

MAIN SECTIONS

SECTIONS PRINCIPALES

SECCIONES PRINCIPALES

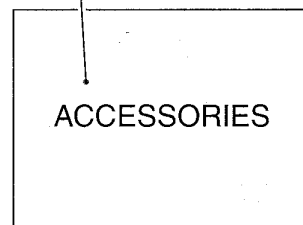
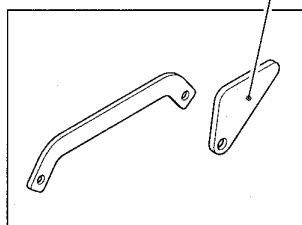
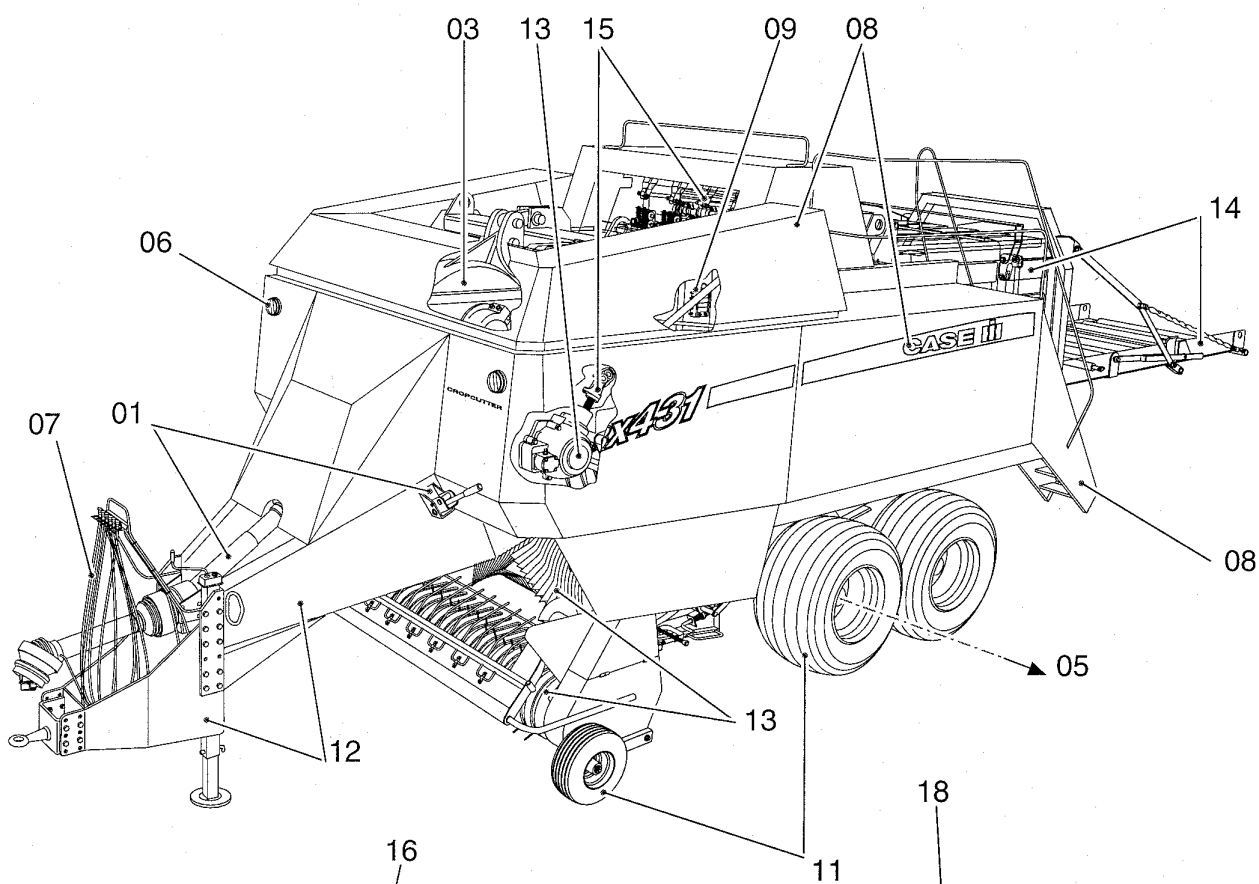
HOVEDAFSNIT

SEZIONI PRINCIPALI

HAUPTABSCHNITTE

SECÇÕES PRINCIPAIS

HOOFDSECTIES



LBX421S BIG RECTANGULAR BALER (6/01-)

0.0016(01) MAIN SECTIONS

сылка	Номер детали	Кол-во	Описание

POWER TAKE-OFF

PRISE DE FORCE

TOMA DE FUERZA

KRAFTUDTAG

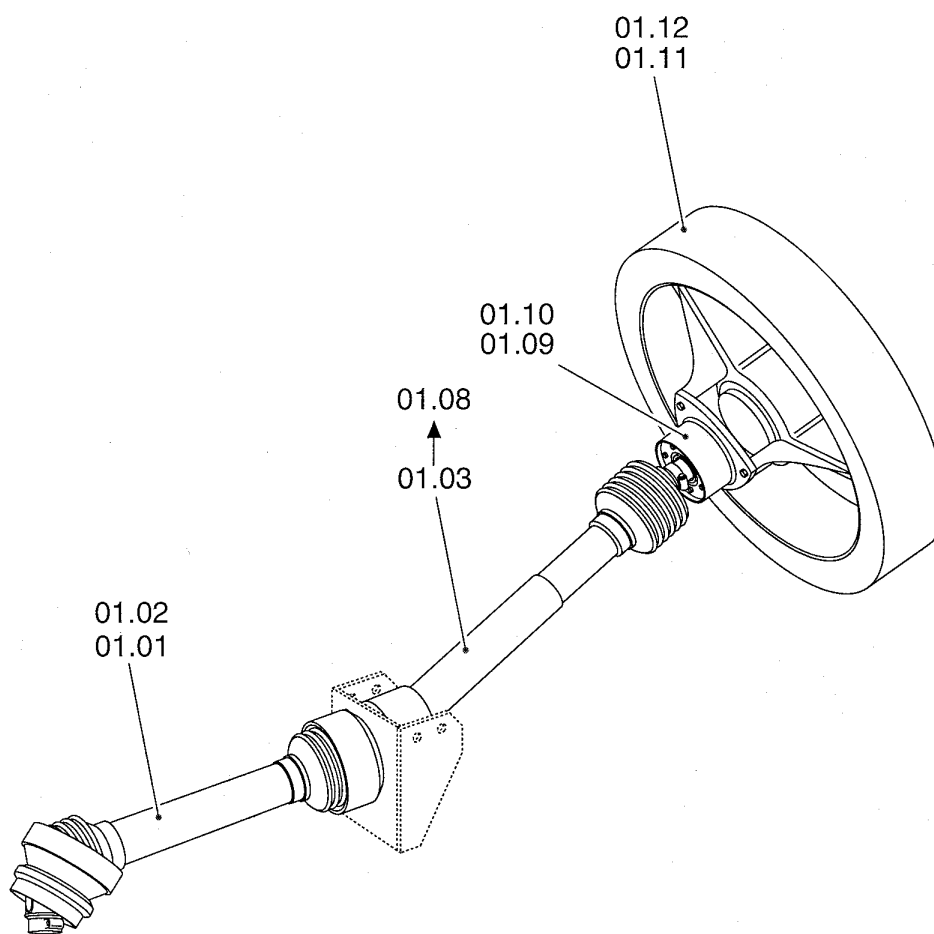
PRESA DI FORZA

ZAPFWELLE

TOMADA DE FORÇA

AFTAKAS

SEC. 1



LBX421S BIG RECTANGULAR BALER (6/01-)

0.0017(01) SECTION LIST 1 - POWER TAKE-OFF

сылка	Номер детали	Кол-во	Описание

MAIN GEARBOX

BOÎTE DE VITESSE
PRINCIPALE

CAJA DEL VELOCIDAD
PRINCIPAL

HOVEDGEARKASSE

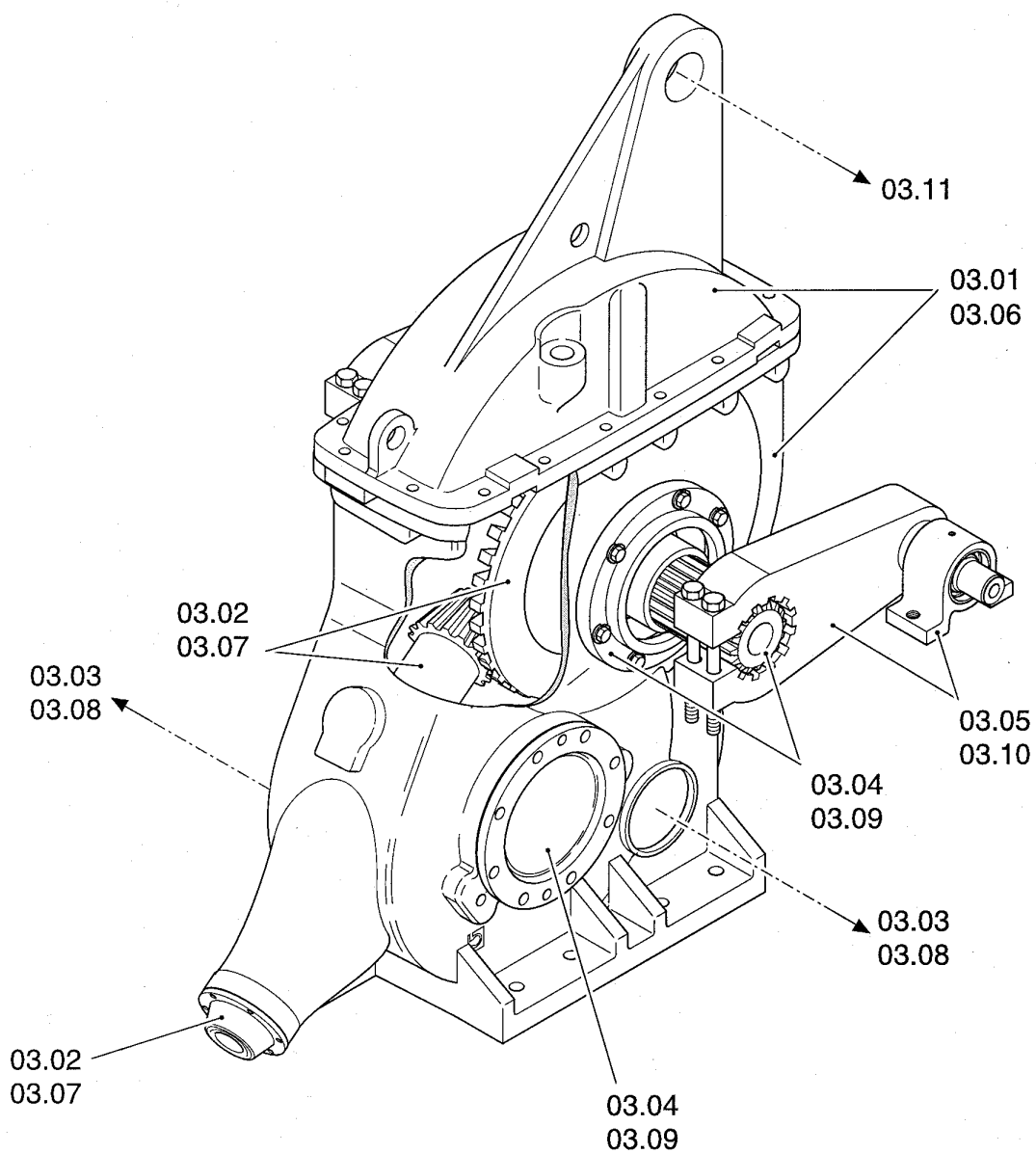
SCATOLA CAMBIO
PRINCIPALE

HAUPTGETRIEBEGEHÄUSE

CAIXA DE VELOCIDADES
PRINCIPAL

HOOFD-
TANDWIELKAST

SEC. 3



LBX421S BIG RECTANGULAR BALER (6/01-)

0.0019(01) SECTION LIST 3 - MAIN GEARBOX

сылка	Номер детали	Кол-во	Описание

AXLE

ESSIEU

EJE

AKSEL

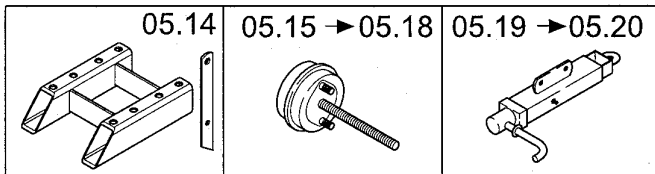
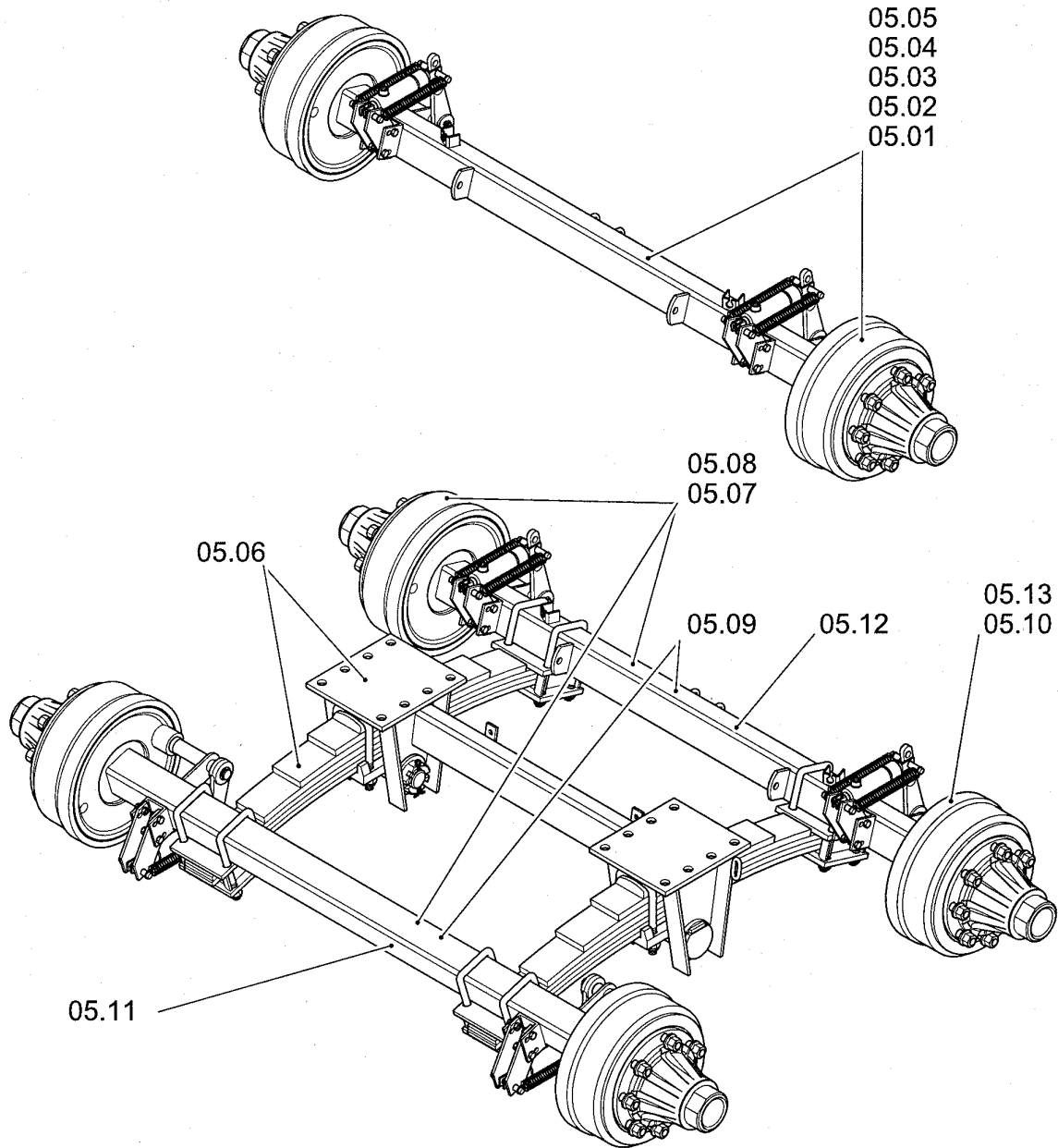
ASSALE

ACHSE

EIXO

AS

SEC. 5



Auto steer: 05.09 → 05.13

LBX421S BIG RECTANGULAR BALER (6/01-)

0.0021(01) SECTION LIST 5 - AXLE

сылка	Номер детали	Кол-во	Описание

ELECTRICAL SYSTEM

SYSTÈME ELECTRIQUE

SISTEMA ELÉCTRICO

ELECTRISK SYSTEM

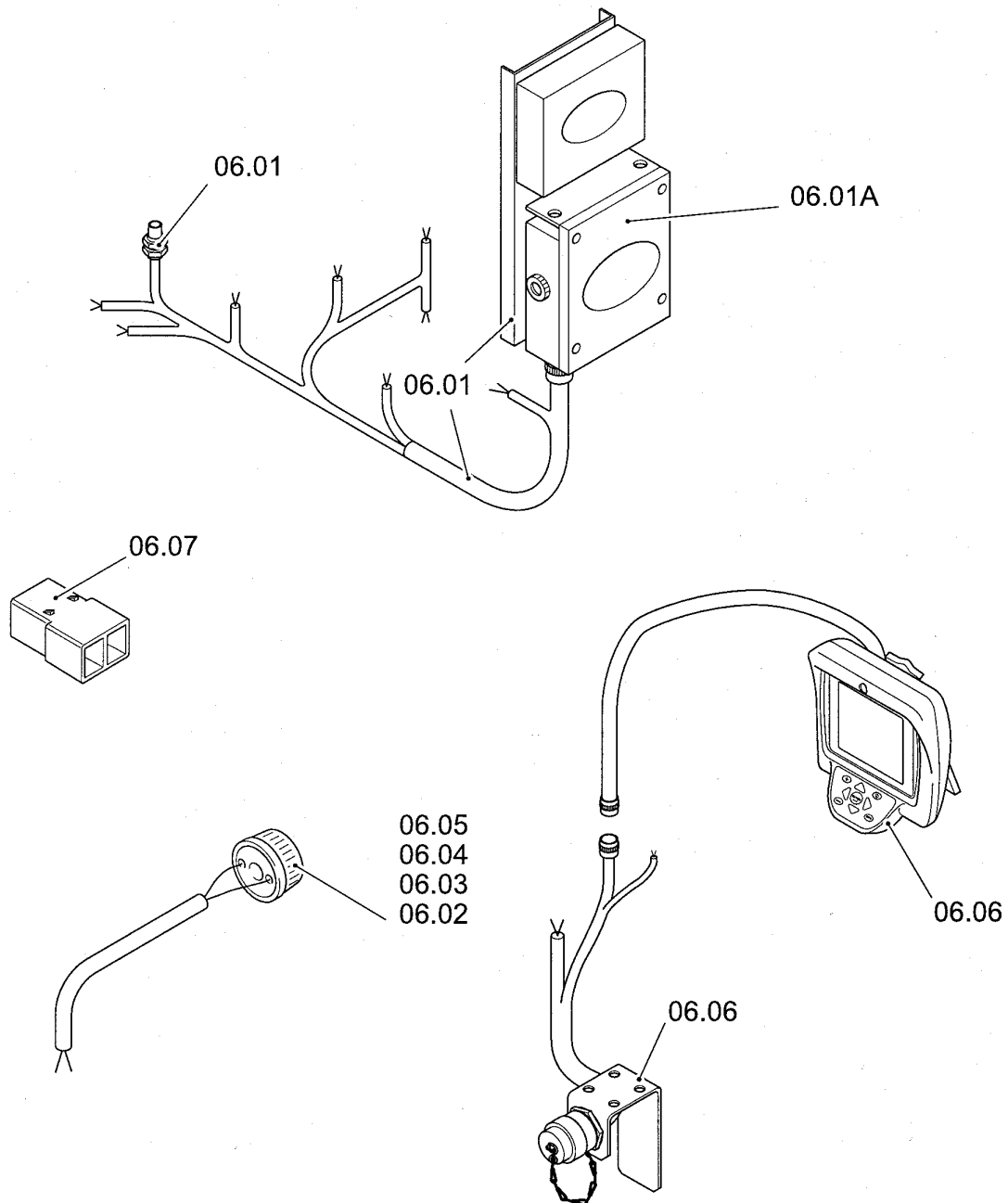
SISTEMA DI ELETTRICO

ELEKTRISCHES SYSTEME

SISTEMA ELÉCTRICA

ELEKTRISCH SYSTEMEEM

SEC. 6



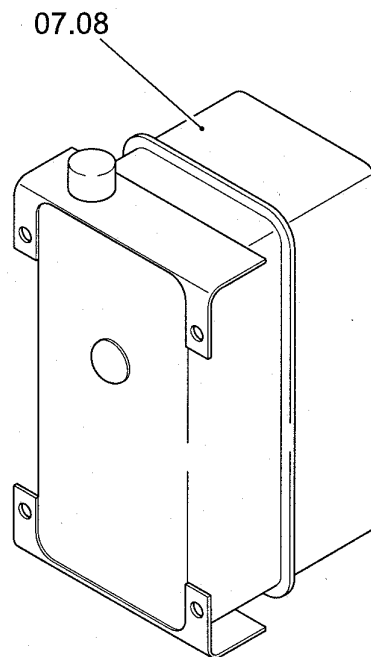
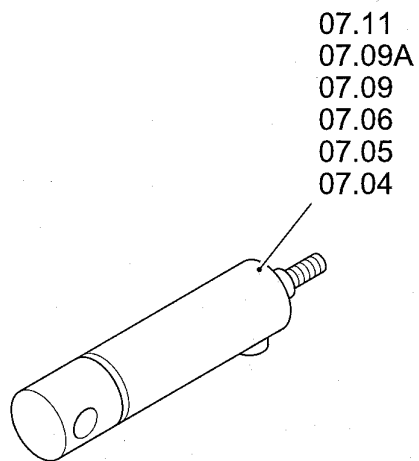
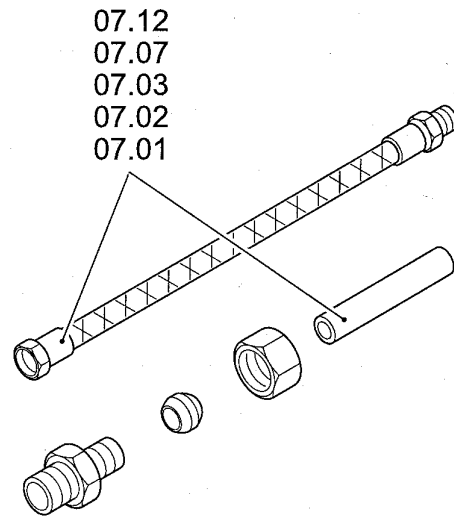
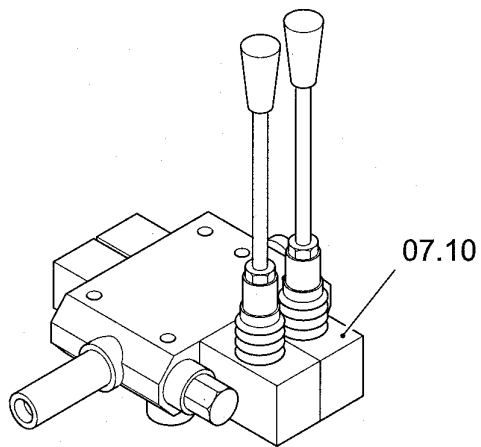
LBX421S BIG RECTANGULAR BALER (6/01-)

0.0022(01) SECTION LIST 6 - ELECTRICAL SYSTEM

сылка	Номер детали	Кол-во	Описание

HYDRAULIC SYSTEMS INSTALLATION HYDRAULIQUE INSTALACIÓN HIDRÁULICA HYDRAULIKANLÆG
IMPIANTO IDRAULICA HYDRAULISCHE ANLAGE INSTALAÇÃO HIDRÁULICA HYDRAULISCH
SYSTEM

SEC. 7



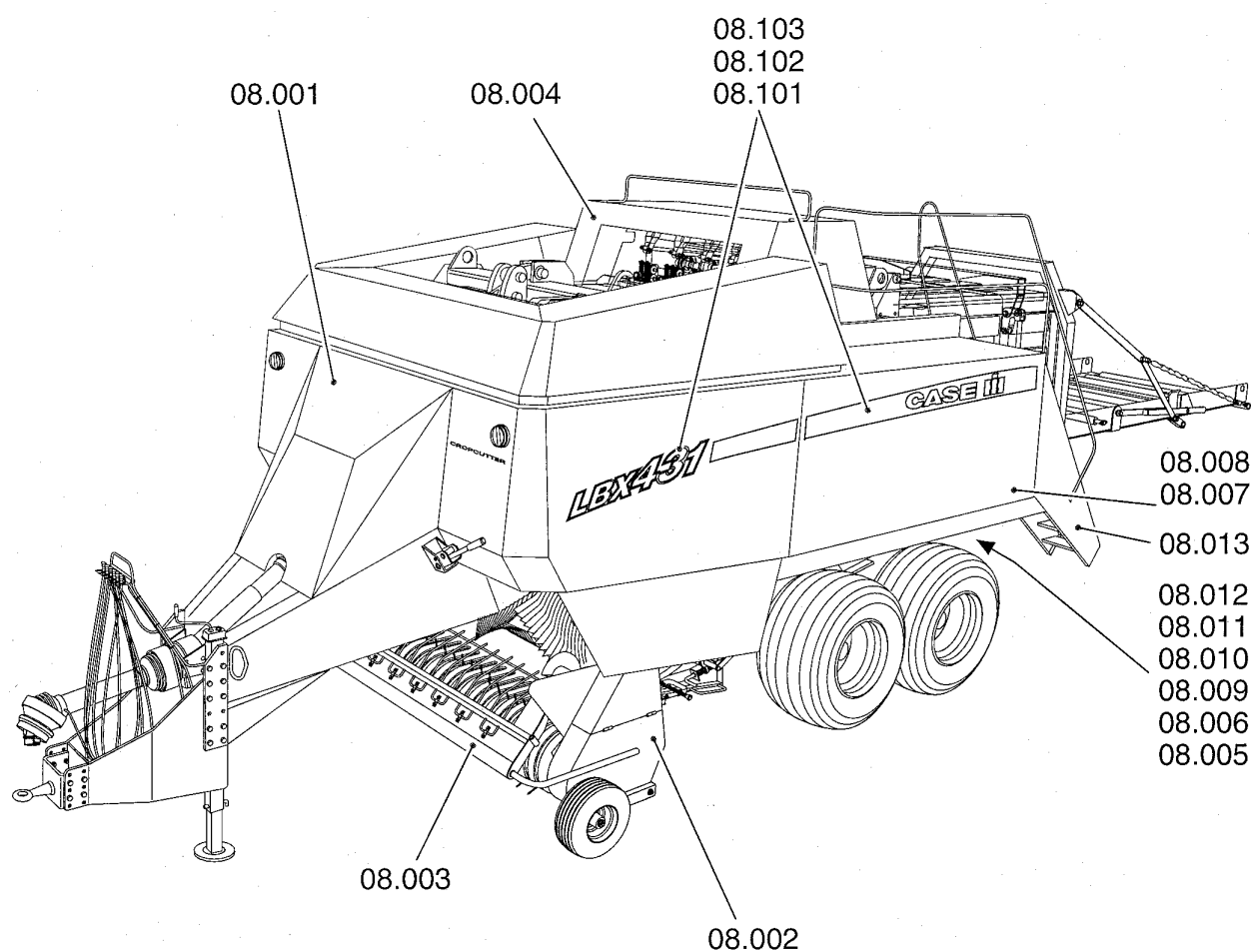
LBX421S BIG RECTANGULAR BALER (6/01-)

0.0023(01) SECTION LIST 7 - HYDRAULIC SYSTEMS

сылка	Номер детали	Кол-во	Описание

SHEET METAL/DECALS	REVÊTEMENTS ENTÔLE	CHAPEADOS/CALCOMANÍAS	METALPLADEBEKLÆDN.
LAMIERATI	DÉCALCOMANIE	REVESTIMENTOS EM	MÆRKATER
DECALCOMANIE	BLECHVERKLEIDUNGEN	CHAPAS/DECALCOMANIAS	METALEN PLATEN
	ABZIEHBILDER		PLAKPLAATJES

SEC. 8



LBX421S BIG RECTANGULAR BALER (6/01-)

0.0024(01) SECTION LIST 8 - SHEET METAL/DECALS

сылка	Номер детали	Кол-во	Описание

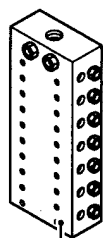
LUBRICATION
LUBRIFICANTE

LUBRIFICATRICE
SCHMIERING

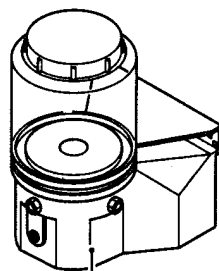
LUBRIFICAR
LUBRIFICANTE

SMØRING
SMERING

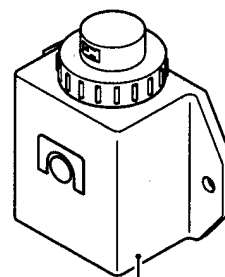
SEC. 9



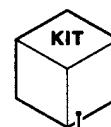
9.1



9.1



9.2



9.3
9.4

LBX421S BIG RECTANGULAR BALER (6/01-)

0.0025(01) SECTION LIST 9 - LUBRICATION

сылка	Номер детали	Кол-во	Описание

WHEELS

ROUES

RUEDAS

HJUL

RUOTI

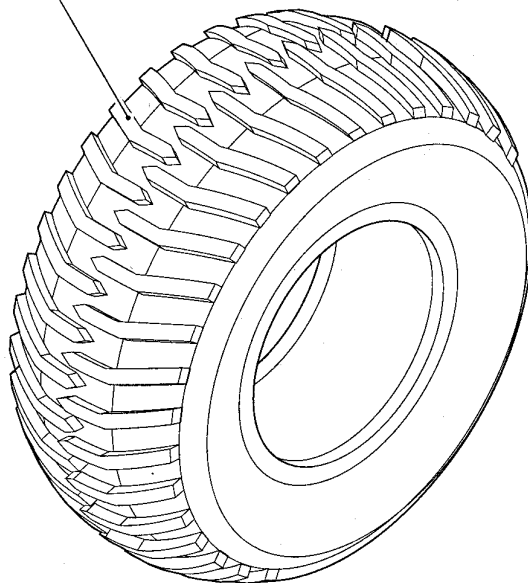
RÄDER

RODAS

WIELEN

SEC. 11

11.1



LBX421S BIG RECTANGULAR BALER (6/01-)

0.0027(01) SECTION LIST 11 - WHEELS

сылка	Номер детали	Кол-во	Описание

MAIN FRAME

CHÂSSIS PRINCIPAL

BASTIDOR PRINCIPAL

HOVEDRAMME

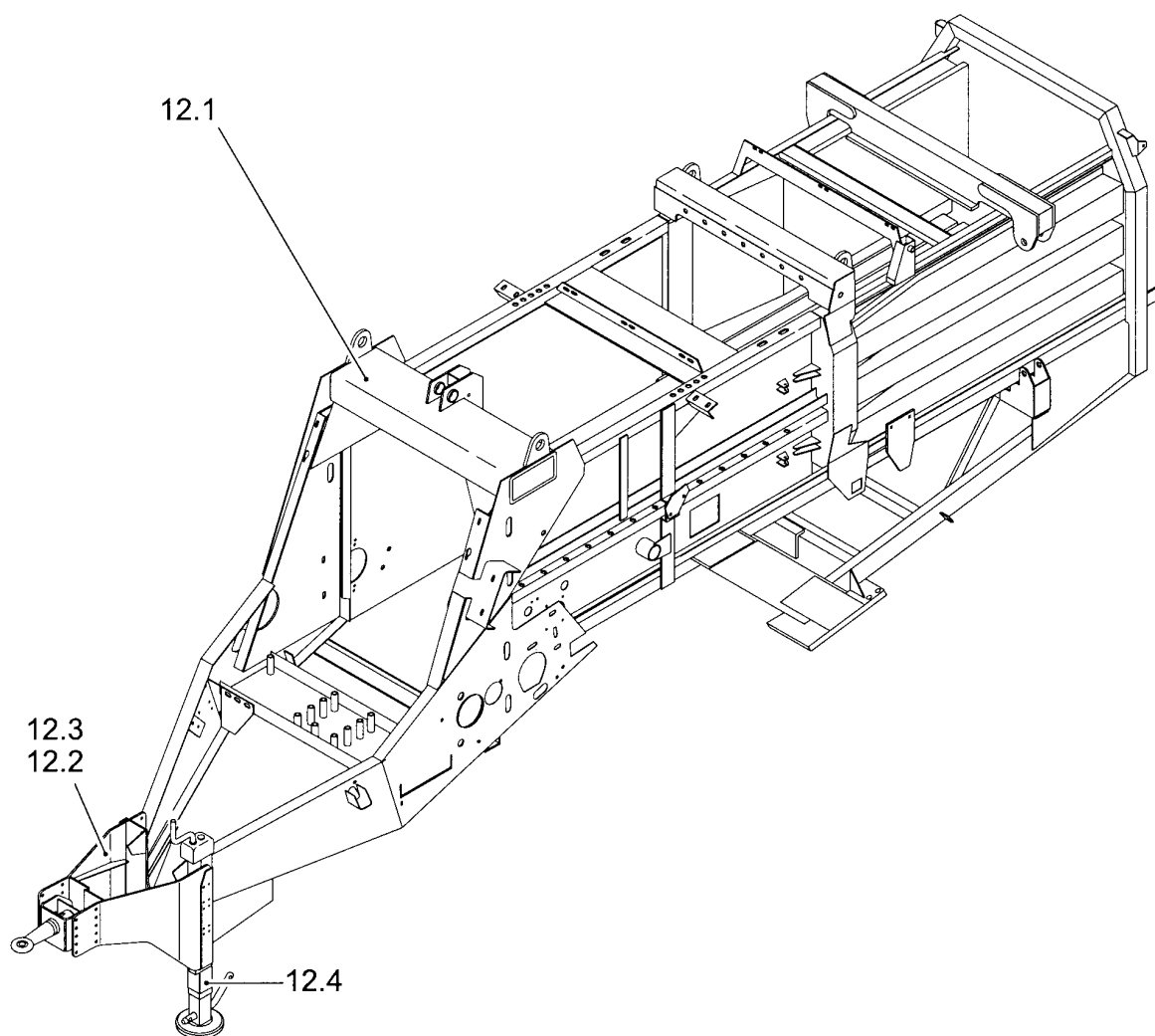
TELAIO PRINCIPALE

HAUPTGESTELL

ESTRUTURA PRINCIPAL

HOOFDRAAM

SEC. 12



LBX421S BIG RECTANGULAR BALER (6/01-)

0.0028(01) SECTION LIST 12 - MAIN FRAME

сылка	Номер детали	Кол-во	Описание

FEEDER

AMENEUR

ALIMENTADOR

INDFØRING

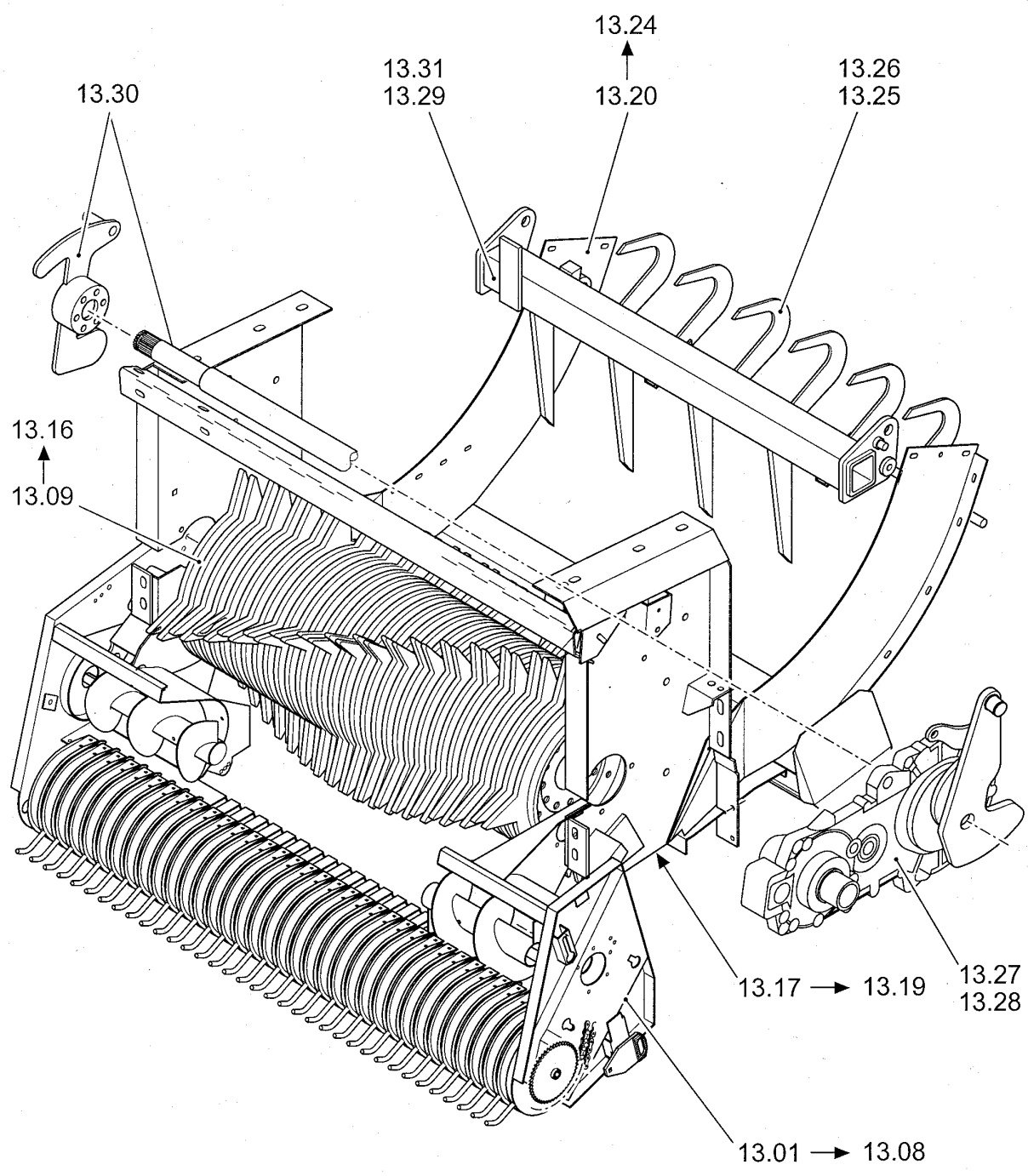
ALIMENTATORE

ZUBRINGER

ALIMENTADOR

INVOERDER

SEC. 13



LBX421S BIG RECTANGULAR BALER (6/01-)

0.0029(01) SECTION LIST 13 - FEEDER

сылка	Номер детали	Кол-во	Описание

BALE CHAMBER

CHAMBRE À BALLE

CÁMARA DE EMPACADO

PRESSEKANAL

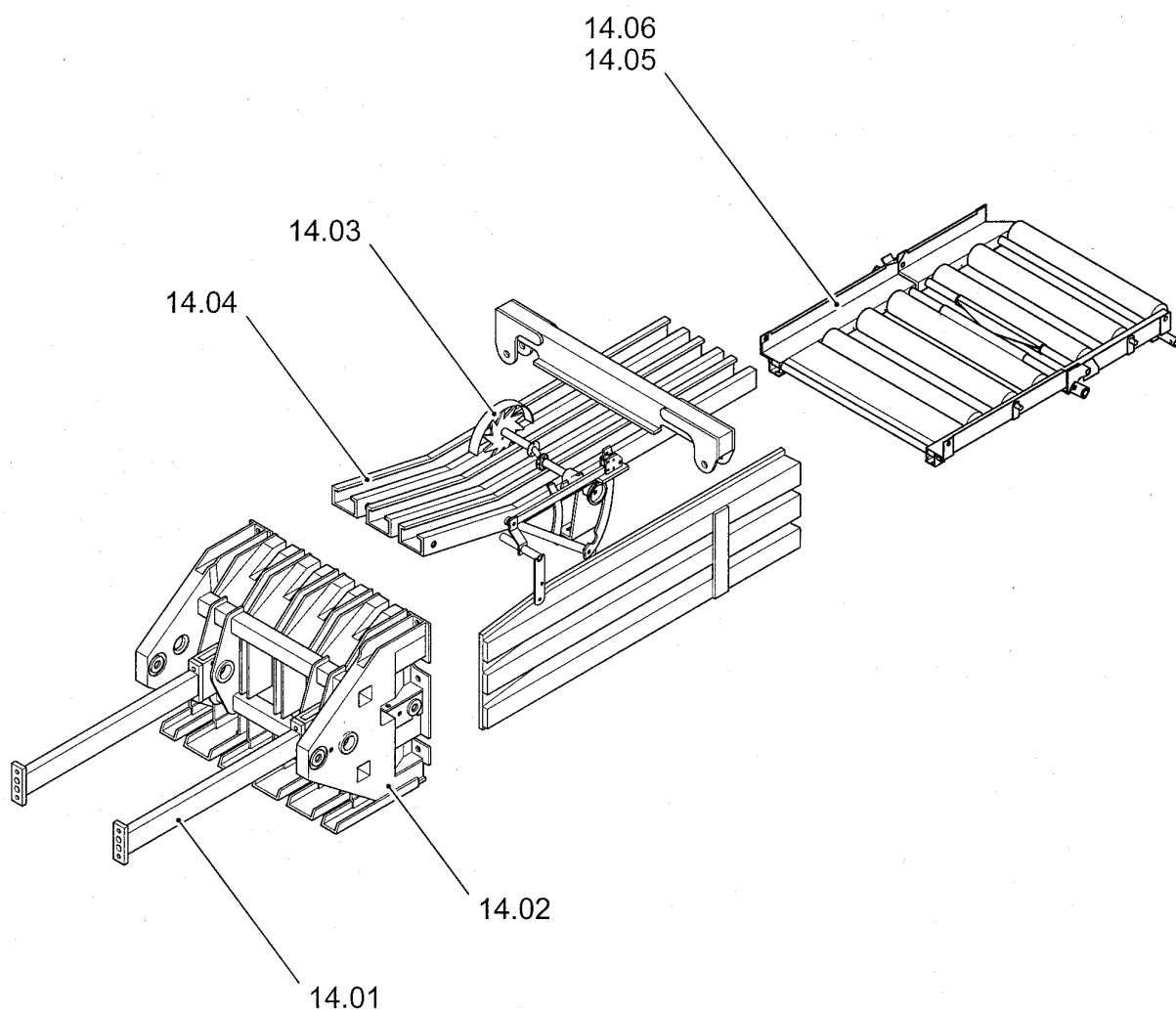
CAMERA DI PRESSATURA

BALLENKAMMER

CÁMARA DE ENFARDAMENTO

PERSKANAAL

SEC. 14



LBX421S BIG RECTANGULAR BALER (6/01-)

0.0030(01) SECTION LIST 14 - BALE CHAMBER

сылка	Номер детали	Кол-во	Описание

KNOTTER/WRAPPER

NOUEURS/LIAGE

ANUDADORES/ENVOLVEDOR

BINDEAPPARATER

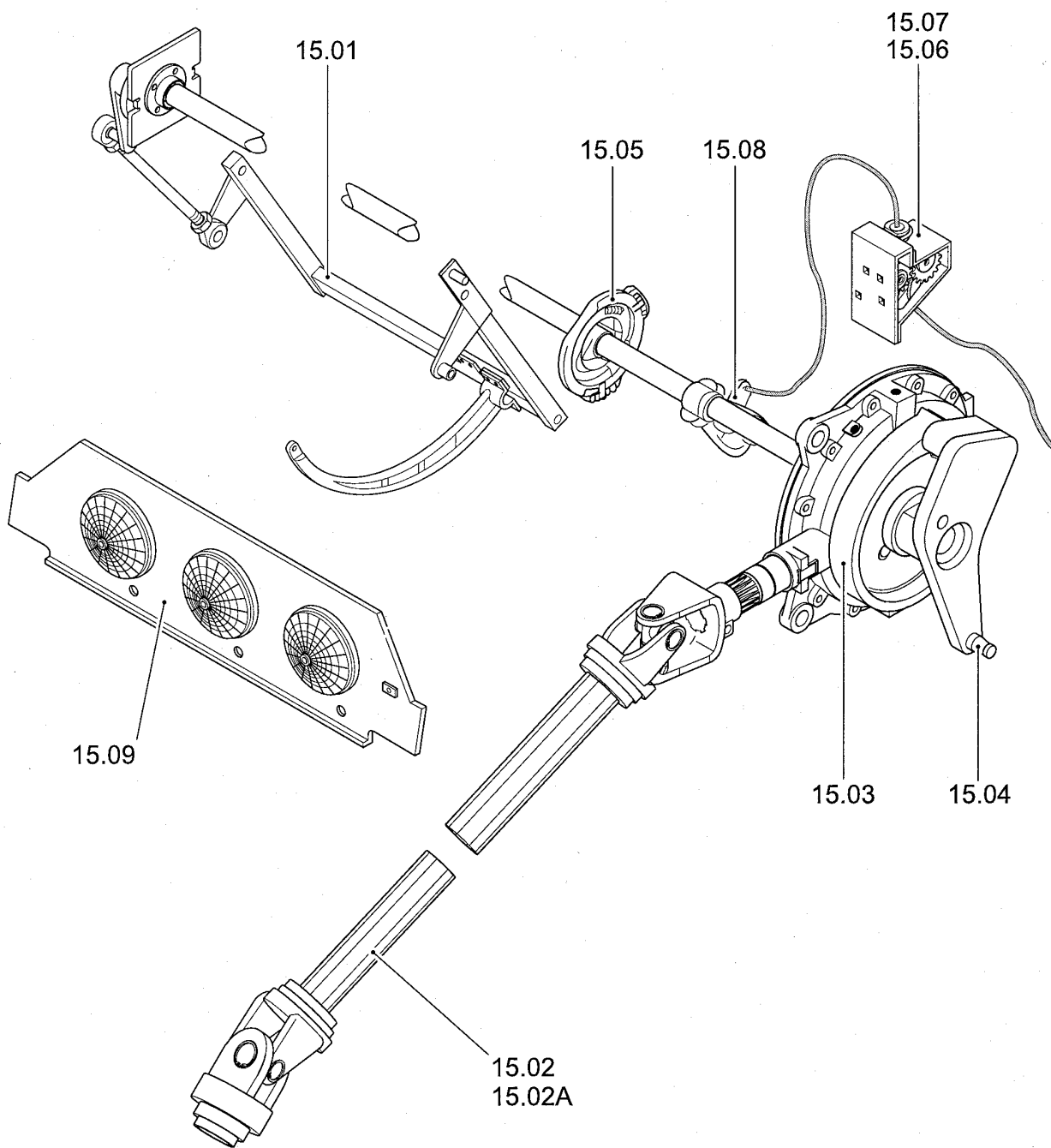
ANNODATORI/LEGATURA

KNUPFER/BINDER

ATADORES/ATADURA

OMVIKLER
KNOPERSWIKKELAAR

SEC. 15



LBX421S BIG RECTANGULAR BALER (6/01-)

0.0031(01) SECTION LIST 15 - KNOTTER/WRAPPER

сылка	Номер детали	Кол-во	Описание

BALE EJECTOR

EJECTEUR DE BALLE

EXPULSOR DE PACAS

BALLEUDKASTER

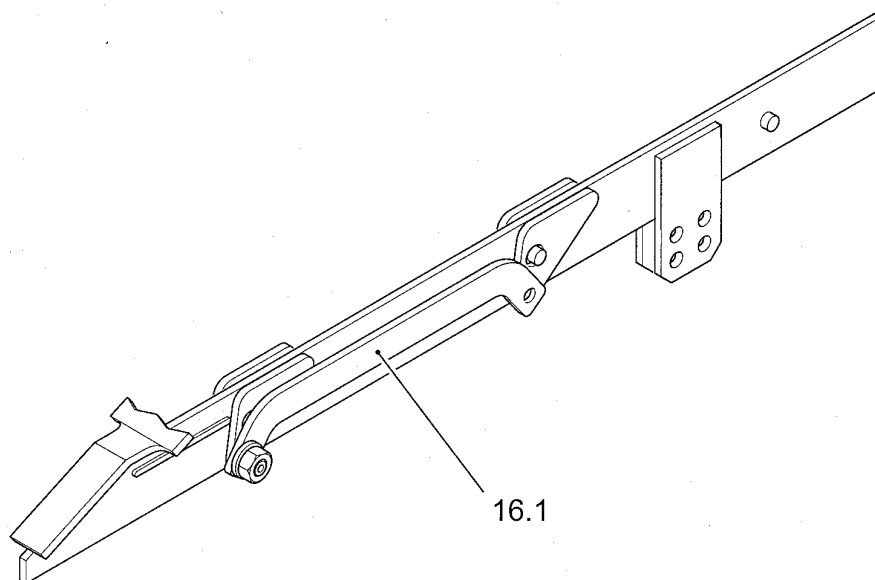
ESPULSORE DI BALLE

BALLENAUSWERFER

EXPULSOR DE FARDOS

BALEUITWERPER

SEC. 16



LBX421S BIG RECTANGULAR BALER (6/01-)

0.0032(01) SECTION LIST 16 - BALE EJECTOR

сылка	Номер детали	Кол-во	Описание

ACCESSORIES

ACCESSOIRES

ACCESORIOS

TILBEHØR

ACCESSORI

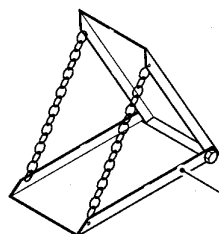
ZUBEHÖR

ACESSORIOS

TOEBEHOREN

SEC. 18

ACCESSORIES



18.01

LBX421S BIG RECTANGULAR BALER (6/01-)

0.0034(01) SECTION LIST 18 - ACCESSORIES

сылка	Номер детали	Кол-во	Описание

VERSION LIST
 ELENCO VERSIONI
 LISTE DE VERSION
 VERZEICHNIS DER VERSIONEN

LISTA DE VERSIONES
 LISTA DAS VERSÕES
 TYPELISTE
 LIJST VAN VERSIES

Vehicle Modello Modele Modells	Modelo Modelo Model Model	Chassi Telaio Chassis Fahrgestell	Chasis Armação Stativ Raam	Engine Motore Moteur Motor	Motor Motor Motor Motor
LBX331S		304 xxx xxx			
LBX331P		314 xxx xxx			
LBX331R		324 xxx xxx			
LBX421S		334 xxx xxx			
LBX421R		344 xxx xxx			
LBX431S		354 xxx xxx			
LBX431R		364 xxx xxx			

LBX421S BIG RECTANGULAR BALER (6/01-)

0.0037(01) VERSION LIST

сылка	Номер детали	Кол-во	Описание

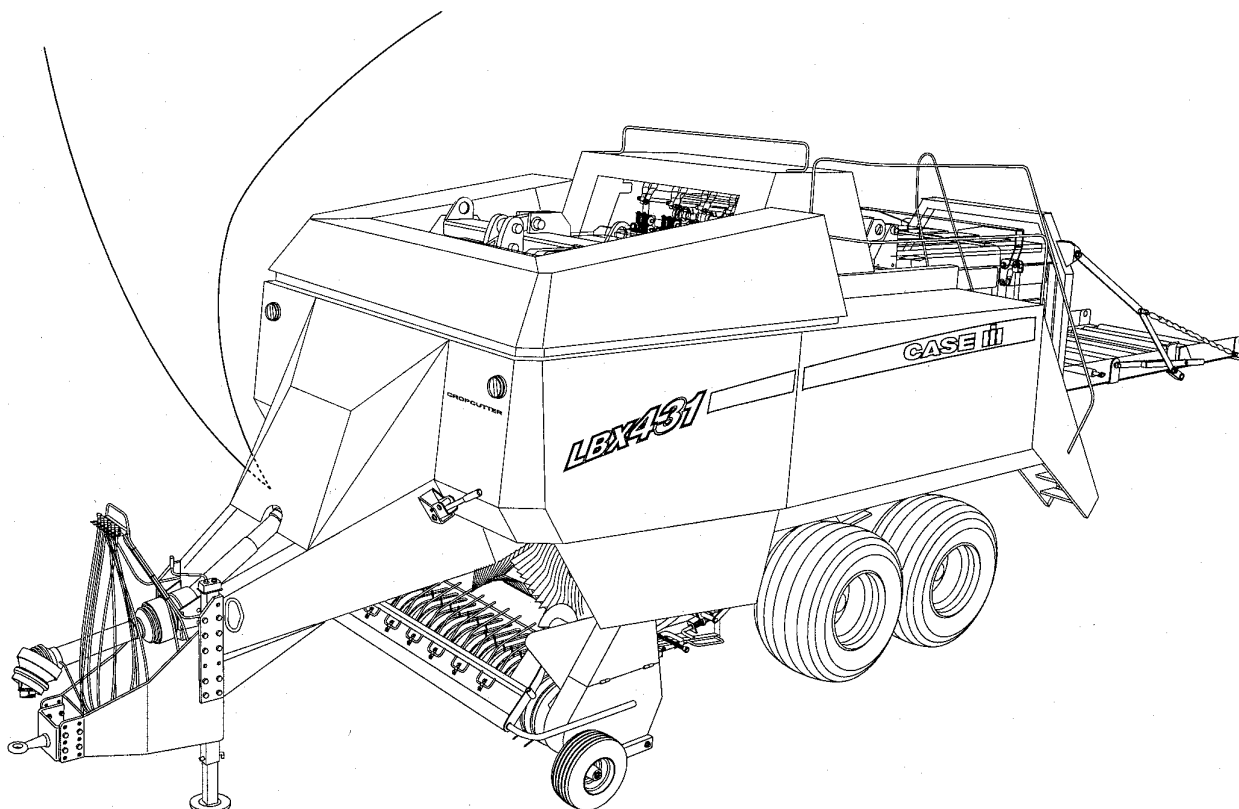
--	--	--	--

IDENTIFICATION PLATES
 TARGHETTE DI IDENTIFICAZIONE
 PLAQUES D'IDENTIFICATION
 TYPENSCHILDER

PLACAS DE IDENTIFICACIÓN
 CHAPAS DE IDENTIFICAÇÃO
 IDENTIFIKATIONSPLADER
 IDENTIFICATIEPLATEN

VEHICLE IDENTIFICATION
 IDENTIFICAZIONE MODELLO
 IDENTIFICATION MODELE
 KENNZEICHEN MODELLS
 IDENTIFICACION MODELO
 IDENTIFICAÇÃO DO MODELO
 MODELKENDINGSPLADE
 MODELIDENTIFICATIE

Type Typ / Tipe:		CASE III	
Approved No. / N. Omgoedings N° Homologation / Verdon		WK / SPN 200 25H2461	
Serial No. / Part.-N. N. Identif. / Tipo No.		Year / Eclair Année / Años	
Total wgt. mass / Tot. ges. gew. PTAC / Massa max. admissa			
Adm. front load / Zvl. Achterlast wgt. Stichtlast / Massa l'asse/arrière	kg	Colours weight Lengtevalci / Poids side massa à varts	kg
Adm. rear load / Zvl. Achterlast wgt. Massa l'asse	kg		
Permissible towable mass / Zvl. Aanhanglast Charge remorquable / Massa sleepwielde	kg		kg
P.T.R.A.			
NEW HOLLAND BELGIUM B.V. • NEW ZEELAND • BELGIUM			



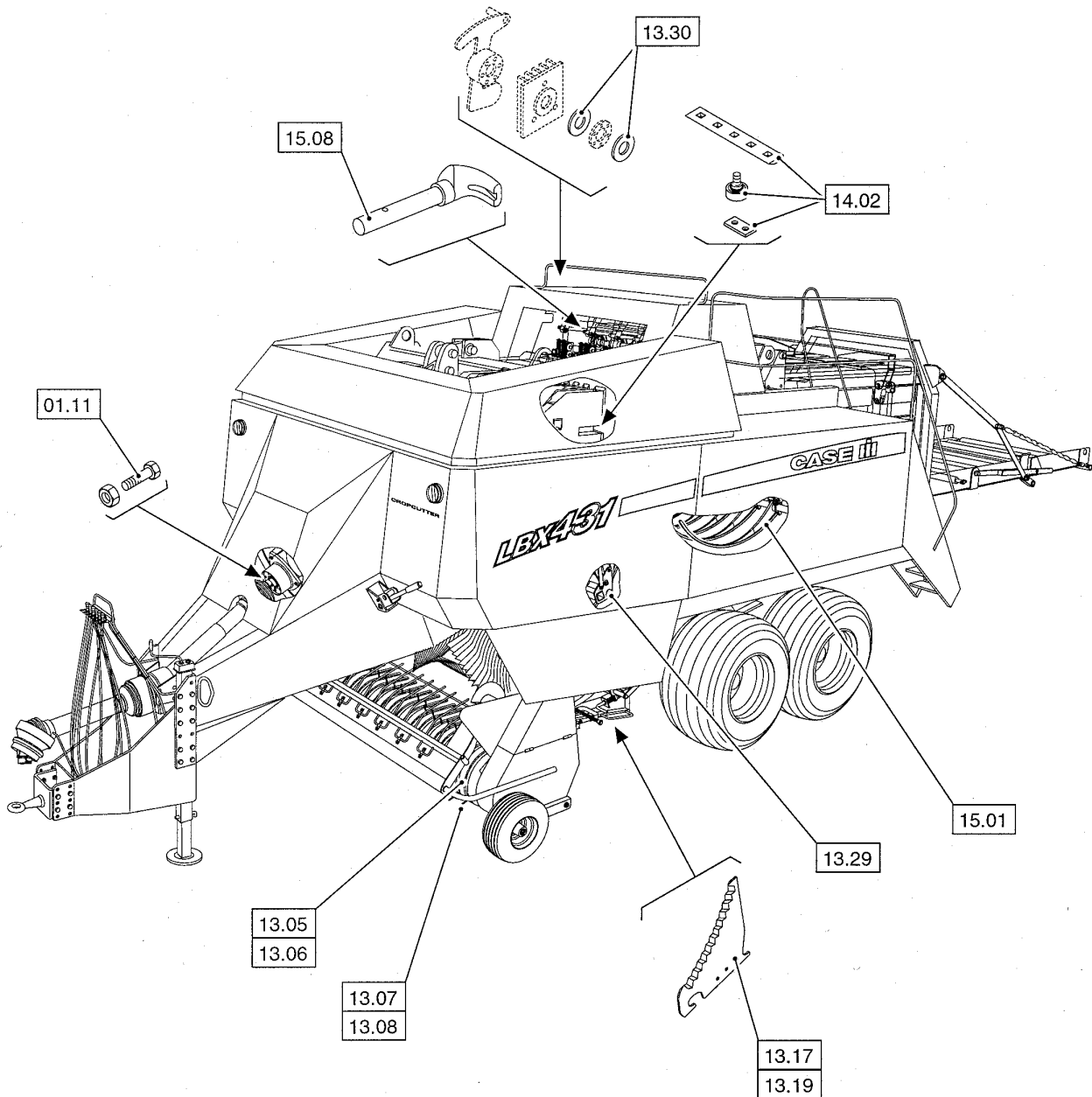
LBX421S BIG RECTANGULAR BALER (6/01-)

0.0038(01) IDENTIFICATION PLATE

сылка	Номер детали	Кол-во	Описание

MAINTENANCE PARTS
PARTICOLARI PER LA MANUTENZIONE
PIECES DE MAINTENANCE
TEILE FÜR DIE INSTANDHALTUNG

PIEZAS DE MANTENIMIENTO
PEÇAS DE MANUTENÇÃO
VEDLIGEHOULDESESEDELE
ONDERDELEN VOOR ONDERHOUD



LBX421S BIG RECTANGULAR BALER (6/01-)

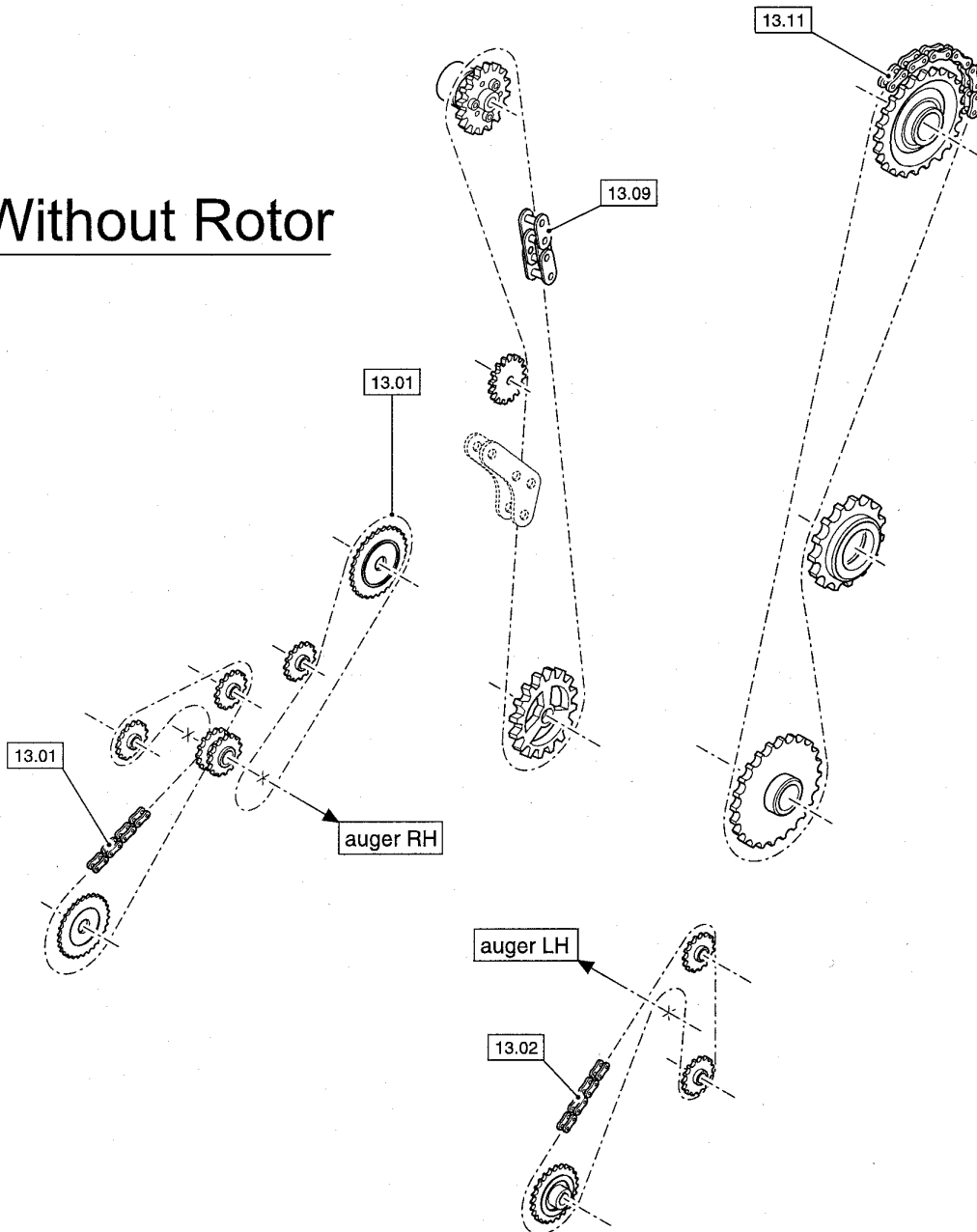
0.0039(01) MAINTENANCE PARTS

сылка	Номер детали	Кол-во	Описание

MAINTENANCE PARTS
PARTICOLARI PER LA MANUTENZIONE
PIECES DE MAINTENANCE
TEILE FÜR DIE INSTANDHALTUNG

PIEZAS DE MANTENIMIENTO
PEÇAS DE MANUTENÇÃO
VEDLIGEHOULDESESEDELE
ONDERDELEN VOOR ONDERHOUD

Without Rotor



LBX421S BIG RECTANGULAR BALER (6/01-)

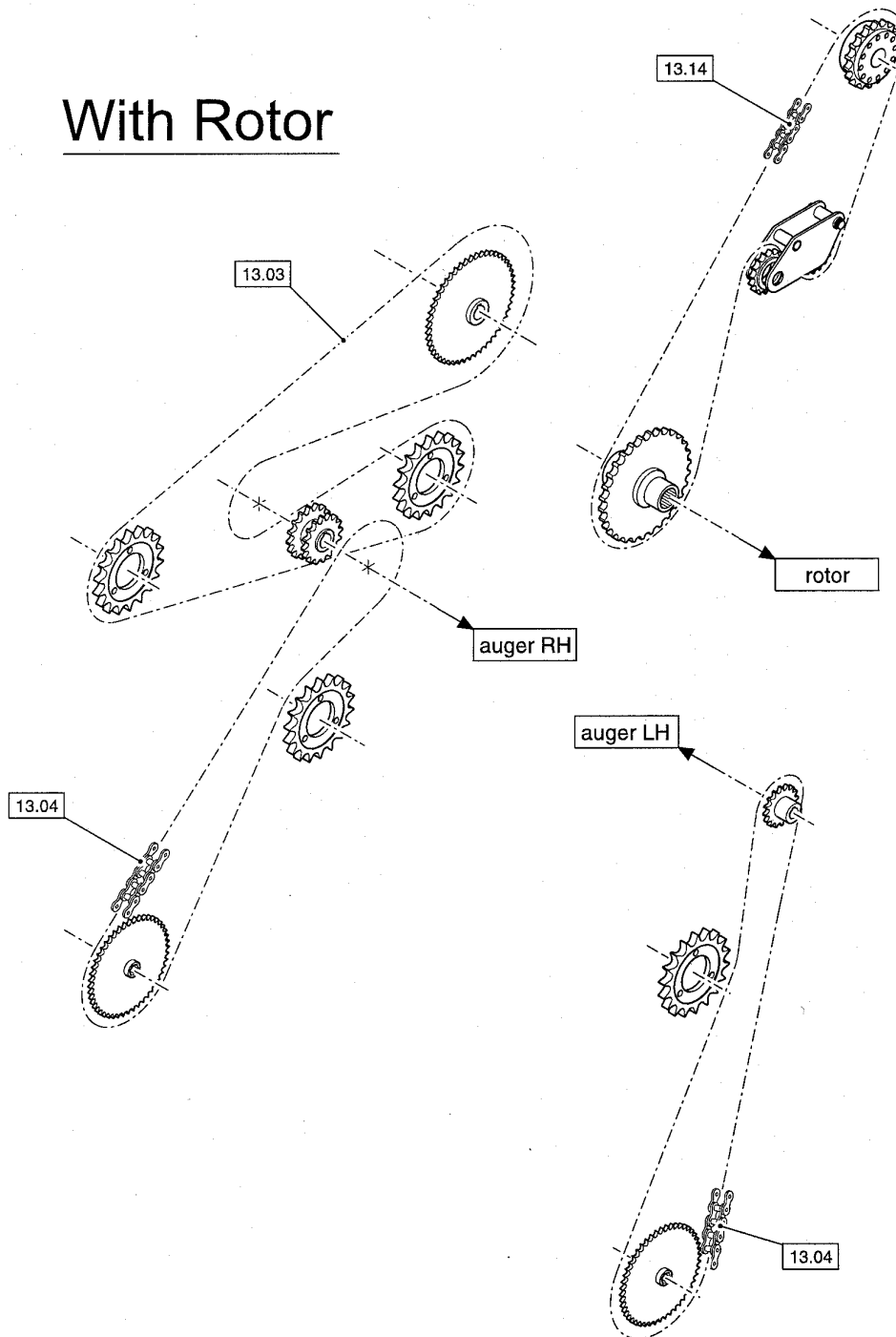
0.0039A(01) MAINTENANCE PARTS

сылка	Номер детали	Кол-во	Описание

MAINTENANCE PARTS
PARTICOLARI PER LA MANUTENZIONE
PIECES DE MAINTENANCE
TEILE FÜR DIE INSTANDHALTUNG

PIEZAS DE MANTENIMIENTO
PEÇAS DE MANUTENÇÃO
VEDLIGEHOLDELSESEDELE
ONDERDELEN VOOR ONDERHOUD

With Rotor



LBX421S BIG RECTANGULAR BALER (6/01-)

0.0039B(01) MAINTENANCE PARTS

сылка	Номер детали	Кол-во	Описание

**CODE TABLE
TABELLA CODICI
TABLE DES CODES
KODETABELLE**

**TABLA DE CÓDIGOS
TABELA DE CÓDIGOS
KODESKEMA
CODETABEL**

Rules for modification codes

Identify the 3 mid digits (=SERIES) of the serial number of your machine. Eg.: 3041**02**032

Modification codes begin with:

C for a part number valid UNTIL series ...,

F for a part number valid FROM series ... UNTIL series ...,

D for a part number valid FROM series ... ONWARDS.

Example:

C092: part number valid until series 092

F093109: part number valid between series 093 and 109

D110: part number valid from series 110 onwards

If your machine has serial number 3041**02**032, choose the second part number in our example since 102 is between 093 and 109.

CODE	LBX331/421/431
C245	---238001 to ---245999
C249	---238001 to ---249999
C251	---238001 to ---251999
C257	---238001 to ---257999
C261	---238001 to ---261999
C263	---238001 to ---263999
C269	---238001 to ---269999
C275	---238001 to ---275999
C277	---238001 to ---277999
C287	---238001 to ---287999
C295	---238001 to ---295999
C305	---238001 to ---305999
C313	---238001 to ---313999
C313	---238001 to ---313999
C341	---238001 to ---341999
D238	from ---238001 onwards
D246	from ---246001 onwards
D250	from ---250001 onwards
D252	from ---252001 onwards
D238	from ---238001 onwards
D246	from ---246001 onwards
D250	from ---250001 onwards
D252	from ---252001 onwards
D258	from ---258001 onwards
D262	from ---262001 onwards
D264	from ---264001 onwards
D270	from ---270001 onwards
D276	from ---276001 onwards
D278	from ---278001 onwards
D288	from ---288001 onwards
D296	from ---296001 onwards
D306	from ---306001 onwards
D314	from ---314001 onwards
D342	from ---342001 onwards

LBX421S BIG RECTANGULAR BALER (6/01-)

0.0041(01) CODE TABLE

сылка	Номер детали	Кол-во	Описание
-------	--------------	--------	----------

--	--	--	--

--	--	--	--

POWER TAKE-OFF

PRISE DE FORCE

TOMA DE FUERZA

KRAFTUDTAG

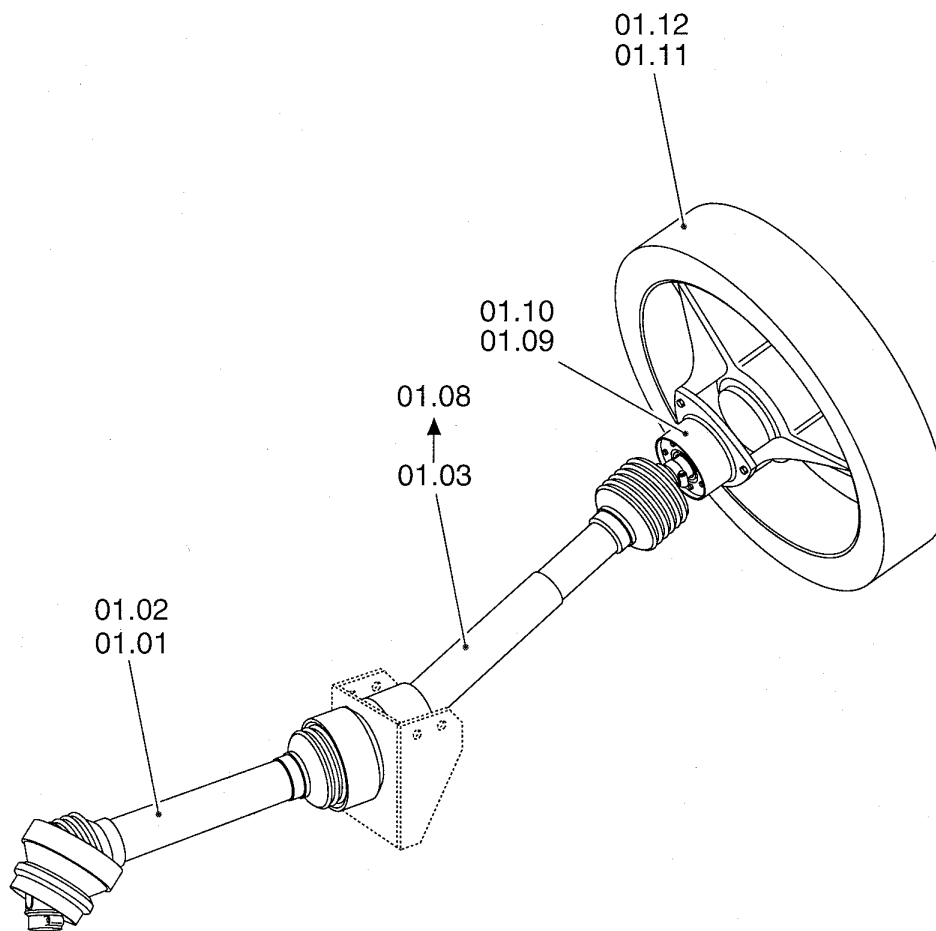
PRESA DI FORZA

ZAPFWELLE

TOMADA DE FORÇA

AFTAKAS

SEC. 1

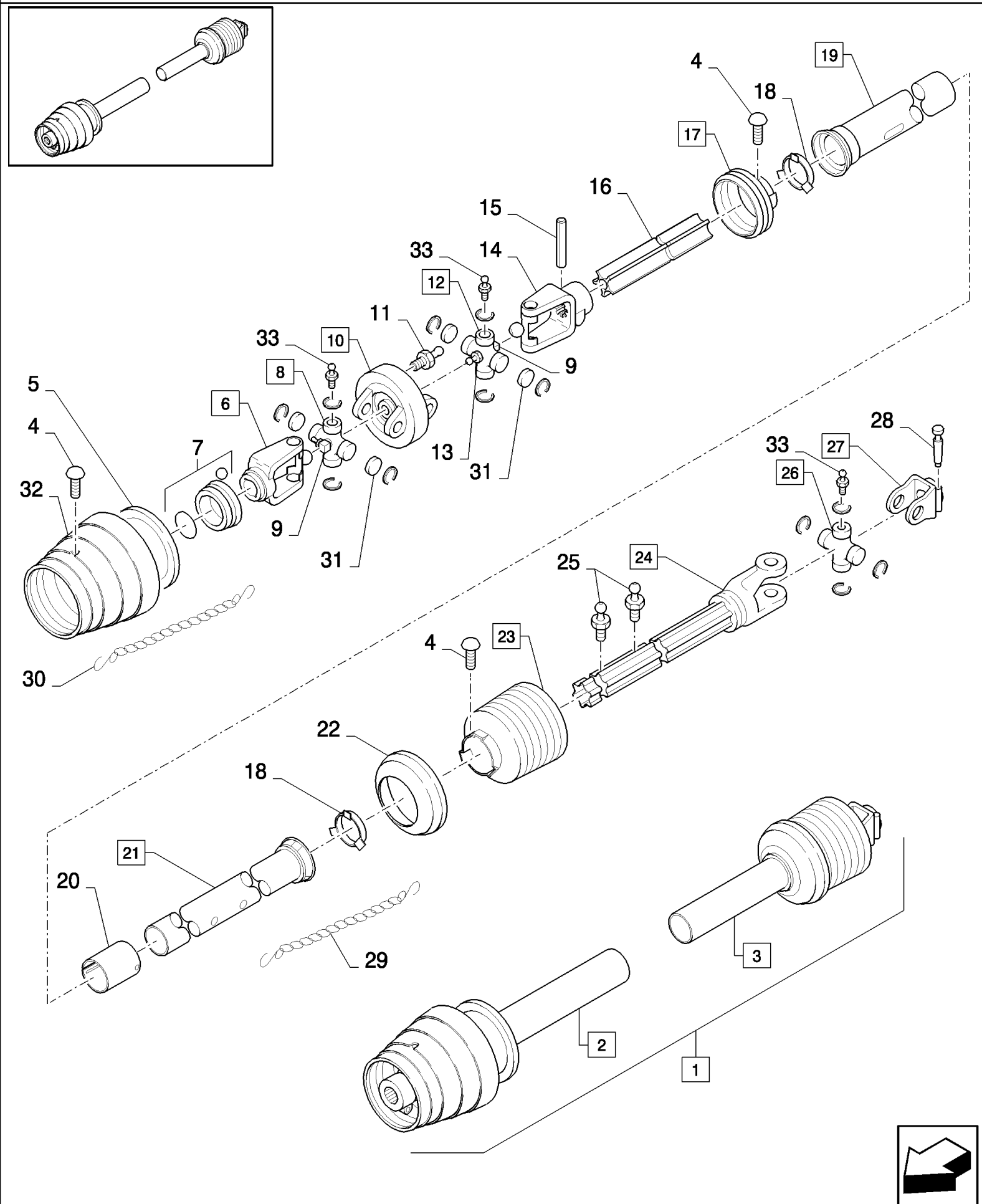


LBX421S BIG RECTANGULAR BALER (6/01-)

01.00(01) SECTION LIST 1 - POWER TAKE-OFF

сылка	Номер детали	Кол-во	Описание

01.02(01) POWER TAKE-OFF, FRONT

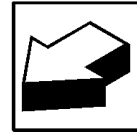
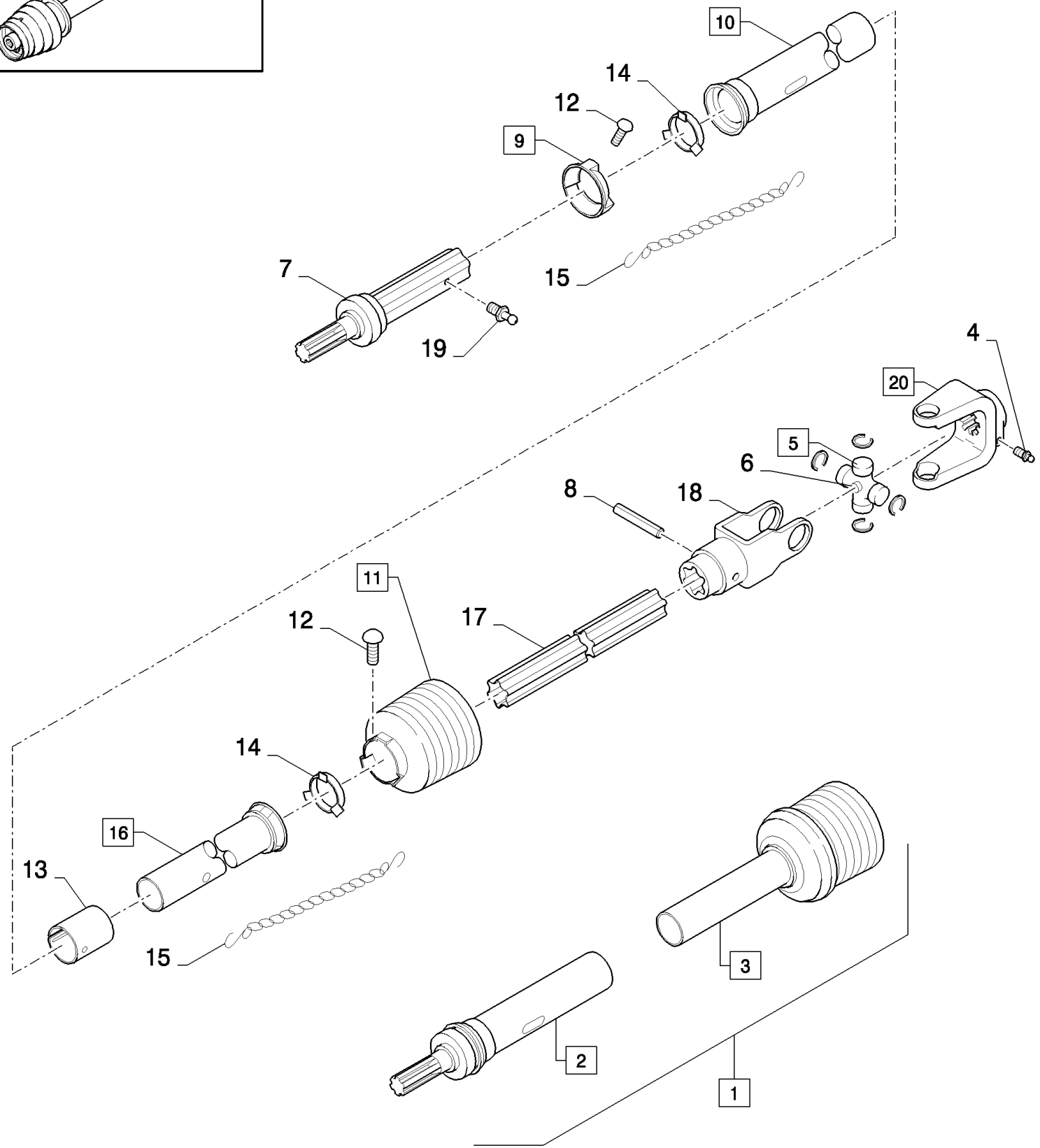
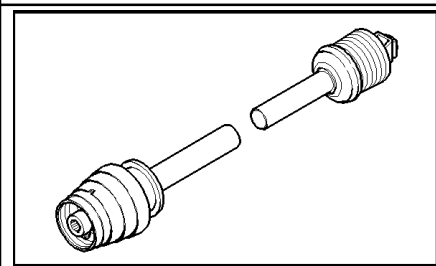


LBX421S BIG RECTANGULAR BALER (6/01-)

01.02(01) POWER TAKE-OFF, FRONT

сылка	Номер детали	Кол-во	Описание
1	84607929	1	PTO, 6 Splines (1.3/8"), (2,3)
1	84607931	1	PTO, 20 Splines (1.3/4"), (2,3)
1	84607930	1	PTO, 21 Splines (1.3/8"), (2,3)
2	84807055	1	PTO, 6 Splines (1.3/8"), (4 to 20,32,33)
2	84807048	1	PTO, 20 Splines (1.3/4"), (4 to 20,32,33)
2	84807054	1	PTO, 21 Splines (1.3/8"), (4 to 20,32)
3	84807049	1	PTO, (18,21 to 29)
4	86585706	8	SCREW, Cross Pan Hd, M4 x 10,
5	84037068	1	RING,
6	84053825	1	YOKE, 6 Splines (1.3/8"), (7)
6	84056792	1	YOKE, 20 Splines (1.3/4"), (7)
6	84053826	1	YOKE, 21 Splines (1.3/8"), (7)
7	84429875	1	TAB, LOCKING, 6,21 Splines
7	84056793	1	PIN, 20 Splines (1.3/4")
8	84429876	1	SPIDER, (9,31,33)
9	150024	3	NIPPLE, LUBE, 45с, M8 x 1,
10	84037060	1	YOKE, (11)
11	80300919	1	NIPPLE, LUBE, M8 x 1,
12	84429877	1	SPIDER, (9,13)
13	84037062	1	NIPPLE, LUBE,
14	84037063	1	YOKE,
15	80412360	1	PIN, ROLL,
16	84053827	1	SHAFT, PTO,
17	84807059	1	PROTECTION CAP,
18	80411728	2	RING,
19	84807050	1	PROTECTING COVER, (17 to 20)
20	84031199	1	GUARD,
21	84807051	1	PROTECTING COVER, (18,22,23)
22	80456570	1	REINFORCEMENT,
23	84807053	1	PROTECTION CAP, (4)
24	84053828	1	SHAFT, PTO, (25)
25	80080722	2	NIPPLE, LUBE,
26	84429878	1	SPIDER, (33)
27	84037057	1	YOKE, (28)
28	84037058	1	PIN, LOCK,
29	80379650	1	CHAIN,
30	89602979	1	CHAIN,
31	NSS	4	NOT SERVICED SEPARATELY, 20 Splines (1.3/4")
32	84807052	1	PROTECTION CAP,
33	80053055	3	NIPPLE, LUBE,

01.04(01) POWER TAKE-OFF, REAR



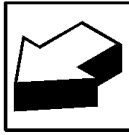
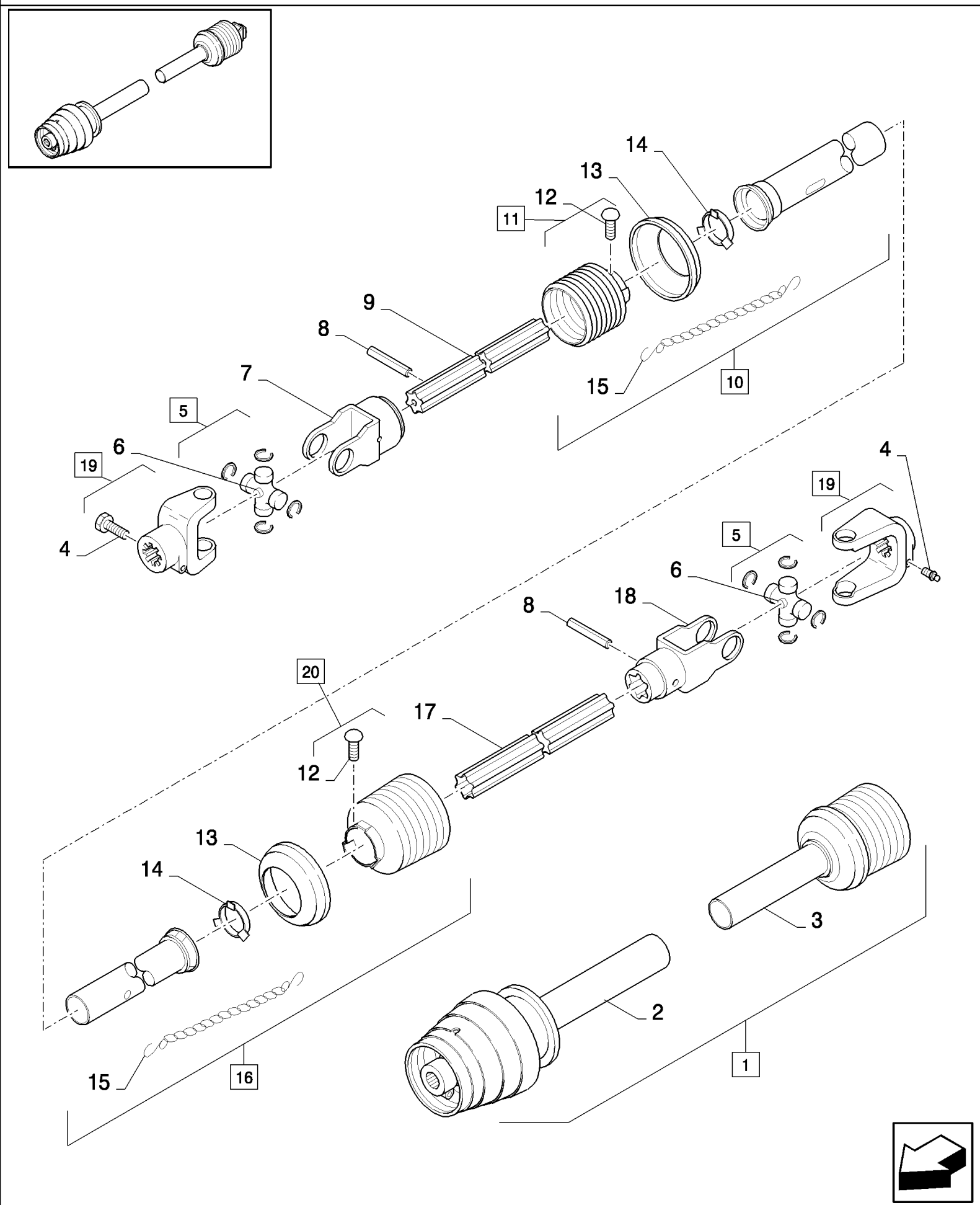
LBX421S BIG RECTANGULAR BALER (6/01-)

01.04(01) POWER TAKE-OFF, REAR

сылка	Номер детали	Кол-во	Описание
1	84607934	1	PTO, (2 to 20)
2	84807035	1	PTO, Half (7,10)
3	84807036	1	PTO, Half (5,8,11,13,14,16,18,20)
4	84037058	1	PIN, LOCK,
5	80427837	1	SPIDER, (6)
6	150024	2	NIPPLE, LUBE, 45с, M8 x 1,
7	84056800	1	SHAFT, PROPELLOR, (19)
8	80412360	1	PIN, ROLL,
9	84807039	1	PROTECTION CAP, (12)
10	84807037	1	PROTECTING COVER, (11 to 15)
11	84807040	1	PROTECTION CAP, (12)
12	86585706	1	SCREW, Cross Pan Hd, M4 x 10,
13	84031199	1	GUARD,
14	80411728	2	RING,
15	80379650	2	CHAIN,
16	84807038	1	PROTECTING COVER, (11 to 15)
17	84056799	1	SHAFT, PROPELLOR,
18	80748481	1	YOKE,
19	80080722	1	NIPPLE, LUBE,
20	84037057	1	YOKE, (4)

FOR STANDARD LOW HITCH ONLY

01.07(01) POWER TAKE-OFF, REAR



FOR HIGH/LOW HITCH ONLY

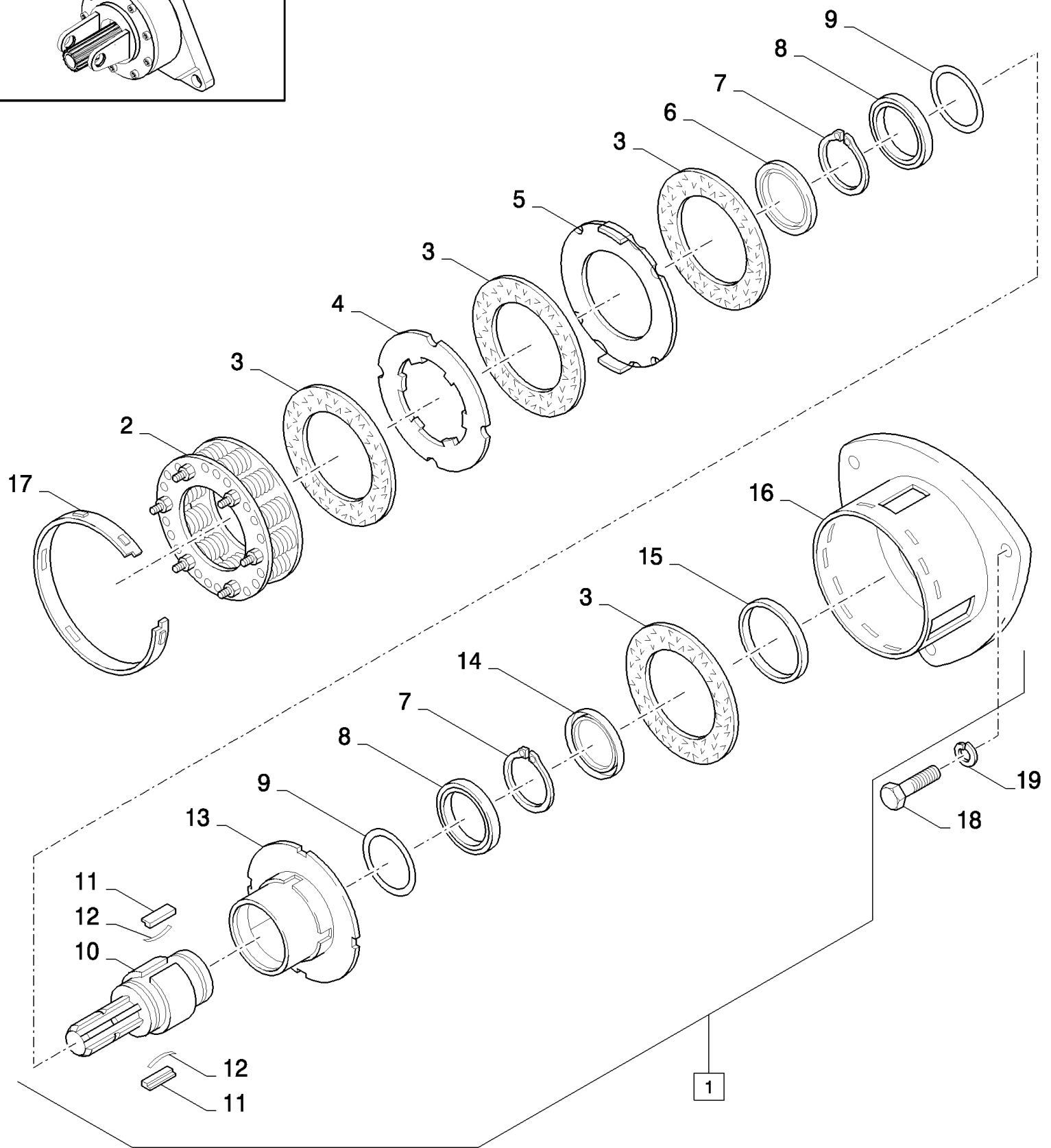
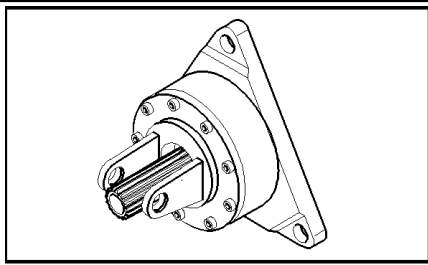
LBX421S BIG RECTANGULAR BALER (6/01-)

01.07(01) POWER TAKE-OFF, REAR

сылка	Номер детали	Кол-во	Описание
1	84607933	1	PTO, (2 to 19)
2	84807041	1	PTO, Shaft,p.t.o.,half
3	84807042	1	PTO, Shaft,p.t.o.,half
4	84037058	1	PIN, LOCK,
5	80427837	2	SPIDER, (6)
6	150024	2	NIPPLE, LUBE, 45с, M8 x 1,
7	80748481	1	YOKE,
8	80412360	2	PIN, ROLL,
9	84100165	1	SHAFT, PROPELLOR,
10	84807043	1	PROTECTING COVER, (11 to 15)
11	84807040	1	PROTECTION CAP, (12)
12	86585706	2	SCREW, Cross Pan Hd, M4 x 10,
13	80456570	2	REINFORCEMENT,
14	80411728	2	RING,
15	80379650	2	CHAIN,
16	84807044	1	PROTECTING COVER, (11 to 15)
17	84100166	1	SHAFT, PROPELLOR,
18	84037066	1	YOKE,
19	84037057	1	YOKE, (4)
20	84807045	1	PROTECTION CAP,

FOR HIGH/LOW HITCH ONLY

01.10(01) FLYWHEEL, SLIP CLUTCH

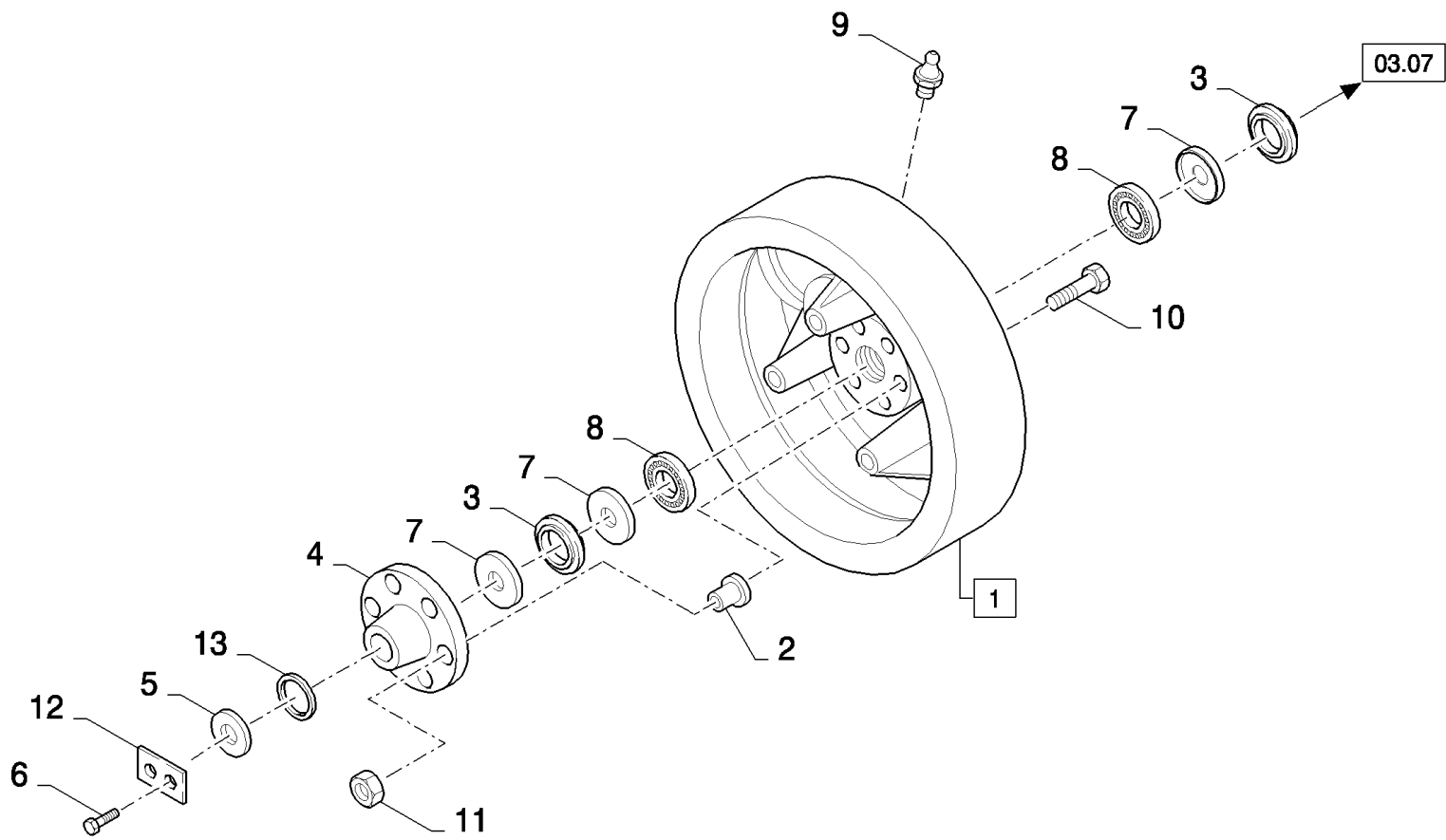
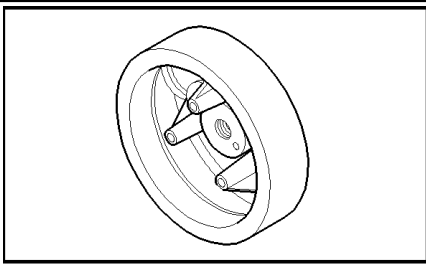


LBX421S BIG RECTANGULAR BALER (6/01-)

01.10(01) FLYWHEEL, SLIP CLUTCH

сылка	Номер детали	Кол-во	Описание
1	84032640	1	CLUTCH, (2 to 17), FOR LBX421S, LBX431S ONLY
1	84056882	1	CLUTCH, (2 to 17), FOR LBX421R, LBX431R ONLY
2	84037044	1	COMPRESSOR, SPRING, , FOR LBX421S, LBX431S ONLY, REF.: 75/150
2	89509482	1	COMPRESSOR, SPRING, , FOR LBX421R, LBX431R ONLY, REF.: /165
3	84037045	4	DISC, CLUTCH,
4	89502325	1	DISC,
5	89502326	1	DISC,
6	89509436	1	GASKET,
7	80370027	2	CIRCLIP,
8	80751929	2	BEARING ASSY,
9	80751928	2	WASHER,
10	84037046	1	HUB,
11	80449316	2	KEY,
12	80449317	2	SPRING,
13	89509438	1	HUB,
14	89509439	1	GASKET,
15	89502329	1	RING,
16	84037047	1	BELL HOUSING,
17	89502322	1	RING,
18	80300389	3	SCREW,
19	80140046	3	WASHER, SPRING,

01.11(01) FLYWHEEL

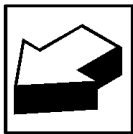
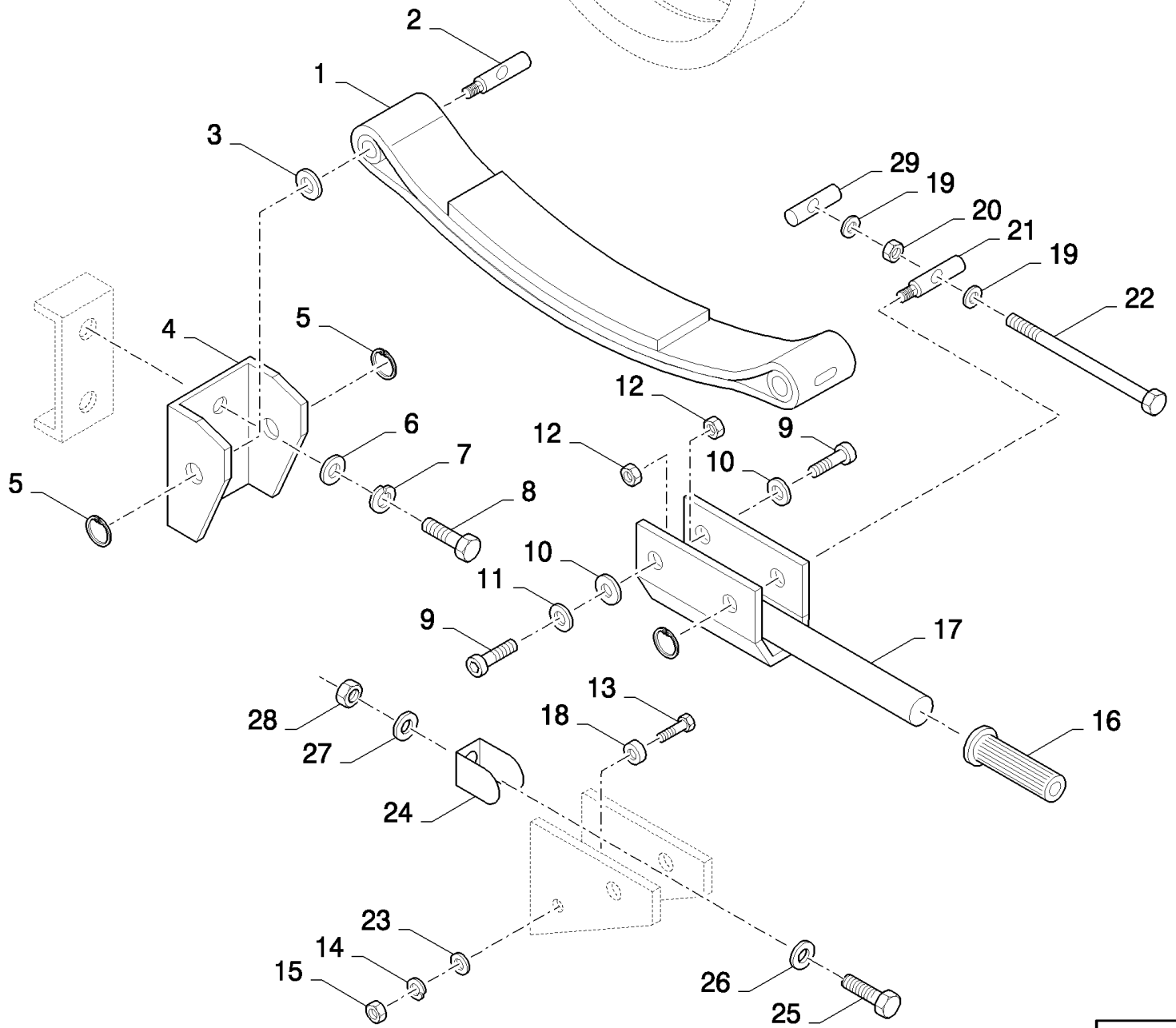
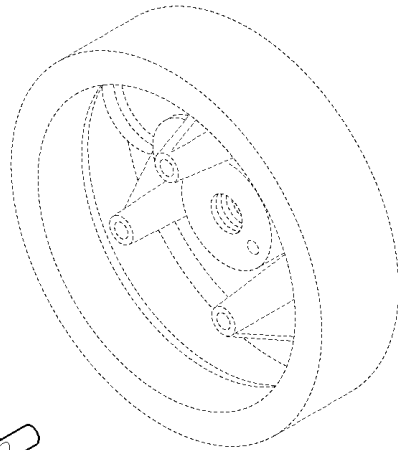
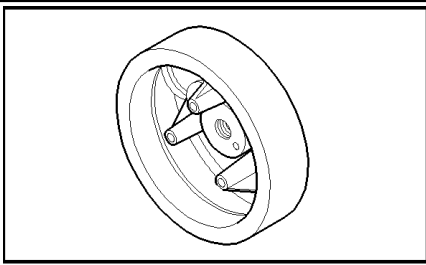


LBX421S BIG RECTANGULAR BALER (6/01-)

01.11(01) FLYWHEEL

сылка	Номер детали	Кол-во	Описание
1	84100930	1	FLYWHEEL, BALER, (2), FOR LBX331S, LBX331P, LBX331R ONLY
1	84100933	1	FLYWHEEL, BALER, (2), FOR LBX421S, LBX421R, LBX431S, LBX431R ONLY
2	84058279	1	BUSHING, SHEAR BOLT, , FOR LBX331S, LBX331P, LBX331R ONLY
2	84012933	1	BUSHING, SHEAR BOLT, , FOR LBX421S, LBX421R, LBX431S, LBX431R ONLY
3	84062387	2	RING,
4	84032675	1	HUB,
5	84062069	1	RING,
6	80412677	2	BOLT,
7	84062386	2	RING,
8	80853116	2	BEARING ASSY,
9	80062161	1	NIPPLE, LUBE,
10	83931335	1	BOLT, Hex, M10 x 75, 8.8, , FOR LBX331S, LBX331P, LBX331R ONLY
10	80536632	1	BOLT, M10x60, FOR LBX421S, LBX421R, LBX431S, LBX431R ONLY
11	80100037	1	NUT, LOCK, M10 x 1.5, CI 8, M10
12	84062070	1	PLATE, LOCKING,
13	80440978	AR	PLATE, ADJUSTING, THK.: 0.2MM
13	80140124	AR	PLATE, ADJUSTING, THK.: 0.5MM
13	84062423	AR	SHIM, THK.: 1MM

01.12(01) FLYWHEEL BRAKE



LBX421S BIG RECTANGULAR BALER (6/01-)

01.12(01) FLYWHEEL BRAKE

сылка	Номер детали	Кол-во	Описание
1	84000432	1	BRAKE BAND, , FOR LBX331S, LBX331P, LBX331R ONLY
1	89837778	1	BRAKE BAND, , FOR LBX421S, LBX421R, LBX431S, LBX431R ONLY
2	89837784	1	ROD,
3	80388270	1	WASHER, LOCK,
4	89837785	1	SUPPORT,
5	80370002	2	CIRCLIP,
6	80140085	2	WASHER,
7	80140046	2	WASHER, SPRING,
8	80300389	2	SCREW, M12x35
9	89837786	2	SCREW, M12x20
10	80543043	2	WASHER,
11	80140096	AR	WASHER,
12	80100038	2	NUT, LOCK, M12
13	43128	1	BOLT, Hex, M8 x 30, 8.8, M8x20
14	80322358	1	WASHER, LOCK,
15	89706690	1	NUT, M8, CI 8,
16	89837774	1	HANDLE GRIP,
17	84068850	1	HANDLE, , FOR LBX331S, LBX331P, LBX331R ONLY
17	84068851	1	HANDLE, , FOR LBX421S, LBX421R, LBX431S, LBX431R ONLY
18	80309101	1	SPACER,
19	80140084	2	WASHER,
20	89706685	1	NUT, M12
21	89837783	1	ROD,
22	89837782	1	SCREW, M12x230
23	80140041	1	WASHER,
24	80323307	1	CLIP, SPRING,
25	86511824	1	SCREW, Cross Pan Hd, M4 x 20,
26	89824840	6	WASHER, M4
27	80322355	1	WASHER, 4MM
28	80100012	1	NUT, M4
29	89837781	1	ROD,

MAIN GEARBOX

BOÎTE DE VITESSE
PRINCIPALE

CAJA DEL VELOCIDAD
PRINCIPAL

HOVEDGEARKASSE

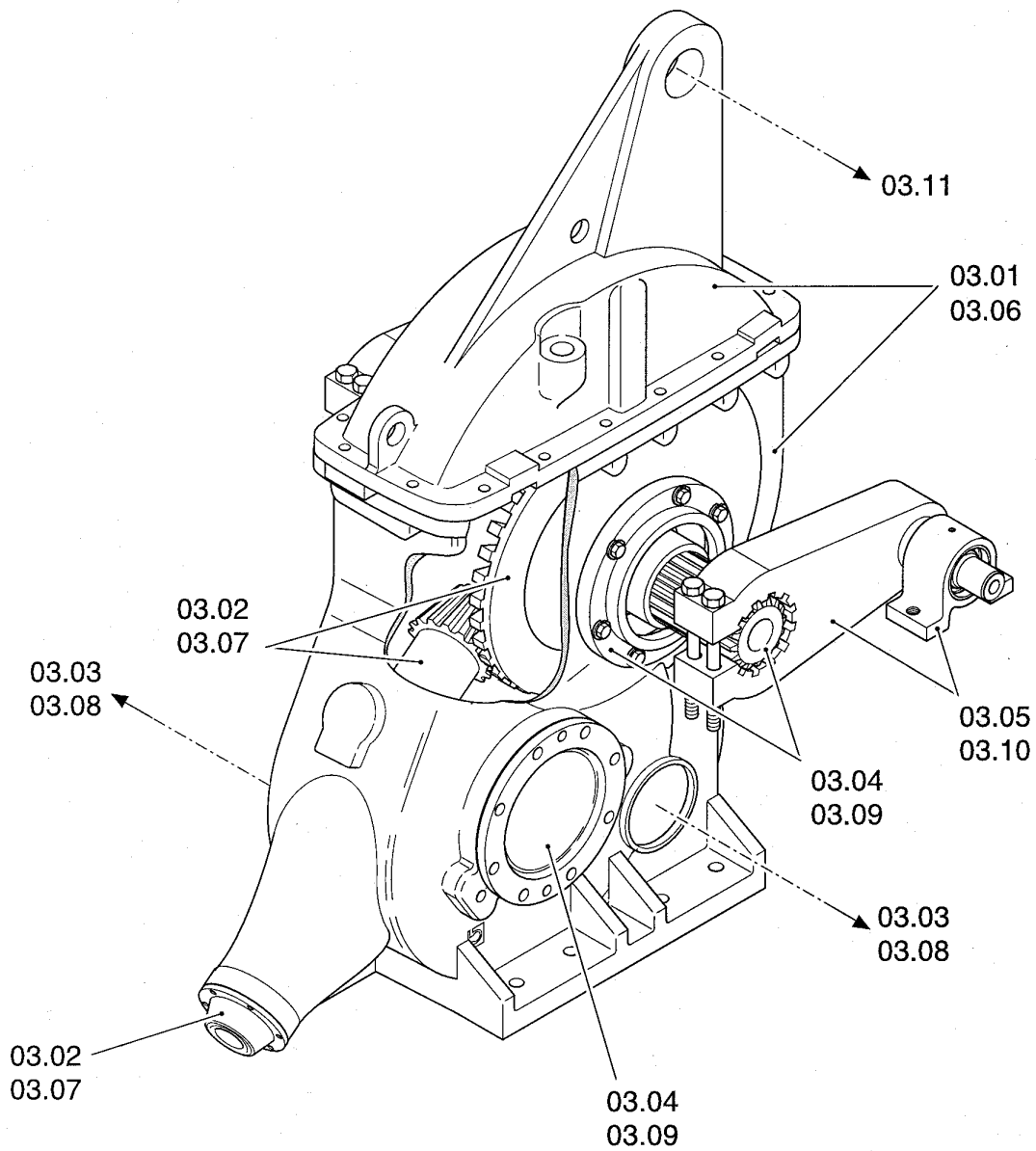
SCATOLA CAMBIO
PRINCIPALE

HAUPTGETRIEBEGEHÄUSE

CAIXA DE VELOCIDADES
PRINCIPAL

HOOFD-
TANDWIELKAST

SEC. 3

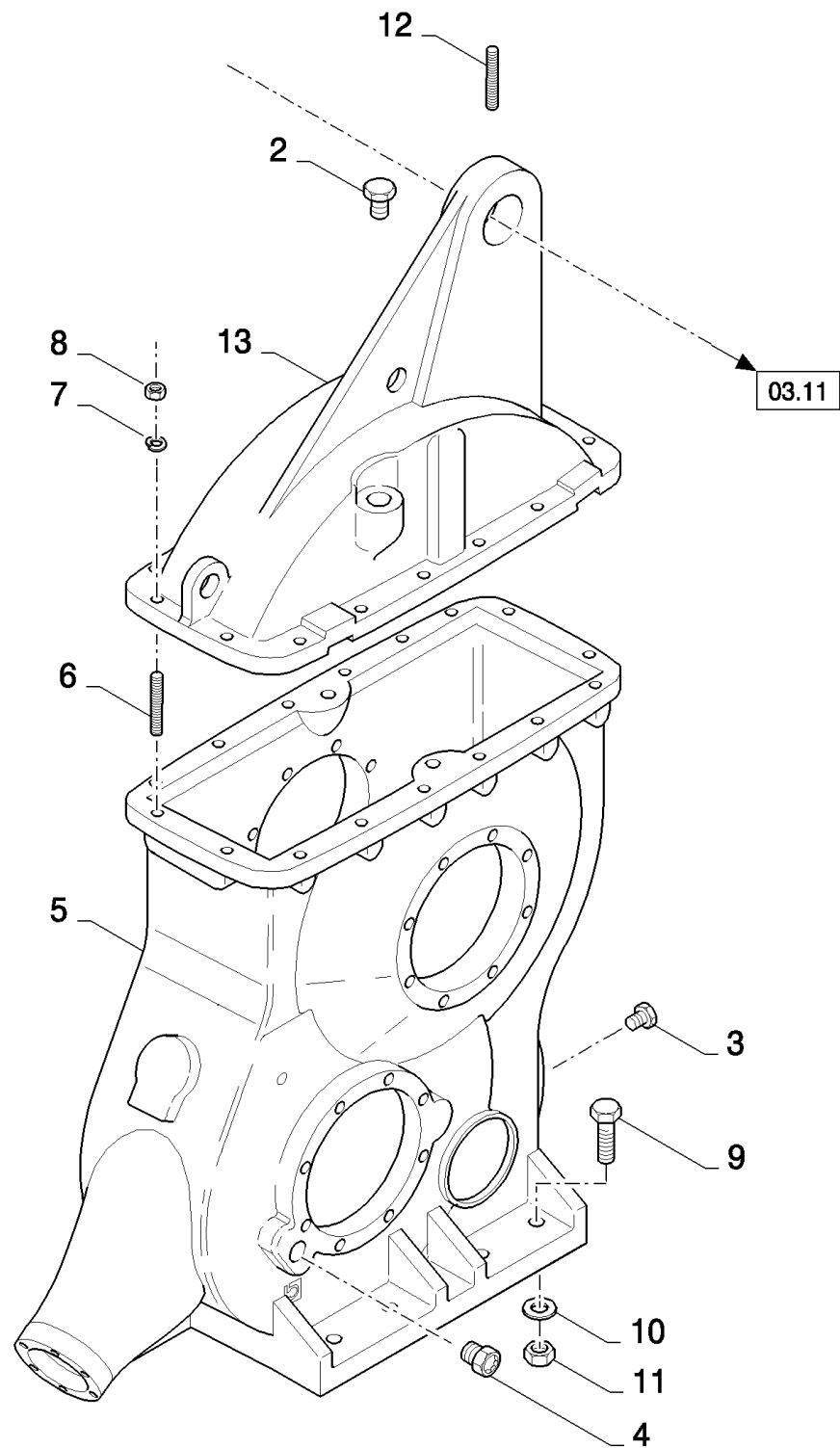
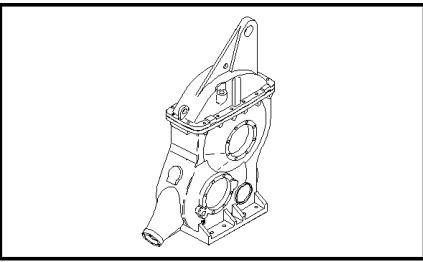


LBX421S BIG RECTANGULAR BALER (6/01-)

03.00(01) SECTION LIST 3 - MAIN GEARBOX

сылка	Номер детали	Кол-во	Описание

03.06(01) MAIN GEARBOX

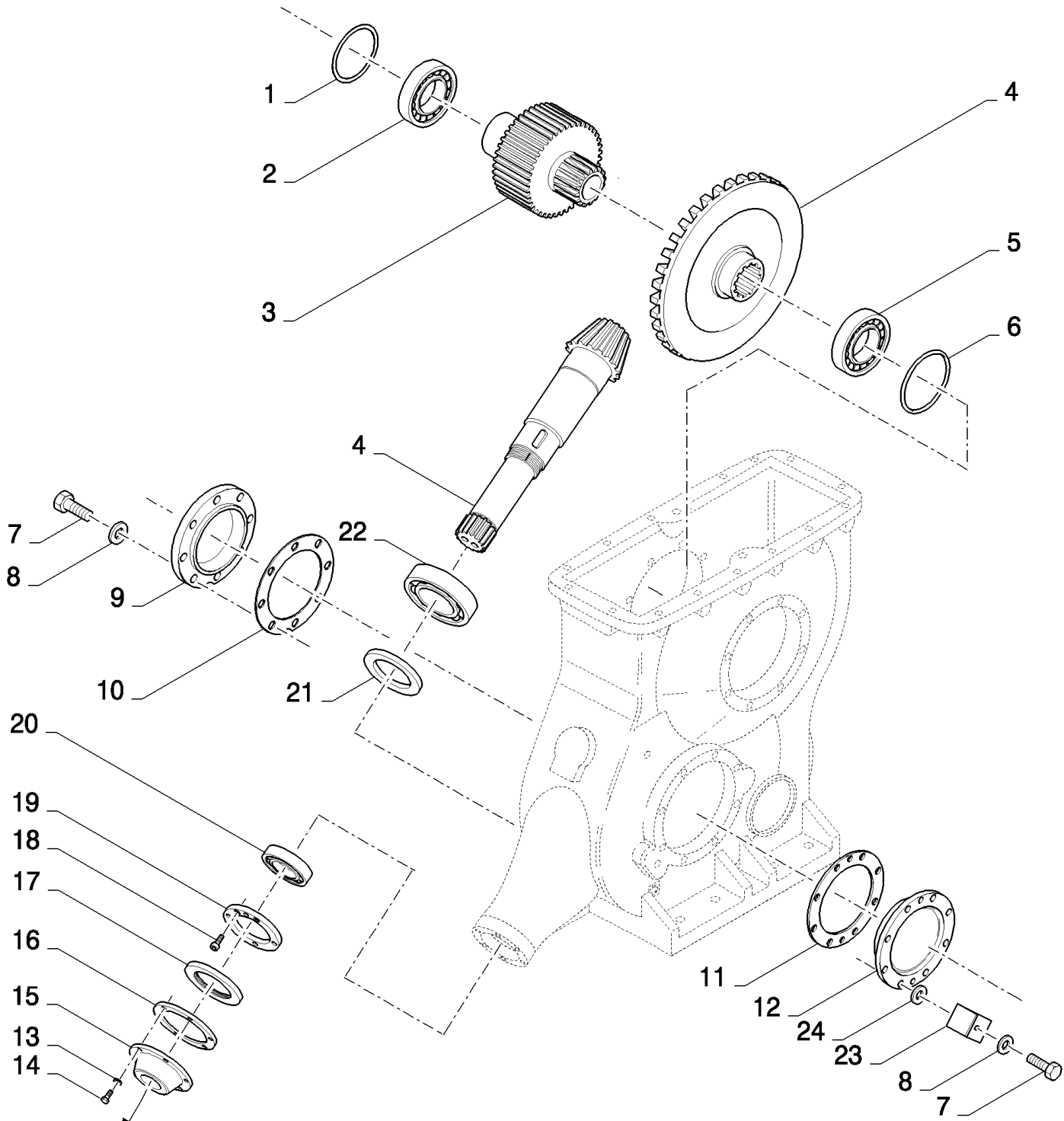
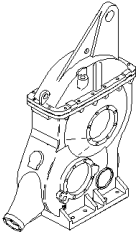


LBX421S BIG RECTANGULAR BALER (6/01-)

03.06(01) MAIN GEARBOX

сылка	Номер детали	Кол-во	Описание
1	84058991	1	GEARBOX, Incl. figs. 03.06 to 03.10
2	84074435	1	BREATHER,
3	84074433	1	PLUG,
4	84074434	1	INDICATOR, M24x2
5	84074489	1	HOUSING,
6	84074461	17	SCREW,
7	12035571	17	WASHER, LOCK,
8	10719411	17	NUT, M14 x 2, CI 8,
9	89837787	8	SCREW, M24x200
10	89818872	8	WASHER, LOCK,
11	89837788	8	NUT,
12	944004907	2	PIN,
13	84074490	1	HOUSING,

03.07(01) MAIN GEARBOX



01.11

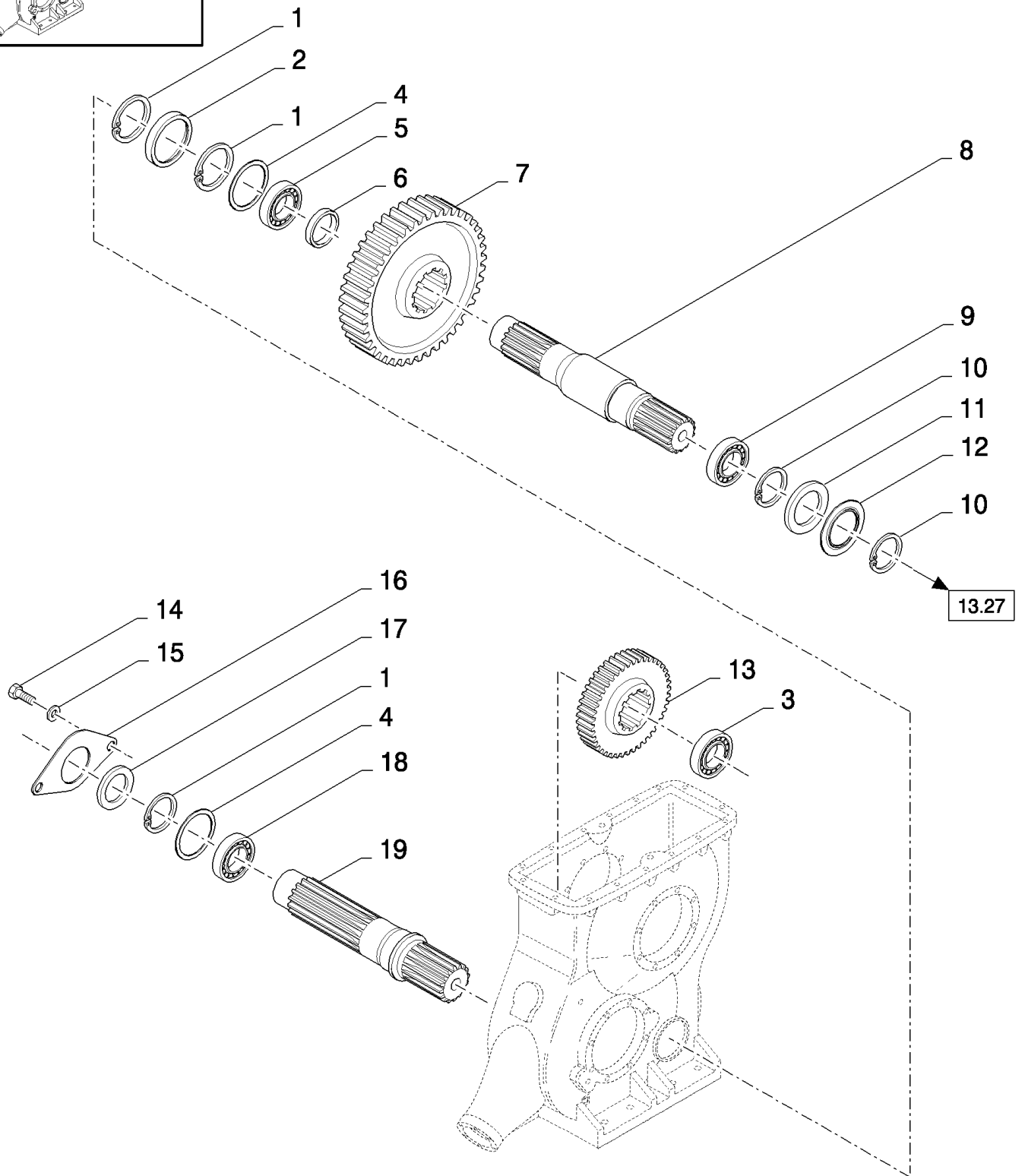
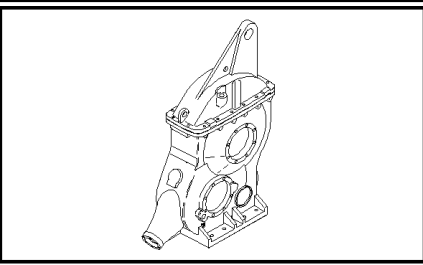


LBX421S BIG RECTANGULAR BALER (6/01-)

03.07(01) MAIN GEARBOX

сылка	Номер детали	Кол-во	Описание
1	84074471	1	SET OF RINGS,
2	26800090	1	BEARING ASSY,
3	84074446	1	GEAR,
4	84074483	1	GEAR SET, , INCLUDES 2 ITEMS INDICATED
5	24903750	1	BEARING ASSY,
6	84074480	1	O-RING,
7	11112621	AR	BOLT, Hex, M12 x 35, 8.8, Full Thd,
8	12034771	AR	WASHER, LOCK,
9	84074441	1	COVER,
10	84074455	1	GASKET,
11	84074467	1	SET OF RINGS,
12	84074496	1	COVER,
13	12034571	6	WASHER, LOCK,
14	16043624	6	BOLT, Hex, M8 x 25, 8.8, Full Thd,
15	84074442	1	COVER,
16	84074453	1	GASKET,
17	80536079	1	ELEMENT, SEALING,
18	84074460	2	SCREW, M8x16
19	84074464	1	NUT, M70
20	26800020	1	BEARING ASSY,
21	84074469	1	SET OF RINGS,
22	920018131	1	BEARING ASSY,
23	84320570	1	INDICATOR,
24	80394630	2	WASHER, 12MM

03.08(01) MAIN GEARBOX

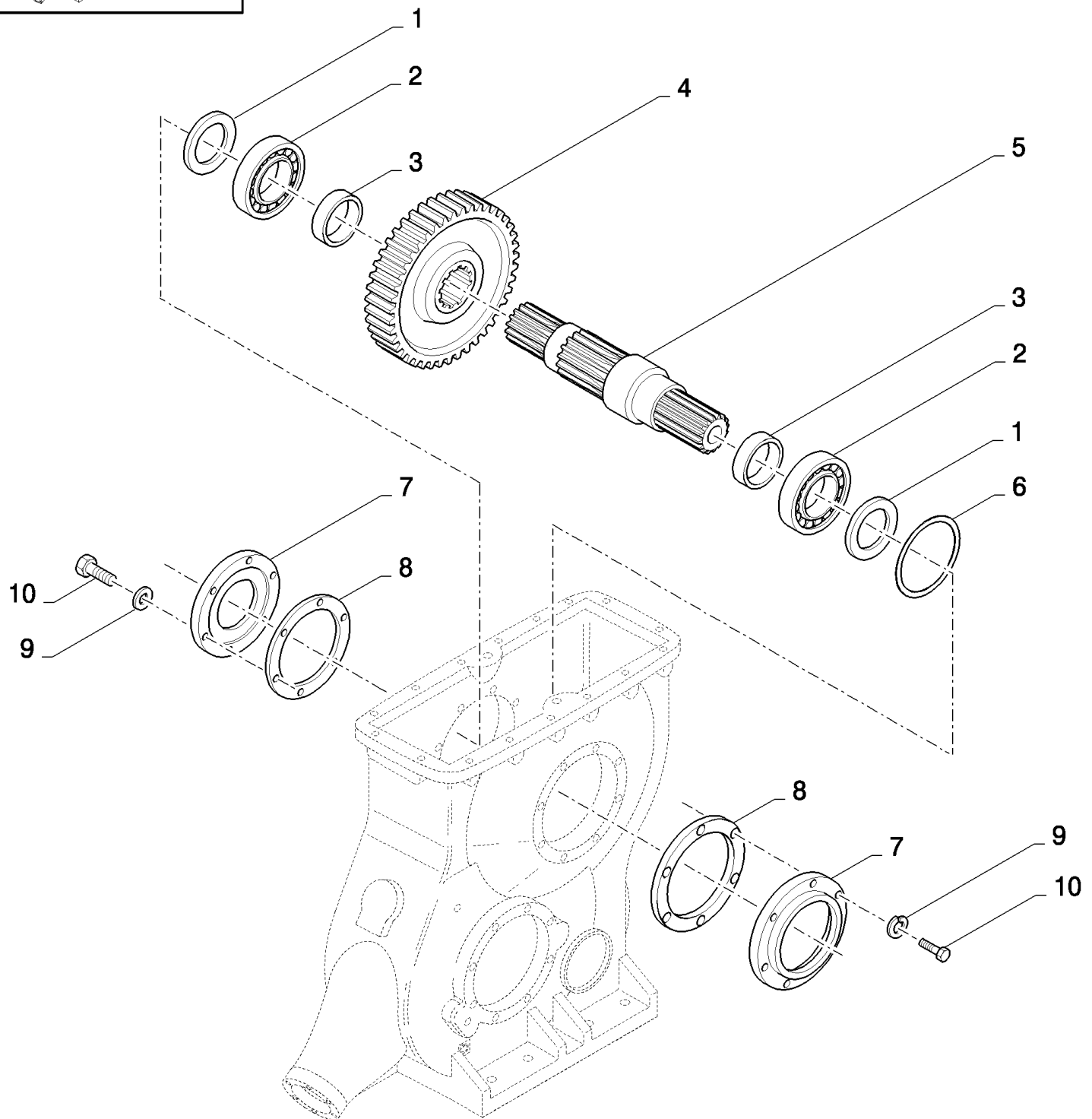
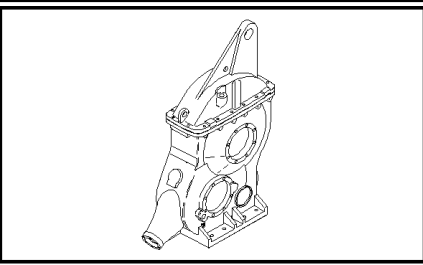


LBX421S BIG RECTANGULAR BALER (6/01-)

03.08(01) MAIN GEARBOX

сылка	Номер детали	Кол-во	Описание
1	80370021	3	CIRCLIP,
2	84074481	1	COVER,
3	84074473	1	BEARING ASSY,
4	84074468	1	SET OF RINGS,
5	20972850	1	BEARING, BALL,
6	84074456	1	SPACER,
7	84074447	1	GEAR,
8	84074450	1	SHAFT,
9	24977960	1	BEARING ASSY,
10	80370013	2	RING, SNAP,
11	920018133	1	GASKET,
12	84074476	1	COVER,
13	84074445	1	GEAR,
14	80043151	2	SCREW, M12x20
15	12034771	AR	WASHER, LOCK,
16	84074477	1	COVER,
17	84074478	1	RING, OIL SCRAPER,
18	84074474	1	BEARING ASSY,
19	84074451	1	SHAFT,

03.09(01) MAIN GEARBOX

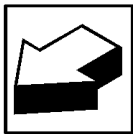
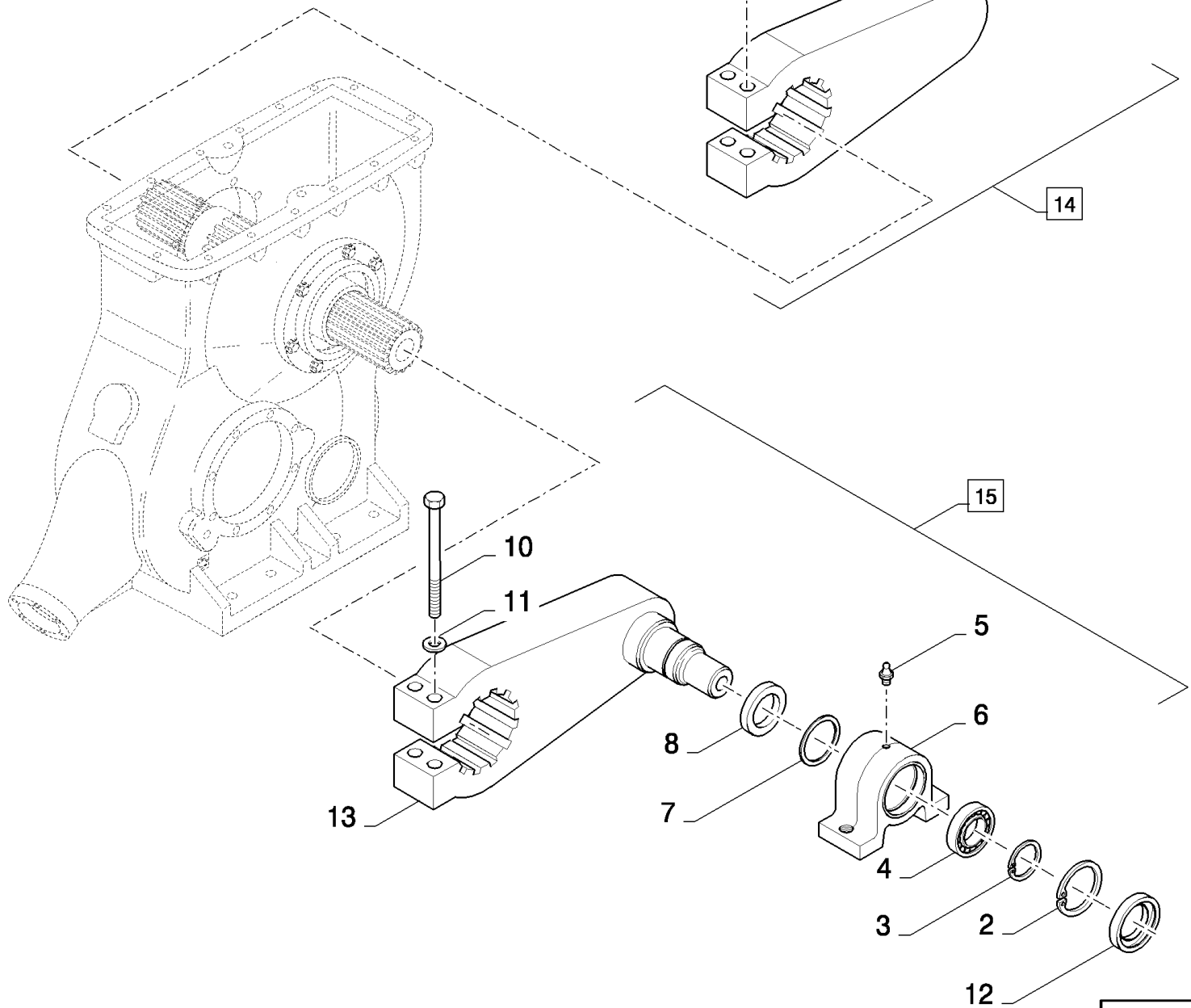
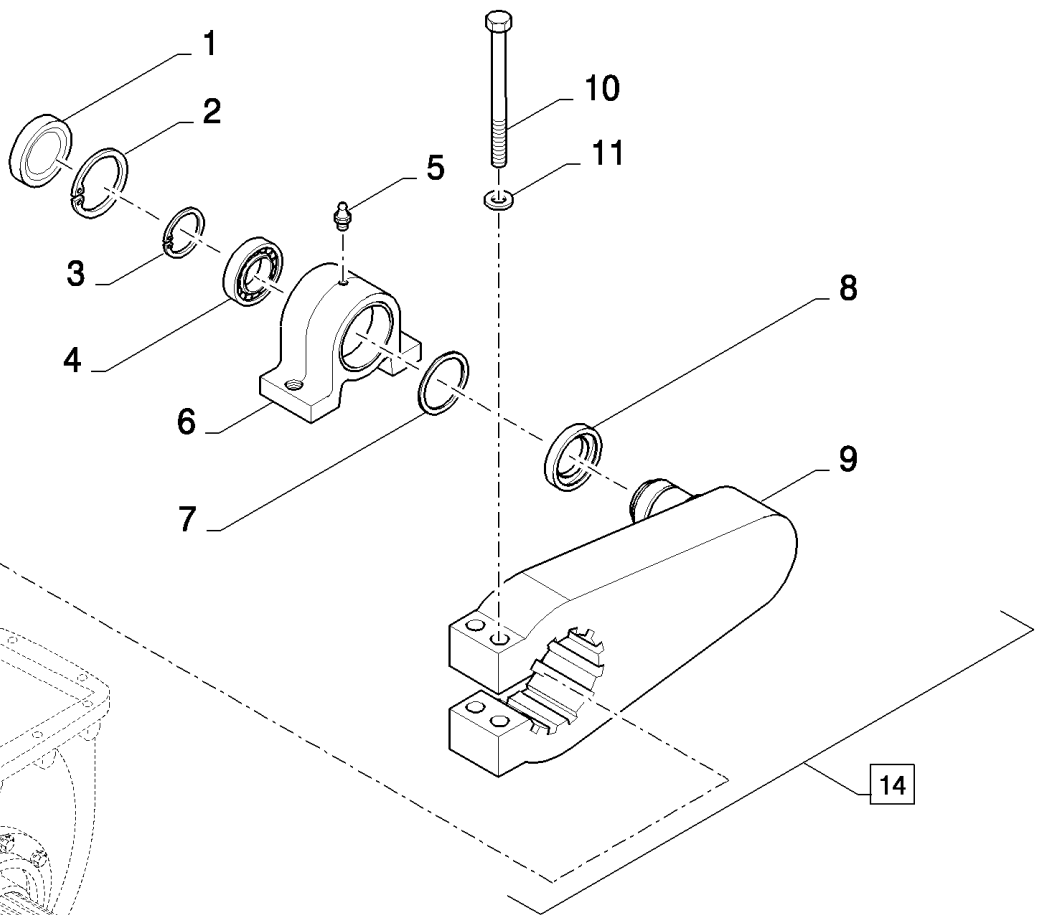
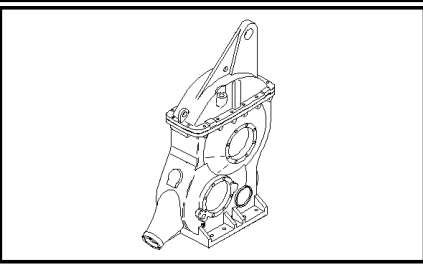


LBX421S BIG RECTANGULAR BALER (6/01-)

03.09(01) MAIN GEARBOX

сылка	Номер детали	Кол-во	Описание
1	84074505	2	RING, OIL SCRAPER,
2	84000814	2	BEARING ASSY,
3	84074495	2	SPACER,
4	84074491	1	GEAR,
5	84074492	1	SHAFT,
6	84074501	1	SET OF RINGS,
7	84074488	2	COVER,
8	84074494	2	GASKET,
9	12034771	AR	WASHER, LOCK,
10	11112621	AR	BOLT, Hex, M12 x 35, 8.8, Full Thd,

03.10(01) MAIN GEARBOX

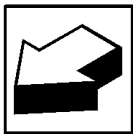
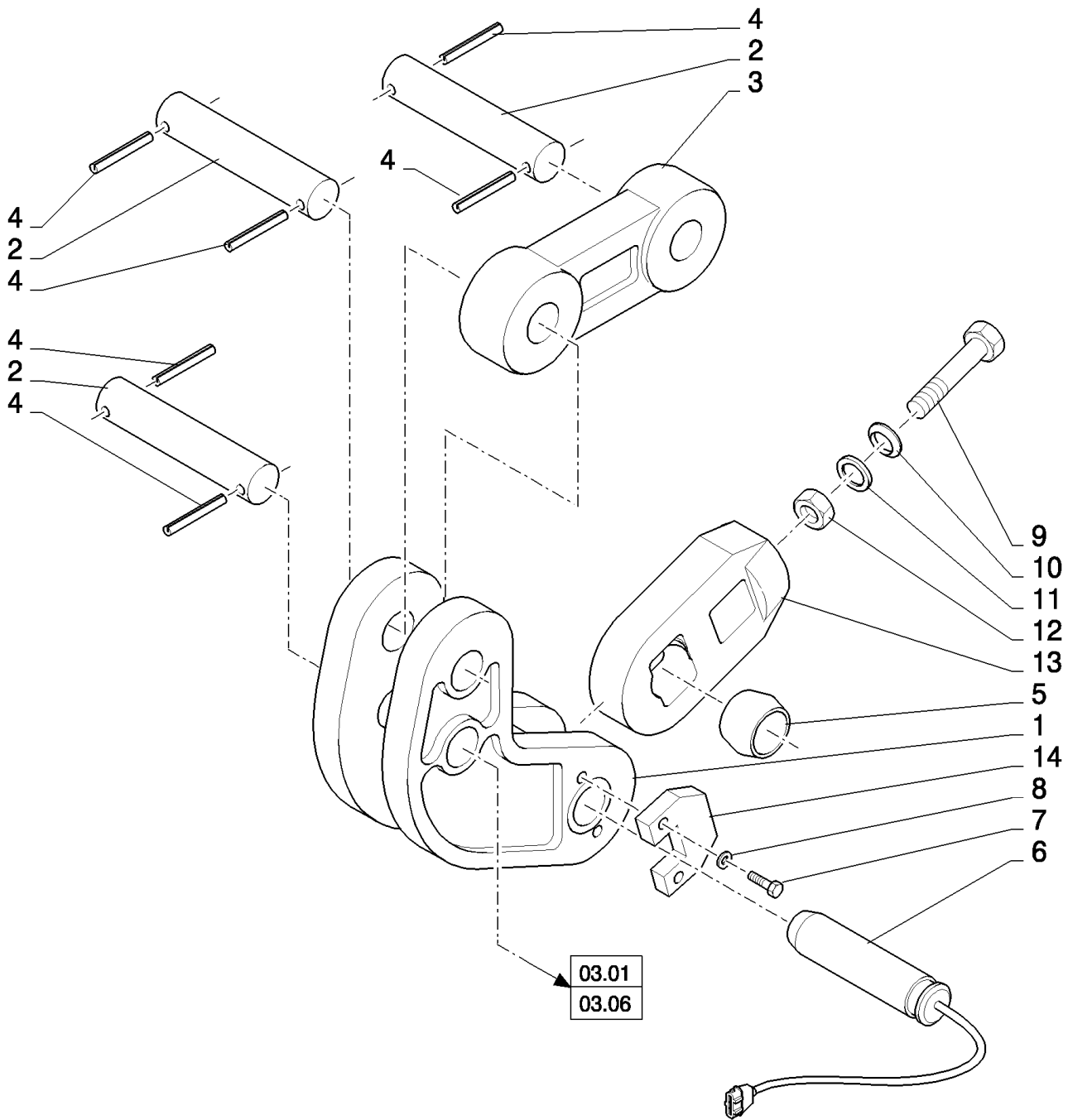
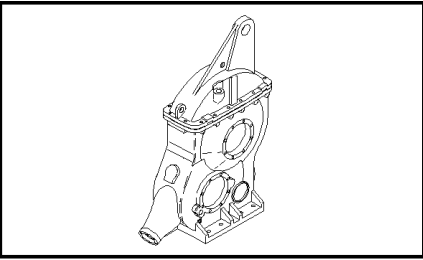


LBX421S BIG RECTANGULAR BALER (6/01-)

03.10(01) MAIN GEARBOX

сылка	Номер детали	Кол-во	Описание
1	84074507	1	RING, , BSN C313
2	84074499	2	CIRCLIP, , BSN C313
3	84074500	2	CIRCLIP, , BSN C313
4	84074503	2	BEARING ASSY, , BSN C313
5	80300919	2	NIPPLE, LUBE, M8 x 1, , BSN C313
6	84074493	2	HUB, , BSN C313
7	84074502	2	RING, , BSN C313
8	84074504	2	RING, OIL SCRAPER, , BSN C313
9	84074508	1	ARM, , BSN C313
9	84819391	1	ARM, , ASN D314
10	84074497	4	SCREW, M22x170, BSN C313
11	84074498	4	WASHER, 22MM, BSN C313
12	84074506	1	RING, OIL SCRAPER, , BSN C313
13	84074509	1	ARM, , BSN C313
13	84819392	1	ARM, , ASN D314
14	84819393	1	ARM, (1 to 11), ASN D314
15	84819394	1	ARM, (2 to 8, 10 to 12), ASN D314

03.11(01) PLUNGER, LOAD MEASUREMENT



LBX421S BIG RECTANGULAR BALER (6/01-)

03.11(01) PLUNGER, LOAD MEASUREMENT

сылка	Номер детали	Кол-во	Описание
1	84068194	1	LEVER, , BSN C245
1	84807838	1	LEVER, , ASN D246
2	84012870	3	SHAFT,
3	84068193	1	LEVER,
4	80412071	6	PIN,
5	86508450	1	BALL,
6	84078757	1	SENSOR, 60kN, FOR LBX331S, LBX331P, LBX331R ONLY
6	84074551	1	SENSOR, 90kN, FOR LBX421S, LBX421R, LBX431S, LBX431R ONLY
7	80043127	2	SCREW, M8x25
8	80322358	2	WASHER, LOCK, 8MM
9	84062747	1	BOLT, Hex, M30 x 150, 8.8, Full Thd, M30x150
10	84062741	1	DISC,
11	84062740	1	DISC,
12	84062746	1	NUT, Thin, M30 x 3.5, CI 05, M30
13	84068192	1	ARM,
14	84068067	1	CLAMP, , BSN C249
14	84607479	1	CLAMP, , ASN D250

AXLE

ESSIEU

EJE

AKSEL

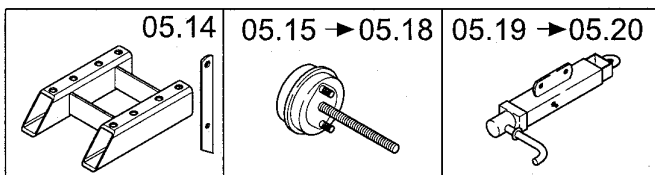
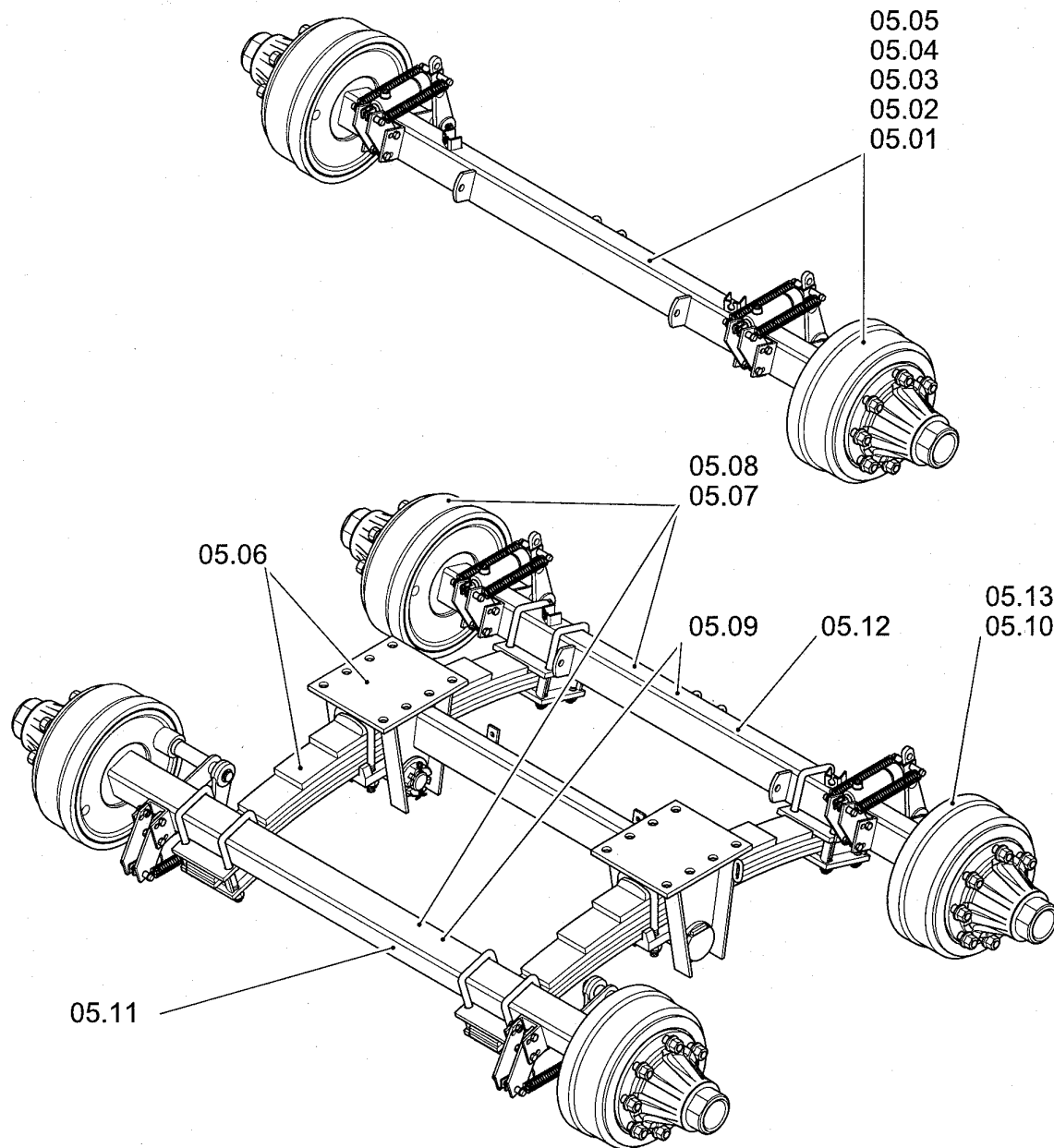
ASSALE

ACHSE

EIXO

AS

SEC. 5

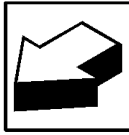
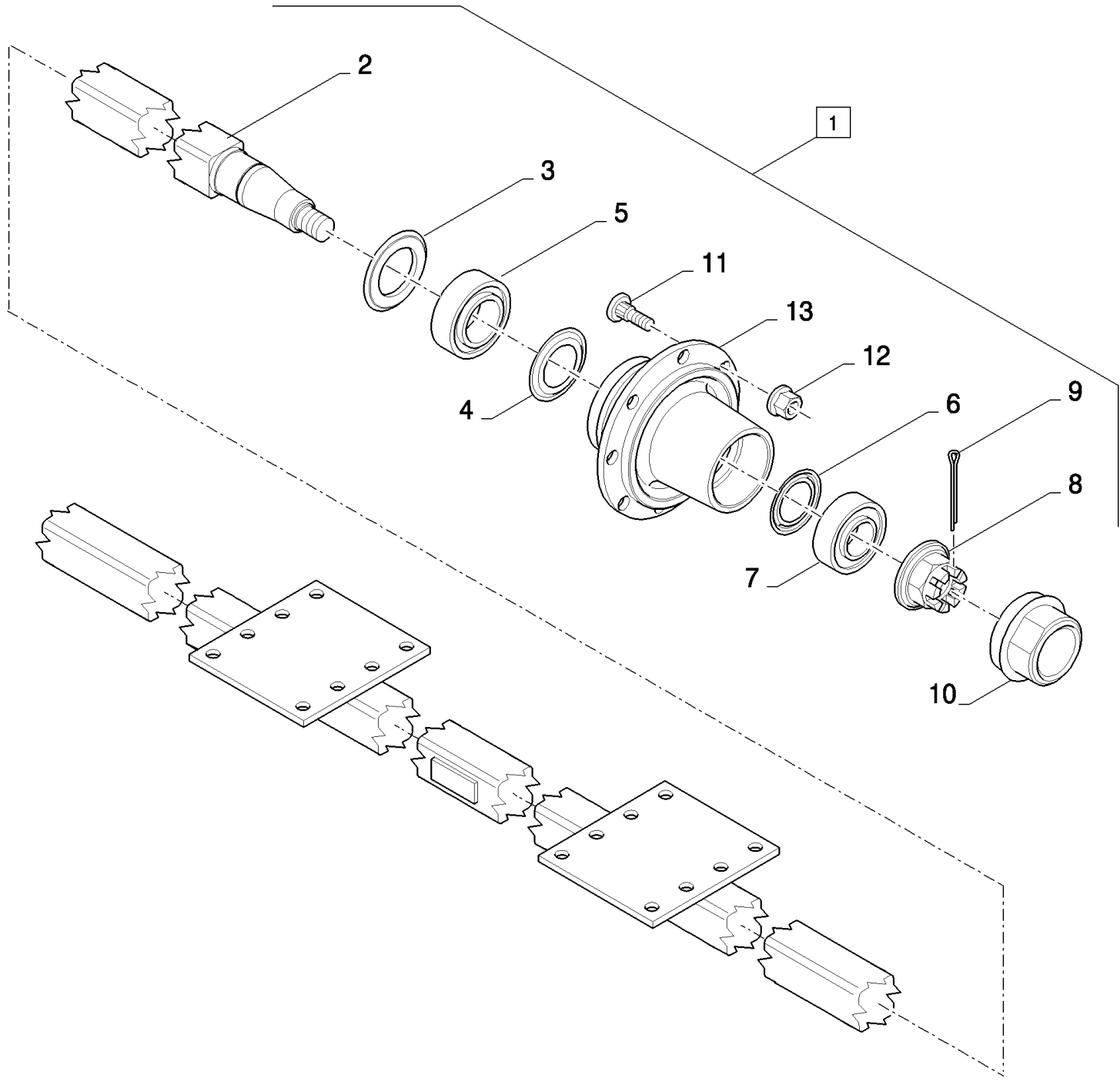
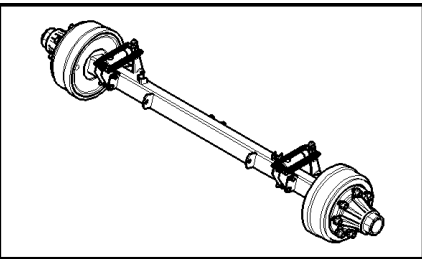


Auto steer: 05.09 → 05.13

LBX421S BIG RECTANGULAR BALER (6/01-)

05.00(01) SECTION LIST 5 - AXLE

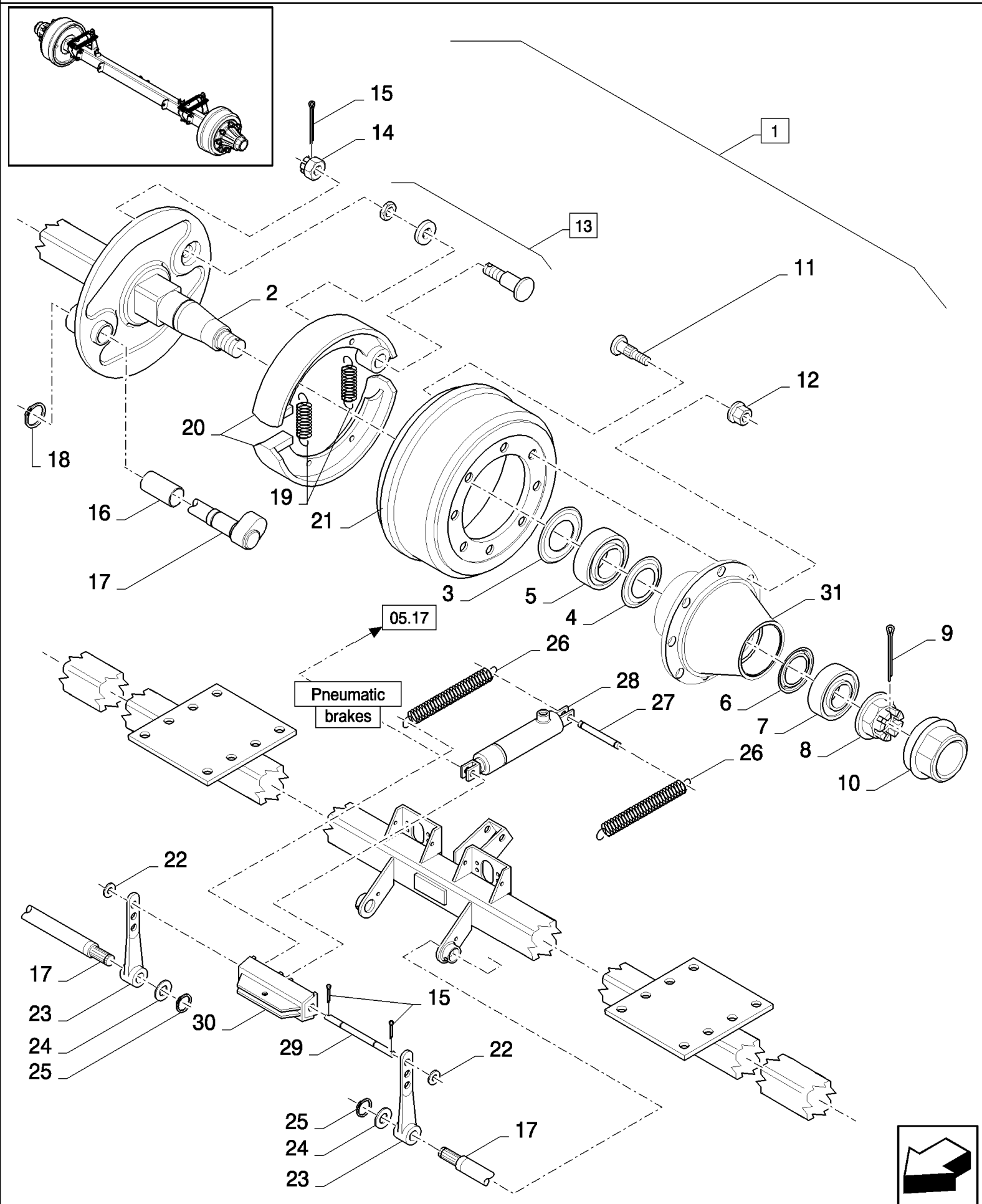
сылка	Номер детали	Кол-во	Описание



LBX421S BIG RECTANGULAR BALER (6/01-)

05.02(01) SINGLE AXLE WITHOUT BRAKES

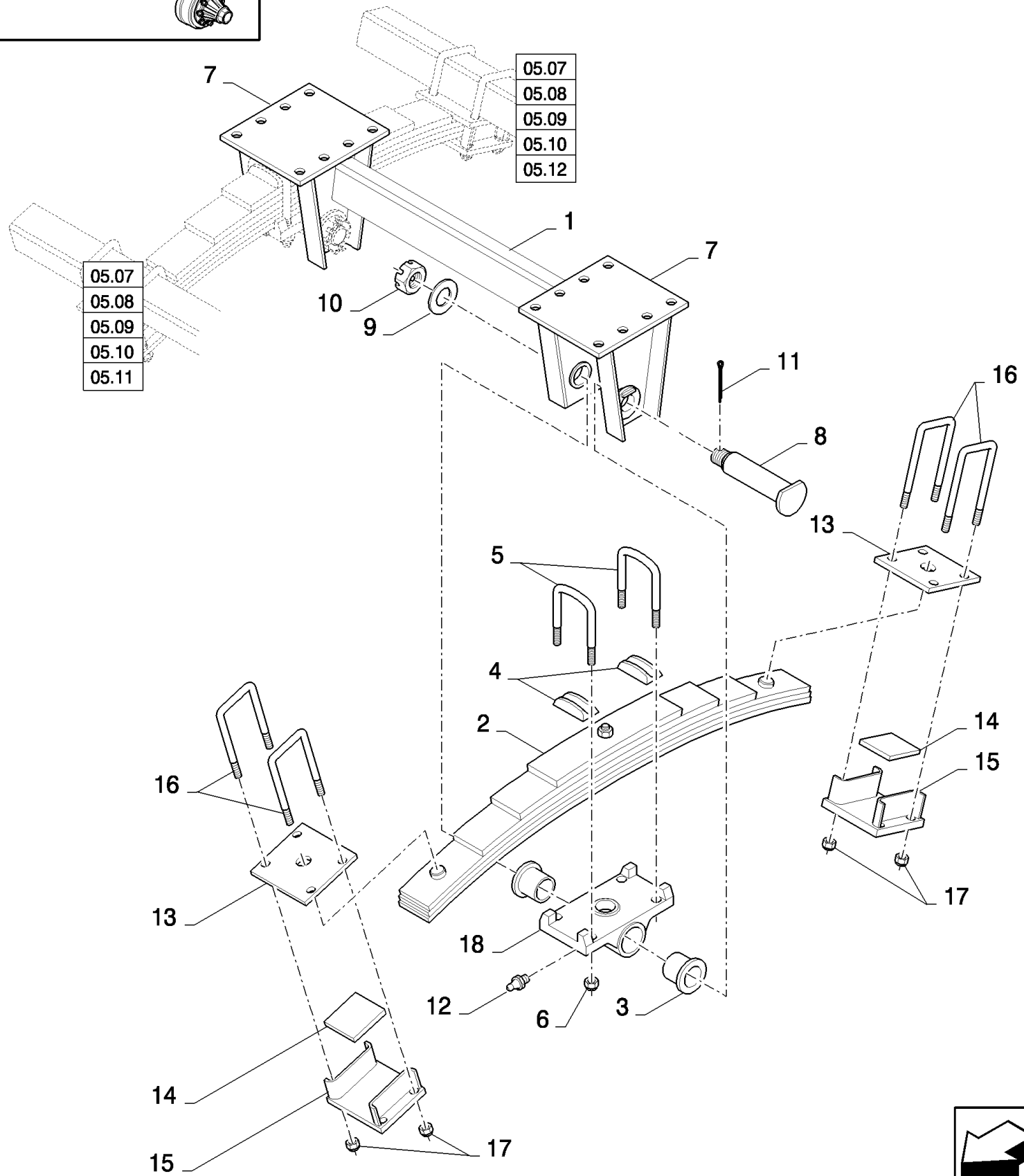
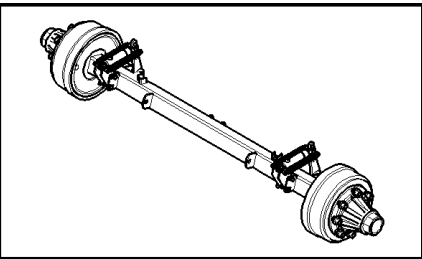
сылка	Номер детали	Кол-во	Описание
1	84807497	1	AXLE, (2 to 13)
2	NSS	1	NOT SERVICED SEPARATELY, Shaft
3	84807629	2	SEAL,
4	84100478	2	RING,
5	84041878	2	BEARING, ROLLER, TAPERED,
6	84041877	2	RING,
7	84041879	2	BEARING, ROLLER, TAPERED,
8	84100479	2	NUT,
9	84041875	2	PIN,
10	84041874	2	DUST CAP,
11	84041871	16	BOLT,
12	84045545	16	NUT,
13	84100476	1	HUB,



LBX421S BIG RECTANGULAR BALER (6/01-)

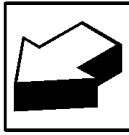
05.04(01) SINGLE AXLE WITH BRAKES

сылка	Номер детали	Кол-во	Описание
1	84807491	1	AXLE, (2 to 31), FOR LBX331R, LBX331P ONLY, FOR HYDRAULIC BRAKES ONLY
1	84807492	1	AXLE, (2 to 25, 29 to 31), FOR LBX331R, LBX331P ONLY, FOR PNEUMATIC BRAKES ONLY
1	84807495	1	AXLE, (2 to 31), FOR LBX421S, LBX431S ONLY, FOR HYDRAULIC BRAKES ONLY
1	84807496	1	AXLE, (2 to 25, 29 to 31), FOR LBX421S, LBX431S ONLY, FOR PNEUMATIC BRAKES ONLY
2	NSS	1	NOT SERVICED SEPARATELY, Shaft
3	84807629	2	SEAL,
4	84100478	2	RING,
5	84041878	2	BEARING, ROLLER, TAPERED,
6	84041877	2	RING,
7	84041879	2	BEARING, ROLLER, TAPERED,
8	84100479	2	NUT,
9	84041875	2	PIN,
10	84041874	2	DUST CAP,
11	84014229	16	BOLT,
12	84045545	16	NUT,
13	84014230	2	PIN,
14	80412106	2	NUT, SLOTTED,
15	80412685	4	PIN, SPLIT (COTTER),
16	84014235	4	SLEEVE,
17	84100498	2	SHAFT, , FOR LBX331R, LBX331P ONLY
17	84014237	2	SHAFT, , FOR LBX421S, LBX431S ONLY
18	80300632	2	RETAINER,
19	84014232	4	BRAKE SPRING,
20	84014231	4	BRAKE SHOE,
21	84043371	2	DRUM,
22	80140069	2	WASHER,
23	84014238	2	LEVER, , FOR HYDRAULIC BRAKES ONLY
23	84807628	2	LEVER, LH, FOR PNEUMATIC BRAKES ONLY
23	84807627	2	LEVER, RH, FOR PNEUMATIC BRAKES ONLY
24	80726059	2	WASHER,
25	80370002	2	CIRCLIP,
26	84014241	2	SPRING,
27	84014244	1	PIN,
28	84014243	1	CYLINDER, D=30MM
29	84045542	1	PIN,
30	84053856	1	LEVER, , FOR HYDRAULIC BRAKES ONLY
30	84045543	1	LEVER, , FOR PNEUMATIC BRAKES ONLY
31	84100476	2	HUB,



05.07
05.08
05.09
05.10
05.11

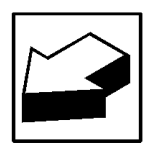
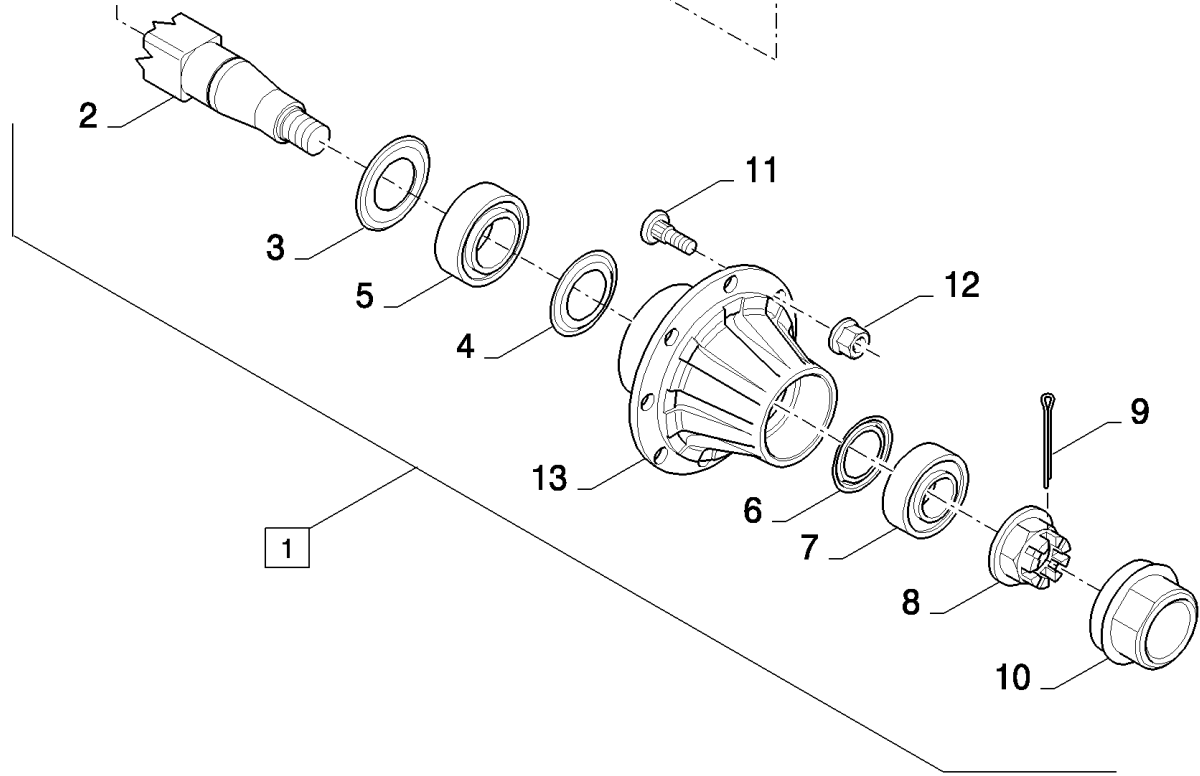
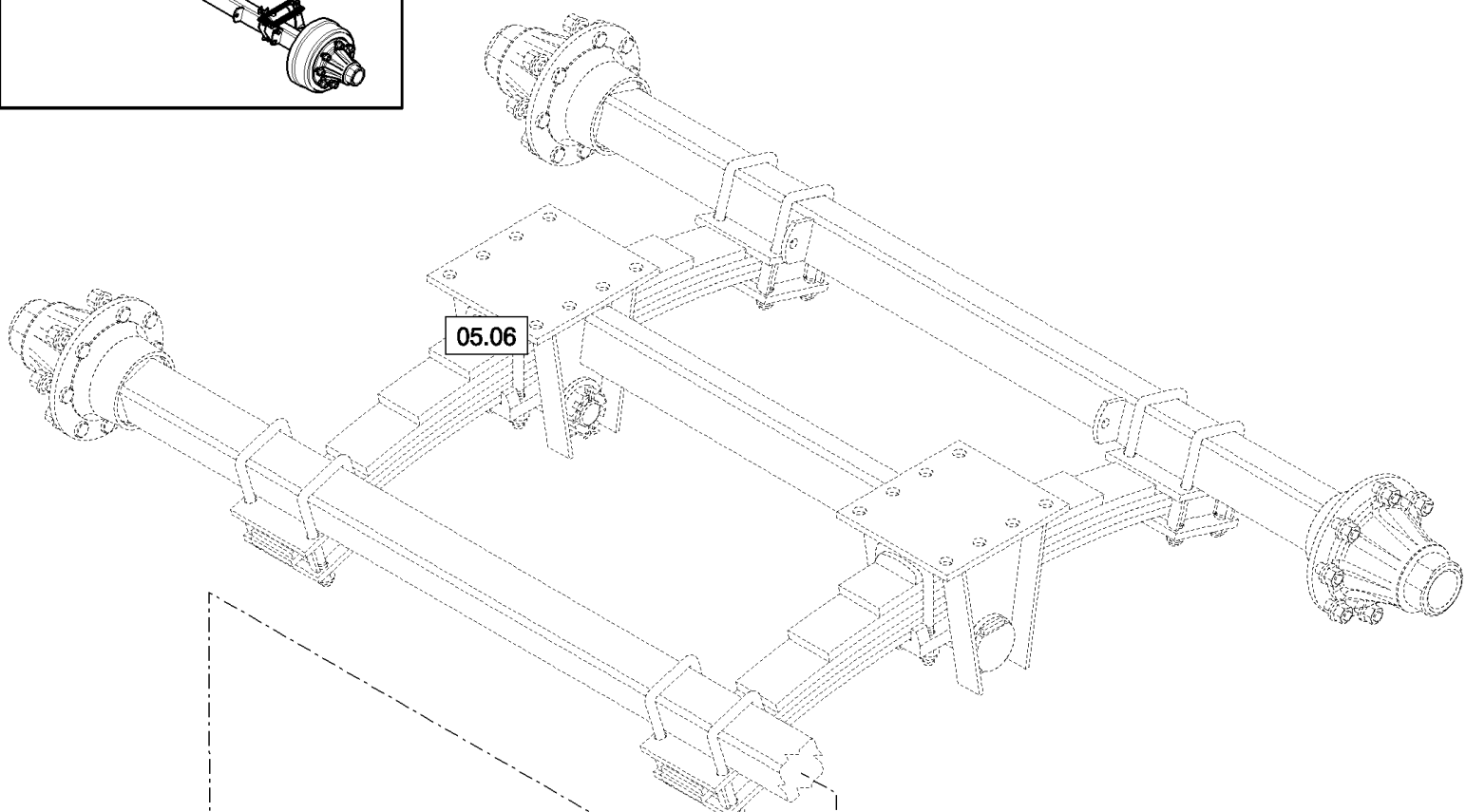
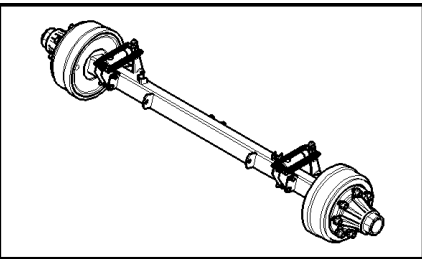
05.07
05.08
05.09
05.10
05.12



LBX421S BIG RECTANGULAR BALER (6/01-)

05.06(01) TANDEM AXLE - SUSPENSION AND TUBE

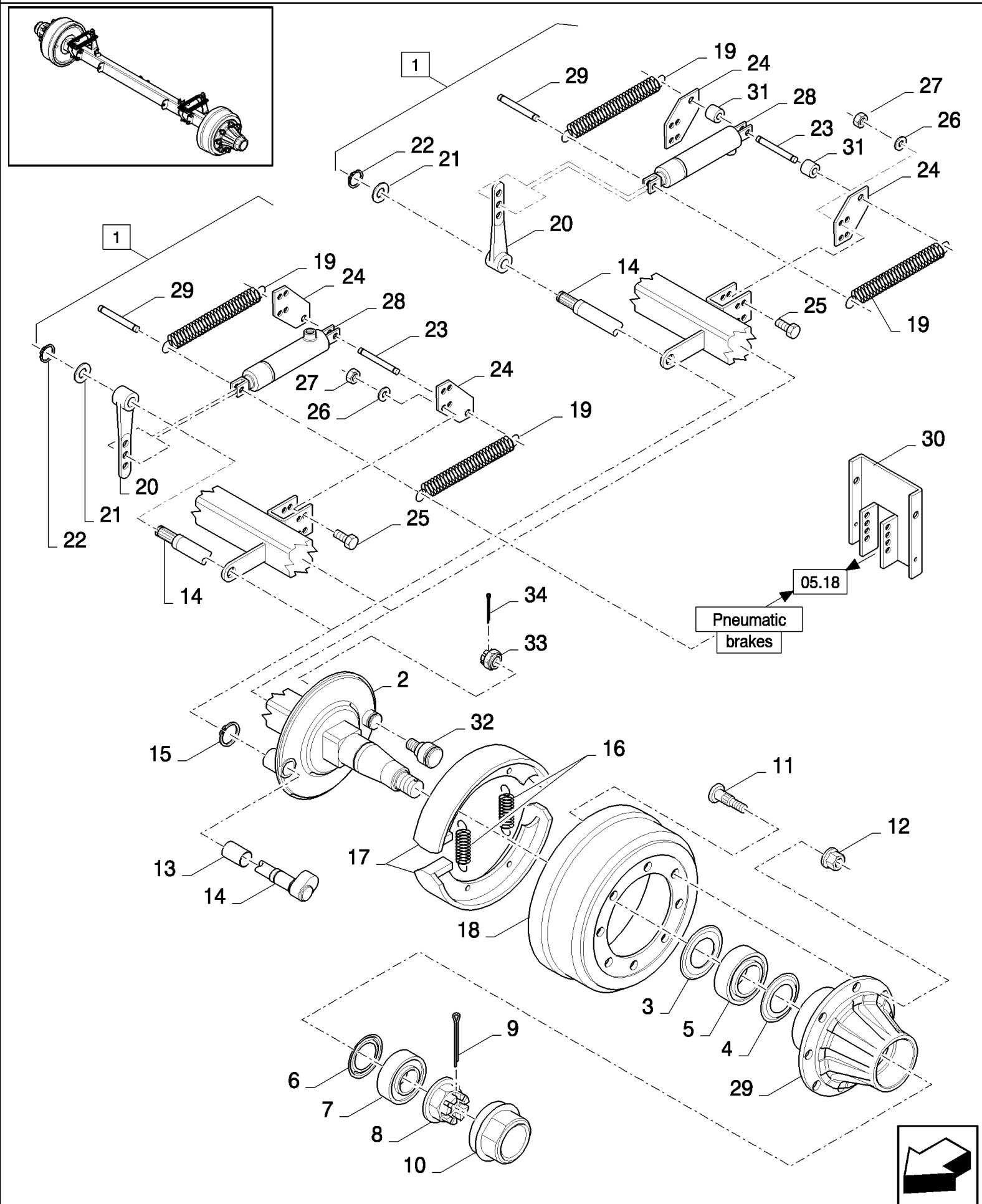
сылка	Номер детали	Кол-во	Описание
1	84100570	1	TUBE, RIGID, , FOR LBX331S, LBX331P, LBX331R ONLY
1	84100542	1	TUBE, RIGID, , FOR LBX421S, LBX421R, LBX431S, LBX431R ONLY
2	84100544	2	SUSPENSION,
3	84100546	4	BUSHING,
4	84100547	4	SHIM,
5	84100548	4	BRIDGE,
6	11691421	8	NUT, Thin, M24 x 2, CI 05,
7	84100549	2	SUPPORT,
8	84100550	2	SHAFT,
9	89511937	2	WASHER,
10	84014224	2	NUT,
11	80130017	2	PIN, SPLIT (COTTER),
12	80300919	2	NIPPLE, LUBE, M8 x 1,
13	84100551	4	PLATE,
14	84100552	4	INSULATOR BLOCK,
15	84100553	4	SUPPORT,
16	84100554	8	BRIDGE,
17	84100555	16	NUT, M18
18	84100545	2	SUPPORT,



LBX421S BIG RECTANGULAR BALER (6/01-)

05.07(01) TANDEM AXLE WITHOUT BRAKES

сылка	Номер детали	Кол-во	Описание
1	84807540	1	AXLE, FRONT, (2 to 13), FOR LBX331S, LBX331P, LBX331R ONLY
1	84807541	1	AXLE, REAR, (2 to 13), FOR LBX331S, LBX331P, LBX331R ONLY
1	84807549	1	AXLE, FRONT, (2 to 13), FOR LBX421S, LBX421R, LBX431S, LBX431R ONLY
1	84807550	1	AXLE, REAR, (2 to 13), FOR LBX421S, LBX421R, LBX431S, LBX431R ONLY
2	NSS	1	NOT SERVICED SEPARATELY, Shaft
3	84807624	4	SEAL,
4	84100482	4	RING,
5	84100483	4	BEARING ASSY,
6	84100484	4	RING,
7	84100485	4	BEARING ASSY,
8	84100486	4	NUT,
9	84041875	4	PIN,
10	84100487	4	KIT,
11	84041871	32	BOLT,
12	84045545	32	NUT,
13	84100480	4	HUB,



LBX421S BIG RECTANGULAR BALER (6/01-)

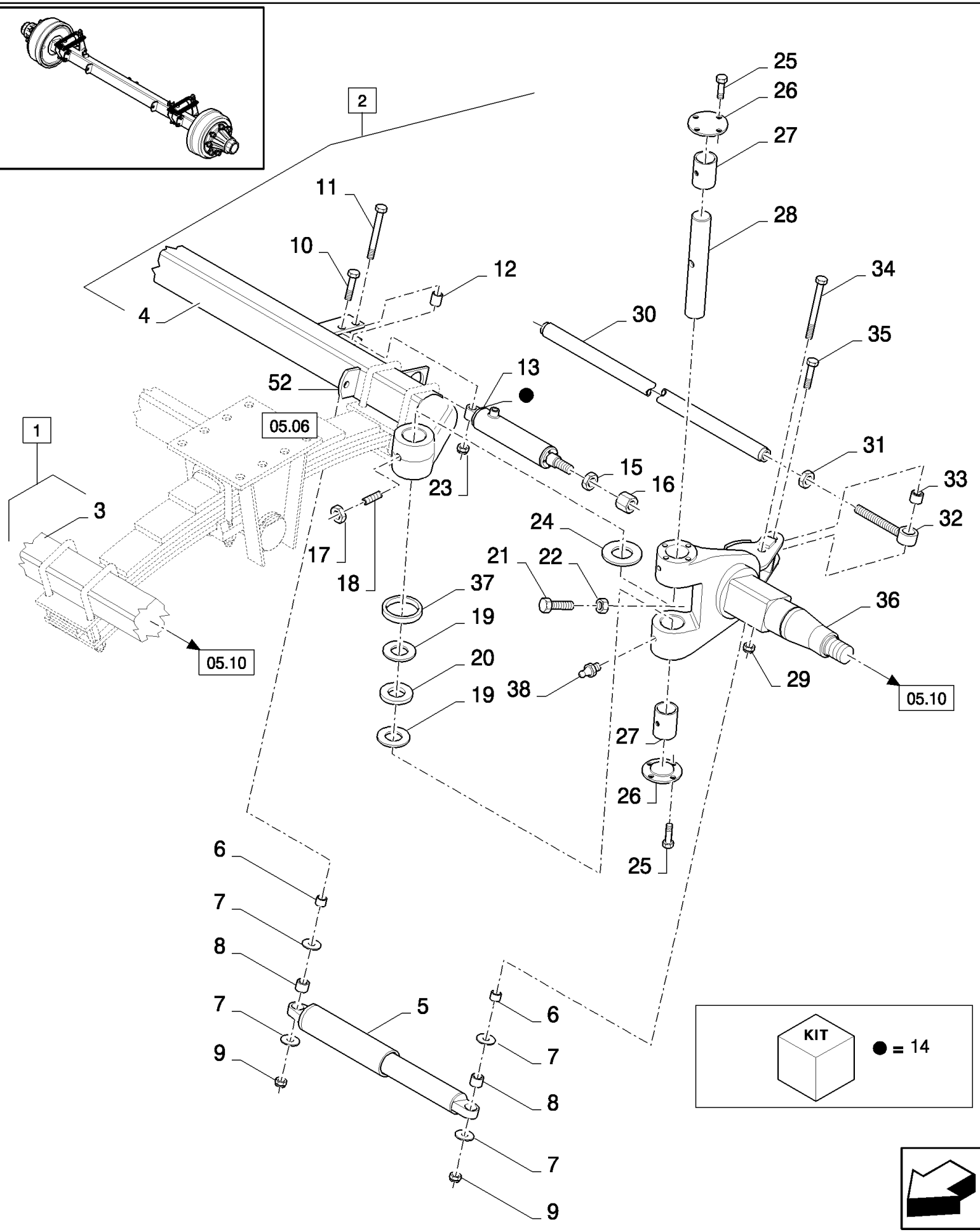
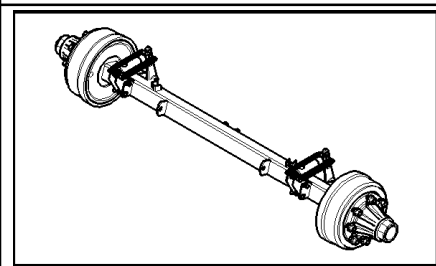
05.08(01) TANDEM AXLE WITH BRAKES

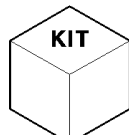
сылка	Номер детали	Кол-во	Описание
1	84807542	1	AXLE, FRONT, (2 to 29), FOR LBX332S, LBX332P, LBX332R ONLY, FOR HYDRAULIC BRAKES ONLY
1	84807543	1	AXLE, REAR, (2 to 29), FOR HYDRAULIC BRAKES ONLY, FOR LBX332S, LBX332P, LBX332R ONLY
1	84807551	1	AXLE, FRONT, (2 to 29), FOR LBX422S, LBX422R, LBX432S, LBX432R ONLY, FOR HYDRAULIC BRAKES ONLY
1	84807552	1	AXLE, REAR, (2 to 29), FOR HYDRAULIC BRAKES ONLY, FOR LBX422S, LBX422R, LBX432S, LBX432R ONLY
1	84807544	1	AXLE, FRONT, (2 to 18,20 to 22,30), FOR LBX332S, LBX332P, LBX332R ONLY, FOR PNEUMATIC BRAKES ONLY
1	84807545	1	AXLE, REAR, (2 to 18,20 to 22,30), FOR LBX332S, LBX332P, LBX332R ONLY, FOR PNEUMATIC BRAKES ONLY
1	84807553	1	AXLE, FRONT, (2 to 18,20 to 22,30), FOR PNEUMATIC BRAKES ONLY, FOR LBX422S, LBX422R, LBX432S, LBX432R ONLY
1	84807554	1	AXLE, REAR, (2 to 18,20 to 22,30), FOR LBX422S, LBX422R, LBX432S, LBX432R ONLY, FOR PNEUMATIC BRAKES ONLY
2	NSS	1	NOT SERVICED SEPARATELY, Shaft
3	84807624	4	SEAL,
4	84100482	4	RING,
5	84100483	4	BEARING ASSY,
6	84100484	4	RING,
7	84100485	4	BEARING ASSY,
8	84100486	4	NUT,
9	84041875	4	PIN,
10	84100487	4	KIT,
11	84014229	32	BOLT,
12	84045545	32	NUT,
13	84014235	8	SLEEVE,
14	84100574	4	SHAFT,
15	80300632	4	RETAINER,
16	84100575	8	SPRING,
17	84100576	8	BRAKE SHOE,
18	84100577	4	HUB,
19	84014241	8	SPRING,
20	84429121	4	LEVER, , FOR HYDRAULIC BRAKES ONLY
20	84807627	1	LEVER, RH, FOR PNEUMATIC BRAKES ONLY
20	84807628	1	LEVER, LH, FOR PNEUMATIC BRAKES ONLY
21	84814994	4	SEAL, , FOR HYDRAULIC BRAKES ONLY
22	80370002	4	CIRCLIP,
23	84014244	8	PIN,
24	84100491	8	SUPPORT, , FOR HYDRAULIC BRAKES ONLY
25	86509597	16	BOLT, Hex, M14 x 30, 8.8, Full Thd, M14x30
26	80140047	16	WASHER, LOCK, 14MM
27	80100065	16	NUT, M14
28	84014242	4	CYLINDER, D=25MM
29	84100480	4	HUB,

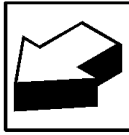
LBX421S BIG RECTANGULAR BALER (6/01-)

05.08(01) TANDEM AXLE WITH BRAKES

сылка	Номер детали	Кол-во	Описание
30	84100493	4	SUPPORT, , FOR PNEUMATIC BRAKES ONLY
31	84807633	4	BUSHING,
32	84807532	2	PIN,
33	84807533	2	NUT, M24x1.5
34	80412685	2	PIN, SPLIT (COTTER),



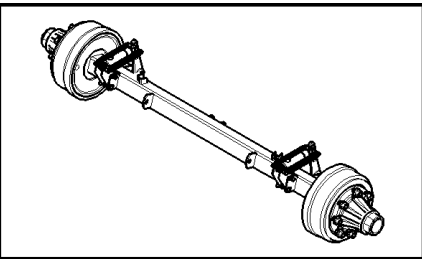
 KIT ● = 14



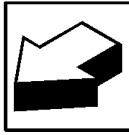
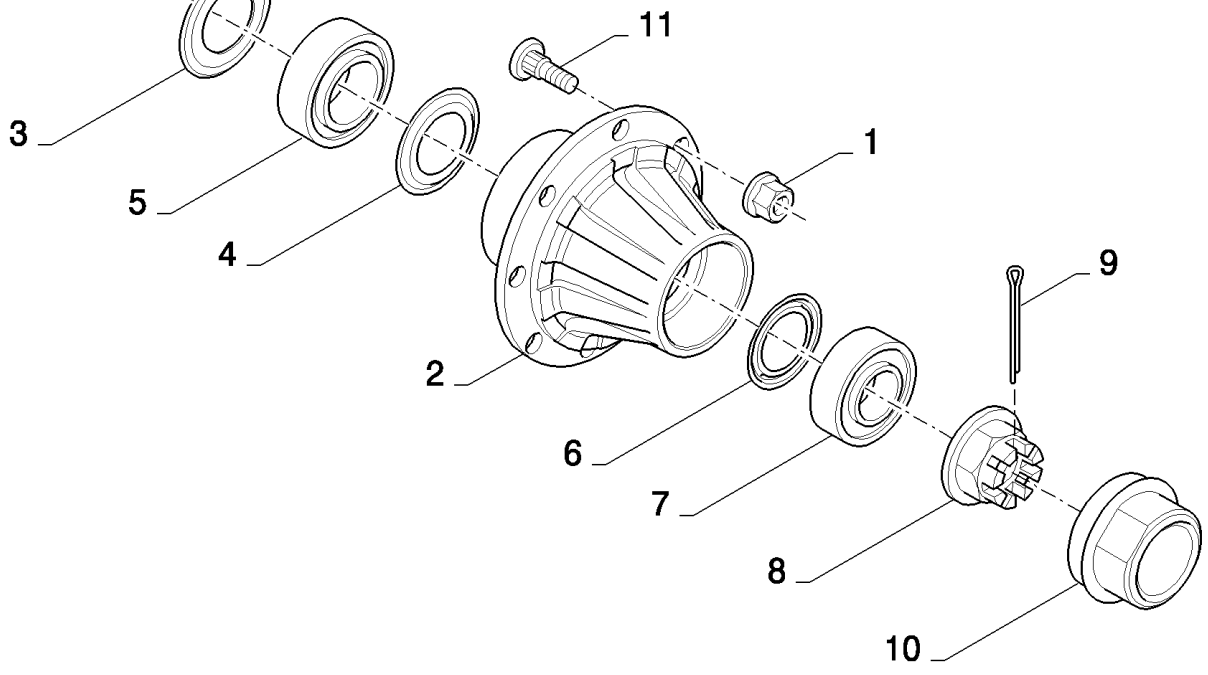
LBX421S BIG RECTANGULAR BALER (6/01-)

05.09(01) TANDEM AUTO-STEER AXLE WITHOUT BRAKES

сылка	Номер детали	Кол-во	Описание
1	84807540	1	AXLE, FRONT, (3,fig.05.10), FOR LBX331S, LBX331P, LBX331R ONLY
1	84807549	1	AXLE, FRONT, (3,fig.05.10), FOR LBX421S, LBX421R, LBX431S, LBX431R ONLY
2	84807546	1	AXLE, REAR, (4 to 38,05.10, FOR LBX331S, LBX331P, LBX331R ONLY
2	84807555	1	AXLE, REAR, (4 to 38,05.10), FOR LBX421S, LBX421R, LBX431S, LBX431R ONLY
3	NSS	1	NOT SERVICED SEPARATELY, Shaft
4	NSS	1	NOT SERVICED SEPARATELY, Shaft
5	84100592	1	SHOCK ABSORBER,
6	84100593	2	BUSHING,
7	84100594	4	WASHER,
8	84100609	2	BUSHING,
9	80412180	4	NUT,
10	84100597	2	SCREW,
11	80380422	1	SCREW,
12	84100595	1	BUSHING,
13	84100596	2	CYLINDER STEERING,
14	84100601	2	KIT, SEALS,
15	84100599	2	NUT,
16	84100600	2	NUT,
17	100020	2	NUT, M16, CI 8,
18	84100606	2	SCREW,
19	84100607	4	WASHER,
20	84100608	2	RING,
21	80374890	2	SCREW,
22	89706694	2	NUT, M20, CI 8,
23	84100598	2	NUT,
24	84100604	2	RING,
25	120104	16	BOLT, Hex, M8 x 20, 8.8,
26	84100602	4	COVER,
27	84100603	4	SLEEVE,
28	84100605	2	SHAFT,
29	80412180	4	NUT,
30	84100590	1	BAR,
31	84100589	1	NUT,
32	84100588	1	CONNECTION, SWIVEL,
33	84100591	2	BUSHING,
34	84334022	1	BOLT, Hex, M20 x 180, 10.9,
35	80395528	2	BOLT,
36	NSS	1	NOT SERVICED SEPARATELY, Shaft
37	NSS	1	NOT SERVICED SEPARATELY, Ring
38	150024	4	NIPPLE, LUBE, 45с, M8 x 1,



05.09

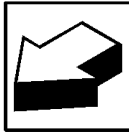
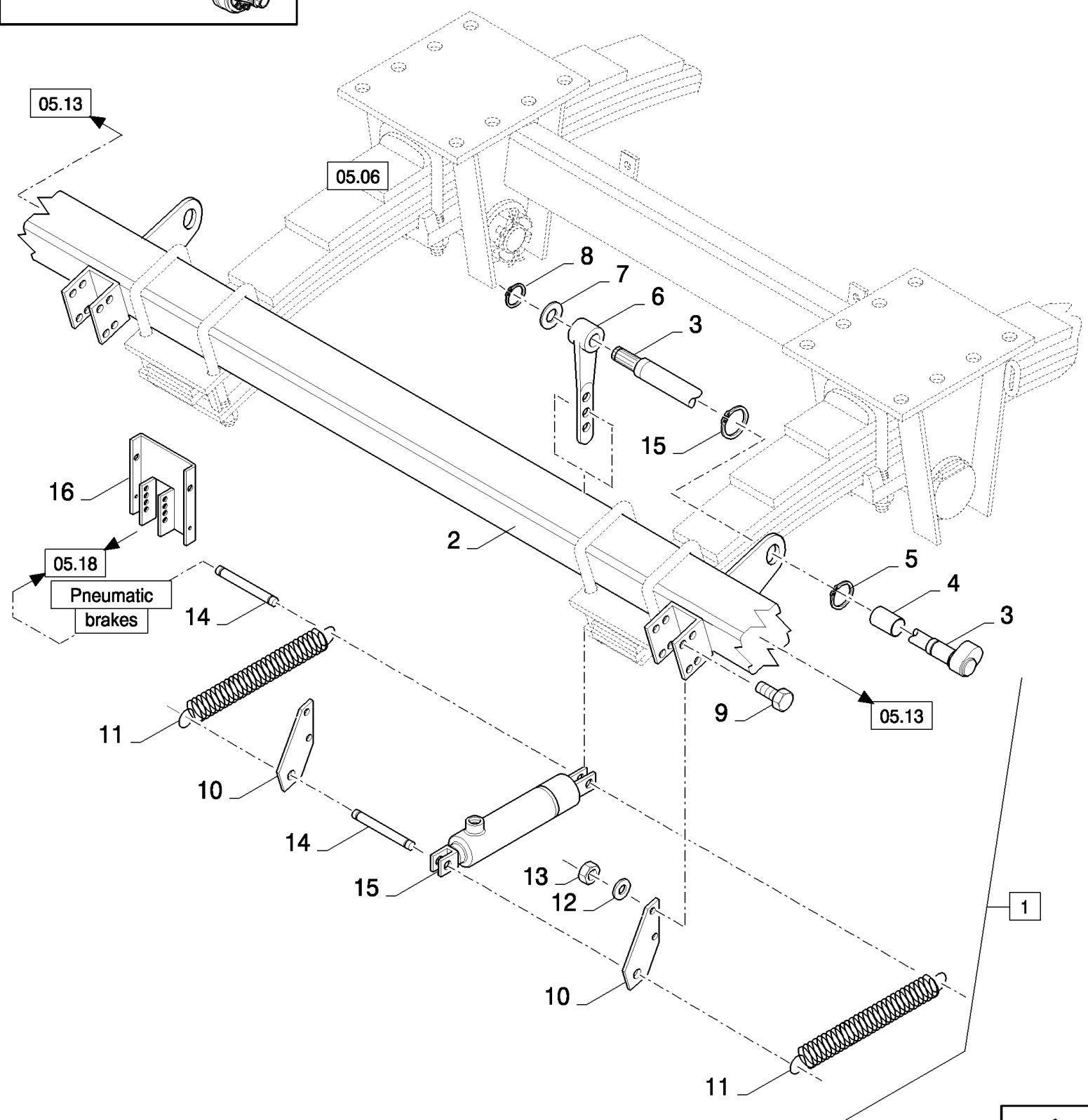
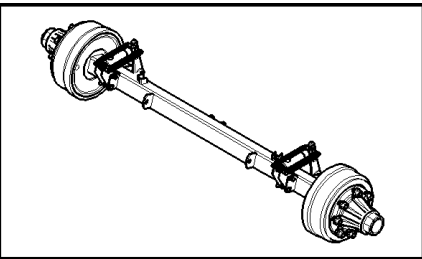


LBX421S BIG RECTANGULAR BALER (6/01-)

05.10(01) TANDEM AUTO-STEER AXLE WITHOUT BRAKES, WHEEL BEARING

сылка	Номер детали	Кол-во	Описание
1	84045545	32	NUT,
2	84100480	4	HUB,
3	84807624	4	SEAL,
4	84100482	4	RING,
5	84100483	4	BEARING ASSY,
6	84100484	4	RING,
7	84100485	4	BEARING ASSY,
8	84100486	4	NUT,
9	84041875	4	PIN,
10	84100487	4	KIT,
11	84041871	32	BOLT,

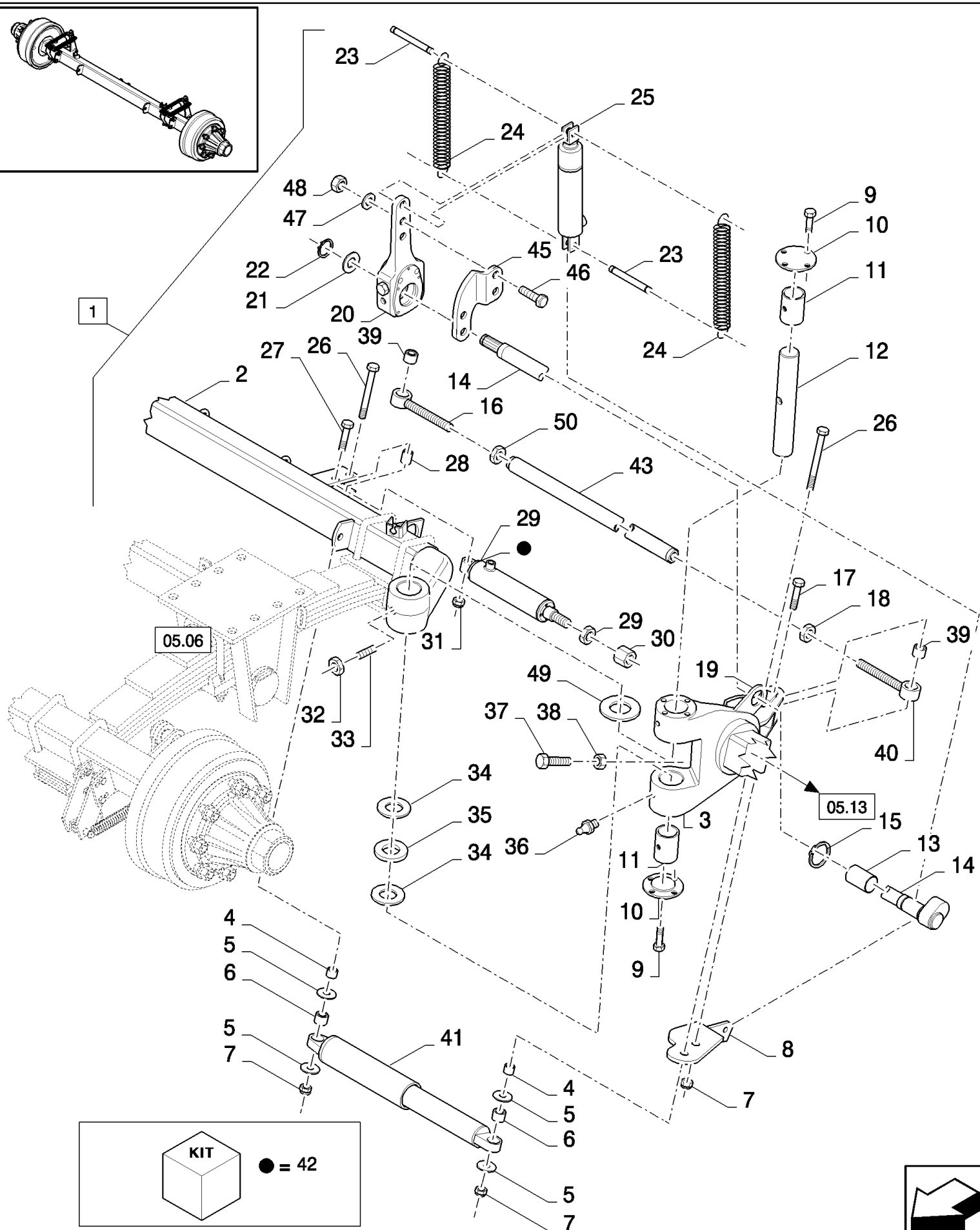
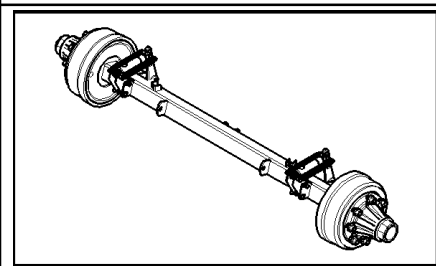
05.11(01) TANDEM AUTO-STEER AXLE WITH BRAKES, FRONT AXLE



LBX421S BIG RECTANGULAR BALER (6/01-)

05.11(01) TANDEM AUTO-STEER AXLE WITH BRAKES, FRONT AXLE

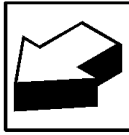
сылка	Номер детали	Кол-во	Описание
1	84807542	1	AXLE, FRONT, (2 to 15), FOR LBX332S, LBX332P, LBX332R ONLY, FOR HYDRAULIC BRAKES ONLY
1	84807551	1	AXLE, FRONT, (2 to 15), FOR HYDRAULIC BRAKES ONLY, FOR LBX422S, LBX422R, LBX432S, LBX432R ONLY
1	84807544	1	AXLE, FRONT, (2 to 9,12,13,16), FOR LBX332S, LBX332P, LBX332R ONLY, FOR PNEUMATIC BRAKES ONLY
1	84807553	1	AXLE, FRONT, (2 to 9,12,13,16), FOR PNEUMATIC BRAKES ONLY, FOR LBX422S, LBX422R, LBX432S, LBX432R ONLY
2	NSS	1	NOT SERVICED SEPARATELY, Shaft
3	84100574	2	SHAFT,
4	84014235	2	SLEEVE,
5	80300632	4	RETAINER,
6	84429121	2	LEVER, , FOR HYDRAULIC BRAKES ONLY
6	84807627	1	LEVER, RH, FOR PNEUMATIC BRAKES ONLY
6	84807628	1	LEVER, LH, FOR PNEUMATIC BRAKES ONLY
7	84814994	2	SEAL, , FOR HYDRAULIC BRAKES ONLY
8	80370002	2	CIRCLIP,
9	86509597	8	BOLT, Hex, M14 x 30, 8.8, Full Thd, M14x30
10	84100491	4	SUPPORT,
11	84014241	4	SPRING,
12	80140047	8	WASHER, LOCK, 14MM
13	80100065	8	NUT, M14
14	84014244	4	PIN,
15	84014242	2	CYLINDER, D=25MM
16	84100493	2	SUPPORT, , FOR PNEUMATIC BRAKES ONLY



05.06

05.13

KIT ● = 42



LBX421S BIG RECTANGULAR BALER (6/01-)

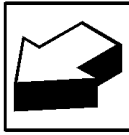
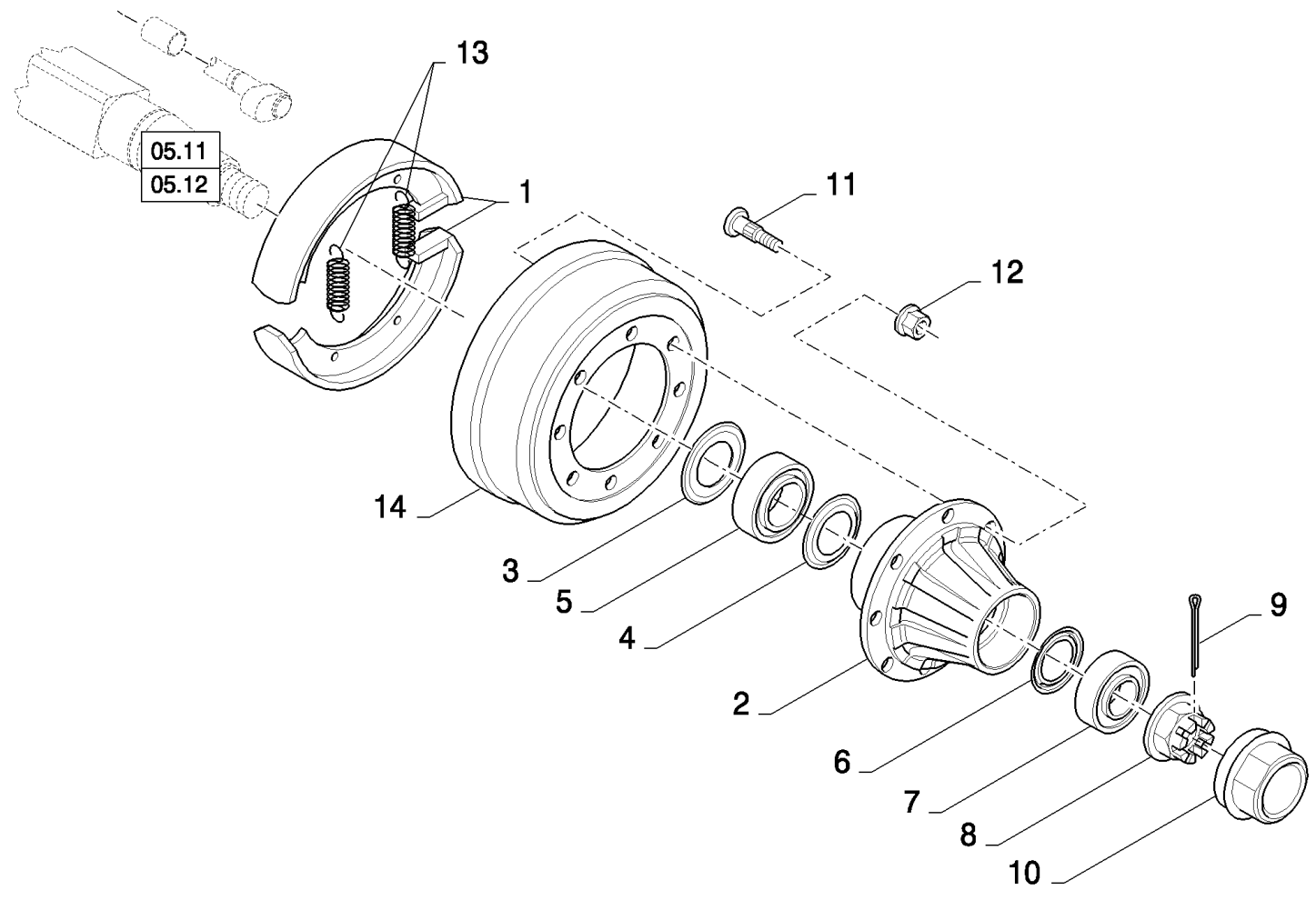
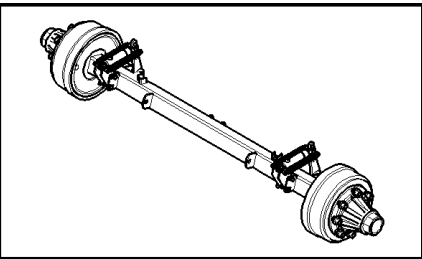
05.12(01) TANDEM AUTO-STEER AXLE WITH BRAKES, REAR AXLE

сылка	Номер детали	Кол-во	Описание
1	84807547	1	AXLE, REAR, Incl. all refs., FOR LBX332S, LBX332P, LBX332R ONLY, FOR HYDRAULIC BRAKES ONLY
1	84807556	1	AXLE, REAR, Incl. all refs., FOR HYDRAULIC BRAKES ONLY, FOR LBX422S, LBX422R, LBX432S, LBX432R ONLY
1	84807548	1	AXLE, REAR, Incl. all refs., FOR PNEUMATIC BRAKES ONLY, FOR LBX332S, LBX332P, LBX332R ONLY
1	84807557	1	AXLE, REAR, Incl. all refs., FOR PNEUMATIC BRAKES ONLY, FOR LBX422S, LBX422R, LBX432S, LBX432R ONLY
2	NSS	1	NOT SERVICED SEPARATELY, Shaft
3	NSS	2	NOT SERVICED SEPARATELY, Arm
4	84100593	2	BUSHING,
5	84100594	2	WASHER,
6	84100609	2	BUSHING,
7	9672396	4	NUT, LOCK,
8	84100616	1	SUPPORT, RH, FOR HYDRAULIC BRAKES ONLY
8	84100617	1	SUPPORT, LH, FOR HYDRAULIC BRAKES ONLY
8	84100647	1	SUPPORT, RH, FOR PNEUMATIC BRAKES ONLY
8	84100648	1	SUPPORT, LH, FOR PNEUMATIC BRAKES ONLY
9	120104	16	BOLT, Hex, M8 x 20, 8.8,
10	84100602	4	COVER,
11	84100603	4	SLEEVE,
12	84100605	2	SHAFT,
13	84014235	4	SLEEVE,
14	84100574	2	SHAFT,
15	80300632	2	RETAINER,
16	84100586	1	CONNECTION, SWIVEL,
17	80395528	2	BOLT, M20x100
18	84100589	1	NUT,
19	NSS	1	NOT SERVICED SEPARATELY, Ring
20	84429121	2	LEVER, , FOR HYDRAULIC BRAKES ONLY
20	84807627	1	LEVER, RH, FOR PNEUMATIC BRAKES ONLY
20	84807628	1	LEVER, LH, FOR PNEUMATIC BRAKES ONLY
21	84814994	2	SEAL, , FOR HYDRAULIC BRAKES ONLY
22	80370002	2	CIRCLIP,
23	84014244	4	PIN, , FOR HYDRAULIC BRAKES ONLY
24	84014241	4	SPRING, , FOR HYDRAULIC BRAKES ONLY
25	84014242	2	CYLINDER, D=25MM, FOR HYDRAULIC BRAKES ONLY
26	80380422	1	SCREW, M20x90
27	84100597	2	SCREW, M22x120
28	84100595	1	BUSHING,
29	84100599	2	NUT, M27
30	84100600	2	NUT, M27
31	84100598	2	NUT,
32	100020	2	NUT, M16, CI 8,
33	84100606	2	SCREW,

LBX421S BIG RECTANGULAR BALER (6/01-)

05.12(01) TANDEM AUTO-STEER AXLE WITH BRAKES, REAR AXLE

сылка	Номер детали	Кол-во	Описание
34	84100607	4	WASHER,
35	84100608	2	RING,
36	150024	4	NIPPLE, LUBE, 45с, M8 x 1,
37	80374890	2	SCREW,
38	89706694	2	NUT, M20, CI 8,
39	84100591	2	BUSHING,
40	84100588	1	CONNECTION, SWIVEL,
41	84100592	1	SHOCK ABSORBER,
42	84100601	2	KIT, SEALS, , FOR PNEUMATIC BRAKES ONLY
43	84100590	1	BAR,
44	84100596	1	CYLINDER STEERING, , FOR PNEUMATIC BRAKES ONLY
45	84807811	2	PLATE, , FOR HYDRAULIC BRAKES ONLY
45	84807813	2	PLATE, , FOR HYDRAULIC BRAKES ONLY
46	80280264	4	SCREW, M14x50
47	80140069	4	WASHER,
48	80412370	4	NUT, LOCK, M14
49	84100604	2	RING,
50	80325290	1	

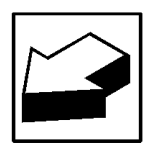
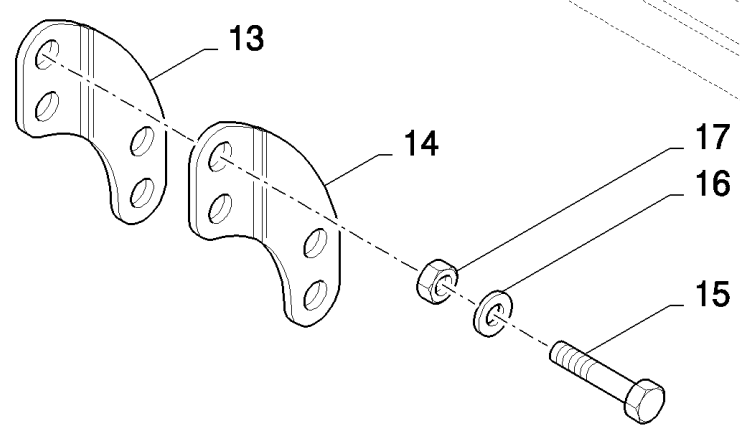
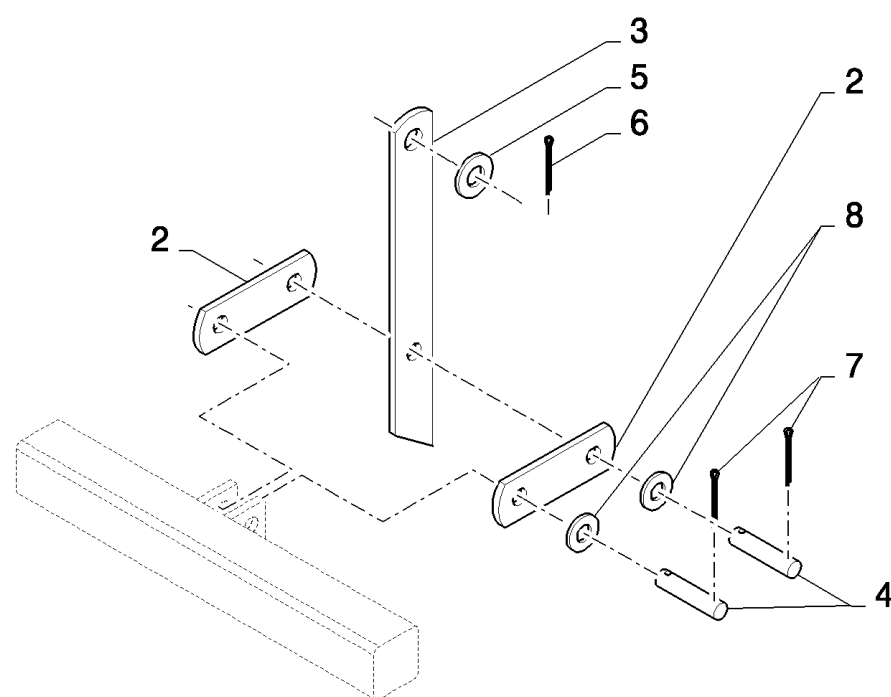
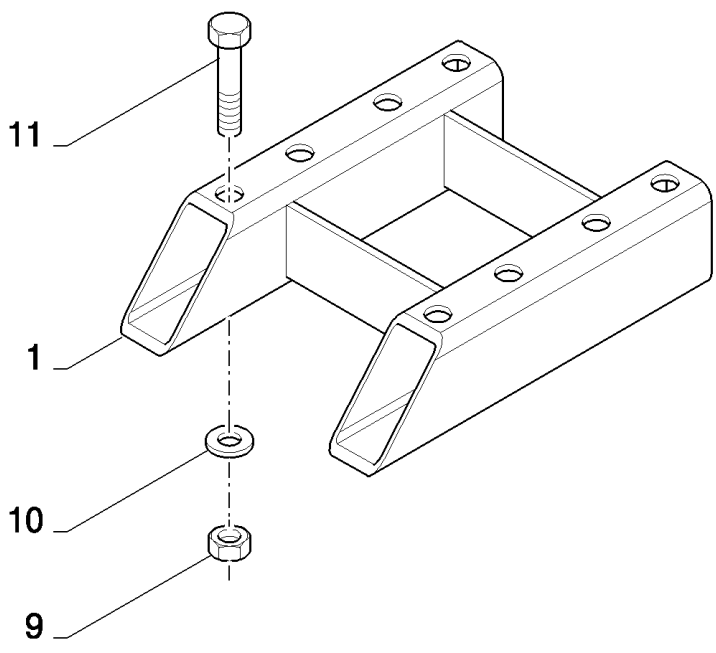
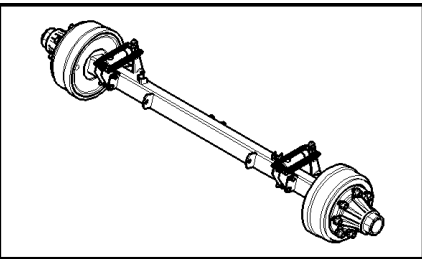


LBX421S BIG RECTANGULAR BALER (6/01-)

05.13(01) TANDEM AUTO-STEER AXLE, BRAKES

сылка	Номер детали	Кол-во	Описание
1	84100576	8	BRAKE SHOE,
2	84100480	4	HUB,
3	84807624	4	SEAL,
4	84100482	4	RING,
5	84100483	4	BEARING ASSY,
6	84100484	4	RING,
7	84100485	4	BEARING ASSY,
8	84100486	4	NUT,
9	84041875	4	PIN,
10	84100487	4	KIT,
11	84014229	32	BOLT,
12	84045545	32	NUT, M18
13	84100575	8	SPRING,
14	84100577	4	HUB,

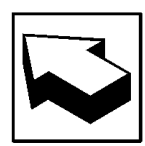
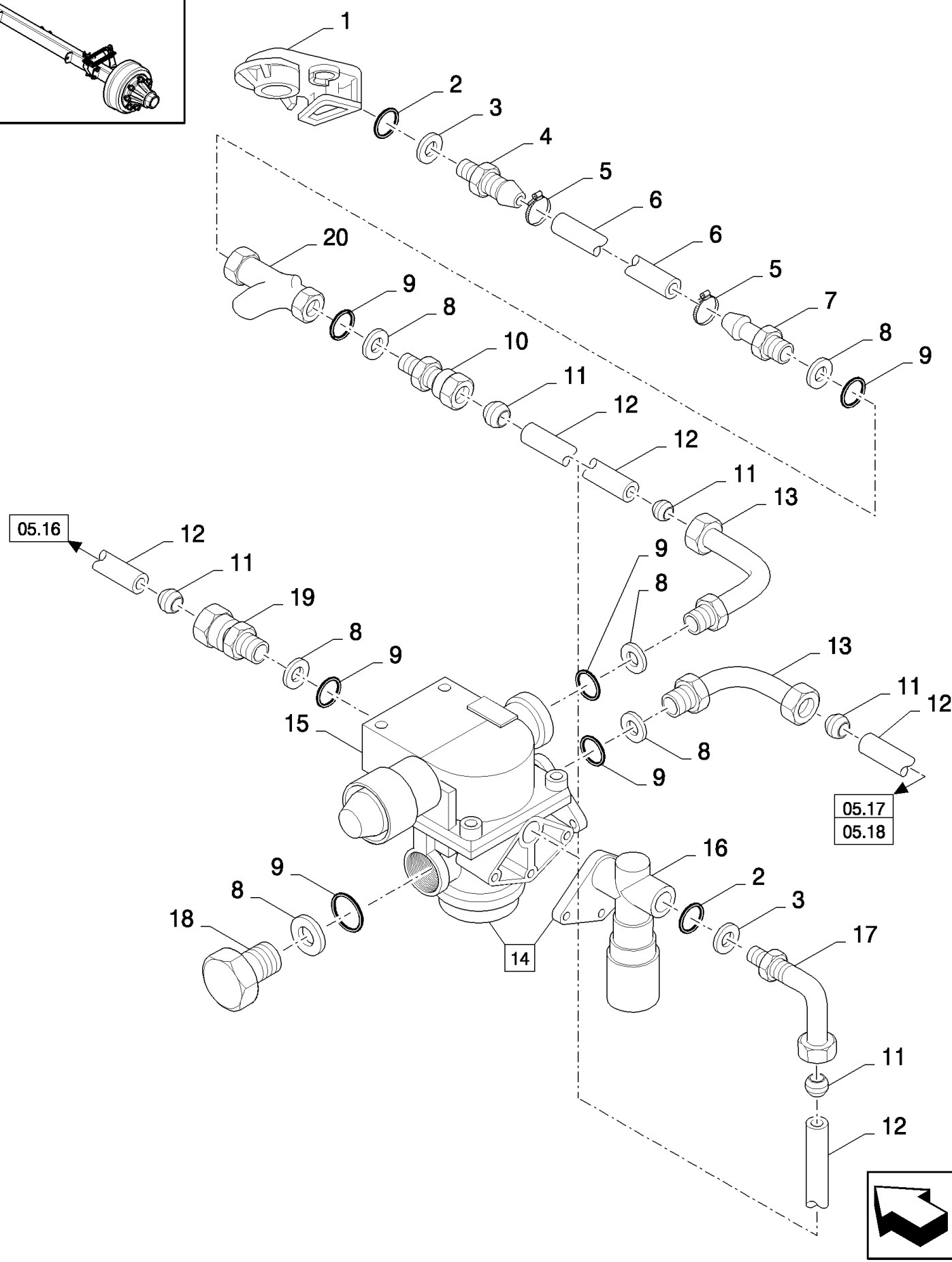
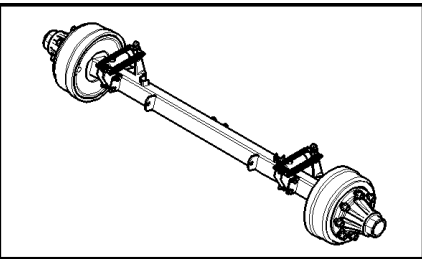
05.14(01) AXLE, FIXING PARTS



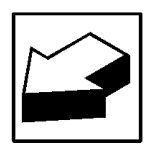
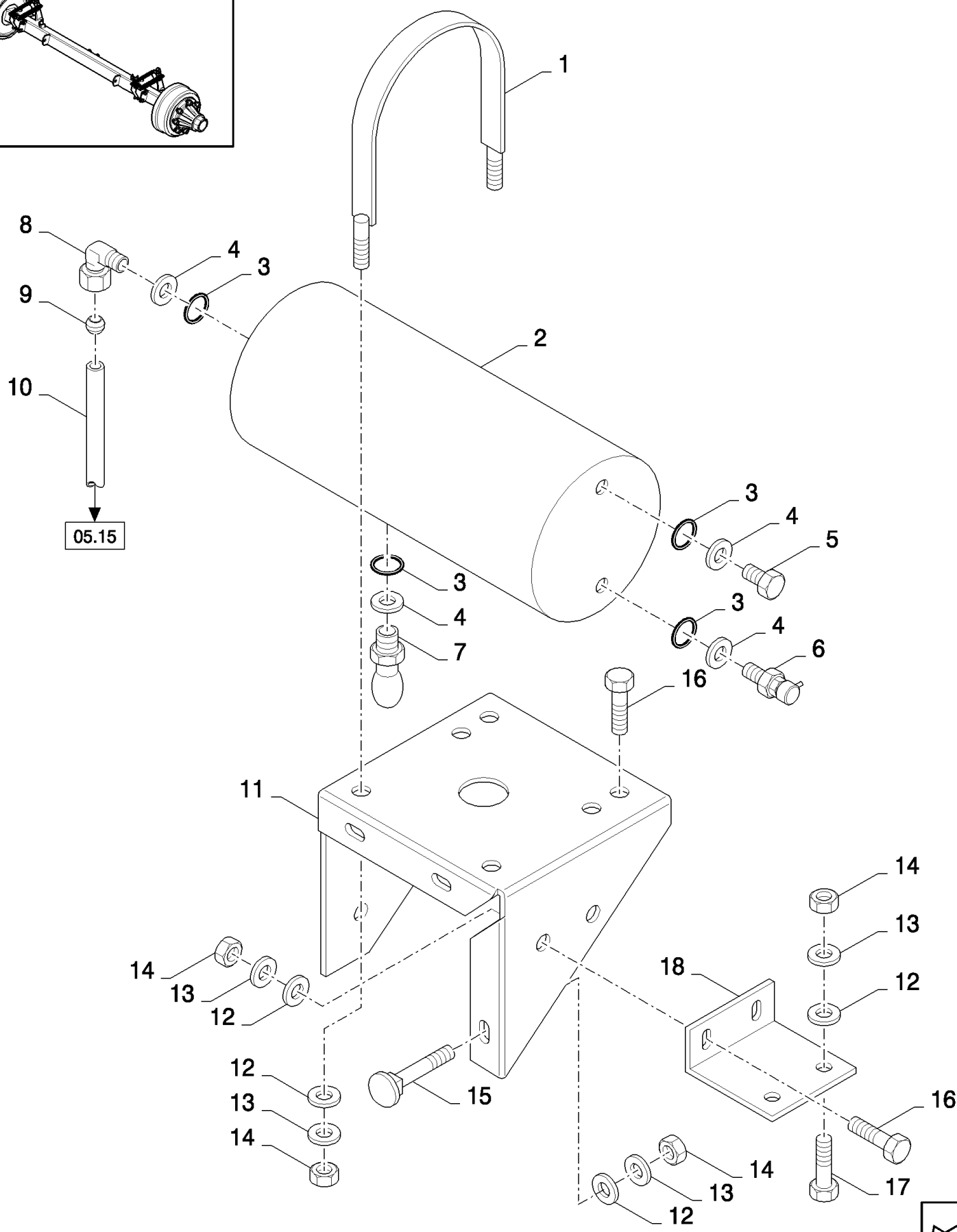
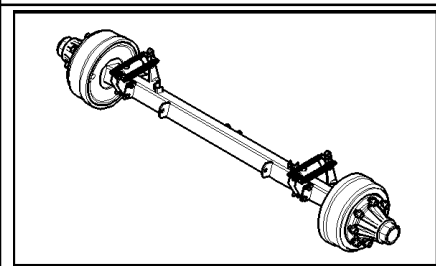
LBX421S BIG RECTANGULAR BALER (6/01-)

05.14(01) AXLE, FIXING PARTS

сылка	Номер детали	Кол-во	Описание
1	84078606	2	SUPPORT, , FOR LBX331R, LBX421R, LBX431R ONLY
2	84068050	4	PLATE,
3	84068048	2	PLATE, , FOR LBX331S, LBX331P, LBX421S, LBX431S ONLY
3	84068692	2	PLATE, , FOR LBX331R, LBX421R, LBX431R ONLY
4	89503184	4	PIN, CLEVIS,
5	80140104	2	WASHER,
6	80300595	2	PIN, SPLIT (COTTER),
7	80130007	4	PIN, SPLIT (COTTER),
8	80378246	4	WASHER, 16MM
9	89706694	AR	NUT, M20, CI 8,
10	80322359	AR	WASHER, LOCK, 20MM
11	89838134	AR	SCREW, M20x50
12	80384197	AR	SCREW, M20x150
13	84807813	2	PLATE,
14	84807811	2	PLATE,
15	80280264	4	SCREW, M14x50, FOR PNEUMATIC BRAKES ONLY
16	80140069	4	WASHER, , FOR PNEUMATIC BRAKES ONLY
17	80412370	4	NUT, LOCK, M14, FOR PNEUMATIC BRAKES ONLY



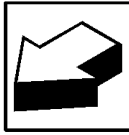
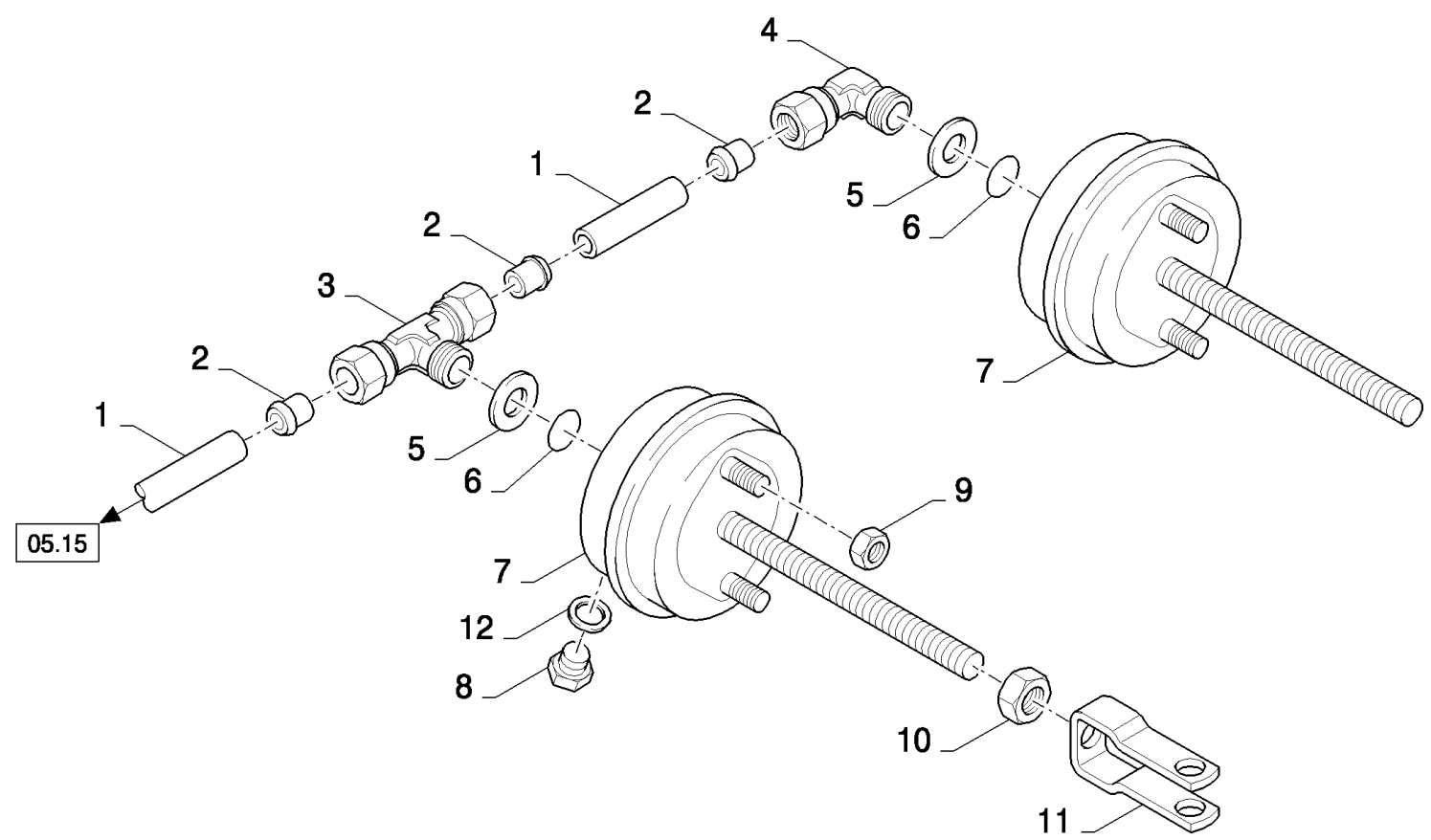
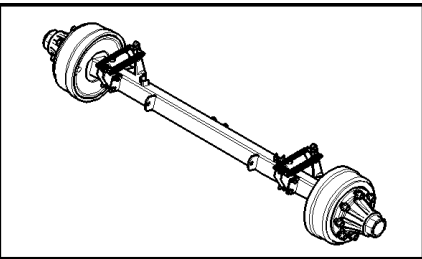
сылка	Номер детали	Кол-во	Описание
1	89512537	1	BLOCK, COUPLING, Yellow
1	89512546	1	BLOCK, COUPLING, Red
1	84017270	1	BLOCK, COUPLING, , FOR ITALY ONLY
2	89512532	AR	O-RING,
3	89512533	AR	WASHER, THRUST,
4	89512534	AR	CONNECTOR, HYD.,
5	80326082	AR	CLAMP,
6	84014198	AR	HOSE, 40M Long
7	89512531	2	CONNECTOR, HYD.,
8	89512530	8	WASHER, THRUST,
9	89512529	8	O-RING,
10	89512528	2	CONNECTOR, HYD.,
11	89512527	AR	FERRULE,
12	89512535	AR	HOSE, L=3m
13	89512525	2	ELBOW,
14	89512544	1	VALVE, BRAKE, (15, 16)
15	89804178	1	KIT, SEALS,
16	89804179	1	KIT, SEALS,
17	84007190	1	ELBOW,
18	89512523	1	PLUG,
19	84007189	1	CONNECTOR, HYD.,
20	89512545	2	FILTER,



LBX421S BIG RECTANGULAR BALER (6/01-)

05.16(01) PNEUMATIC BRAKES, AIR RESERVOIR

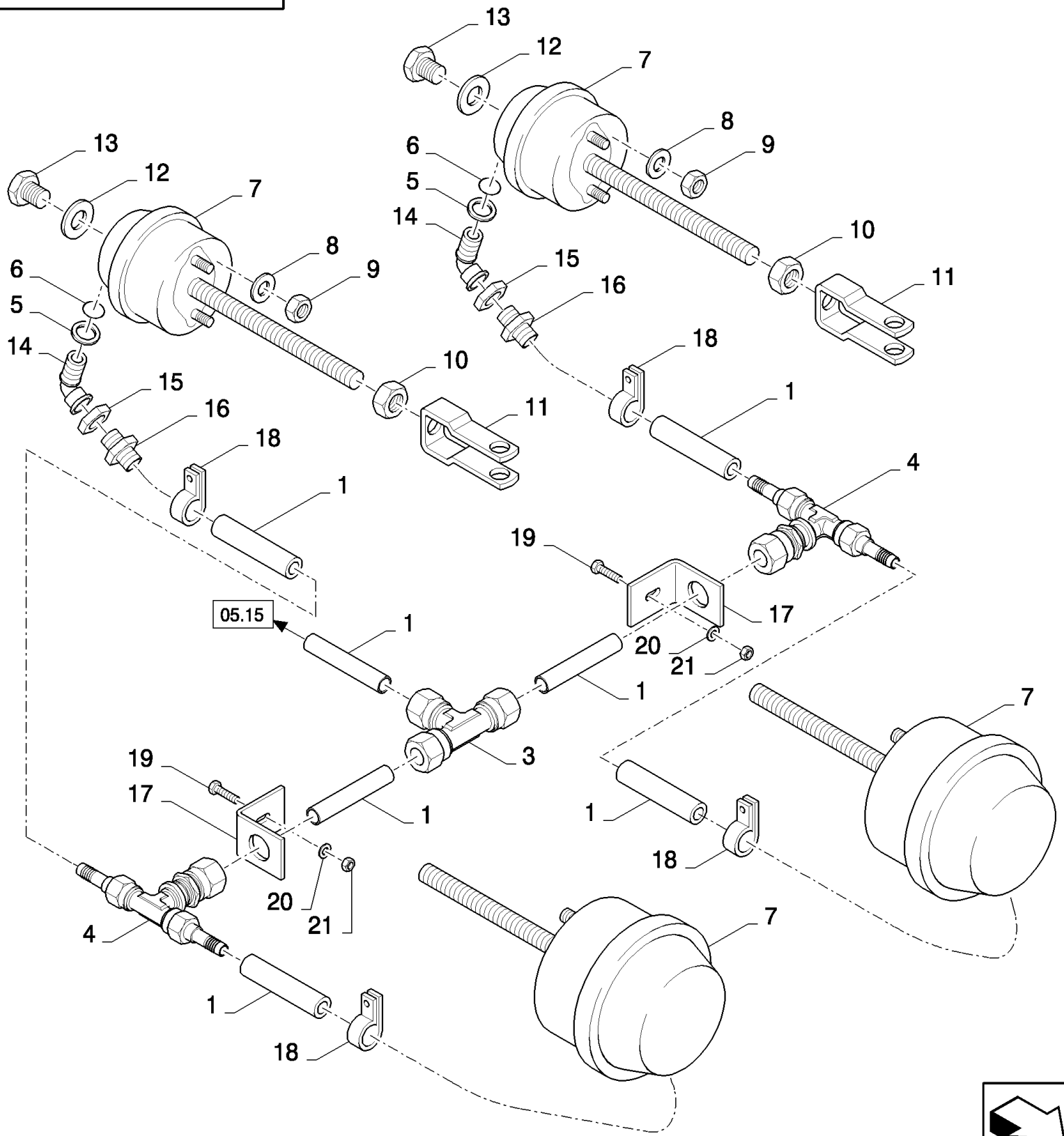
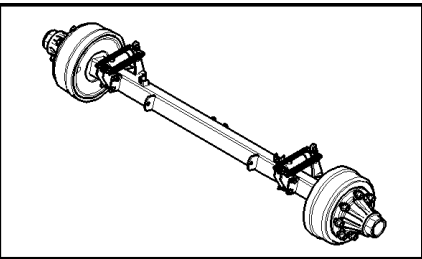
сылка	Номер детали	Кол-во	Описание
1	89512522	2	SUPPORT,
2	84078145	1	RESERVOIR, AIR,
3	89512529	4	O-RING,
4	89512530	4	WASHER, THRUST,
5	89512523	1	PLUG,
6	89512540	1	CONNECTOR, HYD.,
7	89512541	1	PLUG, DRAIN,
8	89512525	1	ELBOW,
9	89512527	1	FERRULE,
10	89512535	AR	HOSE, L=3m
11	84007193	1	SUPPORT,
12	86511323	13	WASHER, M10 x 20 x 2,
13	80140045	13	WASHER, LOCK,
14	100016	13	NUT, M10, CI 8,
15	80338949	3	BOLT, CARRIAGE, M10x25
16	80043139	6	SCREW, M10x25
17	80043140	2	BOLT, Hex, M10 x 30, 8.8,
18	84007195	1	BRACKET,



LBX421S BIG RECTANGULAR BALER (6/01-)

05.17(01) PNEUMATIC BRAKES, SINGLE AXLE

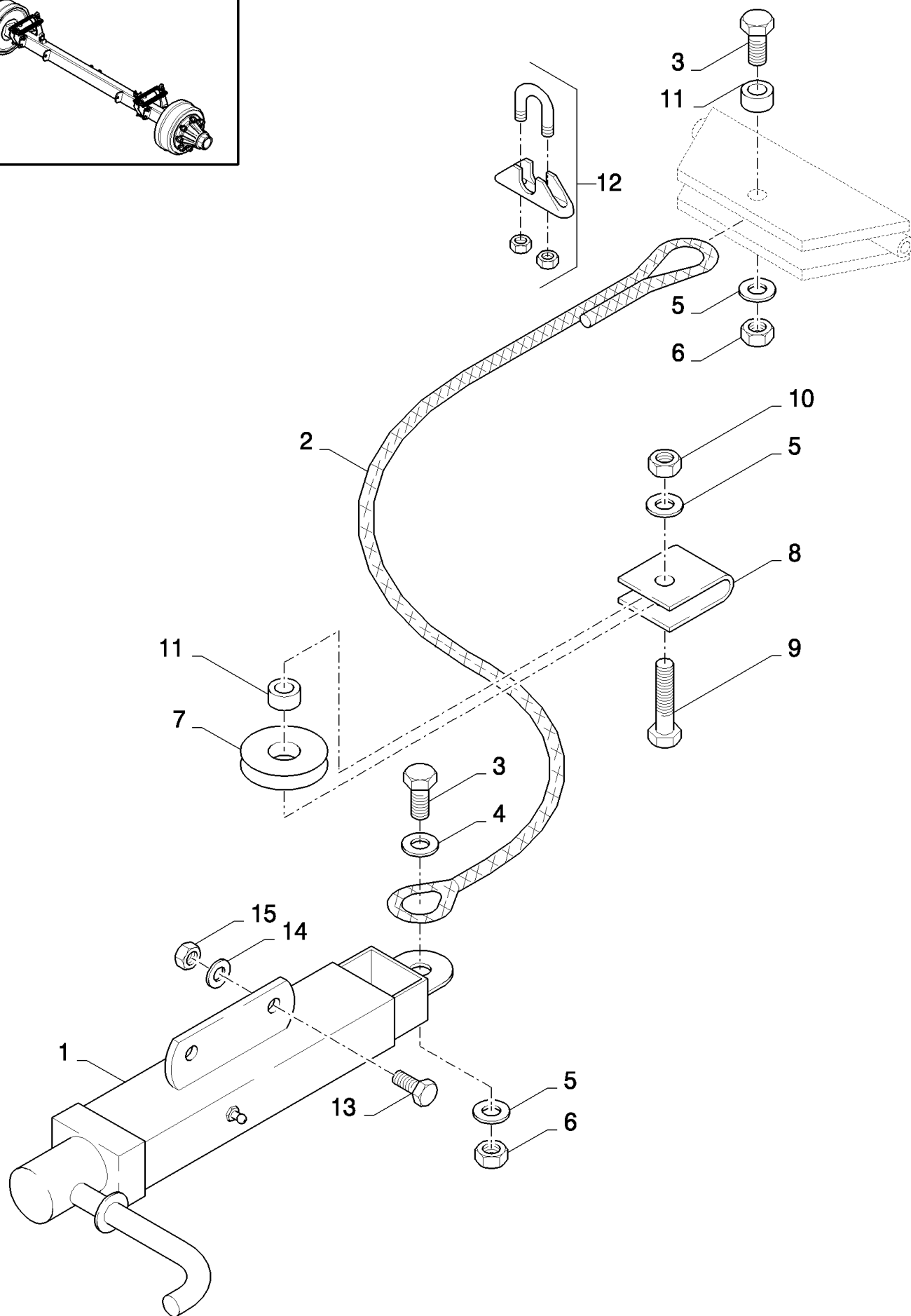
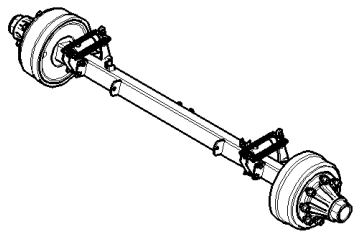
сылка	Номер детали	Кол-во	Описание
1	89512535		AR HOSE, L=3m
2	89512527		AR FERRULE,
3	84014954	1	CONNECTION, 3 WAY, , FOR LBX421S, LBX421R, LBX431S, LBX431R ONLY
4	84007190	1	ELBOW,
5	89512533		AR WASHER, THRUST,
6	89512532		AR O-RING,
7	84012958	1	CYLINDER, , FOR LBX331S, LBX331P, LBX331R ONLY
7	84014962	1	CYLINDER, , FOR LBX421S, LBX421R, LBX431S, LBX431R ONLY
8	84014311		AR PLUG,
9	80330327		AR NUT, M12
10	80364164		AR NUT,
11	84014245		AR YOKE,
12	84014312		AR RING,



LBX421S BIG RECTANGULAR BALER (6/01-)

05.18(01) PNEUMATIC BRAKES - TANDEM AXLE

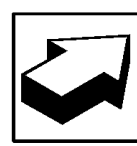
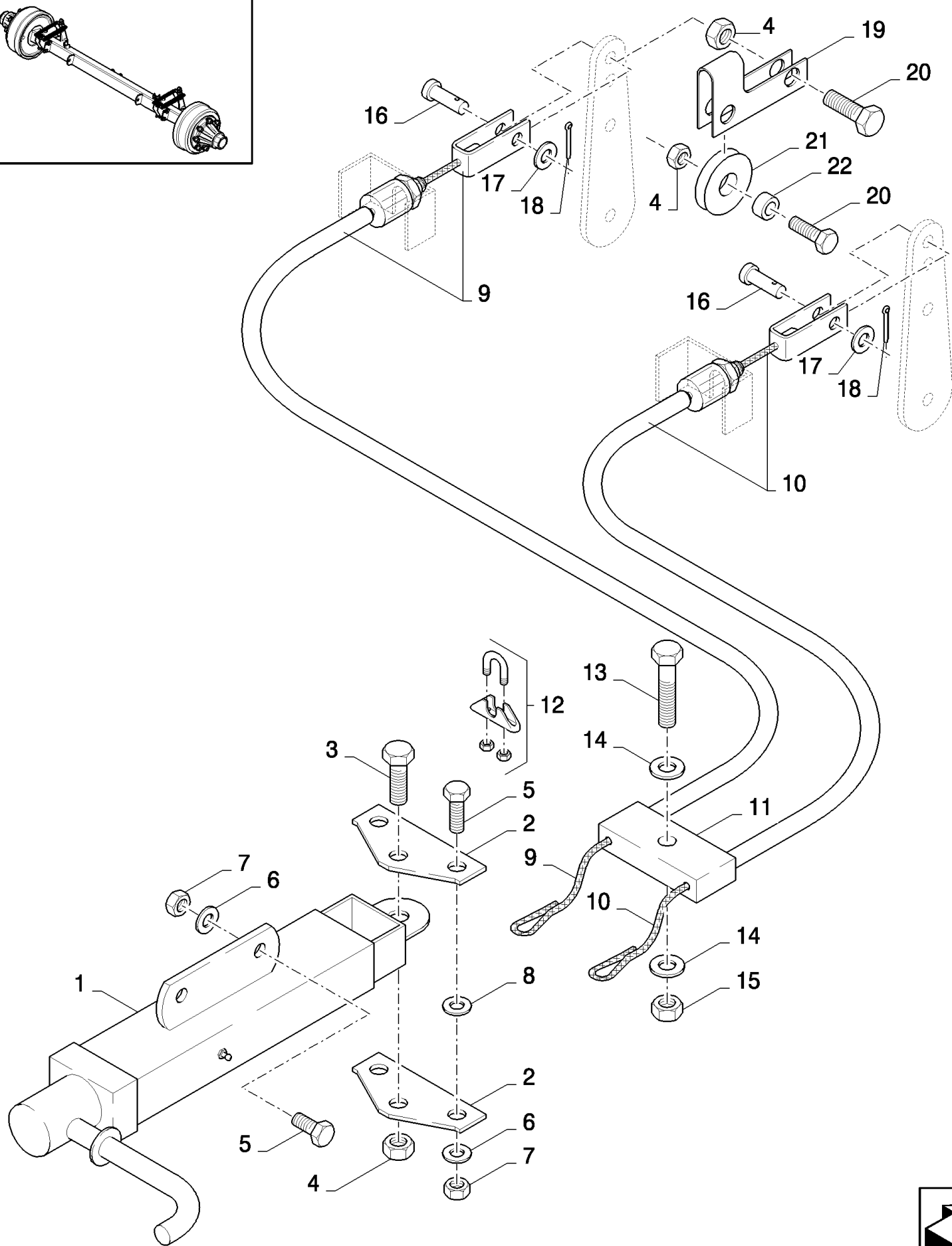
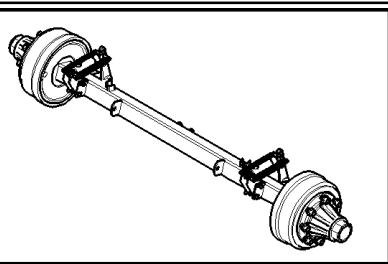
сылка	Номер детали	Кол-во	Описание
1	89512535	AR	HOSE, L=3m
2	89512527	AR	FERRULE,
3	84100075	1	CONNECTION, 3 WAY,
4	84100076	1	CONNECTION, 3 WAY,
5	89512533	AR	WASHER, THRUST,
6	89512532	AR	O-RING,
7	84078896	2	CYLINDER, Rear
7	84320807	2	CYLINDER, Front
8	80140046	AR	WASHER, SPRING,
9	80330327	AR	NUT,
10	80364164	AR	NUT,
11	84014245	AR	YOKE,
12	84014312	AR	RING,
13	84014311	AR	PLUG,
14	84100254	4	CONNECTOR, HYD.,
15	80364164	4	NUT, M16
16	89512534	4	CONNECTOR, HYD.,
17	84100226	2	BRACKET,
18	80711051	4	CLAMP,
19	80120100	2	BOLT, Hex, M6 x 20, 8.8,
20	80322357	AR	WASHER, SPRING, Belleville, M6, 6MM
21	15896221	AR	NUT, M6, CI 10,



LBX421S BIG RECTANGULAR BALER (6/01-)

05.19(01) PARKING BRAKES - SINGLE AXLE

сылка	Номер детали	Кол-во	Описание
1	84078617	1	LEVER,
2	84042718	1	CABLE,
3	80043154	2	SCREW, M12x40
4	80378245	1	WASHER, 12MM
5	80140046	3	WASHER, SPRING, 12MM
6	80100038	2	NUT, LOCK, M12
7	84078395	1	ROLLER,
8	84078396	1	BRACKET,
9	89706702	1	SCREW, M12x50
10	89706685	1	NUT, M12
11	89838358	2	RING,
12	84607247	1	CLAMP, WIRE,
13	80043139	2	SCREW, M10x25
14	80140045	2	WASHER, LOCK, 10MM
15	100016	2	NUT, M10, CI 8,



LBX421S BIG RECTANGULAR BALER (6/01-)

05.20(01) PARKING BRAKES - TANDEM AXLE

сылка	Номер детали	Кол-во	Описание
1	84078617	1	LEVER,
2	84078394	2	SUPPORT,
3	89706687	1	SCREW, M12x30
4	80100038	AR	NUT, LOCK, M12
5	80043139	4	SCREW, M10x25
6	80140045	4	WASHER, LOCK, 10MM
7	100016	4	NUT, M10, CI 8,
8	80748797	2	RING,
9	84429162	1	CABLE, LH
10	84429163	1	CABLE, RH
11	84078393	1	SUPPORT,
12	84607247	2	CLAMP, WIRE,
13	89706702	1	SCREW, M12x50
14	80140046	2	WASHER, SPRING, 12MM
15	89706685	1	NUT, M12
16	80322901	2	PIN, D=10mm
17	86511323	2	WASHER, M10 x 20 x 2,
18	80130003	2	PIN, SPLIT (COTTER),
19	84429166	2	BRACKET,
20	80043154	4	SCREW,
21	84078395	2	ROLLER,
22	89838358	2	RING,

ELECTRICAL SYSTEM

SYSTÈME ELECTRIQUE

SISTEMA ELÉCTRICO

ELECTRISK SYSTEM

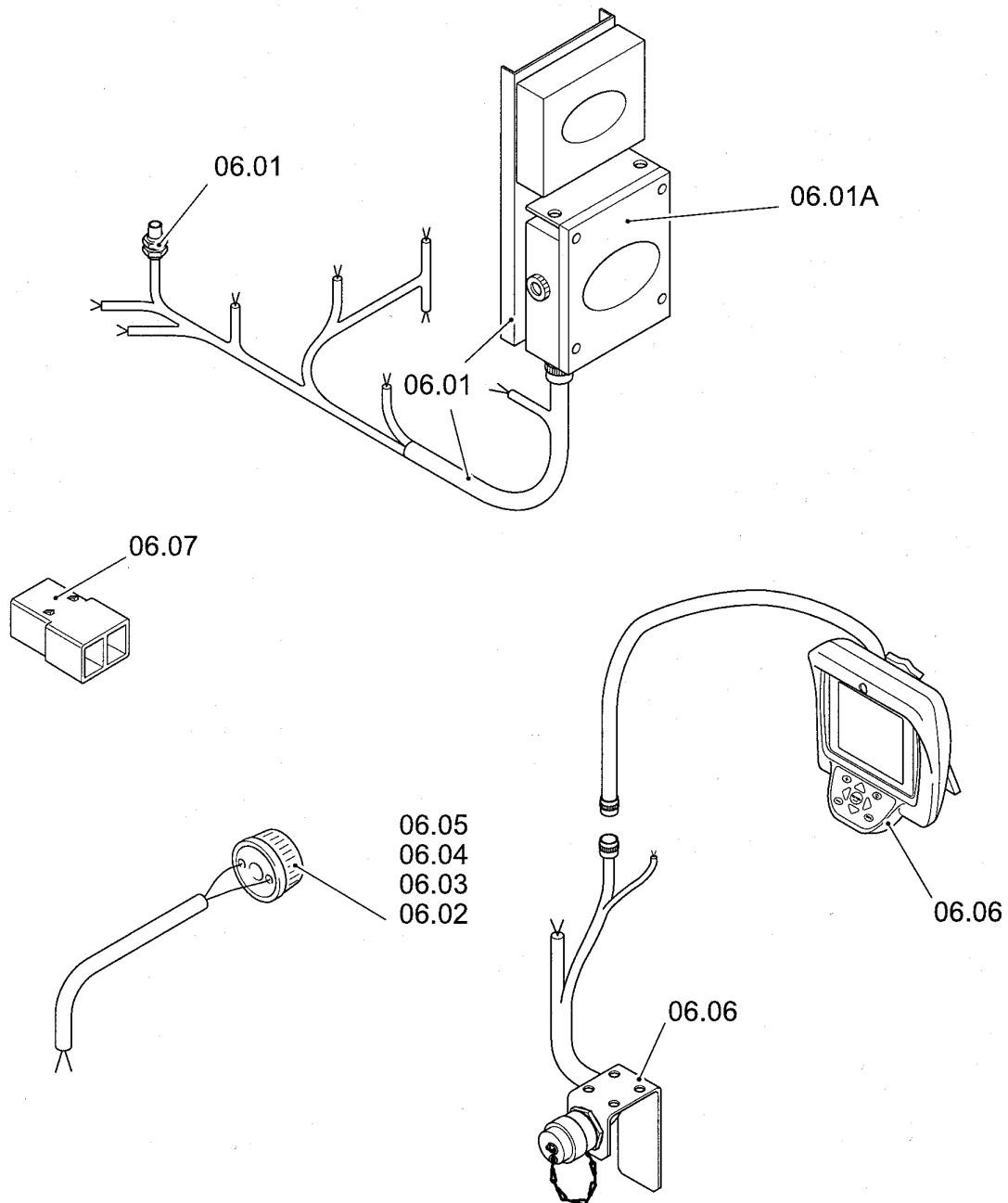
SISTEMA DI ELETTRICO

ELEKTRISCHES SYSTEME

SISTEMA ELÉCTRICA

ELEKTRISCH SYSTEMEEM

SEC. 6

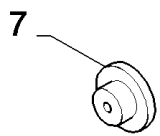
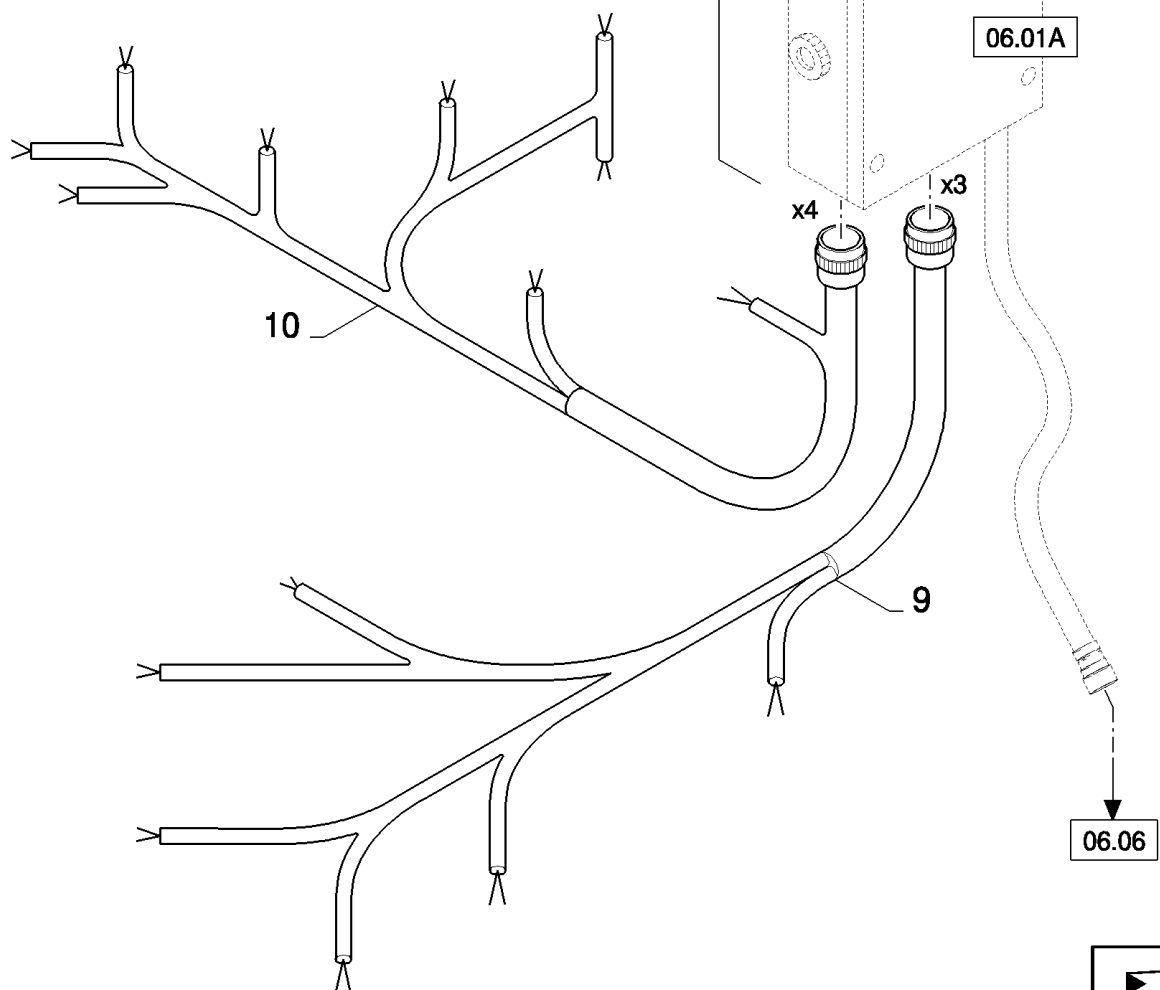
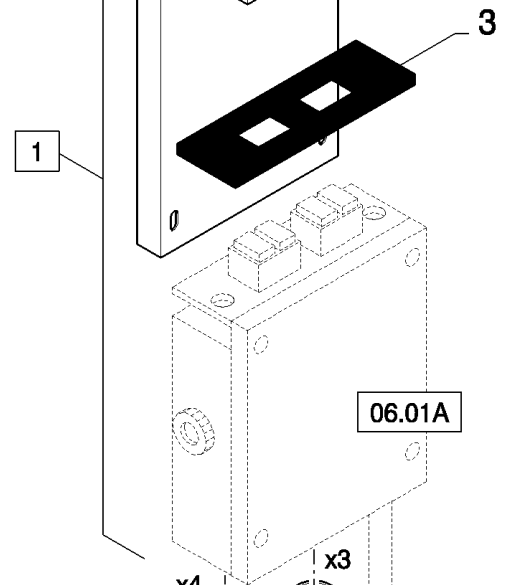
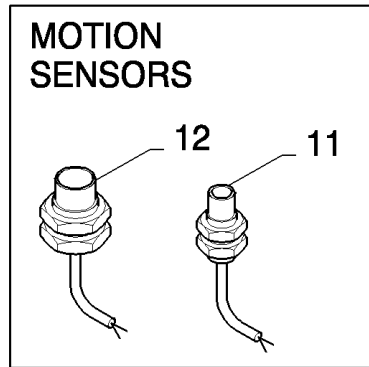
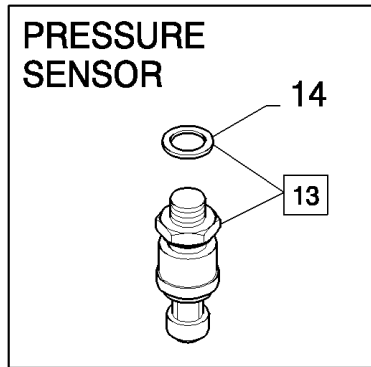
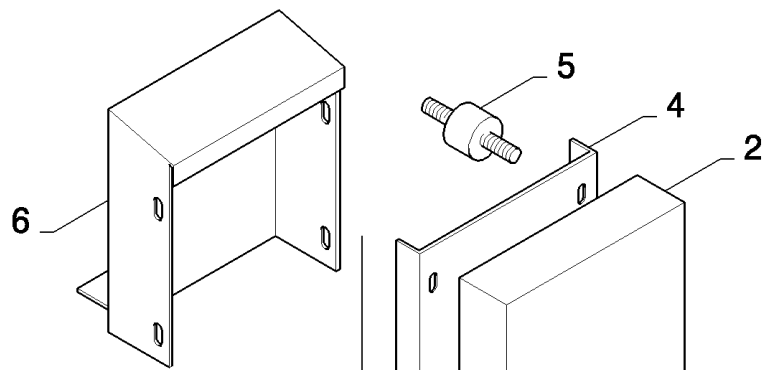
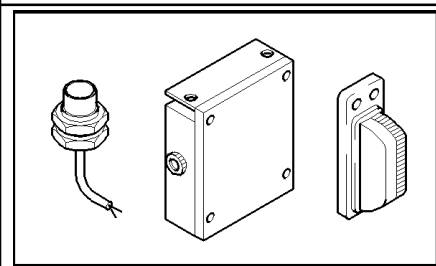


LBX421S BIG RECTANGULAR BALER (6/01-)

06.00(01) SECTION LIST 6 - ELECTRICAL SYSTEM

сылка	Номер детали	Кол-во	Описание

06.01(01) ELECTRIC WIRING



06.06

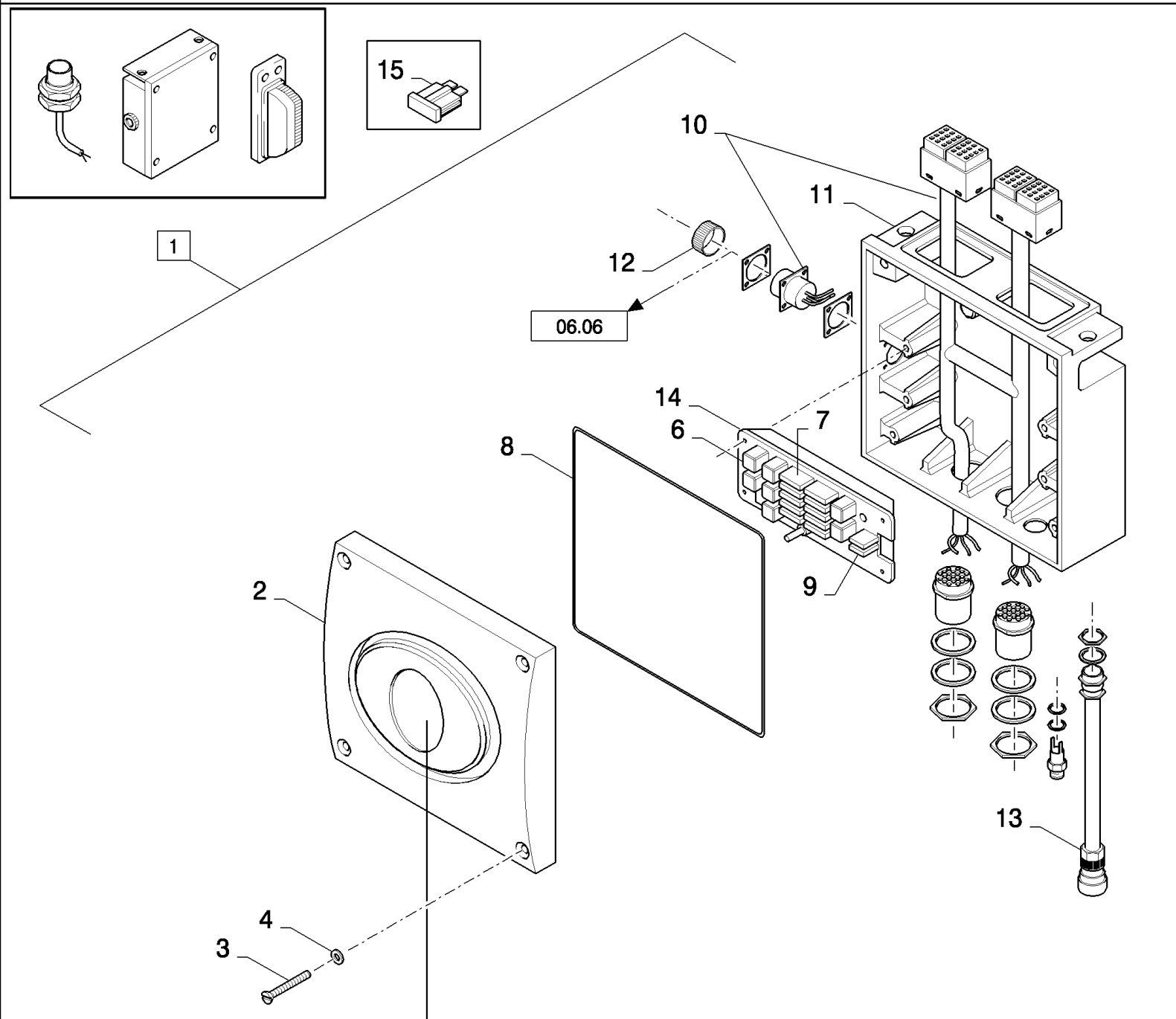


LBX421S BIG RECTANGULAR BALER (6/01-)

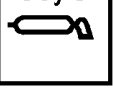

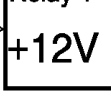




06.01(01) ELECTRIC WIRING


сылка	Номер детали	Кол-во	Описание
1	84437946	1	ELECTRONIC UNIT, CONTROL, (2 to 5, fig 06.01A), BSN C249
1	84441223	1	ELECTRONIC UNIT, CONTROL, (2 to 5, fig 06.01A), ASN D250
2	84429194	1	ELECTRONIC UNIT, CONTROL, , BSN C249
2	84437943	1	ELECTRONIC UNIT, CONTROL, , ASN D250
3	84429195	1	SEAL,
4	84072075	1	SUPPORT,
5	80393802	4	SHOCK ABSORBER,
6	84400159	1	PROTECTING COVER,
7	84100277	1	DUST CAP, , BSN C257
7	84441183	1	DUST CAP, , ASN D258
9	84433008	1	HARNESS, WIRE, , FOR LBX331S, LBX331P, LBX331R ONLY, BSN C257
9	84441049	1	HARNESS, WIRE, , FOR HIGH HITCH ONLY, FIXED RING, NOT FOR NA, ASN D258
9	84433009	1	HARNESS, WIRE, , FOR LBX421S, LBX421R, LBX431S, LBX431R ONLY, BSN C257
9	84441048	1	HARNESS, WIRE, , ASN D258
10	84439335	1	HARNESS, WIRE, , BSN C257
10	84440838	1	HARNESS, WIRE, , ASN D258
11	84078760	AR	SENSOR, M12
12	84058863	6	SENSOR, M18
13	86523197	1	SENSOR, (14)
14	84320139	1	O-RING,

06.01A(01) CONTROL BOX



DECALS

Relay 6 	Relay 3 	(F3)	F3(25A)	+12V	Relay 1 	T2 +12V
Relay 7	Relay 4 	(F4)	F4(10A)		Relay 2 +12V	F1(35A)
Acc. 2	Relay 5 	(F5)	F5(25A)	+12V		F2(30A)
		(F6)	F6(5A)			
		(F7)	F7(5A)			
		(F8)	F8(3A)			
		(F9)	F9(3A)			
		MANUAL OVERRIDE 				
		NORMAL OPERATION				

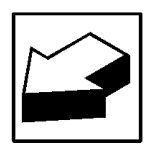
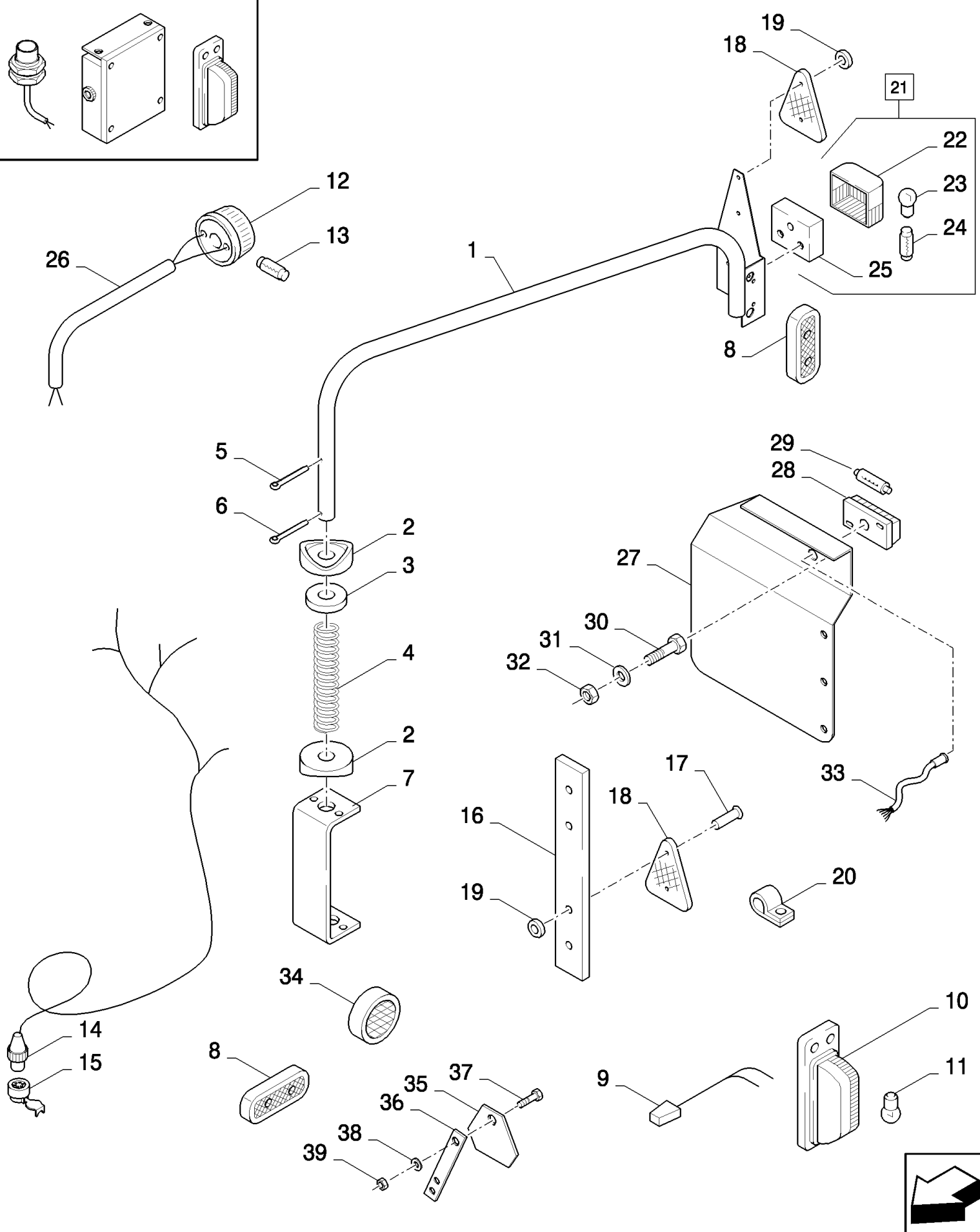
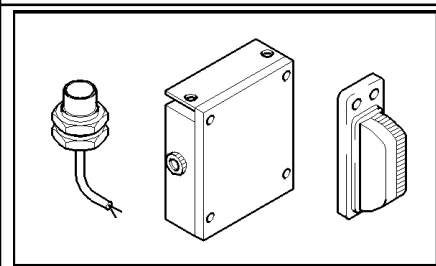


LBX421S BIG RECTANGULAR BALER (6/01-)

06.01A(01) CONTROL BOX

сылка	Номер детали	Кол-во	Описание
1	84437944	1	ELECTRONIC UNIT, CONTROL, (2 to 15)
2	84429452	1	COVER,
3	84429457	4	SCREW, M6x35
4	84429456	4	O-RING,
5	84433366	1	DECAL,
6	84000651	3	RELAY,
7	84807488	1	FUSE, 3A
8	84429454	1	SEAL,
9	84429451	2	FUSE, 30A
10	84437909	1	HARNESS, WIRE,
11	84429453	1	BOX,
12	NSS	1	NOT SERVICED SEPARATELY, Cover
13	84989976	1	HARNESS, WIRE,
14	NSS	1	NOT SERVICED SEPARATELY, Print plate
15	84320044	1	FUSE, 5A, FOR LUBRICATION
15	84807470	1	FUSE, 35A

06.02(01) ROAD LIGHTS



LBX421S BIG RECTANGULAR BALER (6/01-)

06.02(01) ROAD LIGHTS

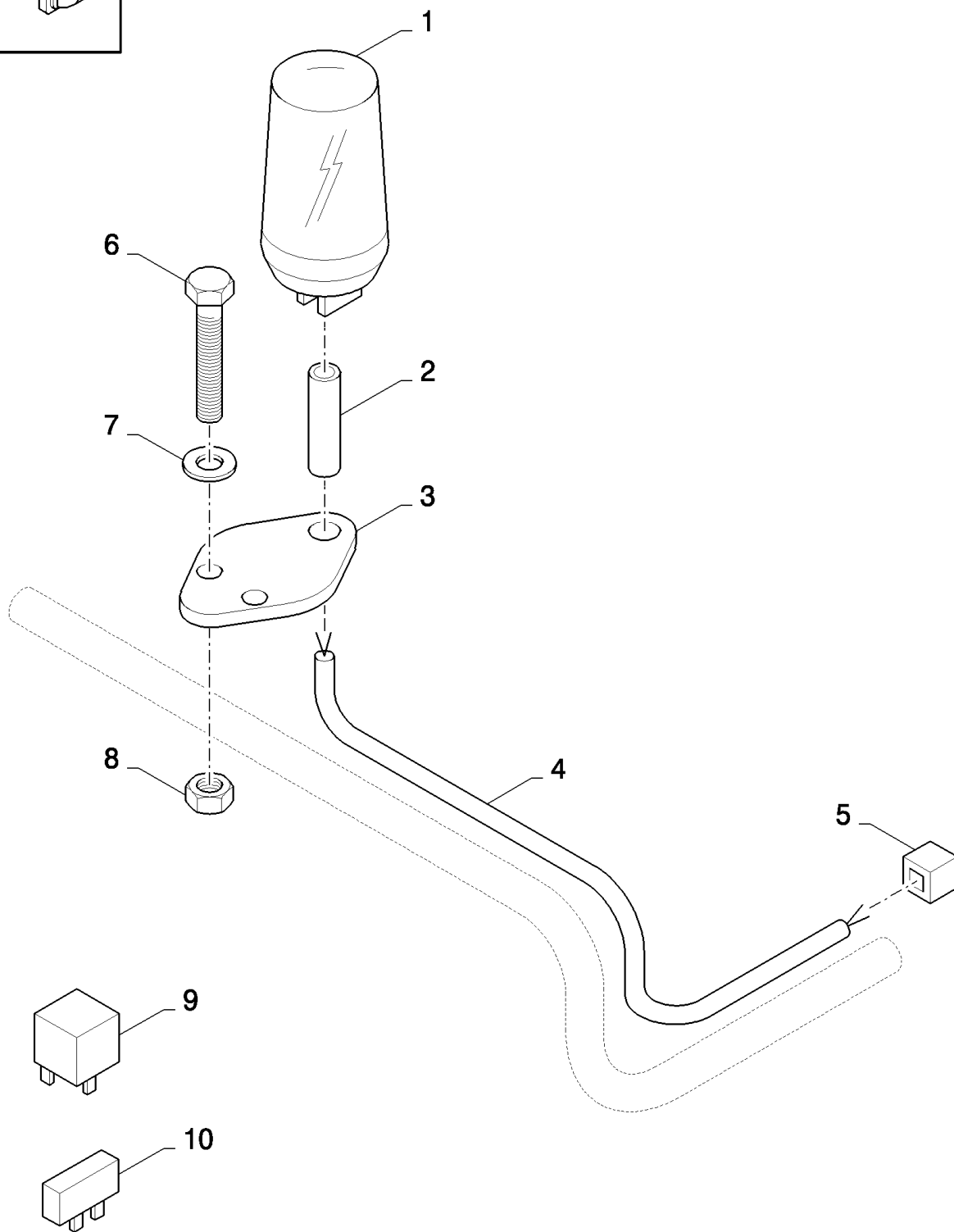
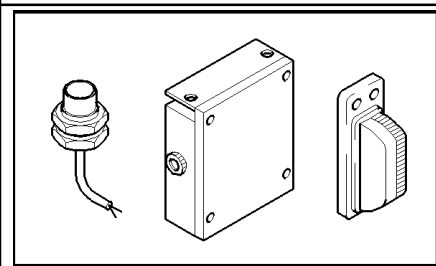
сылка	Номер детали	Кол-во	Описание
1	84078017	1	ARM, SUPPORTING, LH
1	84078011	1	ARM, SUPPORTING, RH
2	80921928	4	RING,
3	80378248	2	WASHER, 25MM
4	80435967	2	SPRING,
5	89503523	2	PIN,
6	84022829	2	PIN,
7	89814947	2	SUPPORT,
8	89839002	6	REFLECTOR, EXTERNAL,
9	84073095	2	HARNESS, WIRE,
10	80449531	2	LAMP,
11	80353078	2	BULB,
12	80336483	2	LAMP, White
13	80470016	2	BULB,
14	84072549	1	HARNESS, WIRE, , FOR NA ONLY, FOR LBX331S, LBX331P ONLY, BSN C341
14	84075307	1	HARNESS, WIRE, , NOT FOR NA, FOR LBX331S, LBX331P, LBX331R ONLY, BSN C341
14	84072224	1	HARNESS, WIRE, , FOR LBX421S, LBX421R, LBX431S, LBX431R ONLY, FOR NA ONLY, BSN C341
14	84072224	1	HARNESS, WIRE, , FOR NA ONLY, ASN D342
14	84075286	1	HARNESS, WIRE, , NOT FOR NA, FOR LBX421S, LBX421R, LBX431S, LBX431R ONLY, BSN C341
14	84075286	1	HARNESS, WIRE, , NOT FOR NA, ASN D342
15	80398224	1	SOCKET, POWER,
16	84005685	4	STRIP-GASKET,
17	NSS		NOT SERVICED SEPARATELY, Rivet
18	80746294	4	REFLECTOR, LAMP,
19	80322356	AR	WASHER, LOCK,
20	80263117	AR	STRAP, SECURING,
21	84037090	2	LAMP, TAIL, (22 to 25)
22	NSS	2	NOT SERVICED SEPARATELY, Lens
23	80398877	2	BULB, 12V-21W
24	80418870	2	BULB, 12V-5W
25	NSS	2	NOT SERVICED SEPARATELY, Armature
26	84076074	1	HARNESS, WIRE, , NOT FOR NA
27	84100424	1	SUPPORT, , FOR 1 PLATE ILLUMINATION LIGHT
27	84320762	1	PLATE, , FOR 2 PLATE ILLUMINATION LIGHTS
28	80445502	AR	LAMP,
29	80470017	1	BULB,
30	80385682	2	BOLT, M4x30
31	80322355	2	WASHER, 4MM
32	80100012	2	NUT, M4
33	NS	1	NOT SERVICED, Cable, Harness
34	80799266	AR	REFLECTOR, LAMP, White
35	86547710	1	WARNING TRIANGLE, , FOR NA ONLY
36	84100426	1	PLATE, , FOR NA ONLY
37	80043139	AR	SCREW, M6x20
38	80412649	AR	WASHER, LOCK, 6MM

LBX421S BIG RECTANGULAR BALER (6/01-)

06.02(01) ROAD LIGHTS

сылка	Номер детали	Кол-во	Описание
39	15896221	AR NUT, M6, CI 10,	

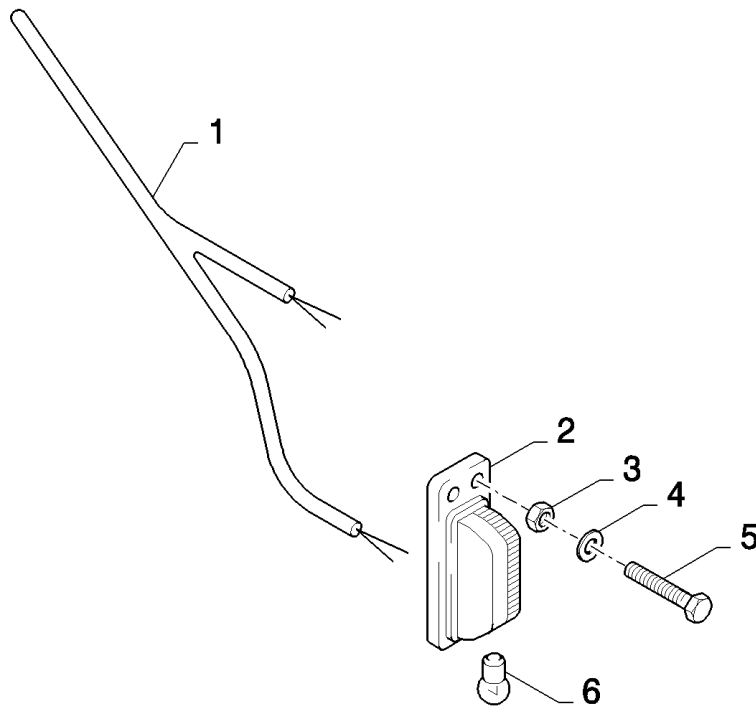
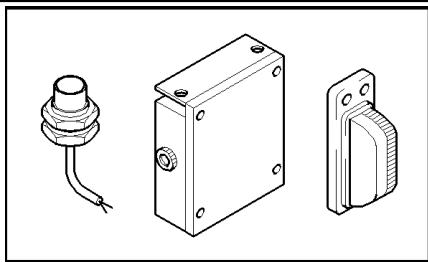
06.03(01) REVOLVING FLASH LIGHT



LBX421S BIG RECTANGULAR BALER (6/01-)

06.03(01) REVOLVING FLASH LIGHT

сылка	Номер детали	Кол-во	Описание
1	89513421	1	BEACON,
2	89513422	1	CONNECTOR, WIRE,
3	84073655	1	SUPPORT,
4	84073092	1	HARNESS, WIRE,
5	84074631	1	CONNECTOR, WIRE,
6	80043129	2	SCREW, M8x40
7	80322358	2	WASHER, LOCK, 8MM
9	84000651	1	RELAY,
10	84100298	1	FUSE, 10A
8	89706690	2	NUT, M8, CI 8,

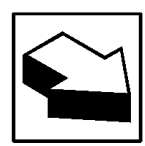
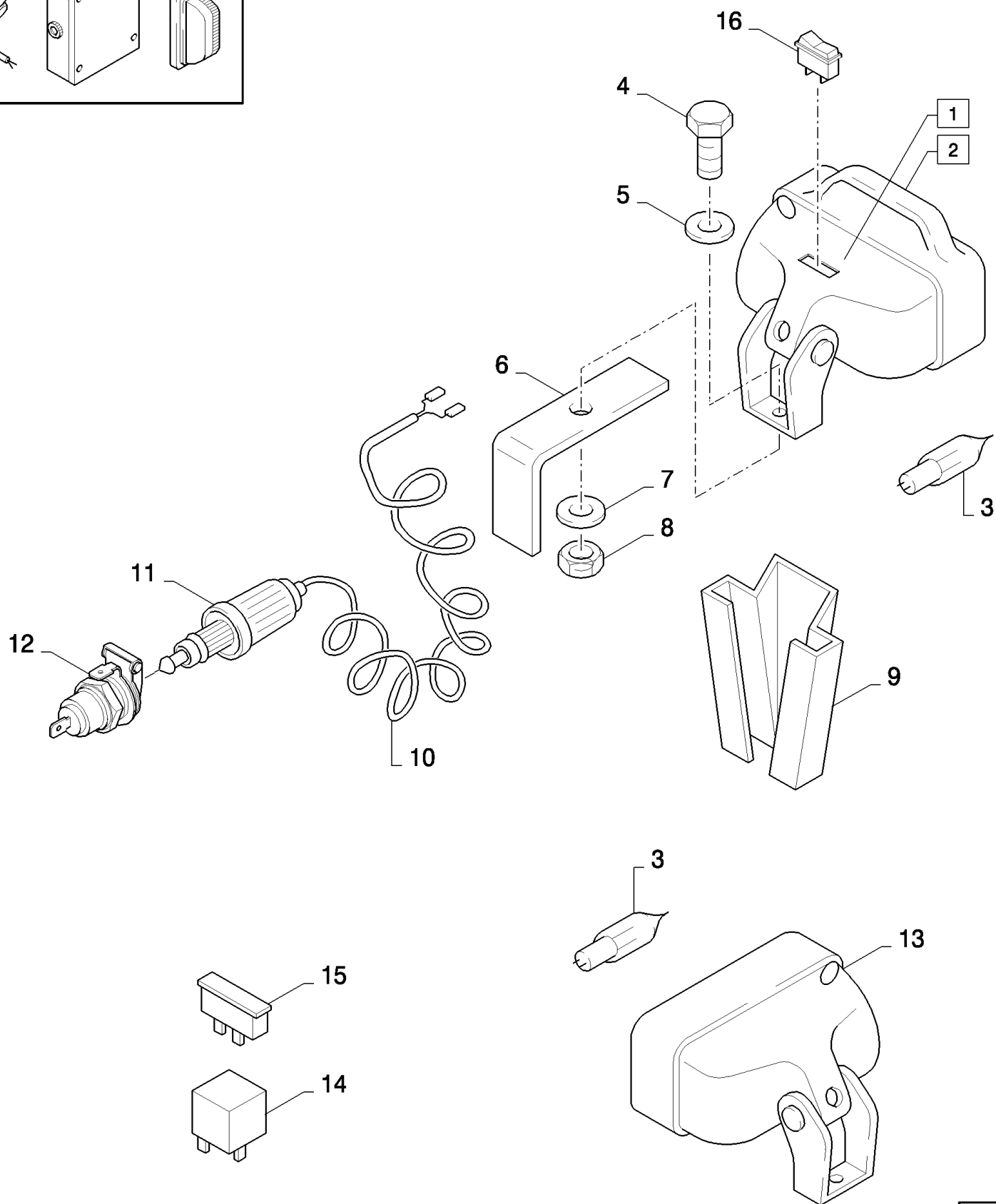
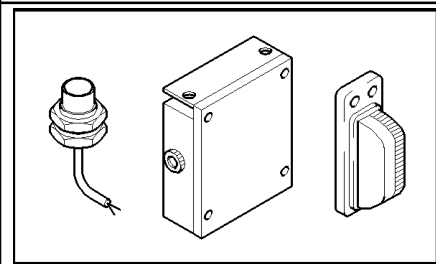


LBX421S BIG RECTANGULAR BALER (6/01-)

06.04(01) SIDE LIGHTS, DENMARK

сылка	Номер детали	Кол-во	Описание
1	84073089	2	HARNESS, WIRE,
2	84058158	6	LAMP ASSY, SIDE,
3	80100012	12	NUT, M4
4	80322355	12	WASHER, 4MM
5	86511042	12	SCREW, Cross Pan Hd, M4 x 16,
6	84058228	6	BULB, 12V-4W

06.05(01) WORK LIGHTS

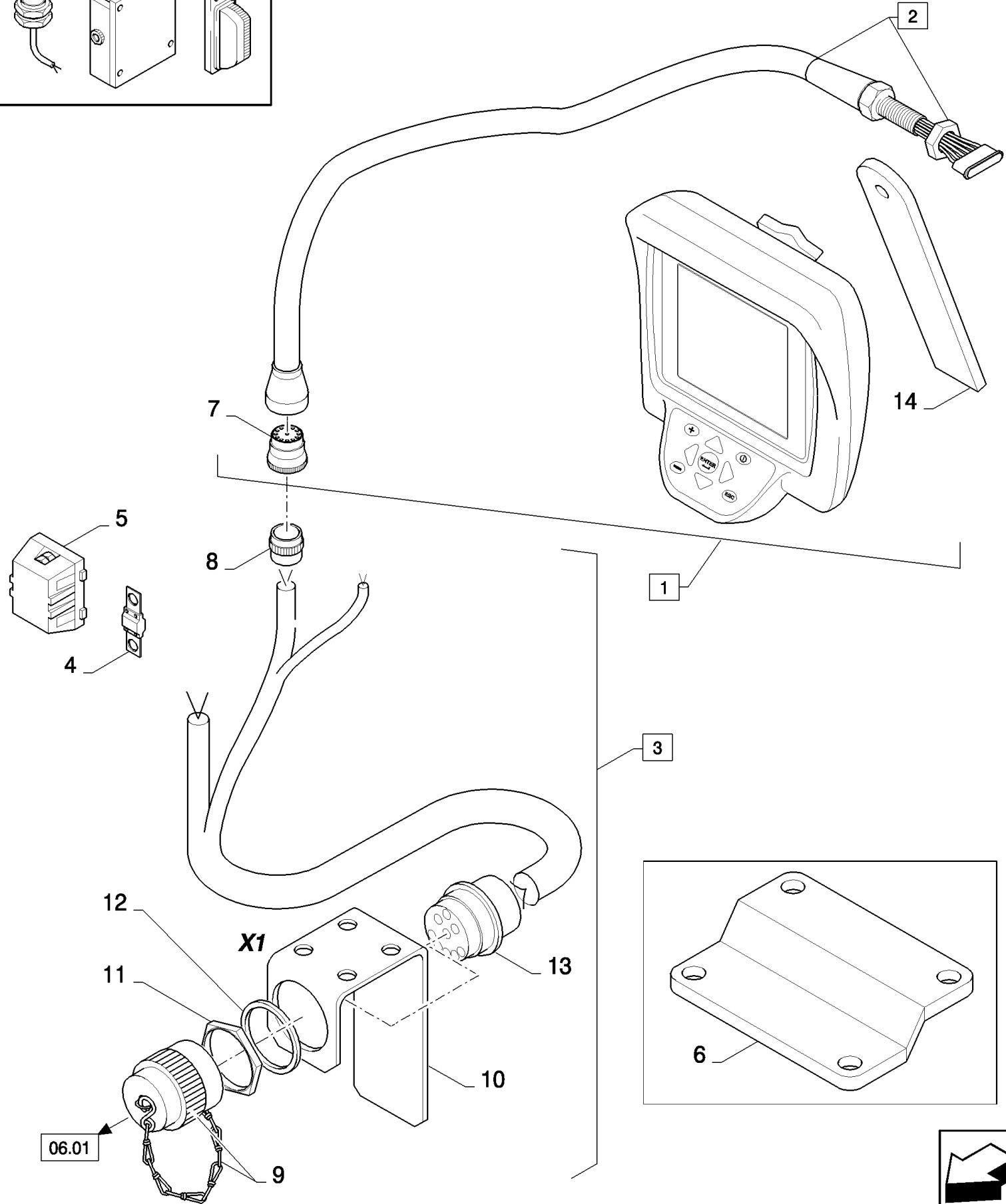
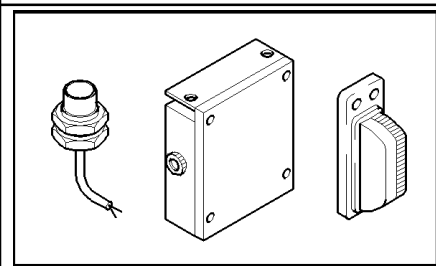


LBX421S BIG RECTANGULAR BALER (6/01-)

06.05(01) WORK LIGHTS

сылка	Номер детали	Кол-во	Описание
1	84004176	1	LAMP, WORK, (2 to 5,7,8,10,11,16)
2	89837140	1	LAMP, (3,16)
3	80417720	AR	BULB, 12V-55W
4	120104	2	BOLT, Hex, M8 x 20, 8.8,
5	80378243	2	WASHER,
6	89813909	1	SUPPORT,
7	80322358	2	WASHER, LOCK,
9	89837606	1	CLIP,
10	80264517	1	HARNESS, WIRE,
11	80353969	1	CONNECTOR, ELEC,
12	80374418	AR	SOCKET, POWER, Connector, BSN C257
12	82002966	AR	SOCKET, POWER, , ASN D258
13	89819611	1	LAMP,
14	84000651	1	RELAY,
15	84100299	1	FUSE, 25A
16	84814248	1	SWITCH,
8	89706690	2	NUT, M8, CI 8,

06.06(01) MONITOR

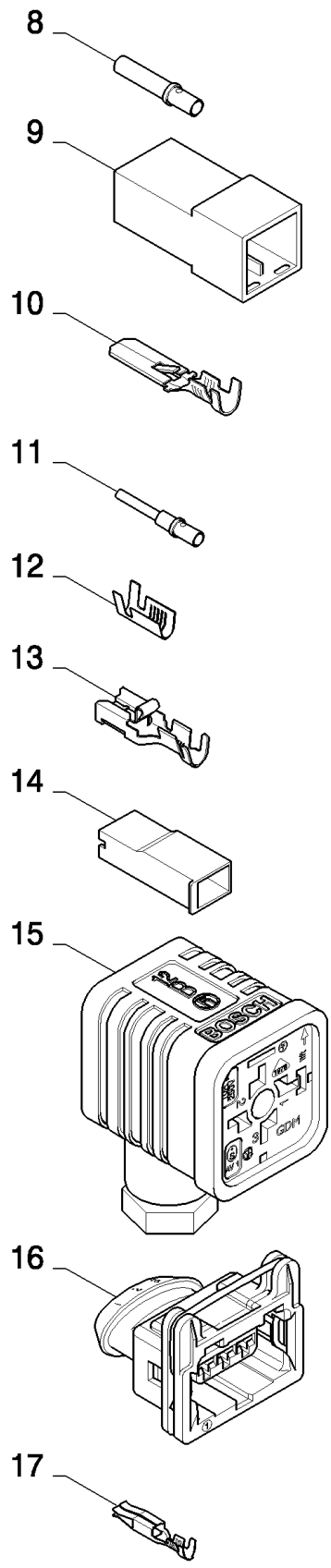
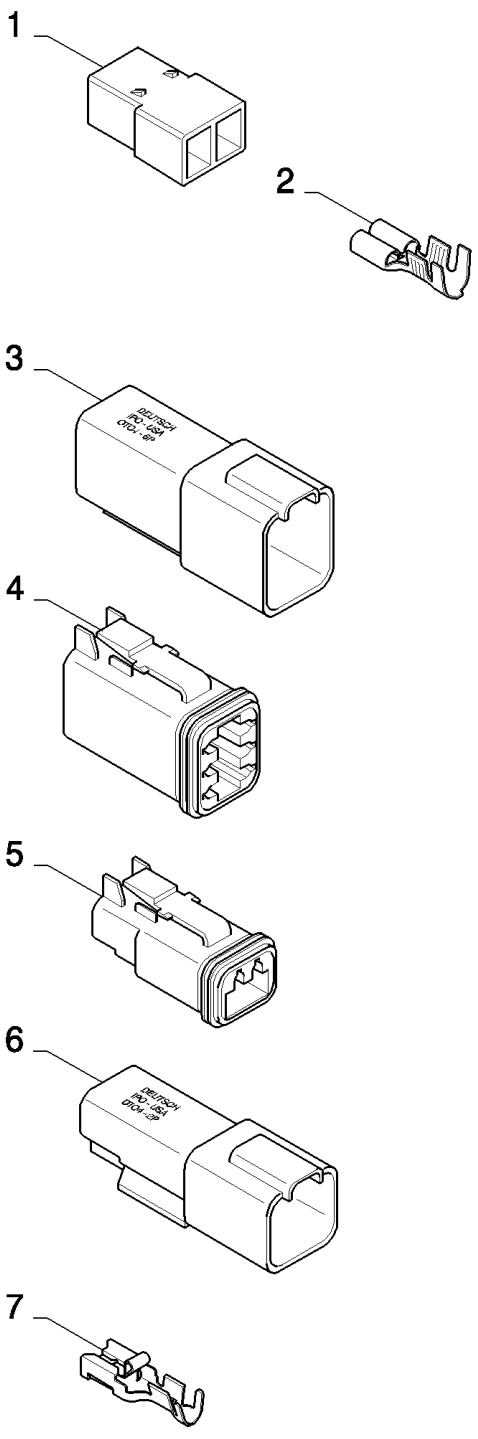
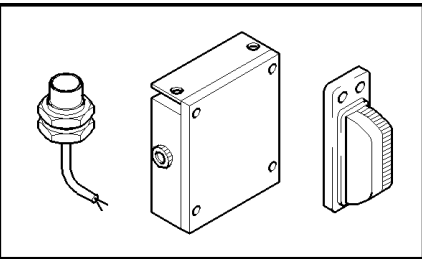


LBX421S BIG RECTANGULAR BALER (6/01-)

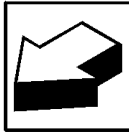
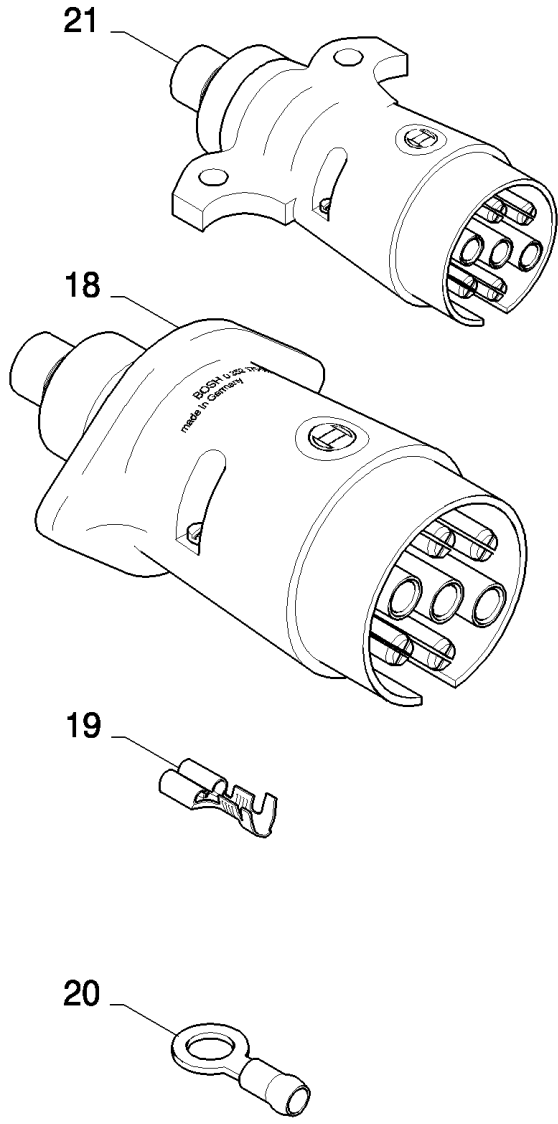
06.06(01) MONITOR

сылка	Номер детали	Кол-во	Описание
1	84437609	1	MONITOR, CONTROL, (2,14), BSN C257
1	84440344	1	MONITOR, CONTROL, (2,14), ASN D258
2	84807172	1	HARNESS, WIRE, (7)
3	84437435	1	HARNESS, WIRE, (4,5, 8 to 13)
4	84078783	1	FUSE, 80A
5	84078784	1	FUSE HOLDER,
6	84429657	1	SUPPORT,
7	84074253	1	CONNECTOR, WIRE,
8	84074255	1	CONNECTOR, WIRE,
9	767456	1	PLUG,
10	NSS	1	NOT SERVICED SEPARATELY, SUPPORT
11	NSS	1	NOT SERVICED SEPARATELY, COVER
12	84037188	1	O-RING,
13	84074256	1	CONNECTOR, WIRE,
14	84437266	1	BRACKET,

06.07(01) CONNECTORS

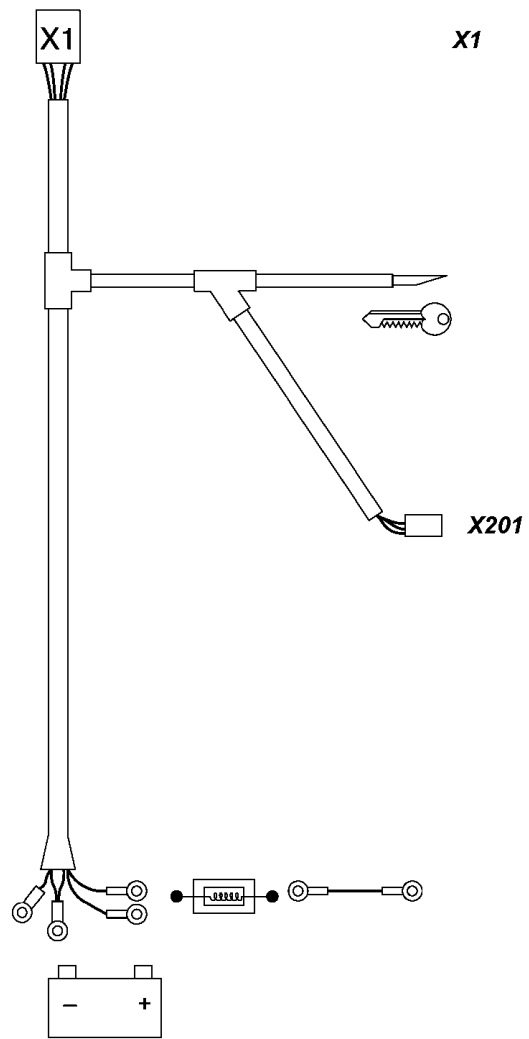
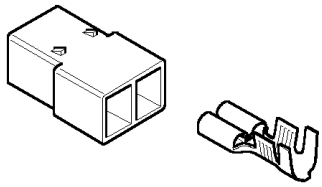


SEE ALSO
GROUPS 06.51...



06.07(01) CONNECTORS

сылка	Номер детали	Кол-во	Описание
1	80334698		AR CONNECTOR, ELEC,
2	80334594		AR TERMINAL,
3	84074642		AR CONNECTOR, WIRE,
4	84074643		AR CONNECTOR, WIRE,
5	84074631		AR CONNECTOR, WIRE,
6	84074630		AR CONNECTOR, WIRE,
7	80441166		AR TERMINAL,
8	80900569		AR TERMINAL,
9	80334699		AR TERMINAL,
10	80334724		AR TERMINAL,
11	80900552		AR TERMINAL,
12	80426199		AR TERMINAL,
13	80441167		AR TERMINAL,
14	80441159		AR CONNECTOR, WIRE,
15	84019407		AR CONNECTOR, HYD.,
16	89850554		AR CONNECTOR, ELEC,
17	89815256		AR CONNECTOR, ELEC,
18	80398225		AR CONNECTOR, WIRE,
19	80430026		AR TERMINAL,
20	80335482		AR TERMINAL,
21	80853543		AR , FOR NA ONLY



ZDA5617A

X1

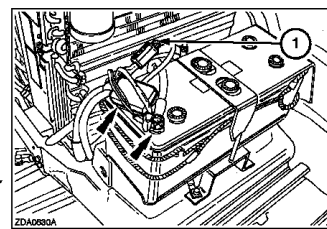
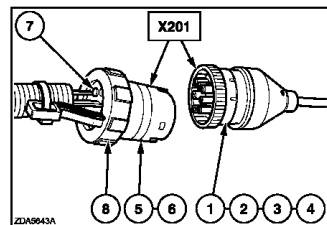
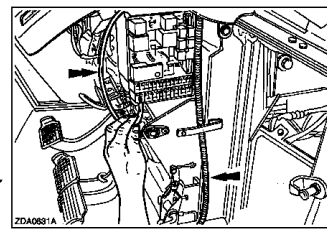
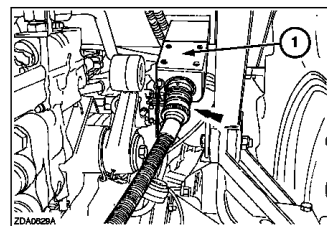
X201

X1

Tractor console

X201

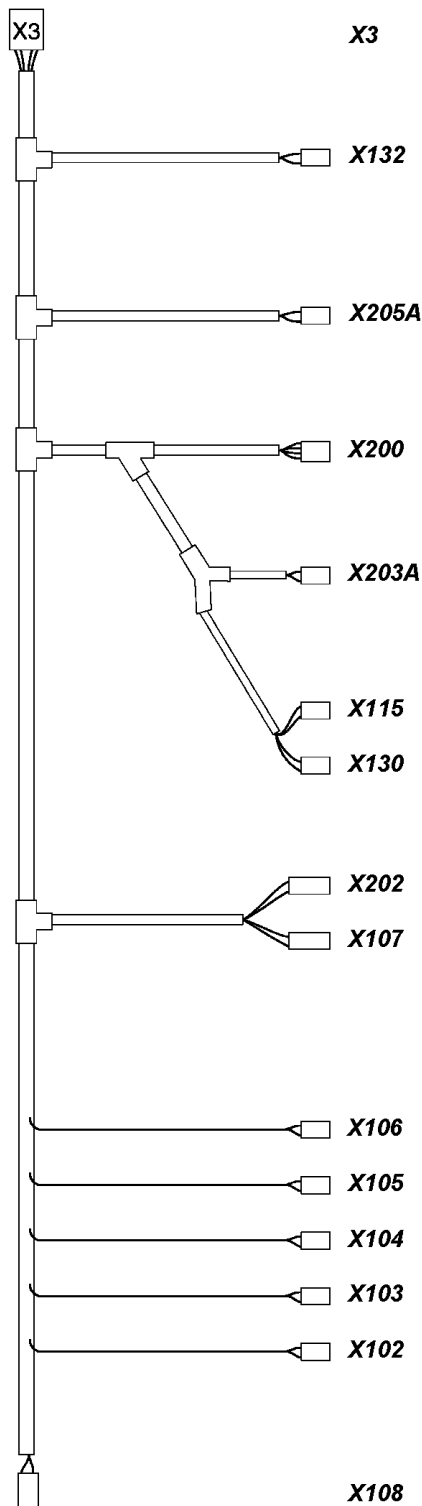
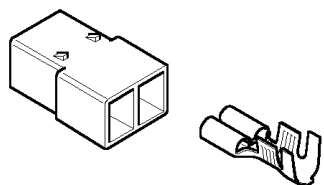
Tractor battery



LBX421S BIG RECTANGULAR BALER (6/01-)

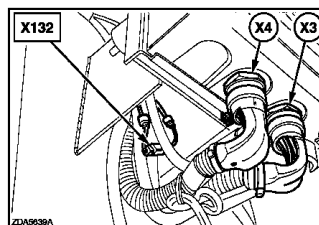
06.51(01) CONNECTORS, POWER & CAN CABLE ON TRACTOR

сылка	Номер детали	Кол-во	Описание

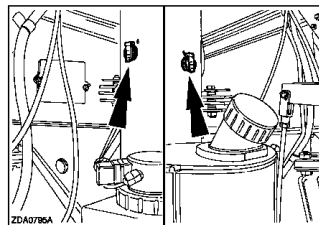


ZDA5619A

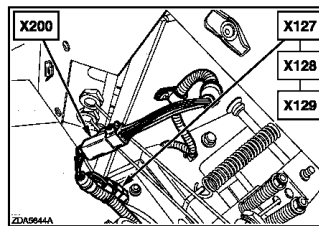
X3
X132



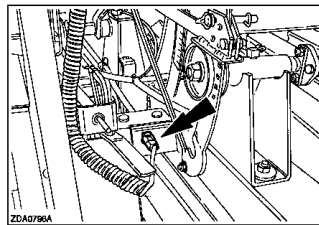
X205



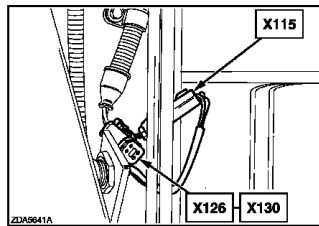
X200



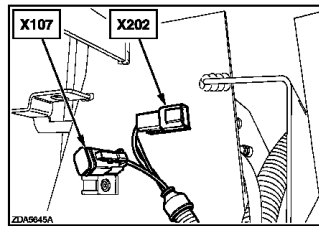
X203



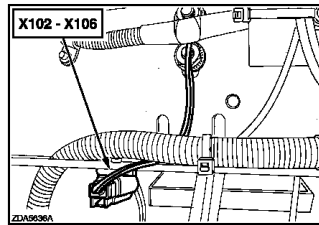
X115
X130



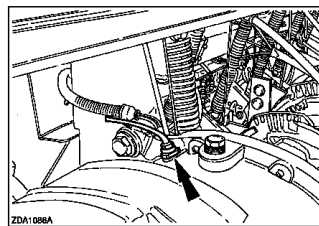
X202
X107



X106
X105
X104
X103
X102



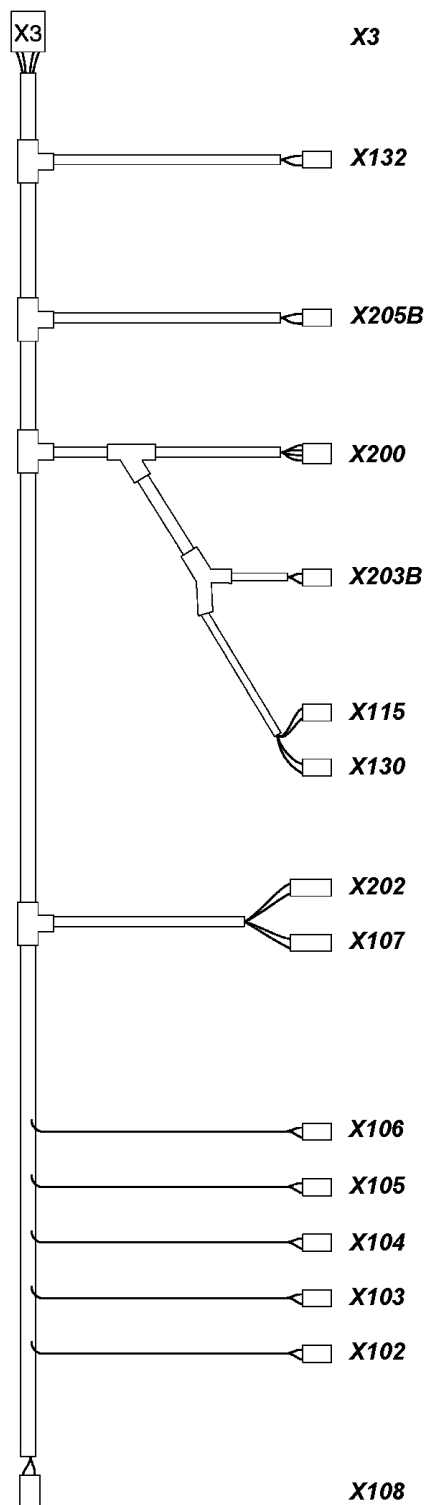
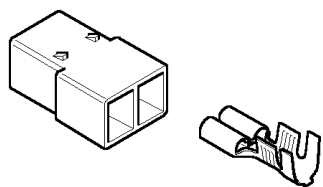
X108



LBX421S BIG RECTANGULAR BALER (6/01-)

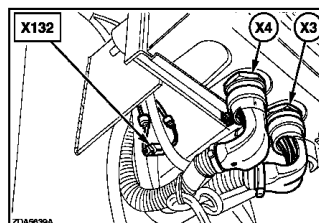
06.52(01) CONNECTORS, X3 WIRING LOOM - C257

сылка	Номер детали	Кол-во	Описание

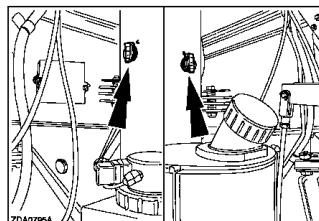


ZDA5619A

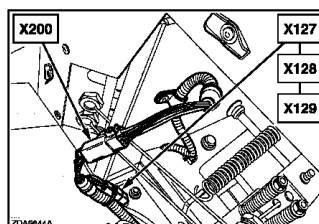
X3
X132



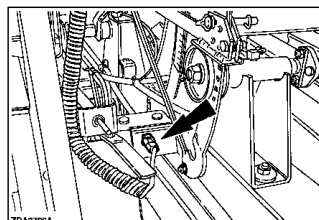
X205



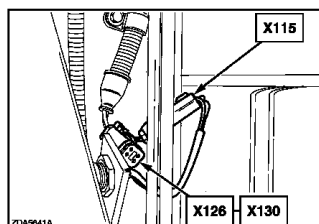
X200



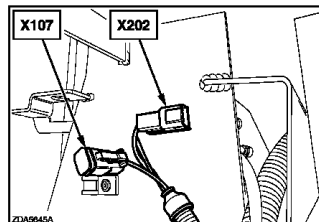
X203



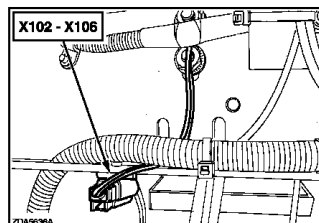
X115
X130



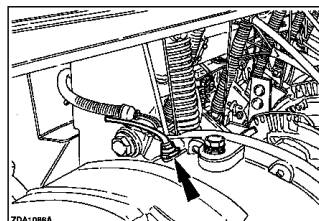
X202
X107



X106
X105
X104
X103
X102



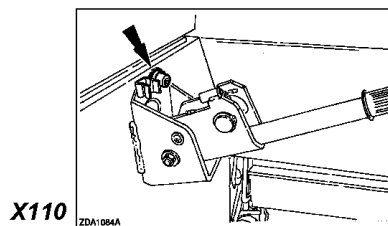
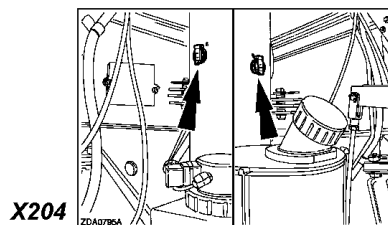
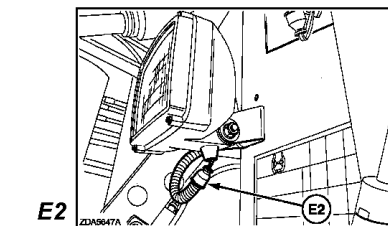
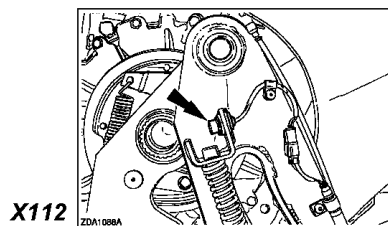
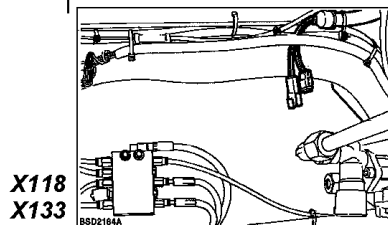
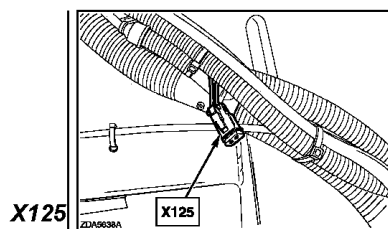
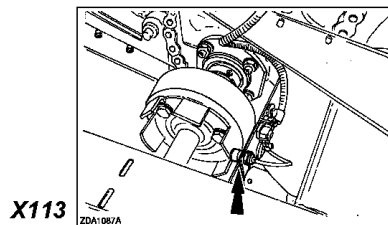
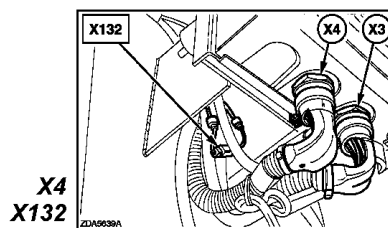
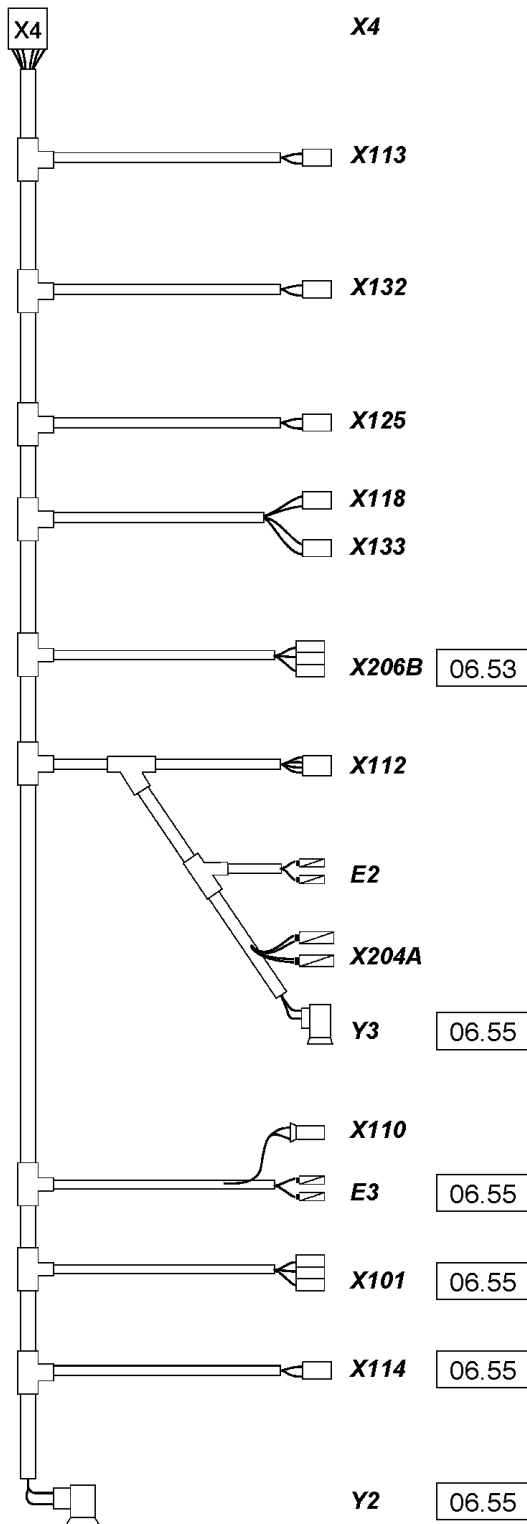
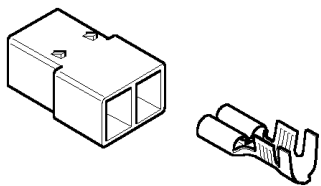
X108



LBX421S BIG RECTANGULAR BALER (6/01-)

06.53(01) CONNECTORS, X3 WIRING LOOM - D258

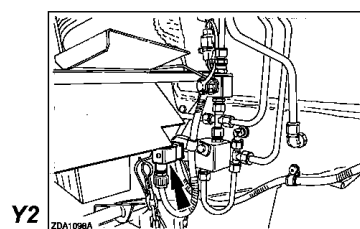
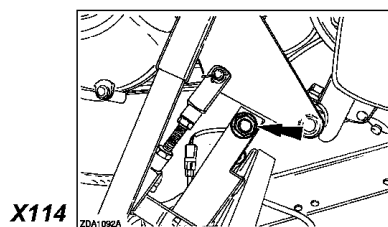
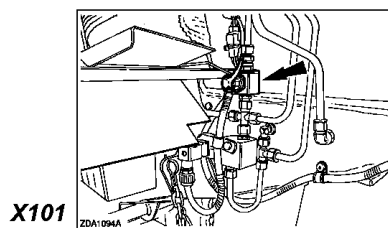
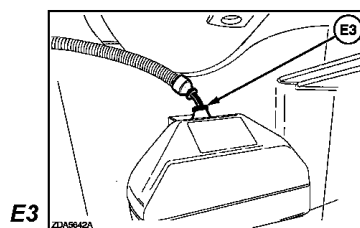
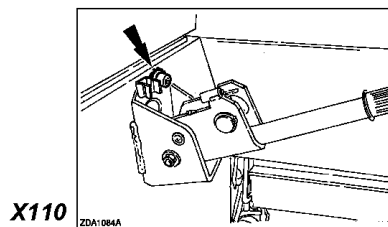
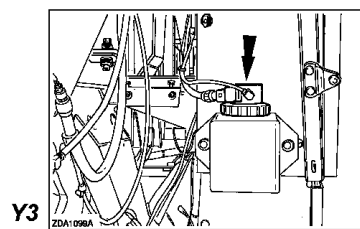
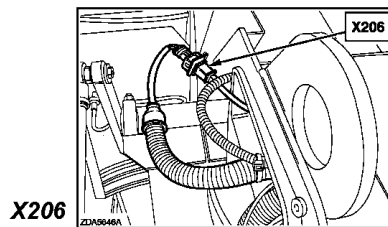
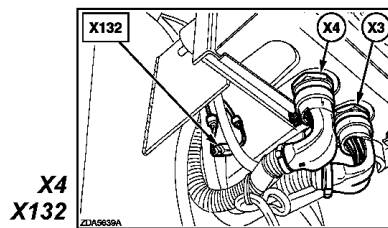
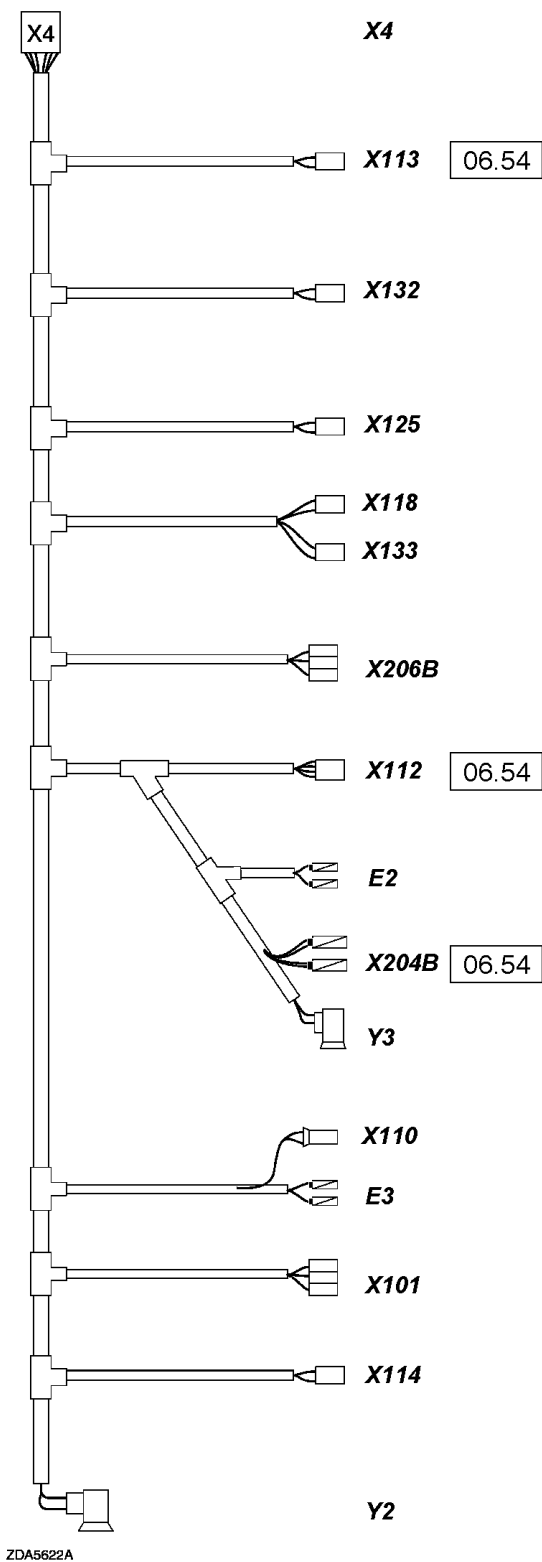
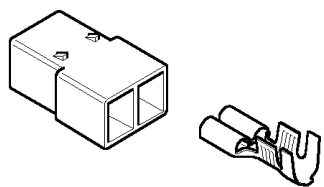
сылка	Номер детали	Кол-во	Описание



LBX421S BIG RECTANGULAR BALER (6/01-)

06.54(01) CONNECTORS, X4 WIRING LOOM - C257

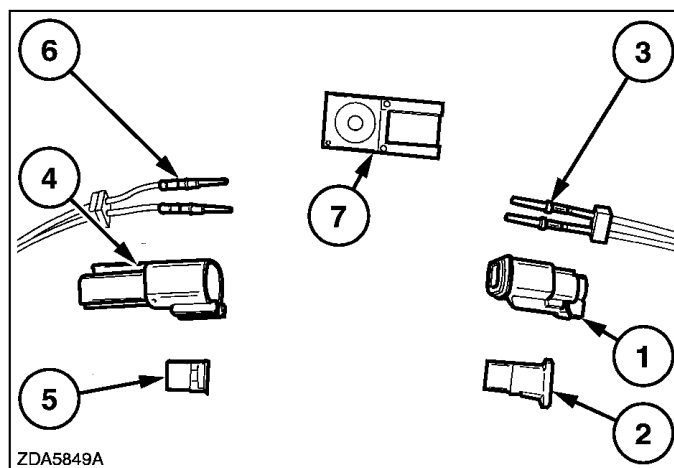
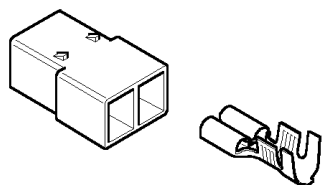
сылка	Номер детали	Кол-во	Описание



LBX421S BIG RECTANGULAR BALER (6/01-)

06.55(01) CONNECTORS, X4 WIRING LOOM - D258

сылка	Номер детали	Кол-во	Описание



Deutsch DT connector 2 - pin
X10 - X102 - X103 - X104 - X105 - X106
X107 - X108 - X109 - X110 - X111 - X112
X113 - X114 - X115 - X118 - X125 - X126
X131 - X132 - X133 - X202

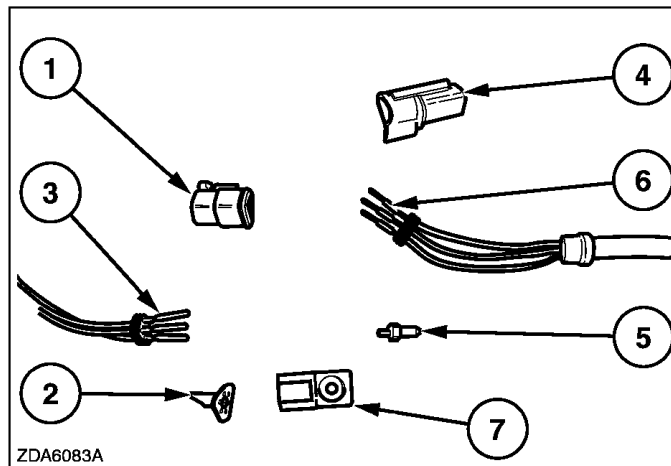
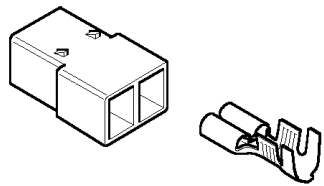


LBX421S BIG RECTANGULAR BALER (6/01-)

06.56(01) CONNECTORS, 2 PIN

сылка	Номер детали	Кол-во	Описание
1	84074631		AR CONNECTOR, WIRE,
2	84074638		AR PLUG,
3	80900364		AR TERMINAL CONNECTOR, female
4	84074630		AR CONNECTOR, WIRE,
5	86500166		AR PLUG,
6	80900363		AR TERMINAL, male
7	84058832		AR CLIP,

X10 - X102 TO 115 - X118 - X125 - X126 - X131 TO 133 - X202



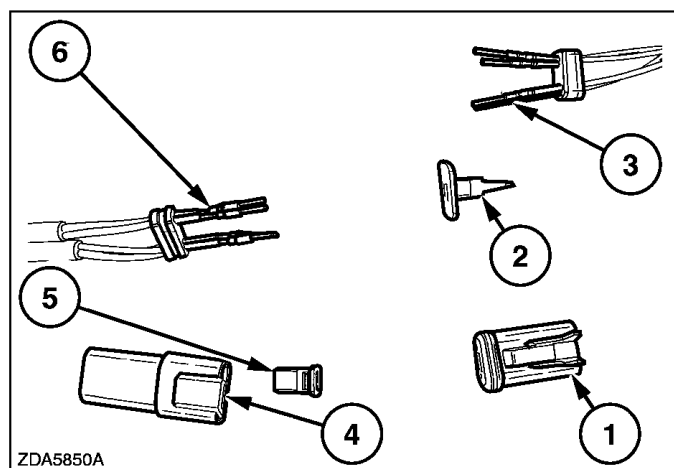
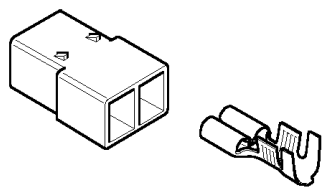
Deutsch DT connector 3 - pin
X116



LBX421S BIG RECTANGULAR BALER (6/01-)

06.57(01) CONNECTORS, 3 PIN: X116

сылка	Номер детали	Кол-во	Описание
1	84074635		AR CONNECTOR, WIRE,
2	84074639		AR CONNECTOR, WIRE,
3	80900364		AR TERMINAL CONNECTOR, female
4	84074632		AR CONNECTOR, WIRE,
5	89611173		AR PLUG,
6	80900363		AR TERMINAL, male
7	84058832		AR CLIP,



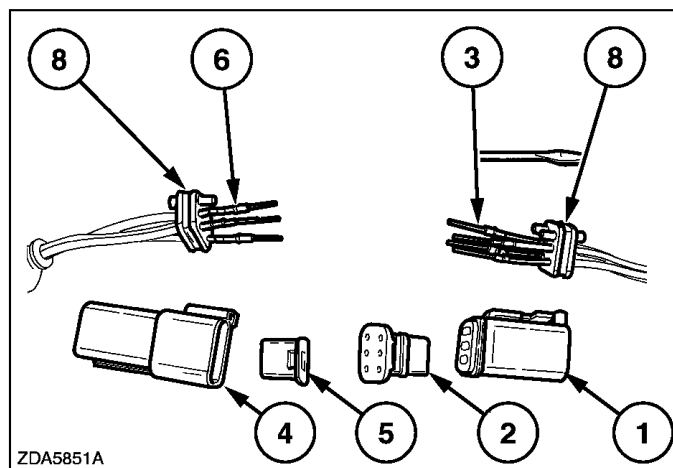
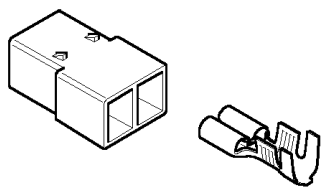
**Deutsch DT connector 4 - pin
X130**



LBX421S BIG RECTANGULAR BALER (6/01-)

06.58(01) CONNECTORS, 4 PIN: X130

сылка	Номер детали	Кол-во	Описание
1	84074637		AR CONNECTOR, WIRE,
2	86622299		AR PLUG,
3	80900364		AR TERMINAL CONNECTOR, female
4	84074636		AR CONNECTOR, WIRE,
5	89861376		AR
6	80900363		AR TERMINAL, male



Deutsch DT connector 6 - pin
X200 (connector 6-pins to knotter fan wiring loom)

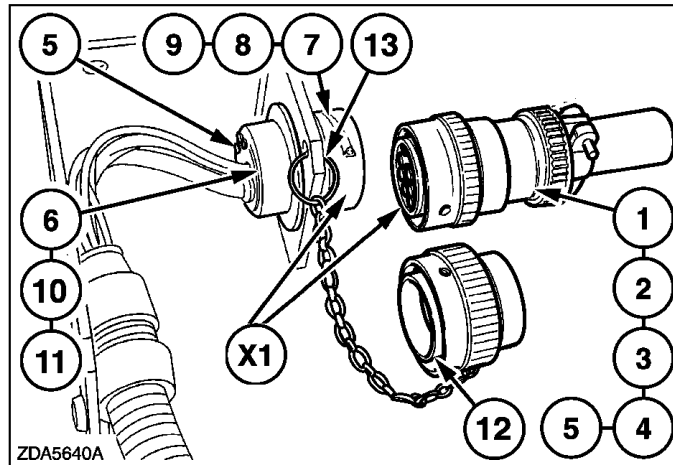
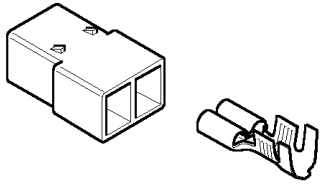


LBX421S BIG RECTANGULAR BALER (6/01-)

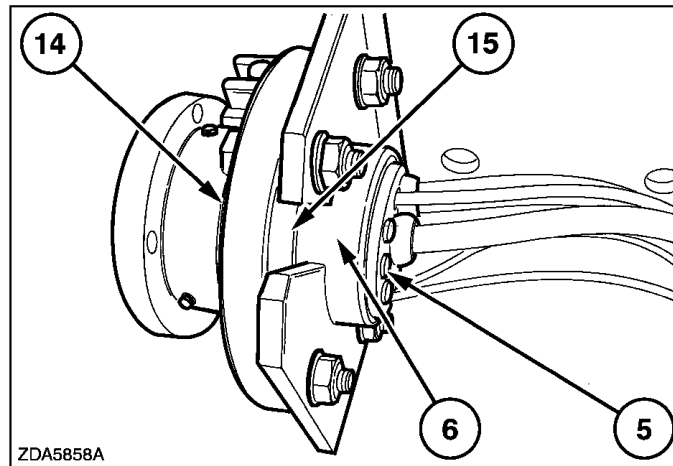
06.59(01) CONNECTORS, 6 PIN: X200

сылка	Номер детали	Кол-во	Описание
1	84074643		AR CONNECTOR, WIRE,
2	84074641		AR PLUG,
3	80900364		AR TERMINAL CONNECTOR, female, for #16 AWG wire
3	80900569		AR TERMINAL, female, for #14 AWG wire
4	84074642		AR CONNECTOR, WIRE,
5	89861378		AR PLUG,
6	80900363		AR TERMINAL, male, for #16 AWG wire
6	80900552		AR TERMINAL, male, for #14 AWG wire
7	84058832		AR CLIP, see 06.56
8	84068583		AR PLUG,

06.60(01) CONNECTORS: X1



X1 (power&CAN cable breakaway connector on support at tractor rear end)

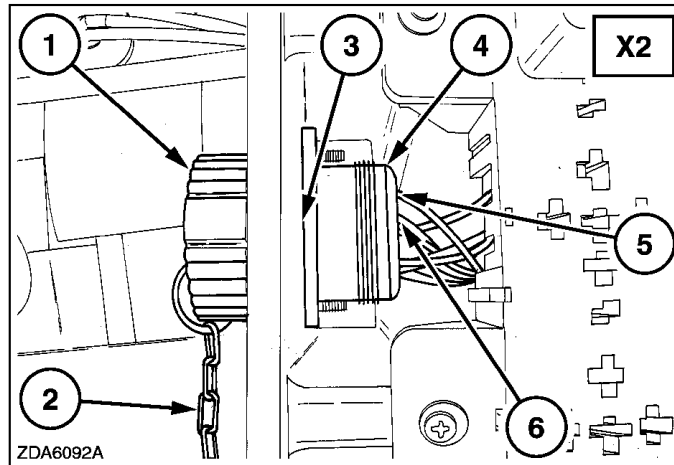
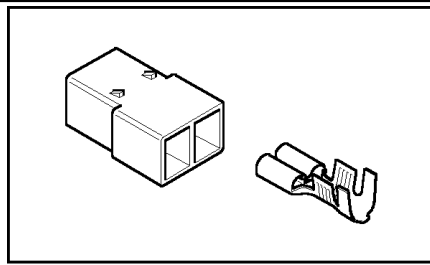


06.60(01) CONNECTORS: X1

сылка	Номер детали	Кол-во	Описание
1	84074257	AR	CONNECTOR, WIRE, , BSN C263
1	84100277	AR	DUST CAP, , BSN C263
1	84441183	AR	DUST CAP, , ASN D264
2	80900787	AR	TERMINAL, female #8
3	80900302	AR	TERMINAL, female #12
4	80900364	AR	TERMINAL CONNECTOR, female #16
5	84068583	AR	PLUG,
6	84074256	AR	CONNECTOR, WIRE,
7	80900786	AR	male #8
8	80900316	AR	male #12
9	80900363	AR	TERMINAL, male #12
14	86606228	AR	COVER,
15	84037188	AR	O-RING,

power & CAN cable breakaway connector on support a tractor rear end

06.61(01) CONNECTORS: X2



X2 (CAN connector in FBM)

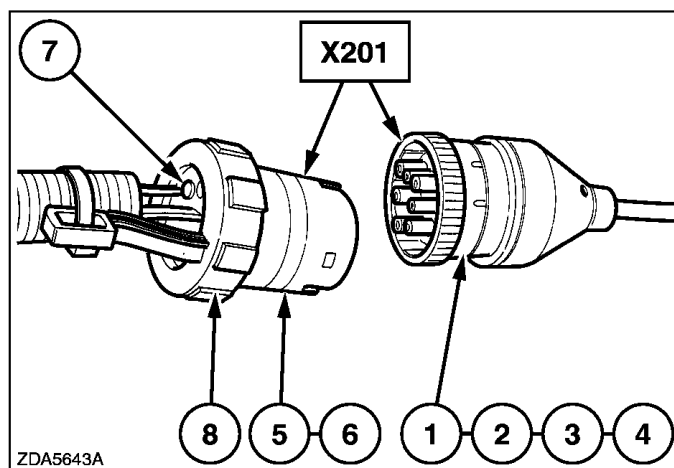
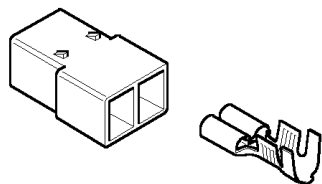


LBX421S BIG RECTANGULAR BALER (6/01-)

06.61(01) CONNECTORS: X2

сылка	Номер детали	Кол-во	Описание
1	84074633	AR	COVER,
2	80792026	AR	
2	NS	AR	NOT SERVICED,
3	NS	AR	NOT SERVICED, seal
4	84074254	AR	CONNECTOR, WIRE,
5	80900363	AR	TERMINAL, male
6	84068583	AR	PLUG,

CAN connector in FBM



X201 (connector for EDM)



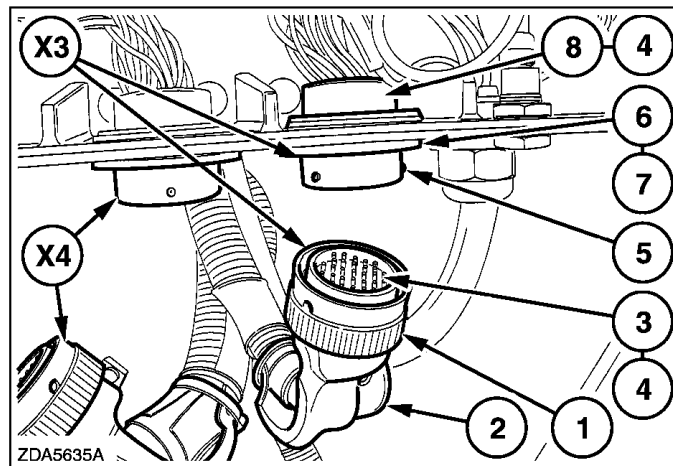
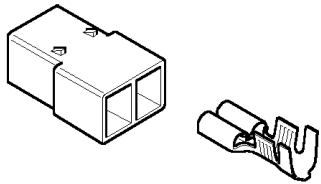
LBX421S BIG RECTANGULAR BALER (6/01-)

06.62(01) CONNECTORS: X201

сылка	Номер детали	Кол-во	Описание
1	84074253		AR CONNECTOR, WIRE,
2	80900364		AR TERMINAL CONNECTOR, female
3	89622758		AR
4	80850072		AR
5	84074255		AR CONNECTOR, WIRE,
6	80900363		AR TERMINAL, male
7	84068583		AR PLUG,
8	84074634		AR CONNECTOR, WIRE,

connector for EDM

06.63(01) CONNECTORS: X3 - X4



X3 - X4 (connectors on FBM)

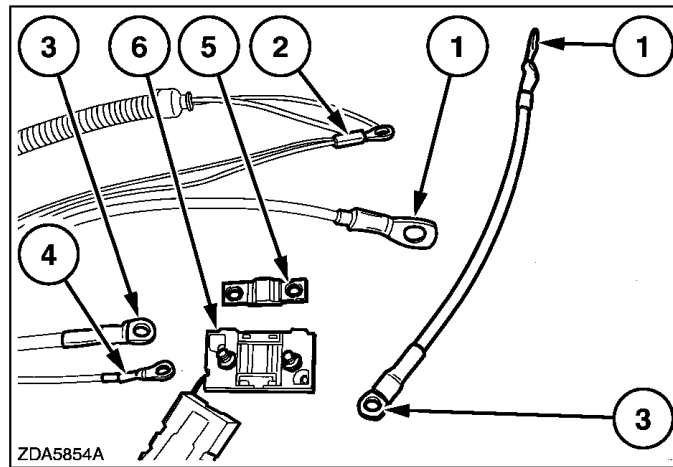
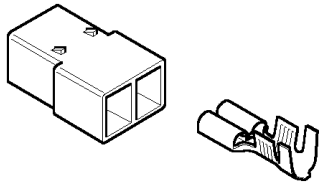


LBX421S BIG RECTANGULAR BALER (6/01-)

06.63(01) CONNECTORS: X3 - X4

сылка	Номер детали	Кол-во	Описание
1	84074252		AR CONNECTOR, WIRE,
2	80636664		AR CLAMP,
3	80900363		AR TERMINAL, male
4	84068583		AR PLUG,
5	84074251		AR CONNECTOR, WIRE,
6	80636665		AR WASHER, LOCK,
7	80636666		AR NUT,
8	80900364		AR TERMINAL CONNECTOR, female

connectors on FBM



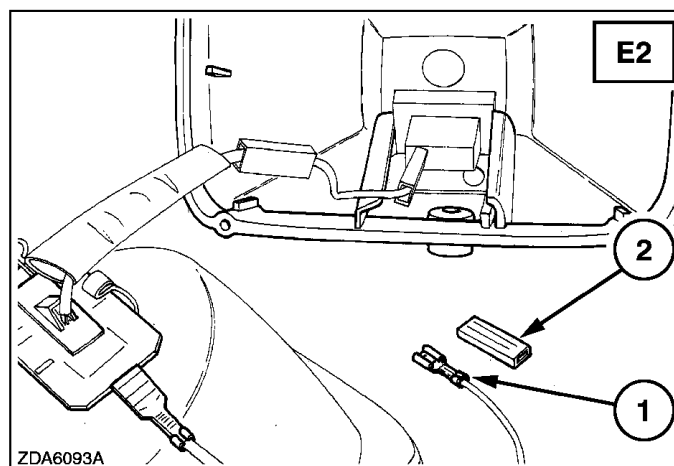
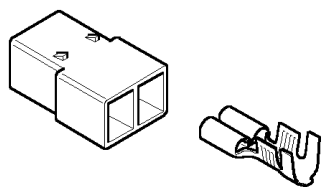
Tractor battery hook-up



LBX421S BIG RECTANGULAR BALER (6/01-)

06.64(01) CONNECTORS, TRACTOR BATTERY HOOK-UP

сылка	Номер детали	Кол-во	Описание
1	80444852	AR	TERMINAL, 10MM for 16-20MMI
2	80335101	AR	TERMINAL, 10MM for 4-6MMI
3	80335483	AR	CONNECTOR, HYD., 6MM for 4-6MMI
4	80335316	AR	TERMINAL, 6MM for 0.3-1.3MMI
5	84078783	AR	FUSE, 80A
6	84078784	AR	FUSE HOLDER,



E2 (fixed worklight on twine box Left)

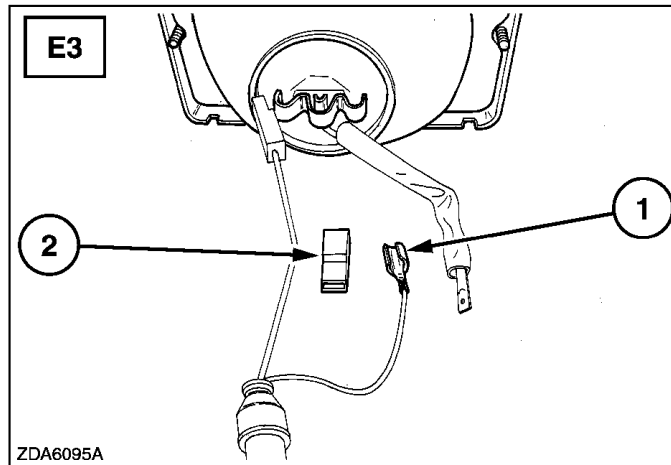
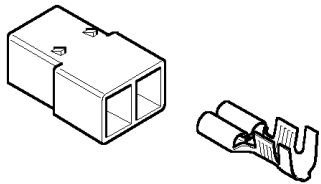


LBX421S BIG RECTANGULAR BALER (6/01-)

06.65(01) CONNECTORS: E2

сылка	Номер детали	Кол-во	Описание
1	80430026		AR TERMINAL,
2	80350674		AR CONNECTOR, WIRE,

fixed worklight on twine box LH



E3 (pick-up worklight, in drawbar)



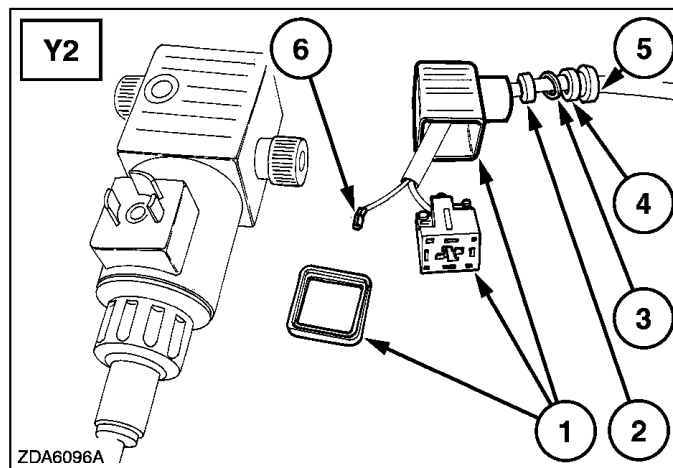
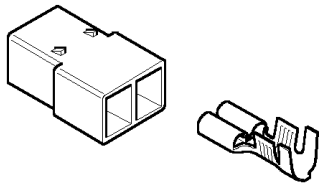
LBX421S BIG RECTANGULAR BALER (6/01-)

06.66(01) CONNECTORS: E3

сылка	Номер детали	Кол-во	Описание
1	80441166		AR TERMINAL,
2	80441159		AR CONNECTOR, WIRE,

pick-up worklight, in drawbar

06.67(01) CONNECTORS: Y2 - Y3



Y2 - Y3 (connector on density valve, oiler pump)

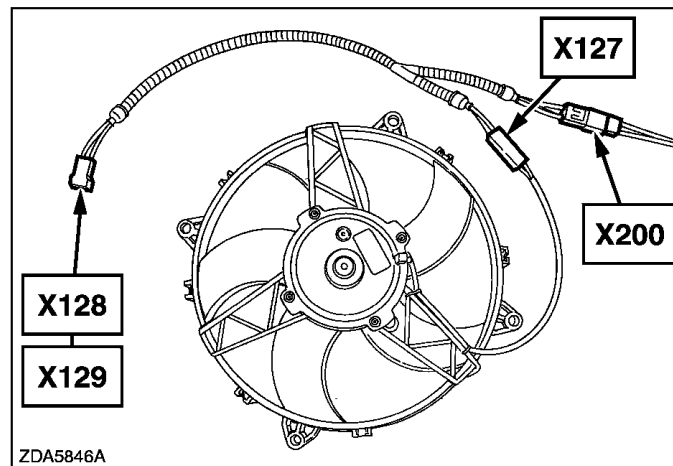
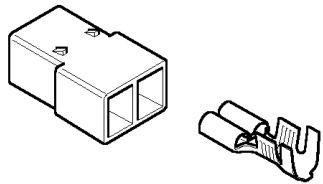


LBX421S BIG RECTANGULAR BALER (6/01-)

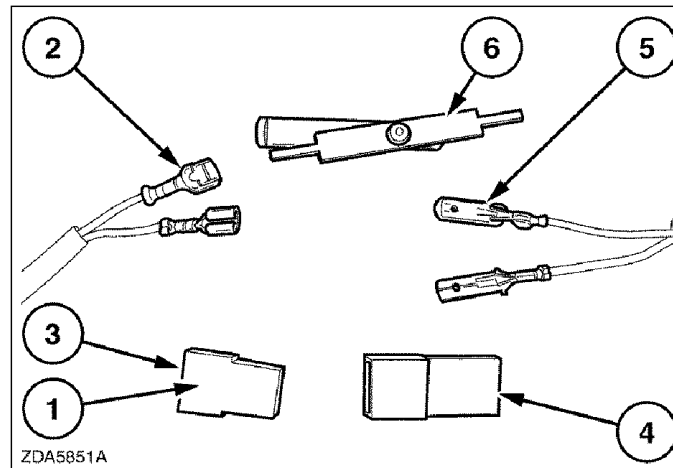
06.67(01) CONNECTORS: Y2 - Y3

сылка	Номер детали	Кол-во	Описание
1	84019407		AR CONNECTOR, HYD.,
2	84021921		AR ELEMENT, SEALING,
3	84021922		AR O-RING,
4	84021923		AR NUT,
5	84021924		AR CONNECTOR, HYD.,
6	80426199		AR TERMINAL,

connector on density valve, oiler pump



X127 - X128 - X129
(connector knotter fan to knotter fan wiring loom)

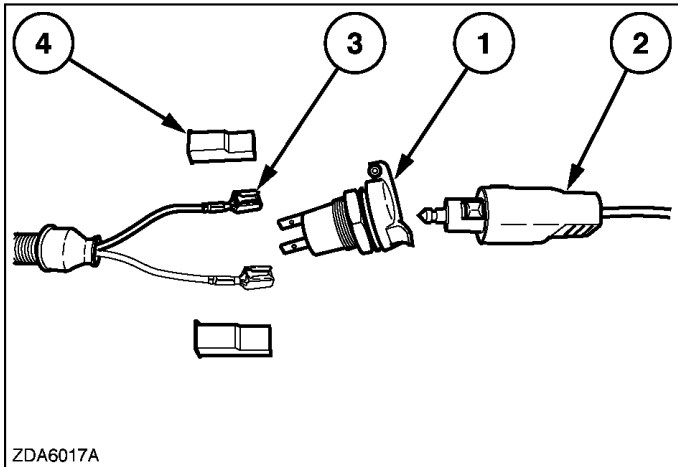
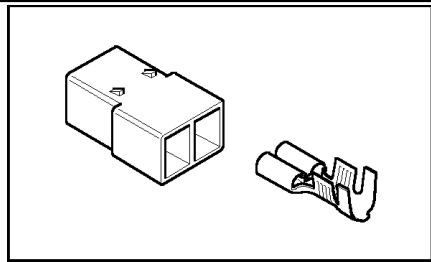


LBX421S BIG RECTANGULAR BALER (6/01-)

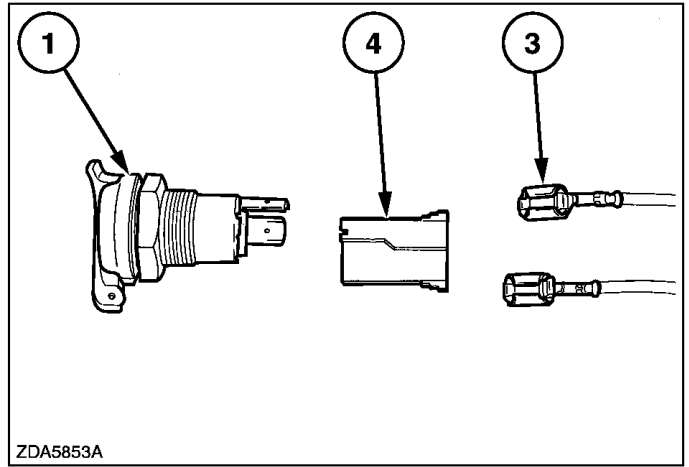
06.68(01) CONNECTORS: X127 - X128 - X129

сылка	Номер детали	Кол-во	Описание
1	80334698		AR CONNECTOR, ELEC,
2	80334594		AR TERMINAL,
3			AR silicone
4	80334699		AR TERMINAL,
5	80334724		AR TERMINAL,
6	84021087		AR TOOL, GENERAL,

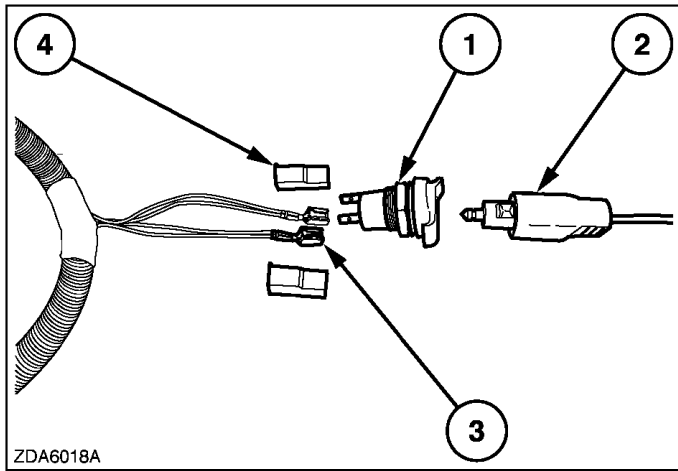
connector knotter fan wiring loom



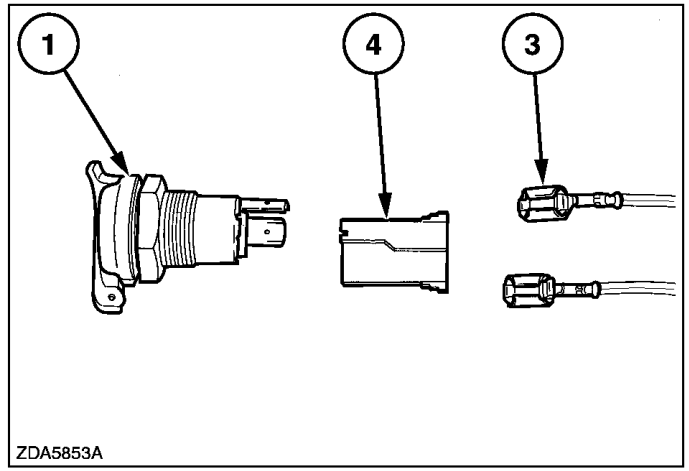
X203A - X205A
(portable worklamp knotter area - twine box RHS)



X203B - X205B
(portable worklamp knotter area - twine box RHS)



X204A *(portable worklamp twine box LHS)*



X204B *(portable worklamp twine box LHS)*



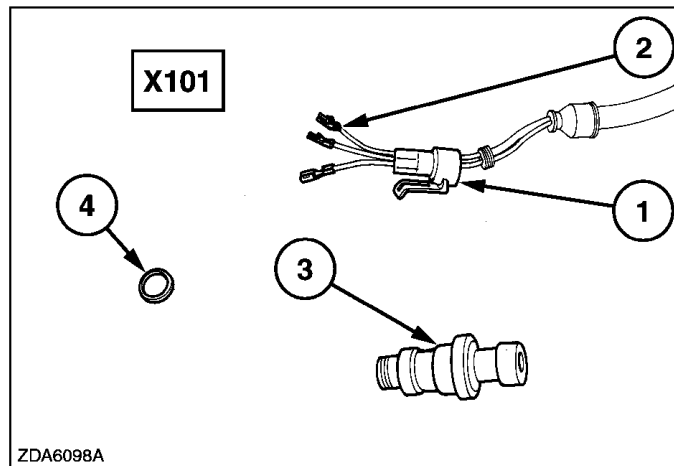
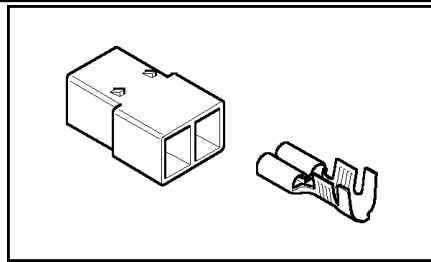
LBX421S BIG RECTANGULAR BALER (6/01-)

06.69(01) CONNECTORS: X203 - X204 - X205

сылка	Номер детали	Кол-во	Описание
1	80374418	AR	SOCKET, POWER, X203A-X205A, twine box RH
1	82002966	AR	SOCKET, POWER, X203B-X205B, twine box RH
1	80374418	AR	SOCKET, POWER, X204A, twine box LH
1	82002966	AR	SOCKET, POWER, X204B, twine box LH
2	80353969	AR	CONNECTOR, ELEC,
3	80441166	AR	TERMINAL, X203A-X205A, twine box RH
3	80441166	AR	TERMINAL, X203B-X205B, twine box RH
3	80441167	AR	TERMINAL, X204A, twine box LH
3	80441167	AR	TERMINAL, X204B, twine box LH
4	80441159	AR	CONNECTOR, WIRE, X203A-X205A, twine box RH
4	80446133	AR	CONNECTOR, ELEC, X203B-X205B, twine box RH
4	80441159	AR	CONNECTOR, WIRE, X204A, twine box LH
4	80446133	AR	CONNECTOR, ELEC, X204B, twine box LH

portable worklamp plug-in sockets

06.70(01) CONNECTORS: X101



X101
(connector on hydraulic pressure sensor)

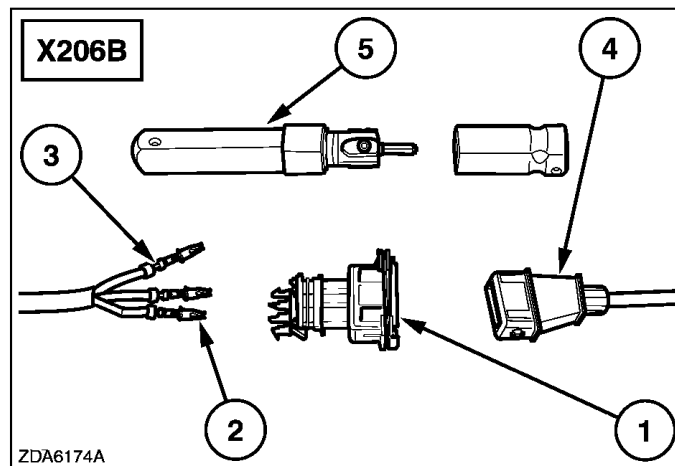
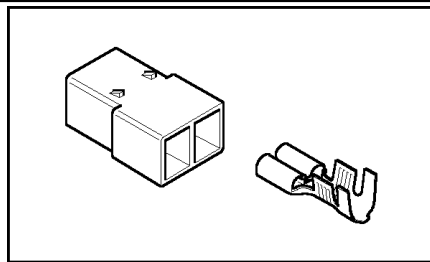


LBX421S BIG RECTANGULAR BALER (6/01-)

06.70(01) CONNECTORS: X101

сылка	Номер детали	Кол-во	Описание
1	84078681		AR CONNECTOR, WIRE,
2	84078682		AR TERMINAL,
3	86523197		AR SENSOR,
4	84320139		AR O-RING,

connector on hydraulic pressure sensor



X206B (valid series 4238 and above)



LBX421S BIG RECTANGULAR BALER (6/01-)

06.71(01) CONNECTORS: X206

сылка	Номер детали	Кол-во	Описание
1	84806091		AR CONNECTOR, WIRE,
2	84607244		AR TERMINAL,
3	84607242		AR SEAL,
4	NS		AR NOT SERVICED,
5	84021088		AR TOOL, GENERAL,

connector for density load cell

HYDRAULIC SYSTEMS

INSTALLATION HYDRAULIQUE

INSTALACIÓN HIDRÁULICA

HYDRAULIKANLÆG

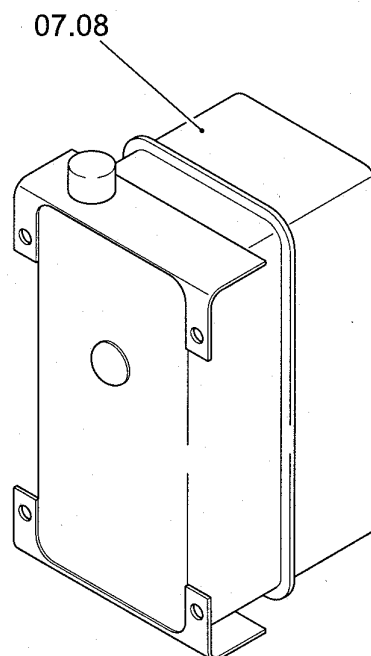
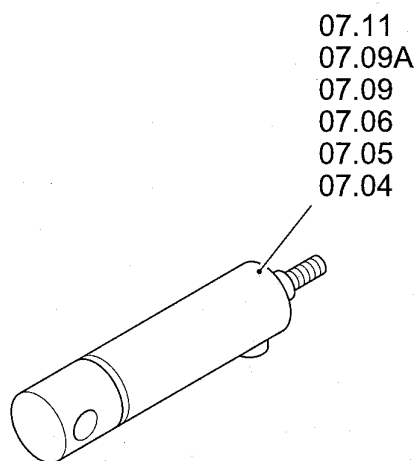
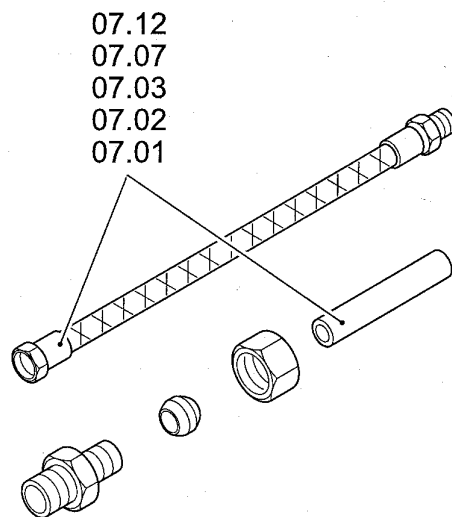
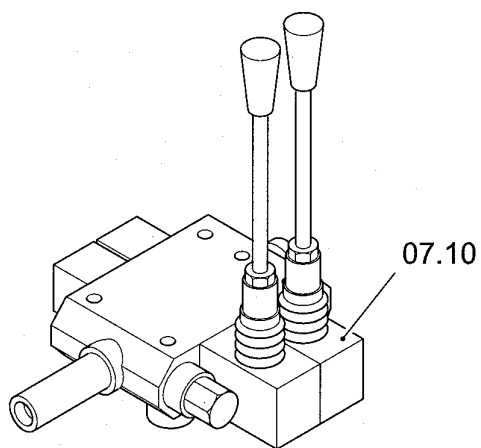
IMPIANTO IDRAULICA

HYDRAULISCHE ANLAGE

INSTALAÇÃO HIDRÁULICA

HYDRAULISCH
SYSTEM

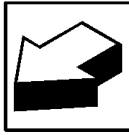
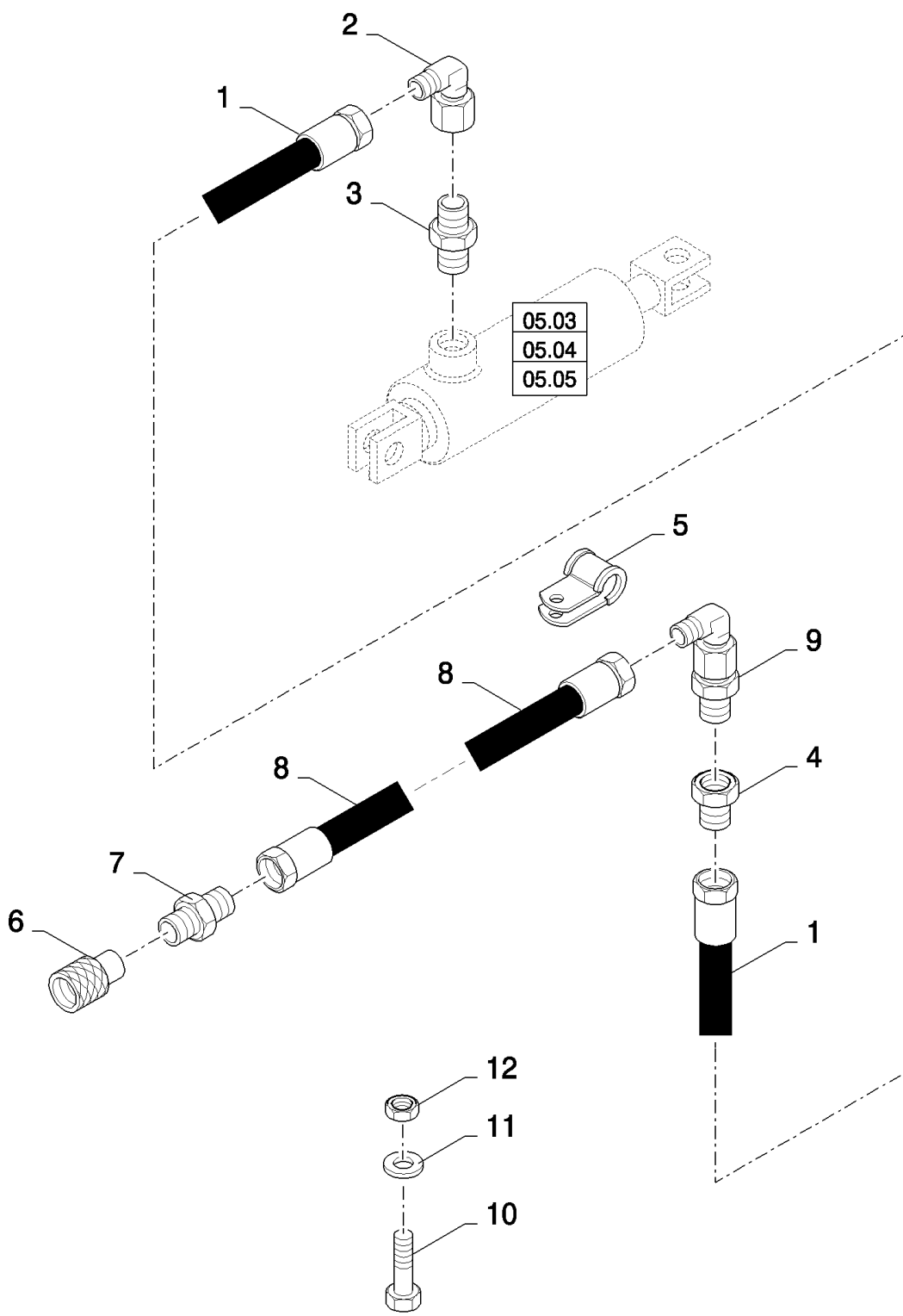
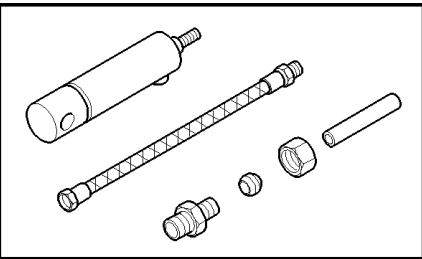
SEC. 7



LBX421S BIG RECTANGULAR BALER (6/01-)

07.00(01) SECTION LIST 7 - HYDRAULIC SYSTEMS

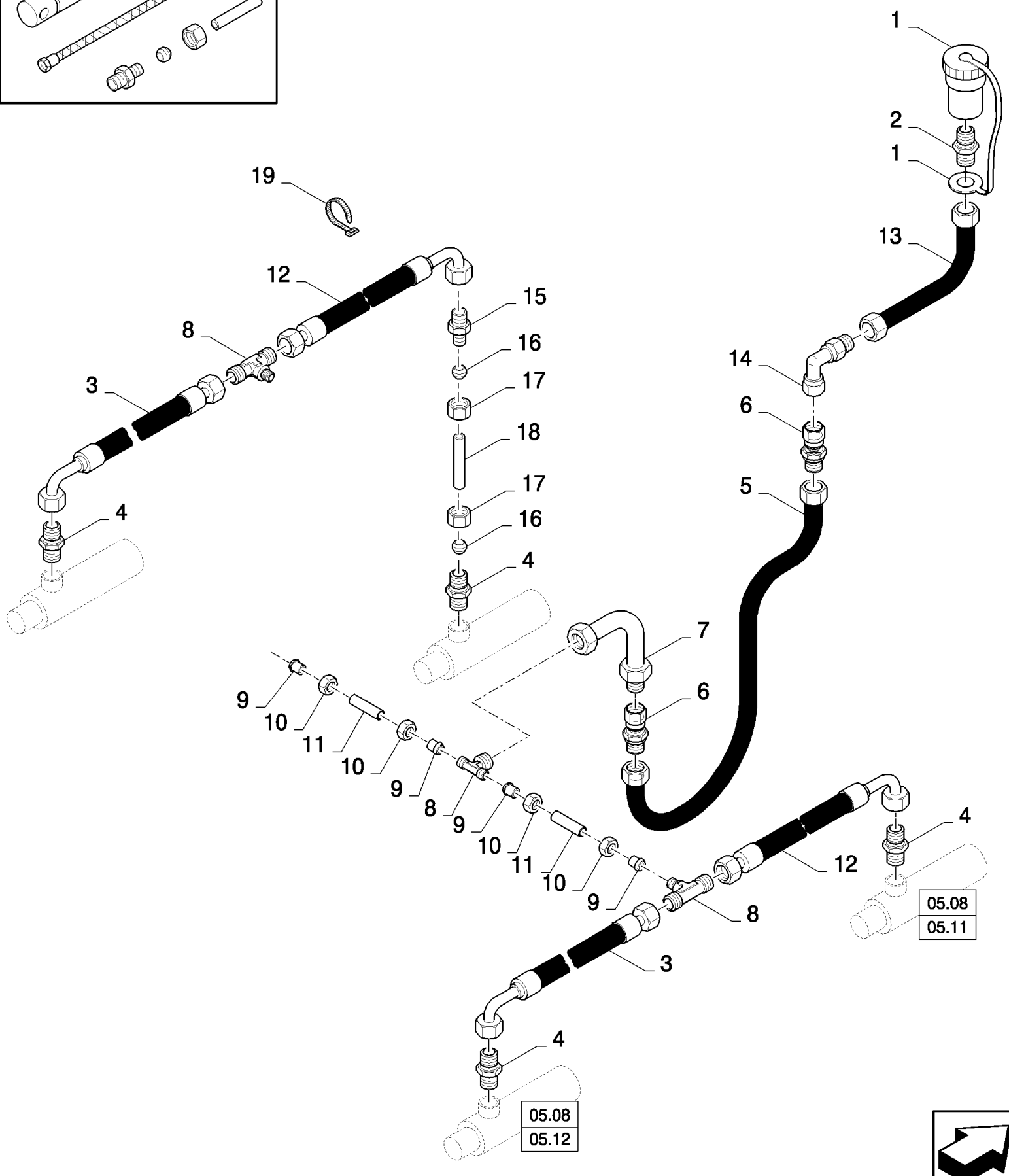
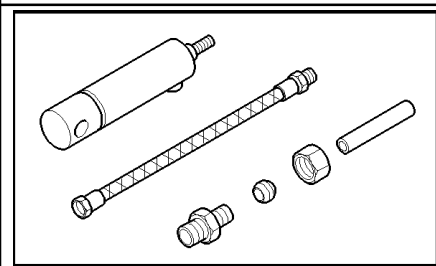
сылка	Номер детали	Кол-во	Описание



LBX421S BIG RECTANGULAR BALER (6/01-)

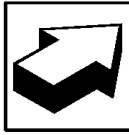
07.01(01) HYDRAULIC BRAKES, SINGLE AXLE, NOT FOR NA

сылка	Номер детали	Кол-во	Описание
1	89839026	1	HOSE,
2	89837644	1	ELBOW,
3	89837622	1	CONNECTOR, HYD.,
4	84078124	1	CONNECTOR, HYD.,
5	80396718	2	STRAP,
6	89839028	1	CONNECTOR, HYD.,
7	80395019	1	CONNECTOR, HYD.,
8	84031413	1	HOSE, FLEXIBLE,
9	84007700	1	ELBOW,
10	43128	2	BOLT, Hex, M8 x 30, 8.8,
11	80322358	3	WASHER, LOCK, 8MM
12	89706690	2	NUT, M8, CI 8,



05.08
05.11

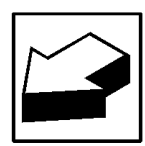
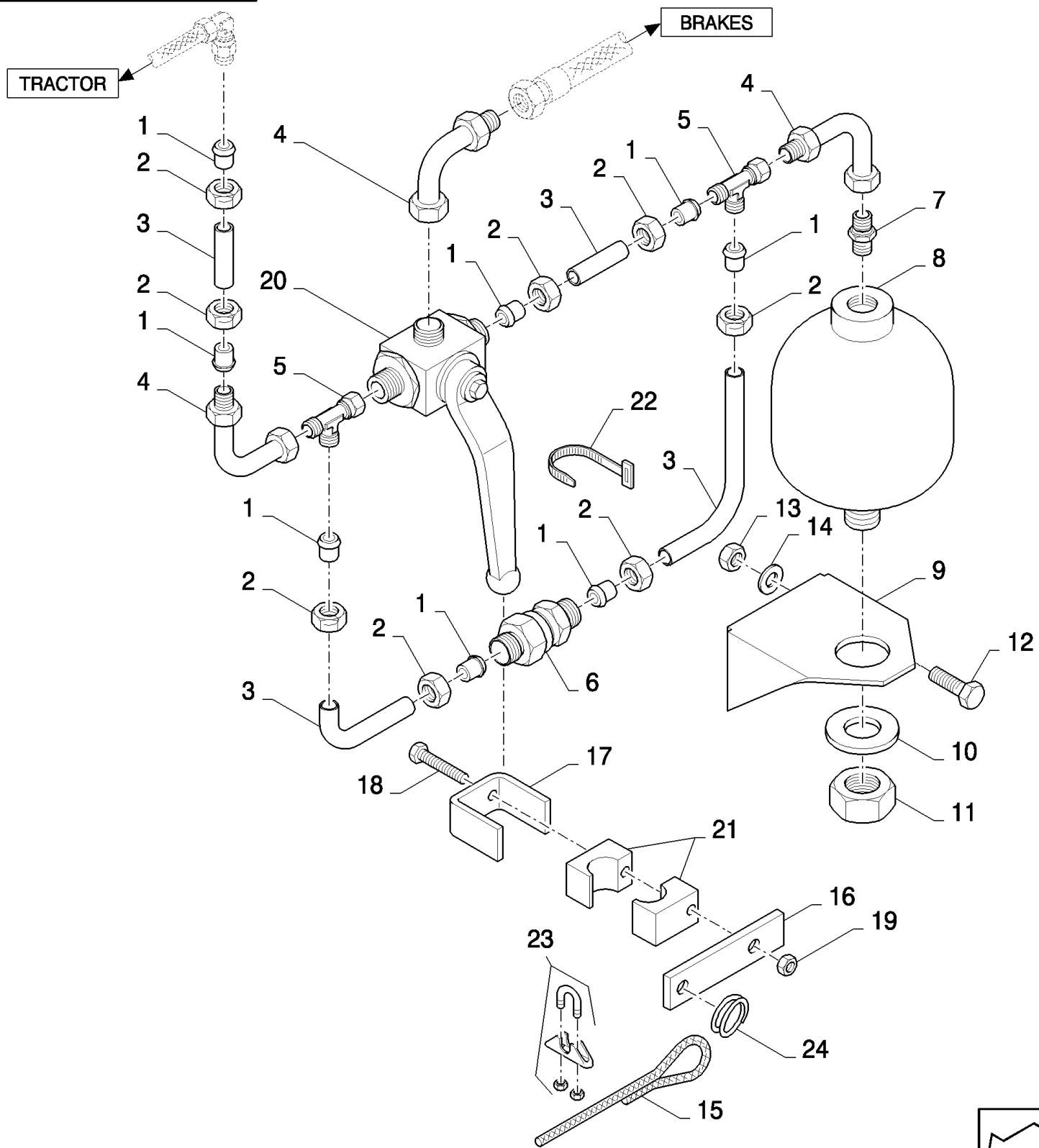
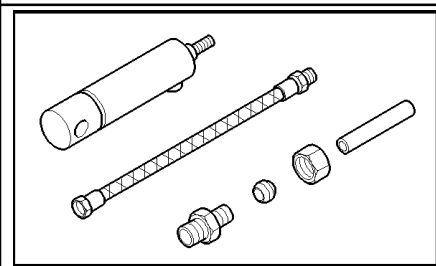
05.08
05.12



LBX421S BIG RECTANGULAR BALER (6/01-)

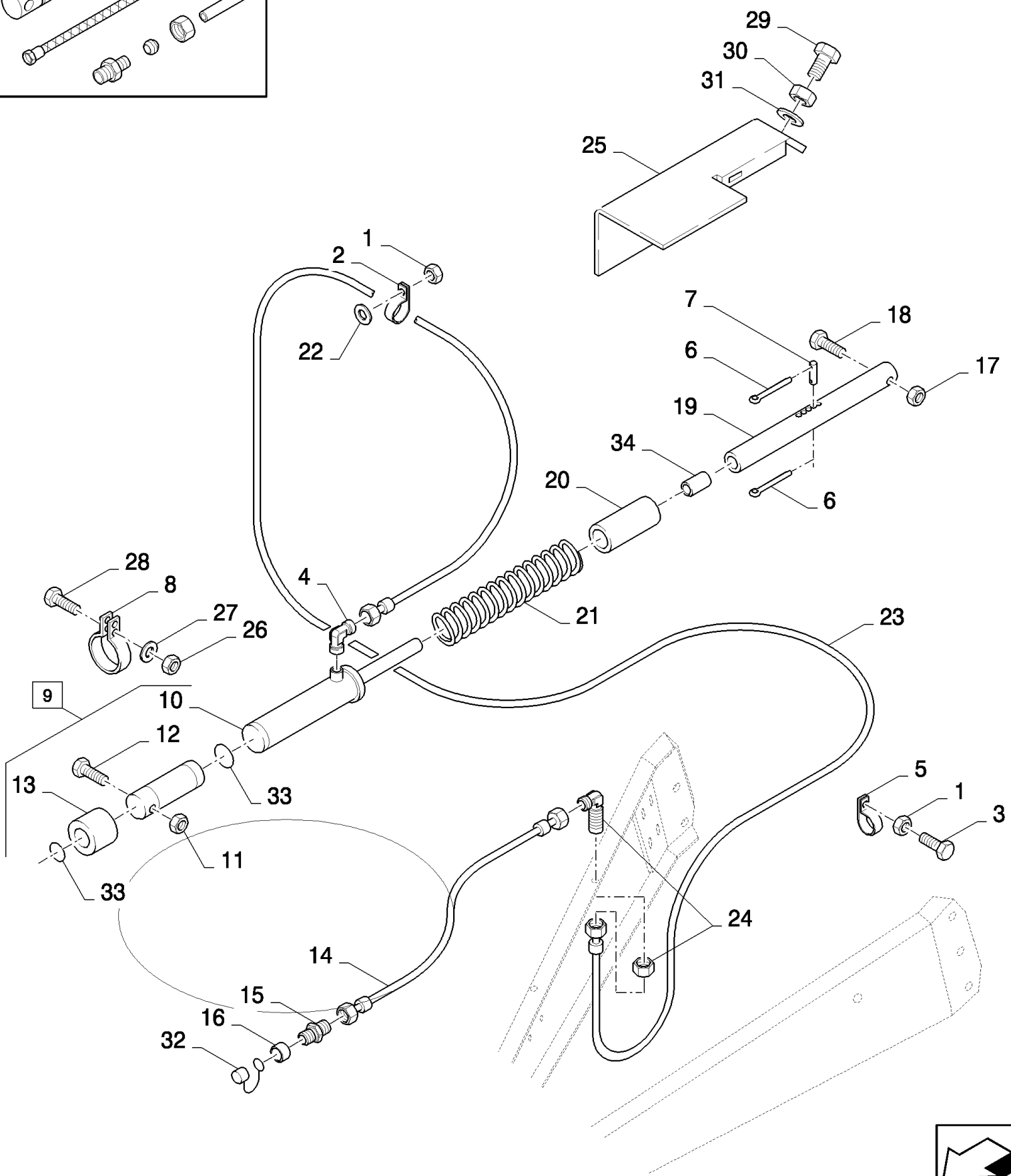
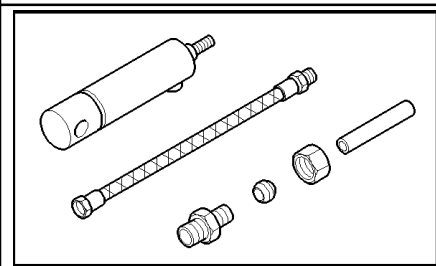
07.02(01) HYDRAULIC BRAKES, TANDEM AXLE, NOT FOR NA

сылка	Номер детали	Кол-во	Описание
1	89839028	1	CONNECTOR, HYD.,
2	80395019	1	CONNECTOR, HYD.,
3	84078363	2	HOSE, FLEXIBLE,
4	89813512	4	CONNECTOR, HYD.,
5	89839026	1	HOSE,
6	84078124	2	CONNECTOR, HYD.,
7	80418284	1	ELBOW,
8	80395472	3	CONNECTION, 3 WAY,
9	80150014	AR	FERRULE, 10MM
10	86548975	AR	NUT, M10
11	80371539	AR	TUBE, RIGID, D=10mm, L=2m
12	84078363	4	HOSE, FLEXIBLE,
13	84031413	1	HOSE, FLEXIBLE,
14	84007700	1	ELBOW,
15	80150017	2	CONNECTOR, HYD.,
16	80150014	2	FERRULE, 10MM
17	86548975	2	NUT, M10
18	NS	1	NOT SERVICED, Tube
19	80323597	2	STRAP,



сылка	Номер детали	Кол-во	Описание
1	80150014	AR	FERRULE, 10MM
2	86548975	AR	NUT, M10
3	80371539	AR	TUBE, RIGID, D=10mm, L=2m
4	80418284	3	ELBOW,
5	80734031	2	CONNECTOR, HYD.,
6	84078038	1	VALVE, ADVANCE,
7	80395019	1	CONNECTOR, HYD.,
8	84018412	1	ACCUMULATOR,
9	84078103	1	SUPPORT,
10	80140110	1	WASHER,
11	80308823	1	NUT, M28
12	120104	2	BOLT, Hex, M8 x 20, 8.8,
13	80322358	2	WASHER, LOCK, 8MM
15	89839198	1	CABLE,
16	80921153	1	PLATE,
17	80433101	1	SUPPORT,
18	80043117	1	SCREW, M6x30
19	80353308	AR	NUT, M6
20	84320121	1	DRAINCOCK/TAP, SUPPLY,
21	80433008	2	CLAMP,
22	80368582	2	STRAP,
23	84607248	1	CLAMP, WIRE,
24	84078105	1	RING,
14	89706690	2	NUT, M8, CI 8,

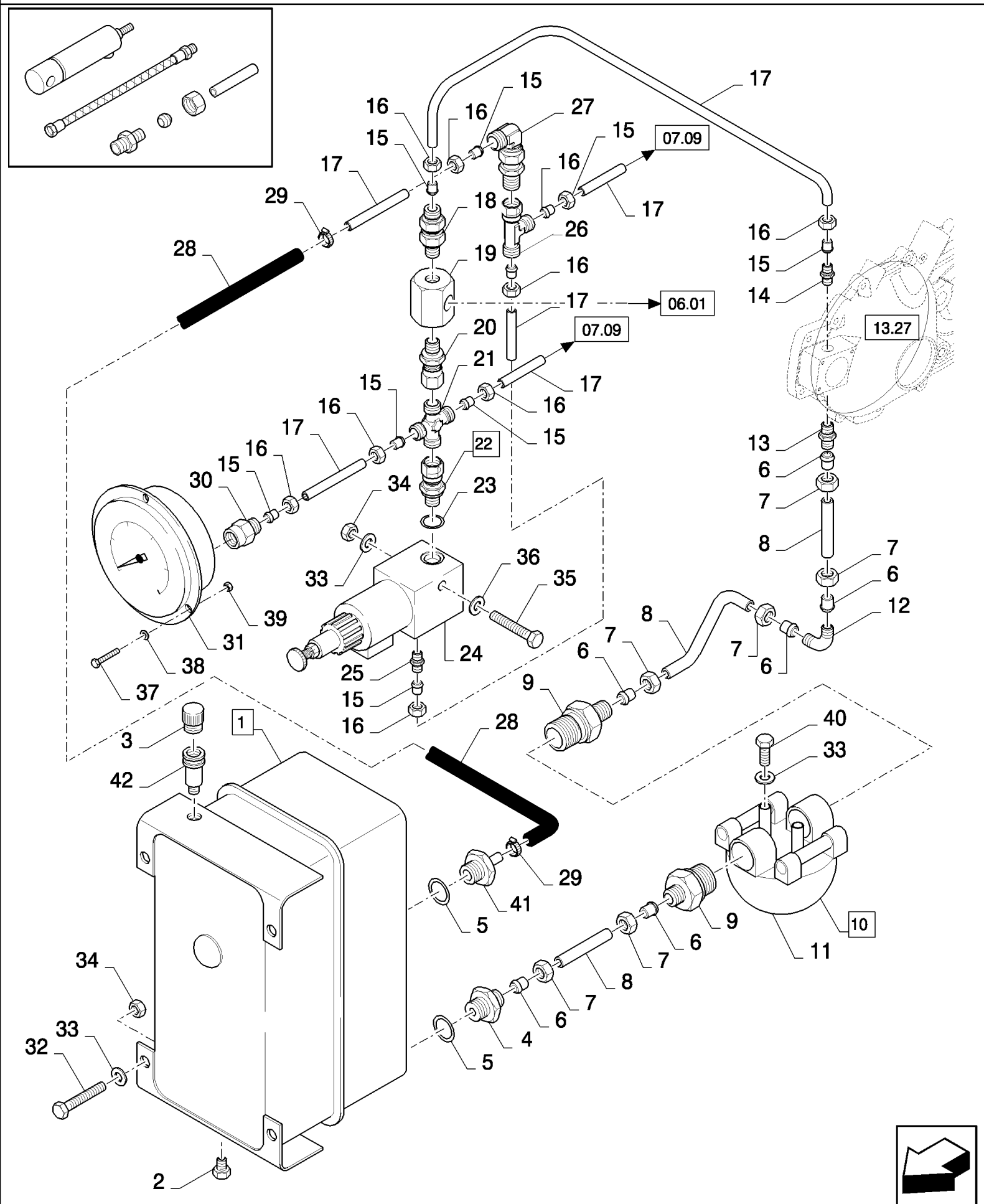
07.04(01) PICK-UP LIFTING SYSTEM



LBX421S BIG RECTANGULAR BALER (6/01-)

07.04(01) PICK-UP LIFTING SYSTEM

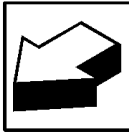
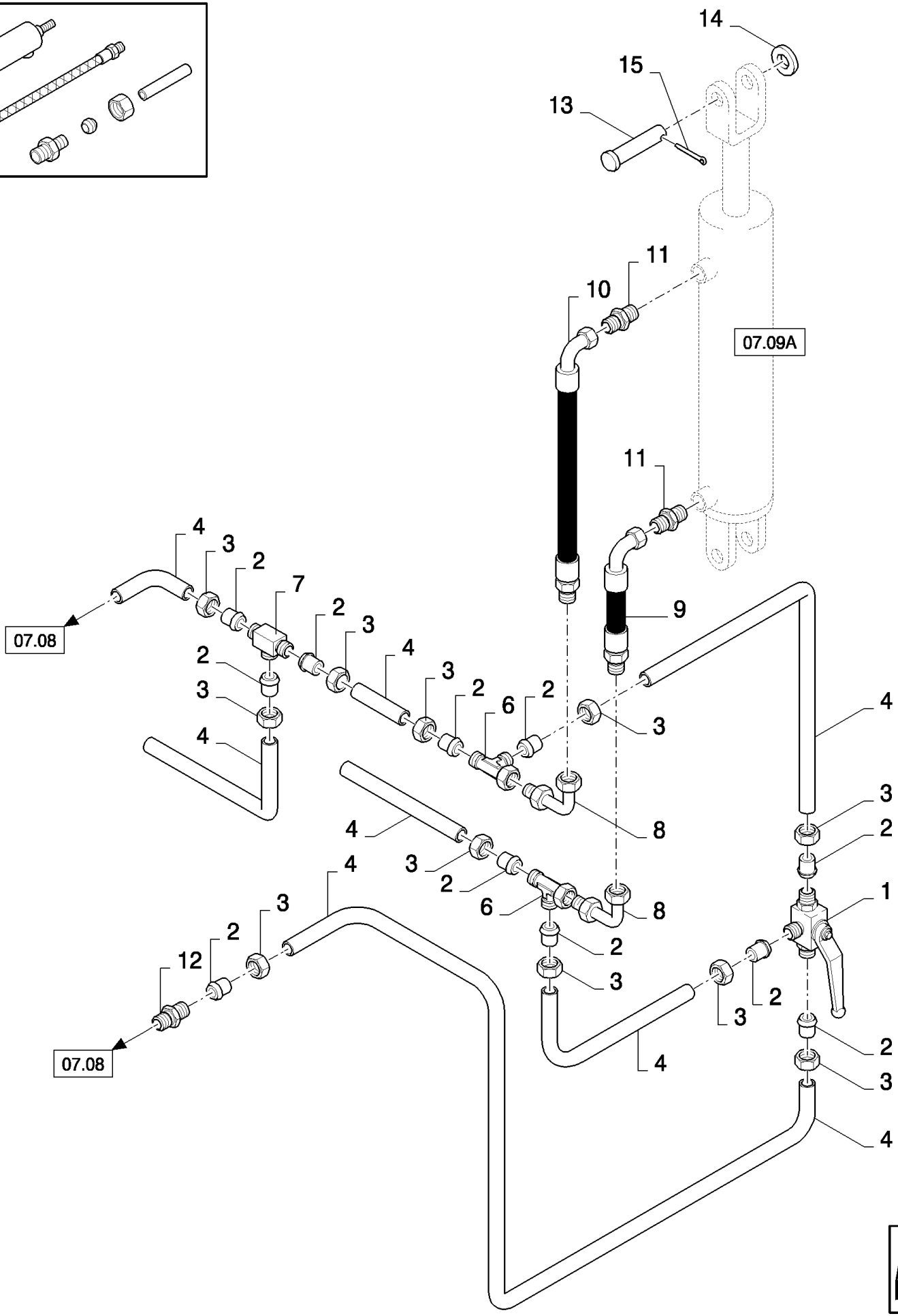
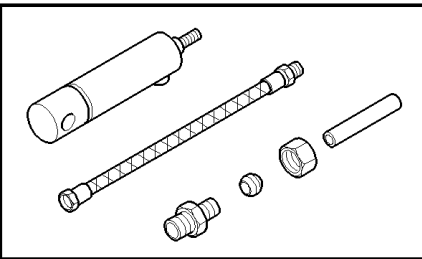
сылка	Номер детали	Кол-во	Описание
2	89837593	1	CLAMP,
3	120104	2	BOLT, Hex, M8 x 20, 8.8,
4	80076344	1	ELBOW,
5	89827902	2	CLAMP,
6	89837600	2	PIN,
7	89837599	1	PIN,
8	84042784	1	CLAMP,
9	89837609	1	HYDRAULIC CYLINDER, (10,13,33)
10	9963849	1	ROD, THREADED,
11	80380424	1	NUT, LOCK, M20
12	80395528	1	BOLT,
13	9963850	1	BUSHING, THREADED,
14	89837590	1	HOSE,
15	80128817	1	CONNECTOR, HYD.,
16	86544945	1	COUPLING, QUICK, MALE,
17	89837597	1	NUT,
18	89837598	1	SCREW,
19	89837603	1	TUBE, (34)
20	89837601	1	BUSHING,
21	89837588	1	SPRING,
22	80378243	1	WASHER,
23	89837596	1	HOSE,
24	89837589	1	ELBOW,
25	89850792	1	SHIELD,
26	80043442	1	NUT, LOCK, M8 x 1.25, CI 8,
27	80322358	AR	WASHER, LOCK,
28	80043129	1	SCREW, M8x40
29	614-6016	1	BOLT, Hex, M6 x 16, 8.8,
30	80322357	1	WASHER, SPRING, Belleville, M6, 6MM
32	84042342	1	COVER, CAP,
33	84004361	1	KIT, SEALS,
1	89706690	4	NUT, M8, CI 8,
34	NSS	1	NOT SERVICED SEPARATELY, Bushing
31	15896221	1	NUT, M6, CI 10,



LBX421S BIG RECTANGULAR BALER (6/01-)

07.08(01) DENSITY PRESSER SYSTEM, FRONT

сылка	Номер детали	Кол-во	Описание
1	84064526	1	RESERVOIR, HYDRAULIC OIL, (2,3,42)
2	84078485	1	PLUG,
3	84078484	1	CAP,
4	84074610	1	CONNECTOR, HYD., (5)
5	84032746	1	O-RING,
6	80150014	AR	FERRULE, 10MM
7	86548975	AR	NUT, M10
8	80371539	AR	TUBE, RIGID, D=10MM,L=2M
9	84064606	2	CONNECTOR, HYD.,
10	84068686	1	FILTER, HYDRAULIC OIL, (11)
11	84078520	1	FILTER, ELEMENT,
12	84007700	1	ELBOW,
13	89813512	1	CONNECTOR, HYD.,
14	84043514	1	CONNECTOR, HYD.,
15	80335136	AR	FERRULE, 8MM
16	80335135	AR	NUT, M8
17	80371540	AR	TUBE, RIGID, D=8MM,L=2M
18	84069412	1	VALVE, ADVANCE,
19	84068862	1	CONNECTOR, HYD.,
20	84064607	1	CONNECTOR, HYD.,
21	84069072	1	CONNECTOR, HYD.,
22	84100140	1	CONNECTOR, HYD., (23)
23	80165202	1	O-RING,
24	84056783	1	VALVE, HYDRAULIC,
25	89850318	1	CONNECTOR, HYD.,
26	84064562	1	CONNECTOR, HYD.,
27	84041508	1	CONNECTOR, HYD.,
28	NSS	AR	NOT SERVICED SEPARATELY, Hose
29	80913888	2	CLAMP,
30	84064667	1	CONNECTOR, HYD.,
31	89837610	1	INSTRUMENT, MEASURING,
32	120104	4	BOLT, Hex, M8 x 20, 8.8,
33	80322358	AR	WASHER, LOCK, 8MM
35	80300510	1	SCREW, M8x65
36	80140041	1	WASHER, 9MM
34	89706690	AR	NUT, M8, CI 8,
37	86511816	3	SCREW, Cross Pan Hd, M3 x 16,
38	80412547	3	WASHER, LOCK, 3MM
39	86508812	3	NUT, M3, CI 8,
40	614-8016	2	BOLT, Hex, M8 x 16, 8.8,
41	84074545	1	CONNECTOR, HYD., (5)
42	84320893	1	TUBE,

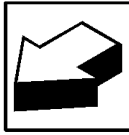
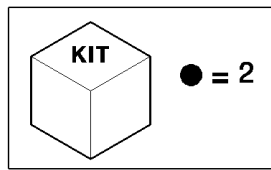
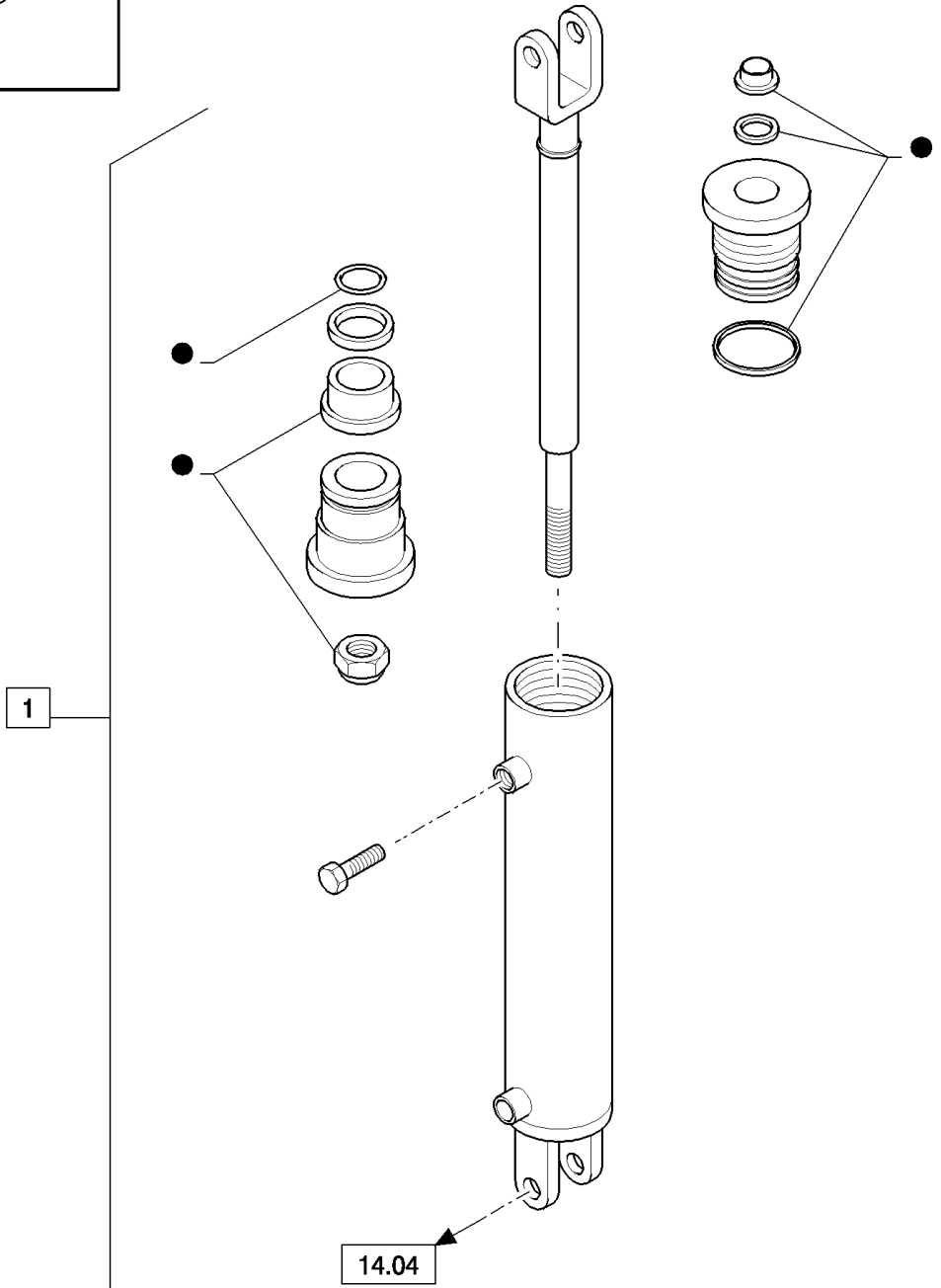
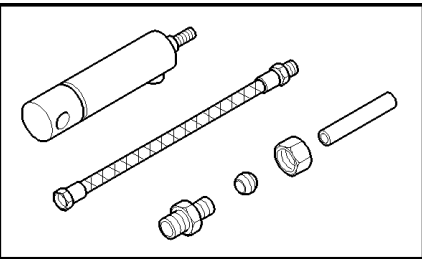


LBX421S BIG RECTANGULAR BALER (6/01-)

07.09(01) DENSITY PRESSER SYSTEM, REAR

сылка	Номер детали	Кол-во	Описание
1	84100885	1	DRAINCOCK/TAP, SUPPLY, , OPTION THREE-WAY VALVE (WITH BALE EJECT)
2	80335136	AR	FERRULE, 8MM
3	80335135	AR	NUT, M8
4	80371540	AR	TUBE, RIGID, D=8MM,L=2M
5	80100065	1	NUT,
6	84064562	2	CONNECTOR, HYD., , ONLY QTY 2 FOR THREE-WAY VALVE
7	80379430	1	CONNECTION, 3 WAY,
8	80418283	4	ELBOW,
9	84078517	2	HOSE, FLEXIBLE,
10	84064567	2	HOSE, FLEXIBLE,
11	84043514	4	CONNECTOR, HYD.,
12	80335172	2	CONNECTOR, HYD.,
13	89837630	4	SHAFT,
14	80378248	4	WASHER, 25MM
15	80130011	4	PIN, SPLIT (COTTER),

07.09A(01) DENSITY CYLINDER

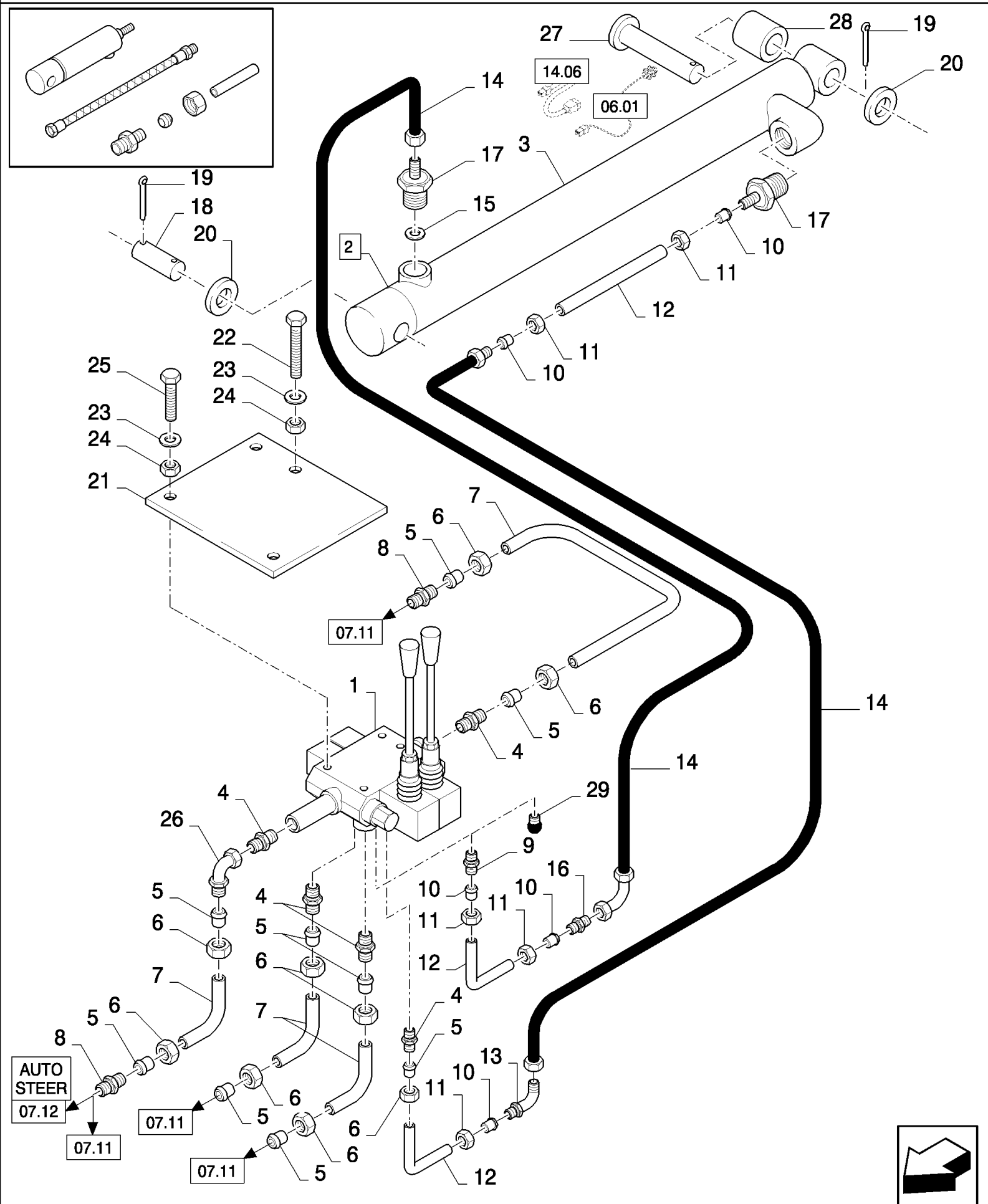


LBX421S BIG RECTANGULAR BALER (6/01-)

07.09A(01) DENSITY CYLINDER

сылка	Номер детали	Кол-во	Описание
1	84807261	2	HYDRAULIC CYLINDER, (2), FOR LBX331S, LBX331P, LBX331R ONLY
1	84807259	2	HYDRAULIC CYLINDER, (2), FOR LBX421S, LBX421R, LBX431S, LBX431R ONLY
2	84019854	2	KIT, SEALS, , FOR LBX331S, LBX331P, LBX331R ONLY
2	84004348	2	KIT, SEALS, , FOR LBX421S, LBX421R, LBX431S, LBX431R ONLY

07.10(01) BALE EJECT CONTROL AND BALE CHUTE

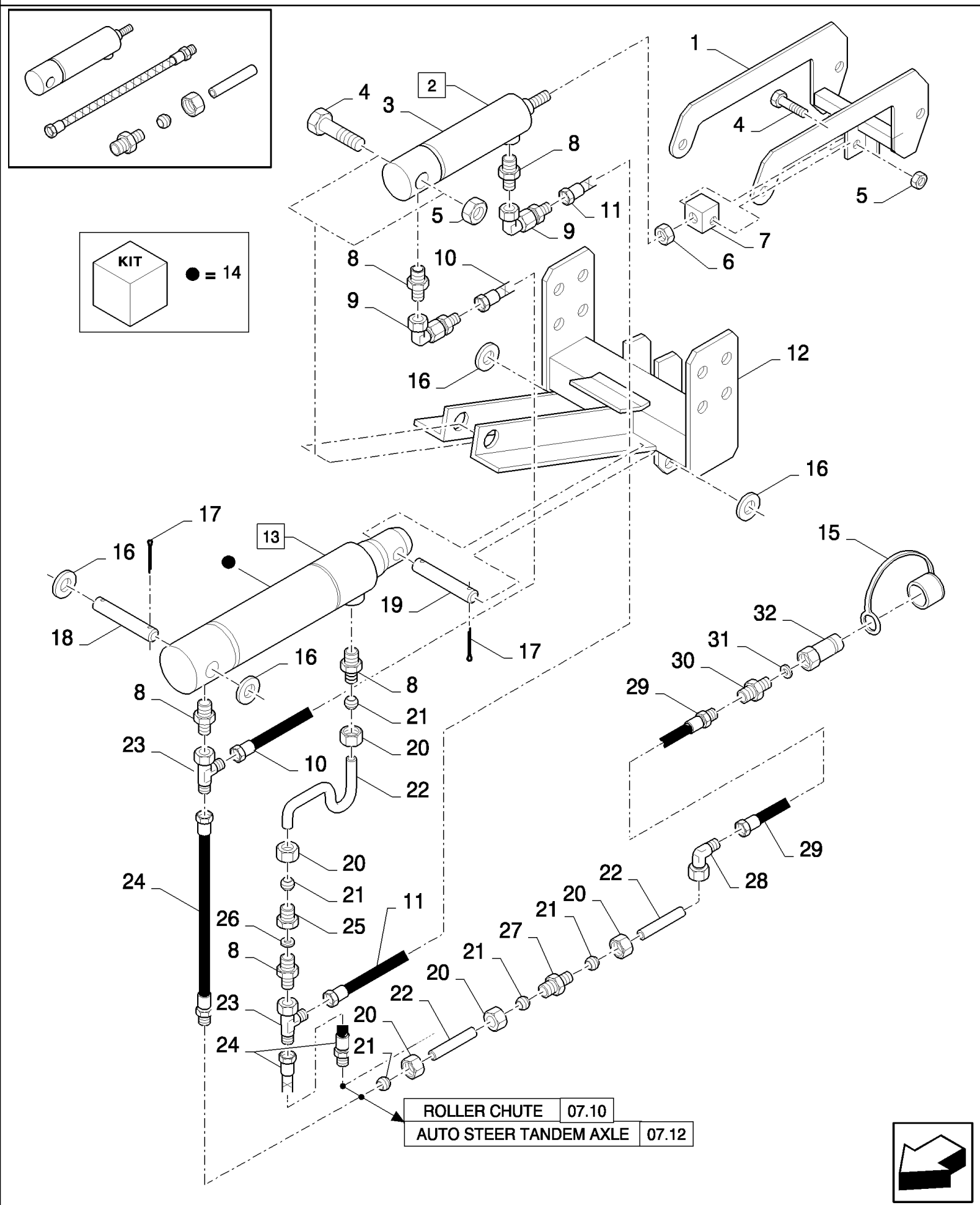


LBX421S BIG RECTANGULAR BALER (6/01-)

07.10(01) BALE EJECT CONTROLE AND BALE CHUTE

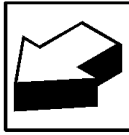
сылка	Номер детали	Кол-во	Описание
1	84062215	1	VALVE, HYDRAULIC,
2	84807310	1	HYDRAULIC CYLINDER, (3)
3	84078090	1	KIT, SEALS,
4	89813512	4	CONNECTOR, HYD.,
5	80150014	AR	FERRULE, 10MM
6	86548975	AR	NUT, M10
7	80371539	AR	TUBE, RIGID, D=10MM,L=2M
8	80150017	AR	CONNECTOR, HYD.,
9	84043514	2	CONNECTOR, HYD.,
10	80335136	AR	FERRULE, 8MM
11	80335135	AR	NUT, M8
12	80371540	AR	TUBE, RIGID, D=8MM,L=2M
13	80418283	1	ELBOW,
14	84078517	2	HOSE, FLEXIBLE,
15	80423996	1	ORIFICE,
16	80335172	1	CONNECTOR, HYD.,
17	80386215	2	CONNECTOR, HYD.,
18	80390055	1	PIN, , BSN C251
18	80356015	1	SPINDLE, , ASN D252
19	80130007	AR	PIN, SPLIT (COTTER),
20	80378246	AR	WASHER, 17MM
21	84074612	1	PLATE,
22	80386045	2	SCREW, M8x45
23	80322358	4	WASHER, LOCK, 8MM
25	80043127	2	SCREW,
26	80418284	1	ELBOW,
27	84078725	1	PIN, CLEVIS, M16 x 100,
28	84400935	1	ROLLER,
29	89837623	2	PLUG, , WITH PLATE BALE CHUTE
24	89706690	4	NUT, M8, CI 8,

07.11(01) BALE EJECTOR



KIT ● = 14

ROLLER CHUTE 07.10
AUTO STEER TANDEM AXLE 07.12

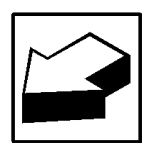
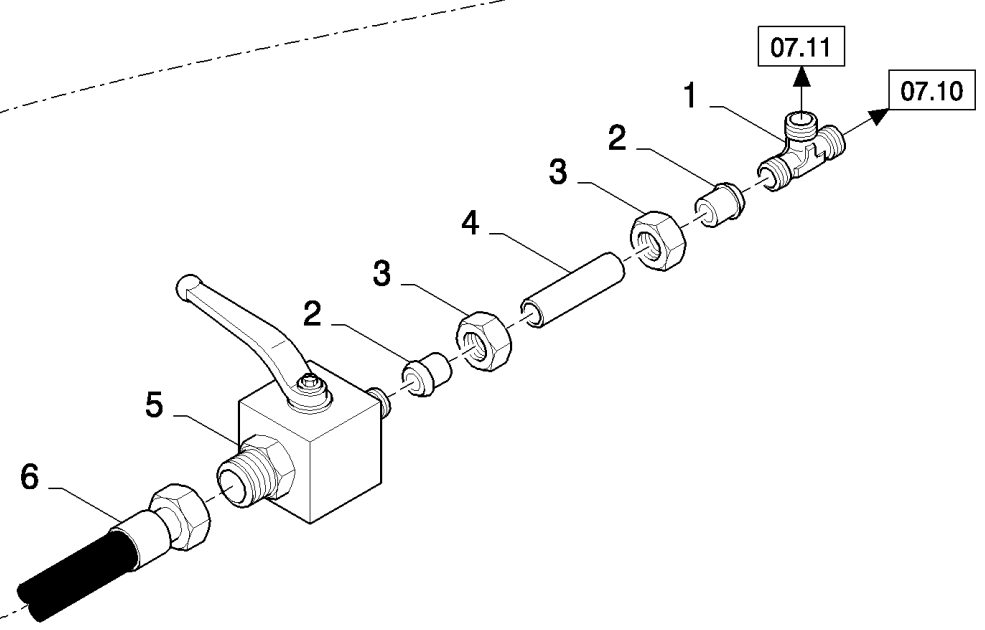
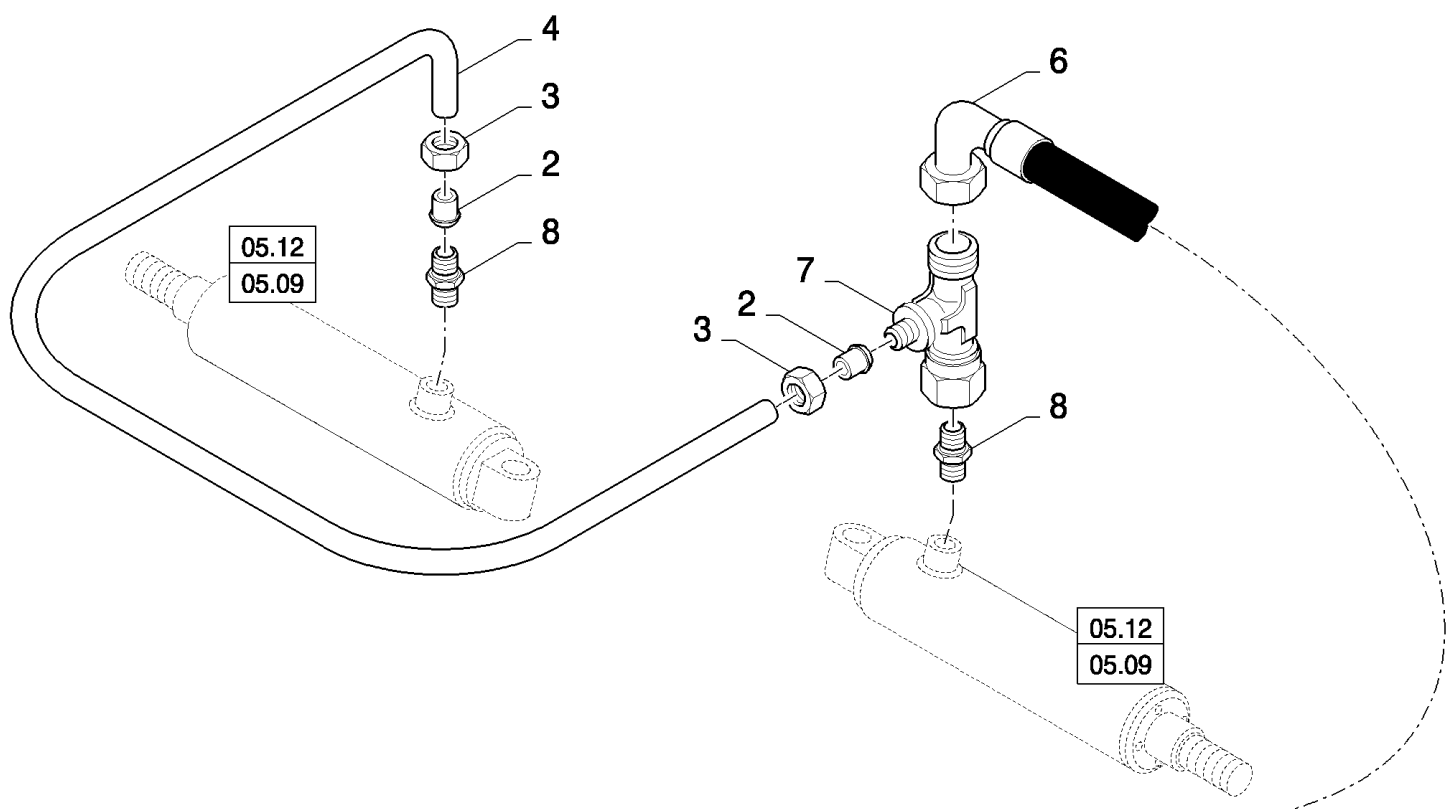
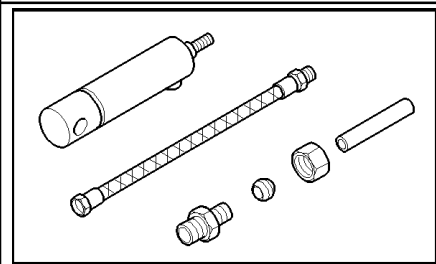


LBX421S BIG RECTANGULAR BALER (6/01-)

07.11(01) BALE EJECTOR

сылка	Номер детали	Кол-во	Описание
1	84062318	1	SUPPORT, , FOR LBX331S, LBX331P, LBX331R ONLY
1	84062319	1	SUPPORT, , FOR LBX421S, LBX421R, LBX431S, LBX431R ONLY
2	84807314	1	HYDRAULIC CYLINDER,
3	80427034	1	KIT, SEALS,
4	89706717	2	BOLT, Hex, M12 x 70, 8.8, Full Thd,
5	80100038	2	NUT, LOCK,
6	10790521	1	NUT, M16 x 1.5, CI 10,
7	89622175	1	BLOCK,
8	80395019	5	CONNECTOR, HYD.,
9	80418284	2	ELBOW,
10	89622221	1	HOSE,
11	89622222	1	HOSE,
12	84078455	1	SUPPORT, , FOR LBX331S, LBX331P, LBX331R ONLY
12	84078457	1	SUPPORT, , FOR LBX421S, LBX421R, LBX431S, LBX431R ONLY
13	84807316	1	HYDRAULIC CYLINDER, (14)
14	84022177	1	KIT, SEALS,
15	84042341	2	PROTECTION CAP,
16	80338206	4	WASHER,
17	80130011	4	PIN, SPLIT (COTTER),
18	84004813	1	PIN,
19	84004833	1	PIN,
20	86548975	AR	NUT, M10
21	80150014	AR	FERRULE, 10MM
22	80371539	AR	TUBE, RIGID, D=10MM
23	80734031	2	CONNECTOR, HYD.,
24	80442796	2	HOSE,
25	80445302	1	CONNECTOR, HYD.,
26	80396098	1	VALVE, RESTRICTOR,
27	80150017	AR	CONNECTOR, HYD.,
28	84007700	2	ELBOW,
29	84031413	2	HOSE, FLEXIBLE,
30	80395738	2	CONNECTOR, HYD.,
31	80128825	2	O-RING,
32	86544945	2	COUPLING, QUICK, MALE,

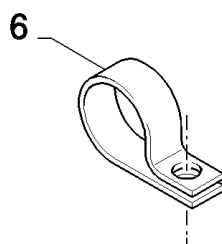
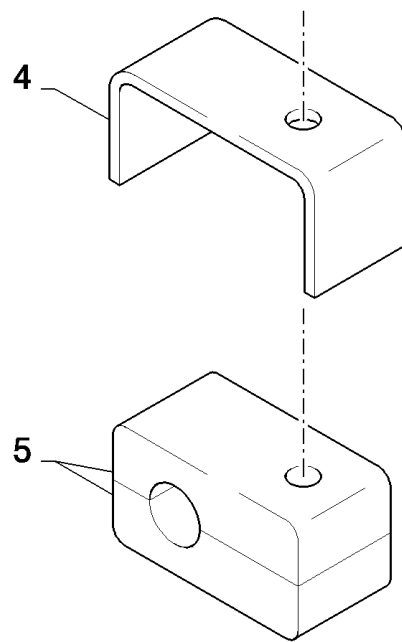
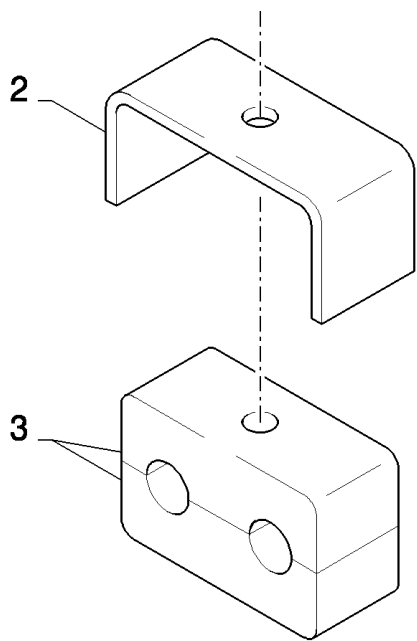
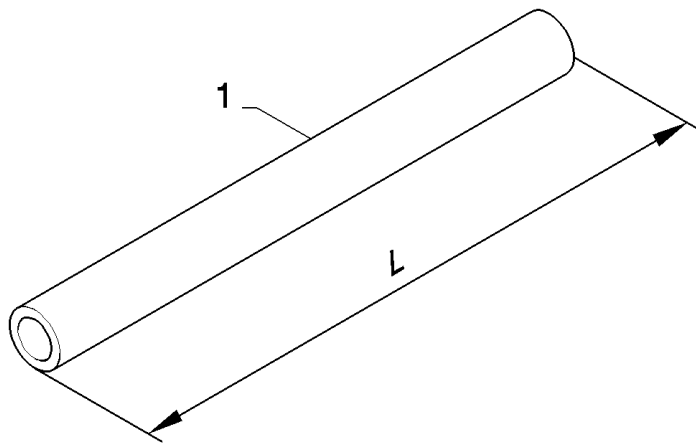
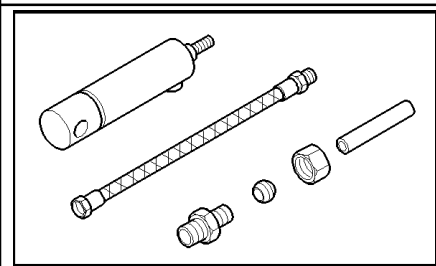
07.12(01) TANDEM AUTO-STEER AXLE



LBX421S BIG RECTANGULAR BALER (6/01-)

07.12(01) TANDEM AUTO-STEER AXLE

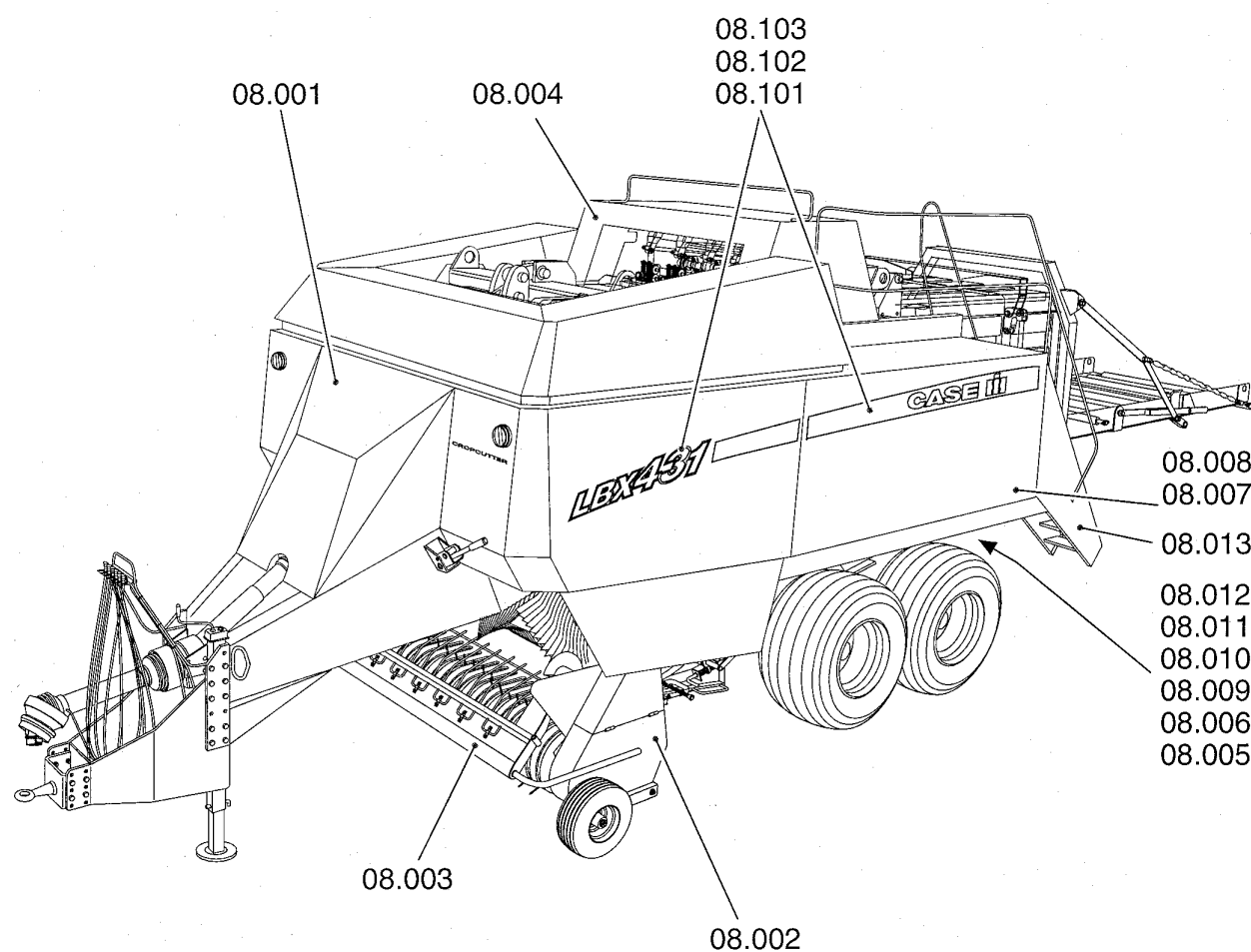
сылка	Номер детали	Кол-во	Описание
1	80395472	1	CONNECTION, 3 WAY,
2	80150014	AR	FERRULE, 10MM
3	86548975	AR	NUT, M10
4	80371539	AR	TUBE, RIGID, D=10MM,L=2M
5	84043962	1	DRAINCOCK/TAP, SUPPLY,
6	84078809	1	HOSE, FLEXIBLE,
7	80734031	1	CONNECTOR, HYD.,
8	89813512	2	CONNECTOR, HYD.,



сылка	Номер детали	Кол-во	Описание
1	80371540		AR TUBE, RIGID, D=8MM,L=2M
1	80371539		AR TUBE, RIGID, D=10MM,L=2M
1	89513719		AR TUBE, RIGID, D=12MMx1.5,L=2M
1	80371536		AR TUBE, RIGID, D=16MM,L=2M
1	80371534		AR TUBE, RIGID, D=18MM,L=2M
1	89811333		AR TUBE, RIGID, D=28MM,L=2M
1	80075931		AR TUBE, RIGID, D=3/8",L=48"
1	80075932		AR TUBE, RIGID, D=1/2",L=48"
1	80075933		AR TUBE, RIGID, D=5/8",L=48"
1	80075934		AR TUBE, RIGID, D=3/4",L=48"
1	84032151		AR TUBE, RIGID, D=3/16",L=2.5M
2	80431941	1	SUPPORT, 8-12
2	80431942	1	SUPPORT, 16-3/4"
3	80430357	1	CLAMP, 8-12
3	80430356	1	CLAMP, 16-3/4"
4	80433101	1	SUPPORT, 8-10
4	80442340	1	SUPPORT, 12
4	80433100	1	SUPPORT, 16-3/4"
5	80433008	1	CLAMP, 8-12
5	80433007	1	CLAMP, 16-3/4"
6	80711051		AR CLAMP, D=19
6	80603022		AR CLAMP, D=44.4
6	80701318		AR CLAMP, D=31.75

SHEET METAL/DECALS	REVÊTEMENTS ENTÔLE	CHAPEADOS/CALCOMANÍAS	METALPLADEBEKLÆDN.
LAMIERATI	DÉCALCOMANIE	REVESTIMENTOS EM	MÆRKATER
DECALCOMANIE	BLECHVERKLEIDUNGEN	CHAPAS/DECALCOMANIAS	METALEN PLATEN
	ABZIEHBILDER		PLAKPLAATJES

SEC. 8

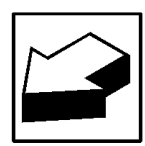
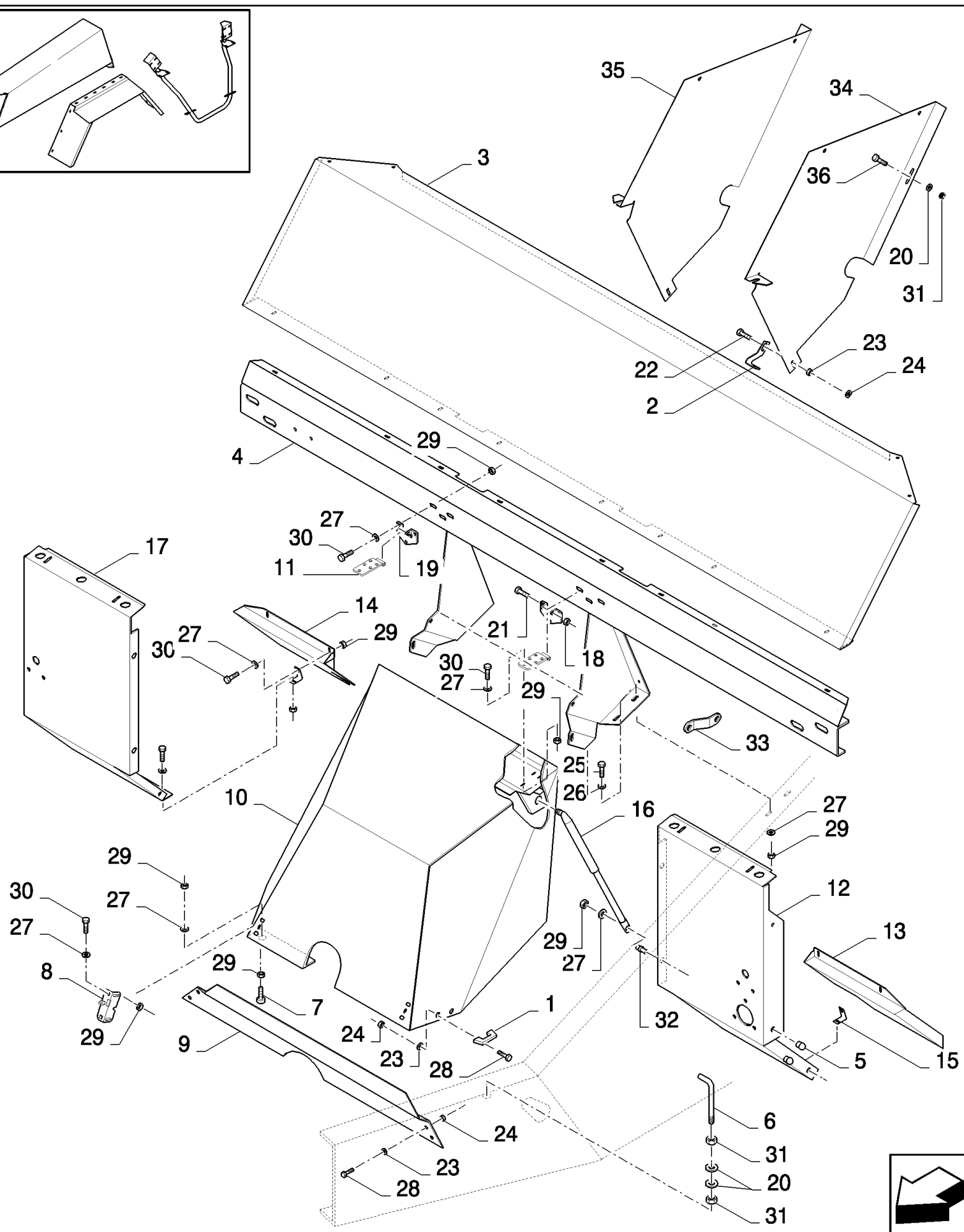
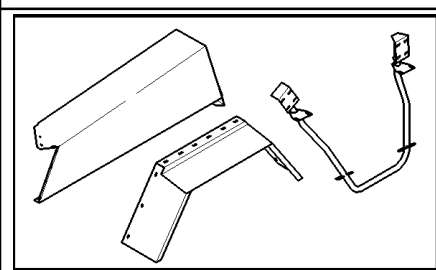


LBX421S BIG RECTANGULAR BALER (6/01-)

08.000(01) SECTION LIST 8 - SHEET METAL/DECALS

сылка	Номер детали	Кол-во	Описание

08.001(01) PROTECTIONS FLYWHEEL

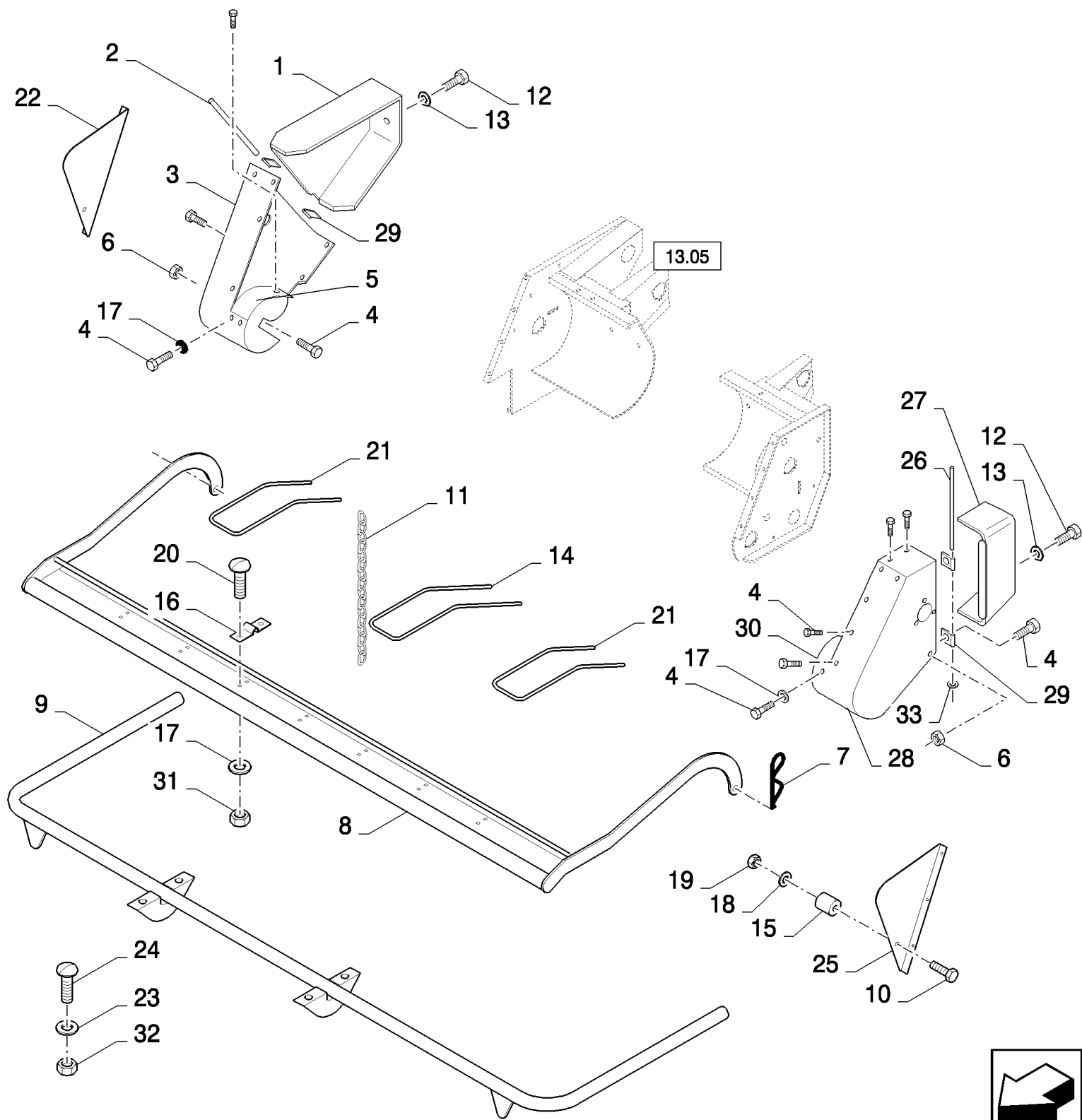
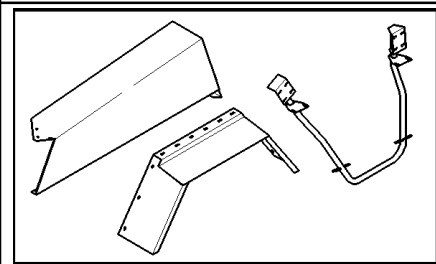


LBX421S BIG RECTANGULAR BALER (6/01-)

08.001(01) PROTECTIONS FLYWHEEL

сылка	Номер детали	Кол-во	Описание
1	89837395	1	HANDLE,
2	84807440	2	SUPPORT,
3	84807437	1	SHIELD, , FOR LBX331S, LBX331P, LBX331R ONLY
3	84807452	1	SHIELD, , FOR LBX421S, LBX421R, LBX431S, LBX431R ONLY
4	84807456	1	SUPPORT, , FOR LBX331S, LBX331P, LBX331R ONLY
4	84807454	1	SUPPORT, , FOR LBX421S, LBX421R, LBX431S, LBX431R ONLY
5	80336455	4	PLUG,
6	84017837	1	SUPPORT,
7	84000555	2	INSULATOR BLOCK,
8	84015292	1	LOCK, Latch, 1/4 Turn
9	84037127	1	SUPPORT, , FOR LBX331S, LBX331P, LBX331R ONLY
9	89837422	1	ANGLE BAR, , FOR LBX421S, LBX421R, LBX431S, LBX431R ONLY
10	84607903	1	GUARD, , FOR LBX331S, LBX331P, LBX331R ONLY
10	84607902	1	GUARD, , FOR LBX421S, LBX421R, LBX431S, LBX431R ONLY
11	84100274	2	HINGE,
12	84607901	1	SHIELD, , FOR LBX331S, LBX331P, LBX331R ONLY
12	84607900	1	PLATE, , FOR LBX421S, LBX421R, LBX431S, LBX431R ONLY
13	84607897	1	PLATE,
14	84607896	1	PLATE,
15	84078201	2	BRACKET,
16	89837397	2	GAS STRUT,
17	84607899	1	SHIELD, , FOR LBX331S, LBX331P, LBX331R ONLY
17	84607998	1	, FOR LBX421S, LBX421R, LBX431S, LBX431R ONLY
18	80043442	2	NUT, LOCK, M8 x 1.25, CI 8, M8
19	84100271	2	HINGE,
20	80140045	2	WASHER, LOCK, 10MM
21	89839580	2	SCREW, Hex Soc Hd, M8 x 70, 8.8, M8x70
22	811-6016	AR	BOLT, CARRIAGE, Short NK, M6 x 16, CI8.8, Full Thd, M6x16
23	80322357	AR	WASHER, SPRING, Belleville, M6, 6MM
25	120104	AR	BOLT, Hex, M8 x 20, 8.8,
26	80140016	4	WASHER, 8MM
27	80322358	AR	WASHER, LOCK, 8MM
28	614-6016	6	BOLT, Hex, M6 x 16, 8.8,
30	811-8020	22	BOLT, CARRIAGE, Short NK, M8 x 20, CI8.8, Full Thd,
31	100016	2	NUT, M10, CI 8,
29	89706690	AR	NUT, M8, CI 8,
32	89837417	4	BALL JOINT,
33	84100868	2	BRACKET,
34	84807438	1	PLATE, LH
35	84807439	1	PLATE, RH
36	80120041	2	BOLT, CARRIAGE,
24	15896221	AR	NUT, M6, CI 10,

08.002(01) PICK-UP PROTECTION

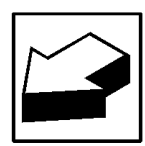
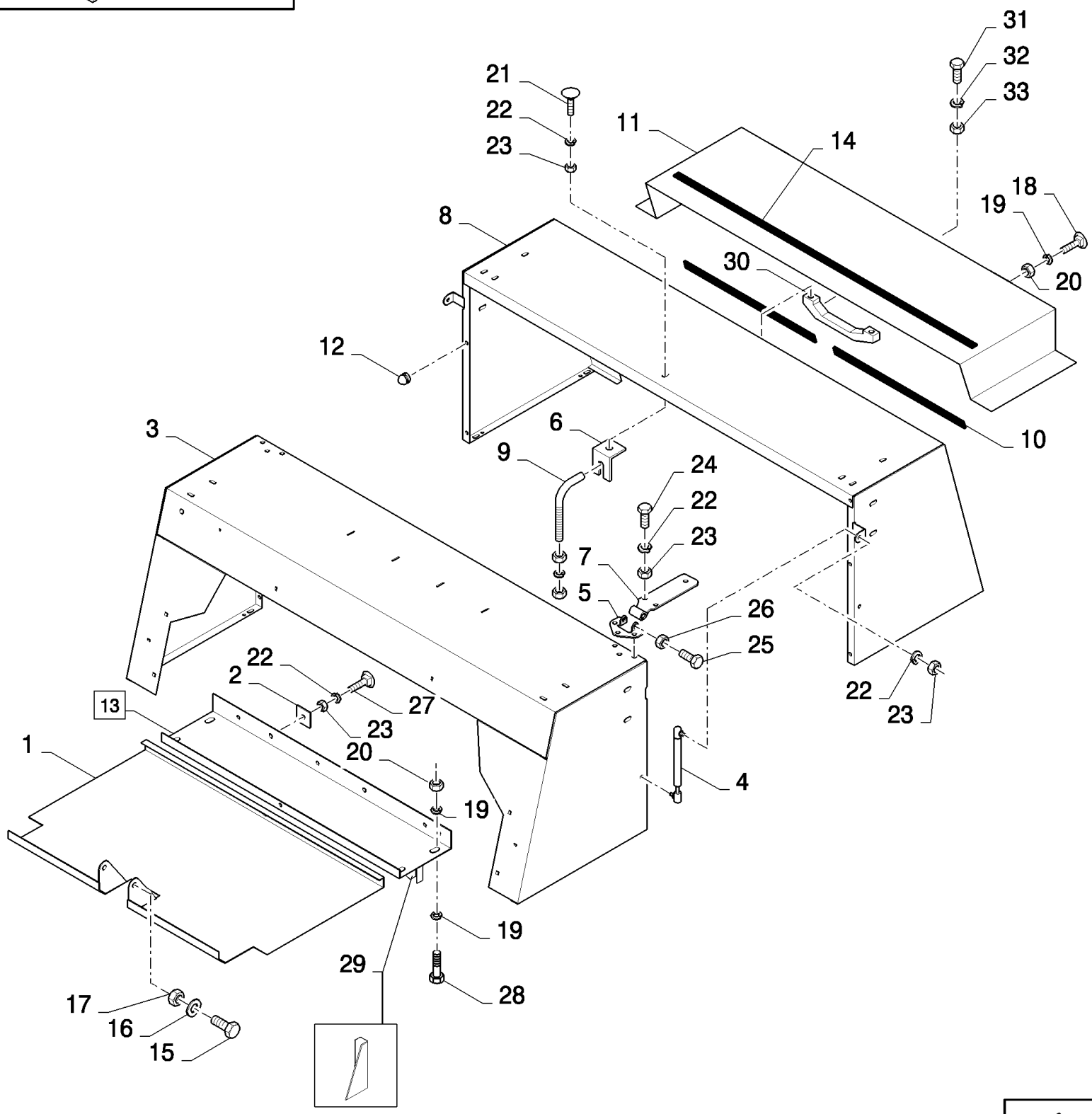
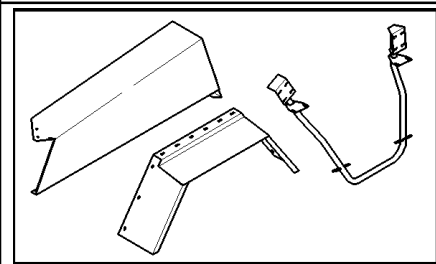


LBX421S BIG RECTANGULAR BALER (6/01-)

08.002(01) PICK-UP PROTECTION

сылка	Номер детали	Кол-во	Описание
1	84607889	1	SHIELD,
2	89837901	1	ROD,
3	84607888	1	SHIELD,
4	86511478	AR	BOLT, Hex Serr Flg, M8 x 16,
5	84607744	1	SHIELD,
6	825-5148	AR	NUT, M8, Flg Ser,
7	80437424	2	PIN, SPLIT (COTTER),
8	84607885	1	WINDGUARD, , FOR LBX421S, LBX431S ONLY
8	84607886	1	WINDGUARD, , FOR LBX331S, LBX331P ONLY
9	84078429	4	RAIL, CENTRAL, , FOR LBX331S, LBX331P ONLY
9	84078427	4	RAIL, CENTRAL, , FOR LBX421S, LBX431S ONLY
10	80300662	2	BOLT, M12x70
11	84038622	2	CHAIN,
12	614-8016	2	BOLT, Hex, M8 x 16, 8.8,
13	80378243	2	WASHER, 8MM
14	84607740	3	TINE, REEL,
15	80395087	2	INSULATOR BLOCK,
16	84056308	7	PLATE,
17	80322358	AR	WASHER, LOCK, 8MM
18	80378245	5	WASHER, 12MM
19	80100038	2	NUT, LOCK, M12
20	811-8020	1	BOLT, CARRIAGE, Short NK, M8 x 20, CI8.8, Full Thd,
21	84607739	4	TINE, REEL,
22	84607742	1	PLATE, COVER,
23	80140045	AR	WASHER, LOCK, 10MM
24	811-10030	AR	BOLT, CARRIAGE, Short NK, M10 x 30, CI8.8, Full Thd,
25	84607741	1	PLATE, COVER,
26	89837915	1	ROD,
27	84607890	1	SHIELD,
28	84607814	1	SHIELD,
29	84607734	4	HINGE,
30	84607745	1	SHIELD,
32	100016	4	NUT, M10, CI 8,
33	84429041	1	RING, LOCKING,
31	89706690	AR	NUT, M8, CI 8,

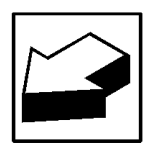
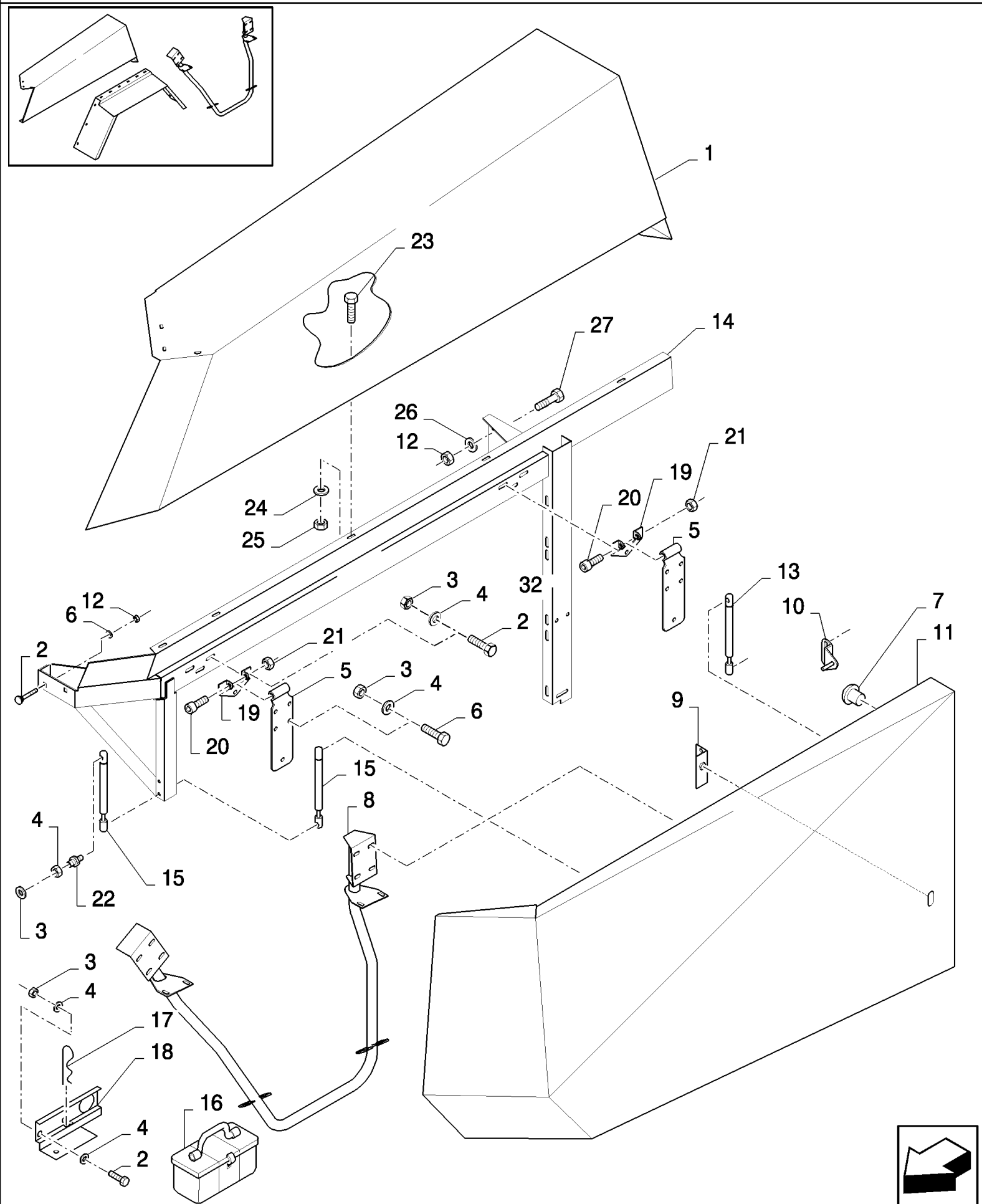
08.004(01) KNOTTER SHIELDS



LBX421S BIG RECTANGULAR BALER (6/01-)

08.004(01) KNOTTER SHIELDS

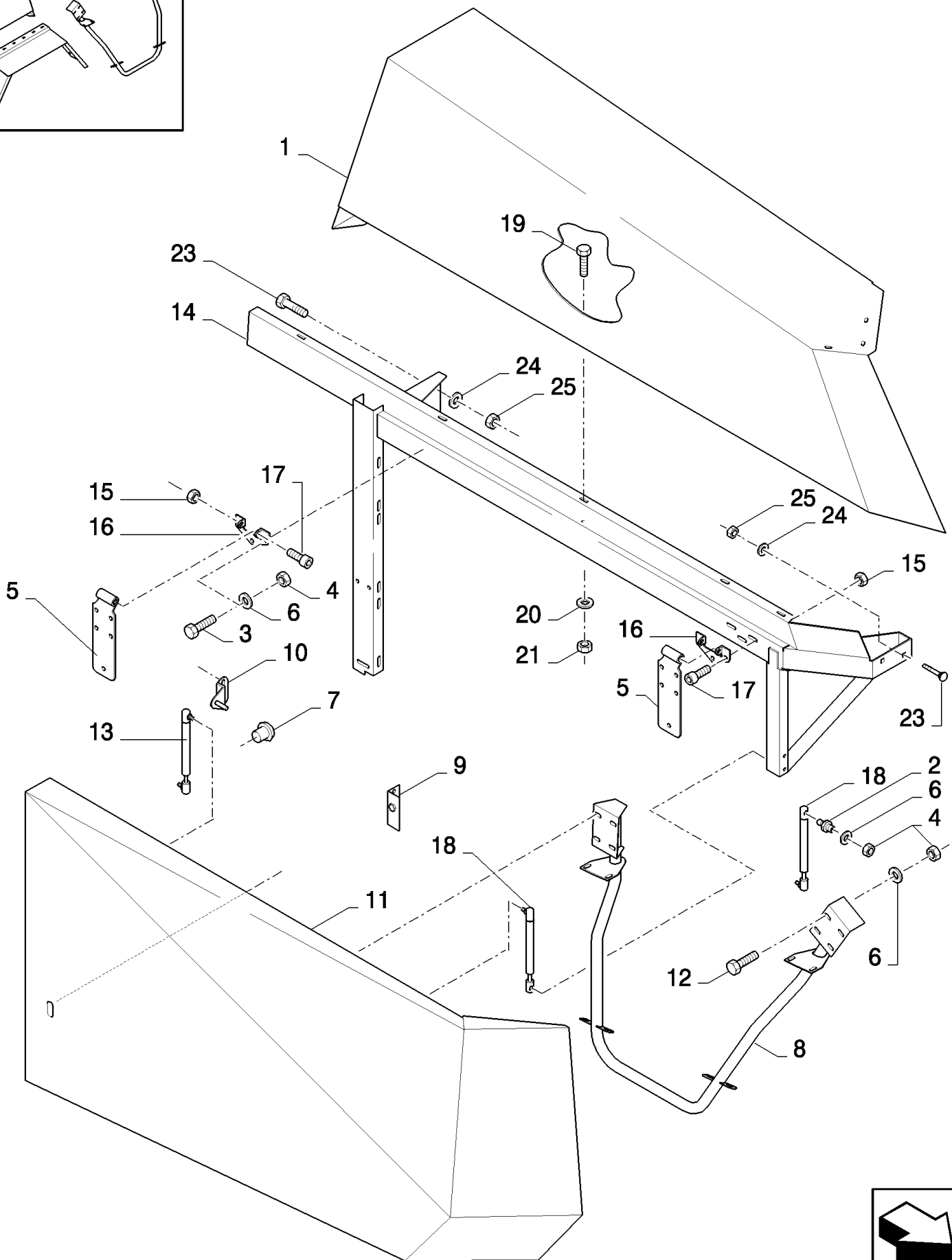
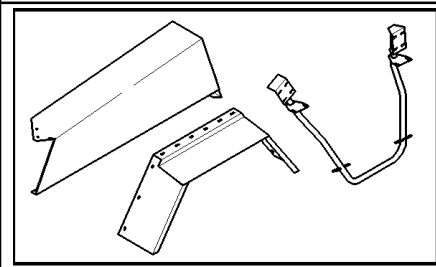
сылка	Номер детали	Кол-во	Описание
1	84074102	1	PLATE, , FOR LBX331S, LBX331P, LBX331R ONLY, BSN C305
1	84818514	1	PLATE, , ASN D306
1	84074104	1	PLATE, , FOR LBX421S, LBX421R, LBX431S, LBX431R ONLY, BSN C305
1	84818512	1	PLATE, , ASN D306
2	80067510	AR	SHIM,
3	84806230	1	DOOR, , FOR LBX331S, LBX331P, LBX331R ONLY
3	84806228	1	DOOR, , FOR LBX431S, LBX431R ONLY
3	84607925	1	DOOR, , FOR LBX421S, LBX421R ONLY
4	84100073	2	SHOCK ABSORBER,
5	84100271	AR	HINGE,
6	84015292	1	LOCK, Latch, 1/4 Turn
7	84100274	AR	HINGE,
8	84806229	1	SHIELD, , FOR LBX331S, LBX331P, LBX331R ONLY
8	84806227	1	SHIELD, , FOR LBX431S, LBX431R ONLY
8	84607926	1	SHIELD, , FOR LBX421S, LBX421R ONLY
9	84017837	1	SUPPORT,
10	80401266	AR	STRIP-GASKET,
11	85001637	1	FOOT BOARD, , FOR LBX331S, LBX331P, LBX331R ONLY
11	85001617	1	FOOT BOARD, , FOR LBX431S, LBX431R ONLY
11	84400114	1	FOOT BOARD, , FOR LBX421S, LBX421R ONLY
12	80336455	4	PLUG,
13	84000418	1	PROFILE, (29), FOR LBX331S, LBX331P, LBX331R ONLY
13	89837272	1	PROFILE, (29), FOR LBX431S, LBX431R ONLY
13	84429662	1	PROFILE, , FOR LBX421S, LBX421R ONLY
14	80624592	AR	STRIP, ANTI-SKID, 550x18MM
15	80043154	2	SCREW, M12x40
16	86511324	2	WASHER, M12 x 24 x 2.5,
17	80100038	2	NUT, LOCK, M12
18	80338949	6	BOLT, CARRIAGE, M10x25
19	80140045	14	WASHER, LOCK, 10MM
20	100016	15	NUT, M10, CI 8,
21	811-8020	AR	BOLT, CARRIAGE, Short NK, M8 x 20, CI8.8, Full Thd,
22	80322358	AR	WASHER, LOCK, 8MM
24	120104	AR	BOLT, Hex, M8 x 20, 8.8,
25	89839580	AR	SCREW, Hex Soc Hd, M8 x 70, 8.8, M8x70
26	80043442	AR	NUT, LOCK, M8 x 1.25, CI 8, M8
27	811-10030	3	BOLT, CARRIAGE, Short NK, M10 x 30, CI8.8, Full Thd,
28	80120041	4	BOLT, CARRIAGE, M10x20
29	89837273	AR	BLADE, SCRAPER, , WELD ON
23	89706690	AR	NUT, M8, CI 8,
30	89837395	1	HANDLE,
31	614-6016	2	BOLT, Hex, M6 x 16, 8.8,
32	80322357	2	WASHER, SPRING, Belleville, M6, 6MM
33	15896221	2	NUT, M6, CI 10,



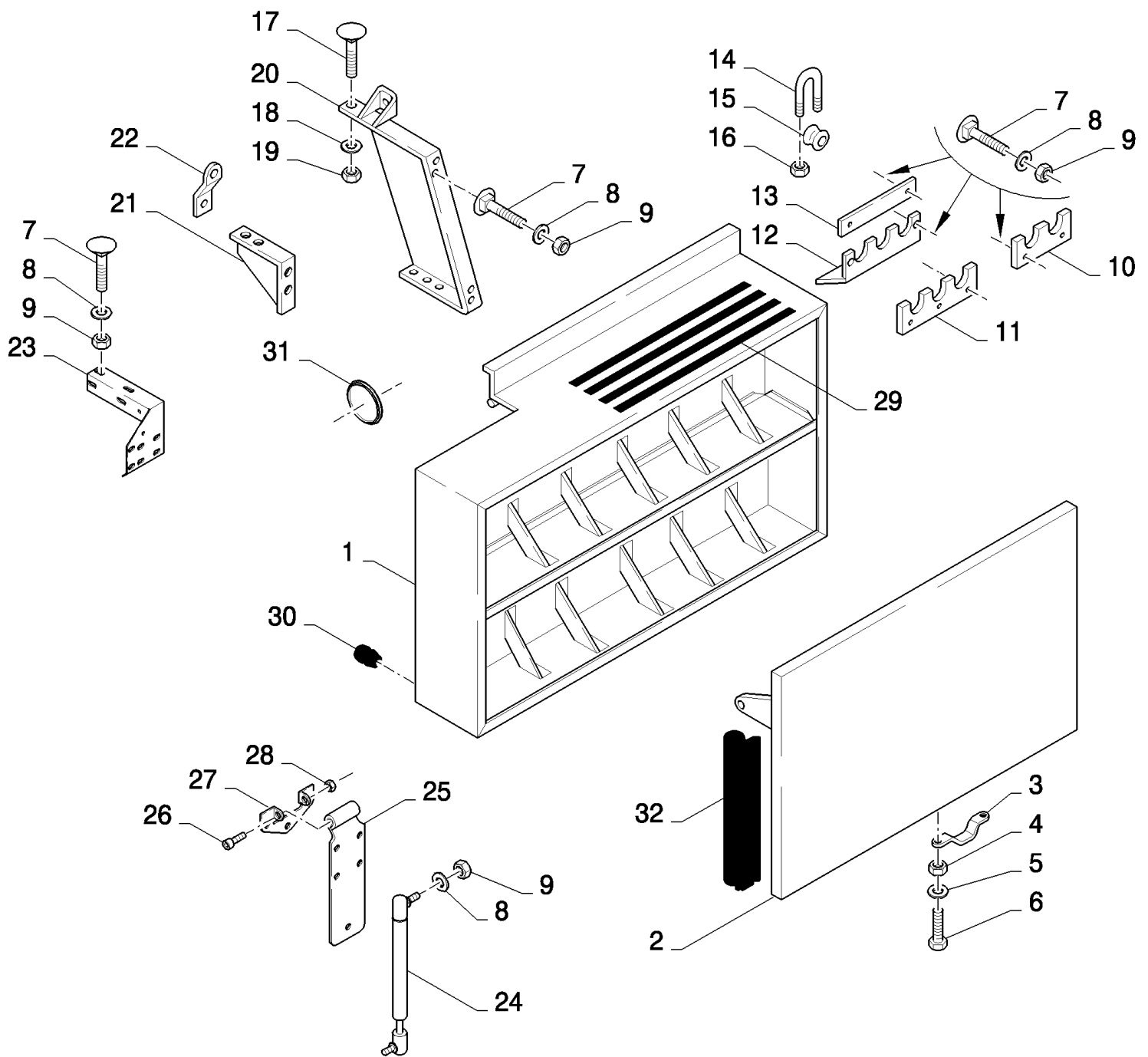
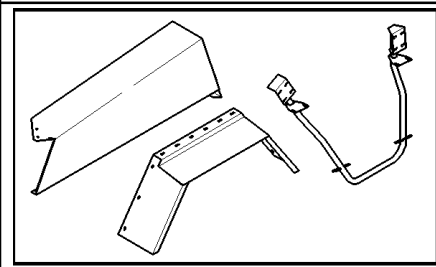
LBX421S BIG RECTANGULAR BALER (6/01-)

08.005(01) PROTECTIONS, LH

сылка	Номер детали	Кол-во	Описание
1	84807460	1	GUARD,
2	120104	8	BOLT, Hex, M8 x 20, 8.8,
4	80322358	AR	WASHER, LOCK, 8MM
5	84100274	2	HINGE,
6	811-8020	25	BOLT, CARRIAGE, Short NK, M8 x 20, CI8.8, Full Thd,
7	80336455	1	PLUG,
8	84607866	1	TUBE,
9	84015292	1	LOCK, Latch, 1/4 Turn
10	84100154	1	TAB, LOCKING,
11	84607881	1	DOOR,
12	100016	AR	NUT, M10, CI 8,
13	84078857	1	GAS STRUT,
14	84807455	1	PROFILE,
15	89837397	2	GAS STRUT,
16	84038528	1	BOX, TOOL,
17	80437424	1	PIN, SPLIT (COTTER),
18	84053844	1	SUPPORT,
19	84100271	2	HINGE,
20	89839580	2	SCREW, Hex Soc Hd, M8 x 70, 8.8,
21	80043442	2	NUT, LOCK, M8 x 1.25, CI 8,
22	89837417	4	BALL JOINT,
23	614-6016	AR	BOLT, Hex, M6 x 16, 8.8,
24	80322357	18	WASHER, SPRING, Belleville, M6, 6MM
26	80140045	AR	WASHER, LOCK, 10MM
27	80338949	AR	BOLT, CARRIAGE, M10x25
3	89706690	39	NUT, M8, CI 8,
25	15896221	AR	NUT, M6, CI 10,



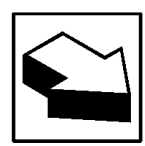
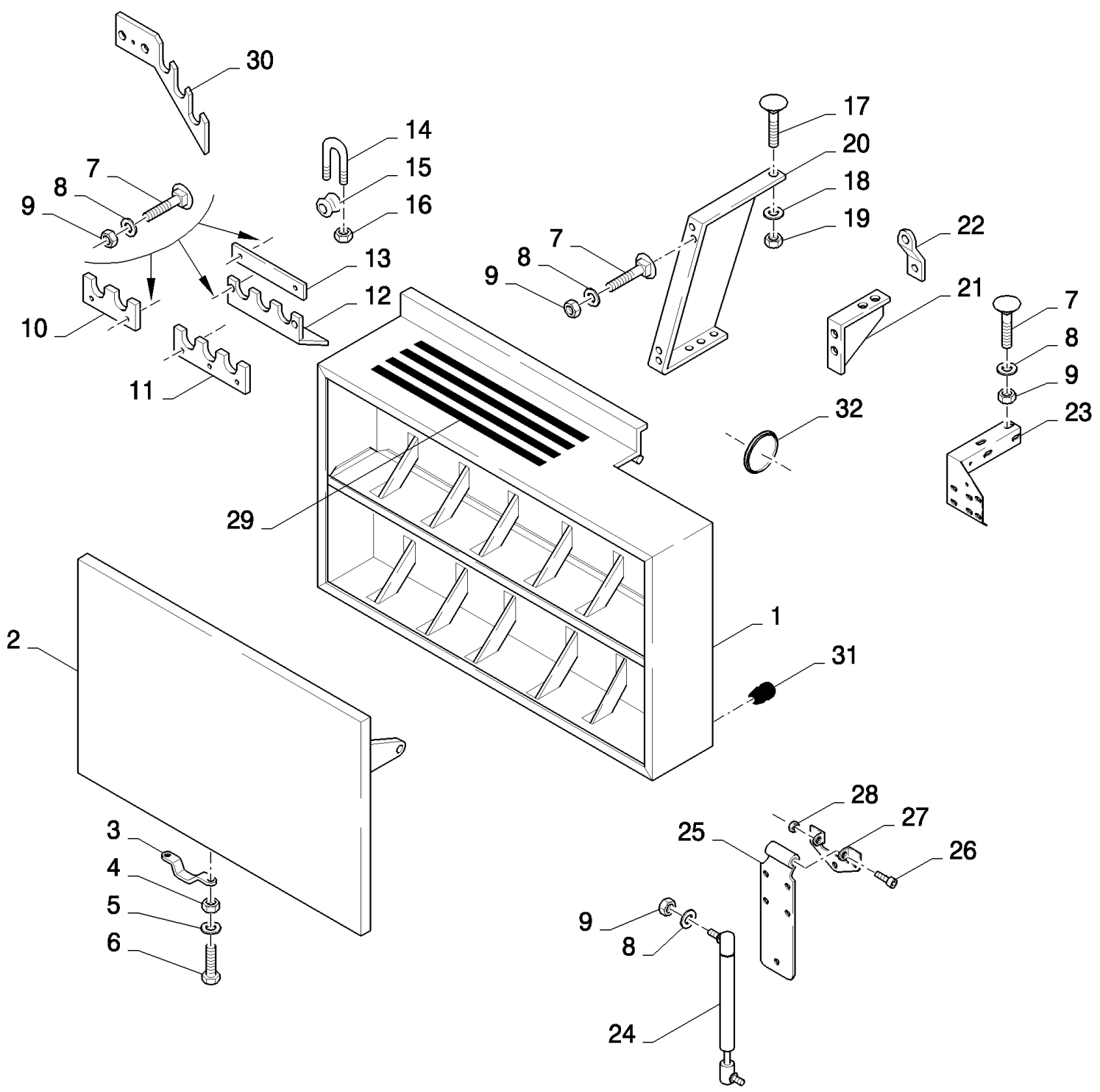
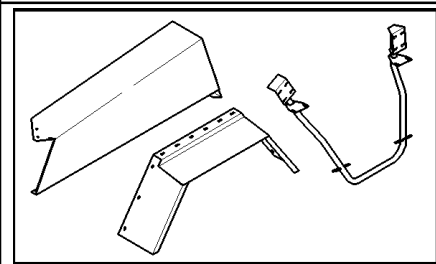
сылка	Номер детали	Кол-во	Описание
1	84807458	1	GUARD,
2	89837417	4	BALL JOINT,
3	120104	6	BOLT, Hex, M8 x 20, 8.8,
5	84100274	2	HINGE,
6	80322358	37	WASHER, LOCK, 8MM
7	80336455	1	PLUG,
8	84607865	1	TUBE,
9	84015292	1	LOCK, Latch, 1/4 Turn
10	84100154	1	TAB, LOCKING,
11	84607879	1	DOOR,
12	811-8020	25	BOLT, CARRIAGE, Short NK, M8 x 20, CI8.8, Full Thd,
13	84078857	1	GAS STRUT,
14	84807453	1	SUPPORT,
15	80043442	2	NUT, LOCK, M8 x 1.25, CI 8, M8
16	84100271	2	HINGE,
17	89839580	2	SCREW, Hex Soc Hd, M8 x 70, 8.8,
18	89837397	2	GAS STRUT,
19	614-6016	AR	BOLT, Hex, M6 x 16, 8.8,
20	80322357	AR	WASHER, SPRING, Belleville, M6, 6MM
22	80120100	4	BOLT, Hex, M6 x 20, 8.8,
23	80338949	AR	BOLT, CARRIAGE, M10x25
24	80140045	AR	WASHER, LOCK, 10MM
25	100016	AR	NUT, M10, CI 8,
4	89706690	37	NUT, M8, CI 8,
21	15896221	AR	NUT, M6, CI 10,



LBX421S BIG RECTANGULAR BALER (6/01-)

08.007(01) TWINE BOX, LH

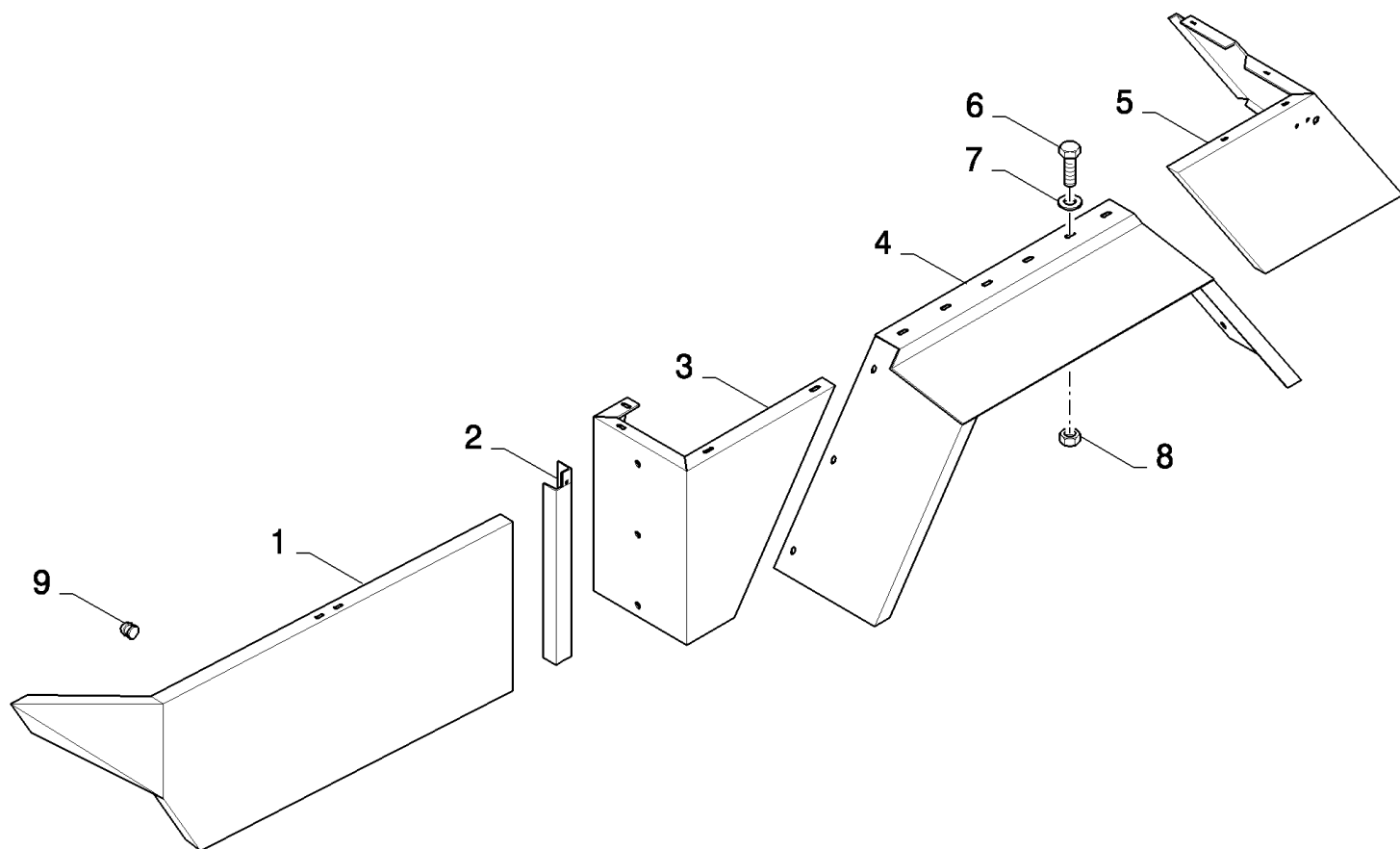
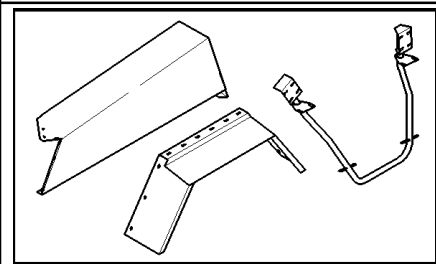
сылка	Номер детали	Кол-во	Описание
1	84806171	1	PANEL, BOXED,
2	84806172	1	DOOR,
3	89837395	1	HANDLE,
5	80322357	AR	WASHER, SPRING, Belleville, M6, 6MM
6	614-6016	AR	BOLT, Hex, M6 x 16, 8.8,
7	811-8020	AR	BOLT, CARRIAGE, Short NK, M8 x 20, CI8.8, Full Thd,
8	80322358	AR	WASHER, LOCK, 8MM
10	89837574	1	SUPPORT,
11	89837573	1	SUPPORT,
12	89837578	5	SUPPORT,
13	89837571	AR	BRACKET,
14	80799339	AR	U-BOLT,
15	84429814	AR	BUSHING, GUIDE,
16	80353308	AR	NUT, M6
17	80338949	AR	BOLT, CARRIAGE, M10x25
18	80140045	AR	WASHER, LOCK, 10MM
19	100016	AR	NUT, M10, CI 8,
20	84806170	1	SUPPORT, , FOR LBX331S, LBX331P, LBX331R, LBX431S, LBX431R ONLY
20	84607924	1	SUPPORT, , FOR LBX421S, LBX421R ONLY
21	89837575	1	SUPPORT,
22	89837572	AR	CLAMP,
23	84400100	1	SUPPORT,
24	89837397	2	GAS STRUT,
25	84100274	2	HINGE,
26	89839580	2	SCREW, Hex Soc Hd, M8 x 70, 8.8, M8x70
27	84100271	2	HINGE, , BSN C241
27	84807858	2	HINGE, , ASN D242
28	80043442	2	NUT, LOCK, M8 x 1.25, CI 8, M8
29	80624592	AR	STRIP, ANTI-SKID, L=500MM
30	80336455	2	PLUG,
31	80394228	1	PLUG,
32	84607251	AR	WEATHERSTRIP, RUBBER, L=11M
9	89706690	AR	NUT, M8, CI 8,
4	15896221	AR	NUT, M6, CI 10,



LBX421S BIG RECTANGULAR BALER (6/01-)

08.008(01) TWINE BOX, RH

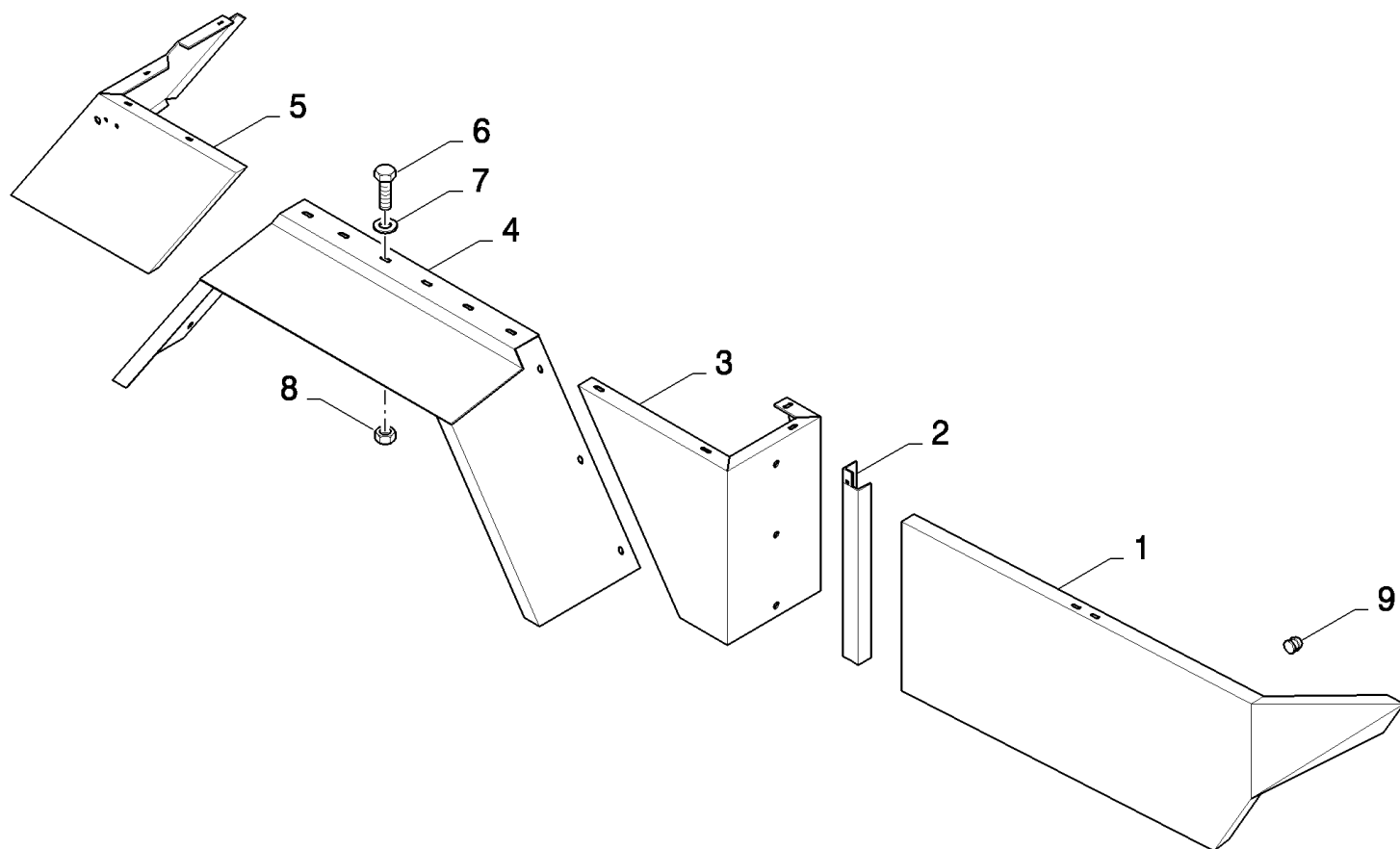
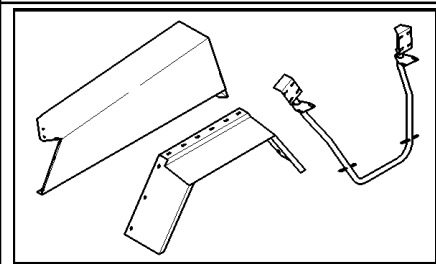
сылка	Номер детали	Кол-во	Описание
1	84806174	1	PANEL, BOXED,
2	84806173	1	DOOR,
3	89837395	1	HANDLE,
5	80322357	AR	WASHER, SPRING, Belleville, M6, 6MM
6	614-6016	AR	BOLT, Hex, M6 x 16, 8.8,
7	811-8020	AR	BOLT, CARRIAGE, Short NK, M8 x 20, CI8.8, Full Thd,
8	80322358	AR	WASHER, LOCK, 8MM
10	89837574	1	SUPPORT,
11	89837573	1	SUPPORT,
12	89837578	5	SUPPORT,
13	89837571	AR	BRACKET,
14	80799339	AR	U-BOLT,
15	84429814	AR	BUSHING, GUIDE,
16	80353308	AR	NUT, M6
17	80338949	AR	BOLT, CARRIAGE, M10x25
18	80140045	AR	WASHER, LOCK, 10MM
19	100016	AR	NUT, M10, CI 8,
20	84806169	1	SUPPORT, , FOR LBX331S, LBX331P, LBX331R, LBX431S, LBX431R ONLY
20	84607923	1	SUPPORT, , FOR LBX421S, LBX421R ONLY
21	89837575	1	SUPPORT,
22	89837572	AR	CLAMP,
23	84400098	1	SUPPORT,
24	89837397	2	GAS STRUT,
25	84100274	2	HINGE,
26	89839580	2	SCREW, Hex Soc Hd, M8 x 70, 8.8, M8x70
27	84100271	2	HINGE,
28	80043442	2	NUT, LOCK, M8 x 1.25, CI 8, M8
29	80624592	AR	STRIP, ANTI-SKID,
30	84062042	1	SUPPORT,
30	84400161	2	SUPPORT,
31	80336455	2	PLUG,
32	80394228	1	PLUG,
9	89706690	AR	NUT, M8, CI 8,
4	15896221	AR	NUT, M6, CI 10,



LBX421S BIG RECTANGULAR BALER (6/01-)

08.009(01) LOWER SHIELDS, SINGLE AXLE, LH

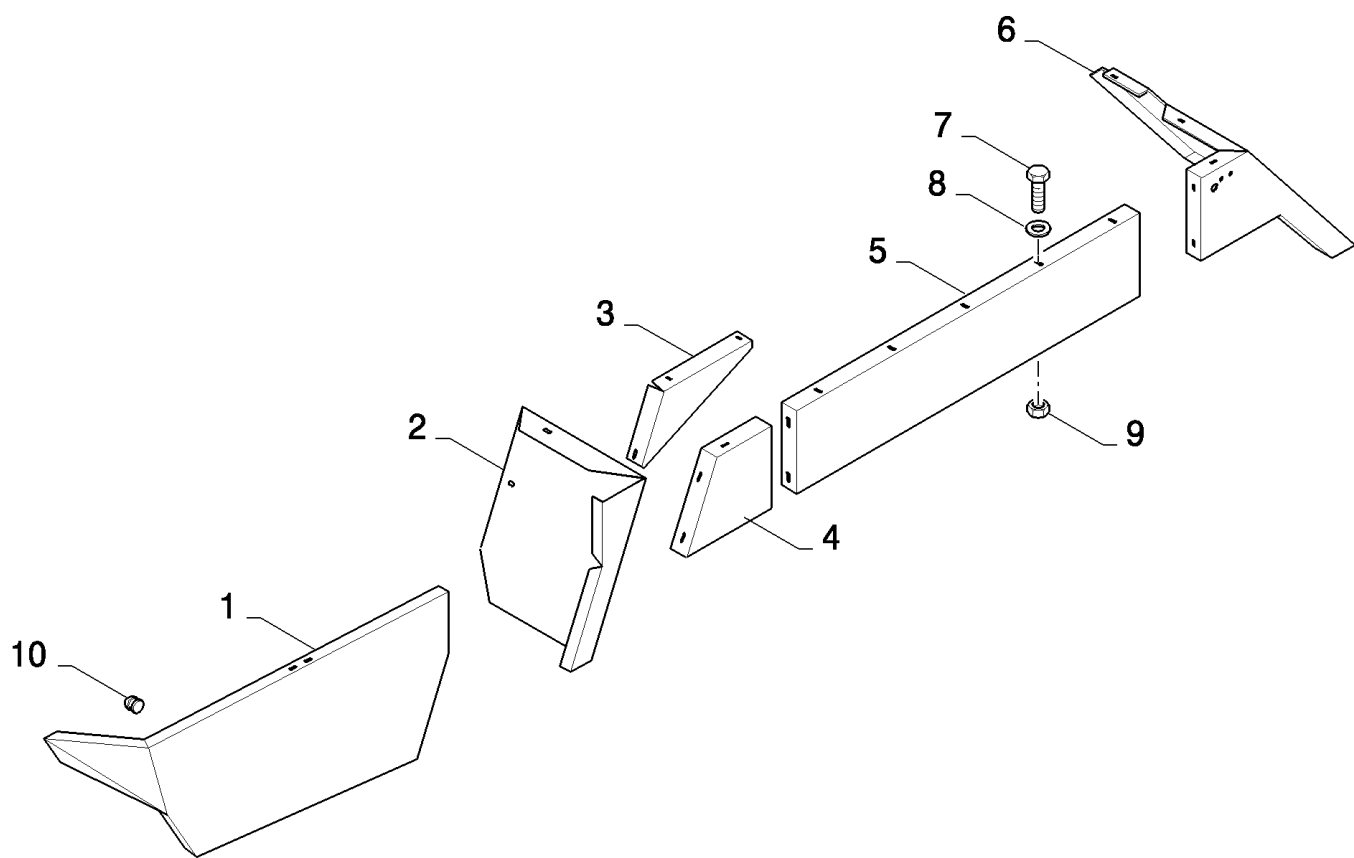
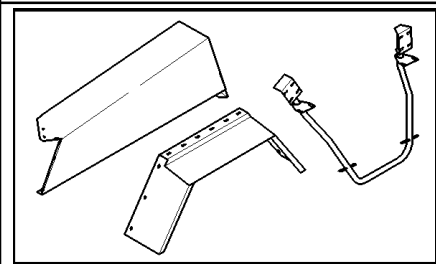
сылка	Номер детали	Кол-во	Описание
1	84806605	1	DOOR,
2	84806607	1	SUPPORT,
3	84806612	1	GUARD,
4	84806610	1	FENDER, REAR,
5	84806609	1	GUARD,
6	811-8020	AR	BOLT, CARRIAGE, Short NK, M8 x 20, CI8.8, Full Thd,
7	80322358	AR	WASHER, LOCK, 8MM
9	80336455	AR	PLUG,
8	89706690	AR	NUT, M8, CI 8,



LBX421S BIG RECTANGULAR BALER (6/01-)

08.010(01) LOWER SHIELDS, SINGLE AXLE, RH

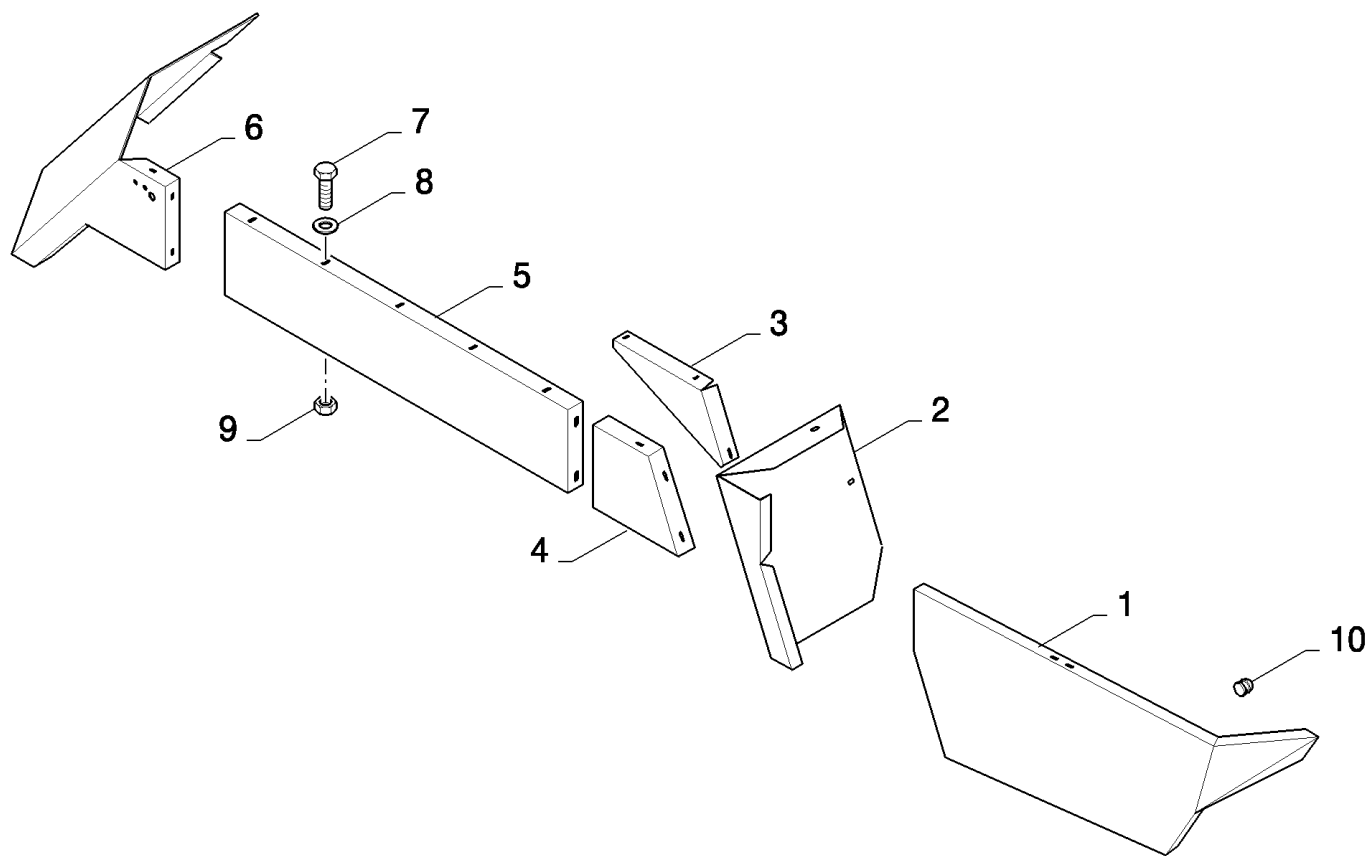
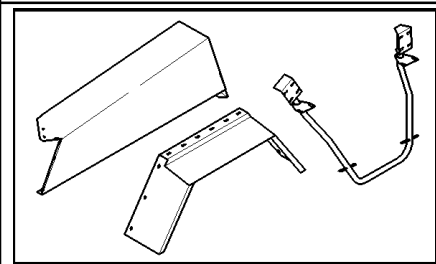
сылка	Номер детали	Кол-во	Описание
1	84806604	1	DOOR,
2	84806606	1	SUPPORT,
3	84806611	1	GUARD,
4	84806610	1	FENDER, REAR,
5	84806608	1	GUARD,
6	811-8020	AR	BOLT, CARRIAGE, Short NK, M8 x 20, CI8.8, Full Thd,
7	80322358	AR	WASHER, LOCK, 8MM
9	80336455	AR	PLUG,
8	89706690	AR	NUT, M8, CI 8,



LBX421S BIG RECTANGULAR BALER (6/01-)

08.011(01) LOWER SHIELDS, TANDEM AXLE, LH

сылка	Номер детали	Кол-во	Описание
1	84806614	1	DOOR,
2	84806616	1	GUARD,
3	84806617	1	GUARD,
4	84806627	1	GUARD, , FOR LBX331S, LBX331P, LBX421S, LBX431S ONLY
4	84806622	1	GUARD, , FOR LBX331R, LBX421R, LBX431R ONLY
5	84806625	1	GUARD, , FOR LBX331S, LBX331P, LBX421S, LBX431S ONLY
5	84806620	1	GUARD, , FOR LBX331R, LBX421R, LBX431R ONLY
6	84806624	1	GUARD, , FOR LBX331S, LBX331P, LBX421S, LBX431S ONLY
6	84806619	1	GUARD, , FOR LBX331R, LBX421R, LBX431R ONLY
7	811-8020	AR	BOLT, CARRIAGE, Short NK, M8 x 20, CI8.8, Full Thd,
8	80322358	AR	WASHER, LOCK, 8MM
10	80336455	AR	PLUG,
9	89706690	AR	NUT, M8, CI 8,

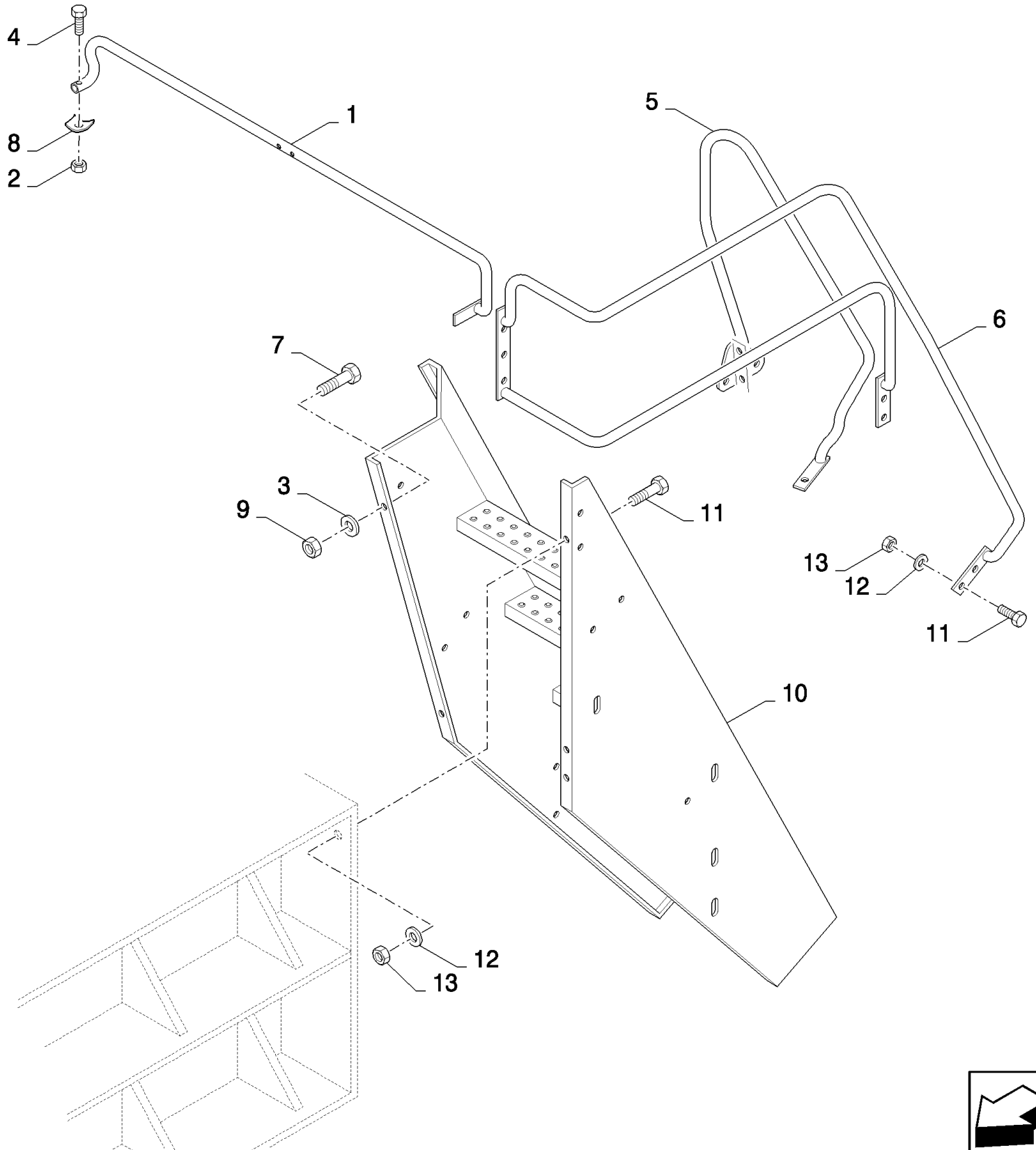
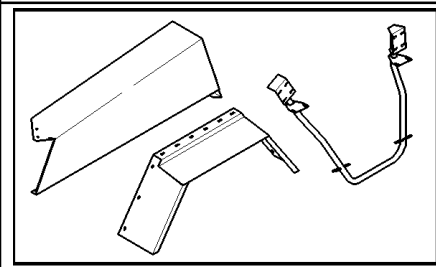


LBX421S BIG RECTANGULAR BALER (6/01-)

08.012(01) LOWER SHIELDS, TANDEM AXLE, RH

сылка	Номер детали	Кол-во	Описание
1	84806613	1	DOOR,
2	84806615	1	GUARD,
3	84806617	1	GUARD,
4	84806626	1	GUARD, , FOR LBX331S, LBX331P, LBX421S, LBX431S ONLY
4	84806621	1	GUARD, , FOR LBX331R, LBX421R, LBX431R ONLY
5	84806625	1	GUARD, , FOR LBX331S, LBX331P, LBX421S, LBX431S ONLY
5	84806620	1	GUARD, , FOR LBX331R, LBX421R, LBX431R ONLY
6	84806623	1	GUARD, , FOR LBX331S, LBX331P, LBX421S, LBX431S ONLY
6	84806618	1	GUARD, , FOR LBX331R, LBX421R, LBX431R ONLY
7	811-8020	AR	BOLT, CARRIAGE, Short NK, M8 x 20, CI8.8, Full Thd,
8	80322358	AR	WASHER, LOCK, 8MM
10	80336455	AR	PLUG,
9	89706690	AR	NUT, M8, CI 8,

08.013(01) LADDER AND HAND-RAIL FOR MAINTENANCE



LBX421S BIG RECTANGULAR BALER (6/01-)

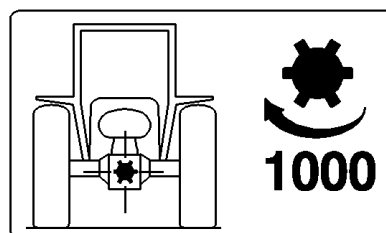
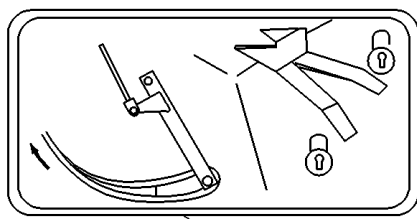
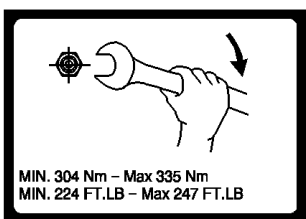
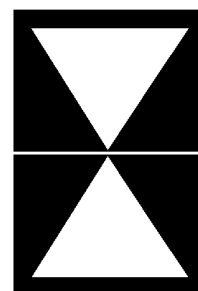
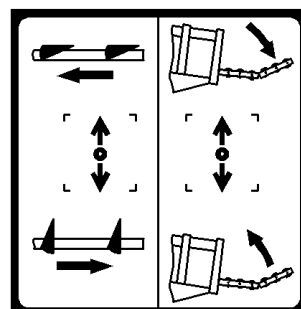
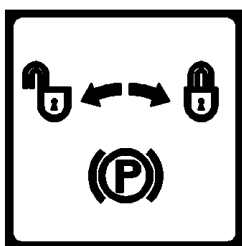
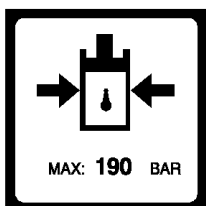
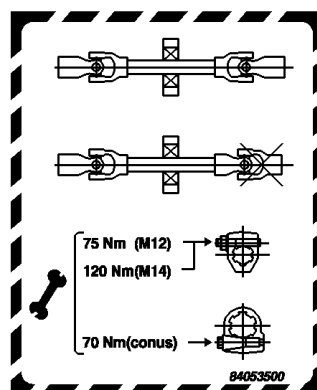
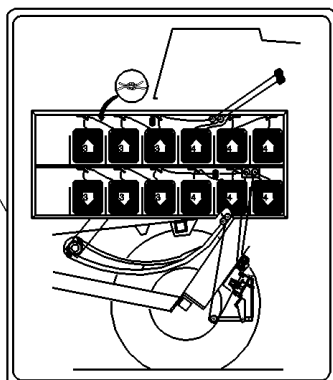
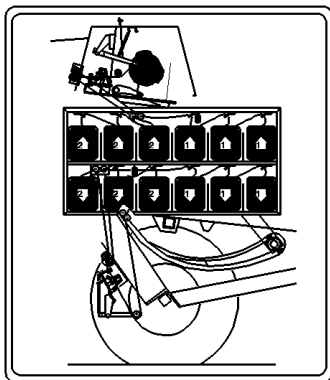
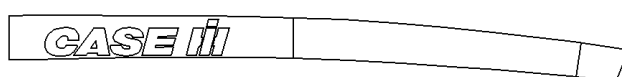
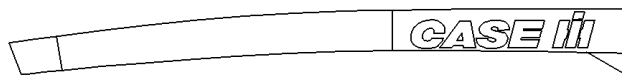
08.013(01) LADDER AND HAND-RAIL FOR MAINTENANCE

сылка	Номер детали	Кол-во	Описание
1	84607778	1	HANDRAIL, , FOR LBX331S, LBX331P, LBX331R ONLY
1	84607780	1	HANDRAIL, , FOR LBX421S, LBX421R, LBX431S, LBX431R ONLY
3	80322358	2	WASHER, LOCK, 8MM
4	80043129	4	SCREW,
5	84607776	1	HANDRAIL,
6	84607775	1	HANDRAIL,
7	811-8020	2	BOLT, CARRIAGE, Short NK, M8 x 20, CI8.8, Full Thd,
8	80333962	4	CLAMP,
10	84607956	1	LADDER,
11	80120041	AR	BOLT, CARRIAGE, M10x20
12	80140045	AR	WASHER, LOCK, 10MM
13	100016	AR	NUT, M10, CI 8,
2	89706690	6	NUT, M8, CI 8,
9	89706690	2	NUT, M8, CI 8,



CASE III

CASE III



			LBX315	LBX317	LBX319	LBX321	LBX323
60055-22.5-127H	40 Kph	bar	1,75	1,95	2,15	2,15	2,50
	25 Mph	psi	25	28	31	31	35
70095-22.5-127H	40 Kph	bar	1,50	1,65	1,75	1,75	2,25
	25 Mph	psi	22	24	25	25	33
60050-17.4-117H	40 Kph	bar	1,50	1,50	1,55	1,55	2,00
	25 Mph	psi	22	22	22	22	29
60050-17.4-100	62 Kph	bar	2,75	2,75	2,85	2,85	3,30
	30 Mph	psi	40	40	41	41	47
13x6.00-5-8PR (std-up)		bar	2,00	2,00	2,00	2,00	2,00
		psi	29	29	29	29	29

LBX331

LBX421

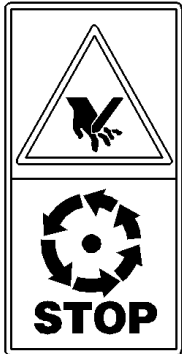
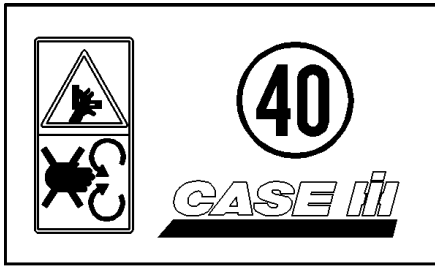
LBX431



LBX421S BIG RECTANGULAR BALER (6/01-)

08.101(01) DECALS

сылка	Номер детали	Кол-во	Описание
1	84806977	2	DECAL, DECAL, FOR LBX331S, LBX331P, LBX331R ONLY
2	84806979	2	DECAL, DECAL
3	86624776	AR	DECAL, DECAL
4	84100367	1	DECAL,
5	84807484	2	DECAL, DECAL
6	84032369	1	DECAL, , FOR LBX331S, LBX331P, LBX331R ONLY
6	84032353	1	DECAL, , FOR LBX431S, LBX431R ONLY, FOR LBX421S, LBX421R ONLY
7	84032368	1	DECAL, , FOR LBX331S, LBX331P, LBX331R ONLY
7	84032354	1	DECAL, , FOR LBX421S, LBX421R ONLY, FOR LBX431S, LBX431R ONLY
8	84806978	1	DECAL, , FOR LBX421S, LBX421R ONLY
9	89839001	1	DECAL,
10	84012939	1	DECAL,
11	89800021	1	DECAL,
12	89839004	1	DECAL,
13	84320711	1	DECAL, , NOT FOR NA
14	84032018	1	DECAL,
15	86631712	AR	DECAL, DECAL
16	84806649	1	DECAL, DECAL LH
16	84806976	1	DECAL, DECAL RH
17	84053500	AR	DECAL,
18	80449973	4	DECAL,
19	84041354	1	DECAL,
20	84041910	1	DECAL,
21	84100365	1	DECAL,
22	84100375	1	DECAL,
23	84026165	AR	DECAL, , NOT FOR NA
24	84023349	1	DECAL,



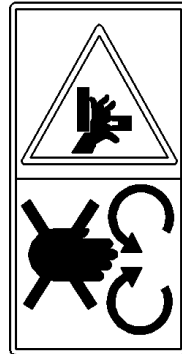
1



2



3



4



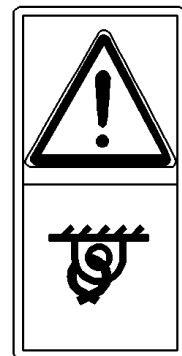
5



6



7



8



9



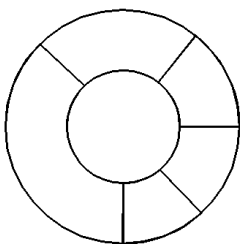
10



11



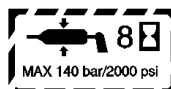
12



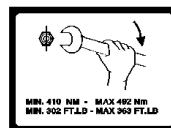
13



14



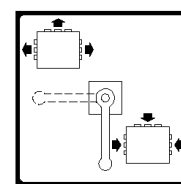
15



16



17



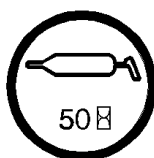
21



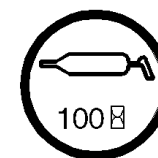
22



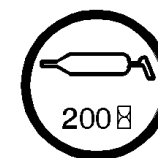
18



19



20

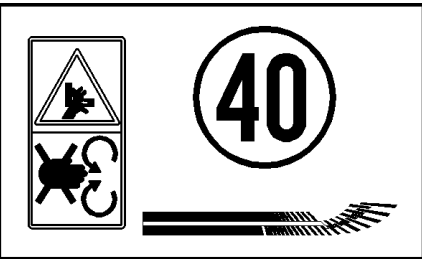


23

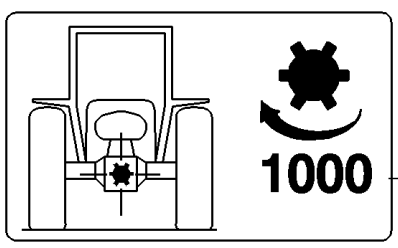
LBX421S BIG RECTANGULAR BALER (6/01-)

08.102(01) DECALS

сылка	Номер детали	Кол-во	Описание
1	84014117	8	DECAL, , NOT FOR NA
2	84004732	1	DECAL, , NOT FOR NA
3	84014115	1	DECAL, , NOT FOR NA
4	84014116	1	DECAL, , NOT FOR NA
5	84004731	1	DECAL,
6	84004742	1	DECAL, , NOT FOR NA
7	84078384	2	DECAL,
8	84100296	4	DECAL,
9	84004734	6	DECAL,
10	84004736	2	DECAL, , NOT FOR NA
11	84014114	1	DECAL, , NOT FOR NA
12	84004744	2	DECAL, , NOT FOR NA
13	84007512	1	DECAL, , NOT FOR NA
14	86520062	1	DECAL,
15	84100374	2	DECAL,
16	84011655	2	DECAL,
17	84015359	2	DECAL,
18	84607152	6	DECAL,
19	84334829	AR	DECAL,
20	84334828	8	DECAL,
21	84429129	1	DECAL,
22	84021105	2	DECAL,
23	84334810	2	DECAL,



11



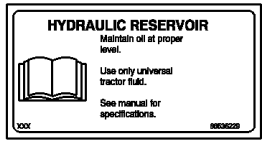
12



4



5



6



7



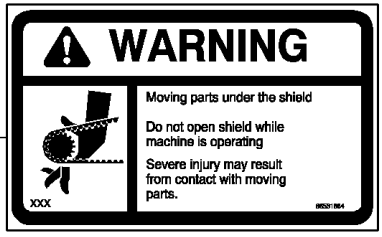
10



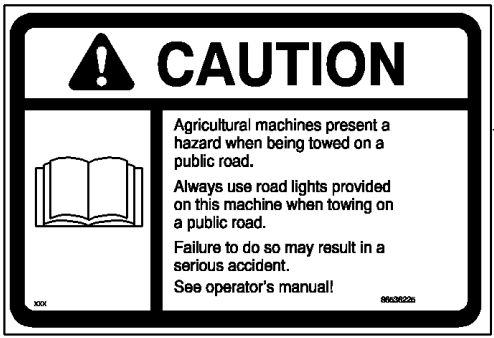
3



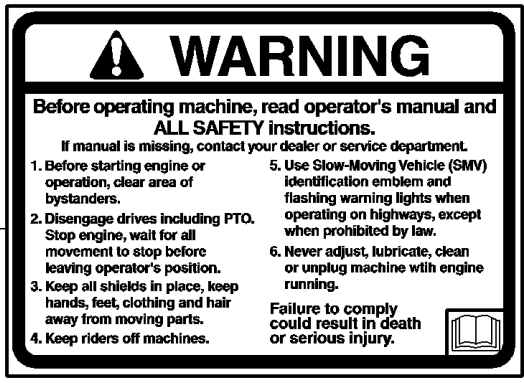
2



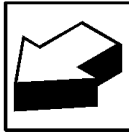
8



1



9



LBX421S BIG RECTANGULAR BALER (6/01-)

08.103(01) DECALS, NA

сылка	Номер детали	Кол-во	Описание
1	86536225	2	DECAL,
2	86536224	2	DECAL,
3	86536227	2	DECAL,
4	86536226	5	DECAL,
5	86536228	2	DECAL,
6	86536229	1	DECAL,
7	86536223	2	DECAL,
8	86531884	3	DECAL,
9	86622073	1	DECAL, WARNING, English
10	86531885	2	DECAL,
11	80849471	1	DECAL,
12	80216985	1	DECAL,

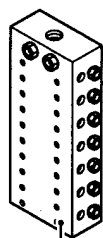
LUBRICATION
LUBRIFICANTE

LUBRIFICATRICE
SCHMIERING

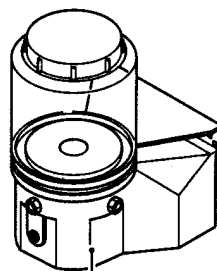
LUBRIFICAR
LUBRIFICANTE

SMØRING
SMERING

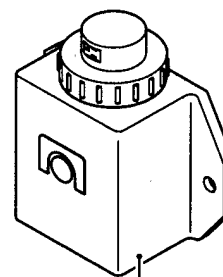
SEC. 9



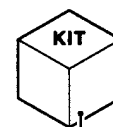
9.1



9.1



9.2



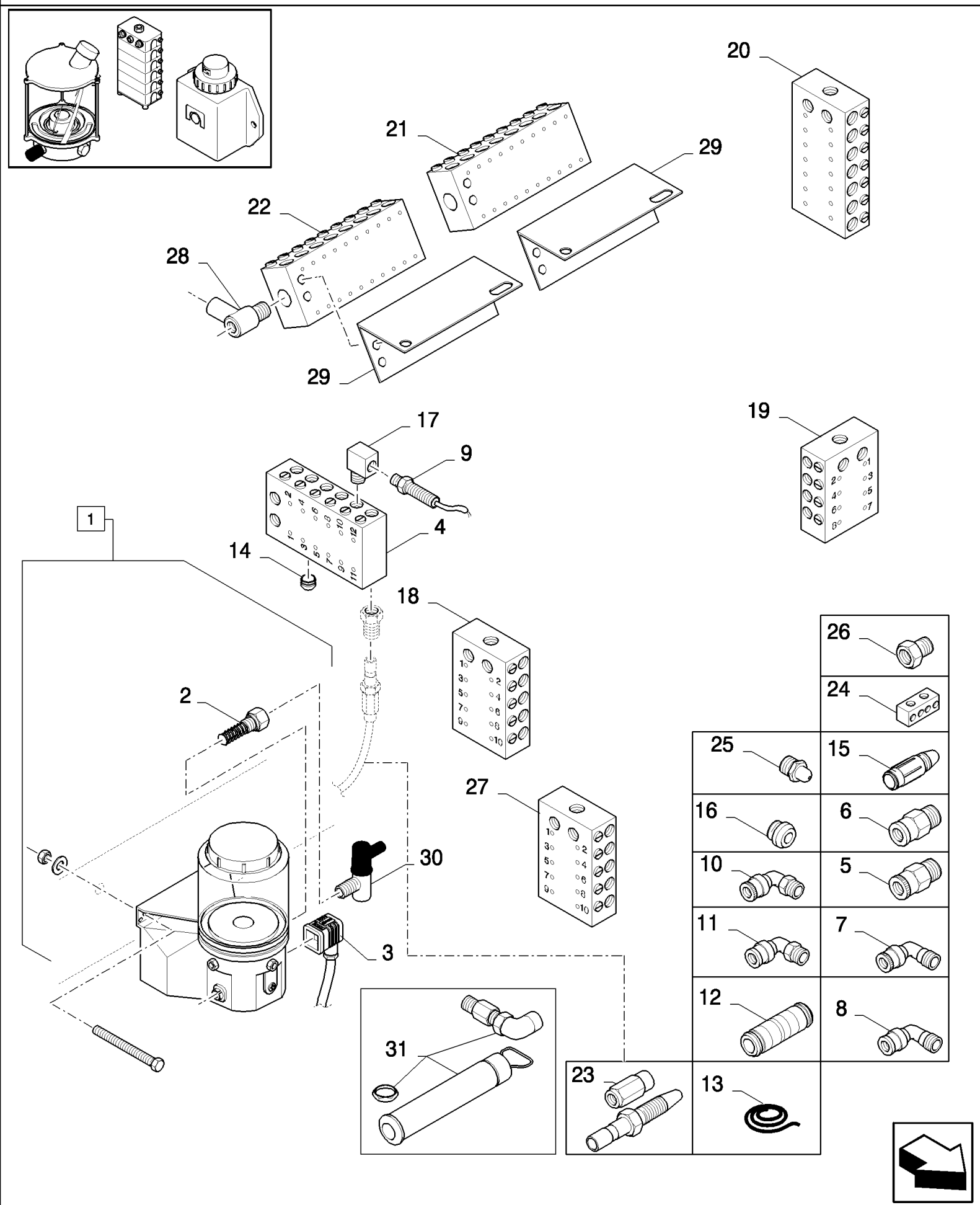
9.3
9.4

LBX421S BIG RECTANGULAR BALER (6/01-)

09.00(01) SECTION LIST 9 - LUBRICATION

сылка	Номер детали	Кол-во	Описание

09.01(01) GREASING

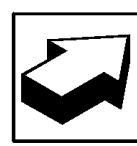
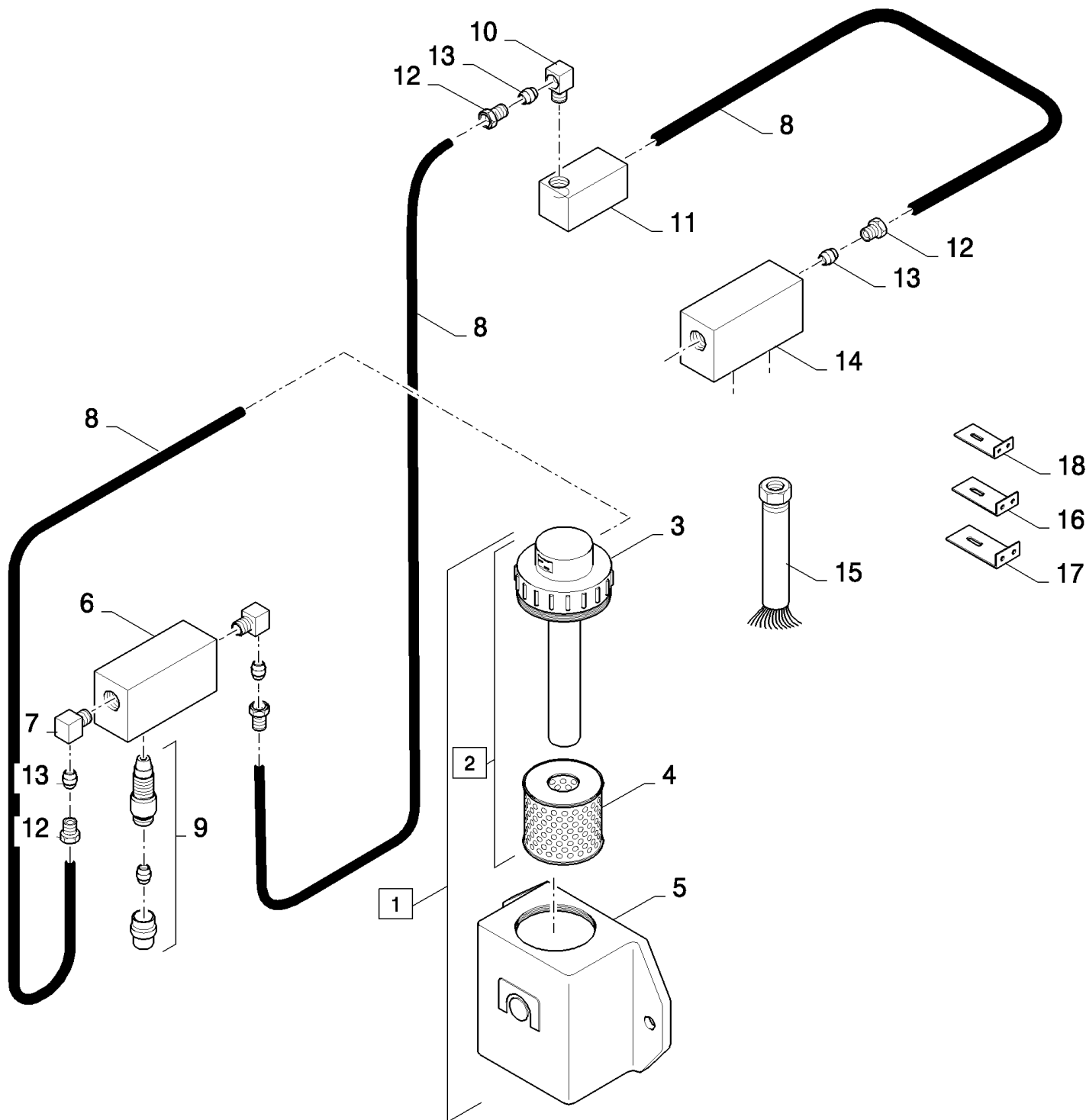
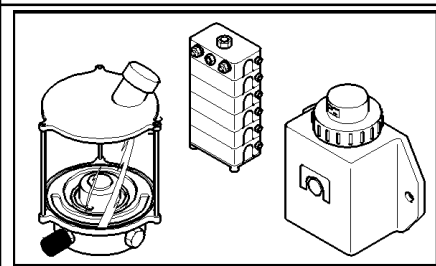


LBX421S BIG RECTANGULAR BALER (6/01-)

09.01(01) GREASING

сылка	Номер детали	Кол-во	Описание
1	84807249	1	PUMP, LUBE, (2,30), 4 liter
2	84807379	1	PUMP, SMALL, K6
3	84437931	1	HARNES, WIRE,
4	84807284	1	MANIFOLD,
5	84807243	AR	CONNECTOR, HYD., 1/8" - 4MM
5	84807240	AR	CONNECTOR, HYD., 1/8" - 6MM
5	84807246	AR	CONNECTOR, HYD., M6 - 6MM
6	84807375	AR	CONNECTOR, HYD., 1/8" - 8MM
7	84807244	AR	CONNECTOR, HYD., 1/8" - 4MM
7	84807241	AR	CONNECTOR, HYD., 1/8" - 6MM
8	84807376	AR	CONNECTOR, HYD., 1/8" - 8MM
9	84078760	1	SENSOR,
10	84807247	AR	CONNECTOR, HYD., M6 - 6MM
10	84807242	AR	CONNECTOR, HYD., 1/8" - 6MM
10	84807245	AR	CONNECTOR, HYD., 1/8" - 4MM
11	84807377	AR	CONNECTOR, HYD., 1/8" - 8MM
12	84807297	AR	CONNECTOR, HYD., 4MM
12	84807298	AR	CONNECTOR, HYD., 6MM
12	84807299	AR	CONNECTOR, HYD., 8MM
13	84807289	AR	HOSE, 8MM, L=10M
13	84807290	AR	HOSE, 6MM, L=5M
13	84807291	AR	HOSE, 4MM, L=5M
14	NSS	AR	NOT SERVICED SEPARATELY, PLUG
15	84807418	AR	VALVE, CHECK, 4MM
15	84807301	AR	VALVE, CHECK, 6MM
15	84807292	AR	VALVE, CHECK, 8MM
16	84807296	AR	PLUG, 1/8"
17	84807300	AR	CONNECTOR, WIRE,
18	84807283	AR	MANIFOLD, RH, FOR LBX331S, LBX421S, LBX431S ONLY
18	84807284	AR	MANIFOLD, RH, FOR LBX331P ONLY
18	84807285	AR	MANIFOLD, RH, FOR LBX331R, LBX421R, LBX431R ONLY
19	84807282	AR	MANIFOLD, , FOR LBX331S, LBX331R, LBX331P, LBX421S, LBX421R, LBX431S, LBX431R ONLY
20	84807285	AR	MANIFOLD, LH
21	84807286	AR	MANIFOLD, LH
22	84807285	AR	MANIFOLD, RH, FOR LBX331S, LBX331P, LBX331R ONLY
22	84807287	AR	MANIFOLD, RH, FOR LBX421S, LBX421R, LBX431S, LBX431R ONLY
23	84807293	AR	COUPLING,
24	84807288	AR	MANIFOLD,
25	84807304	AR	NIPPLE, LUBE,
26	84807248	AR	CONNECTOR, HYD., 1/8" - 1/8"
27	84807282	AR	MANIFOLD, RH, FOR LBX331P ONLY
28	84807295	AR	CONNECTOR, HYD.,
29	84807391	AR	SUPPORT,
30	84807305	AR	VALVE, PRESSURE RELIEF, 350bar
31	84807303	AR	GUN, GREASE,

09.02(01) AUTOMATIC OILING

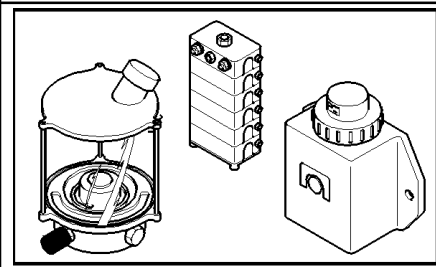


LBX421S BIG RECTANGULAR BALER (6/01-)

09.02(01) AUTOMATIC OILING

сылка	Номер детали	Кол-во	Описание
1	84320115	1	PUMP, LUBE, (2 to 4)
2	84320116	1	PUMP, SMALL, (3,4)
3	NSS	1	NOT SERVICED SEPARATELY, Oil pump
4	84018926	1	FILTER,
5	NSS	1	NOT SERVICED SEPARATELY, Reservoir
6	84320725	1	MANIFOLD, , FOR LBX331R, LBX421R, LBX431R ONLY
6	84320726	1	MANIFOLD, , FOR LBX331S, LBX331P, LBX421S, LBX431S ONLY
7	84012698	AR	ELBOW, G5/16"
8	84429057	AR	HOSE, 5M
9	84012689	AR	REDUCER, Nr.2
9	84036721	AR	REDUCER, Nr.3
9	84320724	AR	REDUCER, Nr.7
10	84100115	AR	CONNECTOR, HYD., G1/8"
11	NSS		NOT SERVICED SEPARATELY, Connector
12	89817682	AR	NUT, M4
13	84015660	AR	FERRULE, 4MM
14	84320726	AR	MANIFOLD,
15	89835044	AR	BRUSH,
16	84012717	AR	
17	84012719	AR	, FOR LBX331S, LBX331P, LBX421S, LBX431S ONLY
18	84058004	AR	, FOR LBX331R, LBX421R, LBX431R ONLY

09.03(01) KIT, LUBRICATION



1

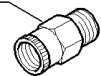
2



3



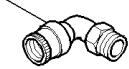
4



5



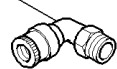
6



7



8



9



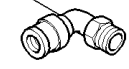
10



11



12



13



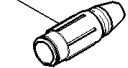
14



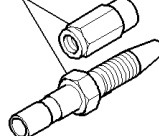
15



16



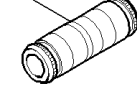
17



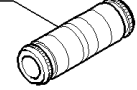
18



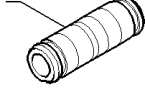
19



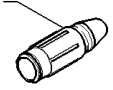
20



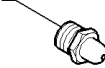
21



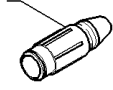
22



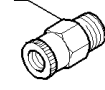
23



24



25



LBX421S BIG RECTANGULAR BALER (6/01-)

09.03(01) KIT, LUBRICATION

сылка	Номер детали	Кол-во	Описание
1	84807302	1	KIT, REPAIR, (2 to 25)
2	84807241	10	CONNECTOR, HYD., 1/8" - 6MM
3	84807242	5	CONNECTOR, HYD., 1/8" - 6MM
4	84807243	10	CONNECTOR, HYD., 1/8" - 4MM
5	84807244	5	CONNECTOR, HYD., 1/8" - 4MM
6	84807245	5	CONNECTOR, HYD., 1/8" - 4MM
7	84807246	5	CONNECTOR, HYD., M6 - 6MM
8	84807247	5	CONNECTOR, HYD., M6 - 6MM
9	84807248	2	CONNECTOR, HYD., 1/8" - 1/8"
10	84807375	10	CONNECTOR, HYD., 1/8" - 8MM
11	84807376	10	CONNECTOR, HYD., 1/8" - 8MM
12	84807377	5	CONNECTOR, HYD., 1/8" - 8MM
13	84807289	1	HOSE, 8MM, L=10M
14	84807290	1	HOSE, 6MM, L=5M
15	84807291	1	HOSE, 4MM, L=5M
16	84807292	5	VALVE, CHECK, 8MM
17	84807293	10	COUPLING,
18	84807296	2	PLUG, 1/8"
19	84807297	5	CONNECTOR, HYD., 4MM
20	84807298	5	CONNECTOR, HYD., 6MM
21	84807299	5	CONNECTOR, HYD., 8MM
22	84807301	5	VALVE, CHECK, 6MM
23	84807304	10	NIPPLE, LUBE,
24	84807418	5	VALVE, CHECK, 4MM
25	84807240	5	CONNECTOR, HYD., 1/8" - 6MM

WHEELS

ROUES

RUEDAS

HJUL

RUOTI

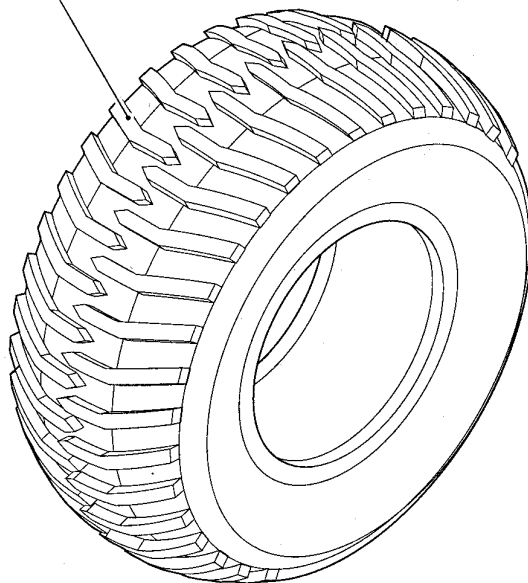
RÄDER

RODAS

WIELEN

SEC. 11

11.1

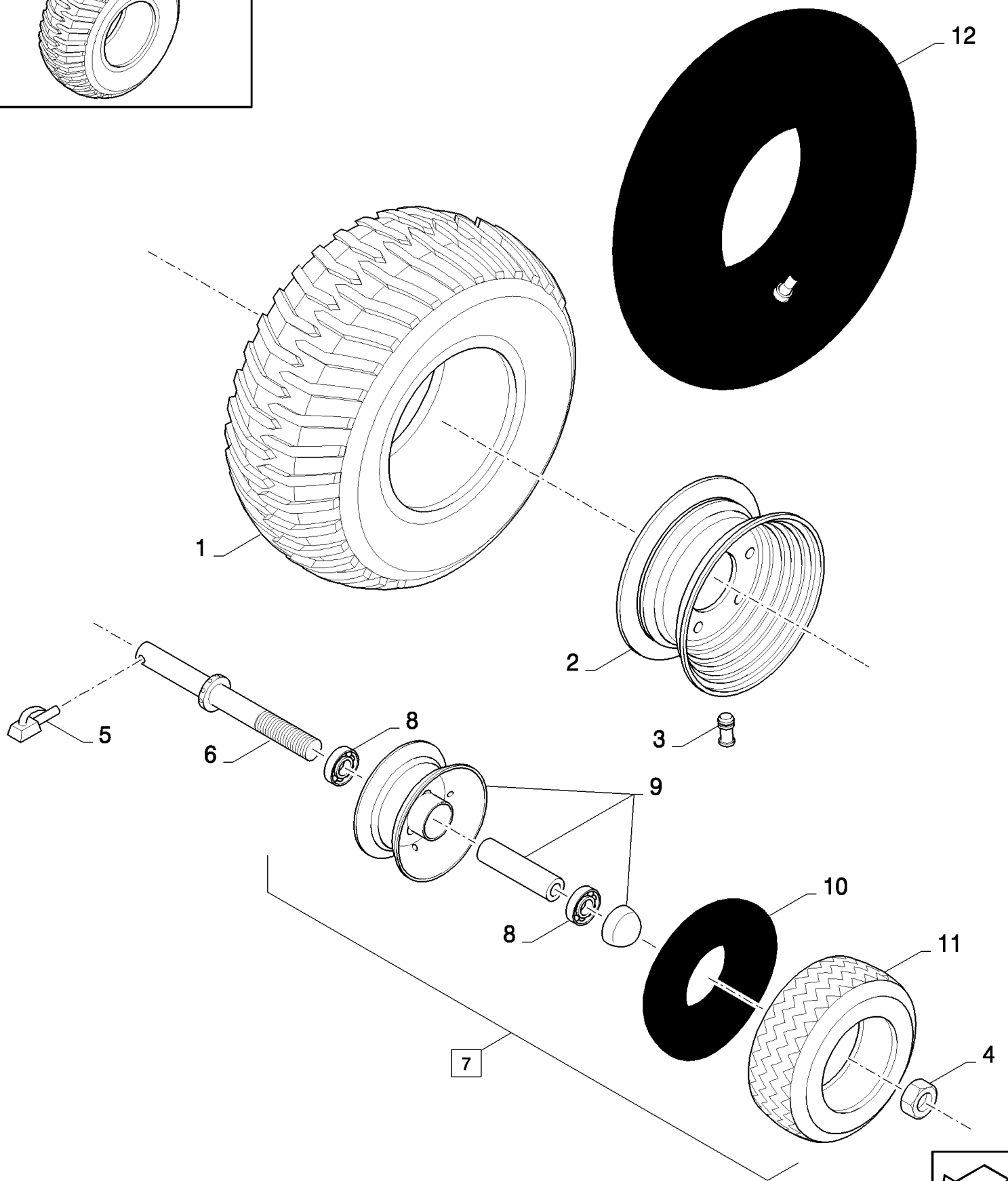
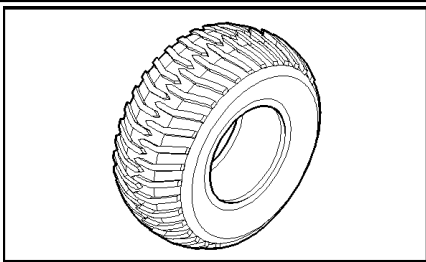


LBX421S BIG RECTANGULAR BALER (6/01-)

11.00(01) SECTION LIST 11 - WHEELS

сылка	Номер детали	Кол-во	Описание

11.01(01) WHEELS



LBX421S BIG RECTANGULAR BALER (6/01-)

11.01(01) WHEELS

сылка	Номер детали	Кол-во	Описание
1	84074614	2	TYRE/TIRE, , NOT FOR TANDEM AXLE, FOR TYRE 600/55-22.5-12PR ONLY
1	84074615	2	TYRE/TIRE, , NOT FOR TANDEM AXLE, FOR TYRE 700/45-22.5-12PR ONLY
1	84074616	4	TYRE/TIRE, , FOR TYRE 500/50-17AW-D140, FOR TANDEM AXLE WITH PNEUMATIC BRAKES ONLY
1	84100453	4	TYRE/TIRE, , FOR TYRE 500/50-17.0-14PR, NOT FOR TANDEM AXLE WITH PNEUMATIC BRAKES
1	84429638	4	TYRE/TIRE, , FOR TYRE 555/45-17-146F
2	84607763	2	RIM, 20.00x22.5, FOR TYRE 600/55-22.5-12PR ONLY
2	84607761	2	RIM, 24.0x22.5, FOR TYRE 700/45-22.5-12PR ONLY
2	84607765	2	RIM, 16.0x17, FOR TYRE 500/50-17.0-14PR, FOR TYRE 500/50-17AW-D140
2	84607759	4	RIM, 16.0x17, FOR TYRE 555/45-17-146F
3	80395448	2	VALVE, PNEUMATIC,
4	89837788	2	NUT, M24
5	89838996	2	PIN, SPLIT (COTTER),
6	84074953	2	SHAFT,
7	84607730	2	WHEEL, (8 to 11)
8	80443898	4	BEARING, BALL,
9	84807399	2	RIM,
10	84429037	2	TUBE, TYRE/TIRE,
11	84429038	2	TYRE/TIRE,
12	84607477	2	TUBE, TYRE/TIRE, , FOR TYRE 700/45-22.5-12PR ONLY
12	84607476	2	TUBE, TYRE/TIRE, , FOR TYRE 500/50-17.0-14PR, FOR TYRE 500/50-17AW-D140

MAIN FRAME

CHÂSSIS PRINCIPAL

BASTIDOR PRINCIPAL

HOVEDRAMME

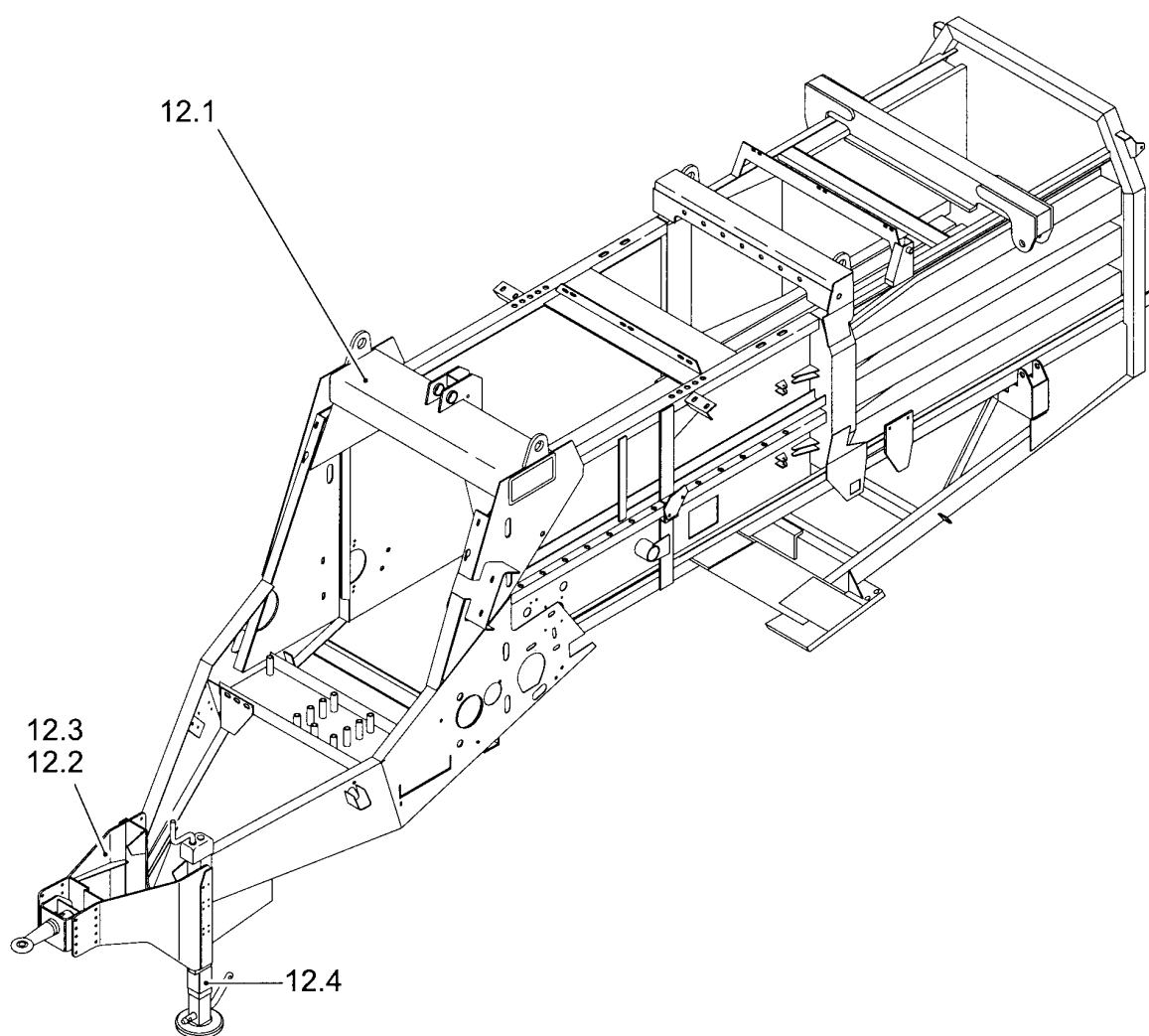
TELAIO PRINCIPALE

HAUPTGESTELL

ESTRUTURA PRINCIPAL

HOOFDRAAM

SEC. 12

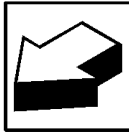
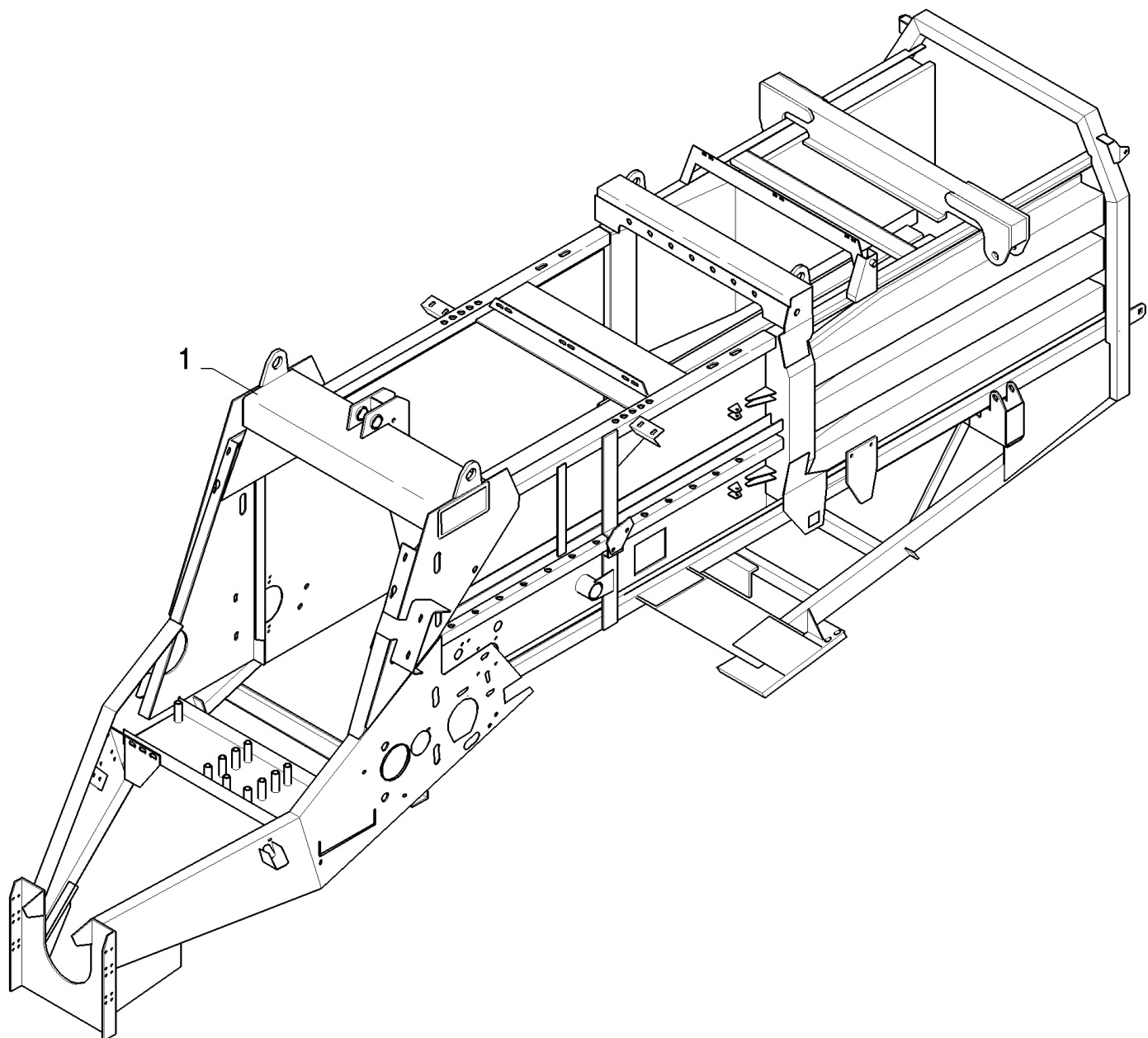
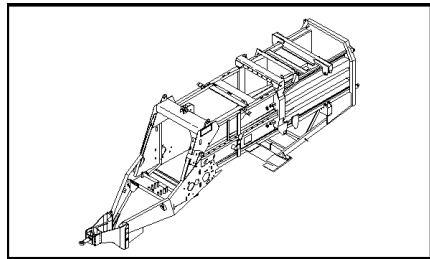


LBX421S BIG RECTANGULAR BALER (6/01-)

12.00(01) SECTION LIST 12 - MAIN FRAME

сылка	Номер детали	Кол-во	Описание

12.01(01) MAIN FRAME

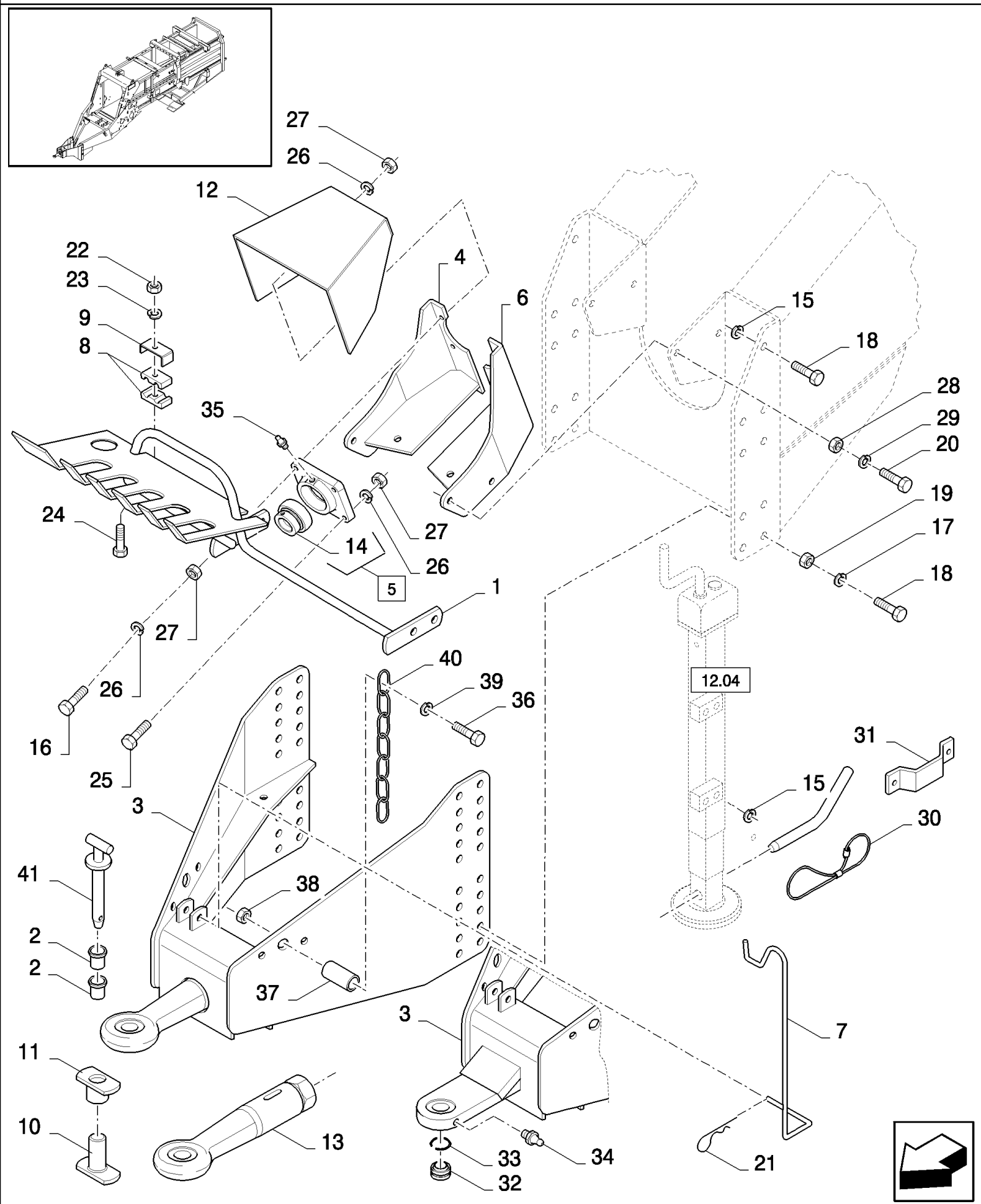


LBX421S BIG RECTANGULAR BALER (6/01-)

12.01(01) MAIN FRAME

сылка	Номер детали	Кол-во	Описание
1	NSS	1	NOT SERVICED SEPARATELY, Main frame

12.02(01) JACK AND HITCH



STANDARD LOW HITCH

LBX421S BIG RECTANGULAR BALER (6/01-)

12.02(01) JACK AND HITCH

сылка	Номер детали	Кол-во	Описание
1	84078549	1	SUPPORT,
2	84320678	2	BUSHING, ASAE, O.D.41,6MM,I.D. 33MM
2	84320900	2	BUSHING, ISO, O.D.40,6MM,I.D. 33MM
3	84053179	1	DRAWBAR, (13), FOR SWIVEL RING ONLY, NOT FOR NA
3	84074296	1	DRAWBAR, , FOR BALL RING ONLY
4	84053177	1	SUPPORT,
5	84053038	1	HOUSING, BEARING, (14), BSN C277
5	84817106	1	HOUSING, BEARING, (14), ASN D278
6	84053178	1	SUPPORT,
7	84041202	1	SUPPORT,
8	80430356	8	CLAMP,
9	80431942	4	SUPPORT,
10	89839053	1	PIN, , FOR SWIVEL RING ONLY, NOT FOR NA
11	89839054	1	NUT, , FOR SWIVEL RING ONLY, NOT FOR NA
12	84053718	1	SHIELD,
13	89838723	1	HOOK, , FOR SWIVEL RING ONLY, NOT FOR NA
14	89839347	1	BEARING ASSY, , BSN C277
14	84817201	1	BEARING ASSY, , ASN D278
15	84022857	1	WASHER,
16	89706702	2	SCREW, M12x50
17	80140048	14	WASHER, LOCK, 16MM
18	84056523	17	BOLT, Hex, M16 x 45, 10.9,
19	80392530	14	NUT,
20	80120044	4	BOLT, M12x30
21	80130007	1	PIN, SPLIT (COTTER),
23	80322357	4	WASHER, SPRING, Belleville, M6, 6MM
24	80120056	4	SCREW, M6x50
25	89706687	2	SCREW, M12x30
26	80140046	6	WASHER, SPRING, 12MM
27	89706685	6	NUT, M12
28	80100038	4	NUT, LOCK, M12
29	80394630	4	WASHER, 12MM
30	84045753	1	CABLE, L=600MM
30	84056519	1	CABLE, L=1800MM
31	84045754	1	CLAMP,
32	80758563	1	BEARING ASSY, , FOR BALL RING ONLY
33	84062830	1	CIRCLIP, , FOR BALL RING ONLY
34	321204	1	NIPPLE, LUBE, M6 x 1, 16mm lg, , FOR BALL RING ONLY
35	9838669	1	NIPPLE, LUBE, , BSN C277
35	84022088	1	NIPPLE, LUBE, , ASN D278
36	89837598	1	SCREW, M24x90
37	84041908	1	BUSHING,
38	89837597	1	NUT, M24
39	84041795	1	WASHER,
40	80851086	1	CHAIN, , FOR NA ONLY

STANDARD LOW HITCH

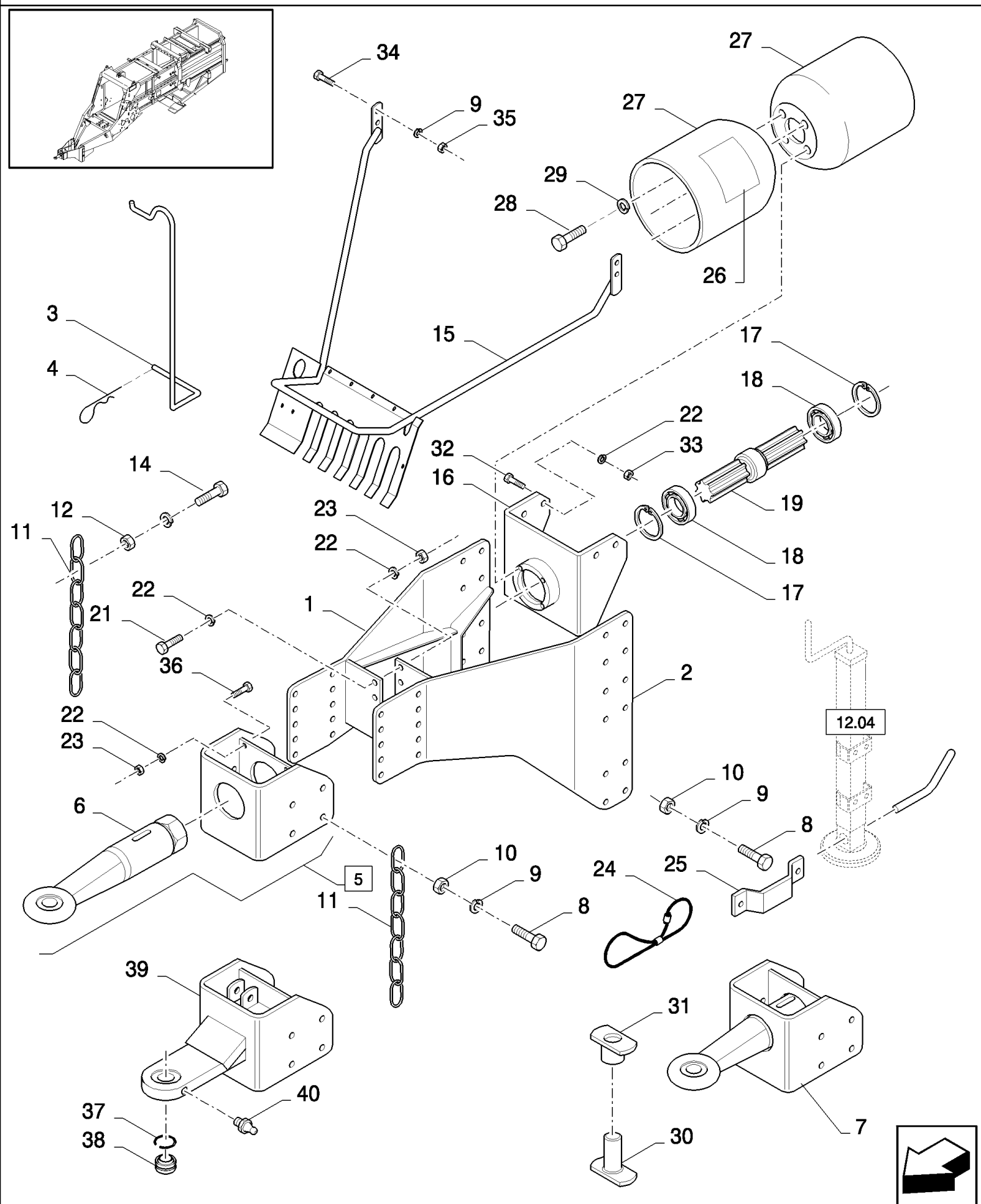
LBX421S BIG RECTANGULAR BALER (6/01-)

12.02(01) JACK AND HITCH

сылка	Номер детали	Кол-во	Описание
41	86002360	1	PIN, D=32MM
22	15896221	4	NUT, M6, CI 10,

STANDARD LOW HITCH

12.03(01) JACK AND HITCH



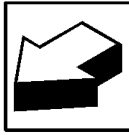
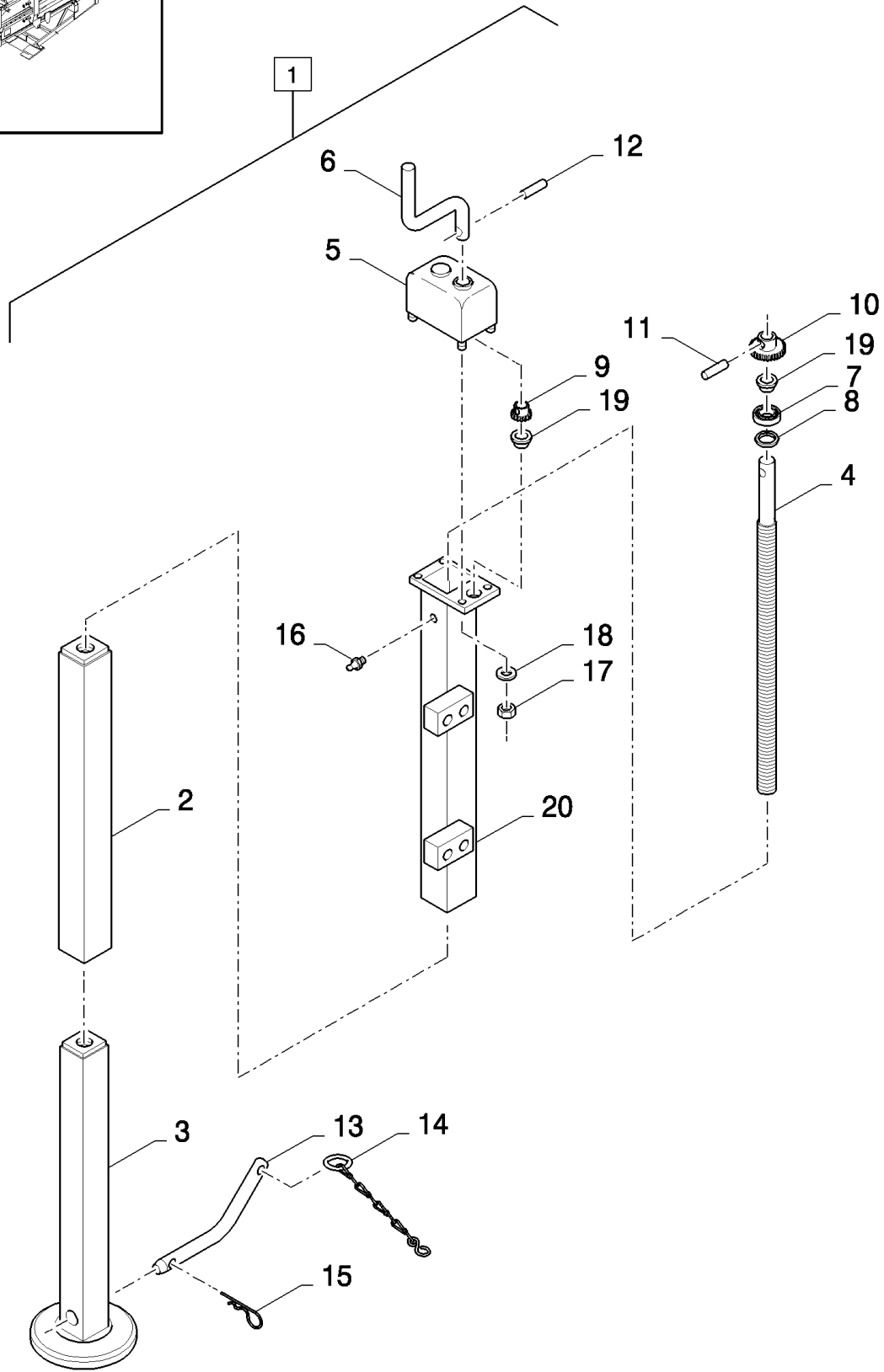
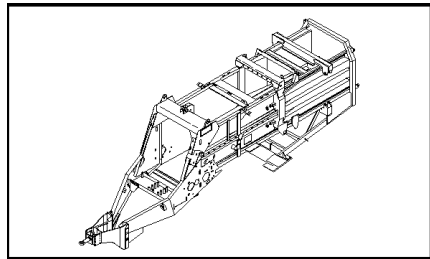
LBX421S BIG RECTANGULAR BALER (6/01-)

12.03(01) JACK AND HITCH

сылка	Номер детали	Кол-во	Описание
1	84045126	1	DRAWBAR, RH
2	84045125	1	DRAWBAR, LH
3	84041202	1	SUPPORT, , FOR LOW HITCH ONLY
4	80130007	1	PIN, SPLIT (COTTER), , FOR LOW HITCH ONLY
5	84031263	1	HITCH, (6), FOR LOW HITCH ONLY, SWIVEL RING
6	89838723	1	HOOK, , FOR LOW HITCH ONLY, SWIVEL RING
7	84041213	1	HOOK, , FOR HIGH HITCH ONLY, FIXED RING, NOT FOR NA
8	84056523	AR	BOLT, Hex, M16 x 45, 10.9,
9	80140048	AR	WASHER, LOCK, 16MM
10	80392530	AR	NUT, M16
11	84041686	1	CHAIN, , FOR HIGH HITCH ONLY, FIXED RING, NOT FOR NA
11	80851086	1	CHAIN, , FOR NA ONLY
13	80322358	2	WASHER, LOCK, 8MM
14	80043127	2	SCREW, M8x25
15	84078549	1	SUPPORT,
16	84041051	1	SUPPORT,
17	80370021	2	CIRCLIP,
18	80353125	2	BEARING, BALL,
19	84041050	1	SHAFT,
21	80043154	3	SCREW, M12x40
22	80394630	AR	WASHER, 12MM
23	89706685	3	NUT, M12
24	84045753	1	CABLE, L=1600MM, FOR LBX331S, LBX331P, LBX331R ONLY
24	84056519	1	CABLE, L=1800MM, FOR LBX421S, LBX421R, LBX431S, LBX431R ONLY
25	84045754	1	CLAMP,
26	84053500	1	DECAL,
27	84607943	2	PROTECTING COVER,
28	80120100	8	BOLT, Hex, M6 x 20, 8.8,
29	80362776	8	WASHER,
30	89839053	1	PIN, , FOR LOW HITCH ONLY, SWIVEL RING
31	89839054	1	NUT, , FOR LOW HITCH ONLY, SWIVEL RING
32	80120044	AR	BOLT, M12x30
33	80100038	AR	NUT, LOCK, M12
34	80043168	4	SCREW, M16x40
35	100020	4	NUT, M16, CI 8, M16
36	80043154	3	SCREW, M12x40
37	84062830	1	CIRCLIP,
38	80758563	1	BEARING ASSY,
39	84074295	1	HITCH, , FOR LOW HITCH ONLY, BALL RING
40	321204	1	NIPPLE, LUBE, M6 x 1, 16mm lg, , FOR LOW HITCH ONLY, BALL RING
12	89706690	2	NUT, M8, CI 8,

HIGH/LOW HITCH

12.04(01) JACK



LBX421S BIG RECTANGULAR BALER (6/01-)

12.04(01) JACK

сылка	Номер детали	Кол-во	Описание
1	84041156	1	JACK, (2 to 20)
2	84814120	1	TUBE,
3	84814119	1	TUBE,
4	84400422	1	ROD, THREADED,
5	84400423	1	COVER,
6	84400424	1	HANDLE,
7	84400425	1	BEARING ASSY,
8	NSS	1	NOT SERVICED SEPARATELY, Washer
9	84400426	1	GEAR, Z=14
10	84400427	1	GEAR, Z=32
11	80130050	1	PIN, ROLL,
12	80300871	1	PIN, ROLL,
13	84400428	1	PIN,
14	NSS	1	NOT SERVICED SEPARATELY, Chain
15	80450300	1	PIN, SPLIT (COTTER),
16	80412014	1	NIPPLE, LUBE,
17	80043442	4	NUT, LOCK, M8 x 1.25, CI 8, M8
18	80322358	4	WASHER, LOCK, 8MM
19	84400429	2	BUSHING,
20	84814121	1	TUBE,

FEEDER

AMENEUR

ALIMENTADOR

INDFØRING

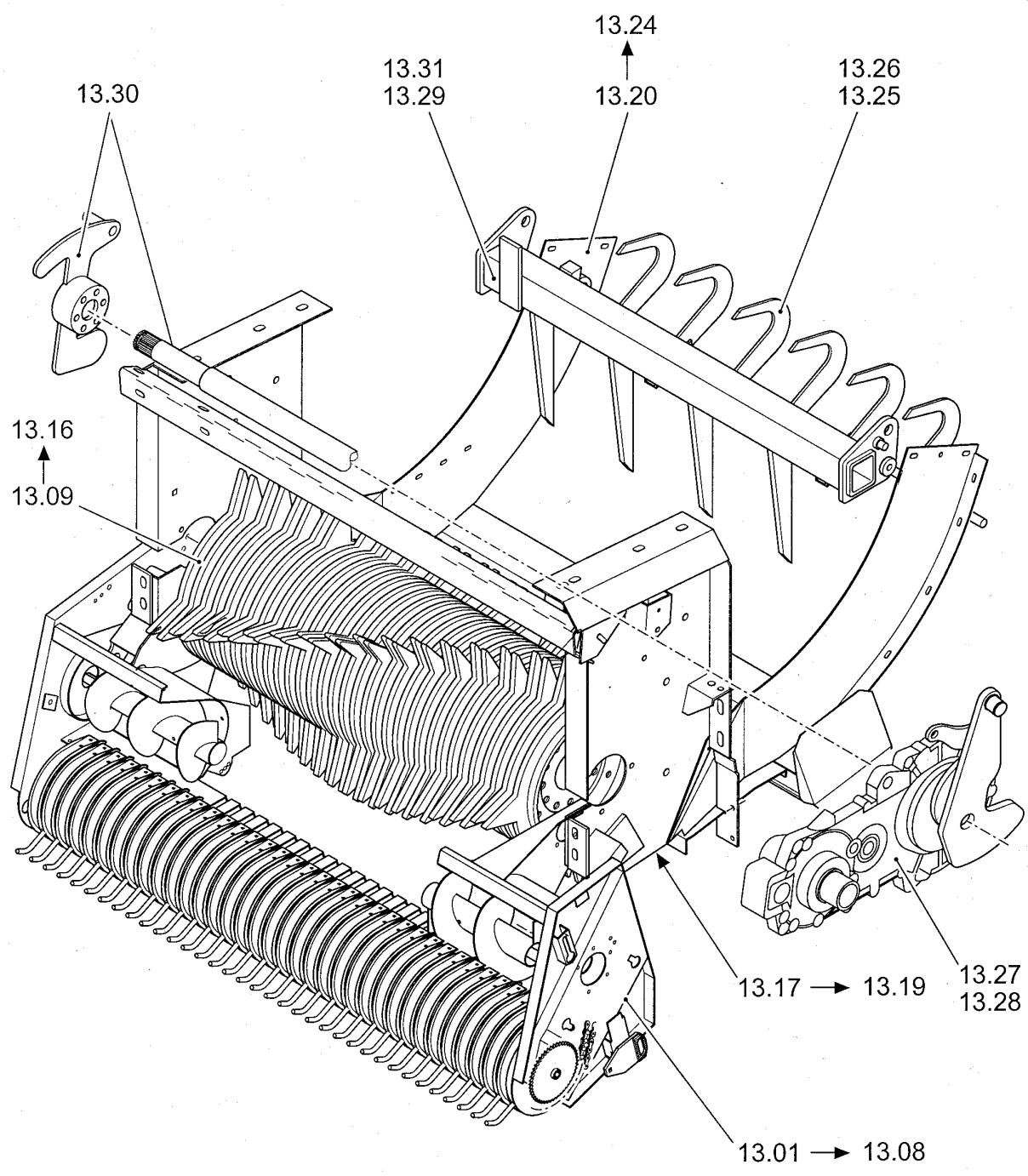
ALIMENTATORE

ZUBRINGER

ALIMENTADOR

INVOERDER

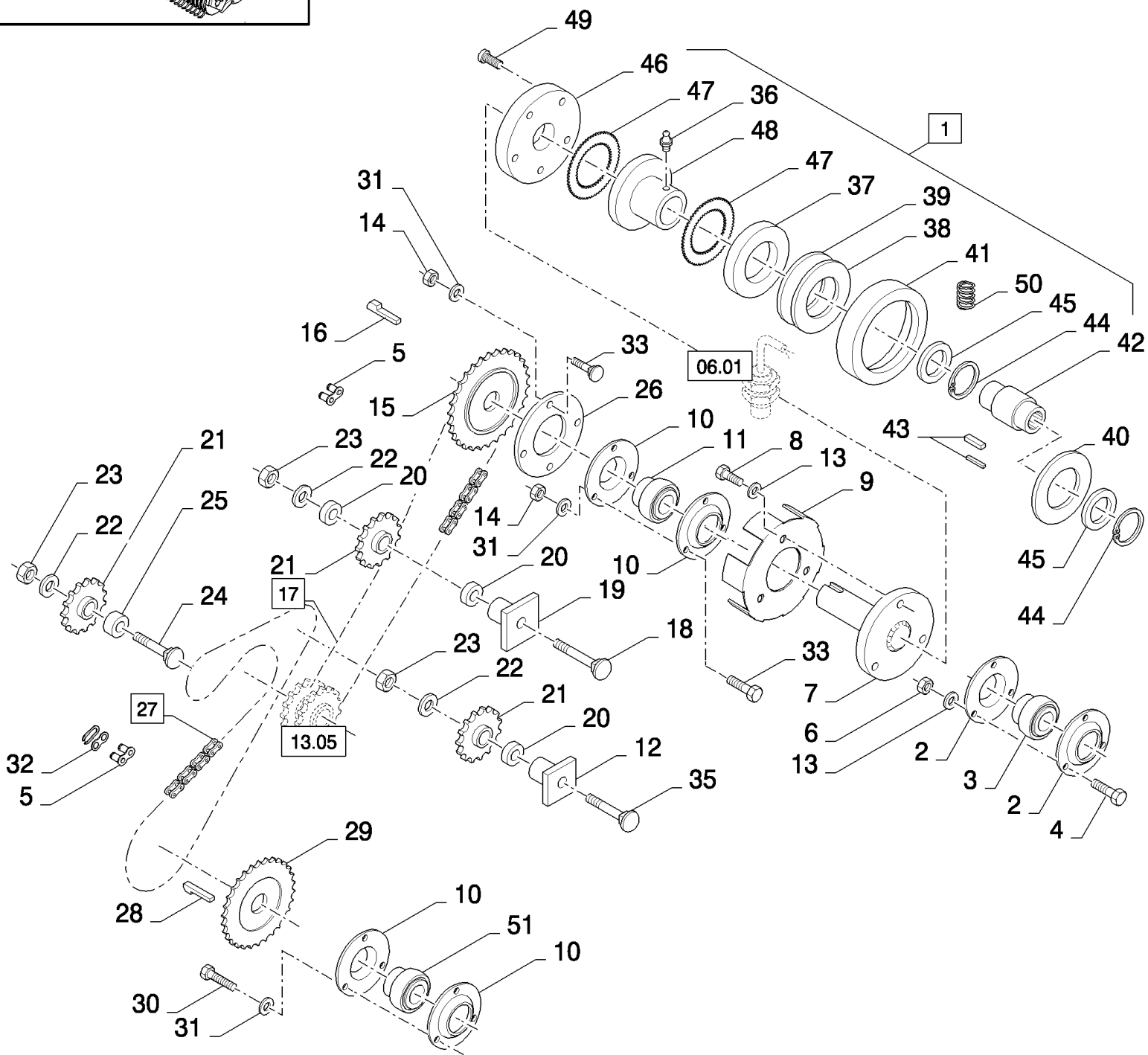
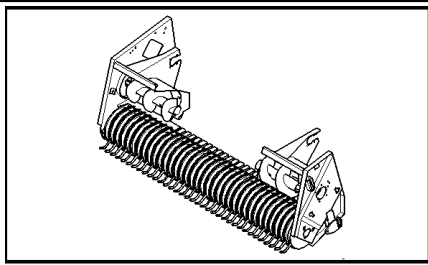
SEC. 13



LBX421S BIG RECTANGULAR BALER (6/01-)

13.00(01) SECTION LIST 13 - FEEDER

сылка	Номер детали	Кол-во	Описание



LBX421S BIG RECTANGULAR BALER (6/01-)

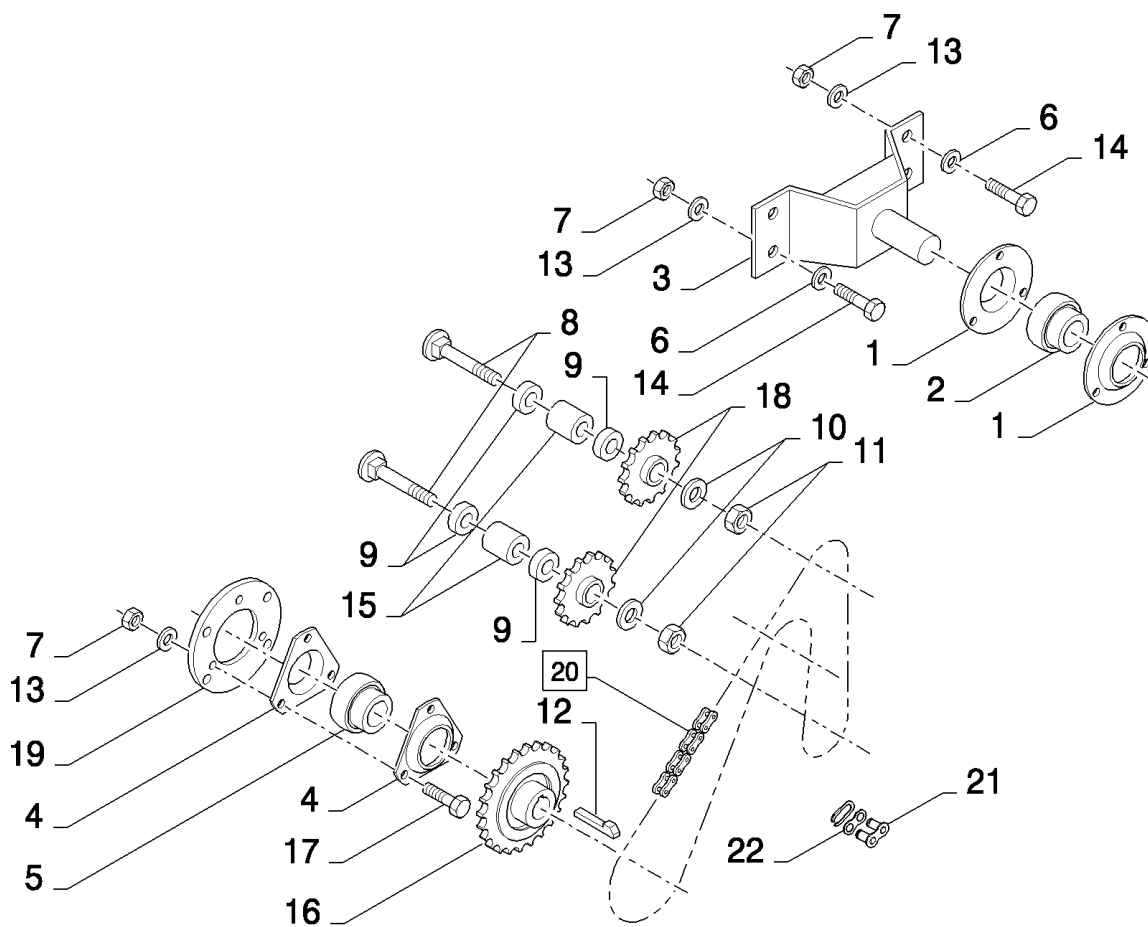
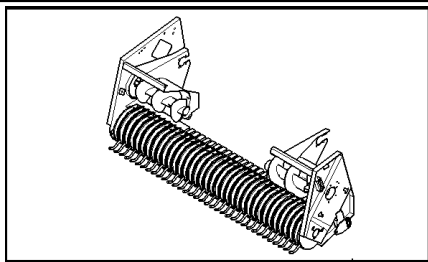
13.01(01) PICK-UP, MAIN TRANSMISSION, RH

сылка	Номер детали	Кол-во	Описание
1	89837857	1	CLUTCH, (12,36 to 47)
2	89837215	2	FLANGE,
3	80552945	1	BEARING ASSY,
4	80120044	AR	BOLT, M12x30
5	86595275	AR	LINK, OFFSET,
6	89706685	8	NUT, M12
7	84074766	1	SHAFT, , FOR LBX331S, LBX331P ONLY
7	84074764	1	SHAFT, , FOR LBX421S, LBX431S ONLY
8	89706687	3	SCREW, M12x30
9	84074957	1	DISC,
10	80578189	4	FLANGE,
11	80322360	2	BEARING, BALL,
12	89837968	1	SUPPORT,
13	80140046	15	WASHER, SPRING, 12MM
14	100016	AR	NUT, M10, CI 8,
15	89837880	1	GEAR,
16	80170026	1	KEY,
17	89837879	1	CHAIN, (32)
18	80120049	1	BOLT, M16x90
19	89837878	1	SUPPORT,
20	80378246	4	WASHER, 16MM
21	89837867	3	SPROCKET, DRIVEN,
22	80140048	3	WASHER, LOCK, 16MM
23	100020	3	NUT, M16, CI 8, M16
24	80120046	1	BOLT,
25	89837964	1	BUSHING,
26	89850764	1	DISC,
27	89837966	1	CHAIN, (32,5)
28	80333228	1	KEY,
29	84000091	1	SPROCKET, DRIVEN,
30	80043139	3	SCREW,
31	80140045	AR	WASHER, LOCK,
32	80165590	1	LINK, CONNECTING,
33	80338949	7	BOLT, CARRIAGE, M10x25
35	89837963	1	SCREW,
36	321204	1	NIPPLE, LUBE, M6 x 1, 16mm lg,
37	84004304	1	CLUTCH, PLATE,
38	84004305	1	CLUTCH, PLATE,
39	84004500	1	PLATE, CLUTCH, DRIVING,
40	84004306	1	CLUTCH, PLATE,
41	84004501	1	HOUSING,
42	84004499	1	HUB,
43	NSS	1	NOT SERVICED SEPARATELY, Pawl
44	84004298	2	CIRCLIP,
45	84004299	2	RING,

LBX421S BIG RECTANGULAR BALER (6/01-)

13.01(01) PICK-UP, MAIN TRANSMISSION, RH

сылка	Номер детали	Кол-во	Описание
46	84043419	1	FLANGE,
47	84026625	2	DISC,
48	NSS	1	NOT SERVICED SEPARATELY, SHAFT
49	NSS	8	NOT SERVICED SEPARATELY, SCREW
50	NSS	3	NOT SERVICED SEPARATELY, SPRING
51	89837842	2	BEARING ASSY,

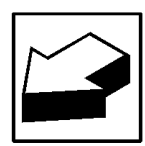
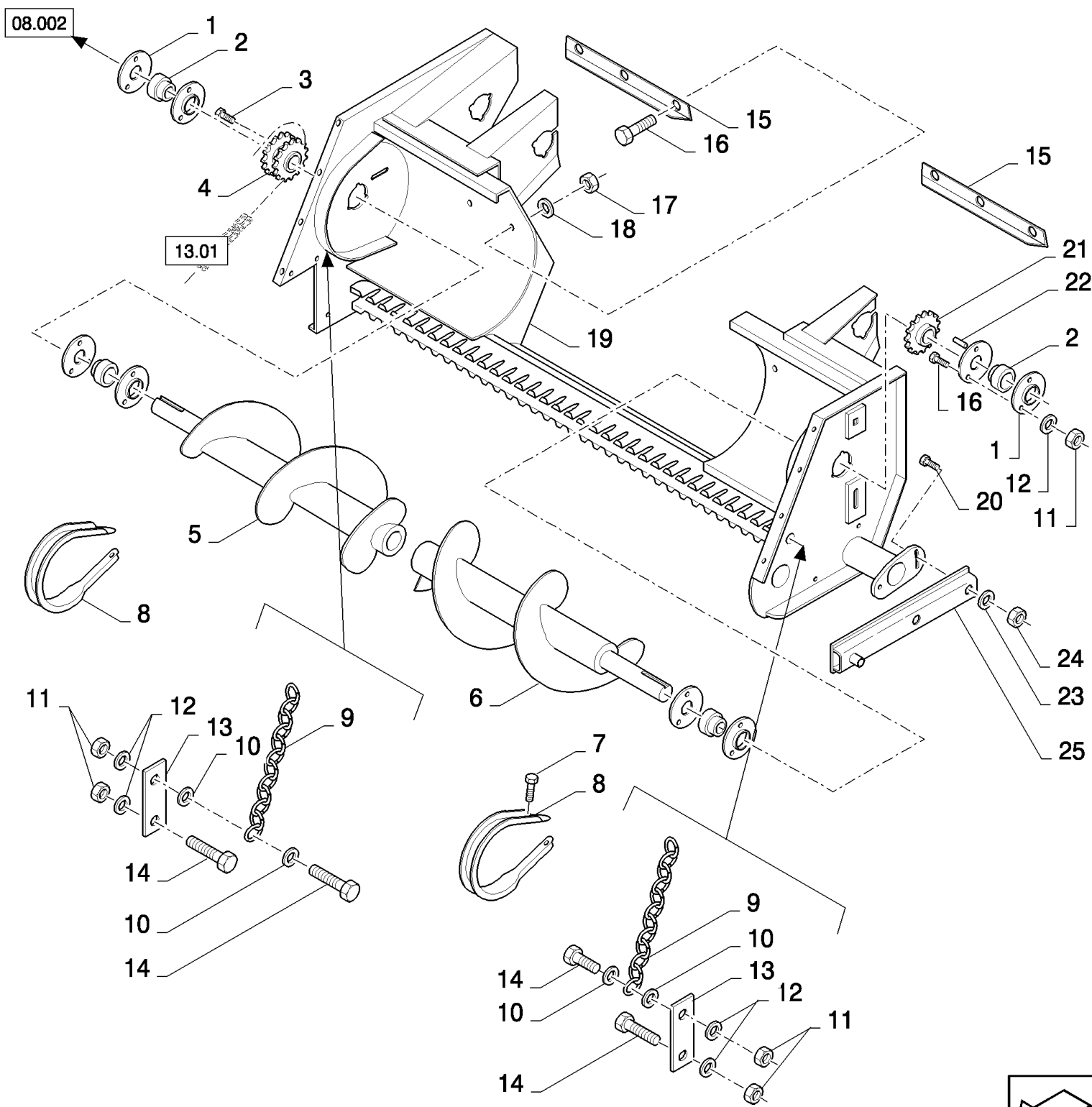
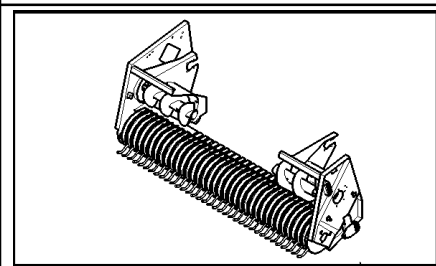


LBX421S BIG RECTANGULAR BALER (6/01-)

13.02(01) PICK-UP, MAIN TRANSMISSION, LH

сылка	Номер детали	Кол-во	Описание
1	89837215	2	FLANGE,
2	80552945	1	BEARING ASSY,
3	89837866	1	SUPPORT,
4	80578189	2	FLANGE,
5	80322360	1	BEARING, BALL,
6	86511323	2	WASHER, M10 x 20 x 2,
7	100016	AR	NUT, M10, CI 8,
8	80120049	2	BOLT, M16x90
9	80378246	4	WASHER, 16MM
10	80140048	2	WASHER, LOCK, 16MM
11	100020	2	NUT, M16, CI 8, M16
12	80333228	1	KEY,
13	80140045	AR	WASHER, LOCK,
14	80043140	4	BOLT, Hex, M10 x 30, 8.8,
15	84007604	2	SLEEVE,
16	84000092	1	SPROCKET, DRIVEN,
17	811-10030	3	BOLT, CARRIAGE, Short NK, M10 x 30, CI8.8, Full Thd,
18	89837969	2	SPROCKET, DRIVEN,
19	89850763	1	RING,
20	89837965	1	CHAIN,
21	80025816	1	LINK, OFFSET,
22	25194	1	LINK, CONNECTING,

13.05(01) PICK-UP, FRAME

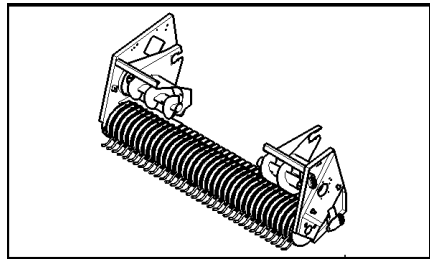


LBX421S BIG RECTANGULAR BALER (6/01-)

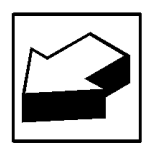
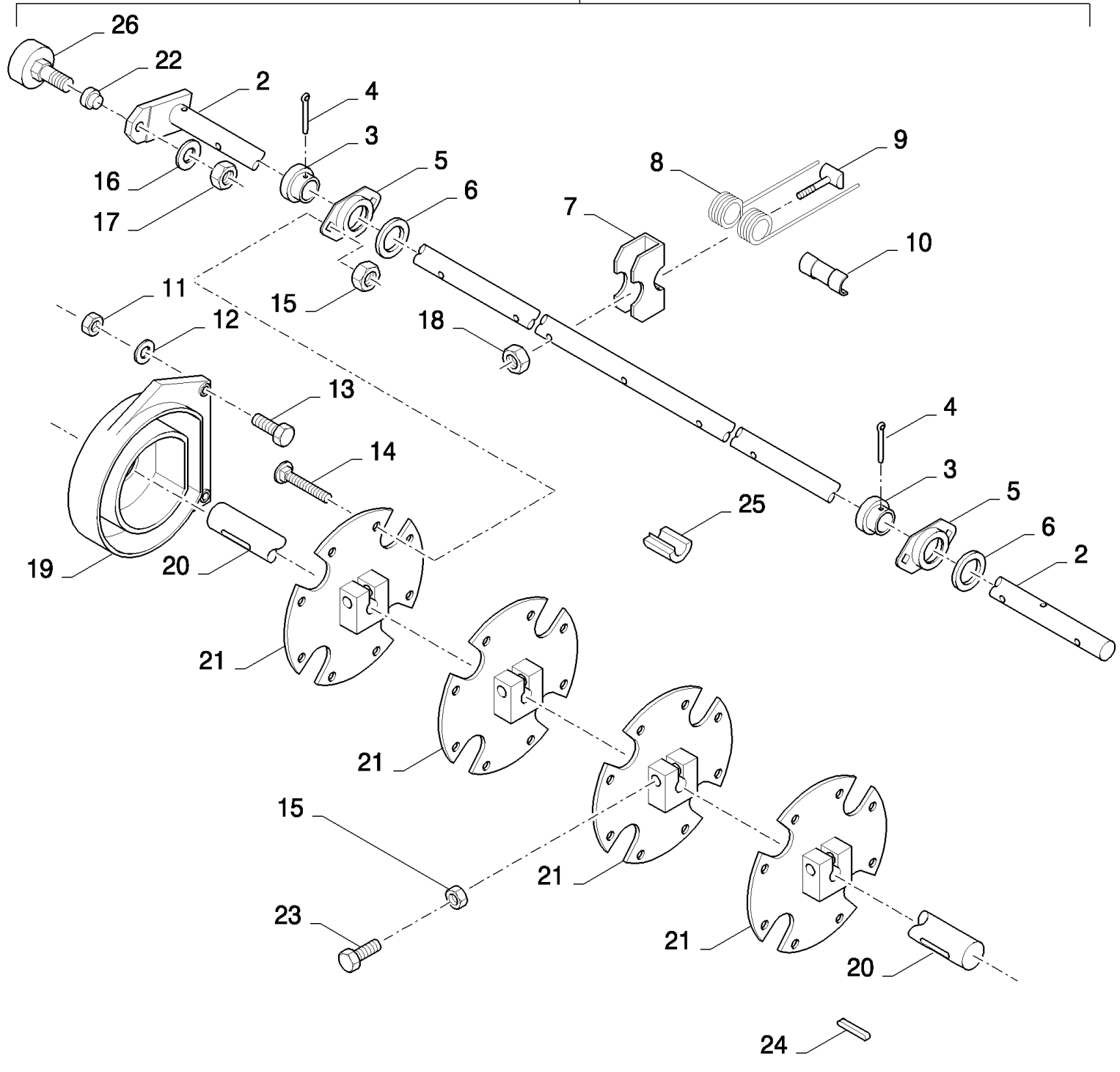
13.05(01) PICK-UP, FRAME

сылка	Номер детали	Кол-во	Описание
1	80578189	8	FLANGE,
2	89837842	4	BEARING ASSY,
3	89837838	1	KEY,
4	89837885	1	SPROCKET, DRIVEN,
5	84607750	1	AUGER, , FOR LBX331S, LBX331P ONLY
5	84607795	1	AUGER, , FOR LBX421S, LBX431S ONLY
6	84607747	1	AUGER, , FOR LBX331S, LBX331P ONLY
6	84607794	1	AUGER, , FOR LBX421S, LBX431S ONLY
7	86511478	AR	BOLT, Hex Serr Flg, M8 x 16,
8	84607815	27	GUARD, , FOR LBX331S, LBX331P ONLY
8	84607815	31	GUARD, , FOR LBX421S, LBX431S ONLY
9	84000002	2	CHAIN,
10	80140084	4	WASHER,
11	89706685	8	NUT,
12	80140046	8	WASHER, SPRING,
13	84039278	2	PLATE, COVER,
14	80120044	4	BOLT, M12x30, BSN C287
14	80328754	4	BOLT, CARRIAGE, M12x40, ASN D288
15	84607749	2	ANGLE, , FOR LBX331S, LBX331P ONLY
15	84607748	2	ANGLE, , FOR LBX421S, LBX431S ONLY
16	80120041	18	BOLT, CARRIAGE, M10x20
17	100016	6	NUT, M10, CI 8,
18	80140045	6	WASHER, LOCK, 10MM
19	84607812	1	FRAME, , FOR LBX331S, LBX331P ONLY
19	84607909	1	FRAME, , FOR LBX421S, LBX431S ONLY
20	80300662	4	BOLT, M12x70
21	89837884	1	SPROCKET, DRIVEN,
22	80333228	1	KEY,
23	80140045	12	WASHER, LOCK,
24	100016	12	NUT, M10, CI 8,
25	84607735	2	ARM,

13.07(01) PICK-UP, REEL



1

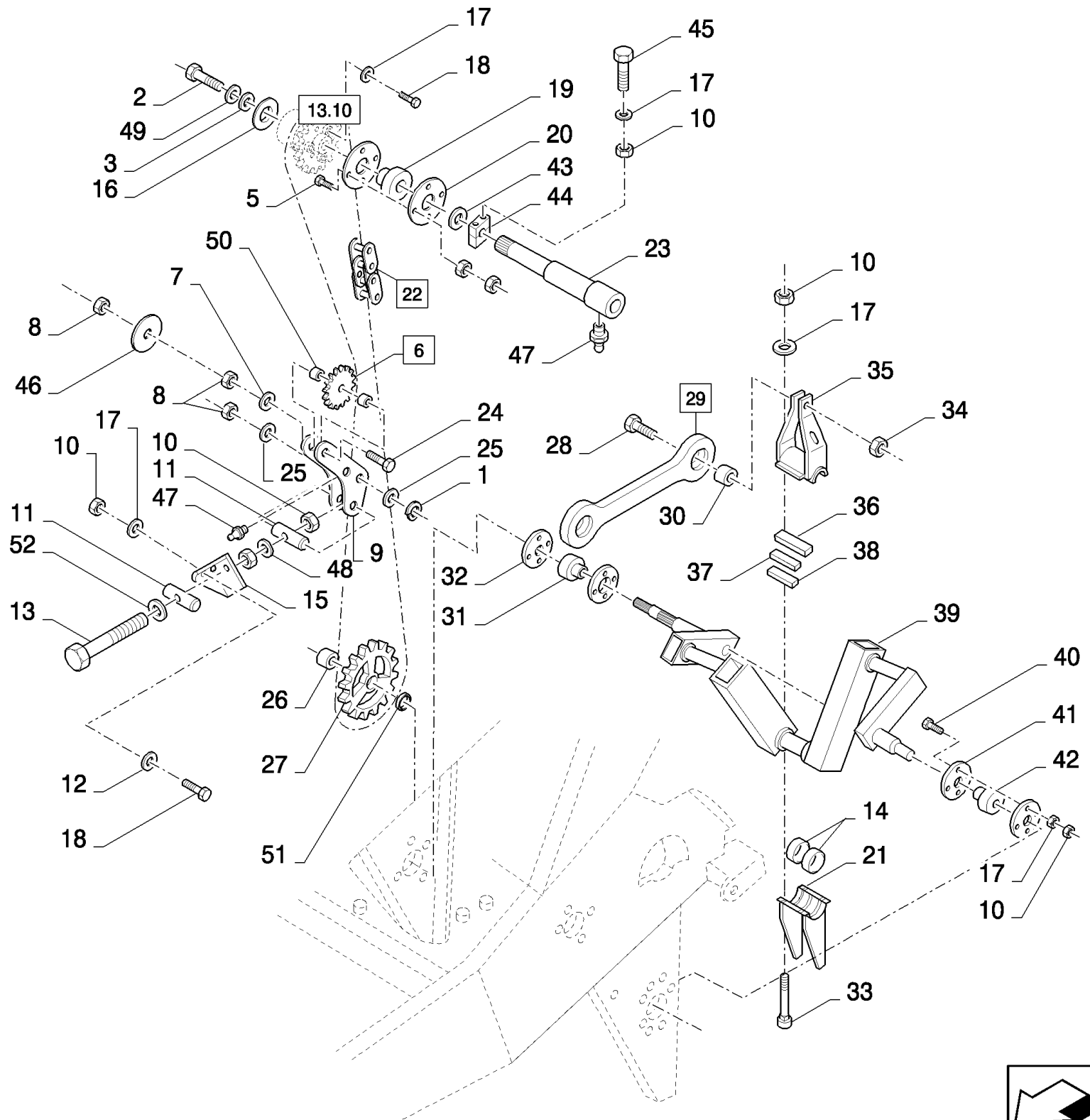
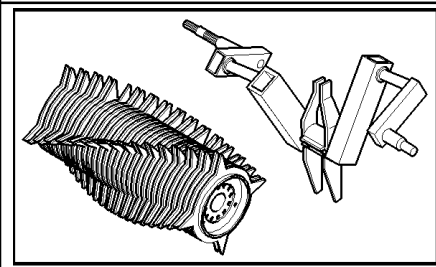


LBX421S BIG RECTANGULAR BALER (6/01-)

13.07(01) PICK-UP, REEL

сылка	Номер детали	Кол-во	Описание
1	84086544	1	REEL, (2 to 26), FOR LBX331S, LBX331P ONLY
1	84086547	1	REEL, (2 to 26), FOR LBX421S, LBX431S ONLY
2	84607751	4	TINE BAR, , FOR LBX331S, LBX331P ONLY
2	84607737	4	TINE BAR, , FOR LBX421S, LBX431S ONLY
3	80054770		AR BEARING, BALL,
4	80136521		AR PIN, SPLIT (COTTER),
5	80054695		AR CARRIER, BEARING,
6	80442245		AR RING,
7	80136137		AR SPACER,
8	84074264		AR TINE, REEL,
9	80535866		AR BOLT,
10	80425870		AR BRACKET,
11	100016	3	NUT, M10, CI 8,
12	80140045	3	WASHER, LOCK,
13	89706704	3	SCREW, M10x35
14	43138		AR BOLT, Hex, M10 x 20, 8.8, Full Thd,
15	80100037		AR NUT, LOCK, M10 x 1.5, CI 8, M10
16	80446691	4	WASHER,
17	86511416	4	NUT, Jam, 5/8"-18, G2,
18	80043442		AR NUT, LOCK, M8 x 1.25, CI 8, M8
19	84607784	1	CAM,
20	84074176	1	SHAFT, , FOR LBX331S, LBX331P ONLY
20	84078727	1	SHAFT, , FOR LBX421S, LBX431S ONLY
21	84607769		AR DISC,
22	84058012	4	BUSHING,
23	80120070		AR SCREW, M10x60
24	80170050	4	KEY,
25	84078001	8	CLAMP, COLLAR,
26	84056924	4	ROLLER,

13.09(01) PACKER AND DRIVE



LBX421S BIG RECTANGULAR BALER (6/01-)

13.09(01) PACKER AND DRIVE

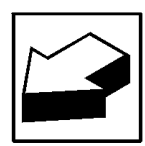
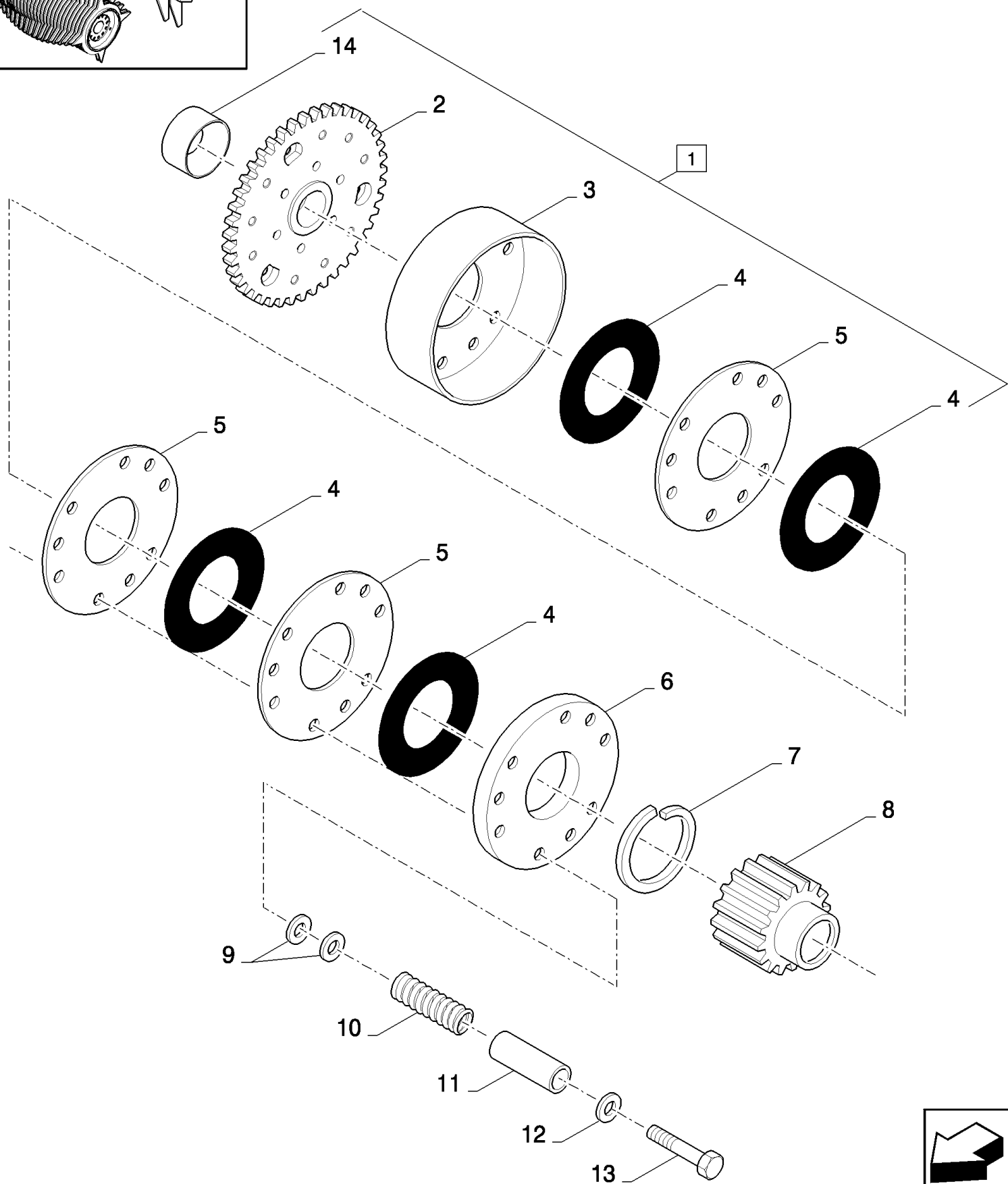
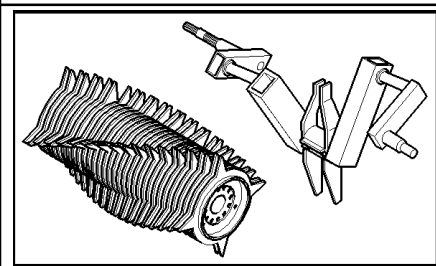
сылка	Номер детали	Кол-во	Описание
1	80370003	1	CIRCLIP,
2	80043168	1	SCREW,
3	80140048	1	WASHER, LOCK,
4	80410402	1	LINK, CHAIN,
5	80328754	4	BOLT, CARRIAGE,
6	89839348	1	GEAR, IDLER, (50)
7	80378247	7	WASHER,
8	80380424	2	NUT, LOCK, M20
9	84068969	1	LEVER, IDLER,
10	89706685	AR	NUT, M12
11	84607946	2	PIN,
12	80140223	4	WASHER,
13	89839346	1	SCREW, M12x200
14	89839327	AR	SET OF MAIN BRGS.STD,
15	84607884	1	SUPPORT,
16	84041822	1	WASHER,
17	80140046	AR	WASHER, SPRING, 12MM
18	89706687	8	SCREW,
19	89839347	1	BEARING ASSY,
20	89839342	2	SET,
21	89839325	AR	FINGER, , BSN C277
21	84814257	AR	FINGER, , ASN D278
21	84429863	AR	TOOTHED SECTOR, , FOR DRY HAY FEEDING KIT
22	89839358	1	CHAIN, (4)
23	84018990	1	SHAFT, , FOR LBX331S ONLY
23	84018424	1	SHAFT, , FOR LBX421S, LBX431S ONLY
24	80395528	1	BOLT, M10x100
25	80748212	6	PLATE, ADJUSTING,
26	89839353	1	SPACER,
27	89839352	1	GEAR,
28	80120092	AR	SCREW,
29	89839314	2	LINK CONROD, , FOR LBX331S ONLY
29	89839314	3	LINK CONROD, , FOR LBX421S, LBX431S ONLY
30	89839315	4	BEARING ASSY, , FOR LBX331S ONLY
30	89839315	6	BEARING ASSY, , FOR LBX421S, LBX431S ONLY
31	80722003	1	BEARING ASSY,
32	80853175	2	FLANGE,
33	80354298	AR	BOLT,
34	80412066	AR	NUT, LOCK,
35	84074857	AR	SUPPORT,
36	89850689	AR	PLATE, ADJUSTING, THK.: 0.5MM
37	89839322	AR	PLATE, ADJUSTING, THK.: 0.25MM
38	89839323	AR	PLATE, ADJUSTING, THK.: 0.1MM
39	84000493	1	CRANKSHAFT, , FOR LBX331S ONLY
39	89839329	1	CRANKSHAFT, , FOR LBX421S, LBX431S ONLY

LBX421S BIG RECTANGULAR BALER (6/01-)

13.09(01) PACKER AND DRIVE

сылка	Номер детали	Кол-во	Описание
40	80120044	8	BOLT,
41	89839324	2	FLANGE,
42	80385424	1	BEARING ASSY,
43	80378087	AR	RING,
44	84000355	1	CLAMP,
45	80374887	2	SCREW,
46	84100472	1	DISC,
47	321204	1	NIPPLE, LUBE, M6 x 1, 16mm lg,
48	80543043	2	WASHER,
49	80300647	1	CIRCLIP,
50	NSS	1	NOT SERVICED SEPARATELY, Bushing
50	NSS	1	NOT SERVICED SEPARATELY, Bushing
51	84320793	1	BUSHING,
52	84607945	2	WASHER,

13.10(01) PACKER CLUTCH

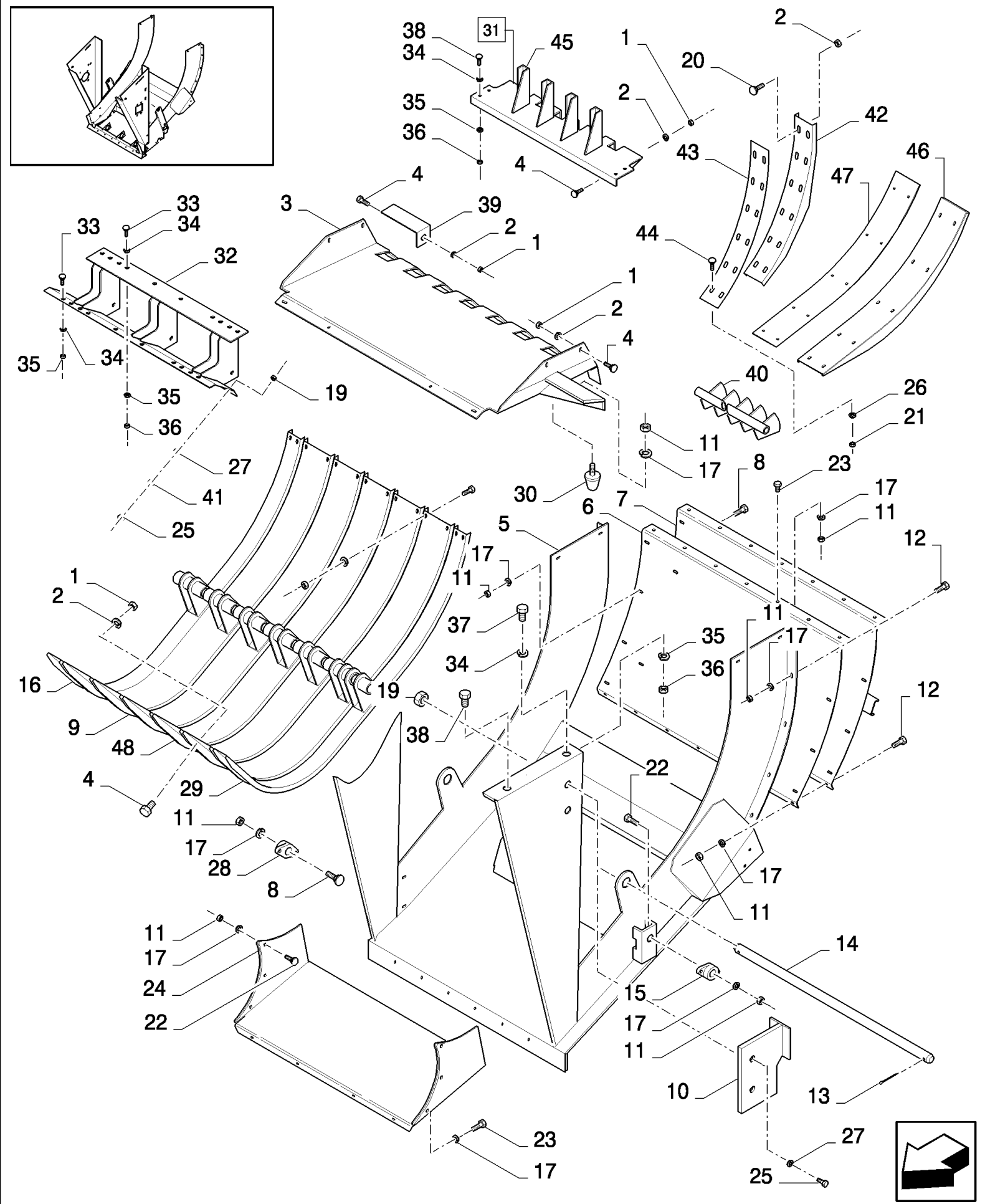


LBX421S BIG RECTANGULAR BALER (6/01-)

13.10(01) PACKER CLUTCH

сылка	Номер детали	Кол-во	Описание
1	84045305	1	CLUTCH, (2 to 14)
2	84045304	1	SPROCKET, DRIVEN,
3	84041823	1	FLANGE,
4	80261798	4	DISC,
5	84041824	3	DISC,
6	84041827	1	DISC,
7	84041833	1	CIRCLIP,
8	84041818	1	HUB,
9	80140096	AR	WASHER,
10	80322270	9	SPRING,
11	84041820	9	BUSHING,
12	80140042	9	WASHER,
13	80331168	9	SCREW, M10x140
14	84045306	1	SLEEVE,

13.20(01) FEED CHAMBER



LBX421S BIG RECTANGULAR BALER (6/01-)

13.20(01) FEED CHAMBER

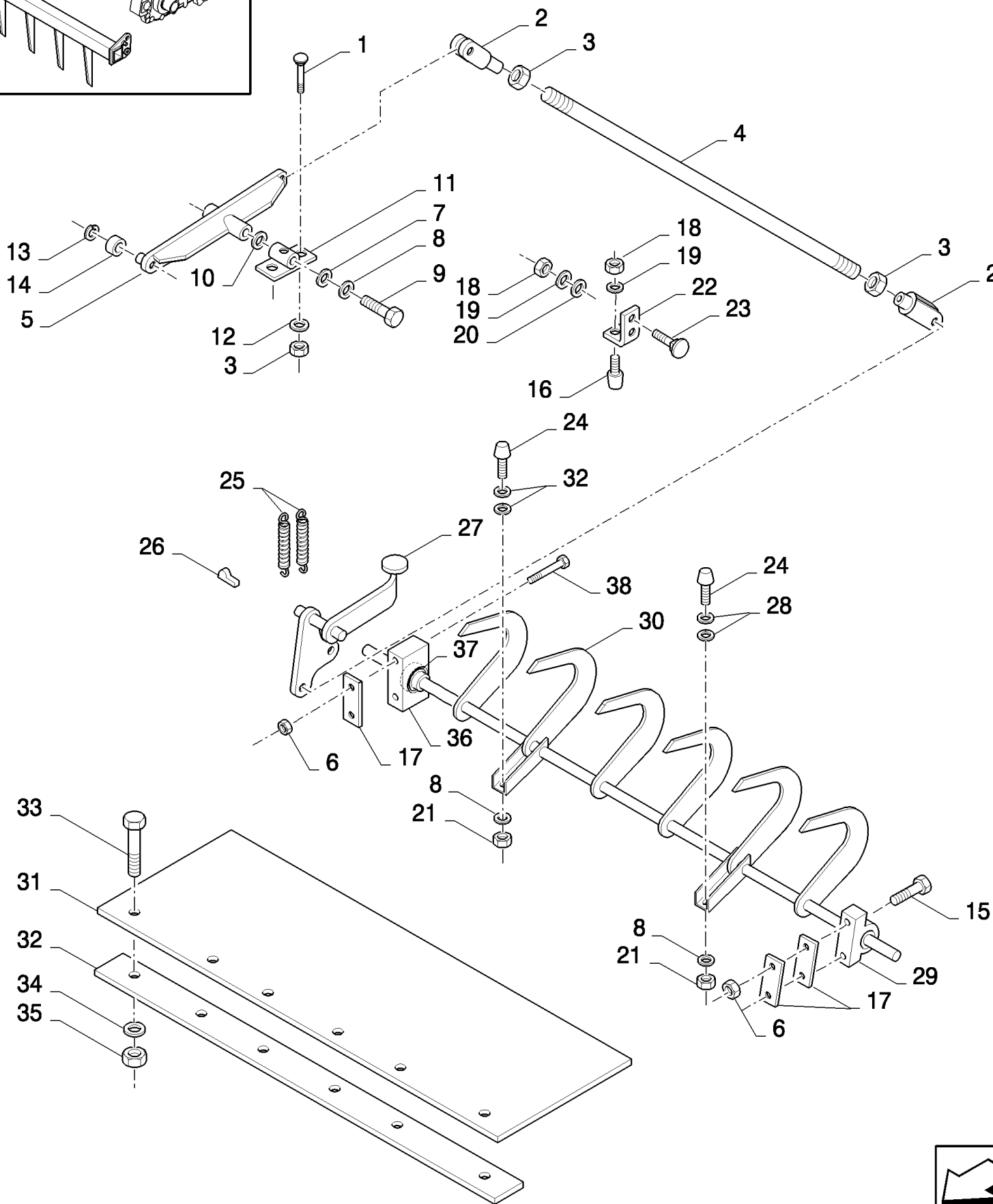
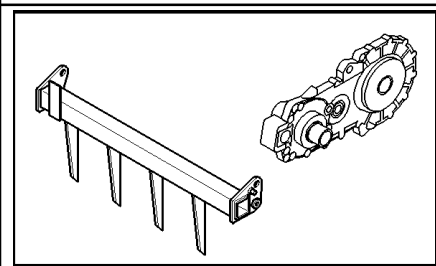
сылка	Номер детали	Кол-во	Описание
1	100016	AR	NUT, M10, CI 8,
2	80140045	AR	WASHER, LOCK, 10MM
3	84000485	1	SUPPORT, , FOR LBX331S ONLY
3	89839102	1	SUPPORT, , FOR LBX421S, LBX431S ONLY
4	80338949	AR	BOLT, CARRIAGE, M10x25
5	84074371	1	FRAME, , FOR LBX331S ONLY
5	84074372	1	FRAME, , FOR LBX421S, LBX431S ONLY
6	84000484	1	PLATE, , FOR LBX331S ONLY
6	89839076	1	PLATE, , FOR LBX421S, LBX431S ONLY
7	84078468	1	PLATE, , FOR LBX331S ONLY
7	84078464	1	PLATE, , FOR LBX421S, LBX431S ONLY
8	86512443	AR	BOLT, CARRIAGE, Short NK, M8 x 35, CI8.8, Full Thd, M8x35
9	89839096	3	GUIDE, , FOR LBX331S ONLY, BSN C275
9	89839096	1	GUIDE, SIDES, FOR LBX331S ONLY, ASN D276
9	84429868	2	GUIDE, , FOR LBX331S ONLY, FOR DRY HAY FEEDING KIT
9	89839096	5	GUIDE, , FOR LBX421S, LBX431S ONLY, BSN C277
9	89839096	2	GUIDE, SIDES, FOR LBX421S, LBX431S ONLY, ASN D278
9	84429868	3	GUIDE, , FOR LBX421S, LBX431S ONLY, FOR DRY HAY FEEDING KIT
10	84100500	1	PLATE,
12	80308761	16	SCREW, M8x25
13	80300423	2	PIN, SPLIT (COTTER),
14	84004017	1	ROD, , FOR LBX331S ONLY
14	89839098	1	ROD, , FOR LBX421S, LBX431S ONLY
15	89837806	1	BEARING ASSY,
16	89839099	1	GUIDE,
17	80322358	AR	WASHER, LOCK, 8MM
18	80309086	2	SCREW, M12x60
19	89706685	6	NUT, M12
20	43138	42	BOLT, Hex, M10 x 20, 8.8, Full Thd,
21	80412152	AR	NUT, M6
22	811-8020	4	BOLT, CARRIAGE, Short NK, M8 x 20, CI8.8, Full Thd,
23	80043127	AR	SCREW, M8x25
24	85005505	1	GUIDE, , FOR LBX331S ONLY
24	85005504	1	GUIDE, , FOR LBX421S, LBX431S ONLY
25	80300389	6	SCREW, M12x35
26	80140040	AR	WASHER, 6MM
27	80140046	6	WASHER, SPRING, 12MM
28	89839087	1	RING,
29	89839092	1	PLATE,
30	84005089	2	INSULATOR BLOCK,
31	84068989	1	SUPPORT, , FOR LBX331S ONLY
31	84042612	1	SUPPORT, , FOR LBX421S, LBX431S ONLY
32	84074219	1	SUPPORT, , FOR LBX331S ONLY
32	84074226	1	SUPPORT, , FOR LBX421S, LBX431S ONLY
33	86508583	AR	BOLT, Hex, M16 x 35, 8.8,

LBX421S BIG RECTANGULAR BALER (6/01-)

13.20(01) FEED CHAMBER

сылка	Номер детали	Кол-во	Описание
34	80394631	AR	WASHER, 16MM
35	80140048	AR	WASHER, LOCK, 16MM
36	832-46416	AR	NUT, LOCK, M16 x 2, CI 8,
37	80043168	6	SCREW, M16x40
38	80120090	4	SCREW, M16x50
39	84073277	1	PLATE,
40	84074739	1	SHAFT, , FOR LBX331S ONLY
40	84074740	1	SHAFT, , FOR LBX421S, LBX431S ONLY
41	80378245	4	WASHER, 12MM
42	84607487	2	PLATE, LH + RH, IN FILL FLOW KIT
11	89706690	AR	NUT, M8, CI 8,
43	84607491	2	PLATE, LH + RH, IN FILL FLOW KIT
44	811-6016	AR	BOLT, CARRIAGE, Short NK, M6 x 16, CI8.8, Full Thd, M6x15
45	84068687	4	BLADE, SCRAPER, , FOR LBX331S ONLY, WELD ON
45	89837273	5	BLADE, SCRAPER, , WELD ON, FOR LBX421S, LBX431S ONLY
46	84607485	3	PLATE, Middle, IN FILL FLOW KIT
47	84607490	3	PLATE, Middle, IN FILL FLOW KIT
48	84429868	2	GUIDE, MIDDLE, FOR LBX331S ONLY, ASN D276
48	84429868	3	GUIDE, MIDDLE, FOR LBX421S, LBX431S ONLY, ASN D278

13.25(01) FEEDER RETAINERS

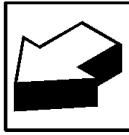
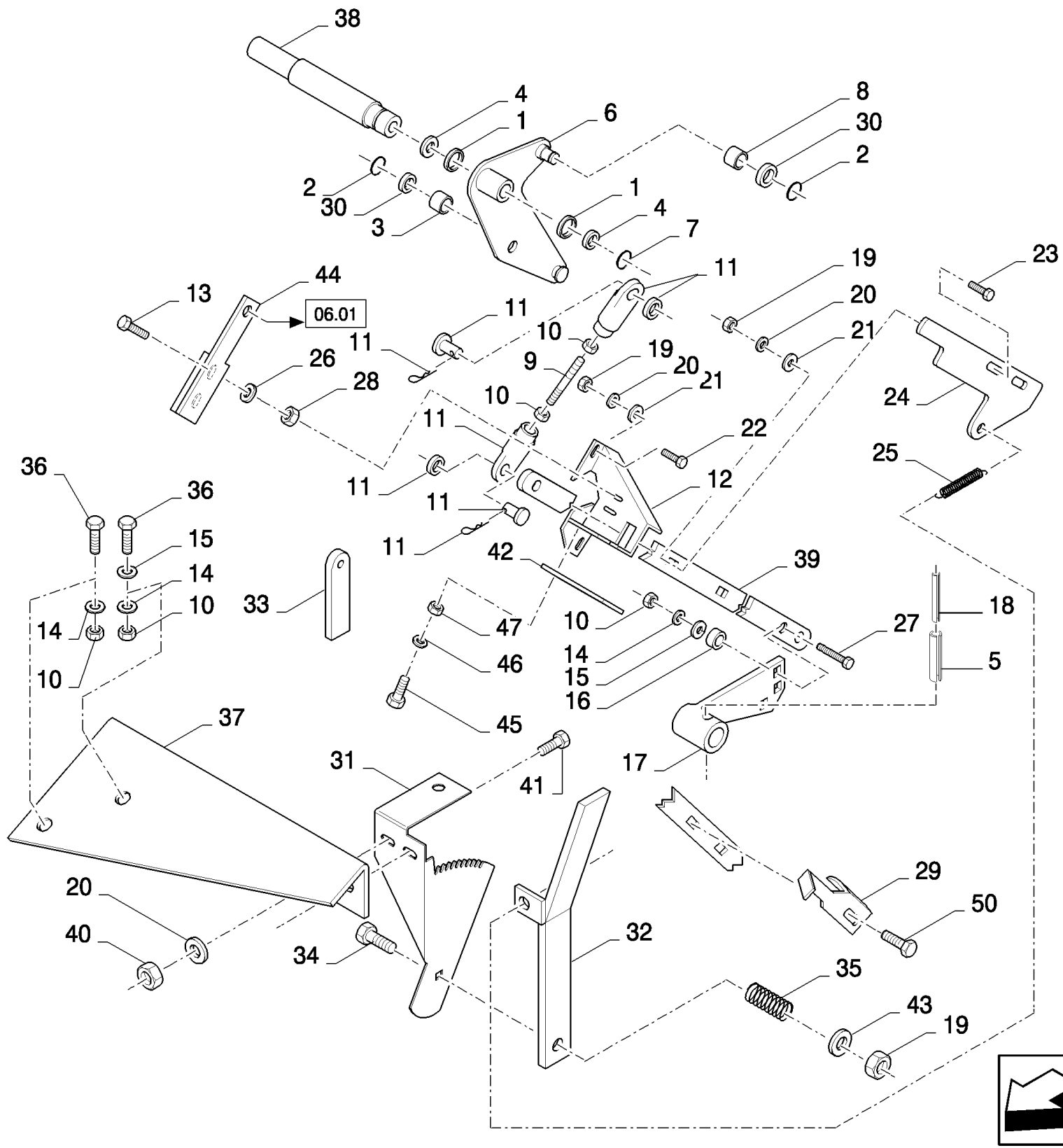
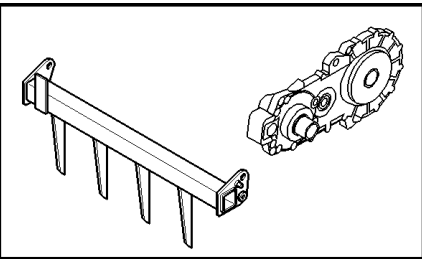


LBX421S BIG RECTANGULAR BALER (6/01-)

13.25(01) FEEDER RETAINERS

сылка	Номер детали	Кол-во	Описание
1	89706687	2	SCREW, M12x30
2	89838297	2	CLEVIS, , INCLUDES CONNECTING ELEMENTS
3	89706685	4	NUT, M12
4	89839262	1	ROD,
5	84019185	1	ARM,
6	80100037	4	NUT, LOCK, M10 x 1.5, CI 8, M10
7	80140042	1	WASHER, 10MM
8	80140045	AR	WASHER, LOCK,
9	43138	1	BOLT, Hex, M10 x 20, 8.8, Full Thd,
10	80053061	1	WASHER,
11	84074872	1	HINGE,
12	80140046	2	WASHER, SPRING, 12MM
13	80301615	1	RING,
14	84019187	1	BEARING ASSY,
15	89706704	2	SCREW, M10x35
16	80190029	1	BUMPER, RUBBER,
17	84078065	3	SHIM,
18	100016	3	NUT, M10, CI 8,
19	80140045	3	WASHER, LOCK,
20	89839231	2	WASHER, 11MM
22	84022964	1	SUPPORT,
23	80043139	2	SCREW, M10x25
24	89839261	2	STOP,
25	89839275	2	SPRING,
26	80170025	1	KEY,
27	84078056	1	ARM,
28	80140041	AR	WASHER,
29	84038526	1	BEARING ASSY,
30	84078058	1	FORK, , WITHOUT BEARING, FOR LBX331S, LBX331P, LBX331R ONLY
30	84078062	1	FORK, , FOR LBX421S, LBX421R, LBX431S, LBX431R ONLY, WITHOUT BEARING
31	84019645	1	COVER, , FOR LBX331S, LBX331P, LBX331R ONLY
31	84019642	1	COVER, , FOR LBX421S, LBX421R, LBX431S, LBX431R ONLY
32	84019644	1	PLATE, COVER, , FOR LBX331S, LBX331P, LBX331R ONLY
32	84019641	1	PLATE, COVER, , FOR LBX421S, LBX421R, LBX431S, LBX431R ONLY
33	89706703	AR	BOLT, M6x20
34	80322357	AR	WASHER, SPRING, Belleville, M6, 6MM
36	84320579	1	HOUSING, BEARING,
37	80325103	1	BEARING, BALL,
38	80120075	2	SCREW, M10x100
21	89706690	2	NUT, M8, CI 8,
35	15896221	AR	NUT, M6, CI 10,

13.26(01) FEEDER TRIP



LBX421S BIG RECTANGULAR BALER (6/01-)

13.26(01) FEEDER TRIP

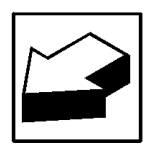
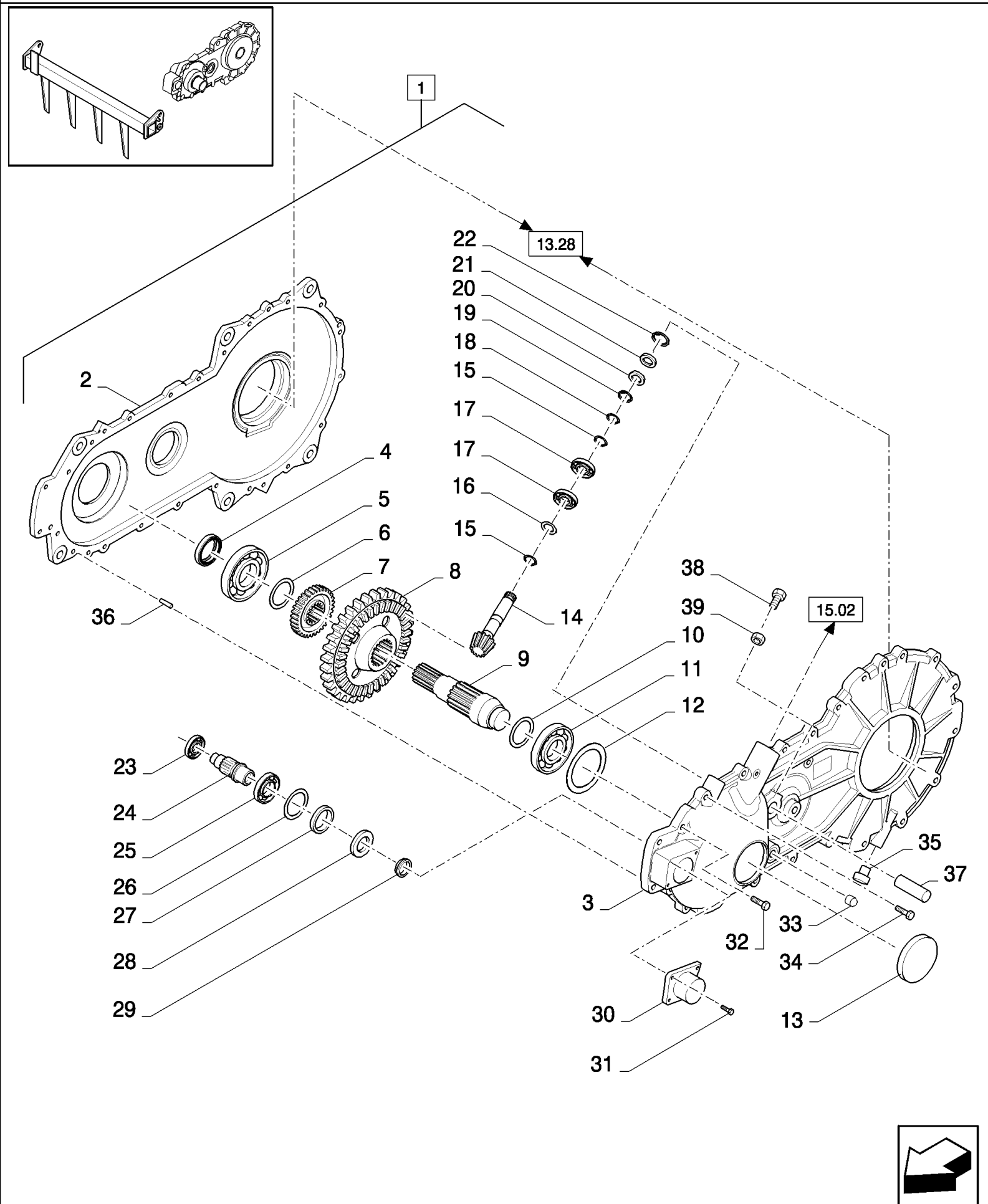
сылка	Номер детали	Кол-во	Описание
1	89838305	2	WASHER,
2	80370024	2	RING, SNAP,
3	89838377	1	ROLLER,
4	80140229	AR	WASHER,
5	80300873	1	PIN, ROLL,
6	84074033	1	LEVER,
7	80370002	1	CIRCLIP,
8	84056050	1	ROLLER,
9	84015668	1	ROD,
10	89706685	AR	NUT,
11	89838297	2	CLEVIS,
12	84074730	1	SUPPORT, , FOR LBX331R, LBX421R, LBX431R ONLY
12	84074738	1	SUPPORT, , FOR LBX331S, LBX331P, LBX421S, LBX431S ONLY
13	811-8020	2	BOLT, CARRIAGE, Short NK, M8 x 20, CI8.8, Full Thd,
14	80140046	AR	WASHER, SPRING, 12MM
15	89839232	AR	WASHER,
16	89839233	1	SPACER,
17	84074735	1	ARM,
18	80321950	1	PIN,
19	80100037	AR	NUT, LOCK, M10 x 1.5, CI 8, M10
20	80140045	AR	WASHER, LOCK, 10MM
21	89839231	AR	WASHER,
22	811-10030	AR	BOLT, CARRIAGE, Short NK, M10 x 30, CI8.8, Full Thd,
23	80412183	AR	BOLT,
24	84607174	1	STOP,
25	84021175	1	SPRING,
26	80322358	2	WASHER, LOCK, 8MM
27	80328754	1	BOLT, CARRIAGE, M12x40
29	84607175	1	STOP,
30	80443434	1	WASHER,
31	84058200	1	SECTOR, TOOTHED,
32	84058199	1	LEVER,
33	80332809	1	HANDLE GRIP,
34	80412189	1	BOLT, M10x80
35	80510375	1	SPRING,
36	89706687	AR	SCREW,
37	84100904	1	SUPPORT, , FOR LBX331R, LBX421R, LBX431R ONLY
38	84074030	1	PIN,
39	84074728	1	BRACKET,
40	100016	AR	NUT, M10, CI 8,
41	80412183	AR	BOLT,
42	84078516	1	WEAR STRIP,
43	80140042	1	WASHER, 10MM
44	84078792	1	ANGLE,
45	89706703	2	BOLT, M6x20

LBX421S BIG RECTANGULAR BALER (6/01-)

13.26(01) FEEDER TRIP

сылка	Номер детали	Кол-во	Описание
46	80322357	2	WASHER, SPRING, Belleville, M6, 6MM
48	80374892	1	BOLT, M10x40
28	89706690	2	NUT, M8, CI 8,
47	15896221	2	NUT, M6, CI 10,

13.27(01) SHUTTLE FEEDER, GEARBOX, FRONT

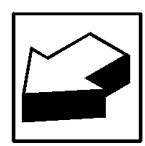
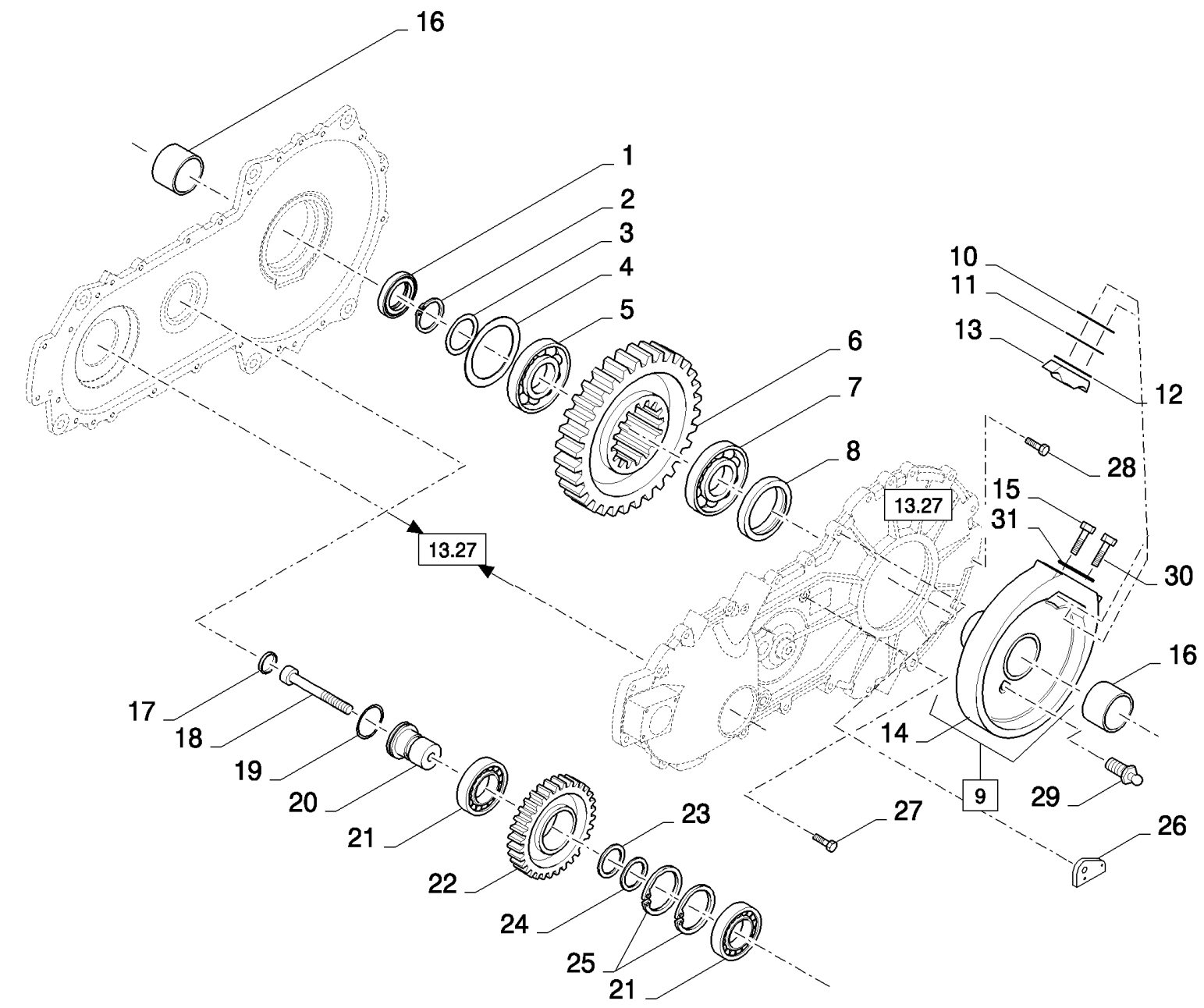
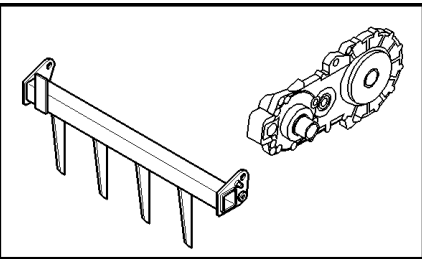


LBX421S BIG RECTANGULAR BALER (6/01-)

13.27(01) SHUTTLE FEEDER, GEARBOX, FRONT

сылка	Номер детали	Кол-во	Описание
1	84078671	1	GEARBOX, (2 to 36,fig.13.28)
2	84100709	1	HOUSING,
3	84100710	1	HOUSING,
4	84100731	1	SEAL,
5	26642990	1	BEARING ASSY,
6	84100734	1	SHIM,
7	84100730	1	GEAR,
8	84100718	1	GEAR,
9	84100732	1	SHAFT,
10	84100719	1	SHIM,
11	89780033	1	BEARING, BALL,
12	80370026	1	CIRCLIP,
13	322496850	1	COVER, CAP,
14	84100723	1	GEAR,
15	322493800	2	SET OF RINGS,
16	84100746	1	RING,
17	80522333	2	BEARING ASSY,
18	84100725	1	SHIM,
19	80440441	1	CIRCLIP,
20	80357923	1	RING, OIL SCRAPER,
21	84100743	1	RING,
22	84100726	1	RING,
23	80210062	1	BEARING ASSY,
24	84100729	1	GEAR,
25	28042460	1	BEARING, BALL,
26	86536801	1	CIRCLIP, M55, Int,
27	84100721	1	SEAL,
28	84100745	1	RING,
29	84100750	1	GEAR,
30	84100749	1	PUMP, HYDRAULIC, (40)
31	80300506	4	SCREW,
32	80120116	5	SCREW, M10x80
33	84100744	1	INDICATOR,
34	80331168	2	SCREW,
35	322496550	2	PLUG,
36	84100728	2	PIN, 10x35
37	84074030	1	PIN,
38	80043140	1	BOLT, Hex, M10 x 30, 8.8,
39	100016	1	NUT, M10, CI 8,
40	80088437	1	KEY,

13.28(01) SHUTTLE FEEDER, GEARBOX, REAR

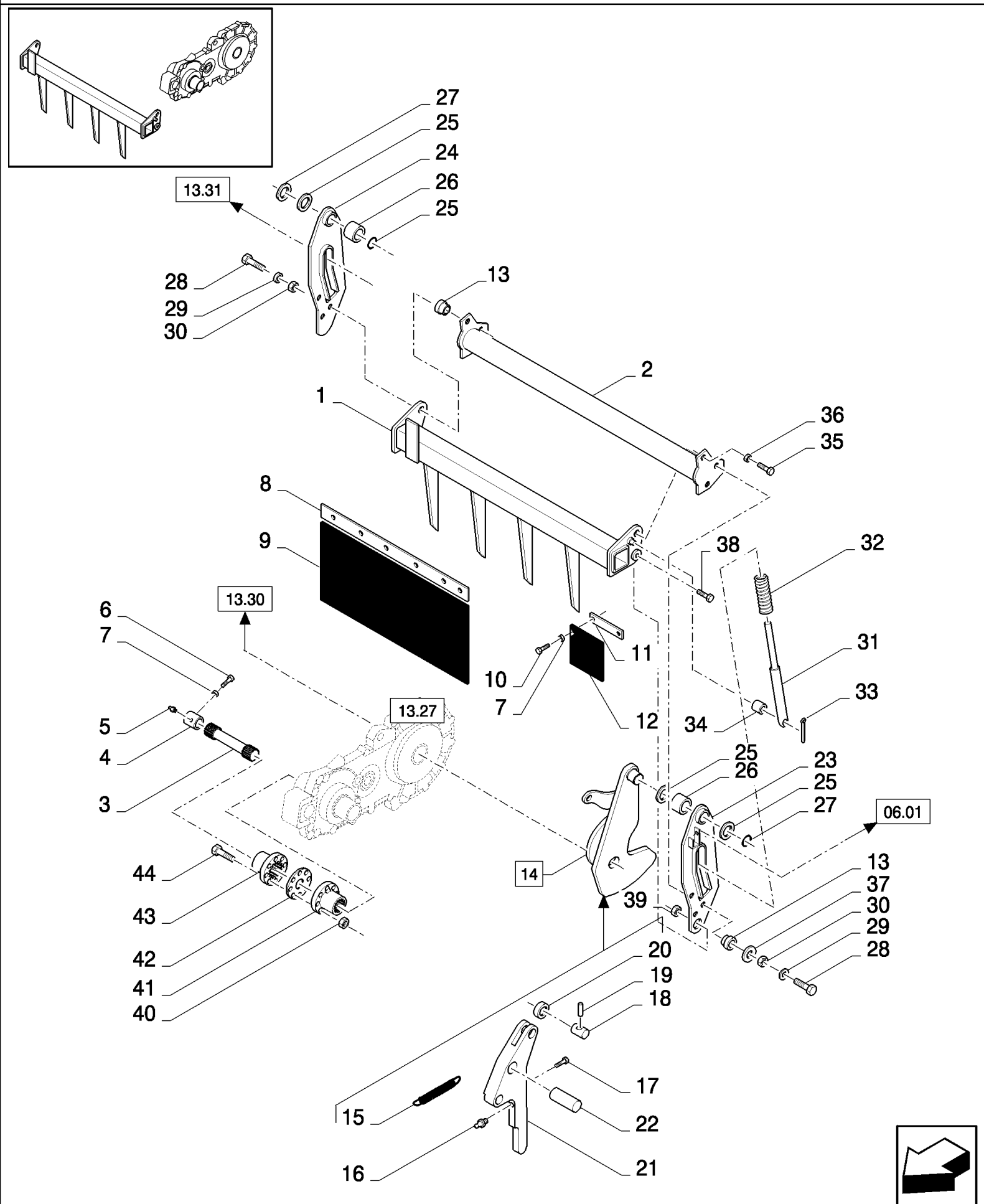


LBX421S BIG RECTANGULAR BALER (6/01-)

13.28(01) SHUTTLE FEEDER, GEARBOX, REAR

сылка	Номер детали	Кол-во	Описание
1	84100740	1	SEAL,
2	80370010	1	CIRCLIP,
3	84100752	1	SHIM,
4	84100753	1	SHIM,
5	84100741	1	BEARING ASSY,
6	84100742	1	GEAR,
7	84100711	1	BEARING ASSY,
8	920018147	1	RING,
9	84100713	1	FLANGE, (11 to 15,30)
10	84100757	2	SHIM, Thk.:0.5MM
11	84100756	1	SHIM, Thk.:0.4MM
12	84100755	1	SHIM, Thk.:0.3MM
13	84100758	1	INSERT,
14	NSS	1	NOT SERVICED SEPARATELY, Flange
15	80120068	2	SCREW,
16	80397585	2	RING,
17	84100748	1	CAP, INTRODUCTION,
18	84100738	1	SCREW,
19	84100736	1	O-RING,
20	84100737	1	PIN,
21	84100716	2	BEARING ASSY,
22	84100735	1	GEAR,
23	84100739	1	SHIM,
24	84100717	1	SPACER,
25	84100715	2	CIRCLIP,
26	84100751	1	PLATE,
27	84100733	1	BOLT, Hex, M12 x 1 x 22.5, 8.8, Full Thd, M12x1
28	80412217	AR	SCREW, M10x55
29	80062161	AR	NIPPLE, LUBE,
30	80043154	1	SCREW, M12x40
31	84320838	1	INDICATOR,

13.29(01) SHUTTLE FEEDER



LBX421S BIG RECTANGULAR BALER (6/01-)

13.29(01) SHUTTLE FEEDER

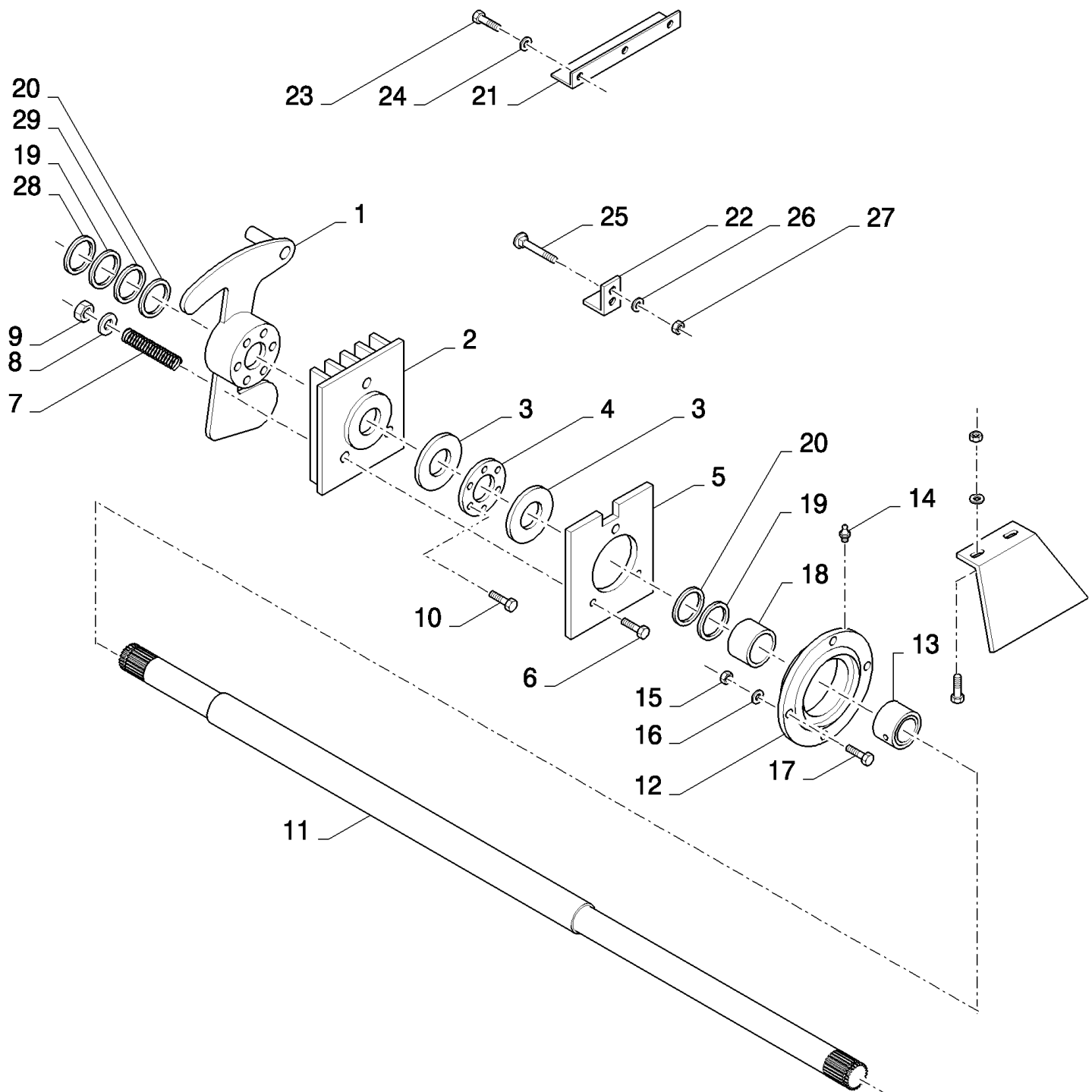
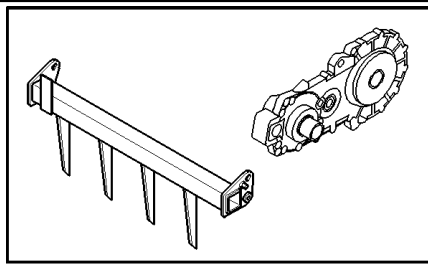
сылка	Номер детали	Кол-во	Описание
1	84068877	1	FORK, , FOR LBX331S ONLY
1	84068879	1	FORK, , FOR LBX331P ONLY
1	84068880	1	FORK, , FOR LBX331R ONLY
1	84068881	1	FORK, , FOR LBX421S, LBX431S ONLY
1	84068878	1	FORK, , FOR LBX421R, LBX431R ONLY
2	84068874	1	ANGLE BAR, , FOR LBX331S, LBX331P, LBX331R ONLY
2	84068873	1	ANGLE BAR, , FOR LBX421S, LBX421R, LBX431S, LBX431R ONLY
3	84074031	1	SHAFT, , FOR LBX331S, LBX331P, LBX331R ONLY
3	84074032	1	SHAFT, , FOR LBX421S, LBX421R, LBX431S, LBX431R ONLY
4	84053926	1	CONNECTOR, HYD.,
5	321204	2	NIPPLE, LUBE, M6 x 1, 16mm lg,
6	86508570	AR	BOLT, Hex, M6 x 80, 8.8,
7	80353308	AR	NUT,
8	84074083	1	PLATE, FIXING, , FOR LBX331R ONLY
8	84074084	1	PLATE, FIXING, , FOR LBX421R, LBX431R ONLY
9	84068363	1	CANVAS, , FOR LBX331R ONLY
9	84068364	1	CANVAS, , FOR LBX421R, LBX431R ONLY
10	80120100	AR	BOLT, Hex, M6 x 20, 8.8,
11	84043413	2	PLATE, COVER,
12	84100982	2	CANVAS,
13	84320647	2	BUSHING,
14	84068565	1	CLUTCH, (15 to 22)
15	84806601	1	SPRING,
16	321204	1	NIPPLE, LUBE, M6 x 1, 16mm lg,
17	84021161	1	SET SCREW, Hex Soc, M8 x 12, Dog Pt,
18	84058620	1	PIN,
19	89511051	1	PIN,
20	84400783	1	ROLLER,
21	89839106	1	LEVER,
22	89838844	1	SHAFT,
23	84068875	1	ARM,
24	84068876	1	ARM,
25	89838356	4	WASHER,
26	80397927	2	BEARING ASSY,
27	80370003	2	CIRCLIP,
28	80355259	2	SCREW, M16x65
29	80325594	2	WASHER,
30	832-46416	2	NUT, LOCK, M16 x 2, CI 8,
31	84068872	1	ROD,
32	84068861	1	SPRING,
33	80130011	1	PIN, SPLIT (COTTER),
34	80378247	1	WASHER,
35	80300502	4	SCREW, M12x40
36	80100038	4	NUT, LOCK, M12
37	80743469	1	WASHER,

LBX421S BIG RECTANGULAR BALER (6/01-)

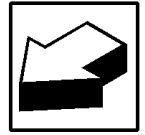
13.29(01) SHUTTLE FEEDER

сылка	Номер детали	Кол-во	Описание
38	80536632	1	BOLT, M10x60
39	80100037	1	NUT, LOCK, M10 x 1.5, Cl 8, M10
40	80140048	8	WASHER, LOCK, 16MM
41	84806913	1	HUB,
42	84806307	1	DISC,
43	84806287	1	HUB,
44	80043168	8	SCREW, M16x40

13.30(01) SHUTTLE FEEDER TRANSMISSION



13.27
13.29

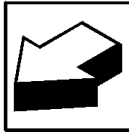
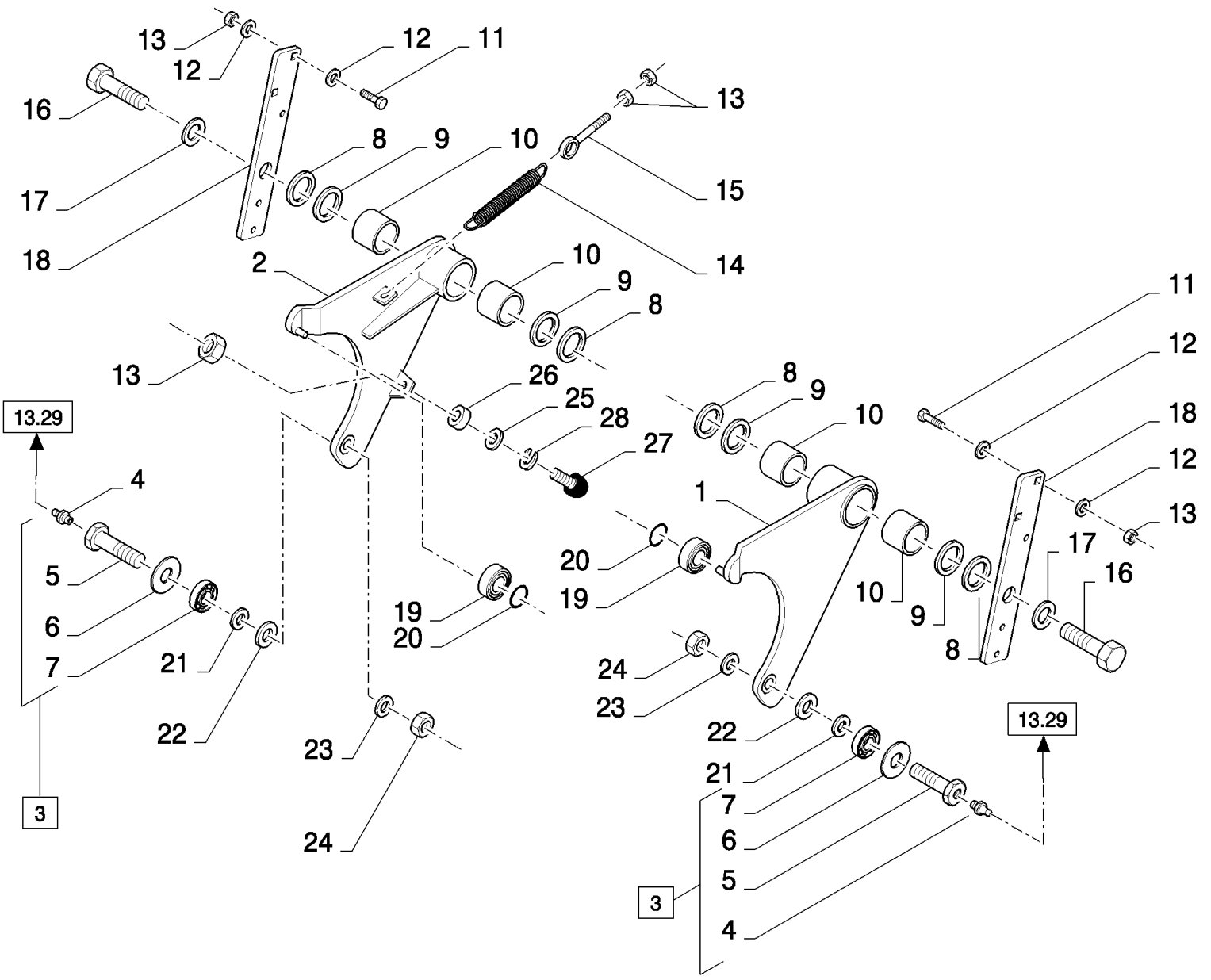
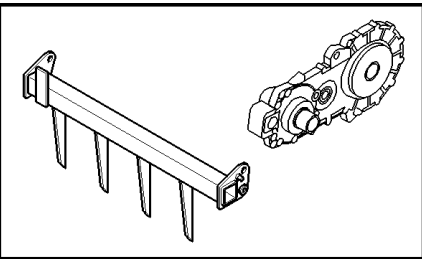


LBX421S BIG RECTANGULAR BALER (6/01-)

13.30(01) SHUTTLE FEEDER TRANSMISSION

сылка	Номер детали	Кол-во	Описание
1	84007450	1	CRANKSHAFT,
2	84100279	1	CLUTCH, PLATE,
3	89838773	2	DISC,
4	84007445	1	PLATE,
5	89838755	1	FLANGE,
6	80300662	3	BOLT,
7	84014109	6	SPRING,
8	80543043	6	WASHER,
9	80100038	3	NUT, LOCK,
10	80412495	6	SCREW,
11	84074036	1	SHAFT, , FOR LBX331S, LBX331P, LBX331R ONLY
11	84074035	1	SHAFT, , FOR LBX421S, LBX421R, LBX431S, LBX431R ONLY
12	89839132	1	HOUSING, BEARING,
13	89839131	1	BEARING ASSY,
14	321204	1	NIPPLE, LUBE, M6 x 1, 16mm lg,
15	89706685	4	NUT,
16	80140046	4	WASHER, SPRING, 12MM
17	89706687	AR	SCREW, M12x30
18	84000030	1	RING,
19	89839164	AR	WASHER,
20	89839161	AR	WASHER,
21	84021669	1	GUARD,
22	89839159	2	SUPPORT,
23	120104	3	BOLT, Hex, M8 x 20, 8.8,
24	80307789	3	WASHER,
25	811-10030	AR	BOLT, CARRIAGE, Short NK, M10 x 30, CI8.8, Full Thd,
26	80140045	AR	WASHER, LOCK, 10MM
27	100016	AR	NUT, M10, CI 8,
28	80300636	AR	CIRCLIP,
29	84000021	AR	PLATE, ADJUSTING,

13.31(01) SHUTTLE FEEDER



LBX421S BIG RECTANGULAR BALER (6/01-)

13.31(01) SHUTTLE FEEDER

сылка	Номер детали	Кол-во	Описание
1	84078652	1	ARM, LH
2	84078650	1	ARM, RH
3	84078654	2	ROLLER, (4 to 7)
4	9838669	2	NIPPLE, LUBE,
5	NSS	2	NOT SERVICED SEPARATELY, Bolt
6	89850911	2	RING,
7	89839123	2	BEARING ASSY,
8	89838834	4	SHIM,
9	89837743	6	WASHER,
10	84000258	4	SLEEVE,
11	80300389	4	SCREW, M12x35
12	80394630	8	WASHER, 12MM
13	100016	AR	NUT, M10, CI 8,
14	84807173	2	SPRING,
15	80330413	2	BOLT, BANJO,
16	89706687	2	SCREW, M12x30
17	89801096	2	WASHER,
18	84807395	2	BRACKET,
19	84015202	2	ROLLER,
20	80370002	2	CIRCLIP,
21	80140096	AR	WASHER,
22	80443434	AR	WASHER,
23	80322359	2	WASHER, LOCK, 20MM
24	80320771	2	NUT, M20x1.5
25	84032523	AR	WASHER, M10
26	80140045	2	WASHER, LOCK, 10MM
27	80190029	2	BUMPER, RUBBER,
28	84817553	AR	WASHER,

BALE CHAMBER

CHAMBRE À BALLE

CÁMARA DE EMPACADO

PRESSEKANAL

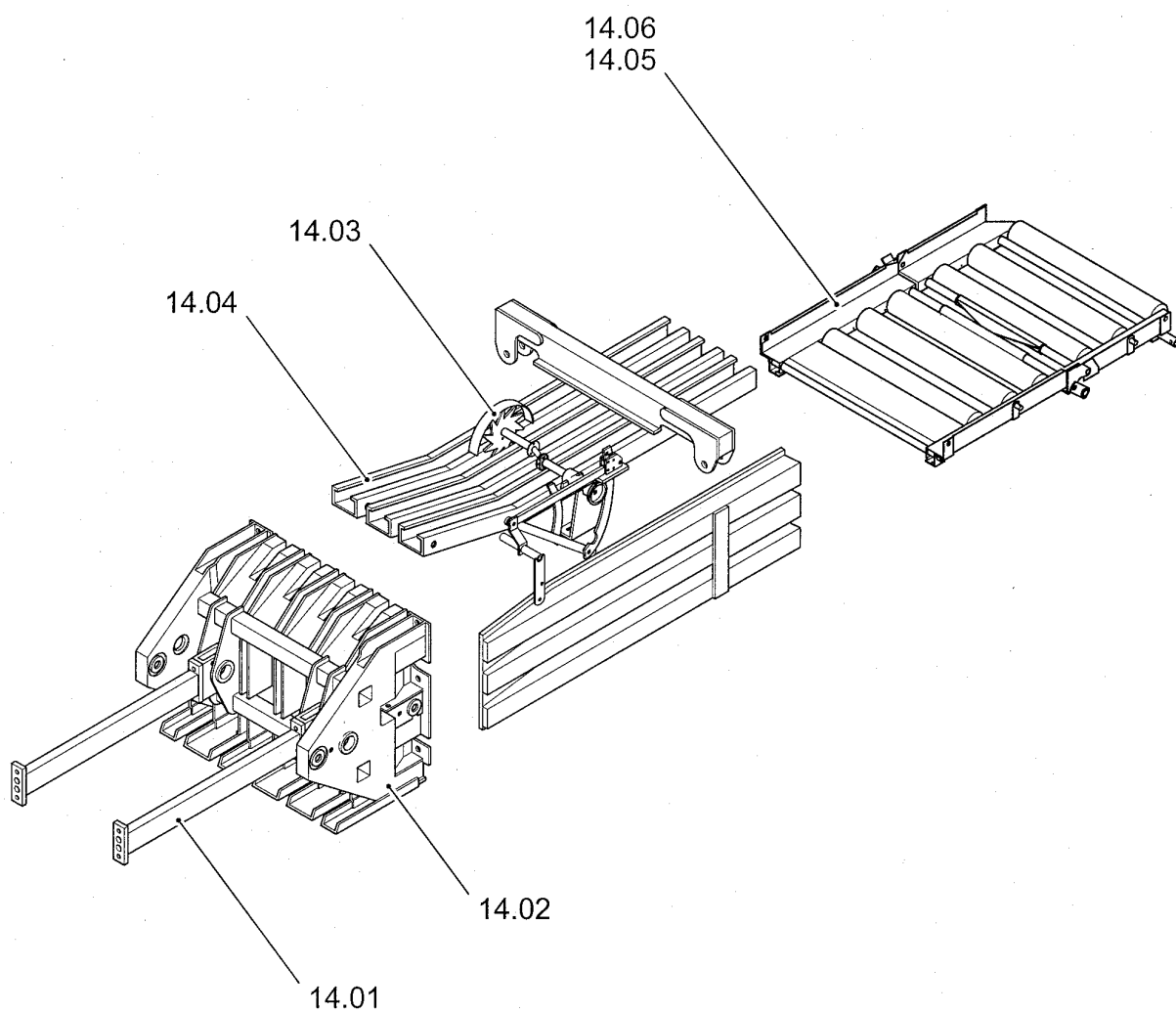
CAMERA DI PRESSATURA

BALLENKAMMER

CÁMARA DE ENFARDAMENTO

PERSKANAAL

SEC. 14

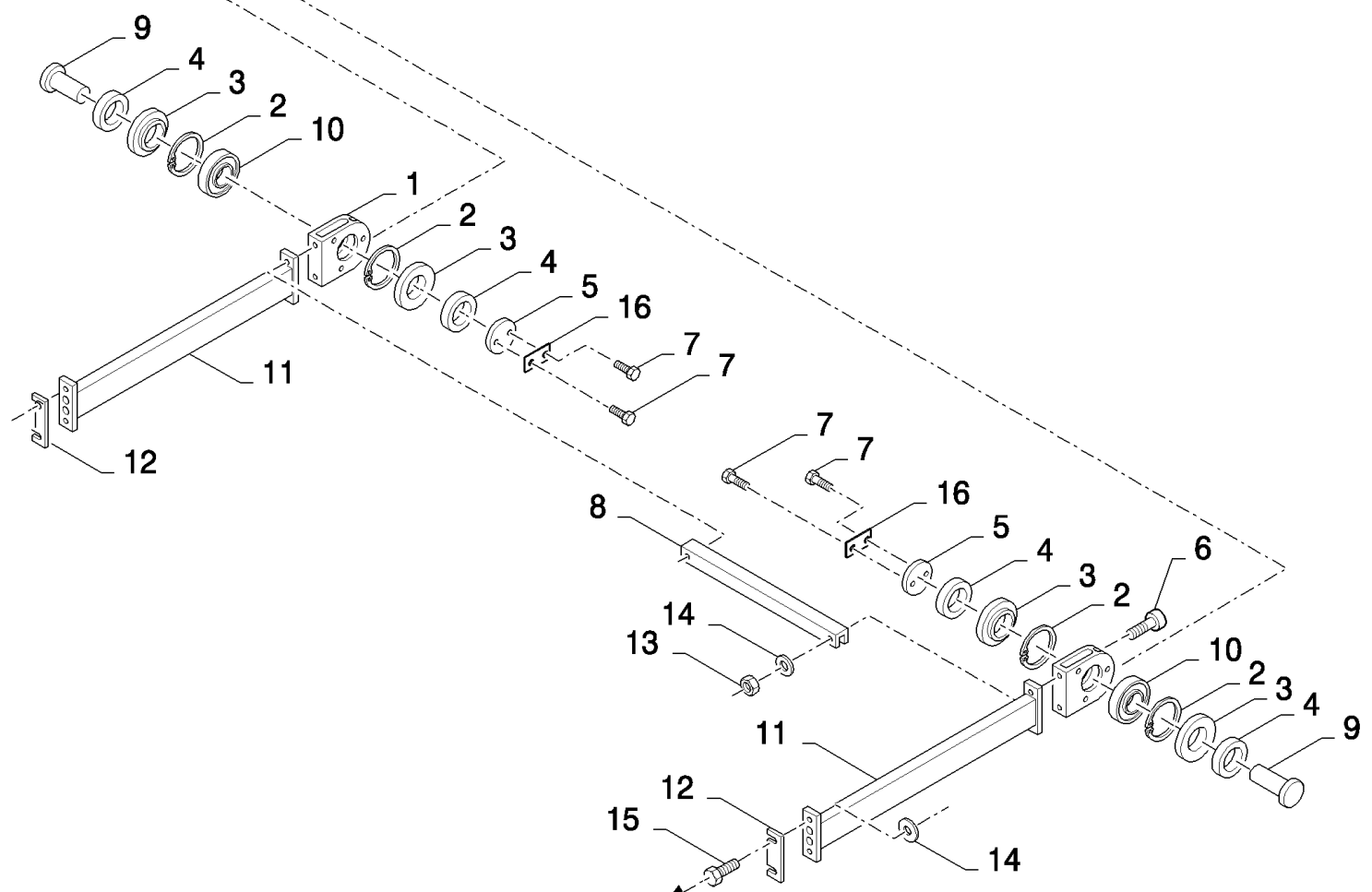
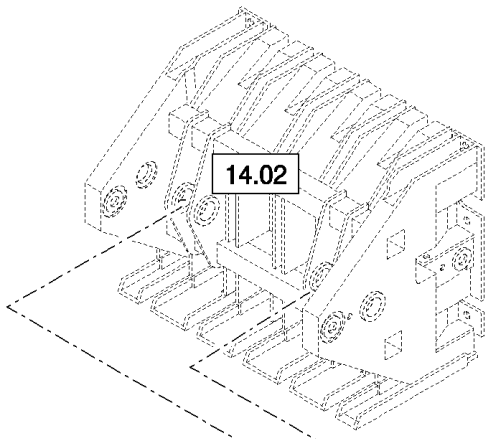
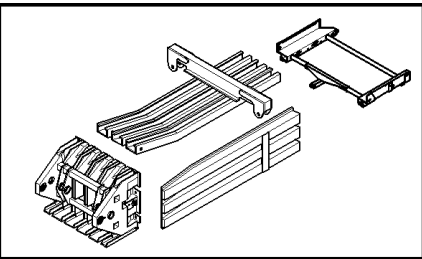


LBX421S BIG RECTANGULAR BALER (6/01-)

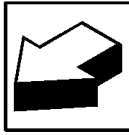
14.00(01) SECTION LIST 14 - BALE CHAMBER

сылка	Номер детали	Кол-во	Описание

14.01(01) PLUNGER, RODS



03.05
03.10

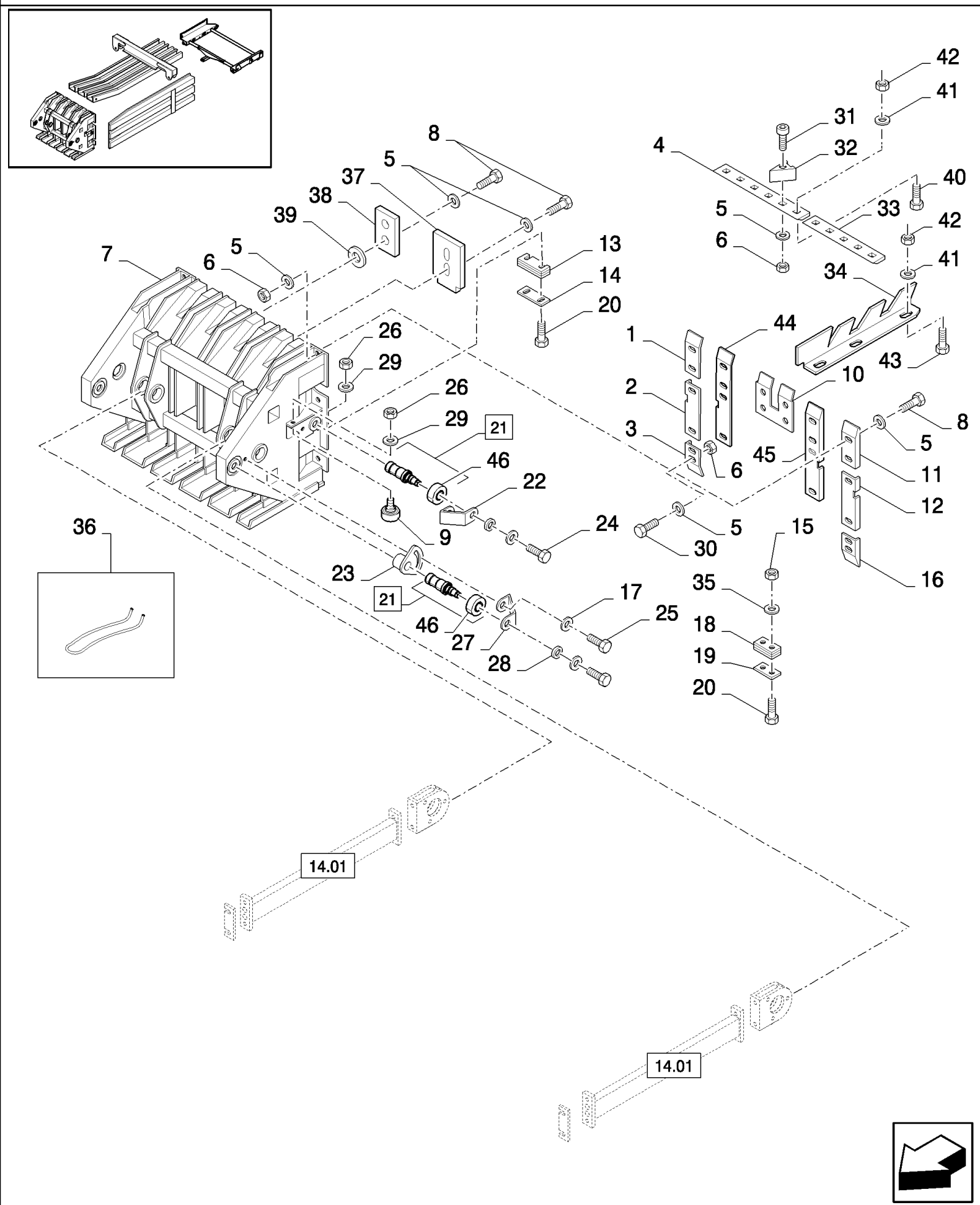


LBX421S BIG RECTANGULAR BALER (6/01-)

14.01(01) PLUNGER, RODS

сылка	Номер детали	Кол-во	Описание
1	84074870	2	HOUSING, BEARING, , FOR LBX331S, LBX331P, LBX331R ONLY
1	84074868	2	HOUSING, BEARING, , FOR LBX421S, LBX421R, LBX431S, LBX431R ONLY
2	80370026	4	CIRCLIP, , FOR LBX331S, LBX331P, LBX331R ONLY
2	80412270	4	RING, SNAP, , FOR LBX421S, LBX421R, LBX431S, LBX431R ONLY
3	84000584	4	WASHER, THRUST, , FOR LBX331S, LBX331P, LBX331R ONLY
3	89838119	4	WASHER, THRUST, , FOR LBX421S, LBX421R, LBX431S, LBX431R ONLY
4	84004409	4	GASKET, , FOR LBX331S, LBX331P, LBX331R ONLY
4	89838315	4	GASKET, , FOR LBX421S, LBX421R, LBX431S, LBX431R ONLY
5	84045245	2	RING,
6	84004413	4	SCREW, , FOR LBX331S, LBX331P, LBX331R ONLY
6	89838120	4	SCREW, , FOR LBX421S, LBX421R, LBX431S, LBX431R ONLY
7	80337563	4	SCREW, M12x40
8	84000586	1	CROSSRAIL, , FOR LBX331S, LBX331P, LBX331R ONLY
8	89838114	1	ANGLE BAR, , FOR LBX421S, LBX421R, LBX431S, LBX431R ONLY
9	84045246	2	SHAFT, , FOR LBX331S, LBX331P, LBX331R ONLY
9	84045247	2	SHAFT, , FOR LBX421S, LBX421R, LBX431S, LBX431R ONLY
10	89516384	2	BEARING ASSY, , FOR LBX331S, LBX331P, LBX331R ONLY
10	89838113	2	BEARING ASSY, , FOR LBX421S, LBX421R, LBX431S, LBX431R ONLY
11	84000588	2	LINK CONROD, , FOR LBX331S, LBX331P, LBX331R ONLY
11	89838110	2	LINK CONROD, , FOR LBX421S, LBX421R, LBX431S, LBX431R ONLY
12	84000581	AR	PLATE, ADJUSTING, , FOR LBX331S, LBX331P, LBX331R ONLY
12	89838109	1	PLATE, ADJUSTING, , FOR LBX421S, LBX421R, LBX431S, LBX431R ONLY
13	86508817	4	NUT, M14, CI 8, M14, FOR LBX331S, LBX331P, LBX331R ONLY
13	100020	4	NUT, M16, CI 8, M16, FOR LBX421S, LBX421R, LBX431S, LBX431R ONLY
14	84011662	8	WASHER, 14MM, FOR LBX331S, LBX331P, LBX331R ONLY
14	80394631	8	WASHER, 16MM, FOR LBX421S, LBX421R, LBX431S, LBX431R ONLY
15	86523012	4	BOLT, Hex, M14 x 60, 8.8, M14x55, FOR LBX331S, LBX331P, LBX331R ONLY
15	80412398	4	BOLT, M16x50, FOR LBX421S, LBX421R, LBX431S, LBX431R ONLY
16	84045248	2	PLATE, LOCKING,

14.02(01) PLUNGER AND PLUNGER ROLLERS



LBX421S BIG RECTANGULAR BALER (6/01-)

14.02(01) PLUNGER AND PLUNGER ROLLERS

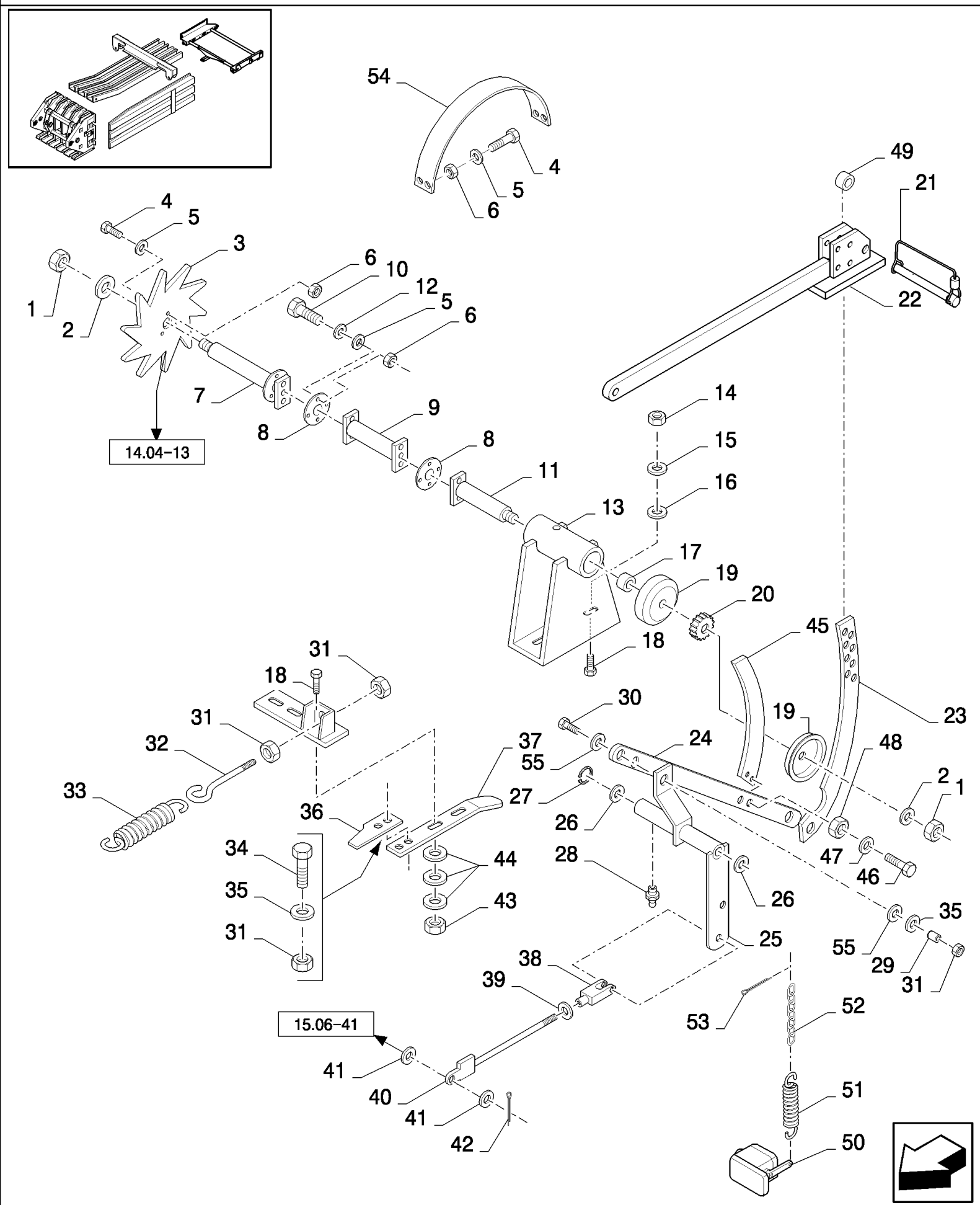
сылка	Номер детали	Кол-во	Описание
1	89838094	1	PLATE, ANTI-WRAP, , FOR LBX421S, LBX421R ONLY, FOR LBX431S, LBX431R ONLY
2	89838093	1	PLATE, ANTI-WRAP, , FOR LBX421S, LBX421R ONLY, FOR LBX431S, LBX431R ONLY
3	84068822	1	PLATE, ANTI-WRAP,
4	84400465	1	KNIFE, , FOR LBX331S, LBX331P, LBX331R ONLY
4	84400458	1	KNIFE, , FOR LBX421S, LBX421R ONLY, FOR LBX431S, LBX431R ONLY
5	80140046	AR	WASHER, SPRING, 12MM
6	89706685	AR	NUT, M12
7	84000591	1	PISTON, , FOR LBX331S, LBX331P, LBX331R ONLY
7	89838101	1	PISTON, , FOR LBX431S, LBX431R ONLY
7	84075899	1	PISTON, , FOR LBX421S, LBX421R ONLY
8	80043140	AR	BOLT, Hex, M10 x 30, 8.8,
9	89838081	2	ROLLER,
10	84000785	3	PLATE, ANTI-WRAP, , FOR LBX331S, LBX331P, LBX331R ONLY
10	89838092	4	PLATE, ANTI-WRAP, , FOR LBX431S, LBX431R ONLY
11	89838091	1	PLATE, ANTI-WRAP, , FOR LBX421S, LBX421R ONLY, FOR LBX431S, LBX431R ONLY
12	89838090	1	PLATE, ANTI-WRAP, , FOR LBX421S, LBX421R ONLY, FOR LBX431S, LBX431R ONLY
13	84004486	AR	SHIM, , FOR LBX331S, LBX331P, LBX331R ONLY
13	89838082	AR	SHIM, , FOR LBX421S, LBX421R ONLY, FOR LBX431S, LBX431R ONLY
14	84004430	3	KNIFE, , FOR LBX331S, LBX331P, LBX331R ONLY
14	89838095	4	KNIFE, , FOR LBX421S, LBX421R ONLY, FOR LBX431S, LBX431R ONLY
15	80100038	AR	NUT, LOCK,
16	84068821	1	PLATE, ANTI-WRAP,
17	80140046	AR	WASHER, SPRING,
18	89838083	AR	SHIM,
19	89838085	2	KNIFE,
20	80380420	AR	BOLT,
21	84074874	4	ROLLER, (46)
22	89838098	3	SUPPORT,
23	89838080	1	CAM,
24	321204	4	NIPPLE, LUBE, M6 x 1, 16mm lg,
25	80300389	4	SCREW,
26	80001689	2	NUT,
27	89838097	1	SUPPORT,
28	80321245	4	WASHER, LOCK,
29	80322359	4	WASHER, LOCK, 20MM
30	80300442	AR	SCREW, M10x30
31	86629541	AR	BOLT, Hex, M12 x 40, 8.8, Full Thd,
32	84607550	5	GUIDE,
33	84400463	1	KNIFE, , FOR LBX421S, LBX421R ONLY, FOR LBX431S, LBX431R ONLY
34	84429747	AR	CAM, LH
34	84429787	AR	CAM, RH
35	80394630	AR	WASHER,
36	84043734	AR	CLEANER,
37	84068819	4	PLATE, , FOR LBX421S, LBX421R ONLY, FOR LBX431S, LBX431R ONLY
37	84068820	3	PLATE, , FOR LBX331S, LBX331P, LBX331R ONLY

LBX421S BIG RECTANGULAR BALER (6/01-)

14.02(01) PLUNGER AND PLUNGER ROLLERS

сылка	Номер детали	Кол-во	Описание
38	84068818	2	PLATE,
39	80140042	4	WASHER, 10MM
40	80380420	AR	BOLT, M12x40
41	80140046	AR	WASHER, SPRING, 12MM
42	89706685	AR	NUT, M12
43	80328754	AR	BOLT, CARRIAGE, M12x40
44	84075753	1	PLATE, ANTI-WRAP, , FOR LBX421S, LBX421R ONLY
45	84075754	1	PLATE, ANTI-WRAP, , FOR LBX421S, LBX421R ONLY
46	84818097	4	BEARING ASSY,

14.03(01) NEEDLE TRIP - BALE COUNTER



LBX421S BIG RECTANGULAR BALER (6/01-)

14.03(01) NEEDLE TRIP - BALE COUNTER

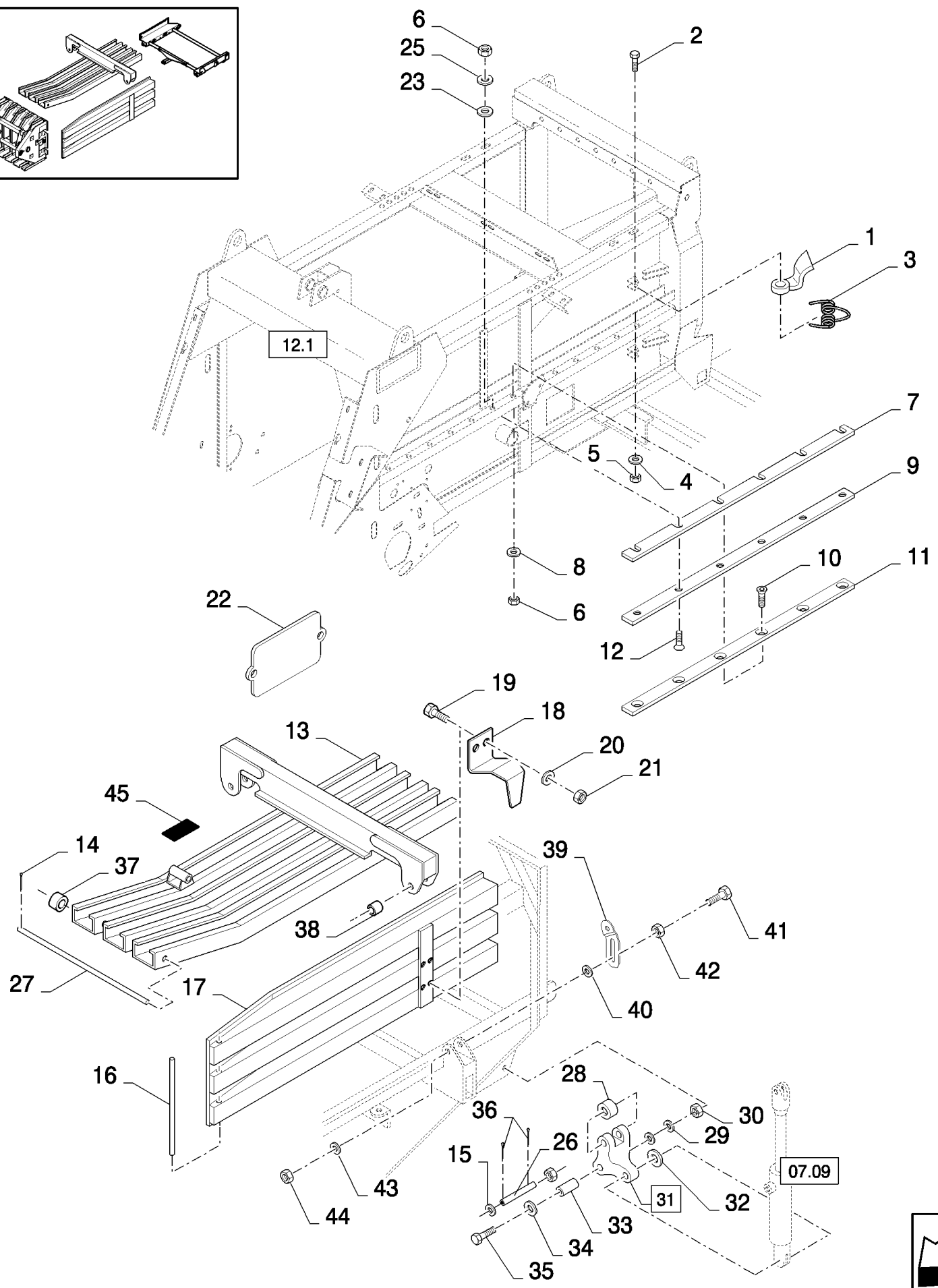
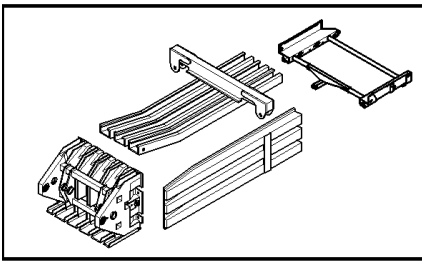
сылка	Номер детали	Кол-во	Описание
1	832-46416	2	NUT, LOCK, M16 x 2, CI 8,
2	80378246	5	WASHER,
3	84031600	1	SPROCKET, DRIVEN,
4	120104	8	BOLT, Hex, M8 x 20, 8.8,
5	80322358	17	WASHER, LOCK, 8MM
7	84031598	1	WHEEL, IDLER,
8	80431485	2	JOINT, UNIVERSAL,
9	84031596	1	EXTENSION, , FOR LBX331S, LBX331P, LBX331R ONLY
9	84031594	1	EXTENSION, , FOR LBX421S, LBX421R, LBX431S, LBX431R ONLY
10	43128	8	BOLT, Hex, M8 x 30, 8.8,
11	84031592	1	SHAFT,
12	80140016	8	WASHER, 8MM
12	80130003	1	PIN, SPLIT (COTTER),
13	84074878	1	SUPPORT,
14	89706685	2	NUT, M12
15	80140046	2	WASHER, SPRING, 12MM
16	89838302	2	WASHER,
17	80395589	2	SLEEVE,
18	80328754	3	BOLT, CARRIAGE, M12x35
19	84021291	2	DISC,
20	89838303	1	GEAR,
21	80647695	1	PIN,
22	84031241	1	SUPPORT,
23	84058905	1	SECTOR, TOOTHED,
24	84031235	1	PLATE,
25	89838309	1	LEVER,
26	89838305	2	WASHER,
27	80370002	1	CIRCLIP,
28	80323787	1	NIPPLE, LUBE,
29	84607524	1	BUSHING,
30	89706704	1	SCREW, M10x35
31	100016	AR	NUT, M10, CI 8,
32	89838295	1	BOLT,
33	89838278	1	SPRING,
34	80338949	2	BOLT, CARRIAGE, M10x25
35	80140045	AR	WASHER, LOCK, 10MM
36	84014935	1	TIE-ROD, THREADED,
37	89838296	1	HANDLE,
38	89838297	1	CLEVIS,
39	80323238	1	NUT, M12
40	89838300	1	ROD,
41	80378245	2	WASHER, 12MM
42	80130005	1	PIN, SPLIT (COTTER),
43	80412126	1	NUT, LOCK, M12
44	89838279	3	WASHER,

LBX421S BIG RECTANGULAR BALER (6/01-)

14.03(01) NEEDLE TRIP - BALE COUNTER

сылка	Номер детали	Кол-во	Описание
45	84032061	1	PLATE,
46	614-6016	2	BOLT, Hex, M6 x 16, 8.8,
47	80322357	2	WASHER, SPRING, Belleville, M6,
49	89812123	1	BUSHING,
50	89838938	1	COUNTER, BALE,
51	89838937	1	SPRING,
52	84032097	1	CHAIN,
53	80130003	1	PIN, SPLIT (COTTER),
54	84031601	1	SHIELD,
55	80378244	2	WASHER, LOCK, 10MM
6	89706690	17	NUT, M8, CI 8,
48	15896221	2	NUT, M6, CI 10,

14.04(01) PLUNGER BALE CHAMBER AND HAY DOGS



LBX421S BIG RECTANGULAR BALER (6/01-)

14.04(01) PLUNGER BALE CHAMBER AND HAY DOGS

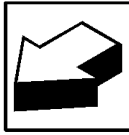
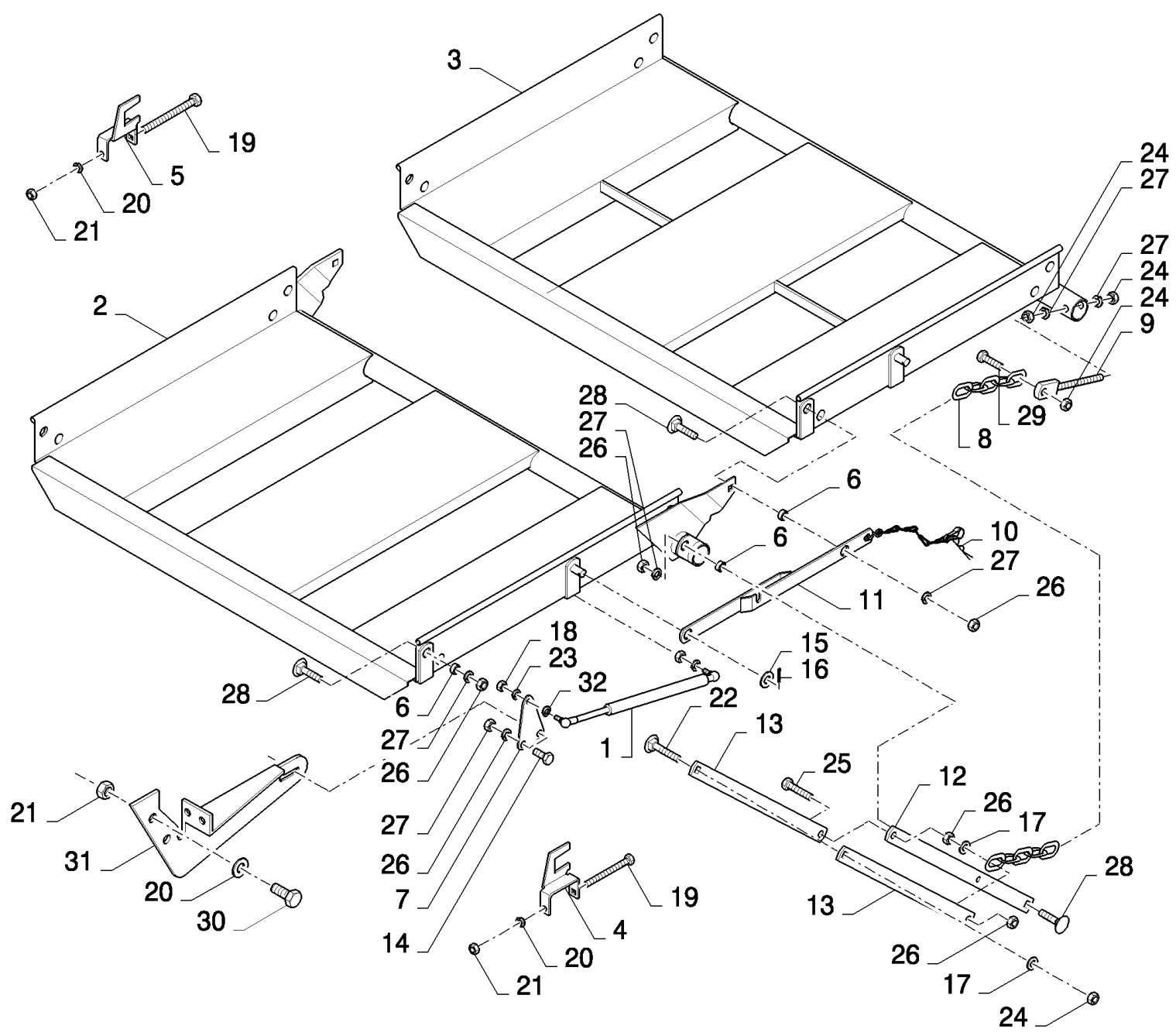
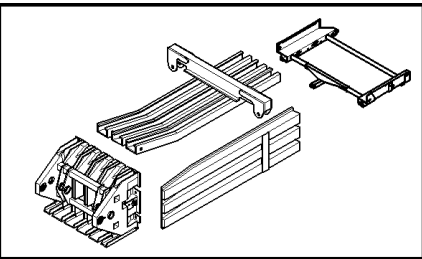
сылка	Номер детали	Кол-во	Описание
1	89837987	4	GUIDE,
2	80043874	4	SCREW,
3	84806594	4	SPRING,
4	80051639	8	WASHER,
5	86000441	8	NUT, LOCK, M16 x 2, CI 8,
6	80412141	24	NUT, LOCK,
7	89837983	AR	PLATE, ADJUSTING, THK.: 0.5MM
7	89837984	AR	PLATE, ADJUSTING, THK.: 1MM
8	86511323	12	WASHER, M10 x 20 x 2,
9	89837985	2	GUIDE,
10	80320772	12	SCREW,
11	89837986	2	GUIDE,
12	80120259	12	SCREW, M10x40
13	84074881	1	DOOR, , FOR HIGH HITCH ONLY, FIXED RING, NOT FOR NA
13	84074916	1	DOOR, , FOR LBX431S, LBX431R ONLY
13	84429972	1	DOOR, , FOR LBX421S, LBX421R ONLY
14	80412687	2	PIN, SPLIT (COTTER),
15	80378247	AR	WASHER, 20MM
16	89838032	2	ROD, , FOR HIGH HITCH ONLY, FIXED RING, NOT FOR NA, FOR LBX331S, LBX331P, LBX331R, LBX431S, LBX431R ONLY
16	84400014	2	ROD, , FOR LBX331S, LBX331P ONLY
17	84078533	2	DOOR, , FOR LBX331S, LBX331P, LBX331R, LBX431S, LBX431R ONLY, FOR HIGH HITCH ONLY, FIXED RING, NOT FOR NA
17	84429817	2	DOOR, , FOR LBX331S, LBX331P ONLY
18	84078501	2	SUPPORT,
19	89706687	4	SCREW, M12x30
20	80140046	4	WASHER, SPRING, 12MM
21	89706685	4	NUT, M12
22	84021078	2	COVER,
23	80140042	12	WASHER,
24	NSS	1	NOT SERVICED SEPARATELY, Frame
25	80140045	24	WASHER, LOCK, Belleville, M10
26	89838029	AR	SHAFT,
27	84000562	1	ROD, , FOR HIGH HITCH ONLY, FIXED RING, NOT FOR NA
27	89838031	1	ROD, , FOR LBX331S, LBX331P, LBX331R, LBX431S, LBX431R ONLY, FOR LBX331S, LBX331P ONLY
28	89838030	AR	ROLLER,
29	80321245	4	WASHER, LOCK,
30	89837788	AR	NUT,
31	84012859	4	LEVER, , FOR HIGH HITCH ONLY, FIXED RING, NOT FOR NA
31	89837996	AR	LEVER, , FOR LBX331S, LBX331P, LBX331R, LBX431S, LBX431R ONLY, FOR LBX331S, LBX331P ONLY
32	89838429	4	BEARING ASSY,
33	89838028	AR	RING,
34	80378248	AR	WASHER, 24MM

LBX421S BIG RECTANGULAR BALER (6/01-)

14.04(01) PLUNGER BALE CHAMBER AND HAY DOGS

сылка	Номер детали	Кол-во	Описание
35	89838027	AR	SCREW, M24x120
36	80412686	AR	PIN, SPLIT (COTTER),
37	84032344	1	BUSHING,
38	89838429	2	BEARING ASSY, , FOR LBX421S, LBX421R ONLY, 3 HOLES
39	84814093	1	PLATE, LH
39	84814094	1	PLATE, RH
40	80376291	2	RING, , FOR LBX331S, LBX331P ONLY
41	80043168	2	SCREW, , FOR LBX331S, LBX331P ONLY
42	84005115	2	WASHER, , FOR LBX331S, LBX331P ONLY
43	80140048	2	WASHER, LOCK, , FOR LBX331S, LBX331P ONLY
44	100020	2	NUT, M16, CI 8, , FOR LBX331S, LBX331P ONLY
45	80624592	AR	STRIP, ANTI-SKID, L=5M

14.05(01) PLATE BALE CHUTE

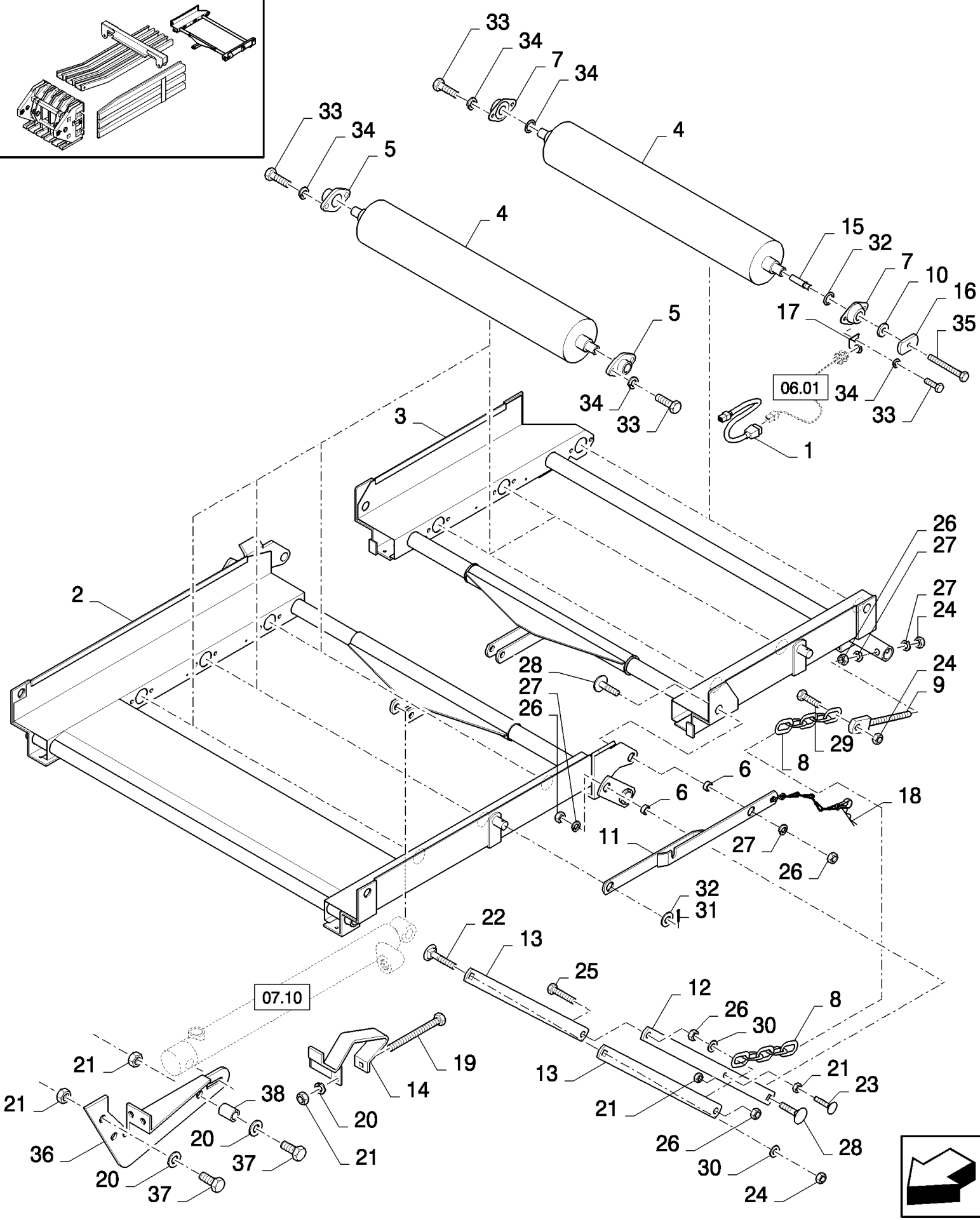
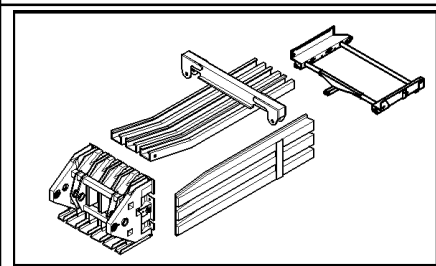


LBX421S BIG RECTANGULAR BALER (6/01-)

14.05(01) PLATE BALE CHUTE

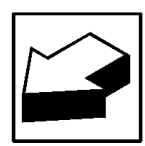
сылка	Номер детали	Кол-во	Описание
1	84320972	2	SHOCK ABSORBER,
2	84400063	1	EXTENSION, , FOR LBX331S, LBX331P, LBX331R ONLY
2	84400062	1	EXTENSION, , FOR LBX421S, LBX421R, LBX431S, LBX431R ONLY
3	84607217	1	EXTENSION, , FOR LBX331S, LBX331P, LBX331R ONLY
3	84607215	1	EXTENSION, , FOR LBX421S, LBX421R, LBX431S, LBX431R ONLY
4	84074166	1	SUPPORT,
5	84074168	1	SUPPORT,
6	80376291	6	RING,
7	84320970	1	SUPPORT,
8	84074170	2	CHAIN,
9	89512549	2	ROD,
10	80180043	1	PIN, SPLIT (COTTER),
11	84320651	1	SUPPORT,
12	84074054	2	SUPPORT,
13	84074051	4	SUPPORT,
14	80043167	2	SCREW, M16x30
15	80378248	1	WASHER, 25MM
16	80380743	1	PIN,
17	80378246	4	WASHER, 16MM
19	80309308	2	SCREW, M12x120
20	80140046	AR	WASHER, SPRING, 12MM
21	89706685	AR	NUT, M12
22	80120046	2	BOLT, M16x60
23	80322358	4	WASHER, LOCK,
24	832-46416	6	NUT, LOCK, M16 x 2, CI 8,
25	80320246	2	BOLT, M16x70
26	100020	14	NUT, M16, CI 8, M16
27	80140048	12	WASHER, LOCK, 16MM
28	89838060	6	SCREW, M16x40
29	80120090	2	SCREW,
30	89706687	4	SCREW, M12x30
31	84429978	1	SUPPORT,
32	86511315	4	WASHER, M8 x 16 x 1.6,
18	89706690	4	NUT, M8, CI 8,

14.06(01) ROLLER BALE CHUTE



07.10

06.01



LBX421S BIG RECTANGULAR BALER (6/01-)

14.06(01) ROLLER BALE CHUTE

сылка	Номер детали	Кол-во	Описание
1	84433011	1	HARNES, WIRE,
2	84074079	1	EXTENSION, , FOR LBX331S, LBX331P, LBX331R ONLY
2	84074080	1	EXTENSION, , FOR LBX421S, LBX421R, LBX431S, LBX431R ONLY
3	84074077	1	EXTENSION, , FOR LBX331S, LBX331P, LBX331R ONLY
3	84074078	1	EXTENSION, , FOR LBX421S, LBX421R, LBX431S, LBX431R ONLY
4	84032866	6	ROLLER, , FOR LBX331S, LBX331P, LBX331R ONLY
4	84032863	6	ROLLER, , FOR LBX421S, LBX421R, LBX431S, LBX431R ONLY
5	89839087	10	RING,
6	89837933	6	SPACER,
7	89837806	2	BEARING ASSY,
8	84074138	2	CHAIN,
9	89512549	2	ROD,
10	80335169	1	FERRULE, 16MM
11	84320651	1	SUPPORT,
12	84074054	2	SUPPORT,
13	84074051	4	SUPPORT,
14	84074052	2	SUPPORT,
15	84078292	1	COLLAR, RETAINER,
16	84078290	1	BRACKET,
17	84078291	1	BRACKET,
18	80180043	1	PIN, SPLIT (COTTER),
19	80309308	2	SCREW, M12x120
20	80140046	AR	WASHER, SPRING, 12MM
21	89706685	AR	NUT, M12
22	80120046	2	BOLT, M16x60
23	80328754	1	BOLT, CARRIAGE, M12x40
24	832-46416	6	NUT, LOCK, M16 x 2, CI 8,
25	80320246	2	BOLT, M16x70
26	100020	12	NUT, M16, CI 8, M16
27	80140048	10	WASHER, LOCK, 16MM
28	89838060	6	SCREW, M16x40
29	80120090	2	SCREW, M16x50
30	80378246	4	WASHER, 16MM
31	80381929	1	PIN,
32	80140104	2	WASHER,
33	120104	14	BOLT, Hex, M8 x 20, 8.8,
34	80322358	14	WASHER, LOCK, 8MM
35	80120073	1	SCREW, M10x80
36	84429978	1	SUPPORT, LH
36	84429980	1	SUPPORT, RH
37	80043158	1	SCREW, M12x80
37	89706687	8	SCREW, M12x30
38	84037242	1	BUSHING,

KNOTTER/WRAPPER

NOUEURS/LIAGE

ANUDADORES/ENVOLVEDOR

BINDEAPPARATER

ANNODATOR/LEGATURA

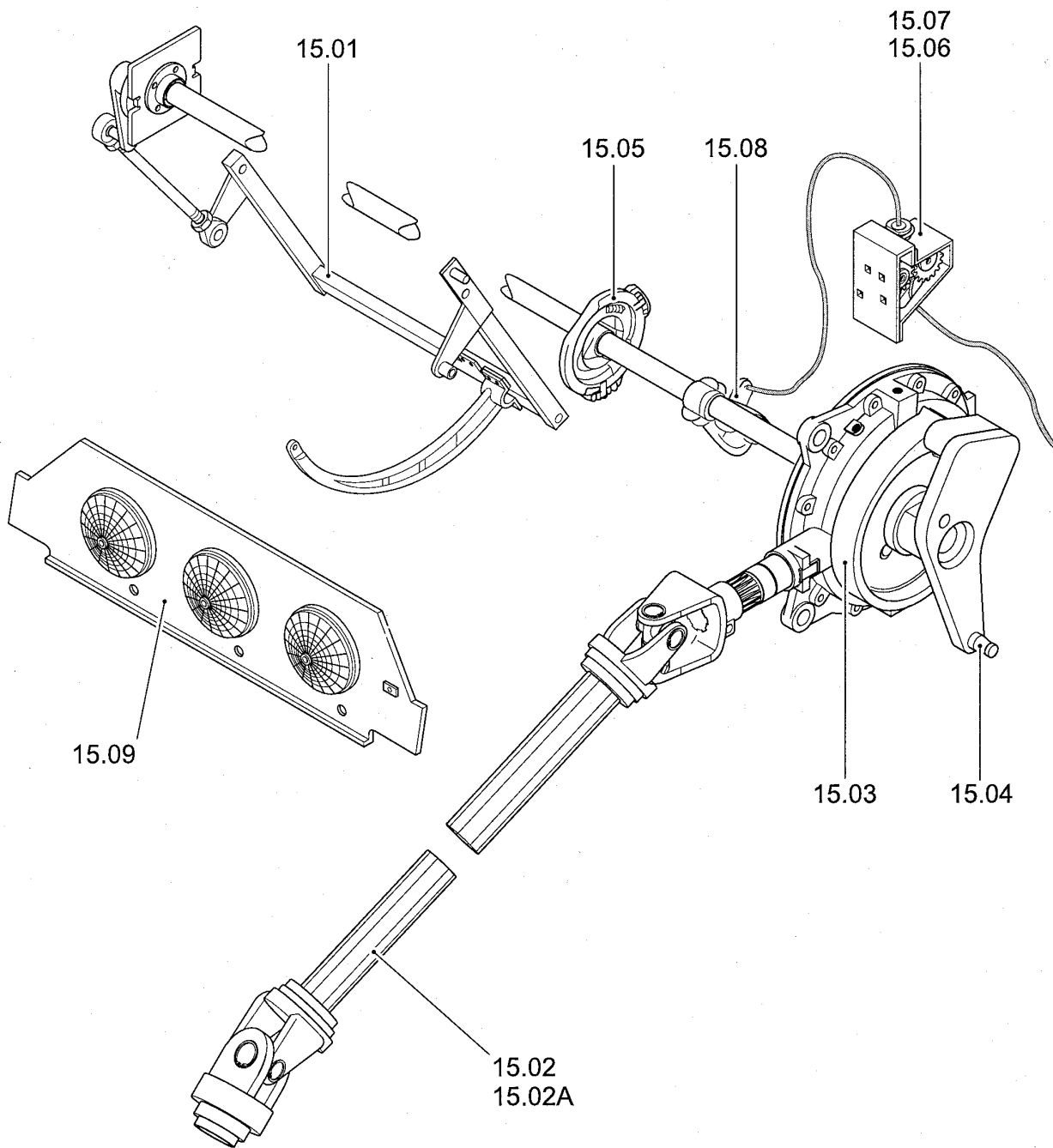
KNUPFER/BINDER

ATADORES/ATADURA

OMVIKLER

KNOPERSWIKKELAAR

SEC. 15

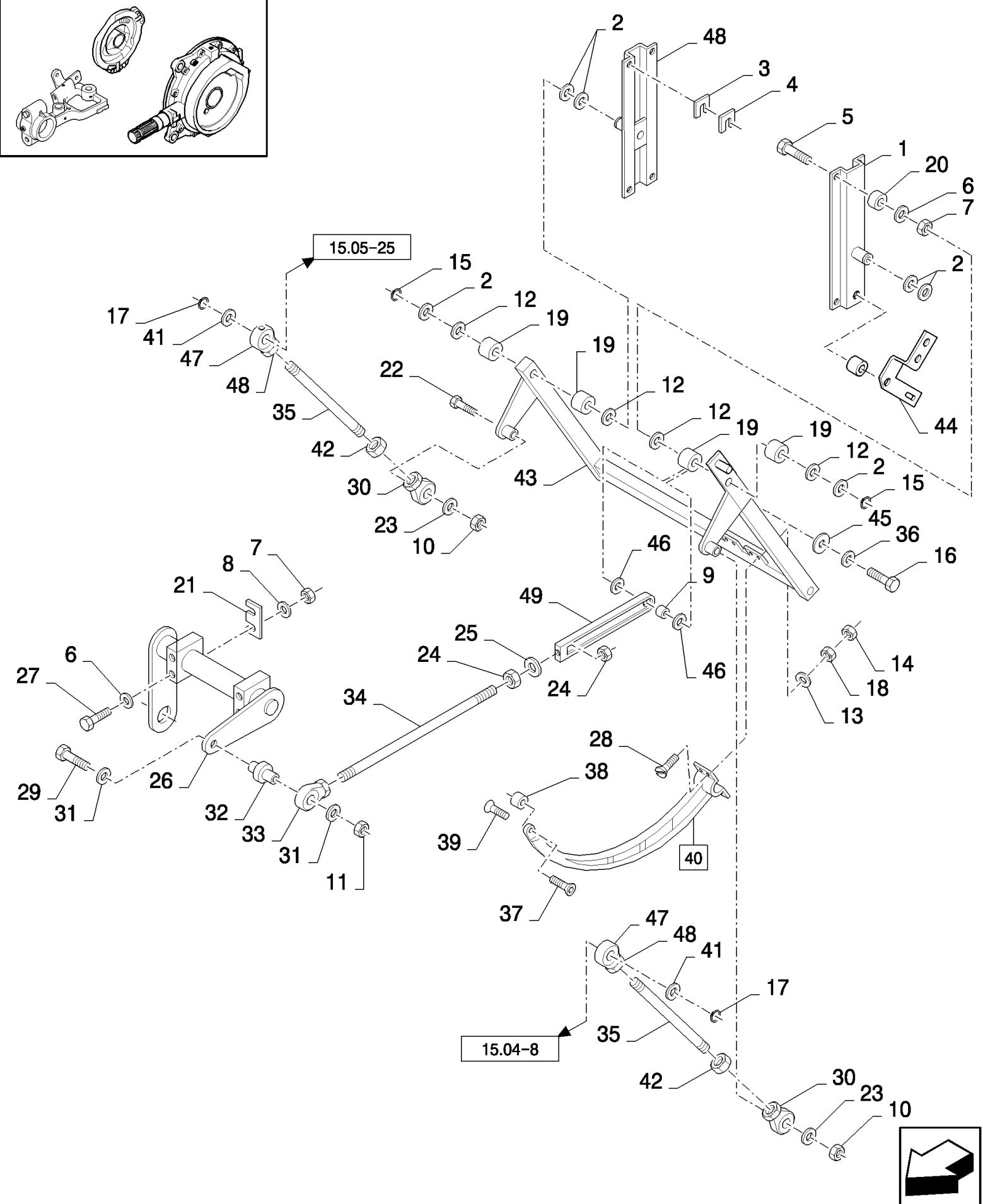
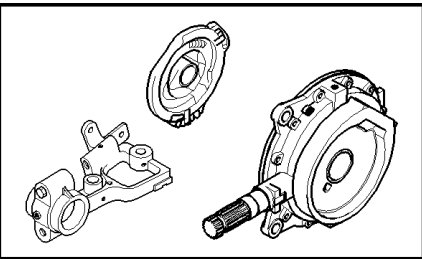


LBX421S BIG RECTANGULAR BALER (6/01-)

15.00(01) SECTION LIST 15 - KNOTTER/WRAPPER

сылка	Номер детали	Кол-во	Описание

15.01(01) NEEDLES



LBX421S BIG RECTANGULAR BALER (6/01-)

15.01(01) NEEDLES

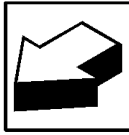
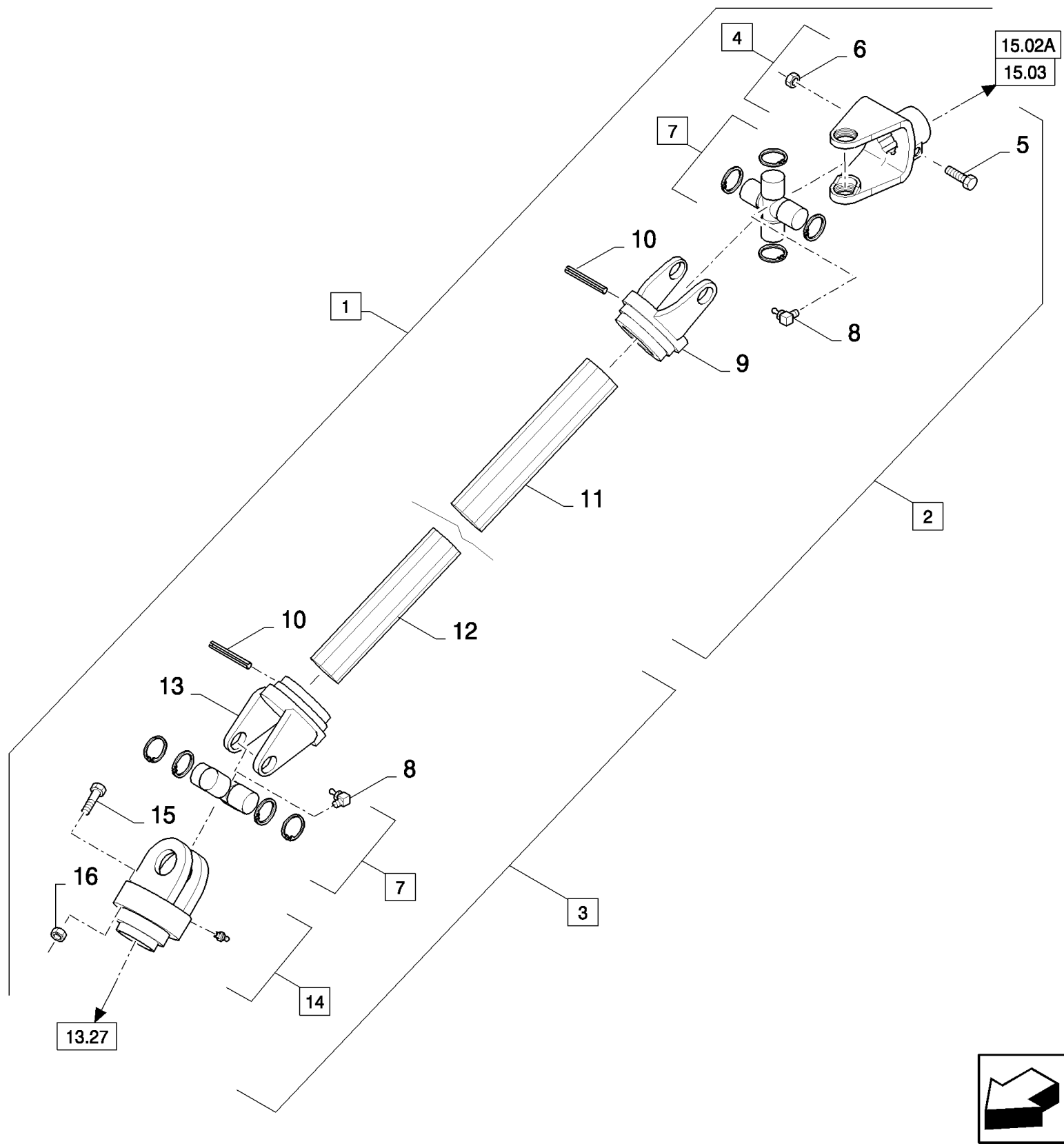
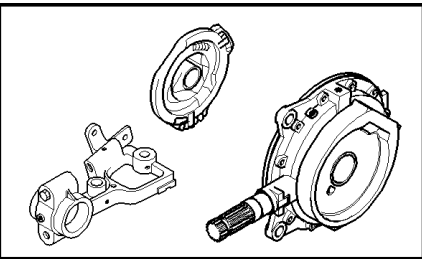
сылка	Номер детали	Кол-во	Описание
1	84068891	1	SUPPORT, LH, FOR LBX331S, LBX331P, LBX331R ONLY, FOR LBX431S, LBX431R ONLY
1	84429338	1	SUPPORT, LH, FOR LBX421S, LBX421R ONLY
2	89838253	AR	WASHER,
3	89838200	AR	PLATE, ADJUSTING,
4	89838207	AR	PLATE, ADJUSTING,
5	84023918	8	BOLT,
6	80140048	12	WASHER, LOCK,
7	100020	12	NUT, M16, CI 8,
8	80394631	4	WASHER, 16MM
9	89838254	1	BEARING ASSY,
10	80412141	2	NUT, LOCK,
11	80100038	1	NUT, LOCK,
12	84078068	4	RING, OIL SCRAPER,
13	80394630	AR	WASHER,
14	80323238	AR	NUT,
15	80370006	2	RING, SNAP,
16	43138	1	BOLT, Hex, M10 x 20, 8.8, Full Thd,
17	80370002	2	CIRCLIP,
18	89706685	AR	NUT,
19	80387645	2	SLEEVE, , BSN C263
19	80429232	2	BUSHING, , ASN D264
20	84021163	8	BUSHING,
21	84019591	AR	PLATE, ADJUSTING,
22	80043144	2	SCREW, M10x70
23	80140083	2	WASHER,
24	89706694	2	NUT, M20, CI 8,
25	80322359	1	WASHER, LOCK,
26	84053023	1	CRANK, , FOR LBX331S, LBX331P, LBX331R ONLY
26	84053022	1	CRANK, , FOR LBX421S, LBX421R ONLY, FOR LBX431S, LBX431R ONLY
27	80321246	4	BOLT, Hex, M16 x 120, 8.8, M16x120
28	80334263	AR	SCREW,
29	814-12090	1	BOLT, Hex, M12 x 90, 8.8, M12x90
30	89838940	2	BALL JOINT,
31	80140085	2	WASHER,
32	89838240	1	BUSHING,
33	89838238	1	BALL JOINT,
34	84019511	1	TIE-ROD, THREADED,
35	84015415	2	ROD, , FOR LBX431S, LBX431R ONLY, FOR LBX331S, LBX331P, LBX331R ONLY
35	84075941	2	ROD, , FOR LBX421S, LBX421R ONLY
36	80140045	1	WASHER, LOCK,
37	89838237	AR	SCREW,
38	89838236	AR	ROLLER,
39	89838235	AR	SCREW, , BSN C263
39	84607927	AR	SCREW, , ASN D264
40	89838230	AR	NEEDLE, (37 to 39), FOR LBX431S, LBX431R ONLY, FOR LBX331S, LBX331P, LBX331R ONLY

LBX421S BIG RECTANGULAR BALER (6/01-)

15.01(01) NEEDLES

сылка	Номер детали	Кол-во	Описание
40	84075936	AR	NEEDLE, , FOR LBX421S, LBX421R ONLY
41	80140022	2	WASHER,
42	80300355	6	NUT,
43	84068894	1	SUPPORT, , FOR LBX331S, LBX331P, LBX331R ONLY
43	84068893	1	SUPPORT, , FOR LBX431S, LBX431R ONLY
43	84075937	1	SUPPORT, , FOR LBX421S, LBX421R ONLY
44	84400112	1	SUPPORT,
45	80140219	1	WASHER,
46	84007797	2	WASHER,
47	84100072	2	BALL JOINT,
48	84068891	1	SUPPORT, RH
48	84429334	1	SUPPORT, RH, FOR LBX421S, LBX421R ONLY
48	84015413	2	NUT, M24 x 2, CI 8, M24
49	89838208	1	LINK BLOCK,

15.02(01) KNOTTER TRANSMISSION

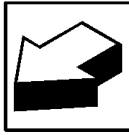
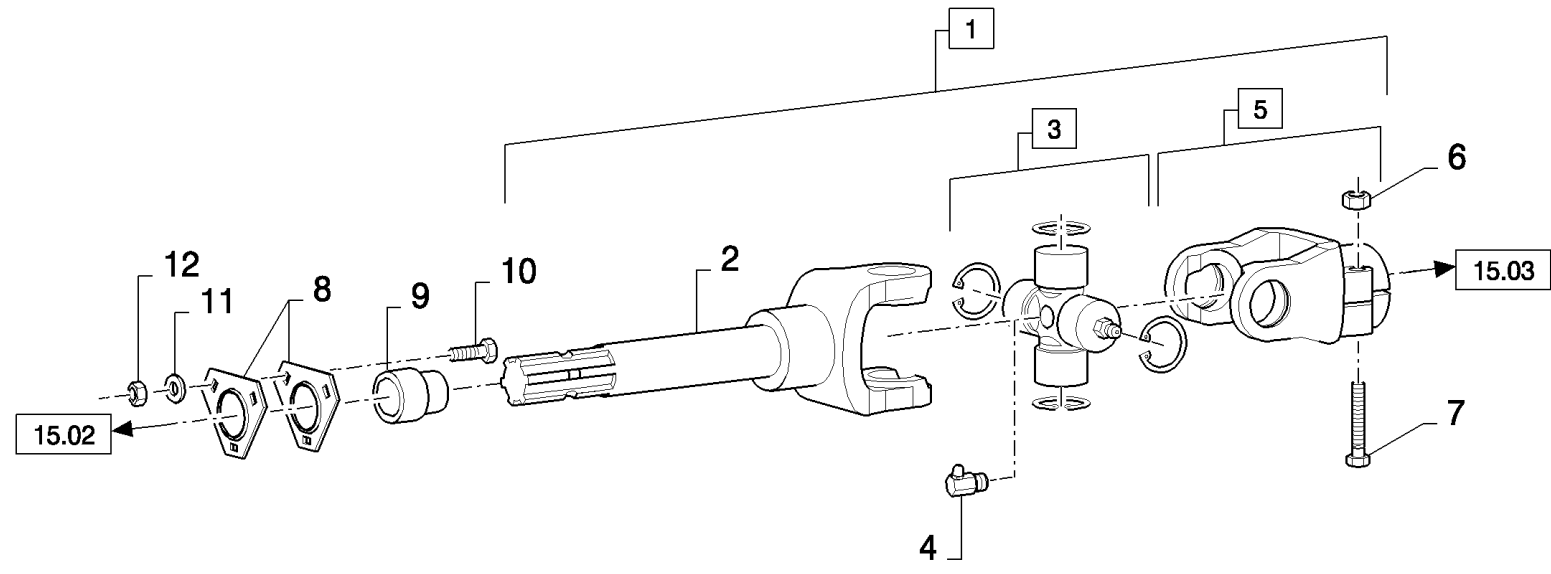
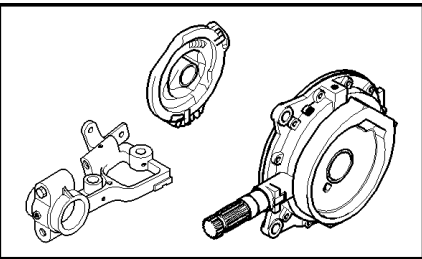


LBX421S BIG RECTANGULAR BALER (6/01-)

15.02(01) KNOTTER TRANSMISSION

сылка	Номер детали	Кол-во	Описание
1	84038103	1	PTO, (2 to 16), BSN C249
1	84814022	1	PTO, (2 to 16), ASN D250
2	84429264	1	PTO, (4 to 11), BSN C249
2	84814063	1	PTO, OUTER (4 to 11), ASN D250
3	84429263	1	PTO, (7,8,10,12 to 16)
3	84814064	1	PTO, INNER (4 to 11), BSN C249
4	84429266	1	YOKE, (5,6), ASN D250
5	80350460	1	SCREW, M12x75
6	80100038	1	NUT, LOCK, M12
7	84429267	2	SPIDER, (8)
8	150024	2	NIPPLE, LUBE, 45c, M8 x 1,
9	80440521	1	FORK,
10	80062218	2	PIN, SPLIT (COTTER),
11	84429269	1	TUBE, , BSN C249
11	84814065	1	TUBE, OUTER, ASN D250
12	84429268	1	TUBE, , BSN C249
12	84814066	1	TUBE, INNER, ASN D250
13	80440522	1	FORK,
14	84429265	1	YOKE, (15,16)
15	80043130	1	SCREW, M8x50
16	80043442	1	NUT, LOCK, M8 x 1.25, CI 8, M8

15.02A(01) KNOTTER TRANSMISSION

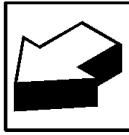
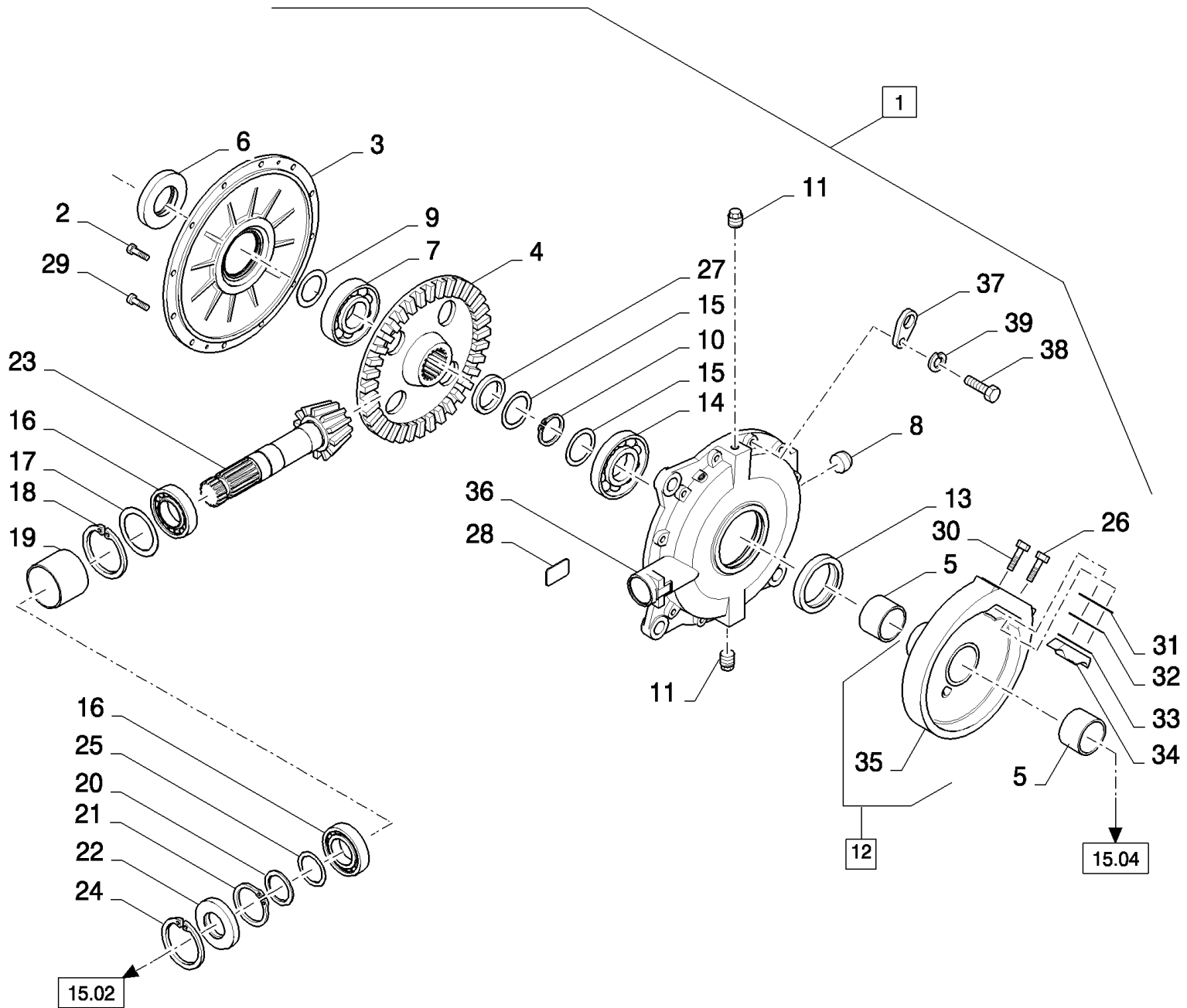
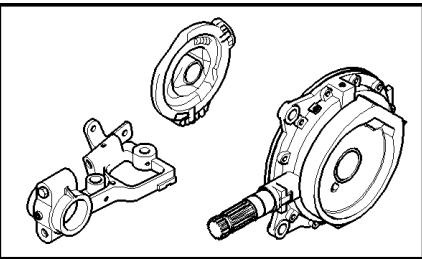


LBX421S BIG RECTANGULAR BALER (6/01-)

15.02A(01) KNOTTER TRANSMISSION

сылка	Номер детали	Кол-во	Описание
1	84429330	1	SHAFT, PTO, (2 to 7)
2	84806523	1	YOKE,
3	80418936	1	SPIDER, (4), BSN C263
3	84429267	1	SPIDER, , ASN D264
4	150024	1	NIPPLE, LUBE, 45с, M8 x 1,
5	84429266	1	YOKE, (6, 7)
6	80100038	1	NUT, LOCK, M12
7	80350460	1	SCREW, M12x75
8	86574241	2	FLANGE,
9	80322360	1	BEARING, BALL,
10	811-10030	3	BOLT, CARRIAGE, Short NK, M10 x 30, CI8.8, Full Thd,
11	80140045	3	WASHER, LOCK, 10MM
12	100016	3	NUT, M10, CI 8,

15.03(01) KNOTTER, GEARBOX

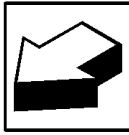
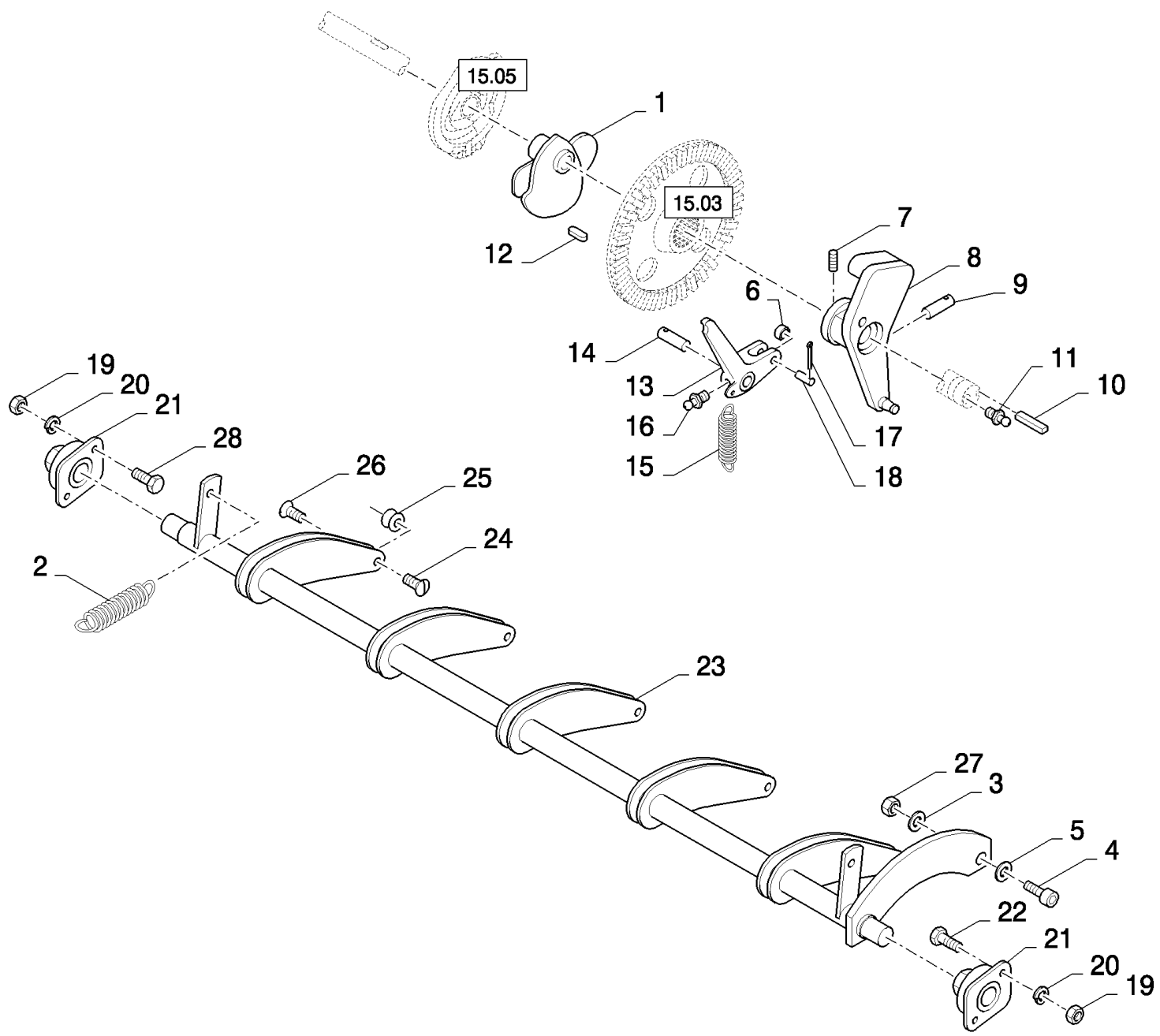
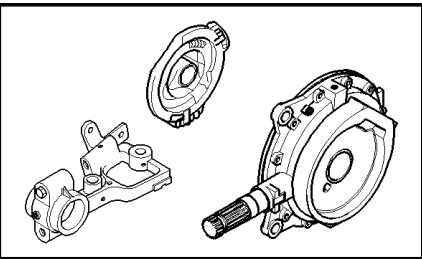


LBX421S BIG RECTANGULAR BALER (6/01-)

15.03(01) KNOTTER, GEARBOX

сылка	Номер детали	Кол-во	Описание
1	84078670	1	GEARBOX, (2 to 36)
2	80412256	10	SCREW,
3	84100761	1	HOUSING,
4	84100762	1	GEAR,
5	84100763	2	BUSHING,
6	84100764	1	SEAL,
7	80321951	1	BEARING ASSY,
8	84100744	1	INDICATOR,
9	84100765	1	SHIM,
10	80370010	1	CIRCLIP,
11	322496550	2	PLUG,
12	84100766	1	FLANGE, (30 to 35)
13	84100767	1	SEAL,
14	84100741	1	BEARING ASSY,
15	84100768	2	SHIM,
16	80161715	2	BEARING ASSY,
17	84100769	1	SHIM,
18	80370018	1	RING, SNAP,
19	84100770	1	SPACER,
20	84100725	1	SHIM,
21	80440441	1	CIRCLIP,
22	84100771	1	SEAL,
23	84100772	1	GEAR,
24	84100773	1	CIRCLIP,
25	322493800	1	SET OF RINGS,
26	80120068	1	SCREW, M10x40
27	84100774	1	SPACER,
28	NSS	1	NOT SERVICED SEPARATELY, Identity plate
29	84100775	1	SCREW, M10x20
30	80043154	1	SCREW, M12x40
31	84100755	1	SHIM,
32	84100756	1	SHIM,
33	84100757	2	SHIM,
34	84100758	1	INSERT,
35	NSS	1	NOT SERVICED SEPARATELY,
36	84100760	1	HOUSING,
37	NSS	1	NOT SERVICED SEPARATELY, Lifting hook
38	80043140	1	BOLT, Hex, M10 x 30, 8.8,
39	84429044	1	WASHER,

15.04(01) KNOTTER TRIP MECHANISM AND TUCKER ARM

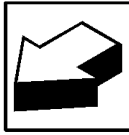
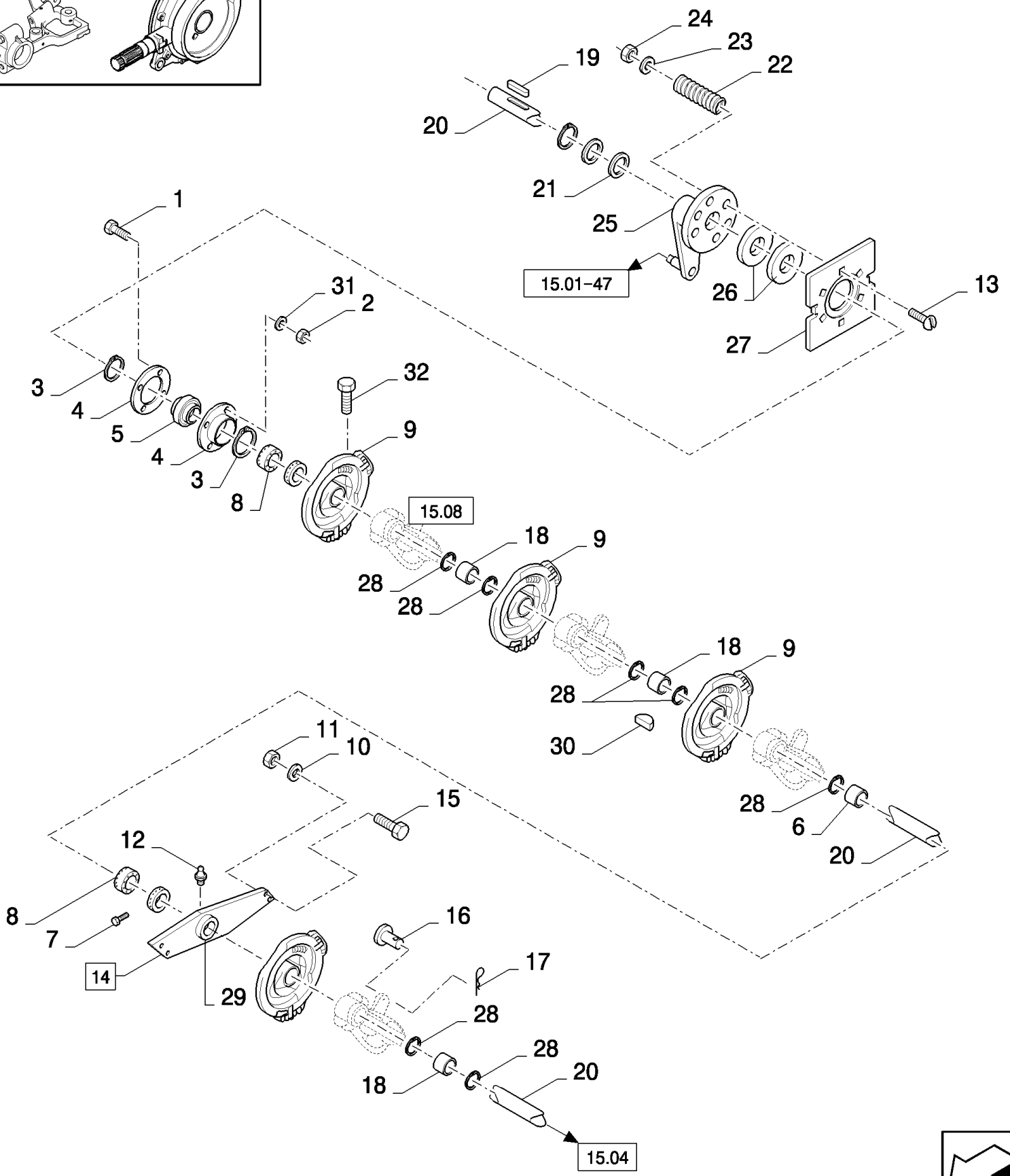
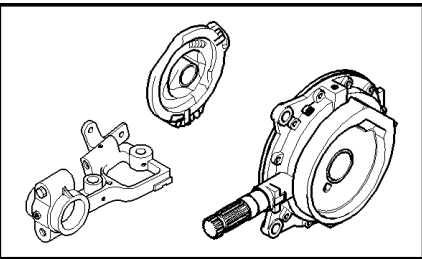


LBX421S BIG RECTANGULAR BALER (6/01-)

15.04(01) KNOTTER TRIP MECHANISM AND TUCKER ARM

сылка	Номер детали	Кол-во	Описание
1	84014041	1	CAM, , FOR LBX431S, LBX431R ONLY, FOR LBX331S, LBX331P, LBX331R ONLY
1	84075938	1	CAM, , FOR LBX421S, LBX421R ONLY
2	89838862	2	SPRING,
3	80140046	8	WASHER, SPRING,
4	89838366	1	ROLLER,
5	84014757	1	BUSHING,
6	84400783	1	ROLLER,
7	84021161	1	SET SCREW, Hex Soc, M8 x 12, Dog Pt,
8	84100887	1	ARM,
9	80300488	2	SCREW,
10	89838854	1	KEY,
11	80062161	1	NIPPLE, LUBE,
12	80412077	1	KEY,
13	89838843	1	ARM,
14	89838844	1	SHAFT,
15	84806601	1	SPRING,
16	321204	1	NIPPLE, LUBE, M6 x 1, 16mm lg,
17	80300868	1	PIN, ROLL, 6x36MM
18	84058620	1	PIN,
20	80322358	4	WASHER, LOCK, 8MM
21	89837806	2	BEARING ASSY,
22	80308761	3	SCREW,
23	84045180	1	SHAFT, (3,4,5,24 to 27), FOR LBX331S, LBX331P, LBX331R ONLY
23	84045452	1	SHAFT, (3,4,5,24 to 27), FOR LBX421S, LBX421R, LBX431S, LBX431R ONLY
24	89838237	AR	SCREW, , BSN C269
24	84607927	AR	SCREW, , ASN D270
25	89838236	AR	ROLLER,
26	89838235	AR	SCREW,
27	80399555	1	NUT,
28	86512443	1	BOLT, CARRIAGE, Short NK, M8 x 35, Cl8.8, Full Thd, M8x35
19	89706690	4	NUT, M8, Cl 8,

15.05(01) KNOTTERS

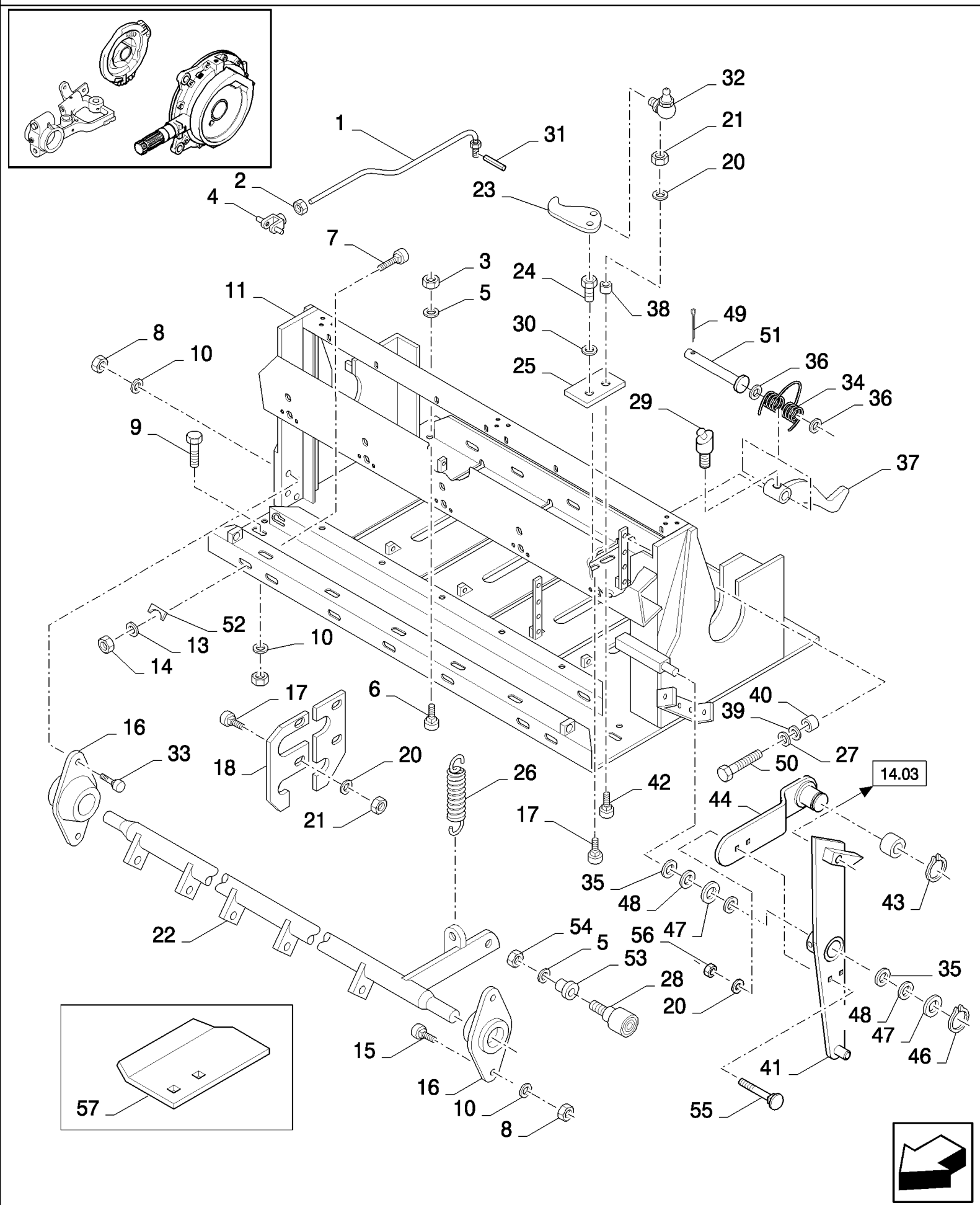


LBX421S BIG RECTANGULAR BALER (6/01-)

15.05(01) KNOTTERS

сылка	Номер детали	Кол-во	Описание
1	80374895	4	BOLT, CARRIAGE,
2	89706685	4	NUT,
3	80327911	5	CIRCLIP,
4	80853175	2	FLANGE,
5	89838774	1	BEARING ASSY,
6	89838819	AR	RING,
7	89838867	12	SCREW,
8	89838865	6	SPACER,
9	84019174	AR	CAM,
10	80140045	AR	WASHER, LOCK,
11	100016	4	NUT, M10, CI 8,
12	321204	3	NIPPLE, LUBE, M6 x 1, 16mm lg,
13	80300662	6	BOLT,
14	84074915	1	SUPPORT, (29), FOR LBX421S, LBX421R, LBX431S, LBX431R ONLY
15	811-10030	4	BOLT, CARRIAGE, Short NK, M10 x 30, CI8.8, Full Thd,
16	89838826	AR	PIN,
17	89838827	AR	PIN, SPLIT (COTTER),
18	84004466	2	SPACER, , FOR LBX331S, LBX331P, LBX331R ONLY
18	89838776	3	SPACER, , FOR LBX421S, LBX421R, LBX431S, LBX431R ONLY
19	89838753	1	KEY,
20	84017722	1	SHAFT, , FOR LBX331S, LBX331P, LBX331R ONLY
20	84017721	1	SHAFT, , FOR LBX421S, LBX421R, LBX431S, LBX431R ONLY
21	89837743	AR	WASHER,
22	84014109	6	SPRING,
23	80543043	6	WASHER,
24	80100038	6	NUT, LOCK,
25	89838757	1	ARM,
26	89838773	2	DISC,
27	89838755	2	FLANGE,
28	89838835	AR	SHIM, THK.: 0.25MM
28	89838834	AR	SHIM, THK.: 0.8MM
29	89838824	1	RING, , FOR LBX421S, LBX421R, LBX431S, LBX431R ONLY
30	80412077	AR	KEY,
31	80140046	8	WASHER, SPRING,
32	84022935	AR	SET SCREW, Hex Soc, M8 x 8,

15.06(01) KNOTTERS TRIP



LBX421S BIG RECTANGULAR BALER (6/01-)

15.06(01) KNOTTERS TRIP

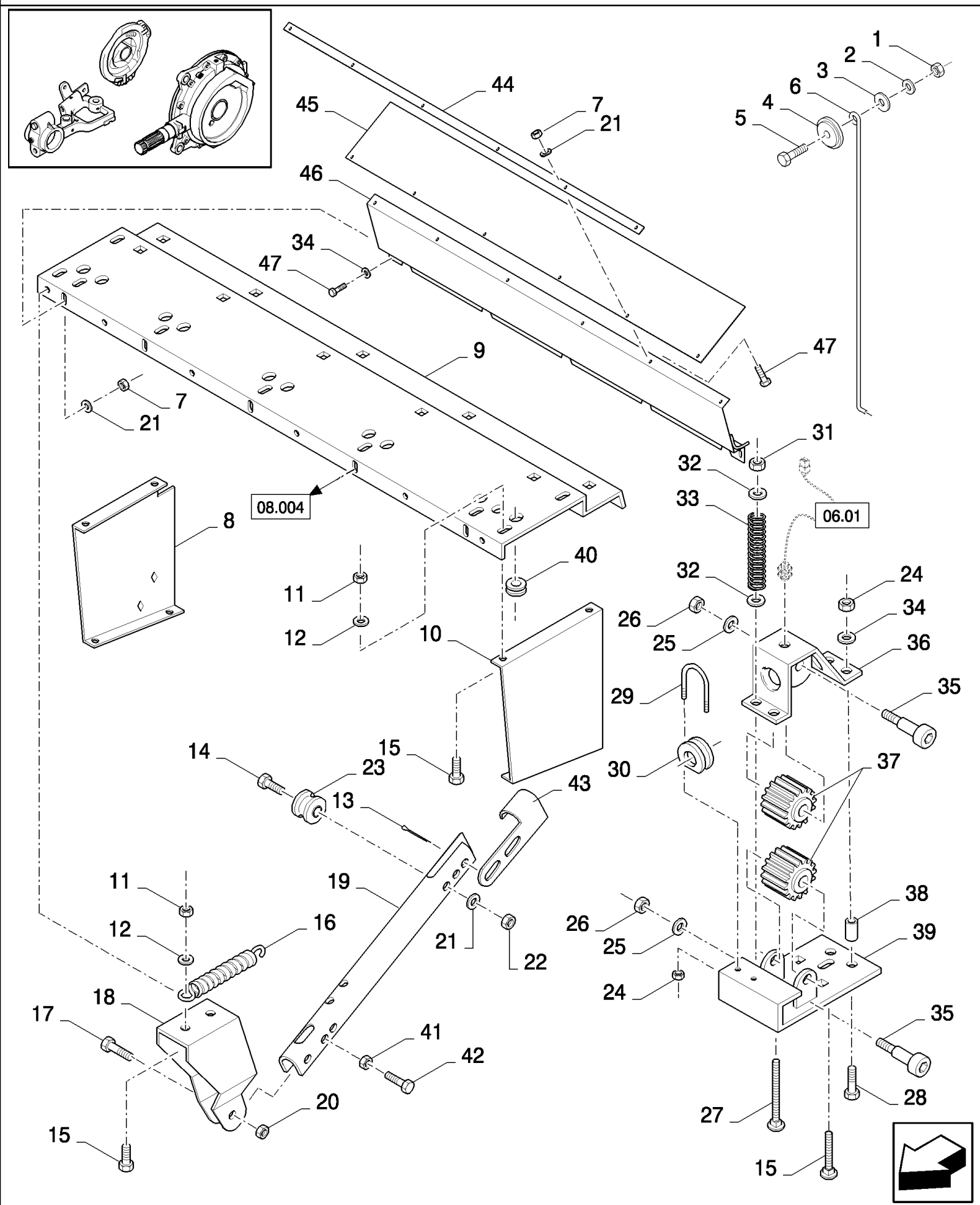
сылка	Номер детали	Кол-во	Описание
1	84021485		AR TIE-ROD,
2	80354720		AR NUT, Thin, M10 x 1.5, CI 05, M10
3	89706685		AR NUT, M12
4	89838355		AR YOKE,
5	80140046		AR WASHER, SPRING, 12MM
6	80120044		AR BOLT, M12x30
7	89838060	4	SCREW,
9	80043168	10	SCREW, M16x40
10	80322358	4	WASHER, LOCK,
11	84074043	1	FRAME, , FOR LBX331S, LBX331P, LBX331R ONLY
11	84074042	1	FRAME, , FOR LBX421S, LBX421R, LBX431S, LBX431R ONLY
12	80378246	16	WASHER,
13	80140048		AR WASHER, LOCK, 16MM
14	100020	12	NUT, M16, CI 8,
15	80308761	3	SCREW, M8x25
16	89837806	2	BEARING ASSY,
17	80412183		AR BOLT, M10x35
18	89838361	1	SUPPORT, , FOR LBX421S, LBX421R, LBX431S, LBX431R ONLY
19	89838360	1	SUPPORT, , FOR LBX421S, LBX421R, LBX431S, LBX431R ONLY
20	80140045		AR WASHER, LOCK,
21	100016		AR NUT, M10, CI 8,
22	84074044	1	SHAFT, , FOR LBX331S, LBX331P, LBX331R ONLY
22	84074045	1	SHAFT, , FOR LBX421S, LBX421R, LBX431S, LBX431R ONLY
23	84074876		AR FINGER,
24	84607245		AR INSERT,
25	89838363		AR SUPPORT,
26	89838359	1	SPRING,
27	80378245		AR WASHER,
28	89838366	1	ROLLER,
29	80323787	1	NIPPLE, LUBE,
30	89838365		AR GASKET,
31	80353911		AR PIN, LOCK,
32	80087415		AR NIPPLE, LUBE,
33	86512443	1	BOLT, CARRIAGE, Short NK, M8 x 35, CI8.8, Full Thd, M8x35
34	84806594		AR SPRING, , ASN D238
35	80000673	2	WASHER,
36	80051639		AR WASHER,
37	84021708		AR SUPPORT,
38	84019931		AR BUSHING,
39	80080679		AR WASHER, LOCK,
40	89838358		AR RING,
41	84074883	1	ARM,
42	80338949		AR BOLT, CARRIAGE, M10x25
43	80370024	2	RING, SNAP,
44	84000033	1	ARM,

LBX421S BIG RECTANGULAR BALER (6/01-)

15.06(01) KNOTTERS TRIP

сылка	Номер детали	Кол-во	Описание
45	89838376	1	ROLLER,
46	80300629	1	CIRCLIP,
47	84000011	2	WASHER,
48	80000672	2	WASHER,
49	80130007	AR	PIN, SPLIT (COTTER),
50	80043154	AR	SCREW, M12x40
51	84078725	AR	PIN, CLEVIS, M16 x 100,
52	80067510	AR	SHIM,
53	84014757	1	BUSHING,
54	80399555	1	NUT, M12
55	811-10030	2	BOLT, CARRIAGE, Short NK, M10 x 30, CI8.8, Full Thd,
56	80100037	2	NUT, LOCK, M10 x 1.5, CI 8, M10
57	86537860	AR	BAFFLE,
8	89706690	4	NUT, M8, CI 8,

15.07(01) TWINE TENSIONERS



LBX421S BIG RECTANGULAR BALER (6/01-)

15.07(01) TWINE TENSIONERS

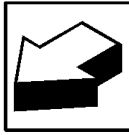
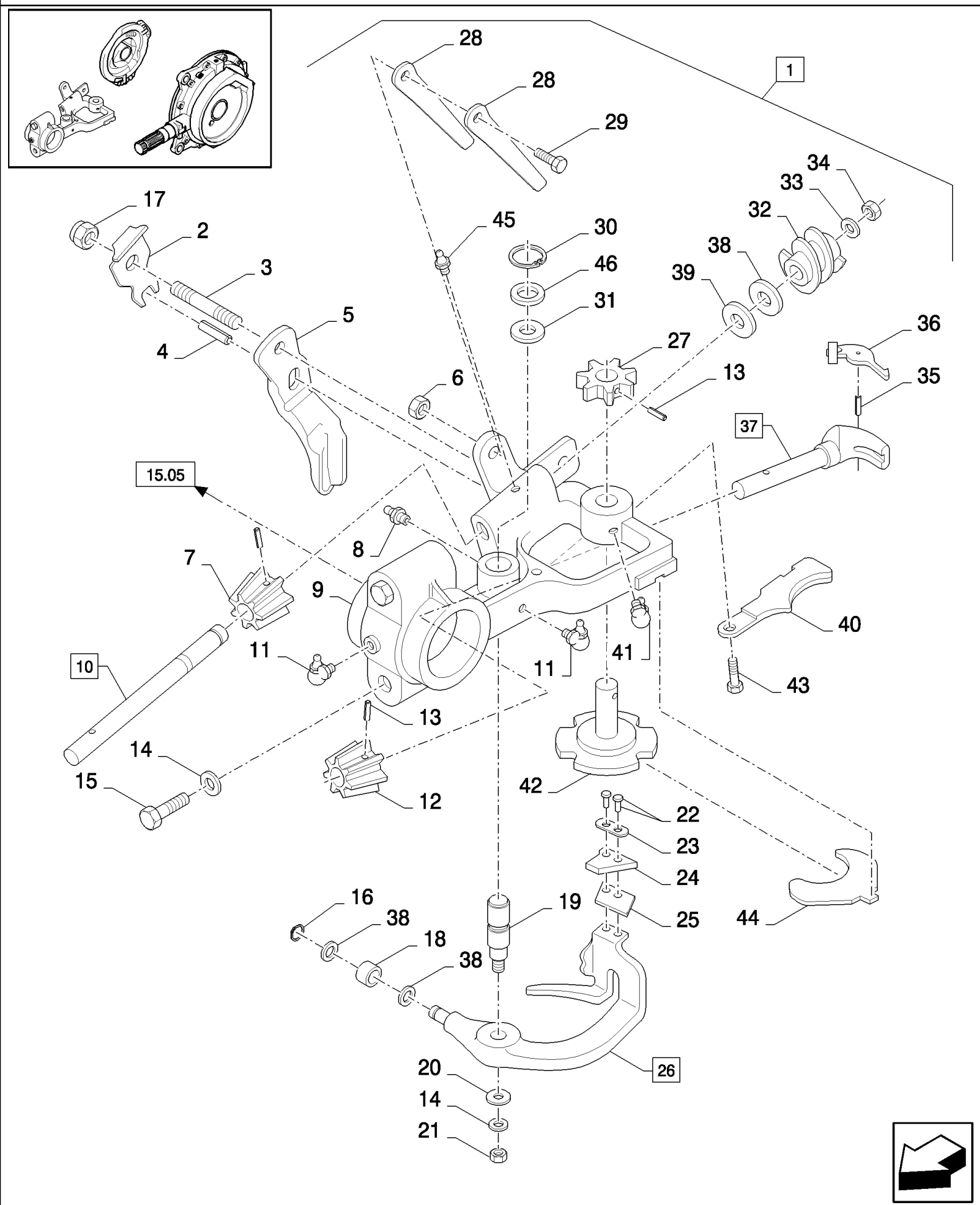
сылка	Номер детали	Кол-во	Описание
1	80385681		AR NUT, LOCK,
2	80322355		AR WASHER,
3	80335872		AR WASHER,
4	84011441		AR RING,
5	86511824		AR SCREW, Cross Pan Hd, M4 x 20,
6	84019720		AR ROD,
8	84074558	1	SUPPORT, RH
9	84078879	1	SUPPORT, , FOR LBX331S, LBX331P, LBX331R ONLY
9	84078877	1	SUPPORT, , FOR LBX421S, LBX421R, LBX431S, LBX431R ONLY
10	84000177	1	SUPPORT, LH, NOT FOR TANDEM AXLE
11	100016		AR NUT, M10, CI 8,
12	80140045		AR WASHER, LOCK,
13	80130004		AR PIN, SPLIT (COTTER),
14	80043117		AR SCREW, M6x30
15	80120041		AR BOLT, CARRIAGE,
16	84806599		AR SPRING, Upper
16	84807327		AR SPRING, Lower
17	80043130	8	SCREW, M8x50
18	84005807		AR SUPPORT, Upper
18	84000767		AR SUPPORT, Lower
19	84078917		AR ARM,
20	80043442		AR NUT, LOCK, M8 x 1.25, CI 8, M8
21	80322357		AR WASHER, SPRING, Belleville, M6, 6MM
22	80353308		AR NUT, M6
23	89838236		AR ROLLER,
24	80353308		AR NUT,
25	80080680		AR WASHER, LOCK,
26	280136		AR NUT, 3/8"-16, G8,
27	84018757		AR SCREW, M10x160
28	80300507		AR SCREW, M6x35
29	80799339		AR U-BOLT,
30	84429814		AR BUSHING, GUIDE,
31	80412141		AR NUT, LOCK, M10
32	86511323		AR WASHER, M10 x 20 x 2,
33	89838888		AR SPRING,
34	80140015		AR WASHER, 6MM
35	84022924		AR SCREW,
36	84320035		AR SUPPORT,
37	89838895		AR SPROCKET, DRIVEN,
38	89838894		AR SPACER,
39	89838902		AR SUPPORT,
40	80102043	1	GROMMET,
41	80412152		AR NUT,
42	80120102		AR SCREW,
43	84032625		AR BLADE, SCRAPER,

LBX421S BIG RECTANGULAR BALER (6/01-)

15.07(01) TWINE TENSIONERS

сылка	Номер детали	Кол-во	Описание
44	84078867	1	PLATE, FIXING, , FOR TANDEM AXLE ONLY, FOR LBX331S, LBX331P, LBX331R ONLY
44	84078865	1	PLATE, FIXING, , FOR LBX421S, LBX421R, LBX431S, LBX431R ONLY, FOR TANDEM AXLE ONLY
45	84078868	1	CANVAS, , FOR TANDEM AXLE ONLY, FOR LBX331S, LBX331P, LBX331R ONLY
45	84078869	1	CANVAS, , FOR LBX421S, LBX421R, LBX431S, LBX431R ONLY, FOR TANDEM AXLE ONLY
46	84078873	1	PLATE, , FOR TANDEM AXLE ONLY, FOR LBX331S, LBX331P, LBX331R ONLY
46	84078875	1	PLATE, , FOR LBX421S, LBX421R, LBX431S, LBX431R ONLY, FOR TANDEM AXLE ONLY
47	614-6016	AR	BOLT, Hex, M6 x 16, 8.8,
7	15896221	AR	NUT, M6, CI 10,

15.08(01) KNOTTERS



LBX421S BIG RECTANGULAR BALER (6/01-)

15.08(01) KNOTTERS

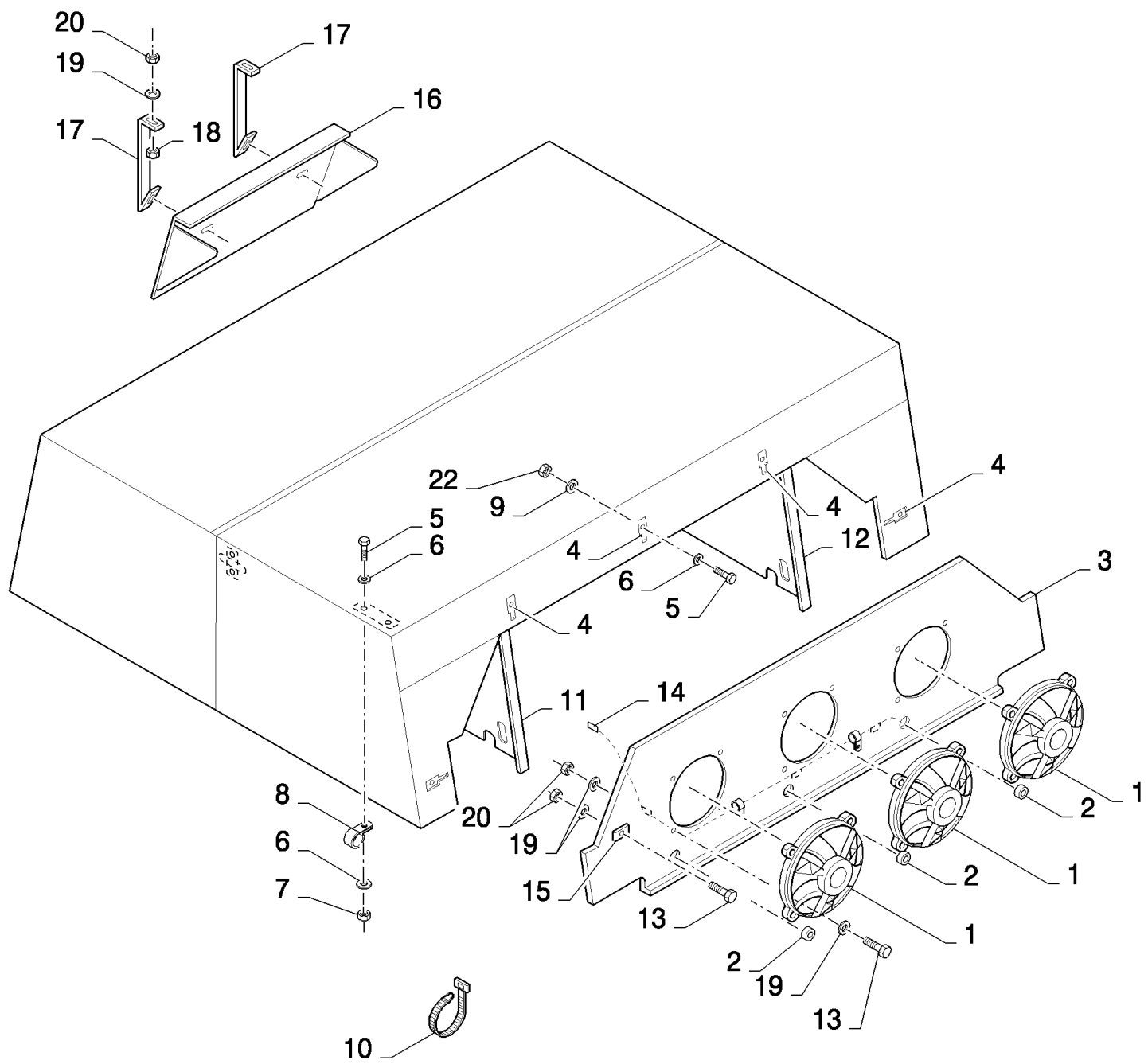
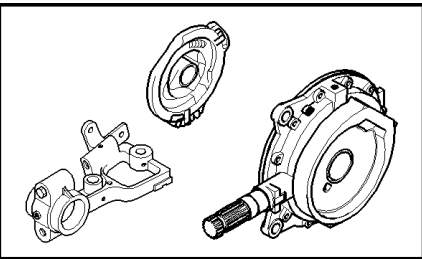
сылка	Номер детали	Кол-во	Описание
1	84078898	1	KNOTTER, (2 to 46)
2	89838781	1	CLIP, SPRING,
3	89838782	1	STUD,
4	80062106	1	PIN, ROLL,
5	89838783	1	CAM,
6	86509499	1	NUT, Jam, 3/8"-16, G2,
7	89838815	1	GEAR,
8	9838669	6	NIPPLE, LUBE,
9	84078900	1	KNOTTER, (11,14,15,41,45)
10	84004344	1	SHAFT, (32,33,34)
11	323713	3	NIPPLE, LUBE,
12	89838813	1	GEAR,
13	89838812	3	PIN, SPLIT (COTTER),
14	80140047	3	WASHER, LOCK,
15	89706716	2	SCREW,
16	89838808	1	CIRCLIP,
17	80280736	1	NUT, LOCK,
18	89838802	1	ROLLER,
19	89838807	1	SHAFT,
20	80362819	1	WASHER,
21	80280963	1	NUT,
22	89839048	2	SCREW,
23	80322358	2	WASHER, LOCK,
24	89838803	1	KNIFE,
25	89838804	1	SUPPORT,
26	84004773	1	ARM, (14,16 to 25)
27	89838787	1	GEAR,
28	89838785	3	CLIP, SPRING,
29	80088206	1	SCREW,
30	89838817	1	CIRCLIP,
31	89838863	1	PLATE, ADJUSTING,
32	NSS	1	NOT SERVICED SEPARATELY, Worm gear
33	80080680	1	WASHER, LOCK,
34	80300842	1	NUT,
35	89838790	1	PIN,
36	89838791	1	BILL HOOK,
37	89838789	1	BILL HOOK, 17,35,36)
38	84007145	AR	PLATE, ADJUSTING,
39	84018614	AR	PLATE, ADJUSTING,
40	89838798	1	RETAINER,
41	80323787	1	NIPPLE, LUBE,
42	89838809	1	DISC,
43	89838816	1	SCREW,
44	89838799	1	CLEANER,
45	321204	1	NIPPLE, LUBE, M6 x 1, 16mm lg,

LBX421S BIG RECTANGULAR BALER (6/01-)

15.08(01) KNOTTERS

сылка	Номер детали	Кол-во	Описание
46	84018542		AR PLATE, ADJUSTING,

15.09(01) KNOTTER FANS



LBX421S BIG RECTANGULAR BALER (6/01-)

15.09(01) KNOTTER FANS

сылка	Номер детали	Кол-во	Описание
1	84429995	AR	FAN,
2	80140182	4	WASHER,
3	84400011	1	SUPPORT, , FOR LBX331S, LBX331P, LBX331R ONLY, 2 HOLES
3	84400009	1	SUPPORT, , FOR LBX431S, LBX431R ONLY, 3 HOLES
3	84429805	1	SUPPORT, , FOR LBX421S, LBX421R ONLY, 3 HOLES
4	80362786	4	TAB, LOCKING,
5	80412064	AR	SCREW,
6	80362785	4	WASHER,
7	80100012	AR	NUT,
8	80076403	1	CLAMP,
9	89824326	AR	WASHER, 5MM
10	80323597	AR	STRAP,
11	84053243	1	PLATE, RH, FOR LBX331S, LBX331P, LBX331R ONLY, 2 HOLES, FOR LBX431S, LBX431R ONLY, 3 HOLES
11	84400168	1	PLATE, , FOR LBX421S, LBX421R ONLY, 3 HOLES
12	84078904	1	PLATE, LH, FOR LBX331S, LBX331P, LBX331R ONLY, 2 HOLES, FOR LBX431S, LBX431R ONLY, 3 HOLES
12	84400166	1	PLATE, , FOR LBX421S, LBX421R ONLY, 3 HOLES
13	80120100	AR	BOLT, Hex, M6 x 20, 8.8,
14	84072857	1	HARNESS, WIRE, , FOR LBX331S, LBX331P, LBX331R ONLY, 2 HOLES
14	84072855	1	HARNESS, WIRE, , FOR LBX431S, LBX431R ONLY, 3 HOLES
15	89503929	AR	CLAMP,
16	84053328	1	PLATE, , FOR LBX331S, LBX331P, LBX331R ONLY, 2 HOLES
16	84053242	1	PLATE, , FOR LBX421S, LBX421R ONLY, 3 HOLES, FOR LBX431S, LBX431R ONLY, 3 HOLES
17	84400036	2	BRACKET,
18	811-6016	AR	BOLT, CARRIAGE, Short NK, M6 x 16, CI8.8, Full Thd,
19	80322357	AR	WASHER, SPRING, Belleville, M6,
20	15896221	AR	NUT, M6, CI 10,

BALE EJECTOR

EJECTEUR DE BALLE

EXPULSOR DE PACAS

BALLEUDKASTER

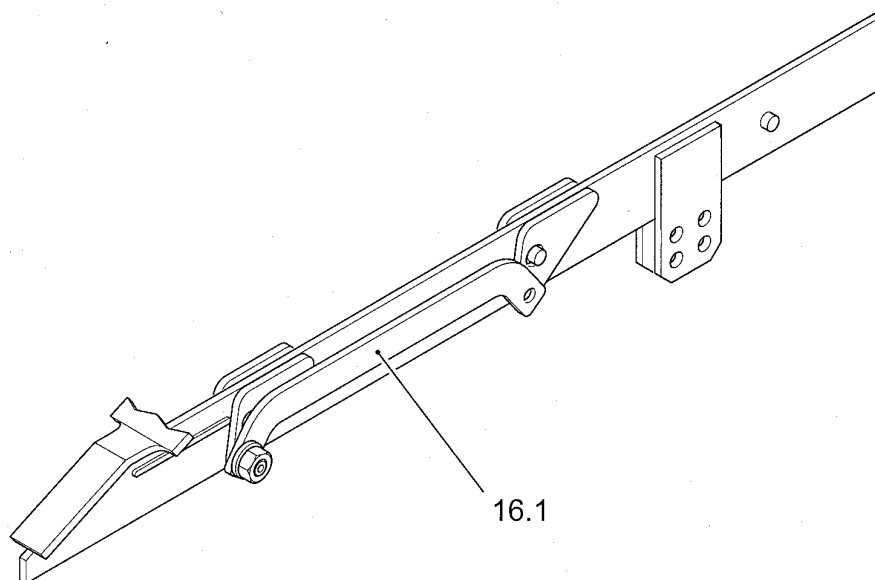
ESPULSORE DI BALLE

BALLENAUSWERFER

EXPULSOR DE FARDOS

BALEUITWERPER

SEC. 16

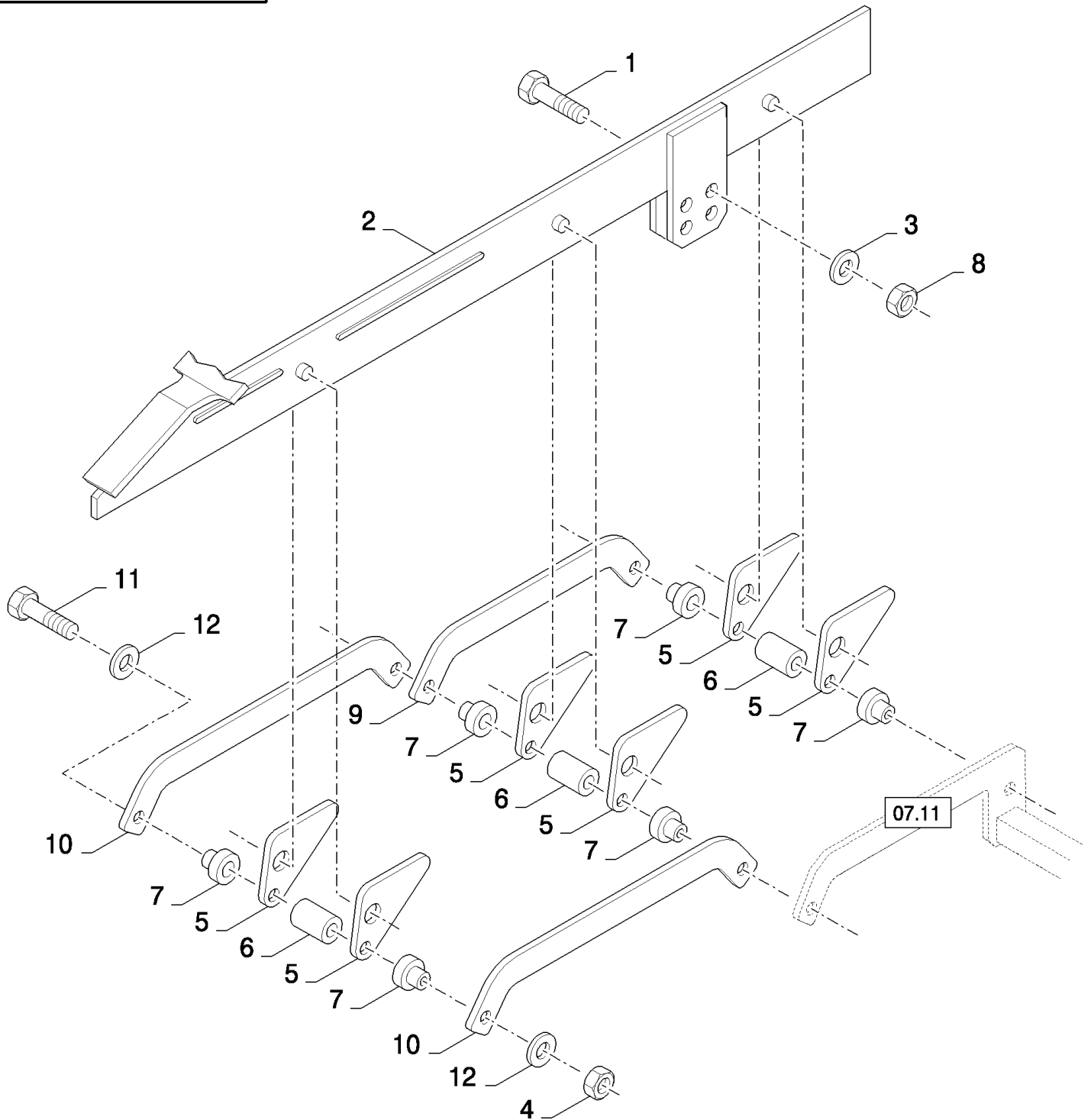
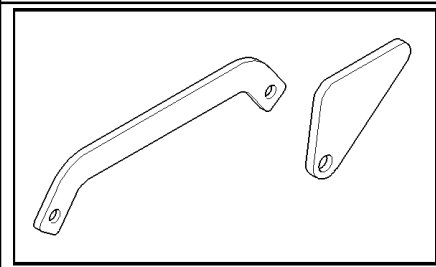


LBX421S BIG RECTANGULAR BALER (6/01-)

16.00(01) SECTION LIST 16 - BALE EJECTOR

сылка	Номер детали	Кол-во	Описание

16.01(01) BALE EJECT SYSTEM



LBX421S BIG RECTANGULAR BALER (6/01-)

16.01(01) BALE EJECT SYSTEM

сылка	Номер детали	Кол-во	Описание
1	89706702	8	SCREW, M12x50
2	84062262	2	BAR,
3	80140046	8	WASHER, SPRING, 12MM
4	80100037	6	NUT, LOCK, M10 x 1.5, Cl 8,
5	84004660	12	LUG,
6	84004713	6	BUSHING,
7	84004672	12	BUSHING,
8	89706685	8	NUT, M12
9	84004673	2	LINK BLOCK,
10	84004674	4	LINK BLOCK,
11	80120075	6	SCREW,
12	86511323	12	WASHER, M10 x 20 x 2,

ACCESSORIES

ACCESSOIRES

ACCESORIOS

TILBEHØR

ACCESSORI

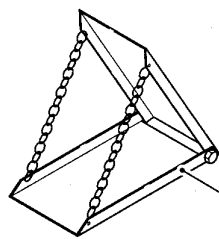
ZUBEHÖR

ACESSORIOS

TOEBEHOREN

SEC. 18

ACCESSORIES



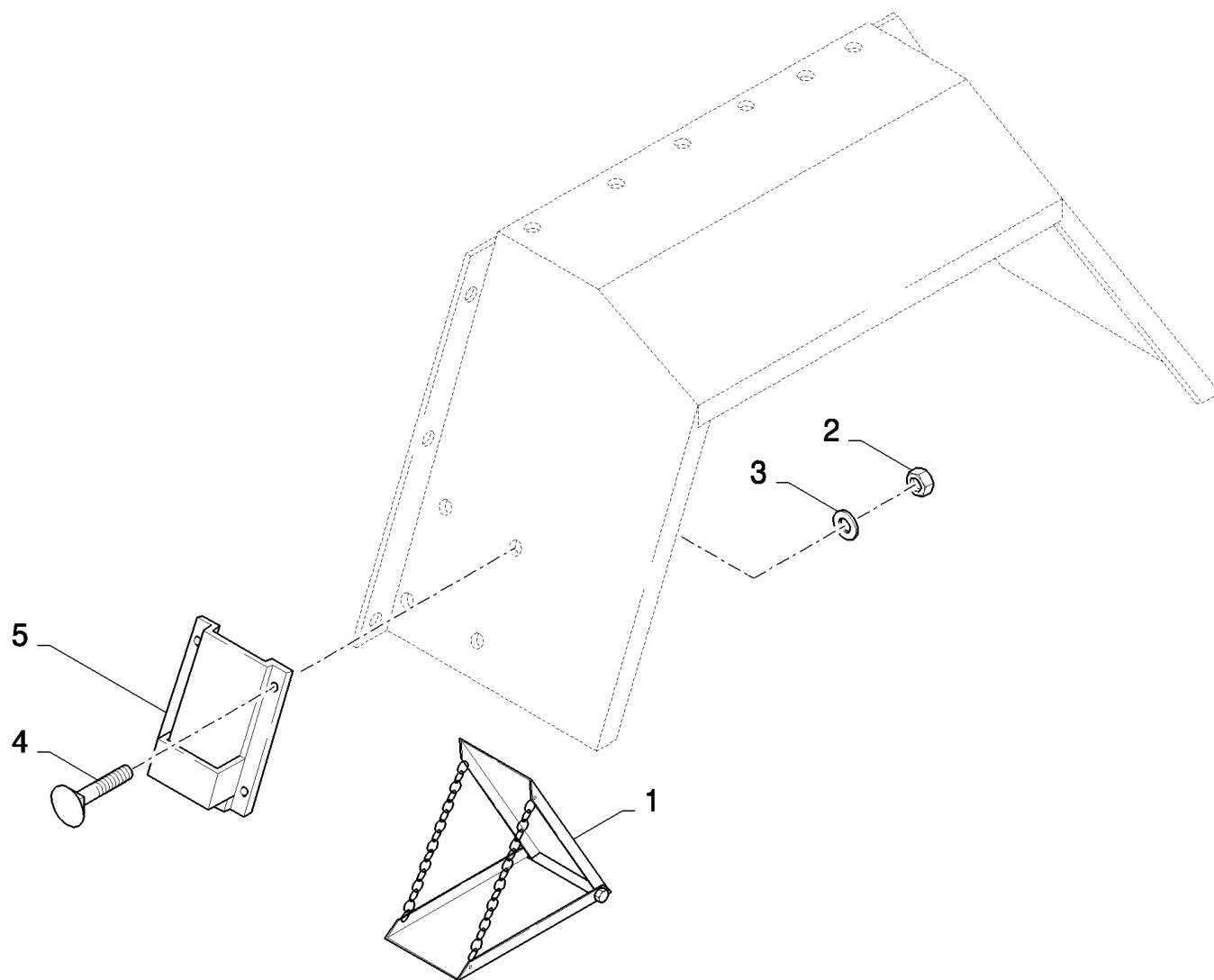
18.01

LBX421S BIG RECTANGULAR BALER (6/01-)

18.00(01) SECTION LIST 18 - ACCESSORIES

сылка	Номер детали	Кол-во	Описание

ACCESSORIES



LBX421S BIG RECTANGULAR BALER (6/01-)

18.01(01) MUDGUARDS AND WHEEL CHOCK

сылка	Номер детали	Кол-во	Описание
1	80411582	2	WHEEL CHOCK,
3	80322358	8	WASHER, LOCK,
4	811-8020	8	BOLT, CARRIAGE, Short NK, M8 x 20, CI8.8, Full Thd,
5	80411583	2	HOLDER,
2	89706690	8	NUT, M8, CI 8,

INITIAL STOCKING LIST
ELENCO DI STOCCAGGIO INIZIALE
LISTE DU STOCK INITIAL
VERZEICHNIS DES ANFANGSBESTANDES

LISTA INICIAL DE STOCK
LISTA DE STOCK INICIAL
START-LAGERLISTE
INITIELE STOCKLIJST

Part No.		N	Description	L B X 3 3 1 S	L B X 3 3 1 P	L B X 3 3 1 R	L B X 4 2 1 S	L B X 4 2 1 R	L B X 4 3 1 S	L B X 4 3 1 R	Quantity per		Catalogue	Remarks	L i s t A	L i s t B	L i s t C
											no. of units						
											1	5					
80025808			Link, connecting			X		X		X	5	10					
80025816			Link, connecting	X	X		X		X		5	10					
80025953			Bearing			X		X		X	2	6					
80043442			Nut	X	X	X	X	X	X	X	20	40					
80054770			Bearing	X	X	X	X	X	X	X	5	15					
80100037			Nut , M10	X	X	X	X	X	X	X	10	30					
80121602			Bearing			X		X		X	2	6					
80136137			Spacer	X	X		X		X		10	30					
80165590			Link, connecting			X		X		X	5	10					
80261798			Disc	X			X		X		6	12					
80322360			Bearing	X	X		X		X		2	6					
80323327			Bearing		X						1	3					
80364908			Bearing			X		X		X	2	6					
80380420			Bolt	X	X	X	X	X	X	X	10	20					
80417722			Seal		X						1	3					
80443898			Bearing			X		X		X	2	6					
80535866			Bolt	X	X		X		X		10	30					
80536632			Shearbolt , M10x60				X	X	X	X	10	30					
83931335			Shearbolt , M10x75	X	X	X					10	30					
84000651			Relay	X	X	X	X	X	X	X	1	3					
84004348			Seal kit, density cylinder				X	X	X	X	1	3					
84004430			Knife	X	X	X					2	6					
84004486			Shim	X	X	X					5	10					
84004773			Arm	X	X	X	X	X	X	X	1	3					
84012933			Bushing, shearbolt				X	X	X	X	1	2					
84018926			Filter	X	X	X	X	X	X	X	0	1					
84019717			Link, connecting		X						2	6					
84019720			Rod	X	X	X	X	X	X	X	1	2					
84019854			Seal kit, density cylinder	X	X	X					1	3					
84021175			Spring	X	X	X	X	X	X	X	1	3					
84021485			Tie-Rod	X	X	X	X	X	X	X	1	3					
84026625			Disc	X	X	X	X	X	X	X	4	12					
84037045			Disc				X	X	X	X	4	12					
84037875			Link, connecting			X		X		X	1	2					
84038415			Chain			X		X		X	0	0					

46(01) INITIAL STOCKING LIST

сылка	Номер детали	Кол-во	Описание
80025808			AR LINK, CHAIN,
80025816			AR LINK, OFFSET,
80025953			AR BEARING, BALL,
80043442			AR NUT, LOCK, M8 x 1.25, CI 8,
80054770			AR BEARING, BALL, SHEAR BOLT
80100037			AR NUT, LOCK, M10 x 1.5, CI 8,
80121602			AR BEARING, BALL,
80136137			AR SPACER,
80165590			AR LINK, CONNECTING,
80261798			AR DISC,
80322360			AR BEARING, BALL,
80323327			AR BEARING ASSY,
80364908			AR BEARING ASSY,
80380420			AR BOLT, 10A
80417722			AR SEAL, 25A
80443898			AR BEARING, BALL,
80535866			AR BOLT,
80536632			AR BOLT,
83931335			AR BOLT, Hex, M10 x 75, 8.8,
84000651			AR RELAY,
84004348			AR KIT, SEALS, DENSITY CYLINDER
84004430			AR KNIFE, DENSITY CYLINDER
84004486			AR SHIM,
84004773			AR ARM, 5M
84012933			AR BUSHING, SHEAR BOLT, No.2
84018926			AR FILTER, No.3
84019717			AR LINK, CHAIN, No.7
84019720			AR ROD,
84019854			AR KIT, SEALS,
84021175			AR SPRING,
84021485			AR TIE-ROD,
84026625			AR DISC,
84037045			AR DISC, CLUTCH,
84037875			AR LINK, CHAIN,
84038415			AR CHAIN,

INITIAL STOCKING LIST
ELENCO DI STOCCAGGIO INIZIALE
LISTE DU STOCK INITIAL
VERZEICHNIS DES ANFANGSBESTANDES

LISTA INICIAL DE STOCK
LISTA DE STOCK INICIAL
START-LAGERLISTE
INITIELE STOCKLIJST

BIG BALER		L B X 3 3 1 S	L B X 3 3 1 P	L B X 3 3 1 R	L B X 4 2 1 S	L B X 4 2 1 R	L B X 4 3 1 S	L B X 4 3 1 R	Quantity per		Catalogue Ref.	Remarks	L i s t A	L i s t B	L i s t C
									no. of units						
									1	5					
Part No.	N	Description													
84038524				X	X	X			2	6					
84039341			X						1	3					
84041862			X	X	X	X	X		2	6					
84041936				X	X	X			1	3					
84042300			X						4	12		Silage & Straw, slotted hole			
84043389		X	X	X					4	12					
84043787			X						2	6					
84043973				X	X		X		2	6					
84806599		X	X	X	X	X	X	X	1	3					
84807327		X	X	X	X	X	X	X	1	3					
84806601		X	X	X	X	X	X	X	1	3					
84807173		X	X	X	X	X	X	X	1	3					
84806594		X	X	X	X	X	X	X	1	3					
84053769			X						2	6					
84056426			X						4	12		For Silage only, 2 holes			
84056505				X	X		X		2	6					
84056883				X	X		X		2	6					
84056924		X	X	X	X	X	X	X	1	3					
84058012		X	X				X		1	3					
84058279		X	X	X					1	3					
84058691				X	X		X		0	0					
84058743				X	X		X		0	0					
84058863		X	X	X	X	X	X	X	1	3					
84058905		X	X	X	X	X	X	X	0	1					
84074264		X	X		X		X		10	30					
84607781				X	X		X		5	10					
84074874		X	X	X	X	X	X	X	1	3					
84074876		X	X	X	X	X	X	X	1	3					
84078520		X	X	X	X	X	X	X	1	3					
84078760		X	X	X	X	X	X	X	1	3					
84100298		X	X	X	X	X	X	X	1	2					
84100299		X	X	X	X	X	X	X	1	2					
84320044		X	X	X	X	X	X	X	1	2					
84320124			X						1	2					
84400458					X	X	X	X	1	3					
84400463					X	X	X	X	1	3					
84400465		X	X	X					1	3					
84429451		X	X	X	X	X	X	X	1	2					
84429747		X	X	X	X	X	X	X	1	3					
84429787		X	X	X	X	X	X	X	1	3					

сылка	Номер детали	Кол-во	Описание
84038524			AR SPRING,
84039341			AR ROLLER,
84041862			AR CIRCLIP,
84041936			AR ROLLER,
84042300			AR KNIFE,
84043389			AR LINING, BRAKE,
84043787			AR PIN,
84043973			AR WASHER,
84806599			AR SPRING,
84807327			AR SPRING,
84806601			AR SPRING,
84807173			AR SPRING,
84806594			AR SPRING,
84053769			AR SPRING,
84056426			AR KNIFE,
84056505			AR KNIFE, PICK-UP
84056883			AR TINE, REEL, PICK-UP
84056924			AR ROLLER,
84058012			AR BUSHING,
84058279			AR BUSHING, SHEAR BOLT,
84058691			AR CHAIN,
84058743			CHAIN,
84058863			AR SENSOR,
84058905			AR SECTOR, TOOTHED,
84074264			AR TINE, REEL,
84607781			AR GUARD,
84074874			AR ROLLER,
84074876			AR FINGER,
84078520			AR FILTER, ELEMENT,
84078760			AR SENSOR,
84100298			AR FUSE,
84100299			AR FUSE,
84320044			AR FUSE,
84320124			AR CHAIN,
84400458			AR KNIFE,
84400463			AR KNIFE,
84400465			AR KNIFE,
84429451			AR FUSE,
84429747			AR CAM,
84429787			AR CAM,

INITIAL STOCKING LIST
ELENCO DI STOCCAGGIO INIZIALE
LISTE DU STOCK INITIAL
VERZEICHNIS DES ANFANGSBESTANDES

LISTA INICIAL DE STOCK
LISTA DE STOCK INICIAL
START-LAGERLISTE
INITIELE STOCKLIJST

BIG BALER		L	L	L	L	L	L	L	Quantity per no. of units		Catalogue Ref.	Remarks	L	L	L
		B	B	B	B	B	B	B					A	B	C
Part No.	N	Description	S	P	R	S	R	S	R	1	5				
84429814		Slide guide	X	X	X	X	X	X	X	5	10				
84607245		Insert	X	X	X	X	X	X	X	1	3				
84607550		Guide	X	X	X	X	X	X	X	2	4				
84607815		Guard, pick-up	X	X		X		X		5	10				
86511478		Screw	X	X	X	X	X	X	X	2	4				
86523197		Sensor	X	X	X	X	X	X	X	0	1				
86537460		Link, connecting	X	X		X		X		2	6				
89837806		Bearing	X	X	X	X	X	X	X	1	3				
89837842		Bearing	X	X		X		X		1	3				
89837867		Sprocket, driven	X	X		X		X		1	3				
89837879		Chain	X	X		X		X		1	2				
89837965		Chain	X	X		X		X		1	2				
89837966		Chain	X	X		X		X		1	2				
89837969		Sprocket, driven	X	X		X		X		1	3				
89837987		Guide	X	X	X	X	X	X	X	1	3				
89838081		Roller	X	X	X	X	X	X	X	2	6				
89838082		Shim				X	X	X	X	2	5				
89838083		Shim	X	X	X	X	X	X	X	2	5				
89838085		Knife	X	X	X	X	X	X	X	2	6				
89838095		Knife				X	X	X	X	2	6				
89838230		Needle	X	X	X	X	X	X	X	1	3				
89838235		Screw	X	X	X	X	X	X	X	10	30				
89838236		Roller	X	X	X	X	X	X	X	4	12				
89838237		Screw	X	X	X	X	X	X	X	10	30				
89838359		Spring	X	X	X	X	X	X	X	1	3				
89838365		Seal	X	X	X	X	X	X	X	1	2				
89838366		Roller	X	X	X	X	X	X	X	1	3				
89838773		Disc	X	X	X	X	X	X	X	2	6				
89838783		Cam	X	X	X	X	X	X	X	1	3				
89838789		Bill hook	X	X	X	X	X	X	X	1	3				
89838790		Pin	X	X	X	X	X	X	X	10	30				
84807302		Kit repair	X	X	X	X	X	X	X	1	2				
89838791		Tongue, bill hook	X	X	X	X	X	X	X	1	3				
89838802		Roller	X	X	X	X	X	X	X	2	6				
89838803		Knife	X	X	X	X	X	X	X	5	15				
89838813		Gear	X	X	X	X	X	X	X	1	3				
89838815		Gear	X	X	X	X	X	X	X	1	3				
89838834		Shim	X	X	X	X	X	X	X	5	10				
89838862		Spring	X	X	X	X	X	X	X	5	10				
89839358		Chain	X			X		X		1	2				

сылка	Номер детали	Кол-во	Описание
84429814			AR BUSHING, GUIDE,
84607245			AR INSERT,
84607550			AR GUIDE,
84607815			AR GUARD,
86511478			AR BOLT, Hex Serr Flg, M8 x 16,
86523197			AR SENSOR,
25194			AR LINK, CONNECTING,
89837806			AR BEARING ASSY,
89837842			AR BEARING ASSY,
89837867			AR SPROCKET, DRIVEN,
89837879			AR CHAIN,
89837965			AR CHAIN,
89837966			AR CHAIN, LH
89837969			AR SPROCKET, DRIVEN,
89837987			AR GUIDE,
89838081			AR ROLLER,
89838082			AR SHIM,
89838083			AR SHIM,
89838085			AR KNIFE,
89838095			AR KNIFE,
89838230			AR NEEDLE,
89838235			AR SCREW,
89838236			AR ROLLER,
89838237			AR SCREW,
89838359			AR SPRING,
89838365			AR GASKET,
89838366			AR ROLLER,
89838773			AR DISC, UPPER
89838783			AR CAM, LOWER
89838789			AR BILL HOOK,
89838790			AR PIN,
84807302			AR KIT, REPAIR,
89838791			AR BILL HOOK,
89838802			AR ROLLER,
89838803			AR KNIFE,
89838813			AR GEAR,
89838815			AR GEAR,
89838834			AR SHIM, TONGUE
89838862			AR SPRING,
89839358			AR CHAIN,

INITIAL STOCKING LIST
 ELENCO DI STOCCAGGIO INIZIALE
 LISTE DU STOCK INITIAL
 VERZEICHNIS DES ANFANGSBESTANDES

LISTA INICIAL DE STOCK
 LISTA DE STOCK INICIAL
 START-LAGERLISTE
 INITIELE STOCKLIJST

Part No.		N	Description	L	L	L	L	L	L	L	Quantity per no. of units	Catalogue Ref.	Remarks	L i s t A	L i s t B	L i s t C
				B	B	B	B	B	B	B						
89847572			Finger	X		X		X		X	10	30				

--	--	--	--	--	--	--	--	--	--	--	--	--	--	--	--	--

LBX421S BIG RECTANGULAR BALER (6/01-)

46C(01) INITIAL STOCKING LIST

сылка	Номер детали	Кол-во	Описание
89847572	AR TINE,		

