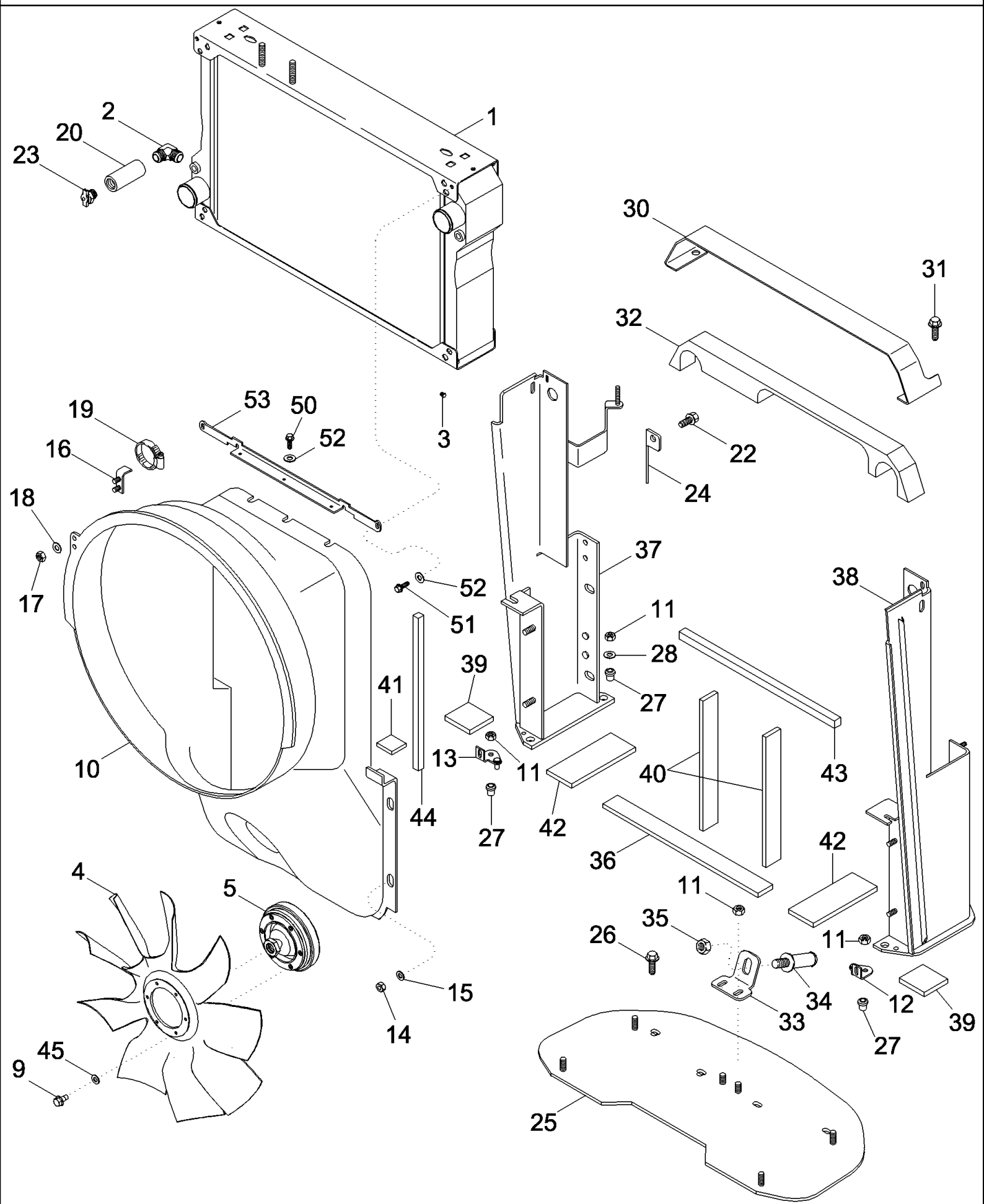


02-01 RADIATOR AND FAN SHROUD



MAGNUM 335 CASE IH TRACTOR (NA)

02-01 RADIATOR AND FAN SHROUD

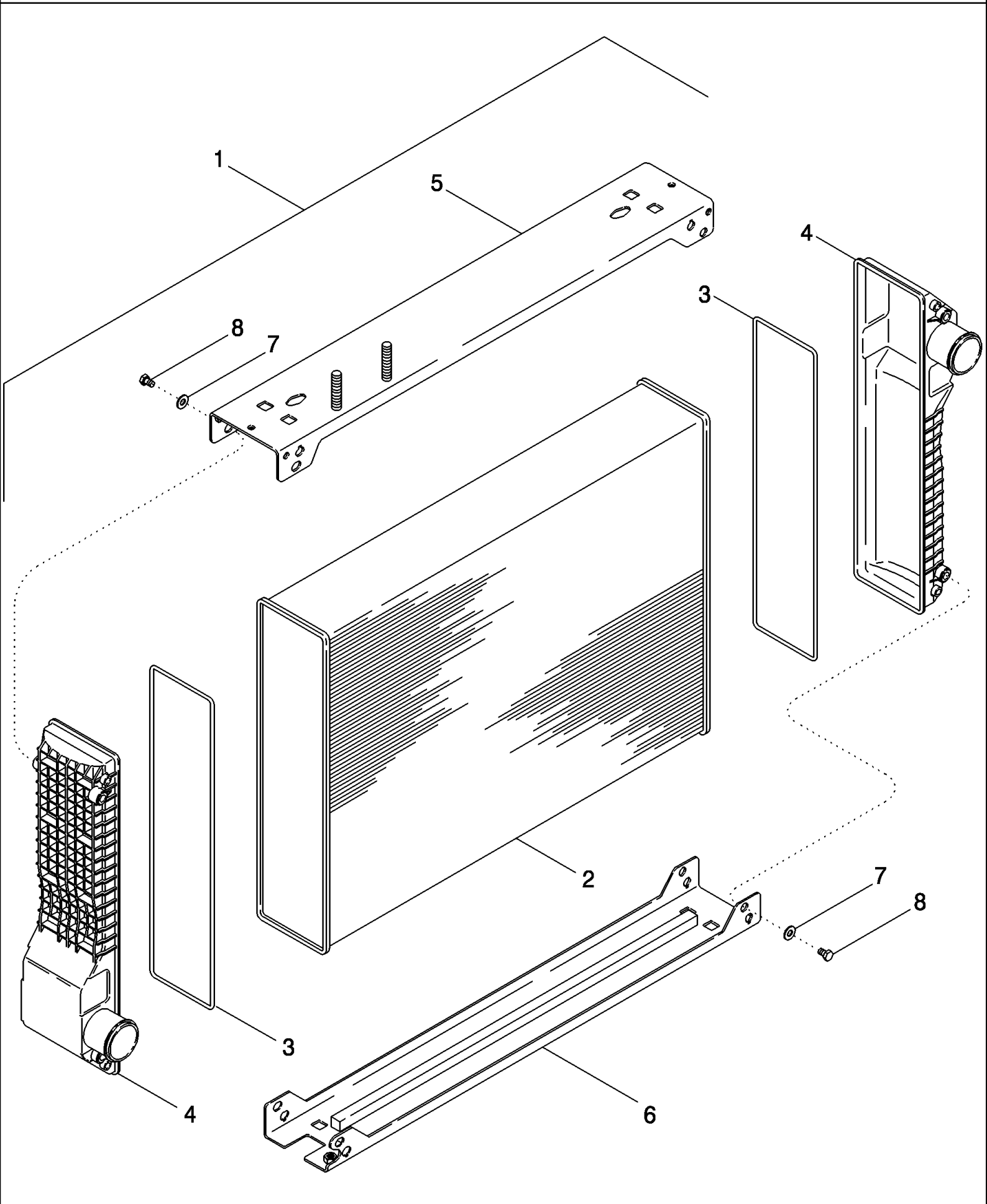
сылка	Номер детали	Кол-во	Описание
1	REF	1	INSTRUCTION, Radiator Assy, See Figure 02-02
2	217-1225	1	ELBOW, 90°, 1/4"-18 Male,
3	86568834	1	PLUG, Hex Hd, 1/4"-18 NPTF,
4	87445032	1	FAN, 8 Blade, 127 mm ID, Standard Performance, MX215, 245, 275, 305, Magnum 215, 245, 275 and 305
4	87446914	1	FAN, 8 Blade, 711 mm, ECS, Magnum 335
5	87446414	1	DRIVE ASSY., Viscous, Standard Performance, MX215, 245, 275, 305, Magnum 215, 245, 275 and 305
5	87583618	1	FAN, , Magnum 335
9	555-1	6	BOLT, Hex Flg, M8 x 16, 8.8,
10	87357057	1	SHROUD, Fan
11	825-2410	6	NUT, M10 x 1.5, Flg, CI 8,
12	87443609	1	BRACKET, Right Hand
13	87443611	1	BRACKET, Left Hand
14	895-25008	4	WASHER, M8 x 20 x 1.6,
15	825-2408	4	NUT, M8 x 1.25, Flg, CI 8,
16	87438422	1	BRACKET, Shroud To Tube, Standard Performance
17	829-1406	2	NUT, M6, CI 10,
18	895-11006	2	WASHER, M6,
19	214-3248	1	CLAMP, HOSE, 2.25/3.125 HD Worm, W/liner,
20	87350039	1	TUBE,
22	555-1	1	BOLT, Hex Flg, M8 x 16, 8.8,
23	217-103	1	COCK, DRAIN, 1/4 PT, BSN Z6RZ04908
23	217-92	1	COCK, DRAIN, 1/4 PT, ASN Z6RZ04908
24	87313142	1	BRACKET, Oil Cooler Hinge
25	87367856	1	SUPPORT, Cooling System
26	844-12025	4	BOLT, Hex Flg, M12 x 25, 8.8,
27	434177A1	4	ISOLATOR,
28	495-81148	2	WASHER, 7/16" x 1 1/4" x .134",
29	844-8025	4	BOLT, Hex Flg, M8 x 25, 8.8,
30	87340498	1	BRACKET,
31	844-8025	5	BOLT, Hex Flg, M8 x 25, 8.8,
32	87456357	1	SEAL, Air Duct
33	87312069	1	PLATE, STRIKER, Hood Latch
34	301081A1	1	SCREW, Hood Latch
35	825-2412	1	NUT, M12 x 1.75, Flg, CI 8,
36	87356125	1	SEAL, Bottom Plate
37	87621948	1	SUPPORT, Left Hand
38	87621960	1	SUPPORT, Right Hand
39	87456329	2	SEAL, Side Posts
40	87356358	2	SEAL, Charge Air Cooler Side
41	87438831	2	SEAL, Shroud
42	87356126	2	SEAL, Side Posts
43	87356124	1	SEAL, Radiator, Charge Air Cooler
44	87356123	2	SEAL, Radiator To Shroud
44	87390684	2	SEAL, Radiator To Shroud

MAGNUM 335 CASE IH TRACTOR (NA)

02-01 RADIATOR AND FAN SHROUD

сылка	Номер детали	Кол-во	Описание
45	496-11034	6	WASHER, 11/32" x 11/16" x 1/16", HDN,
50	844-8025	3	BOLT, Hex Flg, M8 x 25, 8.8,
51	844-8020	2	BOLT, Hex Flg, M8 x 20, 8.8,
52	895-25008	5	WASHER, M8 x 20 x 1.6,
53	87454889	1	BRACKET,

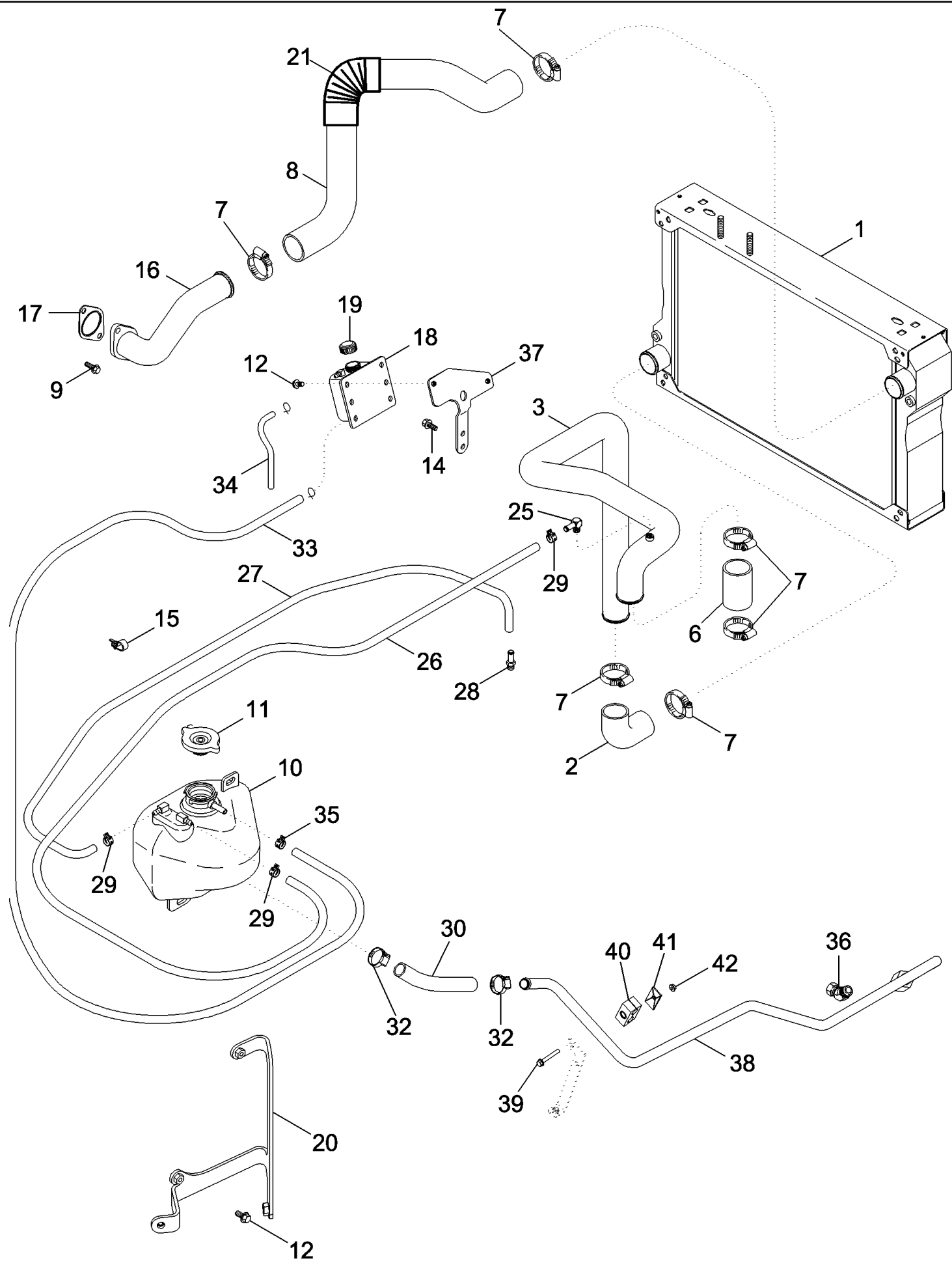
02-02 RADIATOR ASSEMBLY



MAGNUM 335 CASE IH TRACTOR (NA)

02-02 RADIATOR ASSEMBLY

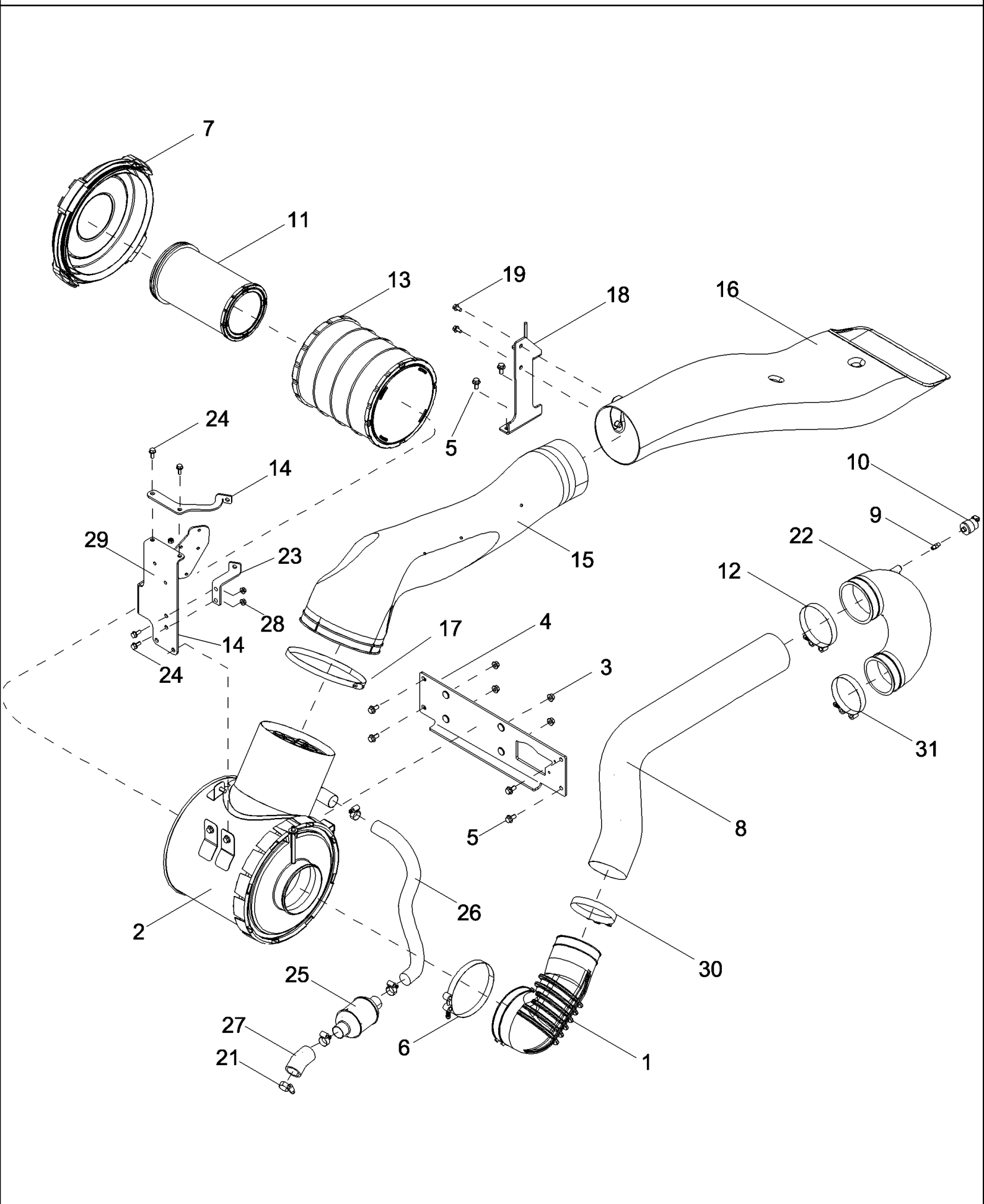
сылка	Номер детали	Кол-во	Описание
1	87390681	1	RADIATOR, 4 Row, Inc. 2 - 8, MX215, MX245, Magnum 215 and 245
1	87390680	1	RADIATOR, 5 Row, Inc. 2 - 8, MX275 and Magnum 275
2	NSS	1	NOT SERVICED SEPARATELY, CORE
3	87441598	2	GASKET,
4	87454646	2	TANK,
5	87313451	1	CHANNEL, Top
6	87390682	1	CHANNEL, Bottom
7	895-15008	8	WASHER, M8 x 20 x 1.6,
8	614-8012	8	BOLT, Hex, M8 x 12, 8.8, Full Thd,



MAGNUM 335 CASE IH TRACTOR (NA)

02-03 DEAERATION SYSTEM

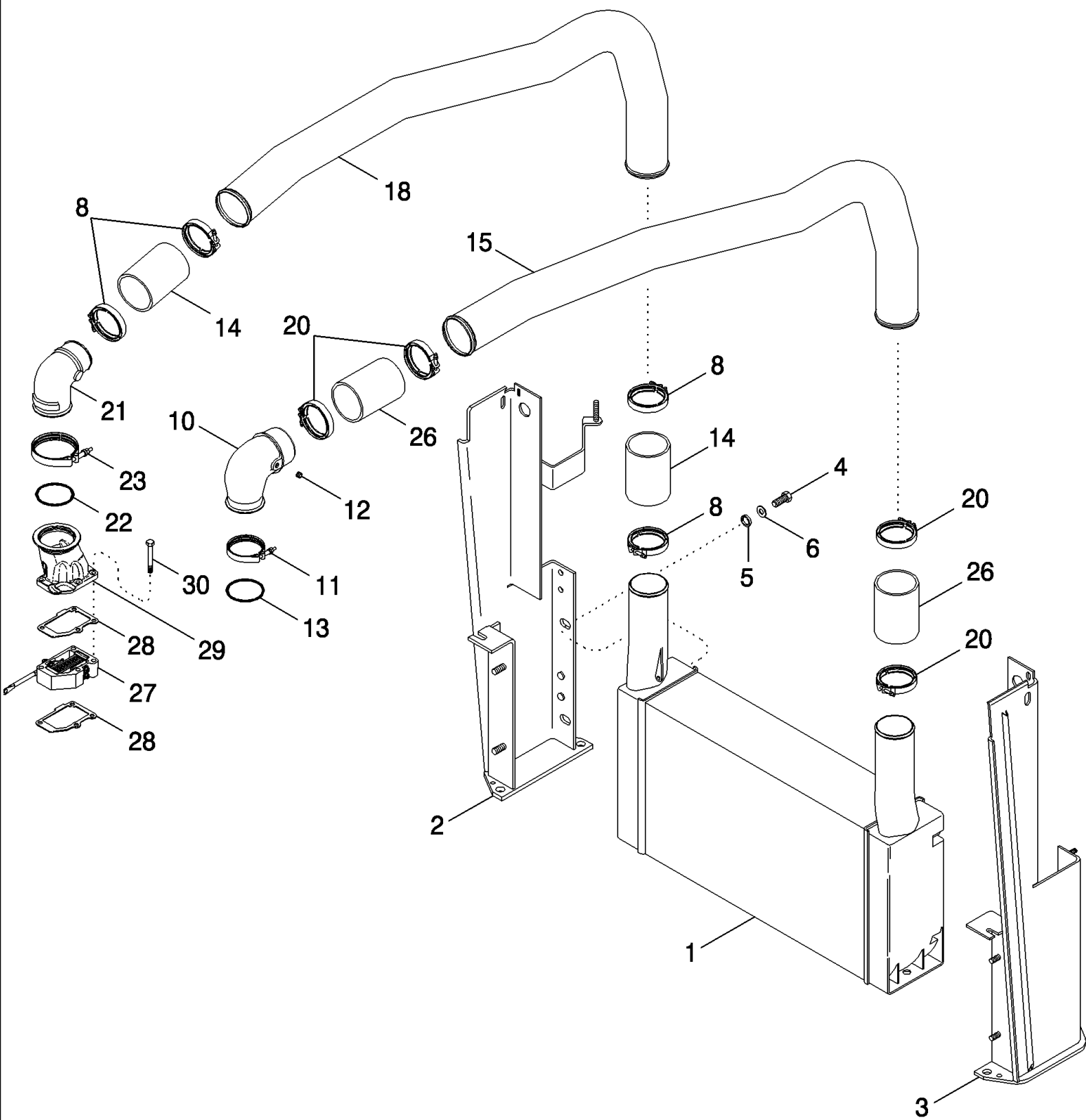
сылка	Номер детали	Кол-во	Описание
1	REF	1	INSTRUCTION, RADIATOR, See Figure 02-02
2	87381277	1	HOSE, Coolant
3	87455330	1	TUBE ASSY., Radiator
6	433405A1	1	HOSE, Radiator
7	L115548	6	CLAMP,
8	87733724	1	HOSE, Engine, Coolant Outlet, Inc. 21
9	87403515	2	BOLT, M8 x 20; 8.8
10	87413715	1	RESERVOIR, Deaeration Tank
11	A170241	1	CAP, RADIATOR, 15 psi
12	555-1	8	BOLT, Hex Flg, M8 x 16, 8.8,
14	844-12025	3	BOLT, Hex Flg, M12 x 25, 8.8,
15	87445732	3	CLAMP,
16	87430751	1	TUBE ASSY.,
17	J945603	1	GASKET,
18	L127093	1	RESERVOIR, COOLANT EXPNSN,
19	238903A1	1	CAP, FILLER,
20	87339308	1	BRACKET, Deaeration Tank
21	87733645	1	SLEEVE, Protective
25	217-130	1	ELBOW, 90°, 1/4" Hose x 1/8" NPTF Beaded,
26	87442539	1	HOSE, 6.4 ID x 1490 mm (1/4 ID x 58-21/32"), Cut From 382997C2
27	87525458	1	HOSE, 6.4 ID x 1885 mm (1/4 ID x 70-1/2"), Cut From 382997C2
28	217-154	1	FITTING, 1/4" Hose X 1/4" NPTF Beaded,
29	87589798	6	CLAMP, HOSE, 0.5"
30	87395776	1	HOSE, Deaeration Tank to Engine, 249 mm (9.8"), Cut From 429211A1
32	214-1412	2	CLAMP, HOSE, #12, 0.69/1.25 Type F Worm,
33	87338147	1	HOSE, 6.4 ID x 2225 mm (1/4 ID x 87-5/8"), Cut From 382997C2
34	242070A1	1	HOSE,
35	214-1308	1	CLAMP, HOSE, #8, 1/2", Spring,
36	218-446	1	CONNECTOR, HYD., 1 1/16"-12, 37° x 3/4"-14, NPTF,
37	87381548	1	BRACKET, Coolant Recovery Bottle
38	87746650	1	TUBE,
39	844-8060	1	BOLT, Hex Flg, M8 x 60, 8.8,
40	118576A1	1	CLAMP,
41	1347127C1	1	PLATE, Clamp
42	825-2408	1	NUT, M8 x 1.25, Flg, Cl 8,



MAGNUM 335 CASE IH TRACTOR (NA)

02-04 AIR INDUCTION SYSTEM - STANDARD DUTY

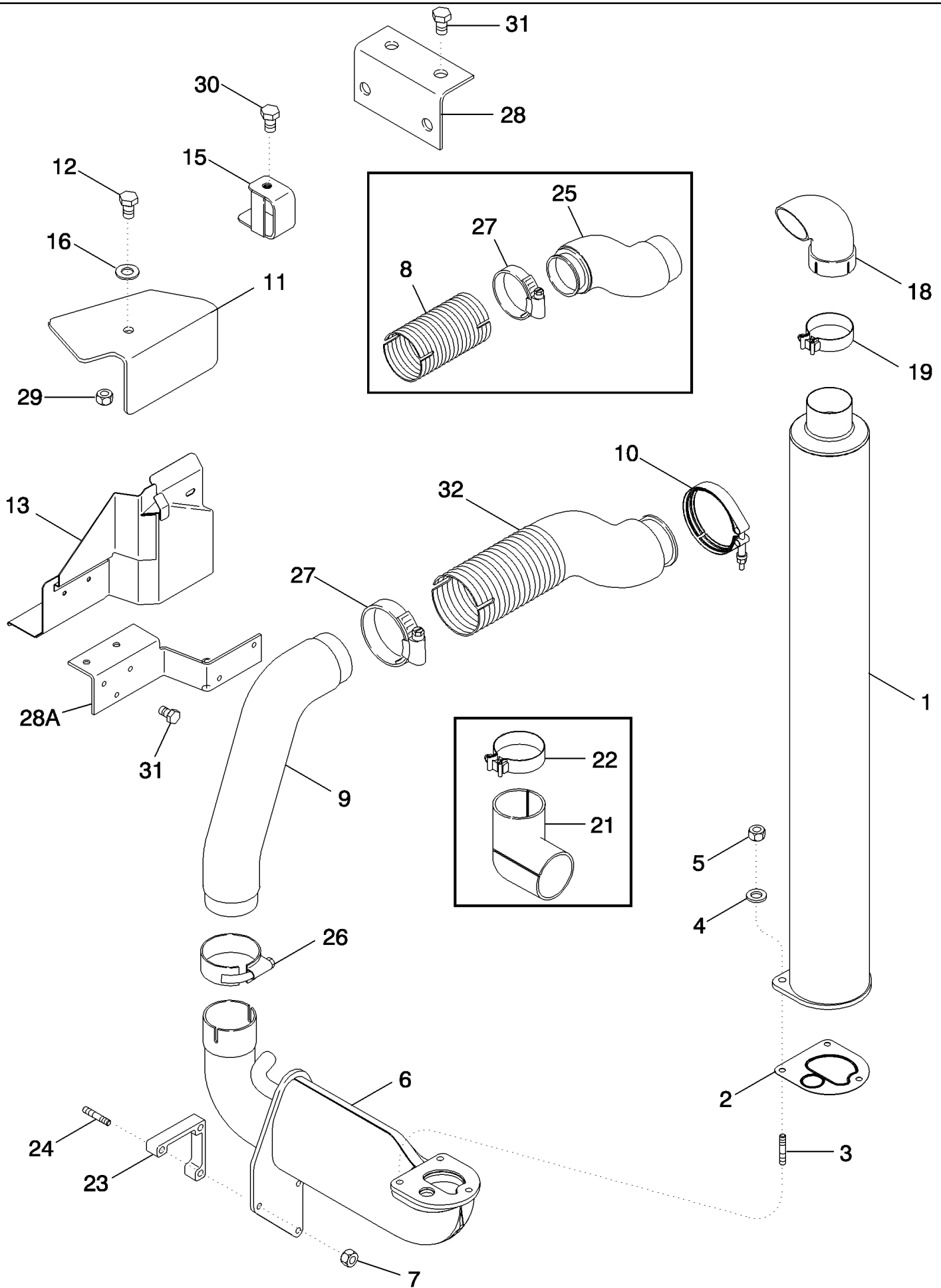
сылка	Номер детали	Кол-во	Описание
1	87384983	1	DUCT, AIR,
2	87741565	1	AIR CLEANER,
3	829-2410	4	NUT, M10 x 1.5, Flg, CI 10,
4	84129982	1	BRACKET,
5	844-10020	9	BOLT, Hex Flg, M10 x 20, 8.8,
6	87656134	1	CLAMP, HOSE,
7	87749710	1	COVER,
8	87357981	1	TUBE ASSY., , BSN Z6RZ05420
8	87547220	1	TUBE ASSY., , ASN Z6RZ05420
9	217-1079	1	CONNECTOR, HYD., 1/8"-27 NPTF,
10	279492A1	1	SWITCH, RESTRICTION,
11	87741569	1	FILTER, AIR, Secondary
12	87652892	1	CLAMP,
13	87741560	1	FILTER, AIR, Primary
14	87746902	1	BRACKET, Deaeration Bottle, Upper
15	87335608	1	TUBE,
16	87307977	1	DUCT, AIR,
17	87562289	1	CLAMP,
18	87441640	1	BRACKET,
19	844-8020	2	BOLT, Hex Flg, M8 x 20, 8.8,
20	87443700	1	HOSE, , BSN Z6RZ03563
21	214-1424	2	CLAMP, HOSE, #24, 1.06/2.00 Type F Worm, , BSN Z6RZ03563
21	214-1424	4	CLAMP, HOSE, #24, 1.06/2.00 Type F Worm, , ASN Z6RZ03563
22	87357621	1	HOSE, Air Cleaner to Turbo, BSN Z7RZ03901
22	87651295	1	HOSE, Air Cleaner to Turbo, ASN Z7RZ03901
23	87746903	1	BRACKET, Deaeration Bottle, Lower
24	9804258	4	BOLT, Hex Flg, M8 x 20, 8.8,
25	284427A1	1	VALVE, Aspirator Check, ASN Z6RZ03563
26	414194A1	1	HOSE, Aspirator, Upper, ASN Z6RZ03563
27	87525734	1	HOSE, Aspirator, Lower, ASN Z6RZ03563
28	825-2408	2	NUT, M8 x 1.25, Flg, CI 8,
29	84129984	1	BRACKET,
30	87656133	1	CLAMP, HOSE,
31	87652891	1	CLAMP,



MAGNUM 335 CASE IH TRACTOR (NA)

02-05 AFTERCOOLER

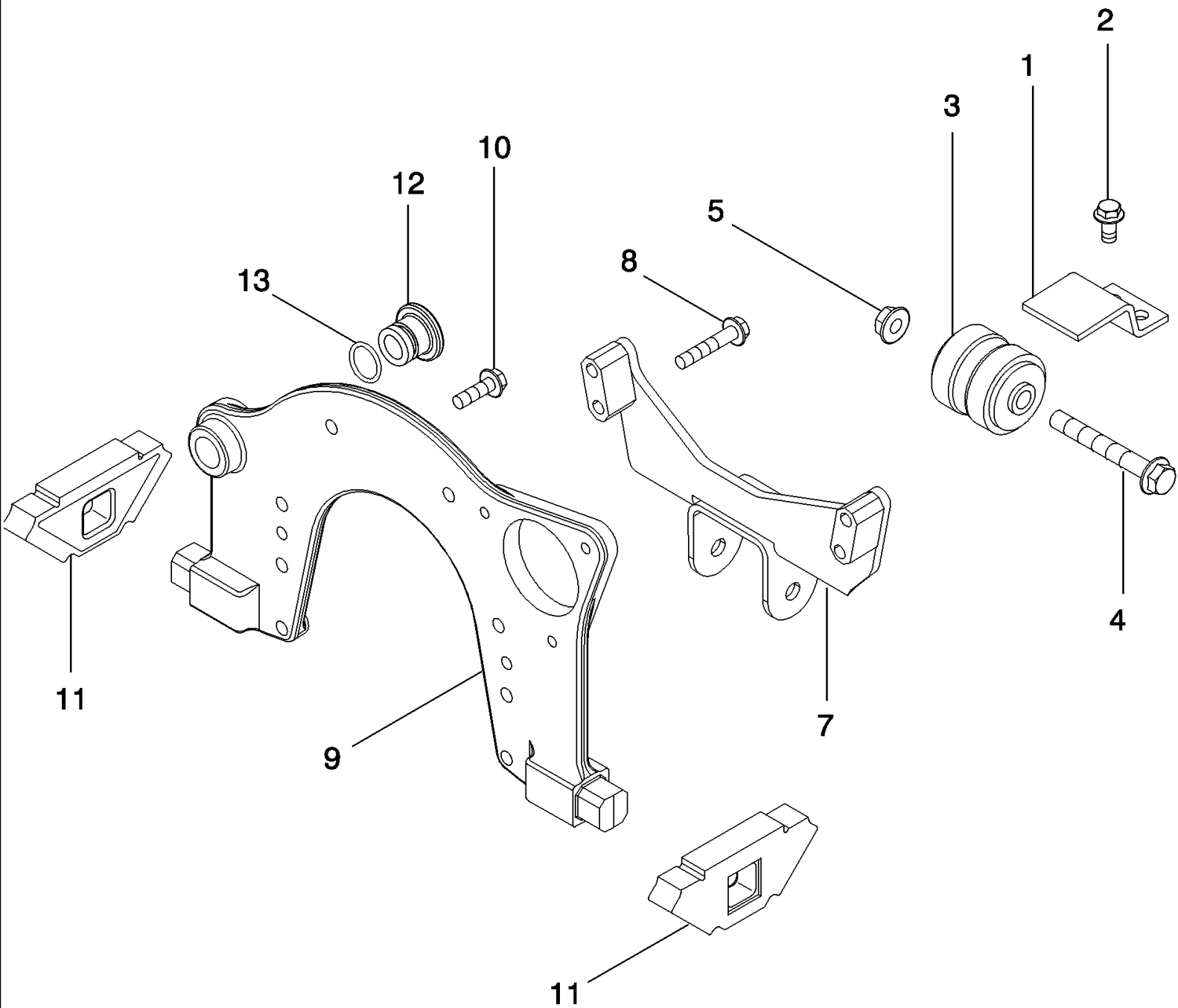
сылка	Номер детали	Кол-во	Описание
1	87307279	1	HEAT EXCHANGER, Air to Air
2	87621948	1	SUPPORT, Left Hand
3	87621960	1	SUPPORT, Right Hand
4	614-10025	4	BOLT, Hex, M10 x 25, 8.8, Full Thd,
5	87456528	4	TUBE SPACER,
6	495-81148	8	WASHER, 7/16" x 1 1/4" x .134",
8	352198A1	4	CLAMP, Hose
10	J918685	1	PIPE,
11	J883284	1	O-RING,
12	J008465	1	PLUG,
13	J069053	1	CLAMP,
14	87454331	2	HOSE, Air to Air, Cold Side
15	87454346	1	TUBE, Turbo to Cooler, BSN Z7RW01293
15	87521309	1	TUBE, Turbo to Cooler, BTW Z7RW01293 & Z7RZ02632
15	87602983	1	TUBE, Turbo to Cooler, ASN Z7RZ02632
18	87346132	1	TUBE, Cooler to Intake Manifold, BSN Z7RW01293
18	87521022	1	TUBE, Cooler to Intake Manifold, BTW Z7RW01293 & Z7RZ02632
18	87603073	1	TUBE, Cooler to Intake manifold, ASN Z7RZ02632
20	364751A1	4	CLAMP,
21	87341882	1	ELBOW,
22	87434592	1	SEAL,
23	87434593	1	CLAMP,
26	377592A1	2	HOSE, Air to Air
27	87753829	1	HEATER, Intake Air
28	87335272	2	GASKET, Connection
29	87340026	1	CONNECTOR, MULTIPOLE,
30	845-8080	4	BOLT, Hex Flg, M8 x 80, 8.8,



MAGNUM 335 CASE IH TRACTOR (NA)

02-06 EXHAUST SYSTEM

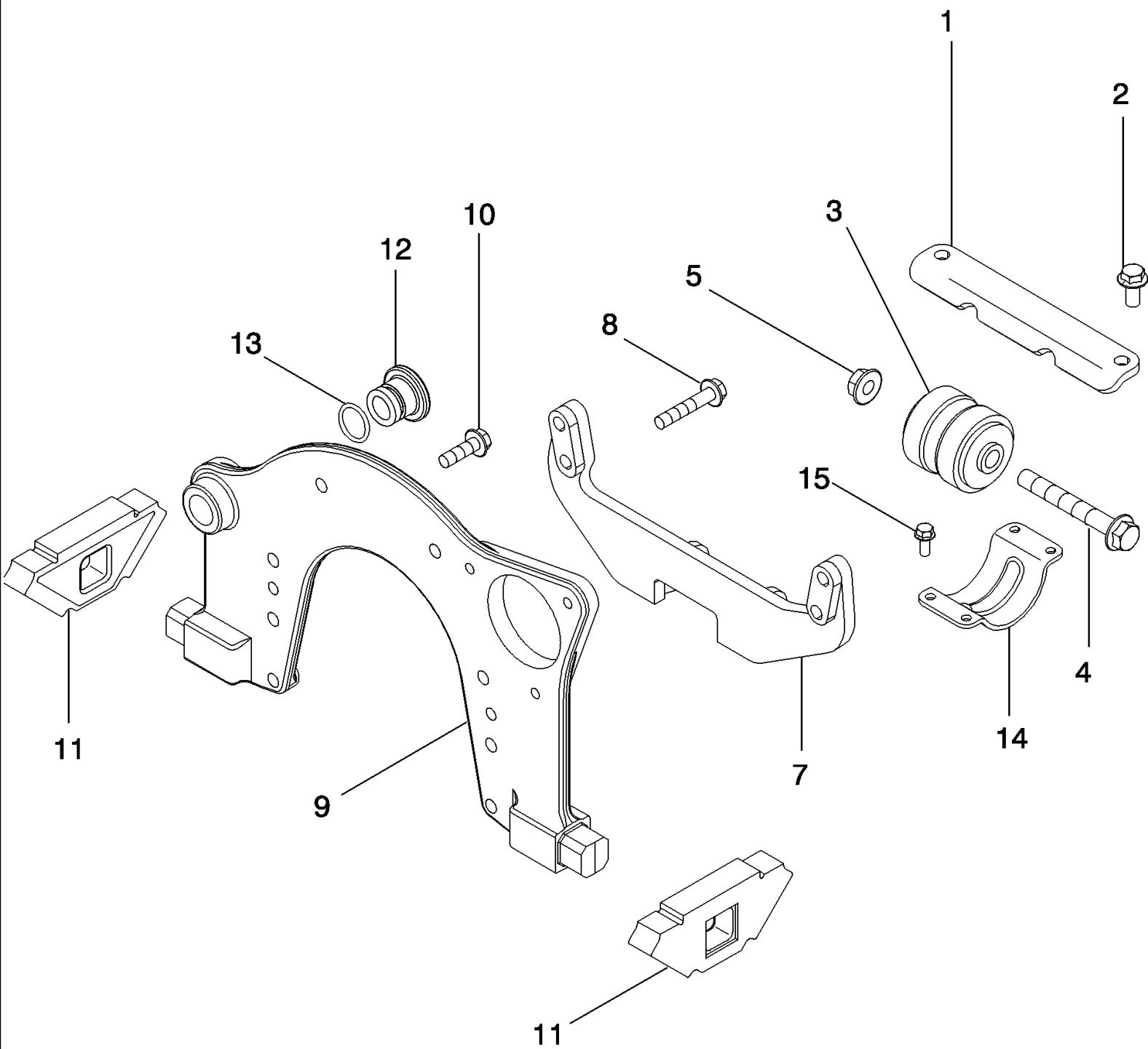
сылка	Номер детали	Кол-во	Описание
1	87369371	1	MUFFLER, Standard
1	87369363	1	MUFFLER, Spark Arrester, N.A. Only
2	226775A1	1	GASKET,
3	387795A1	3	STUD,
4	387798A1	3	WASHER,
5	387796A1	3	NUT,
6	87588155	1	SUPPORT,
7	829-2412	3	NUT, M12 x 1.75, Flg, CI 10,
8	NSS	1	NOT SERVICED SEPARATELY, HOSE, FLEXIBLE, Order REF 32 87520146 For Initial Replacement, BSN Z6RZ02856
9	87388791	1	TUBE ASSY.,
10	A170807	1	CLAMP, Includes Hardware
11	87451651	1	BRACKET, Manifold Shield
12	844-10016	1	BOLT, Hex Flg, M10 x 16, 8.8, Full Thd,
13	87615756	1	SHIELD, Turbo Heat (Shown), MX215, 245, 275, 305, Magnum 215, 245, 275 and 305
13	87715386	1	SHIELD, Turbo heat, Magnum 335
15	87615566	1	BRACKET, Heat Shield, Turbo
16	495-81120	3	WASHER, .344" x 1 1/4" x .120", , MX215, 245, 275, 305, Magnum 215, 245, 275 and 305
16	495-81120	5	WASHER, .344" x 1 1/4" x .120", , Magnum 335
18	87381922	1	EXTENSION, Exhaust
19	87449404	1	CLAMP,
21	87483050	1	INSULATION, FOAM, Exhaust
22	214-3280	2	CLAMP, HOSE, 4.25/5.125 HD Worm, W/liner,
23	87332194	1	SPACER,
24	87330610	3	STUD,
25	NSS	1	NOT SERVICED SEPARATELY, TUBE ASSY., Order REF 32 87520146 For Initial Replacement, BSN Z6RZ02856
26	87449404	1	CLAMP,
27	87427885	2	CLAMP, , BSN Z6RZ02856
27	87427885	1	CLAMP, , ASN Z6RZ02856
28	87449823	1	BRACKET, Turbo Heat Shield, MX215, 245, 275, 305, Magnum 215, 245, 275 and 305
28A	87715390	1	BRACKET, Turbo heat Shield, Magnum 335
29	825-2408	1	NUT, M8 x 1.25, Flg, CI 8,
30	844-10020	2	BOLT, Hex Flg, M10 x 20, 8.8,
31	844-8020	3	BOLT, Hex Flg, M8 x 20, 8.8, , MX215, 245, 275, 305, Magnum 215, 245, 275 and 305
31	844-8020	5	BOLT, Hex Flg, M8 x 20, 8.8, , MX215, 245, 275, 305, Magnum 215, 245, 275 and 305
32	87520146	1	TUBE ASSY., (Shown), MX215, 245, 275, 305, Magnum 215, 245, 275 and 305, ASN Z6RZ02856
32	87714128	1	TUBE ASSY., , Magnum 335



MAGNUM 335 CASE IH TRACTOR (NA)

02-07 ENGINE MOUNTING - STANDARD AXLE

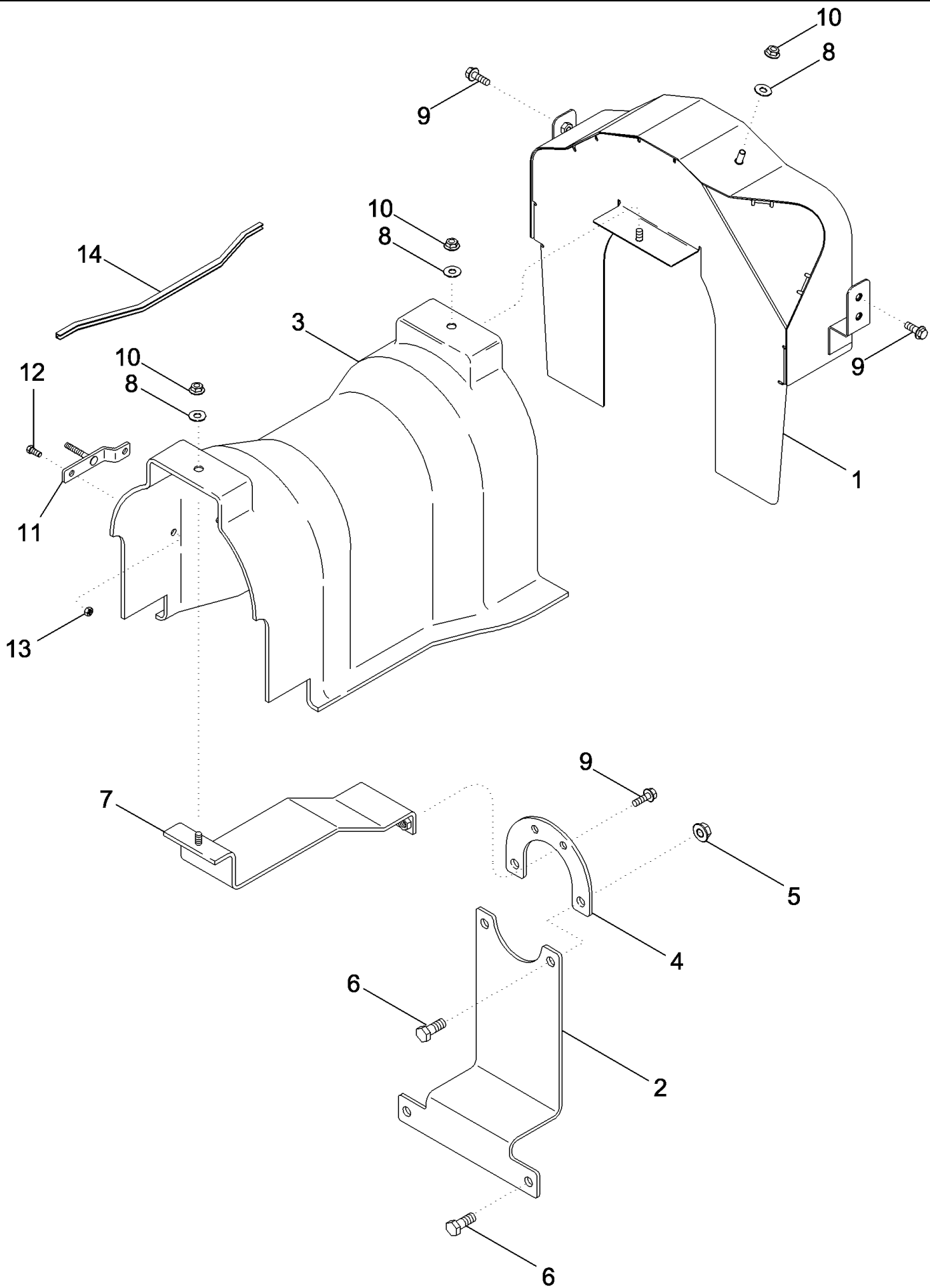
сылка	Номер детали	Кол-во	Описание
1	297527A1	1	CLAMP,
2	844-12025	2	BOLT, Hex Flg, M12 x 25, 8.8,
3	247991A1	1	SHOCK ABSORBER,
4	854-16120	1	BOLT, Hex Flg, M16 x 120, 10.9,
5	825-2416	1	NUT, M16 x 2, Flg, Cl 8,
7	87434290	1	SUPPORT,
8	854-12065	4	BOLT, Hex Flg, M12 x 65, 10.9,
9	87421749	1	BRACKET,
10	854-12040	8	BOLT, Hex Flg, M12 x 40, 10.9,
11	251991A1	2	SUPPORT,
12	J910248	1	PLUG,
13	238-5212	1	O-RING, -212, 70 Duro, .859" ID x .139" Thk,



MAGNUM 335 CASE IH TRACTOR (NA)

02-08 ENGINE MOUNTING - SUSPENDED AXLE - MAGNUM 335

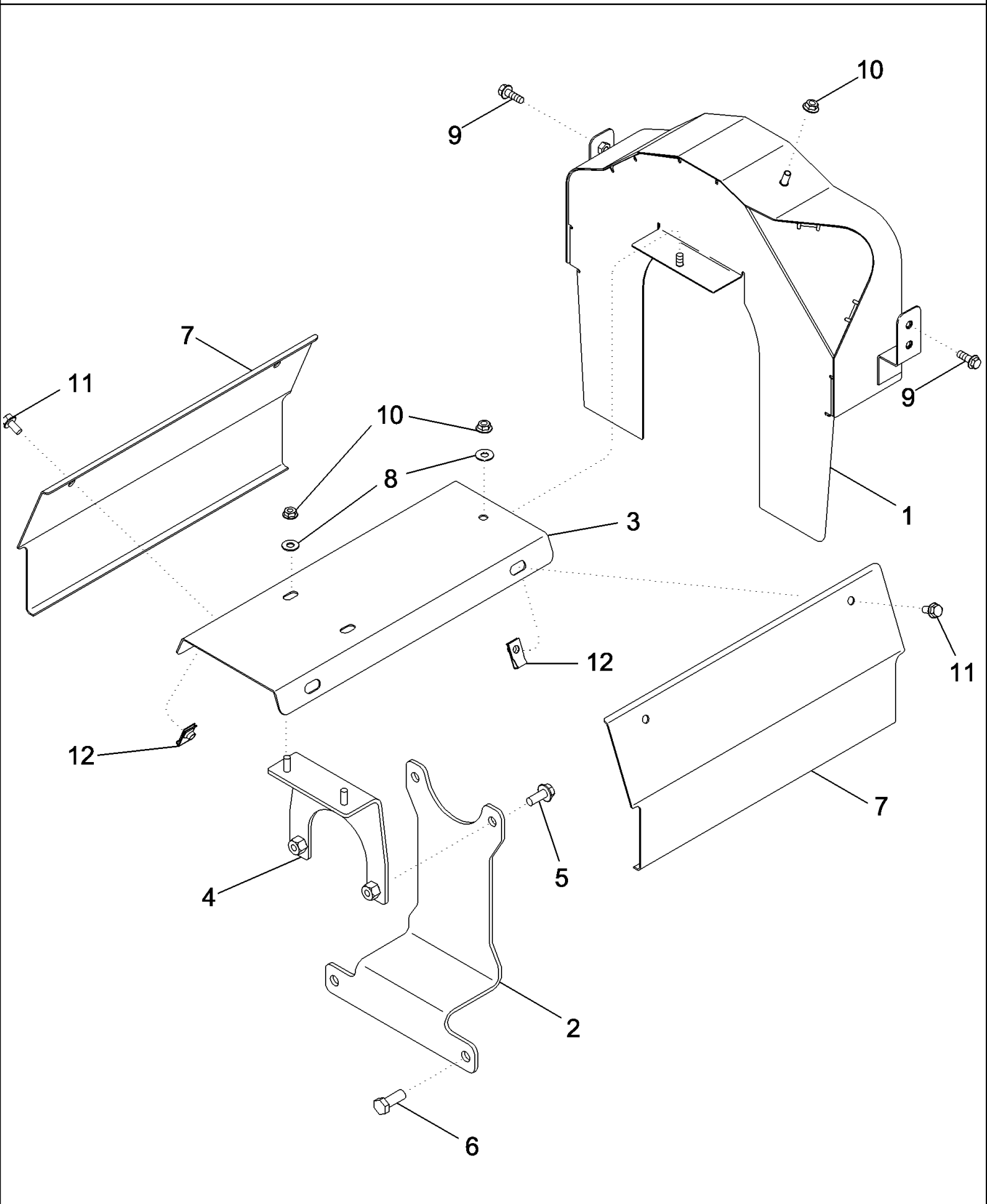
сылка	Номер детали	Кол-во	Описание
1	87387522	1	CLAMP,
2	844-12025	2	BOLT, Hex Flg, M12 x 25, 8.8,
3	247991A1	1	SHOCK ABSORBER,
4	854-16120	1	BOLT, Hex Flg, M16 x 120, 10.9,
5	825-2416	1	NUT, M16 x 2, Flg, Cl 8,
7	87387518	1	SUPPORT,
8	854-12040	4	BOLT, Hex Flg, M12 x 40, 10.9,
9	87421749	1	BRACKET,
10	854-12040	8	BOLT, Hex Flg, M12 x 40, 10.9,
11	251991A1	2	SUPPORT,
12	J910248	1	PLUG,
13	238-5212	1	O-RING, -212, 70 Duro, .859" ID x .139" Thk,
14	87387523	1	BRACKET,
15	844-8020	4	BOLT, Hex Flg, M8 x 20, 8.8,



MAGNUM 335 CASE IH TRACTOR (NA)

02-09 FLYWHEEL SHIELDS, BSN Z6RZ02948

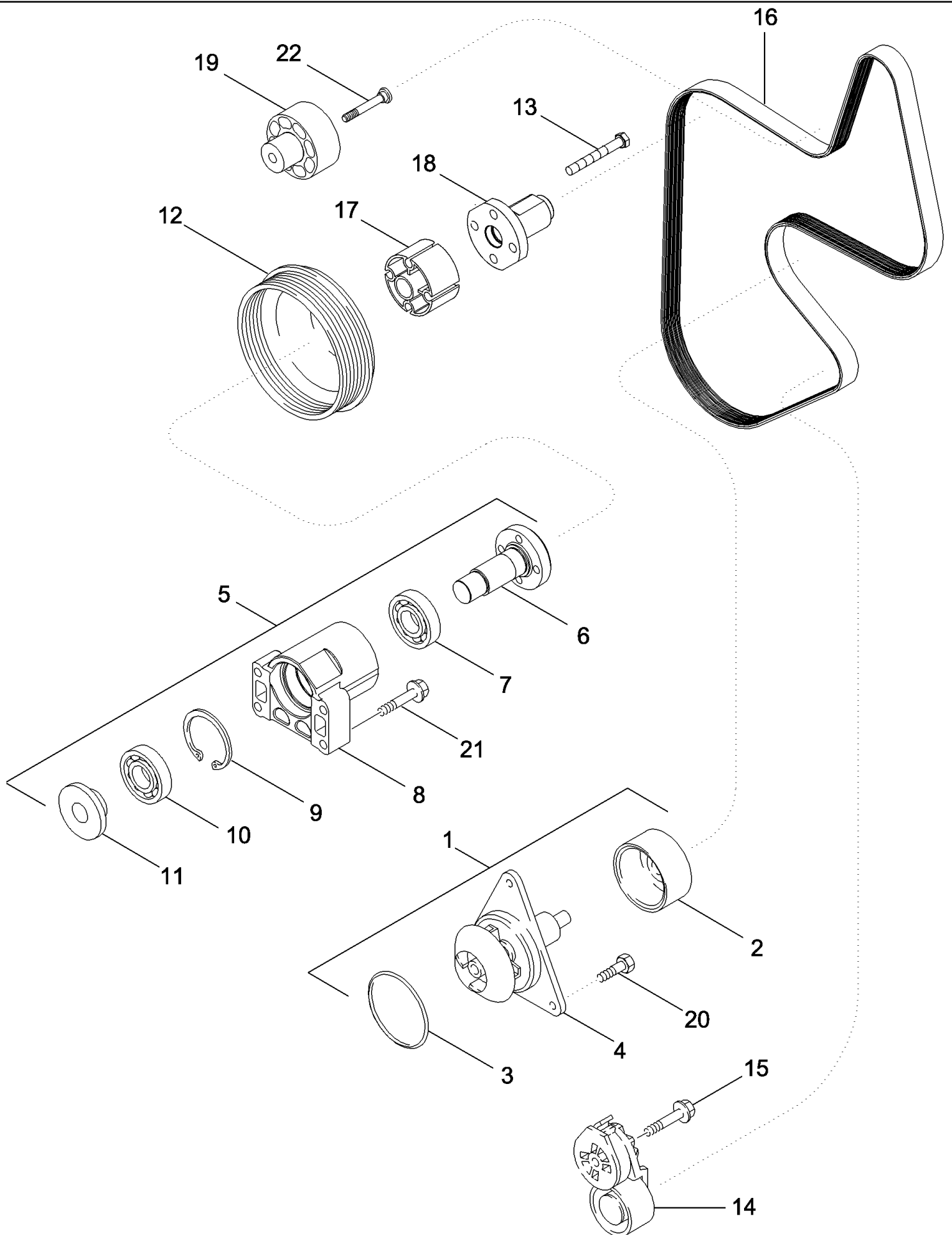
сылка	Номер детали	Кол-во	Описание
1	382150A1	1	PROTECTION PLATE,
2	382147A1	1	PROTECTION PLATE,
3	87367164	1	SHIELD,
4	87435601	1	PLATE ASSY.,
5	9804279	2	NUT, M12 x 1.75, Flg, Cl 8,
6	854-12030	4	BOLT, Hex Flg, M12 x 1.75 x 30, 10.9,
7	87435598	1	BRACKET,
8	895-15008	2	WASHER, M8 x 20 x 1.6,
9	844-8025	6	BOLT, Hex Flg, M8 x 25, 8.8,
10	825-2408	1	NUT, M8 x 1.25, Flg, Cl 8,
11	87367165	1	BRACKET,
12	844-8020	2	BOLT, Hex Flg, M8 x 20, 8.8,
13	832-10408	2	NUT, LOCK, M8 x 1.25, Cl 8,
14	87398578	1	SOFT TRIM, Edge, Black
15	87545917	1	KIT, SERVICE, Three Piece Shield Adapting, (Not Shown)



MAGNUM 335 CASE IH TRACTOR (NA)

02-10 FLYWHEEL SHIELDS, ASN Z6RZ02948

сылка	Номер детали	Кол-во	Описание
1	87522079	1	SHIELD,
2	87530413	1	BRACKET,
3	87530410	1	SHIELD,
4	87533238	1	PLATE, MOUNTING,
5	844-10025	2	BOLT, Hex Flg, M10 x 25, 8.8, Full Thd,
6	614-12030	4	BOLT, Hex, M12 x 30, 8.8,
7	87530412	2	SHIELD,
8	895-15008	3	WASHER, M8 x 20 x 1.6,
9	844-8025	4	BOLT, Hex Flg, M8 x 25, 8.8,
10	825-2408	2	NUT, M8 x 1.25, Flg, CI 8,
11	844-8016	4	BOLT, Hex Flg, M8 x 16, 8.8,
12	833-41308	4	NUT, M8, U,
13	832-10408	2	NUT, LOCK, M8 x 1.25, CI 8,

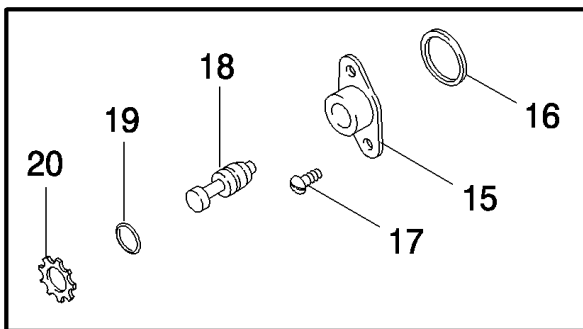
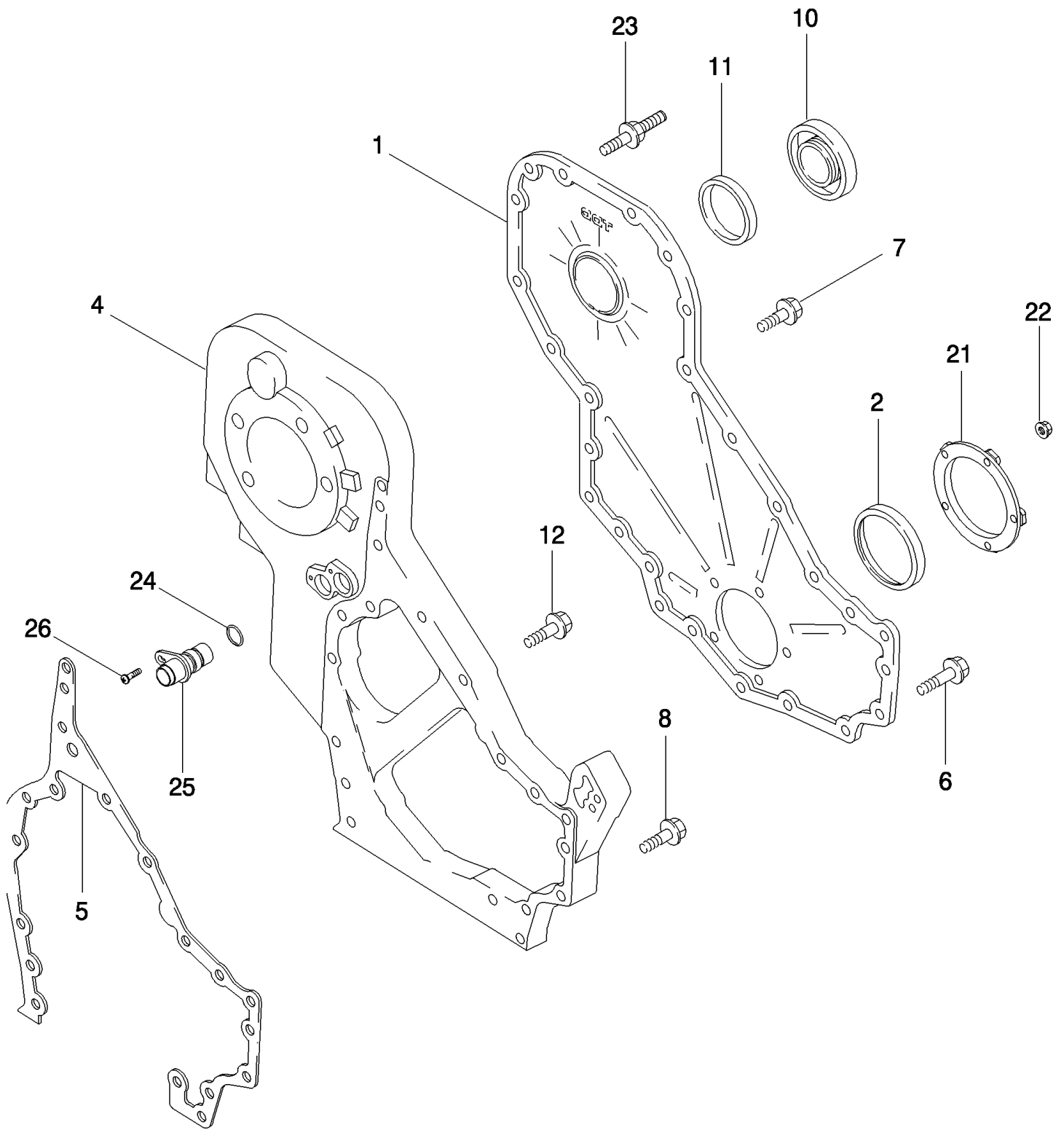


MAGNUM 335 CASE IH TRACTOR (NA)

02-11 WATER PUMP SYSTEM

сылка	Номер детали	Кол-во	Описание
1	87453208	1	PUMP, WATER, Inc. 2 - 4
2	NSS	1	NOT SERVICED SEPARATELY, PULLEY
3	238-5244	1	O-RING, -244, 70 Duro, 4.234" ID x .139" Thk,
4	NSS	1	NOT SERVICED SEPARATELY, PUMP
5	87408931	1	SUPPORT, Inc. 6 - 11
6	J934104	1	HUB,
7	NSS	1	NOT SERVICED SEPARATELY, BEARING, BALL
8	NSS	1	NOT SERVICED SEPARATELY, SUPPORT
9	100-21244	1	RING, SNAP, 2.44", Int, #244,
10	J933440	1	BEARING, BALL,
11	J931016	1	RETAINER,
12	J926855	1	PULLEY, Standard Performance
12	J914462	1	PULLEY, With Suspended Axle
13	844-10085	4	BOLT, Hex Flg, M10 x 85, 8.8,
14	87345929	1	TENSIONER, BELT,
15	J282433	1	BOLT, M10 x 85
16	87441267	1	BELT, Standard Performance, 2165 mm
16	87441268	1	BELT, With Suspended Axle, 2140 mm
17	A184546	1	SPACER,
18	87456345	1	SHAFT, Fan Adapter
19	87395364	1	PULLEY, Idler, MX215, 245, 275, 305, Magnum 215, 245, 275, and 305
19	87395363	1	PULLEY ASSY., Idler, Magnum 335
20	J934054	3	BOLT, M8 x 28
21	854-10050	4	BOLT, Hex Flg, M10 x 50, 10.9,
22	87380501	1	BOLT, M10 x 80

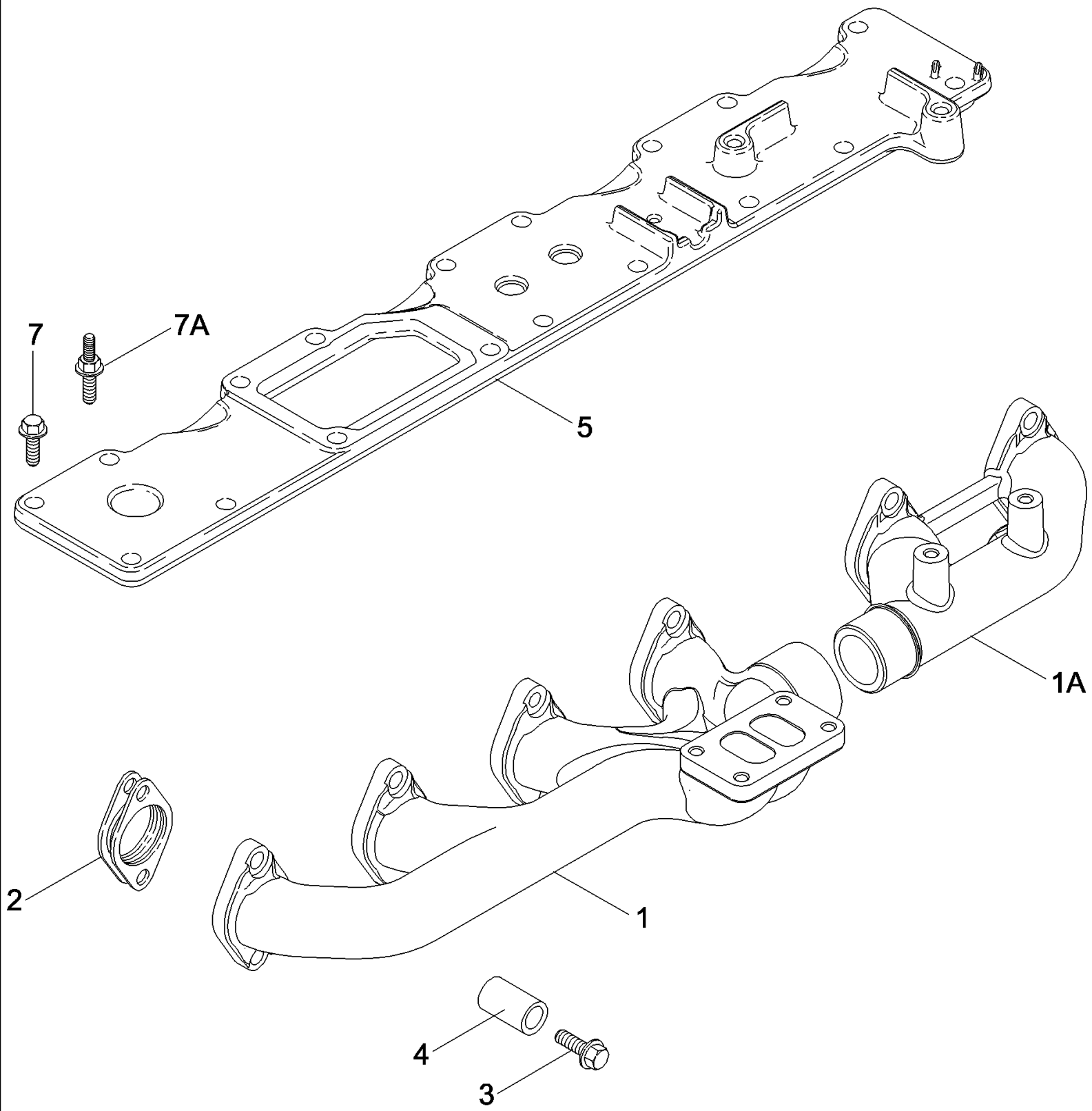
02-12 FRONT GEAR COVER



MAGNUM 335 CASE IH TRACTOR (NA)

02-12 FRONT GEAR COVER

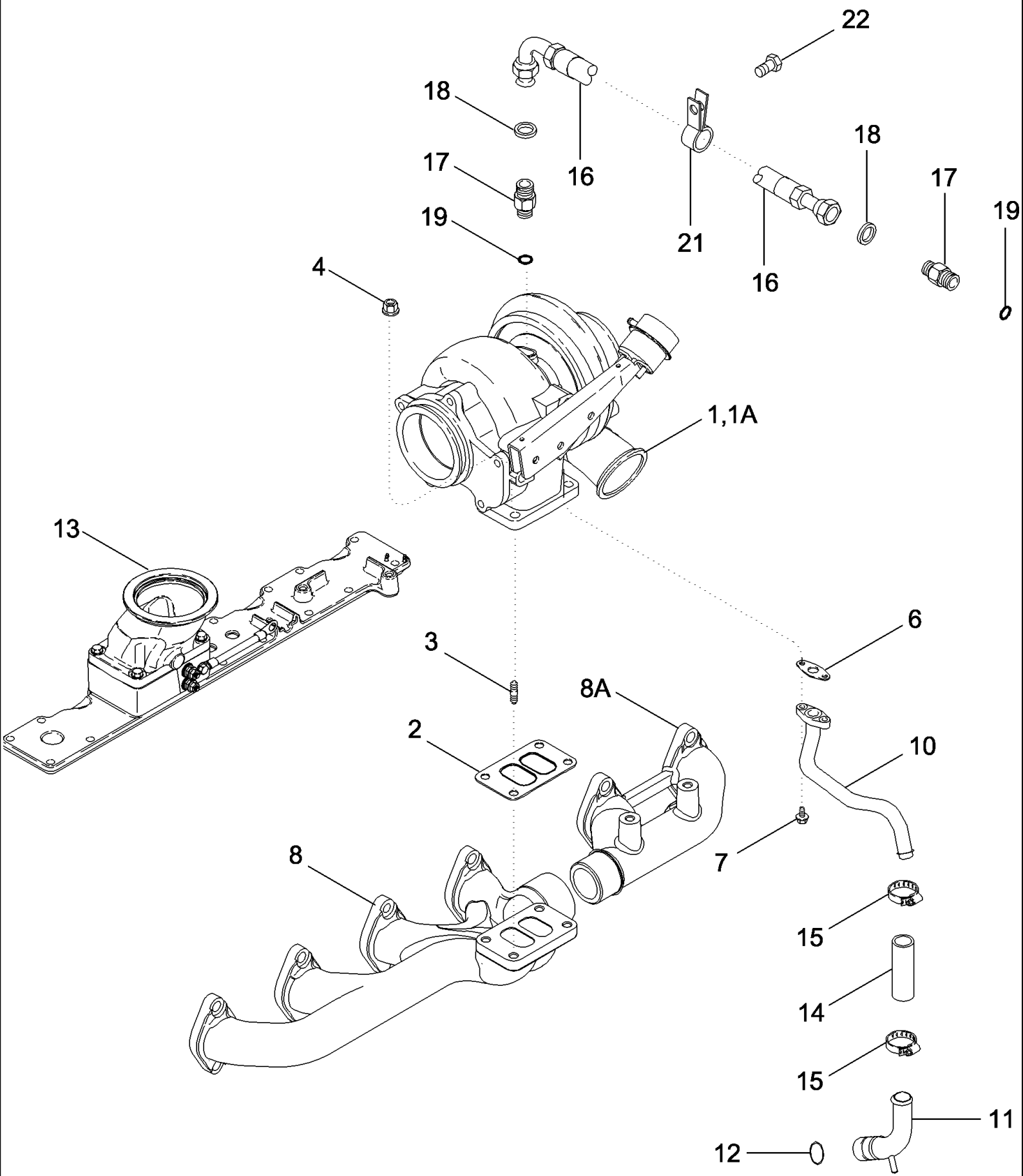
сылка	Номер детали	Кол-во	Описание
1	87340005	1	COVER,
2	NSS	1	NOT SERVICED SEPARATELY, SEAL, Order A77790, A77808
4	J945852	1	TRANSMISSION HOUSING,
5	J944293	1	GASKET,
6	J926863	11	BOLT, M8 x 50
7	845-8016	15	BOLT, Hex Flg, M8 x 16, 8.8, Full Thd,
8	J926846	3	BOLT, M8 x 20: 10.9
10	J903463	1	COVER,
11	J903475	1	SEAL,
12	J943885	2	BOLT, M8 x 40
15	J919683	1	HOUSING,
16	J915772	1	SEALRING,
17	J907998	2	SCREW, LOCK, Spc Rd Torx Hd, M5 x 17,
18	J903924	1	PIN,
19	J913994	1	O-RING,
20	100-2587	1	RING, SNAP, 0.875", Int, #87,
21	J941786	1	CARRIER,
22	87493304	5	NUT, Lock, M6
23	J921816	2	BOLT, SPECIAL,
24	87400235	1	O-RING,
25	87338343	1	PLUG,
26	845-6015	1	BOLT, Hex Flg, M6 x 15, 8.8, Full Thd,
	217-438	2	PLUG, Hex Soc, 1/2"-14, (Not Shown)
	263136	1	PLUG, MAGNETIC, Hex Soc, 3/4"-14 NPTF, (Not Shown)
	J920706	1	PLUG, (Not Shown)



MAGNUM 335 CASE IH TRACTOR (NA)

02-13 MANIFOLDS

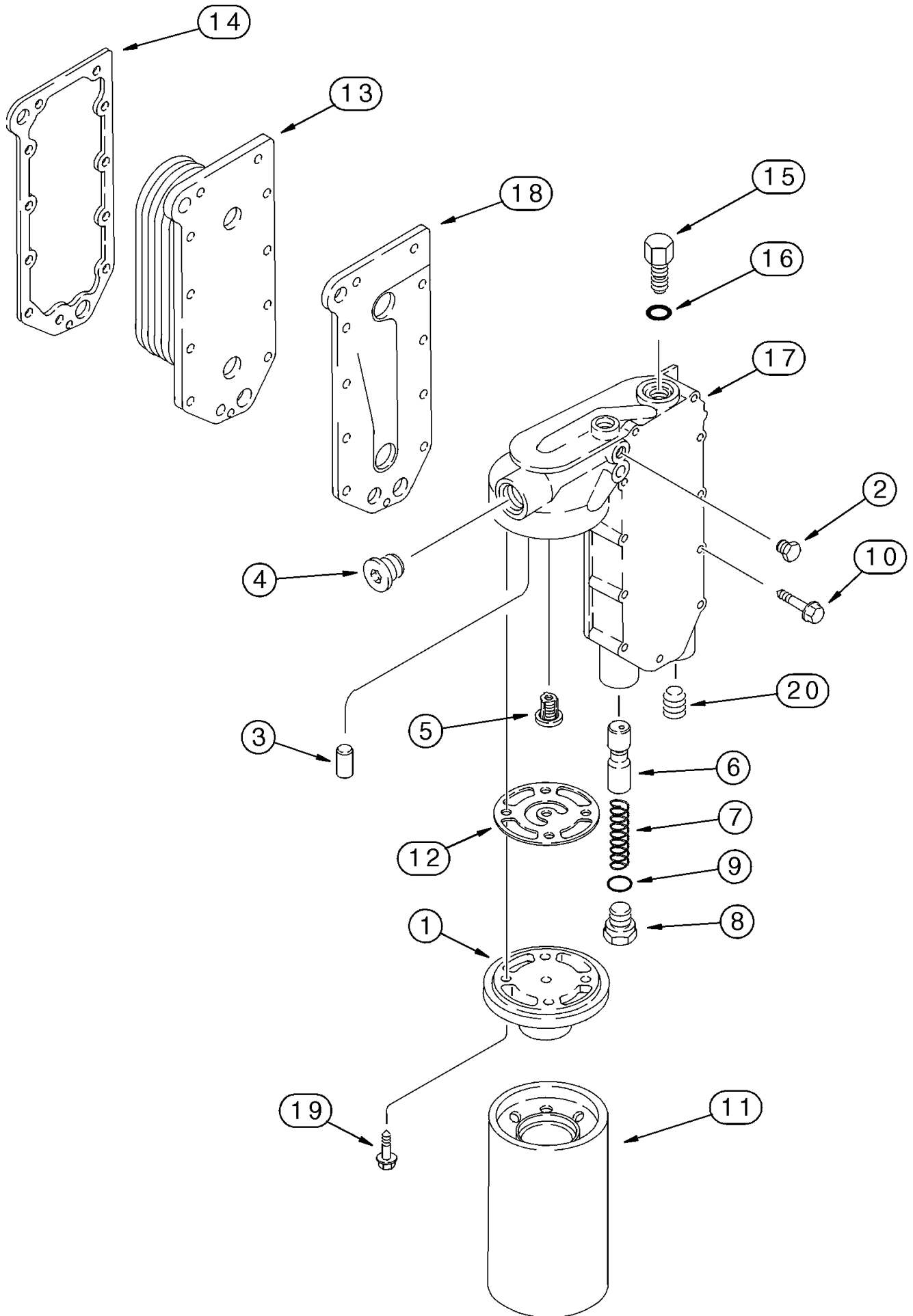
сылка	Номер детали	Кол-во	Описание
1	87344862	1	MANIFOLD, EXHAUST,
1A	87344861	1	MANIFOLD, EXHAUST,
2	J937479	6	GASKET, MANIFOLD,
3	J944593	12	BOLT, 10 x 70 mm
4	J945252	12	SPACER, Intake
5	87340282	1	COVER,
7	845-8030	13	BOLT, Hex Flg, M8 x 30, 8.8,
7A	87340279	1	SCREW, M8 x 35



MAGNUM 335 CASE IH TRACTOR (NA)

02-14 TURBOCHARGER SYSTEM

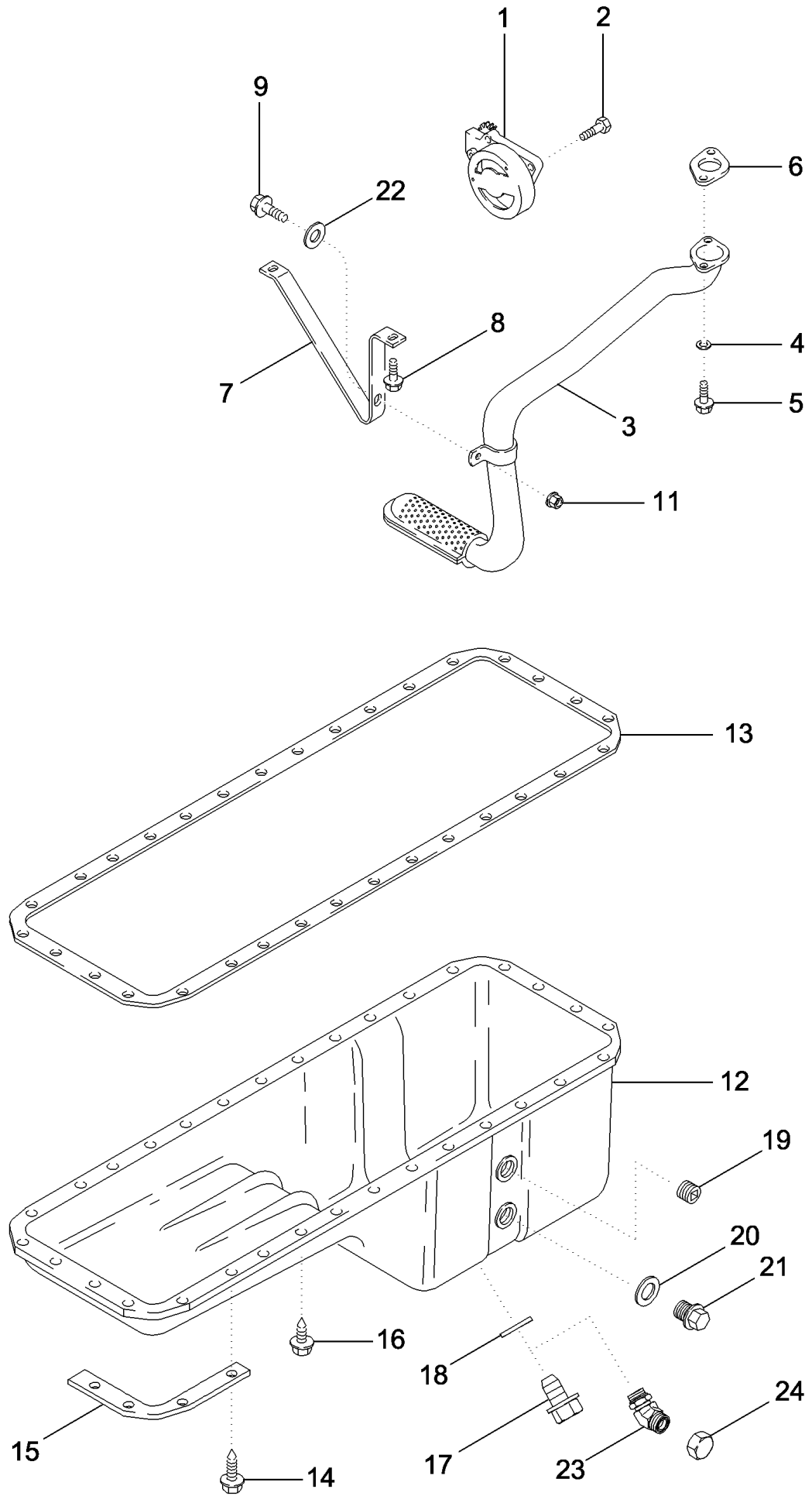
сылка	Номер детали	Кол-во	Описание
1	87355317	1	TURBOCHARGER, , See Figures 02-15, 02-16, MX245, Magnum 245, MX275 and Magnum 275
1	87355507	1	TURBOCHARGER, , MX215 and Magnum 215
1	87355331	1	TURBOCHARGER, , MX305, Magnum 305 and Magnum 335
2	J901356	1	GASKET,
3	J818823	4	STUD, M10 x 40
4	J818824	4	NUT, M10
6	J937706	1	GASKET,
7	845-8020	2	BOLT, Hex Flg, M8 x 20, 8.8, Full Thd,
8	87344862	1	MANIFOLD, EXHAUST, , See Figure 02-14
8A	87344861	1	MANIFOLD, EXHAUST, , See Figure 02-14
10	J945108	1	TUBE,
11	87437056	1	TUBE,
12	238-7018	1	O-RING, -018, CI 7, .739" ID x .070" Thk,
13	87340282	1	COVER, , See Figure 02-14
14	J286499	1	HOSE, 76 mm (3 in)
15	214-1512	2	CLAMP, HOSE, #12, .69/1.25 Type F Worm, W/liner,
16	87345099	1	HOSE, FLEXIBLE,
17	J922789	2	CONNECTOR, HYD., Inc. 18, 19
18	J678603	1	O-RING, 9.3MM ID x 2.2 Thk,
19	313262A1	1	SEAL, .364" ID x .070" Thk, (M9.2 ID x 1.7 Thk)
21	87434675	1	CLAMP, 1/2 ID
22	615-8012	1	BOLT, Hex, M8 x 12, 8.8, Full Thd,



MAGNUM 335 CASE IH TRACTOR (NA)

02-17 FILTER AND COOLER - OIL

сылка	Номер детали	Кол-во	Описание
1	87340627	1	HEAD, FILTER,
2	J906619	2	PLUG, 1/8 PT
3	A77722	1	PIN,
4	263136	1	PLUG, MAGNETIC, Hex Soc, 3/4"-14 NPTF,
5	J936365	1	VALVE, PRESSURE RELIEF,
6	J945967	1	PLUNGER,
7	87340755	1	SPRING,
8	J931084	1	PLUG, 24 mm, Inc. 9
9	J930911	1	O-RING, 3/4" ID x 1/16"
10	87421315	8	SCREW, M8 x 65
11	87349575	1	FILTER, ENGINE OIL,
12	87447957	1	GASKET,
13	87452245	1	CORE-OIL COOLER,
14	J918174	1	GASKET,
	J934410	1	VALVE, BY-PASS, Inc. 15, 16
15	NSS	1	NOT SERVICED SEPARATELY, THERMOSTAT
16	A77724	1	O-RING,
17	87314031	1	COVER,
18	J929011	1	GASKET,
19	J907860	4	BOLT, Hex, Flg Hd, M8 x 25, Spcl,
20	217-466	1	PLUG, DRAIN, Sq Soc, 1/2"-14, NTPF,

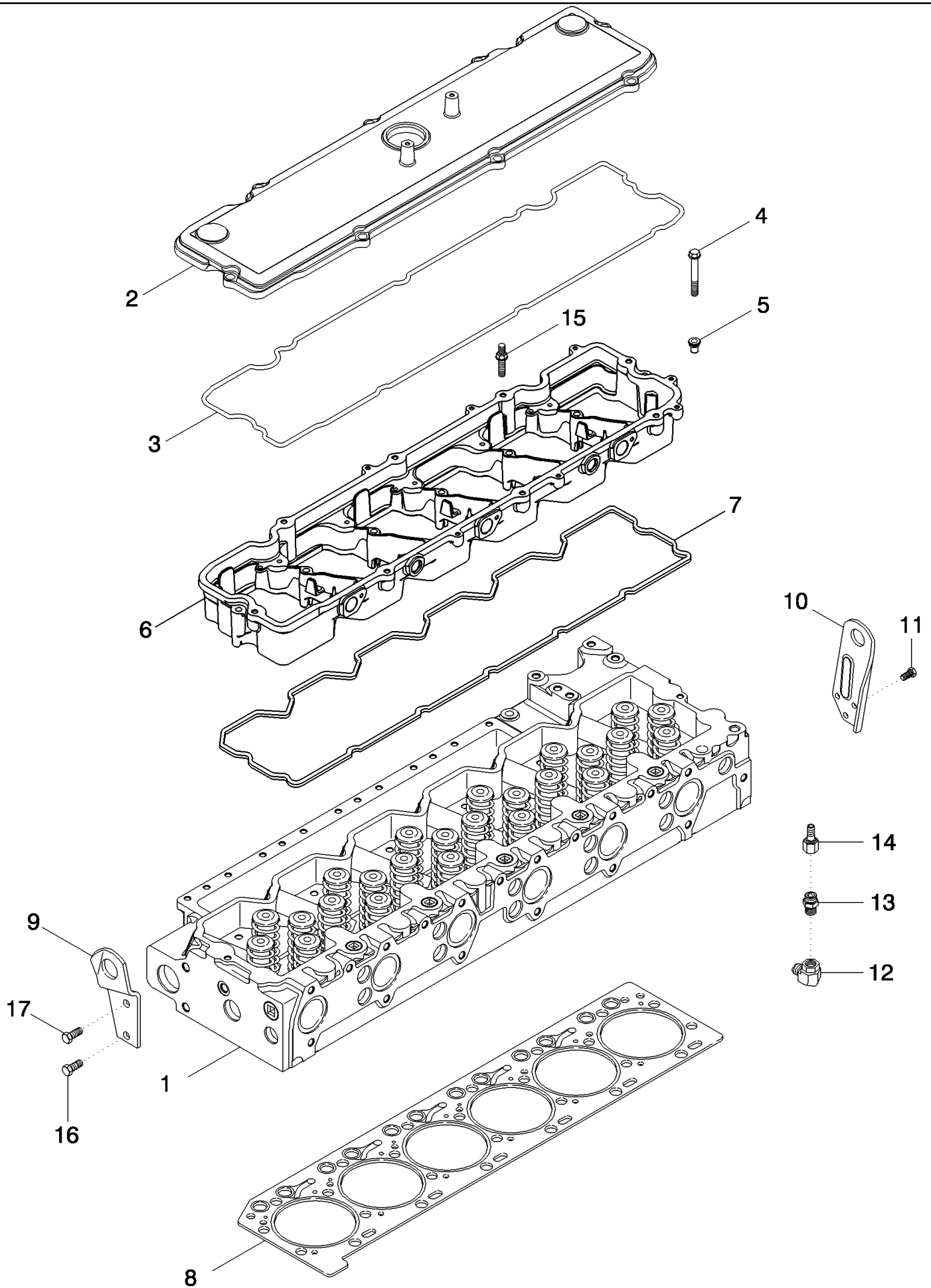


MAGNUM 335 CASE IH TRACTOR (NA)

02-18 OIL PUMP AND OIL PAN

сылка	Номер детали	Кол-во	Описание
1	J991123	1	PUMP, ENGINE OIL, New
1	JR991123	1	REMAN-PUMP, ENGINE OIL, Remanufactured, N.A. Only
1	JC991123	1	CORE-PUMP, ENGINE OIL,
2	J900677	4	BOLT, M8 x 30
3	J928828	1	TUBE ASSY., , MX215, Magnum 215, MX245, Magnum 245, MX275 and Magnum 275
3	87357465	1	TUBE ASSY., , MX305, Magnum 305 and Magnum 335
4	J926865	2	SPACER,
5	845-6030	2	BOLT, Hex Flg, M6 x 30, 8.8,
6	87447959	1	GASKET, Oil Suction
7	J927611	1	BRACKET,
8	845-6015	2	BOLT, Hex Flg, M6 x 15, 8.8, Full Thd,
9	845-6020	1	BOLT, Hex Flg, M6 x 20, 8.8, Full Thd,
11	825-2406	1	NUT, M6 x 1, Flg, Cl 8,
12	87362733	1	PAN, ENGINE OIL, (Shown)
12	87357469	1	PAN, ENGINE OIL,
13	87308050	1	GASKET, Oil Pan
14	J907860	16	BOLT, Hex, Flg Hd, M8 x 25, Spcl, , MX215, Magnum 215, MX245, Magnum 245, MX275 and Magnum 275
14	J907860	32	BOLT, Hex, Flg Hd, M8 x 25, Spcl, , MX305, Magnum 305 and Magnum 335
15	87414461	4	SUPPORT, , MX215, Magnum 215, MX245, Magnum 245, MX275 and Magnum 275
16	J920400	16	BOLT, Hex, Flg Hd, M8 x 21, Spcl, M8 x 21, MX215, Magnum 215, MX245, Magnum 245, MX275 and Magnum 275
17	J924147	1	PLUG, M18, MX215, Magnum 215, MX245, Magnum 245, MX275 and Magnum 275
18	J920773	1	WASHER, SEALING,
19	86637727	1	PLUG, DRAIN, Sq Soc, 1 1/4"-11 1/2, NTPF, , MX305, Magnum 305 and Magnum 335
20	J902425	1	WASHER, , MX305, Magnum 305 and Magnum 335
21	J924148	1	PLUG, , MX305, Magnum 305 and Magnum 335
22	J910960	1	WASHER, , MX305, Magnum 305 and Magnum 335
23	87327028	1	ELBOW, , MX305, Magnum 305 and Magnum 335
24	701-905	1	CAP, 13/16"-16 ORFS, , MX305, Magnum 305 and Magnum 335

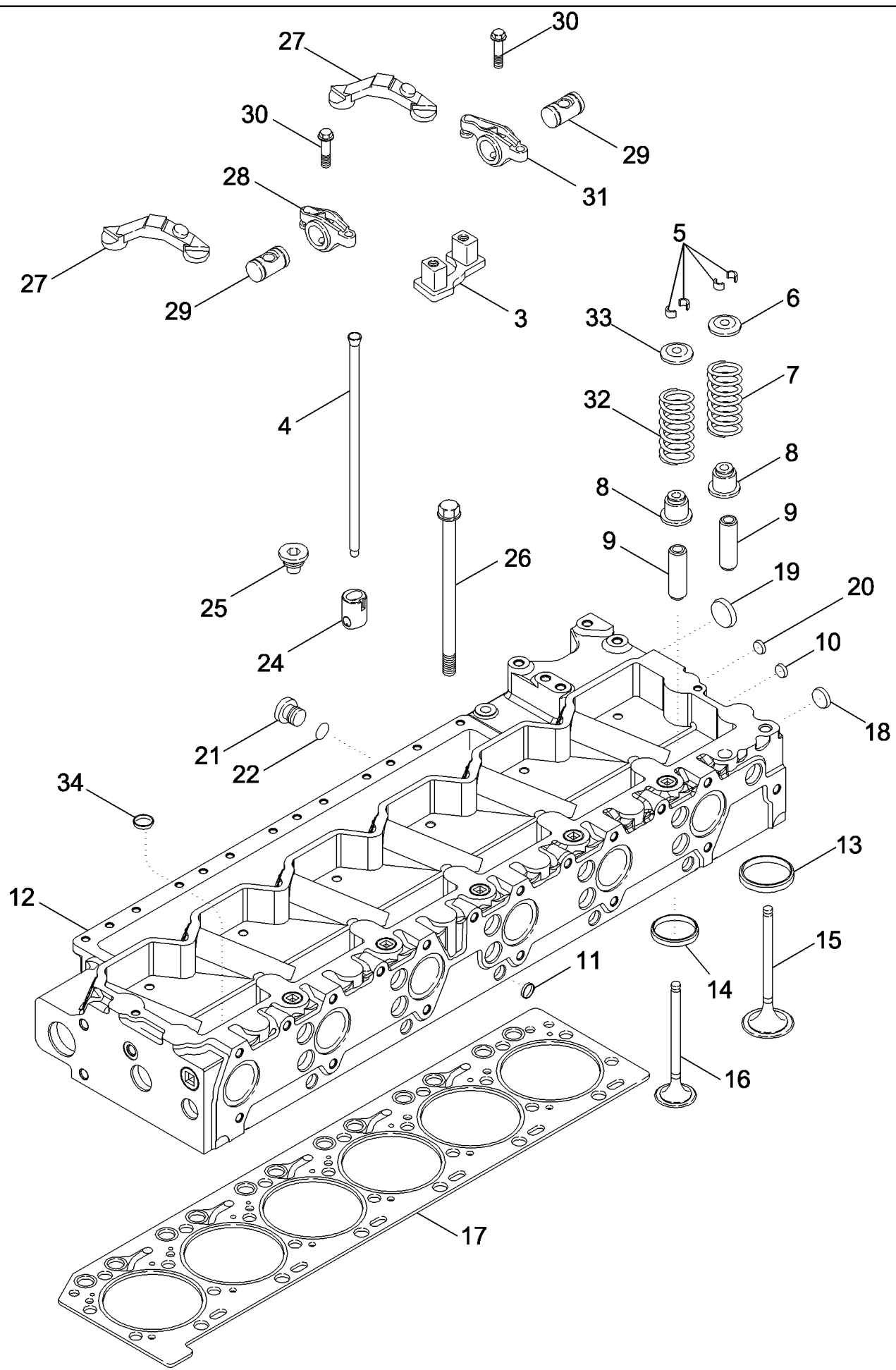
02-19 CYLINDER HEAD - COVER



MAGNUM 335 CASE IH TRACTOR (NA)

02-19 CYLINDER HEAD - COVER

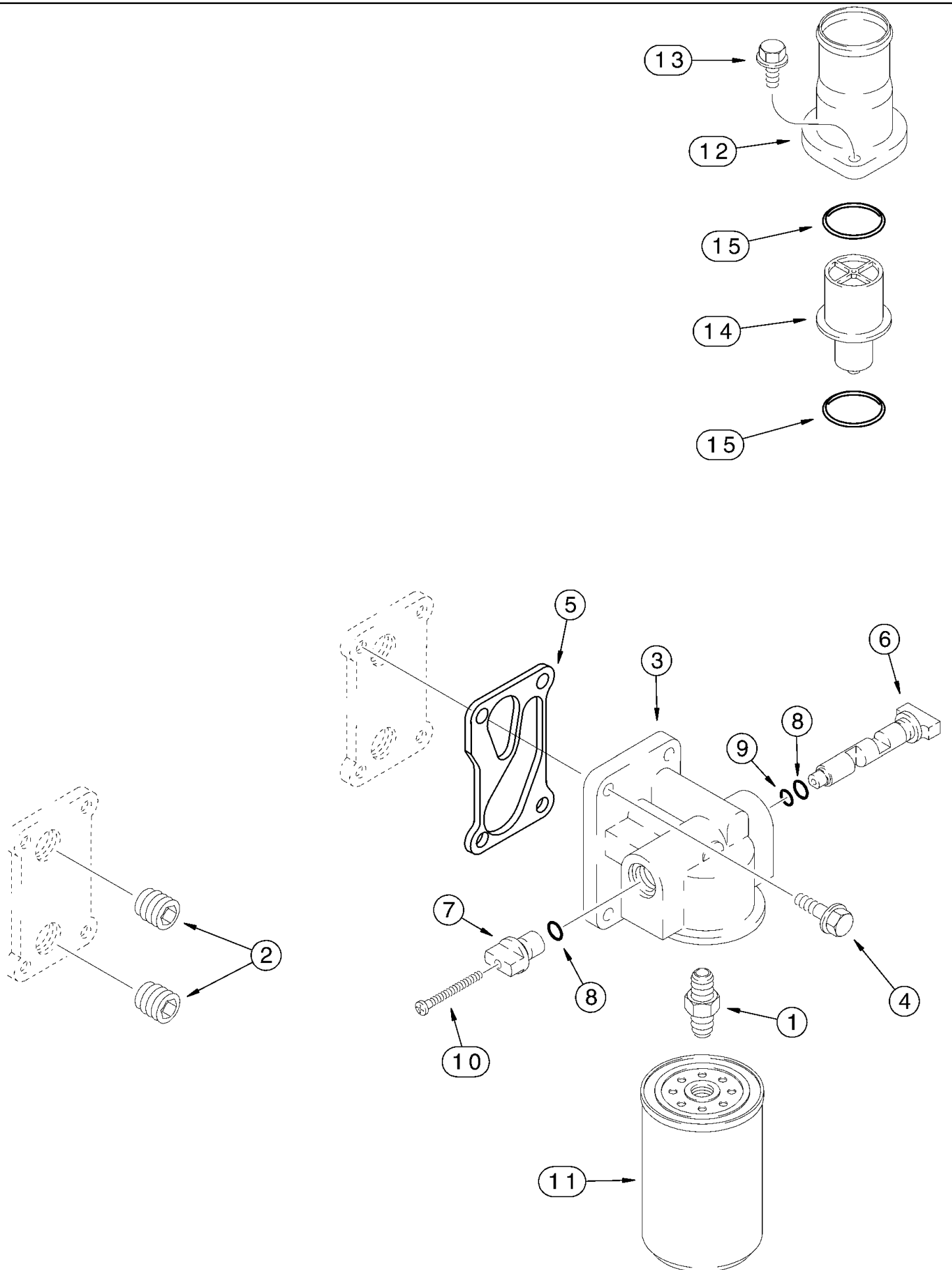
сылка	Номер детали	Кол-во	Описание
1	REF	1	INSTRUCTION, HEAD, See Figure 02-19, 02-20
2	87345871	1	COVER, VALVE,
3	87345861	1	GASKET,
4	87342136	8	ISOLATOR,
5	J900632	7	BOLT, Hex Flg, M8 x 35, 8.8,
6	87344767	1	HOUSING, Rocker Housing
7	87344755	1	GASKET, Rocker Lever Housing
8	87737237	1	GASKET, CYLINDER HEAD,
9	87340305	1	BRACKET, Rear
10	87340301	1	BRACKET, Front
11	854-12025	2	BOLT, Hex Flg, M12 x 25, 10.9,
12	217-1014	1	ELBOW, 90°, 1/8"-27 Female x 1/8"-27 Male,
13	J911901	1	VALVE, CHECK,
14	J911925	1	COUPLING,
15	87340279	1	SCREW,
16	87340324	1	BOLT,
17	854-10020	2	BOLT, Hex Flg, M10 x 20, 10.9,



MAGNUM 335 CASE IH TRACTOR (NA)

02-21 CYLINDER HEAD - VALVE MECHANISM, MX275, 305, MAGNUM 275, 305, AND 335

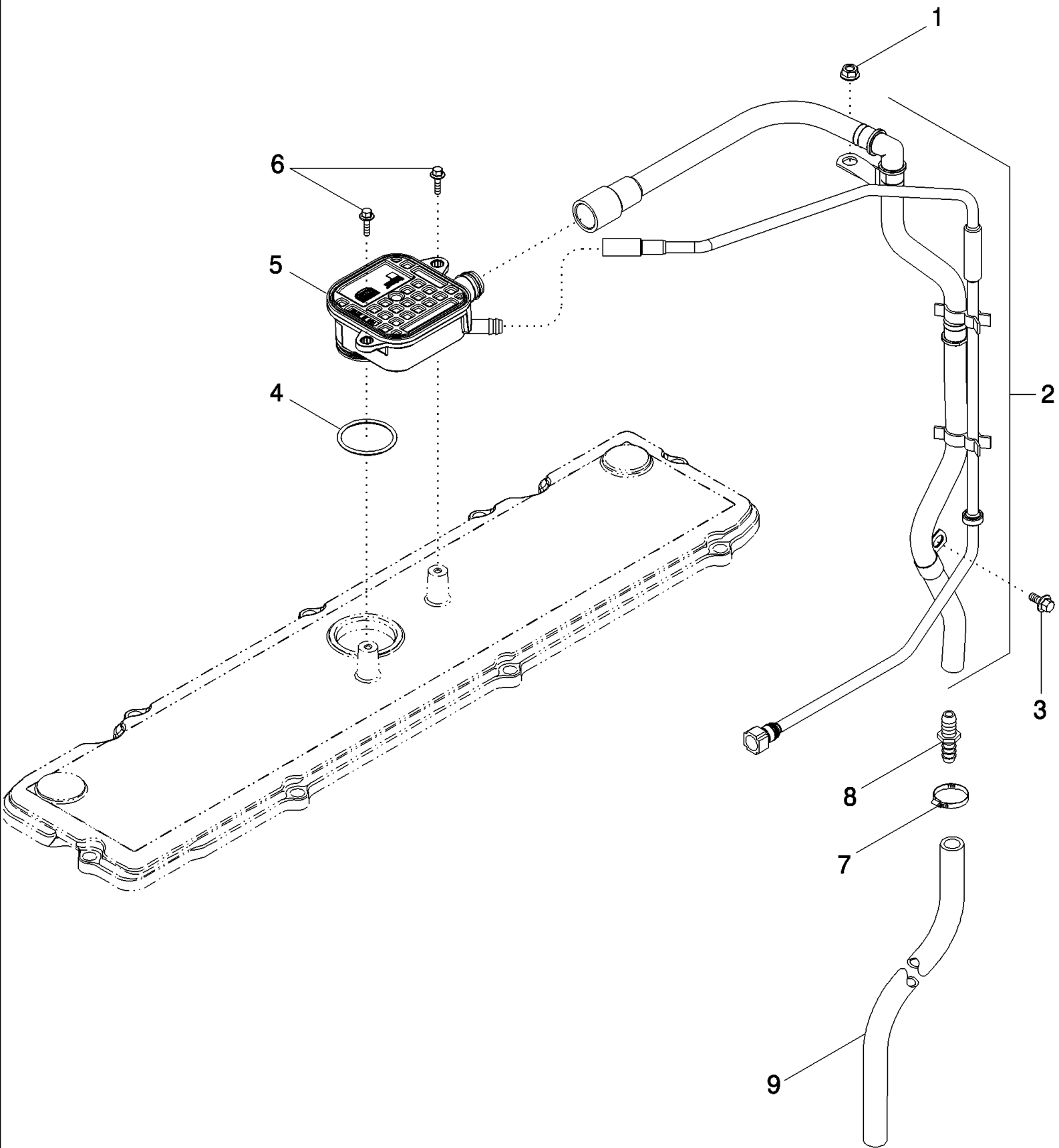
сылка	Номер детали	Кол-во	Описание
	87665738	1	HEAD ASSY., With Valves, Inc. 5 - 9, 11, 13 - 16, 18 - 20, 32 - 34
3	J941140	6	SUPPORT,
4	87435955	12	ROD, PUSH,
5	J900250	48	SCREW, Collet
6	87351062	12	VALVE, Rotator
7	87666324	12	SPRING, VALVE,
8	87352235	24	SEAL, Valve Stem
9	NSS	24	NOT SERVICED SEPARATELY, GUIDE, VALVE
10	J945093	1	PLUG, Expansion
11	87666392	6	PLUG, Expansion
12	NSS	1	NOT SERVICED SEPARATELY, HEAD ASSY, Stripped
13	J940152	12	INSERT, Intake
14	87344002	12	INSERT, Exhaust
15	87343688	12	VALVE, ENGINE, INLET, STD,
16	87343693	12	VALVE, ENG EXHAUST, STD,
17	87737237	1	GASKET, CYLINDER HEAD,
18	A77590	2	PLUG, Expansion
19	87344118	2	PLUG, Expansion
20	87344108	1	PLUG, Expansion
21	J678923	1	PLUG, Inc. 22
22	637-72081	1	O-RING, CI 7, 8.1MM ID x 1.6 Thk,
24	87435851	12	TAPPET,
25	87644763	12	GUIDE,
26	87344126	26	BOLT,
27	J943445	12	CROSSBAR, Head Cross
28	87435953	6	ROCKER ARM, Intake
29	87435951	12	SHAFT,
30	J943933	12	SCREW,
31	87435952	6	ROCKER ARM, Exhaust
32	87666321	12	SPRING, VALVE,
33	J944452	12	RETAINER,
34	J920706	18	PLUG,



MAGNUM 335 CASE IH TRACTOR (NA)

02-22 THERMOSTAT - FILTER, WATER

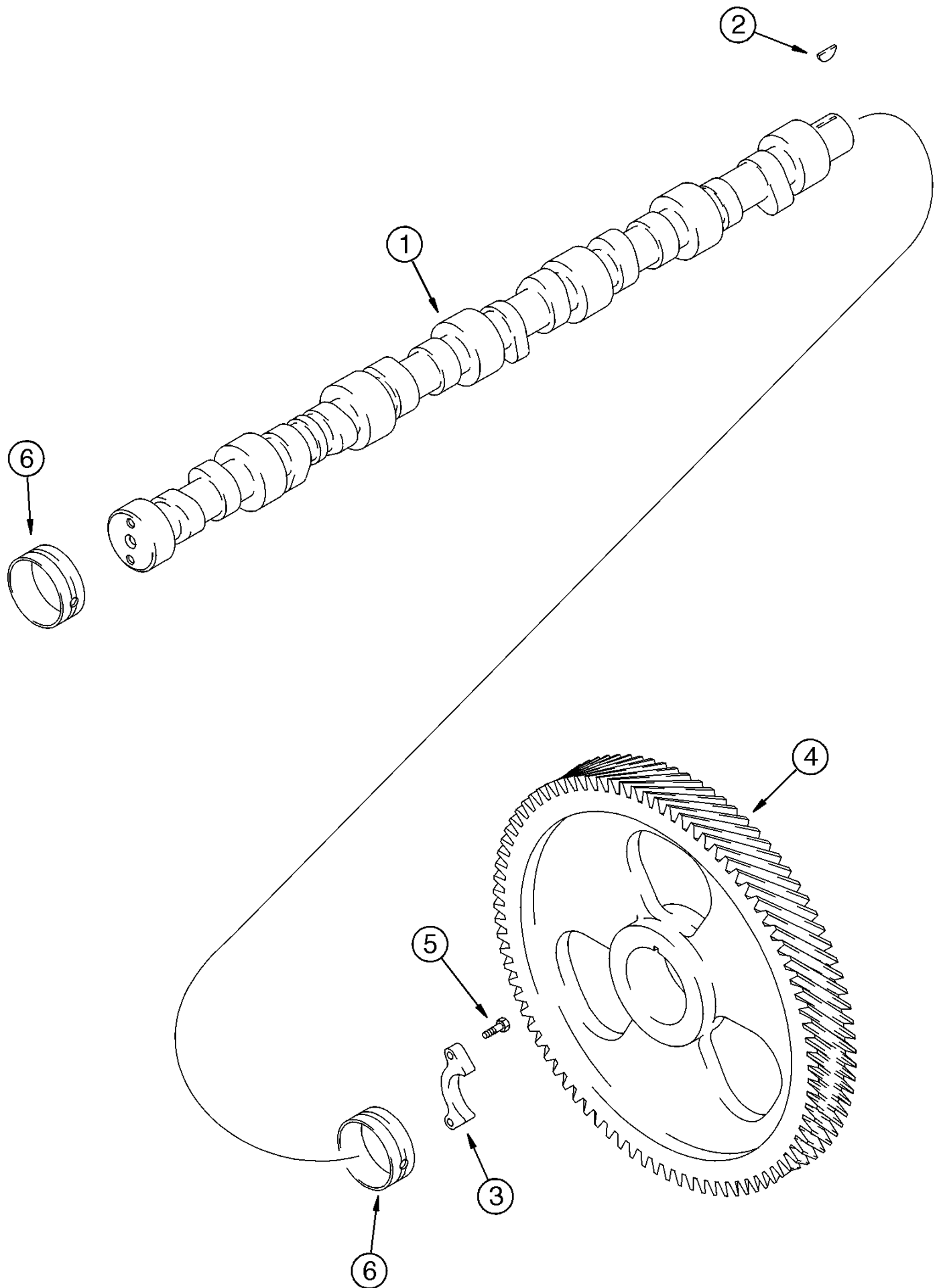
сылка	Номер детали	Кол-во	Описание
1	A77623	1	ADAPTER,
2	263136	2	PLUG, MAGNETIC, Hex Soc, 3/4"-14 NPTF,
3	J943738	1	HEAD, FILTER,
4	845-8025	4	BOLT, Hex Flg, M8 x 25, 8.8,
5	87612306	1	GASKET,
6	J943739	1	VALVE, SHUT-OFF,
7	J943740	1	VALVE, SHUT-OFF,
8	87423041	2	O-RING, 7/16 ID x 3/32
9	238-5013	1	O-RING, -013, 70 Duro, .426" ID x .070" Thk,
10	J944454	1	SCREW,
11	J100304	1	FILTER, ELEMENT,
12	J944429	1	OUTLET,
13	845-8025	2	BOLT, Hex Flg, M8 x 25, 8.8,
14	87698668	1	THERMOSTAT,
15	238-5227	2	O-RING, -227, 70 Duro, 2.109" ID x .139" Thk,



MAGNUM 335 CASE IH TRACTOR (NA)

02-23 CRANKCASE, BREATHER

сылка	Номер детали	Кол-во	Описание
1	J900589	1	NUT, M8 x 1.25
2	87338653	1	TUBE, Lub Oil Drain
3	J925883	1	SCREW, M8 x 16:10.9
4	87338651	1	O-RING,
5	87338649	1	BREATHER, Inc. 4
6	J901865	2	BOLT, Hex Flg, M6 x 20, 8.8, Full Thd,
7	86625021	1	CLAMP, HOSE, #12, 0.69/1.25 Type F Worm,
8	1301342C1	1	FITTING,
9	87518912	1	HOSE,

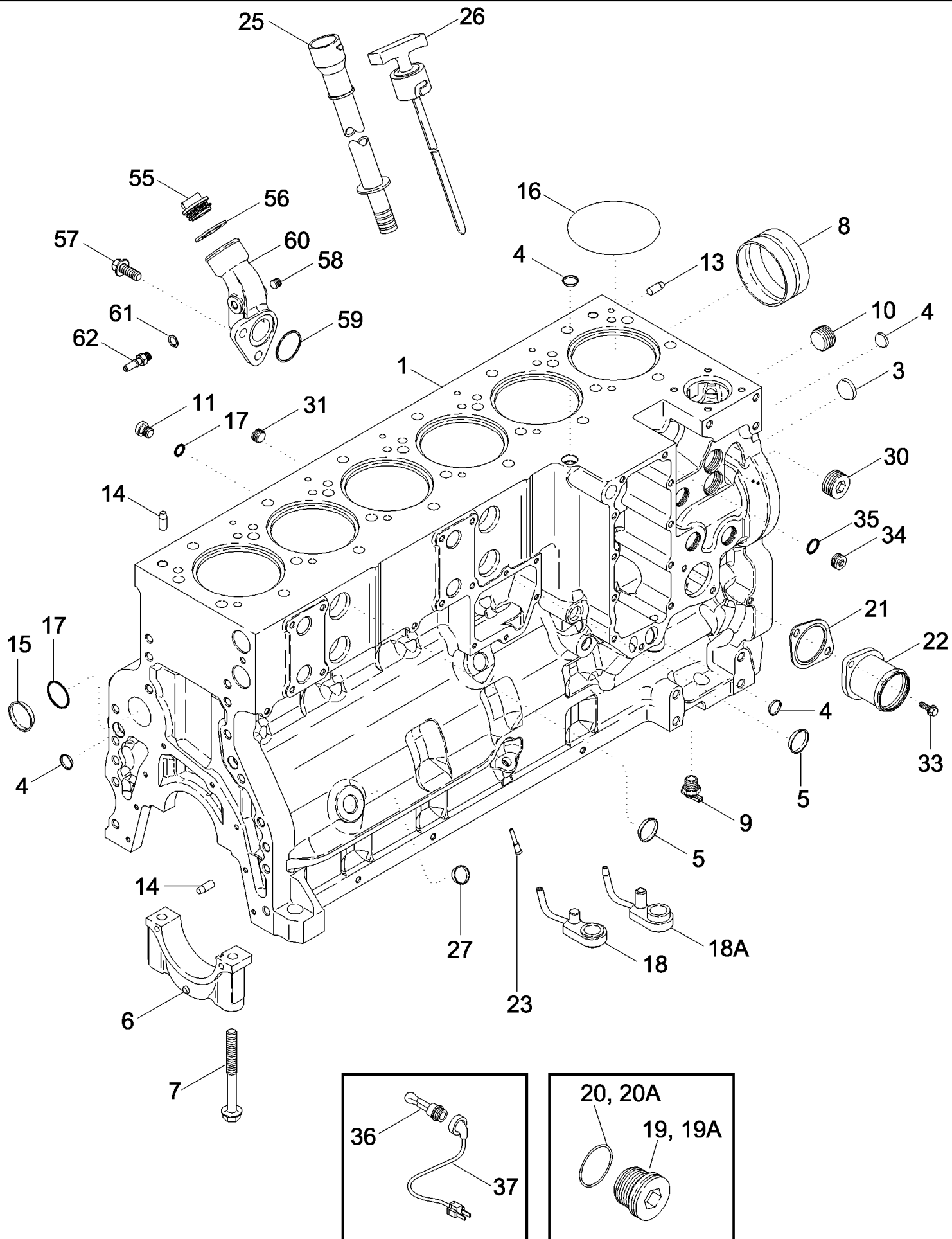


MAGNUM 335 CASE IH TRACTOR (NA)

02-24 CAMSHAFT

сылка	Номер детали	Кол-во	Описание
1	87342996	1	CAMSHAFT, Inc. 2
2	87453128	1	PIN, 4 x 6,5 mm
3	J944001	1	SUPPORT,
4	87342988	1	GEAR, Pinion
5	J900227	2	SCREW, Hex, M8 x 1.25 x 22,
6	J945329	7	BEARING, CAMSHAFT,

02-25 CYLINDER BLOCK - ENGINE BLOCK HEATERS



MAGNUM 335 CASE IH TRACTOR (NA)

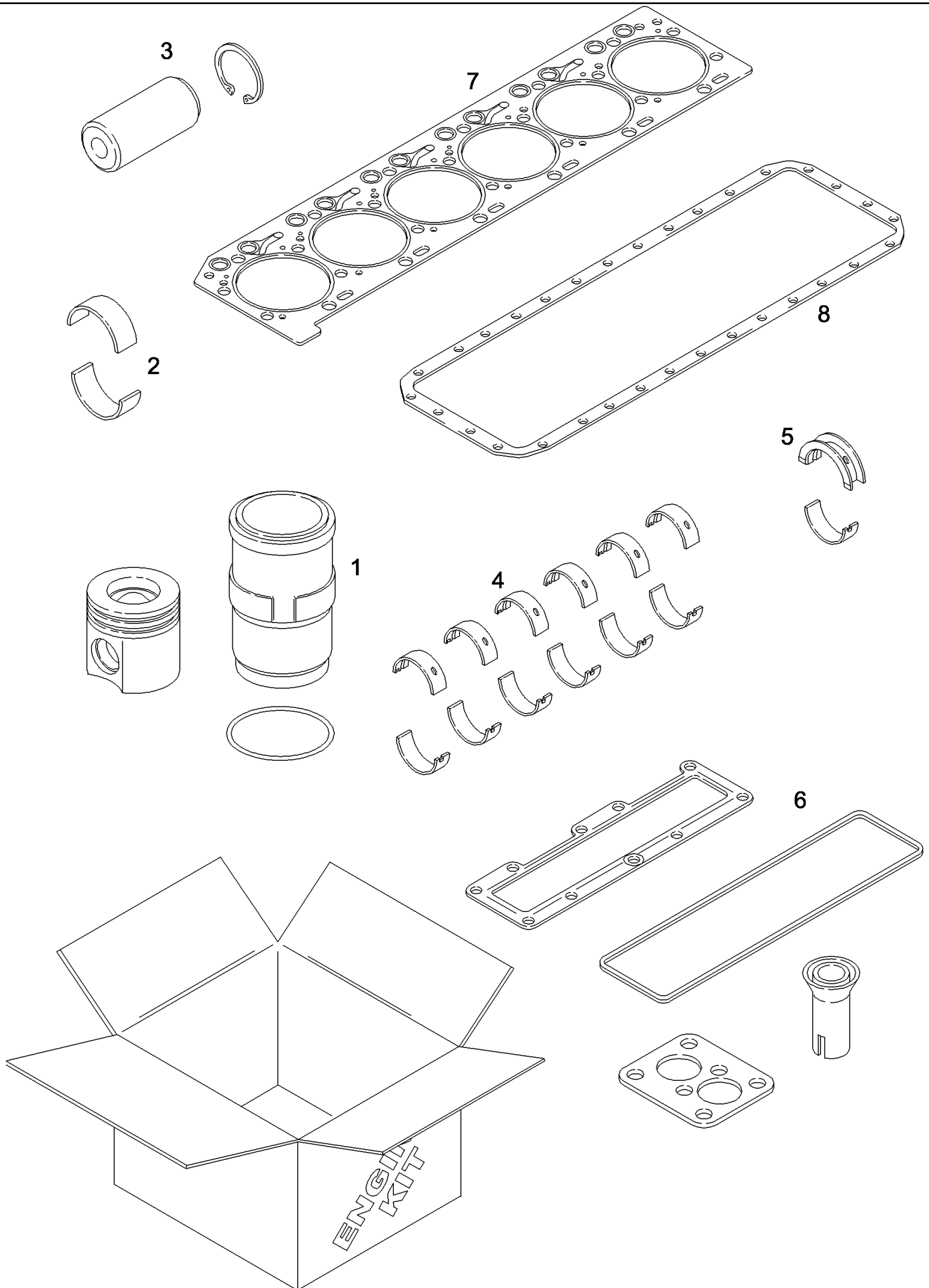
02-25 CYLINDER BLOCK - ENGINE BLOCK HEATERS

сылка	Номер детали	Кол-во	Описание
	87539017	1	ENGINE, BASIC, Service, Tier 3, See Note, Less Starter, Alternator, Fan, Fan Belt, Air Cleaner, Muffler, Exhaust Manifold, Flywheel and Housing, Oil Fill and Dipstick, Fuel Injection Pump, Injectors and Lines, Front Pulley, Belt Tensioner, Turbocharger and Aftercooler, Note: Basic engines and reman engines are generic engines. The engines are complete internally; however, externally all parts are not supplied with the engines. Check the configuration of the engine being removed, with the configuration of the engine being installed. For any external components not supplied with the engine being installed, reuse those parts from the engine that has just been removed. Do not return the old engine, until the unit is reassembled., MX215 and Magnum 215
	87537667	1	ENGINE, BASIC, Service, Tier 3, MX245 and Magnum 245, Note: Basic engines and reman engines are generic engines. The engines are complete internally; however, externally all parts are not supplied with the engines. Check the configuration of the engine being removed, with the configuration of the engine being installed. For any external components not supplied with the engine being installed, reuse those parts from the engine that has just been removed. Do not return the old engine, until the unit is reassembled., See Note, Less Starter, Alternator, Fan, Fan Belt, Air Cleaner, Muffler, Exhaust Manifold, Flywheel and Housing, Oil Fill and Dipstick, Fuel Injection Pump, Injectors and Lines, Front Pulley, Belt Tensioner, Turbocharger and Aftercooler
	87676433	1	ENGINE, BASIC, Service, Tier 3, MX275, Magnum 275, MX305, Magnum 305, and Magnum 335, See Note, Less Starter, Alternator, Fan, Fan Belt, Air Cleaner, Muffler, Exhaust Manifold, Flywheel and Housing, Oil Fill and Dipstick, Fuel Injection Pump, Injectors and Lines, Front Pulley, Belt Tensioner, Turbocharger and Aftercooler, Note: Basic engines and reman engines are generic engines. The engines are complete internally; however, externally all parts are not supplied with the engines. Check the configuration of the engine being removed, with the configuration of the engine being installed. For any external components not supplied with the engine being installed, reuse those parts from the engine that has just been removed. Do not return the old engine, until the unit is reassembled.
	87390942	1	ENGINE, SHORT, , MX215, Magnum 215, MX245, and Magnum 245
	87676434	1	ENGINE, SHORT, , MX275, Magnum 275, MX305, Magnum 305, and Magnum 335
1	87336996	1	CYLINDER BLOCK, Stripped, Inc. 1 - 8, also Order 87338079
3	A77586	3	PLUG, 43 mm
4	A77506	4	PLUG, 21 mm
5	J905401	4	PLUG, 35 mm
6	87444056	7	CAP, Main Bearing
7	87444059	14	BOLT, M14 x 128
8	J945329	7	BEARING, CAMSHAFT,
	87338079	1	KIT, Inc. 9 - 20
9	217-103	2	COCK, DRAIN, 1/4 PT
10	86625135	1	PLUG, Hex Soc, 1"-11 1/2 NPTF,
11	J678923	6	PLUG, 10 mm, Inc. 12
12	637-72081	1	O-RING, CI 7, 8.1MM ID x 1.6 Thk,
13	J900257	4	PIN, 16 mm
14	J901846	8	PIN,
15	41-3044	2	PLUG, Exp, 2 3/4",
16	J907177	6	O-RING,
17	J926048	2	O-RING, 66 mm ID
18	87739191	6	NOZZLE,

MAGNUM 335 CASE IH TRACTOR (NA)

02-25 CYLINDER BLOCK - ENGINE BLOCK HEATERS

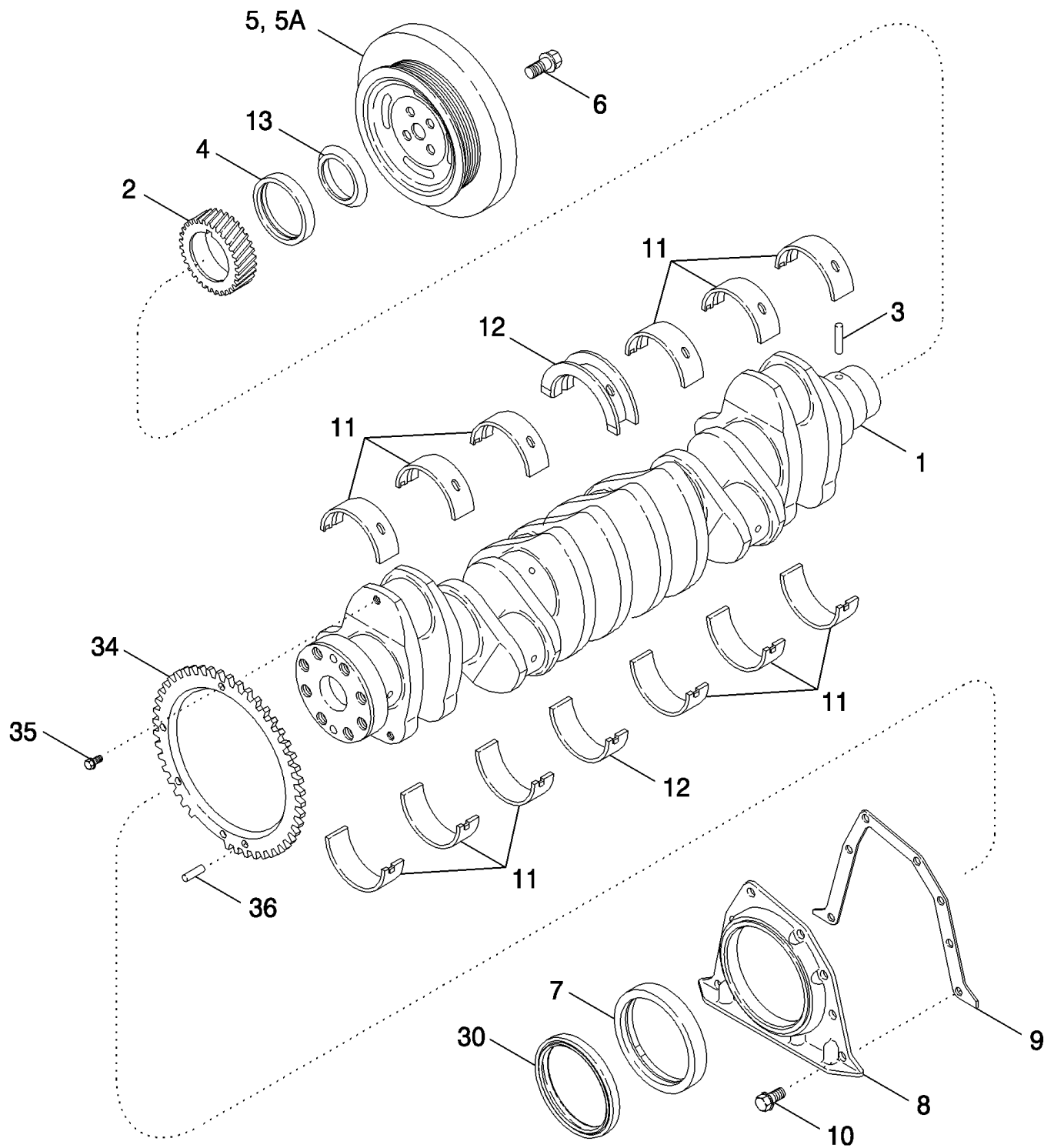
сылка	Номер детали	Кол-во	Описание
18A	87673839	6	NOZZLE,
19	J678921	1	PLUG, 14 mm, Inc. 20
19A	87708865	1	PLUG, 42 mm, Inc. 20A
20	J678912	1	O-RING, 11.3MM ID x 2.2 Thk,
20A	NSS	1	NOT SERVICED SEPARATELY, O-RING
21	J945603	1	GASKET, Water Inlet
22	J913030	1	FITTING, Water Inlet
23	J928031	12	NOZZLE,
25	87340850	1	TUBE ASSY., Dipstick
26	87340846	1	DIPSTICK, , MX215, Magnum 215, MX245, Magnum 245, MX275 and Magnum 275
26	87357523	1	DIPSTICK, , MX305, Magnum 305 and Magnum 335
27	A77530	4	PLUG, 1-13/64 OD
30	263136	5	PLUG, MAGNETIC, Hex Soc, 3/4"-14 NPTF,
31	217-438	6	PLUG, Hex Soc, 1/2"-14,
33	845-8020	2	BOLT, Hex Flg, M8 x 20, 8.8, Full Thd,
34	313244A1	2	PLUG, Hex Socket, 22 mm, Inc. 35
35	313246A1	1	O-RING, 19 ID x 2,2 mm
36	310493A1	1	KIT, Engine Block Heater, 120 Volt, Inc. 37
37	196466A1	1	CABLE, ELECTRIC, 1829 mm (72 in)
36	310494A1	1	KIT, Coolant Heater, 240V, Inc. 37
37	J913112	1	HARNESS, WIRE, 305 mm (12")
41	J900956	3	PLUG, (Not Shown)
42	87338185	1	BOLT, (Not Shown)
43	217-432	1	PLUG, Hex Soc, 1/4"-18, (Not Shown)
45	J678923	6	PLUG, (Not Shown)
46	637-72081	1	O-RING, CI 7, 8.1MM ID x 1.6 Thk, (Not Shown)
47	J678921	1	PLUG, (Not Shown)
48	J678912	1	O-RING, 11.3MM ID x 2.2 Thk, (Not Shown)
49	A77586	3	PLUG, (Not Shown)
50	J909025	6	SCREW, M8 x 1.25 x 55 (Not Shown)
51	87337018	6	BOLT, (Not Shown)
55	J914136	1	CAP, Filler
56	J936876	1	SEAL, OIL,
57	854-12030	2	BOLT, Hex Flg, M12 x 1.75 x 30, 10.9,
58	217-432	1	PLUG, Hex Soc, 1/4"-18,
59	J906696	1	SEAL,
60	87341096	1	CONNECTOR, HYD.,
61	87341228	1	O-RING,
62	87341100	1	ADAPTER,
	87348859	1	KIT, ENGINE OVERHAUL, (Not Shown), MX215, Magnum 215, MX245, Magnum 245, MX275 and Magnum 275, See Figure 02-26
	87356539	1	KIT, ENGINE OVERHAUL, (Not Shown), MX305, Magnum 305 and Magnum 335
63	369929A1	3	FASTENER, (Not Shown), Install In Block Behind Starter



MAGNUM 335 CASE IH TRACTOR (NA)

02-27 KIT ENGINE OVERHAUL, MX275, MX305, MAGNUM 275, 305, AND 335

сылка	Номер детали	Кол-во	Описание
	87487659	1	KIT, ENGINE OVERHAUL, Inc. 1 - 8
	87487660	1	KIT, ENGINE OVERHAUL, Inc. 1 - 7, 8A
1	87685905	6	PISTON, KIT, See Figure 02-31
2	87356776	6	KIT, SERVICE, Connecting Rod, Standard, See Figure 02-31
3	87342670	6	PIN, PISTON, , See Figure 02-31
4	J945930	6	BEARING, CRANKSHAFT, Standard, See Figure 02-28
5	J945929	1	BEARING, CRANKSHAFT, Thrust, Standard, See Figure 02-28
6	87490404	1	KIT, ENGINE GASKET, Valve Grind, See Figure 02-32
7	87737237	1	GASKET, CYLINDER HEAD,
8	87308050	1	GASKET, Oil Pan, Formed, See Figure 02-18
8A	87725617	1	GASKET, Oil Pan, Cast (Not Shown)

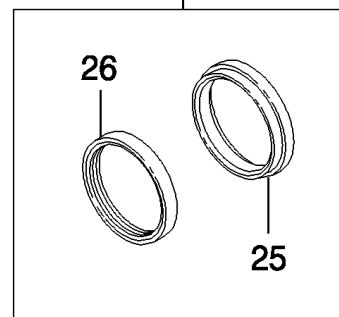
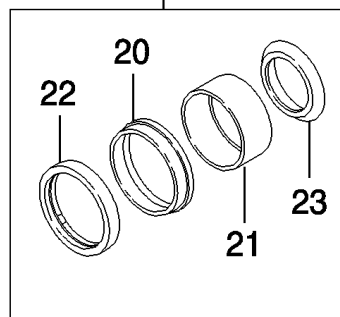
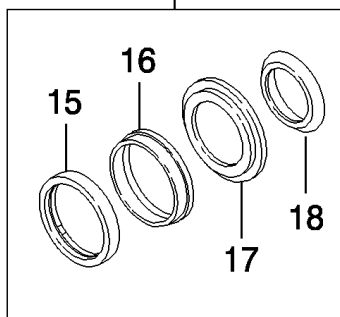
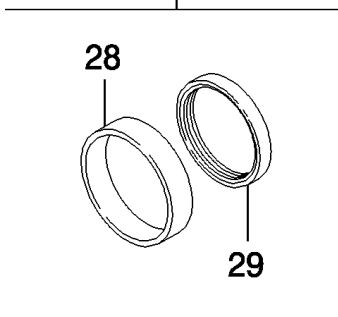


27

14

19

24



MAGNUM 335 CASE IH TRACTOR (NA)

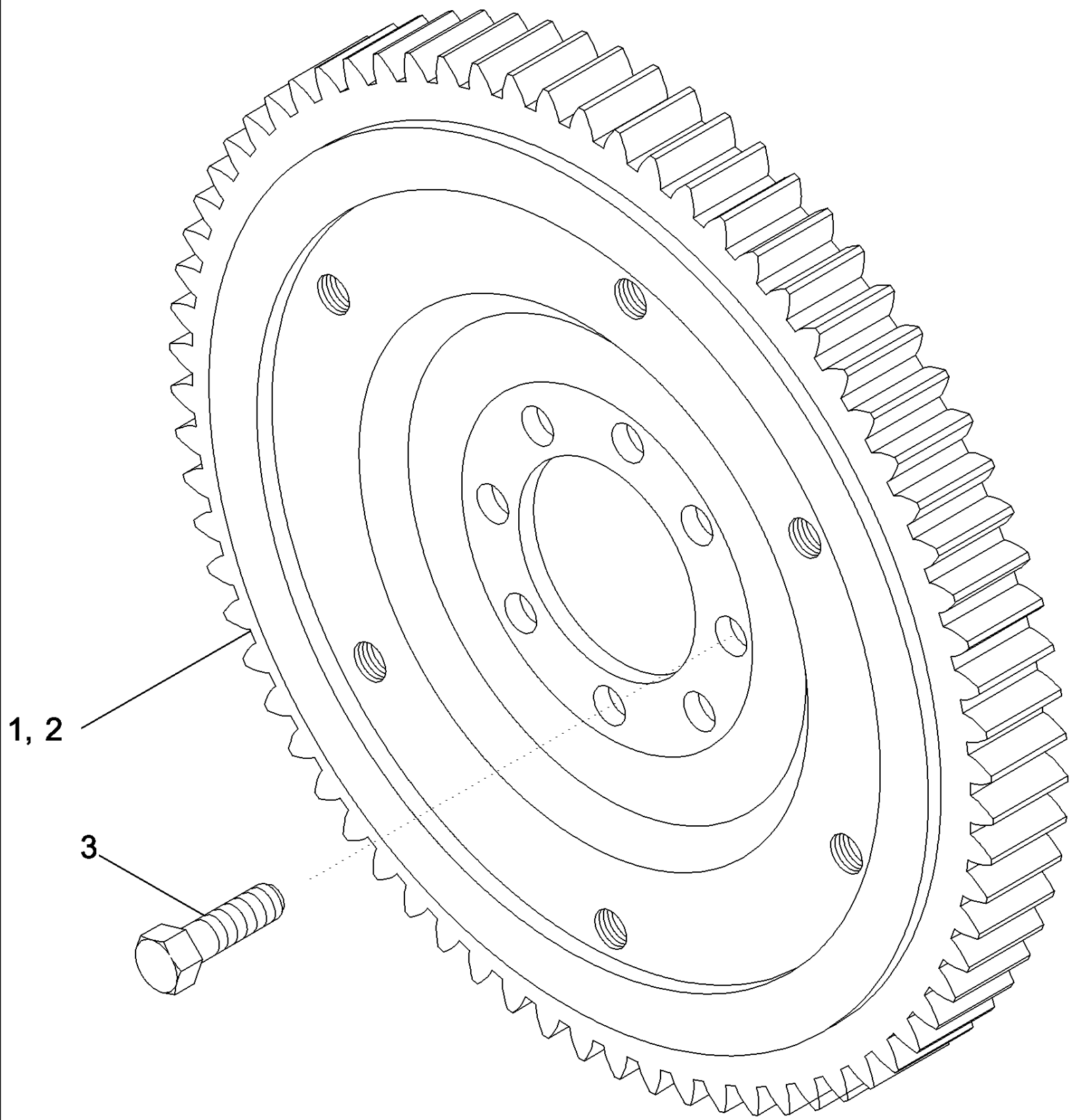
02-28 CRANKSHAFT

сылка	Номер детали	Кол-во	Описание
1	87335711	1	CRANKSHAFT, New, With Speed Indicator Ring, Inc. 2, 3, MX215, Magnum 215, MX245, Magnum 245, MX275 and Magnum 275
1	87356215	1	CRANKSHAFT, New, MX305, Magnum 305 and Magnum 335
1	87342925	1	REMAN-CRANKSHAFT, Remanufactured, N.A. Only, Inc. 2, 3, MX215, Magnum 215, MX245, Magnum 245, MX275 and Magnum 275
1	87356216	1	REMAN-CRANKSHAFT, Remanufactured, N.A. Only, Inc. 2, 3, MX305, Magnum 305 and Magnum 335
1	87337253	1	CORE-CRANKSHAFT, , MX215, Magnum 215, MX245, Magnum 245, MX275 and Magnum 275
1	87356217	1	CORE-CRANKSHAFT, , MX305, Magnum 305 and Magnum 335
2	J918776	1	GEAR,
3	J904483	1	PIN,
4	NSS	1	NOT SERVICED SEPARATELY, SEAL, Order A77790
5	J925570	1	DAMPER, , MX215, Magnum 215, MX245, Magnum 245, MX275 and Magnum 275
5	87357611	1	DAMPER, , MX305, Magnum 305 and Magnum 335
5A	87422144	1	PULLEY, , MX305, Magnum 305 and Magnum 335
6	J906733	4	BOLT, M14 x 35, MX215, Magnum 215, MX245, Magnum 245, MX275 and Magnum 275
6	J914118	5	SCREW, M14 x 60, MX305, Magnum 305 and Magnum 335
7	NSS	1	NOT SERVICED SEPARATELY, SEAL, Order J934486
8	J933384	1	COVER, REAR,
9	J914301	1	GASKET,
10	87409160	8	SCREW, M6 x 16; 10.9
11	J945930	6	BEARING, CRANKSHAFT, Standard
11	J945931	6	BEARING, CRANKSHAFT, Undersize 0.25 mm
11	J945932	6	BEARING, CRANKSHAFT, Undersize 0.50 mm
11	J945933	6	BEARING, CRANKSHAFT, Undersize 0.75 mm
11	J945934	6	BEARING, CRANKSHAFT, Undersize 1.00 mm
12	J945929	1	BEARING, CRANKSHAFT, Standard
12	J945922	1	BEARING, CRANKSHAFT, Undersize 0.25 mm
12	J945923	1	BEARING, CRANKSHAFT, Undersize 0.50 mm
12	J945924	1	BEARING, CRANKSHAFT, Undersize 0.75 mm
12	J945925	1	BEARING, CRANKSHAFT, Undersize 1.00 mm
12	J945926	1	BEARING, CRANKSHAFT, Standard, Oversize 0.25 mm
12	J945927	1	BEARING, CRANKSHAFT, Standard, Oversize 0.50 mm
12	J945928	1	BEARING, CRANKSHAFT, Undersize 0.50 mm, Oversize 0.50 mm
13	J918113	1	SHIELD, Order A77790
14	A77790	1	KIT, SEALS, Crankshaft, Front, Standard, Inc. 15 - 18
15	NSS	1	NOT SERVICED SEPARATELY, SEAL
16	NSS	1	NOT SERVICED SEPARATELY, TOOL
17	NSS	1	NOT SERVICED SEPARATELY, TOOL
18	J918113	1	SHIELD,
19	A77808	1	KIT, SERVICE, Crankshaft, Front, Inc. 20 - 23
20	NSS	1	NOT SERVICED SEPARATELY, SLEEVE
21	NSS	1	NOT SERVICED SEPARATELY, TOOL
22	NSS	1	NOT SERVICED SEPARATELY, SEAL
23	J924987	1	SHIELD,
24	J934486	1	KIT, SERVICE, Crankshaft Oil Seal, Rear, Standard, Inc. 25 - 27

MAGNUM 335 CASE IH TRACTOR (NA)

02-28 CRANKSHAFT

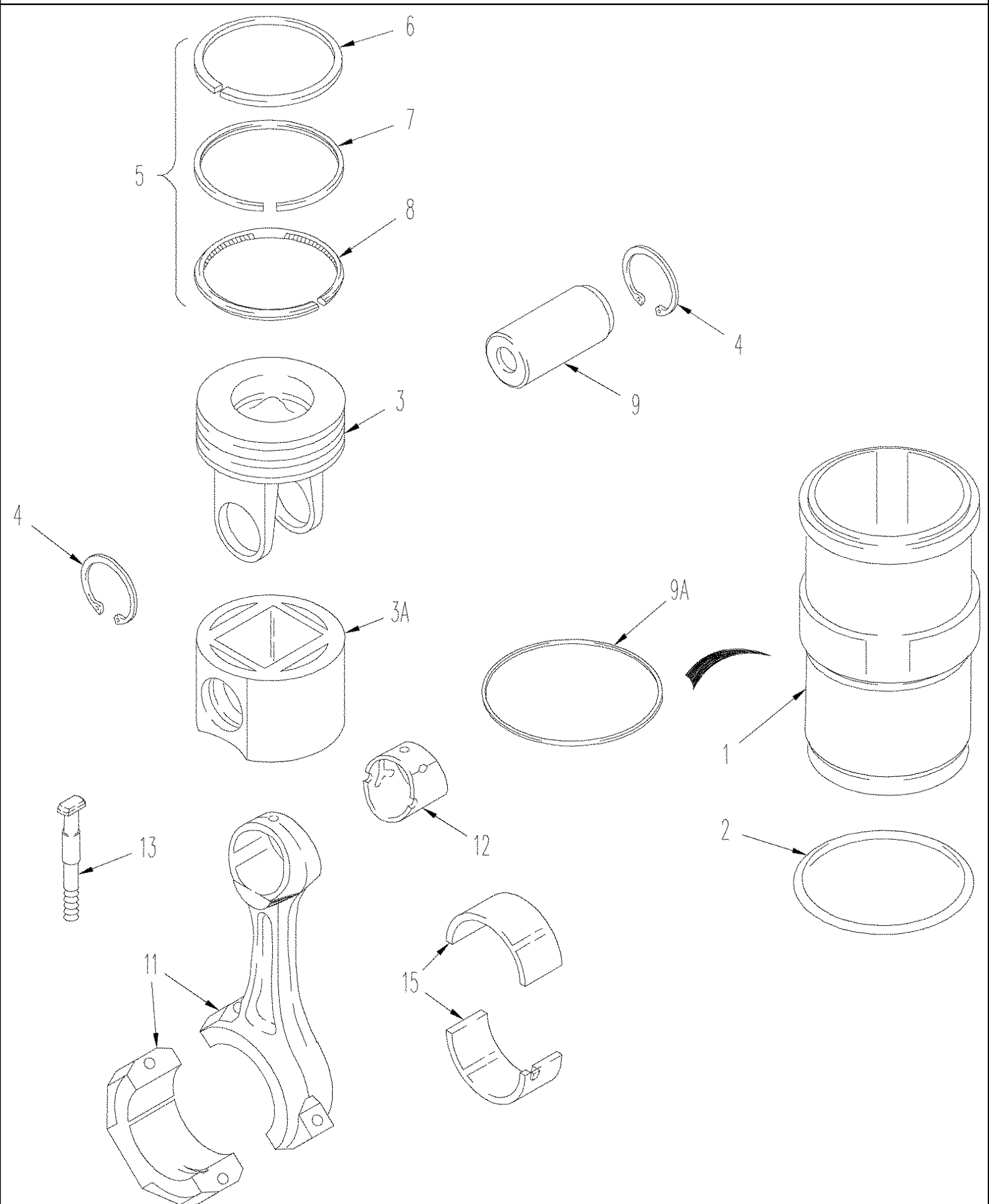
сылка	Номер детали	Кол-во	Описание
25	NSS	1	NOT SERVICED SEPARATELY, SEAL
26	NSS	1	NOT SERVICED SEPARATELY, TOOL
27	A77810	1	KIT, SERVICE, Crankshaft, Rear Oil Seal, Oversize, Inc. 28, 29
28	NSS	1	NOT SERVICED SEPARATELY, SLEEVE
29	NSS	1	NOT SERVICED SEPARATELY, SEAL
30	87423334	1	SEAL, Dust
30	87434865	1	SEAL, Dust, Oversize
34	87335719	1	RING, Speed Indicator
35	87335729	4	BOLT, M6 x 1 x 12
36	J329899	1	DOWEL,



MAGNUM 335 CASE IH TRACTOR (NA)

02-29 FLYWHEEL

сылка	Номер детали	Кол-во	Описание
1	J934838	1	FLYWHEEL, Inc. 2
2	J905031	1	GEAR,
3	4894641	8	SCREW, Wash Hd, M12 x 1.25 x 31,



MAGNUM 335 CASE IH TRACTOR (NA)

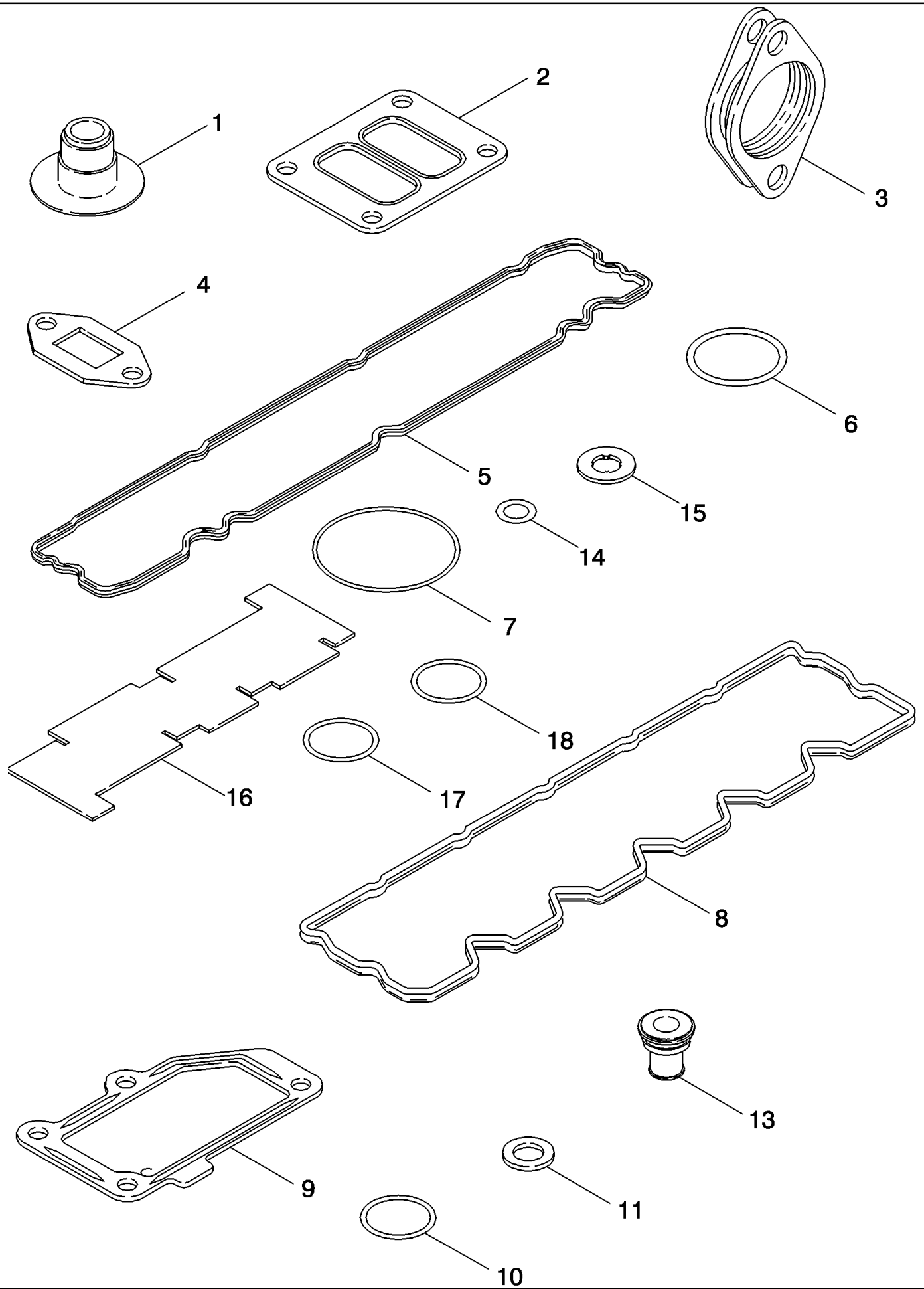
02-31 PISTONS AND CONNECTING RODS, MX275, MX305, MAGNUM 275, 305, AND 335

сылка	Номер детали	Кол-во	Описание
	87356567	6	PISTON, Piston and Sleeve, Standard, Inc. 1, 2, 3A - 8, 9, MX305 and Magnum 305, Engine BSN 46743464 Including 46743508, 46743544, 46743551, 46743560, 46743574, 46743587, 46743616, 46743712, 46744589, 46744619
	87685905	6	PISTON, Piston and Sleeve, Standard, Inc. 1, 2, 3A - 8, 9, Engine ASN 46743464 Excluding 46743508, 46743544, 46743551, 46743560, 46743574, 46743587, 46743616, 46743712, 46744589, 46744619, MX275, MX305, Magnum 275, 305, and 335
	87546493	1	KIT, REPAIR, Piston Replacement - 9L, Inc. 1 - 4, 6 - 9, 11 - 18, Engine BSN 46743464 Including 46743508, 46743544, 46743551, 46743560, 46743574, 46743587, 46743616, 46743712, 46744589, 46744619
1	J948095	1	SLEEVE CYLINDER,
2	J907177	1	O-RING,
	87356533	6	KIT, PISTON & RINGS, Inc. 3, 3A, 4, 6 - 8, Engine BSN 46743464 Including 46743508, 46743544, 46743551, 46743560, 46743574, 46743587, 46743616, 46743712, 46744589, 46744619
	87685890	6	KIT, PISTON & RINGS, Inc. 3, 3A, 4, 6 - 8, Engine ASN 46743464 Excluding 46743508, 46743544, 46743551, 46743560, 46743574, 46743587, 46743616, 46743712, 46744589, 46744619
3	NSS	1	NOT SERVICED SEPARATELY, PISTON, Engine BSN 46743464 Including 46743508, 46743544, 46743551, 46743560, 46743574, 46743587, 46743616, 46743712, 46744589, 46744619
3	NSS	6	NOT SERVICED SEPARATELY, PISTON, Engine ASN 46743464 Excluding 46743508, 46743544, 46743551, 46743560, 46743574, 46743587, 46743616, 46743712, 46744589, 46744619
3A	NSS	1	NOT SERVICED SEPARATELY, SKIRT, Engine BSN 46743464 Including 46743508, 46743544, 46743551, 46743560, 46743574, 46743587, 46743616, 46743712, 46744589, 46744619
3A	NSS	6	NOT SERVICED SEPARATELY, SKIRT, Engine ASN 46743464 Excluding 46743508, 46743544, 46743551, 46743560, 46743574, 46743587, 46743616, 46743712, 46744589, 46744619
4	100-21175	2	RING, SNAP, 1.75", Int, #175, , Engine BSN 46743464 Including 46743508, 46743544, 46743551, 46743560, 46743574, 46743587, 46743616, 46743712, 46744589, 46744619
4	100-21175	12	RING, SNAP, 1.75", Int, #175, , Engine ASN 46743464 Excluding 46743508, 46743544, 46743551, 46743560, 46743574, 46743587, 46743616, 46743712, 46744589, 46744619
5	87343194	6	KIT, PISTON RINGS, Inc. 6, 7, 8, Engine BSN 46743464 Including 46743508, 46743544, 46743551, 46743560, 46743574, 46743587, 46743616, 46743712, 46744589, 46744619
6	NSS	1	NOT SERVICED SEPARATELY, RING, Top, Engine BSN 46743464 Including 46743508, 46743544, 46743551, 46743560, 46743574, 46743587, 46743616, 46743712, 46744589, 46744619
6	NSS	6	NOT SERVICED SEPARATELY, RING, Top, Engine ASN 46743464 Excluding 46743508, 46743544, 46743551, 46743560, 46743574, 46743587, 46743616, 46743712, 46744589, 46744619
7	NSS	1	NOT SERVICED SEPARATELY, RING, Middle, Engine BSN 46743464 Including 46743508, 46743544, 46743551, 46743560, 46743574, 46743587, 46743616, 46743712, 46744589, 46744619
7	NSS	6	NOT SERVICED SEPARATELY, RING, Middle, Engine ASN 46743464 Excluding 46743508, 46743544, 46743551, 46743560, 46743574, 46743587, 46743616, 46743712, 46744589, 46744619
8	NSS	1	NOT SERVICED SEPARATELY, RING, Bottom, Engine BSN 46743464 Including 46743508, 46743544, 46743551, 46743560, 46743574, 46743587, 46743616, 46743712, 46744589, 46744619
8	NSS	6	NOT SERVICED SEPARATELY, RING, Bottom, Engine ASN 46743464 Excluding 46743508, 46743544, 46743551, 46743560, 46743574, 46743587, 46743616, 46743712, 46744589, 46744619
9	87342670	1	PIN, PISTON, , Engine BSN 46743464 Including 46743508, 46743544, 46743551, 46743560, 46743574, 46743587, 46743616, 46743712, 46744589, 46744619
9	87342670	6	PIN, PISTON, , Engine ASN 46743464 Excluding 46743508, 46743544, 46743551, 46743560, 46743574, 46743587, 46743616, 46743712, 46744589, 46744619

MAGNUM 335 CASE IH TRACTOR (NA)

02-31 PISTONS AND CONNECTING RODS, MX275, MX305, MAGNUM 275, 305, AND 335

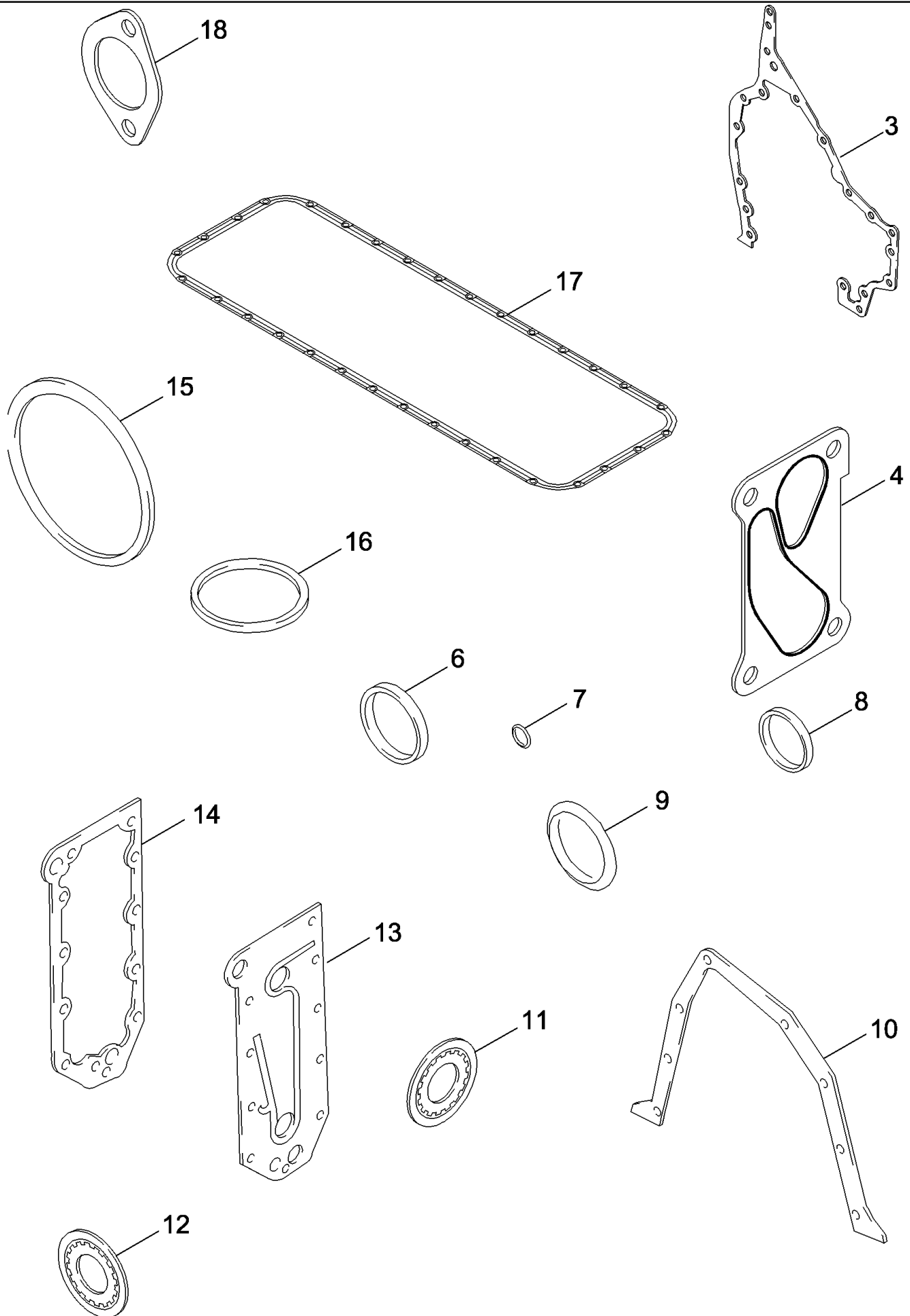
сылка	Номер детали	Кол-во	Описание
9A	J924445	AR	SHIM, 0.254mm Thk, (.010"), Engine BSN 46743464 Including 46743508, 46743544, 46743551, 46743560, 46743574, 46743587, 46743616, 46743712, 46744589, 46744619
9A	J924446	AR	SHIM, 0.381mm Thk, (.015"), Engine BSN 46743464 Including 46743508, 46743544, 46743551, 46743560, 46743574, 46743587, 46743616, 46743712, 46744589, 46744619
9A	J924447	AR	SHIM, 0.508mm Thk, (.020") , Engine BSN 46743464 Including 46743508, 46743544, 46743551, 46743560, 46743574, 46743587, 46743616, 46743712, 46744589, 46744619
9A	J924448	AR	SHIM, 0.762mm Thk, (.030"), Engine BSN 46743464 Including 46743508, 46743544, 46743551, 46743560, 46743574, 46743587, 46743616, 46743712, 46744589, 46744619
9A	J924449	AR	SHIM, 1.000mm Thk, (.040"), Engine BSN 46743464 Including 46743508, 46743544, 46743551, 46743560, 46743574, 46743587, 46743616, 46743712, 46744589, 46744619
	87356548	6	ROD, CONNECTING, Inc. 11 - 13, Engine BSN 46743464 Including 46743508, 46743544, 46743551, 46743560, 46743574, 46743587, 46743616, 46743712, 46744589, 46744619
	87686998	6	ROD, CONNECTING, Inc. 11 - 13, Engine ASN 46743464 Excluding 46743508, 46743544, 46743551, 46743560, 46743574, 46743587, 46743616, 46743712, 46744589, 46744619
	87356732	1	REMAN-ROD CONNECTING, Remanufactured, N.A. Only, Inc. 11 - 13, Engine BSN 46743464 Including 46743508, 46743544, 46743551, 46743560, 46743574, 46743587, 46743616, 46743712, 46744589, 46744619
	87356735	1	CORE-ROD CONNECTING, , Engine BSN 46743464 Including 46743508, 46743544, 46743551, 46743560, 46743574, 46743587, 46743616, 46743712, 46744589, 46744619
11	NSS	1	NOT SERVICED SEPARATELY, ROD
12	87687031	1	BUSHING,
13	J944679	2	BOLT,
15	87356776	6	KIT, SERVICE, Standard
15	87356813	6	KIT, SERVICE, Undersize 0.25 mm
15	87356833	6	KIT, SERVICE, Undersize 0.50 mm
15	87356848	6	KIT, SERVICE, Undersize 0.75 mm
15	87356862	6	KIT, SERVICE, Undersize 1.00 mm
16	87308050	1	GASKET, Oil Pan, (Not Shown), See Figure 02-18
17	87737237	1	GASKET, CYLINDER HEAD, (Not Shown), See Figure 02-19
18	87447959	1	GASKET, Oil Suction, (Not Shown), See Figure 02-18



MAGNUM 335 CASE IH TRACTOR (NA)

02-32 GASKET KIT - VALVE GRIND

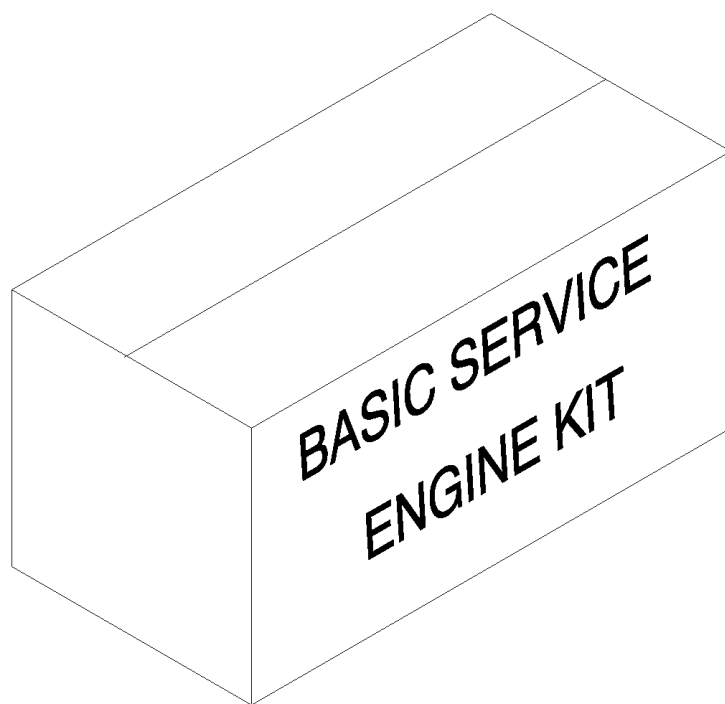
сылка	Номер детали	Кол-во	Описание
	87490404	1	KIT, ENGINE GASKET, Valve Grind, Inc. 1 - 16
1	87352235	24	SEAL, Valve Stem
2	J901356	1	GASKET, Turbocharger
3	J937479	6	GASKET, MANIFOLD, Exhaust
4	J937706	1	GASKET, Oil Drain
5	87345861	1	GASKET, Valve Cover
6	87348322	6	SEAL,
7	4890926	6	O-RING,
8	87344755	1	GASKET, Rocker Lever Housing
9	87335272	2	GASKET,
10	87338651	1	O-RING,
11	87612821	1	SEAL,
13	87342136	5	ISOLATOR,
14	87350420	1	SEAL,
15	4899689	6	WASHER, SEALING,
16	87404692	1	GAUGE,
17	313262A1	1	SEAL, .364" ID x .070" Thk, (M9.2 ID x 1.7 Thk)
18	J678603	1	O-RING, 9.3MM ID x 2.2 Thk,



MAGNUM 335 CASE IH TRACTOR (NA)

02-33 GASKET KIT - CYLINDER BLOCK

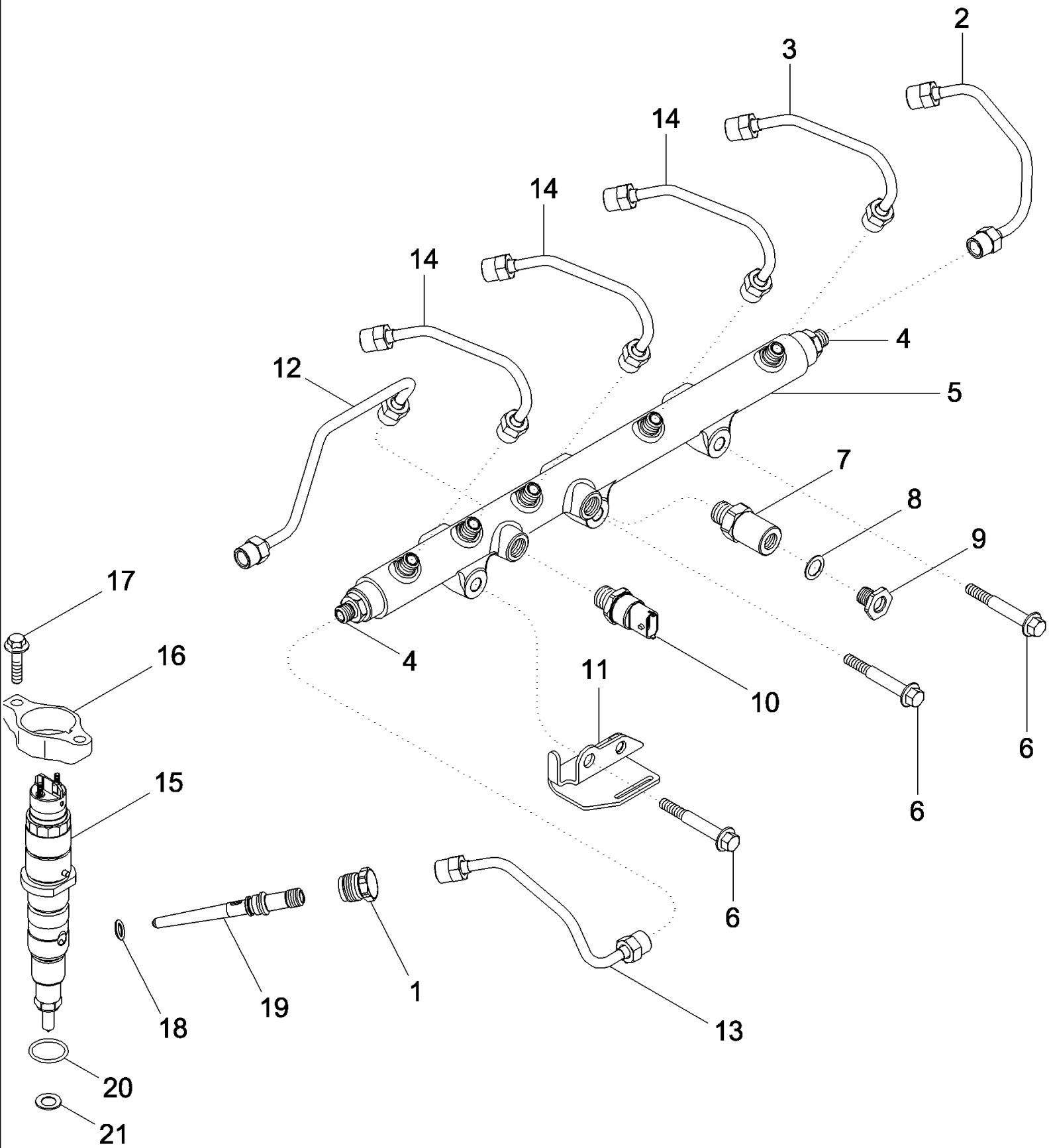
сылка	Номер детали	Кол-во	Описание
1	87351543	1	KIT, ENGINE GASKET, Cylinder Block, Inc. 2 - 18
3	J944293	1	GASKET, Gear Housing
4	87612306	1	GASKET, Coolant Filter
6	J903475	1	SEAL,
7	238-7241	1	O-RING, -241, CI 7, 3.859" ID x .139" Thk,
8	J926722	1	SEAL,
9	238-5244	1	O-RING, -244, 70 Duro, 4.234" ID x .139" Thk,
10	87447962	1	GASKET, Rear Cover
11	87346600	6	WASHER, SEALING,
12	87417767	2	WASHER, SEALING,
13	J4063496	1	GASKET,
14	J918174	1	GASKET,
15	J912473	1	SEALRING,
16	J906696	1	SEAL,
17	87308050	1	GASKET, Oil Pan
18	87447959	1	GASKET, Oil Suction



MAGNUM 335 CASE IH TRACTOR (NA)

02-34 GASKET KIT - BASIC SERVICE ENGINE

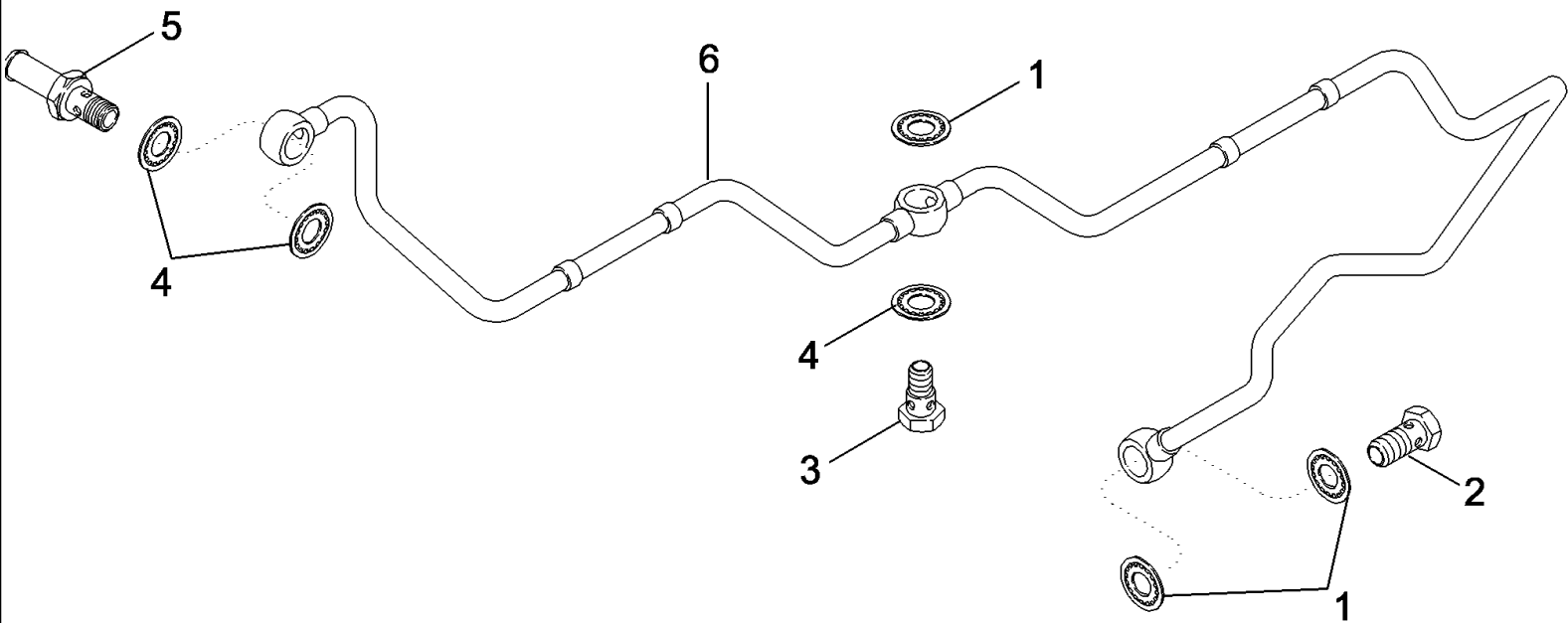
сылка	Номер детали	Кол-во	Описание
1	A78043	1	GASKET, CYLINDER HEAD, Inc. 2 - 28
2	222-993	2	GASKET, 3/8 Tube, FI, Copper,
3	238-5115	2	O-RING, -115, 70 Duro, .674" ID x .103" Thk,
4	238-5120	2	O-RING, -120, 70 Duro, .987" ID x .103" Thk,
5	238-7115	2	O-RING, -115, CI 7, .674" ID x .103" Thk,
6	933697R1	2	WASHER, SEALING, M10 x 13.5 x 1,
7	J937706	1	GASKET, Oil Drain
8	J902425	2	WASHER,
9	J903380	6	SEAL,
10	J903475	1	SEAL,
11	J909886	6	SEAL,
12	J910517	1	O-RING,
13	J755843	1	GASKET,
14	J912473	1	SEALRING,
15	J936993	1	GASKET, MANIFOLD,
16	J916284	1	O-RING,
17	J918188	2	WASHER,
18	J918190	2	WASHER, SEALING,
19	J918192	4	RING, PACKING,
20	J918779	1	GASKET,
21	J990881	2	CONNECTION,
22	J923261	6	WASHER,
23	J924605	1	SEAL,
24	J939258	1	GASKET,
25	238-7018	1	O-RING, -018, CI 7, .739" ID x .070" Thk,
26	J932063	6	GASKET, MANIFOLD,
27	87415913	2	WASHER, SEALING, 12 x 19 x 1.5 mm
28	238-5013	2	O-RING, -013, 70 Duro, .426" ID x .070" Thk,



MAGNUM 335 CASE IH TRACTOR (NA)

03-01 FUEL INJECTION SYSTEM

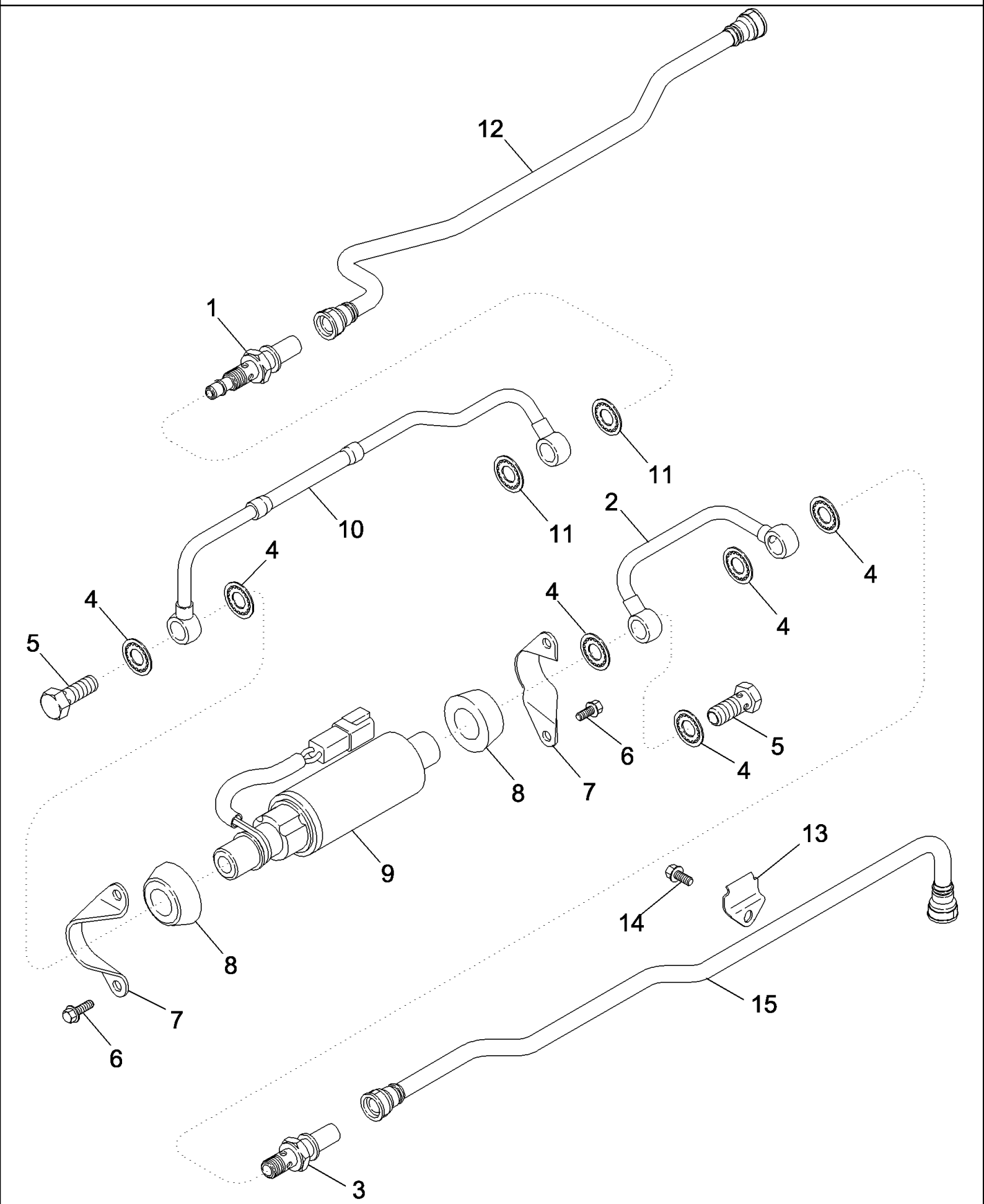
сылка	Номер детали	Кол-во	Описание
1	87347221	6	RETAINER,
2	87348184	1	TUBE,
3	87348175	1	TUBE,
4	87348150	2	FITTING, High Pressure Fuel
5	87347257	1	KIT, Inc. Decal 87347223
6	854-10070	3	BOLT, Hex Flg, M10 x 70, 10.9,
7	87347275	1	VALVE, PRESSURE RELIEF,
8	87348161	1	WASHER, SEALING,
9	87348154	1	ADAPTER,
10	87727942	1	SENSOR,
11	87348302	1	BRACKET,
12	87348190	1	TUBE,
13	87348171	1	TUBE,
14	87348283	3	TUBE,
15	87581565	6	INJECTOR, FUEL SYSTEM, , MX215 and Magnum 215
15	87538122	6	INJECTOR, FUEL SYSTEM, , MX245 and Magnum 245
15	87708024	6	INJECTOR, FUEL SYSTEM, , MX275, MX305, Magnum 275, 305, and 335
16	87343005	6	CLAMP,
17	87343006	12	BOLT,
18	87348322	6	SEAL,
19	87348301	6	FITTING, Inc. 18
20	4890926	6	O-RING,
21	4899689	6	WASHER, SEALING,



MAGNUM 335 CASE IH TRACTOR (NA)

03-02 FUEL DRAIN

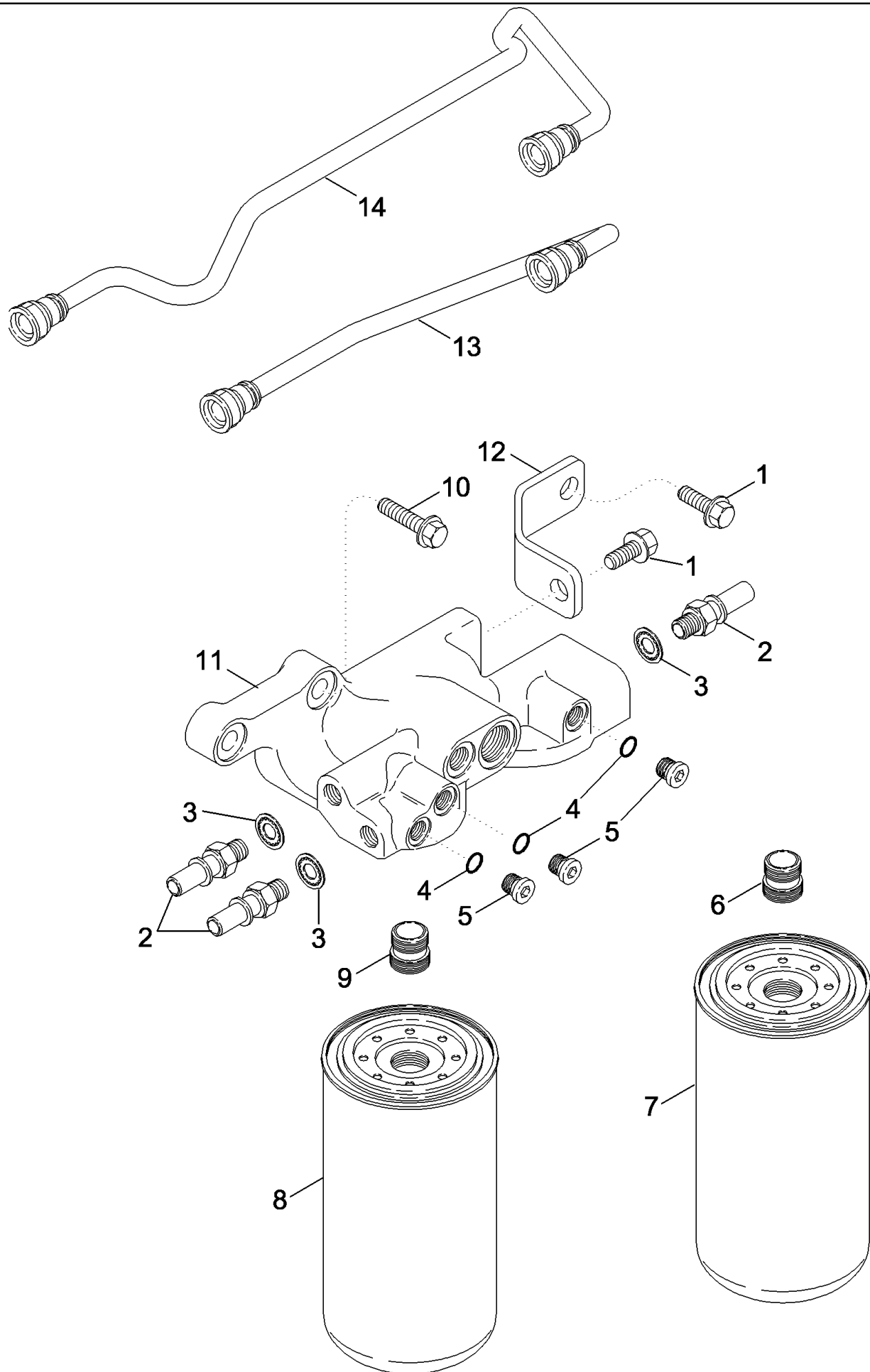
сылка	Номер детали	Кол-во	Описание
1	87417767	3	WASHER, SEALING,
2	J924725	1	BOLT, BANJO,
3	87346562	1	VALVE, CHECK,
4	87346600	3	WASHER, SEALING,
5	87346609	1	SCREW,
6	87346608	1	TUBE ASSY.,



MAGNUM 335 CASE IH TRACTOR (NA)

03-03 PUMP, FUEL TRANSFER

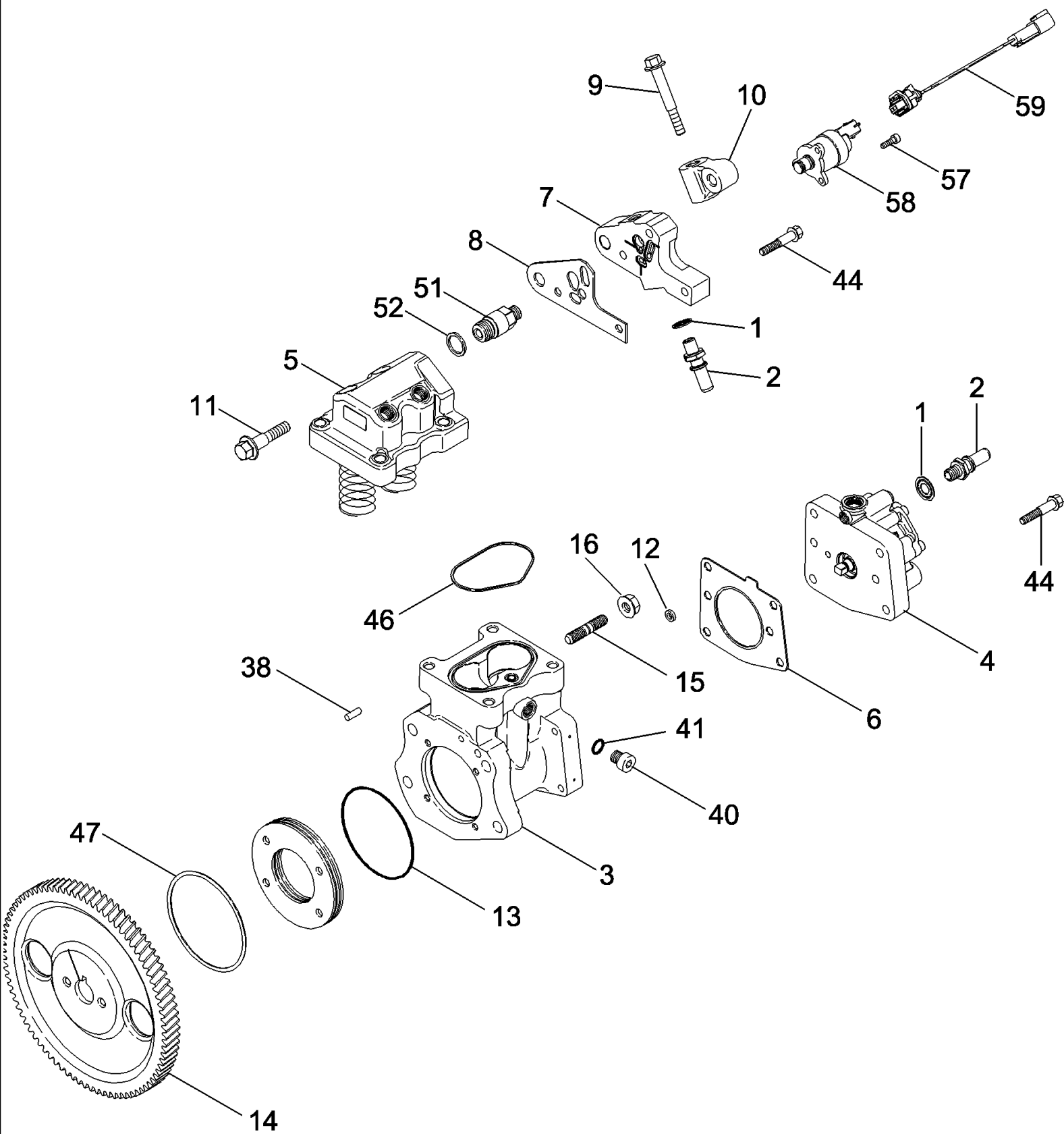
сылка	Номер детали	Кол-во	Описание
1	87346904	1	VALVE, CHECK,
2	87346902	1	TUBE ASSY., Fuel Supply
3	87346936	1	ADAPTER,
4	87346600	6	WASHER, SEALING,
5	J903035	2	BOLT, BANJO,
6	845-6015	4	BOLT, Hex Flg, M6 x 15, 8.8, Full Thd,
7	87346733	2	BRACKET,
8	87346917	2	ISOLATOR,
9	87346909	1	PUMP, FUEL INJECTION,
10	87346734	1	TUBE ASSY., Fuel Supply
11	87417767	2	WASHER, SEALING,
12	87339066	1	TUBE ASSY.,
13	87339057	1	BRACKET,
14	J925883	1	SCREW,
15	87339061	1	TUBE ASSY.,



MAGNUM 335 CASE IH TRACTOR (NA)

03-04 FUEL FILTER AND CONNECTIONS

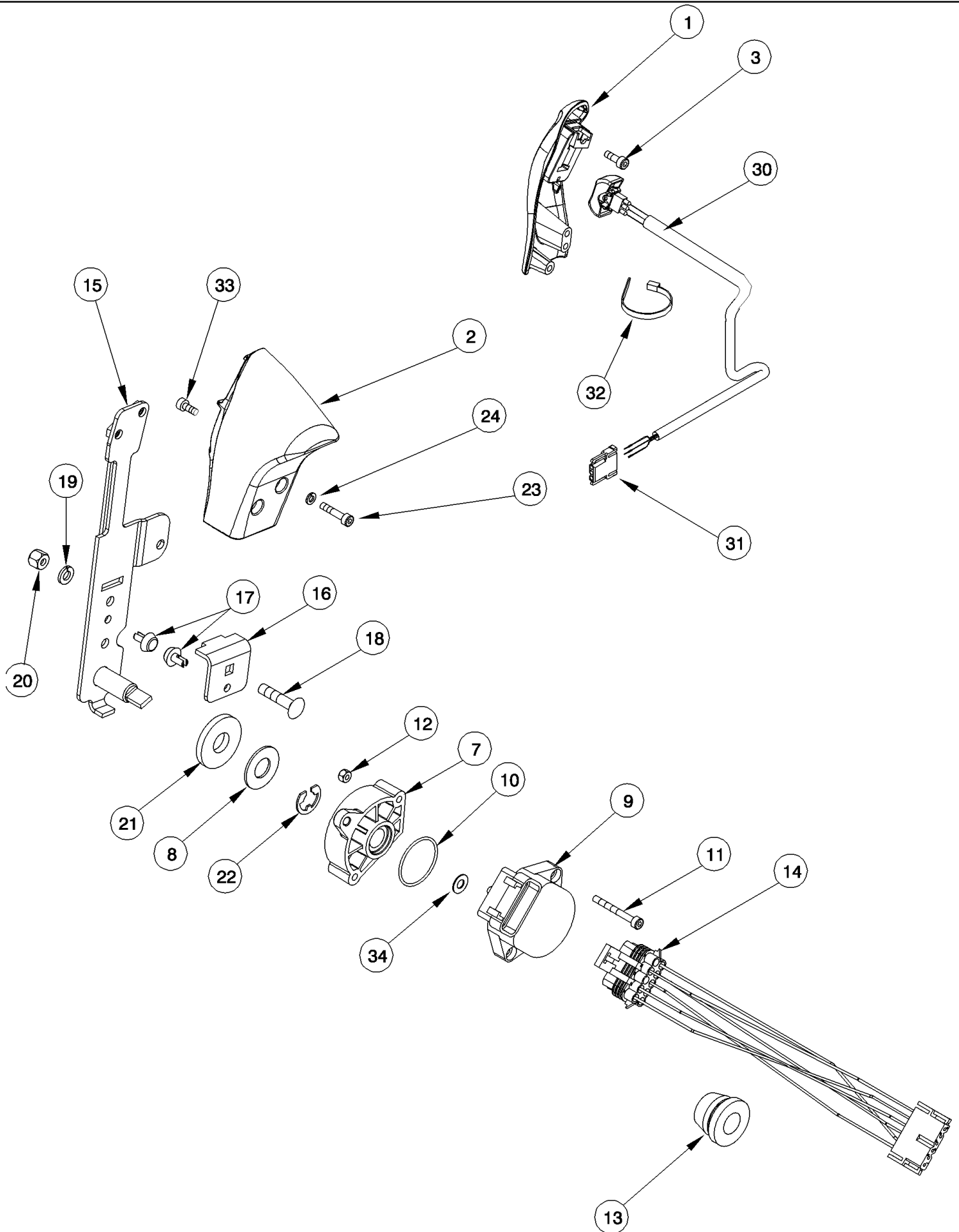
сылка	Номер детали	Кол-во	Описание
1	854-10020	2	BOLT, Hex Flg, M10 x 20, 10.9,
2	87349484	3	ADAPTER,
3	87346600	3	WASHER, SEALING,
4	637-72081	3	O-RING, CI 7, 8.1MM ID x 1.6 Thk,
5	J678923	3	PLUG, 10 mm
6	84131590	1	ADAPTER,
7	87356193	1	FILTER, FUEL, Primary
8	87360565	1	FILTER, FUEL, Secondary
9	87349753	1	ADAPTER,
10	87349727	2	BOLT,
11	87356213	1	HEAD, FILTER,
12	87356110	1	BRACKET,
13	87341273	1	TUBE ASSY., Fuel Supply
14	87341277	1	TUBE, Fuel Supply



MAGNUM 335 CASE IH TRACTOR (NA)

03-05 FUEL INJECTION - PUMP AND DRIVE

сылка	Номер детали	Кол-во	Описание
	87351412	1	PUMP, FUEL, Fuel
1	87346600	3	WASHER, SEALING,
2	87349484	3	ADAPTER,
3	87351467	1	BODY, Fuel Pump
4	87351478	1	PUMP, FUEL,
5	87684601	1	HEAD, Fuel Pump
6	87377387	1	GASKET, Cover Plate
7	87351486	1	ADAPTER, Fuel Pump
8	87351493	1	GASKET, Fuel Pump to Gear Pump
9	844-10070	1	BOLT, Hex Flg, M10 x 70, 8.8,
10	87346420	1	SUPPORT,
11	854-12050	1	BOLT, Hex Flg, M12 x 50, 10.9,
12	J926722	1	SEAL,
13	238-7241	2	O-RING, -241, CI 7, 3.859" ID x .139" Thk,
14	J942764	1	GEAR, Fuel Pump
15	J937123	4	STUD, M10 x 55 mm (2-5/32 in)
16	825-2410	4	NUT, M10 x 1.5, Flg, CI 8,
38	J329899	1	DOWEL, Dowel
39	J330252	1	WASHER, (Not Shown)
40	J678923	3	PLUG, Inc. 41
41	637-72081	1	O-RING, CI 7, 8.1MM ID x 1.6 Thk,
42	J867640	1	O-RING, (Not Shown)
43	J926593	1	NUT, M20 x 1.5 (Not Shown)
44	854-8040	7	BOLT, Hex Flg, M8 x 40, 10.9,
45	87351459	4	SCREW, (Not Shown)
46	J4010636	1	O-RING, Pump Body
47	87351514	1	SEAL,
48	87351521	4	BOLT, (Not Shown)
49	J867641	4	O-RING, (Not Shown)
50	J867651	2	SEAL, (Not Shown)
51	87351522	1	FITTING, High Pressure
52	87351523	1	WASHER, SEALING,
53	87351524	2	WASHER, SEALING, (Not Shown)
54	87351525	2	PLUG, (Not Shown)
55	87351528	2	PLUG, (Not Shown)
56	87351531	2	WASHER, SEALING, (Not Shown)
57	87351533	3	SCREW,
58	87351534	1	ACTUATOR, ETR Fuel
59	NSS	1	NOT SERVICED SEPARATELY, HARNESS, Wire, Order 87351534
60	87351536	1	ADAPTER, Fuel Pump (Not Shown)
61	87351504	1	HUB, Distributor Drive (Not Shown)

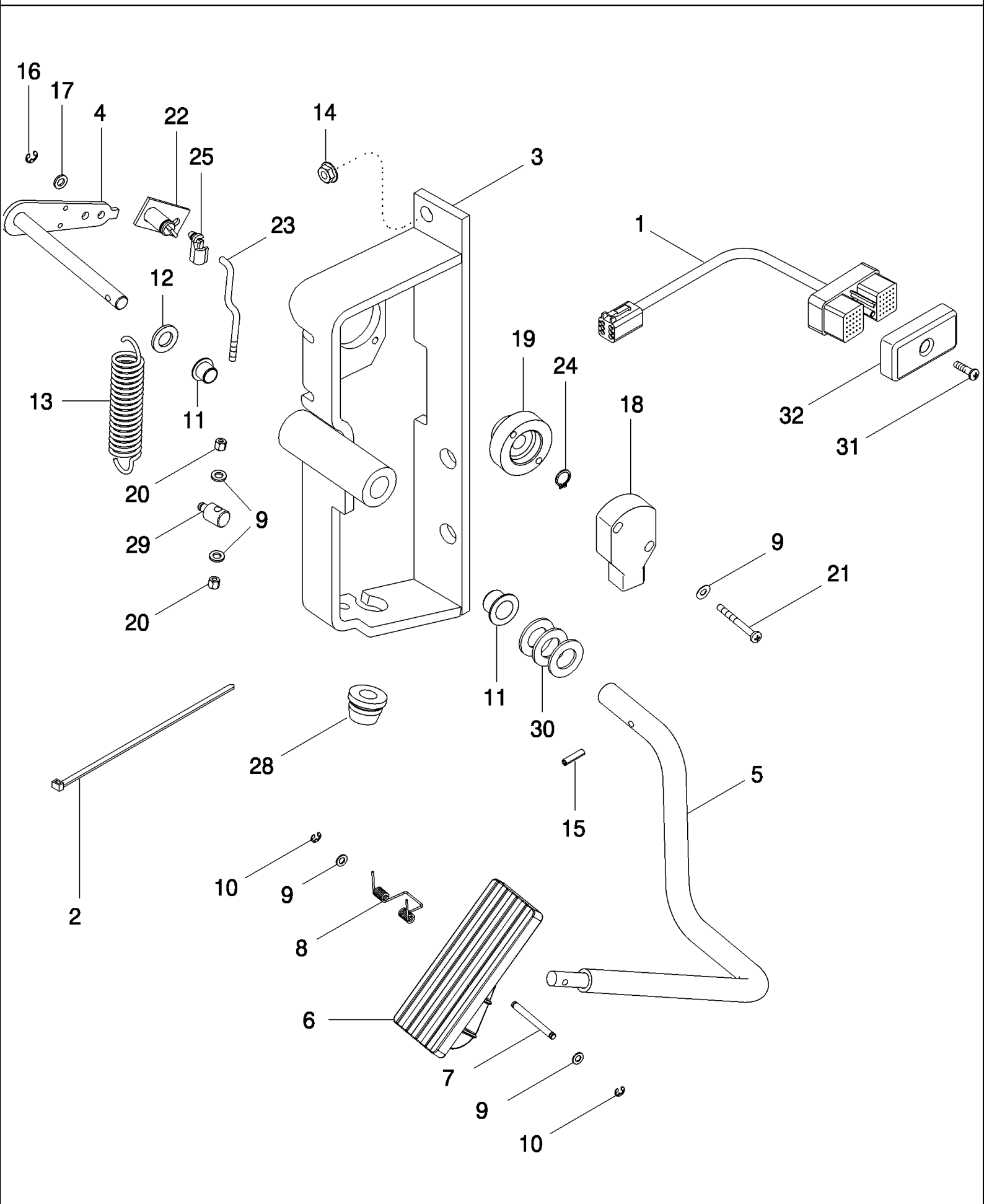


MAGNUM 335 CASE IH TRACTOR (NA)

03-06 HAND THROTTLE

сылка	Номер детали	Кол-во	Описание
1	87622401	1	GRIP,
2	293388A2	1	GRIP, Standard And Deluxe Cab
2	359032A1	1	GRIP, Luxury Cab
3	368048A1	3	SCREW, M4 x 12
7	239491A1	1	BUSHING,
8	237486A1	1	WASHER,
9	259012A1	1	POTENTIOMETER,
10	238-6025	1	O-RING, -.025, 90 Duro, 1.176" ID x .070" Thk,
11	864-4035	2	SCREW, Hex Soc Hd, M4 x 35, 8.8,
12	832-46404	2	NUT, LOCK, M4 x .7, CI 8,
13	182220A1	1	GROMMET,
14	276352A1	1	HARNESSES,
15	367607A1	1	BRACKET,
16	258734A2	1	SUPPORT,
17	259040A1	2	INSERT,
18	811-6030	1	BOLT, CARRIAGE, Short NK, M6 x 30, CI8.8, Full Thd,
19	892-11006	2	WASHER, LOCK, M6,
20	832-10406	1	NUT, LOCK, M6 x 1, CI 8,
21	495-81022	1	WASHER, 17/32" x 1 1/8" x .060",
22	103-3350	1	RING, LOCKING, #50, .392" Dia, E-Type,
23	864-4025	2	SCREW, Hex Soc Hd, M4 x 25, 8.8,
24	892-11004	2	WASHER, LOCK, M4,
30	258010A2	1	SWITCH, Transmission Shift
31	235676A1	1	CONNECTOR,
32	473321C1	2	STRAP, CABLE, .098" x 8", 8"
33	864-4012	1	SCREW, Hex Soc Hd, M4 x 12, 8.8,
34	895-11004	2	WASHER, M4,

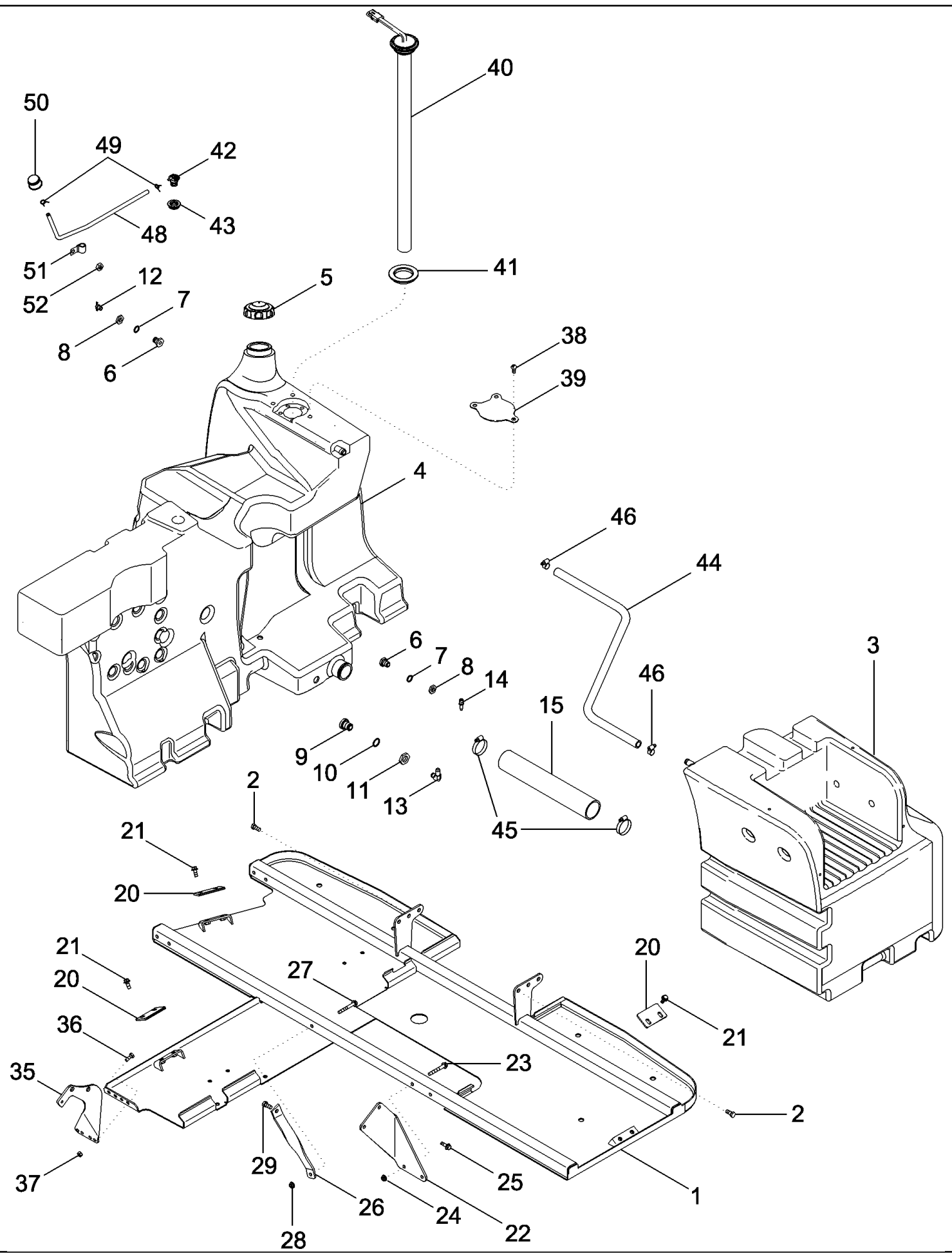
03-07 FOOT THROTTLE



MAGNUM 335 CASE IH TRACTOR (NA)

03-07 FOOT THROTTLE

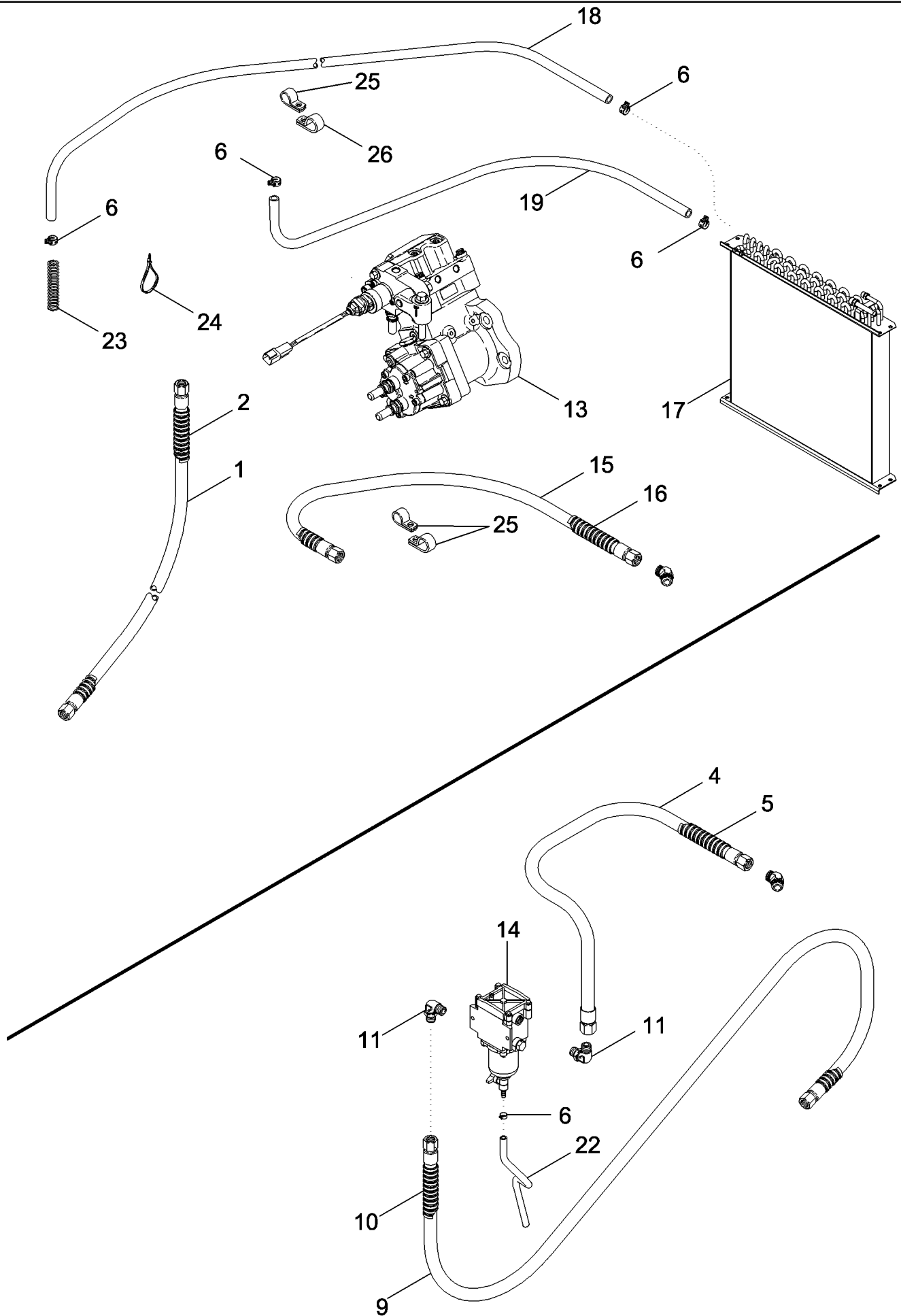
сылка	Номер детали	Кол-во	Описание
1	86984487	1	HARNESS,
2	L11541	12	STRAP, CABLE, 7 - 8 in
2	473321C1	1	STRAP, CABLE, .098" x 8",
3	404659A4	1	FRAME,
4	446487A2	1	LEVER,
5	446488A1	1	TUBE ASSY.,
6	297853A2	1	PEDAL,
7	255291A1	1	PIN,
8	256776A1	1	SPRING,
9	895-11005	6	WASHER, M5 x 10 x 1,
10	800-435	2	CIRCLIP, M5,
11	1533540C1	2	EYEBOLT,
12	895-11012	1	WASHER, M12 x 24 x 2.5,
13	248913A2	1	SPRING,
14	825-2408	3	NUT, M8 x 1.25, Flg, CI 8,
15	838-3528	1	PIN, M5 x 28, Coiled,
16	800-316	1	CIRCLIP, M6,
17	895-11006	1	WASHER, M6,
18	231426A1	1	POTENTIOMETER,
19	231410A1	1	BUSHING,
20	832-10405	2	NUT, LOCK, M5 x .8, CI 8,
21	840-1550	2	SCREW, Cross Pan Hd, M5 x 50,
22	322108A1	1	SUPPORT,
23	322109A1	1	ROD,
24	800-1112	1	RING, SNAP, M12, Ext,
25	60-2404T1	1	RETAINER,
28	182220A1	1	GROMMET,
29	307475A1	1	PIVOT,
30	495-81020	3	WASHER, 17/32" x 1" x .030", Use As Required
31	490-1108	1	SCREW, Cross Pan Hd, #10-32 x 1/2",
32	279267A1	1	PLUG,



MAGNUM 335 CASE IH TRACTOR (NA)

03-08 FUEL TANKS

сылка	Номер детали	Кол-во	Описание
1	363279A3	1	SUPPORT,
2	844-12025	4	BOLT, Hex Flg, M12 x 25, 8.8,
3	87358308	1	FUEL TANK, Right Hand, 306 L (81 gal)
4	87567185	1	FUEL TANK, Left Hand, 369 L (97 gal), Inc. 5 - 14
5	87324388	1	CAP, FILLER,
6	87694594	2	BOLT,
7	238-5210	2	O-RING, -210, 70 Duro, .734" ID x .139" Thk,
8	1251791C1	2	NUT,
9	87707148	1	FITTING,
10	238-5214	1	O-RING, -214, 70 Duro, .984" ID x .139" Thk,
11	282709A1	1	NUT,
12	217-103	1	COCK, DRAIN, 1/4 PT
13	87037348	1	ELBOW, 90, 5/8 Tube x 3/8 PT
14	217-125	1	FITTING, 3/8" Hose x 1/4" NPTF, Barbed,
15	275798A1	1	HOSE,
20	243779A4	3	PLATE, LARGE,
21	555-5	6	BOLT, Hex Flg, M10 x 25, 8.8, Full Thd,
22	295340A1	1	SUPPORT,
23	857-10075	2	BOLT, Hex Flg, M10 x 75, 10.9,
24	825-2410	2	NUT, M10 x 1.5, Flg, Cl 8,
25	844-10030	2	BOLT, Hex Flg, M10 x 30, 8.8, Full Thd,
26	258942A1	1	STRAP, SECURING,
27	857-10075	1	BOLT, Hex Flg, M10 x 75, 10.9,
28	825-2410	1	NUT, M10 x 1.5, Flg, Cl 8,
29	627-12025	1	BOLT, Hex, M12 x 25, 10.9,
35	301790A3	1	BRACKET,
36	514-745	2	BOLT, Hex, M10 x 25, 8.8, Full Thd,
37	829-1510	2	NUT, M10, Cl 10,
38	627-10020	3	BOLT, Hex, M10 x 20, 10.9, Full Thd,
39	87455076	1	COVER, CAP, Fuel Sender
40	87731313	1	GAUGE, FUEL, Fuel Sender
41	255095A1	1	GROMMET, Fuel sender
42	275800A1	1	VALVE STEM,
43	255094A1	1	GROMMET,
44	275799A2	1	HOSE,
45	214-3248	2	CLAMP, HOSE, 2.25/3.125 HD Worm, W/liner,
46	214-1516	2	CLAMP, HOSE, #16, .81/1.50 Type F Worm, W/liner,
48	275801A1	1	HOSE,
49	214-1308	2	CLAMP, HOSE, #8, 1/2", Spring,
50	87433010	1	BREATHER,
51	515-22159	1	CLAMP, 5/8", Insul, 5/16" Bolt,
52	825-2408	1	NUT, M8 x 1.25, Flg, Cl 8,

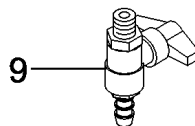
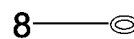
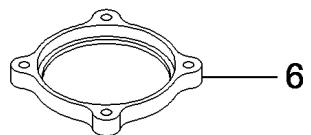
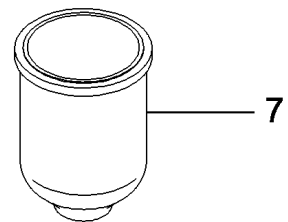
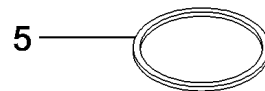
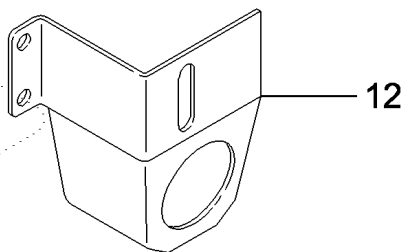
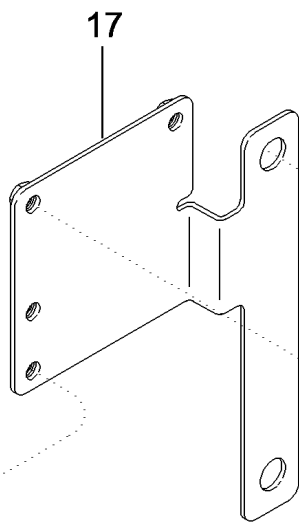
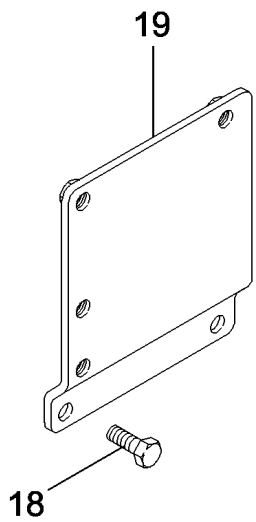
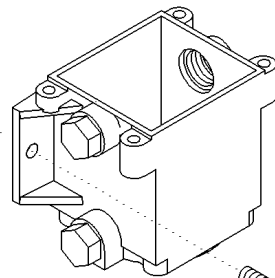
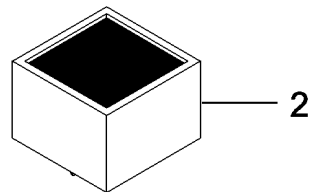
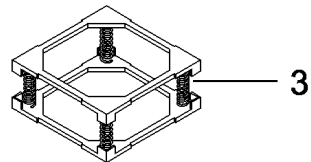
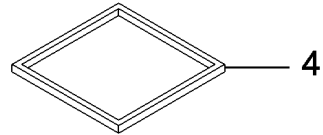
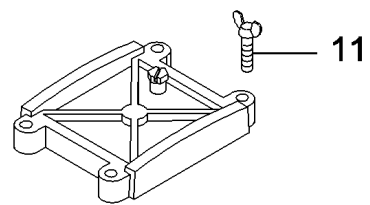
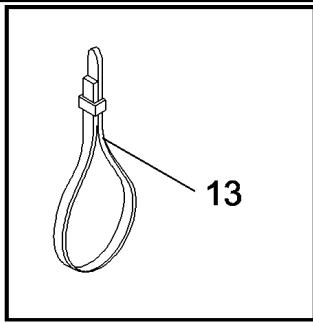


MAGNUM 335 CASE IH TRACTOR (NA)

03-09 FUEL LINES

сылка	Номер детали	Кол-во	Описание
1	87442363	1	HOSE, 2310 mm (90.94 in)
2	87442364	1	CONDUIT, 2150mm (84.65 in)
4	87349763	1	HOSE, Fuel Filter Outlet, 570mm (22-7/16 in), If Equipped with Separator Filter
5	87350913	1	CONDUIT, 510 mm (20.07 in), If Equipped with Separator Filter
6	1348264C1	5	CLAMP, HOSE, 3/8 ID, If Equipped with Separator Filter (1)
9	87349720	1	HOSE, Fuel Filter Supply, 1660 mm (65.35 in), If Equipped with Separator Filter
10	87372642	1	CONDUIT, 1490 mm (58.66 in), If Equipped with Separator Filter
11	218-5106	2	ELBOW, 90°, 3/4"-16, 37° x 3/4"-16, O-Ring, If Equipped with Separator Filter
13	REF	1	INSTRUCTION, Pump, Injection, See Figure 03-05
14	87346728	1	FILTER, FUEL, If Equipped, See Figure 03-10
15	87442365	1	HOSE, Without Separator Filter, 1600 mm (63 in), Cut From 284736A2
16	87367299	1	CONDUIT, 1500 mm (59.05 in)
17	REF	1	INSTRUCTION, Cooler, See Figure 09-39
18	87442367	1	HOSE, 4400 mm (173.23 in) , Cut From 284736A2
19	87367298	1	CONDUIT, 4300 mm (169.29 in)
22	360525A1	1	HOSE, Filter Drain, 700 mm (27-9/16 in)
23	87435416	2	SPRING, Fuel Hose Guard
24	L18331	2	STRAP, CABLE, Tie
25	515-24238	3	CLAMP, 15/16", Insul, 7/16" Bolt,
26	515-23206	1	CLAMP, 13/16", Insul, 3/8" Bolt,

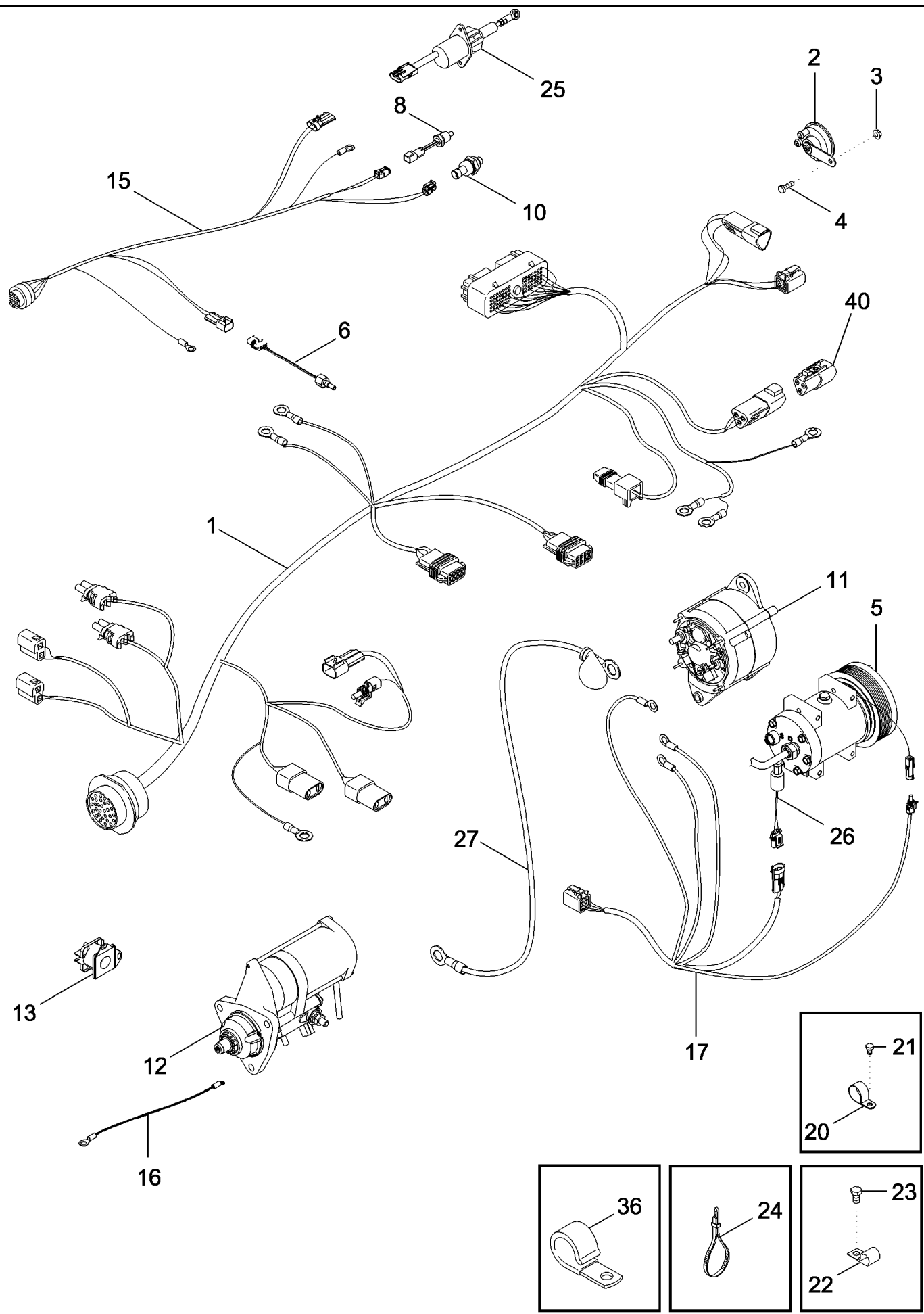
03-10 FUEL SEPARATOR FILTER



MAGNUM 335 CASE IH TRACTOR (NA)

03-10 FUEL SEPARATOR FILTER

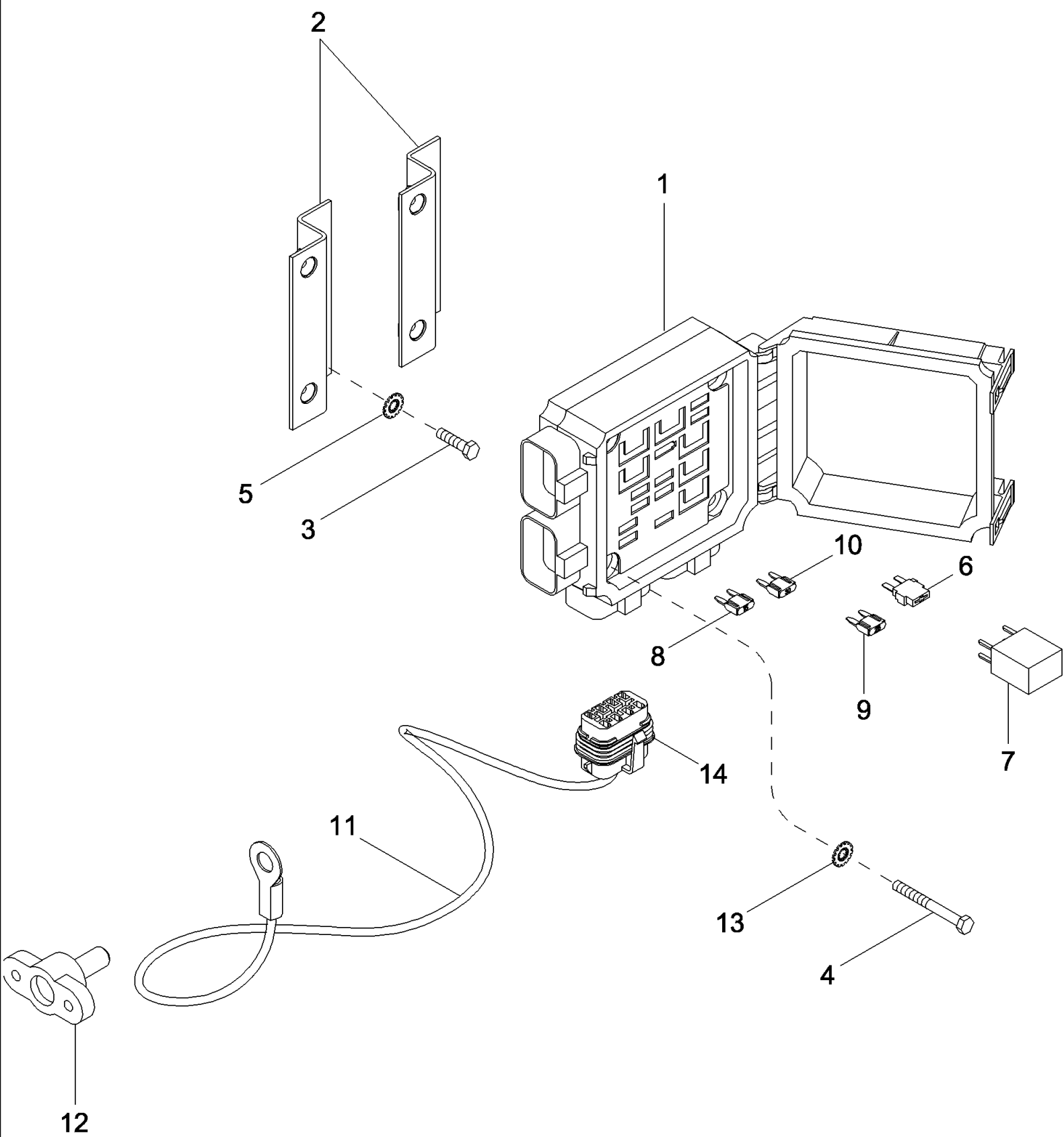
сылка	Номер детали	Кол-во	Описание
1	87346728	1	FILTER, FUEL, Inc. 2 - 11
2	336430A1	1	FILTER, ELEMENT,
3	336431A1	1	FRAME,
4	336432A1	1	SEAL,
5	336433A1	1	SEAL,
6	369841A1	1	RETAINER,
7	369842A1	1	COVER, FILTER,
8	369843A1	1	GASKET,
9	369844A1	1	DRAINCOCK/TAP, SUPPLY,
10	614-5020	4	BOLT, Hex, M5 x 20, 8.8, Full Thd,
11	87625617	4	THUMB SCREW, M5 x 30
12	87398550	1	SHIELD,
13	A169433	1	STRAP, SECURING,
14	627-20040	2	BOLT, Hex, M20 x 40, 10.9,
15	896-11020	2	WASHER, M20 x 37.5 x 4, HT,
16	844-8020	4	BOLT, Hex Flg, M8 x 20, 8.8,
17	87345857	1	SUPPORT,
18	9804261	2	BOLT, Hex Flg, M10 x 25, 8.8, , Used for the Chassis Enforcement and Scraper Front Frame Kits
19	87666512	1	BRACKET, , Used for the Chassis Enforcement and Scraper Front Frame Kits



MAGNUM 335 CASE IH TRACTOR (NA)

04-01 HARNESS - ENGINE

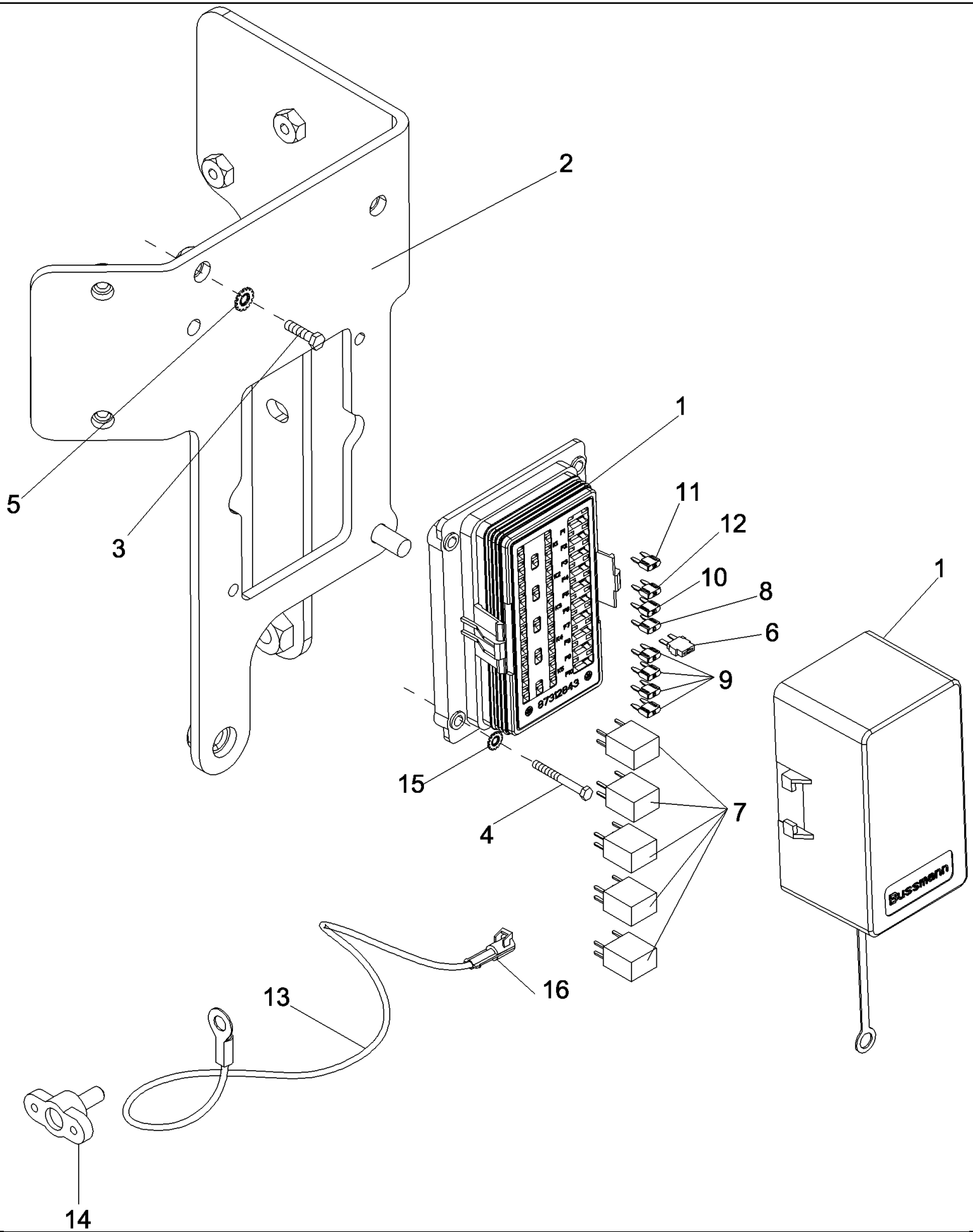
сылка	Номер детали	Кол-во	Описание
1	87364306	1	HARNESS, Engine
1	87312632	1	HARNESS, Engine (Shown), BSN Z7RZ01521
1	87544743	1	HARNESS, Engine, Inc. 40, ASN Z7RZ01521
2	87714969	1	HORN,
3	825-2408	1	NUT, M8 x 1.25, Flg, Cl 8,
4	555-1	1	BOLT, Hex Flg, M8 x 16, 8.8,
5	REF	1	INSTRUCTION, Compressor Assy, See Figure 09-39
6	194346A1	1	SENSOR, Air to Air Temperature
8	87403454	1	SENDER, TEMPERATURE, Coolant
9	193-1000	1	NUT, Keps, w/LW,#10-32,
10	405439A1	1	SWITCH, PRESSURE, Oil Pressure
11	REF	1	INSTRUCTION, ALTERNATOR ASSY, See Figure 04-21
12	REF	1	INSTRUCTION, STARTER ASSY, See Figure 04-22
13	REF	1	INSTRUCTION, SOLENOID, See Figure 04-23
15	86983668	1	HARNESS, Engine Adapter
16	87527710	1	CABLE, Solenoid to Starter
17	87365490	1	HARNESS, Alternator/Air Conditioning Compressor, BSN Z7RZ01521
17	87382529	1	HARNESS, Alternator/Air Conditioning Compressor, ASN Z7RZ01521
20	515-23317	1	CLAMP, 1 1/4", Insul, 3/8" Bolt,
21	614-8012	1	BOLT, Hex, M8 x 12, 8.8, Full Thd,
22	516-22190	2	CLAMP, J, 13/16" Insul, 3/8" Bolt,
23	555-1	1	BOLT, Hex Flg, M8 x 16, 8.8,
24	291207C1	5	CLAMP, 15 in
25	REF	1	INSTRUCTION, SOLENOID, Fuel Shutoff, See Figure 03-05
26	284273A2	1	SWITCH, A/C HIGH PRESSURE, High Pressure A/C
27	87365491	1	CABLE, Alternator/Starter, BSN Z7RZ01521
27	87534095	1	CABLE, Alternator/Starter, ASN Z7RZ01521
35	825-2408	2	NUT, M8 x 1.25, Flg, Cl 8, (Not shown)
36	87313355	1	CLAMP, Harness On Water Bottle Bracket
37	844-10016	1	BOLT, Hex Flg, M10 x 16, 8.8, Full Thd, Mount Clip To Bracket, (Not Shown)
38	516-23190	2	CLAMP, J, 3/4", Insul, 3/8" Bolt, Harness Lower Rear Of Hvac Compressor, (Not Shown)
39	844-8016	1	BOLT, Hex Flg, M8 x 16, 8.8, Top Right of Compressor, Not shown
40	381414A1	1	CONNECTOR, TERMINAL, Can Terminator
41	814-8100	1	BOLT, Hex, M8 x 100, 8.8, Lower rear of Hvac compressor, (Not shown)
42	515-22190	1	CLAMP, 3/4", Insul, 5/16" Bolt, Harness Top Right Of Compressor, (Not Shown)
43	844-6012	2	BOLT, Hex Flg, M6 x 12, 8.8, To Hold Start Relay, (Not Shown)



MAGNUM 335 CASE IH TRACTOR (NA)

04-02 POWER DISTRIBUTION - BSN Z7RZ01521

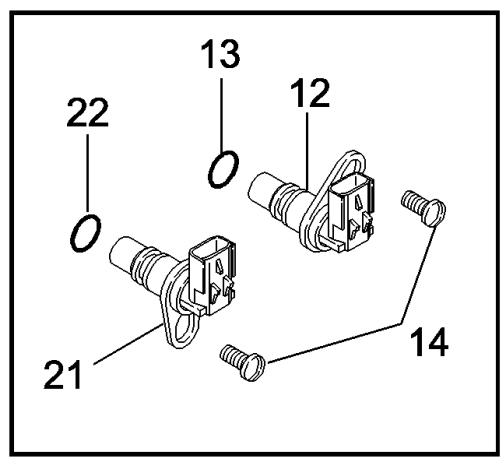
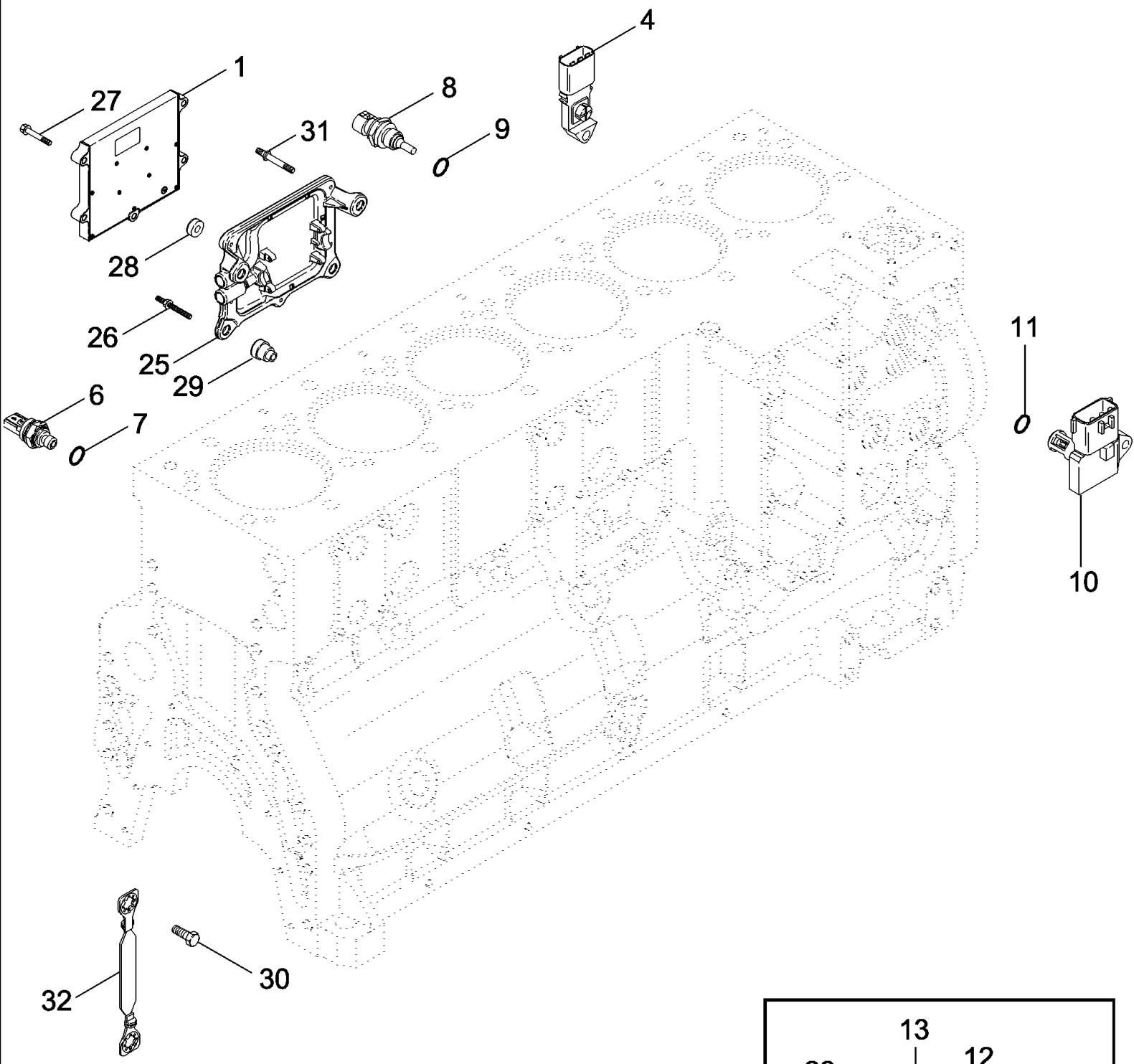
сылка	Номер детали	Кол-во	Описание
1	441480A2	1	BOX, FUSE, Engine
2	87410072	2	BRACKET, Fuse Box
3	463-11012	4	SCREW, Hex Hd, #10-24 x 3/4",
4	490-11012	2	SCREW, Cross Pan Hd, #10-32 x 3/4",
5	493-11020	4	WASHER, LOCK, Ext-Int Tooth, #10,
6	416569A1	1	DIODE-ELEMENT,
7	416570A1	5	RELAY,
8	121413A1	AR	FUSE, 15 Amp
9	121415A1	AR	FUSE, 25 Amp
10	121416A1	AR	FUSE, 30 Amp
11	441479A2	1	HARNESS, Tractor Auxiliary Power, Inc. 14
12	441483A1	1	CONNECTOR, TERMINAL, Auxiliary Power
13	895-11005	2	WASHER, M5 x 10 x 1,
14	409107A1	1	CONNECTOR, ELEC, Engine Harness



MAGNUM 335 CASE IH TRACTOR (NA)

04-03 POWER DISTRIBUTION - ASN Z7RZ01521

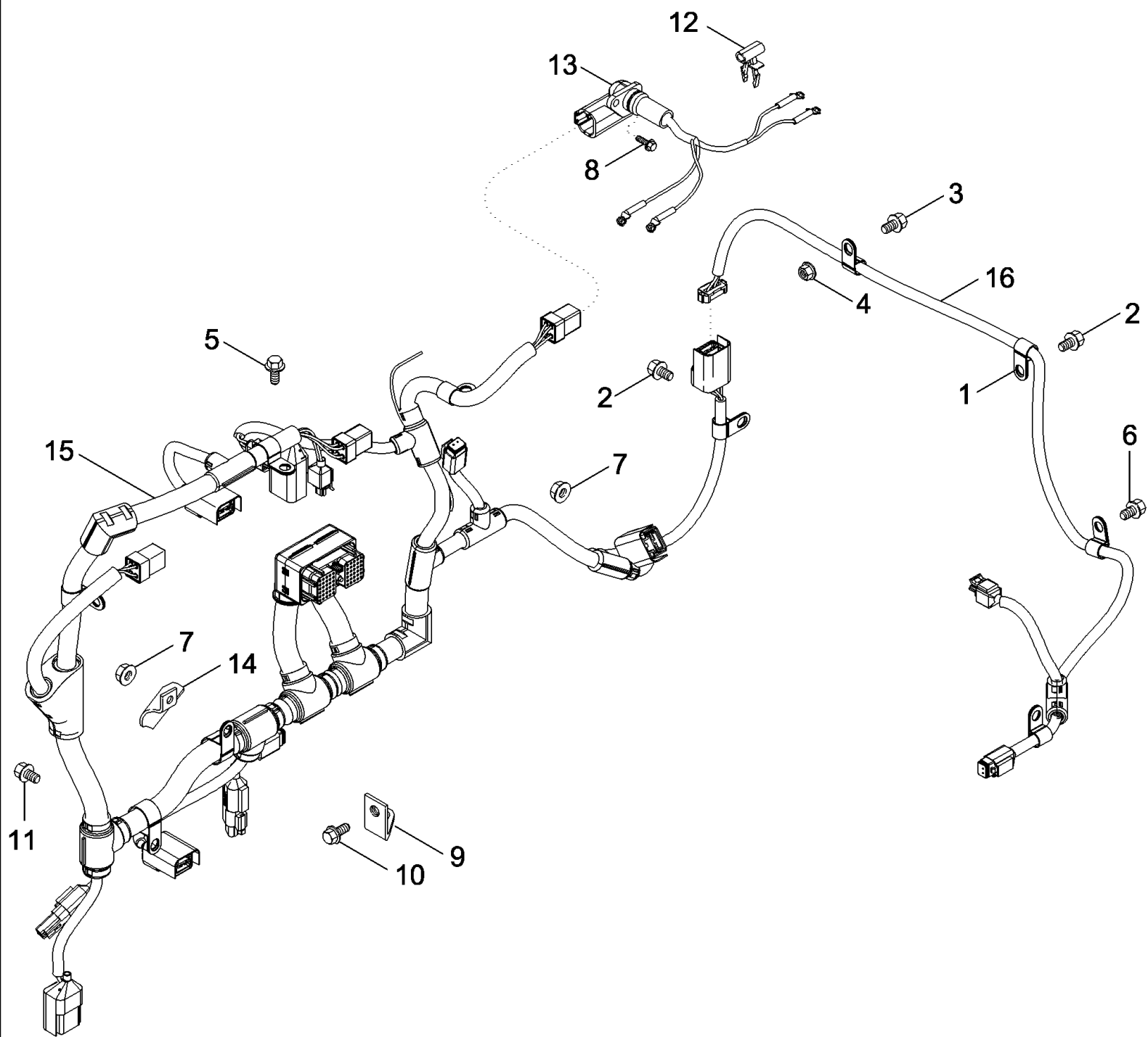
сылка	Номер детали	Кол-во	Описание
1	87312843	1	FUSE BOX, Engine
2	87548859	2	BRACKET, Fuse Box
3	463-11012	4	SCREW, Hex Hd, #10-24 x 3/4",
4	363-11028	2	SCREW, Hex Hd, #10-24 x 1 3/4",
5	493-11020	4	WASHER, LOCK, Ext-Int Tooth, #10,
6	416569A1	1	DIODE-ELEMENT,
7	416570A1	5	RELAY,
8	121412A1	AR	FUSE, 10 Amp
9	121413A1	AR	FUSE, 15 Amp
10	121414A1	AR	FUSE, 20 Amp
11	121415A1	AR	FUSE, 25 Amp
12	121416A1	AR	FUSE, 30 Amp
13	87546828	1	HARNESS, Tractor Auxiliary Power, Inc. 16
14	441483A1	1	CONNECTOR, TERMINAL, Auxiliary Power
15	895-11005	2	WASHER, M5 x 10 x 1,
16	182064A1	1	CONNECTOR, Engine Harness



MAGNUM 335 CASE IH TRACTOR (NA)

04-04 MODULE, ENGINE CONTROL

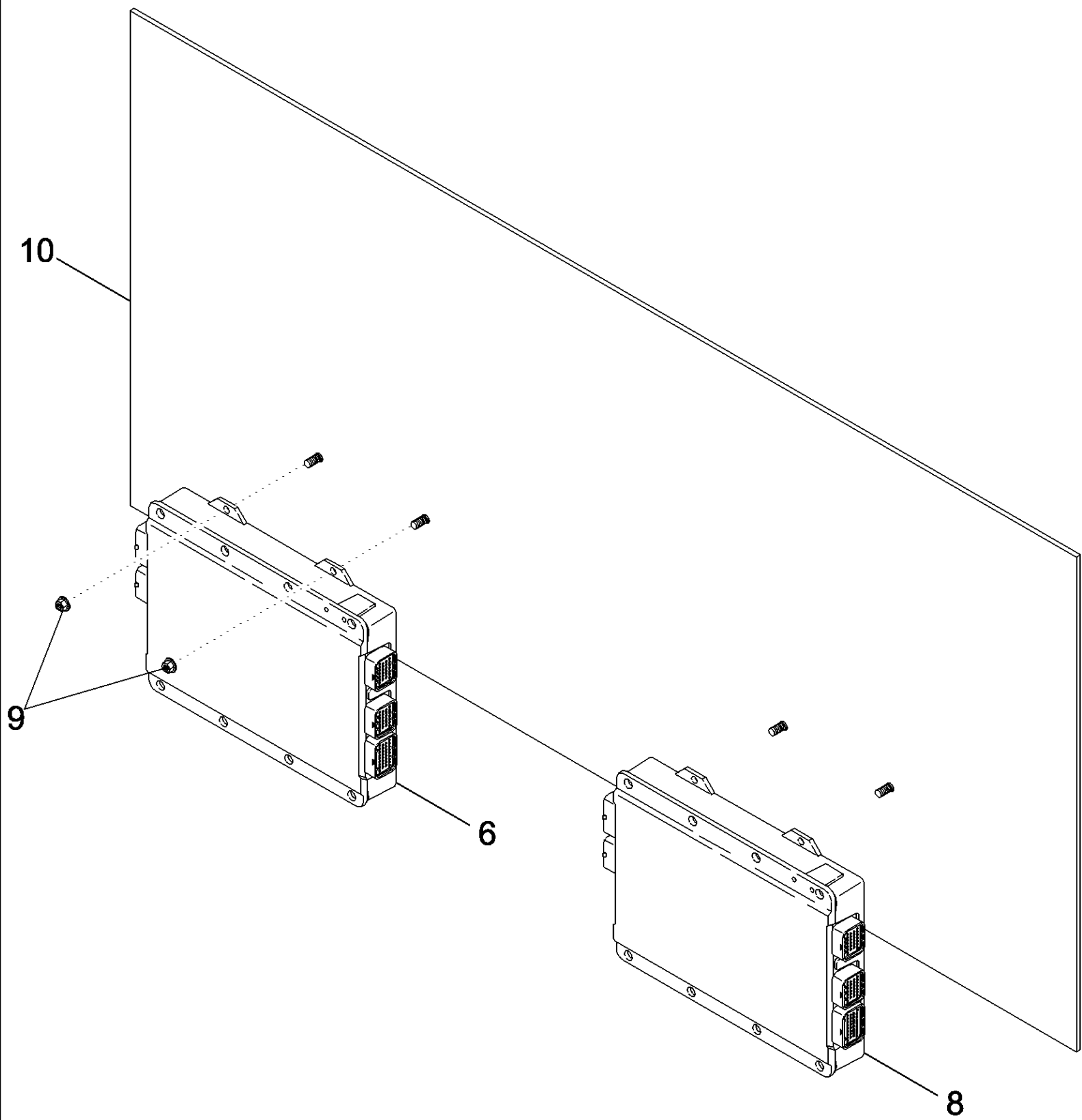
сылка	Номер детали	Кол-во	Описание
1	87342193	1	MODULE, Electronic Control
4	87341871	1	SENSOR, Pressure, Inc. 5
5	J330202	1	O-RING, 11.3MM ID x 2.2 Thk,
6	87568842	1	SENSOR, Oil Pressure, Inc. 7
6	87428328	1	SENSOR, Pressure, Auto Guidance
7	87385019	1	O-RING, 11.3 ID x 2.2 mm
8	87341875	1	SENSOR, Temperature, Inc. 9
9	87341887	1	O-RING, 11.3 ID x 2.2 mm
10	87584643	1	SENSOR, Inc. 11
11	87342065	1	SEAL, RUBBER, 11.3 ID x 2.2 mm
12	87352952	1	SENSOR, Position, Inc. 13
13	87352938	1	O-RING,
21	87341787	1	SENSOR, Inc. 22
22	87352938	1	O-RING,
25	87341857	1	COOLER, Fuel
26	J944816	3	SCREW,
27	845-8045	4	BOLT, Hex Flg, M8 x 45, 8.8,
28	87341822	4	ISOLATOR,
29	87341823	4	ISOLATOR,
30	845-8040	2	BOLT, Hex Flg, M8 x 40, 8.8,
31	87341816	1	SCREW,
32	87341820	1	STRAP, GROUND,
33	845-8020	1	BOLT, Hex Flg, M8 x 20, 8.8, Full Thd,
34	J920854	1	SCREW, Hex Hd, M5 x .8 x 20, w/LW,
35	87341845	1	SCREW,
36	J900589	1	NUT, M8 x 1.25
37	845-6015	1	BOLT, Hex Flg, M6 x 15, 8.8, Full Thd,



MAGNUM 335 CASE IH TRACTOR (NA)

04-05 HARNESS, ENGINE CONTROL MODULE

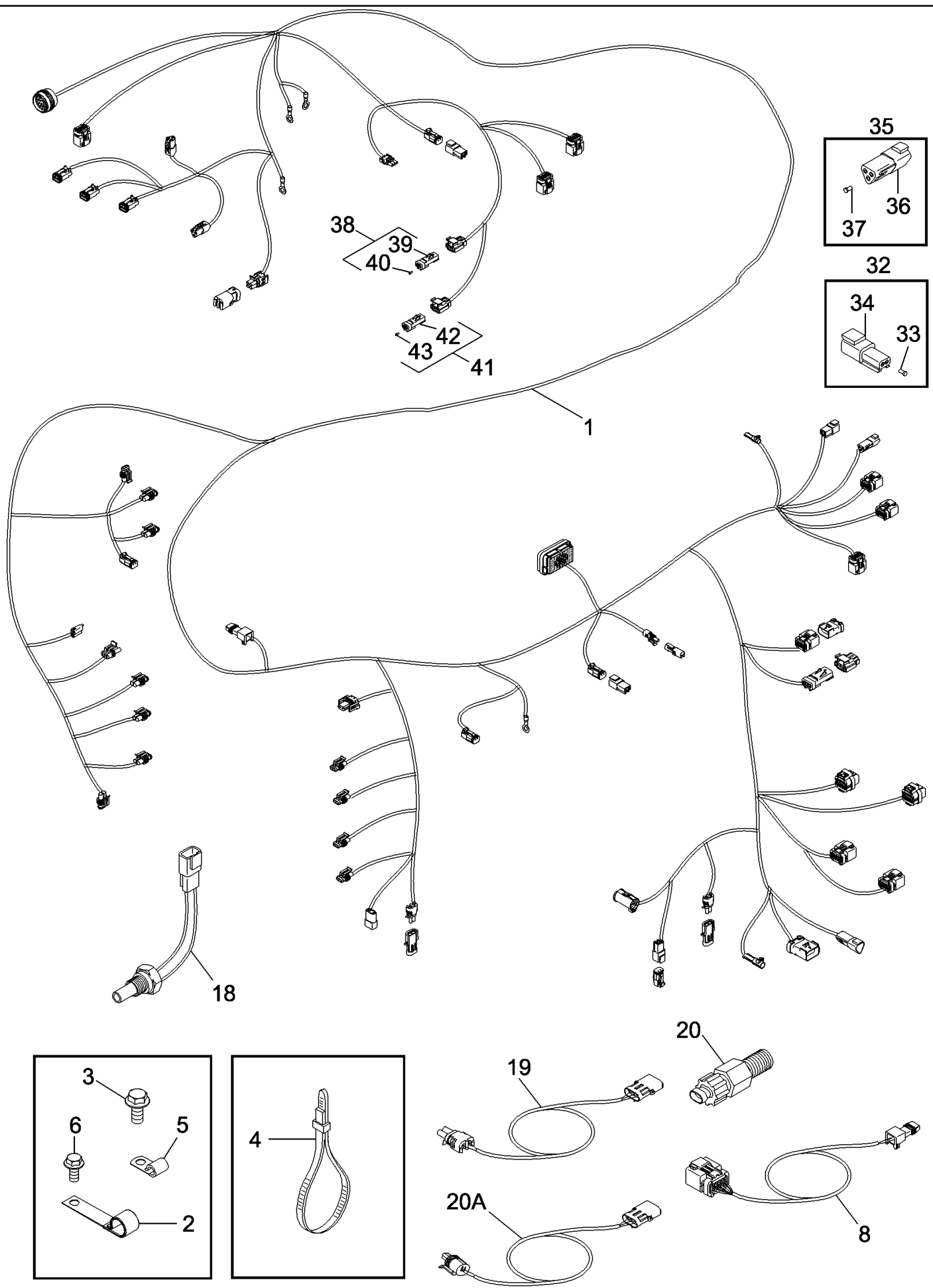
сылка	Номер детали	Кол-во	Описание
1	515-23127	1	CLAMP, 1/2", Insul, 3/8" Bolt,
2	313490A1	2	BOLT, M10 x 14
3	615-8012	1	BOLT, Hex, M8 x 12, 8.8, Full Thd,
4	825-2408	1	NUT, M8 x 1.25, Flg, CI 8,
5	845-6010	1	BOLT, Hex Flg, M6 x 10, 8.8, Full Thd,
6	97010C1	1	BOLT, SPREADER, M6 x 12
7	825-2406	3	NUT, M6 x 1, Flg, CI 8,
8	845-6015	3	BOLT, Hex Flg, M6 x 15, 8.8, Full Thd,
9	J919294	1	SUPPORT, Tube Fuel Supply
10	87346341	1	BOLT,
11	J925883	1	SCREW, M8 x 16: 10.9
12	87346212	8	CLIP, WIRE,
13	87346235	1	HARNESS, WIRE, Injector Wiring
14	87346319	1	BRACE,
15	87481082	1	HARNESS, WIRE, Engine ECM
16	87750207	1	HARNESS, Temp Sensor



MAGNUM 335 CASE IH TRACTOR (NA)

04-06 MODULES- CHASSIS

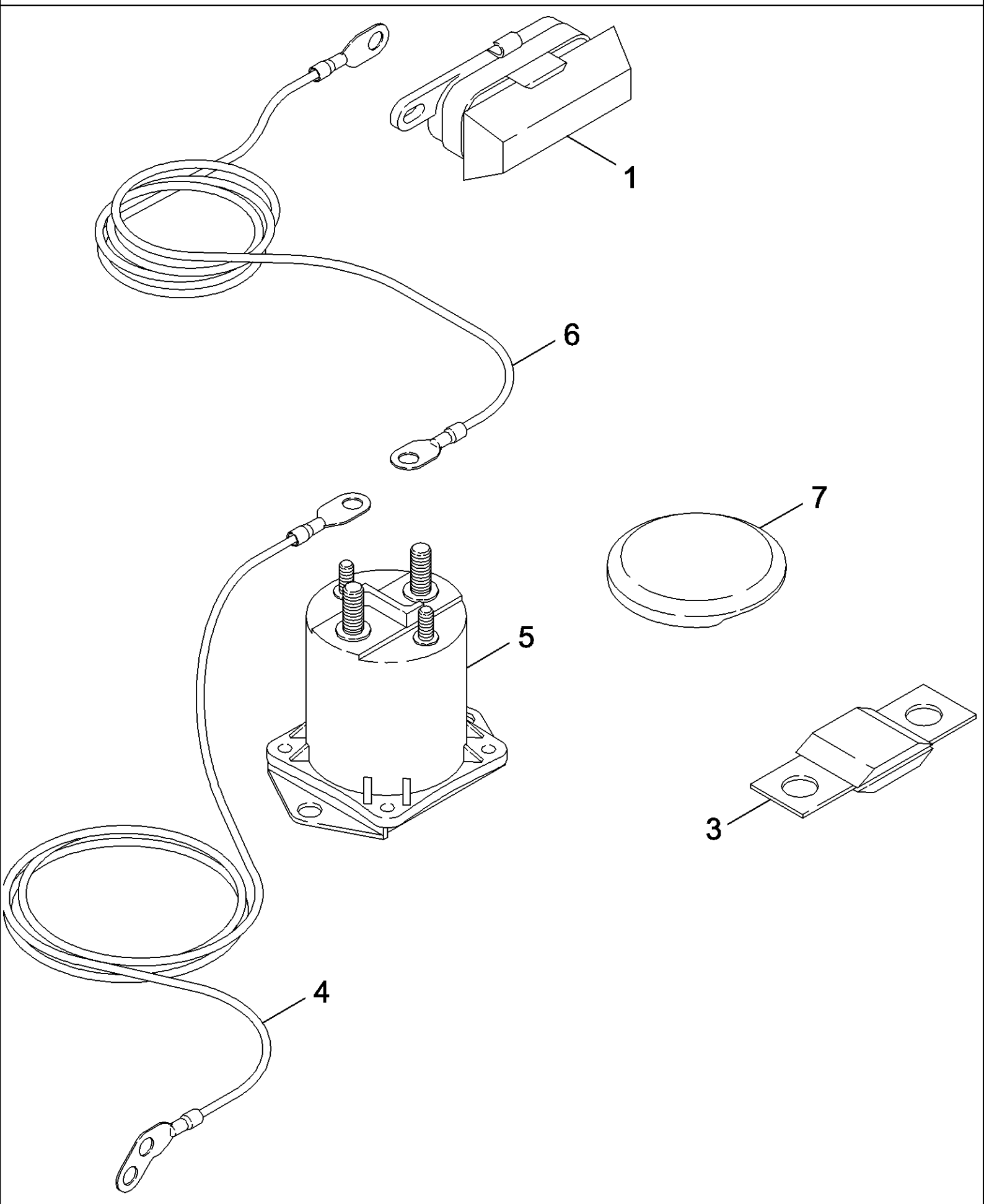
сылка	Номер детали	Кол-во	Описание
6	87393065	1	MODULE, Tractor Multifunction Controller (TMF), BSN Z6RZ04001
6	87617964	1	MODULE, Tractor Multifunction Controller (TMF), ASN Z6RZ04001
8	87653037	1	ELECTRONIC UNIT, CONTROL, transmission, 42 KPH for 19 Speed Transmission, MX215, 245, 275, 305, Magnum 215, 245, 275 and 305
8	87653034	1	MODULE, transmission, 42 KPH for 19 Speed Transmission, Magnum 335
8	87653038	1	MODULE, Transmission, 42 KPH for 18 Speed or 23 Speed Creep Transmission, MX215, 245, 275, 305, Magnum 215, 245, 275 and 305
8	87653035	1	MODULE, Transmission, 42 KPH for 18 Speed or 23 Speed Creep Transmission, Magnum 335
8	87653036	1	MODULE, Transmission, 50 KPH for 19 Speed Transmission
9	825-2405	4	NUT, M5 x .8, Flg, CI 8,
10	87449852	1	COVER,



MAGNUM 335 CASE IH TRACTOR (NA)

04-07 HARNESS-CHASSIS

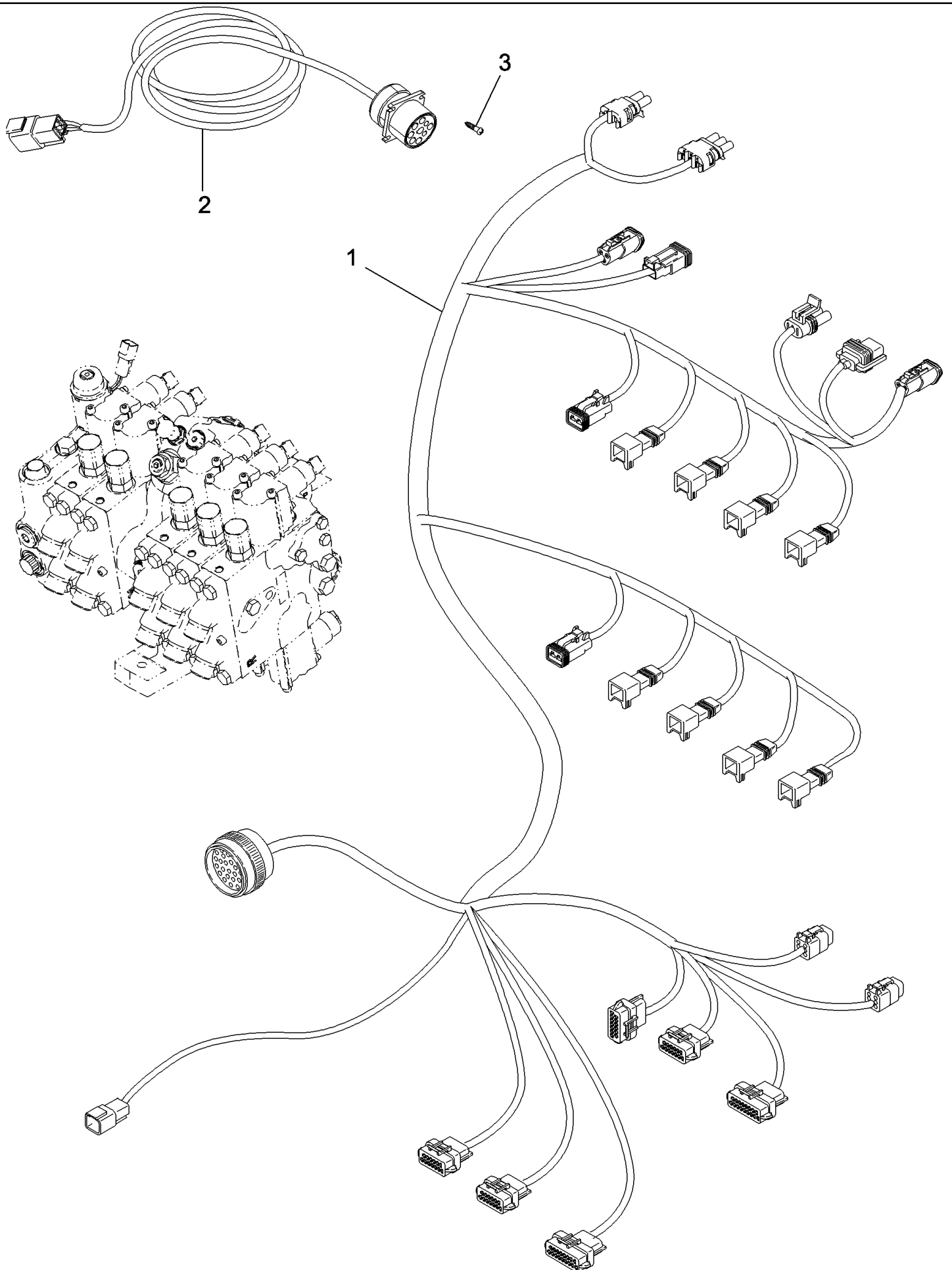
сылка	Номер детали	Кол-во	Описание
1	87361402	1	HARNESS, Chassis , BSN Z7RZ01521
1	87713413	1	HARNESS, Chassis (Shown), ASN Z7RZ01521
2	133738A1	2	CLIP,
3	844-12025	1	BOLT, Hex Flg, M12 x 25, 8.8,
4	L11541	2	STRAP, CABLE,
5	516-2395	2	CLAMP, J, 7/16" Insul, 3/8" Bolt,
6	854-10020	1	BOLT, Hex Flg, M10 x 20, 10.9,
7	614-8035	1	BOLT, Hex, M8 x 35, 8.8, For Wire Harness Bracket to Tube Support Bracket, (Not shown)
8	87589808	1	System Pressure, Magnum 335
18	87521424	1	SENDER, TEMPERATURE, Transmission, See Figure 07-07
19	366867A2	1	HARNESS, Dual Speed PTO Sensor
20	87548197	1	SENSOR, Dual Speed PTO Replaces A186004, See Figure 06-38, Also Order 87651813 For Initial Replacement
20A	87651813	1	HARNESS, Dual Speed PTO
21	169850C2	2	CLIP, CABLE, Harness (Not Shown)
22	515-2195	1	CLAMP, 3/8", Insul, 1/4" Bolt, (Not Shown)
23	614-6012	1	BOLT, Hex, M6 x 12, 8.8, (Not Shown)
24	829-1406	1	NUT, M6, CI 10, (Not Shown)
25	515-24444	3	CLAMP, 1 3/4", Insul, 7/16" Bolt, On Master Solenoid Stack, (Not Shown)
26	87340323	1	BRACKET, (Not Shown)
27	825-5148	1	NUT, M8, Flg Ser, (Not Shown)
28	895-25008	2	WASHER, M8 x 20 x 1.6, Harness Clip On Tube Clamp And Harness Clip On L Bracket, (Not Shown)
29	844-10016	1	BOLT, Hex Flg, M10 x 16, 8.8, Full Thd, (Not Shown)
30	896-11010	2	WASHER, M10 x 21.5 x 2.5, HT, Harness Clip on Master Valve and Harness Ground Lug on Remote Valve, (Not Shown)
31	844-12025	2	BOLT, Hex Flg, M12 x 25, 8.8, (Not Shown)
32	87707534	1	CONNECTOR, HYD., Inc. 33, 34, For Non Suspended Axle Option
33	225315C1	1	CONNECTOR, ELEC,
34	453133C1	2	PLUG,
35	87706349	1	CONNECTOR, HYD., Inc. 36, 37, For Non Suspended Axle Option
36	225294C1	1	CONNECTOR, ELEC,
37	453133C1	3	PLUG,
38	87707527	1	CONNECTOR, HYD., Inc. 39, 40, For Non Variable Fan Option
39	87382907	1	
40	87594902	2	
41	87707528	1	CONNECTOR, HYD., Inc. 42, 43, For Non Variable Fan Option
42	87382909	1	
43	87594902	2	



MAGNUM 335 CASE IH TRACTOR (NA)

04-08 SOLENOID AND CABLES - GRID HEATER

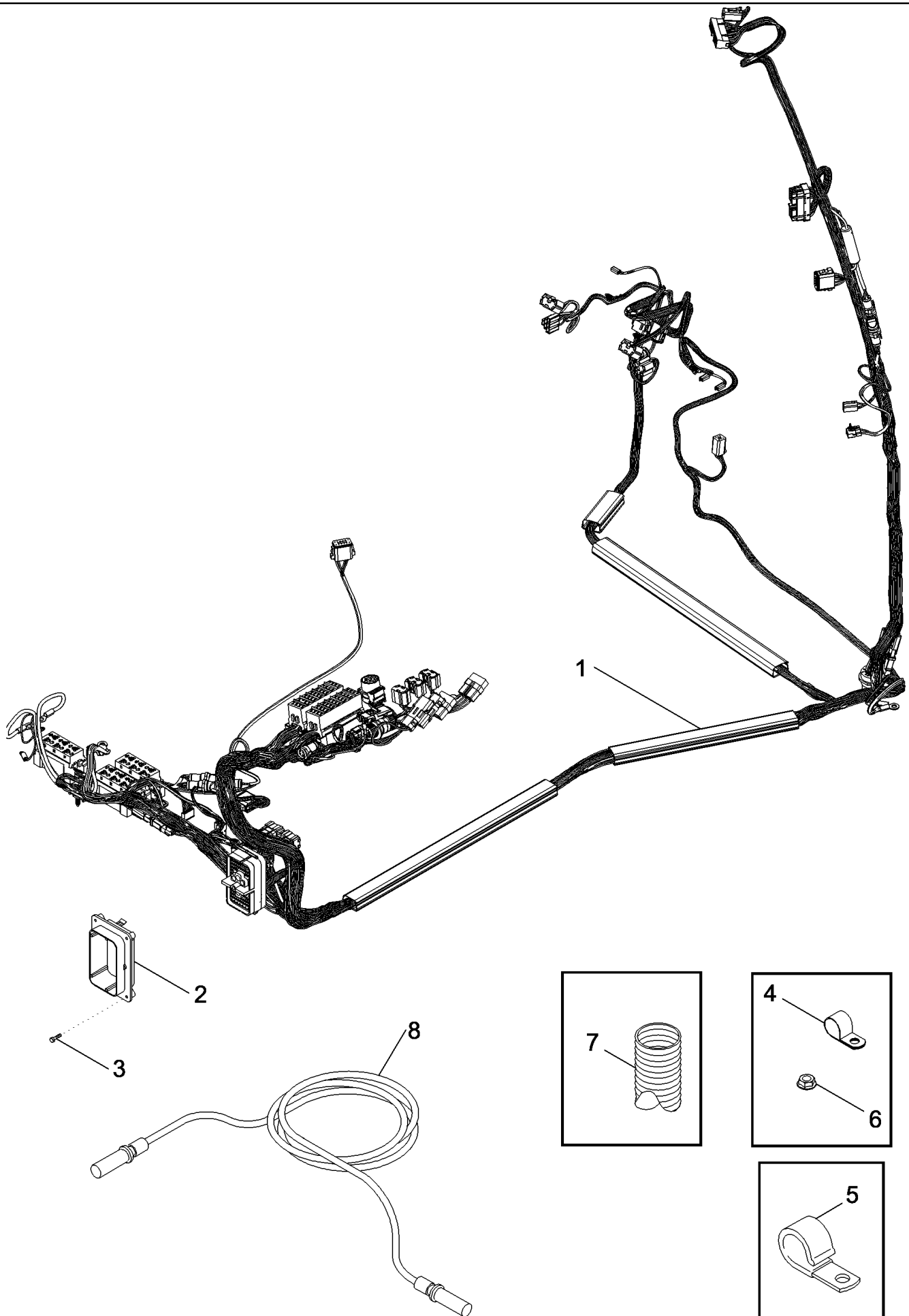
сылка	Номер детали	Кол-во	Описание
1	440038A1	1	JUNCTION BLOCK,
3	87455597	1	FUSE,
4	87342409	1	CABLE,
5	87455571	1	SOLENOID,
6	87365712	1	CABLE,
7	87341554	1	COVER,
8	87542146	2	CAP, M6 Bolt Cover (Not Shown)
9	193-1000	2	NUT, Keps, w/LW,#10-32, (Not Shown)
10	231-5145	2	NUT, Flg, USR, 5/16"-18, (Not Shown)
11	840-1616	2	SCREW, Cross Pan Hd, M6 x 16, (Not Shown)
12	844-6016	2	BOLT, Hex Flg, M6 x 16, 8.8, (Not Shown)
13	893-11008	2	WASHER, LOCK, Ext Tooth, M8, (Not Shown)
14	829-1408	2	NUT, M8, CI 10, (Not Shown)



MAGNUM 335 CASE IH TRACTOR (NA)

04-09 HARNESS - REMOTE HYDRAULIC VALVE

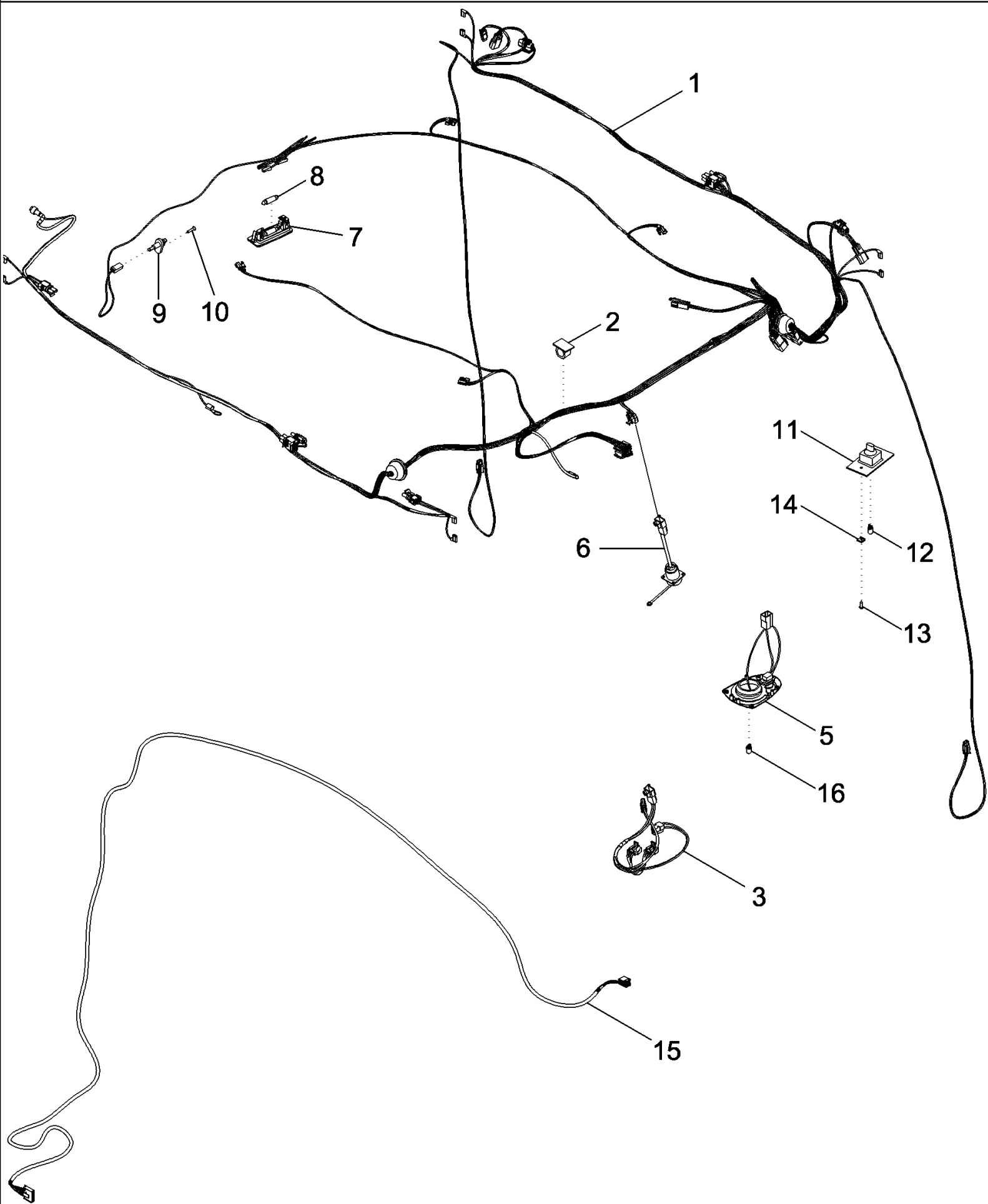
сылка	Номер детали	Кол-во	Описание
1	87351208	1	HARNESS, Remote Valve (Shown), BSN Z7RZ01521
1	87657271	1	HARNESS, Remote Valve, ASN Z7RZ01521
2	87589459	1	HARNESS,
3	760-17113	4	SCREW, SELF TAPPING, Pan Hd, M3.5 x 13,
4	844-10016	1	BOLT, Hex Flg, M10 x 16, 8.8, Full Thd, Remote Valve Stack



MAGNUM 335 CASE IH TRACTOR (NA)

04-10 HARNESS - CAB

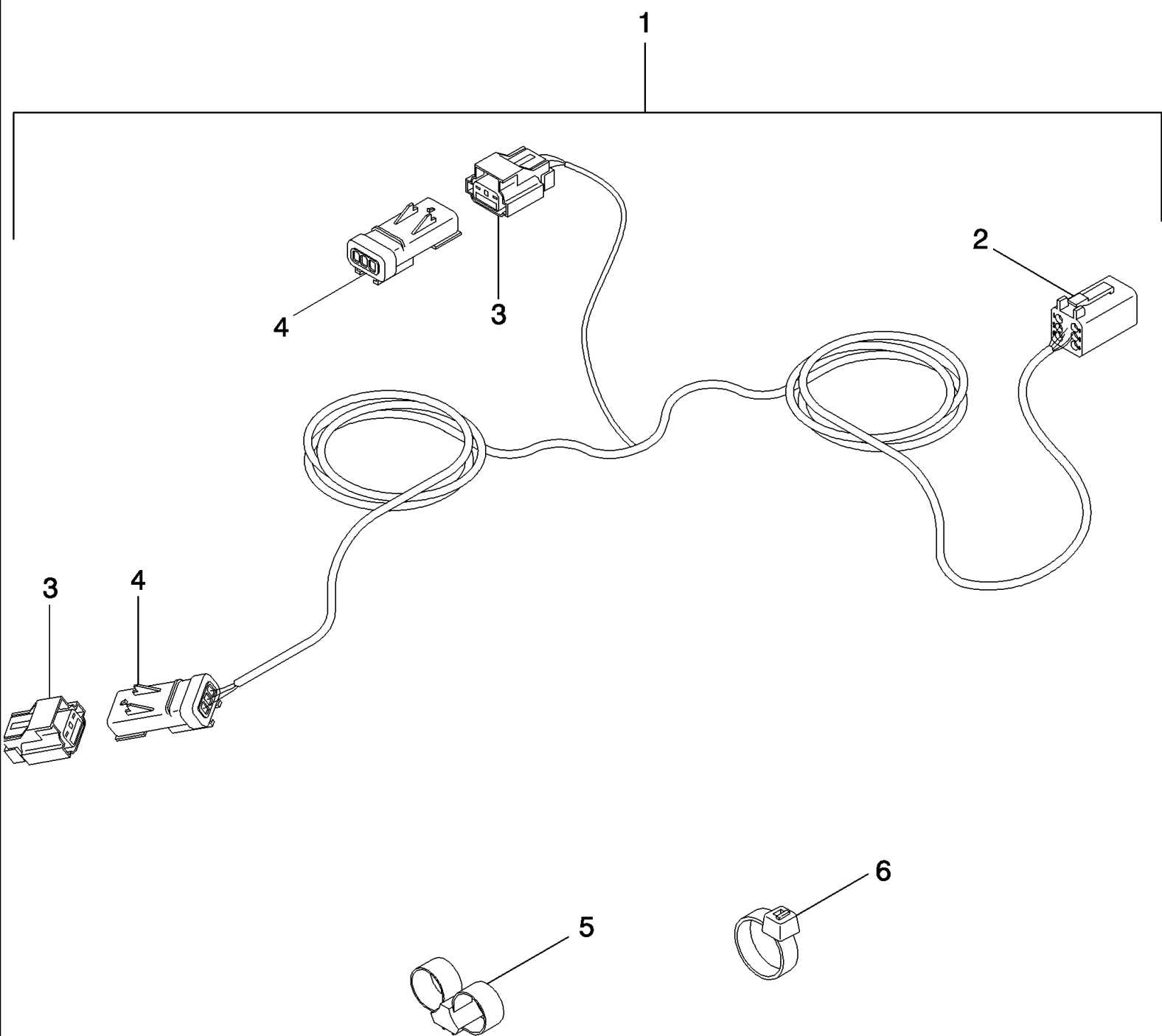
сылка	Номер детали	Кол-во	Описание
1	87364635	1	HARNESS, Cab (Shown), BSN Z7RZ01521
1	87640551	1	HARNESS, Cab, ASN Z7RZ01521
2	437550A1	1	FLANGE, 102 Pin Connector
3	780-34319	4	SCREW, SELF TAPPING, Hex Wash Hd, M4.8 x 19,
4	515-22190	2	CLAMP, 3/4", Insul, 5/16" Bolt,
5	516-22127	1	CLAMP, J, 9/16" Insul, 5/16" Bolt,
6	825-2408	4	NUT, M8 x 1.25, Flg, Cl 8,
7	87525378	1	CONDUIT, RH, Armrest
8	87716894	1	HARNESS, Relay Jumper



MAGNUM 335 CASE IH TRACTOR (NA)

04-11 HARNESS - CAB ROOF, SHELF AND CD CHANGER

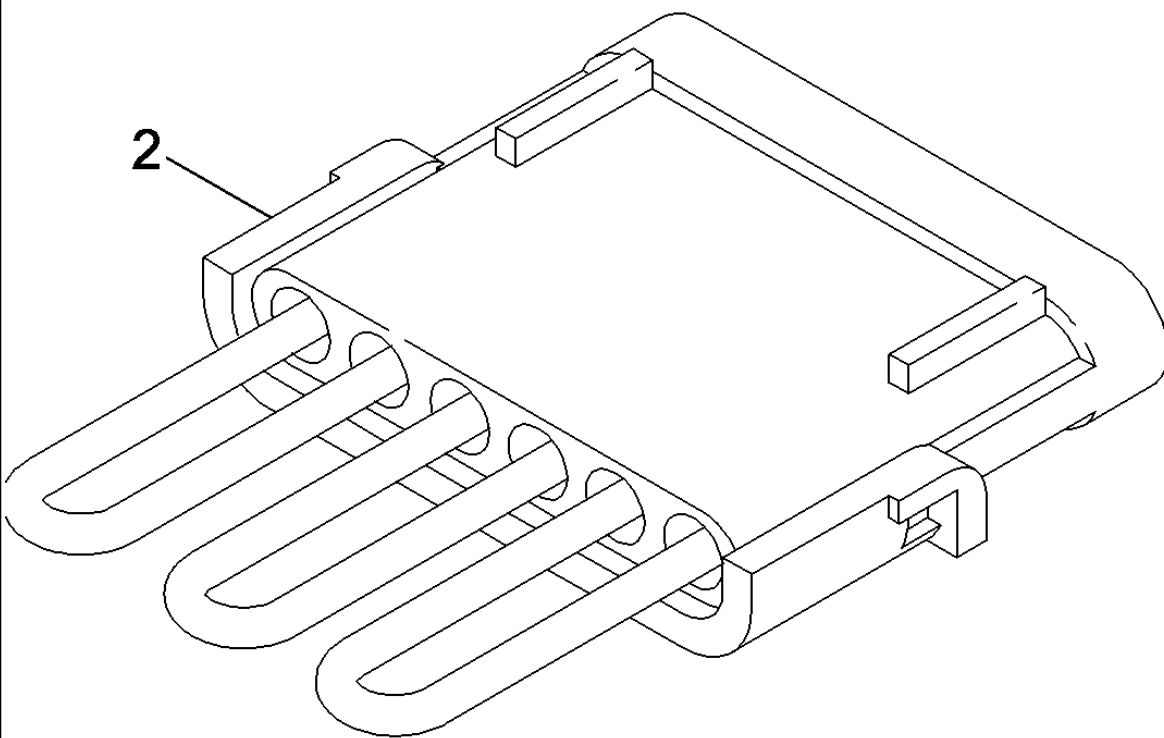
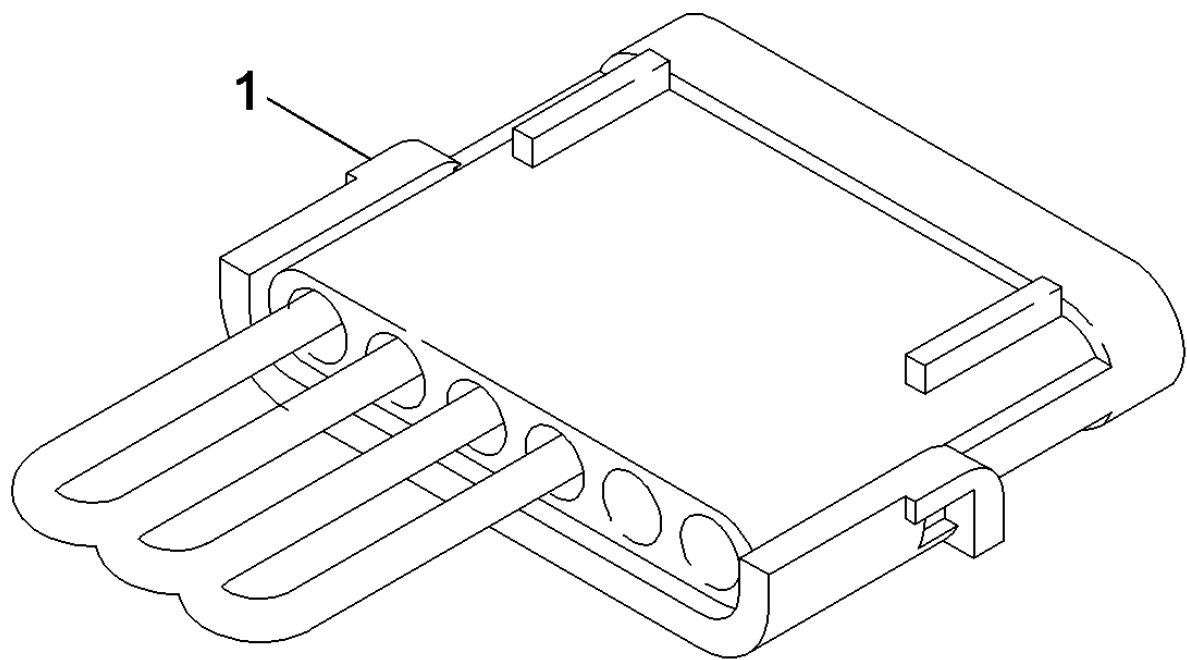
сылка	Номер детали	Кол-во	Описание
1	87451533	1	HARNESS, Cab Roof (Shown), BSN Z7RZ01521
1	87657275	1	HARNESS, Cab Roof, ASN Z7RZ01521
2	169850C2	3	CLIP, CABLE,
3	280584A3	1	HARNESS, Shelf
5	87414959	1	LAMP, Map, Inc. 16
6	227739A2	2	CONNECTOR, ELEC, Harness, Aux Power
7	1983391C1	1	LAMP, Dome, Inc. 8
8	3050958R1	1	BULB, K, 12V, 10W,
9	1534229C1	1	SWITCH, DOOR,
10	765-14322	1	SCREW, SELF TAPPING, Oval Hd, M4.2 x 22,
11	368143A1	1	LAMP, Console Illuminator, Inc. 12
12	D71346	1	LAMP, TAIL, No. 168
13	760-17316	2	SCREW, SELF TAPPING, Pan Hd, M4.2 x 16,
14	177269A1	2	NUT,
15	303433A1	1	HARNESS, CD Changer, If Equipped
16	373114A1	1	BULB,



MAGNUM 335 CASE IH TRACTOR (NA)

04-12 HARNESS - STEERING - MAGNUM 335

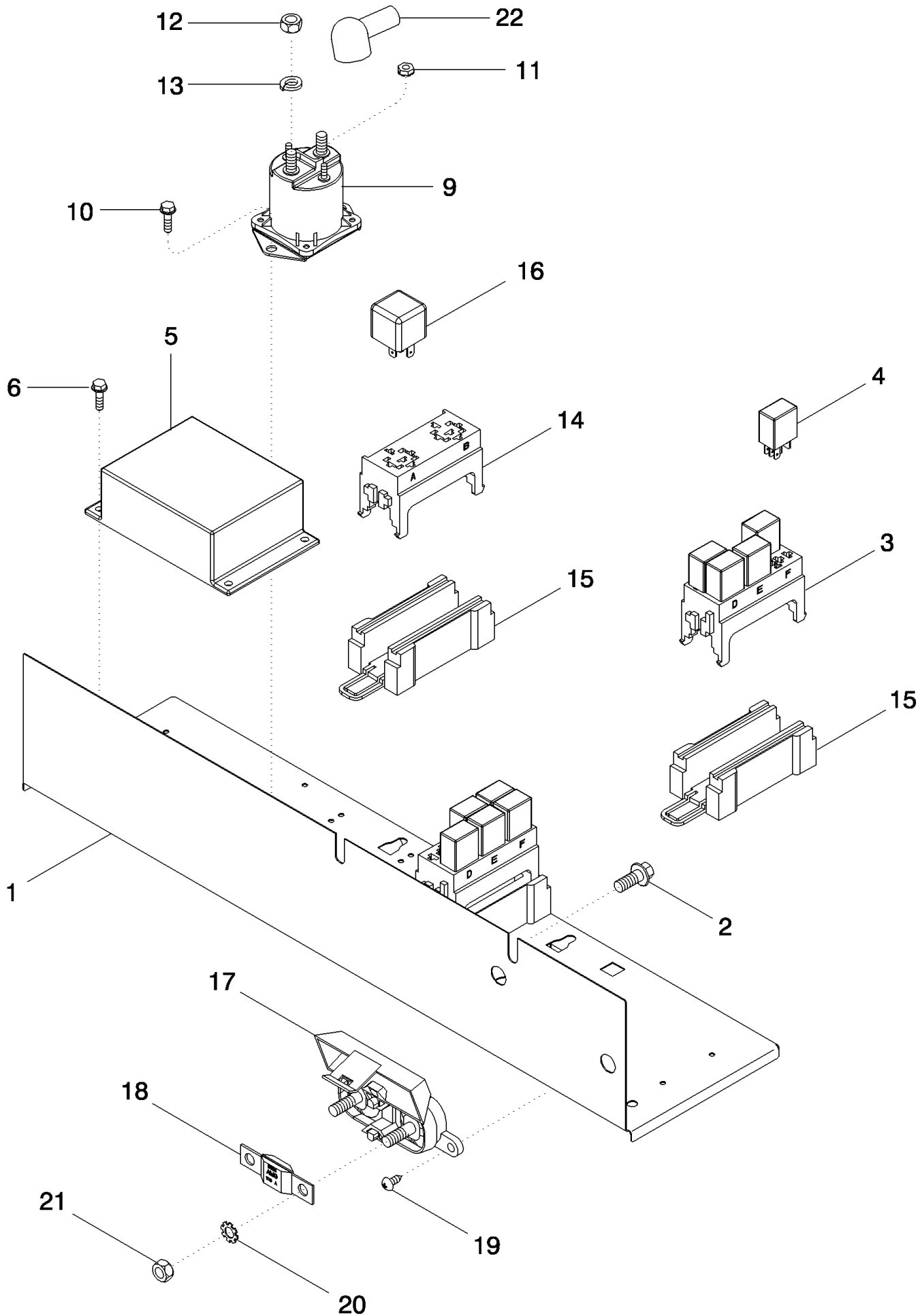
сылка	Номер детали	Кол-во	Описание
1	87704970	1	HARNESS, Steering
2	225351C1	1	CONNECTOR, ELEC, Steering Sensor
3	87382910	1	Steering Harness
4	87382911	1	Auxillary Harness
5	86991000	1	CLAMP,
6	L11541	1	STRAP, CABLE,



MAGNUM 335 CASE IH TRACTOR (NA)

04-14 HARNESS - EGRESS LIGHTING

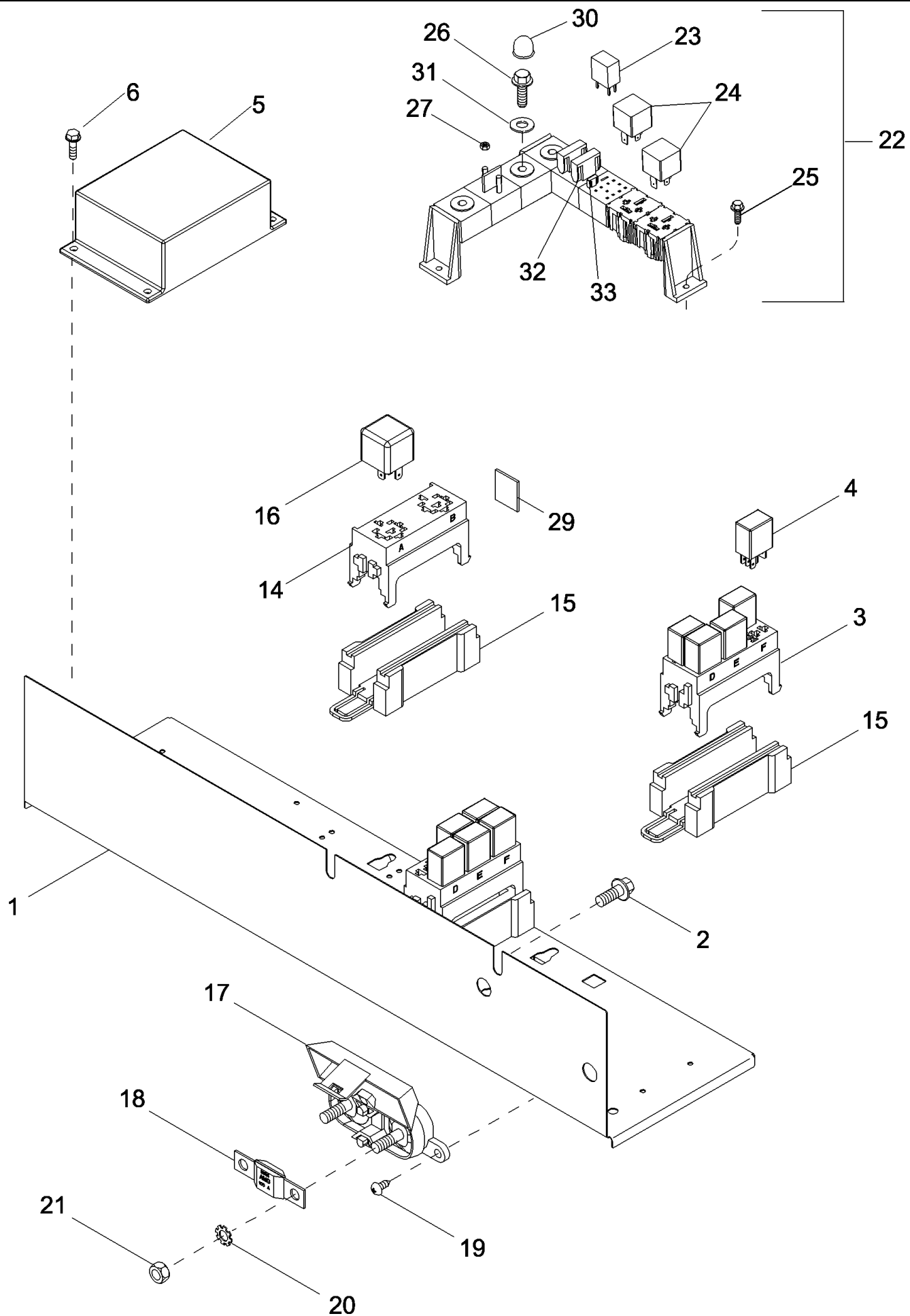
сылка	Номер детали	Кол-во	Описание
1	87453728	1	HARNESS, Egress 1
2	87453730	1	HARNESS, Egress 2



MAGNUM 335 CASE IH TRACTOR (NA)

04-15 ELECTRICAL COMPONENT MOUNTING - BSN Z7RZ05917

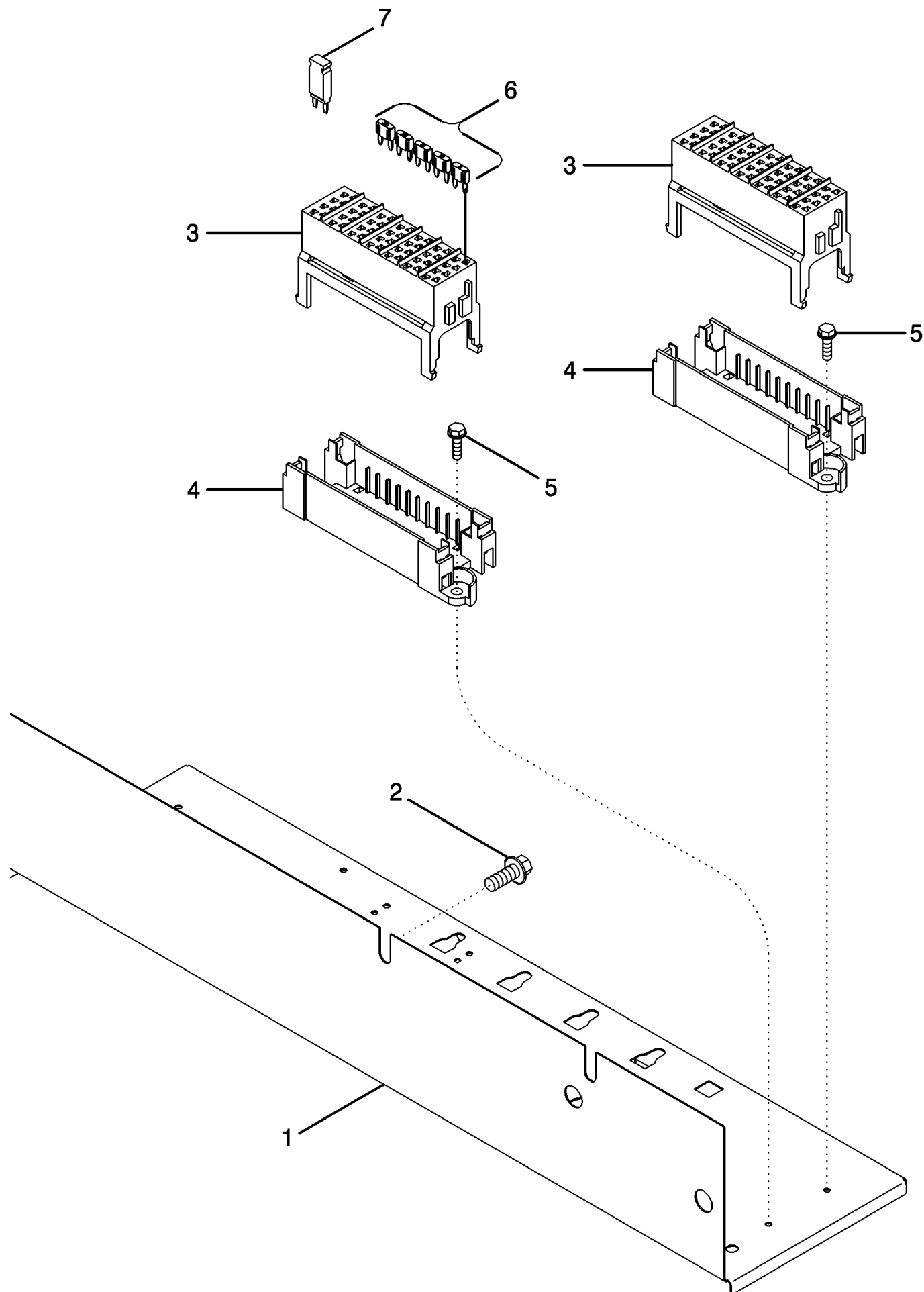
сылка	Номер детали	Кол-во	Описание
1	87364238	1	PANEL,
2	781-24820	3	SCREW, SELF TAPPING, Hex Flg Hd, M8 x 20,
3	144417A1	2	BLOCK, CONNECTING,
4	87414866	20	RELAY, 20 Amp
5	84150025	1	Flasher
6	780-34319	2	SCREW, SELF TAPPING, Hex Wash Hd, M4.8 x 19,
9	418485A1	1	SWITCH, SOLENOID,
10	780-34319	2	SCREW, SELF TAPPING, Hex Wash Hd, M4.8 x 19,
11	193-1000	2	NUT, Keps, w/LW,#10-32,
12	425-105	2	NUT, 5/16"-18, G5,
13	492-11031	2	WASHER, LOCK, 5/16",
14	NSS	1	NOT SERVICED SEPARATELY, Block, Relay
15	182163A1	2	CONNECTOR, ELEC,
16	1983394C2	1	RELAY,
17	440038A1	1	JUNCTION BLOCK,
18	440572A1	1	FUSE, 100 Amp
19	760-14413	2	SCREW, SELF TAPPING, Pan Hd, M4.8 x 13,
20	893-11008	4	WASHER, LOCK, Ext Tooth, M8,
21	829-1408	2	NUT, M8, CI 10,
22	87451484	1	BOOT,



MAGNUM 335 CASE IH TRACTOR (NA)

04-16 ELECTRICAL COMPONENT MOUNTING - ASN Z7RZ05917

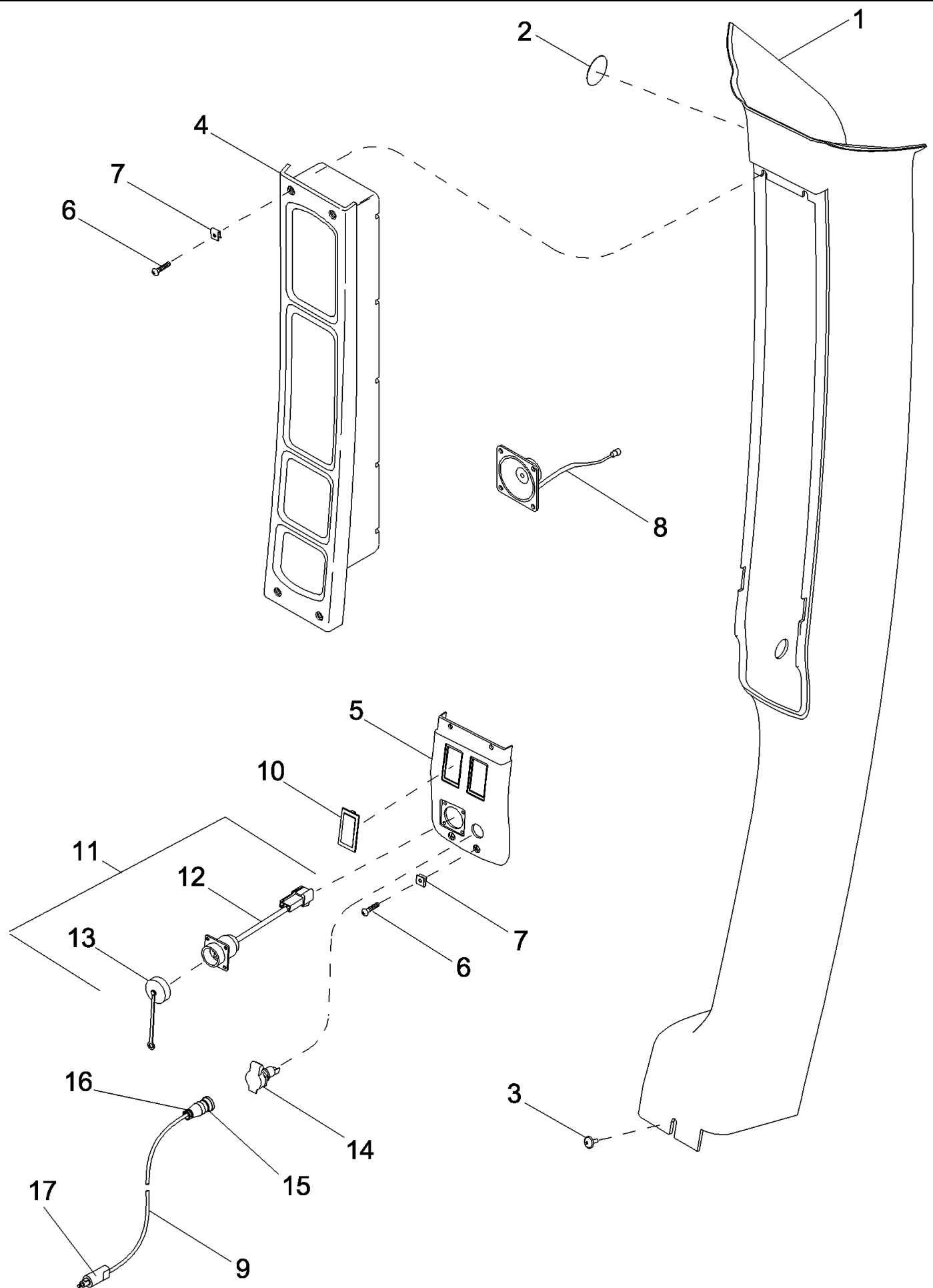
сылка	Номер детали	Кол-во	Описание
1	87718548	1	PANEL,
2	781-24820	3	SCREW, SELF TAPPING, Hex Flg Hd, M8 x 20,
3	144417A1	2	BLOCK, CONNECTING,
4	87414866	20	RELAY, 20 Amp
5	84150025	1	Flasher
6	780-34319	2	SCREW, SELF TAPPING, Hex Wash Hd, M4.8 x 19,
14	NSS	1	NOT SERVICED SEPARATELY, BLOCK, Relay
15	182163A1	2	CONNECTOR, ELEC,
16	1983394C2	1	RELAY,
17	440038A1	1	JUNCTION BLOCK,
18	440572A1	1	FUSE, 100 Amp
19	760-14413	2	SCREW, SELF TAPPING, Pan Hd, M4.8 x 13,
20	893-11008	4	WASHER, LOCK, Ext Tooth, M8,
21	829-1408	2	NUT, M8, CI 10,
22	87673760	1	MODULE, Power Distribution, Inc. 23, 24, 26, 27, 32, 33
23	416570A1	1	RELAY,
24	368459A1	2	RELAY, 70 Amp
25	780-34319	3	SCREW, SELF TAPPING, Hex Wash Hd, M4.8 x 19,
26	614-8016	3	BOLT, Hex, M8 x 16, 8.8,
27	87825	2	NUT, #10-32,
29	321663A1	1	PAD, SLIDING, Velcro
30	87706767	3	BOOT,
31	895-15008	3	WASHER, M8 x 20 x 1.6,
32	338060A1	2	FUSE, 60 Amp
33	121414A1	1	FUSE, 20 Amp



MAGNUM 335 CASE IH TRACTOR (NA)

04-17 ELECTRICAL COMPONENT MOUNTING - FUSES

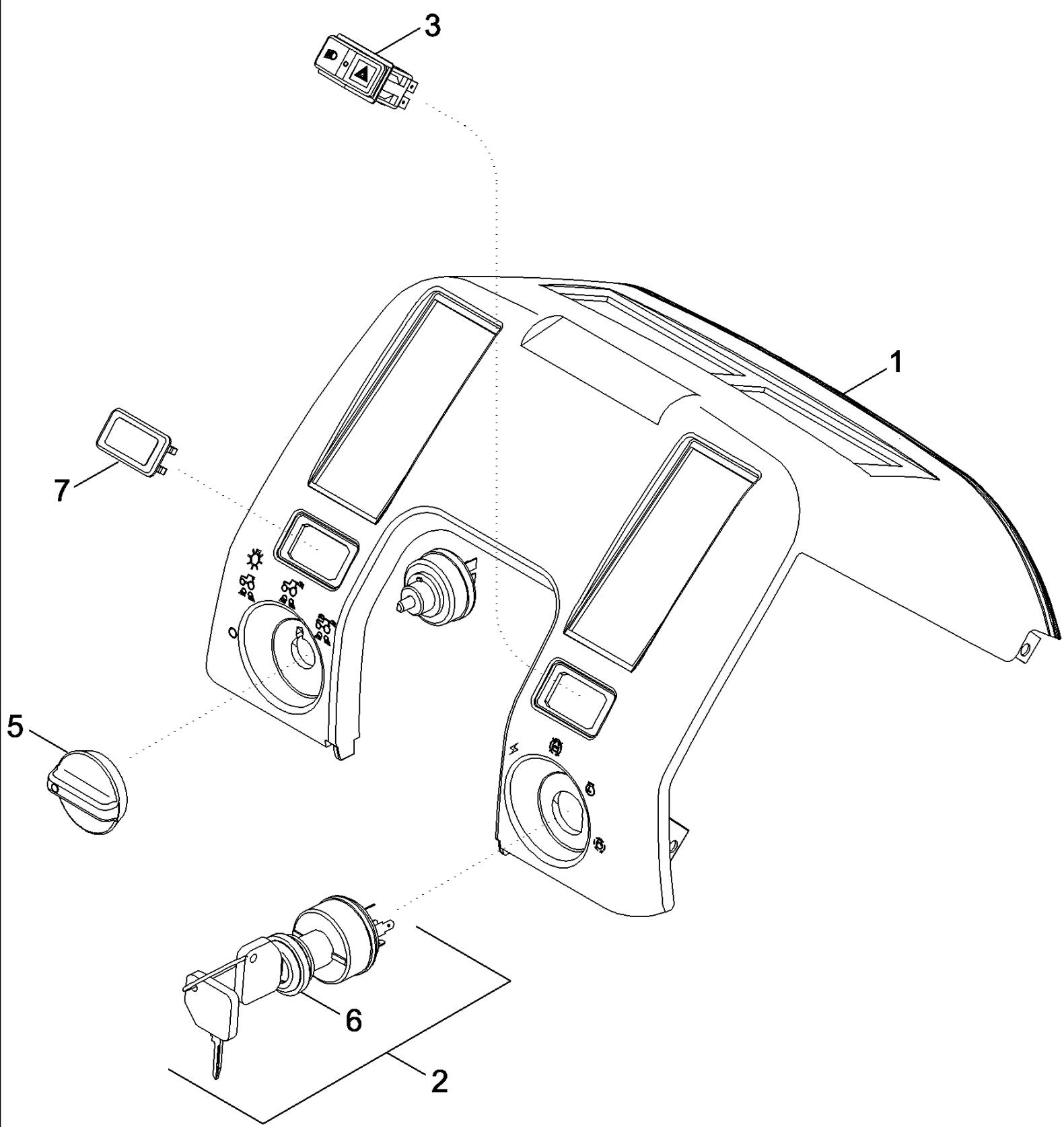
сылка	Номер детали	Кол-во	Описание
1	87718548	1	PANEL,
2	781-24820	3	SCREW, SELF TAPPING, Hex Flg Hd, M8 x 20,
3	144421A1	2	BLOCK, CONNECTING,
4	194319A1	2	TERMINAL,
5	780-34319	2	SCREW, SELF TAPPING, Hex Wash Hd, M4.8 x 19,
6	121410A1		AR FUSE, 5 Amp
6	121412A1		AR FUSE, 10 Amp
6	121413A1		AR FUSE, 15 Amp
6	121414A1		AR FUSE, 20 Amp
6	121415A1		AR FUSE, 25 Amp
6	121416A1		AR FUSE, 30 Amp
6	338060A1		AR FUSE, 60 Amp
7	139719A1	1	CIRCUIT BREAKER, 15 Amp



MAGNUM 335 CASE IH TRACTOR (NA)

04-18 A-POST COVER - INSTRUMENT CLUSTER

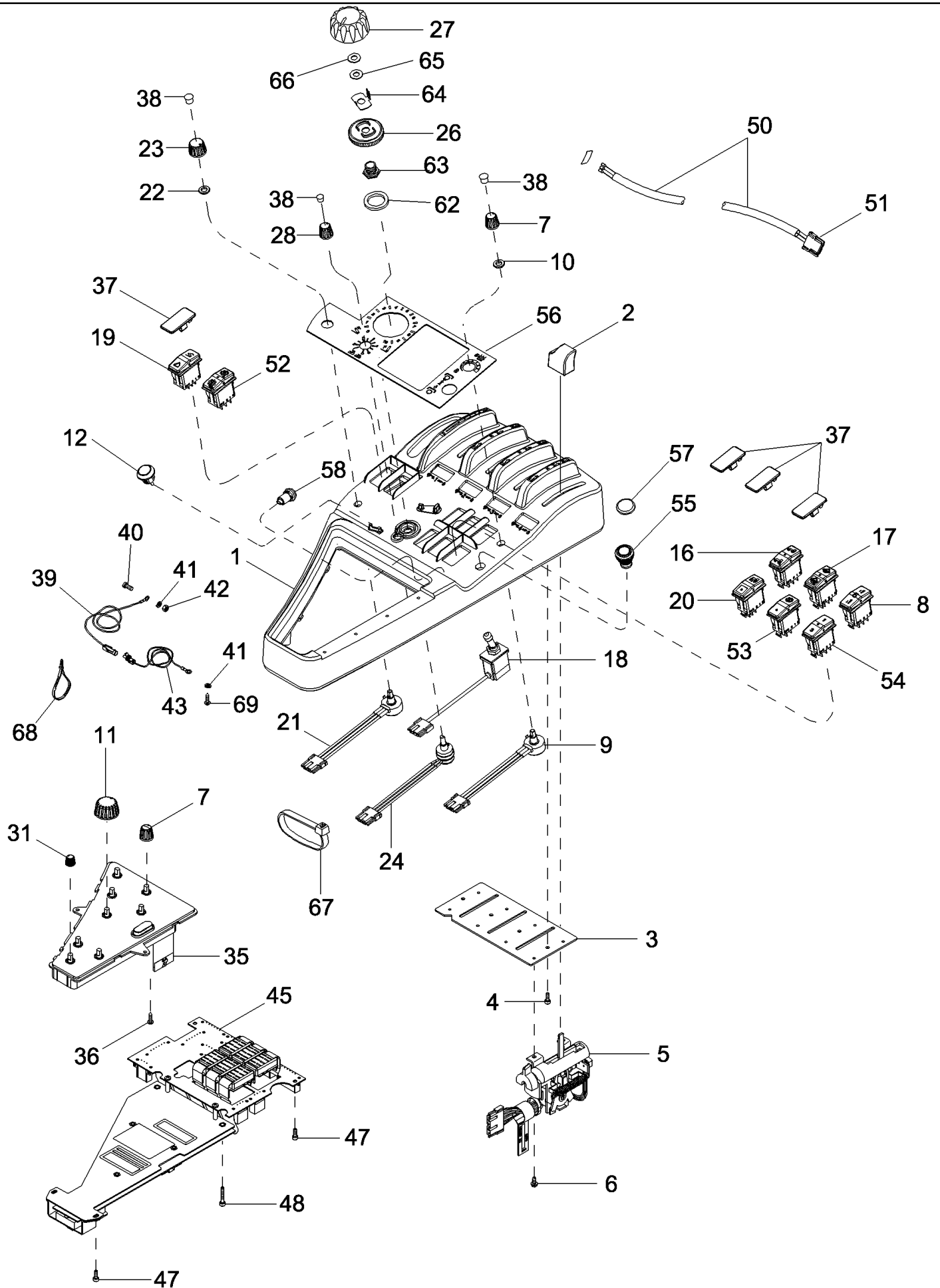
сылка	Номер детали	Кол-во	Описание
1	444547A1	1	TRIM PANEL,
2	376597A2	2	DECAL,
3	1975782C1	1	SCREW, SELF TAPPING, Cross Truss Wash Hd, #10 x 5/8",
4	87549279	1	MODULE, Standard, Without Software
4	87520588	1	MODULE, Deluxe, Without Software
5	358804A1	1	BEZEL,
6	260-16516	6	SCREW, SELF TAPPING, Cross Pan Hd, #10 x 1",
7	177269A1	6	NUT,
8	87335023	1	SPEAKER,
9	324847A2	1	HARNESS, Monitor
10	245918C1	2	CAP, Blanking
11	227739A2	1	CONNECTOR, ELEC, Auxiliary Power, Inc. 12 - 14
12	225164C1	1	CONNECTOR, ELEC, Outlet, Socket, 3 Pole
13	225162C1	1	PLUG, Dust
14	300655A1	1	SOCKET, POWER, Outlet, Single Pole
15	247723A1	1	CONNECTOR, ELEC, Implement Monitor
16	247725A1	1	CONNECTOR,
17	300656A1	1	CONNECTOR, ELEC, Radar



MAGNUM 335 CASE IH TRACTOR (NA)

04-19 CONTROLS - FRONT CONSOLE

сылка	Номер детали	Кол-во	Описание
1	87449853	1	COVER,
2	427182A1	1	SWITCH, IGNITION, Ignition, With Key, Inc. 6
3	86989942	1	SWITCH, LIGHTS, Head Lights
4	177250A1	1	SWITCH, LIGHTS, Work Lights
5	1331046C2	1	KNOB,
6	86502201	1	SET OF 2 KEYS, Ignition
7	86000535	1	PLUG, 1.427" x .62", Plastic,
8	87565185	1	SWITCH, Center HID Light (Not Shown)



MAGNUM 335 CASE IH TRACTOR (NA)

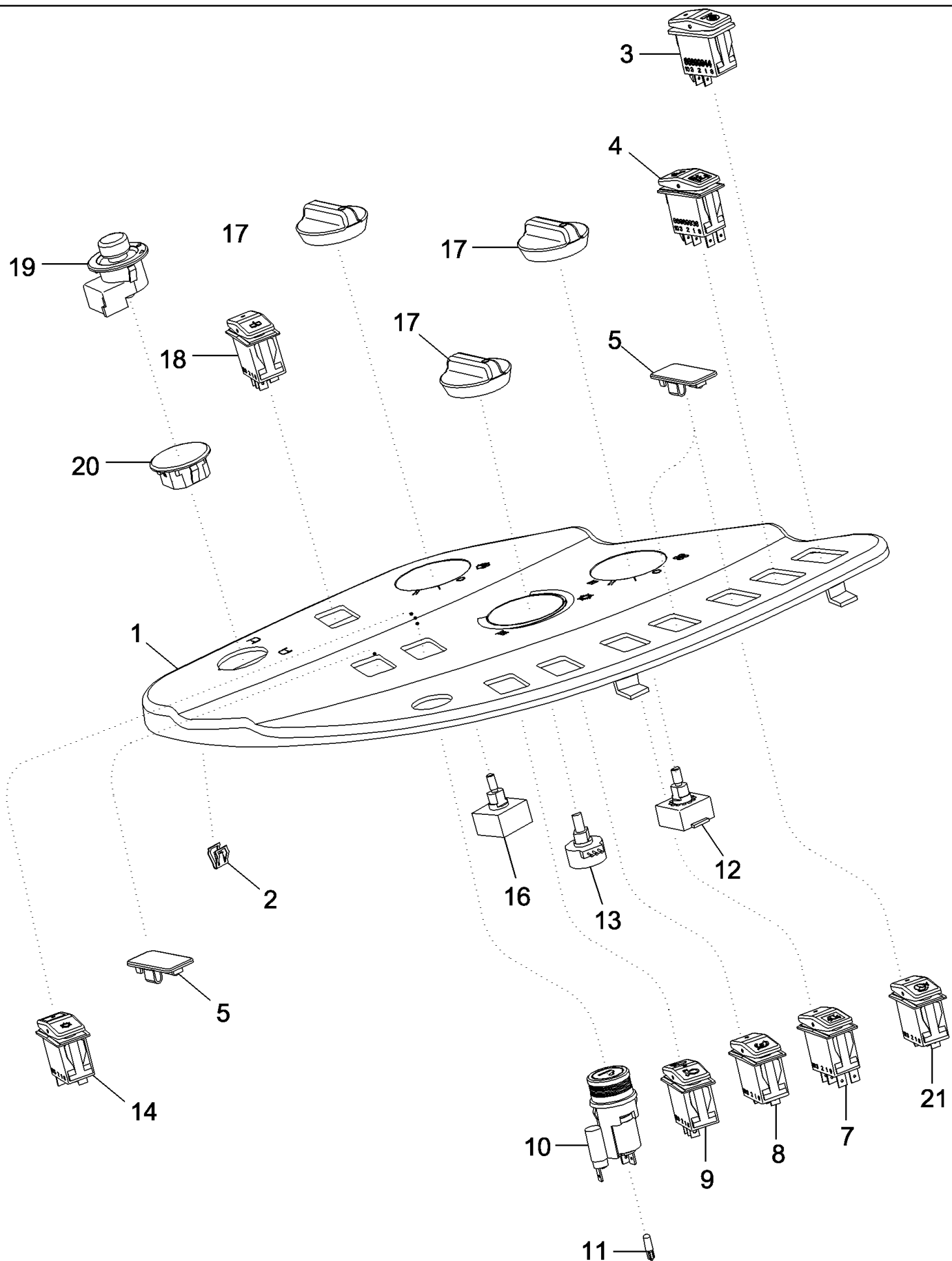
04-20 CONTROLS - RIGHT HAND CONSOLE

сылка	Номер детали	Кол-во	Описание
1	REF	1	INSTRUCTION, Cover Assembly, See Figure 09-33
2	406962A1	AR	KNOB,
3	230098A1	1	PLATE,
4	368048A1	4	SCREW, M4 x 12
5	87395299	AR	VALVE, CONTROL, Remote Hydraulics
6	281-3446	AR	SCREW, SELF TAPPING, Hex Wash Hd, #8 x 3/8",
7	276797A1	AR	KNOB,
8	87414463	1	SWITCH, 5th Remote
8	87347179	1	SWITCH, Top Link
9	256305A2	1	POTENTIOMETER, Flow Control, 5th Remote, Inc. 10
10	A39888	2	NUT, 3/8-32
11	187820A1	1	KNOB,
12	87323840	1	SWITCH, Accuguide
16	87414464	1	SWITCH, MFD
17	87414328	1	SWITCH, Differential Lock
18	409603A2	1	SWITCH, PTO
19	86990406	1	SWITCH, Hitch Control
20	87414327	1	SWITCH, Slip Limit Control
21	87399300	1	POTENTIOMETER, Draft Control, Inc. 22
22	A39888	1	NUT, 3/8-32
23	87454709	1	KNOB, SWCD Encoder
24	87399301	1	POTENTIOMETER, Hitch Position
26	87435194	1	KNOB, Hitch Lever
27	87434770	1	KNOB, Hitch Position Control
28	314601A1	1	BUTTON, Hitch Draft Control
31	223433A1	3	KNOB,
35	87365723	1	PANEL, INSTRUMENTS, Hitch Secondary/Flow With No Implement Height Control, BSN 4/2/2008
35	87493958	1	PANEL, INSTRUMENTS, Hitch Secondary/Flow With No Implement Height Control, ASN 4/2/2008
35	87382886	1	PANEL, INSTRUMENTS, Hitch Secondary/Flow With Implement Height Control, BSN 4/2/2008
35	87493959	1	PANEL, INSTRUMENTS, Hitch Secondary/Flow With Implement Height Control, ASN 4/2/2008
36	760-14316	2	SCREW, SELF TAPPING, Pan Hd, M4.2 x 16,
37	406324A2	AR	PLUG,
38	87570112	AR	PLUG,
38	353-401	AR	PLUG, Dome, .312" hole, Nylon,
39	87518589	1	CABLE, Armrest Ground, 115 mm (4-1/2 in)
40	844-8016	1	BOLT, Hex Flg, M8 x 16, 8.8,
41	893-11008	2	WASHER, LOCK, Ext Tooth, M8,
42	825-5148	1	NUT, M8, Flg Ser,
43	87704091	1	CABLE, Cab Ground, 1385 mm (54-1/2 in)
45	87524858	1	CONTROL, Without Software
47	864-4012	4	SCREW, Hex Soc Hd, M4 x 12, 8.8,
48	864-4025	2	SCREW, Hex Soc Hd, M4 x 25, 8.8,
50	258010A2	1	SWITCH, Transmission Shift
51	235676A1	1	CONNECTOR,
52	86989945	1	SWITCH, Programmable Shift

MAGNUM 335 CASE IH TRACTOR (NA)

04-20 CONTROLS - RIGHT HAND CONSOLE

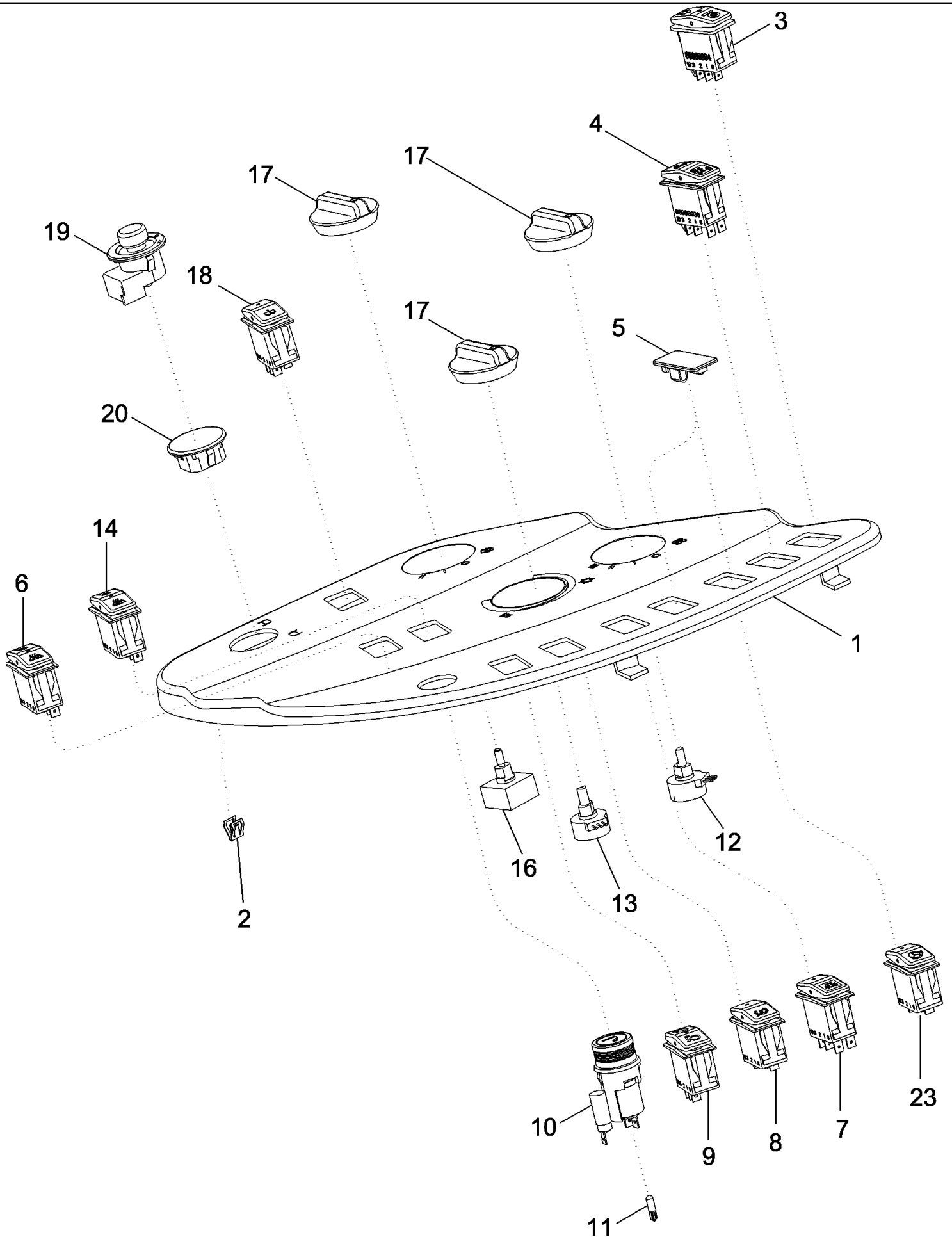
сылка	Номер детали	Кол-во	Описание
52	87422017	1	SWITCH, End-of-Row Step/Pause, With End-of-Row System
53	87414465	1	SWITCH, Autoshift, ASN Z6RZ05385
53	87538596	1	SWITCH, Autoshift, BSN Z6RZ05385
54	87414467	1	SWITCH, Scraper
55	411705A3	1	KNOB, PTO Switch
56	87453893	1	DECAL,
56	87350580	1	DECAL, No Hitch
57	82031549	2	PLATE, PTO Switch
58	87330047	1	PUSH BUTTON, PTO
58	87327317	AR	PLASTIC PLUG, Switch Opening (Not Shown) 12.6 mm
59	406324A2	1	PLUG, Switch Opening (Not Shown)
60	296781A1	2	CONNECTOR, (Not Shown)
61	87342542	1	DECAL, Hole Cover (Not Shown)
62	87435852	1	SPACER,
63	87435853	1	RING,
64	87435947	1	SPRING,
65	87436077	1	WASHER,
66	87435946	1	WASHER,
67	L11541	1	STRAP, CABLE,
68	291207C1	3	CLAMP, To Tie Ground Cable To Cab Harness
69	781-24820	1	SCREW, SELF TAPPING, Hex Flg Hd, M8 x 20,



MAGNUM 335 CASE IH TRACTOR (NA)

04-21 CONTROLS - RIGHT FENDER CONSOLE, WITHOUT ATC

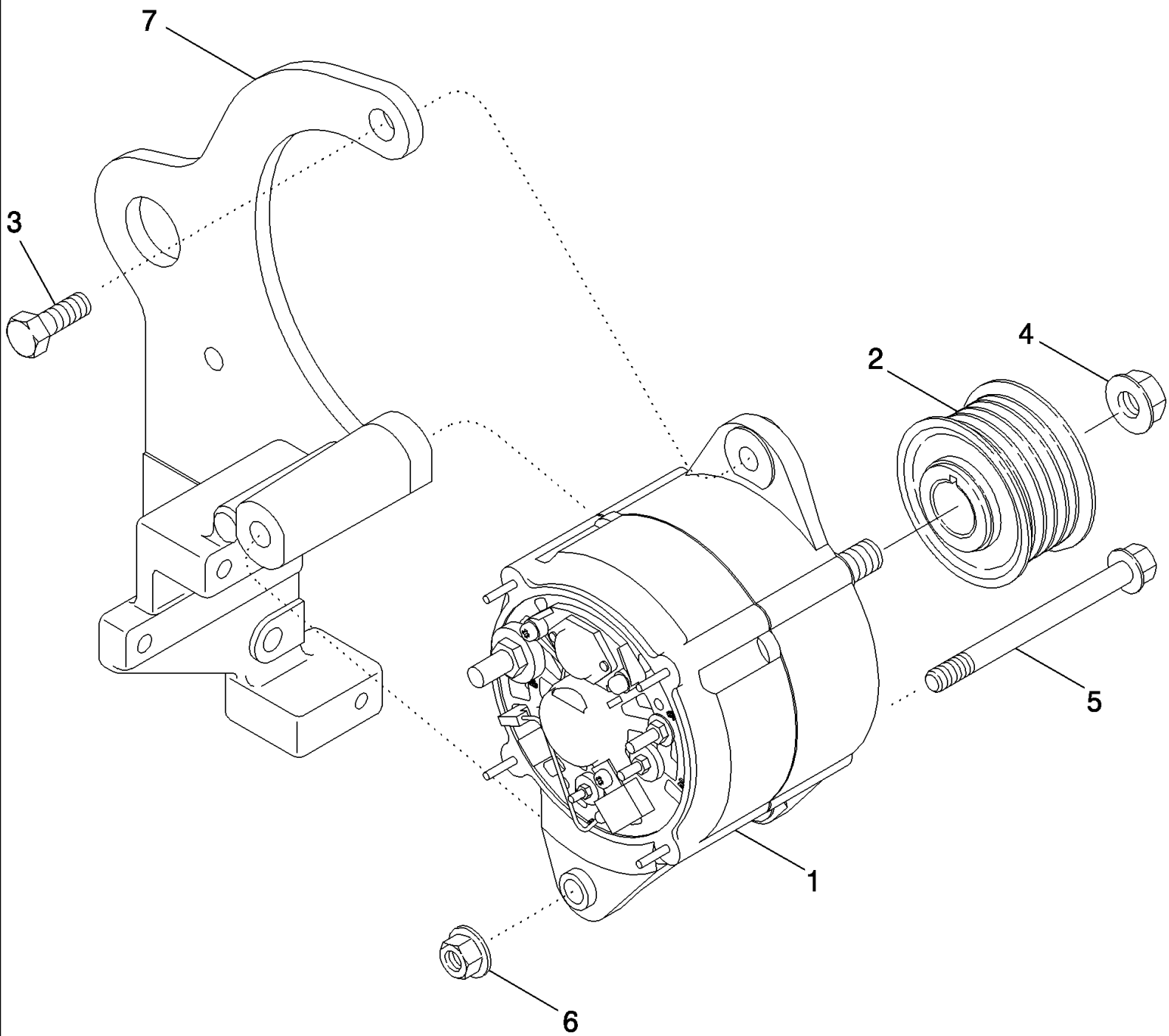
сылка	Номер детали	Кол-во	Описание
1	87451321	1	PANEL,
2	278316A2	2	CLIP,
3	86989944	1	SWITCH, Ride Control, Standard
3	86989964	1	SWITCH, Ride Control, Pickup Hitch, Latch
4	87414324	1	SWITCH, Suspended Axle
5	406324A2	AR	PLUG,
7	87414325	1	SWITCH, Beacon-Strobe
8	86989955	1	SWITCH, Cruise Control, On/Off
9	86989953	1	SWITCH, Cruise Control, Increase/Decrease
10	432239A1	1	LIGHTER, CIGARETTE, Inc. 11
11	437324A1	1	BULB,
10	82022823	1	PLATE, Rubber Plug, Without Lighter (Not Shown)
12	92100C2	1	SWITCH, Blower Motor
13	326282A1	1	POTENTIOMETER, Cab Temperature
14	87405636	1	SWITCH, Air Conditioning, On/Off
16	92115C2	1	SWITCH, Front Wiper
17	1331046C2	3	KNOB,
18	86989939	1	SWITCH, WINDSHIELD WIPER, Rear
19	280627A1	1	SWITCH, MIRROR ADJUSTMENT, Mirror
20	87327317	1	PLASTIC PLUG,
21	87711789	1	SWITCH, AUTO GUIDANCE DISENGAGE, Accuguide



MAGNUM 335 CASE IH TRACTOR (NA)

04-22 CONTROLS - RIGHT FENDER CONSOLE, WITH ATC

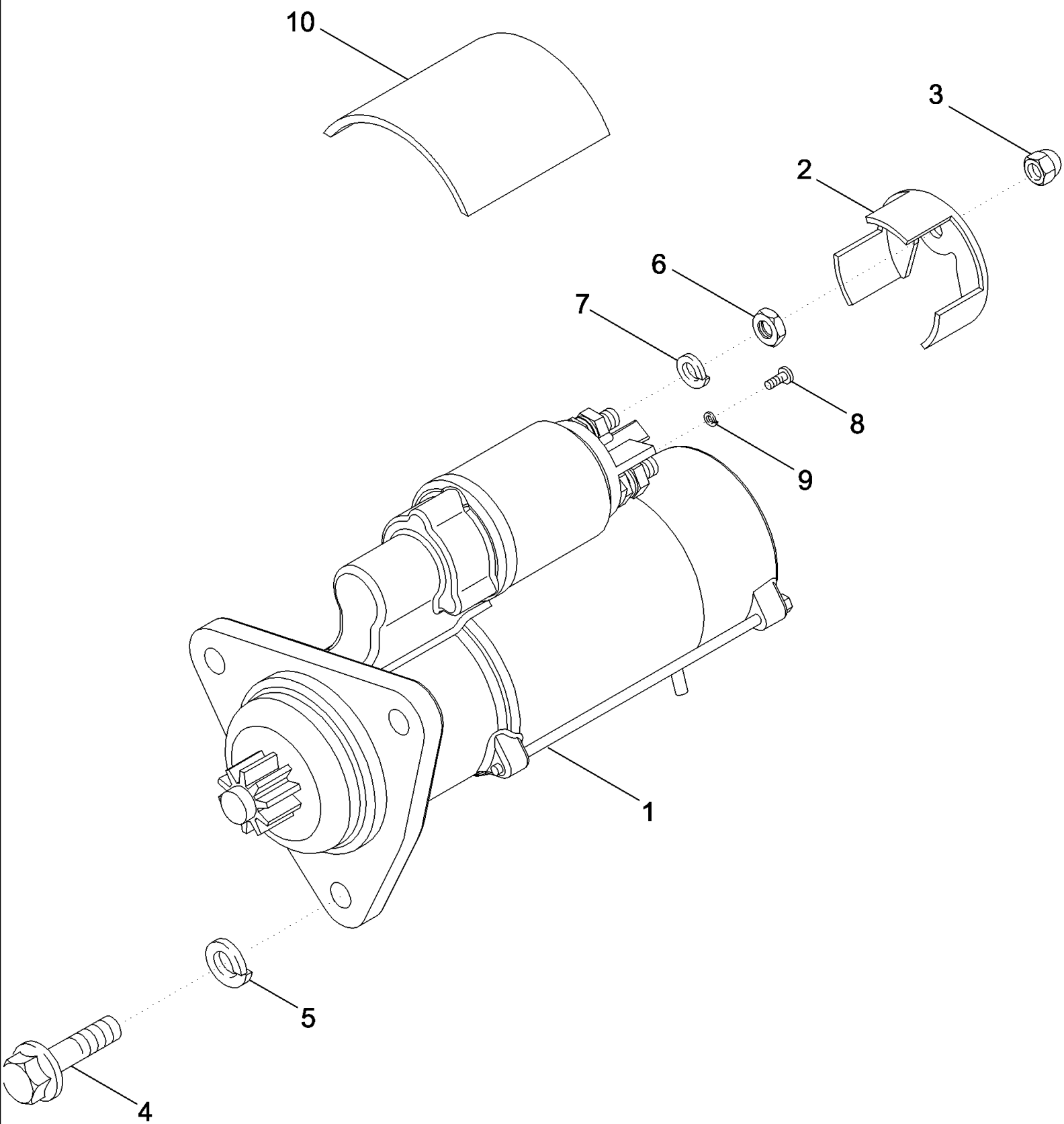
сылка	Номер детали	Кол-во	Описание
1	87451319	1	PANEL,
2	278316A2	2	CLIP,
3	86989944	1	SWITCH, Ride Control, Standard
3	86989964	1	SWITCH, Ride Control, Pickup Hitch, Latch
4	87414324	1	SWITCH, Suspended Axle
5	406324A2	AR	PLUG,
6	87444610	1	SWITCH, Defog Momentary With LED
7	87414325	1	SWITCH, Beacon-Strobe
8	86989955	1	SWITCH, Cruise Control, On/Off
9	86989953	1	SWITCH, Cruise Control, Increase/Decrease
10	432239A1	1	LIGHTER, CIGARETTE, Inc. 11
11	437324A1	1	BULB,
10	82022823	1	PLATE, Rubber Plug, Without Lighter (Not Shown)
12	326281A1	1	POTENTIOMETER, Blower Motor
13	326282A1	1	POTENTIOMETER, Cab Temperature
14	87454558	1	SWITCH, Climate Control
16	357662A1	1	SWITCH, WINDSHIELD WIPER, Front Wiper
17	1331046C2	3	KNOB,
18	86989939	1	SWITCH, WINDSHIELD WIPER, Rear
19	280627A1	1	SWITCH, MIRROR ADJUSTMENT, Mirror
20	87327317	1	PLASTIC PLUG,
23	87711789	1	SWITCH, AUTO GUIDANCE DISENGAGE, Accuguide



MAGNUM 335 CASE IH TRACTOR (NA)

04-23 ALTERNATOR - MOUNTING

сылка	Номер детали	Кол-во	Описание
1	87715397	1	ALTERNATOR, 160 amp
1	87715398	1	ALTERNATOR, 200 amp
2	87471474	1	PULLEY,
3	426-820	1	BOLT, Hex, 1/2"-13 x 1 1/4", G8, Full Thd,
4	NSS	1	NOT SERVICED SEPARATELY, NUT, M16
5	844-12150	1	BOLT, Hex Flg, M12 x 150, 8.8,
6	825-2412	1	NUT, M12 x 1.75, Flg, Cl 8,
7	87708788	1	SUPPORT, Alternator
	87471745	1	KIT, Regulator

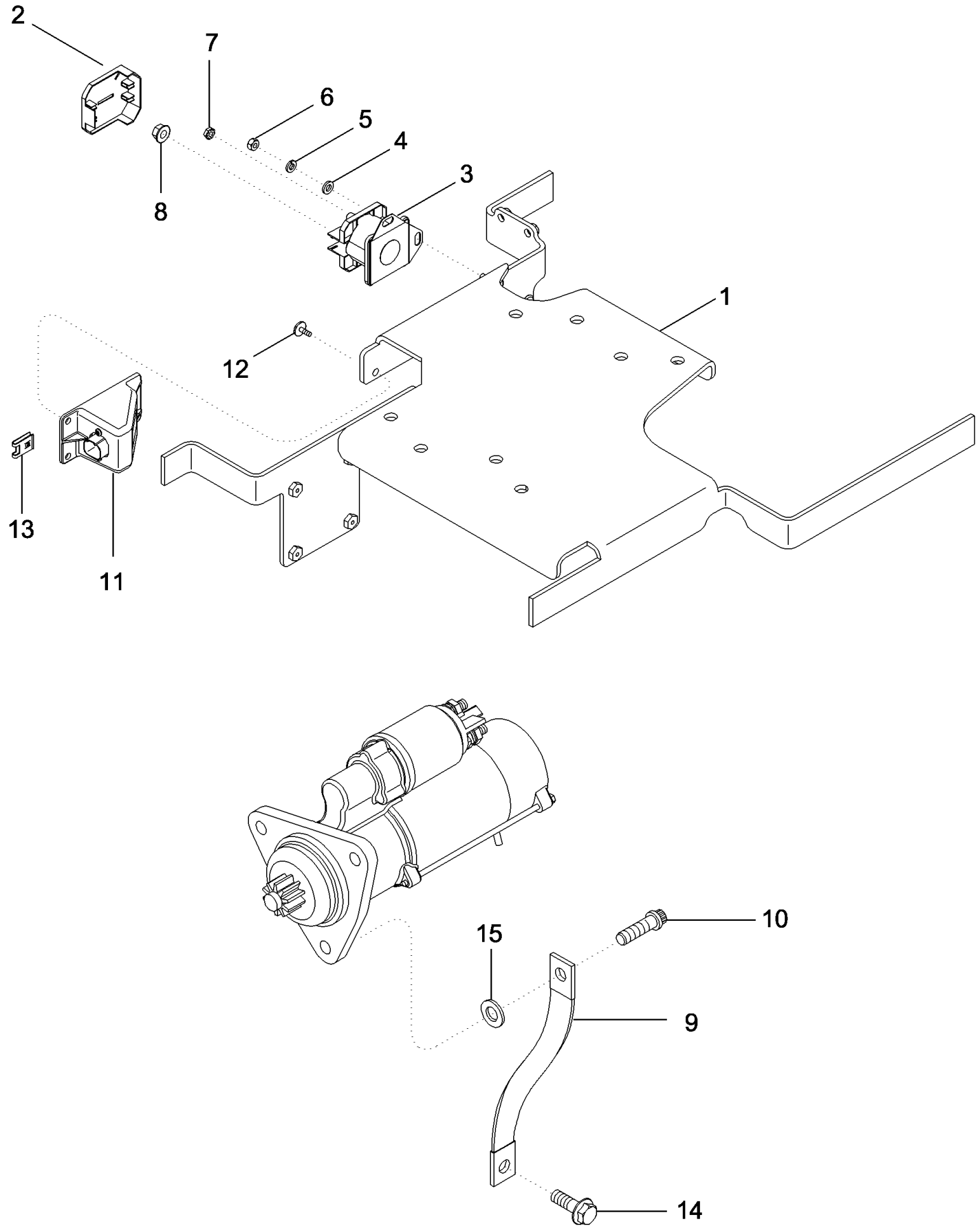


MAGNUM 335 CASE IH TRACTOR (NA)

04-24 STARTER - MOUNTING

сылка	Номер детали	Кол-во	Описание
1	87499205	1	MOTOR, STARTER,
2	87422566	1	COVER, Jump Start Protection
3	87422567	1	NUT,
4	868-12040	3	SCREW, 12 pt, Flg Hd, M12 x 40, 12.9,
5	896-11012	3	WASHER, M13.5 x 24.5 x 3, HT,
6	829-4410	1	NUT, Thin, M10 x 1.5, Cl 05,
7	892-11010	1	WASHER, LOCK, M10,
8	258820A1	1	SCREW, M5 x 8 mm
9	892-11005	1	WASHER, LOCK, M5,
10	87397411	1	INSULATOR, RUBBER,

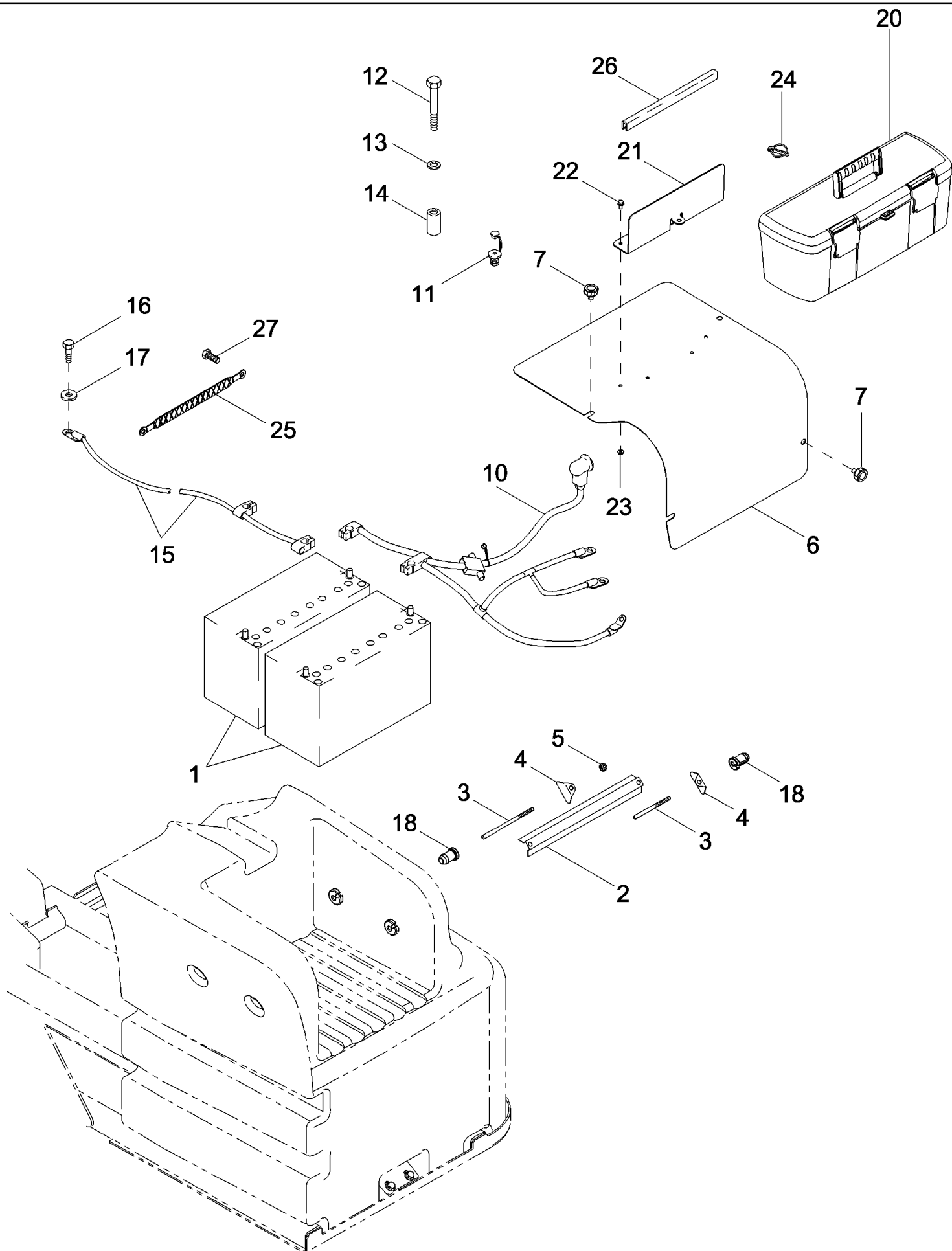
04-25 SOLENOID - STARTER



MAGNUM 335 CASE IH TRACTOR (NA)

04-25 SOLENOID - STARTER

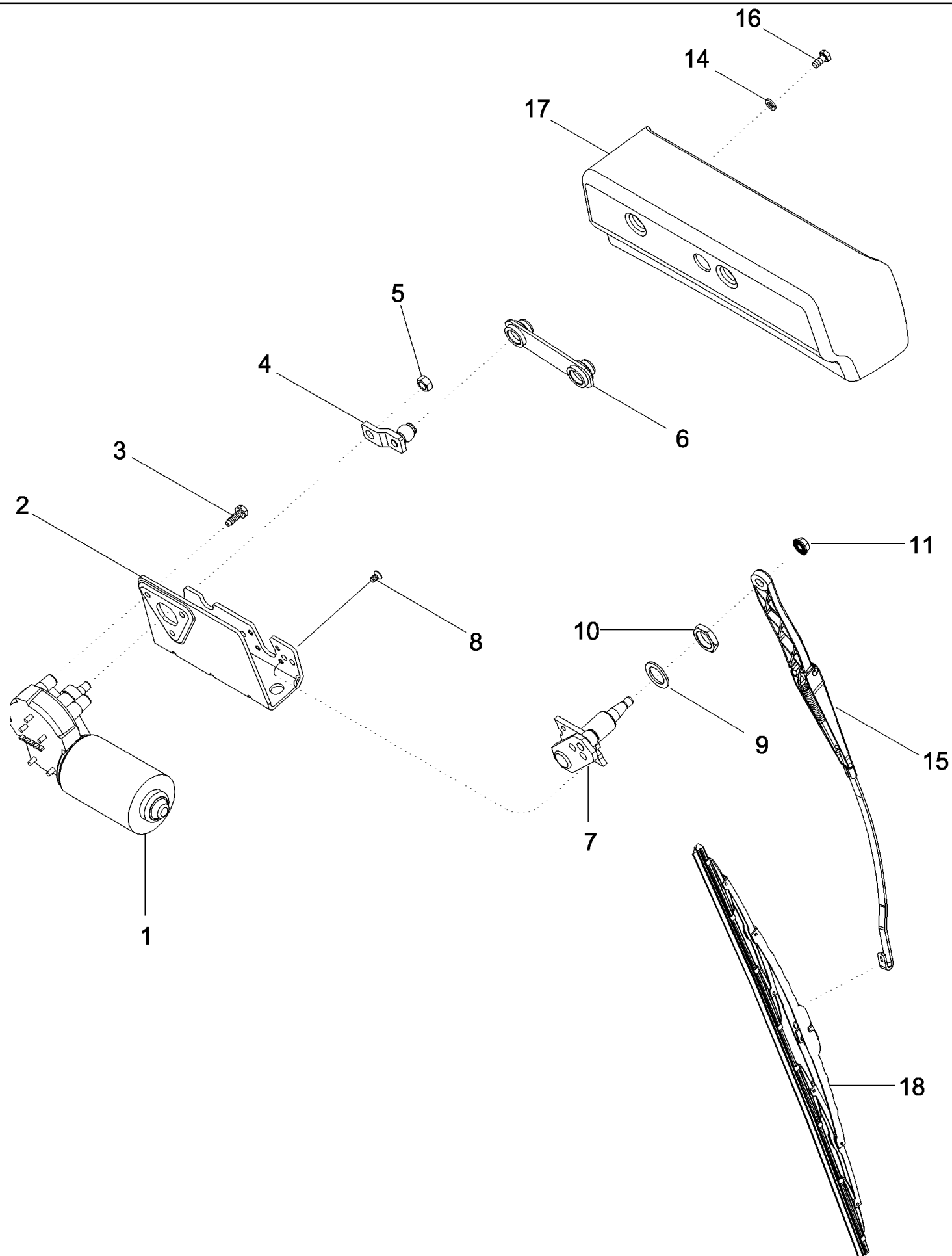
сылка	Номер детали	Кол-во	Описание
2	178148A1	1	COVER,
3	183038A1	1	SWITCH, SOLENOID, Switch, Order 178149A1
4	896-11006	2	WASHER, M6 x 13 x 2, HT,
5	892-11006	2	WASHER, LOCK, M6,
6	829-1406	2	NUT, M6, CI 10,
7	193-1000	1	NUT, Keps, w/LW,#10-32,
8	231-5145	2	NUT, Flg, USR, 5/16"-18,
9	257176A3	1	CABLE, BATTERY (NEG),
10	868-12040	1	SCREW, 12 pt, Flg Hd, M12 x 40, 12.9,
11	397496A1	1	CONNECTOR, ELEC, Passive Terminator
12	1975782C1	2	SCREW, SELF TAPPING, Cross Truss Wash Hd, #10 x 5/8",
13	131-642	2	NUT, Tinn, U, #10,
14	868-12040	1	SCREW, 12 pt, Flg Hd, M12 x 40, 12.9,
15	896-11012	1	WASHER, M13.5 x 24.5 x 3, HT,



MAGNUM 335 CASE IH TRACTOR (NA)

04-26 BATTERY, BATTERY BOX AND CABLES

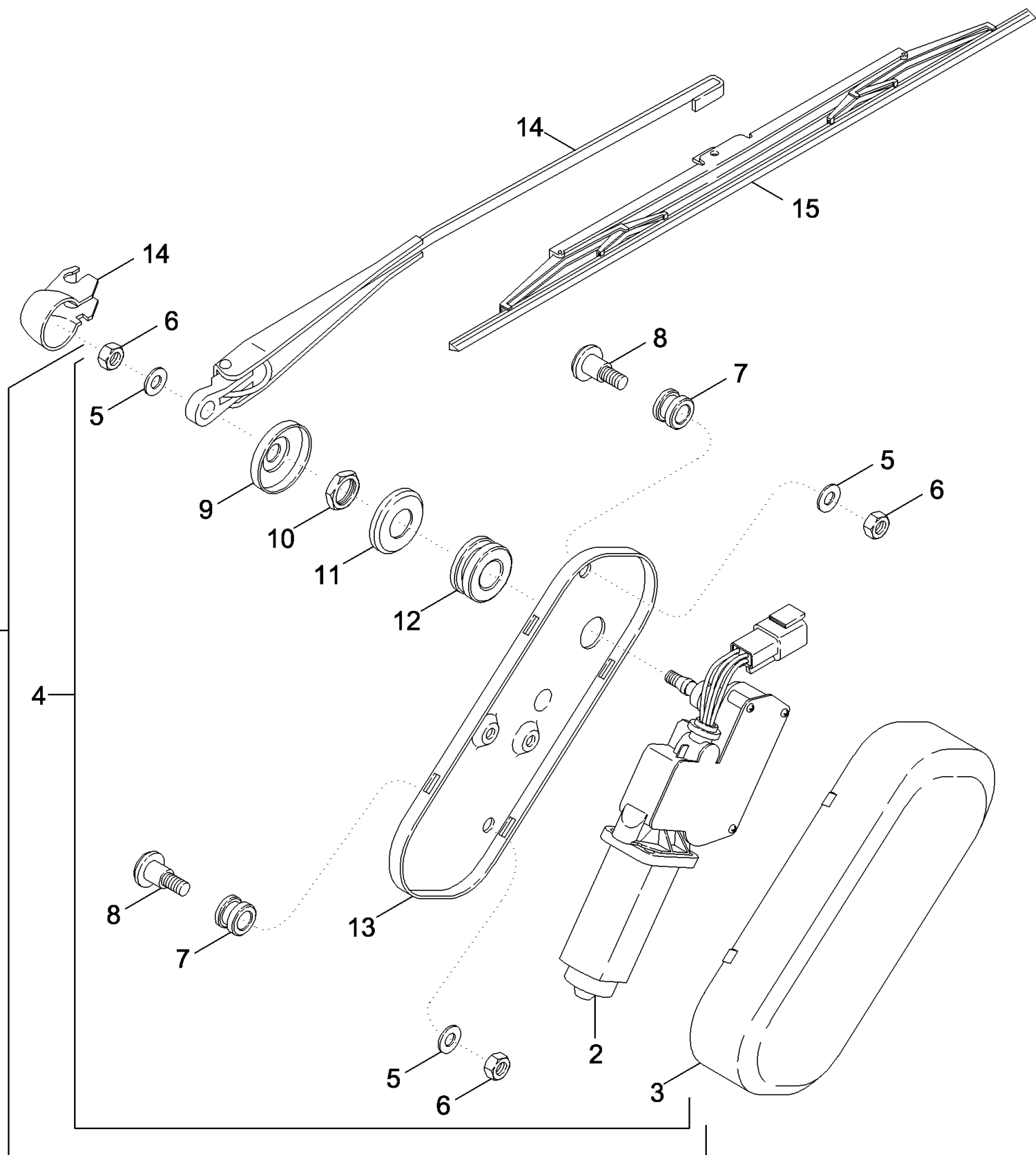
сылка	Номер детали	Кол-во	Описание
1	A187596	2	BATTERY, DRY, 12V, Not For UK
1	ZKA1000012	2	BATTERY, WET, UK Only
2	255675A1	2	ANGLE BAR,
3	246157A1	4	TRUSS ROD,
4	255728A1	4	PLATE, SUPPORT,
5	825-5148	4	NUT, M8, Flg Ser,
6	238016A3	1	COVER,
7	394133A1	4	KNOB,
10	87365745	1	CABLE, BATTERY - POS, , BSN Z6RZ03572
10	87528022	1	CABLE, , ASN Z6RZ03572
10	87496996	1	CABLE, BATTERY - POS, Auxiliary Power (Shown)
11	87383841	1	BUSHING,
12	814-20070	1	BOLT, Hex, M20 x 70, 8.8,
13	896-11020	1	WASHER, M20 x 37.5 x 4, HT,
14	1331939C1	1	SPACER,
15	87456418	1	CABLE, BATTERY (NEG), Ground (Shown)
15	87496760	1	CABLE, BATTERY (NEG), Ground, Auxiliary Power
16	614-12025	2	BOLT, Hex, M12 x 25, 8.8,
17	896-11012	2	WASHER, M13.5 x 24.5 x 3, HT,
18	318864A1	4	SEAL, Fuel Tank
20	87400261	1	BOX, TOOL,
21	255821A2	1	SUPPORT,
22	905-6012	4	BOLT, Hex Serr Flg, M6 x 12,
23	825-5146	4	NUT, M6, Flg Ser,
24	82013836	1	PIN, LOCK,
25	87424307	1	STRAP, GROUND,
26	87450361	1	VINYL, Edge
27	614-8020	1	BOLT, Hex, M8 x 20, 8.8,
28	844-12025	2	BOLT, Hex Flg, M12 x 25, 8.8, (Not Shown), Magnum 335



MAGNUM 335 CASE IH TRACTOR (NA)

04-27 WINDSHIELD WIPER ASSEMBLY - FRONT AND REAR

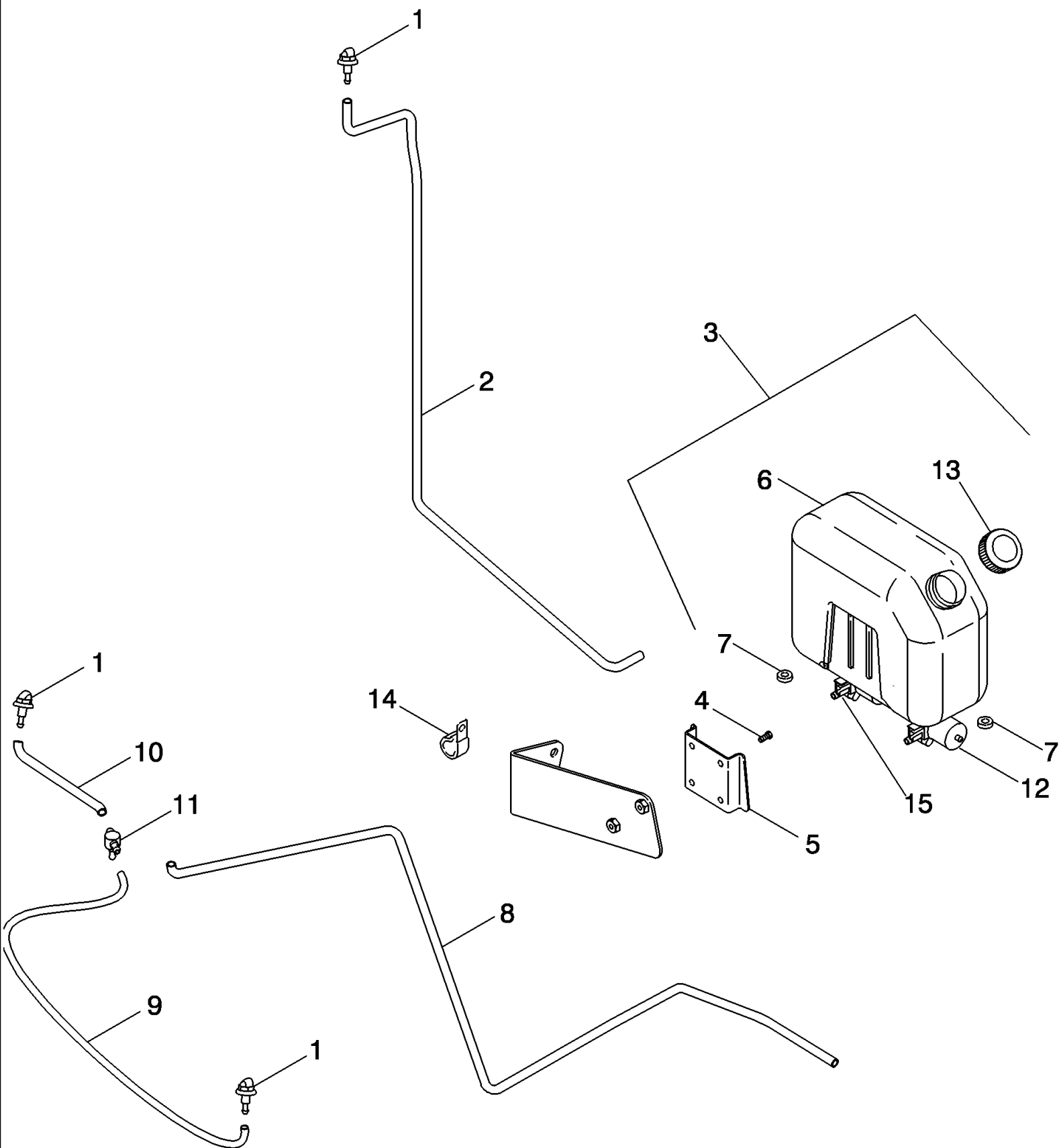
сылка	Номер детали	Кол-во	Описание
	87673381		WIPER MOTOR, Inc. 1 - 8
1	NSS	1	NOT SERVICED SEPARATELY, MOTOR
2	NSS	1	NOT SERVICED SEPARATELY, BRACKET
3	NSS	3	NOT SERVICED SEPARATELY, SCREW
4	NSS	1	NOT SERVICED SEPARATELY, CRANK ASSY
5	NSS	1	NOT SERVICED SEPARATELY, NUT
6	NSS	1	NOT SERVICED SEPARATELY, LINK
7	NSS	1	NOT SERVICED SEPARATELY, PIVOT ASSY
8	NSS	4	NOT SERVICED SEPARATELY, SCREW
9	895-11020	2	WASHER, M20 x 37 x 3,
10	L112087	1	NUT,
11	825-1408	1	NUT, M8, CI 8,
14	892-11006	2	WASHER, LOCK, M6,
15	84122637	1	WIPER ARM,
16	614-6012	2	BOLT, Hex, M6 x 12, 8.8,
17	401109A3	1	CAGE,
18	87673380	1	WIPER BLADE,
19	895-15006	4	WASHER, M6 x 25 x 1.6, (Not Shown), w/o Rear Wiper
20	87529297	2	CLIP, (Not Shown), Without Rear Wiper
21	614-8020	1	BOLT, Hex, M8 x 20, 8.8, (Not Shown), Without Rear Wiper
22	495-81121	2	WASHER, .344" x 1 1/2" x .060", (Not Shown), Without Rear Wiper
23	829-1408	1	NUT, M8, CI 10, (Not Shown), w/o Rear Wiper



MAGNUM 335 CASE IH TRACTOR (NA)

04-28 RIGHT HAND WINDOW WIPER

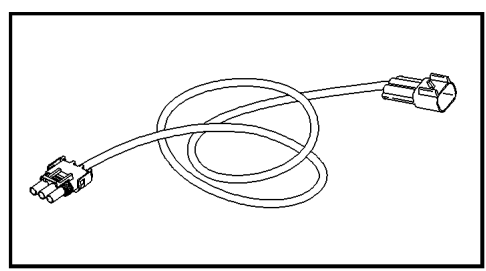
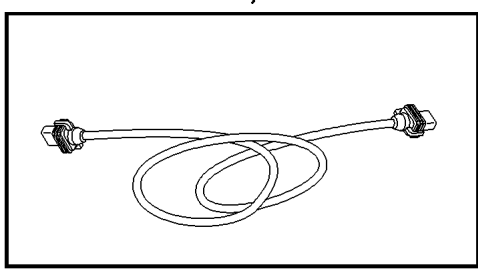
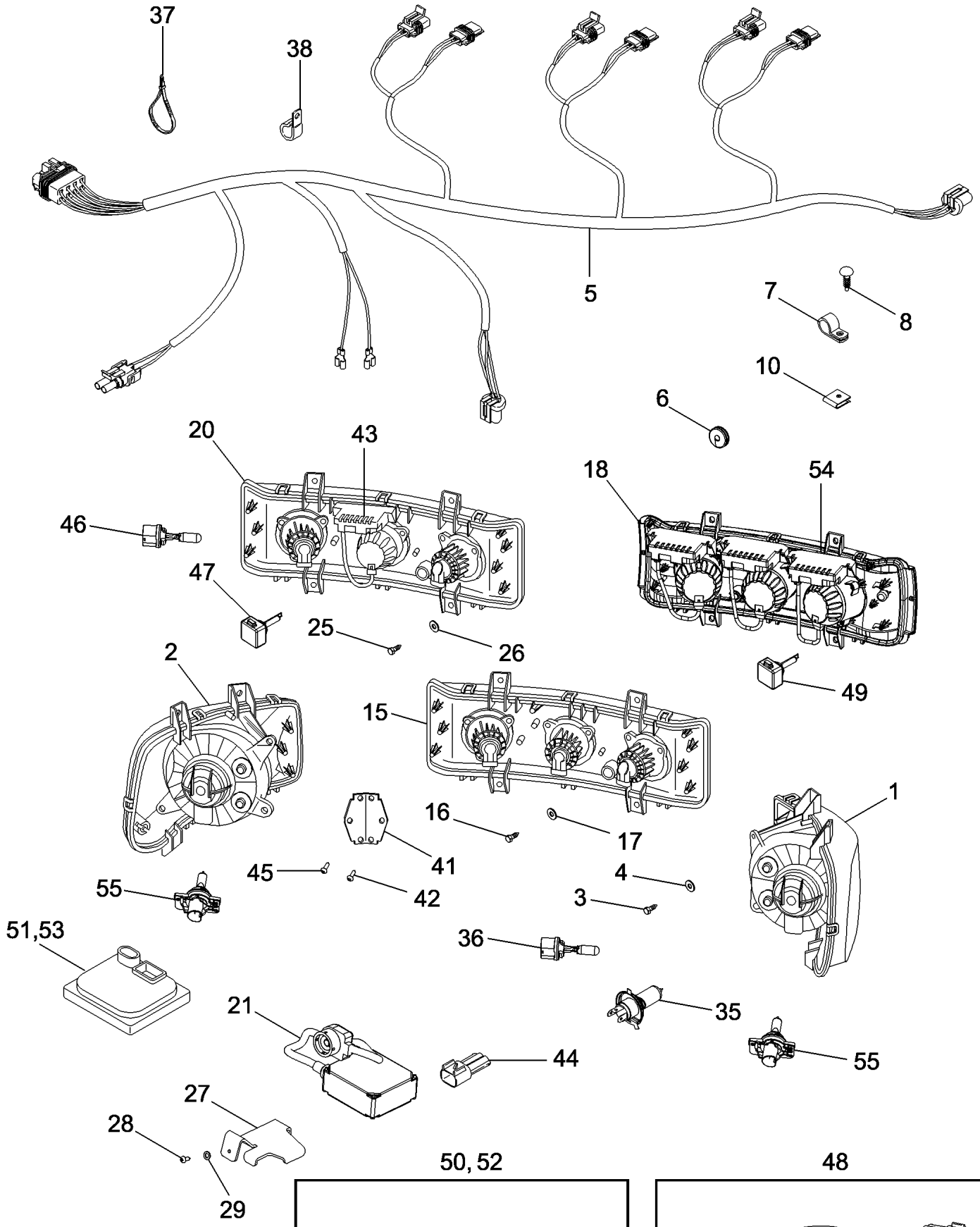
сылка	Номер детали	Кол-во	Описание
1	87417652	1	WIPER MOTOR, Right Hand Window Wiper, Inc. 2 - 13
2	87435151	1	WIPER MOTOR,
3	87435149	1	COVER,
4	87435150	1	KIT, SERVICE, Inc. 5 - 12
5	NSS	3	NOT SERVICED SEPARATELY, WASHER
6	NSS	3	NOT SERVICED SEPARATELY, NUT
7	NSS	2	NOT SERVICED SEPARATELY, SMALL GROMMET
8	NSS	2	NOT SERVICED SEPARATELY, BOLT
9	NSS	1	NOT SERVICED SEPARATELY, OUTER CAP
10	NSS	1	NOT SERVICED SEPARATELY, NUT
11	NSS	1	NOT SERVICED SEPARATELY, INNER RING
12	NSS	1	NOT SERVICED SEPARATELY, LARGE GROMMET
13	NSS	1	NOT SERVICED SEPARATELY, PLATE
14	87417653	1	WIPER ARM,
15	87417654	1	WIPER BLADE,
16	192013A4	2	PLASTIC PLUG, (Not Shown) Without Wiper
17	192012A4	1	PLASTIC PLUG, (Not Shown) Without Wiper
18	87529297	1	CLIP, (Not Shown) Without Wiper



MAGNUM 335 CASE IH TRACTOR (NA)

04-29 WINDSHIELD WASHER

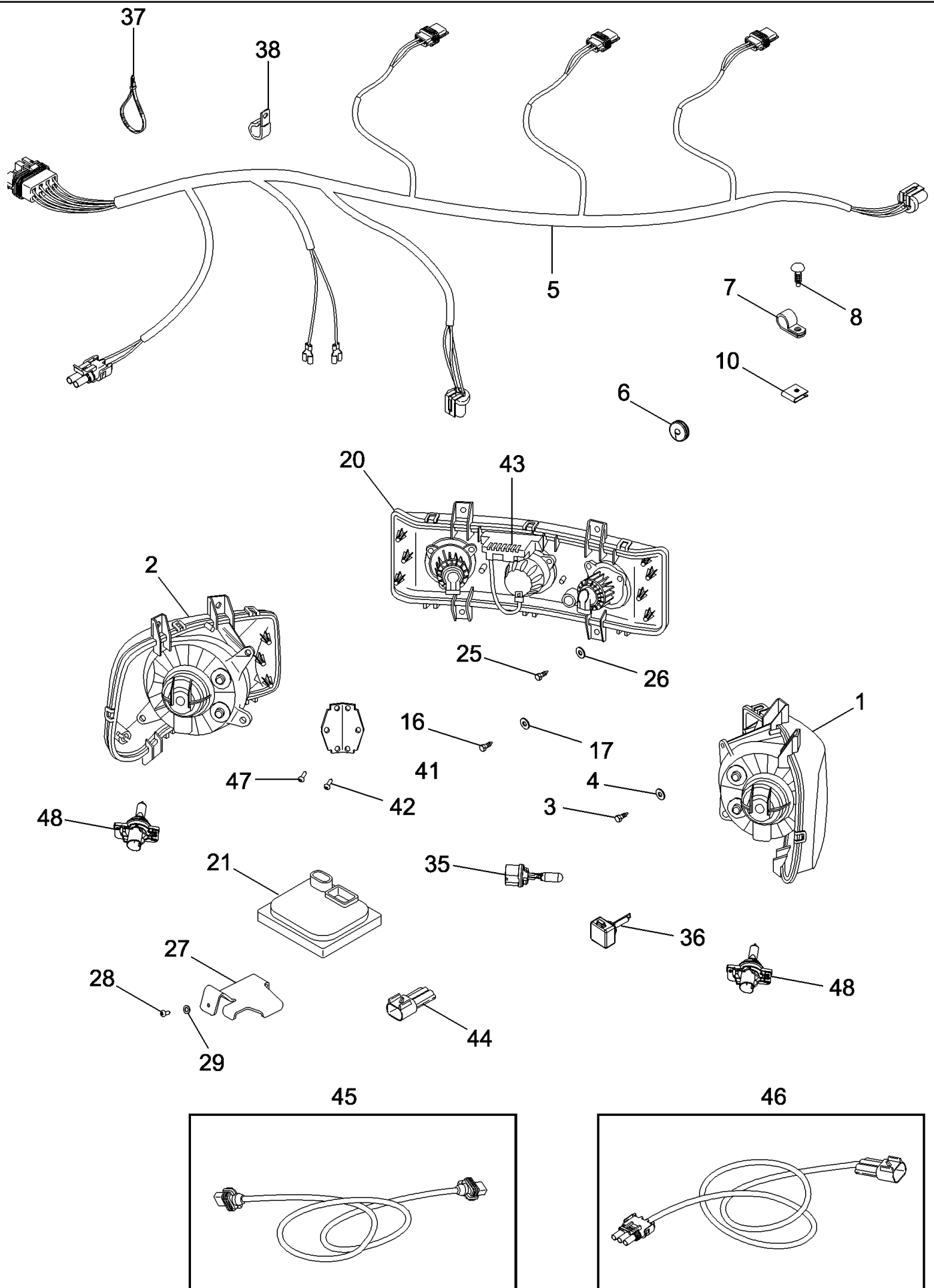
сылка	Номер детали	Кол-во	Описание
1	3229749R1	3	NOZZLE CAP,
2	1964828C1	1	PIPE, 1145 mm (45-1/8 in) Cut From 1968141C1
3	87337962	1	RESERVOIR, WINDSH. WASH, Inc. 6, 7, 12, 13, 15
4	844-6016	2	BOLT, Hex Flg, M6 x 16, 8.8,
5	5155855	1	BRACKET,
6	NSS	1	NOT SERVICED SEPARATELY, TANK
7	NSS	2	NOT SERVICED SEPARATELY, GROMMET
8	87442313	1	HOSE, 4,000 mm
9	87353989	1	TUBE, PLASTIC-RUBBER, 785 mm, Cut from 1968141C1
10	87353992	1	TUBE, PLASTIC-RUBBER, 150 mm, Cut from 1968141C1
11	87739133	1	VALVE, CHECK, Washer Fluid Double Output
12	NSS	1	NOT SERVICED SEPARATELY, PUMP, Wiper, Front
13	82036769	1	CAP, FILLER,
14	516-2295	4	CLAMP, J, 7/16" Insul, 5/16" Bolt,
15	NSS	1	NOT SERVICED SEPARATELY, PUMP, Wiper, Rear



MAGNUM 335 CASE IH TRACTOR (NA)

04-30 HEADLAMPS, BSN Z6RZ02943

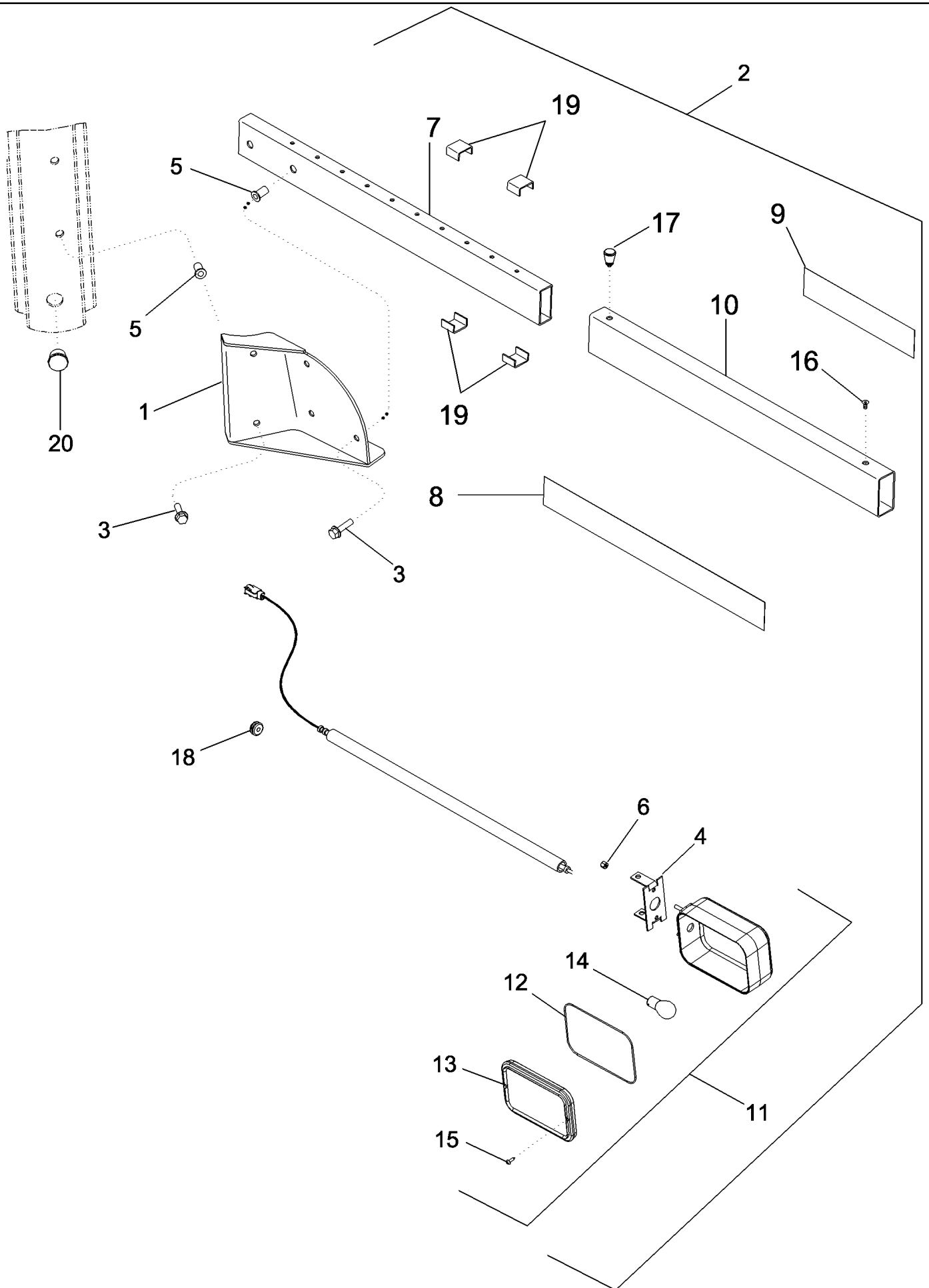
сылка	Номер детали	Кол-во	Описание
1	87309030	1	HEADLAMP, RH, Right Hand, RH Dip, Inc. 35, 36, 55, North America Only
1	87455675	1	HEADLAMP, RH, Right Hand, LH Dip, Inc. 35, 36, Australia Only
2	87309029	1	HEADLAMP, LH, Left Hand, RH Dip, Inc. 35, 36, 55, North America Only
2	87455674	1	HEADLAMP, LH, Left Hand, RH Dip, Inc. 35, 36, Australia Only
3	779-14619	6	SCREW, SELF TAPPING, Hex Hd, M6.3 x 19, , North America Only
4	495-21031	6	WASHER, 1/4", , North America Only
4	259713A1	6	CLIP, (Not Shown), Australia Only
5	87366273	1	HARNESS,
6	411632A1	1	GROMMET,
7	515-22159	2	CLAMP, 5/8", Insul, 5/16" Bolt,
8	93199C1	2	FASTENER,
10	96900C1	4	NUT, U, #10-16, Panel type,
15	87455676	1	LAMP, WORK, Center, 3 Halogen bulbs, Inc. 36
16	779-14619	4	SCREW, SELF TAPPING, Hex Hd, M6.3 x 19,
17	495-21031	4	WASHER, 1/4",
18	87455677	1	LAMP, WORK, Center, 3 HID Bulbs, Inc. 49,52,53,54
20	87308895	1	LAMP, WORK, Center, Single HID, 2 Halogen Bulbs, Inc. 43,46,47,50,51
21	322332A1	1	BALLAST,
25	779-14619	4	SCREW, SELF TAPPING, Hex Hd, M6.3 x 19,
26	495-21031	4	WASHER, 1/4",
27	319929A1	1	SUPPORT,
28	760-14313	1	SCREW, SELF TAPPING, Pan Hd, M4.2 x 13,
29	895-11005	1	WASHER, M5 x 10 x 1,
35	91967C1	1	BULB, Halogen
36	323093A1	1	BULB, 885-12V, Work Lamp
37	291207C1	3	CLAMP,
38	516-22127	5	CLAMP, J, 9/16" Insul, 5/16" Bolt,
41	87520630	2	BRACKET,
42	87316148	2	SCREW, SELF TAPPING, 3.5 x 16
43	87316350	1	COVER,
44	87366993	3	CONNECTOR, ELEC,
45	760-17113	12	SCREW, SELF TAPPING, Pan Hd, M3.5 x 13,
46	87316352	2	BULB, HB3 65W Halogen
47	84607408	1	LAMP, WORK, HID
48	87535841	2	HARNESS, Ballast to Halogen Lamp
49	84607408	3	LAMP, WORK, HID
50	87573744	1	CABLE, Ballast to HID Lamp 390 mm
51	87388468	1	BALLAST, HID
52	87573744	3	CABLE, Ballast to HID Lamp 390 mm
53	87388468	3	BALLAST, HID
54	87316350	3	COVER,
55	87365799	1	BULB, Cover



MAGNUM 335 CASE IH TRACTOR (NA)

04-31 HEADLAMPS, ASN Z6RZ02943

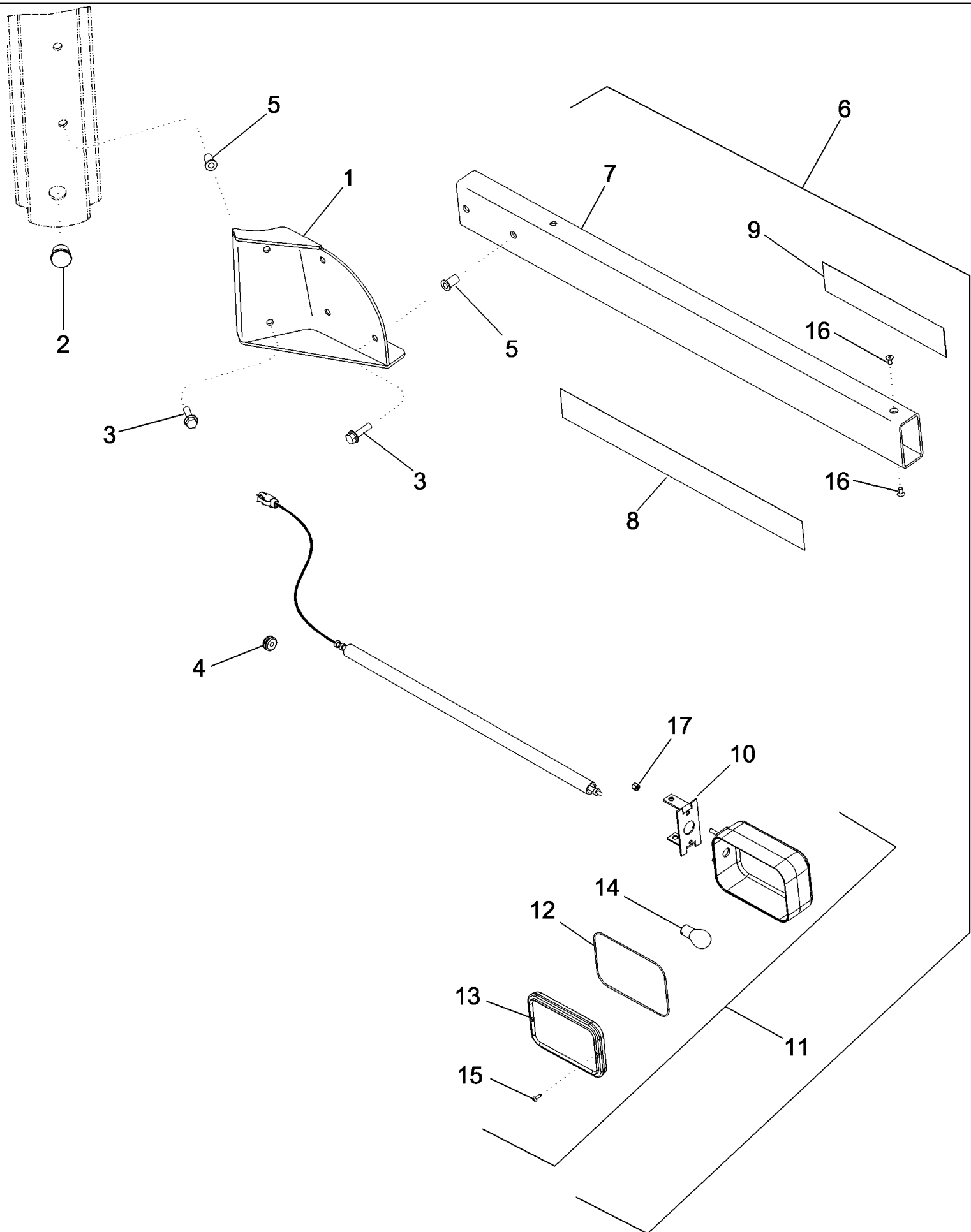
сылка	Номер детали	Кол-во	Описание
1	87309030	1	HEADLAMP, RH, Right Hand, RH Dip, Inc. 35, 36, 48, North America Only
1	87455675	1	HEADLAMP, RH, Right Hand, LH Dip, Inc. 35, 36, Australia Only
2	87309029	1	HEADLAMP, LH, Left Hand, RH Dip, Inc. 35, 36, 48, North America Only
2	87455674	1	HEADLAMP, LH, Left Hand, RH Dip, Inc. 35, 36, Australia Only
3	779-14619	6	SCREW, SELF TAPPING, Hex Hd, M6.3 x 19, , North America Only
4	495-21031	6	WASHER, 1/4", , North America Only
4	259713A1	6	CLIP, (Not Shown), Australia Only
5	87535373	1	HARNESS, (Shown), BTW Z6R602943 & Z7RZ01521
5	87546827	1	HARNESS, , ASN Z7RZ01521
6	411632A1	1	GROMMET,
7	515-22159	2	CLAMP, 5/8", Insul, 5/16" Bolt,
8	93199C1	2	FASTENER,
10	96900C1	4	NUT, U, #10-16, Panel type,
16	779-14619	4	SCREW, SELF TAPPING, Hex Hd, M6.3 x 19,
17	495-21031	4	WASHER, 1/4",
18	87328621	1	LAMP, WORK 80 mm Dia W/HID Center (Not Shown)
20	87308895	1	LAMP, WORK, Center, Single HID, 2 Halogen Bulbs, Inc. 21,35,36,43,45
21	87388468	1	BALLAST,
25	779-14619	4	SCREW, SELF TAPPING, Hex Hd, M6.3 x 19,
26	495-21031	4	WASHER, 1/4",
27	319929A1	1	SUPPORT,
28	760-14313	1	SCREW, SELF TAPPING, Pan Hd, M4.2 x 13,
29	895-11005	1	WASHER, M5 x 10 x 1,
35	87316352	2	BULB, HB3 65W Halogen
36	84607408	1	LAMP, WORK, HID
37	291207C1	3	CLAMP,
38	516-22127	5	CLAMP, J, 9/16" Insul, 5/16" Bolt,
41	87520630	2	BRACKET,
42	87316148	2	SCREW, SELF TAPPING, 3.5 x 16
43	87316350	1	COVER,
44	87366993	3	CONNECTOR, ELEC,
45	87573744	1	CABLE, Ballast to HID Lamp 390 mm
46	87535841	2	HARNESS, Ballast to Halogen Lamp
47	760-17113	12	SCREW, SELF TAPPING, Pan Hd, M3.5 x 13,
48	87365799	1	BULB, Cover



MAGNUM 335 CASE IH TRACTOR (NA)

04-32 LAMPS - WIDE TRANSPORT, ADJUSTABLE

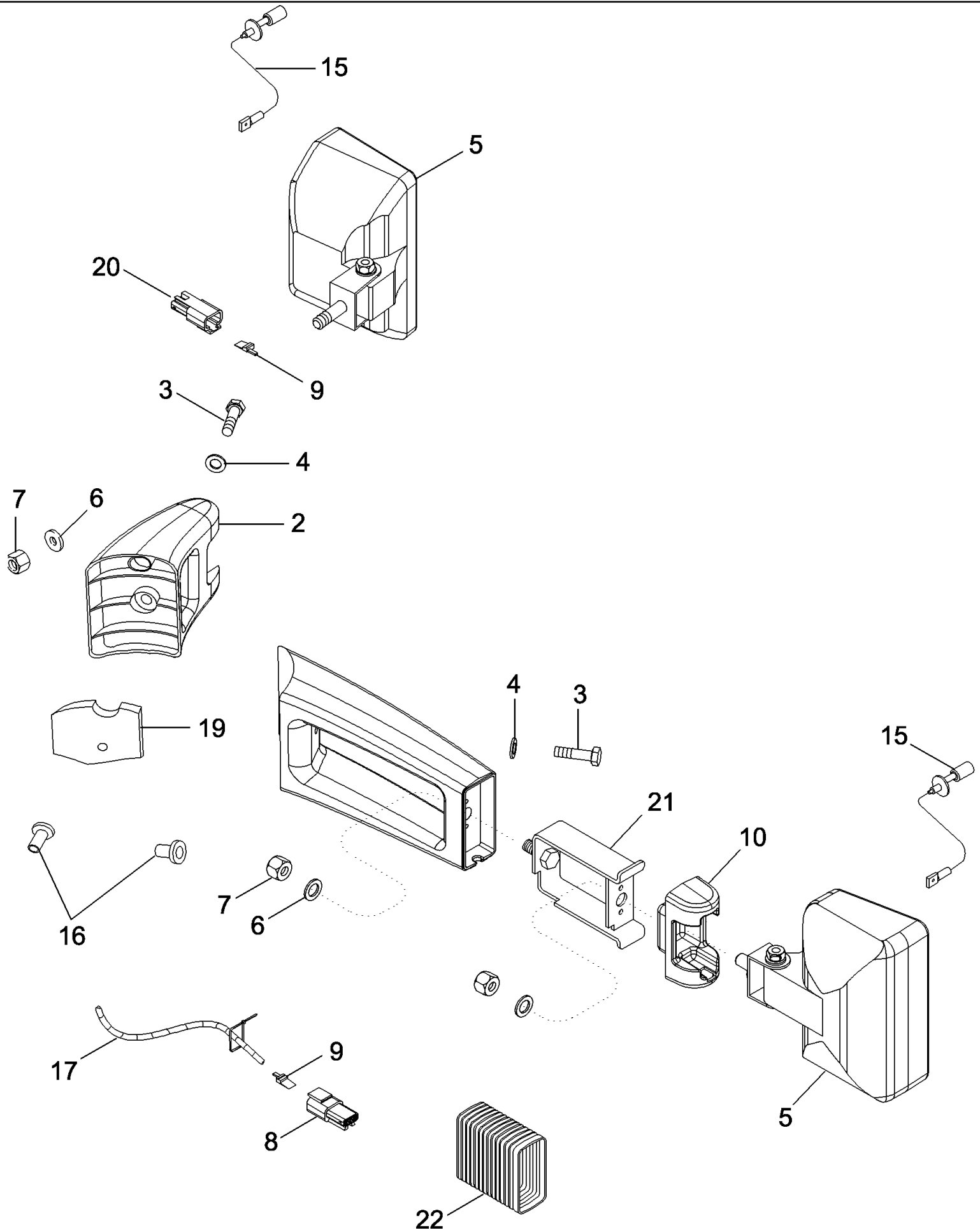
сылка	Номер детали	Кол-во	Описание
1	87451776	1	BRACKET, Right Hand (Shown)
1	87451777	1	BRACKET, Left Hand
2	87451775	1	ARM ASSY., Right Hand (Shown)
2	87452251	1	ARM ASSY., Left Hand
3	514-636	8	BOLT, Hex Serr Flg, M8 x 30,
4	362496A1	2	BRACKET,
5	P35448	8	RIVET,
6	832-10405	4	NUT, LOCK, M5 x .8, CI 8,
7	87444299	2	TUBE, Inner
8	297221A1	2	DECAL, Red
9	297223A1	2	DECAL, Yellow
10	87444300	2	TUBE, Outer
11	87444301	2	LIGHT ASSY., Warning, Inc. 12 - 15, Includes Harness but Not Serviced Separately
12	233561A1	2	O-RING,
13	232212A1	2	LENS,
14	A41264	1	BULB, #1156, 12V,
15	NSS	2	NOT SERVICED SEPARATELY, SCREW
16	569-3	4	SCREW, Hex Soc Flat Hd, M5 x 10, 10.9,
17	400039A1	2	KNOB,
19	321663A1	10	PAD, SLIDING,
20	128209A1	2	PLUG,



MAGNUM 335 CASE IH TRACTOR (NA)

04-33 LAMPS - WIDE TRANSPORT, FIXED

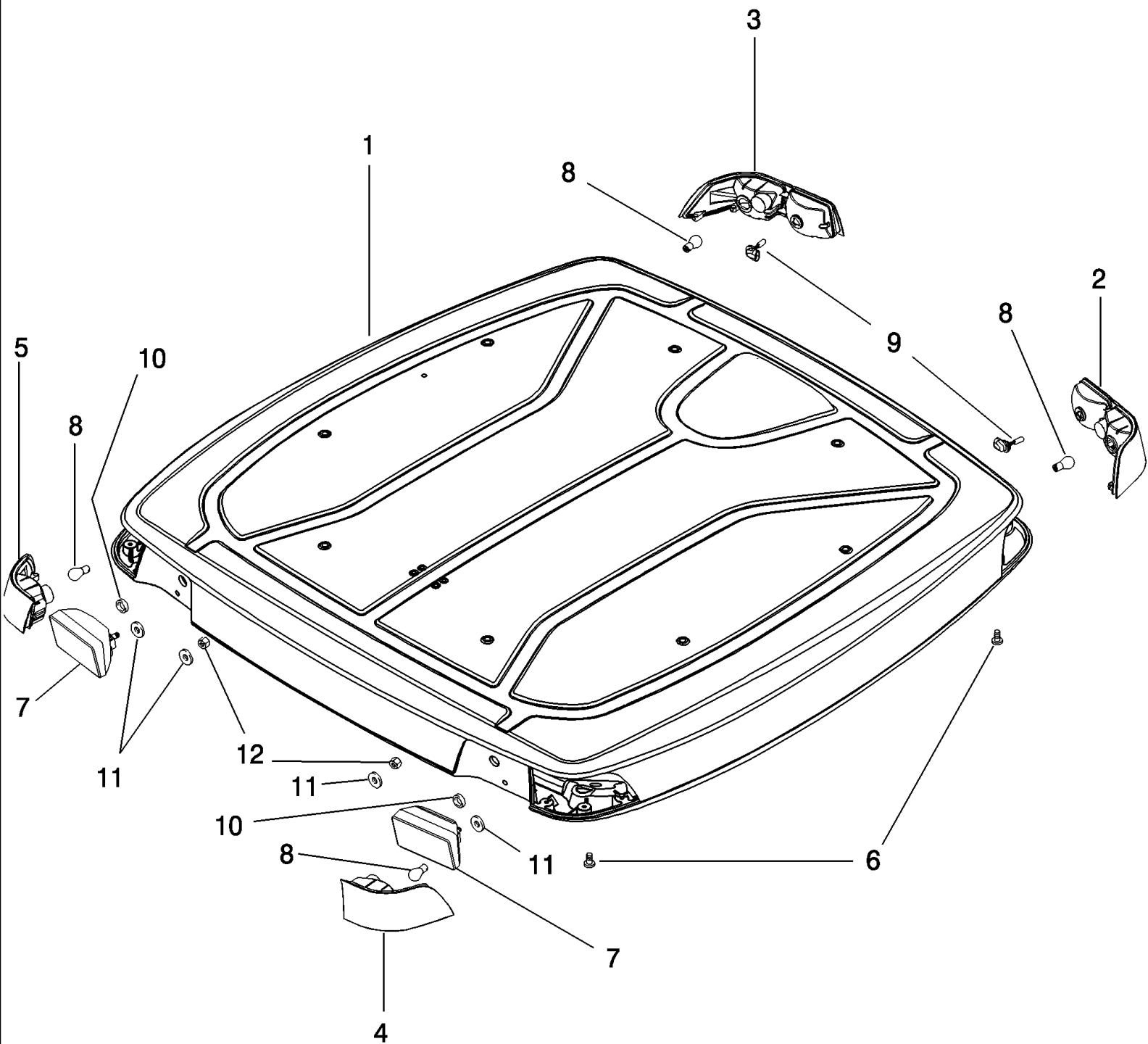
сылка	Номер детали	Кол-во	Описание
1	87451776	1	BRACKET, Right Hand, Shown
1	87451777	1	BRACKET, Left Hand
2	128209A1	4	PLUG,
3	514-636	8	BOLT, Hex Serr Flg, M8 x 30,
5	P35448	4	RIVET,
6	87451774	2	ARM ASSY., Wide Marker, Fixed
7	87444298	2	TUBE, Marker Light
8	297221A1	2	DECAL, Red
9	297223A1	2	DECAL, Yellow
10	362496A1	2	BRACKET,
11	87444301	2	LIGHT ASSY., Warning, Inc. 12 - 15, Includes Harness but Not Serviced Separately
12	233561A1	2	O-RING,
13	232212A1	2	LENS,
14	A41264	1	BULB, #1156, 12V,
15	NSS	2	NOT SERVICED SEPARATELY, SCREW
16	569-3	2	SCREW, Hex Soc Flat Hd, M5 x 10, 10.9,
17	832-10405	4	NUT, LOCK, M5 x .8, CI 8,



MAGNUM 335 CASE IH TRACTOR (NA)

04-34 LAMPS - FRONT WORK

сылка	Номер детали	Кол-во	Описание
1	87439791	1	BRACKET, Right Hand
2	300184A3	1	BRACKET, Left Hand
3	514-637	2	BOLT, Hex, M8 x 35, 8.8, Full Thd,
4	256402A1	2	WASHER, 9 x 17 x 1.6 mm
5	301891A2	2	LAMP, Work, Inc. 15, See Figure 04-37
6	895-18010	3	WASHER, M10 x 18 x 1.6,
7	832-10410	3	NUT, LOCK, M10 x 1.5, Cl 8,
8	222136A1	1	CONNECTOR, ELEC, 2 Pin
9	222848A1	2	CONNECTOR, ELEC,
10	300185A2	1	COVER,
15	1312210C2	1	BULB, 12V, 55W
16	P35448	2	RIVET, M8
17	387169A1	2	CONDUIT, 75 mm, Cut From 387171A1
18	387281A1	4	STRAP, SECURING,
19	391623A1	1	SEAL,
20	276426A1	1	CONNECTOR, ELEC,
21	87455964	1	BRACKET,
22	87456347	1	BOOT,

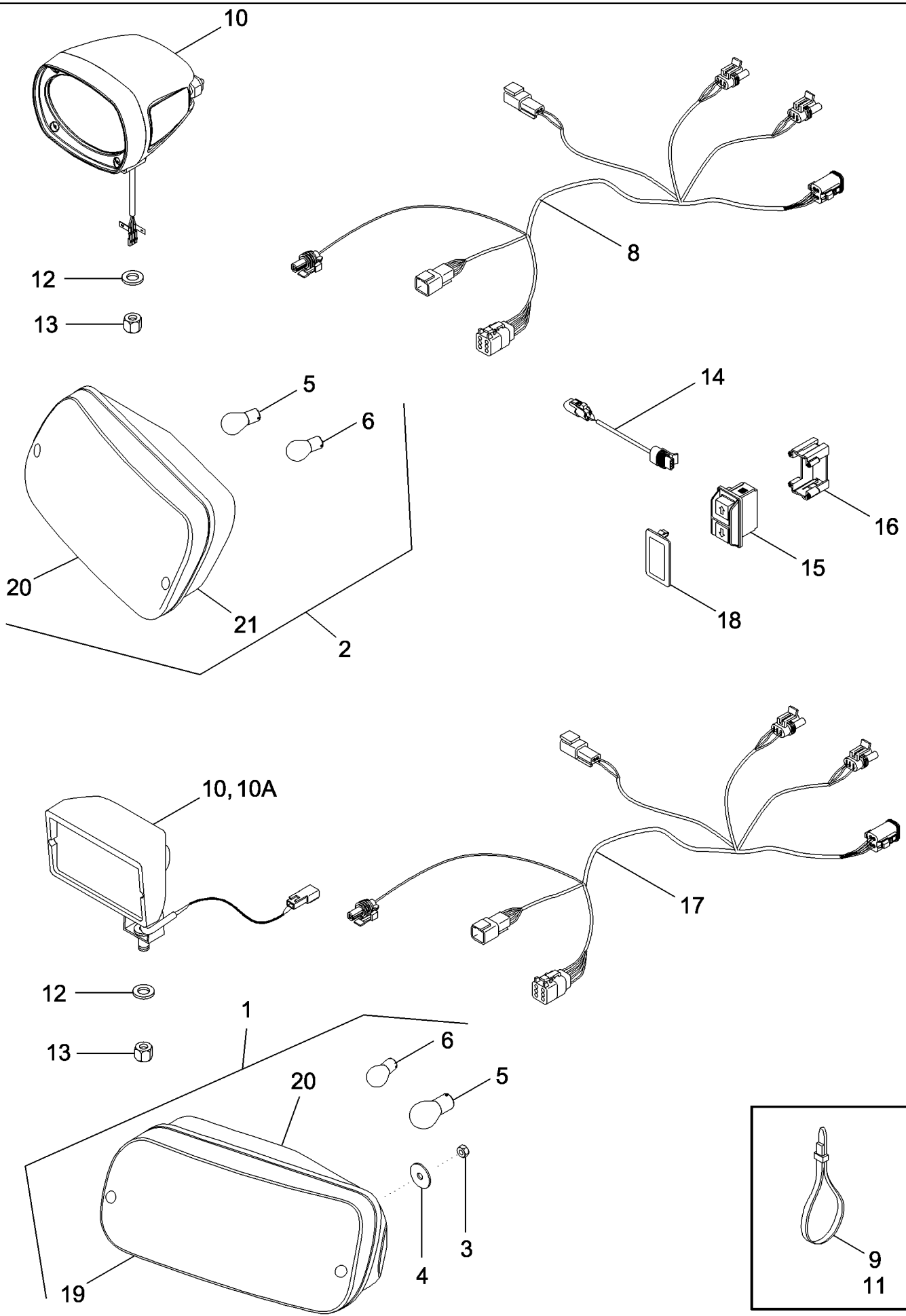


MAGNUM 335 CASE IH TRACTOR (NA)

04-35 LAMPS - CAB ROOF

сылка	Номер детали	Кол-во	Описание
1	REF	1	INSTRUCTION, ROOF, See Figure 09-13
2	279220A1	1	LIGHT ASSY., RH, Front, Work & Warning
3	279219A1	1	LIGHT ASSY., LH, Front, Work & Warning
4	279223A1	1	LIGHT, WARNING, RH, Rear Warning
5	279224A1	1	LIGHT, WARNING, Left Hand Rear, Warning Lamp
6	840-1612	10	SCREW, Cross Pan Hd, M6 x 12,
7	178345A1	2	LIGHT, WORK, , See Figure 04-37
8	A41264	4	BULB, #1156, 12V,
9	323094A1	2	BULB, 894-12V
10	182045A1	2	GROMMET,
11	895-18010	4	WASHER, M10 x 18 x 1.6,
12	832-10410	2	NUT, LOCK, M10 x 1.5, CI 8,

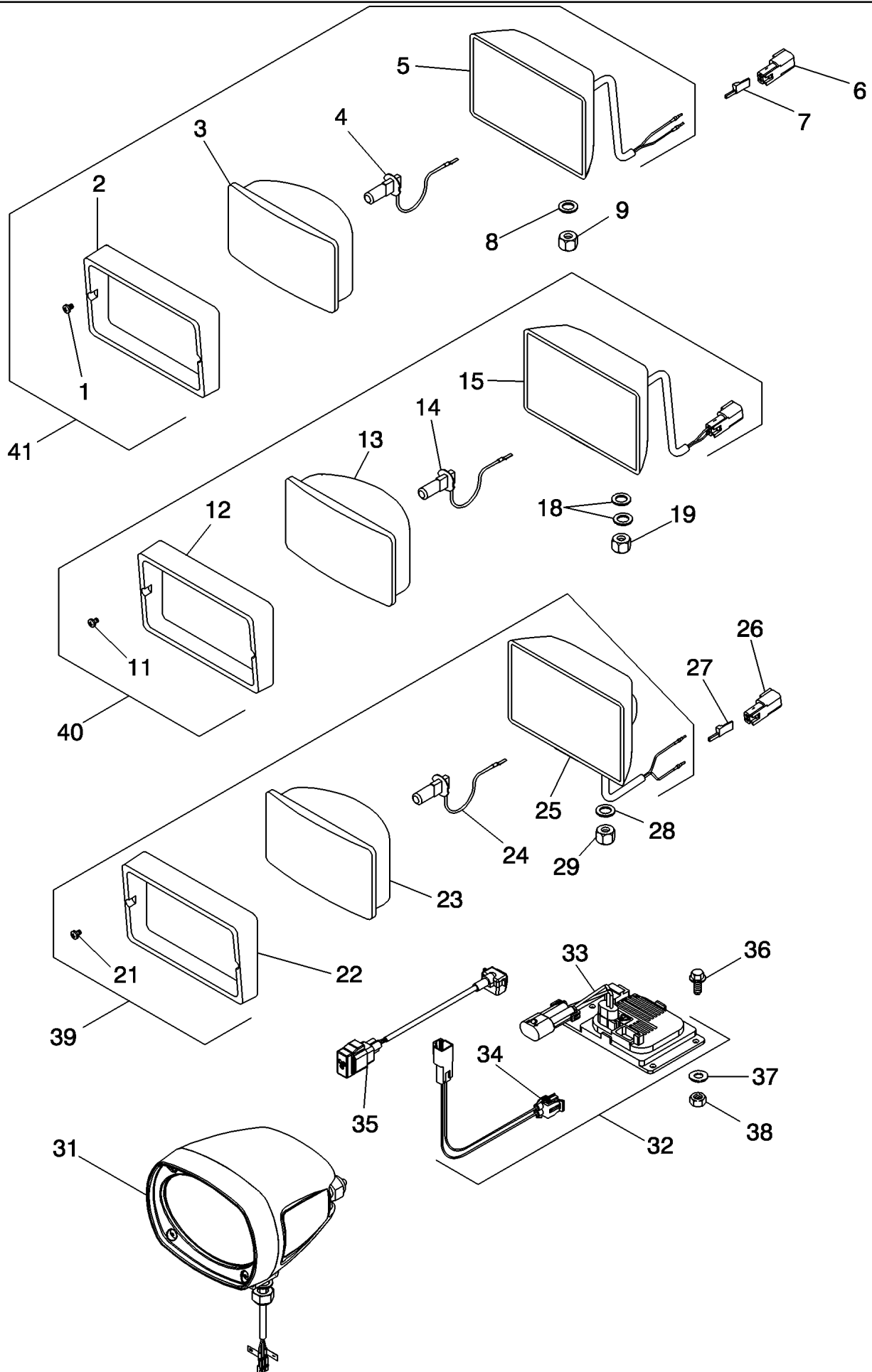
04-36 LAMPS - REAR FENDER AND REMOTE HITCH SWITCH



MAGNUM 335 CASE IH TRACTOR (NA)

04-36 LAMPS - REAR FENDER AND REMOTE HITCH SWITCH

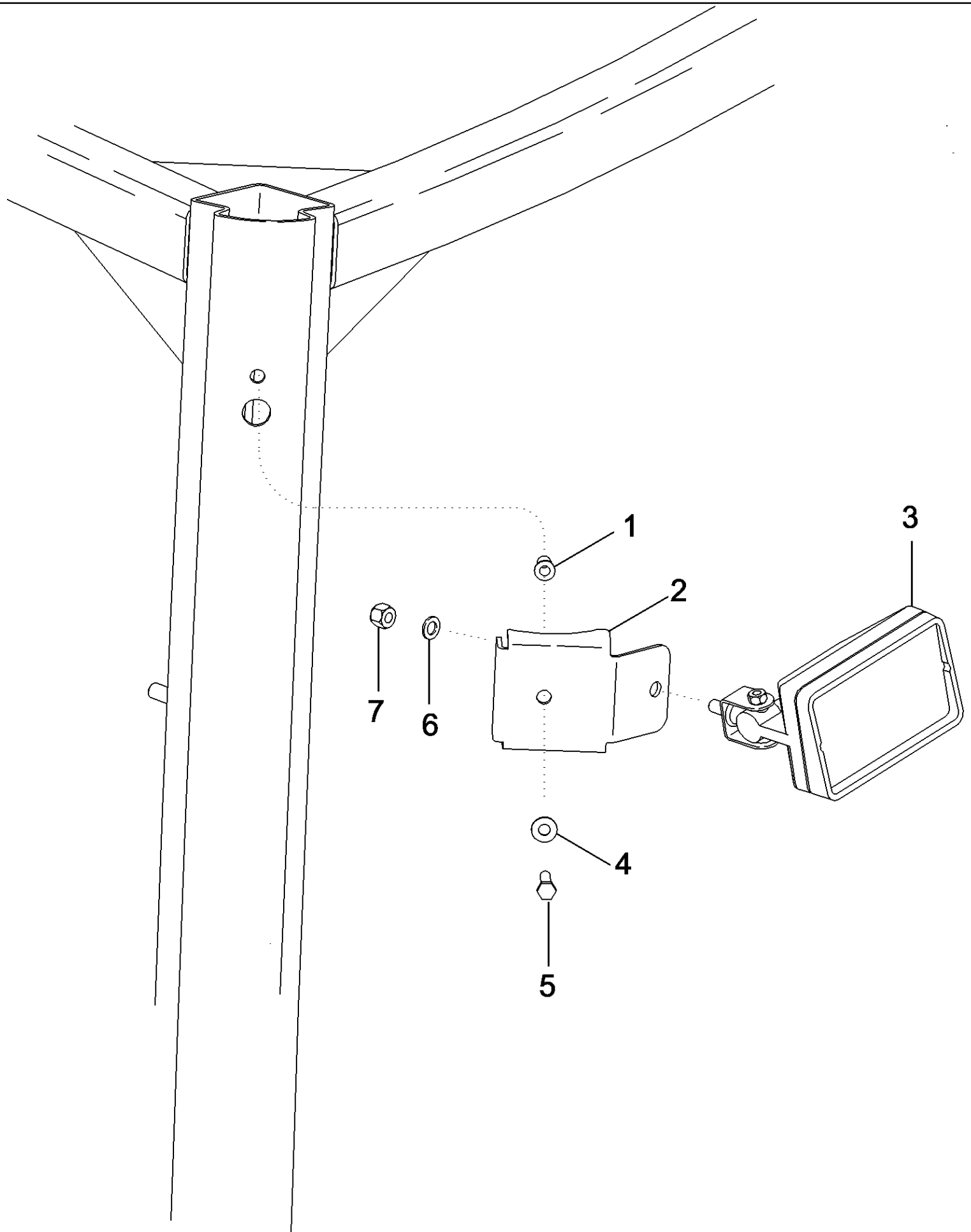
сылка	Номер детали	Кол-во	Описание
1	82026300	1	LAMP, TAIL, Right Hand, Combination, Inc. 5, 6, 19, 21
2	82026301	1	LAMP, TAIL, Left Hand, Combination, Inc. 5, 6, 20, 21
3	829-1406	4	NUT, M6, CI 10,
4	895-15006	8	WASHER, M6 x 25 x 1.6,
5	14148090	1	BULB, 12V, 21W, PY21W
6	14144690	1	BULB, 2 Filament, 12V, 21/5W
8	87455590	1	HARNESS, Left Hand (Shown), BSN Z7RZ01521
8	87382522	1	HARNESS, Left Hand, ASN Z7RZ01521
9	L11541	AR	STRAP, CABLE, 7 in
10	431025A1	1-2	LAMP, WORK, Work Lamp, Right and Left Hand Without HID, Right Hand Only With HID, See Figure 04-37
10A	447754A2	1	LAMP, WORK, HID Work Lamp, Left Hand Only, See Figure 04-37
11	347610A1	1	ANCHOR,
12	896-11012	2	WASHER, M13.5 x 24.5 x 3, HT,
13	832-46412	2	NUT, LOCK, M12 x 1.75, CI 8,
14	87363665	2	HARNESS, WIRE, Hitch Switch Extension
15	87452577	2	SWITCH, Remote Hitch, UP/Down
16	220416A2	2	CLAMP, Hitch Switch Retainer
17	87365050	1	HARNESS, Right Hand (Shown), BSN Z7RZ01521
17	87544760	1	HARNESS, Right Hand, ASN Z7RZ01521
18	221654A1	2	PLUG,
19	87357816	1	LENS, RH, Red / Amber
20	87357815	1	LENS, Left Hand
21	87357827	1	SEAL, Lamp



MAGNUM 335 CASE IH TRACTOR (NA)

04-37 WORK LAMPS - ROOF AND REAR FENDERS

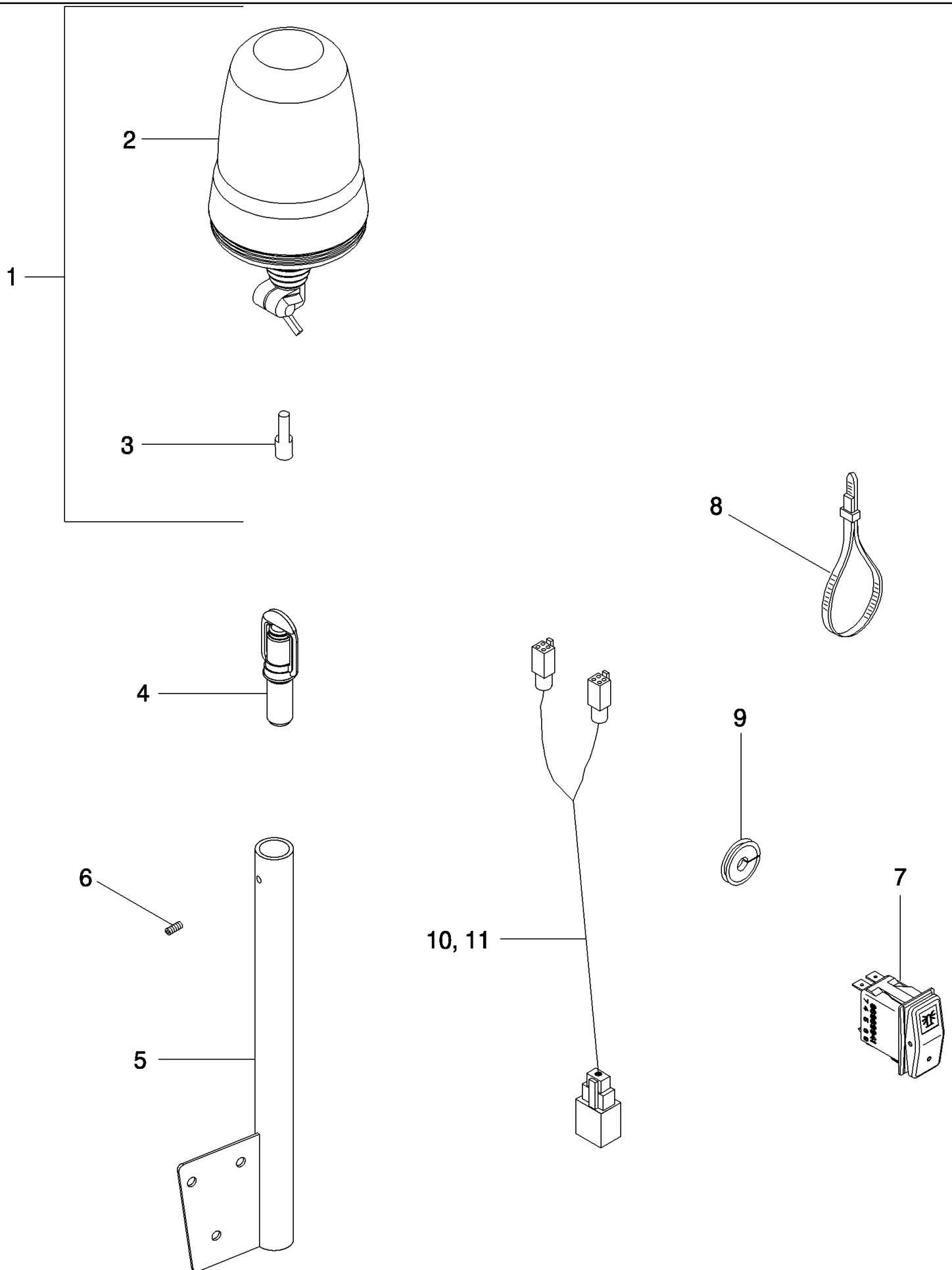
сылка	Номер детали	Кол-во	Описание
1	260-54312	2	SCREW, SELF TAPPING, Cross Pan Hd, #6 x 3/4",
2	1964806C1	1	BEZEL,
3	360866A1	1	LENS,
4	1312210C2	1	BULB, 12V, 55W
5	NSS	1	NOT SERVICED SEPARATELY, BASE
6	222136A1	2	CONNECTOR, ELEC,
7	222848A1	2	CONNECTOR, ELEC, Wedge
8	895-18010	2	WASHER, M10 x 18 x 1.6,
9	832-10410	2	NUT, LOCK, M10 x 1.5, CI 8,
11	260-54312	2	SCREW, SELF TAPPING, Cross Pan Hd, #6 x 3/4",
12	1964806C1	1	BEZEL,
13	276498A1	1	LENS,
14	1312210C2	1	BULB, 12V, 55W
15	NSS	1	NOT SERVICED SEPARATELY, BASE
18	895-18010	4	WASHER, M10 x 18 x 1.6,
19	832-10410	2	NUT, LOCK, M10 x 1.5, CI 8,
21	260-54312	2	SCREW, SELF TAPPING, Cross Pan Hd, #6 x 3/4",
22	NSS	1	NOT SERVICED SEPARATELY, BEZEL
23	NSS	1	NOT SERVICED SEPARATELY, LENS
24	1312210C2	1	BULB, 12V, 55W
25	NSS	1	NOT SERVICED SEPARATELY, BASE
26	225315C1	2	CONNECTOR, ELEC,
26	225315C1	1	CONNECTOR, ELEC,
27	225318C1	2	WEDGE,
27	225318C1	1	WEDGE,
28	896-11012	2	WASHER, M13.5 x 24.5 x 3, HT,
29	832-46412	2	NUT, LOCK, M12 x 1.75, CI 8,
31	447754A2	1	LAMP, WORK, HID
32	87473404	1	BALLAST, Assembly, Inc. 33, 34
33	87475204	1	BALLAST,
34	86993699	1	HARNESS, WIRE, Ballast to Rear
35	87473403	1	JUMPER,
36	840-1516	3	SCREW, Cross Pan Hd, M5 x 16,
37	892-11005	3	WASHER, LOCK, M5,
38	825-2405	3	NUT, M5 x .8, Flg, CI 8,
39	431025A1	1	LAMP, WORK, Rear Fender
39	431025A1	2	LAMP, WORK, Rear Fender
39	432446A1	2	LAMP, Rear Fender Work Lamp - Non HID, Inc. 21 - 25
40	178345A1	1	LIGHT, WORK, Cab Roof Rear Work Lamps, Inc. 11 - 15
41	301891A2	1	LAMP, Cab Roof Front Work Lamp, Inc. 1 - 5



MAGNUM 335 CASE IH TRACTOR (NA)

04-38 C - POST ROOF LIGHTS

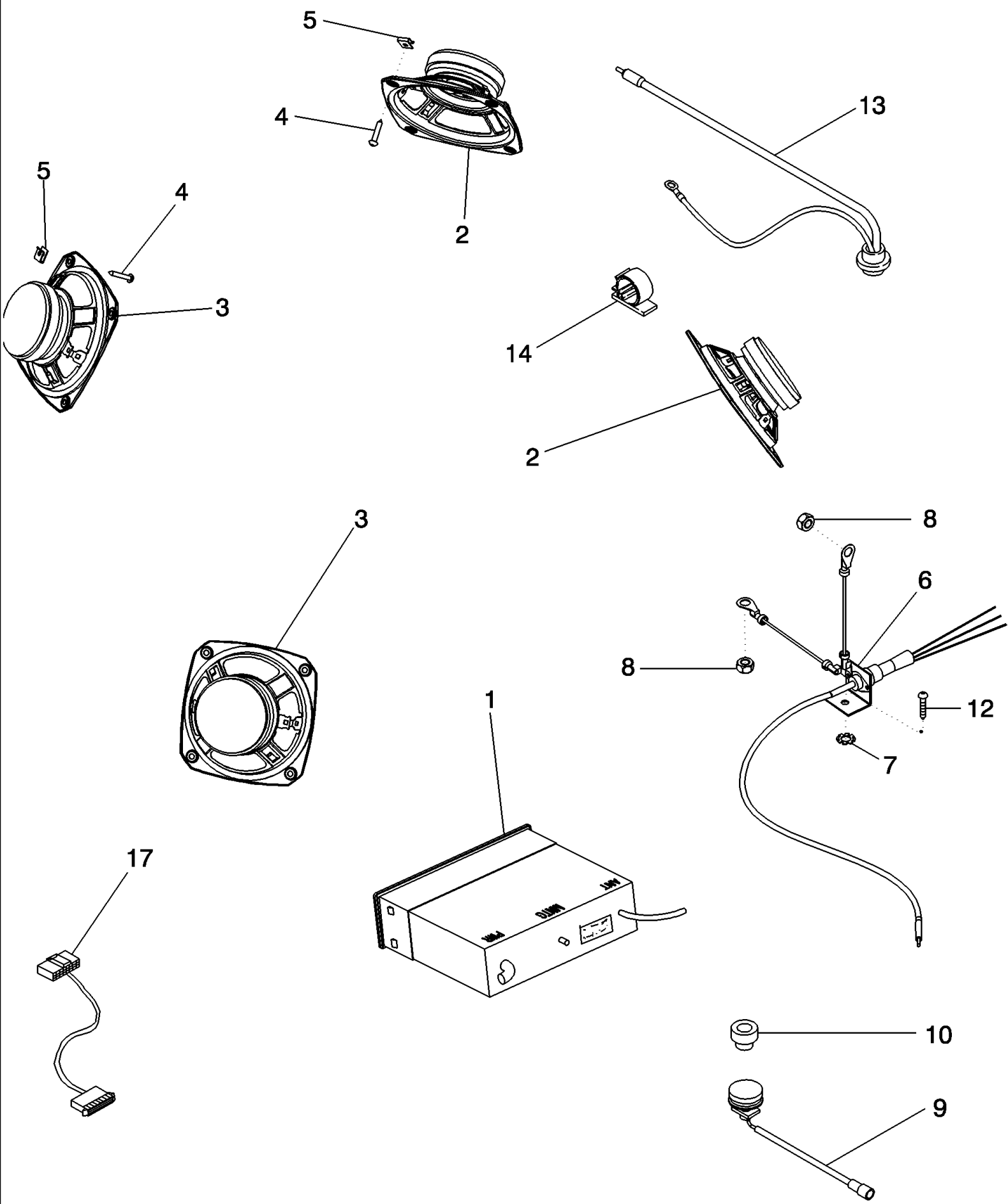
сылка	Номер детали	Кол-во	Описание
1	P35448	2	RIVET, M8
2	87417645	2	BRACKET,
3	275333A1	1	LIGHT, WORK, Right Hand, Shown
3	275334A1	1	LIGHT, WORK, Left Hand
4	895-15008	2	WASHER, M8 x 20 x 1.6,
5	514-637	2	BOLT, Hex, M8 x 35, 8.8, Full Thd,
6	895-18010	2	WASHER, M10 x 18 x 1.6,
7	832-10410	2	NUT, LOCK, M10 x 1.5, Cl 8,
8	87378019	1	BRACKET, Left Hand (Shown)
8	87378018	1	BRACKET, Right Hand
9	87403654	2	HEADLAMP, LH, Left Hand Dip (Shown)
9	87403655	2	HEADLAMP, LH, Right Hand Dip
10	614-8035	6	BOLT, Hex, M8 x 35, 8.8,
11	87603616	1	HARNESSES,



MAGNUM 335 CASE IH TRACTOR (NA)

04-39 LAMP - BEACON

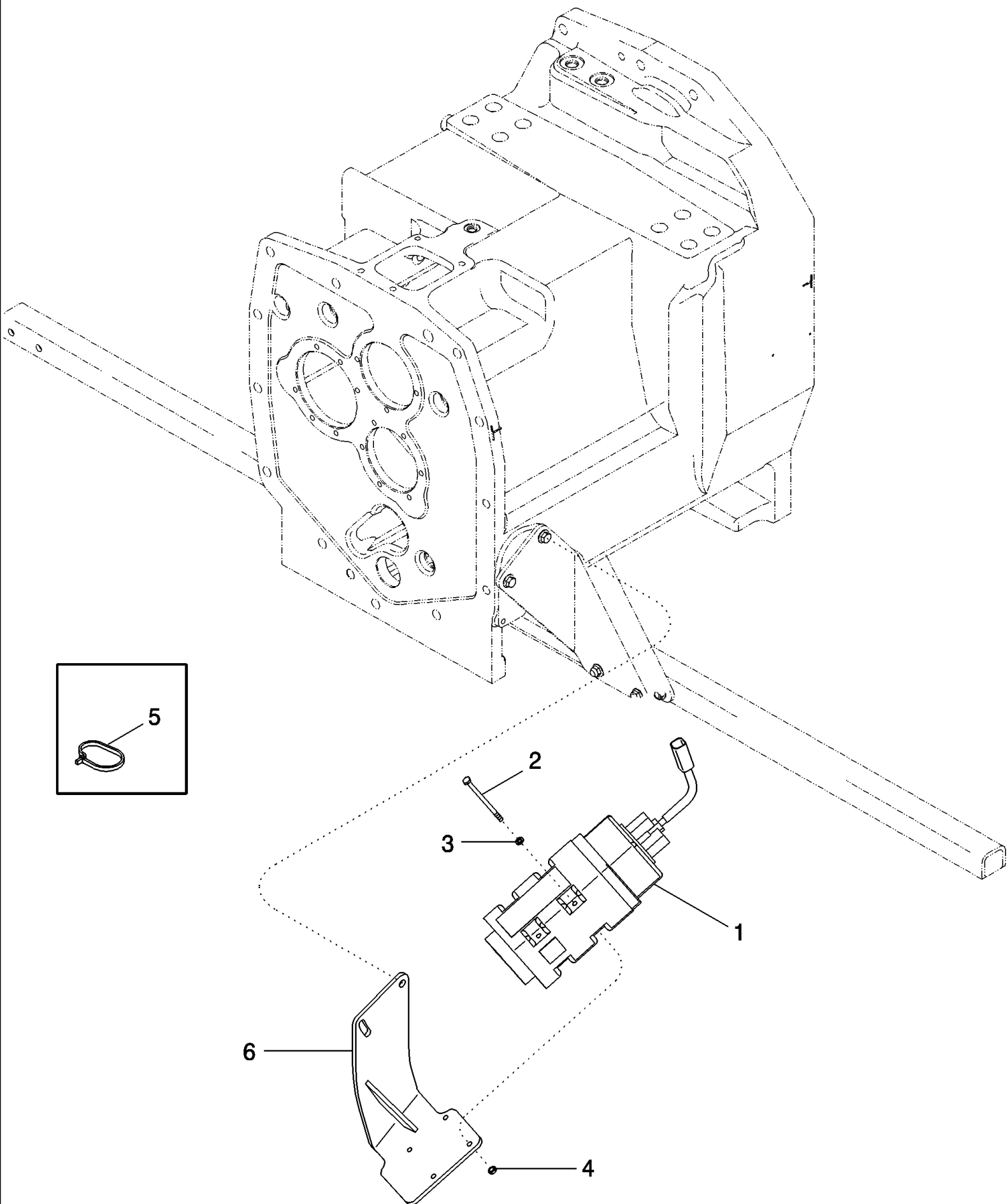
сылка	Номер детали	Кол-во	Описание
1	175048A1	AR	BEACON, Inc. 2, 3
2	192809A1	1	LENS, Amber
3	3125705R1	1	BULB, Beacon
4	244106A1	AR	CONNECTOR, ELEC, Adapter
5	450672A1	AR	BRACKET,
6	878-1066	AR	SET SCREW, Hex Soc, M6 x 6, Cup Pt,
7	87414325	1	SWITCH, Beacon-Strobe
8	L11541	AR	STRAP, CABLE,
9	182045A1	2	GROMMET,
10	447666A1	1	HARNESS, Dual Beacon Jumper
11	328501A1	AR	HARNESS, Adapter



MAGNUM 335 CASE IH TRACTOR (NA)

04-40 RADIOS, SPEAKERS AND ANTENNAS

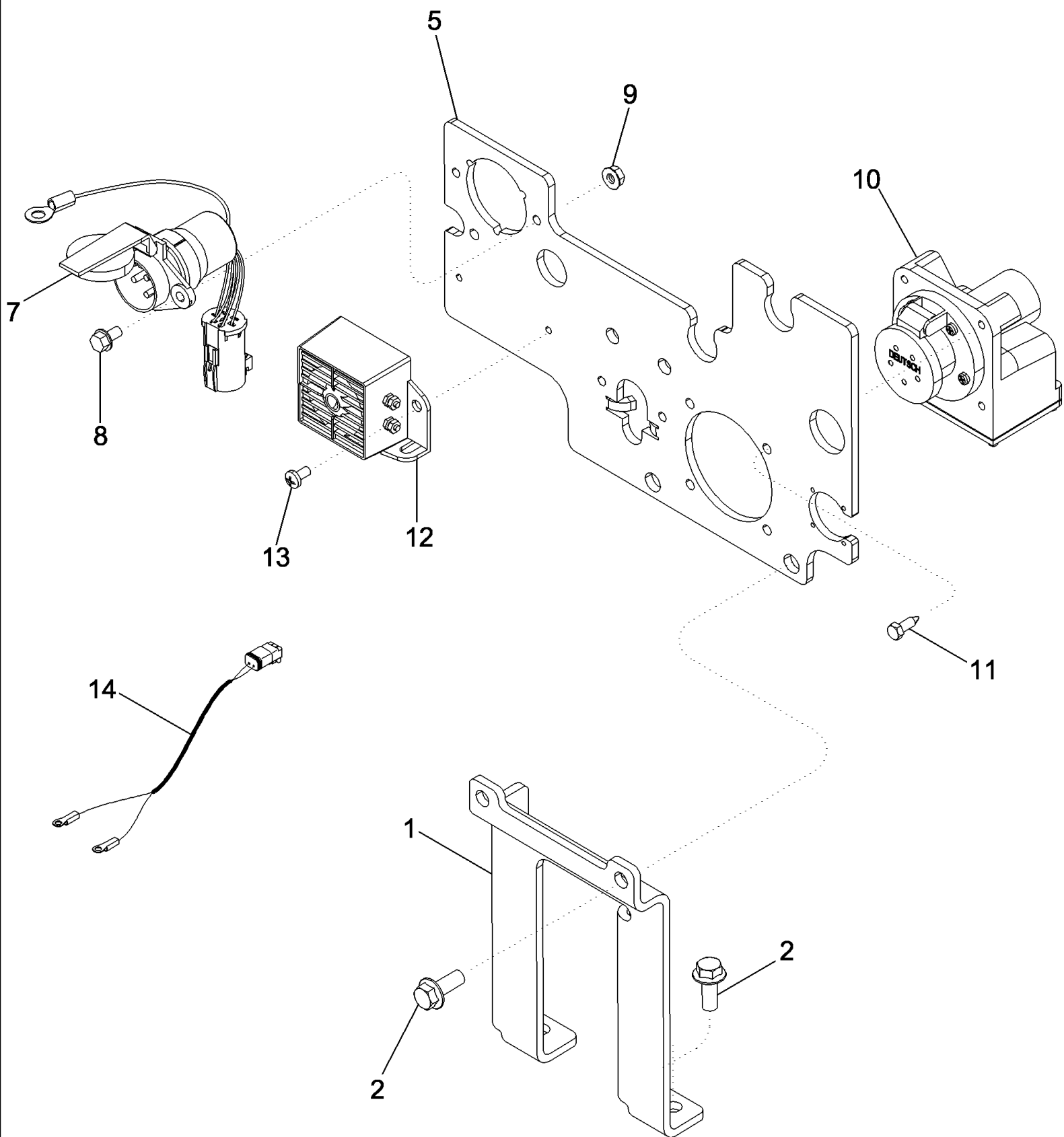
сылка	Номер детали	Кол-во	Описание
1	87714993	1	RADIO, AM/FM/WB, If Equipped
1	355623A2	1	RADIO, AM/FM Stereo, With Cassette Tape Player, If Equipped
1	325061A2	1	RADIO, AM/FM/WB, With Cassette Tape, CD Changer Ready
1	87714994	1	RADIO, AM/FM/WB/CD with Aux Input
2	87621241	2	SPEAKER, 5-1/4" Coaxial
3	87576280	2	SPEAKER, 5-1/4" Woofer, Rear
4	760-17316	16	SCREW, SELF TAPPING, Pan Hd, M4.2 x 16,
5	177269A1	16	NUT,
6	409426A3	1	ANTENNA, 3-Wire
7	893-11008	1	WASHER, LOCK, Ext Tooth, M8, Antenna Bracket
8	829-1408	2	NUT, M8, CI 10, Ground Wire
9	404694A2	1	CABLE, B/B Radio Antenna, If Equipped
10	182045A1	1	GROMMET,
11	177269A1	8	NUT, Used With 9, (Not Shown)
12	761-17325	8	SCREW, SELF TAPPING, Pan Hd, M4.2 x 25, Used with 9, (Not shown)
13	318323A1	1	CABLE, Radio Antenna
14	169850C2	1	CLIP, CABLE,
17	303433A1	1	HARNESS, CD Player to Radio



MAGNUM 335 CASE IH TRACTOR (NA)

04-41 GROUND SPEED SENSOR

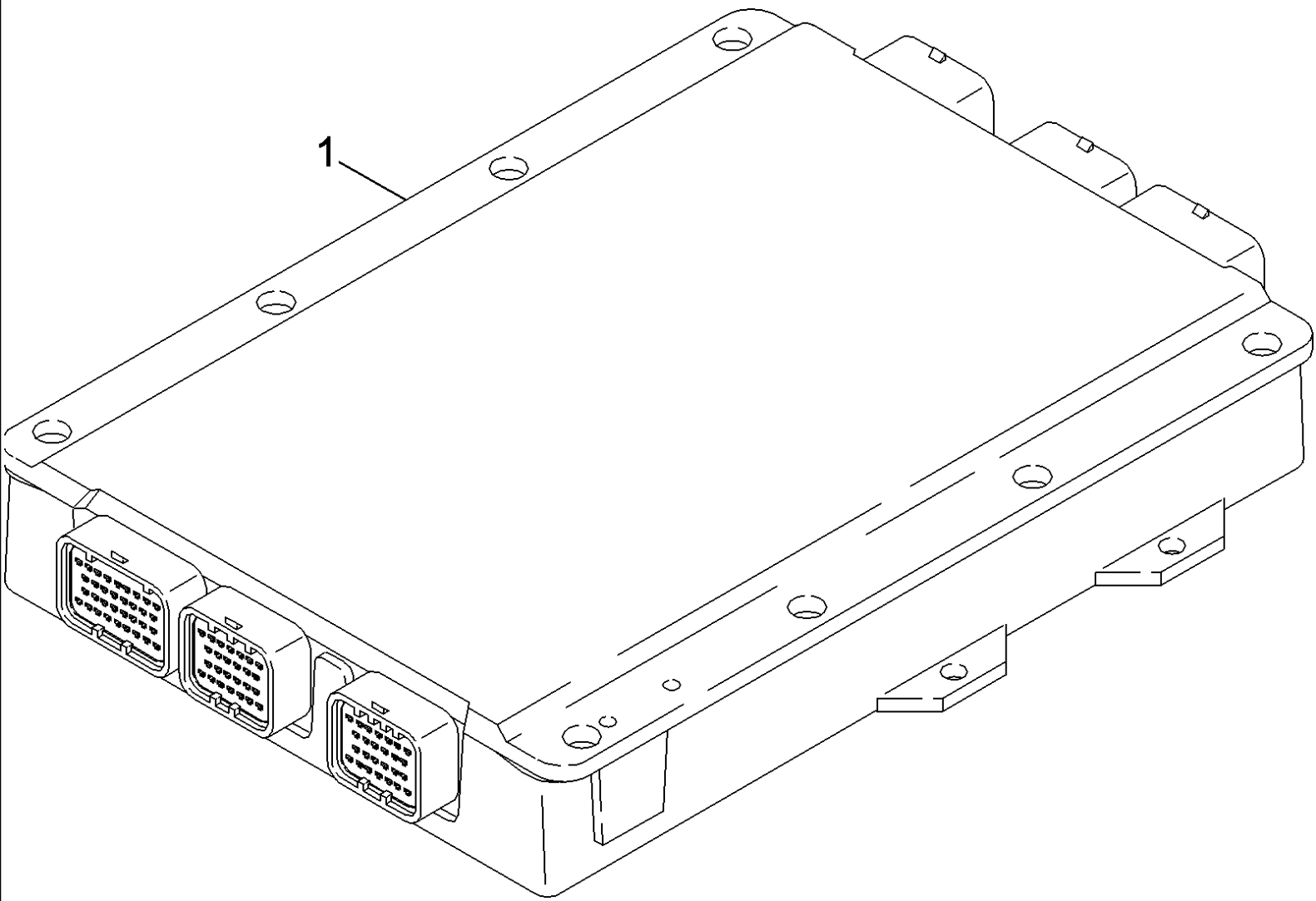
сылка	Номер детали	Кол-во	Описание
1	228760A1	1	RADAR, Sensor, True Ground Speed
2	814-6100	4	BOLT, Hex, M6 x 100, 8.8,
3	895-11006	4	WASHER, M6,
4	825-5146	4	NUT, M6, Flg Ser,
5	L11541	1	STRAP, CABLE, 7 - 8 in
6	87436570	1	SUPPORT,



MAGNUM 335 CASE IH TRACTOR (NA)

04-42 IMPLEMENT CONNECTORS AND MOUNTING

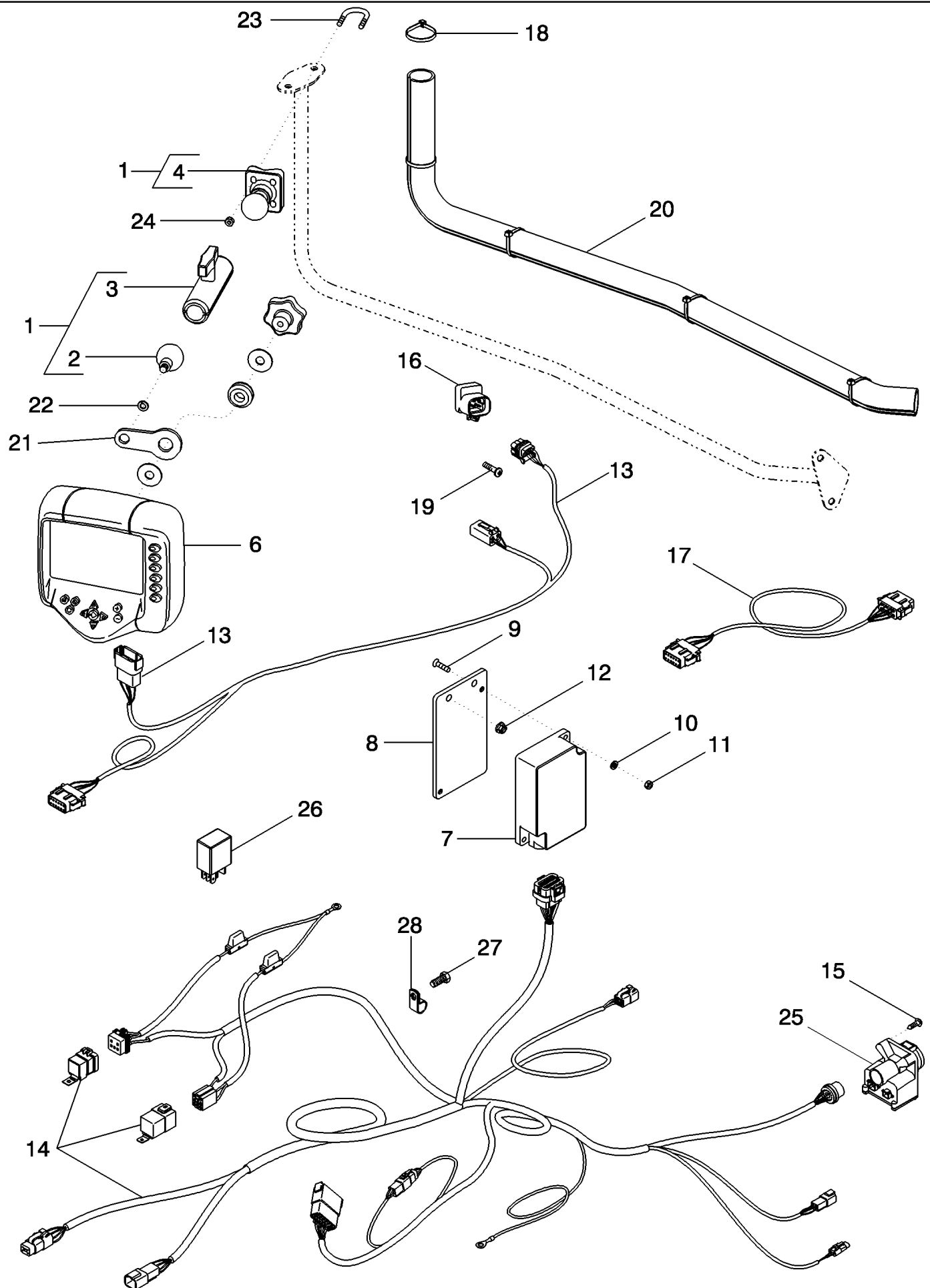
сылка	Номер детали	Кол-во	Описание
1	87574425	1	BRACKET,
2	844-10025	4	BOLT, Hex Flg, M10 x 25, 8.8, Full Thd,
5	87615022	1	SUPPORT,
7	87451540	1	ADAPTER, 7 Pin (Shown), BSN Z7RZ01521
7	87549252	1	HARNESS, 7 Pin, ASN Z7RZ01521
8	86511841	2	BOLT, Hex Flg, M8 x 16, 8.8,
9	825-2408	2	NUT, M8 x 1.25, Flg, Cl 8,
10	323597A1	1	CONNECTOR, ELEC, Implement
11	779-14619	4	SCREW, SELF TAPPING, Hex Hd, M6.3 x 19,
12	109511A1	1	ALARM, Backup
13	840-1612	2	SCREW, Cross Pan Hd, M6 x 12,
14	87403848	1	HARNESS, Backup Alarm
17	L11541	7	STRAP, CABLE, (Not Shown)
18	347610A1	4	ANCHOR, (Not Shown)
19	825-2408	1	NUT, M8 x 1.25, Flg, Cl 8, (Not shown)
20	825-2405	4	NUT, M5 x .8, Flg, Cl 8, (Not Shown)



MAGNUM 335 CASE IH TRACTOR (NA)

04-43 MODULE, TRACTOR MULTIFUNCTION

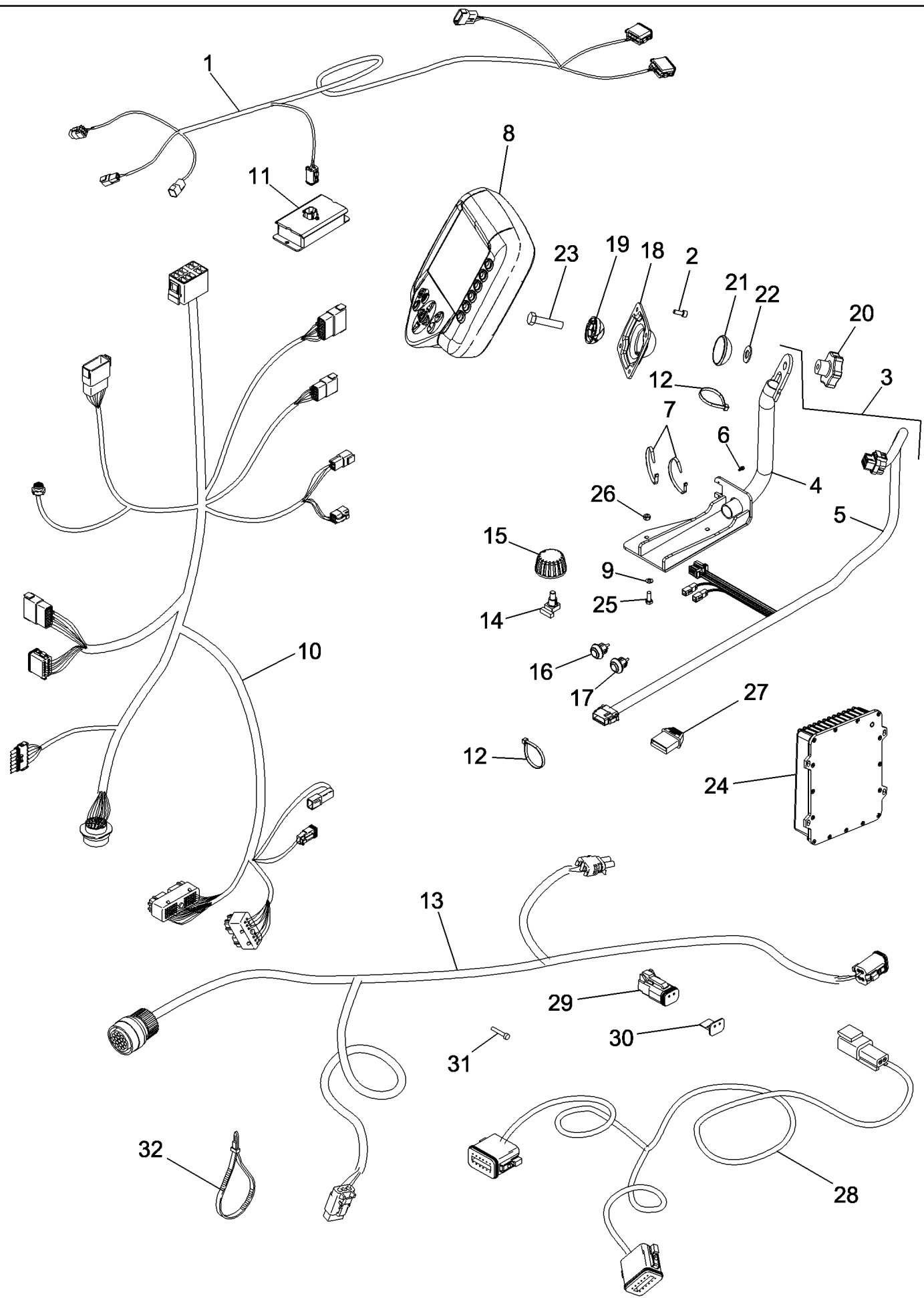
сылка	Номер детали	Кол-во	Описание
1	87393065	1	MODULE, Tractor Multifunction Controller (TMF), BSN Z6RZ04001
1	87617964	1	MODULE, Tractor Multifunction Controller (TMF), ASN Z6RZ04001



MAGNUM 335 CASE IH TRACTOR (NA)

04-44 ISO 11783 HARNESS AND MONITOR

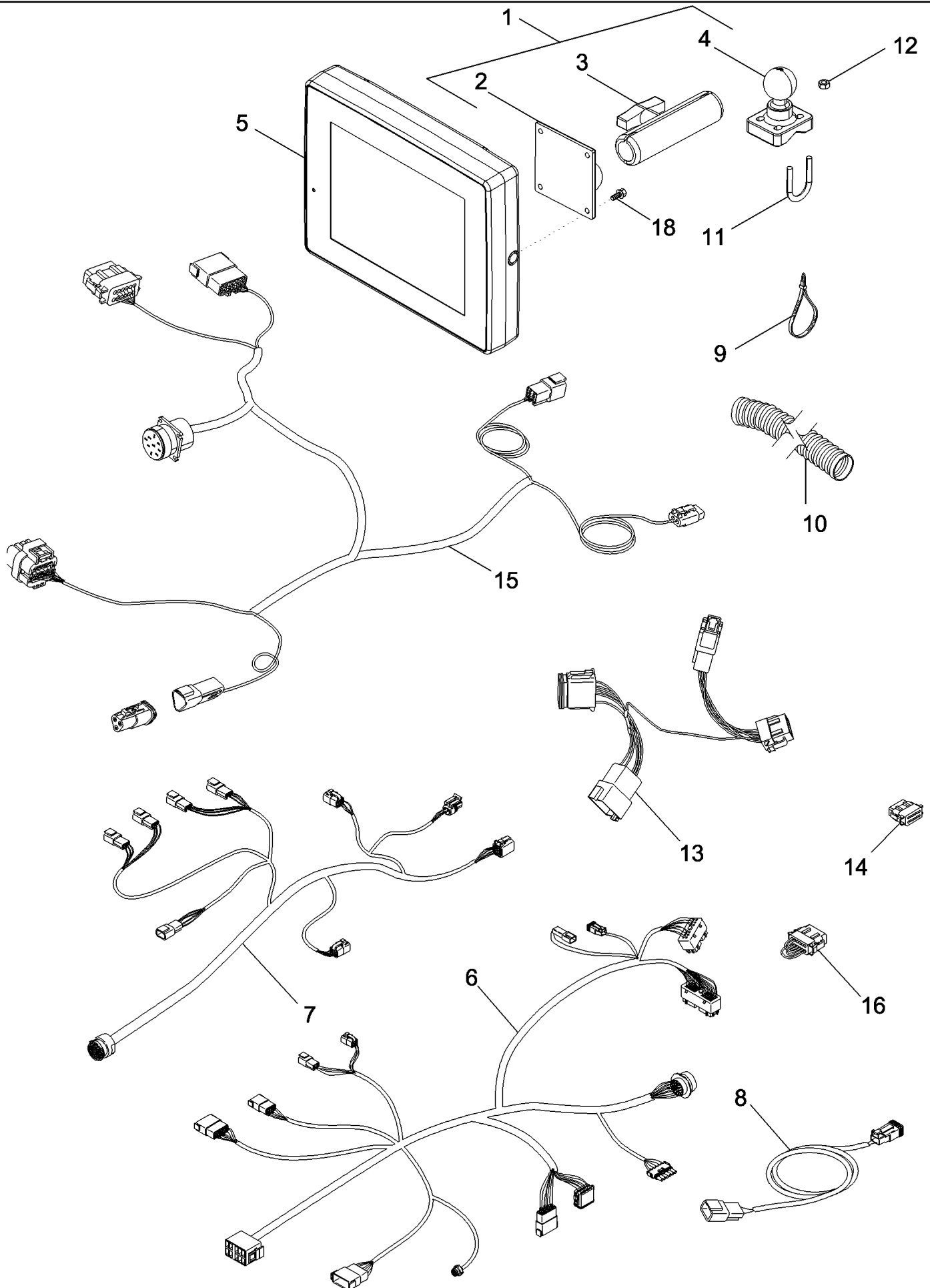
сылка	Номер детали	Кол-во	Описание
1	87433368	1	HOLDER, Assembly, Monitor Inc. 2 - 4
2	87432348	1	RAM BOTTOM,
3	408863A1	1	RAM BOTTOM,
4	408865A1	1	RAM FOOT,
6	87393981	1	MONITOR, CONTROL, Monitor, Control W/Software, ASN Z7RZ01521
7	86989612	1	MODULE, W/Software
8	87406980	1	PLATE, Mounting
9	843-2625	2	SCREW, Phil Flat Hd, M6 x 25, 4.8,
10	892-11006	2	WASHER, LOCK, M6,
11	829-1406	2	NUT, M6, CI 10,
12	825-2406	6	NUT, M6 x 1, Flg, CI 8,
13	87418143	1	HARNESS, Inside Cab (Shown), BSN Z7RZ01521
13	87695463	1	HARNESS, Inside Cab, ASN Z7RZ01521
14	87313259	1	HARNESS, Outside Cab (Shown), BSN Z7RZ01521
14	87695465	1	HARNESS, Outside Cab, ASN Z7RZ01521
15	780-14625	4	SCREW, SELF TAPPING, Hex Hd, M6.3 x 25,
16	87601142	1	MODULE,
17	87435691	1	HARNESS, Monitor Jumper (Shown), BSN Z7RZ01521
17	87544769	1	HARNESS, Monitor Jumper, ASN Z7RZ01521
18	L11541	5	STRAP, CABLE,
19	760-14416	2	SCREW, SELF TAPPING, Pan Hd, M4.8 x 16,
20	87435704	1	CONDUIT,
21	87313872	1	BRACKET,
22	140045	1	WASHER, SPRING, Belleville, M10,
23	86632541	2	U-BOLT,
24	425-104	4	NUT, 1/4"-20, G5,
25	87418273	1	CONNECTOR, ELEC,
26	87414866	1	RELAY, 20 Amp
27	854-10020	1	BOLT, Hex Flg, M10 x 20, 10.9,
28	87313355	1	CLAMP,
30	811-6025	2	BOLT, CARRIAGE, Short NK, M6 x 25, CI8.8, Full Thd, (Not Shown)
31	840-1620	4	SCREW, Cross Pan Hd, M6 x 20, (Not Shown)
32	A169433	1	STRAP, SECURING, (Not Shown)
33	780-14625	4	SCREW, SELF TAPPING, Hex Hd, M6.3 x 25, (Not Shown)



MAGNUM 335 CASE IH TRACTOR (NA)

04-45 ACCUGUIDE - HARNESS AND MONITOR - BSN Z6RZ04001

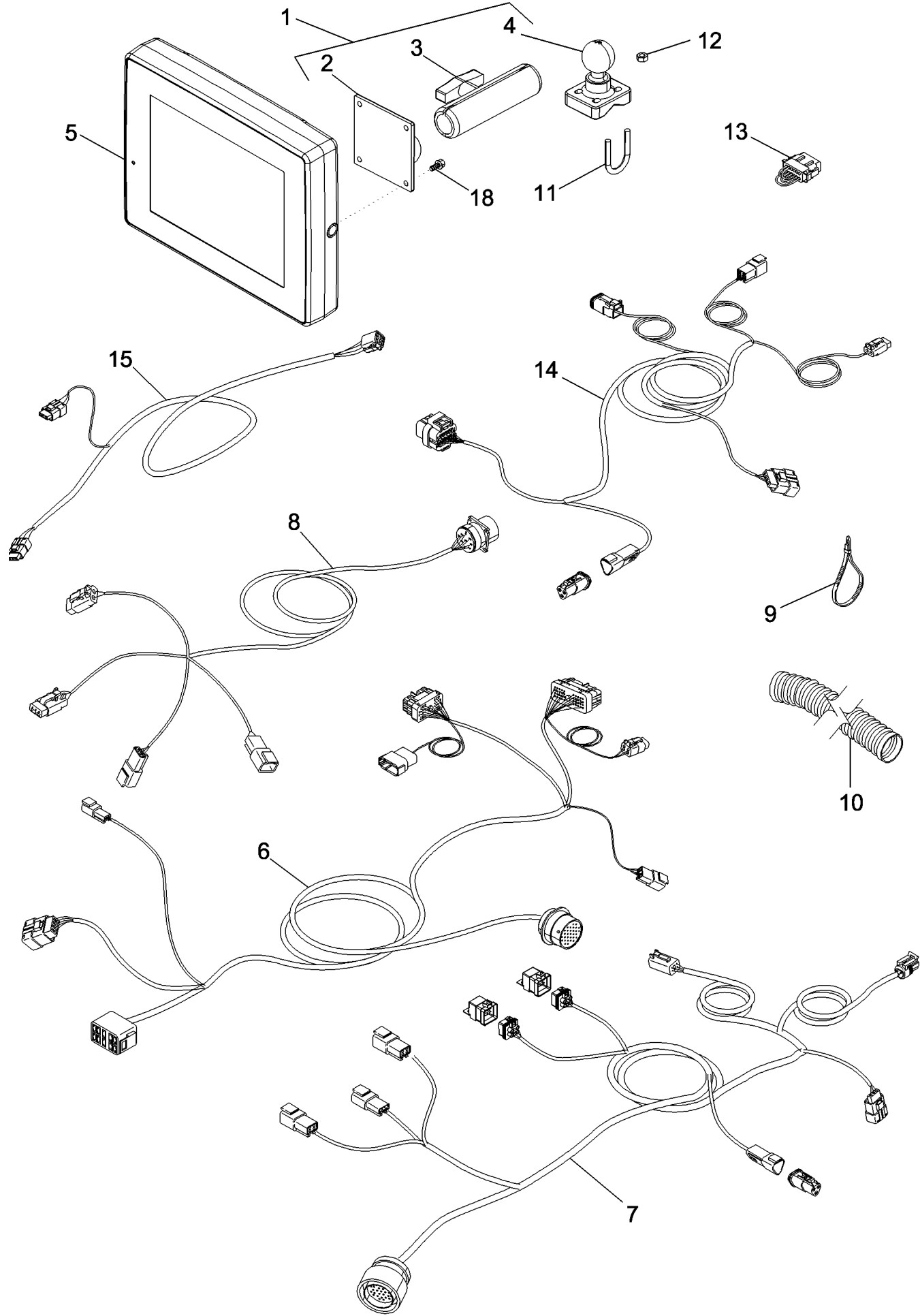
сылка	Номер детали	Кол-во	Описание
1	87580504	1	HARNESS, Cab Roof
2	864-6016	4	SCREW, Hex Soc Hd, M6 x 16, 8.8,
3	87548441	1	BRACKET, SWCD Harness Inc. 4, 5, 6, 7
4	NSS	1	NOT SERVICED SEPARATELY, BRACKET ASSY
5	87544751	1	HARNESS,
6	440-1044	2	SCREW, Cross Oval Hd, #4-40 x 1/4",
7	473321C1	2	STRAP, CABLE, .098" x 8",
8	87618697	1	AFS200 With Software
8	87665214	1	DISPLAY, With Software (Black)
9	895-25006	3	WASHER, M6 x 18 x 1.6,
10	87365700	1	HARNESS, Cab
11	284638A2	2	CONNECTOR, ELEC, Active Terminator
12	L11541	2	STRAP, CABLE, Tie
13	87582250	1	HARNESS, Chassis
14	87365742	1	SWITCH, Optical Encoder
15	87454709	1	KNOB, Encoder
16	87453959	1	SWITCH, Escape
17	87453957	1	SWITCH, Home
18	87325557	1	PLATE, MOUNTING, Ball Joint
19	82038414	1	PROTECTION CAP, Ball
20	87353504	1	KNOB,
21	82039389	1	WASHER, CUP, Cup, Ball Joint
22	87325558	1	WASHER, FRICTION,
23	814-12050	1	BOLT, Hex, M12 x 50, 8.8,
24	87518983	1	KIT, Module, NAV II
25	614-6016	3	BOLT, Hex, M6 x 16, 8.8,
26	829-1406	3	NUT, M6, CI 10,
27	87588663	1	COVER, CAP, USB, ASN Z6RZ05229
28	87602268	1	HARNESS, Power Jumper
29	225316C1	1	CONNECTOR, ELEC,
30	225317C1	1	WEDGE,
31	453133C1	1	PLUG,
32	86991009	2	STRAP, CABLE,



MAGNUM 335 CASE IH TRACTOR (NA)

04-46 ACCUGUIDE - HARNESS AND MONITOR - BTW Z6RZ04001 AND Z7RZ01521

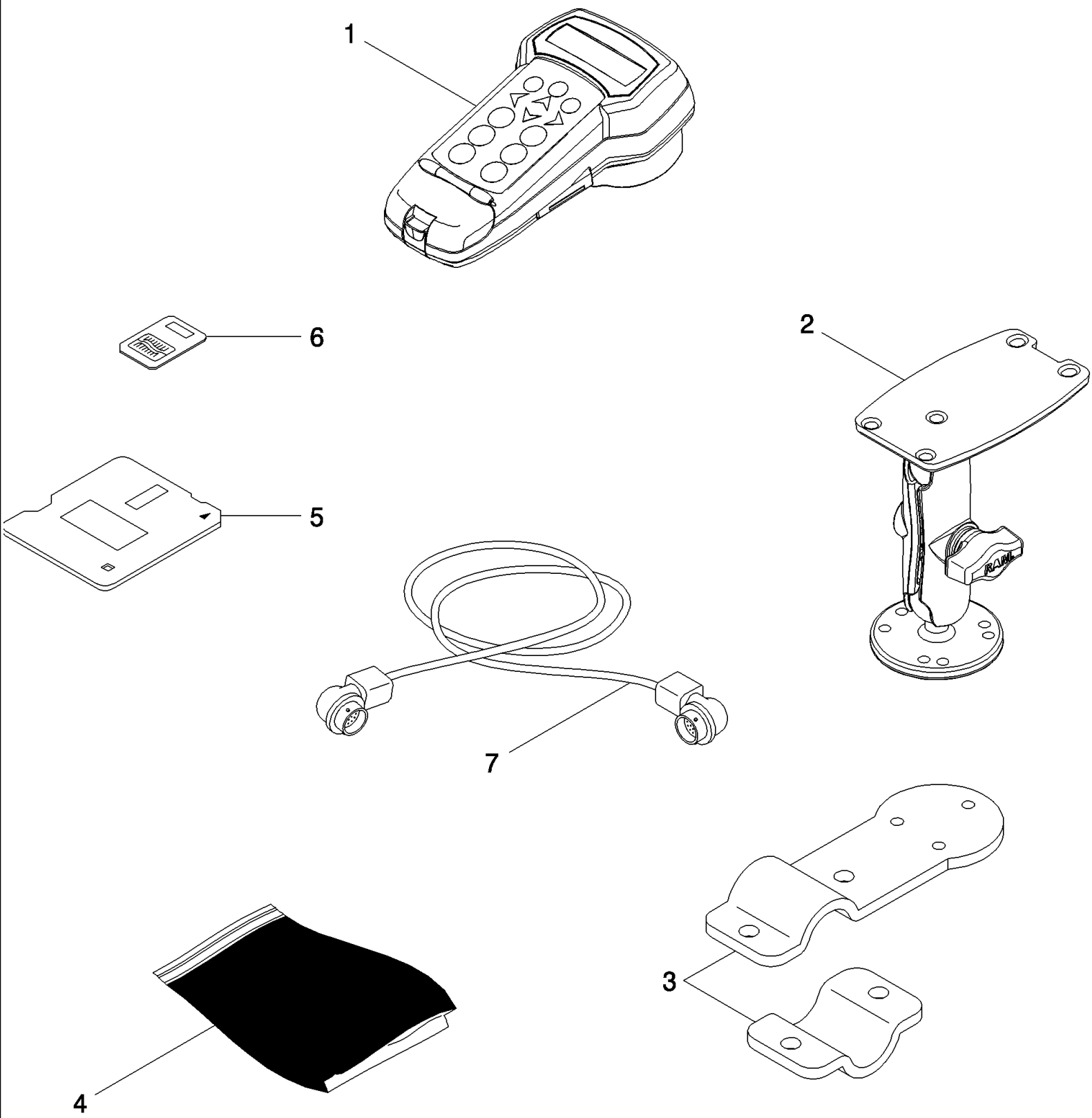
сылка	Номер детали	Кол-во	Описание
1	87386396	1	ARM, SUPPORTING, Inc. 2 - 4
2	87386398	1	ARM, SUPPORTING,
3	87284257	1	RAM BOTTOM,
4	87284259	1	RAM FOOT,
5	87387964	1	DISPLAY, Touch Screen, AFS PRO600
6	87365700	1	HARNESS, Inside Cab
7	87365702	1	HARNESS, Outside Cab
8	87558214	1	HARNESS, Terminator
9	L11541	9	STRAP, CABLE,
10	87435704	1	CONDUIT,
11	86632541	2	U-BOLT,
12	7770	4	NUT, 1/4"-20, G5,
13	87531754	1	HARNESS, SWCD to Cab Jumper (Field Kit Only)
14	87558215	1	HARNESS, Codi Jumper
15	87390674	1	HARNESS, Secondary Can Bus
16	87437728	1	HARNESS, WIRE, VT Jumper
17	381414A1	1	CONNECTOR, TERMINAL, Can Bus (Not Shown)
18	614-6016	4	BOLT, Hex, M6 x 16, 8.8,



MAGNUM 335 CASE IH TRACTOR (NA)

04-47 ACCUGUIDE - HARNESS AND MONITOR - ASN Z7RZ01521

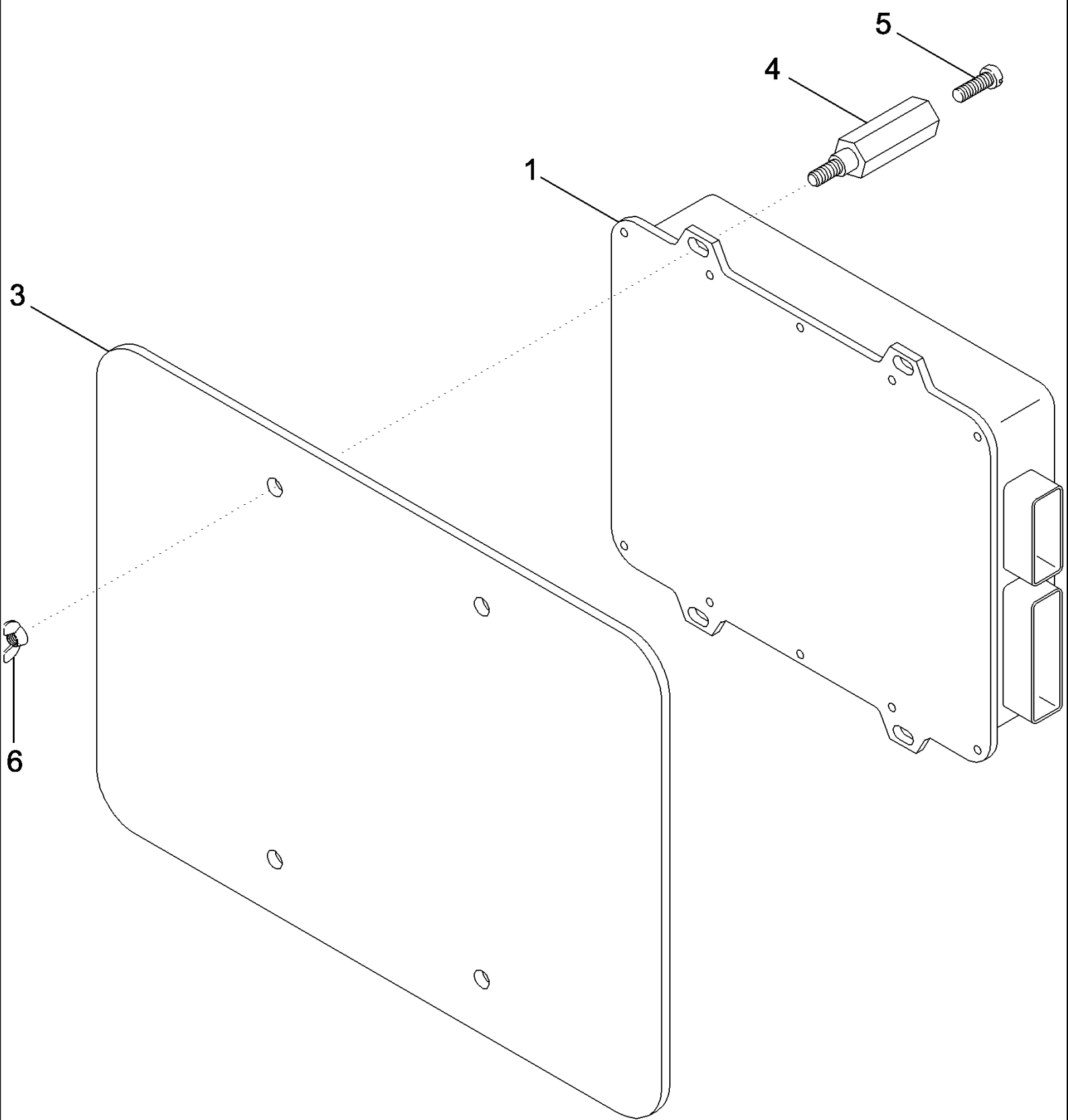
сылка	Номер детали	Кол-во	Описание
1	87386396	1	ARM, SUPPORTING, Inc. 2 - 4
2	87386398	1	ARM, SUPPORTING,
3	87284257	1	RAM BOTTOM,
4	87284259	1	RAM FOOT,
5	87387964	1	DISPLAY, Touch Screen, AFS PRO600
5	87668597	1	MONITOR, CONTROL, Touch Screen, AFS PRO600 (Black)
6	87671560	1	HARNESS, Inside Cab
7	87544758	1	HARNESS, Outside Cab
8	87597592	1	HARNESS, Second Can Diagnostic
9	L11541	9	STRAP, CABLE,
10	87435704	1	CONDUIT,
11	86632541	2	U-BOLT,
12	7770	4	NUT, 1/4"-20, G5,
13	87546832	1	HARNESS, Primary/Secondary SWCD Jumper
14	87550664	1	HARNESS, Secondary Can Bus
15	87544763	1	HARNESS, Sensor
16	87732647	1	HARNESS, Com Port Ext, used to Control a Rawson/Raven Controller
18	614-6016	4	BOLT, Hex, M6 x 16, 8.8,



MAGNUM 335 CASE IH TRACTOR (NA)

04-48 REMOTE DATA LOGGER

сылка	Номер детали	Кол-во	Описание
1	87428366	1	MODULE,
2	87428367	1	BRACKET,
3	87428368	1	ADAPTER,
4	87428369	1	SET, Bolts
5	87428371	1	ADAPTER,
6	87428375	1	MODULE, Compact Flash 16MB
7	87428378	1	CABLE ASSY.,

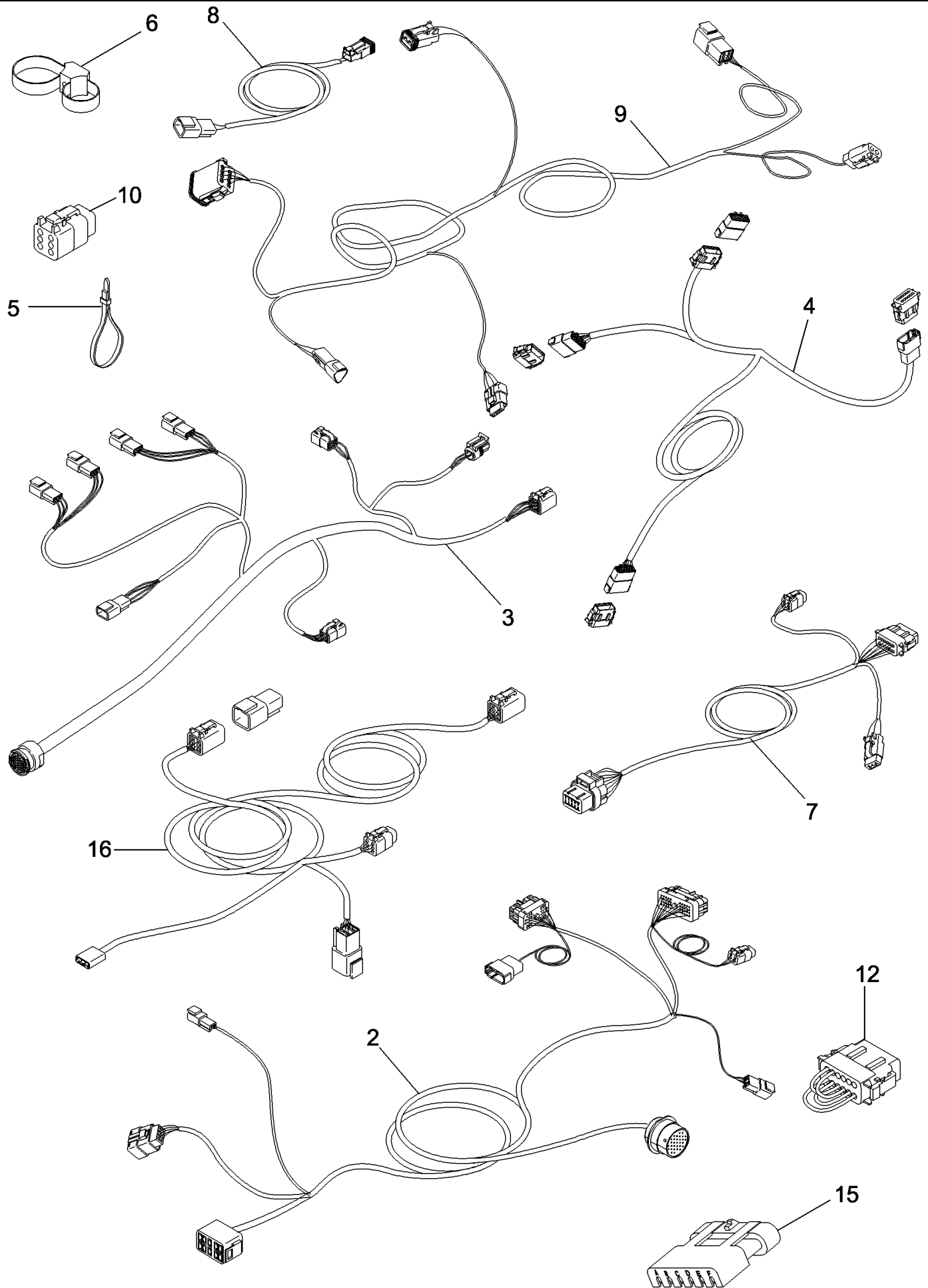


MAGNUM 335 CASE IH TRACTOR (NA)

04-49 ACCUGUIDE CONTROL MODULE AND MOUNTING

сылка	Номер детали	Кол-во	Описание
1	87518983	1	KIT, Accuguide
3	87313018	1	COVER, Mounting (Shown), BSN Z6RZ04001
3	87532159	1	COVER, Mounting, ASN Z6RZ04001
4	87313014	4	SPACER,
5	555-1	4	BOLT, Hex Flg, M8 x 16, 8.8,
6	84814892	4	NUT, WING, M6 x 1,

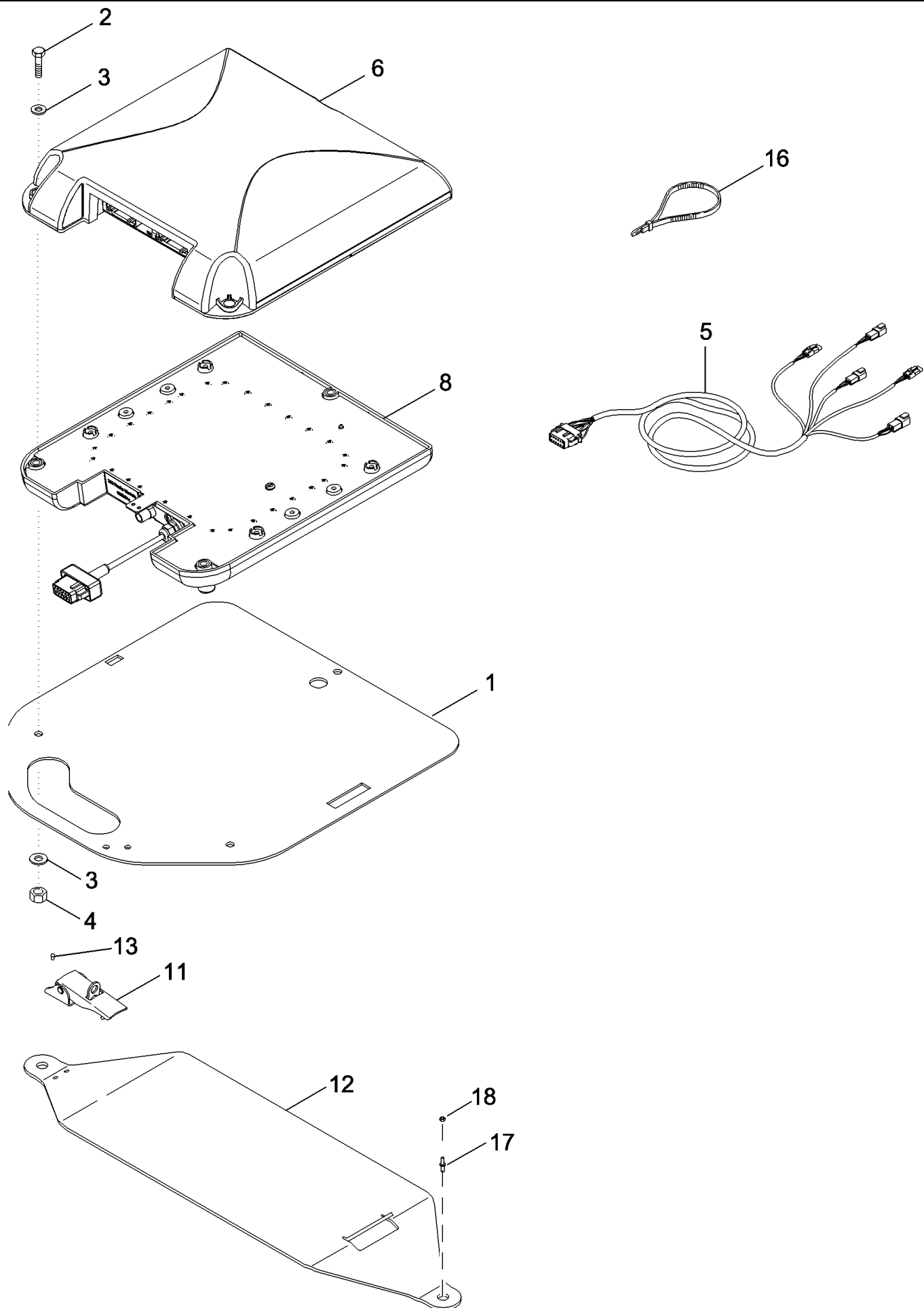
04-50 ACCUGUIDE HARNESSSES



MAGNUM 335 CASE IH TRACTOR (NA)

04-50 ACCUGUIDE HARNESSSES

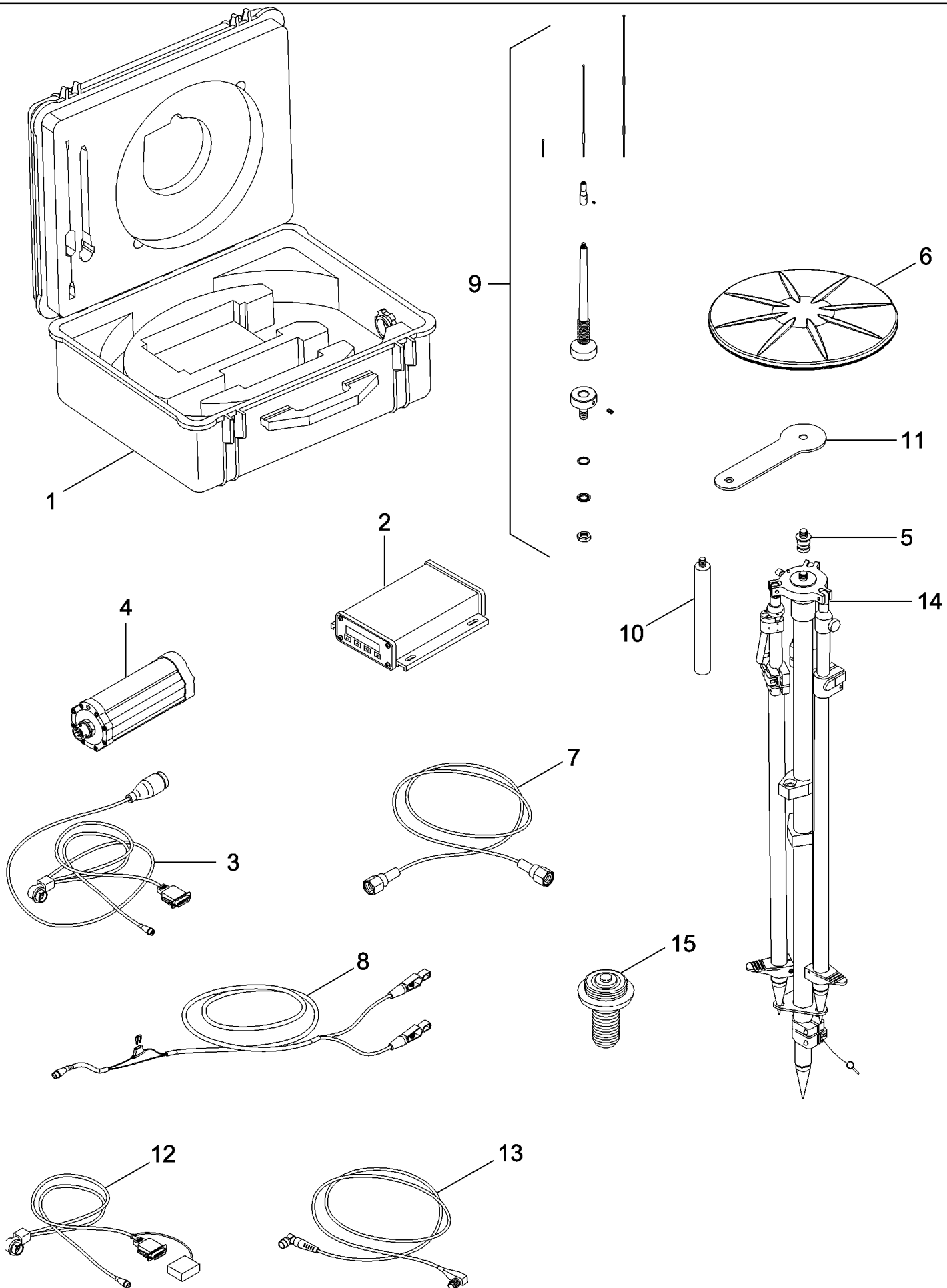
сылка	Номер детали	Кол-во	Описание
2	87365700	1	HARNESS, Inside Cab (Shown), BSN Z7RZ01521
2	87544757	1	HARNESS, Inside Cab, ASN Z7RZ01521
2	87584843	1	HARNESS, Inside Cab, BTW Z6RZ04001 & Z7RZ01521
2	87671560	1	HARNESS, Inside Cab, ASN Z7RZ01521
3	87365702	1	HARNESS, Outside Cab (Shown), BSN Z7RZ01521
3	87544758	1	HARNESS, Outside Cab, ASN Z7RZ01521
4	87640708	1	HARNESS, WIRE, Planter, BSN Z7RZ01521
4	87655057	1	HARNESS, WIRE, Planter, ASN Z7RZ01521
5	86991009	9	STRAP, CABLE,
6	86991000	5	CLAMP,
7	87558218	1	HARNESS, Terminal
7	87544750	1	HARNESS, Codi Jumper (Shown), ASN Z7RZ01521
7	87608504	1	HARNESS, Codi Jumper
8	87522799	1	HARNESS, Valve Jumper, ASN Z7RZ01521
9	87550664	1	HARNESS, Secondary Can Bus, ASN Z7RZ01521
10	87555066	1	PLUG, Secondary Can Jumper, Attach To Secondary Can Bus Harness, ASN Z7RZ01521
12	87546834	1	HARNESS, Implement SWCD Jumper, Use When Implement Bus Does Not Go To SWCD
15	87438413	1	HARNESS, WIRE, Normal Steer
16	87555604	1	HARNESS, Steering Sensor



MAGNUM 335 CASE IH TRACTOR (NA)

04-51 ACCUGUIDE RADIO AND ANTENNA

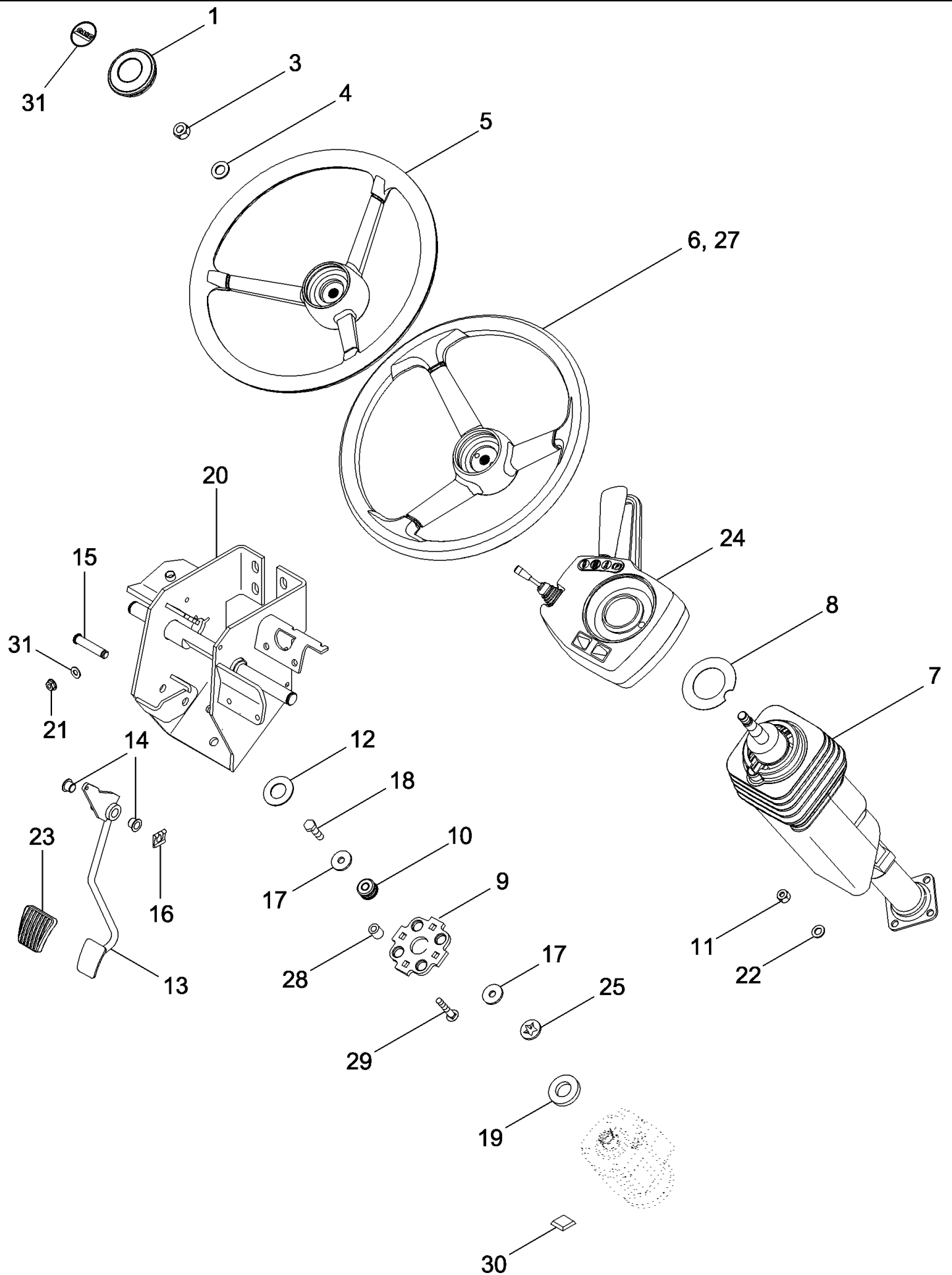
сылка	Номер детали	Кол-во	Описание
1	87392607	1	PLATE, MOUNTING, Antenna, BSN Z7RZ01521
1	87568855	1	PLATE, MOUNTING, Antenna, ASN Z7RZ01521
2	814-6060	3	BOLT, Hex, M6 x 60, 8.8,
3	895-11006	6	WASHER, M6,
4	825-5146	3	NUT, M6, Flg Ser,
5	87337451	1	HARNESS, Antenna (Shown), BSN Z7RZ01521
5	87544759	1	HARNESS, Antenna, ASN Z7RZ01521
6	87367705	1	MODULE, Receiver, DGPS, BSN Z6RZ04001
6	87367731	1	MODULE, Receiver, RTK, BTW Z6RZ04001 & Z7RZ01521
6	87598732	1	PACKAGE, REPAIR, Receiver, VBS, ASN Z7RZ01521
7	892-11006	3	WASHER, LOCK, M6, (Not Shown)
8	87666889	1	MODULE, Ag GPS900 RTK Radio
10	614-6025	3	BOLT, Hex, M6 x 25, 8.8, (Not Shown)
11	87308870	1	LATCH,
12	87308099	1	BRACKET, , BSN Z7RZ01521
12	87552885	1	BRACKET, , ASN Z7RZ01521
13	87308841	2	RIVET, Pop, 5/32" x .425",
15	87428357	1	SET, (Not Shown)
16	86991009	2	STRAP, CABLE,
17	237275A1	2	STUD, , ASN Z7RZ01521
18	832-10408	2	NUT, LOCK, M8 x 1.25, CI 8, , ASN Z7RZ01521



MAGNUM 335 CASE IH TRACTOR (NA)

04-52 ACCUGUIDE BASE STATION

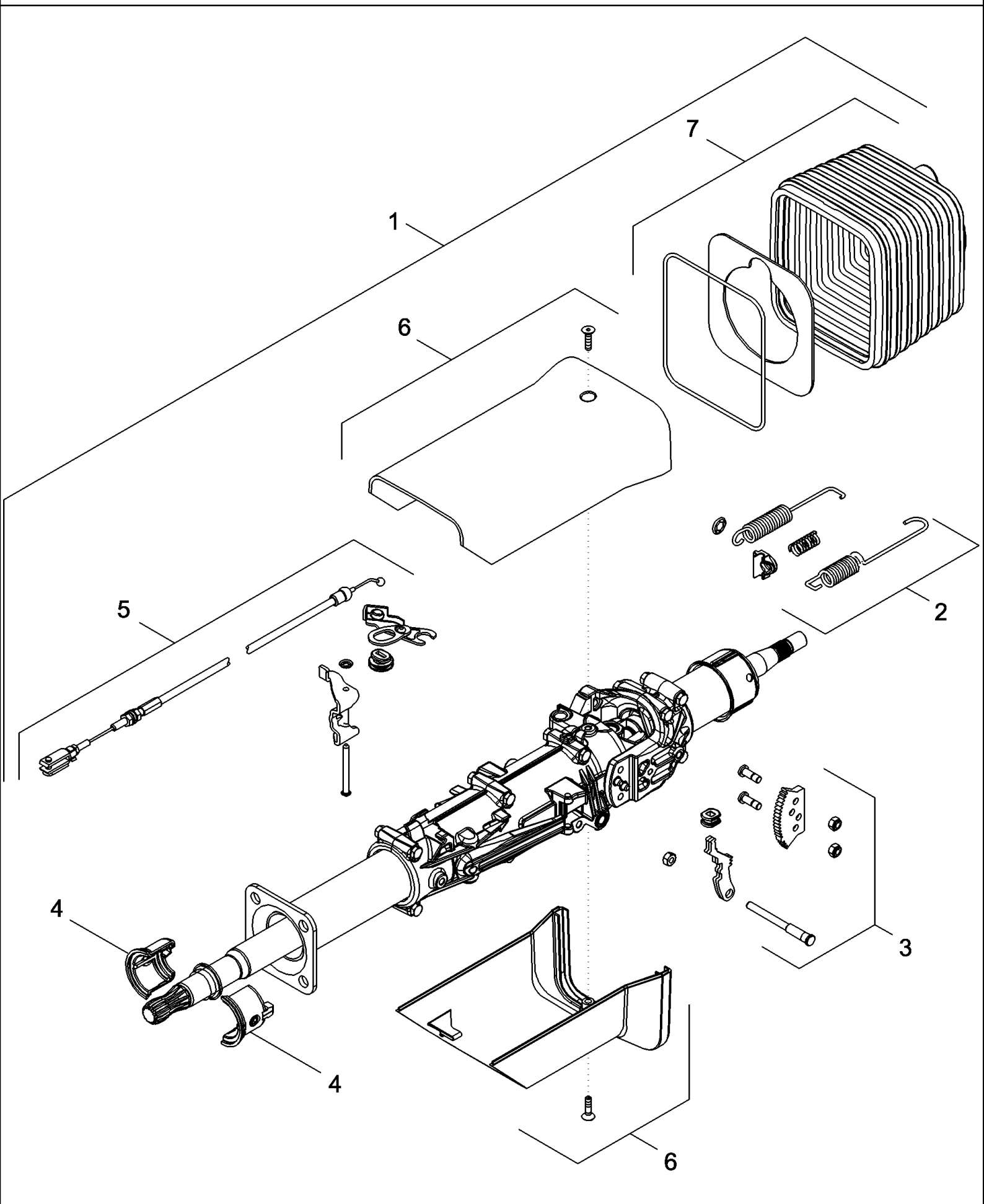
сылка	Номер детали	Кол-во	Описание
1	87428190	1	CASE,
2	87428192	1	RADIO,
3	87428193	1	CABLE,
4	87428194	1	RADIO, North America Only
4	87444733	1	RADIO, Australia And New Zealand Only
5	87428195	1	ADAPTER,
6	87428196	1	ANTENNA,
7	87428197	1	CABLE,
8	87428198	1	CABLE ASSY.,
9	87428199	1	ANTENNA,
10	87450292	1	POLE,
11	87428201	1	BRACKET,
12	87428202	1	CABLE,
13	87428203	1	CABLE ASSY.,
14	87428208	1	TRIPOD,
15	87439181	1	ANTENNA,



MAGNUM 335 CASE IH TRACTOR (NA)

05-01 STEERING WHEEL AND COLUMN

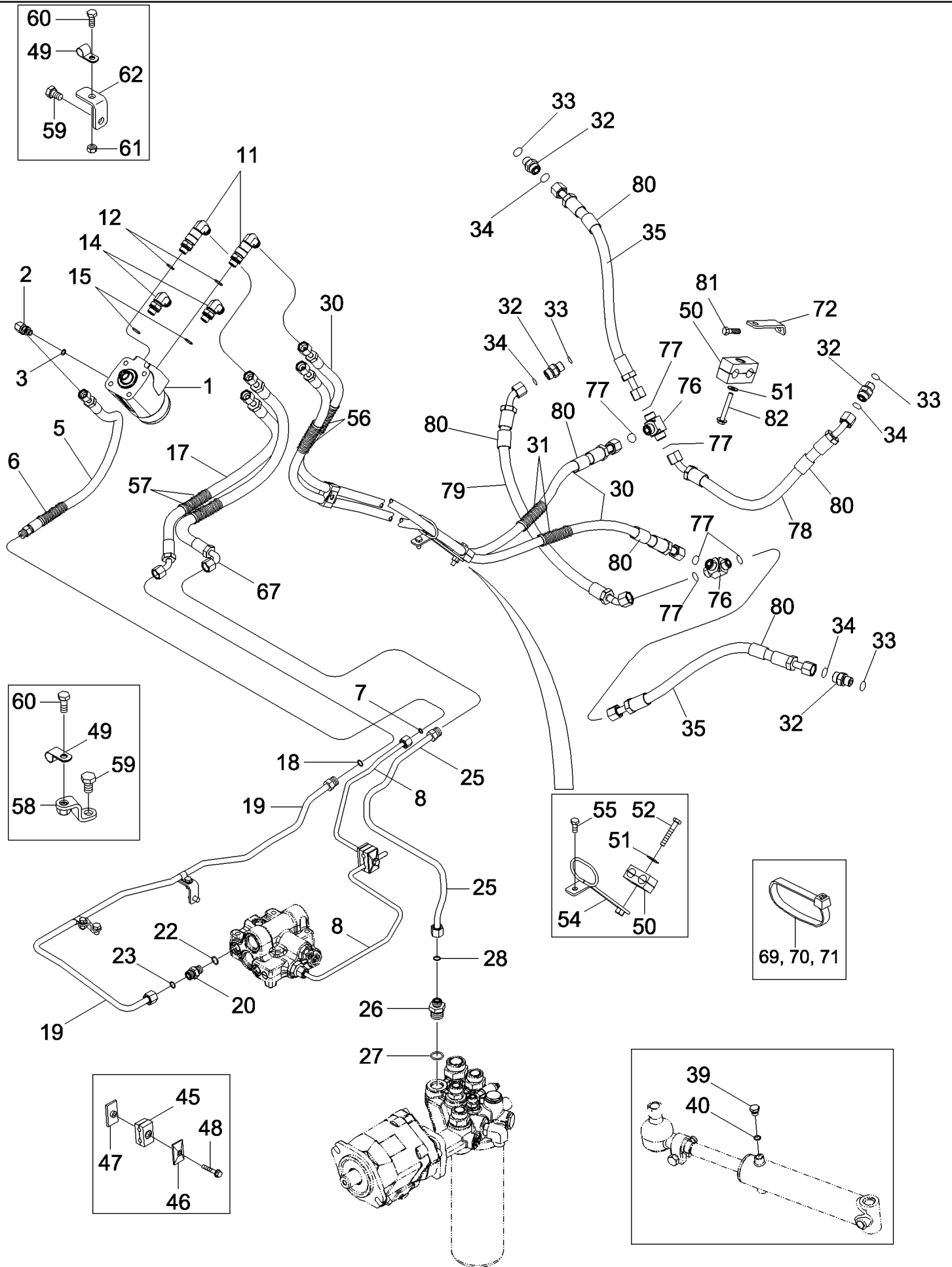
сылка	Номер детали	Кол-во	Описание
1	361024A3	1	CAP,
3	825-11414	1	NUT, M14 x 1.5, CI 8,
4	895-11014	1	WASHER, M14 x 28 x 2.5,
5	224818A3	1	STEERING WHEEL, , Standard Cab
6	301200A1	1	WHEEL (STEERING), , Deluxe Cab
7	406697A2	1	STEERING COLUMN, , See Figure 05-02
8	1977448C2	1	WASHER,
9	366073A1	1	PLATE,
10	434177A1	4	ISOLATOR,
11	832-10410	4	NUT, LOCK, M10 x 1.5, CI 8,
12	307559A1	1	SEAL,
13	295191A3	1	PEDAL,
14	1533540C1	2	EYEBOLT,
15	295192A1	1	SHAFT,
16	277059A1	1	CLIP,
17	496-81028	8	WASHER, 13/32" x 1 1/4" x .134", HDN,
18	614-10035	4	BOLT, Hex, M10 x 35, 8.8, Full Thd,
19	296775A2	1	SEAL,
20	401251A5	1	BRACKET,
21	825-2408	4	NUT, M8 x 1.25, Flg, CI 8,
22	895-11010	4	WASHER, M10 x 20 x 2,
23	323657A1	1	PAD,
24	86993721	1	CONTROL, , See Figure 06-30
25	329677A1	8	RETAINER,
27	359033A1	1	SCREW, , Luxury Cab
28	295478A1	4	SPACER,
29	370105A2	4	BOLT,
30	P741441	4	SPACER,
31	895-25008	4	WASHER, M8 x 20 x 1.6, , ASN Z6RZ04366
32	87613502	1	INSERT,



MAGNUM 335 CASE IH TRACTOR (NA)

05-02 STEERING COLUMN ASSEMBLY

сылка	Номер детали	Кол-во	Описание
1	406697A2	1	STEERING COLUMN, Inc. 2 - 7
2	87400095	1	KIT, SERVICE, Springs
3	87400096	1	KIT, SERVICE, Tilt Lock
4	318943A1	1	KIT, SERVICE, Bearings
5	87400097	1	KIT, SERVICE, Lever
6	87400098	1	KIT, SERVICE, Cover
7	87400099	1	KIT, SERVICE, Bellows



MAGNUM 335 CASE IH TRACTOR (NA)

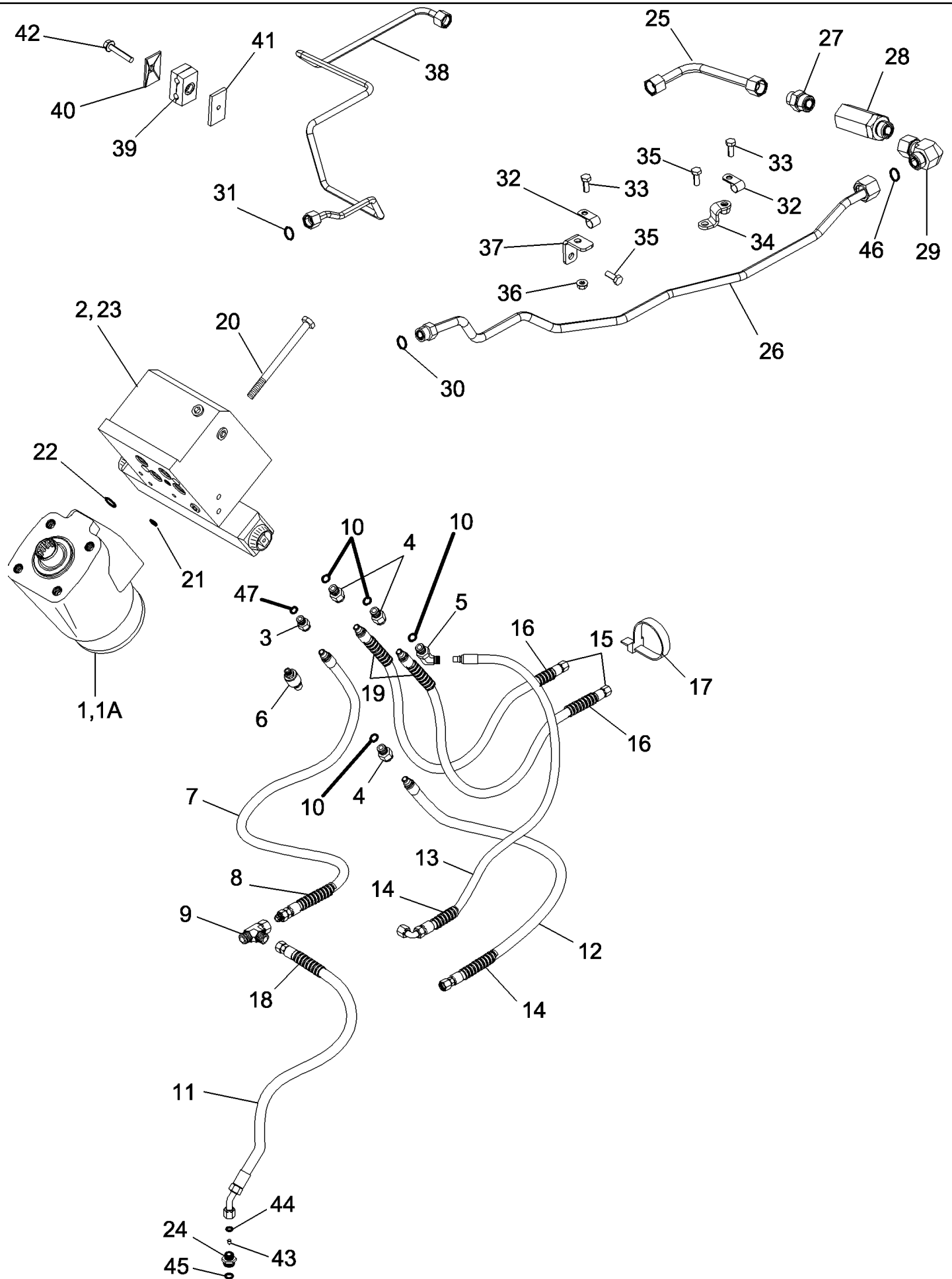
05-04 STEERING SYSTEM - MFD - MAGNUM 335

сылка	Номер детали	Кол-во	Описание
1	87415171	1	VALVE, Steering, With 12 Bolt Hub
2	87401122	1	ELBOW, 11/16 fc sl x 12 Or, Inc. 3
3	637-63093	1	O-RING, CI 6, 9.3MM ID x 2.2 Thk,
5	87401120	1	HOSE, Signal STC
6	87353382	1	CONDUIT,
7	238-6012	1	O-RING, -012, 90 Duro, .364" ID x .070" Thk,
8	87367650	1	TUBE ASSY.,
11	87401124	2	ELBOW, 13/16 fc sl x 18 Or, Inc. 12
12	637-63153	1	O-RING, CI 6, 15.3MM ID x 2.2 Thk,
14	87401123	2	ELBOW, 13/16 fc sl x 18 Or, Inc. 15
15	637-63153	1	O-RING, CI 6, 15.3MM ID x 2.2 Thk,
17	87524955	1	HOSE, Supply
18	238-6014	1	O-RING, -014, 90 Duro, .489" ID x .070" Thk,
19	433591A1	1	TUBE ASSY., Supply
20	700-102	1	CONNECTOR, HYD., 13/16"-16 ORFS x M18 x 1.5 ORB, Inc. 22, 23
22	637-63153	1	O-RING, CI 6, 15.3MM ID x 2.2 Thk,
23	238-6014	1	O-RING, -014, 90 Duro, .489" ID x .070" Thk,
25	87449707	1	TUBE ASSY., Return
26	86597761	1	CONNECTOR, HYD., 13/16"-16 ORFS x M27 x 2 ORB, Incl. 27, 28
27	637-64236	1	O-RING, CI 6, 23.6MM ID x 2.9 Thk,
28	238-6014	1	O-RING, -014, 90 Duro, .489" ID x .070" Thk,
30	87689258	2	HOSE, Steering Cylinder Supply
31	408411A1	2	CONDUIT,
32	700-102	4	CONNECTOR, HYD., 13/16"-16 ORFS x M18 x 1.5 ORB, Inc. 33, 34
33	637-63153	1	O-RING, CI 6, 15.3MM ID x 2.2 Thk,
34	238-6014	1	O-RING, -014, 90 Duro, .489" ID x .070" Thk,
35	87705794	2	HOSE, Steering Cylinder
36	700-304	2	ELBOW, 90e, 11/16"-18 ORFS x M14 x 1.5 ORB, Incl. 37, 38
37	637-63113	1	O-RING, CI 6, 11.3MM ID x 2.2 Thk,
38	238-6012	1	O-RING, -012, 90 Duro, .364" ID x .070" Thk,
39	220064A1	2	PLUG, M14 x 1.5, ORB, Incl. 40
40	637-63113	1	O-RING, CI 6, 11.3MM ID x 2.2 Thk,
45	1546024C1	1	CLAMP, 2 piece
47	384871A1	1	PLATE, M8; 10
46	384870A1	1	PLATE, 9 x 20 x 1.6 mm
48	844-8045	1	BOLT, Hex Flg, M8 x 45, 8.8,
49	515-22127	2	CLAMP, 1/2", Insul, 5/16" Bolt,
50	87000151	2	CLAMP,
51	895-15008	2	WASHER, M8 x 20 x 1.6,
52	814-8055	1	BOLT, Hex, M8 x 55, 8.8,
54	403534A2	1	BRACKET,
55	614-8020	1	BOLT, Hex, M8 x 20, 8.8,
56	87447004	2	CONDUIT,
57	87451398	2	CONDUIT,
58	86988840	1	BRACKET,

MAGNUM 335 CASE IH TRACTOR (NA)

05-04 STEERING SYSTEM - MFD - MAGNUM 335

сылка	Номер детали	Кол-во	Описание
59	614-10016	2	BOLT, Hex, M10 x 16, 8.8, Full Thd,
60	614-8020	2	BOLT, Hex, M8 x 20, 8.8,
61	829-1408	1	NUT, M8, CI 10,
62	86988838	1	BRACKET,
65	829-1408	1	NUT, M8, CI 10, (Not Shown)
66	87454545	1	KIT, SEALS, Seal, Steering Pump, (Not Shown)
67	87306477	1	HOSE, Return
69	L11541	1	STRAP, CABLE,
70	86991007	2	STRAP, CABLE,
71	86991009	3	STRAP, CABLE,
72	87689261	1	BRACKET,
76	701-409	2	TEE, 13/16"-16 ORFS, Inc. 77
77	238-6014	3	O-RING, -014, 90 Duro, .489" ID x .070" Thk,
78	87686533	1	HOSE, Cross-over
79	87689257	1	HOSE, Cross-over
80	87707952	6	SLEEVE, Protective
81	844-8016	1	BOLT, Hex Flg, M8 x 16, 8.8,
82	814-8060	1	BOLT, Hex, M8 x 60, 8.8,



MAGNUM 335 CASE IH TRACTOR (NA)

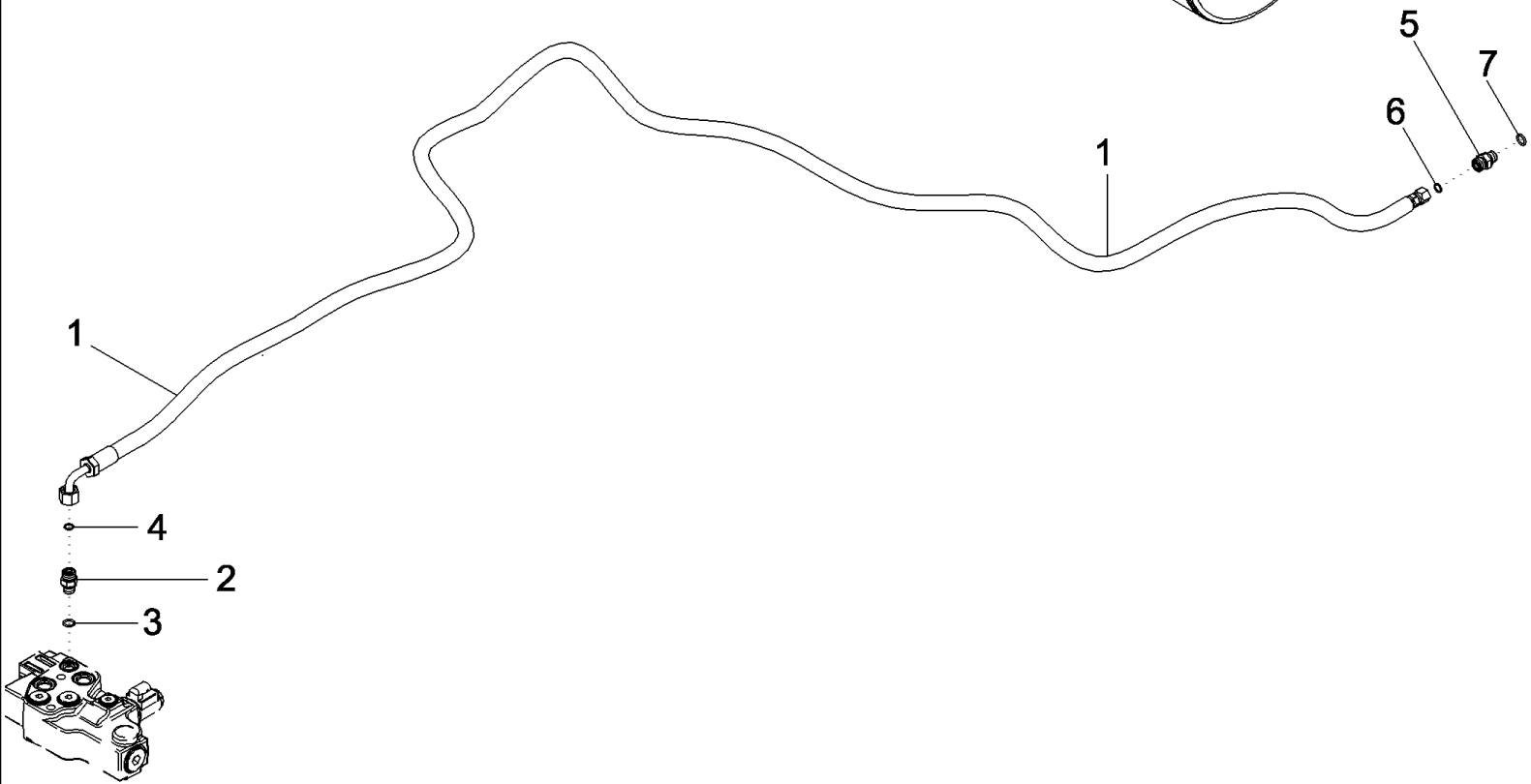
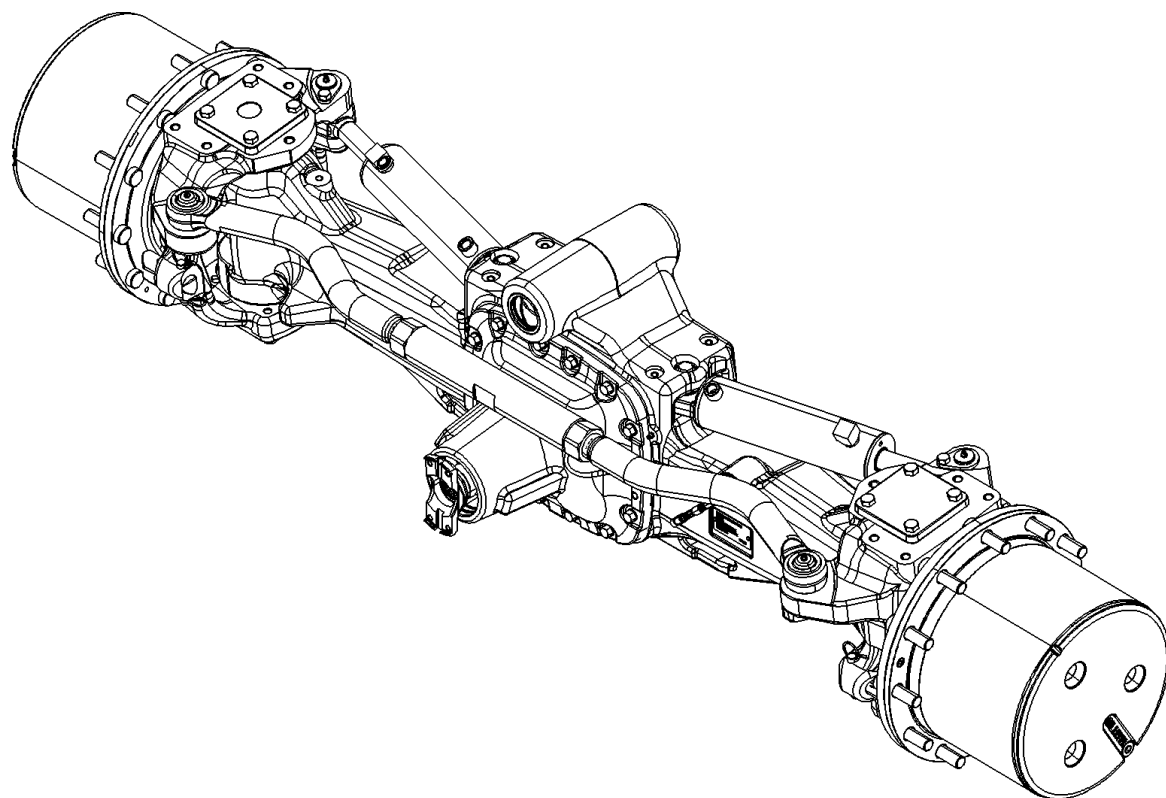
05-05 STEERING SYSTEM - MFD WITH ACCUGUIDE

сылка	Номер детали	Кол-во	Описание
1	87315007	1	PUMP, Steering, With 10 Bolt Hub
1	87315009	1	PUMP, Steering, With 12 Bolt Hub
1A	87454545	1	KIT, SEALS, Seal
2	87361918	1	VALVE, Accuguide, Inc. 23
3	87331073	1	CONNECTOR, HYD., M14 x 1.5, Inc. 47
4	87331075	3	CONNECTOR, HYD., M18 x 1.5, Inc. 10
5	87345924	1	FITTING, 45 Degree, Inc. 10 (Shown), BSN Z6RZ04001
5	87331075	1	CONNECTOR, HYD., M18 x 1.5, Inc. 10, ASN Z6RZ04001
6	87428328	1	SENSOR, High Pressure
7	87363334	1	HOSE, Signal STC (Shown), BSN Z7RZ01521
7	87401120	1	HOSE, Signal STC, ASN Z7RZ01521
8	87353382	1	CONDUIT,
9	701-422	1	TEE, 11/16"-16 ORFS x 11/16"-16 Fem Sw Run,
10	637-63153	1	O-RING, CI 6, 15.3MM ID x 2.2 Thk,
11	87366166	1	HOSE,
12	87352870	1	HOSE, Supply (Shown), BSN Z6RZ04001
12	87349616	1	HOSE, Supply, ASN Z6RZ04001
13	87363326	1	HOSE, Return (Shown), BSN Z6RZ04001
13	87306477	1	HOSE, Return, ASN Z6RZ04001
14	87451398	2	CONDUIT,
15	87401118	2	HOSE ASSY.,
16	87443446	2	CONDUIT, , BSN Z6RZ04001
16	87353384	2	CONDUIT, , ASN Z6RZ04001
17	86991007	2	STRAP, CABLE,
18	408412A1	1	CONDUIT,
19	408411A1	2	CONDUIT,
20	864-12120	2	SCREW, Hex Soc Hd, M12 x 120, 8.8,
21	238-6113	1	O-RING, -113, 90 Duro, .549" ID x .103" Thk,
22	238-6117	4	O-RING, -117, 90 Duro, .799" ID x .103" Thk,
23	87386344	1	VALVE, Shuttle (Not Shown)
24	87361919	1	ORIFICE, Inc. 43 - 45
25	87620399	1	TUBE ASSY., Supply (Before Screen)
26	87620401	1	TUBE ASSY., Supply (After Screen)
27	201-135	1	CONNECTOR, HYD., 1"-14 x 13/16"-16 ORFS,
28	87319429	1	CONNECTOR, HYD.,
29	701-361	1	ELBOW, 90e, 1"-14 ORFS x 1"-14 Fem Sw, Incl. 46
30	238-6014	1	O-RING, -014, 90 Duro, .489" ID x .070" Thk,
31	238-6012	1	O-RING, -012, 90 Duro, .364" ID x .070" Thk,
32	515-22127	2	CLAMP, 1/2", Insul, 5/16" Bolt,
33	614-8020	2	BOLT, Hex, M8 x 20, 8.8,
34	86988840	1	BRACKET,
35	614-10016	2	BOLT, Hex, M10 x 16, 8.8, Full Thd,
36	829-1408	1	NUT, M8, CI 10,
37	86988838	1	BRACKET,
38	87367650	1	TUBE ASSY.,

MAGNUM 335 CASE IH TRACTOR (NA)

05-05 STEERING SYSTEM - MFD WITH ACCUGUIDE

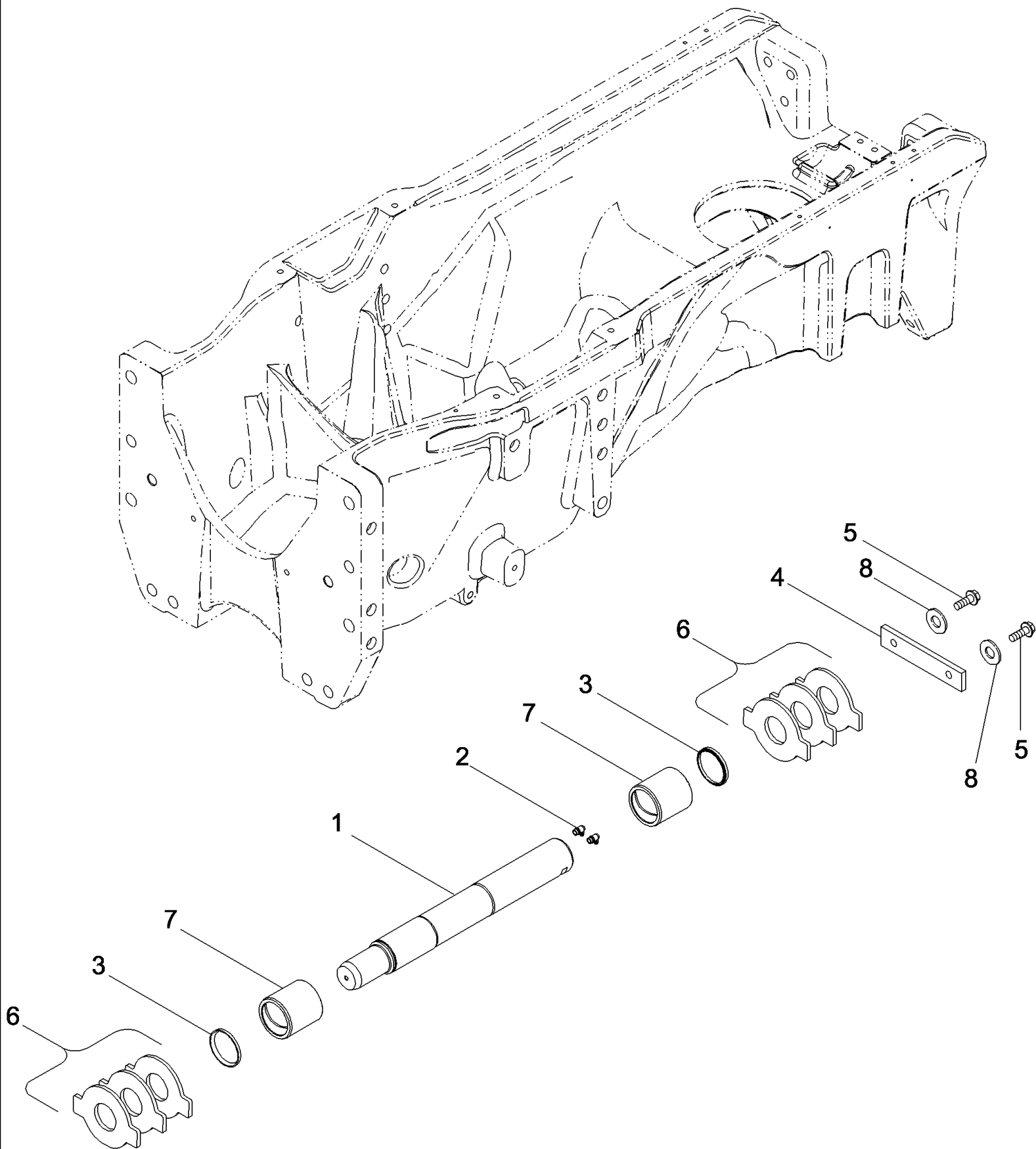
сылка	Номер детали	Кол-во	Описание
39	1546024C1	1	CLAMP,
40	384870A1	1	PLATE,
41	384871A1	1	PLATE,
42	844-8045	1	BOLT, Hex Flg, M8 x 45, 8.8,
43	133519C1	1	SCREEN,
44	238-6014	1	O-RING, -014, 90 Duro, .489" ID x .070" Thk,
45	637-64236	1	O-RING, CI 6, 23.6MM ID x 2.9 Thk,
46	238-6016	1	O-RING, -016, 90 Duro, .614" ID x .070" Thk,
47	637-63113	1	O-RING, CI 6, 11.3MM ID x 2.2 Thk,



MAGNUM 335 CASE IH TRACTOR (NA)

05-07 HYDRAULIC SYSTEM - MFD DIFFERENTIAL LOCK - MAGNUM 335

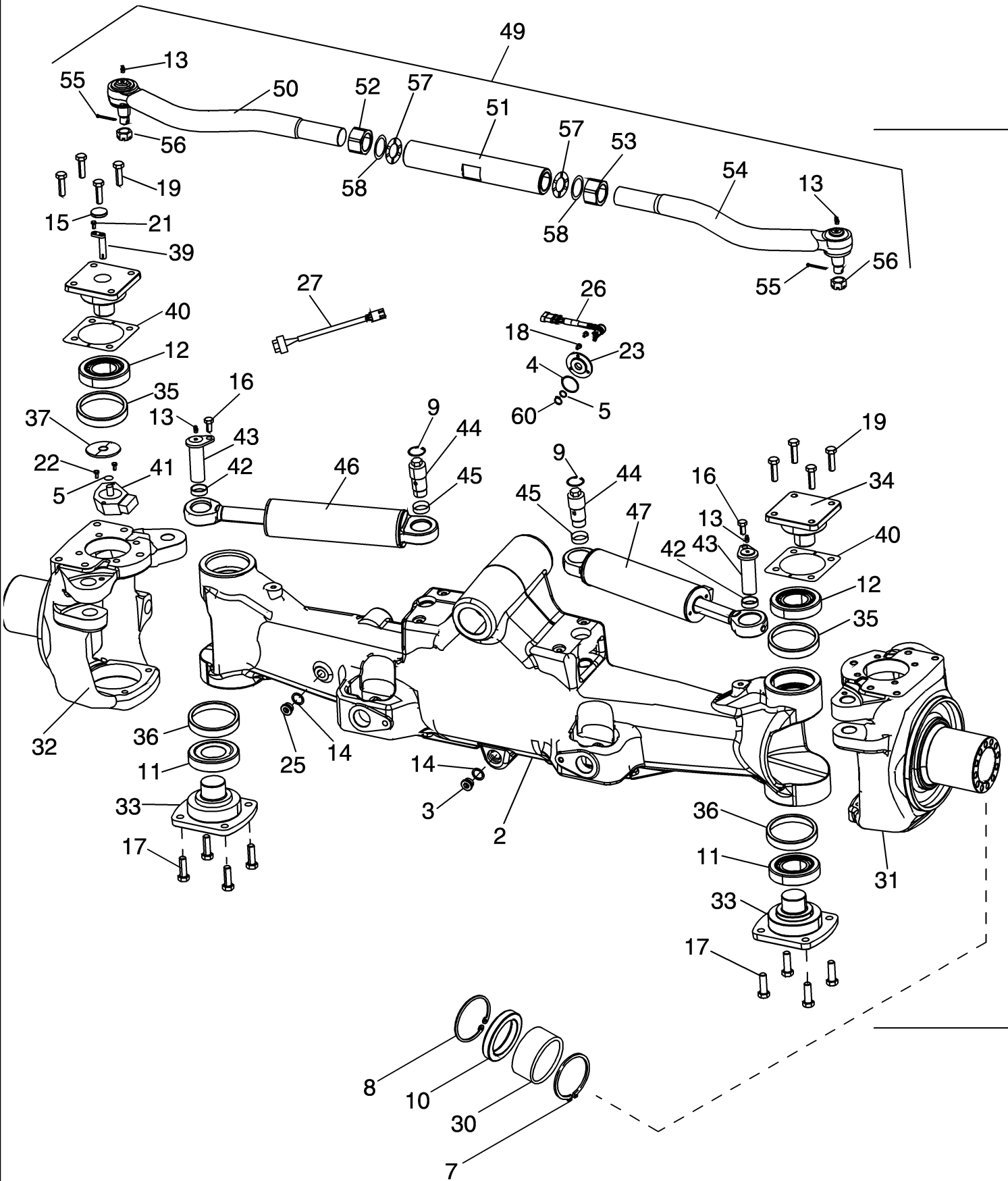
сылка	Номер детали	Кол-во	Описание
1	87689259	1	HOSE, Supply
2	700-101	1	CONNECTOR, HYD., 11/16"-16 ORFS x M14 x 1.5 ORB, Incl. 3, 4
3	637-63113	1	O-RING, CI 6, 11.3MM ID x 2.2 Thk,
4	238-6012	1	O-RING, -012, 90 Duro, .364" ID x .070" Thk,
5	700-106	1	CONNECTOR, HYD., 11/16"-16 ORFS x M18 x 1.5 ORB, Inc. 6, 7
6	238-6012	1	O-RING, -012, 90 Duro, .364" ID x .070" Thk,
7	637-63153	1	O-RING, CI 6, 15.3MM ID x 2.2 Thk,



MAGNUM 335 CASE IH TRACTOR (NA)

05-12 FRONT AXLE - MOUNTING, MFD

сылка	Номер детали	Кол-во	Описание
1	87400196	1	PIN ASSY., Inc. 2
2	219-92	2	NIPPLE, LUBE, 90с, 1/8" NPT x .76" lg, Drive, Grease
3	87400202	2	SEAL,
4	87686589	1	PLATE, Slotted 90 mm
4	87677299	1	PLATE, Slotted 130 mm
5	857-12035	2	BOLT, Hex Flg, M12 x 35, 10.9,
6	87309060	AR	WASHER, THRUST, 5.75 / 7.75 mm
6	87309061	AR	WASHER, THRUST, 6.25 / 8.25 mm
6	87309062	AR	WASHER, THRUST, 7.0 / 9.0 mm
6	87309063	AR	WASHER, THRUST, 7.5 / 9.5 mm
6	87369711	AR	WASHER, THRUST, 8.0 / 10.0 mm
7	87433501	2	BUSHING,
8	896-16012	2	WASHER, M12 x 28.5 x 4, HT,



MAGNUM 335 CASE IH TRACTOR (NA)

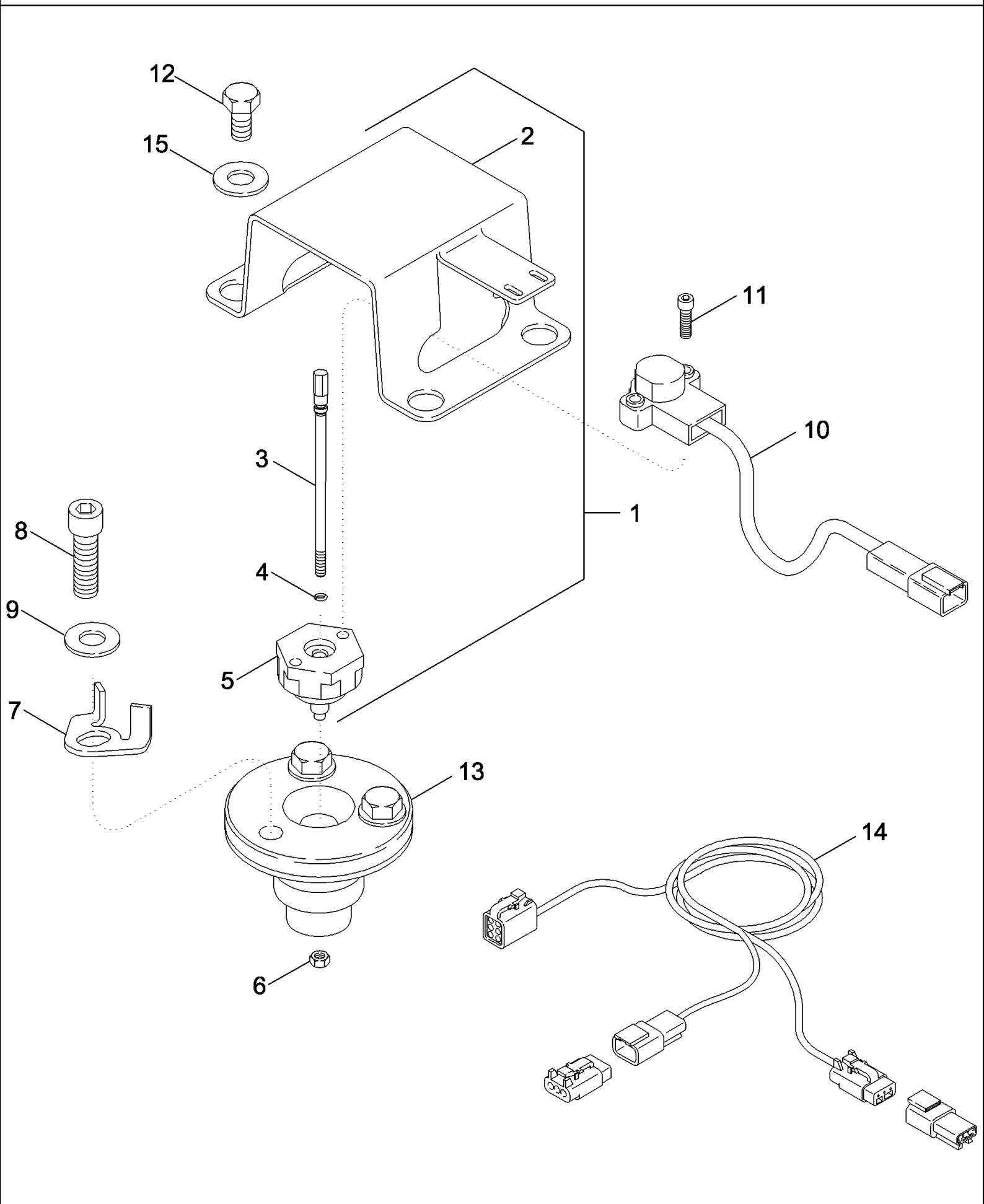
05-13 FRONT AXLE ASSY - STANDARD MFD - MAGNUM 335

сылка	Номер детали	Кол-во	Описание
1	87714059	1	AXLE, Complete With Differential And Planetaries, Inc. 2 - 61
2	87674574	2	HOUSING, AXLE,
3	87673062	1	PLUG, MAGNETIC,
4	14458680	1	O-RING, -128, 70 Duro, 1.487" ID x .103" Thk,
5	14453280	2	O-RING, -015, 70 Duro, .551" ID x .070" Thk,
7	301624	2	RING, SNAP, M65, Ext,
8	370026	2	RING, SNAP, Int, M100 x 3,
9	300644	2	RING, SNAP, M40, Int,
10	87674587	2	SEAL,
11	87674554	2	BEARING, Lower King Pin
12	87674552	2	BEARING, Upper King Pin
13	87563868	4	FITTING,
14	10264560	2	WASHER, SEALING, M24.4 x 32 x 1.5,
15	87674608	1	PLUG,
16	300388	2	SCREW, Hex, M12 x 25, 8.8,
17	120090	8	SCREW, Hex, M16 x 50, 8.8,
18	378056	3	BOLT, Hex, M6 x 10, 8.8, Full Thd, Sensor Cover
19	87672199	8	BOLT,
21	14305724	1	SCREW, Hex Soc Hd, M6 x 14, 8.8,
22	87675518	2	SCREW,
23	87674585	1	COVER, Steer Sensor cable
25	87675519	1	PLUG,
26	87674584	1	CONNECTOR, HYD., Steer Sensor
27	87674613	1	EXTENSION CABLE, Jumper, Steer Sensor
28	370016	1	RING, SNAP, M17, Ext,
29	614-6010	2	BOLT, Hex, M6 x 10, 8.8, Full Thd, Sun Shaft
30	87674588	2	SPACER,
31	87674593	1	KNUCKLE, STEERING, Right
32	87674592	1	KNUCKLE, STEERING, Left
33	87725290	2	KIT, Lower
34	87674589	1	KIT, Upper, Non-Sensor
35	87674590	2	SEAL, King Pin Upper
36	87725291	2	SEAL, King Pin Lower
37	87674611	1	COVER, Steering Sensor
38	87674610	1	KIT, Upper with Sensor
39	87674609	1	PIN, Steer Sensor
40	87681224	AR	KIT, SHIM, King pin
41	87674612	1	SENSOR, Steering
42	87674624	4	SPACER, Cylinder Flag Pin
43	87674623	2	PIN, Flag, Steer Cylinder
44	87725296	2	PIN, Inboard Cylinder
45	87674619	2	SPACER, Cylinder Pin
46	87674621	1	CYLINDER STEERING, Left
47	87674620	1	CYLINDER STEERING, Right
48	87674622	1	KIT, SEALS, Cylinder

MAGNUM 335 CASE IH TRACTOR (NA)

05-13 FRONT AXLE ASSY - STANDARD MFD - MAGNUM 335

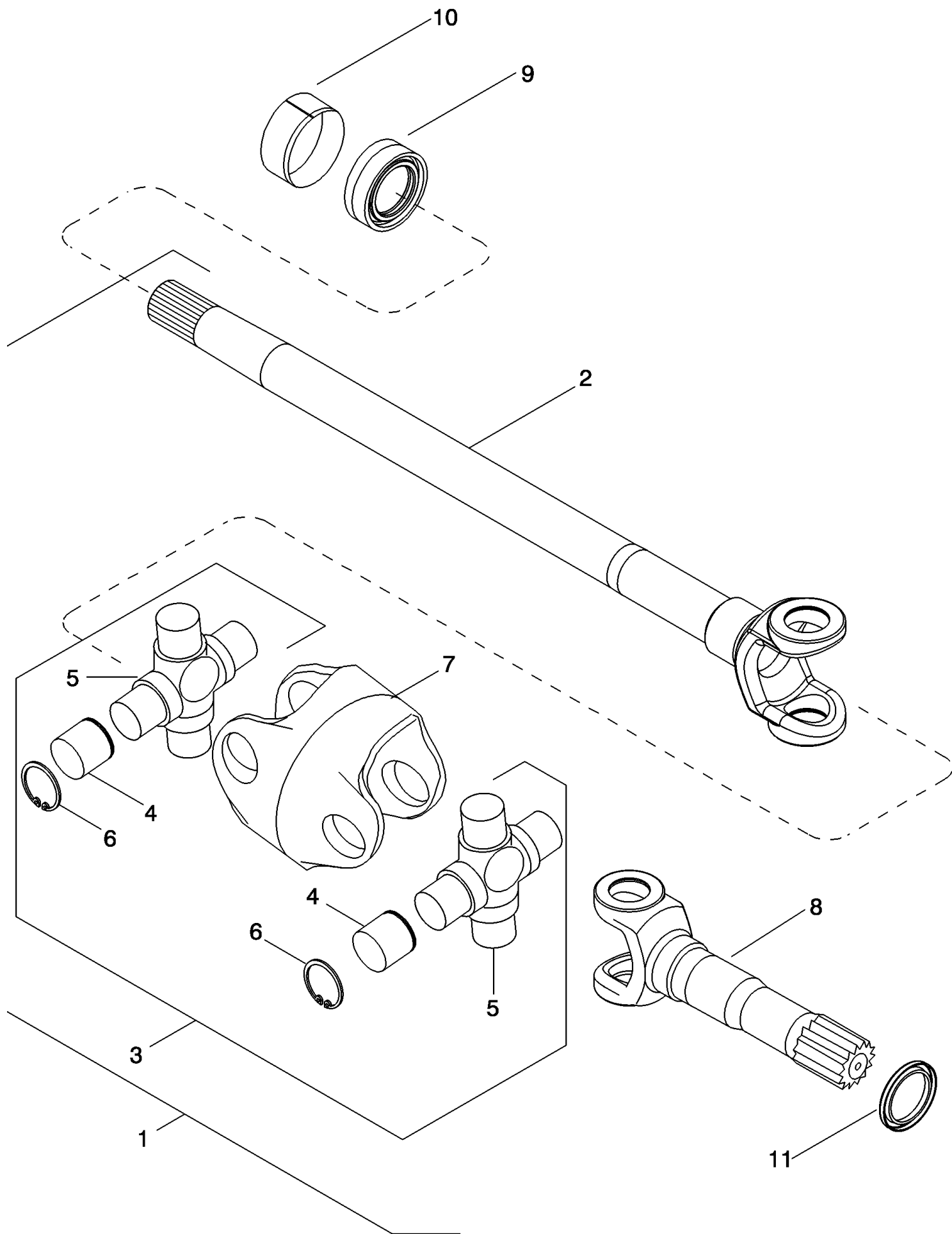
сылка	Номер детали	Кол-во	Описание
49	87674614	1	TIE-ROD, Assy
50	87674615	1	TIE-ROD, Bar, Right
51	87674616	1	TIE-ROD, Tube
52	87715231	1	NUT, Jam, Right hand Thread
53	87715230	1	NUT, Jam, Left Hand Thread
54	87674617	1	TIE-ROD, Bar, Left
55	733-4040	2	PIN, SPLIT (COTTER), M4 x 40,
56	87455806	2	NUT, SLOTTED,
57	87715330	2	SEAL,
58	87715331	2	SPACER,
59	11255931	1	SCREW, Hex, M14 x 1.5 x 40, 10.9, Full Thd,
60	370016	1	RING, SNAP, M17, Ext, Steer Sensor cable
61	297495A1	24	STUD,



MAGNUM 335 CASE IH TRACTOR (NA)

05-22 FRONT AXLE KING PIN WITH ACCUGUIDE

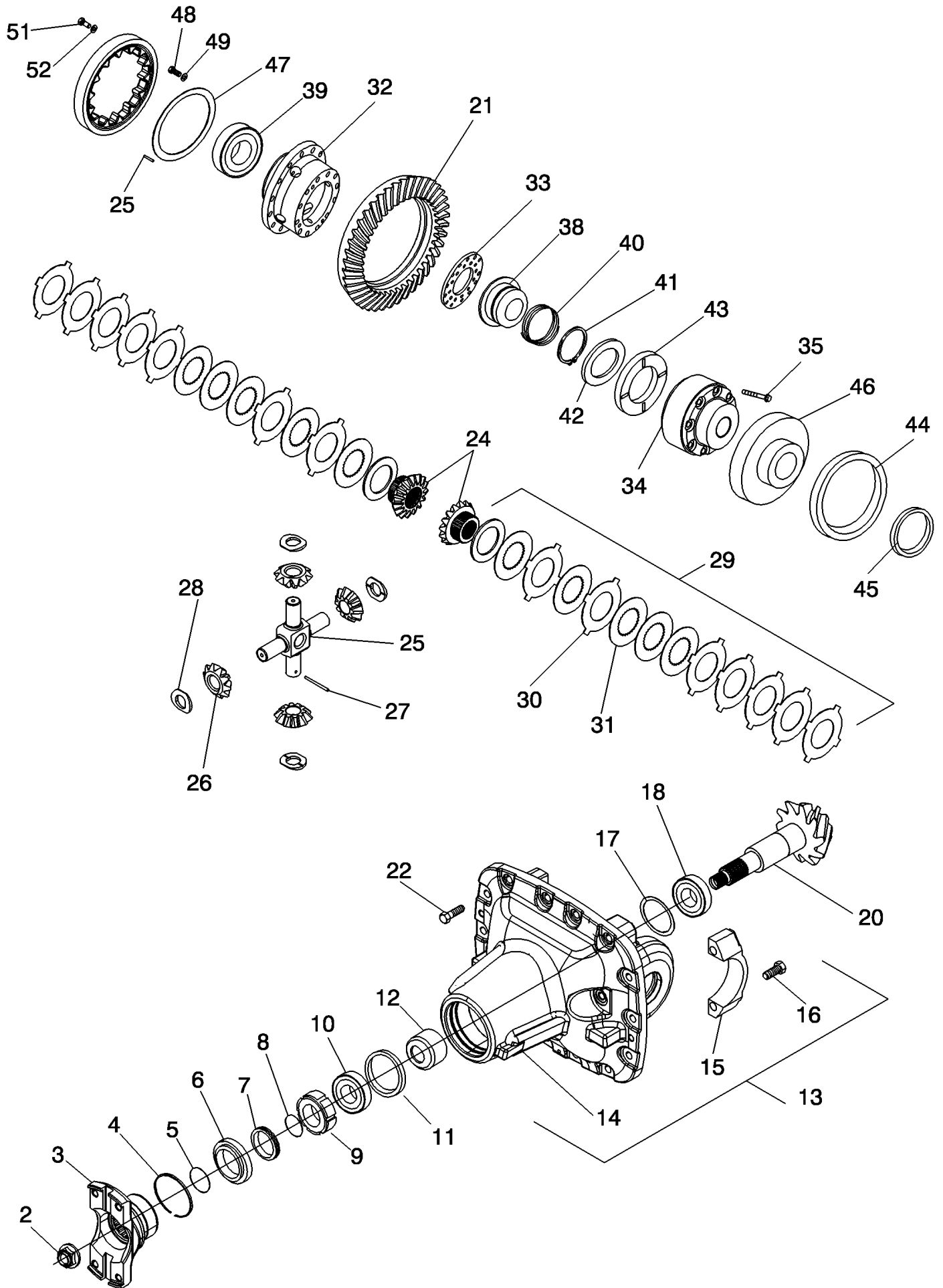
сылка	Номер детали	Кол-во	Описание
1	87311994	1	KIT, King Pin, Inc. 2 - 8, With 10 Bolt Hub
1	87311993	1	KIT, King Pin, Inc. 2 - 8, With 12 Bolt Hub
2	87308126	1	COVER,
3	87307819	1	SHAFT, , With 10 Bolt Hub
3	87307820	1	SHAFT, , With 12 Bolt Hub
4	238-5008	1	O-RING, -008, 70 Duro, .176" ID x .070" Thk,
5	87307822	1	MOUNTING PARTS, Cap Assembly
6	832-10406	1	NUT, LOCK, M6 x 1, CI 8,
7	87307821	1	WASHER, LOCK,
8	863-14045	1	SCREW, Hex Soc Hd, M14 x 45, 12.9, , With 10 Bolt Hub
9	87016615	1	WASHER, M12 x 28.5 x 3, HT,
10	87435594	1	SENSOR, (Shown), BSN Z7RZ01521
10	87524642	1	SENSOR, , ASN Z7RZ01521
11	864-5025	2	SCREW, Hex Soc Hd, M5 x 25, 8.8,
12	614-16025	4	BOLT, Hex, M16 x 25, 8.8, Full Thd,
13	378409A1	1	CAP, Assembly, With 10 Bolt Hub
13	378410A1	1	CAP, Assembly, With 12 Bolt Hub
14	87525842	1	HARNES, , ASN Z7RZ01521
15	896-11016	4	WASHER, M17.5 x 30 x 4, HT,



MAGNUM 335 CASE IH TRACTOR (NA)

05-23 FRONT AXLE DRIVE SHAFTS - STANDARD MFD - MAGNUM 335

сылка	Номер детали	Кол-во	Описание
1	87674578	1	HALF SHAFT, Assy, Right Hand, Long, Inc. 2 - 8 (Shown)
1	87674577	1	HALF SHAFT, Assy, Left Hand, Short, Inc. 2 - 8
2	87674580	1	HALF SHAFT, Long
2	87674579	1	HALF SHAFT, Short
3	87674581	2	CROSS, Assy, Inc. 4 - 6
4	NSS	4	NOT SERVICED SEPARATELY, CUP
5	NSS	1	NOT SERVICED SEPARATELY, JOINT, Universal
6	NSS	4	NOT SERVICED SEPARATELY, RING, RETAINING
7	87674582	1	HOUSING,
8	87674583	1	SHAFT, Sun
9	87674576	2	SEAL, Axle Shaft
10	87674575	2	BUSHING, Axle Shaft
11	87674586	2	SEAL, Sun Shaft



MAGNUM 335 CASE IH TRACTOR (NA)

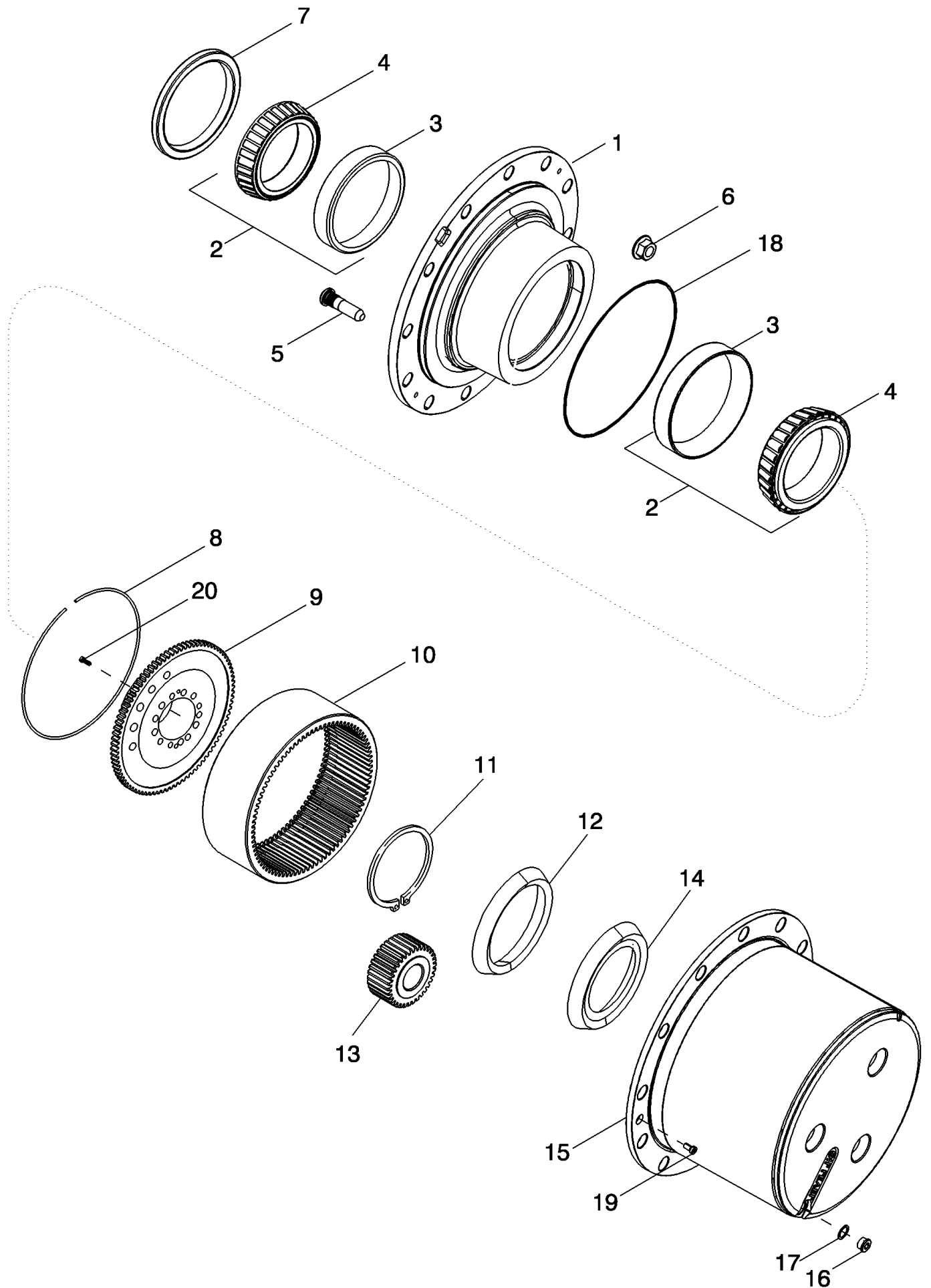
05-26 CARRIER AND DIFFERENTIAL - STANDARD MFD - MAGNUM 335

сылка	Номер детали	Кол-во	Описание
1	87674546	1	DIFFERENTIAL ASSY, Inc. 2 - 53
2	87725294	1	NUT, Yoke retainer
3	87674548	1	YOKE, Assy
4	87681821	1	RING, SNAP,
5	9828498	1	O-RING, -155, 70 Duro, 3.987" ID x .103" Thk,
6	87674549	1	SEAL, Pinion Yoke
7	87674550	1	SEALRING,
8	87725295	1	SEAL,
9	87725293	1	NUT, Pinion Shaft
10	87674552	1	BEARING, Pinion Tail
11	87681220	1	KIT, Tail bearing
12	87674553	1	SPACER, Pinion Shaft
13	87674556	1	CARRIER, Housing Assy, Inc. 14 - 16
14	NSS	1	NOT SERVICED SEPARATELY, HOUSING
15	NSS	2	NOT SERVICED SEPARATELY, CAP
16	NSS	4	NOT SERVICED SEPARATELY, BOLT
17	87681221	1	KIT, SHIM, Head bearing
	NSS	AR	NOT SERVICED SEPARATELY, SHIM 0.3
	NSS	AR	NOT SERVICED SEPARATELY, SHIM 0.15
	NSS	AR	NOT SERVICED SEPARATELY, SHIM 0.55
18	87674554	1	BEARING, Pinion Head
19	87725292	1	BEVEL GEAR, Set, Inc. 20 - 21
20	NSS	1	NOT SERVICED SEPARATELY, SHAFT, Pinion
21	NSS	1	NOT SERVICED SEPARATELY, RING, Gear
22	627-14040	14	BOLT, Hex, M14 x 40, 10.9, Full Thd,
23	87681223	1	KIT, Inc. 24 - 27
24	NSS	2	NOT SERVICED SEPARATELY, GEAR
25	NSS	1	NOT SERVICED SEPARATELY, SHAFT, Cross
26	NSS	4	NOT SERVICED SEPARATELY, GEAR
27	NSS	2	NOT SERVICED SEPARATELY, PIN
28	87674571	4	WASHER, Differential Gear
29	87674568	1	KIT, Inc. 30 - 31
30	NSS	8	NOT SERVICED SEPARATELY, PLATE
31	NSS	5	NOT SERVICED SEPARATELY, DISC, Friction
32	87674573	1	HOUSING, Differential
33	87674569	1	FLANGE, Reaction
34	87674565	1	COVER,
35	87675516	12	SCREW,
36	87675517	3	PIN,
37	412071	3	PIN, LOCK, M8 x 70, Slotted,
38	87674567	1	FLANGE, Engagement
39	87674564	2	BEARING,
40	87674566	1	SPRING, Return
41	370010	1	RING, SNAP, M100, Ext,
42	87674562	2	WASHER, THRUST,

MAGNUM 335 CASE IH TRACTOR (NA)

05-26 CARRIER AND DIFFERENTIAL - STANDARD MFD - MAGNUM 335

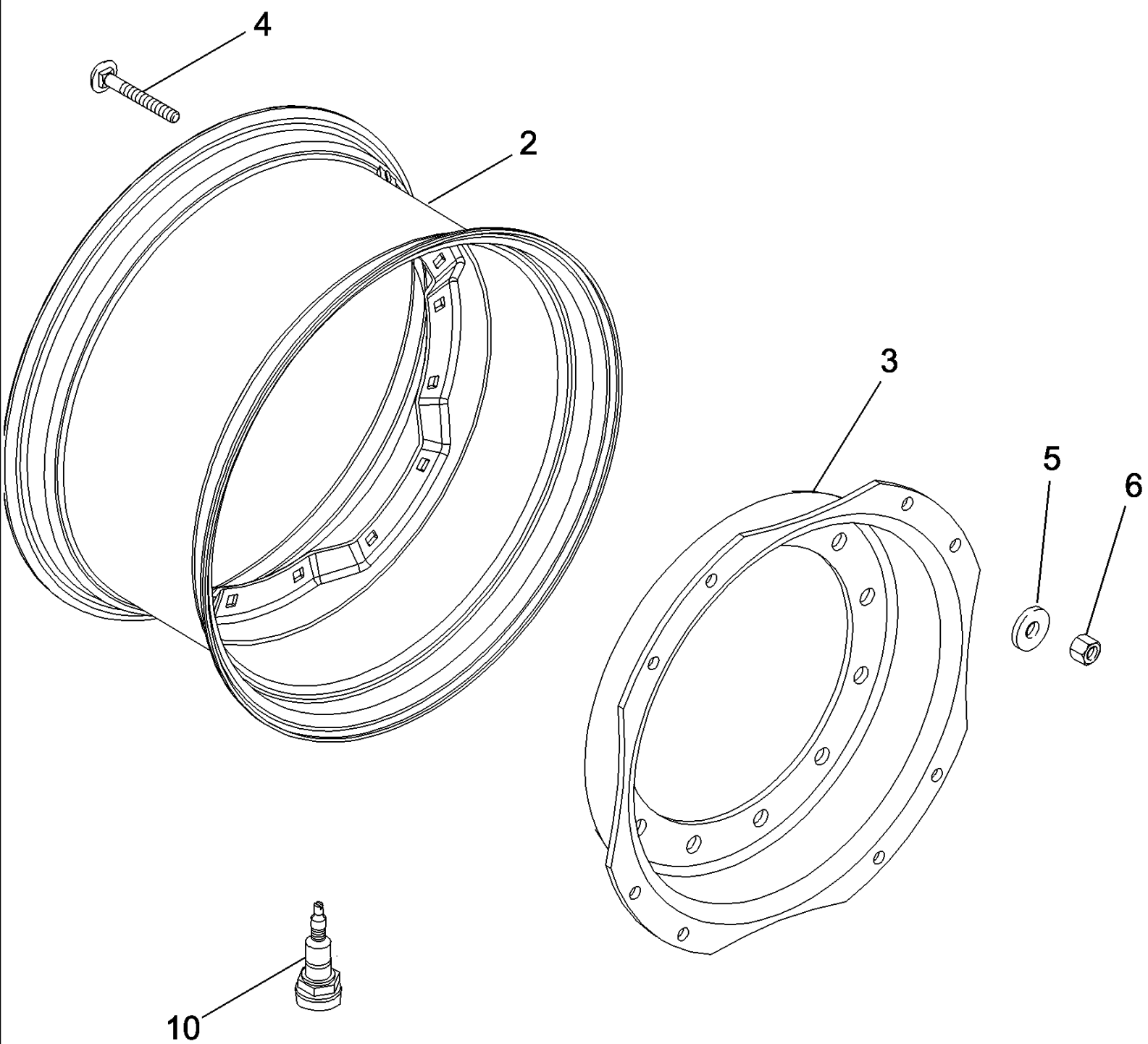
сылка	Номер детали	Кол-во	Описание
43	87674563	1	BEARING, THRUST,
44	87674560	1	SEAL, Large
45	87674558	1	SEAL, Small
46	87674561	1	PISTON, Lock
47	87674570	2	WASHER, THRUST, Side Gear
48	87672198	14	BOLT,
49	896-11012	14	WASHER, M13.5 x 24.5 x 3, HT,
50	87681222	1	KIT, SHIM, Differential Bearing
	NSS	AR	NOT SERVICED SEPARATELY, SHIM 0.15
	NSS	AR	NOT SERVICED SEPARATELY, SHIM 0.20
	NSS	AR	NOT SERVICED SEPARATELY, SHIM 0.50
51	87712558	1	BOLT, Bearing retainer
52	895-10010	1	WASHER, M10 x 20 x 2,
53	87674572	1	NUT, Bearing Support



MAGNUM 335 CASE IH TRACTOR (NA)

05-31 FRONT AXLE PLANETARIES AND HUB - STANDARD MFD - MAGNUM 335

сылка	Номер детали	Кол-во	Описание
1	87674604	2	HUB,
2	87674603	4	BEARING, Wheel, Inc. 3 - 4
3	NSS		NOT SERVICED SEPARATELY, BEARING, CUP
4	NSS		NOT SERVICED SEPARATELY, BEARING, CONE
5	297495A1	24	STUD,
6	253212A1	24	NUT,
7	87674602	2	SEAL, Hub
8	87674605	2	RING, SNAP, Ring Gear
9	87674607	2	SPROCKET, Planetary Ring Gear
10	84145990	2	GEAR, RING,
11	87681822	6	RING, SNAP, Planet Gear
12	87674601	6	BEARING, Inboard Planet
13	87674600	6	GEAR, PLANETARY,
14	87674599	6	BEARING, Outboard Planet
15	87674598	2	CARRIER, Planet
16	87673062	2	PLUG, MAGNETIC, Oil Drain
17	10264560	2	WASHER, SEALING, M24.4 x 32 x 1.5,
18	14469880	2	O-RING, -280, 70 Duro, 13.984" ID x .139" Thk,
19	87681823	4	SCREW,
20	86639031	24	BOLT, Hex, M12 x 45, 10.9, Full Thd,



MAGNUM 335 CASE IH TRACTOR (NA)

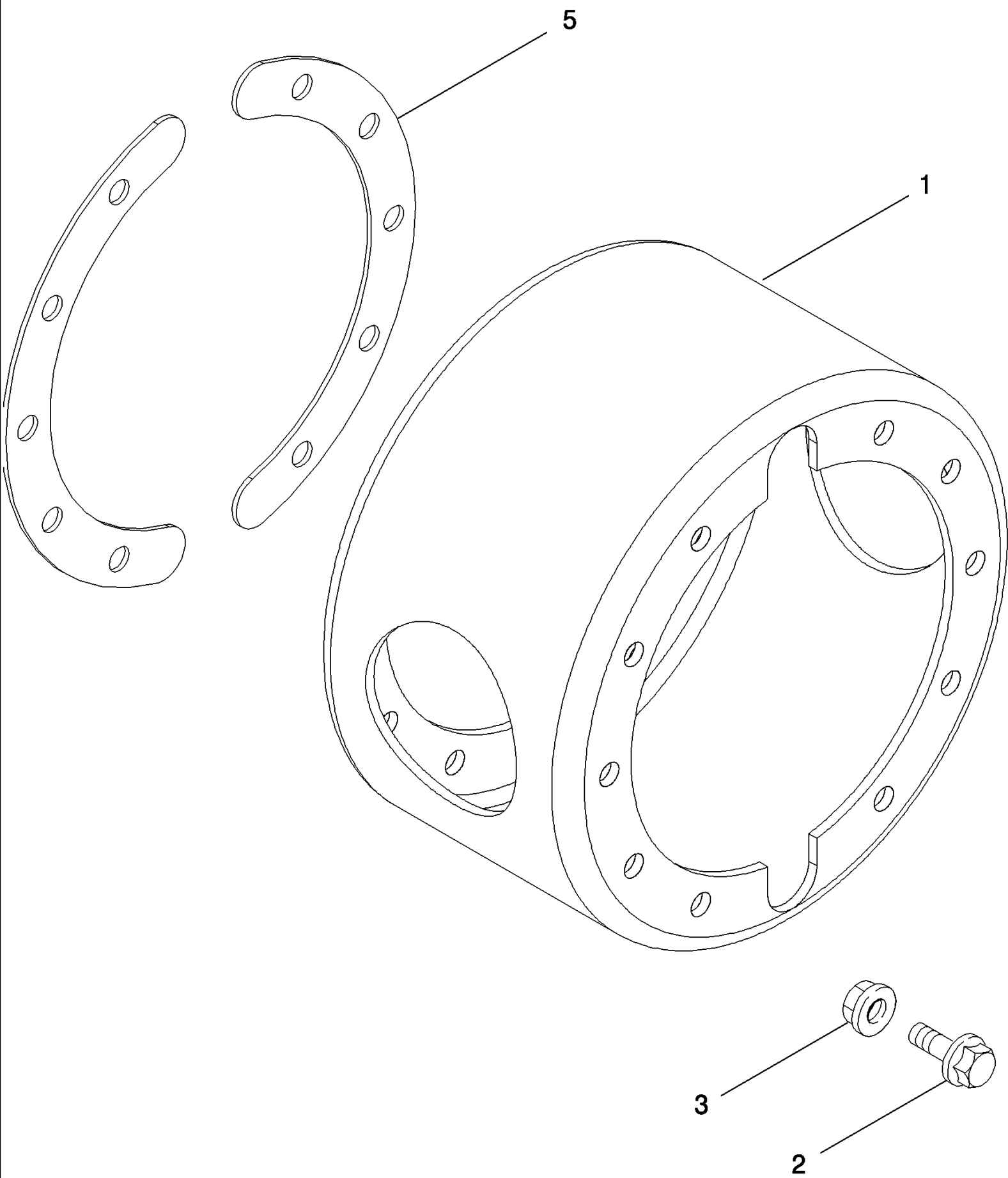
05-37 FRONT WHEELS - MFD, 12 BOLT HUB

сылка	Номер детали	Кол-во	Описание
1	188347A2	2	WHEEL ASSY, W18Lx28, Inc. 2 - 6, For Tires 600/65R28
2	188350A2	1	RIM,
3	188328A1	1	DISC, WHEEL, 12 Bolt
4	240686A1	8	BOLT, SPECIAL,
5	896-11016	8	WASHER, M17.5 x 30 x 4, HT,
6	829-1416	8	NUT, M16, CI 10,
1	188335A1	2	WHEEL ASSY., DWW13x30, Inc. 2 - 6, For Tires 380/85R30, 14.9R30
2	188338A1	1	RIM,
3	188328A1	1	DISC, WHEEL, 12 Bolt
4	240686A1	8	BOLT, SPECIAL,
5	896-11016	8	WASHER, M17.5 x 30 x 4, HT,
6	829-1416	8	NUT, M16, CI 10,
1	188339A1	2	WHEEL ASSY., DWW15x30 Inc. 2 - 6, For Tires 480/85R30, 480/70R30, 420/90R30, 16.9R30,
2	188341A1	1	RIM,
3	188328A1	1	DISC, WHEEL, 12 Bolt
4	240686A1	8	BOLT, SPECIAL,
5	896-11016	8	WASHER, M17.5 x 30 x 4, HT,
6	829-1416	8	NUT, M16, CI 10,
1	87401233	2	WHEEL, DW20x30, Inc. 2 - 6, For Tires 660/70R30
2	87402304	1	RIM,
3	188328A1	1	DISC, WHEEL, 12 Bolt
4	240686A1	8	BOLT, SPECIAL,
5	896-11016	8	WASHER, M17.5 x 30 x 4, HT,
6	829-1416	8	NUT, M16, CI 10,
1	231997A1	2	WHEEL ASSY., W13x34, Inc. 2 - 6, For Tires 380/85R34
2	231998A1	1	RIM,
3	231999A1	1	FLANGE, 12 Bolt
4	240686A1	8	BOLT, SPECIAL,
5	896-11016	8	WASHER, M17.5 x 30 x 4, HT,
6	829-1416	8	NUT, M16, CI 10,
1	259371A1	2	WHEEL ASSY., W15lx34, Inc. 2 - 6, For Tires 480/70R34, 540/65R34
2	259416A1	1	RIM,
3	231999A1	1	FLANGE, 12 Bolt
4	240686A1	8	BOLT, SPECIAL,
5	896-11016	8	WASHER, M17.5 x 30 x 4, HT,
6	829-1416	8	NUT, M16, CI 10,
1	87544869	2	WHEEL ASSY, W10x38, Inc. 2 - 6, For Tires 320/85R38
2	297355A1	1	RIM,
3	87544709	1	DISC, 12 Bolt
4	240686A1	12	BOLT, SPECIAL,
5	896-11016	12	WASHER, M17.5 x 30 x 4, HT,
6	829-1416	12	NUT, M16, CI 10,
1	87544870	2	WHEEL ASSY, W12x38, Inc. 2 - 6, For Tires 380/80R38
2	347618A1	1	RIM,
3	87544709	1	DISC, 12 Bolt

MAGNUM 335 CASE IH TRACTOR (NA)

05-37 FRONT WHEELS - MFD, 12 BOLT HUB

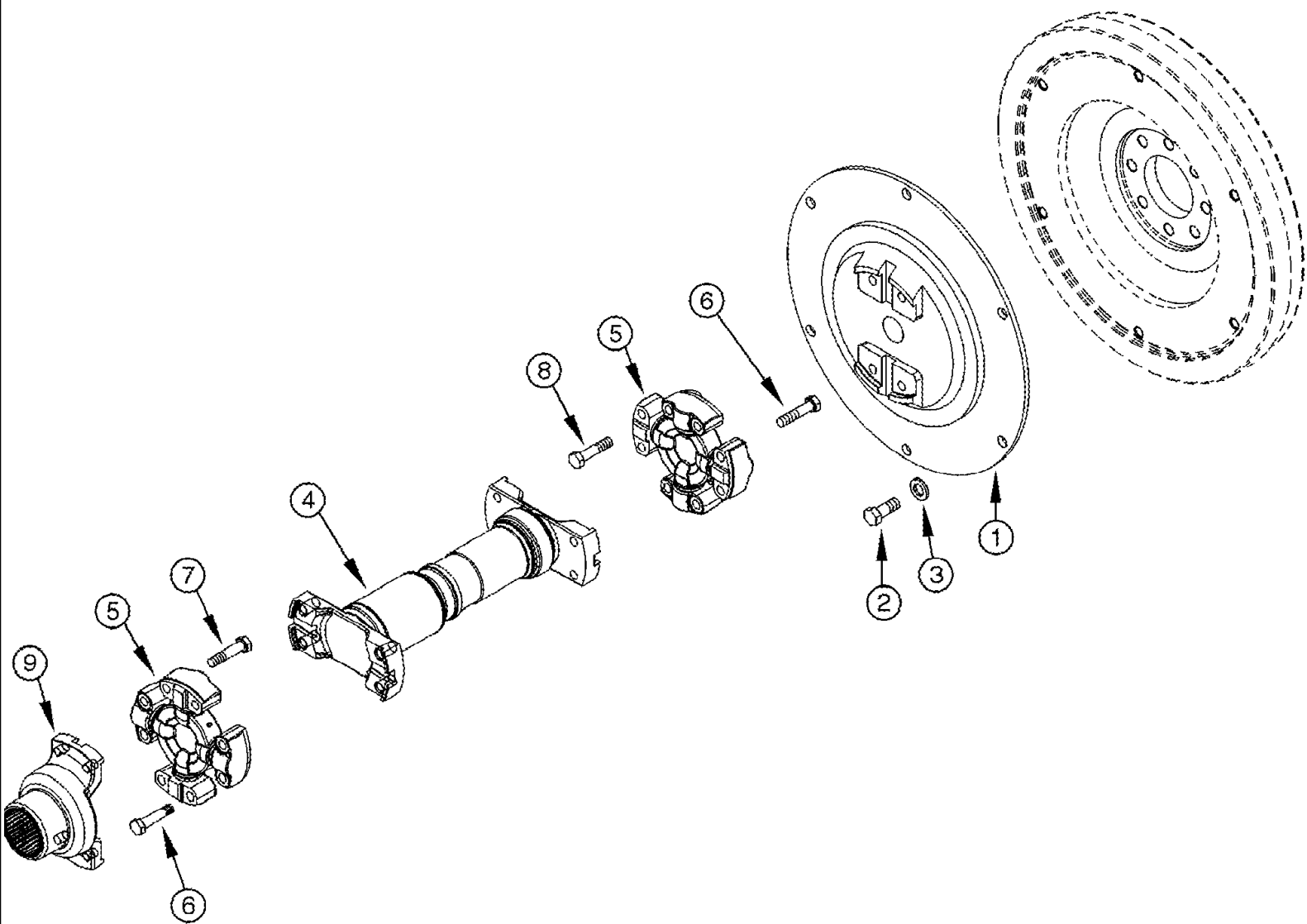
сылка	Номер детали	Кол-во	Описание
4	240686A1	12	BOLT, SPECIAL,
5	896-11016	12	WASHER, M17.5 x 30 x 4, HT,
6	829-1416	12	NUT, M16, CI 10,
1	87544871	2	WHEEL ASSY, W10Ax42, Inc. 2 - 6, For Tires 320/80R42
2	396520A1	1	RIM,
3	87544709	1	DISC, 12 Bolt
4	240686A1	12	BOLT, SPECIAL,
5	896-11016	12	WASHER, M17.5 x 30 x 4, HT,
6	829-1416	12	NUT, M16, CI 10,
10	86507333	2	VALVE STEM,



MAGNUM 335 CASE IH TRACTOR (NA)

05-38 SPACER - DUAL FRONT WHEELS

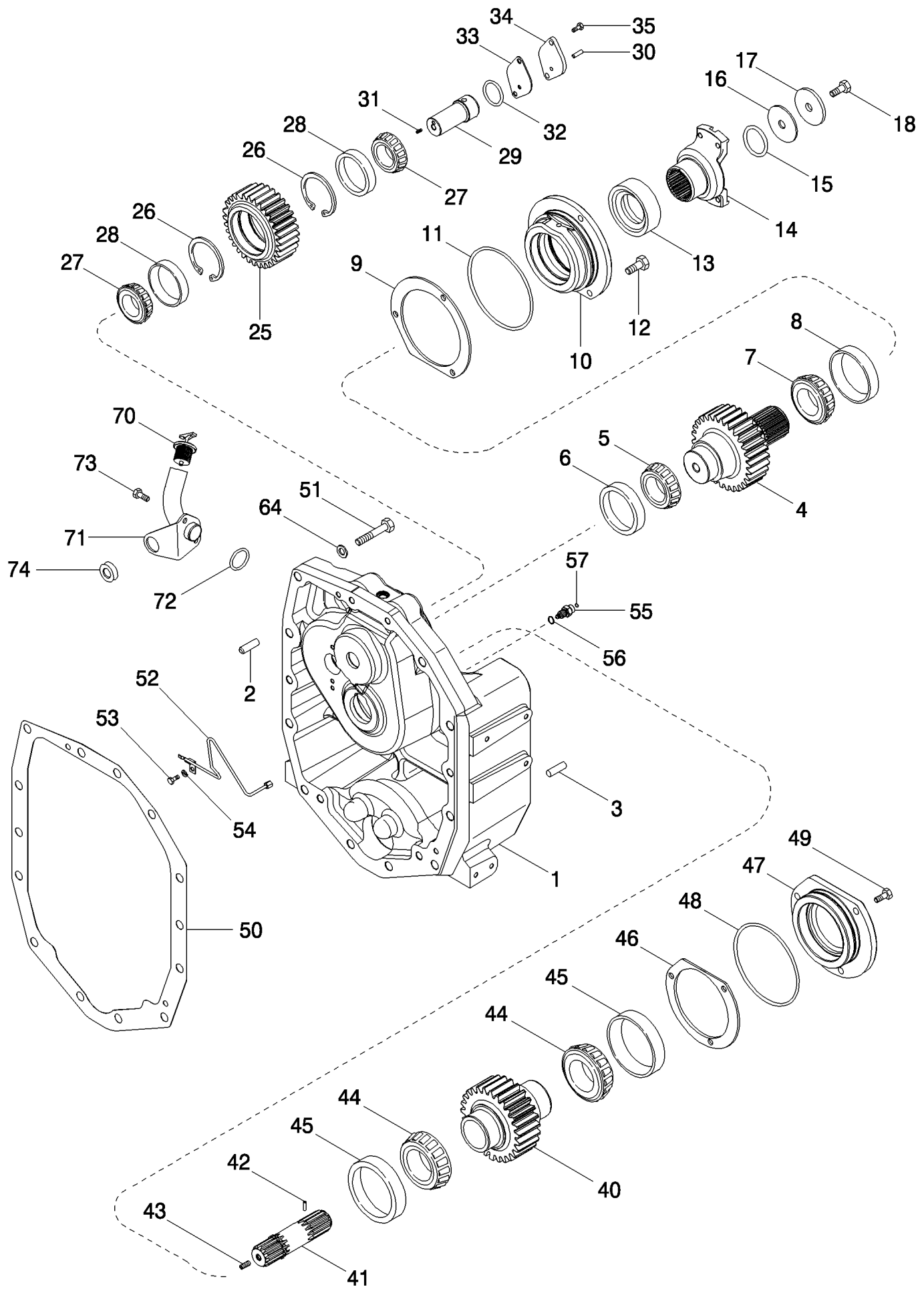
сылка	Номер детали	Кол-во	Описание
1	87326459	2	SPACER, 16 Inch
2	283120A1	20	BOLT, M20 x 45
3	253212A1	20	NUT,
5	365372A1	4	SHIM, Used With 34 Inch Wheel Only



MAGNUM 335 CASE IH TRACTOR (NA)

06-01 TRANSMISSION DRIVE SHAFT

сылка	Номер детали	Кол-во	Описание
1	248408A2	1	PLATE, DRIVE, , MX215, Magnum 215,MX245, and Magnum 245
1	248409A2	1	PLATE, DRIVE, , MX275, Magnum 275, MX305, and Magnum 305
2	628-12030	6	BOLT, Hex, M12 x 30, 10.9, Full Thd,
3	896-11012	6	WASHER, M13.5 x 24.5 x 3, HT,
4	259075A3	1	SHAFT, DRIVE, , MX215, Magnum 215,MX245, and Magnum 245
4	301842A2	1	SHAFT, DRIVE, , MX275, Magnum 275, MX305, and Magnum 305
5	259076A2	2	SPIDER, U-JOINT, , MX215, Magnum 215,MX245, and Magnum 245
5	301844A2	2	SPIDER, U-JOINT, , MX275, Magnum 275, MX305, and Magnum 305
6	828-10045	8	BOLT, Hex, M10 x 45, 10.9, , MX215, Magnum 215,MX245, and Magnum 245
6	828-12050	8	BOLT, Hex, M12 x 50, 10.9, , MX275, Magnum 275, MX305, and Magnum 305
7	828-10045	4	BOLT, Hex, M10 x 45, 10.9, , MX215, Magnum 215,MX245, and Magnum 245
7	828-12050	4	BOLT, Hex, M12 x 50, 10.9, , MX275, Magnum 275, MX305, and Magnum 305
8	828-10045	4	BOLT, Hex, M10 x 45, 10.9, , MX215, Magnum 215,MX245, and Magnum 245
8	828-12050	4	BOLT, Hex, M12 x 50, 10.9, , MX275, Magnum 275, MX305, and Magnum 305
9	259188A1	1	YOKE, Input, MX215, Magnum 215,MX245, and Magnum 245
9	301843A1	1	YOKE, Input, MX275, Magnum 275, MX305, and Magnum 305



MAGNUM 335 CASE IH TRACTOR (NA)

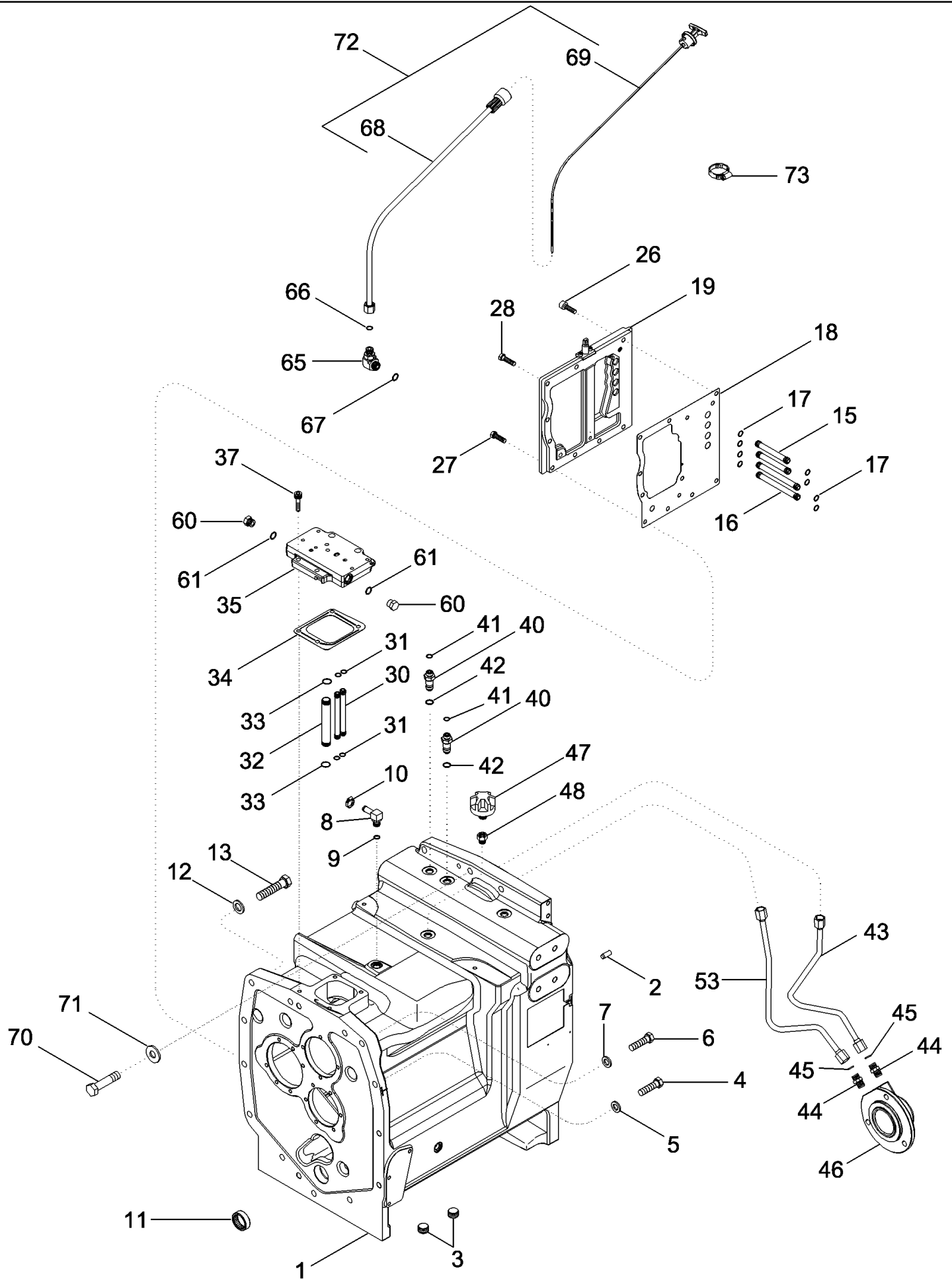
06-02 TRANSMISSION DROP BOX

сылка	Номер детали	Кол-во	Описание
1	225171A6	1	HOUSING, Inc. 2, 3
2	375362R1	2	PIN, 1/2 x 1-3/8
3	837-20040	2	DOWEL, M20 x 40,
4	302553A1	1	SHAFT, GEAR, 33T
5	105503H	1	BEARING, CONE,
6	105496H	1	BEARING, CUP,
7	659458R1	1	BEARING, CONE,
8	105497H	1	BEARING, CUP,
	275216A2	1	KIT, SHIM, Inc. 9
9	341206A1	2	SHIM, 0.152 mm
9	341205A1	2	SHIM, 0.178 mm
9	275214A1	2	SHIM, 0.203 mm
9	228267A1	2	SHIM, 0.356 mm
9	228270A1	2	SHIM, 0.635 mm
10	221240A4	1	CAGE,
11	238-5161	1	O-RING, -161, 70 Duro, 5.487" ID x .103" Thk,
12	339770A1	3	SCREW,
13	225820A1	1	SEAL, OIL,
14	259188A1	1	YOKE, , MX215, Magnum 215, MX245, and Magnum 245
14	301843A1	1	YOKE, , MX275, Magnum 275, MX305, and Magnum 305
15	238-5225	1	O-RING, -225, 70 Duro, 1.859" ID x .139" Thk,
	276639A1	1	KIT, SHIM, Inc. 16
16	276638A1	2	SHIM, 0.203 mm
16	230486A1	2	SHIM, 0.356 mm
16	230487A1	2	SHIM, 0.508 mm
16	230488A1	2	SHIM, 0.559 mm
16	230490A1	2	SHIM, 0.635 mm
17	230497A1	1	WASHER,
18	628-16035	1	BOLT, Hex, M16 x 35, 10.9, Full Thd,
25	302554A1	1	SHAFT, GEAR, 35T
26	101-21325	2	RING, SNAP, #325, 3.488", Int,
27	364463C91	2	BEARING, CONE,
28	364462C1	2	BEARING, CUP,
29	228304A2	1	SHAFT ASSY., Inc. 30,31
30	837-8020	1	DOWEL, M8 x 20,
31	1342851C1	1	PLUG, 10 mm
32	238-5140	1	O-RING, -140, 90 Duro, 2.237" ID x .103" Thk,
	275217A2	1	KIT, SHIM, Inc. 33
33	341208A1	2	SHIM, 0.152 mm
33	341207A1	2	SHIM, 0.178 mm
33	275215A1	2	SHIM, 0.203 mm
33	228300A1	2	SHIM, 0.356 mm
33	228303A1	2	SHIM, 0.635 mm
34	258469A1	1	PLATE, COVER,
35	339770A1	2	SCREW,

MAGNUM 335 CASE IH TRACTOR (NA)

06-02 TRANSMISSION DROP BOX

сылка	Номер детали	Кол-во	Описание
40	302555A1	1	SHAFT, GEAR, 30 T
41	282726A1	1	SHAFT, Inc. 42,43, Without Creep or 19 Speed/Without 50 KPH
41	282724A1	1	SHAFT, Inc. 42,43, With Creep or 19 Speed/With 50 KPH
42	38-3605	1	PIN, 3/32" x 5/16", Coiled,
43	284151A1	1	SCREW, M10 x 10
44	105503H	2	BEARING, CONE,
45	105496H	2	BEARING, CUP,
	275219A2	1	KIT, SHIM, Inc. 46
46	341210A1	2	SHIM, 0.152 mm
46	341209A1	2	SHIM, 0.178 mm
46	275213A1	2	SHIM, 0.203 mm
46	228261A1	2	SHIM, 0.356 mm
46	228265A1	2	SHIM, 0.635 mm
47	226188A3	1	CAGE,
48	238-5157	1	O-RING, -157, 70 Duro, 4.487" ID x .103" Thk,
49	339770A1	3	SCREW,
50	230760A2	1	GASKET,
51	828-20110	2	BOLT, Hex, M20 x 110, 10.9,
52	259979A2	1	TUBE,
53	614-10020	1	BOLT, Hex, M10 x 20, 8.8, Full Thd,
54	892-11010	1	WASHER, LOCK, M10,
55	93105C1	1	UNION,
56	237-6008	1	O-RING, 8-1, 90 Duro, .644" ID x .087" Thk,
57	238-6014	1	O-RING, -014, 90 Duro, .489" ID x .070" Thk,
64	896-12020	2	WASHER, M20 x 37.5 x 4, HT,
70	279640A1	1	CAP,
71	295087A1	1	TUBE,
72	238-5222	1	O-RING, -222, 70 Duro, 1.484" ID x .139" Thk,
73	614-10020	2	BOLT, Hex, M10 x 20, 8.8, Full Thd,
74	248-2181	1	GROMMET, 1" ID x 3/8" Groove Dia,
75	353-402	2	PLUG, Dome, .375" hole, Nylon, (Not Shown)



MAGNUM 335 CASE IH TRACTOR (NA)

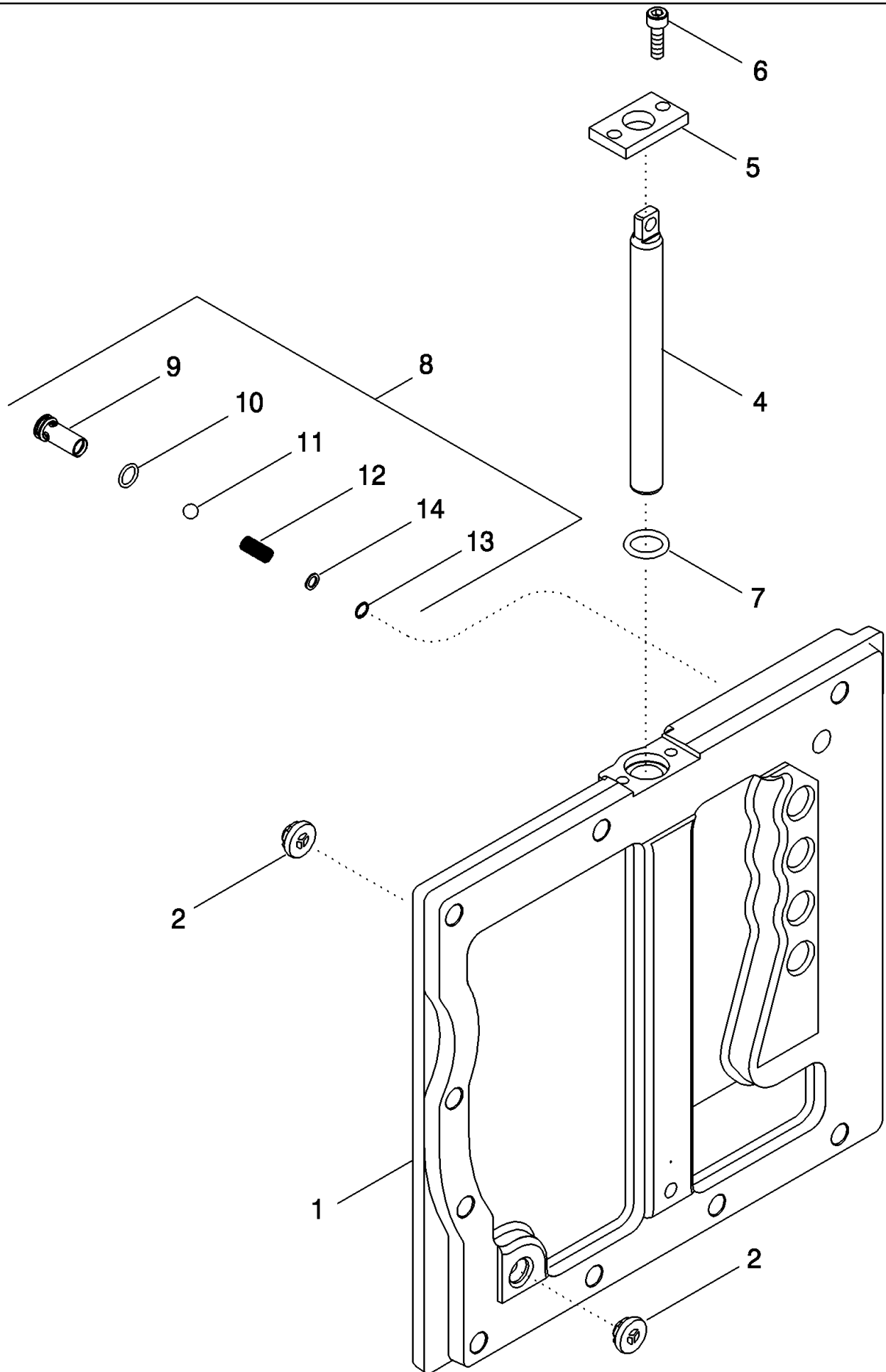
06-03 SPEED TRANSMISSION - HOUSING

сылка	Номер детали	Кол-во	Описание
1	87428576	1	HOUSING ASSY., Inc. 2, 3
2	837-12030	2	DOWEL, M12 x 30,
3	192792A1	2	PLUG, 3/4 in
4	828-16060	7	BOLT, Hex, M16 x 60, 10.9, Full Thd,
5	896-12016	7	WASHER, M17.5 x 30 x 4, HT,
6	828-16090	2	BOLT, Hex, M16 x 90, 10.9,
7	896-12016	2	WASHER, M17.5 x 30 x 4, HT,
8	87454069	1	ELBOW,
9	637-63153	1	O-RING, CI 6, 15.3MM ID x 2.2 Thk,
10	214-1408	1	CLAMP, HOSE, #08, 0.50/0.91 Type F Worm,
11	205369R91	1	BEARING, NEEDLE,
12	896-12016	1	WASHER, M17.5 x 30 x 4, HT,
13	87308873	1	SCREW, 12 Pt Hd, M16 x 90, 12.9,
15	235976A2	2	TUBE,
16	235977A2	2	TUBE,
17	238-5014	8	O-RING, -014, 70 Duro, .489" ID x .070" Thk,
18	87433655	1	GASKET,
19	87433653	1	PLATE ASSY., , See Figure 06-04
26	861-10030	2	SCREW, Hex Soc Hd, M10 x 30, 12.9,
27	628-10035	6	BOLT, Hex, M10 x 35, 10.9, Full Thd,
28	614-10040	2	BOLT, Hex, M10 x 40, 8.8, Full Thd,
30	235977A2	2	TUBE,
31	238-5014	4	O-RING, -014, 70 Duro, .489" ID x .070" Thk,
32	300827A1	1	TUBE,
33	238-5019	2	O-RING, -019, 70 Duro, .801" ID x .070" Thk,
34	87424932	1	GASKET,
35	87444975	1	PLATE, , See Figure 06-05
37	861-10035	4	SCREW, Hex Soc Hd, M10 x 35, 12.9,
40	87341626	2	FITTING, , With Creep or 19 Speed/With 50 KPH
41	238-6014	2	O-RING, -014, 90 Duro, .489" ID x .070" Thk,
42	237-6008	2	O-RING, 8-1, 90 Duro, .644" ID x .087" Thk,
43	87341628	1	TUBE, Lube, With Creep or 19 Speed/With 50 KPH, Transmission BSN AJB0366999
43	87544717	1	TUBE, Lube, Transmission ASN AJB0366999, With Creep or 19 Speed/With 50 KPH
44	218-5352	2	CONNECTOR, HYD., 9/16"-18, 37e x 7/16"-20, O-Ring, Incl. 45, With Creep or 19 Speed/With 50 KPH
46	87341627	1	MANIFOLD,
47	1971726C1	1	BREATHER,
48	87306797	1	ADAPTER, 1/4"-18 Fem NPTF x 1/4"-18 NPTF Male,
45	237-6004	2	O-RING, 4-1, 90 Duro, .351" ID x .072" Thk,
53	87341629	1	TUBE, Pressure, With Creep or 19 Speed/With 50 KPH, Transmission BSN AJB0366999
53	87544716	1	TUBE, Pressure, Transmission ASN AJB0366999, With Creep or 19 Speed/With 50 KPH
60	214389	2	PLUG, Hex Hd, 3/4"-16 ORB, Inc. 61, Without Creep or 19 Speed/Without 50 KPH
61	237-6008	2	O-RING, 8-1, 90 Duro, .644" ID x .087" Thk,
65	86579691	1	ELBOW, 90e, 13/16"-18 ORFS x M18 x 1.5 ORB, Inc. 66, 67
66	9992298	1	O-RING, -014, 90 Duro, .489" ID x .070" Thk,
67	86598101	1	O-RING, CI 6, 15.3MM ID x 2.2 Thk,

MAGNUM 335 CASE IH TRACTOR (NA)

06-03 SPEED TRANSMISSION - HOUSING

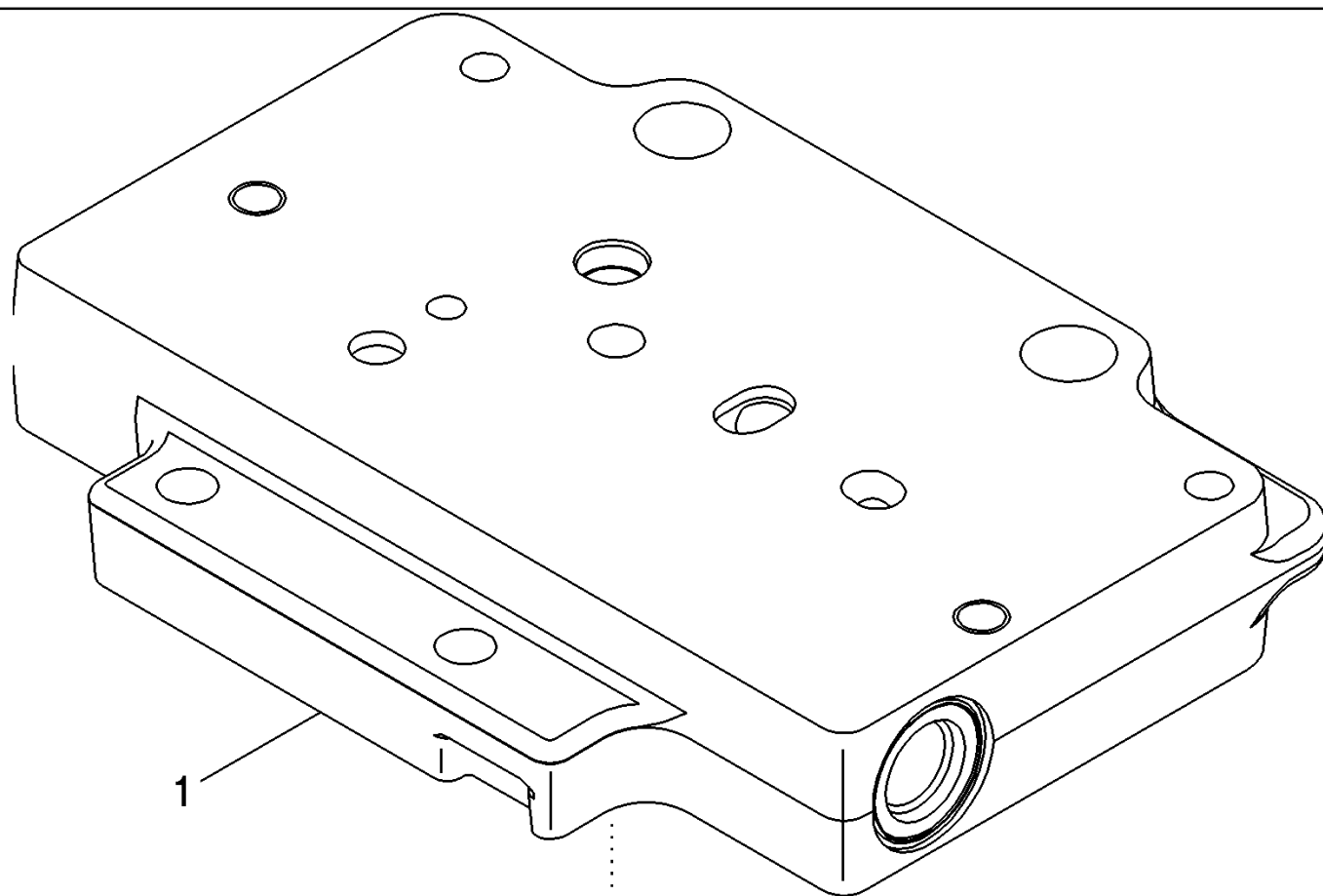
сылка	Номер детали	Кол-во	Описание
68	295149A1	1	TUBE,
69	295316A1	1	DIPSTICK,
70	828-16070	2	BOLT, Hex, M16 x 70, 10.9,
71	896-12016	2	WASHER, M17.5 x 30 x 4, HT,
72	297501A1	1	GAUGE, Assy., Inc. 68, 69
73	614-12025	4	BOLT, Hex, M12 x 25, 8.8, (Not Shown)



MAGNUM 335 CASE IH TRACTOR (NA)

06-04 PLATE ASSEMBLY - VALVE MOUNTING, LEFT HAND SIDE

сылка	Номер детали	Кол-во	Описание
	87433653	1	PLATE ASSY., Inc. 1 - 14
1	NSS	1	NOT SERVICED SEPARATELY, PLATE
2	1994615C2	2	VALVE, CHECK,
4	234802A2	1	PIN,
5	315904A1	1	PLATE, RETAINING,
6	863-6020	2	SCREW, Hex Soc Hd, M6 x 20, 12.9,
7	238-5208	1	O-RING, -208, 70 Duro, .609" ID x .139" Thk,
8	445492A2	1	VALVE, CHECK, Inc. 9 - 14
9	NSS	1	NOT SERVICED SEPARATELY, BODY
10	238-5012	1	O-RING, -012, 70 Duro, .364" ID x .070" Thk,
11	211-1009	1	BALL, 9/32; 24,CRS
12	445494A1	1	SPRING, VALVE,
13	100-2131	1	RING, SNAP, 0.312", Int, #31,
14	86988656	1	WASHER, SPRING,



1



3



4



5



6



8



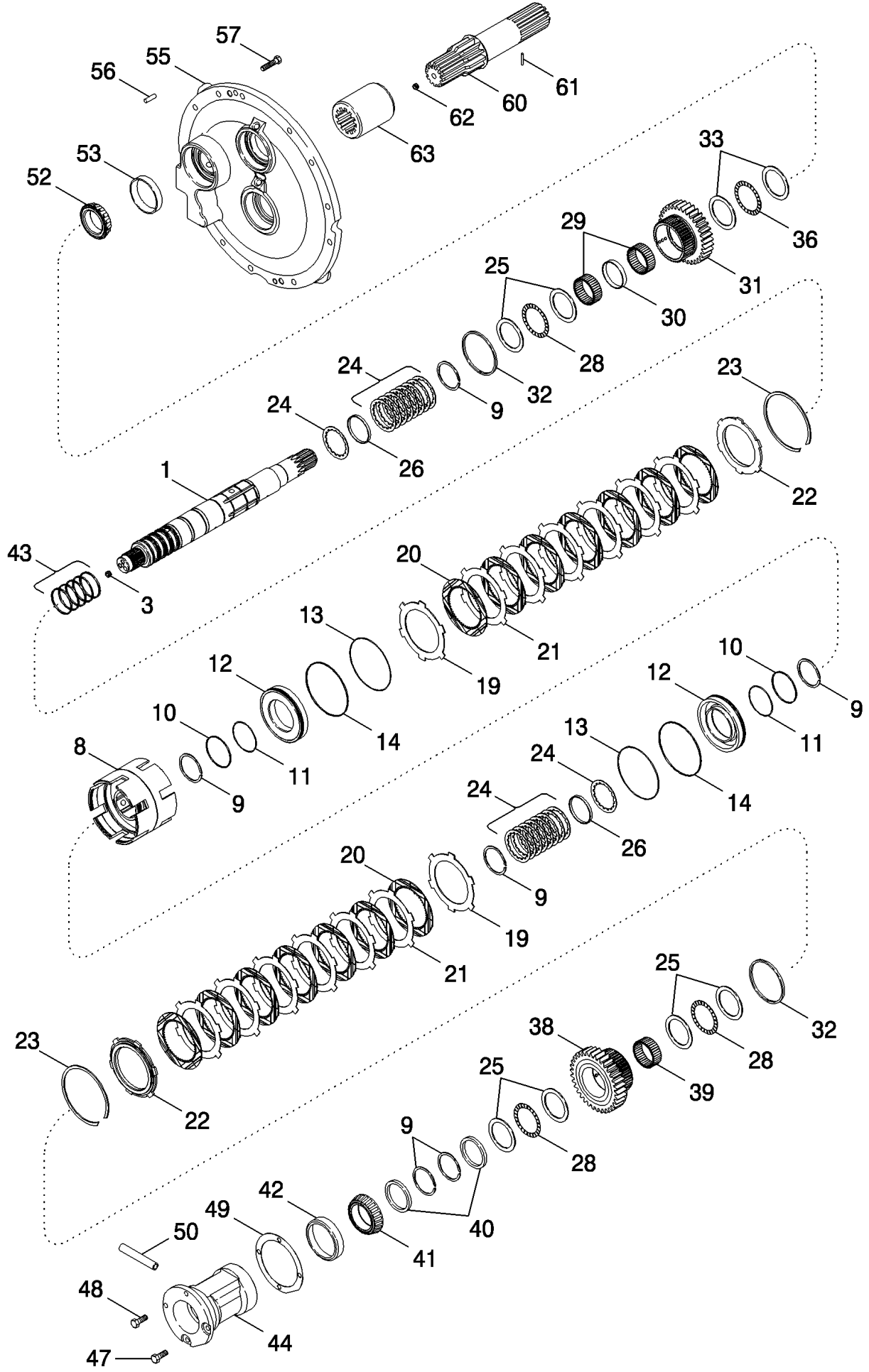
7

2

MAGNUM 335 CASE IH TRACTOR (NA)

06-05 PLATE ASSEMBLY - VALVE MOUNTING, TOP

сылка	Номер детали	Кол-во	Описание
	87444975	1	PLATE, Inc. 1 - 8
1	87444976	1	PLATE,
2	445492A2	1	VALVE, CHECK, Inc. 3 - 8
3	NSS	1	NOT SERVICED SEPARATELY, BODY
4	238-5012	1	O-RING, -012, 70 Duro, .364" ID x .070" Thk,
5	211-1009	1	BALL, 9/32; 24,CRS
6	445494A1	1	SPRING, VALVE,
7	100-2131	1	RING, SNAP, 0.312", Int, #31,
8	86988656	1	WASHER, SPRING,



MAGNUM 335 CASE IH TRACTOR (NA)

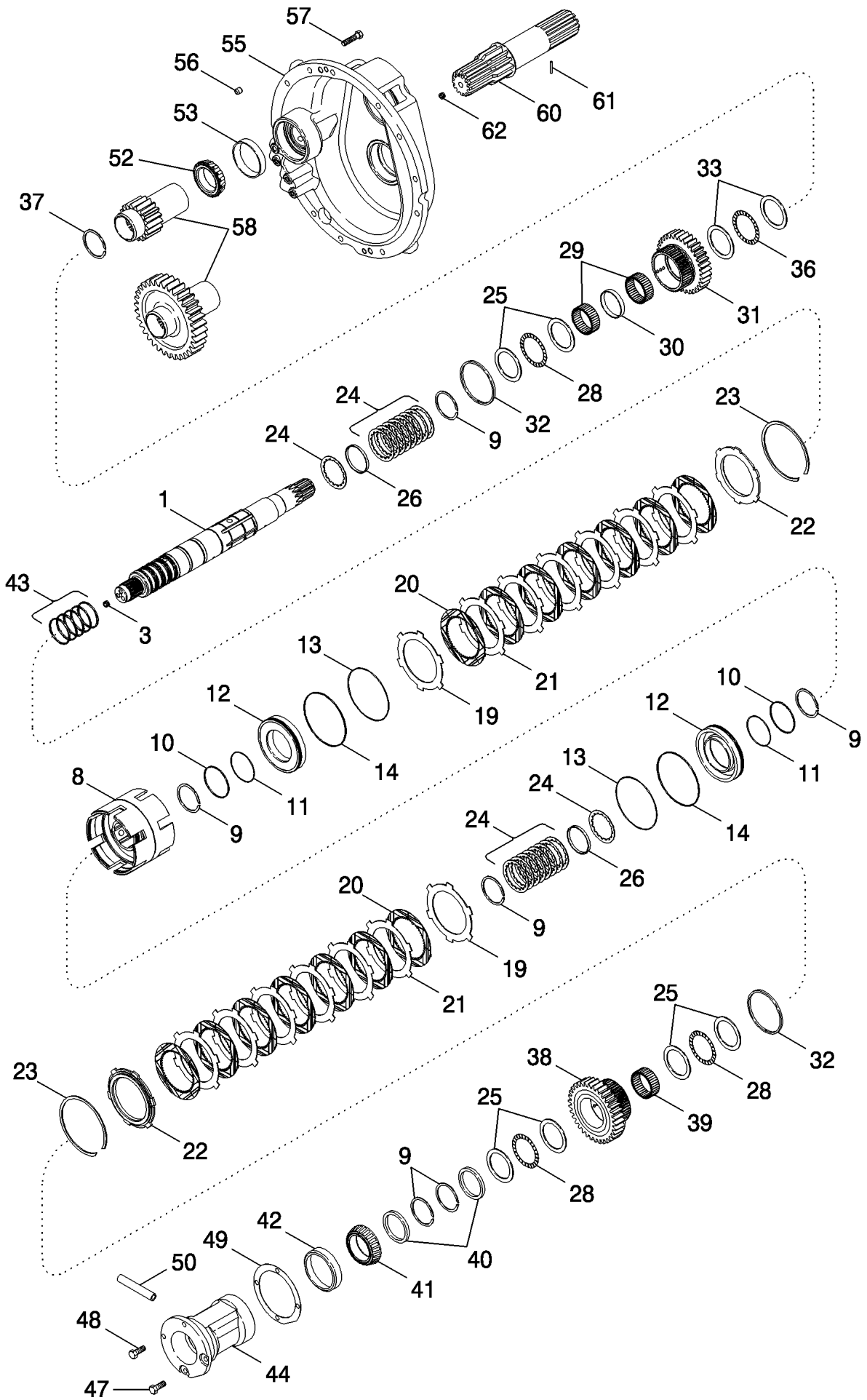
06-06 SPEED TRANSMISSION - INPUT SHAFT WITHOUT CREEP OR 19 SPEED

сылка	Номер детали	Кол-во	Описание
1	87434648	1	SHAFT ASSY., Inc. 3
3	1342851C1	2	PLUG, 10 mm
8	86987595	1	CARRIER,
9	101-11250	6	RING, SNAP, #250, 2.356, Ext,
10	1286081C1	2	O-RING,
11	1286076C1	2	RING,
12	242492A5	2	PISTON,
13	1286083C1	2	O-RING,
14	1286079C1	2	RING,
19	87738316	2	DISC, Separator
20	86990276	14	DISC, Friction
21	92934C2	12	DISC, Separator
22	1342645C3	2	DISC, CLUTCH,
23	1285996C1	2	RING, SNAP,
24	87425389	18	SPRING, BELLEVILLE,
25	1286043C1	6	WASHER, THRUST,
26	87434656	2	RING, Lube
28	572182R1	3	BEARING, THRUST,
29	80907C1	2	BEARING, NEEDLE,
30	93297C1	1	SPACER,
31	1342495C1	1	GEAR, DRIVEN, 37T
32	1286052C1	2	RING,
33	1286042C1	2	WASHER, THRUST,
36	87012543	1	BEARING, THRUST,
38	1285985C1	1	GEAR, WHEEL, 34T
39	1286016C1	1	BEARING, NEEDLE,
40	1286039C1	2	SPACER,
41	364465C1	1	BEARING, CONE,
42	258452C1	1	BEARING, CUP,
43	1286026C1	5	RING,
44	254574A2	1	CAGE,
47	613-10025	2	BOLT, Hex, M10 x 25, 8.8, Full Thd,
48	613-10030	2	BOLT, Hex, M10 x 30, 8.8, Full Thd,
49	1286071C1	2	SHIM, 0.08 mm
49	1286072C1	2	SHIM, 0.10 mm
49	1286073C1	2	SHIM, 0.13 mm
49	1286074C1	2	SHIM, 0.30 mm
49	1286075C1	2	SHIM, 0.76 mm
50	1981207C1	1	TUBE,
52	627639R1	1	BEARING, CONE,
53	ST970	1	BEARING, CUP,
55	258470A2	1	SUPPORT, Inc. 56
56	37-188	8	DOWEL, 1/2" x 1/2",
57	613-12040	11	BOLT, Hex, M12 x 40, 8.8, Full Thd,
60	282726A1	1	SHAFT, Inc. 61, 62

MAGNUM 335 CASE IH TRACTOR (NA)

06-06 SPEED TRANSMISSION - INPUT SHAFT WITHOUT CREEP OR 19 SPEED

сылка	Номер детали	Кол-во	Описание
61	38-3605	1	PIN, 3/32" x 5/16", Coiled,
62	284151A1	1	SCREW, M10 x 10
63	226637A1	1	COUPLING, SPLINED,



MAGNUM 335 CASE IH TRACTOR (NA)

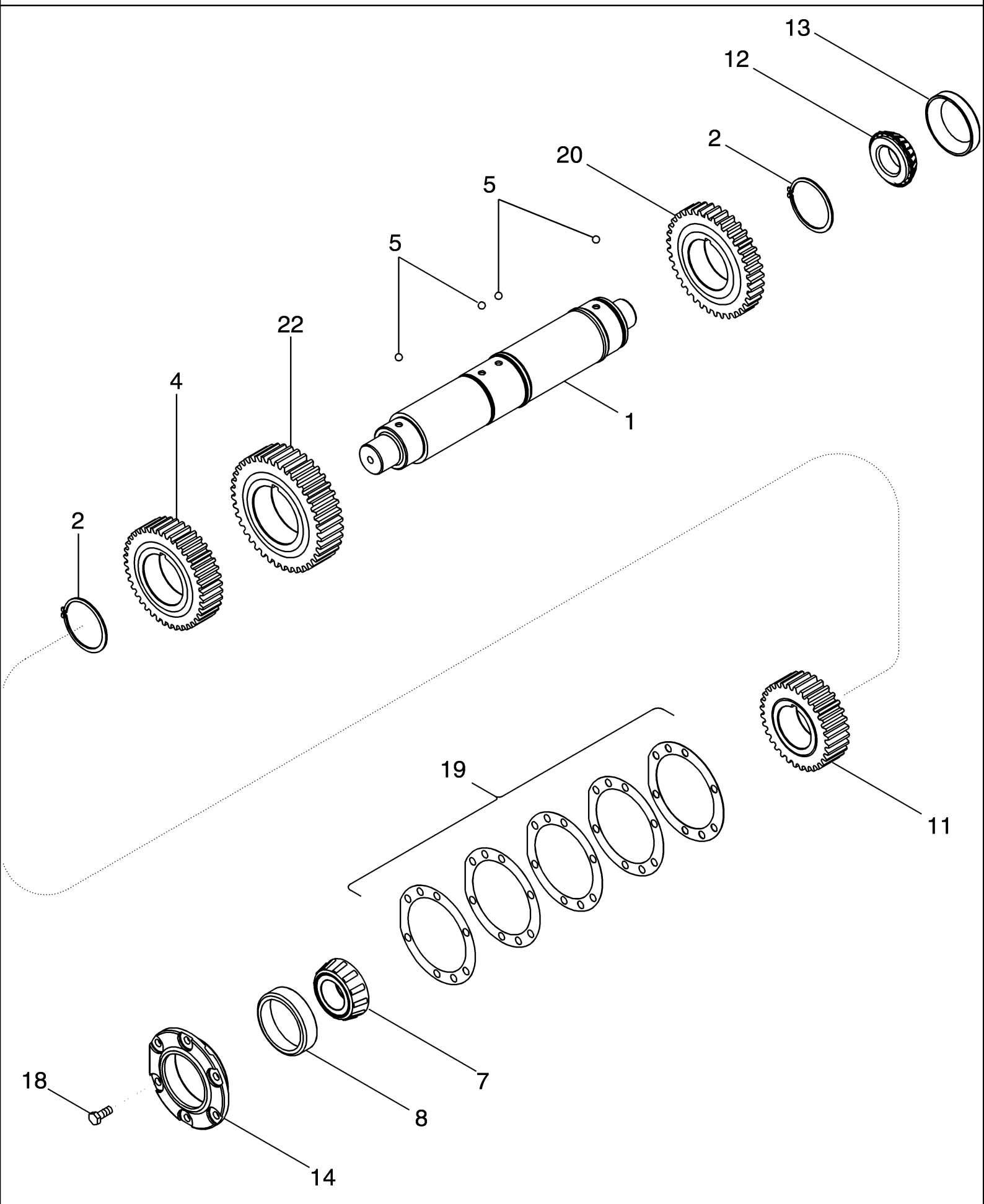
06-07 SPEED TRANSMISSION - INPUT SHAFT WITH CREEP/19 SPEED OR 50 KPH TRANSMISSION

сылка	Номер детали	Кол-во	Описание
1	87425385	1	SHAFT ASSY., Inc. 3
3	1342851C1	2	PLUG, 10 mm
8	86987595	1	CARRIER,
9	101-11250	6	RING, SNAP, #250, 2.356, Ext,
10	1286081C1	2	O-RING,
11	1286076C1	2	RING,
12	242492A5	2	PISTON,
13	1286083C1	2	O-RING,
14	1286079C1	2	RING,
19	87738316	2	DISC, Separator
20	86990276	14	DISC, Friction
21	92934C2	12	DISC, Separator
22	1342645C3	2	DISC, CLUTCH,
23	1285996C1	2	RING, SNAP,
24	87425389	18	SPRING, BELLEVILLE,
25	1286043C1	6	WASHER, THRUST,
26	87434656	2	RING, Lube
28	572182R1	3	BEARING, THRUST,
29	80907C1	2	BEARING, NEEDLE,
30	93297C1	1	SPACER,
31	1342495C1	1	GEAR, DRIVEN, 37T
32	1286052C1	2	RING,
33	1286042C1	2	WASHER, THRUST,
36	87012543	1	BEARING, THRUST,
37	92793C1	1	RING,
38	1285985C1	1	GEAR, WHEEL, 34T
39	1286016C1	1	BEARING, NEEDLE,
40	1286039C1	2	SPACER,
41	364465C1	1	BEARING, CONE,
42	258452C1	1	BEARING, CUP,
43	1286026C1	5	RING,
44	254574A2	1	CAGE,
47	613-10025	2	BOLT, Hex, M10 x 25, 8.8, Full Thd,
48	613-10030	2	BOLT, Hex, M10 x 30, 8.8, Full Thd,
49	1286071C1	2	SHIM, 0.08 mm
49	1286072C1	2	SHIM, 0.10 mm
49	1286073C1	2	SHIM, 0.13 mm
49	1286074C1	2	SHIM, 0.30 mm
49	1286075C1	2	SHIM, 0.76 mm
50	1981207C1	1	TUBE,
52	L33289	1	BEARING, CONE, 2-1/4 inch ID
53	105497H	1	BEARING, CUP,
55	87439859	1	CARRIER, Inc. 56
56	37-188	9	DOWEL, 1/2" x 1/2",
57	613-12040	11	BOLT, Hex, M12 x 40, 8.8, Full Thd,

MAGNUM 335 CASE IH TRACTOR (NA)

06-07 SPEED TRANSMISSION - INPUT SHAFT WITH CREEP/19 SPEED OR 50 KPH TRANSMISSION

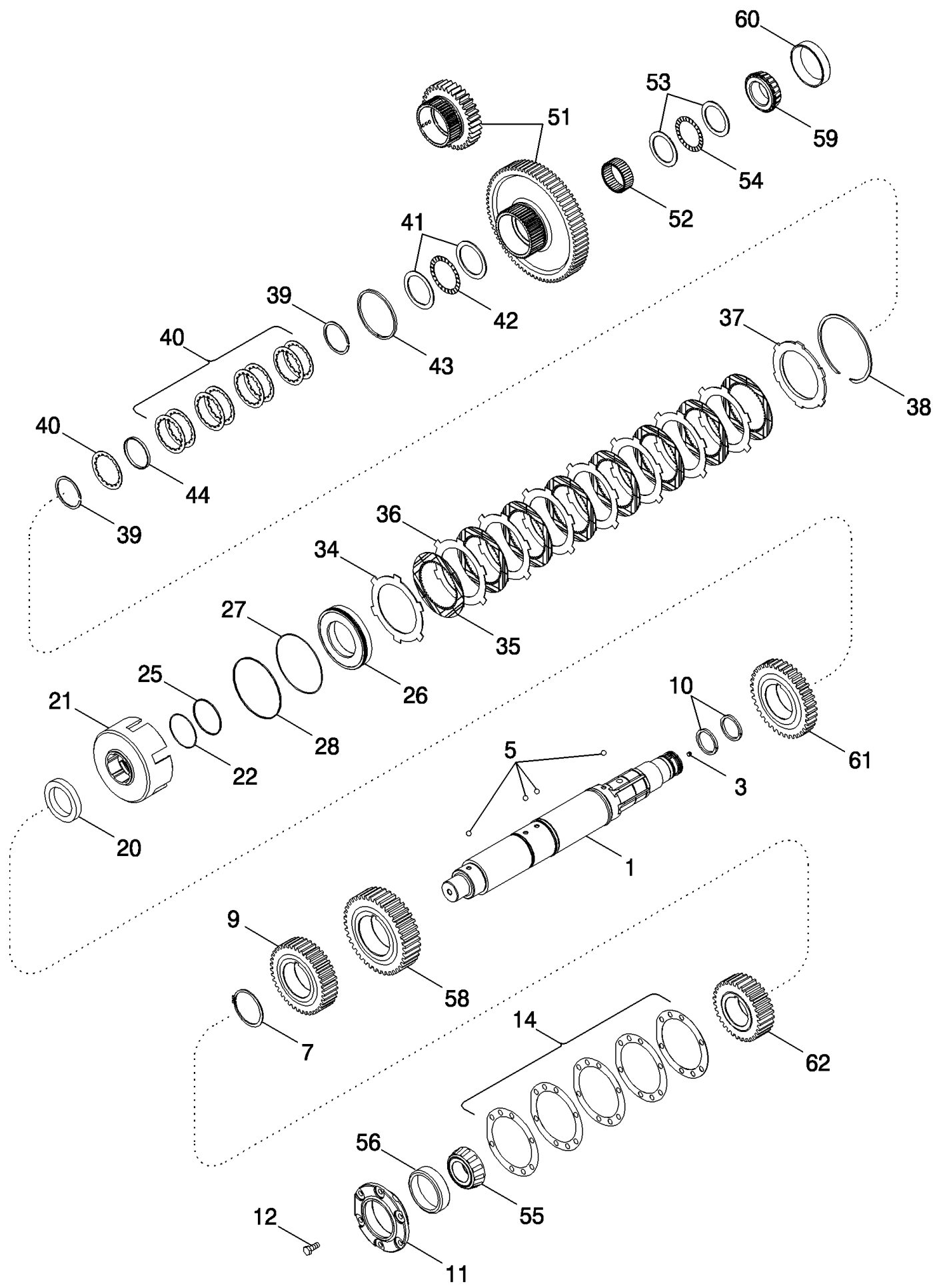
сылка	Номер детали	Кол-во	Описание
58	230042A1	1	GEAR, 17T, Creeper Drive (If Equipped)
58	87425388	1	GEAR, DRIVEN, 44T, 50 KPH Transmission (Australia Only) (If Equipped)
60	282724A1	1	SHAFT, Inc. 61, 62
61	38-3605	1	PIN, 3/32" x 5/16", Coiled,
62	284151A1	1	SCREW, M10 x 10



MAGNUM 335 CASE IH TRACTOR (NA)

06-08 SPEED TRANSMISSION - COUNTERSHAFT WITHOUT CREEP OR 19 SPEED

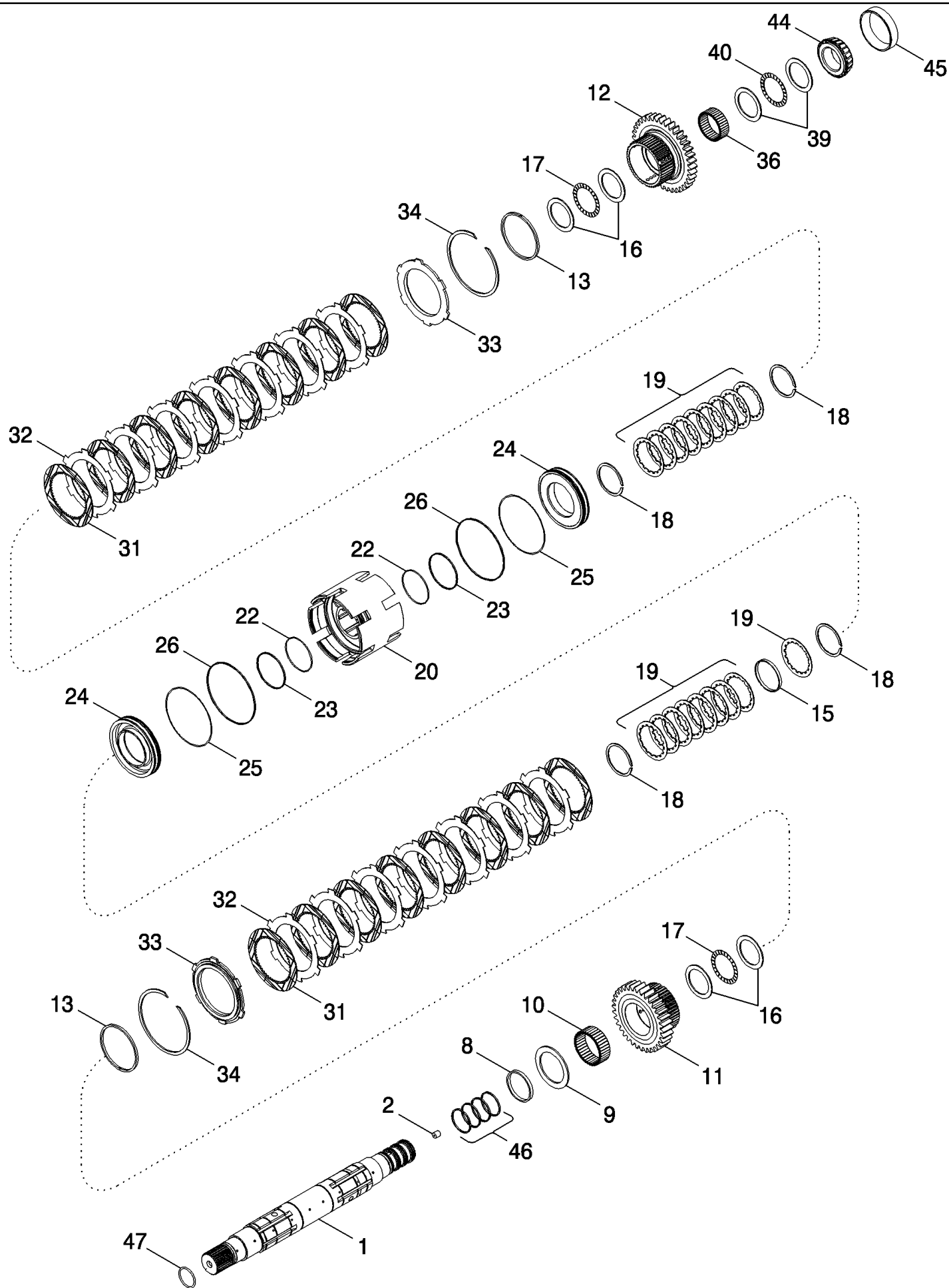
сылка	Номер детали	Кол-во	Описание
1	1342253C2	1	SHAFT,
2	100-11293	2	RING, SNAP, #293, Ext,
4	1285983C1	1	GEAR, DRIVING, Drive, 34T
5	211-1012	4	BALL, 3/8" Dia,
7	18427	1	BEARING, CONE,
8	ST951	1	BEARING, CUP,
11	1285981C1	1	PINION, Drive, 29 T
12	ST2051	1	BEARING, CONE,
13	ST863	1	BEARING, CUP,
14	1286000C3	1	CAGE,
18	613-10025	6	BOLT, Hex, M10 x 25, 8.8, Full Thd,
19	120647C2	AR	SHIM, 0.08 mm
19	120648C2	AR	SHIM, 0.10 mm
19	120649C2	AR	SHIM, 0.13 mm
19	120650C2	AR	SHIM, 0.30 mm
19	120651C2	AR	SHIM, 0.76 mm
20	1285989C1	1	PINION, Driven, 37T
22	1285986C1	1	PINION, Driven, 39T



MAGNUM 335 CASE IH TRACTOR (NA)

06-09 SPEED TRANSMISSION - COUNTERSHAFT WITH CREEP/19 SPEED OR 50 KPH TRANSMISSION

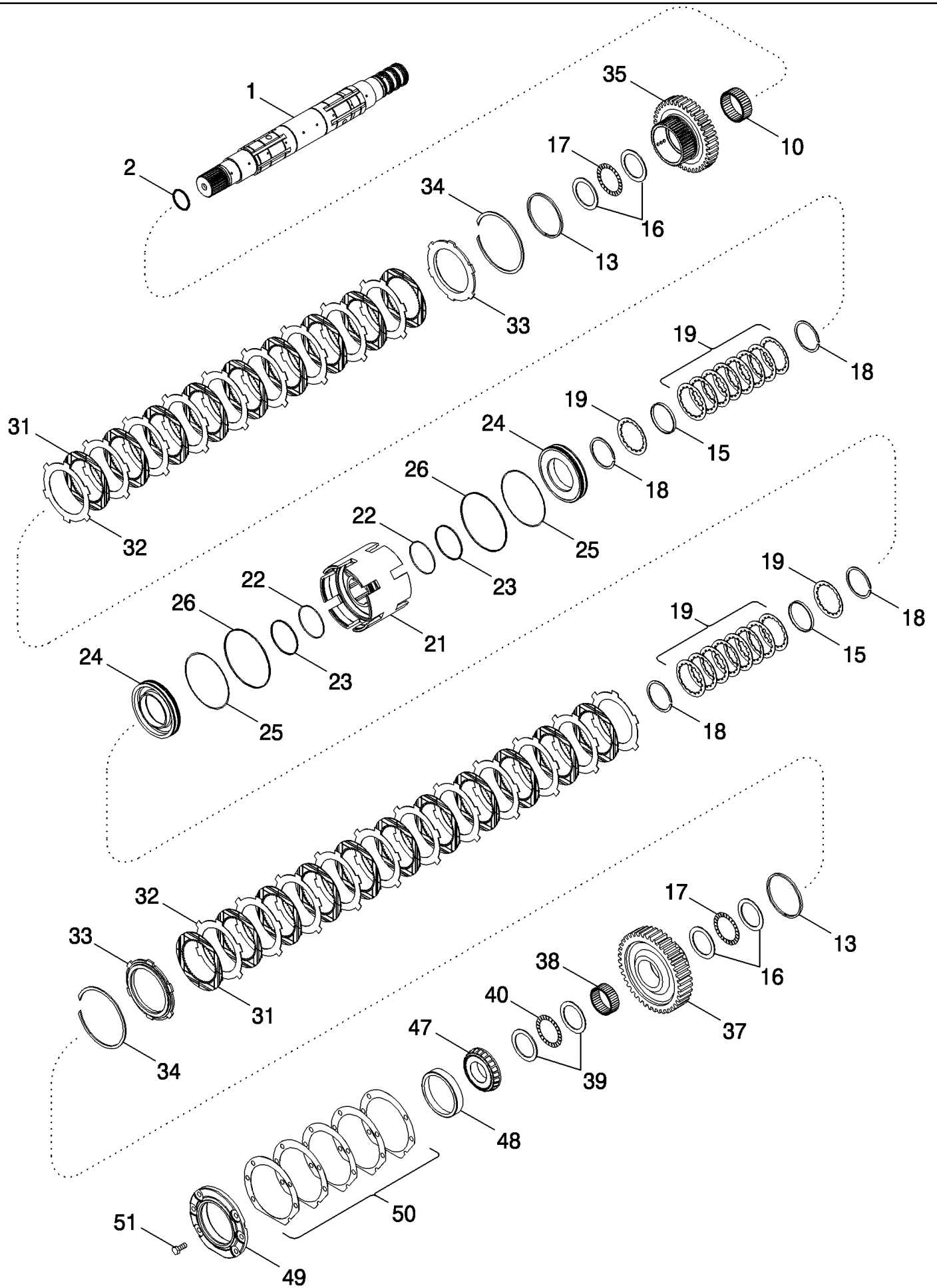
сылка	Номер детали	Кол-во	Описание
1	87425383	1	SHAFT ASSY., Inc. 3
3	187516A1	1	PLUG, 12 mm
5	211-1012	4	BALL, 3/8" Dia,
7	100-11293	1	RING, SNAP, #293, Ext,
9	1285983C1	1	GEAR, DRIVING, Drive, 34T
10	1286024C1	2	RING, Seal
11	1286000C3	1	CAGE,
12	613-10025	6	BOLT, Hex, M10 x 25, 8.8, Full Thd,
14	120647C2	AR	SHIM, 0.08 mm
14	120648C2	AR	SHIM, 0.10 mm
14	120649C2	AR	SHIM, 0.13 mm
14	120650C2	AR	SHIM, 0.30 mm
14	120651C2	AR	SHIM, 0.76 mm
20	92824C1	1	SPACER,
21	86991568	1	CARRIER,
22	1286081C1	1	O-RING,
25	1286076C1	1	RING,
26	242492A5	1	PISTON,
27	1286083C1	1	O-RING,
28	1286079C1	1	RING,
34	87738316	1	DISC, Separator
35	86990276	8	DISC, Friction
36	92934C2	7	DISC, Separator
37	1342645C3	1	DISC, CLUTCH,
38	1285996C1	1	RING, SNAP,
39	87639535	2	RING, SNAP,
40	87425389	9	SPRING, BELLEVILLE,
41	1286043C1	2	WASHER, THRUST,
42	572182R1	1	BEARING, THRUST,
43	1286052C1	1	RING,
44	87434656	1	RING, Lube
51	92795C1	1	PINION, 67T, Creeper Drive (If Equipped)
51	87425380	1	GEAR, DRIVEN, 35T, 50 KPH Transmission (Australia Only) (If Equipped)
52	80906C1	1	BEARING, NEEDLE,
53	1286042C1	2	WASHER, THRUST,
54	87012543	1	BEARING, THRUST,
55	ST2051	1	BEARING, CONE,
56	ST863	1	BEARING, CUP,
58	1285986C1	1	PINION, Driven, 39T
59	219530H1	1	BEARING, CONE,
60	614052	1	CUP,
61	1285989C1	1	PINION, Driven, 37T
62	1285981C1	1	PINION, Drive, 29T



MAGNUM 335 CASE IH TRACTOR (NA)

06-10 SPEED TRANSMISSION - OUTPUT SHAFT FRONT CLUTCH

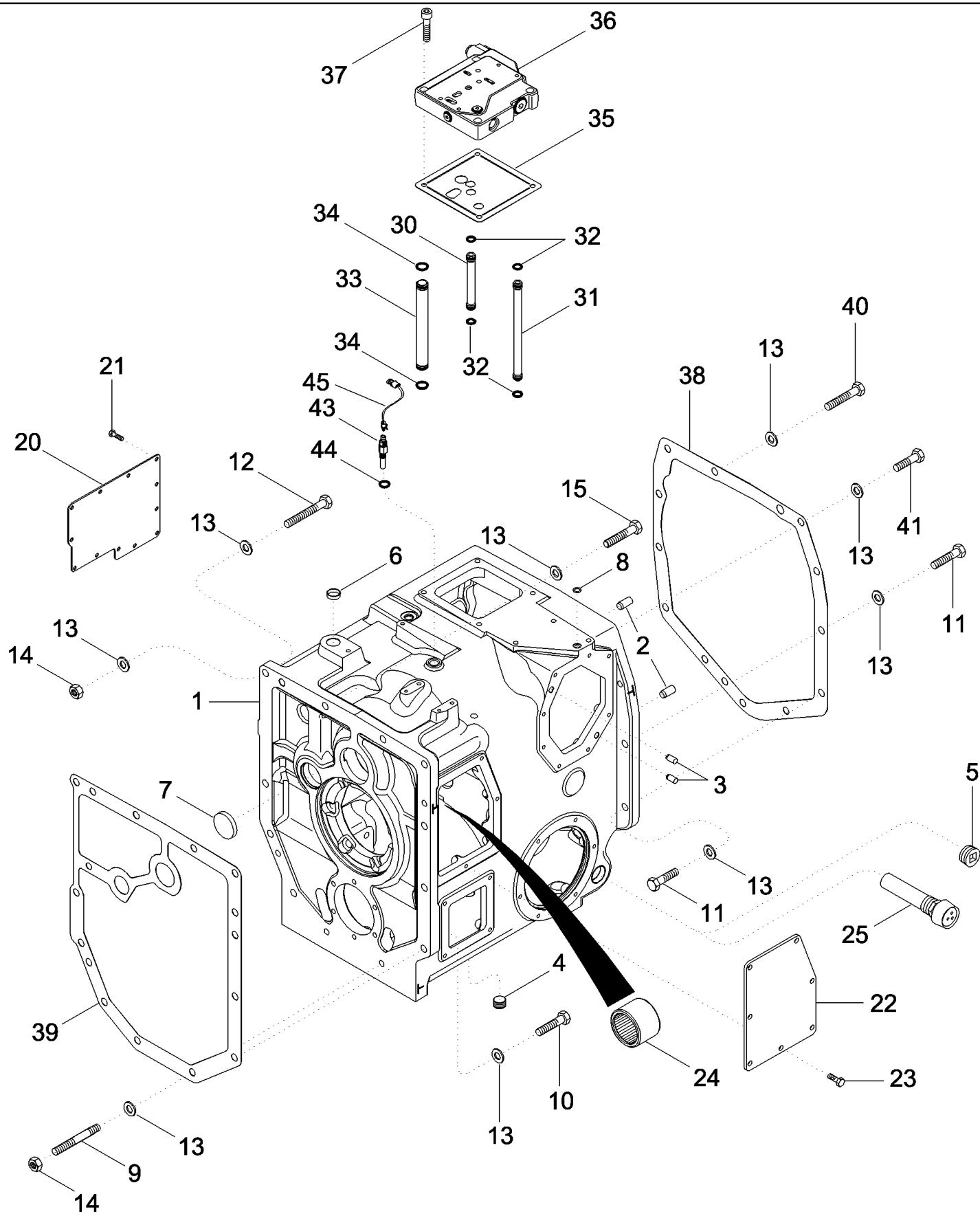
сылка	Номер детали	Кол-во	Описание
1	87328867	1	SHAFT, Inc. 2
2	187516A1	3	PLUG, 12 mm
8	1286040C2	1	RING,
9	1997888C1	1	WASHER, THRUST,
10	1286016C1	1	BEARING, NEEDLE,
11	1285985C1	1	GEAR, WHEEL, 34T
12	1285987C1	1	PINION, 39T
13	1286052C1	2	RING,
15	87434656	1	RING, Lube
16	1286043C1	4	WASHER, THRUST,
17	572182R1	2	BEARING, THRUST,
18	101-11250	4	RING, SNAP, #250, 2.356, Ext,
19	87425389	18	SPRING, BELLEVILLE,
20	86987594	1	CARRIER,
22	1286081C1	2	O-RING,
23	1286076C1	2	RING,
24	86987597	2	PISTON,
25	1286083C1	2	O-RING,
26	1286079C1	2	RING,
31	86990276	16	DISC, Friction
32	92934C2	16	DISC, Separator
33	1342645C3	2	DISC, CLUTCH,
34	1285996C1	2	RING, SNAP,
36	80907C1	1	BEARING, NEEDLE,
39	1286042C1	2	WASHER, THRUST,
40	87012543	1	BEARING, THRUST,
44	219530H1	1	BEARING, CONE,
45	614052	1	CUP,
46	1286024C1	4	RING,
47	238-5223	1	O-RING, -223, 70 Duro, 1.609" ID x .139" Thk,



MAGNUM 335 CASE IH TRACTOR (NA)

06-11 SPEED TRANSMISSION - OUTPUT SHAFT REAR CLUTCH

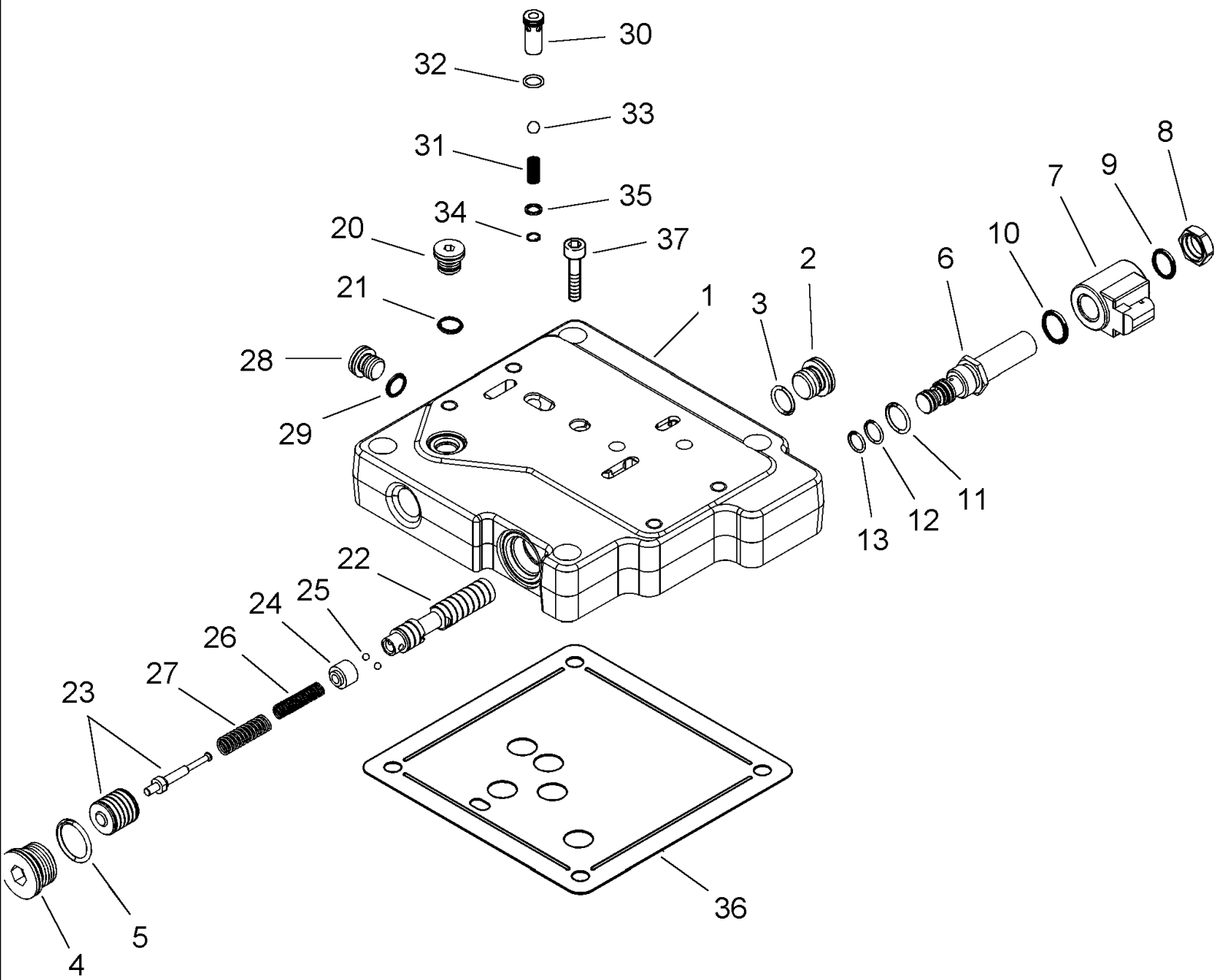
сылка	Номер детали	Кол-во	Описание
1	87328867	1	SHAFT, , See Figure 06-10
2	238-5223	1	O-RING, -223, 70 Duro, 1.609" ID x .139" Thk,
10	1286016C1	1	BEARING, NEEDLE,
13	1286052C1	2	RING,
15	87434656	2	RING, Lube
16	1286043C1	4	WASHER, THRUST,
17	572182R1	2	BEARING, THRUST,
18	101-11250	4	RING, SNAP, #250, 2.356, Ext,
19	87425389	18	SPRING, BELLEVILLE,
21	86987593	1	CARRIER,
22	1286081C1	2	O-RING,
23	1286076C1	2	RING,
24	86987597	2	PISTON,
25	1286083C1	2	O-RING,
26	1286079C1	2	RING,
31	86990276	20	DISC, Friction
32	92934C2	20	DISC, Separator
33	1342645C3	2	DISC, CLUTCH,
34	1285996C1	2	RING, SNAP,
35	86987609	1	GEAR, 39T
37	1285982C1	1	GEAR, DRIVEN, 44T
38	1285997C1	1	BEARING, NEEDLE,
39	1286042C1	2	WASHER, THRUST,
40	87012543	1	BEARING, THRUST,
47	1286021C1	1	BEARING, ROLLER,
48	29214H	1	BEARING, CUP, 4-5/16" OD
49	1286001C4	1	CAGE,
50	1286061C1	2	SHIM, 0.08 mm
50	1286062C1	2	SHIM, 0.10 mm
50	1286063C1	2	SHIM, 0.13 mm
50	1286064C1	2	SHIM, 0.30 mm
50	1286065C1	2	SHIM, 0.76 mm
51	613-10025	6	BOLT, Hex, M10 x 25, 8.8, Full Thd,



MAGNUM 335 CASE IH TRACTOR (NA)

06-12 RANGE TRANSMISSION - HOUSING

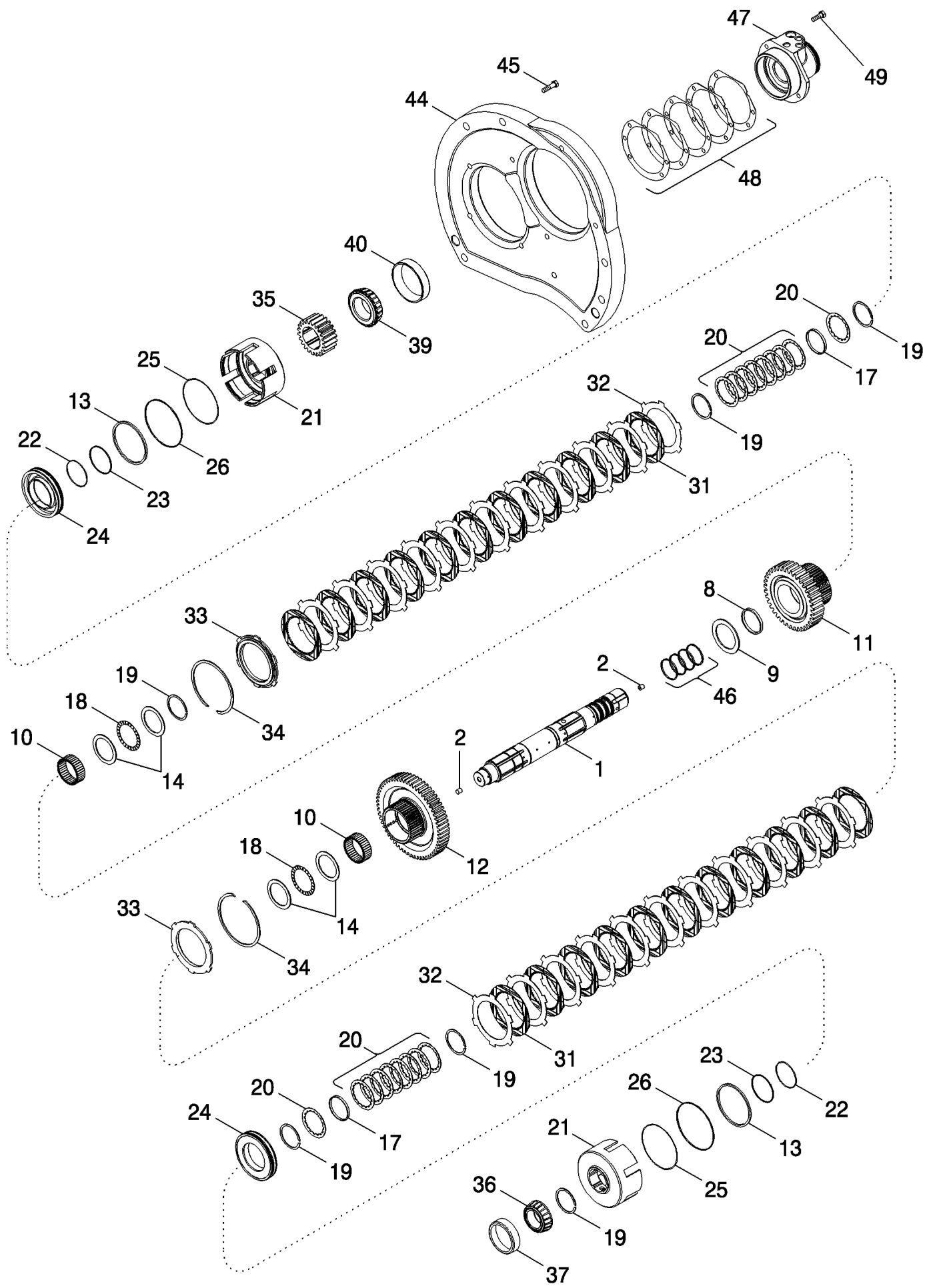
сылка	Номер детали	Кол-во	Описание
1	87435223	1	HOUSING ASSY., Inc. 2 - 8
2	837-16035	4	DOWEL, M16 x 35,
3	837-12025	2	DOWEL, M12 x 25,
4	192792A1	1	PLUG, 3/4 in
5	327080A1	1	PLUG, 1-1/4
6	41-1018	1	PLUG, Cup, 1 1/8",
7	41-1038	1	PLUG, Cup, 2 3/8",
8	238-6112	1	O-RING, -112, 90 Duro, .487" ID x .103" Thk,
9	84149586	2	STUD,
10	828-16060	6	BOLT, Hex, M16 x 60, 10.9, Full Thd,
11	828-16060	9	BOLT, Hex, M16 x 60, 10.9, Full Thd,
12	828-16120	1	BOLT, Hex, M16 x 120, 10.9,
13	896-12016	24	WASHER, M17.5 x 30 x 4, HT,
14	829-1316	1	NUT, M16, CI 10,
15	828-16070	3	BOLT, Hex, M16 x 70, 10.9,
16	829-1316	2	NUT, M16, CI 10,
20	93364C1	1	COVER,
21	628-10025	12	BOLT, Hex, M10 x 25, 10.9, Full Thd,
22	225209A1	1	COVER,
23	628-10025	7	BOLT, Hex, M10 x 25, 10.9, Full Thd, , Transmission BSN AJB0366737
23	87015732	7	BOLT, M10 x 20 mm, 10.9, Full Thread, Transmission ASN AJB0366737
24	301533R1	1	BEARING, NEEDLE,
25	536850R1	1	HEATER, 120 Volt
30	235976A2	1	TUBE,
31	256544A1	3	TUBE,
32	238-5014	8	O-RING, -014, 70 Duro, .489" ID x .070" Thk,
33	300828A1	1	TUBE,
34	238-5019	2	O-RING, -019, 70 Duro, .801" ID x .070" Thk,
35	253385A2	1	GASKET,
36	445537A2	1	VALVE, Inching, See Figure 06-13
37	861-10045	4	SCREW, Hex Soc Hd, M10 x 45, 12.9,
38	87390949	1	GASKET,
39	92821C2	1	GASKET,
40	828-16090	2	BOLT, Hex, M16 x 90, 10.9,
41	87308873	1	SCREW, 12 Pt Hd, M16 x 90, 12.9,
43	87422106	1	SENSOR, Speed, Transmission BSN AJB0372635
43	87548198	1	SENSOR, Speed, Transmission ASN AJB0372635
44	238-5115	1	O-RING, -115, 70 Duro, .674" ID x .103" Thk,
45	87631267	1	HARNESS, WIRE, Speed Sensor, Transmission ASN AJB0372635



MAGNUM 335 CASE IH TRACTOR (NA)

06-13 VALVE ASSY - INCHING

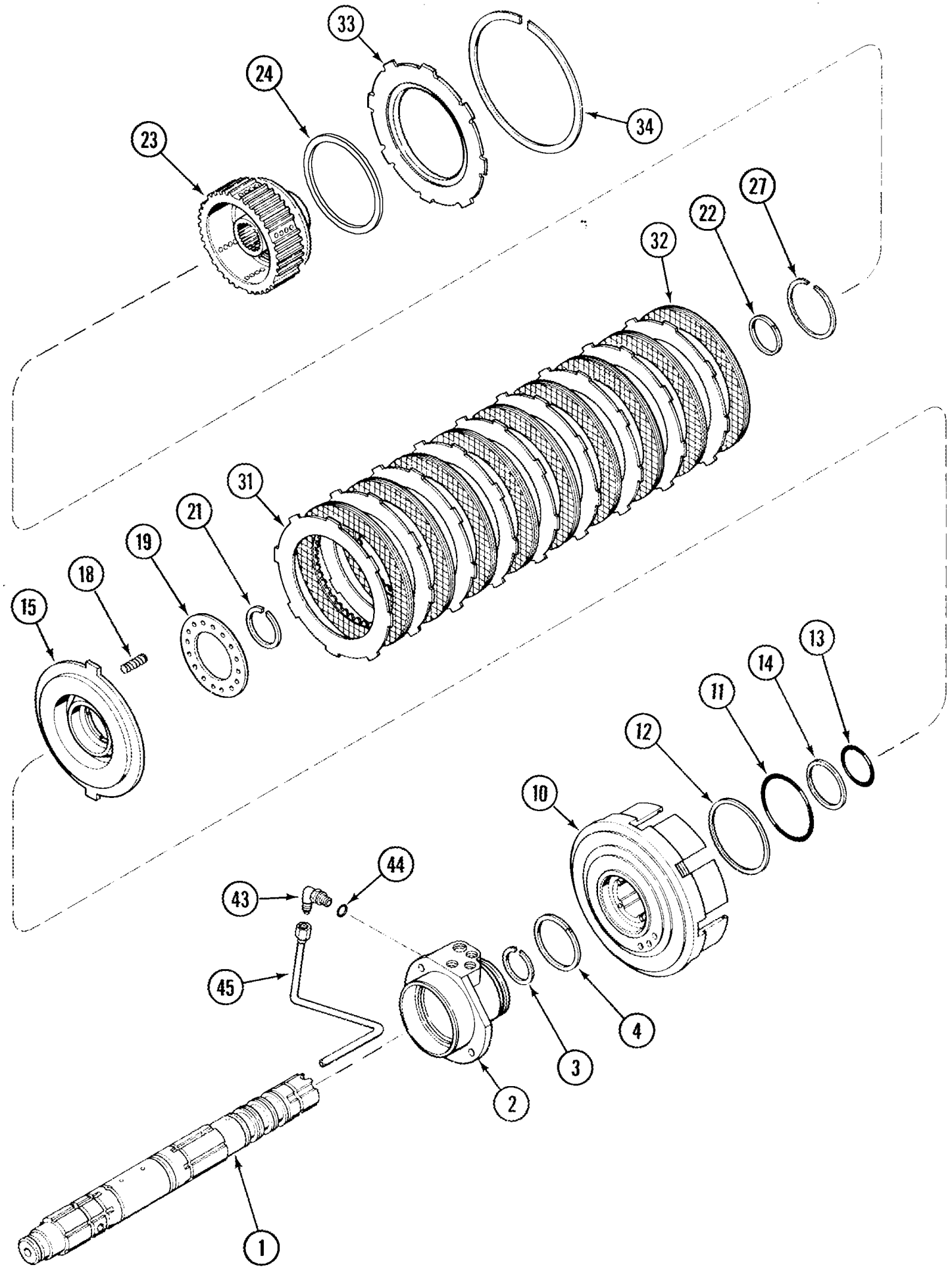
сылка	Номер детали	Кол-во	Описание
	445537A2	1	VALVE, Inc. 1 - 35
1	NSS	1	NOT SERVICED SEPARATELY, BODY, Valve
2	221578A1	1	PLUG, Hex Soc, M18 x 1.5, ORB, Incl. 3
3	637-63153	1	O-RING, CI 6, 15.3MM ID x 2.2 Thk,
4	221580A1	1	PLUG, Hex Soc, M27 x 2, ORB, Inc. 5
5	637-64236	1	O-RING, CI 6, 23.6MM ID x 2.9 Thk,
	239552A2	1	VALVE, SOLENOID, Inc. 6 - 13
6	NSS	1	NOT SERVICED SEPARATELY, CARTRIDGE
7	NSS	1	NOT SERVICED SEPARATELY, COIL
8	NSS	1	NOT SERVICED SEPARATELY, NUT
	308245A1	1	KIT, SEALS, Inc. 9 - 13
9	238-7016	1	O-RING, -016, CI 7, .614" ID x .070" Thk,
10	238-7018	1	O-RING, -018, CI 7, .739" ID x .070" Thk,
11	237-6008	1	O-RING, 8-1, 90 Duro, .644" ID x .087" Thk,
12	238-5014	1	O-RING, -014, 70 Duro, .489" ID x .070" Thk,
13	238-5013	1	O-RING, -013, 70 Duro, .426" ID x .070" Thk,
20	221576A1	1	PLUG, Hex Soc, M14 x 1.5, ORB, Incl. 21
21	637-63113	1	O-RING, CI 6, 11.3MM ID x 2.2 Thk,
	302170A2	1	SPOOL, Inc. 22 - 27
22	NSS	1	NOT SERVICED SEPARATELY, SPOOL
23	NSS	1	NOT SERVICED SEPARATELY, PISTON
24	NSS	1	NOT SERVICED SEPARATELY, SLEEVE
25	NSS	1	NOT SERVICED SEPARATELY, BALL
26	NSS	1	NOT SERVICED SEPARATELY, SPRING
27	NSS	1	NOT SERVICED SEPARATELY, SPRING
28	221576A1	1	PLUG, Hex Soc, M14 x 1.5, ORB, Incl. 29
29	637-63113	1	O-RING, CI 6, 11.3MM ID x 2.2 Thk,
	445492A2	1	VALVE, CHECK, Inc. 30 - 35
30	NSS	1	NOT SERVICED SEPARATELY, BODY
31	445494A1	1	SPRING, VALVE,
32	238-5012	1	O-RING, -012, 70 Duro, .364" ID x .070" Thk,
33	211-1009	1	BALL, 9/32; 24,CRS
34	100-2131	1	RING, SNAP, 0.312", Int, #31,
35	86988656	1	WASHER, SPRING,
36	253385A2	1	GASKET,
37	861-10045	4	SCREW, Hex Soc Hd, M10 x 45, 12.9,



MAGNUM 335 CASE IH TRACTOR (NA)

06-14 RANGE TRANSMISSION - INPUT SHAFT

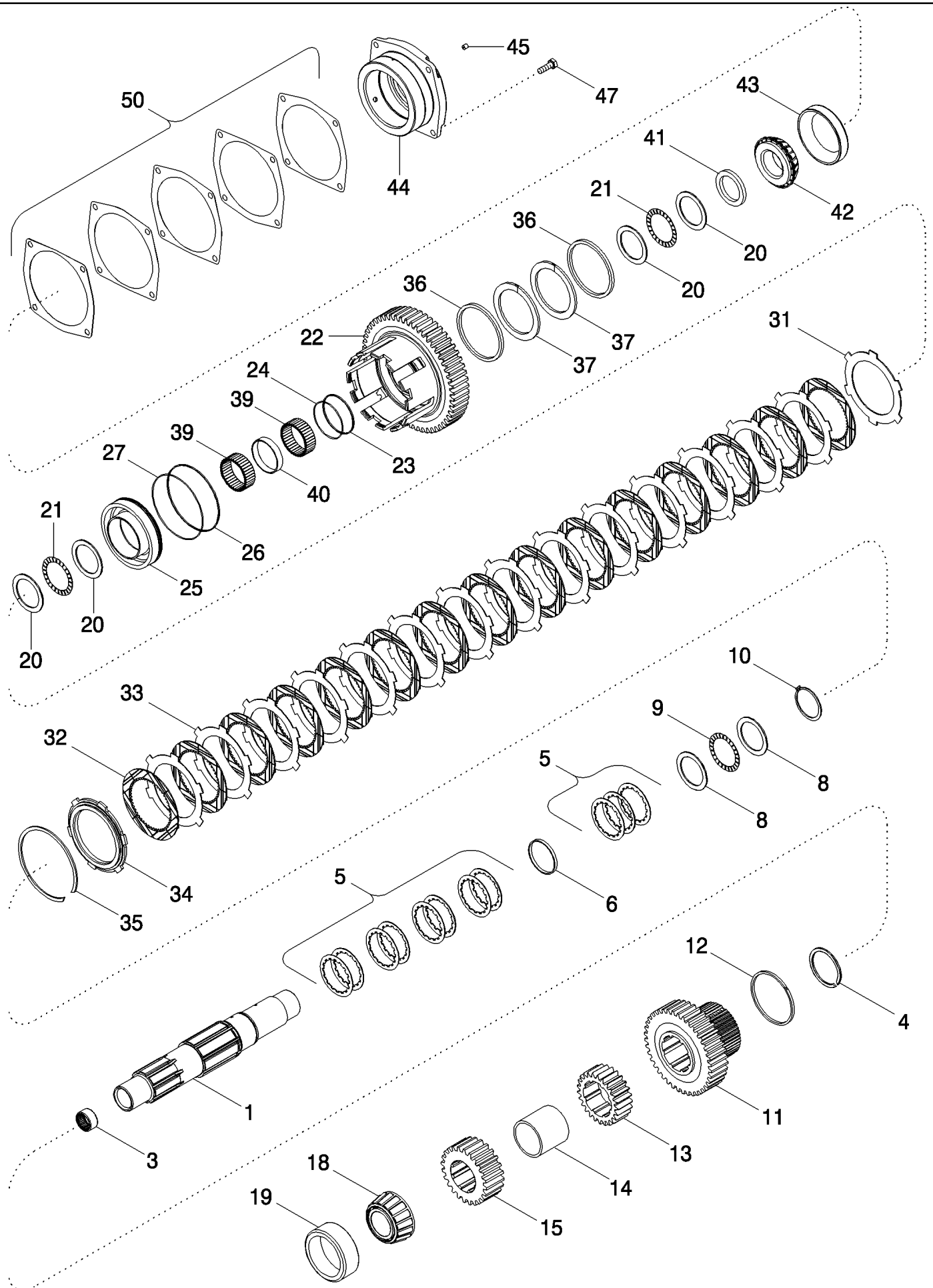
сылка	Номер детали	Кол-во	Описание
1	87434653	1	SHAFT ASSY., Inc. 2
2	187516A1	4	PLUG,
8	1286040C2	1	RING,
9	1997888C1	1	WASHER, THRUST,
10	80909C1	2	BEARING, NEEDLE,
11	86987610	1	GEAR, 37T
12	86987612	1	PINION, 59T
13	1286052C1	2	RING,
14	1286043C1	4	WASHER, THRUST,
17	87434656	2	RING, Lube
18	572182R1	2	BEARING, THRUST,
19	101-11250	6	RING, SNAP, #250, 2.356, Ext,
20	87425389	18	SPRING, BELLEVILLE,
21	86987596	2	CARRIER,
22	1286081C1	2	O-RING,
23	1286076C1	2	RING,
24	86987597	2	PISTON,
25	1286083C1	2	O-RING,
26	1286079C1	2	RING,
31	86990276	22	DISC, Friction
32	92934C2	22	DISC, Separator
33	1342645C3	2	DISC, CLUTCH,
34	1285996C1	2	RING, SNAP,
35	1285971C1	1	GEAR, DRIVING,
36	A75211	1	BEARING, CONE,
37	A75210	1	BEARING, CUP,
39	ST2063	1	BEARING, CONE,
40	54404R1	1	BEARING, CUP,
44	281696A1	1	SUPPORT,
45	814-12050	6	BOLT, Hex, M12 x 50, 8.8,
46	1286025C1	4	RING,
47	254337A2	1	CAGE,
48	1286061C1	2	SHIM, 0.08 mm
48	1286062C1	2	SHIM, 0.10 mm
48	1286063C1	2	SHIM, 0.13 mm
48	1286064C1	2	SHIM, 0.30 mm
48	1286065C1	2	SHIM, 0.76 mm
49	613-10030	3	BOLT, Hex, M10 x 30, 8.8, Full Thd,



MAGNUM 335 CASE IH TRACTOR (NA)

06-15 RANGE TRANSMISSION - MASTER CLUTCH

сылка	Номер детали	Кол-во	Описание
1	87434653	1	SHAFT ASSY., , See Figure 06-14
2	254337A2	1	CAGE,
3	101-11225	1	RING, SNAP, #225, Ext,
4	1286027C2	1	RING,
10	87311451	1	CARRIER,
11	93138C1	1	RING, PISTON,
12	92562C1	1	RING,
13	93137C1	1	RING, PISTON,
14	92561C1	1	RING,
15	112299A2	1	PISTON ASSY,
18	93136C2	16	SPRING,
19	112329A3	1	RETAINER,
21	100-11306	1	RING, SNAP, #306, Ext,
22	92555C1	1	RING,
23	235913A3	1	HUB,
24	235987A1	1	RING,
27	100-11200	1	RING, SNAP, #200, Ext,
31	1285974C1	9	PLATE, BRAKE, Separator
32	1285975C2	9	DISC, CLUTCH, Friction
33	235851A2	1	DISC, Backing
34	1963876C1	1	RING, SNAP,
43	218-5105	1	ELBOW, 90e, 9/16"-18, 37e x 9/16"-18, O-Ring, Inc. 44
44	237-6006	1	O-RING, 6-1, 90 Duro, .468" ID x .078" Thk,
45	1963935C2	1	TUBE,



MAGNUM 335 CASE IH TRACTOR (NA)

06-16 RANGE TRANSMISSION - COUNTERSHAFT

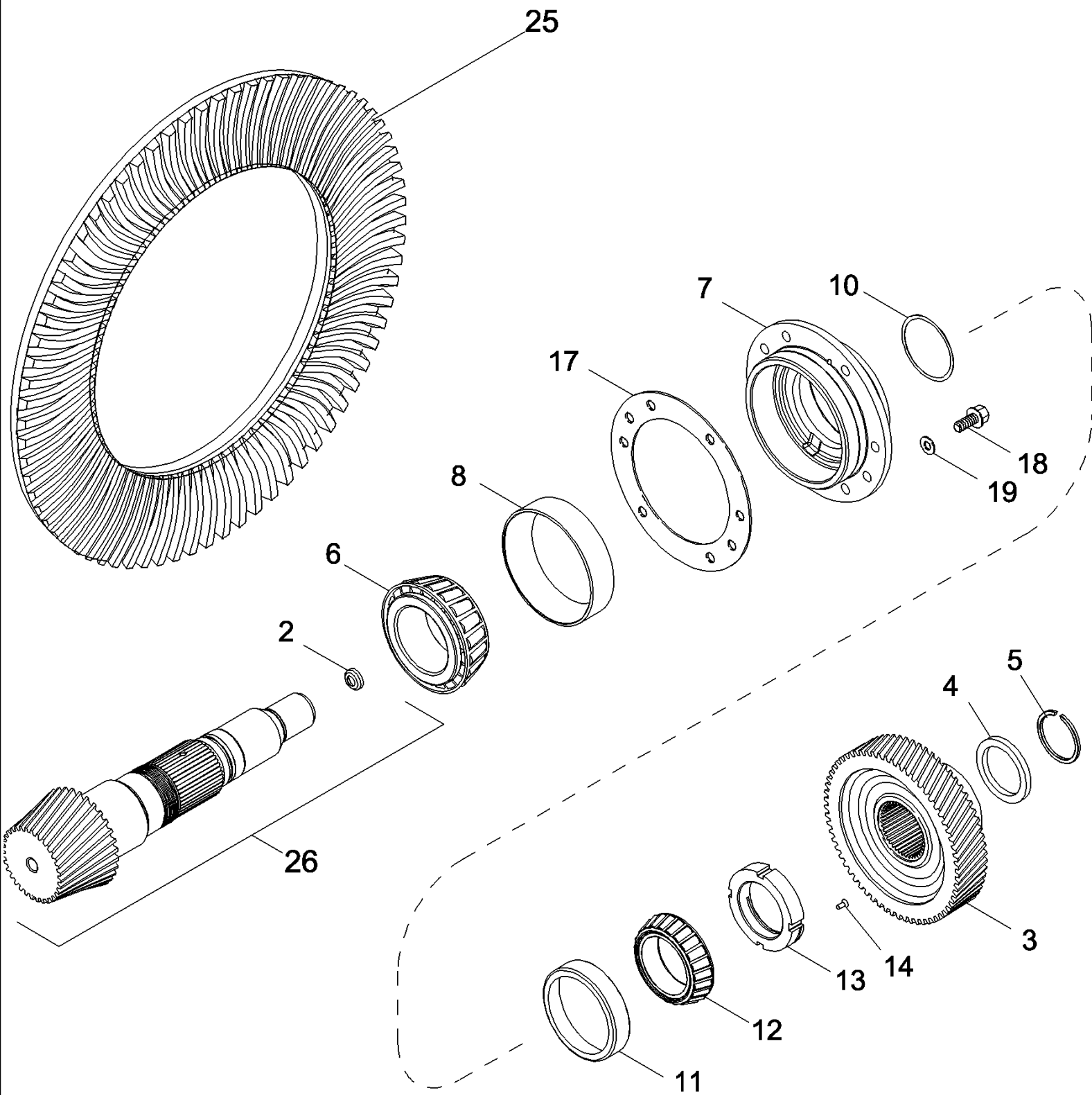
сылка	Номер детали	Кол-во	Описание
1	87434362	1	SHAFT ASSY.,
2	38-3605	3	PIN, 3/32" x 5/16", Coiled,
3	D63322	1	BEARING, NEEDLE,
4	144348C1	1	RING, SNAP,
5	87425389	11	SPRING, BELLEVILLE,
6	87434656	1	RING, Lube
8	1286043C1	2	WASHER, THRUST,
9	572182R1	1	BEARING, THRUST,
10	101-11250	1	RING, SNAP, #250, 2.356, Ext,
11	1285978C1	1	PINION, 39T
12	1286052C1	1	RING,
13	220057A1	1	GEAR, 25T
14	1286041C2	1	SPACER,
15	1285990C2	1	PINION, 23T
18	84986C1	1	BEARING, CONE, , With 10 Bolt Hub
18	253485A1	1	BEARING, CONE, , With 12 Bolt Hub
19	40435	1	BEARING, CUP, , With 10 Bolt Hub
19	253486A1	1	BEARING, CUP, , With 12 Bolt Hub
20	1286042C1	4	WASHER, THRUST,
21	87012543	2	BEARING, THRUST,
22	87439841	1	GEAR, 54T
23	1286077C1	1	RING,
24	1286081C1	1	O-RING,
25	242491A5	1	PISTON,
26	1286079C1	1	RING,
27	1286083C1	1	O-RING,
31	87738316	1	DISC, Separator
32	86990276	15	DISC, Friction
33	92934C2	14	DISC, Separator
34	1342645C3	1	DISC, CLUTCH,
35	1285996C1	1	RING, SNAP,
36	1286028C2	2	RING,
37	297418A2	2	SEAL,
39	80907C1	2	BEARING, NEEDLE,
40	93269C1	1	SPACER,
41	1286038C2	1	SPACER,
42	287679C1	1	BEARING, ROLLER,
43	1968297C1	1	BEARING, CUP,
44	87435631	1	CAGE, Inc. 45
45	1345888C1	1	PLUG,
47	613-10030	4	BOLT, Hex, M10 x 30, 8.8, Full Thd,
50	1286066C1	2	SHIM, 0.08 mm
50	1286067C1	2	SHIM, 0.10 mm
50	1286068C1	2	SHIM, 0.13 mm
50	1286069C1	2	SHIM, 0.30 mm

MAGNUM 335 CASE IH TRACTOR (NA)

06-16 RANGE TRANSMISSION - COUNTERSHAFT

сылка	Номер детали	Кол-во	Описание
-------	--------------	--------	----------

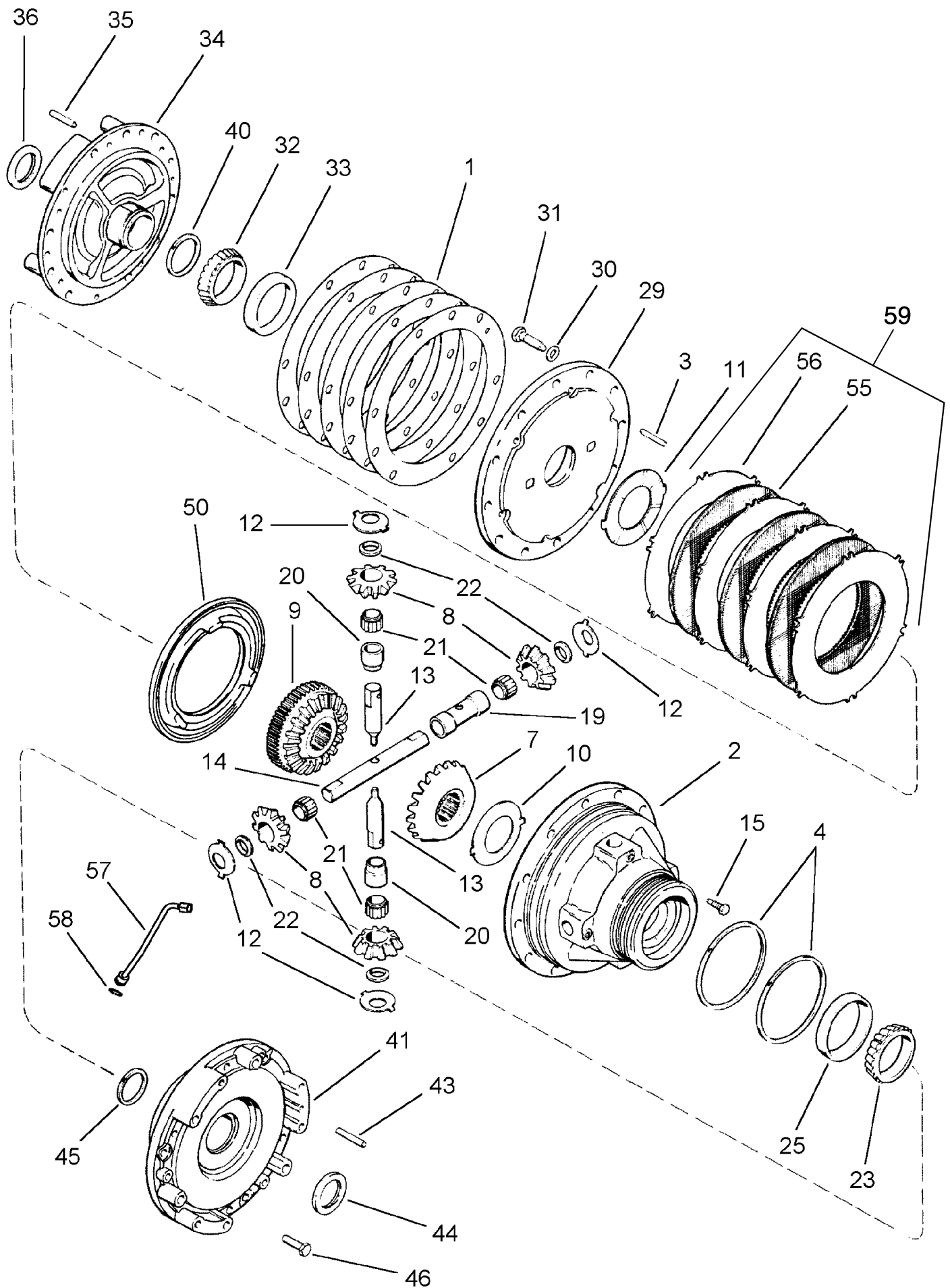
50	1286070C1	2	SHIM, 0.76 mm
----	-----------	---	---------------



MAGNUM 335 CASE IH TRACTOR (NA)

06-18 TRANSMISSION - PINION SHAFT AND GEARS, MX305, MAGNUM 305, AND MAGNUM 335

сылка	Номер детали	Кол-во	Описание
2	92825C1	1	PLUG,
3	87615782	1	GEAR, DRIVEN, 46T
4	87357632	1	SPACER, 6.8 mm (0.27 in)
4	87357636	1	SPACER, 7.6 mm (0.30 in)
4	87385427	1	SPACER, 8.4 mm (0.33 in)
5	143906C1	1	RING, SNAP,
6	87444653	1	BEARING, CONE,
7	87326161	1	CAGE, Inc. 8
8	87444654	1	BEARING, CUP,
	87326998	1	KIT, Inc. 10
10	87444780	1	SHIM, 0.254 mm (0.010 in)
10	87444782	1	SHIM, 0.381 mm (0.015 in)
10	87444783	1	SHIM, 0.457 mm (0.018 in)
11	A67327	1	NEEDLE ROLLER,
12	A67328	1	BEARING, ROLLER,
13	87357631	1	RING, LOCKING,
14	87309531	2	SCREW, SELF TAPPING, M5 x 12
17	120977C1	2	SHIM, 0.08 mm
17	120978C1	2	SHIM, 0.10 mm
17	120979C1	2	SHIM, 0.13 mm
17	120980C1	2	SHIM, 0.30 mm
18	566-12035	6	SCREW, 12 Pt Hd, M10 x 35, 12.9,
19	1251958C1	6	WASHER,
25	87341260	1	SLEWING RING, GEAR
26	87540639	1	SHAFT, MAIN, 11/54T, Inc. 2



MAGNUM 335 CASE IH TRACTOR (NA)

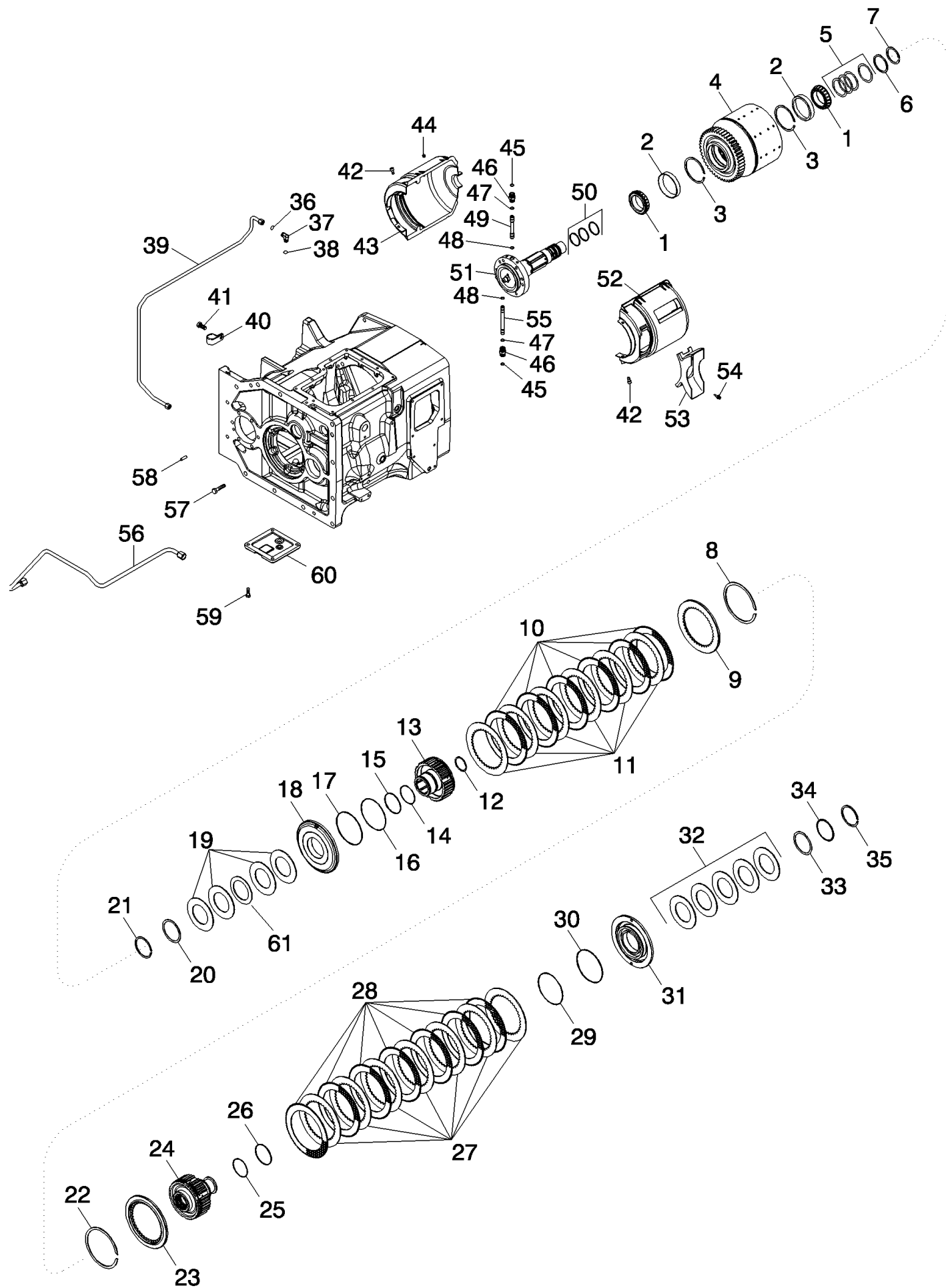
06-19 TRANSMISSION - DIFFERENTIAL

сылка	Номер детали	Кол-во	Описание
1	120513C2	AR	SHIM, 0.09 mm
1	120512C2	AR	SHIM, 0.10 mm
1	120509C2	AR	SHIM, 0.18 mm
1	120510C2	AR	SHIM, 0.31 mm
1	120511C2	AR	SHIM, 0.74 mm
2	87641174	1	CASE, , MX215, 245, 275, Magnum 215, 245, 275
2	87641173	1	CASE, , MX305, Magnum 305 and Magnum 335
3	137023A1	6	DOWEL, , Transmission Number BSN AJB368081
4	148939C1	2	SEAL,
7	1259633C3	1	GEAR,
8	92905C1	4	PINION, 10T
9	1259634C3	1	PINION,
10	87629650	1	WASHER, THRUST,
11	87629650	1	WASHER, THRUST,
12	92718C2	4	WASHER,
13	92906C1	2	SHAFT, SHORT,
14	92907C1	1	SHAFT,
15	1997421C1	2	BOLT,
19	1289349C1	1	SPACER,
20	1289350C1	2	SPACER,
21	1270697C1	112	NEEDLE, 28 Per Gear
22	1289348C1	4	RING,
23	622336C1	1	BEARING, CONE,
25	A63171	1	BEARING, CUP,
29	87629959	1	COVER,
30	896-11016	12	WASHER, M17.5 x 30 x 4, HT,
31	828-16055	12	BOLT, Hex, M16 x 55, 10.9, Full Thd,
32	67250C1	1	BEARING, BALL,
33	67251C1	1	BEARING, CUP,
34	84142455	1	CARRIER, BEARING, Left Hand
35	136433A1	5	DOWEL, 12 x 65 mm
36	139059C1	1	SEAL,
40	139060C2	1	RING,
41	84142456	1	CARRIER, BEARING, Right Hand
43	136433A1	5	DOWEL, 12 x 65 mm
44	139059C1	1	SEAL,
45	139060C2	1	RING,
46	613-16040	3	BOLT, Hex, M16 x 40, 8.8, Full Thd,
46	613-16045	3	BOLT, Hex, M16 x 45, 8.8, Full Thd,
50	1997422C1	1	PISTON,
55	120679C1	3	PLATE, , Transmission Number BSN AJB368081
55	120679C1	3	PLATE, , Transmission Number ASN AJB368081
56	92915C1	4	PLATE, , Transmission Number BSN AJB368081
56	87745601	4	PLATE, , Transmission Number ASN AJB368081
57	409738A1	1	TUBE,

MAGNUM 335 CASE IH TRACTOR (NA)

06-19 TRANSMISSION - DIFFERENTIAL

сылка	Номер детали	Кол-во	Описание
58	238-5115	1	O-RING, -115, 70 Duro, .674" ID x .103" Thk,
59	94668C1	1	PLATE, Plates, Differential lock, Includes 55 (3) and 56 (4), Transmission Number BSN AJB368081
	87641689	1	KIT, Inc. (1) Case 87641174, (1) Cover 87629959 and (2) Washer 87629650, MX215, 245, 275, Magnum 215, 245, 275
	87641688	1	KIT, Inc. (1) Case 87641173, (1) Cover 87629959 and (2) Washer 87629650, MX305, Magnum 305 and Magnum 335
	87641690	1	KIT, Inc. (1) Cover 87629959 and (1) Washer 87629650



MAGNUM 335 CASE IH TRACTOR (NA)

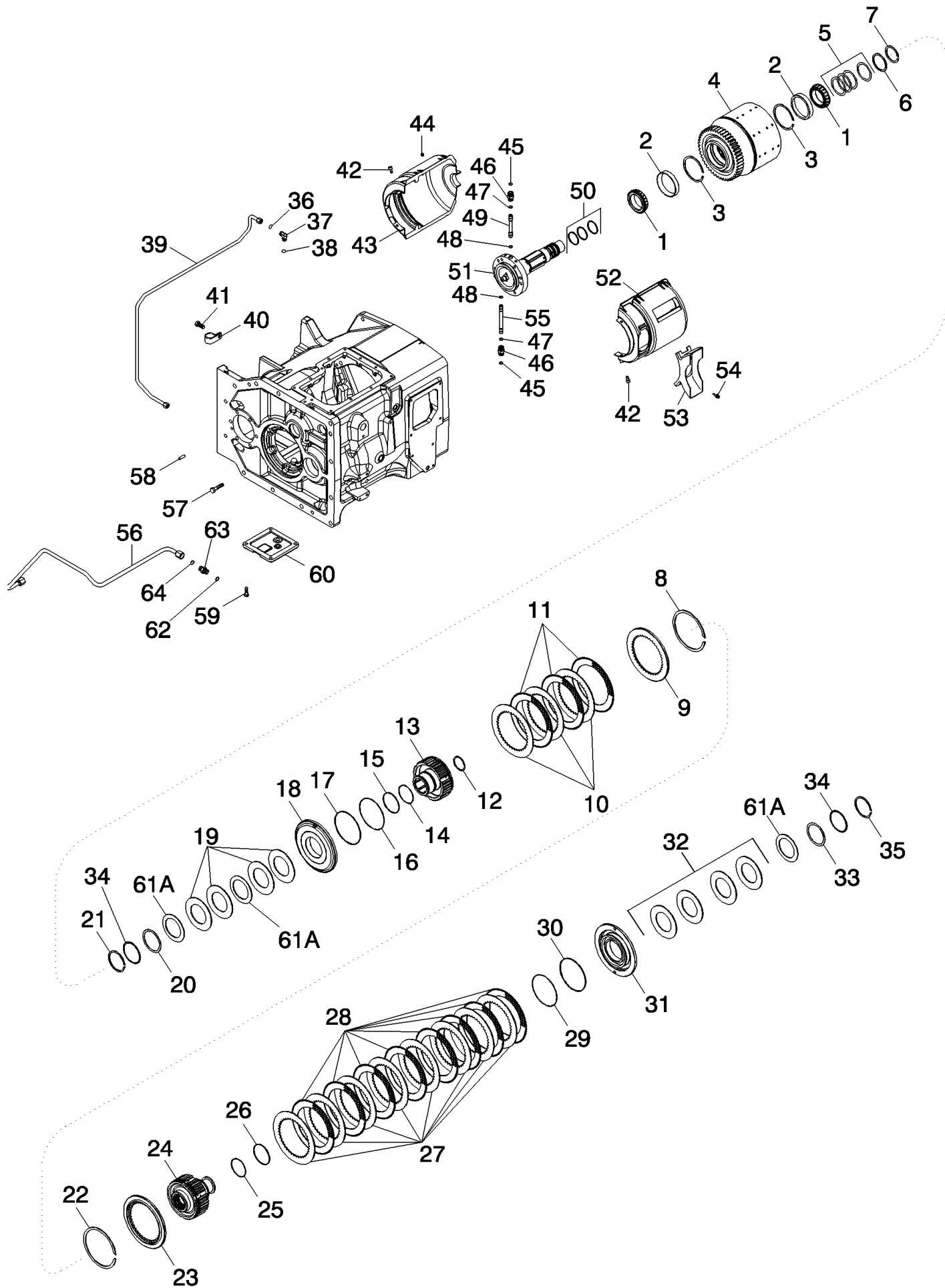
06-20 RANGE TRANSMISSION - MFD CLUTCH AND PARK BRAKE - TRANSMISSION BSN AJB367211

сылка	Номер детали	Кол-во	Описание
1	630694C1	2	BEARING, CONE,
2	630695C1	2	BEARING, CUP,
3	101-21412	2	RING, SNAP, #412, 4.430", Int,
4	87455297	1	GEAR,
5	138121A1	AR	SHIM, 0.20 mm
5	1997893C1	AR	SHIM, 0.51 mm
5	1997894C1	AR	SHIM, 0.56 mm
5	1997895C1	AR	SHIM, 0.64 mm
6	1277309C1	1	WASHER,
7	1997891C1	1	RING, SNAP,
9	87329141	1	PLATE, BACKING,
10	87449793	6	SEPARATOR, Plate
11	87348160	6	PLATE, Friction, MX215, 245, 275, 305, Magnum 215, 245, 275 and 305
11	87378802	6	PLATE, BRAKE, Friction, Magnum 335
12	101-11225	1	RING, SNAP, #225, Ext,
13	87552528	1	HUB, Park Brake
14	87433971	1	SEAL,
15	87037455	1	O-RING, -160, CI 7, 5.237" ID x .103" Thk,
16	87433970	1	SEAL,
17	238-7151	1	O-RING, -151, CI 7, 2.987" ID x .103" Thk,
18	87337887	1	PISTON,
19	87305967	5	SPRING, BELLEVILLE,
20	87329116	AR	SPACER, 84.5 mm ID x 1.50 mm Thk
21	87434027	1	CIRCLIP,
22	87347811	1	CIRCLIP,
23	87329141	1	PLATE, BACKING,
24	87347832	1	HUB, MFD
25	87433971	1	SEAL,
26	87037455	1	O-RING, -160, CI 7, 5.237" ID x .103" Thk,
27	87348160	6-7	PLATE, Friction, MX215, 245, 275, 305, Magnum 215, 245, 275 and 305
27	87378802	8	PLATE, BRAKE, Friction, Magnum 335
28	87449793	6-7	SEPARATOR, Plate, MX215, 245, 275, 305, Magnum 215, 245, 275 and 305
28	87449793	8	SEPARATOR, Plate, Magnum 335
29	87433970	1	SEAL,
30	238-7151	1	O-RING, -151, CI 7, 2.987" ID x .103" Thk,
31	87337887	1	PISTON,
32	87305967	5	SPRING, BELLEVILLE,
33	87329116	AR	SPACER, 84.5 mm ID x 1.50 mm Thk
34	87310984	2	RETAINER,
35	87434027	1	CIRCLIP,
36	637-63113	1	O-RING, CI 6, 11.3MM ID x 2.2 Thk,
37	700-332	1	ELBOW, 90e, 13/16"-18 ORFS x M14 x 1.5 ORB, Inc. 36, 38
38	238-6014	1	O-RING, -014, 90 Duro, .489" ID x .070" Thk,
39	87307978	1	TUBE,
40	515-23127	1	CLAMP, 1/2", Insul, 3/8" Bolt,

MAGNUM 335 CASE IH TRACTOR (NA)

06-20 RANGE TRANSMISSION - MFD CLUTCH AND PARK BRAKE - TRANSMISSION BSN AJB367211

сылка	Номер детали	Кол-во	Описание
41	614-10020	1	BOLT, Hex, M10 x 20, 8.8, Full Thd,
42	87331111	4	SCREW, M8 x 16; 8.8
43	87337873	1	SHIELD, Upper Half
44	87332637	6	CLIP,
45	238-6014	1	O-RING, -014, 90 Duro, .489" ID x .070" Thk,
46	201-102	2	CONNECTOR, HYD., 13/16"-16 ORFS x 3/4"-16 ORB, Inc. 45, 47
47	237-6008	1	O-RING, 8-1, 90 Duro, .644" ID x .087" Thk,
48	238-5013	4	O-RING, -013, 70 Duro, .426" ID x .070" Thk,
49	87425392	1	TUBE,
50	445336A1	3	SEALRING,
51	87536356	1	BRAKE ASSY., Inc. 58
52	87337875	1	SHIELD, Lower Half
53	87343231	1	SHIELD, Constant Mesh Gear
54	87348536	1	SCREW,
55	120514C2	1	TUBE,
56	124306A1	1	PIPE,
57	828-12050	6	BOLT, Hex, M12 x 50, 10.9,
58	837-10025	1	DOWEL, M10 x 25,
59	628-10030	4	BOLT, Hex, M10 x 30, 10.9, Full Thd,
60	87327182	1	COVER, , See Figure 07-07
61	87374800	1	SPACER, Spring, tapered 1.85 mm to 1.35 mm



MAGNUM 335 CASE IH TRACTOR (NA)

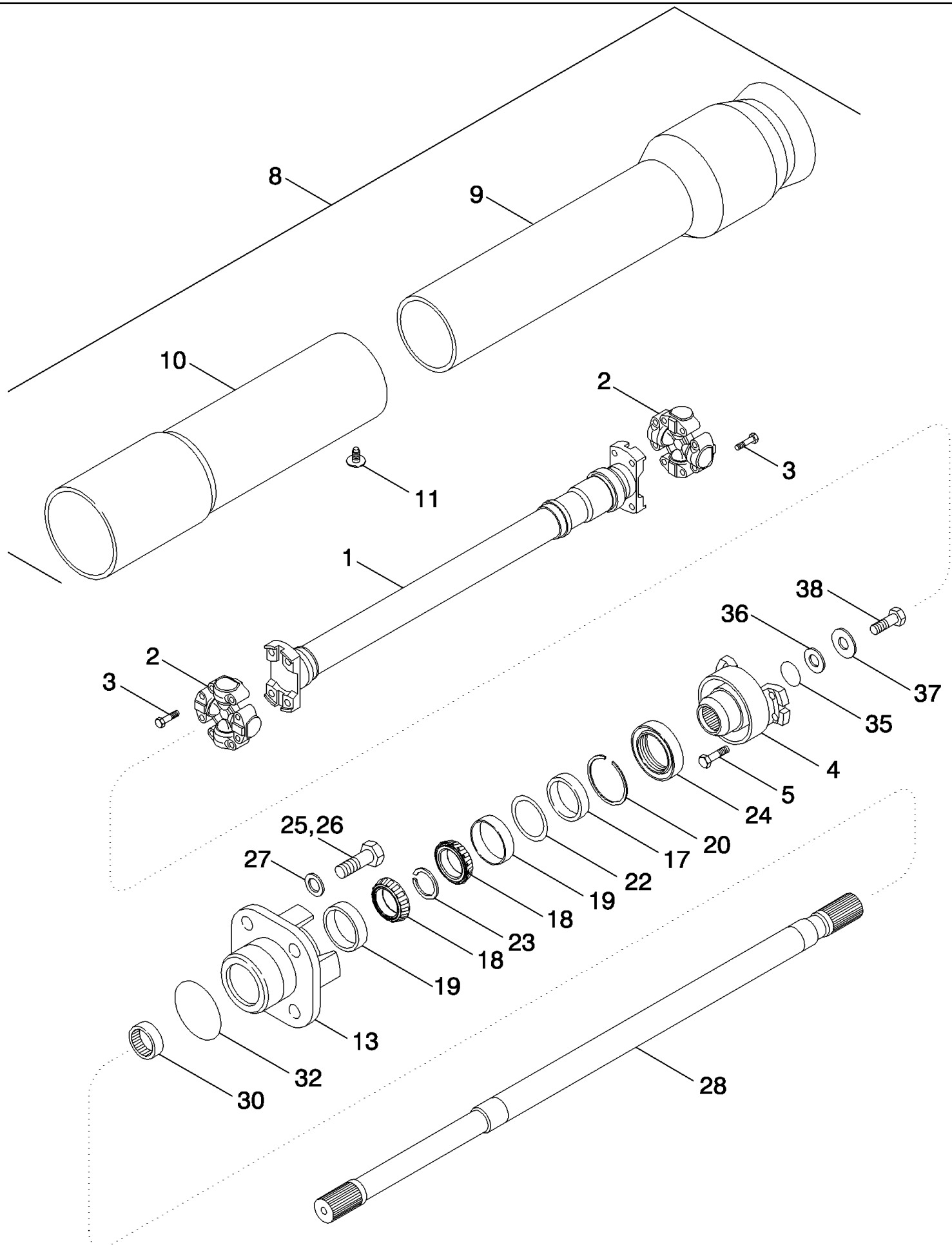
06-21 RANGE TRANSMISSION - MFD CLUTCH AND PARK BRAKE - TRANSMISSION ASN AJB367211

сылка	Номер детали	Кол-во	Описание
1	630694C1	2	BEARING, CONE,
2	630695C1	2	BEARING, CUP,
3	101-21412	2	RING, SNAP, #412, 4.430", Int,
4	87455297	1	GEAR,
5	138121A1	AR	SHIM, 0.20 mm
5	1997893C1	AR	SHIM, 0.51 mm
5	1997894C1	AR	SHIM, 0.56 mm
5	1997895C1	AR	SHIM, 0.64 mm
6	1277309C1	1	WASHER,
7	1997891C1	1	RING, SNAP,
8	87347811	1	CIRCLIP,
9	87329141	1	PLATE, BACKING,
10	87348160	3	PLATE, Friction
11	87449793	3	SEPARATOR, Plate
12	101-11225	1	RING, SNAP, #225, Ext,
13	87374797	1	HUB, Park Brake
14	87374799	1	SEAL,
15	14462281	1	O-RING, -164, CI 7, 6.237" ID x .103" Thk,
16	87433970	1	SEAL,
17	87304282	1	O-RING, -153, CI 7, 3.5" ID x .094" Thk,
18	87374796	1	PISTON,
19	87305967	4	SPRING, BELLEVILLE,
20	87329116	AR	SPACER, 84.5 mm ID x 1.50 mm Thk
21	87434027	1	CIRCLIP,
22	87347811	1	CIRCLIP,
23	87347805	1	PLATE, BACKING,
24	87347832	1	HUB, MFD, MX215, 245, 275, 305, Magnum 215, 245, 275 and 305
24	87575817	1	HUB, MFD, Magnum 335
25	87433971	1	SEAL,
26	87037455	1	O-RING, -160, CI 7, 5.237" ID x .103" Thk,
27	87449793	8	SEPARATOR, Plate
28	87348160	8	PLATE, Friction, MX215, 245, 275, 305, Magnum 215, 245, 275 and 305
28	87378802	8	PLATE, BRAKE, Friction, Magnum 335
29	87433970	1	SEAL,
30	238-7151	1	O-RING, -151, CI 7, 2.987" ID x .103" Thk,
31	87337887	1	PISTON,
32	87305967	5	SPRING, BELLEVILLE,
33	87329116	AR	SPACER, 84.5 mm ID x 1.50 mm Thk
33	87639547	AR	SHIM,
34	87310984	2	RETAINER,
35	87434027	1	CIRCLIP,
36	637-63113	1	O-RING, CI 6, 11.3MM ID x 2.2 Thk,
37	700-332	1	ELBOW, 90°, 13/16"-18 ORFS x M14 x 1.5 ORB, Inc. 36, 38
38	238-6014	1	O-RING, -014, 90 Duro, .489" ID x .070" Thk,
39	87307978	1	TUBE,

MAGNUM 335 CASE IH TRACTOR (NA)

06-21 RANGE TRANSMISSION - MFD CLUTCH AND PARK BRAKE - TRANSMISSION ASN AJB367211

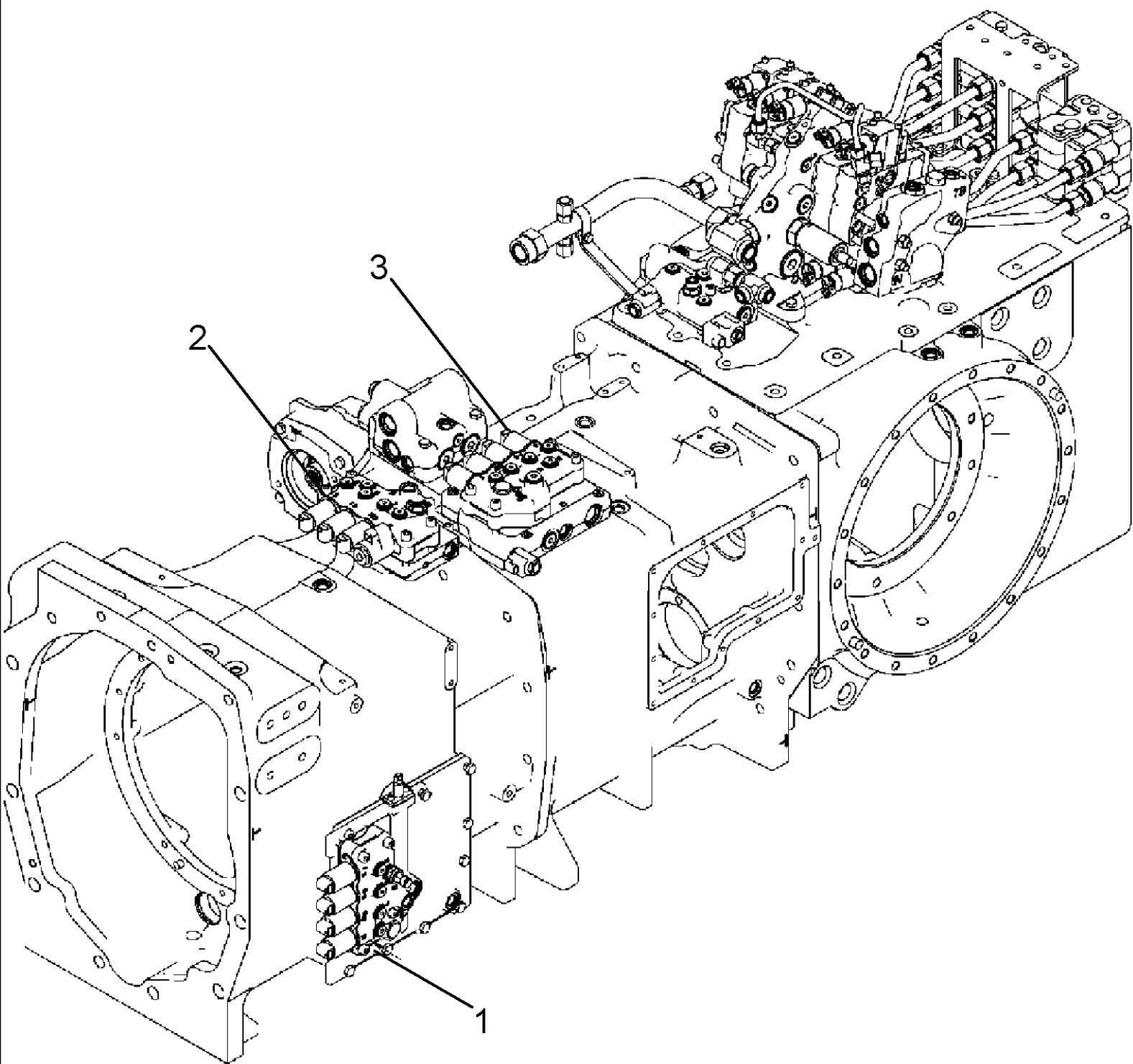
сылка	Номер детали	Кол-во	Описание
40	515-23127	1	CLAMP, 1/2", Insul, 3/8" Bolt,
41	614-10020	1	BOLT, Hex, M10 x 20, 8.8, Full Thd,
42	87331111	4	SCREW, M8 x 16; 8.8
43	87337873	1	SHIELD, Upper Half
44	87332637	6	CLIP,
45	238-6014	1	O-RING, -014, 90 Duro, .489" ID x .070" Thk,
46	201-102	2	CONNECTOR, HYD., 13/16"-16 ORFS x 3/4"-16 ORB, Inc. 45, 47
47	237-6008	1	O-RING, 8-1, 90 Duro, .644" ID x .087" Thk,
48	238-5013	4	O-RING, -013, 70 Duro, .426" ID x .070" Thk,
49	87425392	1	TUBE,
50	445336A1	3	SEALRING,
51	87536356	1	BRAKE ASSY., Inc. 58
52	87337875	1	SHIELD, Lower Half
53	87343231	1	SHIELD, Constant Mesh Gear
54	87348536	1	SCREW,
55	120514C2	1	TUBE,
56	124306A1	1	PIPE,
57	828-12050	6	BOLT, Hex, M12 x 50, 10.9,
58	837-10025	1	DOWEL, M10 x 25,
59	628-10030	4	BOLT, Hex, M10 x 30, 10.9, Full Thd,
60	87327182	1	COVER, , See Figure 07-07
61	87374800	1	SPACER, Spring, Tapered 1.85mm to 1.38 mm, Transmission BSN AJB0372196
61A	87639547	AR	SHIM, 84.5 mm ID x 1.0 mm Thk, Transmission ASN AJB0372196
62	238-6014	1	O-RING, -014, 90 Duro, .489" ID x .070" Thk,
63	87318672	1	UNION,
64	237-6008	1	O-RING, 8-1, 90 Duro, .644" ID x .087" Thk,



MAGNUM 335 CASE IH TRACTOR (NA)

06-22 MFD AXLE - DRIVE SHAFT

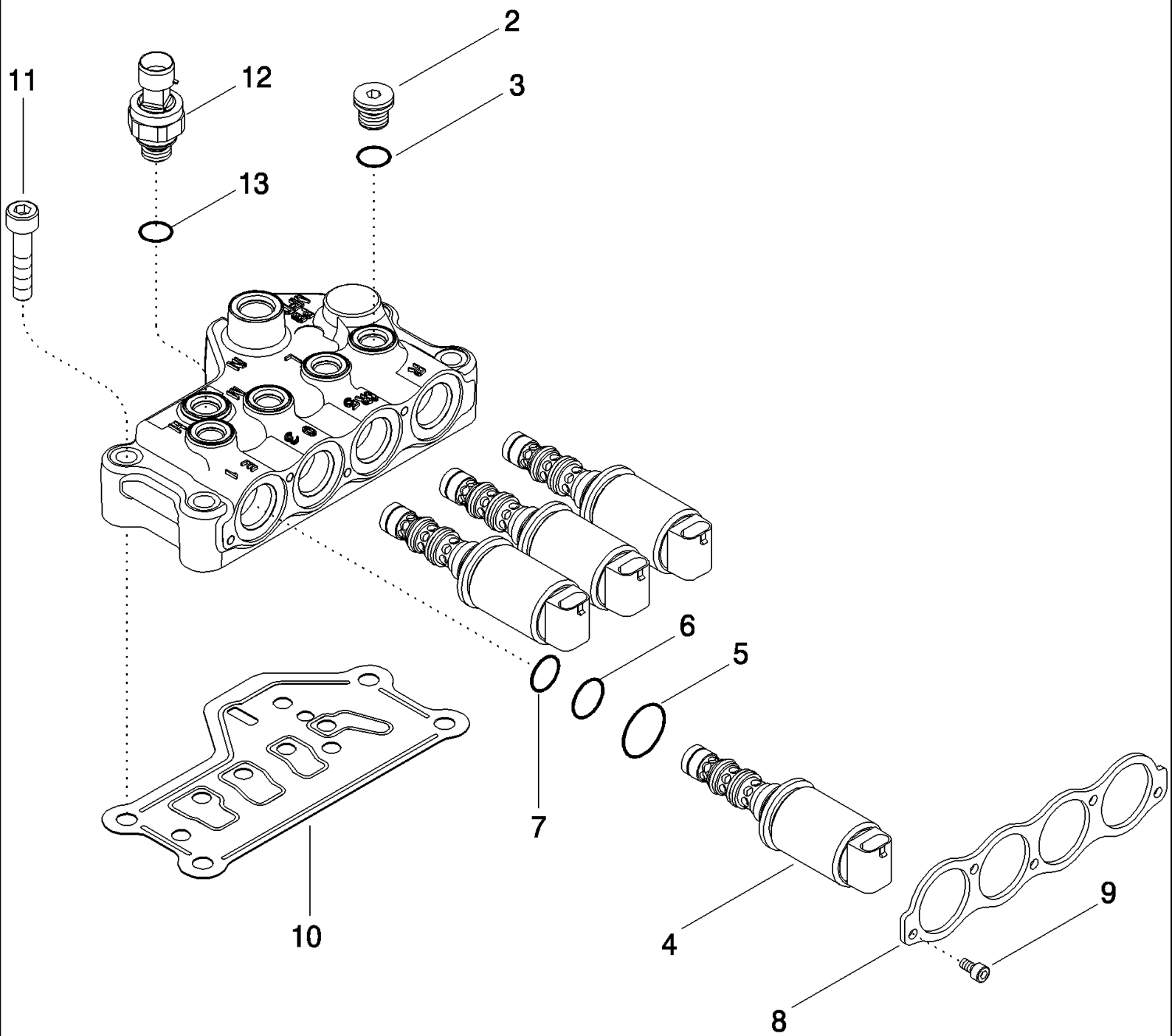
сылка	Номер детали	Кол-во	Описание
1	258853A2	1	SHAFT, DRIVE, Inc. 2, 3, MX215, MX245, MX275, MX305, Magnum 215, 245, 275, and 305
1	87643648	1	SHAFT, DRIVE, Inc. 2, 3, Magnum 335
2	258854A2	2	SPIDER, U-JOINT, , MX215, MX245, MX275, MX305, Magnum 215, 245, 275, and 305
2	259076A2	2	SPIDER, U-JOINT, , Magnum 335
3	828-10045	8	BOLT, Hex, M10 x 45, 10.9,
4	258855A1	1	YOKE, , MX215, MX245, MX275, MX305, Magnum 215, 245, 275 and 305
4	87663540	1	YOKE, , Magnum 335
5	828-10045	8	BOLT, Hex, M10 x 45, 10.9,
8	441554A2	1	SHIELD, Standard Axle, Inc. 9, 10, MX215, MX245, MX275, MX305, Magnum 215, 245, 275, and 305
8	87720204	1	SHIELD, Standard Axle, Inc. 9, 10, Magnum 335
9	NSS	1	NOT SERVICED SEPARATELY, SLEEVE
10	NSS	1	NOT SERVICED SEPARATELY, SLEEVE
11	93199C1	2	FASTENER,
13	199922A2	1	CAGE,
17	199923A1	1	SPACER,
18	235519A1	2	BEARING, CONE,
19	235521A1	2	BEARING SET, 2-57/64 OD
20	199981A1	1	RING, SNAP,
22	249528A1	AR	SHIM, 0.203 mm
22	199929A1	AR	SHIM, 0.356 mm
22	199928A1	AR	SHIM, 0.508 mm
22	199927A1	AR	SHIM, 0.559 mm
22	222675A1	AR	SHIM, 0.635 mm
23	222732A1	1	RING, SNAP,
24	226851A1	1	SEAL, OIL,
25	628-20060	2	BOLT, Hex, M20 x 60, 10.9, Full Thd,
26	828-20150	2	BOLT, Hex, M20 x 150, 10.9,
27	896-12020	4	WASHER, M20 x 37.5 x 4, HT,
28	87425393	1	SHAFT,
30	205369R91	1	BEARING, NEEDLE,
32	238-5043	1	O-RING, -043, 70 Duro, 3.489" ID x .070" Thk,
35	238-5220	1	O-RING, -220, 70 Duro, 1.359" ID x .139" Thk,
36	337680A1	AR	SHIM, 0.203 mm
36	222674A1	AR	SHIM, 0.356 mm
36	222000A1	AR	SHIM, 0.508 mm
36	222001A1	AR	SHIM, 0.559 mm
36	222002A1	AR	SHIM, 0.635 mm
37	221943A1	1	WASHER,
38	628-16050	1	BOLT, Hex, M16 x 50, 10.9, Full Thd,



MAGNUM 335 CASE IH TRACTOR (NA)

06-23 TRANSMISSION CONTROL VALVE LOCATION

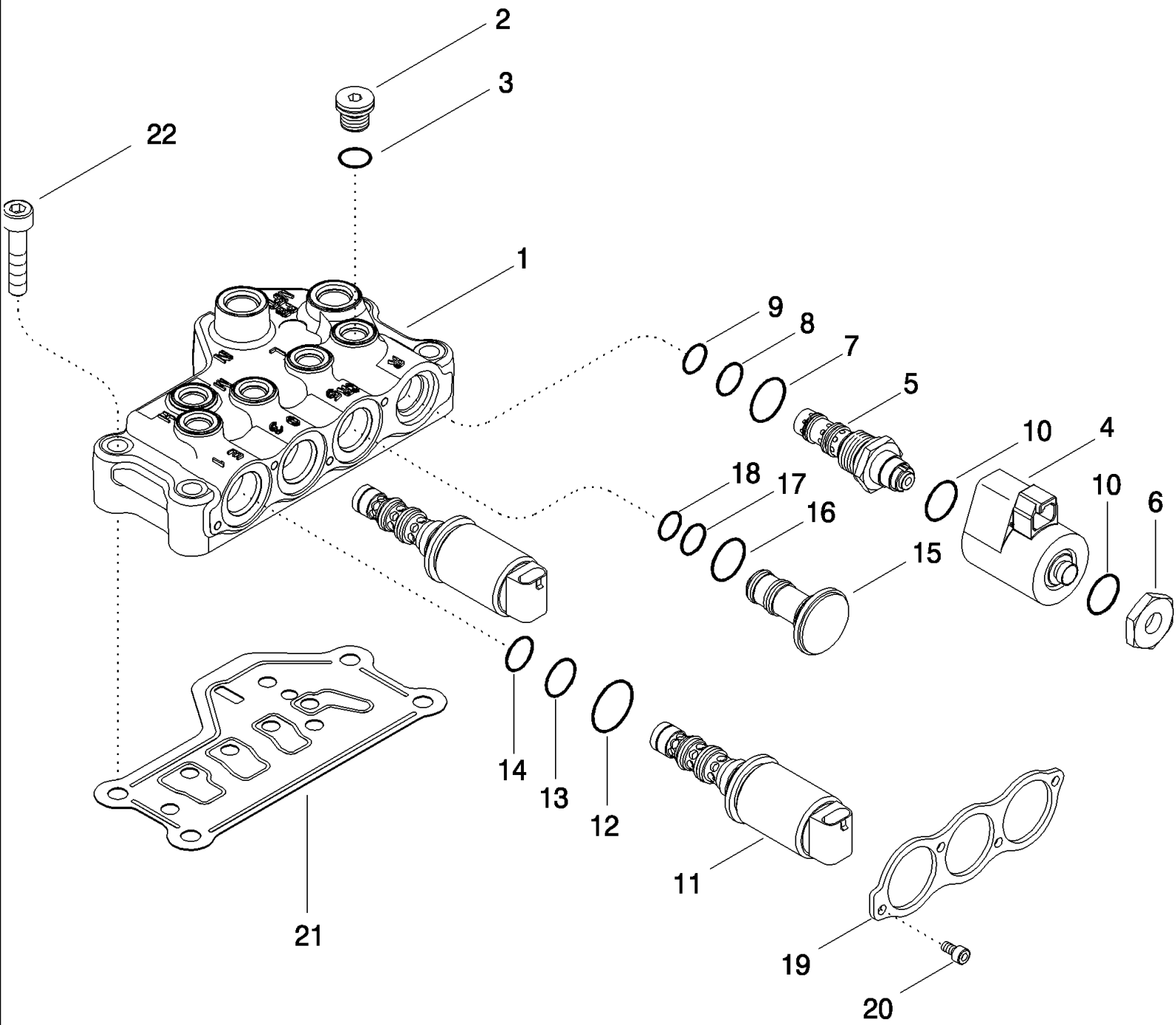
сылка	Номер детали	Кол-во	Описание
1	450729A2	1	VALVE, Speed, See Figure 06-24
2	450724A2	1	VALVE, Odd/Even, See Figure 06-25, Without Creep or 19 Speed/Without 50 KPH
2	450728A2	1	VALVE, Odd/Even, See Figure 06-26, With Creep or 19 Speed/With 50 KPH
3	87323842	1	VALVE, MFD, PWM, Range, See Figure 06-27



MAGNUM 335 CASE IH TRACTOR (NA)

06-24 VALVE ASSEMBLY - TRANSMISSION CONTROL (450729A2)

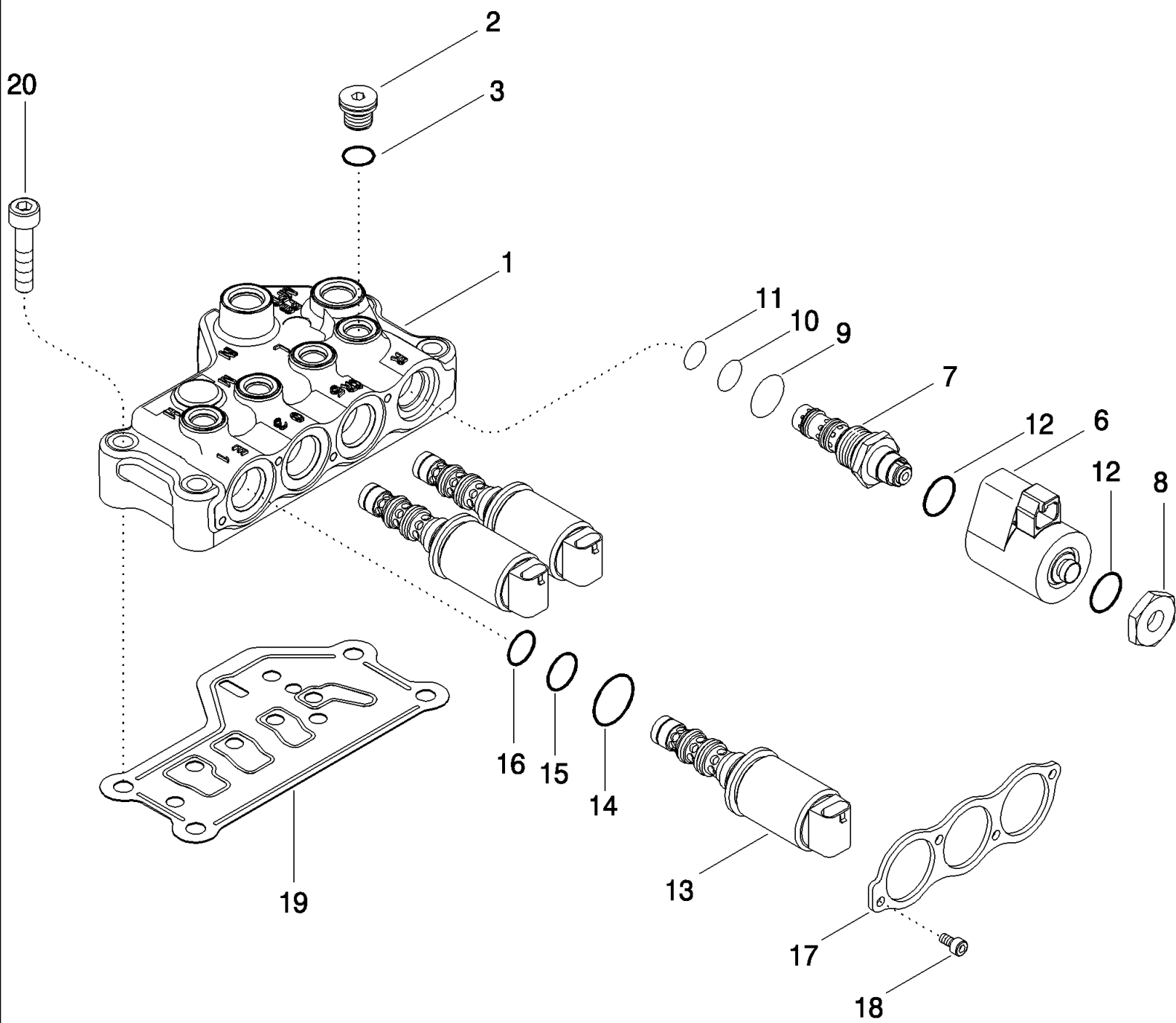
сылка	Номер детали	Кол-во	Описание
	450729A2	1	VALVE, Inc. 1 - 9, 12, 13
1	NSS	1	NOT SERVICED SEPARATELY, BODY, Valve
2	221576A1	4	PLUG, Hex Soc, M14 x 1.5, ORB, Incl. 3
3	637-63113	1	O-RING, CI 6, 11.3MM ID x 2.2 Thk,
4	87440439	4	VALVE, SOLENOID, Inc. 5 - 7
5	87014033	1	O-RING, -019, CI 7, .801" ID x .070" Thk,
6	238-7016	1	O-RING, -016, CI 7, .614" ID x .070" Thk,
7	238-7015	1	O-RING, -015, CI 7, .551" ID x .070" Thk,
8	86985026	1	COVER,
9	864-5010	6	SCREW, Hex Soc Hd, M5 x 10, 8.8,
10	87399290	1	GASKET,
11	864-10055	4	SCREW, Hex Soc Hd, M10 x 55, 8.8,
12	86987513	1	SENSOR, Pressure, Inc. 13
13	637-63113	1	O-RING, CI 6, 11.3MM ID x 2.2 Thk,



MAGNUM 335 CASE IH TRACTOR (NA)

06-25 VALVE ASSEMBLY - TRANSMISSION CONTROL (450724A2)

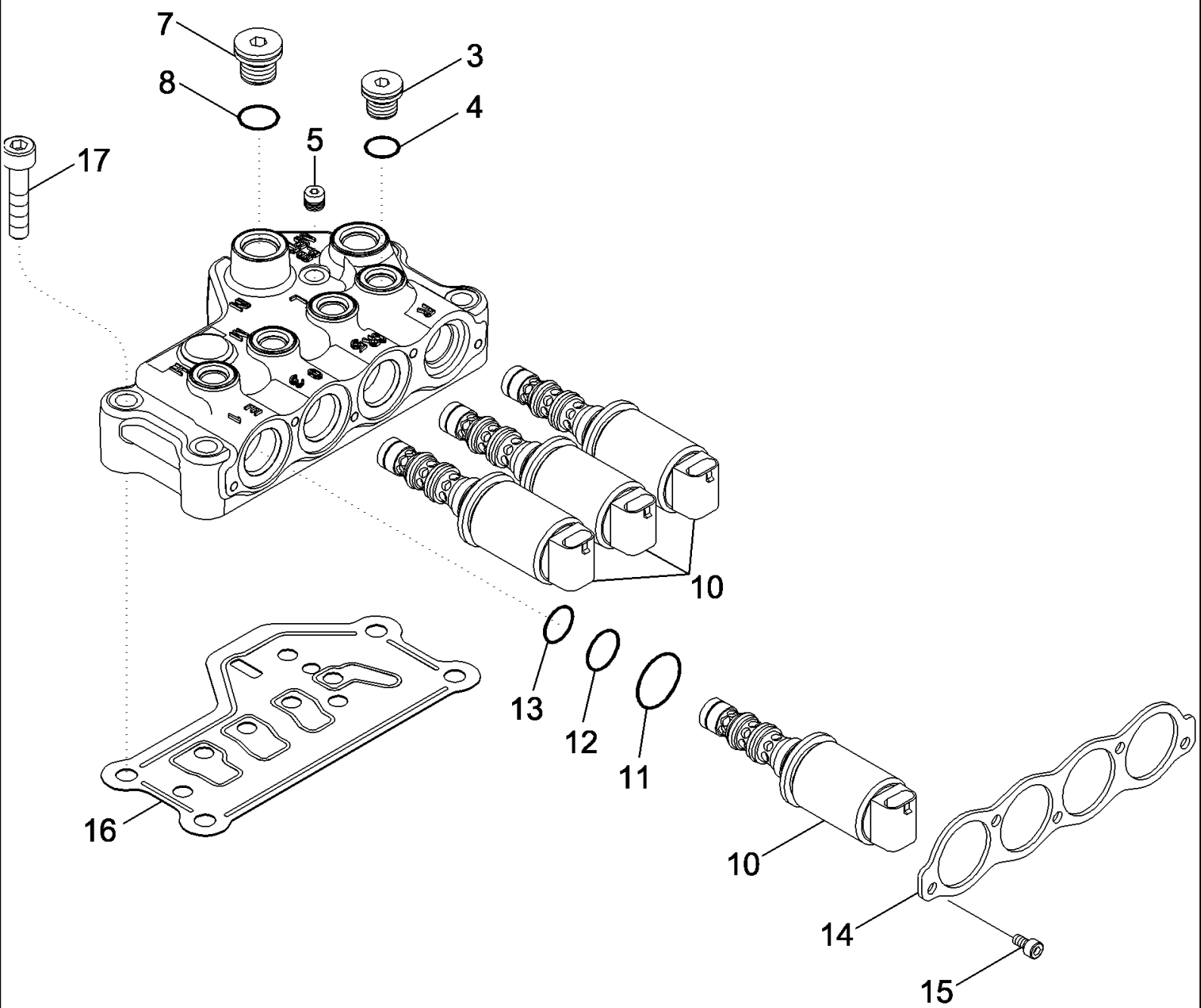
сылка	Номер детали	Кол-во	Описание
	450724A2	1	VALVE, Inc. 1 - 20
1	NSS	1	NOT SERVICED SEPARATELY, BODY, Valve
2	221576A1	4	PLUG, Hex Soc, M14 x 1.5, ORB, Incl.3
3	14437785	1	O-RING, 11.3MM ID x 2.4 Thk,
	87675608	1	SOLENOID, Inc. 4 - 10
4	NSS	1	NOT SERVICED SEPARATELY, COIL
5	NSS	1	NOT SERVICED SEPARATELY, CARTRIDGE
6	252462A2	1	NUT,
7	237-6010	1	O-RING, 10-1, 90 Duro, .755" ID x .097" Thk,
8	238-5015	1	O-RING, -015, 70 Duro, .551" ID x .070" Thk,
9	256633A1	1	O-RING, 12.9 ID x 1.24 mm
10	238-7115	2	O-RING, -115, CI 7, .674" ID x .103" Thk,
11	87440439	2	VALVE, SOLENOID, Inc. 12 - 14
12	87014033	1	O-RING, -019, CI 7, .801" ID x .070" Thk,
13	238-7016	1	O-RING, -016, CI 7, .614" ID x .070" Thk,
14	238-7015	1	O-RING, -015, CI 7, .551" ID x .070" Thk,
15	86984122	1	PLUG, Inc. 16 - 18
16	87014033	1	O-RING, -019, CI 7, .801" ID x .070" Thk,
17	238-7016	1	O-RING, -016, CI 7, .614" ID x .070" Thk,
18	238-7015	1	O-RING, -015, CI 7, .551" ID x .070" Thk,
19	86985027	1	COVER,
20	864-5010	4	SCREW, Hex Soc Hd, M5 x 10, 8.8,
21	87399290	1	GASKET,
22	864-10055	4	SCREW, Hex Soc Hd, M10 x 55, 8.8,



MAGNUM 335 CASE IH TRACTOR (NA)

06-26 VALVE ASSEMBLY - TRANSMISSION CONTROL (450728A2)

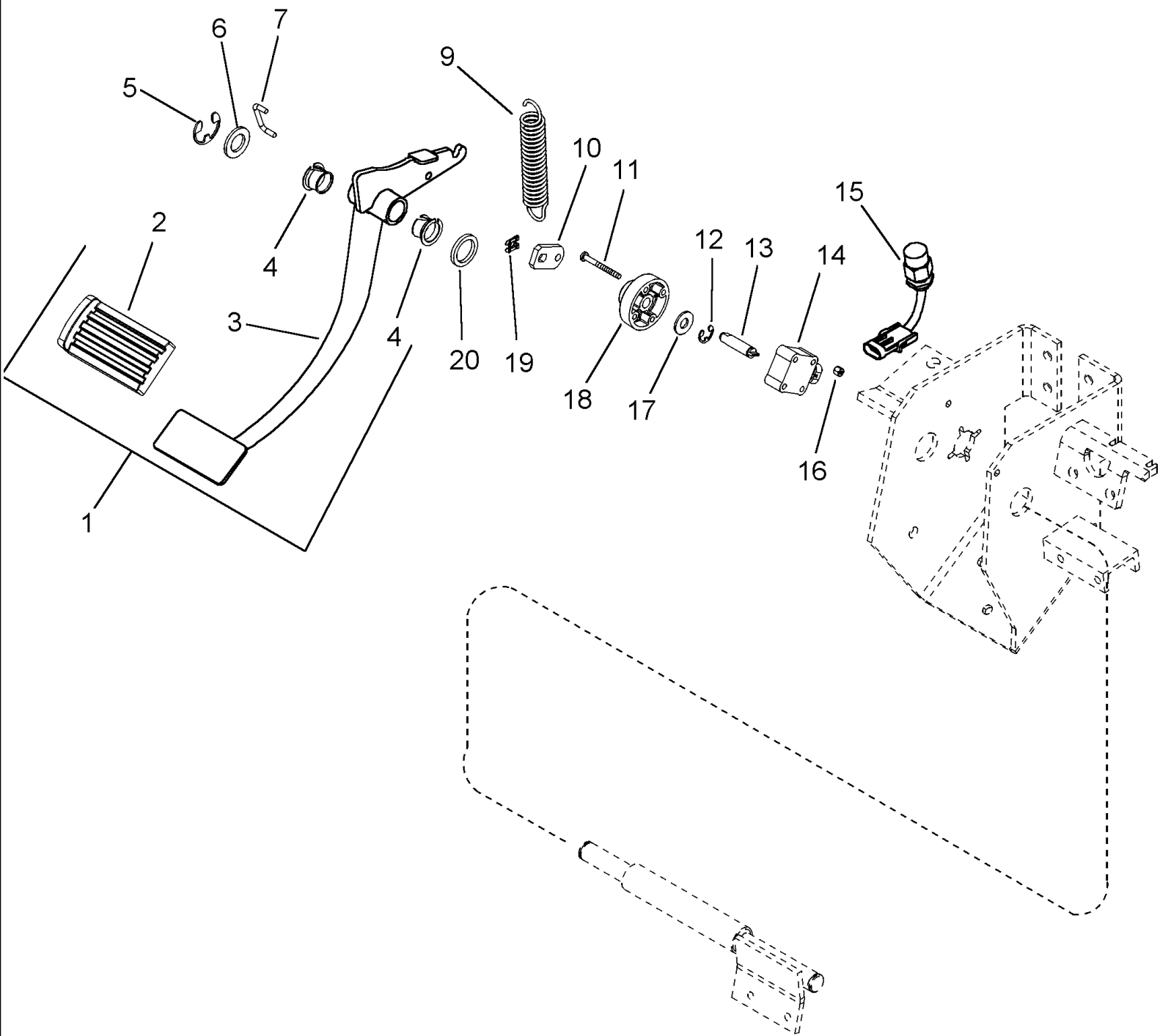
сылка	Номер детали	Кол-во	Описание
	450728A2	1	VALVE, Inc. 1 - 18
1	NSS	1	NOT SERVICED SEPARATELY, BODY, Valve
2	221576A1	4	PLUG, Hex Soc, M14 x 1.5, ORB, Incl. 3
3	14437785	1	O-RING, 11.3MM ID x 2.4 Thk,
	87675608	1	SOLENOID, Inc. 6 - 12
6	NSS	1	NOT SERVICED SEPARATELY, COIL
7	NSS	1	NOT SERVICED SEPARATELY, CARTRIDGE
8	252462A2	1	NUT,
9	237-6010	1	O-RING, 10-1, 90 Duro, .755" ID x .097" Thk,
10	238-5015	1	O-RING, -015, 70 Duro, .551" ID x .070" Thk,
11	256633A1	1	O-RING, 12.9 ID x 1.24 mm
12	238-7115	2	O-RING, -115, CI 7, .674" ID x .103" Thk,
13	87440439	3	VALVE, SOLENOID, Inc. 14 - 16
14	87014033	1	O-RING, -019, CI 7, .801" ID x .070" Thk,
15	238-7016	1	O-RING, -016, CI 7, .614" ID x .070" Thk,
16	238-7015	1	O-RING, -015, CI 7, .551" ID x .070" Thk,
17	86985027	1	COVER,
18	864-5010	4	SCREW, Hex Soc Hd, M5 x 10, 8.8,
19	87399290	1	GASKET,
20	864-10055	4	SCREW, Hex Soc Hd, M10 x 55, 8.8,



MAGNUM 335 CASE IH TRACTOR (NA)

06-27 VALVE ASSEMBLY - TRANSMISSION CONTROL (87323842)

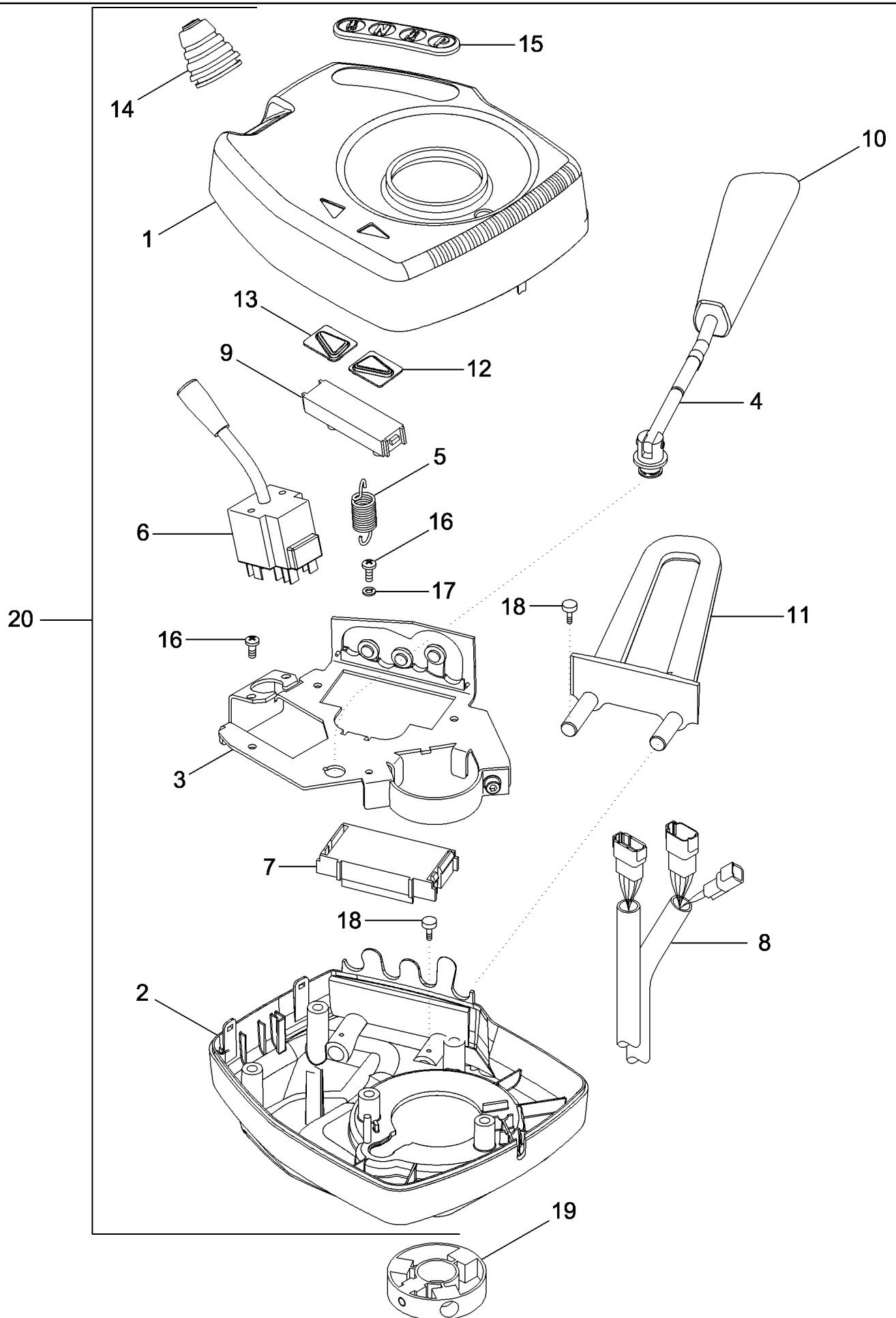
сылка	Номер детали	Кол-во	Описание
	87323842	1	VALVE, Inc. 1 - 15
1	NSS	1	NOT SERVICED SEPARATELY, BODY, Valve
3	221576A1	5	PLUG, Hex Soc, M14 x 1.5, ORB, Incl. 4
4	14437785	1	O-RING, 11.3MM ID x 2.4 Thk,
5	315168A1	1	PLUG,
7	221578A1	1	PLUG, Hex Soc, M18 x 1.5, ORB, Incl. 8
8	637-63153	1	O-RING, CI 6, 15.3MM ID x 2.2 Thk,
10	87440439	4	VALVE, SOLENOID, Inc. 11 - 13
11	87014033	1	O-RING, -019, CI 7, .801" ID x .070" Thk,
12	238-7016	1	O-RING, -016, CI 7, .614" ID x .070" Thk,
13	238-7015	1	O-RING, -015, CI 7, .551" ID x .070" Thk,
14	86985026	1	COVER,
15	864-5010	6	SCREW, Hex Soc Hd, M5 x 10, 8.8,
16	87399290	1	GASKET,
17	864-10055	4	SCREW, Hex Soc Hd, M10 x 55, 8.8,



MAGNUM 335 CASE IH TRACTOR (NA)

06-28 PEDAL - INCHING

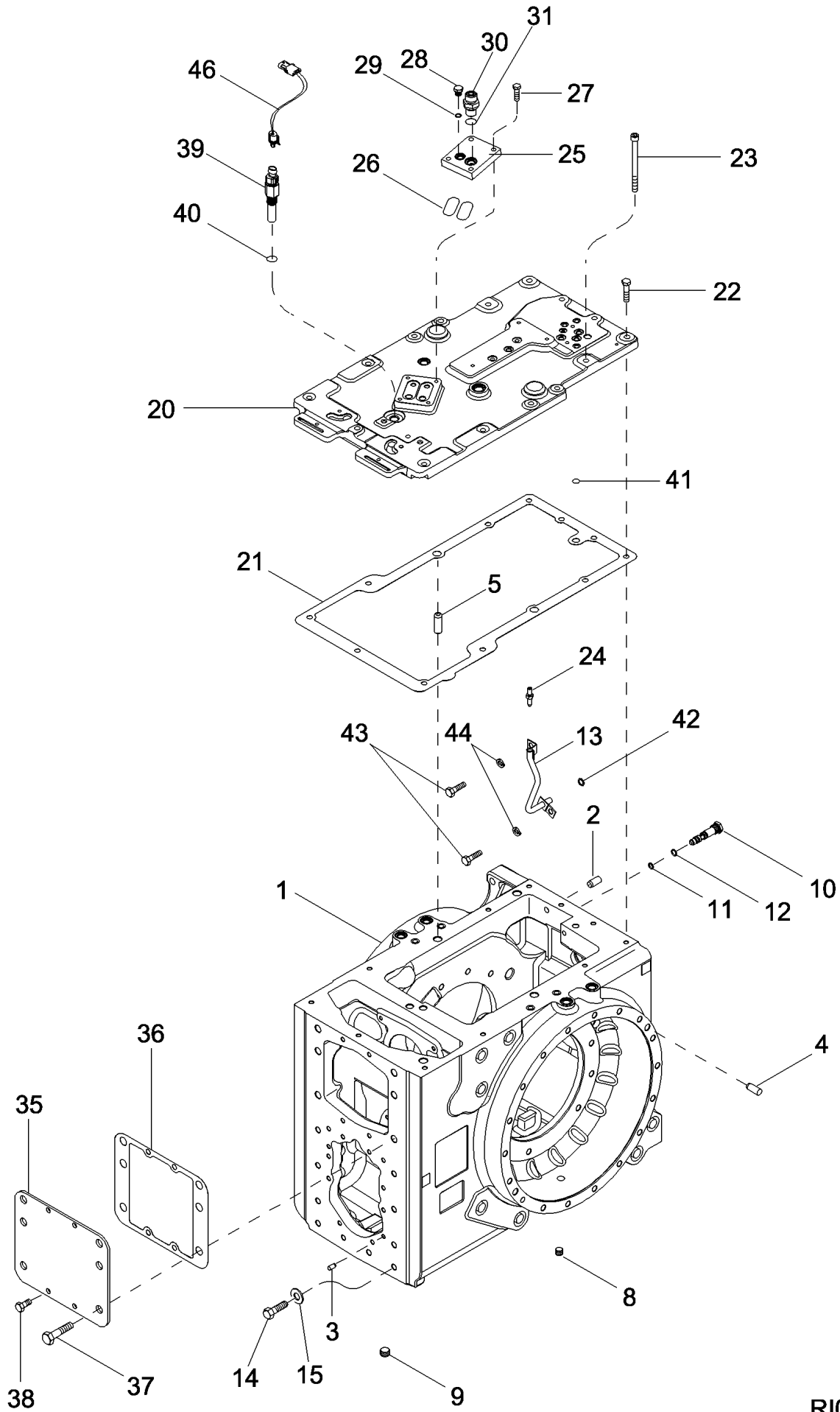
сылка	Номер детали	Кол-во	Описание
1	416255A3	1	PEDAL ASSY., Inc. 2 - 4
2	1999382C1	1	PAD, RUBBER,
3	NSS	1	NOT SERVICED SEPARATELY, PEDAL
4	1990753C1	2	PLASTIC RING,
5	800-3120	1	CIRCLIP, M20,
6	895-11018	1	WASHER, M18 x 34 x 3,
7	87567150	1	ROD,
9	303754A1	1	SPRING,
10	302275A2	1	LEVER,
11	840-1550	4	SCREW, Cross Pan Hd, M5 x 50,
12	800-4311	1	CIRCLIP, M11,
13	295013A2	1	PIN,
14	301271A1	1	SENSOR, Position
15	414144A1	1	SWITCH, Bottom Of Clutch
16	832-10405	4	NUT, LOCK, M5 x .8, CI 8,
17	495-21044	1	WASHER, 3/8",
18	295012A2	1	BUSHING,
19	3226538R1	1	CLIP,
20	258242A1	1	WASHER,



MAGNUM 335 CASE IH TRACTOR (NA)

06-29 LEVER ASSEMBLY - TRANSMISSION CONTROL

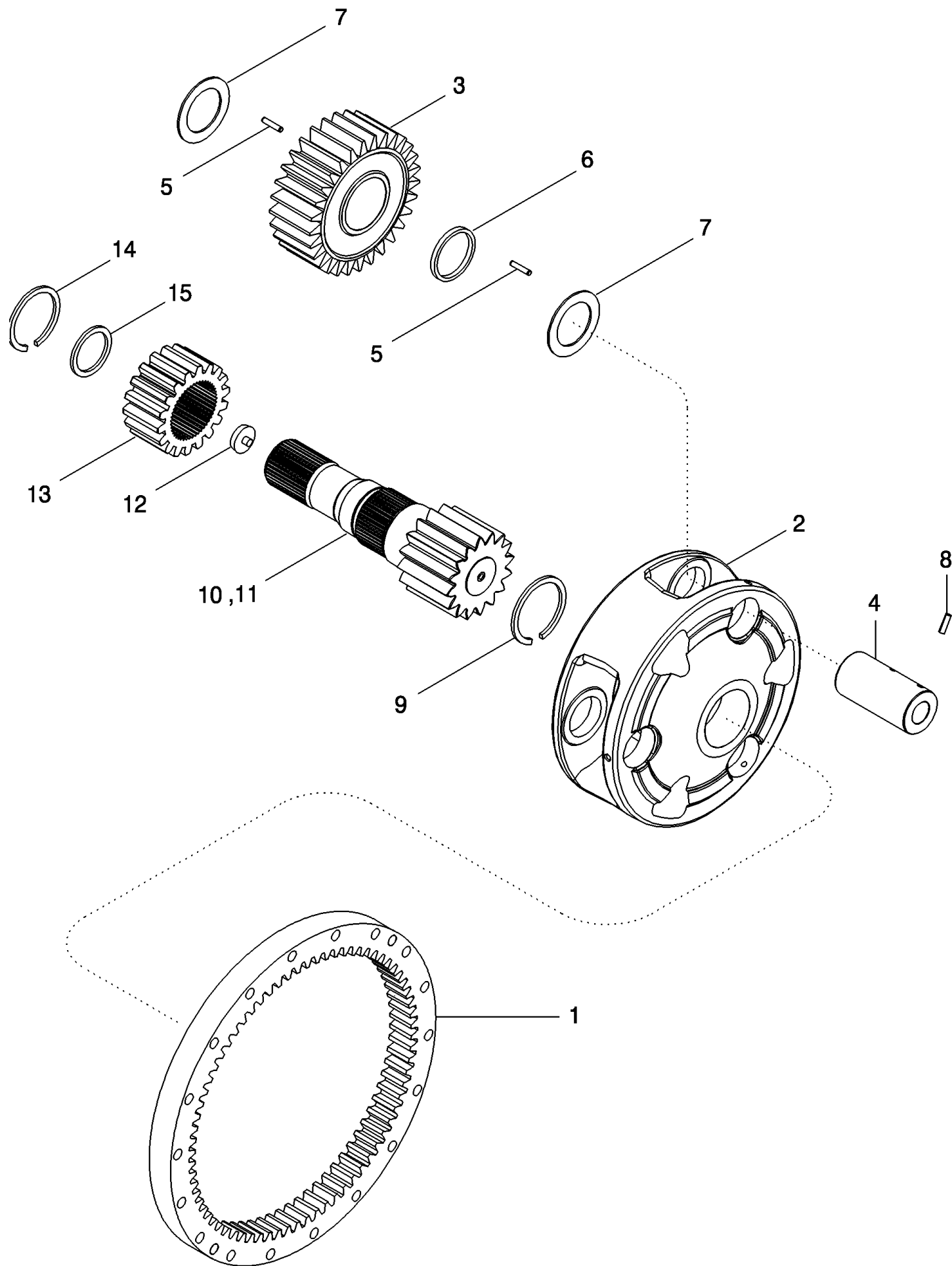
сылка	Номер детали	Кол-во	Описание
1	325064A1	1	HOUSING, Upper
2	325065A1	1	HOUSING, Lower
3	325362A1	1	CHASSIS,
4	325363A1	1	LEVER, Transmission Control
5	250939A1	1	SPRING,
6	284777A1	1	SWITCH, Universal W/ Dipping W/ Self-Cancel
7	447256A2	1	SWITCH, Transmission Control
8	375681A1	1	HARNESS, Transmission Control And Turn Signal Self-Cancelling Sensor (Sensor Not Serviced Separately)
9	303465A2	1	LAMP,
10	325533A1	1	HANDLE,
11	325066A2	1	GUARD,
12	303466A1	1	SYMBOLS, RH
13	303467A1	1	SYMBOLS, LH
14	325068A1	1	BELLOWS,
15	358353A1	1	SYMBOLS,
16	840-1410	7	SCREW, Cross Pan Hd, M4 x 10,
17	892-11004	7	WASHER, LOCK, M4,
18	905974R1	2	SCREW, SELF TAPPING, Pan Hd, M2.9 x 13,
19	253679A1	1	RING, Magnet
20	86993721	1	CONTROL, Inc. 1 -18



MAGNUM 335 CASE IH TRACTOR (NA)

06-30 REAR AXLE - HOUSING

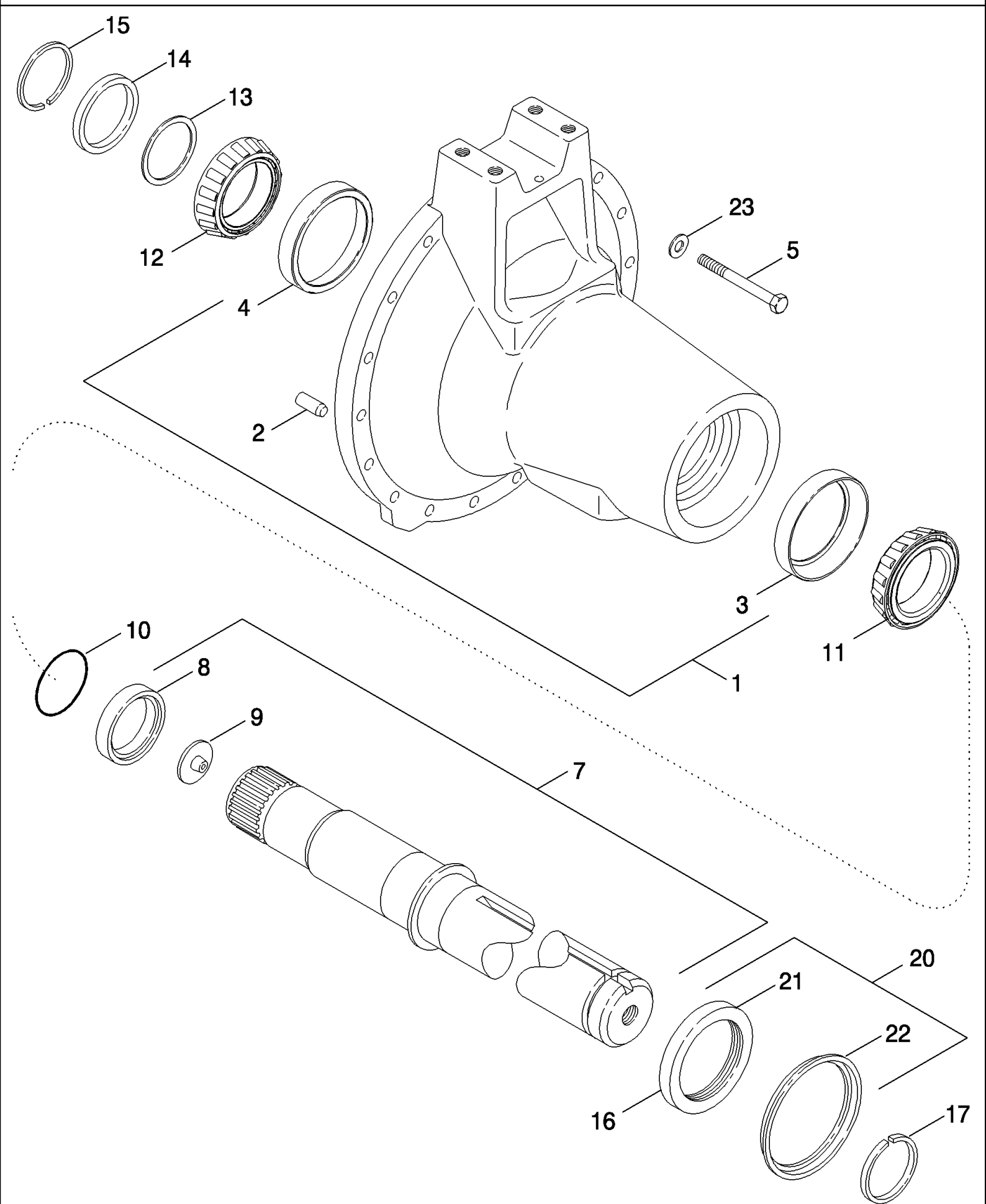
сылка	Номер детали	Кол-во	Описание
1	87713053	1	HOUSING ASSY., Inc. 2 - 12
2	837-16035	1	DOWEL, M16 x 35,
3	837-10020	2	DOWEL, M10 x 20,
4	837-16040	4	DOWEL, M16 x 40,
5	37-11232	2	DOWEL, 3/4" x 2",
8	192791A1	2	PLUG, 1/2 in
9	192792A1	1	PLUG, 3/4 in
10	411075A1	1	FITTING,
11	238-6111	1	O-RING, -111, 90 Duro, .424" ID x .103" Thk,
12	238-6112	1	O-RING, -112, 90 Duro, .487" ID x .103" Thk,
13	409741A1	1	TUBE ASSY.,
14	87698770	10	BOLT, , Magnum 335
15	896-12016	10	WASHER, M17.5 x 30 x 4, HT, , Magnum 335
20	87371409	1	COVER, Rear Frame
21	413900A1	1	GASKET,
22	828-12050	15	BOLT, Hex, M12 x 50, 10.9,
23	863-12150	4	SCREW, Hex Soc Hd, M12 x 150, 12.9,
24	414320A1	1	FITTING,
25	87696450	1	PLATE,
26	238-6139	2	O-RING, -139, 90 Duro, 2.175" ID x .103" Thk,
27	628-10035	4	BOLT, Hex, M10 x 35, 10.9, Full Thd,
28	221576A1	1	PLUG, Hex Soc, M14 x 1.5, ORB, Incl. 29
29	14437785	1	O-RING, 11.3MM ID x 2.4 Thk,
30	86579676	1	CONNECTOR, HYD., 13/16"-16 ORFS x M18 x 1.5 ORB, Inc. 31
31	637-63153	1	O-RING, CI 6, 15.3MM ID x 2.2 Thk,
35	236602A1	1	COVER, , Without Hitch
36	379145A1	1	GASKET,
37	628-20045	6	BOLT, Hex, M20 x 45, 10.9, Full Thd,
38	628-12025	4	BOLT, Hex, M12 x 25, 10.9, Full Thd,
39	352787A2	1	SENSOR, Axle Speed, Transmission BSN AJB0372635
39	87548200	1	SENSOR, PTO and transmission Speed, Transmission ASN AJB0372635
40	238-5115	1	O-RING, -115, 70 Duro, .674" ID x .103" Thk,
41	238-5111	1	O-RING, -111, 70 Duro, .424" ID x .103" Thk,
42	239-5112	1	O-RING, Rect, .5" ID x .688" OD, CI 5,
43	613-12025	2	BOLT, Hex, M12 x 25, 8.8, Full Thd,
44	892-11012	2	WASHER, LOCK, M12,
46	87631267	1	HARNES, WIRE, PTO Sensor, Transmission ASN AJB0372635



MAGNUM 335 CASE IH TRACTOR (NA)

06-32 REAR AXLE - PLANETARY, MX275, MAGNUM 275, AND 335

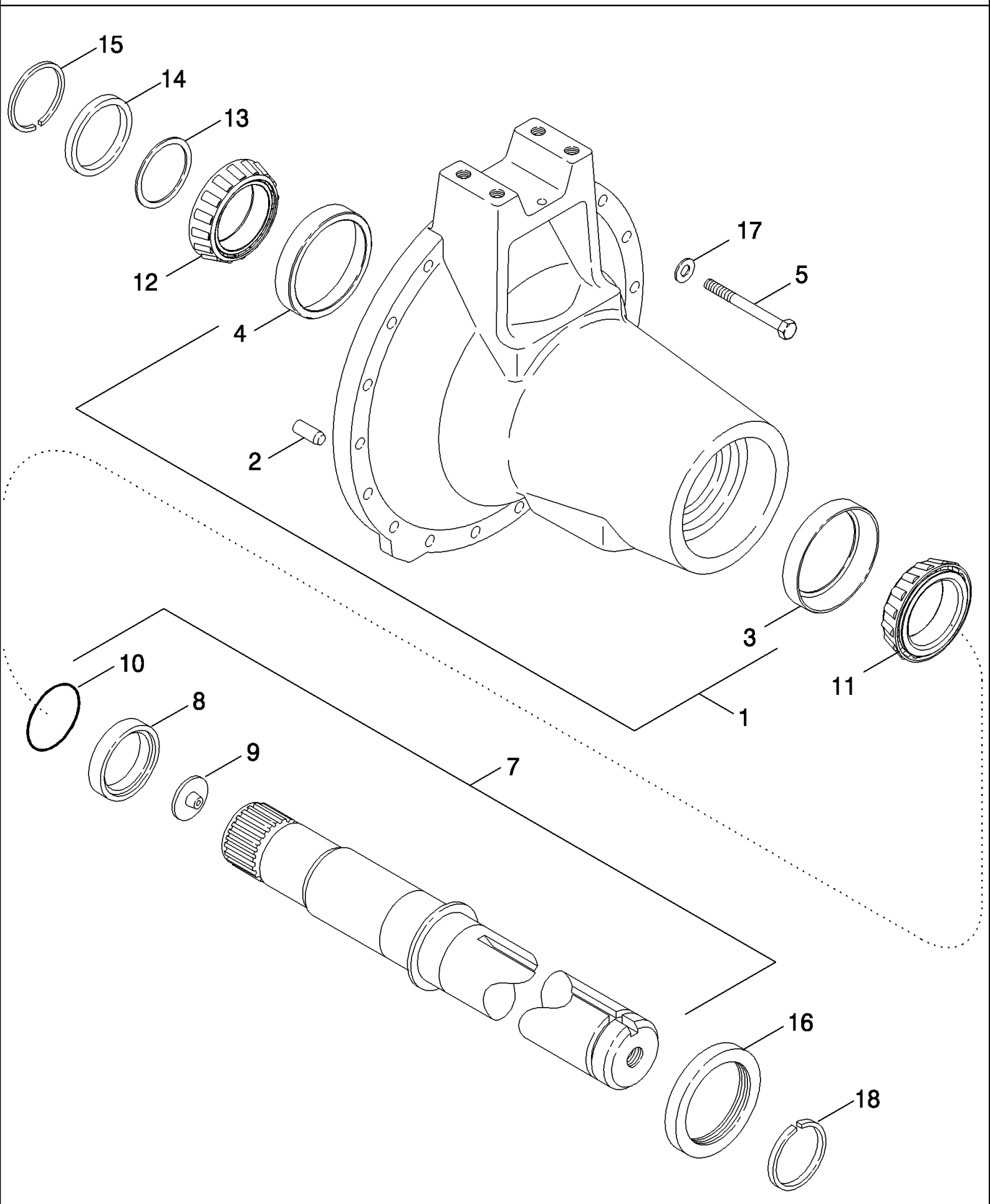
сылка	Номер детали	Кол-во	Описание
1	310695A1	2	GEAR, RING,
2	388366A1	2	CARRIER, GEARS,
3	87738713	6	GEAR, PLANETARY,
4	310697A3	6	SHAFT,
5	1349347C1	396	BEARING, NEEDLE,
6	86985634	6	SPACER, RING, Nylon
7	87435907	12	WASHER,
8	838-3826	6	PIN, M8 x 26, Coiled,
9	101-11350	2	RING, SNAP, #350, Ext,
10	395481A1	1	SHAFT, GEAR, 16T, Left Hand
11	395481A1	1	SHAFT, GEAR, 16T, Right Hand
12	1981327C1	1	PLUG, Sun Shaft Locator, Right Hand Only
13	1259732C1	2	HUB,
14	101-11275	2	RING, SNAP, #275, 2.594, Ext,
15	1259753C1	2	WASHER,



MAGNUM 335 CASE IH TRACTOR (NA)

06-34 REAR AXLE - 4 X 120 INCH

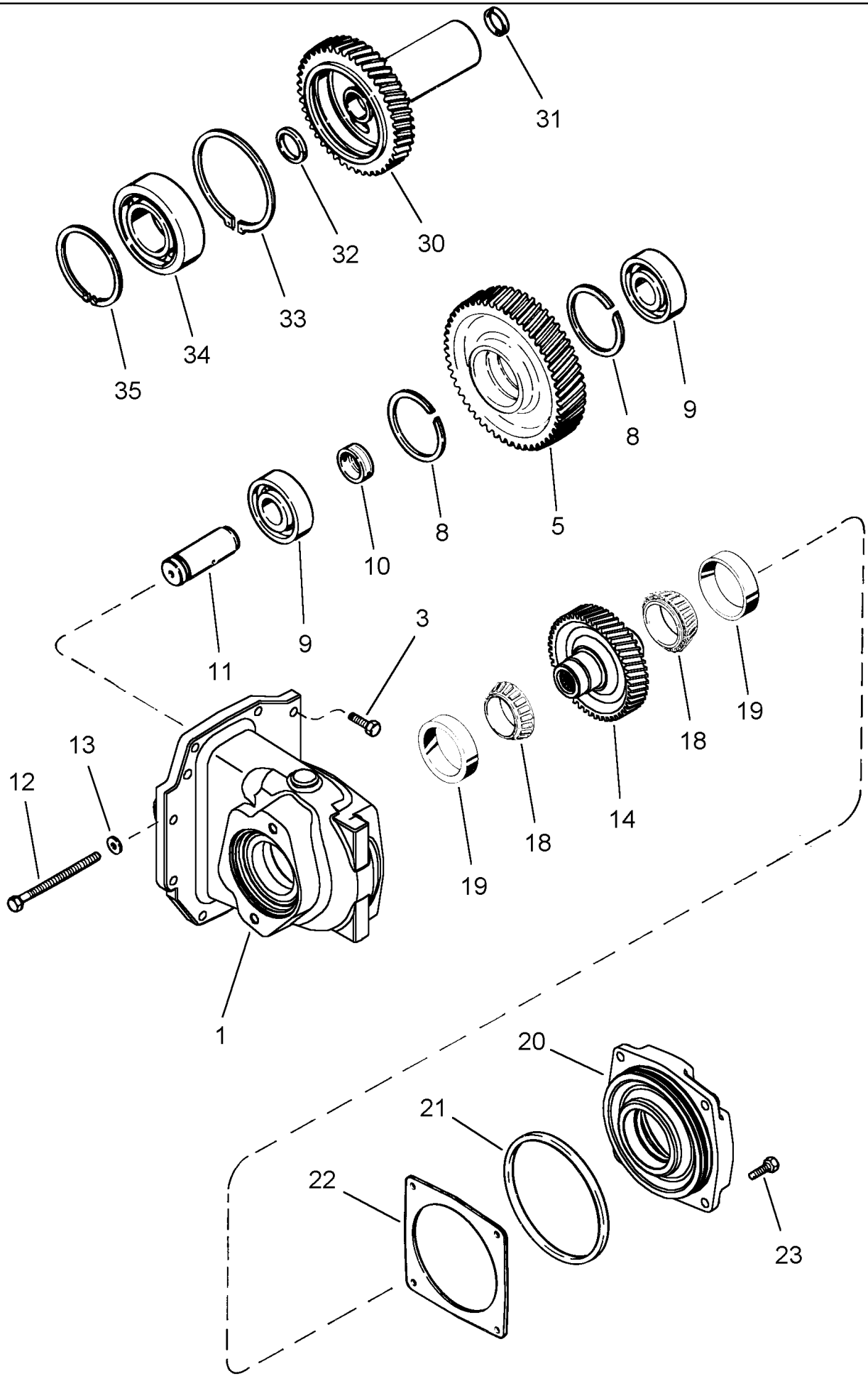
сылка	Номер детали	Кол-во	Описание
1	87331804	2	CARRIER, AXLE, Inc. 2 - 4
2	837-16040	2	DOWEL, M16 x 40,
3	1975500C1	1	BEARING, CUP,
4	619697C1	1	BEARING, CUP,
5	828-16150	36	BOLT, Hex, M16 x 150, 10.9,
7	1342484C4	2	AXLE, REAR, Inc. 8, 9
8	1963837C1	1	BUSHING,
9	1981270C1	1	INSERT,
10	238-5155	2	O-RING, -155, 70 Duro, 3.987" ID x .103" Thk,
11	1975499C1	2	BEARING, CONE,
12	1963841C1	2	BEARING, CONE,
13	143921C1	AR	SHIM, 0.760 mm
13	143922C1	AR	SHIM, 0.300 mm
13	143923C1	AR	SHIM, 0.13 mm
13	143924C1	AR	SHIM, 0.10 mm
13	143925C1	AR	SHIM, 0.076 mm
14	124744C1	2	RING,
15	1277020C2	2	RING,
16	1963839C1	2	SEAL,
17	800-51100	2	RING, SNAP, M100, Ext, Hvy, Axle
20	1349182C1	2	KIT, GASKET, Inc. 21, 22
21	1349183C1	1	SEAL, OIL, Oversize
22	1349184C1	1	SLEEVE,
23	896-12016	36	WASHER, M17.5 x 30 x 4, HT,



MAGNUM 335 CASE IH TRACTOR (NA)

06-35 REAR AXLE - 4-1/2 X 120 INCH

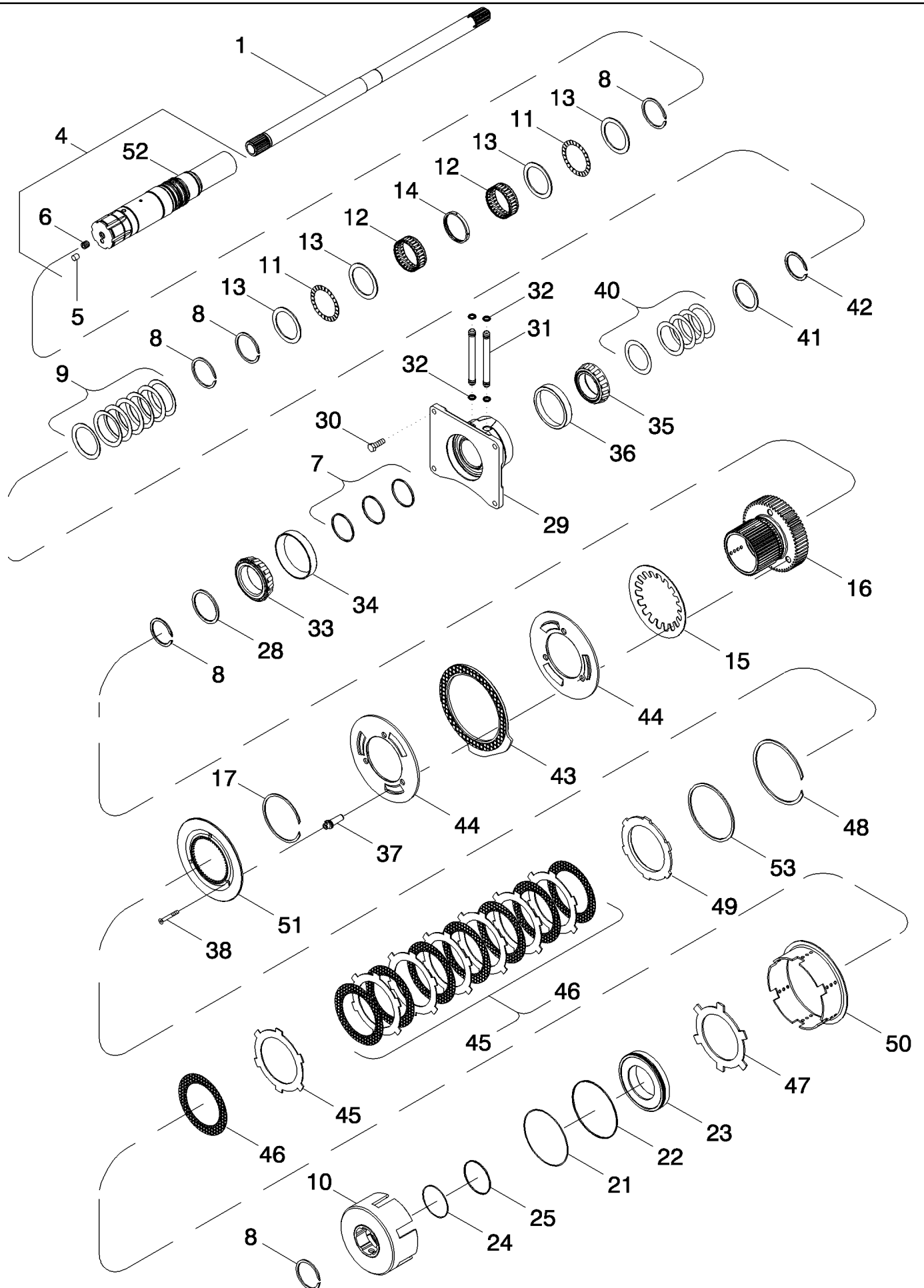
сылка	Номер детали	Кол-во	Описание
1	87456256	2	CARRIER, Inc. 2 - 4
2	837-16040	2	DOWEL, M16 x 40,
3	237698A1	1	BEARING, CUP,
4	90-3675T1	1	BEARING SET,
5	828-16150	36	BOLT, Hex, M16 x 150, 10.9,
7	245279A2	2	AXLE, REAR, Inc. 8 - 10
8	87593684	1	BUSHING,
9	1981270C1	1	INSERT,
10	238-5246	2	O-RING, -246, 70 Duro, 4.484" ID x .139" Thk,
11	237700A1	2	BEARING, CONE,
12	90-3676T1	2	BEARING, CONE,
13	143921C1	AR	SHIM, 0.760 mm
13	143922C1	AR	SHIM, 0.300 mm
13	143923C1	AR	SHIM, 0.13 mm
13	143924C1	AR	SHIM, 0.10 mm
13	143925C1	AR	SHIM, 0.076 mm
14	124744C1	2	RING,
15	243856A1	2	SNAP RING,
16	239942A3	2	SEAL,
17	896-12016	36	WASHER, M17.5 x 30 x 4, HT,
18	800-11115	2	RING, SNAP, M115, Ext, Axle



MAGNUM 335 CASE IH TRACTOR (NA)

06-36 TRANSMISSION - PUMP DRIVE

сылка	Номер детали	Кол-во	Описание
1	389550A1	1	HOUSING,
3	613-10035	8	BOLT, Hex, M10 x 35, 8.8, Full Thd,
5	220199A1	1	GEAR,
8	472163R1	2	RING,
9	394326A1	2	BEARING, BALL,
10	93316C1	1	SPACER,
11	1286151C1	1	SHAFT,
12	813-10130	1	BOLT, Hex, M10 x 130, 8.8,
13	896-12010	1	WASHER, M10 x 21.5 x 2.5, HT,
14	404173A2	1	GEAR, DRIVEN,
18	399933C91	2	BEARING, CONE,
19	399934C1	2	BEARING, CUP,
20	405664A2	1	CAGE,
21	238-5257	1	O-RING, -257, 70 Duro, 5.859" ID x .139" Thk,
22	120946C1	AR	SHIM, 0.08 mm
22	120947C1	AR	SHIM, 0.10 mm
22	120948C1	AR	SHIM, 0.13 mm
22	120949C1	AR	SHIM, 0.30 mm
22	149011C1	AR	SHIM, 0.76 mm
23	613-10035	4	BOLT, Hex, M10 x 35, 8.8, Full Thd,
30	220560A1	1	PINION,
31	238-5223	1	O-RING, -223, 70 Duro, 1.609" ID x .139" Thk,
32	1286023C1	1	RING,
33	100-11237	1	RING, SNAP, #237, Ext,
34	ST269A	1	BEARING, BALL,
35	101-21433	1	RING, SNAP, #433, 4.641", Int,



MAGNUM 335 CASE IH TRACTOR (NA)

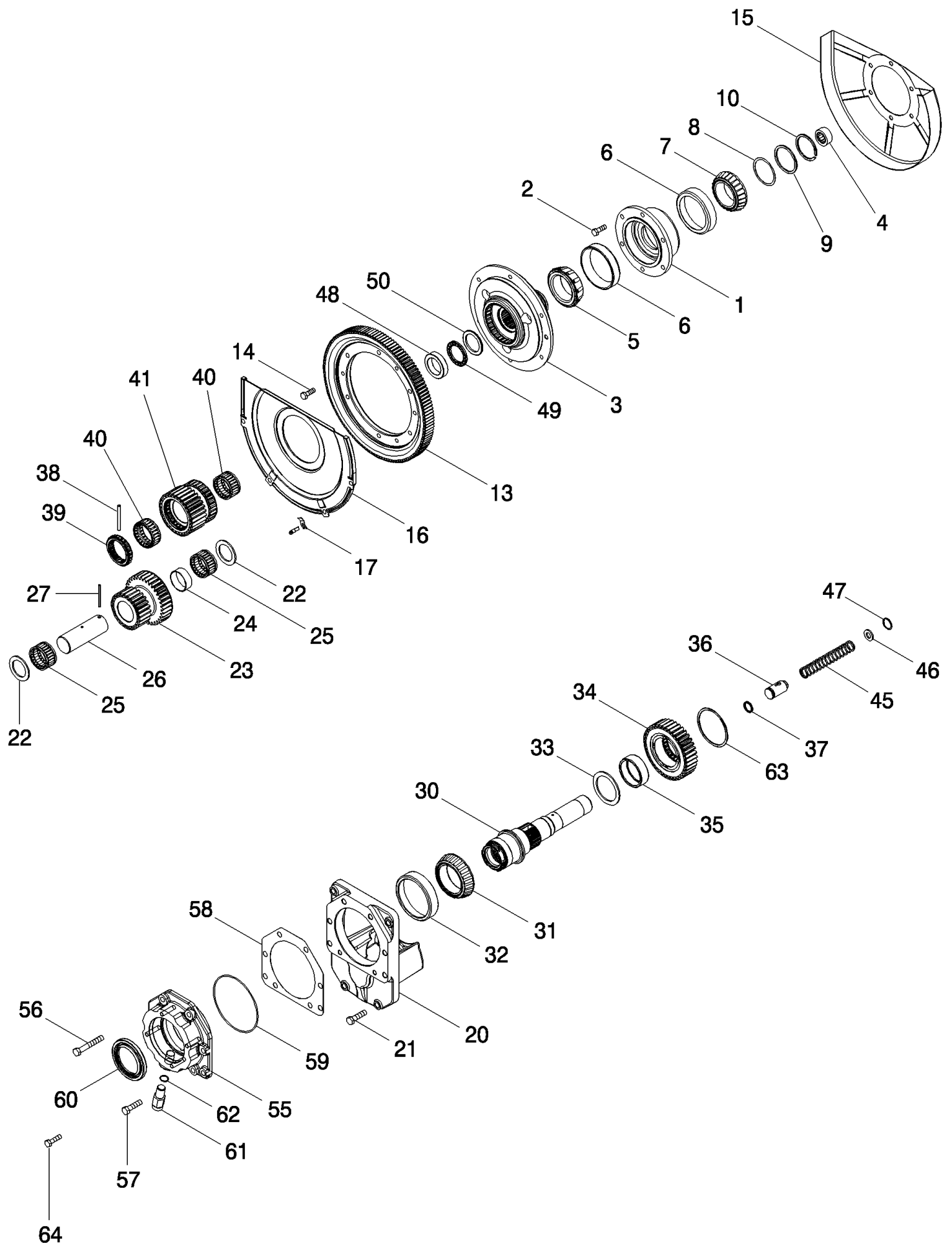
06-37 POWER TAKE OFF ASSEMBLY - INPUT SHAFT

сылка	Номер детали	Кол-во	Описание
1	198496A1	1	COUNTERSHAFT,
4	87696447	1	SHAFT, Inc. 5, 6, 52
5	NSS	1	NOT SERVICED SEPARATELY, PLUG
6	877-31212	1	SET SCREW, Hex Soc, M12 x 12, Flat Pt,
7	1286026C1	3	RING, Seal
8	93350C1	5	RING, Retaining
9	1286012C2	7	WASHER, Belleville, Transmission BSN AJB0365565
9	87425389	7	SPRING, BELLEVILLE, Washer, Transmission ASN AJB0365565
10	446596A4	1	CARRIER,
11	572182R1	2	BEARING, THRUST,
12	435716A1	2	BEARING, NEEDLE,
13	1286043C1	4	WASHER, THRUST,
14	86989332	1	RING, Needle Bearing Support
15	435636A1	2	SPRING, Brake Apply Disc
16	445794A2	1	GEAR, DRIVING, 61T
16	87696444	1	GEAR, 61T, with Seal Groove for Ring Seal ref 53
17	101-11400	1	RING, SNAP, #400, 3.771, Ext,
21	1286083C1	1	O-RING,
22	1286079C1	1	RING,
23	446597A2	1	PISTON,
24	1286081C1	1	O-RING,
25	1286076C1	1	RING,
28	1277309C1	1	WASHER,
29	87696449	1	CAGE,
30	628-10030	4	BOLT, Hex, M10 x 30, 10.9, Full Thd,
31	413665A1	2	TUBE,
32	238-5013	4	O-RING, -013, 70 Duro, .426" ID x .070" Thk,
33	630694C1	1	BEARING, CONE,
34	630695C1	1	BEARING, CUP,
35	659458R1	1	BEARING, CONE,
36	105497H	1	BEARING, CUP,
37	435718A3	3	ADJUSTER, Pin, Brake, Transmission BSN AJB0365565
37	87367860	3	ADJUSTER, Pin, Brake, Transmission ASN AJB0365565
38	87427330	3	SCREW, M6 x 50, With Loctite, Transmission BSN AJB0365565
40	446943A1	1	SHIM, Kit, Inc. 40
40	249776A1	2	SHIM, 0.203 mm
40	249777A1	2	SHIM, 0.356 mm
40	249778A1	2	SHIM, 0.508 mm
40	249779A1	2	SHIM, 0.559 mm
40	249780A1	2	SHIM, 0.635 mm
41	87427329	1	SPACER,
42	375374R1	1	RING,
43	435892A2	1	BRAKE DISC, Friction
44	435393A2	2	PLATE, Separator
45	87738316	7	DISC, Separator, Transmission BSN AJB0365565

MAGNUM 335 CASE IH TRACTOR (NA)

06-37 POWER TAKE OFF ASSEMBLY - INPUT SHAFT

сылка	Номер детали	Кол-во	Описание
45	87738316	8	DISC, Separator, Transmission ASN AJB0365565
46	1997907C1	8	PLATE, Friction
47	435389A1	1	DISC, , Transmission BSN AJB0365565
48	1285996C1	1	RING, SNAP,
49	1342645C3	1	DISC, CLUTCH,
50	86989330	1	TUBE, , Transmission BSN AJB0365565
51	86989331	1	BRAKE DISC, Pusher, Transmission BSN AJB0365565
51	87366290	1	BRAKE DISC, Pusher, 3.5 mm Thick, Use Either 87366284 or 87366290, Transmission ASN AJB0365565
51	87366284	1	BRAKE DISC, Pusher, 3.0 mm Thick, Use Either 87366284 or 87366290
52	NSS	1	NOT SERVICED SEPARATELY, SHAFT
53	87690675	1	RING, Seal



MAGNUM 335 CASE IH TRACTOR (NA)

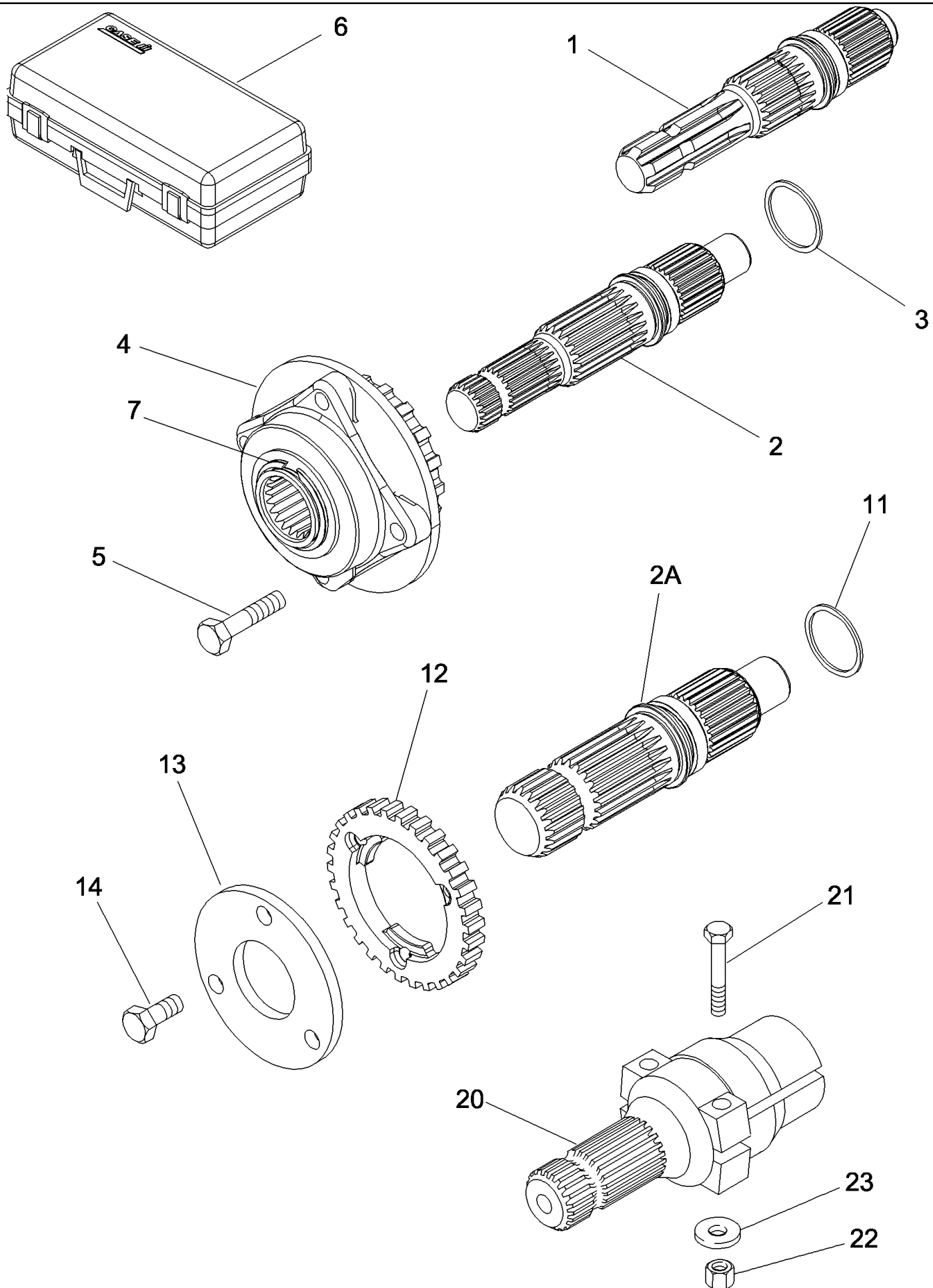
06-38 POWER TAKE OFF ASSEMBLY - REDUCTION GEAR, DUAL SPEED

сылка	Номер детали	Кол-во	Описание
1	225806A1	1	CAGE,
2	628-10030	6	BOLT, Hex, M10 x 30, 10.9, Full Thd,
3	277389A2	1	HUB ASSY., Inc. 4
4	359950R91	1	BEARING, NEEDLE,
5	25695HO	1	BEARING, CONE,
6	22396V	2	BEARING SET,
7	235545A1	1	BEARING, CONE,
8	253456A1	1	SHIM, Inc. 8
8	NSS	AR	NOT SERVICED SEPARATELY, SHIM, 0.152 mm
8	NSS	AR	NOT SERVICED SEPARATELY, SHIM, 0.178 mm
8	NSS	AR	NOT SERVICED SEPARATELY, SHIM, 0.203 mm
8	NSS	AR	NOT SERVICED SEPARATELY, SHIM, 0.356 mm
8	NSS	AR	NOT SERVICED SEPARATELY, SHIM, 0.635 mm
9	231772A1	1	SPACER,
10	231760A1	1	RING, SNAP,
13	408252A1	1	GEAR, RING,
14	628-10030	6	BOLT, Hex, M10 x 30, 10.9, Full Thd,
15	198709A1	1	PROTECTION PLATE,
16	225810A1	1	COVER,
17	139327C1	4	CLIP,
20	226037A4	1	COVER,
21	828-12045	4	BOLT, Hex, M12 x 45, 10.9, Full Thd, , BSN Z7RW05000
21	87015540	4	BOLT, Hex, M12 x 50, 10.9, , ASN Z7RW05000
22	226035A1	2	WASHER,
23	226033A3	1	PINION,
24	300084A1	1	SPACER,
25	138763C91	2	BEARING, NEEDLE,
26	226034A2	1	SHAFT,
27	38-21240	1	PIN, 3/16" x 2 1/2", Coiled,
30	324000A1	1	SHAFT, GEAR,
31	A67328	1	BEARING, ROLLER,
32	A67327	1	NEEDLE ROLLER,
33	226024A3	1	WASHER, THRUST,
34	326733A1	1	PINION,
35	318641A1	1	BEARING, NEEDLE,
36	226028A2	1	PISTON,
37	226029A1	1	RING,
38	38-32044	1	PIN, 5/16" x 2 3/4", Coiled,
39	226031A2	1	COLLAR,
40	330162A1	2	BEARING, NEEDLE,
41	326731A1	1	GEAR,
45	323066A1	1	SPRING,
46	295066A1	1	WASHER,
47	100-21112	1	RING, SNAP, 1.125", Int, #112,
48	327172A1	1	SPACER,

MAGNUM 335 CASE IH TRACTOR (NA)

06-38 POWER TAKE OFF ASSEMBLY - REDUCTION GEAR, DUAL SPEED

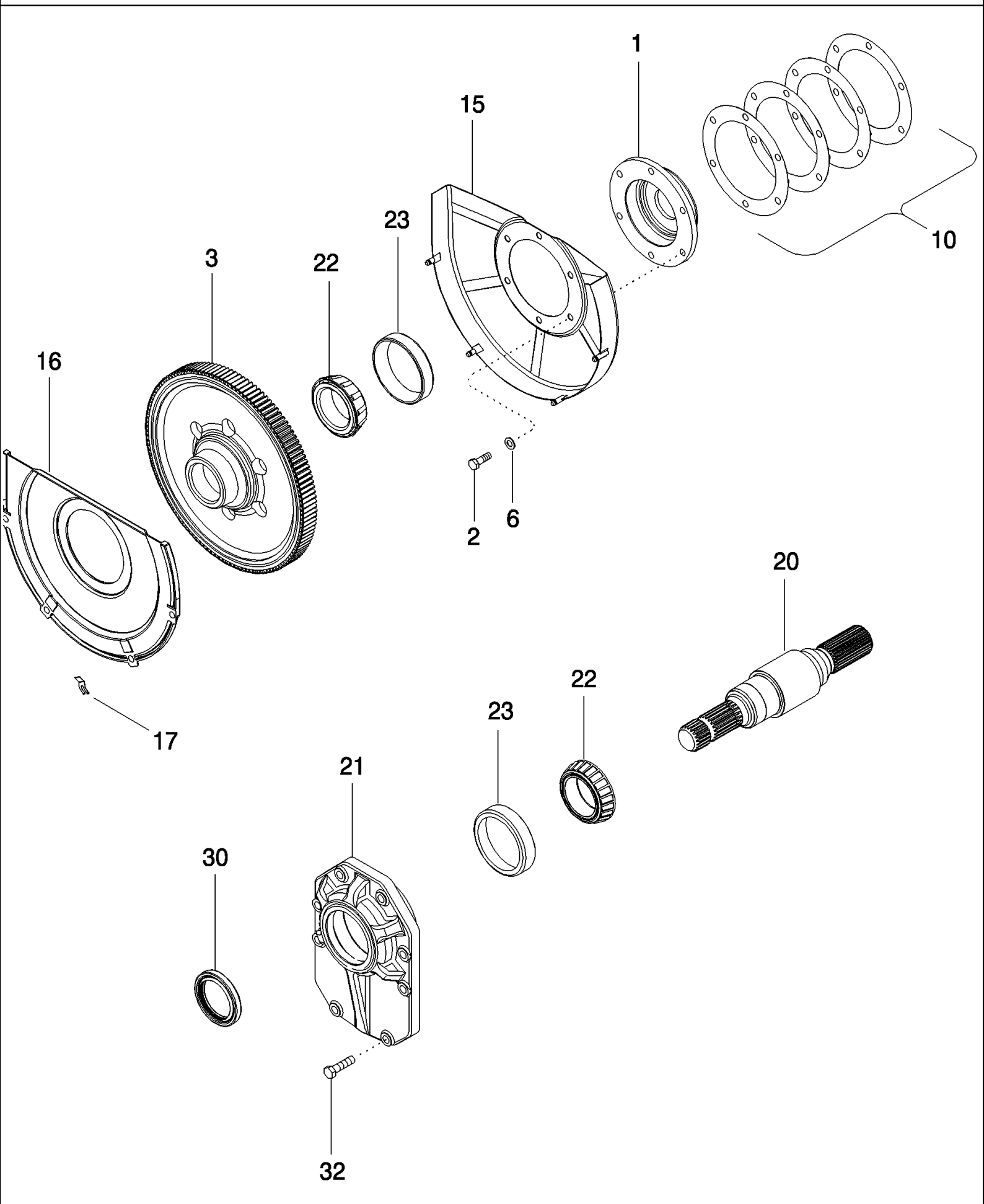
сылка	Номер детали	Кол-во	Описание
49	243544A1	1	BEARING, NEEDLE,
50	327372A1	2	WASHER,
55	87656553	1	HOUSING, BEARING,
56	828-12080	2	BOLT, Hex, M12 x 80, 10.9, , BSN Z7RW05000
56	86979023	6	BOLT, Hex, M12 x 85, 10.9, , ASN Z7RW05000
57	828-12045	2	BOLT, Hex, M12 x 45, 10.9, Full Thd, , BSN Z7RW05000
57	87015540	2	BOLT, Hex, M12 x 50, 10.9, , ASN Z7RW05000
58	253460A1	1	SHIM, Inc. 58
58	NSS	AR	NOT SERVICED SEPARATELY, SHIM, 0.203 mm
58	NSS	AR	NOT SERVICED SEPARATELY, SHIM, 0.356 mm
58	NSS	AR	NOT SERVICED SEPARATELY, SHIM, 0.508 mm
58	NSS	AR	NOT SERVICED SEPARATELY, SHIM, 0.559 mm
58	NSS	AR	NOT SERVICED SEPARATELY, SHIM, 0.635 mm
59	638-54145	1	O-RING, CI 5, 145MM ID x 3.55 Thk,
60	293053A1	1	SEAL, OIL,
61	87548197	1	SENSOR, Dual Speed PTO, Replaces A186004, Also Order 87651813 For Initial Replacement
62	238-5115	1	O-RING, -115, 70 Duro, .674" ID x .103" Thk,
63	102-22318	1	RING, SNAP, #318, 3.311, Int, Spiral,
64	614-10040	4	BOLT, Hex, M10 x 40, 8.8, Full Thd,



MAGNUM 335 CASE IH TRACTOR (NA)

06-39 POWER TAKE OFF ASSEMBLY - OUTPUT SHAFT, DUAL SPEED

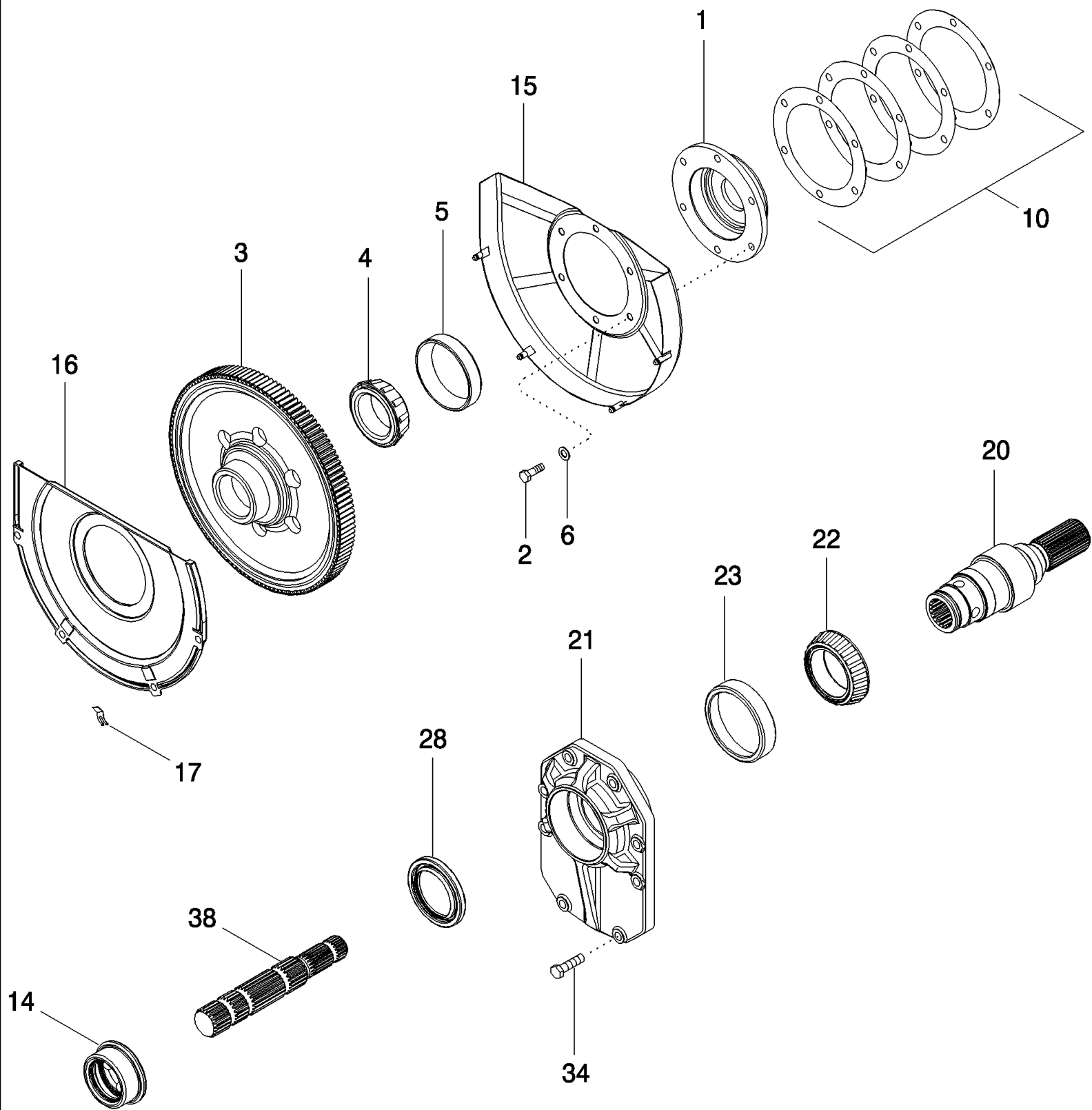
сылка	Номер детали	Кол-во	Описание
1	226045A2	1	SHAFT, DRIVE, RPM 540, 35 mm (1-3/8 in), BSN Z7RZ05000
1	87567419	1	SHAFT, DRIVE, RPM 540, 35 mm (1-3/8 in), ASN Z7RZ05000
2	226042A2	1	SHAFT, DRIVE, RPM 1000, 35 mm (1-3/8 in), BSN Z7RZ05000
2	87567418	1	SHAFT, DRIVE, RPM 1000, 35 mm (1-3/8 in), ASN Z7RZ05000
2A	226040A2	1	SHAFT, DRIVE, RPM 1000, 45 mm (1-3/4 in), ASN Z7RZ05000
3	341418A2	1	SEAL,
4	241387A5	1	HOUSING, Inc. 7
5	614-10040	4	BOLT, Hex, M10 x 40, 8.8, Full Thd,
6	87495161	1	BOX,
7	375374R1	1	RING,
11	341418A2	1	SEAL,
12	241385A3	1	PLATE, Inner
13	241386A2	1	PLATE, Outer, BSN Z7RZ05000
13	87656168	1	PLATE, Outer, ASN Z7RZ05000
14	628-10020	3	BOLT, Hex, M10 x 20, 10.9, Full Thd,
20	A151928	1	SHAFT, DRIVE, RPM 1000, 1-3/4 to 1-3/8 Adapter
21	413-844	2	BOLT, Hex, 1/2"-13 x 2 3/4", G5,
22	131-510	2	NUT, LOCK, 1/2"-13,
23	A30061	2	WASHER,



MAGNUM 335 CASE IH TRACTOR (NA)

06-40 POWER TAKE OFF ASSEMBLY - OUTPUT SHAFT, SINGLE SPEED

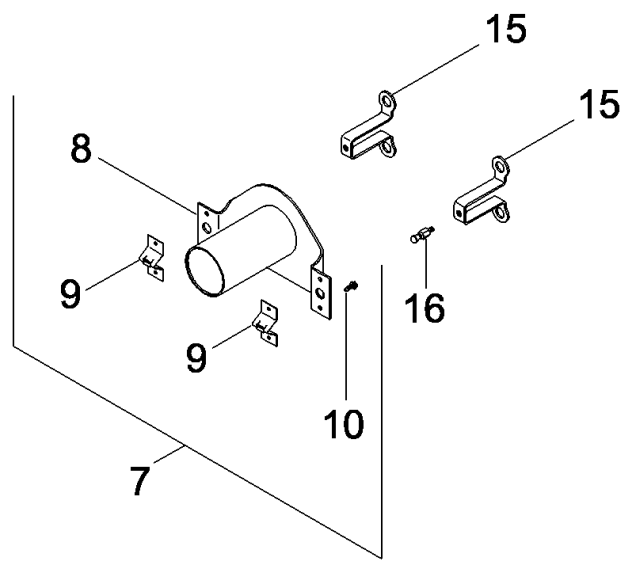
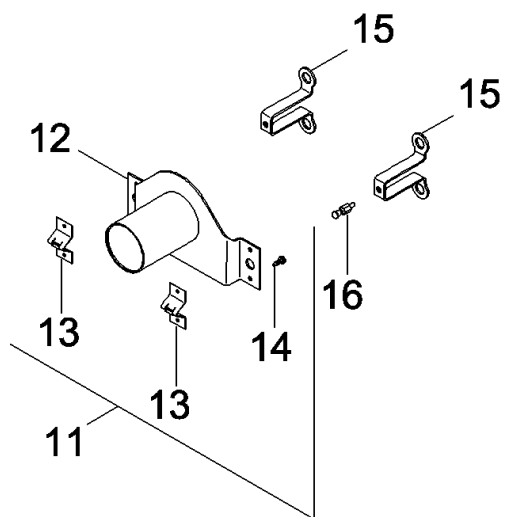
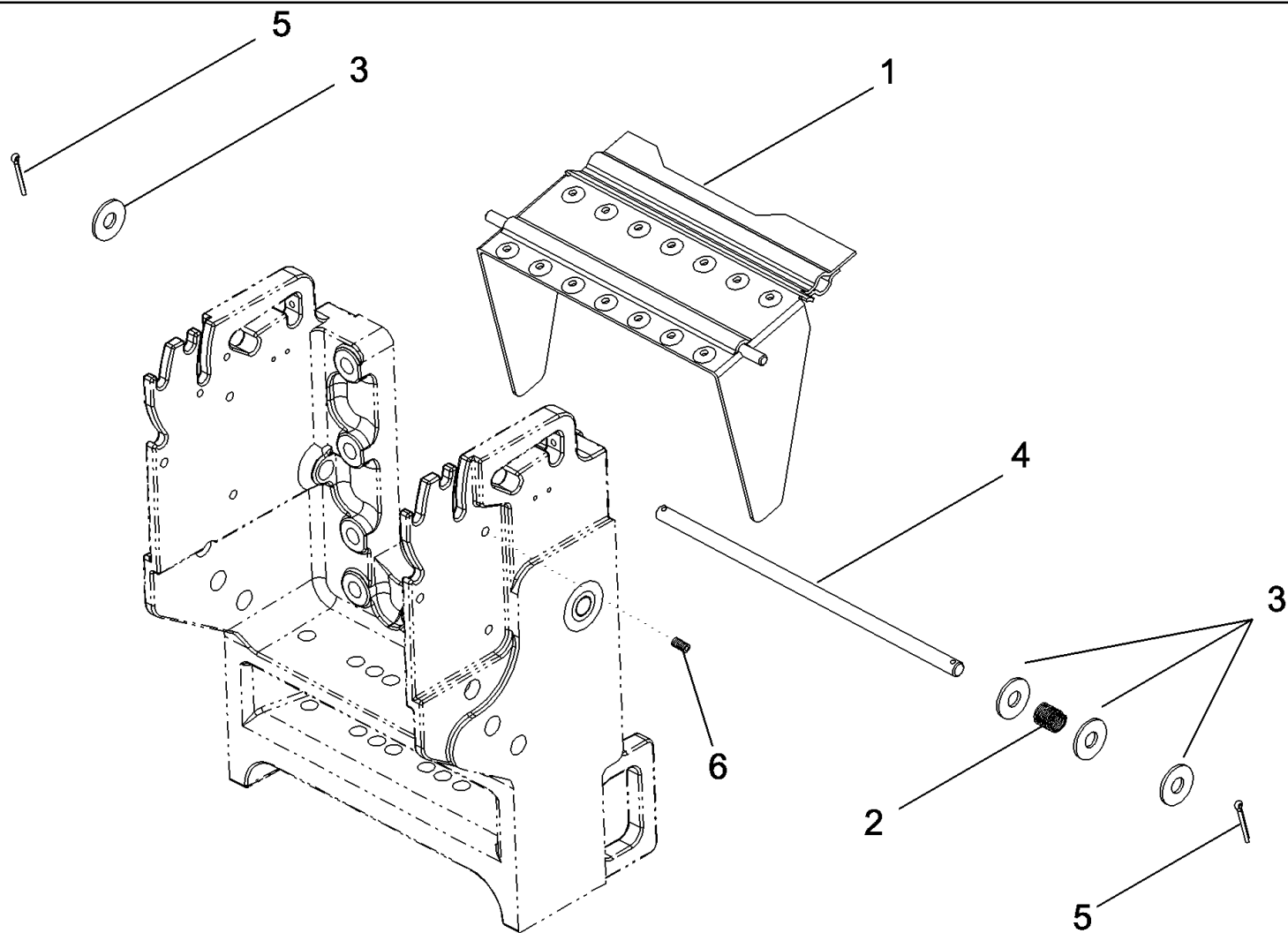
сылка	Номер детали	Кол-во	Описание
1	444803A2	1	CAGE,
2	628-10030	6	BOLT, Hex, M10 x 30, 10.9, Full Thd,
3	444800A2	1	GEAR, DRIVEN, 121T
6	895-11010	6	WASHER, M10 x 20 x 2,
10	445991A1	1	KIT, SHIM, Inc. 10
10	NSS	2	NOT SERVICED SEPARATELY, SHIM, 0.152 mm
10	NSS	2	NOT SERVICED SEPARATELY, SHIM, 0.178 mm
10	NSS	2	NOT SERVICED SEPARATELY, SHIM, 0.203 mm
10	NSS	2	NOT SERVICED SEPARATELY, SHIM, 0.635 mm
15	446759A1	1	SHIELD,
16	225810A1	1	COVER,
17	139327C1	4	CLIP,
20	444798A2	1	SHAFT, 45 mm (1-3/4 in)
21	444801A1	1	COVER,
22	446268A1	2	BEARING, CONE,
23	446269A1	2	BEARING, CUP,
30	225820A1	1	SEAL, OIL,
32	828-12045	8	BOLT, Hex, M12 x 45, 10.9, Full Thd, , BSN Z7RW05000
32	87015540	8	BOLT, Hex, M12 x 50, 10.9, , ASN Z7RW05000
33	128209A1	2	PLUG, (Not Shown)



MAGNUM 335 CASE IH TRACTOR (NA)

06-41 POWER TAKE OFF ASSEMBLY - OUTPUT SHAFT, SINGLE SPEED REVERSIBLE SHAFT

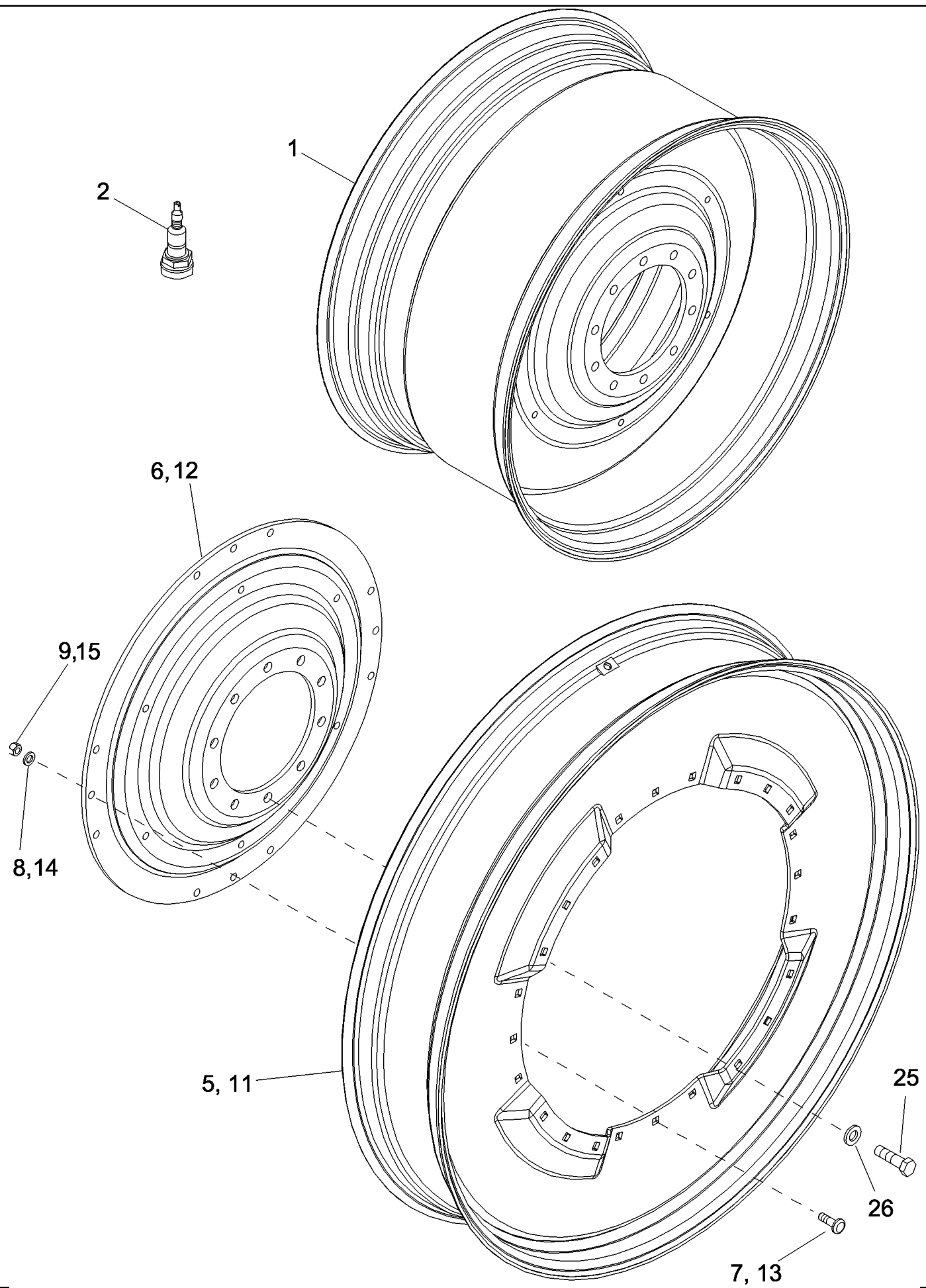
сылка	Номер детали	Кол-во	Описание
1	444803A2	1	CAGE,
2	628-10030	6	BOLT, Hex, M10 x 30, 10.9, Full Thd,
3	444800A2	1	GEAR, DRIVEN,
4	446268A1	1	BEARING, CONE,
5	446269A1	1	BEARING, CUP,
6	895-11010	6	WASHER, M10 x 20 x 2,
10	445991A1	1	KIT, SHIM, Inc. 10
10	NSS	2	NOT SERVICED SEPARATELY, SHIM, 0.152 mm
10	NSS	2	NOT SERVICED SEPARATELY, SHIM, 0.178 mm
10	NSS	2	NOT SERVICED SEPARATELY, SHIM, 0.203 mm
10	NSS	2	NOT SERVICED SEPARATELY, SHIM, 0.635 mm
14	87413197	1	COUPLING, QUICK, FEMALE,
15	446759A1	1	SHIELD,
16	225810A1	1	COVER,
17	139327C1	4	CLIP,
20	448084A2	1	SLEEVE, TRANSMISSION,
21	448082A1	1	COVER,
22	A67328	1	BEARING, ROLLER,
23	A67327	1	NEEDLE ROLLER,
28	293053A1	1	SEAL, OIL,
34	828-12045	8	BOLT, Hex, M12 x 45, 10.9, Full Thd,
38	448085A1	1	SHAFT, 35 mm (1-3/8 in)



MAGNUM 335 CASE IH TRACTOR (NA)

06-42 POWER TAKE OFF ASSEMBLY - SHIELDS

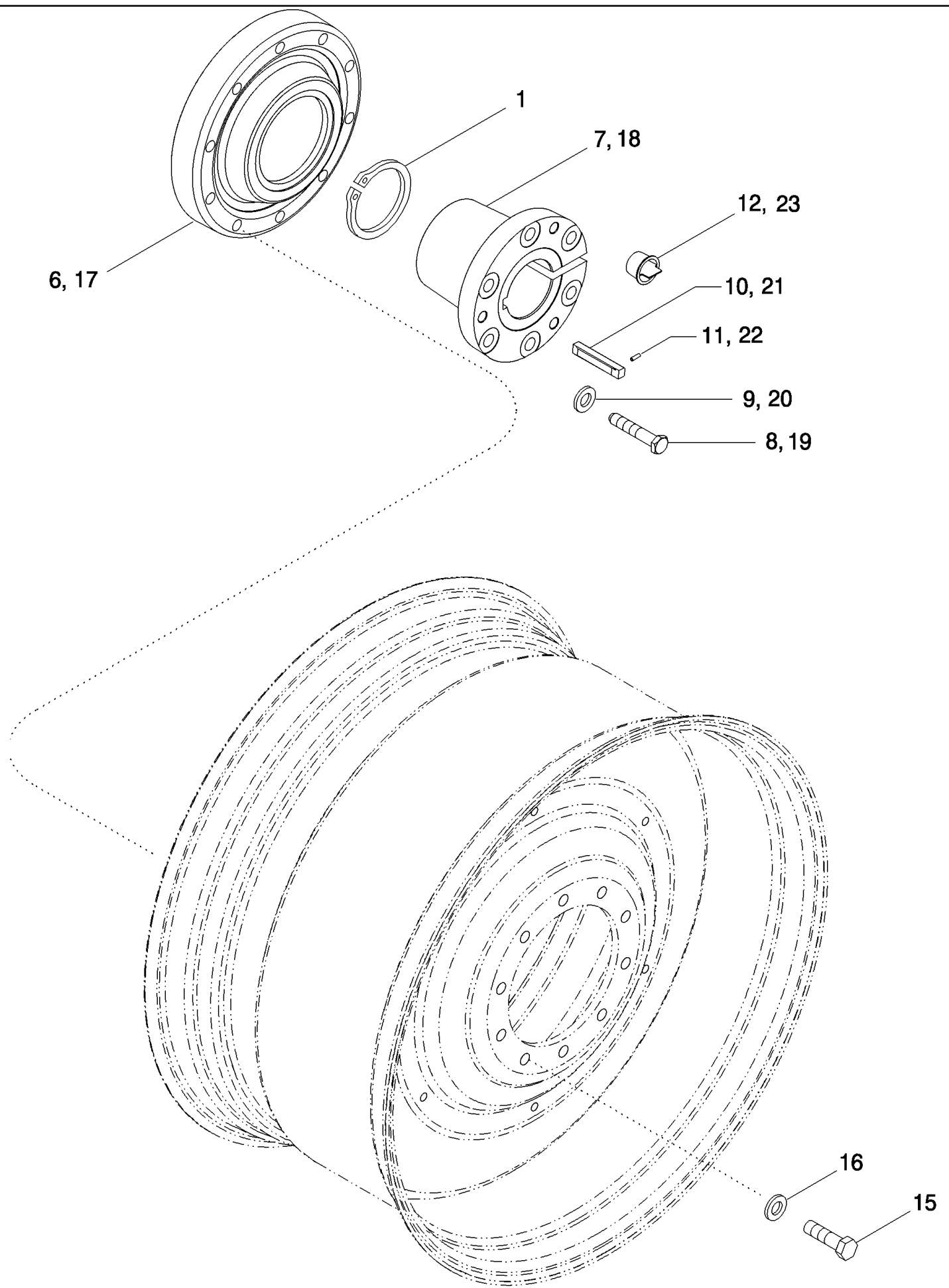
сылка	Номер детали	Кол-во	Описание
1	379252A2	1	SHIELD,
2	179657A2	1	SPRING,
3	495-21069	4	WASHER, 5/8",
4	225672A2	1	ROD,
5	733-5040	2	PIN, SPLIT (COTTER), M5 x 40,
6	87681203	4	SET SCREW,
7	311112A4	1	GUARD, Single Speed, Inc. 8 - 10, ASN Z7RW05000
8	NSS	1	NOT SERVICED SEPARATELY, Shield, ASN Z7RW05000
9	1968039C3	2	FASTENER, , ASN Z7RW05000
10	280-5348	4	SCREW, SELF TAPPING, Hex Wash Hd, #8 x 1/2", , ASN Z7RW05000
11	311112A4	1	GUARD, Dual Speed, Inc. 12 - 14, ASN Z7RW05000
12	NSS	1	NOT SERVICED SEPARATELY, , ASN Z7RW05000
13	1968039C3	2	FASTENER, , ASN Z7RW05000
14	280-5348	4	SCREW, SELF TAPPING, Hex Wash Hd, #8 x 1/2", , ASN Z7RW05000
15	308308A1	2	SUPPORT, , ASN Z7RW05000
16	1977929C1	2	STUD, , ASN Z7RW05000



MAGNUM 335 CASE IH TRACTOR (NA)

06-43 SOLID STEEL REAR WHEELS

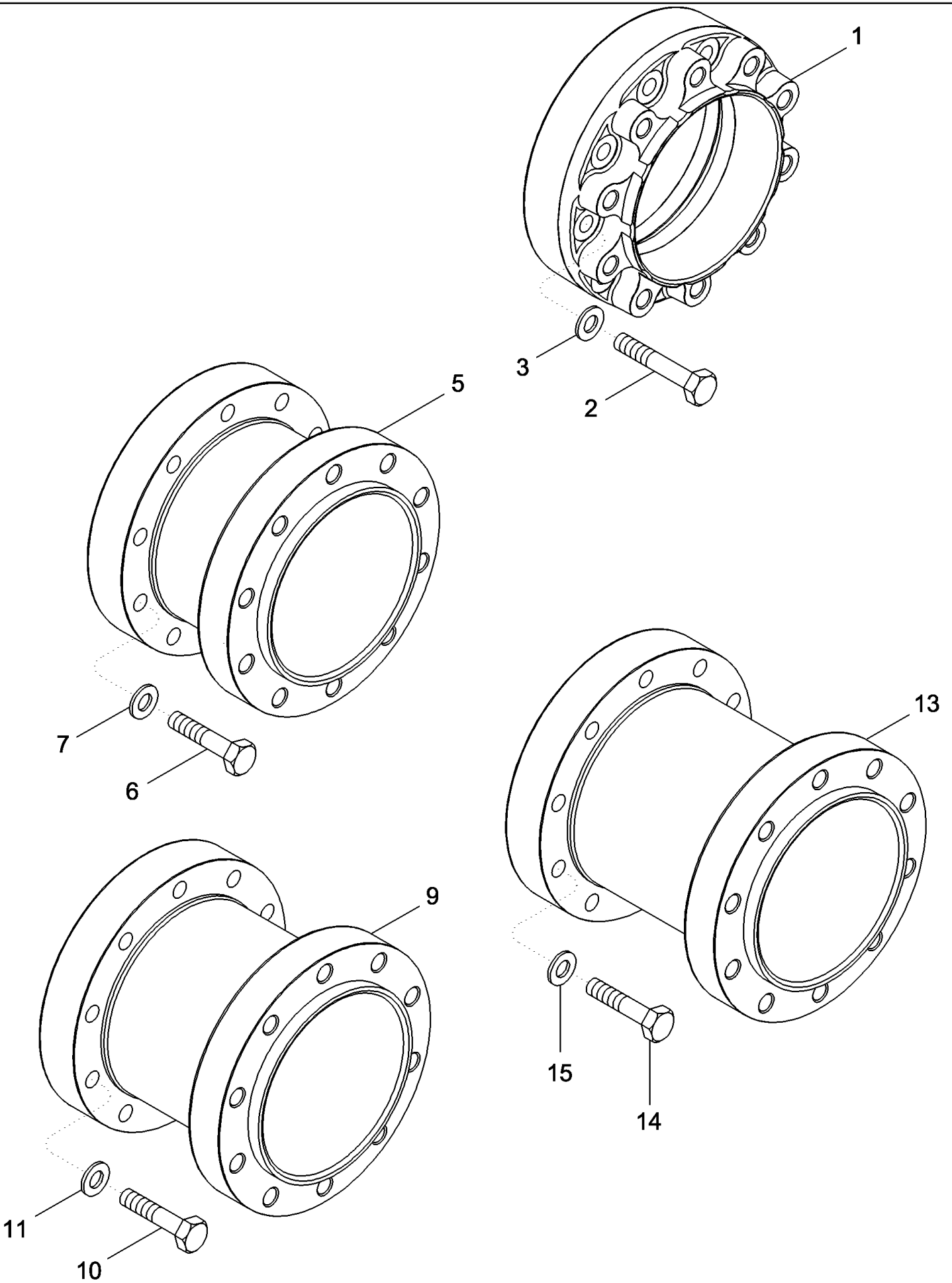
сылка	Номер детали	Кол-во	Описание
1	193300A2	2	WHEEL, WH23Ax38, For Tires 710/70R38
1	403037A1	2	WHEEL, MW25Ax38, For Tires 800/70R38
1	193857A1	2	WHEEL, WH18Ax42, For Tires 20.8R42, 520/85R42
1	276687A1	2	WHEEL, MW20Ax42, For Tires 620/70R42
1	305792A1	2	WHEEL, MW23Ax42, For Tires 710/70R42
1	311352A1	2	WHEEL, MW28Ax42, For Tire 900/50R42
1	196254A1	2	WHEEL, W13x46, For Tires 14.9R46, 380/90R46, 420/80R46
1	396113A1	2	RIM, W16Ax46, For Tires 18.4R46, 520/85R46, 480/80R46
1	396114A1	2	RIM, DW15Lx50, For Tires 480/80R50
1	87443702	2	WHEEL, MW20Ax46, For Tires 620/70R46
1	326630A1	2	WHEEL, W12x54, For Tires 380/90R54
2	86507333	2	VALVE STEM,
4	283939A2	2	WHEEL ASSY., W10Ax54, Inc. 5 - 9, For Tires 12.4R54, 320/90R54
5	310835A2	1	RIM,
6	310836A1	1	DISC,
7	240686A1	12	BOLT, SPECIAL,
8	896-11016	12	WASHER, M17.5 x 30 x 4, HT,
9	829-1416	12	NUT, M16, CI 10,
10	395747A1	2	WHEEL ASSY., DW12x50, Inc 11 - 15, For Tires 380/90R50
11	395748A1	1	RIM,
12	310836A1	1	DISC,
13	240686A1	12	BOLT, SPECIAL,
14	896-11016	12	WASHER, M17.5 x 30 x 4, HT,
15	829-1416	12	NUT, M16, CI 10,
25	827-22080	20	BOLT, Hex, M22 x 80, 10.9, Full Thd,
26	496-31094	20	WASHER, 15/16" x 1 3/4" x .219", HDN,



MAGNUM 335 CASE IH TRACTOR (NA)

06-44 HUB ASSEMBLY - REAR WHEEL

сылка	Номер детали	Кол-во	Описание
1	800-11115	2	RING, SNAP, M115, Ext, , MX275, Magnum 275, MX305, and Magnum 305
1	800-51100	2	RING, SNAP, M100, Ext, Hvy,
6	405812A1	2	HUB,
7	405815A1	2	BUSHING, 102 mm (4 in)
8	228273A1	12	BOLT, M20 x 110; 10,9
9	396-31081	12	WASHER, 13/16" x 1 1/2" x .219", HDN,
10	A63219	2	KEY, 3/4 x 6
11	38-11608	2	PIN, LOCK, 1/4" x 1/2", Slotted,
12	303401A1	6	PLUG,
	405821A1	1	HUB, For 115 mm (4-1/2 in) axle, Inc. 15 - 23, Order From Machinery Price List
15	827-22080	20	BOLT, Hex, M22 x 80, 10.9, Full Thd,
16	896-11022	20	WASHER, M22 x 44 x 4, HT,
17	405812A1	2	HUB,
18	405816A1	2	BUSHING, 115 mm (4-1/2 in), MX275, Magnum 275, MX305, and Magnum 305
19	228273A1	12	BOLT, M20 x 110; 10,9
20	396-31081	12	WASHER, 13/16" x 1 1/2" x .219", HDN,
21	A63219	2	KEY, 3/4 x 6
22	38-11608	2	PIN, LOCK, 1/4" x 1/2", Slotted,
23	303401A1	6	PLUG,

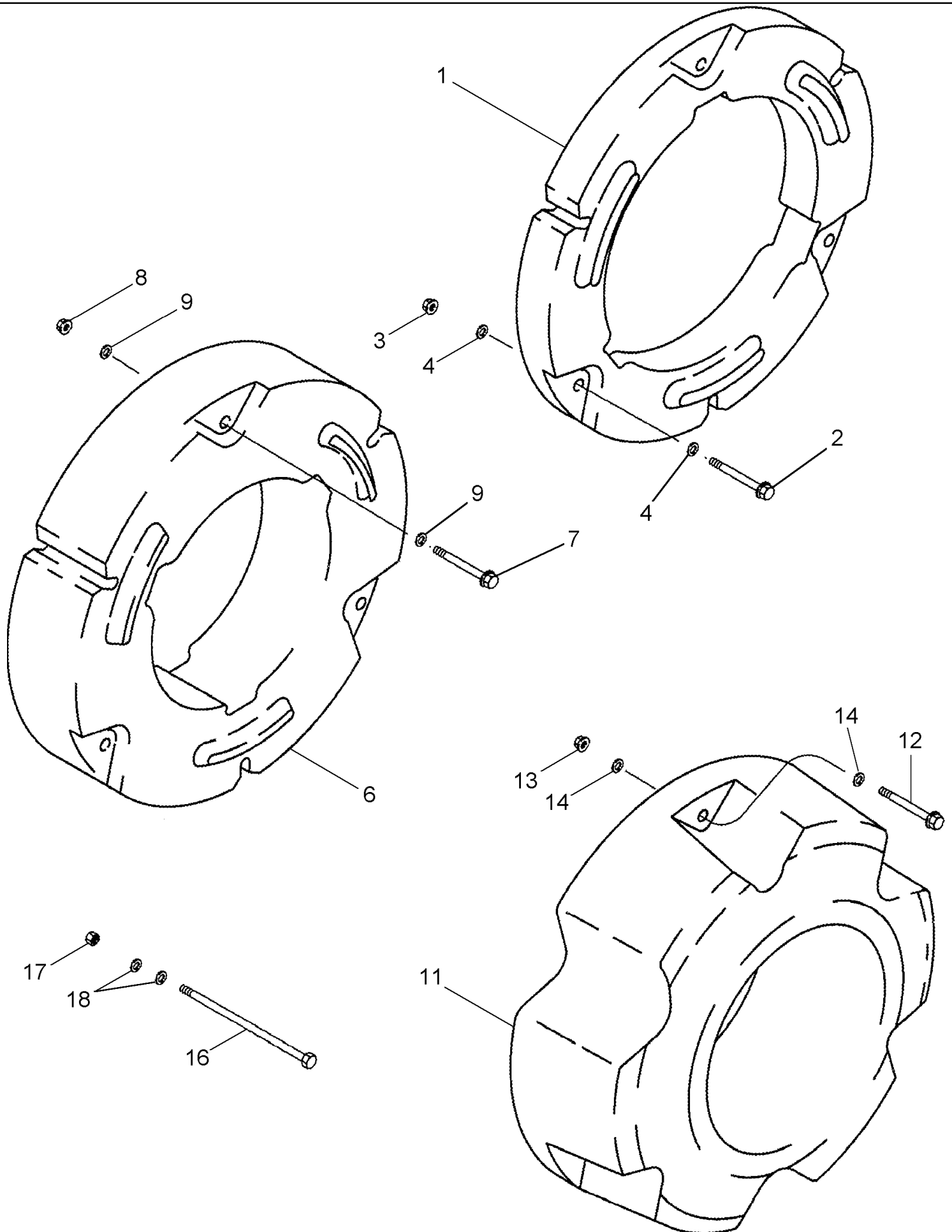


MAGNUM 335 CASE IH TRACTOR (NA)

06-45 SPACER - DUAL REAR WHEELS

сылка	Номер детали	Кол-во	Описание
1	405822A1	2	SPACER, 127 mm (5 in)
2	827-22160	20	BOLT, Hex, M22 x 150, 10.9,
3	896-11022	20	WASHER, M22 x 44 x 4, HT,
5	405823A1	2	SPACER, 254 mm (10 in)
6	827-22130	20	BOLT, Hex, M22 x 130, 10.9,
7	896-11022	20	WASHER, M22 x 44 x 4, HT,
9	405824A1	2	SPACER, 330 mm (13 in)
10	827-22130	20	BOLT, Hex, M22 x 130, 10.9,
11	896-11022	20	WASHER, M22 x 44 x 4, HT,
13	405825A1	2	SPACER, 381 mm (15 in)
14	827-22130	20	BOLT, Hex, M22 x 130, 10.9,
15	896-11022	20	WASHER, M22 x 44 x 4, HT,

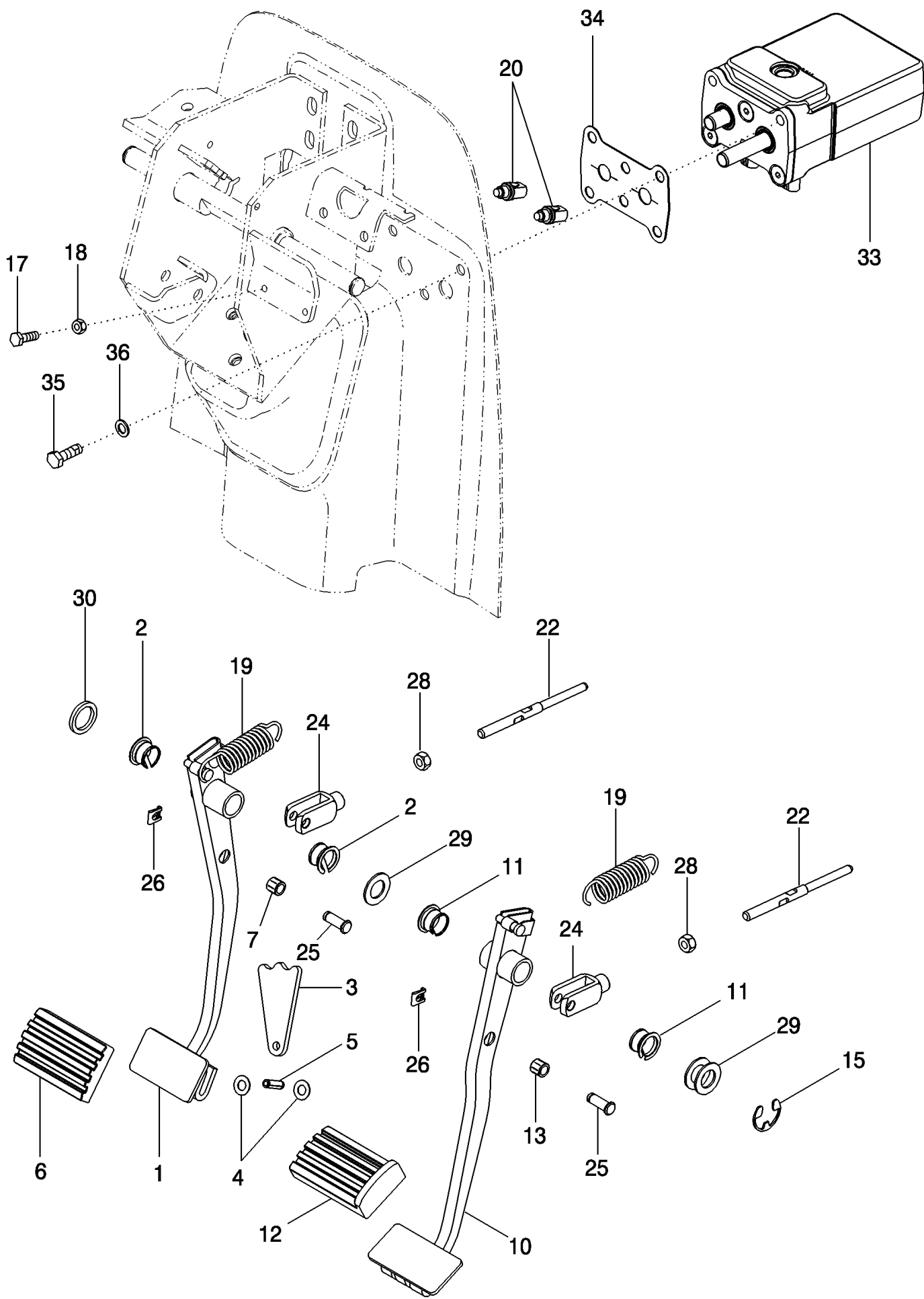
06-46 REAR WHEEL WEIGHTS



MAGNUM 335 CASE IH TRACTOR (NA)

06-46 REAR WHEEL WEIGHTS

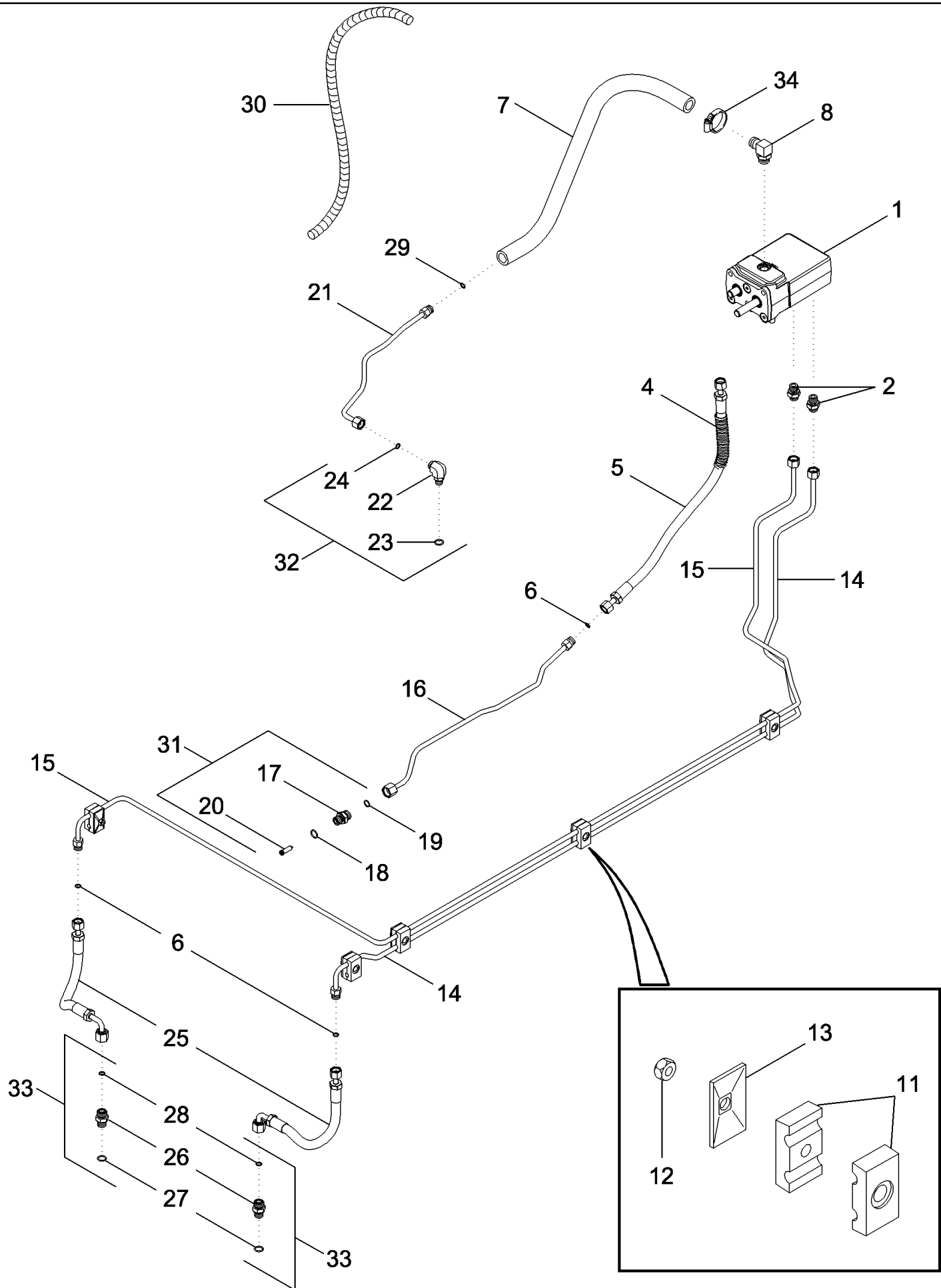
сылка	Номер детали	Кол-во	Описание
1	405828A1	2	WEIGHT, Wheel, 200 lb
2	87393412	6	BOLT, M16 x 130; 10.9
3	832-10416	6	NUT, LOCK, M16 x 2, CI 8,
4	896-15016	12	WASHER, M17.5 x 34 x 5, HT,
6	87310406	2	WEIGHT, WHEEL, 500 lb, MX215, MX245, MX275, MX305, Magnum215, Magnum245, Magnum275, and Magnum305
6	87310406	4	WEIGHT, WHEEL, 500 lb, Magnum 335
7	87393412	6	BOLT, M16 x 130; 10.9, MX215, MX245, MX275, MX305, Magnum215, Magnum245, Magnum275, and Magnum305
7	87393412	12	BOLT, , Magnum 305
8	412066	6	NUT, LOCK, M16 x 2, CI 8, , MX215, MX245, MX275, MX305, Magnum215, Magnum245, Magnum275, and Magnum305
8	412066	12	NUT, LOCK, M16 x 2, CI 8, , Magnum 335
9	896-15016	12	WASHER, M17.5 x 34 x 5, HT, , MX215, MX245, MX275, MX305, Magnum215, Magnum245, Magnum275, and Magnum305
9	896-11016	24	WASHER, M17.5 x 30 x 4, HT, , Magnum 335
11	405830A1	2	WEIGHT, Wheel, 1000 lb, MX215, MX245, MX275, MX305, Magnum215, Magnum245, Magnum275, and Magnum305
11	405830A1	4	WEIGHT, Wheel, 1000 lb, Magnum 335
12	87393412	6	BOLT, M16 x 130; 10.9, MX215, MX245, MX275, MX305, Magnum215, Magnum245, Magnum275, and Magnum305
12	87393412	12	BOLT, , Magnum 335
13	412066	6	NUT, LOCK, M16 x 2, CI 8, , MX215, MX245, MX275, MX305, Magnum215, Magnum245, Magnum275, and Magnum305
13	412066	12	NUT, LOCK, M16 x 2, CI 8, , Magnum 335
14	896-15016	12	WASHER, M17.5 x 34 x 5, HT, , MX215, MX245, MX275, MX305, Magnum215, Magnum245, Magnum275, and Magnum305
14	896-11016	24	WASHER, M17.5 x 30 x 4, HT, , Magnum 335
16	87361584	6	BOLT, M16 x 140; 10.9
16	86639152	6	BOLT, Hex, M16 x 200, 10.9, If Required
17	412066	12	NUT, LOCK, M16 x 2, CI 8,
18	896-15016	12	WASHER, M17.5 x 34 x 5, HT,



MAGNUM 335 CASE IH TRACTOR (NA)

07-01 BRAKES - PEDAL BRAKE

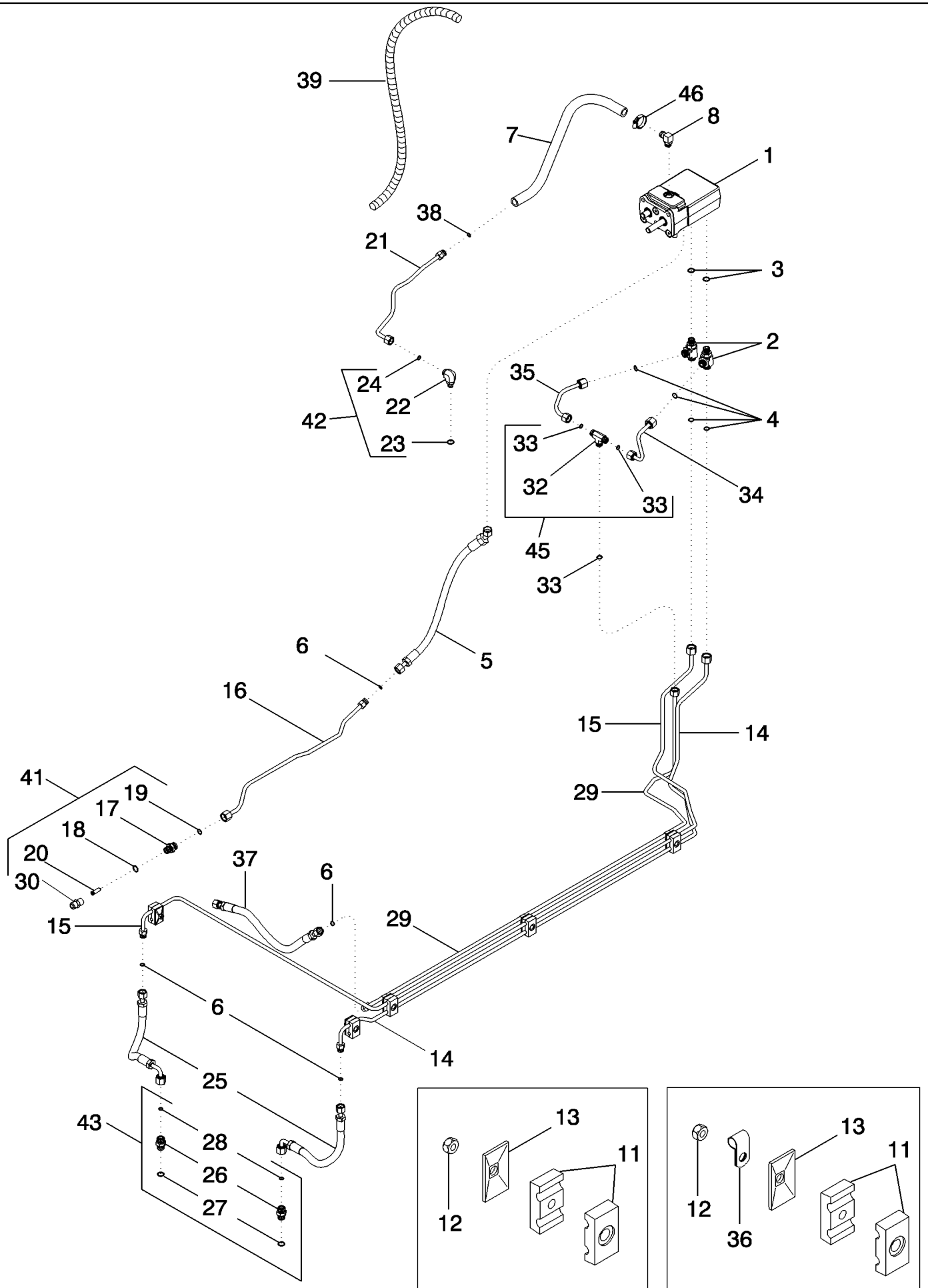
сылка	Номер детали	Кол-во	Описание
1	400859A3	1	PEDAL ASSY., Left Hand, Inc. 2 - 7
2	1990753C1	2	PLASTIC RING,
3	188419A1	1	ARM,
4	906045R1	2	WASHER, SPRING, M10.2 ID x 20.5 OD x .8 Thk, 10.2 x 20 x 0.8 mm
5	87584294	1	
6	1999381C1	1	PAD, RUBBER,
7	298715A1	1	BUSHING,
10	400862A3	1	PEDAL ASSY., Right Hand, Inc. 11 - 13
11	1990753C1	2	PLASTIC RING,
12	1999382C1	1	PAD, RUBBER,
13	298715A1	1	BUSHING,
15	800-3120	1	CIRCLIP, M20,
17	614-8025	2	BOLT, Hex, M8 x 25, 8.8,
18	829-1408	2	NUT, M8, CI 10,
19	236504A2	2	SPRING,
20	279265A2	2	SWITCH, Plunger N/C Brake
22	400865A1	2	ROD,
24	236323A1	2	CLEVIS,
25	192869A1	2	PIN, CLEVIS,
26	193182A1	2	CLIP,
28	829-1410	2	NUT, M10, CI 10,
29	T102217	AR	WASHER,
30	258242A1	1	WASHER,
33	87731065	1	VALVE, Brake, See Figure 07-05
34	407142A1	1	GASKET,
35	806-10030	3	BOLT, Hex, Lock, M10 x 30, CI 10.9,
36	895-18010	3	WASHER, M10 x 18 x 1.6,



MAGNUM 335 CASE IH TRACTOR (NA)

07-02 BRAKES - HYDRAULIC SYSTEM, WITHOUT TRAILER BRAKES

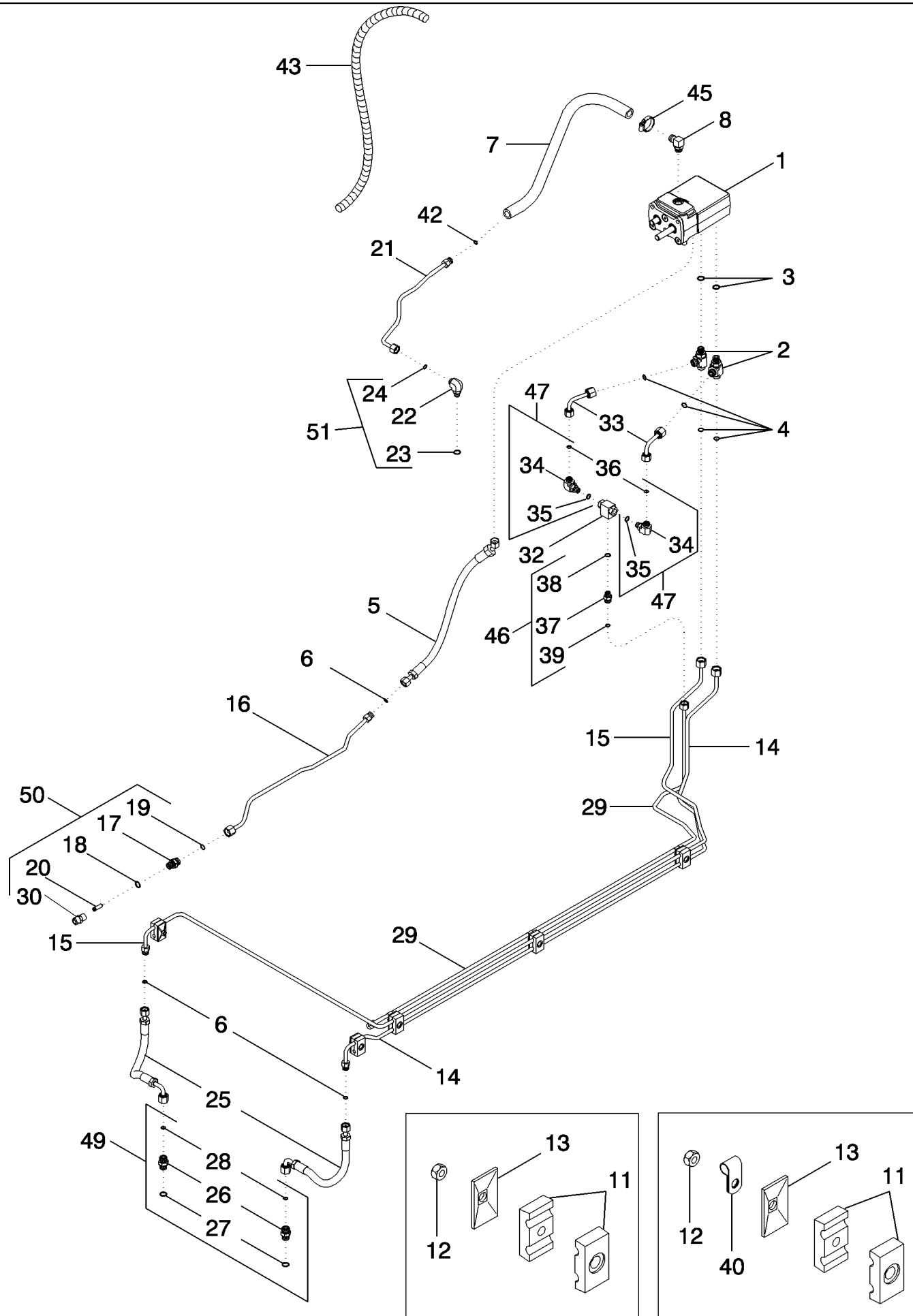
сылка	Номер детали	Кол-во	Описание
1	87731065	1	VALVE, Brake, See Figure 07-05
2	700-106	2	CONNECTOR, HYD., 11/16"-16 ORFS x M18 x 1.5 ORB,
4	87443446	1	CONDUIT,
5	87731873	1	HOSE, Supply
6	238-6012	3	O-RING, -012, 90 Duro, .364" ID x .070" Thk,
7	87577426	1	HOSE, Brake Valve Drain
8	87454069	1	ELBOW, 13/16 fc sl x 18 Or
11	1546024C1	5	CLAMP,
12	829-1408	5	NUT, M8, CI 10,
13	384870A1	5	PLATE,
14	436382A1	1	TUBE ASSY., Right Hand Brake
15	87363336	1	TUBE ASSY., Left Hand Brake
16	433588A1	1	TUBE ASSY., Supply
17	NSS	1	NOT SERVICED SEPARATELY, CONNECTOR
18	637-63153	1	O-RING, CI 6, 15.3MM ID x 2.2 Thk,
19	238-6014	1	O-RING, -014, 90 Duro, .489" ID x .070" Thk,
20	326965A1	1	SCREEN,
21	87440347	1	TUBE, Return
22	NSS	1	NOT SERVICED SEPARATELY, ELBOW
23	9992298	1	O-RING, -014, 90 Duro, .489" ID x .070" Thk,
24	86598101	1	O-RING, CI 6, 15.3MM ID x 2.2 Thk,
25	87582257	2	HOSE, Brake Pressure, Right Hand and Left Hand, 45 Degree End
26	NSS	1	NOT SERVICED SEPARATELY, CONNECTOR
27	14437985	1	O-RING, 15.3MM ID x 2.4 Thk,
28	70923841	1	O-RING, 1/2 ID x 1/16
29	238-6012	1	O-RING, -012, 90 Duro, .364" ID x .070" Thk,
30	384834A1	1	CONDUIT, Conduit, With Fuel Separator Filter
31	316443A2	1	FITTING, 13/16 fc sl x 18 Or, Inc. 17 - 20
32	86579691	1	ELBOW, 90e, 13/16"-18 ORFS x M18 x 1.5 ORB, Inc. 22 - 24
33	700-102	2	CONNECTOR, HYD., 13/16"-16 ORFS x M18 x 1.5 ORB, Inc. 26 - 28
34	214-1408	1	CLAMP, HOSE, #08, 0.50/0.91 Type F Worm,
35	87331123	1	FITTING, (Not Shown)



MAGNUM 335 CASE IH TRACTOR (NA)

07-03 BRAKES - HYDRAULIC SYSTEM, WITH HYDRAULIC TRAILER BRAKES

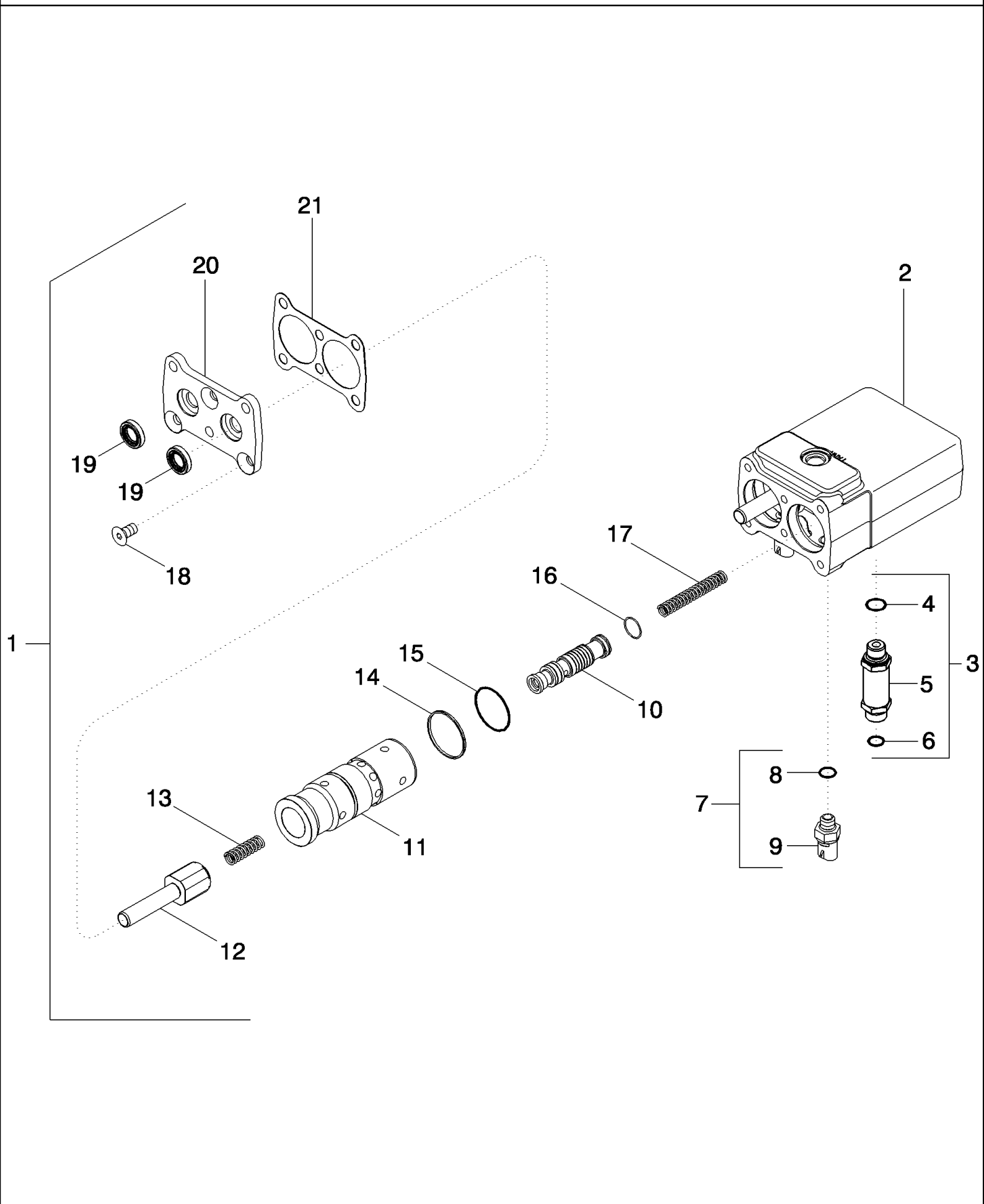
сылка	Номер детали	Кол-во	Описание
1	87731065	1	VALVE, Brake, See Figure 07-05
2	700-412	2	TEE, 13/16"-16 ORFS x M18 x 1.5 ORB Run, Inc. 3, 4
3	14437985	1	O-RING, 15.3MM ID x 2.4 Thk,
4	70923841	2	O-RING, 1/2 ID x 1/16
5	87731873	1	HOSE, Supply
6	238-6012	3	O-RING, -012, 90 Duro, .364" ID x .070" Thk,
7	87577426	1	HOSE,
8	87454069	1	ELBOW, 13/16 fc sl x 18 Or
9	87443446	1	CONDUIT,
11	1546024C1	5	CLAMP,
12	829-1408	5	NUT, M8, CI 10,
13	384870A1	5	PLATE,
14	87348665	1	TUBE ASSY., Right Hand Brake
15	87363337	1	TUBE ASSY., Left Hand Brake
16	433588A1	1	TUBE ASSY., Supply
17	NSS	1	NOT SERVICED SEPARATELY, FITTING
18	637-63153	1	O-RING, CI 6, 15.3MM ID x 2.2 Thk,
19	238-6014	1	O-RING, -014, 90 Duro, .489" ID x .070" Thk,
20	326965A1	1	SCREEN,
21	87440347	1	TUBE, Return
22	NSS	1	NOT SERVICED SEPARATELY, ELBOW
23	9992298	1	O-RING, -014, 90 Duro, .489" ID x .070" Thk,
24	86598101	1	O-RING, CI 6, 15.3MM ID x 2.2 Thk,
25	87582257	2	HOSE, Brake Pressure, Right Hand and Left Hand, 45 Degree End
26	NSS	1	NOT SERVICED SEPARATELY, CONNECTOR
27	14437985	1	O-RING, 15.3MM ID x 2.4 Thk,
28	70923841	1	O-RING, 1/2 ID x 1/16
29	87363345	1	TUBE ASSY.,
30	315919A1	1	FITTING, Screen Seat
32	NSS	1	NOT SERVICED SEPARATELY, VALVE
33	238-6012	3	O-RING, -012, 90 Duro, .364" ID x .070" Thk,
34	87348656	1	TUBE ASSY., Right Hand
35	87348655	1	TUBE ASSY., Left Hand
36	515-2295	3	CLAMP, 3/8", Insul, 5/16" Bolt, 3/8 ID
37	86985589	1	HOSE ASSY.,
38	238-6012	1	O-RING, -012, 90 Duro, .364" ID x .070" Thk,
39	384834A1	1	CONDUIT, Conduit, With Fuel Separator Filter
41	316443A2	1	FITTING, Inc. 17 - 20, 30
42	86579691	1	ELBOW, 90e, 13/16"-18 ORFS x M18 x 1.5 ORB, Inc. 22 - 24
43	700-102	2	CONNECTOR, HYD., 13/16"-16 ORFS x M18 x 1.5 ORB, Inc. 26 - 28
45	86991302	1	VALVE, HYDRAULIC, Inc. 32, 33
46	214-1408	1	CLAMP, HOSE, #08, 0.50/0.91 Type F Worm,
47	87331123	1	FITTING, (Not Shown)



MAGNUM 335 CASE IH TRACTOR (NA)

07-04 BRAKES - HYDRAULIC SYSTEM, WITH PNEUMATIC TRAILER BRAKES

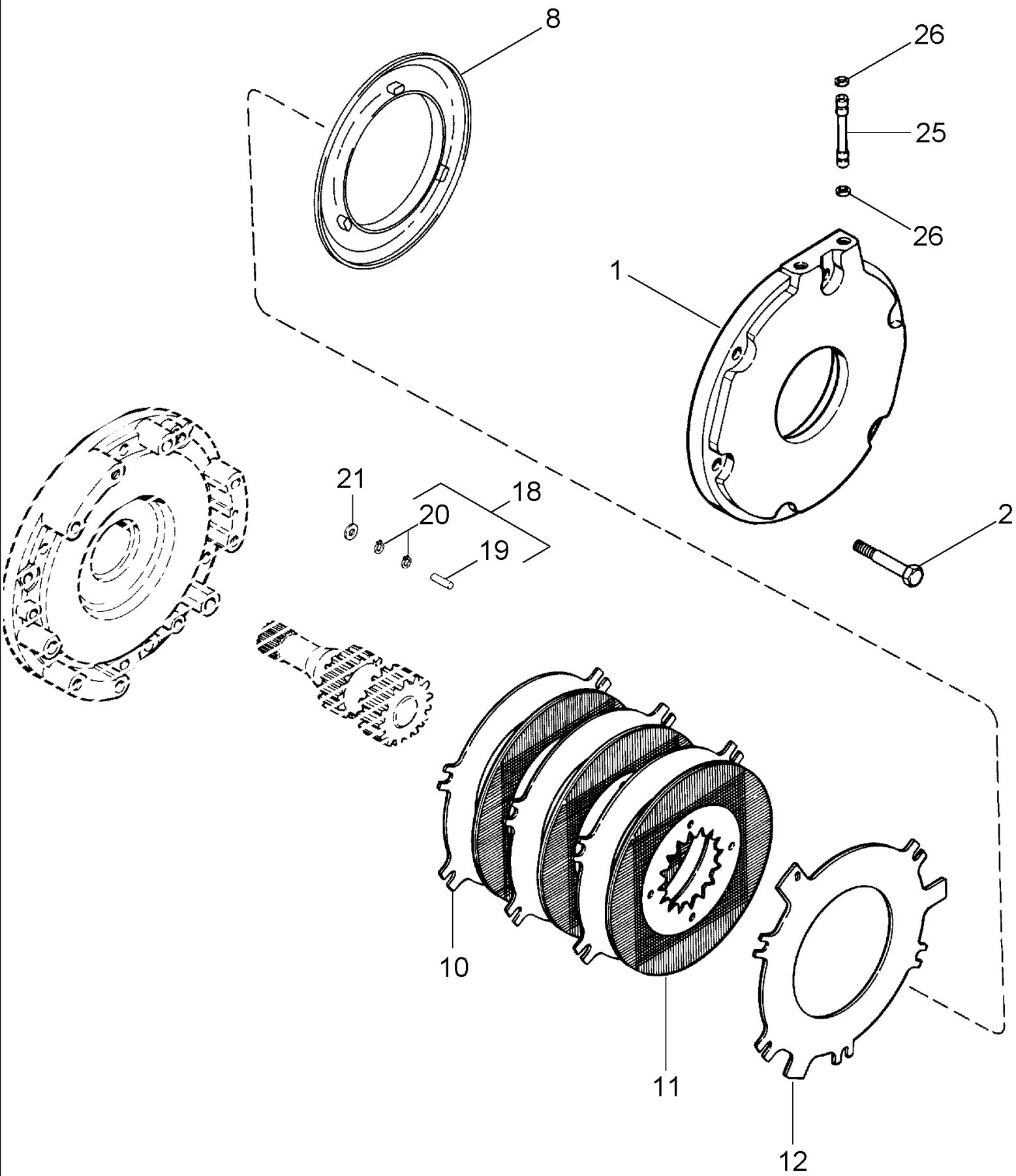
сылка	Номер детали	Кол-во	Описание
1	87731065	1	VALVE, Brake, See Figure 07-05
2	700-412	2	TEE, 13/16"-16 ORFS x M18 x 1.5 ORB Run, Inc. 3, 4
3	14437985	1	O-RING, 15.3MM ID x 2.4 Thk,
4	70923841	2	O-RING, 1/2 ID x 1/16
5	87731873	1	HOSE, Supply
6	238-6012	3	O-RING, -012, 90 Duro, .364" ID x .070" Thk,
7	87577426	1	HOSE,
8	87454069	1	ELBOW, 13/16 fc sl x 18 Or
9	87443446	1	CONDUIT,
11	1546024C1	5	CLAMP,
12	829-1408	5	NUT, M8, CI 10,
13	384870A1	5	PLATE,
14	87348665	1	TUBE ASSY., Right Hand Brake
15	87363337	1	TUBE ASSY., Left Hand Brake
16	433588A1	1	TUBE ASSY., Supply
17	NSS	1	NOT SERVICED SEPARATELY, FITTING
18	637-63153	1	O-RING, CI 6, 15.3MM ID x 2.2 Thk,
19	238-6014	1	O-RING, -014, 90 Duro, .489" ID x .070" Thk,
20	326965A1	1	SCREEN,
21	87440347	1	TUBE, Return
22	NSS	1	NOT SERVICED SEPARATELY, ELBOW
23	9992298	1	O-RING, -014, 90 Duro, .489" ID x .070" Thk,
24	86598101	1	O-RING, CI 6, 15.3MM ID x 2.2 Thk,
25	87582257	2	HOSE, Brake Pressure, Right Hand and Left Hand, 45 Degree End
26	NSS	1	NOT SERVICED SEPARATELY, CONNECTOR
27	14437985	1	O-RING, 15.3MM ID x 2.4 Thk,
28	70923841	1	O-RING, 1/2 ID x 1/16
29	87363345	1	TUBE ASSY.,
30	315919A1	1	FITTING, Screen Seat
33	442240A1	2	TUBE ASSY.,
35	237-6006	1	O-RING, 6-1, 90 Duro, .468" ID x .078" Thk,
36	238-6012	1	O-RING, -012, 90 Duro, .364" ID x .070" Thk,
38	237-6006	1	O-RING, 6-1, 90 Duro, .468" ID x .078" Thk,
39	238-6012	1	O-RING, -012, 90 Duro, .364" ID x .070" Thk,
40	515-2295	3	CLAMP, 3/8", Insul, 5/16" Bolt,
42	238-6012	1	O-RING, -012, 90 Duro, .364" ID x .070" Thk,
43	384834A1	1	CONDUIT, Conduit
45	214-1408	1	CLAMP, HOSE, #08, 0.50/0.91 Type F Worm,
46	201-101	1	CONNECTOR, HYD., 11/16"-16 ORFS x 9/16"-18 ORB, Inc. 37 - 39
47	201-304	2	ELBOW, 90e, 11/16"-16 x 9/16"-18 Adj, ORFS, Inc. 34 - 36
49	700-102	2	CONNECTOR, HYD., 13/16"-16 ORFS x M18 x 1.5 ORB, Inc. 26 - 28
50	316443A2	1	FITTING, Inc. 17 - 20, 30
51	86579691	1	ELBOW, 90e, 13/16"-18 ORFS x M18 x 1.5 ORB, Inc. 22 - 24
52	87331123	1	FITTING, (Not Shown)



MAGNUM 335 CASE IH TRACTOR (NA)

07-05 BRAKES - CONTROL VALVE

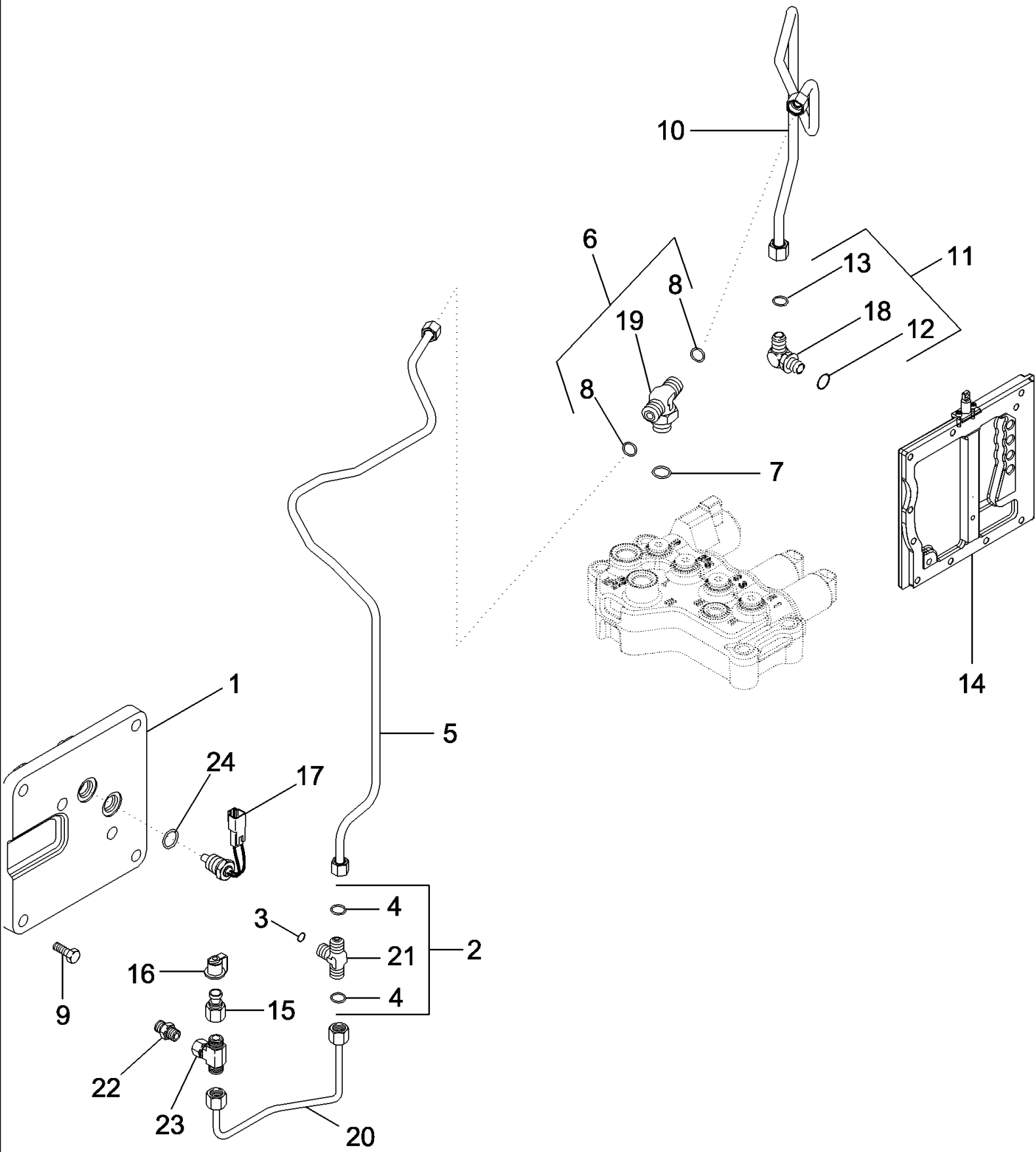
сылка	Номер детали	Кол-во	Описание
1	87731065	1	VALVE, Inc. 1 - 21
2	NSS	1	NOT SERVICED SEPARATELY, BODY
3	87731851	1	VALVE, CHECK,
7	279266A1	2	SWITCH, Inc. 8, 9
8	237-6003	1	O-RING, 3-1, .301" ID x .064" Thk,
9	NSS	1	NOT SERVICED SEPARATELY, SWITCH
10	397106A5	2	SPOOL,
11	397105A5	2	SLEEVE,
12	433199A1	2	POPPET,
13	433196A2	2	SPRING,
14	407387A1	2	SEALRING,
15	238-7131	2	O-RING, -131, CI 7, 1.674" ID x .103" Thk,
16	407282A1	2	RING, SNAP,
17	397110A1	2	SPRING, COMPRESSION,
18	220056A1	3	SCREW, Hex Soc Flat Hd, M10 x 20, 8.8,
19	A63399	2	SEAL,
20	397111A1	1	PLATE,
21	403356A1	1	GASKET,



MAGNUM 335 CASE IH TRACTOR (NA)

07-06 BRAKES - DIFFERENTIAL

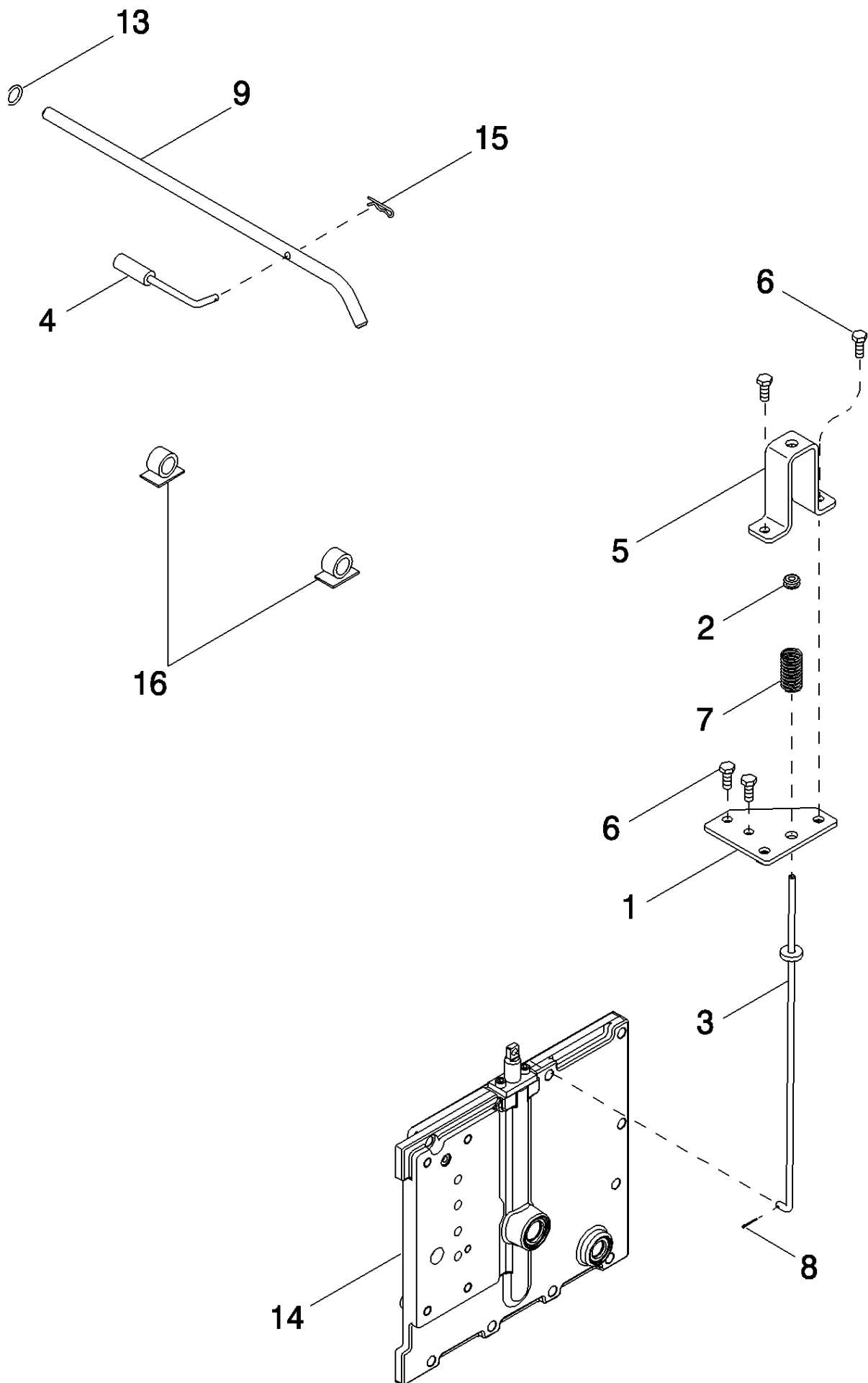
сылка	Номер детали	Кол-во	Описание
1	1342723C2	2	COVER,
2	813-16110	6	BOLT, Hex, M16 x 110, 8.8, Right Hand
2	814-16100	6	BOLT, Hex, M16 x 100, 8.8, Left Hand
8	1997422C1	2	PISTON,
10	120486C1	8	PLATE, BRAKE,
11	120488C2	8	PLATE, BRAKE,
12	1981187C1	2	PLATE,
18	1349198C1	6	ADJUSTER, Inc. 19, 20
19	37-1828	1	DOWEL, 1/2" x 1 3/4",
20	100-1450	2	RING, SNAP, #50, Ext,
21	1342928C1	12	WASHER,
25	120514C2	4	TUBE,
26	238-5013	8	O-RING, -013, 70 Duro, .426" ID x .070" Thk,



MAGNUM 335 CASE IH TRACTOR (NA)

07-07 PARK BRAKE - HYDRAULIC SYSTEM

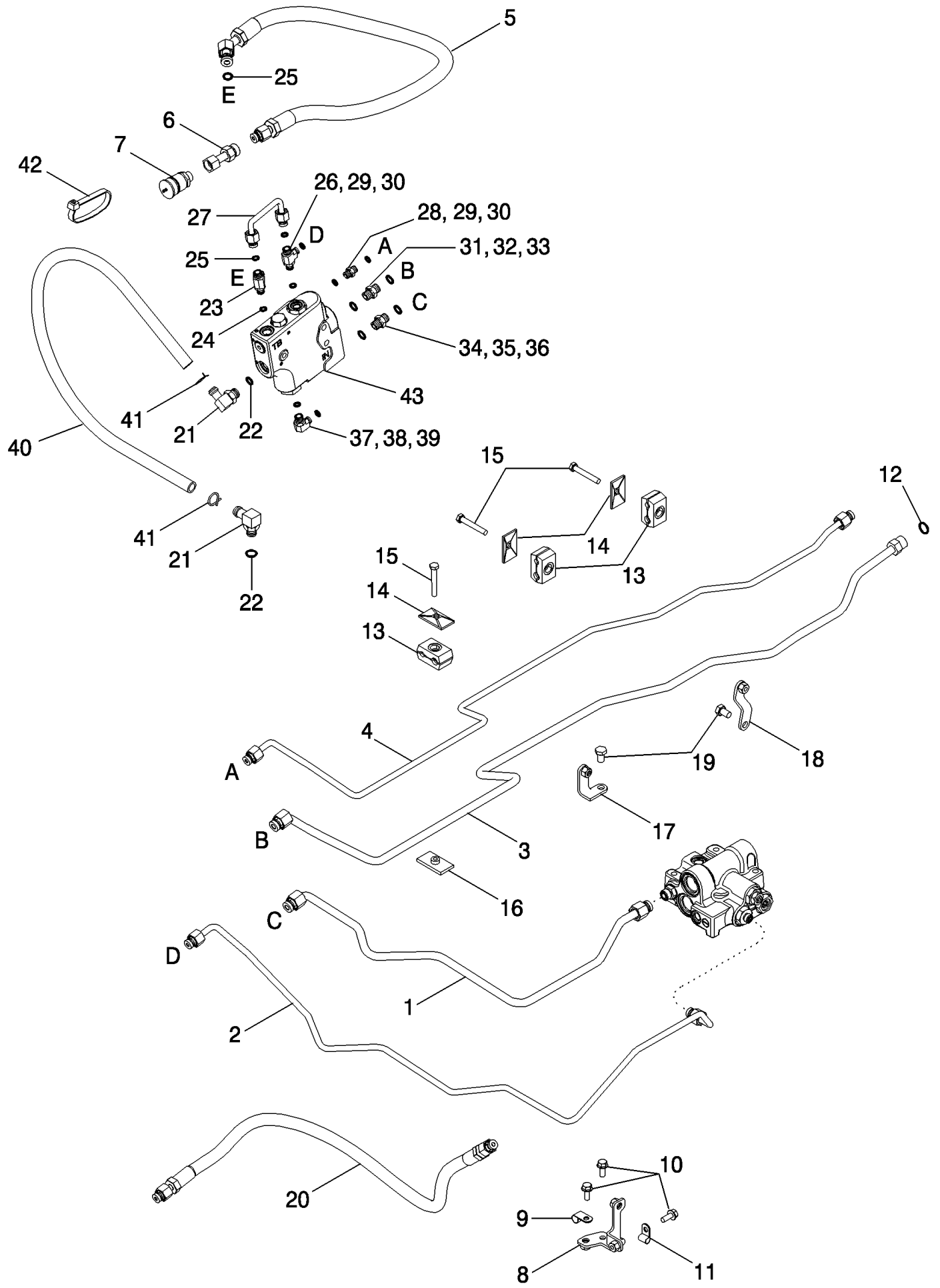
сылка	Номер детали	Кол-во	Описание
1	87327182	1	COVER, , See Figure 06-22
2	87312674	1	VALVE, PRESSURE RELIEF, Inc. 3, 4
3	637-63153	1	O-RING, CI 6, 15.3MM ID x 2.2 Thk,
4	238-6014	2	O-RING, -014, 90 Duro, .489" ID x .070" Thk,
5	433595A3	1	TUBE ASSY.,
6	700-402	1	TEE, 13/16"-16 ORFS x M18 x 1.5 ORB Br, Inc. 7, 8
7	637-63153	1	O-RING, CI 6, 15.3MM ID x 2.2 Thk,
8	238-6014	2	O-RING, -014, 90 Duro, .489" ID x .070" Thk,
9	628-10030	4	BOLT, Hex, M10 x 30, 10.9, Full Thd,
10	448220A1	1	TUBE ASSY.,
11	700-326	1	ELBOW, 90e, 13/16"-18 ORFS x M22 x 1.5 ORB, Incl. 12, 13
12	637-63193	1	O-RING, CI 6, 19.3MM ID x 2.2 Thk,
13	238-6014	1	O-RING, -014, 90 Duro, .489" ID x .070" Thk,
14	87433653	1	PLATE ASSY., , See Figure 06-04
15	322529A1	1	COUPLING,
16	143349A1	1	DUST CAP,
17	87521424	1	SENDER, TEMPERATURE, Transmission, Inc. 24
18	NSS	1	NOT SERVICED SEPARATELY, ELBOW
19	NSS	1	NOT SERVICED SEPARATELY, TEE
20	87441296	1	TUBE, Park Brake Lower Supply
21	NSS	1	NOT SERVICED SEPARATELY, VALVE
22	201-102	1	CONNECTOR, HYD., 13/16"-16 ORFS x 3/4"-16 ORB,
23	701-411	1	TEE, 13/16"-16 ORFS x 13/16"-16 Fem Sw Br,
24	86639042	1	O-RING, CI 6, 11.3MM ID x 2.2 Thk,



MAGNUM 335 CASE IH TRACTOR (NA)

07-08 PARK BRAKE - RELEASE

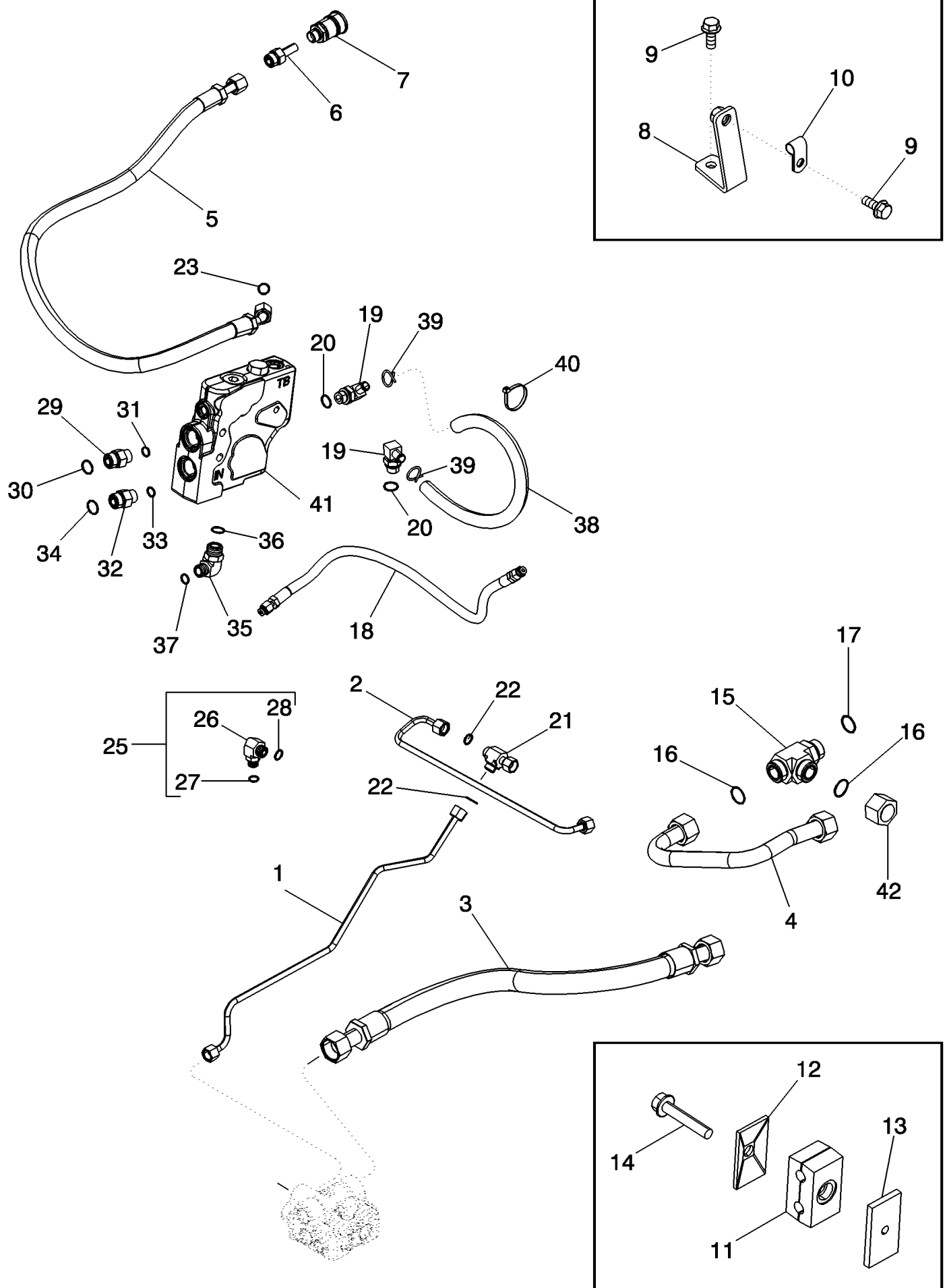
сылка	Номер детали	Кол-во	Описание
1	87435703	1	PLATE,
2	248-2164	1	GROMMET, 1/4" ID x 7/16" Groove Dia, 1/4 ID
3	87442200	1	ROD,
4	279765A3	1	PISTON,
5	282624A1	1	SUPPORT,
6	627-8020	4	BOLT, Hex, M8 x 20, 10.9,
7	282456A1	1	SPRING,
8	432-48	1	PIN, SPLIT (COTTER), 1/16" x 1/2",
9	279763A2	1	BRAKE LEVER, Release
13	638-53160	1	O-RING, CI 5, 16MM ID x 2.65 Thk,
14	87433653	1	PLATE ASSY., , See Figure 06-04
15	136-159	1	PIN, SPLIT (COTTER), Int, 3/16 x .080",
16	169850C2	2	CLIP, CABLE,



MAGNUM 335 CASE IH TRACTOR (NA)

07-09 TRAILER BRAKES - HYDRAULIC - BSN Z7RZ01521

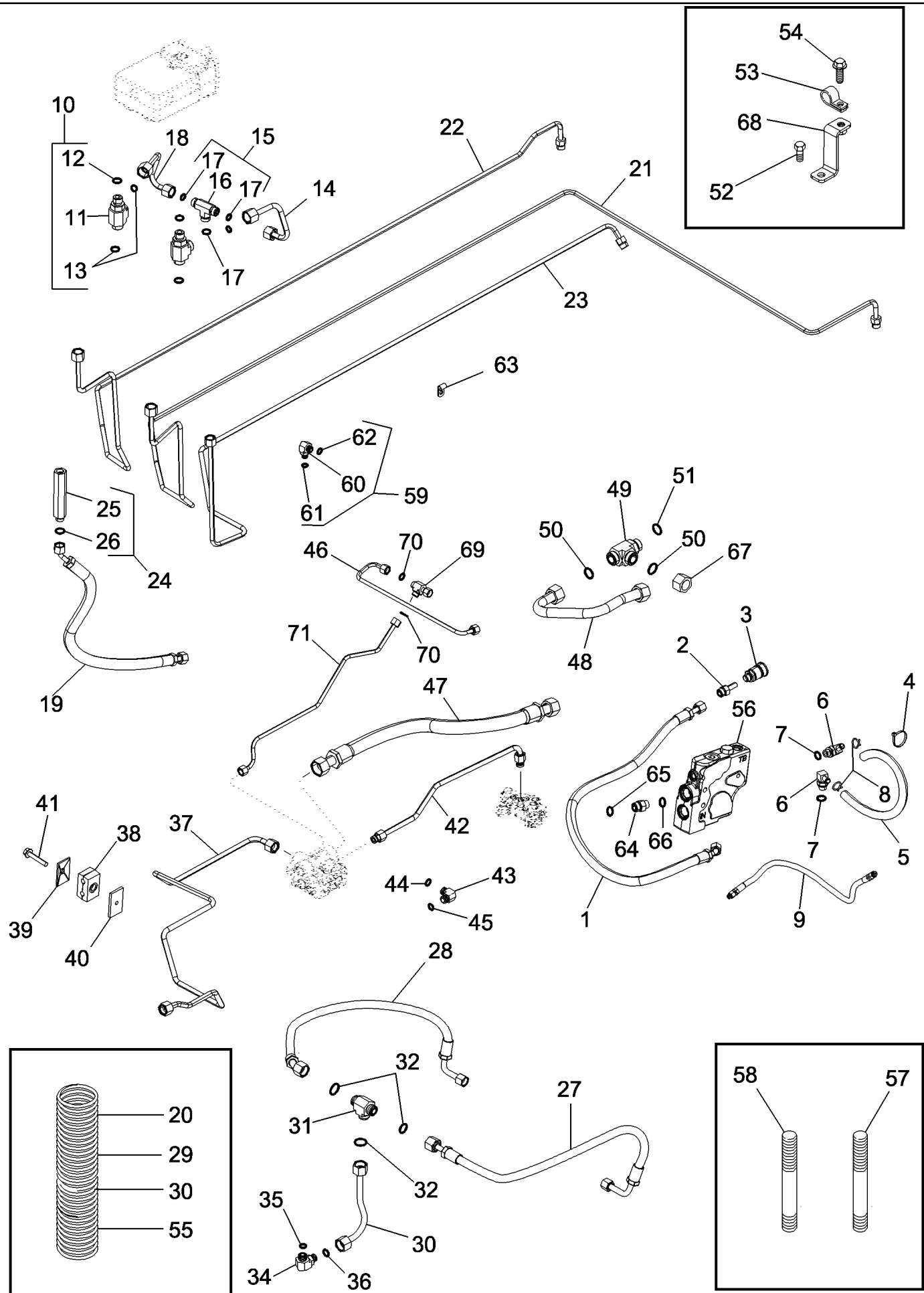
сылка	Номер детали	Кол-во	Описание
1	87456032	1	TUBE ASSY.,
2	87544278	1	TUBE ASSY.,
3	87456034	1	TUBE ASSY.,
4	87367652	1	TUBE ASSY.,
5	87337403	1	HOSE,
6	1975266C1	1	CONNECTOR, HYD.,
7	3131463R91	1	BREAKER POINTS,
8	87395937	1	BRACKET,
9	515-22127	1	CLAMP, 1/2", Insul, 5/16" Bolt,
10	844-8020	3	BOLT, Hex Flg, M8 x 20, 8.8,
11	515-2295	1	CLAMP, 3/8", Insul, 5/16" Bolt,
12	238-6014	1	O-RING, -014, 90 Duro, .489" ID x .070" Thk,
13	363255A1	3	CLAMP,
14	384870A1	3	PLATE,
15	814-8055	3	BOLT, Hex, M8 x 55, 8.8,
16	384871A1	3	PLATE,
17	87309386	1	BRACKET,
18	87309660	1	BRACKET,
19	614-10016	2	BOLT, Hex, M10 x 16, 8.8, Full Thd,
20	87442945	1	HOSE,
21	87312846	2	ELBOW, Inc. 22
22	637-63153	1	O-RING, CI 6, 15.3MM ID x 2.2 Thk,
23	700-412	1	TEE, 13/16"-16 ORFS x M18 x 1.5 ORB Run, Inc. 24, 25
24	637-63153	1	O-RING, CI 6, 15.3MM ID x 2.2 Thk,
25	238-6014	2	O-RING, -014, 90 Duro, .489" ID x .070" Thk,
26	87312753	1	VALVE, CHECK,
27	87435690	1	TUBE ASSY.,
28	700-101	1	CONNECTOR, HYD., 11/16"-16 ORFS x M14 x 1.5 ORB, Incl. 29, 30
29	637-63113	1	O-RING, CI 6, 11.3MM ID x 2.2 Thk,
30	238-6012	2	O-RING, -012, 90 Duro, .364" ID x .070" Thk,
31	700-162	1	CONNECTOR, HYD., 13/16"-16 ORFS x M22 x 1.5 ORB, Inc. 32, 33
32	637-63193	1	O-RING, CI 6, 19.3MM ID x 2.2 Thk,
33	238-6014	1	O-RING, -014, 90 Duro, .489" ID x .070" Thk,
34	86597761	1	CONNECTOR, HYD., 13/16"-16 ORFS x M27 x 2 ORB, Incl. 35, 36
35	637-64236	1	O-RING, CI 6, 23.6MM ID x 2.9 Thk,
36	238-6014	1	O-RING, -014, 90 Duro, .489" ID x .070" Thk,
37	700-304	1	ELBOW, 90e, 11/16"-18 ORFS x M14 x 1.5 ORB, Incl. 38, 39
38	637-63113	1	O-RING, CI 6, 11.3MM ID x 2.2 Thk,
39	238-6012	1	O-RING, -012, 90 Duro, .364" ID x .070" Thk,
40	87365235	1	HOSE,
41	214-1408	2	CLAMP, HOSE, #08, 0.50/0.91 Type F Worm,
42	L11541	1	STRAP, CABLE,
43	87324560	1	VALVE, Trailer Brake



MAGNUM 335 CASE IH TRACTOR (NA)

07-10 TRAILER BRAKES - HYDRAULIC - ASN Z7RZ01521

сылка	Номер детали	Кол-во	Описание
1	87620393	1	TUBE ASSY., Load Sense, Aux manifold
2	87625086	1	TUBE ASSY., Load Sense
3	87701093	1	HOSE, Brake Supply
4	87659135	1	TUBE ASSY., Aux Manifold Supply
5	87337403	1	HOSE,
6	1975266C1	1	CONNECTOR, HYD.,
7	3131463R91	1	BREAKER POINTS,
8	86988626	1	BRACKET,
9	844-8020	2	BOLT, Hex Flg, M8 x 20, 8.8,
10	515-2295	1	CLAMP, 3/8", Insul, 5/16" Bolt,
11	1546024C1	1	CLAMP,
12	384870A1	1	PLATE,
13	384871A1	1	PLATE,
14	844-8045	1	BOLT, Hex Flg, M8 x 45, 8.8,
15	700-407	1	TEE, 1 7/16"-12 ORFS x M33 x 2 ORB Run, Inc. 16, 17
16	238-6021	2	O-RING, -021, 90 Duro, .926" ID x .070" Thk,
17	637-64296	1	O-RING, CI 6, 29.6MM ID x 2.9 Thk,
18	87442945	1	HOSE,
19	87312846	2	ELBOW, Inc. 20
20	637-63153	1	O-RING, CI 6, 15.3MM ID x 2.2 Thk,
21	701-422	1	TEE, 11/16"-16 ORFS x 11/16"-16 Fem Sw Run, Inc. 22
22	238-6012	2	O-RING, -012, 90 Duro, .364" ID x .070" Thk,
23	238-6014	1	O-RING, -014, 90 Duro, .489" ID x .070" Thk,
25	86579691	1	ELBOW, 90e, 13/16"-18 ORFS x M18 x 1.5 ORB, Inc. 26 - 28
26	NSS	1	NOT SERVICED SEPARATELY, ELBOW
27	9992298	1	O-RING, -014, 90 Duro, .489" ID x .070" Thk,
28	86598101	1	O-RING, CI 6, 15.3MM ID x 2.2 Thk,
29	700-166	2	CONNECTOR, HYD., 1 7/16"-12 ORFS x M27 x 1.5 ORB, Inc. 30, 31
30	238-6021	2	O-RING, -021, 90 Duro, .926" ID x .070" Thk,
31	637-64236	2	O-RING, CI 6, 23.6MM ID x 2.9 Thk,
32	86597761	1	CONNECTOR, HYD., 13/16"-16 ORFS x M27 x 2 ORB,
33	637-64236	1	O-RING, CI 6, 23.6MM ID x 2.9 Thk,
34	238-6014	1	O-RING, -014, 90 Duro, .489" ID x .070" Thk,
35	700-304	1	ELBOW, 90e, 11/16"-18 ORFS x M14 x 1.5 ORB, Incl. 36, 37
36	637-63113	1	O-RING, CI 6, 11.3MM ID x 2.2 Thk,
37	238-6012	1	O-RING, -012, 90 Duro, .364" ID x .070" Thk,
38	87365235	1	HOSE,
39	214-1408	2	CLAMP, HOSE, #08, 0.50/0.91 Type F Worm,
40	L11541	1	STRAP, CABLE,
41	87740546	1	VALVE, , See Figure 07-12
42	701-901	1	CAP, 1 7/16"-12 ORFS, , Not Required With Power Beyond



MAGNUM 335 CASE IH TRACTOR (NA)

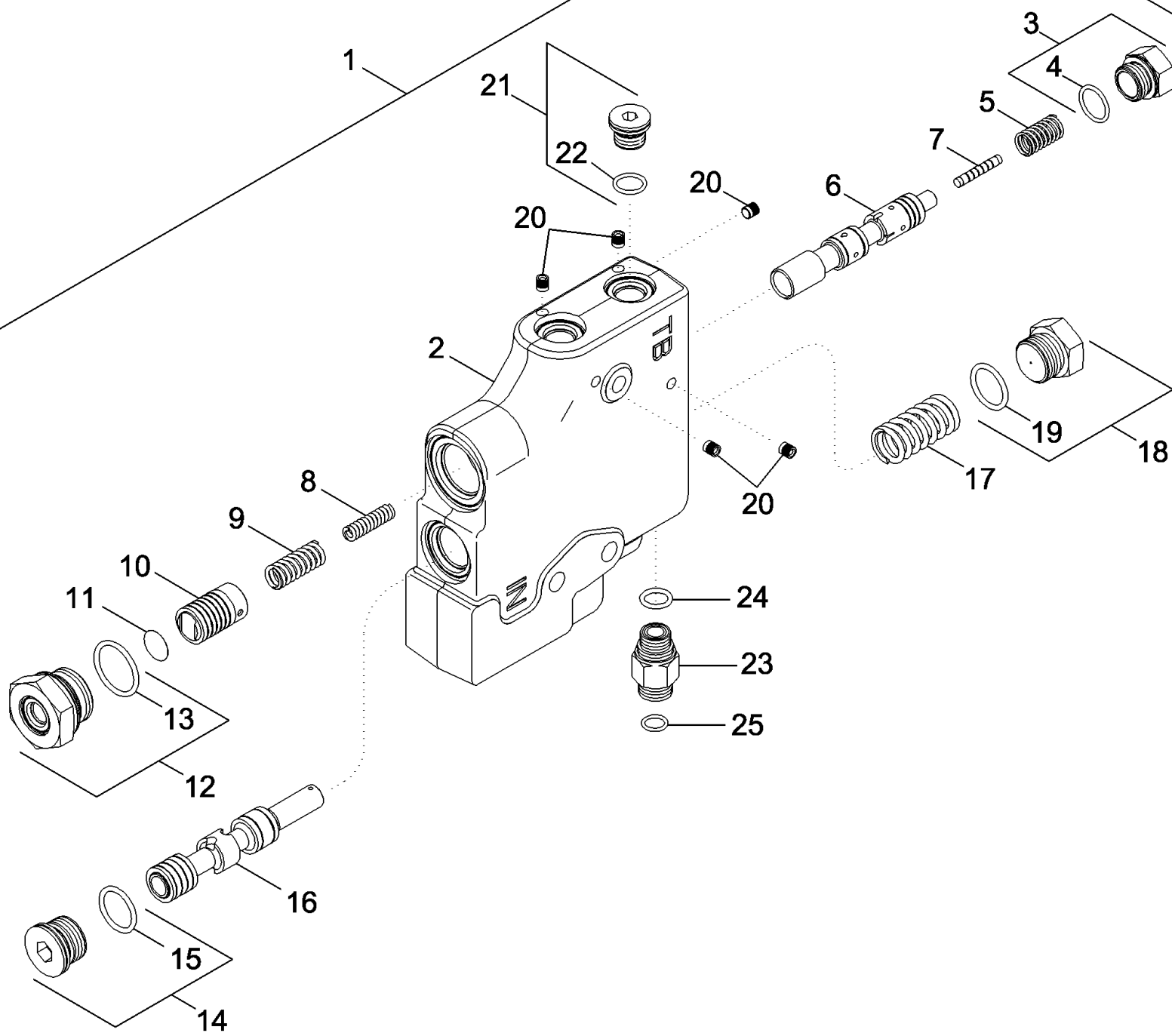
07-11 TRAILER BRAKES - HYDRAULIC - ACCUGUIDE

сылка	Номер детали	Кол-во	Описание
1	87337403	1	HOSE,
2	1975266C1	1	CONNECTOR, HYD.,
3	3131463R91	1	BREAKER POINTS,
4	L11541	1	STRAP, CABLE,
5	87365235	1	HOSE,
6	87312846	2	ELBOW, Inc. 7
7	637-63153	2	O-RING, CI 6, 15.3MM ID x 2.2 Thk,
8	214-1408	2	CLAMP, HOSE, #08, 0.50/0.91 Type F Worm,
9	87442945	1	HOSE,
10	700-412	2	TEE, 13/16"-16 ORFS x M18 x 1.5 ORB Run, Inc. 11 - 13
11	NSS	2	NOT SERVICED SEPARATELY, TEE
12	14437985	2	O-RING, 15.3MM ID x 2.4 Thk,
13	70923841	4	O-RING,
14	87348655	1	TUBE ASSY., Left Hand
15	86991302	1	VALVE, HYDRAULIC,
16	NSS	1	NOT SERVICED SEPARATELY, VALVE
17	238-6012	3	O-RING, -012, 90 Duro, .364" ID x .070" Thk,
18	87348656	1	TUBE ASSY., Right Hand
19	87549263	1	HOSE, Supply
20	87443446	1	CONDUIT,
21	87363337	1	TUBE ASSY., Left Hand Brake
22	87348665	1	TUBE ASSY., Right Hand Brake
23	87363345	1	TUBE ASSY., Trailer Brake pilot
24	86988933	1	CONNECTOR, HYD., Inc. 25, 26
25	NSS	1	NOT SERVICED SEPARATELY, Connector
26	238-6012	1	O-RING, -012, 90 Duro, .364" ID x .070" Thk,
27	87448971	1	HOSE, Supply, Right Hand
28	87448974	1	HOSE, Supply, Left Hand
29	87451399	1	CONDUIT,
30	87318281	1	CONDUIT,
31	701-415	1	TEE, 1"-14 ORFS, Inc. 32
32	238-6016	3	O-RING, -016, 90 Duro, .614" ID x .070" Thk,
33	87435660	1	TUBE ASSY., Hitch Supply
34	700-306	1	ELBOW, 90e, 1"-14 ORFS x M22 x 1.5 ORB, Incl. 35, 36
35	637-63193	1	O-RING, CI 6, 19.3MM ID x 2.2 Thk,
36	238-6016	1	O-RING, -016, 90 Duro, .614" ID x .070" Thk,
37	87367650	1	TUBE ASSY., Load Sense
38	1546024C1	1	CLAMP,
39	384870A1	1	PLATE,
40	384871A1	1	PLATE,
41	844-8045	1	BOLT, Hex Flg, M8 x 45, 8.8,
42	87717748	1	TUBE, Priority/Regulator Valve to PTO Valve
43	700-304	1	ELBOW, 90e, 11/16"-18 ORFS x M14 x 1.5 ORB, Incl. 44, 45
44	238-6012	1	O-RING, -012, 90 Duro, .364" ID x .070" Thk,
45	637-63113	1	O-RING, CI 6, 11.3MM ID x 2.2 Thk,

MAGNUM 335 CASE IH TRACTOR (NA)

07-11 TRAILER BRAKES - HYDRAULIC - ACCUGUIDE

сылка	Номер детали	Кол-во	Описание
46	87625086	1	TUBE ASSY., Load Sense
47	87655554	1	HOSE ASSY., Brake Supply
48	87659135	1	TUBE ASSY., Aux Manifold Supply
49	700-407	1	TEE, 1 7/16"-12 ORFS x M33 x 2 ORB Run, Inc. 50, 51
50	238-6021	2	O-RING, -021, 90 Duro, .926" ID x .070" Thk,
51	637-64296	1	O-RING, CI 6, 29.6MM ID x 2.9 Thk,
52	844-10016	1	BOLT, Hex Flg, M10 x 16, 8.8, Full Thd,
53	515-23206	1	CLAMP, 13/16", Insul, 3/8" Bolt,
54	844-8020	1	BOLT, Hex Flg, M8 x 20, 8.8,
55	87451398	1	CONDUIT,
56	87740546	1	VALVE, , See Figure 07-12
57	87418091	1	STUD,
58	87445565	2	STUD,
59	86579691	1	ELBOW, 90e, 13/16"-18 ORFS x M18 x 1.5 ORB, Inc. 60, 61, 62
60	NSS	1	NOT SERVICED SEPARATELY, ELBOW
61	9992298	1	O-RING, -014, 90 Duro, .489" ID x .070" Thk,
62	86598101	1	O-RING, CI 6, 15.3MM ID x 2.2 Thk,
63	515-2295	3	CLAMP, 3/8", Insul, 5/16" Bolt,
64	700-166	2	CONNECTOR, HYD., 1 7/16"-12 ORFS x M27 x 1.5 ORB, Inc. 65, 66
65	238-6021	2	O-RING, -021, 90 Duro, .926" ID x .070" Thk,
66	637-64236	2	O-RING, CI 6, 23.6MM ID x 2.9 Thk,
67	701-901	1	CAP, 1 7/16"-12 ORFS,
68	86985195	1	BRACKET,
69	701-422	1	TEE, 1 1/16"-16 ORFS x 1 1/16"-16 Fem Sw Run, Inc. 70
70	238-6012	2	O-RING, -012, 90 Duro, .364" ID x .070" Thk,
71	87620393	1	TUBE ASSY., Load Sense, Aux Manifold

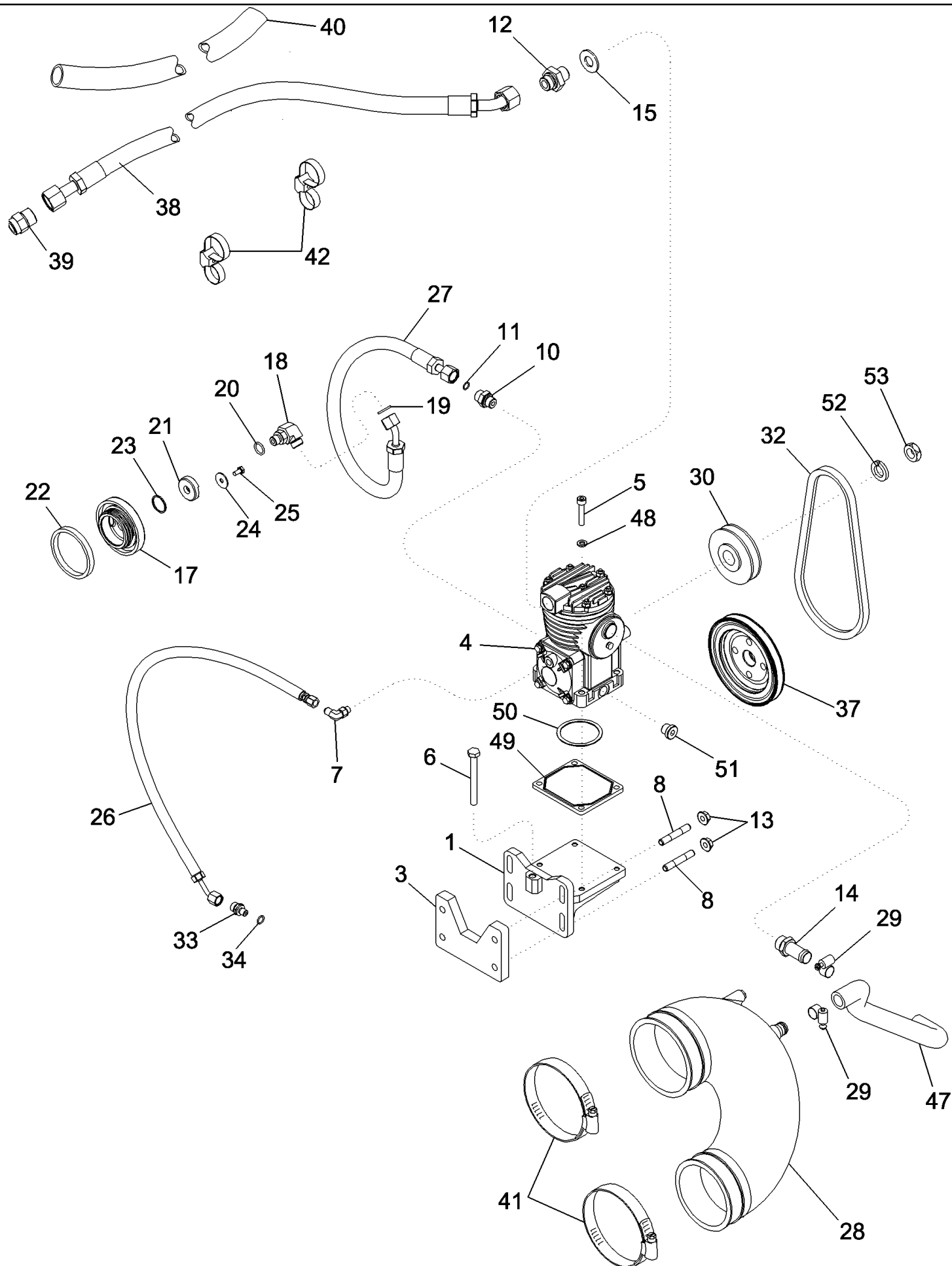


MAGNUM 335 CASE IH TRACTOR (NA)

07-12 VALVE - HYDRAULIC TRAILER BRAKE

сылка	Номер детали	Кол-во	Описание
1	87324560	1	VALVE, Trailer Brake (Shown), BSN Z7RZ01521
1	87740546	1	VALVE, Trailer brake, ASN Z7RZ01521
2	NSS	1	NOT SERVICED SEPARATELY, BODY
3	87324557	1	PLUG, STOP, Inc. 4
4	637-63193	1	O-RING, CI 6, 19.3MM ID x 2.2 Thk,
5	87444752	1	BRAKE SPRING,
6	87324553	1	SPOOL,
7	86988723	1	SPOOL, Inner
8	87444751	1	BRAKE SPRING, Inner
9	87444750	1	BRAKE SPRING, Outer
10	87312086	1	PISTON, Priority, Use with Valve 87324560
10	86988724	1	PISTON, Priority, Use with Valve 87740546
11	87311459	AR	SHIM, Use with Valve 87324560, .12 mm (.005 in)
11	87449989	AR	Use with valve 87740546
12	87454597	1	PLUG,
13	637-64296	1	O-RING, CI 6, 29.6MM ID x 2.9 Thk,
14	221580A1	1	PLUG, Hex Soc, M27 x 2, ORB, Inc. 15
15	637-64236	1	O-RING, CI 6, 23.6MM ID x 2.9 Thk,
16	87324556	1	SPOOL, Priority (Shown), BSN Z7RZ01521
16	87627346	1	SPOOL, Priority, ASN Z7RZ01521
17	408447A1	1	SPRING, COMPRESSION,
18	87432142	1	FITTING, PIPE, Orifice, Inc. 19 (Shown), BSN Z7RZ01521
18	218-5212	1	PLUG, Hex Soc, 1 1/16"-12 ORB, Inc. 19, ASN Z7RZ01521
19	237-6012	1	O-RING, 12-1, 90 Duro, .924 ID x .118" Thk,
20	243756A1	5	PLUG, 7 mm
21	221578A1	1	PLUG, Hex Soc, M18 x 1.5, ORB, Incl. 22
22	637-63153	1	O-RING, CI 6, 15.3MM ID x 2.2 Thk,
23	223971A1	1	VALVE, CHECK, , ASN Z7RZ01521
24	637-63113	1	O-RING, CI 6, 11.3MM ID x 2.2 Thk, , ASN Z7RZ01521
25	238-6012	1	O-RING, -012, 90 Duro, .364" ID x .070" Thk, , ASN Z7RZ01521

07-13 TRAILER BRAKES - PNEUMATIC, AIR COMPRESSOR MOUNTING AND DRIVE



MAGNUM 335 CASE IH TRACTOR (NA)

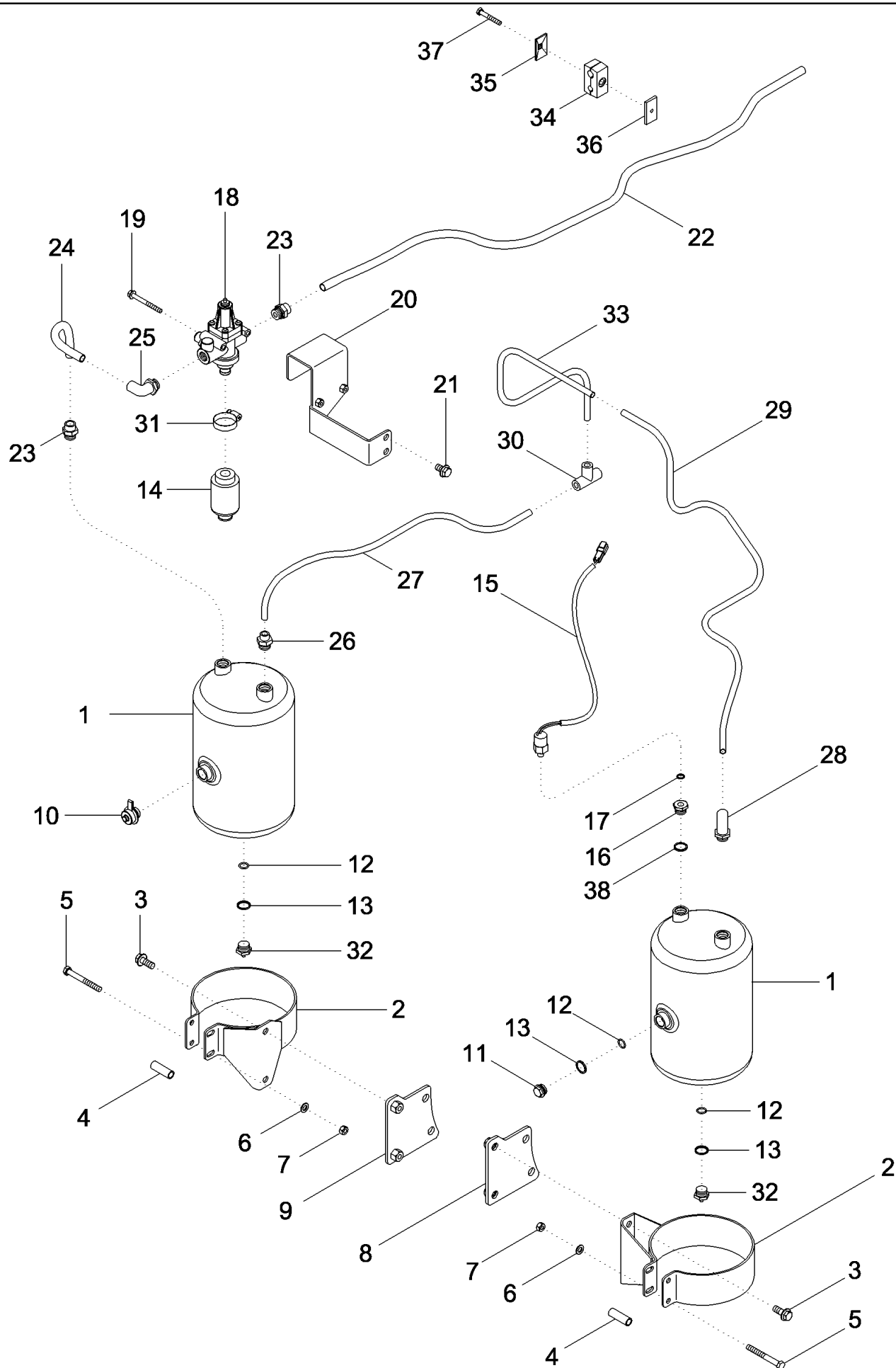
07-13 TRAILER BRAKES - PNEUMATIC, AIR COMPRESSOR MOUNTING AND DRIVE

сылка	Номер детали	Кол-во	Описание
1	87354605	1	SUPPORT,
3	87354608	1	PLATE, ADJUSTING,
4	87340869	1	COMPRESSOR,
4A	87580916	1	KIT, SEALS, (Not Shown)
5	864-8040	4	SCREW, Hex Soc Hd, M8 x 40, 8.8,
6	614-10090	1	BOLT, Hex, M10 x 90, 8.8, Full Thd,
7	87364913	1	ADAPTER, Elbow, M10 x 7/16
8	87366493	4	STUD,
10	87434646	1	UNION, 11/16 fc sl x 16, Inc. 11
11	238-6012	1	O-RING, -012, 90 Duro, .364" ID x .070" Thk,
12	87551841	1	ADAPTER,
13	829-2410	4	NUT, M10 x 1.5, Flg, CI 10,
14	87434210	1	STEM,
15	87551845	1	WASHER, COPPER,
17	J918215	1	ADAPTER,
18	201-304	1	ELBOW, 90є, 11/16"-16 x 9/16"-18 Adj, ORFS, Inc. 19, 20, 44
19	237-6006	1	O-RING, 6-1, 90 Duro, .468" ID x .078" Thk,
20	238-6012	1	O-RING, -012, 90 Duro, .364" ID x .070" Thk,
21	177335A3	1	PLATE, LARGE,
22	J903475	1	SEAL,
23	J915800	1	SEALRING,
24	T103887	2	WASHER,
25	614-6012	2	BOLT, Hex, M6 x 12, 8.8,
26	87365032	1	HOSE, Compressor Supply
27	87365056	1	HOSE ASSY., Lube Out
28	87357622	1	HOSE, Air Cleaner to Turbo, BSN Z7RZ03901
28	87651299	1	HOSE, Air Cleaner to Turbo, ASN Z7RZ03901
29	214-1412	2	CLAMP, HOSE, #12, 0.69/1.25 Type F Worm,
30	87341092	1	PULLEY,
32	87366024	1	V-BELT,
33	700-171	1	CONNECTOR, HYD., 9/16"-18 ORFS x M10 x 1 ORB, Inc. 34
34	238-6011	1	O-RING, -011, 90 Duro, .301" ID x .070" Thk,
37	87380498	1	PULLEY,
38	87547253	1	HOSE, Outlet
39	86991153	1	ADAPTER,
40	87403388	1	CONDUIT,
41	214-3280	2	CLAMP, HOSE, 4.25/5.125 HD Worm, W/liner,
42	86991000	2	CLAMP, Tie, Dual
44	NSS	1	NOT SERVICED SEPARATELY, ELBOW
45	NSS	1	NOT SERVICED SEPARATELY, CONNECTOR
46	NSS	1	NOT SERVICED SEPARATELY, UNION
47	87364042	1	HOSE, Intake
48	892-11008	4	WASHER, LOCK, M8,
49	87433913	1	PLATE ASSY.,
50	87531675	1	GASKET,

MAGNUM 335 CASE IH TRACTOR (NA)

07-13 TRAILER BRAKES - PNEUMATIC, AIR COMPRESSOR MOUNTING AND DRIVE

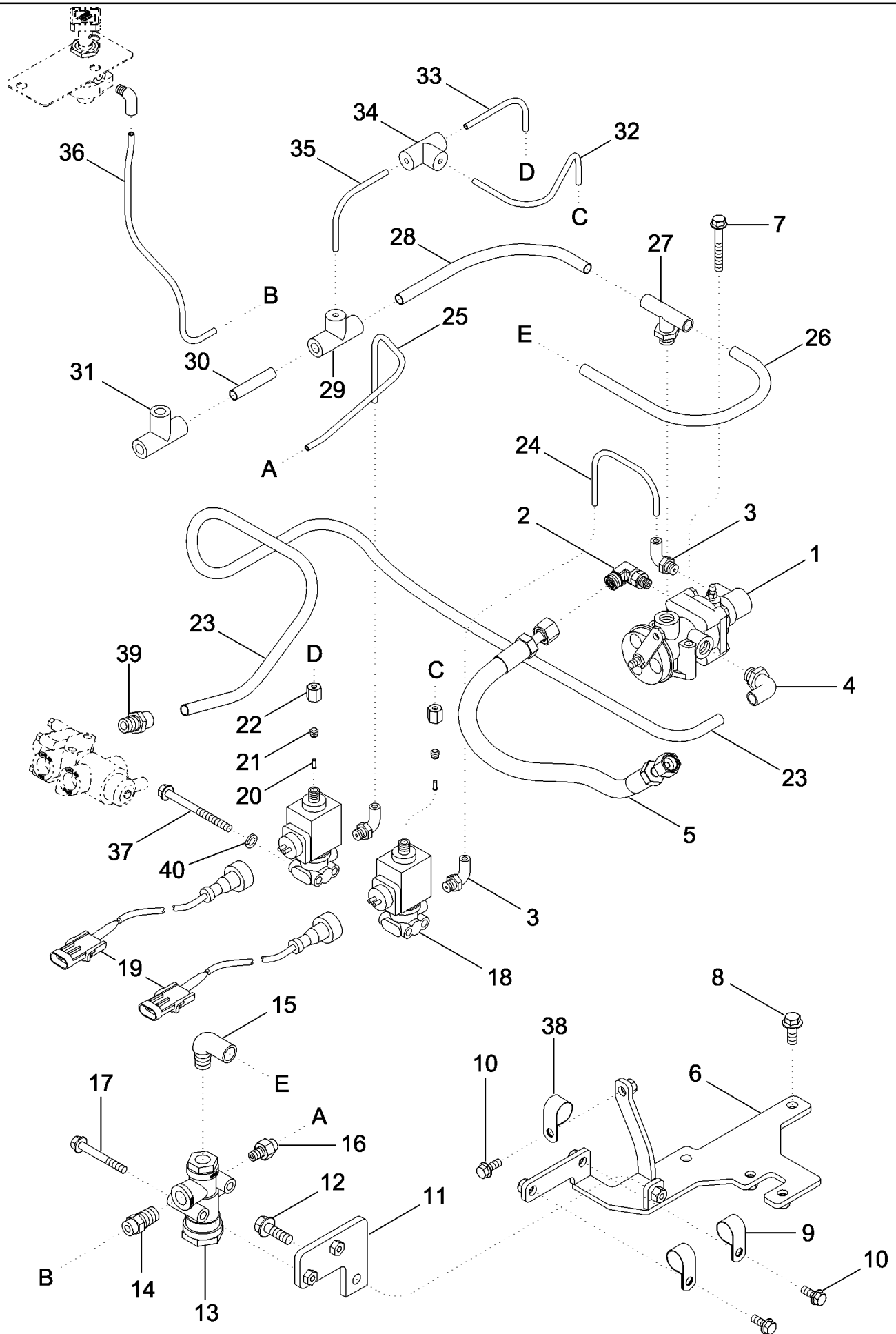
сылка	Номер детали	Кол-во	Описание
51	87456432	1	PLUG,
52	92-11075	1	WASHER, LOCK, 3/4",
53	933678R1	1	NUT, Thin, M18 x 1.5, CI 04,



MAGNUM 335 CASE IH TRACTOR (NA)

07-14 TRAILER BRAKES - PNEUMATIC, RESERVOIR

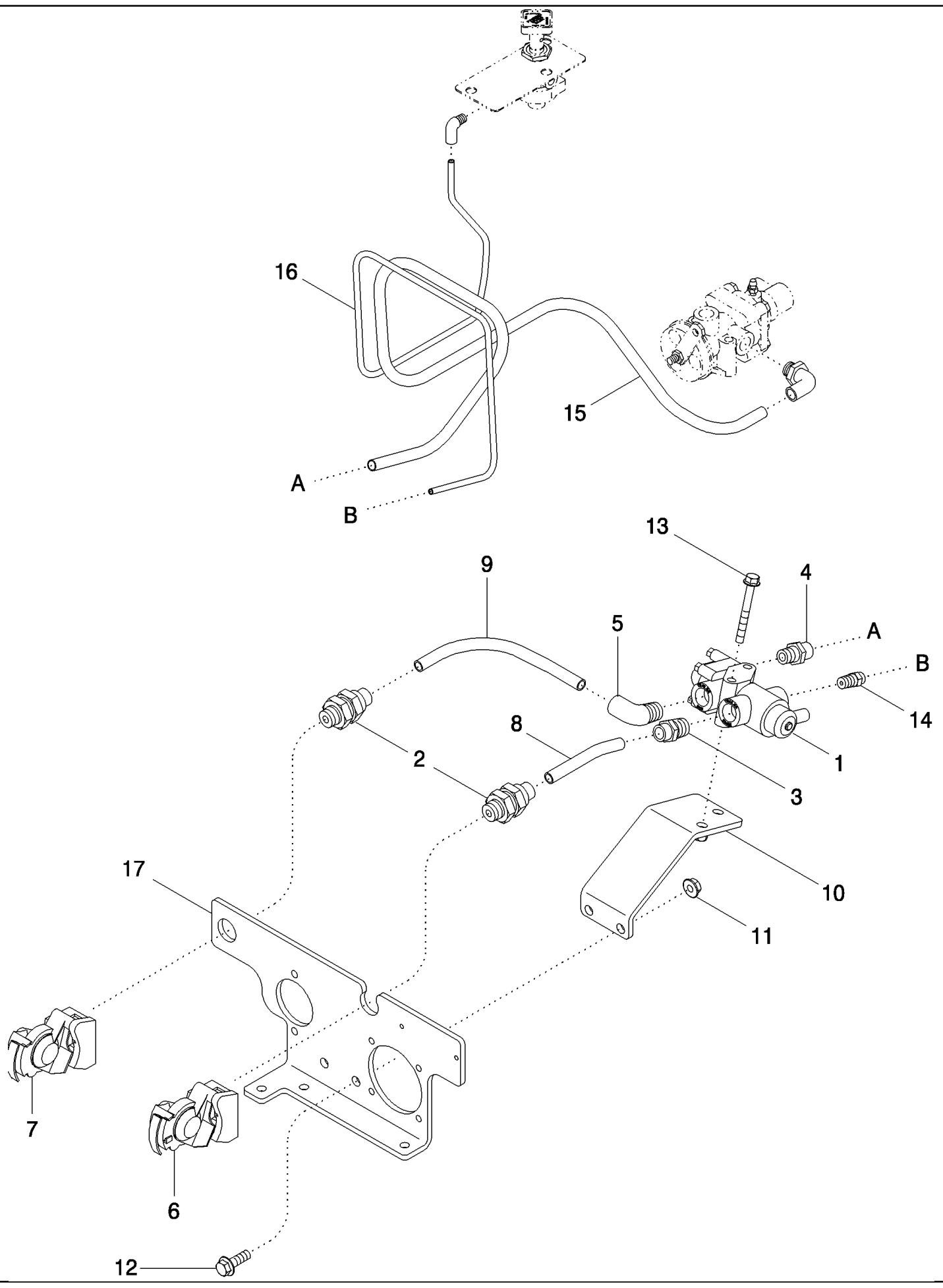
сылка	Номер детали	Кол-во	Описание
1	1530988C1	2	TANK, AIR,
2	86985993	2	BRACKET,
3	844-12030	4	BOLT, Hex Flg, M12 x 30, 8.8,
4	87592916	4	SPACER, Air Tank Mount
5	814-10075	4	BOLT, Hex, M10 x 75, 8.8,
6	895-11010	4	WASHER, M10 x 20 x 2,
7	829-1410	4	NUT, M10, CI 10,
8	86985963	1	BRACKET, Right Hand
9	86985965	1	BRACKET, Left Hand
10	443287A1	1	VALVE,
11	716954R1	1	PLUG, Hex, M22 x 1.5,
12	3076154R1	3	O-RING,
13	3076153R1	3	RING, PRESSURE,
14	82001979	1	VALVE, Silencer
15	87391194	1	SWITCH, Pressure
16	87680624	1	REDUCER,
17	713845R1	1	WASHER, SEALING, M12 x 15.5 x 1.5,
18	82001015	1	VALVE, CONTROL, Unloader
19	844-8080	2	BOLT, Hex Flg, M8 x 80, 8.8,
20	87342627	1	BRACKET,
21	844-12020	2	BOLT, Hex Flg, M12 x 20, 8.8, Full Thd,
22	87456291	1	HOSE, Unloader Valve Supply
23	86984484	2	CONNECTION,
24	87526409	1	HOSE,
25	442930A1	1	ELBOW,
26	442924A1	1	CONNECTOR, HYD.,
27	87456293	1	HOSE,
28	442929A1	3	ELBOW,
29	87456294	1	HOSE,
30	442925A1	1	TEE,
31	214-1536	1	CLAMP, HOSE, #36, 1.81/2.75 Type F Worm, W/liner,
32	897123H2	2	VALVE,
33	87456290	1	HOSE,
34	109619A1	2	CLAMP,
35	384870A1	2	PLATE,
36	384871A1	2	PLATE,
37	814-8055	2	BOLT, Hex, M8 x 55, 8.8,
38	238-5117	1	O-RING, -117, 70 Duro, .799" ID x .103" Thk,



MAGNUM 335 CASE IH TRACTOR (NA)

07-15 TRAILER BRAKES - PNEUMATIC, VALVES

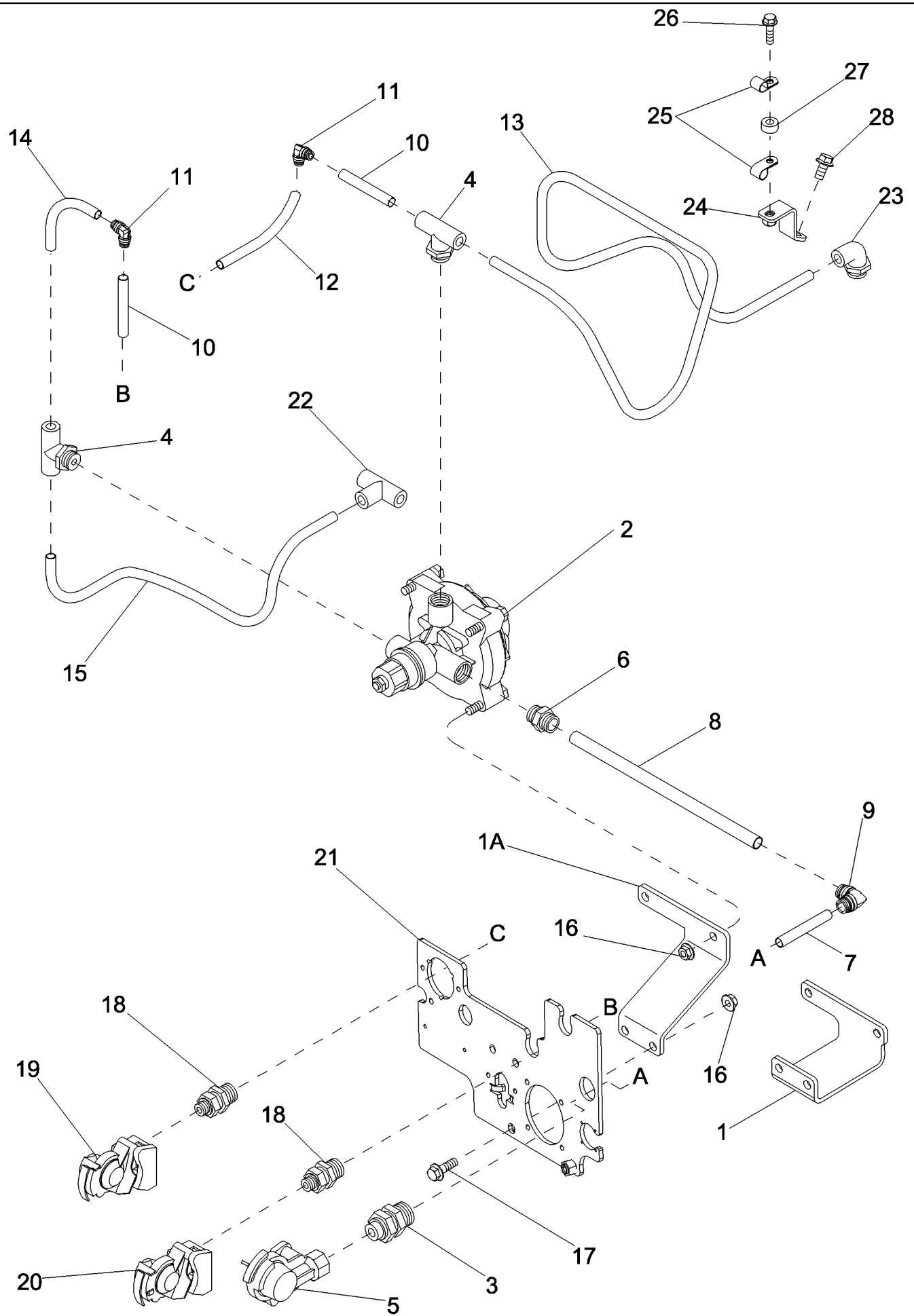
сылка	Номер детали	Кол-во	Описание
1	224360A1	1	VALVE, Dual Line Control
2	86984486	1	ELBOW, M10 x 11/16
3	442927A1	3	ELBOW, Push-in, M12 x 6
4	442928A1	2	ELBOW, Push-in, M16 x 12
5	87442945	1	HOSE,
6	86987547	1	BRACKET,
7	844-8060	2	BOLT, Hex Flg, M8 x 60, 8.8,
8	844-10025	2	BOLT, Hex Flg, M10 x 25, 8.8, Full Thd,
9	515-23238	2	CLAMP, 15/16", Insul, 3/8" Bolt,
10	844-8020	4	BOLT, Hex Flg, M8 x 20, 8.8,
11	87411914	1	PLATE, MOUNTING, Valve
12	844-8025	1	BOLT, Hex Flg, M8 x 25, 8.8,
13	87423207	1	VALVE, PNEUMATIC,
14	87411427	1	FITTING,
15	87411442	1	ELBOW,
16	87411443	1	FITTING,
17	844-6050	2	BOLT, Hex Flg, M6 x 50, 8.8,
18	1531984C1	2	VALVE, SOLENOID,
19	327970A1	2	PLUG,
20	1531863C1	2	SLEEVE,
21	3138533R1	2	SLEEVE,
22	3138527R1	2	NUT, Coupling, M12 x 1.5,
23	87411893	1	HOSE,
24	86985948	1	HOSE,
25	86985949	1	HOSE,
26	87411885	1	HOSE,
27	87411428	1	TEE, Push-in, M16 x 12
28	86985944	1	HOSE,
29	442926A1	1	TEE, Push-in, 12 x 12 x 6
30	86985943	1	HOSE,
31	442925A1	1	TEE, Push-in, 12 x 12 x 12
32	87456292	1	HOSE,
33	86985947	1	HOSE,
34	86987467	1	TEE, Push-in, 6 x 6 x 6
35	86985946	1	HOSE,
36	87422504	1	HOSE,
37	814-8100	2	BOLT, Hex, M8 x 100, 8.8,
38	515-23159	1	CLAMP, 5/8", Insul, 3/8" Bolt,
39	87411879	1	UNION,
40	892-11008	2	WASHER, LOCK, M8,



MAGNUM 335 CASE IH TRACTOR (NA)

07-16 TRAILER BRAKES - PNEUMATIC, COUPLERS, DUAL LINE

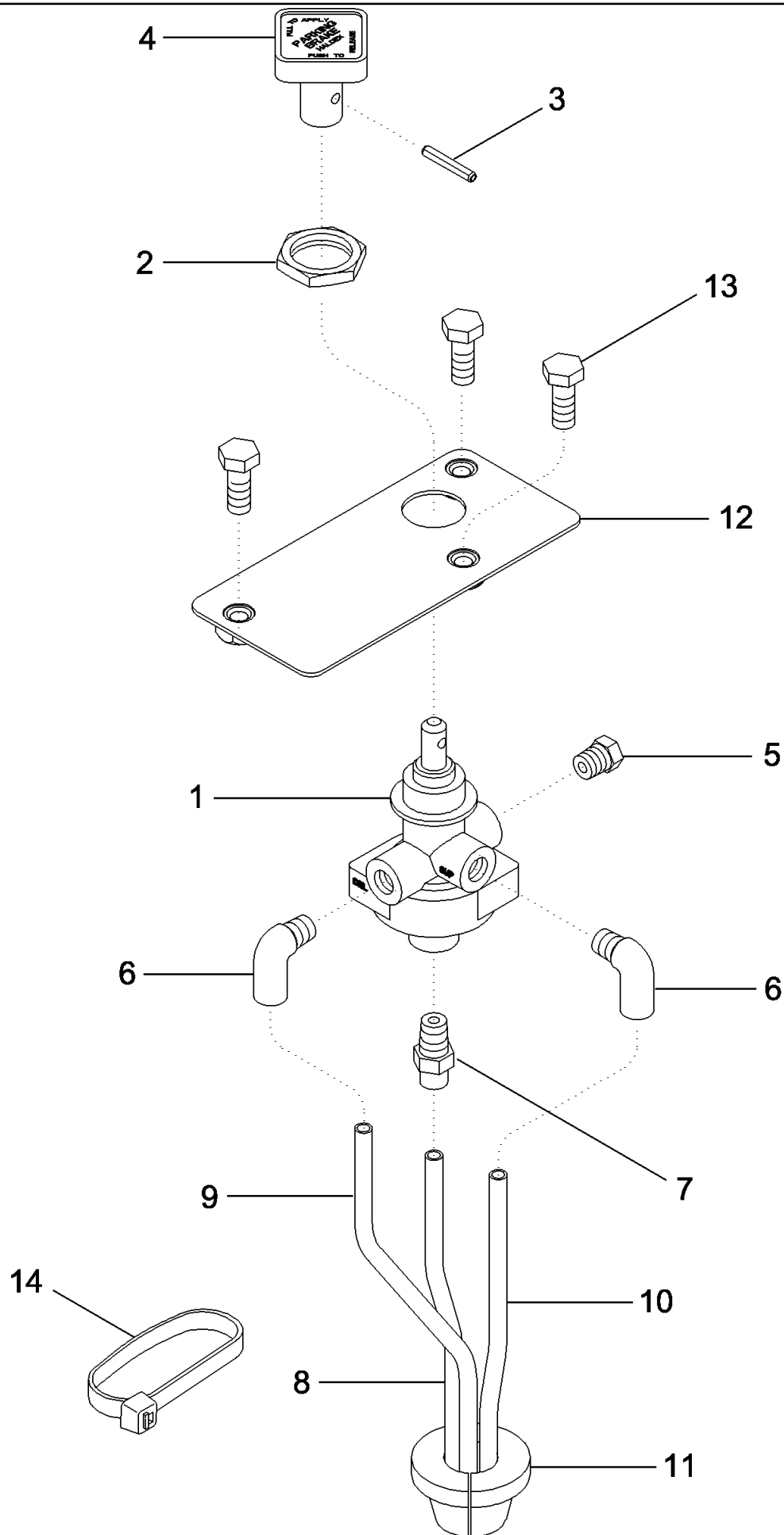
сылка	Номер детали	Кол-во	Описание
1	87409383	1	VALVE, PNEUMATIC, Tractor Protection
2	87411311	2	CONNECTOR, HYD., Bulkhead, 1/2 npt x 1/2 Tube
3	87411513	1	CONNECTOR, HYD., Air Brake, Push-in, 1/2 npt x 1/2 Tube
4	87411845	1	CONNECTOR, HYD., 3/8 npt x 1/2 Tube
5	87411504	1	ELBOW, Air Brake, Push-in, 1/2 npt x 1/2 Tube
6	87409385	1	COUPLING, Emergency, Red
7	87409386	1	COUPLING, Service, Blue
8	87670358	1	HOSE, Emergency Coupler Supply
9	87670359	1	HOSE, Service Coupler Supply
10	87411890	1	BRACKET, Tractor Protection Valve
11	825-2410	2	NUT, M10 x 1.5, Flg, Cl 8,
12	844-10030	2	BOLT, Hex Flg, M10 x 30, 8.8, Full Thd,
13	844-8070	2	BOLT, Hex Flg, M8 x 70, 8.8,
14	87411443	1	FITTING, Air Brake, Push-in, 1/4 npt x 1/4 Tube
15	87411893	1	HOSE, Air Brake Supply
16	87422504	1	HOSE, Hand Valve to Protection Valve
17	87413002	1	BRACKET, SUPPORTING,
18	840-1616	2	SCREW, Cross Pan Hd, M6 x 16, (Not Shown)



MAGNUM 335 CASE IH TRACTOR (NA)

07-17 TRAILER BRAKES - PNEUMATIC, COUPLERS, TRIPLE LINE

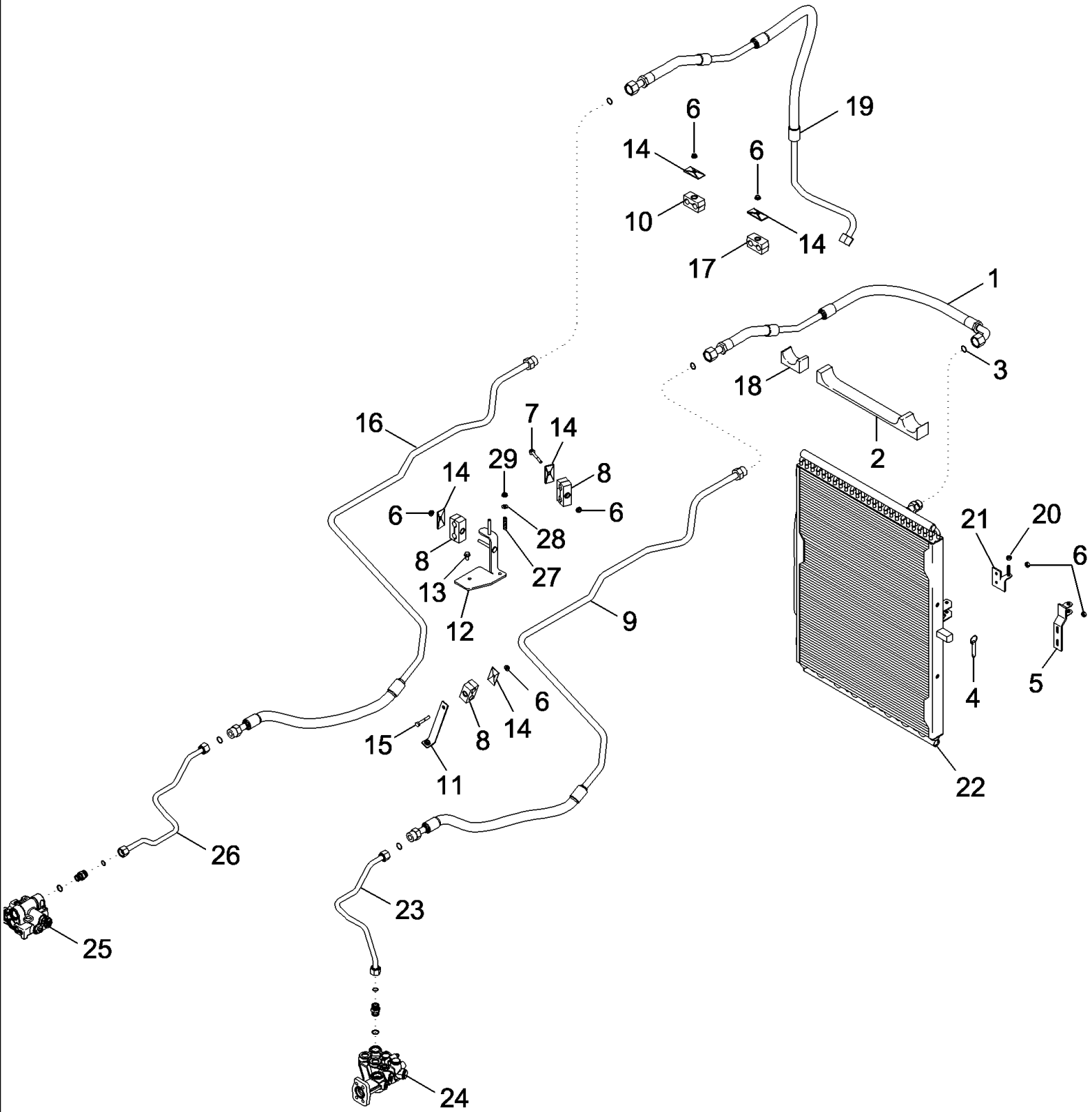
сылка	Номер детали	Кол-во	Описание
	719089006	1	DIA KIT, TRACTOR, Inc. 1 - 17
1	87616996	1	BRACKET, Valve Mounting
1A	87411718	1	BRACKET, Valve Mounting, Not Included in Kit 719089006
2	T101913	1	VALVE, Control Trailer
3	442908A1	1	CONNECTOR, HYD., Bulkhead M22 x 16 Tube
4	442931A1	2	TEE, Air Break Push-In M22 x 12
5	3141447R1	1	BREAKER POINTS, Coupling
6	86984484	1	CONNECTION, Air Break Push-In M22 x 16
7	87664142	1	HOSE, Pneumatic 16 mm x 66.5 mm Straight
8	87664134	1	HOSE, Air Brake, Black Coupler
9	87664144	1	FITTING, Elbow 16 mm Pneumatic
10	87664141	2	HOSE, Pneumatic 12 mm Dia x 50 mm Straight
11	87664143	2	FITTING, Elbow 12 mm Pneumatic
12	87664136	1	HOSE, Air Brake, Yellow Coupler
13	87456289	1	HOSE, Air Brake, Double Check Valve Out
14	87664137	1	HOSE, Air Brake, Red Coupler
15	86985954	1	HOSE, Air Brake, Valve Supply
16	825-2410	4	NUT, M10 x 1.5, Flg, Cl 8,
17	844-10030	2	BOLT, Hex Flg, M10 x 30, 8.8, Full Thd,
18	87411845	2	CONNECTOR, HYD.,
19	87409385	1	COUPLING, Emergency, Red
20	87409386	1	COUPLING, Service, Blue
21	87615022	1	SUPPORT,
22	442925A1	1	TEE,
23	442929A1	1	ELBOW,
24	443761A1	1	BRACKET,
25	515-22127	2	CLAMP, 1/2", Insul, 5/16" Bolt,
26	844-8030	1	BOLT, Hex Flg, M8 x 30, 8.8, Full Thd,
27	176492A1	1	SPACER,
28	844-10020	1	BOLT, Hex Flg, M10 x 20, 8.8,



MAGNUM 335 CASE IH TRACTOR (NA)

07-18 TRAILER BRAKES - PNEUMATIC, HAND CONTROL VALVE

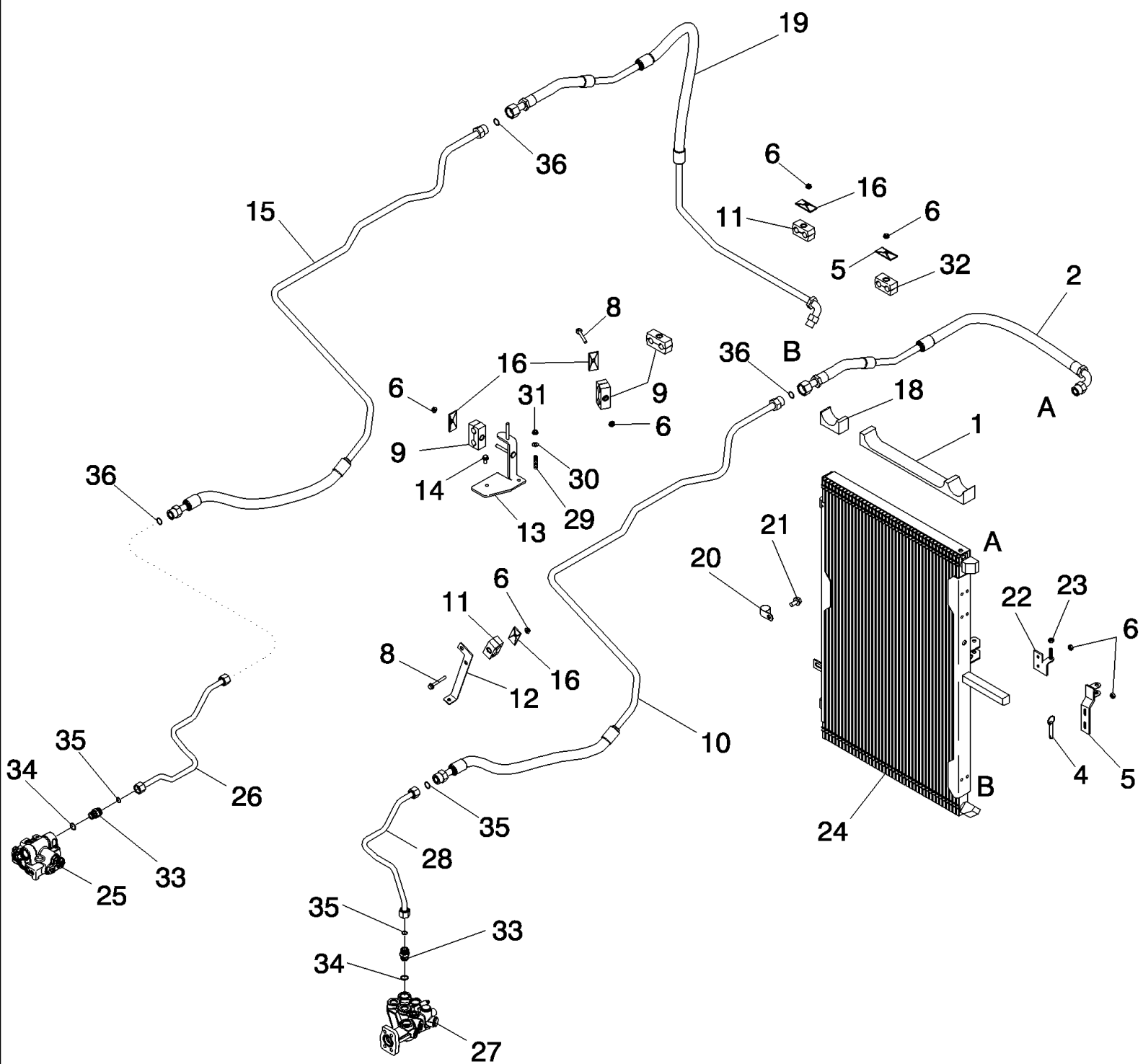
сылка	Номер детали	Кол-во	Описание
1	87409382	1	VALVE, PNEUMATIC, Hand, Inc. 2, 3, 4
2	NSS	1	NOT SERVICED SEPARATELY, NUT, Locking
3	NSS	1	NOT SERVICED SEPARATELY, PIN, Roll
4	NSS	1	NOT SERVICED SEPARATELY, HANDLE
5	86643151	1	PLUG, Hex Hd, 1/8"-27 NPTF, 1/8 nptf
6	87411410	2	ELBOW,
7	87411411	1	CONNECTOR, HYD., Push-in
8	87670362	1	HOSE, Hand Valve Exhaust
9	87670360	1	HOSE, Hand Valve to Protection Valve
10	87670361	1	HOSE, Hand Valve Supply
11	182045A1	1	GROMMET,
12	87411915	1	PLATE, MOUNTING, Hand Valve
13	614-8020	3	BOLT, Hex, M8 x 20, 8.8,
14	L11541	2	STRAP, CABLE, 7 - 8 in
15	844-10030	2	BOLT, Hex Flg, M10 x 30, 8.8, Full Thd, (Not Shown)



MAGNUM 335 CASE IH TRACTOR (NA)

08-01 HYDRAULIC SYSTEM - OIL COOLER STANDARD PERFORMANCE

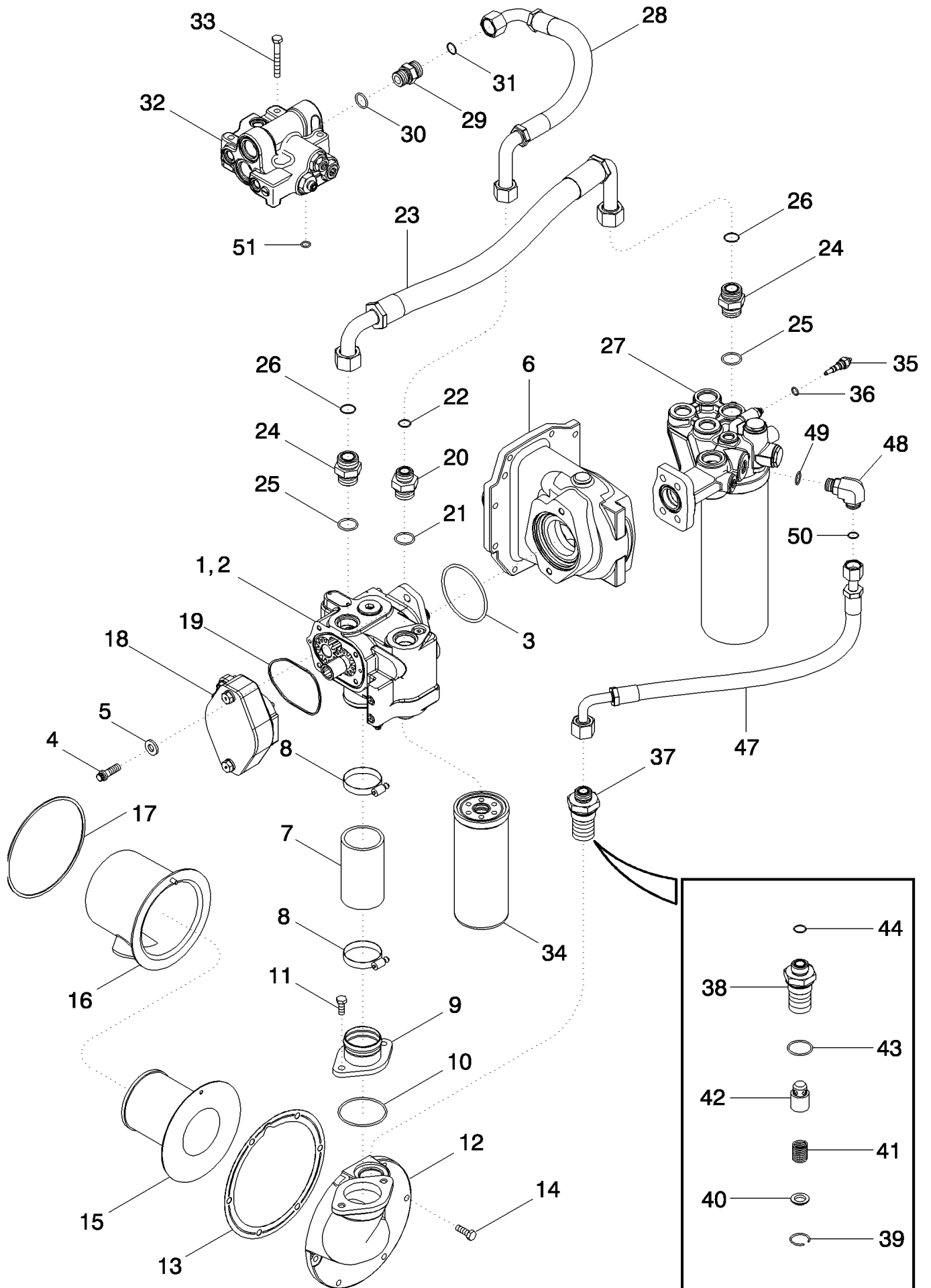
сылка	Номер детали	Кол-во	Описание
1	87358481	1	HOSE ASSY., Supply
2	87456457	1	SEAL,
3	238-6018	2	O-RING, -018, 90 Duro, .739" ID x .070" Thk,
4	86017630	1	PIN,
5	87332352	1	BRACKET,
6	825-2408	9	NUT, M8 x 1.25, Flg, CI 8,
7	844-8060	1	BOLT, Hex Flg, M8 x 60, 8.8,
8	1546027C1	3	CLAMP,
9	87355593	1	PIPE, Oil Supply
10	118576A1	2	CLAMP,
11	87336914	1	BRACKET, Oil Cooler Tubes
12	87394076	1	BRACKET,
13	555-1	1	BOLT, Hex Flg, M8 x 16, 8.8,
14	1347127C1	4	PLATE,
15	844-8060	1	BOLT, Hex Flg, M8 x 60, 8.8,
16	87355596	1	PIPE, Oil Return
17	124668A1	1	CLAMP,
18	87456576	1	SEAL,
19	87358483	1	HOSE, Return
20	832-10408	1	NUT, LOCK, M8 x 1.25, CI 8,
21	87603124	1	BRACKET,
22	87549515	1	COOLER, OIL, Transmission (Steel)
23	87306467	1	TUBE ASSY., Oil Cooler Return to Filter
24	401600A1	1	HEAD ASSY., Filter
25	87427822	1	VALVE, Priority
26	87443859	1	TUBE,
27	J934178	1	STUD,
28	895-25008	1	WASHER, M8 x 20 x 1.6,
29	825-5148	1	NUT, M8, Flg Ser,



MAGNUM 335 CASE IH TRACTOR (NA)

08-02 HYDRAULIC SYSTEM - OIL COOLER WITH SUSPENDED AXLE, 50KPH & TWINFLOW

сылка	Номер детали	Кол-во	Описание
1	87456457	1	SEAL,
2	87377631	1	HOSE ASSY., Supply
2	87697481	1	HOSE, Supply, Snap-To-Connect (Shown)
4	86017630	1	PIN,
5	87332352	1	BRACKET,
6	825-2408	9	NUT, M8 x 1.25, Flg, CI 8,
8	844-8060	2	BOLT, Hex Flg, M8 x 60, 8.8,
9	1546027C1	3	CLAMP,
10	87355593	1	PIPE, Oil Supply
11	118576A1	2	CLAMP,
12	87336914	1	BRACKET, Oil Cooler Tubes
13	87394076	1	BRACKET,
14	555-1	2	BOLT, Hex Flg, M8 x 16, 8.8,
15	87355596	1	PIPE, Oil Return
16	1347127C1	5	PLATE,
18	87456576	1	SEAL,
19	87377632	1	HOSE ASSY., Return
19	87722957	1	HOSE, Return, Snap-To-Connect (Shown)
20	515-22190	1	CLAMP, 3/4", Insul, 5/16" Bolt,
21	844-8060	1	BOLT, Hex Flg, M8 x 60, 8.8,
22	87603124	1	BRACKET,
23	832-10408	1	NUT, LOCK, M8 x 1.25, CI 8,
24	87549515	1	COOLER, OIL, Transmission, (Steel), Cooler to be used with Hoses 8737763 and 87377632
24	87682256	1	COOLER, OIL, Transmission, Snap-To-Connect, (Aluminum), Cooler to be used with Hoses 87697481 and 87722957
25	87427822	1	VALVE, Priority
26	87443859	1	TUBE, Priority Valve
27	401600A1	1	HEAD ASSY., Filter, Standard Flow
27	405409A1	1	HEAD ASSY., Filter, High Flow
28	87306467	1	TUBE ASSY., Oil Cooler Return to Filter
29	J934178	1	STUD,
30	895-25008	1	WASHER, M8 x 20 x 1.6,
31	825-5148	1	NUT, M8, Flg Ser,
32	124668A1	1	CLAMP,
33	700-104	2	CONNECTOR, HYD., 1 3/16"-12 ORFS x M27 x 2 ORB, Inc. 34, 35
34	637-64236	1	O-RING, CI 6, 23.6MM ID x 2.9 Thk,
35	238-6018	1	O-RING, -018, 90 Duro, .739" ID x .070" Thk,
36	238-6018	4	O-RING, -018, 90 Duro, .739" ID x .070" Thk,



MAGNUM 335 CASE IH TRACTOR (NA)

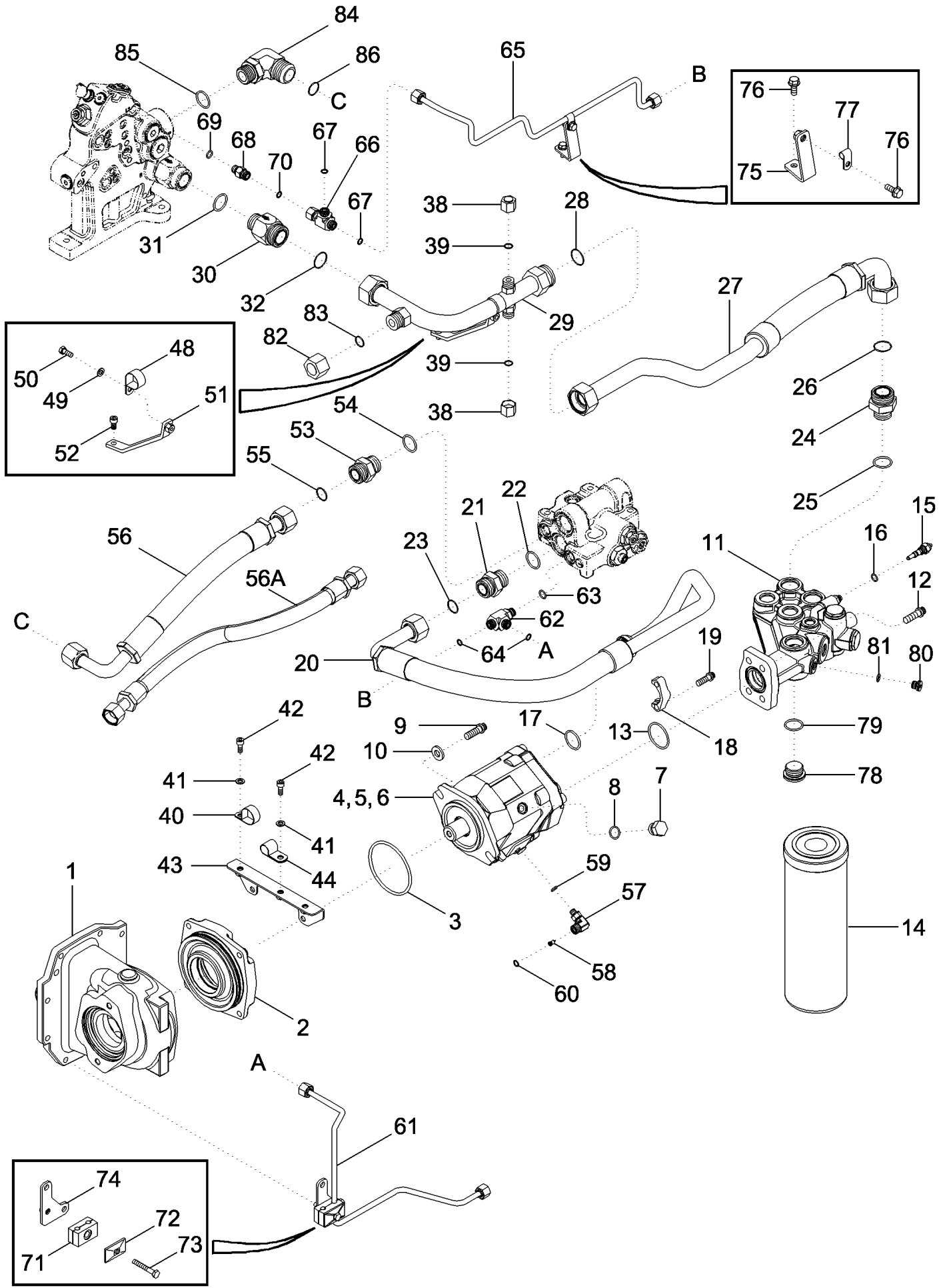
08-03 HYDRAULIC SYSTEM - CHARGE PUMP

сылка	Номер детали	Кол-во	Описание
1	87483992	1	PUMP, Charge, Inc. 2
2	87407008	1	KIT, SERVICE,
3	238-5243	1	O-RING, -243, 70 Duro, 4.109" ID x .139" Thk,
4	615-12035	2	BOLT, Hex, M12 x 35, 8.8, Full Thd,
5	896-16012	2	WASHER, M12 x 28.5 x 4, HT,
6	389550A1	1	HOUSING, , See Figure 06-37
7	407386A1	1	HOSE,
8	214-1448	2	CLAMP, HOSE, #48, 2.56/3.50 Type F Worm,
9	407364A1	1	ADAPTER,
10	238-5235	1	O-RING, -235, 70 Duro, 3.109" ID x .139" Thk,
11	627-10025	2	BOLT, Hex, M10 x 25, 10.9, Full Thd,
12	403416A1	1	BASE,
13	139241C5	1	GASKET,
14	806-10030	6	BOLT, Hex, Lock, M10 x 30, CI 10.9,
15	1348335C1	1	SCREEN,
16	1348337C1	1	SHROUD, Inc. 17
17	1342641C1	1	GASKET,
18	87483993	1	COVER,
19	87487899	1	SEAL,
20	700-164	1	CONNECTOR, HYD., 1 3/16"-12 ORFS x M33 x 2 ORB, Inc. 21, 22
21	637-64296	1	O-RING, CI 6, 29.6MM ID x 2.9 Thk,
22	238-6018	1	O-RING, -018, 90 Duro, .739" ID x .070" Thk,
23	451064A1	1	HOSE, Pump to Filter Inlet
24	700-105	2	CONNECTOR, HYD., 1 7/16"-12 ORFS x M22 x 2 ORB, Inc. 25, 26
25	637-64296	1	O-RING, CI 6, 29.6MM ID x 2.9 Thk,
26	238-6021	1	O-RING, -021, 90 Duro, .926" ID x .070" Thk,
27	401600A1	1	HEAD ASSY., Filter, Standard Flow
27	405409A1	1	HEAD ASSY., Filter, High Flow
28	433585A1	1	HOSE ASSY.,
29	700-104	1	CONNECTOR, HYD., 1 3/16"-12 ORFS x M27 x 2 ORB, Inc. 30, 31
30	637-64236	1	O-RING, CI 6, 23.6MM ID x 2.9 Thk,
31	238-6018	1	O-RING, -018, 90 Duro, .739" ID x .070" Thk,
32	87624364	1	Priority, MX215, MX245, MX275, MX305, Magnum 215, 245, 275 and 305, See Figure 08-18
32	87415151	1	VALVE, Priority, Magnum 335, See Figure 08-19
33	814-10075	3	BOLT, Hex, M10 x 75, 8.8,
34	402652A1	1	FILTER, HYDRAULIC OIL,
35	1957801C1	1	SWITCH, PRESSURE, Indicator Assy, Elect
36	237-6006	1	O-RING, 6-1, 90 Duro, .468" ID x .078" Thk,
37	407616A2	1	VALVE, Lube Relief, Inc. 38 - 44
38	407615A2	1	BODY, VALVE,
39	107452A1	1	CIRCLIP,
40	107456A1	1	WASHER,
41	431858A1	1	SPRING,
42	NSS	1	NOT SERVICED SEPARATELY, Plunger
43	637-64386	1	O-RING, CI 6, 38.6MM ID x 2.9 Thk,

MAGNUM 335 CASE IH TRACTOR (NA)

08-03 HYDRAULIC SYSTEM - CHARGE PUMP

сылка	Номер детали	Кол-во	Описание
44	238-6018	1	O-RING, -018, 90 Duro, .739" ID x .070" Thk,
47	442847A1	1	HOSE,
48	700-306	1	ELBOW, 90є, 1"-14 ORFS x M22 x 1.5 ORB, Incl. 49, 50
49	637-63193	1	O-RING, CI 6, 19.3MM ID x 2.2 Thk,
50	238-6016	1	O-RING, -016, 90 Duro, .614" ID x .070" Thk,
51	238-6112	1	O-RING, -112, 90 Duro, .487" ID x .103" Thk,



MAGNUM 335 CASE IH TRACTOR (NA)

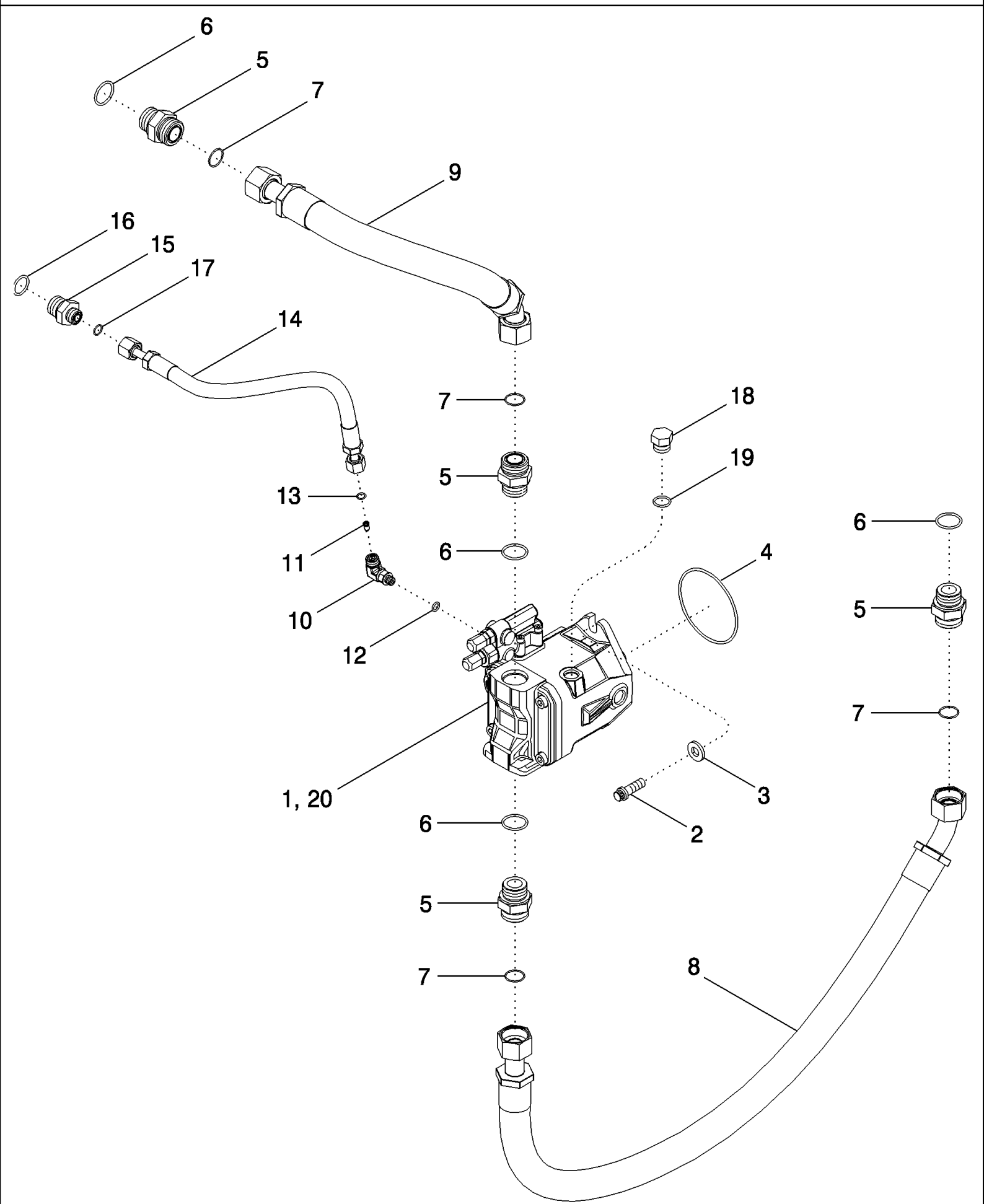
08-04 HYDRAULIC SYSTEM - PISTON PUMP AND FILTER, STANDARD FLOW CAPACITY & TWINFLOW

сылка	Номер детали	Кол-во	Описание
1	389550A1	1	HOUSING, , See Figure 06-37
2	405664A2	1	CAGE, , See Figure 06-37
3	87016957	1	O-RING, -345, 70 Duro, 3.975" ID x .210" Thk,
4	87429249	1	PUMP, HYDRAULIC, (Shown), MX215, 245, 275, 305, Magnum 215, 245, 275, and 305
4	87538166	1	PUMP, HYDRAULIC, , Magnum 335
5	87489367	1	KIT, SERVICE, Compensator
6	87553152	1	GASKET,
7	86512512	1	PLUG, Hex Hd, 7/8"-14 ORB, Incl. 8
8	167269	1	O-RING, 10-1, 90 Duro, .755" ID x .097" Thk,
9	868-12035	2	SCREW, 12 Pt Hd, M12 x 35, 12.9,
10	896-16012	2	WASHER, M12 x 28.5 x 4, HT,
11	401600A1	1	HEAD ASSY., Filter
12	868-12035	4	SCREW, 12 Pt Hd, M12 x 35, 12.9,
13	238-5225	1	O-RING, -225, 70 Duro, 1.859" ID x .139" Thk,
14	277311A1	1	FILTER, HYDRAULIC OIL,
15	1957801C1	1	SWITCH, PRESSURE, Indicator Assy, Elect
16	237-6006	1	O-RING, 6-1, 90 Duro, .468" ID x .078" Thk,
17	238-6219	1	O-RING, -219, 90 Duro, 1.296" ID x .139" Thk,
18	86980728	2	CLAMP, COLLAR,
19	868-10030	4	SCREW, 12 Pt Hd, M10 x 30, 12.9,
20	87438800	1	HOSE,
21	86580179	1	CONNECTOR, HYD., 1 7/16"-12 ORFS x M22 x 2 ORB, Inc. 22, 23
22	86639046	1	O-RING, CI 6, 29.6MM ID x 2.9 Thk,
23	9824050	1	O-RING, -021, 90 Duro, .926" ID x .070" Thk,
24	86579684	1	CONNECTOR, HYD., 1 11/16"-12 ORFS x M33 x 2 ORB, Inc. 25, 26
25	86639046	1	O-RING, CI 6, 29.6MM ID x 2.9 Thk,
26	238-6025	1	O-RING, -025, 90 Duro, 1.176" ID x .070" Thk,
27	450508A1	1	HOSE, Auxiliary Manifold Return, BSN AJB0364115
27	87385538	1	HOSE, Auxiliary Manifold Return, ASN AJB0364115
28	9824051	1	O-RING, -025, 90 Duro, 1.176" ID x .070" Thk,
29	450507A1	1	TUBE ASSY.,
30	254851A1	1	VALVE, CHECK, 1-11/16 fc sl x 33 Or, Inc. 31, 32
31	86639046	1	O-RING, CI 6, 29.6MM ID x 2.9 Thk,
32	9824051	1	O-RING, -025, 90 Duro, 1.176" ID x .070" Thk,
38	9840575	2	CAP, 13/16"-16 ORFS,
39	238-6014	2	O-RING, -014, 90 Duro, .489" ID x .070" Thk,
40	515-23317	1	CLAMP, 1 1/4", Insul, 3/8" Bolt,
41	140016	2	WASHER, M8 x 16 x 1.6,
42	120228	2	SCREW, Hex Soc Hd, M8 x 20, 8.8,
43	451054A1	1	BRACKET,
44	87010657	1	CLAMP, 1 3/8", Insul, 5/16" Bolt,
48	515-23317	1	CLAMP, 1 1/4", Insul, 3/8" Bolt,
49	895-11008	1	WASHER, M8 x 16 x 1.6,
50	120104	1	SCREW, Hex, M8 x 20, 8.8,
51	450515A1	1	BRACKET,

MAGNUM 335 CASE IH TRACTOR (NA)

08-04 HYDRAULIC SYSTEM - PISTON PUMP AND FILTER, STANDARD FLOW CAPACITY & TWINFLOW

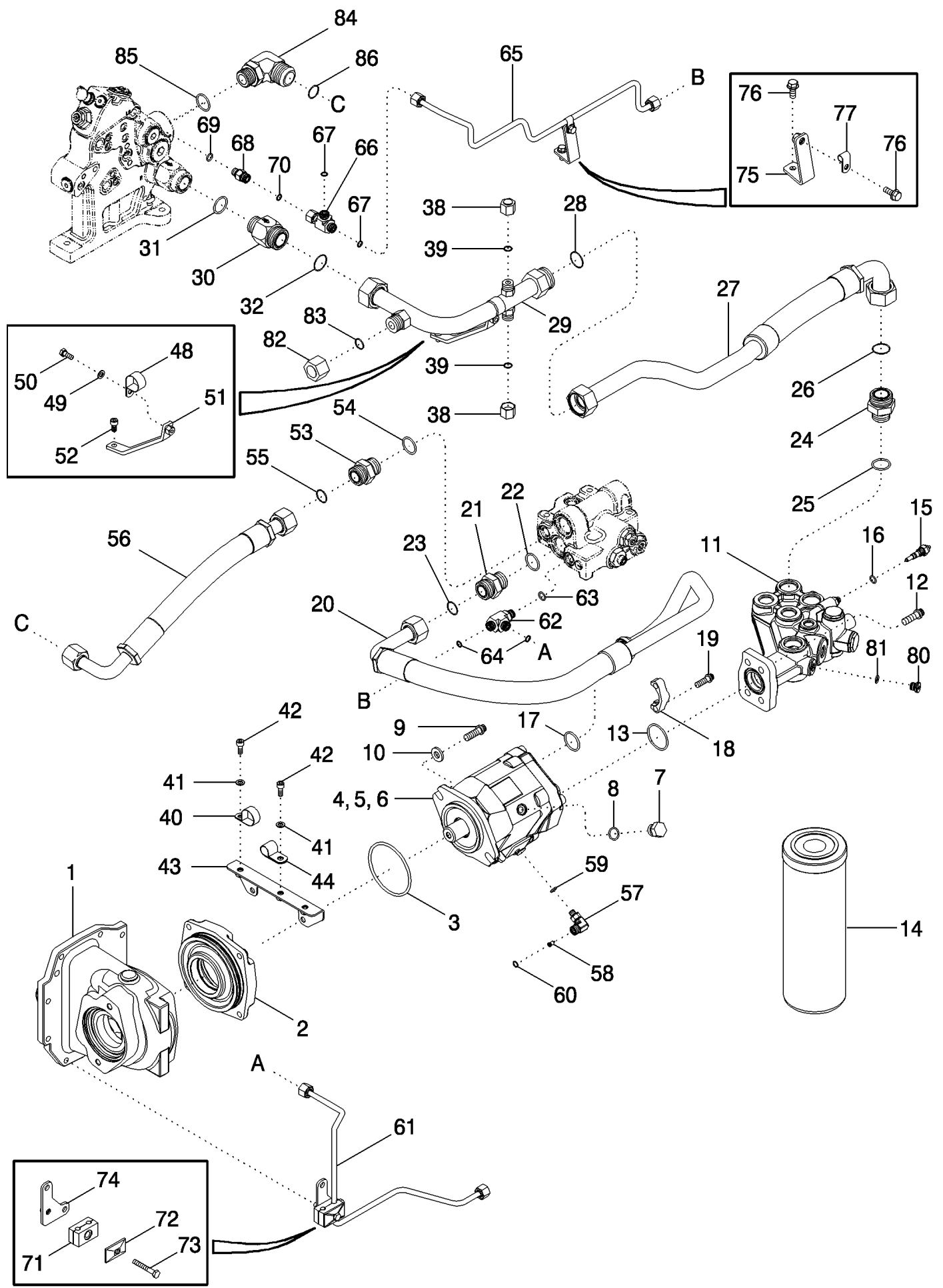
сылка	Номер детали	Кол-во	Описание
52	864-8016	1	SCREW, Hex Soc Hd, M8 x 16, 8.8,
53	86580179	1	CONNECTOR, HYD., 1 7/16"-12 ORFS x M22 x 2 ORB, Inc. 54, 55
54	86639046	1	O-RING, CI 6, 29.6MM ID x 2.9 Thk,
55	9824050	1	O-RING, -021, 90 Duro, .926" ID x .070" Thk,
56	87413846	1	TUBE ASSY., , BSN Z7RZ01521
56A	87701093	1	HOSE, Brake Supply, ASN Z7RZ01521
57	451226A1	1	ELBOW, Inc. 58, 59, 60
58	133519C1	1	SCREEN,
59	86598098	1	O-RING, CI 6, 9.3MM ID x 2.2 Thk,
60	9993141	1	O-RING, -012, 90 Duro, .364" ID x .070" Thk,
61	451209A1	1	TUBE ASSY.,
62	700-441	1	TEE, 11/16"-16 ORFS x M16 x 1.5 ORB Run, Inc. 63, 64
63	86639042	1	O-RING, CI 6, 11.3MM ID x 2.2 Thk,
64	9992298	2	O-RING, -014, 90 Duro, .489" ID x .070" Thk,
65	433592A1	1	TUBE ASSY., , BSN Z7RZ01521
65	87620393	1	TUBE ASSY., , ASN Z7RZ01521
66	9843615	1	TEE, 11/16"-16 ORFS x 11/16"-16 Fem Sw Run, Inc. 67
67	9993141	2	O-RING, -012, 90 Duro, .364" ID x .070" Thk,
68	87308571	1	VALVE, CHECK, Inc. 69, 70
69	86639042	1	O-RING, CI 6, 11.3MM ID x 2.2 Thk,
70	9993141	1	O-RING, -012, 90 Duro, .364" ID x .070" Thk,
71	1546024C1	1	CLAMP,
72	384870A1	1	PLATE,
73	814-8055	1	BOLT, Hex, M8 x 55, 8.8,
74	451211A1	1	PLATE,
75	86988626	1	BRACKET,
76	844-8020	2	BOLT, Hex Flg, M8 x 20, 8.8,
77	86637978	1	CLAMP, 3/8", Insul, 5/16" Bolt,
78	221527A1	1	PLUG, Hex Soc, M33 x 2, ORB, Inc. 79
79	86639046	1	O-RING, CI 6, 29.6MM ID x 2.9 Thk,
80	86598044	1	PLUG, Inc. 81
81	86639042	1	O-RING, CI 6, 11.3MM ID x 2.2 Thk,
82	701-907	1	CAP, 1 3/16"-12 ORFS, Inc. 83
83	238-6018	1	O-RING, -018, 90 Duro, .739" ID x .070" Thk,
84	700-404	1	TEE, 1 7/16"-12 ORFS x M33 x 2 ORB Br, Inc. 85, 86, With Power Beyond, See Figure 08-16
84	413993A1	1	ELBOW, Inc. 85, 86, Without Power Beyond (Shown)
85	86639046	1	O-RING, CI 6, 29.6MM ID x 2.9 Thk,
86	9824050	1-2	O-RING, -021, 90 Duro, .926" ID x .070" Thk,



MAGNUM 335 CASE IH TRACTOR (NA)

08-05 HYDRAULIC SYSTEM - TWINFLOW PUMP

сылка	Номер детали	Кол-во	Описание
1	87538170	1	PUMP, HYDRAULIC, TwinFlow
2	87016488	2	SCREW, M12 x 35; 12.9
3	87016612	2	WASHER, M12 x 28.5 x 4, HT,
4	274296	1	O-RING,
5	86580179	4	CONNECTOR, HYD., 1 7/16"-12 ORFS x M22 x 2 ORB, Inc. 6, 7
6	86639046	1	O-RING, CI 6, 29.6MM ID x 2.9 Thk,
7	9824050	1	O-RING, -021, 90 Duro, .926" ID x .070" Thk,
8	405503A1	1	HOSE ASSY., HOSE ASSY
9	413353A2	1	HOSE ASSY., HOSE ASSY
10	451226A1	1	ELBOW, Inc. 11 - 13
11	133519C1	1	SCREEN,
12	86598098	1	O-RING, CI 6, 9.3MM ID x 2.2 Thk,
13	9993141	1	O-RING, -012, 90 Duro, .364" ID x .070" Thk,
14	86985156	1	HOSE, HOSE
15	86597761	1	CONNECTOR, HYD., 13/16"-16 ORFS x M27 x 2 ORB, Incl. 16, 17
16	86598103	1	O-RING, CI 6, 23.6MM ID x 2.9 Thk,
17	9992298	1	O-RING, -014, 90 Duro, .489" ID x .070" Thk,
18	87030025	1	PLUG, Hex, M18 x 1.5 ORB, Inc. 19
19	87526201	1	SEAL, 15.3 ID x 2.2
20	87489367	1	KIT, SERVICE, Compensator



MAGNUM 335 CASE IH TRACTOR (NA)

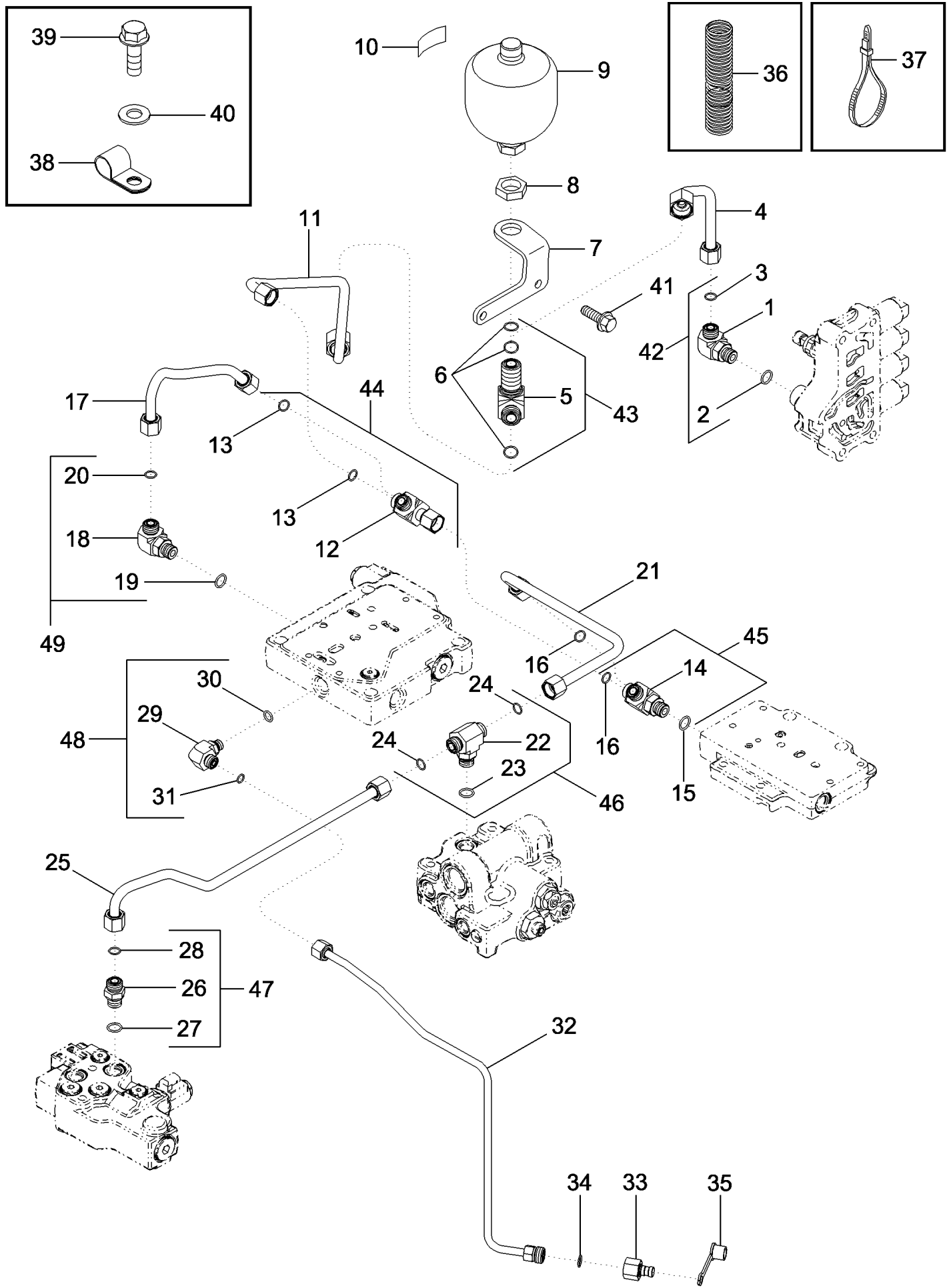
08-06 HYDRAULIC SYSTEM - PISTON PUMP AND FILTER, HIGH FLOW CAPACITY

сылка	Номер детали	Кол-во	Описание
1	389550A1	1	HOUSING, , See Figure 06-37
2	405664A2	1	CAGE, , See Figure 06-37
3	238-5345	1	O-RING, -345, 70 Duro, 3.975" ID x .210" Thk,
4	87442128	1	PUMP, HYDRAULIC, High Flow Capacity, Inc. 5, 6
5	87455507	1	KIT, SERVICE, Compensator
6	238-8011	3	O-RING, -011, CI8, .301" ID x .070" Thk,
7	86512512	1	PLUG, Hex Hd, 7/8"-14 ORB, Incl. 8
8	237-6010	1	O-RING, 10-1, 90 Duro, .755" ID x .097" Thk,
9	868-12035	2	SCREW, 12 Pt Hd, M12 x 35, 12.9,
10	896-16012	2	WASHER, M12 x 28.5 x 4, HT,
11	405409A1	1	HEAD ASSY., Filter
12	868-12035	4	SCREW, 12 Pt Hd, M12 x 35, 12.9,
13	238-5228	1	O-RING, -228, 70 Duro, 2.234" ID x .139" Thk,
14	277311A1	1	FILTER, HYDRAULIC OIL,
15	1957801C1	1	SWITCH, PRESSURE, Indicator Assy, Elect
16	237-6006	1	O-RING, 6-1, 90 Duro, .468" ID x .078" Thk,
17	238-6219	1	O-RING, -219, 90 Duro, 1.296" ID x .139" Thk,
18	86980728	2	CLAMP, COLLAR,
19	868-10030	4	SCREW, 12 Pt Hd, M10 x 30, 12.9,
20	87438801	1	HOSE,
21	86580179	1	CONNECTOR, HYD., 1 7/16"-12 ORFS x M22 x 2 ORB, Inc. 22, 23
22	637-64296	1	O-RING, CI 6, 29.6MM ID x 2.9 Thk,
23	238-6021	1	O-RING, -021, 90 Duro, .926" ID x .070" Thk,
24	86579684	1	CONNECTOR, HYD., 1 11/16"-12 ORFS x M33 x 2 ORB, Inc. 25, 26
25	637-64296	1	O-RING, CI 6, 29.6MM ID x 2.9 Thk,
26	238-6025	1	O-RING, -025, 90 Duro, 1.176" ID x .070" Thk,
27	450508A1	1	HOSE, Auxiliary Manifold Return, BSN AJB0364115
27	87385538	1	HOSE, Auxiliary Manifold Return, ASN AJB0364115
28	238-6025	1	O-RING, -025, 90 Duro, 1.176" ID x .070" Thk,
29	450507A1	1	TUBE ASSY.,
30	254851A1	1	VALVE, CHECK, 1-11/16 fc sl x 33 Or, Inc. 31, 32
31	637-64296	1	O-RING, CI 6, 29.6MM ID x 2.9 Thk,
32	238-6025	1	O-RING, -025, 90 Duro, 1.176" ID x .070" Thk,
38	701-905	2	CAP, 13/16"-16 ORFS,
39	238-6014	2	O-RING, -014, 90 Duro, .489" ID x .070" Thk,
40	515-22317	1	CLAMP, 1 1/4", Insul, 5/16" Bolt,
41	895-11008	1	WASHER, M8 x 16 x 1.6,
42	864-8020	2	SCREW, Hex Soc Hd, M8 x 20, 8.8,
43	451054A1	2	BRACKET,
44	515-22349	1	CLAMP, 1 3/8", Insul, 5/16" Bolt,
48	515-23317	1	CLAMP, 1 1/4", Insul, 3/8" Bolt,
49	895-11008	1	WASHER, M8 x 16 x 1.6,
50	614-8020	1	BOLT, Hex, M8 x 20, 8.8,
51	450515A1	1	BRACKET,
52	864-8016	1	SCREW, Hex Soc Hd, M8 x 16, 8.8,

MAGNUM 335 CASE IH TRACTOR (NA)

08-06 HYDRAULIC SYSTEM - PISTON PUMP AND FILTER, HIGH FLOW CAPACITY

сылка	Номер детали	Кол-во	Описание
53	86580179	1	CONNECTOR, HYD., 1 7/16"-12 ORFS x M22 x 2 ORB, Inc. 54, 55
54	637-64296	1	O-RING, CI 6, 29.6MM ID x 2.9 Thk,
55	238-6021	1	O-RING, -021, 90 Duro, .926" ID x .070" Thk,
56	440561A1	1	TUBE ASSY.,
57	451226A1	1	ELBOW, Inc. 58, 59, 60
58	133519C1	1	SCREEN,
59	637-63093	1	O-RING, CI 6, 9.3MM ID x 2.2 Thk,
60	238-6012	1	O-RING, -012, 90 Duro, .364" ID x .070" Thk,
61	451209A1	1	TUBE ASSY.,
62	700-441	1	TEE, 11/16"-16 ORFS x M16 x 1.5 ORB Run, Inc. 63, 64
63	637-63113	1	O-RING, CI 6, 11.3MM ID x 2.2 Thk,
64	238-6014	2	O-RING, -014, 90 Duro, .489" ID x .070" Thk,
65	433592A1	1	TUBE ASSY.,
66	86729454	1	TEE, Inc. 67
67	238-6012	2	O-RING, -012, 90 Duro, .364" ID x .070" Thk,
68	87308571	1	VALVE, CHECK, Inc. 69, 70
69	637-63113	1	O-RING, CI 6, 11.3MM ID x 2.2 Thk,
70	238-6012	1	O-RING, -012, 90 Duro, .364" ID x .070" Thk,
71	1546024C1	1	CLAMP,
72	384870A1	1	PLATE,
73	814-8055	1	BOLT, Hex, M8 x 55, 8.8,
74	451211A1	1	PLATE,
75	86988626	1	BRACKET,
76	844-8020	2	BOLT, Hex Flg, M8 x 20, 8.8,
77	515-2295	1	CLAMP, 3/8", Insul, 5/16" Bolt,
80	86598044	1	PLUG, Inc. 81
81	637-63113	1	O-RING, CI 6, 11.3MM ID x 2.2 Thk,
82	701-907	1	CAP, 1 3/16"-12 ORFS,
83	238-6018	1	O-RING, -018, 90 Duro, .739" ID x .070" Thk,
84	700-404	1	TEE, 1 7/16"-12 ORFS x M33 x 2 ORB Br, Inc. 85, 86, With Power Beyond, See Figure 08-16
84	413993A1	1	ELBOW, Inc. 85, 86, Without Power Beyond (Shown)
85	637-64296	1	O-RING, CI 6, 29.6MM ID x 2.9 Thk,
86	238-6021	1-2	O-RING, -021, 90 Duro, .926" ID x .070" Thk,



MAGNUM 335 CASE IH TRACTOR (NA)

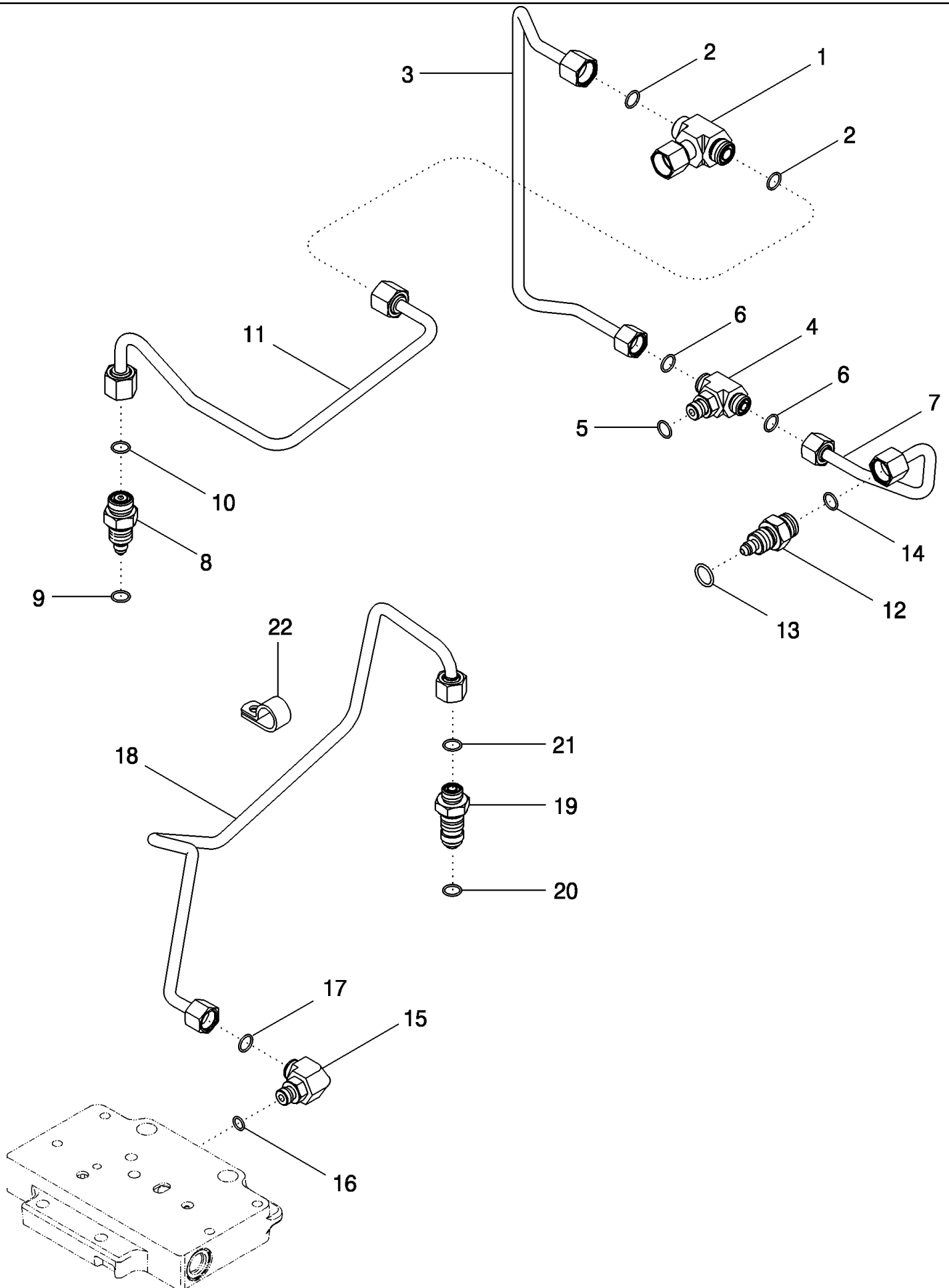
08-07 HYDRAULIC SYSTEM - REGULATED PRESSURE

сылка	Номер детали	Кол-во	Описание
1	NSS	1	NOT SERVICED SEPARATELY, ELBOW
2	9992298	1	O-RING, -014, 90 Duro, .489" ID x .070" Thk,
3	86598101	1	O-RING, CI 6, 15.3MM ID x 2.2 Thk,
4	87405121	1	TUBE ASSY.,
5	NSS	1	NOT SERVICED SEPARATELY, TEE
6	238-6016	3	O-RING, -016, 90 Duro, .614" ID x .070" Thk,
7	86988829	1	BRACKET,
8	701-919	1	NUT, LOCK, 1"-14, ORFS Blkhd,
9	87730802	1	ACCUMULATOR,
10	82029752	1	DECAL,
11	87560257	1	TUBE ASSY.,
12	NSS	1	NOT SERVICED SEPARATELY, TEE
13	238-6014	2	O-RING, -014, 90 Duro, .489" ID x .070" Thk,
14	NSS	1	NOT SERVICED SEPARATELY, TEE
15	637-63153	1	O-RING, CI 6, 15.3MM ID x 2.2 Thk,
16	238-6014	1	O-RING, -014, 90 Duro, .489" ID x .070" Thk,
17	308172A1	1	PIPE,
18	NSS	1	NOT SERVICED SEPARATELY, ELBOW
19	637-63153	1	O-RING, CI 6, 15.3MM ID x 2.2 Thk,
20	238-6014	1	O-RING, -014, 90 Duro, .489" ID x .070" Thk,
21	433589A1	1	TUBE ASSY.,
22	NSS	1	NOT SERVICED SEPARATELY, TEE, MX215, MX245, MX275, MX305, Magnum215, Magnum245, Magnum275, and Magnum305
22	700-402	1	TEE, 13/16"-16 ORFS x M18 x 1.5 ORB Br, , Magnum 335
23	637-63153	1	O-RING, CI 6, 15.3MM ID x 2.2 Thk,
24	238-6014	2	O-RING, -014, 90 Duro, .489" ID x .070" Thk,
25	450512A1	1	TUBE ASSY., , BSN 02/14/2007
25	87717748	1	TUBE, Priority/Regulator Valve to PTO Valve, ASN 02/15/2007
26	NSS	1	NOT SERVICED SEPARATELY, CONNECTOR
27	637-63153	1	O-RING, CI 6, 15.3MM ID x 2.2 Thk,
28	238-6014	1	O-RING, -014, 90 Duro, .489" ID x .070" Thk,
29	NSS	1	NOT SERVICED SEPARATELY, ELBOW
30	637-63113	1	O-RING, CI 6, 11.3MM ID x 2.2 Thk,
31	238-6012	1	O-RING, -012, 90 Duro, .364" ID x .070" Thk,
32	451059A1	1	TUBE ASSY.,
33	322529A1	1	COUPLING, Diagnostic
34	238-6014	1	O-RING, -014, 90 Duro, .489" ID x .070" Thk,
35	143349A1	1	DUST CAP,
36	87413833	1	CONDUIT, (If Equipped)
37	L11541	2	STRAP, CABLE, (If Equipped)
38	515-23127	1	CLAMP, 1/2", Insul, 3/8" Bolt,
39	614-10030	2	BOLT, Hex, M10 x 30, 8.8,
40	895-18010	2	WASHER, M10 x 18 x 1.6,
41	628-10020	2	BOLT, Hex, M10 x 20, 10.9, Full Thd,
42	86579691	1	ELBOW, 90€, 13/16"-18 ORFS x M18 x 1.5 ORB, Inc. 1 - 3

MAGNUM 335 CASE IH TRACTOR (NA)

08-07 HYDRAULIC SYSTEM - REGULATED PRESSURE

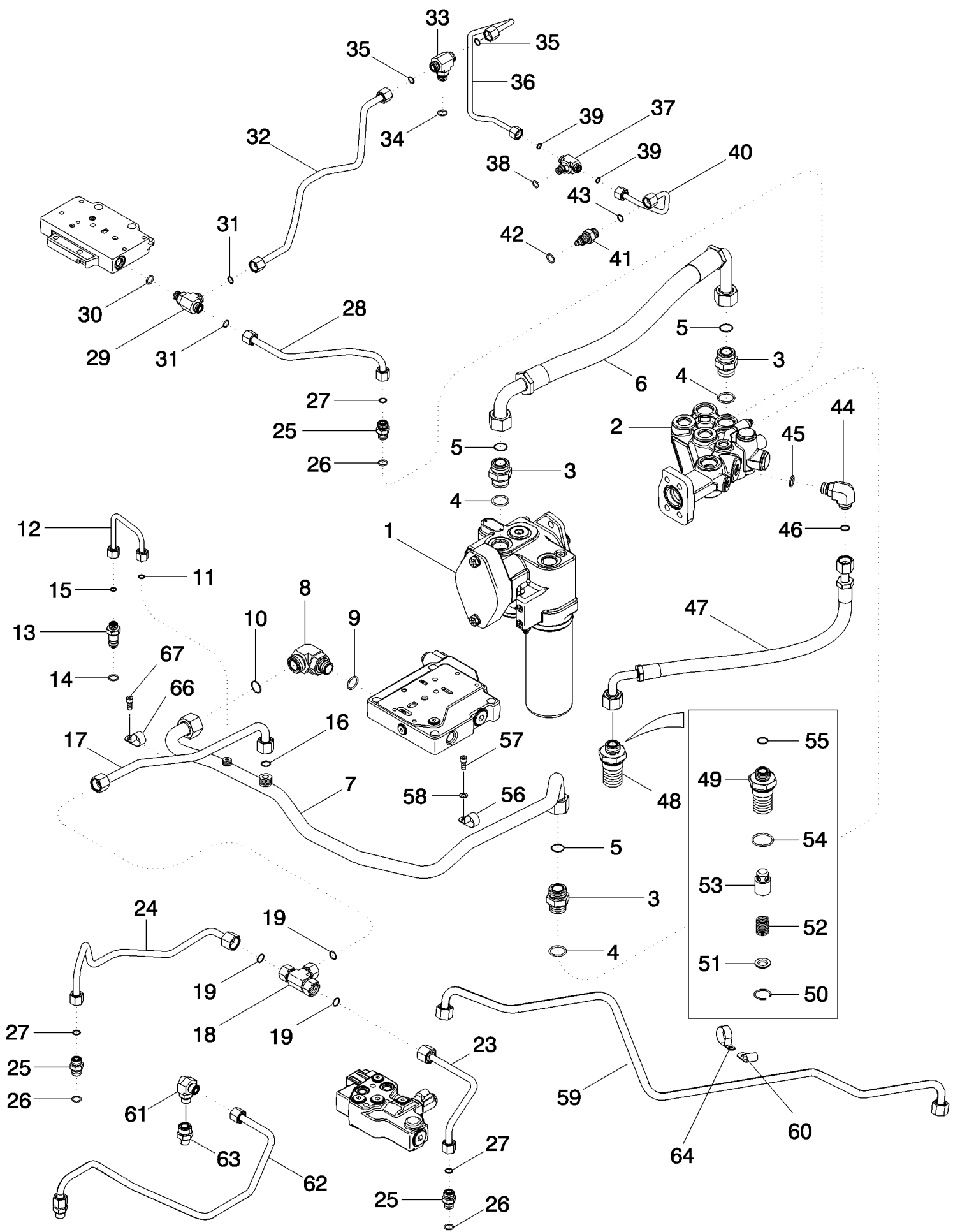
сылка	Номер детали	Кол-во	Описание
43	701-454	1	TEE, 1"-14 ORFS, Blkhd Br, Inc. 5, 6
44	701-416	1	TEE, 13/16"-16 ORFS x 13/16"-16 Fem Sw Run, Inc. 12, 13
45	700-412	1	TEE, 13/16"-16 ORFS x M18 x 1.5 ORB Run, Inc. 14 - 16
46	700-402	1	TEE, 13/16"-16 ORFS x M18 x 1.5 ORB Br, Inc. 22 - 24
47	700-102	1	CONNECTOR, HYD., 13/16"-16 ORFS x M18 x 1.5 ORB, Inc. 26 - 28
48	700-304	1	ELBOW, 90є, 11/16"-18 ORFS x M14 x 1.5 ORB, Incl. 29 - 31
49	700-305	1	ELBOW, 90є, 13/16"-18 ORFS x M18 x 1.5 ORB, Inc. 18 - 20



MAGNUM 335 CASE IH TRACTOR (NA)

08-08 HYDRAULIC SYSTEM - CREEP SPEED OR 50 KPH TRANSMISSION

сылка	Номер детали	Кол-во	Описание
1	701-411	1	TEE, 13/16"-16 ORFS x 13/16"-16 Fem Sw Br, Inc. 2
2	238-6014	2	O-RING, -014, 90 Duro, .489" ID x .070" Thk,
3	87443738	1	TUBE, Dropbox Output Lube
4	700-401	1	TEE, 11/16"-16 ORFS x M14 x 1.5 ORB Br, Inc. 5, 6
5	637-63113	1	O-RING, CI 6, 11.3MM ID x 2.2 Thk,
6	238-6012	2	O-RING, -012, 90 Duro, .364" ID x .070" Thk,
7	282278A1	1	PIPE,
8	87341626	2	FITTING,
9	237-6008	2	O-RING, 8-1, 90 Duro, .644" ID x .087" Thk,
10	238-6014	2	O-RING, -014, 90 Duro, .489" ID x .070" Thk,
11	87440741	1	PIPE,
12	93105C1	1	UNION,
13	238-6014	1	O-RING, -014, 90 Duro, .489" ID x .070" Thk,
14	237-6008	1	O-RING, 8-1, 90 Duro, .644" ID x .087" Thk,
15	700-304	1	ELBOW, 90€, 11/16"-18 ORFS x M14 x 1.5 ORB, Incl. 16, 17
16	637-63113	1	O-RING, CI 6, 11.3MM ID x 2.2 Thk,
17	238-6012	1	O-RING, -012, 90 Duro, .364" ID x .070" Thk,
18	87446665	1	PIPE,



MAGNUM 335 CASE IH TRACTOR (NA)

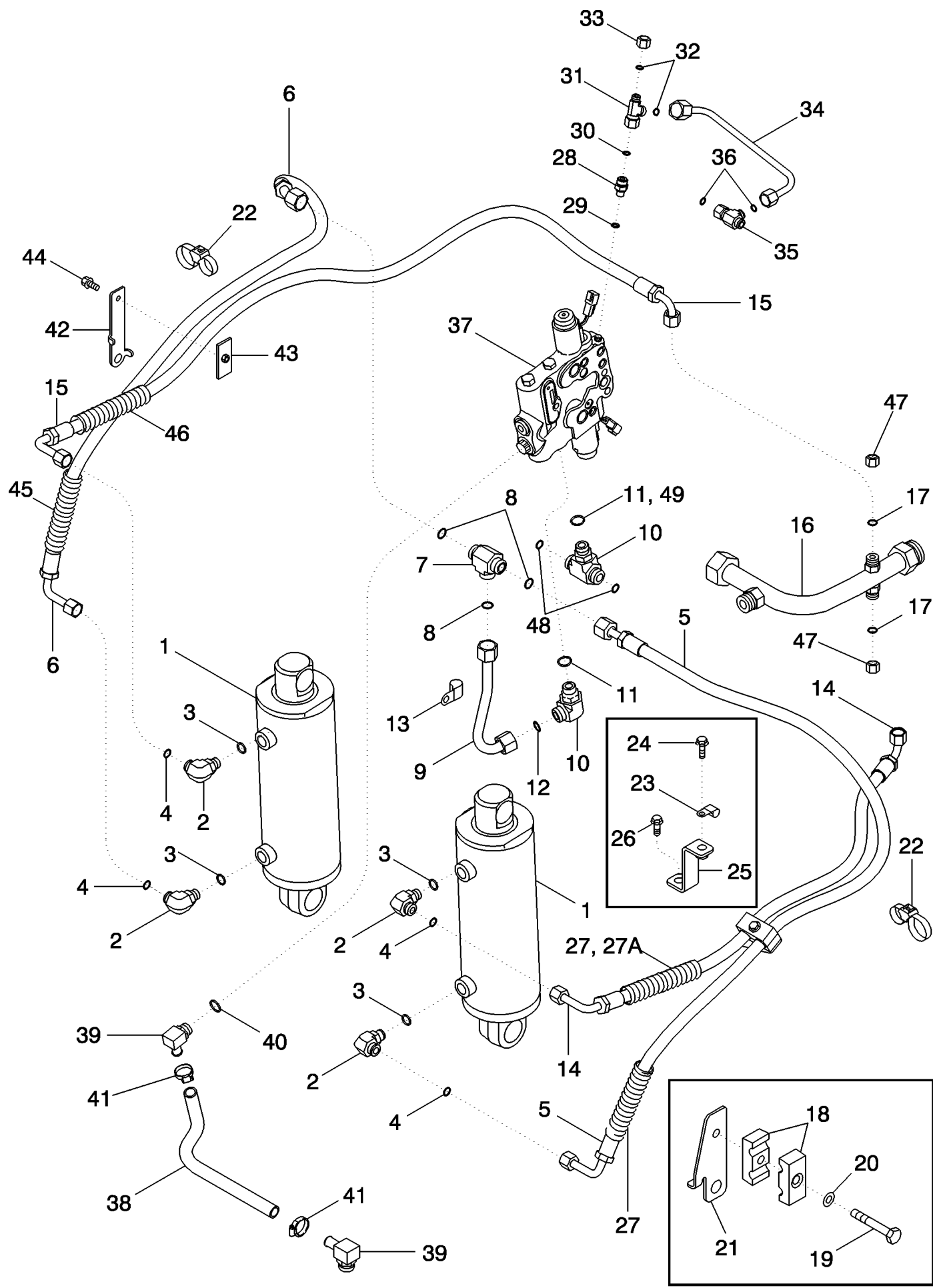
08-09 HYDRAULIC SYSTEM - TRANSMISSION LUBE

сылка	Номер детали	Кол-во	Описание
1	87483992	1	PUMP, Charge
2	401600A1	1	HEAD ASSY., Filter, Standard Flow
2	405409A1	1	HEAD ASSY., Filter, High Flow
3	700-105	3	CONNECTOR, HYD., 1 7/16"-12 ORFS x M22 x 2 ORB, Inc. 4, 5
4	637-64296	1	O-RING, CI 6, 29.6MM ID x 2.9 Thk,
5	238-6021	1	O-RING, -021, 90 Duro, .926" ID x .070" Thk,
6	451064A1	1	HOSE, Pump to Filter Inlet
8	87010650	1	ELBOW, 90e, 1 7/16"-12 ORFS x M27 x 2 ORB, Inc. 9, 10
9	637-64236	1	O-RING, CI 6, 23.6MM ID x 2.9 Thk,
10	238-6021	1	O-RING, -021, 90 Duro, .926" ID x .070" Thk,
11	238-6014	1	O-RING, -014, 90 Duro, .489" ID x .070" Thk,
12	87319223	1	TUBE ASSY., Range
13	87318672	1	UNION,
14	237-6008	1	O-RING, 8-1, 90 Duro, .644" ID x .087" Thk,
15	238-6014	1	O-RING, -014, 90 Duro, .489" ID x .070" Thk,
16	238-6016	1	O-RING, -016, 90 Duro, .614" ID x .070" Thk,
17	87481992	1	TUBE, Brake Supply
18	84989665	1	TEE, 1"-14 ORFS, Inc. 19
19	9992069	3	O-RING, -016, 90 Duro, .614" ID x .070" Thk,
23	87712715	1	TUBE ASSY., Right Hand Brake
24	87481993	1	TUBE, Left Hand Brake
25	700-102	2	CONNECTOR, HYD., 13/16"-16 ORFS x M18 x 1.5 ORB, Inc. 26, 27
26	637-63153	1	O-RING, CI 6, 15.3MM ID x 2.2 Thk,
27	238-6014	1	O-RING, -014, 90 Duro, .489" ID x .070" Thk,
28	451060A3	1	TUBE ASSY., Odd/Even Lube
29	86579702	1	TEE, 13/16"-16 ORFS x M18 x 1.5 ORB Run, Inc. 30, 31
30	637-63153	1	O-RING, CI 6, 15.3MM ID x 2.2 Thk,
31	238-6014	1	O-RING, -014, 90 Duro, .489" ID x .070" Thk,
32	437336A3	1	TUBE ASSY., Drop Box
33	86579710	1	TEE, 13/16"-16 ORFS x M18 x 1.5 ORB Br, Inc. 34, 35
34	637-63153	1	O-RING, CI 6, 15.3MM ID x 2.2 Thk,
35	238-6014	1	O-RING, -014, 90 Duro, .489" ID x .070" Thk,
36	87443736	1	TUBE, Dropbox Output Lube Without Creep
36	87443738	1	TUBE, Dropbox Output Lube With Creep , See Figure 08-08
37	700-401	1	TEE, 11/16"-16 ORFS x M14 x 1.5 ORB Br, Inc. 38, 39
38	637-63113	1	O-RING, CI 6, 11.3MM ID x 2.2 Thk,
39	238-6012	1	O-RING, -012, 90 Duro, .364" ID x .070" Thk,
40	282278A1	1	PIPE, Dropbox Rear Bearing Lube
41	93105C1	1	UNION,
42	237-6008	1	O-RING, 8-1, 90 Duro, .644" ID x .087" Thk,
43	238-6014	1	O-RING, -014, 90 Duro, .489" ID x .070" Thk,
44	700-306	1	ELBOW, 90e, 1"-14 ORFS x M22 x 1.5 ORB, Incl. 45, 46
45	637-63193	1	O-RING, CI 6, 19.3MM ID x 2.2 Thk,
46	238-6016	1	O-RING, -016, 90 Duro, .614" ID x .070" Thk,
47	442847A1	1	HOSE, Relief

MAGNUM 335 CASE IH TRACTOR (NA)

08-09 HYDRAULIC SYSTEM - TRANSMISSION LUBE

сылка	Номер детали	Кол-во	Описание
48	407616A2	1	VALVE, Inc. 48 - 54
49	407615A2	1	BODY, VALVE,
50	107452A1	1	CIRCLIP,
51	107456A1	1	WASHER,
52	431858A1	1	SPRING,
53	NSS	1	NOT SERVICED SEPARATELY, PLUNGER
54	637-64386	1	O-RING, CI 6, 38.6MM ID x 2.9 Thk,
55	238-6018	1	O-RING, -018, 90 Duro, .739" ID x .070" Thk,
56	515-22254	1	CLAMP, 1", Insul, 5/16" Bolt,
57	864-8020	1	SCREW, Hex Soc Hd, M8 x 20, 8.8,
58	895-11008	1	WASHER, M8 x 16 x 1.6,
59	87719976	1	TUBE ASSY., PTO Supply
60	515-25159	1	CLAMP, 5/8", Insul, 1/2" Bolt,
61	86579691	1	ELBOW, 90e, 13/16"-18 ORFS x M18 x 1.5 ORB,
62	87481994	1	TUBE, PTO Valve to Rear Plate
63	87705892	1	CONNECTOR, HYD.,
64	515-22349	1	CLAMP, 1 3/8", Insul, 5/16" Bolt,
66	515-22159	1	CLAMP, 5/8", Insul, 5/16" Bolt,
67	614-8020	1	BOLT, Hex, M8 x 20, 8.8,



MAGNUM 335 CASE IH TRACTOR (NA)

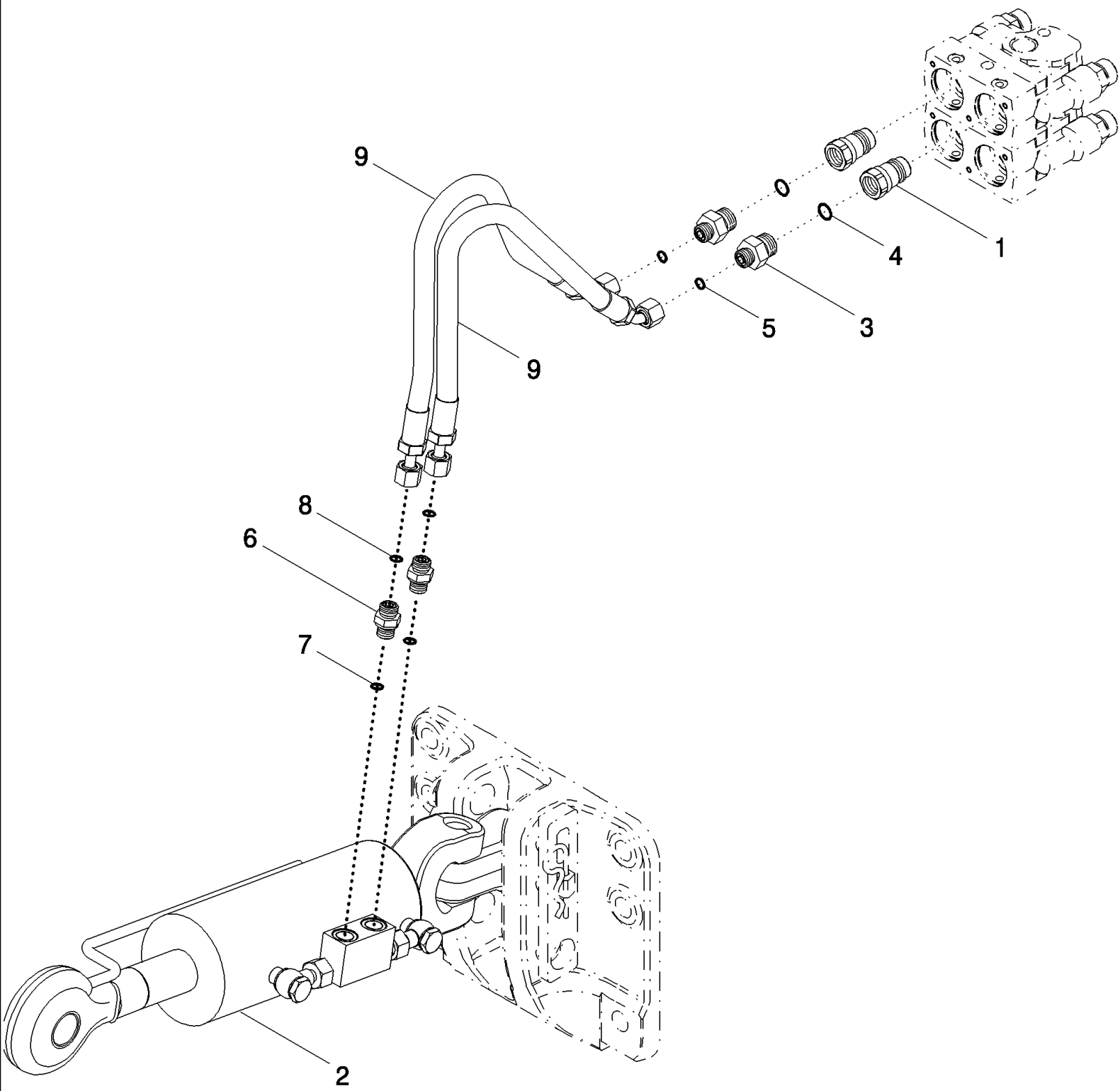
08-10 HYDRAULIC SYSTEM - HITCH

сылка	Номер детали	Кол-во	Описание
1	REF	2	INSTRUCTION, CYLINDER, Hitch, See Figures 08-30, 08-31, 08-32
2	86579691	4	ELBOW, 90°, 13/16"-18 ORFS x M18 x 1.5 ORB, Inc. 3, 4
3	86598101	1	O-RING, CI 6, 15.3MM ID x 2.2 Thk,
4	9992298	1	O-RING, -014, 90 Duro, .489" ID x .070" Thk,
5	87448971	1	HOSE, Supply, Right Hand, With Hydraulic Trailer Brake
5	87540691	1	HOSE, Supply, Right Hand
6	87448974	1	HOSE, Supply, Left Hand, With Hydraulic Trailer Brake
6	87450321	1	HOSE, Supply, Left Hand
7	701-415	1	TEE, 1"-14 ORFS, Inc. 8, With Hydraulic Trailer Brake
8	238-6016	3	O-RING, -016, 90 Duro, .614" ID x .070" Thk,
9	87435660	1	TUBE ASSY., Hitch Supply, With Hydraulic Trailer Brake
10	700-306	1	ELBOW, 90°, 1"-14 ORFS x M22 x 1.5 ORB, Incl. 11, 12, With Hydraulic Trailer Brake
10	87455805	1	TEE, Inc. 11, Without Trailer Brake
10	201-412	1	TEE, 13/16"-16 x 3/4"-16 Run, ORFS, Inc. 48, 49, Use with 110 mm Hitch Cylinders
11	637-63193	1	O-RING, CI 6, 19.3MM ID x 2.2 Thk,
12	238-6016	1	O-RING, -016, 90 Duro, .614" ID x .070" Thk,
13	515-25159	1	CLAMP, 5/8", Insul, 1/2" Bolt,
14	87448972	1	HOSE, Return, Right Hand
14	87708026	1	HOSE, Return, Right Hand, Use with 110 mm Hitch Cylinders
15	87448973	1	HOSE,
15	87708028	1	HOSE, Return, Left Hand, Use with 110 mm Hitch Cylinders
16	450507A1	1	TUBE ASSY., Return, Left Hand
17	238-6014	2	O-RING, -014, 90 Duro, .489" ID x .070" Thk,
18	329804A1	2	FIXING BRACKET,
19	814-8050	1	BOLT, Hex, M8 x 50, 8.8,
20	895-15008	1	WASHER, M8 x 20 x 1.6,
21	87449394	1	BRACKET,
22	86991000	22	CLAMP,
23	515-23206	1	CLAMP, 13/16", Insul, 3/8" Bolt,
24	844-8020	1	BOLT, Hex Flg, M8 x 20, 8.8,
25	86985195	1	BRACKET, With Hydraulic Trailer Brake
26	844-10016	1	BOLT, Hex Flg, M10 x 16, 8.8, Full Thd,
27	87451398	1	CONDUIT, Right Hand Hitch Supply
27	87451399	1	CONDUIT, Right Hand Hitch Supply, With Hydraulic Trailer Brake
27A	87318281	1	CONDUIT, Right Hand Hitch Supply, Use with 110 mm Hitch Cylinders
28	700-165	1	CONNECTOR, HYD., 11/16"-16 ORFS x M12 x 1.5 ORB, Inc. 29, 30
29	637-63093	1	O-RING, CI 6, 9.3MM ID x 2.2 Thk,
30	238-6012	1	O-RING, -012, 90 Duro, .364" ID x .070" Thk,
31	701-422	1	TEE, 11/16"-16 ORFS x 11/16"-16 Fem Sw Run, Inc. 32
32	238-6012	2	O-RING, -012, 90 Duro, .364" ID x .070" Thk,
33	701-900	1	CAP, 11/16"-16 ORFS,
34	87356174	1	TUBE ASSY., Hitch Valve Load Sense
35	701-422	1	TEE, 11/16"-16 ORFS x 11/16"-16 Fem Sw Run, Inc. 36
36	238-6012	2	O-RING, -012, 90 Duro, .364" ID x .070" Thk,
37	412509A4	1	VALVE, , See Figure 08-22

MAGNUM 335 CASE IH TRACTOR (NA)

08-10 HYDRAULIC SYSTEM - HITCH

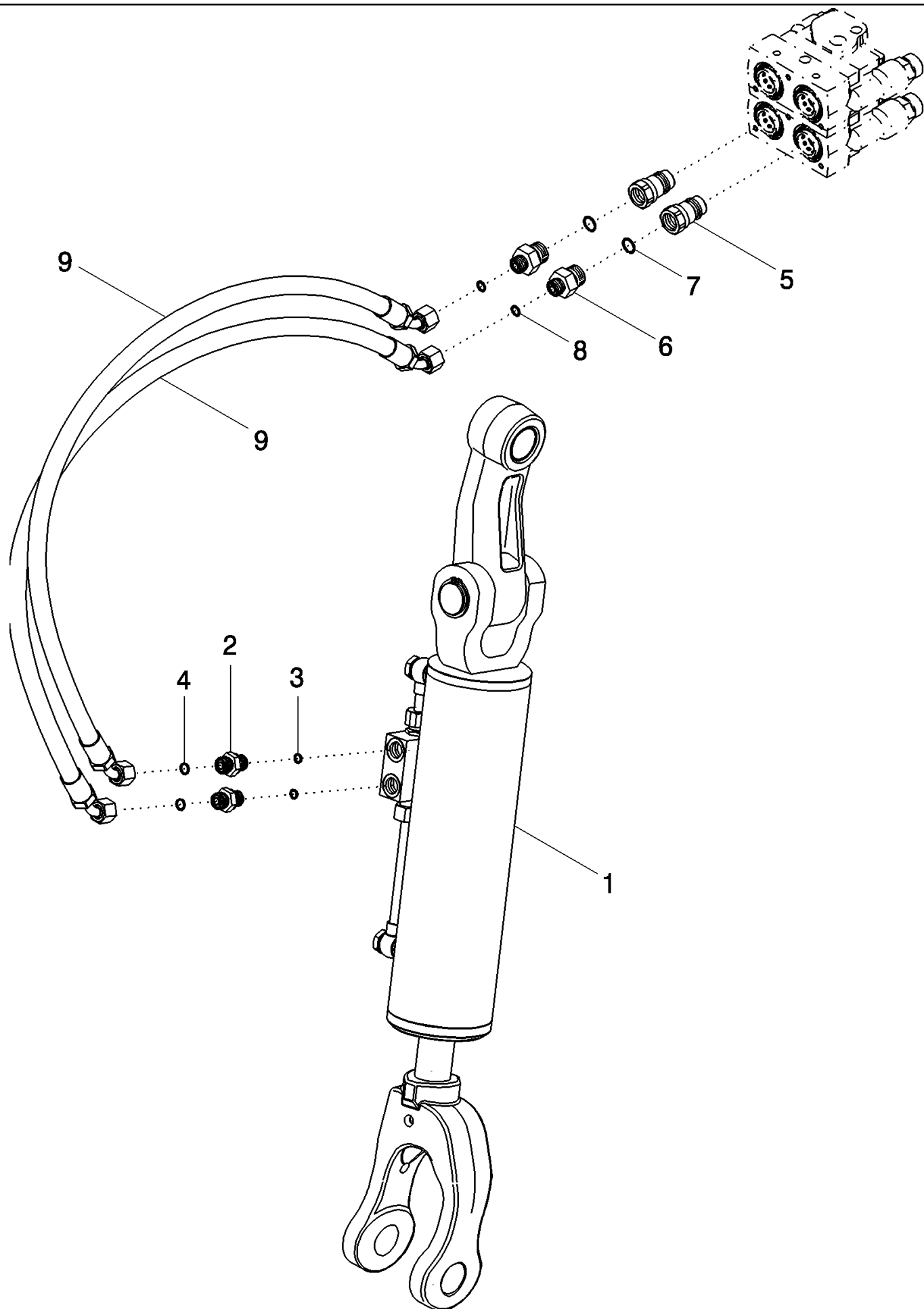
сылка	Номер детали	Кол-во	Описание
38	87309896	1	HOSE,
39	87309895	2	ELBOW, Inc. 40
40	637-63193	1	O-RING, CI 6, 19.3MM ID x 2.2 Thk,
41	214-1412	2	CLAMP, HOSE, #12, 0.69/1.25 Type F Worm,
42	87318116	1	BRACKET, Hose Clamp
43	384871A1	1	PLATE,
44	814-8055	1	BOLT, Hex, M8 x 55, 8.8,
45	87318282	1	CONDUIT, Left Hand Hitch Supply
45	87318281	1	CONDUIT, Left Hand Hitch Supply, With Hydraulic Trailer Brake
46	87451397	1	CONDUIT, Left Hand Hitch Return
46	87318283	1	CONDUIT, Left Hand Hitch Return
46	87451400	1	CONDUIT, Left Hand Hitch Return, Use with 110 mm Hitch Cylinders
47	701-905	2	CAP, 13/16"-16 ORFS, , Use with 110 mm Hitch Cylinders
48	238-6014	2	O-RING, -014, 90 Duro, .489" ID x .070" Thk, , Use with 110 mm Hitch Cylinders
49	237-6008	1	O-RING, 8-1, 90 Duro, .644" ID x .087" Thk, , Use with 110 mm Hitch Cylinders
50	214389	1	PLUG, Hex Hd, 3/4"-16 ORB, (Not Shown)



MAGNUM 335 CASE IH TRACTOR (NA)

08-11 HYDRAULIC TOP LINK - HITCH

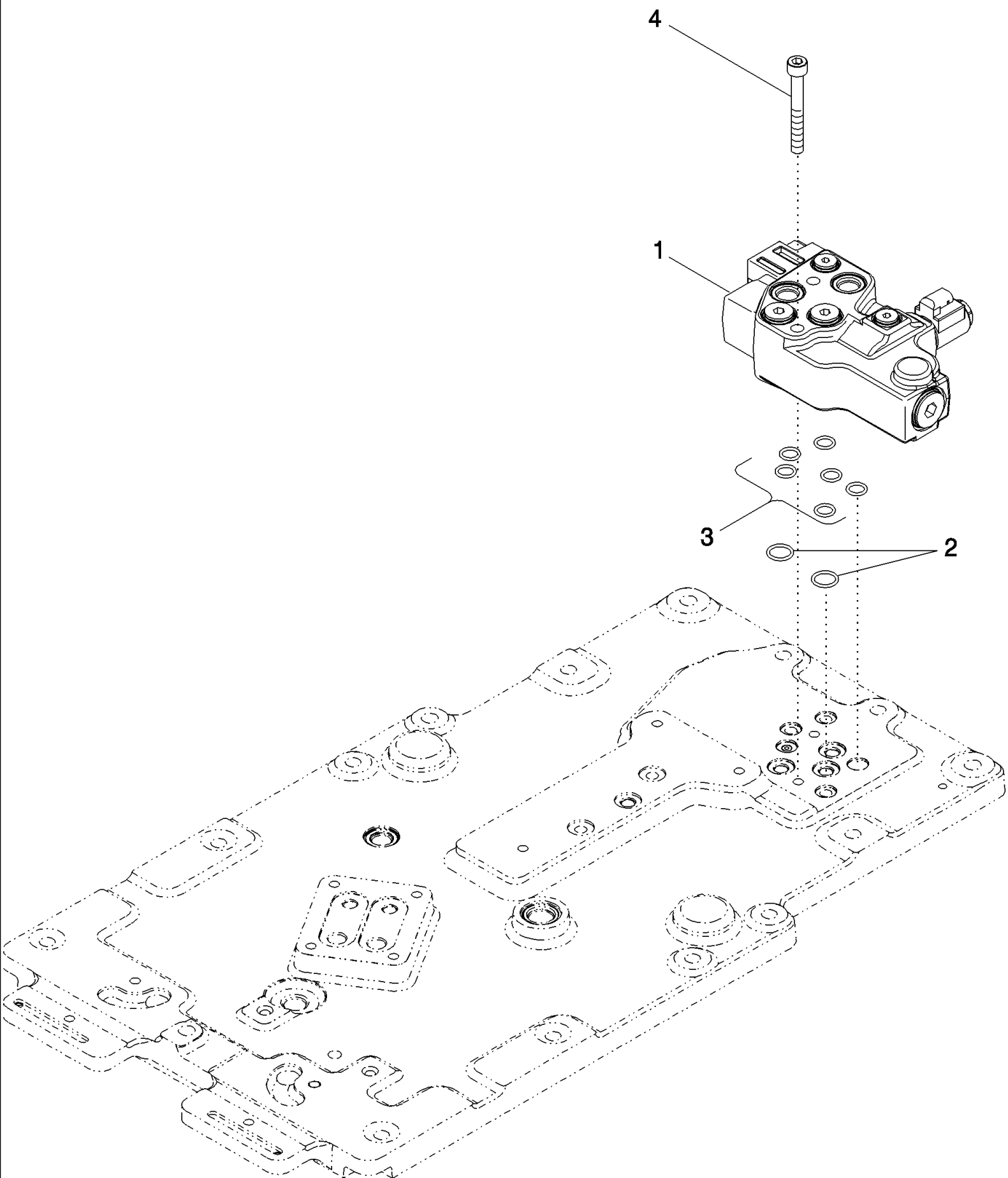
сылка	Номер детали	Кол-во	Описание
1	1272399C2	2	COUPLING, QUICK, MALE,
2	87453964	1	LINK, TOP, Short, Used With Short Draft Arms, 970 mm (38 in) Center To Center, See Figure 09-53 For Service Components
3	201-139	2	CONNECTOR, HYD., 11/16"-16 ORFS x 7/8"-14 ORB, Inc. 4, 5
4	237-6010	1	O-RING, 10-1, 90 Duro, .755" ID x .097" Thk,
5	238-6012	1	O-RING, -012, 90 Duro, .364" ID x .070" Thk,
6	700-157	2	CONNECTOR, HYD., 11/16"-16 ORFS x M16 x 1.5 ORB, Inc. 7, 8
7	637-63133	1	O-RING, CI 6, 13.3MM ID x 2.2 Thk,
8	238-6012	1	O-RING, -012, 90 Duro, .364" ID x .070" Thk,
9	87441258	2	HOSE, 705 mm (27-3/4 in)



MAGNUM 335 CASE IH TRACTOR (NA)

08-12 HYDRAULIC LIFT LINK - HITCH, RIGHT HAND

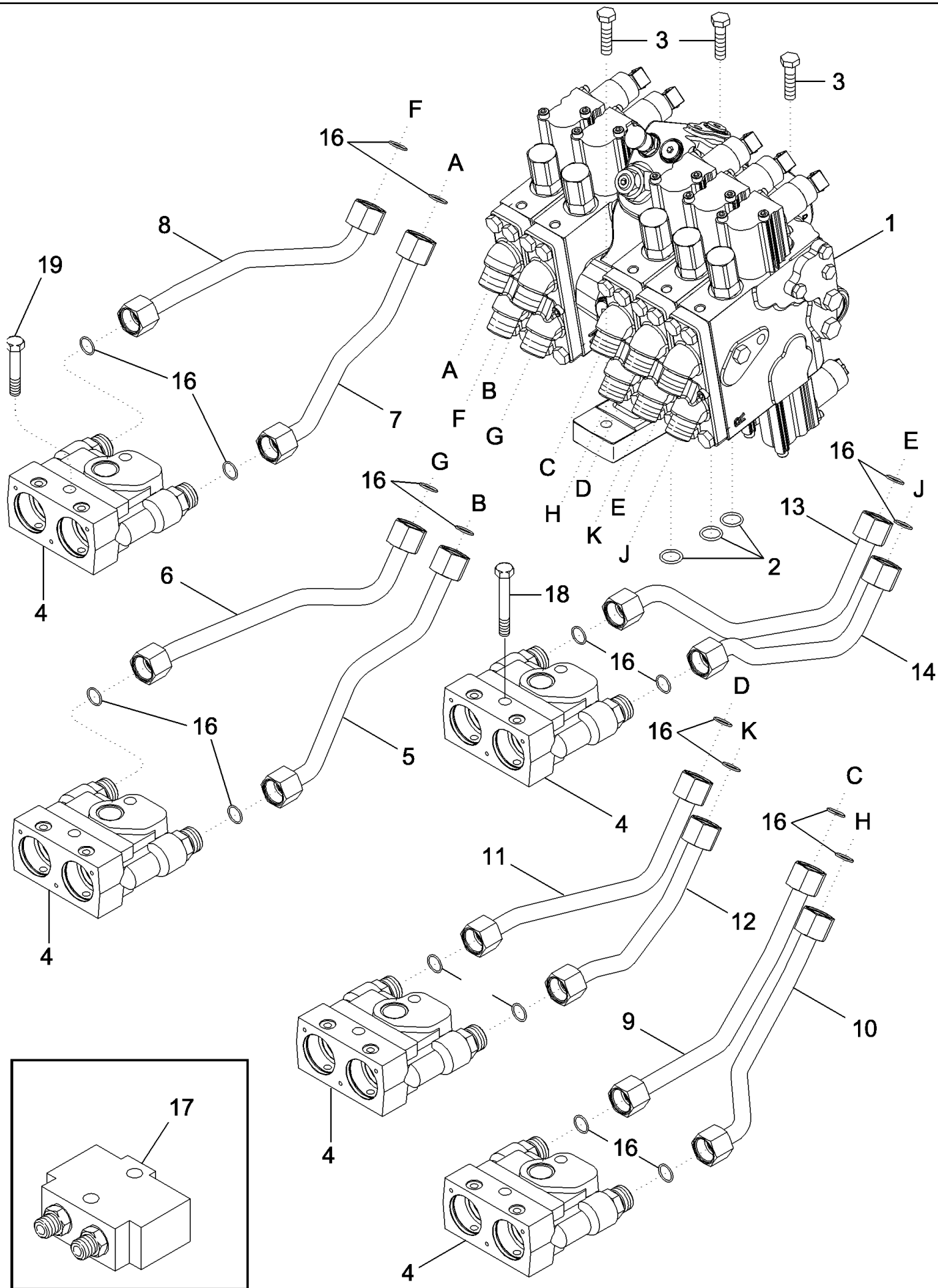
сылка	Номер детали	Кол-во	Описание
1	87661331	1	LINK, TOP, Hydraulic Lift, See Figure 09-55 For Service Components
2	87434646	2	UNION, Inc. 3, 4
3	637-63133	1	O-RING, CI 6, 13.3MM ID x 2.2 Thk,
4	238-6012	1	O-RING, -012, 90 Duro, .364" ID x .070" Thk,
5	1272399C2	2	COUPLING, QUICK, MALE,
6	201-139	2	CONNECTOR, HYD., 11/16"-16 ORFS x 7/8"-14 ORB, Inc. 7, 8
7	237-6010	1	O-RING, 10-1, 90 Duro, .755" ID x .097" Thk,
8	238-6012	1	O-RING, -012, 90 Duro, .364" ID x .070" Thk,
9	87441257	2	HOSE, 805 mm (31-11/16 in)



MAGNUM 335 CASE IH TRACTOR (NA)

08-13 HYDRAULIC SYSTEM - PTO/DIFFERENTIAL LOCK VALVE

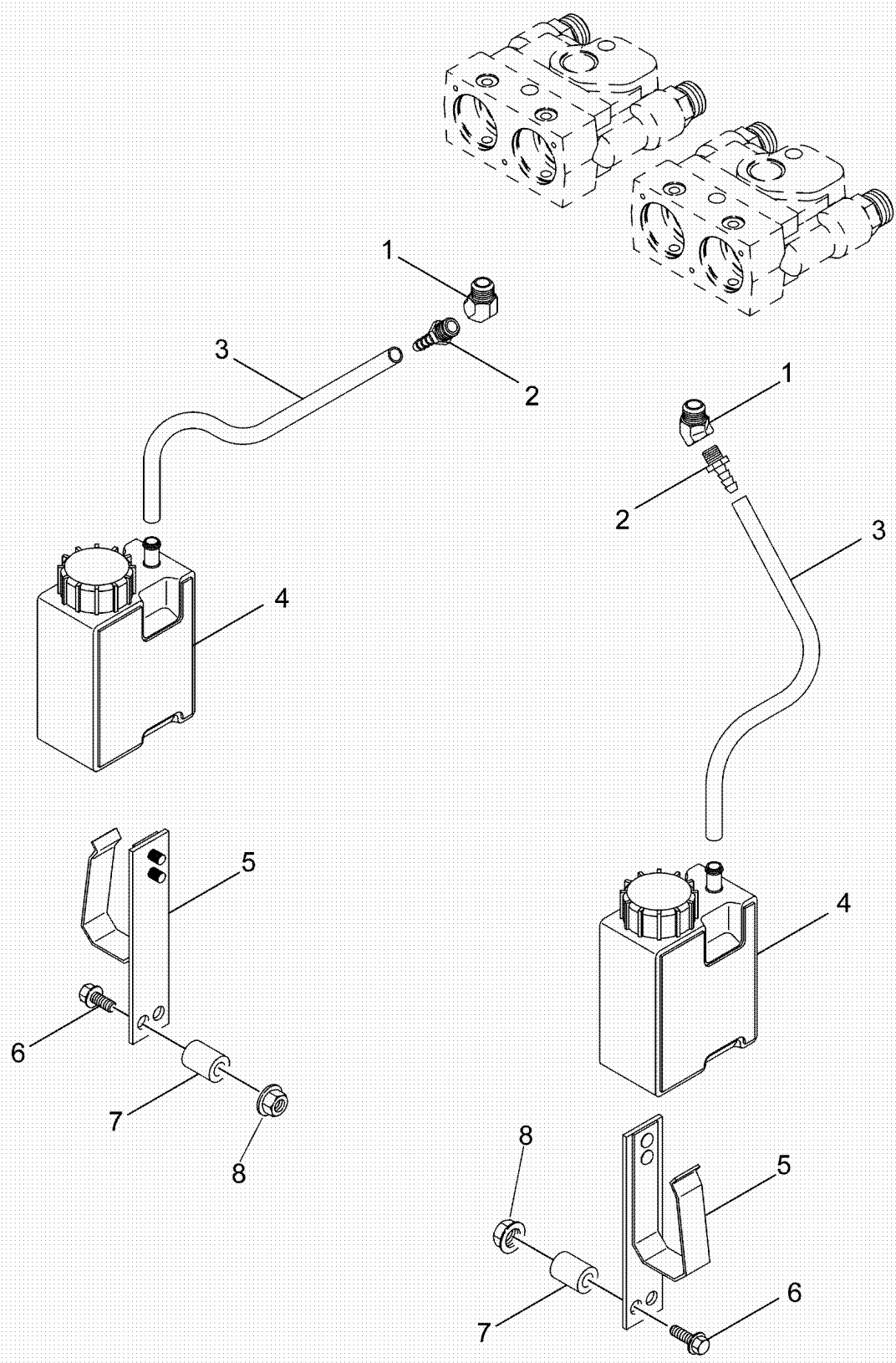
сылка	Номер детали	Кол-во	Описание
1	87705317	1	CLUTCH. PTO, PTO/Differential Lock, See Figure 08-20
2	238-5115	2	O-RING, -115, 70 Duro, .674" ID x .103" Thk,
3	238-5112	6	O-RING, -112, 70 Duro, .487" ID x .103" Thk,
4	87437262	2	SCREW,



MAGNUM 335 CASE IH TRACTOR (NA)

08-14 HYDRAULIC SYSTEM - REMOTE COUPLERS

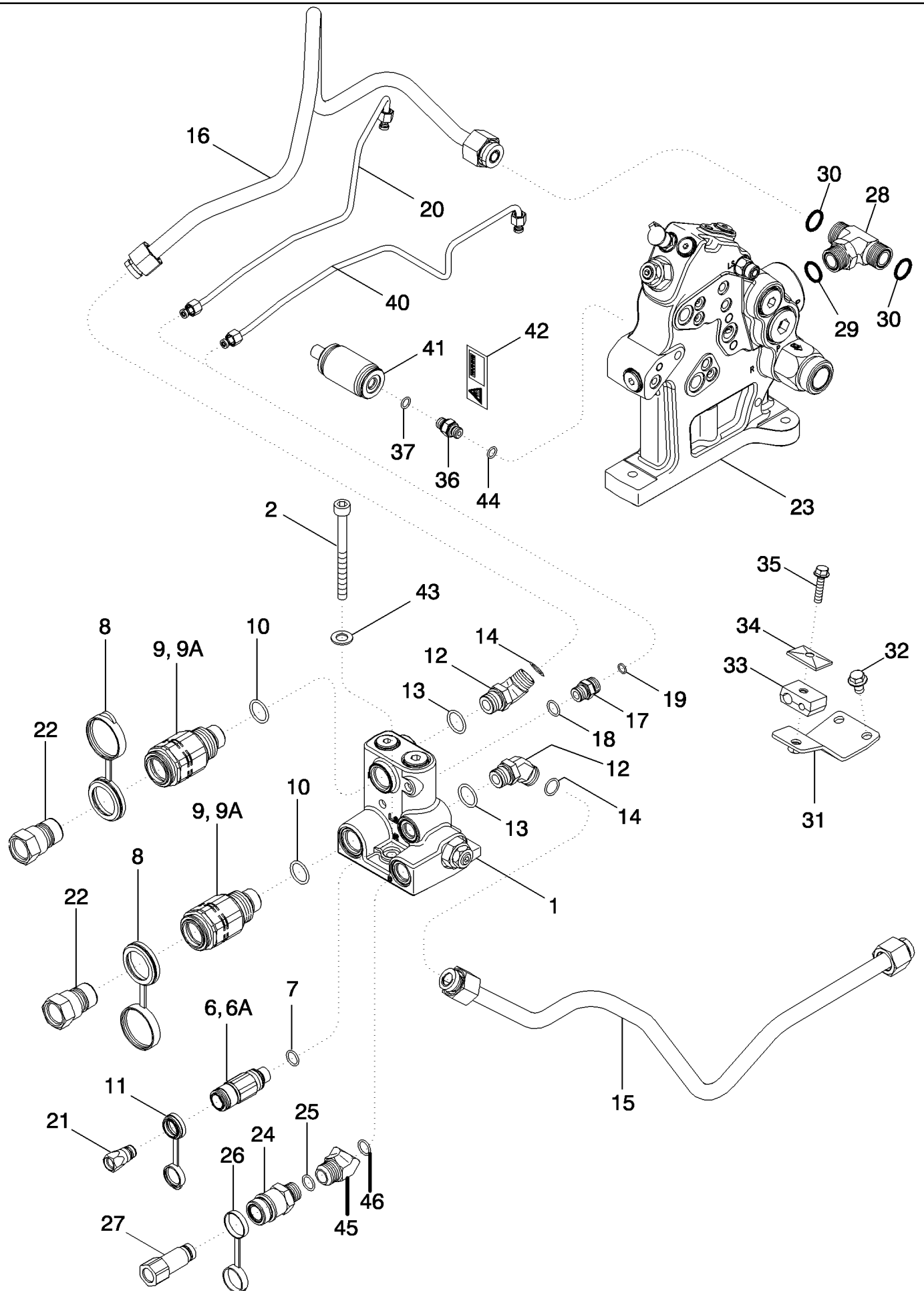
сылка	Номер детали	Кол-во	Описание
1	REF	1	INSTRUCTION, VALVE ASSY, Control, See Figure 08-20
2	238-5115	3	O-RING, -115, 70 Duro, .674" ID x .103" Thk,
3	614-10040	3	BOLT, Hex, M10 x 40, 8.8, Full Thd,
4	275182A2	3-4	COUPLING, PUSH-PULL, Hydraulic, See Figure 08-28
5	436814A1	1	TUBE ASSY., 1st Raise
6	436813A1	1	TUBE ASSY., 1st Drop
7	436815A1	1	TUBE ASSY., 2nd Raise
8	436811A1	1	TUBE ASSY., 2nd Drop
9	426757A1	1	TUBE ASSY., 3rd Raise
10	426756A1	1	TUBE ASSY., 3rd Drop
11	412082A1	1	TUBE ASSY., 4th Raise
12	450500A1	1	TUBE ASSY., 4th Drop
13	412084A1	1	TUBE ASSY., 5th Raise
14	450501A1	1	TUBE ASSY., 5th Drop
16	238-6016	AR	O-RING, -016, 90 Duro, .614" ID x .070" Thk,
17	87452849	1	COUPLING, QUICK, MALE,
18	814-10200	2	BOLT, Hex, M10 x 200, 8.8,
19	814-10140	2	BOLT, Hex, M10 x 140, 8.8,



MAGNUM 335 CASE IH TRACTOR (NA)

08-15 HYDRAULIC SYSTEM - COUPLER SPILLAGE

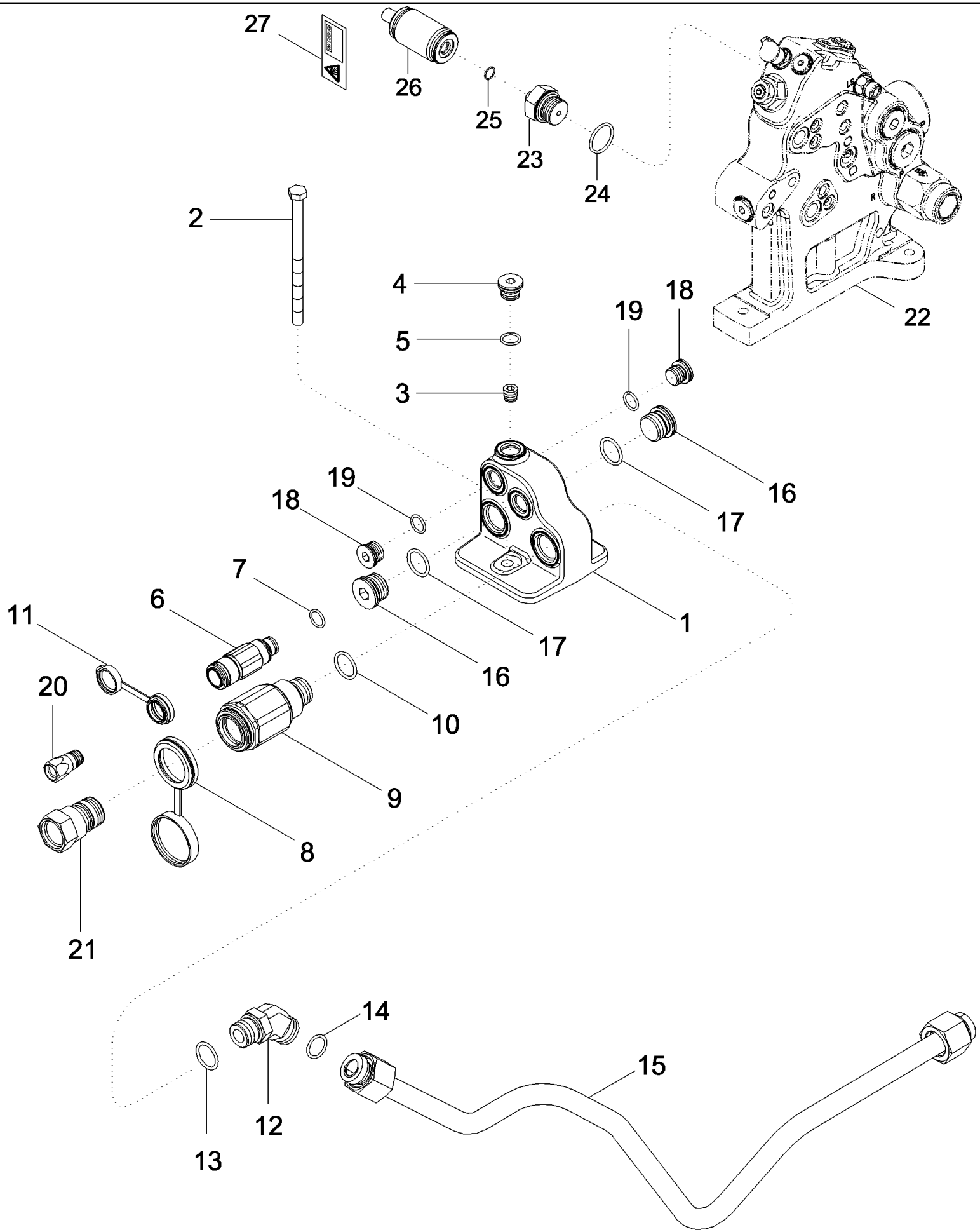
сылка	Номер детали	Кол-во	Описание
1	217-15	2	ELBOW, 45с, 1/8"-27 NPTF, Fem x 1/8"-27 NPTF Male,
2	217-114	2	FITTING, 3/8" Hose x 1/8" NPTF, Barbed,
3	280286A1	2	HOSE,
4	87347354	2	RESERVOIR, HYDRAULIC OIL,
5	87362957	2	BRACKET,
6	614-6035	4	BOLT, Hex, M6 x 35, 8.8, Full Thd,
6	827-6070	4	BOLT, Hex, M6 x 70, 10.9, , Magnum 335
7	87352470	4	TUBE SPACER,
8	86511444	4	NUT, M6, Flg Ser, , Magnum 335



MAGNUM 335 CASE IH TRACTOR (NA)

08-16 HYDRAULIC SYSTEM - POWER BEYOND

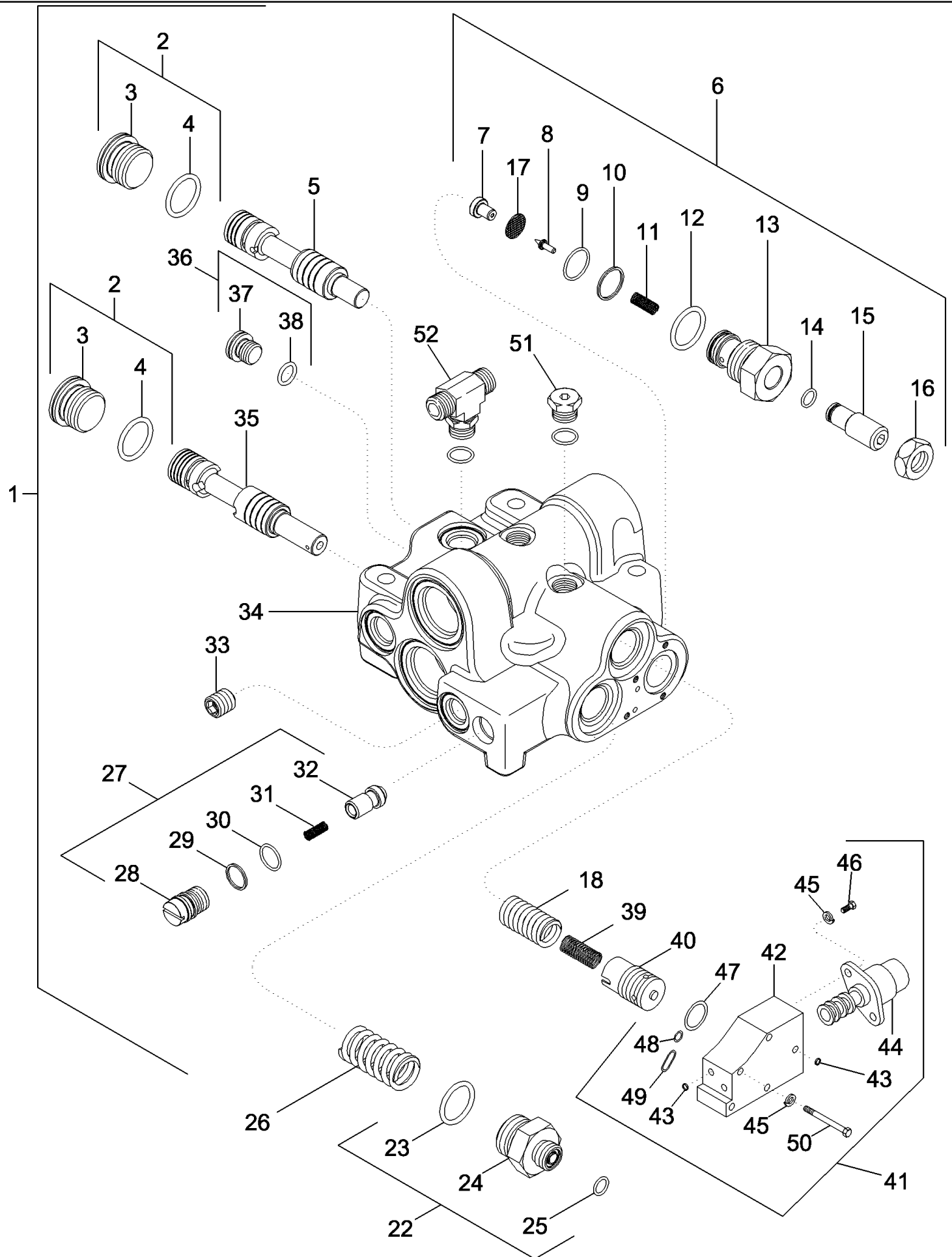
сылка	Номер детали	Кол-во	Описание
1	87338964	1	VALVE, HYDRAULIC, , See Figure 08-33
2	87605317	2	SCREW, Hex, M10 x 160 8.8 ZND
6	294603A1	1	BODY, 1/4", Inc. 7
6A	445014A1	1	KIT, SEALS,
7	637-63153	1	O-RING, CI 6, 15.3MM ID x 2.2 Thk,
8	334216A1	2	CAP,
9	298291A1	2	BODY, 3/4", Inc.10
9A	445015A1	1	KIT, SEALS,
10	637-64236	1	O-RING, CI 6, 23.6MM ID x 2.9 Thk,
11	334218A1	1	CAP,
12	86639055	2	ELBOW, 45e, 1 3/16"-12 ORFS x M27 x 2 ORB, Inc. 13, 14
13	14438185	1	O-RING, 24MM ID x 3.0 Thk,
14	66297	1	O-RING, -018, 70 Duro, .739" ID x .070" Thk,
15	87533661	1	TUBE ASSY., Return
16	87656846	1	TUBE ASSY., Supply
17	87376154	1	CONNECTOR, HYD., Special, Orifice, Inc. 18, 19
18	637-63153	1	O-RING, CI 6, 15.3MM ID x 2.2 Thk,
19	238-6012	1	O-RING, -012, 90 Duro, .364" ID x .070" Thk,
20	87560338	1	TUBE ASSY., Load Sense, With Hitch
21	347756A1	1	COUPLING, 1/4"
22	347755A1	1	COUPLING, 3/4"
23	REF	1	INSTRUCTION, MANIFOLD, See Figure 08-23
24	380739A1	1	COUPLING, BREAK AWAY, 3/8, Inc. 25
25	637-63193	1	O-RING, CI 6, 19.3MM ID x 2.2 Thk,
26	380740A1	1	CAP,
27	385358A1	1	COUPLING, 3/8
28	700-404	1	TEE, 1 7/16"-12 ORFS x M33 x 2 ORB Br, Inc. 29, 30
29	637-64296	1	O-RING, CI 6, 29.6MM ID x 2.9 Thk,
30	238-6021	1	O-RING, -021, 90 Duro, .926" ID x .070" Thk,
31	87442374	1	BRACKET,
32	844-10016	2	BOLT, Hex Flg, M10 x 16, 8.8, Full Thd,
33	255212A1	1	CLAMP,
34	1347127C1	1	PLATE,
35	844-8060	1	BOLT, Hex Flg, M8 x 60, 8.8,
36	87402820	1	CONNECTOR, HYD., 12 Or, Inc. 37, 44
37	637-63113	1	O-RING, CI 6, 11.3MM ID x 2.2 Thk,
38	221578A1	2	PLUG, Hex Soc, M18 x 1.5, ORB, Incl. 39
39	637-63113	1	O-RING, CI 6, 11.3MM ID x 2.2 Thk,
40	87560347	1	TUBE ASSY., Load Sense, Without Hitch
41	87402747	1	ACCUMULATOR,
42	82029752	1	DECAL,
43	895-18010	2	WASHER, M10 x 18 x 1.6,
44	637-64296	1	O-RING, CI 6, 29.6MM ID x 2.9 Thk,
45	87726025	1	ELBOW, Inc. 46
46	637-63193	1	O-RING, CI 6, 19.3MM ID x 2.2 Thk,



MAGNUM 335 CASE IH TRACTOR (NA)

08-17 HYDRAULIC SYSTEM - MOTOR RETURN

сылка	Номер детали	Кол-во	Описание
1	387929A1	1	VALVE,
2	814-10150	2	BOLT, Hex, M10 x 150, 8.8,
3	217-432	1	PLUG, Hex Soc, 1/4"-18,
4	221578A1	1	PLUG, Hex Soc, M18 x 1.5, ORB, Incl. 5
5	637-63153	1	O-RING, CI 6, 15.3MM ID x 2.2 Thk,
6	380739A1	1	COUPLING, BREAK AWAY, 3/8, Inc. 7
7	637-63193	1	O-RING, CI 6, 19.3MM ID x 2.2 Thk,
8	334216A1	1	CAP,
9	298291A1	1	BODY, 3/4 in, Inc. 10
9A	445015A1	1	KIT, SEALS,
10	637-64236	1	O-RING, CI 6, 23.6MM ID x 2.9 Thk,
11	380740A1	1	CAP,
12	86639055	1	ELBOW, 45е, 1 3/16"-12 ORFS x M27 x 2 ORB, Inc. 13, 14
13	14438185	1	O-RING, 24MM ID x 3.0 Thk,
14	66297	1	O-RING, -018, 70 Duro, .739" ID x .070" Thk,
15	87533663	1	TUBE ASSY.,
16	221580A1	2	PLUG, Hex Soc, M27 x 2, ORB, Inc. 17
17	637-64236	1	O-RING, CI 6, 23.6MM ID x 2.9 Thk,
18	221578A1	2	PLUG, Hex Soc, M18 x 1.5, ORB, Incl. 19
19	637-63153	1	O-RING, CI 6, 15.3MM ID x 2.2 Thk,
20	385358A1	1	COUPLING, 3/8 in
21	347755A1	1	COUPLING, 3/4 in
22	REF	1	INSTRUCTION, MANIFOLD, See Figure 08-23
23	87402820	2	CONNECTOR, HYD., M33 Or x M14 Or, Inc. 24, 25
24	637-64296	1	O-RING, CI 6, 29.6MM ID x 2.9 Thk,
25	637-63113	1	O-RING, CI 6, 11.3MM ID x 2.2 Thk,
26	87402747	1	ACCUMULATOR,
27	82029752	1	DECAL,



MAGNUM 335 CASE IH TRACTOR (NA)

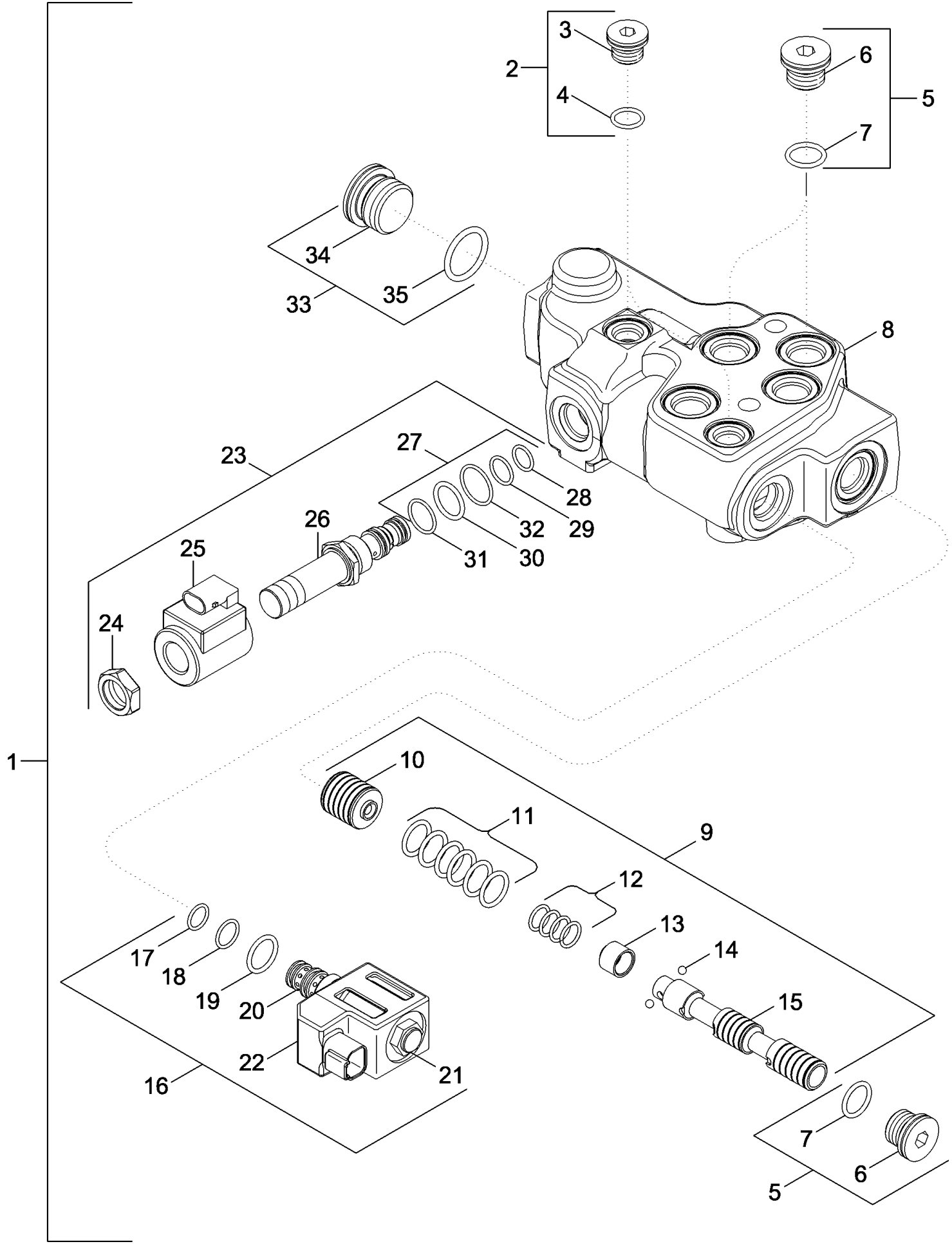
08-19 PRIORITY AND REGULATOR VALVE ASSEMBLY - MAGNUM 335

сылка	Номер детали	Кол-во	Описание
1	87415151	1	VALVE, Inc. 2 - 52
2	221580A1	2	PLUG, Hex Soc, M27 x 2, ORB, Inc. 3, 4
3	NSS	1	NOT SERVICED SEPARATELY, PLUG
4	637-64236	1	O-RING, CI 6, 23.6MM ID x 2.9 Thk,
5	86983473	1	
6	130060A2	1	VALVE, PRESSURE RELIEF, Inc. 7 - 17
7	NSS	1	NOT SERVICED SEPARATELY, SEAT
8	NSS	1	NOT SERVICED SEPARATELY, POPPET
9	NSS	1	NOT SERVICED SEPARATELY, O-RING 3/4 ID x 1/16
10	NSS	1	NOT SERVICED SEPARATELY, RING
11	NSS	1	NOT SERVICED SEPARATELY, SPRING
12	NSS	1	NOT SERVICED SEPARATELY, O-RING 59/64 ID x 7/64
13	NSS	1	NOT SERVICED SEPARATELY, CAP
14	NSS	1	NOT SERVICED SEPARATELY, O-RING 3/8 ID x 1/16
15	NSS	1	NOT SERVICED SEPARATELY, PLUG
16	NSS	1	NOT SERVICED SEPARATELY, NUT 5/8 NF
17	NSS	1	NOT SERVICED SEPARATELY, Screen
18	86983471	1	SPRING, VALVE, Outer
22	313940A1	1	FITTING, Inc. 23 - 25
23	237-6012	1	O-RING, 12-1, 90 Duro, .924 ID x .118" Thk,
24	NSS	1	NOT SERVICED SEPARATELY, FITTING
25	238-6012	1	O-RING, -012, 90 Duro, .364" ID x .070" Thk,
26	408447A1	1	SPRING, COMPRESSION,
27	1542563C1	1	VALVE, CHECK, Inc. 28 - 32
28	NSS	1	NOT SERVICED SEPARATELY, PLUG
29	G108723	1	RING,
30	238-6015	1	O-RING, -015, 90 Duro, .551" ID x .070" Thk,
31	NSS	1	NOT SERVICED SEPARATELY, SPRING
32	1543329C1	1	POPPET, VALVE,
33	87427769	1	PLUG,
34	NSS	1	NOT SERVICED SEPARATELY, BODY
35	87448952	1	SPOOL,
36	86598044	1	PLUG, Inc. 37, 38
37	NSS	1	NOT SERVICED SEPARATELY, PLUG
38	14437785	1	O-RING, 11.3MM ID x 2.4 Thk,
39	86983472	1	Inner
40	86983412	1	PISTON,
41	86983527	1	BLOCK, Inc. 42 - 50
42	86983526	1	
43	282836A1	4	PLUG,
44	87354468	1	VALVE, SOLENOID,
45	892-11004	6	WASHER, LOCK, M4,
46	864-4016	2	SCREW, Hex Soc Hd, M4 x 16, 8.8,
47	238-5120	1	O-RING, -120, 70 Duro, .987" ID x .103" Thk,
48	238-5008	1	O-RING, -008, 70 Duro, .176" ID x .070" Thk,

MAGNUM 335 CASE IH TRACTOR (NA)

08-19 PRIORITY AND REGULATOR VALVE ASSEMBLY - MAGNUM 335

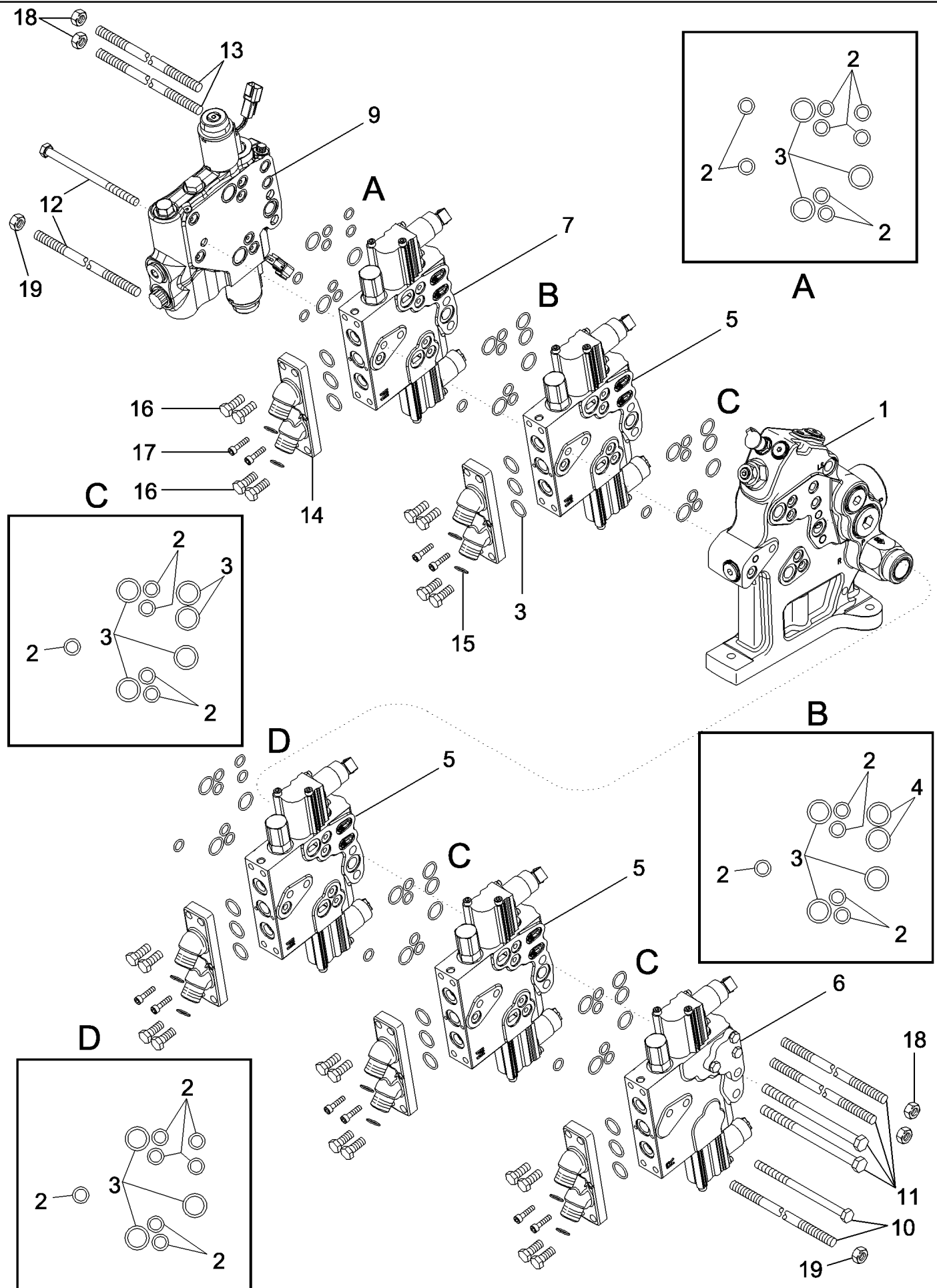
сылка	Номер детали	Кол-во	Описание
49	238-5012	1	O-RING, -012, 70 Duro, .364" ID x .070" Thk,
50	87384106	4	BOLT,
51	86598043	1	PLUG, Hex Soc, M12 x 1.5, ORB,
52	700-402	1	TEE, 13/16"-16 ORFS x M18 x 1.5 ORB Br,



MAGNUM 335 CASE IH TRACTOR (NA)

08-20 PTO AND DIFFERENTIAL LOCK VALVE ASSEMBLY

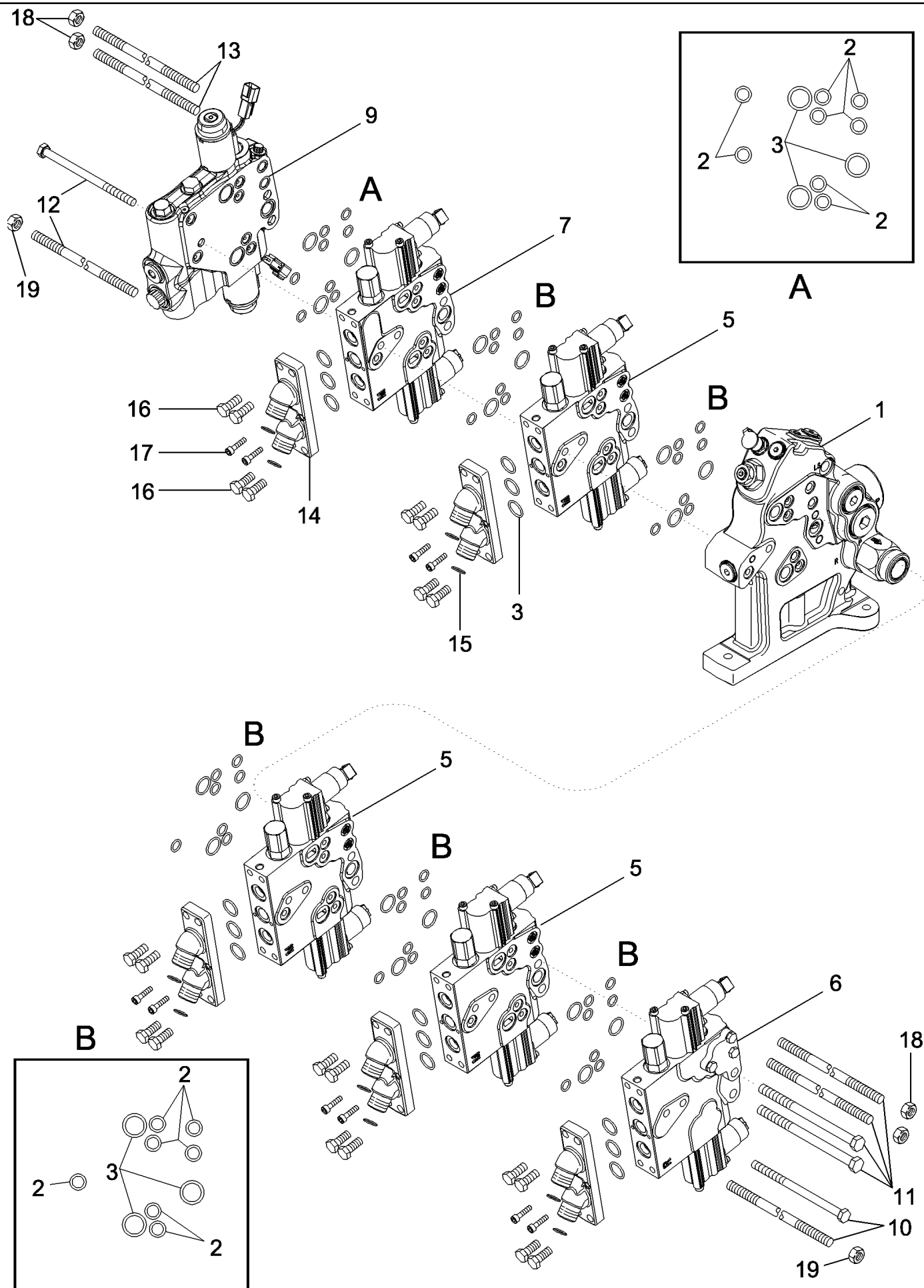
сылка	Номер детали	Кол-во	Описание
1	87705317	1	CLUTCH. PTO, PTO And Differential Lock, Inc. 2 - 35
2	221576A1	2	PLUG, Hex Soc, M14 x 1.5, ORB, Incl. 3, 4
3	NSS	1	NOT SERVICED SEPARATELY, PLUG
4	14437785	1	O-RING, 11.3MM ID x 2.4 Thk,
5	221578A1	3	PLUG, Hex Soc, M18 x 1.5, ORB, Incl. 6, 7
6	NSS	1	NOT SERVICED SEPARATELY, PLUG
7	637-63153	1	O-RING, CI 6, 15.3MM ID x 2.2 Thk,
8	NSS	1	NOT SERVICED SEPARATELY, BODY
9	283642A4	1	SPOOL, Inc. 10 - 15
10	NSS	1	NOT SERVICED SEPARATELY, PISTON
11	NSS	1	NOT SERVICED SEPARATELY, SPRING
12	NSS	1	NOT SERVICED SEPARATELY, SPRING
13	NSS	1	NOT SERVICED SEPARATELY, SLEEVE
14	NSS	2	NOT SERVICED SEPARATELY, BALL
15	NSS	1	NOT SERVICED SEPARATELY, SPOOL
16	349295A1	1	VALVE, SOLENOID, Valve, Differential Lock, Inc. 17 - 22
17	238-5013	1	O-RING, -013, 70 Duro, .426" ID x .070" Thk,
18	238-5014	1	O-RING, -014, 70 Duro, .489" ID x .070" Thk,
19	237-6008	1	O-RING, 8-1, 90 Duro, .644" ID x .087" Thk,
20	NSS	1	NOT SERVICED SEPARATELY, CORE
21	349292A1	1	NUT,
22	298614A1	1	SOLENOID,
23	84135530	1	VALVE, SOLENOID, Inc. 24 - 32
24	NSS	1	NOT SERVICED SEPARATELY, NUT
25	NSS	1	NOT SERVICED SEPARATELY, COIL
26	NSS	1	NOT SERVICED SEPARATELY, CARTRIDGE
27	308245A1	1	KIT, SEALS, Inc. 28 - 32
28	238-6008	1	O-RING, -008, 90 Duro, .176" ID x .070" Thk,
29	238-5013	1	O-RING, -013, 70 Duro, .426" ID x .070" Thk,
30	238-7016	1	O-RING, -016, CI 7, .614" ID x .070" Thk,
31	238-5014	1	O-RING, -014, 70 Duro, .489" ID x .070" Thk,
32	238-7018	1	O-RING, -018, CI 7, .739" ID x .070" Thk,
33	221580A1	1	PLUG, Hex Soc, M27 x 2, ORB, Inc. 34, 35
34	NSS	1	NOT SERVICED SEPARATELY, PLUG
35	637-64236	1	O-RING, CI 6, 23.6MM ID x 2.9 Thk,



MAGNUM 335 CASE IH TRACTOR (NA)

08-21 REMOTE HYDRAULIC VALVE STACK, BSN AJB363596

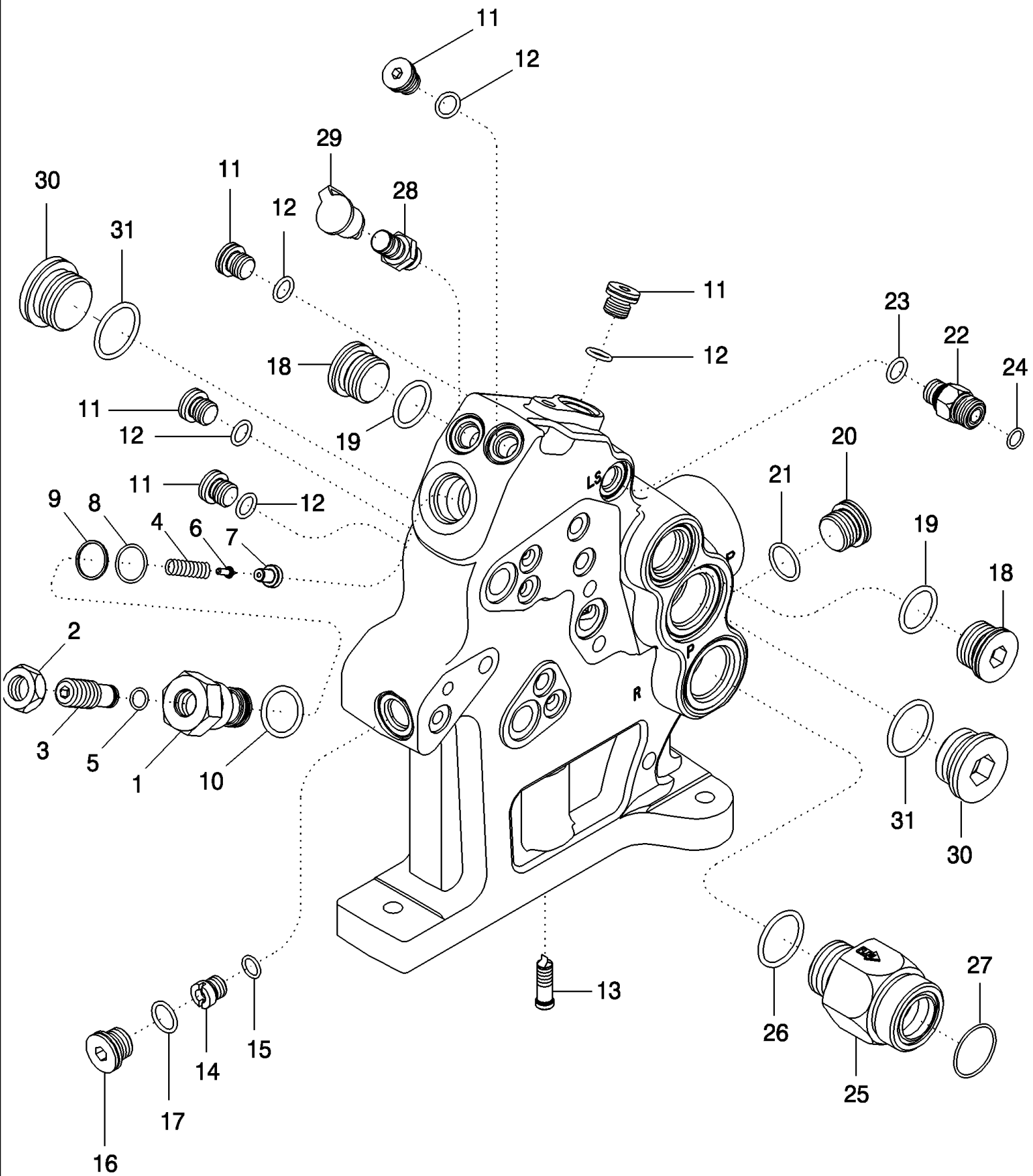
сылка	Номер детали	Кол-во	Описание
1	87450074	1	VALVE, Manifold, See Figure 08-23
2	238-6112	AR	O-RING, -112, 90 Duro, .487" ID x .103" Thk,
3	238-6117	AR	O-RING, -117, 90 Duro, .799" ID x .103" Thk,
4	238-6117	AR	O-RING, -117, 90 Duro, .799" ID x .103" Thk,
4	238-6116	AR	O-RING, -116, 90 Duro, .737" ID x .103" Thk, If Equipped)
5	447226A5	AR	VALVE, Standard, See Figure 08-25
6	447220A6	1	VALVE, Right Hand End, See Figure 08-25
7	447223A4	1	VALVE, Left Hand End, Without Hitch, See Figure 08-25
7	447226A5	AR	VALVE, Left Hand End With Hitch, See Figure 08-25
9	87371677	1	VALVE, Hitch, See Figure 08-27
10	828-10060	1	BOLT, Hex, M10 x 60, 10.9, 3 Remotes
10	87430660	1	STUD, M10 x 140, 4 Remotes
10	87418098	1	STUD, M10 x 185, 5 Remotes
11	828-12065	1	BOLT, Hex, M12 x 65, 10.9, 3 Remotes, Lower
11	828-12075	1	BOLT, Hex, M12 x 75, 10.9, 3 Remotes, Upper
11	87418162	2	STUD, M12 x 140, 4 Remotes
11	87430079	2	STUD, M12 x 185, 5 Remotes
12	87418099	1	STUD, M10 x 130, Without Hitch
12	87418093	1	STUD, M10 x 175, With Hitch, Without Hydraulic Trailer Brake
12	87418091	1	STUD, M10 x 230, With Hitch, With Hydraulic Trailer Brake
13	87418100	2	STUD, M12 x 130, Without Hitch
13	87418094	2	STUD, M12 x 175; 10.9, With Hitch, Without Hydraulic Trailer Brake
13	87418164	2	STUD, M12 x 225; 10.9, With Hitch, With Hydraulic Trailer Brake
14	435643A1	AR	COVER, Inc. 15
15	238-6016	2	O-RING, -016, 90 Duro, .614" ID x .070" Thk,
16	628-10025	AR	BOLT, Hex, M10 x 25, 10.9, Full Thd,
17	864-6025	AR	SCREW, Hex Soc Hd, M6 x 25, 8.8,
18	829-1312	4	NUT, M12 x 1.75, CI 10,
19	304951A1	2	NUT, M10, CI 10, Hardened



MAGNUM 335 CASE IH TRACTOR (NA)

08-22 REMOTE HYDRAULIC VALVE STACK, ASN AJB363596

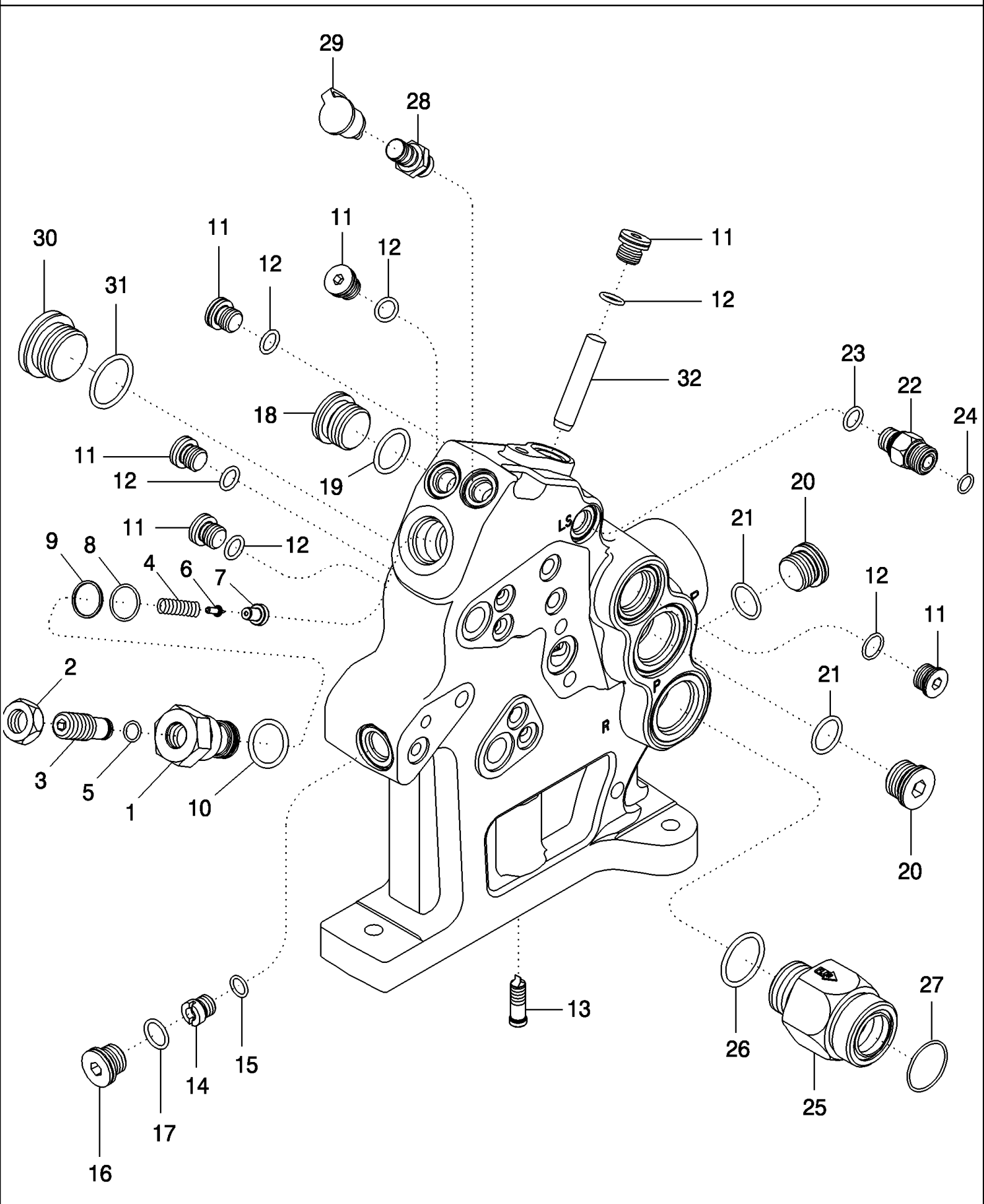
сылка	Номер детали	Кол-во	Описание
1	87385416	1	MANIFOLD VALVE, With Standard Flow Hydraulics, See Figure 08-23
1	87385418	1	MANIFOLD VALVE, With TwinFlow Hydraulics, See Figure 08-24
2	238-6112	AR	O-RING, -112, 90 Duro, .487" ID x .103" Thk,
3	238-6117	AR	O-RING, -117, 90 Duro, .799" ID x .103" Thk,
5	87384974	AR	VALVE, Standard, See Figure 08-26
6	87384975	1	VALVE, Right Hand End, See Figure 08-26
7	87384976	1	VALVE, Left Hand End, Without Hitch, See Figure 08-26
7	87384974	AR	VALVE, Left Hand End With Hitch, See Figure 08-26
9	87371677	1	VALVE, Hitch, See Figure 08-27
10	828-10060	1	BOLT, Hex, M10 x 60, 10.9, 3 Remotes
10	87418099	1	STUD, M10 x 140, 4 Remotes
10	87418093	1	STUD, M10 x 185, 5 Remotes
11	828-12065	2	BOLT, Hex, M12 x 65, 10.9, 3 Remotes
11	87418100	2	STUD, M12 x 140, 4 Remotes
11	87418094	2	STUD, M12 x 185, 5 Remotes
12	87418099	1	STUD, M10 x 130, Without Hitch
12	87418093	1	STUD, M10 x 175, With Hitch, Without Hydraulic Trailer Brake
12	87418091	1	STUD, M10 x 230, With Hitch, With Hydraulic Trailer Brake
13	87418100	2	STUD, M12 x 130, Without Hitch
13	87418094	2	STUD, M12 x 175; 10.9, With Hitch, Without Hydraulic Trailer Brake
13	87418164	2	STUD, M12 x 225; 10.9, With Hitch, With Hydraulic Trailer Brake
13	87445565	2	STUD, M12 x 230, With Hitch, With Hydraulic Trailer Brake
14	435643A1	AR	COVER, Inc. 15
15	238-6016	2	O-RING, -016, 90 Duro, .614" ID x .070" Thk,
16	628-10025	AR	BOLT, Hex, M10 x 25, 10.9, Full Thd,
17	864-6025	AR	SCREW, Hex Soc Hd, M6 x 25, 8.8,
18	829-1312	4	NUT, M12 x 1.75, CI 10,
19	304951A1	2	NUT, M10, CI 10, Hardened



MAGNUM 335 CASE IH TRACTOR (NA)

08-23 MANIFOLD VALVE ASSEMBLY, WITH STANDARD AND HIGH FLOW HYDRAULICS

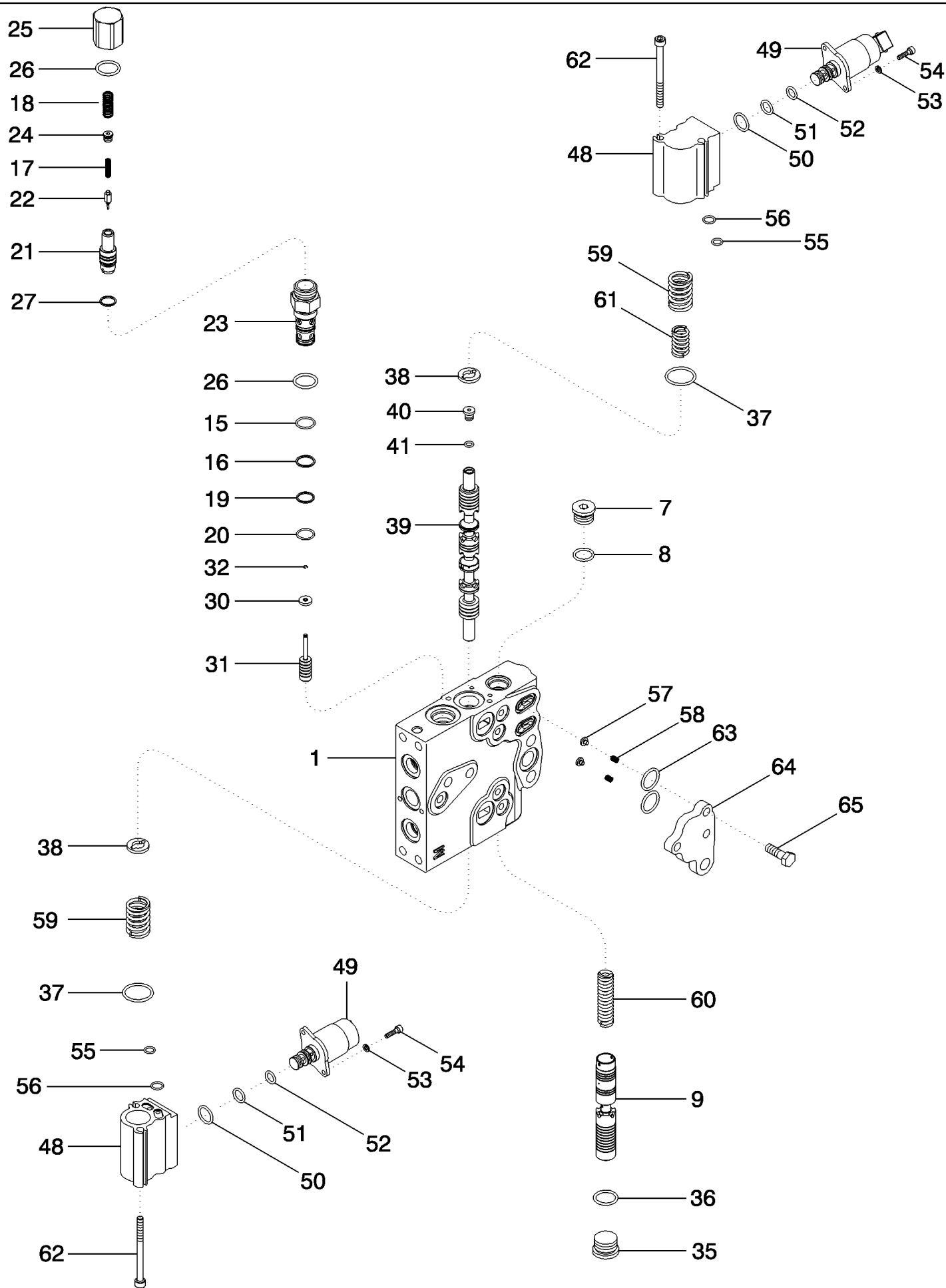
сылка	Номер детали	Кол-во	Описание
	87450074	1	VALVE, Manifold, Inc. 1 - 31, BSN AJB363596
	87385416	1	MANIFOLD VALVE, Inc. 1 - 31, ASN AJB363596
	87429615	1	VALVE, PRESSURE RELIEF, Inc. 1 - 10
1	NSS	1	NOT SERVICED SEPARATELY, CAP
2	25-1510	1	NUT, Jam, 5/8"-18, G5,
3	NSS	1	NOT SERVICED SEPARATELY, PLUG
4	NSS	1	NOT SERVICED SEPARATELY, SPRING
5	238-6012	1	O-RING, -012, 90 Duro, .364" ID x .070" Thk,
6	NSS	1	NOT SERVICED SEPARATELY, POPPET
7	NSS	1	NOT SERVICED SEPARATELY, SEAT
8	238-6018	1	O-RING, -018, 90 Duro, .739" ID x .070" Thk,
9	G35540	1	RING,
10	237-6012	1	O-RING, 12-1, 90 Duro, .924 ID x .118" Thk,
11	221576A1	5	PLUG, Hex Soc, M14 x 1.5, ORB, Incl. 12
12	637-63113	1	O-RING, CI 6, 11.3MM ID x 2.2 Thk,
13	326965A1	1	SCREEN,
14	431479A1	1	VALVE, CHECK, Inc. 15
15	237-6005	1	O-RING, 5-1, 90 Duro, .414" ID x .072" Thk,
16	221578A1	1	PLUG, Hex Soc, M18 x 1.5, ORB, Incl. 17
17	637-63153	1	O-RING, CI 6, 15.3MM ID x 2.2 Thk,
18	221580A1	2	PLUG, Hex Soc, M27 x 2, ORB, Inc. 19
19	637-64236	1	O-RING, CI 6, 23.6MM ID x 2.9 Thk,
20	221579A1	1	PLUG, Hex Soc, M22 x 1.5, ORB, Incl. 21
21	637-63193	1	O-RING, CI 6, 19.3MM ID x 2.2 Thk,
22	87308571	1	VALVE, CHECK, Inc. 23, 24
23	637-63113	1	O-RING, CI 6, 11.3MM ID x 2.2 Thk,
24	238-6012	1	O-RING, -012, 90 Duro, .364" ID x .070" Thk,
25	254851A1	1	VALVE, CHECK, Inc. 26, 27
26	637-64296	1	O-RING, CI 6, 29.6MM ID x 2.9 Thk,
27	238-6025	1	O-RING, -025, 90 Duro, 1.176" ID x .070" Thk,
28	178889A1	1	FITTING, Inc. 29
29	143349A1	1	DUST CAP,
30	221527A1	2	PLUG, Hex Soc, M33 x 2, ORB, Inc. 31
31	637-64296	1	O-RING, CI 6, 29.6MM ID x 2.9 Thk,



MAGNUM 335 CASE IH TRACTOR (NA)

08-24 MANIFOLD VALVE ASSEMBLY, WITH TWINFLOW HYDRAULICS

сылка	Номер детали	Кол-во	Описание
	87385418	1	MANIFOLD VALVE, VALVE, Manifold, Inc. 1 - 32
	87429615	1	VALVE, PRESSURE RELIEF, Inc. 1 - 10
1	NSS	1	NOT SERVICED SEPARATELY, CAP
2	86637932	1	NUT, Jam, 5/8"-18, G5, , BSN AJB363596
2	25-1510	1	NUT, Jam, 5/8"-18, G5, , ASN AJB363596
3	NSS	1	NOT SERVICED SEPARATELY, PLUG
4	NSS	1	NOT SERVICED SEPARATELY, SPRING
5	9993141	1	O-RING, -012, 90 Duro, .364" ID x .070" Thk, , BSN AJB363596
5	238-6012	1	O-RING, -012, 90 Duro, .364" ID x .070" Thk, , ASN AJB363596
6	NSS	1	NOT SERVICED SEPARATELY, POPPET
7	NSS	1	NOT SERVICED SEPARATELY, SEAT
8	9991976	1	O-RING, -018, 90 Duro, .739" ID x .070" Thk, , BSN AJB363596
8	238-6018	1	O-RING, -018, 90 Duro, .739" ID x .070" Thk, , ASN AJB363596
9	G35540	1	RING,
10	167269	1	O-RING, 10-1, 90 Duro, .755" ID x .097" Thk, , BSN AJB363596
10	237-6012	1	O-RING, 12-1, 90 Duro, .924 ID x .118" Thk, , ASN AJB363596
11	221576A1	5	PLUG, Hex Soc, M14 x 1.5, ORB, Incl. 12
12	14437785	1	O-RING, 11.3MM ID x 2.4 Thk,
13	326965A1	1	SCREEN,
14	431479A1	1	VALVE, CHECK, Inc. 15
15	237-6005	1	O-RING, 5-1, 90 Duro, .414" ID x .072" Thk,
16	221578A1	2	PLUG, Hex Soc, M18 x 1.5, ORB, Incl. 17
17	86598101	1	O-RING, CI 6, 15.3MM ID x 2.2 Thk,
18	221579A1	1	PLUG, Hex Soc, M22 x 1.5, ORB, Incl. 21
19	86639044	1	O-RING, CI 6, 19.3MM ID x 2.2 Thk,
20	221579A1	2	PLUG, Hex Soc, M22 x 1.5, ORB, Incl. 21
21	86639044	1	O-RING, CI 6, 19.3MM ID x 2.2 Thk,
22	87308571	1	VALVE, CHECK, Inc. 23, 24
23	86639042	1	O-RING, CI 6, 11.3MM ID x 2.2 Thk,
24	9993141	1	O-RING, -012, 90 Duro, .364" ID x .070" Thk,
25	254851A1	1	VALVE, CHECK, Inc. 26, 27
26	86639046	1	O-RING, CI 6, 29.6MM ID x 2.9 Thk,
27	9824051	1	O-RING, -025, 90 Duro, 1.176" ID x .070" Thk,
28	178889A1	2	FITTING, Inc. 29
29	143349A1	1	DUST CAP,
30	221527A1	1	PLUG, Hex Soc, M33 x 2, ORB, Inc. 31
31	86639046	1	O-RING, CI 6, 29.6MM ID x 2.9 Thk,
32	837-12060	1	DOWEL, Dowel, 12 OD x 60 mm



MAGNUM 335 CASE IH TRACTOR (NA)

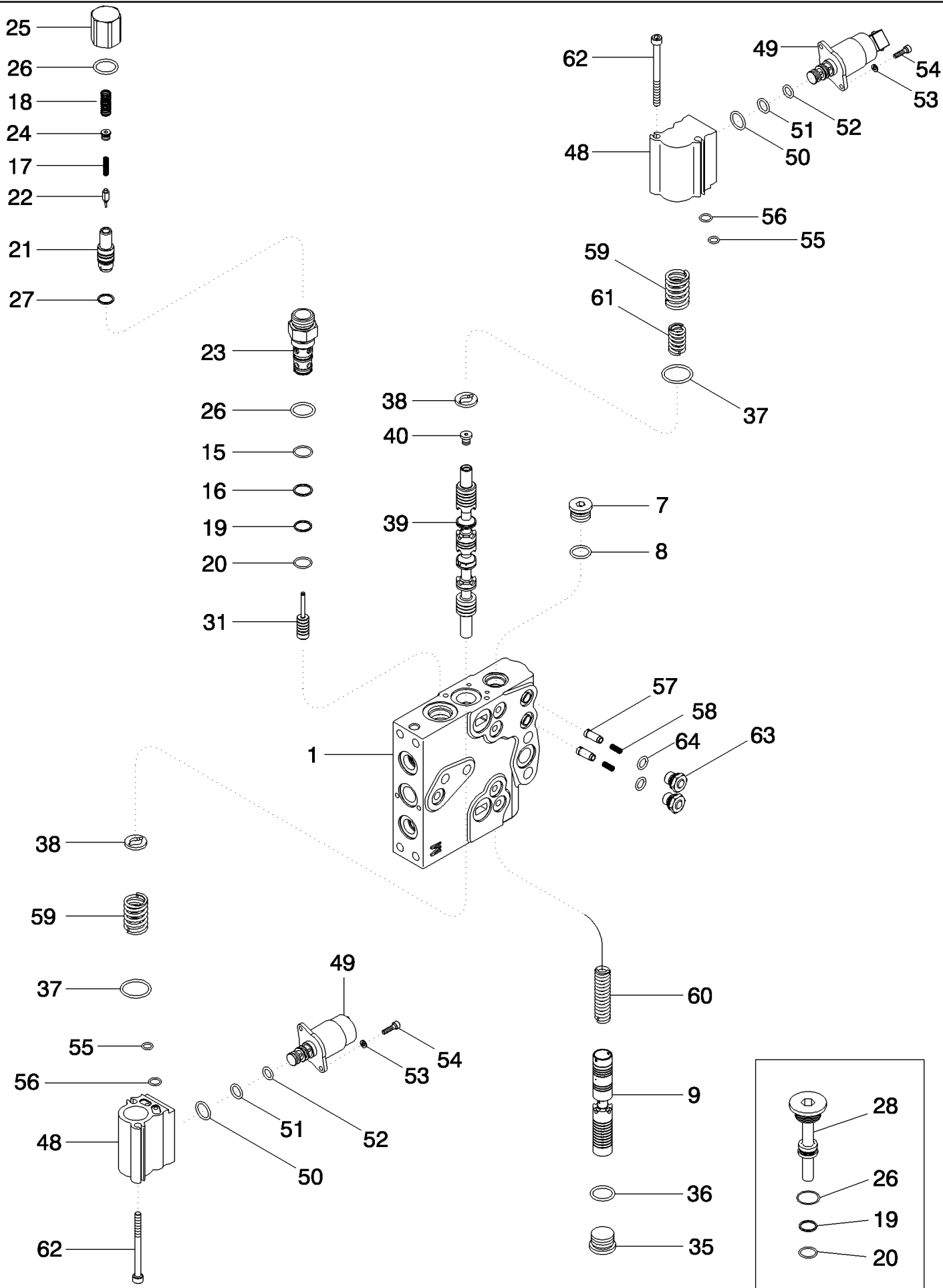
08-25 REMOTE HYDRAULIC CONTROL VALVE, BSN AJB363596

сылка	Номер детали	Кол-во	Описание
	447226A5	AR	VALVE, Standard, Inc. 1 - 62
	447220A6	1	VALVE, Right Hand End, Inc. 1 - 65
	447223A4	1	VALVE, Left Hand End Without Hitch, Inc. 1 - 62
	447226A5	1	VALVE, Left Hand End With Hitch, Inc. 1 - 62
1	NSS	1	NOT SERVICED SEPARATELY, BODY
7	71100209	1	PLUG, Hex Soc, 3/4"-16 ORB, Inc. 8
8	237-6010	1	O-RING, 10-1, 90 Duro, .755" ID x .097" Thk,
9	446403A1	1	SPOOL,
	278550A2	1	VALVE, CHECK, Inc. 15 - 27
15	238-6016	1	O-RING, -016, 90 Duro, .614" ID x .070" Thk,
16	G103862	1	RING,
17	NSS	1	NOT SERVICED SEPARATELY, SPRING
18	NSS	1	NOT SERVICED SEPARATELY, SPRING
19	G108723	1	RING,
20	238-6015	1	O-RING, -015, 90 Duro, .551" ID x .070" Thk,
21	NSS	1	NOT SERVICED SEPARATELY, POPPET, Valve
22	NSS	1	NOT SERVICED SEPARATELY, POPPET, Valve
23	NSS	1	NOT SERVICED SEPARATELY, BODY
24	NSS	1	NOT SERVICED SEPARATELY, PLUG
25	NSS	1	NOT SERVICED SEPARATELY, CAP
26	237-6010	2	O-RING, 10-1, 90 Duro, .755" ID x .097" Thk,
27	G108727	1	BACK-UP RING,
31	87546296	1	PISTON,
35	86625138	1	PLUG, Hex Soc, 7/8"-14 ORB, Inc. 36
36	237-6010	1	O-RING, 10-1, 90 Duro, .755" ID x .097" Thk,
37	238-5120	2	O-RING, -120, 70 Duro, .987" ID x .103" Thk,
38	436518A1	2	WASHER,
	87416820	1	SPOOL, Inc. 39 - 41
39	NSS	1	NOT SERVICED SEPARATELY, SPOOL
40	86632547	1	PLUG, Hex Soc, 5/16"-24 ORB, Inc. 41
41	237-6002	1	O-RING, 2-1, .239" ID x .064" Thk,
	87354470	2	VALVE, PILOT, Inc. 48 - 56, 62
48	NSS	1	NOT SERVICED SEPARATELY, BODY
49	87354468	1	VALVE, SOLENOID, Inc. 50 - 52
	372228A1	1	SEAL, Inc. 50 - 52
50	319721A1	1	O-RING, 15.3 ID x 2.4
51	319722A1	1	O-RING, 10.3 ID x 2.4
52	319723A1	1	O-RING, 8.3 ID x 2.4
53	892-11004	2	WASHER, LOCK, M4,
54	864-4016	2	SCREW, Hex Soc Hd, M4 x 16, 8.8,
55	238-5011	1	O-RING, -011, 70 Duro, .301" ID x .070" Thk,
56	238-5012	1	O-RING, -012, 70 Duro, .364" ID x .070" Thk,
	86994122	1	POPPET, Inc. 57, 58
57	446404A1	1	PLUG,
58	446405A1	1	SPRING,

MAGNUM 335 CASE IH TRACTOR (NA)

08-25 REMOTE HYDRAULIC CONTROL VALVE, BSN AJB363596

сылка	Номер детали	Кол-во	Описание
59	87411129	2	SPRING,
60	436854A1	1	SPRING,
61	87336153	1	SPRING,
62	864-6075	2	SCREW, Hex Soc Hd, M6 x 75, 8.8,
63	238-6116	2	O-RING, -116, 90 Duro, .737" ID x .103" Thk,
64	87408510	1	PLATE,
65	628-8025	3	BOLT, Hex, M8 x 25, 10.9, Full Thd,
65	221573A1	2	PLUG, Hex Soc, M12 x 1.5, ORB, Optional if Required



MAGNUM 335 CASE IH TRACTOR (NA)

08-26 REMOTE HYDRAULIC CONTROL VALVE, ASN AJB363596

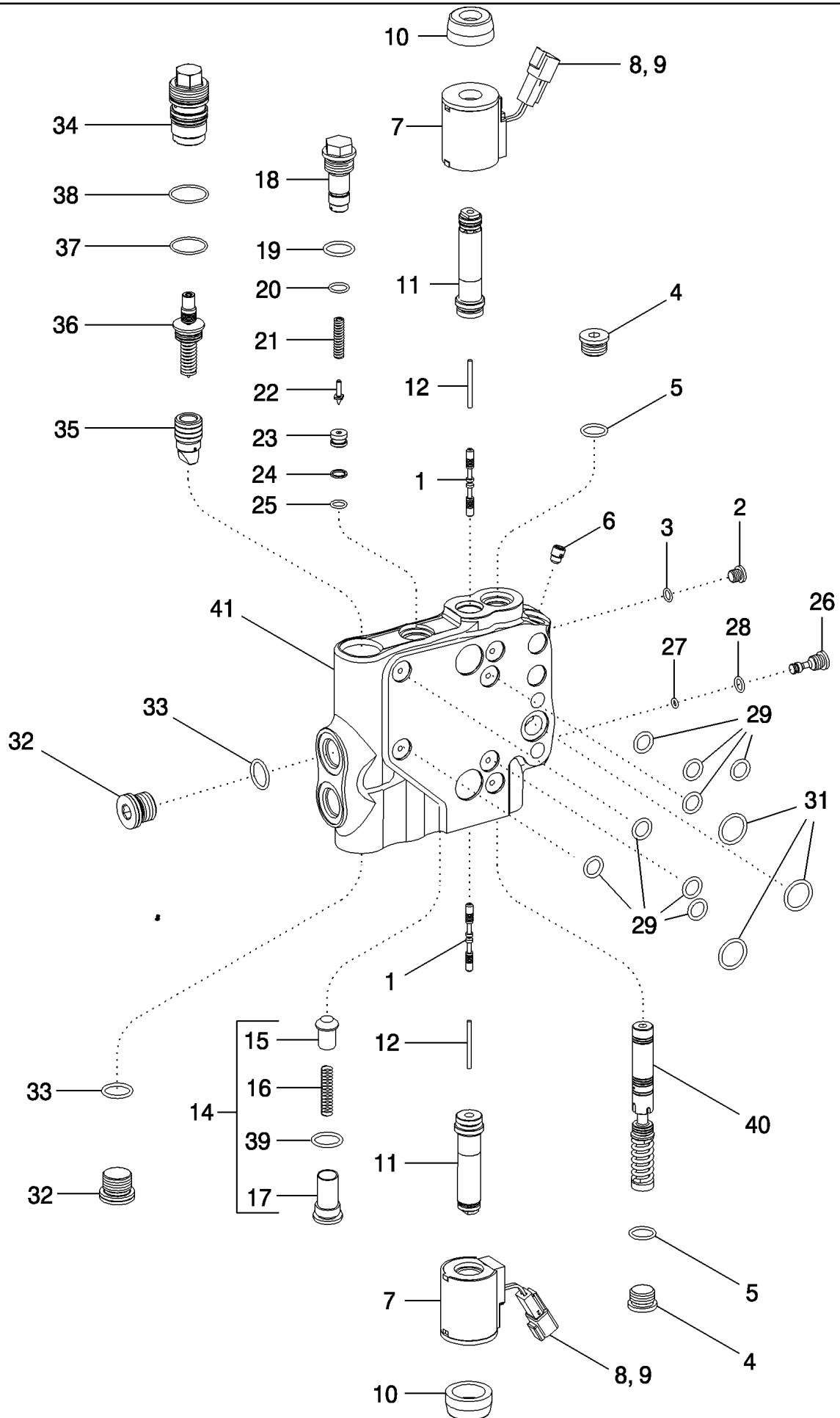
сылка	Номер детали	Кол-во	Описание
	87384974	AR	VALVE, Standard
	87384975	1	VALVE, Right Hand End
	87384976	1	VALVE, Left Hand End Without Hitch
	87384974	1	VALVE, Left Hand End With Hitch
1	NSS	1	NOT SERVICED SEPARATELY, BODY
7	86590562	1	PLUG, Hex Soc, 3/4"-16 ORB, Inc. 8
8	86598101	1	O-RING, CI 6, 15.3MM ID x 2.2 Thk,
9	446403A1	1	SPOOL,
	278550A2	1	VALVE, CHECK, Inc. 15 - 27
15	238-6016	1	O-RING, -016, 90 Duro, .614" ID x .070" Thk,
16	G103862	1	RING,
17	NSS	1	NOT SERVICED SEPARATELY, SPRING
18	NSS	1	NOT SERVICED SEPARATELY, SPRING
19	G108723	2	RING,
20	238-6015	2	O-RING, -015, 90 Duro, .551" ID x .070" Thk,
21	NSS	1	NOT SERVICED SEPARATELY, POPPET, Valve
22	NSS	1	NOT SERVICED SEPARATELY, POPPET, Valve
23	NSS	1	NOT SERVICED SEPARATELY, BODY
24	NSS	1	NOT SERVICED SEPARATELY, PLUG
25	NSS	1	NOT SERVICED SEPARATELY, CAP
26	237-6010	3	O-RING, 10-1, 90 Duro, .755" ID x .097" Thk,
27	G108727	1	BACK-UP RING,
28	284165A1	1	PLUG, Inc. 19, 20, 26
31	87546296	1	PISTON,
35	86625138	1	PLUG, Hex Soc, 7/8"-14 ORB, Inc. 36
36	86639044	1	O-RING, CI 6, 19.3MM ID x 2.2 Thk,
37	238-5120	2	O-RING, -120, 70 Duro, .987" ID x .103" Thk,
38	436518A1	2	WASHER,
	87416820	1	SPOOL, Inc. 39 - 41
39	NSS	1	NOT SERVICED SEPARATELY, SPOOL
40	86632547	1	PLUG, Hex Soc, 5/16"-24 ORB, Inc. O-Ring
	87354470	2	VALVE, PILOT, Inc. 48 - 56, 62
48	NSS	1	NOT SERVICED SEPARATELY, BODY
49	87354468	1	VALVE, SOLENOID, Inc. 50 - 52
	372228A1	1	SEAL, Inc. 50 - 52
50	319721A1	1	O-RING, 15.3 ID x 2.4
51	319722A1	1	O-RING, 10.3 ID x 2.4
52	319723A1	1	O-RING, 8.3 ID x 2.4
53	892-11004	2	WASHER, LOCK, M4,
54	864-4016	2	SCREW, Hex Soc Hd, M4 x 16, 8.8,
55	238-5011	1	O-RING, -011, 70 Duro, .301" ID x .070" Thk,
56	238-5012	1	O-RING, -012, 70 Duro, .364" ID x .070" Thk,
57	87648631	2	POPPET,
58	87648596	2	SPRING,
59	87706278	2	SPRING, COMPRESSION,

MAGNUM 335 CASE IH TRACTOR (NA)

08-26 REMOTE HYDRAULIC CONTROL VALVE, ASN AJB363596

сылка	Номер детали	Кол-во	Описание
60	436854A1	1	SPRING,
61	87336153	1	SPRING,
62	864-6075	2	SCREW, Hex Soc Hd, M6 x 75, 8.8,
63	87648607	2	PLUG, Inc. 64
64	637-63093	1	O-RING, CI 6, 9.3MM ID x 2.2 Thk,

08-27 HITCH VALVE ASSEMBLY

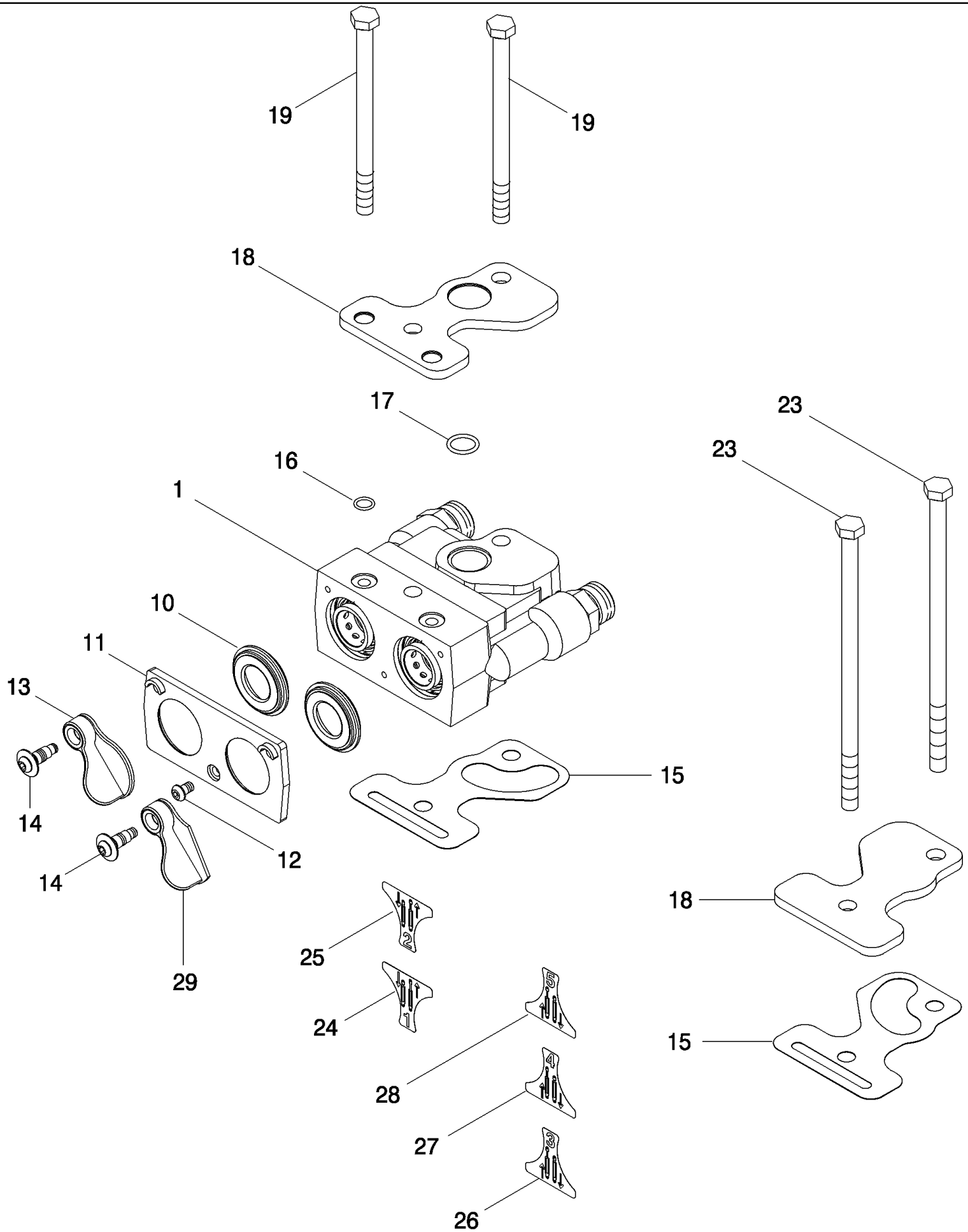


MAGNUM 335 CASE IH TRACTOR (NA)

08-27 HITCH VALVE ASSEMBLY

сылка	Номер детали	Кол-во	Описание
	87371677	1	VALVE, Hitch, Inc. 1 - 41
1	188104A1	2	SPOOL,
2	86529630	1	PLUG, Hex Soc, 3/8"-24 ORB, Inc. 3
3	237-6003	1	O-RING, 3-1, .301" ID x .064" Thk,
4	71100209	2	PLUG, Hex Soc, 3/4"-16 ORB, Inc. 5
5	237-6008	1	O-RING, 8-1, 90 Duro, .644" ID x .087" Thk,
6	373758A1	1	VALVE,
	243254A1	2	KIT, Inc. 7 - 9
7	188105A1	1	SOLENOID,
8	225318C1	1	WEDGE,
9	225315C1	1	CONNECTOR, ELEC,
10	188106A1	2	NUT,
11	188117A1	2	TUBE,
12	188116A1	2	PIN,
14	87373591	1	KIT, Inc. 15, 16, 17 and 39
15	NSS	1	NOT SERVICED SEPARATELY, POPPET
16	NSS	1	NOT SERVICED SEPARATELY, SPRING
17	NSS	1	NOT SERVICED SEPARATELY, PLUG
	373756A1	1	KIT, Inc. 18 - 25
18	NSS	1	NOT SERVICED SEPARATELY, PLUG, Relief
19	237-6010	1	O-RING, 10-1, 90 Duro, .755" ID x .097" Thk,
20	238-5014	1	O-RING, -014, 70 Duro, .489" ID x .070" Thk,
21	NSS	1	NOT SERVICED SEPARATELY, SPRING
22	NSS	1	NOT SERVICED SEPARATELY, POPPET
23	NSS	1	NOT SERVICED SEPARATELY, SEAT
24	NSS	1	NOT SERVICED SEPARATELY, RING
25	238-6011	1	O-RING, -011, 90 Duro, .301" ID x .070" Thk,
26	373761A1	1	PLUG,
27	238-6008	1	O-RING, -008, 90 Duro, .176" ID x .070" Thk,
28	237-6004	1	O-RING, 4-1, 90 Duro, .351" ID x .072" Thk,
29	238-6112	8	O-RING, -112, 90 Duro, .487" ID x .103" Thk,
31	238-6117	3	O-RING, -117, 90 Duro, .799" ID x .103" Thk,
32	221579A1	2	PLUG, Hex Soc, M22 x 1.5, ORB, Incl. 33
33	637-63193	1	O-RING, CI 6, 19.3MM ID x 2.2 Thk,
	87430152	1	KIT, SERVICE, Inc. 34, 36 - 38
34	NSS	1	NOT SERVICED SEPARATELY, TUBE
35	NSS	1	NOT SERVICED SEPARATELY, POPPET VALVE
36	NSS	1	NOT SERVICED SEPARATELY, STEM, Servo
37	238-5022	1	O-RING, -022, 70 Duro, .989" ID x .070" Thk,
38	238-5023	1	O-RING, -023, 70 Duro, 1.051" ID x .070" Thk,
39	237-6010	1	O-RING, 10-1, 90 Duro, .755" ID x .097" Thk,
40	NSS	1	NOT SERVICED SEPARATELY, SPOOL
41	NSS	1	NOT SERVICED SEPARATELY, BODY
	373757A1	1	KIT, Seal, Inc. 3, 5, 19, 20, 24, 25, 27 - 31, 37, 38, 39

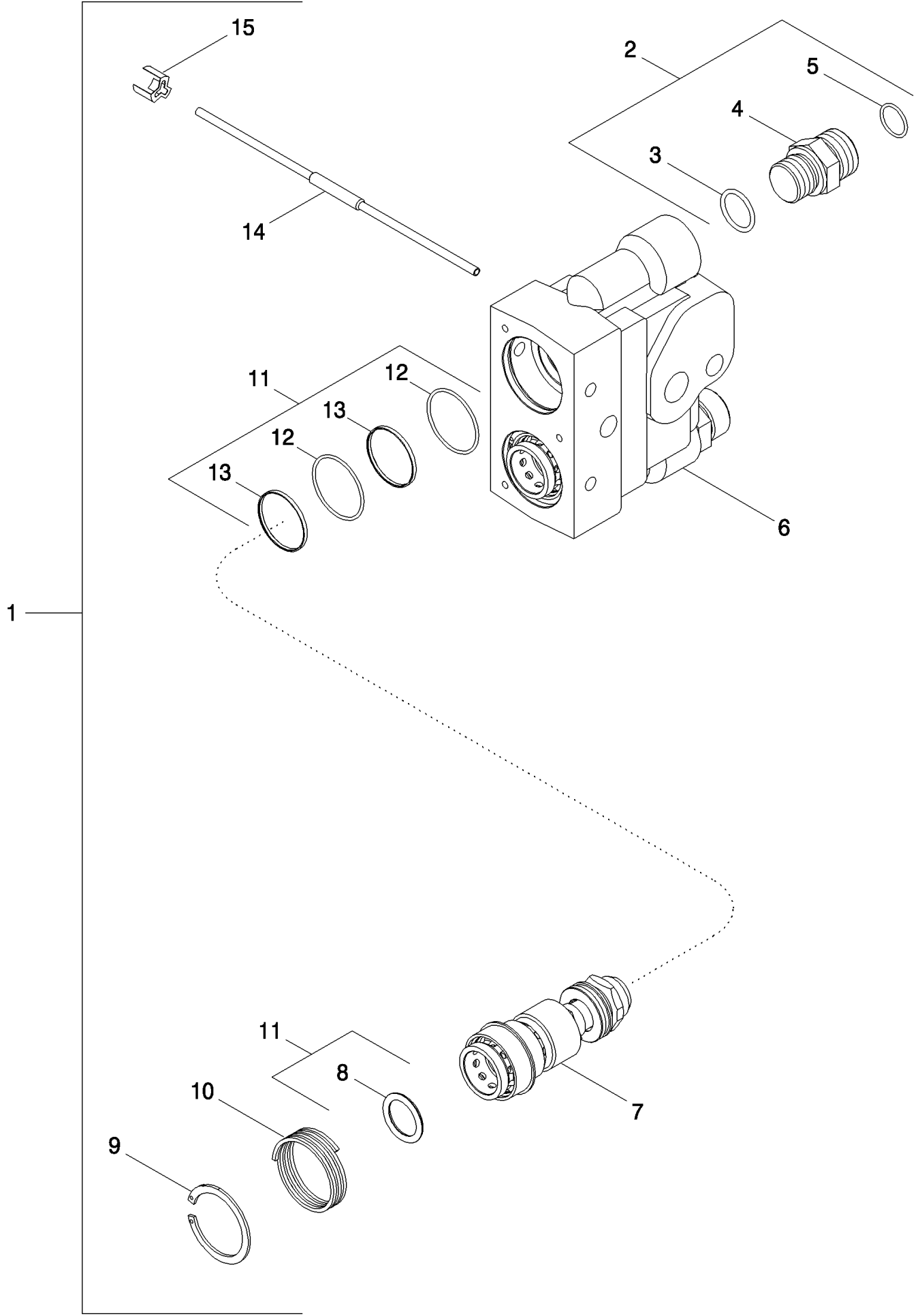
08-28 REMOTE HYDRAULIC COUPLING MOUNTING



MAGNUM 335 CASE IH TRACTOR (NA)

08-28 REMOTE HYDRAULIC COUPLING MOUNTING

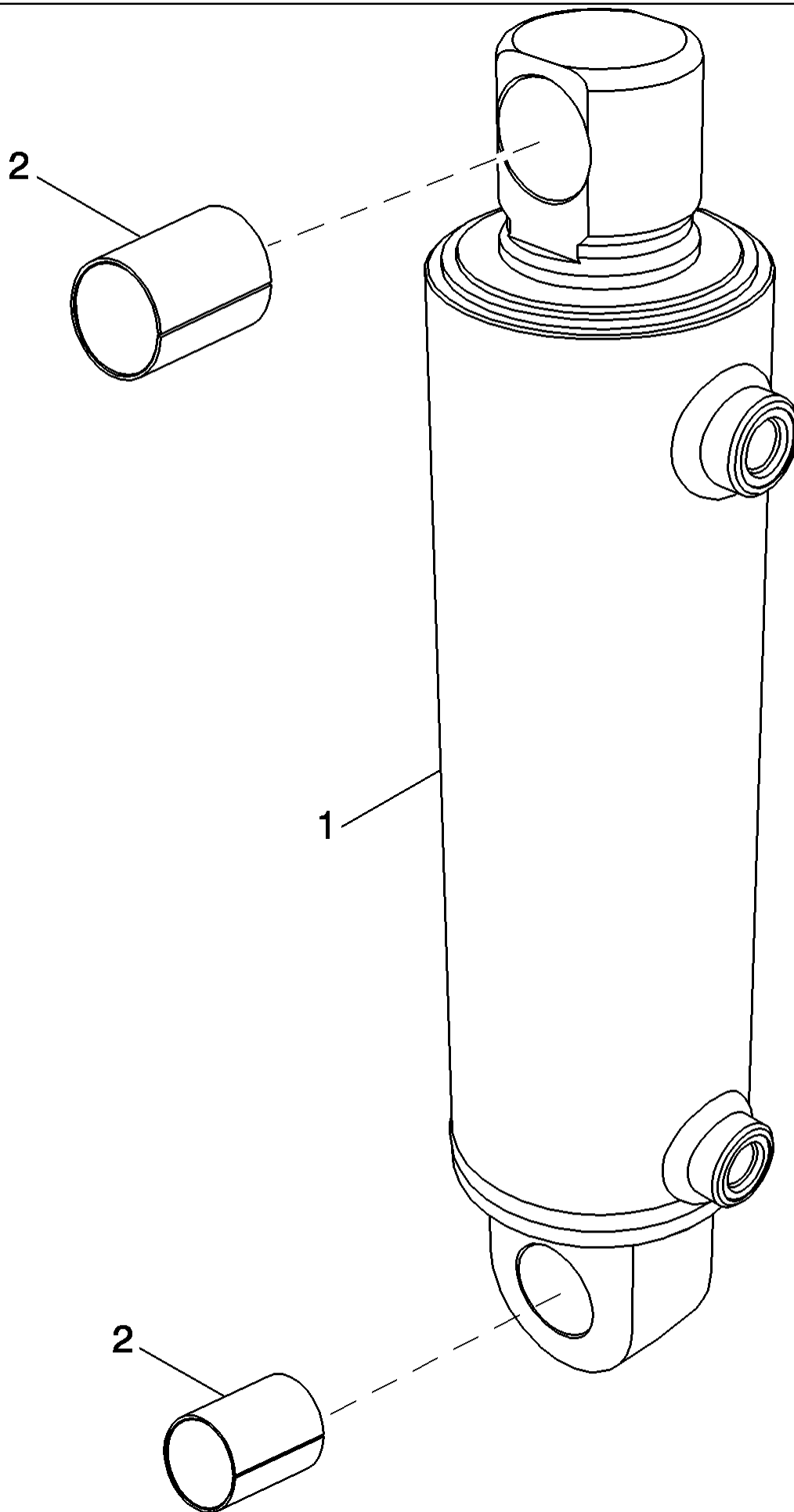
сылка	Номер детали	Кол-во	Описание
1	275182A2	3-5	COUPLING, PUSH-PULL, , See Figure 08-29
10	240969A1	6-10	SEAL,
11	240971A2	3-5	PLATE,
12	240970A2	3-5	SCREW,
13	240974A2	4-8	COVER, DOOR,
14	240973A2	4-10	SCREW,
15	253660A2	2	GASKET,
16	238-6014	8-10	O-RING, -014, 90 Duro, .489" ID x .070" Thk,
18	258671A2	1	PLATE,
17	238-6021	4-5	O-RING, -021, 90 Duro, .926" ID x .070" Thk,
19	814-10140	2	BOLT, Hex, M10 x 140, 8.8,
23	814-10205	2	BOLT, Hex, M10 x 205, 8.8,
24	284327A1	1	DECAL, Coupler 1
25	284328A1	1	DECAL, Coupler 2
26	284329A1	1	DECAL, Coupler 3
27	284330A1	1	DECAL, Coupler 4
28	284331A1	1	DECAL, Coupler 5
29	387611A1	2	DUST CAP,
30	353-401	1-2	PLUG, Dome, .312" hole, Nylon, (Not Shown)



MAGNUM 335 CASE IH TRACTOR (NA)

08-29 REMOTE HYDRAULIC COUPLINGS

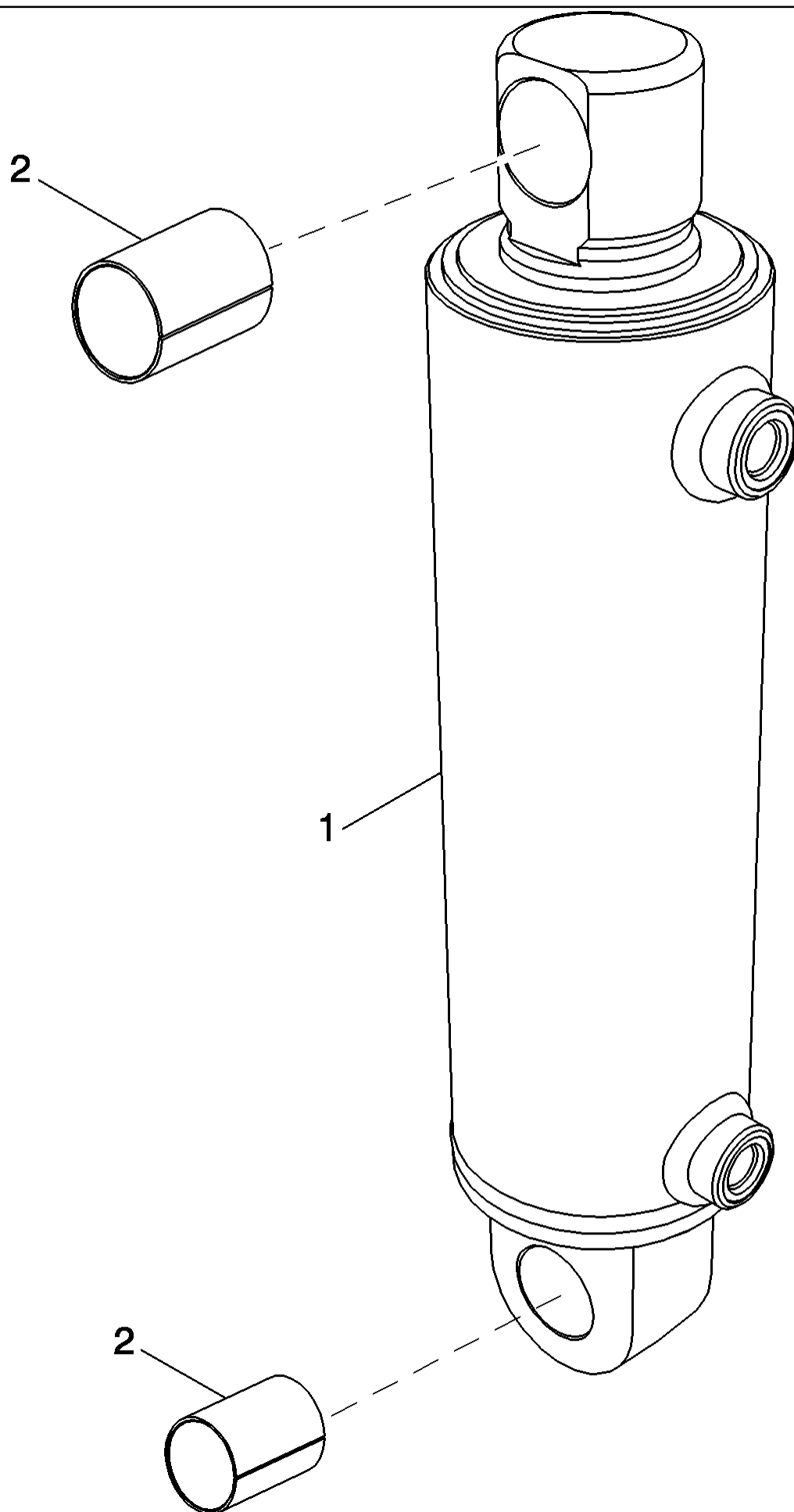
сылка	Номер детали	Кол-во	Описание
1	275182A2	3-5	COUPLING, PUSH-PULL, Inc. 2 - 15
2	700-103	2	CONNECTOR, HYD., 1"-14 ORFS x M22 x 1.5 ORB, Incl. 3 - 5
3	637-63193	1	O-RING, CI 6, 19.3MM ID x 2.2 Thk,
4	NSS	1	NOT SERVICED SEPARATELY, CONNECTOR
5	238-6016	1	O-RING, -016, 90 Duro, .614" ID x .070" Thk,
6	NSS	1	NOT SERVICED SEPARATELY, BODY
7	86026209	2	BODY, Cartridge
8	345192A1	2	SEAL,
9	100-28162	2	RING, SNAP, 1.625", Int, #162,
10	93330C1	2	SPRING, VALVE,
11	345193A1	1	KIT, SEALS, Inc. 8, 12, 13
12	238-5027	4	O-RING, -027, 70 Duro, 1.301" ID x .070" Thk,
13	93332C1	4	SEAL ASSY.,
14	93329C2	1	SPRING,
15	361880A1	1	RETAINER,



MAGNUM 335 CASE IH TRACTOR (NA)

08-30 CYLINDER ASSEMBLY - HITCH (90 MM)

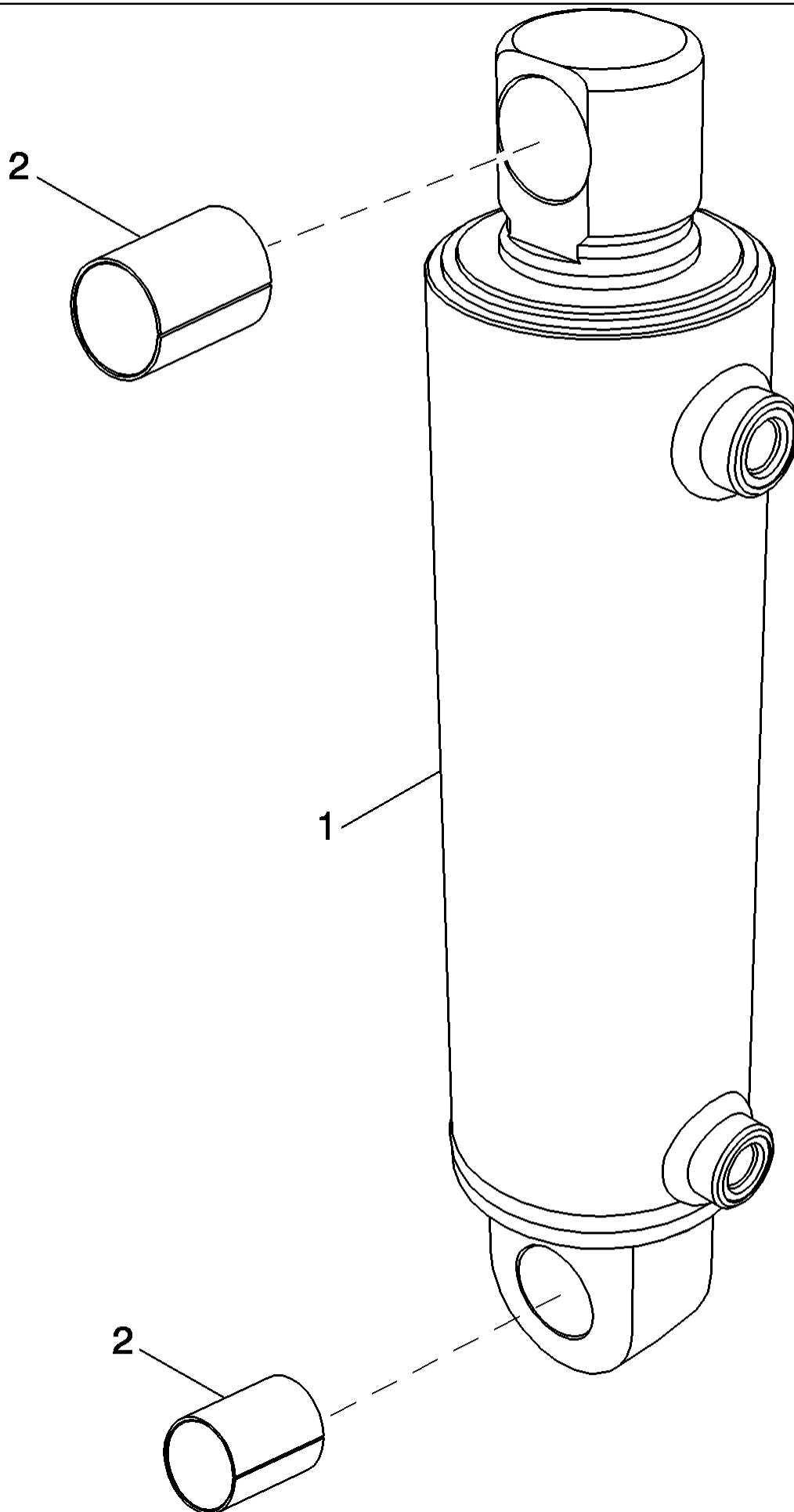
сылка	Номер детали	Кол-во	Описание
1	87542724	1	CYLINDER, 90 mm ID x 105 mm OD x 260 mm Stroke, Part Number Stamped on Cylinder, Inc. 2 - 5
2	237443A1	2	BUSHING,
3	87708867	1	KIT, SEALS, (Not Shown)
4	87708870	1	RING, (Not Shown)
5	87708871	1	RING, (Not Shown)



MAGNUM 335 CASE IH TRACTOR (NA)

08-31 CYLINDER ASSEMBLY - HITCH (95 MM)

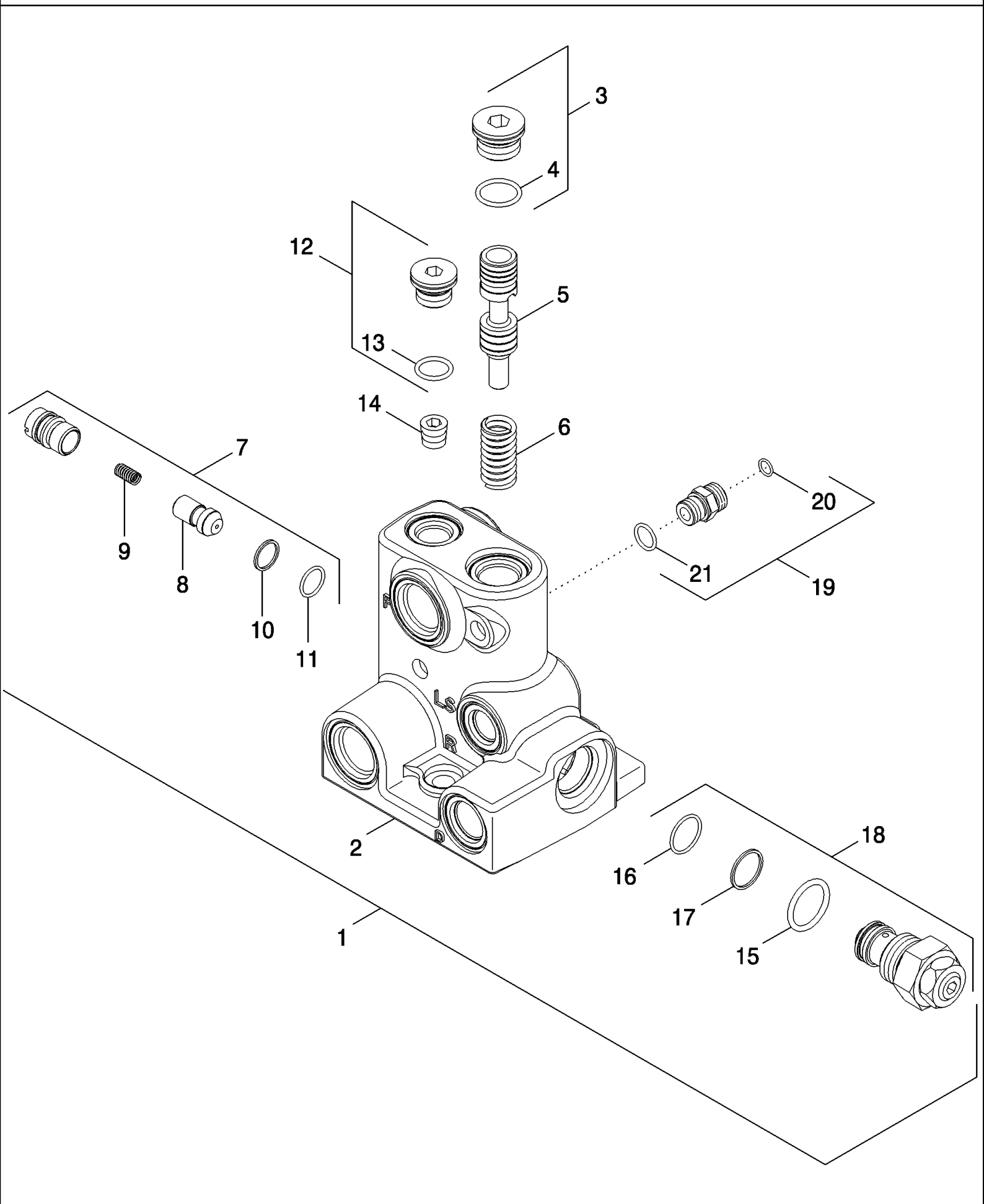
сылка	Номер детали	Кол-во	Описание
1	87542725	1	CYLINDER, 95 mm ID x 111 mm OD x 260 mm Stroke, Part Number Stamped on Cylinder, Inc. 2 - 5
2	237443A1	2	BUSHING,
3	87708872	1	KIT, SEALS, (Not Shown)
4	87708873	1	RING, (Not Shown)
5	87708874	1	RING, (Not Shown)



MAGNUM 335 CASE IH TRACTOR (NA)

08-32 CYLINDER ASSEMBLY - HITCH (105 MM) - MX275, 305, MAGNUM 275, 305 AND 335

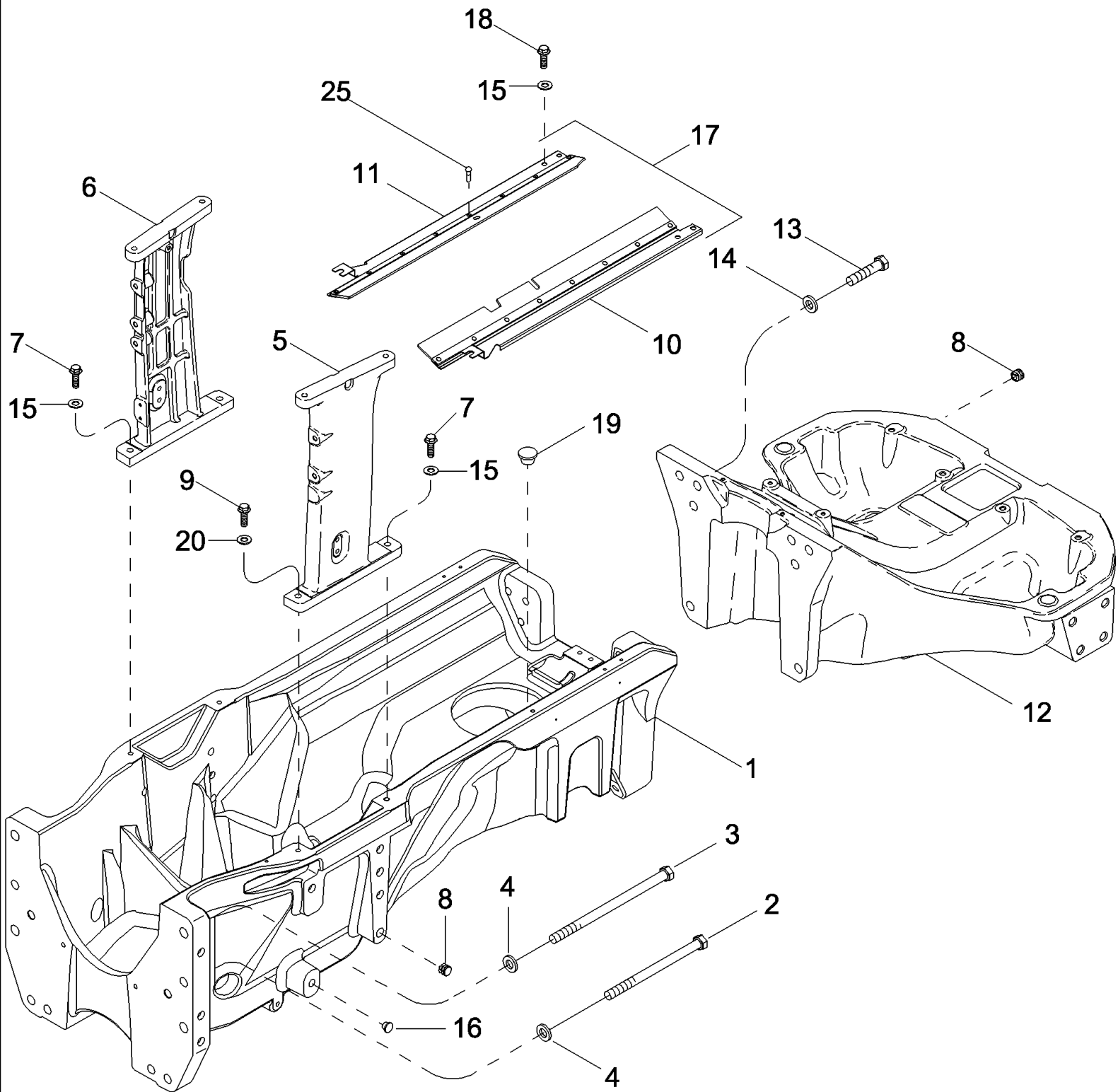
сылка	Номер детали	Кол-во	Описание
1	87542726	1	CYLINDER, 105 mm ID x 120 mm OD x 260 mm Stroke, Part Number Stamped on Cylinder, Inc. 2 - 5
2	237443A1	2	BUSHING,
3	87708875	1	KIT, SEALS, (Not Shown)
4	87708876	1	RING, (Not Shown)
5	87708877	1	RING, (Not Shown)



MAGNUM 335 CASE IH TRACTOR (NA)

08-33 POWER BEYOND VALVE ASSEMBLY

сылка	Номер детали	Кол-во	Описание
1	87338964	1	VALVE, HYDRAULIC, Power Beyond, Inc. 1 - 21
2	NSS	1	NOT SERVICED SEPARATELY, BODY
3	221579A1	1	PLUG, Hex Soc, M22 x 1.5, ORB, Incl. 4
4	637-63193	1	O-RING, CI 6, 19.3MM ID x 2.2 Thk,
5	86990388	1	SPOOL,
6	87441634	1	SPRING,
7	1542563C1	1	VALVE, CHECK, Inc. 8 - 11
8	1543329C1	1	POPPET, VALVE,
9	NSS	1	NOT SERVICED SEPARATELY, SPRING
10	238-6015	1	O-RING, -015, 90 Duro, .551" ID x .070" Thk,
11	G108723	1	RING, Back Up
12	221578A1	1	PLUG, Hex Soc, M18 x 1.5, ORB, Incl. 13
13	637-63153	1	O-RING, CI 6, 15.3MM ID x 2.2 Thk,
14	217-432	1	PLUG, Hex Soc, 1/4"-18,
15	237-6012	1	O-RING, 12-1, 90 Duro, .924 ID x .118" Thk,
16	238-6018	1	O-RING, -018, 90 Duro, .739" ID x .070" Thk,
17	G35540	1	RING, Back-Up
18	315796A1	1	VALVE, PRESSURE RELIEF, Inc. 15 - 17
19	87376154	1	CONNECTOR, HYD., Orifice, Special, Inc. 20, 21
20	238-6012	1	O-RING, -012, 90 Duro, .364" ID x .070" Thk,
21	637-63153	1	O-RING, CI 6, 15.3MM ID x 2.2 Thk,

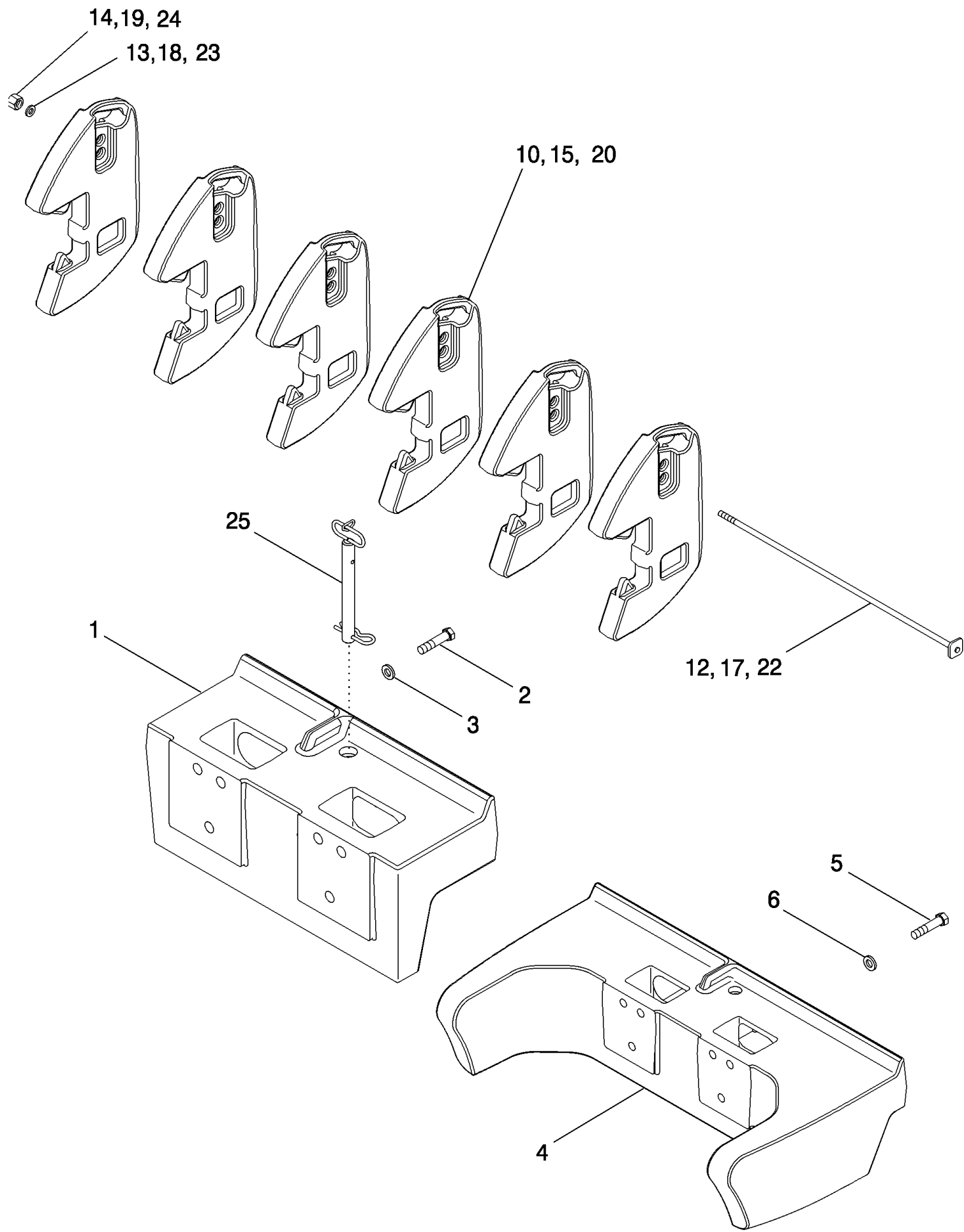


MAGNUM 335 CASE IH TRACTOR (NA)

09-01 FRONT FRAME

сылка	Номер детали	Кол-во	Описание
1	87743762	1	FRAME,
2	253636A1	4	SCREW, M20 x 275; 10,9
3	249541A1	6	SCREW, M20 x 340; 10,9
4	396-31081	10	WASHER, 13/16" x 1 1/2" x .219", HDN,
5	87545060	1	FRAME, Hood Support, Right Hand
6	87366255	1	FRAME, Hood Support, Left Hand
7	86978779	3	BOLT, Hex Flg, M12 x 40, 10.9,
8	305138A1	12	PLUG,
9	844-12050	1	BOLT, Hex Flg, M12 x 50, 8.8,
10	84138503	1	GUARD, Right Hand, Inc. 25
11	87547675	1	GUARD, Left Hand, Inc. 25
12	87703127	1	FRAME, Extension
13	258504A1	8	SCREW, M20 x 90; 10,9
14	396-31081	8	WASHER, 13/16" x 1 1/2" x .219", HDN,
15	896-11012	6	WASHER, M13.5 x 24.5 x 3, HT,
16	128209A1	4	PLUG,
17	719973016	1	DIA KIT, ADDITIONAL PROD., Debris Guard, Inc. 10, 11
18	555-1	4	BOLT, Hex Flg, M8 x 16, 8.8,
19	844-10020	1	BOLT, Hex Flg, M10 x 20, 8.8, (Not Shown)
20	896-15012	1	WASHER, M12 x 28.5 x 4, HT,
21	614-8016	1	BOLT, Hex, M8 x 16, 8.8, (Not Shown)
22	353-401	5	PLUG, Dome, .312" hole, Nylon, (Not Shown), Use When Radar Option Is Not Used
23	353-79	6	PLUG, (Not Shown)
24	339158A1	2	PLUG, (Not Shown)
25	87025725	8	RIVET,

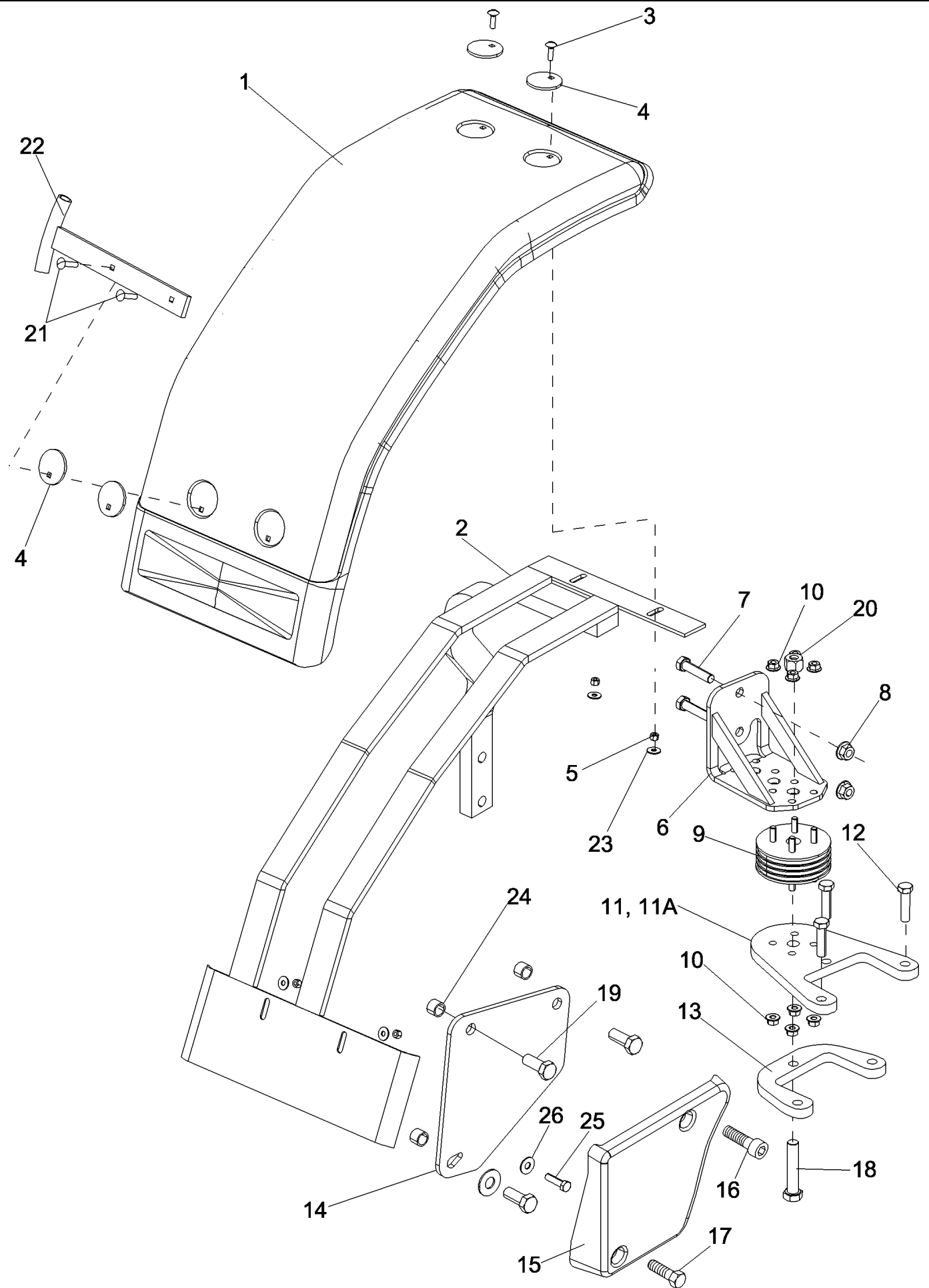
09-02 FRONT WEIGHTS



MAGNUM 335 CASE IH TRACTOR (NA)

09-02 FRONT WEIGHTS

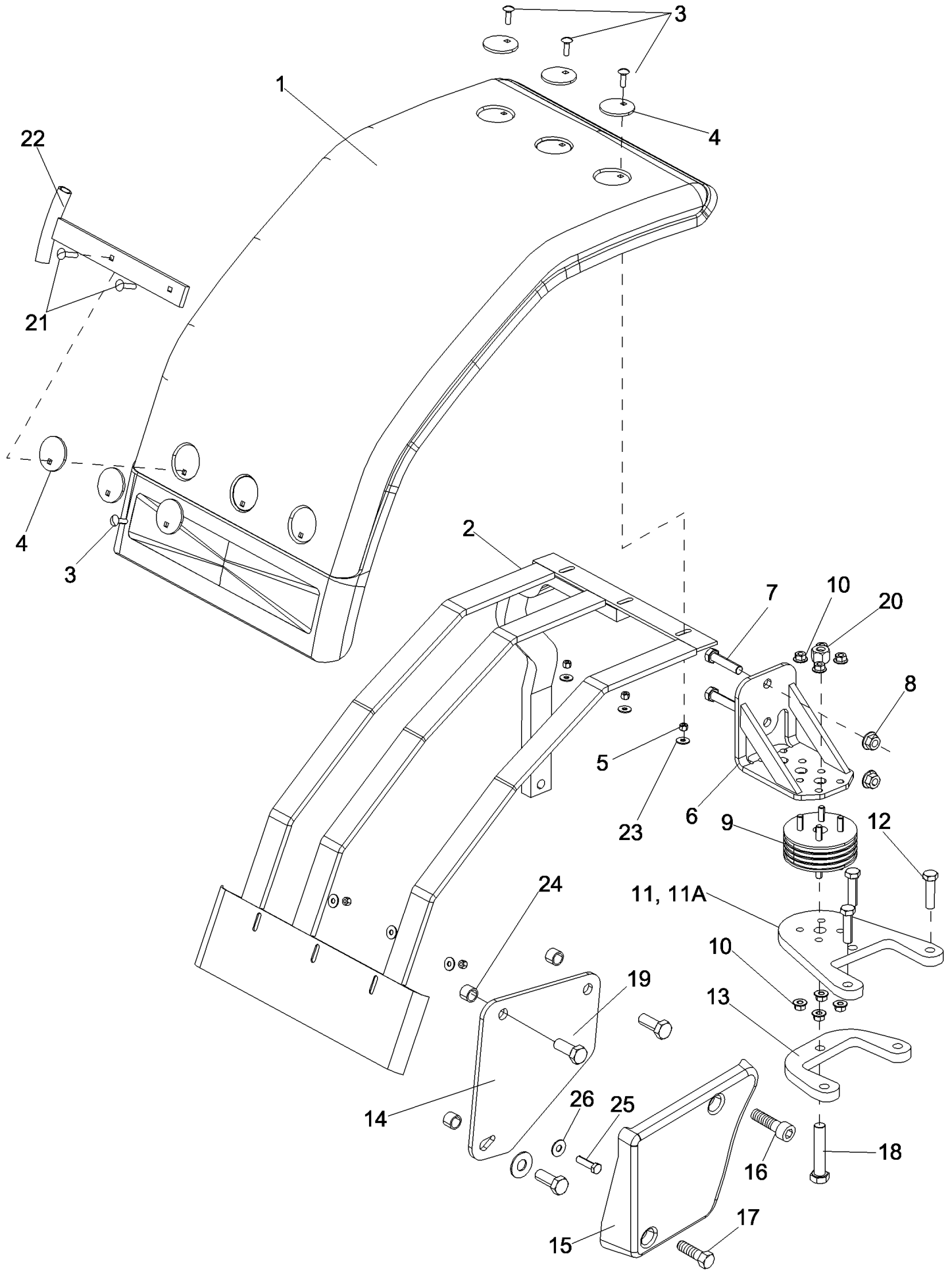
сылка	Номер детали	Кол-во	Описание
	REF	1	INSTRUCTION, SMALL SUPPORT, Inc. 1 - 3, Order 87435002 From Machinery Price List
1	87448319	1	BRACKET, Small
2	258504A1	6	SCREW, M20 x 90; 10,9
3	396-31081	6	WASHER, 13/16" x 1 1/2" x .219", HDN,
	REF	1	INSTRUCTION, LARGE SUPPORT, Inc. 4 - 6, Order 87435001 From Machinery Price List
4	87448323	1	CARRIER, WEIGHTS, Large
5	258504A1	6	SCREW, M20 x 90; 10,9
6	396-31081	6	WASHER, 13/16" x 1 1/2" x .219", HDN,
	719669016	1	DIA KIT, ADDITIONAL PROD., 270 Kg (600 lb), Inc. 10 - 14, Order From Machinery Price List
10	405846A3	6	WEIGHT, , Order From Machinery Price List
12	87307687	1	THREADED ROD, 13.28 Inches
13	896-15016	1	WASHER, M17.5 x 34 x 5, HT,
14	832-10416	1	NUT, LOCK, M16 x 2, CI 8,
	719670016	1	DIA KIT, ADDITIONAL PROD., 454 Kg (1000 lb), Inc. 15 - 19, Order From Machinery Price List
15	405846A3	10	WEIGHT, , Order From Machinery Price List
17	87307686	1	TRUSS ROD, 22.26 Inches
18	896-16016	1	WASHER, M16 x 34.5 x 5, HT,
19	832-10416	1	NUT, LOCK, M16 x 2, CI 8,
	719671016	1	DIA KIT, ADDITIONAL PROD., 815 Kg (1800 lb), Inc. 20 - 24, Order From Machinery Price List
20	405846A3	18	WEIGHT, , Order From Machinery Price List
22	87307685	1	TRUSS ROD, 40.22 Inches
23	896-16016	1	WASHER, M16 x 34.5 x 5, HT,
24	832-10416	1	NUT, LOCK, M16 x 2, CI 8,
25	297750A2	1	PIN,
26	87650521	18	WEIGHT, 54.5 Kg (120 lb), Magnum 335
27	87307685	1	TRUSS ROD, 40.22 Inches, Magnum 335
28	896-15016	1	WASHER, M17.5 x 34 x 5, HT, , Magnum 335
29	832-10416	1	NUT, LOCK, M16 x 2, CI 8, , Magnum 335



MAGNUM 335 CASE IH TRACTOR (NA)

09-04 FENDERS - FRONT, NARROW

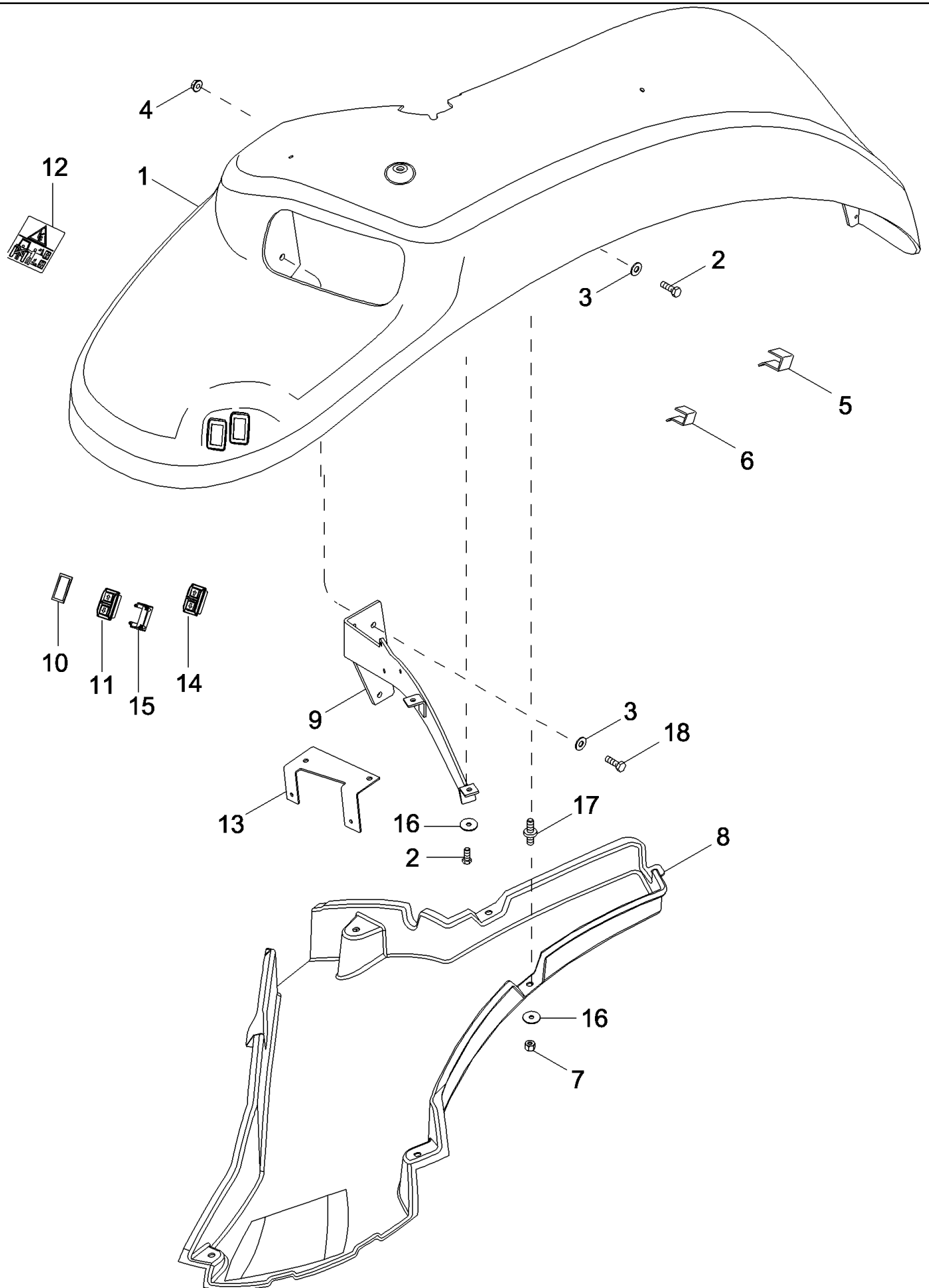
сылка	Номер детали	Кол-во	Описание
1	1340664C1	2	FENDER, Narrow
2	244759A2	1	SUPPORT ASSY., Right Hand, Shown
2	244760A2	1	SUPPORT ASSY., Left Hand
3	612-6	4	BOLT, CARRIAGE, Short NK, M8 x 30, CI4.6, Full Thd,
4	1340559C2	8	WASHER, 2-1/2
5	832-10408	8	NUT, LOCK, M8 x 1.25, CI 8,
6	87427813	2	SUPPORT,
7	827-16070	4	BOLT, Hex, M16 x 70, 10.9,
8	825-51416	4	NUT, Flg, M16, Serr,
9	226690A2	2	PAD, RUBBER,
10	825-2412	16	NUT, M12 x 1.75, Flg, CI 8,
11	87437820	2	SUPPORT, , MX215, 245, 275, 305, Magnum 215, 245, 275, and 305
11A	87716500	2	SUPPORT, , Magnum 335
12	627-16040	8	BOLT, Hex, M16 x 40, 10.9, , MX215, 245, 275, 305, Magnum 215, 245, 275, and 305
12	627-16060	6	BOLT, Hex, M16 x 60, 10.9, Full Thd, , Magnum 335
13	87716498	2	SUPPORT, , Magnum 335
14	84127470	2	PAD, , Magnum 335
15	253850A1	1	BUMPER, Right Hand, Shown
15	255685A1	1	BUMPER, Left Hand
16	565-111	2	SCREW, Hex Soc Hd, M20 x 40, 8.8,
17	555-6	2	BOLT, Hex Flg, M12 x 25, 8.8, Full Thd,
18	827-20100	2	BOLT, Hex, M20 x 100, 10.9,
19	9847023	4	BOLT, Hex, M20 x 50, 8.8, , Magnum 335
20	832-10420	2	NUT, LOCK, M20 x 2.5, CI 8,
21	612-7	4	BOLT, CARRIAGE, M8 x 40, 4.6,
22	87319913	2	BAR,
23	895-25008	8	WASHER, M8 x 20 x 1.6,
24	84142777	6	SPACER, , Magnum 335
25	120080	2	BOLT, , Magnum 335
26	495-21050	2	WASHER, 7/16", , Magnum 335



MAGNUM 335 CASE IH TRACTOR (NA)

09-05 FENDERS - FRONT, WIDE

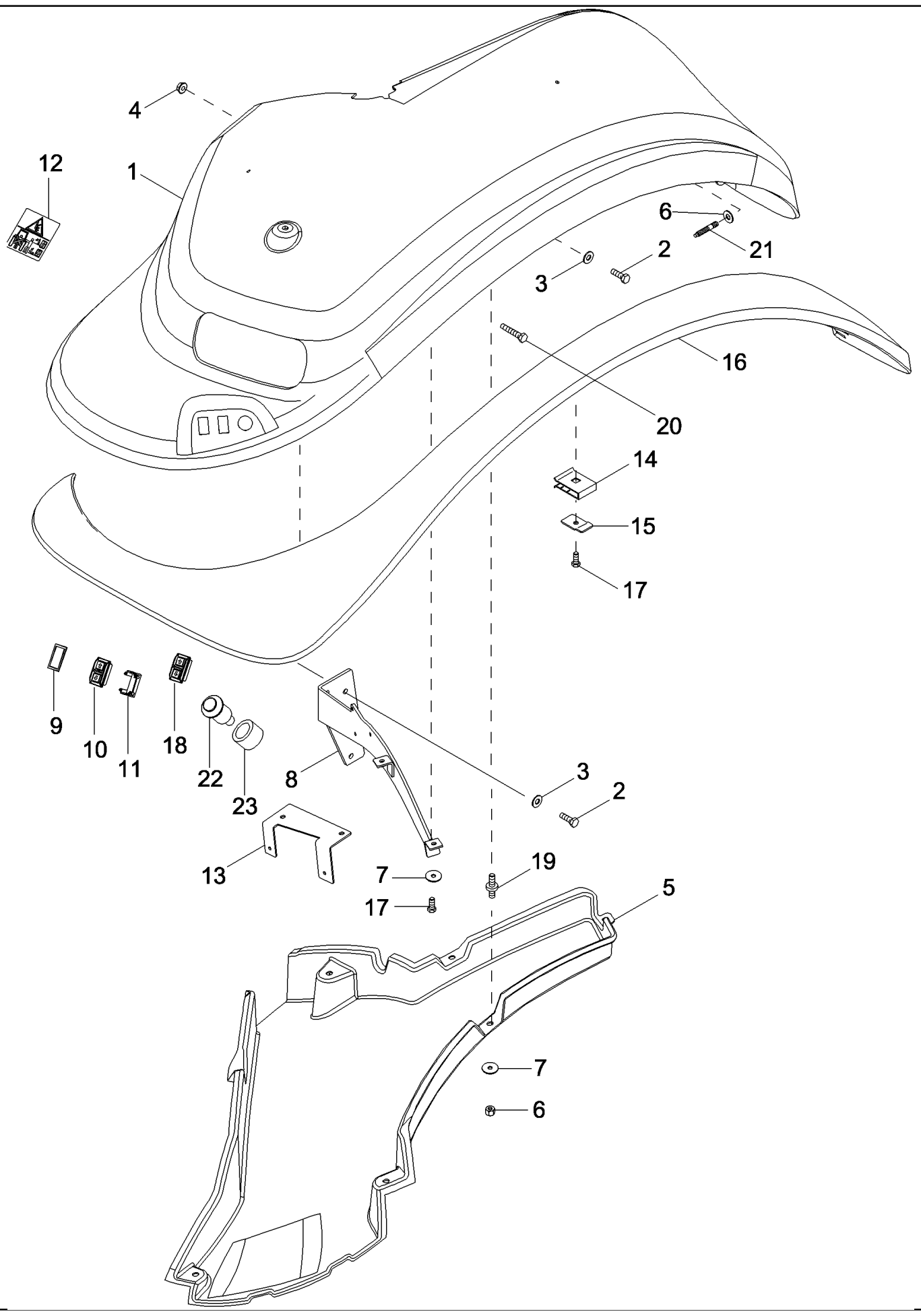
сылка	Номер детали	Кол-во	Описание
1	122212A1	2	FENDER, 600 mm, Wide
2	244031A3	1	SUPPORT ASSY., Right Hand, Shown
2	244030A3	1	SUPPORT ASSY., Left Hand
3	612-6	8	BOLT, CARRIAGE, Short NK, M8 x 30, CI4.6, Full Thd,
4	1340559C2	12	WASHER, 2-1/2
5	832-10408	12	NUT, LOCK, M8 x 1.25, CI 8,
6	87427813	2	SUPPORT,
7	827-16070	4	BOLT, Hex, M16 x 70, 10.9,
8	825-51416	4	NUT, Flg, M16, Serr,
9	226690A2	2	PAD, RUBBER,
10	825-2412	16	NUT, M12 x 1.75, Flg, CI 8,
11	87437820	2	SUPPORT, , MX215, 245, 275, 305, Magnum 215, 245, 275, and 305
11A	87716500	2	SUPPORT, , Magnum 335
12	627-16040	8	BOLT, Hex, M16 x 40, 10.9, , MX215, 245, 275, 305, Magnum 215, 245, 275, and 305
12	627-16060	6	BOLT, Hex, M16 x 60, 10.9, Full Thd, , Magnum 335
13	87716498	2	SUPPORT, , Magnum 335
14	84127470	2	PAD, , Magnum 335
15	253850A1	1	BUMPER, Right Hand, Shown
15	255685A1	1	BUMPER, Left Hand
16	565-111	2	SCREW, Hex Soc Hd, M20 x 40, 8.8,
17	555-6	2	BOLT, Hex Flg, M12 x 25, 8.8, Full Thd,
18	827-20100	2	BOLT, Hex, M20 x 100, 10.9,
19	9847023	4	BOLT, Hex, M20 x 50, 8.8, , Magnum 335
20	832-10420	2	NUT, LOCK, M20 x 2.5, CI 8,
21	612-7	4	BOLT, CARRIAGE, M8 x 40, 4.6,
22	87319913	2	BAR,
23	895-25008	12	WASHER, M8 x 20 x 1.6,
24	84142777	6	SPACER, , Magnum 335
25	120080	2	BOLT, , Magnum 335
26	495-21050	2	WASHER, 7/16", , Magnum 335



MAGNUM 335 CASE IH TRACTOR (NA)

09-06 FENDERS - REAR, NARROW

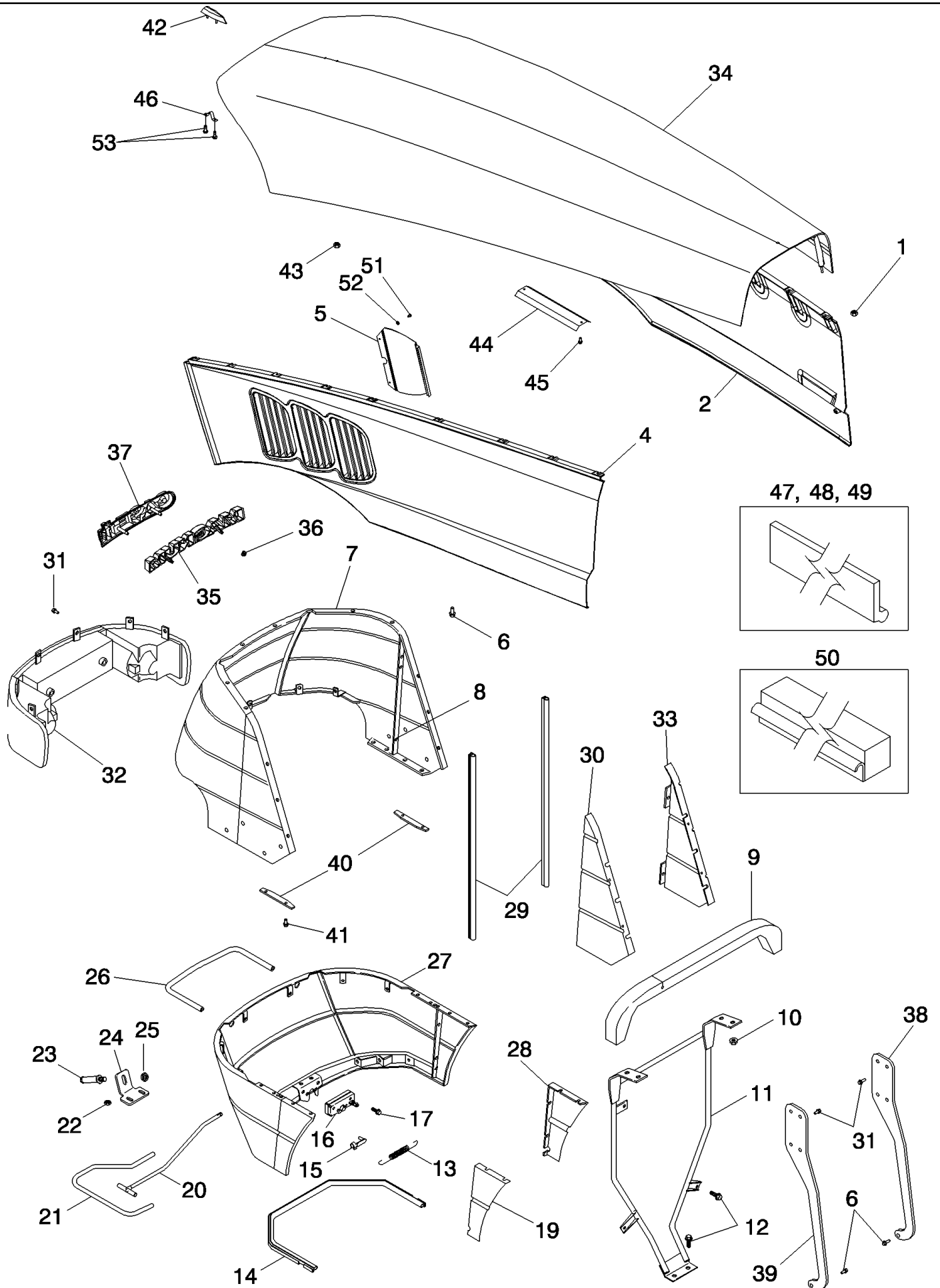
сылка	Номер детали	Кол-во	Описание
1	87703693	1	FENDER, Right Hand, Shown
1	87703696	1	FENDER, Left Hand
2	614-8025	12	BOLT, Hex, M8 x 25, 8.8,
3	895-15008	16	WASHER, M8 x 20 x 1.6,
4	825-2408	12	NUT, M8 x 1.25, Flg, Cl 8,
5	302404A1	4	CLIP, ELECTRICAL, Short
6	302405A1	18	CLIP, ELECTRICAL, Long
7	832-10408	10	NUT, LOCK, M8 x 1.25, Cl 8,
8	87315348	1	GUARD, Right Hand, Shown
8	87315349	1	GUARD, Left Hand
9	87315346	1	SUPPORT, Right Hand, Shown
9	87315347	1	SUPPORT, Left Hand
10	221654A1	2	PLUG, Without Remote Hitch Switch
11	87452577	2	SWITCH, Remote Hitch, Up/Down
12	82030732	1	DECAL, Right Hand, Shown
12	82030732	1	DECAL, Left Hand
13	87379656	1	BRACKET, Right Hand, Shown
13	87379657	1	BRACKET, Left Hand
14	87454596	2	SWITCH, Remote Upper Link
15	220416A2	2	CLAMP,
16	895-25008	10	WASHER, M8 x 20 x 1.6,
17	237275A1	16	STUD,
18	614-8035	6	BOLT, Hex, M8 x 35, 8.8,



MAGNUM 335 CASE IH TRACTOR (NA)

09-07 FENDERS - REAR, WIDE

сылка	Номер детали	Кол-во	Описание
1	87703701	1	FENDER, Right Hand, (Shown)
1	87703704	1	FENDER, Left Hand
2	614-8025	10	BOLT, Hex, M8 x 25, 8.8,
3	895-15008	14	WASHER, M8 x 20 x 1.6,
4	825-2408	10	NUT, M8 x 1.25, Flg, Cl 8,
5	87710353	1	HOUSING, Right Hand, (Shown)
5	87703709	1	HOUSING, Left Hand
6	832-10408	20	NUT, LOCK, M8 x 1.25, Cl 8,
7	895-25008	24	WASHER, M8 x 20 x 1.6,
8	87710393	1	SUPPORT, Right Hand, (Shown)
8	87703723	1	SUPPORT, Left Hand
9	221654A1	2	PLUG, Without Hitch Switch
10	87452577	2	SWITCH, Remote Hitch, UP/Down
11	220416A2	2	CLAMP,
12	82030732	1	DECAL, Right Hand, (Shown)
12	82030732	1	DECAL, Left Hand
13	87739798	1	BRACKET, Right Hand, (Shown)
13	87739799	1	BRACKET, Left Hand
14	87331566	30	CLIP, SPRING,
15	87331565	10	STOP,
16	87331561	1	EXTENSION, FENDER, Right Hand, (Shown)
16	87331562	1	EXTENSION, FENDER, Left Hand
17	614-8035	6	BOLT, Hex, M8 x 35, 8.8,
18	87454596	2	SWITCH, Remote Upper Link
19	237275A1	20	STUD,
20	614-8030	2	BOLT, Hex, M8 x 30, 8.8,
21	87477361	2	STUD,
22	82025543	2	SWITCH, Remote PTO
23	82013932	2	PANEL, PTO Remote Switch



MAGNUM 335 CASE IH TRACTOR (NA)

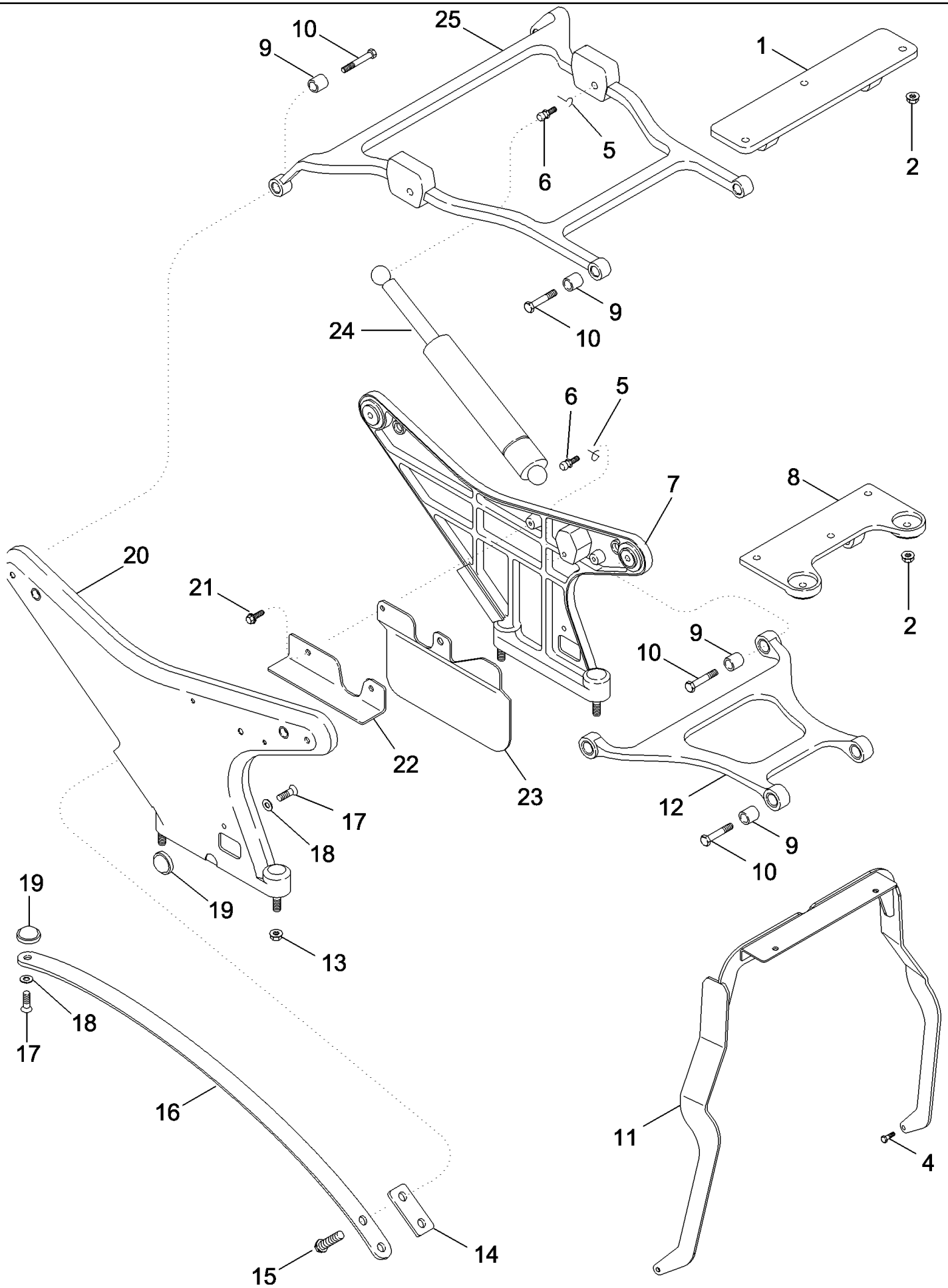
09-08 HOOD - TILTING

сылка	Номер детали	Кол-во	Описание
1	825-2406	18	NUT, M6 x 1, Flg, CI 8,
2	87531726	1	PANEL, Hood Right Hand Side, Inc. 3 ,51 ,52
3	87325986	1	GUARD, Right Hand, (Not Shown)
4	87531725	1	PANEL, Hood Left Hand Side, Inc. 5 ,51 ,52
5	87325983	1	GUARD, Left Hand
6	844-6012	10	BOLT, Hex Flg, M6 x 12, 8.8,
7	87369348	1	GRILLE, Upper Right, BSN Z6RZ04001
7	87565202	1	GRILLE, Upper Right, ASN Z6RZ04001
8	369929A1	12	FASTENER,
9	87325973	1	SEAL, Hood
10	825-2408	4	NUT, M8 x 1.25, Flg, CI 8,
11	87685353	1	SUPPORT,
12	555-1	6	BOLT, Hex Flg, M8 x 16, 8.8,
13	87455797	1	SPRING, TENSION, Latch
14	87374635	1	SEAL, Lower Grille
15	86987940	1	CLIP,
16	87454541	1	LATCH, Hood Release
17	844-6020	4	BOLT, Hex Flg, M6 x 20, 8.8,
19	87369357	1	PANEL, INSULATING, Lower Left
20	87595777	1	ROD, Latch
21	87617635	1	HANDLE, Hood Lift
22	825-2410	6	NUT, M10 x 1.5, Flg, CI 8,
23	301081A1	1	SCREW, Striker
24	87312069	1	PLATE, STRIKER,
25	825-2412	1	NUT, M12 x 1.75, Flg, CI 8,
26	87617634	1	HANDLE, Hood
27	87617632	1	GRILLE, Lower
28	87369358	1	PANEL, INSULATING, Lower Right
29	87340054	2	SEAL, Side
30	87369354	1	PANEL, Upper Left
31	844-6016	24	BOLT, Hex Flg, M6 x 16, 8.8,
32	REF	1	INSTRUCTION, HEADLAMPS, See Figure 04-28, 04-29
33	87369355	1	PANEL, Upper
34	87327547	1	PANEL, Hood Upper, Inc. 42 - 45
35	87456423	1	EMBLEM, Magnum, BSN Z6RZ04001
36	131-431	2	NUT, LOCK, Self, Threading, 1/4",
37	87716230	1	EMBLEM, CASE-IH, ASN Z6RZ04001
38	87385055	1	BRACKET, Support, RH
39	87385054	1	BRACKET, Support, LH
40	87367909	2	WEAR STRIP,
41	844-6025	10	BOLT, Hex Flg, M6 x 25, 8.8,
42	87353799	1	GUIDE, Hood Sight
43	131-431	2	NUT, LOCK, Self, Threading, 1/4",
44	87327364	1	GUIDE, Spring
45	779-14613	2	SCREW, SELF TAPPING, Hex Hd, M6.3 x 13,

MAGNUM 335 CASE IH TRACTOR (NA)

09-08 HOOD - TILTING

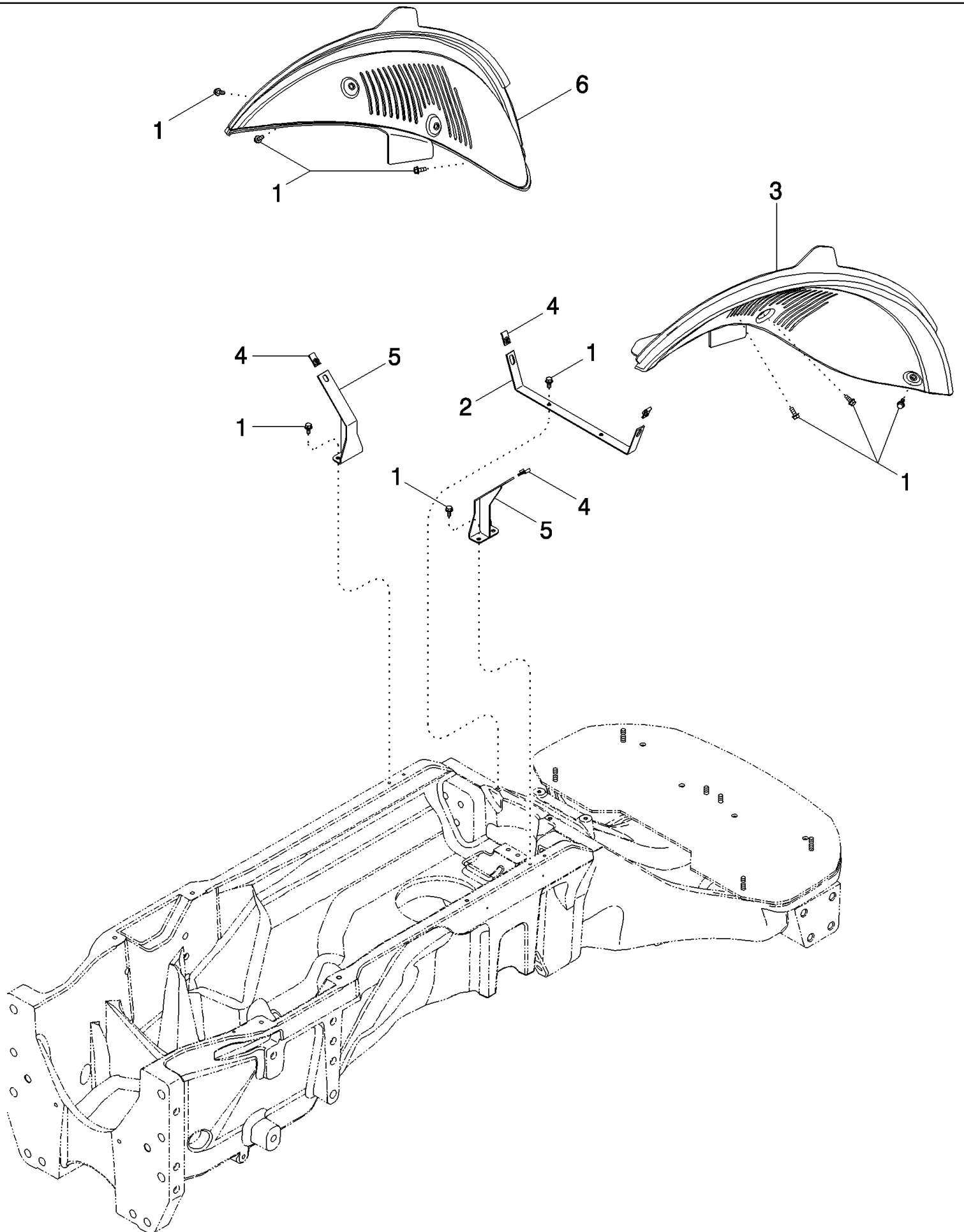
сылка	Номер детали	Кол-во	Описание
46	87493789	2	BRACKET, Grille Mounting
47	87394270	2	SEAL, Side, Top RH, Top LH
48	87394269	2	SEAL, Center, Top and Bottom
49	87394271	2	SEAL, Side, Bottom RH, Bottom LH
50	87394272	2	SEAL, Corner, Rear RH, Rear LH
51	779-14395	4	SCREW, SELF TAPPING,
52	895-11005	4	WASHER, M5 x 10 x 1,
53	87497514	4	SCREW, SELF TAPPING,



MAGNUM 335 CASE IH TRACTOR (NA)

09-09 HOOD - TILTING

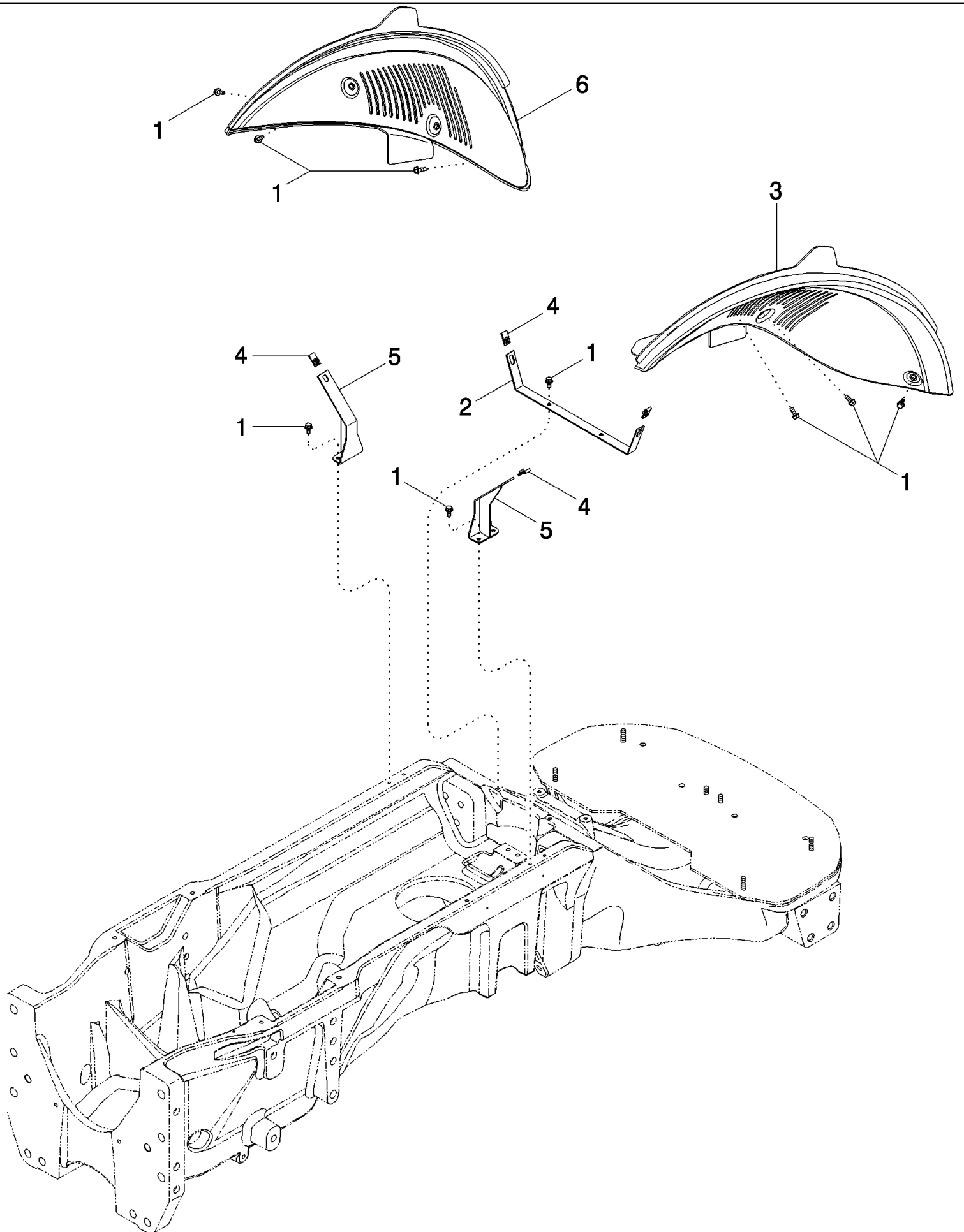
сылка	Номер детали	Кол-во	Описание
1	87376828	1	LINK,
2	825-2408	8	NUT, M8 x 1.25, Flg, CI 8,
4	844-6012	2	BOLT, Hex Flg, M6 x 12, 8.8,
5	87521455	4	CLIP, Retainer
6	87398921	4	BALL JOINT,
7	87524533	1	FRAME, Right Hand Upper
8	87399565	1	SUPPORT,
9	87343713	8	BUSHING,
10	844-12050	8	BOLT, Hex Flg, M12 x 50, 8.8,
11	87385049	1	SUPPORT, Rear Hood
12	87313669	1	LINK, Hood Support
13	825-2410	4	NUT, M10 x 1.5, Flg, CI 8,
14	87323621	1	PLATE, Leaf Spring Hood Assist
15	844-8025	2	BOLT, Hex Flg, M8 x 25, 8.8,
16	87371159	1	LEAF, SPRING, Hood Assist
17	87564727	3	BOLT,
18	81545	3	WASHER, LOCK, Ext Csk Tooth, 1/4",
19	87567203	3	KNOB,BALL, Hood Leaf Spring Slider
20	87524532	1	FRAME, Left Hand Upper
21	555-1	2	BOLT, Hex Flg, M8 x 16, 8.8,
22	87327363	1	SHIELD,
23	87517404	1	SHIELD, Flex Pipe Heat
24	87386500	2	GAS STRUT, Hood
25	87351237	1	LINK,



MAGNUM 335 CASE IH TRACTOR (NA)

09-10 FAN SHIELDS - BSN Z6RZ03644

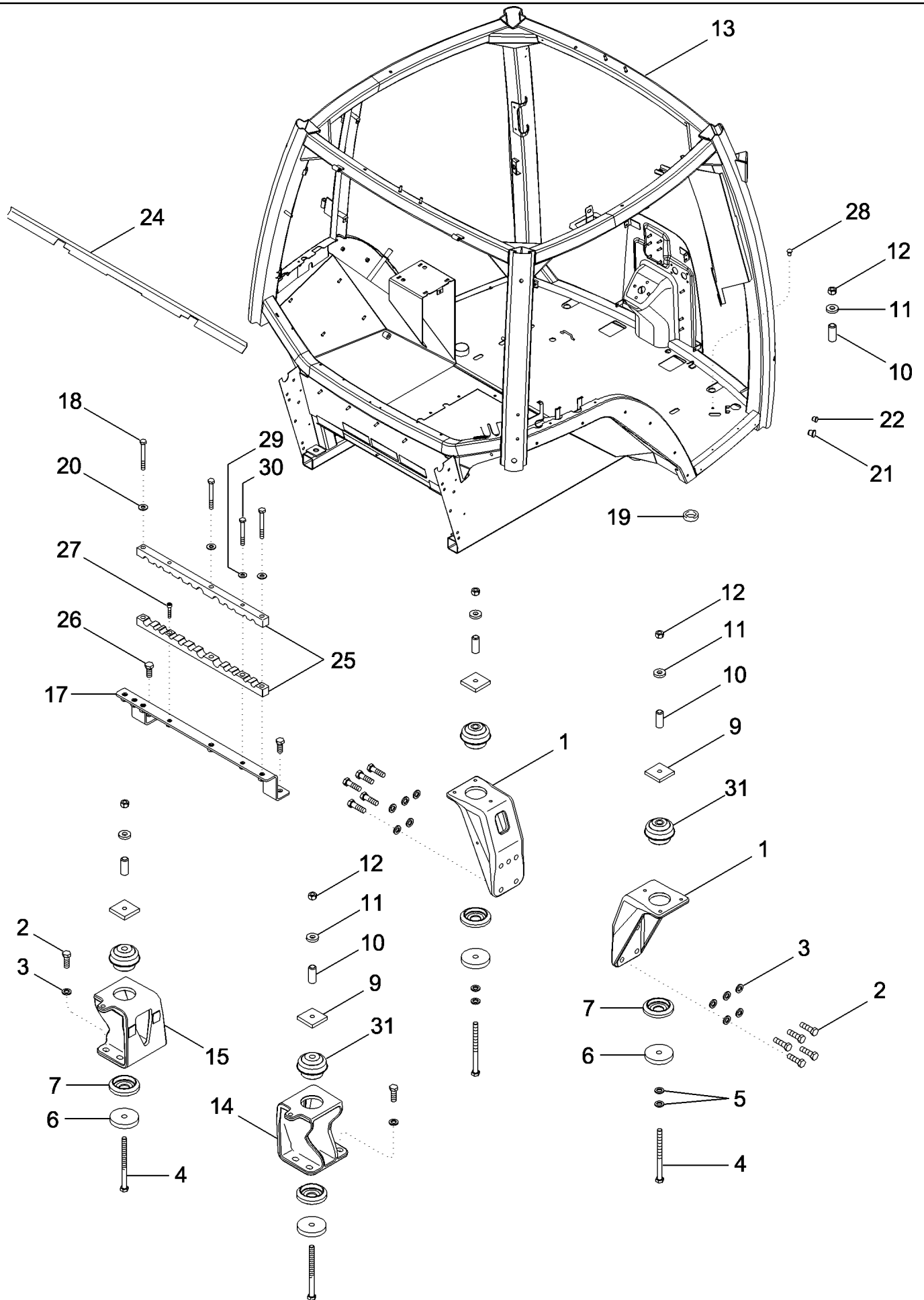
сылка	Номер детали	Кол-во	Описание
1	844-8020	12	BOLT, Hex Flg, M8 x 20, 8.8,
2	87443613	1	BRACKET,
3	87396012	1	PANEL, Right Hand
4	833-41308	6	NUT, M8, U,
5	87443614	2	BRACKET,
6	87396011	1	PANEL, Left Hand



MAGNUM 335 CASE IH TRACTOR (NA)

09-11 FAN SHIELDS - ASN Z6RZ03644

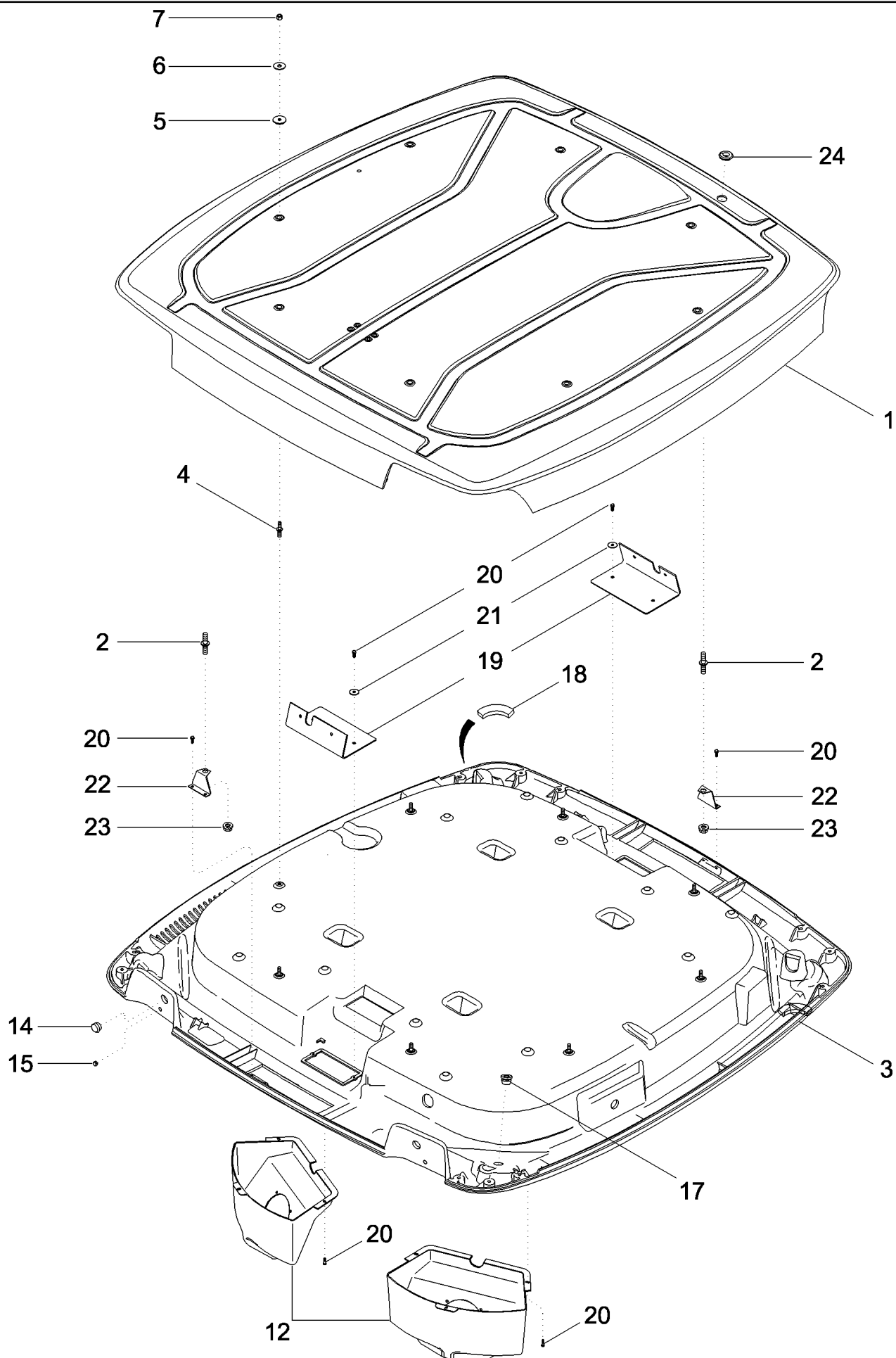
сылка	Номер детали	Кол-во	Описание
1	844-8020	6	BOLT, Hex Flg, M8 x 20, 8.8,
2	87443613	1	BRACKET,
3	87545429	1	PANEL, Right Hand
4	833-41308	4	NUT, M8, U,
5	87369105	2	BRACKET,
6	87545430	1	PANEL, Left Hand
7	87522731	2	BRACKET,
8	825-2408	4	NUT, M8 x 1.25, Flg, CI 8,
9	555-1	6	BOLT, Hex Flg, M8 x 16, 8.8,



MAGNUM 335 CASE IH TRACTOR (NA)

09-12 CAB - MOUNTING AND FRAME

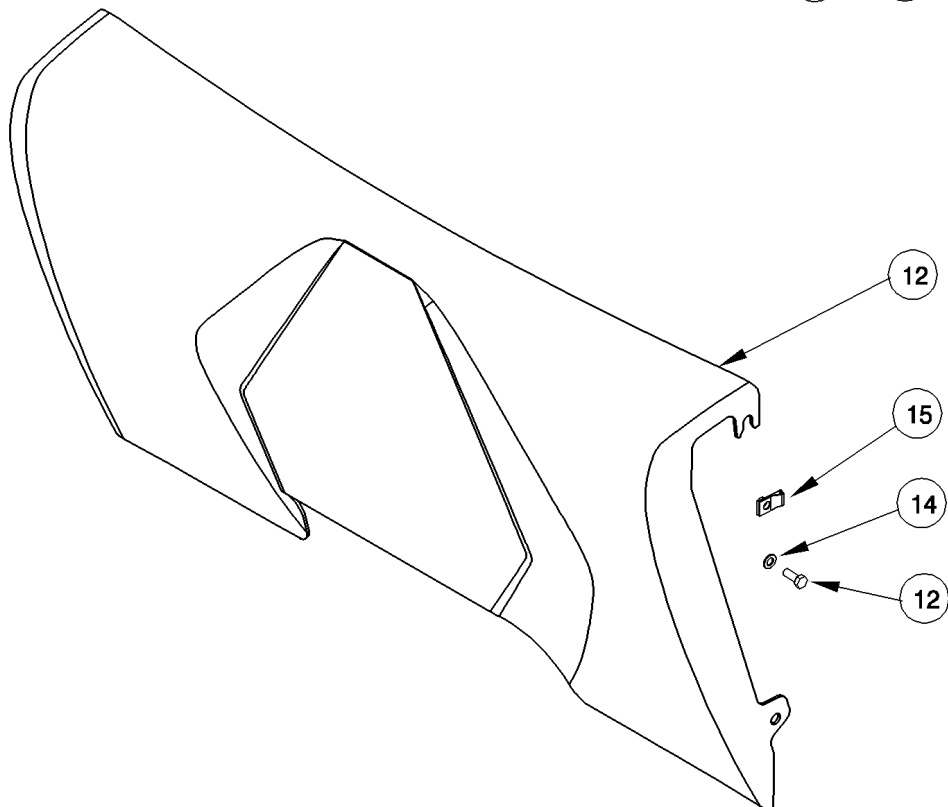
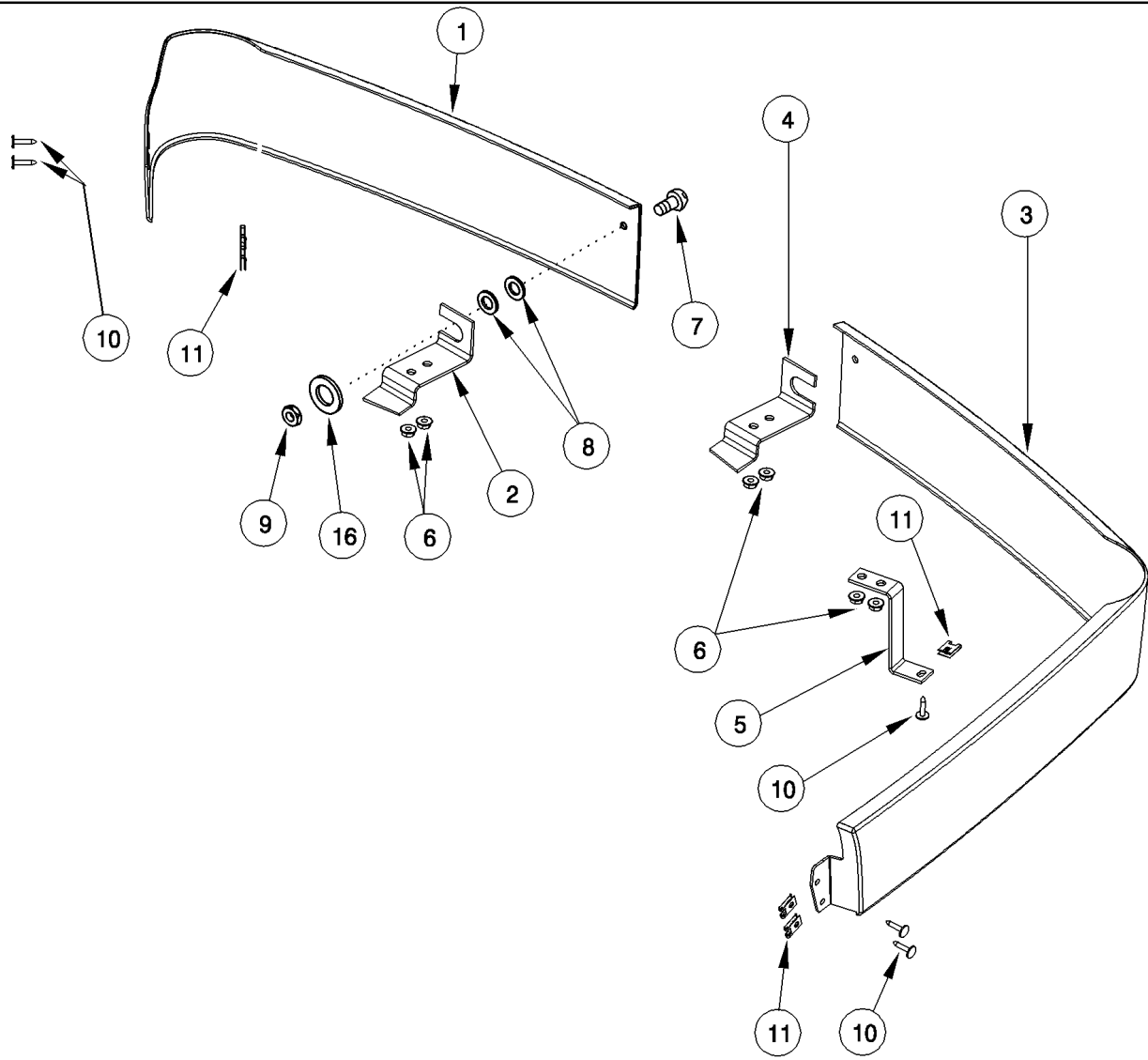
сылка	Номер детали	Кол-во	Описание
1	87522763	2	BRACKET, Cab Mount, Front
2	628-16045	18	BOLT, Hex, M16 x 45, 10.9, Full Thd,
3	896-12016	18	WASHER, M17.5 x 30 x 4, HT,
4	86987599	4	BOLT, M16 x 200
5	896-11016	4	WASHER, M17.5 x 30 x 4, HT, Front Mount
6	87562943	4	SPACER, 16 mm
7	1286903C1	4	INSULATOR BLOCK, Bottom
8	192337A1	2	INSULATOR, Top, Rear
9	86985936	4	PLATE,
10	184262A1	4	SPACER,
11	897278H1	4	WASHER,
12	829-1416	4	NUT, M16, CI 10,
13	NSS	1	NOT SERVICED SEPARATELY, Cab, Frame
14	87522765	1	BRACKET, Cab, Right Hand Rear
15	87522769	1	BRACKET, Cab, Left Hand Rear
17	87435455	1	BRACKET,
18	814-8060	3	BOLT, Hex, M8 x 60, 8.8,
19	182220A1	1	GROMMET,
20	895-15008	3	WASHER, M8 x 20 x 1.6,
21	128209A1	4	PLUG,
22	353-432	2	PLUG, 7/8" Hole, Nylon,
24	359321A1	1	GUARD,
25	87430951	1	BAR, Clamp, 2 Piece
26	615-10025	2	BOLT, Hex, M10 x 25, 8.8, Full Thd,
27	864-6030	1	SCREW, Hex Soc Hd, M6 x 30, 8.8,
28	441460A1	1	PLUG, 9.5 mm
29	814-6060	1	BOLT, Hex, M6 x 60, 8.8,
30	495-81107	1	WASHER, .281" x 7/8" x .060",
31	87677703	2	INSULATOR, Top, Front
32	1533637C1	5	PLUG, (Not Shown)



MAGNUM 335 CASE IH TRACTOR (NA)

09-13 CAB - ROOF

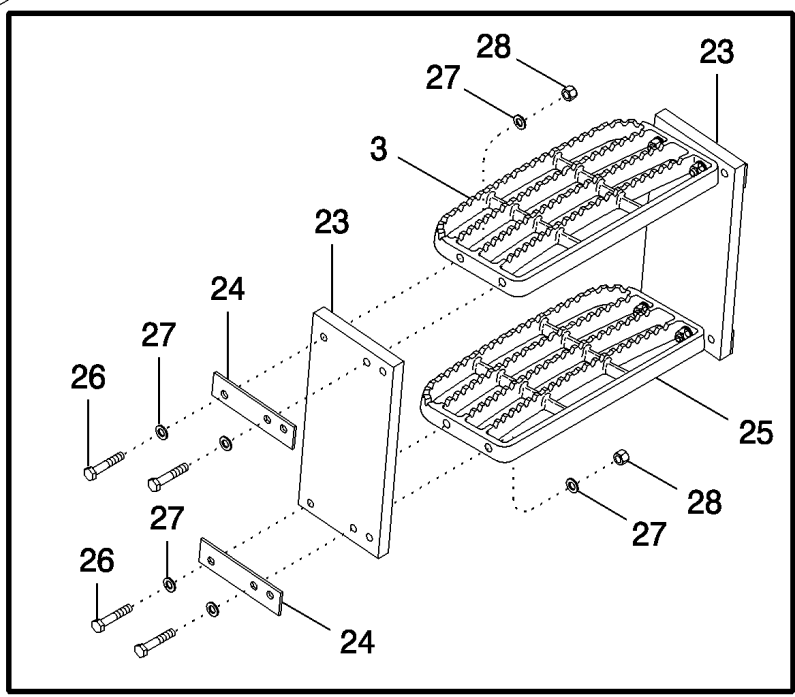
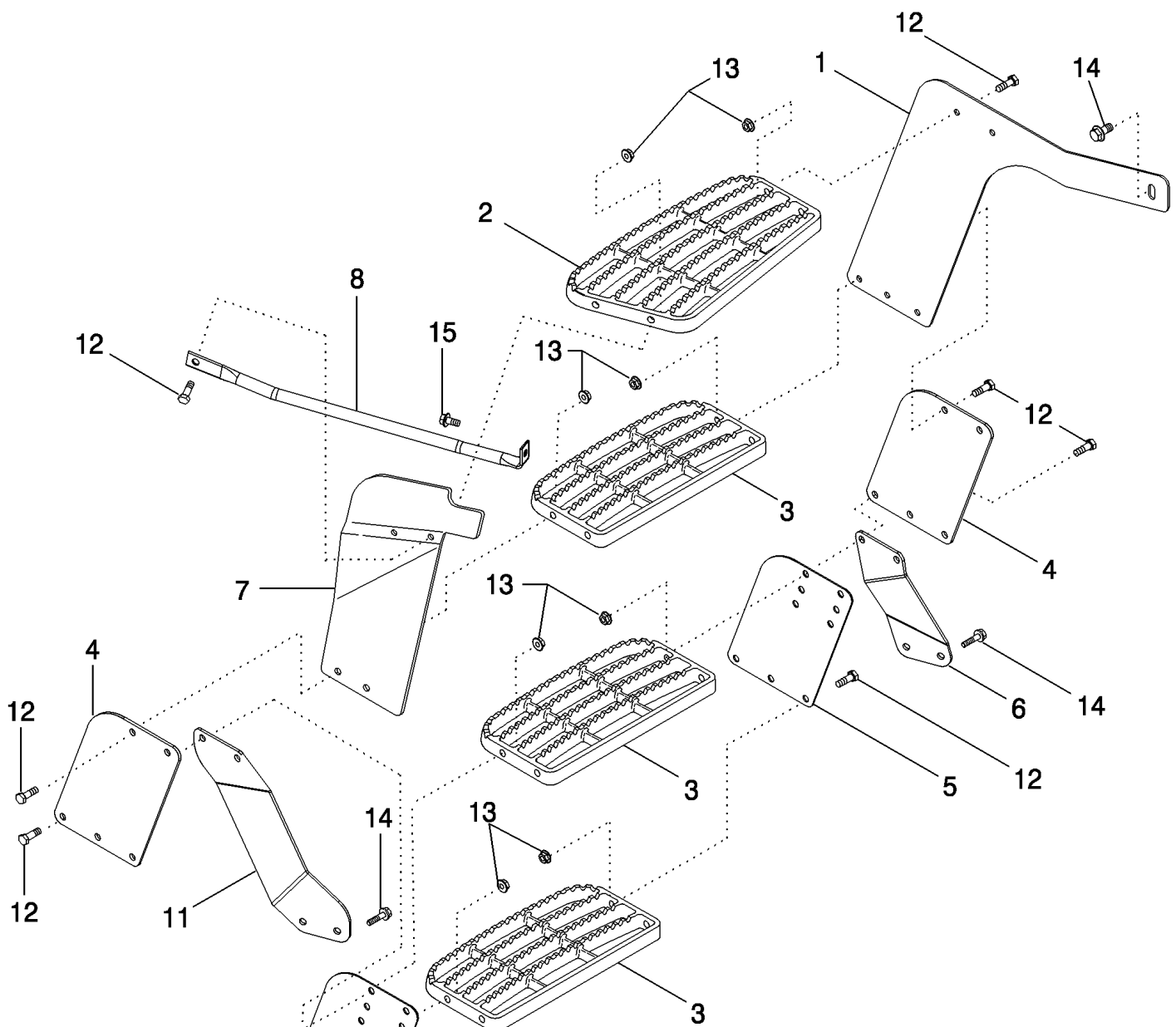
сылка	Номер детали	Кол-во	Описание
1	433973A4	1	ROOF, Upper
2	449901A1	2	STUD,
3	87419087	1	ROOF, Lower, Inc. 4, 19 - 22
4	237275A1	8	STUD,
5	221429A2	8	SPACER,
6	495-81140	8	WASHER, 13/32" x 1 1/4" x .060",
7	832-10408	8	NUT, LOCK, M8 x 1.25, CI 8,
12	433800A1	4	HOUSING, Speaker Cover
14	353-411	2	PLUG, Dome, 1.000" hole, Nylon,
15	353-425	2	PLUG, 7/16 in dia
17	182220A1	1	GROMMET,
18	365219A1	1	SEAL,
19	401110A2	2	BRACKET,
20	758-5	20	SCREW, SELF TAPPING, Hex Hd, M5.5 x 15,
21	895-15006	4	WASHER, M6 x 25 x 1.6,
22	449074A1	2	BRACKET,
23	825-2408	2	NUT, M8 x 1.25, Flg, CI 8,
24	87330628	1	GROMMET,



MAGNUM 335 CASE IH TRACTOR (NA)

09-14 CAB - EXTERIOR TRIM

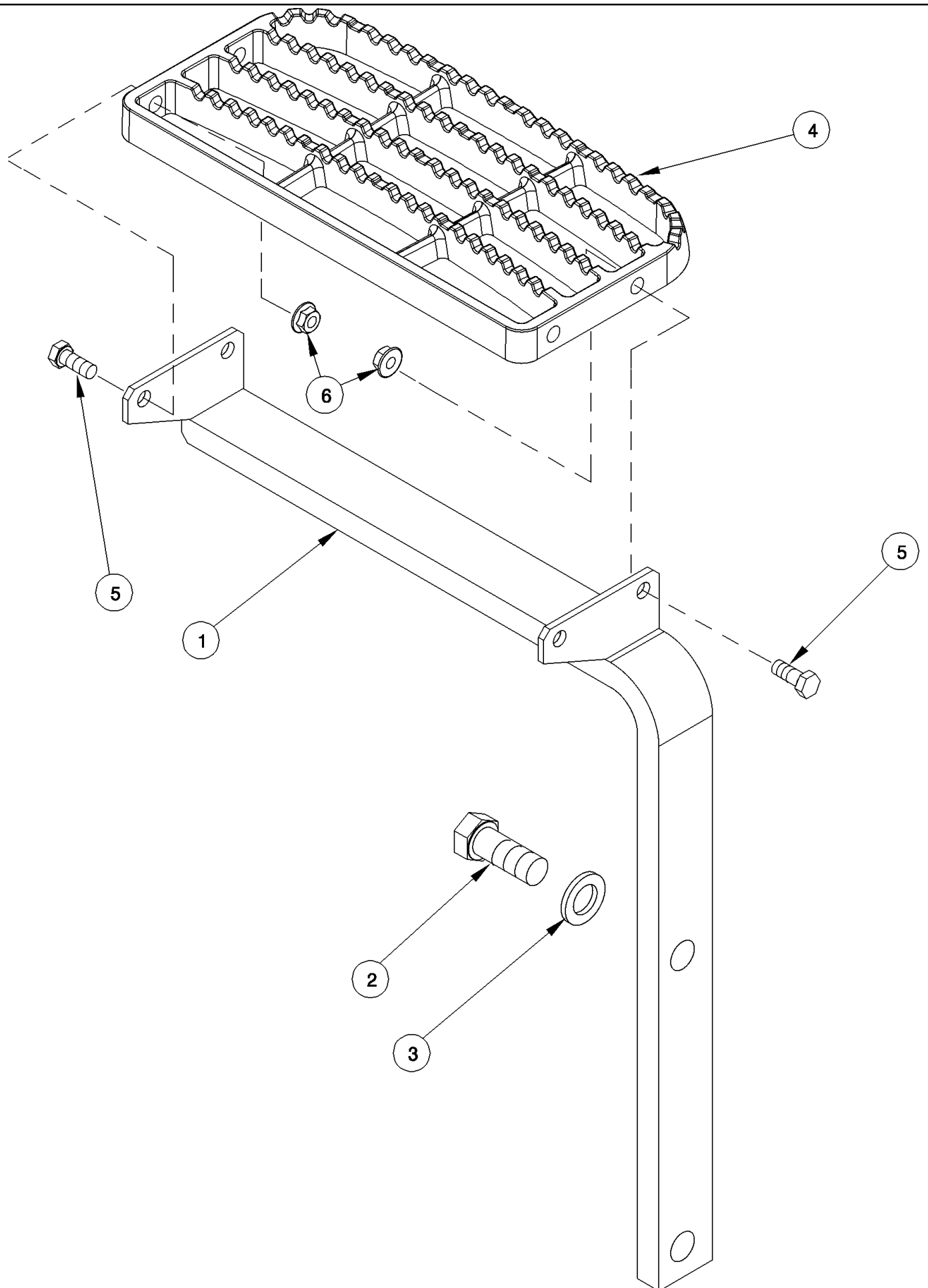
сылка	Номер детали	Кол-во	Описание
1	258865A4	1	PADDING, Front Left Hand Side
2	87432398	1	BRACKET, Left Hand
3	258866A4	1	PADDING, Front Right Hand Side
4	87432399	1	BRACKET, Right Hand
5	298464A1	1	SUPPORT,
6	825-2408	6	NUT, M8 x 1.25, Flg, Cl 8,
7	840-1820	2	SCREW, Cross Pan Hd, M8 x 20,
8	96814C3	4	WASHER,
9	832-10408	2	NUT, LOCK, M8 x 1.25, Cl 8,
10	104033C2	5	SCREW, SELF TAPPING, Cross Wash Hd, M4.8 x 19, Coated,
11	131-642	5	NUT, Tinn, U, #10,
12	387123A6	1	PANEL, Rear
13	614-8020	2	BOLT, Hex, M8 x 20, 8.8,
14	895-11008	2	WASHER, M8 x 16 x 1.6,
15	86508354	2	NUT, M8
16	495-81140	2	WASHER, 13/32" x 1 1/4" x .060",



MAGNUM 335 CASE IH TRACTOR (NA)

09-15 CAB - STEPS

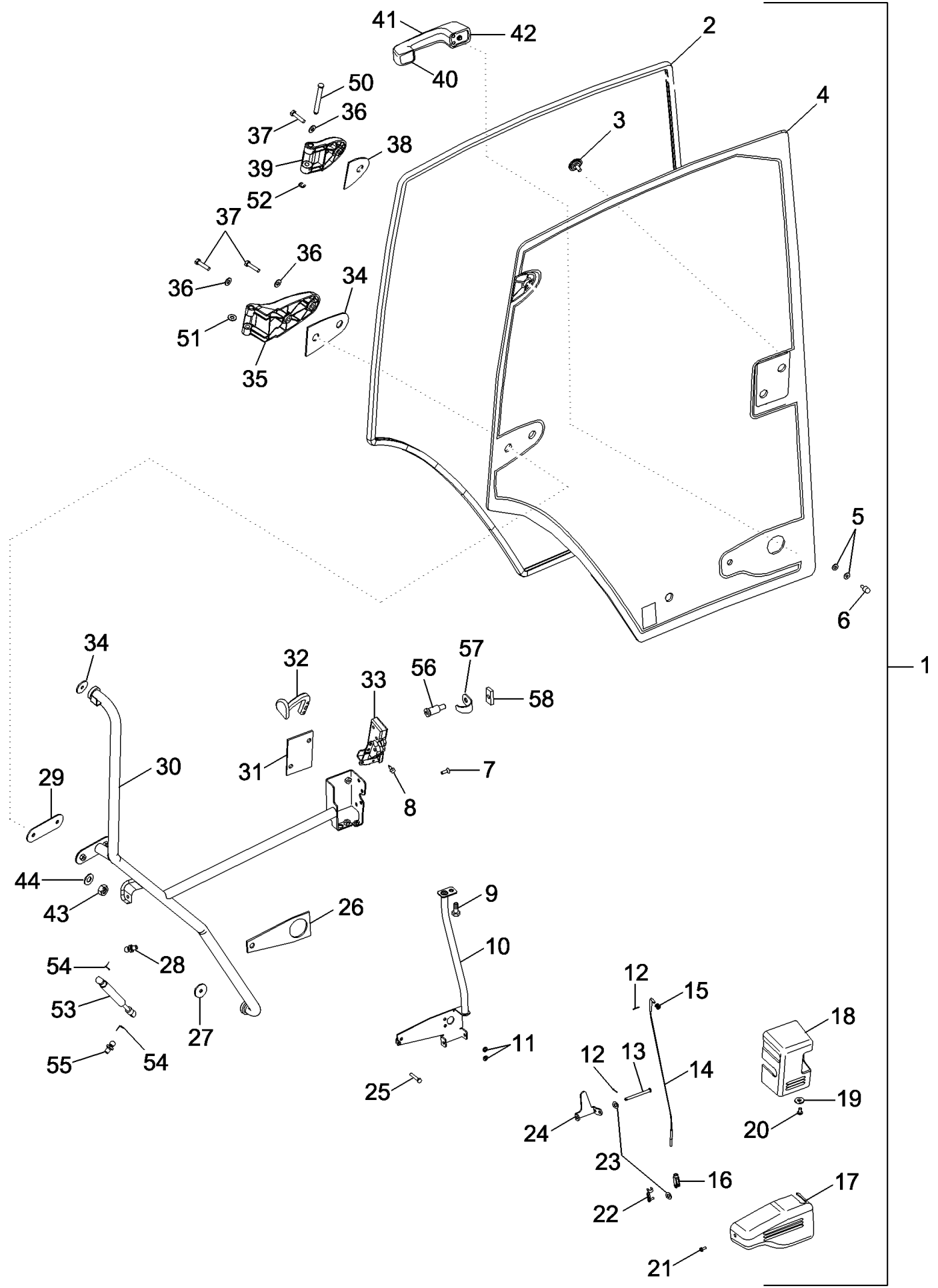
сылка	Номер детали	Кол-во	Описание
1	87447664	1	RISER, Front, Upper
2	87310397	1	STEP, Upper
3	87301185	3	STEP,
4	87426577	2	RISER, Center
5	87426578	2	RISER, Lower Front
6	87447713	1	BRACKET, Front
7	87341258	1	RISER, Rear, Upper
8	87447680	1	TUBE, SUPPORT,
11	87447712	1	BRACKET, Rear, Lower
12	614-10035	16	BOLT, Hex, M10 x 35, 8.8, Full Thd,
13	825-2410	16	NUT, M10 x 1.5, Flg, Cl 8,
14	844-10030	5	BOLT, Hex Flg, M10 x 30, 8.8, Full Thd,
15	844-10030	1	BOLT, Hex Flg, M10 x 30, 8.8, Full Thd,
23	322425A1	2	SUPPORT, Step Extension (If Equipped)
24	448033A1	4	PLATE, LARGE, Belting Support (If Equipped)
25	87301185	1	STEP,
26	814-10055	8	BOLT, Hex, M10 x 55, 8.8,
27	895-11010	16	WASHER, M10 x 20 x 2,
28	832-10410	8	NUT, LOCK, M10 x 1.5, Cl 8,



MAGNUM 335 CASE IH TRACTOR (NA)

09-16 CAB - FRONT WINDOW STEP

сылка	Номер детали	Кол-во	Описание
1	87352592	1	SUPPORT,
2	627-20060	2	BOLT, Hex, M20 x 60, 10.9,
3	896-11020	2	WASHER, M20 x 37.5 x 4, HT,
4	87301185	1	STEP,
5	614-10025	4	BOLT, Hex, M10 x 25, 8.8, Full Thd,
6	825-2410	4	NUT, M10 x 1.5, Flg, Cl 8,



MAGNUM 335 CASE IH TRACTOR (NA)

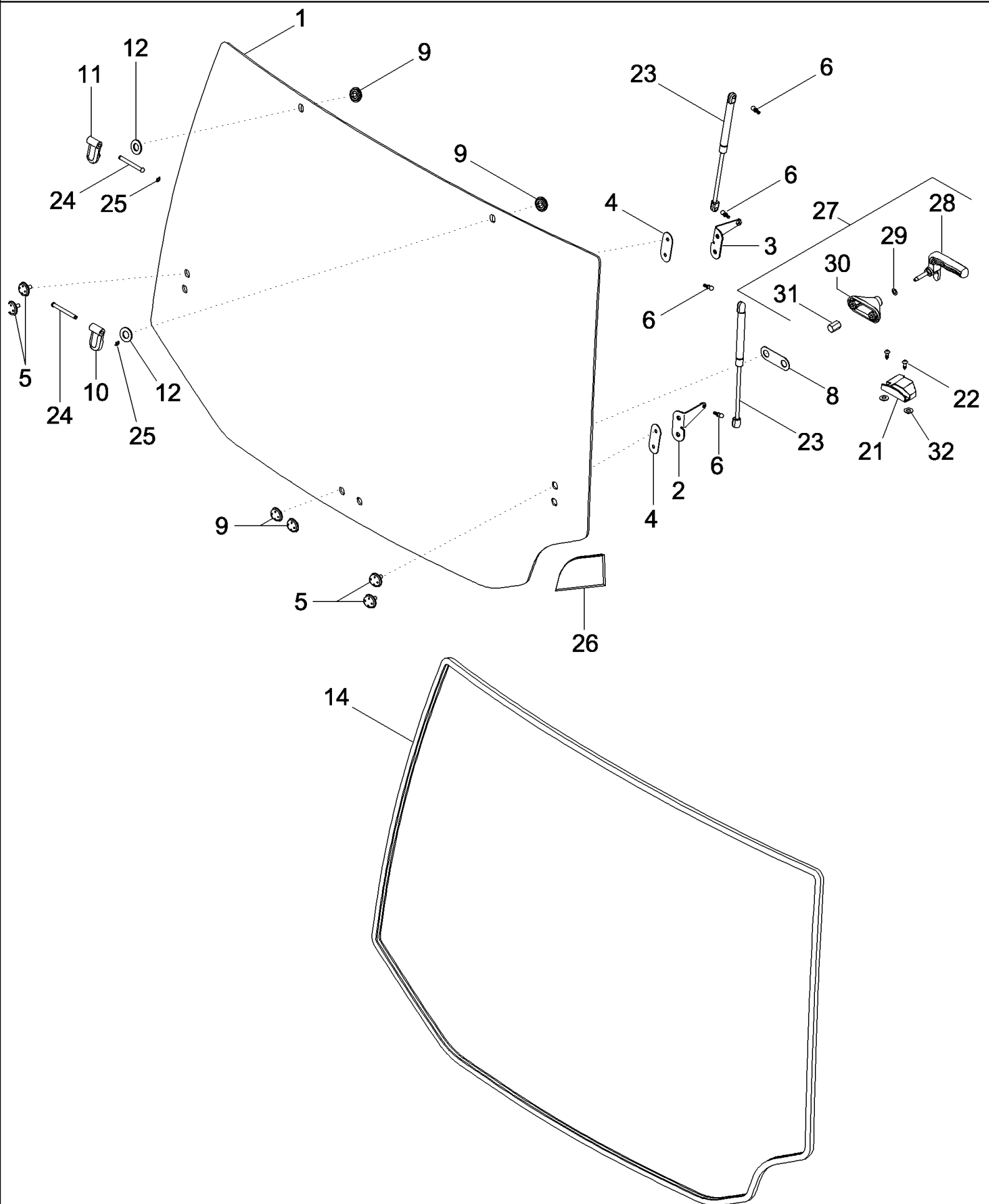
09-17 CAB - DOOR

сылка	Номер детали	Кол-во	Описание
1	316518A3	1	DOOR ASSY., Inc. 2 - 44
2	87534532	1	SEAL,
3	198916A2	3	CAP,
4	344730A2	1	GLASS, CAB,
5	495-31027	2	WASHER, 1/4",
6	314610A1	1	BUTTON,
7	461-42512	4	SCREW, Hex Soc Flat Hd, 1/4"-20 x 3/4",
8	781-24620	2	SCREW, SELF TAPPING, Hex Flg Hd, M6 x 20,
9	275359A3	1	SUPPORT,
10	614-8016	1	BOLT, Hex, M8 x 16, 8.8,
11	892-11006	3	WASHER, LOCK, M6,
12	733-1610	3	PIN, SPLIT (COTTER), M1.6 x 10,
13	275353A1	1	PIN, BALL,
14	314606A1	1	CABLE,
15	895-11005	3	WASHER, M5 x 10 x 1,
16	713-125	1	CLEVIS, ADJUSTABLE,
17	275345A4	1	COVER,
18	275344A6	1	PROTECTOR,
19	895-11006	1	WASHER, M6,
20	840-1612	1	SCREW, Cross Pan Hd, M6 x 12,
21	840-1512	1	SCREW, Cross Pan Hd, M5 x 12,
22	1999650C1	1	PIN, CLEVIS,
23	87681226	2	WASHER, Curve Spring
24	314611A1	1	LEVER,
25	814-6035	3	BOLT, Hex, M6 x 35, 8.8,
26	191939A3	1	SPACER,
27	221429A2	2	SPACER,
28	3234063R1	1	BALL JOINT,
29	308633A1	1	SPACER, 3.0 mm
30	87542696	1	HANDLE,
31	275352A2	1	SPACER,
32	321023A4	1	HANDLE,
33	321013A1	1	LOCK,
34	305159A1	1	SPACER,
35	191206A3	1	HINGE, Lower
36	895-15008	3	WASHER, M8 x 20 x 1.6,
37	614-8035	3	BOLT, Hex, M8 x 35, 8.8,
38	305158A1	1	SPACER,
39	304921A1	1	HINGE, Upper
40	321552A1	1	BEZEL,
41	60-7083T1	1	HANDLE,
42	321551A1	1	BEZEL,
43	829-1408	2	NUT, M8, CI 10,
44	895-11008	2	WASHER, M8 x 16 x 1.6,
45	1964831C2	1	SET OF 2 KEYS, (Not Shown)

MAGNUM 335 CASE IH TRACTOR (NA)

09-17 CAB - DOOR

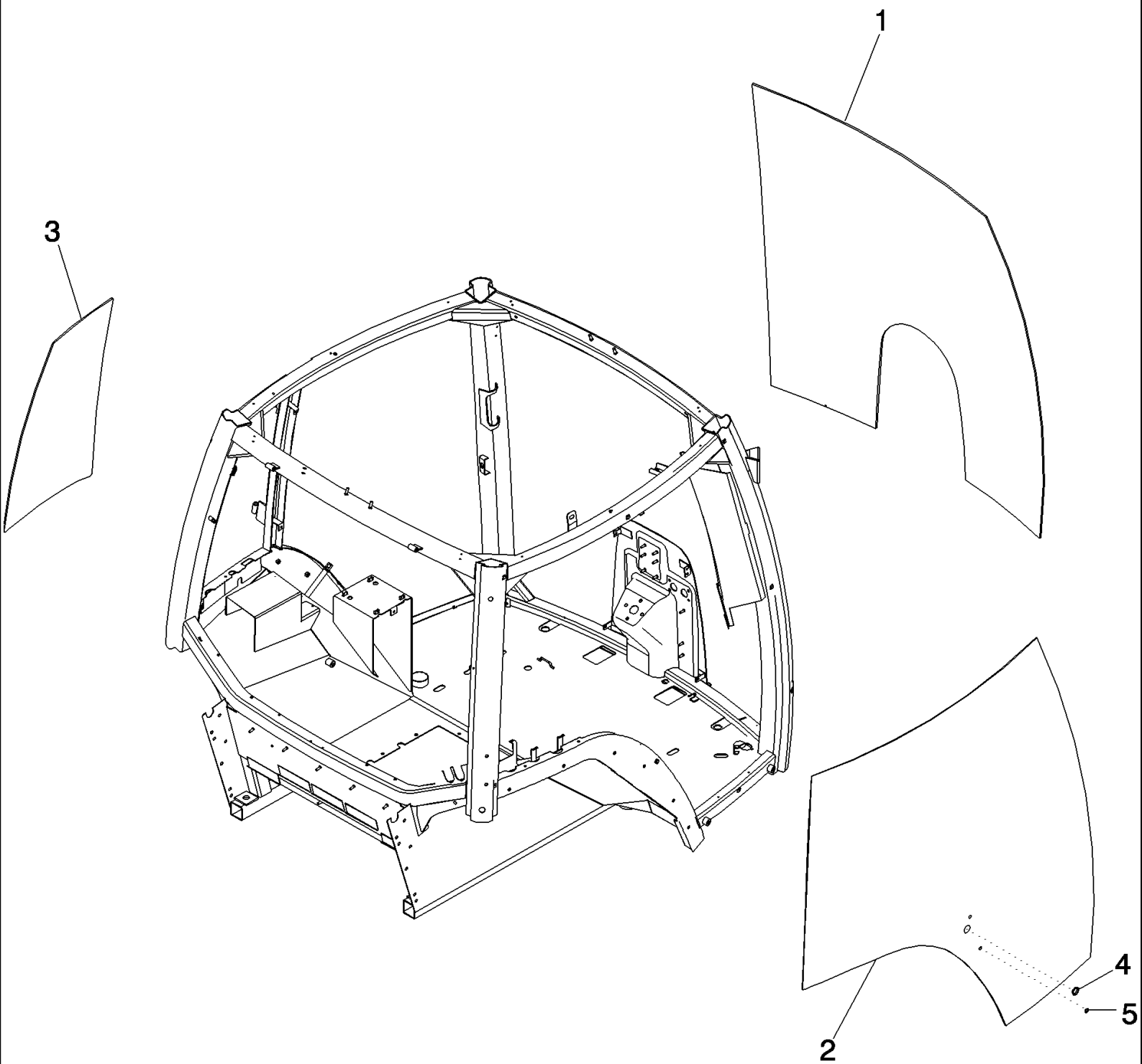
сылка	Номер детали	Кол-во	Описание
50	178819A3	2	PIN,
51	895-18010	1	WASHER, M10 x 18 x 1.6,
52	800-439	2	CIRCLIP, M9, 9 mm
53	1280263C1	1	CYLINDER ASSY.,
54	3233348R1	2	CLIP,
55	3234063R1	1	BALL JOINT,
56	321277A1	1	PIN,
57	321535A1	1	PROTECTOR,
58	275444A1	1	PLATE,



MAGNUM 335 CASE IH TRACTOR (NA)

09-18 CAB - REAR WINDOW

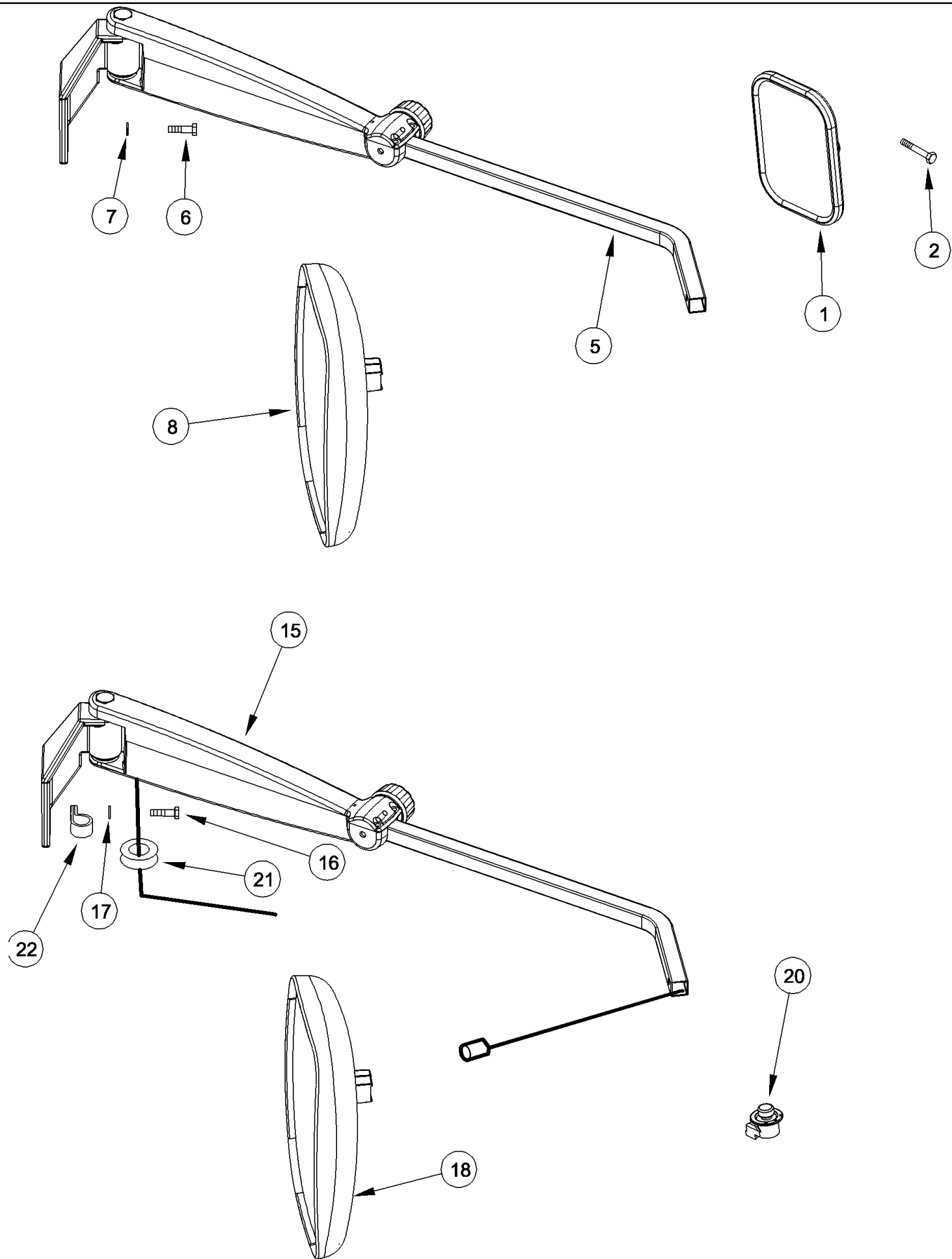
сылка	Номер детали	Кол-во	Описание
1	87309738	1	GLASS, , Deluxe Cab, Standard Cab
1	87309742	1	GLASS, CAB, Tinted, Luxury Cab
2	256810A2	1	SUPPORT, Right Hand
3	256809A2	1	SUPPORT, Left Hand
4	222787A2	2	PAD,
5	198916A2	4	CAP,
6	K303756	4	BALL JOINT, 6 mm
8	220935A3	1	PAD,
9	198913A3	4	PLASTIC PLUG,
10	176246A2	1	HINGE, Right Hand
11	176245A2	1	HINGE, Left Hand
12	180361A2	2	WASHER,
14	87534532	1	SEAL,
21	186149A4	1	PLATE, STRIKER,
22	781-24620	2	SCREW, SELF TAPPING, Hex Flg Hd, M6 x 20,
23	252550A2	2	GAS STRUT,
24	1535323C1	2	PIN,
25	800-437	2	CIRCLIP, M7,
26	254711A1	1	GROMMET, Implement Access
27	230009A4	1	HANDLE, Inc. 27 - 30
28	NSS	1	NOT SERVICED SEPARATELY, HANDLE
29	NSS	1	NOT SERVICED SEPARATELY, WASHER
30	NSS	1	NOT SERVICED SEPARATELY, SUPPORT
31	NSS	1	NOT SERVICED SEPARATELY, NUT, Special
32	87309034	2	SPACER,



MAGNUM 335 CASE IH TRACTOR (NA)

09-19 CAB - FIXED GLASS

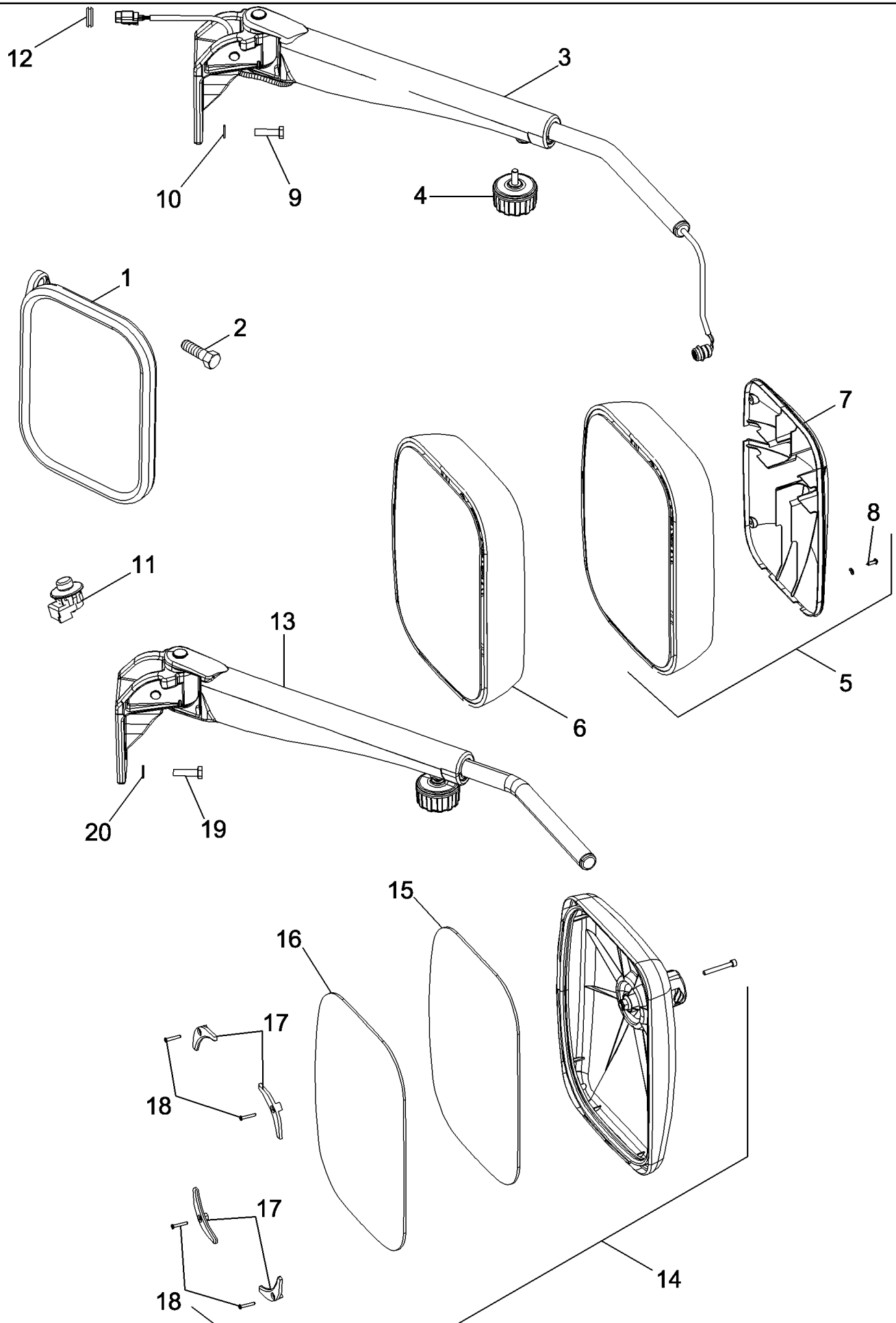
сылка	Номер детали	Кол-во	Описание
1	87456379	1	WINDSHIELD,
2	87417671	1	GLASS, CAB, Right Hand
3	242539A4	1	GLASS, CAB, Left Hand
4	192012A4	1	PLASTIC PLUG, 28.6 mm
5	192013A4	2	PLASTIC PLUG, 16.6 mm



MAGNUM 335 CASE IH TRACTOR (NA)

09-20 MIRRORS - BSN Z7RZ01152

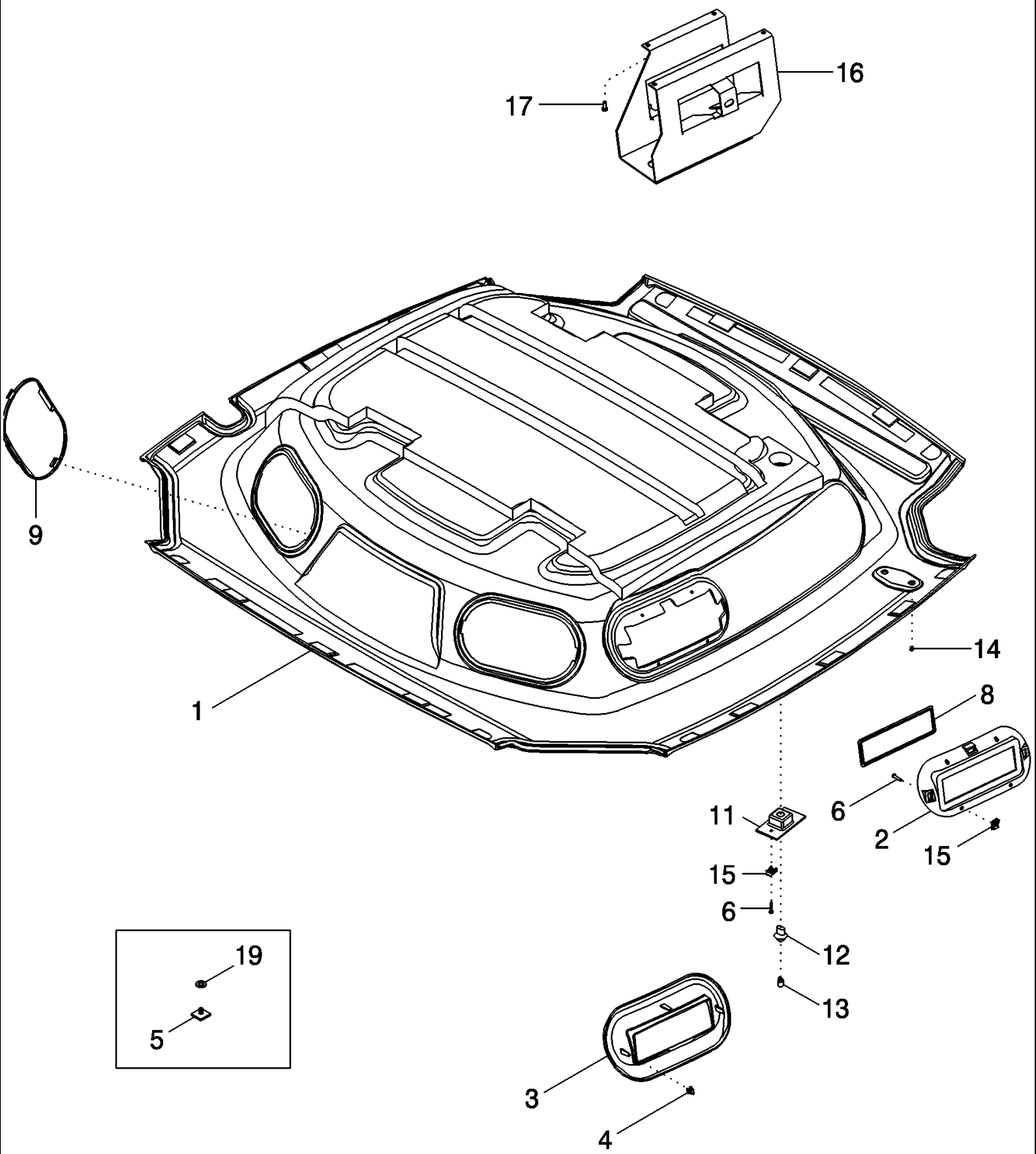
сылка	Номер детали	Кол-во	Описание
1	82036480	1	MIRROR, Interior
2	779-34616	2	SCREW, SELF TAPPING, Hex Hd, M6.3 x 16,
5	87416692	1	SUPPORT ASSY., Right Hand, Shown
5	87416691	1	SUPPORT ASSY., Left Hand
6	614-8030	6	BOLT, Hex, M8 x 30, 8.8,
7	895-11008	6	WASHER, M8 x 16 x 1.6,
8	365414A1	2	MIRROR,
15	87416695	1	ARM ASSY., Right Hand, Shown
15	87416694	1	ARM ASSY., Left Hand
16	614-8030	6	BOLT, Hex, M8 x 30, 8.8,
17	895-11008	6	WASHER, M8 x 16 x 1.6,
18	87417619	2	MIRROR ASSY., Remote Control
20	280627A1	1	SWITCH, MIRROR ADJUSTMENT, Remote Control
21	182045A1	2	GROMMET,
22	515-2395	2	CLAMP, 3/8", Insul, 3/8" Bolt,



MAGNUM 335 CASE IH TRACTOR (NA)

09-21 MIRRORS - ASN Z7RZ01152

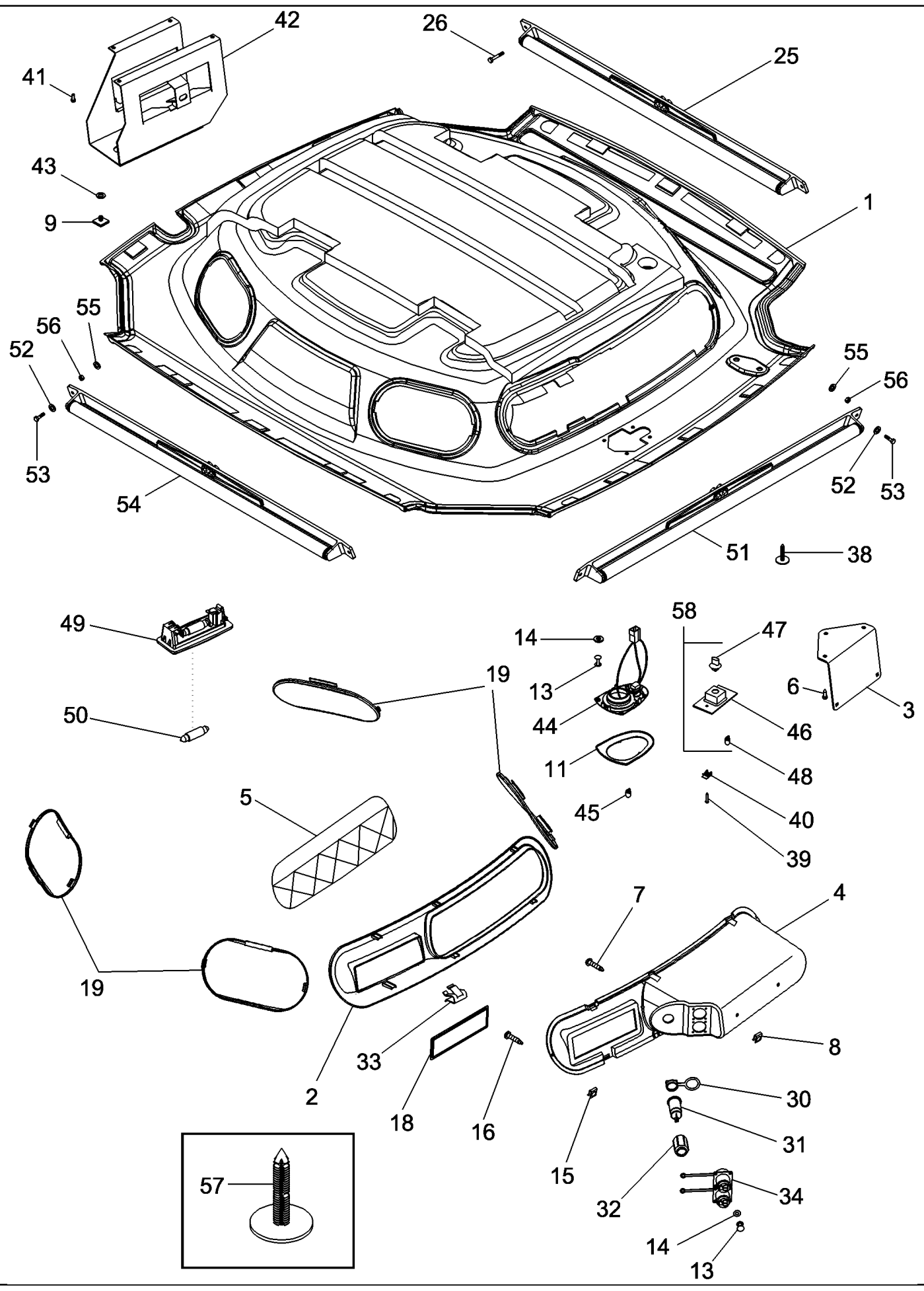
сылка	Номер детали	Кол-во	Описание
1	82036480	1	MIRROR, Interior
2	779-34616	2	SCREW, SELF TAPPING, Hex Hd, M6.3 x 16,
3	87350490	1	SUPPORT ASSY., Right Hand, Remote Control, Inc. 4 (Shown)
3	87350491	1	SUPPORT ASSY., Left Hand, Remote Control, Inc. 4
4	87365131	1	KNOB,
5	87350492	1	MIRROR, RH, Remote Control (Shown)
5	87350493	1	MIRROR, LH, Remote Control
6	87531093	1	MIRROR, REPLACEMENT,
7	87531075	1	COVER, Right Hand (Shown)
7	87578865	1	COVER, Left hand
8	760-17113	8	SCREW, SELF TAPPING, Pan Hd, M3.5 x 13,
9	614-8030	6	BOLT, Hex, M8 x 30, 8.8,
10	895-11008	6	WASHER, M8 x 16 x 1.6,
11	280627A1	1	SWITCH, MIRROR ADJUSTMENT, Remote Control
12	182045A1	2	GROMMET,
13	87350488	1	SUPPORT ASSY., Right Hand, Manual, Inc. 4 (Shown)
13	87350489	1	SUPPORT ASSY., Left Hand, Manual, Inc. 4
14	87350494	2	MIRROR ASSY., Manual, Inc. 15 - 18
15	324437A1	1	MIRROR, REPLACEMENT,
16	82035218	1	MIRROR, Lens, Acrylic
17	87531094	4	BRACKET, Manual, Mirror head
18	15902707	4	SCREW, SELF TAPPING, Cross Pan Hd, M3.5 x 19,
19	614-8030	6	BOLT, Hex, M8 x 30, 8.8,
20	895-11008	6	WASHER, M8 x 16 x 1.6,



MAGNUM 335 CASE IH TRACTOR (NA)

09-22 CAB - HEADLINER, STANDARD TRIM

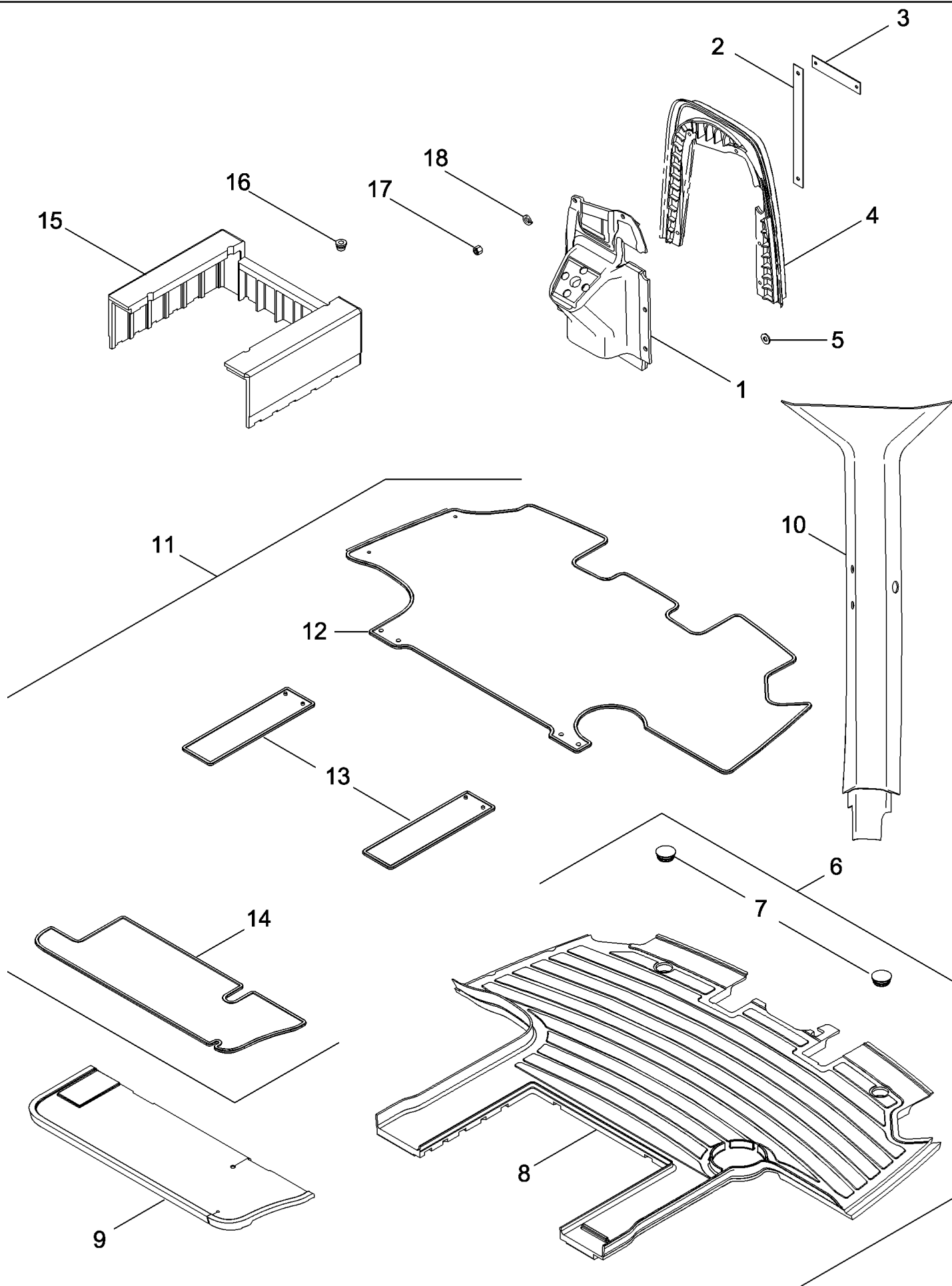
сылка	Номер детали	Кол-во	Описание
1	87427663	1	LINING, ROOF,
1	87337959	1	ROOF, With Auto Guidance
2	358790A1	1	ANCHOR, Radio
3	358772A1	1	BEZEL,
4	278316A2	3	CLIP,
5	87313359	12	FASTENER,
6	761-17325	6	SCREW, SELF TAPPING, Pan Hd, M4.2 x 25,
8	1535219C1	1	COVER, Without Radio
9	358683A1	4	GRILLE, Speaker Cover
11	368143A1	1	LAMP, Inc. 12, 13
12	107329C1	1	HARNESS, WIRE,
13	D71346	1	LAMP, TAIL,
14	292675A1	2	PLUG,
15	442244A1	6	NUT,
16	428264A5	1	BRACKET,
17	758-5	4	SCREW, SELF TAPPING, Hex Hd, M5.5 x 15,
19	895-11010	2	WASHER, M10 x 20 x 2,



MAGNUM 335 CASE IH TRACTOR (NA)

09-23 CAB - HEADLINER, DELUXE AND LUXURY TRIM

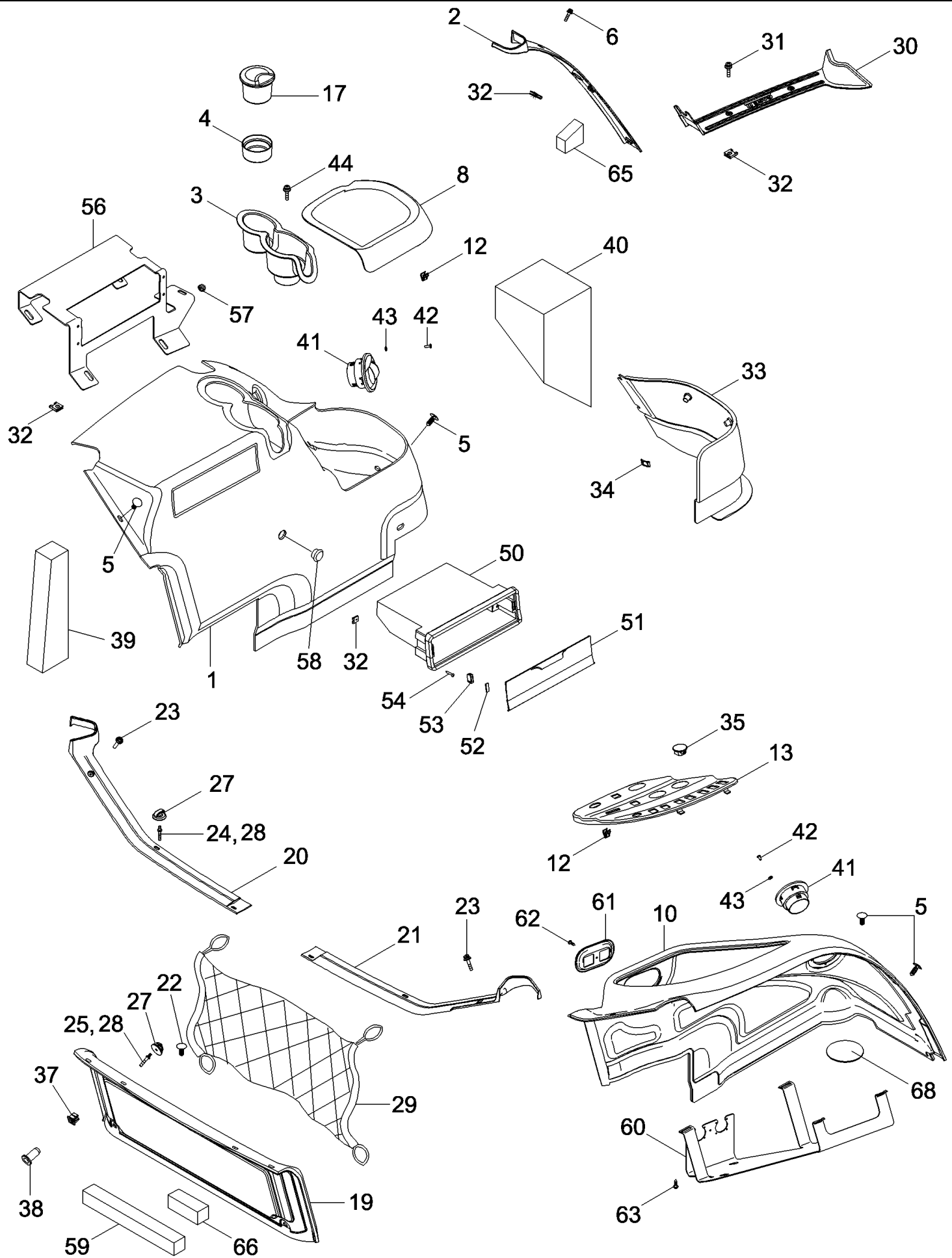
сылка	Номер детали	Кол-во	Описание
1	87427659	1	LINING, ROOF,
2	358794A2	1	BEZEL,
3	409205A2	1	BRACKET,
4	358797A1	1	BOX,
5	358798A1	1	RETAINER,
6	758-5	7	SCREW, SELF TAPPING, Hex Hd, M5.5 x 15,
7	761-17325	2	SCREW, SELF TAPPING, Pan Hd, M4.2 x 25,
8	322072A2	2	FASTENER,
9	87313359	12	FASTENER,
11	360364A1	1	BEZEL,
13	151-535	8	RIVET, Pop, 1/8" x .462",
14	87698771	4	WASHER,
15	442245A1	2	NUT,
16	104033C2	2	SCREW, SELF TAPPING, Cross Wash Hd, M4.8 x 19, Coated,
18	1535219C1	1	COVER, Without Radio
19	358683A1	4	GRILLE, Speaker Cover
25	87668030	1	VISOR, SUN, Front
26	780-14625	2	SCREW, SELF TAPPING, Hex Hd, M6.3 x 25,
30	190812A1	1	COVER,
31	308904A1	1	LIGHTER, CIGARETTE, Outlet
32	308905A1	1	LIGHTER, CIGARETTE,
33	308538A2	6	CLIP,
34	227739A2	2	CONNECTOR, ELEC,
38	333772A1	4	PLUG,
39	760-17316	2	SCREW, SELF TAPPING, Pan Hd, M4.2 x 16,
40	442244A1	2	NUT,
41	151-537	4	RIVET, Pop, 1/8" x .650",
42	428264A5	1	BRACKET,
43	895-11010	2	WASHER, M10 x 20 x 2,
44	87414959	1	LAMP, Inc.45
45	373114A1	1	BULB,
46	NSS	1	NOT SERVICED SEPARATELY, LAMP
47	107329C1	1	HARNESS, WIRE,
48	D71346	1	LAMP, TAIL,
49	1983391C1	1	LAMP, Inc. 50
50	E35556	1	BULB,
51	87668031	1	VISOR, SUN, Right Hand Side
52	195-81034	4	WASHER, 13/64" x 15/32" x .049",
53	87030526	4	SCREW, Cross Pan Hd, #10-32 x 1",
54	87668032	1	VISOR, SUN, Rear
55	87033737	4	WASHER, M8 x 28 x 3,
56	87450324	4	NUT,
57	87441605	4	FASTENER, Plug Side and Rear Sun Visor Holes
58	368143A1	1	LAMP, Inc. 46 - 48
59	358795A1	1	BOX, Inc. 4, 5



MAGNUM 335 CASE IH TRACTOR (NA)

09-24 CAB - FLOOR MAT AND INSULATION

сылка	Номер детали	Кол-во	Описание
1	446820A2	1	PARTITION, Firewall, Inner
2	446823A1	1	STRAP,
3	446824A2	1	STRAP,
4	87447761	1	COVER, Firewall, Outer
5	495-81121	2	WASHER, .344" x 1 1/2" x .060",
6	297008A4	1	MAT, FLOOR, Inc. 6
7	281848A1	2	PLUG,
8	NSS	1	NOT SERVICED SEPARATELY, MAT, Floor
9	87442168	1	COVER, Shelf
10	355098A1	1	TRIM PANEL,
11	87417637	1	MAT, FLOOR, Inc. 12 - 14, Luxury Cab
12	87417636	1	MAT, FLOOR, Front, Luxury Cab
13	357074A1	2	CARPET, Side, Luxury Cab
14	357075A1	1	CARPET, Shelf, Luxury Cab
15	254325A3	1	SKIRT,
16	182220A1	1	GROMMET, If Equipped
17	832-10408	5	NUT, LOCK, M8 x 1.25, CI 8,
18	895-25008	3	WASHER, M8 x 20 x 1.6,



MAGNUM 335 CASE IH TRACTOR (NA)

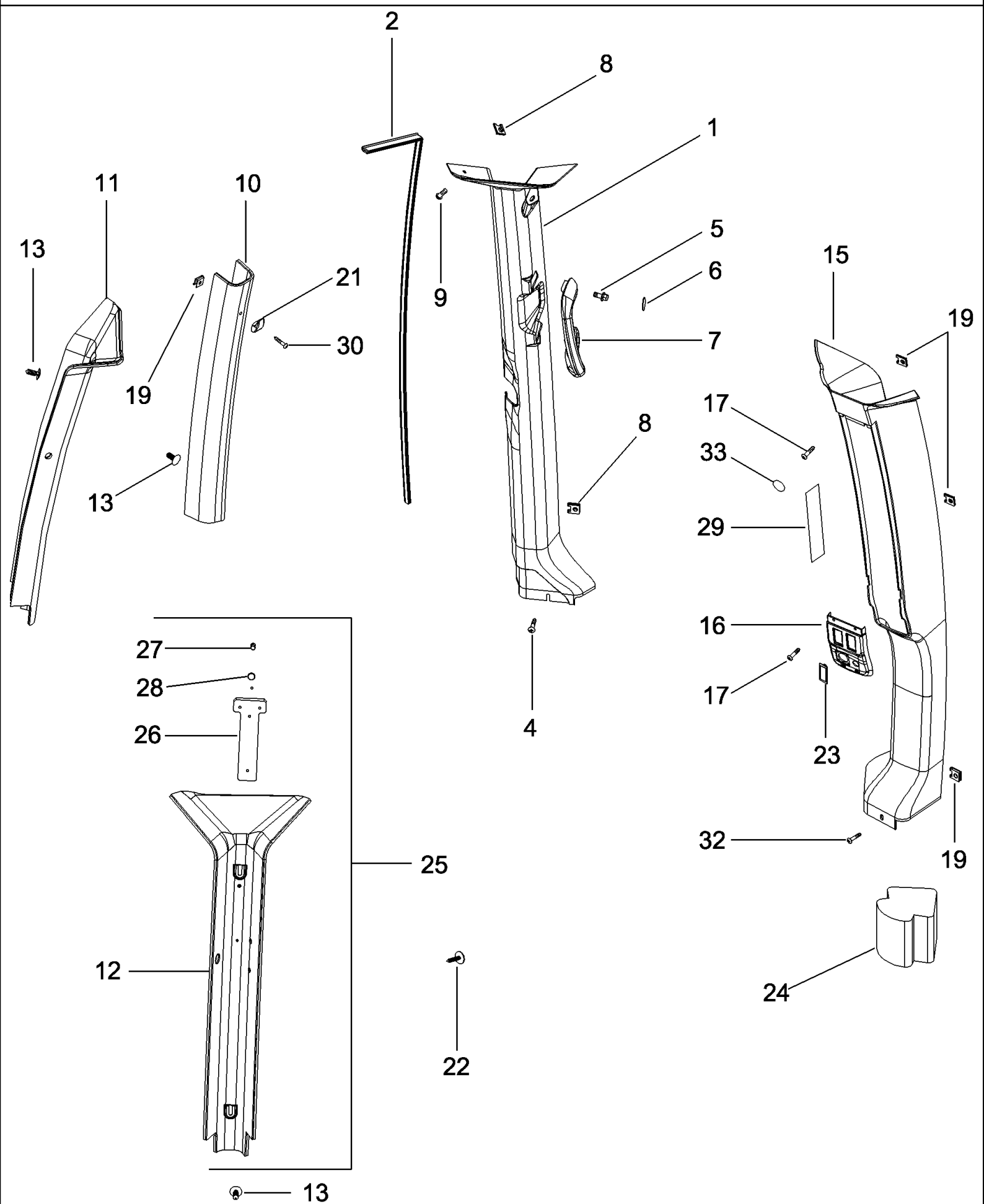
09-25 CAB - TRIM, FENDERS

сылка	Номер детали	Кол-во	Описание
1	426575A1	1	TRIM PANEL, Left Hand, Inc. 41, Without CD Player
1	426576A1	1	TRIM PANEL, Left Hand, Inc. 41, With CD Player
2	87417629	1	TRIM PANEL,
3	358805A1	1	HOLDER,
4	301901A1	1	INSERT,
5	93199C1	15	FASTENER,
6	360362A1	4	SCREW, No. 10 x 1
8	358806A1	1	COVER,
10	87444946	1	TRIM PANEL, Right Hand
12	278316A2	6	CLIP,
13	87451321	1	PANEL, , Without Auto Temp Control
13	87451319	1	PANEL, , With Auto Temp Control
17	302456A1	1	ASH TRAY,
19	426580A1	1	TRIM PANEL, Rear
19	87313020	1	TRIM PANEL, Auto Guidance
20	357169A2	1	TRIM PANEL, Left Hand, BSN Z7RZ01382
20	87309897	1	TRIM PANEL, Left Hand, ASN Z7RZ01382
21	357168A2	1	TRIM PANEL, Right Hand, BSN Z7RZ01382
21	87309901	1	TRIM PANEL, Right Hand, ASN Z7RZ01382
22	93199C1	2	FASTENER,
23	360362A1	2	SCREW, No. 10 x 1
24	87309745	2	STUD, , ASN Z7RZ01382
25	322413A2	2	STUD, , ASN Z7RZ01382
27	359037A1	4	HOOK,
28	322413A2	4	STUD, , BSN Z7RZ01382
29	359036A1	1	RETAINER,
30	358807A1	1	SILL,
31	360362A1	2	SCREW, No. 10 x 1
32	87016569	10	NUT, U, #10-16, Panel type,
33	358682A1	1	COVER,
34	451984A1	3	NUT, SPECIAL,
35	280628A1	1	PLUG, , Without Power Mirrors
37	322072A2	2	FASTENER,
38	322073A1	2	NUT,
39	336383A1	1	PAD,
40	336385A1	1	PAD,
41	360365A1	1	DIFFUSER,
42	151-537	4	RIVET, Pop, 1/8" x .650",
43	895-11003	4	WASHER, M3,
44	104033C2	2	SCREW, SELF TAPPING, Cross Wash Hd, M4.8 x 19, Coated,
50	355101A2	1	BOX, , With CD Player
51	355102A2	1	DOOR, , With CD Player
52	364279A1	2	PLATE, , With CD Player
53	364281A1	2	CATCH, , With CD Player
54	260-16516	4	SCREW, SELF TAPPING, Cross Pan Hd, #10 x 1", , With CD Player

MAGNUM 335 CASE IH TRACTOR (NA)

09-25 CAB - TRIM, FENDERS

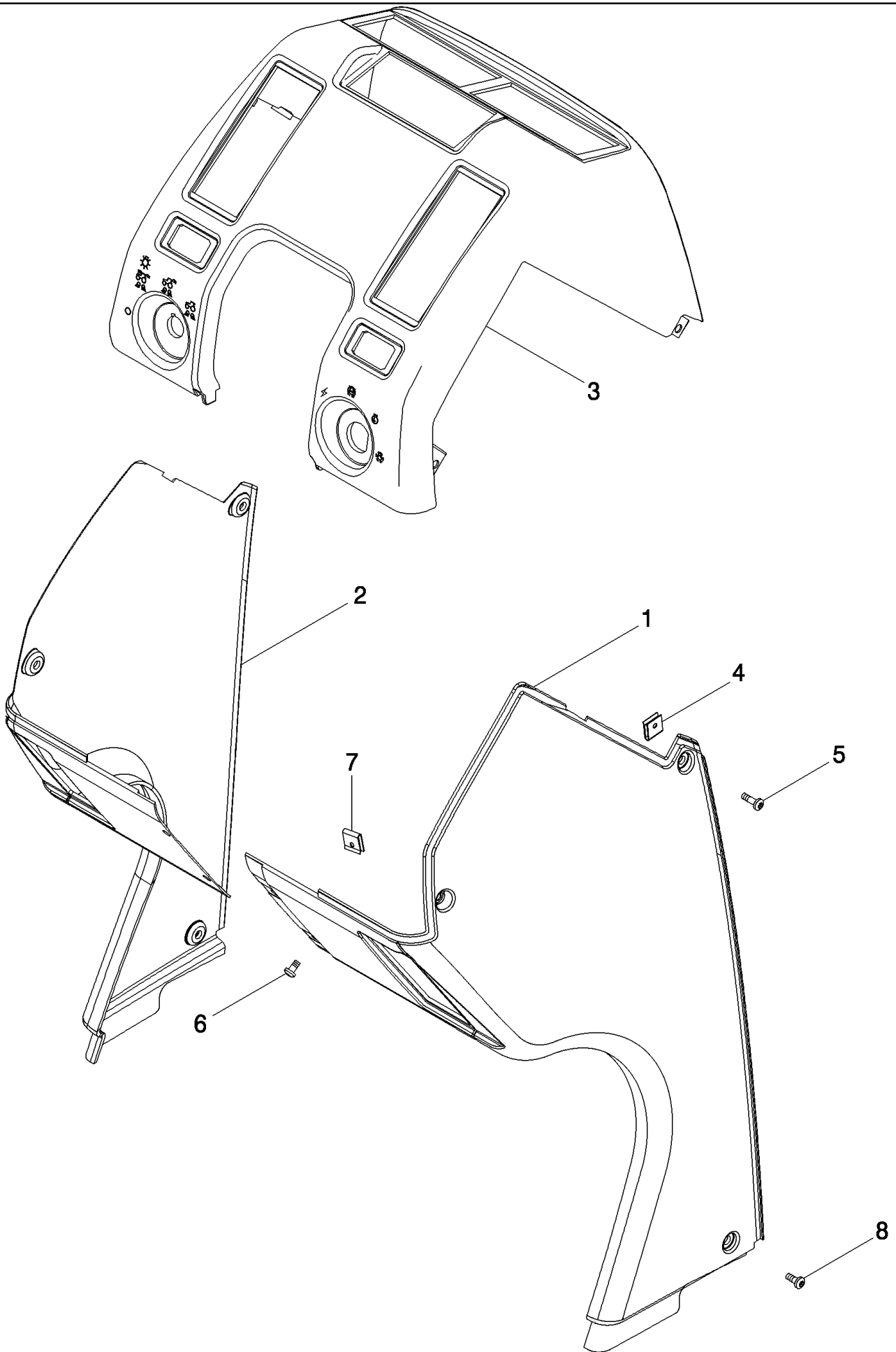
сылка	Номер детали	Кол-во	Описание
56	87679383	1	BRACKET,
57	825-2408	7	NUT, M8 x 1.25, Flg, CI 8,
58	353-411	1	PLUG, Dome, 1.000" hole, Nylon,
59	86984858	1	FOAM,
60	405011A3	1	BRACKET,
61	428192A2	1	BEZEL,
62	760-17113	8	SCREW, SELF TAPPING, Pan Hd, M3.5 x 13,
63	760-17316	1	SCREW, SELF TAPPING, Pan Hd, M4.2 x 16,
64	376597A2	1	DECAL, (Not Shown)
65	87421503	1	FOAM, Left Hand Fender Trim Support
66	87313017	2	FOAM, Auto Guidance
67	353-422	1	PLUG, Dome, 1.250" hole, Nylon, For Harness Hole In Box, (Not Shown)
68	87448669	2	SEAL, 64 mm



MAGNUM 335 CASE IH TRACTOR (NA)

09-26 CAB - TRIM, CAB POSTS

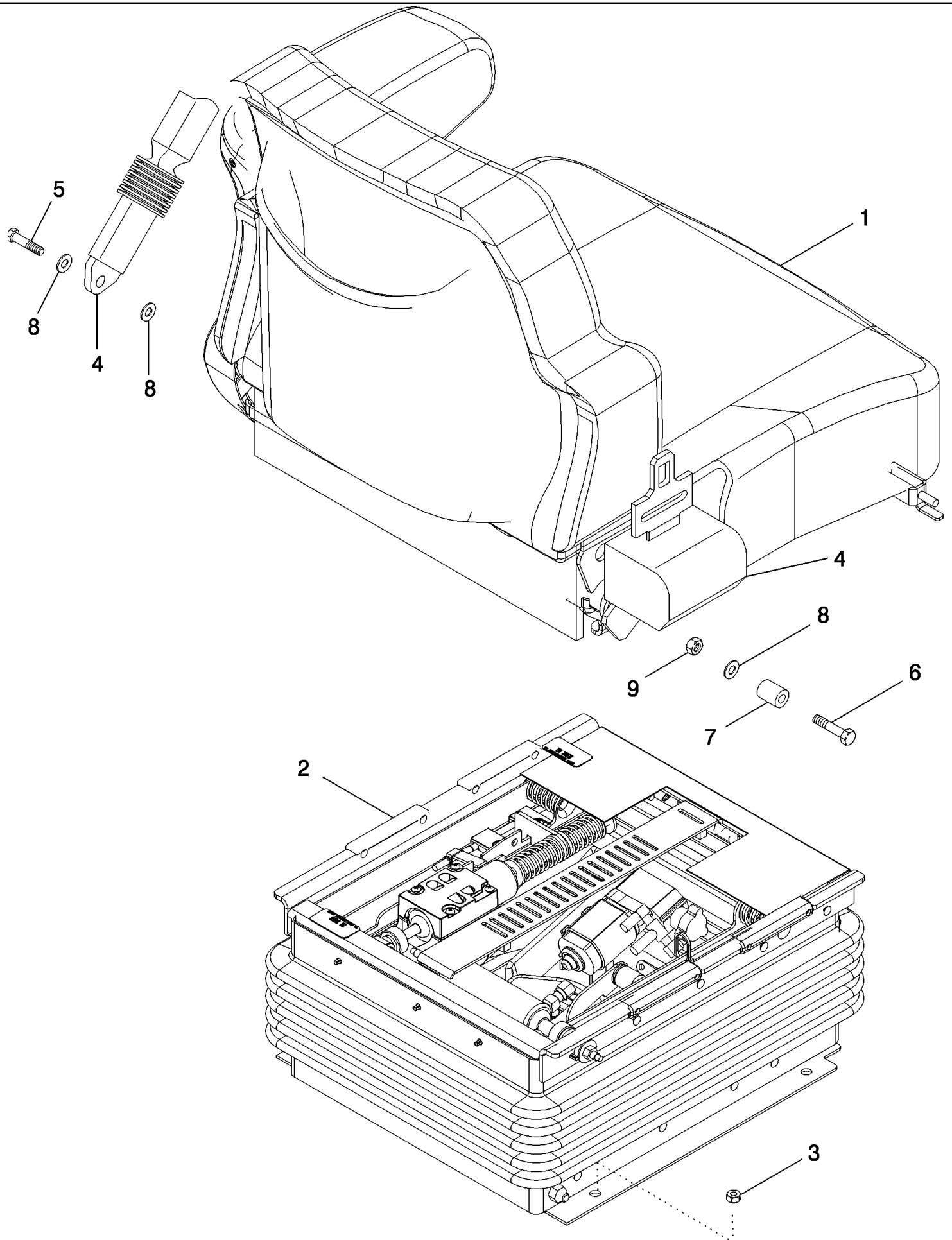
сылка	Номер детали	Кол-во	Описание
1	87417632	1	TRIM PANEL, Left Hand, Front
2	87417638	1	STRIP, RUBBER, Upper
4	104033C2	1	SCREW, SELF TAPPING, Cross Wash Hd, M4.8 x 19, Coated,
5	781-24613	2	SCREW, SELF TAPPING, Hex Flg Hd, M6 x 13,
6	87413140	2	PLUG,
7	87413139	1	HANDLE,
10	87016569	1	NUT, U, #10-16, Panel type,
9	360362A1	1	SCREW, No. 10 x 1
10	355100A1	1	COVER, Left Hand, Middle
11	355099A1	1	TRIM PANEL, Left Hand, Rear
12	355098A1	1	TRIM PANEL, Right Hand, Rear
13	93199C1	5	FASTENER,
15	444547A1	1	TRIM PANEL, Right Hand, Front
16	358804A1	1	BEZEL,
17	260-16516	6	SCREW, SELF TAPPING, Cross Pan Hd, #10 x 1",
19	177269A1	9	NUT,
21	3234176R1	1	COAT HOOK,
22	333772A1	2	PLUG,
23	245918C1	2	CAP,
24	336384A1	1	PAD,
25	358667A1	1	COVER, Right Hand, Rear, Inc. 12, 26-28
26	305688A1	1	HAMMER,
27	87610697	2	RIVET,
28	87611380	2	
29	360322A1	2	TAPE, ADHESIVE, 305 mm, Cut From 1987208C2
30	761-17325	1	SCREW, SELF TAPPING, Pan Hd, M4.2 x 25,
32	1975782C1	1	SCREW, SELF TAPPING, Cross Truss Wash Hd, #10 x 5/8",
33	376597A2	2	DECAL,



MAGNUM 335 CASE IH TRACTOR (NA)

09-27 CAB - INSTRUMENT PANEL

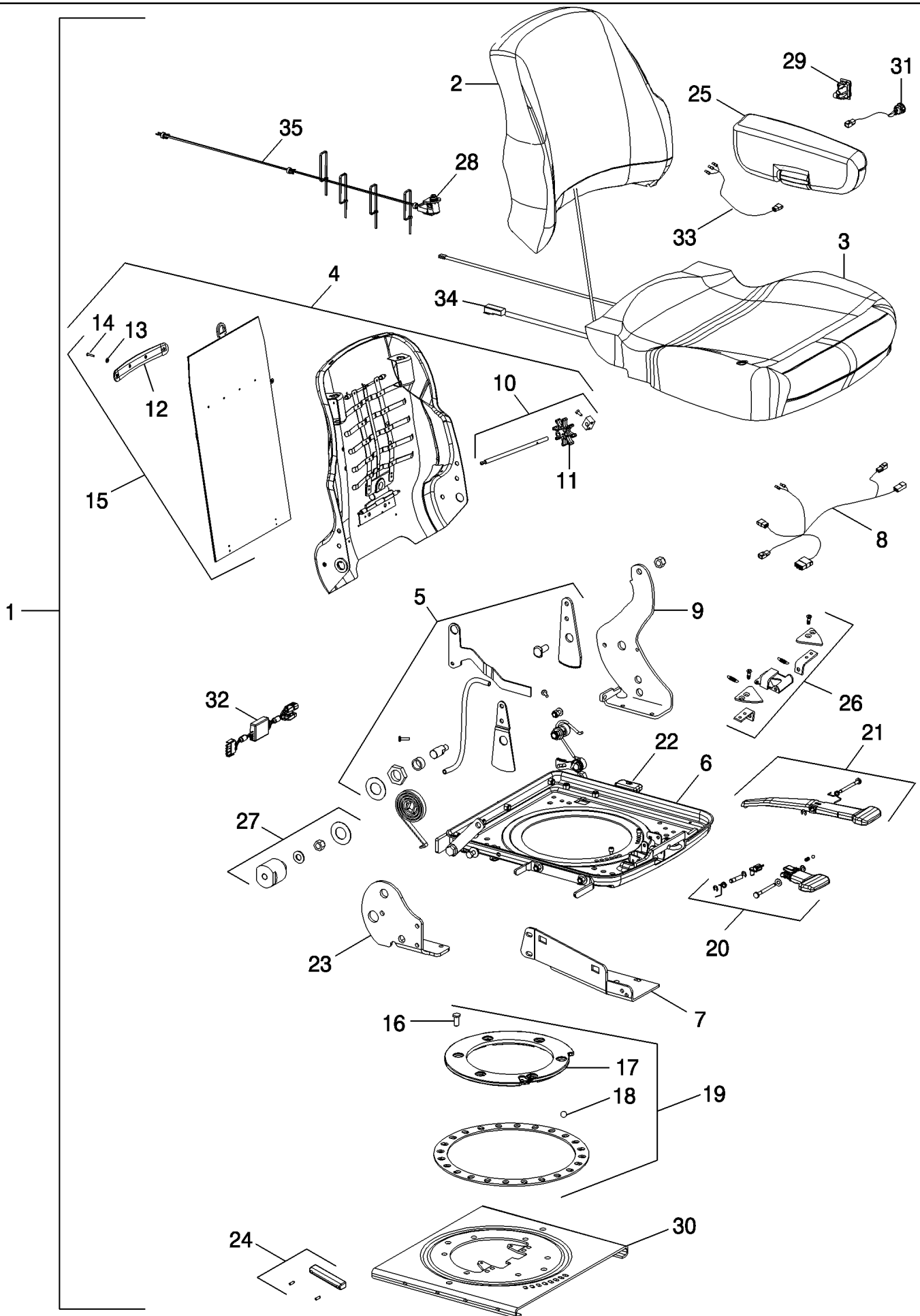
сылка	Номер детали	Кол-во	Описание
1	358671A1	1	COVER, Right Hand
2	358670A1	1	COVER, Left Hand
3	87449853	1	COVER, Top
4	87016569	4	NUT, U, #10-16, Panel type,
5	360362A1	4	SCREW, No. 10 x 1
6	360363A1	2	SCREW,
7	87016568	2	NUT, U, #10-16, Panel type,
8	362394A1	2	SCREW,



MAGNUM 335 CASE IH TRACTOR (NA)

09-28 SEAT ASSEMBLY

сылка	Номер детали	Кол-во	Описание
	87454957	1	SEAT ASSY., Cloth Without Heat And Positive Response Suspension, Inc. 1 - 9
	87553810	1	SEAT ASSY., Cloth With Heat Without Positive Response Suspension, Inc. 1 - 9, ASN 1/22/2007
	87433296	1	SEAT ASSY., Cloth With Heat Without Positive Response Suspension, Inc. 1 - 9
	87433299	1	SEAT ASSY., Cloth With Heat And Positive Response Suspension, Inc. 1 - 9
	87643377	1	SEAT ASSY., Cloth With Heat And Positive Response Suspension, Inc. 1 - 9, ASN 1/22/2007
	87433297	1	SEAT, DRIVER, Leather With Heat And Positive Response Suspension, Inc. 1 - 9
	87553442	1	SEAT ASSY., Leather With Heat And Positive Response Suspension, Inc. 1 - 9, ASN 1/22/2007
1	87347872	1	SEAT, BACK, Cloth, Without Heat, See Figure 09-29
1	87395376	1	CUSHION, Cloth, With Heat, See Figure 09-29
1	87607883	1	SEAT ACCESSORY, Cloth With Heat, See Figure 09-29, ASN 1/22/2007
1	87607884	1	SEAT ACCESSORY, With Heat And Ride Control (No Cushion), See Figure 09-29, ASN 1/22/2007
1	87395377	1	CUSHION, Leather, With Heat, See Figure 09-29
2	87395380	1	SUSPENSION, Without Positive Response Suspension, See Figure 09-30
2	87395381	1	SUSPENSION, With Positive Response Suspension, See Figure 09-31
3	825-2408	4	NUT, M8 x 1.25, Flg, CI 8,
4	444877A1	1	SEAT BELT,
5	806-12030	1	BOLT, Hex, Lock, M12 x 30, CI 10.9,
6	806-12040	1	BOLT, Hex, Lock, M12 x 40, CI 10.9,
7	87313413	1	TUBE SPACER,
8	896-11012	3	WASHER, M13.5 x 24.5 x 3, HT,
9	829-1312	1	NUT, M12 x 1.75, CI 10,



MAGNUM 335 CASE IH TRACTOR (NA)

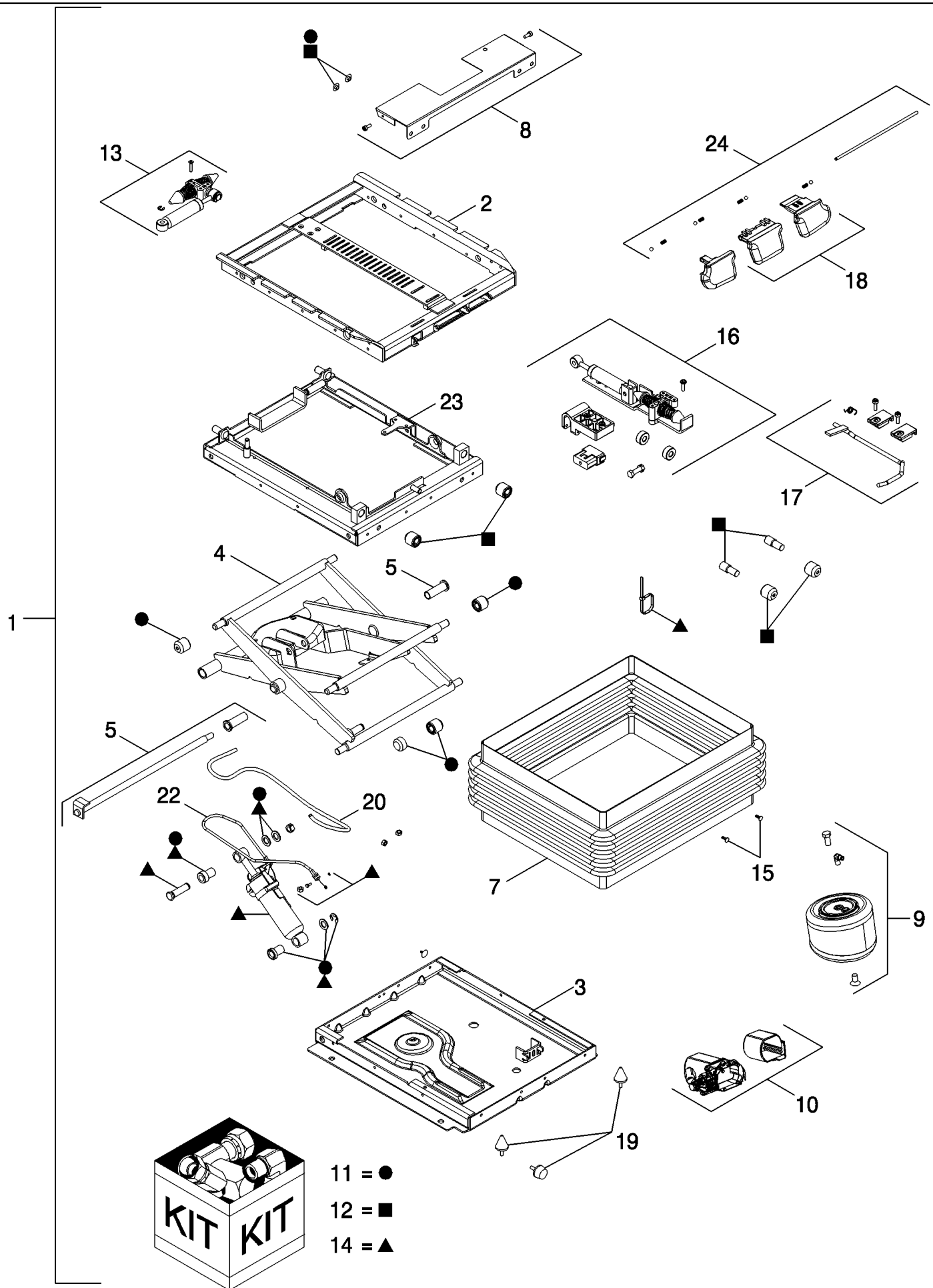
09-29 CUSHION ASSEMBLY - SEAT

сылка	Номер детали	Кол-во	Описание
1	87347872	1	SEAT, BACK, Cloth Without Heat, Inc. 1 - 30, 34, 35
1	87395376	1	CUSHION, Cloth With Heat, Inc. 1 - 35
1	87607883	1	SEAT ACCESSORY, Cloth With Heat, Inc. 1 - 38, ASN 1/22/2007
1	87607884	1	SEAT ACCESSORY, With Heat And Ride Control (No Cushion) Inc. 1 - 38, ASN 1/22/2007
1	87395377	1	CUSHION, Leather With Heat, Inc. 1 - 35
2	373476A1	1	CUSHION, Cloth Without Heat
2	87395385	1	CUSHION, Cloth With Heat, Use for Seat Assy 87433299
2	87607891	1	CUSHION, Cloth With Heat
2	87397614	1	CUSHION, SEAT, Leather With Heat
3	87347893	1	CUSHION, SEAT, Cloth Without Heat, Inc. 34
3	87395384	1	CUSHION, SEAT, Cloth With Heat, Use for Seat Assy 87433299, Inc. 34
3	87607890	1	CUSHION, SEAT, Cloth With/Heat, Inc. 34
3	87397613	1	CUSHION, Leather With Heat, Inc. 34
4	86994155	1	ASSEMBLY, Backrest, Inc. 10, 15
4	87714731	1	SUPPORT, SEAT, Backrest
5	86994165	1	SEAT ACCESSORY, Recliner Kit, Inc. 22
6	NSS	1	NOT SERVICED SEPARATELY, PAN, Seat
7	86994157	1	BRACKET, Console Mount, Front
8	87347944	1	KIT, SERVICE, HARNESS, Seat and Suspension
9	NSS	1	NOT SERVICED SEPARATELY, BRACKET
10	87308130	1	SEAT BACK ADJUST. DEVICE, Lumbar
11	87037462	1	SEAT BACK ADJUST. DEVICE, Lumbar
12	NSS	1	NOT SERVICED SEPARATELY, SUPPORT, Manual Holder
13	NSS	4	NOT SERVICED SEPARATELY, WASHER, 1/8 x 23/64 x 3/64
14	NSS	4	NOT SERVICED SEPARATELY, RIVET, Pop, 1/8
15	86994172	1	KIT, SERVICE, Operators Manual, Cloth, Inc. 12, 13, 14
16	NSS	6	NOT SERVICED SEPARATELY, BOLT, Swivel Retainer
17	NSS	1	NOT SERVICED SEPARATELY, RETAINER, Swivel
18	NSS	24	NOT SERVICED SEPARATELY, BALL, 1/2
19	87347936	1	KIT, SERVICE, Swivel, Inc. 16, 17,18
20	87347942	1	KIT, SERVICE, Swivel Control
21	87347941	1	KIT, SERVICE, Slide Control
22	87416475	1	KNOB, Recliner Control
23	NSS	1	NOT SERVICED SEPARATELY, BRACKET
24	302016A1	1	PACKAGE,SERVICE, Slide Pucks
25	87347939	1	KIT, SERVICE, Armrest, Left Hand, Cloth Without Heat
25	86994250	1	ARMREST, Armrest, Left Hand, Cloth With Heat
25	87620257	1	ARMREST, Armrest, Left Hand, Cloth With Heat, ASN 01/22/2007
25	87397616	1	ARMREST, Left Hand, Leather With Heat
25	87620258	1	ARMREST, Left Hand, Leather With Heat, ASN 01/22/2007
26	87347934	1	LATCH, Slide
27	87396230	1	BUSHING, KIT,Console
28	86400227	1	SWITCH, ASSY, Plunger SPST
29	87347940	1	KIT, SERVICE, Air Control
30	87347956	1	KIT, SERVICE, Swivel

MAGNUM 335 CASE IH TRACTOR (NA)

09-29 CUSHION ASSEMBLY - SEAT

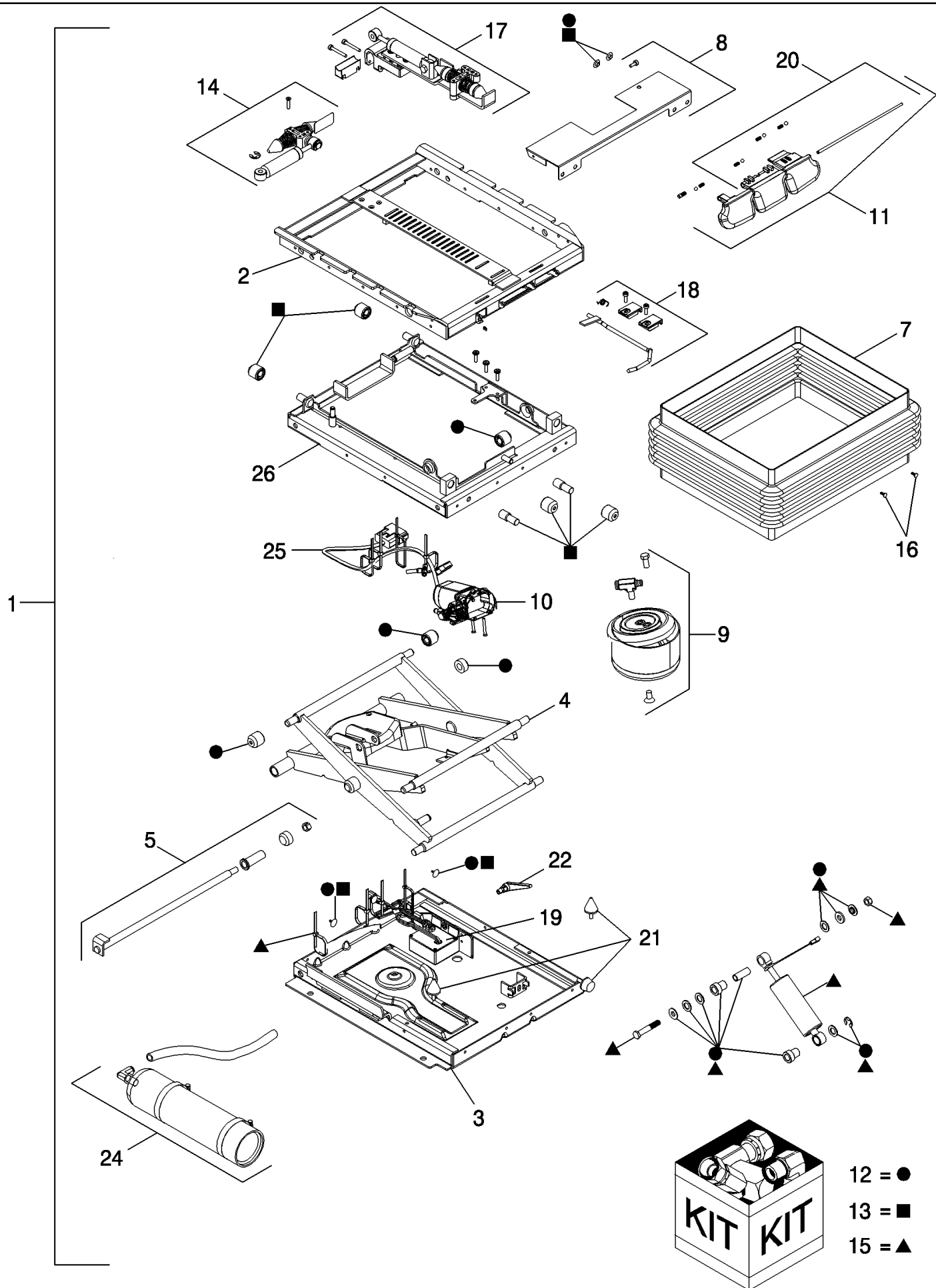
сылка	Номер детали	Кол-во	Описание
31	87395388	1	SWITCH, Heater, 3 Position
31	87607893	1	SWITCH ASSY, Heater, 2 Position
32	87395389	1	CONTROL, With Heat
33	87395390	1	HARNESS, Heater Switch
34	NSS	1	NOT SERVICED SEPARATELY, HARNESS
35	NSS	1	NOT SERVICED SEPARATELY, HARNESS
36	87611650	1	SWITCH, Ride Control (Not Shown), ASN 01/22/2007
37	87626130	1	HARNESS, Ride Control (Not Shown), ASN 01/22/2007
38	87590287	1	SUPPORT, Lower (Not Shown), ASN 01/22/2007



MAGNUM 335 CASE IH TRACTOR (NA)

09-30 SUSPENSION ASSEMBLY - SEAT

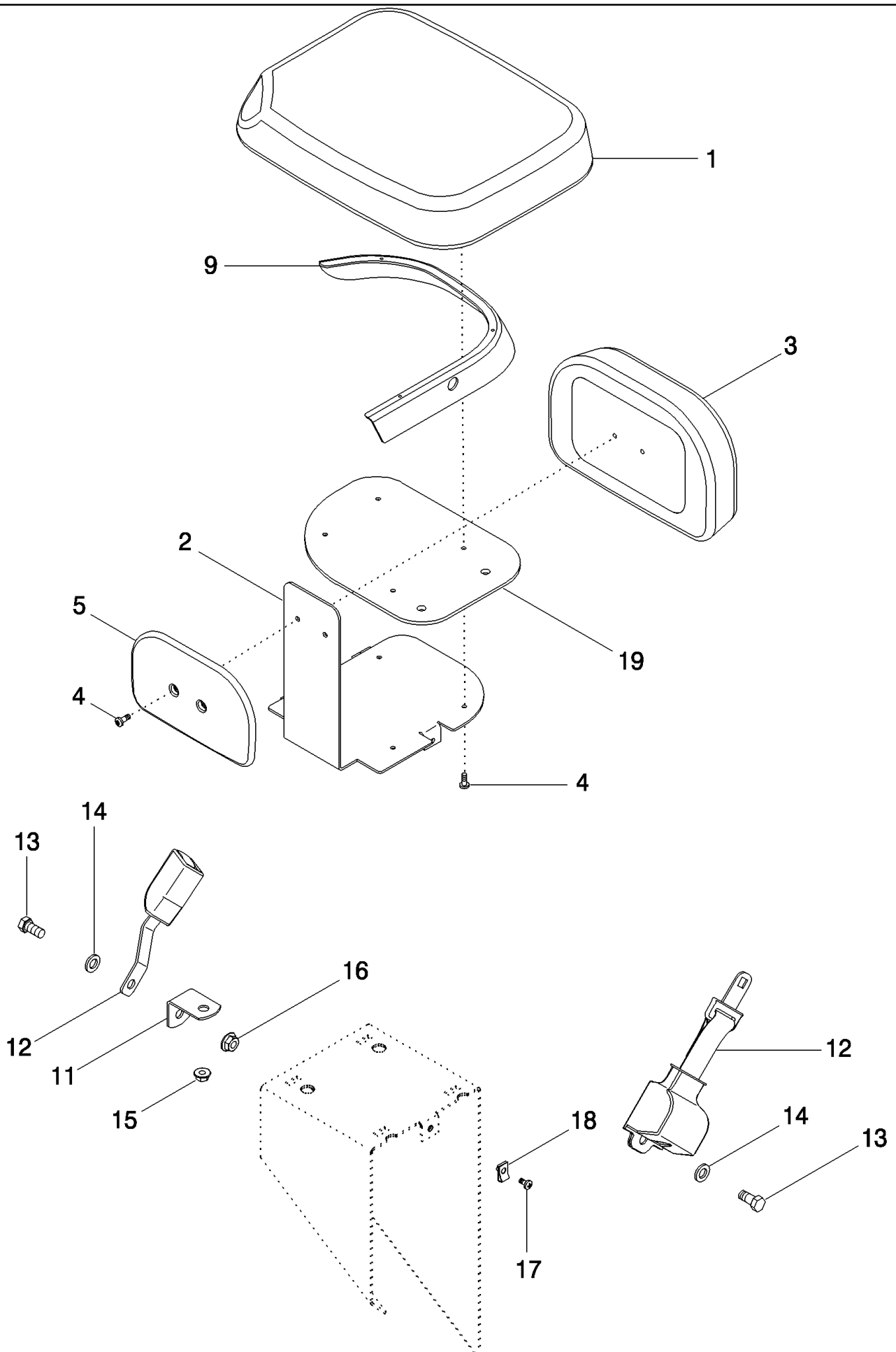
сылка	Номер детали	Кол-во	Описание
1	87395380	1	SUSPENSION, Inc. 2 - 24
2	87395392	1	HOUSING, Upper
3	333275A1	1	HOUSING, Lower
4	333276A1	1	ARM,
5	302033A1	1	SHAFT,
6	87347944	1	KIT, SERVICE, Harness, (Not Shown)
7	87347943	1	KIT, SERVICE, Suspension Boot
8	302029A2	1	PLATE,
9	333279A2	1	KIT, Air Spring
10	87347951	1	KIT, SERVICE, Air Compressor
11	87347945	1	KIT, SERVICE, Suspension Bearing And Rollers
12	87347946	1	KIT, SERVICE, Isolator Rollers
13	87395394	1	ISOLATOR, Lateral Isolator Shock Absorber
14	447956A1	1	PACKAGE,SERVICE, Suspension Shock Absorber
15	333659A1	1	PACKAGE,SERVICE, Boot Pin
16	87395395	1	ISOLATOR, Fore And Aft Shock Absorber
17	373470A2	1	PACKAGE,SERVICE, Fore And Aft Isolator Control
18	373473A1	1	PACKAGE,SERVICE, Lateral Isolator Control
19	333295A1	1	PACKAGE,SERVICE, Suspension Bumper
20	87396231	1	TUBE, PLASTIC-RUBBER, Tube And Fitting
21	333296A1	1	PACKAGE,SERVICE, Fore And Aft Isolator Shock Block, (Not Shown)
22	87347955	1	CABLE, Suspension Shock Cable
23	87395393	1	HOUSING,
24	373469A1	1	PACKAGE,SERVICE, Knobs, Suspension



MAGNUM 335 CASE IH TRACTOR (NA)

09-31 POSITIVE RESPONSE SUSPENSION ASSEMBLY - SEAT

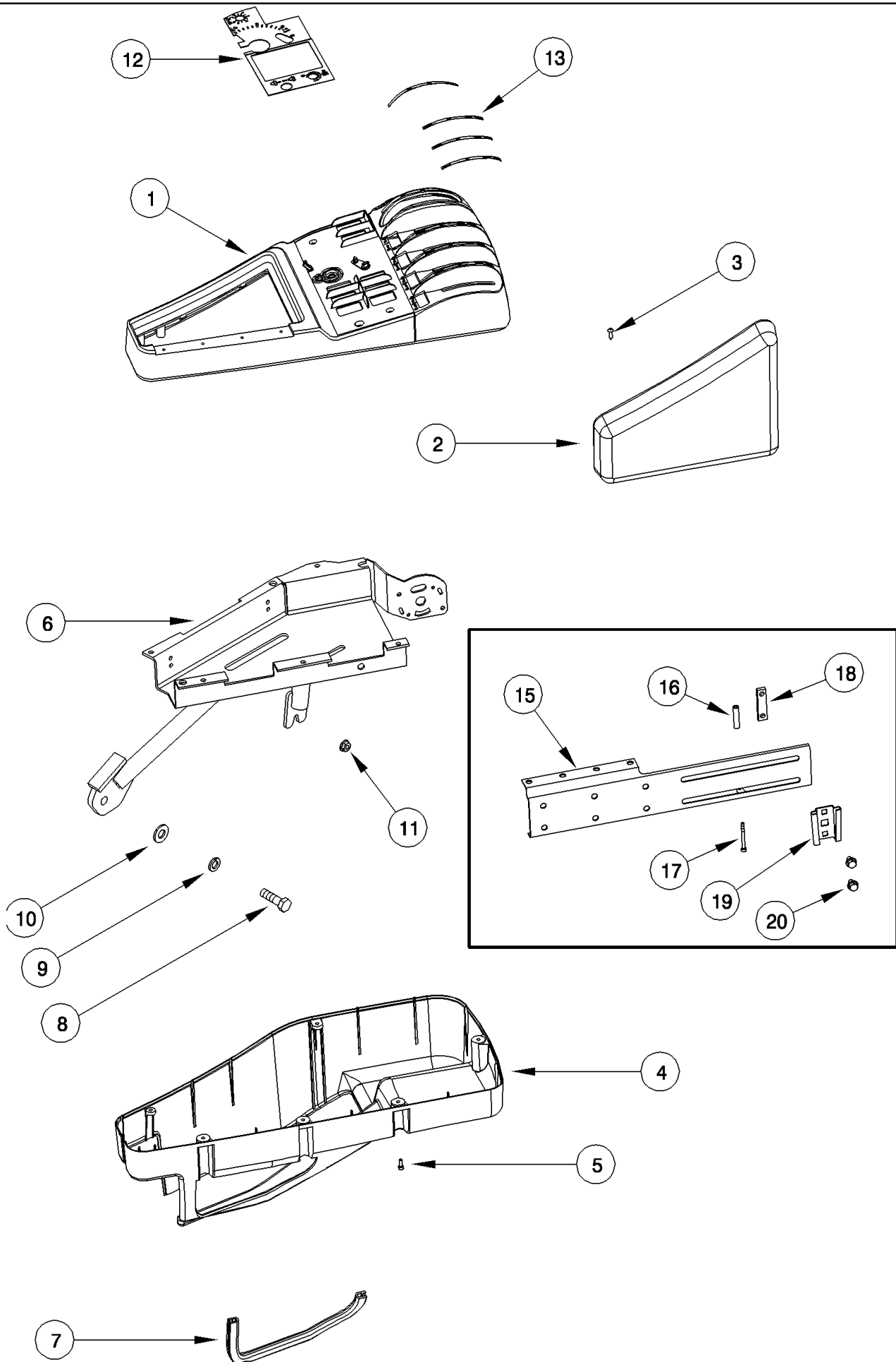
сылка	Номер детали	Кол-во	Описание
1	87395381	1	SUSPENSION, Inc. 2 - 26
2	87395392	1	HOUSING, Upper
3	86994256	1	HOUSING, Lower
4	86994258	1	ARM,
5	302033A1	1	SHAFT,
6	87347944	1	KIT, SERVICE, Harness, (Not Shown)
7	87347943	1	KIT, SERVICE, Suspension Boot
8	302029A2	1	PLATE,
9	333279A2	1	KIT, Air Spring
10	87347951	1	KIT, SERVICE, Compressor
11	87407047	1	KIT, SERVICE, Knobs
12	87347945	1	KIT, SERVICE, Suspension Bearing And Rollers
13	87347946	1	KIT, SERVICE, Isolator Rollers
14	87395394	1	ISOLATOR, Lateral Isolator Shock Absorber
15	86994260	1	KIT, SERVICE, Shock
16	333659A1	1	PACKAGE,SERVICE, Boot Pin
17	87395395	1	ISOLATOR, Fore And Aft Shock Absorber
18	373470A2	1	PACKAGE,SERVICE, Fore And Aft Isolator Control
19	87395396	1	DAMPER, Control Kit
20	373473A1	1	PACKAGE,SERVICE, Lateral Isolator Control
21	333295A1	1	PACKAGE,SERVICE, Suspension Bumper
22	86994267	1	LEVER, Suspension Shock Cable
23	333296A1	1	PACKAGE,SERVICE, Fore And Aft Isolator Shock Block (Not Shown)
24	87347960	1	KIT, SERVICE, Air Tank
25	87396231	1	TUBE, PLASTIC-RUBBER, Air Tank Hose
26	87395393	1	HOUSING,



MAGNUM 335 CASE IH TRACTOR (NA)

09-32 SEAT - INSTRUCTIONAL

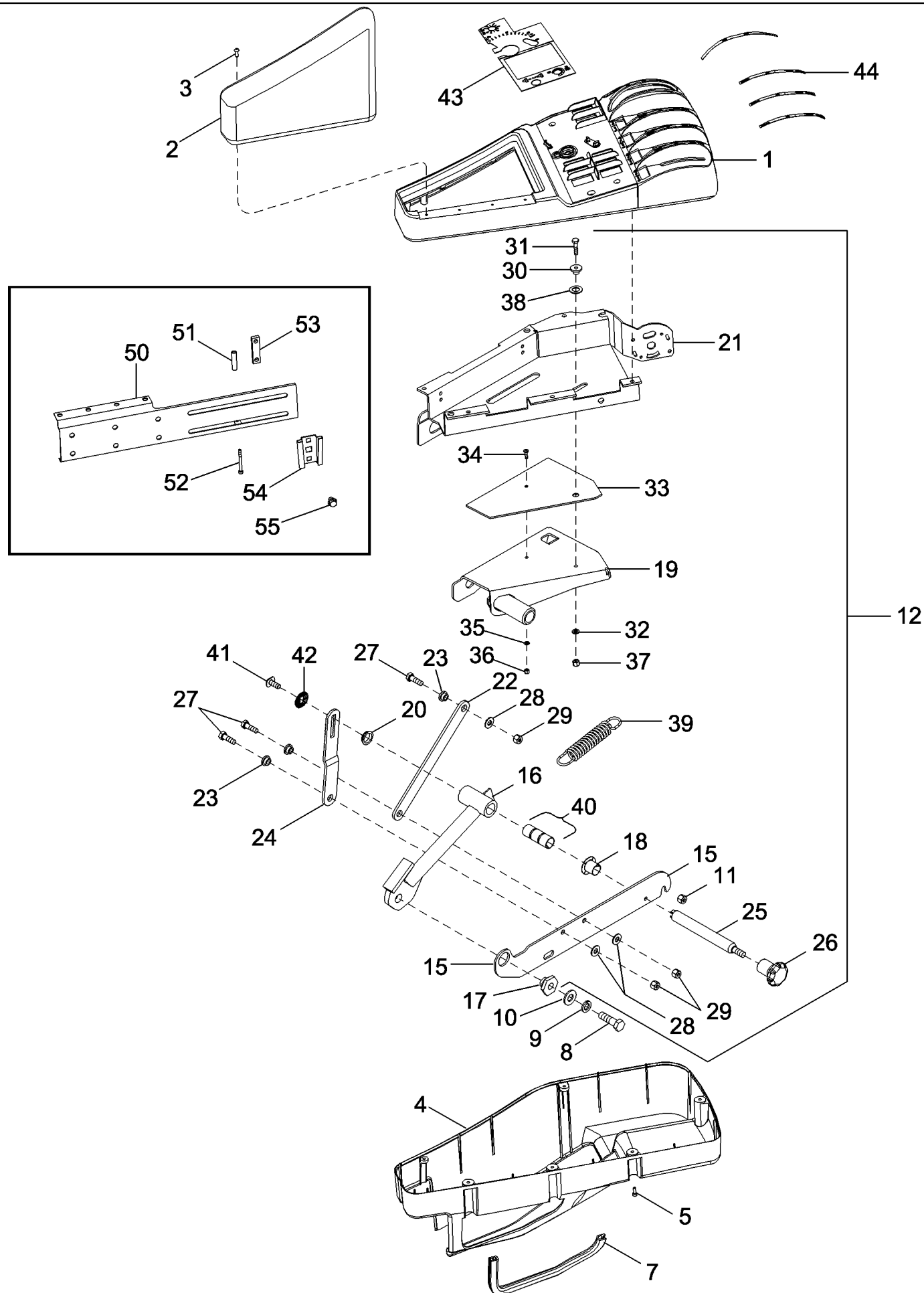
сылка	Номер детали	Кол-во	Описание
1	359027A1	1	CUSHION, SEAT, , Deluxe Cab, Standard Cab
1	359030A2	1	COVER, SEAT, , Luxury Cab
2	296316A3	1	SUPPORT,
3	359028A1	1	COVER, BACKREST, , Deluxe Cab, Standard Cab
3	359031A2	1	COVER, BACKREST, , Luxury Cab
4	840-2616	6	SCREW, Cross Pan Hd, M6 x 16,
5	359029A1	1	COVER,
9	359039A1	1	BEZEL,
11	309099A1	1	SUPPORT,
12	224808A1	1	SEAT BELT,
13	614-12025	2	BOLT, Hex, M12 x 25, 8.8,
14	896-11012	2	WASHER, M13.5 x 24.5 x 3, HT,
15	825-51410	1	NUT, M10, Flg Ser,
16	825-51412	1	NUT, M12, Flg Ser,
17	844-6025	1	BOLT, Hex Flg, M6 x 25, 8.8,
18	833-40306	1	NUT, M6, U,
19	381940A1	1	PANEL,



MAGNUM 335 CASE IH TRACTOR (NA)

09-33 CONSOLE, RIGHT HAND, STANDARD CAB

сылка	Номер детали	Кол-во	Описание
1	87453890	1	HOUSING, Upper, Inc. 13
1	87341495	1	COVER, Upper, No Hitch, Inc. 13
2	277204A2	1	CUSHION,
3	760-14316	4	SCREW, SELF TAPPING, Pan Hd, M4.2 x 16,
4	87364407	1	HOUSING, Lower
5	864-4012	6	SCREW, Hex Soc Hd, M4 x 12, 8.8,
6	87519424	1	SUPPORT,
7	329057A1	1	LINING,
8	827-12050	1	BOLT, Hex, M12 x 50, 10.9,
9	892-11012	1	WASHER, LOCK, M12,
10	895-15012	1	WASHER, M12 x 28 x 2.5,
11	832-10408	1	NUT, LOCK, M8 x 1.25, CI 8,
12	87453893	1	DECAL,
12	87350580	1	DECAL, No Hitch
13	407759A1	1	DECAL,
15	377950A1	1	BRACKET,
16	371731A1	1	SPACER,
17	864-4060	1	SCREW, Hex Soc Hd, M4 x 60, 8.8,
18	368761A1	1	PLATE,
19	A59457	1	BRACKET,
20	844-8012	2	BOLT, Hex Flg, M8 x 12, 8.8, Full Thd,
21	895-11008	1	WASHER, M8 x 16 x 1.6, (Not Shown)



MAGNUM 335 CASE IH TRACTOR (NA)

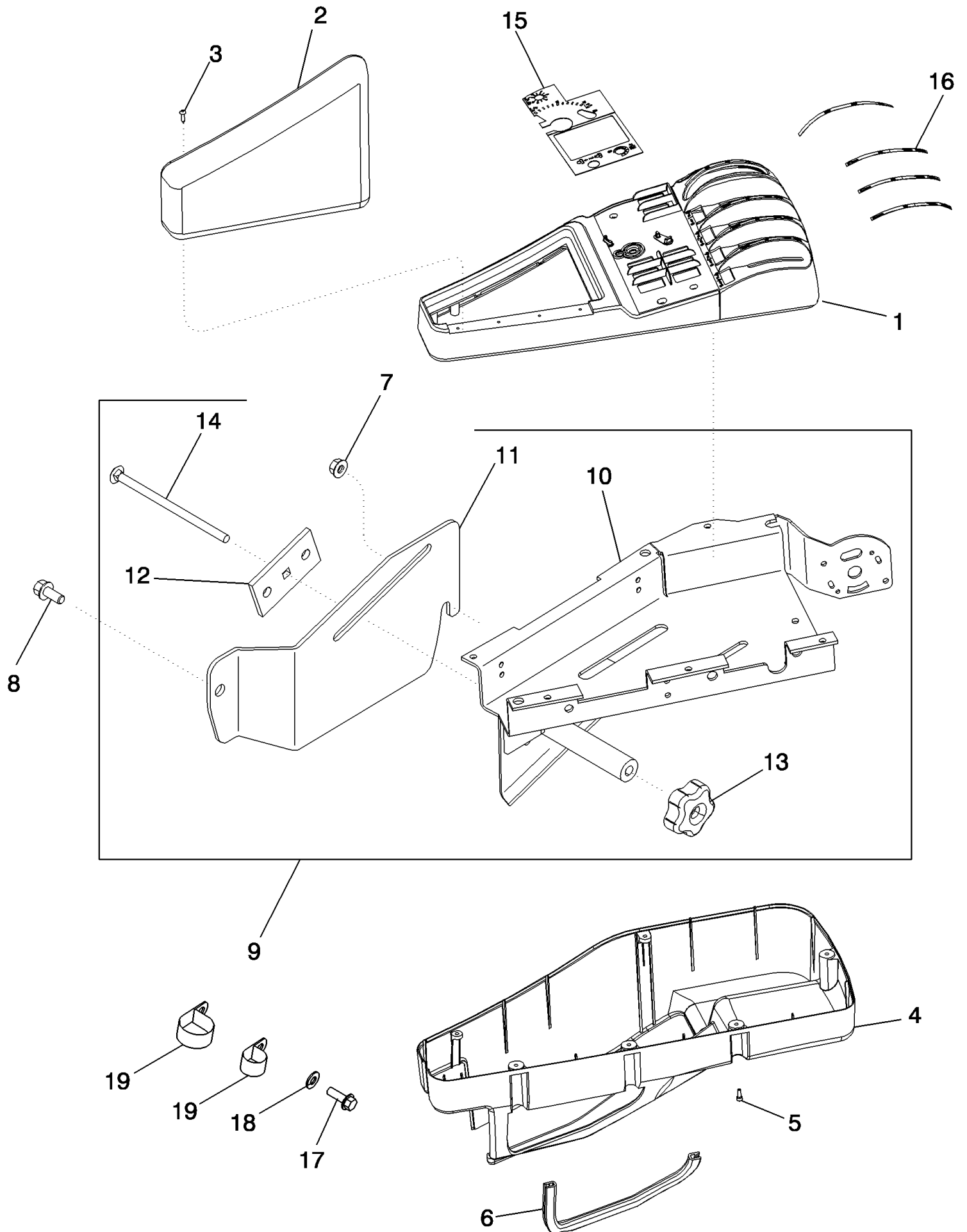
09-34 CONSOLE, RIGHT HAND, DELUXE AND LUXURY CAB - BSN Z6RZ04001

сылка	Номер детали	Кол-во	Описание
1	87453890	1	HOUSING, Upper, Inc. 44
1	87341495	1	COVER, Upper, No Hitch, Inc. 44
2	277204A2	1	CUSHION, , Deluxe Cab
2	358812A2	1	CUSHION ASSY., , Luxury Cab
3	760-14316	4	SCREW, SELF TAPPING, Pan Hd, M4.2 x 16,
4	87364407	1	HOUSING, Lower
5	864-4012	6	SCREW, Hex Soc Hd, M4 x 12, 8.8,
7	329057A1	1	LINING,
8	827-12050	1	BOLT, Hex, M12 x 50, 10.9,
9	892-11012	1	WASHER, LOCK, M12,
10	895-15012	1	WASHER, M12 x 28 x 2.5,
11	832-10408	1	NUT, LOCK, M8 x 1.25, CI 8,
12	87519426	1	SUPPORT, Inc. 15 - 42
15	NSS	1	NOT SERVICED SEPARATELY, PLATE
16	NSS	1	NOT SERVICED SEPARATELY, SUPPORT
17	222292A1	1	NUT,
18	185062R1	1	BUSHING,
19	NSS	1	NOT SERVICED SEPARATELY, SUPPORT
20	294296A1	1	BUSHING,
21	NSS	1	NOT SERVICED SEPARATELY, SUPPORT
22	NSS	1	NOT SERVICED SEPARATELY, BRACKET
23	NSS	3	NOT SERVICED SEPARATELY, WASHER, Special
24	NSS	1	NOT SERVICED SEPARATELY, BRACKET
25	NSS	1	NOT SERVICED SEPARATELY, BOLT, Special
26	319870A1	1	KNOB,
27	627-8025	3	BOLT, Hex, M8 x 25, 10.9,
28	895-15008	3	WASHER, M8 x 20 x 1.6,
29	832-10408	3	NUT, LOCK, M8 x 1.25, CI 8,
30	277582A1	1	WASHER,
31	628-6025	1	BOLT, Hex, M6 x 25, 10.9, Full Thd,
32	895-11006	1	WASHER, M6,
33	277576A1	1	SPACER,
34	840-1414	1	SCREW, Cross Pan Hd, M4 x 14,
35	895-11004	1	WASHER, M4,
36	832-10404	1	NUT, LOCK, M4 x .7, CI 8,
37	832-10406	1	NUT, LOCK, M6 x 1, CI 8,
38	277570A1	1	WASHER,
39	NSS	1	NOT SERVICED SEPARATELY, SPRING
40	294295A1	3	BEARING, NYLON,
41	NSS	1	NOT SERVICED SEPARATELY, BOLT, Special
42	NSS	1	NOT SERVICED SEPARATELY, WASHER, Special
43	406315A2	1	DECAL,
44	407759A1	1	DECAL,
	371336A1	1	KIT, Implement Control Bracket, Inc. 50 - 55
50	377950A1	1	BRACKET,

MAGNUM 335 CASE IH TRACTOR (NA)

09-34 CONSOLE, RIGHT HAND, DELUXE AND LUXURY CAB - BSN Z6RZ04001

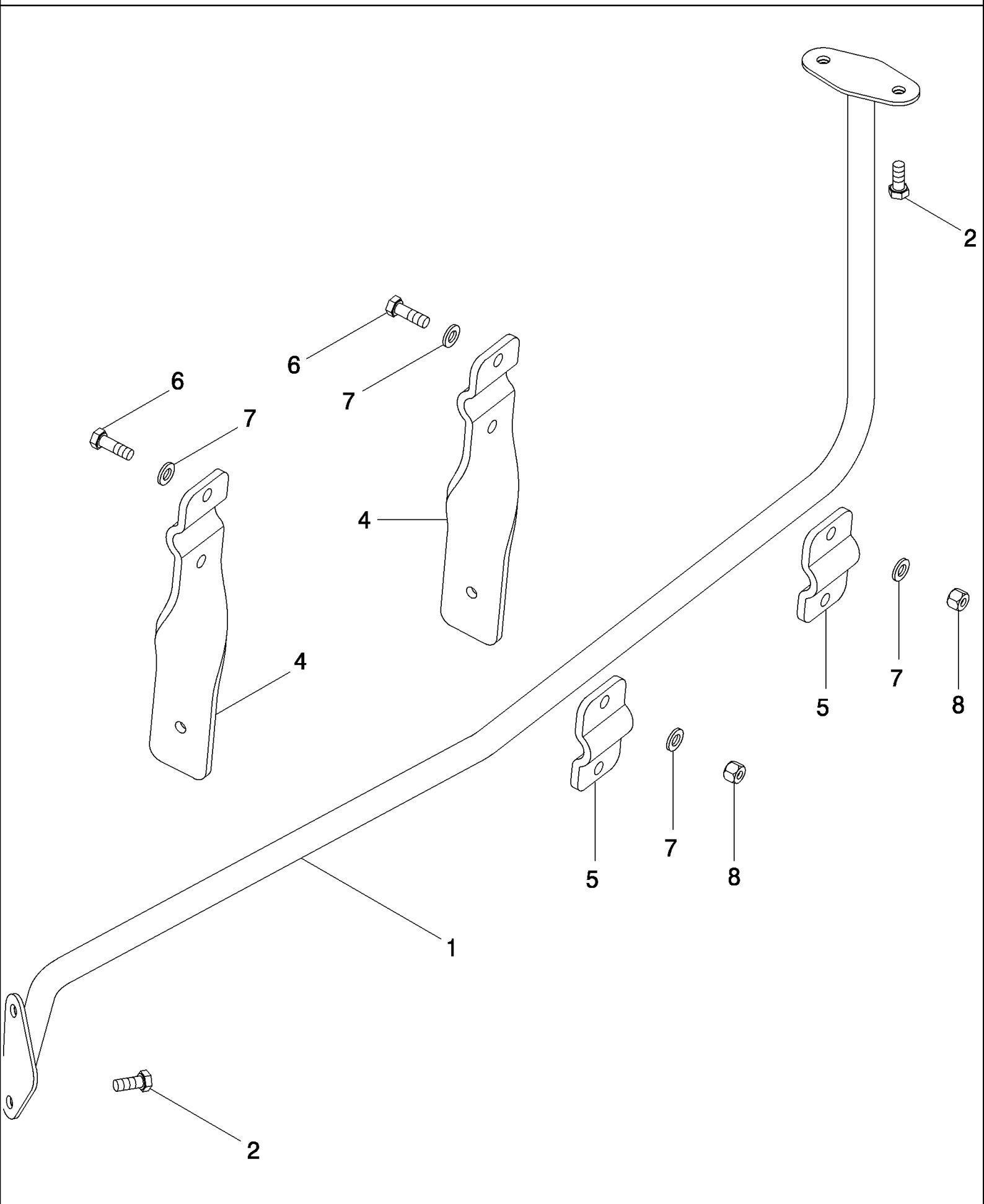
сылка	Номер детали	Кол-во	Описание
51	371731A1	1	SPACER,
52	864-4060	1	SCREW, Hex Soc Hd, M4 x 60, 8.8,
53	368761A1	1	PLATE,
54	A59457	1	BRACKET,
55	844-8012	2	BOLT, Hex Flg, M8 x 12, 8.8, Full Thd,



MAGNUM 335 CASE IH TRACTOR (NA)

09-35 CONSOLE, RIGHT HAND, DELUXE AND LUXURY CAB - ASN Z6RZ04001

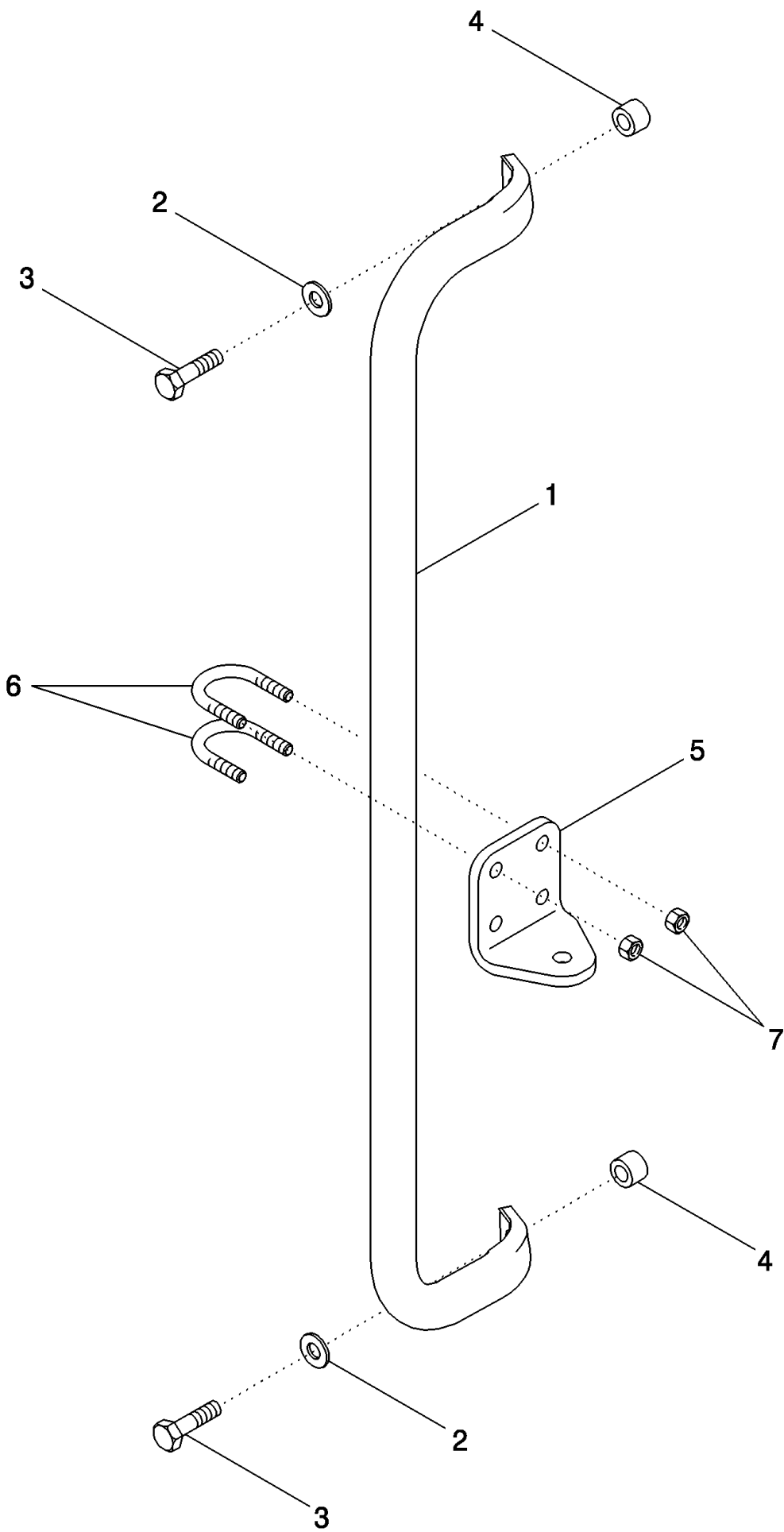
сылка	Номер детали	Кол-во	Описание
1	87453890	1	HOUSING, Upper, Inc. 15
1	87341495	1	COVER, Upper, No Hitch, Inc. 15
2	277204A2	1	CUSHION, , Deluxe Cab
2	358812A2	1	CUSHION ASSY., , Luxury Cab
3	760-14316	4	SCREW, SELF TAPPING, Pan Hd, M4.2 x 16,
4	87364407	1	HOUSING, Lower
5	368048A1	6	SCREW,
6	329057A1	1	LINING,
7	87547587	1	NUT, M10
8	9804261	1	BOLT, Hex Flg, M10 x 25, 8.8,
9	NSS	1	NOT SERVICED SEPARATELY, SUPPORT ASSY, Inc. 10 - 14
10	87604588	1	SUPPORT,
11	87604589	1	BRACKET,
12	87604590	1	PLATE,
13	87566581	1	KNOB,
14	87578954	1	BOLT, M10 x 160; 8.8
15	87453893	1	DECAL,
15	87350580	1	DECAL, No Hitch
16	407759A1	1	DECAL,
17	9804262	1	BOLT, Hex Flg, M10 x 30, 8.8,
18	86625253	1	WASHER, M11 x 24 x 2,
19	515-24302	1	CLAMP, 1 3/16", Insul, 7/16" Bolt, Not Used when SWCD Package is Installed
19	515-24444	1	CLAMP, 1 3/4", Insul, 7/16" Bolt, Only Used when SWCD Package is Installed



MAGNUM 335 CASE IH TRACTOR (NA)

09-36 MONITOR MOUNTING - CAB ROOF

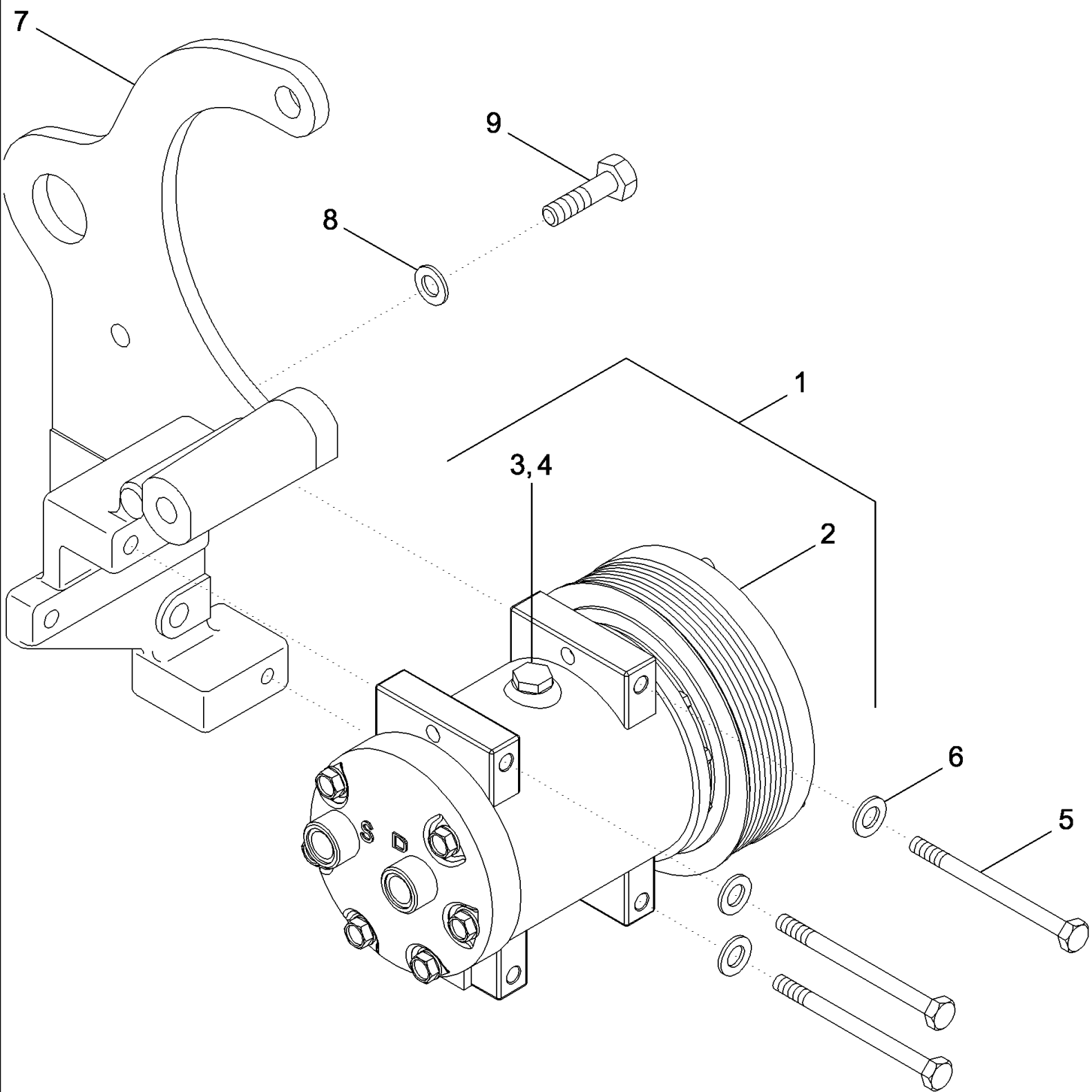
сылка	Номер детали	Кол-во	Описание
1	87439072	1	BAR,
2	863-8020	4	SCREW, Hex Soc Hd, M8 x 20, 12.9,
4	103213A1	2	HOLDER,
5	103226A1	2	CLAMP,
6	514-633	4	BOLT, Hex, M8 x 30, 8.8, Full Thd,
7	256402A1	8	WASHER, 9 x 17 x 1.6 mm
8	832-10408	4	NUT, LOCK, M8 x 1.25, Cl 8,



MAGNUM 335 CASE IH TRACTOR (NA)

09-37 MONITOR MOUNTING - CAB A POST

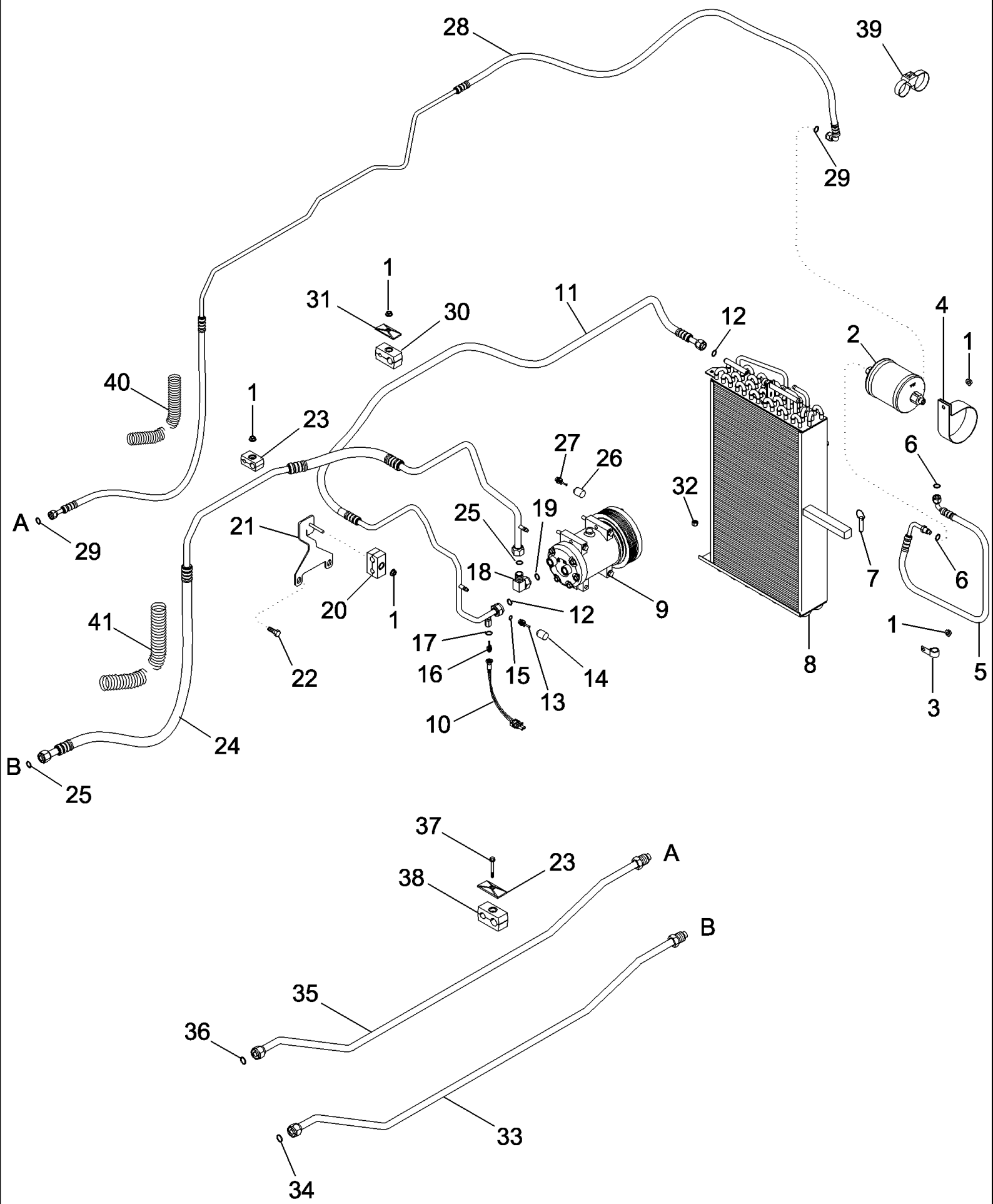
сылка	Номер детали	Кол-во	Описание
1	369275A1	1	TUBE,
2	895-11008	2	WASHER, M8 x 16 x 1.6,
3	827-8035	2	BOLT, Hex, M8 x 35, 10.9,
4	371838A1	2	SPACER,
5	87530660	1	BRACKET,
6	87526197	2	U-BOLT, 1/4 in
7	425-104	4	NUT, 1/4"-20, G5,



MAGNUM 335 CASE IH TRACTOR (NA)

09-38 AIR CONDITIONING - COMPRESSOR MOUNTING

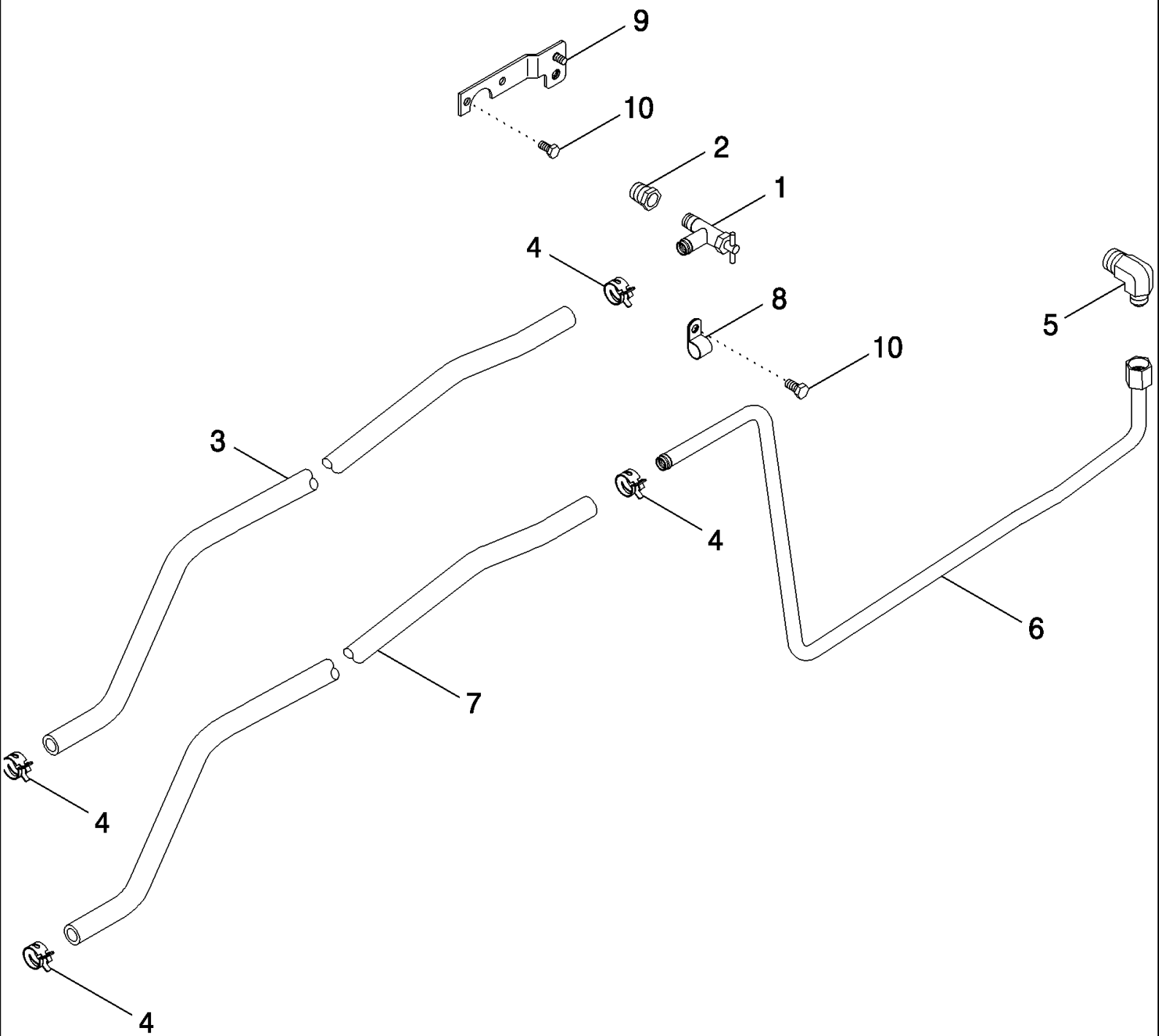
сылка	Номер детали	Кол-во	Описание
1	86993463	1	COMPRESSOR, AIRCOND, Inc. 2 - 4
2	403585A1	1	CLUTCH,
3	A49667	1	PLUG,
4	128483A1	1	O-RING, 5/16 ID x 1/16
5	814-8100	3	BOLT, Hex, M8 x 100, 8.8,
6	895-11008	3	WASHER, M8 x 16 x 1.6,
7	87708788	1	SUPPORT,
8	895-11010	4	WASHER, M10 x 20 x 2,
9	628-10035	3	BOLT, Hex, M10 x 35, 10.9, Full Thd,



MAGNUM 335 CASE IH TRACTOR (NA)

09-39 AIR CONDITIONING - CONDENSER

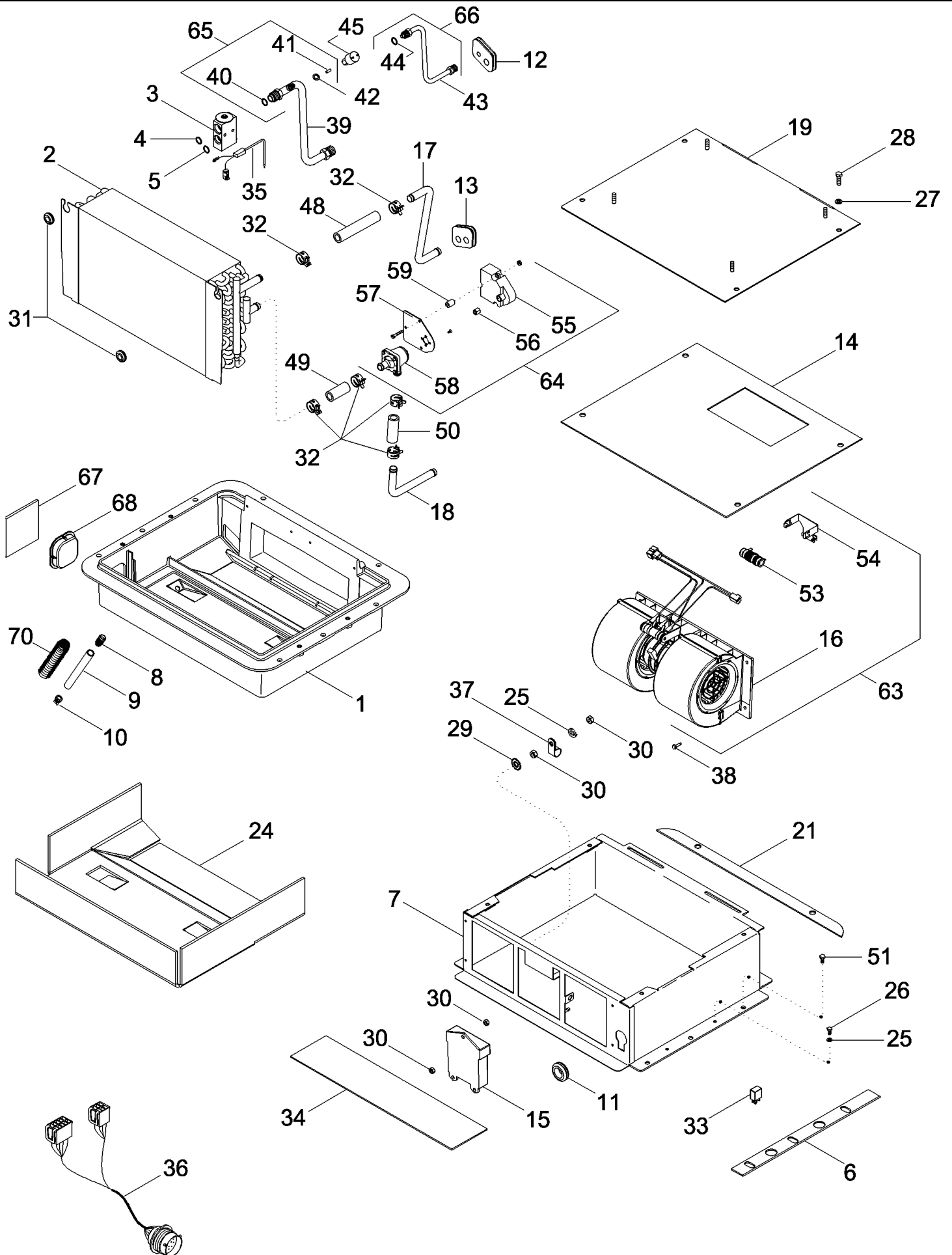
сылка	Номер детали	Кол-во	Описание
1	825-2408	5	NUT, M8 x 1.25, Flg, CI 8,
2	295006A1	1	RECEIVER-DRYER, HFC - 134a
3	516-22158	1	CLAMP, J, 11/16" Insul, 5/16" Bolt,
4	87361944	1	CLAMP, Receiver - Dryer
5	87312057	1	HOSE ASSY., Condenser to Dryer, Inc. 6
6	128483A1	2	O-RING, 5/16 ID x 1/16
7	86017630	1	PIN,
8	87360035	1	CONDENSER, Condenser and Fuel
9	86993463	1	COMPRESSOR, AIRCOND,
10	284273A2	1	SWITCH, A/C HIGH PRESSURE, High Pressure A/C
11	87361937	1	HOSE ASSY., Discharge, Inc. 12 - 17
12	128485A1	2	O-RING, 9/16 ID x 1/16
13	414082A1	1	CORE,
14	414080A1	1	CAP,
15	128483A1	1	O-RING, 5/16 ID x 1/16
16	1250594C2	1	CORE,
17	128484A1	1	O-RING, 7/16 ID x 1/16
18	429210A1	1	ELBOW, Inc. 19
19	128485A1	1	O-RING,
20	109619A1	1	CLAMP,
21	87396608	1	BRACKET, Support
22	844-10020	2	BOLT, Hex Flg, M10 x 20, 8.8,
23	428385A1	2	CLAMP, SPECIAL,
24	87376731	1	HOSE ASSY., Suction, Inc. 25 - 27
25	128485A1	2	O-RING, 9/16 ID x 1/16
26	414081A1	1	CAP,
27	414083A1	1	CORE,
28	87376704	1	HOSE ASSY., Inc. 29
29	128483A1	2	O-RING,
30	255212A1	1	CLAMP,
31	1347127C1	2	PLATE,
32	832-10408	1	NUT, LOCK, M8 x 1.25, CI 8,
33	87377036	1	HOSE ASSY., Suction, Inc. 34
34	128485A1	1	O-RING, 9/16 ID x 1/16
35	87377035	1	HOSE ASSY., Inc. 36
36	128483A1	1	O-RING,
37	779-14645	1	SCREW, SELF TAPPING, 6.3 x 45
38	384870A1	1	PLATE,
39	86991000	1	CLAMP,
40	435562A1	1	CONDUIT,
41	384834A1	1	CONDUIT,



MAGNUM 335 CASE IH TRACTOR (NA)

09-40 HEATER SYSTEM

сылка	Номер детали	Кол-во	Описание
1	301803R1	1	VALVE, SHUT-OFF,
2	221-1092	1	REDUCER, Hex, 3/4" x 3/8" NPT,
3	1974656C1	1	HOSE, Heater Supply, 15,5 ID x 1956 mm (5/8 ID x 77 in), Cut From 97252C1
4	1954736C1	4	CLAMP, HOSE,
5	87429524	1	ELBOW,
6	87313438	1	TUBE ASSY., Heater Return
7	1500341C2	1	HOSE, LARGE, Heater Supply, 15,5 ID x 2019 mm (5/8 ID x 79-1/2 in), Cut From 97252C1
8	515-22159	1	CLAMP, 5/8", Insul, 5/16" Bolt,
9	87421281	1	BRACKET,
10	614-8016	3	BOLT, Hex, M8 x 16, 8.8,



MAGNUM 335 CASE IH TRACTOR (NA)

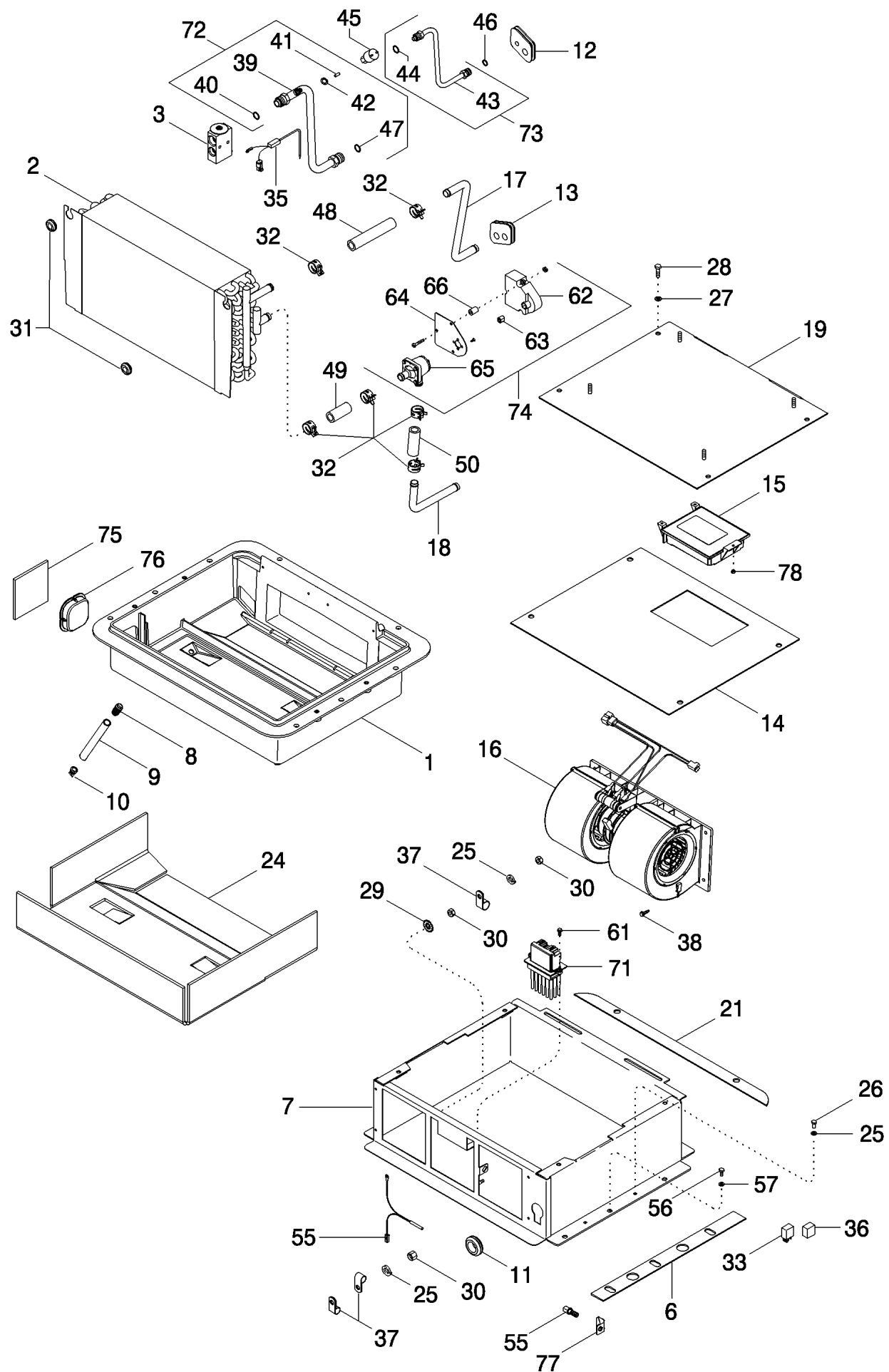
09-41 AIR CONDITIONING - CLIMATE CONTROL UNIT, WITHOUT AUTO TEMP CONTROL

сылка	Номер детали	Кол-во	Описание
1	322996A1	1	BOX,
2	86990262	1	CORE, Evaporator And Heater
3	386535A1	1	VALVE,
4	128485A1	1	O-RING, 9/16 ID x 1/16
5	128484A1	1	O-RING, 7/16 ID x 1/16
6	322994A1	4	GASKET,
7	87454443	1	CASE ASSY.,
8	1250522C3	2	ELBOW,
9	1977334C1	2	HOSE, 610 mm (24-1/8 in), Cut From 198091C1
10	109239C2	2	VALVE,
11	248-2381	1	GROMMET, 1" ID x 1 3/8" Groove Dia,
12	322989A1	1	GROMMET,
13	322990A1	1	GROMMET,
14	87324951	1	GASKET,
15	87429903	1	CONTROL, Module
16	323610A1	1	BLOWER,
17	322985A1	1	PIPE, Outlet
18	322987A1	1	PIPE, Inlet
19	87306495	1	COVER,
21	322995A1	4	GASKET,
24	324484A1	1	INSULATOR,
25	892-11006	5	WASHER, LOCK, M6,
26	614-6012	4	BOLT, Hex, M6 x 12, 8.8,
27	892-11008	4	WASHER, LOCK, M8,
28	627-8025	4	BOLT, Hex, M8 x 25, 10.9,
29	493-81002	1	WASHER, LOCK, Ext-Int Tooth, 1/4",
30	829-1406	4	NUT, M6, CI 10,
31	248-1243	2	GROMMET, 1/2" ID x 13/16" Groove Dia, Diag Cut,
32	1954736C1	6	CLAMP, HOSE, No. 24
33	105849A1	1	RELAY, 20 Amp
34	327306A1	1	GASKET,
35	323016A1	1	SENSOR,
36	87323959	1	HARNESS,
37	515-21127	1	CLAMP, 1/2", Insul, 1/4" Bolt,
38	281-14512	4	SCREW, SELF TAPPING, Hex Wash Hd, #10 x 3/4",
39	NSS	1	NOT SERVICED SEPARATELY, TUBE
40	128485A1	1	O-RING, 9/16 ID x 1/16
41	1250594C2	1	CORE,
42	128483A1	1	O-RING, 5/16 ID x 1/16
43	NSS	1	NOT SERVICED SEPARATELY, TUBE
44	128483A1	1	O-RING, 5/16 ID x 1/16
45	87323829	1	SWITCH, A/C LOW PRESSURE, Low Pressure
48	1321290C2	1	HOSE, 127 mm (5 in), Cut From 97252CX
49	324022A1	1	HOSE, 54 mm (2-1/8 in), Cut From 97252CX
50	324023A1	1	HOSE, 64 mm (2-1/2 in), Cut From 97252CX

MAGNUM 335 CASE IH TRACTOR (NA)

09-41 AIR CONDITIONING - CLIMATE CONTROL UNIT, WITHOUT AUTO TEMP CONTROL

сылка	Номер детали	Кол-во	Описание
51	781-24825	8	SCREW, SELF TAPPING, Hex Flg Hd, M8 x 25,
53	401360A1	1	RESISTOR,
54	360032A1	1	BRACKET,
55	275602A1	1	ACTUATOR,
56	427360A1	1	INSERT,
57	427353A1	1	PLATE,
58	427352A1	1	VALVE,
59	427354A1	3	SPACER,
63	323611A1	1	BLOWER, ASSEMBLY, Inc. 16, 53, 54
64	427356A1	1	VALVE, CONTROL, Inc. 55 - 59
65	322839A1	1	PIPE, Inc. 40 - 42
66	322840A1	1	PIPE, Inc. 44
67	87306773	1	INSULATION, FOAM,
68	368313A1	1	PLASTIC PLUG,
69	495-21031	1	WASHER, 1/4", (Not Shown)
70	87574393	1	HOSE, Condensate
71	87454442	1	SENSOR, (Not Shown)
72	87318294	1	CLIP, Sensor (Not Shown)



MAGNUM 335 CASE IH TRACTOR (NA)

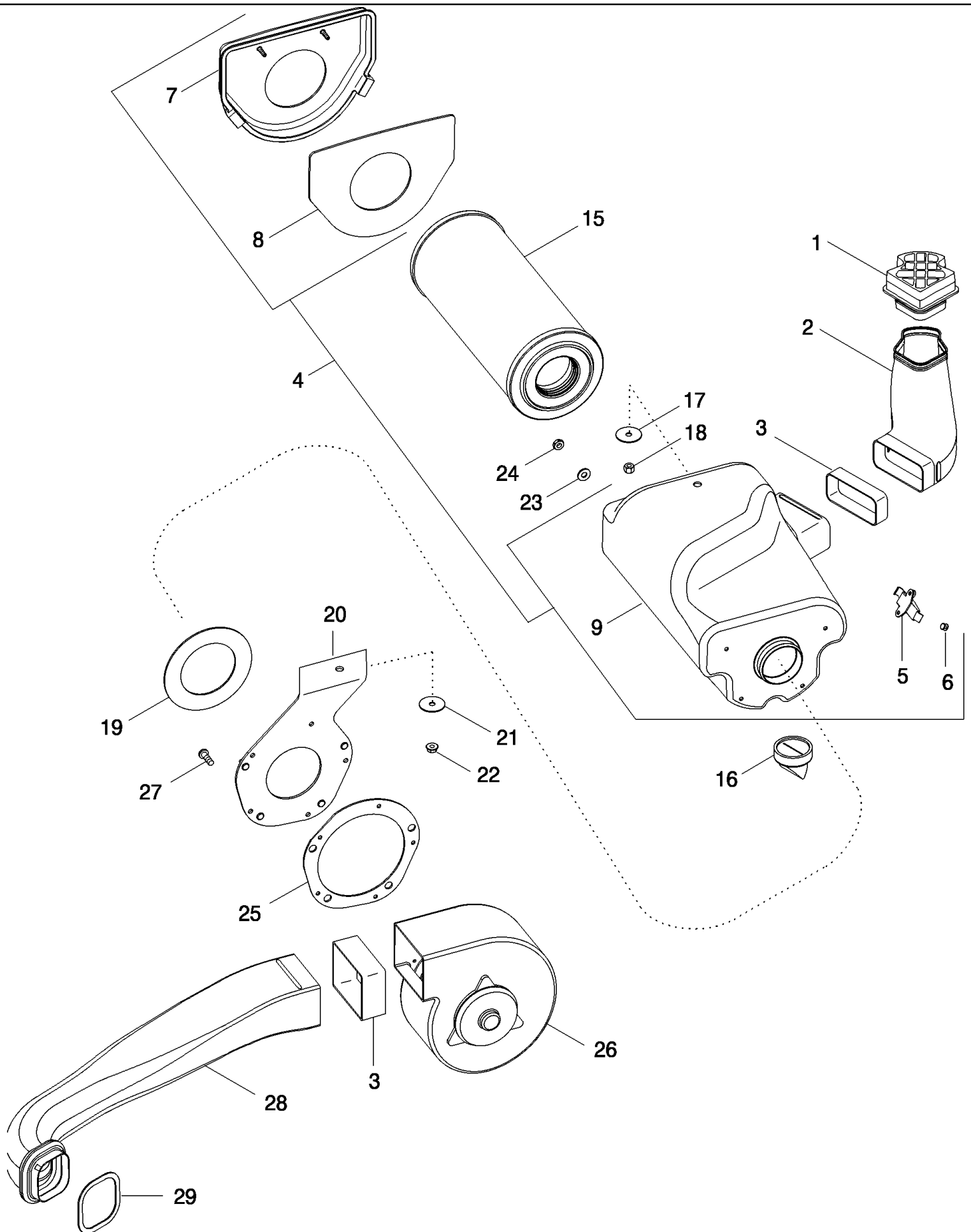
09-42 AIR CONDITIONING - CLIMATE CONTROL UNIT, WITH AUTO TEMP CONTROL

сылка	Номер детали	Кол-во	Описание
1	322996A1	1	BOX,
2	86990262	1	CORE, Evaporator And Heater
3	386535A1	1	VALVE,
6	322994A1	4	GASKET,
7	87454443	1	CASE ASSY.,
8	1250522C3	2	ELBOW,
9	1977334C1	2	HOSE, 610 mm (24-1/8 in), Cut From 198091C1
10	109239C2	2	VALVE,
11	248-2381	1	GROMMET, 1" ID x 1 3/8" Groove Dia,
12	322989A1	1	GROMMET,
13	322990A1	1	GROMMET,
14	87324951	1	GASKET,
15	87365492	1	MODULE, Without Software
16	323610A1	1	BLOWER,
17	322985A1	1	PIPE, Outlet
18	322987A1	1	PIPE, Inlet
19	87306495	1	COVER,
21	322995A1	4	GASKET,
24	324484A1	1	INSULATOR,
25	892-11006	5	WASHER, LOCK, M6,
26	614-6016	4	BOLT, Hex, M6 x 16, 8.8,
27	892-11008	4	WASHER, LOCK, M8,
28	627-8025	4	BOLT, Hex, M8 x 25, 10.9,
29	493-81002	1	WASHER, LOCK, Ext-Int Tooth, 1/4",
30	829-1406	2	NUT, M6, CI 10,
31	248-1243	2	GROMMET, 1/2" ID x 13/16" Groove Dia, Diag Cut,
32	1954736C1	6	CLAMP, HOSE, No. 24
33	105849A1	1	RELAY, 20 Amp
35	323016A1	1	SENSOR,
36	87323958	1	HARNESS,
37	515-21127	2	CLAMP, 1/2", Insul, 1/4" Bolt,
38	281-14512	4	SCREW, SELF TAPPING, Hex Wash Hd, #10 x 3/4",
39	NSS	1	NOT SERVICED SEPARATELY, PIPE
40	128485A1	1	O-RING, 9/16 ID x 1/16
41	1250594C2	1	CORE,
42	128483A1	1	O-RING, 5/16 ID x 1/16
43	NSS	1	NOT SERVICED SEPARATELY, PIPE
44	128483A1	1	O-RING, 5/16 ID x 1/16
45	87323829	1	SWITCH, A/C LOW PRESSURE, Low
46	128484A1	1	O-RING, 7/16 ID x 1/16
47	128485A1	1	O-RING, 9/16 ID x 1/16
48	1321290C2	1	HOSE, 127 mm (5 in), Cut From 97252CX
49	324022A1	1	HOSE, 54 mm (2-1/8 in), Cut From 97252CX
50	324023A1	1	HOSE, 64 mm (2-1/2 in), Cut From 97252CX
55	87454442	1	SENSOR, Return Air

MAGNUM 335 CASE IH TRACTOR (NA)

09-42 AIR CONDITIONING - CLIMATE CONTROL UNIT, WITH AUTO TEMP CONTROL

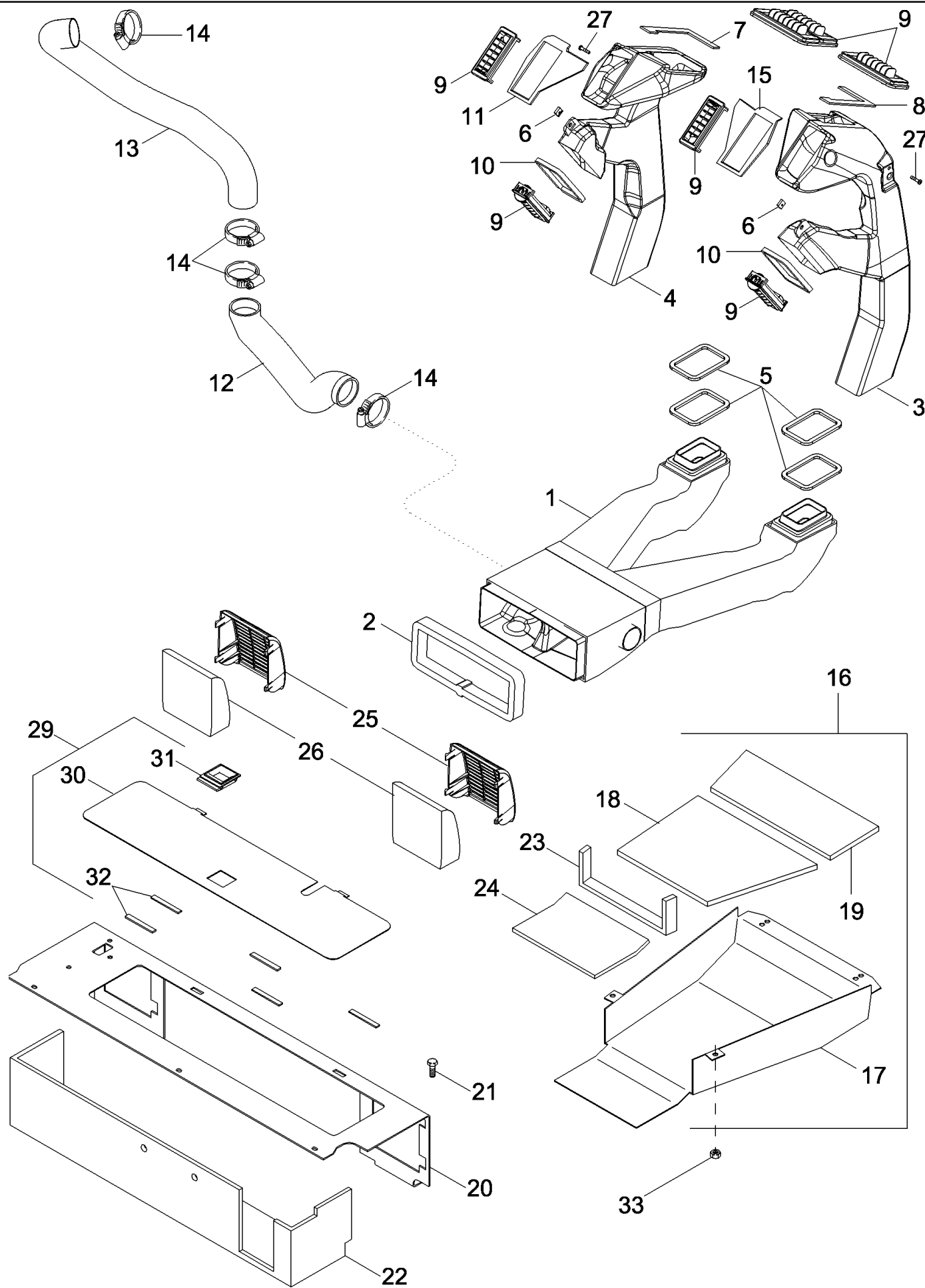
сылка	Номер детали	Кол-во	Описание
56	781-24825	8	SCREW, SELF TAPPING, Hex Flg Hd, M8 x 25,
57	495-21031	1	WASHER, 1/4",
61	280-1448	2	SCREW, SELF TAPPING, Hex Wash Hd, #8 x 1/2",
62	275602A1	1	ACTUATOR,
63	427360A1	1	INSERT,
64	427353A1	1	PLATE,
65	427352A1	1	VALVE,
66	427354A1	3	SPACER,
71	87306706	1	TERMINAL CONNECTOR, ATC Filter Linear Driver
72	322839A1	1	PIPE, Inc. 39 - 42
73	322840A1	1	PIPE, Inc. 43, 44
74	427356A1	1	VALVE, CONTROL, Inc. 62 - 66
75	368313A1	1	PLASTIC PLUG,
76	87306773	1	INSULATION, FOAM,
77	87318294	1	CLIP,
78	832-46404	1	NUT, LOCK, M4 x .7, CI 8,



MAGNUM 335 CASE IH TRACTOR (NA)

09-43 AIR CONDITIONING - AIR FILTER

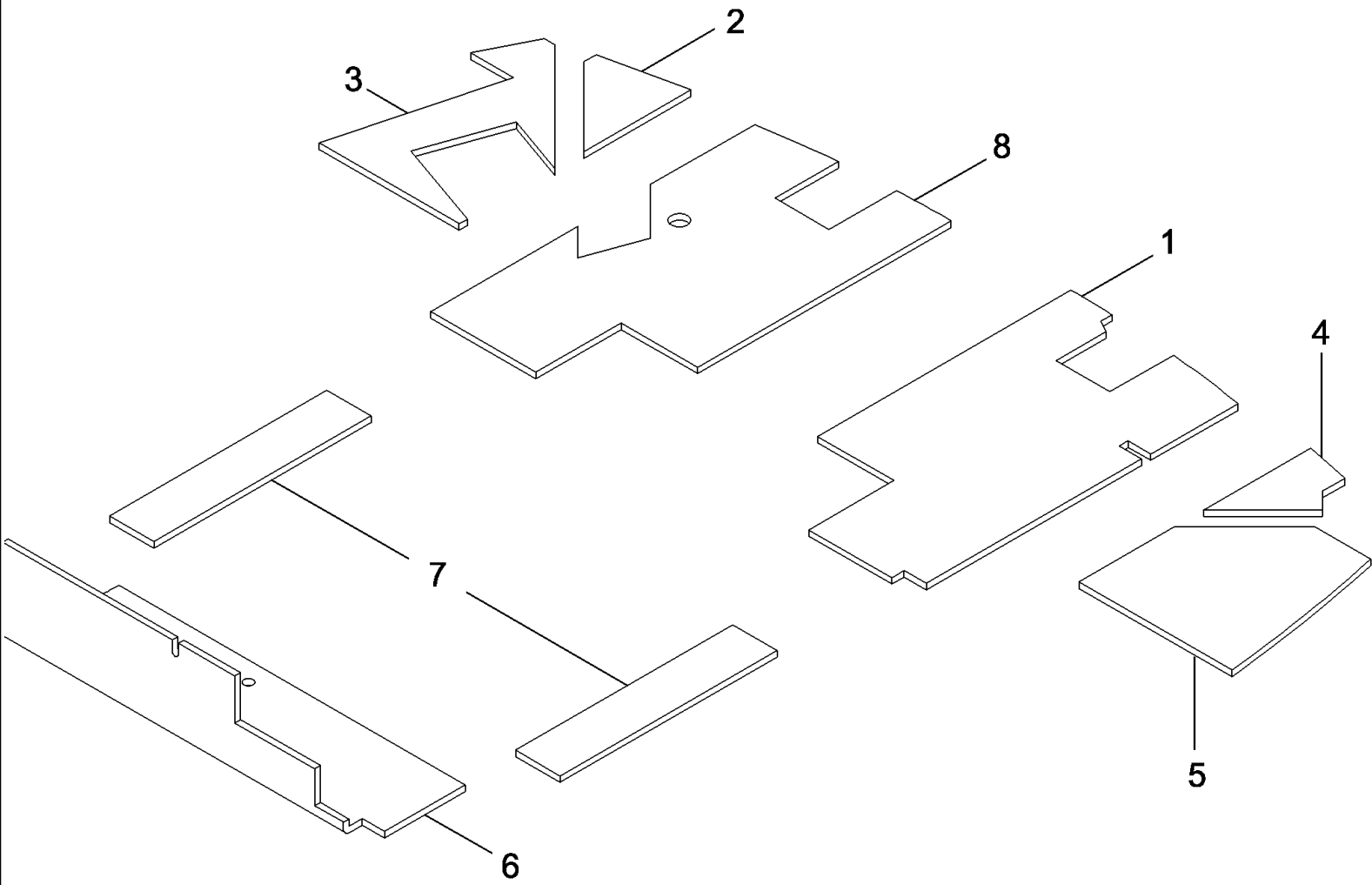
сылка	Номер детали	Кол-во	Описание
1	255236A3	1	GROMMET,
2	255237A2	1	DUCT, AIR,
3	280951A2	2	SEAL,
4	310687A3	1	FILTER, CAB, Inc. 5 - 9
5	240748A2	2	LATCH,
6	151-539	4	RIVET, Pop, 3/16" x .450",
7	255218A4	1	COVER, Inc. 8
8	259339A3	1	GASKET,
9	NSS	1	NOT SERVICED SEPARATELY, HOUSING
15	259288A1	1	FILTER, Air
15	87267363	1	FILTER, Charcoal
16	A184597	1	POPPET, VALVE,
17	495-81121	1	WASHER, .344" x 1 1/2" x .060",
18	832-10408	1	NUT, LOCK, M8 x 1.25, CI 8,
19	255219A2	1	GASKET,
20	252244A3	1	BRACKET,
21	495-81121	1	WASHER, .344" x 1 1/2" x .060",
22	825-2408	1	NUT, M8 x 1.25, Flg, CI 8,
23	495-31022	4	WASHER, #10,
24	225-14210	4	NUT, #10-32,
25	255220A2	1	GASKET,
26	87107380	1	BLOWER,
27	490-11010	5	SCREW, Cross Pan Hd, #10-32 x 5/8",
28	87538496	1	DUCT,
29	280510A2	1	GASKET,



MAGNUM 335 CASE IH TRACTOR (NA)

09-44 AIR CONDITIONING - DUCTS

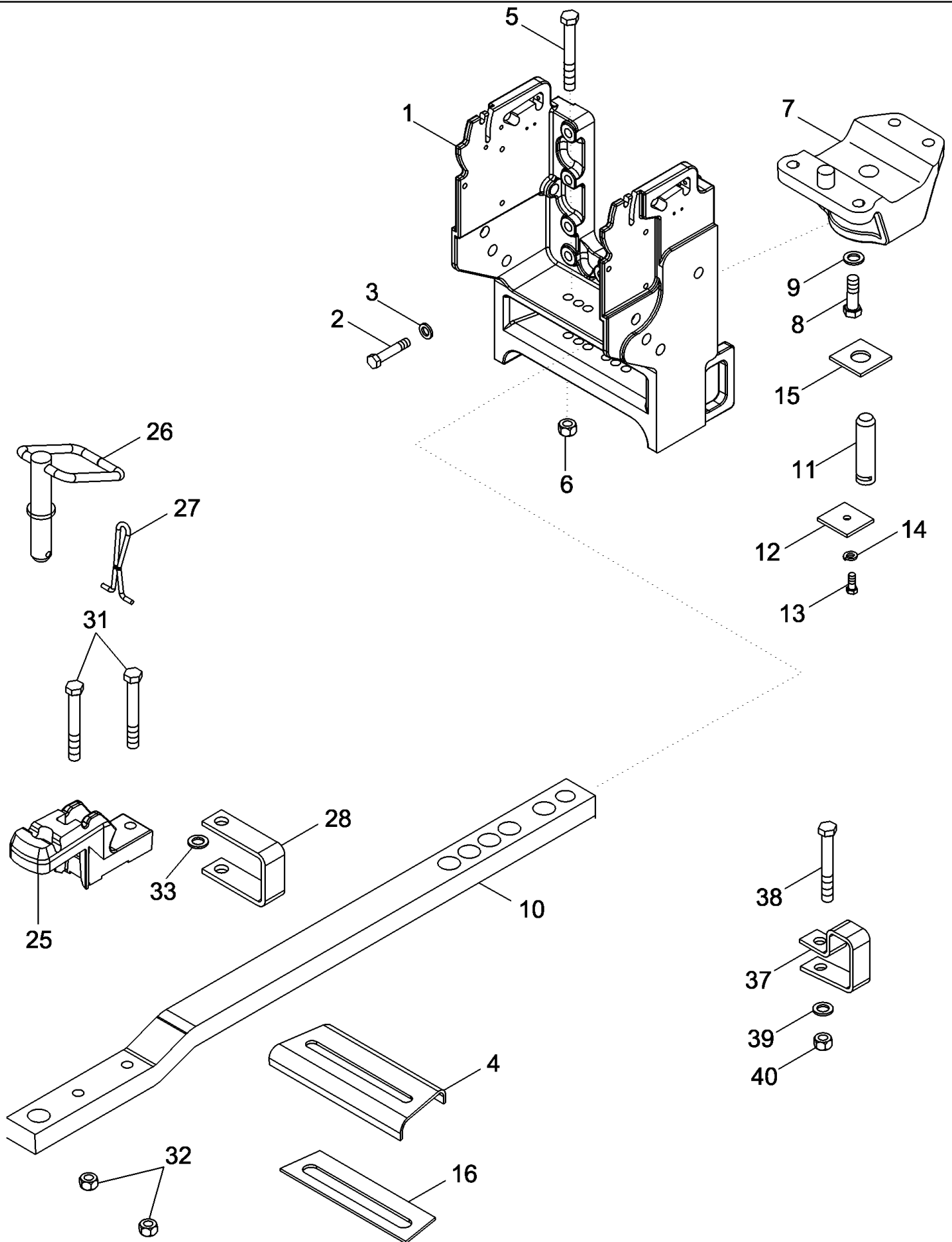
сылка	Номер детали	Кол-во	Описание
1	87308202	1	DUCT, Main Supply, Inc. 2
2	326665A1	1	SEAL,
3	87360629	1	DUCT, Right Hand
4	87310029	1	DUCT, Left Hand
5	87452817	4	GASKET, Front Supply Duct
6	87016569	2	NUT, U, #10-16, Panel type,
7	87310033	1	GASKET, Duct Defrost, Left Hand
8	87310034	1	GASKET, Duct Defrost, Right Hand
9	363882A1	7	DIFFUSER,
10	87456015	2	GASKET, Foot Louver
11	87310035	1	GASKET, Duct Face Louver, Left Hand
12	256331A2	1	HOSE, Left Hand
13	303732A1	1	HOSE, Left Hand
14	214-1544	4	CLAMP, HOSE, #44, 2.31/3.25 Type F Worm, W/liner,
15	87310036	1	GASKET, Duct Face Louver, Right Hand
16	87377042	1	PAN, Duct, Inc. 17, 18, 19, 23 and 24
17	NSS	1	NOT SERVICED SEPARATELY, PAN, Duct
18	87451616	1	INSULATION, FOAM, Duct Pan
19	87451617	1	INSULATION, FOAM, Duct Pan, Front
20	87323828	1	EXTENSION,
21	781-24820	5	SCREW, SELF TAPPING, Hex Flg Hd, M8 x 20,
22	87532161	1	INSULATION, FOAM,
23	87451618	1	STRIP, SEALING, Duct Pan
24	87307956	1	INSULATION, FOAM, Duct Pan, Rear
25	301180A3	2	VENT (AIR),
26	293615A1	2	FILTER,
27	840-1525	2	SCREW, Cross Pan Hd, M5 x 25,
29	87442171	1	COVER, Inc. 30 - 32
30	87442170	1	COVER,
31	406718A1	1	LATCH,
32	412425A1	5	SEAL,
33	825-2405	2	NUT, M5 x .8, Flg, Cl 8,



MAGNUM 335 CASE IH TRACTOR (NA)

09-45 CAB - INSULATION

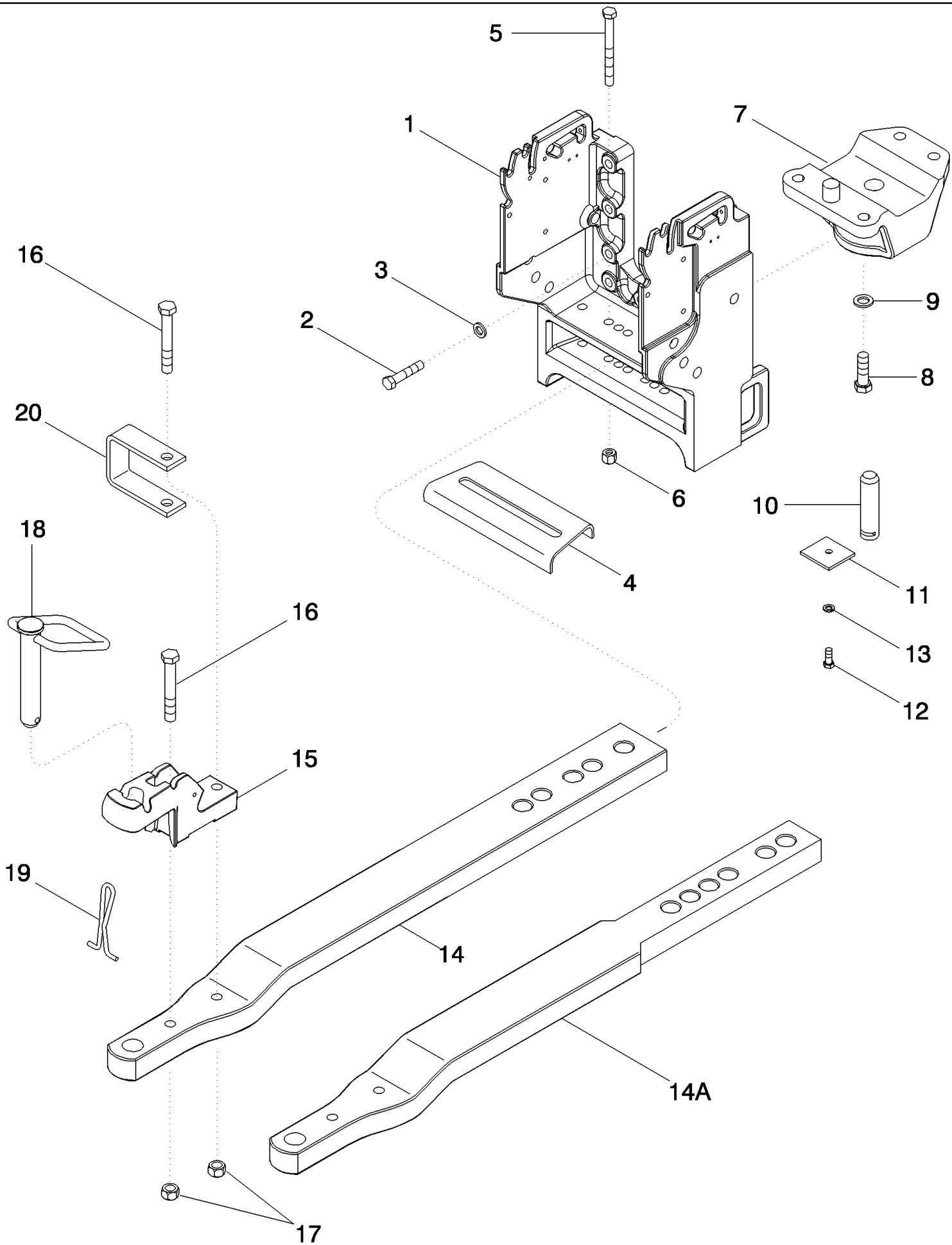
сылка	Номер детали	Кол-во	Описание
1	87430369	1	INSULATION, FOAM, Middle, Right
2	87430372	1	INSULATION, FOAM, Left Front
3	87430373	1	INSULATION, FOAM, Left Rear
4	87430374	1	INSULATION, FOAM, Right Front
5	87430375	1	INSULATION, FOAM, Right Rear
6	87430370	1	INSULATION, FOAM, Middle Rear
7	87430371	2	INSULATION, FOAM, Floor Strip
8	87430368	1	INSULATION, FOAM, Middle, Left



MAGNUM 335 CASE IH TRACTOR (NA)

09-46 DRAWBAR AND HAMMERSTRAP - STANDARD

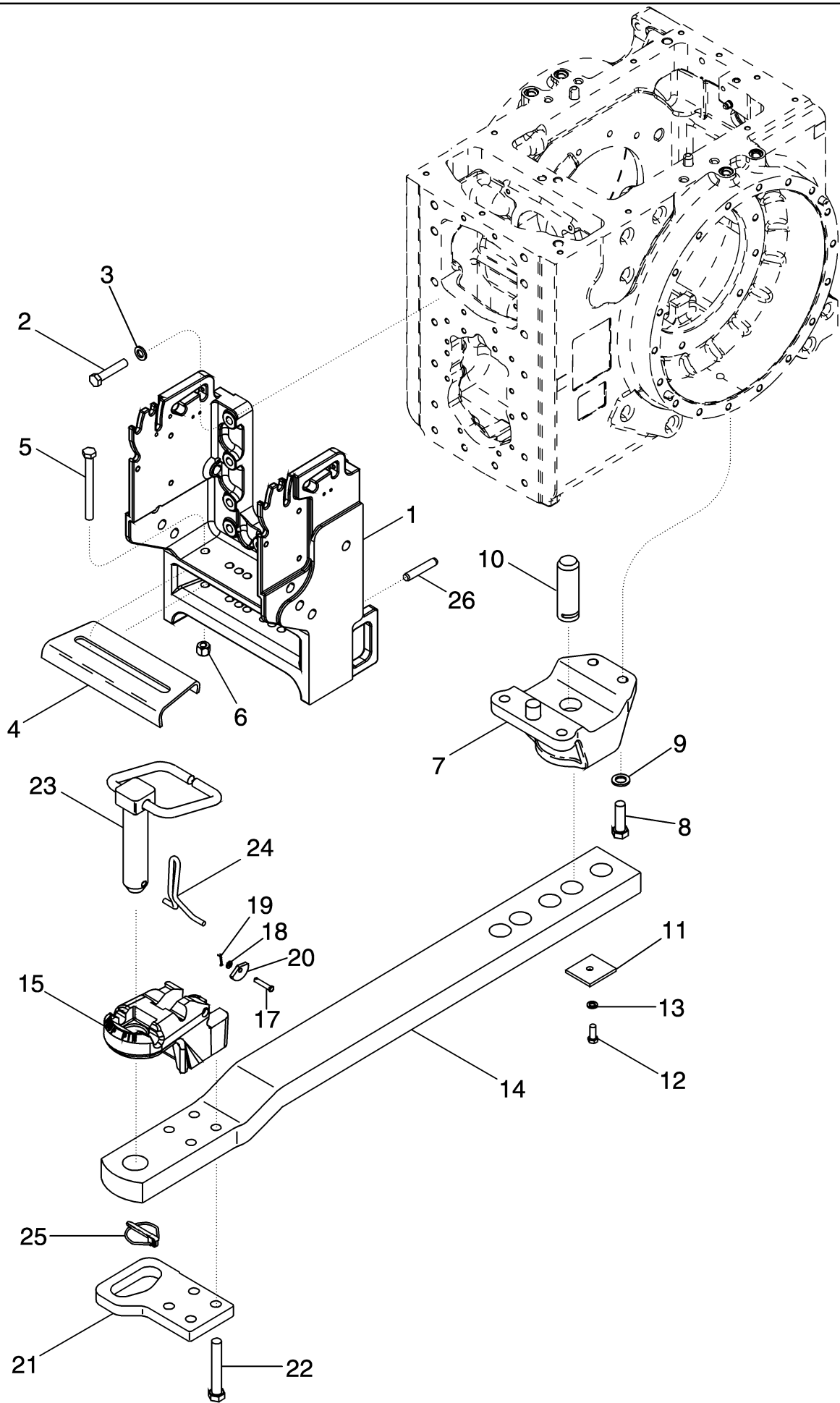
сылка	Номер детали	Кол-во	Описание
1	251788A3	1	SUPPORT,
2	828-16080	10	BOLT, Hex, M16 x 80, 10.9,
3	896-12016	10	WASHER, M17.5 x 30 x 4, HT,
4	238495A3	1	PLATE,
5	827-16160	2	BOLT, Hex, M16 x 160, 10.9,
6	832-10416	2	NUT, LOCK, M16 x 2, CI 8,
7	87489660	1	BRACKET,
8	828-20065	4	BOLT, Hex, M20 x 65, 10.9, Full Thd,
9	896-12020	4	WASHER, M20 x 37.5 x 4, HT,
10	232515A2	1	DRAWBAR, SWINGING, , MX215, Magnum 215,MX245, and Magnum 245
10	277702A2	1	DRAWBAR, , MX275, Magnum 275, MX305, and Magnum 305
11	1982103C1	1	PIN,
12	67828C1	1	RETAINER,
13	627-12030	1	BOLT, Hex, M12 x 30, 10.9,
14	896-15012	1	WASHER, M12 x 28.5 x 4, HT,
15	307027A2	1	SPACER, Front, MX215, Magnum 215,MX245, and Magnum 245
16	307028A2	1	SPACER, Rear, MX215, Magnum 215,MX245, and Magnum 245
25	232615A3	1	STRAP,
26	232616A3	1	PIN, HITCH,
27	232617A1	1	LATCH,
28	449666A1	1	SUPPORT ASSY.,
31	827-20140	2	BOLT, Hex, M20 x 140, 10.9,
32	829-1420	2	NUT, M20, CI 10,
33	896-15020	1	WASHER, M20 x 44.5 x 5, HT,
37	348405A2	1	SUPPORT,
38	827-20090	1	BOLT, Hex, M20 x 90, 10.9,
39	896-15020	1	WASHER, M20 x 44.5 x 5, HT,
40	829-1420	1	NUT, M20, CI 10,



MAGNUM 335 CASE IH TRACTOR (NA)

09-47 DRAWBAR AND HAMMERSTRAP - HIGH CAPACITY, CAT III

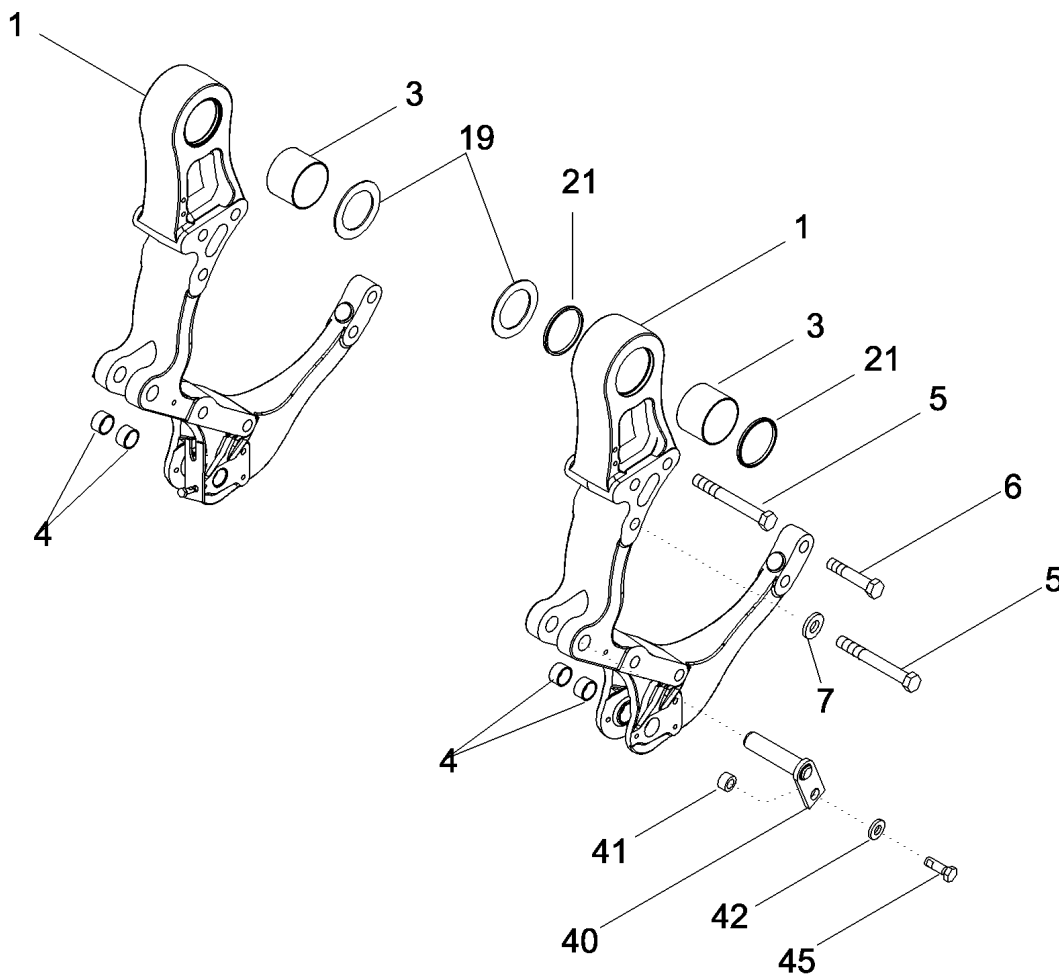
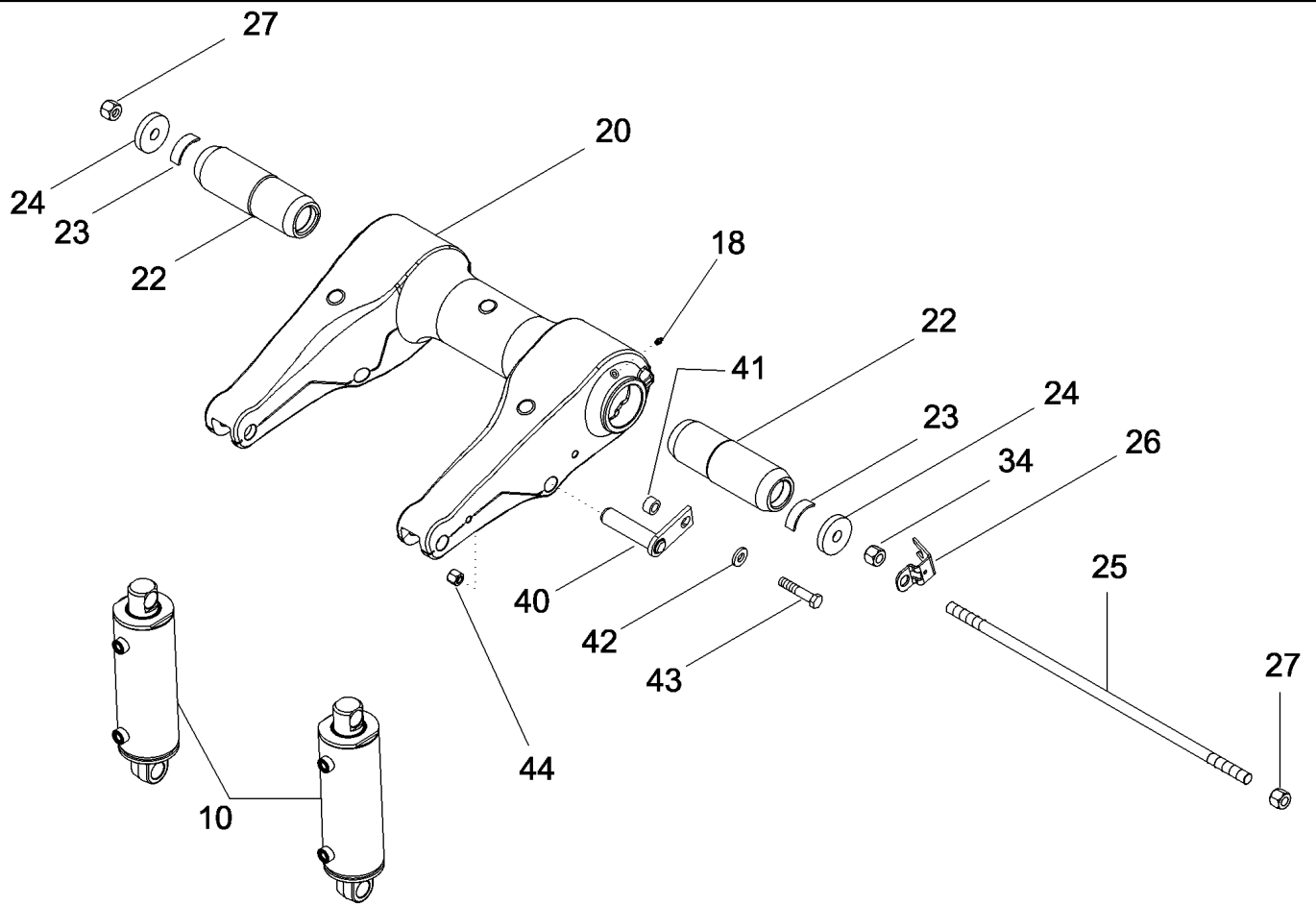
сылка	Номер детали	Кол-во	Описание
1	251788A3	1	SUPPORT,
2	828-16080	10	BOLT, Hex, M16 x 80, 10.9,
3	896-12016	10	WASHER, M17.5 x 30 x 4, HT,
4	238495A3	1	PLATE,
5	827-16160	2	BOLT, Hex, M16 x 160, 10.9,
6	832-10416	2	NUT, LOCK, M16 x 2, CI 8,
7	87489660	1	BRACKET,
8	828-20065	4	BOLT, Hex, M20 x 65, 10.9, Full Thd,
9	896-12020	4	WASHER, M20 x 37.5 x 4, HT,
10	1982103C1	1	PIN,
11	67828C1	1	RETAINER,
12	627-12030	1	BOLT, Hex, M12 x 30, 10.9,
13	896-15012	1	WASHER, M12 x 28.5 x 4, HT,
14	87680426	1	DRAWBAR, SWINGING,
14A	426511A1	1	DRAWBAR, SWINGING,
15	232615A3	1	STRAP,
16	827-20140	2	BOLT, Hex, M20 x 140, 10.9,
17	829-1420	2	NUT, M20, CI 10,
18	232616A3	1	PIN, HITCH,
19	232617A1	1	LATCH,
20	449666A1	1	SUPPORT ASSY.,



MAGNUM 335 CASE IH TRACTOR (NA)

09-48 DRAWBAR AND HAMMERSTRAP - HIGH CAPACITY, CAT IV

сылка	Номер детали	Кол-во	Описание
1	87712383	1	SUPPORT,
2	87698770	10	BOLT,
3	896-12016	10	WASHER, M17.5 x 30 x 4, HT,
4	238495A2	1	PLATE, LARGE, Drawbar Wear
5	827-16160	2	BOLT, Hex, M16 x 160, 10.9,
6	832-10416	2	NUT, LOCK, M16 x 2, Cl 8,
7	87720345	1	BRACKET,
8	828-20065	4	BOLT, Hex, M20 x 65, 10.9, Full Thd,
9	896-12020	4	WASHER, M20 x 37.5 x 4, HT,
10	87722027	1	PIN,
11	87720346	1	RETAINER,
12	627-16030	1	BOLT, Hex, M16 x 30, 10.9, Full Thd,
13	892-11016	1	WASHER, LOCK, M16,
	87688064	1	DRAWBAR, SWINGING, Inc. 14, 15, 21 - 25
14	87688072	1	DRAWBAR, SWINGING,
15	87615031	1	DRAWBAR, SWINGING, Inc. 17- 20
17	87016625	1	PIN, CLEVIS, 3/8" x 2",
18	87617590	1	LOCK, STOP,
19	86625241	1	WASHER,
20	280251	1	PIN, SPLIT (COTTER), 3/32" x 1",
21	NSS	1	NOT SERVICED SEPARATELY, PLATE, SAFETY CHAIN
22	827-20130	4	BOLT, Hex, M20 x 130, 10.9,
23	87615032	1	PIN, CLEVIS,
24	375721A1	1	LATCH,
25	87522067	1	PIN, LOCK,
26	37-11232	2	DOWEL, 3/4" x 2",

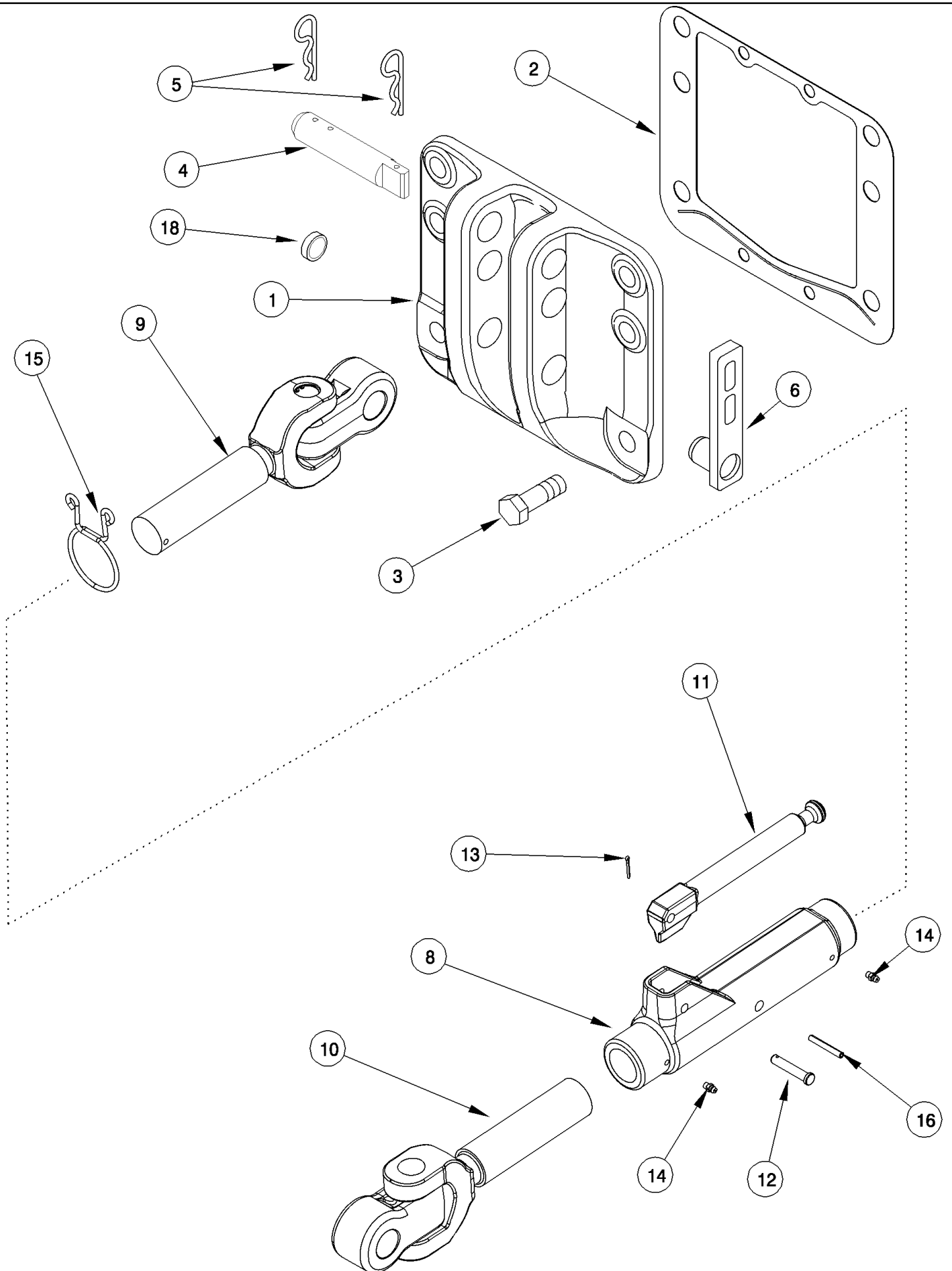


MAGNUM 335 CASE IH TRACTOR (NA)

09-49 HITCH - SUPPORTS AND ROCKSHAFT

сылка	Номер детали	Кол-во	Описание
1	302887A5	2	BRACKET,
3	222355A1	1	BUSHING,
4	1960223C1	2	BUSHING,
5	828-24200	10	BOLT, Hex, M24 x 200, 10.9,
6	828-24120	4	BOLT, Hex, M24 x 120, 10.9,
7	896-16024	2	WASHER, M24 x 56.5 x 6, HT,
10	87542724	AR	CYLINDER, 90 mm ID x 105 mm OD x 260 mm Stroke, Part Number Stamped on Cylinder, See Figure 08-30
10	87542725	AR	CYLINDER, 95 mm ID x 111 mm OD x 260 mm Stroke, Part Number Stamped on Cylinder, See Figure 08-31
10	87542726	AR	CYLINDER, 105 ID x 260 mm Stroke, Part Number Stamped on Cylinder, MX275, 305, Magnum 275, 305, 335, See Figure 08-32
10	87707601	2	CYLINDER ASSY., 105 mm ID x 120 mm OD x 260 mm Stroke, Part Number Stamped on Cylinder, Magnum 335
	87654788	1	DIA KIT, TRACTOR, Three Point Rockshaft, Inc. 18 - 20
18	219-16	2	NIPPLE, LUBE, 5/16" x .56" lg, Drive,
19	87572476	2	WASHER, Wear, Rocker Arm
20	84139005	1	BRACKET, HITCH, Rockshaft, Three Point
21	222354A1	4	SEAL,
22	251386A1	2	PIN,
23	220598A3	6	RING, SNAP,
24	220599A2	2	WASHER,
25	220600A2	1	ROD,
26	241889A3	1	SUPPORT,
27	832-10424	2	NUT, LOCK, M24 x 3, CI 8,
34	829-1424	1	NUT, M24, CI 10,
40	391415A1	4	PIN,
41	414675A1	4	SPACER,
42	896-15012	4	WASHER, M12 x 28.5 x 4, HT,
43	814-12060	2	BOLT, Hex, M12 x 60, 8.8,
44	832-10412	2	NUT, LOCK, M12 x 1.75, CI 8,
45	806-12035	2	BOLT, Hex, Lock, M12 x 35, CI 10.9,

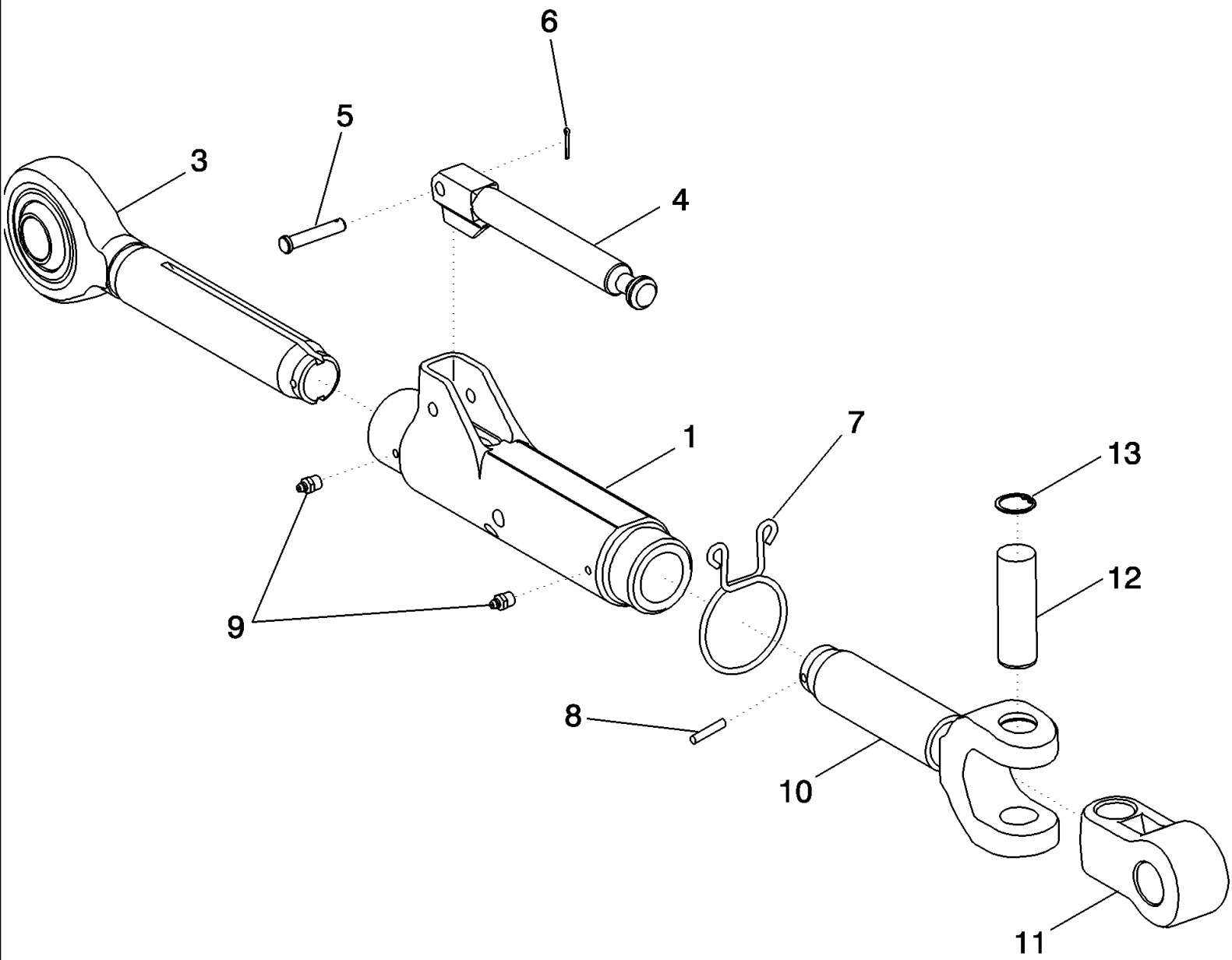
09-50 HITCH - TOP LINK



MAGNUM 335 CASE IH TRACTOR (NA)

09-50 HITCH - TOP LINK

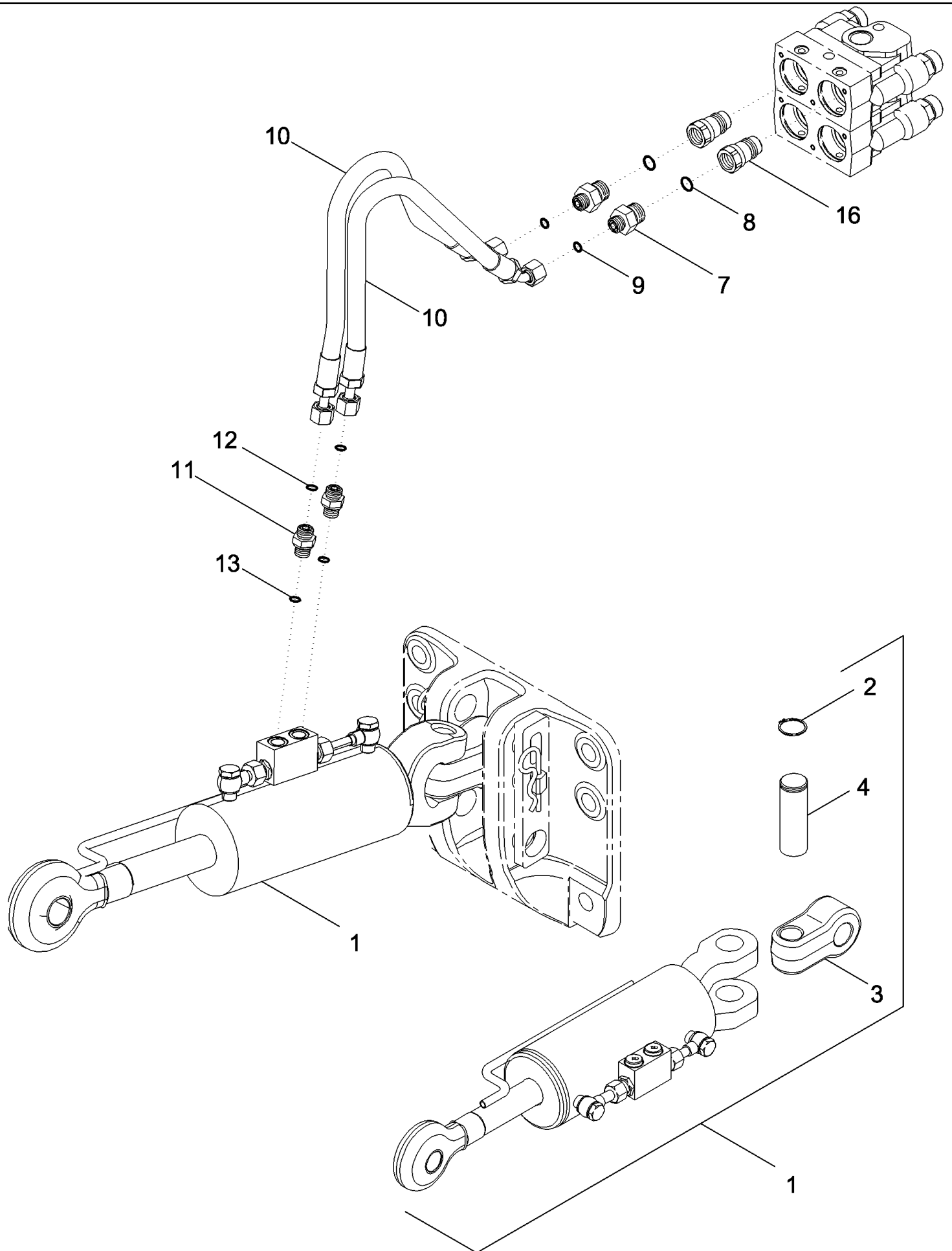
сылка	Номер детали	Кол-во	Описание
1	377206A4	1	BRACKET, HITCH,
2	379145A2	1	GASKET,
3	628-20060	6	BOLT, Hex, M20 x 60, 10.9, Full Thd,
4	378929A1	1	PIN,
5	486830R1	2	PIN, SPLIT (COTTER),
6	378932A1	1	PIN,
8	310524A3	1	TURNBUCKLE,
9	319585A1	1	CLEVIS, Right Hand Threads
10	319586A1	1	CLEVIS, Left Hand Threads
11	310944A1	1	HANDLE,
12	427-6200	1	PIN, CLEVIS, 3/8" x 2",
13	432-612	1	PIN, SPLIT (COTTER), 3/32" x 3/4",
14	219-87	2	NIPPLE, LUBE, 1/4"-28 x .56" lg, Self-Tap,
15	315912A1	1	SPRING,
16	838-3645	1	PIN, M6 x 45, Coiled,
18	641-3432	3	PLUG, M32, Conical,



MAGNUM 335 CASE IH TRACTOR (NA)

09-52 HITCH - TOP LINK BALL END - MX245, MX275, MX305, MAGNUM 245, 275, 305 AND 335

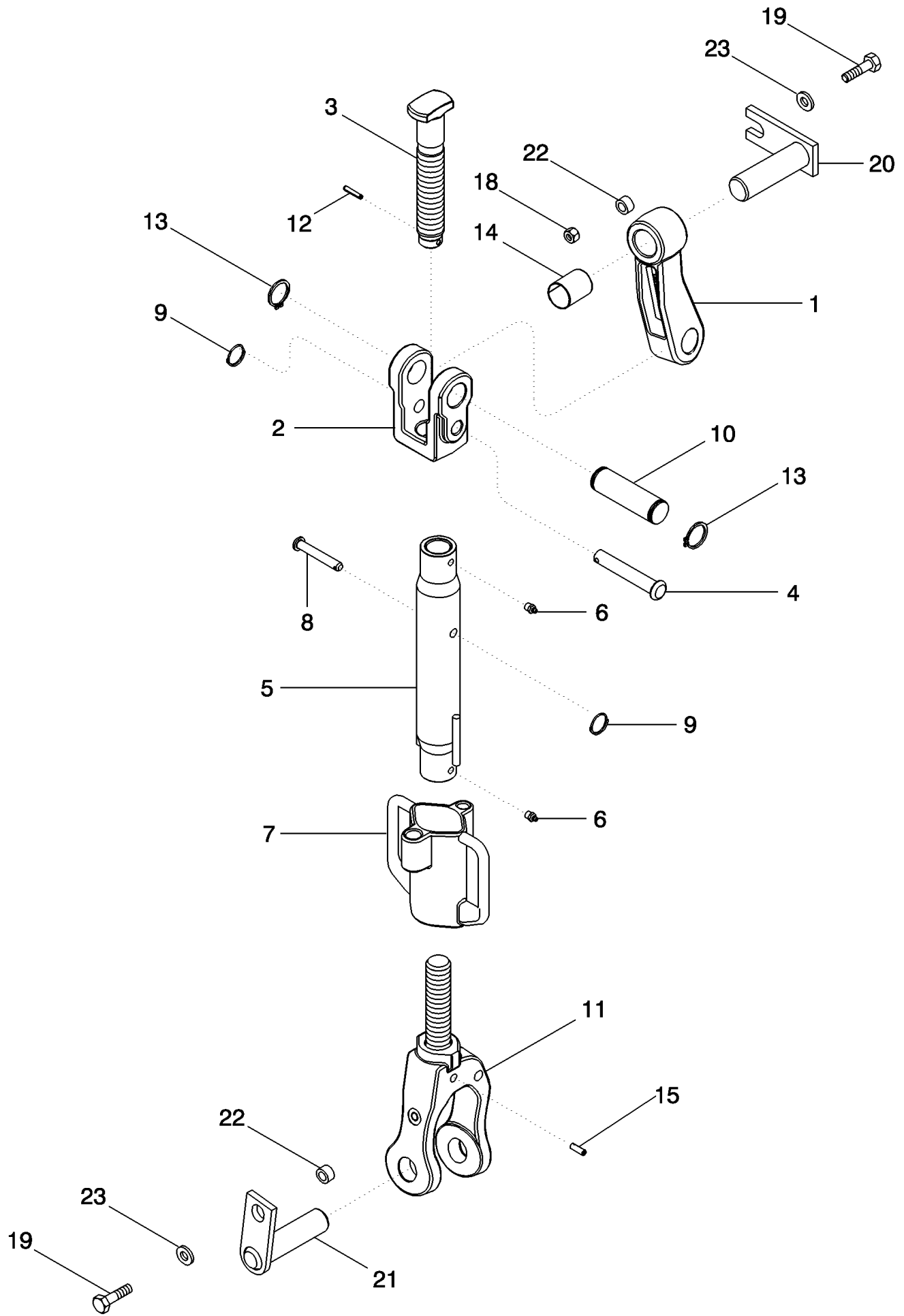
сылка	Номер детали	Кол-во	Описание
	87735209	1	LINK, TOP, Inc. 1 - 13
1	310524A3	1	TURNBUCKLE,
2	319585A1	1	CLEVIS,
3	1282082C2	1	END,
4	310944A1	1	HANDLE,
5	427-6200	1	PIN, CLEVIS, 3/8" x 2",
6	432-612	1	PIN, SPLIT (COTTER), 3/32" x 3/4",
7	315912A1	1	SPRING,
8	738-5645	1	PIN, LOCK, M6 x 45, Slotted,
9	219-87	2	NIPPLE, LUBE, 1/4"-28 x .56" lg, Self-Tap,
10	NSS	1	NOT SERVICED SEPARATELY, YOKE
11	NSS	1	NOT SERVICED SEPARATELY, CLEVIS
12	NSS	1	NOT SERVICED SEPARATELY, PIN
13	800-2128	1	RING, SNAP, M28, Int,



MAGNUM 335 CASE IH TRACTOR (NA)

09-53 HITCH - TOP LINK

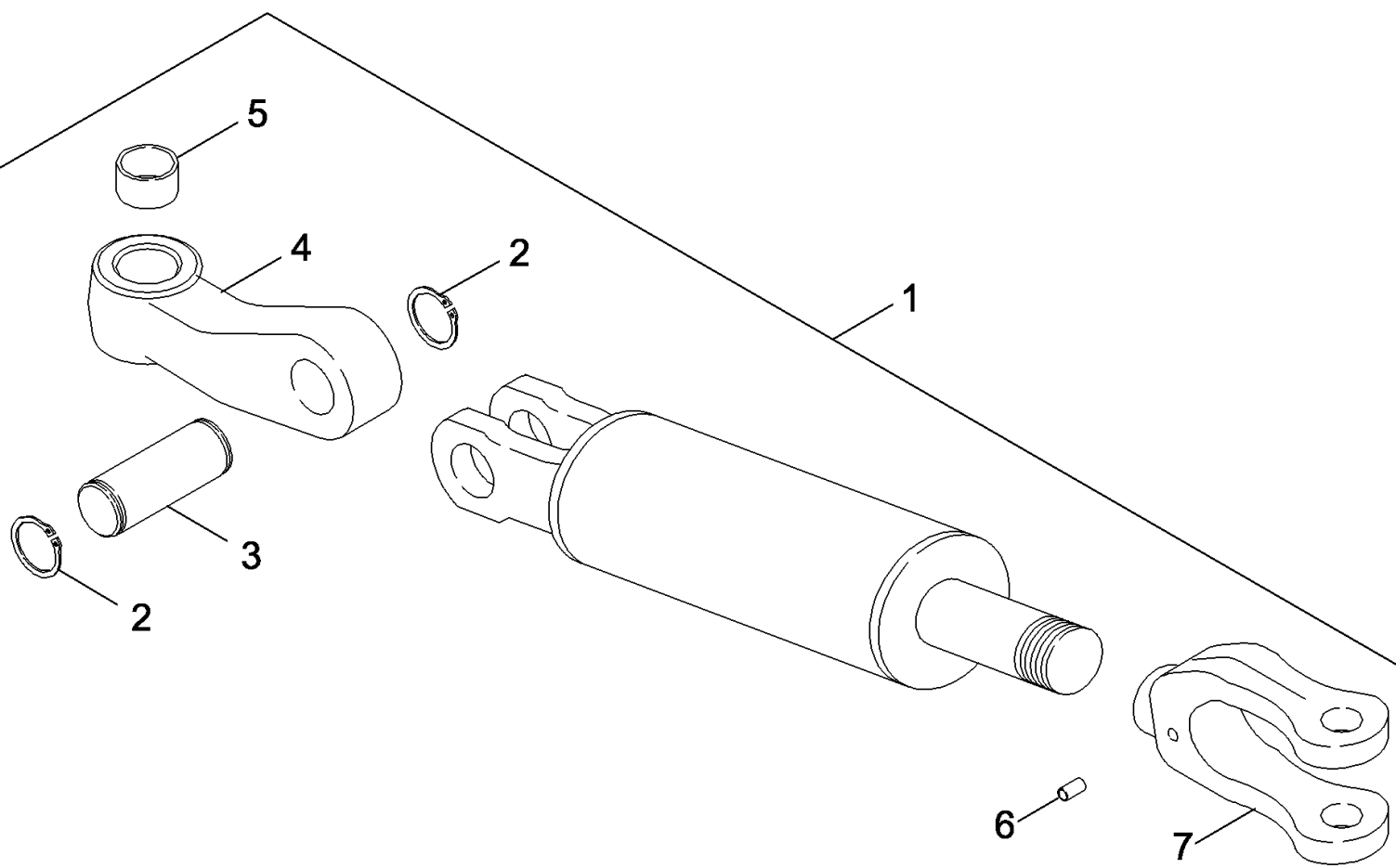
сылка	Номер детали	Кол-во	Описание
1	87542872	1	LINK, TOP, Long, Used With Long Draft Arms, 1094 mm (43 in) Center To Center, Inc. 2 - 5
1	87453964	1	LINK, TOP, Short, Used With Short Draft Arms, 970 mm (38 in) Center To Center, Inc. 2 - 5
2	800-2128	2	RING, SNAP, M28, Int,
3	283235A3	1	
4	310476A2	1	
5	5197835	1	KIT, SEALS, Seal, (Not Shown)
6	1272399C2	2	COUPLING, QUICK, MALE,
7	201-139	2	CONNECTOR, HYD., 11/16"-16 ORFS x 7/8"-14 ORB, Inc. 8, 9
8	237-6010	1	O-RING, 10-1, 90 Duro, .755" ID x .097" Thk,
9	238-6012	1	O-RING, -012, 90 Duro, .364" ID x .070" Thk,
10	87441258	2	HOSE, 705 mm (27-3/4 in)
11	87434646	2	UNION, Inc. 12, 13
12	238-6012	1	O-RING, -012, 90 Duro, .364" ID x .070" Thk,
13	637-63133	1	O-RING, CI 6, 13.3MM ID x 2.2 Thk,



MAGNUM 335 CASE IH TRACTOR (NA)

09-54 HITCH - LIFT LINKS

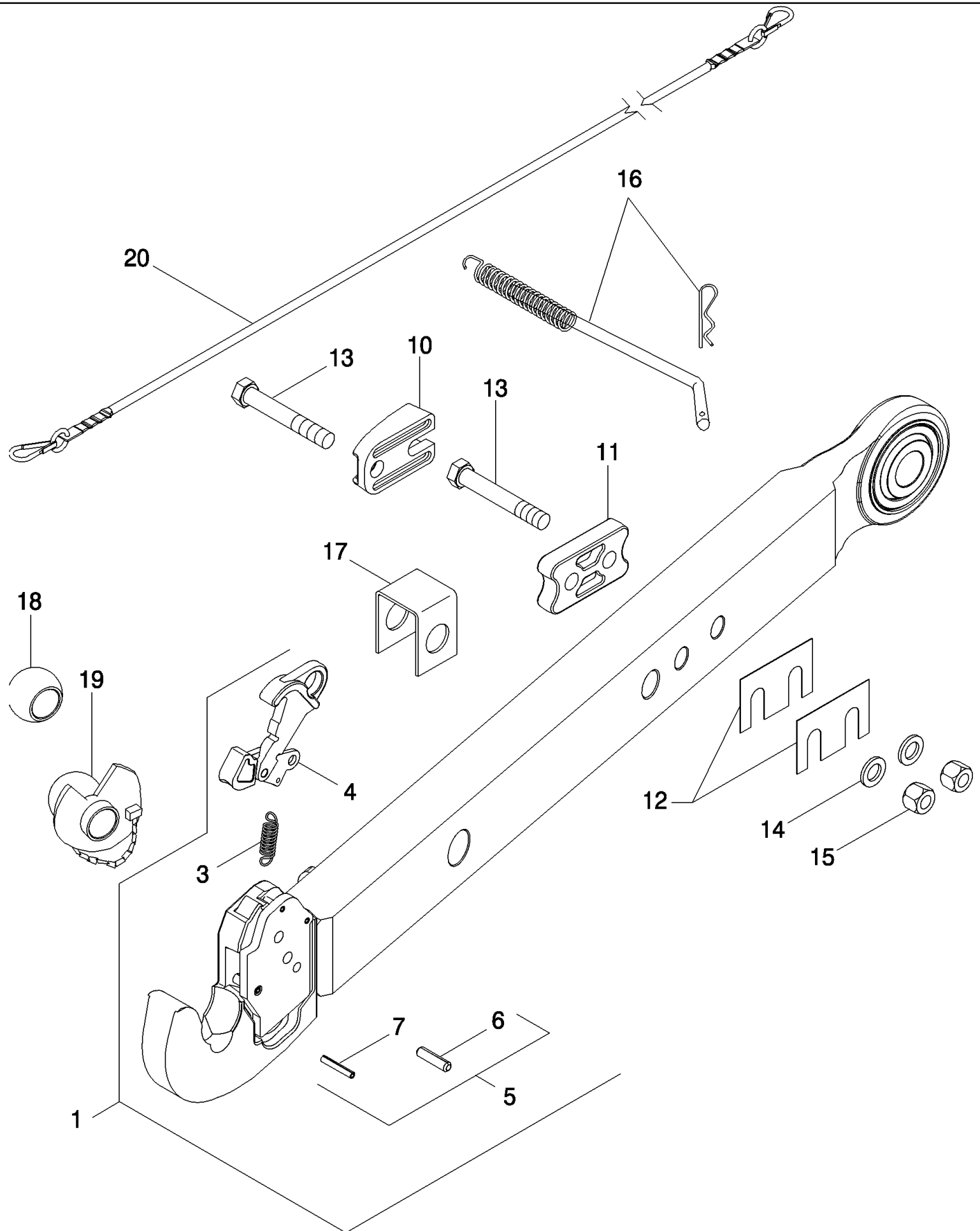
сылка	Номер детали	Кол-во	Описание
1	87632286	2	PITMAN,
2	405362A2	2	YOKE,
3	412533A1	2	ROD,
4	412534A1	2	PIN,
5	405370A1	2	TURNBUCKLE,
6	378716A1	4	NIPPLE, LUBE,
7	405364A1	2	HANDLE,
8	728-1280	2	PIN, CLEVIS, M12 x 80,
9	307431A1	4	RING, SNAP,
10	412536A2	2	PIN,
11	405366A1	2	ROD, Inc. 15
12	738-1632	2	PIN, LOCK, M6 x 32, Slotted,
13	800-5135	4	RING, SNAP, M35, Ext, Hvy,
14	237443A1	2	BUSHING,
15	838-3860	1	PIN, LOCK, M8 x 60, Slotted,
18	832-10412	2	NUT, LOCK, M12 x 1.75, Cl 8,
19	827-12050	4	BOLT, Hex, M12 x 50, 10.9,
20	321367A3	2	PIN ASSY.,
21	414696A1	2	PIN ASSY.,
22	321365A1	4	SPACER,
23	896-15012	4	WASHER, M12 x 28.5 x 4, HT,
24	87399270	1	KIT, SEALS, (Not Shown)



MAGNUM 335 CASE IH TRACTOR (NA)

09-55 CYLINDER ASSEMBLY - HYDRAULIC LIFT LINK - HITCH, RIGHT HAND

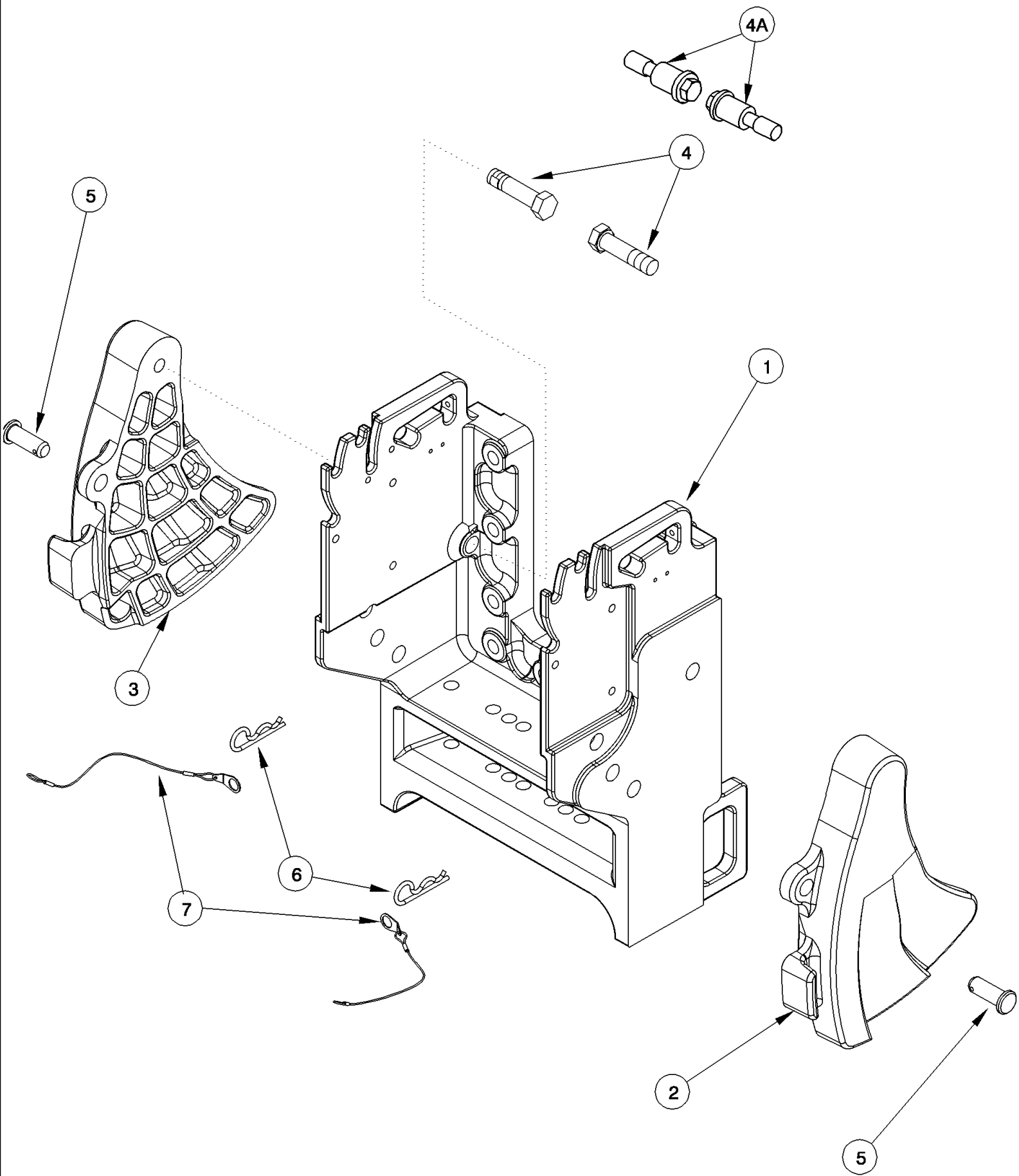
сылка	Номер детали	Кол-во	Описание
1	87661331	1	LINK, TOP, Inc. 2 - 8
2	800-5135	2	RING, SNAP, M35, Ext, Hvy,
3	412536A2	1	PIN,
4	87632286	1	PITMAN,
5	237443A1	1	BUSHING,
6	838-3860	1	PIN, LOCK, M8 x 60, Slotted,
7	NSS	1	NOT SERVICED SEPARATELY, CLEVIS
8	5197835	1	KIT, SEALS, (Not Shown)



MAGNUM 335 CASE IH TRACTOR (NA)

09-58 HITCH - LOWER LIFT LINKS - MAGNUM 335

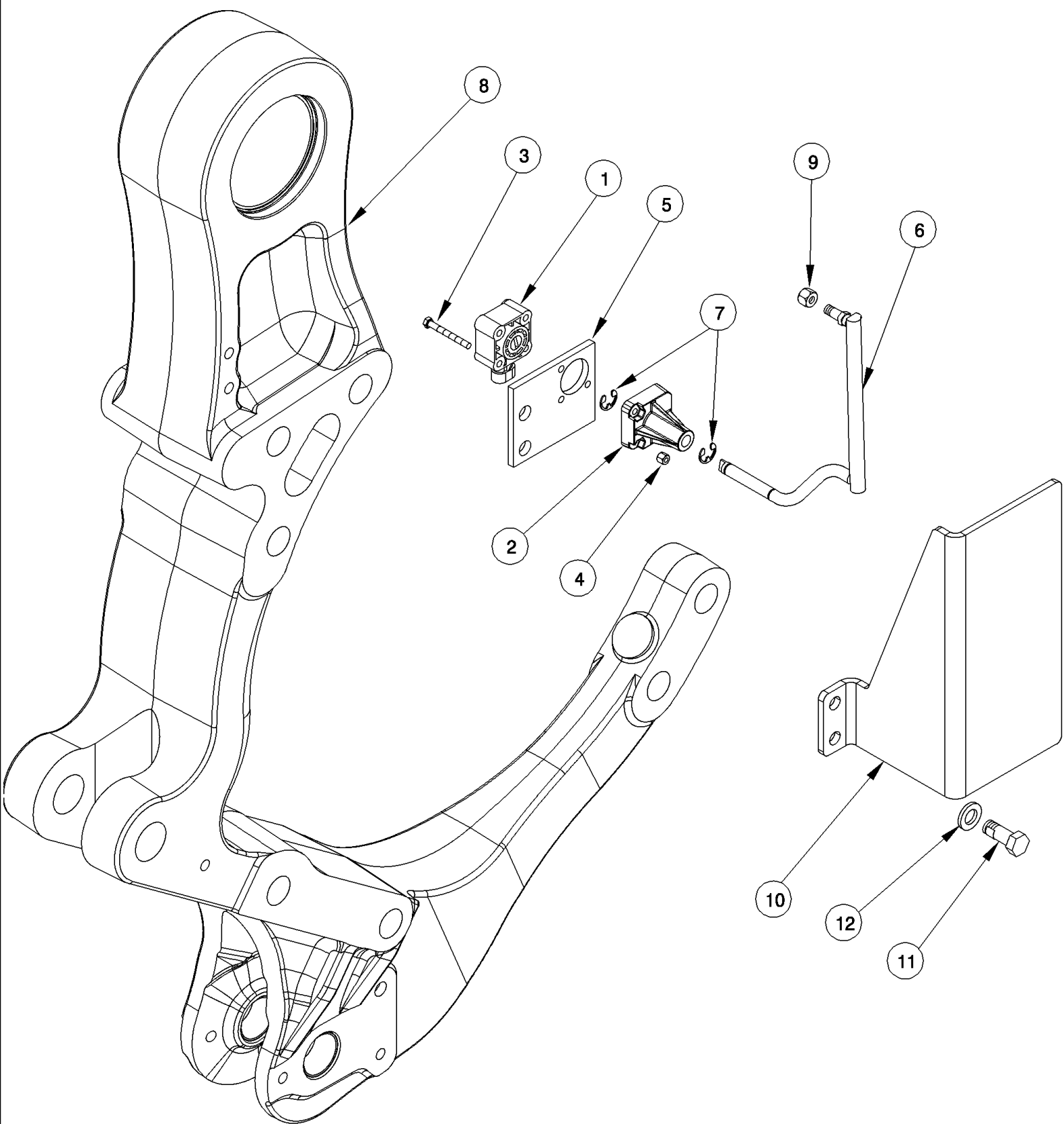
сылка	Номер детали	Кол-во	Описание
1	87455438	1	LINK, LOWER, Right Hand, Inc. 2 - 7
1	87455437	1	LINK, LOWER, Left Hand, Inc. 2 - 7
2	NSS	1	NOT SERVICED SEPARATELY, LINK, Right Hand, Shown
2	NSS	1	NOT SERVICED SEPARATELY, LINK, Left Hand
3	357749A1	2	SPRING,
4	370030A1	2	LATCH,
5	370217A1	2	PIN, SPLIT (COTTER), Kit, Inc. 6, 7
6	738-51040	2	PIN, LOCK, M10 x 40, Slotted,
7	838-3640	4	PIN, M6 x 40, Coiled,
10	301248A2	2	BUMPER,
11	301927A1	2	SPACER,
12	189946A1	4	SHIM,
13	827-20130	4	BOLT, Hex, M20 x 130, 10.9,
14	896-11020	4	WASHER, M20 x 37.5 x 4, HT,
15	832-10420	4	NUT, LOCK, M20 x 2.5, Cl 8,
16	1252040C1	1	SPRING,
17	293002A1	2	SPACER,
18	359189A2	2	BALL JOINT, 37.5 mm
19	381642A1	2	BALL, 37.5 mm
20	1348076C1	1	CABLE,



MAGNUM 335 CASE IH TRACTOR (NA)

09-59 HITCH - SWAY LIMITER

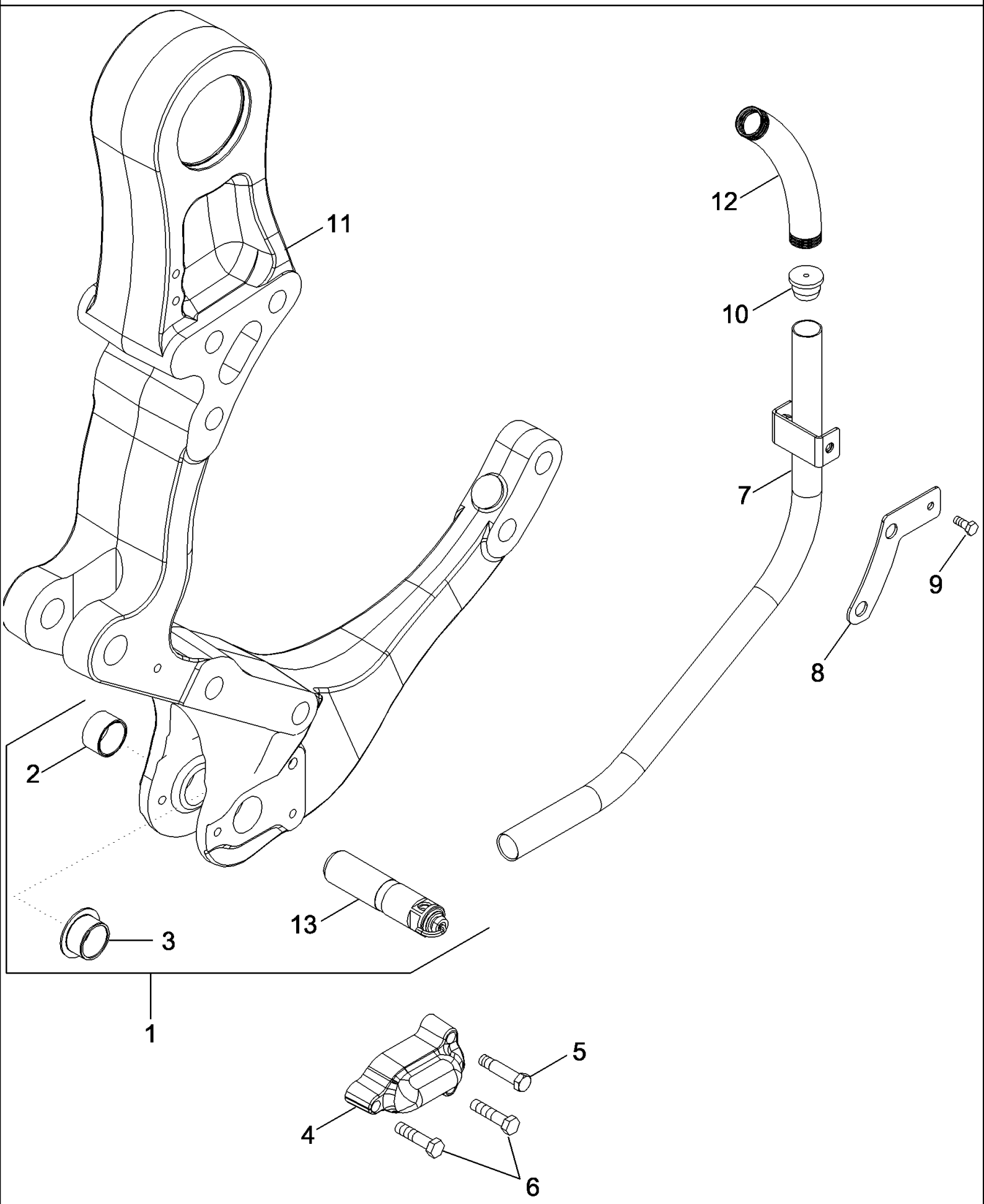
сылка	Номер детали	Кол-во	Описание
1	251788A3	1	SUPPORT, , MX215, 245, 275, 305, Magnum 215, 245, 275 and 305
1	87712383	1	SUPPORT, , Magnum 335
2	293792A5	1	CAM, Right Hand, MX215, 245, 275, 305, Magnum 215, 245, 275 and 305
2	87712324	1	CAM, Right hand, Magnum 335
3	293789A5	1	CAM, Left Hand, MX215, 245, 275, 305, Magnum 215, 245, 275 and 305
3	87712325	1	CAM, Left Hand, Magnum 335
4	87371130	2	BOLT, , MX215, 245, 275, 305, Magnum 215, 245, 275 and 305
4A	87712323	2	BOLT, , Magnum 335
5	439-11236	2	PIN, HEADED, 3/4" x 2 1/4",
6	1978738C1	2	PIN, SPLIT (COTTER), , MX215, 245, 275, 305, Magnum 215, 245, 275 and 305
6	486830R1	2	PIN, SPLIT (COTTER), , Magnum 335
7	336494A1	2	CHAIN, Europe Only
8	389726A2	2	STUD, (Not Shown)
9	355763A2	2	SPACER, (Not Shown)
10	829-2416	1	NUT, M16 x 2, Flg, CI 10, (Not Shown)
11	353-77	6	PLUG, Cap, .576" OD, (Not Shown)
12	628-16035	2	BOLT, Hex, M16 x 35, 10.9, Full Thd, (Not Shown)



MAGNUM 335 CASE IH TRACTOR (NA)

09-60 HITCH - POSITION SENSOR

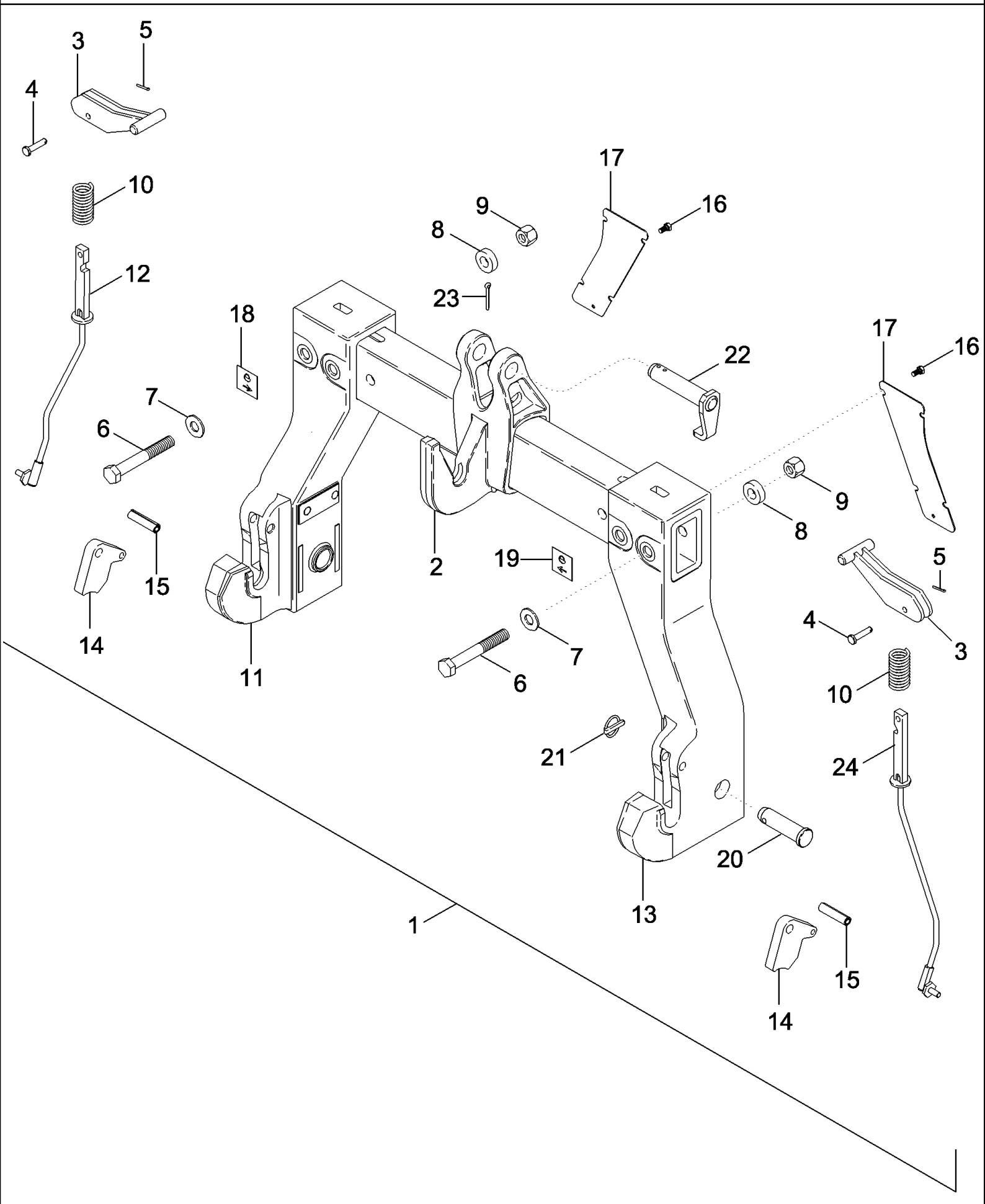
сылка	Номер детали	Кол-во	Описание
1	283659A1	1	SENSOR,
2	305020A2	1	BUSHING,
3	614-5045	3	BOLT, Hex, M5 x 45, 8.8, Full Thd,
4	832-10405	3	NUT, LOCK, M5 x .8, CI 8,
5	300385A2	1	BRACKET,
6	242489A3	1	LINK, CONNECTING,
7	800-4310	2	CIRCLIP, M10,
8	302887A5	1	BRACKET,
9	832-10408	1	NUT, LOCK, M8 x 1.25, CI 8,
10	87342138	1	SHIELD,
11	805-12030	2	BOLT, Hex, Lock, M12 x 30, CI 10.9,
12	896-11012	2	WASHER, M13.5 x 24.5 x 3, HT,



MAGNUM 335 CASE IH TRACTOR (NA)

09-61 HITCH - DRAFT CONTROL PINS

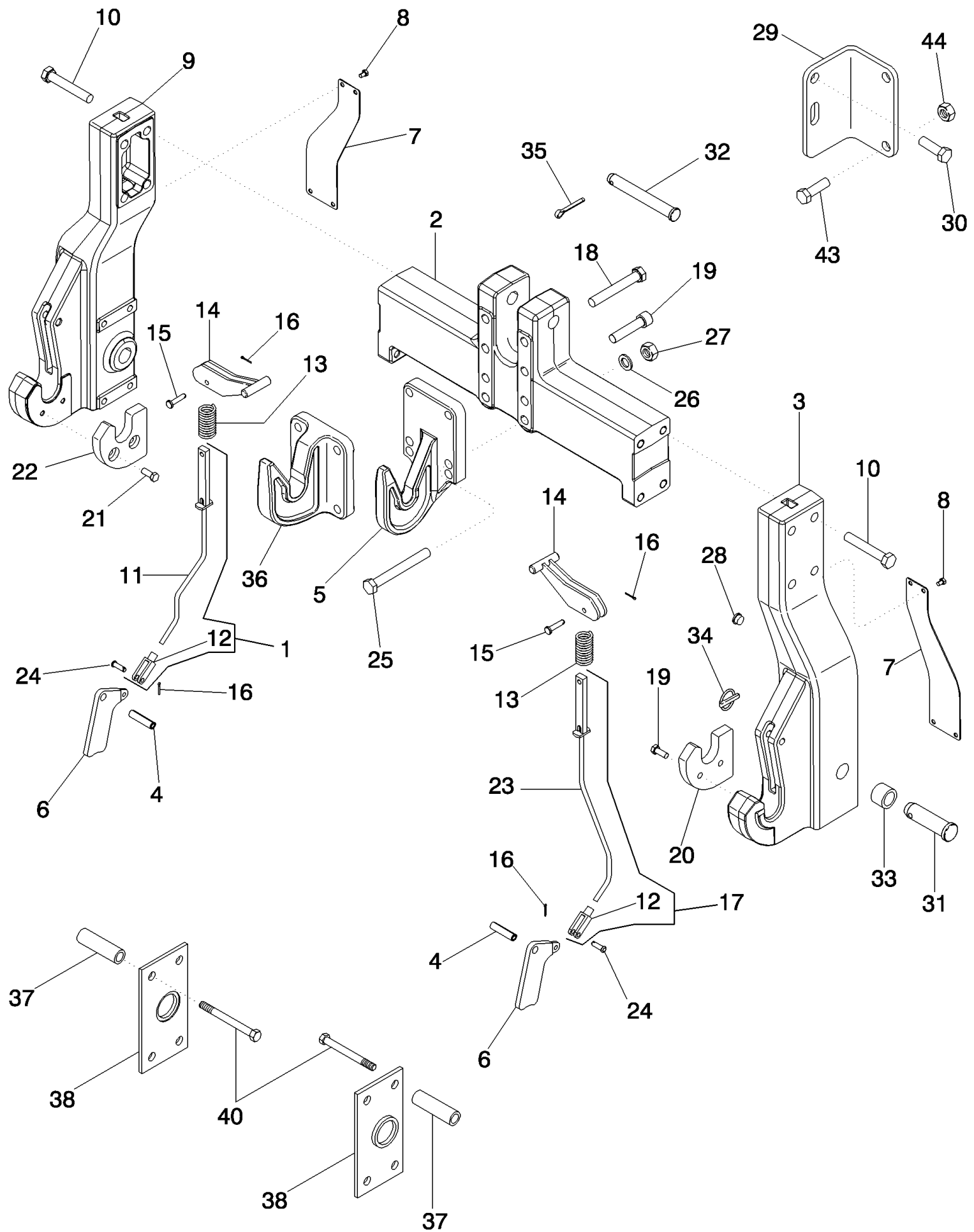
сылка	Номер детали	Кол-во	Описание
1	322022A1	2	KIT, Repair, Inc. 2 - 4
2	1960223C1	2	BUSHING,
3	303550A1	1	BUSHING,
4	87365144	2	COVER,
5	225643A1	2	BOLT,
6	827-12050	4	BOLT, Hex, M12 x 50, 10.9,
7	236897A2	2	PIPE,
8	229904A2	2	SUPPORT,
9	614-8020	2	BOLT, Hex, M8 x 20, 8.8,
10	1960765C2	2	GROMMET,
11	302887A5	2	BRACKET,
12	326827A1	2	SLEEVE,
13	NSS	1	NOT SERVICED SEPARATELY, PIN, Draft Control



MAGNUM 335 CASE IH TRACTOR (NA)

09-62 QUICK HITCH COUPLER - CONVERTIBLE, CATEGORY III / III-N, BSN Z6RZ02099

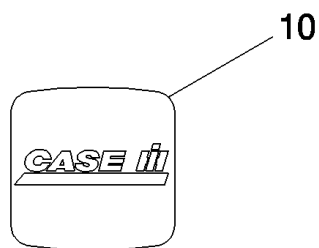
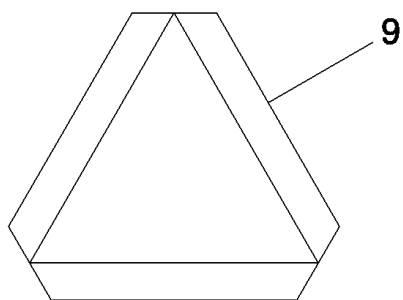
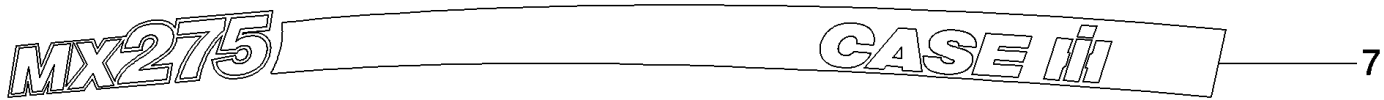
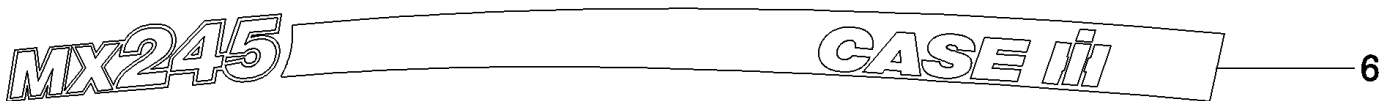
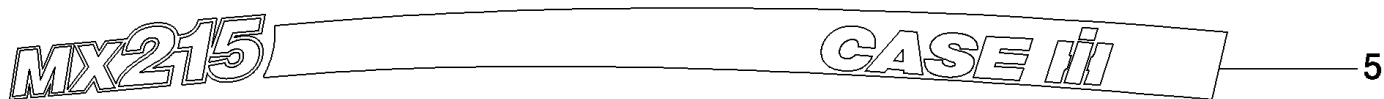
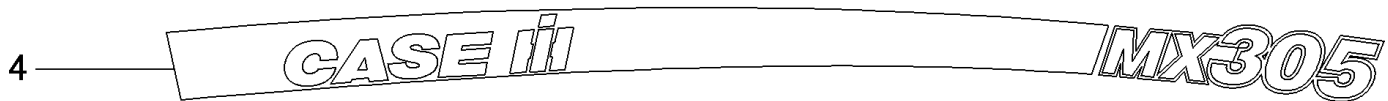
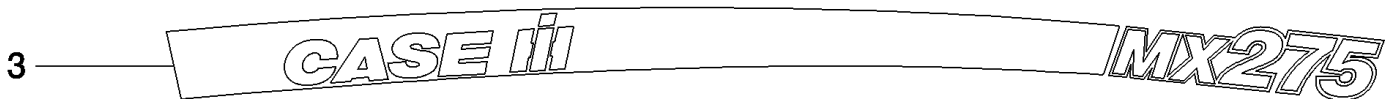
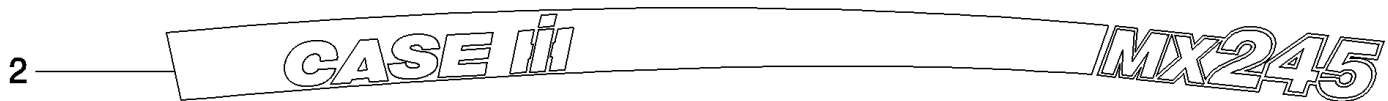
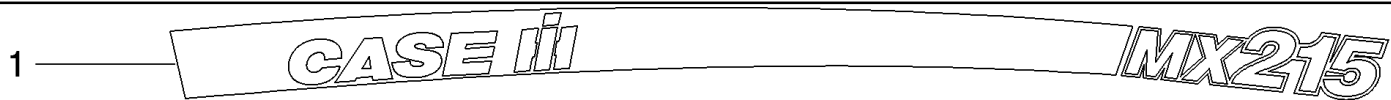
сылка	Номер детали	Кол-во	Описание
1	87332476	1	3 POINT HITCH, Inc. 2 - 19
2	87309289	1	HOOK, Coupler, Quick
3	452046A1	2	HANDLE,
4	728-1045	2	PIN, CLEVIS, M10 x 45,
5	733-3220	2	PIN, SPLIT (COTTER), M3.2 x 20,
6	827-20140	4	BOLT, Hex, M20 x 140, 10.9,
7	896-11020	4	WASHER, M20 x 37.5 x 4, HT,
8	372189A1	4	SPACER,
9	832-10420	4	NUT, LOCK, M20 x 2.5, CI 8,
10	70-4340T1	2	SPRING, COMPRESSION,
11	87330093	1	HOOK, Left Hand
12	87309294	1	LINK, Left Hand
13	87330094	1	HOOK, Right Hand
14	448834A3	2	LATCH,
15	87012660	2	PIN, M16 x 65, Coiled,
16	614-8016	8	BOLT, Hex, M8 x 16, 8.8,
17	87332477	2	COVER,
18	87402001	1	DECAL, Left Hand
19	87401975	1	DECAL, Right Hand
20	A75028	2	PIN,
21	378704A1	2	PIN, LOCK,
22	321527A3	1	PIN ASSY.,
23	733-6350	1	PIN, SPLIT (COTTER), M6.3 x 50,
24	87309296	1	LINK ASSY., Right Hand



MAGNUM 335 CASE IH TRACTOR (NA)

09-64 QUICK HITCH COUPLER - CONVERTIBLE, CATEGORY III / IV-N

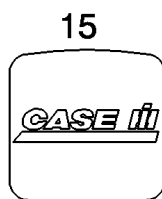
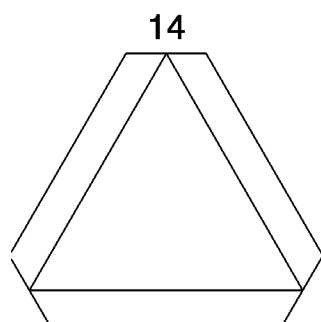
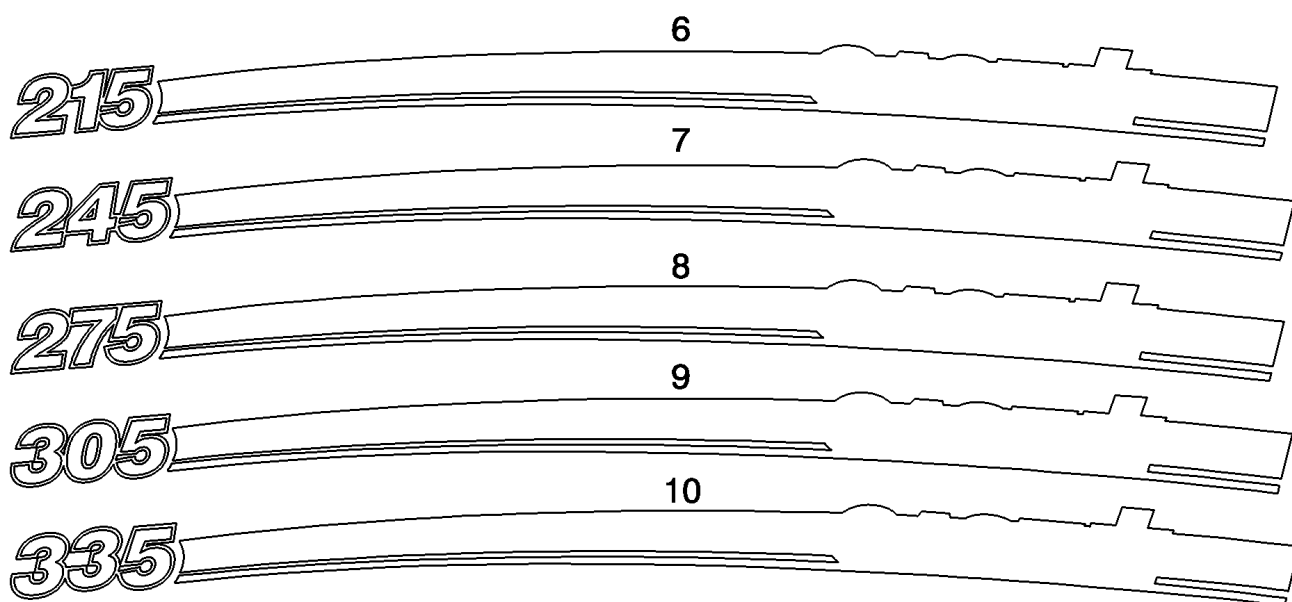
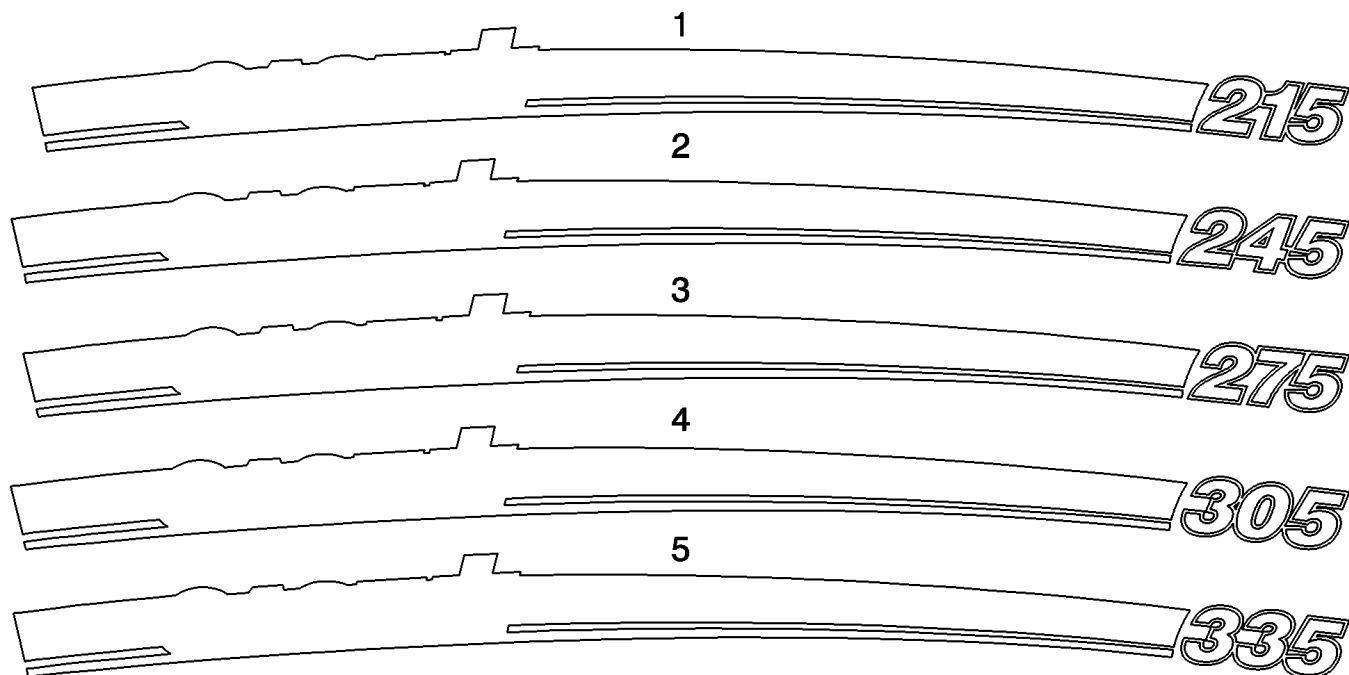
сылка	Номер детали	Кол-во	Описание
	87733767	1	LINKAGE, Inc. 1 - 28
1	87637369	1	LINK, Inc. 11, 12
2	87739938	1	TUBE, Quick Coupler Top Cross
3	87650682	1	HOOK CAT D3 FOR SLIDER TY, Right hand
4	87012660	2	PIN, M16 x 65, Coiled,
5	87681150	1	HOOK CAT D3 FOR SLIDER TY,
6	87395952	2	
7	87397268	2	
8	614-8012	8	BOLT, Hex, M8 x 12, 8.8, Full Thd,
9	87650683	1	HOOK CAT D3 FOR SLIDER TY, Left Hand
10	827-20120	8	BOLT, Hex, M20 x 120, 10.9,
11	87637185	1	LINK, Latch
12	213-126	2	CLEVIS, ADJUSTABLE, 3/8"-24 x 2 1/2",
13	70-4340T1	2	SPRING, COMPRESSION,
14	87599209	2	HANDLE,
15	728-1045	2	PIN, CLEVIS, M10 x 45,
16	733-3220	4	PIN, SPLIT (COTTER), M3.2 x 20,
17	87637368	1	LINK, Inc. 12, 23
18	827-20140	2	BOLT, Hex, M20 x 140, 10.9,
19	862-20090	2	SCREW, Hex Soc Hd, M20 x 90, 12.9,
20	87540857	1	SPACER,
21	627-12030	4	BOLT, Hex, M12 x 30, 10.9,
22	87540856	1	SPACER,
23	87637184	1	LINK, Latch
24	439-1620	2	PIN, HEADED, 3/8" x 1 1/4", G2,
25	827-20170	2	BOLT, Hex, M20 x 170, 10.9,
26	896-11020	2	WASHER, M20 x 37.5 x 4, HT,
27	829-1420	2	NUT, M20, CI 10,
28	716495R2	8	PLUG,
29	87714188	1	PLATE,
30	614-20035	2	BOLT, Hex, M20 x 35, 8.8, Full Thd,
31	87680609	2	PIN, HITCH,
32	87546416	1	PIN,
33	383347A1	2	SPACER,
34	378704A1	2	PIN, LOCK,
35	733-6350	1	PIN, SPLIT (COTTER), M6.3 x 50,
36	87531653	1	HOOK CAT D3 FOR SLIDER TY,
	87666041	1	KIT, Narrow Adapter, Inc. 37 - 41
37	87666039	4	SPACER,
38	87666035	2	PLATE,
40	827-16110	8	BOLT, Hex, M16 x 110, 10.9,
41	87666042	2	PIN, (Not Shown)
42	87708029	1	BUSHING, (Not Shown)
43	614-20055	2	BOLT, Hex, M20 x 55, 8.8, Full Thd,
44	9706694	1	NUT, M20, CI 8,



MAGNUM 335 CASE IH TRACTOR (NA)

09-65 DECALS, BSN Z6RZ04001

сылка	Номер детали	Кол-во	Описание
1	87371781	1	DECAL, Model MX215, Right Hand
2	87371783	1	DECAL, Model MX245, Right Hand
3	87371785	1	DECAL, Model MX275, Right Hand
4	87371787	1	DECAL, Model MX305, Right Hand
5	87525946	1	DECAL, Model MX215, Left Hand
6	87525947	1	DECAL, Model MX245, Left Hand
7	87525948	1	DECAL, Model MX275, Left Hand
8	87525949	1	DECAL, Model MX305, Left Hand
9	311858A1	1	DECAL, SMV Emblem
10	87802966	1	EMBLEM CASE/IH,



MAGNUM 335 CASE IH TRACTOR (NA)

09-66 DECALS, ASN Z6RZ04001

сылка	Номер детали	Кол-во	Описание
1	87559762	1	DECAL, Model 215, Right Hand
2	87559764	1	DECAL, Model 245 Right Hand
3	87559766	1	DECAL, Model 275, Right Hand
4	87559768	1	DECAL, Model 305, Right Hand
5	87594449	1	DECAL, Model 335, Right Hand
6	87559761	1	DECAL, Model 215, Left Hand
7	87559763	1	DECAL, Model 245, Left Hand
8	87559765	1	DECAL, Model 275, Left Hand
9	87559767	1	DECAL, Model 305, Left Hand
10	87594448	1	DECAL, Model 335, Left Hand
11	87559430	2	DECAL, CASE-IH
12	87648350	2	DECAL, 20 Years MAGNUM
13	87557439	1	DECAL, Rear Cab, CASE-IH
13	87721357	1	DECAL, Hood, CASE-IH
14	311858A1	1	DECAL, SMV Emblem
15	87802966	1	EMBLEM CASE/IH,
16	87559429	1	DECAL, MAGNUM

1

WARNING

AVOID INJURY OR DEATH BEFORE STARTING ENGINE:
 Read operator's manual for safety information and operating instructions.
 Read all tractor safety signs.
 Be sure other people are clear of tractor and equipment.
 Be sure gear shift is in neutral or park and PTO control is off.
 Start engine only from seat.
 Shields are for your protection. Keep them in place.

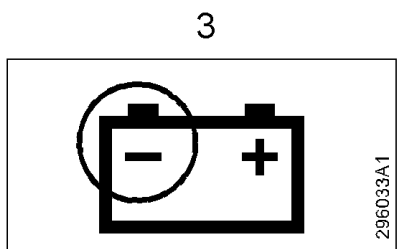
OPERATION:
 When starting the tractor in cold weather, the tractor may move when transmission is engaged and clutch pedal is depressed. Use brakes to prevent tractor movement.
 Actuate forward/reverse lever only from the operator's seat.
 With ROPS, always buckle and adjust seat belt.
 No riders on tractor or equipment.
 Keep hands, feet, and clothing away from power driven parts.
 For road travel, couple brake pedals, use flashing warning lamps unless prohibited by law and keep SMV emblem visible.

TRACTORS CAN BE UPSET:
 Reduce speed on turns and rough ground.
 Avoid steep slopes.
 Avoid rear upset. Pull only from drawbar, never higher.

WHEN TRACTOR HAS STOPPED:
 Put forward/reverse and range levers in park.
 Engage park lock or brake.
 Lower implement to ground.
 Disengage PTO, stop engine, and wait for all movement to stop before servicing or clearing equipment.



2



3

296033A1

4

50		51	15A	52	20A	53	30A	54		55		56	5A
43	15A	44	15A	45		46	30A	47	30A	48	20A	49	30A
36	16A	37	5A	38	15A	39	15A	40	10A	41	20A	42	10A
29	10A	30	10A	31	10A	32	10A	33	10A	34	5A	35	5A
22	10A	23	15A	24	10A	25		26	10A	27	20A	28	
15	25A	16	5A	17	5A	18	10A	19	10A	20	20A	21	10A
8	20A	9	15A	10	15A	11	20A	12	30A	13	30A	14	5A
1	5A	2	5A	3	25A	4	10A	5	30A	6	10A	7	10A

10

WARNING

LOSS OF CONTROL
 Tractor can exceed allowable transport speeds for towed equipment.

- Exceeding towed equipment's transport speed limits will result in reduced braking and control.
- DO NOT exceed towed equipment's maximum transport speed limits.
- Unless otherwise specified, by towed equipment manufacturer, observe following transport speed limits:

Towed equipment without brakes:
 20 miles/h (32 km/h)

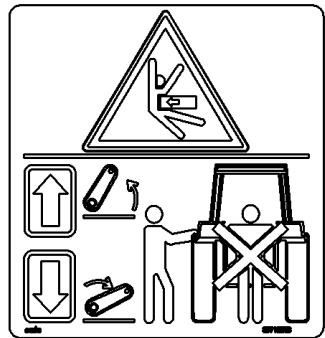
Towed equipment with brakes:
 25 miles/h (40 km/h)

DO NOT exceed towed equipment's mass constraints outlined in Tractor Operator's Manual.
 Failure to comply could result in death or serious injury.

6

Adjustment of fuel pump beyond factory specs will void warranty on machine.

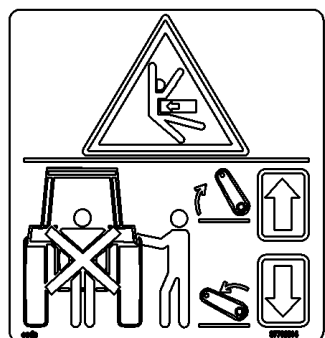
12



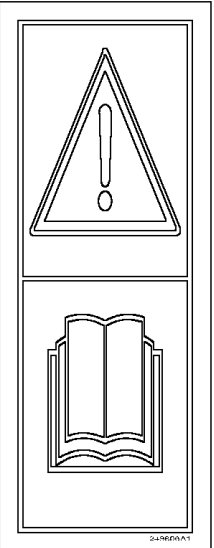
11



13



9



8

WARNING

ENTANGLEMENT HAZARD

- Always keep PTO driveline shields in place to avoid entanglement.
- Be sure implements are matched to tractor PTO speeds.
- Center and lock drawbar when using PTO.

To prevent bottoming or separation of implement driveline, position drawbar according to implement manufacturer's recommendation or as follows:

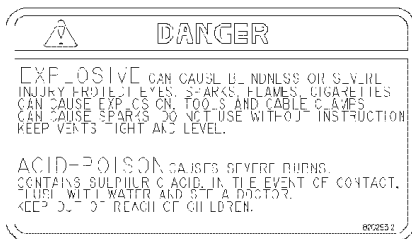
PTO Shaft	PTO Shaft end to drawbar pin hole
540 RPM 6 spline	1 3/8" DIAMETER -14 INCH (350 mm)
1000 RPM 21 spline	1 3/8" DIAMETER -18 INCH (400 mm)
1000 RPM 20 spline	1 3/4" DIAMETER -20 INCH (500 mm)

MAGNUM 335 CASE IH TRACTOR (NA)

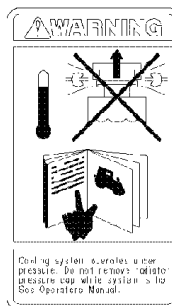
09-67 DECALS

сылка	Номер детали	Кол-во	Описание
1	296032A1	1	DECAL, Warning, Avoid Injury, English
1	296034A1	1	DECAL, Warning, Avoid Injury, French Canadian
2	296030A1	1	DECAL, Quality Assurance
3	296033A1	1	DECAL, Negative Jump Start
4	87707931	1	DECAL, Fuse Location
6	A189007	1	DECAL, Warranty, Fuel Pump
8	296031A3	1	DECAL, Warning, Avoid Injury, English
8	296028A4	1	DECAL, Warning, Avoid Injury, French Canadian
9	249806A1	1	DECAL, Read Operator Manual
10	87661504	1	DECAL, , English
10	87661506	1	DECAL, , French Canadian
11	87522628	1	DECAL, 30 MPH
12	87710313	1	DECAL, Hitch, Left hand
13	87710314	1	DECAL, Hitch, Right Hand

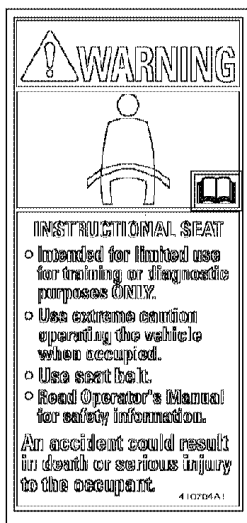
1



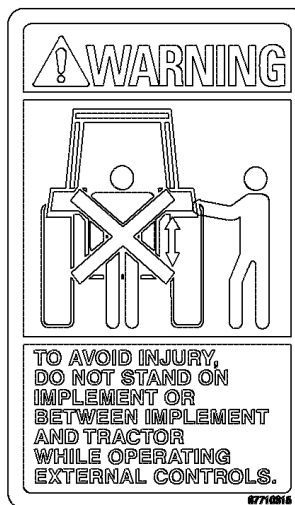
2



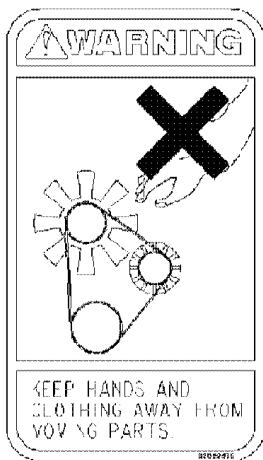
4



5



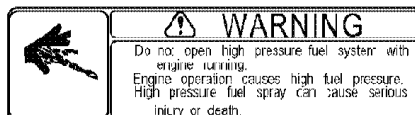
3



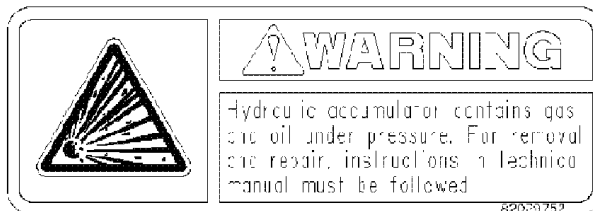
6



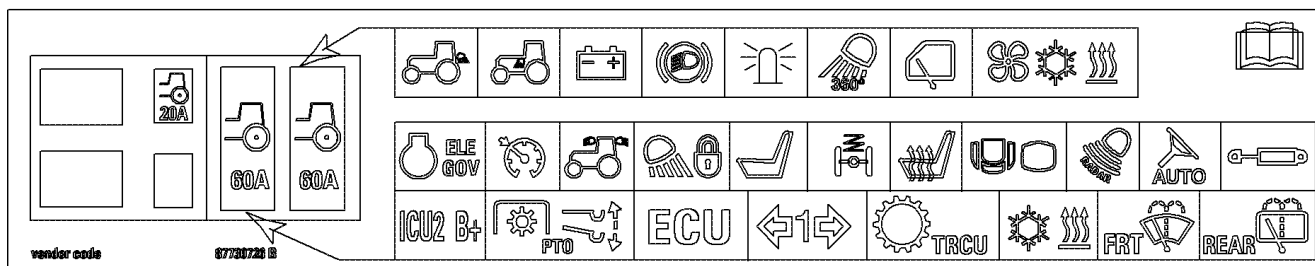
7



8



9



MAGNUM 335 CASE IH TRACTOR (NA)

09-68 DECALS

сылка	Номер детали	Кол-во	Описание
1	82029312	1	DECAL, DANGER, Battery Safety Instructions, English
1	82025614	1	DECAL, Battery Safety, French Canadian
1	82025615	1	DECAL, Battery Safety, Spanish (NAO)
2	82029421	1	DECAL, WARNING, Radiator, English
2	82029764	1	DECAL, Warning, Radiator, French Canadian
2	82029768	1	DECAL, Warning, Radiator, Spanish (NAO)
3	82029538	2	DECAL, WARNING, Fan, English
3	82029716	2	DECAL, Warning, Fan, French Canadian
3	82029767	1	DECAL, Warning, Fan, Spanish (NAO)
4	410704A1	1	DECAL, Warning, Instructional Seat
5	87710315	2	DECAL, Warning, External Switch, English
5	87710316	2	DECAL, Warning, External Switch, French Canadian
5	87710317	2	DECAL, Warning, External Switch, Spanish (NAO)
6	82029314	1	DECAL, Warning, Radar, English
6	82025618	1	DECAL, Warning, Radar, French Canadian
6	82025619	1	DECAL, Warning, Radar, Spanish (NAO)
7	87347223	2	DECAL, Do Not Open
8	82029752	3	DECAL, Warning, Suspension Accumulators
9	87730726	1	DECAL, Power Distribution

