

**SDX40 Single Disk
No-Till Air Drill**
Parts Catalog

87605426
Issued April, 2009
Replaces 87057711

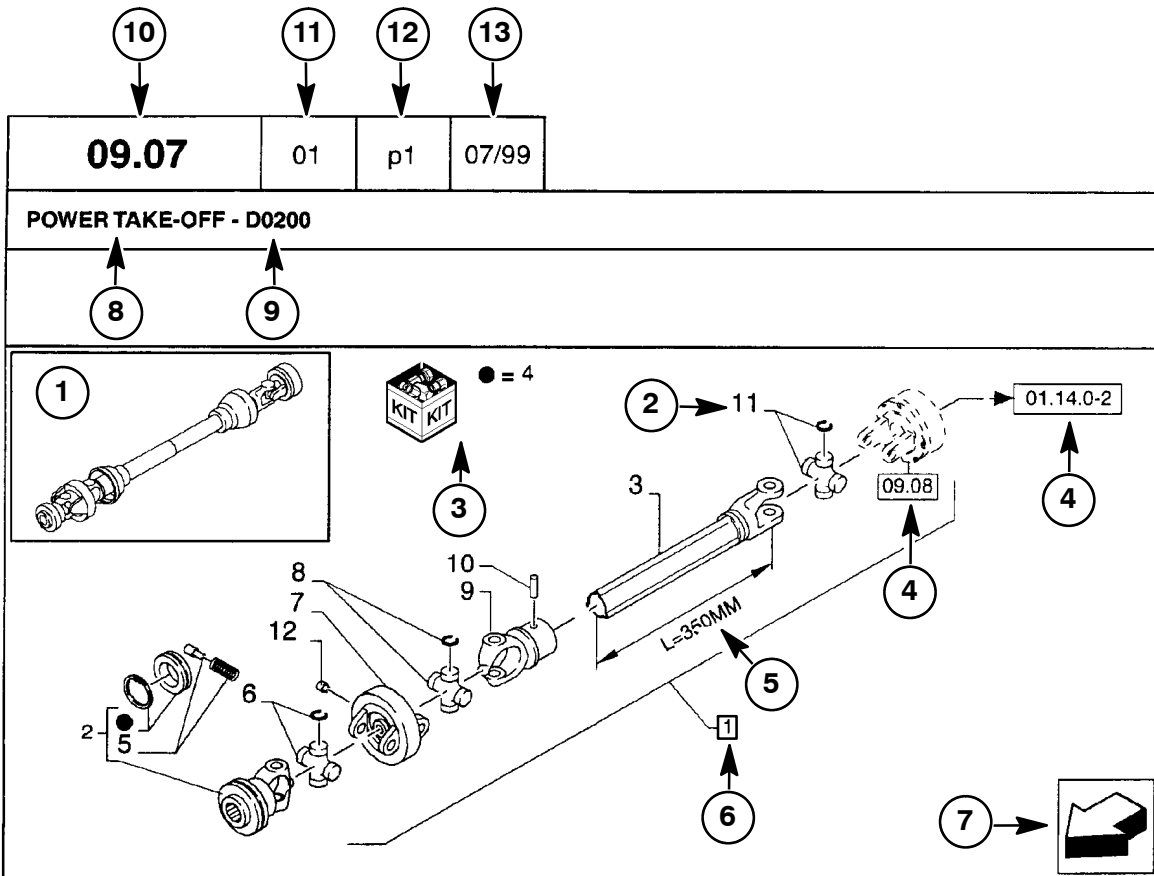
GENERAL INFORMATION

1. Whenever the terms left and right are used, it should be understood to mean from a position facing in direction of travel.
2. Throughout this manual you find common hardware not illustrated, but listed in the description column. The service part immediately preceding a hardware listing is the part using these particular items for mounting purposes. This hardware is not included with the service part or assembly when ordered as a replacement.
3. CNH America LLC is continually striving to improve its products. We must, therefore, reserve the right to make improvements or changes when it becomes practical and possible to do so, without incurring any obligation to make changes or additions to the equipment sold previously.





ALWAYS USE GENUINE CASE IH PARTS

CNH America LLC, Racine, WI 53404 U.S.A.





					09.07	01	p1	09/00
POWER TAKE-OFF - D0200					10	11	12	13
REF	FN	PART NUMBER	YR/SN	QTY	DESCRIPTION			
1	1	86529340	Before 06/85	1	SHAFT, PTO 2 to 11 ← 6			
2	↑	84014007		1	YOKE Includes Ref. 4 & 5			
3	14	NSS ← 15		1	NOT SERVICED SEPARATELY Shaft, L=350MM			
4	↑	84004292	C0204	1	KIT ↑ 16			
4	↑	{84058743}	D0500	1	KIT			
2	↑	↑	↑	↑	↑	↑	↑	↑
17	↑	↑	↑	↑	↑	↑	↑	↑
18	↑	↑	↑	↑	↑	↑	↑	↑
19	↑	↑	↑	↑	↑	↑	↑	↑
20	↑	↑	↑	↑	↑	↑	↑	↑
21	↑	↑	↑	↑	↑	↑	↑	↑
(1) For Italy Only								
	↑	↑	↑	↑	↑	↑	↑	↑
	22							
STANDARD ← 23					24 → MODELS			

- 1 Position of the "Figure" on the machine.
- 2 Reference - Figure call-out of the part number.
- 3 Parts supplied in repair kits per symbol reference.
- 4 01.14.0-2 Indicates components shown in detail elsewhere in the catalog under the figure or page number shown. Some figures or pages referenced may not apply to the model in question.
- 5 Technical specifications relating to the Part indicated.
- 6 1 Item Includes References noted in description.
- 7 Orientation. (Arrow indicates front of the machine.) 
- 8 Figure description.
- 9 General information of the figure.
- 10 Assembly code.
- 11 Sequence code within the assembly.
- 12 Page number within the sequence code.
- 13 Date of printing or updating of page (month-year).
- 14 Note - Relating to the Part Number. There is a key to symbols and abbreviations at the bottom of the text page.
- 15 Non-serviced parts.
- 16 Further description of the part to help confirm identification.
- 17 Not available as service part in this market.
- 18 Part Number.
- 19 Year
 - Before 06/85 = Part valid for production 06/85 and before
 - From 07/85 = Part valid for production from 07/85 and after
 Serial Number
 - BSN 31011913 = Part valid for serial number 31011913 and below
 - ASN 31011914 = Part valid for serial number 31011914 and above
 Modification
 -  C 0201 = Part valid UNTIL 0201 change.
 -  D 0300 = Part valid FROM 0300 change.
 -  F 0202 = Part valid FROM Serial N..... to Serial N.....
 Implementation of change. Serial number from which the change starts. The numbers are indicated on the identification plate of the model.
 E.g.: D0300 Serial N 2503001 means that the part has been installed "From" serial number 2503001. Consequently, the parts marked by C0201, were installed "UP TO" serial number 2501999.
 See code table.
- 20 Total Quantity of the Part referred to in the page. The quantity can be replaced by the following indications:
 M = supplied in metres. AR = quantity as required.
- 21 Part Description.
- 22 Footnote references.
- 23 Figure notes.
- 24 Model number(s).

METRIC AND INCH HARDWARE

Allowances have been made in punched and drilled holes to allow interchangeability of metric and inch dimension hardware in fastening and mounting applications. However, this interchangeability does not apply to tapped holes or using metric dimension nuts on inch cap screws, studs and bolts. Likewise, inch dimension nuts cannot be used on metric cap screws, studs or bolts.

Following is a listing of Common sizes for substitution.

Inches	Screw Diameter	Millimeters
3/16"		5 mm
1/4"		6 mm
5/16 "		8 mm
*3/8"		*10 mm
1/2"		12 mm
9/16"		14 mm
5/8"		16 mm
	Screw Length	
5/8"		15 mm
3/4"		20 mm
*1"		25 mm
1-1/4"		30 mm
1-3/8"		35 mm
1-1/2"		40 mm
1-3/4"		45 mm
2"		50 mm
2-1/4"		60 mm
2-3/4"		70 mm
3"		80 mm
3-1/2"		90 mm
4"		100 mm

*EXAMPLE: For most applications a 3/8" x 1" cap screw and nut can be replaced by a 10 mm x 25 mm cap screw and nut.

For additional size information and possible substitutions, either inch to metric or metric to inch, please refer to the conversion table in this catalog.

CONVERSION CHART

Inch Fractions and Decimals to Millimeter Equivalents											
INCHES		MM	INCHES		MM	INCHES		MM	INCHES		MM
Fraction	Decimal		Fraction	Decimal		Fraction	Decimal		Fraction	Decimal	
-	.0004	.01	-	.3	7.620	-	.7874	20	-	1.969	50
-	.001	.025	5/16	.3125	7.938	51/64	.7969	20.241	2	2.000	50.8
-	.0039	.10	-	.3150	8	13/16	.8125	20.638	2-1/8	2.125	54
-	.005	.127	21/64	.3281	8.334	-	.8268	21	-	2.165	55
-	.0079	.2	-	.3346	8.5	53/64	.8281	21.034	2-1/4	2.250	57.2
-	.0098	.25	11/32	.3438	8.731	27/32	.8438	21.431	-	2.362	60
-	.01	.254	-	.3543	9	55/64	.8594	21.828	2-3/8	2.375	60.3
-	.0118	.3	23/64	.3594	9.128	-	.8662	22	2-1/2	2.500	63.5
1/64	.0156	.397	-	.3740	9.5	7/8	.8750	22.225	-	2.559	65
-	.0157	.4	3/8	.375	9.525	57/64	.8906	22.622	2-5/8	2.625	66.7
-	.0197	.5	25/64	.3906	9.922	-	.9	22.860	2-3/4	2.750	69.9
-	.0236	.6	-	.3937	10	-	.9055	23	-	2.756	70
-	.025	.635	-	.4	10.160	29/32	.9063	23.019	2-7/8	2.875	73
-	.0276	.7	13/32	.4062	10.319	59/64	.9219	23.416	-	2.953	75
-	.0295	.75	-	.4134	10.5	15/16	.9375	23.813	3	3.000	76.2
1/32	.0313	.794	27/64	.4219	10.716	-	.9449	24	-	3.150	80
-	.0315	.8	-	.4331	11	61/64	.9531	24.209	3-1/4	3.250	82.6
-	.0354	.9	7/16	.4375	11.113	31/32	.9688	24.606	-	3.346	85
-	.0394	1	29/64	.4531	11.509	-	.9843	25	3-1/2	3.500	88.9
3/64	.0469	1.191	15/32	.4688	11.906	1	1.000	25.400	-	3.543	90
-	.0472	1.20	-	.4724	12	-	1.024	26	-	3.740	95
-	.05	1.270	31/64	.4844	12.303	1-1/16	1.062	26.988	3-3/4	3.750	95.3
-	.0551	1.4	-	.4921	12.5	-	1.063	27	-	3.937	100
-	.0591	1.50	1/2	.5	12.700	-	1.102	28	4	4.000	101.6
1/16	.0625	1.588	-	.5118	13	1-1/8	1.125	28.575	-	4.331	110
-	.0669	1.70	33/64	.5156	13.097	-	1.142	29	4-1/2	4.500	114.3
-	.075	1.905	17/32	.5326	13.494	-	1.181	30	-	4.724	120
5/64	.0781	1.984	-	.5315	13.5	1-3/16	1.188	30.16	5	5.000	127
-	.0787	2	35/64	.5469	13.891	-	1.221	31	-	5.118	130
-	.0906	2.3	-	.5512	14	1-1/4	1.250	31.75	5-1/2	5.500	139.7
3/32	.0938	2.381	9/16	.5625	14.288	-	1.260	32	-	5.512	140
-	.0984	2.5	-	.571	14.5	-	1.299	33	-	5.906	150
-	.1	2.540	37/64	.5781	14.684	1-5/16	1.312	33.34	6	6.000	152.4
-	.1024	2.6	-	.5906	15	-	1.339	34	-	6.299	160
7/64	.1093	2.776	19/32	.5938	15.081	1-3/8	1.375	34.93	6-1/2	6.500	165.1
-	.1181	3	-	.6	15.240	-	1.378	35	7	7.000	177.8
1/8	.125	3.175	39/64	.6094	15.478	-	1.417	36	-	7.087	180
-	.1378	3.5	-	.6103	15.5	1-7/16	1.438	36.51	7-1/2	7.500	190.5
9/64	.1406	3.572	5/8	.6250	15.875	-	1.457	37	-	7.874	200
5/32	.1563	3.969	-	.6299	16	-	1.496	38	8	8.000	203.2
-	.1575	4	41/64	.6406	16.272	1-1/2	1.500	38.10	8-1/2	8.500	215.9
11/64	.1719	4.366	-	.6496	16.5	-	1.535	39	-	8.661	220
-	.1772	4.5	21/32	.6563	16.669	1-9/16	1.562	39.69	9	9.000	228.6
3/16	.1875	4.763	-	.6693	17	-	1.575	40	-	9.449	240
-	.1969	5	43/64	.6719	17.066	-	1.614	41	9-1/2	9.500	241.3
-	.2	5.080	11/16	.6875	17.463	1-5/8	1.625	41.28	-	9.843	250
13/64	.2031	5.159	-	.6890	17.5	-	1.654	42	10	10.000	254
-	.2165	5.5	-	.7	17.780	1-11/16	1.688	42.86	-	10.236	260
7/32	.2188	5.556	45/64	.7031	17.859	-	1.693	43	11	11.000	279.4
15/64	.2344	5.963	-	.7087	18	-	1.732	44	-	11.024	280
-	.2362	6	23/32	.7188	18.256	1-3/4	1.750	44.45	-	11.811	300
1/4	.25	6.350	-	.7283	18.5	-	1.772	45	12	12.000	304.8
-	.2559	6.5	47/64	.7344	18.653	-	1.811	46	13	13.000	330.2
17/64	.2656	6.747	-	.7480	19	1-13/16	1.813	46.04	-	13.780	350
-	.2756	7	3/4	.75	19.050	-	1.850	47	14	14.000	355.6
9/32	.2813	7.144	49/64	.7656	19.447	1-7/8	1.875	47.63	15	15.000	381
-	.2953	7.5	-	.7677	19.5	-	1.890	48	-	15.748	400
19/64	.2969	7.541	25/32	.7813	19.844	-	1.929	49	16	16.000	406.4

TABLE OF CONTENTS

0.010.1	PIN NUMBER LOCATIONS
1.010.1	DRAWPOLE
1.020.1	MAIN FRAME
1.030.1	WING FRAME
1.040.1	SUBBAR GANG TUBES - 10 INCH SPACING
1.050.1	SUBBAR GANG TUBES - 7.5 INCH SPACING
1.060.1	SUBBAR GANG TUBES - 15 INCH SPACING
1.070.1	SUBBAR HINGE ASSEMBLY
1.080.1	FRONT CASTER - MAIN FRAME (BSN CBJ0017102)
1.081.1	FRONT CASTER - MAIN FRAME (ASN CBJ0017103)
1.090.1	FRONT CASTER - WING (BSN CBJ0017102)
1.091.1	FRONT CASTER - WING (ASN CBJ0017103)
1.100.1	BOGIE - MAIN FRAME (BSN CBJ0017102)
1.101.1	BOGIE - MAIN FRAME (ASN CBJ0017103)
1.110.1	BOGIE - WING (BSN CBJ0017102)
1.111.1	BOGIE - WING (ASN CBJ0017103)
1.120.1	TRANSPORT LIGHTS AND SAFETY DECALS
1.130.1	WEIGHT BRACKET KIT (MAIN FRAME)
1.140.1	WEIGHT BRACKET KIT (WING)
1.150.1	ADX2180, 2230 AND 3260 TBH HITCH PACKAGE (BEFORE 04/31/2005)
1.151.1	ADX2180, 2230 AND 3260 TBH HITCH PACKAGE (FROM 05/01/2005)
1.160.1	ADX3360 TBH HITCH PACKAGE (BEFORE 04/31/2005)
1.161.1	ADX3360 TBH HITCH PACKAGE (FROM 05/01/2005)
1.170.1	SINGLE PULL POINT REAR HITCH
1.180.1	2000 POUND JACK
2.010.1	WING LIFT HYDRAULICS
2.020.1	WING LIFT HYDRAULICS SCHEMATIC
2.030.1	SUBBAR HYDRAULICS
2.040.1	SUBBAR HYDRAULICS SCHEMATIC
2.050.1	WING LIFT CYLINDER 350721A1
2.051.1	WING LIFT CYLINDER 86990365
2.060.1	WING LIFT HYDRAULIC BALL VALVE ASSEMBLY
2.070.1	SUBBAR CYLINDER ASSEMBLY, 350630A1, 4.50 INCH BORE X 12 INCH STROKE
2.071.1	SUBBAR CYLINDER ASSEMBLY, 87406916, 4.50 INCH BORE X 12 INCH STROKE
2.080.1	SUBBAR CYLINDER ASSEMBLY, 4.00 INCH BORE X 12 INCH STROKE
2.081.1	SUBBAR CYLINDER ASSEMBLY, 87406914, 4.00 INCH BORE X 12 INCH STROKE
2.090.1	PILOT OPERATED CHECK VALVE
2.100.1	SUBBAR CYLINDER MOUNT ASSEMBLY
2.110.1	SUBBAR CYLINDER SAFETY LOCK
3.010.1	LIGHTING HARNESS
3.020.1	SEED TOOL HARNESS
3.030.1	FLOW REMOTE MODULE AND MOUNTING
3.040.1	WARNING LIGHT ASSEMBLY 87564157
4.010.1	SEED TUBE, SCRAPER, ARM, AND MOUNT (BSN CBJ0007184)
4.011.1	SEED TUBE, SCRAPER, ARM, AND MOUNT (ASN CBJ0007185)
4.020.1	GAUGE WHEEL ASSEMBLY
4.030.1	GAUGE WHEEL ARM ASSEMBLY (BSN CBJ0017332)
4.031.1	GAUGE WHEEL ARM ASSEMBLY (BTW CBJ0017333 AND CBJ0017458)
4.032.1	GAUGE WHEEL ARM ASSEMBLY (ASN CBJ0017459)
4.040.1	PACKER WHEEL ASSEMBLY
4.041.1	WHEEL 4 1/2" X 16" - 87604747 ASSEMBLY

TABLE OF CONTENTS

4.050.1	SEED LOCK WHEEL ARM ASSEMBLY
4.060.1	SPINDLE, DISC, AND HUB ASSEMBLY (BSN CBJ0017332)
4.061.1	SPINDLE, DISC, AND HUB ASSEMBLY (ASN CBJ0017333)
4.070.1	SPRING ASSEMBLY
4.080.1	PACKER WHEEL ARM ASSEMBLY
4.090.1	DEPTH HANDLE UPDATE
5.010.1	ENDMARKER MOUNTS
5.020.1	ENDMARKER INNER BI-FOLD
5.030.1	ENDMARKER OUTER BI-FOLD
5.040.1	ENDMARKER BI-FOLD AND HUB ASSEMBLY
5.050.1	ENDMARKER HYDRAULICS
5.060.1	ENDMARKER HYDRAULIC CYLINDER 2 1/2" X 12" - 2500 PSI
6.010.1	ADX AIR CART EZ FLOW HEADER MOUNTS
6.020.1	ADX AIR CART AIR DISTRIBUTION QUICK CONNECT
6.030.1	ADX AIR CART TOW BETWEEN CONNECTOR MOUNTS
6.040.1	REMOTE SWITCH

SECTION INDEX

Feature ID or Serial Number Locations/Publications

0.010.1

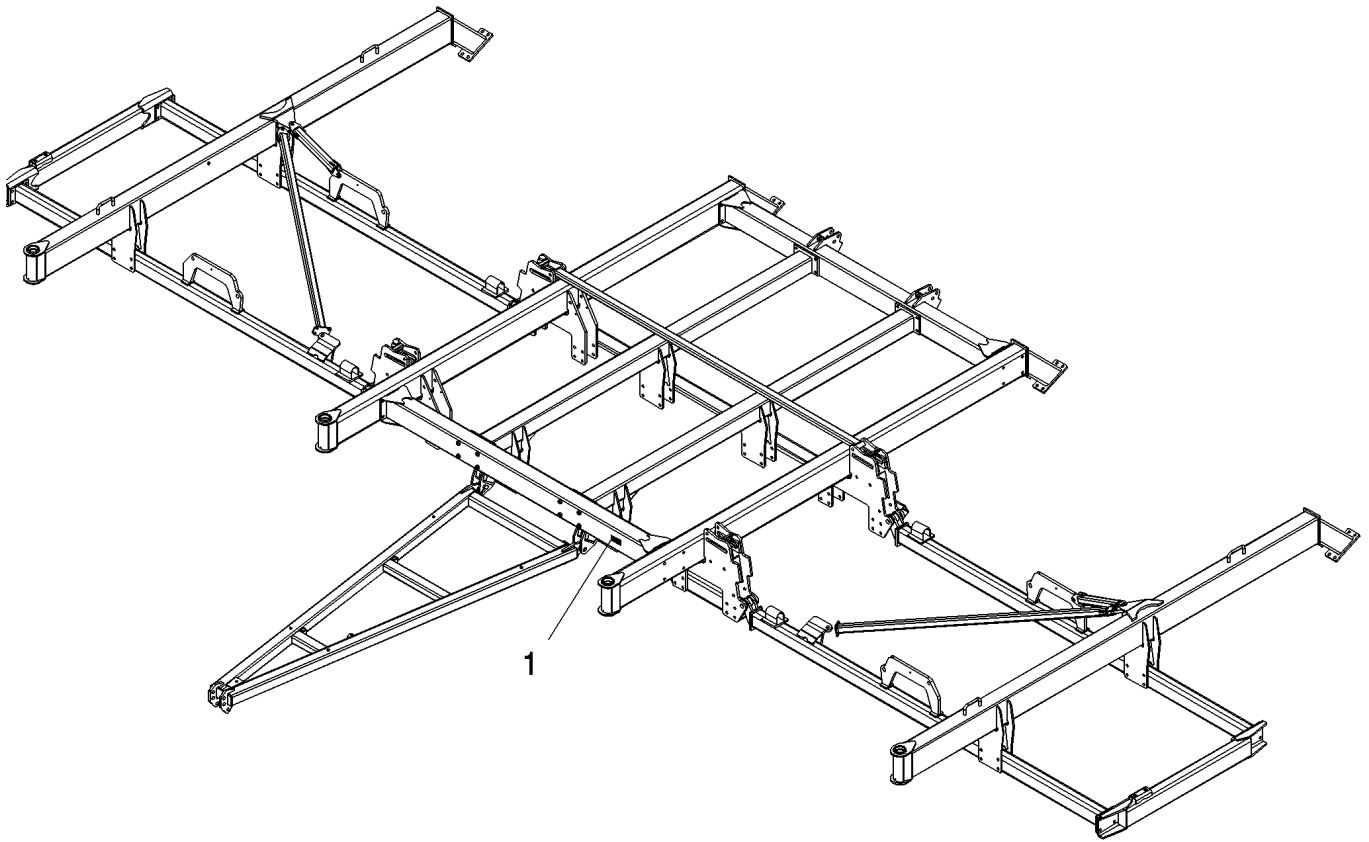
PIN NUMBER LOCATIONS

0.010.1

p1

11/08

PIN NUMBER LOCATIONS



0.010.1

p1

11/08

PIN NUMBER LOCATIONS

REF	FN	PART NUMBER	YR/SN	QTY	DESCRIPTION
1		NSS		1	NOT SERVICED SEPARATELY, PIN PLATE
1		1011286		2	SCREW, metallic drive #4x 5/16" zinc, type u

Starting PIN Number CBJ0017001

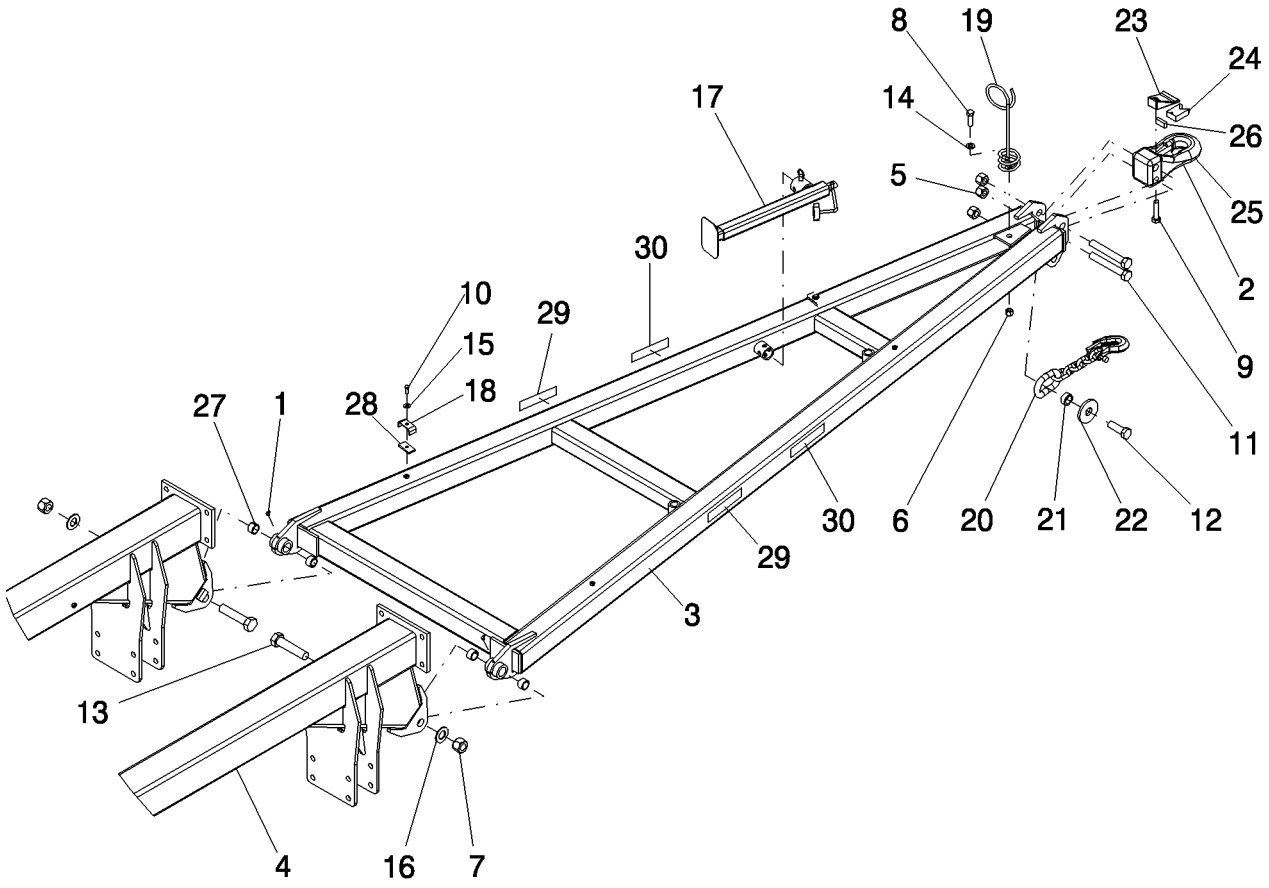
SDX40

SECTION INDEX

Frame

1.010.1	DRAWPOLE
1.020.1	MAIN FRAME
1.030.1	WING FRAME
1.040.1	SUBBAR GANG TUBES - 10 INCH SPACING
1.050.1	SUBBAR GANG TUBES - 7.5 INCH SPACING
1.060.1	SUBBAR GANG TUBES - 15 INCH SPACING
1.070.1	SUBBAR HINGE ASSEMBLY
1.080.1	FRONT CASTER - MAIN FRAME (BSN CBJ0017102)
1.081.1	FRONT CASTER - MAIN FRAME (ASN CBJ0017103)
1.090.1	FRONT CASTER - WING (BSN CBJ0017102)
1.091.1	FRONT CASTER - WING (ASN CBJ0017103)
1.100.1	BOGIE - MAIN FRAME (BSN CBJ0017102)
1.101.1	BOGIE - MAIN FRAME (ASN CBJ0017103)
1.110.1	BOGIE - WING (BSN CBJ0017102)
1.111.1	BOGIE - WING (ASN CBJ0017103)
1.120.1	TRANSPORT LIGHTS AND SAFETY DECALS
1.130.1	WEIGHT BRACKET KIT (MAIN FRAME)
1.140.1	WEIGHT BRACKET KIT (WING)
1.150.1	ADX2180, 2230 AND 3260 TBH HITCH PACKAGE (BEFORE 04/31/2005)
1.151.1	ADX2180, 2230 AND 3260 TBH HITCH PACKAGE (FROM 05/01/2005)
1.160.1	ADX3360 TBH HITCH PACKAGE (BEFORE 04/31/2005)
1.161.1	ADX3360 TBH HITCH PACKAGE (FROM 05/01/2005)
1.170.1	SINGLE PULL POINT REAR HITCH
1.180.1	2000 POUND JACK

DRAWPOLE

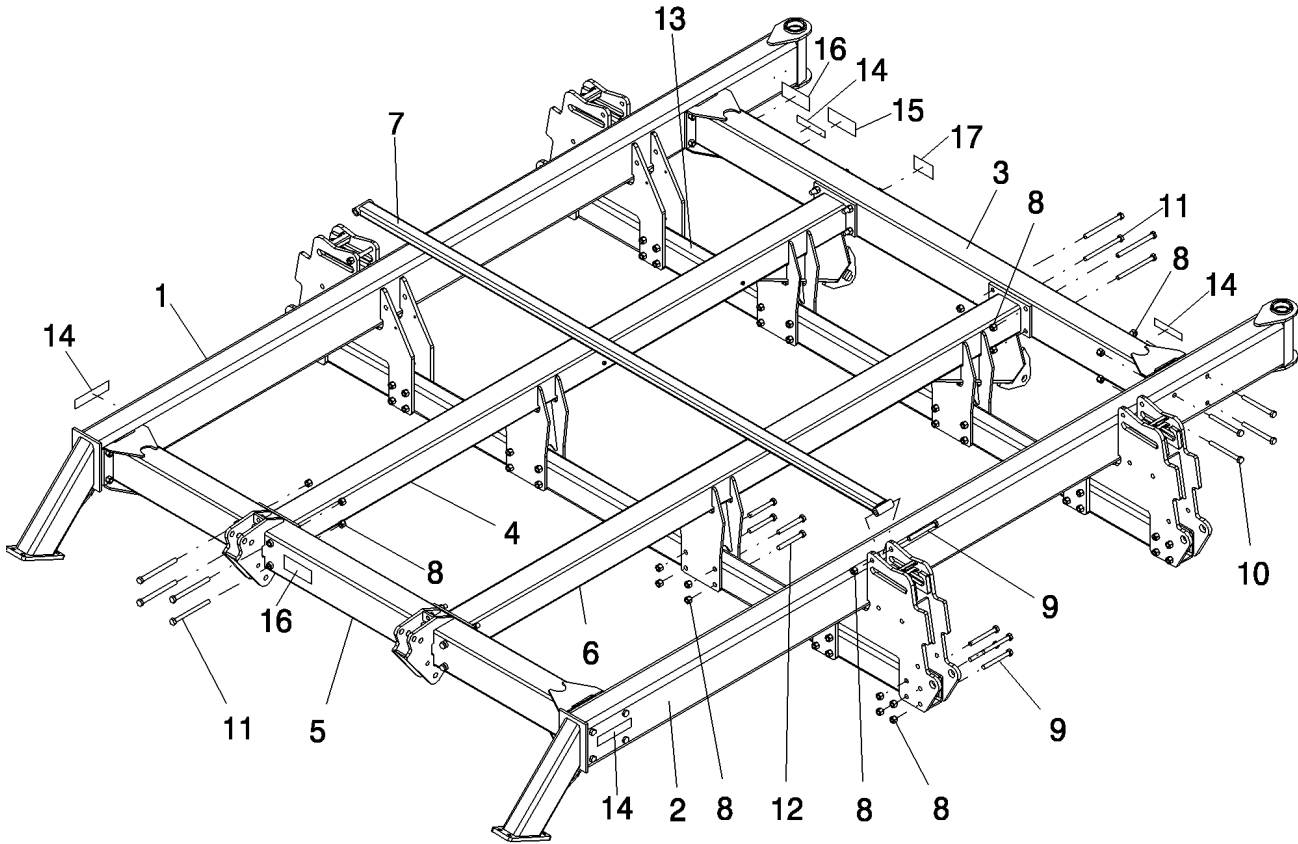


DRAWPOLE

REF	FN	PART NUMBER	YR/SN	QTY	DESCRIPTION
1		87415		2	NIPPLE, LUBE, 90°, 1/4" NPT x .75" lg, Drive
2		1032745		1	HITCH, assembly
3		87673848		1	HITCH, front
4		425660A1		1	TUBE, hitch truss center RH
5		232-14416		3	NUT, LOCK, 1"-8, GC
6		88871		1	NUT, LOCK, 1/2"-13, GC
7		232-41420		2	NUT, LOCK, 1 1/4"-7, GC
8		9706716		1	BOLT, Hex, 1/2"-13 x 2", G5
9		87337		1	BOLT, Hex, 3/4"-10 x 3", G5
10		88206		2	BOLT, Hex, 3/8"-16 x 1", G5, Full Thd
11		426-16112		2	BOLT, Hex, 1"-8 x 7", G8
12		86539260		1	BOLT, Hex, 1"-8 x 3", G8
13		426-2088		2	BOLT, Hex, 1 1/4"-7 x 5 1/2", G8
14		80700		1	WASHER, 1/2"
15		80702		2	WASHER, 3/8"
16		496-11131		2	WASHER, 1 5/16" x 2 1/2" x .150", HDN
17		1016961		1	JACK, 2000 lb x 15"
18		1024284		2	CLAMP, HOSE FORMED 2.88 X .94
19		1026727		1	HOLDER, hydraulic hose
20		GR-457A		1	CHAIN (AGRICULTURE), assembly, safety 60,600 lb
21		1032403		1	SPACER, tube 3/4"
22		1032404		1	WASHER, 1.281" ID 3.75" OD .375" thick
23		1032742		1	PLATE, top hitch
24		1032743		1	BLOCK, perfect hitch v-block
25		1032744		1	HITCH, base
26		1032751		1	CUSHION, perfect hitch
27		112886C1		4	BUSHING, tension 1 1/2" x 1 1/4" x 1"
28		350326A1		2	ISOLATOR, clamp, hose small
29		311864A1		2	REFLECTOR, retroreflective amber
30		192848A2	Before 08/08	2	DECAL, Case IH 70 mm logo
30		87653276	From 08/08	2	DECAL, Case IH (350 mm x 83 mm)

SDX40

MAIN FRAME



MAIN FRAME

REF	FN	PART NUMBER	YR/SN	QTY	DESCRIPTION
1	1	439250A1	Before 08/08	1	FRAME, truss main LH
1		87673485	From 08/08	1	FRAME, truss main LH
2	1	439251A1	Before 08/08	1	FRAME, truss main RH
2		87674169	From 08/08	1	FRAME, truss main RH
3		439252A1	Before 08/08	1	TUBE, kit, cross tube
3	2	87673559	From 08/08	1	TUBE, front cross
4		351805A1		1	FRAME, center hitch truss LH
5	3	425139A1		1	TUBE, rear cross
6		425660A1		1	TUBE, hitch truss center RH
7		425673A1		1	TUBE, SUPPORT, tie rod
8		280375		82	NUT, LOCK, 3/4"-10, GC
9		426-12104		34	BOLT, Hex, 3/4"-10 x 6 1/2", G8
10		86557052		16	BOLT, Hex, 3/4"-10 x 7 1/2", G8
11		426-12136		16	BOLT, Hex, 3/4"-10 x 8 1/2", G8
12		86508735		16	BOLT, Hex, 3/4"-10 x 6", G8
13		306157A1		2	TUBE, SUPPORT, main gang 40'
14		311864A1	From 08/08	4	REFLECTOR, retroreflective amber
15		350335A1	From 08/08	1	DECAL, wing lock-up valve
16		350336A1	From 08/08	2	DECAL, Danger - opener safety lock
17		312479A1	From 08/08	1	DECAL, warning pictorial

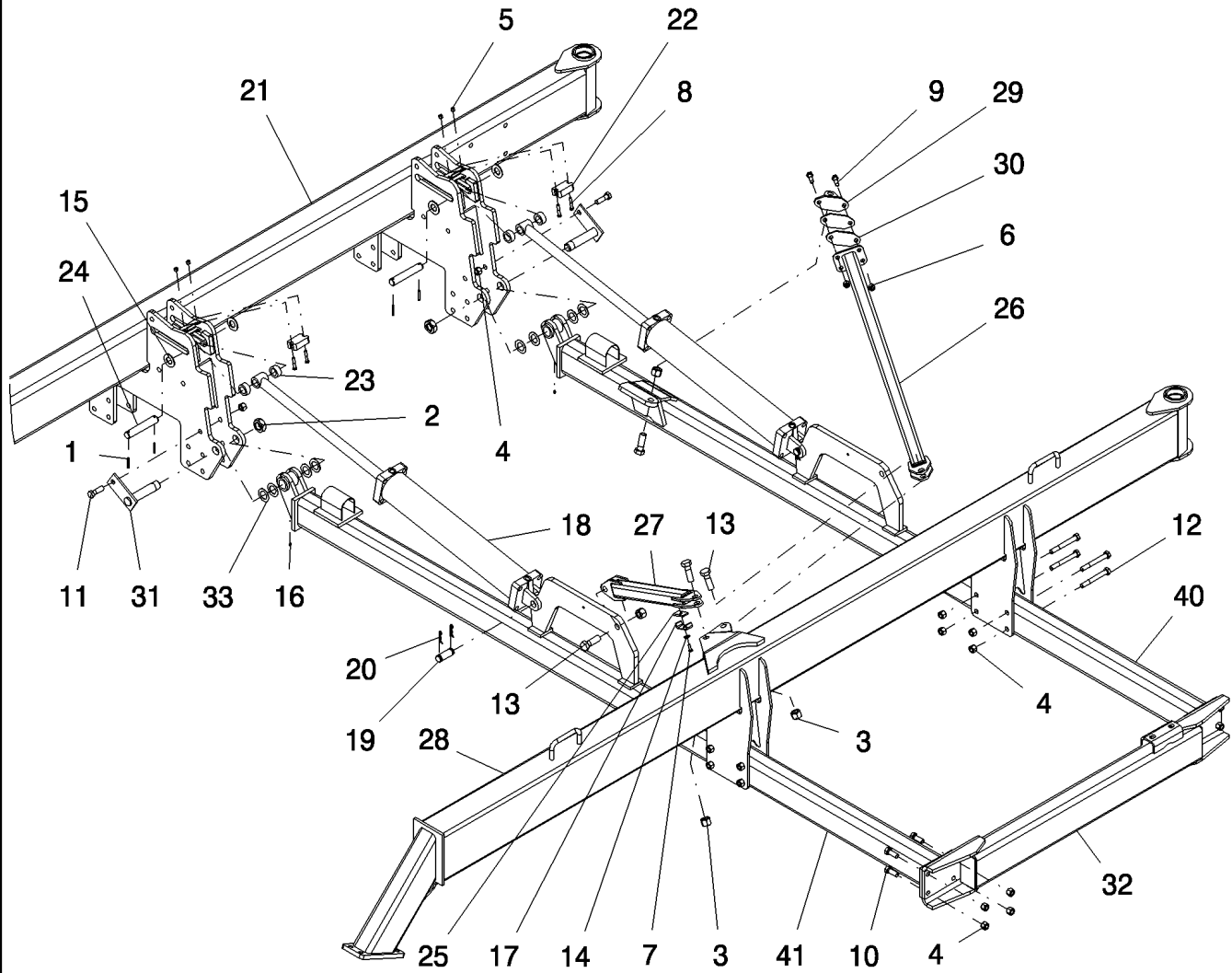
(1) Includes bronze bushings

(2) Includes decals 350336A1, 350335A1, 312479A1, and 2 of 311864A1

(3) Includes decal 350336A1

SDX40

WING FRAME



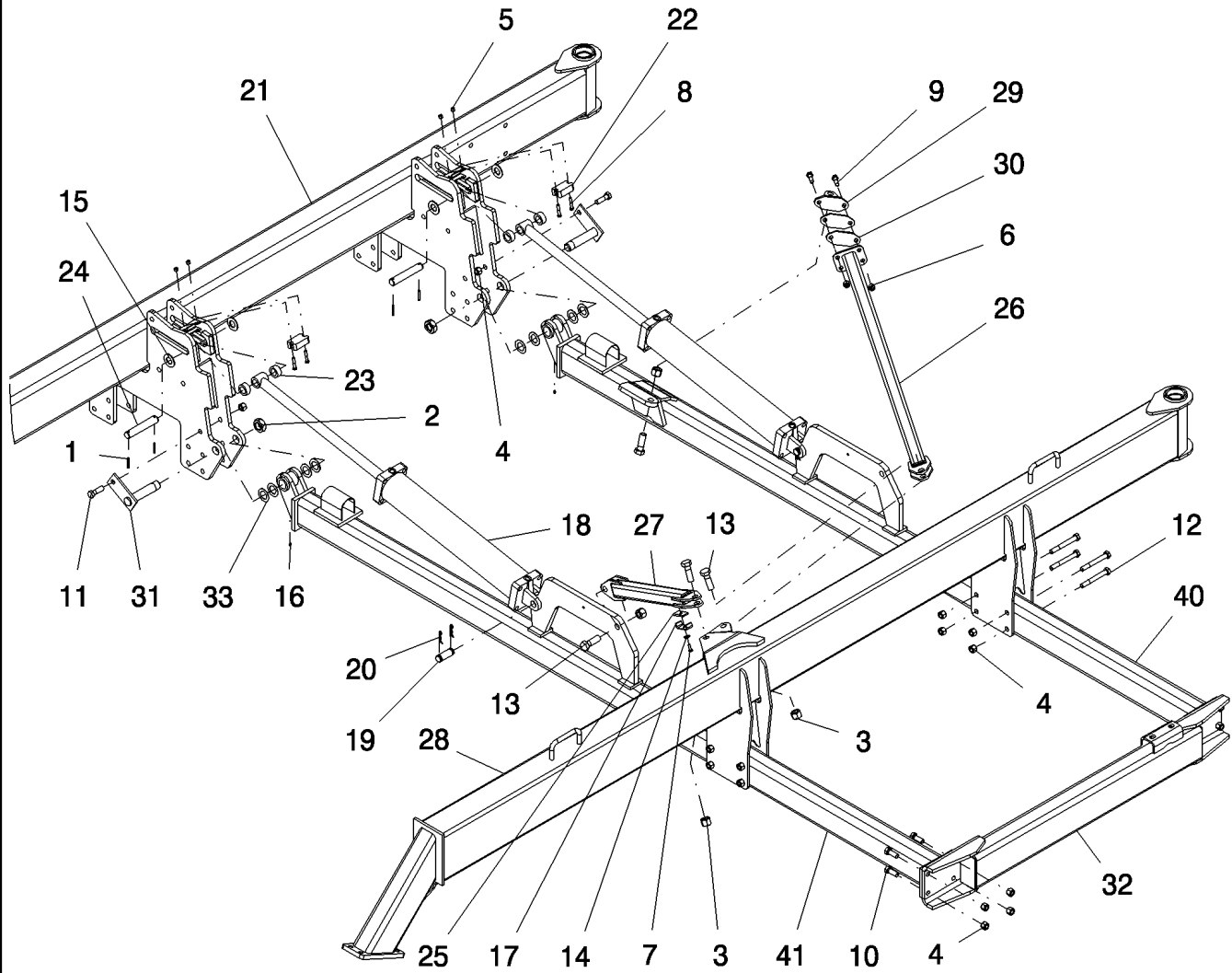
WING FRAME

REF	FN	PART NUMBER	YR/SN	QTY	DESCRIPTION
1		87580		4	PIN, LOCK, 5/16" x 2", Slotted
2		87010729		2	NUT, Jam, 1 1/2"-6, G5
3		232-14416		4	NUT, LOCK, 1"-8, GC
4		280375		18	NUT, LOCK, 3/4"-10, GC
5		86509499		4	NUT, Jam, 3/8"-16, G2
6		86639566		2	NUT, LOCK, 5/8"-11, GB
7		88206		1	BOLT, Hex, 3/8"-16 x 1", G5, Full Thd
8		9706689		4	BOLT, Hex, 3/8"-16 x 1 3/4", G5
9		280233		2	BOLT, Hex, 5/8"-11 x 2 1/2", G8
10		426-1232		8	BOLT, Hex, 3/4"-10 x 2", G8
11		9706701		2	SCREW, Hex, 3/4"-10 x 2 1/2", G5
12		86508735		8	BOLT, Hex, 3/4"-10 x 6", G8
13		86539260		4	BOLT, Hex, 1"-8 x 3", G8
14		80702		1	WASHER, 3/8"
15		496-11131		4	WASHER, 1 5/16" x 2 1/2" x .150", HDN
16		87414		2	NIPPLE, LUBE, 1/4"-28 x .56" lg, Drive
17		1024284		1	CLAMP, HOSE FORMED 2.88 X .94
18	1	350721A1	Before 10/02, BSN CBJ0008107	2	HYDRAULIC CYLINDER, kit 5" x 30" IOWA
18	2	87407431	From 11/02, ASN CBJ0008108	2	KIT, SEALS, hyd cylinder 5" x 30" Monarch
19		1030839	BSN CBJ0008107	2	PIN, cylinder 1-1/4" OD x 3" UL
19		87403614	From 11/02, ASN CBJ0008108	2	PIN, HEADED, cylinder 1 1/4" dia 4 ul
20		1978737C1		4	PIN, SPLIT (COTTER), hairpin 3 mm x 49 mm
21	3	439251A1	Before 08/08	1	FRAME, truss main RH
21	4	87674169	From 08/08	1	FRAME, truss main RH
21	3	439250A1	Before 08/08	1	FRAME, truss main LH
21	5	87673485	From 08/08	1	FRAME, truss main LH
22		312986A1		2	CUSHION, cylinder rubber

- (1) Includes 1028469, 1019844, 218-5106, 350401A1, 1015478 and 6-70060
(2) Includes 86990365, 1019844, 218-5106, 350401A1, 1015478, and 6-70060
(3) Includes bronze bushings
(4) Shown
(5) Not Shown

SDX40

WING FRAME



WING FRAME

REF	FN	PART NUMBER	YR/SN	QTY	DESCRIPTION
23		312987A1		4	SPACER, 33 mm id x 50.8 mm od x 22 mm
24		312991A1		2	PIN, winglift
25		350326A1		1	ISOLATOR, clamp, hose small
26		351861A1		1	BRACE, wing diagonal
27		351865A1		1	BRACE, wing support
28	1	439255A1		1	FRAME, wing truss RH
28	1	439253A1		1	FRAME, wing truss LH
29		351874A1		1	CLEVIS COUPLING, bolt on
30		425143A1		AR	SHIM, plate
31		425500A2		2	PIN, PIVOT, 1 1/2" od x x 5 5/8" ul
32		425579A1		1	TUBE, SUPPORT, wing end RH
32		425865A1		1	TUBE, SUPPORT, wing end LH
33		439173A1		AR	WASHER, SPECIAL, 1 9/16" x 2 1/2" x 14 GA hardened
40		425667A1		1	BEAM, wing front RH
40		425668A1		1	BEAM, wing front LH
41		439256A1		1	TUBE, wing RH
41		439257A1		1	TUBE, wing LH

(1) Includes bronze bushings and two decals 350336A1

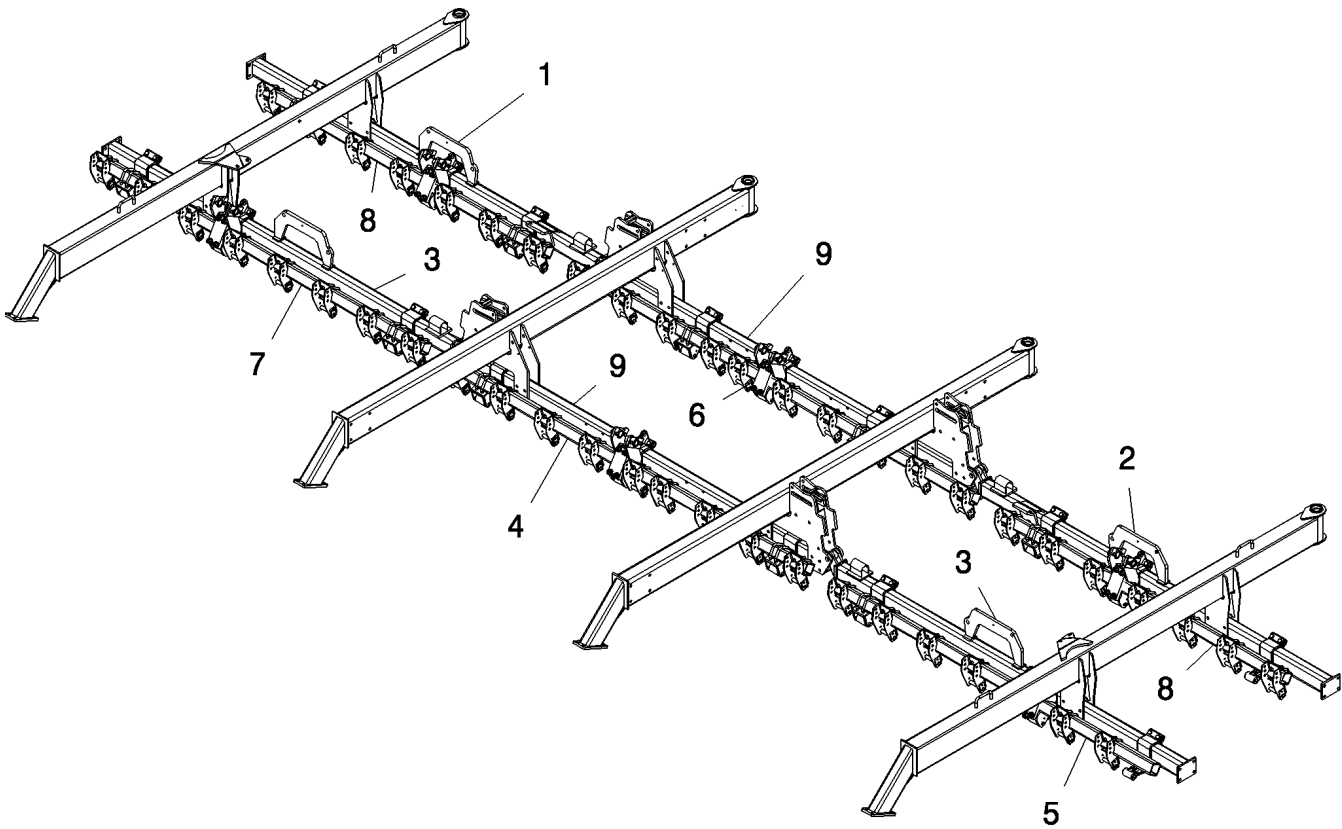
SDX40

1.040.1

p1

12/08

SUBBAR GANG TUBES - 10 INCH SPACING

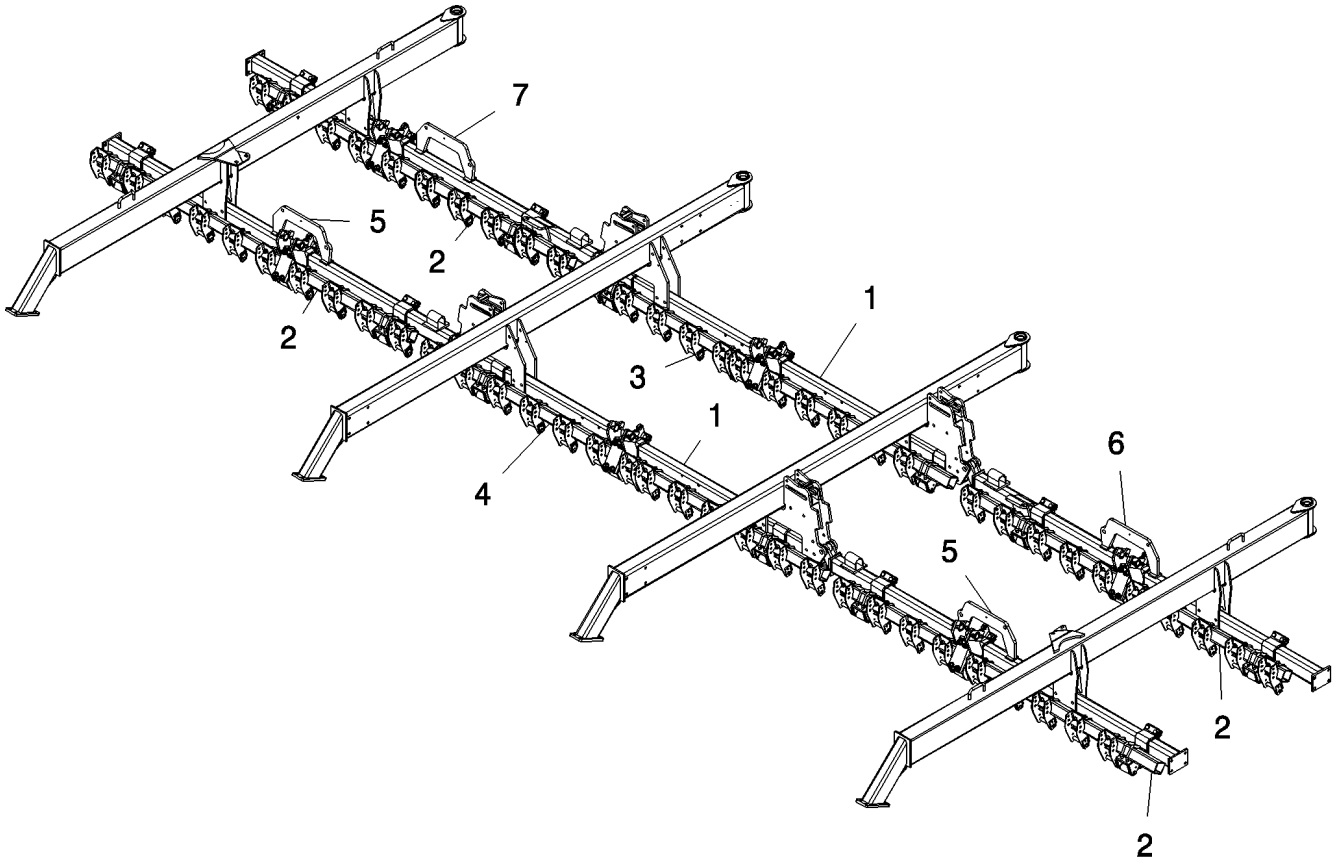


SUBBAR GANG TUBES - 10 INCH SPACING

REF	FN	PART NUMBER	YR/SN	QTY	DESCRIPTION
1		425668A1		1	BEAM, wing front LH
2		425667A1		1	BEAM, wing front RH
3		439256A1		1	TUBE, wing RH
3		439257A1		1	TUBE, wing LH
4		349398A1		1	TUBE, blank
5		350810A1		1	TUBE, SUPPORT, blank
6		350813A1		1	TUBE, SUPPORT, blank
7		351609A1		1	TUBE, SUPPORT, blank
8		351610A1		2	TUBE, blank
9		306157A1		2	TUBE, SUPPORT, main gang 40'

SDX40

SUBBAR GANG TUBES - 7.5 INCH SPACING



SUBBAR GANG TUBES - 7.5 INCH SPACING

REF	FN	PART NUMBER	YR/SN	QTY	DESCRIPTION
1		306157A1		2	TUBE, SUPPORT, main gang 40'
2		350810A1		4	TUBE, SUPPORT, blank
3		350812A1		1	TUBE, SUPPORT, blank
4		350813A1		1	TUBE, SUPPORT, blank
5		439256A1		1	TUBE, wing RH
5		439257A1		1	TUBE, wing LH
6		425667A1		1	BEAM, wing front RH
7		425668A1		1	BEAM, wing front LH

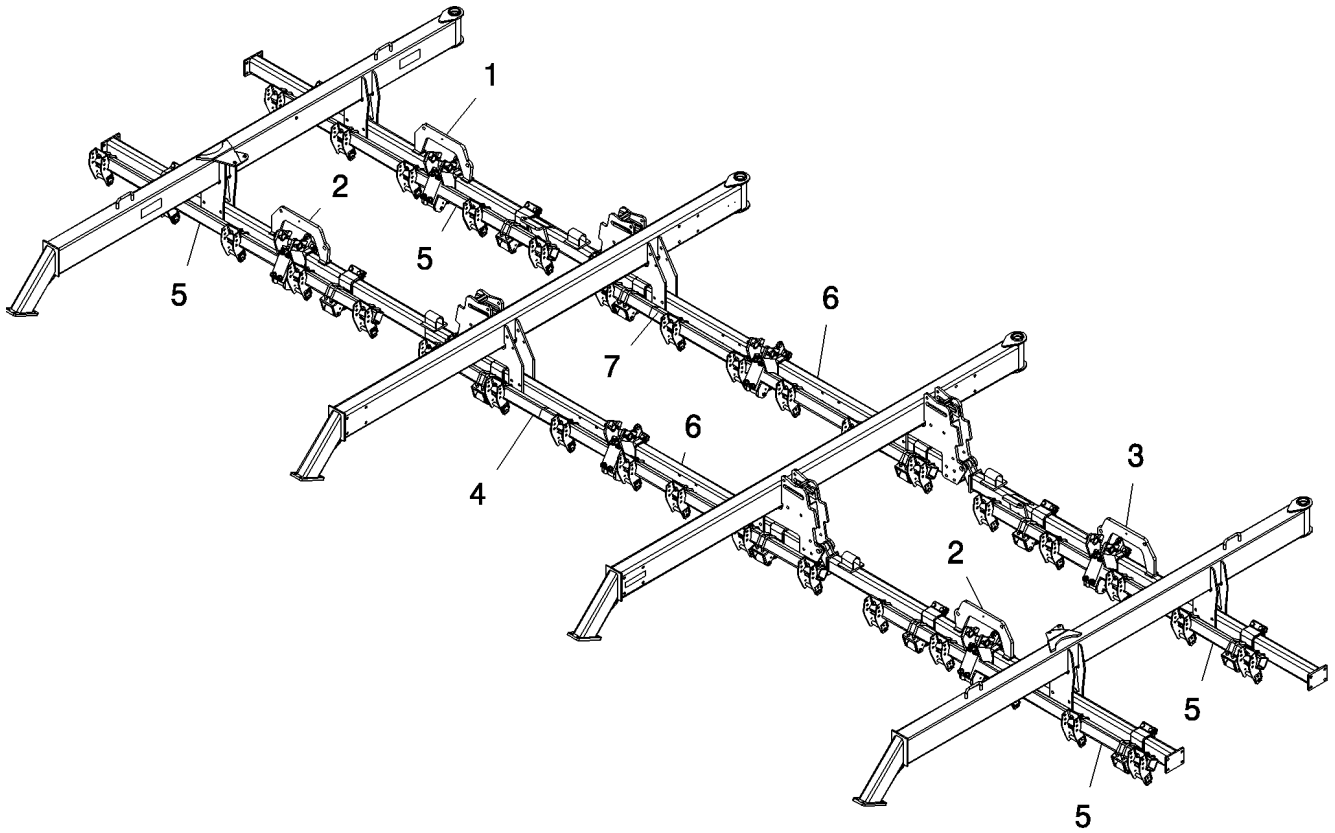
SDX40

1.060.1

p1

12/08

SUBBAR GANG TUBES - 15 INCH SPACING



SUBBAR GANG TUBES - 15 INCH SPACING

REF	FN	PART NUMBER	YR/SN	QTY	DESCRIPTION
1		425668A1		1	BEAM, wing front LH
2		439257A1		1	TUBE, wing LH
2		439256A1		1	TUBE, wing RH
3		425667A1		1	BEAM, wing front RH
4		350813A1		1	TUBE, SUPPORT, blank
5		351610A1		4	TUBE, blank
6		306157A1		2	TUBE, SUPPORT, main gang 40'
7		306164A1		1	TUBE, blank

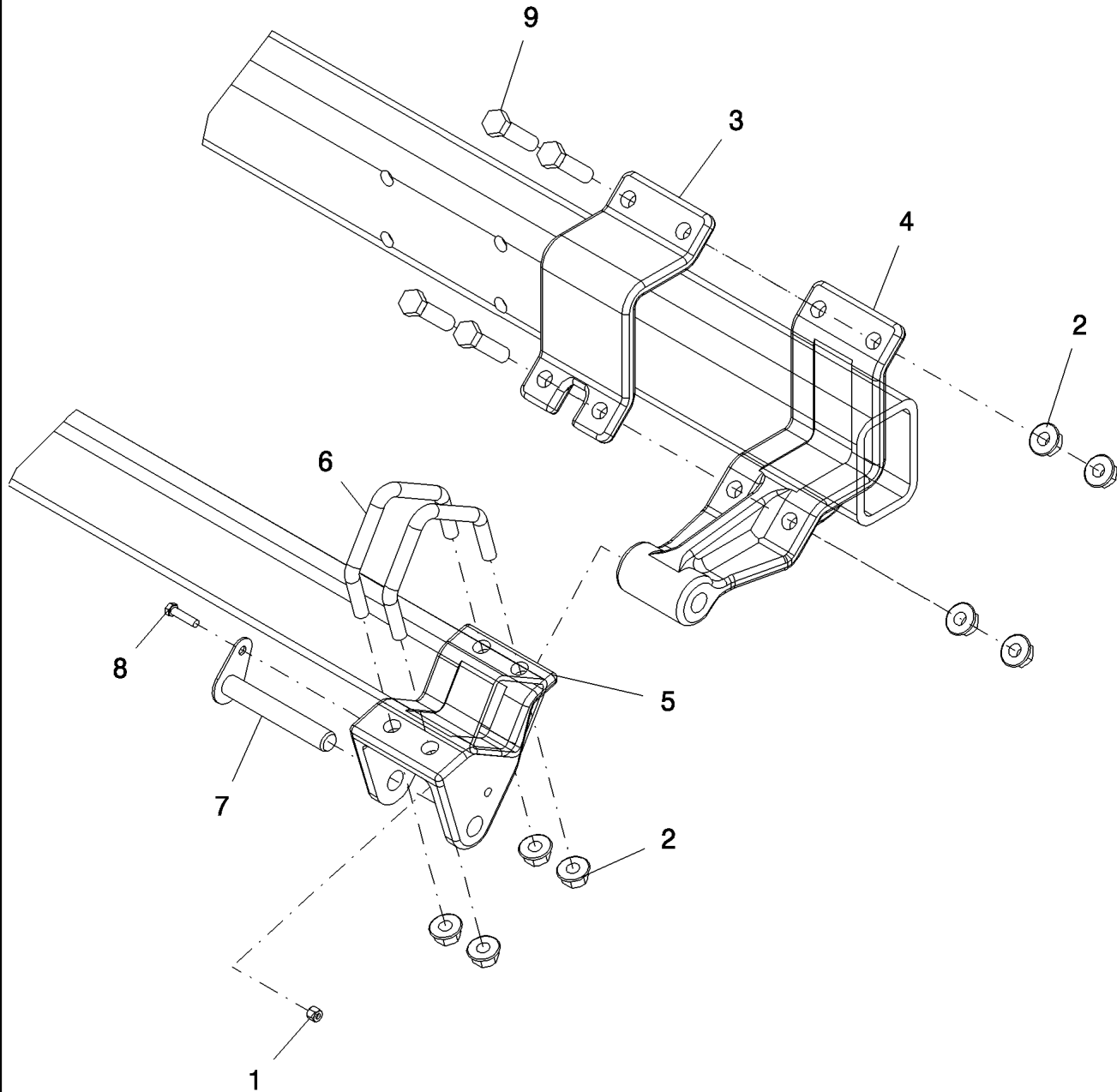
SDX40

1.070.1

p1

12/08

SUBBAR HINGE ASSEMBLY



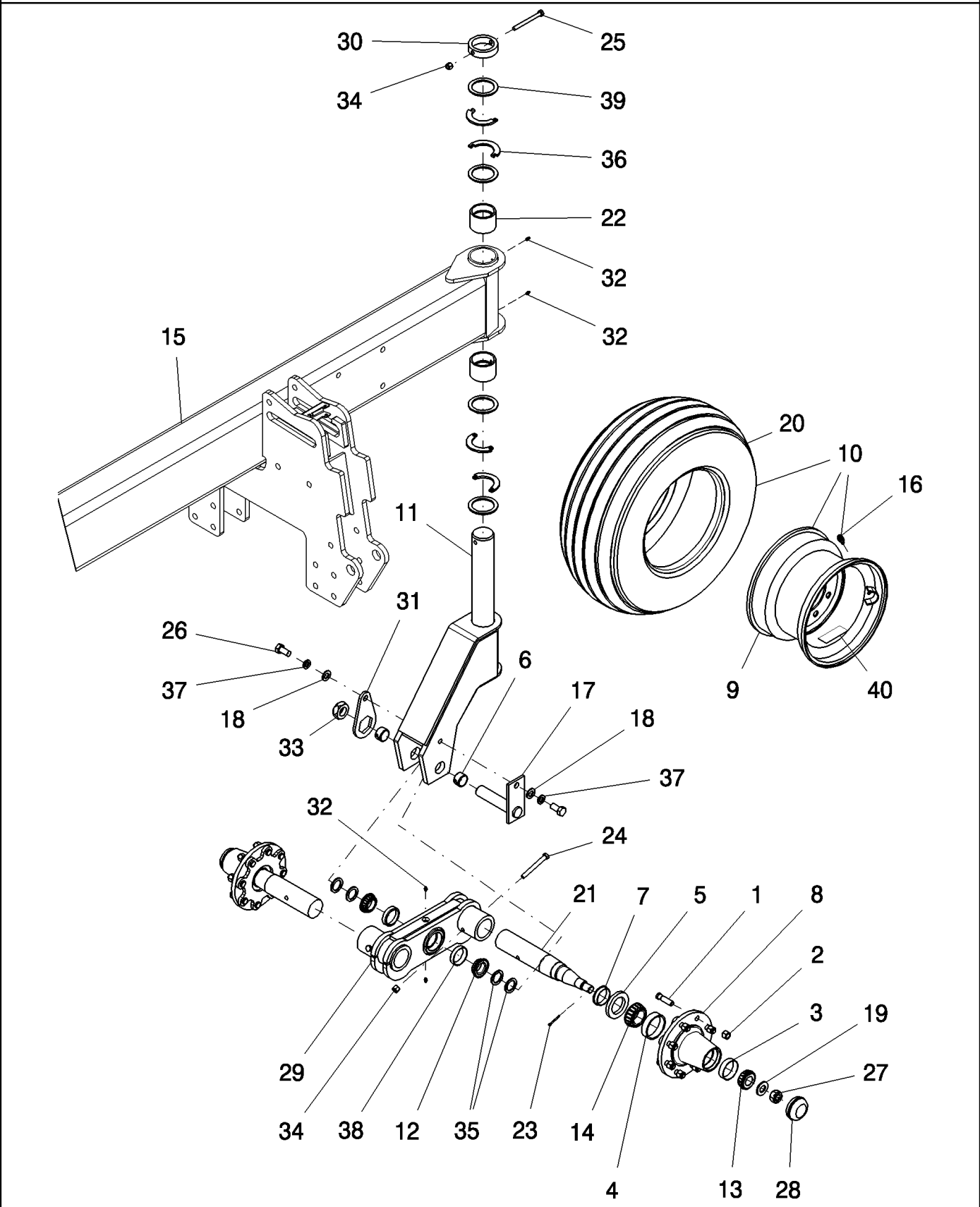
SUBBAR HINGE ASSEMBLY

REF	FN	PART NUMBER	YR/SN	QTY	DESCRIPTION
1		86625064		1	NUT, LOCK, 3/8"-16, GB
2		231-53412		8	NUT, LOCK, Flg, 3/4"-10
3		87533276		1	MOUNTING PARTS, cap
4		306290A1		1	MOUNTING PARTS, hinge
5		306292A1		1	MOUNTING PARTS, hinge
6	1	306293A1		2	BOLT, v 3/4" x 4" -G5
7		349394A1		1	PIN, pivot
8		88044		1	BOLT, Hex, 3/8"-16 x 1 1/2", G5
9		87337		4	BOLT, Hex, 3/4"-10 x 3", G5

(1) 4" x 4" Tube

SDX40

FRONT CASTER - MAIN FRAME (BSN CBJ0017102)



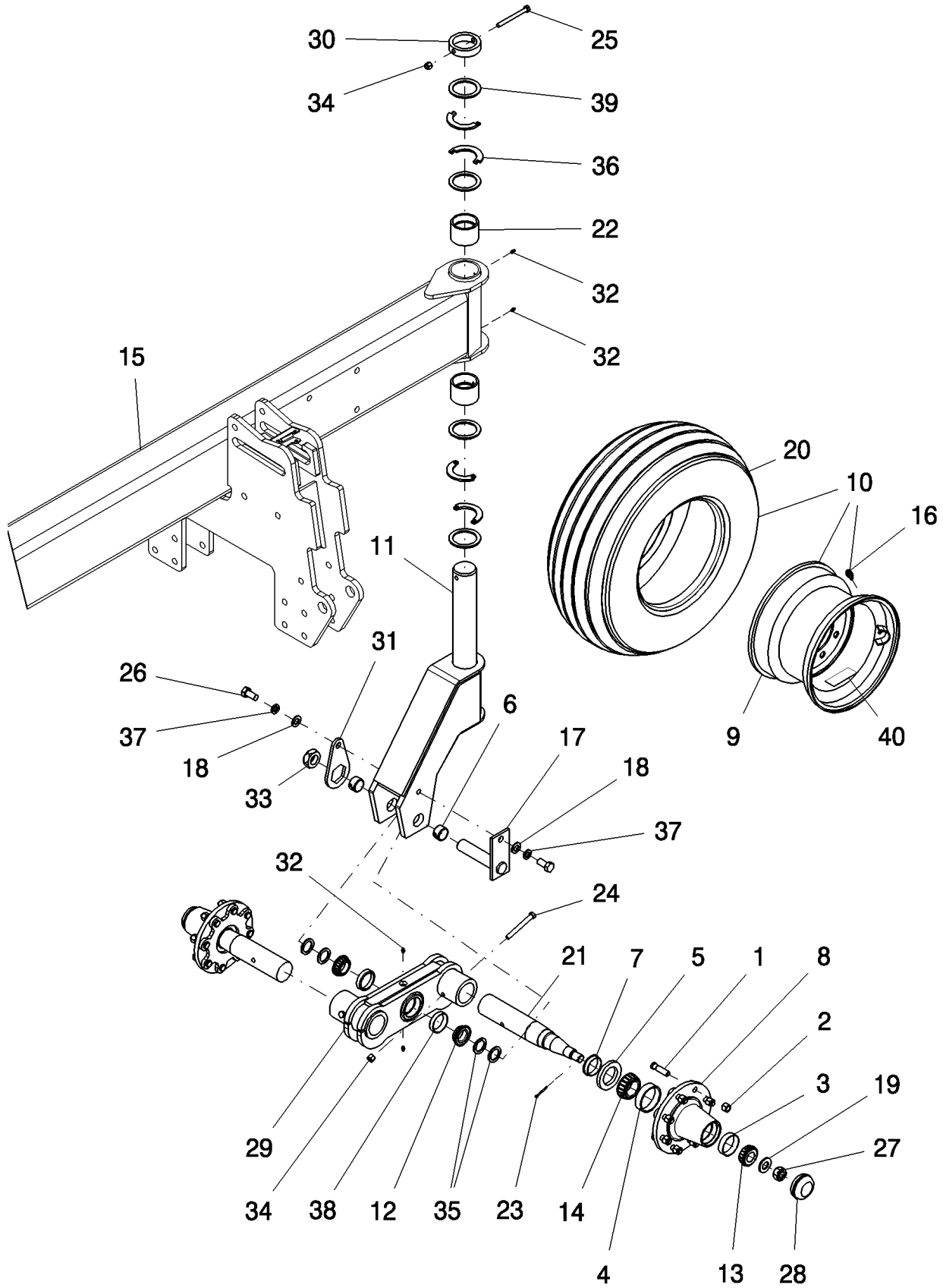
FRONT CASTER - MAIN FRAME (BSN CBJ0017102)

REF	FN	PART NUMBER	YR/SN	QTY	DESCRIPTION
1		2739		16	STUD, 5/8"-18 x 2 1/2" wb46
2		87515479		16	NUT, wheel 5/8"-18, G5
3		17498D		2	BEARING, CUP, #2720
4		ST863		2	BEARING, CUP, #3720
5		4622		2	SEAL, OIL, SE17
6		22093		2	BUSHING, tension 1 3/4" x 1 1/2" x 1"
7		22814		2	SLEEVE, wear, S812 spindle
8	1	87506296		2	HUB, H812-16 w/cups & studs
9		425672A1		1	RIM, 15X10LBH 8 hole -1 1/2" offset
10	2	350632A1		1	WHEEL ASSY, 31X13.5 -15 14PR 8 holes
10		1033093		AR	SEALANT, Tire anti-puncture 1 liter bottle
11	3	351848A1		1	CASTER, pivot front
12		F86364		2	BEARING, CONE, TM#13685 and seal #13600LA
13		ST773A		2	BEARING, ROLLER, tm#2790
14		ST783A		2	BEARING, CONE, tm#3780
15	4, 5	439251A1	Before 08/08	1	FRAME, truss main RH
15	4	87674169	From 08/08	1	FRAME, truss main RH
15	5, 6	439250A1	Before 08/08	1	FRAME, truss main LH
15	6	87673485	From 08/08	1	FRAME, truss main LH
16		1018564		1	VALVE, tire stem
17		425500A2		1	PIN, PIVOT, 1 1/2" od x x 5 5/8" ul
18		87381		2	WASHER, 3/4", SAE
19		86900677		2	WASHER, 1 1/32" x 2" x .179"
20		350631A1		1	TYRE/TIRE, 31X13.5-15 14 PR
21		425656A1		2	AXLE, spindle bogie 6100 lb
22		1020501		2	BUSHING, bronze 3" id x 3 1/2" od 2 1/2" lg, SAE 660
23		80754		2	PIN, SPLIT (COTTER), 3/16" x 1 1/2"
24		87996		2	BOLT, Hex, 1/2"-13 x 4 1/2", G5
25		87997		1	BOLT, Hex, 1/2"-13 x 5", G5

- (1) Includes cups, studs and nuts
(2) Includes wheel, tire, sealant and valve stem
(3) Includes tension bushings
(4) Shown
(5) Includes bronze bushings
(6) Not Shown

SDX40

FRONT CASTER - MAIN FRAME (BSN CBJ0017102)



FRONT CASTER - MAIN FRAME (BSN CBJ0017102)

REF	FN	PART NUMBER	YR/SN	QTY	DESCRIPTION
26		88692		2	BOLT, Hex, 3/4"-10 x 1 1/2", G5
27		425-1316		2	NUT, SLOTTED, 1"-14, G5
28		87505192		2	HUB CAP, dc17
29	1, 2	351858A1		1	AXLE, walking offset RH
29	2, 3	351856A1		1	AXLE, walking offset LH
30		1020639		1	RETAINER, king pin
31		425527A1		1	PLATE, LOCKING
32		87414		4	NIPPLE, LUBE, 1/4"-28 x .56" lg, Drive
33		87010729		1	NUT, Jam, 1 1/2"-6, G5
34		87530607		3	NUT, 1/2"-13, GB
35		103066A1		4	WASHER, spacer 38.90MM ID x 53.98MM OD x 4.00MM thick
36		425155A1		4	SHIM, split 1/4" thick
37		87340		2	WASHER, LOCK, 3/4"
38		453012R1		2	BEARING, CUP, #13621
39		1020512		4	WASHER, THRUST, 3.04 ID 4.0 OD .188 HRD RC 50-60
40		87400955		1	DECAL, INFO WHEEL 13.5X31 14P

(1) Shown

(2) Includes grease nipples, bearing cups and bearing cones

(3) Not Shown

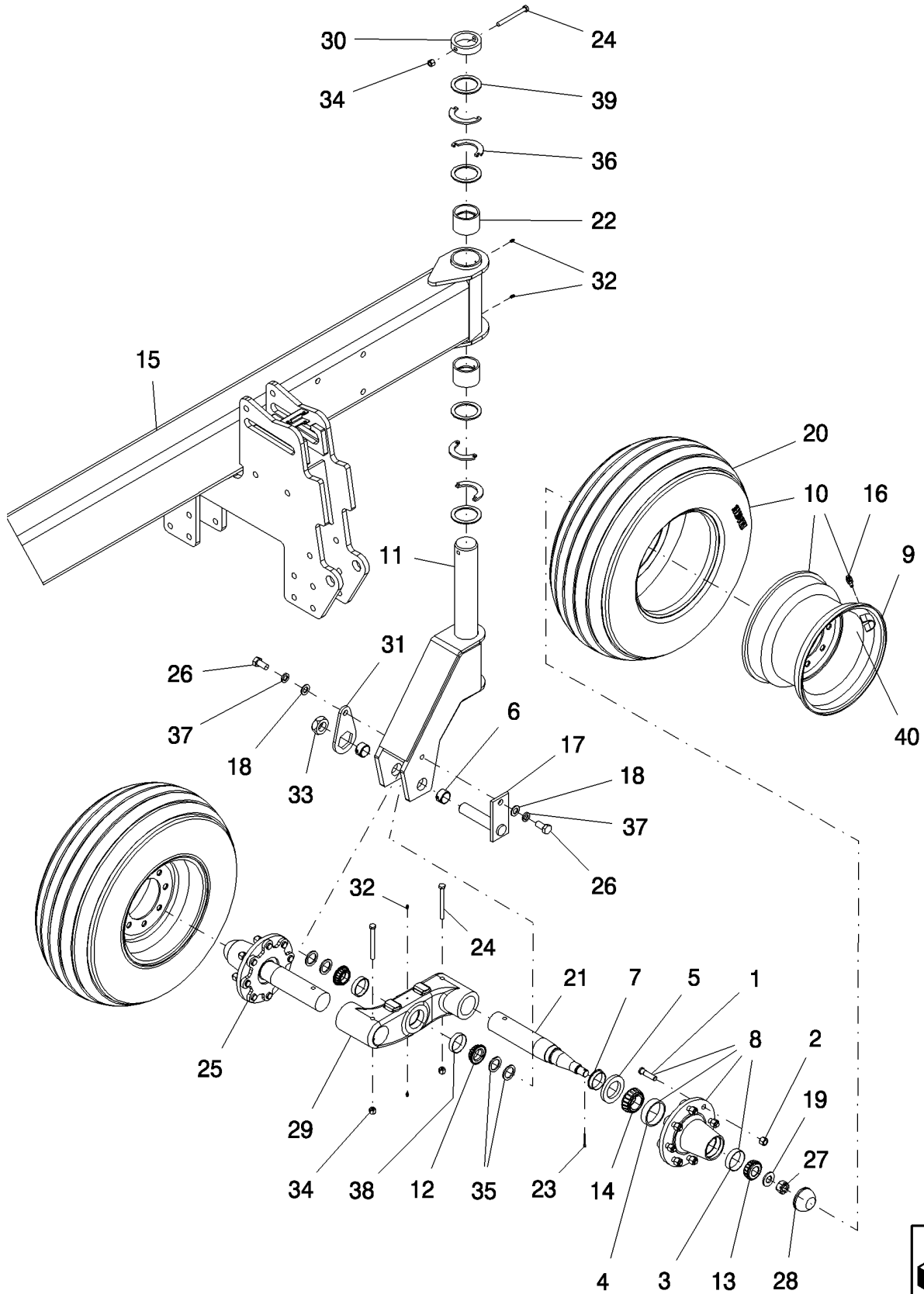
SDX40

1.081.1

p1

03/09

FRONT CASTER - MAIN FRAME (ASN CBJ0017103)



FRONT CASTER - MAIN FRAME (ASN CBJ0017103)

REF	FN	PART NUMBER	YR/SN	QTY	DESCRIPTION
1		2739		16	STUD, 5/8"-18 x 2 1/2" wb46
2		87515479		16	NUT, wheel 5/8"-18, G5
3		17498D		2	BEARING, CUP, #2720
4		ST863		2	BEARING, CUP, #3720
5		4622		2	SEAL, OIL, SE17
6		22093		2	BUSHING, tension 1 3/4" x 1 1/2" x 1"
7		22814		2	SLEEVE, wear, S812 spindle
8	1	87506296		2	HUB, H812-16 w/cups & studs
9		425672A1		2	RIM, 15X10LBH 8 hole -1 1/2" offset
10	2	350632A1		2	WHEEL ASSY, 31X13.5 -15 14PR 8 holes
10		1033093		AR	SEALANT, Tire anti-puncture 1 liter bottle
11	3	351848A1		1	CASTER, pivot front
12		F86364		2	BEARING, CONE, TM#13685 and seal #13600LA
13		ST773A		2	BEARING, ROLLER, tm#2790
14		ST783A		2	BEARING, CONE, tm#3780
15	4, 5	439251A1	Before 08/08	1	FRAME, truss main RH
15	4	87674169	From 08/08	1	FRAME, truss main RH
15	5, 6	439250A1	Before 08/08	1	FRAME, truss main LH
15	6	87673485	From 08/08	1	FRAME, truss main LH
16		1018564		2	VALVE, tire stem
17		425500A2		1	PIN, PIVOT, 1 1/2" od x x 5 5/8" ul
18		87381		2	WASHER, 3/4", SAE
19		86900677		2	WASHER, 1 1/32" x 2" x .179"
20		350631A1		2	TYRE/TIRE, 31X13.5-15 14 PR
21		87401386		2	SPINDLE, bogie 6100 lbs
22		1020501		2	BUSHING, bronze 3" id x 3 1/2" od 2 1/2" lg, SAE 660
23		80754		2	PIN, SPLIT (COTTER), 3/16" x 1 1/2"
24		87997		3	BOLT, Hex, 1/2"-13 x 5", G5

- (1) Includes cups, studs and nuts
(2) Includes wheel, tire, sealant and valve stem
(3) Includes tension bushings
(4) Shown
(5) Includes bronze bushings
(6) Not Shown

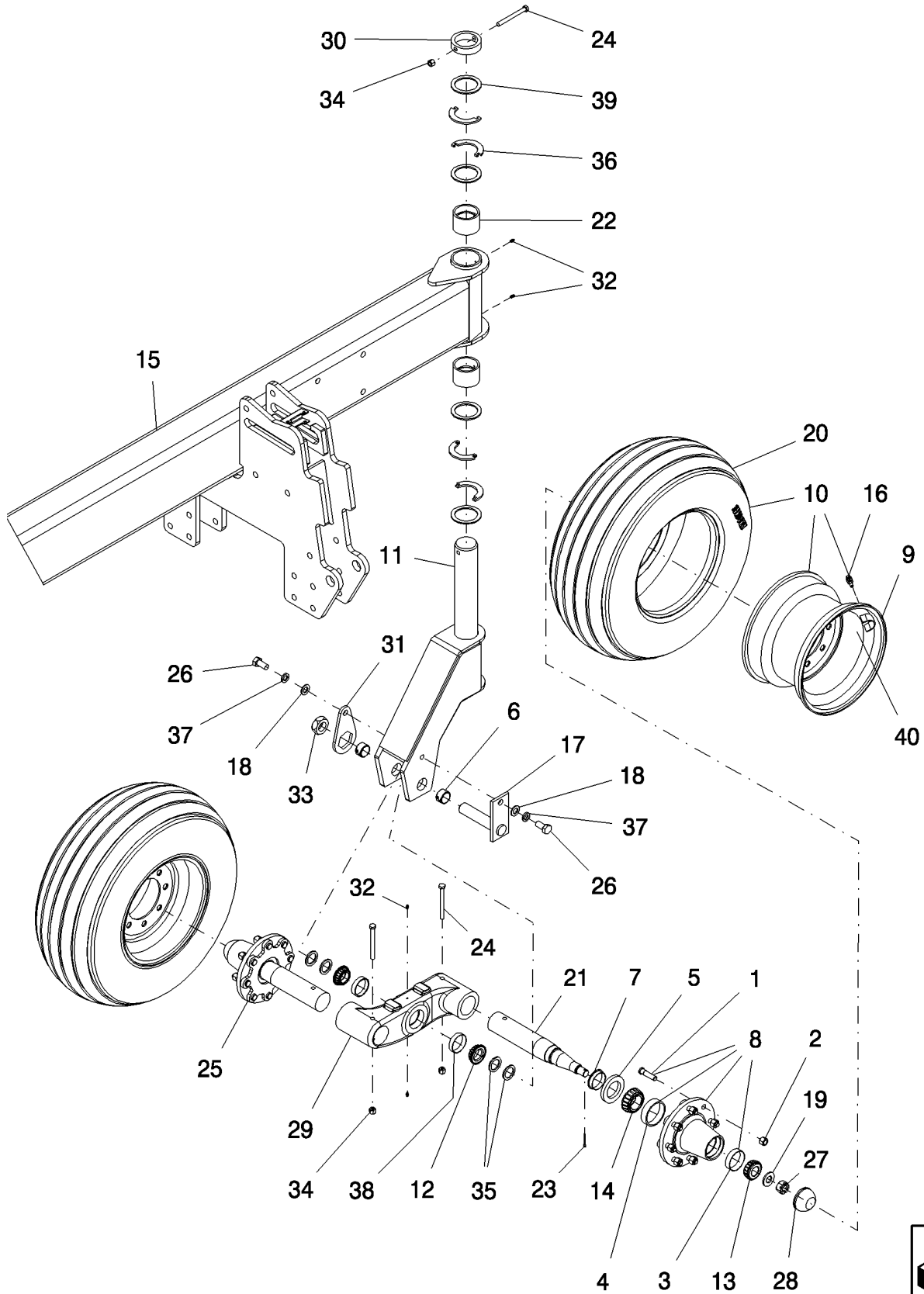
SDX40

1.081.1

p2

03/09

FRONT CASTER - MAIN FRAME (ASN CBJ0017103)



FRONT CASTER - MAIN FRAME (ASN CBJ0017103)

REF	FN	PART NUMBER	YR/SN	QTY	DESCRIPTION
25	1	425689A1		2	SPINDLE, bolt-in 6100 lb
26		88692		2	BOLT, Hex, 3/4"-10 x 1 1/2", G5
27		425-1316		2	NUT, SLOTTED, 1"-14, G5
28		87505192		2	HUB CAP, dc17
29	2,3	87401384		1	AXLE, walking offset RH
29	3,4	87401382		1	AXLE, walking offset LH
30		1020639		1	RETAINER, king pin
31		425527A1		1	PLATE, LOCKING
32		87414		4	NIPPLE, LUBE, 1/4"-28 x .56" lg, Drive
33		87010729		1	NUT, Jam, 1 1/2"-6, G5
34		87530607		3	NUT, 1/2"-13, GB
35		103066A1		4	WASHER, spacer 38.90MM ID x 53.98MM OD x 4.00MM thick
36		425155A1		4	SHIM, split 1/4" thick
37		87340		2	WASHER, LOCK, 3/4"
38		453012R1		2	BEARING, CUP, #13621
39		1020512		4	WASHER, THRUST, 3.04 ID 4.0 OD .188 HRD RC 50-60
40		87400955		1	DECAL, INFO WHEEL 13.5X31 14P

- (1) Includes spindle and hub
(2) Shown
(3) Includes grease nipples, bearing cups and bearing cones
(4) Not Shown

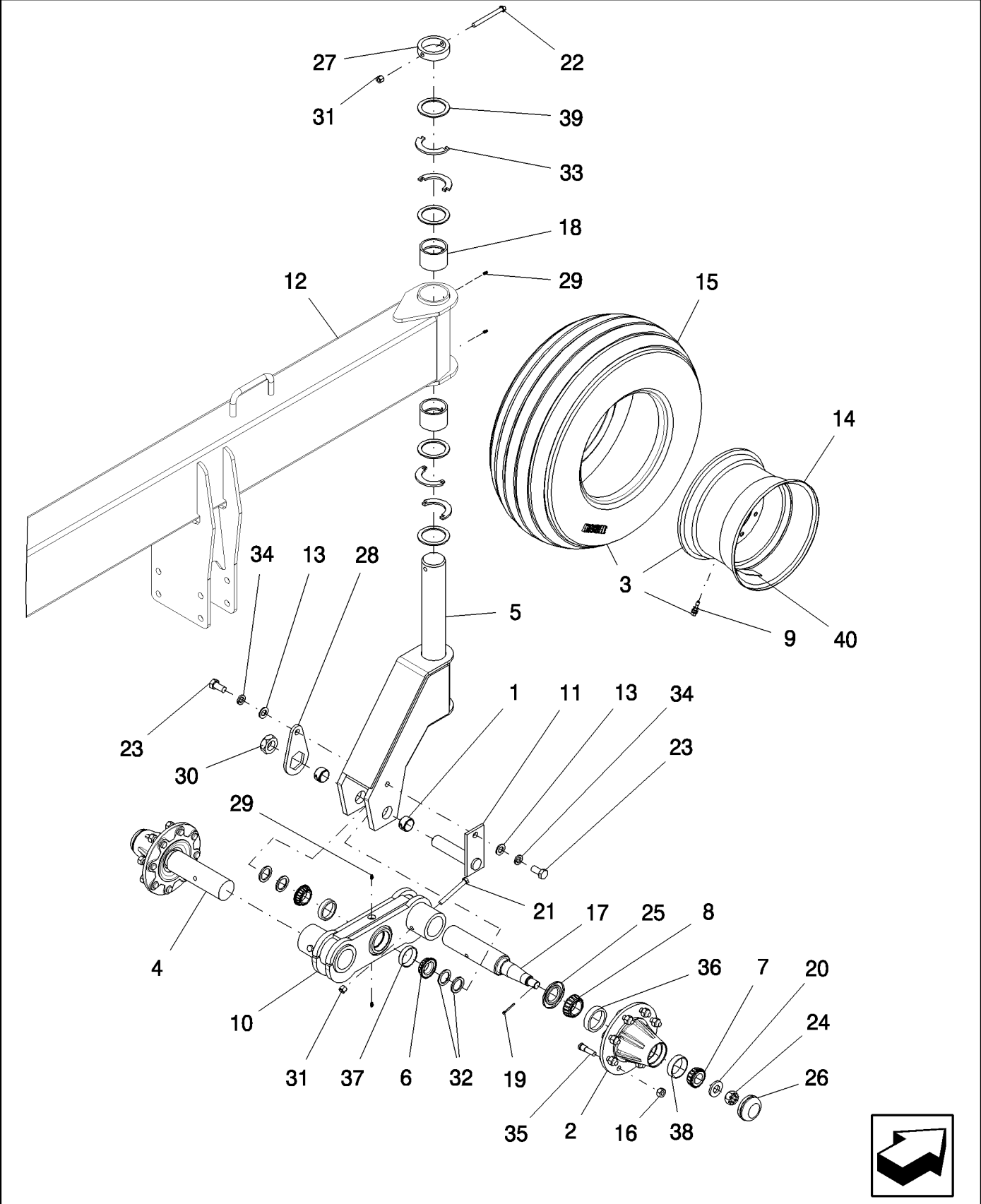
SDX40

1.090.1

p1

03/09

FRONT CASTER - WING (BSN CBJ0017102)



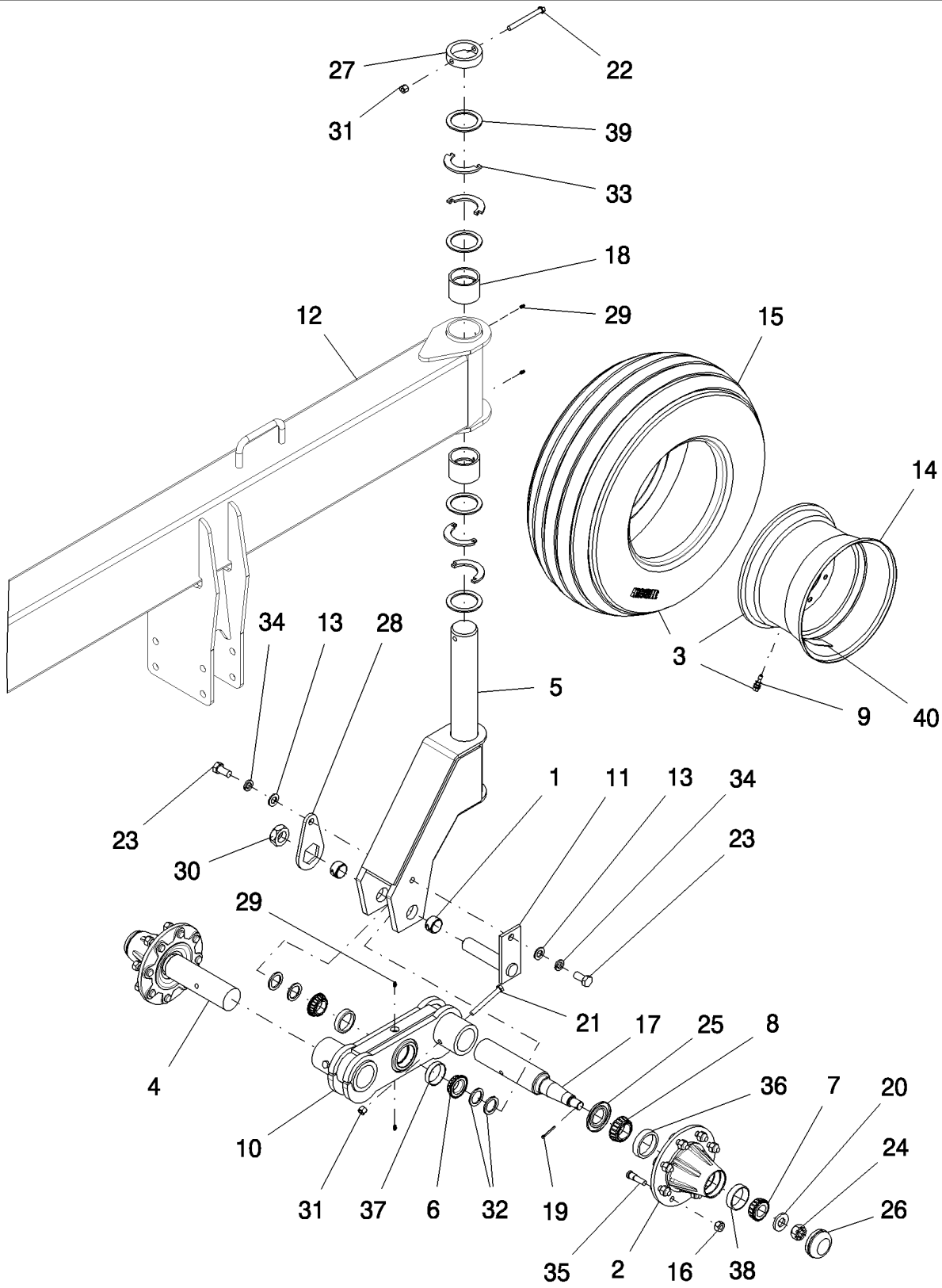
FRONT CASTER - WING (BSN CBJ0017102)

REF	FN	PART NUMBER	YR/SN	QTY	DESCRIPTION
1		22093		2	BUSHING, tension 1 3/4" x 1 1/2" x 1"
2		1020697		2	HUB ASSY., H811-8 assembly with cups and studs
3	1	1030722		1	WHEEL ASSY, 15x10 8h with 31x13.5 10p hf-1(high floatation tire)
3		1033093		AR	SEALANT, Tire anti-puncture 1 liter bottle
4		425670A1		2	SPINDLE, bolt-in 5050 lb
5	2	351848A1		1	CASTER, pivot front
6		F86364		2	BEARING, CONE, TM#13685 and seal #13600LA
7		560953R91		2	BEARING, CONE, #25877
8		512725		2	BEARING, CONE, #25590
9		1018564		1	VALVE, tire stem
10	3,4	351858A1		1	AXLE, walking offset RH
10	4,5	351856A1		1	AXLE, walking offset LH
11		425500A2		1	PIN, PIVOT, 1 1/2" od x x 5 5/8" ul
12	6	439255A1		1	FRAME, wing truss RH
12	6	439253A1		1	FRAME, wing truss LH
13		87381		2	WASHER, 3/4", SAE
14		1030721		1	RIM, 15 x 10 8 hole +2 1/4" offset
15		1030720		1	TYRE/TIRE, 31 x 13 1/2" - 15 10pr hf-1 high floatation, static load r
16		1016177		16	NUT, wheel 9/16"-18 CTD# WB40
17		425671A1		2	SPINDLE, bogie 5050 lb
18		1020501		2	BUSHING, bronze 3" id x 3 1/2" od 2 1/2" lg, SAE 660
19		80754		2	PIN, SPLIT (COTTER), 3/16" x 1 1/2"
20		1013475		2	WASHER, 1.06ID 2.1 .25 YZD
21		87996		2	BOLT, Hex, 1/2"-13 x 4 1/2", G5
22		87997		1	BOLT, Hex, 1/2"-13 x 5", G5
23		88692		2	BOLT, Hex, 3/4"-10 x 1 1/2", G5
24		425-1316		2	NUT, SLOTTED, 1"-14, G5

- (1) Includes wheel, tire and valve stem
(2) Includes tension bushings
(3) Shown
(4) Includes grease nipples, bearing cups and bearing cones
(5) Not Shown
(6) Includes bronze bushings and two decals 350336A1

SDX40

FRONT CASTER - WING (BSN CBJ0017102)



1.090.1

p2

03/09

FRONT CASTER - WING (BSN CBJ0017102)

REF	FN	PART NUMBER	YR/SN	QTY	DESCRIPTION
25		1674		2	SEAL, oil SE16
26		87505192		2	HUB CAP, dc17
27		1020639		1	RETAINER, king pin
28		425527A1		1	PLATE, LOCKING
29		87414		4	NIPPLE, LUBE, 1/4"-28 x .56" lg, Drive
30		87010729		1	NUT, Jam, 1 1/2"-6, G5
31		87530607		3	NUT, 1/2"-13, GB
32		103066A1		4	WASHER, spacer 38.90MM ID x 53.98MM OD x 4.00MM thick
33		425155A1		4	SHIM, split 1/4" thick
34		87340		2	WASHER, LOCK, 3/4"
35		1016176		16	STUD, .563 UNF GR5 WB41 YZD, 2.25 LONG, 1.625 THREAD
36		87033793		2	BEARING, CUP, #25520
37		453012R1		2	BEARING, CUP, #13621
38		165964R1		2	BEARING, CUP, #25821
39		1020512		4	WASHER, THRUST, 3.04 ID 4.0 OD .188 HRD RC 50-60
40		87400954		1	DECAL, INFO WHEEL 13.5X31 10P

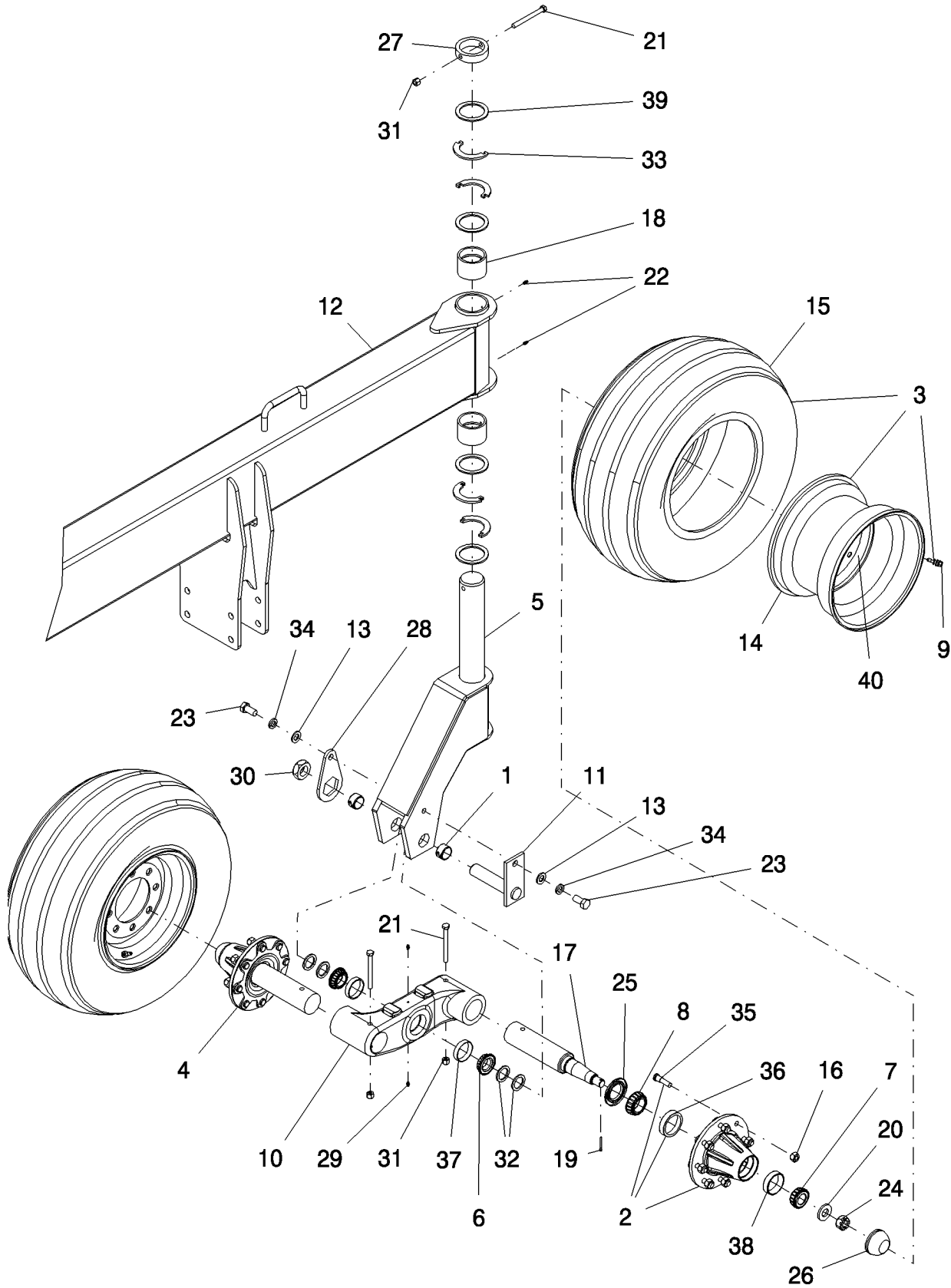
SDX40

1.091.1

p1

03/09

FRONT CASTER - WING (ASN CBJ0017103)

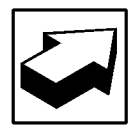
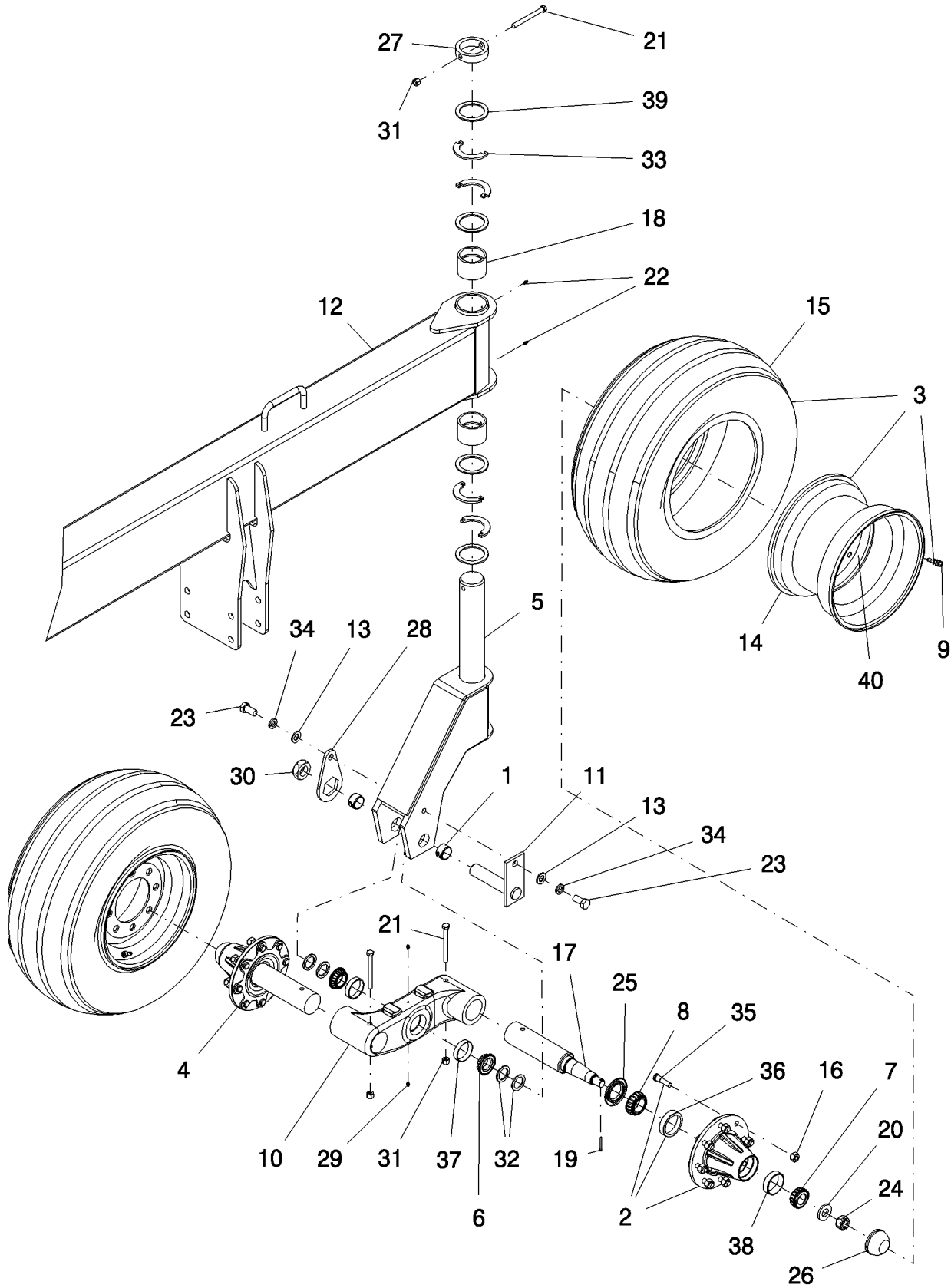


FRONT CASTER - WING (ASN CBJ0017103)

REF	FN	PART NUMBER	YR/SN	QTY	DESCRIPTION
1		22093		2	BUSHING, tension 1 3/4" x 1 1/2" x 1"
2		1020697		2	HUB ASSY., H811-8 assembly with cups and studs
3	1	1030722		2	WHEEL ASSY, 15x10 8h with 31x13.5 10p hf-1(high floatation tire)
3		1033093		AR	SEALANT, Tire anti-puncture 1 liter bottle
4		425670A1		2	SPINDLE, bolt-in 5050 lb
5	2	351848A1		1	CASTER, pivot front
6		F86364		2	BEARING, CONE, TM#13685 and seal #13600LA
7		560953R91		2	BEARING, CONE, #25877
8		512725		2	BEARING, CONE, #25590
9		1018564		1	VALVE, tire stem
10	3,4	87401384		1	AXLE, walking offset RH
10	4,5	87401382		1	AXLE, walking offset LH
11		425500A2		1	PIN, PIVOT, 1 1/2" od x x 5 5/8" ul
12	6	439255A1		1	FRAME, wing truss RH
12	6	439253A1		1	FRAME, wing truss LH
13		87381		2	WASHER, 3/4", SAE
14		1030721		2	RIM, 15 x 10 8 hole +2 1/4" offset
15		1030720		2	TYRE/TIRE, 31 x 13 1/2" - 15 10pr hf-1 high floatation, static load r
16		1016177		16	NUT, wheel 9/16"-18 CTD# WB40
17		87401385		2	SPINDLE, bogie 5050 lb
18		1020501		2	BUSHING, bronze 3" id x 3 1/2" od 2 1/2" lg, SAE 660
19		80754		2	PIN, SPLIT (COTTER), 3/16" x 1 1/2"
20		1013475		2	WASHER, 1.06ID 2.1 .25 YZD
21		87997		3	BOLT, Hex, 1/2"-13 x 5", G5
22		87414		2	NIPPLE, LUBE, 1/4"-28 x .56" lg, Drive
23		88692		2	BOLT, Hex, 3/4"-10 x 1 1/2", G5
24		425-1316		2	NUT, SLOTTED, 1"-14, G5
(1)	Includes wheel, tire and valve stem				
(2)	Includes tension bushings				
(3)	Shown				
(4)	Includes grease nipples, bearing cups and bearing cones				
(5)	Not Shown				
(6)	Includes bronze bushings and two decals 350336A1				

SDX40

FRONT CASTER - WING (ASN CBJ0017103)

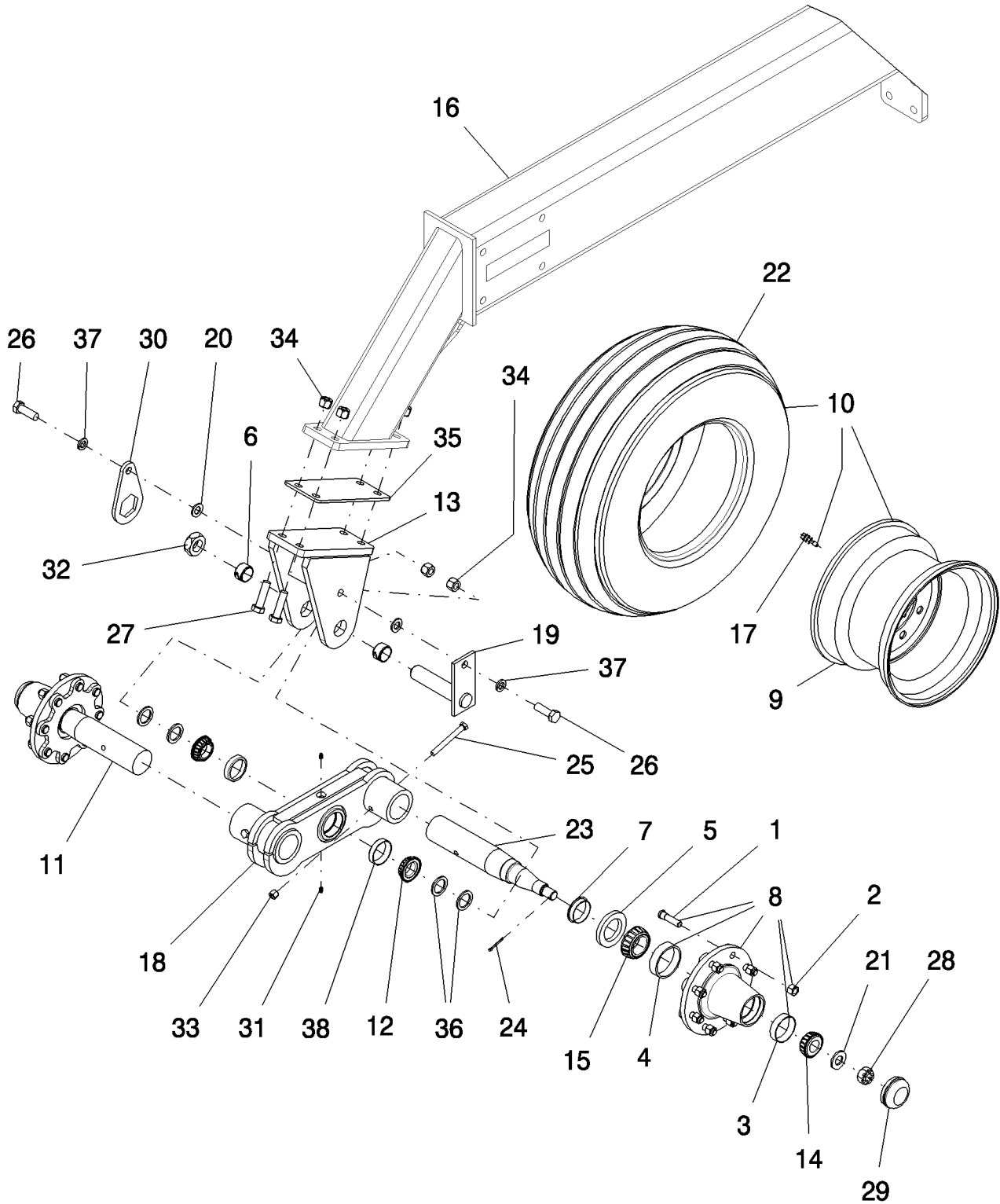


FRONT CASTER - WING (ASN CBJ0017103)

REF	FN	PART NUMBER	YR/SN	QTY	DESCRIPTION
25		1674		2	SEAL, oil SE16
26		87505192		2	HUB CAP, dc17
27		1020639		1	RETAINER, king pin
28		425527A1		1	PLATE, LOCKING
29		87414		2	NIPPLE, LUBE, 1/4"-28 x .56" lg, Drive
30		87010729		1	NUT, Jam, 1 1/2"-6, G5
31		87530607		3	NUT, 1/2"-13, GB
32		103066A1		4	WASHER, spacer 38.90MM ID x 53.98MM OD x 4.00MM thick
33		425155A1		4	SHIM, split 1/4" thick
34		87340		2	WASHER, LOCK, 3/4"
35		1016176		16	STUD, .563 UNF GR5 WB41 YZD, 2.25 LONG, 1.625 THREAD
36		87033793		2	BEARING, CUP, #25520
37		453012R1		2	BEARING, CUP, #13621
38		165964R1		2	BEARING, CUP, #25821
39		1020512		4	WASHER, THRUST, 3.04 ID 4.0 OD .188 HRD RC 50-60
40		87400954		1	DECAL, INFO WHEEL 13.5X31 10P

SDX40

BOGIE - MAIN FRAME (BSN CBJ0017102)



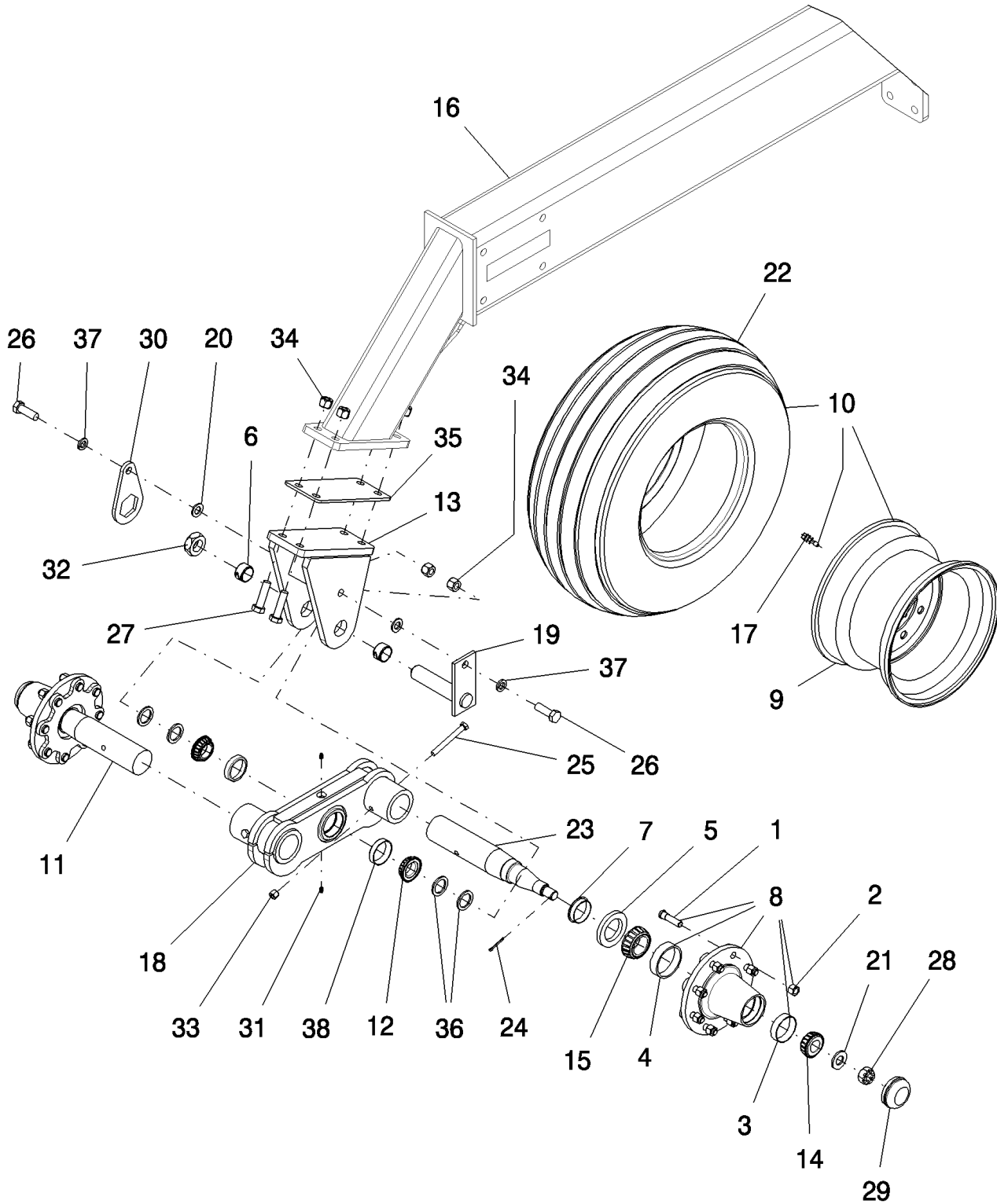
BOGIE - MAIN FRAME (BSN CBJ0017102)

REF	FN	PART NUMBER	YR/SN	QTY	DESCRIPTION
1		2739		16	STUD, 5/8"-18 x 2 1/2" wb46
2		87515479		16	NUT, wheel 5/8"-18, G5
3		17498D		2	BEARING, CUP, #2720
4		ST863		2	BEARING, CUP, #3720
5		4622		2	SEAL, OIL, SE17
6		22093		2	BUSHING, tension 1 3/4" x 1 1/2" x 1"
7		22814		2	SLEEVE, wear, S812 spindle
8	1	87506296		2	HUB, H812-16 w/cups & studs
9		425672A1		1	RIM, 15X10LBH 8 hole -1 1/2" offset
10	2	350632A1		1	WHEEL ASSY, 31X13.5 -15 14PR 8 holes
10		1033093		AR	SEALANT, Tire anti-puncture 1 liter bottle
11		425689A1		2	SPINDLE, bolt-in 6100 lb
12		F86364		2	BEARING, CONE, TM#13685 and seal #13600LA
13	3	425859A1		1	MOUNTING PARTS, rear bogie
13		42585A1		1	MOUNTING PARTS, rear bogie
14		ST773A		2	BEARING, ROLLER, tm#2790
15		ST783A		2	BEARING, CONE, tm#3780
16	4, 5	439251A1	Before 08/08	1	FRAME, truss main RH
16	4	87674169	From 08/08	1	FRAME, truss main RH
16	5, 6	439250A1	Before 08/08	1	FRAME, truss main LH
16	6	87673485	From 08/08	1	FRAME, truss main LH
17		1018564		1	VALVE, tire stem
18	4, 7	351858A1		1	AXLE, walking offset RH
18	7, 6	351856A1		1	AXLE, walking offset LH
19		425500A2		1	PIN, PIVOT, 1 1/2" od x x 5 5/8" ul
20		87381		2	WASHER, 3/4", SAE
21		86900677		2	WASHER, 1 1/32" x 2" x .179"
22		350631A1		1	TYRE/TIRE, 31X13.5-15 14 PR

- (1) Includes cups, studs and nuts
(2) Includes wheel, tire, sealant and valve stem
(3) Includes 425585A1 and 22093
(4) Shown
(5) Includes bronze bushings
(6) Not Shown
(7) Includes grease nipples, bearing cups and bearing cones

SDX40

BOGIE - MAIN FRAME (BSN CBJ0017102)

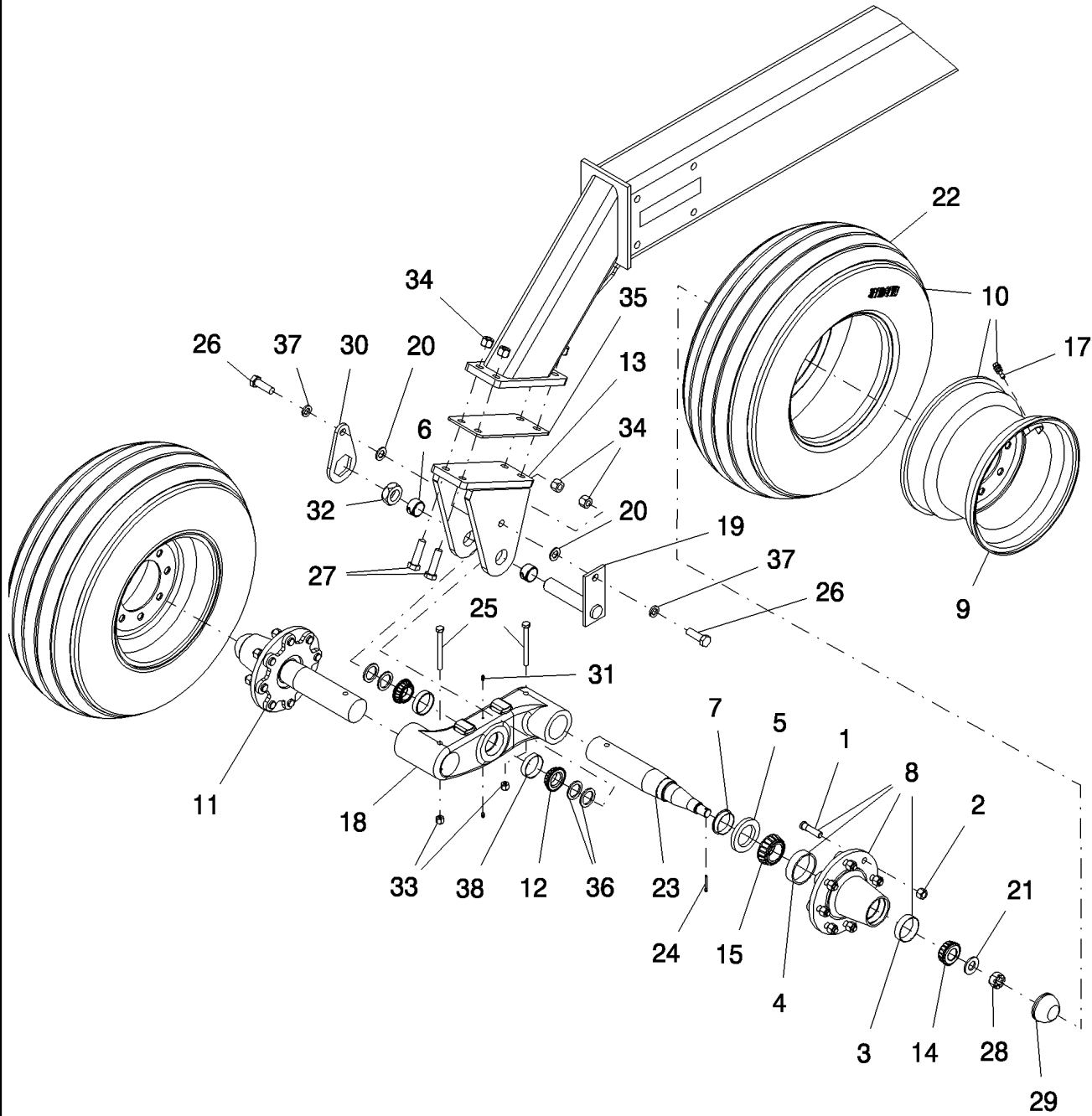


BOGIE - MAIN FRAME (BSN CBJ0017102)

REF	FN	PART NUMBER	YR/SN	QTY	DESCRIPTION
23		425656A1		2	AXLE, spindle bogie 6100 lb
24		80754		2	PIN, SPLIT (COTTER), 3/16" x 1 1/2"
25		87996		2	BOLT, Hex, 1/2"-13 x 4 1/2", G5
26		413-1236		2	BOLT, Hex, 3/4"-10 x 2 1/4", G5
27		280344		4	BOLT, Hex, 3/4"-10 x 2 3/4", G8
28		425-1316		2	NUT, SLOTTED, 1"-14, G5
29		87505192		2	HUB CAP, dc17
30		425527A1		1	PLATE, LOCKING
31		87414		2	NIPPLE, LUBE, 1/4"-28 x .56" lg, Drive
32		87010729		1	NUT, Jam, 1 1/2"-6, G5
33		87530607		2	NUT, 1/2"-13, GB
34		231-42412		6	NUT, LOCK, 3/4"-10, GB
35		425588A1		1	SHIM, rear bogie
36		103066A1		4	WASHER, spacer 38.90MM ID x 53.98MM OD x 4.00MM thick
37		87340		2	WASHER, LOCK, 3/4"
38		453012R1		2	BEARING, CUP, #13621

SDX40

BOGIE - MAIN FRAME (ASN CBJ0017103)



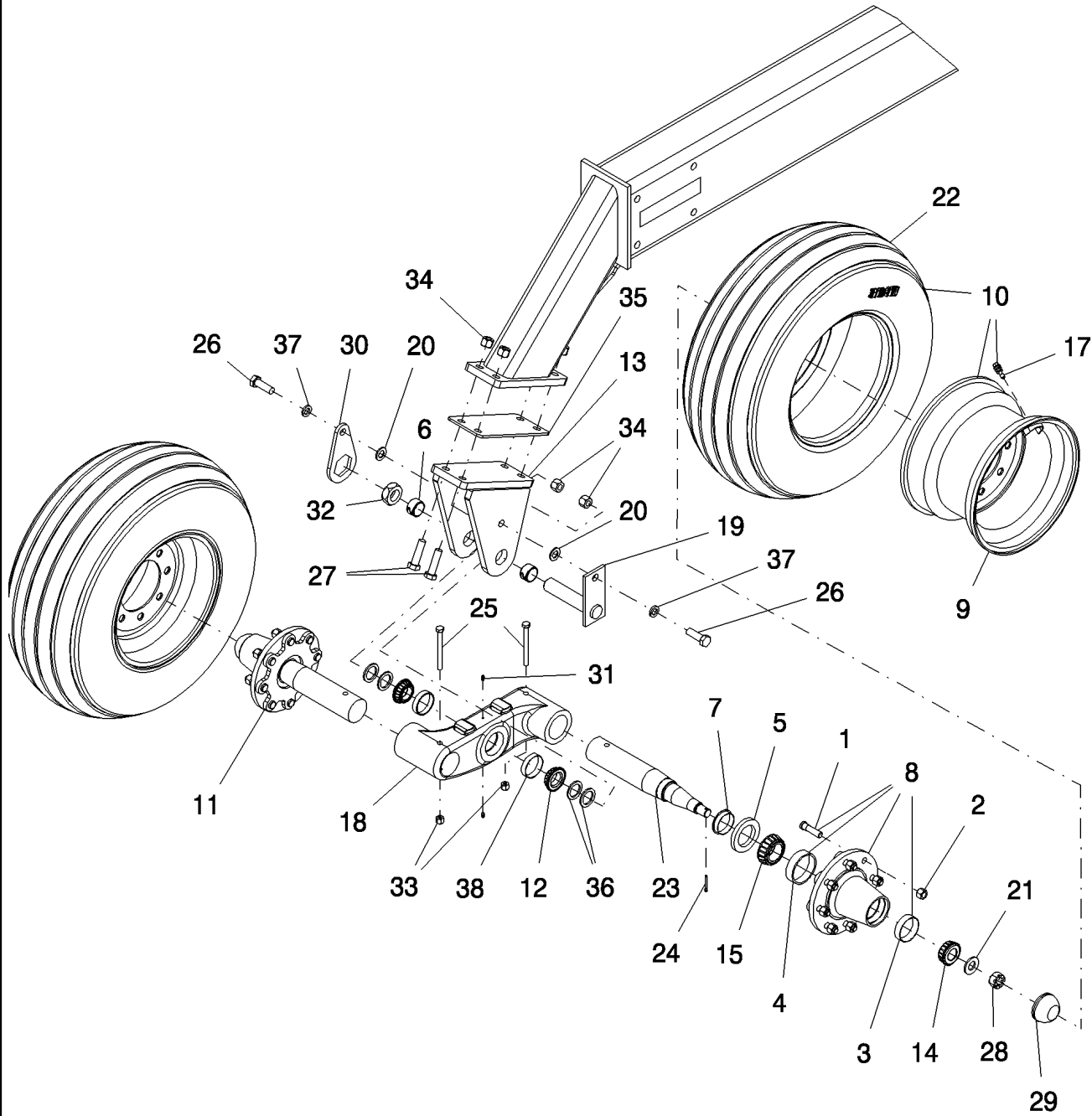
BOGIE - MAIN FRAME (ASN CBJ0017103)

REF	FN	PART NUMBER	YR/SN	QTY	DESCRIPTION
1		2739		16	STUD, 5/8"-18 x 2 1/2" wb46
2		87515479		16	NUT, wheel 5/8"-18, G5
3		17498D		2	BEARING, CUP, #2720
4		ST863		2	BEARING, CUP, #3720
5		4622		2	SEAL, OIL, SE17
6		22093		2	BUSHING, tension 1 3/4" x 1 1/2" x 1"
7		22814		2	SLEEVE, wear, S812 spindle
8	1	87506296		2	HUB, H812-16 w/cups & studs
9		425672A1		2	RIM, 15X10LBH 8 hole -1 1/2" offset
10	2	350632A1		2	WHEEL ASSY, 31X13.5 -15 14PR 8 holes
10		1033093		AR	SEALANT, Tire anti-puncture 1 liter bottle
11		425689A1		2	SPINDLE, bolt-in 6100 lb
12		F86364		2	BEARING, CONE, TM#13685 and seal #13600LA
13	3	425859A1		1	MOUNTING PARTS, rear bogie
13		42585A1		1	MOUNTING PARTS, rear bogie
14		ST773A		2	BEARING, ROLLER, tm#2790
15		ST783A		2	BEARING, CONE, tm#3780
17		1018564		2	VALVE, tire stem
18	4, 5	87401384		1	AXLE, walking offset RH
18	5, 6	87401382		1	AXLE, walking offset LH
19		425500A2		1	PIN, PIVOT, 1 1/2" od x x 5 5/8" ul
20		87381		2	WASHER, 3/4", SAE
21		86900677		2	WASHER, 1 1/32" x 2" x .179"
22		350631A1		2	TYRE/TIRE, 31X13.5-15 14 PR
23		87401386		2	SPINDLE, bogie 6100 lbs
24		80754		2	PIN, SPLIT (COTTER), 3/16" x 1 1/2"
25		87997		2	BOLT, Hex, 1/2"-13 x 5", G5
26		413-1236		2	BOLT, Hex, 3/4"-10 x 2 1/4", G5
27		280344		4	BOLT, Hex, 3/4"-10 x 2 3/4", G8

- (1) Includes cups, studs and nuts
(2) Includes wheel, tire, sealant and valve stem
(3) Includes 42585A1 and 22093
(4) Shown
(5) Includes grease nipples, bearing cups and bearing cones
(6) Not Shown

SDX40

BOGIE - MAIN FRAME (ASN CBJ0017103)



BOGIE - MAIN FRAME (ASN CBJ0017103)

REF	FN	PART NUMBER	YR/SN	QTY	DESCRIPTION
28		425-1316		2	NUT, SLOTTED, 1"-14, G5
29		87505192		2	HUB CAP, dc17
30		425527A1		1	PLATE, LOCKING
31		87414		2	NIPPLE, LUBE, 1/4"-28 x .56" lg, Drive
32		87010729		1	NUT, Jam, 1 1/2"-6, G5
33		87530607		2	NUT, 1/2"-13, GB
34		231-42412		6	NUT, LOCK, 3/4"-10, GB
35		425588A1		1	SHIM, rear bogie
36		103066A1		4	WASHER, spacer 38.90MM ID x 53.98MM OD x 4.00MM thick
37		87340		2	WASHER, LOCK, 3/4"
38		453012R1		2	BEARING, CUP, #13621

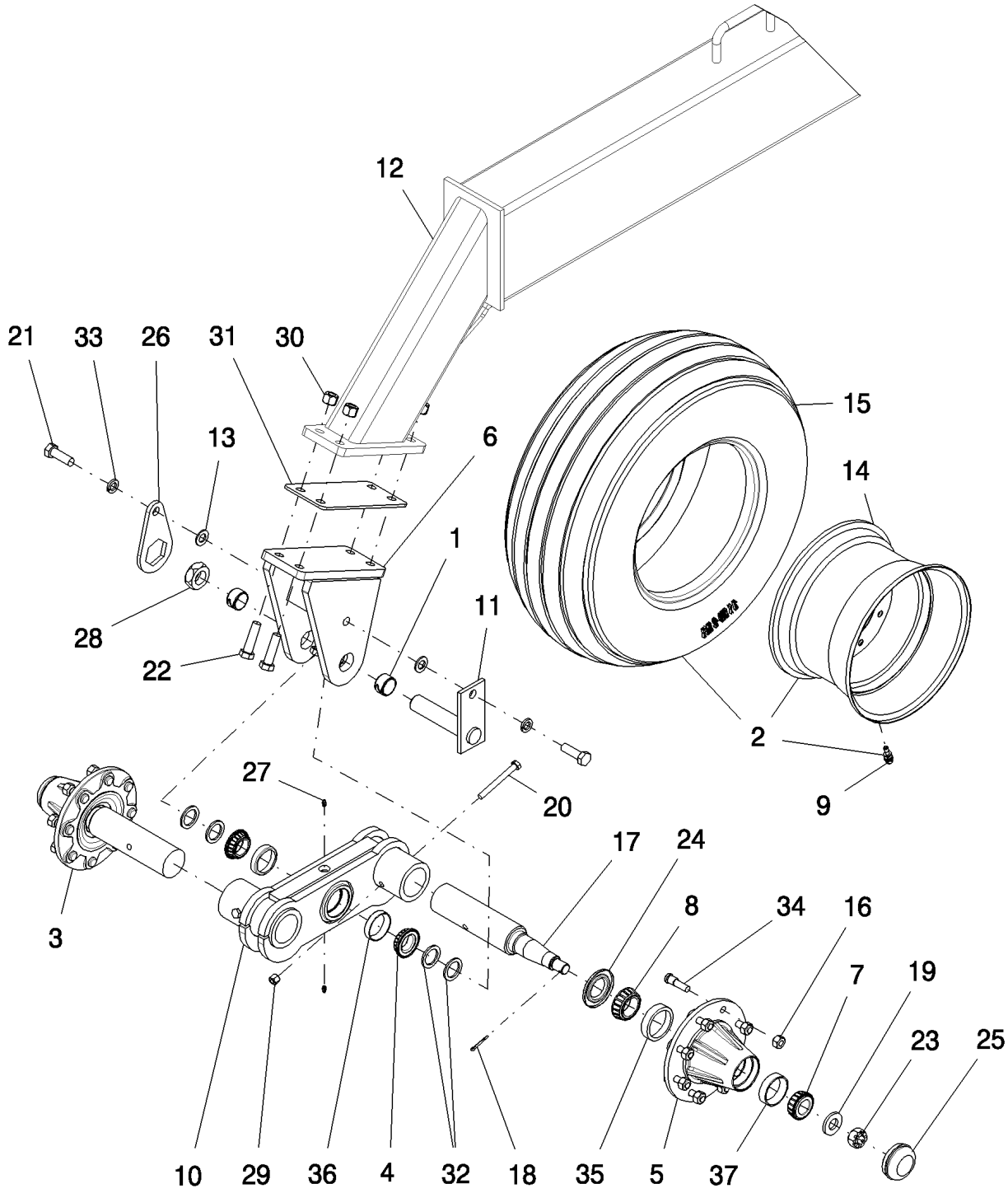
SDX40

1.110.1

p1

03/09

BOGIE - WING (BSN CBJ0017102)



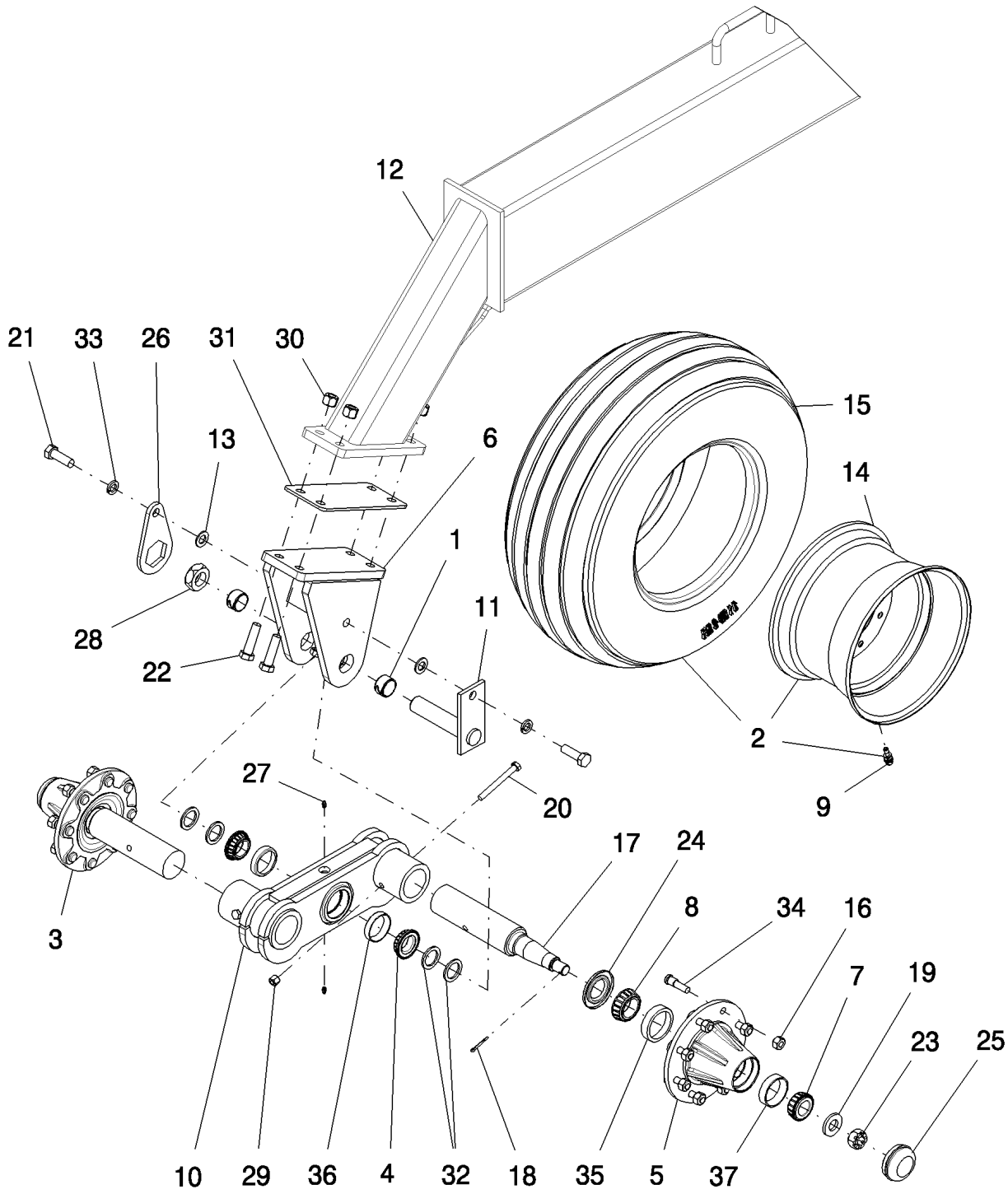
BOGIE - WING (BSN CBJ0017102)

REF	FN	PART NUMBER	YR/SN	QTY	DESCRIPTION
1		22093		2	BUSHING, tension 1 3/4" x 1 1/2" x 1"
2	1	1030722		1	WHEEL ASSY, 15x10 8h with 31x13.5 10p hf-1(high floatation tire)
3		425670A1		2	SPINDLE, bolt-in 5050 lb
4		F86364		2	BEARING, CONE, TM#13685 and seal #13600LA
5		1020697		2	HUB ASSY., H811-8 assembly with cups and studs
6	2	425859A1		1	MOUNTING PARTS, rear bogie
6		425585A1		1	MOUNTING PARTS, rear bogie
7		560953R91		2	BEARING, CONE, #25877
8		512725		2	BEARING, CONE, #25590
9		1018564		1	VALVE, tire stem
10	3, 4	351858A1		1	AXLE, walking offset RH
10	4, 5	351856A1		1	AXLE, walking offset LH
11		425500A2		1	PIN, PIVOT, 1 1/2" od x x 5 5/8" ul
12	3, 6	439251A1	Before 08/08	1	FRAME, truss main RH
12	3	87674169	From 08/08	1	FRAME, truss main RH
12	6, 5	439250A1	Before 08/08	1	FRAME, truss main LH
12	5	87673485	From 08/08	1	FRAME, truss main LH
13		87381		2	WASHER, 3/4", SAE
14		1030721		2	RIM, 15 x 10 8 hole +2 1/4" offset
15		1030720		2	TYRE/TIRE, 31 x 13 1/2" - 15 10pr hf-1 high floatation, static load r
16		1016177		16	NUT, wheel 9/16"-18 CTD# WB40
17		425671A1		2	SPINDLE, bogie 5050 lb
18		80754		2	PIN, SPLIT (COTTER), 3/16" x 1 1/2"
19		1013475		2	WASHER, 1.06ID 2.1 .25 YZD
20		87996		2	BOLT, Hex, 1/2"-13 x 4 1/2", G5
21		413-1236		2	BOLT, Hex, 3/4"-10 x 2 1/4", G5
22		280344		4	BOLT, Hex, 3/4"-10 x 2 3/4", G8

- (1) Includes wheel, tire and valve stem
(2) Includes 425585A1 and 22093
(3) Shown
(4) Includes grease nipples, bearing cups and bearing cones
(5) Not Shown
(6) Includes bronze bushings

SDX40

BOGIE - WING (BSN CBJ0017102)

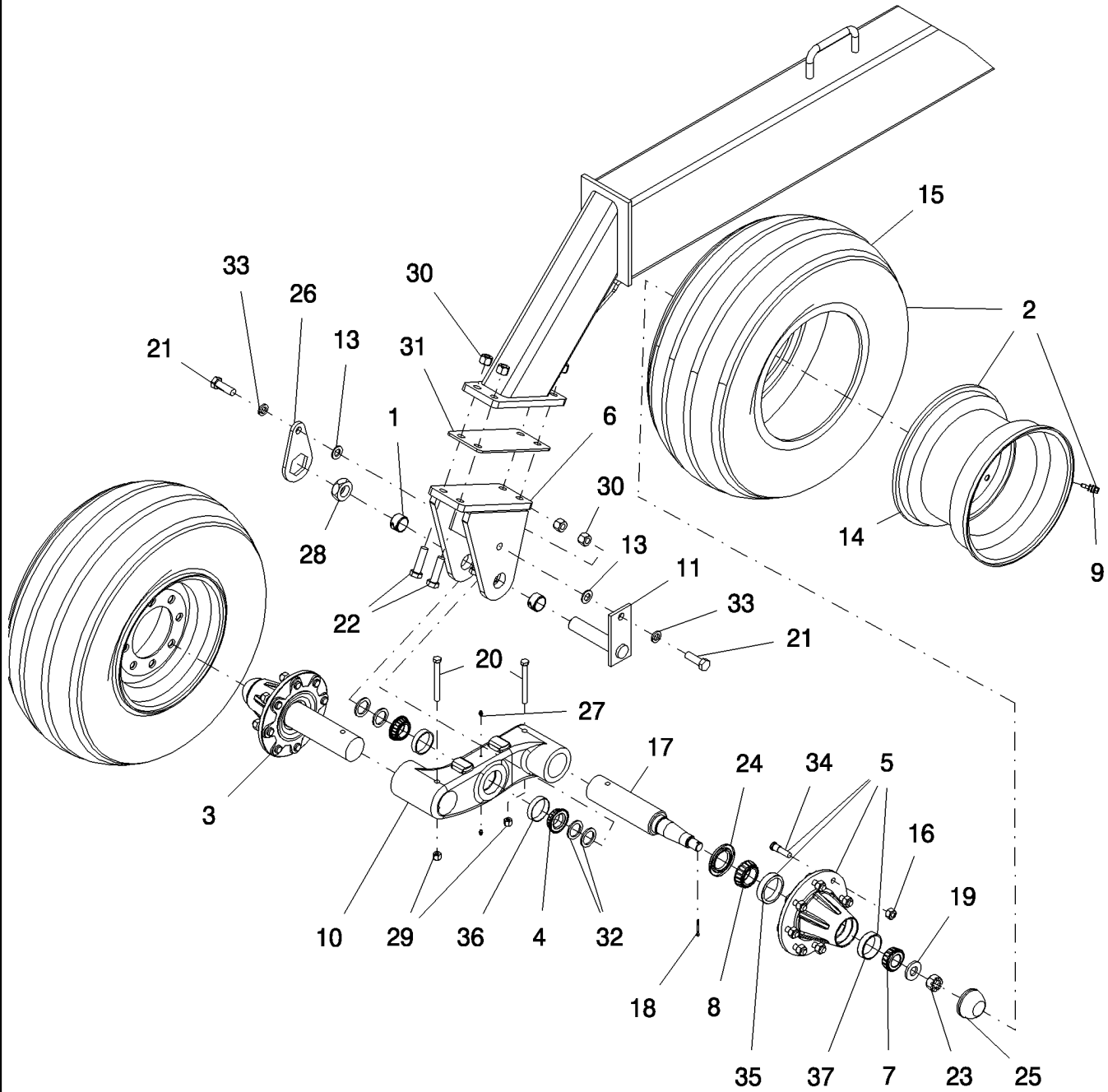


BOGIE - WING (BSN CBJ0017102)

REF	FN	PART NUMBER	YR/SN	QTY	DESCRIPTION
23		425-1316		2	NUT, SLOTTED, 1"-14, G5
24		1674		2	SEAL, oil SE16
25		87505192		1	HUB CAP, dc17
26		425527A1		1	PLATE, LOCKING
27		87414		2	NIPPLE, LUBE, 1/4"-28 x .56" lg, Drive
28		87010729		1	NUT, Jam, 1 1/2"-6, G5
29		87530607		2	NUT, 1/2"-13, GB
30		231-42412		4	NUT, LOCK, 3/4"-10, GB
31		425588A1		1	SHIM, rear bogie
32		103066A1		2	WASHER, spacer 38.90MM ID x 53.98MM OD x 4.00MM thick
33		87340		2	WASHER, LOCK, 3/4"
34		1016176		16	STUD, .563 UNF GR5 WB41 YZD, 2.25 LONG, 1.625 THREAD
35		87033793		2	BEARING, CUP, #25520
36		453012R1		2	BEARING, CUP, #13621
37		165964R1		2	BEARING, CUP, #25821

SDX40

BOGIE - WING (ASN CBJ0017103)



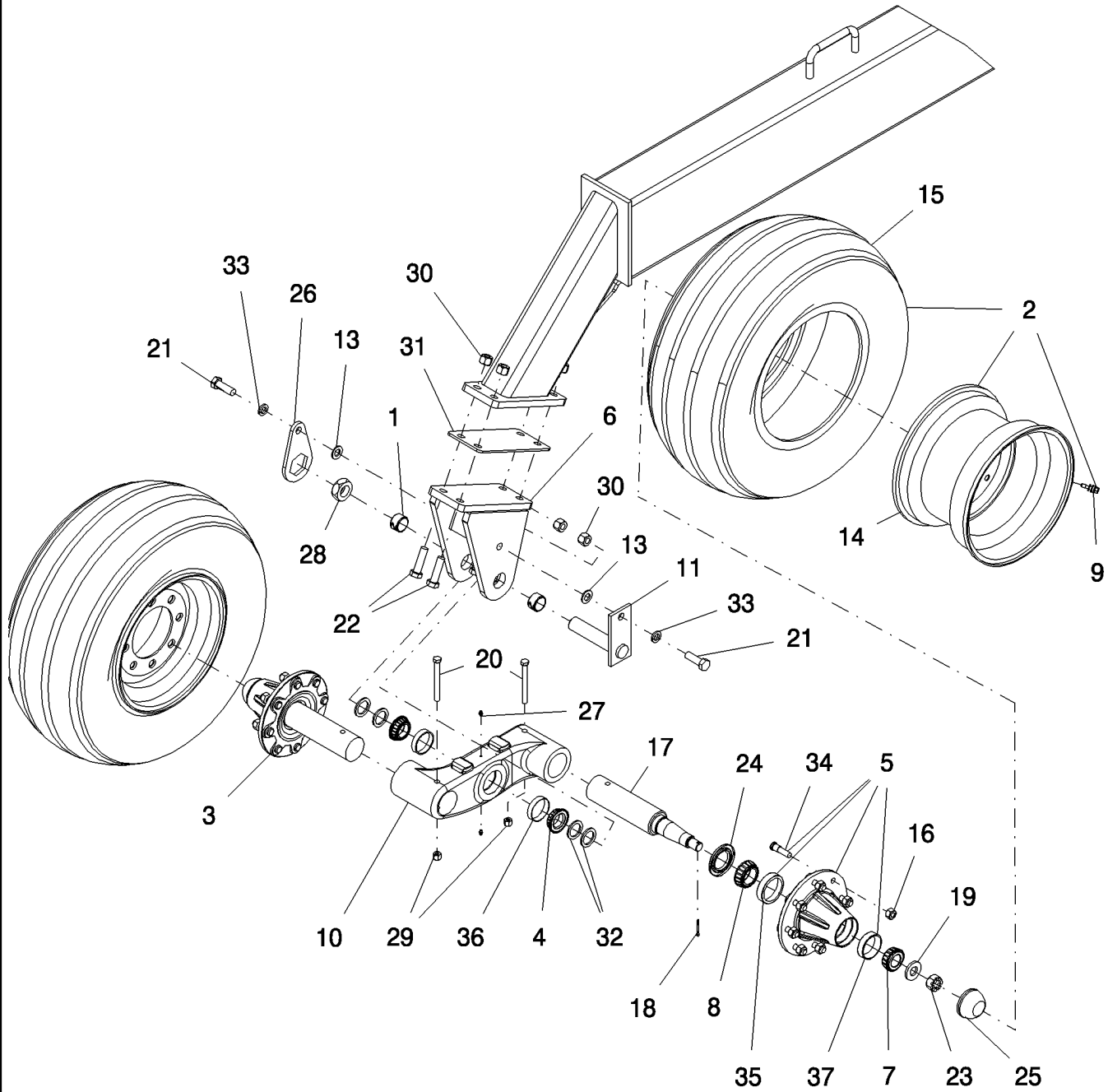
BOGIE - WING (ASN CBJ0017103)

REF	FN	PART NUMBER	YR/SN	QTY	DESCRIPTION
1		22093		2	BUSHING, tension 1 3/4" x 1 1/2" x 1"
2	1	1030722		2	WHEEL ASSY, 15x10 8h with 31x13.5 10p hf-1(high floatation tire)
2		1033093		2	SEALANT, Tire anti-puncture 1 liter bottle
3		425670A1		2	SPINDLE, bolt-in 5050 lb
4		F86364		2	BEARING, CONE, TM#13685 and seal #13600LA
5		1020697		2	HUB ASSY., H811-8 assembly with cups and studs
6	2	425859A1		1	MOUNTING PARTS, rear bogie
6		425585A1		1	MOUNTING PARTS, rear bogie
7		560953R91		2	BEARING, CONE, #25877
8		512725		2	BEARING, CONE, #25590
9		1018564		2	VALVE, tire stem
10	3, 4	87401384		1	AXLE, walking offset RH
10	4, 5	87401382		1	AXLE, walking offset LH
11		425500A2		1	PIN, PIVOT, 1 1/2" od x x 5 5/8" ul
13		87381		2	WASHER, 3/4", SAE
14		1030721		2	RIM, 15 x 10 8 hole +2 1/4" offset
15		1030720		2	TYRE/TIRE, 31 x 13 1/2" - 15 10pr hf-1 high floatation, static load r
16		1016177		16	NUT, wheel 9/16"-18 CTD# WB40
17		87401385		2	SPINDLE, bogie 5050 lb
18		80754		2	PIN, SPLIT (COTTER), 3/16" x 1 1/2"
19		1013475		2	WASHER, 1.06ID 2.1 .25 YZD
20		87997		2	BOLT, Hex, 1/2"-13 x 5", G5
21		413-1236		2	BOLT, Hex, 3/4"-10 x 2 1/4", G5
22		280344		4	BOLT, Hex, 3/4"-10 x 2 3/4", G8
23		425-1316		2	NUT, SLOTTED, 1"-14, G5
24		1674		2	SEAL, oil SE16
25		87505192		2	HUB CAP, dc17
26		425527A1		1	PLATE, LOCKING

- (1) Includes wheel, tire and valve stem
(2) Includes 425585A1 and 22093
(3) Shown
(4) Includes grease nipples, bearing cups and bearing cones
(5) Not Shown

SDX40

BOGIE - WING (ASN CBJ0017103)

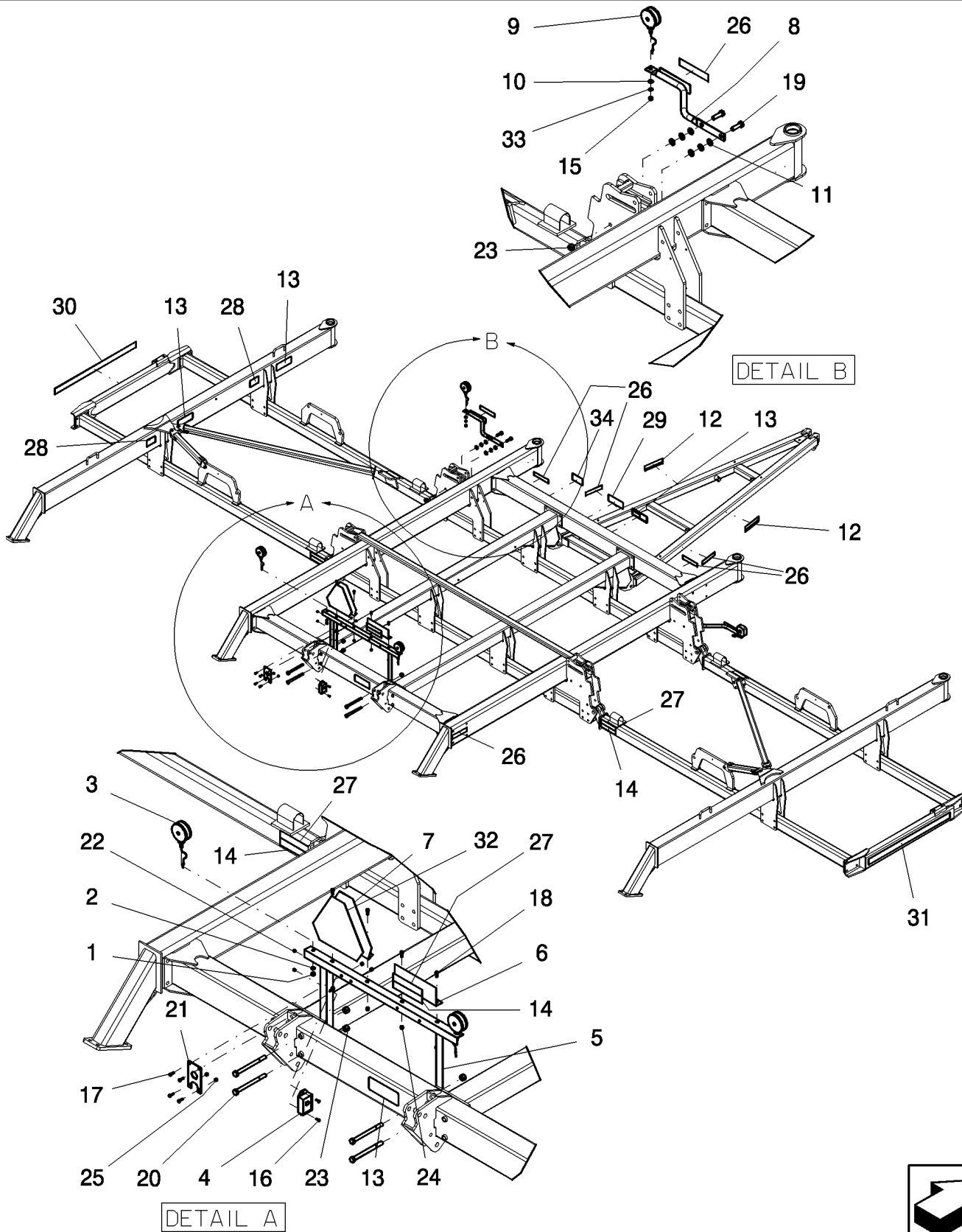


BOGIE - WING (ASN CBJ0017103)

REF	FN	PART NUMBER	YR/SN	QTY	DESCRIPTION
27		87414		2	NIPPLE, LUBE, 1/4"-28 x .56" lg, Drive
28		87010729		1	NUT, Jam, 1 1/2"-6, G5
29		87530607		2	NUT, 1/2"-13, GB
30		231-42412		6	NUT, LOCK, 3/4"-10, GB
31		425588A1		1	SHIM, rear bogie
32		103066A1		4	WASHER, spacer 38.90MM ID x 53.98MM OD x 4.00MM thick
33		87340		2	WASHER, LOCK, 3/4"
34		1016176		16	STUD, .563 UNF GR5 WB41 YZD, 2.25 LONG, 1.625 THREAD
35		87033793		2	BEARING, CUP, #25520
36		453012R1		2	BEARING, CUP, #13621
37		165964R1		2	BEARING, CUP, #25821

SDX40

TRANSPORT LIGHTS AND SAFETY DECALS



TRANSPORT LIGHTS AND SAFETY DECALS

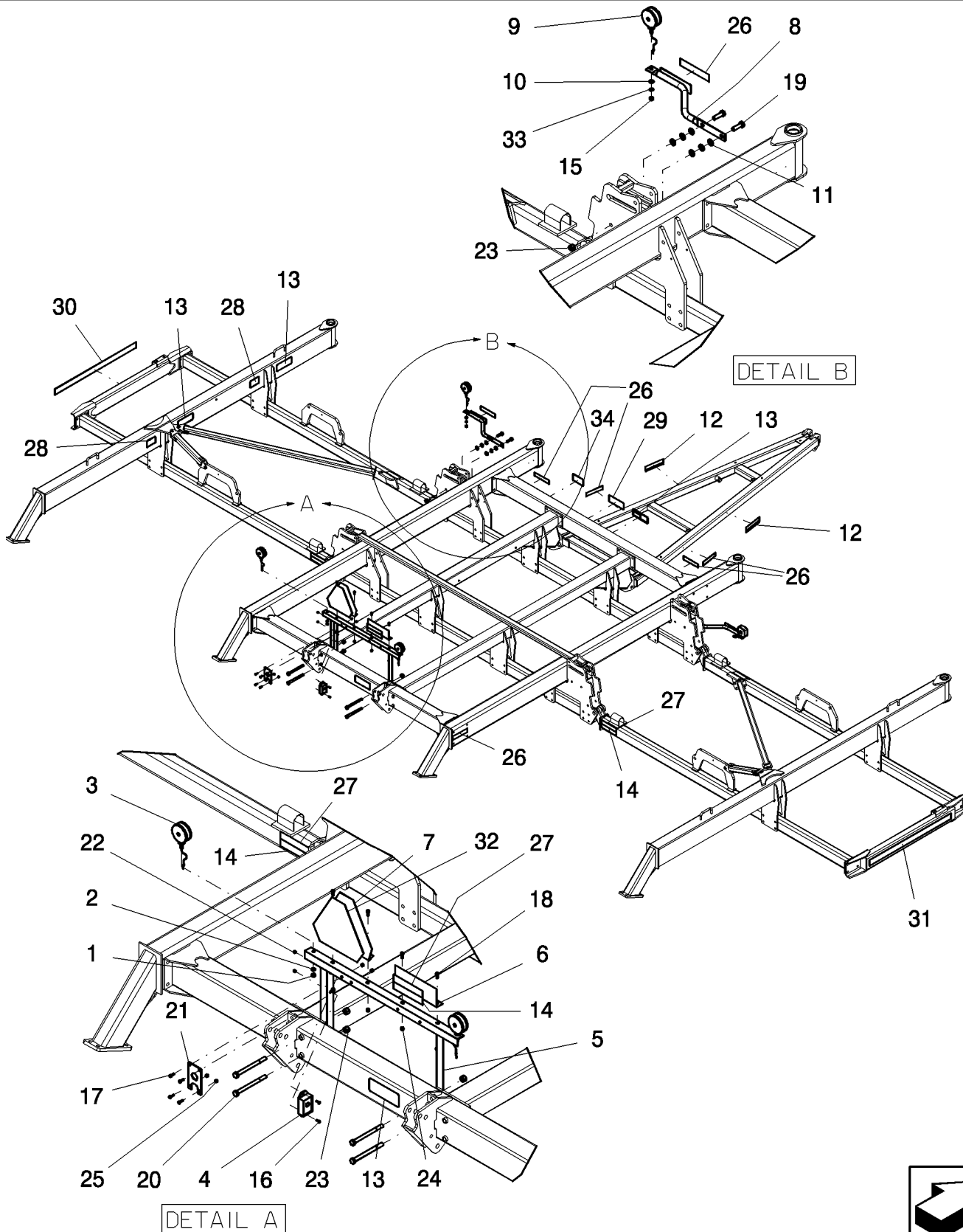
REF	FN	PART NUMBER	YR/SN	QTY	DESCRIPTION
1		280431		2	NUT, 1/2"-13, G5
2		80679		2	WASHER, LOCK, 1/2"
3	1	51200040		2	LIGHT, assy. stop tail/signal red
3		6815		2	LENS, red
3		86537133		2	BULB, C6, #1157, 12.8V
4		86561136		1	MODULE, implement lighting control
5		425589A1		1	BRACKET, hose and light
6		425665A1		1	PLATE, with reflectors
7		425664A1		1	SIGN, WARNING, plate slow moving vehicle
8	2	351978A1	Before 09/04	2	BRACKET, transport
8	2	87442626	From 10/04	2	BRACKET, light with decal
9		87564157		2	LIGHT, WARNING, assembly amber
10		87364		2	WASHER, 1/2", SAE
11		87381		12	WASHER, 3/4", SAE
12		192848A2		2	DECAL, Case IH 70 mm logo
12		86626471		2	EMBLEM, Case IH 70 mm logo
13		350336A1		6	DECAL, Danger - opener safety lock
14		311865A1		3	REFLECTOR, fluorescent orange
15		280963		2	NUT, 1/2"-20, G5
16		9707580		2	BOLT, Hex, 1/4"-20 x 3/4", G5, Full Thd
17		9635884		4	BOLT, Hex, 5/16"-18 x 1", G5, Full Thd
18		88206		4	BOLT, Hex, 3/8"-16 x 1", G5, Full Thd
19		9706701		4	SCREW, Hex, 3/4"-10 x 2 1/2", G5
20		426-12144		4	BOLT, Hex, 3/4"-10 x 9", G8
21		425875A1		1	BRACKET, plug receptacle
22		86625061		2	NUT, LOCK, 1/4"-20, GB
23		280375		8	NUT, LOCK, 3/4"-10, GC
24		232-1446		4	NUT, LOCK, 3/8"-16, GC
25		86050277		4	NUT, LOCK, 5/16"-18, GB
26		311864A1		6	REFLECTOR, retroreflective amber
27		311863A1		3	REFLECTOR, retroreflective red
28		350231A1		2	DECAL, down pressure chart
29		350335A1		1	DECAL, wing lock-up valve

(1) Includes 6815 and 86537133

(2) Includes decal 311864A1

SDX40

TRANSPORT LIGHTS AND SAFETY DECALS



TRANSPORT LIGHTS AND SAFETY DECALS

REF	FN	PART NUMBER	YR/SN	QTY	DESCRIPTION
30		425800A1		1	DECAL, SDX40 LH stripe
31		425801A1		1	DECAL, SDX40 RH stripe
32		311858A1		1	DECAL, SMV Emblem
33		80679		2	WASHER, LOCK, 1/2"
34		312479A1		1	DECAL, warning pictorial

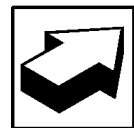
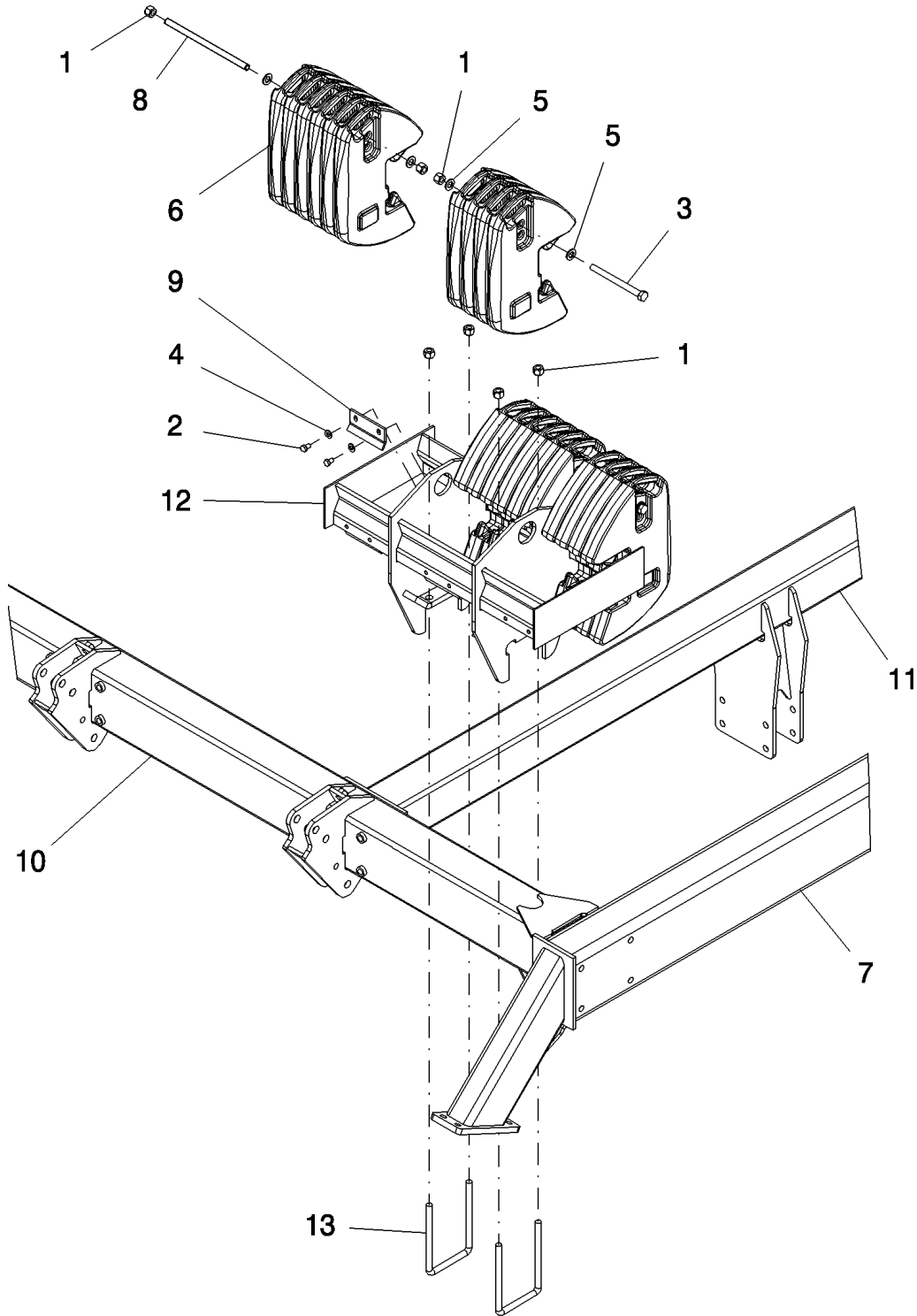
SDX40

1.130.1

p1

11/08

WEIGHT BRACKET KIT (MAIN FRAME)



WEIGHT BRACKET KIT (MAIN FRAME)

REF	FN	PART NUMBER	YR/SN	QTY	DESCRIPTION
1		280375		10	NUT, LOCK, 3/4"-10, GC
2		9627879		8	BOLT, Hex, 1/2"-13 x 3/4", G5, Full Thd
3		426-12136		2	BOLT, Hex, 3/4"-10 x 8 1/2", G8
4		87364		8	WASHER, 1/2", SAE
5		87381		8	WASHER, 3/4", SAE
6		224383A2		20	WEIGHT, FRONT
6	1, 2	1347524C1		20	WEIGHT
7	3	439251A1		1	FRAME, truss main RH
8		350820A1		2	ROD, weight locking
9		350827A1		4	PLATE, weight locking
10	4	425139A1		1	TUBE, rear cross
11		425660A1		1	TUBE, hitch truss center RH
12		425882A1		1	BRACKET, weight mf
13		439260A1		2	U-BOLT, us 3/4"-10 6 5/32"w 10"d -G5 2" thread

- (1) Must be ordered separately
(2) These weights may not need all the brackets shown
(3) Includes bronze bushings
(4) Includes decal 350336A1

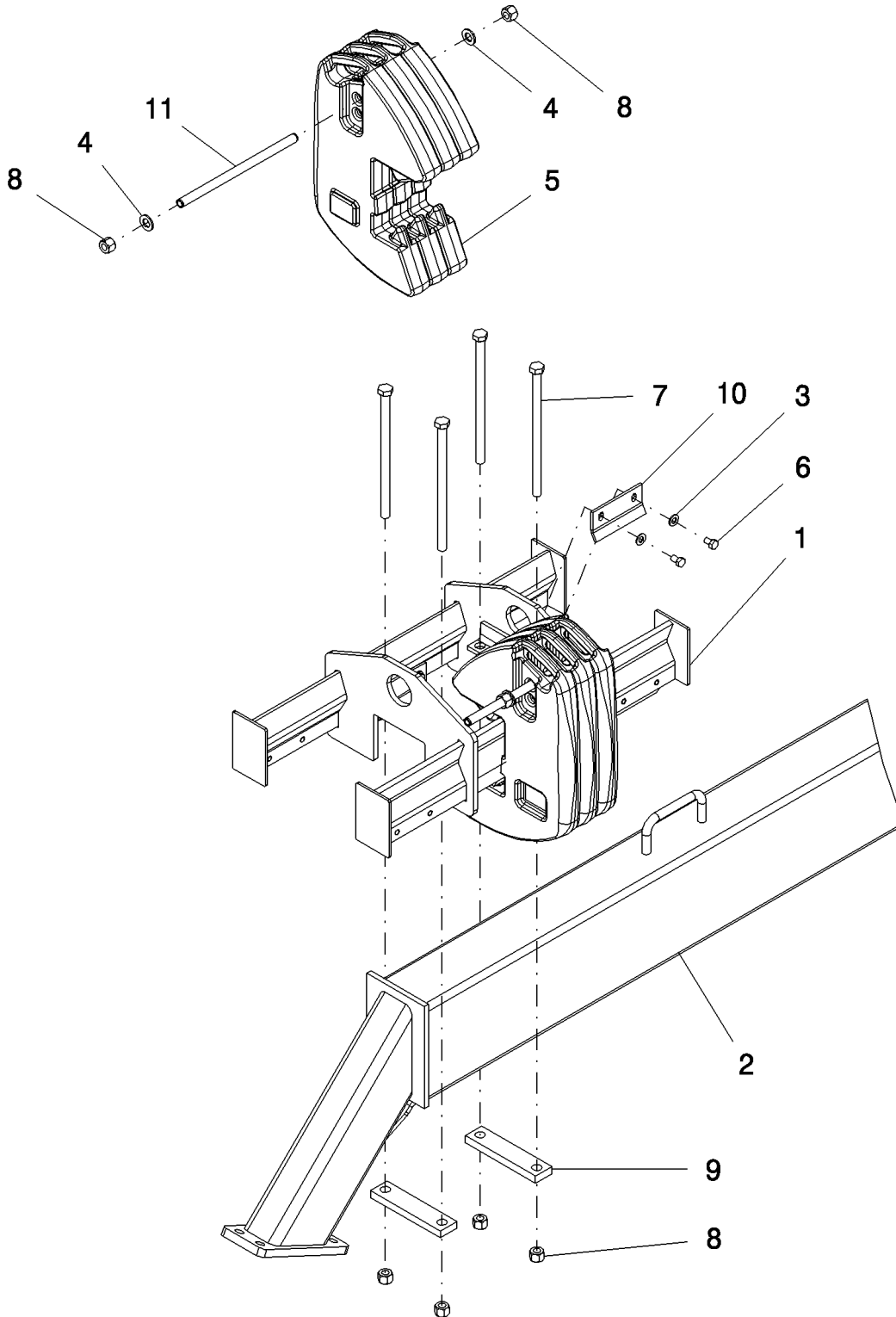
SDX40

1.140.1

p1

01/09

WEIGHT BRACKET KIT (WING)



WEIGHT BRACKET KIT (WING)

REF	FN	PART NUMBER	YR/SN	QTY	DESCRIPTION
1		350823A1		1	BRACKET, weight
2	1	439255A1		1	FRAME, wing truss RH
3		87364		8	WASHER, 1/2", SAE
4		87381		4	WASHER, 3/4", SAE
5		224383A2		6	WEIGHT, FRONT
5	2,3	1347524C1		6	WEIGHT
6		9627879		8	BOLT, Hex, 1/2"-13 x 3/4", G5, Full Thd
7		413-12208		4	BOLT, Hex, 3/4"-10 x 13", G5
8		280375		8	NUT, LOCK, 3/4"-10, GC
9		350822A1		2	PLATE, weight locking
10		350827A1		4	PLATE, weight locking
11		350820A1		2	ROD, weight locking

(1) Includes bronze bushings and two decals 350336A1

(2) Must be ordered separately

(3) These weights may not need all the brackets shown

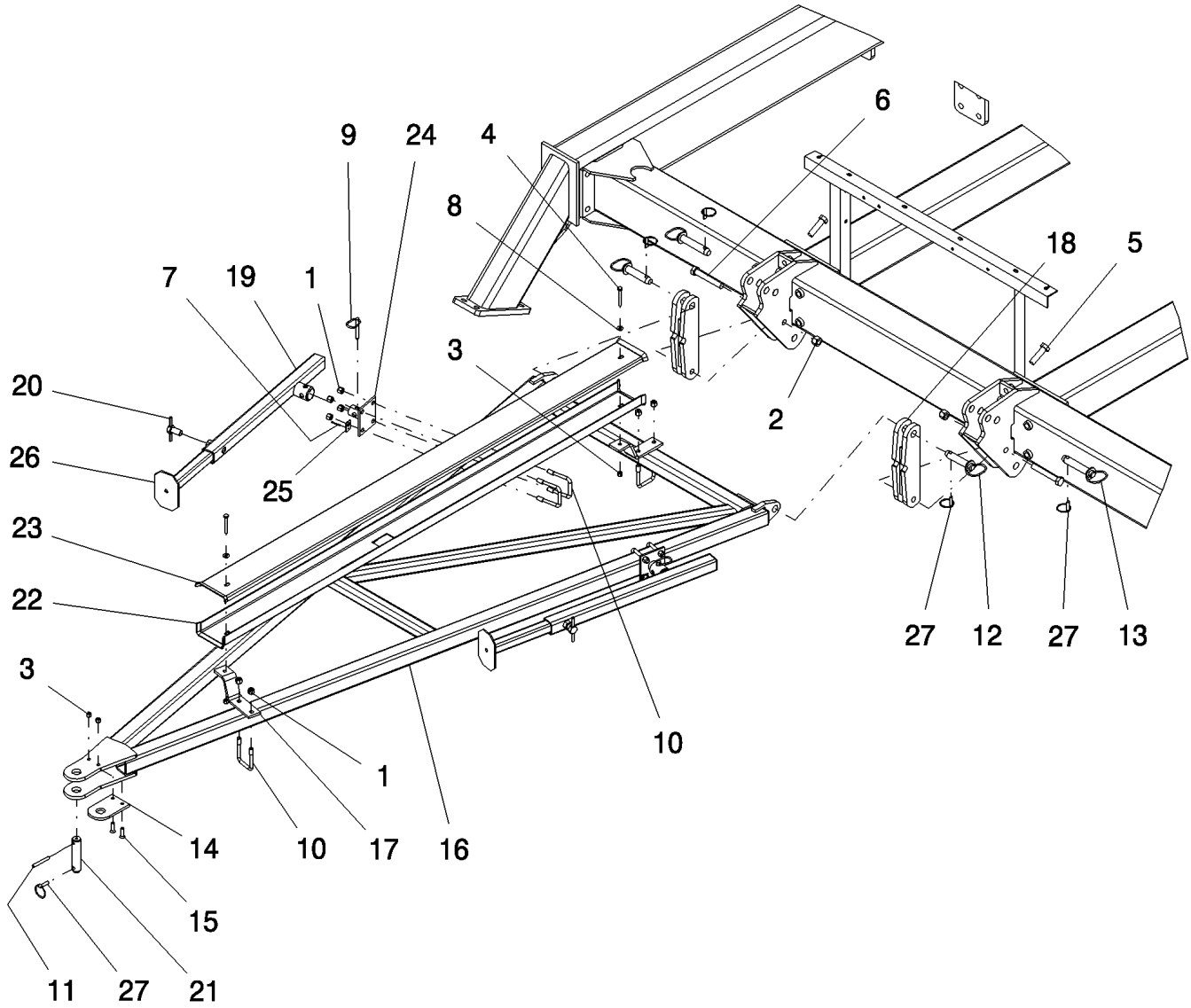
SDX40

1.150.1

p1

11/08

ADX2180, 2230 AND 3260 TBH HITCH PACKAGE (BEFORE 04/31/2005)



ADX2180, 2230 AND 3260 TBH HITCH PACKAGE (BEFORE 04/31/2005)

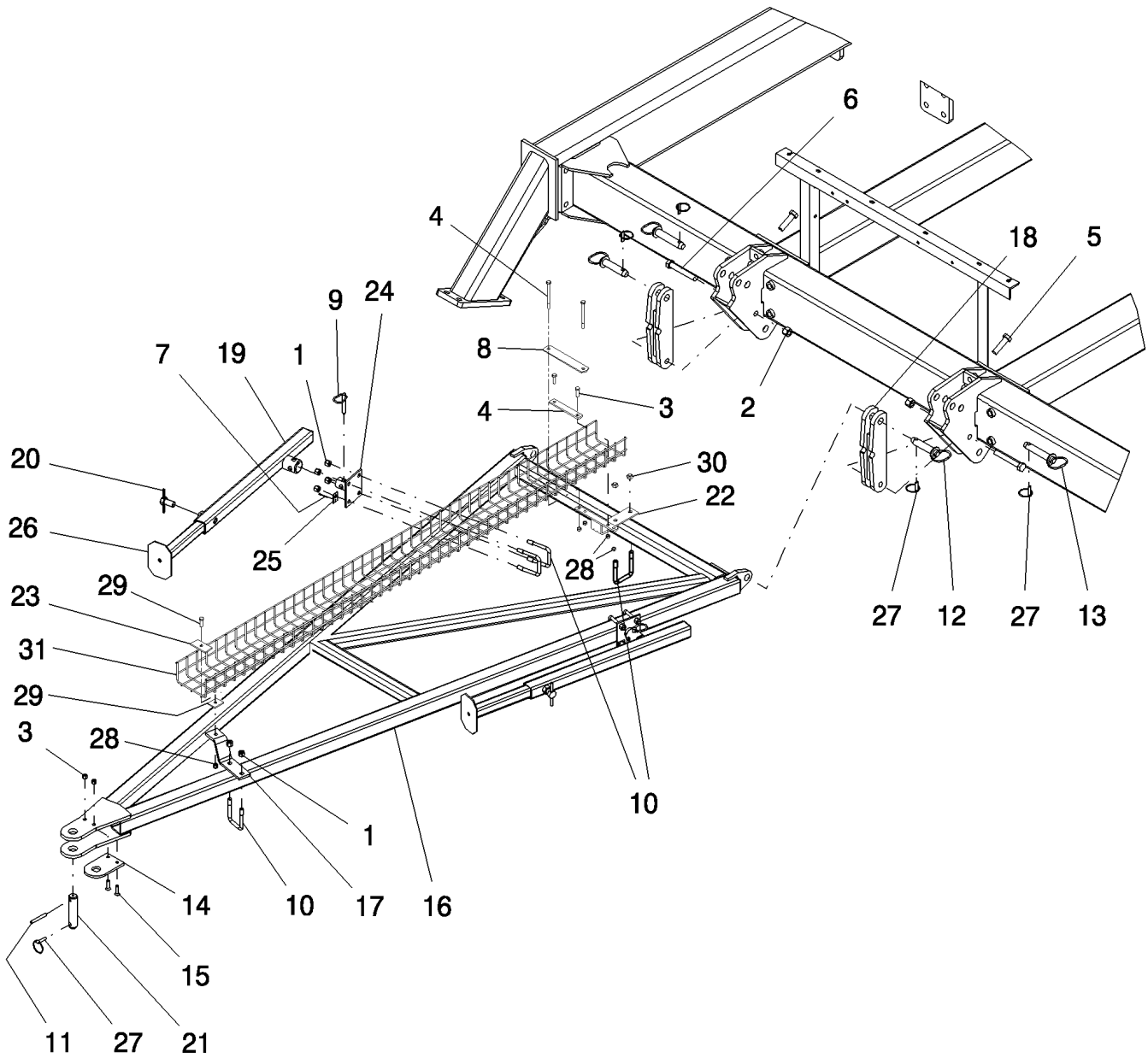
REF	FN	PART NUMBER	YR/SN	QTY	DESCRIPTION
1		87530607		12	NUT, 1/2"-13, GB
2		280375		2	NUT, LOCK, 3/4"-10, GC
3		86625064		4	NUT, LOCK, 3/8"-16, GB
4		88444		2	BOLT, Hex, 3/8"-16 x 2 3/4", G5
5		413-1244		2	BOLT, Hex, 3/4"-10 x 2 3/4", G5
6		9602203		2	BOLT, Hex, 3/4"-10 x 5", G8
7		80755		2	PIN, SPLIT (COTTER), 1/8" x 1" L
8		80664		2	WASHER, 5/16"
9		412752A1		2	PIN, and chain assembly jack mount
10		1344524C1		6	U-BOLT, us 1/2" x 2 9/18" w x 3 1/2" d 1" thread
11		86544809		1	PIN, LOCK, 3/8" x 3", Slotted
12	1	412769A1		2	PIN, HITCH, 1" x 3 1/2" usable
13		425885A1		2	PIN, HITCH, 1" x 4 1/4"
14		9884		1	PAD, hitch tongue
15		9920		2	SCREW, 3/8" x 1 1/2" GR5 countersunk
16		425145A1		1	HITCH, TRAILER, tow
17		425884A1		2	BRACKET, mount
18		439266A1		2	LINKAGE, hitch pivot
19		GE-359		2	STAND, field hitch - upper
20		GE-193A		2	HANDLE, height adjustment
21	2	GE-293A		1	PIN, HITCH, draw assembly
22		GH-144		1	TRAY, bottom hose field hitch
23		GH-189		1	TRAY, hose, top
24		GH-528		2	PLATE, MOUNTING, hitch support
25		GH-530		2	BRACKET, mount, fan shield chain
26		GL-726		2	STAND, lower, field hitch support
27		6425		5	PIN, LINCH, 7/16" x 1 3/8"

(1) Includes linchpin

(2) Includes linch pin and roll pin

SDX40

ADX2180, 2230 AND 3260 TBH HITCH PACKAGE (FROM 05/01/2005)



ADX2180, 2230 AND 3260 TBH HITCH PACKAGE (FROM 05/01/2005)

REF	FN	PART NUMBER	YR/SN	QTY	DESCRIPTION
1		87530607		12	NUT, 1/2"-13, GB
2		280375		2	NUT, LOCK, 3/4"-10, GC
3		88011		4	BOLT, Hex, 3/8"-16 x 1 1/4", G5, Full Thd
4		87501453		2	CLAMP, front hose tray
5		413-1244		2	BOLT, Hex, 3/4"-10 x 2 3/4", G5
6		9602203		2	BOLT, Hex, 3/4"-10 x 5", G8
7		80755		2	PIN, SPLIT (COTTER), 1/8" x 1" L
8		87501237		2	CROSSBAR, mount, top
9		412752A1		2	PIN, and chain assembly jack mount
10		1344524C1		6	U-BOLT, us 1/2" x 2 9/18" w x 3 1/2" d 1" thread
11		86544809		1	PIN, LOCK, 3/8" x 3", Slotted
12	1	412769A1		2	PIN, HITCH, 1" x 3 1/2" usable
13		425885A1		2	PIN, HITCH, 1" x 4 1/4"
14		9884		1	PAD, hitch tongue
15		9920		2	SCREW, 3/8" x 1 1/2" GR5 countersunk
16		425145A1		1	HITCH, TRAILER, tow
17		425884A1		2	BRACKET, mount
18		439266A1		2	LINKAGE, hitch pivot
19		GE-359		2	STAND, field hitch - upper
20		GE-193A		2	HANDLE, height adjustment
21	2	GE-293A		1	PIN, HITCH, draw assembly
22		87501453		1	CLAMP, front hose tray
23		87501490		1	CLAMP, hose tray
24		GH-528		2	PLATE, MOUNTING, hitch support
25		GH-530		2	BRACKET, mount, fan shield chain
26		GL-726		2	STAND, lower, field hitch support
27		6425		5	PIN, LINCH, 7/16" x 1 3/8"
28		88902		5	NUT, LOCK, 3/8"-16, GC
29		87501485		14	SPACER, hose tray
30		86992215		2	NUT, LOCK, 1/2"-13, GC
31		RF-240		1	TRAY, hose

(1) Includes linchpin

(2) Includes linch pin and roll pin

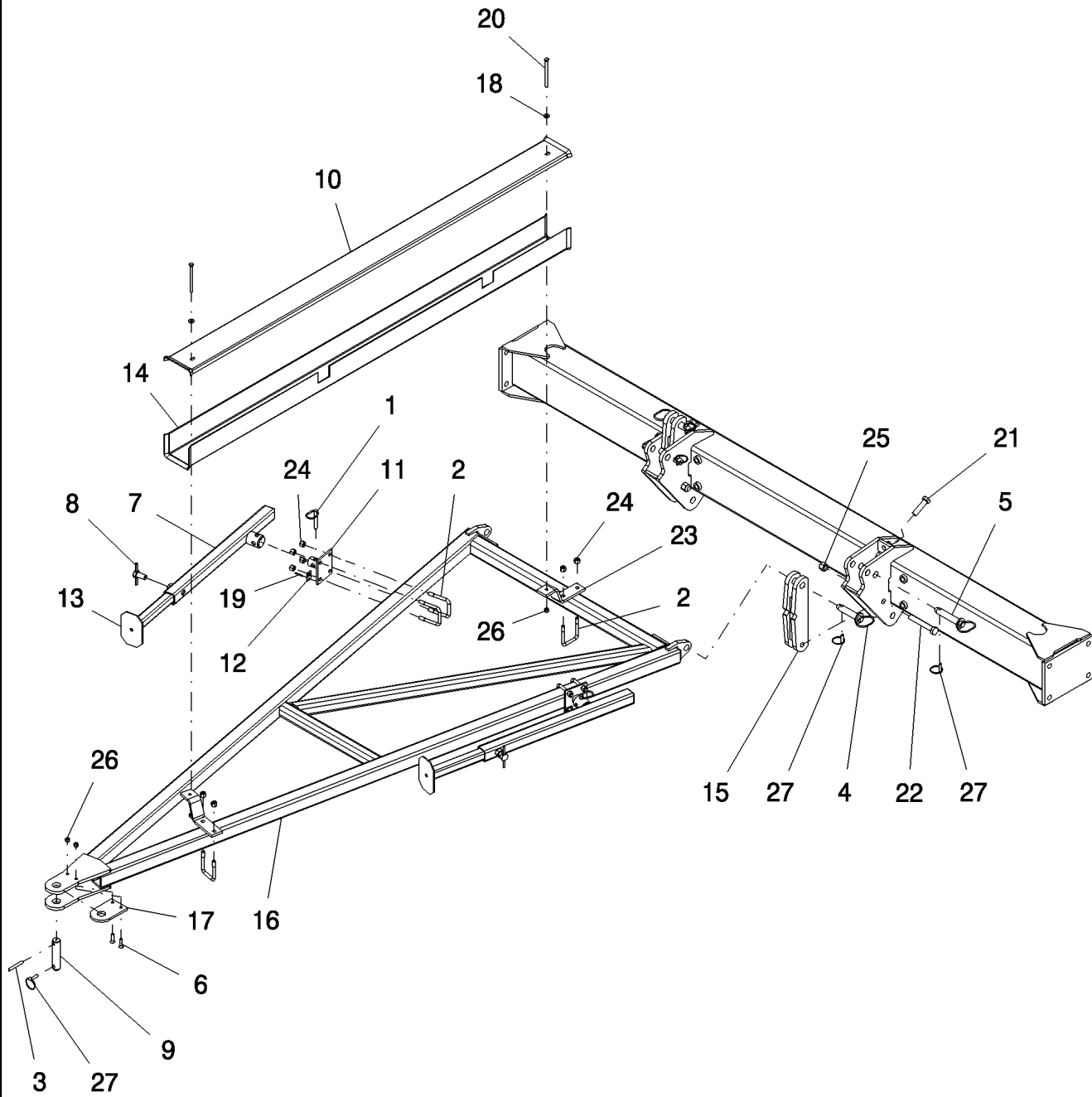
SDX40

1.160.1

p1

11/08

ADX3360 TBH HITCH PACKAGE (BEFORE 04/31/2005)



ADX3360 TBH HITCH PACKAGE (BEFORE 04/31/2005)

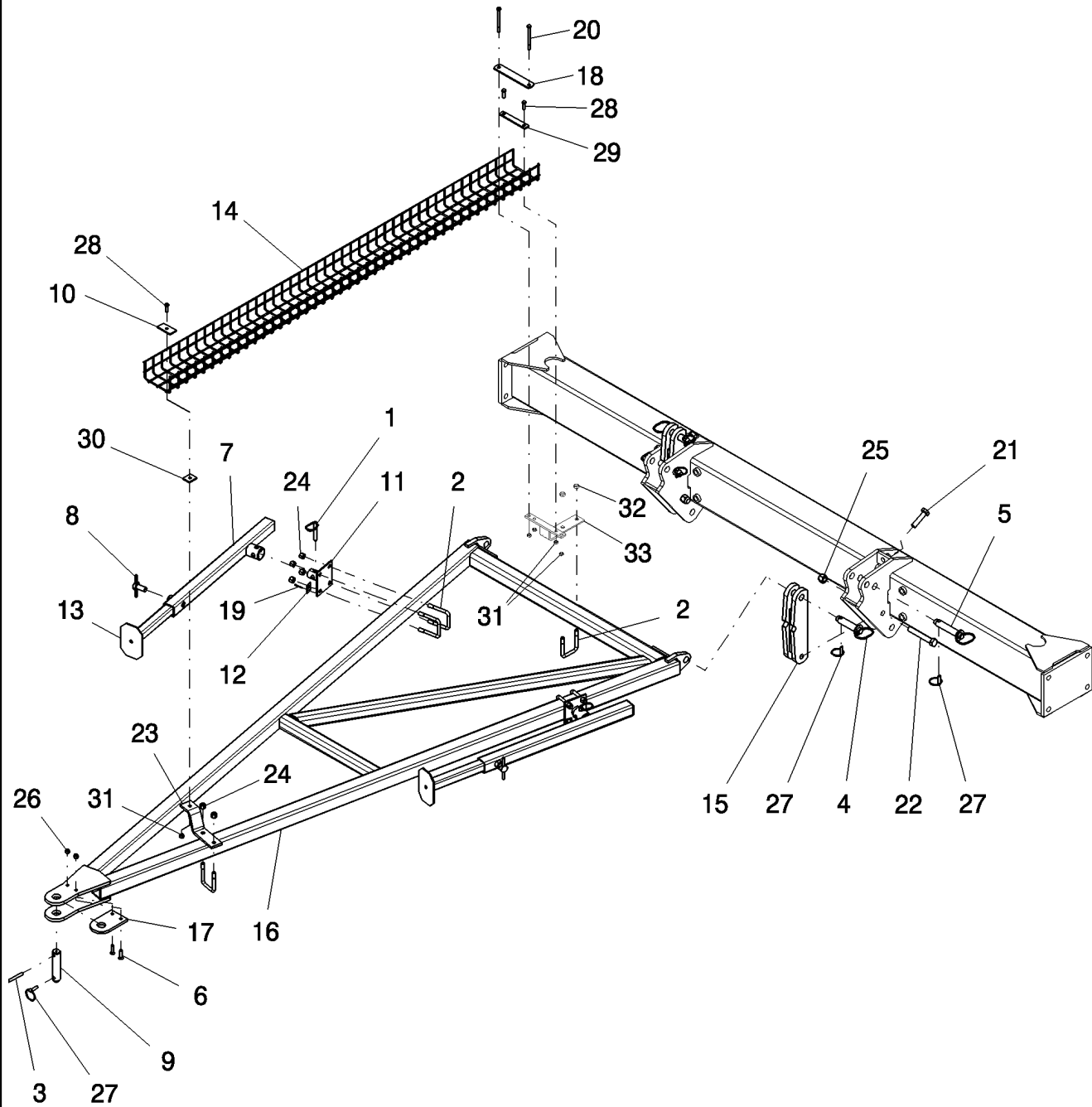
REF	FN	PART NUMBER	YR/SN	QTY	DESCRIPTION
1		412752A1		2	PIN, and chain assembly jack mount
2		1344524C1		6	U-BOLT, us 1/2" x 2 9/18" w x 3 1/2" d 1" thread
3		86544809		1	PIN, LOCK, 3/8" x 3", Slotted
4	1	412769A1		2	PIN, HITCH, 1" x 3 1/2" usable
5		425885A1		2	PIN, HITCH, 1" x 4 1/4"
6		9920		2	SCREW, 3/8" x 1 1/2" GR5 countersunk
7		GE-359		2	STAND, field hitch - upper
8		GE-193A		2	HANDLE, height adjustment
9	2	GE-293A		1	PIN, HITCH, draw assembly
10		GH-189		1	TRAY, hose, top
11		GH-528		2	PLATE, MOUNTING, hitch support
12		GH-530		2	BRACKET, mount, fan shield chain
13		GL-726		2	STAND, lower, field hitch support
14		GL-727		1	TRAY, hydraulic hose bottom
15		439266A1		2	LINKAGE, hitch pivot
16		425145A1		1	HITCH, TRAILER, tow
17		9884		1	PAD, hitch tongue
18		80664		2	WASHER, 5/16"
19		80755		2	PIN, SPLIT (COTTER), 1/8" x 1" L
20		280177		2	BOLT, Hex, 3/8"-16 x 5", G5
21		413-1244		2	BOLT, Hex, 3/4"-10 x 2 3/4", G5
22		9602203		2	BOLT, Hex, 3/4"-10 x 5", G8
23		425884A1		2	BRACKET, mount
24		87530607		12	NUT, 1/2"-13, GB
25		280375		2	NUT, LOCK, 3/4"-10, GC
26		86625064		4	NUT, LOCK, 3/8"-16, GB
27		6425		5	PIN, LINCH, 7/16" x 1 3/8"

(1) Includes linchpin

(2) Includes linch pin and roll pin

SDX40

ADX3360 TBH HITCH PACKAGE (FROM 05/01/2005)



ADX3360 TBH HITCH PACKAGE (FROM 05/01/2005)

REF	FN	PART NUMBER	YR/SN	QTY	DESCRIPTION
1		412752A1		2	PIN, and chain assembly jack mount
2		1344524C1		6	U-BOLT, us 1/2" x 2 9/18" w x 3 1/2" d 1" thread
3		86544809		1	PIN, LOCK, 3/8" x 3", Slotted
4	1	412769A1		2	PIN, HITCH, 1" x 3 1/2" usable
5		425885A1		2	PIN, HITCH, 1" x 4 1/4"
6		9920		2	SCREW, 3/8" x 1 1/2" GR5 countersunk
7		GE-359		2	STAND, field hitch - upper
8		GE-193A		2	HANDLE, height adjustment
9	2	GE-293A		1	PIN, HITCH, draw assembly
10		87501490		1	CLAMP, hose tray
11		GH-528		2	PLATE, MOUNTING, hitch support
12		GH-530		2	BRACKET, mount, fan shield chain
13		GL-726		2	STAND, lower, field hitch support
14		RF-240		1	TRAY, hose
15		439266A1		2	LINKAGE, hitch pivot
16		425145A1		1	HITCH, TRAILER, tow
17		9884		1	PAD, hitch tongue
18		87501237		1	CROSSBAR, mount, top
19		80755		2	PIN, SPLIT (COTTER), 1/8" x 1" L
20		86505980		2	BOLT, Hex, 3/8"-16 x 4 1/2", G5
21		413-1244		2	BOLT, Hex, 3/4"-10 x 2 3/4", G5
22		9602203		2	BOLT, Hex, 3/4"-10 x 5", G8
23		425884A1		1	BRACKET, mount
24		87530607		12	NUT, 1/2"-13, GB
25		280375		2	NUT, LOCK, 3/4"-10, GC
26		86625064		4	NUT, LOCK, 3/8"-16, GB
27		6425		5	PIN, LINCH, 7/16" x 1 3/8"
28		88011		3	BOLT, Hex, 3/8"-16 x 1 1/4", G5, Full Thd
29		87501453		1	CLAMP, front hose tray
30		87501485		1	SPACER, hose tray
31		88902		3	NUT, LOCK, 3/8"-16, GC
32		86992215		2	NUT, LOCK, 1/2"-13, GC
33		87501455		1	BRACKET, mount, hose tray

(1) Includes linchpin

(2) Includes linch pin and roll pin

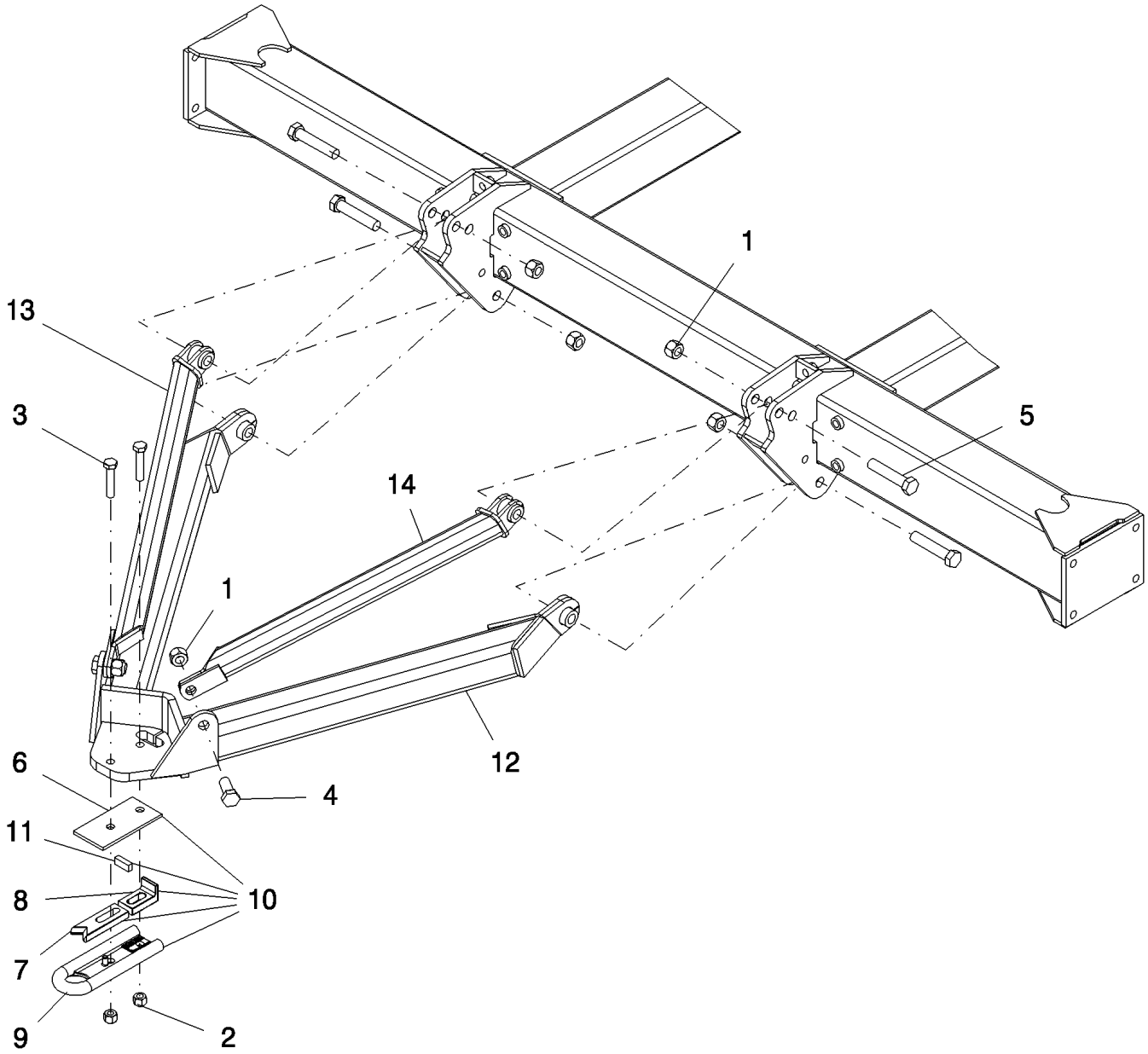
SDX40

1.170.1

p1

12/07

SINGLE PULL POINT REAR HITCH



SINGLE PULL POINT REAR HITCH

REF	FN	PART NUMBER	YR/SN	QTY	DESCRIPTION
1		280286		6	NUT, LOCK, 1"-8, GB
2		280375		2	NUT, LOCK, 3/4"-10, GC
3		86508733		2	BOLT, Hex, 3/4"-10 x 3 1/2", G8
4		426-1640		2	BOLT, Hex, 1"-8 x 2 1/2", G5, Full Thd
5		426-1680		4	BOLT, Hex, 1"-8 x 5", G8
6		1032746		1	PLATE, top hitch
7		1032747		1	BLOCK, hitch v-block
8		1032748		1	BRACKET, HITCH, angle
9		1032749		1	HITCH, base
10		1032750		1	HITCH, #PPI-200HOA PERFECT
11		1032751		1	CUSHION, perfect hitch
12		425529A1		1	HITCH, auxiliary
13		425540A1		1	BRACE, hitch LH
14		425546A1		1	BRACE, hitch RH

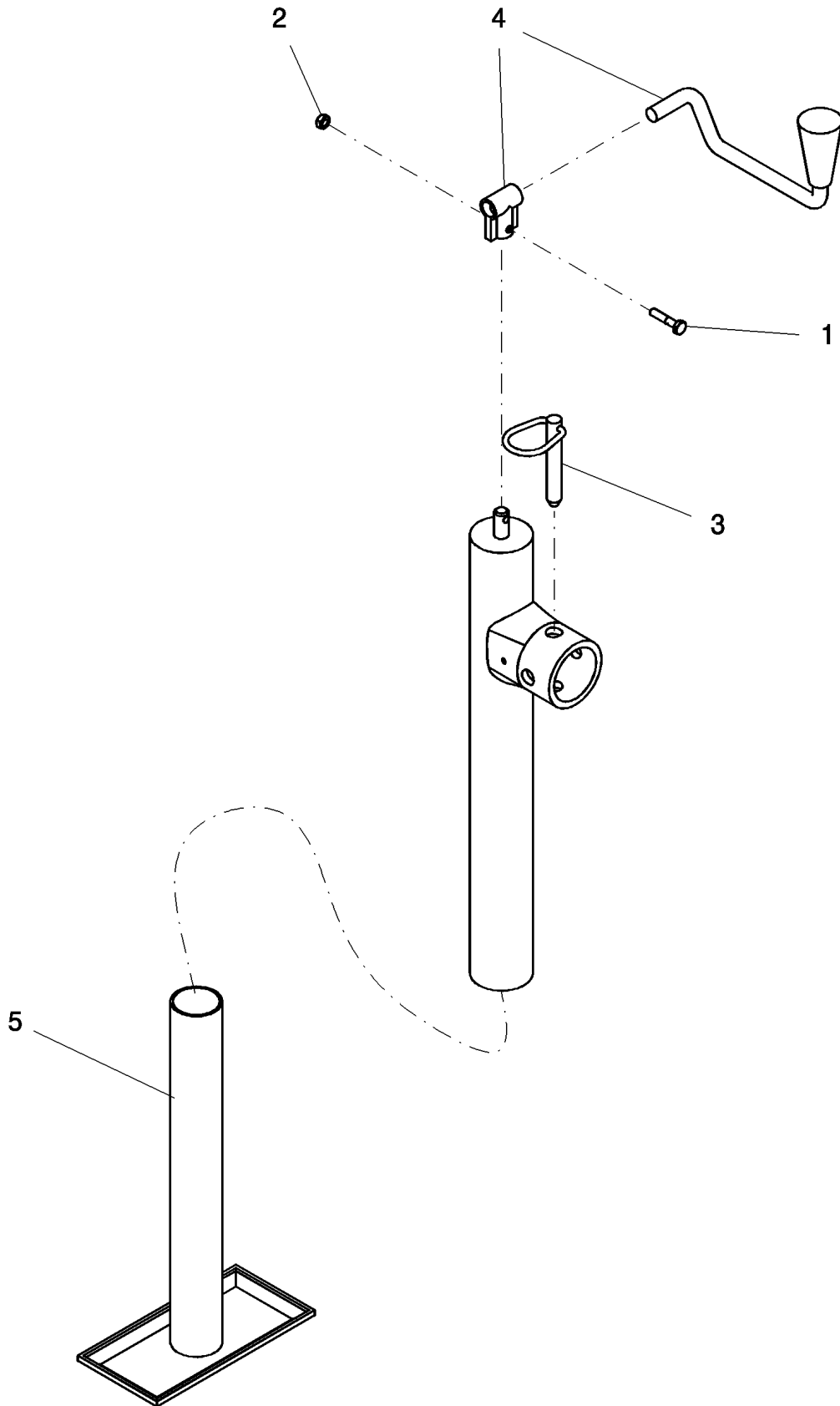
SDX40

1.180.1

p1

03/09

2000 POUND JACK



1.180.1

p1

03/09

2000 POUND JACK

REF	FN	PART NUMBER	YR/SN	QTY	DESCRIPTION
0		1016961		1	JACK, 2000 lb x 15"
1		87716		1	BOLT, Hex, 1/4"-20 x 1 1/4", G5
2		280129		1	NUT, LOCK, 1/4"-20, GC
3		412752A1		1	PIN, and chain assembly jack mount
4		6123		1	CRANK, jack top wind
5		6124		1	JACK, inner assembly

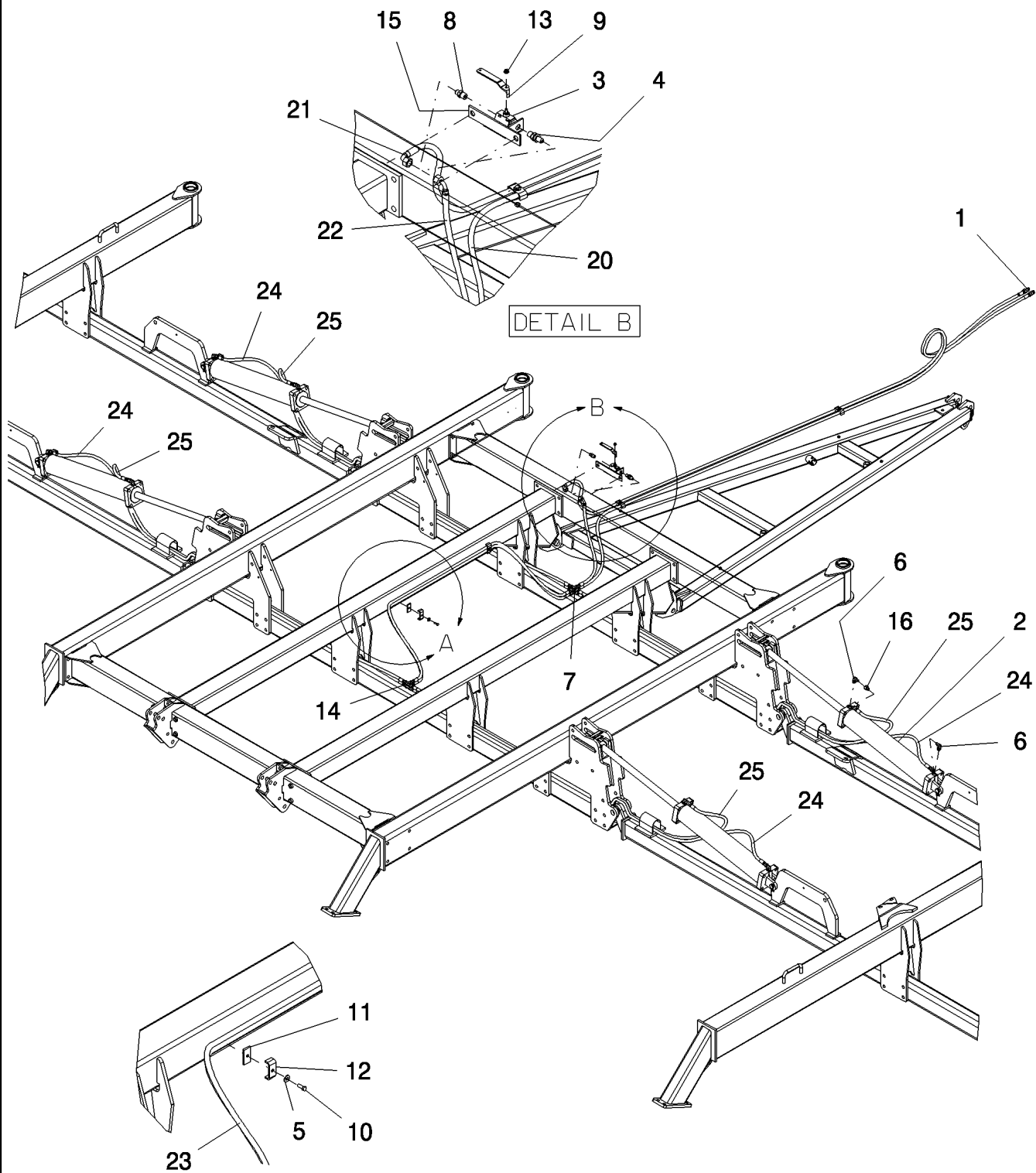
SDX40

SECTION INDEX

Hydraulics

2.010.1	WING LIFT HYDRAULICS
2.020.1	WING LIFT HYDRAULICS SCHEMATIC
2.030.1	SUBBAR HYDRAULICS
2.040.1	SUBBAR HYDRAULICS SCHEMATIC
2.050.1	WING LIFT CYLINDER 350721A1
2.051.1	WING LIFT CYLINDER 86990365
2.060.1	WING LIFT HYDRAULIC BALL VALVE ASSEMBLY
2.070.1	SUBBAR CYLINDER ASSEMBLY, 350630A1, 4.50 INCH BORE X 12 INCH STROKE
2.071.1	SUBBAR CYLINDER ASSEMBLY, 87406916, 4.50 INCH BORE X 12 INCH STROKE
2.080.1	SUBBAR CYLINDER ASSEMBLY, 4.00 INCH BORE X 12 INCH STROKE
2.081.1	SUBBAR CYLINDER ASSEMBLY, 87406914, 4.00 INCH BORE X 12 INCH STROKE
2.090.1	PILOT OPERATED CHECK VALVE
2.100.1	SUBBAR CYLINDER MOUNT ASSEMBLY
2.110.1	SUBBAR CYLINDER SAFETY LOCK

WING LIFT HYDRAULICS



DETAIL A

DETAIL B



WING LIFT HYDRAULICS

REF	FN	PART NUMBER	YR/SN	QTY	DESCRIPTION
1		9412		2	COUPLING, QUICK, MALE, 1/2"
2	1	350721A1	Before 10/02, BSN CBJ0008107	4	HYDRAULIC CYLINDER, kit 5" x 30" Iowa
2	2	87407431	From 11/02, ASN CBJ0008108	4	KIT, SEALS, hyd cylinder 5" x 30" Monarch
3		349403A1		1	VALVE, ball
4		350170A1		1	FITTING, steel 1/2" mp 1/2" mj bulkhead
5		80702		4	WASHER, 3/8"
6		128830		8	ELBOW, 90°, 3/4"-16, 37° x 3/4"-16, O-Ring
7		86513043		2	CONNECTION, 4 WAY, 3/4"-16, 37°
8		132341		1	CONNECTOR, HYD., 3/4"-16, 37° x 1/2"-14, NPTF
9	3	350203A1		1	HANDLE, VALVE
9		60-6267T1		1	GRIP, handle vinyl 1" x 1 7/8" x 3 7/8" lg
10		88206		4	BOLT, Hex, 3/8"-16 x 1", G5, Full Thd
11		350326A1		4	ISOLATOR, clamp, hose small
12		1024284		4	CLAMP, HOSE FORMED 2.88 X .94
13		145458		1	NUT, Flg, USR, 5/16"-18
14		128996		2	TEE, 3/4"-16, 37°
15		349404A1		1	BRACKET, valve mount
16		1019844		4	FITTING, steel restrictor 1/2" MJ 1/2" FJ .09" orifice
20		312939A1		1	HOSE, hydraulic 3/8" x 215" fl
21		312940A1		1	HOSE, hydraulic 3/8" x 200" fl
22		350148A1		1	HOSE, hydraulic 3/8" x 26" fl
23		350151A1		2	HOSE, hydraulic 3/8" x 90" fl
24		1032442		4	HOSE, hyd 3/8" x 168" fl
25		1279598C1		4	HOSE, hydraulic 3/8" x 135" long
100	4	1013122		AR	STRAP, CABLE, 3/16" x 15 1/2" long, nylon

(1) Includes 1028469, 1019844, 218-5106, 350401A1, 1015478 and 6-70060

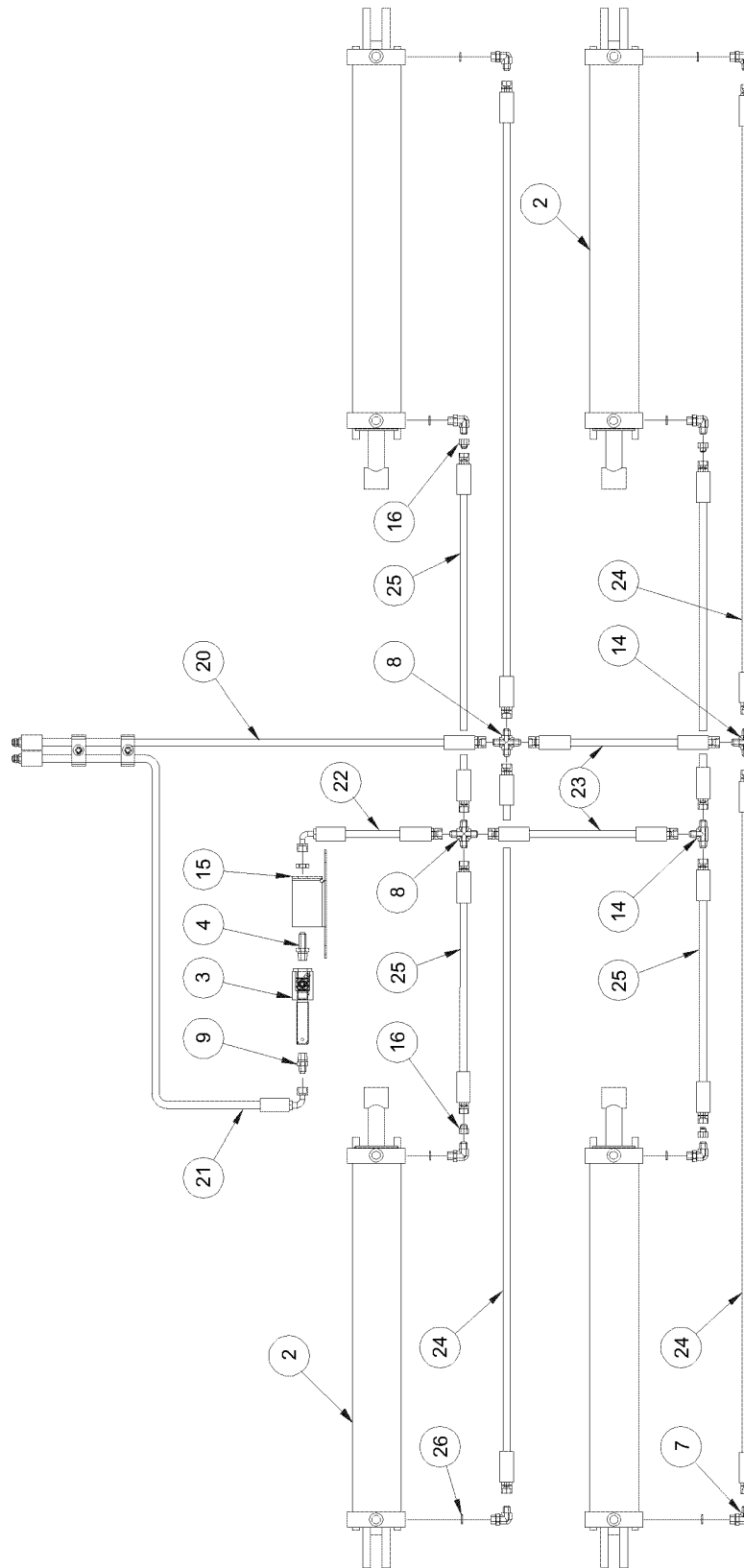
(2) Includes 86990365, 1019844, 218-5106, 350401A1, 1015478, and 6-70060

(3) Includes 60-6267T1

(4) Not Shown

SDX40

WING LIFT HYDRAULICS SCHEMATIC



WING LIFT HYDRAULICS SCHEMATIC

REF	FN	PART NUMBER	YR/SN	QTY	DESCRIPTION
2	1	350721A1	Before 10/02, BSN CBJ0008107	4	HYDRAULIC CYLINDER, kit 5" x 30" Iowa
2	2	87407431	From 11/02, ASN CBJ0008108	4	KIT, SEALS, hyd cylinder 5" x 30" Monarch
3		349403A1		1	VALVE, ball
3	3	350203A1		1	HANDLE, VALVE
3		60-6267T1		1	GRIP, handle vinyl 1" x 1 7/8" x 3 7/8" lg
4		350170A1		1	FITTING, steel 1/2" mp 1/2" mj bulkhead
7		128830		8	ELBOW, 90°, 3/4"-16, 37° x 3/4"-16, O-Ring
8		86513043		2	CONNECTION, 4 WAY, 3/4"-16, 37°
9		132341		1	CONNECTOR, HYD., 3/4"-16, 37° x 1/2"-14, NPTF
14		128996		2	TEE, 3/4"-16, 37°
15		349404A1		1	BRACKET, valve mount
16		1019844		4	FITTING, steel restrictor 1/2" MJ 1/2" FJ .09" orifice
20		312939A1		1	HOSE, hydraulic 3/8" x 215" fl
21		312940A1		1	HOSE, hydraulic 3/8" x 200" fl
22		350148A1		1	HOSE, hydraulic 3/8" x 26" fl
23		350151A1		2	HOSE, hydraulic 3/8" x 90" fl
24		1032442		4	HOSE, hyd 3/8" x 168" fl
25		1279598C1		4	HOSE, hydraulic 3/8" x 135" long
26		128825		8	O-RING, 8-1, 90 Duro, .644" ID x .087" Thk
100	4	1013122		AR	STRAP, CABLE, 3/16" x 15 1/2" long, nylon

(1) Includes 1028469, 1019844, 218-5106, 350401A1, 1015478 and 6-70060

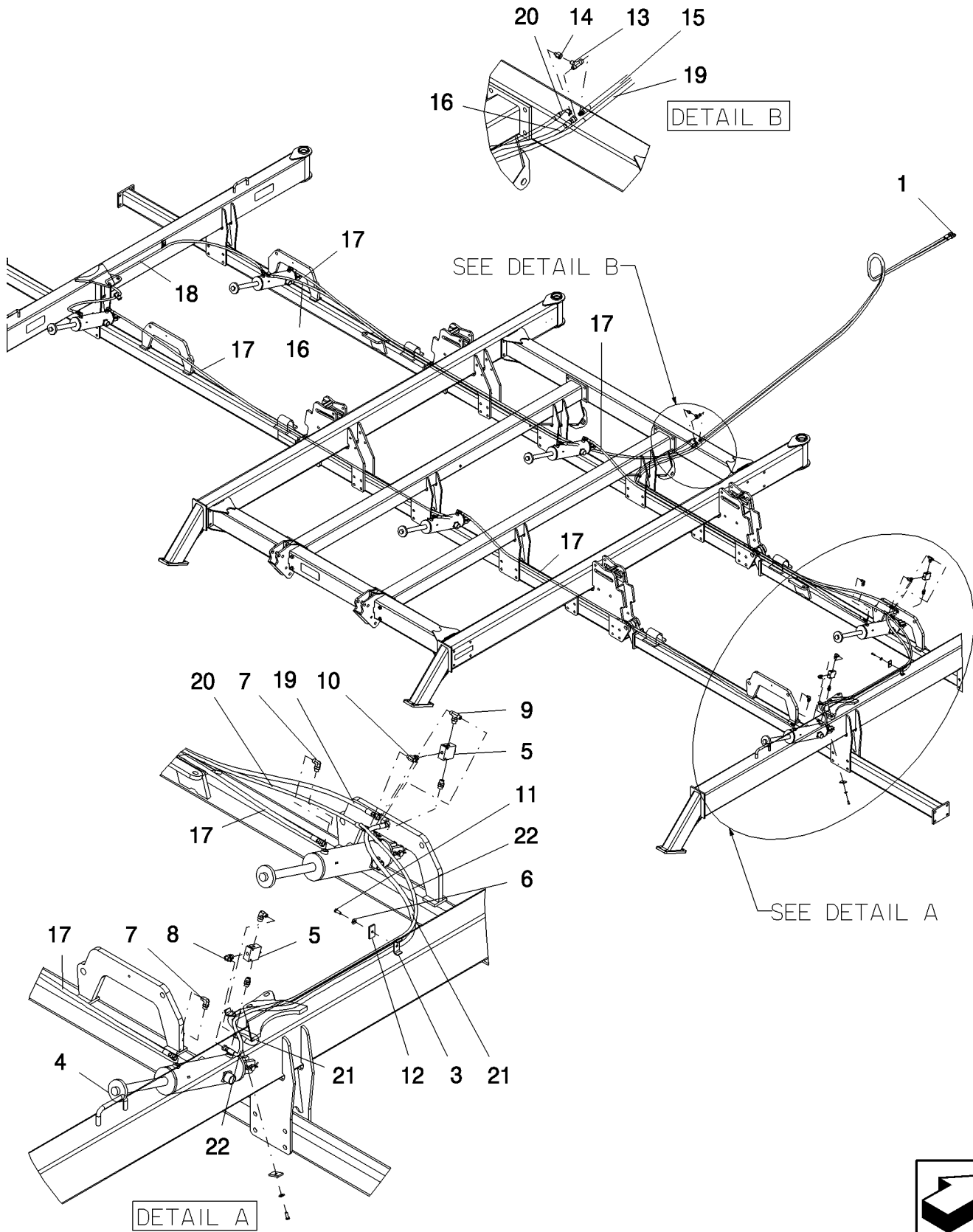
(2) Includes 86990365, 1019844, 218-5106, 350401A1, 1015478, and 6-70060

(3) Includes 60-6267T1

(4) Not Shown

SDX40

SUBBAR HYDRAULICS



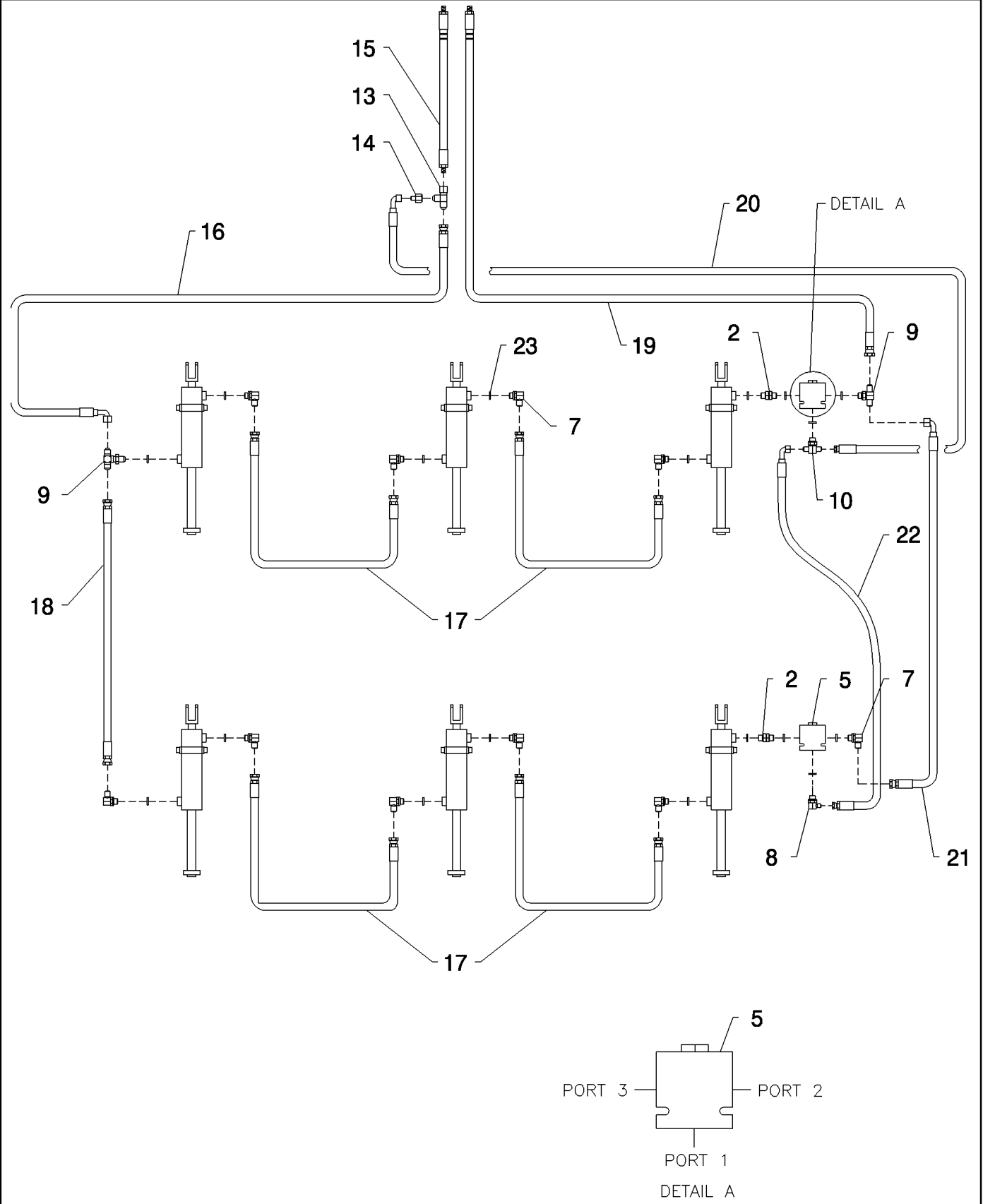
SUBBAR HYDRAULICS

REF	FN	PART NUMBER	YR/SN	QTY	DESCRIPTION
1		9412		2	COUPLING, QUICK, MALE, 1/2"
2		1261010C1		1	FITTING, stl union 3/4" mb 3/4" mb straight
3		1024284		4	CLAMP, HOSE FORMED 2.88 X .94
4	1	350630A1	Before 08/03	6	HYDRAULIC CYLINDER, 4 1/2" x 12" ctd trunion
4	1	87406916	From 01/04	6	HYDRAULIC CYLINDER, 4 1/2" x 12" Monarch 3000 psi
4	2,3	435893A1	Before 11/04	6	HYDRAULIC CYLINDER, 4" x 12" ctd 3000 psi
4	2	87406914	From 12/04	6	HYDRAULIC CYLINDER, 4" x 12" Monarch 3000 psi
5		350552A1		2	VALVE, CHECK, block pilot operated
5		350554A1		2	VALVE, PILOT, cart hydraulic
6		80702		4	WASHER, 3/8"
7		128830		11	ELBOW, 90°, 3/4"-16, 37° x 3/4"-16, O-Ring
8		76347		1	ELBOW, 90°, 9/16"-18, 37° x 3/4"-16, O-Ring
9		86513024		2	TEE, 3/4"-16, 37° x 3/4"-16, O-Ring Br
10		87331046		1	TEE, 9/16"-18, 37° x 3/4"-16, O-Ring Br
11		88206		4	BOLT, Hex, 3/8"-16 x 1", G5, Full Thd
12		350326A1		4	ISOLATOR, clamp, hose small
13		86511870		1	TEE, 37°, 3/4"-16 x 3/4"-16, Fem Sw Run
14		86624135		1	REDUCER, 37°, 3/4"-16, Fem x 9/16"-18 Male
15		425638A1		2	HOSE, hydraulic 3/8" x 212" fl
16		425639A1		1	HOSE, hydraulic 3/8" x 220" fl
17		425640A1		4	HOSE, hydraulic 3/8" x 210" fl
18		425641A1		1	HOSE, hydraulic 3/8" x 147" fl
19		425642A1		1	HOSE, hydraulic 3/8" x 361" fl
20		425643A1		1	HOSE, hydraulic 1/2" x 175" fl
21		425644A1		1	HOSE, hydraulic 3/8" x 150" fl
22		147779C1		1	HOSE, hyd 1/4" x 145" fl
23		128825		18	O-RING, 8-1, 90 Duro, .644" ID x .087" Thk
100		1013122		AR	STRAP, CABLE, 3/16" x 15 1/2" long, nylon

- (1) 7.5" and 10" Spacing
(2) 15" Spacing
(3) No Pins Or Clips

SDX40

SUBBAR HYDRAULICS SCHEMATIC



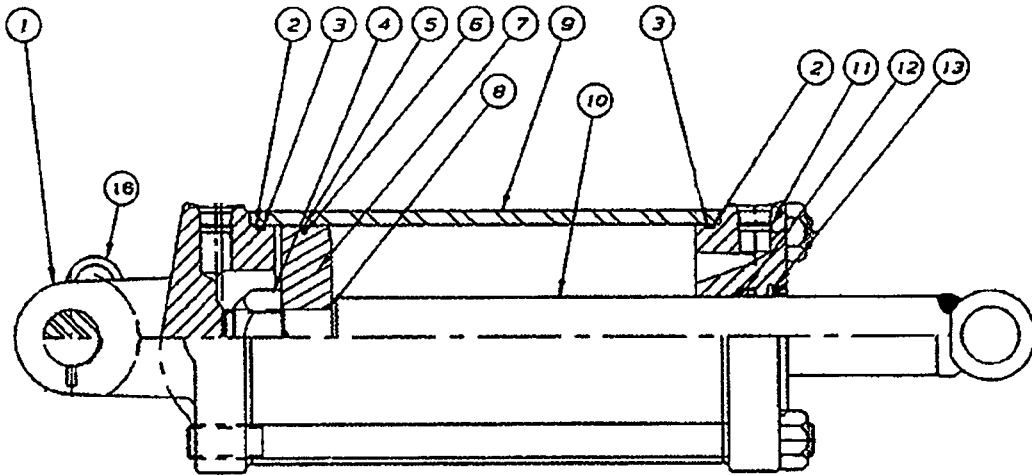
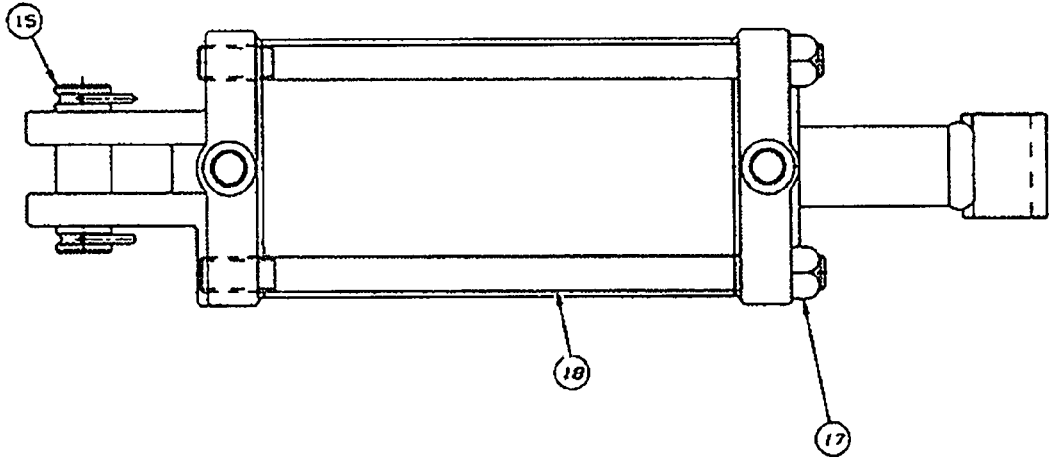
SUBBAR HYDRAULICS SCHEMATIC

REF	FN	PART NUMBER	YR/SN	QTY	DESCRIPTION
1		9412		2	COUPLING, QUICK, MALE, 1/2"
2		1261010C1		1	FITTING, stl union 3/4" mb 3/4" mb straight
3		1024284		4	CLAMP, HOSE FORMED 2.88 X .94
4	1	350630A1	Before 08/03	6	HYDRAULIC CYLINDER, 4 1/2" x 12" ctd trunion
4	1	87406916	From 01/04	6	HYDRAULIC CYLINDER, 4 1/2" x 12" Monarch 3000 psi
4	2,3	435893A1	Before 11/04	6	HYDRAULIC CYLINDER, 4" x 12" ctd 3000 psi
4	2	87406914	From 12/04	6	HYDRAULIC CYLINDER, 4" x 12" Monarch 3000 psi
5		350552A1		2	VALVE, CHECK, block pilot operated
5		350554A1		2	VALVE, PILOT, cart hydraulic
6		80702		4	WASHER, 3/8"
7		128830		11	ELBOW, 90°, 3/4"-16, 37° x 3/4"-16, O-Ring
8		76347		1	ELBOW, 90°, 9/16"-18, 37° x 3/4"-16, O-Ring
9		86513024		2	TEE, 3/4"-16, 37° x 3/4"-16, O-Ring Br
10		87331046		1	TEE, 9/16"-18, 37° x 3/4"-16, O-Ring Br
11		88206		4	BOLT, Hex, 3/8"-16 x 1", G5, Full Thd
12		350326A1		4	ISOLATOR, clamp, hose small
13		86511870		1	TEE, 37°, 3/4"-16 x 3/4"-16, Fem Sw Run
14		86624135		1	REDUCER, 37°, 3/4"-16, Fem x 9/16"-18 Male
15		425638A1		2	HOSE, hydraulic 3/8" x 212" fl
16		425639A1		1	HOSE, hydraulic 3/8" x 220" fl
17		425640A1		4	HOSE, hydraulic 3/8" x 210" fl
18		425641A1		1	HOSE, hydraulic 3/8" x 147" fl
19		425642A1		1	HOSE, hydraulic 3/8" x 361" fl
20		425643A1		1	HOSE, hydraulic 1/2" x 175" fl
21		425644A1		1	HOSE, hydraulic 3/8" x 150" fl
22		147779C1		1	HOSE, hyd 1/4" x 145" fl
23		128825		18	O-RING, 8-1, 90 Duro, .644" ID x .087" Thk
100		1013122		AR	STRAP, CABLE, 3/16" x 15 1/2" long, nylon

- (1) 7.5" and 10" Spacing
(2) 15" Spacing
(3) No Pins Or Clips

SDX40

WING LIFT CYLINDER 350721A1



WING LIFT CYLINDER 350721A1

REF	FN	PART NUMBER	YR/SN	QTY	DESCRIPTION
0	1	350721A1	Before 10/02, BSN CBJ0008107	1	HYDRAULIC CYLINDER, kit 5" x 30" IOWA
0	2	85125C2		1	KIT, SEALS, 5" Cylinder IOWA
1		1994590C1		1	HEAD, cylinder clevis cap 5" IOWA
2		NSS		2	NOT SERVICED SEPARATELY, Backup
3		NSS		2	NOT SERVICED SEPARATELY, O-ring
4		NSS		1	NOT SERVICED SEPARATELY, Locknut
5		NSS		1	NOT SERVICED SEPARATELY, Seal - piston
6		NSS		1	NOT SERVICED SEPARATELY, O-ring
7		1286382C2		1	PISTON, cylinder 5" bore IOWA
8		NSS		1	NOT SERVICED SEPARATELY, O-ring
9		NSS		1	NOT SERVICED SEPARATELY, Tube - cylinder
10		1030413		1	ROD, cylinder 5" x 30" IOWA
11		1286380C1		1	HEAD, rod 5" IOWA
12		NSS		2	NOT SERVICED SEPARATELY, U-cup
13		NSS		2	NOT SERVICED SEPARATELY, Wiper
15		1030839		1	PIN, cylinder 1-1/4" OD x 3" UL
16		1030840		1	RETAINER, HAIRPIN CYLINDER PIN KEEPER
17		280954		4	NUT, 3/4"-10, G5
18		NSS		4	NOT SERVICED SEPARATELY, Rod - tie

(1) Includes 1028469, 1019844, 218-5106, 350401A1, 1015478 and 6-70060

(2) Includes ref #2, 3, 5, 6, 8, 12 and 13

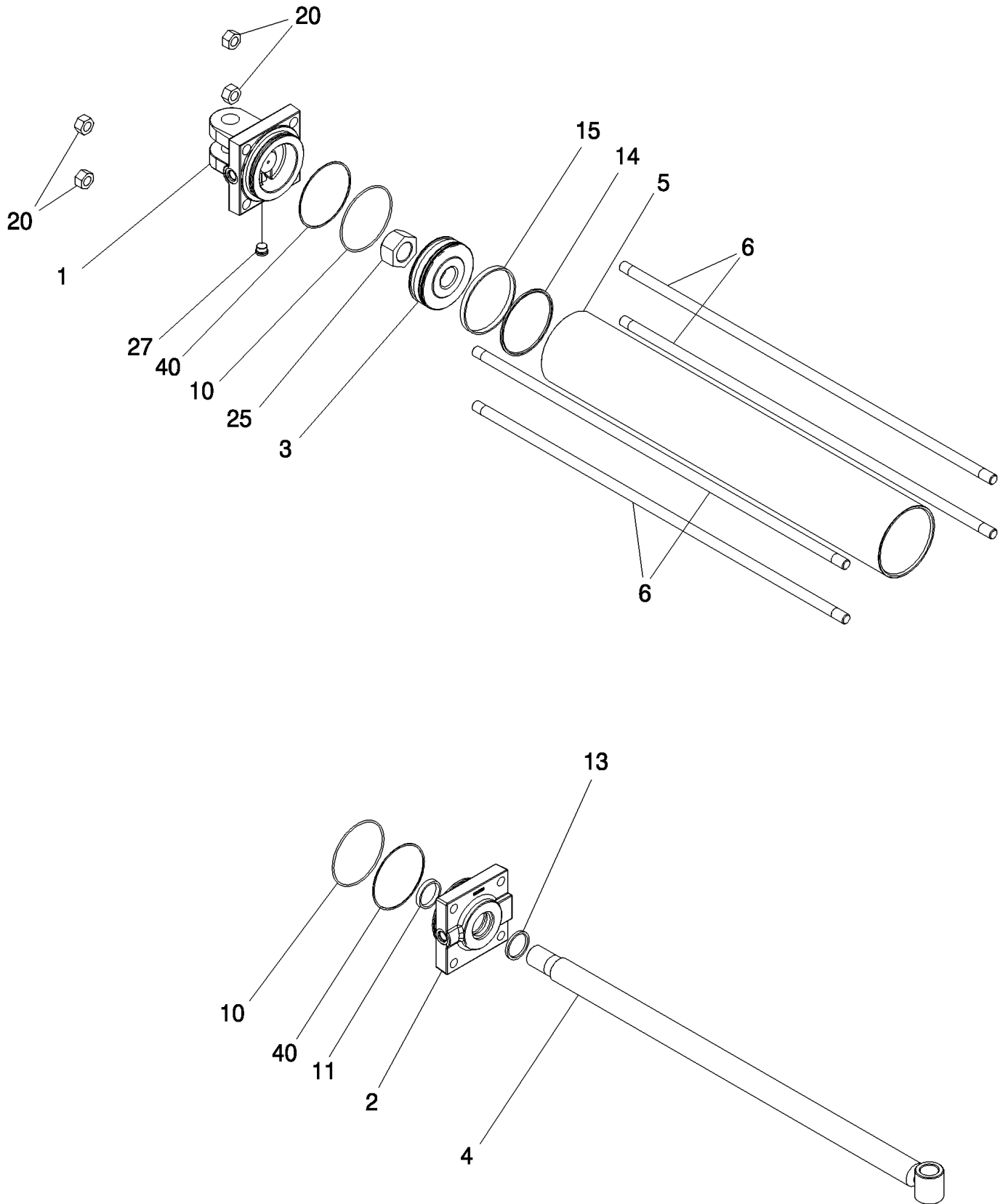
SDX40

2.051.1

p1

11/08

WING LIFT CYLINDER 86990365



WING LIFT CYLINDER 86990365

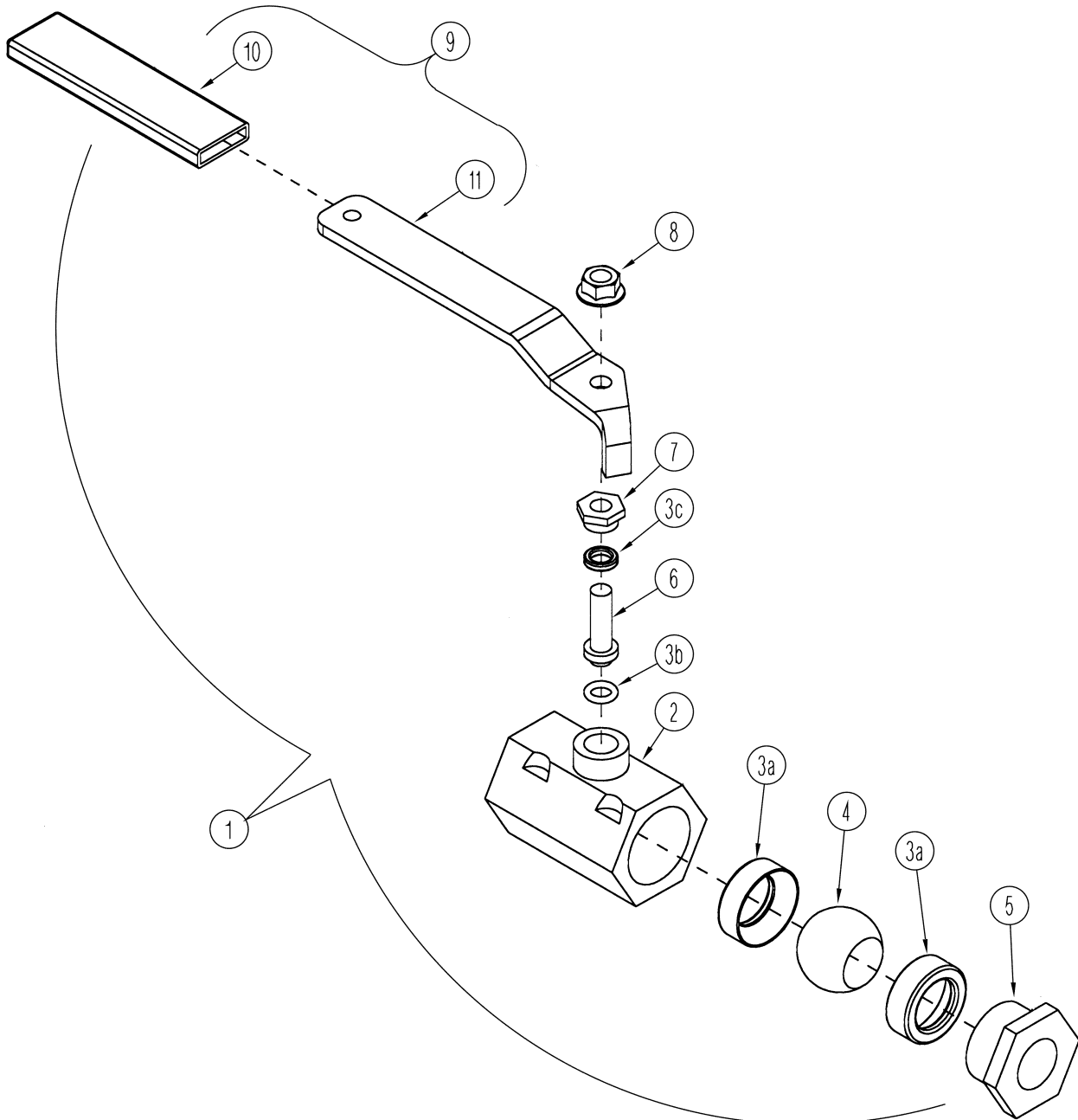
REF	FN	PART NUMBER	YR/SN	QTY	DESCRIPTION
0	1	87407431	From 11/02, ASN CBJ0008108	1	KIT, SEALS, hyd cylinder 5" x 30" Monarch
0	2	87409045		1	KIT, SEALS, hyd cylinder service 5" Monarch 1 3/4" rod
1		87409428		1	HEAD, cylinder base 5" bore; 2, 3/4"-16 orb ports
2		87409393		1	HEAD, cylinder front 5" bore x 1 3/4" rod
3		87409467		1	PISTON, cylinder, 5" bore Monarch #494760
4		87409451		1	ROD, PISTON, 1 3/4" nitrosteel
5		NSS		1	NOT SERVICED SEPARATELY, Cylinder Tube
6		87409485		4	BOLT, hyd cylinder tie
20		425-1112		4	NUT, 3/4"-16, G5
25		232-46324		1	NUT, LOCK, 1 1/2"-12, GC
27		71100209		1	PLUG, Hex Soc, 3/4"-16 ORB

(1) Includes 86990365, 1019844, 218-5106, 350401A1, 1015478, and 6-70060

(2) Includes ref 10, 11, 13, 14, 15 and 40

SDX40

WING LIFT HYDRAULIC BALL VALVE ASSEMBLY



WING LIFT HYDRAULIC BALL VALVE ASSEMBLY

REF	FN	PART NUMBER	YR/SN	QTY	DESCRIPTION
1		349403A1		1	VALVE, ball
2		NSS		1	NOT SERVICED SEPARATELY, BODY
3		350172A1		2	KIT, SEAL
3A		NSS		1	NOT SERVICED SEPARATELY, SEAT - TFE
3B		NSS		1	NOT SERVICED SEPARATELY, SEAL - TFE thrust washer
3C		NSS		1	NOT SERVICED SEPARATELY, RING - TFE stuffing box
4		NSS		1	NOT SERVICED SEPARATELY, BALL
5		NSS		1	NOT SERVICED SEPARATELY, RETAINER
6		NSS		1	NOT SERVICED SEPARATELY, STEM
7		NSS		1	NOT SERVICED SEPARATELY, SCREW - stem gland
8		145458		1	NUT, Flg, USR, 5/16"-18
9	1	350203A1		1	HANDLE, VALVE
10		60-6267T1		1	GRIP, handle vinyl 1" x 1 7/8" x 3 7/8" lg
11		NSS		1	NOT SERVICED SEPARATELY, HANDLE - ball valve

(1) Includes 60-6267T1

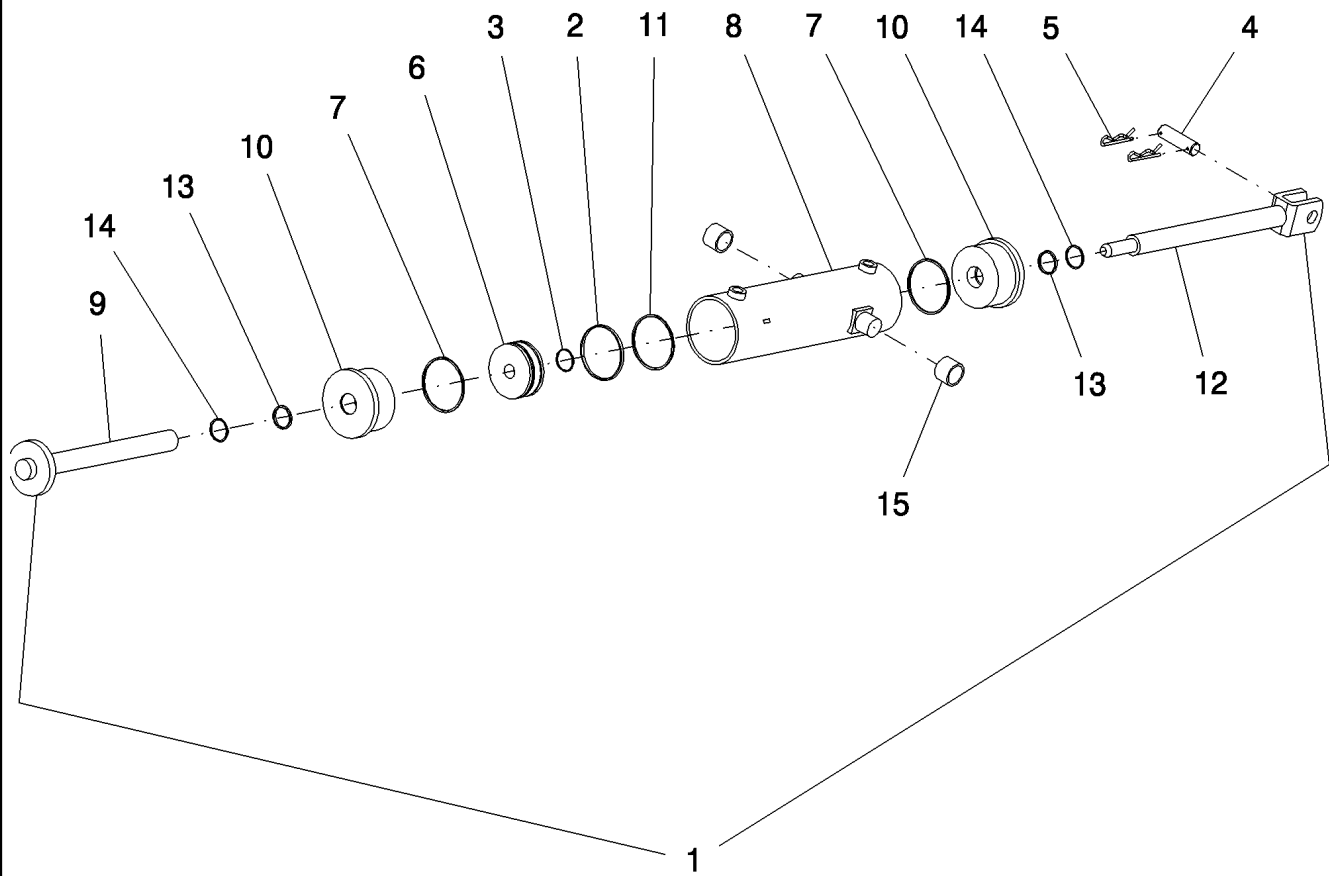
SDX40

2.070.1

p1

12/08

SUBBAR CYLINDER ASSEMBLY, 350630A1, 4.50 INCH BORE X 12 INCH STROKE



SUBBAR CYLINDER ASSEMBLY, 350630A1, 4.50 INCH BORE X 12 INCH STROKE

REF	FN	PART NUMBER	YR/SN	QTY	DESCRIPTION
1		350630A1		1	HYDRAULIC CYLINDER, 4 1/2" x 12" ctd trunion
2		NSS		1	NOT SERVICED SEPARATELY, RING - wear
3		NSS		1	NOT SERVICED SEPARATELY, O-RING
4		350108A1		1	PIN, cylinder - 1 x 2.41 ul
5		350109A1		2	PIN, SPLIT (COTTER), hairpin, .177" x 3 1/4"
6		439294A1		1	PISTON, cylinder 4 1/2" ctd
7		NSS		2	NOT SERVICED SEPARATELY, O-RING
8		439290A1		1	TUBE, cylinder 4 1/2" x 12" ctd
9		350106A1		1	ROD, piston collar
10		439293A1		2	PLATE, END, cylinder head 4 1/2" CTD
11		NSS		1	NOT SERVICED SEPARATELY, O-RING
12		350105A1		1	ROD, piston clevis
13		NSS		2	NOT SERVICED SEPARATELY, SEAL - rod
14		NSS		2	NOT SERVICED SEPARATELY, SEAL - wiper
15		350423A1		2	BUSHING, 1 1/2" id x 1 3/4" od x 1 1/4" lg
100	1	439296A1		1	KIT, SEALS, cylinder 4 1/2" x 12" ctd

(1) Includes 2, 3, 7, 11, 13 and 14

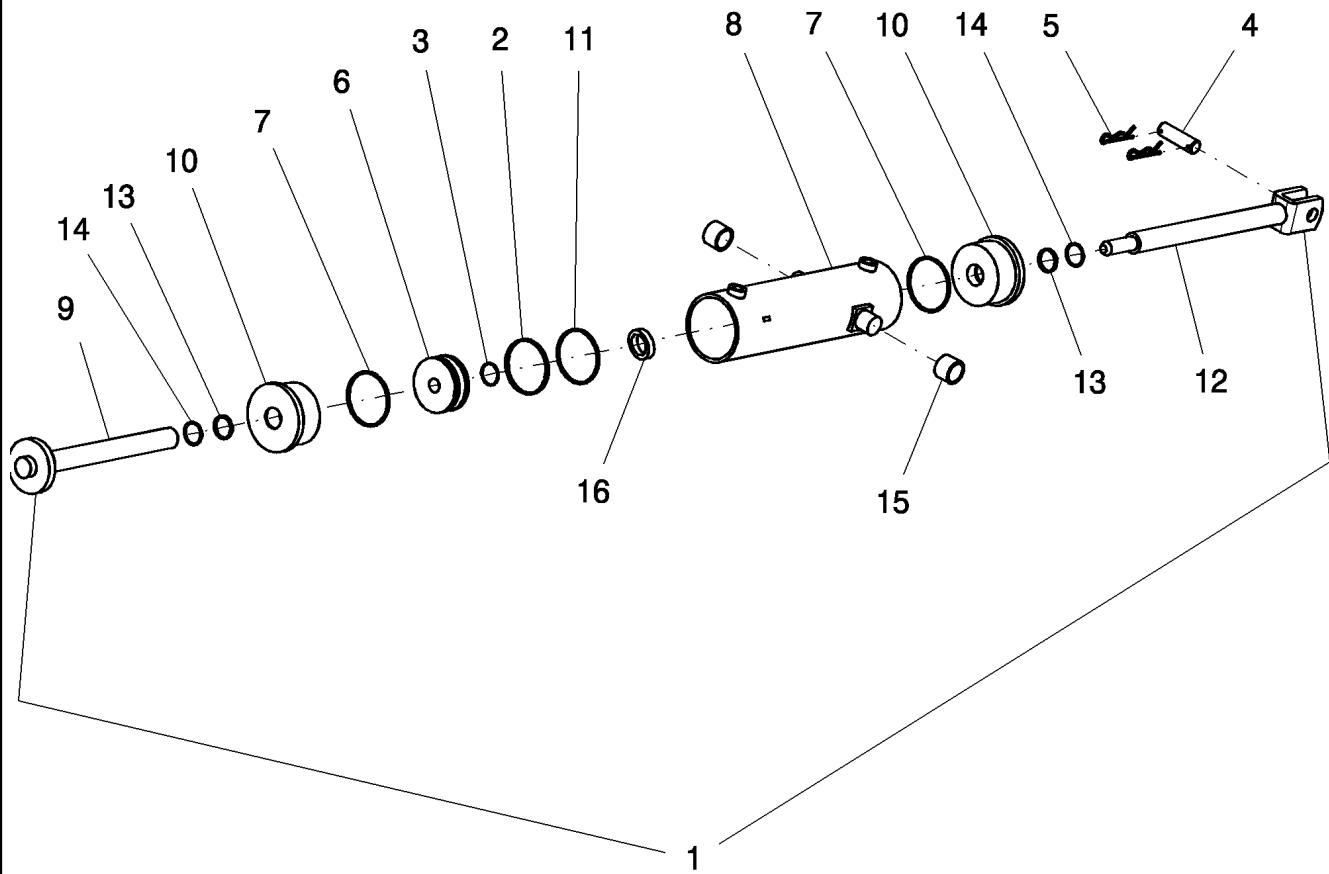
SDX40

2.071.1

p1

12/08

SUBBAR CYLINDER ASSEMBLY, 87406916, 4.50 INCH BORE X 12 INCH STROKE



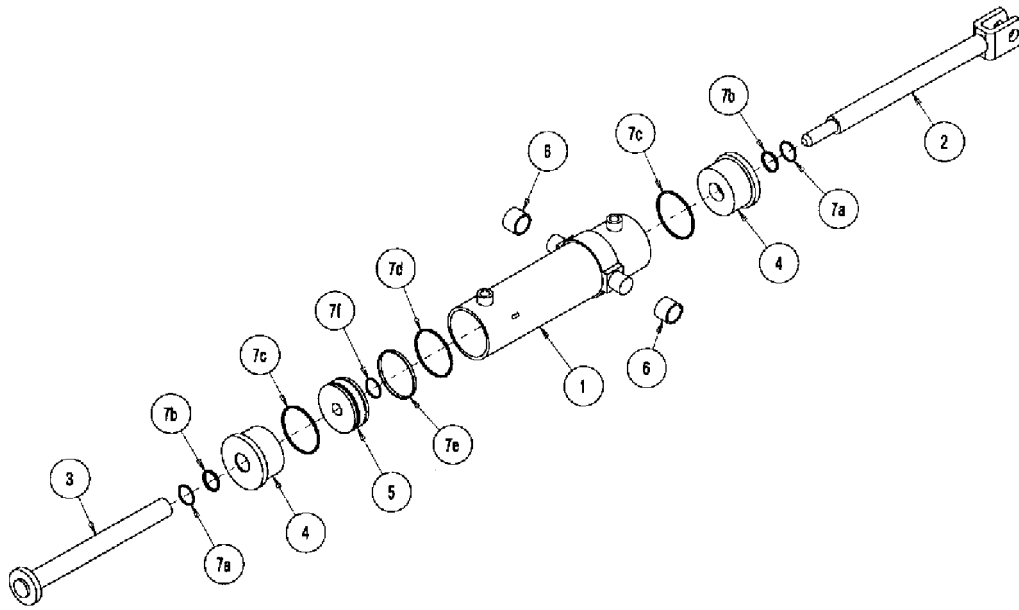
SUBBAR CYLINDER ASSEMBLY, 87406916, 4.50 INCH BORE X 12 INCH STROKE

REF	FN	PART NUMBER	YR/SN	QTY	DESCRIPTION
1		87406916	From 01/04	1	HYDRAULIC CYLINDER, 4 1/2" x 12" Monarch 3000 psi
2	1	NSS		1	NOT SERVICED SEPARATELY, RING - WEAR
3	1	NSS		1	NOT SERVICED SEPARATELY, O-RING
4		350108A1		1	PIN, cylinder - 1 x 2.41 ul
5		350109A1		2	PIN, SPLIT (COTTER), hairpin, .177" x 3 1/4"
6		87448266		1	PISTON, cylinder 4 1/2" bore
7	1	NSS		2	NOT SERVICED SEPARATELY, O-RING
8		NSS		1	NOT SERVICED SEPARATELY, TUBE
9		87448262		1	ROD, PISTON, 1 1/2" nitrosteel
10		87448260		2	CYLINDER HEAD, front 4 1/2" bore
11	1	NSS		1	NOT SERVICED SEPARATELY, O-RING
12		87448261		1	ROD, PISTON, 1 1/2" nitrosteel
13	1	NSS		2	NOT SERVICED SEPARATELY, SEAL - ROD
14	1	NSS		2	NOT SERVICED SEPARATELY, SEAL - WIPER
15		NSS		2	NOT SERVICED SEPARATELY, BUSHING
16		87448263		1	STOP, tube for 1 1/2" rod
100		87434587		1	KIT, SEALS, 4 1/2" x 12" Monarch

(1) Included in seal kit 87434587

SDX40

SUBBAR CYLINDER ASSEMBLY, 4.00 INCH BORE X 12 INCH STROKE



5/11/08

SUBBAR CYLINDER ASSEMBLY, 4.00 INCH BORE X 12 INCH STROKE

REF	FN	PART NUMBER	YR/SN	QTY	DESCRIPTION
0	1	306296A1	Before 11/04	6	HYDRAULIC CYLINDER, 4" x 12" ctd 3000 psi c/w 1 pin ctd
0	2	435893A1	Before 11/04	6	HYDRAULIC CYLINDER, 4" x 12" ctd 3000 psi
1		350107A1		1	BARREL, 4" x 12" CTD
2		350105A1		1	ROD, piston clevis
3		350106A1		1	ROD, piston collar
4		350103A1		2	PLATE, cylinder head
5		350104A1		1	PISTON, cylinder
6		350423A1		2	BUSHING, 1 1/2" id x 1 3/4" od x 1 1/4" lg
7		350102A1		1	KIT, SEALS, 4 x 12 cylinder CTD
7A		NSS		2	NOT SERVICED SEPARATELY, SEAL - wiper
7B		NSS		2	NOT SERVICED SEPARATELY, SEAL - rod
7C		NSS		2	NOT SERVICED SEPARATELY, O-RING
7D		NSS		1	NOT SERVICED SEPARATELY, O-RING
7E		NSS		1	NOT SERVICED SEPARATELY, RING - wear
7F		NSS		1	NOT SERVICED SEPARATELY, O-RING

(1) Includes pin 350108A1 and two clips 350109A1

(2) No Pins Or Clips

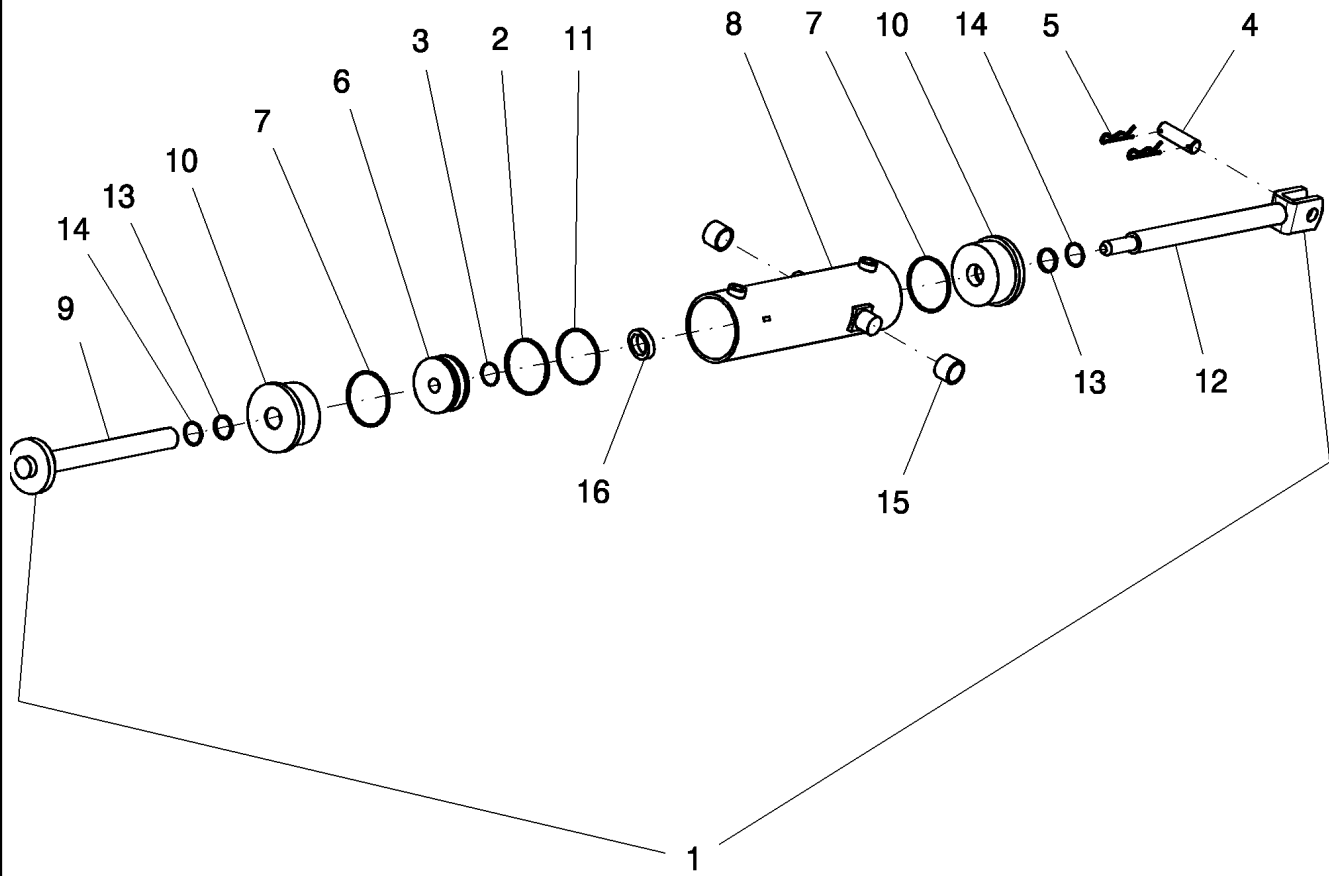
SDX40

2.081.1

p1

12/08

SUBBAR CYLINDER ASSEMBLY, 87406914, 4.00 INCH BORE X 12 INCH STROKE



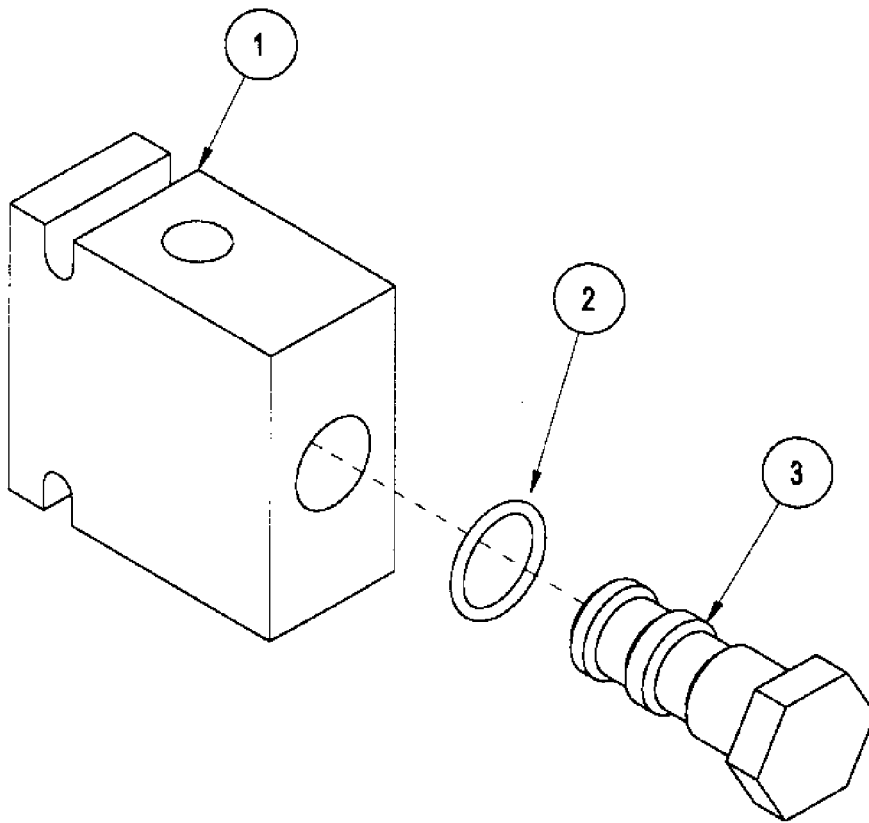
SUBBAR CYLINDER ASSEMBLY, 87406914, 4.00 INCH BORE X 12 INCH STROKE

REF	FN	PART NUMBER	YR/SN	QTY	DESCRIPTION
1		87406914	From 12/04	1	HYDRAULIC CYLINDER, 4" x 12" Monarch 3000 psi
2	1	NSS		1	NOT SERVICED SEPARATELY, RING - WEAR
3	1	NSS		1	NOT SERVICED SEPARATELY, O-RING
4		350108A1		1	PIN, cylinder - 1 x 2.41 ul
5		350109A1		2	PIN, SPLIT (COTTER), hairpin, .177" x 3 1/4"
6		87448265		1	PISTON, cylinder 4" bore
7	1	NSS		2	NOT SERVICED SEPARATELY, O-RING
8		NSS		1	NOT SERVICED SEPARATELY, TUBE
9		87448262		1	ROD, PISTON, 1 1/2" nitrosteel
10		87448259		2	CYLINDER HEAD, front 4" bore
11	1	NSS		1	NOT SERVICED SEPARATELY, O-RING
12		87448261		1	ROD, PISTON, 1 1/2" nitrosteel
13	1	NSS		2	NOT SERVICED SEPARATELY, SEAL - ROD
14	1	NSS		2	NOT SERVICED SEPARATELY, SEAL - WIPER
15		NSS		2	NOT SERVICED SEPARATELY, BUSHING
16		87448263		1	STOP, tube for 1 1/2" rod
100		87434586		1	KIT, hyd cylinder seal service 4" Monarch 1 1/2" rod

(1) Included in seal kit 87434586

SDX40

PILOT OPERATED CHECK VALVE



poc

2.090.1

p1

12/08

PILOT OPERATED CHECK VALVE

REF	FN	PART NUMBER	YR/SN	QTY	DESCRIPTION
0		350552A1		2	VALVE, CHECK, block pilot operated
1		350553A1		1	VALVE BLOCK
2		350569A1		1	O-RING
3		350554A1		1	VALVE, PILOT, cart hydraulic

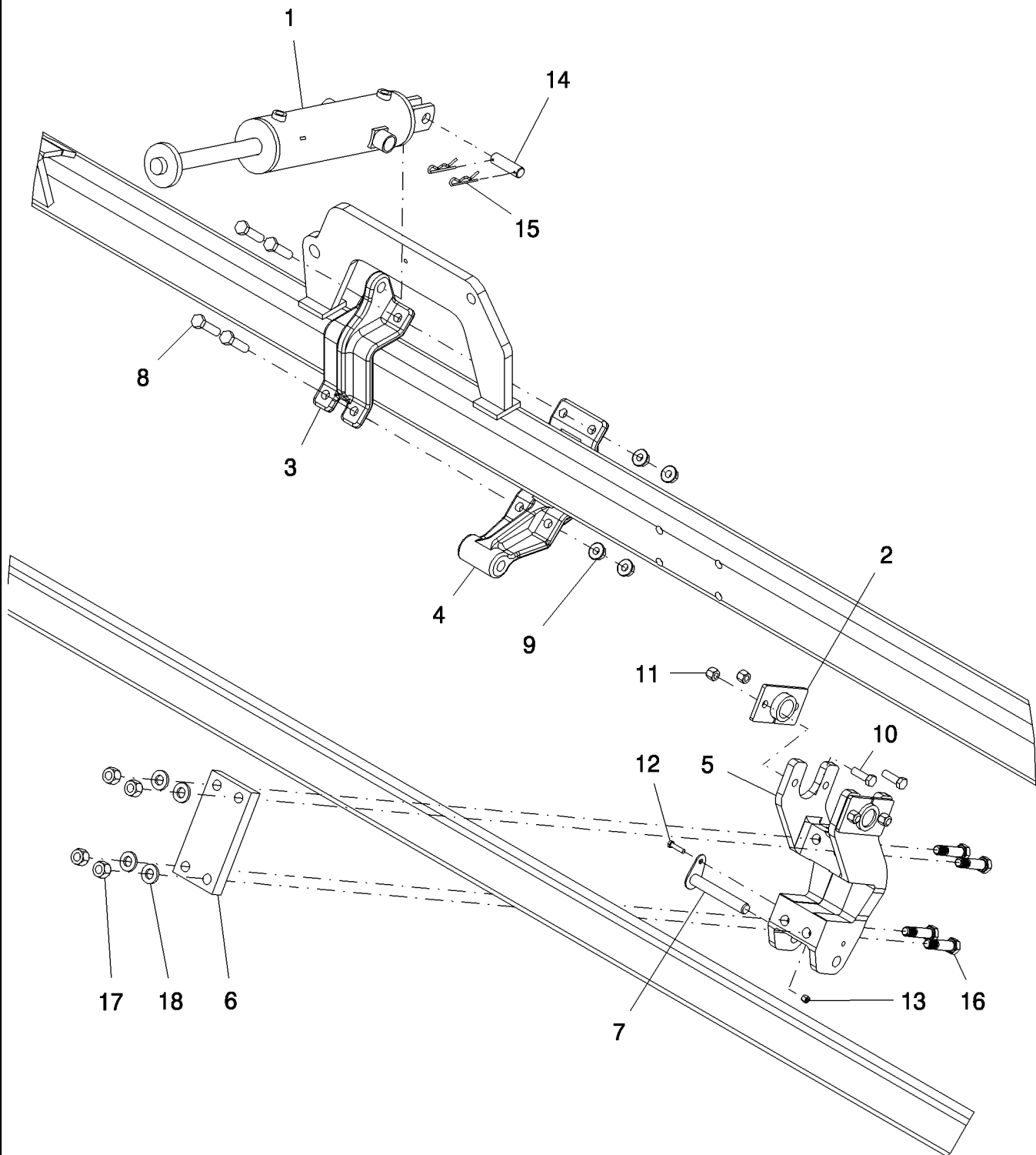
SDX40

2.100.1

p1

12/08

SUBBAR CYLINDER MOUNT ASSEMBLY



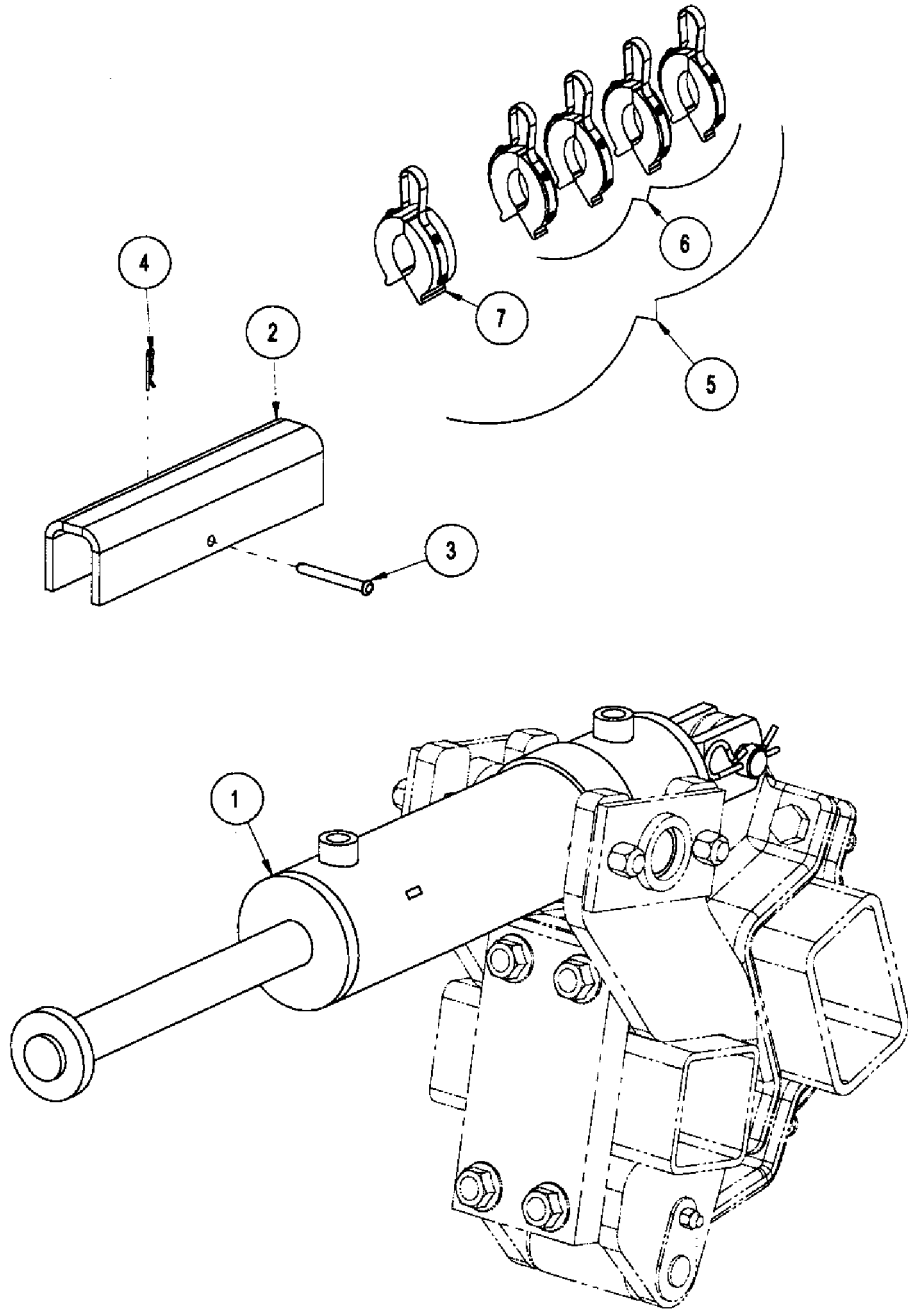
SUBBAR CYLINDER MOUNT ASSEMBLY

REF	FN	PART NUMBER	YR/SN	QTY	DESCRIPTION
1	1	350630A1	Before 08/03	1	HYDRAULIC CYLINDER, 4 1/2" x 12" ctd trunion
1	1	87406916	From 01/04	1	HYDRAULIC CYLINDER, 4 1/2" x 12" Monarch 3000 psi
1	2, 3	435893A1	Before 11/04	1	HYDRAULIC CYLINDER, 4" x 12" ctd 3000 psi
1	2	87406914	From 12/04	1	HYDRAULIC CYLINDER, 4" x 12" Monarch 3000 psi
2		349390A1		2	RETAINER, cylinder trunion
3		306291A1		1	MOUNTING PARTS, cylinder
4		306290A1		1	MOUNTING PARTS, hinge
5		306295A2	BSN CBJ0007200	1	MOUNTING PARTS, cylinder
5		425653A1	ASN CBJ0007201	1	MOUNTING PARTS, cylinder
6		306289A1	BSN CBJ0007200	1	PLATE, bolting
6		425654A1	ASN CBJ0007201	1	PLATE, MOUNTING
7		349394A1		1	PIN, pivot
8		87337		4	BOLT, Hex, 3/4"-10 x 3", G5
9		231-53412		4	NUT, LOCK, Flg, 3/4"-10
10		86505999		4	BOLT, Hex, 5/8"-11 x 2", G5
11		86639566		4	NUT, LOCK, 5/8"-11, GB
12		88044		1	BOLT, Hex, 3/8"-16 x 1 1/2", G5
13		86625064		1	NUT, LOCK, 3/8"-16, GB
14		350108A1		1	PIN, cylinder - 1 x 2.41 ul
15		136-251		2	PIN, SPLIT (COTTER), Int, 7/16" x .177"
16		425881A1	BSN CBJ0007200	4	BOLT, 7/8"-9 x 3 1/2" -G8 special - 28.2mm long thread
16		86508733	ASN CBJ0007201	4	BOLT, Hex, 3/4"-10 x 3 1/2", G8
17		232-41414	BSN CBJ0007200	4	NUT, LOCK, 7/8"-9 GR C 1-way, all metal
17		280375	ASN CBJ0007201	4	NUT, LOCK, 3/4"-10, GC
18		87012439	BSN CBJ0007200	4	WASHER, 29/32" x 1 3/4" x 1/4"

- (1) 7.5" and 10" Spacing
(2) 15" Spacing
(3) No Pins Or Clips

SDX40

SUBBAR CYLINDER SAFETY LOCK



SUBBAR CYLINDER SAFETY LOCK

REF	FN	PART NUMBER	YR/SN	QTY	DESCRIPTION
1	1	350630A1	Before 08/03	1	HYDRAULIC CYLINDER, 4 1/2" x 12" ctd trunion
1	1	87406916	From 01/04	1	HYDRAULIC CYLINDER, 4 1/2" x 12" Monarch 3000 psi
1	2,3	435893A1	Before 11/04	1	HYDRAULIC CYLINDER, 4" x 12" ctd 3000 psi
1	2	87406914	From 12/04	1	HYDRAULIC CYLINDER, 4" x 12" Monarch 3000 psi
2		306298A1		1	STOP, cylinder
3		439-1544		1	PIN, HEADED, 5/16" x 2 3/4"
4		1978737C1		1	PIN, SPLIT (COTTER), hairpin 3 mm x 49 mm
5	4	306299A1		1	KIT, depth stop 1/2" and 1 1/4"
6		350704A1		4	STOP, depth 1/2" red
7		350702A1		1	STOP, depth 1 1/4" green

- (1) 7.5" and 10" Spacing
- (2) 15" Spacing
- (3) No Pins Or Clips
- (4) Includes 350702A1 and four 350704A1

SDX40

SECTION INDEX

Electrical/Electronics

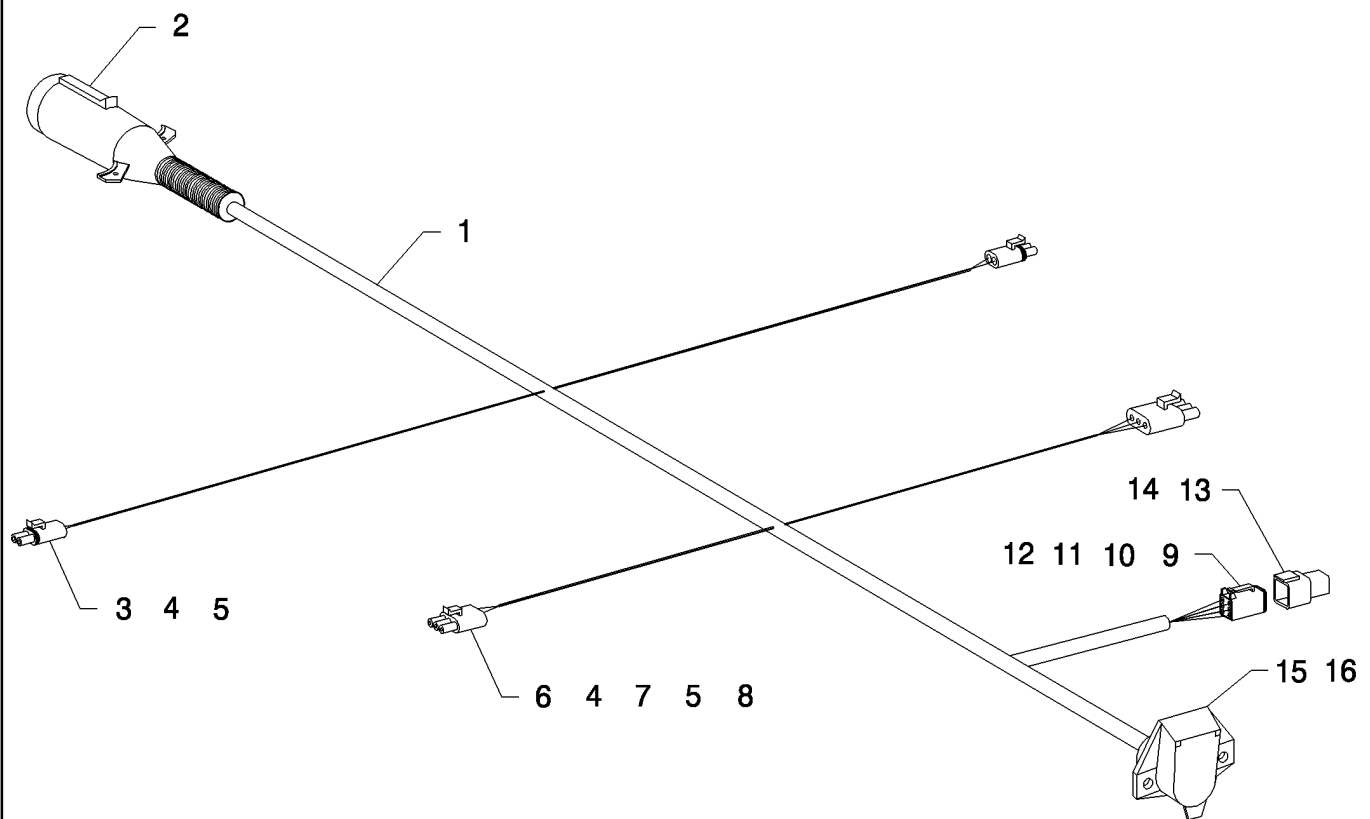
3.010.1	LIGHTING HARNESS
3.020.1	SEED TOOL HARNESS
3.030.1	FLOW REMOTE MODULE AND MOUNTING
3.040.1	WARNING LIGHT ASSEMBLY 87564157

3.010.1

p1

01/09

LIGHTING HARNESS



LIGHTING HARNESS

REF	FN	PART NUMBER	YR/SN	QTY	DESCRIPTION
1		412917A1		1	HARNESS, seedtool lighting 31'
2	1	412765A1		1	CONNECTOR, ELEC, metal 7c plug c/w cable protector
3		245482C1		2	CONNECTOR, ELEC, plastic 2c plug
4		225122C1		6	CONTACT, socket 14-16awg
5		225125C1		6	CONNECTOR, ELEC, seal 14-16awg
6		245484C1		2	CONNECTOR, ELEC, plastic 3c plug
7		225123C1		4	CONTACT, socket 18-20awg
8		225124C1		4	TERMINAL CONNECTOR, seal grn 2.8-2 omm
9		51200043		1	CONNECTOR, ELEC, plastic 6c plug
10		51200044		1	LOCK, STOP, 6c plug
11		225349C1		1	CONTACT, 16-18awg
12		225404C1		5	CONTACT, socket 14-16awg
13		425282A1		1	CONNECTOR, ELEC, plastic 6c receptacle
14		453133C1		6	PLUG, connector cavity white plastic
15		412766A1		1	CONNECTOR, ELEC, metal 7c receptacle
16		481849C1		1	COVER, PROTECTIVE, rubber boot

(1) Includes 481849C1

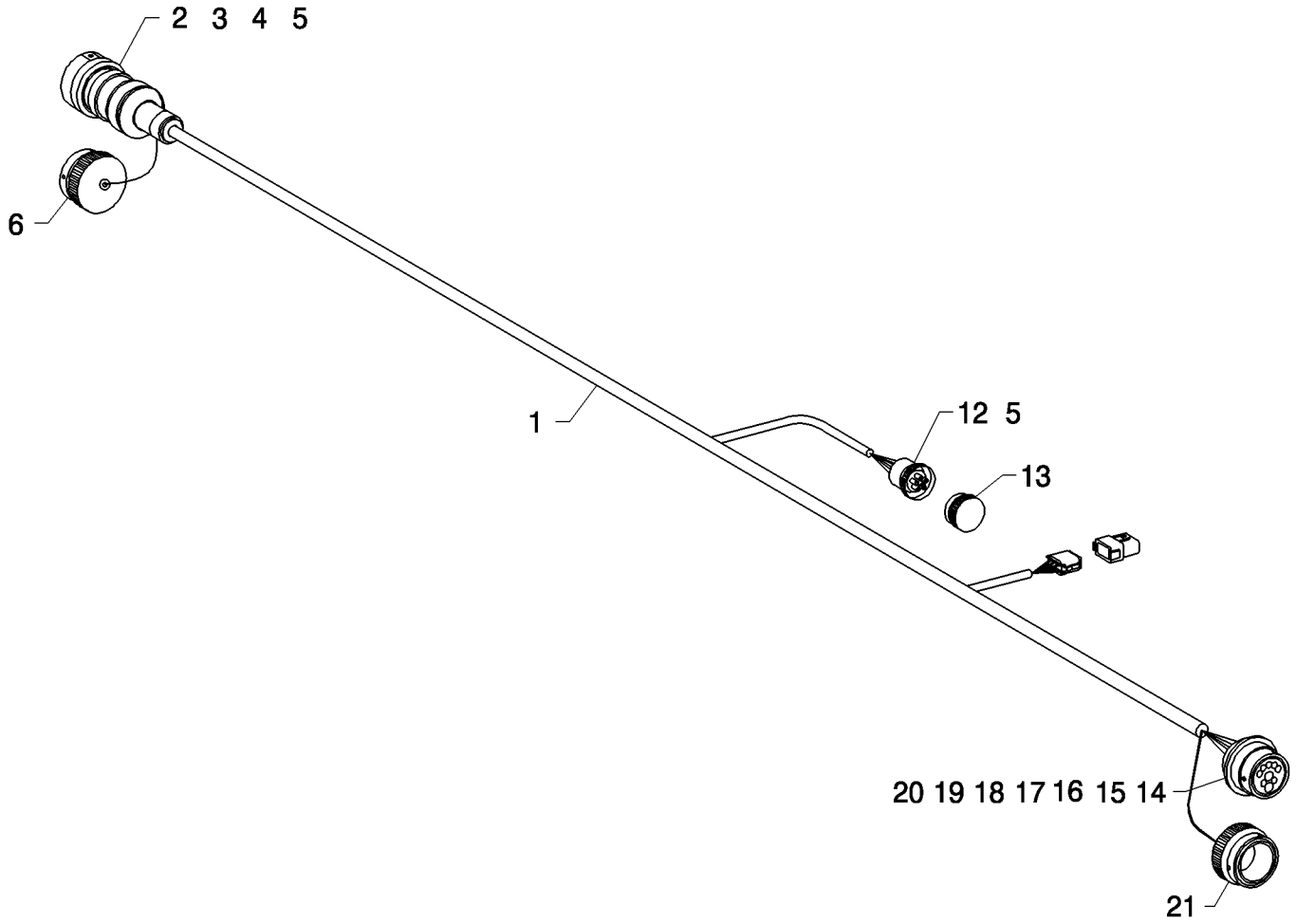
SDX40

3.020.1

p1

01/09

SEED TOOL HARNESS

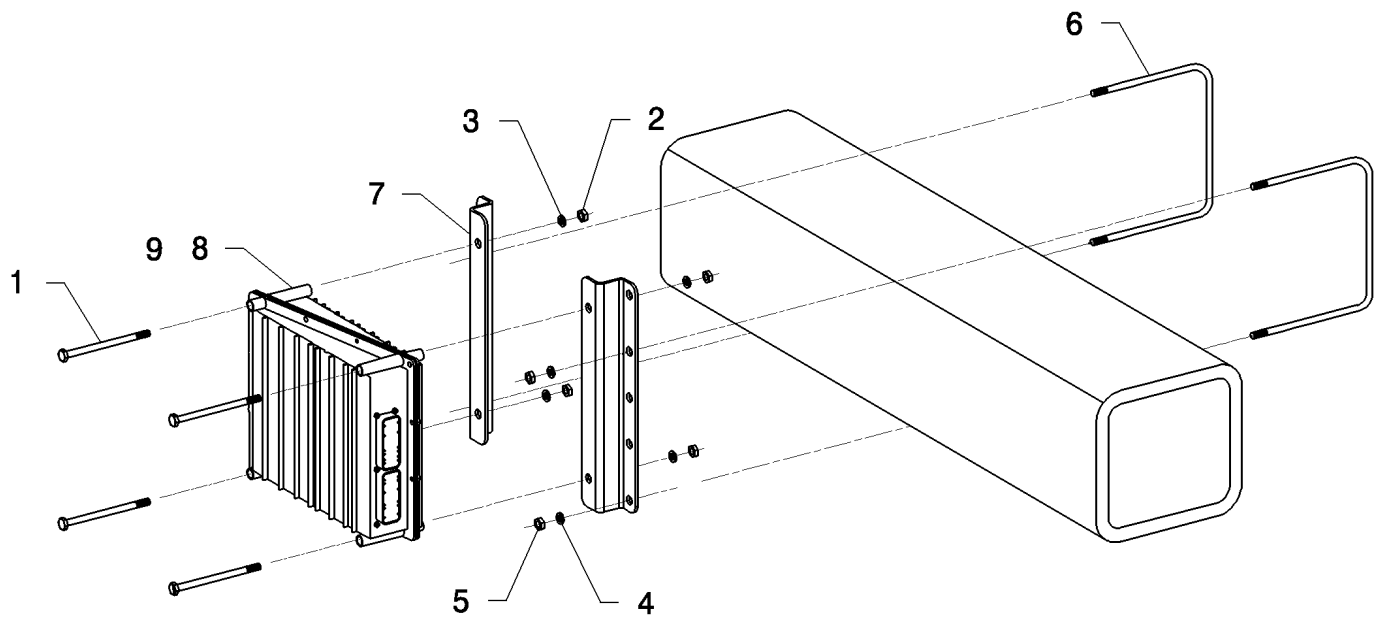


SEED TOOL HARNESS

REF	FN	PART NUMBER	YR/SN	QTY	DESCRIPTION
1		419980A1		1	HARNESS, seed tool 31'
2		279043A1		1	CONNECTOR, ELEC, metal 9c plug
3		13950		2	SOCKET, 8-10awg
4		500398C1		2	SOCKET, 12-14awg
4		500398C1		2	SOCKET, 12-14awg
6		245043C1		1	CAP, dust 23 con rcp Deutsch
12		425050A1		1	CONNECTOR, ELEC, plastic 6c plug
13		14045		1	DUST CAP, 6 cond rcp Deutsch
14		352506A1		1	CONNECTOR, ELEC, metal 9c receptacle
15		51200012		1	WASHER, LOCK, split 1 3/4" id x 3/32" tk
5		225349C1		10	CONTACT, 16-18awg
16		459329C1		1	NUT, 1 11/16"-18 aluminum 3/16" thick
17		280384A1		2	PIN, ELECT TERMINAL, 8-10awg
18		280386A1		2	CONTACT, 12-14awg
19		225348C1		4	CONTACT, pin 16-18awg
20		453133C1		1	PLUG, connector cavity white plastic
21		245041C1		1	CAP, dust 23 cond plug Deutsch

SDX40

FLOW REMOTE MODULE AND MOUNTING



FLOW REMOTE MODULE AND MOUNTING

REF	FN	PART NUMBER	YR/SN	QTY	DESCRIPTION
1		280492		4	BOLT, Hex, 1/4"-20 x 3 1/2", G5
2		7770		4	NUT, 1/4"-20, G5
3		80682		4	WASHER, LOCK, 1/4"
4		10516674		4	WASHER, LOCK, M8
5		9635082		4	NUT, 5/16"-18, G5
6		87416235		2	U-BOLT, us 5/16"-18 x 6 1/8" w x 6 3/4" d GR2 3/4" thread
7		87415392		2	BRACKET, FlexControl remote mount
8		15762		1	ELECTRONIC UNIT, CONTROL, flow optical
9		86983903		1	MODULE, flow gateway remote optical sensor

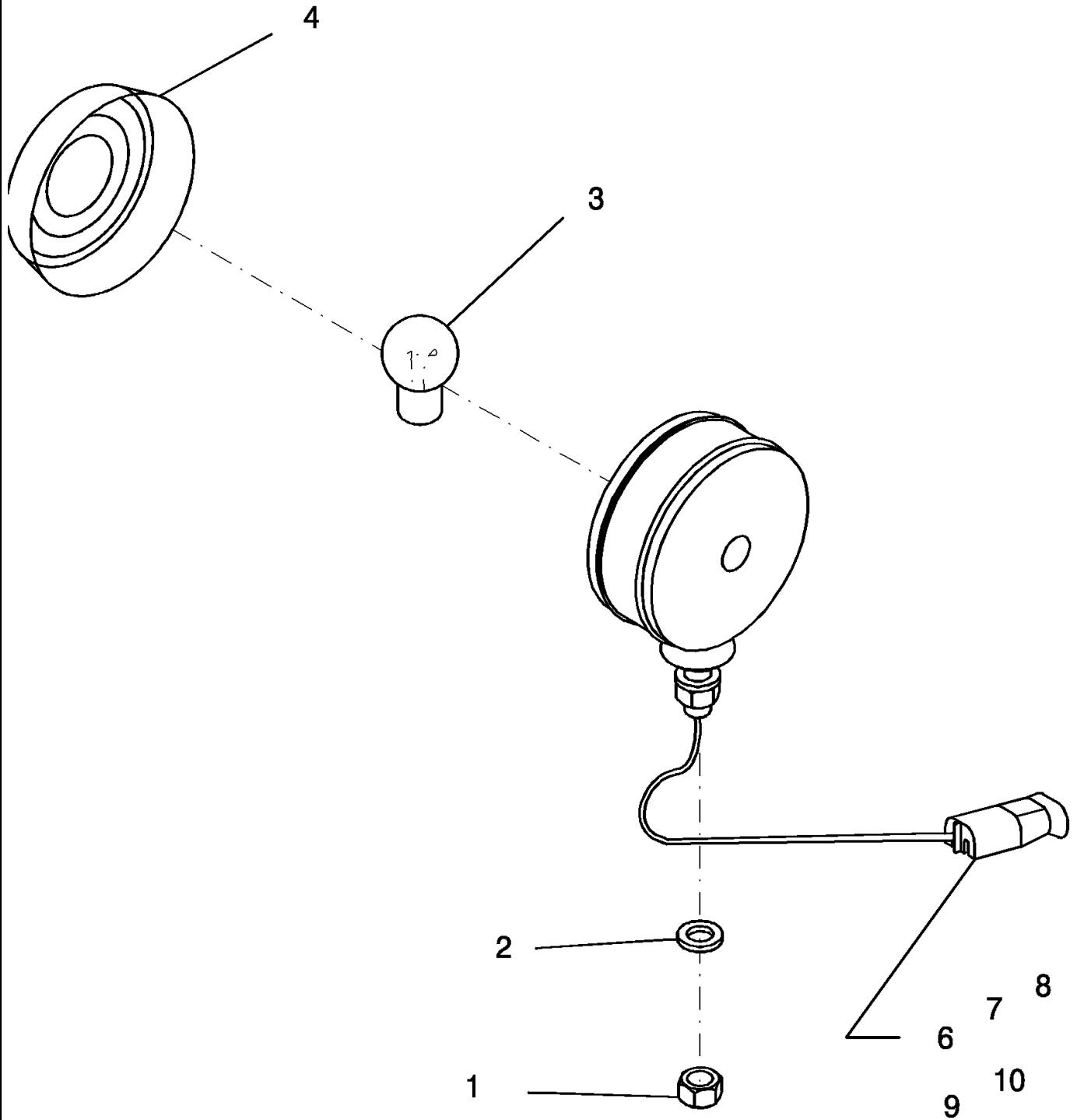
SDX40

3.040.1

p1

05/08

WARNING LIGHT ASSEMBLY 87564157



WARNING LIGHT ASSEMBLY 87564157

REF	FN	PART NUMBER	YR/SN	QTY	DESCRIPTION
0		87564157		1	LIGHT, WARNING, assembly amber
1		280431		1	NUT, 1/2"-13, G5
2		80679		1	WASHER, LOCK, 1/2"
3		529068		1	BULB, #1156, 12V
4		432601A1		1	LENS, amber acrylic
6		245483C1		1	CONNECTOR, ELEC, plastic 2c receptacle
7		225119C1		2	PIN, ELECT TERMINAL, 14-16awg
8		225120C1		3	CONTACT, 18-20awg
9		225125C1		5	CONNECTOR, ELEC, seal 14-16awg
10		225124C1		5	TERMINAL CONNECTOR, seal grn 2.8-2 omm

SDX40

SECTION INDEX

Miscellaneous

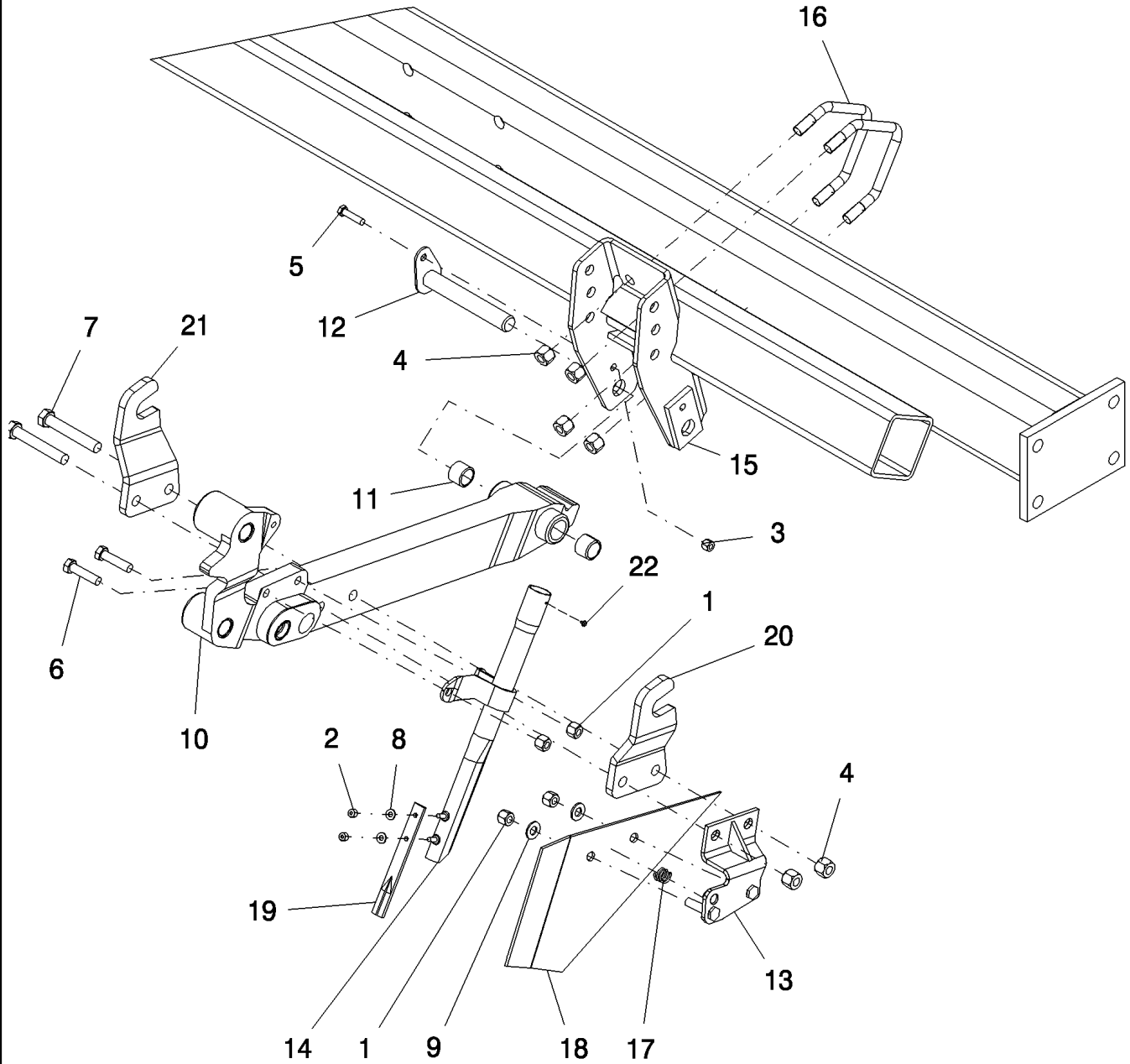
4.010.1	SEED TUBE, SCRAPER, ARM, AND MOUNT (BSN CBJ0007184)
4.011.1	SEED TUBE, SCRAPER, ARM, AND MOUNT (ASN CBJ0007185)
4.020.1	GAUGE WHEEL ASSEMBLY
4.030.1	GAUGE WHEEL ARM ASSEMBLY (BSN CBJ0017332)
4.031.1	GAUGE WHEEL ARM ASSEMBLY (BTW CBJ0017333 AND CBJ0017458)
4.032.1	GAUGE WHEEL ARM ASSEMBLY (ASN CBJ0017459)
4.040.1	PACKER WHEEL ASSEMBLY
4.041.1	WHEEL 4 1/2" X 16" - 87604747 ASSEMBLY
4.050.1	SEED LOCK WHEEL ARM ASSEMBLY
4.060.1	SPINDLE, DISC, AND HUB ASSEMBLY (BSN CBJ0017332)
4.061.1	SPINDLE, DISC, AND HUB ASSEMBLY (ASN CBJ0017333)
4.070.1	SPRING ASSEMBLY
4.080.1	PACKER WHEEL ARM ASSEMBLY
4.090.1	DEPTH HANDLE UPDATE

4.010.1

p1

03/09

SEED TUBE, SCRAPER, ARM, AND MOUNT (BSN CBJ0007184)



SEED TUBE, SCRAPER, ARM, AND MOUNT (BSN CBJ0007184)

REF	FN	PART NUMBER	YR/SN	QTY	DESCRIPTION
1		87530607		4	NUT, 1/2"-13, GB
2		86625061		2	NUT, LOCK, 1/4"-20, GB
3		86625064		1	NUT, LOCK, 3/8"-16, GB
4		85700693		6	NUT, LOCK, 5/8"-11, GC
5		88044		1	BOLT, Hex, 3/8"-16 x 1 1/2", G5
6		9706716		2	BOLT, Hex, 1/2"-13 x 2", G5
7		86977740		2	BOLT, Hex, 5/8"-11 x 4", G5
8		87361		2	WASHER, 1/4", SAE
9		87364		2	WASHER, 1/2", SAE
10	1	306228A1		1	ARM, mount RH
10		306133A1		1	ARM, mount LH
11		64601C1		2	BUSHING, tension 1 1/4" x 1" x 1" long
12		349394A1		1	PIN, pivot
13	1	306235A1		1	BRACKET, assy scraper RH
13		306208A1		1	BRACKET, scraper LH
14	1	306085A1		1	TUBE, seed RH
14		306084A1		1	TUBE, seed LH
15		328011A1		1	MOUNTING PARTS, single disc
16		306071A1		2	BOLT, V .625 X 4 UNC GR5 YZD 5.44 WIDE, 1.25 LG THREAD
17		306242A1		1	SPRING, compression 2.49 mm wire x 21.59 mm od
18	1	350348A1		1	SCRAPER, blade RH
18		350347A1		1	SCRAPER, blade LH
19		306122A1		1	ACCESSORIES, uhmw tab 3/4" x 7" with holes
20		306219A1		1	BRACKET, spring pivot RH
21		306244A1		1	BRACKET, spring pivot LH
22		280-1434		1	SCREW, SELF TAPPING, Hex Wash Hd, #6 x 1/4"

(1) Shown

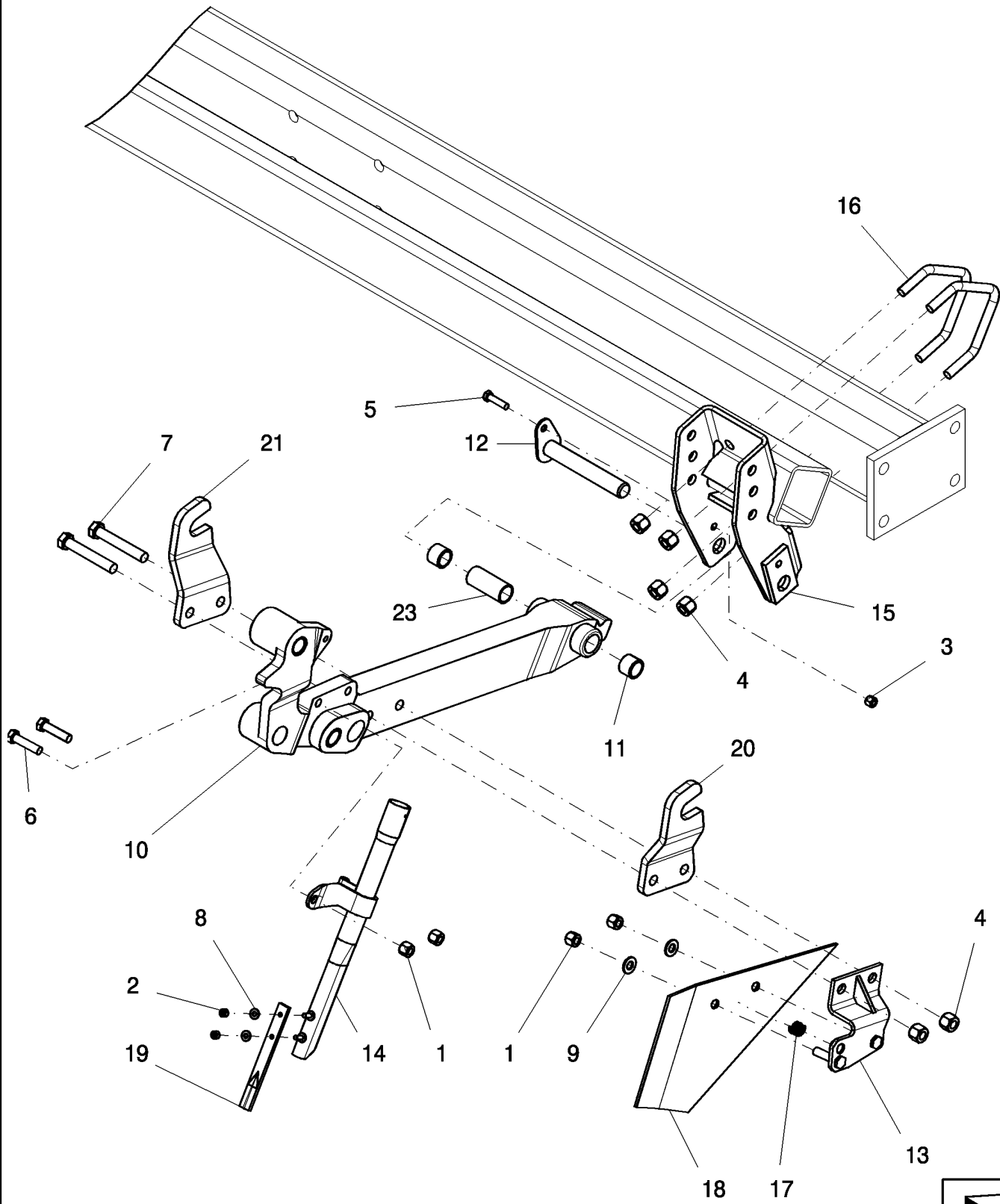
SDX40

4.011.1

p1

03/09

SEED TUBE, SCRAPER, ARM, AND MOUNT (ASN CBJ0007185)



SEED TUBE, SCRAPER, ARM, AND MOUNT (ASN CBJ0007185)

REF	FN	PART NUMBER	YR/SN	QTY	DESCRIPTION
1		87530607		4	NUT, 1/2"-13, GB
2		86625061		2	NUT, LOCK, 1/4"-20, GB
3		86625064		1	NUT, LOCK, 3/8"-16, GB
4		85700693		9	NUT, LOCK, 5/8"-11, GC
5		88044		1	BOLT, Hex, 3/8"-16 x 1 1/2", G5
6		9706716		3	BOLT, Hex, 1/2"-13 x 2", G5
7		86977740		2	BOLT, Hex, 5/8"-11 x 4", G5
8		87361		2	WASHER, 1/4", SAE
9		87364		2	WASHER, 1/2", SAE
10		87450260		1	ARM, mount RH
10		87505370		1	ARM, mount RH
10		87450259		1	ARM, mount LH
10		87505363		1	ARM, mount LH
11		64601C1		4	BUSHING, tension 1 1/4" x 1" x 1" long
12		349394A1		1	PIN, pivot
13		87462380		1	BRACKET, scraper RH
13		87462381		1	BRACKET, scraper LH
14		306085A1		1	TUBE, seed RH
14		306084A1		1	TUBE, seed LH
15		328011A1		1	MOUNTING PARTS, single disc
16		306071A1		2	BOLT, V .625 X 4 UNC GR5 YZD 5.44 WIDE, 1.25 LG THREAD
17		306242A1		1	SPRING, compression 2.49 mm wire x 21.59 mm od
18		350348A1		1	SCRAPER, blade RH
18		350347A1		1	SCRAPER, blade LH
19		306122A1		1	ACCESSORIES, uhmw tab 3/4" x 7" with holes
20		306219A1		1	BRACKET, spring pivot RH
21		306244A1		1	BRACKET, spring pivot LH
22		280-1434		1	SCREW, SELF TAPPING, Hex Wash Hd, #6 x 1/4"
23		87401407		1	SPACER, plastic 1 1/4" od x 3/32" w
100	1, 2	87505411		1	KIT, packer bushing update

(1) Not Shown

(2) Used on 87450259 and 87450260

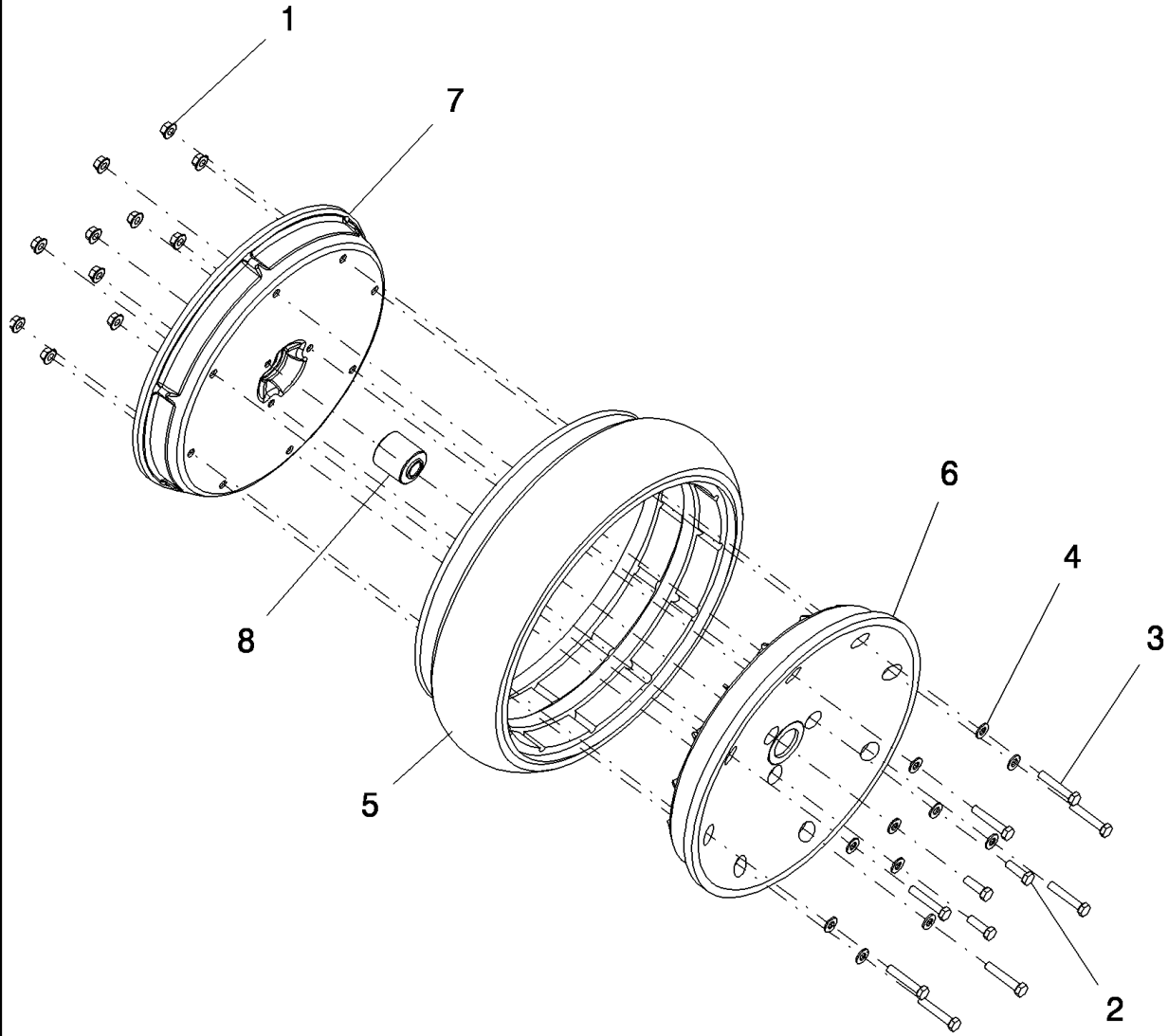
SDX40

4.020.1

p1

01/09

GAUGE WHEEL ASSEMBLY



GAUGE WHEEL ASSEMBLY

REF	FN	PART NUMBER	YR/SN	QTY	DESCRIPTION
0		306031A1		1	WHEEL, gauge 4 1/2" x 16"
1		145458		11	NUT, Flg, USR, 5/16"-18
2		9635884		3	BOLT, Hex, 5/16"-18 x 1", G5, Full Thd
3		9707515		8	BOLT, Hex, 5/16"-18 x 1 3/4", G5
4		87016603		11	WASHER, 7/16" x 11/16" x 1/16", Hnd
5		128633C1	Before 09/06	1	TYRE/TIRE, disc opener gauge wheel
5		87602293	From 10/06	1	TYRE/TIRE, 4.5 x 16 gauge
6		246676A1	Before 09/06	1	RIM, wheel, nylon
6		87604021	From 10/06	1	RIM, black nylon half, 16" cleaner wheel
7		249935A1	Before 09/06	1	WHEEL, nylon gauge
7		87604612	From 10/06	1	WHEEL, black steel half, 16" cleaner wheel
8		324461A1		1	BEARING, 16 mm bore x 40 mm wide

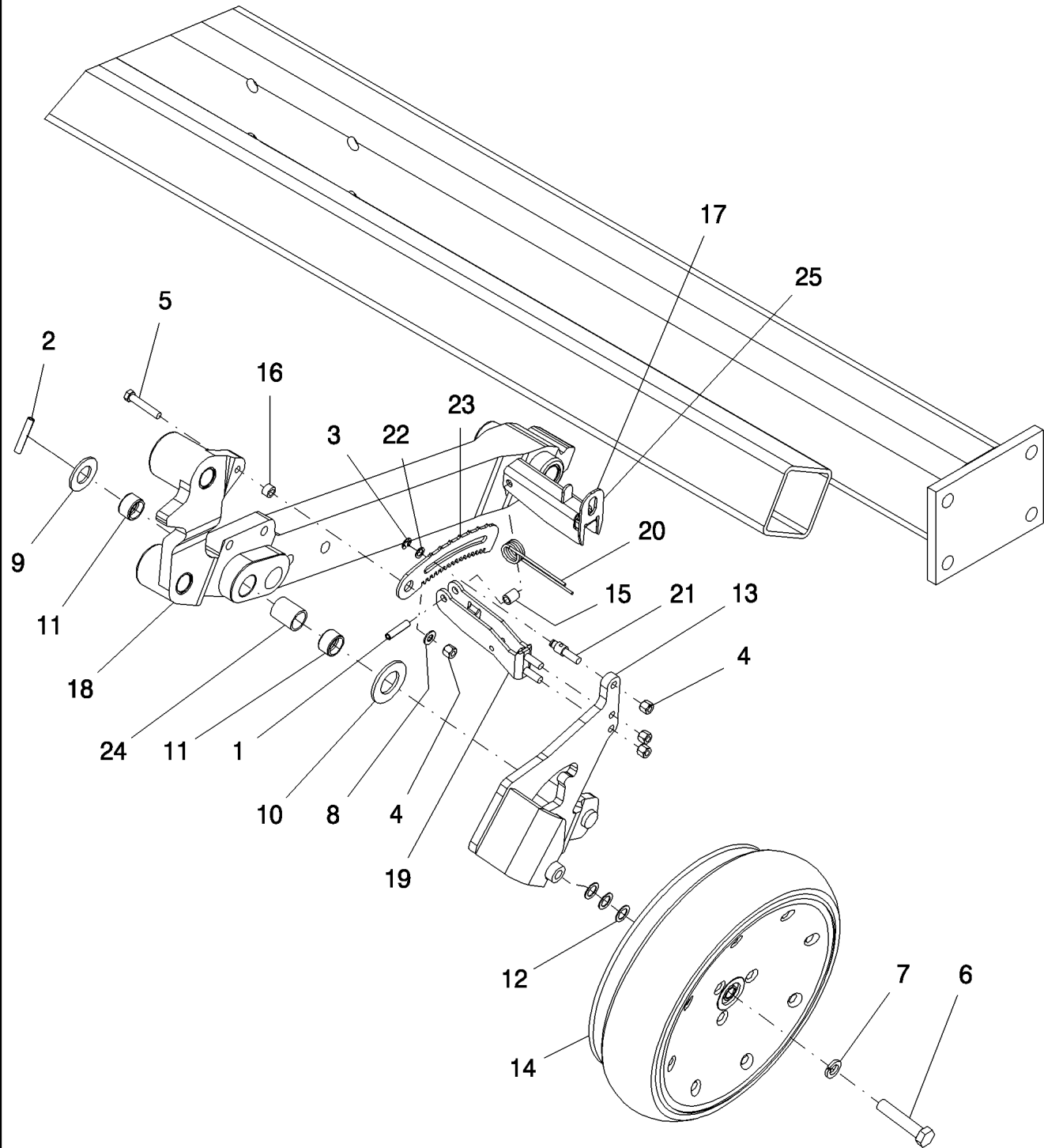
SDX40

4.030.1

p1

12/08

GAUGE WHEEL ARM ASSEMBLY (BSN CBJ0017332)



GAUGE WHEEL ARM ASSEMBLY (BSN CBJ0017332)

REF	FN	PART NUMBER	YR/SN	QTY	DESCRIPTION
1		86624090		1	PIN, 3/8" x 1 1/2", Coiled
2		438-22432		1	PIN, LOCK, 3/8" x 2", Slotted
3		86624102		1	RING, LOCKING, #37, .300" Dia, E-Type
4		86625064		4	NUT, LOCK, 3/8"-16, GB
5		88436		1	BOLT, Hex, 3/8"-16 x 2", G5
6		9827853		1	BOLT, Hex, 5/8"-11 x 3 1/4", G5
7		86729275		1	WASHER, LOCK, 5/8"
8		87016		1	WASHER, 3/8", SAE
9		87367		1	WASHER, 1", SAE
10		86512837		1	WASHER, 1 1/4", SAE
11		87500592		2	BUSHING, composite 1 1/4" x 1" x 3/4"
12		1017548		6	BUSHING, 5/8" ID x 1" OD
13	1	306234A2	Before 07/04	1	ARM, gauge wheel RH
13		87440752	From 08/04	1	ARM, gauge wheel RH
13		306136A2	Before 07/04	1	ARM, gauge wheel LH
13		87440750	From 08/04	1	ARM, gauge wheel LH
14		306031A1		1	WHEEL, gauge 4 1/2" x 16"
15		306118A1		1	SPACER, depth control
16		306119A1		1	SPACER, depth control bracket
17		306216A2		1	HANDLE, depth control
18	1	306228A1		1	ARM, mount RH
18		306133A1		1	ARM, mount LH
19		306249A1		1	BRACE, depth control
20		306255A2		1	SPRING, torsion 3.43 mm wire x 27.99 mm od LH
21		350610A1		1	PIN, SMALL, depth control 49 mm long
22		350749A1		1	WASHER, depth control
23		351047A1		1	BRACKET, depth control
24		351187A1		1	SPACER, plastic 1 2/8" od x 1 1/8" od x 1 1/64" id x 1 1/2" long
25	2	306117A2		1	HANDLE, assy depth control

(1) Shown

(2) Includes 306216A2, 306255A2, 306118A1, 306249A1 and 38-32424

Do NOT use in rocky conditions as they may break, in that case use 87627347 or 87627347. Refer to service bulletin 2007-09 NSESB00507.

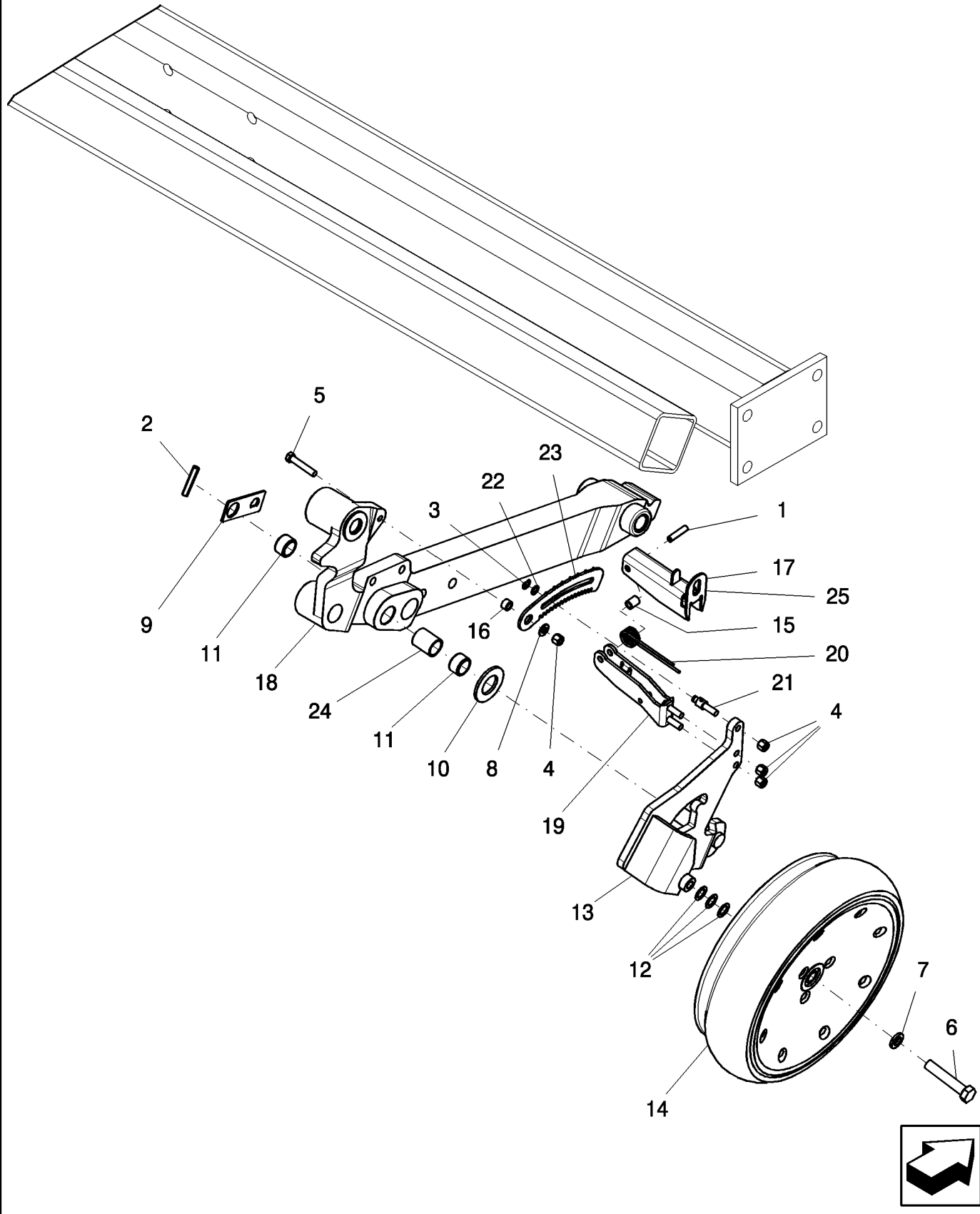
SDX40

4.031.1

p1

02/09

GAUGE WHEEL ARM ASSEMBLY (BTW CBJ0017333 AND CBJ0017458)



GAUGE WHEEL ARM ASSEMBLY (BTW CBJ0017333 AND CBJ0017458)

REF	FN	PART NUMBER	YR/SN	QTY	DESCRIPTION
1		86624090		1	PIN, 3/8" x 1 1/2", Coiled
2		438-22432		1	PIN, LOCK, 3/8" x 2", Slotted
3		86624102		1	RING, LOCKING, #37, .300" Dia, E-Type
4		86625064		4	NUT, LOCK, 3/8"-16, GB
5		88436		1	BOLT, Hex, 3/8"-16 x 2", G5
6		9827853		1	BOLT, Hex, 5/8"-11 x 3 1/4", G5
7		86729275		1	WASHER, LOCK, 5/8"
8		87016		1	WASHER, 3/8", SAE
9		439661A1		1	LOCK, spindle
10		86512837		1	WASHER, 1 1/4", SAE
11		87500592		2	BUSHING, composite 1 1/4" x 1" x 3/4"
12		1017548		3	BUSHING, 5/8" ID x 1" OD
13		87440752		1	ARM, gauge wheel RH
13		87440750		1	ARM, gauge wheel LH
14		306031A1		1	WHEEL, gauge 4 1/2" x 16"
15		306118A1		1	SPACER, depth control
16		306119A1		1	SPACER, depth control bracket
17		306216A2		1	HANDLE, depth control
18		87450260		1	ARM, mount RH
18		87505370		1	ARM, mount RH
18		87450259		1	ARM, mount LH
18		87505363		1	ARM, mount LH
19		306249A1		1	BRACE, depth control
20		306255A2		1	SPRING, torsion 3.43 mm wire x 27.99 mm od LH
21		350610A1		1	PIN, SMALL, depth control 49 mm long
22		350749A1		1	WASHER, depth control
23		351047A1		1	BRACKET, depth control
24		351187A1		1	SPACER, plastic 1 2/8" od x 1 1/8" od x 1 1/64" id x 1 1/2" long
25		306117A2		1	HANDLE, assy depth control
100	1, 2	87505411		1	KIT, packer bushing update

(1) Not Shown

(2) Used on 87450259 and 87450260

Do NOT use in rocky conditions as they may break, in that case use 87627347 or 87627347. Refer to service bulletin 2007-09 NSESB00507.

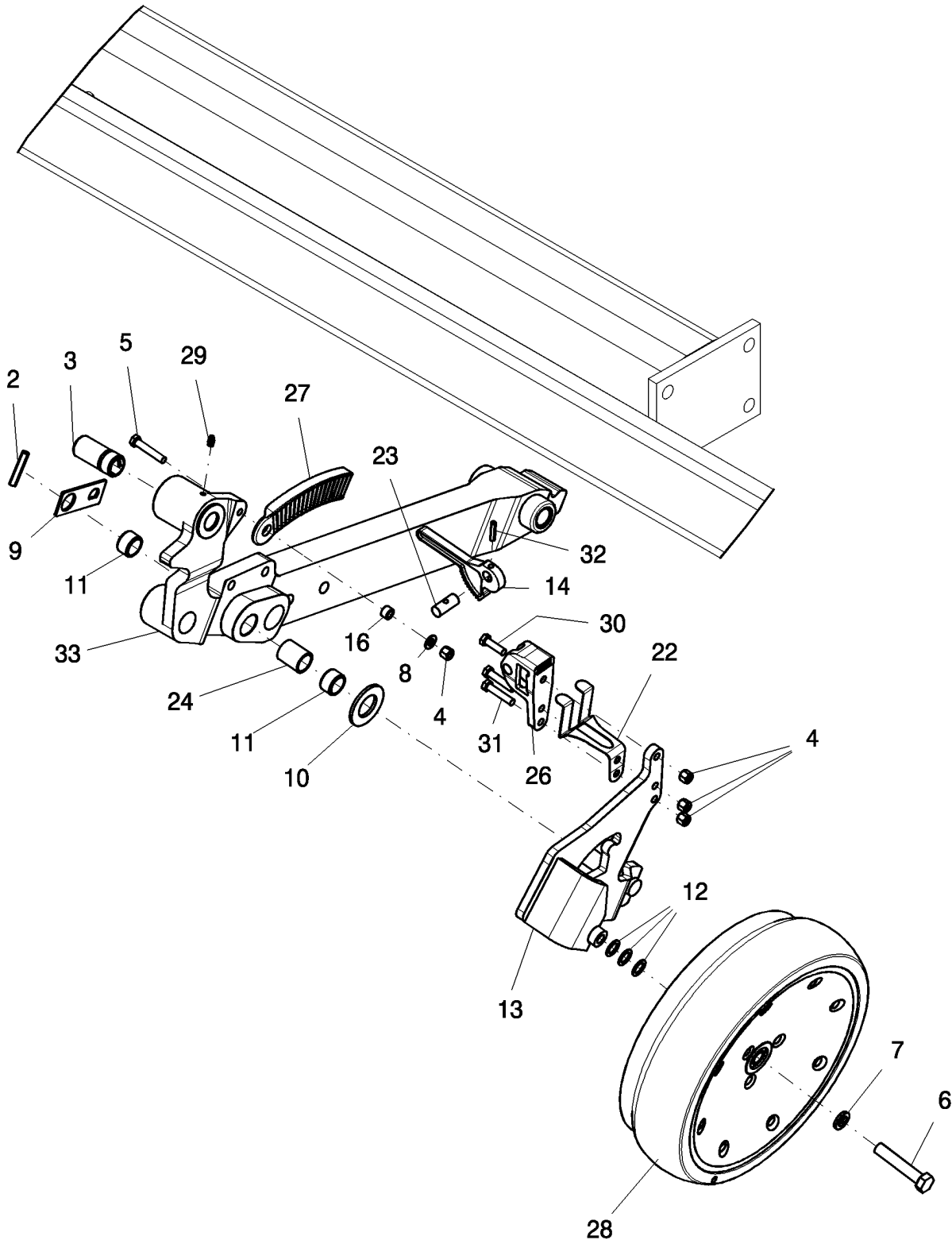
SDX40

4.032.1

p1

03/09

GAUGE WHEEL ARM ASSEMBLY (ASN CBJ0017459)



GAUGE WHEEL ARM ASSEMBLY (ASN CBJ0017459)

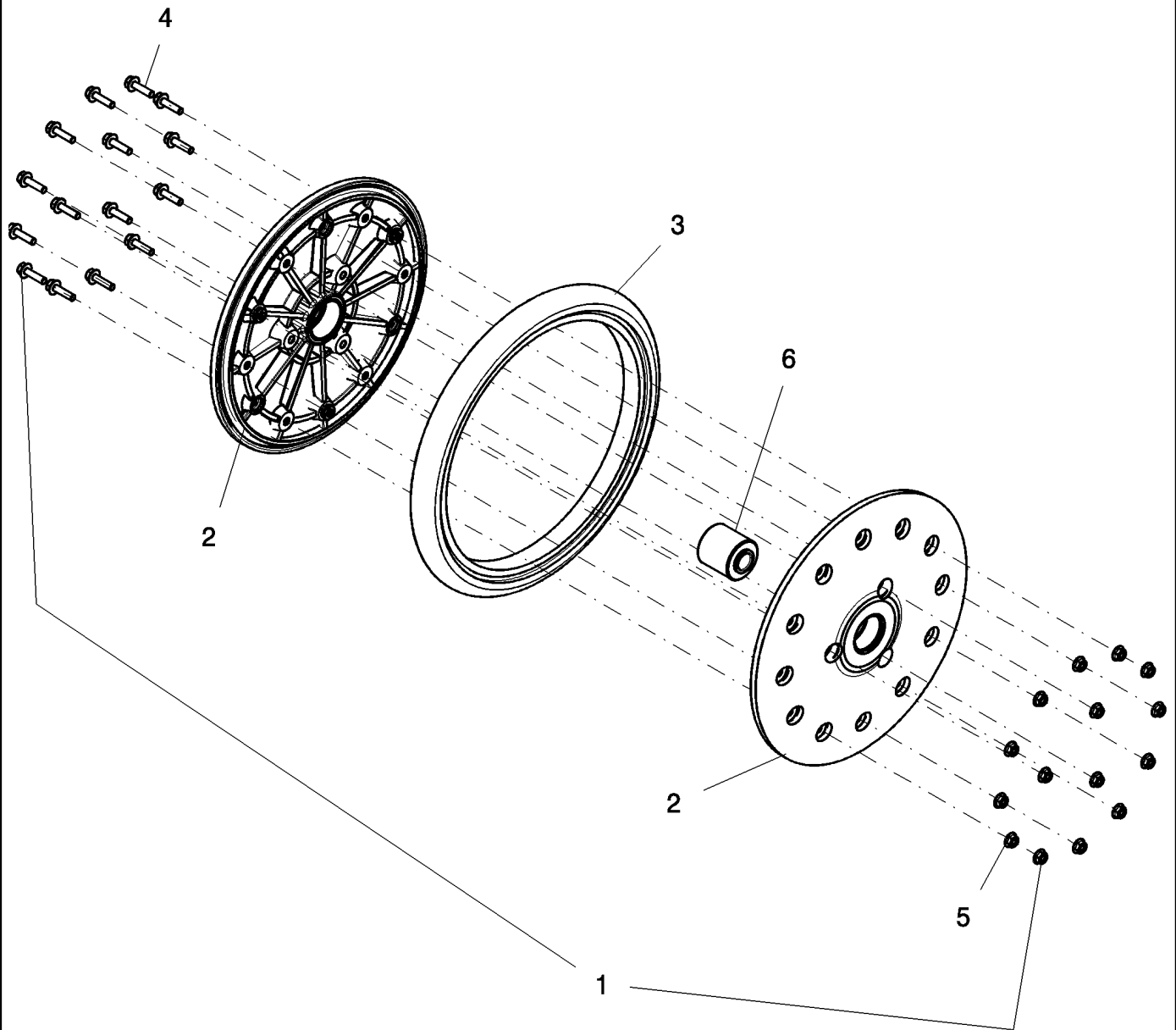
REF	FN	PART NUMBER	YR/SN	QTY	DESCRIPTION
3		87504961		1	BUSHING, tension 1 1/4" x 1" x 2 3/4" long
4		86625064		4	NUT, LOCK, 3/8"-16, GB
5		87790098		1	SCREW, Hex, 3/8"-16 x 2", G5
6		9827853		1	BOLT, Hex, 5/8"-11 x 3 1/4", G5
7		86729275		1	WASHER, LOCK, 5/8"
8		87016		1	WASHER, 3/8", SAE
9		439661A1		1	LOCK, spindle
10		86512837		1	WASHER, 1 1/4", SAE
11		87500592		2	BUSHING, composite 1 1/4" x 1" x 3/4"
12		1017548		3	BUSHING, 5/8" ID x 1" OD
13		87440752		1	ARM, gauge wheel RH
14		87516551		1	HANDLE, cam adjusting
16		306119A1		1	SPACER, depth control bracket
22		87516552		1	CATCH, spring clip
23		87516556		1	PIN, PIVOT, cam handle
24		351187A1		1	SPACER, plastic 1 2/8" od x 1 1/8" od x 1 1/64" id x 1 1/2" long
26		87516670		1	BLOCK, depth adjusting
27	1	87517082		1	LINK, depth adjusting, RH
27	2	87516659		1	LINK, depth adjusting, LH
28		87604747		1	WHEEL ASSY, 4.5 X 16 gauge nylon
29		87414		1	NIPPLE, LUBE, 1/4"-28 x .56" lg, Drive
30		88011		1	BOLT, Hex, 3/8"-16 x 1 1/4", G5, Full Thd
31		9706689		2	BOLT, Hex, 3/8"-16 x 1 3/4", G5
32		438-11620		1	PIN, LOCK, 1/4" x 1 1/4", Slotted
33	1	87505370		1	ARM, mount RH
33	2	87505363		1	ARM, mount LH

(1) Shown

(2) Not Shown

SDX40

PACKER WHEEL ASSEMBLY



4.040.1

p1

06/08

PACKER WHEEL ASSEMBLY

REF	FN	PART NUMBER	YR/SN	QTY	DESCRIPTION
1		87695406		1	WHEEL, 1" x 12" nylon/rubber
2		87746243		2	RIM, 1" x 12" nylon
3		87461340		1	TYRE/TIRE, 1 x 12 rubber
4		86544366		15	BOLT, Hex Flg, 1/4"-20 x 1", G5, Full Thd
5		87034810		15	NUT, LOCK, 1/4"-20, GA
6		306007A1		1	BEARING, 16 mm bore x 40 mm wide

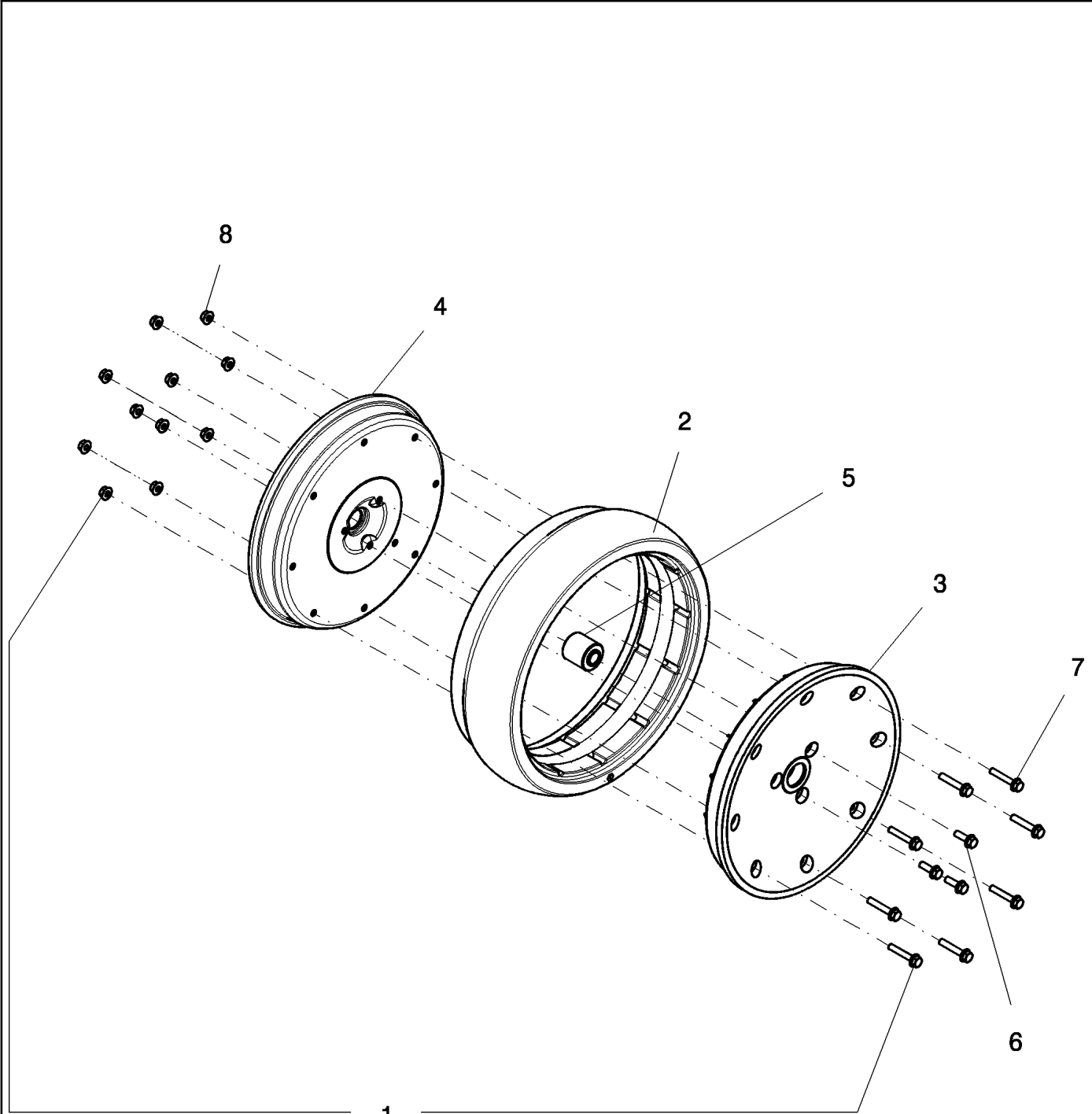
SDX40

4.041.1

p1

03/09

WHEEL 4 1/2" X 16" - 87604747 ASSEMBLY



WHEEL 4 1/2" X 16" - 87604747 ASSEMBLY

REF	FN	PART NUMBER	YR/SN	QTY	DESCRIPTION
1		87604747		1	WHEEL ASSY, 4.5 X 16 gauge nylon
2		87602293		1	TYRE/TIRE, 4.5 x 16 gauge
3		87604021		1	RIM, black nylon half, 16" cleaner wheel
4		87604612		1	WHEEL, black steel half, 16" cleaner wheel
5		306007A1		1	BEARING, 16 mm bore x 40 mm wide
6		9671714		3	BOLT, Hex Flg, M8 x 25, 8.8
7		86609280		8	BOLT, Hex Flg, M8 x 45, 8.8
8		832-4748		11	NUT, LOCK, M8 x 1.25, Flg, CI 8

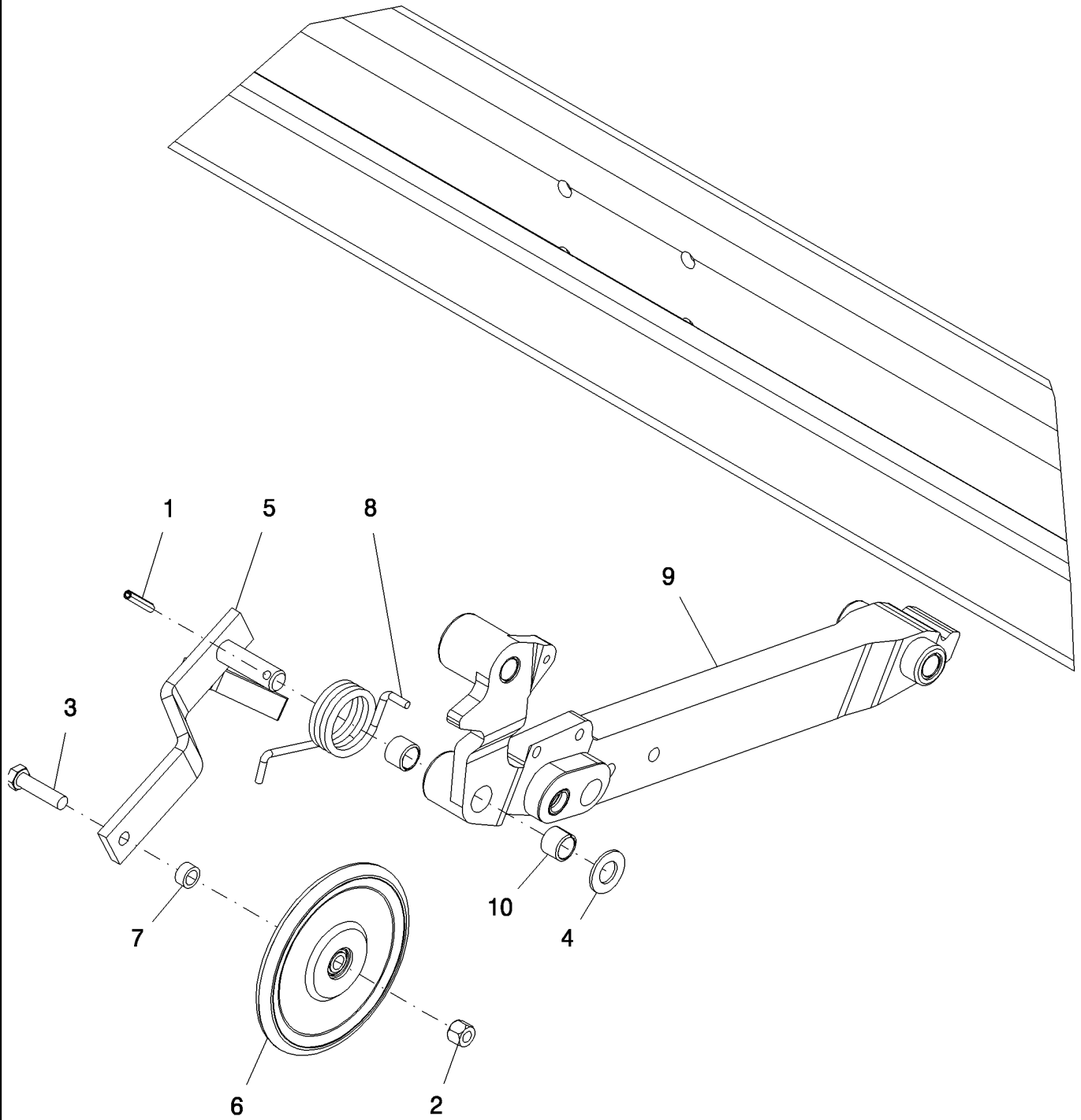
SDX40

4.050.1

p1

03/09

SEED LOCK WHEEL ARM ASSEMBLY



SEED LOCK WHEEL ARM ASSEMBLY

REF	FN	PART NUMBER	YR/SN	QTY	DESCRIPTION
1		438-22432		1	PIN, LOCK, 3/8" x 2", Slotted
2		85700693		1	NUT, LOCK, 5/8"-11, GC
3		280233		1	BOLT, Hex, 5/8"-11 x 2 1/2", G8
4		87367		1	WASHER, 1", SAE
5	1	306241A1		1	ARM, seed lock RH
5		306130A1		1	ARM, seed lock LH
6		306145A1		1	WHEEL ASSY., poly 9" od
7		306146A1		1	SPACER, 11/16" x 1" x 1/2"
8	1	306231A1		1	SPRING, torsion 5/16" wire x 2 1/2" id RH
8		306223A1		1	SPRING, torsion 5/16" wire x 2 1/2" id LH
9	1	306228A1	BSN CBJ0007184	1	ARM, mount RH
9		87450260	ASN CBJ0007185	1	ARM, mount RH
9		87505370		1	ARM, mount RH
9		306133A1	BSN CBJ0007184	1	ARM, mount LH
9		87450259	ASN CBJ0007185	1	ARM, mount LH
9		87505363		1	ARM, mount LH
10		64601C1		2	BUSHING, tension 1 1/4" x 1" x 1" long
100	2,3	87505411		1	KIT, packer bushing update

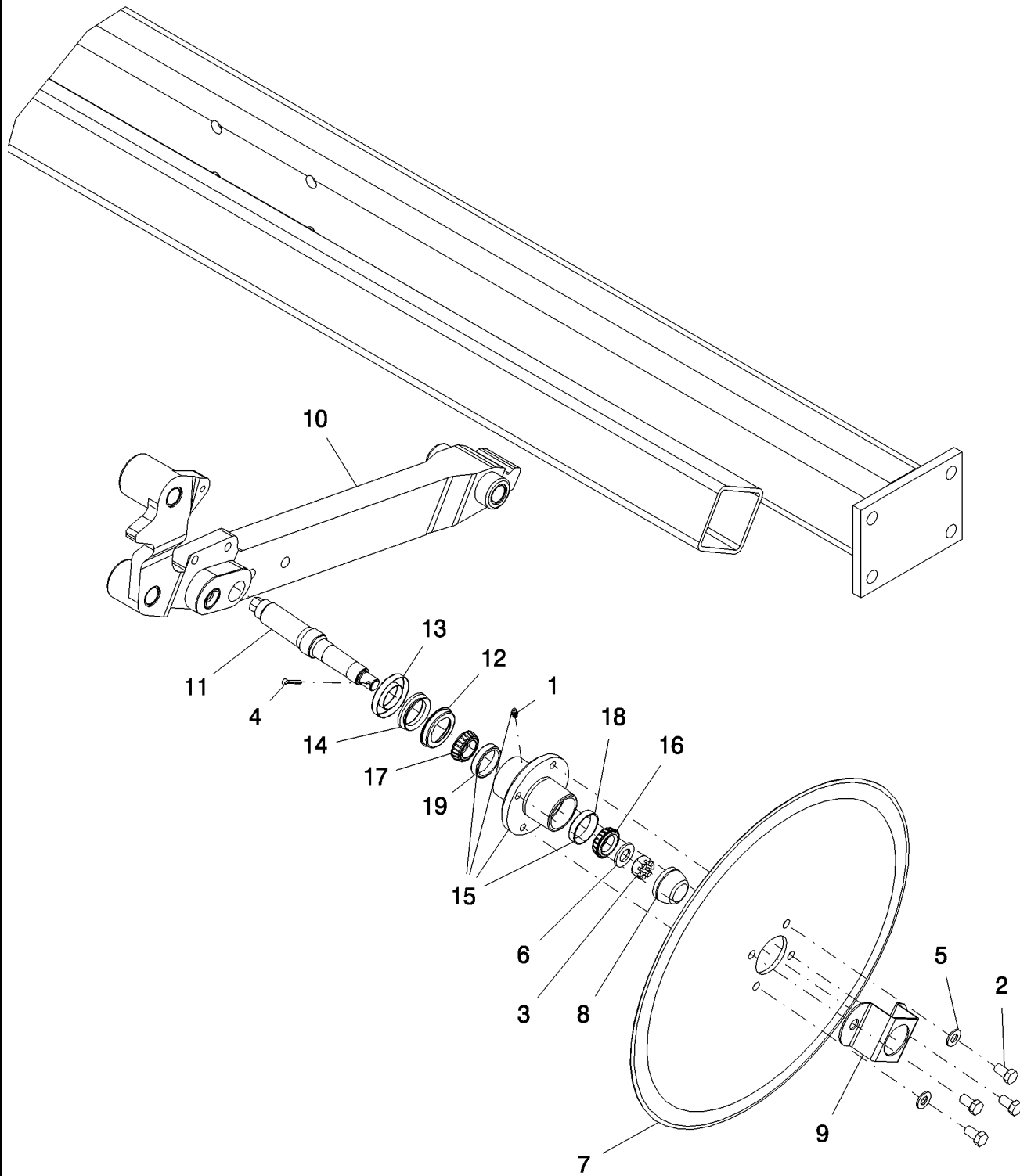
(1) Shown

(2) Not Shown

(3) Used on 87450259 and 87450260

SDX40

SPINDLE, DISC, AND HUB ASSEMBLY (BSN CBJ0017332)



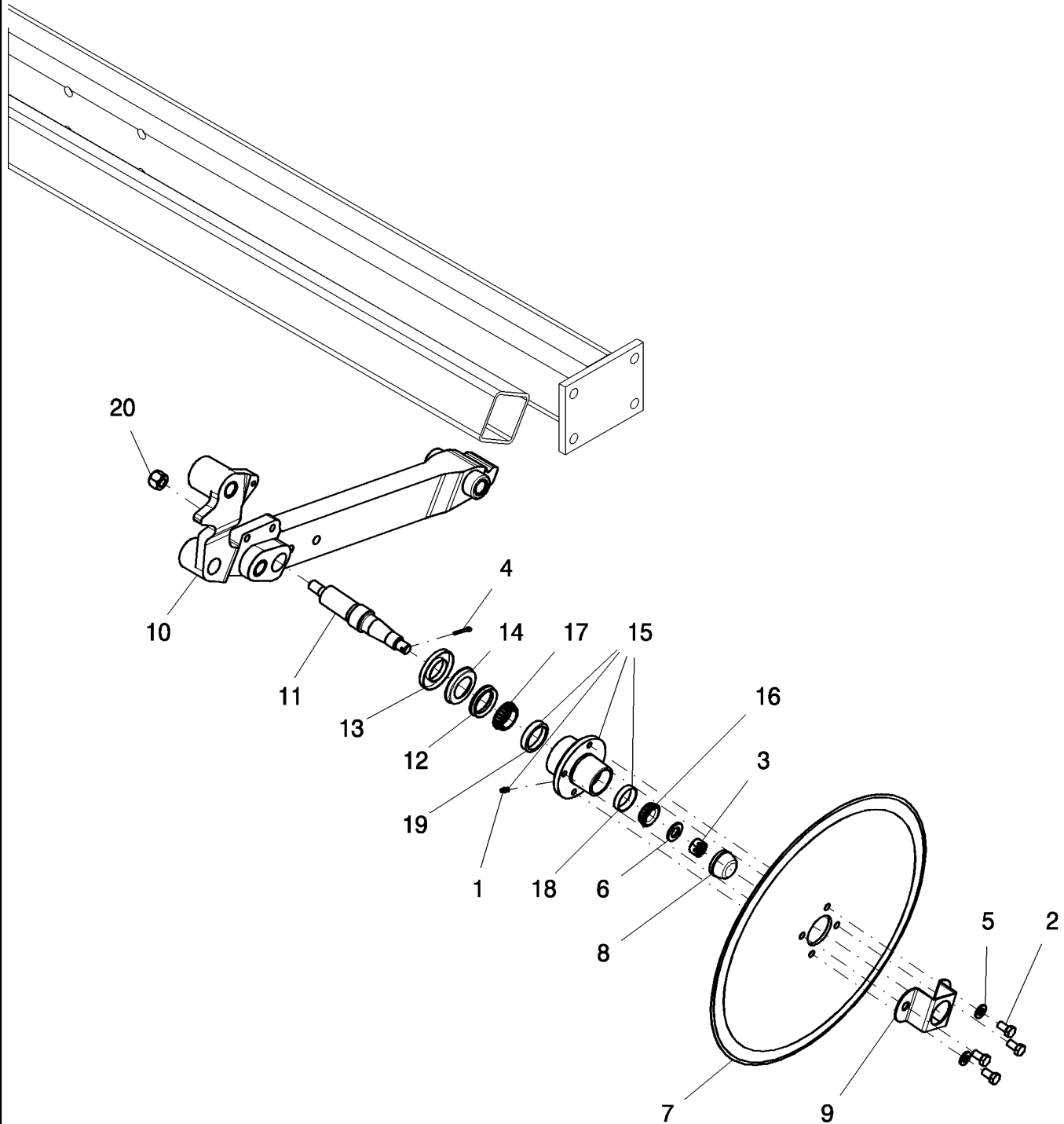
SPINDLE, DISC, AND HUB ASSEMBLY (BSN CBJ0017332)

REF	FN	PART NUMBER	YR/SN	QTY	DESCRIPTION
1		86504104		1	NIPPLE, LUBE, 1/4" x .56" lg, Drive
2		414-814		4	BOLT, Hex, 1/2"-20 x 7/8", G5, Full Thd
3		86632554		1	NUT, SLOTTED, 3/4"-16, G5
4		87398		1	PIN, SPLIT (COTTER), 3/16" x 1 1/4"
5		87364		2	WASHER, 1/2", SAE
6		87381		1	WASHER, 3/4", SAE
7		306001A1		1	DISC, 22 1/2" straight opener
8		306108A1		1	CAP, hub H211
9		306111A1		1	GUARD, dust cap
10	1	306228A1		1	ARM, mount RH
10		306133A1		1	ARM, mount LH
11	1	439176A1		1	SPINDLE, single disc RH
11		439175A1		1	SPINDLE, single disc LH
12		439177A1		1	INSERT, seal face
13		439178A1		1	GUARD, hub grass wrap
14		439179A1		1	SEAL, RUBBER, bearing nitrile
15		439232A1		1	HUB ASSY., H211-12 assembly with cups and zerk
16		572563R1		1	BEARING, CONE #L44649
17		340988A1		1	BEARING, CONE, #L45449
18		132709		1	BEARING, CUP, #L44610
19		340987A1		1	BEARING, CUP, #L45410

(1) Shown

SDX40

SPINDLE, DISC, AND HUB ASSEMBLY (ASN CBJ0017333)



SPINDLE, DISC, AND HUB ASSEMBLY (ASN CBJ0017333)

REF	FN	PART NUMBER	YR/SN	QTY	DESCRIPTION
1		86504104		1	NIPPLE, LUBE, 1/4" x .56" lg, Drive
2		414-814		4	BOLT, Hex, 1/2"-20 x 7/8", G5, Full Thd
3		86632554		1	NUT, SLOTTED, 3/4"-16, G5
4		87398		1	PIN, SPLIT (COTTER), 3/16" x 1 1/4"
5		87364		2	WASHER, 1/2", SAE
6		87381		1	WASHER, 3/4", SAE
7		306001A1		1	DISC, 22 1/2" straight opener
8		306108A1		1	CAP, hub H211
9		306111A1		1	GUARD, dust cap
10		87450260		1	ARM, mount RH
10		87505370		1	ARM, mount RH
10		87450259		1	ARM, mount LH
10		87505363		1	ARM, mount LH
11		439655A1		1	SPINDLE, single disc
12		87421648		1	SEAL, bearing
13		439658A1		1	GUARD, hub grass wrap
14		439657A1		1	INSERT, seal face
15		439653A1		1	HUB, assembly 4 bolt with cups and zerk
16		572563R91		1	BEARING, CONE, #L44649
17		175507		1	BEARING, CONE, TAPER ROLLER
18		132709		1	BEARING, CUP, #L44610
19		536054R1		1	BEARING, CUP, TM#L68111
20		280375		1	NUT, LOCK, 3/4"-10, GC
100		87452745		AR	TOOL, GENERAL, seal enclosure install
100	1, 2	87505411		1	KIT, packer bushing update

(1) Not Shown

(2) Used on 87450259 and 87450260

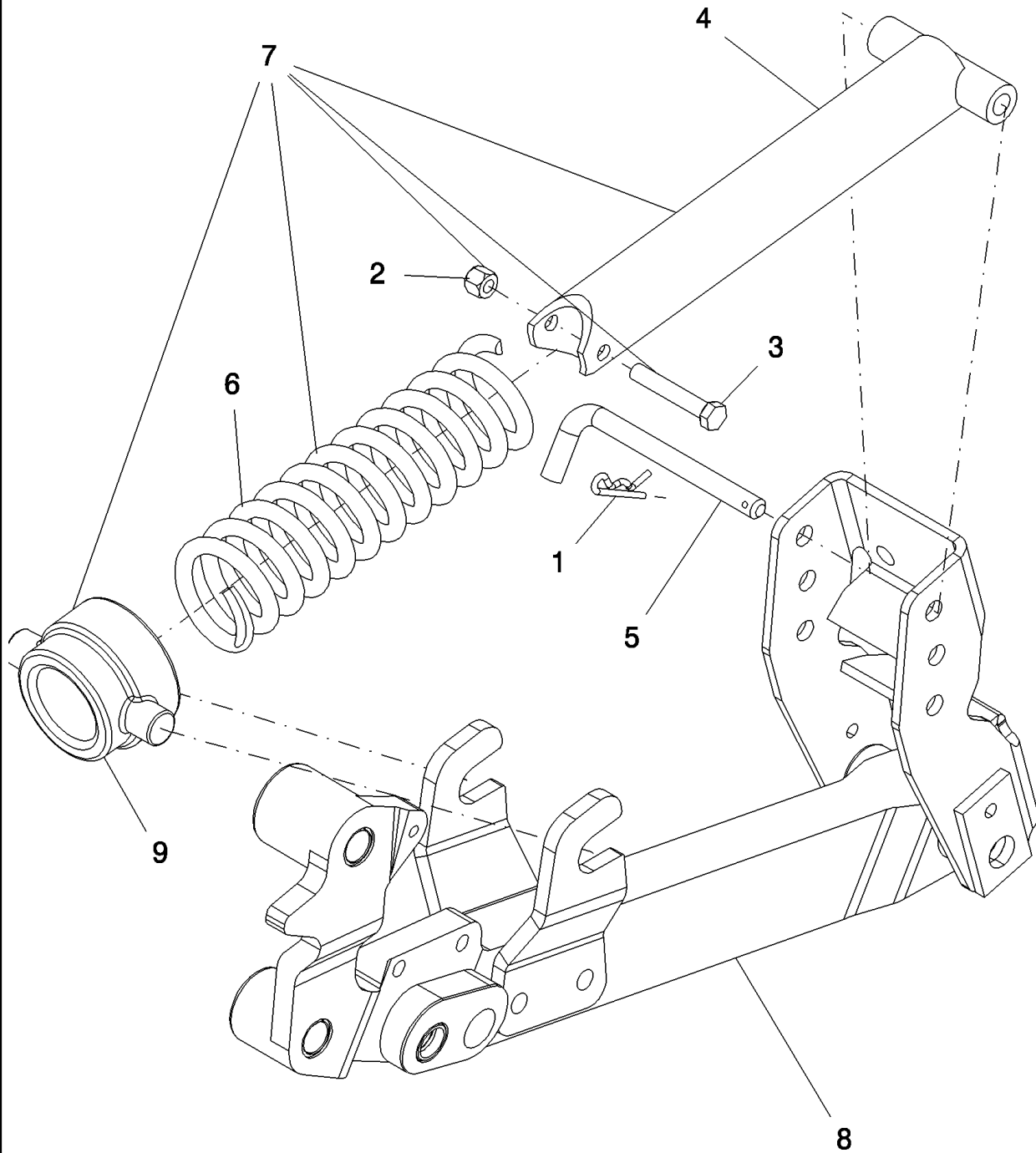
SDX40

4.070.1

p1

02/09

SPRING ASSEMBLY



SPRING ASSEMBLY

REF	FN	PART NUMBER	YR/SN	QTY	DESCRIPTION
1		136-163		1	PIN, SPLIT (COTTER), Int, 5/16" x .177
2		87530607		1	NUT, 1/2"-13, GB
3		87339		1	BOLT, Hex, 1/2"-13 x 3", G5
4		306206A1		1	TUBE, guide spring assembly
5		306078A1		1	PIN, spring adjustment
6		306095A1		1	SPRING, compression 1/2" wire 3 1/2" od x 13" long
7		306205A1		1	SPRING, compression single disc (Order Components)
8	1	306228A1	BSN CBJ0007184	1	ARM, mount RH
8		87450260	ASN CBJ0007185	1	ARM, mount RH
8		87505370		1	ARM, mount RH
8		306133A1	BSN CBJ0007184	1	ARM, mount LH
8		87450259	ASN CBJ0007184	1	ARM, mount LH
8		87505363		1	ARM, mount LH
9		350418A1		1	COLLAR, spring cast
100	2,3	87505411		1	KIT, packer bushing update

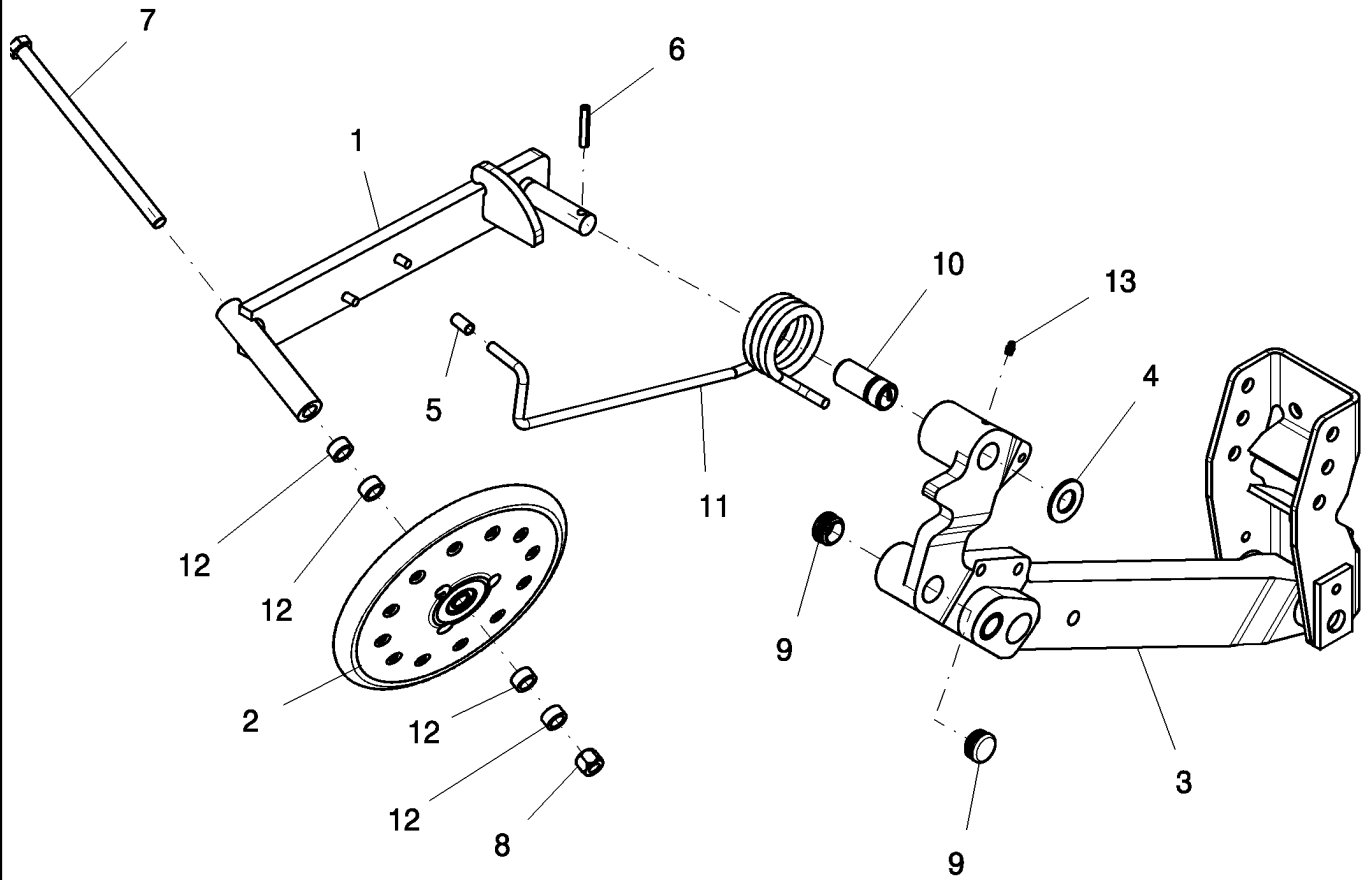
(1) Shown

(2) Not Shown

(3) Used on 87450259 and 87450260

SDX40

PACKER WHEEL ARM ASSEMBLY



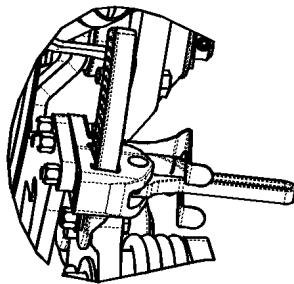
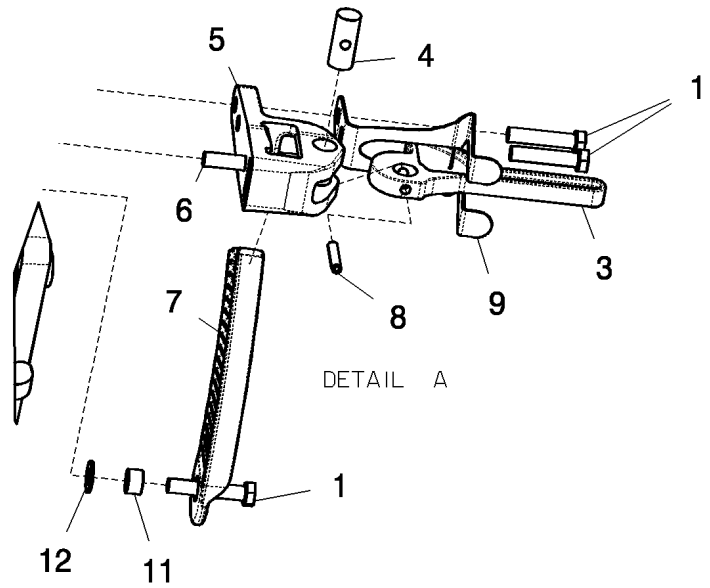
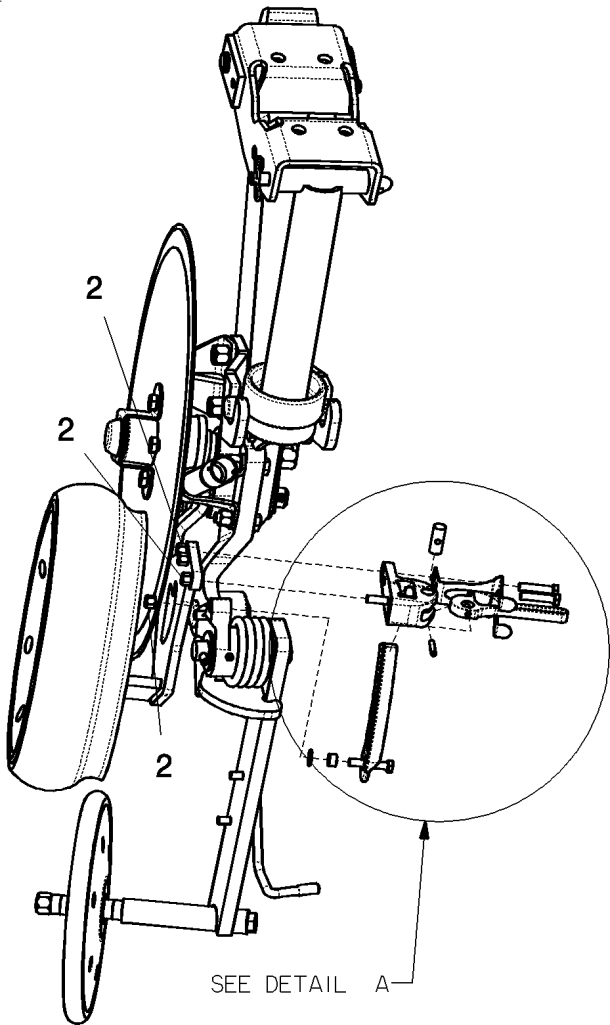
PACKER WHEEL ARM ASSEMBLY

REF	FN	PART NUMBER	YR/SN	QTY	DESCRIPTION
1	1	306239A1		1	ARM, mount assembly RH
1	2	306128A1		1	ARM, mount assembly LH
2		87695406		1	WHEEL, 1" x 12" nylon/rubber
3	1	306228A1		1	ARM, mount RH
3		306133A1		1	ARM, mount LH
4		87367		1	WASHER, 1", SAE
5		350587A1		1	CAP, PVC 10.31ID X 25 MM RED
6		438-22432		1	PIN, LOCK, 3/8" x 2", Slotted
7		413-10176		1	BOLT, Hex, 5/8"-11 x 11", G5
8		85700693		1	NUT, LOCK, 5/8"-11, GC
9		439225A1		2	PLUG, seed lock
10		64601C1	Before 11/05	2	BUSHING, tension 1 1/4" x 1" x 1" long
10		87504961	From 12/05	1	BUSHING, tension 1 1/4" x 1" x 2 3/4" long
11	1	306230A1		1	SPRING, torsion 7/16" wire x 2 3/4" id RH
11	2	306220A1		1	SPRING, torsion 7/16" wire x 2 3/4" id LH
12		306146A1		4	SPACER, 11/16" x 1" x 1/2"
13		87414		1	NIPPLE, LUBE, 1/4"-28 x .56" lg, Drive

- (1) Shown
- (2) Not Shown

SDX40

DEPTH HANDLE UPDATE



DEPTH HANDLE UPDATE

REF	FN	PART NUMBER	YR/SN	QTY	DESCRIPTION
0		87627347		1	KIT, depth gage assy, RH
0		87627348		1	KIT, depth gage assy, LH
1		9706689		2	BOLT, Hex, 3/8"-16 x 1 3/4", G5
2		86625064		3	NUT, LOCK, 3/8"-16, GB
3		87516551		1	HANDLE, cam adjusting
4		87516556		1	PIN, PIVOT, cam handle
5		87516670		1	BLOCK, depth adjusting
6		88011		1	BOLT, Hex, 3/8"-16 x 1 1/4", G5, Full Thd
7		87516659		1	LINK, depth adjusting, LH
7		87517082		1	LINK, depth adjusting, RH
8		438-11620		1	PIN, LOCK, 1/4" x 1 1/4", Slotted
9		87516552		1	CATCH, spring clip
11		306119A1		1	SPACER, depth control bracket
12		87016		1	WASHER, 3/8", SAE
100		87611225		1	INSTRUCTION, depth update

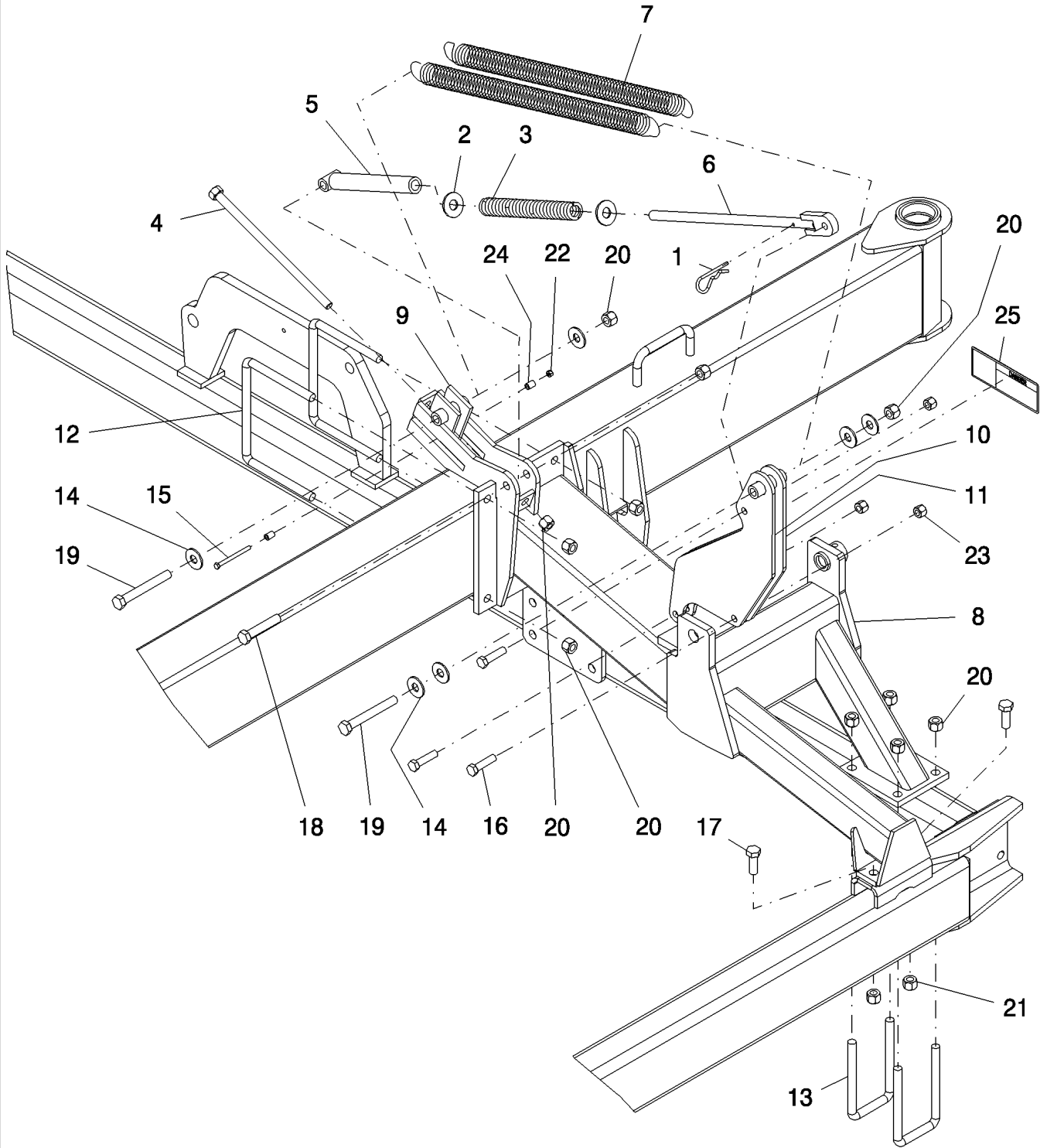
SDX40

SECTION INDEX

Options

5.010.1	ENDMARKER MOUNTS
5.020.1	ENDMARKER INNER BI-FOLD
5.030.1	ENDMARKER OUTER BI-FOLD
5.040.1	ENDMARKER BI-FOLD AND HUB ASSEMBLY
5.050.1	ENDMARKER HYDRAULICS
5.060.1	ENDMARKER HYDRAULIC CYLINDER 2 1/2" X 12" - 2500 PSI

ENDMARKER MOUNTS



ENDMARKER MOUNTS

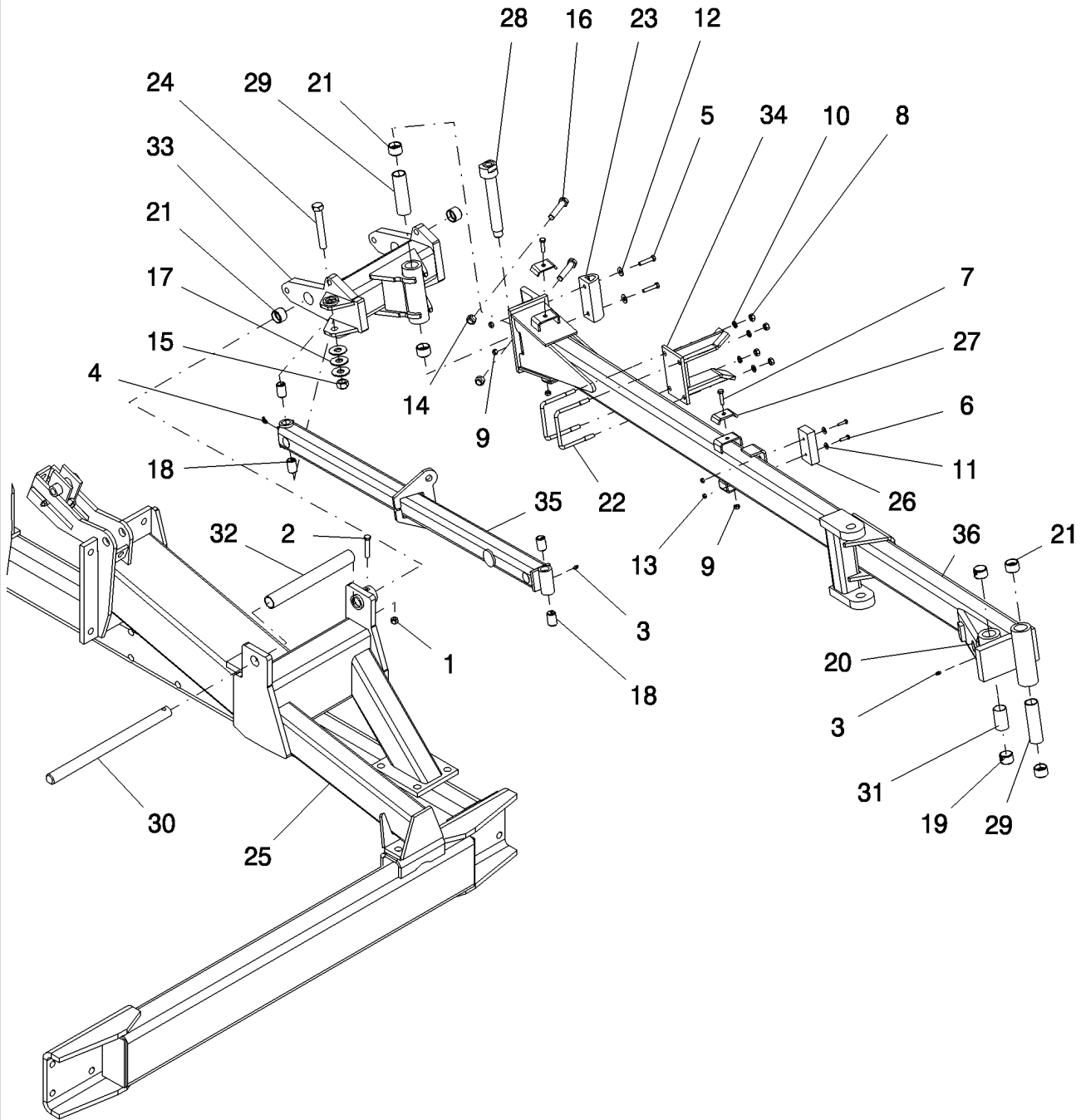
REF	FN	PART NUMBER	YR/SN	QTY	DESCRIPTION
1		3682		1	PIN, SPLIT (COTTER), hairpin, .243" x 4"
2		495-21094		2	WASHER, 7/8"
3		87505302		1	SPRING, C 5/16" wire x 1 5/8" od x 12 1/2" long
4		TM-158		1	BOLT, 3/4"-8 x 15", full thread
5		87660739		1	TUBE, receiver cushion spring
6		87660740		1	ROD, cushion mount
7		87505301		2	SPRING, TENSION, .406 x 2 3/8" x 28 1/2"
8	1	425507A1		1	MOUNTING PARTS, endmarker RH
8	2	425522A1		1	MOUNTING PARTS, endmarker LH
9		425521A1		1	BRACKET, adjuster spring assist
10		425523A1		1	LEVER, LH
11		425525A1		1	LEVER, RH
12		425868A1		2	U-BOLT, us 3/4"-10 10 5/32" w 8" d -G5 2" thread
13		425867A1		2	U-BOLT, us 3/4"-10 4 1/16" w 8" d -G5 2" thread
14		86511191		6	WASHER, 3/4"
15		88964		1	BOLT, Hex, 5/16"-18 x 4", G5
16		280233		3	BOLT, Hex, 5/8"-11 x 2 1/2", G8
17		426-1232		2	BOLT, Hex, 3/4"-10 x 2", G8
18		280210		1	SCREW, Hex, 3/4"-10 x 4", G5
19		280120		2	BOLT, Hex, 3/4"-10 x 6", G5
20		280375		12	NUT, LOCK, 3/4"-10, GC
21		280375		2	NUT, LOCK, 3/4"-10, GC
22		86632546		1	NUT, LOCK, 7/8"-14, GC
23		85700693		3	NUT, LOCK, 5/8"-11, GC
24		425584A1		2	SPACER, tube
25		23251		1	DECAL, endmarker hazard

(1) Shown

(2) Not Shown

SDX40

ENDMARKER INNER BI-FOLD



ENDMARKER INNER BI-FOLD

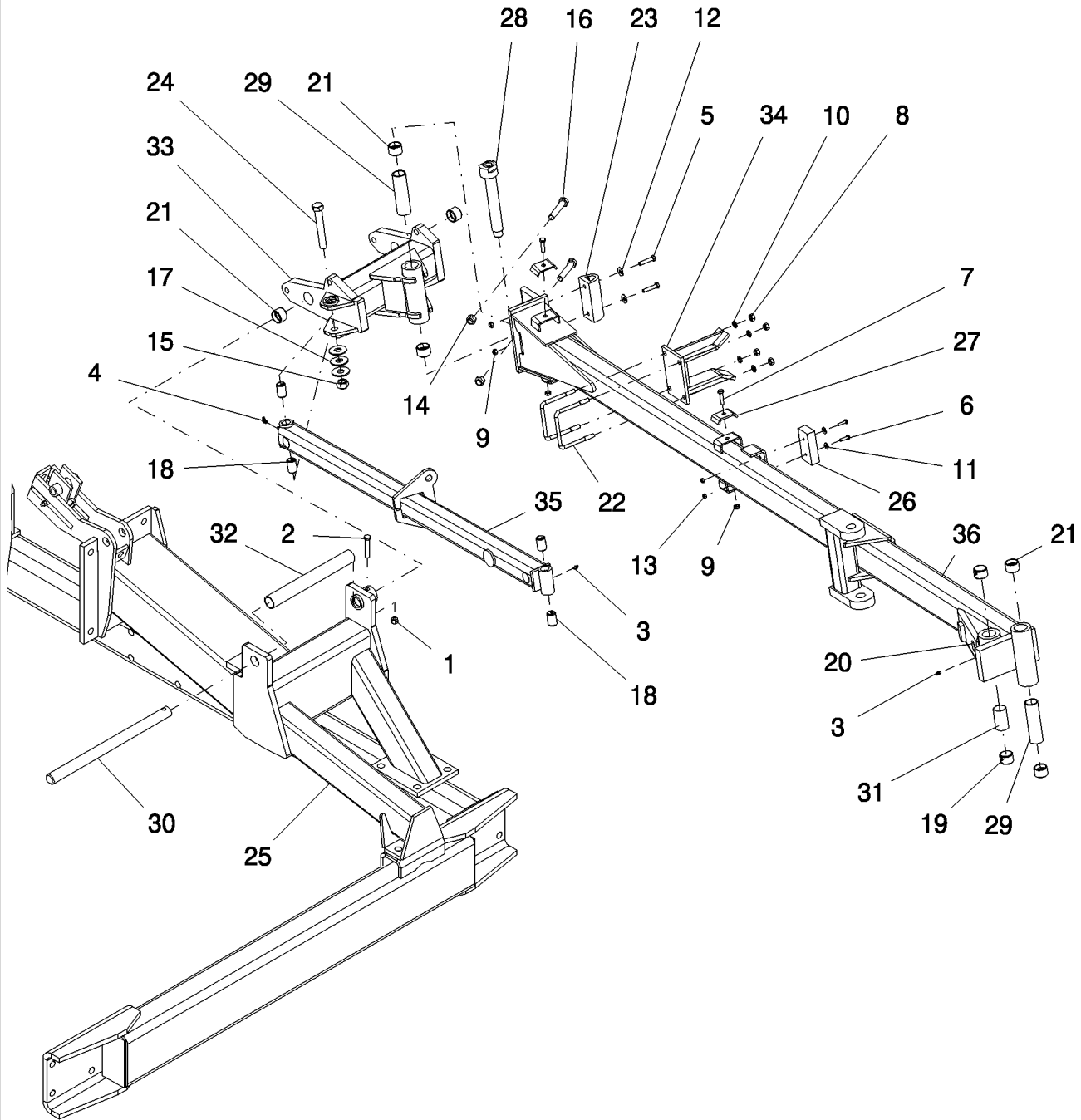
REF	FN	PART NUMBER	YR/SN	QTY	DESCRIPTION
1		280980		1	NUT, LOCK, 7/16"-14, GC
2		88604		1	BOLT, Hex, 7/16"-14 x 2 1/2", G5
3		87414		2	NIPPLE, LUBE, 1/4"-28 x .56" lg, Drive
4		87415		1	NIPPLE, LUBE, 90°, 1/4" NPT x .75" lg, Drive
5		9706689		2	BOLT, Hex, 3/8"-16 x 1 3/4", G5
6		86505867		2	BOLT, Hex, 1/4"-20 x 1", G5
7		88044		2	BOLT, Hex, 3/8"-16 x 1 1/2", G5
8		280717		4	NUT, 7/16"-14, G5
9		88902		4	NUT, LOCK, 3/8"-16, GC
10		81547		4	WASHER, LOCK, 7/16"
11		80701		2	WASHER, 1/4"
12		80702		2	WASHER, 3/8"
13		280129		2	NUT, LOCK, 1/4"-20, GC
14		85700693		2	NUT, LOCK, 5/8"-11, GC
15		280375		1	NUT, LOCK, 3/4"-10, GC
16		280119		2	BOLT, Hex, 5/8"-11 x 3 1/2", G5
17		86511191		3	WASHER, 3/4"
18		3929		4	BUSHING, tension 1" x 3/4" x 1 1/2" long
19		87505190		2	BUSHING, tension 1 1/2" x 1 1/4" x 1"
20		6566		3	DECAL, grease 50 hours
21		87420247		6	BUSHING, gar mgl 1 1/2" x 1 1/4" x 1" polygon
22		8598		2	U-BOLT, us 7/16"-14 4 1/8" w 4 1/4" d G5
23		408657A1		1	BUMPER, pad, rubber, D-shape 2 1/8" w x 1 7/8" h x 5" long
24		23583		1	BOLT, 3/4"-10 x 5" -G5 5/8" thread
25	1	425507A1		1	MOUNTING PARTS, endmarker RH
25	2	425522A1		1	MOUNTING PARTS, endmarker LH
26		CA-250		1	PAD, stop, bifold endmarker
27		CC-105		2	CLAMP, HOSE, for 2 hoses
28		87661322		1	PIN, offset
29		NN-361		2	SPACER, 1 1/2" od x 3/32" thick x 1/2" long
30		87661321		1	PIN, 31.75 mm x 458 mm
31		TM-115		1	SPACER, tube, pivot link

(1) Shown

(2) Not Shown

SDX40

ENDMARKER INNER BI-FOLD



ENDMARKER INNER BI-FOLD

REF	FN	PART NUMBER	YR/SN	QTY	DESCRIPTION
32		TM-132		1	SPACER, tube, horizontal pivot
33		TM-167		1	BRACKET, main mount knuckle, bifold
34		87430037		1	PLATE, spreader
35		TM-210		1	LINK, inner breakaway
36		TM-100V2		1	BOOM, main, endmarker

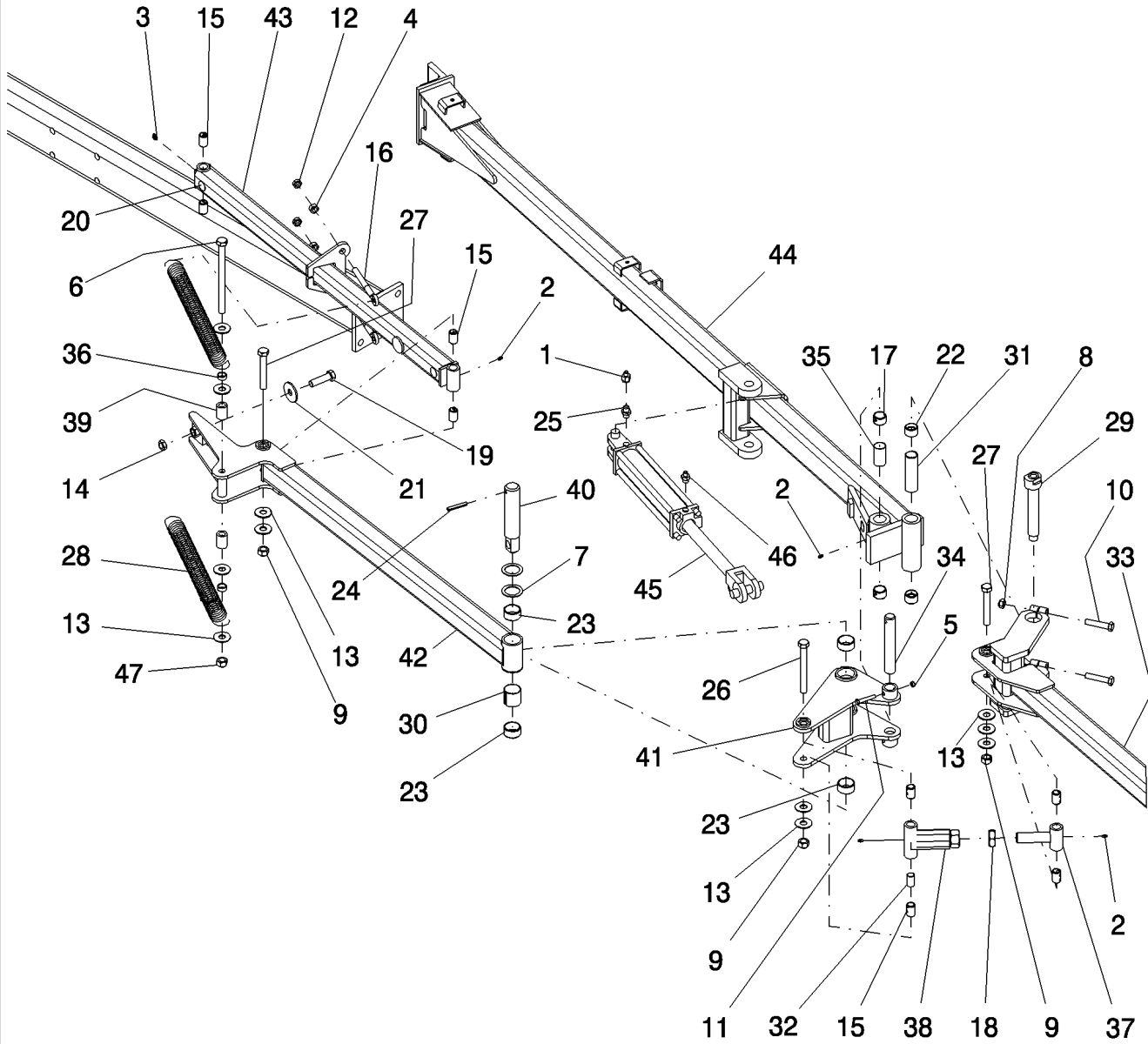
SDX40

5.030.1

p1

03/09

ENDMARKER OUTER BI-FOLD

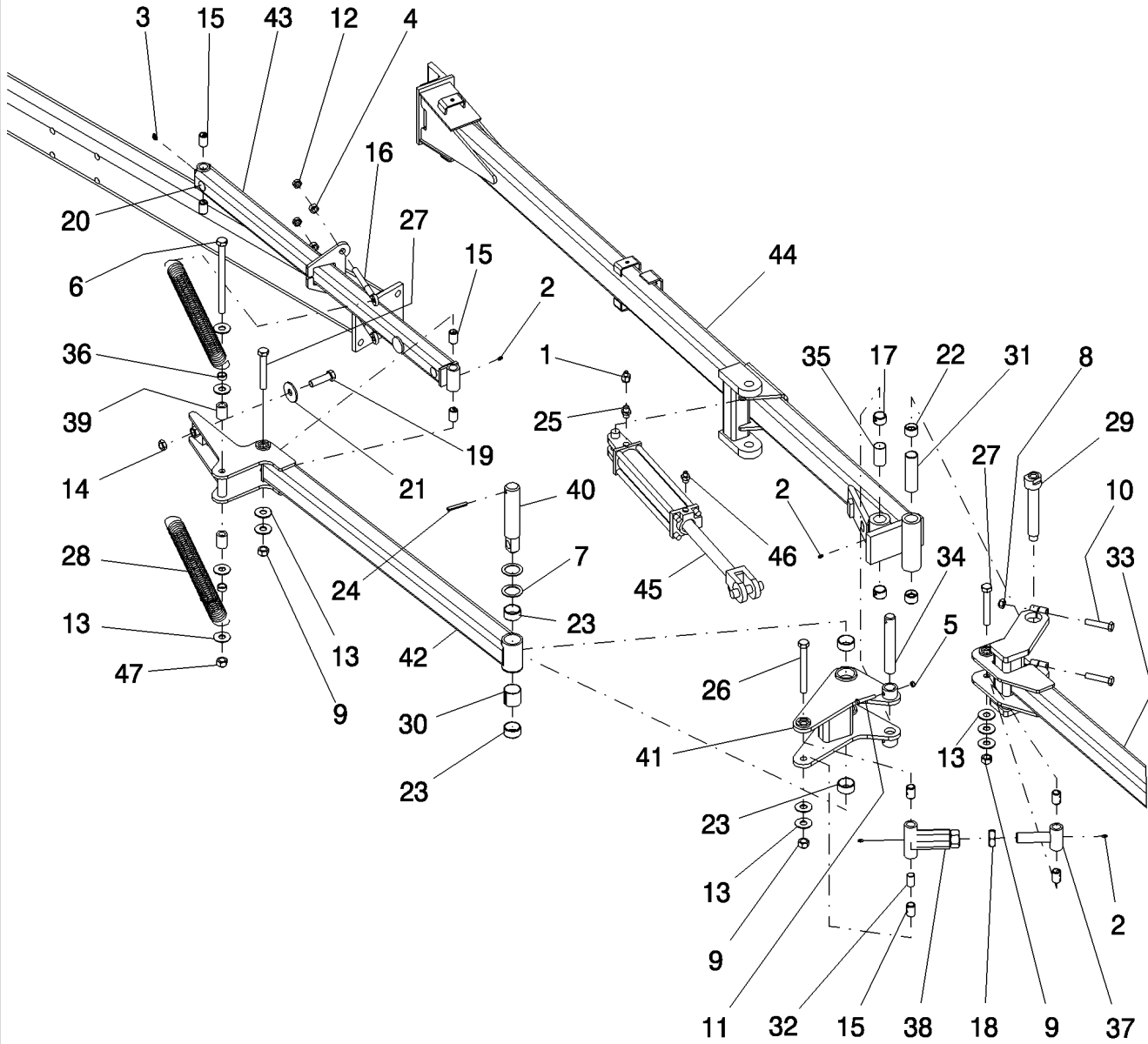


ENDMARKER OUTER BI-FOLD

REF	FN	PART NUMBER	YR/SN	QTY	DESCRIPTION
1		86624135		1	REDUCER, 37°, 3/4"-16, Fem x 9/16"-18 Male
2		87414		4	NIPPLE, LUBE, 1/4"-28 x .56" lg, Drive
3		87415		1	NIPPLE, LUBE, 90°, 1/4" NPT x .75" lg, Drive
4		280374		2	NUT, 5/8"-11, G5
5		88902		1	NUT, LOCK, 3/8"-16, GC
6		413-12160	Before 12/06	1	BOLT, Hex, 3/4"-10 x 10", G5
6		426-12136	From 01/07	1	BOLT, Hex, 3/4"-10 x 8 1/2", G8
7		87325446		3	WASHER, 1 3/4" id 2 1/2" x 14 ga
8		85700693		2	NUT, LOCK, 5/8"-11, GC
9		280375		3	NUT, LOCK, 3/4"-10, GC
10		87338		2	BOLT, Hex, 5/8"-11 x 3", G5
11		88546		1	BOLT, Hex, 3/8"-16 x 2 1/4", G5
12		86632556		2	NUT, Jam, 5/8"-11, G5
13		86511191		11	WASHER, 3/4"
14		86632557		1	NUT, Jam, 3/4"-10, G5
15		3929		8	BUSHING, tension 1" x 3/4" x 1 1/2" long
16		4269		2	EYEBOLT, 5/8"-11x 7 3/8"
17		87505190		2	BUSHING, tension 1 1/2" x 1 1/4" x 1"
18		425-1420		1	NUT, Jam, 1 1/4"-7, G5
19		6452		1	BOLT, Hex, 3/4"-10 x 2 3/4", G5, Full Thd
20		6566		4	DECAL, grease 50 hours
21		87325443		1	WASHER, 25/32" x 2 1/2" x 3/16"
22		87420247		2	BUSHING, gar mgl 1 1/2" x 1 1/4" x 1" polygon
23		6637		4	BUSHING, composite 2" x 1 3/4" x 1"
24		9638		1	PIN, ROLL, 3/8" x 2 1/2"
25		23387		1	FITTING, 1/2" mb x 1/2" mj
26		23582		1	BOLT, 3/4"-10 x 6 3/4"-G5 7/8" thread
27		23583		2	BOLT, 3/4"-10 x 5" -G5 5/8" thread
28		87505304		2	SPRING, E 13/32" wire x 2 13/32" od x 22 7/8" long
29		87661322		1	PIN, offset
30		DR-872		1	SPACER, walking beam 2" od x 1 7/8" long
31		NN-361		1	SPACER, 1 1/2" od x 3/32" thick x 1/2" long
32		SQ-803		1	SPACER, endmarker arm bushing
33		TM-101		1	BOOM, swing, endmarker
34		TM-111		1	PIN, PIVOT, 1 1/4" x 8 1/8"

SDX40

ENDMARKER OUTER BI-FOLD

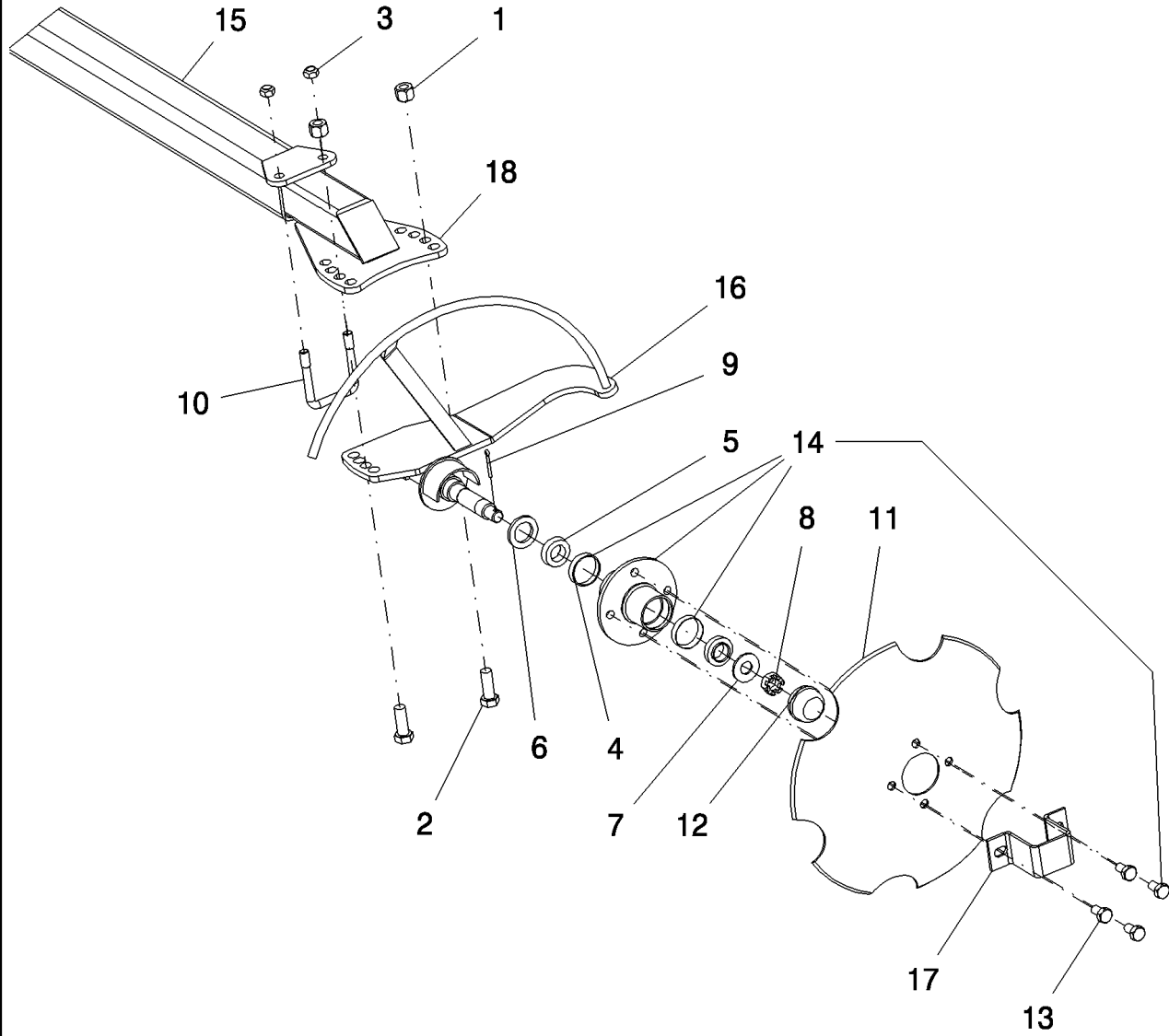


ENDMARKER OUTER BI-FOLD

REF	FN	PART NUMBER	YR/SN	QTY	DESCRIPTION
35		TM-115		1	SPACER, tube, pivot link
36		87660733	Before 12/06	2	SPACER, breakaway spring
36		87376764	From 01/07	2	BUSHING, breakaway
37		TM-147		1	LINK BLOCK, lever male
38		TM-151		1	LINK BLOCK, lever female adjuster
39		87660734		2	SPACER, breakaway spring
40		87660736		1	PIN, 44.45 mm x 161 mm
41		87628408		1	LINK, lug endmarker
42		TM-209		1	LINK, outer breakaway
43		TM-210		1	LINK, inner breakaway
44		TM-100V2		1	BOOM, main, endmarker
45		425883A1		1	HYDRAULIC CYLINDER, 2 1/2" x 12" Monarch 3000 psi
46		128817		1	CONNECTOR, HYD., 9/16"-18, 37° x 3/4"-18, O-Ring
47		280375	Before 06/08	1	NUT, LOCK, 3/4"-10, GC
47		{87698752}	From 07/08	1	NUT, LOCK 3/4" - 10

SDX40

ENDMARKER BI-FOLD AND HUB ASSEMBLY



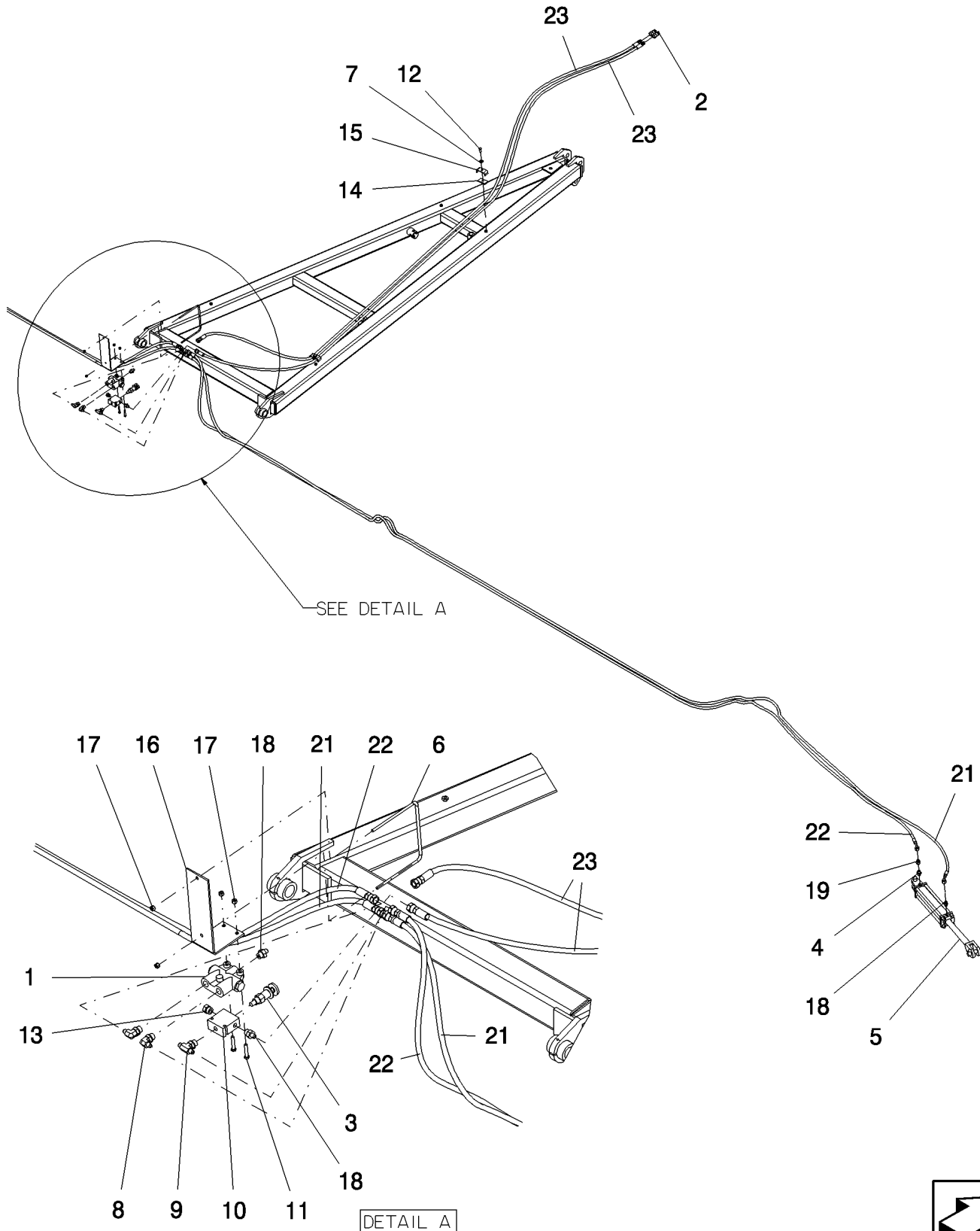
ENDMARKER BI-FOLD AND HUB ASSEMBLY

REF	FN	PART NUMBER	YR/SN	QTY	DESCRIPTION
1		85700693		2	NUT, LOCK, 5/8"-11, GC
2		9627896		2	BOLT, Hex, 5/8"-11 x 1 3/4", G5
3		86992215		2	NUT, LOCK, 1/2"-13, GC
4		132709		2	BEARING, CUP, #L44610
5		D29266		2	BEARING, CONE, TM#L44643
6		432625A1		1	SEAL, OIL, SE10
7		1586		1	WASHER, spindle wa10 .75 id
8		1589		1	NUT, SLOTTED, 3/4"-16, G2
9		86523851		1	PIN, SPLIT (COTTER), 5/32" x 1 1/4"
10		1344524C1		1	U-BOLT, us 1/2" x 2 9/18" w x 3 1/2" d 1" thread
11		432620A1		1	DISC, notched 16" concave
12		306108A1		1	CAP, hub H211
13		1013597		4	BOLT, wheel 1/2" -20 G5
14	1	87412999		1	HUB, H211 assembly with cups and bolts
15		TM-101		1	BOOM, swing, endmarker
16		87410959		1	GUARD, disc endmarker RH
16		87410958		1	GUARD, disc endmarker LH
17		87410960		1	GUARD, dust cap, endmarker
18		TM-163V2		1	EXTENSION, arm, endmarker

(1) Includes four 1013597 and two 572564R1

SDX40

ENDMARKER HYDRAULICS



ENDMARKER HYDRAULICS

REF	FN	PART NUMBER	YR/SN	QTY	DESCRIPTION
1		87506235		1	VALVE, REMOTE CONTROL, sequence 2 way 3 port
2		9412		2	COUPLING, QUICK, MALE, 1/2"
3		441803A1		1	VALVE, PRESSURE RELIEF, 1000 psi with reverse flow track
4		23387		2	FITTING, 1/2" mb x 1/2" mj
5		425883A1		2	HYDRAULIC CYLINDER, 2 1/2" x 12" Monarch 3000 psi
6		425873A1		1	U-BOLT, us 5/16"-18 8 1/8"w 7"d -G5 2" thread
7		80702		2	WASHER, 3/8"
8		76347		2	ELBOW, 90°, 9/16"-18, 37° x 3/4"-16, O-Ring
9		87331046		1	TEE, 9/16"-18, 37° x 3/4"-16, O-Ring Br
10		439148A1		1	BLOCK, aluminum
11		9707515		2	BOLT, Hex, 5/16"-18 x 1 3/4", G5
12		88206		2	BOLT, Hex, 3/8"-16 x 1", G5, Full Thd
13		214389		1	PLUG, Hex Hd, 3/4"-16 ORB
14		350326A1		2	ISOLATOR, clamp, hose small
15		1024284		2	CLAMP, HOSE FORMED 2.88 X .94
16		425874A1		1	BRACKET, SUPPORTING, mount
17		280736		4	NUT, LOCK, 5/16"-18, GC
18		128817		4	CONNECTOR, HYD., 9/16"-18, 37° x 3/4"-18, O-Ring
19		86624135		2	REDUCER, 37°, 3/4"-16, Fem x 9/16"-18 Male
21		425861A1		2	HOSE, hydraulic 1/4" x 360" fl
22		425862A1		2	HOSE, hydraulic 1/4" x 344" fl
23		425863A1		2	HOSE, hydraulic 1/4" x 200" fl

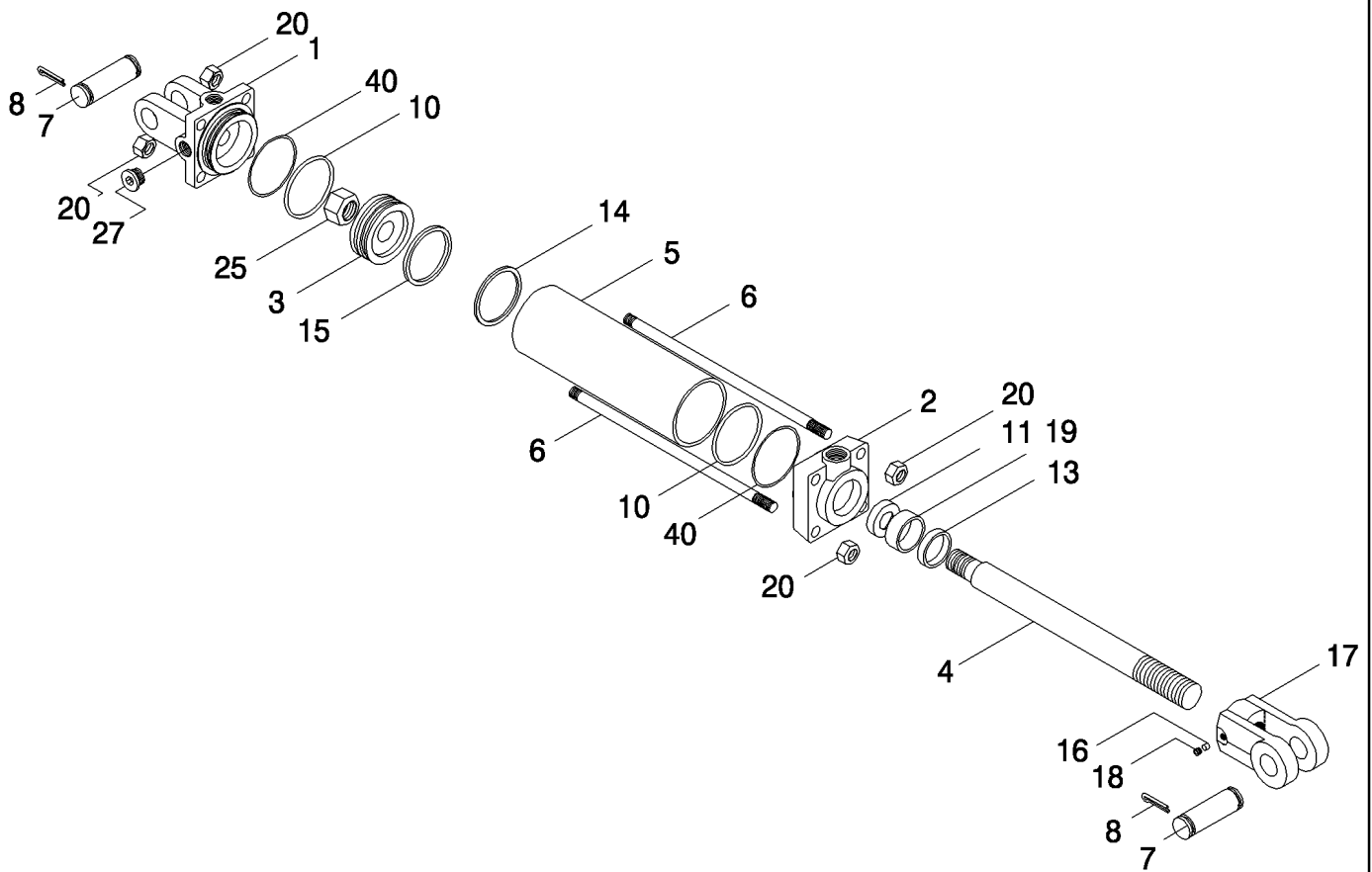
SDX40

5.060.1

p1

11/08

ENDMARKER HYDRAULIC CYLINDER 2 1/2" X 12" - 2500 PSI



ENDMARKER HYDRAULIC CYLINDER 2 1/2" X 12" - 2500 PSI

REF	FN	PART NUMBER	YR/SN	QTY	DESCRIPTION
0		425883A1		1	HYDRAULIC CYLINDER, 2 1/2" x 12" Monarch 3000 psi
0	1	439274A1		1	KIT, SEALS, cylinder 2 1/2" Monarch
1		439275A1		1	CAP CYLINDER END, CLEVIS 2.50 MONARCH
2		439276A1		1	CAP CYLINDER END, rod 2 1/2" Monarch 1 1/8" #492673
3		439277A1		1	PISTON, cylinder, 2 1/2" Monarch* part #495046
4		439279A1		1	ROD, PISTON, 2 1/2" x 12" Monarch
5		NSS		1	NOT SERVICED SEPARATELY, cylinder tube
6		NSS		4	NOT SERVICED SEPARATELY, tie rod
7		439278A1		2	PIN, CLEVIS, 1" x 3" with keeper pins
8		86523851		4	PIN, SPLIT (COTTER), 5/32" x 1 1/4"
10		NSS		2	NOT SERVICED SEPARATELY, End Cap O-ring
11		NSS		1	NOT SERVICED SEPARATELY, Rod Wiper Seal
13		NSS		1	NOT SERVICED SEPARATELY, Rod Dust Seal
14		NSS		1	NOT SERVICED SEPARATELY, Piston Seal
15		NSS		1	NOT SERVICED SEPARATELY, Piston Wear Ring
16		NSS		1	NOT SERVICED SEPARATELY, Nylon Thread Protector
17		7997		1	CLEVIS, cylinder 1" pin Monarch 1 1/8"-12 rod
18		NSS		1	NOT SERVICED SEPARATELY, set screw
19		NSS		1	NOT SERVICED SEPARATELY, Wear Ring
20		9628503		8	NUT, 3/8"-16, G5
25		425038A1		1	NUT, cylinder piston 3/4"-16, GA
27		NSS		1	NOT SERVICED SEPARATELY, Port Plug
40		NSS		2	NOT SERVICED SEPARATELY, End Cap Backup Washers

(1) Includes two #10, #11, #13, #14, #15 and two #40

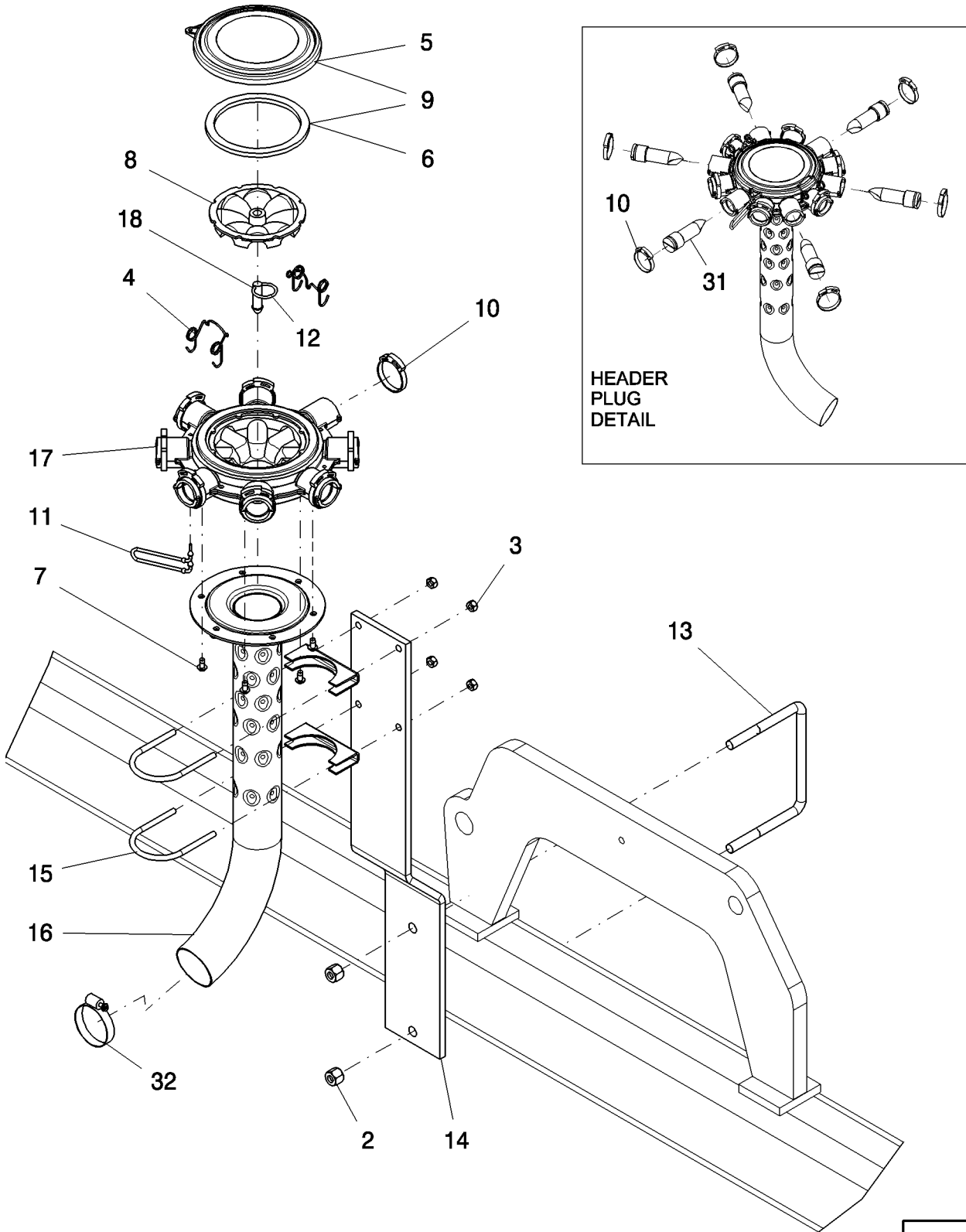
SDX40

SECTION INDEX

Related Equipment

6.010.1	ADX AIR CART EZ FLOW HEADER MOUNTS
6.020.1	ADX AIR CART AIR DISTRIBUTION QUICK CONNECT
6.030.1	ADX AIR CART TOW BETWEEN CONNECTOR MOUNTS
6.040.1	REMOTE SWITCH

ADX AIR CART EZ FLOW HEADER MOUNTS



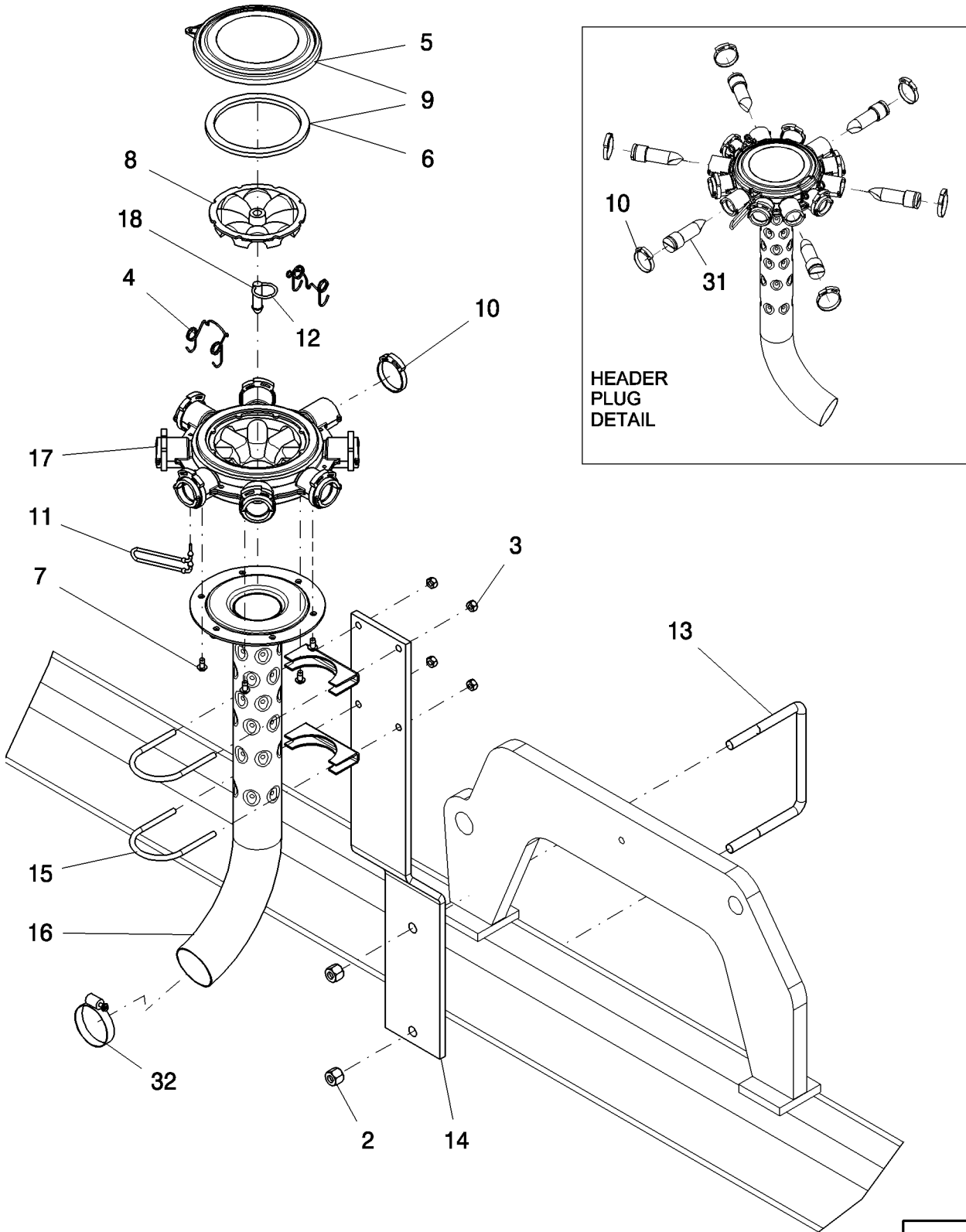
ADX AIR CART EZ FLOW HEADER MOUNTS

REF	FN	PART NUMBER	YR/SN	QTY	DESCRIPTION
1	1, 2	GP-106SV1		AR	KIT, 6 port ez flow header
1	3	GP-107SV1		AR	KIT, header 7 port ez flow
1	4	GP-108SV1		AR	KIT, header 8 port ez flow
1	5	GP-109SV1		AR	KIT, header 9 port ez flow
1	6	GP-110SV1		AR	KIT, header 10 port ez flow
1	7	GP-111SV1		AR	KIT, header 11 port ez flow
1	8	GP-112SV1		AR	KIT, header 12 port ez flow
2		87530607		2	NUT, 1/2"-13, GB
3		9635082		4	NUT, 5/16"-18, G5
4		21746		2	CIRCLIP, lid ez flow header
5		51200054		1	COVER, ez flow header
6		21754		1	GASKET, lid - 5 3/8" od x 7/16" w x 1/4" thick
7		187-845		6	SCREW, SELF TAPPING, Slotted Rd Hd, 1/4" x 1/2"
8		REF		1	INSTRUCTION, For 6 port header, use 12 port header with 6 plugs
8	9	22323		1	INSERT, header 7 port
8	10	412922A1		1	INSERT, header 8 port
8	9	22071		1	INSERT, header 9 port
8	9	21749		1	INSERT, header 10 port
8	9	432590A1		1	INSERT, header 11 port
8	9	22073		1	INSERT, header 12 port
9	11	22104		1	LID, ez flow header with seal
10		22394		AR	CLAMP, hose nylon - 1 3/64" to 1 23/32" id
11		419998A1		1	CABLE, estane header securing

- (1) Includes 12 port header with 6 plugs - part number 23789
(2) Includes GP-112, 22073, six 23789, GP-253, two 21746, six 22035, 22104, twelve 22394, 419998A1 and 22602
(3) Includes GP-107, 22323, GP-253, three 21746, six 22035, 22104, seven 22394, 419998A1 and 22602
(4) Includes GP-108, 22070, GP-253, three 21746, six 22035, 22104, eight 22394, 419998A1 and 22602
(5) Includes GP-109, 22071, GP-253, three 21746, six 22035, 22104, nine 22394, 419998A1 and 22602
(6) Includes GP-110, 21749, GP-253, two 21746, six 22035, 22104, ten 22394, 419998A1 and 22602
(7) Includes GP-111, 22072, GP-253, three 21746, six 22035, 22104, eleven 22394, 419998A1 and 22602
(8) Includes GP-112, 22073, GP-253, two 21746, six 22035, 22104, twelve 22394, 419998A1 and 22602
(9) Not Shown
(10) Shown
(11) Includes gasket 21754

SDX40

ADX AIR CART EZ FLOW HEADER MOUNTS



ADX AIR CART EZ FLOW HEADER MOUNTS

REF	FN	PART NUMBER	YR/SN	QTY	DESCRIPTION
12		22602		1	RING, SPECIAL, 1 1/16" id
13		1030623		1	U-BOLT, us 1/2"-13 6 1/16" w x 5" d 2" thread
14		312992A1		1	BRACKET, secondary manifold
15		1824		2	CLAMP, muffler, 2 1/2"
16	1, 2	GP-103		1	ELBOW, secondary standard
16	1, 3	GP-102		1	STAND, elbow secondary high abrasion
17		REF		1	INSTRUCTION, For 6 port header, use 12 port header with 6 plugs
17	3	GP-107		1	INSERT, header 7 port ez flow glued
17	2	GP-108		1	INSERT, header 8 port ez flow glued
17	3	GP-109		1	INSERT, header 9 port ez flow glued
17	3	GP-110		1	INSERT, header 10 port ez flow glued
17	3	GP-111		1	INSERT, header 11 port ez flow glued
17	3	GP-112		1	INSERT, header 12 port ez flow glued
18		GP-253		1	INSERT, nose header
31		87401070		6	PLUG, ez flow header
32		214-1444		1	CLAMP, HOSE, #44, 2.31/3.25 Type F Worm
100		86992286		1	HOSE, 2 1/2" id spiral pvc black order multiples of 100 feet
100		86993485		1	HOSE, flex black 1" id

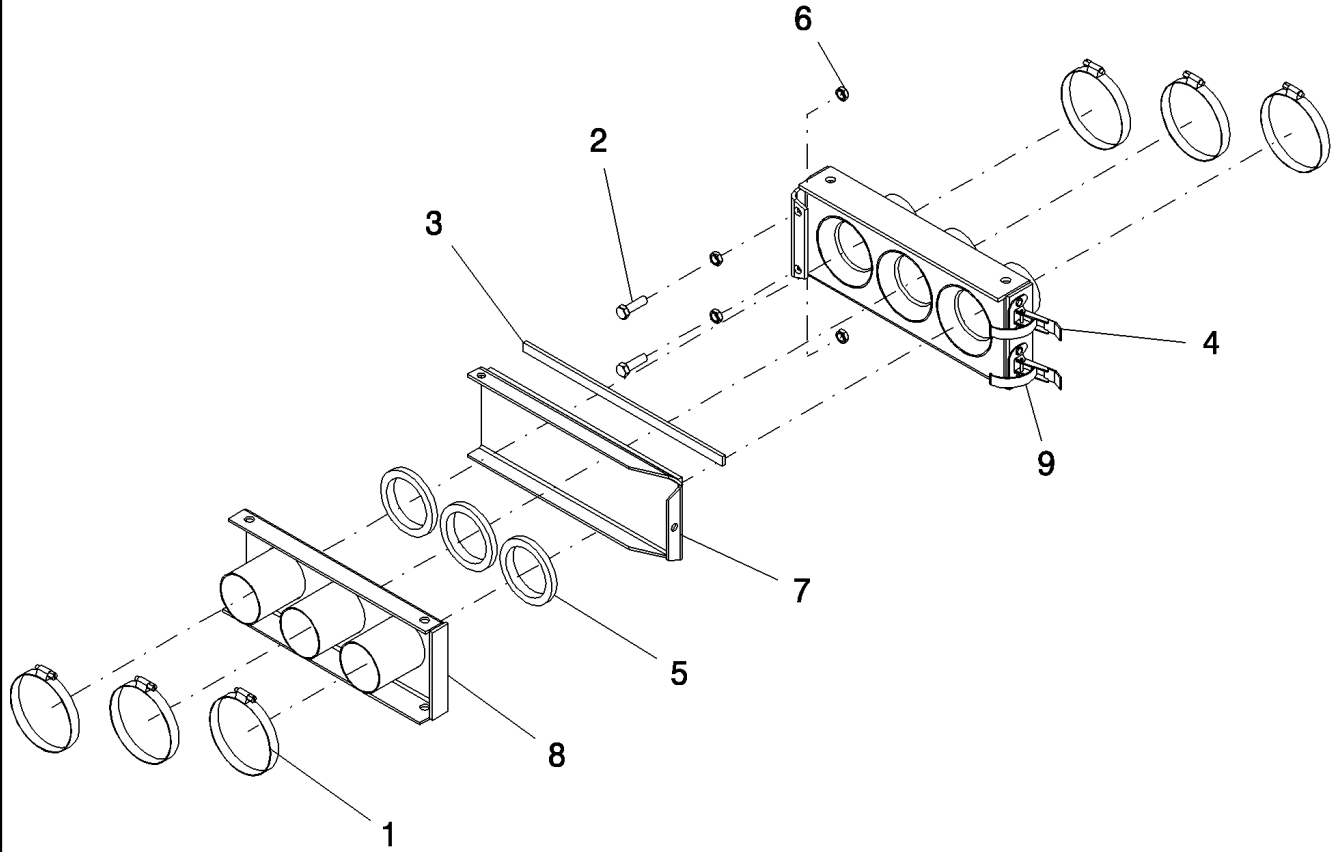
(1) Hose- 2.5 PVC Clear Spiral

(2) Shown

(3) Not Shown

SDX40

ADX AIR CART AIR DISTRIBUTION QUICK CONNECT



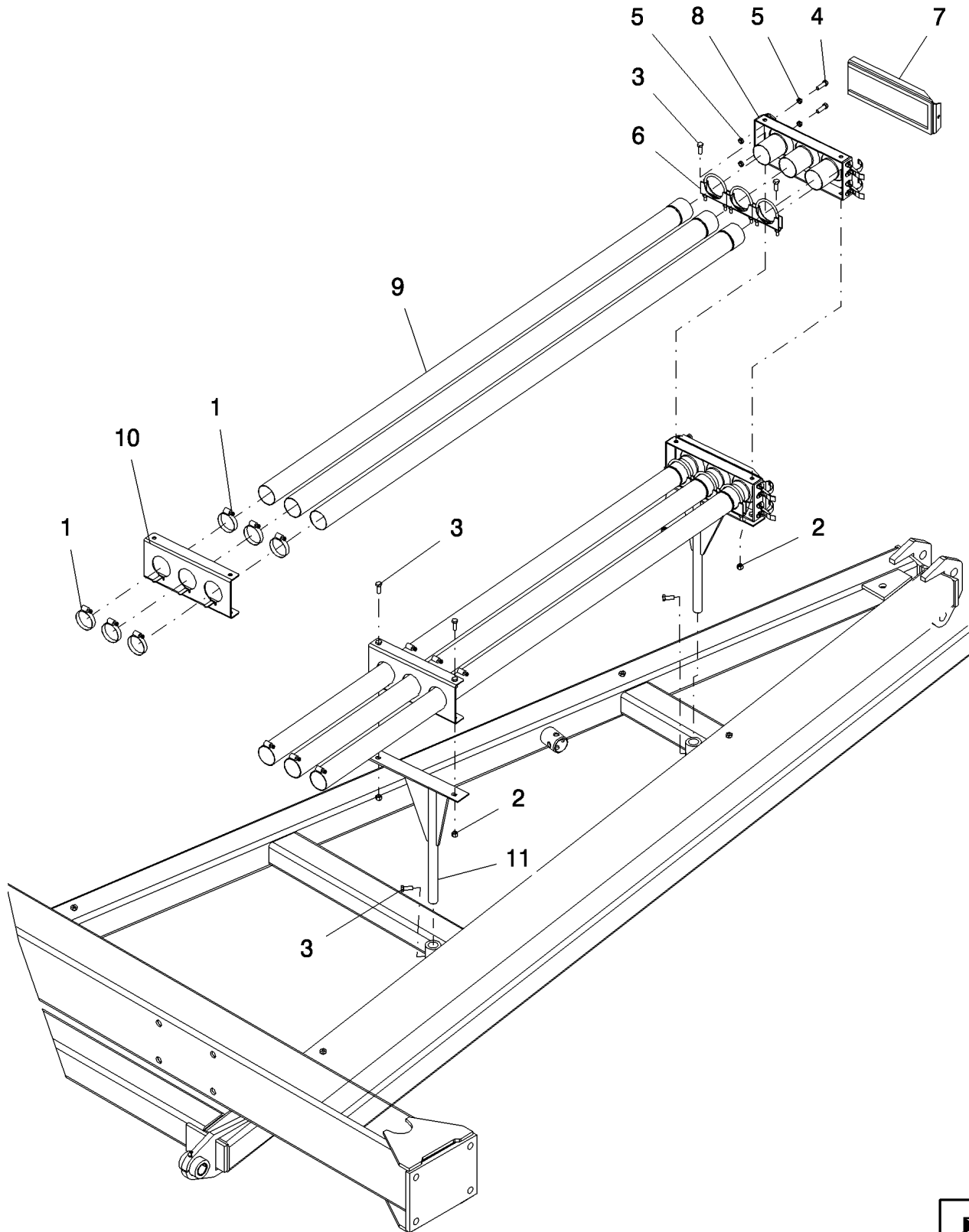
ADX AIR CART AIR DISTRIBUTION QUICK CONNECT

REF	FN	PART NUMBER	YR/SN	QTY	DESCRIPTION
1		214-1444		6	CLAMP, HOSE, #44, 2.31/3.25 Type F Worm
2		88011		2	BOLT, Hex, 3/8"-16 x 1 1/4", G5, Full Thd
3		425289A1		AR	FOAM, 3/16" x 1/2" - closed cell (50' roll)
4		5625		2	LATCH, clamp over center
5		6177		3	SEAL, quick connect 2 1/2" id
6		87016560		4	NUT, Jam, 3/8"-16, G5
7		GD-254		1	COVER, plate hose connect
8		GD-673		1	FITTING, hose connector 2 1/2"
9	1	GD-672A		1	HOLDER, quick connect 2 1/2" female
100		86992286		1	HOSE, 2 1/2" id spiral pvc black order multiples of 100 feet

(1) Includes two 413-620, four 425-146, two 5625 and four 4630

SDX40

ADX AIR CART TOW BETWEEN CONNECTOR MOUNTS



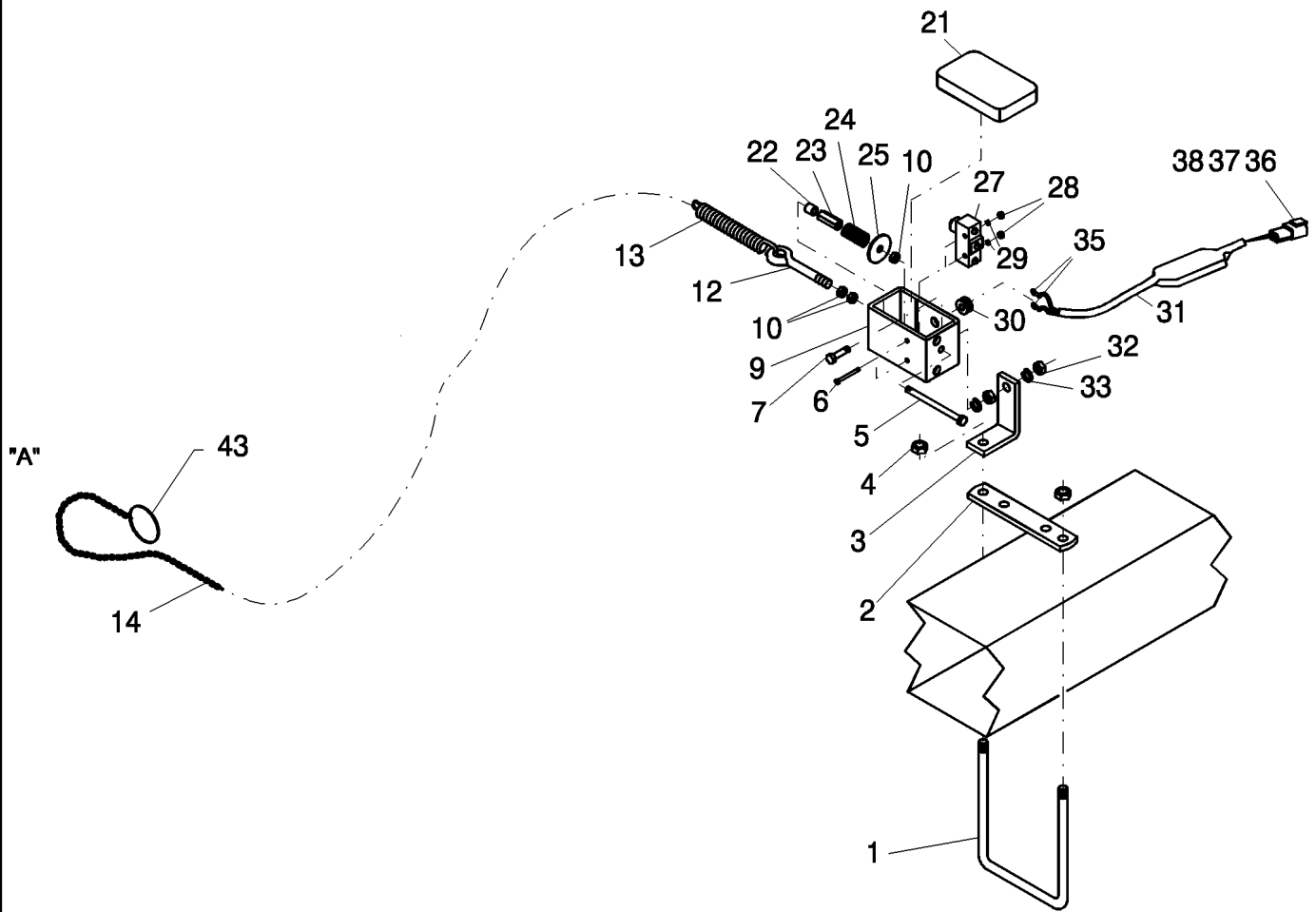
ADX AIR CART TOW BETWEEN CONNECTOR MOUNTS

REF	FN	PART NUMBER	YR/SN	QTY	DESCRIPTION
1		214-1444		12	CLAMP, HOSE, #44, 2.31/3.25 Type F Worm
2		88902		8	NUT, LOCK, 3/8"-16, GC
3		88206		10	BOLT, Hex, 3/8"-16 x 1", G5, Full Thd
4		88011		4	BOLT, Hex, 3/8"-16 x 1 1/4", G5, Full Thd
5		87016560		8	NUT, Jam, 3/8"-16, G5
6		1824		6	CLAMP, muffler, 2 1/2"
7		GD-254		2	COVER, plate hose connect
8	1	GD-672A		2	HOLDER, quick connect 2 1/2" female
9		GE-360		6	TUBE, primary distribution - quick connect
10		GP-201		2	PANEL, standard tube hose mount
11		GP-381		2	SUPPORT, hose high capacity

(1) Includes two 413-620, four 425-146, two 5625 and four 4630

SDX40

REMOTE SWITCH



REMOTE SWITCH

REF	FN	PART NUMBER	YR/SN	QTY	DESCRIPTION
0		86987949		1	SWITCH, assembly, remote
1		419990A1		1	U-BOLT, us 5/16" x 4 1/8" w x 4 3/4" d 3/4" thread
2		GH-879		1	BRACKET, u-bolt mount
3		GH-878		1	BRACKET, remote switch
4		86632546		2	NUT, LOCK, 7/8"-14, GC
5		280317		1	BOLT, Hex, 1/4"-20 x 3", G5
6		8435		2	SCREW, mch #6-32" x 1 1/4" rh slt
7		87657		1	BOLT, Hex, 5/16"-18 x 1 1/4", G5
9		GH-877	Before 10/02	1	HOUSING, remote switch
9		86987949		1	SWITCH, assembly, remote
10		7770		3	NUT, 1/4"-20, G5
12		432633A1		1	EYEBOLT, 1/4" x 2 1/2" G2 bent
13		8596		1	SPRING, TENSION, .08" Wire x .75" OD x 9" long
14		GH-890		1	CHAIN (AGRICULTURE), #8 zinc plated 24" long
21		CA-158	Before 10/02	1	CAP, poly remote work switch
21		86987825	From 11/02	1	CAP, poly remote switch 4-3/8" x 2-3/8"
22		8602		1	SPACER, .332" od x 1/4" id x 3/8" long
23		8600		1	NUT, coupling 1/4"-20 x 7/8", G2
24		8603		1	SPRING, COMPRESSION, .062" Wire x .72" OD x 1.312" long
25		8601		1	WASHER, 9/32" id x 1 1/4" x 1/16"
27		8433		1	SWITCH, micro, remote
28		231-14406		2	NUT, LOCK, #6-32, GB
29		280471		2	WASHER, LOCK, Ext, #6
30		8635		1	GROMMET, 5/8" od x 1/4" id x 3/16" pt
31		14170		1	HARNES, WIRE, work switch tow behind, 3.05 m
31		432638A1		1	CABLE ASSY., 12.8m work sw tbt
32		9635082		2	NUT, 5/16"-18, G5
33		10516674		2	WASHER, LOCK, M8
35		51200028		2	TERMINAL CONNECTOR, ring 22-16awg #10 red
36		222136A1		1	CONNECTOR, ELEC, plastic 2c receptacle
37		223950A1		2	PIN, 18-20awg copper nickel plated
38		222848A1		1	CONNECTOR, ELEC, lock 2c receptacle
43		8434		1	RING, SPECIAL, 29/32"

SDX40

INDEX - INDICE - INDEX - ZAHLENVERZEICHNIS - INDICE - INDICE - INDHOLD - INHOUD

Number	Figure	Sequence	Ref.	Number	Figure	Sequence	Ref.
{87698752}	5.030.1		47	1030722	1.111.1		2
1011286	0.010.1		1	1030839	1.030.1		19
1013122	2.010.1		100		2.050.1		15
	2.020.1		100	1030840	2.050.1		16
	2.030.1		100	1032403	1.010.1		21
	2.040.1		100	1032404	1.010.1		22
1013475	1.090.1		20	1032442	2.010.1		24
	1.091.1		20		2.020.1		24
	1.110.1		19	1032742	1.010.1		23
	1.111.1		19	1032743	1.010.1		24
1013597	5.040.1		13	1032744	1.010.1		25
1016176	1.090.1		35	1032745	1.010.1		2
	1.091.1		35	1032746	1.170.1		6
	1.110.1		34	1032747	1.170.1		7
	1.111.1		34	1032748	1.170.1		8
1016177	1.090.1		16	1032749	1.170.1		9
	1.091.1		16	1032750	1.170.1		10
	1.110.1		16	1032751	1.010.1		26
	1.111.1		16		1.170.1		11
1016961	1.010.1		17	1033093	1.080.1		10
	1.180.1		0		1.081.1		10
1017548	4.030.1		12		1.090.1		3
	4.031.1		12		1.091.1		3
	4.032.1		12		1.100.1		10
1018564	1.080.1		16		1.101.1		10
	1.081.1		16		1.111.1		2
	1.090.1		9	10516674	3.030.1		4
	1.091.1		9		6.040.1		33
	1.100.1		17	112886C1	1.010.1		27
	1.101.1		17	1261010C1	2.030.1		2
	1.110.1		9		2.040.1		2
	1.111.1		9	1279598C1	2.010.1		25
1019844	2.010.1		16		2.020.1		25
	2.020.1		16	128633C1	4.020.1		5
1020501	1.080.1		22	1286380C1	2.050.1		11
	1.081.1		22	1286382C2	2.050.1		7
	1.090.1		18	128817	5.030.1		46
	1.091.1		18		5.050.1		18
1020512	1.080.1		39	128825	2.020.1		26
	1.081.1		39		2.030.1		23
	1.090.1		39		2.040.1		23
	1.091.1		39	128830	2.010.1		6
1020639	1.080.1		30		2.020.1		7
	1.081.1		30		2.030.1		7
	1.090.1		27		2.040.1		7
	1.091.1		27	128996	2.010.1		14
1020697	1.090.1		2		2.020.1		14
	1.091.1		2	132341	2.010.1		8
	1.110.1		5		2.020.1		9
	1.111.1		5	132709	4.060.1		18
1024284	1.010.1		18		4.061.1		18
	1.030.1		17		5.040.1		4
	2.010.1		12	1344524C1	1.150.1		10
	2.030.1		3		1.151.1		10
	2.040.1		3		1.160.1		2
	5.050.1		15		1.161.1		2
1026727	1.010.1		19		5.040.1		10
1030413	2.050.1		10	1347524C1	1.130.1		6
1030623	6.010.1		13		1.140.1		5
103066A1	1.080.1		35	136-163	4.070.1		1
	1.081.1		35	136-251	2.100.1		15
	1.090.1		32	13950	3.020.1		3
	1.091.1		32	14045	3.020.1		13
	1.100.1		36	14170	6.040.1		31
	1.101.1		36	145458	2.010.1		13
	1.110.1		32		2.060.1		8
	1.111.1		32		4.020.1		1
1030720	1.090.1		15	147779C1	2.030.1		22
	1.091.1		15		2.040.1		22
	1.110.1		15	15762	3.030.1		8
	1.111.1		15	1586	5.040.1		7
1030721	1.090.1		14	1589	5.040.1		8
	1.091.1		14	165964R1	1.090.1		38
	1.110.1		14		1.091.1		38
	1.111.1		14		1.110.1		37
1030722	1.090.1		3		1.111.1		37
	1.091.1		3	1674	1.090.1		25
	1.110.1		2		1.091.1		25

INDEX - INDICE - INDEX - ZAHLENVERZEICHNIS - INDICE - INDICE - INHOLD - INHOUD

Number	Figure	Sequence	Ref.	Number	Figure	Sequence	Ref.
1674	1.110.1		24	245482C1	3.010.1		3
	1.111.1		24	245483C1	3.040.1		6
17498D	1.080.1		3	245484C1	3.010.1		6
	1.081.1		3	246676A1	4.020.1		6
	1.100.1		3	249935A1	4.020.1		7
	1.101.1		3	2739	1.080.1		1
175507	4.061.1		17		1.081.1		1
1824	6.010.1		15		1.100.1		1
	6.030.1		6		1.101.1		1
187-845	6.010.1		7	279043A1	3.020.1		2
192848A2	1.010.1		30	280-1434	4.010.1		22
	1.120.1		12		4.011.1		22
1978737C1	1.030.1		20	280119	5.020.1		16
	2.110.1		4	280120	5.010.1		19
1994590C1	2.050.1		1	280129	1.180.1		2
214-1444	6.010.1		32		5.020.1		13
	6.020.1		1	280177	1.160.1		20
	6.030.1		1	280210	5.010.1		18
214389	5.050.1		13	280233	1.030.1		9
21746	6.010.1		4		4.050.1		3
21749	6.010.1		8		5.010.1		16
21754	6.010.1		6	280286	1.170.1		1
22071	6.010.1		8	280317	6.040.1		5
22073	6.010.1		8	280344	1.100.1		27
22093	1.080.1		6		1.101.1		27
	1.081.1		6		1.110.1		22
	1.090.1		1		1.111.1		22
	1.091.1		1	280374	5.030.1		4
	1.100.1		6	280375	1.020.1		8
	1.101.1		6		1.030.1		4
	1.110.1		1		1.120.1		23
	1.111.1		1		1.130.1		1
22104	6.010.1		9		1.140.1		8
222136A1	6.040.1		36		1.150.1		2
222848A1	6.040.1		38		1.151.1		2
22323	6.010.1		8		1.160.1		25
22394	6.010.1		10		1.161.1		25
223950A1	6.040.1		37		1.170.1		2
224383A2	1.130.1		6		2.100.1		17
	1.140.1		5		4.061.1		20
225119C1	3.040.1		7		5.010.1		20
225120C1	3.040.1		8		5.010.1		21
225122C1	3.010.1		4		5.020.1		15
225123C1	3.010.1		7		5.030.1		47
225124C1	3.010.1		8		5.030.1		9
	3.040.1		10	280384A1	3.020.1		17
225125C1	3.010.1		5	280386A1	3.020.1		18
	3.040.1		9	280431	1.120.1		1
225348C1	3.020.1		19		3.040.1		1
225349C1	3.010.1		11	280471	6.040.1		29
	3.020.1		5	280492	3.030.1		1
225404C1	3.010.1		12	280717	5.020.1		8
22602	6.010.1		12	280736	5.050.1		17
22814	1.080.1		7	280954	2.050.1		17
	1.081.1		7	280963	1.120.1		15
	1.100.1		7	280980	5.020.1		1
	1.101.1		7	306001A1	4.060.1		7
231-14406	6.040.1		28		4.061.1		7
231-42412	1.100.1		34	306007A1	4.040.1		6
	1.101.1		34		4.041.1		5
	1.110.1		30	306031A1	4.020.1		0
	1.111.1		30		4.030.1		14
231-53412	1.070.1		2		4.031.1		14
	2.100.1		9	306071A1	4.010.1		16
232-14416	1.010.1		5		4.011.1		16
	1.030.1		3	306078A1	4.070.1		5
232-1446	1.120.1		24	306084A1	4.010.1		14
232-41414	2.100.1		17		4.011.1		14
232-41420	1.010.1		7	306085A1	4.010.1		14
232-46324	2.051.1		25		4.011.1		14
23251	5.010.1		25	306095A1	4.070.1		6
23387	5.030.1		25	306108A1	4.060.1		8
	5.050.1		4		4.061.1		8
23582	5.030.1		26		5.040.1		12
23583	5.020.1		24	306111A1	4.060.1		9
	5.030.1		27		4.061.1		9
245041C1	3.020.1		21	306117A2	4.030.1		25
245043C1	3.020.1		6		4.031.1		25

INDEX - INDICE - INDEX - ZAHLENVERZEICHNIS - INDICE - INDICE - INDHOLD - INHOUD

Number	Figure	Sequence	Ref.	Number	Figure	Sequence	Ref.
306118A1	4.030.1		15	312991A1	1.030.1		24
	4.031.1		15	312992A1	6.010.1		14
306119A1	4.030.1		16	324461A1	4.020.1		8
	4.031.1		16	328011A1	4.010.1		15
	4.032.1		16		4.011.1		15
	4.090.1		11	340987A1	4.060.1		19
306122A1	4.010.1		19	340988A1	4.060.1		17
	4.011.1		19	349390A1	2.100.1		2
306128A1	4.080.1		1	349394A1	1.070.1		7
306130A1	4.050.1		5		2.100.1		7
306133A1	4.010.1		10		4.010.1		12
	4.030.1		18		4.011.1		12
	4.050.1		9	349398A1	1.040.1		4
	4.060.1		10	349403A1	2.010.1		3
	4.070.1		8		2.020.1		3
	4.080.1		3		2.060.1		1
306136A2	4.030.1		13	349404A1	2.010.1		15
306145A1	4.050.1		6		2.020.1		15
306146A1	4.050.1		7	350102A1	2.080.1		7
	4.080.1		12	350103A1	2.080.1		4
306157A1	1.020.1		13	350104A1	2.080.1		5
	1.040.1		9	350105A1	2.070.1		12
	1.050.1		1		2.080.1		2
	1.060.1		6	350106A1	2.070.1		9
306164A1	1.060.1		7		2.080.1		3
306205A1	4.070.1		7	350107A1	2.080.1		1
306206A1	4.070.1		4	350108A1	2.070.1		4
306208A1	4.010.1		13		2.071.1		4
306216A2	4.030.1		17		2.081.1		4
	4.031.1		17		2.100.1		14
306219A1	4.010.1		20	350109A1	2.070.1		5
	4.011.1		20		2.071.1		5
306220A1	4.080.1		11		2.081.1		5
306223A1	4.050.1		8	350148A1	2.010.1		22
306228A1	4.010.1		10		2.020.1		22
	4.030.1		18	350151A1	2.010.1		23
	4.050.1		9		2.020.1		23
	4.060.1		10	350170A1	2.010.1		4
	4.070.1		8		2.020.1		4
	4.080.1		3	350172A1	2.060.1		3
306230A1	4.080.1		11	350203A1	2.010.1		9
306231A1	4.050.1		8		2.020.1		3
306234A2	4.030.1		13		2.060.1		9
306235A1	4.010.1		13	350231A1	1.120.1		28
306239A1	4.080.1		1	350326A1	1.010.1		28
306241A1	4.050.1		5		1.030.1		25
306242A1	4.010.1		17		2.010.1		11
	4.011.1		17		2.030.1		12
306244A1	4.010.1		21		2.040.1		12
	4.011.1		21		5.050.1		14
306249A1	4.030.1		19	350335A1	1.020.1		15
	4.031.1		19		1.120.1		29
306255A2	4.030.1		20	350336A1	1.020.1		16
	4.031.1		20		1.120.1		13
306289A1	2.100.1		6	350347A1	4.010.1		18
306290A1	1.070.1		4		4.011.1		18
	2.100.1		4	350348A1	4.010.1		18
306291A1	2.100.1		3		4.011.1		18
306292A1	1.070.1		5	350418A1	4.070.1		9
306293A1	1.070.1		6	350423A1	2.070.1		15
306295A2	2.100.1		5		2.080.1		6
306296A1	2.080.1		0	350552A1	2.030.1		5
306298A1	2.110.1		2		2.040.1		5
306299A1	2.110.1		5		2.090.1		0
311858A1	1.120.1		32	350553A1	2.090.1		1
311863A1	1.120.1		27	350554A1	2.030.1		5
311864A1	1.010.1		29		2.040.1		5
	1.020.1		14		2.090.1		3
	1.120.1		26	350569A1	2.090.1		2
311865A1	1.120.1		14	350587A1	4.080.1		5
312479A1	1.020.1		17	350610A1	4.030.1		21
	1.120.1		34		4.031.1		21
312939A1	2.010.1		20	350630A1	2.030.1		4
	2.020.1		20		2.040.1		4
312940A1	2.010.1		21		2.070.1		1
	2.020.1		21		2.100.1		1
312986A1	1.030.1		22		2.110.1		1
312987A1	1.030.1		23	350631A1	1.080.1		20

INDEX - INDICE - INDEX - ZAHLENVERZEICHNIS - INDICE - INDICE - INDHOLD - INHOUD

Number	Figure	Sequence	Ref.	Number	Figure	Sequence	Ref.
350631A1	1.081.1		20	413-1244	1.151.1		5
	1.100.1		22		1.160.1		21
	1.101.1		22		1.161.1		21
350632A1	1.080.1		10	414-814	4.060.1		2
	1.081.1		10		4.061.1		2
	1.100.1		10	419980A1	3.020.1		1
	1.101.1		10	419990A1	6.040.1		1
350702A1	2.110.1		7	419998A1	6.010.1		11
350704A1	2.110.1		6	425-1112	2.051.1		20
350721A1	1.030.1		18	425-1316	1.080.1		27
	2.010.1		2		1.081.1		27
	2.020.1		2		1.090.1		24
	2.050.1		0		1.091.1		24
350749A1	4.030.1		22		1.100.1		28
	4.031.1		22		1.101.1		28
350810A1	1.040.1		5		1.110.1		23
	1.050.1		2		1.111.1		23
350812A1	1.050.1		3	425-1420	5.030.1		18
350813A1	1.040.1		6	425038A1	5.060.1		25
	1.050.1		4	425050A1	3.020.1		12
	1.060.1		4	425139A1	1.020.1		5
350820A1	1.130.1		8		1.130.1		10
	1.140.1		11	425143A1	1.030.1		30
350822A1	1.140.1		9	425145A1	1.150.1		16
350823A1	1.140.1		1		1.151.1		16
350827A1	1.130.1		9		1.160.1		16
	1.140.1		10		1.161.1		16
351047A1	4.030.1		23	425155A1	1.080.1		36
	4.031.1		23		1.081.1		36
351187A1	4.030.1		24		1.090.1		33
	4.031.1		24		1.091.1		33
	4.032.1		24	425282A1	3.010.1		13
351609A1	1.040.1		7	425289A1	6.020.1		3
351610A1	1.040.1		8	425500A2	1.030.1		31
	1.060.1		5		1.080.1		17
351805A1	1.020.1		4		1.081.1		17
351848A1	1.080.1		11		1.090.1		11
	1.081.1		11		1.091.1		11
	1.090.1		5		1.100.1		19
	1.091.1		5		1.101.1		19
351856A1	1.080.1		29		1.110.1		11
	1.090.1		10		1.111.1		11
	1.100.1		18	425507A1	5.010.1		8
	1.110.1		10		5.020.1		25
351858A1	1.080.1		29	425521A1	5.010.1		9
	1.090.1		10	425522A1	5.010.1		8
	1.100.1		18		5.020.1		25
	1.110.1		10	425523A1	5.010.1		10
351861A1	1.030.1		26	425525A1	5.010.1		11
351865A1	1.030.1		27	425527A1	1.080.1		31
351874A1	1.030.1		29		1.081.1		31
351978A1	1.120.1		8		1.090.1		28
352506A1	3.020.1		14		1.091.1		28
3682	5.010.1		1		1.100.1		30
3929	5.020.1		18		1.101.1		30
	5.030.1		15		1.110.1		26
408657A1	5.020.1		23		1.111.1		26
412752A1	1.150.1		9	425529A1	1.170.1		12
	1.151.1		9	425540A1	1.170.1		13
	1.160.1		1	425546A1	1.170.1		14
	1.161.1		1	425579A1	1.030.1		32
	1.180.1		3	425584A1	5.010.1		24
412765A1	3.010.1		2	425585A1	1.100.1		13
412766A1	3.010.1		15		1.101.1		13
412769A1	1.150.1		12		1.110.1		6
	1.151.1		12		1.111.1		6
	1.160.1		4	425588A1	1.100.1		35
	1.161.1		4		1.101.1		35
412917A1	3.010.1		1		1.110.1		31
412922A1	6.010.1		8		1.111.1		31
413-10176	4.080.1		7	425589A1	1.120.1		5
413-12160	5.030.1		6	425638A1	2.030.1		15
413-12208	1.140.1		7		2.040.1		15
413-1236	1.100.1		26	425639A1	2.030.1		16
	1.101.1		26		2.040.1		16
	1.110.1		21	425640A1	2.030.1		17
	1.111.1		21		2.040.1		17
413-1244	1.150.1		5	425641A1	2.030.1		18

INDEX - INDICE - INDEX - ZAHLENVERZEICHNIS - INDICE - INDICE - INDHOLD - INHOUD

Number	Figure	Sequence	Ref.	Number	Figure	Sequence	Ref.
425641A1	2.040.1		18	432590A1	6.010.1		8
425642A1	2.030.1		19	432601A1	3.040.1		4
	2.040.1		19	432620A1	5.040.1		11
425643A1	2.030.1		20	432625A1	5.040.1		6
	2.040.1		20	432633A1	6.040.1		12
425644A1	2.030.1		21	432638A1	6.040.1		31
	2.040.1		21	435893A1	2.030.1		4
425653A1	2.100.1		5		2.040.1		4
425654A1	2.100.1		6		2.080.1		0
425656A1	1.080.1		21		2.100.1		1
	1.100.1		23		2.110.1		1
425660A1	1.010.1		4	438-11620	4.032.1		32
	1.020.1		6		4.090.1		8
	1.130.1		11	438-22432	4.030.1		2
425664A1	1.120.1		7		4.031.1		2
425665A1	1.120.1		6		4.050.1		1
425667A1	1.030.1		40		4.080.1		6
	1.040.1		2	439-1544	2.110.1		3
	1.050.1		6	439148A1	5.050.1		10
	1.060.1		3	439173A1	1.030.1		33
425668A1	1.030.1		40	439175A1	4.060.1		11
	1.040.1		1	439176A1	4.060.1		11
	1.050.1		7	439177A1	4.060.1		12
	1.060.1		1	439178A1	4.060.1		13
425670A1	1.090.1		4	439179A1	4.060.1		14
	1.091.1		4	439225A1	4.080.1		9
	1.110.1		3	439232A1	4.060.1		15
	1.111.1		3	439250A1	1.020.1		1
425671A1	1.090.1		17		1.030.1		21
	1.110.1		17		1.080.1		15
425672A1	1.080.1		9		1.081.1		15
	1.081.1		9		1.100.1		16
	1.100.1		9		1.110.1		12
	1.101.1		9	439251A1	1.020.1		2
425673A1	1.020.1		7		1.030.1		21
425689A1	1.081.1		25		1.080.1		15
	1.100.1		11		1.081.1		15
	1.101.1		11		1.100.1		16
425800A1	1.120.1		30		1.110.1		12
425801A1	1.120.1		31		1.130.1		7
425859A1	1.100.1		13	439252A1	1.020.1		3
	1.101.1		13	439253A1	1.030.1		28
	1.110.1		6		1.090.1		12
	1.111.1		6		1.091.1		12
425861A1	5.050.1		21	439255A1	1.030.1		28
425862A1	5.050.1		22		1.090.1		12
425863A1	5.050.1		23		1.091.1		12
425865A1	1.030.1		32		1.140.1		2
425867A1	5.010.1		13	439256A1	1.030.1		41
425868A1	5.010.1		12		1.040.1		3
425873A1	5.050.1		6		1.050.1		5
425874A1	5.050.1		16		1.060.1		2
425875A1	1.120.1		21	439257A1	1.030.1		41
425881A1	2.100.1		16		1.040.1		3
425882A1	1.130.1		12		1.050.1		5
425883A1	5.030.1		45		1.060.1		2
	5.050.1		5	439260A1	1.130.1		13
	5.060.1		0	439266A1	1.150.1		18
425884A1	1.150.1		17		1.151.1		18
	1.151.1		17		1.160.1		15
	1.160.1		23		1.161.1		15
	1.161.1		23	439274A1	5.060.1		0
425885A1	1.150.1		13	439275A1	5.060.1		1
	1.151.1		13	439276A1	5.060.1		2
	1.160.1		5	439277A1	5.060.1		3
	1.161.1		5	439278A1	5.060.1		7
426-12104	1.020.1		9	439279A1	5.060.1		4
426-12136	1.020.1		11	439290A1	2.070.1		8
	1.130.1		3	439293A1	2.070.1		10
	5.030.1		6	439294A1	2.070.1		6
426-12144	1.120.1		20	439296A1	2.070.1		100
426-1232	1.030.1		10	439653A1	4.061.1		15
	5.010.1		17	439655A1	4.061.1		11
426-16112	1.010.1		11	439657A1	4.061.1		14
426-1640	1.170.1		4	439658A1	4.061.1		13
426-1680	1.170.1		5	439661A1	4.031.1		9
426-2088	1.010.1		13		4.032.1		9
4269	5.030.1		16	441803A1	5.050.1		3

INDEX - INDICE - INDEX - ZAHLENVERZEICHNIS - INDICE - INDICE - INHOLD - INHOUD

Number	Figure	Sequence	Ref.	Number	Figure	Sequence	Ref.
453012R1	1.080.1		38	80702	2.040.1		6
	1.081.1		38		5.020.1		12
	1.090.1		37		5.050.1		7
	1.091.1		37	80754	1.080.1		23
	1.100.1		38		1.081.1		23
	1.101.1		38		1.090.1		19
	1.110.1		36		1.091.1		19
	1.111.1		36		1.100.1		24
453133C1	3.010.1		14		1.101.1		24
	3.020.1		20		1.110.1		18
459329C1	3.020.1		16		1.111.1		18
4622	1.080.1		5	80755	1.150.1		7
	1.081.1		5		1.151.1		7
	1.100.1		5		1.160.1		19
	1.101.1		5		1.161.1		19
481849C1	3.010.1		16	81547	5.020.1		10
495-21094	5.010.1		2	832-4748	4.041.1		8
496-11131	1.010.1		16	8433	6.040.1		27
	1.030.1		15	8434	6.040.1		43
500398C1	3.020.1		4	8435	6.040.1		6
	3.020.1		4	85125C2	2.050.1		0
51200012	3.020.1		15	85700693	4.010.1		4
51200028	6.040.1		35		4.011.1		4
51200040	1.120.1		3		4.050.1		2
51200043	3.010.1		9		4.080.1		8
51200044	3.010.1		10		5.010.1		23
51200054	6.010.1		5		5.020.1		14
512725	1.090.1		8		5.030.1		8
	1.091.1		8		5.040.1		1
	1.110.1		8	8596	6.040.1		13
	1.111.1		8	8598	5.020.1		22
529068	3.040.1		3	8600	6.040.1		23
536054R1	4.061.1		19	8601	6.040.1		25
560953R91	1.090.1		7	8602	6.040.1		22
	1.091.1		7	8603	6.040.1		24
	1.110.1		7	86050277	1.120.1		25
	1.111.1		7	8635	6.040.1		30
5625	6.020.1		4	86504104	4.060.1		1
572563R1	4.060.1		16		4.061.1		1
572563R91	4.061.1		16	86505867	5.020.1		6
60-6267T1	2.010.1		9	86505980	1.161.1		20
	2.020.1		3	86505999	2.100.1		10
	2.060.1		10	86508733	1.170.1		3
6123	1.180.1		4		2.100.1		16
6124	1.180.1		5	86508735	1.020.1		12
6177	6.020.1		5		1.030.1		12
6425	1.150.1		27	86509499	1.030.1		5
	1.151.1		27	86511191	5.010.1		14
	1.160.1		27		5.020.1		17
	1.161.1		27		5.030.1		13
6452	5.030.1		19	86511870	2.030.1		13
64601C1	4.010.1		11		2.040.1		13
	4.011.1		11	86512837	4.030.1		10
	4.050.1		10		4.031.1		10
	4.080.1		10		4.032.1		10
6566	5.020.1		20	86513024	2.030.1		9
	5.030.1		20		2.040.1		9
6637	5.030.1		23	86513043	2.010.1		7
6815	1.120.1		3		2.020.1		8
71100209	2.051.1		27	86523851	5.040.1		9
76347	2.030.1		8		5.060.1		8
	2.040.1		8	86537133	1.120.1		3
	5.050.1		8	86539260	1.010.1		12
7770	3.030.1		2		1.030.1		13
	6.040.1		10	86544366	4.040.1		4
7997	5.060.1		17	86544809	1.150.1		11
80664	1.150.1		8		1.151.1		11
	1.160.1		18		1.160.1		3
80679	1.120.1		2		1.161.1		3
	1.120.1		33	86557052	1.020.1		10
	3.040.1		2	86561136	1.120.1		4
80682	3.030.1		3	86609280	4.041.1		7
80700	1.010.1		14	86624090	4.030.1		1
80701	5.020.1		11		4.031.1		1
80702	1.010.1		15	86624102	4.030.1		3
	1.030.1		14		4.031.1		3
	2.010.1		5	86624135	2.030.1		14
	2.030.1		6		2.040.1		14

INDEX - INDICE - INDEX - ZAHLENVERZEICHNIS - INDICE - INDICE - INDHOLD - INHOUD

Number	Figure	Sequence	Ref.	Number	Figure	Sequence	Ref.
86624135	5.030.1		1	87340	1.090.1		34
	5.050.1		19		1.091.1		34
86625061	1.120.1		22		1.100.1		37
	4.010.1		2		1.101.1		37
	4.011.1		2		1.110.1		33
86625064	1.070.1		1		1.111.1		33
	1.150.1		3	87361	4.010.1		8
	1.160.1		26		4.011.1		8
	1.161.1		26	87364	1.120.1		10
	2.100.1		13		1.130.1		4
	4.010.1		3		1.140.1		3
	4.011.1		3		4.010.1		9
	4.030.1		4		4.011.1		9
	4.031.1		4		4.060.1		5
	4.032.1		4		4.061.1		5
	4.090.1		2	87367	4.030.1		9
86626471	1.120.1		12		4.050.1		4
86632546	5.010.1		22		4.080.1		4
	6.040.1		4	87376764	5.030.1		36
86632554	4.060.1		3	87381	1.080.1		18
	4.061.1		3		1.081.1		18
86632556	5.030.1		12		1.090.1		13
86632557	5.030.1		14		1.091.1		13
86639566	1.030.1		6		1.100.1		20
	2.100.1		11		1.101.1		20
86729275	4.030.1		7		1.110.1		13
	4.031.1		7		1.111.1		13
	4.032.1		7		1.120.1		11
86900677	1.080.1		19		1.130.1		5
	1.081.1		19		1.140.1		4
	1.100.1		21		4.060.1		6
	1.101.1		21		4.061.1		6
86977740	4.010.1		7	87398	4.060.1		4
	4.011.1		7		4.061.1		4
86983903	3.030.1		9	87400954	1.090.1		40
86987825	6.040.1		21		1.091.1		40
86987949	6.040.1		0	87400955	1.080.1		40
	6.040.1		9		1.081.1		40
86992215	1.151.1		30	87401070	6.010.1		31
	1.161.1		32	87401382	1.081.1		29
	5.040.1		3		1.091.1		10
86992286	6.010.1		100		1.101.1		18
	6.020.1		100		1.111.1		10
86993485	6.010.1		100	87401384	1.081.1		29
87010729	1.030.1		2		1.091.1		10
	1.080.1		33		1.101.1		18
	1.081.1		33		1.111.1		10
	1.090.1		30	87401385	1.091.1		17
	1.091.1		30		1.111.1		17
	1.100.1		32	87401386	1.081.1		21
	1.101.1		32		1.101.1		23
	1.110.1		28	87401407	4.011.1		23
	1.111.1		28	87403614	1.030.1		19
87012439	2.100.1		18	87406914	2.030.1		4
87016	4.030.1		8		2.040.1		4
	4.031.1		8		2.081.1		1
	4.032.1		8		2.100.1		1
	4.090.1		12		2.110.1		1
87016560	6.020.1		6	87406916	2.030.1		4
	6.030.1		5		2.040.1		4
87016603	4.020.1		4		2.071.1		1
87033793	1.090.1		36		2.100.1		1
	1.091.1		36		2.110.1		1
	1.110.1		35	87407431	1.030.1		18
	1.111.1		35		2.010.1		2
87034810	4.040.1		5		2.020.1		2
87325443	5.030.1		21		2.051.1		0
87325446	5.030.1		7	87409045	2.051.1		0
87331046	2.030.1		10	87409393	2.051.1		2
	2.040.1		10	87409428	2.051.1		1
	5.050.1		9	87409451	2.051.1		4
87337	1.010.1		9	87409467	2.051.1		3
	1.070.1		9	87409485	2.051.1		6
	2.100.1		8	87410958	5.040.1		16
87338	5.030.1		10	87410959	5.040.1		16
87339	4.070.1		3	87410960	5.040.1		17
87340	1.080.1		37	87412999	5.040.1		14
	1.081.1		37	87414	1.030.1		16

INDEX - INDICE - INDEX - ZAHLENVERZEICHNIS - INDICE - INDICE - INHOLD - INHOUD

Number	Figure	Sequence	Ref.	Number	Figure	Sequence	Ref.
87414	1.080.1		32	87505192	1.111.1		25
	1.081.1		32	87505301	5.010.1		7
	1.090.1		29	87505302	5.010.1		3
	1.091.1		22	87505304	5.030.1		28
	1.091.1		29	87505363	4.011.1		10
	1.100.1		31		4.031.1		18
	1.101.1		31		4.032.1		33
	1.110.1		27		4.050.1		9
	1.111.1		27		4.061.1		10
	4.032.1		29		4.070.1		8
	4.080.1		13	87505370	4.011.1		10
	5.020.1		3		4.031.1		18
	5.030.1		2		4.032.1		33
87415	1.010.1		1		4.050.1		9
	5.020.1		4		4.061.1		10
	5.030.1		3		4.070.1		8
87415392	3.030.1		7	87505411	4.011.1		100
87416235	3.030.1		6		4.031.1		100
87420247	5.020.1		21		4.050.1		100
	5.030.1		22		4.061.1		100
87421648	4.061.1		12		4.070.1		100
87430037	5.020.1		34	87506235	5.050.1		1
87434586	2.081.1		100	87506296	1.080.1		8
87434587	2.071.1		100		1.081.1		8
87440750	4.030.1		13		1.100.1		8
	4.031.1		13		1.101.1		8
87440752	4.030.1		13	87515479	1.080.1		2
	4.031.1		13		1.081.1		2
	4.032.1		13		1.100.1		2
87442626	1.120.1		8		1.101.1		2
87448259	2.081.1		10	87516551	4.032.1		14
87448260	2.071.1		10		4.090.1		3
87448261	2.071.1		12	87516552	4.032.1		22
	2.081.1		12		4.090.1		9
87448262	2.071.1		9	87516556	4.032.1		23
	2.081.1		9		4.090.1		4
87448263	2.071.1		16	87516659	4.032.1		27
	2.081.1		16		4.090.1		7
87448265	2.081.1		6	87516670	4.032.1		26
87448266	2.071.1		6		4.090.1		5
87450259	4.011.1		10	87517082	4.032.1		27
	4.031.1		18		4.090.1		7
	4.050.1		9	87530607	1.080.1		34
	4.061.1		10		1.081.1		34
	4.070.1		8		1.090.1		31
87450260	4.011.1		10		1.091.1		31
	4.031.1		18		1.100.1		33
	4.050.1		9		1.101.1		33
	4.061.1		10		1.110.1		29
	4.070.1		8		1.111.1		29
87452745	4.061.1		100		1.150.1		1
87461340	4.040.1		3		1.151.1		1
87462380	4.011.1		13		1.160.1		24
87462381	4.011.1		13		1.161.1		24
87500592	4.030.1		11		4.010.1		1
	4.031.1		11		4.011.1		1
	4.032.1		11		4.070.1		2
87501237	1.151.1		8		6.010.1		2
	1.161.1		18	87533276	1.070.1		3
87501453	1.151.1		22	87564157	1.120.1		9
	1.151.1		4		3.040.1		0
	1.161.1		29	87580	1.030.1		1
87501455	1.161.1		33	87602293	4.020.1		5
87501485	1.151.1		29		4.041.1		2
	1.161.1		30	87604021	4.020.1		6
87501490	1.151.1		23		4.041.1		3
	1.161.1		10	87604612	4.020.1		7
87504961	4.032.1		3		4.041.1		4
	4.080.1		10	87604747	4.032.1		28
87505190	5.020.1		19		4.041.1		1
	5.030.1		17	87611225	4.090.1		100
87505192	1.080.1		28	87627347	4.090.1		0
	1.081.1		28	87627348	4.090.1		0
	1.090.1		26	87628408	5.030.1		41
	1.091.1		26	87653276	1.010.1		30
	1.100.1		29	87657	6.040.1		7
	1.101.1		29	87660733	5.030.1		36
	1.110.1		25	87660734	5.030.1		39

INDEX - INDICE - INDEX - ZAHLENVERZEICHNIS - INDICE - INDICE - INDHOLD - INHOUD

Number	Figure	Sequence	Ref.	Number	Figure	Sequence	Ref.
87660736	5.030.1		40	9627879	1.130.1		2
87660739	5.010.1		5		1.140.1		6
87660740	5.010.1		6	9627896	5.040.1		2
87661321	5.020.1		30	9628503	5.060.1		20
87661322	5.020.1		28	9635082	3.030.1		5
	5.030.1		29		6.010.1		3
87673485	1.020.1		1		6.040.1		32
	1.030.1		21	9635884	1.120.1		17
	1.080.1		15		4.020.1		2
	1.081.1		15	9638	5.030.1		24
	1.100.1		16	9671714	4.041.1		6
	1.110.1		12	9706689	1.030.1		8
87673559	1.020.1		3		4.032.1		31
87673848	1.010.1		3		4.090.1		1
87674169	1.020.1		2		5.020.1		5
	1.030.1		21	9706701	1.030.1		11
	1.080.1		15		1.120.1		19
	1.081.1		15	9706716	1.010.1		8
	1.100.1		16		4.010.1		6
	1.110.1		12		4.011.1		6
87695406	4.040.1		1	9707515	4.020.1		3
	4.080.1		2		5.050.1		11
87716	1.180.1		1	9707580	1.120.1		16
87746243	4.040.1		2	9827853	4.030.1		6
87790098	4.032.1		5		4.031.1		6
87996	1.080.1		24		4.032.1		6
	1.090.1		21	9884	1.150.1		14
	1.100.1		25		1.151.1		14
	1.110.1		20		1.160.1		17
87997	1.080.1		25		1.161.1		17
	1.081.1		24	9920	1.150.1		15
	1.090.1		22		1.151.1		15
	1.091.1		21		1.160.1		6
	1.101.1		25		1.161.1		6
	1.111.1		20	CA-158	6.040.1		21
88011	1.151.1		3	CA-250	5.020.1		26
	1.161.1		28	CC-105	5.020.1		27
	4.032.1		30	D29266	5.040.1		5
	4.090.1		6	DR-872	5.030.1		30
	6.020.1		2	F86364	1.080.1		12
	6.030.1		4		1.081.1		12
88044	1.070.1		8		1.090.1		6
	2.100.1		12		1.091.1		6
	4.010.1		5		1.100.1		12
	4.011.1		5		1.101.1		12
	5.020.1		7		1.110.1		4
88206	1.010.1		10		1.111.1		4
	1.030.1		7	GD-254	6.020.1		7
	1.120.1		18		6.030.1		7
	2.010.1		10	GD-672A	6.020.1		9
	2.030.1		11		6.030.1		8
	2.040.1		11	GD-673	6.020.1		8
	5.050.1		12	GE-193A	1.150.1		20
	6.030.1		3		1.151.1		20
88436	4.030.1		5		1.160.1		8
	4.031.1		5		1.161.1		8
88444	1.150.1		4	GE-293A	1.150.1		21
88546	5.030.1		11		1.151.1		21
88604	5.020.1		2		1.160.1		9
88692	1.080.1		26		1.161.1		9
	1.081.1		26	GE-359	1.150.1		19
	1.090.1		23		1.151.1		19
	1.091.1		23		1.160.1		7
88871	1.010.1		6		1.161.1		7
88902	1.151.1		28	GE-360	6.030.1		9
	1.161.1		31	GH-144	1.150.1		22
	5.020.1		9	GH-189	1.150.1		23
	5.030.1		5		1.160.1		10
	6.030.1		2	GH-528	1.150.1		24
88964	5.010.1		15		1.151.1		24
9412	2.010.1		1		1.160.1		11
	2.030.1		1		1.161.1		11
	2.040.1		1	GH-530	1.150.1		25
	5.050.1		2		1.151.1		25
9602203	1.150.1		6		1.160.1		12
	1.151.1		6		1.161.1		12
	1.160.1		22	GH-877	6.040.1		9
	1.161.1		22	GH-878	6.040.1		3

INDEX - INDICE - INDEX - ZAHLENVERZEICHNIS - INDICE - INDICE - INHOLD - INHOUD

Number	Figure	Sequence	Ref.	Number	Figure	Sequence	Ref.
GH-879	6.040.1		2	NSS	5.060.1		11
GH-890	6.040.1		14		5.060.1		13
GL-726	1.150.1		26		5.060.1		14
	1.151.1		26		5.060.1		15
	1.160.1		13		5.060.1		16
	1.161.1		13		5.060.1		18
GL-727	1.160.1		14		5.060.1		19
GP-102	6.010.1		16		5.060.1		27
GP-103	6.010.1		16		5.060.1		40
GP-106SV1	6.010.1		1		5.060.1		5
GP-107	6.010.1		17		5.060.1		6
GP-107SV1	6.010.1		1	REF	6.010.1		17
GP-108	6.010.1		17		6.010.1		8
GP-108SV1	6.010.1		1	RF-240	1.151.1		31
GP-109	6.010.1		17		1.161.1		14
GP-109SV1	6.010.1		1	SQ-803	5.030.1		32
GP-110	6.010.1		17	ST773A	1.080.1		13
GP-110SV1	6.010.1		1		1.081.1		13
GP-111	6.010.1		17		1.100.1		14
GP-111SV1	6.010.1		1		1.101.1		14
GP-112	6.010.1		17	ST783A	1.080.1		14
GP-112SV1	6.010.1		1		1.081.1		14
GP-201	6.030.1		10		1.100.1		15
GP-253	6.010.1		18		1.101.1		15
GP-381	6.030.1		11	ST863	1.080.1		4
GR-457A	1.010.1		20		1.081.1		4
NN-361	5.020.1		29		1.100.1		4
	5.030.1		31		1.101.1		4
NSS	0.010.1		1	TM-100V2	5.020.1		36
	2.050.1		12		5.030.1		44
	2.050.1		13	TM-101	5.030.1		33
	2.050.1		18		5.040.1		15
	2.050.1		2	TM-111	5.030.1		34
	2.050.1		3	TM-115	5.020.1		31
	2.050.1		4		5.030.1		35
	2.050.1		5	TM-132	5.020.1		32
	2.050.1		6	TM-147	5.030.1		37
	2.050.1		8	TM-151	5.030.1		38
	2.050.1		9	TM-158	5.010.1		4
	2.051.1		5	TM-163V2	5.040.1		18
	2.060.1		11	TM-167	5.020.1		33
	2.060.1		2	TM-209	5.030.1		42
	2.060.1		3A	TM-210	5.020.1		35
	2.060.1		3B		5.030.1		43
	2.060.1		3C				
	2.060.1		4				
	2.060.1		5				
	2.060.1		6				
	2.060.1		7				
	2.070.1		11				
	2.070.1		13				
	2.070.1		14				
	2.070.1		2				
	2.070.1		3				
	2.070.1		7				
	2.071.1		11				
	2.071.1		13				
	2.071.1		14				
	2.071.1		15				
	2.071.1		2				
	2.071.1		3				
	2.071.1		7				
	2.071.1		8				
	2.080.1		7A				
	2.080.1		7B				
	2.080.1		7C				
	2.080.1		7D				
	2.080.1		7E				
	2.080.1		7F				
	2.081.1		11				
	2.081.1		13				
	2.081.1		14				
	2.081.1		15				
	2.081.1		2				
	2.081.1		3				
	2.081.1		7				
	2.081.1		8				
	5.060.1		10				

