
TABLE OF CONTENTS

01-001		FRONT CONSOLE, PACKAGE
01-002		DELUXE HEADLINER, PACKAGE
01-003		DELUXE HEADLINER, ASSEMBLY
01-004	01	CAB TRIM, W/O CD
01-004	02	CAB TRIM, W/O CD
01-004	03	CAB TRIM, W/O CD
01-004	04	CAB TRIM, W/O CD
01-004	05	CAB TRIM, W/O CD
01-004	06	CAB TRIM, W/O CD
01-005		A-POST INSTRUMENT SHROUD, PACKAGE
01-006		INTERIOR LIGHTS, PACKAGE
01-007		CAB GAUGE, PACKAGE
01-008		HVAC, STANDARD UNIT
01-009		PACKAGE, ELECTRICAL GROUP, CAB
01-010		COVER ASSEMBLY, ELECTRICAL
01-011		HVAC, STANDARD CONTROL
01-012		ELECTRICAL GROUP, CAB
01-013		HEATER, CONTROL ASSEMBLY
01-014		HVAC UNIT, MANUAL
01-015		CLIMATIZATION PACKAGE
01-016		PACKAGE, ATC HV
01-017		HVAC/A, ATC UNIT
01-018		PACKAGE, AUTO TEMP CONTROL
01-019		FLOORMAT, PACKAGE, STD
01-020		FLOORMAT, PACKAGE, LUXURY
01-021		MAT ASSEMBLY, FLOOR WITH PLUGS
01-022		STEERING, CONTROL, DELUXE
01-023		STEERING, CONTROL, LUXURY
01-024		POD ASSEMBLY, SELF CANCEL TURN
01-025		SEAT PACKAGE, LEATHER, LUXURY
01-026		SEAT, PACKAGE, DELUXE
01-029		TRAINING SEAT LAYOUT ASSY
01-030		TRAINING SEAT ASSEMBLY, DELUXE
01-031		TRAINING SEAT ASSEMBLY, LUXURY
01-032		RH CONSOLE GROUP PACKAGE
01-033		RH CONSOLE MOUNT ASSEMBLY
01-034		RH CONSOLE SUB ASSEMBLY
01-035		RH CONSOLE, ELECTRIC
01-036		RH COVER ASSEMBLY
01-037		NEUTRAL SAFETY AND REVERSE SWITCH
01-038		RH CONSOLE, THROTTLE GROUP
01-039		COVER ASSEMBLY, RH CONSOLE
01-040	01	PROP CONTROL LEVER ASSEMBLY, COLOR
01-040	02	PROP CONTROL LEVER ASSEMBLY,COLOR
01-041		LEVER SUB ASSEMBLY PROPEL CONTROL
01-042		PROP CONTROL PLATE ASSEMBLY
01-043		INSTRUMENT ASSEMBLY, ICU
01-044		PACKAGE, ICU, STANDARD
01-045		CONTROLLER MOUNT, RAVEN
01-046		EMERGENCY EXIT, HAMMER
01-047		DECAL ASSEMBLY, AUTOGUIDANCE

TABLE OF CONTENTS

01-048		BLIND ASSEMBLY, FRONT SUNVISOR
01-049		SPEAKER GROUP
01-050		BRAKE CONTROL
01-051		FRONT UPPER WIPER GROUP
01-052		FRAME OPERATOR PLATFORM PACKAGE
01-053		HOLE PLUG FIT OUT GROUP
02-001		DOOR GROUP
02-002		CAB DOOR, ASSEMBLY
02-003		REAR WINDOW ASSEMBLY
02-004		HANDLE ASSEMBLY, REAR WINDOW
02-005		GLASS MOUNTING GROUP
02-006		WINDSHIELD WASHER GROUP
02-007	01	CAB ROOF GROUP
02-007	02	CAB ROOF GROUP
02-008		ROOF ASSY, LOWER PANEL
02-009		CAB ROOF, W/O REAR WIPER
02-010		WARN/DIR LIGHTS, PACKAGE
02-011		HID LIGHT GROUP, CAB
02-012		CAB SKIRT GROUP
02-013		AIR INTAKE SYSTEM, CAB
02-014		AIR INLET GROUP, BOX
03-001		ENGINE GROUP
03-002		ENGINE
03-003		AIR INTAKE GROUP, AIR COMPRESSOR
03-004		FAN DRIVE
03-005		OIL FILL, ENGINE
03-006		OIL DRAIN - ENGINE
03-007		OIL PUMP - ENGINE
03-008		OIL FILTER - ENGINE
03-009		OIL FILTER AND COOLER
03-010		OIL PUMP, PAN
03-011		BREATHER - ENGINE
03-012		TURBOCHARGER
03-013		TURBO ELBOW GROUP
03-014		WATER PUMP
03-015		WATER PUMP - CONTROL
03-016		CYLINDER BLOCK
03-017		CYLINDER BLOCK - PLUG ASSEMBLY
03-018		CYLINDER BLOCK
03-019		FLYWHEEL HOUSING
03-020		GEAR COVER - REAR HOUSING
03-021		FRONT GEAR COVER
03-022		GEAR COVER - PLATE
03-023		CYLINDER HEAD - COVERS
03-024		CYLINDER HEAD - VALVE MECHANISM
03-025		CYLINDER HEAD
03-026		INTAKE MANIFOLD
03-027		MANIFOLD - EXHAUST
03-028		CAMSHAFT
03-029		CRANKSHAFT
03-030		CRANKSHAFT - PULLEY

TABLE OF CONTENTS

03-031		FLYWHEEL - ENGINE
03-032		CONNECTING ROD
03-033		PISTONS
03-034		COOLING SYSTEM - ENGINE
03-035		THERMOSTAT - ENGINE COOLING SYSTEM
03-036		PIPING - ENGINE OIL
03-037		ENGINE - LIFT HOOKS
03-038		ENGINE OVERHAUL KIT
03-039		FUEL INJECTION PUMP
03-040		FUEL INJECTION SYSTEM - INJECTOR
03-041		FUEL INJECTION SYSTEM - FUEL, SUPPLY
03-042		FUEL INJECTION SYSTEM - MODULE, ENGINE CONTROL
03-043		CABLES
03-044		FUEL INJECTION SYSTEM
03-045		FUEL INJECTION SYSTEM - DRAIN LINE
03-046		FUEL FILTER - COMPONENTS
03-047		ENGINE MOUNTING GROUP
03-048		EXHAUST GROUP
03-049		EXHAUST ELBOW GROUP
03-050		PACKAGE, CHARGE AIR COOLER
03-051		RADIATOR GROUP
03-052		AIR INTAKE SYSTEM
03-053	01	GRID HEATER, GROUP
03-053	02	GRID HEATER, GROUP
03-054		STARTER GROUP
03-055		ALTERNATOR GROUP
03-056		HEATER GROUP
03-057		AIR CONDITIONING GROUP
03-058		A/C COMPRESSOR ATTACHING GROUP
03-059		AIR COMPRESSOR GROUP
03-060		COOLANT LINES GROUP
04-001		AXLE LINER GROUP
04-002		AXLE GROUP, STEER, RF
04-003		AXLE GROUP, STEER, LF
04-004		AXLE GROUP, NON STEER, LR
04-005		AXLE GROUP, NON STEER, RR
04-006		HOSE PIVOT GROUP, LF
04-007		HOSE PIVOT GROUP, RF
04-008		NON PIVOT HOSE MOUNT GROUP, LR
04-009		NON PIVOT HOSE MOUNT GROUP, RR
04-010		STRUT GROUP, LEFT
04-011		STRUT GROUP, RIGHT
04-012		CYLINDER GROUP, 2 WHEEL STEER
04-013		SUSPENSION CYLINDER GROUP
04-014		SUSPENSION SHOCK ASSEMBLY
04-015		BRAKE CALIPER ASSEMBLY
04-016		HOOD GROUP, FRONT
04-017		HOOD MOUNT GROUP, ENGINE, FRONT & REAR
04-018		HOOD GROUP, ENGINE, TOP
04-019		GRILLE GROUP, ENGINE
04-020		WALKWAY GROUP, HAND AND TOE RAIL, FRONT

TABLE OF CONTENTS

04-021	WALKWAY GROUP, MID
04-022	PACKAGE, WALKWAY, REAR
04-023	CRADLE/HANDRAIL ASSEMBLY, 120' BOOM
04-024	HANDRAIL GROUP, MID PIVOT, 120' BOOM
04-025	LADDER GROUP, LH
04-026	FRONT/MID HANDRAIL GROUP
04-027	WALKWAY PROTECTOR GROUP
04-028	CRADLE GROUP, BOOM
04-029	FUEL GROUP, FITTINGS & LINES
04-030	FUEL GROUP, TANK MOUNTING
04-031	FUEL TANK ASSEMBLY
04-032	AUDIBLE ALARM GROUP
04-033	SERIAL PLATE GROUP
04-034	CAB MOUNTING GROUP
04-035	STORAGE BOX GROUP
04-036	BATTERY BOX GROUP
04-037	SPEED SENSOR GROUP
05-001	GEAR RATIO GROUP
05-002	GEARBOX, PLANETARY 25.2:1
05-003	GEARBOX, PLANETARY 31:1
05-004	TIRE KIT, 320/90R46 146 RT-10
05-005	TIRE KIT, 650/65R38
05-006	TIRE KIT, 520/85 R38
05-007	TIRE KIT, 380/85 R46
05-008	TIRE KIT, 380/90R46 157A8/B
05-009	TIRE KIT, 320/90 R46 LI 153
05-010	TIRE KIT, 380/90 R46 LI 159
06-001	DRIVE CONTROL HYDRAULIC GROUP
06-002	WHEEL MOTOR GROUP
06-003	STANDARD AXLE HYDRAULIC GROUP
06-004	VALVE, 2-BANK WITH FITTINGS
06-005	VALVE, 2-BANK W/O FITTINGS
06-006	CYLINDER, AXLE GROUP
06-007	HYDRAULIC GROUP, 2WS
06-008	SUSPENSION, ACTIVE HYDRAULIC
06-009	OIL COOLER GROUP
06-010	PUMP GROUP, DED
06-011	PUMP DRIVE GROUP
06-012	DRIVE-2 PUMP, 1.40 UP
06-013	HYDROSTATIC PUMP GROUP
06-014	HYDRAULIC PUMP, W/13 T
06-015	HYDRAULIC PUMP, W/11 T
06-016	VALVE, SHUNT
06-017	CASE DRAIN HYDRAULIC GROUP
06-018	HYDRAULIC DRIVE LOOP GROUP
06-019	BRAKE PEDAL HYDRAULIC GROUP
06-020	BRAKE GROUP, DYNAMIC
06-021	PARK BRAKE GROUP
06-022	MANIFOLD GROUP
06-023	PRESSURE COMP MANIFOLD
06-024-01	01 STEEL LINES GROUP

TABLE OF CONTENTS

06-024-02	02	STEEL LINES GROUP
06-025		OIL TANK GROUP
06-026		TANK FILTER
06-027		FRONT LADDER HYDRAULIC GROUP
06-028		PRODUCT PUMP HYDRAULIC GROUP
06-029		BOOM OUTER FOLD HYDRAULIC GROUP
06-030		HYDRAULIC GROUP, 60' BOOM
06-033		VALVE, 6-SECTION, W/FITTINGS
06-034	01	VALVE, 6-SECTION, W/O FITTINGS
06-034	02	VALVE, 6-SECTION, W/O FITTINGS
06-035		OUTER FOLD HYDRAULIC GROUP, NO CYLINDER
06-036		PRODUCT CONTROL VALVE
06-037		BOOM HITCH HYDRAULIC GROUP
06-038		AUTO GUIDE HYDRAULIC GROUP
06-039	01	BOOM HYDRAULIC LOCK GROUP, 120' BOOM
06-039	02	BOOM HYDRAULIC LOCK GROUP, 120' BOOM
06-040		HYDRAULIC GROUP, OUTER, 120' BOOM
06-041		BOOM HYDRAULIC GROUP, 120'
06-042		SOLENOID VALVE
06-043		SOLENOID VALVE
06-044		INNER BOOM HYDRAULIC GROUP, 120'
06-045		OUTER BOOM HYDRAULIC GROUP, 120'
06-046		HITCH HYDRAULIC GROUP, 120'
07-001		STEERING CYLINDER
07-002		AXLE ADJUST CYLINDER
07-003		BOOM LEVEL CYLINDER
07-004		BOOM LEVEL CYLINDER, 120' BOOM
07-005		INNER BOOM FOLD CYLINDER, REAR
07-006		INNER BOOM FOLD CYLINDER, FRONT
07-007		INNER BOOM FOLD CYLINDER, 120' BOOM
07-008		OUTER BOOM FOLD CYLINDER
07-010		FRONT LADDER FOLD CYLINDER
07-011		SUSPENSION CYLINDER
07-012		CYLINDER GROUP, PARALLEL LINKS
07-013		BOOM HEIGHT CYLINDER
07-014		MID BOOM FOLD CYLINDER
08-002		PACKAGE, MAST, 120' BOOM
08-003		CENTER SECTION MOUNTING
08-004		CENTER SECTION MOUNTING, 120' BOOM
08-005		BOOM HITCH
08-006		STABILIZER SHOCKS GROUP
08-007		LINKAGE GROUP, BOOMS
08-008		MAST PIVOT ASSEMBLY
08-009		PIVOT ASSEMBLY, CENTER SECTION
08-010		WING, LEFT GROUP, 60' BOOM
08-011		WING, RIGHT GROUP, 60' BOOM
08-012		INNER BOOM MOUNTING, LH, 120' BOOM
08-013		INNER BOOM MOUNTING, RH, 120' BOOM
08-014		OUTER BOOM ASSEMBLY, LH, 90'
08-015		OUTER BOOM ASSEMBLY, RH, 90'
08-016		100' OUTER BOOM ASSEMBLY, LH

TABLE OF CONTENTS

08-017	100' OUTER BOOM ASSEMBLY, RH
08-018	60-90' BOOM BREAKAWAY ASSEMBLY
08-019	BOOM BREAKAWAY ASSEMBLY, 100'
08-020	100' BOOM BREAKAWAY ASSEMBLY
08-021	BOOM BREAKAWAY ASSEMBLY, 120' BOOM
08-022	HINGE GROUP, OUTER TIPS
08-023	HINGE GROUP, 120' BOOM
08-024	OUTER CRADLE ASSEMBLY
08-025	PROTECTORS, INNER BOOM
08-026	SKID GROUP, LEFT
08-027	SKID GROUP, RIGHT
08-028	GUARD TIP GROUP
08-029	LIGHT GROUP, CENTER SECTION
08-030	LIGHT GROUP, CENTER SECTION, 120'
08-031	BOOM, BREAKAWAY ASSEMBLY, 90' BEGINNING 11/2008
09-001	TANK MOUNT GROUP
09-002	SIGHT GAUGE GROUP
09-003	RINSE TANK, MOUNTING GROUP
09-004	RINSE TANK, PLUMBING
09-005	RINSE TANK, LH
09-006	RINSE TANK, RH
09-007	FILL STATION GROUP
09-008	FILL STATION, PLUMBING
09-009	PLUMBING SUMP
09-010	REMOTE STATION RELOAD CENTER
09-011	PUMP GROUP, ACE
09-012	PUMP MOUNTING, GROUP
09-013	PUMP, PRODUCT, ACE
09-014	PLUMBING PUMP
09-015	PRESSURE SENDER GROUP, PUMP
09-016	VALVE, 3" MANIFOLD BALL
09-017	SPARGE PLUMBING
09-018	SUCTION FILL GROUP
09-019	VALVE PLUMBING GROUP, 5 & 6 SECTION
09-020	VALVE PLUMBING GROUP, 5 SECTION, CENTER
09-021	VALVE, 1.25 BALL ELECTRIC
09-022	STRAINER, 1" NPT 50M POLY
09-023	VALVE PLUMBING GROUP, 5 SECTION
09-024	VALVE PLUMBING GROUP, 5 SECTION
09-025	STRAINER PLUMBING GROUP, LO-FLOW
09-026	FLOW METER PLUMBING, LO-FLOW
09-027	THROTTLE VALVE/STRAINER, PLUMBING
09-028	THROTTLE VALVE, PLUMBING
09-029	STRAINER, 2" FLS
09-030	FLOWMETER STANDARD PLUMBING
09-031	FLOWMETER RFM 100
09-032	BOOM PLUMBING GROUP, 5 SECTION MID
09-033	BOOM PLUMBING GROUP, 5 SECTION 90'
09-034	BOOM PLUMBING GROUP, 5 SECTION MID
09-035	BOOM PLUMBING GROUP, 5 SECTION, CENTER SECTION
09-036	MANIFOLD GROUP, 5 AND 6 SECTION

TABLE OF CONTENTS

09-037		MANIFOLD, CENTER SECTION, LO-FLOW
09-038		MANIFOLD SUPPORT GROUP, 5-6 SECTION
09-041		NOZZLE SPACING GROUP, 5 SECTION 90', 20/30" ON CENTER PLBG
09-042		NOZZLE SPACING GROUP, 5 SECTION MID, 20/30" ON CENTER PLBG
09-043		SPRAYBAR, CS, 20" OFF, 5 SECTION
09-044		SPRAYBAR, CS, 20" OFF, 6 SECTION
09-045		SPRAYBAR, CS 20/30", 5 SECTION
09-046		SPRAYBAR, CS, 20" OFF, 6 SECTION, LO-FLOW
09-047		SPRAYBAR, MID, 20" OFF, 6 SECTION, LO-FLOW
09-048		SPRAYBAR, OUTER, 20" OFF, 6 SECTION, LO-FLOW
09-049		SPRAYBAR, 100' OUTER, 20' OFF CL
09-053		SPRAYBARS
09-054		NOZZLE SPACING GROUP, 5 SECTION, 20" OFF, CENTER SECTION
09-055		NOZZLE SPACING GROUP, 5 & 6 SECTION MID, 20" OFF CL PLBG
09-056		VALVE PLUMBING GROUP, 6 SECTION, INNER RIGHT BOOM, 2 STRAINER
09-057		VALVE PLUMBING GROUP, 6 SECTION, INNER LEFT BOOM, 2 STRAINER
09-058		BOOM PLUMBING GROUP, 5-6 SECTION 100'
09-059		BOOM PLUMBING GROUP, 6 SECTION CENTER
09-060		BOOM PLUMBING GROUP, 6 SEC MID, RH
09-061		BOOM PLUMBING GROUP, 6 SEC MID, LH
09-062		BOOM, CENTER SECTION PLUMBING, 6 SECTION, LO-FLOW
09-063		CENTER SECTION PLUMBING, 6 SECTION, LO-FLOW
09-066		BOOM, MID PLUMBING, 6 SECTION, LO-FLOW
09-067		BOOM, OUTER PLUMBING, 6 SECTION, LO-FLOW
09-068		NOZZLE SPACING GROUP, 6 SECTION CENTER, 20" OFF
09-069		NOZZLE SPACING GROUP, 90' OUTER, 20" OFF
09-070		90' KNOCKDOWN TUBE PACKAGE
09-071		90' KNOCKDOWN FITTING PACK
09-073		BOOM VALVE PLUMBING, MID, LO-FLOW
09-074		BOOM VALVE PLUMBING, OUTER, LO-FLOW
09-077		ELECTRICAL, 5 SECTION PLUMBING, CS
09-078		ELECTRICAL, 6 SECTION PLUMBING, CS
09-079		VALVE, MANIFOLD BOOM
09-080	01	SPRAYBAR PLUMBING, TWS, 20" OFFSET, 120' BOOM
09-080	02	SPRAYBAR PLUMBING, TWS, 20" OFFSET, 120' BOOM
09-081		CENTER SECTION PLUMBING, 7 SECTION, 120' BOOM
09-082		BOOM VALVE PLUMBING, 7 SECTION
09-083	01	SPRAYBAR PLUMBING, TWS, 7 SECTION, 20"/30", 120' BOOM
09-083	02	SPRAYBAR PLUMBING, TWS, 7 SECTION, 20"/30", 120' BOOM
09-084		CENTER SECTION PLUMBING, 7 SECTION, LOW FLOW, 120' BOOM
09-085		BOOM VALVE PLUMBING, 7 SECTION, LOW FLOW, 120' BOOM
09-085		MANIFOLD GROUP, 7 SECTION, LOW FLOW, 120' BOOM
09-086		STRAINER PLUMBING MOUNT GROUP
09-087		STRAINER PLUMBING GROUP
09-088		THROTTLE VALVE PLUMBING
10-001	01	APPLICATION GROUP
10-001	02	APPLICATION GROUP
10-002		APPEARANCE GROUP
10-003		SAFETY GROUP
10-004	01	OPERATIONAL GROUP
10-004	02	OPERATIONAL GROUP

TABLE OF CONTENTS

10-005		ENGINE DECAL GROUP
10-006		SPEED IDENTIFICATION SYMBOL
10-007		SMV GROUP
10-008		SMV GROUP, 120'
10-009		AIM DECAL GROUP
10-010		DECAL GROUP, 120' BOOM FOLD
10-011		PACKAGE,SUNVISOR, SIDE AND REAR
11-001		FENDER GROUP, RH
11-002		FENDER ASSEMBLY, RH
11-003		FENDER GROUP, LH
11-004		FENDER ASSEMBLY, LH
11-005		TEE VALVE GROUP, LEFT BOOM, FENCE ROW
11-006		TEE VALVE GROUP, RIGHT BOOM, FENCE ROW
11-007		NOZZLE GROUP, LEFT BOOM, 90', FENCE ROW
11-008		NOZZLE GROUP, RIGHT BOOM, 90', FENCE ROW
11-009		NOZZLE, FENCE ROW, 90', LO-FLOW
11-010		FENCE ROW GROUP, 100' AND 120' BOOM
11-011		FENCE ROW GROUP, LO-FLOW, 100' AND 120' BOOM
11-012		AIR TANK SUPPLY LINE GROUP
11-013		AIR TANK GROUP
11-014		FOAMER REGULATOR, PLUMBING
11-015		TURBO FOAMER TANK GROUP
11-016		FOAMER STATION GROUP
11-017		FOAMER TANK GROUP
11-018		FOAMER TANK PLUMBING GROUP
11-019		TANK 55 GALLON W/FITTINGS
11-020		FOAMER, TRANSFER PUMP GROUP
11-021		SOLENOID GROUP, CENTER SECTION
11-022		FOAMER DROP GROUP,LH
11-023		FOAMER DROP GROUP, RH
11-024		FOAMER DROP GROUP, RIGHT, 120' BOOM
11-025		FOAMER DROP GROUP, LEFT, 120' BOOM
11-026		CHAMBER GROUP, LH
11-027		CHAMBER GROUP, RH
11-028		CHAMBER GROUP, LH DUAL DROP
11-029		CHAMBER GROUP, RH DUAL DROP
11-030		CHEMICAL INDUCTOR GROUP
11-031		TANK GROUP W/LINKAGE
11-032		TANK GROUP, W/LIQ PLUMBING
11-033		CHEMICAL INDUCTOR TEE GROUP
11-034		VENTURI ASSEMBLY
11-035		RINSE VALVE, GROUP
11-036	01	AUTOBOOM, ULTRAGLIDE
11-036	02	AUTOBOOM, ULTRAGLIDE
11-037		AUTOBOOM, DUAL SENSOR
11-038		AUTOBOOM, HEIGHT CONTROL
11-039		VALVE, HYDRAULIC, ULTRAGLIDE
11-040		SENSOR, ULTRASONIC ASSEMBLY, RIGHT
11-041		SENSOR, ULTRASONIC ASSEMBLY, LEFT
11-042		PACKAGE, AUTOBOOM, 90/100
11-043		KIT, AUTOBOOM WHEEL, 90/100

TABLE OF CONTENTS

11-044	AUTOBOOM, 120', WHEEL
11-045	AUTOBOOM, WHEEL, 120'
11-046	HUB ASSEMBLY, 5-BOLT
11-047	TOOL BOX, PORTABLE
11-048	MIRROR ASSEMBLY, MANUAL
11-049	ELECTRIC MIRROR
11-050	MIRROR GROUP, BOOM
11-051	RADIO GROUP
11-052	ROADSIDE EMERGENCY KIT
11-053	LIGHT GROUP HID
11-054	LIGHT GROUP HALOGEN
11-055	LIGHT GROUP, HID, FRONT
11-056	LIGHT GROUP, HID, CAB
11-057	LIGHT GROUP, CENTER SECTION
11-058	LIGHT GROUP, MIDSHIP
11-059	2-WAY WILGER, ASSEMBLY
11-060	1-WAY WILGER, ASSEMBLY
11-061	FLOOD LIGHTING ASSEMBLY
11-062	NOZZLE WILGER, SADDLE
11-063	NOZZLE, DUAL WILGER
11-064	NOZZLE, SINGLE WILGER
11-065	ARAG NOZZLE-5-WAY WET 1" PIPE
11-066	NOZZLE, 20-30, 5 WAY, 120
11-067	NOZZLE, 20-30, COMBO, 120
11-068	MODULE, SHUT-OFF
11-069	SCREENS GROUP, 6 SECTION
11-070	SCREENS GROUP, 5 SECTION
11-071	VENTURI, SOLENOID ASSY, RH
11-072	VENTURI, SOLENOID ASSY, LH
11-073	AFS MONITOR READY PACKAGE
11-074	MONITOR MOUNTING BAR PACKAGE
11-075	ACCUGUIDE ELECTRICAL GROUP, CAB
11-079	DISPLAY, FIELD SERVICE BLACK
11-080	NAV II CONTROLLER
11-081	AUTOGUIDANCE V16 MANUALS
11-082	PACKAGE, AFS252/WAAS/EGNOS/VBS
11-083	PACKAGE, HARDWARE 252 MOUNTING
11-084	GPS RECEIVER
11-085	PACKAGE, NODES/HARNESSES, EZ-FOLD, 120'
11-086	PACKAGE, SENSORS, AUTOFOLD PLUS, 120'
11-076	ACCUGUIDE ELECTRICAL GROUP, FRAME
11-077	MOUNT, COLOR DISPLAY ARM
11-078	KIT, ACCU BOOM
12-001	FRAME ELECTRICAL GROUP
12-002	INTERMEDATE START RELAY, GROUP
12-003	HARNESS MOUNTING GROUP
12-004	MODULE, ELECTRICAL MAIN CAB
12-009	HARNESS, ENGINE
12-010	SELF CENTERING, ELECTRICAL GROUP
12-011	BATTERY GROUP W/CABLES
12-012	LIGHT GROUP

TABLE OF CONTENTS

12-013		TAILLIGHT LIGHT GROUP
12-014		REAR STOP, SIGNAL ASSEMBLY
12-015		HARNESS HEADLIGHT EXT
12-016		ONE TOUCH FOLD, ELECTRICAL GROUP
12-017		ELECTRIC TRANSFER PUMP GROUP
12-018		FOAMER ELECTRICAL GROUP
12-022		CONTROL GROUP, SCS5000
12-023		VIPER CONTROL GROUP
12-025		CONTROL GROUP, NODE
12-027		BOOM ELECTRICAL GROUP, 5 SECTION
12-028		BOOM ELECTRICAL GROUP, 6 SECTION
12-030		AIM COMMAND, ELECTRICAL GROUP, PWM
12-031		AIM COMMAND, ELECTRICAL GROUP, 6 SEC
12-032		AIM COMMAND, ELECTRICAL GROUP, 5 SEC
12-033		AIM COMMAND, HARNESS GROUP
12-034		AIM COMMAND, BYPASS GROUP
12-036		CAB ELECTRICAL, AIM GROUP
12-037		AIM COMMAND, HARNESS GROUP
12-038		AIM SENSOR PLUMBING GROUP, CENTER SECTION
12-040		AIM COMMAND PACKAGE, PWM 1-6 SEC
12-041		AIM 90' X 20" SOL GROUP, ARAG 6
12-042		AIM 90' X 20" SOL GROUP, WILGER 6
12-045		SOLENOID, AIM, ARAG 150P
12-046		SOLENOID, AIM, WILGER 150P
12-048		HARNESS, AIM COMMAND, REAR
12-049		HARNESS, AIM COMMAND, 6 SECTION
12-050		HARNESS, AIM COMMAND, 6 SECTION
12-051		HARNESS, AIM, 6 NOZZLE TIP
12-052		HARNESS, AIM, 9 NOZZLE TIP
12-053		HARNESS, AIM, 15 NOZZLE
12-054		HARNESS, NOZZLE ALTERNATOR
12-055		ELECTRICAL GROUP, FENCE ROW
12-059	01	ELECTRIC GROUP, AUTO GUIDE
12-059	02	ELECTRIC GROUP, AUTO GUIDE
12-060		HARNESS, CCH SPRAY, CAB AUTO GUIDANCE
12-061		HARNESS, OUTSIDE AUTO GUIDANCE
12-062		BYPASS MODULE GROUP, 120' BOOM
12-066		BOOM, ELECTRICAL GROUP, 7 SECTION, 120' BOOM

SECTION INDEX

Cab Interior

01-001		FRONT CONSOLE, PACKAGE
01-002		DELUXE HEADLINER, PACKAGE
01-003		DELUXE HEADLINER, ASSEMBLY
01-004	01	CAB TRIM, W/O CD
01-004	02	CAB TRIM, W/O CD
01-004	03	CAB TRIM, W/O CD
01-004	04	CAB TRIM, W/O CD
01-004	05	CAB TRIM, W/O CD
01-004	06	CAB TRIM, W/O CD
01-005		A-POST INSTRUMENT SHROUD, PACKAGE
01-006		INTERIOR LIGHTS, PACKAGE
01-007		CAB GAUGE, PACKAGE
01-008		HVAC, STANDARD UNIT
01-009		PACKAGE, ELECTRICAL GROUP, CAB
01-010		COVER ASSEMBLY, ELECTRICAL
01-011		HVAC, STANDARD CONTROL
01-012		ELECTRICAL GROUP, CAB
01-013		HEATER, CONTROL ASSEMBLY
01-014		HVAC UNIT, MANUAL
01-015		CLIMATIZATION PACKAGE
01-016		PACKAGE, ATC HV
01-017		HVAC/A, ATC UNIT
01-018		PACKAGE, AUTO TEMP CONTROL
01-019		FLOORMAT, PACKAGE, STD
01-020		FLOORMAT, PACKAGE, LUXURY
01-021		MAT ASSEMBLY, FLOOR WITH PLUGS
01-022		STEERING, CONTROL, DELUXE
01-023		STEERING, CONTROL, LUXURY
01-024		POD ASSEMBLY, SELF CANCEL TURN
01-025		SEAT PACKAGE, LEATHER, LUXURY
01-026		SEAT, PACKAGE, DELUXE
01-029		TRAINING SEAT LAYOUT ASSY
01-030		TRAINING SEAT ASSEMBLY, DELUXE
01-031		TRAINING SEAT ASSEMBLY, LUXURY
01-032		RH CONSOLE GROUP PACKAGE
01-033		RH CONSOLE MOUNT ASSEMBLY
01-034		RH CONSOLE SUB ASSEMBLY
01-035		RH CONSOLE, ELECTRIC
01-036		RH COVER ASSEMBLY
01-037		NEUTRAL SAFETY AND REVERSE SWITCH
01-038		RH CONSOLE, THROTTLE GROUP
01-039		COVER ASSEMBLY, RH CONSOLE
01-040	01	PROP CONTROL LEVER ASSEMBLY, COLOR
01-040	02	PROP CONTROL LEVER ASSEMBLY,COLOR
01-041		LEVER SUB ASSEMBLY PROPEL CONTROL
01-042		PROP CONTROL PLATE ASSEMBLY
01-043		INSTRUMENT ASSEMBLY, ICU
01-044		PACKAGE, ICU, STANDARD
01-045		CONTROLLER MOUNT, RAVEN
01-046		EMERGENCY EXIT, HAMMER
01-047		DECAL ASSEMBLY, AUTOGUIDANCE

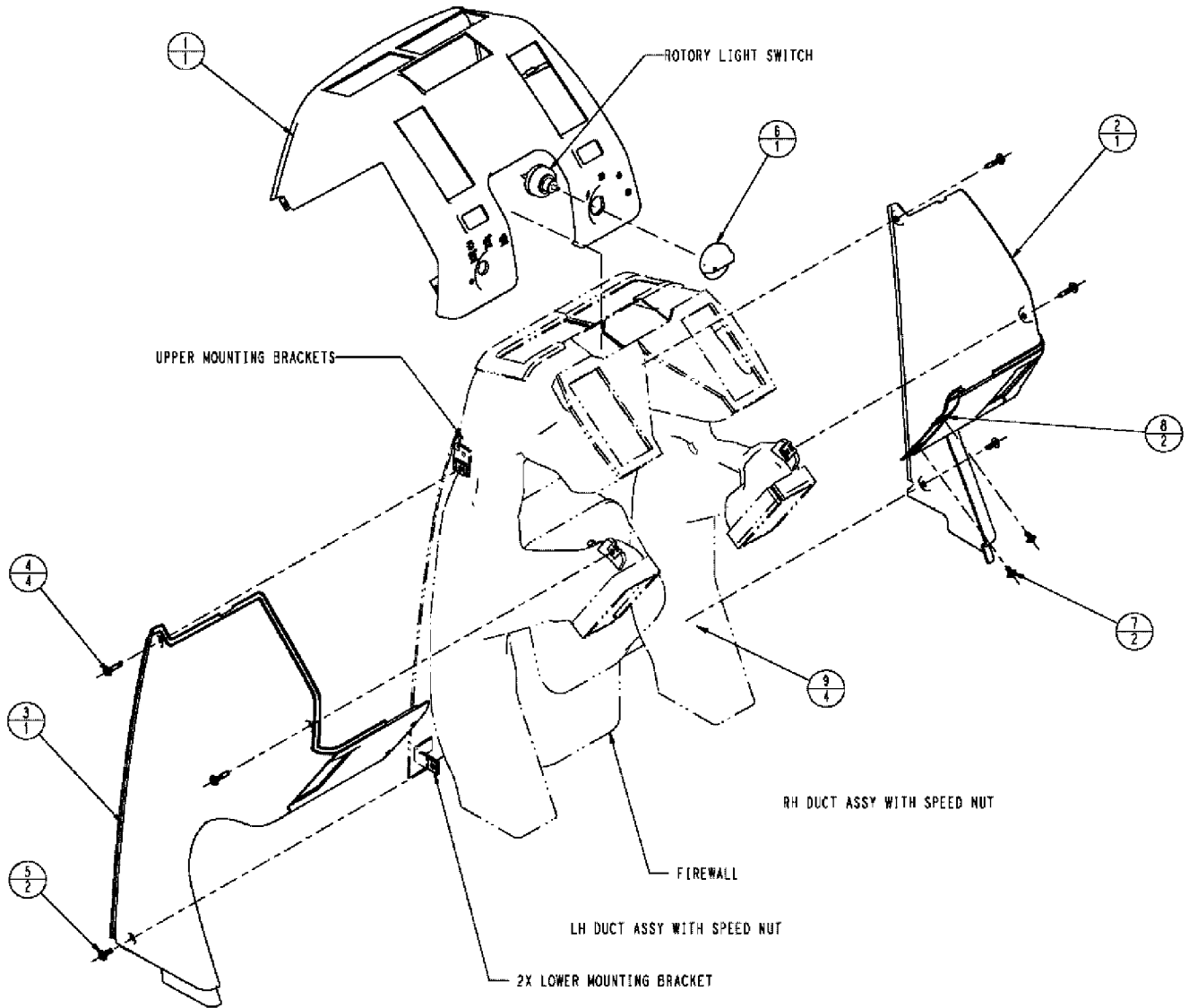
SECTION INDEX

Cab Interior

01-048	BLIND ASSEMBLY, FRONT SUNVISOR
01-049	SPEAKER GROUP
01-050	BRAKE CONTROL
01-051	FRONT UPPER WIPER GROUP
01-052	FRAME OPERATOR PLATFORM PACKAGE
01-053	HOLE PLUG FIT OUT GROUP

FRONT CONSOLE, PACKAGE

1



01-001

p1

09/08

FRONT CONSOLE, PACKAGE

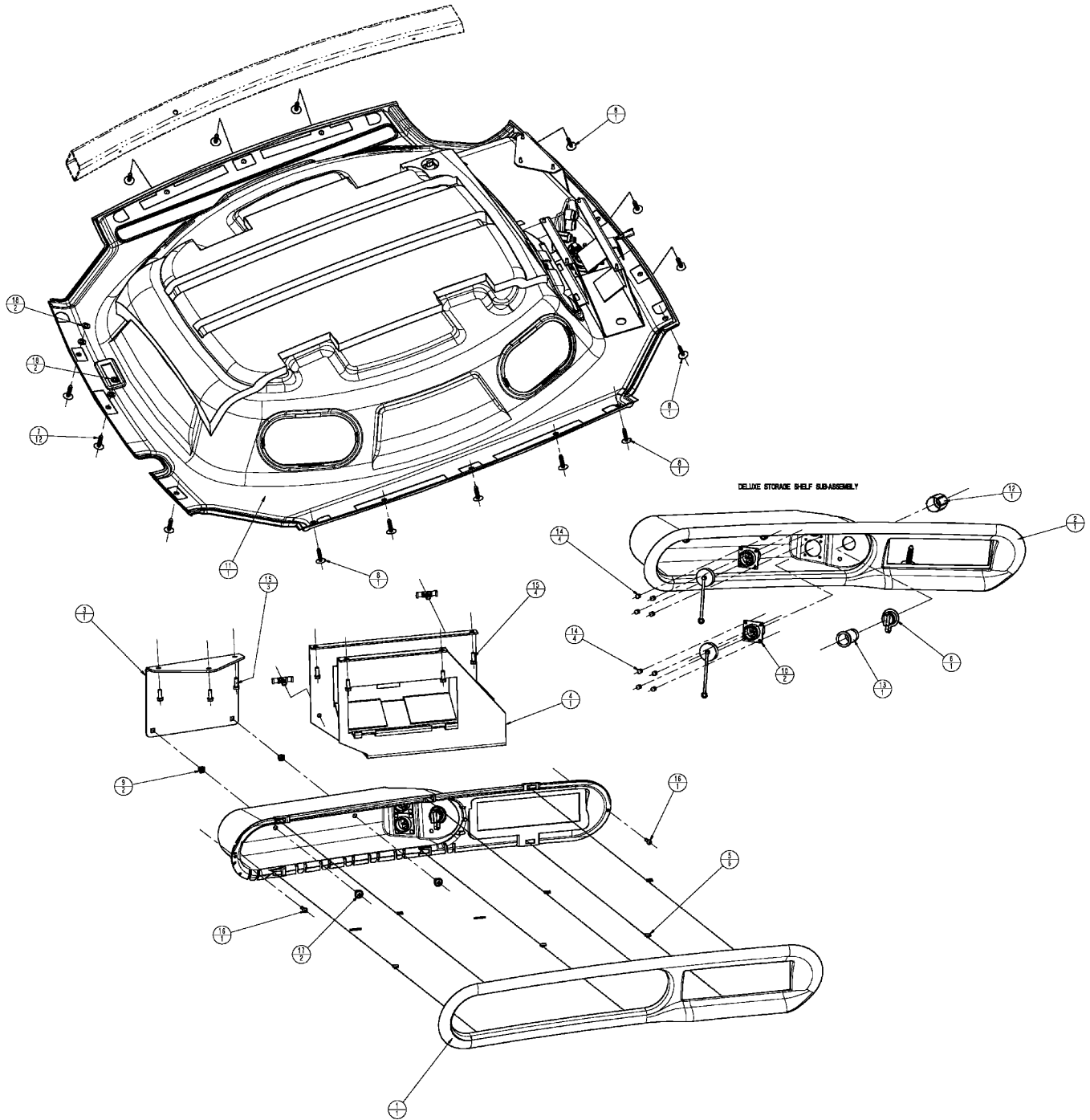
REF	FN	PART NUMBER	YR/SN	QTY	DESCRIPTION
1		87449853		1	COVER, TOP FRONT CONSOLE
2		358671A1		1	COVER, INSTR PANEL RH
3		358670A1		1	COVER, INSTR PANEL LH
4		360362A1		4	SCREW, 10-16 X 1 WHEAT WAS
5		362394A1		2	SCREW, PHD TYPE 2 #10-1 X .62
6		1331046C2		1	KNOB, Switch Panel
7		360363A1		2	SCREW, PHD TYPE 2 #10-1 X .27
8		131-832		2	NUT, U, #10-16, Panel type, SPEED
9		131-839		4	NUT, U, #10-16, Panel type, SPEED

1

3330

DELUXE HEADLINER, PACKAGE

1



DELUXE HEADLINER, PACKAGE

REF	FN	PART NUMBER	YR/SN	QTY	DESCRIPTION
		358794A2		1	BEZEL, DLX STORAGE SHELF
2		358795A1		1	BOX, STORAGE SHELF
3		409205A2		1	BRACKET, STORAGE SHELF
4		428264A5		1	BRACKET, RADIO MOUNTING
5		308538A2		6	CLIP, STORAGE SHELF
6		190812A1		1	COVER, CIGARETTE LIGHTER
7		87621184		12	FASTENER, BUTTON TREE CLIP
8		87441605		4	FASTENER, PINETREE CLIP, REMOVABLE
9		322072A2		2	FASTENER, PLASTIC EXPANSION
10		227739A2		2	CONNECTOR, ELEC, HARNESS, AUX POWER
11		{87614460}		1	HEADLINER, DELUXE, SEE FIG. 01-003
12		308905A1		1	LIGHTER, CIGARETTE, OUTLET RETAINER
13		308904A1		1	LIGHTER, CIGARETTE, POWER OUTLET
14		151-535		8	RIVET, Pop, 1/8" x .462", REPLACED BY 87016620
15		758-5		8	SCREW, SELF TAPPING, Hex Hd, M5.5 x 15, WSHR ZND
16		761-17325		2	SCREW, SELF TAPPING, Pan Hd, M4.2 x 25
17		104033C2		2	SCREW, SELF TAPPING, Cross Wash Hd, M4.8 x 19, Coated
18		895-11010		4	WASHER, M10 x 20 x 2, CST/ZND

3330

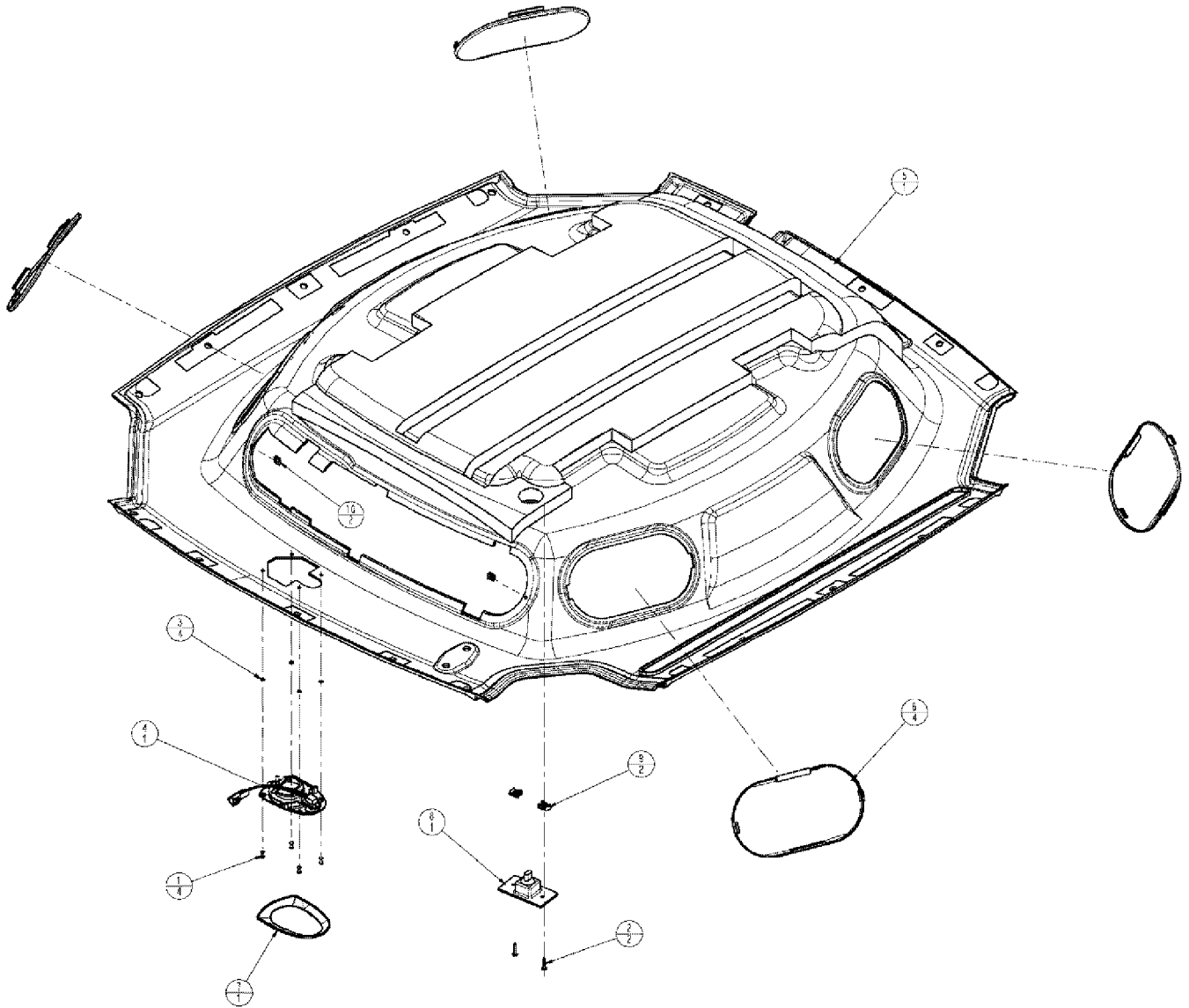
01-003

p1

11/08

DELUXE HEADLINER, ASSEMBLY

1



DELUXE HEADLINER, ASSEMBLY

REF	FN	PART NUMBER	YR/SN	QTY	DESCRIPTION
1		87414959		1	LAMP, HARNESS, MAP
2		87614457		1	LINING, ROOF, DELUXE
3		151-537		4	RIVET, Pop, 1/8" x .650"
4		358683A1		4	GRILLE, SPEAKER
5		360364A1		1	BEZEL, MAP LIGHT WHEAT
6		368143A1		1	LAMP, CONSOLE ILLUMINATOR WHEAT
7		442244A1		2	NUT, U-SPRING 4.2 X 1.4, 2/3.1 MM THK
8		442245A1		2	NUT, U-SPRING 8A, 2.1/2.9 MM THK
9		761-17325		2	SCREW, SELF TAPPING, Pan Hd, M4.2 x 25
10		895-11003		4	WASHER, M3

3330

1

01-004

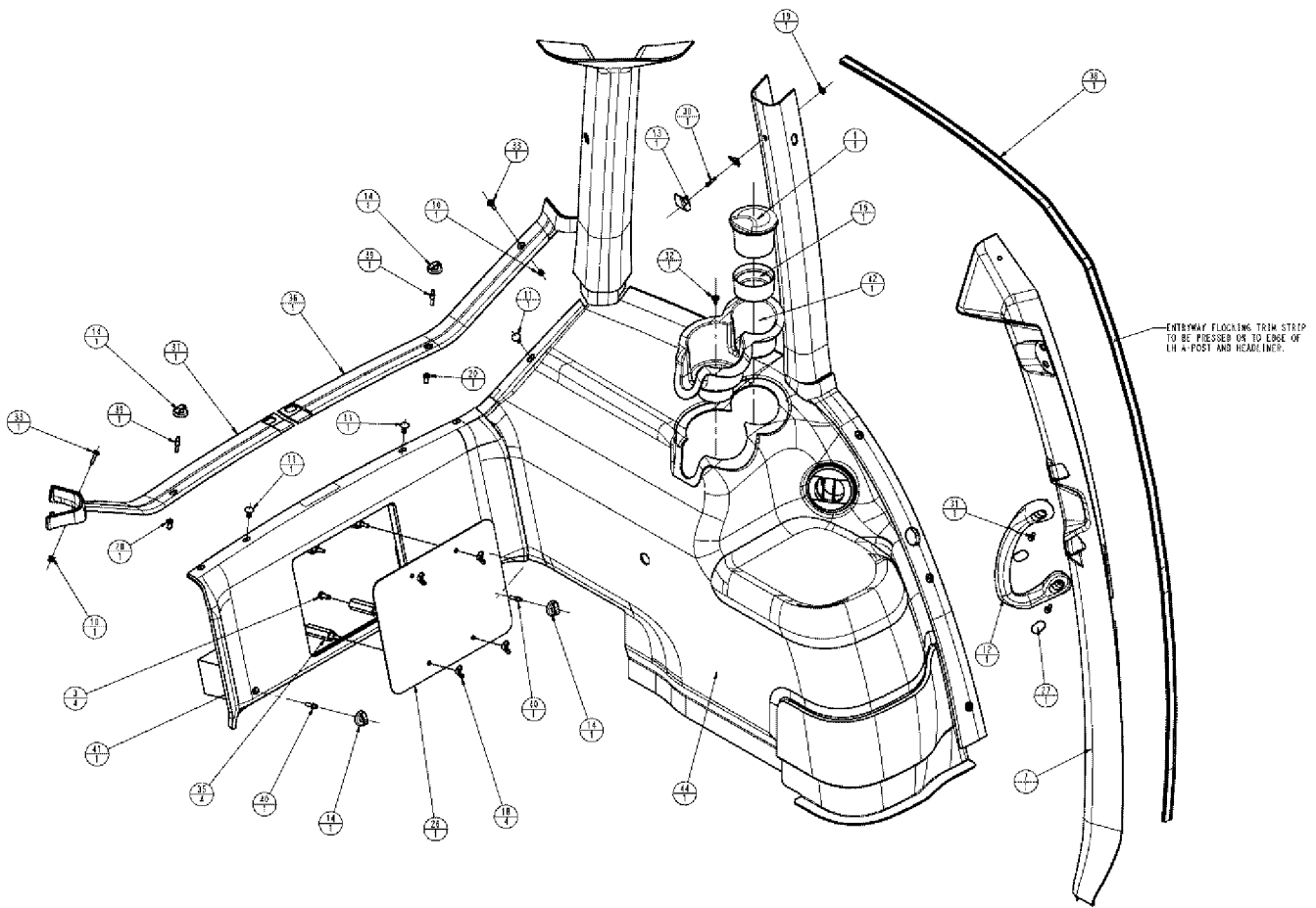
01

p1

09/08

CAB TRIM, W/O CD

1



CAB TRIM, W/O CD

REF	FN	PART NUMBER	YR/SN	QTY	DESCRIPTION
1		302456A1		1	ASH TRAY
2		428192A2		1	BEZEL, RH FENDER, TRIM CONNECTORS
3		614-8020		1	BOLT, Hex, M8 x 20, 8.8, THD TO HD, ZND
4		87679383		1	BRACKET, PAINTED, CD, CUP HOLDER MOUNTING
5		{405011A4}		1	HVAC PANEL SUPPORT
6		87417629		1	TRIM PANEL, LH FENDER, CLOSE-OUT
7		87417632		1	TRIM PANEL, COVER, LH A-POST
8		355099A1		1	TRIM PANEL, COVER, LH C POST
9		355100A1		1	COVER, LH B POST
10		322072A2		2	FASTENER, PLASTIC EXPANSION
11		93199C1		15	FASTENER, RATCHET
12		87413139		1	HANDLE, LH A-POST, GRAB
13		3234176R1		1	COAT HOOK
14		359037A1		4	HOOK, CARGO NET
15		301901A1		1	INSERT, CUP HOLDER
16		131-839		6	NUT, U, #10-16, Panel type
17		825-2408		7	NUT, M8 x 1.25, Flg, CI 8
18		84814892		4	NUT, WING, M6 x 1
19		177269A1		1	NUT, SPRING
20		322073A1		2	NUT, RIVNUT M6
21		87313017		2	FOAM, PAD, REAR WALL TRIM, AUTO GUIDANCE
22		87421503		1	FOAM, PAD, LH FENDER TRIM SUPPORT
23		336383A1		1	PAD, FOAM, UPPER LEFT FENDER
24		336384A1		1	PAD, FOAM, RIGHT A POST
25		336385A1		1	PAD, FOAM, TRAINER SEAT
26		87532159		1	COVER, PLATE, AUTO GUIDANCE
27		87413140		2	PLUG, GRAB HANDLE
28		760-17113		8	SCREW, SELF TAPPING, Pan Hd, M3.5 x 13
29		760-17316		1	SCREW, SELF TAPPING, Pan Hd, M4.2 x 16
30		761-17325		1	SCREW, SELF TAPPING, Pan Hd, M4.2 x 25
31		781-24613		2	SCREW, SELF TAPPING, Hex Flg Hd, M6 x 13
32		104033C2		2	SCREW, SELF TAPPING, Cross Wash Hd, M4.8 x 19, Coated, TPG #10-16 X .75 TRH
33		360362A1		6	SCREW, 10-16 X 1, WHEAT WASHER

3330

01-004

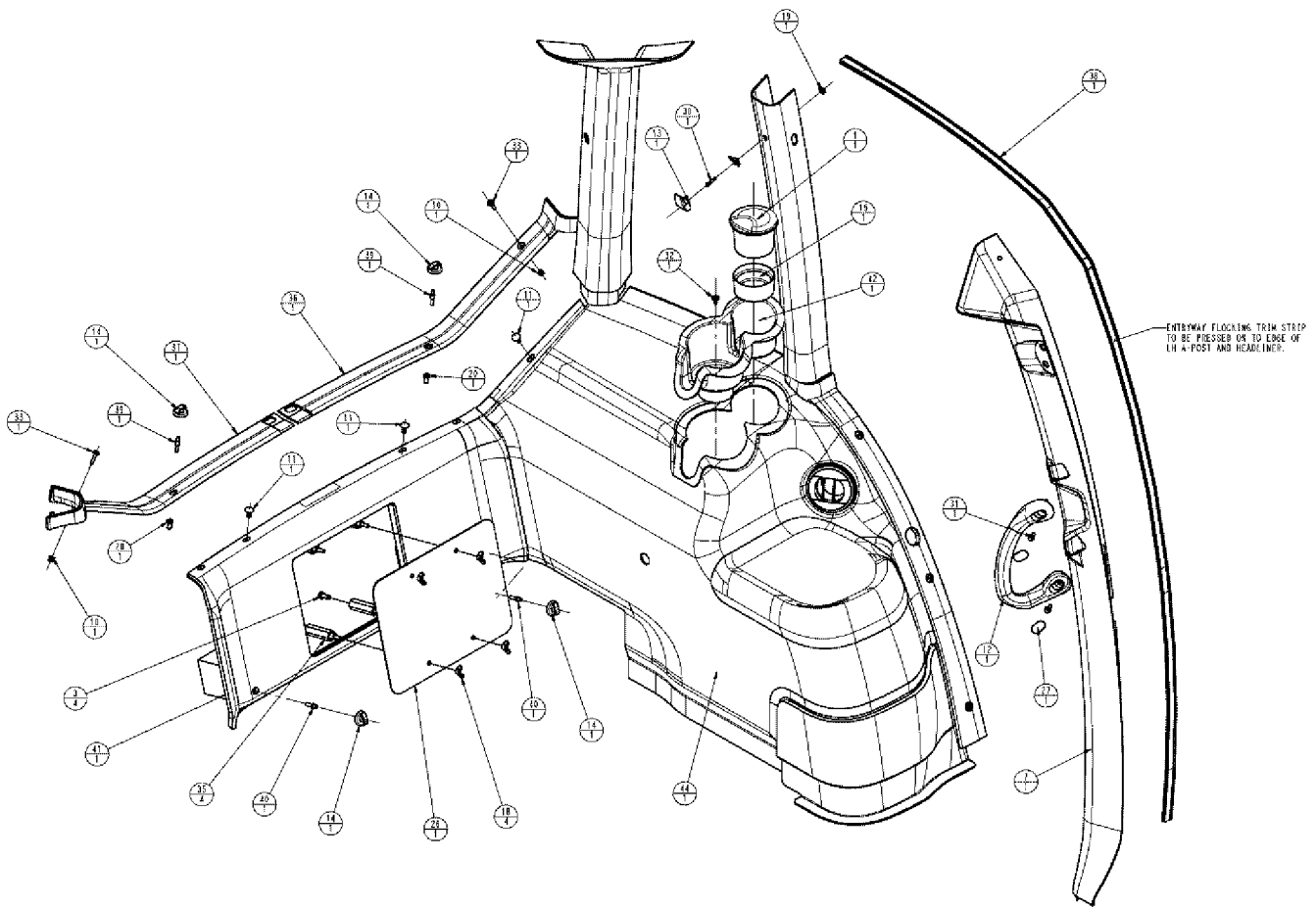
01

p2

09/08

CAB TRIM, W/O CD

1



01-004

01

p2

09/08

CAB TRIM, W/O CD

REF	FN	PART NUMBER	YR/SN	QTY	DESCRIPTION
34		{345-617}		6	UNISEAL 216 IH BL
35		87313014		4	SPACER, AUTO GUIDANCE
36		87309897		1	TRIM PANEL, LH BULLHORN TRIM COVER, WHEAT
37		87309901		1	TRIM PANEL, RH BULLHORN TRIM COVER, WHEAT
38		87417638		1	STRIP, RUBBER, ENTRYWAY
39		87309745		2	STUD, CARGO NET HOOK, UPPER
40		322413A2		2	STUD, CARGO NET HOOK
41		87313020		1	TRIM PANEL, REAR WALL AUTO GUIDANCE
42		358805A1		1	HOLDER, CUP
43		87444946		1	TRIM PANEL, RIGHT FENDER, NO LOUVER
44		426575A1		1	TRIM PANEL, LH FENDER, WITHOUT CD BOX
45		895-15008		7	WASHER, M8 x 20 x 1.6, ZN

3330**1**

01-004

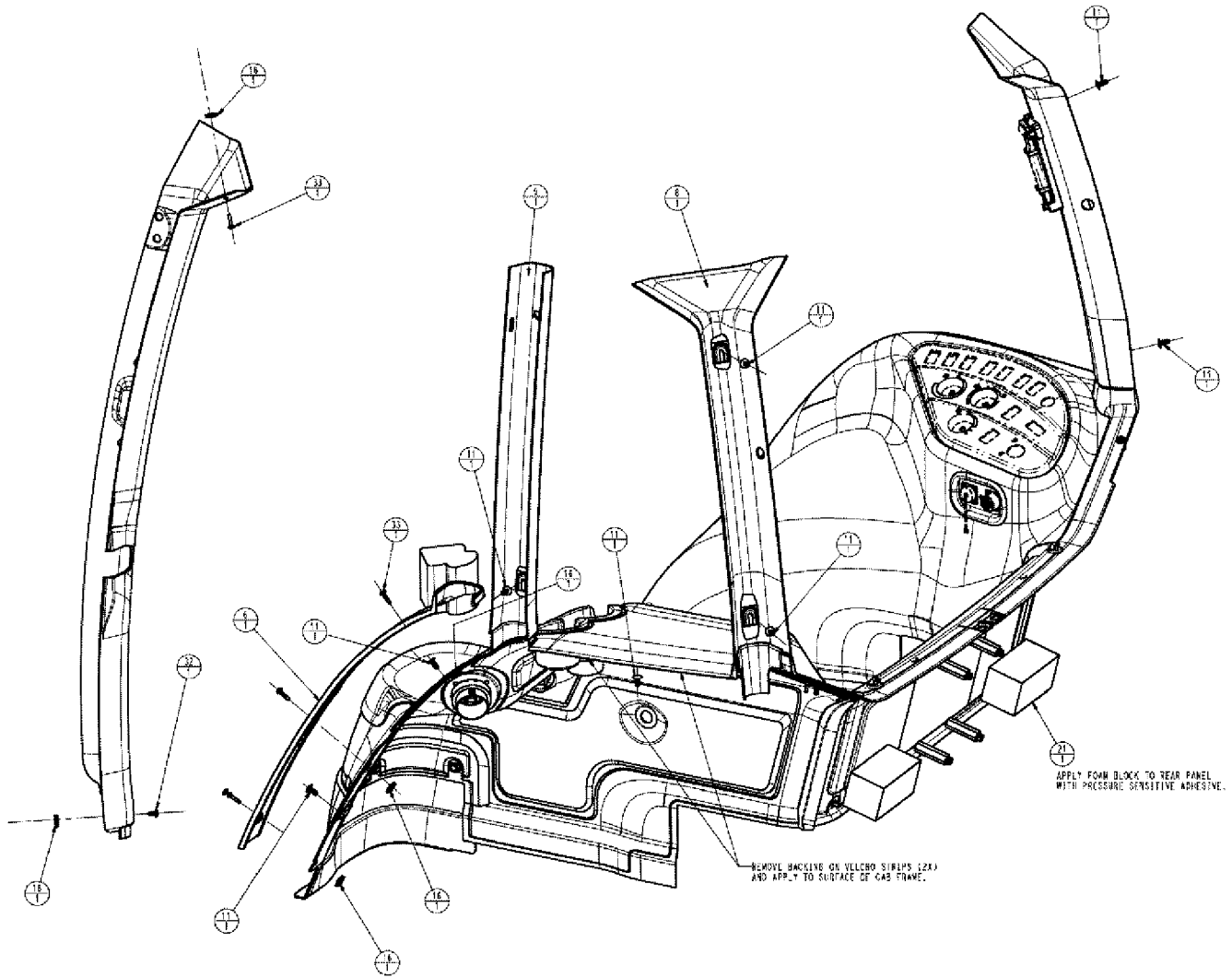
02

p1

09/08

CAB TRIM, W/O CD

1



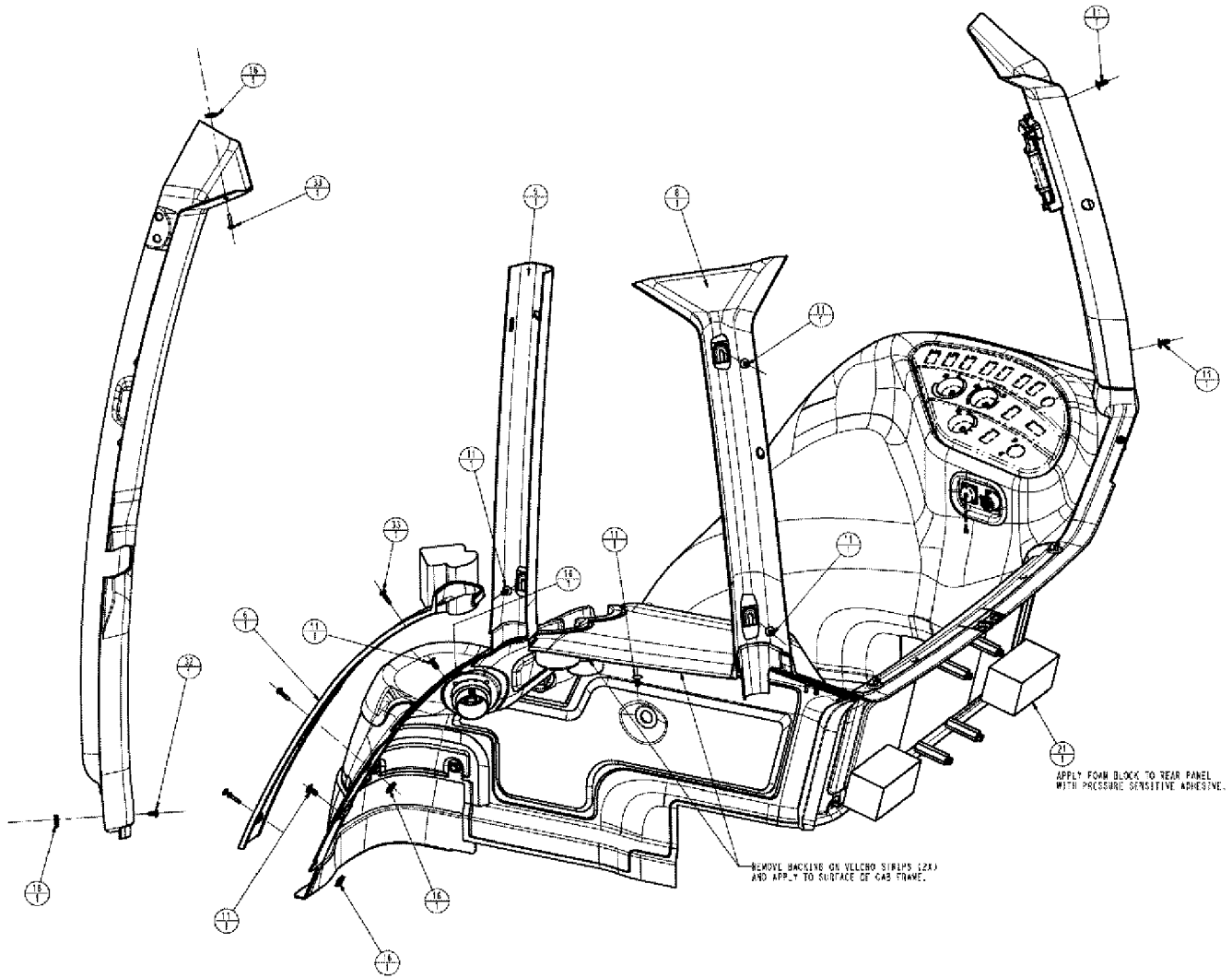
CAB TRIM, W/O CD

REF	FN	PART NUMBER	YR/SN	QTY	DESCRIPTION
1		302456A1		1	ASH TRAY
2		428192A2		1	BEZEL, RH FENDER, TRIM CONNECTORS
3		614-8020		1	BOLT, Hex, M8 x 20, 8.8, THD TO HD, ZND
4		87679383		1	BRACKET, PAINTED, CD, CUP HOLDER MOUNTING
5		{405011A4}		1	HVAC PANEL SUPPORT
6		87417629		1	TRIM PANEL, LH FENDER, CLOSE-OUT
7		87417632		1	TRIM PANEL, COVER, LH A-POST
8		355099A1		1	TRIM PANEL, COVER, LH C POST
9		355100A1		1	COVER, LH B POST
10		322072A2		2	FASTENER, PLASTIC EXPANSION
11		93199C1		15	FASTENER, RATCHET
12		87413139		1	HANDLE, LH A-POST, GRAB
13		3234176R1		1	COAT HOOK
14		359037A1		4	HOOK, CARGO NET
15		301901A1		1	INSERT, CUP HOLDER
16		131-839		6	NUT, U, #10-16, Panel type
17		825-2408		7	NUT, M8 x 1.25, Flg, CI 8
18		84814892		4	NUT, WING, M6 x 1
19		177269A1		1	NUT, SPRING
20		322073A1		2	NUT, RIVNUT M6
21		87313017		2	FOAM, PAD, REAR WALL TRIM, AUTO GUIDANCE
22		87421503		1	FOAM, PAD, LH FENDER TRIM SUPPORT
23		336383A1		1	PAD, FOAM, UPPER LEFT FENDER
24		336384A1		1	PAD, FOAM, RIGHT A POST
25		336385A1		1	PAD, FOAM, TRAINER SEAT
26		87532159		1	COVER, PLATE, AUTO GUIDANCE
27		87413140		2	PLUG, GRAB HANDLE
28		760-17113		8	SCREW, SELF TAPPING, Pan Hd, M3.5 x 13
29		760-17316		1	SCREW, SELF TAPPING, Pan Hd, M4.2 x 16
30		761-17325		1	SCREW, SELF TAPPING, Pan Hd, M4.2 x 25
31		781-24613		2	SCREW, SELF TAPPING, Hex Flg Hd, M6 x 13
32		104033C2		2	SCREW, SELF TAPPING, Cross Wash Hd, M4.8 x 19, Coated, TPG #10-16 X .75 TRH
33		360362A1		6	SCREW, 10-16 X 1, WHEAT WASHER

3330

CAB TRIM, W/O CD

1



CAB TRIM, W/O CD

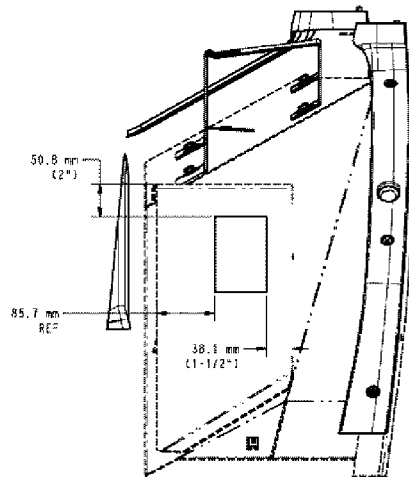
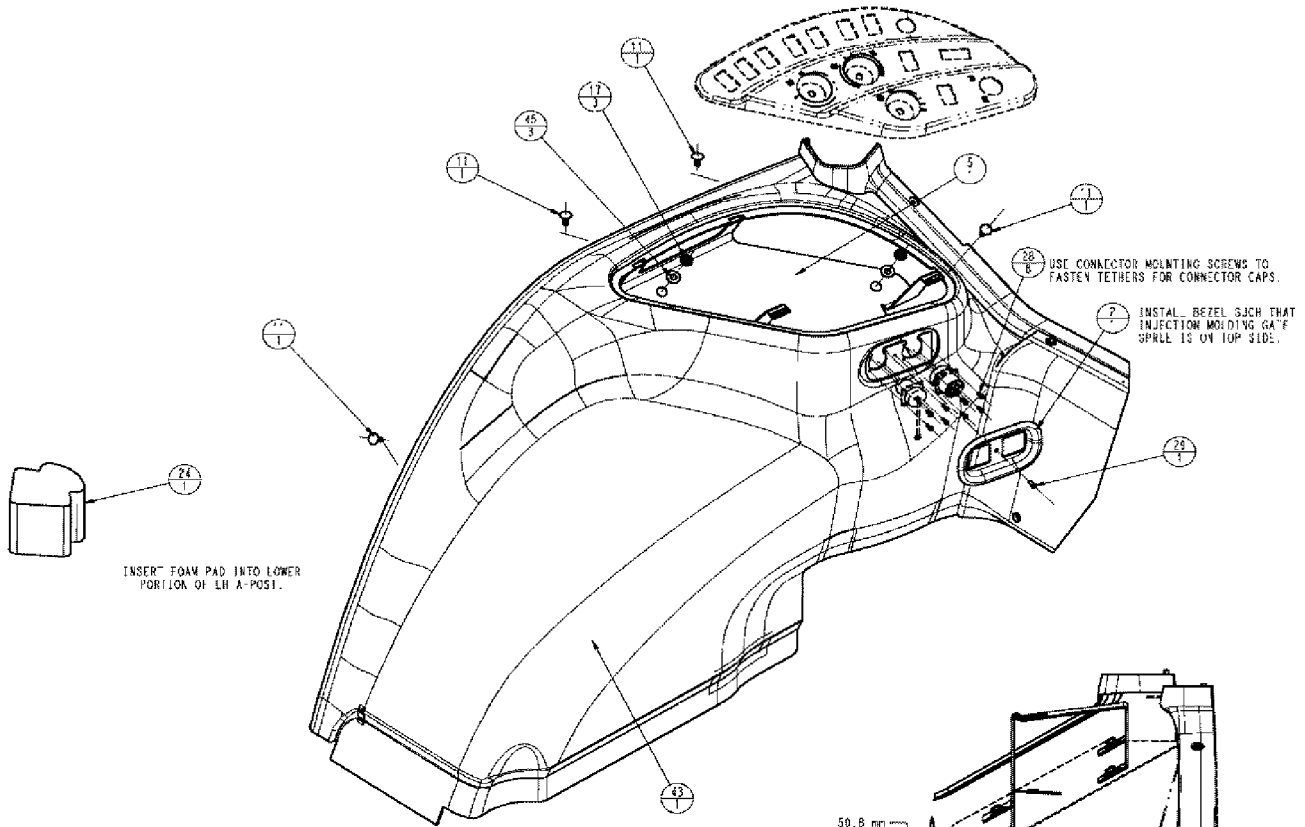
REF	FN	PART NUMBER	YR/SN	QTY	DESCRIPTION
34		{345-617}		6	UNISEAL 216 IH BL
35		87313014		4	SPACER, AUTO GUIDANCE
36		87309897		1	TRIM PANEL, LH BULLHORN TRIM COVER, WHEAT
37		87309901		1	TRIM PANEL, RH BULLHORN TRIM COVER, WHEAT
38		87417638		1	STRIP, RUBBER, ENTRYWAY
39		87309745		2	STUD, CARGO NET HOOK, UPPER
40		322413A2		2	STUD, CARGO NET HOOK
41		87313020		1	TRIM PANEL, REAR WALL AUTO GUIDANCE
42		358805A1		1	HOLDER, CUP
43		87444946		1	TRIM PANEL, RIGHT FENDER, NO LOUVER
44		426575A1		1	TRIM PANEL, LH FENDER, WITHOUT CD BOX
45		895-15008		7	WASHER, M8 x 20 x 1.6, ZN

3330

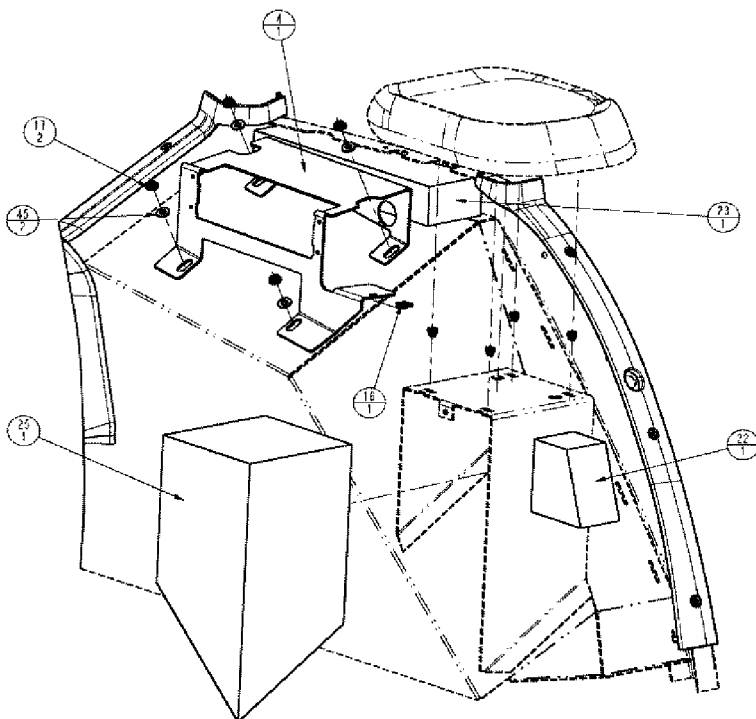
1

CAB TRIM, W/O CD

1



DETAIL A



FASTEN FOAM SUPPORT BLOCK WITH PRESSURE SENSITIVE ADHESIVE AS SHOWN. SET DETAIL A 50° CW FOR LOCATING DIMENSIONS.

01-004

03

p1

09/08

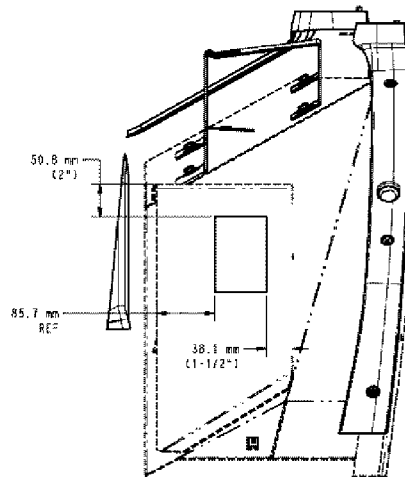
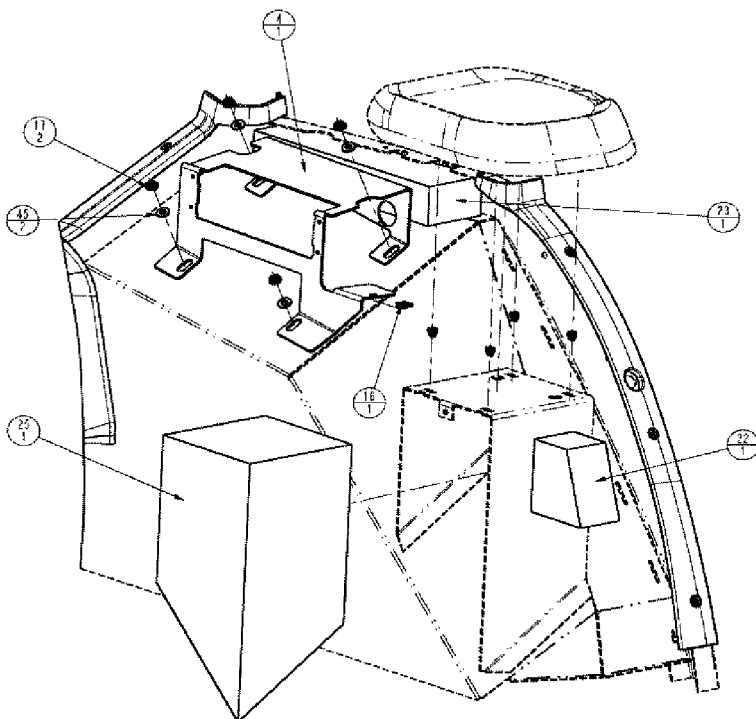
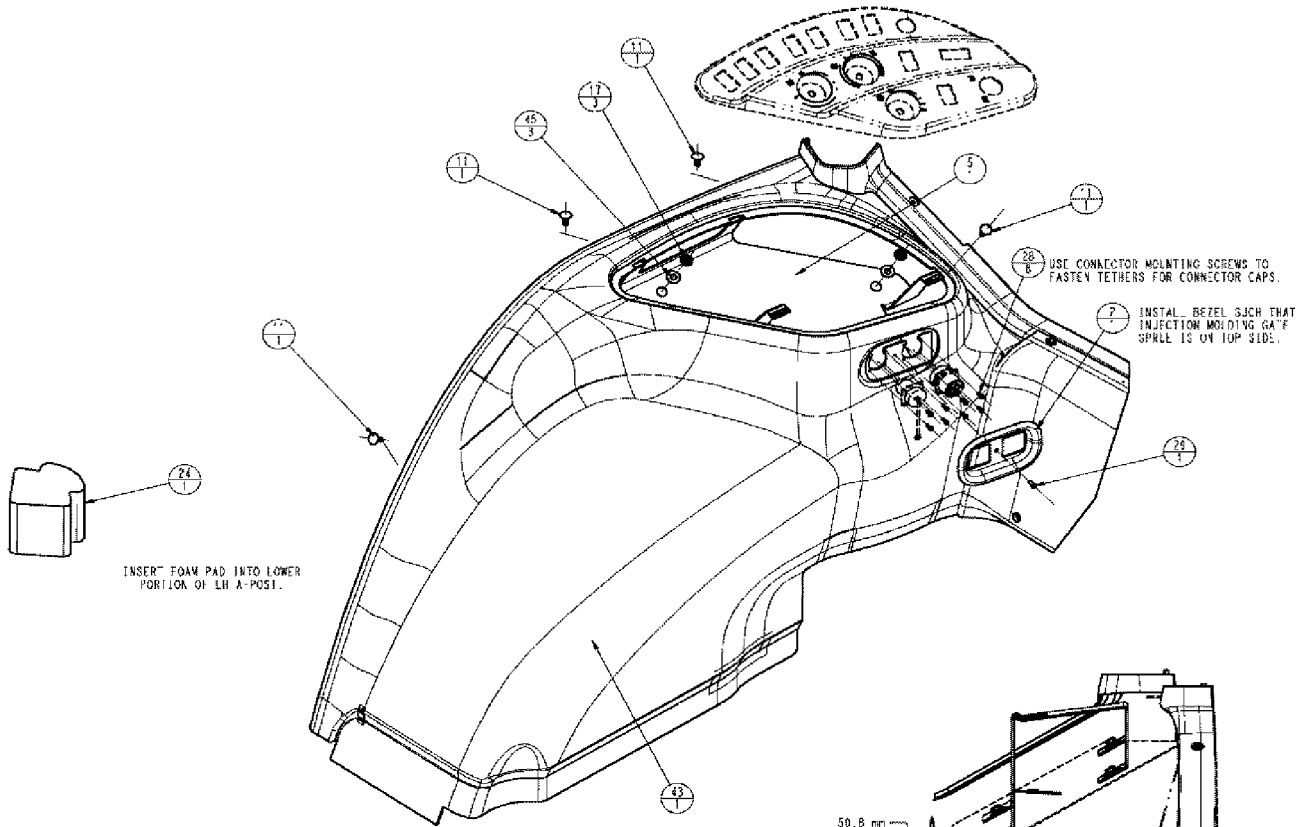
CAB TRIM, W/O CD

REF	FN	PART NUMBER	YR/SN	QTY	DESCRIPTION
1		302456A1		1	ASH TRAY
2		428192A2		1	BEZEL, RH FENDER, TRIM CONNECTORS
3		614-8020		1	BOLT, Hex, M8 x 20, 8.8, THD TO HD, ZND
4		87679383		1	BRACKET, PAINTED, CD, CUP HOLDER MOUNTING
5		{405011A4}		1	HVAC PANEL SUPPORT
6		87417629		1	TRIM PANEL, LH FENDER, CLOSE-OUT
7		87417632		1	TRIM PANEL, COVER, LH A-POST
8		355099A1		1	TRIM PANEL, COVER, LH C POST
9		355100A1		1	COVER, LH B POST
10		322072A2		2	FASTENER, PLASTIC EXPANSION
11		93199C1		15	FASTENER, RATCHET
12		87413139		1	HANDLE, LH A-POST, GRAB
13		3234176R1		1	COAT HOOK
14		359037A1		4	HOOK, CARGO NET
15		301901A1		1	INSERT, CUP HOLDER
16		131-839		6	NUT, U, #10-16, Panel type
17		825-2408		7	NUT, M8 x 1.25, Flg, CI 8
18		84814892		4	NUT, WING, M6 x 1
19		177269A1		1	NUT, SPRING
20		322073A1		2	NUT, RIVNUT M6
21		87313017		2	FOAM, PAD, REAR WALL TRIM, AUTO GUIDANCE
22		87421503		1	FOAM, PAD, LH FENDER TRIM SUPPORT
23		336383A1		1	PAD, FOAM, UPPER LEFT FENDER
24		336384A1		1	PAD, FOAM, RIGHT A POST
25		336385A1		1	PAD, FOAM, TRAINER SEAT
26		87532159		1	COVER, PLATE, AUTO GUIDANCE
27		87413140		2	PLUG, GRAB HANDLE
28		760-17113		8	SCREW, SELF TAPPING, Pan Hd, M3.5 x 13
29		760-17316		1	SCREW, SELF TAPPING, Pan Hd, M4.2 x 16
30		761-17325		1	SCREW, SELF TAPPING, Pan Hd, M4.2 x 25
31		781-24613		2	SCREW, SELF TAPPING, Hex Flg Hd, M6 x 13
32		104033C2		2	SCREW, SELF TAPPING, Cross Wash Hd, M4.8 x 19, Coated, TPG #10-16 X .75 TRH
33		360362A1		6	SCREW, 10-16 X 1, WHEAT WASHER

3330**1**

CAB TRIM, W/O CD

1



DETAIL A

FASTEN FOAM SUPPORT BLOCK WITH PRESSURE SENSITIVE ADHESIVE AS SHOWN. SET DETAIL A 50° CW FOR LOCATING DIMENSIONS.

CAB TRIM, W/O CD

REF	FN	PART NUMBER	YR/SN	QTY	DESCRIPTION
34		{345-617}		6	UNISEAL 216 IH BL
35		87313014		4	SPACER, AUTO GUIDANCE
36		87309897		1	TRIM PANEL, LH BULLHORN TRIM COVER, WHEAT
37		87309901		1	TRIM PANEL, RH BULLHORN TRIM COVER, WHEAT
38		87417638		1	STRIP, RUBBER, ENTRYWAY
39		87309745		2	STUD, CARGO NET HOOK, UPPER
40		322413A2		2	STUD, CARGO NET HOOK
41		87313020		1	TRIM PANEL, REAR WALL AUTO GUIDANCE
42		358805A1		1	HOLDER, CUP
43		87444946		1	TRIM PANEL, RIGHT FENDER, NO LOUVER
44		426575A1		1	TRIM PANEL, LH FENDER, WITHOUT CD BOX
45		895-15008		7	WASHER, M8 x 20 x 1.6, ZN

3330

1

01-004

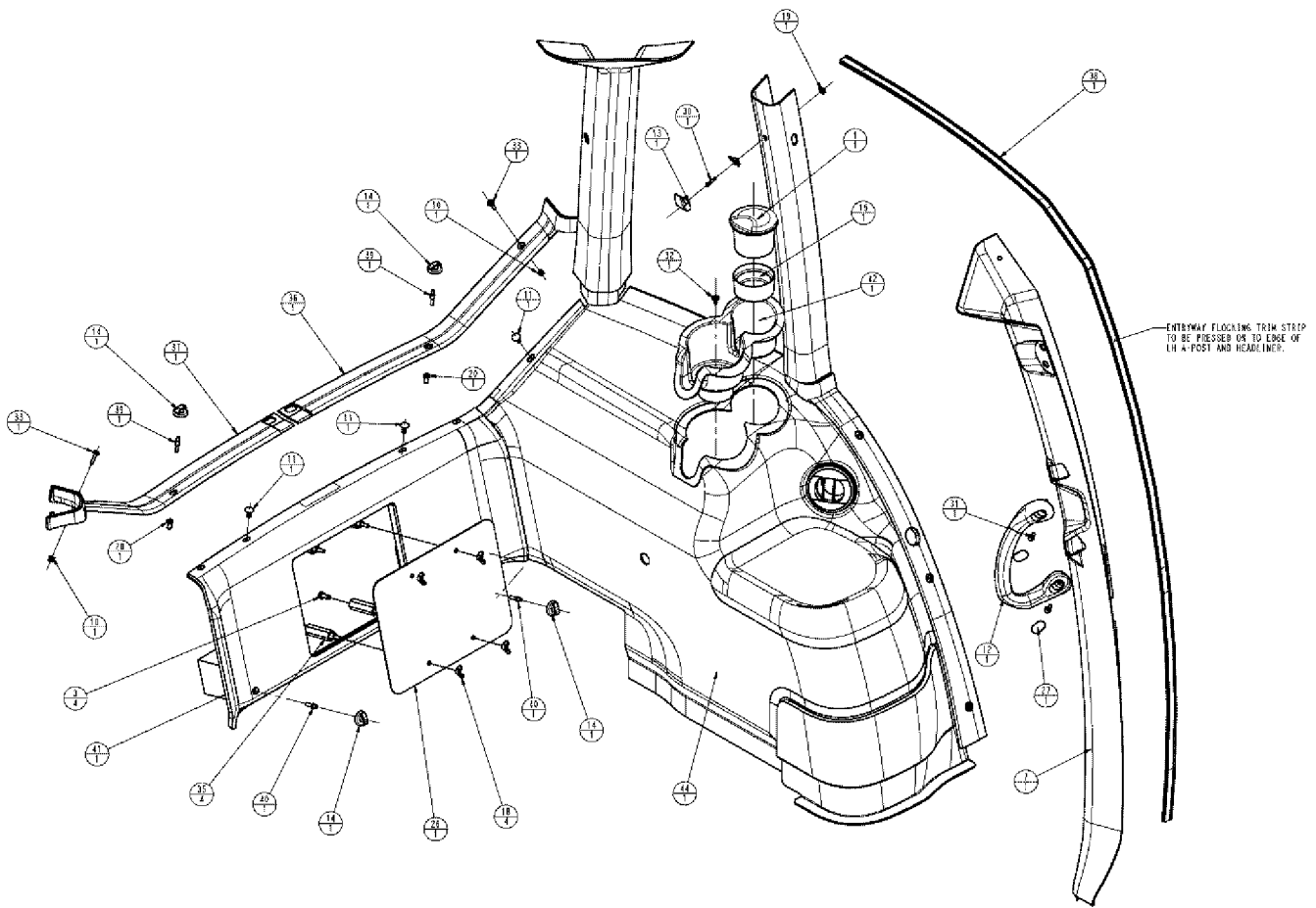
04

p1

09/08

CAB TRIM, W/O CD

1



01-004

04

p1

09/08

CAB TRIM, W/O CD

REF	FN	PART NUMBER	YR/SN	QTY	DESCRIPTION
1		302456A1		1	ASH TRAY
2		428192A2		1	BEZEL, RH FENDER, TRIM CONNECTORS
3		614-8020		1	BOLT, Hex, M8 x 20, 8.8, THD TO HD, ZND
4		87679383		1	BRACKET, PAINTED, CD, CUP HOLDER MOUNTING
5		{405011A4}		1	HVAC PANEL SUPPORT
6		87417629		1	TRIM PANEL, LH FENDER, CLOSE-OUT
7		87417632		1	TRIM PANEL, COVER, LH A-POST
8		355099A1		1	TRIM PANEL, COVER, LH C POST
9		355100A1		1	COVER, LH B POST
10		322072A2		2	FASTENER, PLASTIC EXPANSION
11		93199C1		15	FASTENER, RATCHET
12		87413139		1	HANDLE, LH A-POST, GRAB
13		3234176R1		1	COAT HOOK
14		359037A1		4	HOOK, CARGO NET
15		301901A1		1	INSERT, CUP HOLDER
16		131-839		6	NUT, U, #10-16, Panel type
17		825-2408		7	NUT, M8 x 1.25, Flg, CI 8
18		84814892		4	NUT, WING, M6 x 1
19		177269A1		1	NUT, SPRING
20		322073A1		2	NUT, RIVNUT M6
21		87313017		2	FOAM, PAD, REAR WALL TRIM, AUTO GUIDANCE
22		87421503		1	FOAM, PAD, LH FENDER TRIM SUPPORT
23		336383A1		1	PAD, FOAM, UPPER LEFT FENDER
24		336384A1		1	PAD, FOAM, RIGHT A POST
25		336385A1		1	PAD, FOAM, TRAINER SEAT
26		87532159		1	COVER, PLATE, AUTO GUIDANCE
27		87413140		2	PLUG, GRAB HANDLE
28		760-17113		8	SCREW, SELF TAPPING, Pan Hd, M3.5 x 13
29		760-17316		1	SCREW, SELF TAPPING, Pan Hd, M4.2 x 16
30		761-17325		1	SCREW, SELF TAPPING, Pan Hd, M4.2 x 25
31		781-24613		2	SCREW, SELF TAPPING, Hex Flg Hd, M6 x 13
32		104033C2		2	SCREW, SELF TAPPING, Cross Wash Hd, M4.8 x 19, Coated, TPG #10-16 X .75 TRH
33		360362A1		6	SCREW, 10-16 X 1, WHEAT WASHER

3330**1**

01-004

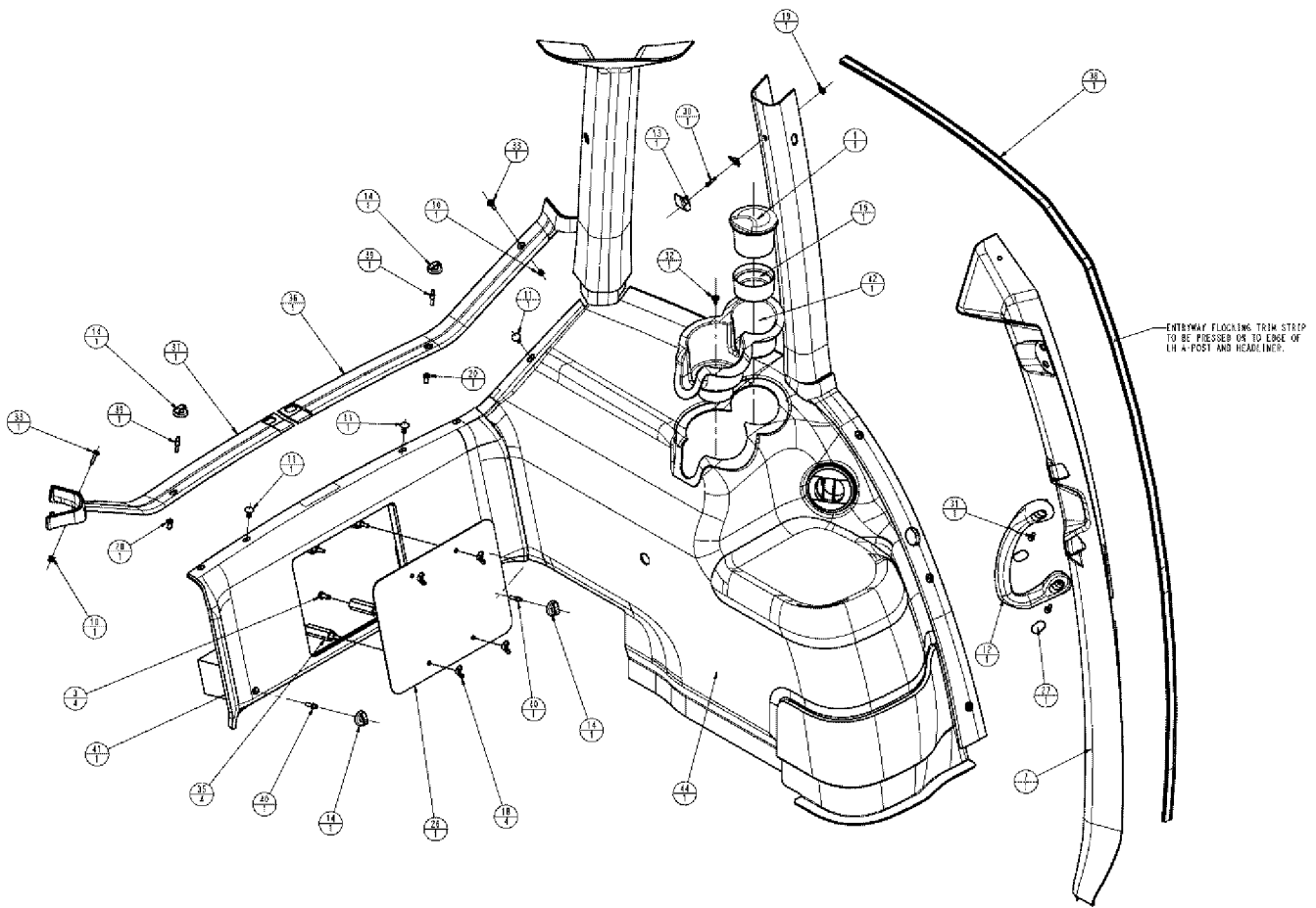
04

p2

09/08

CAB TRIM, W/O CD

1



CAB TRIM, W/O CD

REF	FN	PART NUMBER	YR/SN	QTY	DESCRIPTION
34		{345-617}		6	UNISEAL 216 IH BL
35		87313014		4	SPACER, AUTO GUIDANCE
36		87309897		1	TRIM PANEL, LH BULLHORN TRIM COVER, WHEAT
37		87309901		1	TRIM PANEL, RH BULLHORN TRIM COVER, WHEAT
38		87417638		1	STRIP, RUBBER, ENTRYWAY
39		87309745		2	STUD, CARGO NET HOOK, UPPER
40		322413A2		2	STUD, CARGO NET HOOK
41		87313020		1	TRIM PANEL, REAR WALL AUTO GUIDANCE
42		358805A1		1	HOLDER, CUP
43		87444946		1	TRIM PANEL, RIGHT FENDER, NO LOUVER
44		426575A1		1	TRIM PANEL, LH FENDER, WITHOUT CD BOX
45		895-15008		7	WASHER, M8 x 20 x 1.6, ZN

3330

1

01-004

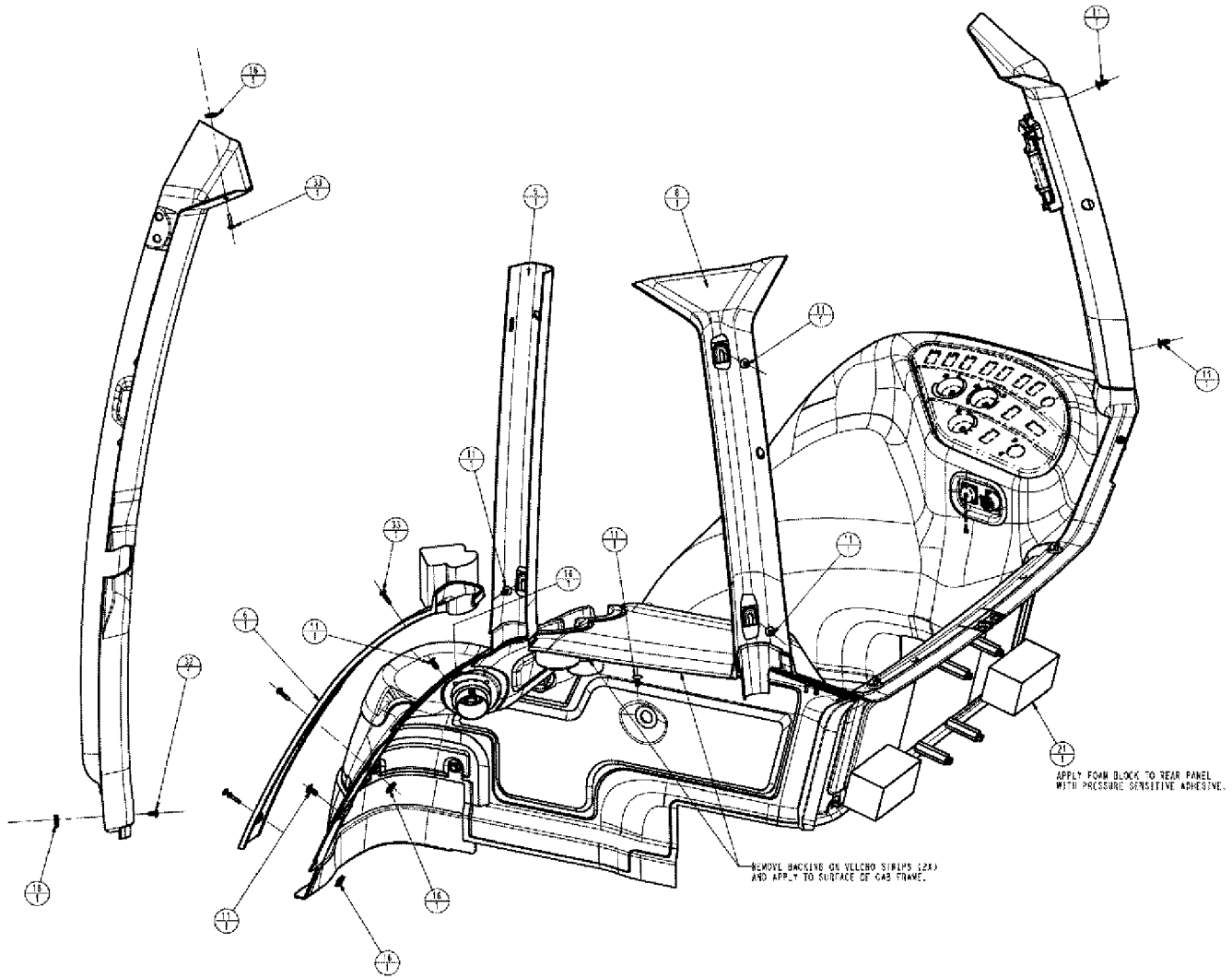
05

p1

09/08

CAB TRIM, W/O CD

1



CAB TRIM, W/O CD

REF	FN	PART NUMBER	YR/SN	QTY	DESCRIPTION
1		302456A1		1	ASH TRAY
2		428192A2		1	BEZEL, RH FENDER, TRIM CONNECTORS
3		614-8020		1	BOLT, Hex, M8 x 20, 8.8, THD TO HD, ZND
4		87679383		1	BRACKET, PAINTED, CD, CUP HOLDER MOUNTING
5		{405011A4}		1	HVAC PANEL SUPPORT
6		87417629		1	TRIM PANEL, LH FENDER, CLOSE-OUT
7		87417632		1	TRIM PANEL, COVER, LH A-POST
8		355099A1		1	TRIM PANEL, COVER, LH C POST
9		355100A1		1	COVER, LH B POST
10		322072A2		2	FASTENER, PLASTIC EXPANSION
11		93199C1		15	FASTENER, RATCHET
12		87413139		1	HANDLE, LH A-POST, GRAB
13		3234176R1		1	COAT HOOK
14		359037A1		4	HOOK, CARGO NET
15		301901A1		1	INSERT, CUP HOLDER
16		131-839		6	NUT, U, #10-16, Panel type
17		825-2408		7	NUT, M8 x 1.25, Flg, CI 8
18		84814892		4	NUT, WING, M6 x 1
19		177269A1		1	NUT, SPRING
20		322073A1		2	NUT, RIVNUT M6
21		87313017		2	FOAM, PAD, REAR WALL TRIM, AUTO GUIDANCE
22		87421503		1	FOAM, PAD, LH FENDER TRIM SUPPORT
23		336383A1		1	PAD, FOAM, UPPER LEFT FENDER
24		336384A1		1	PAD, FOAM, RIGHT A POST
25		336385A1		1	PAD, FOAM, TRAINER SEAT
26		87532159		1	COVER, PLATE, AUTO GUIDANCE
27		87413140		2	PLUG, GRAB HANDLE
28		760-17113		8	SCREW, SELF TAPPING, Pan Hd, M3.5 x 13
29		760-17316		1	SCREW, SELF TAPPING, Pan Hd, M4.2 x 16
30		761-17325		1	SCREW, SELF TAPPING, Pan Hd, M4.2 x 25
31		781-24613		2	SCREW, SELF TAPPING, Hex Flg Hd, M6 x 13
32		104033C2		2	SCREW, SELF TAPPING, Cross Wash Hd, M4.8 x 19, Coated, TPG #10-16 X .75 TRH
33		360362A1		6	SCREW, 10-16 X 1, WHEAT WASHER

3330

01-004

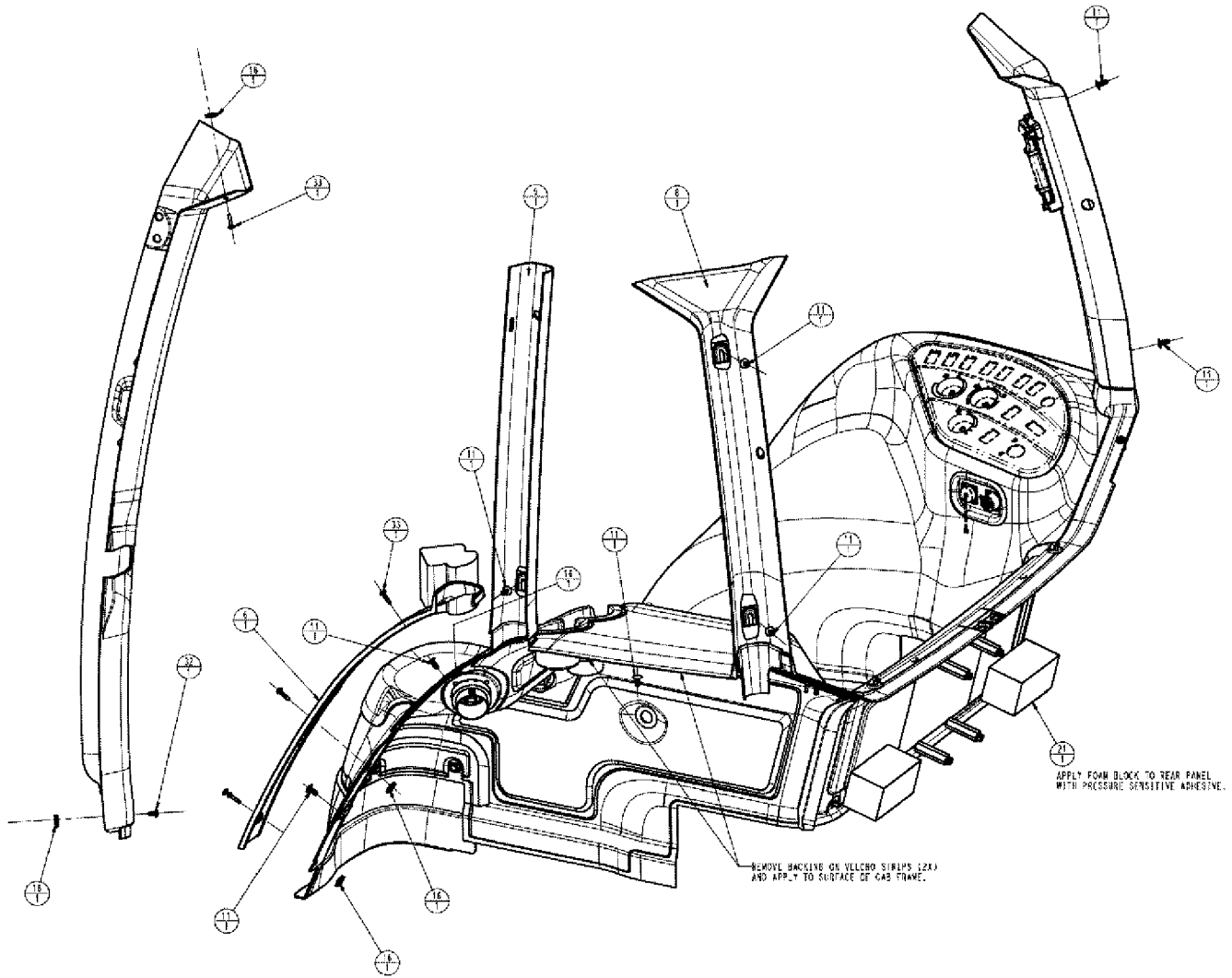
05

p2

09/08

CAB TRIM, W/O CD

1



01-004

05

p2

09/08

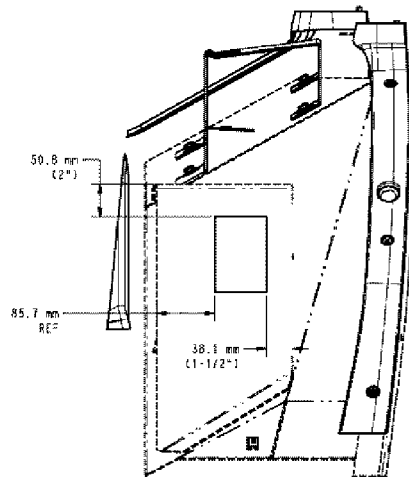
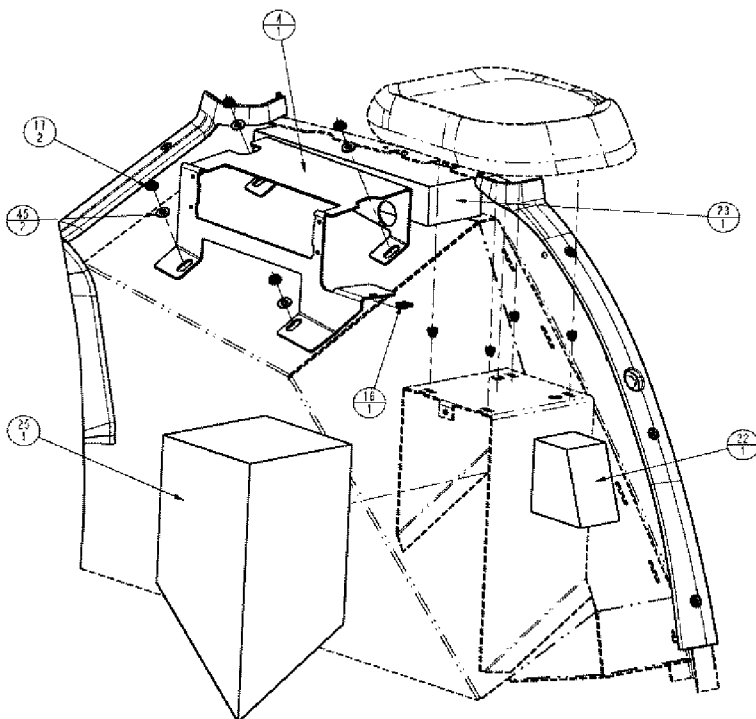
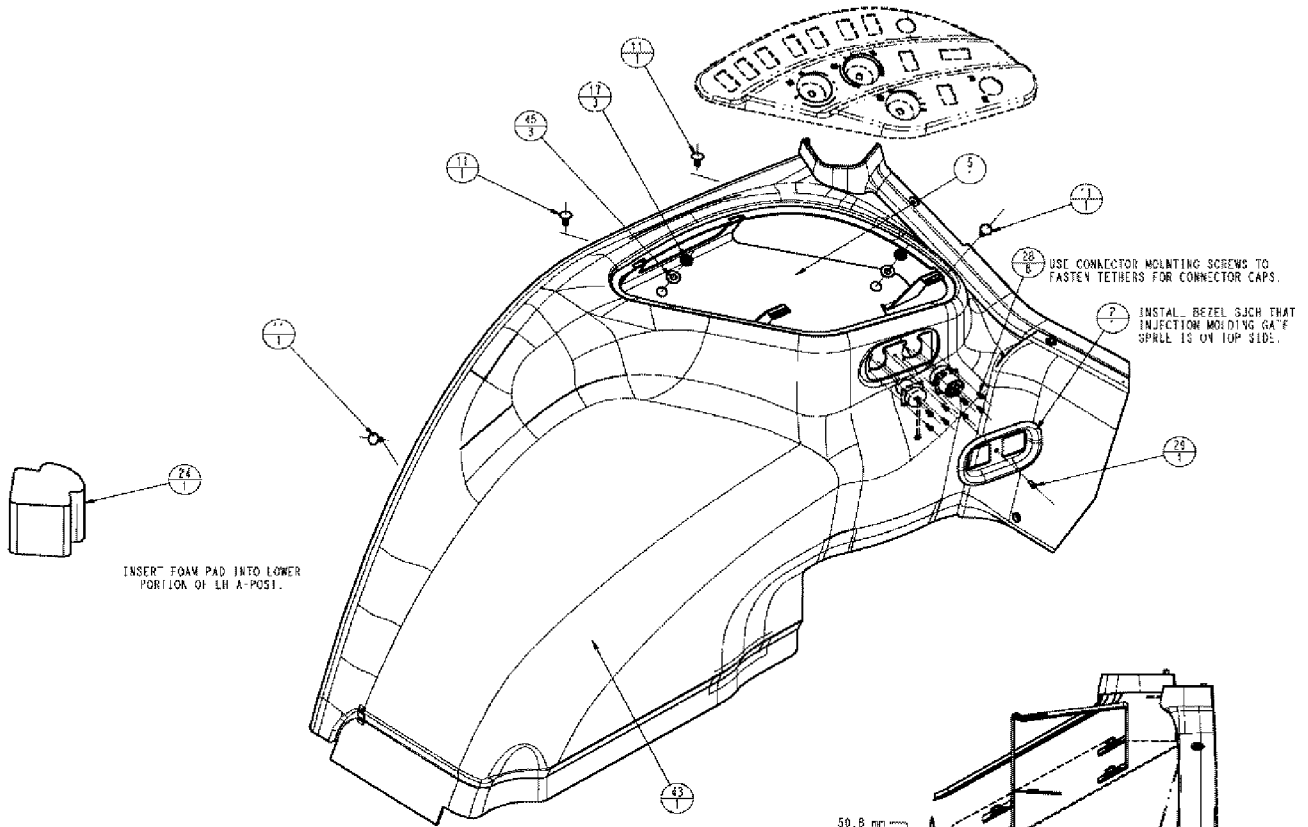
CAB TRIM, W/O CD

REF	FN	PART NUMBER	YR/SN	QTY	DESCRIPTION
34		{345-617}		6	UNISEAL 216 IH BL
35		87313014		4	SPACER, AUTO GUIDANCE
36		87309897		1	TRIM PANEL, LH BULLHORN TRIM COVER, WHEAT
37		87309901		1	TRIM PANEL, RH BULLHORN TRIM COVER, WHEAT
38		87417638		1	STRIP, RUBBER, ENTRYWAY
39		87309745		2	STUD, CARGO NET HOOK, UPPER
40		322413A2		2	STUD, CARGO NET HOOK
41		87313020		1	TRIM PANEL, REAR WALL AUTO GUIDANCE
42		358805A1		1	HOLDER, CUP
43		87444946		1	TRIM PANEL, RIGHT FENDER, NO LOUVER
44		426575A1		1	TRIM PANEL, LH FENDER, WITHOUT CD BOX
45		895-15008		7	WASHER, M8 x 20 x 1.6, ZN

1**3330**

CAB TRIM, W/O CD

1



FASTEN FOAM SUPPORT BLOCK WITH PRESSURE SENSITIVE ADHESIVE AS SHOWN. SET DETAIL A 50° CW FOR LOCATING DIMENSIONS.

01-004

06

p1

09/08

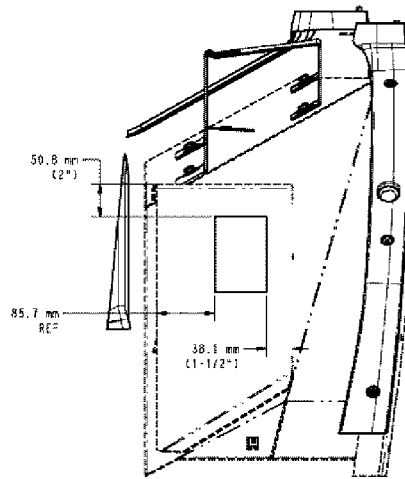
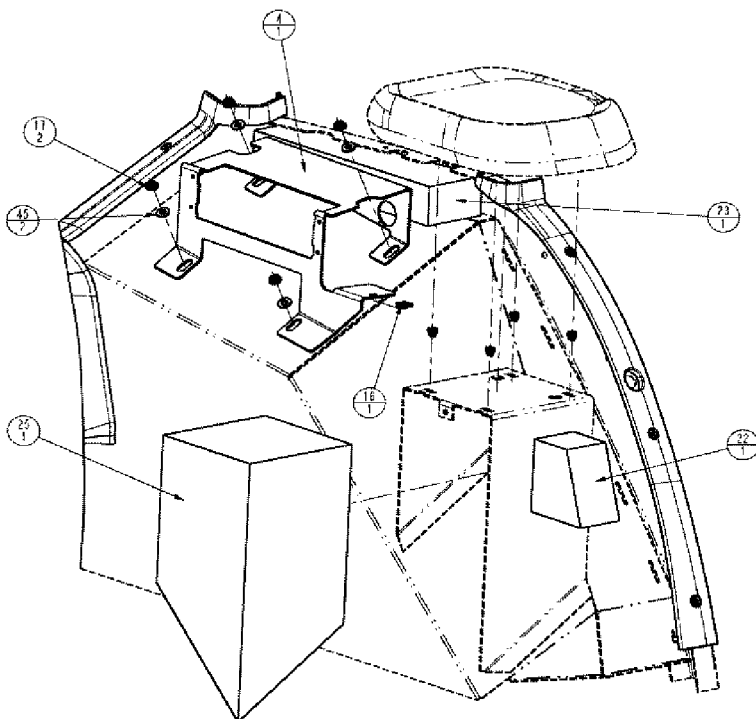
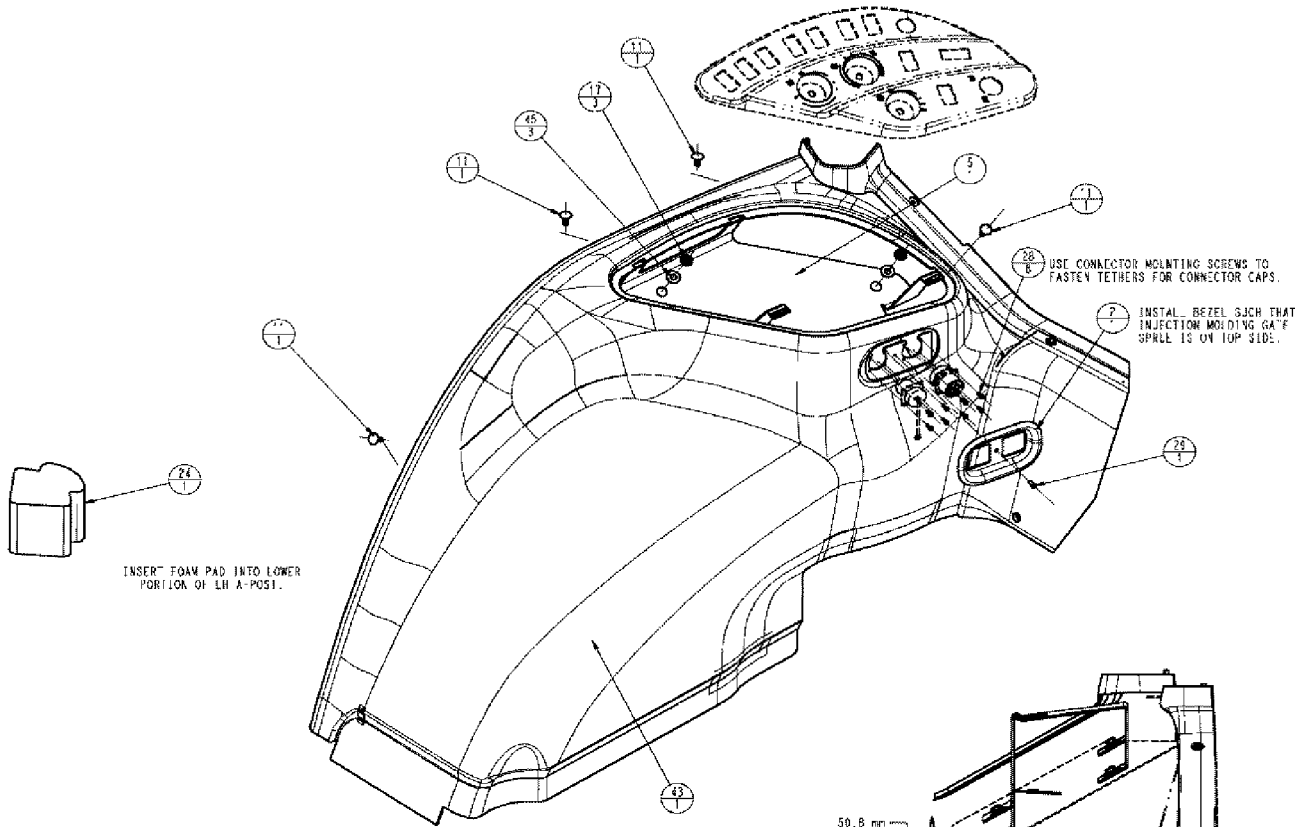
CAB TRIM, W/O CD

REF	FN	PART NUMBER	YR/SN	QTY	DESCRIPTION
1		302456A1		1	ASH TRAY
2		428192A2		1	BEZEL, RH FENDER, TRIM CONNECTORS
3		614-8020		1	BOLT, Hex, M8 x 20, 8.8, THD TO HD, ZND
4		87679383		1	BRACKET, PAINTED, CD, CUP HOLDER MOUNTING
5		{405011A4}		1	HVAC PANEL SUPPORT
6		87417629		1	TRIM PANEL, LH FENDER, CLOSE-OUT
7		87417632		1	TRIM PANEL, COVER, LH A-POST
8		355099A1		1	TRIM PANEL, COVER, LH C POST
9		355100A1		1	COVER, LH B POST
10		322072A2		2	FASTENER, PLASTIC EXPANSION
11		93199C1		15	FASTENER, RATCHET
12		87413139		1	HANDLE, LH A-POST, GRAB
13		3234176R1		1	COAT HOOK
14		359037A1		4	HOOK, CARGO NET
15		301901A1		1	INSERT, CUP HOLDER
16		131-839		6	NUT, U, #10-16, Panel type
17		825-2408		7	NUT, M8 x 1.25, Flg, CI 8
18		84814892		4	NUT, WING, M6 x 1
19		177269A1		1	NUT, SPRING
20		322073A1		2	NUT, RIVNUT M6
21		87313017		2	FOAM, PAD, REAR WALL TRIM, AUTO GUIDANCE
22		87421503		1	FOAM, PAD, LH FENDER TRIM SUPPORT
23		336383A1		1	PAD, FOAM, UPPER LEFT FENDER
24		336384A1		1	PAD, FOAM, RIGHT A POST
25		336385A1		1	PAD, FOAM, TRAINER SEAT
26		87532159		1	COVER, PLATE, AUTO GUIDANCE
27		87413140		2	PLUG, GRAB HANDLE
28		760-17113		8	SCREW, SELF TAPPING, Pan Hd, M3.5 x 13
29		760-17316		1	SCREW, SELF TAPPING, Pan Hd, M4.2 x 16
30		761-17325		1	SCREW, SELF TAPPING, Pan Hd, M4.2 x 25
31		781-24613		2	SCREW, SELF TAPPING, Hex Flg Hd, M6 x 13
32		104033C2		2	SCREW, SELF TAPPING, Cross Wash Hd, M4.8 x 19, Coated, TPG #10-16 X .75 TRH
33		360362A1		6	SCREW, 10-16 X 1, WHEAT WASHER

3330**1**

CAB TRIM, W/O CD

1



DETAIL A

FASTEN FOAM SUPPORT BLOCK WITH PRESSURE SENSITIVE ADHESIVE AS SHOWN. SET DETAIL A 50° CW FOR LOCATING DIMENSIONS.

01-004

06

p2

09/08

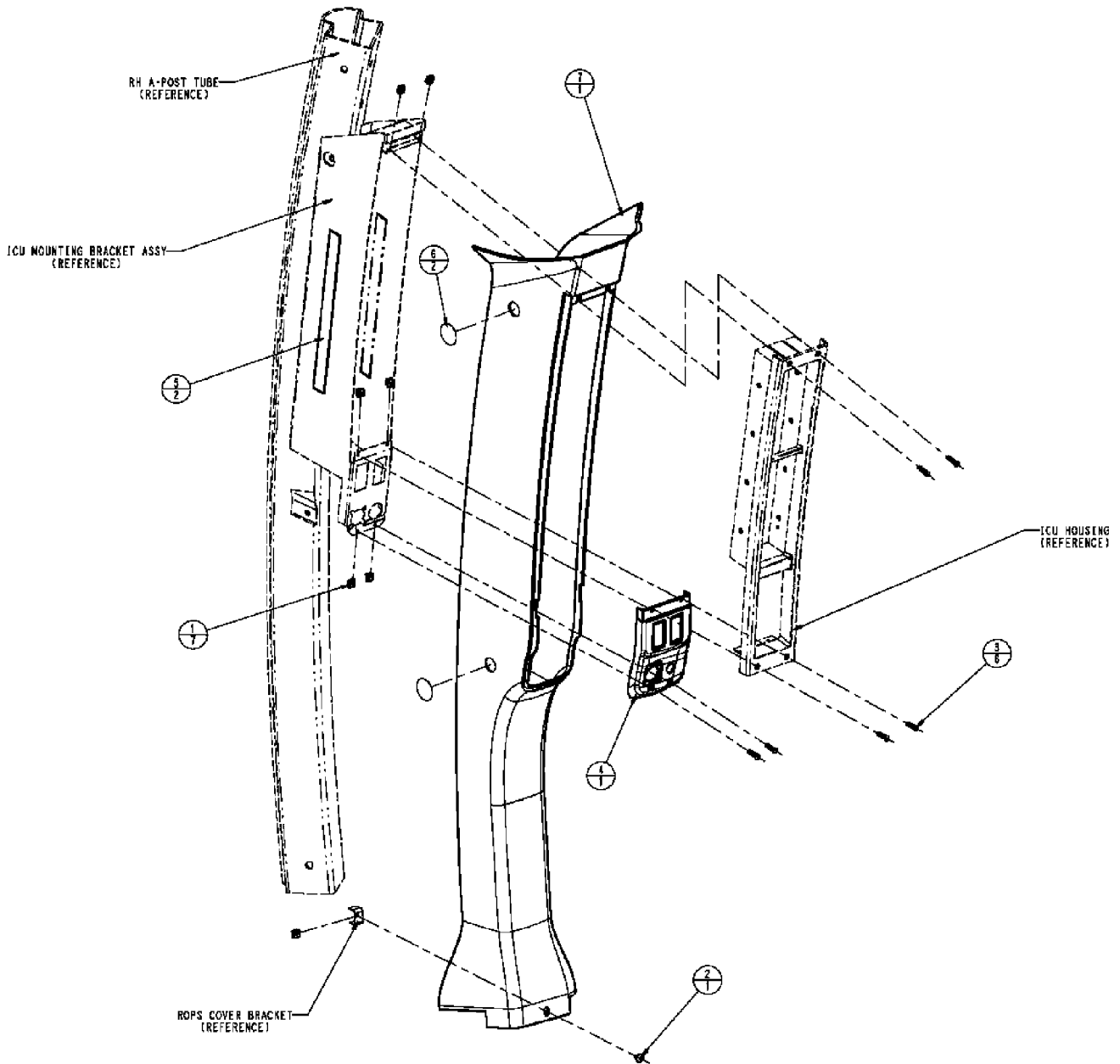
CAB TRIM, W/O CD

REF	FN	PART NUMBER	YR/SN	QTY	DESCRIPTION
34		{345-617}		6	UNISEAL 216 IH BL
35		87313014		4	SPACER, AUTO GUIDANCE
36		87309897		1	TRIM PANEL, LH BULLHORN TRIM COVER, WHEAT
37		87309901		1	TRIM PANEL, RH BULLHORN TRIM COVER, WHEAT
38		87417638		1	STRIP, RUBBER, ENTRYWAY
39		87309745		2	STUD, CARGO NET HOOK, UPPER
40		322413A2		2	STUD, CARGO NET HOOK
41		87313020		1	TRIM PANEL, REAR WALL AUTO GUIDANCE
42		358805A1		1	HOLDER, CUP
43		87444946		1	TRIM PANEL, RIGHT FENDER, NO LOUVER
44		426575A1		1	TRIM PANEL, LH FENDER, WITHOUT CD BOX
45		895-15008		7	WASHER, M8 x 20 x 1.6, ZN

3330**1**

A-POST INSTRUMENT SHROUD, PACKAGE

1



A-POST INSTRUMENT SHROUD, PACKAGE

REF	FN	PART NUMBER	YR/SN	QTY	DESCRIPTION
1		177269A1		6	NUT, SPRING
2		1975782C1		1	SCREW, SELF TAPPING, Cross Truss Wash Hd, #10 x 5/8"
3		260-16516		6	SCREW, SELF TAPPING, Cross Pan Hd, #10 x 1"
4		358804A1		1	BEZEL, LOWER RH A-POST
5		360322A1		2	TAPE, ADHESIVE, DOUBLE SIDED TRIM
6		376597A2		2	DECAL, HOLE
7		444547A1		1	TRIM PANEL, COVER, RH A POST INF11763
8		131-839		1	NUT, U, #10-16, Panel type, REPLACED BY 87016569

1

3330

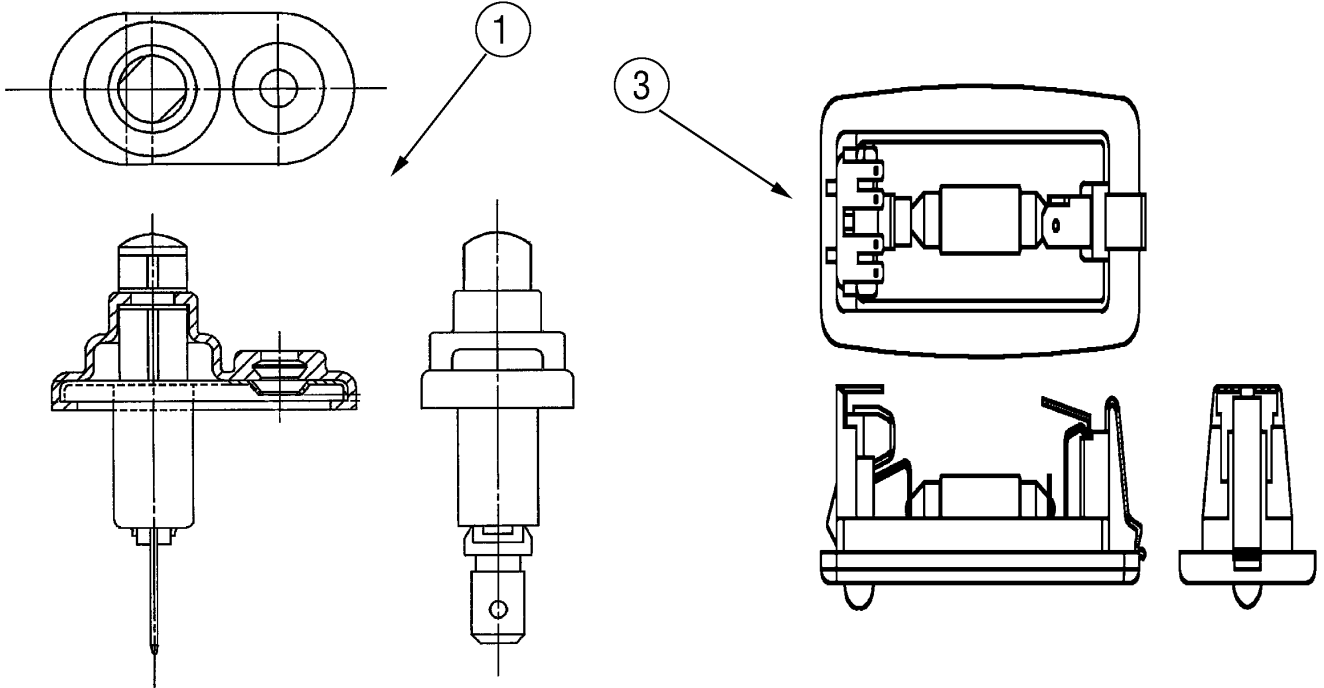
01-006

p1

12/08

INTERIOR LIGHTS, PACKAGE

1



01-006

p1

12/08

INTERIOR LIGHTS, PACKAGE

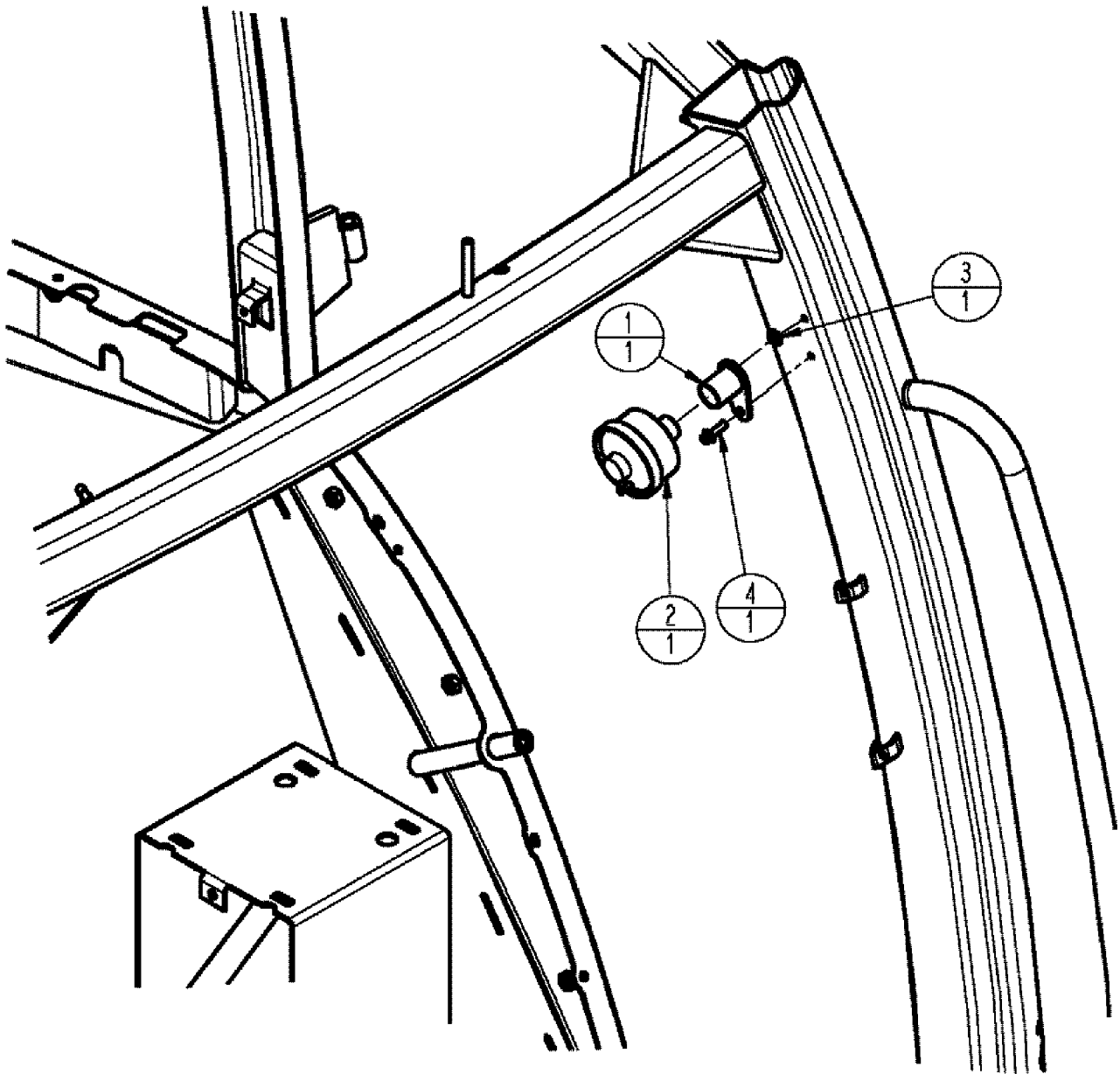
REF	FN	PART NUMBER	YR/SN	QTY	DESCRIPTION
1		1534229C1		1	SWITCH, DOOR
		177269A1		2	NUT, SPRING
3		1983391C1		1	LAMP, DOME
		3050958R1		1	BULB, K, 12V, 10W, EC
		760-17316		2	SCREW, SELF TAPPING, Pan Hd, M4.2 x 16
		765-14322		1	SCREW, SELF TAPPING, Oval Hd, M4.2 x 22
		D71346		1	LAMP, TAIL, 168 14V 3

1

3330

CAB GAUGE, PACKAGE

1



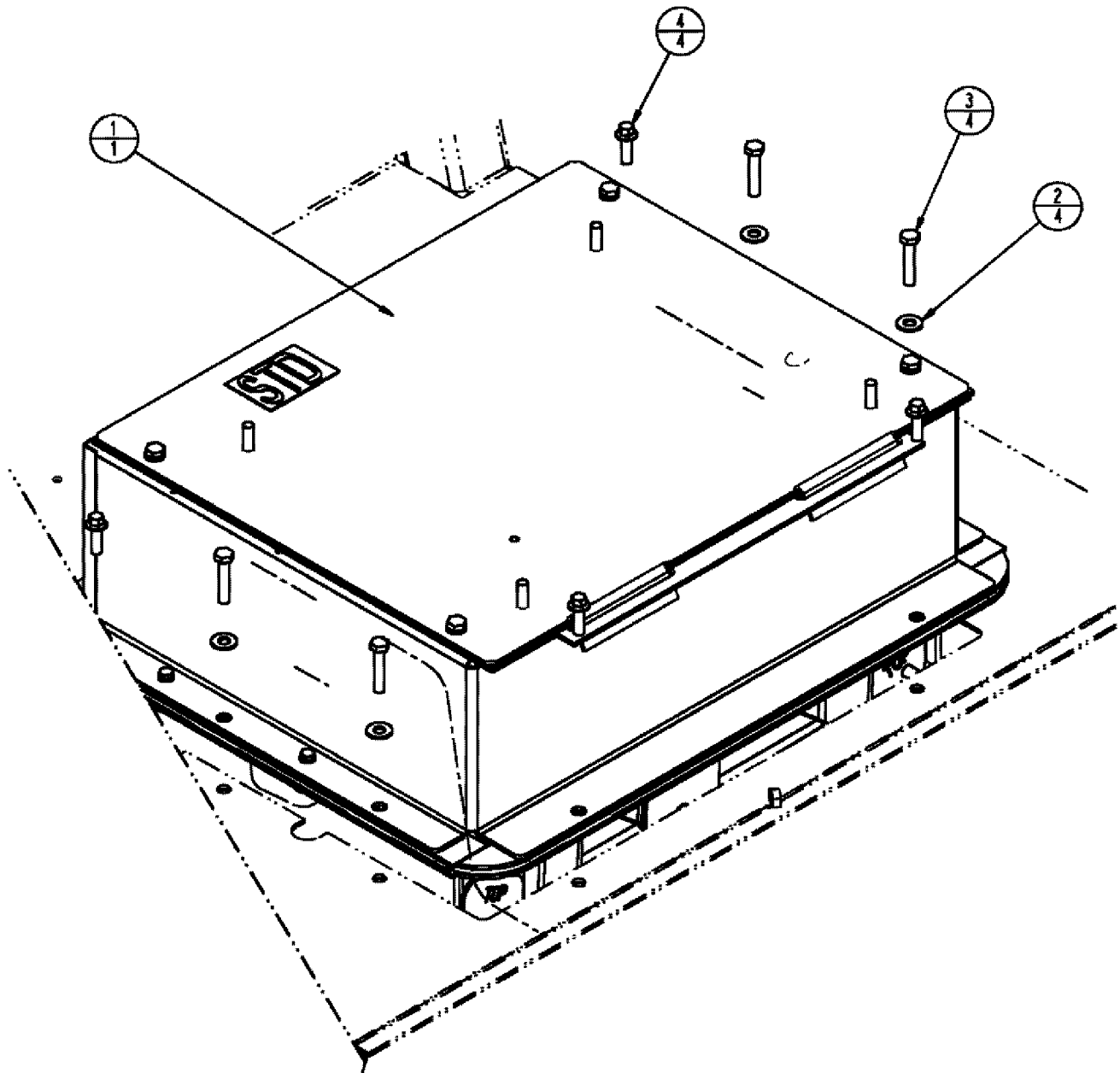
CAB GAUGE, PACKAGE

REF	FN	PART NUMBER	YR/SN	QTY	DESCRIPTION
1		{87559485}		1	WLD, CAB PRESSURE
2		437304A1		1	GAUGE
3		{87559487}		1	GASKET, RD
4		781-24620		1	SCREW, SELF TAPPING, Hex Flg Hd, M6 x 20

1

	3330
--	-------------

1



01-008

p1

09/08

HVAC, STANDARD UNIT

REF	FN	PART NUMBER	YR/SN	QTY	DESCRIPTION
1		{87564077}		1	HVAC UNIT, MANUAL, SEE FIG. 01-014
2		86625263		4	WASHER, M8 x 20 x 1.6, ZND
3		614-8040		4	BOLT, Hex, M8 x 40, 8.8, Full Thd, EC CLASS
4		781-24825		4	SCREW, SELF TAPPING, Hex Flg Hd, M8 x 25, TYPE D

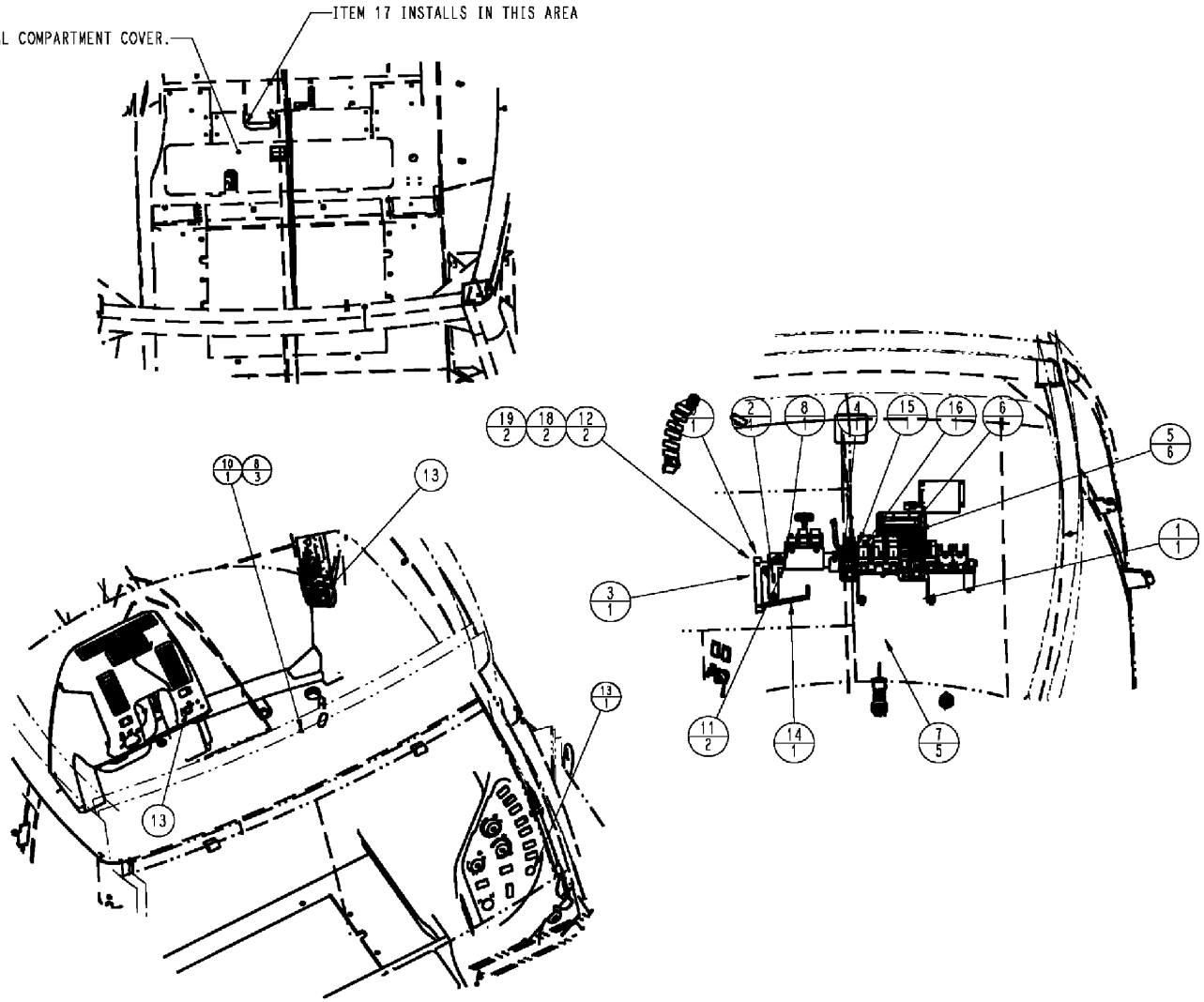
1

3330

PACKAGE, ELECTRICAL GROUP, CAB

1

ELECTRICAL COMPARTMENT COVER.
ITEM 17 INSTALLS IN THIS AREA



PACKAGE, ELECTRICAL GROUP, CAB

REF	FN	PART NUMBER	YR/SN	QTY	DESCRIPTION
1		{87476207}		1	ELECT MAIN CAB SEE FIG. 12-004
2		A187523		1	BLOCK, CONNECTING, ASSY
3		311430A1		1	BLOCK, JUNCTION ASSY
4		437550A1		1	FLANGE, DEUTSCH INTERFACE
5		780-34319		6	SCREW, SELF TAPPING, Hex Wash Hd, M4.8 x 19, END F ZND
6		84150025		1	MODULE, FLASHER INTERFACE
7		781-24820		5	SCREW, SELF TAPPING, Hex Flg Hd, M8 x 20, END D ZND
8		86624184		3	WASHER, M8 x 16 x 1.6, CST ZND
8		20-1451T1		1	BLOCK, JUNCTION
9		840-1516		2	SCREW, Cross Pan Hd, M5 x 16, 4.8, Type H
11		87394246		1	DECAL, GRN TEST POINT
12		515-22159		1	CLAMP, 5/8", Insul, 5/16" Bolt
13		825-51410		1	NUT, M10, Flg Ser
14		BN54029		.68	SEAL, CLIP ON RUBBER-BULK
15		9824326		2	WASHER, M5, 5.3X10X1MM CST ZND
16		86508813		2	NUT, M5, CI 8
17		{87271584}		1	PACKAGE, ELECTRICAL GRP, CAB SEE FIG. 01-012
18		9706690		2	NUT, M8, CI 8

3330

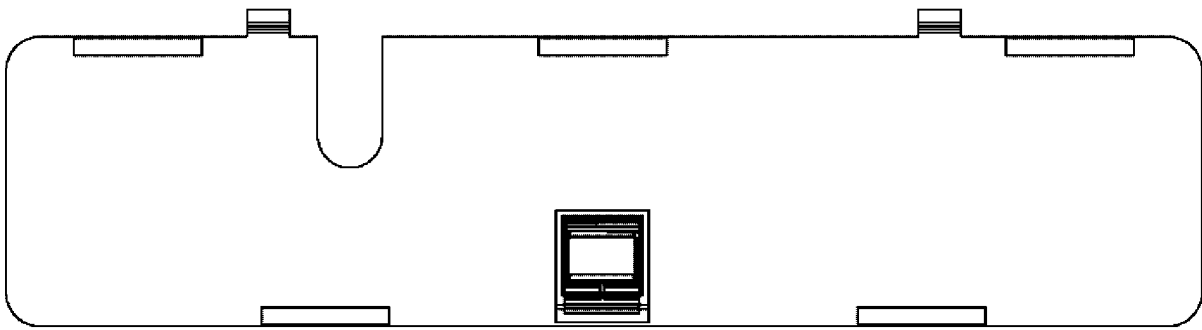
01-010

p1

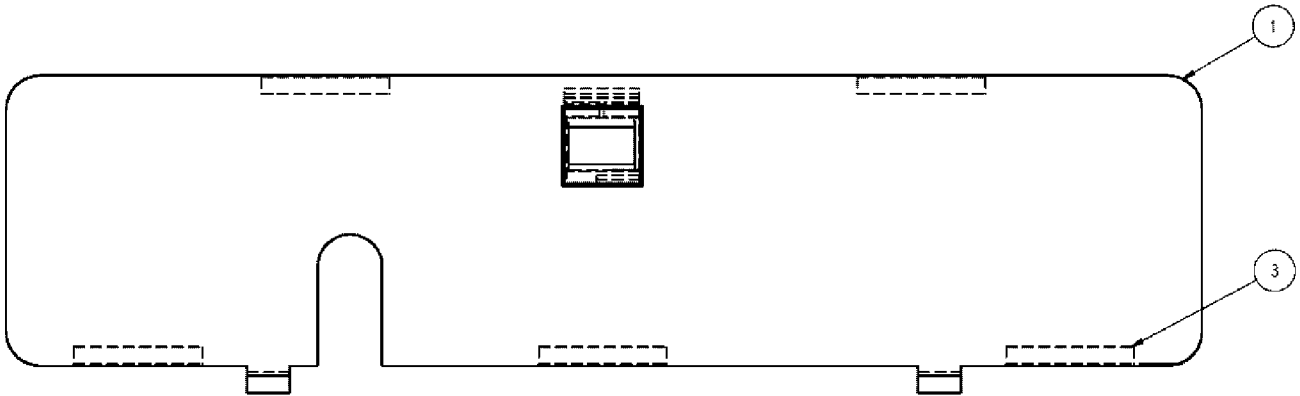
09/08

COVER ASSEMBLY, ELECTRICAL

1



2



1

3

COVER ASSEMBLY, ELECTRICAL

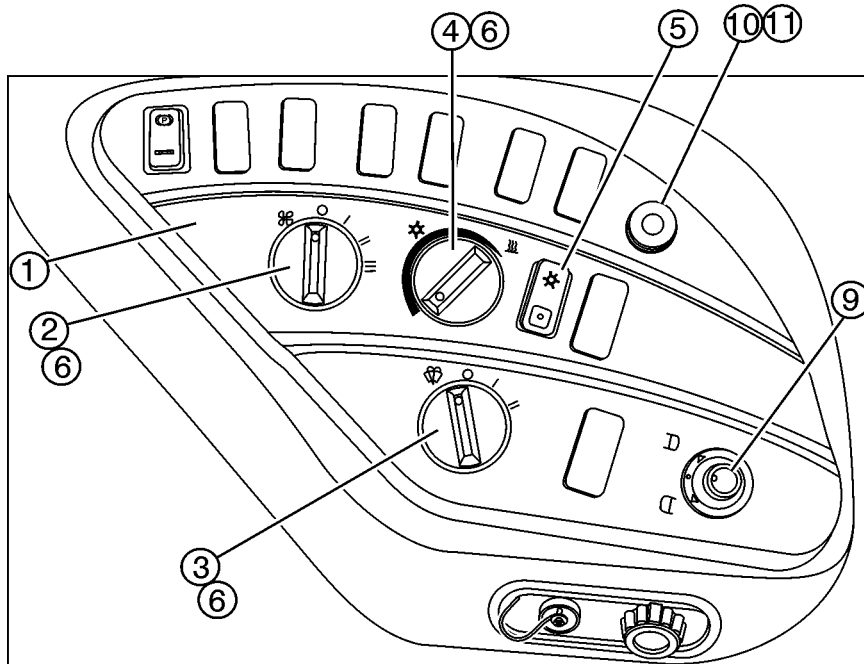
REF	FN	PART NUMBER	YR/SN	QTY	DESCRIPTION
1		{87319299}		1	ELECTRICAL BAY
2		406718A1		1	LATCH, RECIRC AIR ACCESS COVER
3		412425A1		5	SEAL, RECIRC AIR ACCESS COVER

1

	3330
--	------

HVAC, STANDARD CONTROL

1



HVAC, STANDARD CONTROL

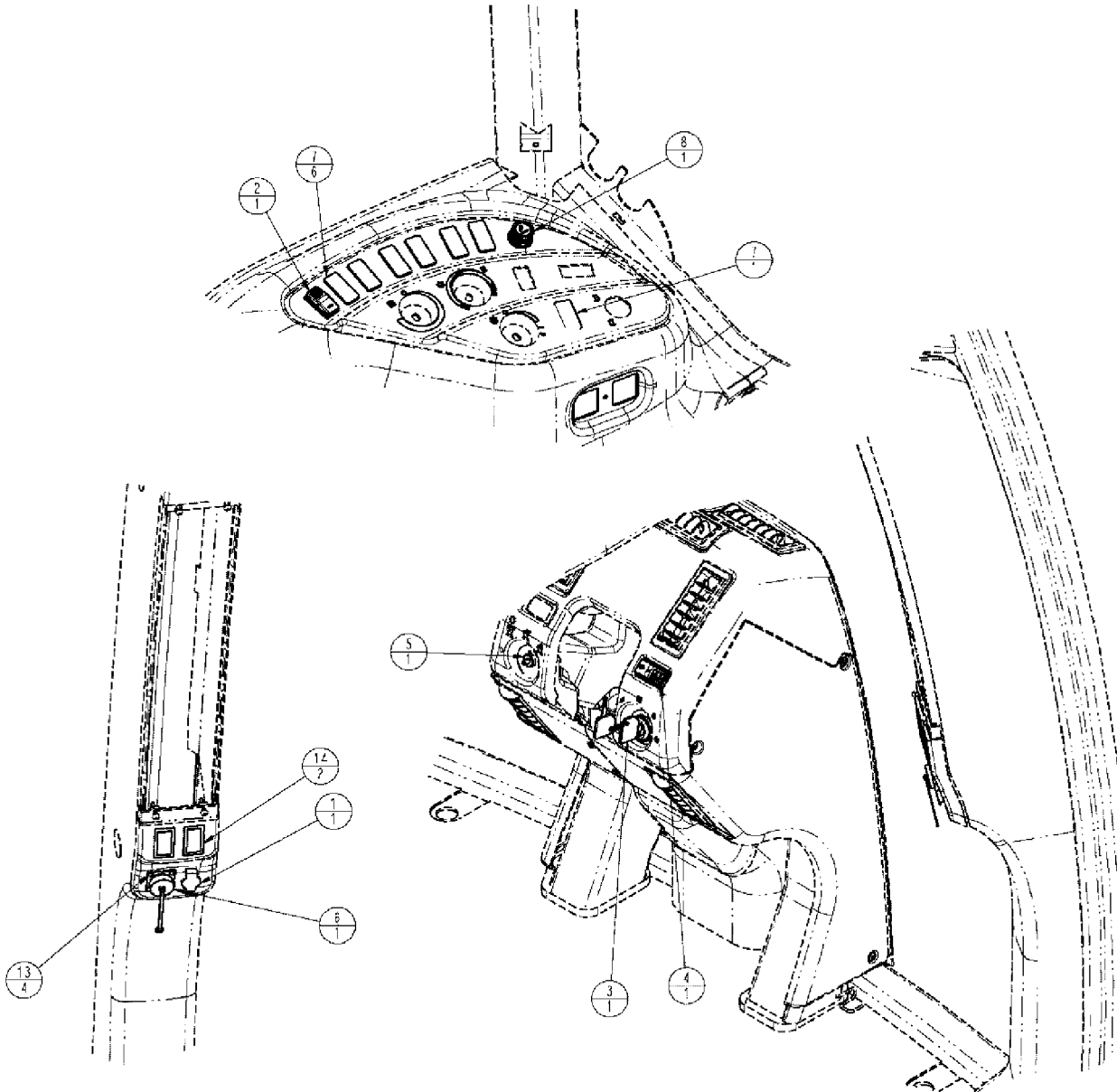
REF	FN	PART NUMBER	YR/SN	QTY	DESCRIPTION
		278316A2		2	CLIP, RETAINER, NOT SHOWN
1		87451321		1	PANEL, HVAC CONTROL, STANDARD
2		92100C2		1	SWITCH, BLOWER MOTOR
3		92115C2		1	SWITCH, FRONT WIPER
4		326282A1		1	POTENTIOMETER, 10K, ELCT
5		87405636		1	SWITCH, AIR COND., ON/OFF
6		1331046C2		3	KNOB, Switch Panel
9		280627A1		1	SWITCH, MIRROR ADJUSTMENT, MIRROR (OPTIONAL)
9	1	280628A1		1	PLUG, MIRROR SWITCH
10		87450395		1	BASE, OUTLET, POWER
11		87450396		1	MOUNTING PARTS, BULB

(1) PLUG P/N 280682A1 USED, IF EQUIPPED WITHOUT MIRROR OPTION

3330

ELECTRICAL GROUP, CAB

1



ELECTRICAL GROUP, CAB

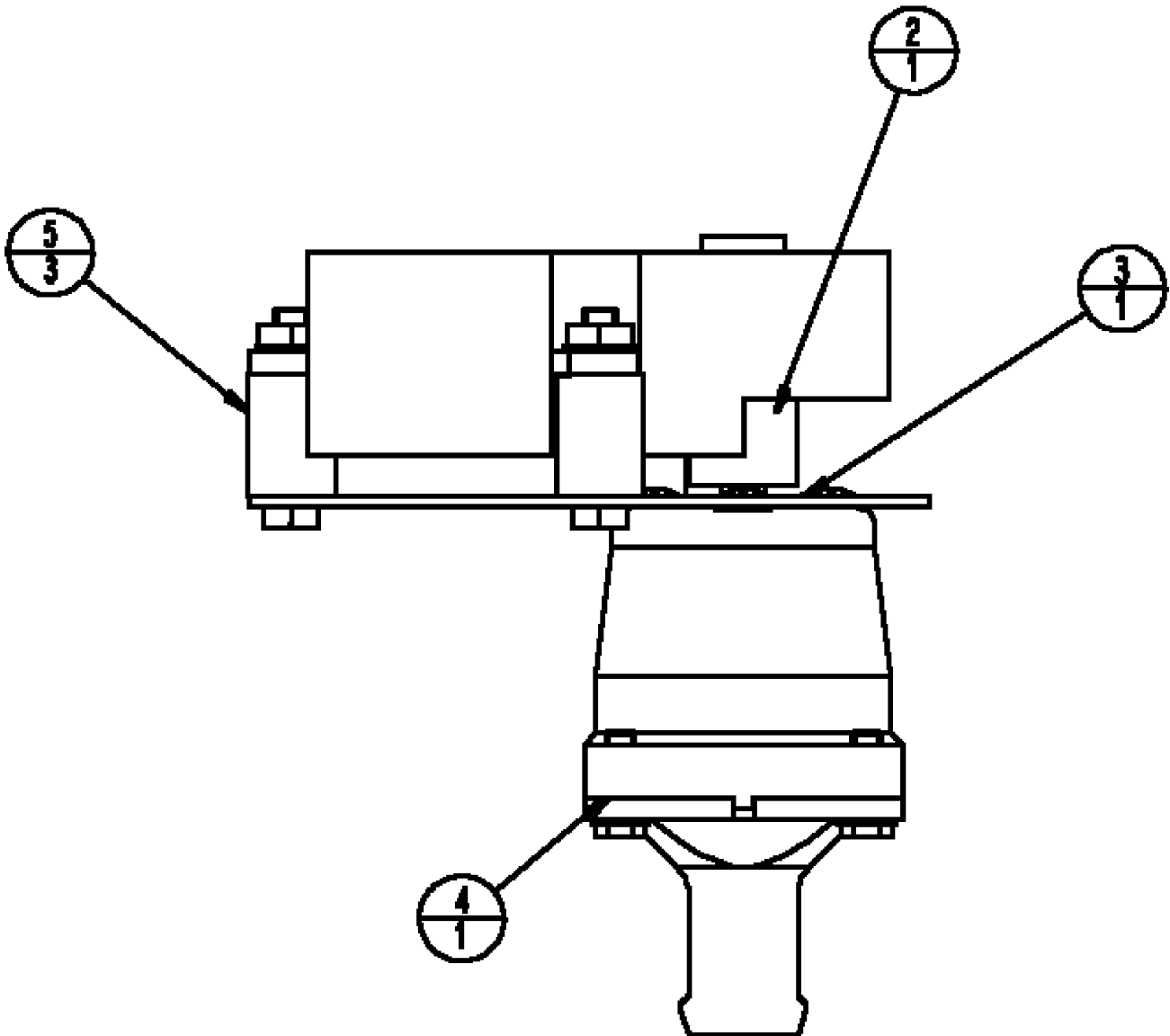
REF	FN	PART NUMBER	YR/SN	QTY	DESCRIPTION
1		300655A1		1	SOCKET, POWER, OUTLET, BRITAX
2		87271583		1	SWITCH, PARK BRAKE
3		427182A1		1	SWITCH, IGNITION, IGNITION W/KEYS
4		86989942		1	SWITCH, LIGHTS, CONSOL, NAO
5		177250A1		1	SWITCH, LIGHTS, Rotary
6		227739A2		1	CONNECTOR, ELEC, HARNESS, AUX POWER
7		406324A2		7	PLUG, COVER, SWITCH HOLE
8		432239A1		1	LIGHTER, CIGARETTE, RED GLOW RING
13		151-535		4	RIVET, Pop, 1/8" x .462", BLIND BRK MDRL
14		245918C1		4	CAP, BLANKING

3330

1

HEATER, CONTROL ASSEMBLY

1



01-013

p1

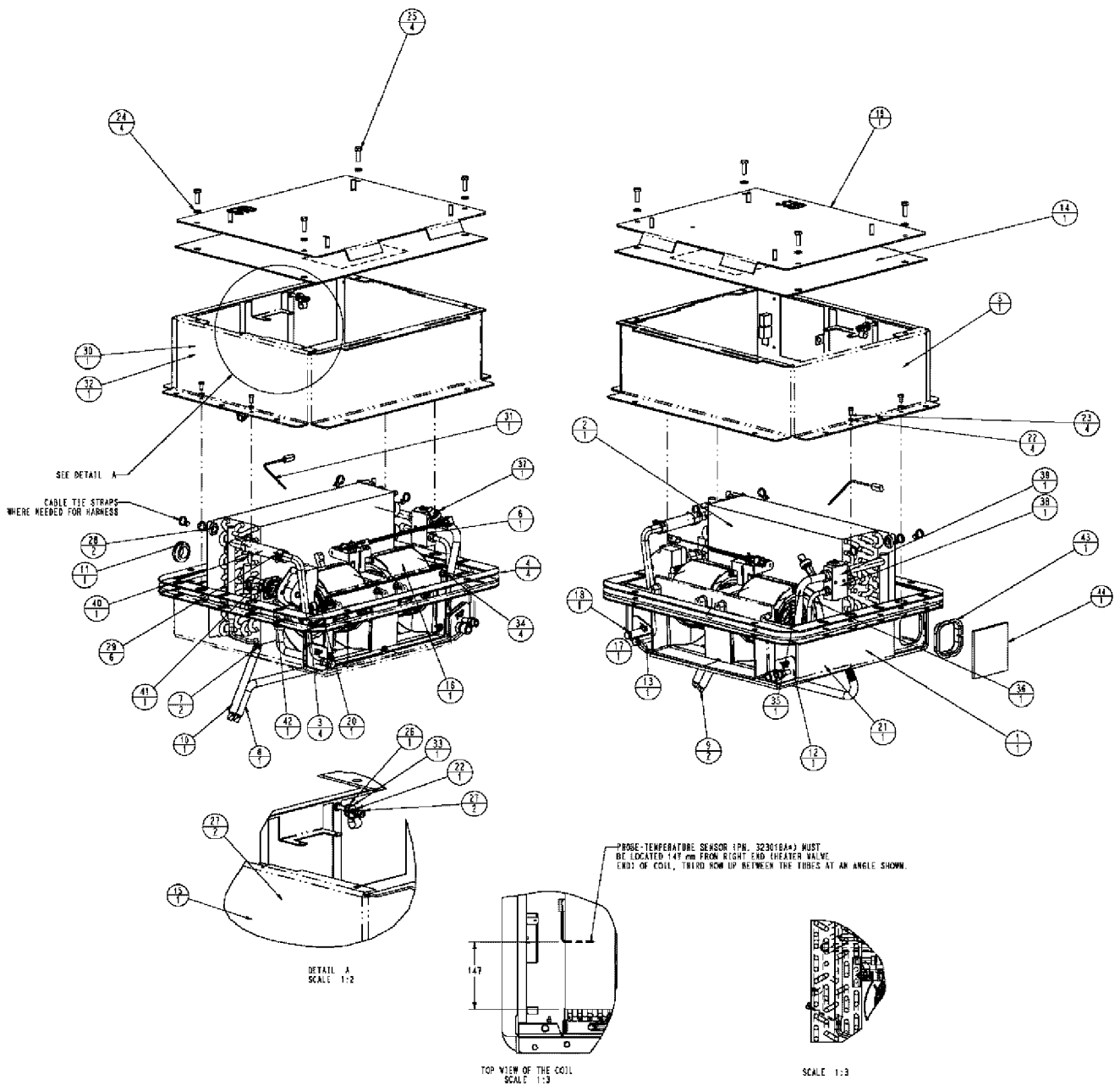
11/08

HEATER, CONTROL ASSEMBLY

REF	FN	PART NUMBER	YR/SN	QTY	DESCRIPTION
1		275602A1		1	ACTUATOR, MOTOR
2		427360A1		1	INSERT, COUPLER
3		427353A1		1	PLATE, HEATER VALVE MOUNT
4		427352A1		1	VALVE, HEATER
5		427354A1		3	SPACER, CEI ACTUATOR

1

3330

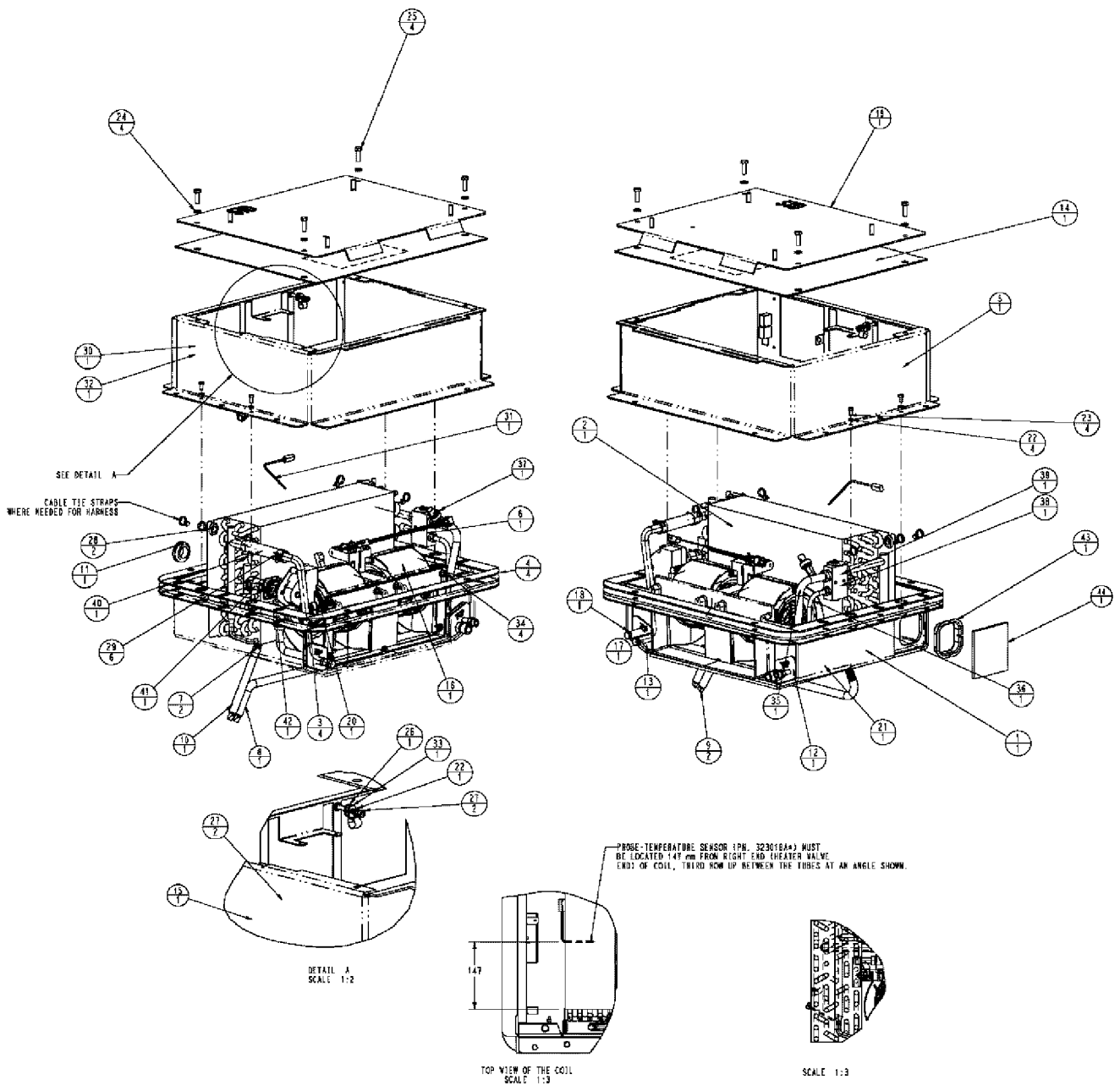


HVAC UNIT, MANUAL

REF	FN	PART NUMBER	YR/SN	QTY	DESCRIPTION
1		322996A1		1	BOX, EVAPORATOR KYSOR HVAC
2		86990262		1	CORE, COMBO, EVAP AND HTR
3		322994A1		4	GASKET, FLANGE SEAL KYSOR
4		322995A1		4	GASKET, FLANGE SEAL KYSOR
5		87454443		1	CASE ASSY., W TOP, HVAC
6		386535A1		1	VALVE, THRM EXP HFC-134A
7		1250522C3		2	ELBOW, EC FITTING, DRAIN (NH 8)
8		87574393		1	HOSE, CONDENSATE
9		109239C2		2	VALVE, EC-VALVE, CONDENSAT DRA
10		1977334C1		1	HOSE, 76085162, CONDENSAT
11		248-2381		1	GROMMET, 1" ID x 1 3/8" Groove Dia, RUBBER
12		322989A1		1	GROMMET, BULKHEAD A/C
13		322990A1		1	GROMMET, BULKHEAD HTR. HE
14		87324951		1	GASKET, TOP COVER, HVAC
15		87429903		1	CONTROL, MODULE, CLIMATE
16		323611A1		1	BLOWER, CAB 12 VOLT, W/RESI
17		322985A1		1	PIPE, HEATER OUTLET MU7-KY
18		322987A1		1	PIPE, HEATER INLET MU7-KY
19		87306495		1	COVER, W TOP HVAC
20		427356A1		1	VALVE, CONTROL, HEATER, SEE FIG. 01-013
21		324484A1		1	INSULATOR, HVAC PACKAGE
22		892-11006		5	WASHER, LOCK, M6, SPRING Z
23		86980358		4	BOLT, M6 X 12 CL 8.8 ZND THD TO HD
24		892-11008		4	WASHER, LOCK, M8, Spring
25		627-8025		4	BOLT, Hex, M8 x 25, 10.9, ZND TH
26		493-81002		1	WASHER, LOCK, Ext-Int Tooth, 1/4"
27		829-1406		4	NUT, M6, CI 10
28		248-1243		2	GROMMET, 1/2" ID x 13/16" Groove Dia, Diag Cut
29		1954736C1		6	CLAMP, HOSE, 24 BLK PHOSPH
30		105849A1		1	RELAY, EC, 20 AMP CONT D
31		323016A1		1	SENSOR, THERMISTOR KYSOR
32		87564078		1	HARNESS, WIRE
33		515-21127		1	CLAMP, 1/2", Insul, 1/4" Bolt, B
34		281-14512		4	SCREW, SELF TAPPING, Hex Wash Hd, #10 x 3/4", EC

3330

1



HVAC UNIT, MANUAL

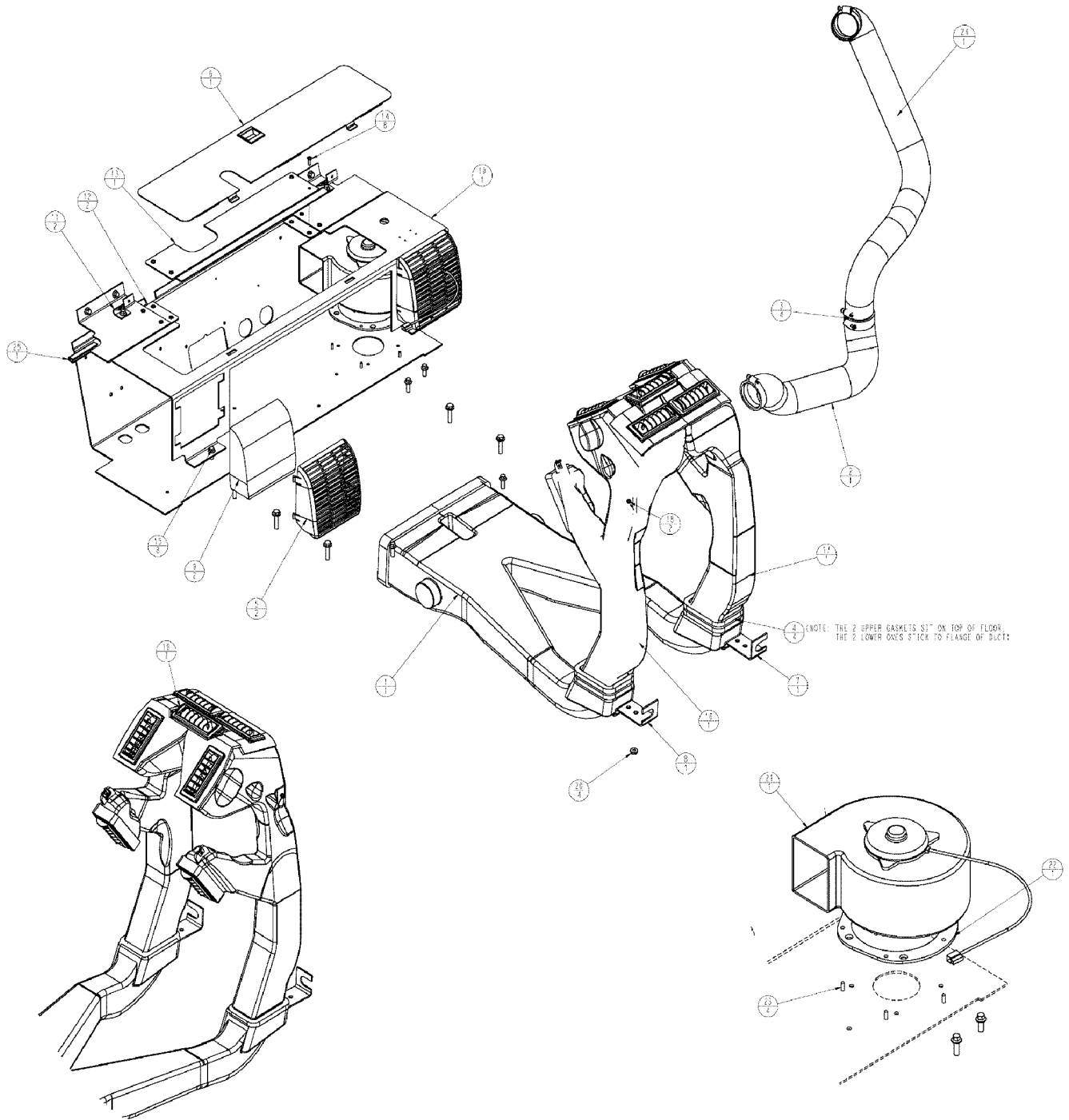
REF	FN	PART NUMBER	YR/SN	QTY	DESCRIPTION
35		322839A1		1	PIPE, A/C SUCTION KYSOR H
36		322840A1		1	PIPE, A/C LIQUID KYSOR HVA
37		87323829		1	SWITCH, A/C LOW PRESSURE, LOW
38		128484A1		1	O-RING, 10.82 ID HNBR INF
39		128485A1		1	O-RING, 14.00 ID HNBR INF1
40		1321290C2		1	HOSE, HEATER OUTLET TO VA
41		324022A1		1	HOSE
42		324023A1		1	HOSE
43		368313A1		1	PLASTIC PLUG
44		87306773		1	INSULATION, FOAM
	1	327306A1		1	GASKET, EVAPORATOR SEALING

(1) ASSOCIATED PART OF GASKET, EVAPORATOR SEALING, P/N 87306773

3330

CLIMATIZATION PACKAGE

1



CLIMATIZATION PACKAGE

REF	FN	PART NUMBER	YR/SN	QTY	DESCRIPTION
1		87308202		1	DUCT, MAIN SUPPLY
2		256331A2		1	HOSE, LH FENDER TRIM
3		214-1544		4	CLAMP, HOSE, #44, 2.31/3.25 Type F Worm, W/liner
4		87452817		4	GASKET, FRONT SUPPLY DUCT
5		301180A3		2	VENT (AIR), RECIRC
6		87319298		1	COVER, ASSY, ELECTRICAL, SEE FIG 01-010
7		298465A2		1	SUPPORT, BRACKET, EXT TRIM, FWD LH
8		300432A2		1	BRACKET, EXT TRIM, FWD RH
9		293615A1		2	FILTER, RECIRCULATION AIR
10		87269666		1	EXTENSION, RECIRC AIR SHE
11		87269670		2	BRACKET, REAR CARGO NET
12		87269672		2	COVER, COVER, MOUNT
13		87269668		1	COVER, ELECTRICAL
14		87343600		8	SCREW, M5 X 16 PHD H 4.8
15		781-24820		8	SCREW, SELF TAPPING, Hex Flg Hd, M8 x 20, Type D
16		87310030		1	PANEL, DUCT ASSY, RH
17		87310029		1	DUCT, ASSY, LH PANEL
18		87343604		2	SCREW, M5 X 25, PHD, H 4.8
19		363882A1		7	VENT, W/O HOLES NOPOP WH
20		825-2408		6	NUT, M8 x 1.25, Flg, Cl 8, ZND
21		87107380		1	BLOWER, PRESSURIZER
22		255220A2		1	GASKET, BRACKET TO BLWR
23		87016450		4	SCREW, Cross Pan Hd, #10-32 x 5/8", CRZND
24		303732A1		1	HOSE, FENDER TRIM LOUVER
25		{87616967}		1	CAB, REAR SHELF

3330

01-016

p1

09/08

PACKAGE, ATC HV

1

**ART
NOT
AVAILABLE**

PACKAGE, ATC HV

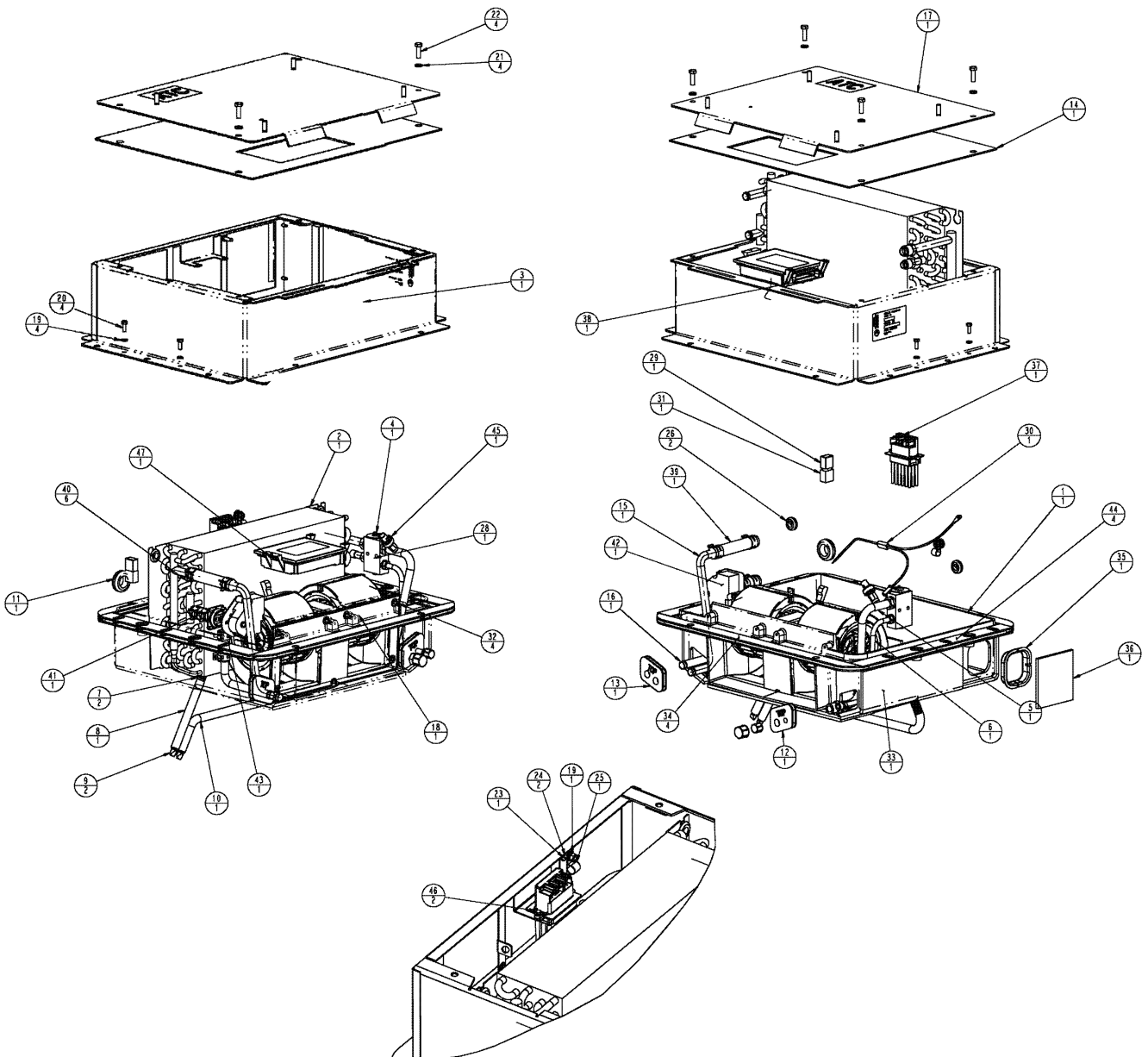
REF	FN	PART NUMBER	YR/SN	QTY	DESCRIPTION
		495-21031		1	WASHER, 1/4"
		781-24825		8	SCREW, SELF TAPPING, Hex Flg Hd, M8 x 25
		87318294		1	CLIP
		87454442		1	SENSOR
		{87584853}		1	ATC UNIT, SEE FIG. 01-017

1

	3330
--	------

HVAC/A, ATC UNIT

1



SCALE 1:2

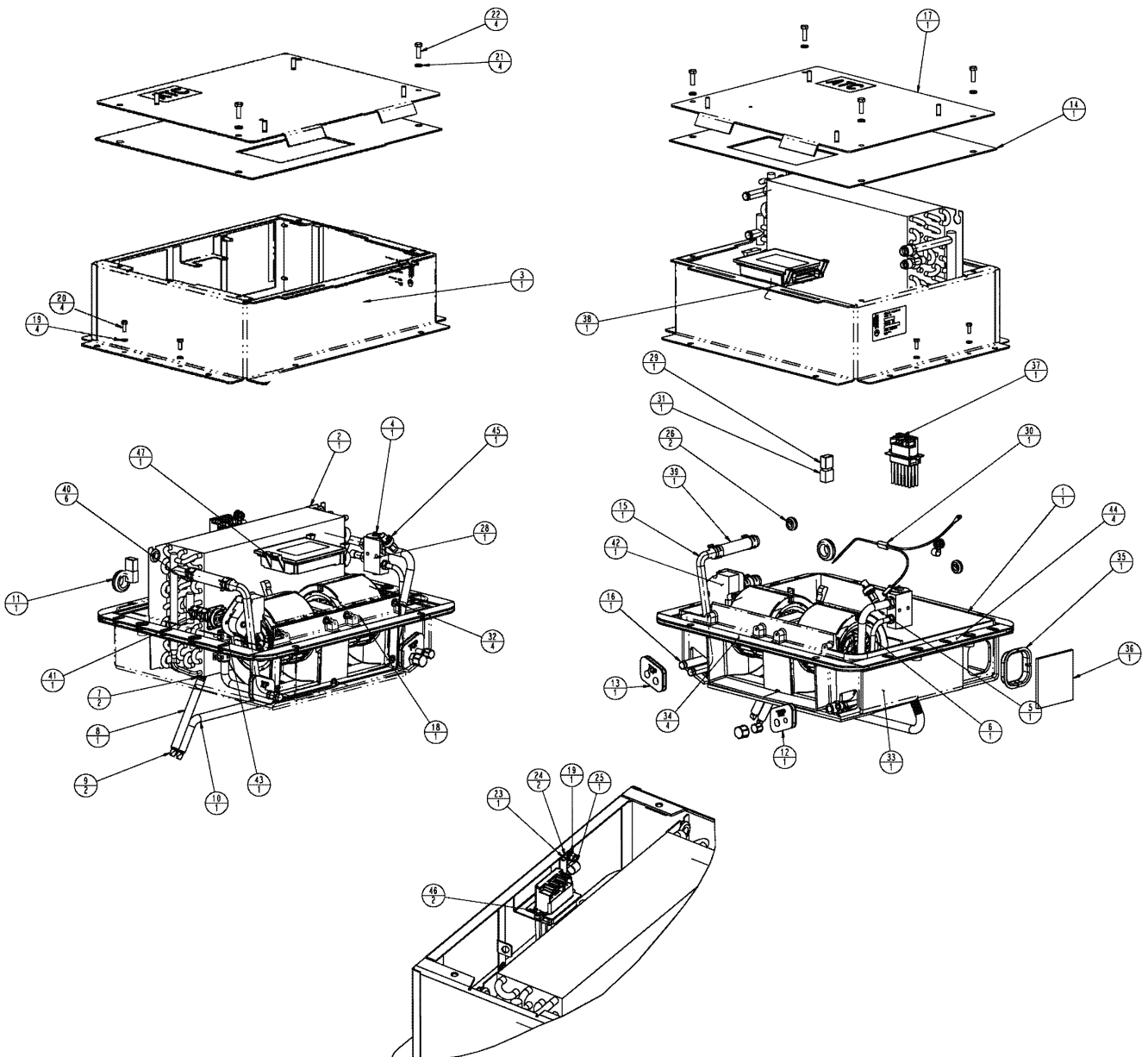
HVAC/A, ATC UNIT

REF	FN	PART NUMBER	YR/SN	QTY	DESCRIPTION
1		322996A1		1	BOX, EVAPORATOR KYSOR HVAC
2		86990262		1	CORE, COMBO, EVAP AND HTR
3		87454443		1	CASE ASSY., /A, TOP HVAC
4		386535A1		1	VALVE, THRM EXP HFC-134A
5		322839A1		1	PIPE, A/C SUCTION KYSOR H
6		322840A1		1	PIPE, A/C LIQUID KYSOR HVA
7		1250522C3		2	ELBOW, FITTING, DRAIN
8		1977334C1		1	HOSE, CONDENSATE
9		109239C2		2	VALVE, CONDENSAT DRA
10		87574393		1	HOSE, #81 1 ID RUBBER
11		248-2381		1	GROMMET, 1" ID x 1 3/8" Groove Dia, BULKHEAD A/C A/C
12		322989A1		1	GROMMET, BULKHEAD HTR. HE
13		322990A1		1	GROMMET
14		87324951		1	GASKET, TOP COVER - HVAC
15		322985A1		1	PIPE, TUBE, HEATER INLET MU7-KY
16		322987A1		1	PIPE
17		87306495		1	COVER, TOP
18		323610A1		1	BLOWER, ASSEMBLY
19		892-11006		5	WASHER, LOCK, M6
20		614-6016		4	BOLT, Hex, M6 x 16, 8.8
21		892-11008		4	WASHER, LOCK, M8, Spring
22		627-8025		4	BOLT, Hex, M8 x 25, 10.9
23		493-81002		1	WASHER, LOCK, Ext-Int Tooth, 1/4"
24		829-1406		2	NUT, M6, CI 10
25		515-21127		1	CLAMP, 1/2", Insul, 1/4" Bolt
26		248-1243		2	GROMMET, 1/2" ID x 13/16" Groove Dia, Diag Cut
27		128485A1		1	O-RING, 14.00ID HNBR
28		128484A1		1	O-RING, 10.82 ID HNBR
29		105849A1		1	RELAY, 20 AMP CONT D
30		323016A1		1	SENSOR, THERMISTOR KYSOR
31		87323958		1	HARNESS, WIRE ATC
32		281-14512		4	SCREW, SELF TAPPING, Hex Wash Hd, #10 x 3/4"
33		324484A1		1	INSULATOR, INSULATION, HVAC PACKAGE-
34		322995A1		4	GASKET, FLANGE SEAL KYSOR

3330

HVAC/A, ATC UNIT

1



SCALE 1:2

HVAC/A, ATC UNIT

REF	FN	PART NUMBER	YR/SN	QTY	DESCRIPTION
35		368313A1		1	PLASTIC PLUG, HVAC
36		87306773		1	INSULATION, FOAM, FOIL SIDE
37		87306706		1	TERMINAL CONNECTOR, DRIVER BLOWER LINEAR
38		{87365493}		1	ATC, CONTROL
39		1321290C2		1	HOSE, HEATER OUTLET TO VA
40		1954736C1		6	CLAMP, HOSE, 24 BLK PHOSPH
41		324022A1		1	HOSE, SUPPLY-54MM LONG SE
42		427356A1		1	VALVE, CONTROL, ASSY, HEATER VALVE
43		324023A1		1	HOSE, SUPPLY-64MM LONG SE
44		322994A1		4	GASKET, FLANGE SEALKYSOR
45		87323829		1	SWITCH, A/C LOW PRESSURE, A/C LOW
46		280-1448		2	SCREW, SELF TAPPING, Hex Wash Hd, #8 x 1/2", USE, 86637790
47		832-46404		1	NUT, LOCK, M4 x .7, CI 8, Use 87344029

3330**1**

01-018

p1

09/08

PACKAGE, AUTO TEMP CONTROL

1

**ART
NOT
AVAILABLE**

01-018

p1

09/08

PACKAGE, AUTO TEMP CONTROL

REF	FN	PART NUMBER	YR/SN	QTY	DESCRIPTION
		1331046C2		3	KNOB, SWITCH, PANEL
		278316A2		2	CLIP, RETAINER
		326281A1		1	POTENTIOMETER, BLOWER CONTROL
		326282A1		1	POTENTIOMETER, 10K
		357662A1		1	SWITCH, WINDSHIELD WIPER, ROTARY
		406324A2		1	PLUG
		87444610		1	SWITCH, DEFOG
		87451319		1	PANEL, HVAC, CONTROL
		87454558		1	SWITCH, AUTO, MANUAL, CLIMATE

1

3330

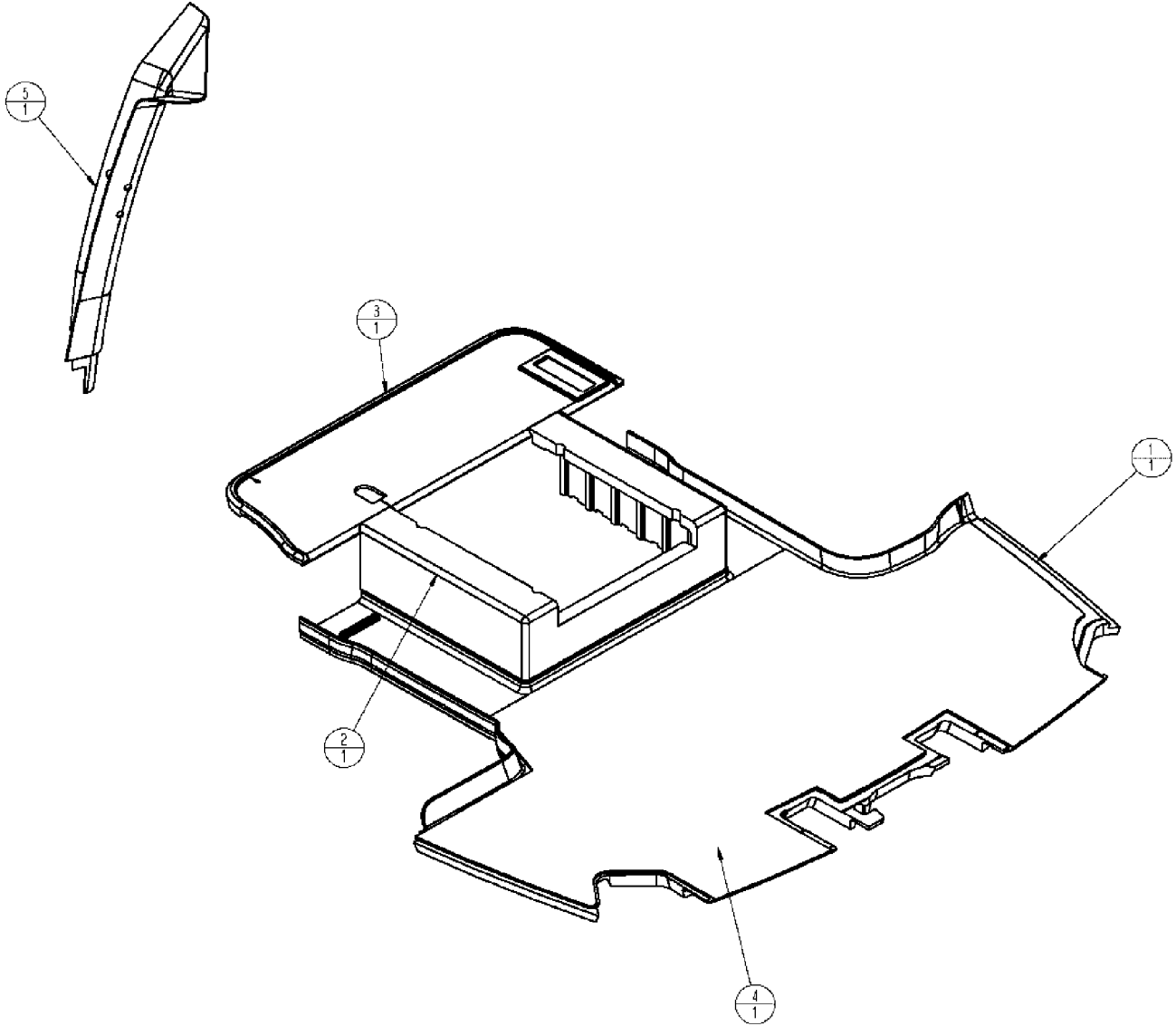
01-019

p1

09/08

FLOORMAT, PACKAGE, STD

1



FLOORMAT, PACKAGE, STD

REF	FN	PART NUMBER	YR/SN	QTY	DESCRIPTION
1		{84137774}		1	FLOOR WITH PLUGS SEE FIG. 01-020
2		254325A3		1	SKIRT, MAT, SEAT DECK
3		87330636		1	COVER, SHELF
4		{328941A3}		1	FLOOR
5		355098A1		1	TRIM PANEL, COVER, RH C-POST

	3330
--	-------------

01-020

p1

09/08

FLOORMAT, PACKAGE, LUXURY

1

**ART
NOT
AVAILABLE**

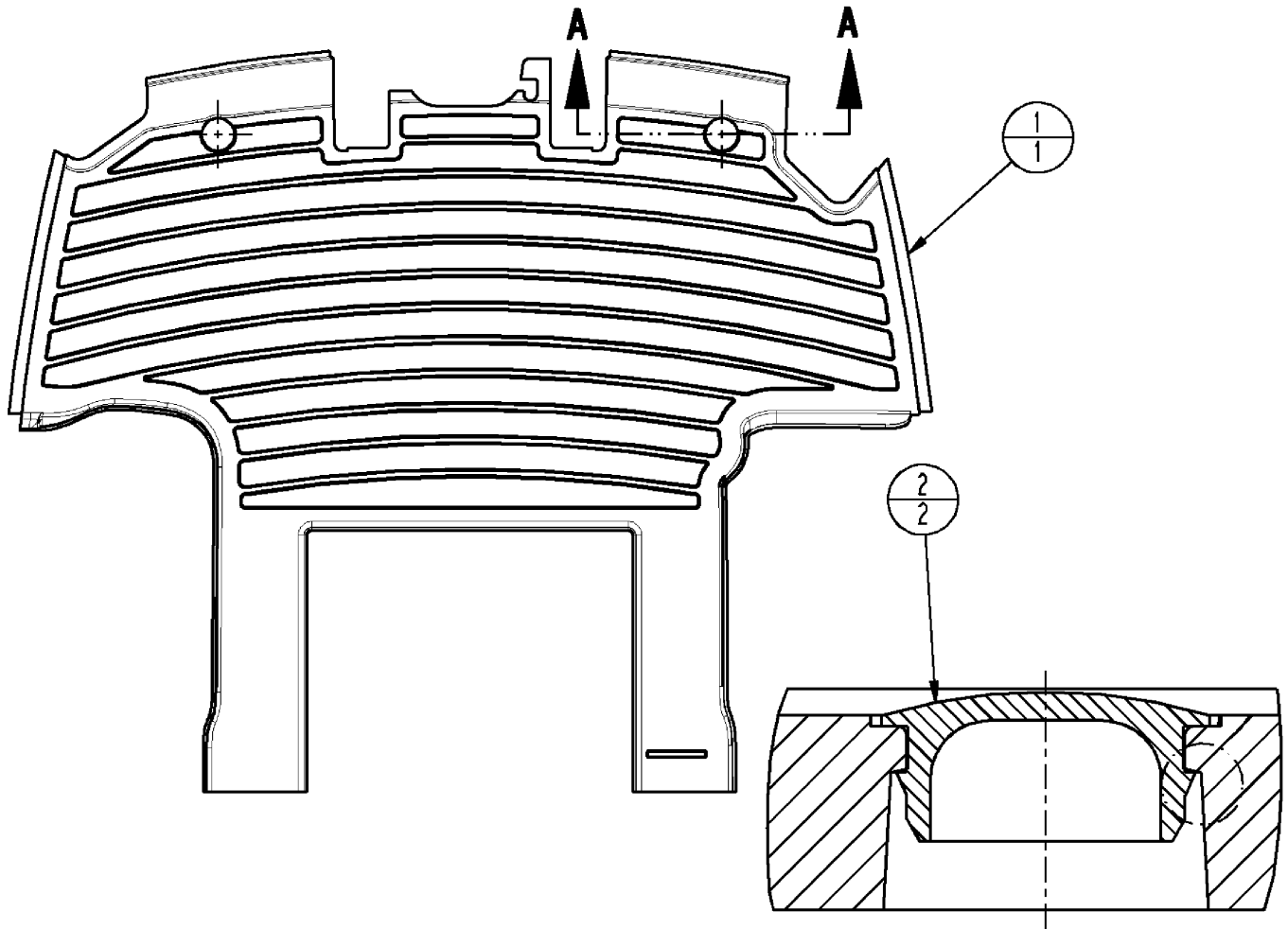
FLOORMAT, PACKAGE, LUXURY

REF	FN	PART NUMBER	YR/SN	QTY	DESCRIPTION
1		{84137774}		1	FLOOR WITH PLUGS SEE FIG. 01-020
2		254325A3		1	SKIRT, MAT, SEAT DECK
3		87330636		1	COVER, SHELF
4		{328941A3}		1	FLOOR
5		355098A1		1	TRIM PANEL, COVER, RH C-POST
6		87417637		1	MAT, FLOOR, LUXURY, CARPET

	3330
--	-------------

MAT ASSEMBLY, FLOOR WITH PLUGS

1



SECTION A-A

MAT ASSEMBLY, FLOOR WITH PLUGS

REF	FN	PART NUMBER	YR/SN	QTY	DESCRIPTION
		281848A1		2	PLUG, CAB MOUNT HOLE COVER
		{84137773}		1	B10

1

	3330
--	------

STEERING, CONTROL, DELUXE

REF	FN	PART NUMBER	YR/SN	QTY	DESCRIPTION
1		{84169079}		1	BRACKET, ASSY, PAINTED, FRONT CONSOLE
2		825-2408		4	NUT, M8 x 1.25, Flg, CI 8, ZND
3		329677A1		8	RETAINER, BOLT
4		295478A1		4	SPACER, STEERING HAND PUMP
5		366073A1		1	PLATE, STEERING HAND PUMP
6		406697A2		1	STEERING COLUMN
7		895-11010		4	WASHER, M10 x 20 x 2, FLAT
8		832-46410		4	NUT, LOCK, M10 x 1.5, CI 8
9		301200A1		1	SCREW, DELUXE
10		412350A1		1	ASSEMBLY, POD SELF CANCEL TURN, SEE FIG. 01-024
11		370105A2		4	BOLT, LOW PROFILE RD HD S
12		1977448C2		1	WASHER, SUPPORT BOOT
13		434177A1		4	ISOLATOR, ISOLATOR, CAC, CNTR BNDED
14		614-10035		4	BOLT, Hex, M10 x 35, 8.8, Full Thd
15		307559A1		1	SEAL, STEERING SHAFT, NOIS
16		296775A2		1	SEAL, STEERING SHAFT, NOIS
18		295191A3		1	PEDAL, FOOT RELEASE
17		1533540C1		2	EYEBOLT, PLASTIC
19		496-81028		8	WASHER, 13/32" x 1 1/4" x .134", HDN
20		295192A1		1	SHAFT, FOOT RELEASE PEDAL
21		277059A1		1	CLIP, 12MM
22		895-11014		1	WASHER, M14 x 28 x 2.5
23		825-11414		1	NUT, M14 x 1.5, CI 8
24		323657A1		1	PAD, FOOT RELEASE PEDAL
25		361024A3		1	CAP, DELUXE STEERING
	1	{378914A1}		1	STEERING WHEEL
	2	87613502		1	INSERT, CASE IH
26		253679A1		1	RING, MAGNET
27		87269664		1	PUMP, STEERING, SERIES 10

(1) ASSOCIATED PART OF CAP ASSY, DELUXE STEERING, P/N 361024A3

(2) ASSOCIATED PART OF AUTOBOOM, DUAL SENSOR, KIT, P/N 87668162

3330

STEERING, CONTROL, LUXURY

REF	FN	PART NUMBER	YR/SN	QTY	DESCRIPTION
1		{84169079}		1	BRACKET, ASSY, PAINTED, FRONT CONSOLE
2		825-2408		4	NUT, M8 x 1.25, Flg, CI 8, ZND
3		329677A1		8	RETAINER, BOLT
4		295478A1		4	SPACER, STEERING HAND PUMP
5		366073A1		1	PLATE, STEERING HAND PUMP
6		406697A2		1	STEERING COLUMN
7		895-11010		4	WASHER, M10 x 20 x 2, FLAT
8		832-46410		4	NUT, LOCK, M10 x 1.5, CI 8
9		359033A1		1	STEERING WHEEL, DELUXE
10		412350A1		1	ASSEMBLY, POD SELF CANCEL TURN, SEE FIG. 01-024
11		370105A2		4	BOLT, LOW PROFILE RD HD S
12		1977448C2		1	WASHER, SUPPORT BOOT
13		434177A1		4	ISOLATOR, ISOLATOR, CAC, CNTR BNDED
14		614-10035		4	BOLT, Hex, M10 x 35, 8.8, Full Thd
15		307559A1		1	SEAL, STEERING SHAFT, NOIS
16		296775A2		1	SEAL, STEERING SHAFT, NOIS
17		1533540C1		2	EYEBOLT, PLASTIC
18		295191A3		1	PEDAL, FOOT RELEASE
19		496-81028		8	WASHER, 13/32" x 1 1/4" x .134", HDN
20		295192A1		1	SHAFT, FOOT RELEASE PEDAL
21		277059A1		1	CLIP, 12MM
22		895-11014		1	WASHER, M14 x 28 x 2.5
23		825-11414		1	NUT, M14 x 1.5, CI 8
24		323657A1		1	PAD, FOOT RELEASE PEDAL
25		361024A3		1	CAP, DELUXE STEERING
	1	{378914A1}		1	STEERING WHEEL
	2	87613502		1	INSERT, CASE IH
26		253679A1		1	RING, MAGNET
27		87269664		1	PUMP, STEERING, SERIES 10

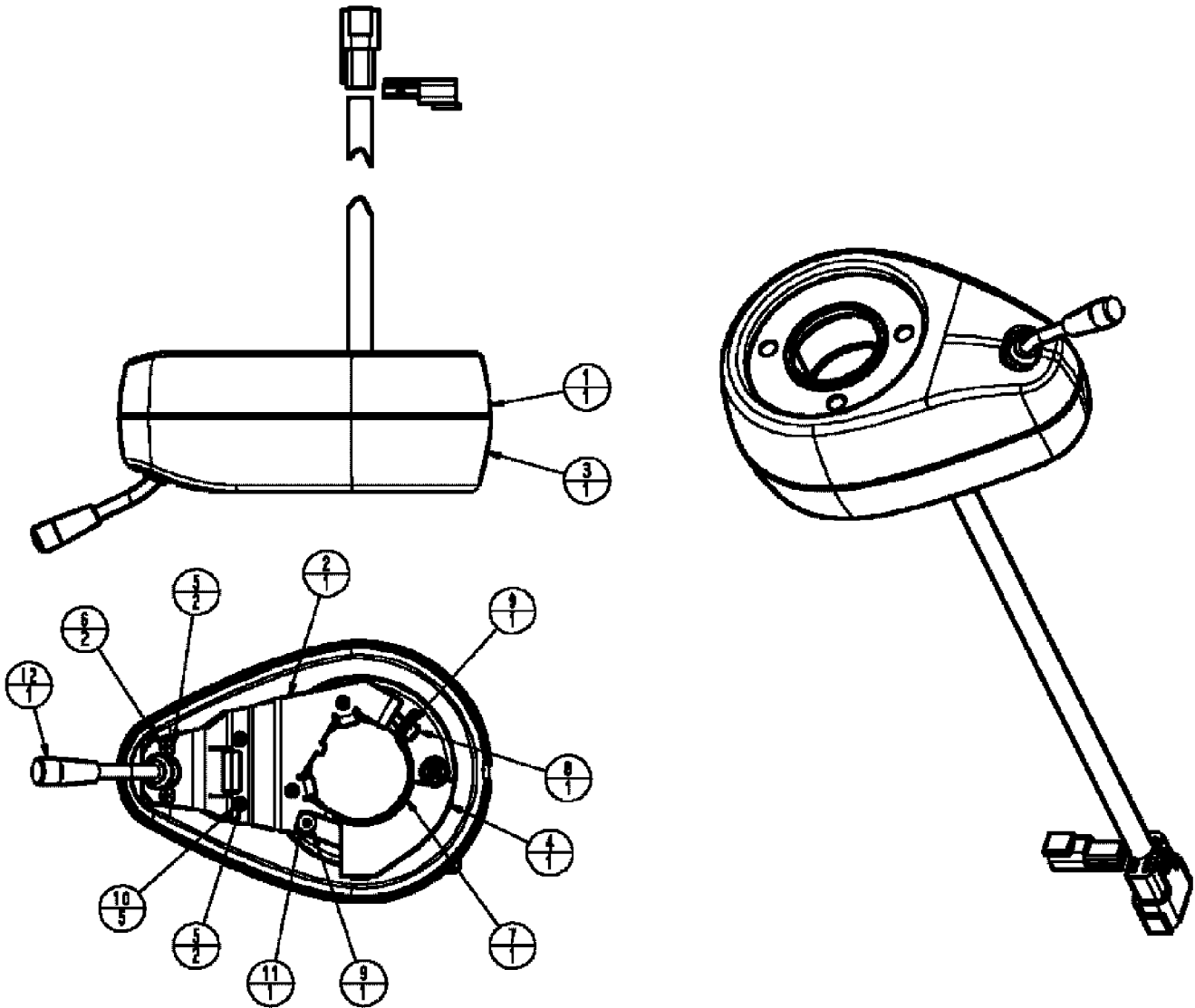
(1) ASSOCIATED PART OF CAP ASSY, DELUXE STEERING, P/N 361024A3

(2) ASSOCIATED PART OF AUTOBOOM, DUAL SENSOR, KIT, P/N 87668162

3330

POD ASSEMBLY, SELF CANCEL TURN

1



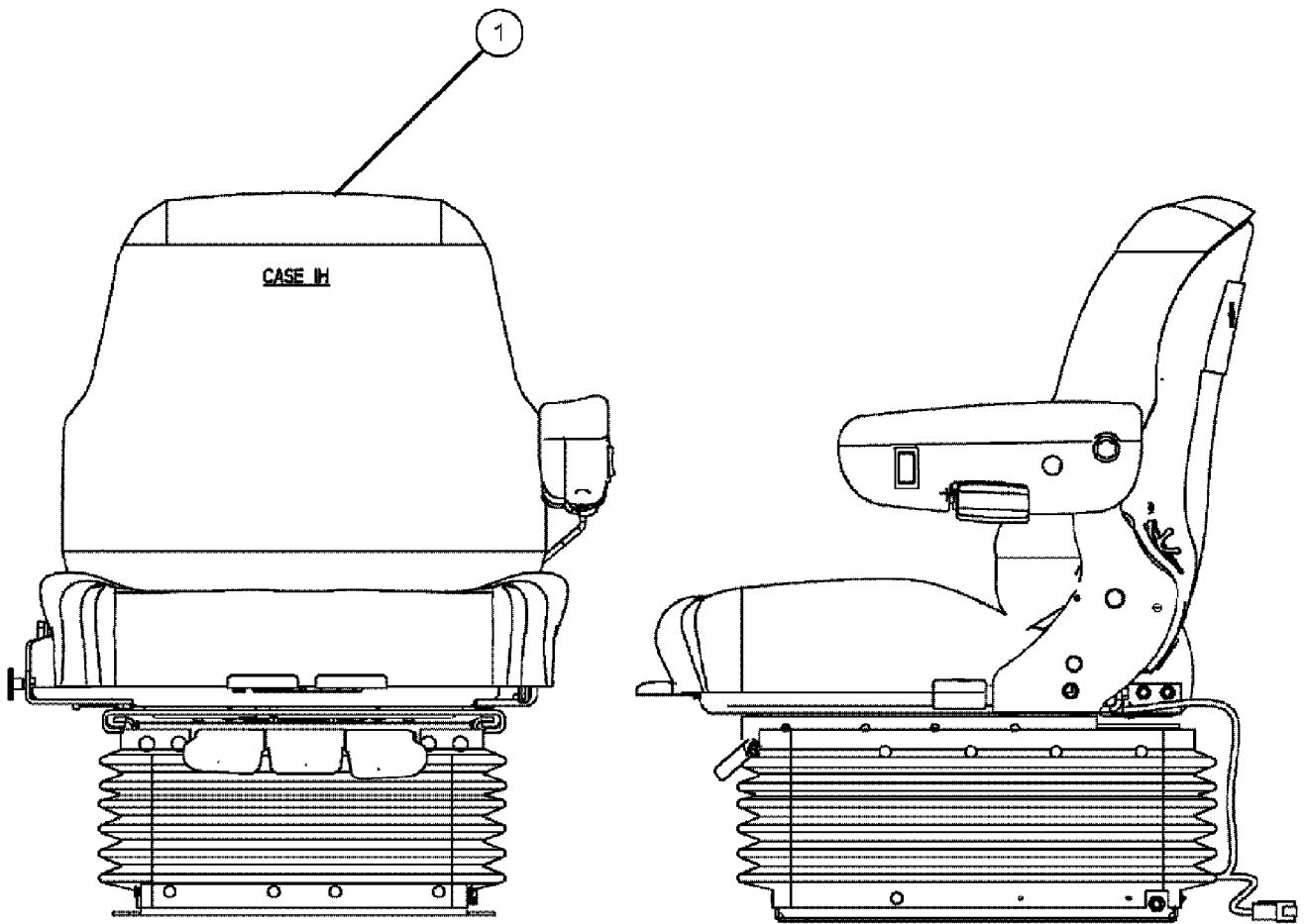
POD ASSEMBLY, SELF CANCEL TURN

REF	FN	PART NUMBER	YR/SN	QTY	DESCRIPTION
1		253396A2		1	HOUSING, TURN SIGNAL LOWE
2		253397A2		1	SUPPORT, TURN SIGNAL
3		253395A1		1	HOUSING, TURN SIGNAL UPPER
4		280529A1		1	SENSOR, SELF CANCELLING TU
5		892-11004		4	WASHER, LOCK, M4
6		840-146		2	SCREW, Cross Pan Hd, M4 x 6, Type H
7		144628A1		1	SUPPORT, CLAMP, F/N/R CONTROL POD
8		864-5025		1	SCREW, Hex Soc Hd, M5 x 25, 8.8
9		893-16005		2	WASHER, LOCK, Int Tooth, M5
10		87343623		5	SCREW
11		760-14413		1	SCREW, SELF TAPPING, Pan Hd, M4.8 x 13
12		284777A1		1	SWITCH, UNIVERSAL, W/ DIPP

3330

SEAT PACKAGE, LEATHER, LUXURY

1



SEAT PACKAGE, LEATHER, LUXURY

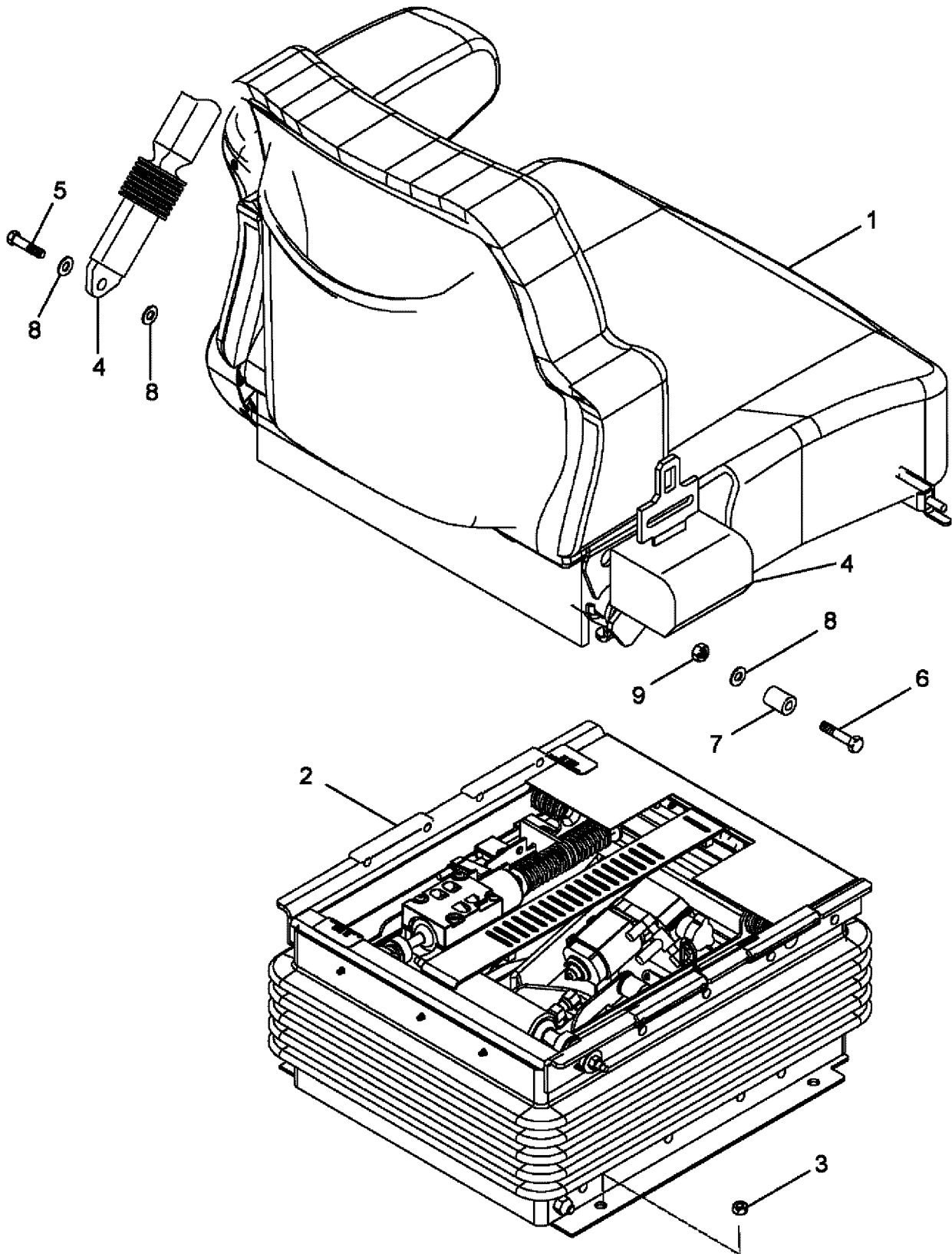
REF	FN	PART NUMBER	YR/SN	QTY	DESCRIPTION
1		87485524		1	SEAT, DRIVER, AIR 2000, LEATHER, 3 POS HEAT
	1	87749302		1	SWITCH, HEATER
	2	87749303		1	CONTROL UNIT, HEATER
	3	87749304		1	HARNES, HEATER
	4	87752587		1	HARNES, EXTENSION, HEATER CONTROL
	5	87749241		1	CUSHION, SEAT
3		825-2408		4	NUT, M8 x 1.25, Flg, CI 8
4		444877A1		1	SEAT BELT
5		806-12030		1	BOLT, Hex, Lock, M12 x 30, CI 10.9
6		806-12040		1	BOLT, Hex, Lock, M12 x 40, CI 10.9
7		87313413		1	TUBE SPACER
8		896-11012		3	WASHER, M13.5 x 24.5 x 3, HT
9		829-1312		1	NUT, M12 x 1.75, CI 10

- (1) SERVICE PARTS FOR REF. 1
 (2) SERVICE PARTS FOR REF. 1
 (3) SERVICE PARTS FOR REF. 1
 (4) SERVICE PARTS FOR REF. 1
 (5) SERVICE PARTS FOR REF. 1

3330

SEAT, PACKAGE, DELUXE

1



SEAT, PACKAGE, DELUXE

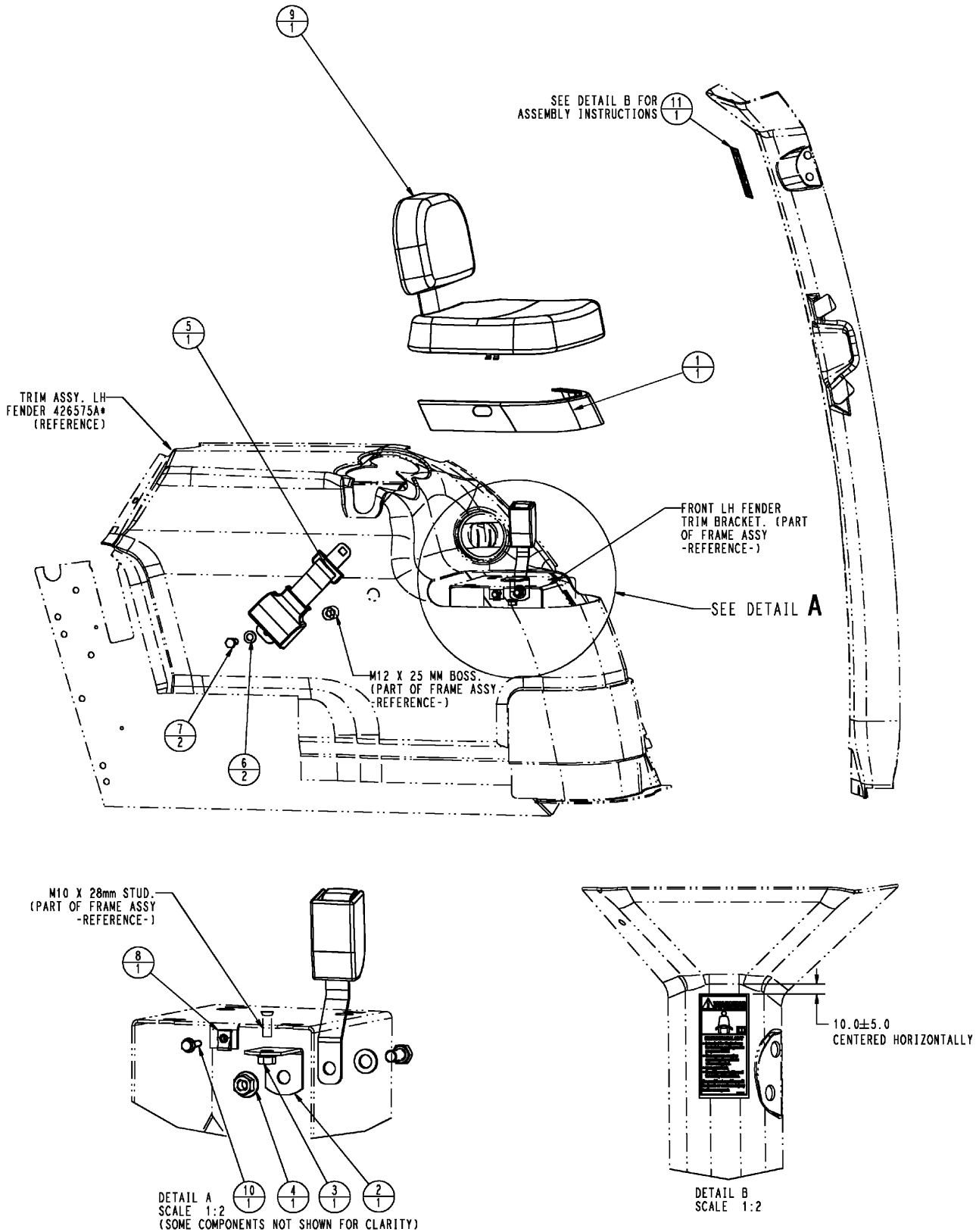
REF	FN	PART NUMBER	YR/SN	QTY	DESCRIPTION
1		84138931		1	SEAT, DRIVER, CASE-IH STANDARD
2		84155868		1	KIT, SERVICE, SUSPENSION
4		444877A1		1	SEAT BELT
5		806-12030		1	BOLT, Hex, Lock, M12 x 30, CI 10.9
6		806-12040		1	BOLT, Hex, Lock, M12 x 40, CI 10.9, NO
7		87313413		1	TUBE SPACER, .875 X .5
8		896-11012		3	WASHER, M13.5 x 24.5 x 3, HT
9		829-1312		1	NUT, M12 x 1.75, CI 10
		561-707		1	SCREW, Hex Soc, Shoulder, M10 12 X 30mm, CI12.9
		825-2410		1	NUT, M10 x 1.5, Flg, CI 8
		86639232		1	NUT, Weld, M10, STYLE 2M TAB WEL
		825-2408		4	NUT, M8 x 1.25, Flg, CI 8

3330

1

TRAINING SEAT LAYOUT ASSY

1



TRAINING SEAT LAYOUT ASSY

REF	FN	PART NUMBER	YR/SN	QTY	DESCRIPTION
1		{INF10467}		1	BEZEL ASSY, INSTRUCTIONAL SEAT
	1	296317A3		1	BEZEL, ASSY, INSTRUCTIONAL SEAT, DAWN GRAY
	2	359039A1		1	BEZEL, ASSY, INSTRUCTIONAL SEAT, WHEAT
	3	400132A1		1	BEZEL, ASSY, INSTRUCTIONAL SEAT, SLATE GRAY
	4	87674247		1	BEZEL, ASSY, INSTRUCTIONAL SEAT, NH GRAY
2		309099A1		1	SUPPORT
3		825-51410		1	NUT, M10, Flg Ser
4		825-51412		1	NUT, M12, Flg Ser
5		224808A1		1	SEAT BELT
6		896-11012		2	WASHER, M13.5 x 24.5 x 3, HT
7		614-12025		2	BOLT, Hex, M12 x 25, 8.8
8		833-40305		1	NUT, M5, U
9		{87748948}		1	SEAT ASSEMBLY DELUXE, INSTRUCTIONAL, SEE FIG. 01-030
9		{359026A2}		1	SEAT ASSEMBLY LUX, INSTRUCTIONAL, SEE FIG. 01-031
10		844-6025		1	BOLT, Hex Flg, M6 x 25, 8.8
11		410704A1		1	DECAL, INSTRUCTIONAL SEAT

- (1) SERVICE PARTS FOR ITEM #1
 (2) SERVICE PARTS FOR ITEM #1
 (3) SERVICE PARTS FOR ITEM #1
 (4) SERVICE PARTS FOR ITEM #1

3330

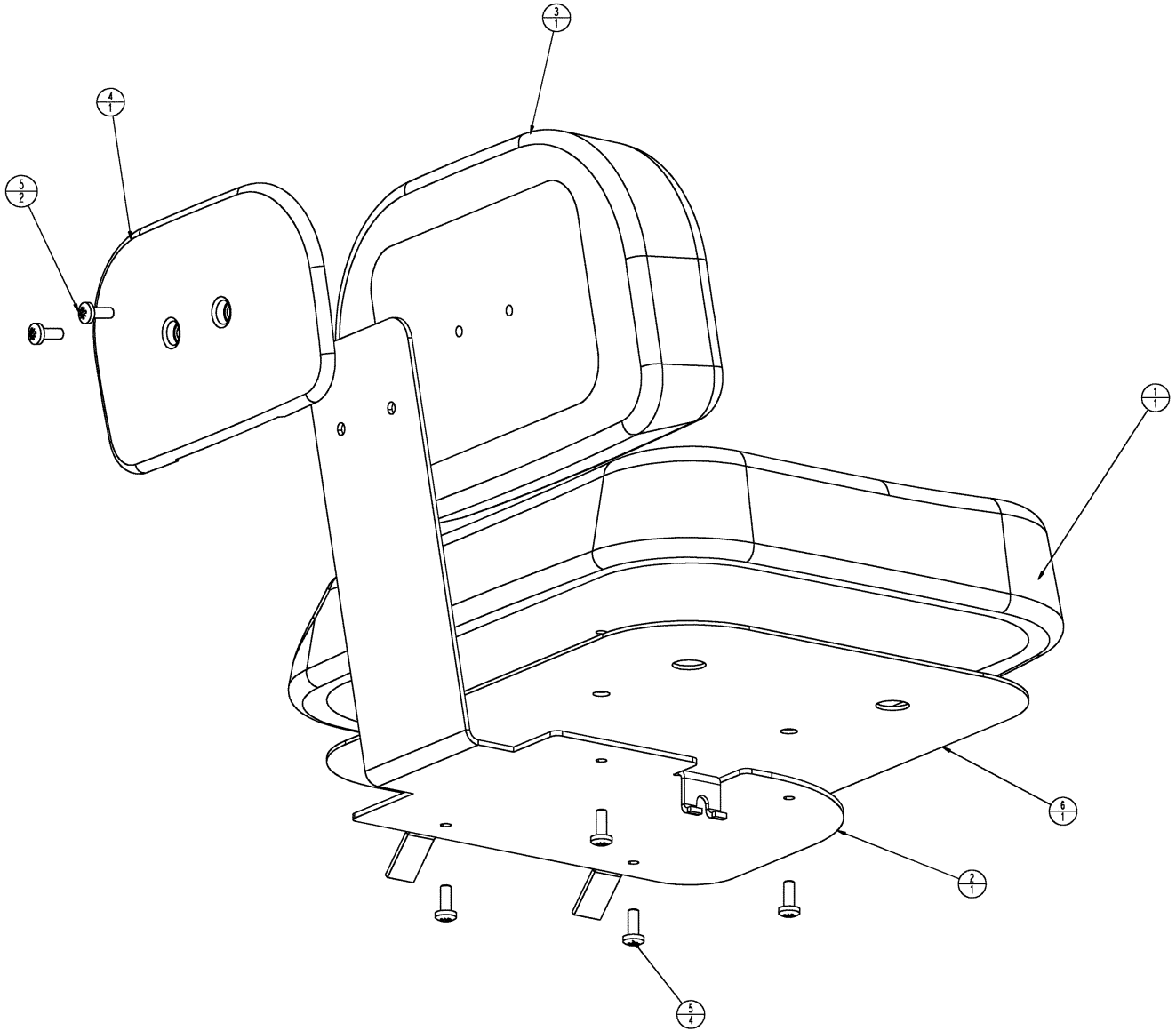
01-030

p1

12/08

TRAINING SEAT ASSEMBLY, DELUXE

1



01-030

p1

12/08

TRAINING SEAT ASSEMBLY, DELUXE

REF	FN	PART NUMBER	YR/SN	QTY	DESCRIPTION
1		87748949		1	CUSHION, SEAT, STD, INSTRUCTIONAL SEAT
2		296316A3		1	SUPPORT, BRACKET PASSENGER SEAT
3		87748950		1	COVER, BACKREST, STD, INSTRUCTIONAL SEAT
4		359029A1		1	COVER, TRAINING SEAT BACK
5		840-2616		6	SCREW, Cross Pan Hd, M6 x 16, 4.8, Full Thd
6		381940A1		1	PANEL, SEAT COVER

1

3330

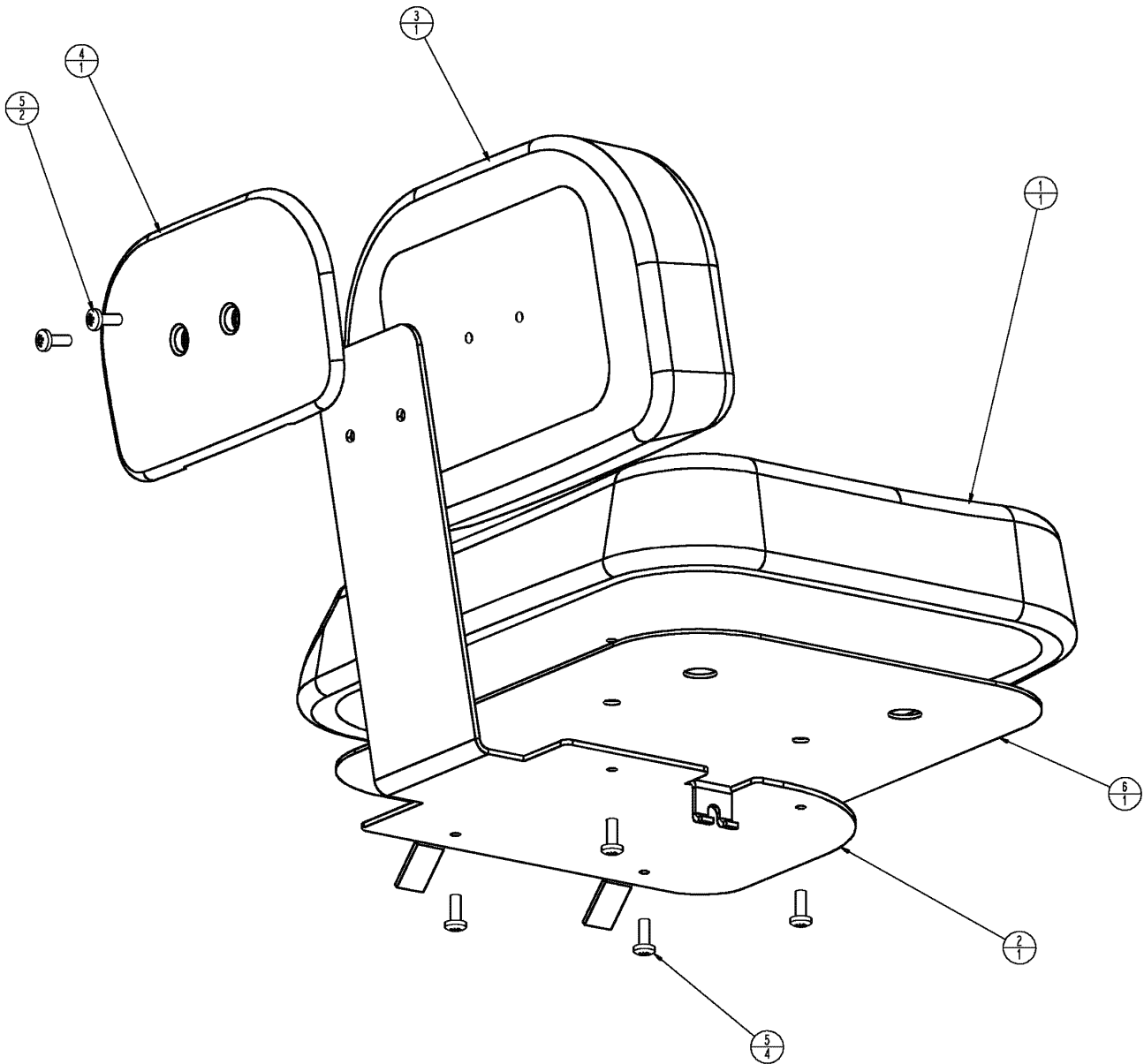
01-031

p1

12/08

TRAINING SEAT ASSEMBLY, LUXURY

1



TRAINING SEAT ASSEMBLY, LUXURY

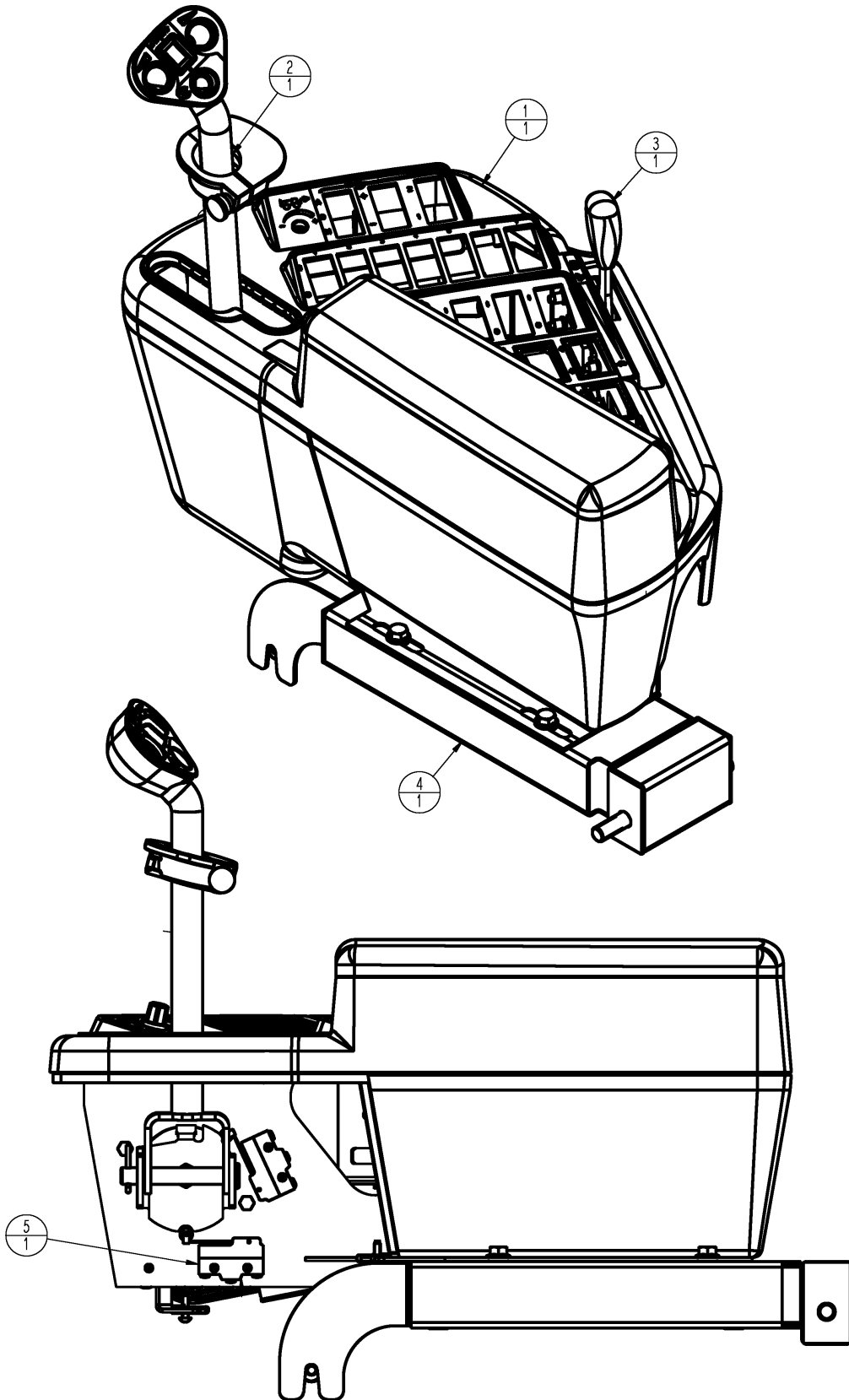
REF	FN	PART NUMBER	YR/SN	QTY	DESCRIPTION
1		359030A2		1	COVER, SEAT, TRAINING SEAT
2		296316A3		1	SUPPORT, BRACKET PASSENGER SEAT
3		359031A2		1	COVER, BACKREST, TRAINING SEAT
4		359029A1		1	COVER, TRAINING SEAT BACK
5		840-2616		6	SCREW, Cross Pan Hd, M6 x 16, 4.8, Full Thd
6		381940A1		1	PANEL, SEAT COVER

1

	3330
--	-------------

RH CONSOLE GROUP PACKAGE

1



RH CONSOLE GROUP PACKAGE

REF	FN	PART NUMBER	YR/SN	QTY	DESCRIPTION
1		{87270586}		1	RH CONSOLE, SUB ASSY, SEE FIG 01-034
2		{87270247}		1	PROP CONTROL LEVER ASSY, SEE FIG 01-040
3		{87271786}		1	RH CONSOLE THROTTLE GROUP, SEE FIG 01-038
4		{87270766}		1	RH CONSOLE MOUNT ASSY, SEE FIG 01-033
5		{87486049}		1	PACKAGE, RH CONSOLE ELECTRIC, SEE FIG 01-035
6		87728471		1	HARNESS, RH CONSOLE, HYD
7		87728474		1	HARNESS, PROD CAB
8		840-1312		4	SCREW, Cross Pan Hd, M3 x 12, 4.8
9		824-1403		4	NUT, M3, CI 5

3330

1

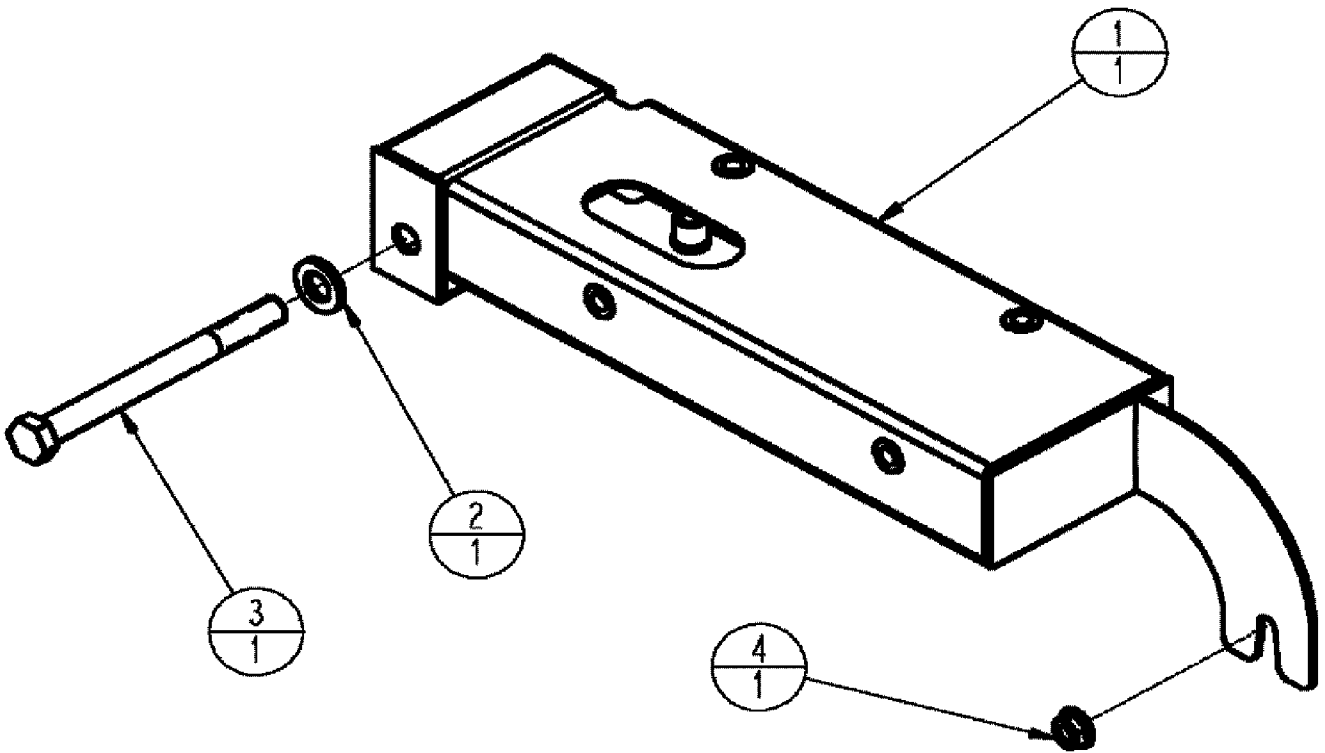
01-033

p1

09/08

RH CONSOLE MOUNT ASSEMBLY

1



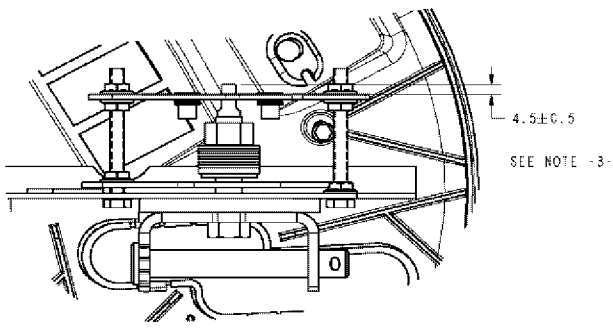
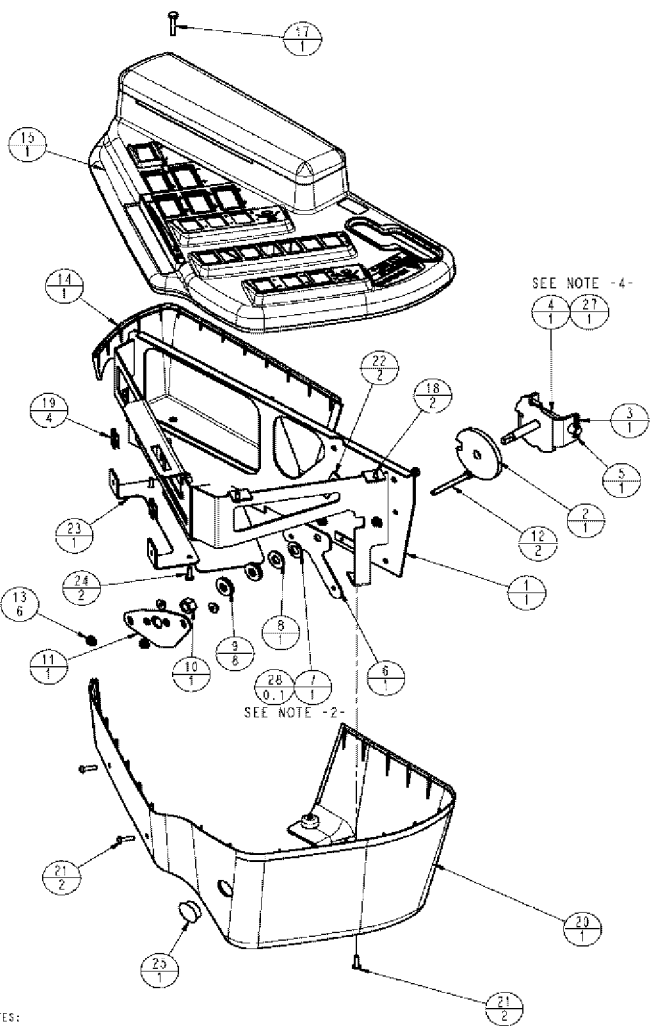
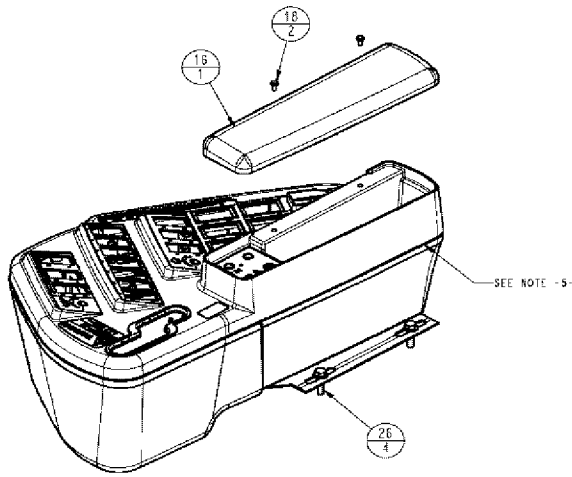
RH CONSOLE MOUNT ASSEMBLY

REF	FN	PART NUMBER	YR/SN	QTY	DESCRIPTION
1		{87270595}		1	CONSOLE MOUNT
2		86981496		1	WASHER, M13.5 x 24.5 x 3, HT, DOR
3		814-12130		1	BOLT, Hex, M12 x 130, 8.8
4		86981461			NUT, HEX, FLG M8 8

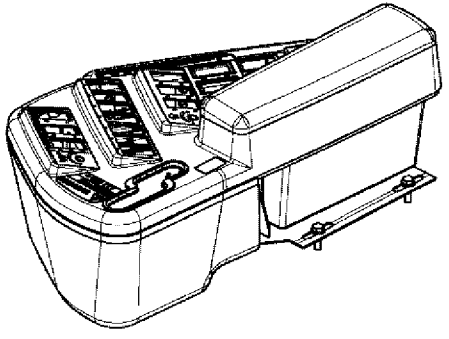
	3330
--	------

RH CONSOLE SUB ASSEMBLY

1



BOTTOM VIEW
SOME ITEMS ARE BLANDED
FOR BETTER VISIBILITY
SCALE 1:1



- NOTES:
- 1) TORQUE PER CASE SPECIFICATION ES-RT001, CLASS 1
 - 2) FILL BEARING WITH PETROLEUM JELLY (ITEM 28) PRIOR TO ASSEMBLY.
 - 3) POSITION POTENTIOMETER MOUNT (ITEM 10) PARALLEL TO FRAME ASSY (ITEM 1) SUCH THAT 4-5 MM OF THE DRIVE PIN (ITEM 3) IS EXPOSED BEYOND THE MOUNT.
 - 4) SPRING (ITEM 29) IS SECURED AROUND PIN (ITEM 4) AND IS USED TO CREATE SIDE FORCE ON PROP HANDLE.
 - 5) CHECK FOR 2±0.25 MM GAP BETWEEN THE UPPER AND LOWER COVERS AFTER ASSEMBLY.
 - 6) ASSEMBLE HALF OF THE BELLEVILLE WASHERS WITH CUP FACING WASHERS/BEARING AND HALF FACING AWAY. ASSEMBLE THE TWO HALVES WITH CUPS FACING EACH OTHER.

RH CONSOLE SUB ASSEMBLY

REF	FN	PART NUMBER	YR/SN	QTY	DESCRIPTION
1		87270591		1	FRAME, ASM, RH CONSOLE
2		251090A1		1	WASHER, FRICTION
3		87578140		1	SUPPORT, PROP LVR CONTROL
	1	87578136		1	PIN, DRIVE
	2	{BN318899}		1	CAM PLATE, PROP CONTROL
4		27-8343		1	PIN, CLEVIS, 1/2" x 3 7/16", HDN
5		432-816		1	PIN, SPLIT (COTTER), 1/8" x 1", ZN
6		87563477		1	SPACER, CORRECTIONAL, PROPEL HANDLE
7		159688R91		1	BEARING, THRUST
8		87529248		1	WASHER, .469 X 1.000 X .105 HDN DOR
9		1994980C1		8	WASHER, BELLEVILLE
10		BN318707		1	PLATE, MOUNTING, POTENTOMETER
11		87342146		2	BOLT, M6 X 60 FULL 8.8 DOR
12		825-5146		6	NUT, M6, Flg Ser
13		130412A1		1	COVER, SKIRT, CONSOLE, REAR
14		{87267346}		1	COVER ASSY, RH CON, SEE FIG. 01-036
15		128970A3		1	ARMREST, CONSOLE
16		87342145		1	BOLT, M6 X 30 FULL 8.8
17		87343621		4	SCREW, M4 X 10 HWH 4.8
18		131-642		4	NUT, Tinn, U, #10, REPLACED BY 87016567
19		87270585		1	COVER, SKIRT, LWR CONSOLE COVER
20		260-16512		4	SCREW, SELF TAPPING, Cross Pan Hd, #10 x 3/4", EC, P
21		342938A1		2	PLATE, PRP SWITCH BACKING
22		87270759		1	PLATE, BLOCKOFF RH CONSOL
23		87343600		2	SCREW, M5 X 16 PHD H 4.8
24		353-411		1	PLUG, Dome, 1.000" hole, Nylon
25		86981482		4	BOLT, M8 X 30 FULL 8
27		128593A1		1	SPRING, PROP HANDLE

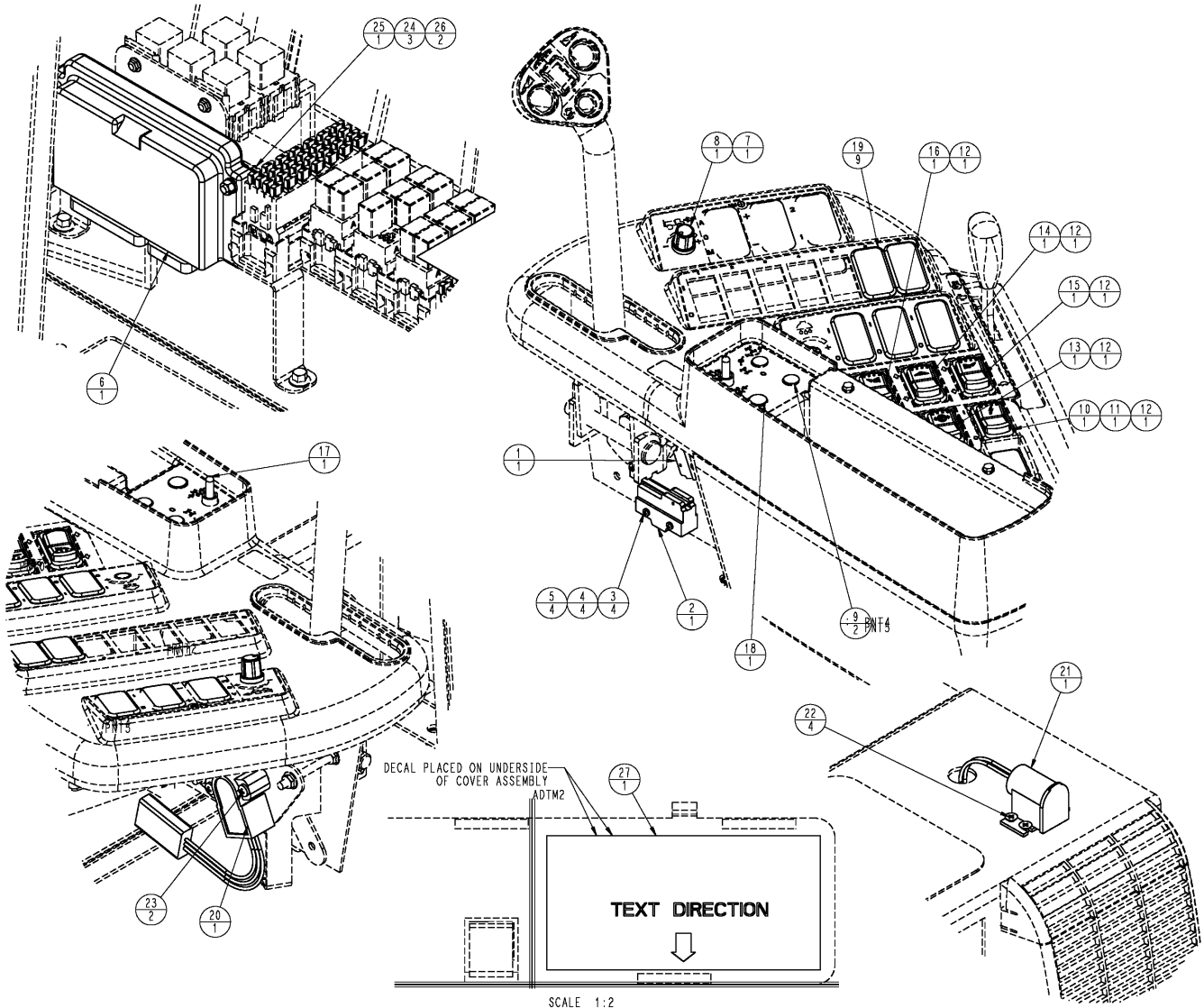
(1) ASSOCIATED PART OF SUPPORT, PROP LVR CONTROL, P/N 87578140

(2) ASSOCIATED PART OF SUPPORT, PROP LVR CONTROL, P/N 87578140

3330

RH CONSOLE, ELECTRIC

1



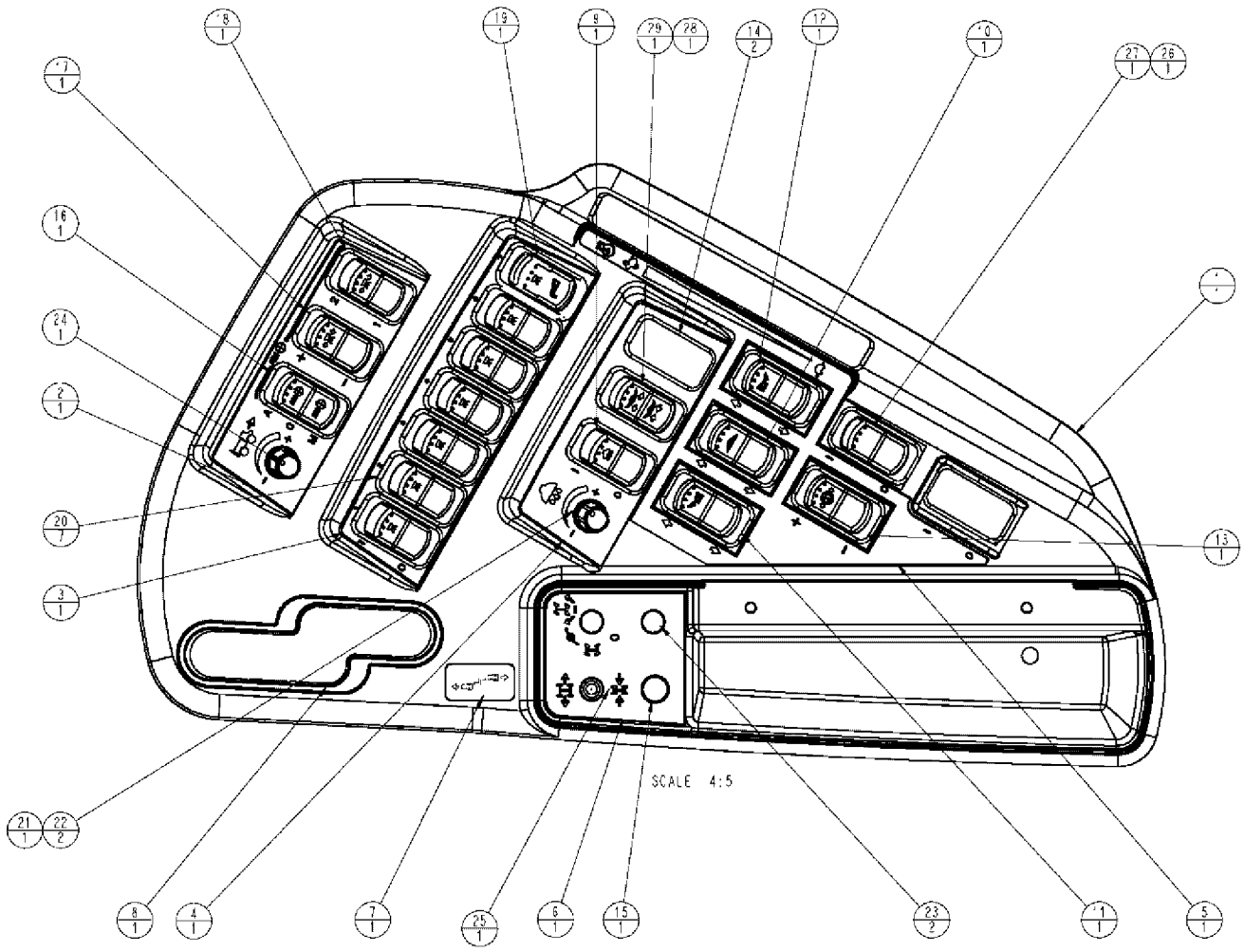
RH CONSOLE, ELECTRIC

REF	FN	PART NUMBER	YR/SN	QTY	DESCRIPTION
1		BN323495		1	ADAPTER, REVERSE, SEE FIG. 01-037
2		BN323496		1	ADAPTER, NEUT. SAFETY SW, SEE FIG. 01-037
3		840-1330		4	BOLT, Cross Pan Hd, M3 x 30, 4.8, Full Thd
4		87529299		4	WASHER, 3.3 X 7 X .5 CST D
5		824-1403		4	NUT, M3, CI 5, ZND
6		87693195		1	CONTROL UNIT, REXROTH RC2-2
7		BN325618		1	POTENTIOMETER, ASSY
8		118780A1		1	KNOB, CONSOLE POTENTIOMET
9		353-402		2	PLUG, Dome, .375" hole, Nylon
10		87388415		1	SWITCH, DPDT, ROCKER, ON-NO
11		BN325000		1	SWITCH, MAIN POWER
12		BN325825		5	SPACER, SPACER, SWITCH
13		BN321916		1	SWITCH, SPARGE PRESS
14		BN321914		1	SWITCH, BOOM HEIGHT
15		BN321915		1	SWITCH, BOOM FOLD RH
16		BN321913		1	SWITCH, BOOM FOLD LH
17		BN323620		1	SWITCH, AXLE IN/OUT
18		282056A1		1	PLUG, DOUBLE D
19		BN322626		9	PLUG, PANEL SW
20		BN322638		1	SENSOR, ROTARY POS
21		BN67965		1	SOCKET, POWER
22		BN69601		4	SCREW, #10 X 1 FL HD
23		87343613		2	SCREW, M5 X 35 PHD H 4.8
24		895-11006		3	WASHER, M6, FLAT
25		86980362		1	BOLT, M6 1 X 30, HH, 8.8, DOR R
26		86980513		2	NUT, P/T ALL MTL M6 8 DOR
27		{87486057}		1	FUSE/RELAY

3330

RH COVER ASSEMBLY

1



- NOTES:
- 1. ALL INFORMATION SHOWN IN THIS DOCUMENT IS FOR REFERENCE ONLY.
 - 2. FENCEROW SWITCH CAN BE LOCATED AS SHOWN OR WERE PLUG (ITEM#14) IS IF 7 SECTIONS ARE USED.

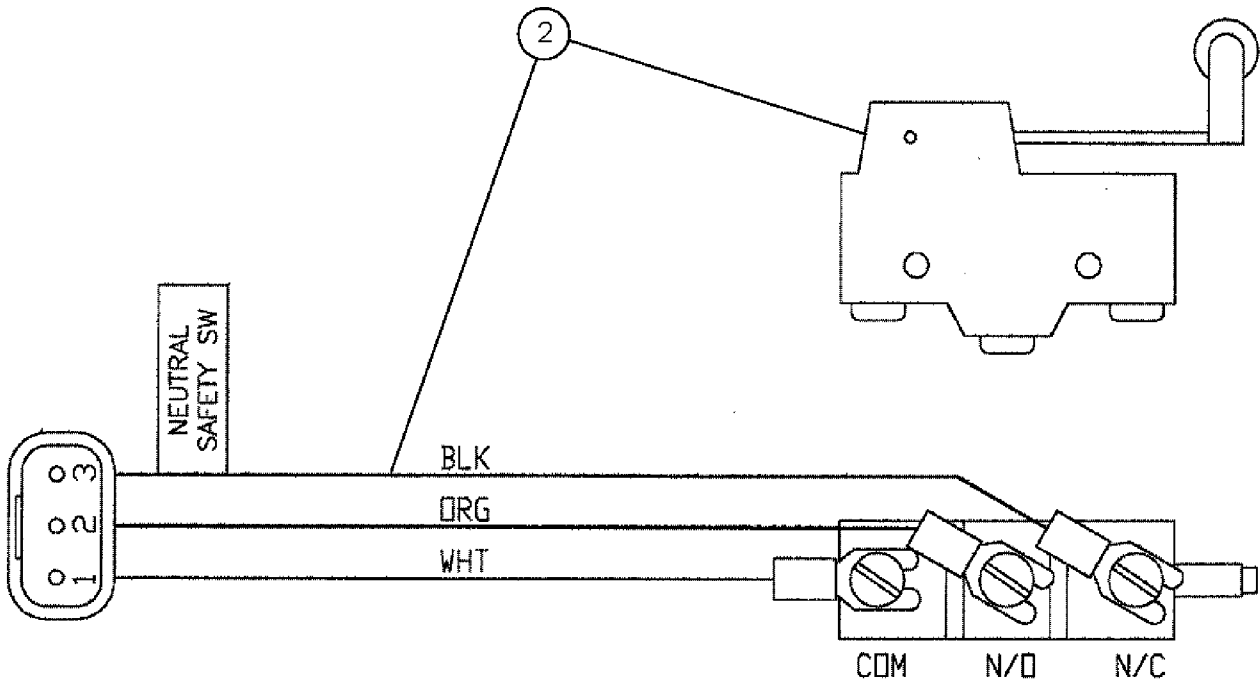
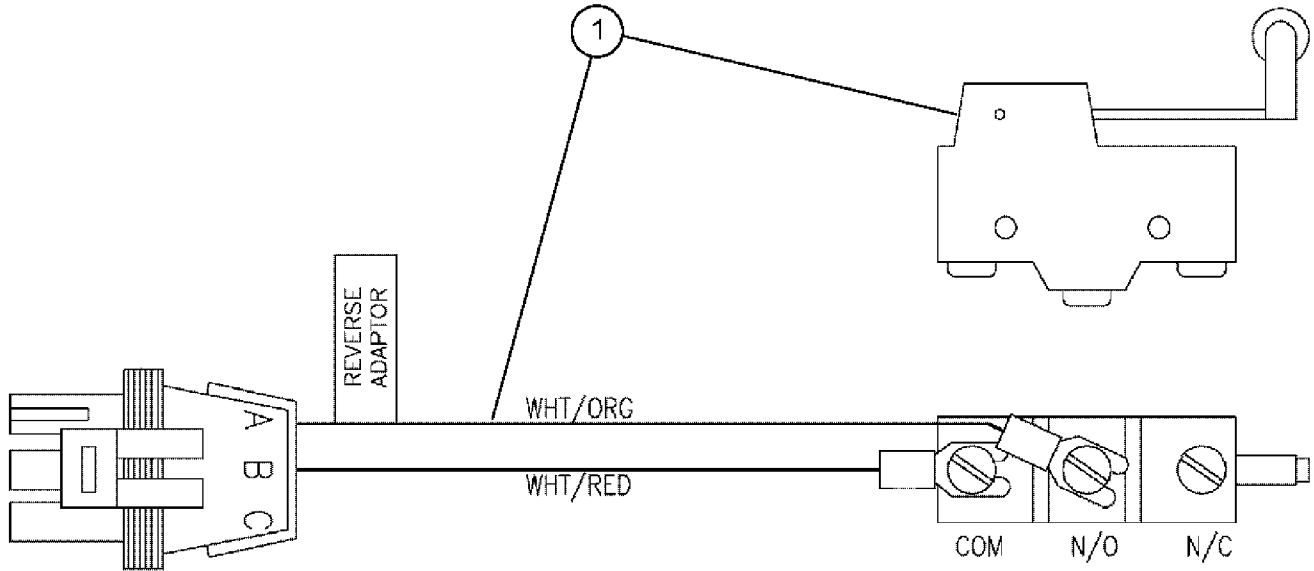
RH COVER ASSEMBLY

REF	FN	PART NUMBER	YR/SN	QTY	DESCRIPTION
1		377999A1		1	SPARE PART, CONSOLE, CONTROL
2		{87267346}		1	PRODUCT CONTROL, SEE FIG. 01-039
3		{87267346}		1	BOOM SECTION, SEE FIG. 01-039
4		{87267346}		1	FOAM CONTROL, SEE FIG. 01-039
5		{87267346}		1	BOOM POSITION, SEE FIG. 01-039
6		{87267346}		1	WHEEL SPACING, SEE FIG. 01-039
7		{87267346}		1	CONSOLE PROPULSION, SEE FIG. 01-039
8		128833A2		1	GUIDE, PROPULSION CONTROL LEVER
9		BN321912		1	SWITCH, SWITCH, FOAM ACTIVATE
10		BN321914		1	SWITCH, BOOM HEIGHT
11		BN321913		1	SWITCH, SWITCH ASSY, BOOM FOLD LH
12		BN321915		1	SWITCH, BOOM FOLD RH
13		BN321916		1	SWITCH, SPARGE PRESSURE
14		BN322626		2	PLUG, PLUG, PANEL, NGR
15		282056A1		1	PLUG, DOUBLE D
16		BN322921		1	SWITCH, AIM COMMAND SYSTEM SET
17		BN321908		1	SWITCH, AIM COMMAND PRESSURE ADJUST
18		BN321909		1	SWITCH, PRESSURE, AIM COMMAND PRESSURE SET
19		BN321911		1	SWITCH, FENCE ROW
20		BN321910		7	SWITCH, BOOM SECTION
21		114550A1		1	POTENTIOMETER, 1K OHM
22		118780A1		2	KNOB, FOAM CONTROL
23		353-402		2	PLUG, Dome, .375" hole, Nylon, BLACK
24		BN325618		1	POTENTIOMETER, 1K OHM ASSY, POT SPEED
25		BN323620		1	SWITCH, SWITCH ASSY, AXLE IN/OUT
26		87388415		1	SWITCH, NRG, ON-NONE-OFF
27		BN325000		1	SWITCH, ROCKER, MAIN POWER
28		BN322908		1	SWITCH, NRG, ON-OFF-ON
29		{87397310}		1	ROCKER, ONE TOUCH FOLD, SEE FIG. 12-016

3330

NEUTRAL SAFETY AND REVERSE SWITCH

1



NEUTRAL SAFETY AND REVERSE SWITCH

REF	FN	PART NUMBER	YR/SN	QTY	DESCRIPTION
1		BN323495		1	ADAPTER, SWITCH, REVERSE
2		BN323496		1	ADAPTER, SWITCH, NEUTRAL SAFETY

1

	3330
--	------

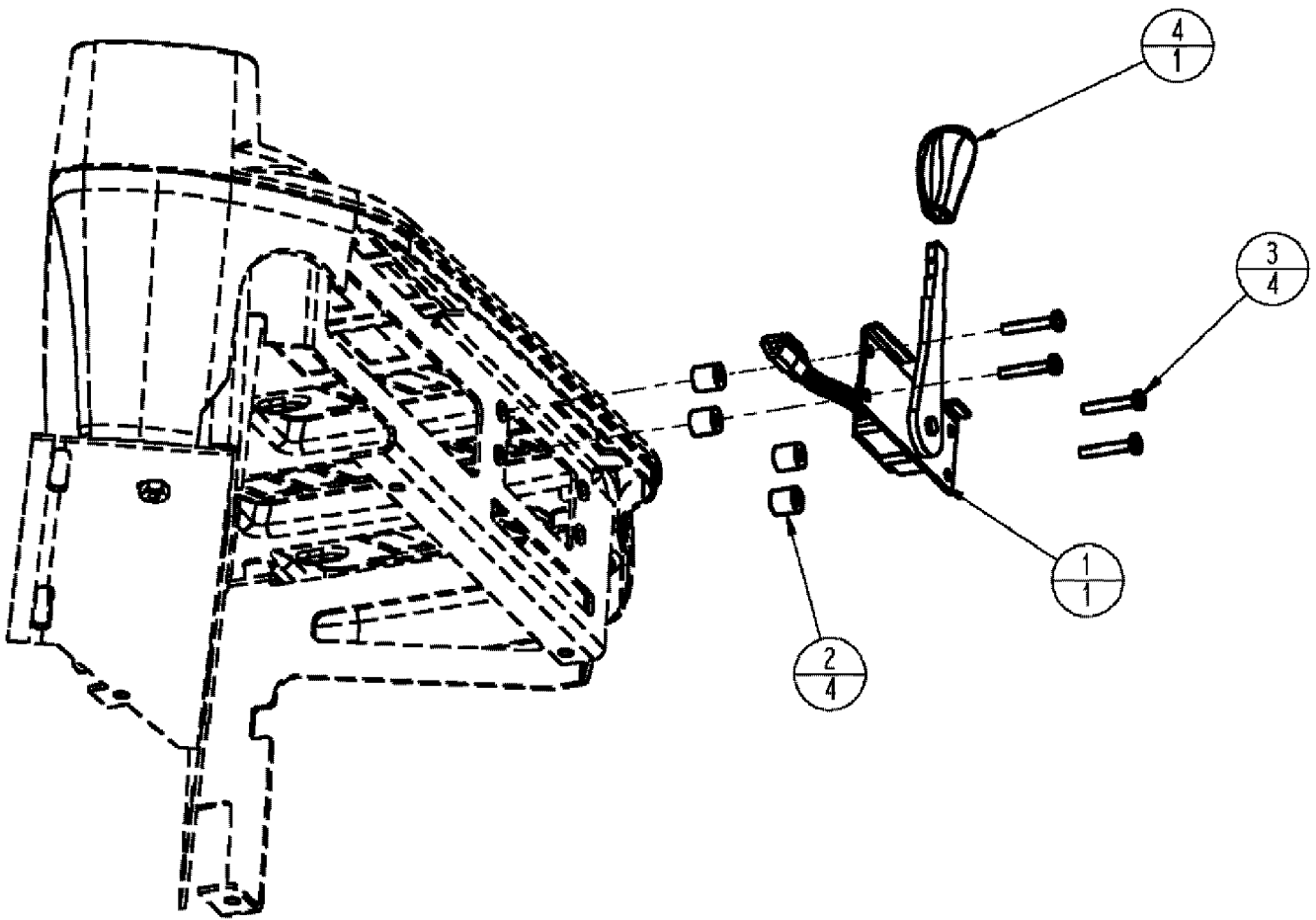
01-038

p1

09/08

RH CONSOLE, THROTTLE GROUP

1



RH CONSOLE, THROTTLE GROUP

REF	FN	PART NUMBER	YR/SN	QTY	DESCRIPTION
1		87270767		1	THROTTLE, ASSY, ELECTRIC
2		87271789		4	SPACER, NYLON, .219 X 0.5 X 0.5
3		87343612		4	SCREW, M5 X 30 PHD H 4.8
4		134071A1		1	KNOB, THROTTLE, CONTROL IN
+	1	87266893		1	DECAL, THROTTLE, SEE FIG. 01-039

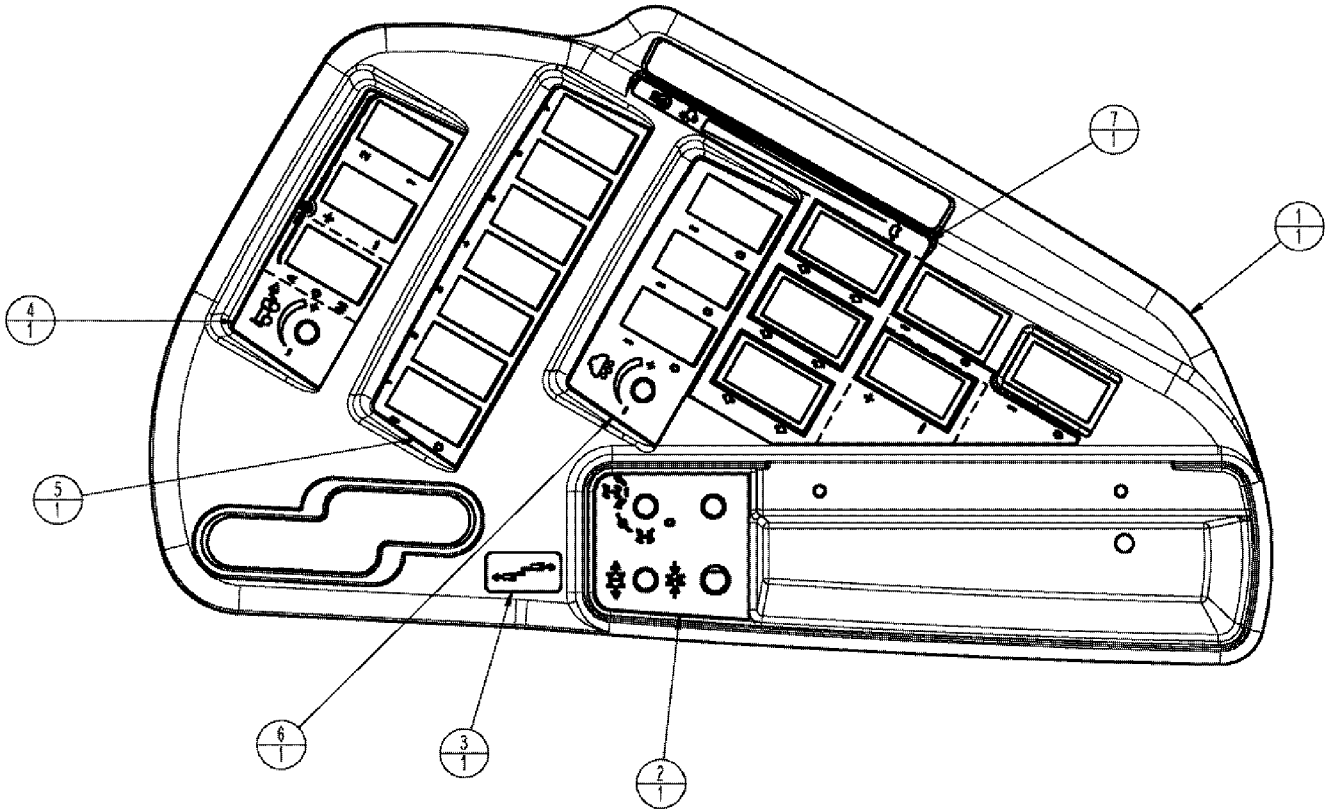
(1) ASSOCIATED PART OF KNOB, THROTTLE CONTROL IN, P/N 134071A1

3330

1

COVER ASSEMBLY, RH CONSOLE

1



COVER ASSEMBLY, RH CONSOLE

REF	FN	PART NUMBER	YR/SN	QTY	DESCRIPTION
1		87267349		1	DECAL, RH CON COVER W/Z GATE
2		378608A1		1	DECAL, WHEEL SPACING
3		87267350		1	DECAL, PROP CONTROL
4		87266890		1	DECAL, AIM COMMAND
5		87266886		1	DECAL, BOOM SECTION
6		87266885		1	DECAL, FOAM CONTROL
7		87266893		1	DECAL, CONTROL PROPULSION

	3330
--	------

01-040

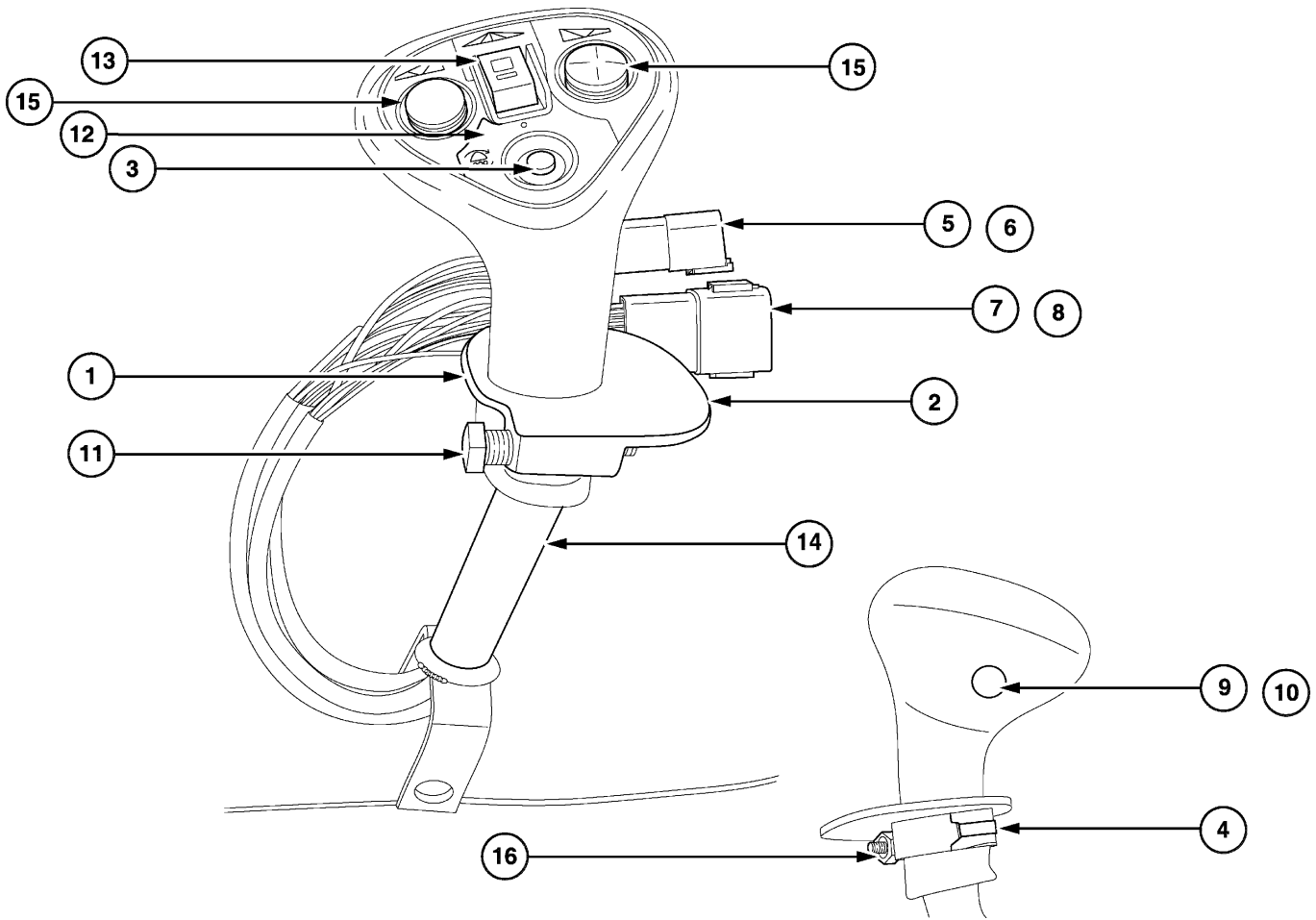
01

p1

12/08

PROP CONTROL LEVER ASSEMBLY, COLOR

1



PROP CONTROL LEVER ASSEMBLY, COLOR

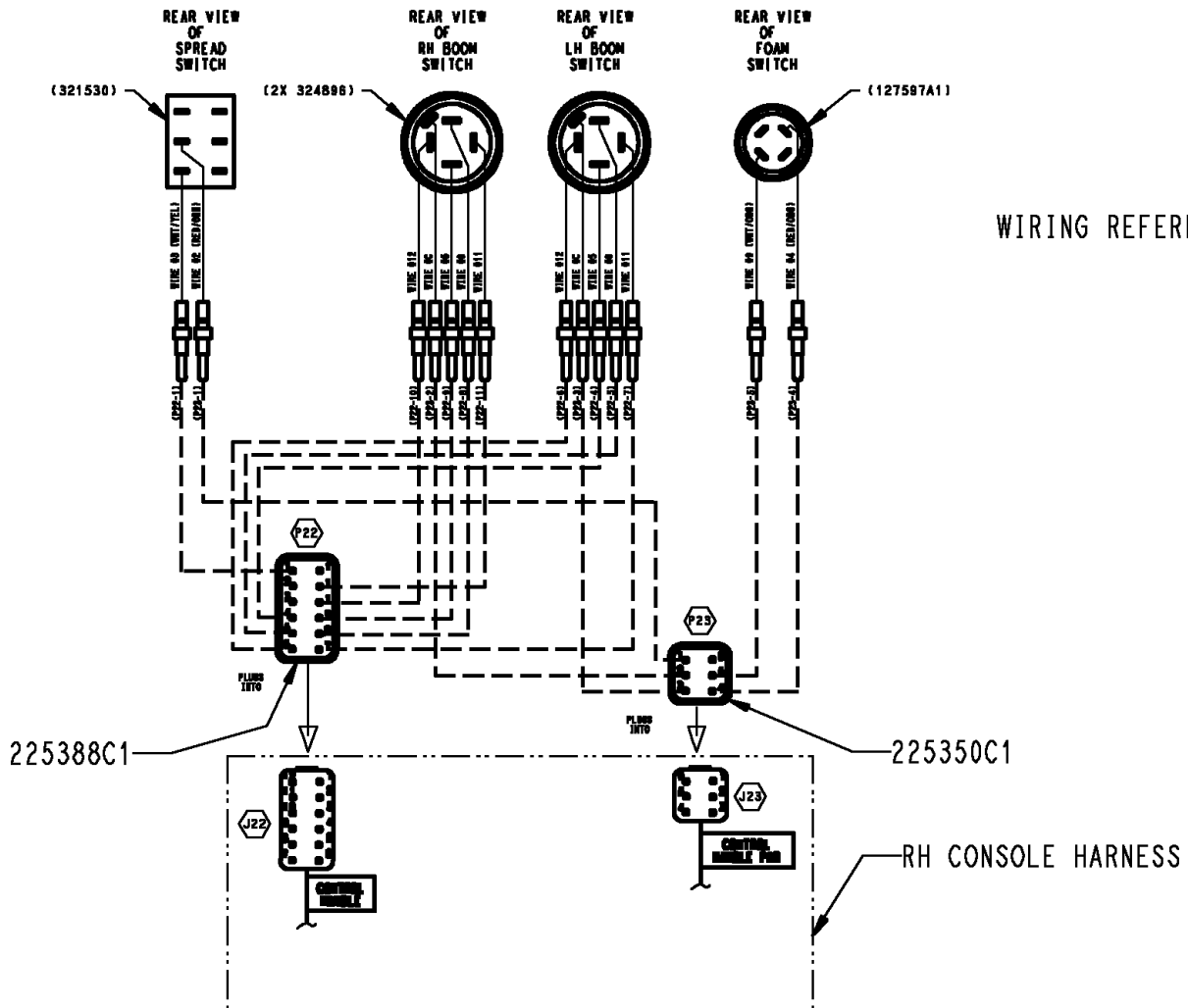
REF	FN	PART NUMBER	YR/SN	QTY	DESCRIPTION
1		116150A1		1	SUPPORT, PALM REST LH, SEE FIG. 01-041
2		116152A1		1	SUPPORT, PALM REST RH, SEE FIG. 01-041
3		127597A1		1	SWITCH, UNLOADER
4		1343962C1		1	CLIP, ELECTRICAL, PALM REST, SEE FIG. 01-041
5		225350C1		1	CONNECTOR, ELEC, 6 PIN TYPE LY
6		225353C1		1	WEDGE, TYPE W6P
7		225388C1		1	CONNECTOR, ELEC, 12-PIN TYPE NA
8		225390C1		1	WEDGE, TYPE W 12P
9		260-54310		1	SCREW, SELF TAPPING, Cross Pan Hd, #6 x 5/8", Type B
10		282056A1		1	PLUG, DOUBLE D
11		86987885		1	KNOB, PALM REST, SEE FIG. 01-041
12		{87267361}		0.5	PLATE ASSY, PROP CNTRL COLOR, SEE FIG. 01-042
13		BN321530		1	SWITCH, Spray On/Off
14		113314A2		1	LEVER, CONTROL, SUB ASSY PRO CNTRL, SEE FIG. 01-041
15		BN324896		1	SWITCH, Assy Boom Cntrl
16		BN50054		2	NUT, 1/4"-20, SS, HH

3330

PROP CONTROL LEVER ASSEMBLY,COLOR

1

WIRING REFERENCE ONLY



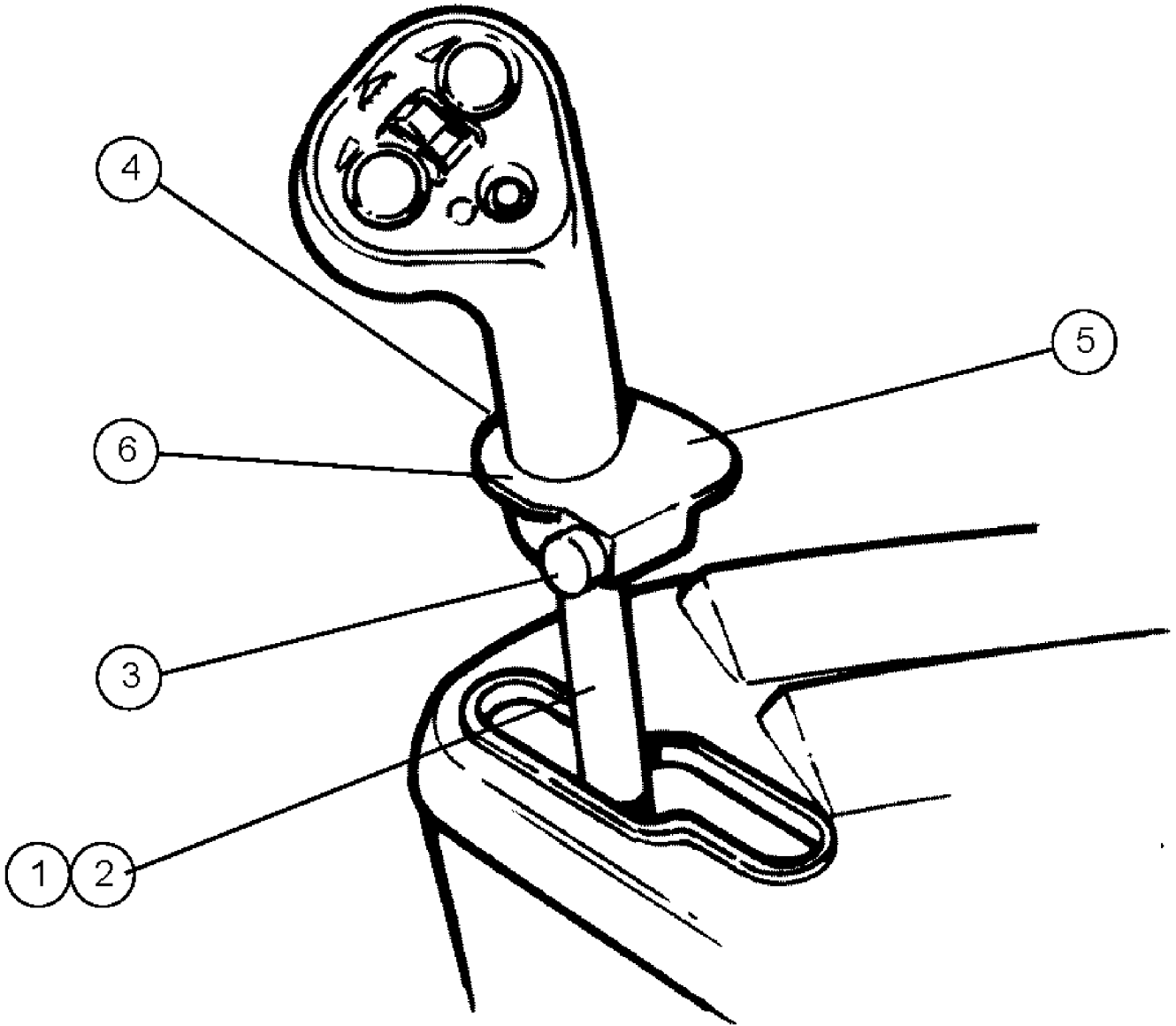
PROP CONTROL LEVER ASSEMBLY,COLOR

REF	FN	PART NUMBER	YR/SN	QTY	DESCRIPTION
1		116150A1		1	SUPPORT, PALM REST LH, SEE FIG. 01-041
2		116152A1		1	SUPPORT, PALM REST RH, SEE FIG. 01-041
3		127597A1		1	SWITCH, UNLOADER
4		1343962C1		1	CLIP, ELECTRICAL, PALM REST, SEE FIG. 01-041
5		225350C1		1	CONNECTOR, ELEC, 6 PIN TYPE LY
6		225353C1		1	WEDGE, TYPE W6P
7		225388C1		1	CONNECTOR, ELEC, 12-PIN TYPE NA
8		225390C1		1	WEDGE, TYPE W 12P
9		260-54310		1	SCREW, SELF TAPPING, Cross Pan Hd, #6 x 5/8", Type B
10		282056A1		1	PLUG, DOUBLE D
11		86987885		1	KNOB, PALM REST, SEE FIG. 01-041
12		{87267361}		0.5	PLATE ASSY, PROP CNTRL COLOR, SEE FIG. 01-042
13		BN321530		1	SWITCH, Spray On/Off
14		113314A2		1	LEVER, CONTROL, SUB ASSY PRO CNTRL, SEE FIG. 01-041
15		BN324896		1	SWITCH, Assy Boom Cntrl
16		BN50054		2	NUT, 1/4"-20, SS, HH

3330

LEVER SUB ASSEMBLY PROPEL CONTROL

1



01-041

p1

12/08

LEVER SUB ASSEMBLY PROPEL CONTROL

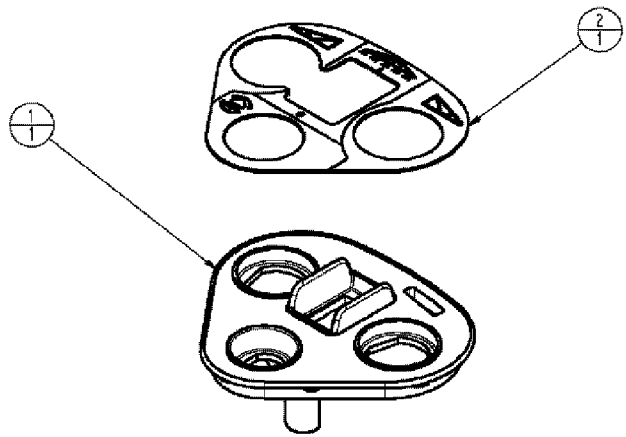
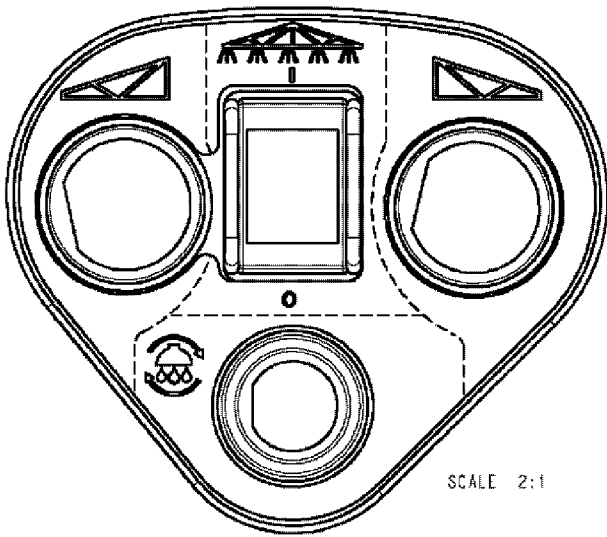
REF	FN	PART NUMBER	YR/SN	QTY	DESCRIPTION
1		87267517		1	HANDLE, CUP CONTROL ASSY
2		113316A1		1	CHANNEL, PROP CNTRL LVR
3		86987885		1	KNOB, PALM REST
4		1343962C1		1	CLIP, ELECTRICAL, PALM
5		116152A1		1	SUPPORT, PALM REST, RH
6		116150A1		1	SUPPORT, PALM REST, LH

1

3330

PROP CONTROL PLATE ASSEMBLY

1



PROP CONTROL PLATE ASSEMBLY

REF	FN	PART NUMBER	YR/SN	QTY	DESCRIPTION
1		389521A1		1	PLATE, PROP CONTROL, LEVER
2		87266895		1	DECAL, PROP CNTRL

1

	3330
--	-------------

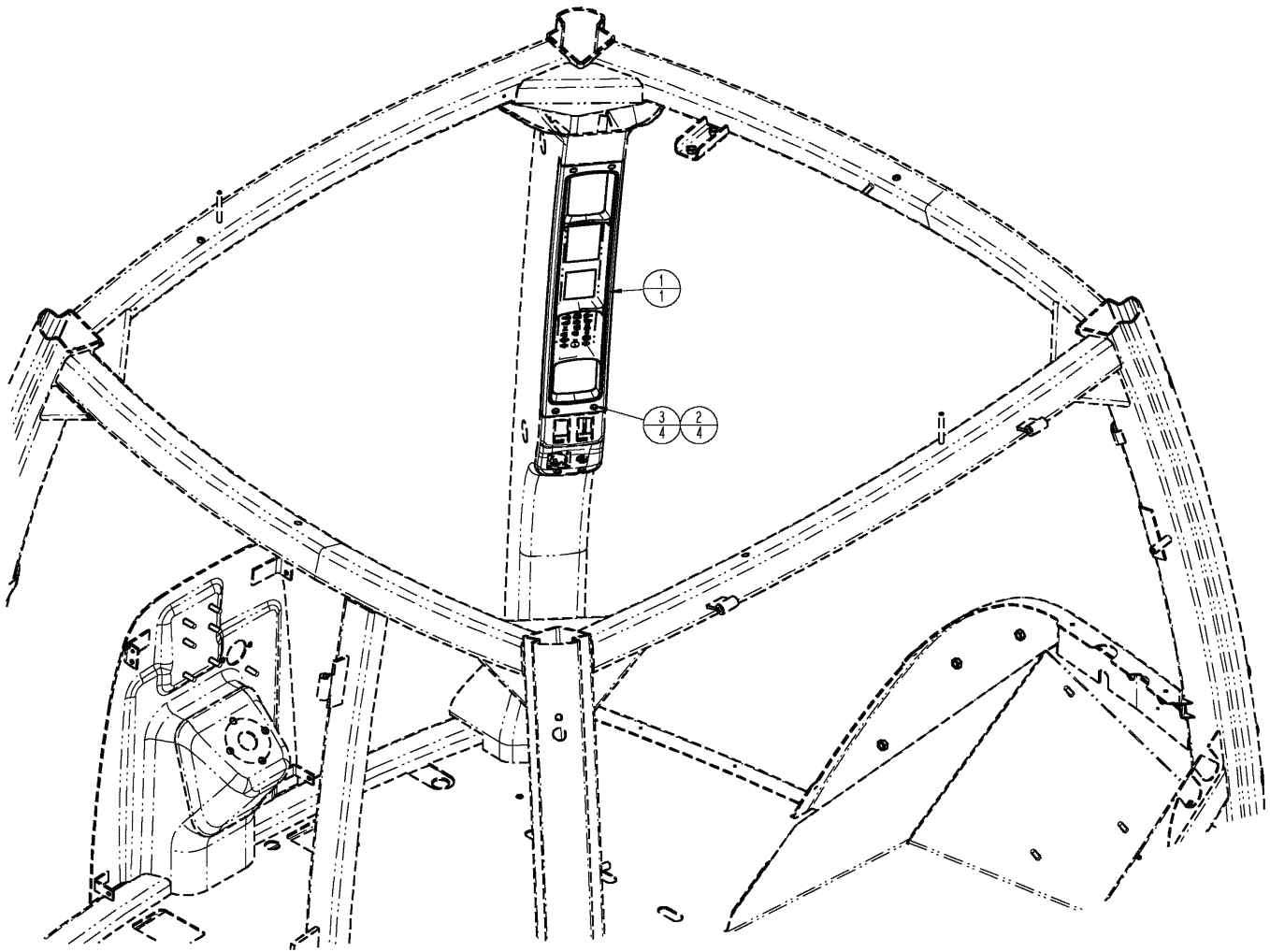
01-043

p1

09/08

INSTRUMENT ASSEMBLY, ICU

1



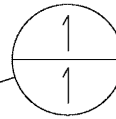
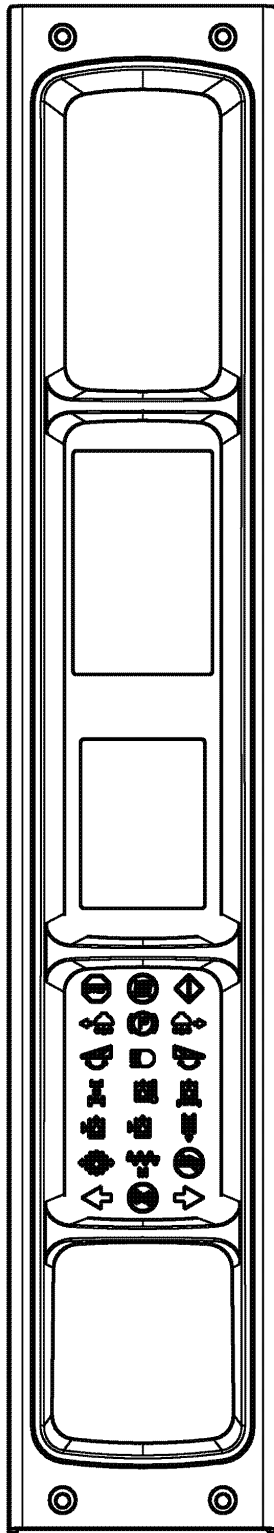
INSTRUMENT ASSEMBLY, ICU

REF	FN	PART NUMBER	YR/SN	QTY	DESCRIPTION
1		{87323225}		1	PACKAGE, ICU2 STANDARD, SEE FIG. 01-044
2		177269A1		4	NUT, SPRING
3		260-16516		4	SCREW, SELF TAPPING, Cross Pan Hd, #10 x 1"

	3330
--	------

PACKAGE, ICU, STANDARD

1



01-044

p1

09/08

PACKAGE, ICU, STANDARD

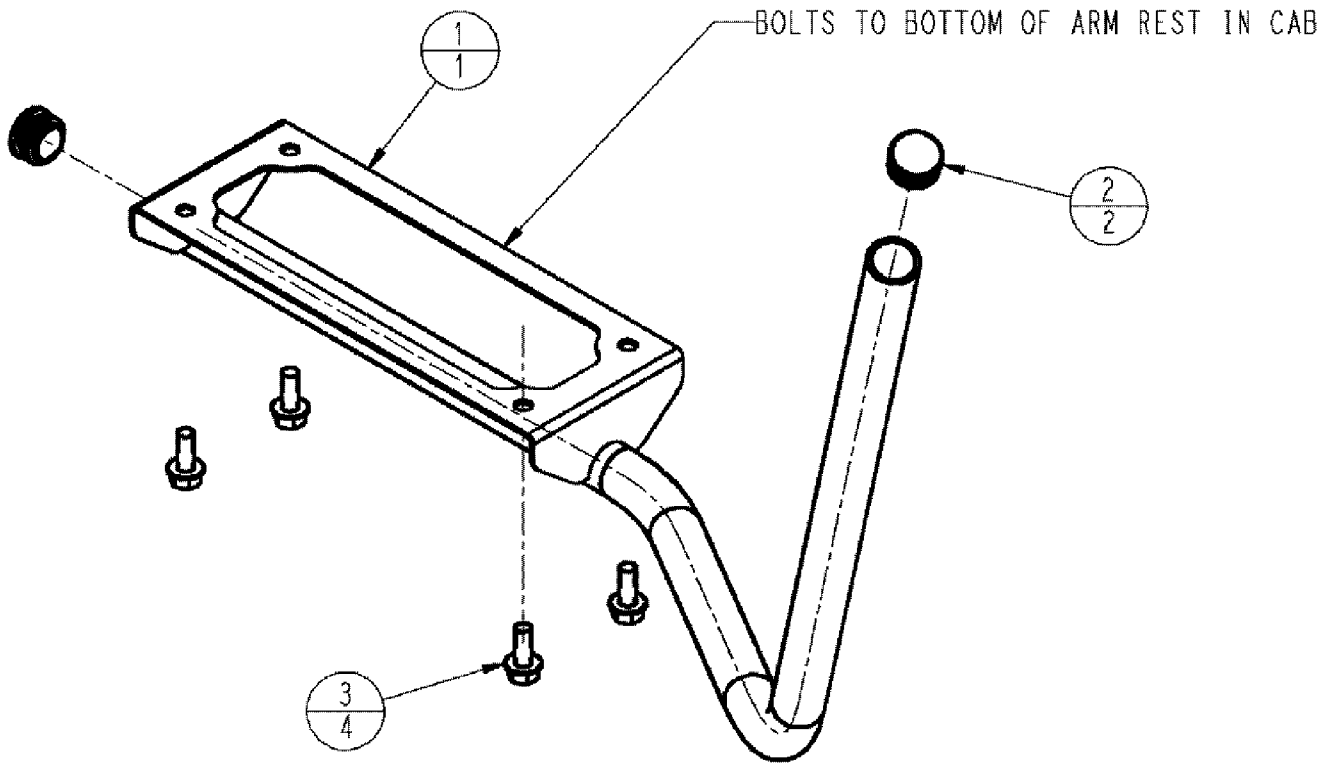
REF	FN	PART NUMBER	YR/SN	QTY	DESCRIPTION
1		87270529		1	CONTROL UNIT, ICU2
2		{87697303}		1	ICUS

1

3330

CONTROLLER MOUNT, RAVEN

1



01-045

p1

09/08

CONTROLLER MOUNT, RAVEN

REF	FN	PART NUMBER	YR/SN	QTY	DESCRIPTION
1		87270763		1	ARM, SUPPORTING, CONTROLLER MNT WELD, RAVEN
2		{87648641}		2	1" BLACK
3		87344207		4	BOLT, FLG, M8 X 20 HVY 10.9

1

3330

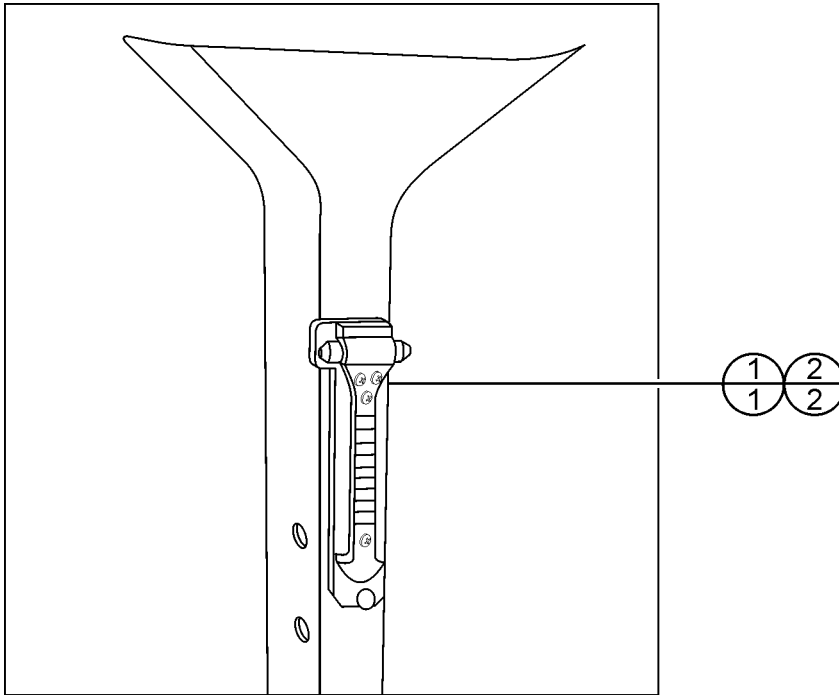
01-046

p1

09/08

EMERGENCY EXIT, HAMMER

1



EMERGENCY EXIT, HAMMER

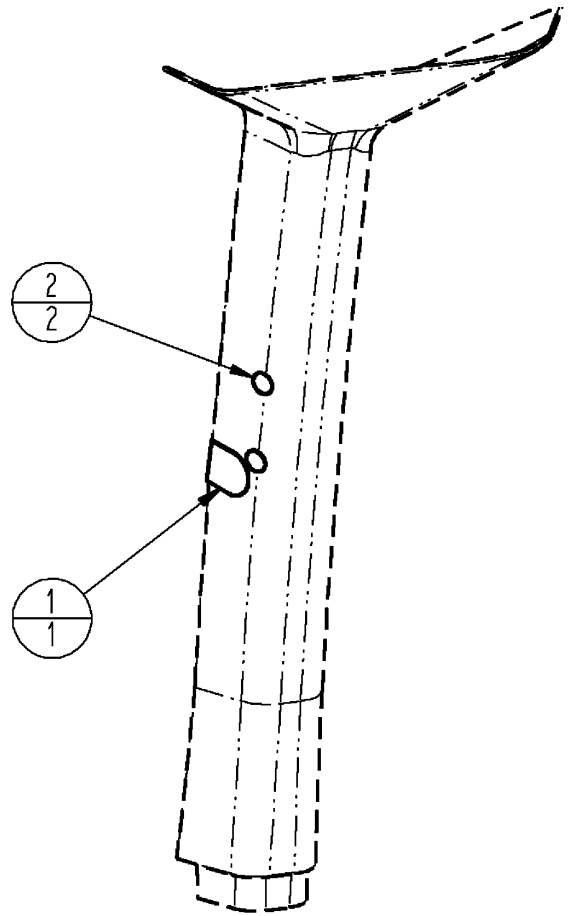
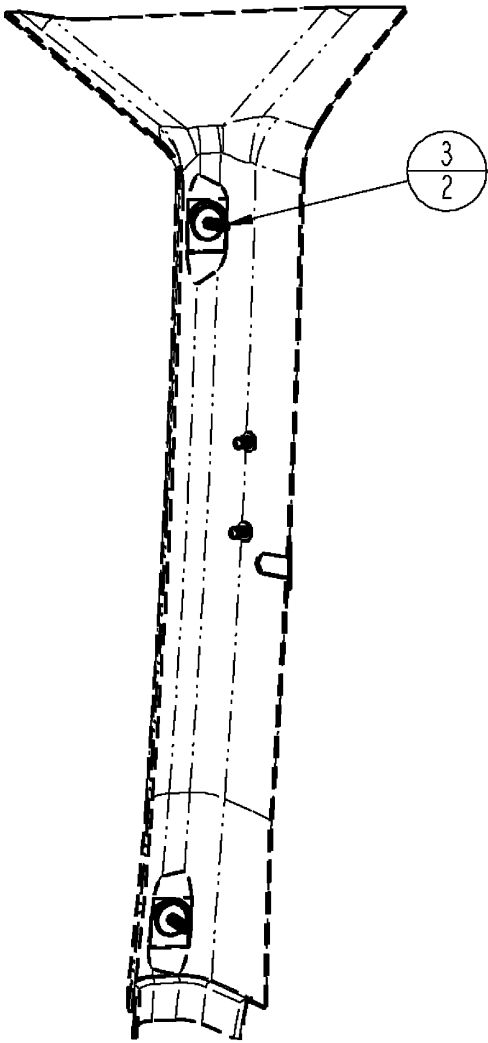
REF	FN	PART NUMBER	YR/SN	QTY	DESCRIPTION
1		305688A1		1	HAMMER
2		87610697		2	RIVET, POP, 3/16 X 0.825 GR11

1

	3330
--	-------------

DECAL ASSEMBLY, AUTOGUIDANCE

1



01-047

p1

09/08

DECAL ASSEMBLY, AUTOGUIDANCE

REF	FN	PART NUMBER	YR/SN	QTY	DESCRIPTION
1		87751236		1	DECAL, HOLE COVER
2		93199C1		2	FASTENER, RATCHET
3		333772A1		2	PLUG, CHRISTMAS TREE, SINGLE HEAD

1

3330

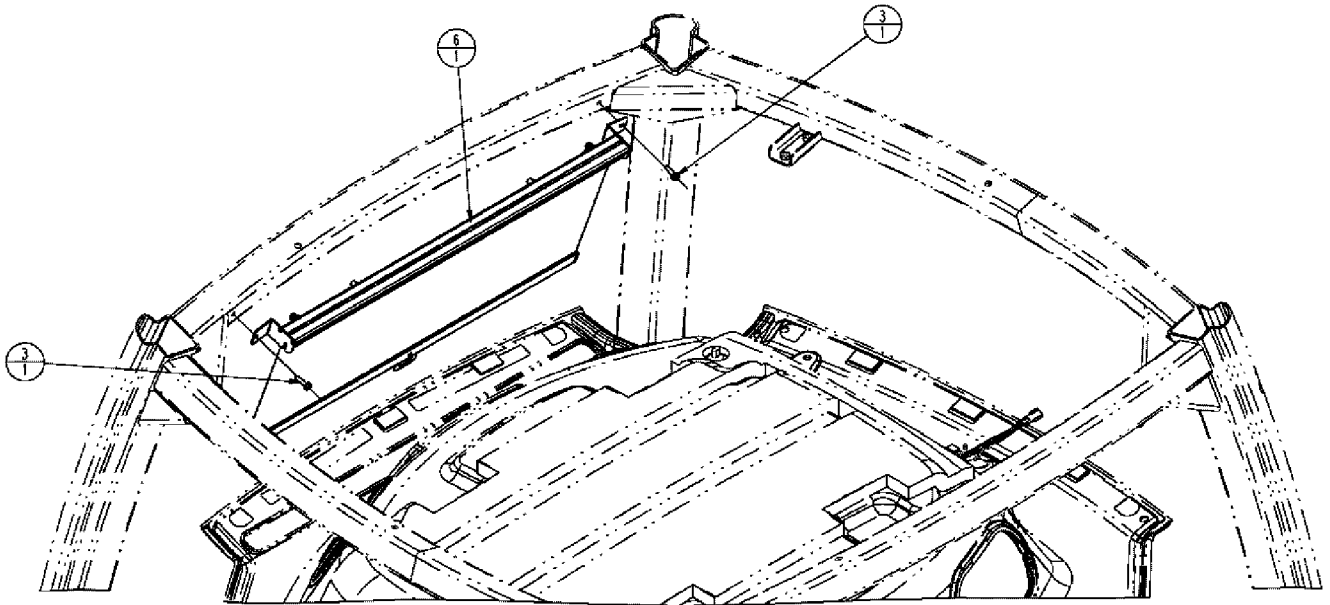
01-048

p1

09/08

BLIND ASSEMBLY, FRONT SUNVISOR

1



01-048

p1

09/08

BLIND ASSEMBLY, FRONT SUNVISOR

REF	FN	PART NUMBER	YR/SN	QTY	DESCRIPTION
3		780-14625		2	SCREW, SELF TAPPING, Hex Hd, M6.3 x 25, WSHR END C
6		87668030		1	VISOR, SUN, SHADE, FRONT

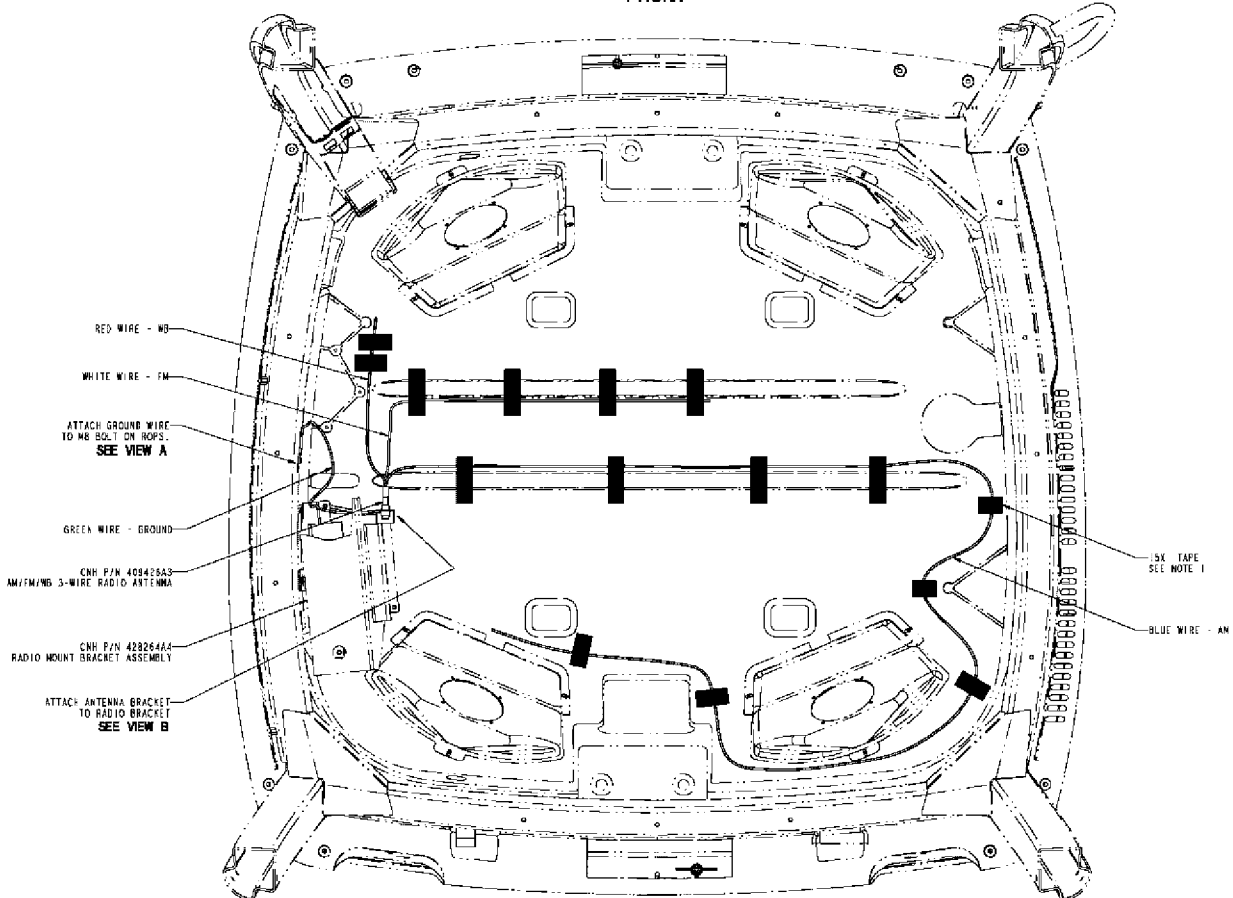
1

3330

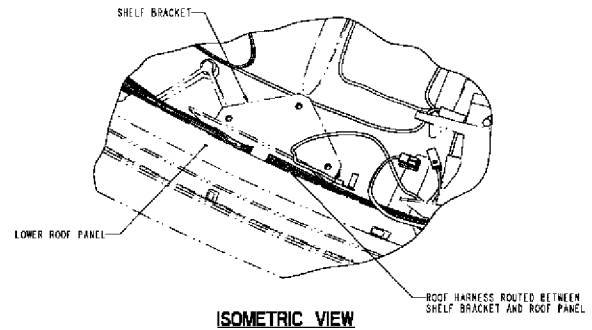
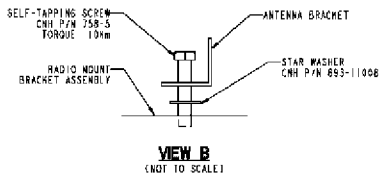
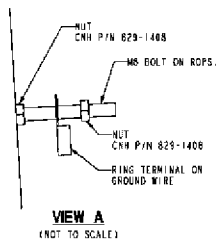
SPEAKER GROUP

1

FRONT



BOTTOM VIEW OF INNER ROOF



SPEAKER GROUP

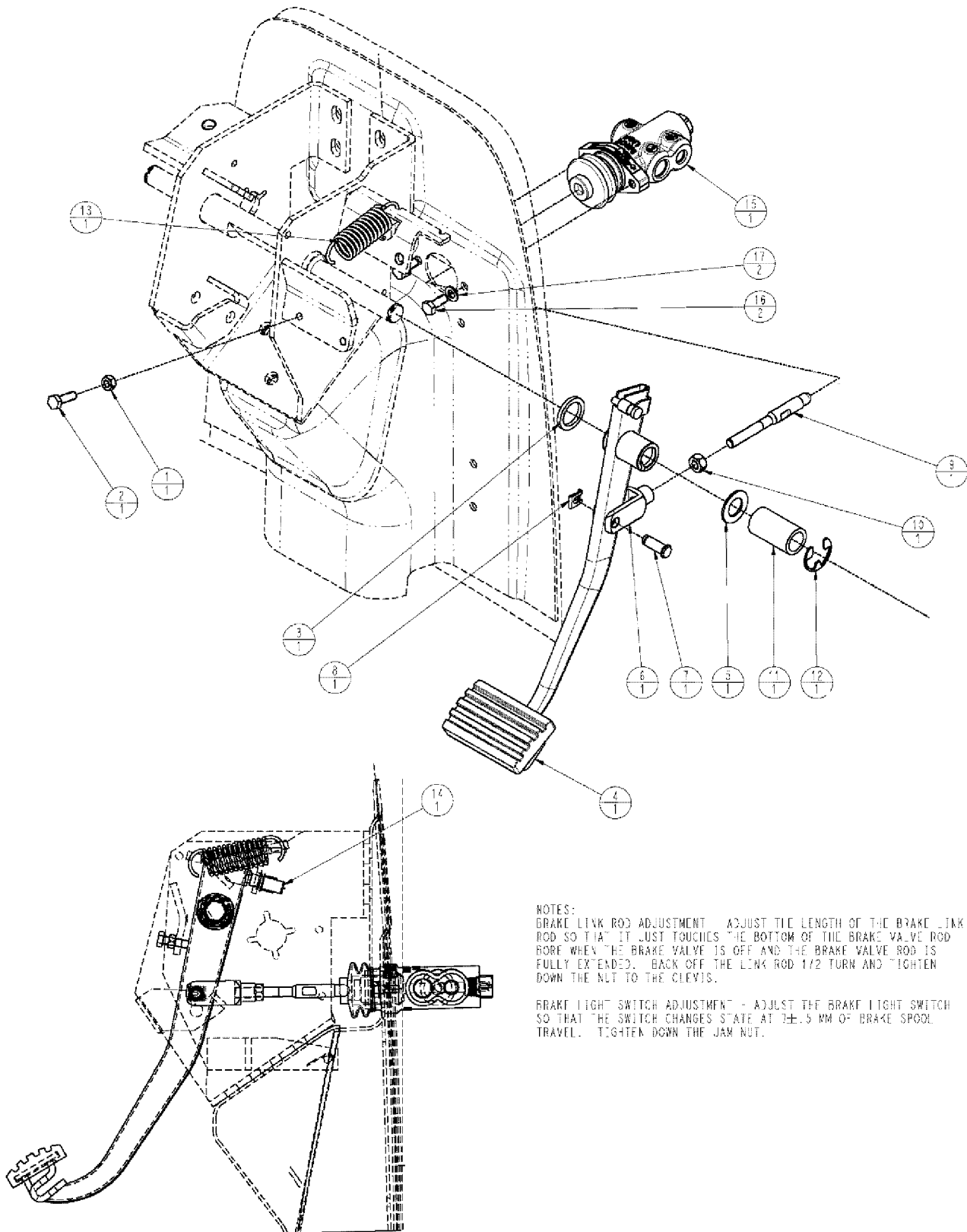
REF	FN	PART NUMBER	YR/SN	QTY	DESCRIPTION
		177269A1		16	NUT, SPRING
		87621241		2	SPEAKER, COAXIAL
		{345-617}		4	UNISEAL 216 IH BL
		409426A3		1	ANTENNA, 3-WIRE
		760-17316		16	SCREW, SELF TAPPING, Pan Hd, M4.2 x 16
		829-1408		2	NUT, M8, CI 10, EC, NUT, ZND
		893-11008		1	WASHER, LOCK, Ext Tooth, M8, EC, TOOTH LO
		87576280		2	SPEAKER, REAR CCH

1

3330

BRAKE CONTROL

1



NOTES:
 BRAKE LINK ROD ADJUSTMENT - ADJUST THE LENGTH OF THE BRAKE LINK ROD SO THAT IT JUST TOUCHES THE BOTTOM OF THE BRAKE VALVE ROD ROBE WHEN THE BRAKE VALVE IS OFF AND THE BRAKE VALVE ROD IS FULLY EXTENDED. BACK OFF THE LINK ROD 1/2 TURN AND TIGHTEN DOWN THE NUT TO THE CLEVIS.

BRAKE LIGHT SWITCH ADJUSTMENT - ADJUST THE BRAKE LIGHT SWITCH SO THAT THE SWITCH CHANGES STATE AT THE 5 MM OF BRAKE SPOOL TRAVEL. TIGHTEN DOWN THE JAM NUT.

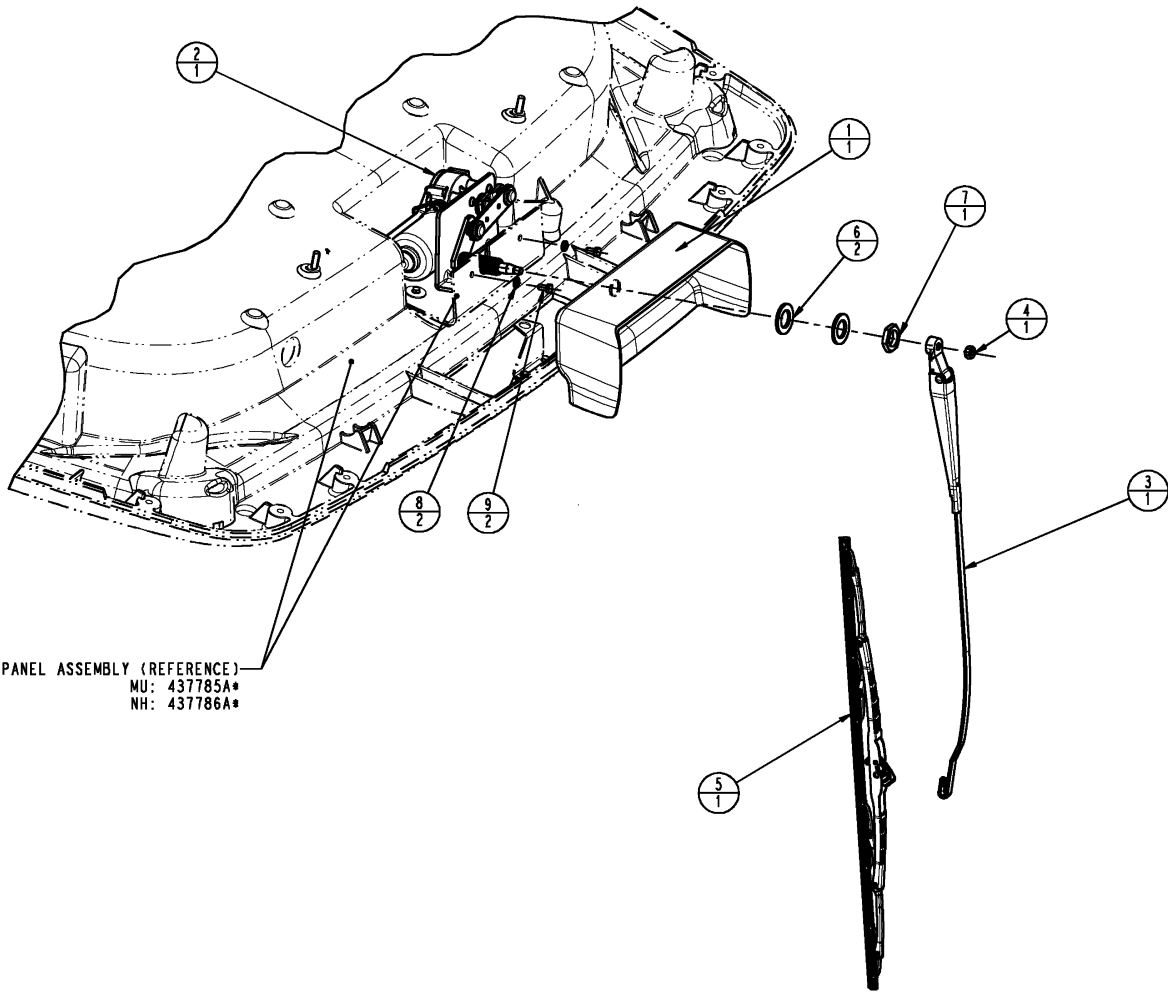
BRAKE CONTROL

REF	FN	PART NUMBER	YR/SN	QTY	DESCRIPTION
1		829-1408		1	NUT, M8, CI 10, EC, ZND
2		614-8025		1	BOLT, Hex, M8 x 25, 8.8, Z
3		258242A1		1	WASHER
4		87269649		1	PEDAL, LEFT PEDAL
5		T102217		1	WASHER, POM
6		236323A1		1	CLEVIS, BRAKE
7		192869A1		1	PIN, CLEVIS
8		193182A1		1	CLIP, PIN
9		87377626		1	ROD, BRAKE
10		829-1410		1	NUT, M10, CI 10, ZND
11		87269656		1	TUBE SPACER, TUBE, SPACER
12		800-3120		1	CIRCLIP, M20, Ext, Retaining E 2
13		236504A3		1	SPRING, BRAKE
14		279265A2		1	SWITCH, DIFF. LOCK BRAKE
15		380930A1		1	VALVE, BRAKE
16		627-8020		2	BOLT, Hex, M8 x 20, 10.9, ZND TH
17		895-11008		2	WASHER, M8 x 16 x 1.6, CS

3330

FRONT UPPER WIPER GROUP

1



LOWER ROOF PANEL ASSEMBLY (REFERENCE)
MU: 437785A*
NH: 437786A*

01-051

p1

12/08

FRONT UPPER WIPER GROUP

REF	FN	PART NUMBER	YR/SN	QTY	DESCRIPTION
1		401109A3		1	CAGE, WIPER MOTOR
2		87673381		1	WIPER MOTOR, WINDSHIELD
3		84122637		1	WIPER ARM, ASSY
4		832-46408		1	NUT, LOCK, M8 x 1.25, CI 8, TLN
5		87673380		1	WIPER BLADE, WIPER
6		895-11020		2	WASHER, M20 x 37 x 3, FW, ZND
7		L112087		1	NUT, 76086806, M20 X 1 TH
8		892-11006		2	WASHER, LOCK, M6, SPRING, Z
9		86980358		2	BOLT, M6 X 12 CL 8.8 ZND THD TO HD

1

3330

**ART
NOT
AVAILABLE**

FRAME OPERATOR PLATFORM PACKAGE

REF	FN	PART NUMBER	YR/SN	QTY	DESCRIPTION
		192012A4		2	PLASTIC PLUG, REAR WINDOW
		{87734590}		1	FRAME, CAB WELDMENT
		{87545506}		1	HOLE PLUG FIT OUT GROUP SEE FIG 01-053
		441460A1		1	PLUG, 9.5MM HOLE
		87448669		2	SEAL, ADHESIVE BACKED HOLE

1

3330

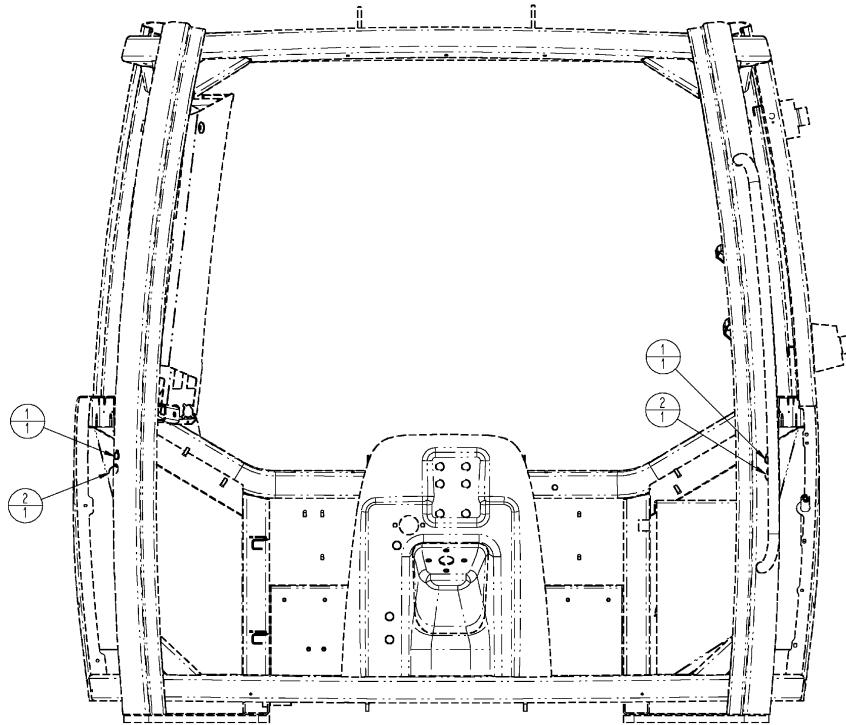
01-053

p1

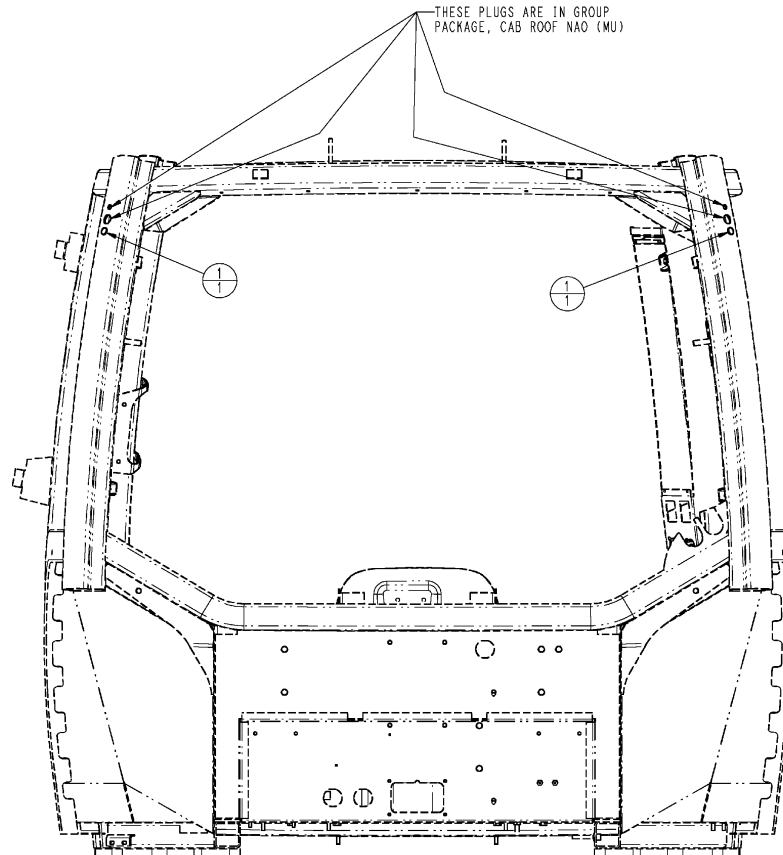
12/08

HOLE PLUG FIT OUT GROUP

1



FRONT VIEW OF CAB



REAR VIEW OF CAB

HOLE PLUG FIT OUT GROUP

REF	FN	PART NUMBER	YR/SN	QTY	DESCRIPTION
1		128209A1		4	PLUG, BLACK PLASTIC
2		353-432		2	PLUG, 7/8" Hole, Nylon, Flat Face

1

	3330
--	-------------

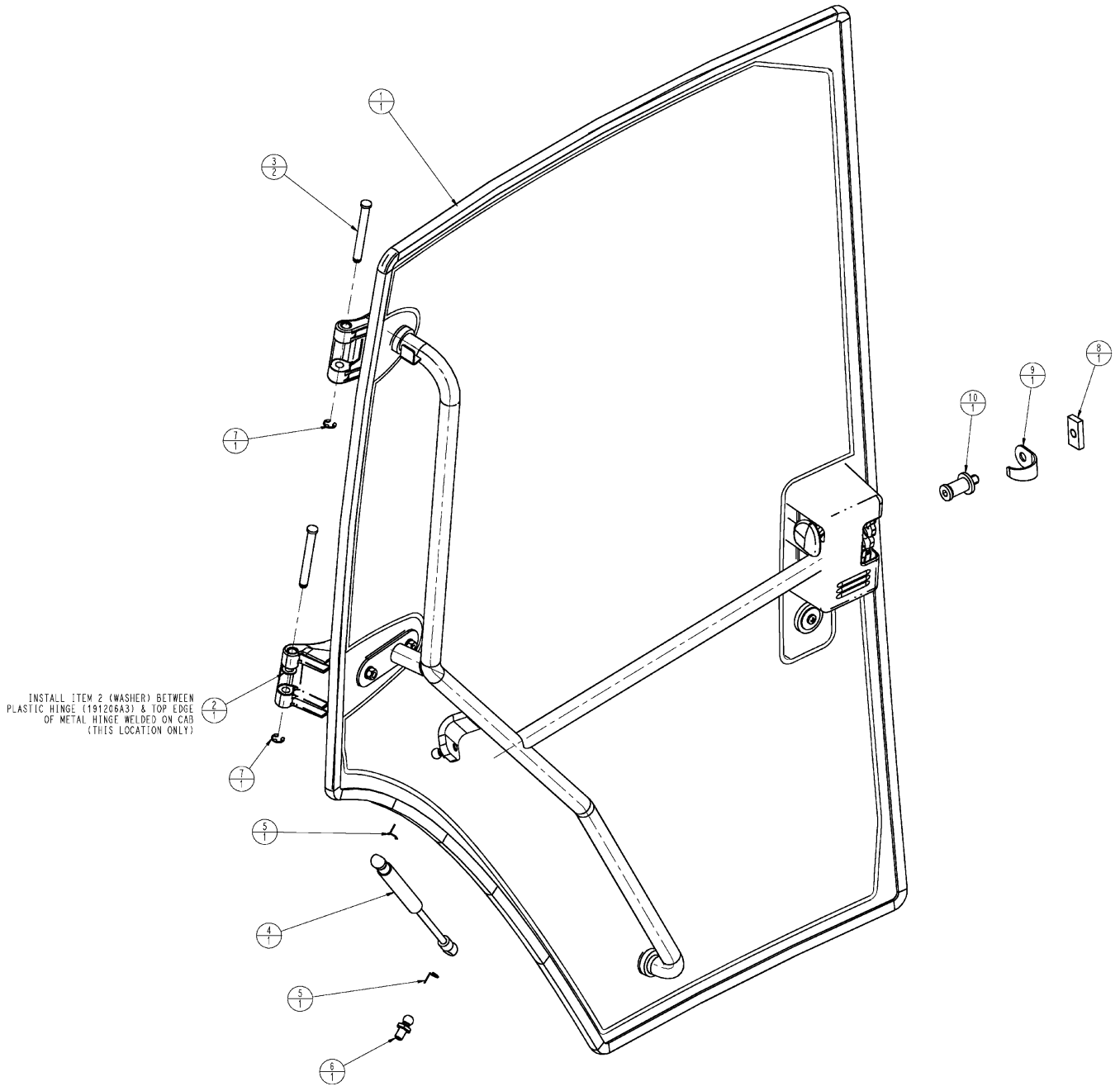
SECTION INDEX

Cab Exterior

02-001		DOOR GROUP
02-002		CAB DOOR, ASSEMBLY
02-003		REAR WINDOW ASSEMBLY
02-004		HANDLE ASSEMBLY, REAR WINDOW
02-005		GLASS MOUNTING GROUP
02-006		WINDSHIELD WASHER GROUP
02-007	01	CAB ROOF GROUP
02-007	02	CAB ROOF GROUP
02-008		ROOF ASSY, LOWER PANEL
02-009		CAB ROOF, W/O REAR WIPER
02-010		WARN/DIR LIGHTS, PACKAGE
02-011		HID LIGHT GROUP, CAB
02-012		CAB SKIRT GROUP
02-013		AIR INTAKE SYSTEM, CAB
02-014		AIR INLET GROUP, BOX

DOOR GROUP

2



02-001

p1

12/08

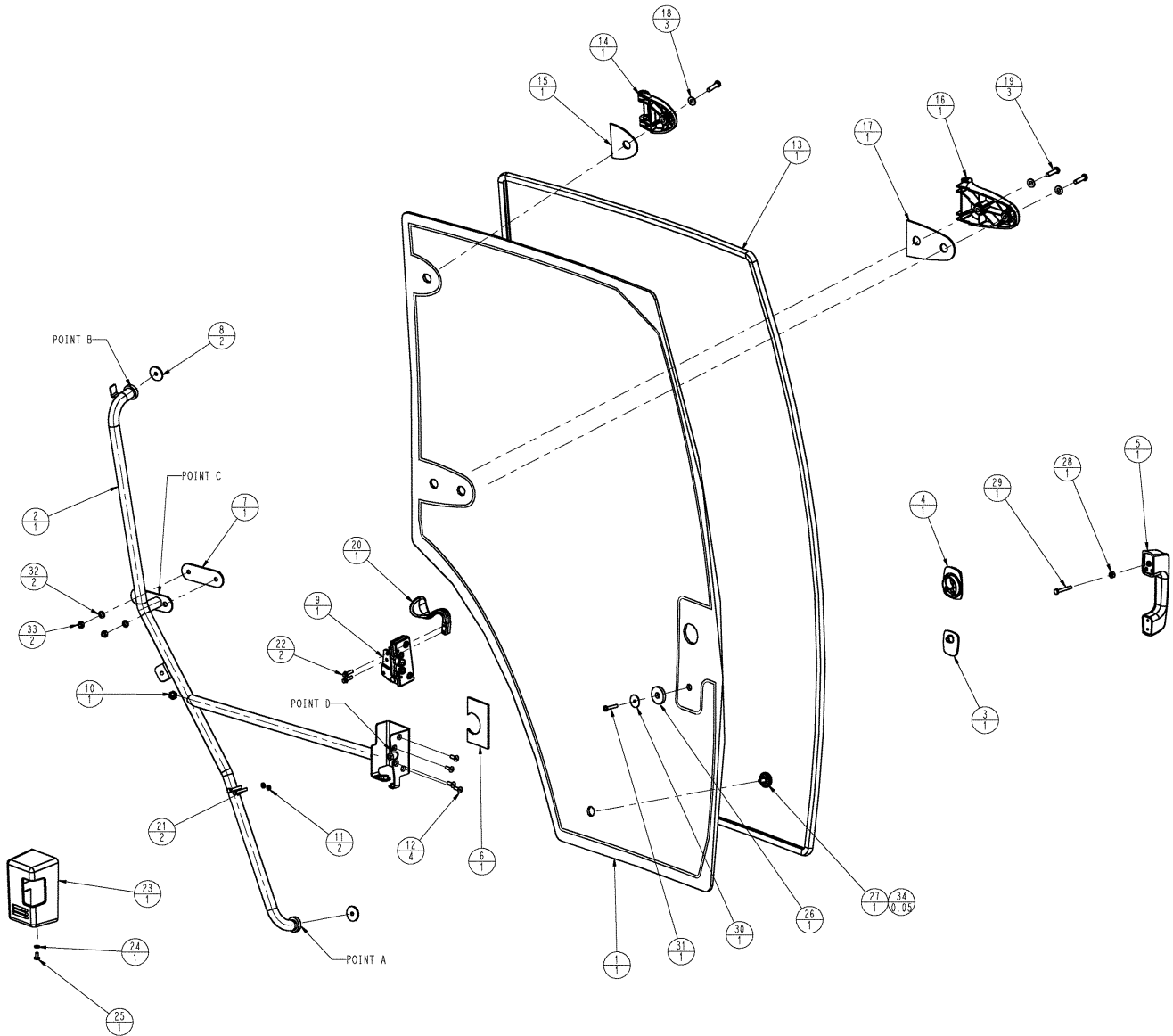
DOOR GROUP

REF	FN	PART NUMBER	YR/SN	QTY	DESCRIPTION
1		{84162952}		1	LH, DOOR,SEE FIG. 02-002
2		895-18010		1	WASHER, M10 x 18 x 1.6
3		178819A3		2	PIN, LOWER HINGE
4		1280263C1		1	CYLINDER ASSY., STRUT, GAS
5		3233348R1		2	CLIP, RETURN
6		3234063R1		1	BALL JOINT, STUD
7		800-439		2	CIRCLIP, M9, EXT RETAINING E
8		275444A1		1	PLATE, DOOR LATCH PIN
9		321535A1		1	PROTECTOR, DOOR STRIKER
10		321277A1		1	PIN, LOCK

2**3330**

CAB DOOR, ASSEMBLY

2



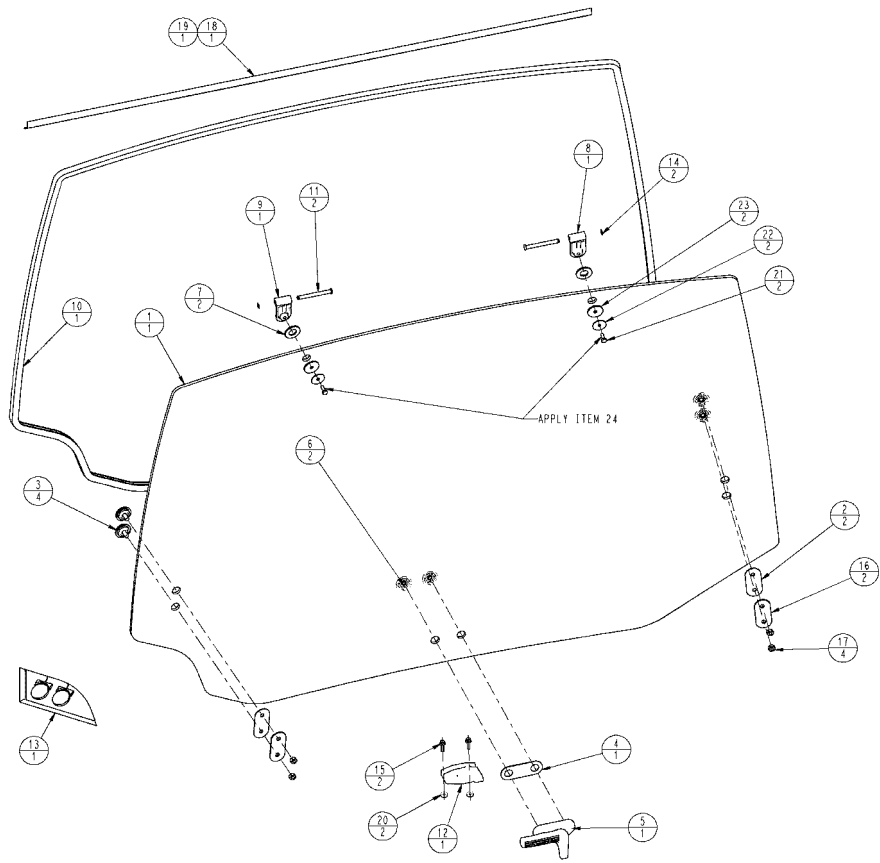
CAB DOOR, ASSEMBLY

REF	FN	PART NUMBER	YR/SN	QTY	DESCRIPTION
1		{87339103}		1	LH DOOR
2		87542696		1	HANDLE, LH INSIDE DOOR
3		321552A1		1	BEZEL, SMALL DOOR HAND
4		321551A1		1	BEZEL, LARGE DOOR HAND
5		60-7083T1		1	HANDLE, CAB DOOR
6		87347036		1	SPACER, DOOR HANDLE
7		308633A1		1	SPACER, HANDLE MOUNTING
8		221429A2		2	SPACER, DOOR HANDLE (NH 8)
9		87339360		1	LOCK, DOOR, LH, LEFT HAND DOOR
10		3234063R1		1	BALL JOINT, STUD
11		892-11006		2	WASHER, LOCK, M6, SPRING, 6MM Z
12		461-42512		4	SCREW, Hex Soc Flat Hd, 1/4"-20 x 3/4"
13		84160023		1	SEAL, DOOR, LH DOOR AND REAR WI
14		304921A1		1	HINGE, LH UPPER DOOR
15		305158A1		1	SPACER, UPPER HINGE
16		191206A3		1	HINGE, LH LOWER DOOR
17		305159A1		1	SPACER, LOWER HINGE
18		895-15008		3	WASHER, M8 x 20 x 1.6
19		300381		3	BOLT, Hex, M8 x 35, 8.8
20		321023A4		1	HANDLE, DOOR LATCH
21		86977789		2	BOLT, Hex, M6 x 35, 8.8, M6 1 X 35, HH, 8.8, DOR
22		781-24620		2	SCREW, SELF TAPPING, Hex Flg Hd, M6 x 20
23		275344A6		1	PROTECTOR, DOOR LOCK
24		895-11006		1	WASHER, M6, FLAT
25		840-1612		1	SCREW, Cross Pan Hd, M6 x 12
26		BN311882		1	WASHER, 1.63 X .25 RUBBER
27		198916A2		1	CAP, DOOR W/FOAM
28		425-164		1	NUT, 1/4"-20, G5, Hvy
29		280164		1	BOLT, Hex, 1/4"-20 x 1 3/4", G5
30		87542959		1	WASHER, 6.15 X 30 X 1.5MM
31		86514457		1	SCREW, M6 X 35 PHD FULL H 4
32		895-11008		2	WASHER, M8 x 16 x 1.6
33		829-1408		2	NUT, M8, CI 10, ZND

3330

REAR WINDOW ASSEMBLY

2



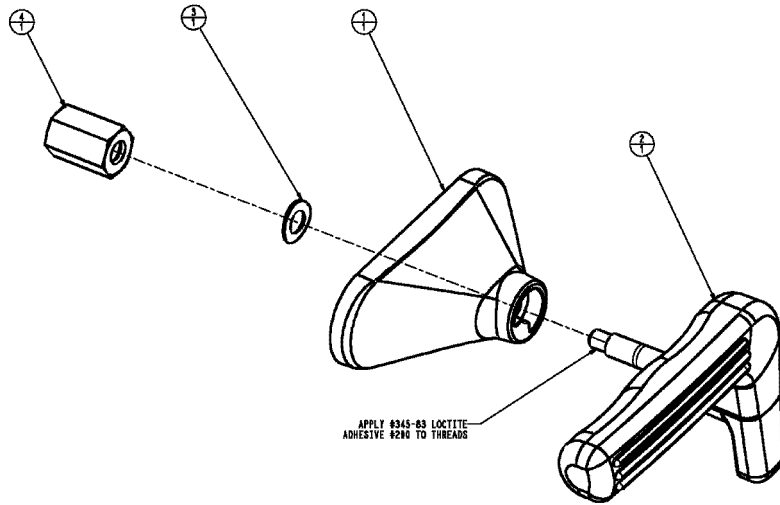
REAR WINDOW ASSEMBLY

REF	FN	PART NUMBER	YR/SN	QTY	DESCRIPTION
1		87309738		1	GLASS, REAR WINDOW
2		222787A2		2	PAD, CLAMPING PLATE
3		198916A2		4	CAP, DOOR W/FOAM
4		220935A3		1	PAD, CLAMPING PLATE
5		230009A4		1	HANDLE, REAR WINDOW, SEE FIG. 02-004
6		198913A3		2	PLASTIC PLUG, CAP, WINDOW W/FOAM
7		180361A2		2	WASHER, RUBBER, 35 X 18
8		176245A2		1	HINGE, WINDOW, REAR LH
9		176246A2		1	HINGE, WINDOW, REAR RH
10		87534532		1	SEAL, LH DOOR AND REAR WI
11		1535323C1		2	PIN, WINDOW HINGE
12		186149A4		1	PLATE, STRIKER
13		254711A1		1	GROMMET, IMPLEMENT ACCESS
14		800-437		2	CIRCLIP, M7, Ext (Retaining)
15		781-24620		2	SCREW, SELF TAPPING, Hex Flg Hd, M6 x 20, THD
16		87330109		2	PAD, PLATE, WINDOW PAD
17		832-46408		4	NUT, LOCK, M8 x 1.25, CI 8
18		359321A1		1	GUARD, DUST
20		87309034		2	SPACER, REAR WINDOW LATCH
21		628-6016		2	BOLT, Hex, M6 x 16, 10.9, Full Thd
22		87542959		2	WASHER, 6.15 X 30 1.5MM CST BZN
23		87325114		2	WASHER, LOCK, RUBBER

3330

HANDLE ASSEMBLY, REAR WINDOW

2



02-004

p1

09/08

HANDLE ASSEMBLY, REAR WINDOW

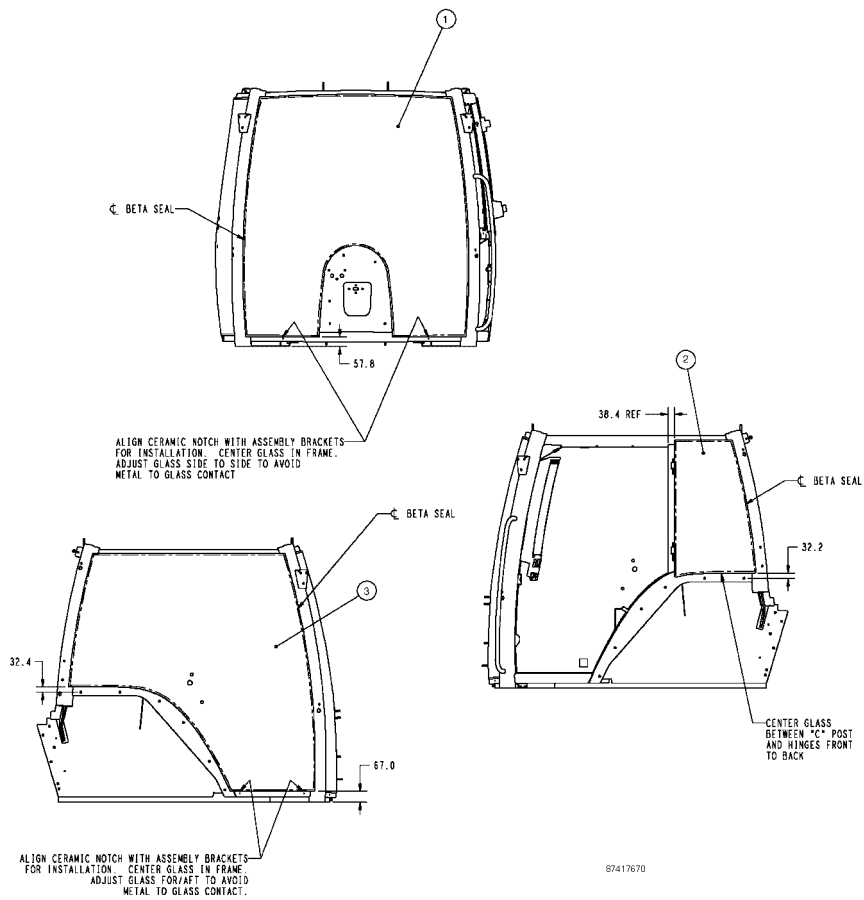
REF	FN	PART NUMBER	YR/SN	QTY	DESCRIPTION
1		193046A1		1	BRACKET, REAR WINDOW
2		{357324A1}		1	REAR WINDOW
3		906056R1		1	WASHER, 8MM
4		357325A1		1	NUT, REAR WINDOW HANDLE

2

3330

GLASS MOUNTING GROUP

2



GLASS MOUNTING GROUP

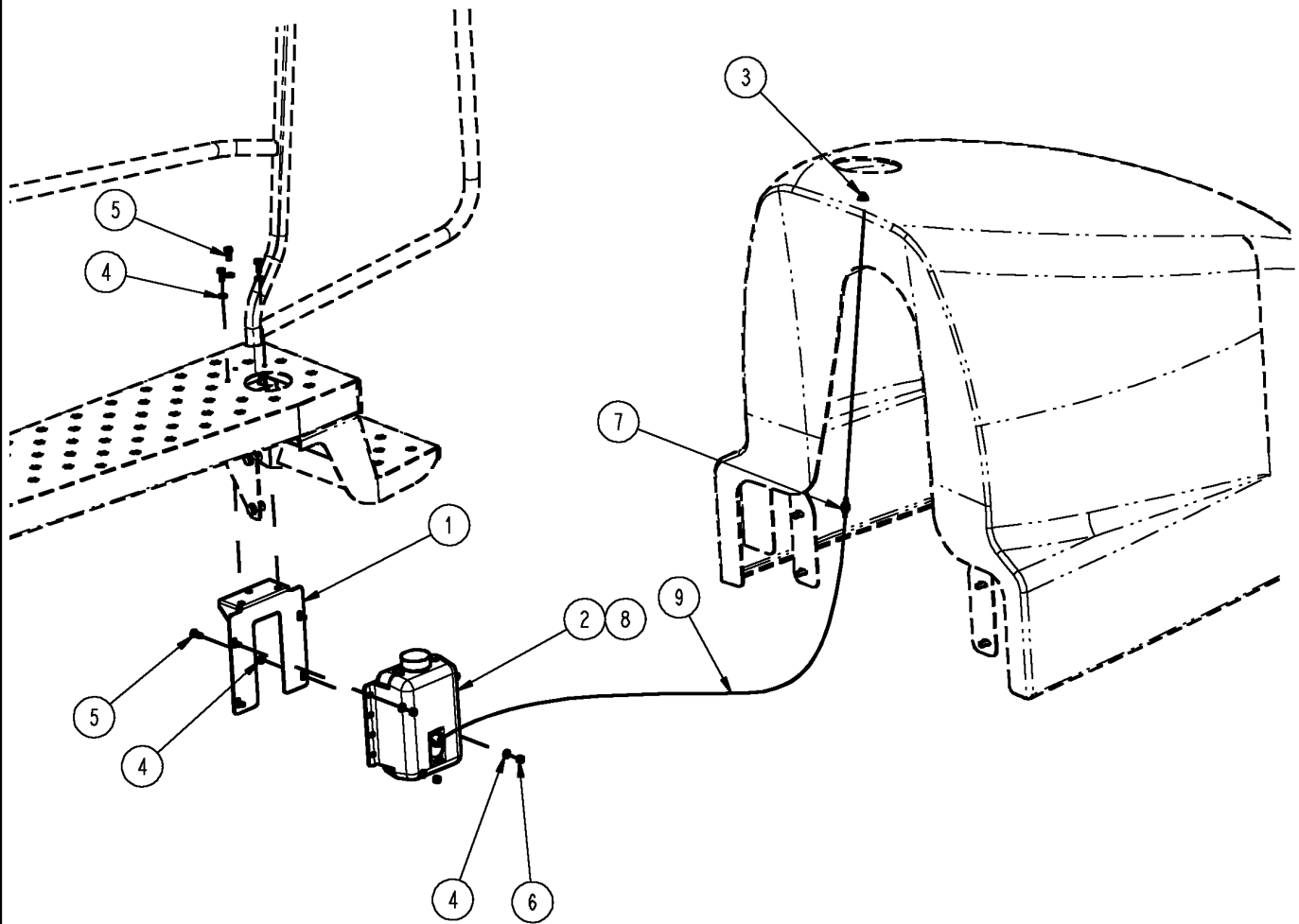
REF	FN	PART NUMBER	YR/SN	QTY	DESCRIPTION
1		87456379		1	WINDSHIELD
2		242539A4		1	GLASS, CAB, LH REAR WINDOW
3		87417671		1	GLASS, CAB, RIGHT WINDOW
		345-184		869	ADHESIVE, EC, 1 ML
		{349-152}		21	ESSEX 43532
		349-153		21	ADHESIVE, ESSEX 4351
		{349-154}		21	ESSEX 43520

2

	3330
--	-------------

WINDSHIELD WASHER GROUP

2



WINDSHIELD WASHER GROUP

REF	FN	PART NUMBER	YR/SN	QTY	DESCRIPTION
1		87272554		1	PLATE, MOUNTING, WELDMENT, WSH BOTTLE
2		87014923		1	TANK, W/SHIELD WASH, 12V
	1	87439461		1	CAP, WASHER BOTTLE VENTED W/TETHER
	1	BN98901		1	PUMP, 12V
3		3229749R1		1	NOZZLE CAP, FP
4		87529315		11	WASHER, 9 X 17 X 2MM HDN DOR
5		86980379		7	BOLT, M8 1.25 X 20, HH, 8.8, DO
6		86980514		4	NUT, M8 CL8 P/T ALL METAL
7		K307050		1	VALVE, CHECK, WNDSHD WASHER
8		331-110		2	FLUID, 1QT, WNDSHLD WASH
9		87272788		1	HOSE, WINDOW WASHER, 148"
(1) SERVICE PARTS FOR ITEM #2					

	3330
--	-------------

02-007

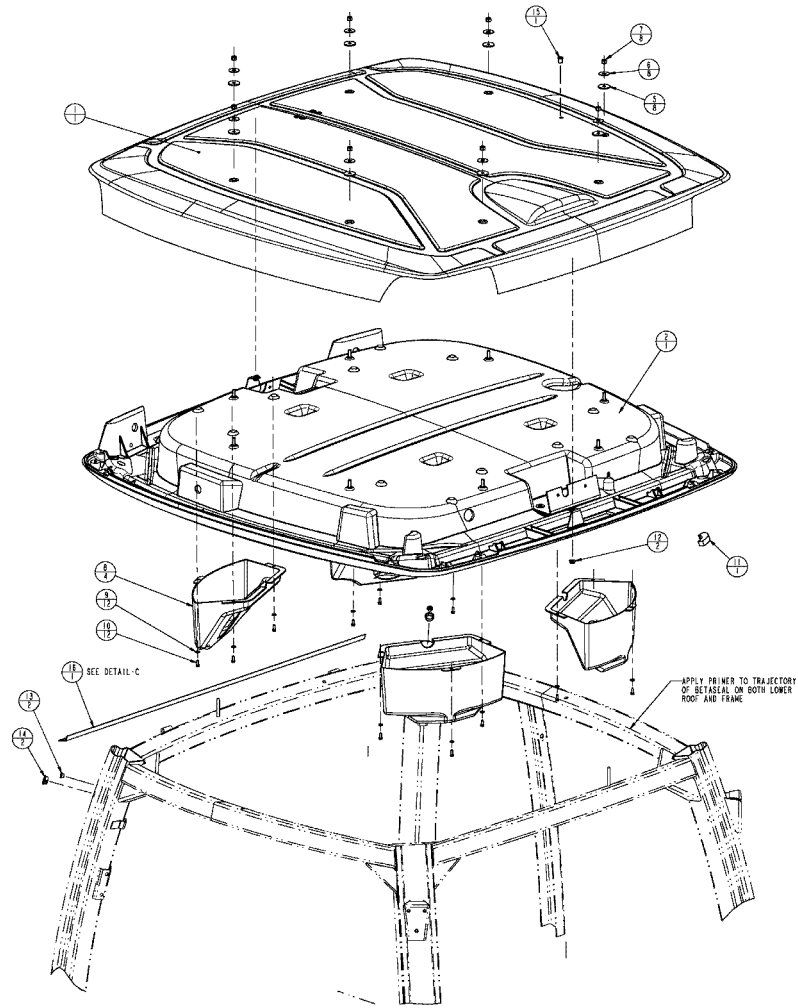
01

p1

12/08

CAB ROOF GROUP

2



SCALE 1:4

87419084_sht

CAB ROOF GROUP

REF	FN	PART NUMBER	YR/SN	QTY	DESCRIPTION
1		433973A4		1	ROOF, UPPER PANEL NAO
2		87419087		1	ROOF, LOWER PANEL
3		{349-152}		7	PRIMER, ESSEX 43532
4		345-184		740	ADHESIVE, 1 ML
5		221429A2		8	SPACER, DOOR HANDLE NH 8
6		495-81140		8	WASHER, 13/32" x 1 1/4" x .060"
7		832-46408		8	NUT, LOCK, M8 x 1.25, CI 8
8		433800A1		4	HOUSING, SPEAKER ENCLOSUR
9		895-11006		12	WASHER, M6, CST ZND
10		758-5		12	SCREW, SELF TAPPING, Hex Hd, M5.5 x 15, TPG
11		365219A1		1	SEAL, FOAM, A-POST/ROOF A
12		825-2408		2	NUT, M8 x 1.25, Flg, CI 8, ZND
13		128209A1		2	PLUG, BLACK PLASTIC NEZG4
14		353-432		2	PLUG, 7/8" Hole, Nylon, Flat Face Pry
15		441460A1		1	PLUG, 5MM, HOLE
16		359321A1		1	GUARD, DUST
	1	449901A1		2	STUD, M8 X 1.25 HI-LO DOU

(1) ASSOCIATED PART OF STUD, M8 X 1.25 HI-LO DOU, P/N 359321A1

	3330
--	------

CAB ROOF GROUP

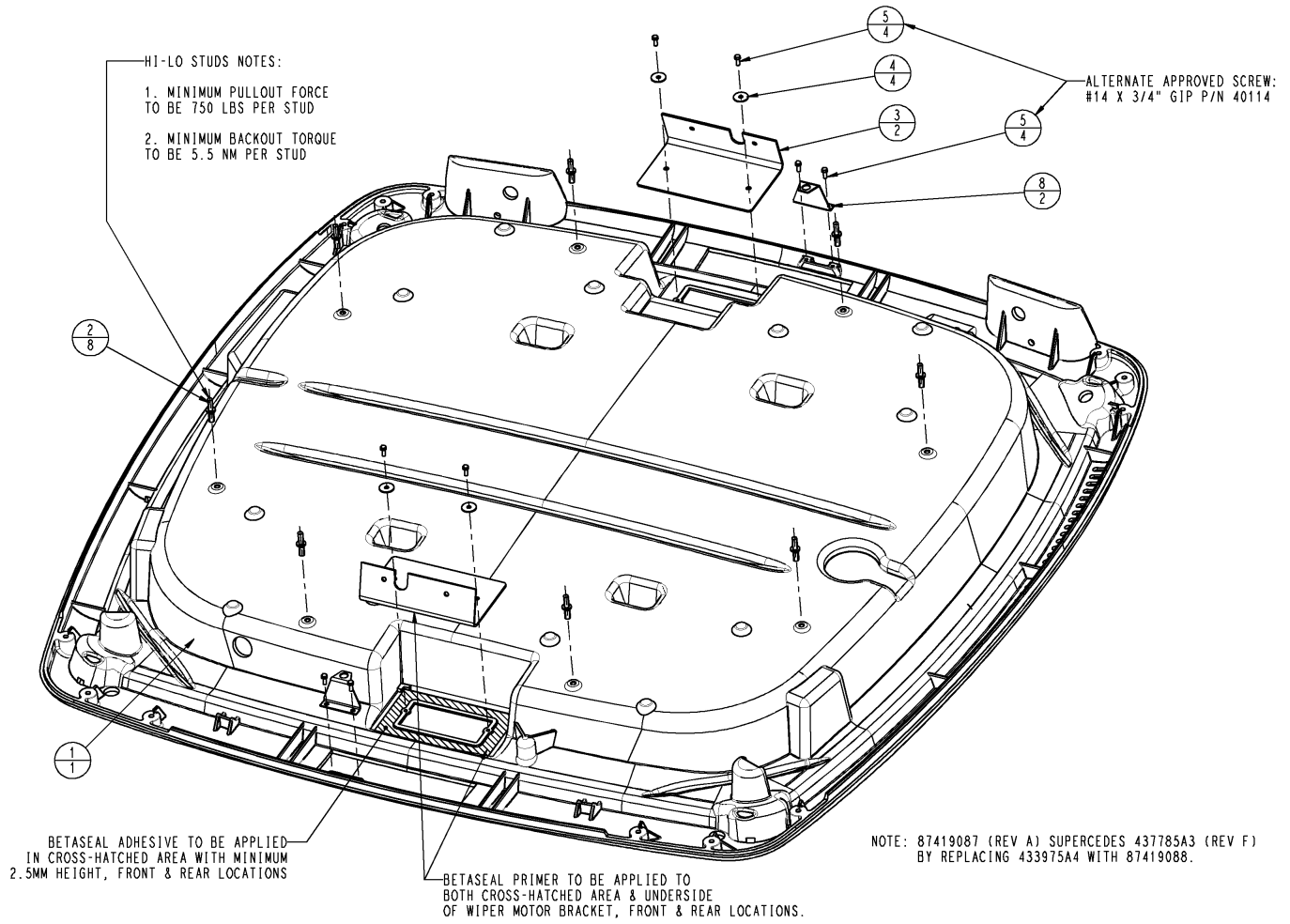
REF	FN	PART NUMBER	YR/SN	QTY	DESCRIPTION
2		87419087		1	ROOF, LOWER PANEL
3		{349-152}		7	ESSEX 43532
4		345-184		740	ADHESIVE, 1 ML
5		221429A2		8	SPACER, DOOR HANDLE, NH 8
6		495-81140		8	WASHER, 13/32" x 1 1/4" x .060"
7		832-46408		8	NUT, LOCK, M8 x 1.25, CI 8
8		433800A1		4	HOUSING, SPEAKER ENCLOSUR
9		895-11006		12	WASHER, M6, CST ZND
10		758-5		12	SCREW, SELF TAPPING, Hex Hd, M5.5 x 15, TPG
11		365219A1		1	SEAL, FOAM, A-POST/ROOF A
12		825-2408		2	NUT, M8 x 1.25, Flg, CI 8, ZND
13		128209A1		2	PLUG, BLACK PLASTIC NEZG4
14		353-432		2	PLUG, 7/8" Hole, Nylon, Flat Face Pry
15		441460A1		1	PLUG, 5MM, HOLE
16		359321A1		1	GUARD, DUST
	1	449901A1		2	STUD, M8 X 1.25 HI-LO DOU

(1) ASSOCIATED PART OF STUD, M8 X 1.25 HI-LO DOU, P/N 359321A1

	3330
--	------

ROOF ASSY, LOWER PANEL

2



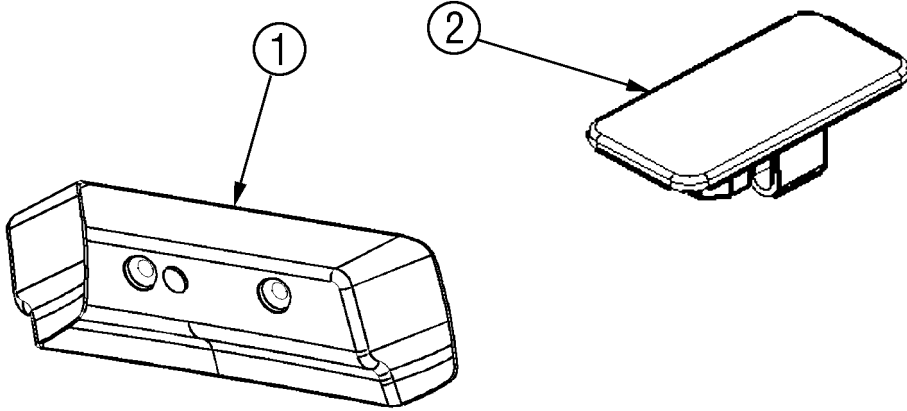
ROOF ASSY, LOWER PANEL

REF	FN	PART NUMBER	YR/SN	QTY	DESCRIPTION
1		{87419088}		1	LOWER PANEL
2		237275A1		8	STUD, M8+9.0 H/L, STEEL, DBL END COLLAR
3		401110A2		2	BRACKET, WIPER MOTOR SPACER
4		895-15006		4	WASHER, M6 x 25 x 1.6
5		758-5		8	SCREW, SELF TAPPING, Hex Hd, M5.5 x 15
6		{349-152}		1	1 ML METAL
7		345-184		1	ADHESIVE, 1 ML URETHANE
8		449074A1		2	BRACKET, ROOF RETAINING

	3330
--	------

CAB ROOF, W/O REAR WIPER

2



02-009

p1

12/08

CAB ROOF, W/O REAR WIPER

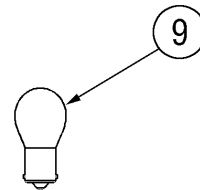
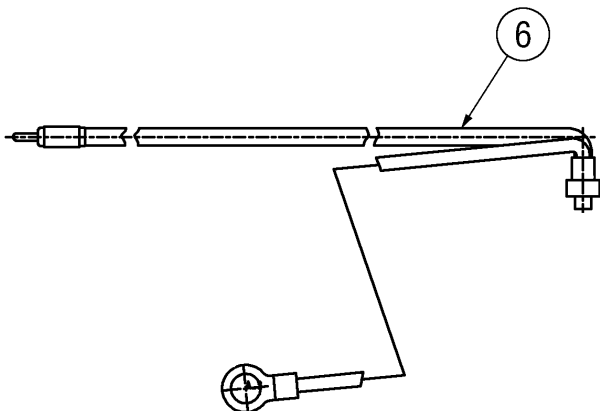
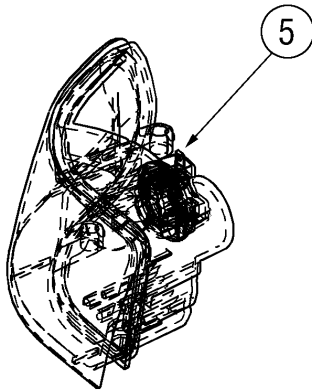
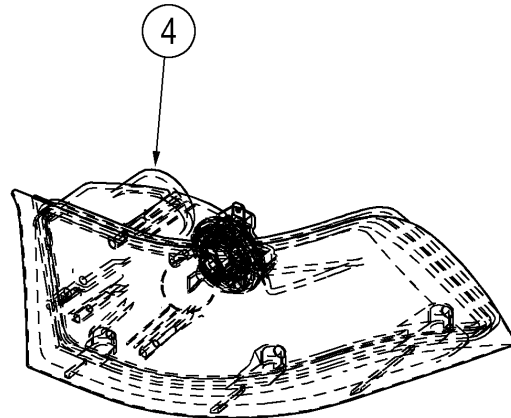
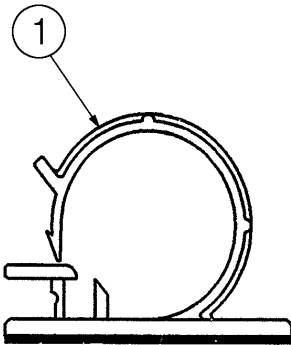
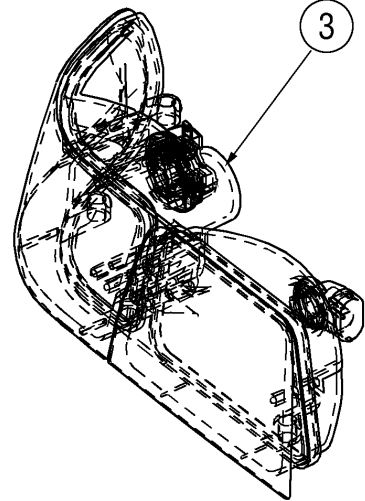
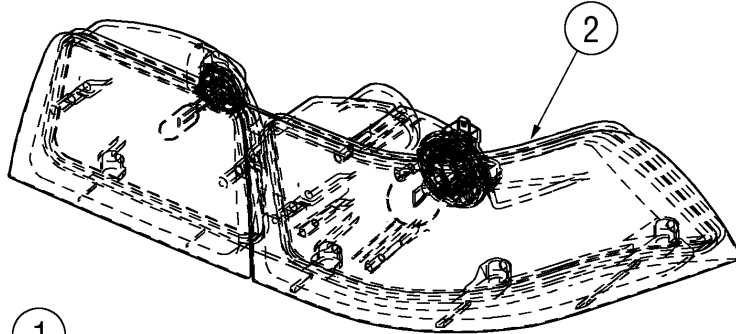
REF	FN	PART NUMBER	YR/SN	QTY	DESCRIPTION
1		401109A3		1	CAGE, WIPER MOTOR
2		406324A2		1	PLUG
		495-81121		2	WASHER, .344" x 1 1/2" x .060"
		614-8020		1	BOLT, Hex, M8 x 20, 8.8
		829-1408		1	NUT, M8, CI 10
		895-15006		4	WASHER, M6 x 25 x 1.6
		87529297		2	CLIP, CHRISTMAS TREE, 8

2

3330

WARN/DIR LIGHTS, PACKAGE

2



02-010

p1

12/08

WARN/DIR LIGHTS, PACKAGE

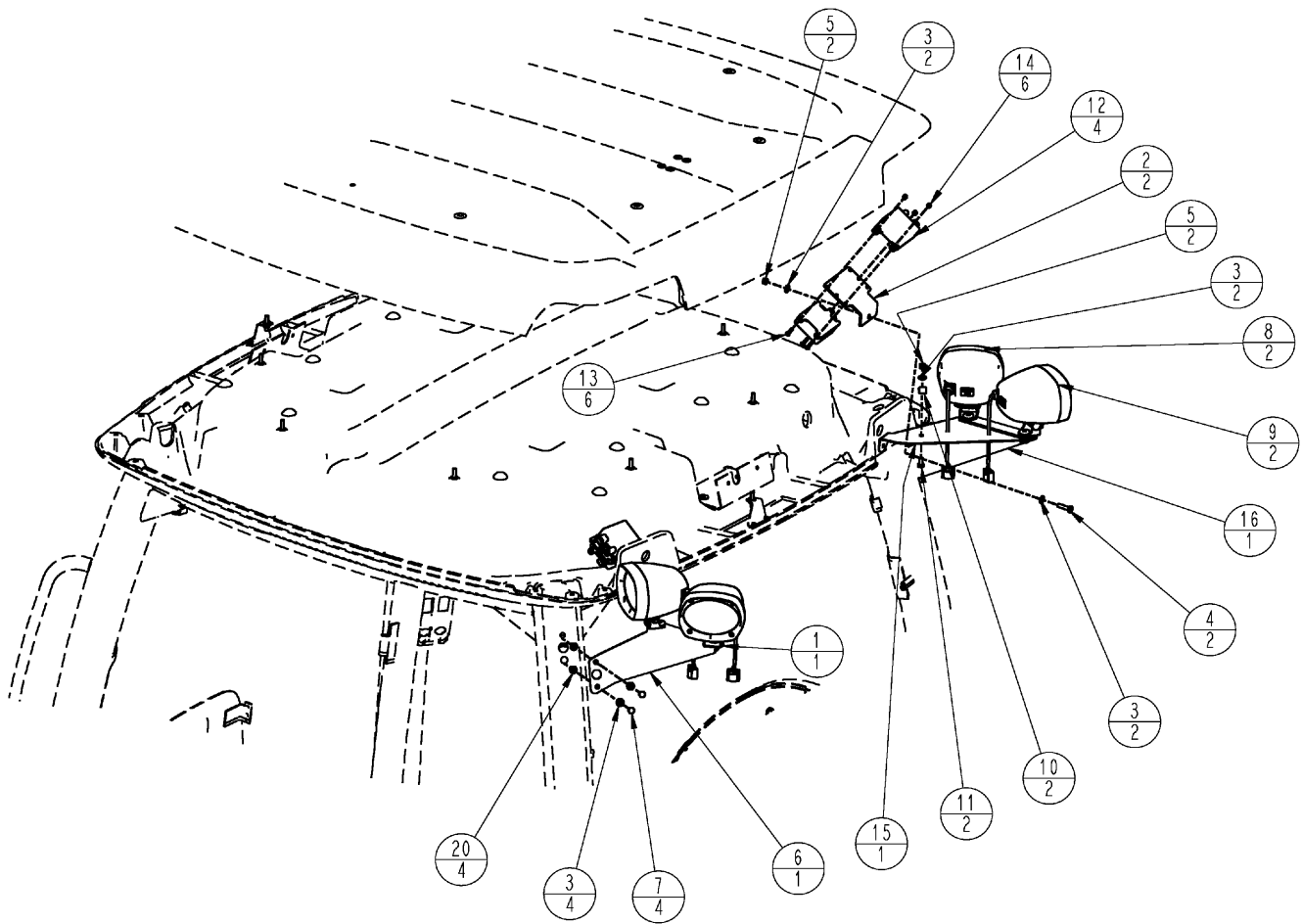
REF	FN	PART NUMBER	YR/SN	QTY	DESCRIPTION
1		169850C2		1	CLIP, CABLE, 76085283, PLASTIC H
2		279219A1		1	LIGHT ASSY., WORKLAMP/WARNING, LF
3		279220A1		1	LIGHT ASSY., WORKLAMP/WARNING, RT
4		279223A1		1	LIGHT, WARNING, RT REAR NAO
5		279224A1		1	LIGHT, WARNING, LT REAR NAO
6		318323A1		1	CABLE, RADIO ANTENNA
		323094A1		1	BULB, 894-12V
		840-1612		10	SCREW, Cross Pan Hd, M6 x 12, Type H 4
9		A41264		1	BULB, #1156, 12V, NEW HOLLAND
		87657275		1	HARNESS, ROOF, MX NAO

2

3330

HID LIGHT GROUP, CAB

2



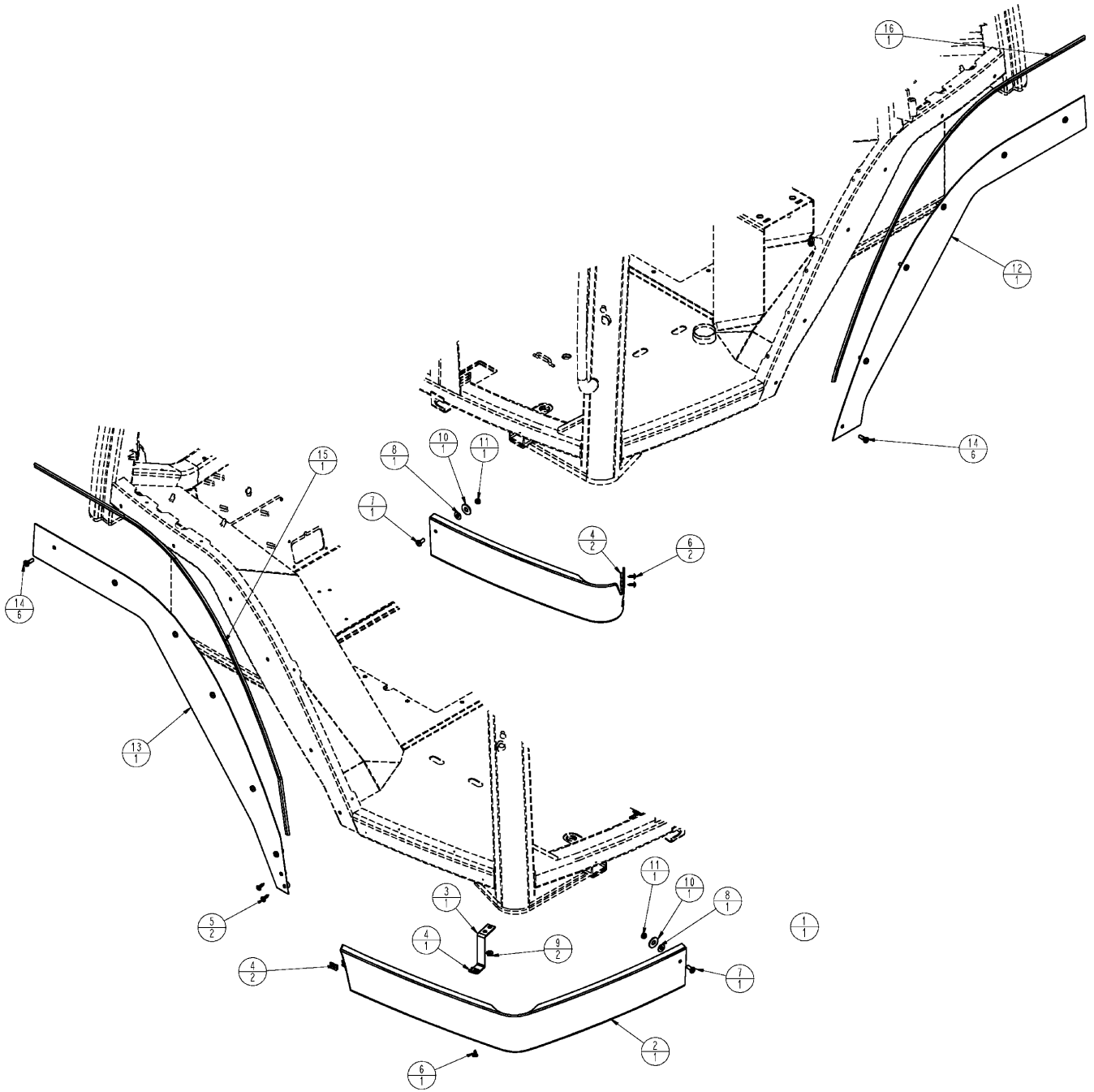
HID LIGHT GROUP, CAB

REF	FN	PART NUMBER	YR/SN	QTY	DESCRIPTION
1		87658597		1	PLATE, MOUNTING, HID LIGHT, LH
2		87664088		2	PLATE, MOUNTING, BALLAST
3		87529315		10	WASHER, 9 X 17 X 2MM HTS DOR HDN
4		86980381		2	BOLT, HEX HD M8 X 30 CL.8 DOR
5		86980514		4	NUT, PREV TRQ METAL M8 CL8 DOR
6		87658596		1	BRACKET, SUPPORTING, HID LIGHT, LH
7		86980379		4	BOLT, HEX HD M8 X 20 CL.8 DOR
8		87419587		2	LAMP, REAR HID FLOOD
9		87419591		2	LAMP, REAR HID TRAP
10		515-22127		2	CLAMP, 1/2", Insul, 5/16" Bolt
11		86980378		2	BOLT, HEX HD M8 X 16 CL.8 DOR
12		447742A1		4	BALLAST, REAR HID LIGHT
13		87343602		6	SCREW, PHD M5 X 20 TYPE H CL 4.8 DOR
14		87344030		6	NUT, PREV TRQ METAL M5 CL8 DOR
15		87658602		1	SUPPORT, HID LIGHT, RH
16		87658601		1	BRACKET, SUPPORTING, HID LIGHT, RH
17		87756562		2	HARNESS, WIRE, CAB HID
18		{87664097}		4	1/4" X 30"
19		22-824		6	STRAP, CABLE, 3/16" x 7 1/4"
20		P35448		4	RIVET, NUT

3330

CAB SKIRT GROUP

2



CAB SKIRT GROUP

REF	FN	PART NUMBER	YR/SN	QTY	DESCRIPTION
1		87545531		1	SOFT TRIM, EXT TRIM, LH
2		258866A4		1	PADDING, PANEL, FRT RH LWR CAB TRIM
3		298464A1		1	SUPPORT, EXT TRIM
4		131-642		5	NUT, Tinn, U, #10, REPLACED BY 87016567
5		1975919C1		2	SCREW, TRUSS HD W/WASHER
6		104033C2		3	SCREW, SELF TAPPING, Cross Wash Hd, M4.8 x 19, Coated, TRUSS, W/WASHER
7		840-1820		2	SCREW, Cross Pan Hd, M8 x 20, TYPE H ZN
8		96814C3		2	WASHER, 10 X 22 1.5MM PLAST
9		86981461		2	NUT, HEX FLG, M8 8
10		87310599		2	WASHER, .500 X 1.250 X .0
11		86980514		2	NUT, M8 CL8 P/T ALL METAL
12		87734572		1	SKIRT, WELDMENT, LH
13		87734573		1	SKIRT, WELDMENT, RH
14		87648718		12	SCREW, M8 X 25 P/HD H 4.8 BZN
15		{87272129}		1	CAB, RH
16		{87272130}		1	CAB, RH

3330

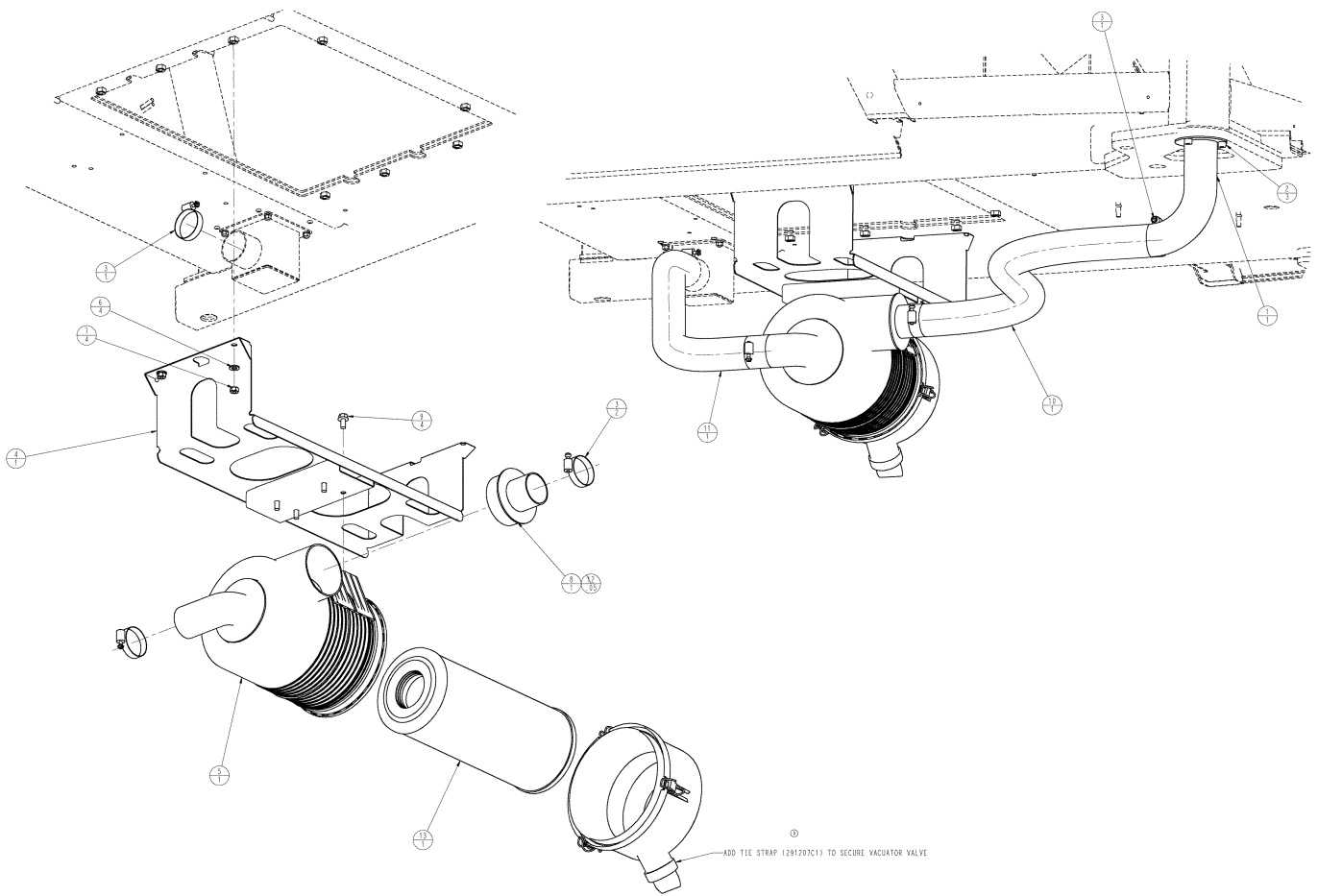
02-013

p1

12/08

AIR INTAKE SYSTEM, CAB

2



AIR INTAKE SYSTEM, CAB

REF	FN	PART NUMBER	YR/SN	QTY	DESCRIPTION
1		87529319		1	TUBE, AIR OUTLET
2		864-8012		3	SCREW, Hex Soc Hd, M8 x 12, 8.8
3		214-1540		4	CLAMP, HOSE, #40, 2.06/3.00 Type F Worm, W/liner, GEAR
4		87271699		1	PLATE, MOUNTING, CAB AIR FILTER
5		87272119		1	HOUSING, AIR FILTER
6		87529315		4	WASHER, 9 X 17 X 2MM HDN DOR
7		86980514		4	NUT, M8 CL8 P/T, ALL METAL
8		87272118		1	TUBE, AIR INTAKE
9		86981479		4	BOLT, HVY FLANGE, M8 X 16 FU
10		{87271403}		1	FILTER INLET
11		{87271404}		1	FILTER OUTLET
12		BN315870		0.05	SEALANT, 11OZ, BLACK, G-FLEX
13		87267363		1	FILTER, CAB, CHARCOAL, RADIA
	1	87267364		1	DECAL, CAB FILTER SERVICE

(1) ASSOCIATED PART OF FILTER, CAB, CHARCOAL, RADIA, P/N 87267363

3330

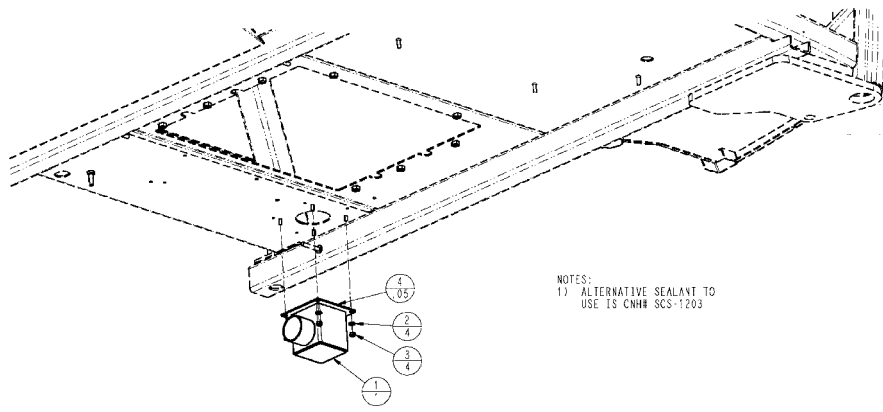
02-014

p1

12/08

AIR INLET GROUP, BOX

2



NOTES:
1) ALTERNATIVE SEALANT TO
USE IS CNH# SCS-1203

AIR INLET GROUP, BOX

REF	FN	PART NUMBER	YR/SN	QTY	DESCRIPTION
1		{87271694}		1	AIR INLET WELDMENT
2		87529314		4	WASHER, 6.6 X 12.5 X 2MM, HTS, DOR
3		86980513		4	NUT, PREV TRQ METAL M6 CL8 DOR
4		BN315870		1	SEALANT, 11 OZ, BLACK, G-FLEX

2

	3330
--	-------------

SECTION INDEX

Engine

03-001	ENGINE GROUP
03-002	ENGINE
03-003	AIR INTAKE GROUP, AIR COMPRESSOR
03-004	FAN DRIVE
03-005	OIL FILL, ENGINE
03-006	OIL DRAIN - ENGINE
03-007	OIL PUMP - ENGINE
03-008	OIL FILTER - ENGINE
03-009	OIL FILTER AND COOLER
03-010	OIL PUMP, PAN
03-011	BREATHING - ENGINE
03-012	TURBOCHARGER
03-013	TURBO ELBOW GROUP
03-014	WATER PUMP
03-015	WATER PUMP - CONTROL
03-016	CYLINDER BLOCK
03-017	CYLINDER BLOCK - PLUG ASSEMBLY
03-018	CYLINDER BLOCK
03-019	FLYWHEEL HOUSING
03-020	GEAR COVER - REAR HOUSING
03-021	FRONT GEAR COVER
03-022	GEAR COVER - PLATE
03-023	CYLINDER HEAD - COVERS
03-024	CYLINDER HEAD - VALVE MECHANISM
03-025	CYLINDER HEAD
03-026	INTAKE MANIFOLD
03-027	MANIFOLD - EXHAUST
03-028	CAMSHAFT
03-029	CRANKSHAFT
03-030	CRANKSHAFT - PULLEY
03-031	FLYWHEEL - ENGINE
03-032	CONNECTING ROD
03-033	PISTONS
03-034	COOLING SYSTEM - ENGINE
03-035	THERMOSTAT - ENGINE COOLING SYSTEM
03-036	PIPING - ENGINE OIL
03-037	ENGINE - LIFT HOOKS
03-038	ENGINE OVERHAUL KIT
03-039	FUEL INJECTION PUMP
03-040	FUEL INJECTION SYSTEM - INJECTOR
03-041	FUEL INJECTION SYSTEM - FUEL, SUPPLY
03-042	FUEL INJECTION SYSTEM - MODULE, ENGINE CONTROL
03-043	CABLES
03-044	FUEL INJECTION SYSTEM
03-045	FUEL INJECTION SYSTEM - DRAIN LINE
03-046	FUEL FILTER - COMPONENTS
03-047	ENGINE MOUNTING GROUP
03-048	EXHAUST GROUP
03-049	EXHAUST ELBOW GROUP
03-050	PACKAGE, CHARGE AIR COOLER
03-051	RADIATOR GROUP

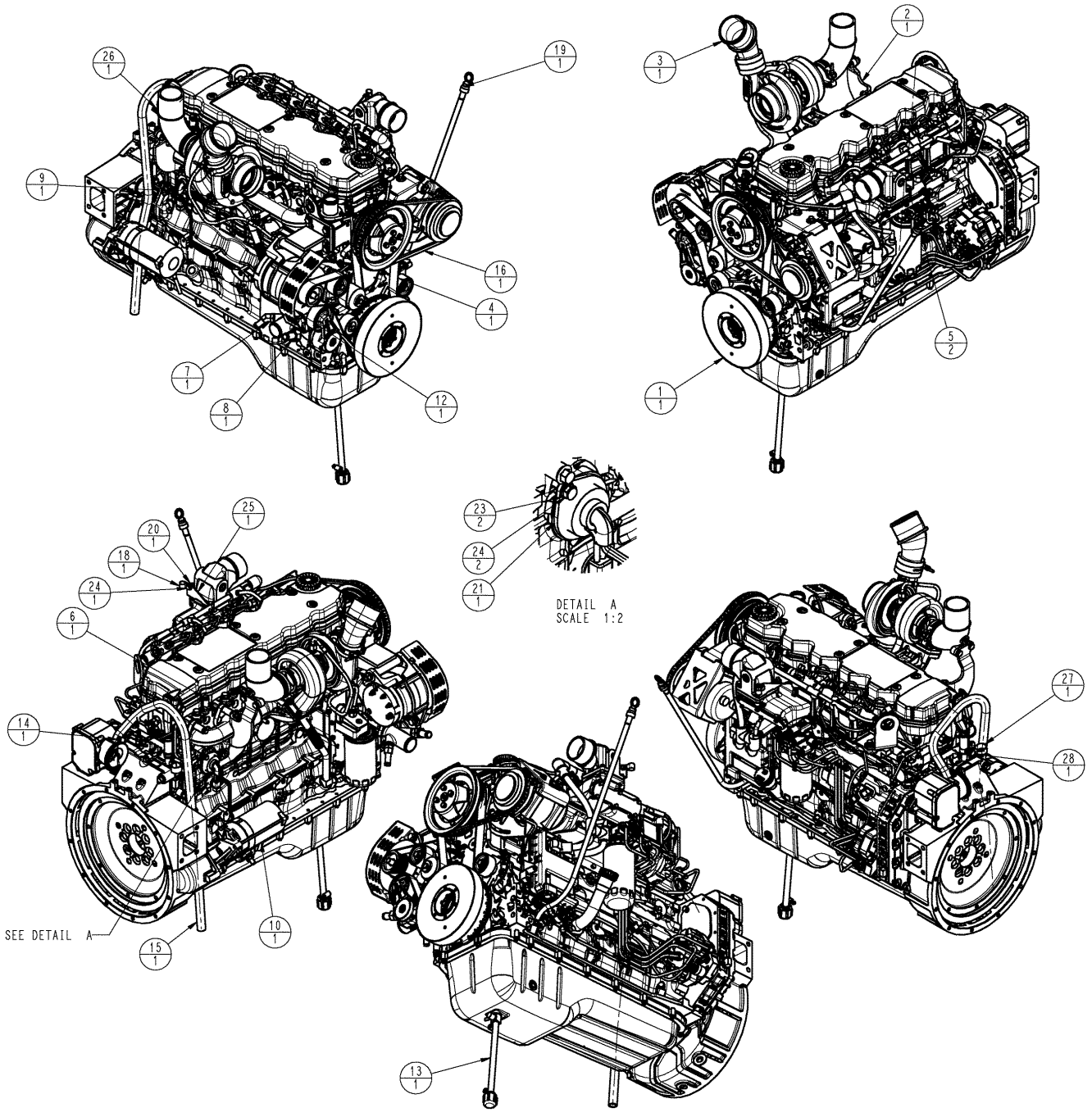
SECTION INDEX

Engine

03-052		AIR INTAKE SYSTEM
03-053	01	GRID HEATER, GROUP
03-053	02	GRID HEATER, GROUP
03-054		STARTER GROUP
03-055		ALTERNATOR GROUP
03-056		HEATER GROUP
03-057		AIR CONDITIONING GROUP
03-058		A/C COMPRESSOR ATTACHING GROUP
03-059		AIR COMPRESSOR GROUP
03-060		COOLANT LINES GROUP

ENGINE GROUP

3



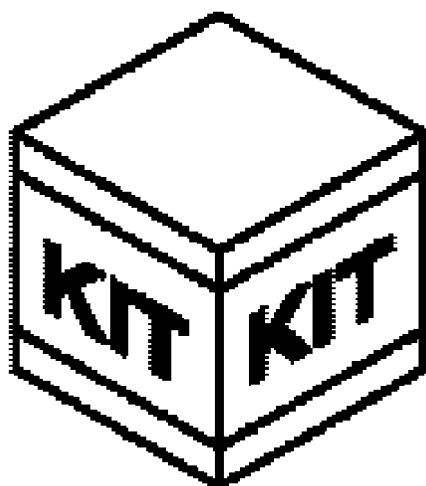
ENGINE GROUP

REF	FN	PART NUMBER	YR/SN	QTY	DESCRIPTION
1		87732239		1	ENGINE, 667TA/E3 NEF 186KW SEE FIG. 03-002
2		{87492817}		1	ELBOW, SEE FIG. 03-049
3		{87271133}		1	ELBOW, 3.5 X 45, SEE FIG. 03-013
4		87519458		1	BELT, V-RIB, CDC3289615
5		86980381		2	BOLT, M8 1.25 X 30, HH, 8.8, DO
6		217-153		1	FITTING, 5/8" Hose X 1/2" NPTF Beaded, STEM, STR BEAD HOSE
7		87626014		1	FITTING, 5/8 HB
8		87626015		1	FITTING, 3/4 HB
9		87105748		1	CABLE, ELECTRIC, ENGINE HEATER
10		{87270722}		1	SEE FIG. 03-054
11		{87664096}		1	SEE FIG. 03-055
13		{87381644}		1	OIL DRAIN, M22, SEE FIG. 03-006
14		214-1412		1	CLAMP, HOSE, #12, 0.69/1.25 Type F Worm, WORM TYP F
15		87619166		1	HOSE, .75 ID, CCV
16		87518813		1	BELT, A41
18		515-22159		1	CLAMP, 5/8", Insul, 5/16" Bolt
19		BN305412		1	O-RING, M8 1.25 X 16, HH, 8.8, DO
20		86980514		1	NUT, M8 CL8 P/T, ALL METAL
21		8602005		1	HEATER, Block; 750W 120 V
23		87529315		2	WASHER, 9 X 17 X 2MM HDN D
24		86980379		2	BOLT, M8 1.25 X 20, HH, 8.8, DO
25		87579956		1	BRACKET, ENGINE OIL DIPSTICK
26		22-824		1	STRAP, CABLE, 3/16" x 7 1/4"
27		515-23302		1	CLAMP, 1 3/16", Insul, 3/8" Bolt
28		86980399		1	BOLT

3330

ENGINE

3



ENGINE

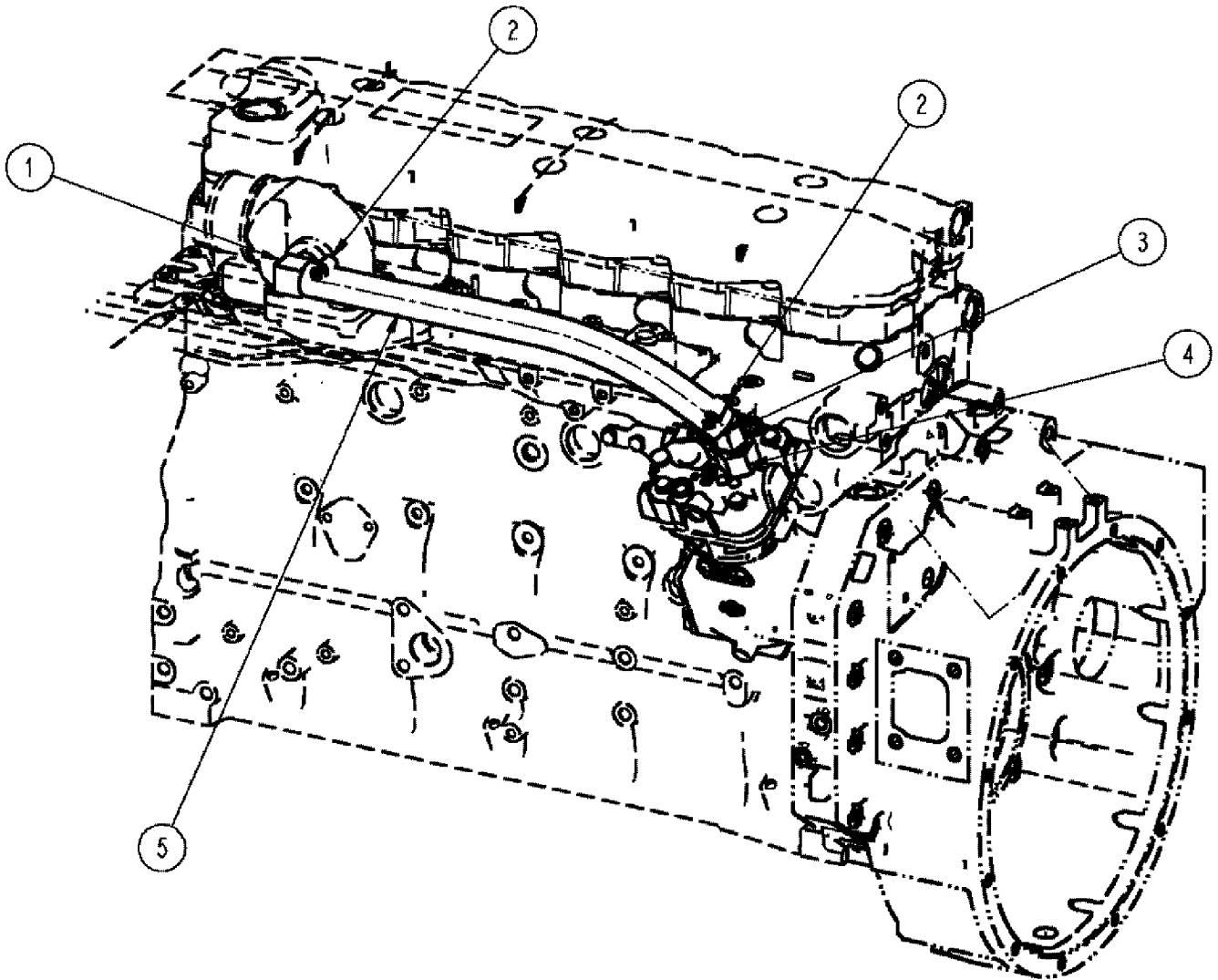
REF	FN	PART NUMBER	YR/SN	QTY	DESCRIPTION
1		4892871		2	BREATHER, ELEMENT, SEE FIG. 03-011
2		{2858051}		1	ENGINE SEE FIG. 03-035
3		{87271135}		1	AC, SEE FIG. 03-059
4		4897897		1	FILTER, FUEL, CASE, SEE FIG. 03-046
5		87803261		1	FILTER, ENGINE OIL, LUB CASE, SEE FIG. 03-008

3

	3330
--	-------------

AIR INTAKE GROUP, AIR COMPRESSOR

3



AIR INTAKE GROUP, AIR COMPRESSOR

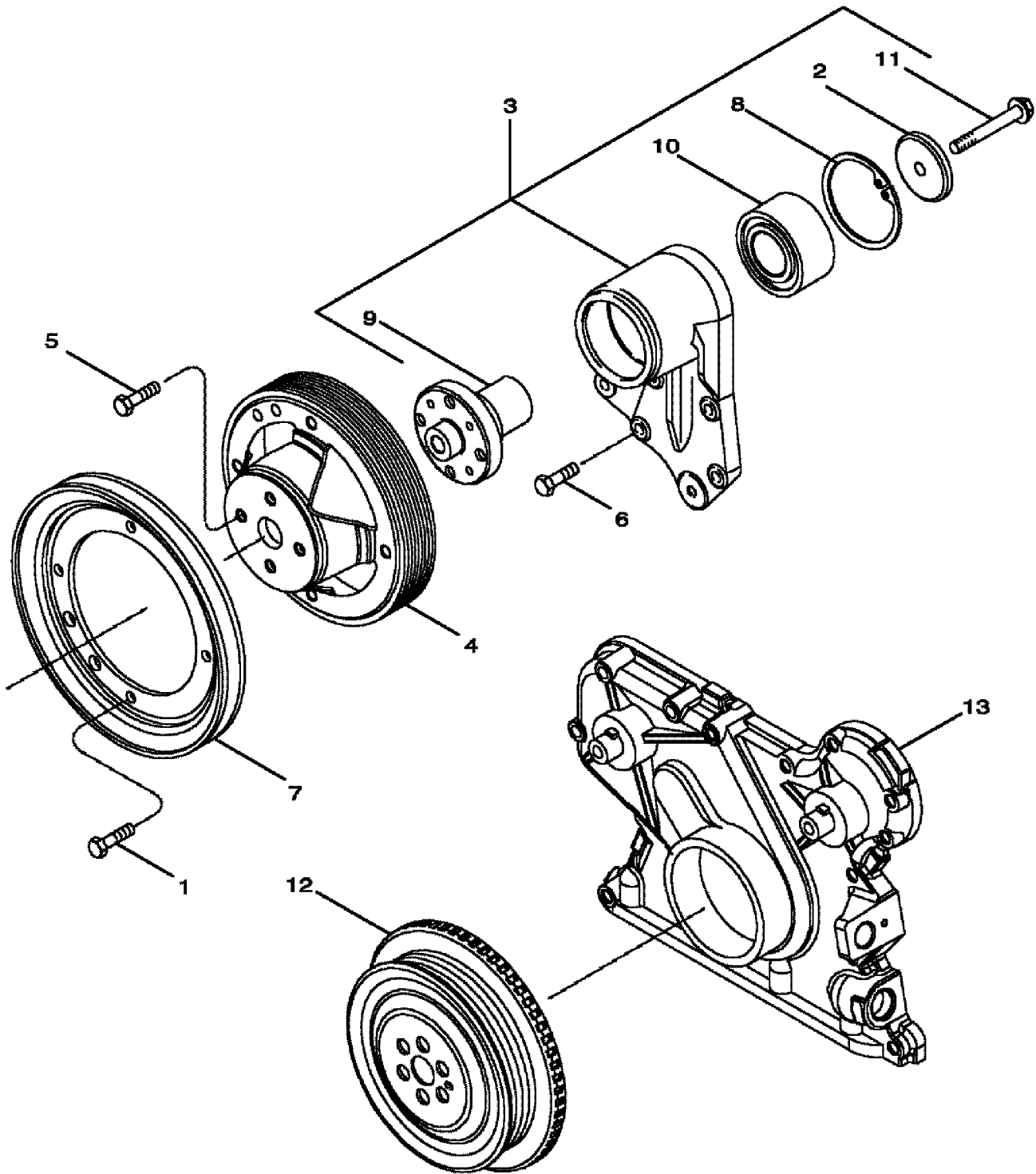
REF	FN	PART NUMBER	YR/SN	QTY	DESCRIPTION
1		217-331		1	FITTING, 90°, 1" Hose x 3/4" NPTF Beaded
2		BN75990		2	CLAMP, HOSE, SS, #16, .81 to 1.5A
3		217-188		1	FITTING, 45°, 1" Hose x 3/4" NPTF Beaded
4		87271482		1	FITTING, M26 X 3/4 NPTF
5		87270222		1	HOSE, 1 ID X 1-3/8 OD X 18.3"

3

	3330
--	-------------

FAN DRIVE

3



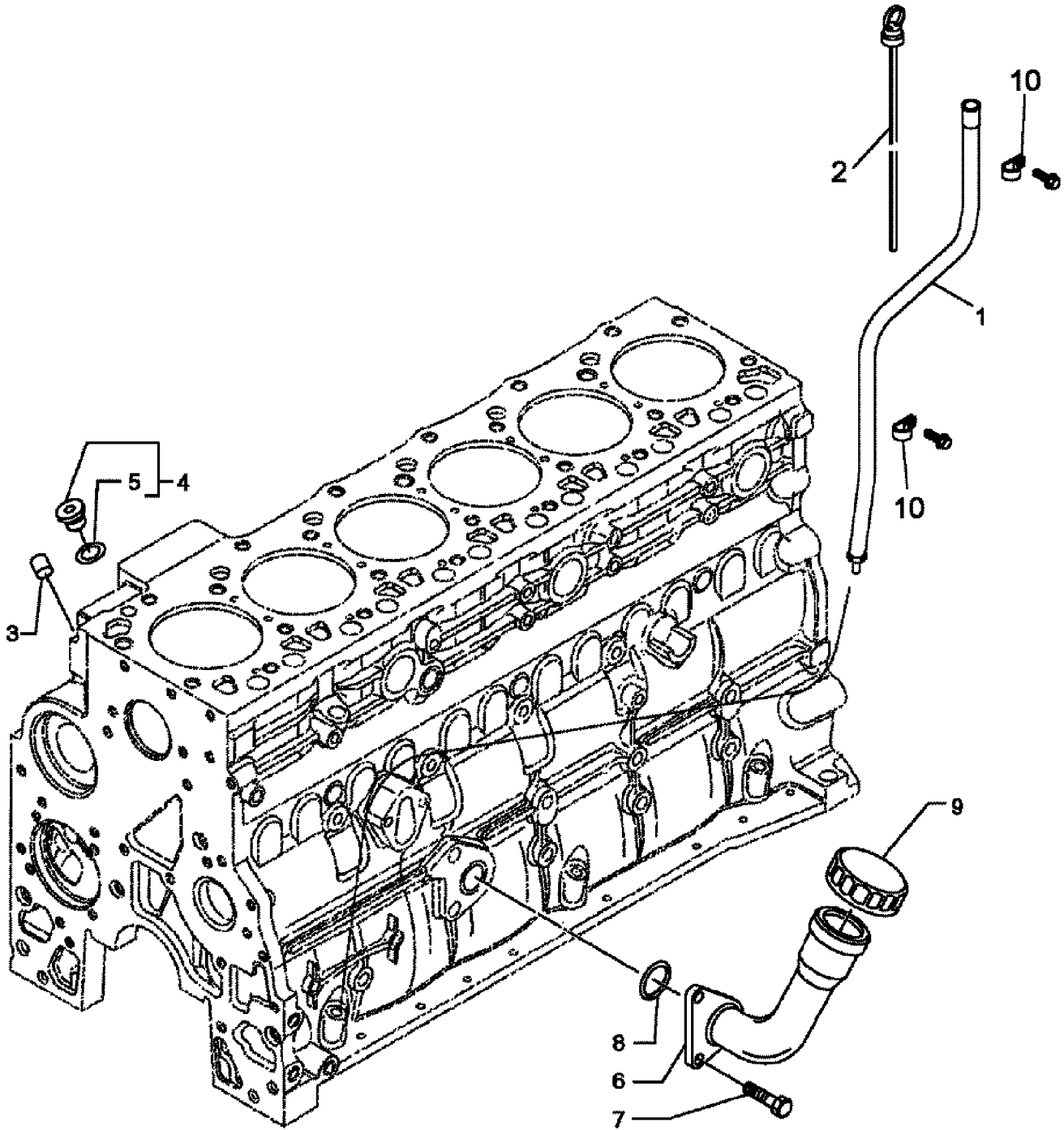
FAN DRIVE

REF	FN	PART NUMBER	YR/SN	QTY	DESCRIPTION
1		2852234		4	SCREW, Hex Flg, M8 x 1.25 x 20
2		4890732		1	RETAINER, SPACER
3		2852250		1	SUPPORT
4		2853233		1	PULLEY
5		4899032		4	SCREW, Hex Flg, M10 x 1.5 x 25
6		4899078		4	SCREW, Hex Flg, M8 x 1.25 x 45
7		2853871		1	PULLEY, COMPRESSOR
8		2852171		1	RING, SNAP
9		4892426		1	HUB
10		4892732		1	BEARING, BALL
11		2852172		1	SCREW, M10 X 70
12		4896773		1	PULLEY, SEE FIG. 03-015
13		4897026		1	COVER, FRONT GEAR, SEE FIG. 03-015

3330

OIL FILL, ENGINE

3



OIL FILL, ENGINE

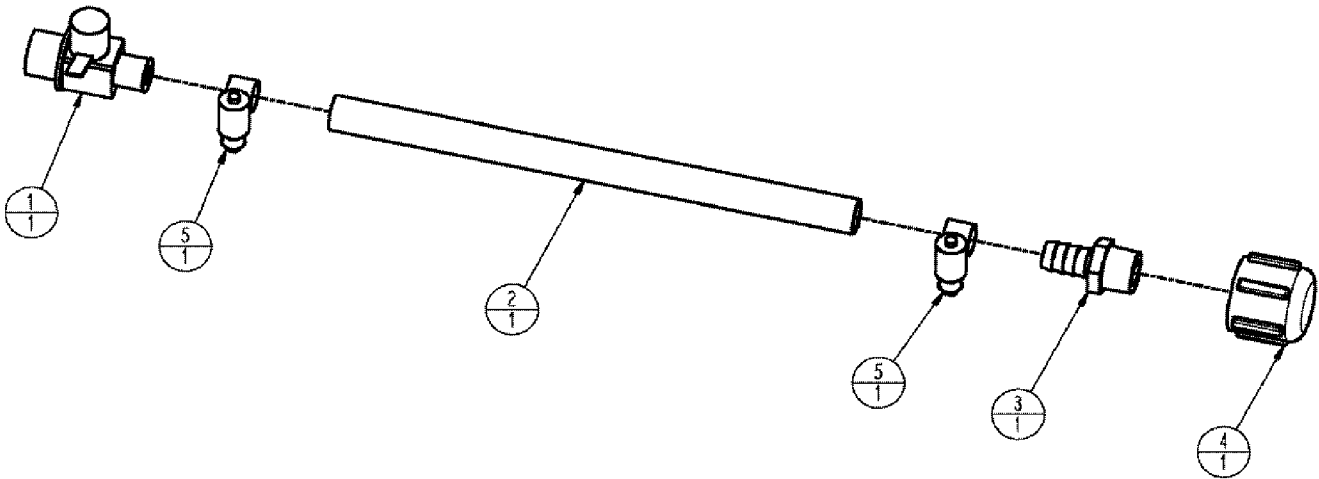
REF	FN	PART NUMBER	YR/SN	QTY	DESCRIPTION
1		2855413		1	TUBE, RIGID, DIPSTICK
2		2854581		1	DIPSTICK
3		4899036		2	PLUG
4		4897330		2	PLUG
5		4895610		1	O-RING
6		2852377		1	NECK FILLER
7		2852134		2	SCREW
8		2852135		1	GASKET
9		2852136		1	CAP, INTRODUCTION
10		2852500		2	CLAMP, P-CLIP

3

3330

OIL DRAIN - ENGINE

3



OIL DRAIN - ENGINE

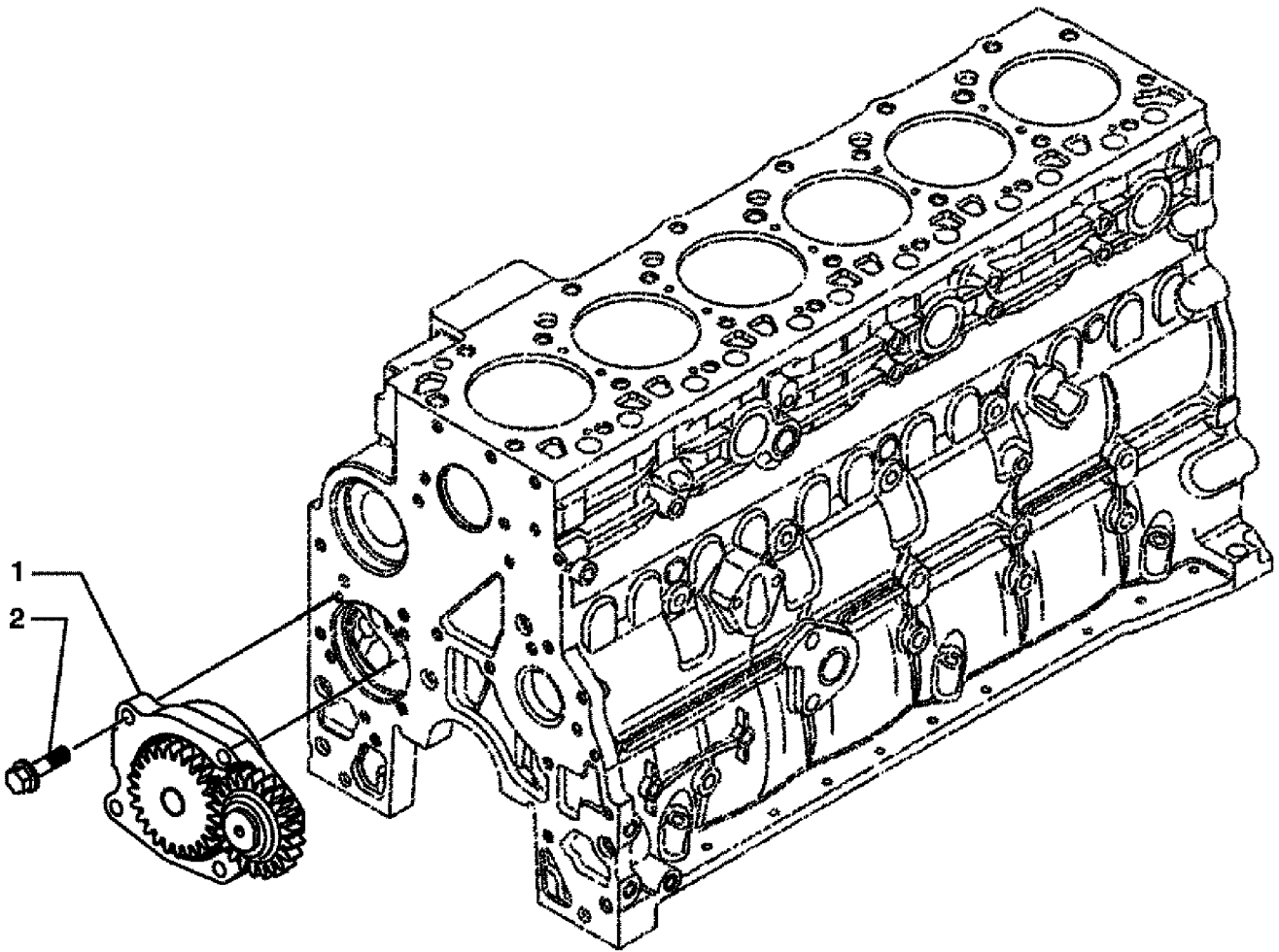
REF	FN	PART NUMBER	YR/SN	QTY	DESCRIPTION
1		87381643		1	VALVE, HYDRAULIC, ENG OIL DRAIN, M22
2		{87584973}		1	FUEL, 5/8 X 18
3		87584983		1	FITTING, .75MP .62 HB, PP
4		BN73571		1	CAP, POLY, 3/4 NPT
5		214-1410		2	CLAMP, HOSE, #10, 0.56/1.06 Type F Worm

3

	3330
--	-------------

OIL PUMP - ENGINE

3



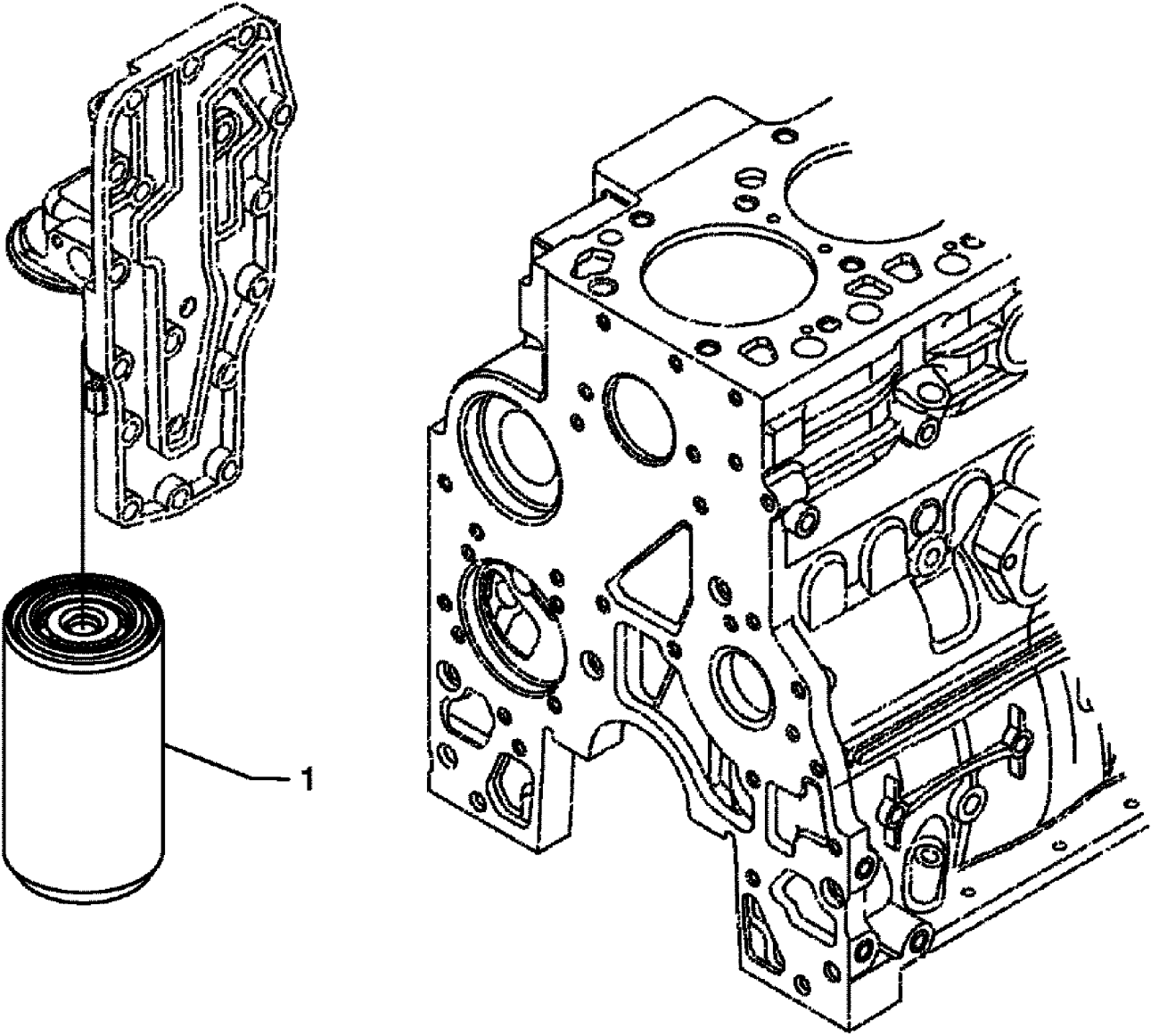
OIL PUMP - ENGINE

REF	FN	PART NUMBER	YR/SN	QTY	DESCRIPTION
1		4897481		1	PUMP, ENGINE OIL
2		4899090		4	SCREW, Hex Flg, M8 x 1.25 x 30

	3330
--	-------------

OIL FILTER - ENGINE

3



OIL FILTER - ENGINE

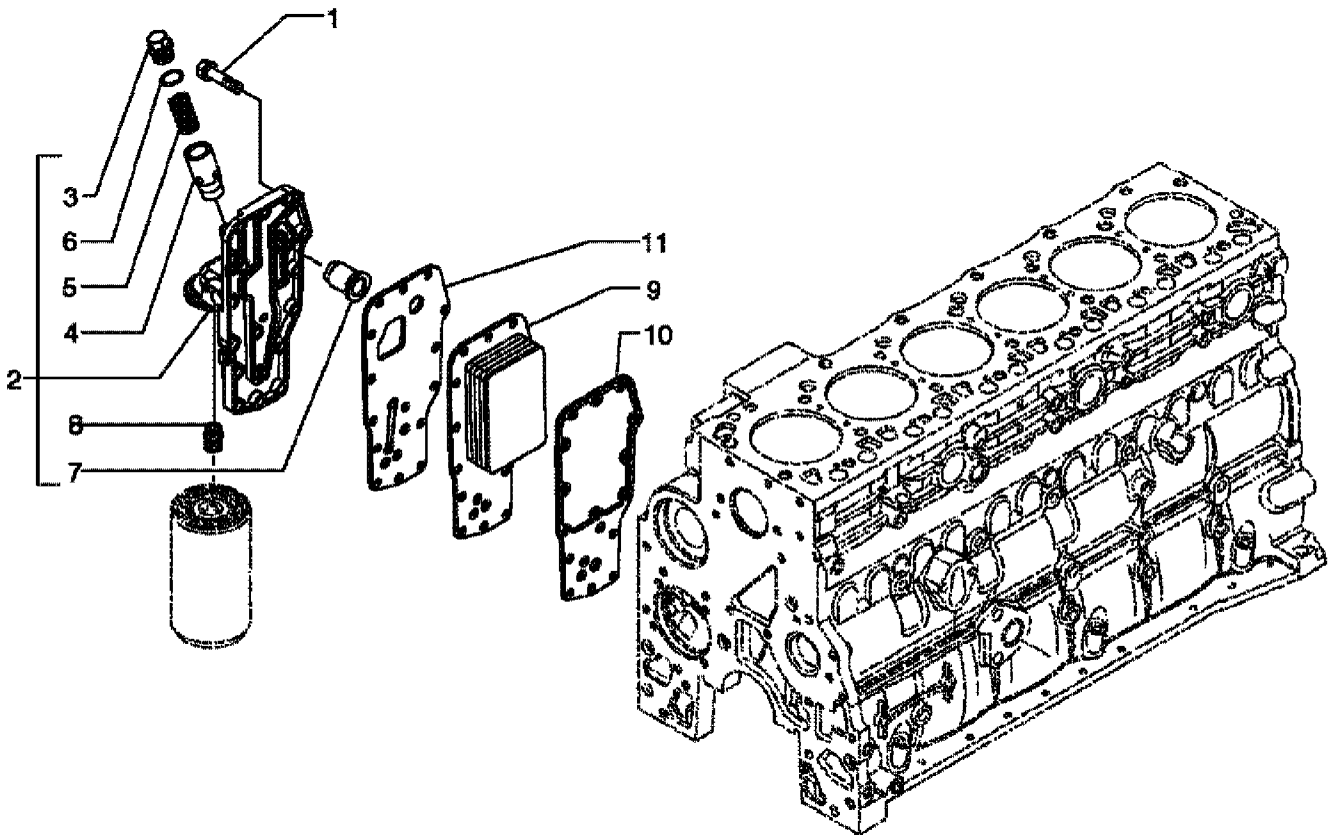
REF	FN	PART NUMBER	YR/SN	QTY	DESCRIPTION
------------	-----------	--------------------	--------------	------------	--------------------

1		87803261		1	FILTER, ENGINE OIL
---	--	----------	--	---	--------------------

	3330
--	-------------

OIL FILTER AND COOLER

3

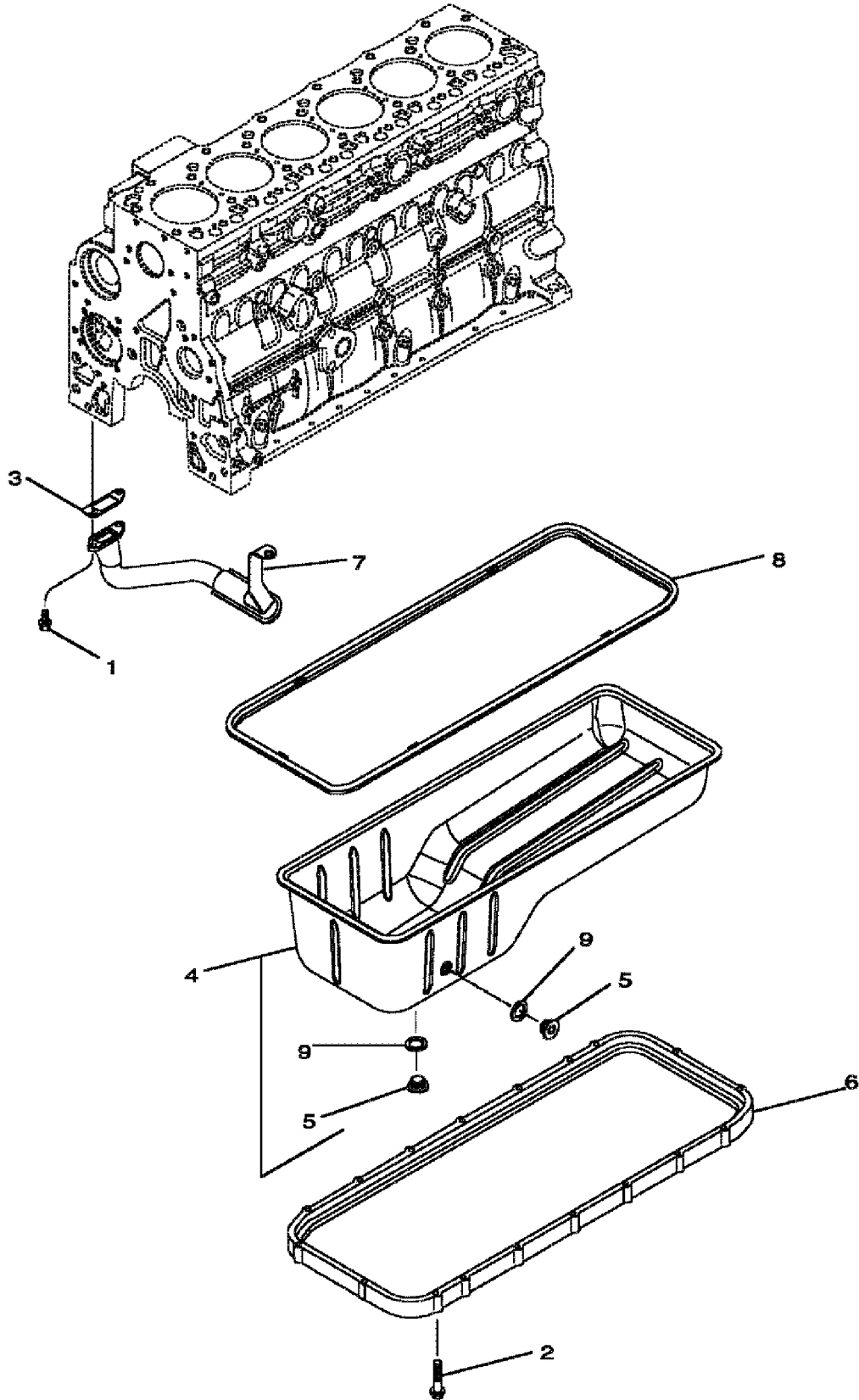


OIL FILTER AND COOLER

REF	FN	PART NUMBER	YR/SN	QTY	DESCRIPTION
1		4899019		15	SCREW, Hex Flg, M8 x 1.25 x 35
2		2853780		1	HEAD, FILTER, HOUSING
3		2853781		1	PLUG
4		4896404		1	PLUNGER, HOUSING, PLUG PRESSURE REG.
5		4895045		1	SPRING, VALVE
6		4899035		1	O-RING, IF USED
7		4896410		1	VALVE, PRESSURE RELIEF, HYDRAULIC
8		4893391		1	ADAPTER, CONNECTOR, HYD.
9		4896407		1	COOLER, OIL, RADIATOR
9		2853604		1	COOLER, OIL
10		2830559		1	GASKET
11		4896409		1	GASKET

3330

OIL PUMP, PAN



3

03-010

p1

08/08

OIL PUMP, PAN

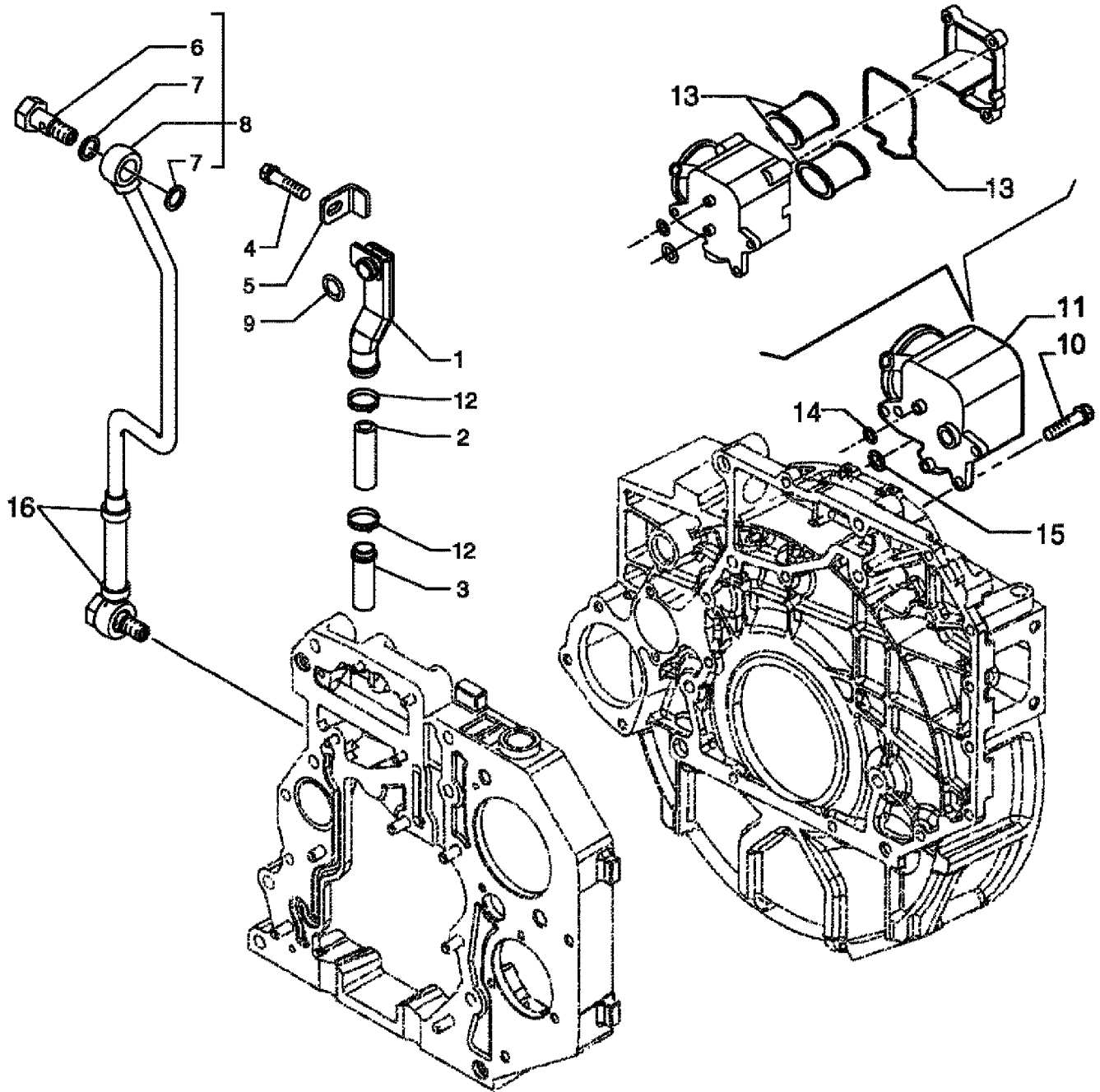
REF	FN	PART NUMBER	YR/SN	QTY	DESCRIPTION
1		18138424		2	SCREW, Hex Flg, M8 x 1.25 x 20
2		4899091		18	SCREW, Hex Flg, M8 x 1.25 x 40
3		4898301		1	GASKET
4		4898036		1	PAN, ENGINE OIL
5		4895577		2	PLUG
6		4897858		1	SPACER
7		4893940		1	PIPE, OIL SUCTION
8		4897861		1	GASKET
9		2830546		2	WASHER, SEALING

3

3330

BREATHER - ENGINE

3



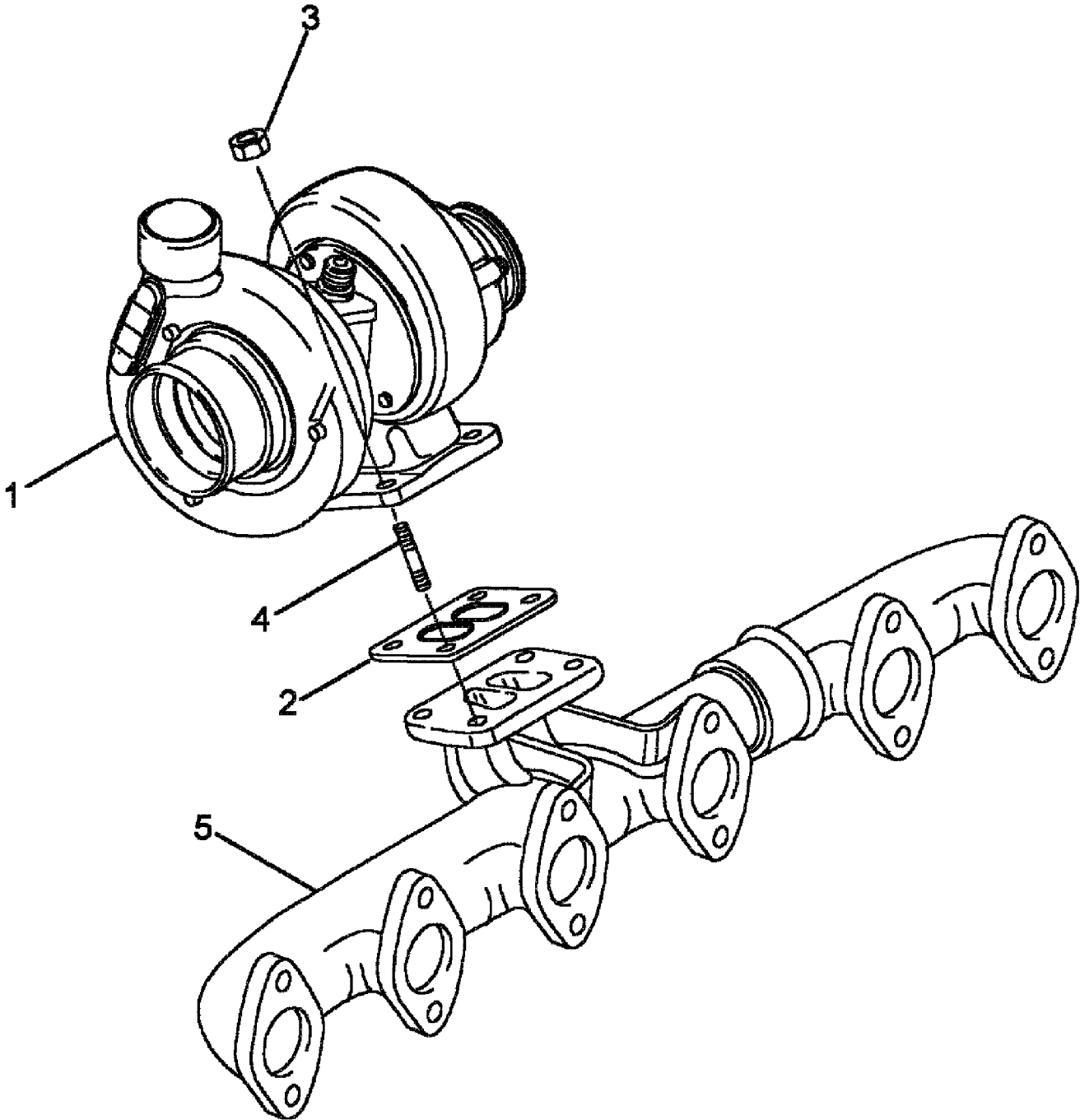
BREATHER - ENGINE

REF	FN	PART NUMBER	YR/SN	QTY	DESCRIPTION
1		4897534		1	TUBE, RIGID
2		4897546		1	RUBBER SLEEVE
3		4897547		1	TUBE, RIGID
4		4897537		1	SCREW
5		4897536		1	BRACKET
6		2852772		2	BOLT, BANJO, M12 X 1.5 X 30
7		4899926		4	WASHER, SEALING
8		4899219		1	TUBE, RIGID
9		4898439		1	O-RING, D20.2 SP=2.62
10		4899092		3	SCREW, Hex Flg, M6 x 1 x 25
11		4892871		1	BREATHER, INCL. REF. 13 - 15; REMAINDER OF COMPONENTS NOT SERVICED SEPARATELY
12		4893234		2	CLAMP, HOSE, COLLAR, RETAINER
13		2830592		2	FILTER, BREATHER
14		4898372		1	O-RING
15		2830304		1	O-RING
16		4899242		2	CLAMP

3330

TURBOCHARGER

3



TURBOCHARGER

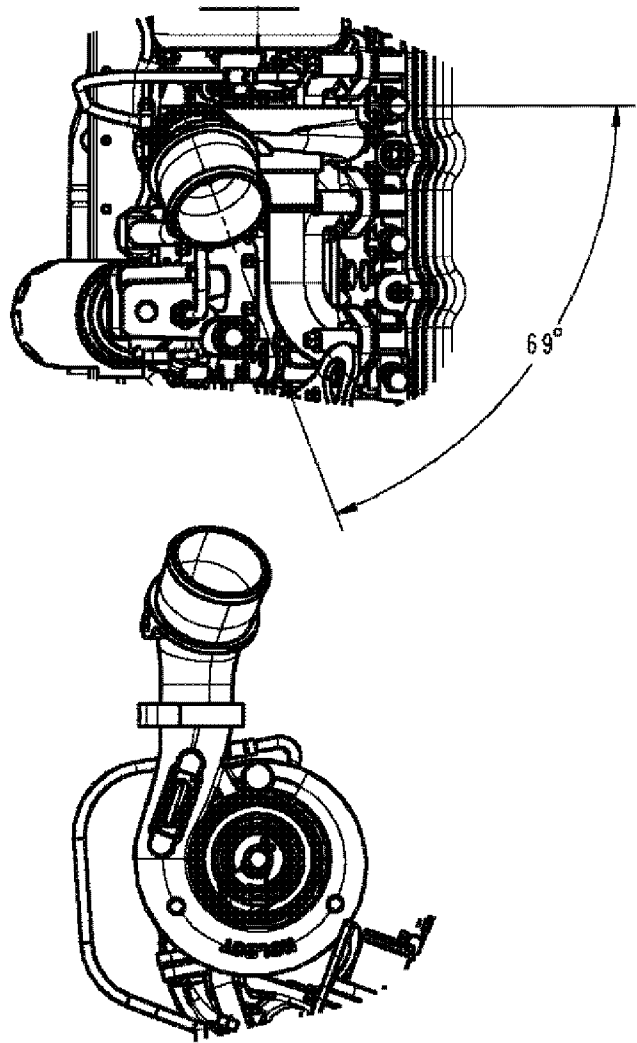
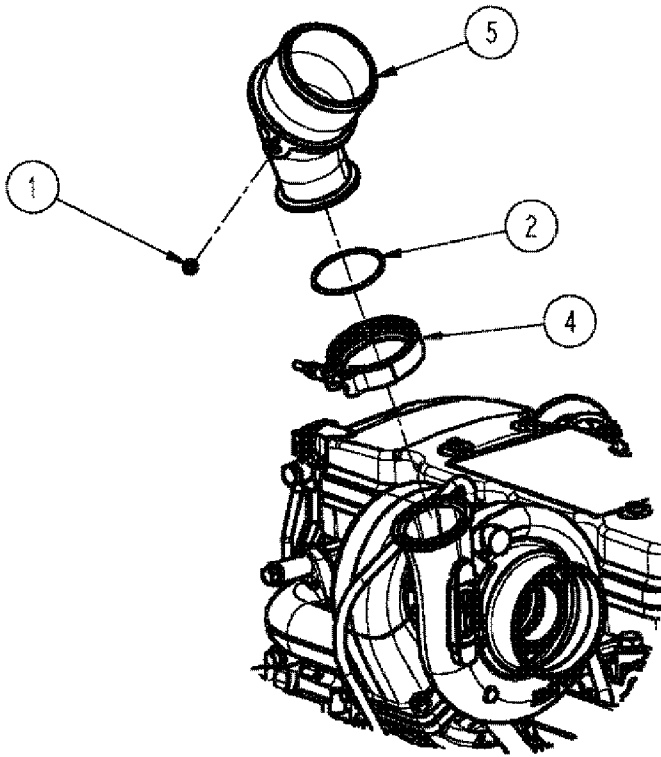
REF	FN	PART NUMBER	YR/SN	QTY	DESCRIPTION
1		2854829		1	TURBOCHARGER
2		4895132		1	GASKET
3		4899086		4	NUT
4		4899085		1	STUD
5		4896650		1	MANIFOLD, EXHAUST, SPARE PART, SEE FIG. 03-027

3

3330

TURBO ELBOW GROUP

3



TURBO ELBOW GROUP

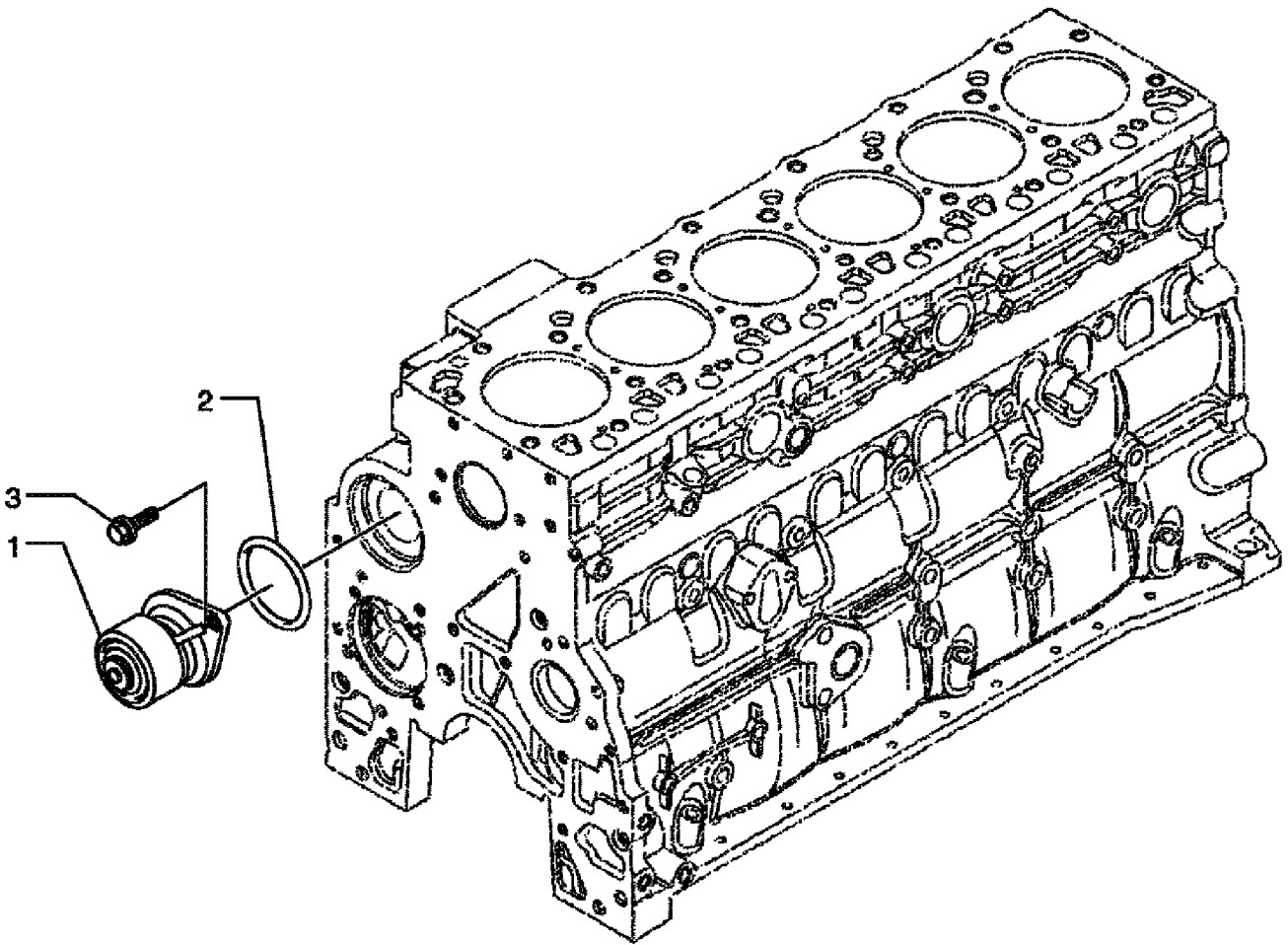
REF	FN	PART NUMBER	YR/SN	QTY	DESCRIPTION
1		J008465		1	PLUG, 1/8 NPT, INT HEX, SEAL
2		J883284		1	O-RING, NEW HOLLAND N
3		J923041		1	NUT
4		J069053		1	CLAMP, TURBO OUTLET, U-BAN
5		J918350		1	PIPE ASSY., AIR TRANSFER

3

	3330
--	-------------

WATER PUMP

3



WATER PUMP

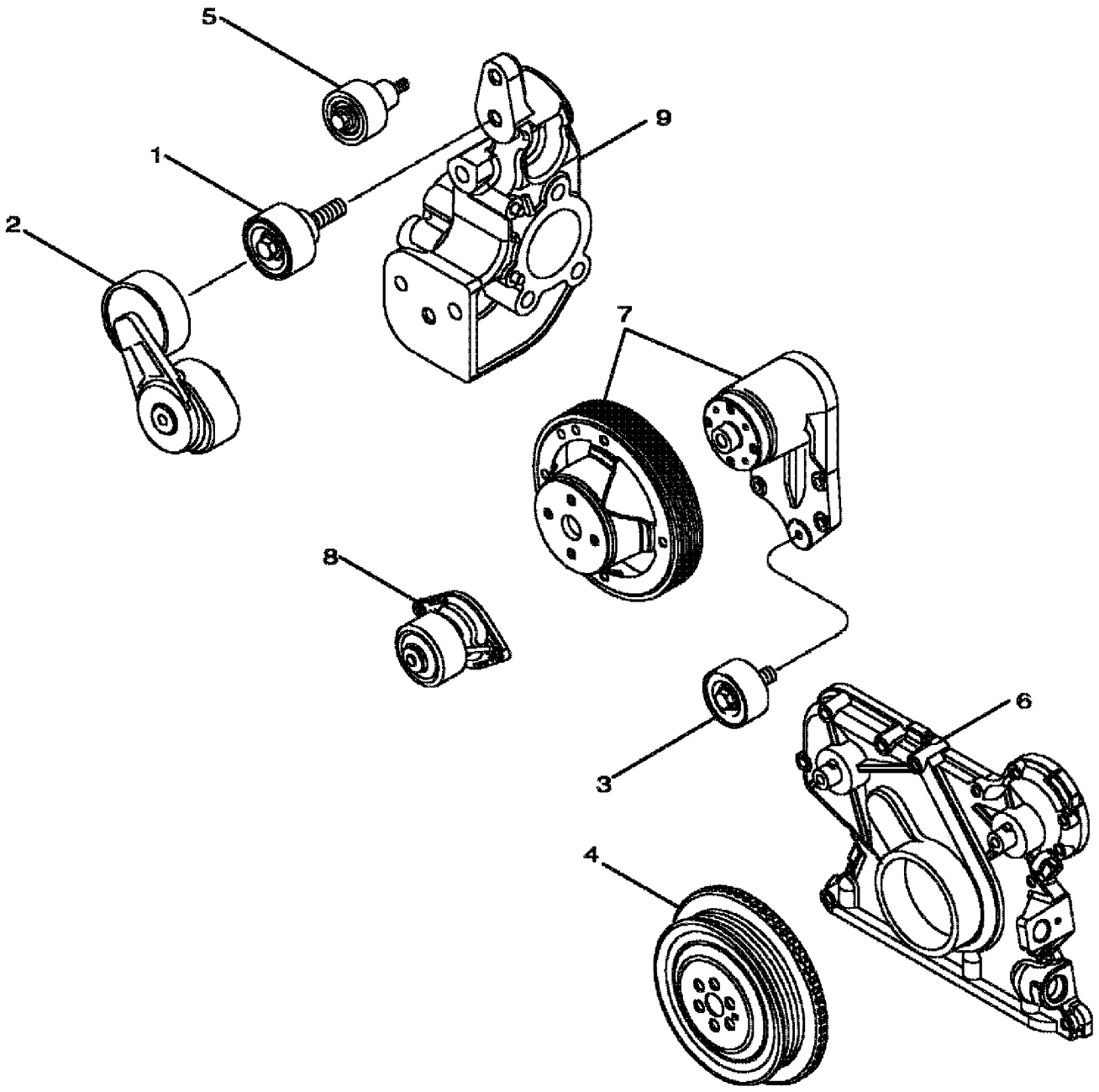
REF	FN	PART NUMBER	YR/SN	QTY	DESCRIPTION
1		2853443		1	PUMP, WATER
2		4899052		1	GASKET
3		4899079		2	SCREW, Hex Flg, M8 x 1.25 x 25

3

	3330
--	-------------

WATER PUMP - CONTROL

3



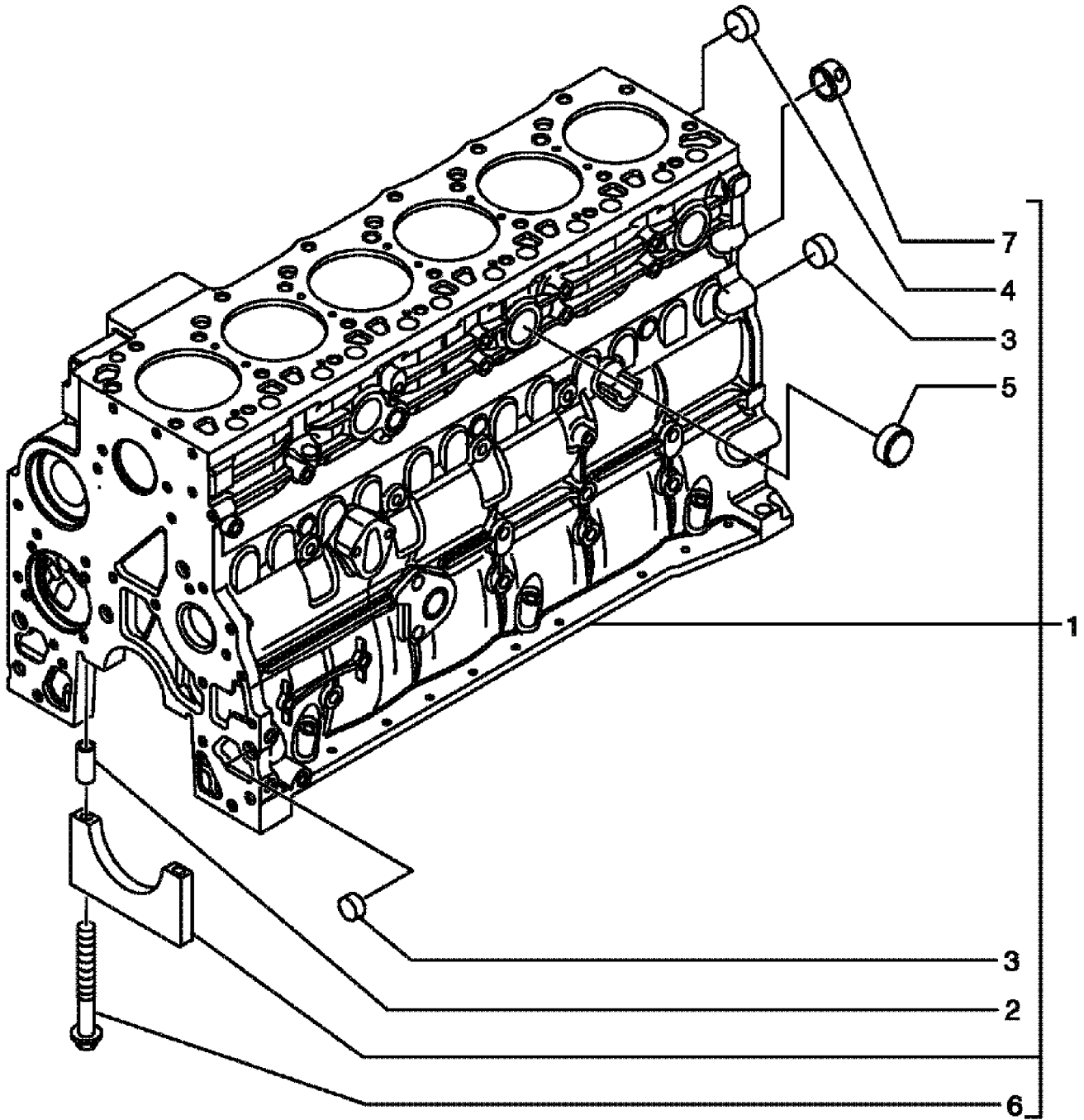
WATER PUMP - CONTROL

REF	FN	PART NUMBER	YR/SN	QTY	DESCRIPTION
1		2852398		1	TENSIONER, BELT, PULLEY
2		2856173		1	TENSIONER, BELT
		2852396		1	TENSIONER, BELT
3		2852397		1	IDLER, ROLLER, SHIFTER
4		4896773		1	PULLEY, SEE FIG. 03-015
5		2852245		1	PULLEY, IDLER
6		4897026		1	COVER, FRONT GEAR, SEE FIG. 03-015
7		REF		1	INSTRUCTION, SPARE PART, FAN DRIVE, SEE FIG. 03-004
8		2853443		1	PUMP, WATER, SEE FIG. 03-014
9		2852392		1	SUPPORT, SEE FIG. 03-034

3330

CYLINDER BLOCK

3



CYLINDER BLOCK

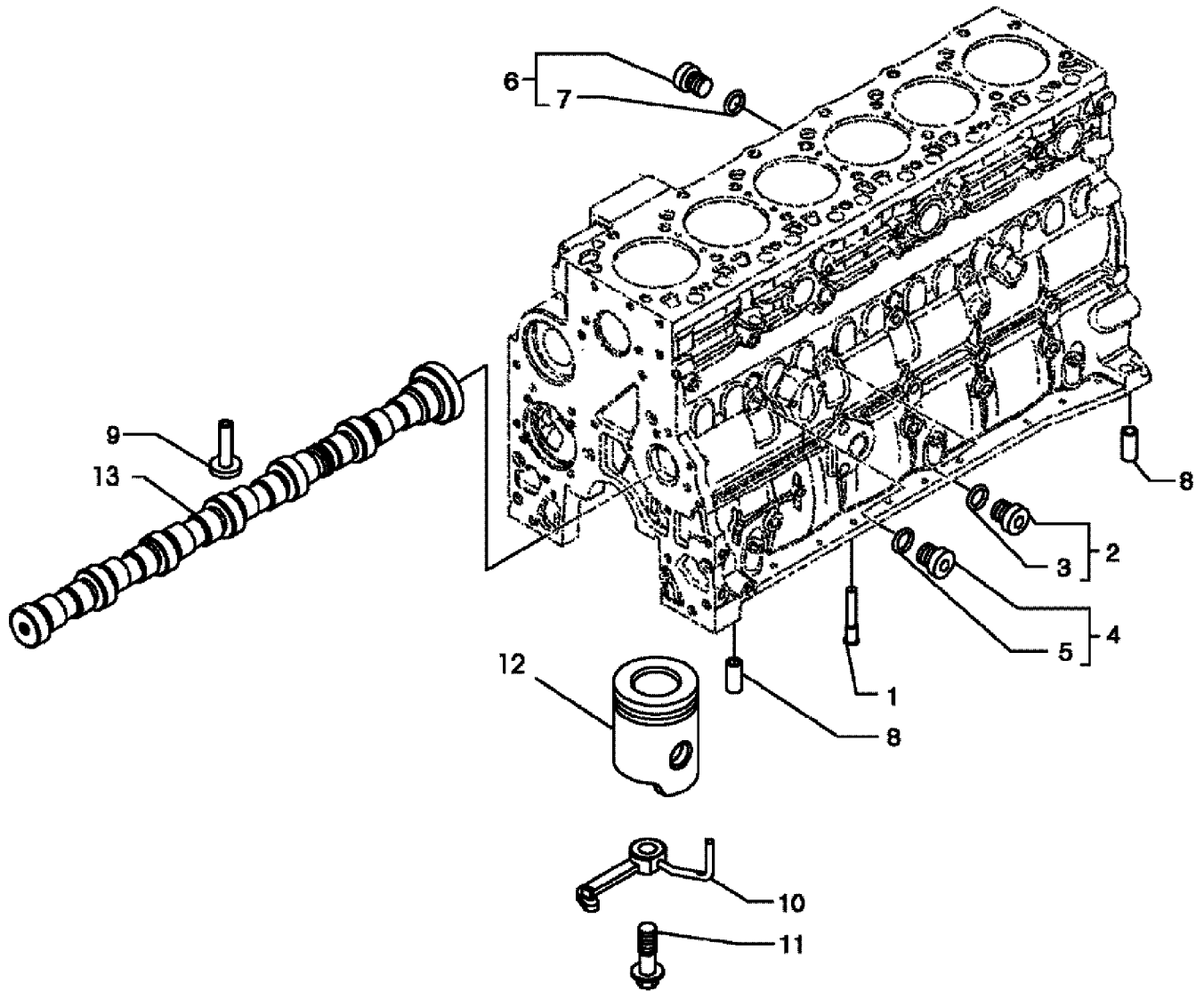
REF	FN	PART NUMBER	YR/SN	QTY	DESCRIPTION
1		2830076		1	CYLINDER BLOCK
2		4895049		2	DOWEL, IF USED
3		4895039		3	PLUG
4		4895038		6	PLUG
5		4895228		3	PLUG
6		4891353		14	SCREW, Flg Hd, M12 x 1.5 x 120
7		4895040		1	BUSHING

3

	3330
--	-------------

CYLINDER BLOCK - PLUG ASSEMBLY

3



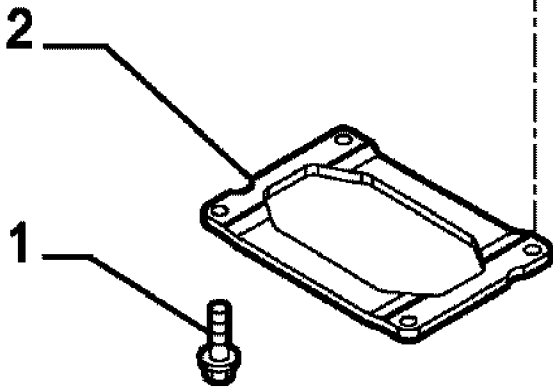
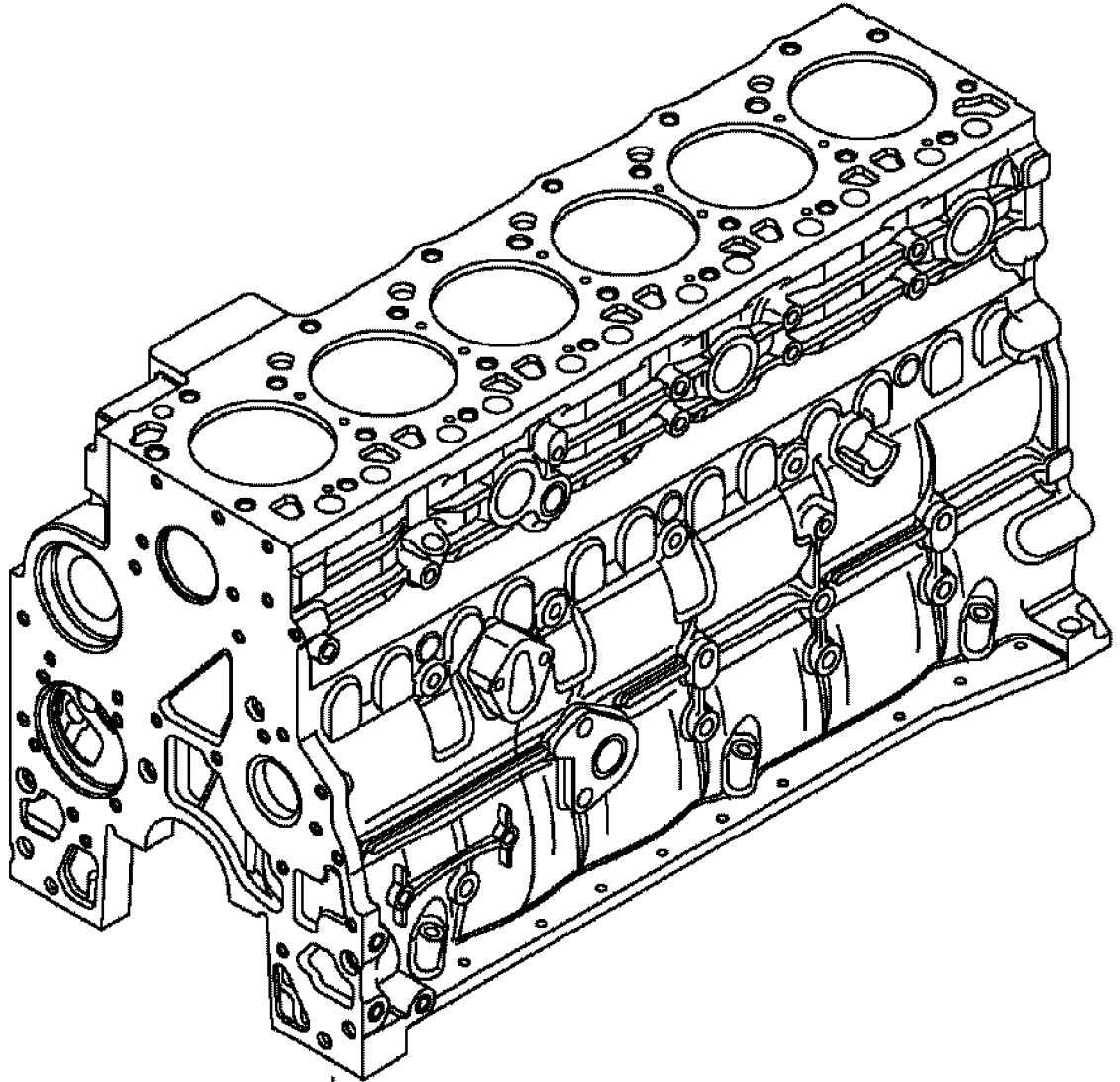
CYLINDER BLOCK - PLUG ASSEMBLY

REF	FN	PART NUMBER	YR/SN	QTY	DESCRIPTION
1		4896153		6	PLUG, IF USED
2		4895605		2	PLUG, M14 X 1.5
3		4899115		1	O-RING
4		4899009		2	PLUG, M10 x 1
5		4899072		1	O-RING
6		4895392		2	PLUG, M18 X 1.5
7		4895393		1	O-RING
8		4895049		2	DOWEL
9		4899803		12	TAPPET
10		2852202		6	NOZZLE, LUB. OIL JET
11		4894218		6	SCREW
12		{87265343}		6	INSTRUCTION, PISTON, SEE FIG. 03-050
13		REF		1	INSTRUCTION, CAMSHAFT, SEE FIG. 03-028

3330

CYLINDER BLOCK

3



CYLINDER BLOCK

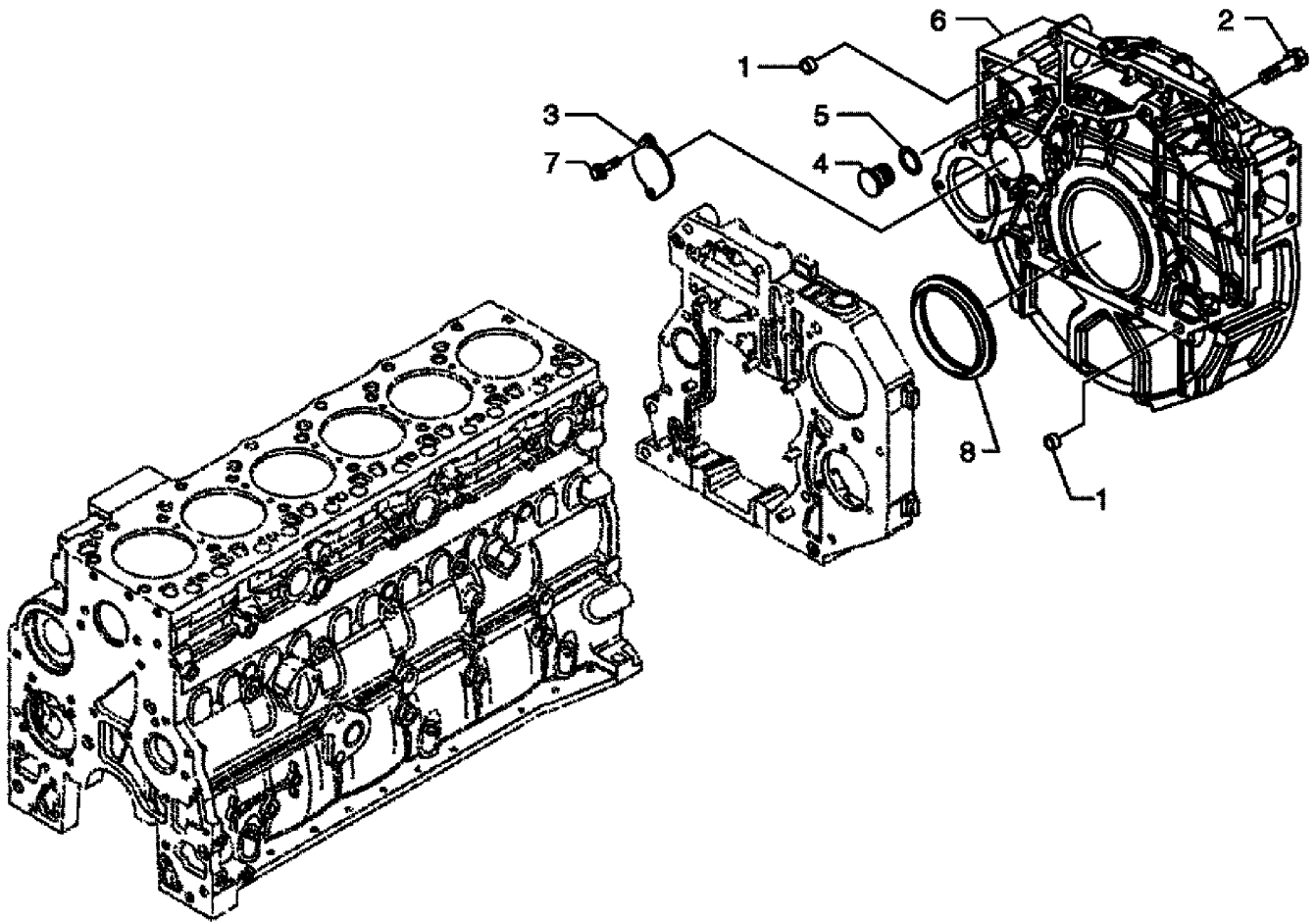
REF	FN	PART NUMBER	YR/SN	QTY	DESCRIPTION
1		4899032		4	SCREW, Hex Flg, M10 x 1.5 x 25
2		2852729		1	STIFFENER

3

	3330
--	-------------

FLYWHEEL HOUSING

3



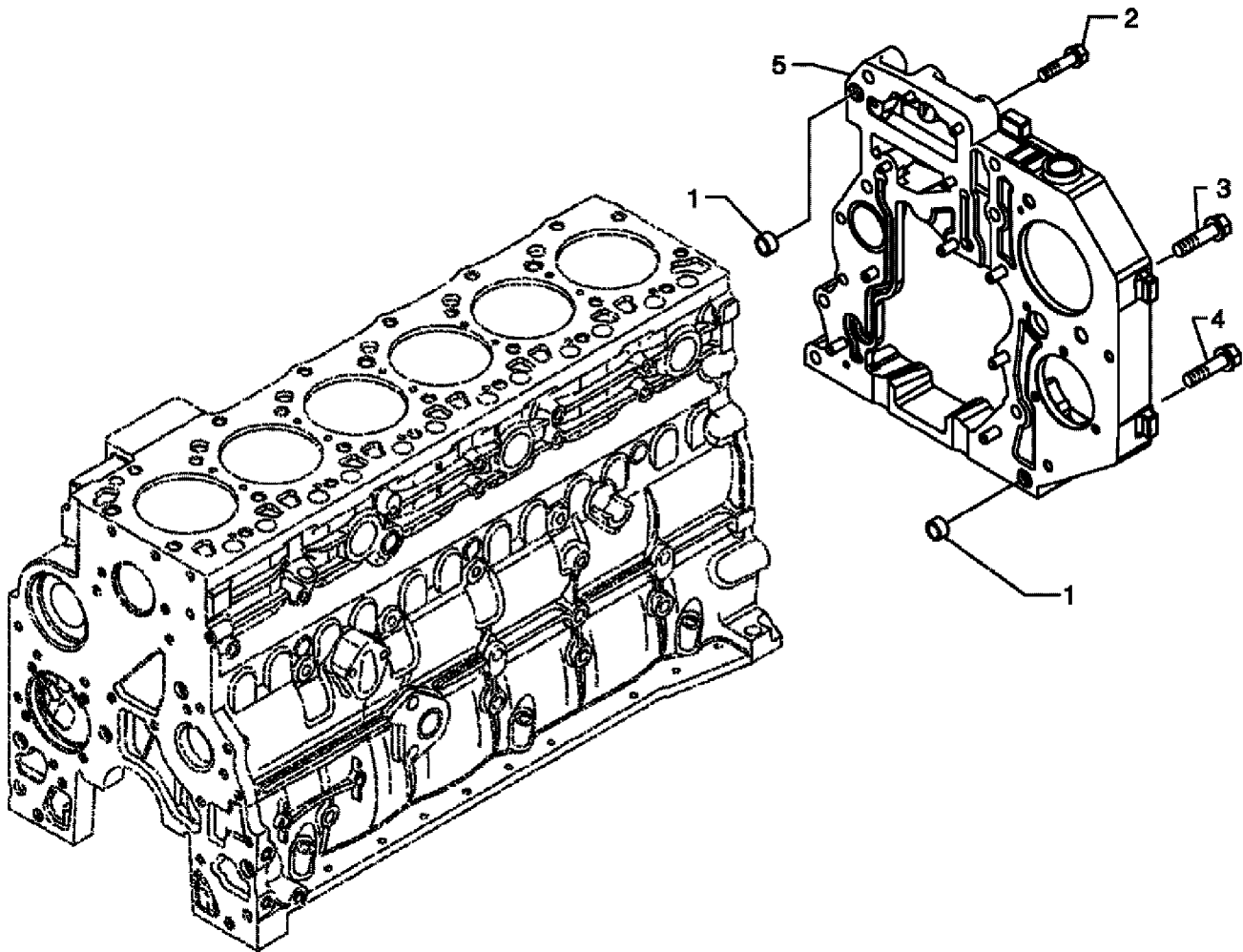
FLYWHEEL HOUSING

REF	FN	PART NUMBER	YR/SN	QTY	DESCRIPTION
1		4899026		2	DOWEL
2		4899109		2	SCREW, Hex, M10 x 1.5 x 80
2		4899076		6	SCREW, Hex Flg, M12 x 1.75 x 80
2		4892915		10	SCREW, M10 X 40
2		2852426		2	SCREW, M12 X 110
3		4895155		1	COVER
4		4895378		1	PLUG, D=29
5		4895379		1	O-RING
6		2854528		1	HOUSING, FLYWHEEL
7		4899068		2	SCREW, Hex Flg, M8 x 1.25 x 16
8		4890833		1	SEAL

3330

GEAR COVER - REAR HOUSING

3



GEAR COVER - REAR HOUSING

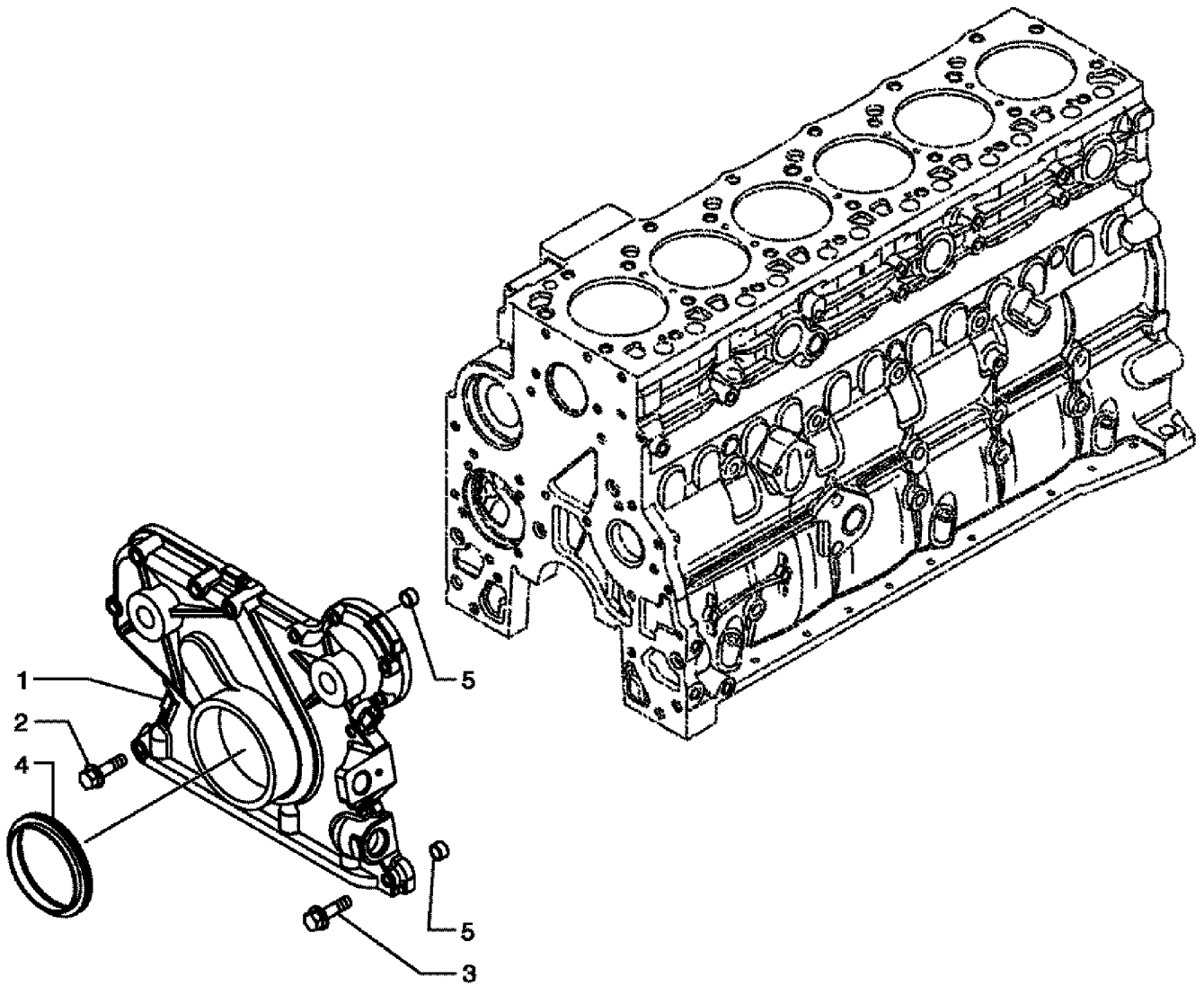
REF	FN	PART NUMBER	YR/SN	QTY	DESCRIPTION
1		4899026		2	DOWEL
2		4899078		4	SCREW, Hex Flg, M8 x 1.25 x 45
3		4899093		2	SCREW, Hex Flg, M10 x 1.5 x 30
3		4899073		1	SCREW, Hex Flg, M12 x 1.75 x 30
4		4896939		3	SCREW
5		4899678		1	HOUSING, REAR

3

	3330
--	-------------

FRONT GEAR COVER

3



FRONT GEAR COVER

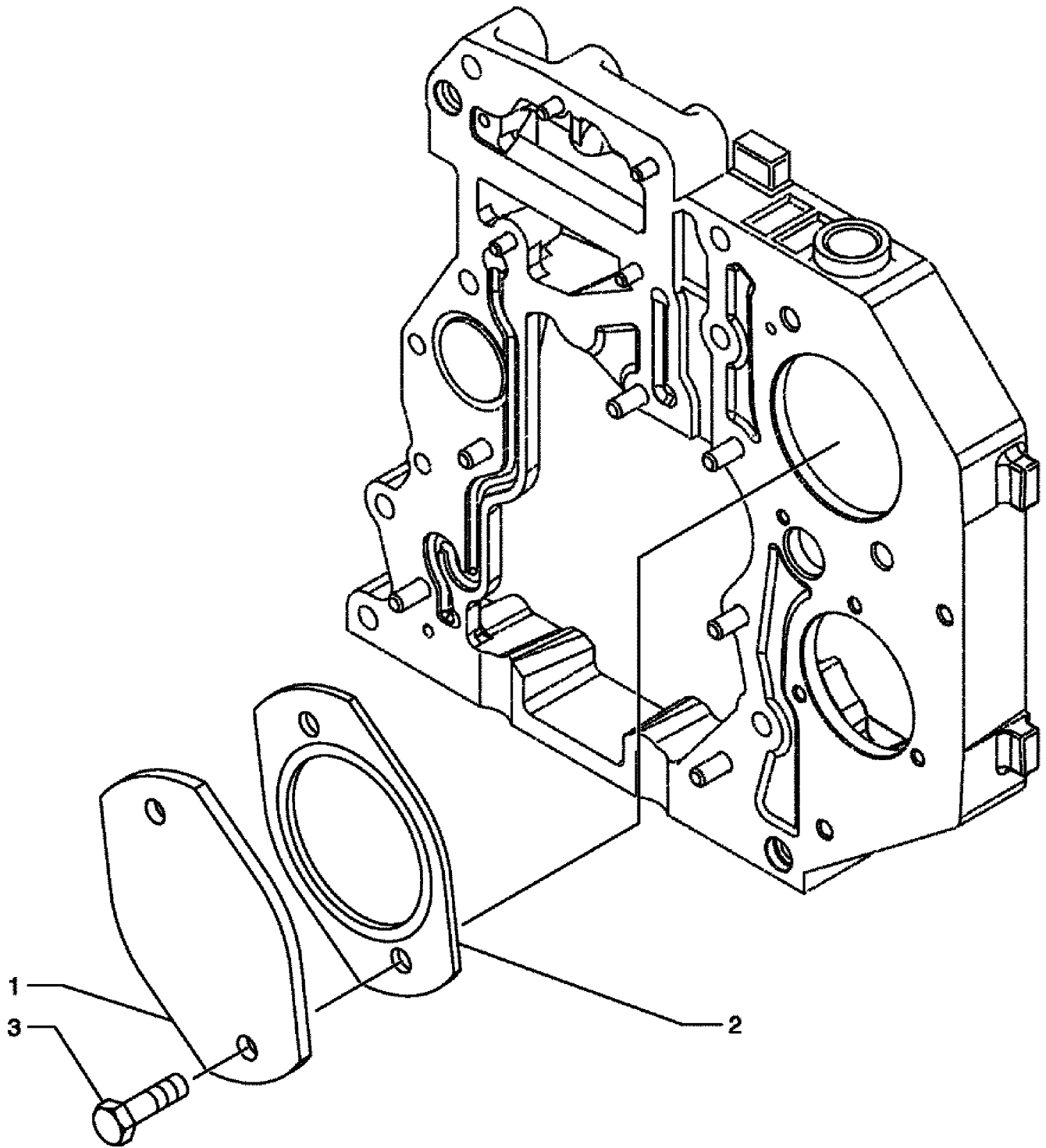
REF	FN	PART NUMBER	YR/SN	QTY	DESCRIPTION
1		4897026		1	COVER
2		4899078		5	SCREW, Hex Flg, M8 x 1.25 x 45
3		4899063		8	SCREW, Hex Flg, M8 x 1.25 x 30
4		4890832		1	SEAL
5		4891209		2	DOWEL

3

	3330
--	-------------

GEAR COVER - PLATE

3



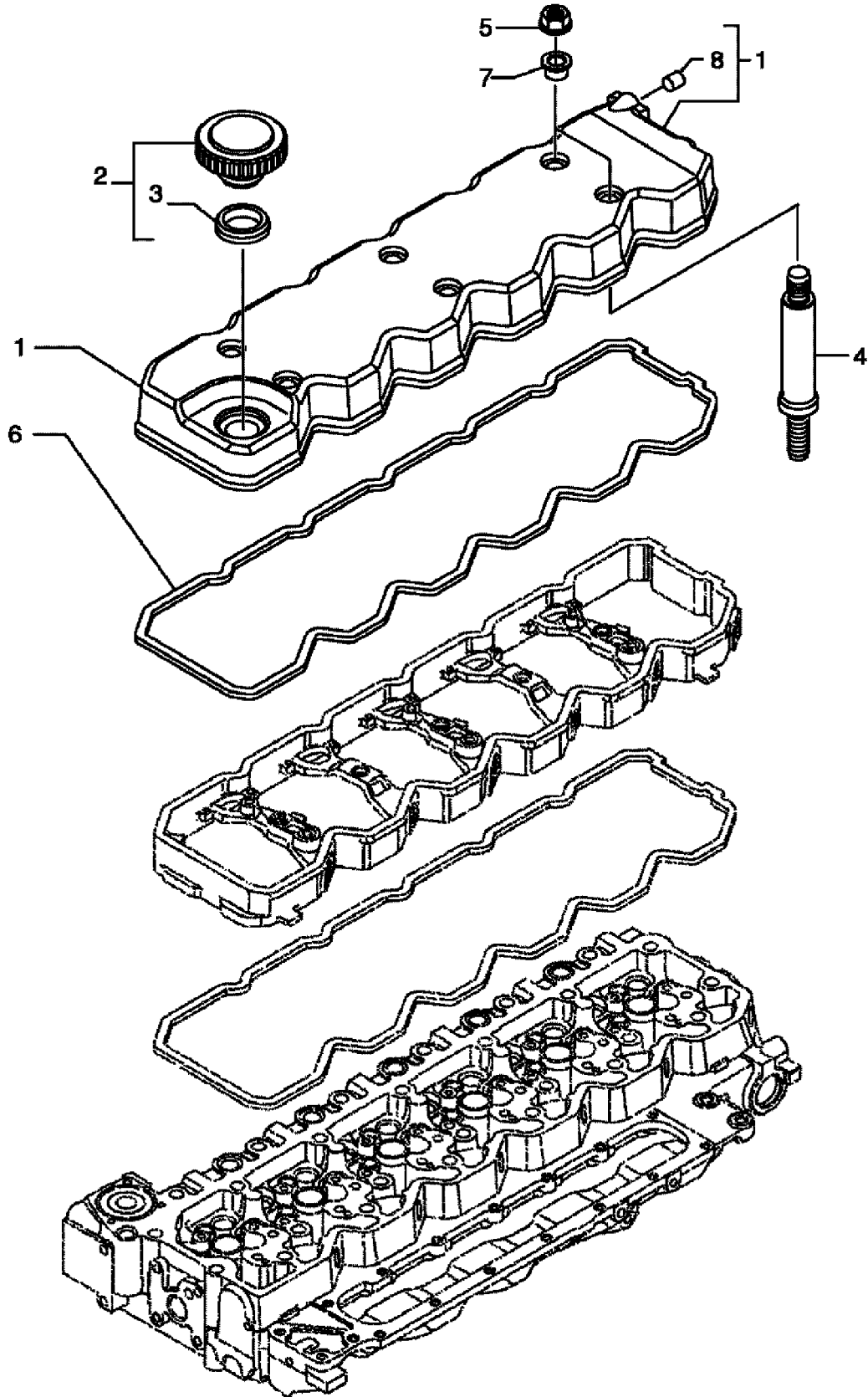
GEAR COVER - PLATE

REF	FN	PART NUMBER	YR/SN	QTY	DESCRIPTION
1		2852175		1	COVER
2		4896897		1	GASKET
3		16677734		2	BOLT, Hex Flg, M12 x 1.75 x 25

3

	3330
--	-------------

CYLINDER HEAD - COVERS



3

CYLINDER HEAD - COVERS

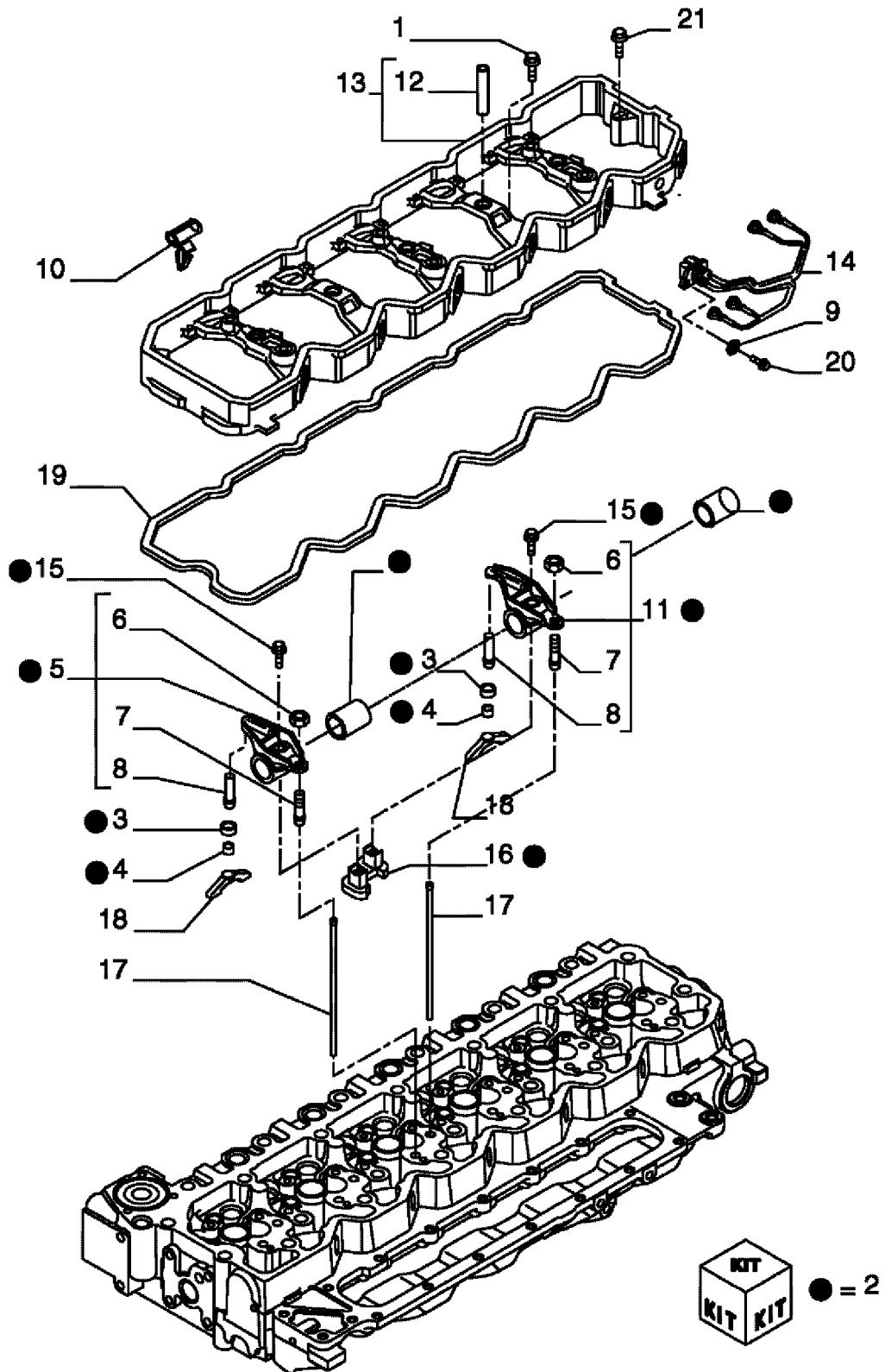
REF	FN	PART NUMBER	YR/SN	QTY	DESCRIPTION
1		2853857		1	COVER, VALVE
2		2852773		1	CAP, INTRODUCTION
3		2852774		1	GASKET, CAP
4		4896991		6	SCREW
4		2854375		6	STUD, ALTERNATIVE
5		4893936		6	NUT, M8 X 1.25
6		2853784		1	GASKET
7		4899239		6	SILENTBLOC
8		4898283		1	PLUG, IF USED

3

3330

CYLINDER HEAD - VALVE MECHANISM

3



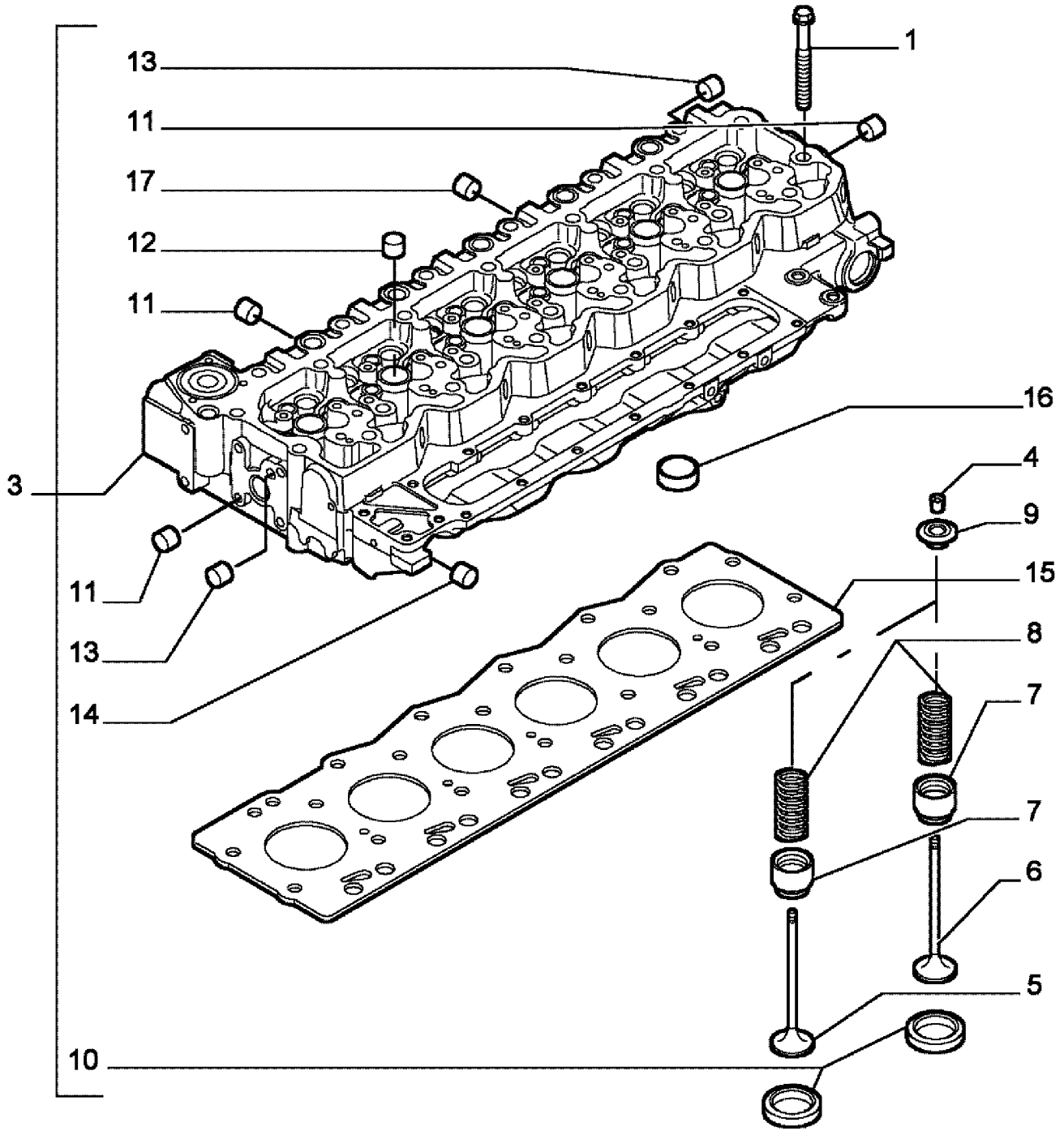
CYLINDER HEAD - VALVE MECHANISM

REF	FN	PART NUMBER	YR/SN	QTY	DESCRIPTION
1		4895432		5	SCREW, M8 x 1.25 x 70
2		2856458		6	ROCKER ARM
3		4897248		2	RETAINER
4		4894816		2	SHAFT
5		4895068		1	ROCKER ARM
6		4895198		2	NUT
7		2830222		2	SCREW, ADJUSTMENT
8		4895065		2	SPACER
9		2852776		3	WASHER
10		2852428		6	CLIP
11		4895067		1	ROCKER ARM
12		4899245		5	SLEEVE
13		4899257		1	HOUSING, SPACER, ROCKER LEVER
14		2852427		3	HARNES, WIRE
15		2830434		2	SCREW
16		4893487		1	SUPPORT
17		4895031		12	ROD, PUSH
18		2854530		12	CROSSBAR
19		2853788		1	GASKET
20		2852602		3	SCREW, M6 X 16
21		4899089		2	SCREW, Hex Flg, M8 x 1.25 x 50

3330

CYLINDER HEAD

3

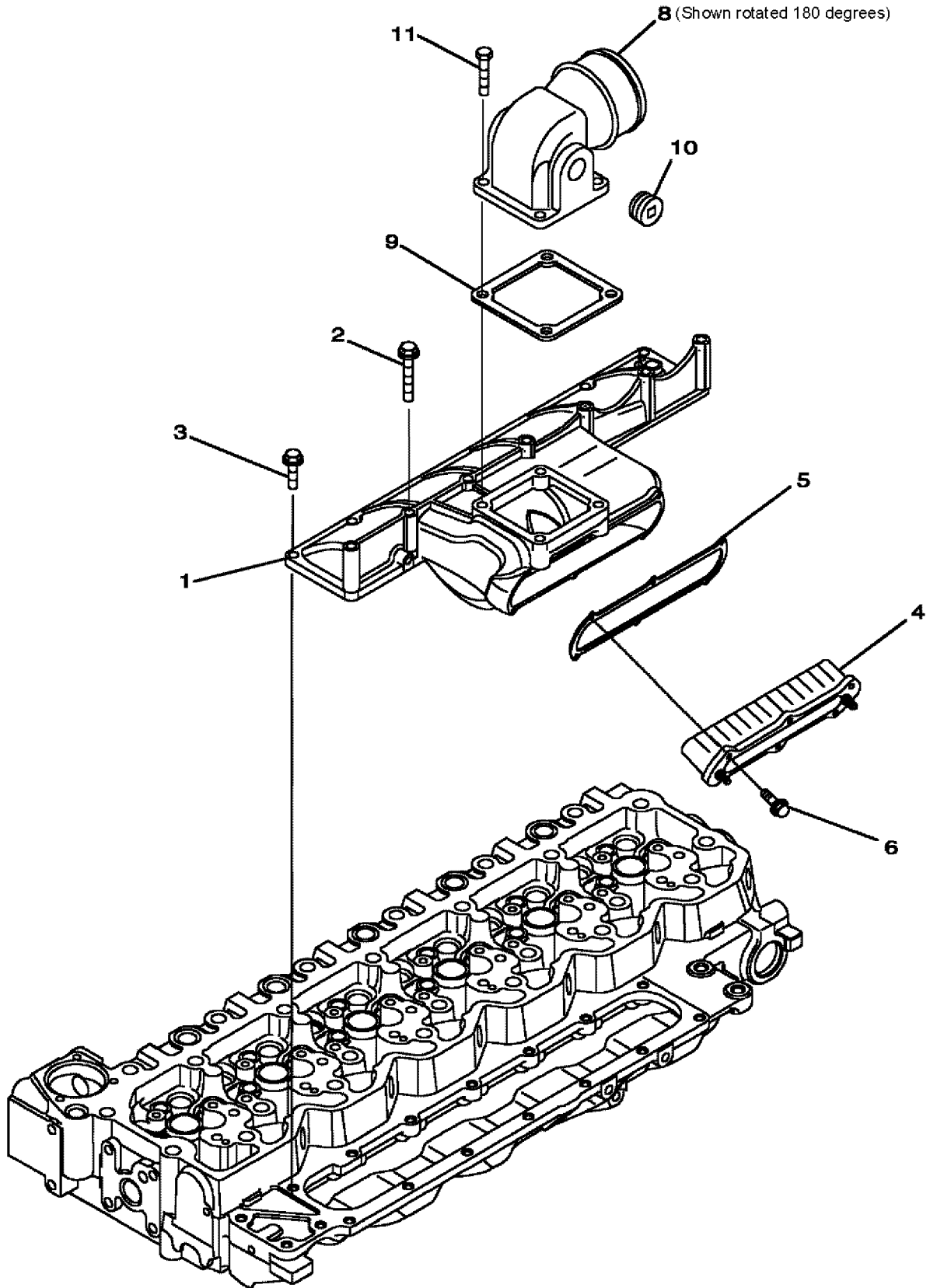


CYLINDER HEAD

REF	FN	PART NUMBER	YR/SN	QTY	DESCRIPTION
1		4891024		12	SCREW, Hex Flange Hd Cap, M12 x 130
1		4891025		14	SCREW, Hex Flange Hd Cap, M12 x 150
3		2831279		1	CYLINDER HEAD
		87536188		1	CYLINDER HEAD, - ASSY Include Ref. 3,4,5,6,7,8,9, 10
4		4899081		48	COTTER, ROCKER ARM
5		4895051		12	VALVE, ENG EXHAUST, STD
6		4895052		12	VALVE, ENGINE, INLET, STD
7		2831287		24	SEAT, SPRING
8		2831473		24	SPRING, VALVE
9		4895074		24	CUP
10		4893244		24	VALVE SEAT
11		4895085		13	PLUG
11		4895408		2	PLUG
12		4895089		11	PLUG
13		4895406		7	PLUG
14		4895407		2	PLUG
15		2830704		1	GASKET, CYLINDER HEAD, SP 1.25
16		4893036		3	PLUG
17		4895408		2	PLUG

3330

INTAKE MANIFOLD



INTAKE MANIFOLD

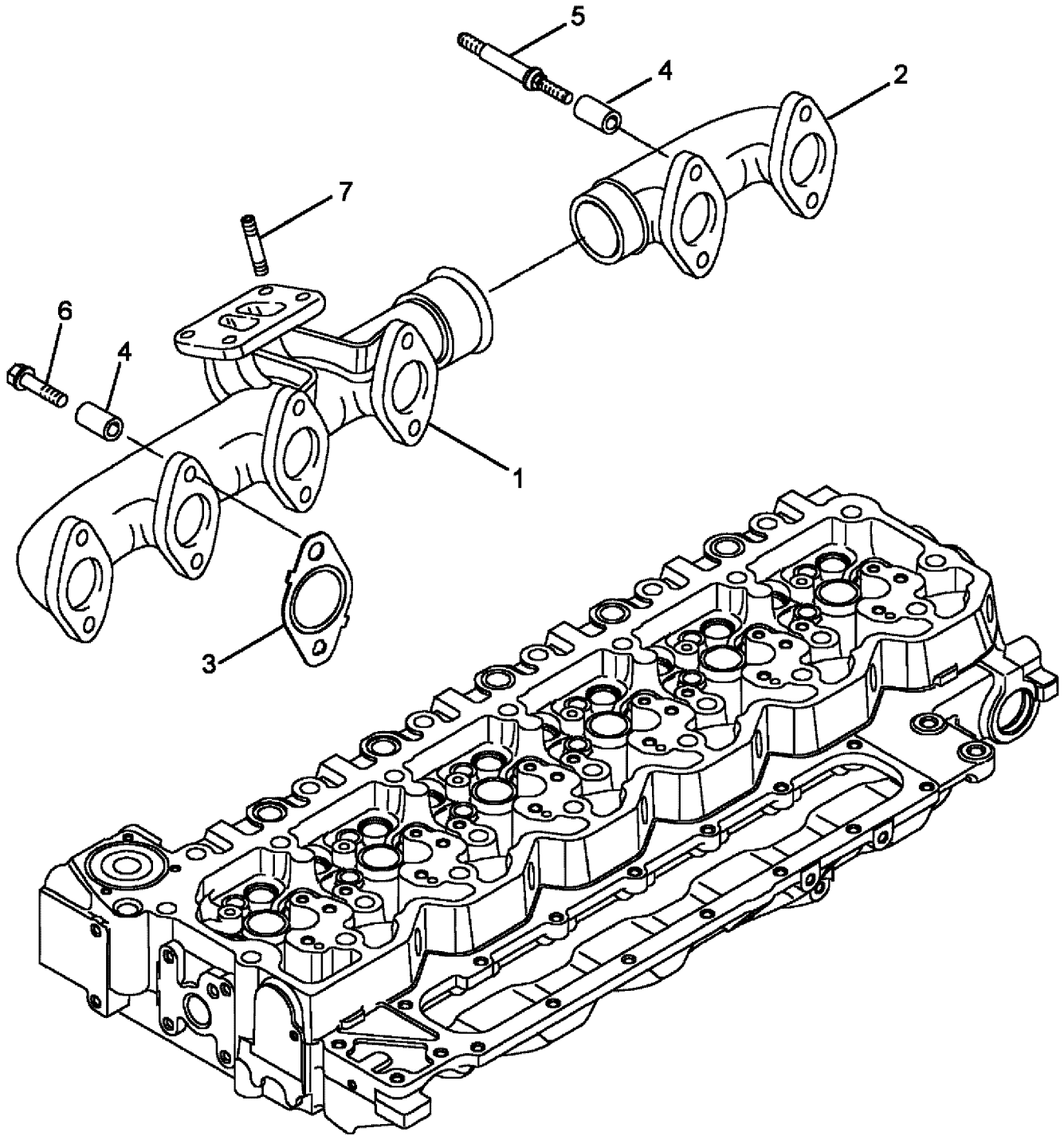
REF	FN	PART NUMBER	YR/SN	QTY	DESCRIPTION
1		2854534		1	MANIFOLD, INLET
2		4895432		3	SCREW
3		4899039		7	SCREW, Hex Flg, M8 x 1.25 x 25
4		2854837		1	HEATER
5		2854701		1	GASKET
6		2854702		6	SCREW
8		4895424		1	MANIFOLD, INLET
9		4899921		1	GASKET
10		4895079		2	PLUG
11		2852212		4	SCREW

3

3330

MANIFOLD - EXHAUST

3



03-027

p1

08/08

MANIFOLD - EXHAUST

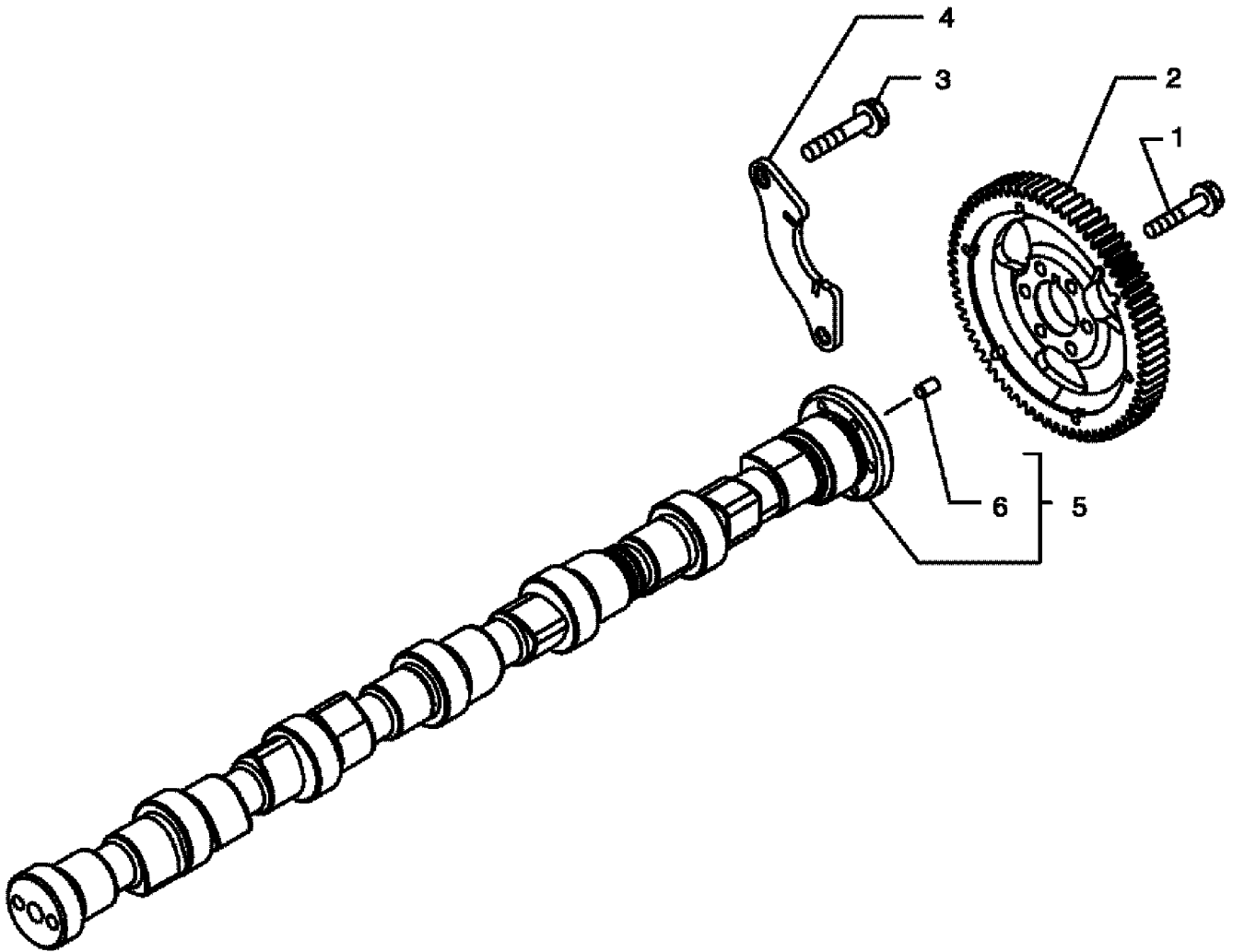
REF	FN	PART NUMBER	YR/SN	QTY	DESCRIPTION
1		4896651		1	MANIFOLD, EXHAUST
2		4896650		1	MANIFOLD, EXHAUST
3		2830444		6	GASKET
4		4895336		12	SPACER
5		4895219		4	STUD
6		4895174		8	SCREW, Flg Hd, M10 x 1.5 x 65
7		4899085		4	STUD

3

3330

CAMSHAFT

3



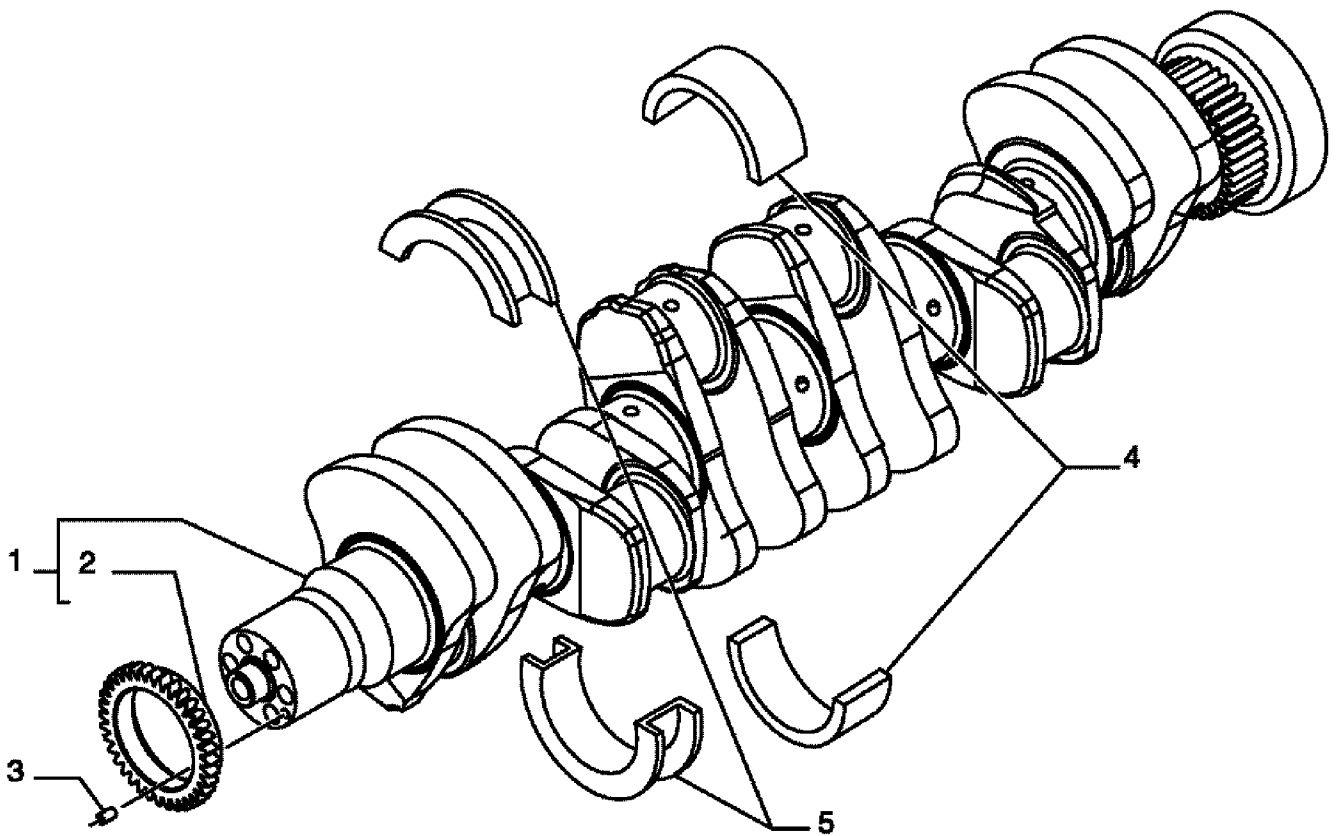
CAMSHAFT

REF	FN	PART NUMBER	YR/SN	QTY	DESCRIPTION
1		4899079		6	SCREW, Hex Flg, M8 x 1.25 x 25
2		4896380		1	GEAR, DRIVEN
3		4899068		2	SCREW, Hex Flg, M8 x 1.25 x 16
4		4897457		1	SUPPORT
5		2854604		1	CAMSHAFT
6		4899080		1	DOWEL

	3330
--	------

CRANKSHAFT

3



CRANKSHAFT

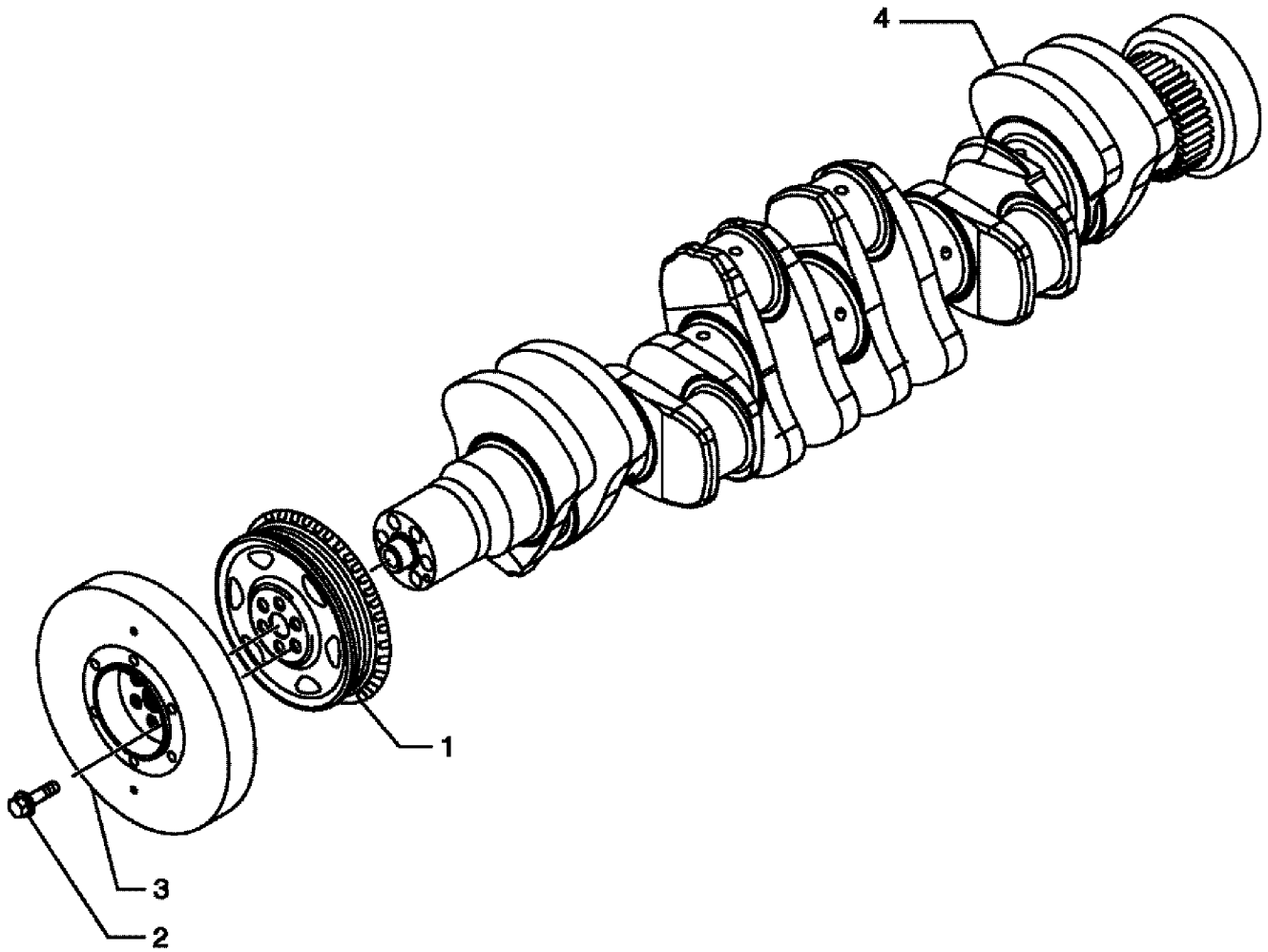
REF	FN	PART NUMBER	YR/SN	QTY	DESCRIPTION
1		2852305		1	CRANKSHAFT, INC. 2, 3
2		4893386		1	GEAR
3		4899046		1	DOWEL
4		2992147		6	SET OF MAIN BEARINGS, STD, INC. 2 BEARING HALVES
5		2992153		1	SET OF THRUST WASHERS, STD, SET, THRUST WASHERS (STD), INC. 2 HALVES

3

	3330
--	-------------

CRANKSHAFT - PULLEY

3



CRANKSHAFT - PULLEY

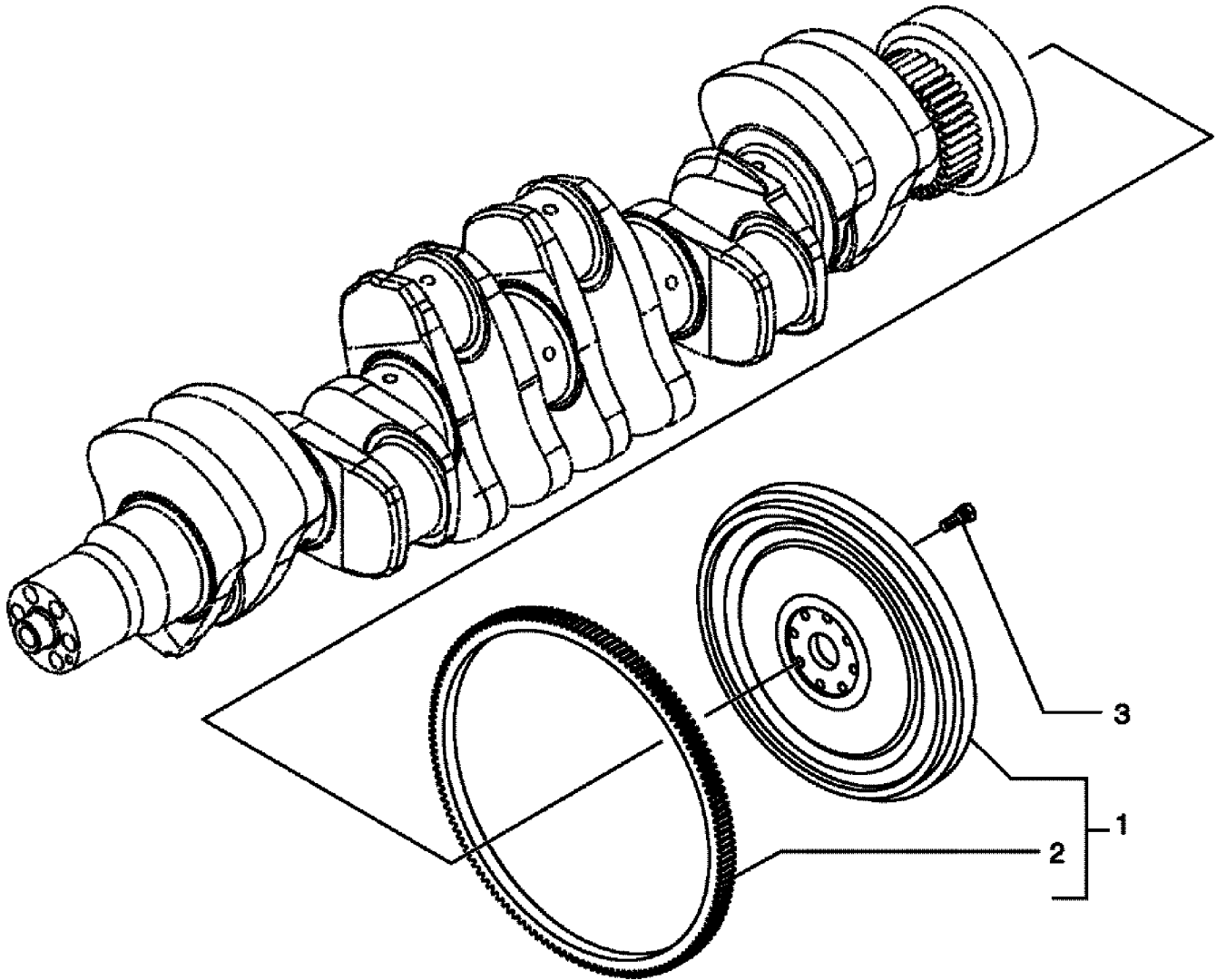
REF	FN	PART NUMBER	YR/SN	QTY	DESCRIPTION
1		4896773		1	PULLEY
2		4892867		6	SCREW, Torx Wash Hd, M12 x 1.25 x 78.5
3		2854847		1	DAMPER
4		REF		1	INSTRUCTION, CRANKSHAFT, SEE FIG. 03-029

3

	3330
--	-------------

FLYWHEEL - ENGINE

3



FLYWHEEL - ENGINE

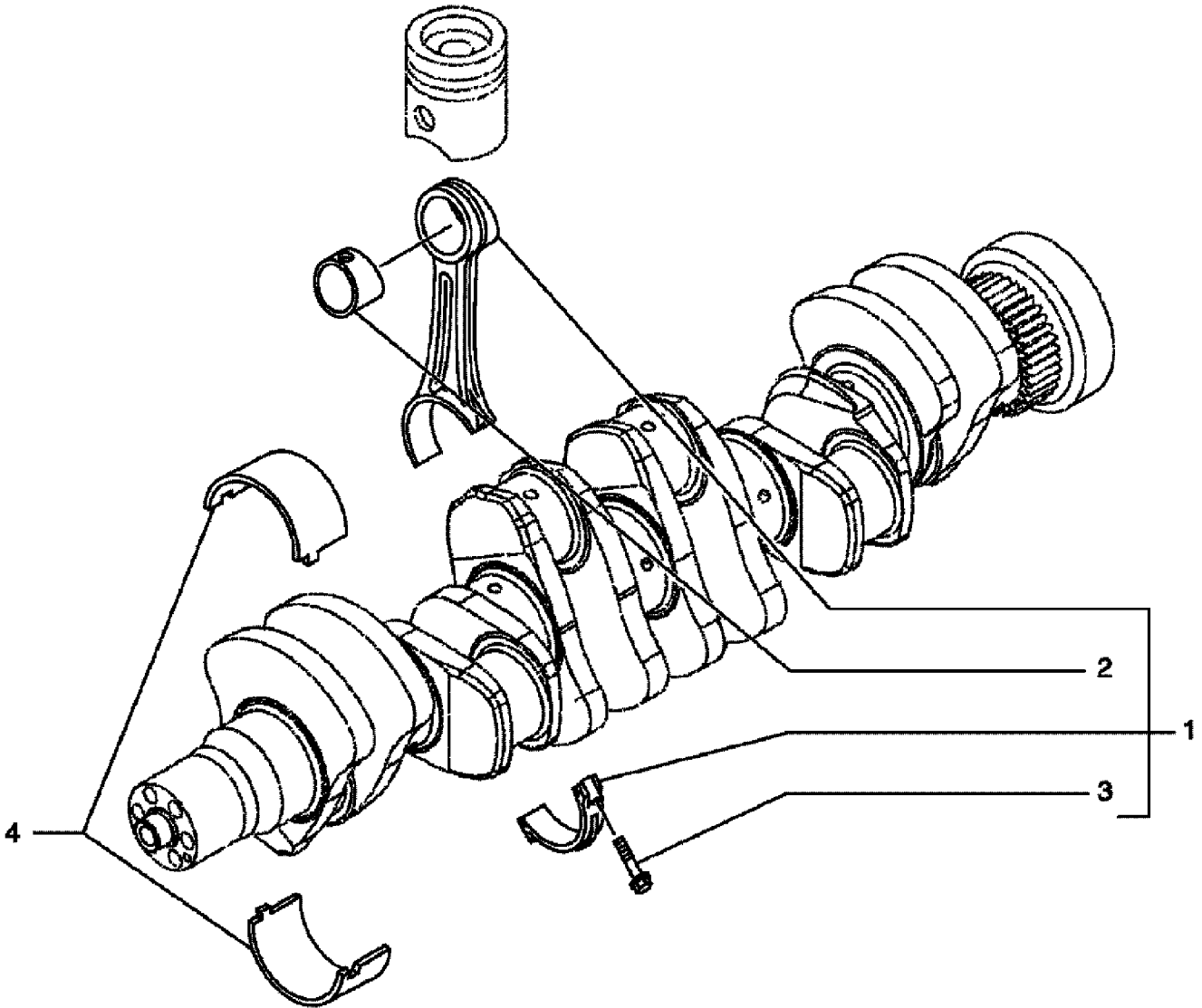
REF	FN	PART NUMBER	YR/SN	QTY	DESCRIPTION
1		2854537		1	FLYWHEEL, ENGINE
2		2852221		1	GEAR, RING
3		4894641		8	SCREW, Wash Hd, M12 x 1.25 x 31

3

	3330
--	-------------

CONNECTING ROD

3



CONNECTING ROD

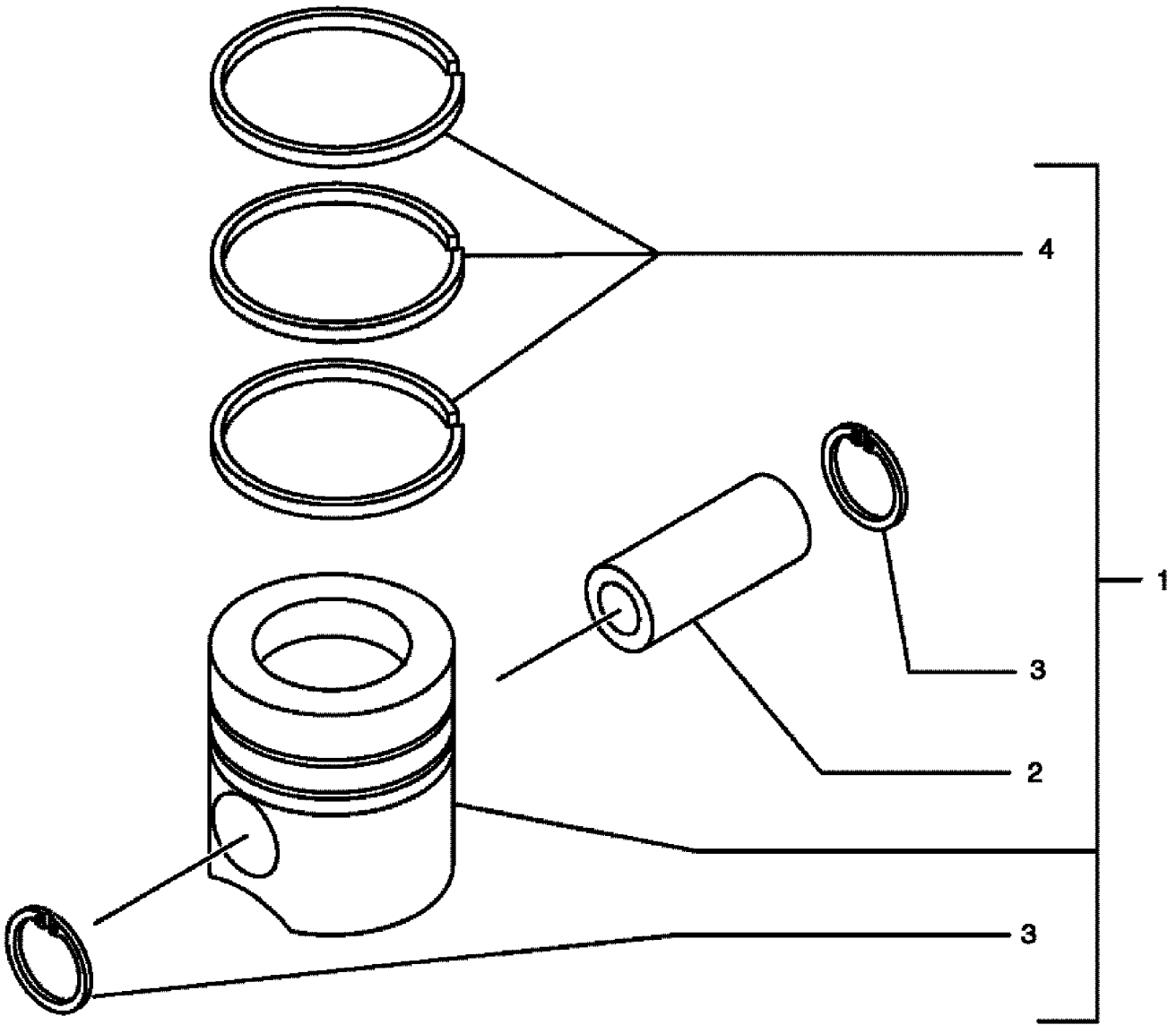
REF	FN	PART NUMBER	YR/SN	QTY	DESCRIPTION
1		2831298		6	ROD, CONNECTING
2		4892708		1	BUSHING
3		2831297		2	SCREW
4		8093882		6	SET, CONN ROD BRGS (STD), INC. 2 BEARING HALVES

3

	3330
--	-------------

PISTONS

3



PISTONS

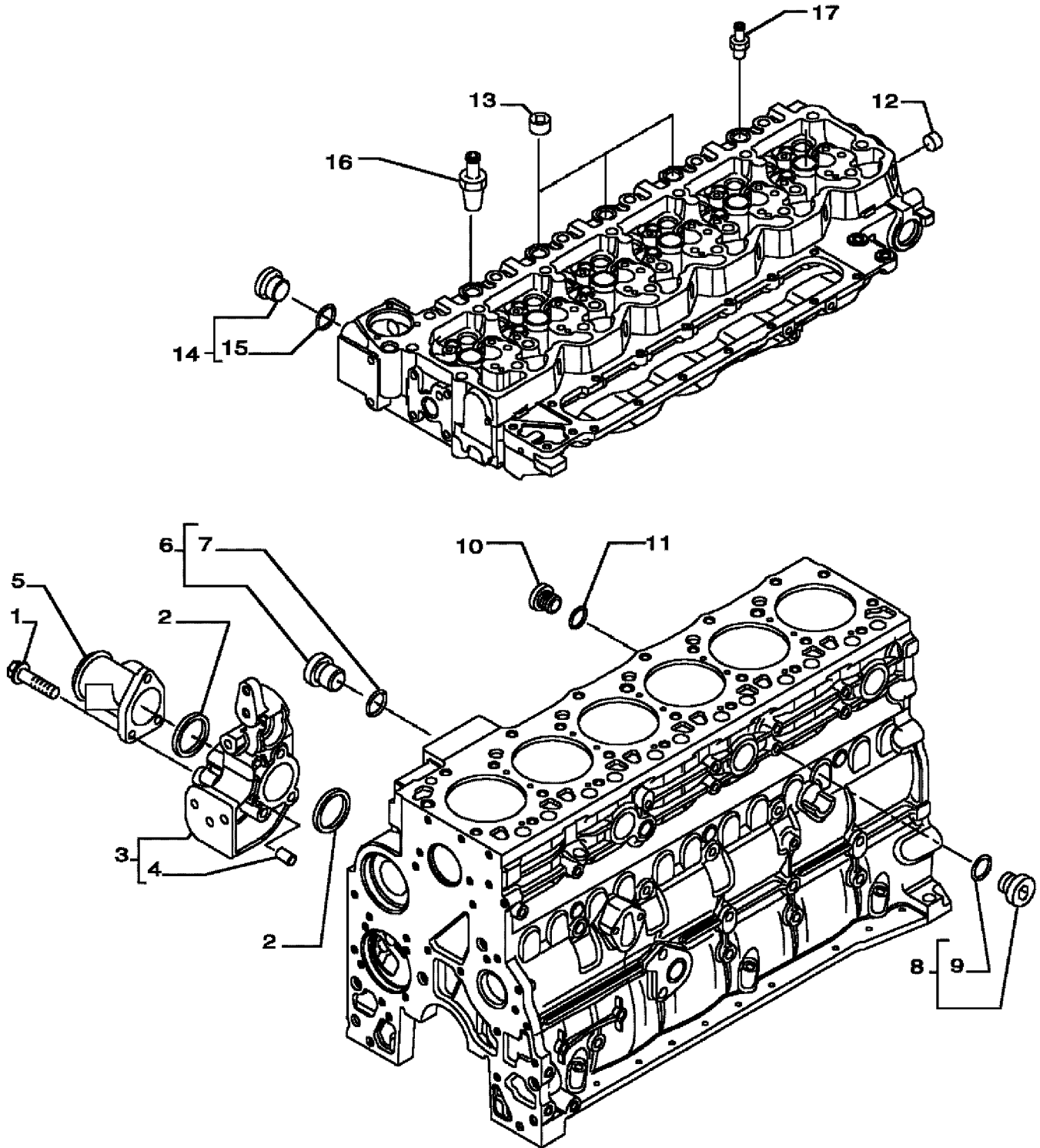
REF	FN	PART NUMBER	YR/SN	QTY	DESCRIPTION
1		8094846		6	PISTON ASSY, (INCLUDES REF. 1 - 4)
		{		6	PISTON
		{		1	PIN, PISTON
		{		2	RING, LOCKING
		{		2	RING, LOCKING
		{		1	RING, PISTON, SEALING
		{		1	RING, PISTON
		{		1	RING, OIL SCRAPER

3

	3330
--	-------------

COOLING SYSTEM - ENGINE

3



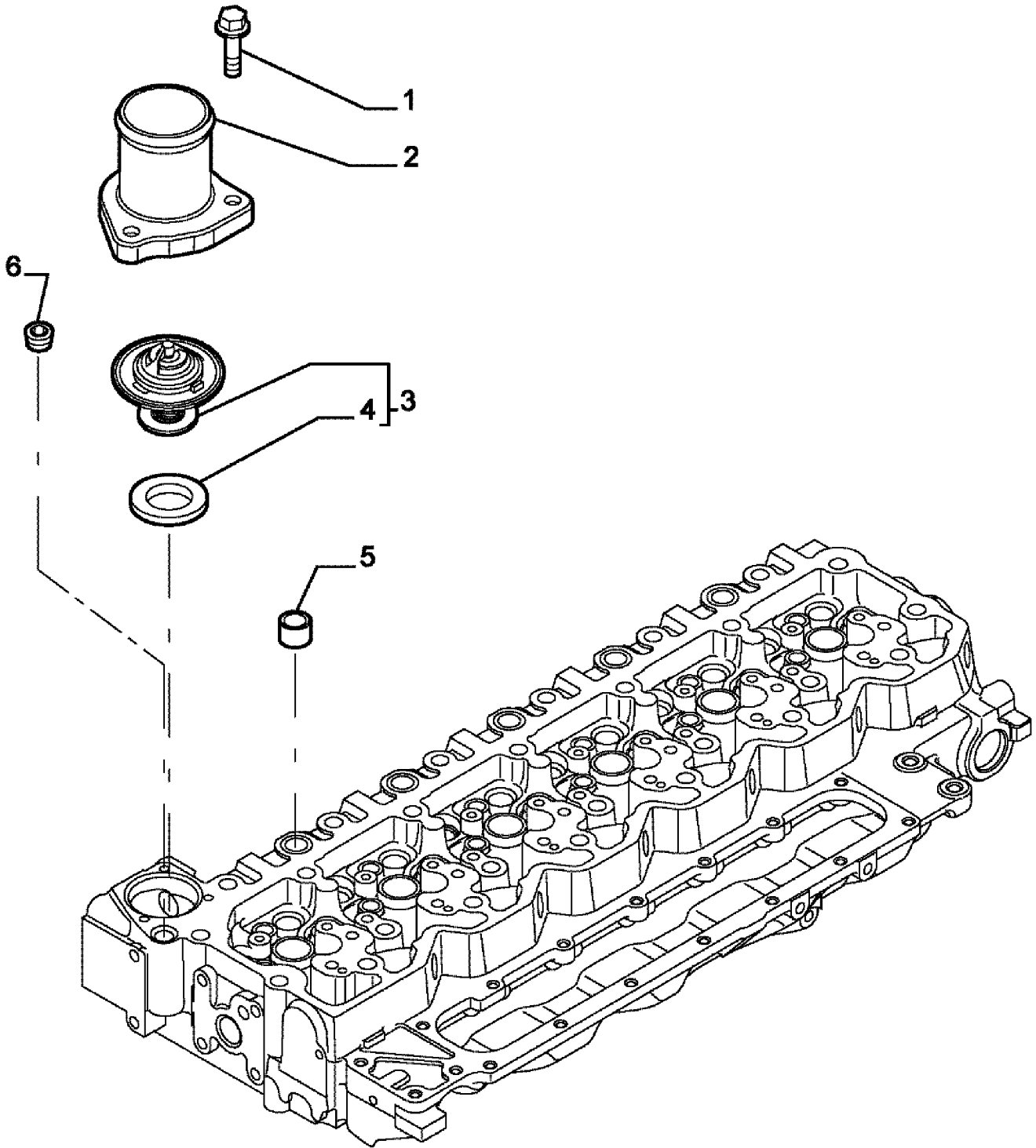
COOLING SYSTEM - ENGINE

REF	FN	PART NUMBER	YR/SN	QTY	DESCRIPTION
1		2852325		3	SCREW, M10 X 80
2		2854072		2	O-RING
3		2852392		1	SUPPORT
4		4895576		2	DOWEL
5		2852468		1	TUBE, RIGID
6		4895392		1	PLUG, M18 X 1.5
7		4895393		1	O-RING
8		4895623		1	PLUG
9		4895625		1	O-RING
10		2852496		2	PLUG
11		4899824		2	WASHER, SEALING
12		4895079		3	PLUG
13		4895078		3	PLUG
14		4895080		1	PLUG
15		4895082		1	O-RING
16		4895118		1	FITTING, ENGINE COOLANT VENT
17		4896924		1	CONNECTOR, HYD., HOSE COUPLING

3330

THERMOSTAT - ENGINE COOLING SYSTEM

3



THERMOSTAT - ENGINE COOLING SYSTEM

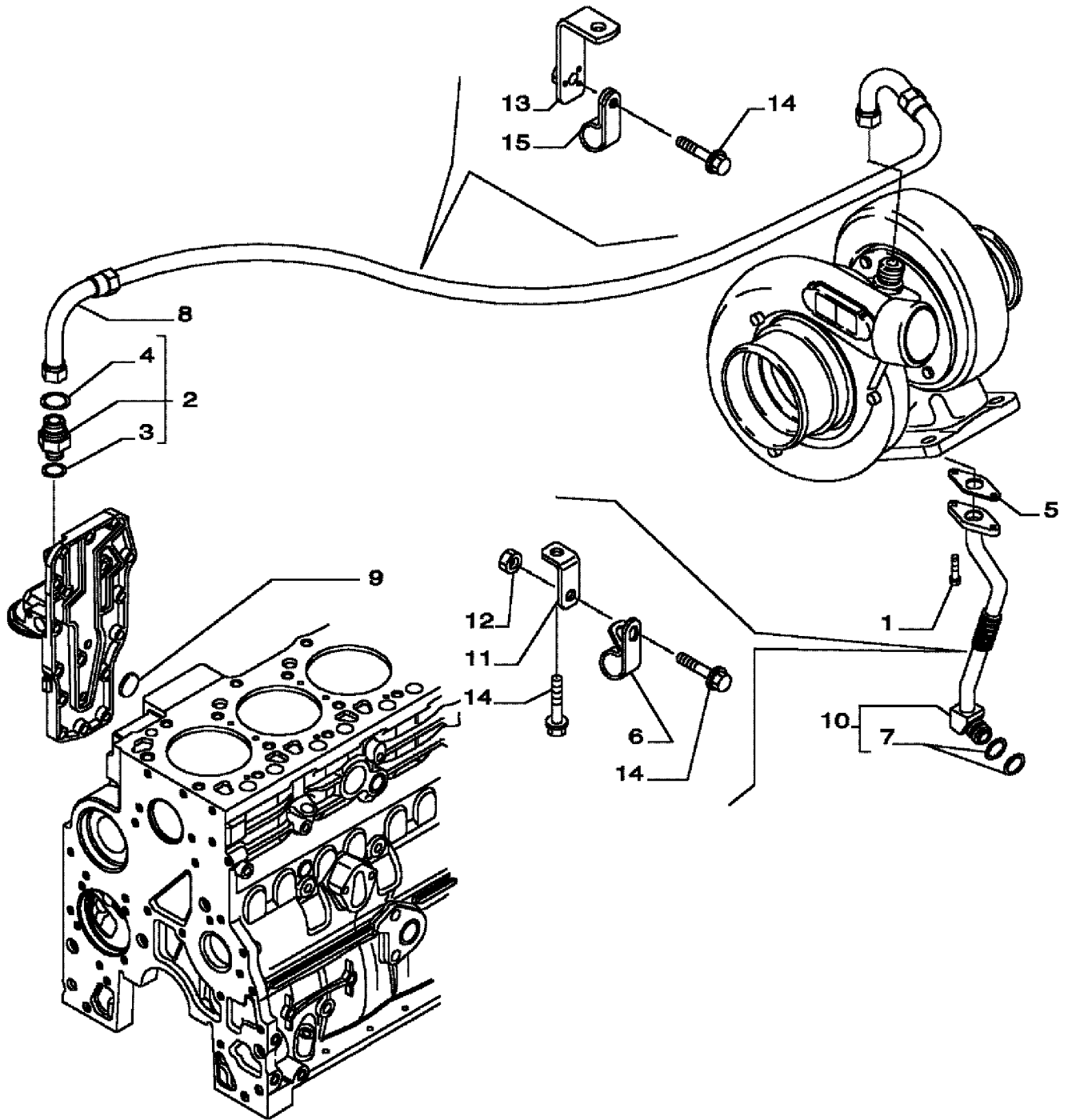
REF	FN	PART NUMBER	YR/SN	QTY	DESCRIPTION
1		4899110		3	SCREW, Hex Flg, M6 x 1 x 20
2		4895131		1	HOUSING, ELBOW
3		{2858051}		1	ENGINE
4		2852473		1	GASKET
5		4892762		1	PLUG
6		4895078		4	PLUG

3

3330

PIPING - ENGINE OIL

3



PIPING - ENGINE OIL

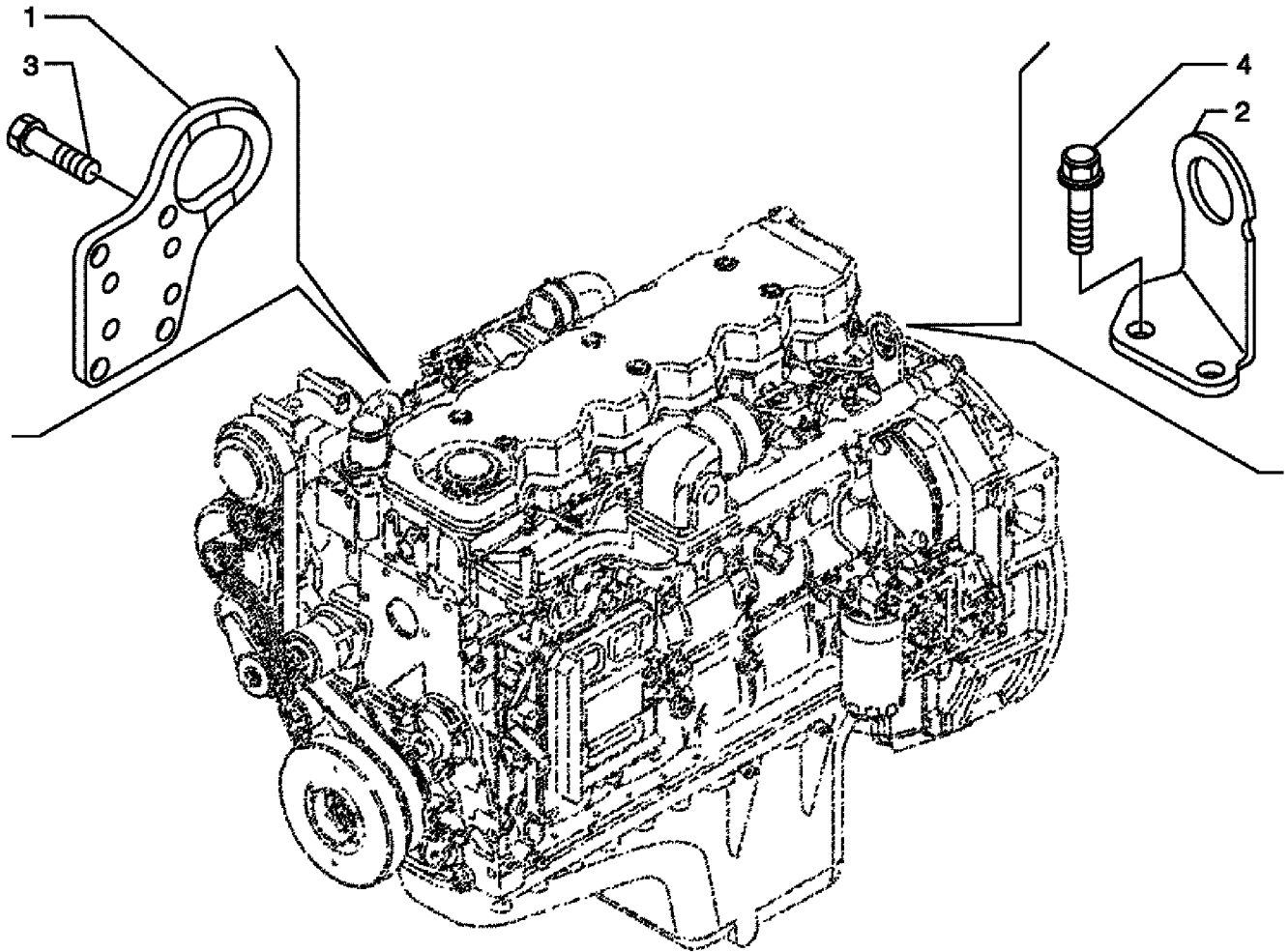
REF	FN	PART NUMBER	YR/SN	QTY	DESCRIPTION
1		4899079		2	SCREW, Hex Flg, M8 x 1.25 x 25
2		2857015		1	PIPE, RETURN, TURBO OIL DRAIN
	1	4895610		1	O-RING, 9.3ID X 2.2
	2	4895108		1	CONNECTOR, HYD.
	3	4899108		1	O-RING
3		4899107		1	O-RING
4		4899108		1	O-RING
5		4891288		1	GASKET
6		4896893		1	CLAMP
7		4899058		2	O-RING
8		2852746		1	HOSE
9		4895089		1	PLUG
10		2854585		1	TUBE
11		2852390		1	BRACKET
12		4899003		1	NUT, M8
13		2852380		1	BRACKET
14		4899068		3	SCREW, Hex Flg, M8 x 1.25 x 16
15		4895579		1	CLAMP

- (1) SERVICE PARTS FOR ITEM #2
(2) SERVICE PARTS FOR ITEM #2
(3) SERVICE PARTS FOR ITEM #2

3330

ENGINE - LIFT HOOKS

3



ENGINE - LIFT HOOKS

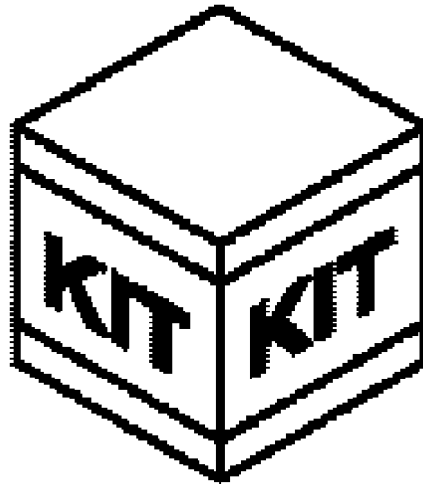
REF	FN	PART NUMBER	YR/SN	QTY	DESCRIPTION
1		4894100		1	EYE, LIFTING, HOOK
2		4894410		1	EYE, LIFTING, HOOK
3		16677734		2	BOLT, Hex Flg, M12 x 1.75 x 25
4		4899079		4	SCREW, Hex Flg, M8 x 1.25 x 25

3

	3330
--	-------------

ENGINE OVERHAUL KIT

3



ENGINE OVERHAUL KIT

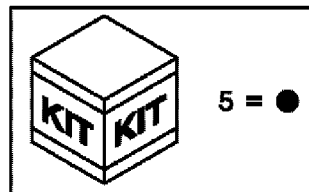
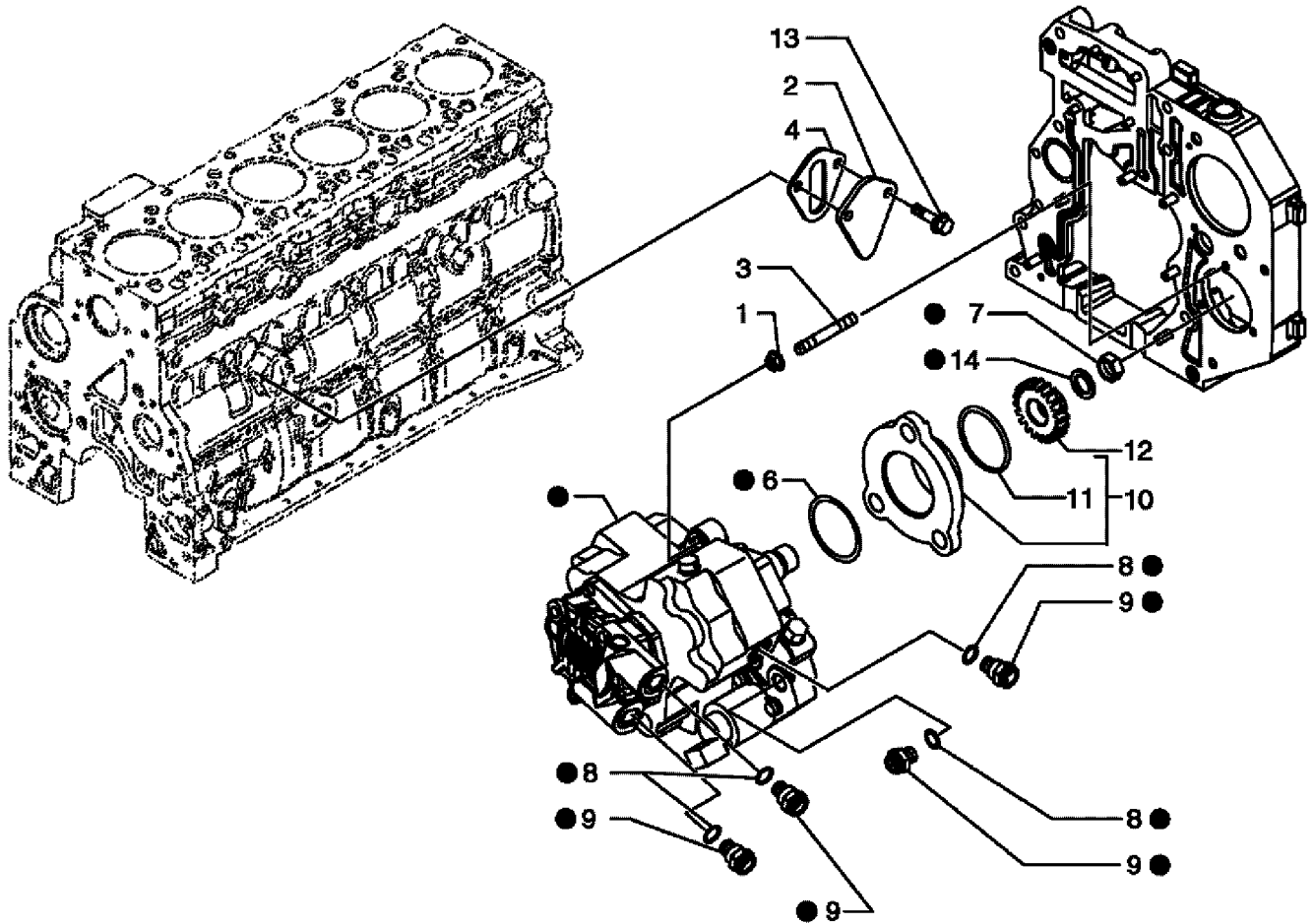
REF	FN	PART NUMBER	YR/SN	QTY	DESCRIPTION
		87359889		6	KIT, PISTON AND SLEEVE
		87356776		6	KIT, SERVICE, BEARING-CONN ROD, STANDARD
		87342670		6	PIN, PISTON
		J945930		6	BEARING, CRANKSHAFT
		J945929		1	BEARING, CRANKSHAFT
		87348974		1	KIT, GASKET, VALVE GRIND
		87737237		1	GASKET, CYLINDER HEAD
		87308050		1	GASKET, OIL PAN

3

3330

FUEL INJECTION PUMP

3



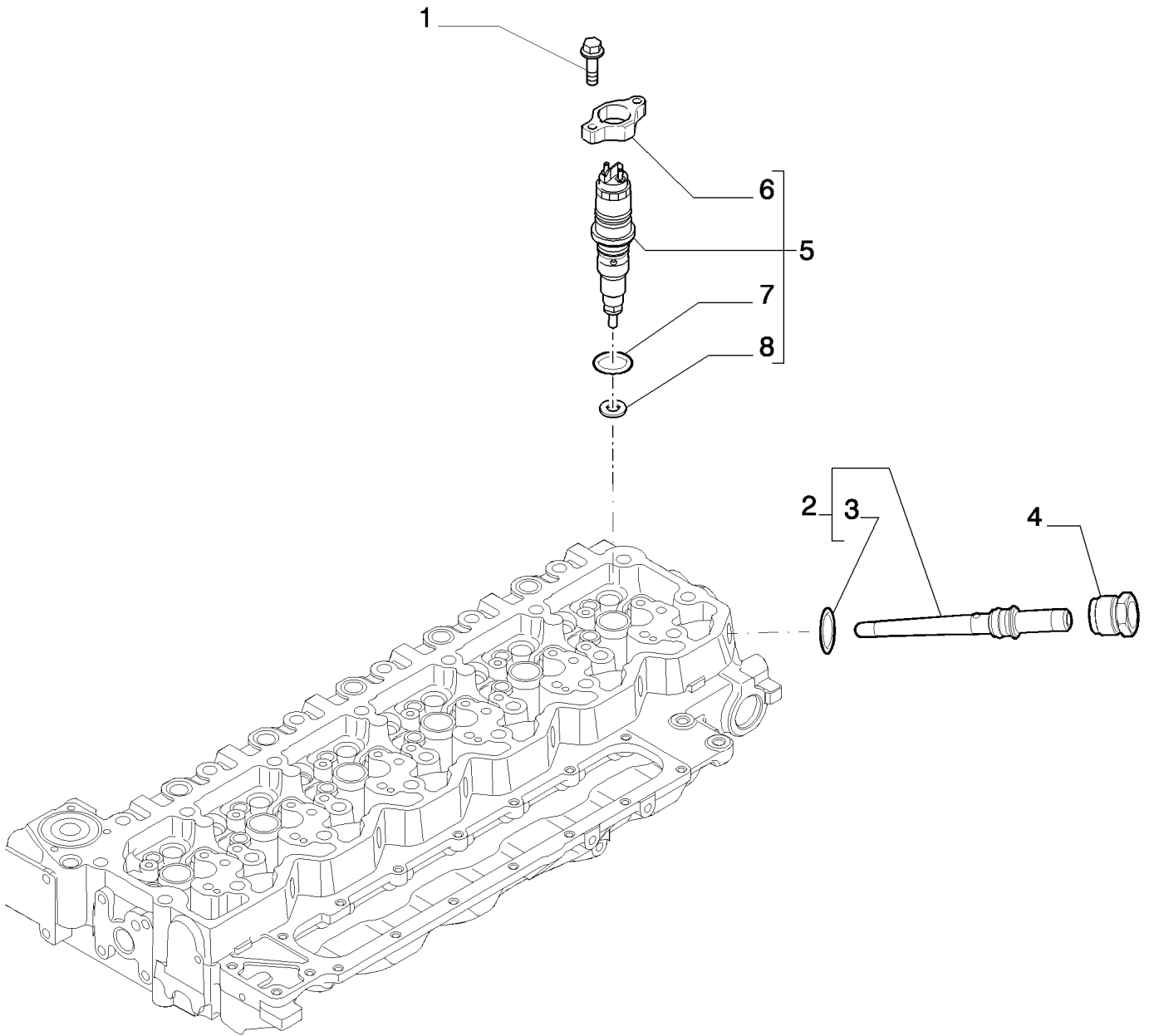
FUEL INJECTION PUMP

REF	FN	PART NUMBER	YR/SN	QTY	DESCRIPTION
1		4899003		3	NUT, M8
2		4896952		1	COVER
3		2852488		3	STUD, M8 X 1.25 X 50
4		4890700		1	GASKET
5		4898921		1	PUMP, FUEL INJECTION
6		4890088		1	O-RING
7		4890634		1	NUT, M18 X 1.5
8		4891385		4	GASKET
9		4893962		4	COUPLING, QUICK, MALE, HYD.
10		2852804		1	HUB, INCL. REF. 11
11		2852805		1	O-RING
12		4893389		1	GEAR, DRIVEN
13		2852234		2	SCREW, Hex Flg, M8 x 1.25 x 20
14		4890635		1	WASHER

3330

FUEL INJECTION SYSTEM - INJECTOR

3



FUEL INJECTION SYSTEM - INJECTOR

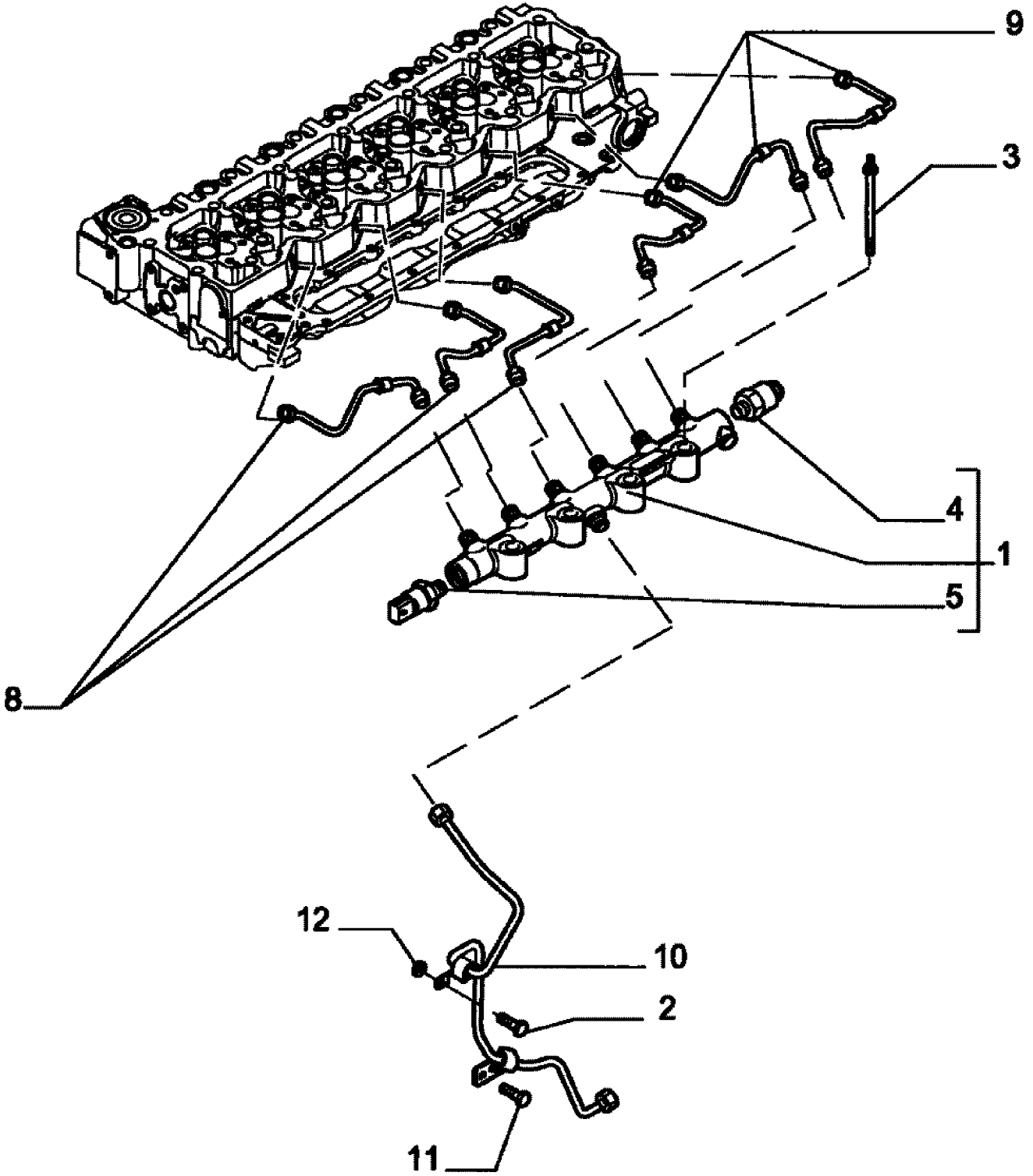
REF	FN	PART NUMBER	YR/SN	QTY	DESCRIPTION
1		4895483		12	SCREW, M6 X 35
2		2854606		6	FITTING, ASSY
3		4890929		1	O-RING
4		4893739		6	NUT, TUBE
5		2855135		6	INJECTOR, FUEL SYSTEM, ASSY, INCL REF 6,7,8
6		2854609		1	BRACKET, RETAINER
7		4890926		1	O-RING, 20.9 ID X 3
8		4899689		1	WASHER, SEALING

3

3330

FUEL INJECTION SYSTEM - FUEL, SUPPLY

3



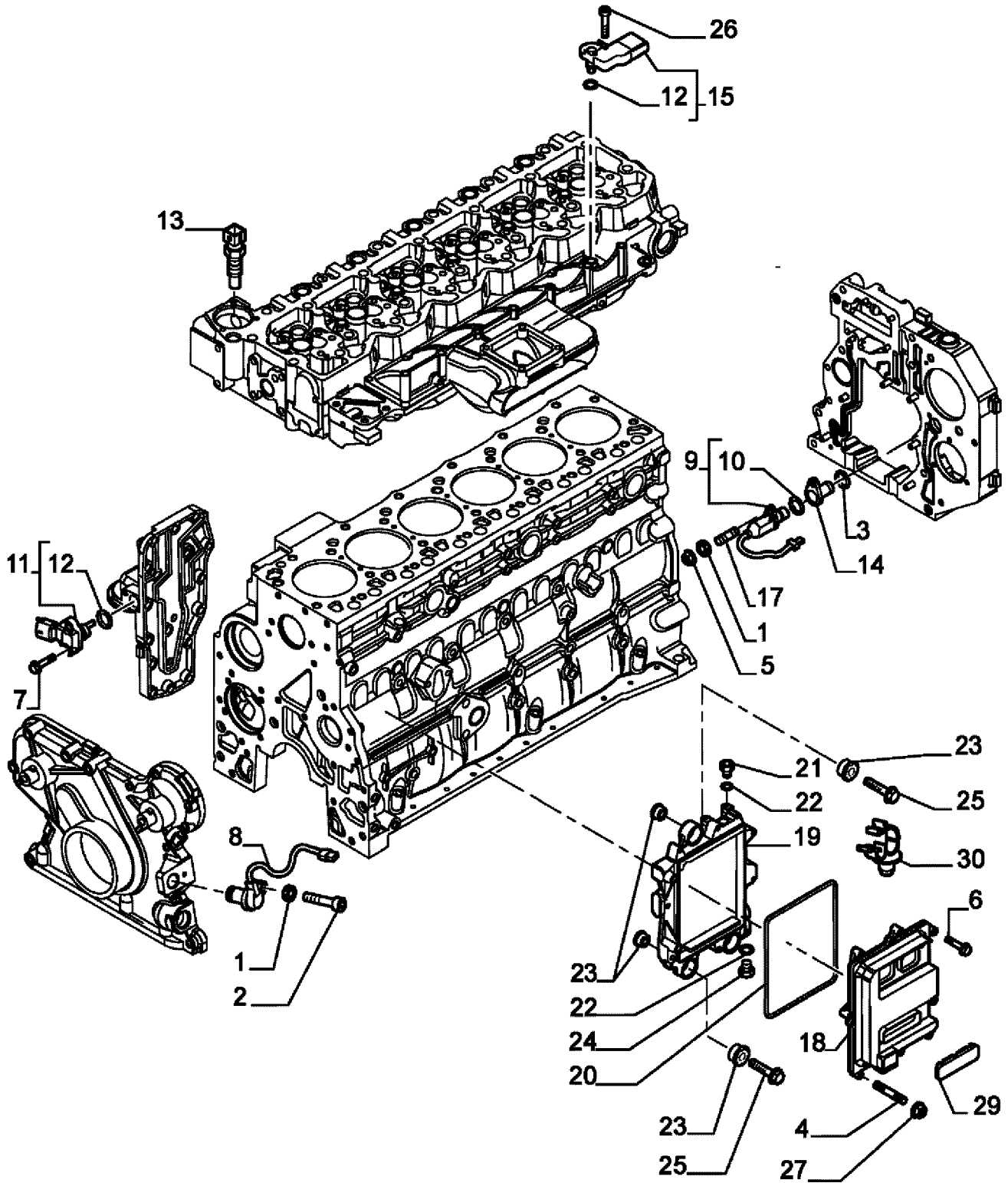
FUEL INJECTION SYSTEM - FUEL, SUPPLY

REF	FN	PART NUMBER	YR/SN	QTY	DESCRIPTION
1		2854540		1	MANIFOLD
2		18138424		1	SCREW, Hex Flg, M8 x 1.25 x 20
3		2853537		4	BOLT
4		2854543		1	VALVE, PRESSURE RELIEF
5		2854542		1	SENSOR, PRESSURE
8		2854549		3	PIPE INJECTION, FUEL SUPPLY
9		2854544		3	PIPE INJECTION, FUEL SUPPLY
10		2854552		1	PIPE INJECTION, FUEL SUPPLY
11		4896884		1	SCREW, Hex Flg, M8 x 1.25 x 16
12		2852434		1	SPACER
7		4899020		1	SCREW, HEX FL/HD CAP M8 X 1.25 X 20

3330

FUEL INJECTION SYSTEM - MODULE, ENGINE CONTROL

3



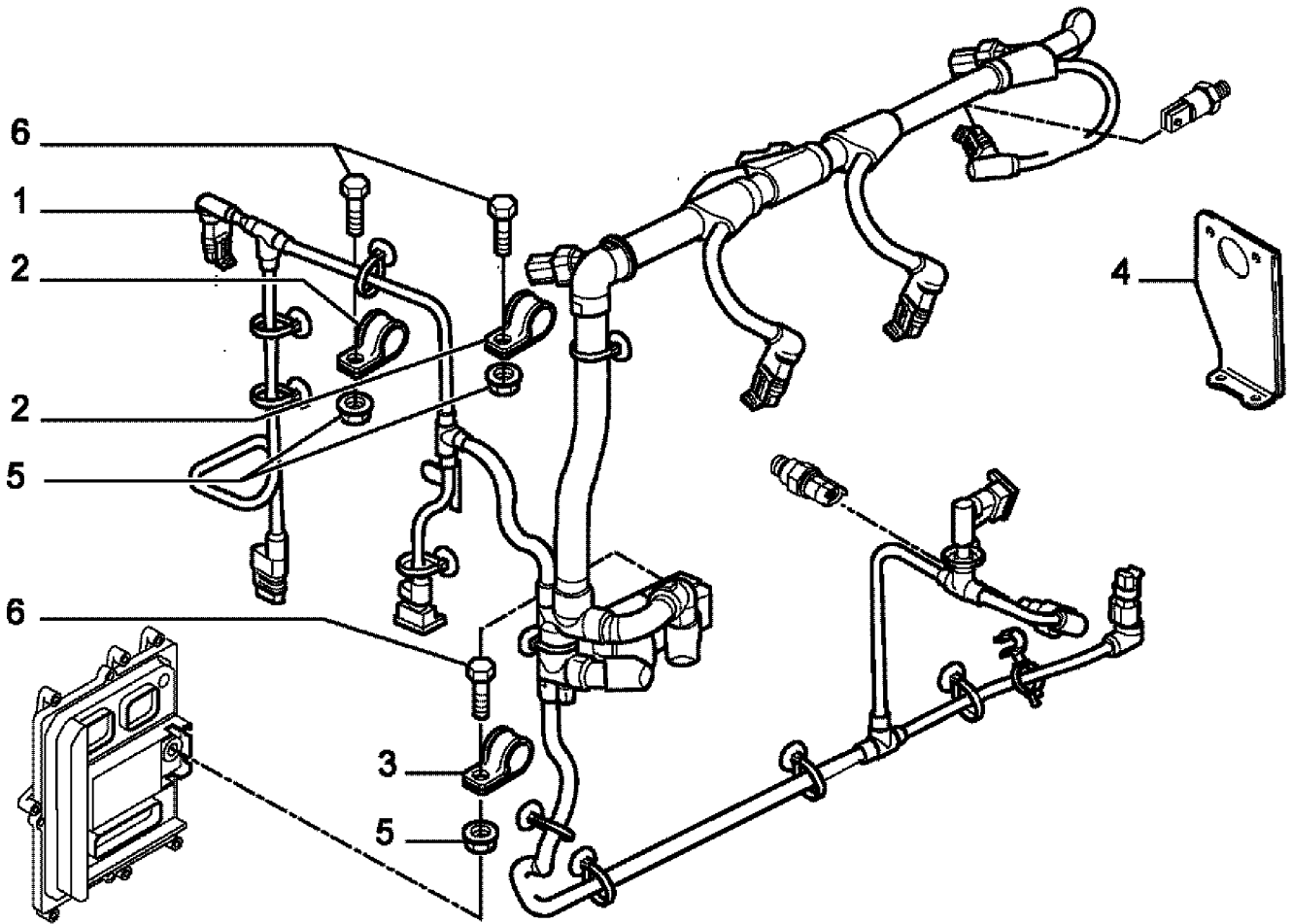
FUEL INJECTION SYSTEM - MODULE, ENGINE CONTROL

REF	FN	PART NUMBER	YR/SN	QTY	DESCRIPTION
1		4899124		2	WASHER
2		4899110		1	SCREW, Hex Flg, M6 x 1 x 20
3		2852817		1	O-RING, M23.52 ID x 1.78 Thk
4		2854593		1	STUD
5		2854282		1	NUT, Hex, M6 x 1
6		2852818		7	SCREW, M6 X 30
7		4899110		2	SCREW, Hex Flg, M6 x 1 x 20
8		4890189		1	SENSOR, SPEED
9		4890190		1	SENSOR, ECM
10		2852820		1	O-RING, 17.17 X 1.78MM
11		4890193		1	SENSOR, PRS TEMPERATURE
12		4895477		2	O-RING
13		4897224		1	SENSOR, Temperature
14		4892255		1	HOUSING, CONNECTOR, HYD.
15		2852821		1	SENSOR, ECM; Boost/Air Temperature
17		4895157		1	STUD
18		2854594		1	MODULE
19		2854595		1	BRACKET
20		2854079		1	GASKET
21		4890964		1	FITTING, CONNECTOR, HYD.
22		4891385		2	GASKET
23		2855150		6	INSULATOR BLOCK
24		4896542		1	CONNECTOR, HYD.
25		4899078		3	SCREW, Hex Flg, M8 x 1.25 x 45
26		4895817		1	SCREW, Hex Flg, M6 x 1 x 20
27		4899057		1	NUT, M6
29		2852825		1	PLUG
30		2852486		1	CLIP, CABLE

3330

CABLES

3



CABLES

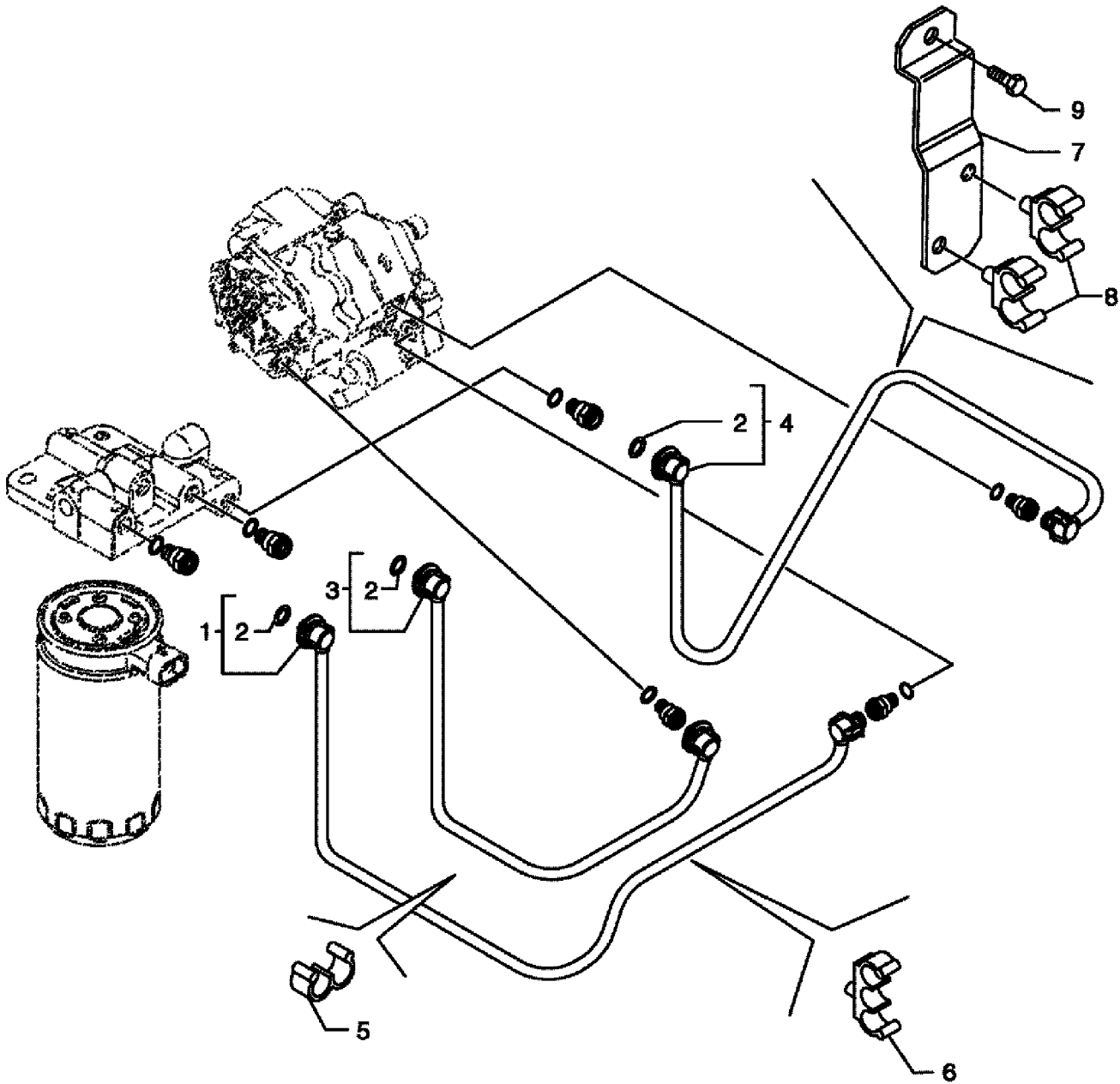
REF	FN	PART NUMBER	YR/SN	QTY	DESCRIPTION
1		2854598		1	HARNESS, WIRE, CONTROL
2		2852500		2	CLAMP
3		4899815		1	COLLAR, RETAINER
4		2854599		1	BRACKET
5		2852484		3	NUT
6		2854600		3	SCREW

3

	3330
--	-------------

FUEL INJECTION SYSTEM

3



FUEL INJECTION SYSTEM

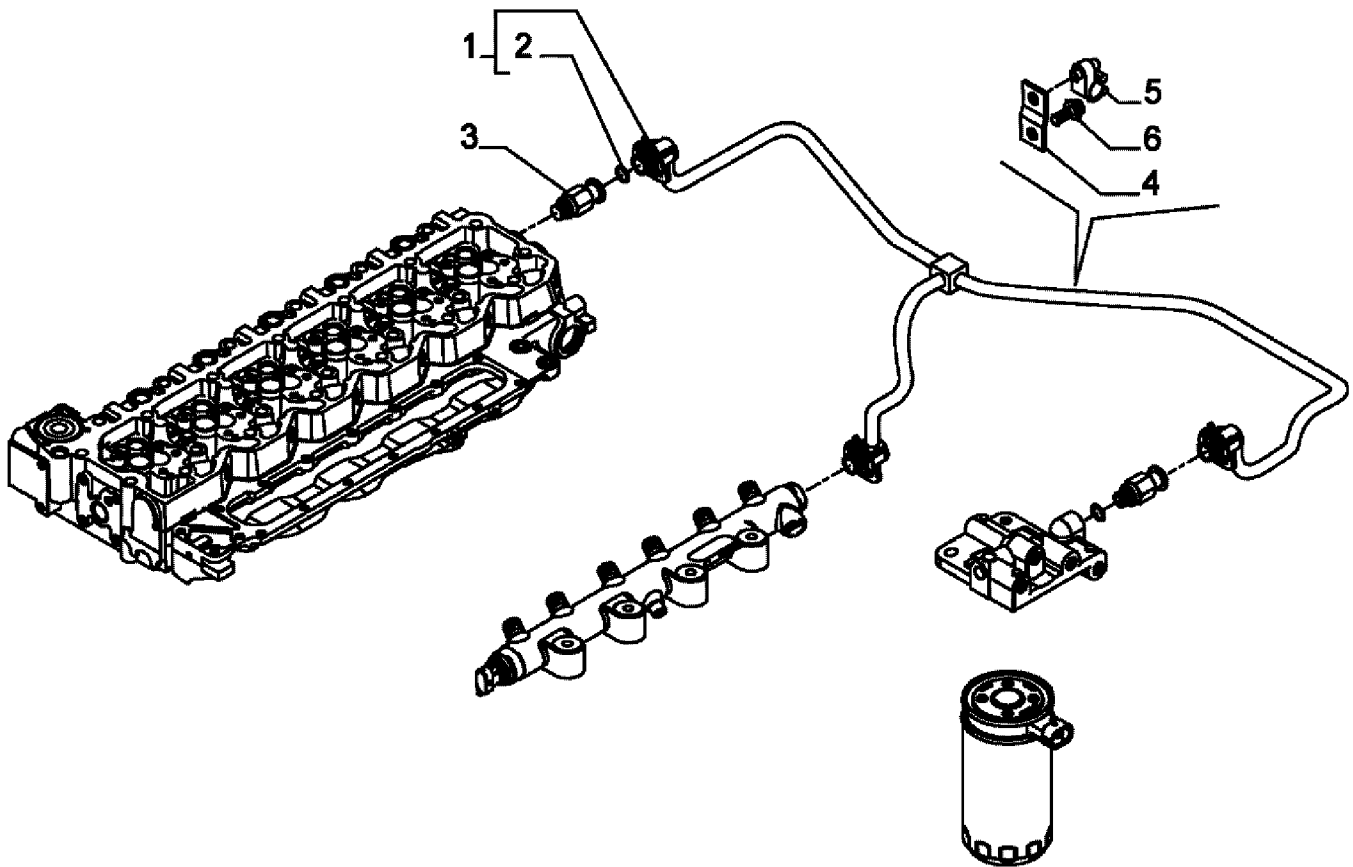
REF	FN	PART NUMBER	YR/SN	QTY	DESCRIPTION
1		2852440		1	TUBE, RIGID
2		4894095		6	O-RING
3		2852443		1	TUBE, RIGID
4		2852446		1	TUBE, RIGID
5		2852449		2	CLIP
6		2852794		1	CLIP, CABLE
7		2852451		1	BRACKET
8		2852452		2	CLIP, CABLE
9		4897277		1	SCREW

3

3330

FUEL INJECTION SYSTEM - DRAIN LINE

3



03-045

p1

09/08

FUEL INJECTION SYSTEM - DRAIN LINE

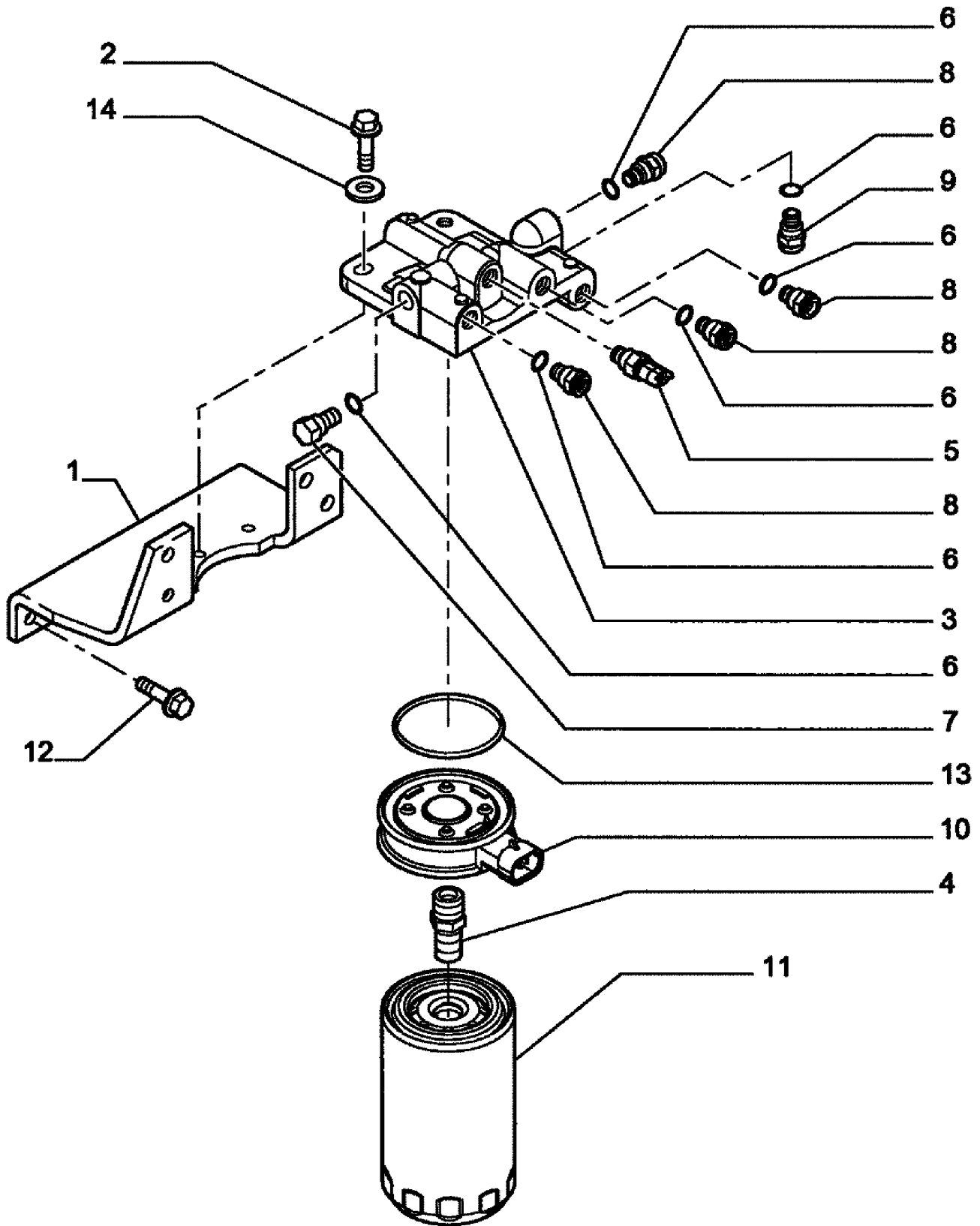
REF	FN	PART NUMBER	YR/SN	QTY	DESCRIPTION
1		2855125		1	PIPE
2		4894095		3	O-RING
3		4896329		1	VALVE, PRESSURE RELIEF, CONTROL
4		2852457		1	CLAMP, RETAINER
5		2852458		1	CLIP
6		2852100		1	SCREW

3

3330

FUEL FILTER - COMPONENTS

3

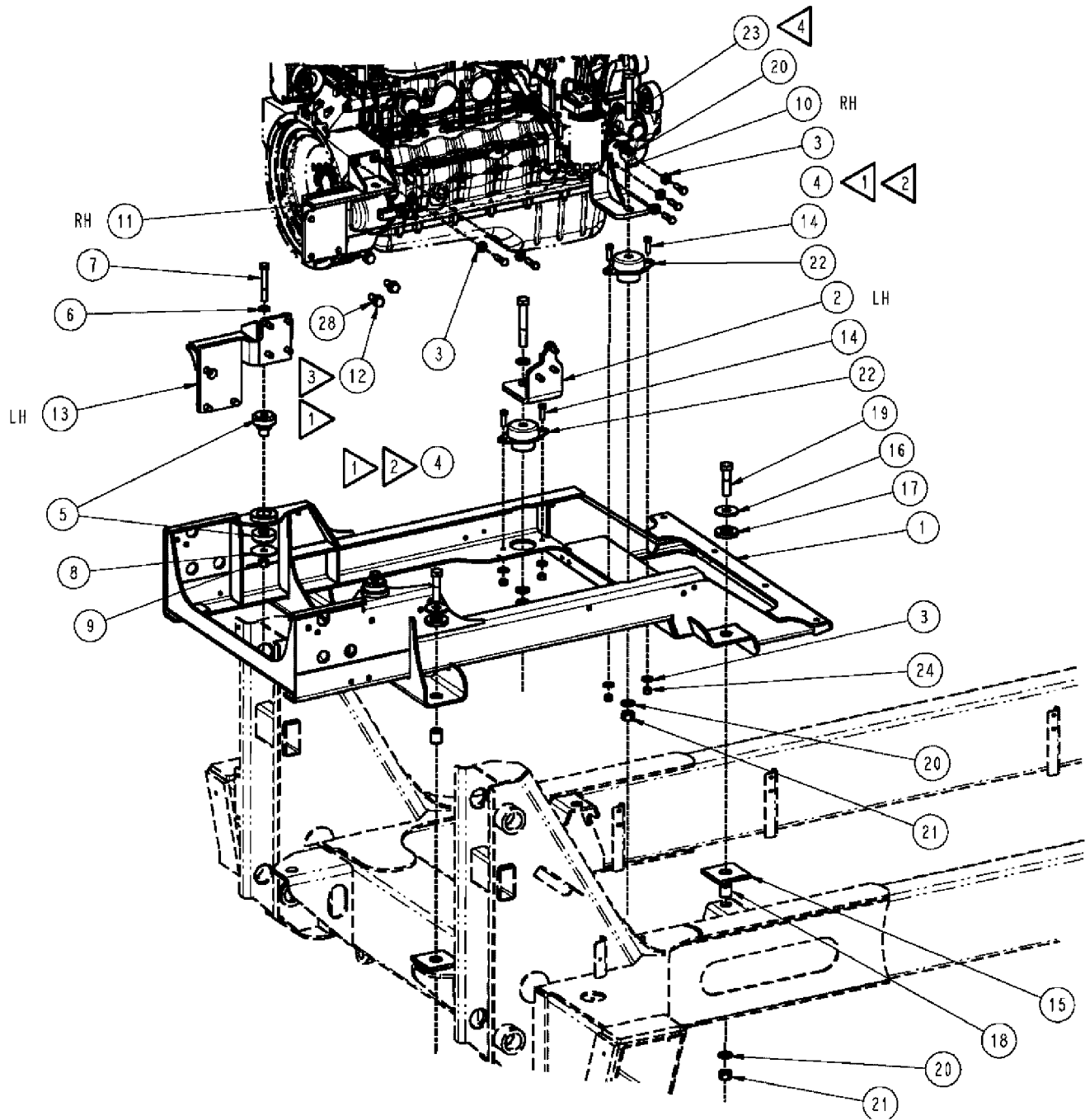


FUEL FILTER - COMPONENTS

REF	FN	PART NUMBER	YR/SN	QTY	DESCRIPTION
1		2852793		1	BRACKET
2		2830733		2	SCREW, M8 X 25
3		{4898756}		1	HEAD
4		4898758		1	ADAPTER, HYD.
5		4897224		1	SENSOR, Temperature
6		4894721		6	WASHER, SEALING
7		4893464		1	PLUG
8		4890964		4	FITTING, HYD.
9		4896543		1	FITTING, HYD.
10		2831006		1	ELEMENT, HEATING
11		4897897		1	FILTER, FUEL, CARTRIDGE
12		2852791		4	SCREW
13		4898876		1	O-RING
14		2830711		2	WASHER

3330

ENGINE MOUNTING GROUP



NOTES:

- 1) ASSEMBLY PROCEDURE FOR ITEM 4 AND 12:
 A) APPLY PRIMER ITEM 27 TO BOLT THREADS AND TAPPED HOLES AND ALLOW TO DRY.
 B) APPLY LOCTITE ITEM 26 TO BOLT THREADS AND TAPPED HOLES, ASSEMBLE COMPONENTS.
- 2) INDICATE AN IMPORTANT CHARACTERISTIC REQUIRING COMPLIANCE WITH 86629329 (ENS7001-CLASS 2) 76 NM (56/62 FT. LBS).
- 3) INDICATE AN IMPORTANT CHARACTERISTIC REQUIRING COMPLIANCE WITH 86629329 (ENS7001-CLASS 2) 219 NM (162/179 FT. LBS).
- 4) INDICATE AN IMPORTANT CHARACTERISTIC REQUIRING COMPLIANCE WITH 86629329 (ENS7001-CLASS 2) 370 FT-LBS \pm 10 FT-LBS

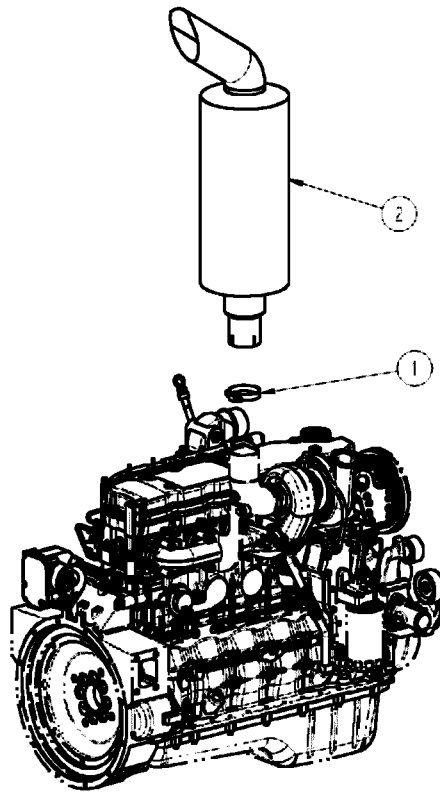
ENGINE MOUNTING GROUP

REF	FN	PART NUMBER	YR/SN	QTY	DESCRIPTION
1		87580647		1	PLATE, MOUNTING, ENG SUBFRAME
2		87547317		1	PLATE, MOUNTING, ENGINE, LH
3		87529310		14	WASHER, 13.5 X 28 X 4 HDN
4		87022683		14	BOLT, Hex, M12 x 40, 10.9, Full Thd, DOR
5		117846A1		2	RUBBER BLOCK, CTR BND, TWO PC
6		87529306		2	WASHER, 17.5 X 30 X 4MM HD
7		86980448		2	BOLT, M16 2 X 100, HH, 8.8, DOR
8		BN316871		2	WASHER, SNUBBER, TOP
9		86980517		2	NUT, M16 CL8 P/T ALL META
10		87547318		1	PLATE, MOUNTING, WELDMENT, ENGINE, RH
11		87271346		1	PLATE, MOUNTING, WELDMENT, REAR, RH
12		87605320		6	BOLT, 5/8-11 X 1-1/2 GR 5
13		87271347		1	PLATE, MOUNTING, WELDMENT, REAR, LH
14		86980422		4	BOLT, M12 1.75 X 35, HH, 8.8
15		86986942		4	ISOLATOR, RUBBER
16		BN322925		4	WASHER, REBOUND M20
17		87270628		4	ISOLATOR, RUBBER
18		87270502		4	PLATE, MOUNTING, BUSHING, ENGINE
19		87341550		4	BOLT, M20 X 80 8.8
20		87529307		6	WASHER, 22 X 37 X 4MM HDN
21		86980518		6	NUT, P/T, ALL MTL M20 8 DO
22		BN324263		2	PLATE, MOUNTING, CENTER BONDED
23		87341998		2	BOLT, M20 X 130 10.9
24		86980516		4	NUT, P/T, ALL MTL M12 8 DO
26		BN1243001		AR	LOCTITE, 243-31
27		BN307971		AR	SEALANT, PRIMER THREAD
28		87529306		6	WASHER, 17.5 X 30 X 4MM, HDN, DOR

3330

EXHAUST GROUP

3



EXHAUST GROUP

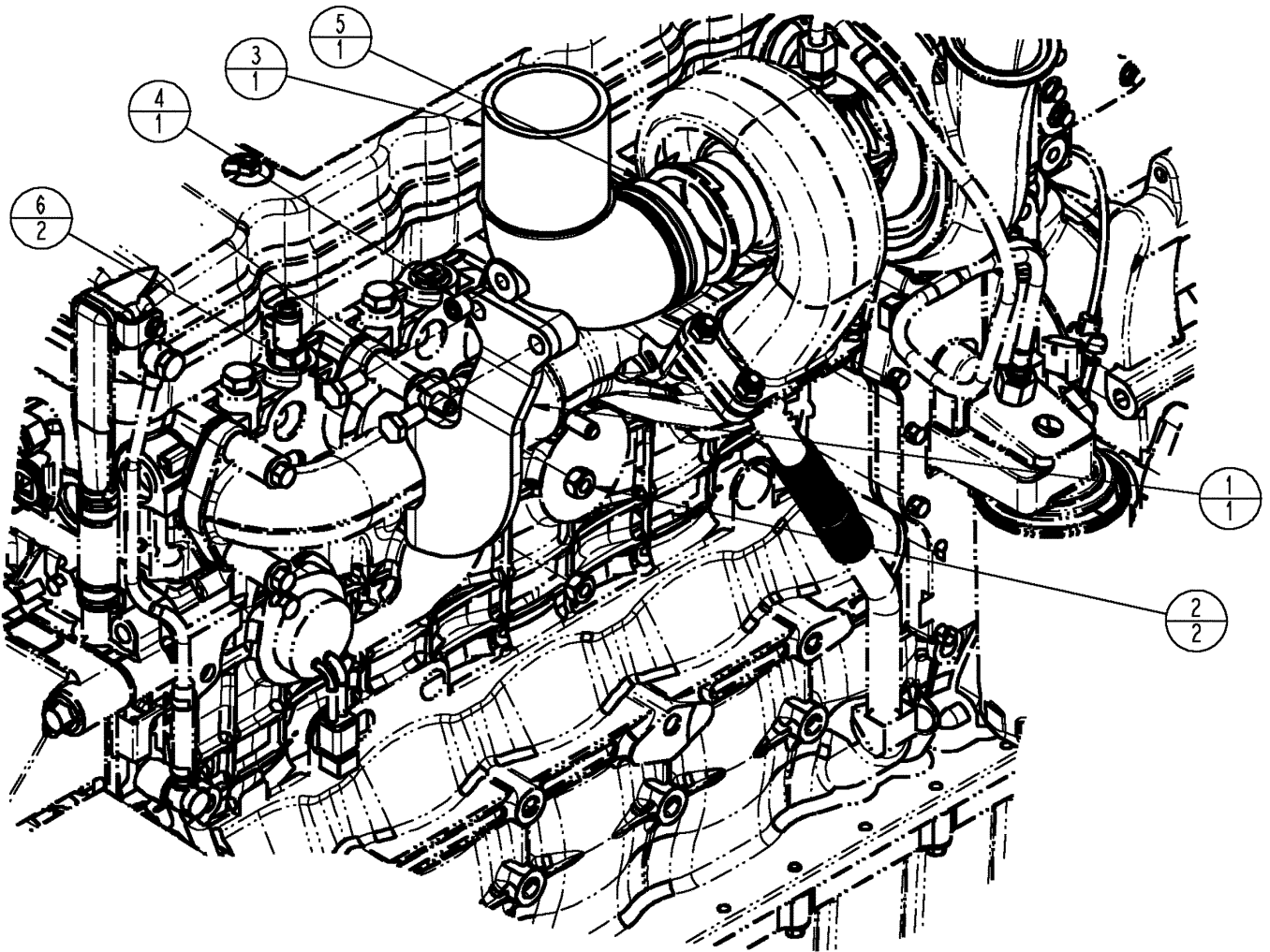
REF	FN	PART NUMBER	YR/SN	QTY	DESCRIPTION
1		87735661		1	MUFFLER, 3 INLET X 4 OUT
2		BN310689		1	CLAMP, Muffler (Bent bolt)

3

	3330
--	-------------

EXHAUST ELBOW GROUP

3



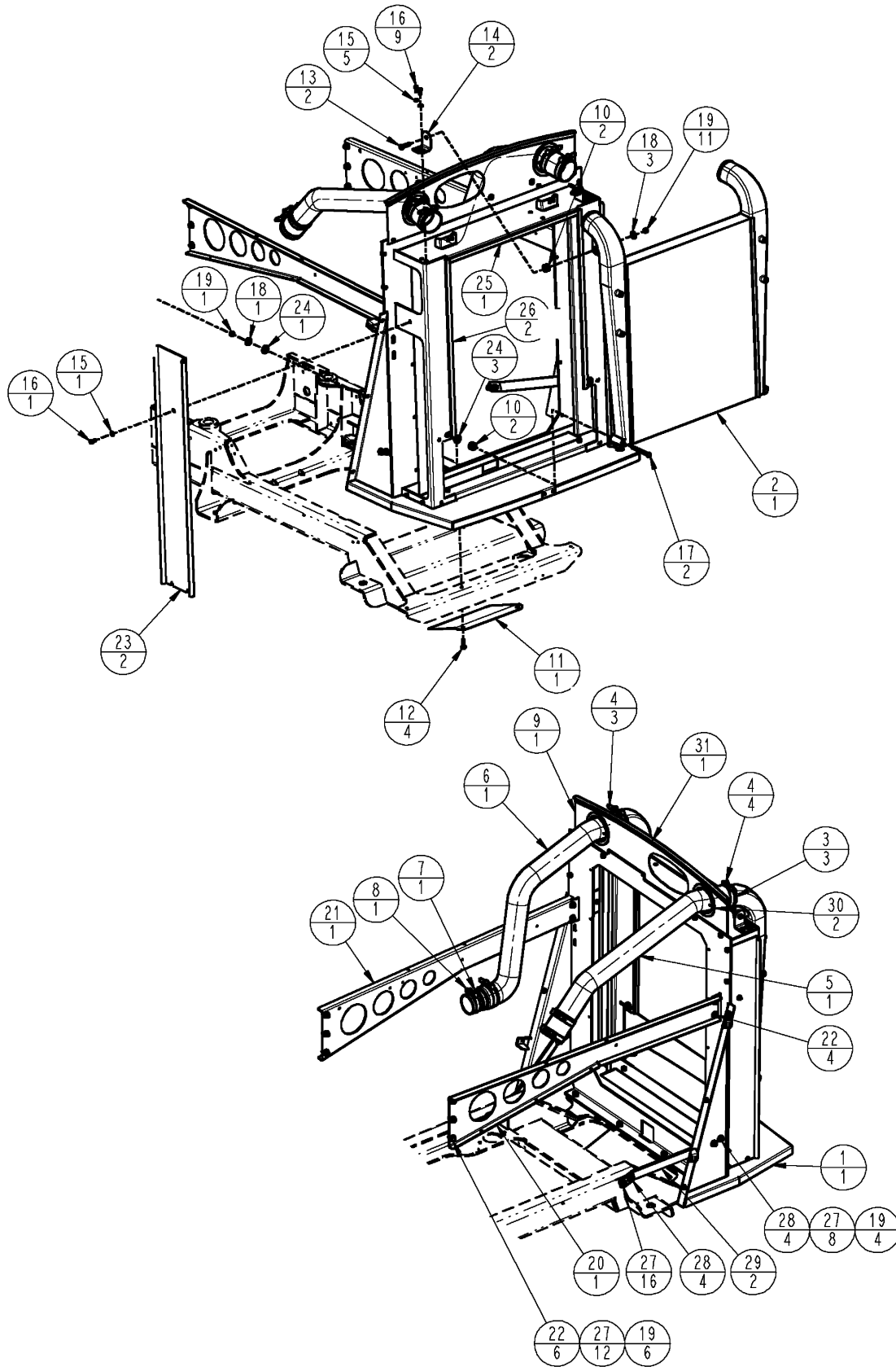
EXHAUST ELBOW GROUP

REF	FN	PART NUMBER	YR/SN	QTY	DESCRIPTION
1		{87474249}		1	
2		86980515		2	NUT, LOCK, M10 x 1.5, CI 8, DO
3		J910991		1	ELBOW, PIPE, EXHAUST OUTLET
4		217-432		1	PLUG, Hex Soc, 1/4"-18, EC, P
5		J903652		1	CLAMP, V BAND
6		86980399		2	BOLT, M10 1.5 X 20, HH, 8.8, DO

3

	3330
--	-------------

PACKAGE, CHARGE AIR COOLER



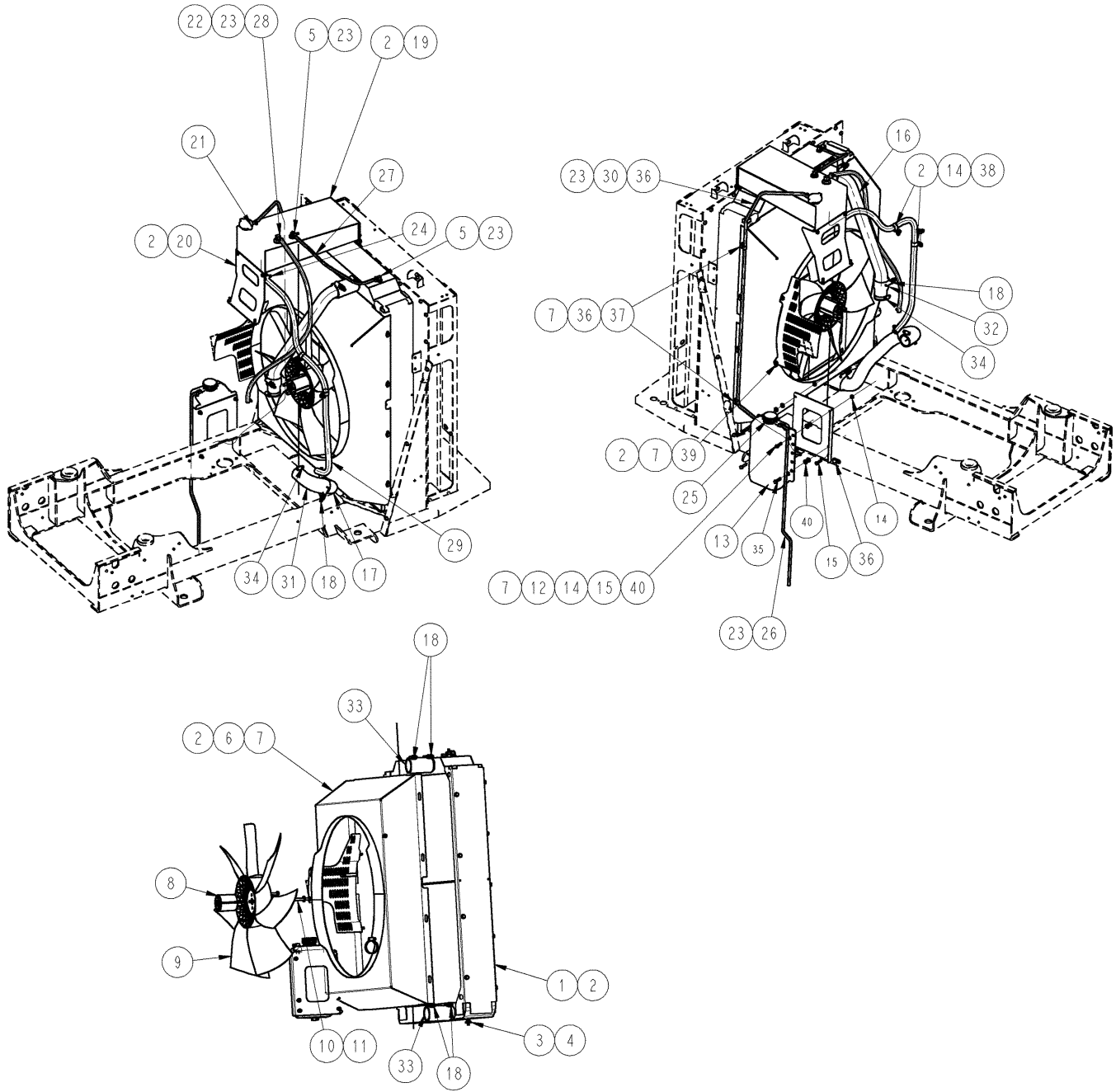
PACKAGE, CHARGE AIR COOLER

REF	FN	PART NUMBER	YR/SN	QTY	DESCRIPTION
1		87558357		1	PLATE, MOUNTING, WELDMENT, COOLERS
2		259332A4		1	AFTERCOOLER, CHARGE AIR
3		87340760		3	HOSE ASSY., AIR INTAKE
4		87270795		7	CLAMP, T-BOLT 3.56" SPRNG
5		87271488		1	TUBE, CAC, HOT SIDE
6		87271489		1	TUBE, CAC, COLD SIDE
7		87270662		1	HOSE, AIR INTAKE
8		BN300759		1	CLAMP, CONSTANT TORQ, 3.25"
9		84138475		1	BAFFLE, RADIATOR, TOP
10		434177A1		4	ISOLATOR, ISOLATOR, CAC, CNTR BNDED
11		{87613141}		1	ENGINE
12		86980401		4	BOLT, M10 1.5 X 30, HH, 8.8, DOR
13		86980403		2	BOLT, M10 1.5 X 40, HH, 8.8
14		87270726		2	BRACKET, CAC MOUNT
15		87529315		6	WASHER, 9 X 17 X 2MM HDN D
16		86980379		10	BOLT, M8 1.25 X 20, HH, 8.8, DO
17		86980410		2	BOLT, HEX HD M10 X 100 CL8.8 DOR
18		87529239		4	WASHER, .406 X 1.125 X .13
19		86980515		22	NUT, LOCK, M10 x 1.5, CI 8
20		87558355		1	SUPPORT, RADIATOR, RH
21		87558356		1	SUPPORT, RADIATOR, LH
22		86980400		10	BOLT, Hex, M10 x 25, 8.8, DO
23		87270227		2	COVER
24		BN50179		4	WASHER, CAC MOUNT
25		{87381207}		1	6.35 X 19.05 X 680
26		{87381259}		2	6.35 X 19.05 X 798
27		87529312		36	WASHER
28		86980402		8	BOLT
29		87559483		2	SUPPORT, COOLERS
30		84138474		2	SEAL, RUBBER, BULB, CAC
31		84138473		1	SEAL, RUBBER, BULB, CAC

3330

RADIATOR GROUP

3



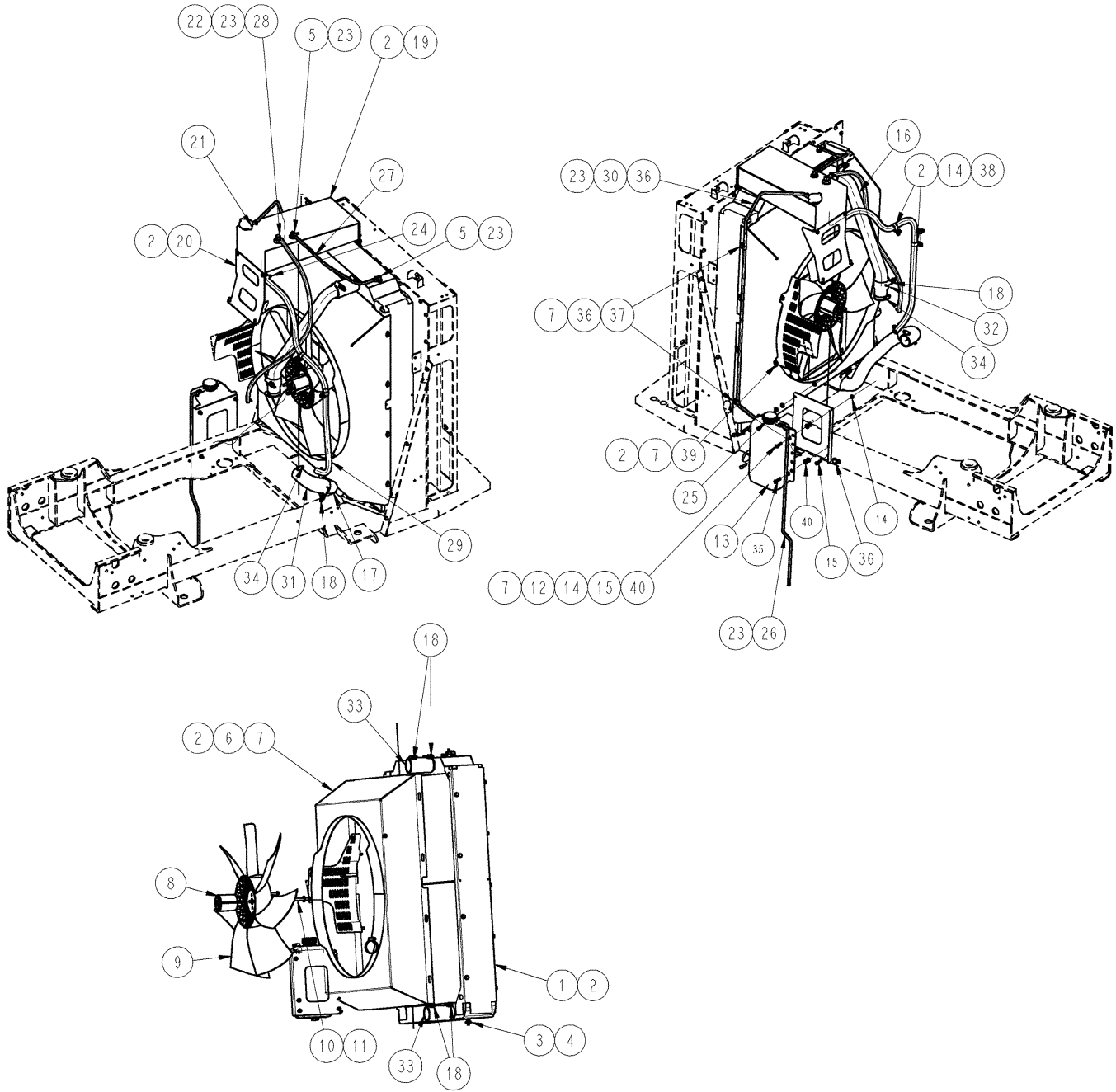
RADIATOR GROUP

REF	FN	PART NUMBER	YR/SN	QTY	DESCRIPTION
1		321959A1		1	RADIATOR, ENGINE
2		86980379		26	BOLT, M8 1.25 X 20, HH, 8.8, DO
3		217-21		1	ELBOW, 90°, 1/4"-18 NPTF, Fem x 1/4"-18 NPTF Male
4		217-92		1	COCK, DRAIN, VALVE, 1/4 NPTF, NH
5		217-291		2	FITTING, 90°, 5/16" Hose x 1/8" NPTF, Barbed
6		87267775		1	SHROUD, WELDMENT, FAN
7		87529315		14	WASHER, 9 X 17 X 2MM HDN D
8		A184524		1	SPACER, FAN, 80MM
9		87270663		1	FAN, 28" POLY
10		87529312		4	WASHER, 11 X 24 X 3MM HDN
11		86980411		4	BOLT, M10 1.5 X 110, HH, 8.8, D
12		87574511		1	BRACKET, SUPPORTING, COOLANT BOTTLE
13		87481454		1	BOTTLE, RECOVERY 5 QT
14		86980514		8	NUT, M8 CL8 P/T, ALL METAL
15		86980381		4	BOLT, M8 1.25 X 30, HH, 8.8, DO
16		87270788		1	PIPE, UPPER RADIATOR
17		87579957		1	TUBE, RADIATOR, LOWER
18		L115548		6	CLAMP, 2.5" CONSTANT TORQ
19		87268122		1	TANK, WELDMENT, DE-AIR
20		87754737		1	MOUNT, DE-AIR TANK
21		A170241		1	CAP, RADIATOR
22		217-132		1	ELBOW, 90°, 3/8" Hose x 1/4" NPTF Beaded
23		214-1704		7	CLAMP, HOSE, #4, 0.25/0.62 Type M Worm
24		214-1412		2	CLAMP, HOSE, #12, 0.69/1.25 Type F Worm
25		86507190		1	CAP, COOLANT RECOV'Y BOTL
26		BN314262		1	HOSE, 5/16 X 36 RUBBER
27		87267255		1	HOSE, 5/16" X 20"
28		87267962		1	HOSE, 3/8" X 42"
29		342656A1		1	HOSE, 3/4" X 51"
30		{BN319780}		1	RAD TO RECOVERY
31		87270787		1	HOSE, LOWER ENGINE
32		87270786		1	HOSE, RAD COUPLER, REDUCER
33		BN324394		2	HOSE, STRAIGHT RAD COUPLI
34		87485001		2	CLAMP, SST HOSE 28

3330

RADIATOR GROUP

3



03-051

p2

12/08

RADIATOR GROUP

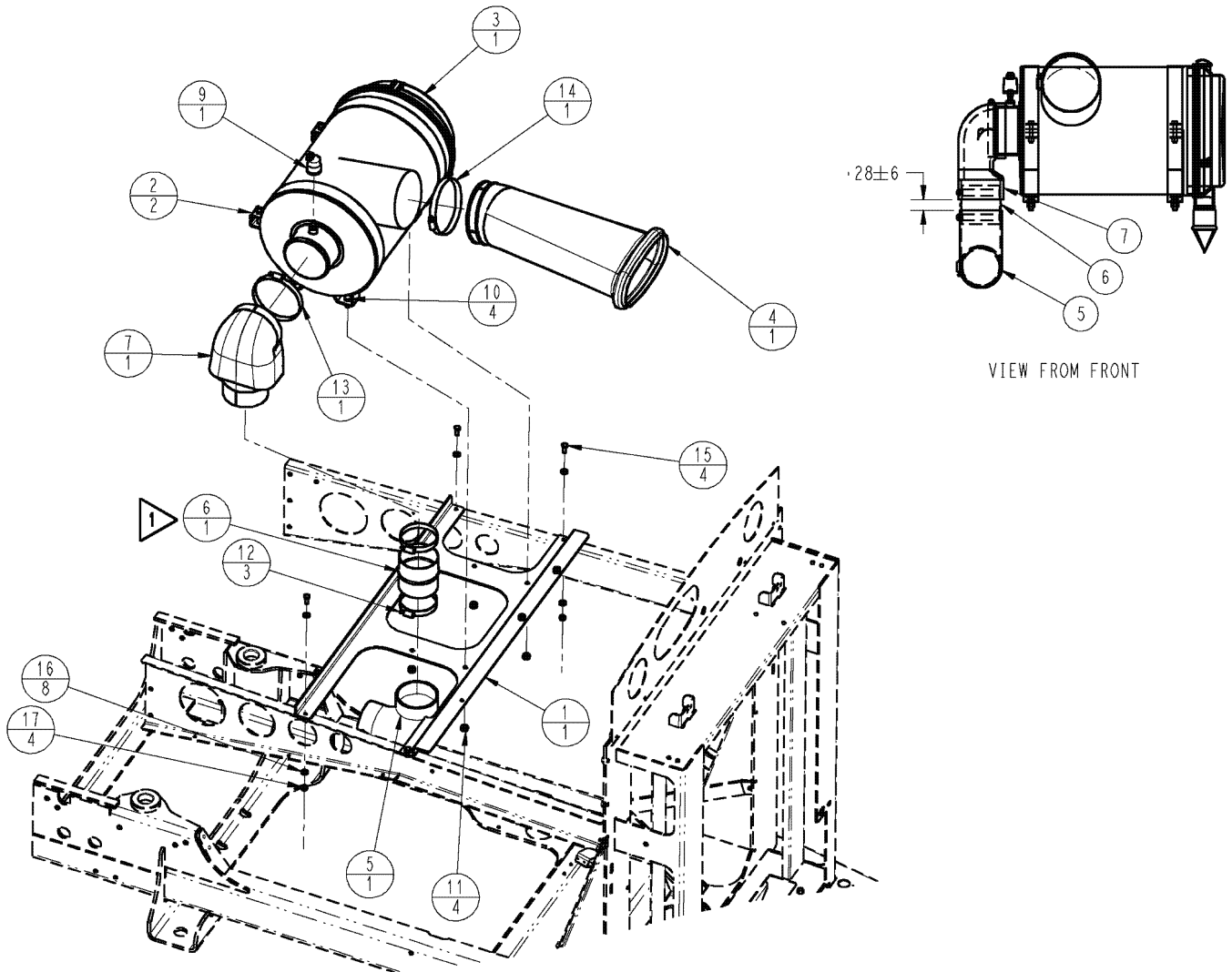
REF	FN	PART NUMBER	YR/SN	QTY	DESCRIPTION
35		{86980382}		2	M8-1.25 X 35
36		515-22127		4	CLAMP, 1/2", Insul, 5/16" Bolt
37		86980380		2	BOLT, M8 1.25 X 25, HH, 8.8, DO
38		515-23254		2	CLAMP, 1", Insul, 3/8" Bolt
39		87746967		1	GUARD, FAN BELT
40		87268056		8	SPACER, NYLON
41		SUP408		AR	SPARE PART, LOCTITE, #242-31

3

3330

AIR INTAKE SYSTEM

3



AIR INTAKE SYSTEM

REF	FN	PART NUMBER	YR/SN	QTY	DESCRIPTION
1		87558354		1	PLATE, MOUNTING, WELDMENT, AIR CLEANER
2		87042086		2	CLIP
3		{344323A1}		1	AIR
	1	86991370		1	O-RING, COVER
	2	86991373		1	COVER, /A
	3	A184939		1	VALVE, EVACUATOR
	4	KSH0932		1	FILTER, AIR, ELEMENT, CLEANER, SECONDARY
	5	KSH0933		1	FILTER, AIR, ELEMENT, CLEANER, PRIMARY
4		87269993		1	DUCT, AIR CLEANER
5		D50920		1	ELBOW
6		{87664098}		1	AIR INTAKE
7		352790A1		1	DUCT, ELBOW, AIR INTAKE
9		279492A1		1	SWITCH, RESTRICTION, AIR RESTRICTION
10		86980400		4	BOLT, Hex, M10 x 25, 8.8
11		86980515		4	NUT, LOCK, M10 x 1.5, CI 8, DO
12		214-3272		3	CLAMP, HOSE, 3.75/4.625 HD Worm, W/liner
13		214-3296		1	CLAMP, HOSE, 5.25/6.125 HD Worm, W/liner
14		214-32104		1	CLAMP, HOSE, 5.75/5.625 HD Worm, W/liner
15		86980379		4	BOLT, M8 1.25 X 20, HH, 8.8, DO
16		87529315		8	WASHER, 9 X 17 X 2MM HDN D
17		86980514		4	NUT, M8 CL8 P/T, ALL METAL

- (1) ASSOCIATED PART OF CLEANER, AIR, P/N 344323A1
(2) ASSOCIATED PART OF CLEANER, AIR, P/N 344323A1
(3) ASSOCIATED PART OF CLEANER, AIR, P/N 344323A1
(4) ASSOCIATED PART OF CLEANER, AIR, P/N 344323A1
(5) ASSOCIATED PART OF CLEANER, AIR, P/N 344323A1

3330

03-053

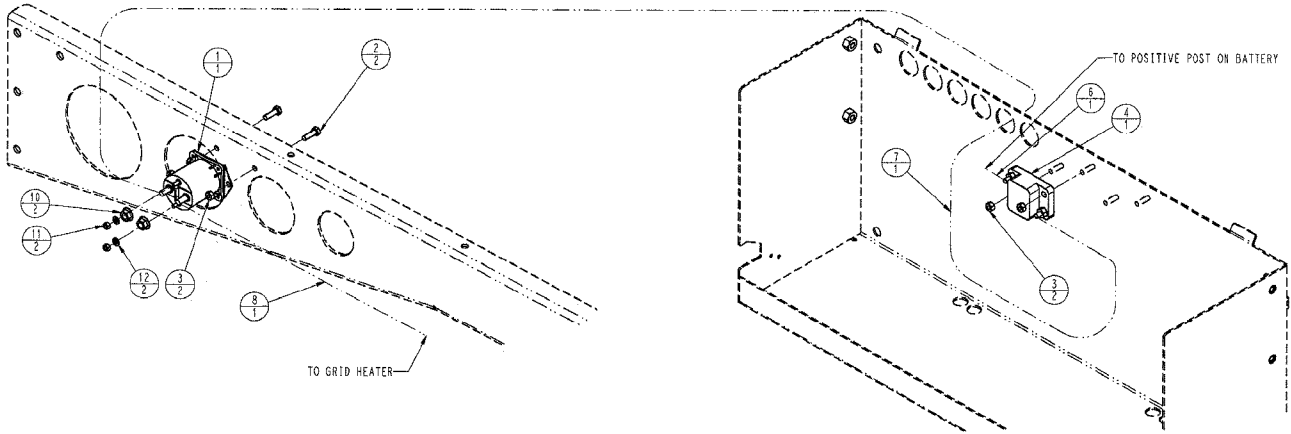
01

p1

12/08

GRID HEATER, GROUP

3



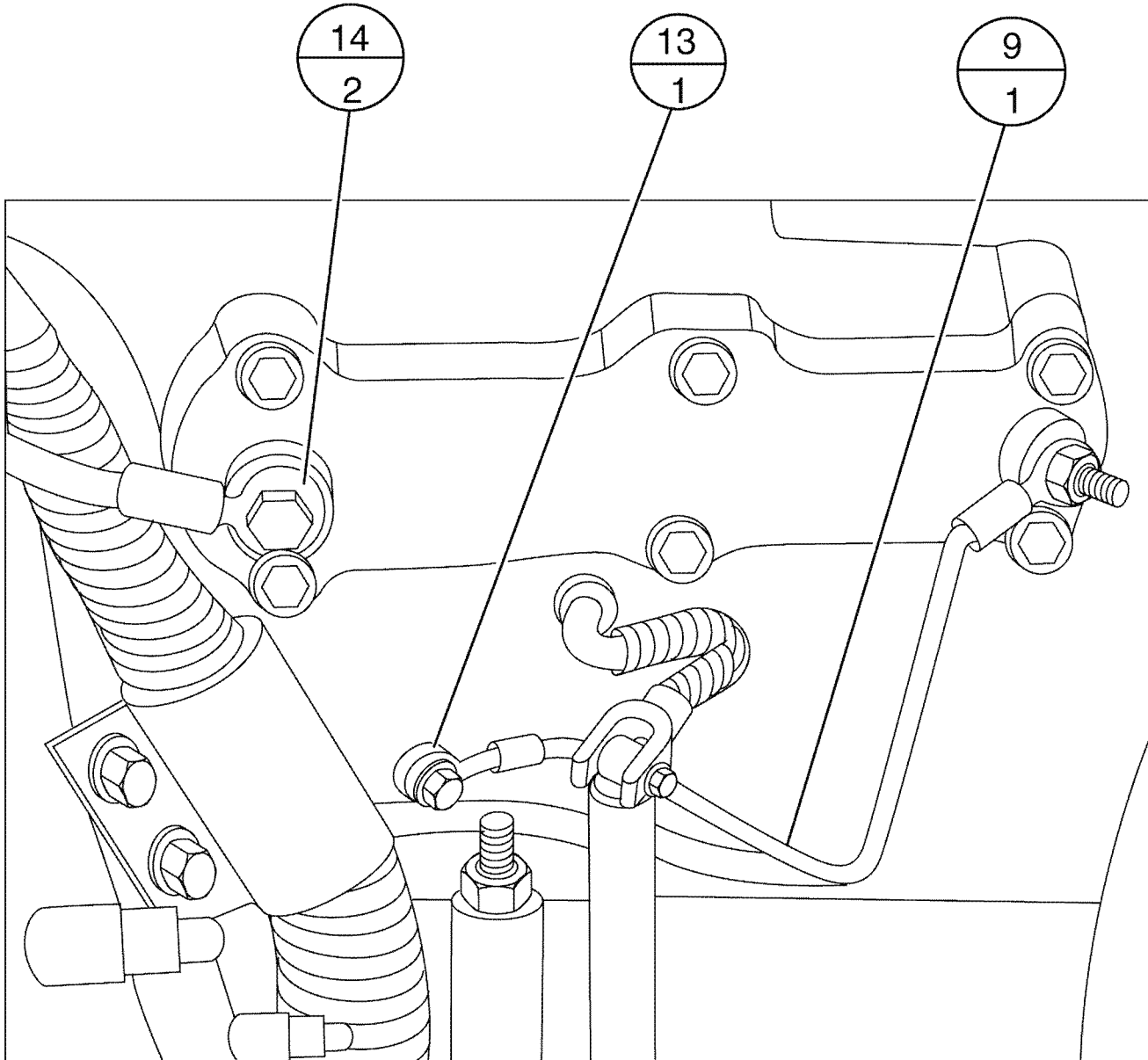
GRID HEATER, GROUP

REF	FN	PART NUMBER	YR/SN	QTY	DESCRIPTION
1		87455571		1	SOLENOID, 200A GRID HEATER
2		86980360		2	BOLT, HEX HD, M6 1 X 20 HH 8.8 DOR
3		86980513		4	NUT, PREV TRQ, METAL M6 CL8 DOR
4		BN69860		1	CIRCUIT BREAKER, 150A
5		87341554		1	COVER, GLOWPLUG RELAY
6		87536766		1	CABLE, BATTERY TO GRID HEATER CKT BEAKER
7		87536767		1	CABLE, GRID CKT BREAKER TO GRID RELAY
8		87619397		1	CABLE, ELECTRIC, GRID RELAY TO HEATER
9		87554184		1	CABLE, GRID HEATER TO ENGINE
10		231-5145		2	NUT, Flg, USR, 5/16"-18, SERR, GR5, ZND
11		824-1405		2	NUT, M5, CI 5, ZND
12		895-11005		2	WASHER, M5 x 10 x 1, CST/ZND
13		614-8020		1	BOLT, Hex, M8 x 20, 8.8, ZND
14		825-5146		2	NUT, M6, Flg Ser

	3330
--	------

GRID HEATER, GROUP

3



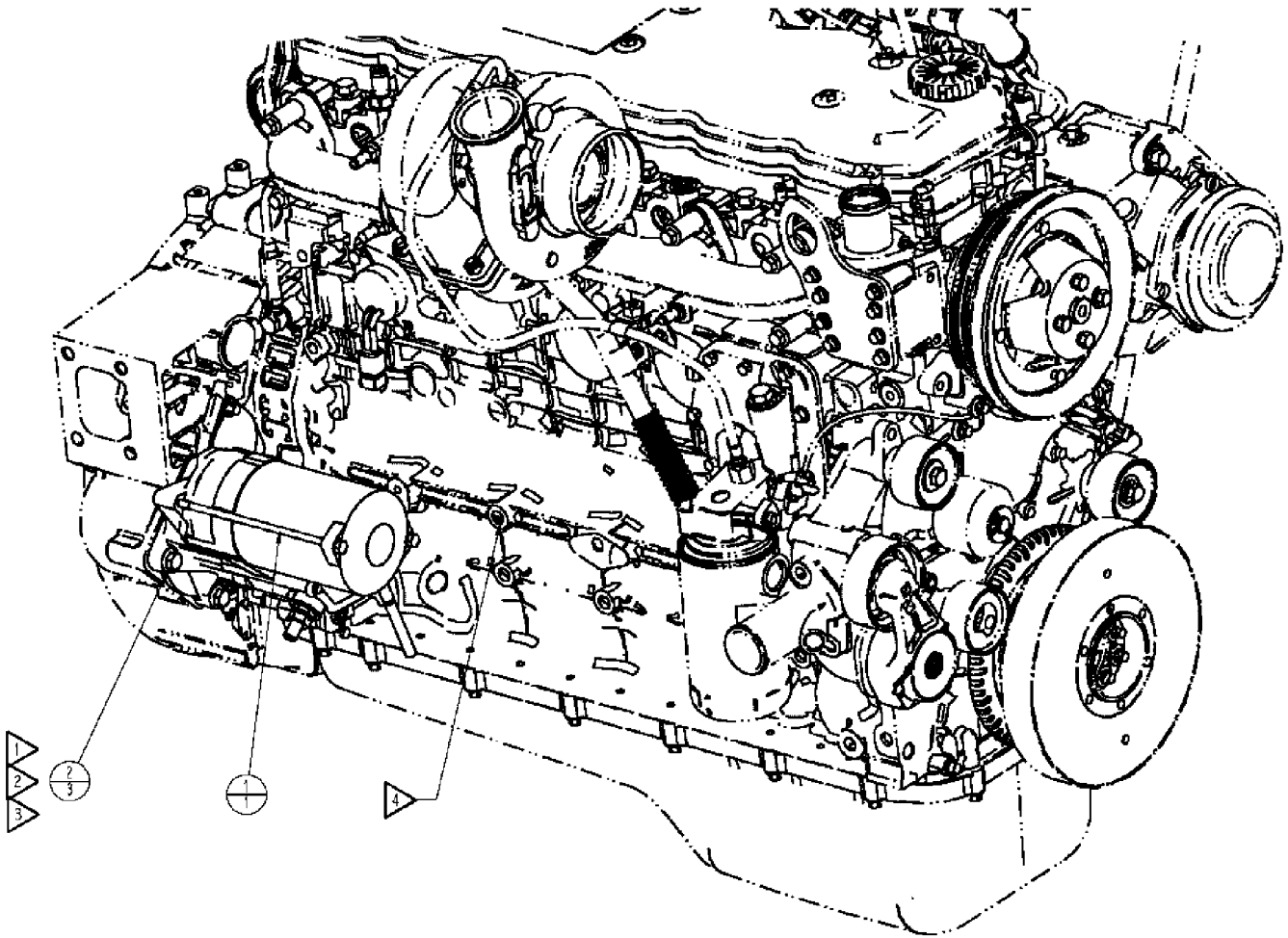
GRID HEATER, GROUP

REF	FN	PART NUMBER	YR/SN	QTY	DESCRIPTION
1		87455571		1	SOLENOID, 200A GRID HEATER
2		86980360		2	BOLT, HEX HD M6 1 X 20 HH 8.8 DOR
3		86980513		4	NUT, PREV TRQ, METAL M6 CL8 DOR
4		BN69860		1	CIRCUIT BREAKER, 150A
5		87341554		1	COVER, GLOWPLUG RELAY
6		87536766		1	CABLE, BATTERY TO GRID HEATER CKT BEAKER
7		87536767		1	CABLE, GRID CKT BREAKER TO GRID RELAY
8		87619397		1	CABLE, ELECTRIC, GRID RELAY TO HEATER
9		87554184		1	CABLE, GRID HEATER TO ENGINE
10		231-5145		2	NUT, Flg, USR, 5/16"-18, SERR, GR5, ZND
11		824-1405		2	NUT, M5, CI 5, ZND
12		895-11005		2	WASHER, M5 x 10 x 1, CST/ZND
13		614-8020		1	BOLT, Hex, M8 x 20, 8.8, ZND
14		825-5146		2	NUT, M6, Flg Ser

	3330
--	------

STARTER GROUP

3



STARTER GROUP

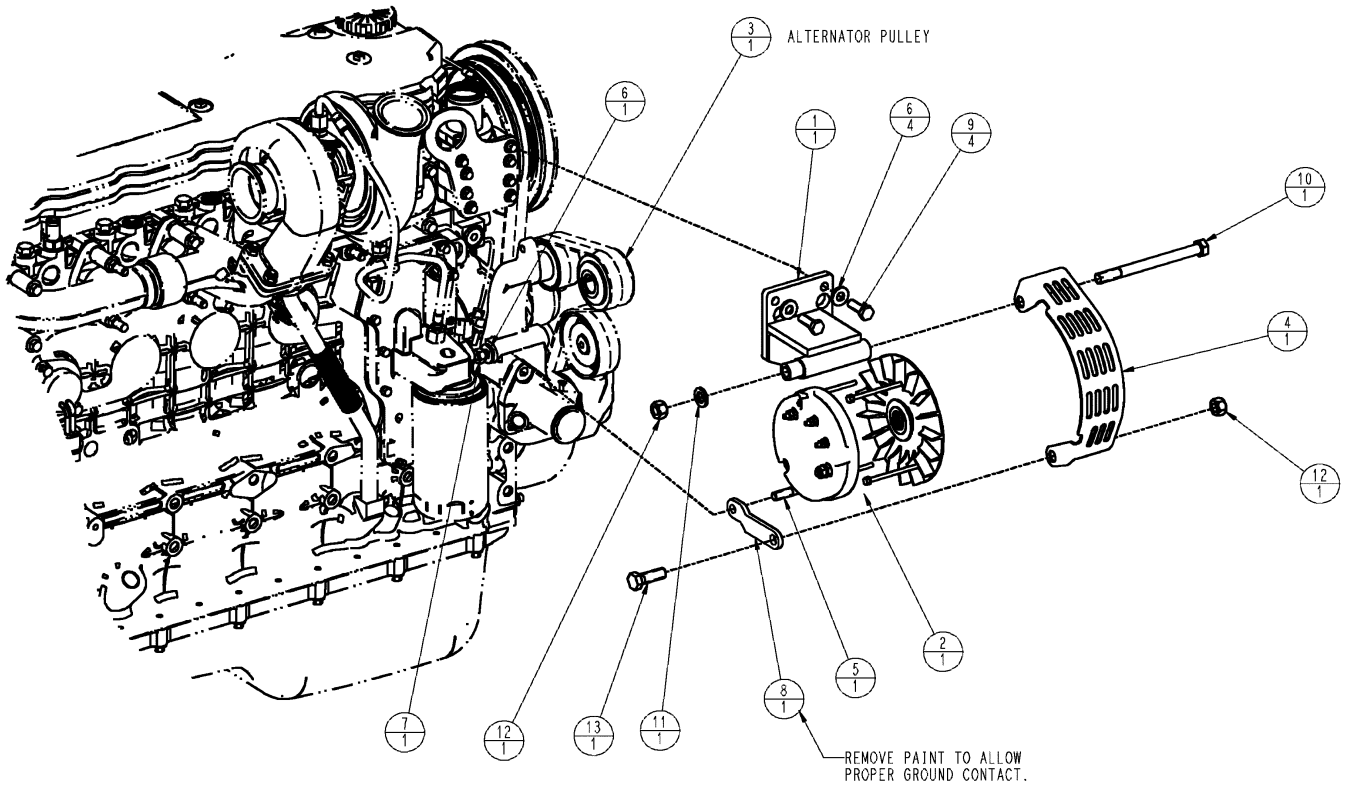
REF	FN	PART NUMBER	YR/SN	QTY	DESCRIPTION
1		87442359		1	MOTOR, STARTER, 12 V, 4KW
2		844-10035		3	BOLT, Hex Flg, M10 x 35, 8.8

3

	3330
--	-------------

ALTERNATOR GROUP

3



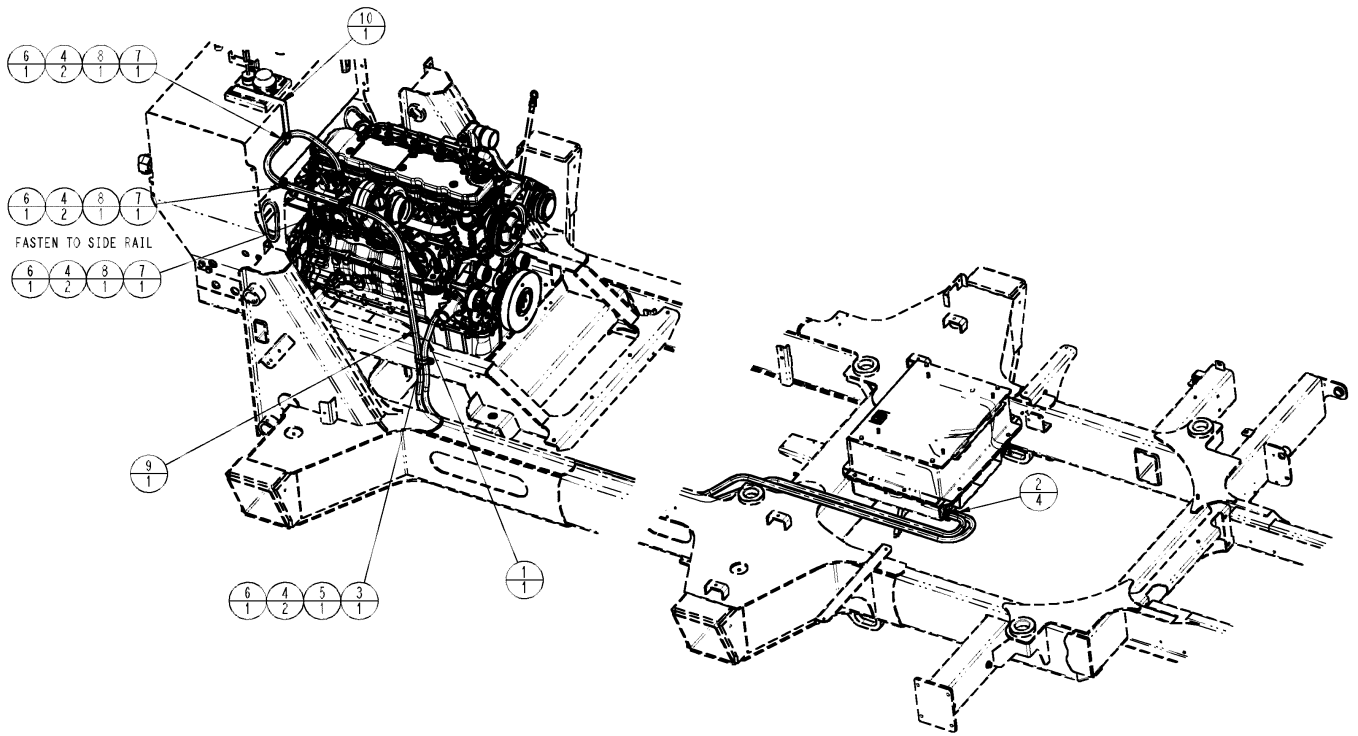
ALTERNATOR GROUP

REF	FN	PART NUMBER	YR/SN	QTY	DESCRIPTION
1		87270954		1	PLATE, MOUNTING, WELDMENT, ALTERNATOR
2		87645567		1	ALTERNATOR, 175A 14V
3		{J965146}		1	ALTERNATOR
4		87529312		1	WASHER, 11 X 24 X 3MM
5		86980410		1	BOLT, M10 1.5 X 100, HH, 8.8, DOR REPL
6		87529315		5	WASHER, 9 X 17 X 2MM HDN DOR
7		86980515		1	NUT, LOCK, M10 x 1.5, CI 8, DOR
8		87271080		1	SUPPORT, ALTERNATOR
9		86980401		4	BOLT, M10 1.5 X 30, HH, 8.8, DOR REPL
10		87342824		1	BOLT, 1/2-13 X 6 5 DOR
11		86981496		1	WASHER, M13.5 x 24.5 x 3, HT, DOR
12		87343666		2	NUT, 1/2-13 GR 5 DOR
13		87310191		1	BOLT, 1/2-13 X 1-1/2 5 DOR

3330

HEATER GROUP

3



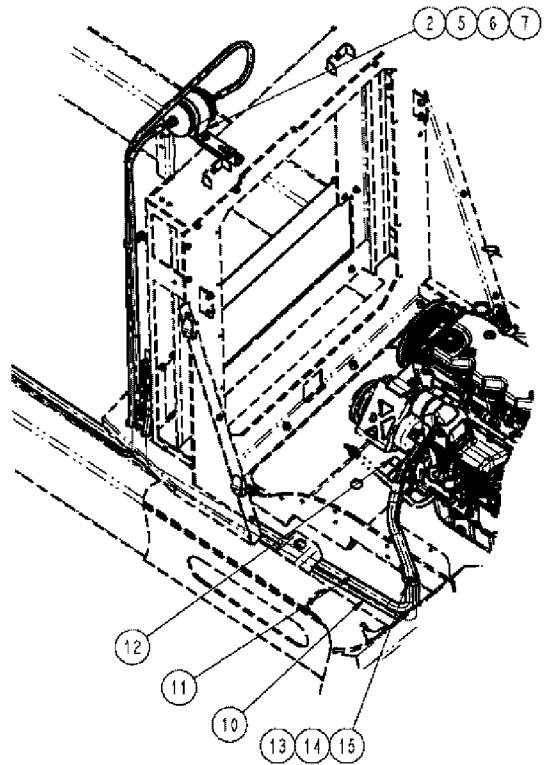
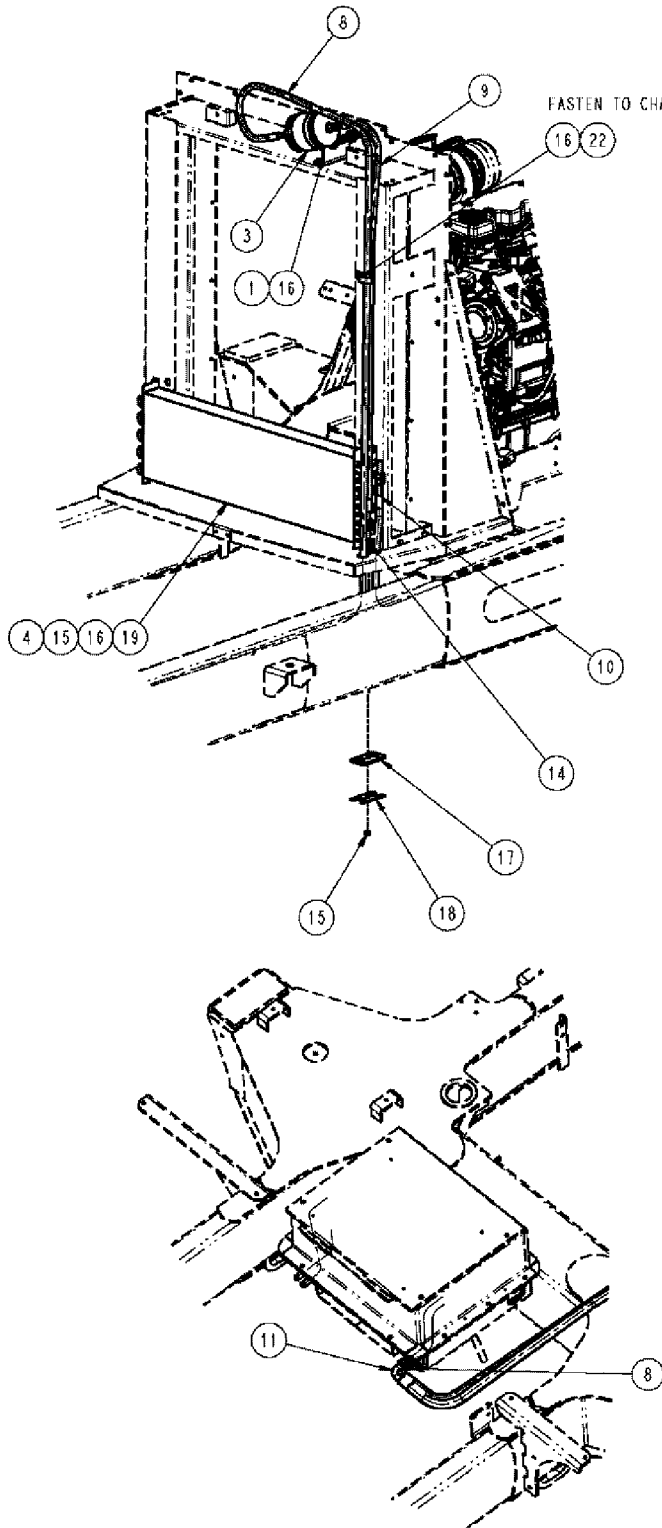
HEATER GROUP

REF	FN	PART NUMBER	YR/SN	QTY	DESCRIPTION
1		{87524515}		1	5/8" x 202" RETURN
2		1954736C1		4	CLAMP, HOSE, 24 BLK PHOSPH
3		R54363		1	CLAMP
4		87529312		8	WASHER, 11 X 24 X 3MM DOR
5		86980401		1	BOLT, M10 1.5 X 30, HH, 8.8, DO
6		86980515		4	NUT, LOCK, M10 x 1.5, CI 8
7		515-23254		3	CLAMP, 1", Insul, 3/8" Bolt
8		86980400		3	BOLT, Hex, M10 x 25, 8.8
9		{87524513}		1	5/8 ID X 263 SUPPLY
10		87524509		1	SUPPORT, HEATER HOSE

3330

AIR CONDITIONING GROUP

3



- NOTES:
1) REFRIGERANT CHARGE LEVEL ITEM 20 - 1.65 KGS.
2) REFER TO DRAWING ITEM 21 WHEN ASSEMBLING A/C CONNECTIONS.

AIR CONDITIONING GROUP

REF	FN	PART NUMBER	YR/SN	QTY	DESCRIPTION
1		87270649		1	PLATE, MOUNTING, DRYER MOUNT
2		D145289		1	SUPPORT, RECIEVER DRYER
3		295006A1		1	RECEIVER-DRYER, HOR. MNT
4		87270664		1	CONDENSER, A/C
5		87529312		2	WASHER, 11 X 24 X 3MM HDN DOR
6		86980400		2	BOLT, Hex, M10 x 25, 8.8
7		86980515		2	NUT, LOCK, M10 x 1.5, CI 8
8		87270202		1	HOSE, CAB TO DRYER
9		87270636		1	HOSE, DRYER TO COND
10		87518803		1	HOSE, CONDENSOR TO CO
11		87518804		1	HOSE, COMPRESSOR TO C
12		284273A2		1	SWITCH, A/C HIGH PRESSURE, HIGH PRESS (N.C.)
13		R54363		1	CLAMP, DOUBLE, DIA. 23.8
14		86980380		2	BOLT, M8 1.25 X 25, HH, 8.8, DO
15		86980514		4	NUT, M8 CL8 P/T ALL METAL
16		86980379		7	BOLT, M8 1.25 X 20, HH, 8.8, DO
17		87270790		1	SEAL, A/C HOSES
18		87270791		1	PLATE, SEAL, A/C HOSES
19		87529315		2	WASHER, 9 X 17 X 2MM HDN DOR
20		331-578		AR	FLUID, 1 KILOGRAM H
21		{BN324737}		1	A/C, O-RING LUBE
22		L101181		1	CLAMP, DOUBLE

3330

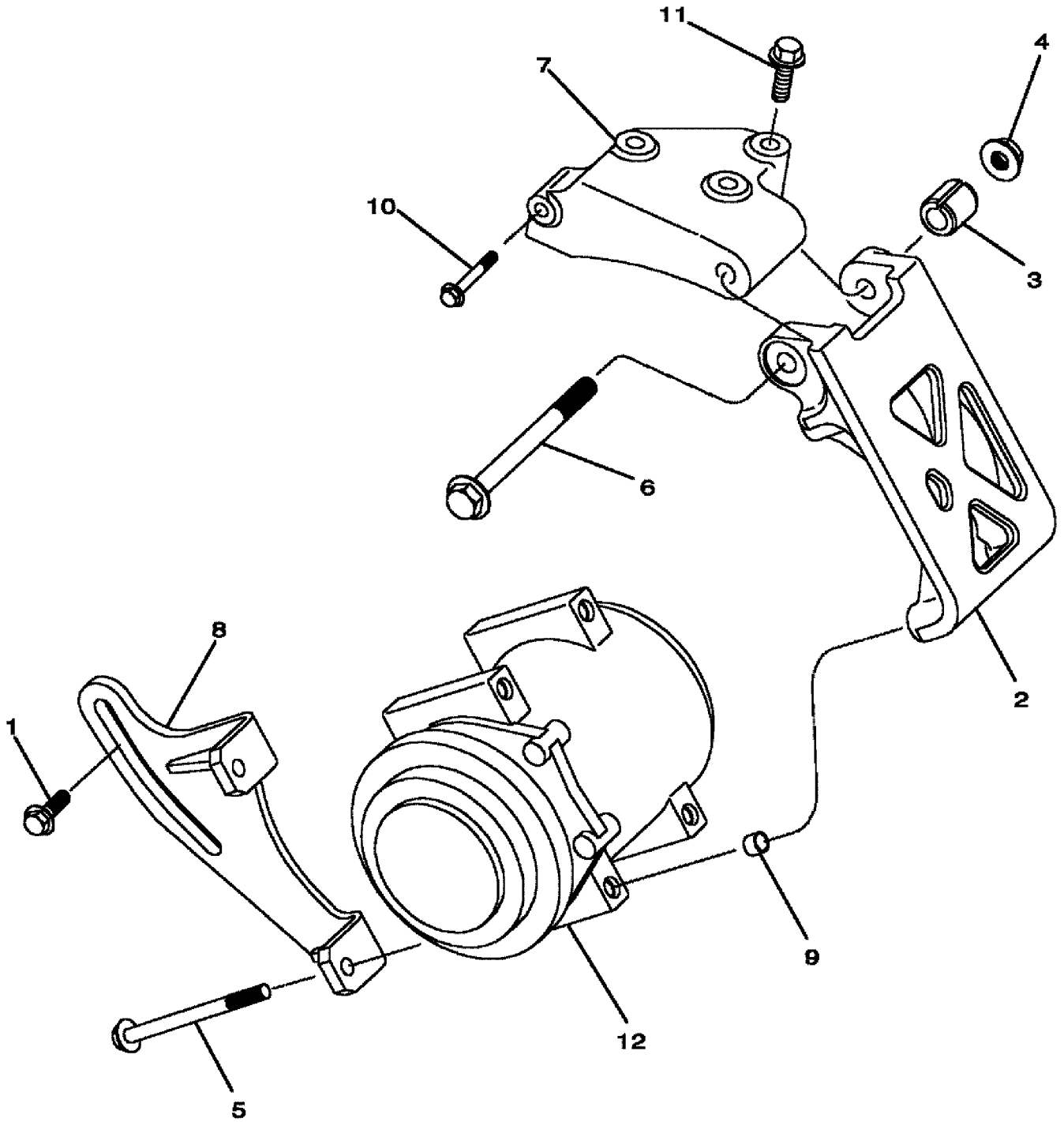
03-058

p1

12/08

A/C COMPRESSOR ATTACHING GROUP

3



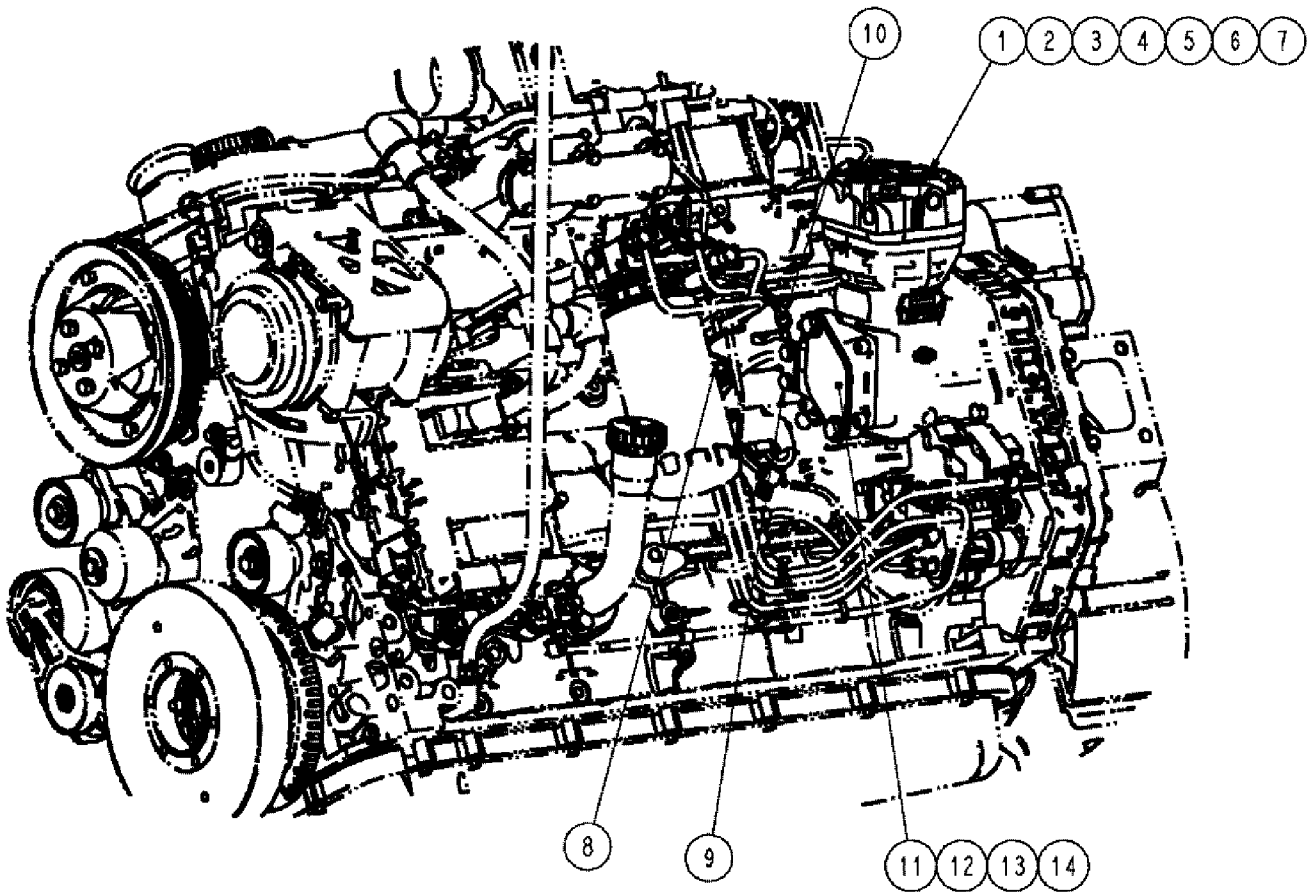
A/C COMPRESSOR ATTACHING GROUP

REF	FN	PART NUMBER	YR/SN	QTY	DESCRIPTION
1		87803136		1	SCREW
2		2852623		1	SUPPORT
3		2852626		1	SPACER
4		2852627		1	NUT
5		2852628		4	SCREW
6		2852925		1	SCREW
7		2854887		1	BRACKET, AIR CONDITIONER
8		2854890		1	TENSIONER, BELT, COMPRESSOR
9		4895227		2	RING, GUIDE, DOWEL
10		4899147		1	SCREW
11		4899144		3	SCREW, Hex Flg, M10 x 1.5 x 50
12		87430122		1	COMPRESSOR, AIRCOND

3330

AIR COMPRESSOR GROUP

3



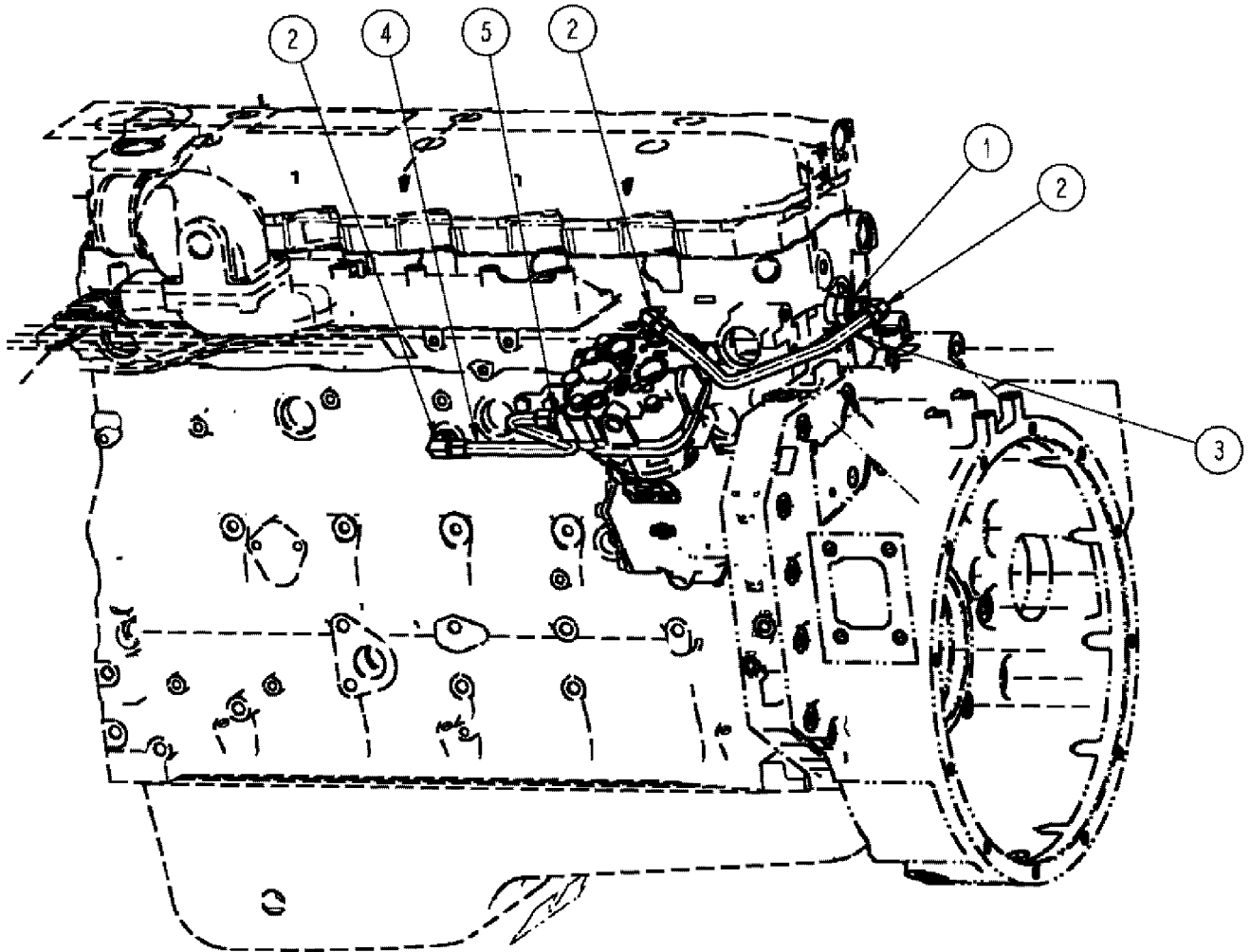
AIR COMPRESSOR GROUP

REF	FN	PART NUMBER	YR/SN	QTY	DESCRIPTION
1		87272416		1	COMPRESSOR, AIR
2		87272417		1	GASKET
3		87272418		1	O-RING
4		87272419		2	STUD
5		87272420		1	NUT
6		87272421		1	GEAR
7		87272422		2	NUT, HEXAGON
8		87272423		1	RETAINER
9		87272424		2	BOLT, HEXAGON
10		87272425		2	BOLT
11		87272203		1	COVER, AIR COMPRESSOR
12		86980399		2	BOLT, M10 1.5 X 20, HH, 8.8, DO
13		87529312		2	WASHER, 11 X 24 X 3MM HDN
14		87529329		1	GASKET, AIR COMPRESSOR

3330

COOLANT LINES GROUP

3



COOLANT LINES GROUP

REF	FN	PART NUMBER	YR/SN	QTY	DESCRIPTION
1		87272411		1	UNION, THREADED
2		87272412		3	ELBOW, COUPLING
3		87272413		1	PIPE, WATER
4		87272414		1	PIPE, WATER
5		87272415		1	UNION, THREADED

3

	3330
--	------

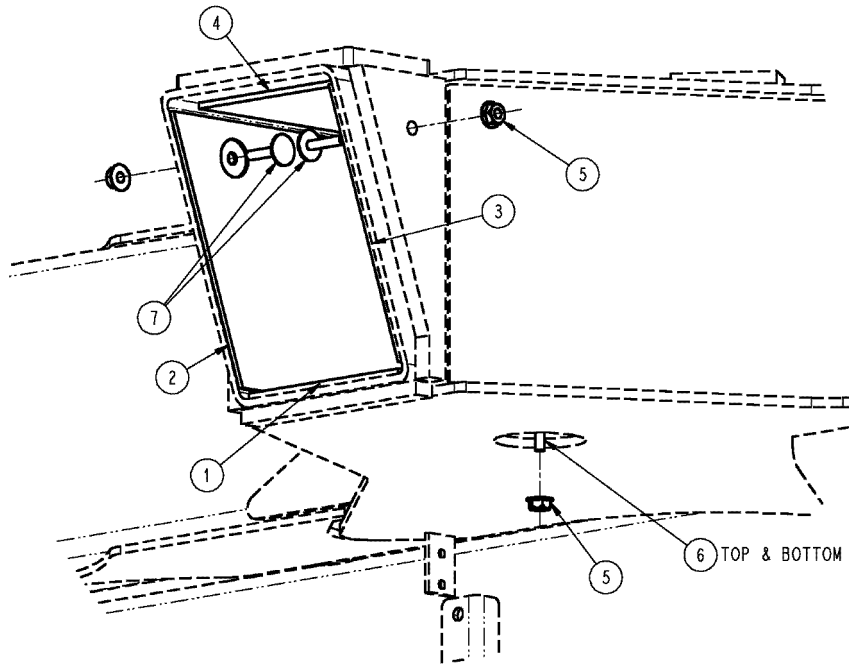
SECTION INDEX

Suspension & Frame

04-001	AXLE LINER GROUP
04-002	AXLE GROUP, STEER, RF
04-003	AXLE GROUP, STEER, LF
04-004	AXLE GROUP, NON STEER, LR
04-005	AXLE GROUP, NON STEER, RR
04-006	HOSE PIVOT GROUP, LF
04-007	HOSE PIVOT GROUP, RF
04-008	NON PIVOT HOSE MOUNT GROUP, LR
04-009	NON PIVOT HOSE MOUNT GROUP, RR
04-010	STRUT GROUP, LEFT
04-011	STRUT GROUP, RIGHT
04-012	CYLINDER GROUP, 2 WHEEL STEER
04-013	SUSPENSION CYLINDER GROUP
04-014	SUSPENSION SHOCK ASSEMBLY
04-015	BRAKE CALIPER ASSEMBLY
04-016	HOOD GROUP, FRONT
04-017	HOOD MOUNT GROUP, ENGINE, FRONT & REAR
04-018	HOOD GROUP, ENGINE, TOP
04-019	GRILLE GROUP, ENGINE
04-020	WALKWAY GROUP, HAND AND TOE RAIL, FRONT
04-021	WALKWAY GROUP, MID
04-022	PACKAGE, WALKWAY, REAR
04-023	CRADLE/HANDRAIL ASSEMBLY, 120' BOOM
04-024	HANDRAIL GROUP, MID PIVOT, 120' BOOM
04-025	LADDER GROUP, LH
04-026	FRONT/MID HANDRAIL GROUP
04-027	WALKWAY PROTECTOR GROUP
04-028	CRADLE GROUP, BOOM
04-029	FUEL GROUP, FITTINGS & LINES
04-030	FUEL GROUP, TANK MOUNTING
04-031	FUEL TANK ASSEMBLY
04-032	AUDIBLE ALARM GROUP
04-033	SERIAL PLATE GROUP
04-034	CAB MOUNTING GROUP
04-035	STORAGE BOX GROUP
04-036	BATTERY BOX GROUP
04-037	SPEED SENSOR GROUP

AXLE LINER GROUP

4



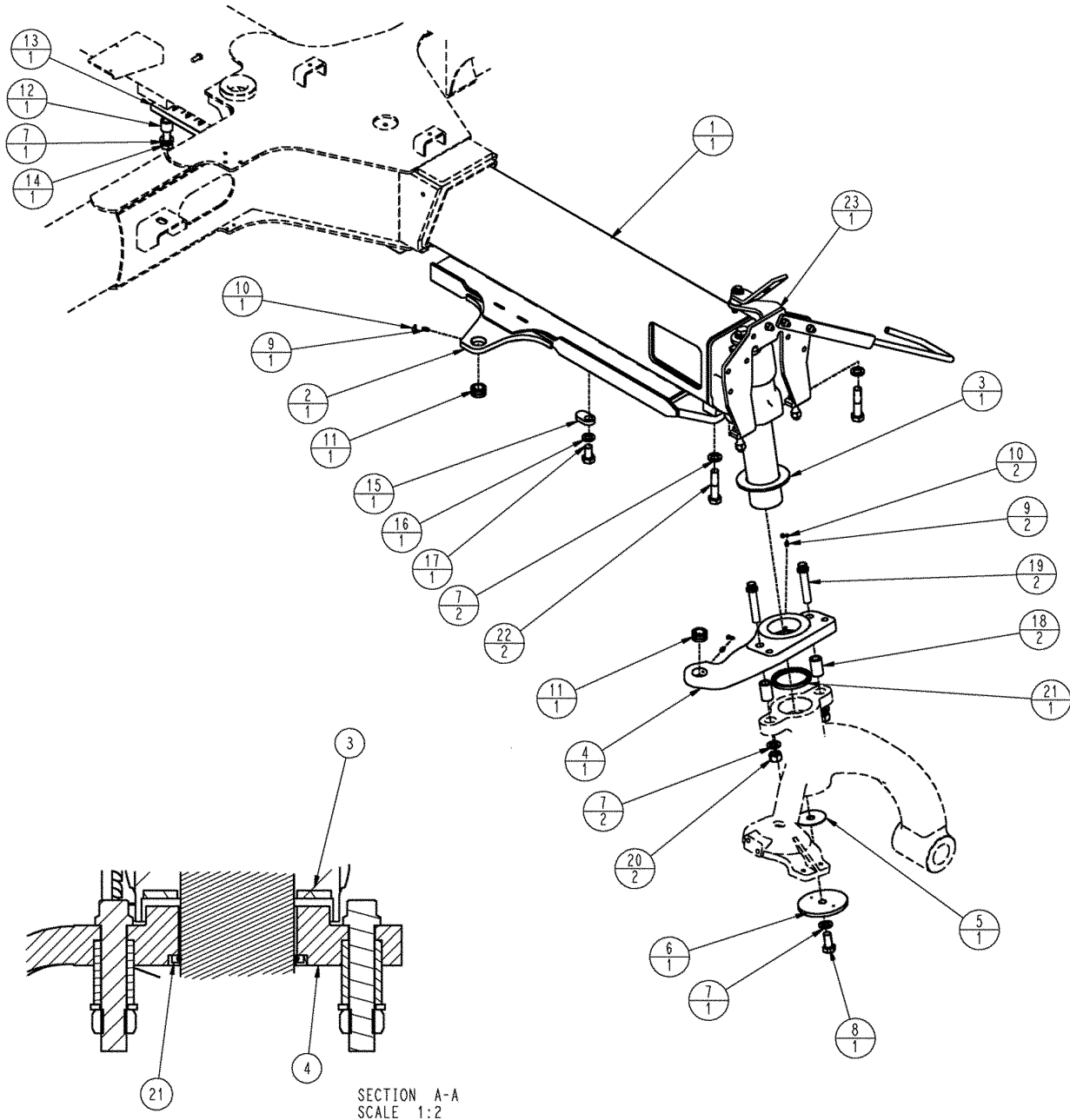
AXLE LINER GROUP					
-------------------------	--	--	--	--	--

REF	FN	PART NUMBER	YR/SN	QTY	DESCRIPTION
1		BN323811		4	LINER, AXLE TUBE BOTTOM
2		342028A1		4	LINER, LINER, TUBE, LF-RR
3		342029A1		4	LINER, LINER, TUBE, RF-LR
4		342030A1		4	AXLE, LINER, TUBE TOP
5		BN50057		16	NUT, 5/16-18 WHIZ LOCK SS
6		BN50779		8	BOLT, 5/16"-18 x 1, EH
7		BN50930		8	BOLT, 5/16"-18 x 1.5, EH

	3330
--	-------------

AXLE GROUP, STEER, RF

4



AXLE GROUP, STEER, RF

REF	FN	PART NUMBER	YR/SN	QTY	DESCRIPTION
1		{87721676}		1	
2		87265738		1	SLIDE
3		86986933		1	WASHER, THRUST
4		86986935		1	ARM
5		BN312604		1	SPACER
6		BN302052		1	WASHER
7		87520307		6	CUSHION
8		87342019		1	BOLT
9		BN302051		3	NIPPLE, LUBE
10		BN69951		3	CAP
11		1316827C1		2	BUSHING
12		BN301998		1	DOWEL
13		87540210		1	SLIDE
14		87342045		1	BOLT
15		BN320759		1	STOP
16		892-11020		1	WASHER, LOCK, M20
17		87635862		1	BOLT
18		342939A1		2	SLEEVE
19		87268646		2	BOLT
20		87024336		2	NUT
21		343883A1		1	SEAL
22		87342001		2	BOLT
23		{86986257}		1	Pivot, RF, SEE FIG. 04-007

3330

AXLE GROUP, STEER, LF

REF	FN	PART NUMBER	YR/SN	QTY	DESCRIPTION
1		{87721676}		1	
2		86986933		1	WASHER, THRUST
3		BN301998		1	DOWEL
4		87520307		6	CUSHION
5		87342045		1	BOLT
6		87540210		1	SLIDE
7		87265739		1	SLIDE, Weld, LF
8		1316827C1		2	BUSHING
9		86986934		1	ARM
10		BN302051		3	NIPPLE, LUBE
11		BN69951		3	CAP
12		BN312604		1	SPACER
13		BN302052		1	WASHER
14		87342019		1	BOLT
15		BN320759		1	STOP
16		892-11020		1	WASHER, LOCK, M20
17		87635862		1	BOLT
18		342939A1		2	SLEEVE
19		87268646		2	BOLT
20		87024336		2	NUT
21		343883A1		1	SEAL
22		87342001		2	BOLT
23		{86986256}		1	Pivot, LF, SEE FIG. 04-006

3330

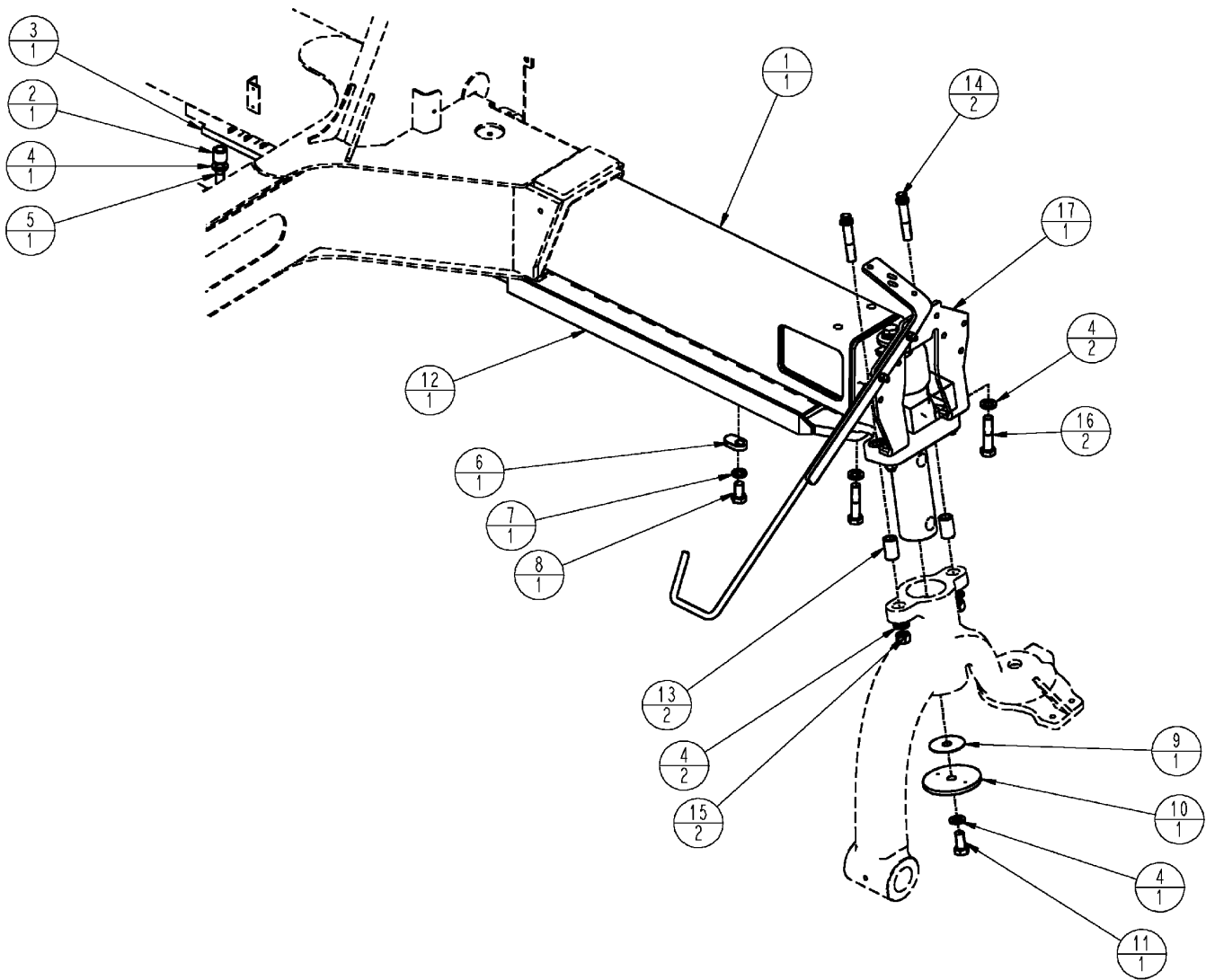
04-004

p1

11/08

AXLE GROUP, NON STEER, LR

4



AXLE GROUP, NON STEER, LR

REF	FN	PART NUMBER	YR/SN	QTY	DESCRIPTION
1		{87721678}		1	
2		BN301998		1	DOWEL, HOLLOW
3		87540210		1	SLIDE, BAR, AXLE
4		87529307		6	WASHER, 22 X 37 X 4MM HDN DOR
5		87342045		1	BOLT, M20 X 55, FULL, 10.9
6		BN320759		1	STOP, AXLE ADJUST
7		892-11020		1	WASHER, LOCK, M20, Spring
8		87635862		1	BOLT, M20 X 35, FULL, 10.9 DOR
9		BN312604		1	SPACER, AXLE
10		BN302052		1	WASHER
11		86980457		1	BOLT, M20 2.5 X 40, HH, 8.8
12		87268928		1	SLIDE, WLD, AXLE ADJ, LR
13		342939A1		2	SLEEVE, DOWEL, HOLLOW
14		87268646		2	BOLT, M20 2.5 X 100, 12 PT, 12.9, DRL
15		87024336		2	NUT, M20 10 MET P/T DOR
16		87342001		2	BOLT, M20 X 90, 10.9
17		{87615319}		1	NON PIVOT, LR SEE FIG. 04-008

3330

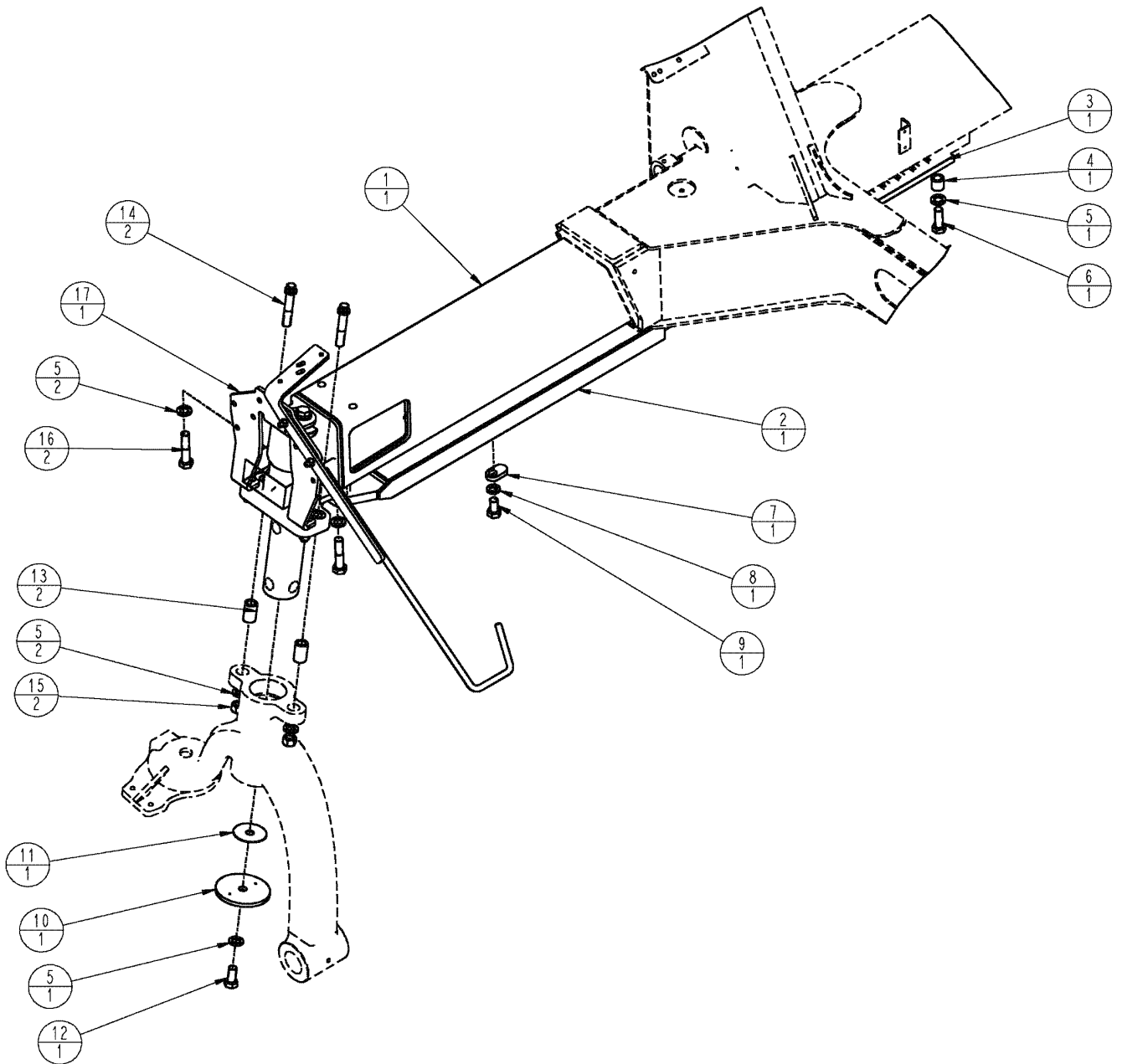
04-005

p1

11/08

AXLE GROUP, NON STEER, RR

4



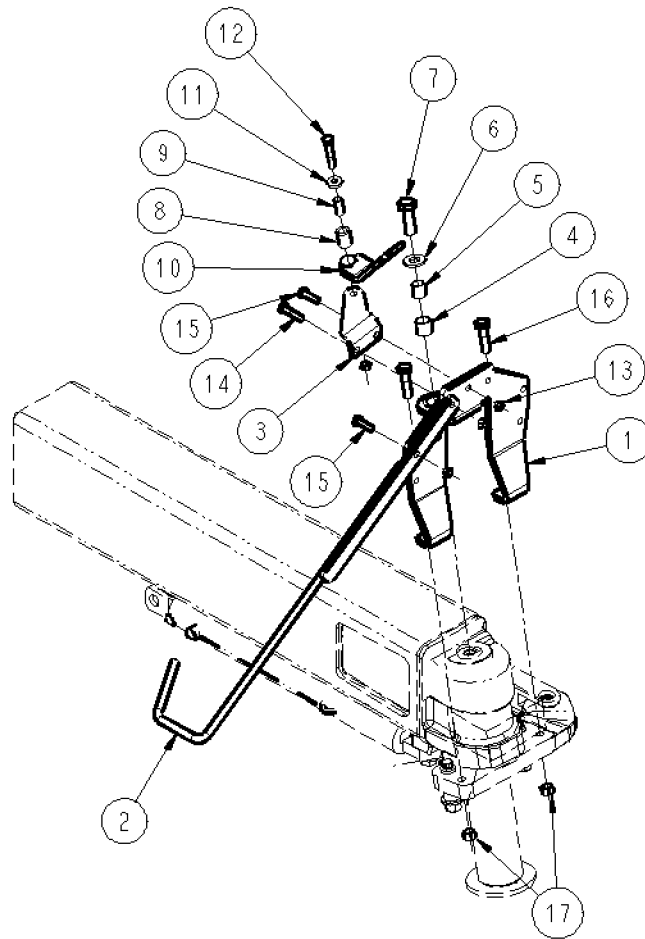
AXLE GROUP, NON STEER, RR

REF	FN	PART NUMBER	YR/SN	QTY	DESCRIPTION
1		{87721678}		1	
2		87268927		1	SLIDE, WLD, AXLE ADJ, RR
3		87540210		1	SLIDE, BAR, AXLE
4		BN301998		1	DOWEL, HOLLOW
5		87529307		6	WASHER, 22 X 37 X 4MM HDN DOR
6		87342045		1	BOLT, M20 X 55, FULL, 10.9
7		BN320759		1	STOP, AXLE ADJUST
8		892-11020		1	WASHER, LOCK, M20, Spring
9		87635862		1	BOLT, M20 X 35, FULL, 10.9 DOR
10		BN302052		1	WASHER
11		BN312604		1	SPACER, AXLE
12		86980457		1	BOLT, M20 2.5 X 40, HH, 8.8
13		342939A1		2	SLEEVE, DOWEL, HOLLOW
14		87268646		2	BOLT, M20 2.5 X 100, 12 PT, 12.9, DRL
15		87024336		2	NUT, M20 10 MET P/T DOR
16		87342001		2	BOLT, M20 X 90, 10.9
17		{87615325}		1	NON PIVOT GROUP, RR, SEE FIG. 04-009

3330

HOSE PIVOT GROUP, LF

4



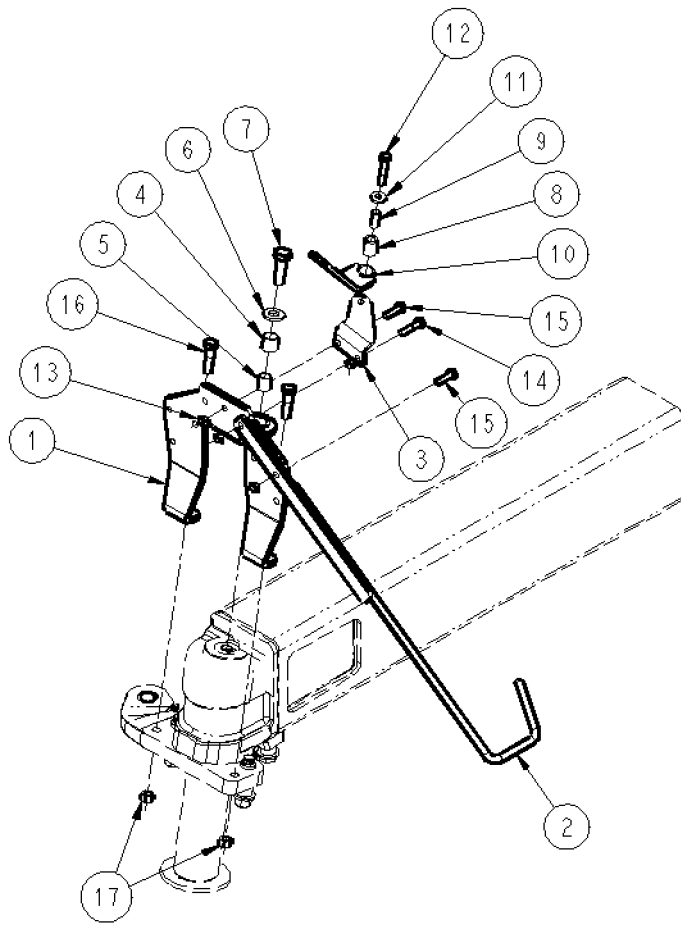
HOSE PIVOT GROUP, LF

REF	FN	PART NUMBER	YR/SN	QTY	DESCRIPTION
1		87266807		1	PLATE, MOUNTING, WLD, HOSE PIVOT
2		BN325088		1	STOP, HOSES, WELDMENT
3		BN321283		1	BRACKET, LF HOSE SUPPORT
4		87376798		1	PIVOT, BUSHING, HOSE
5		87266809		1	SPACER, TUBE
6		87310608		1	WASHER, 22 X 44 X 5MM HDN DOR
7		614-20060		1	BOLT, Hex, M20 x 60, 8.8
8		BN313618		1	BUSHING, UHMW
9		BN313619		1	BUSHING, TUBE
10		BN323696		1	SUPPORT, HOSE WLDMNT, LH
11		BN313639		1	WASHER, M12, 30MM OD
12		814-12070		1	BOLT, Hex, M12 x 70, 8.8
13		832-46412		4	NUT, LOCK, M12 x 1.75, CI 8
14		814-12050		1	BOLT, Hex, M12 x 50, 8.8
15		614-12040		2	BOLT, Hex, M12 x 40, 8.8, Full Thd
16		814-16065		2	BOLT, Hex, M16 x 65, 8.8
17		832-46416		2	NUT, LOCK, M16 x 2, CI 8

3330

HOSE PIVOT GROUP, RF

4



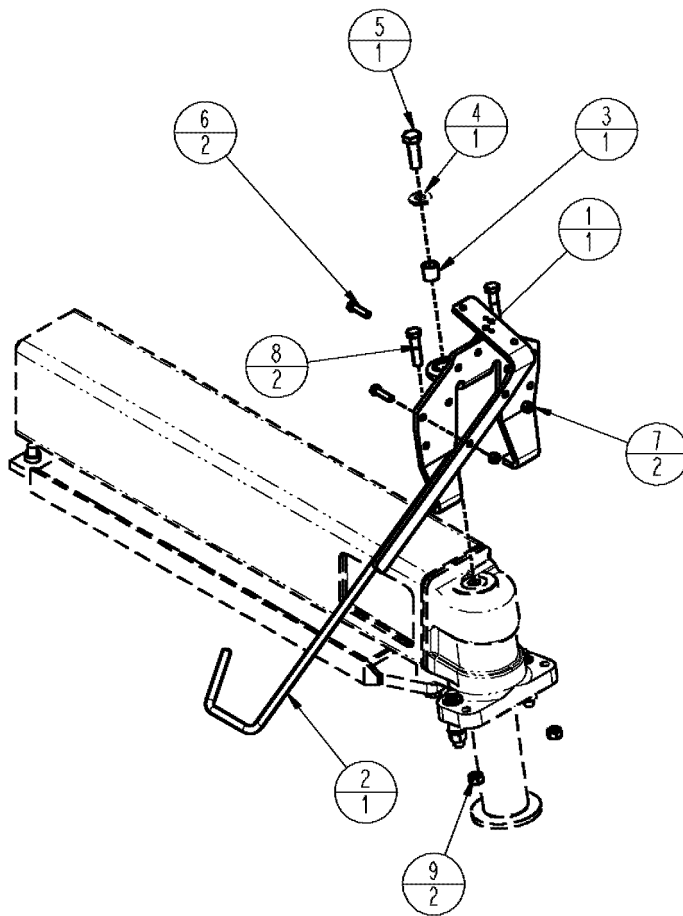
HOSE PIVOT GROUP, RF

REF	FN	PART NUMBER	YR/SN	QTY	DESCRIPTION
1		87266807		1	PLATE, MOUNTING, WLD, HOSE PIVOT
2		BN325088		1	STOP, HOSES, WELDMENT
3		BN321286		1	BRACKET, RF HOSE SUPPORT
4		87376798		1	PIVOT, BUSHING, HOSE
5		87266809		1	SPACER, TUBE
6		87310608		1	WASHER, 22 X 44 X 5MM HDN DOR
7		614-20060		1	BOLT, Hex, M20 x 60, 8.8
8		BN313618		1	BUSHING, UHMW
9		BN313619		1	BUSHING, TUBE
10		BN323697		1	SUPPORT, HOSE WLDMNT, RH
11		BN313639		1	WASHER, M12, 30MM OD
12		814-12070		1	BOLT, Hex, M12 x 70, 8.8
13		832-46412		4	NUT, LOCK, M12 x 1.75, CI 8
14		814-12050		1	BOLT, Hex, M12 x 50, 8.8
15		614-12040		2	BOLT, Hex, M12 x 40, 8.8, Full Thd
16		814-16065		2	BOLT, Hex, M16 x 65, 8.8
17		832-46416		2	NUT, LOCK, M16 x 2, CI 8

3330

NON PIVOT HOSE MOUNT GROUP, LR

4

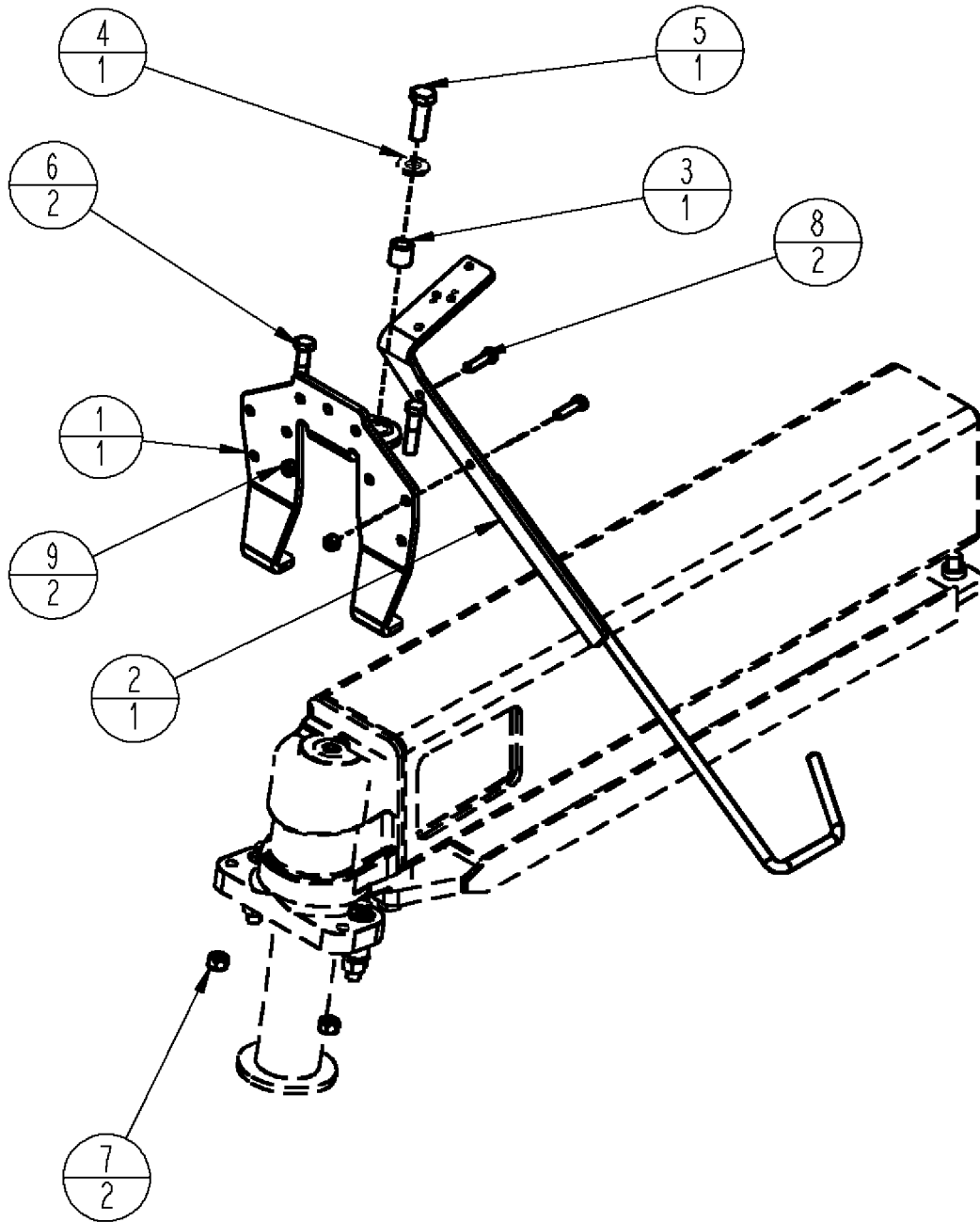


NON PIVOT HOSE MOUNT GROUP, LR

REF	FN	PART NUMBER	YR/SN	QTY	DESCRIPTION
1		87266807		1	PLATE, MOUNTING, WLD, HOSE PIVOT
2		{87615322}		1	STOP, MOUNT
3		87390349		1	PIVOT, BUSHING, HOSE
4		87310608		1	WASHER, 22 X 44 X 5MM HDN DOR
5		86980460		1	BOLT, M20 2.5 X 60, HH, 8.8 DOR
6		86980423		2	BOLT, M12 1.75 X 40, HH, 8.8, DOR
7		86980516		2	NUT, P/T, ALL MTL M12 8 DOR
8		87341829		2	BOLT, M16 X 65 8.8 DOR
9		86980517		2	NUT, P/T, ALL MTL M16 8 DOR

3330

NON PIVOT HOSE MOUNT GROUP, RR



NON PIVOT HOSE MOUNT GROUP, RR

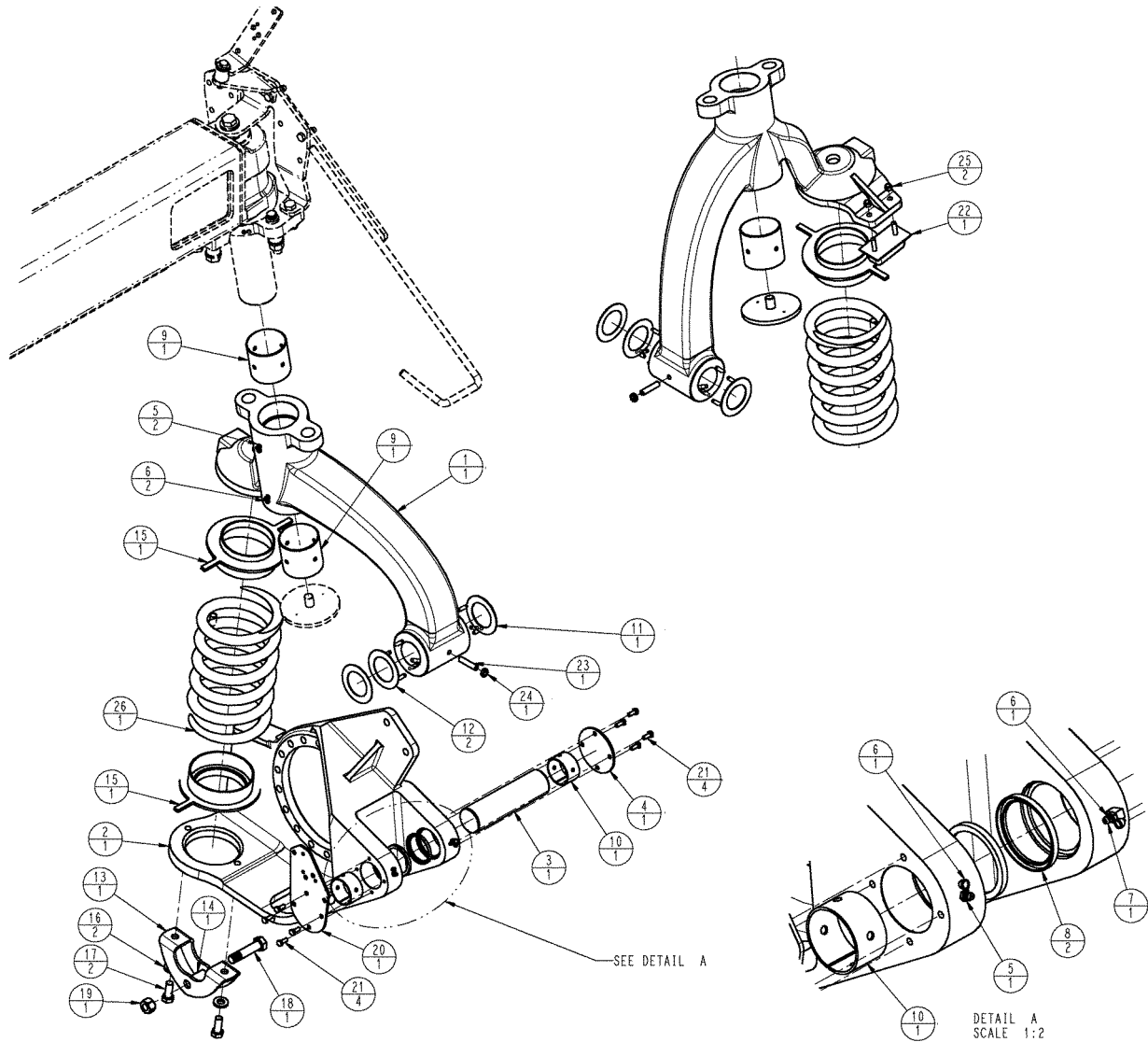
REF	FN	PART NUMBER	YR/SN	QTY	DESCRIPTION
1		87266807		1	PLATE, MOUNTING, WLD HOSE PIVOT
2		{87615326}		1	HOSE MOUNT RH
3		87390349		1	PIVOT, BUSHING, HOSE
4		87310608		1	WASHER, 22 X 44 X 5MM HDN DOR
5		86980460		1	BOLT, M20 2.5 X 60, HH, 8.8 DOR
6		{873341829}		2	M16 X 65 8.8 DOR
7		86980517		2	NUT, P/T, ALL MTL M16 8 DOR
8		86980423		2	BOLT, M12 1.75 X 40, HH, 8.8, DOR
9		86980516		2	NUT, P/T, ALL MTL M12 8 DOR

4

	3330
--	-------------

STRUT GROUP, LEFT

4



STRUT GROUP, LEFT

REF	FN	PART NUMBER	YR/SN	QTY	DESCRIPTION
1		86986254		1	ARM, SUSPENSION, UPPER, LH
2		BN300991		1	HOUSING, TRAILING LINK, L.H.
3		BN302046		1	SHAFT, LOWER
4		BN302045		1	CAP
5		BN302051		3	NIPPLE, LUBE, 8 MM X 1 STR
6		BN69951		4	CAP, GREASE
7		713608R91		1	NIPPLE, LUBE, 90°, M8 x 1
8		BN302044		2	SEAL, LOWER
9		87689147		2	BEARING, SLEEVE, GSM BLUE
10		87552137		2	BEARING COVER, LOWER
11		BN302048		1	SHIM, MACH, WIDE, 2.5 ID X 14 GA
12		BN302047		2	SHIM, MACH, WIDE, 2.5 ID X 18 GA
13		BN302031		1	MOUNTING PARTS, SHOCK, LOWER
14		87269215		1	SPACER, SHOCK, SUSPENSION
15		BN316108		2	MOUNTING PARTS, ADAPTOR, SPRING
16		87310607		2	WASHER, 17.5 X 34 X 5 MM HDN DOR
17		86980444		2	BOLT, HEX HD M16 X 40 CL8.8 DOR
18		87269216		1	BOLT, SHOCK, M20-2.5, DOR
19		86980518		1	NUT, PREV TRQ METAL M20 CL8 DOR
20		BN306819		1	CAP, DUST, SUSPENSION
21		86980379		8	BOLT, HEX HD M8 X 20 CL8.8 DOR
22		BN306889		1	BUMPER, 2.5 X 4.5 X 1.5
23		BN321041		1	SET SCREW, M12 x 55, 1.75 CPT
24		87344035		1	NUT, THIN M12 CLASS 05 DOR
25		BN50759		2	NUT, 3/8-16, NLN, SS EM-620C BLACK EVERLUBE
26		87267913		1	SPRING, SUSPENSION

3330

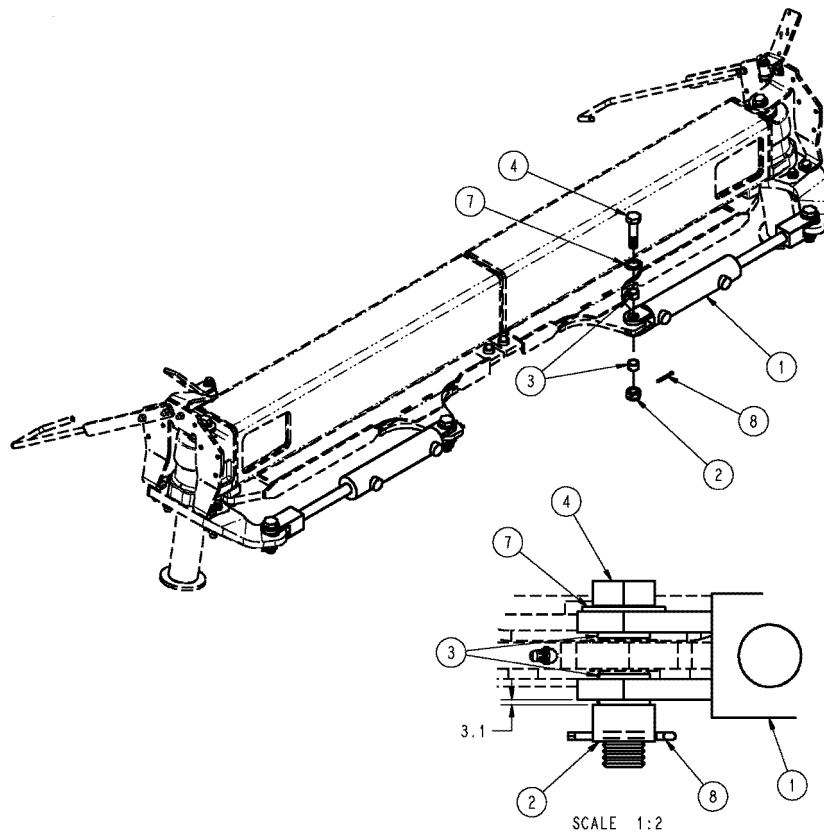
STRUT GROUP, RIGHT

REF	FN	PART NUMBER	YR/SN	QTY	DESCRIPTION
1		86986252		1	ARM, SUSPENSION, UPPER, RH
2		BN300992		1	HOUSING, TRAILING LINK, R.H.
3		BN302046		1	SHAFT, LOWER, STRUT
4		BN302045		1	CAP
5		BN306819		1	CAP, DUST, SUSPENSION
6		BN302051		3	NIPPLE, LUBE, 8 MM X 1 STR
7		BN69951		4	CAP, GREASE
8		713608R91		1	NIPPLE, LUBE, 90°, M8 x 1
9		87689147		2	BEARING, SLEEVE, GSM BLUE
10		BN302044		2	SEAL, LOWER
11		87552137		2	BEARING COVER, LOWER
12		BN302031		1	MOUNTING PARTS, SHOCK, SUSPENSION
13		87269215		1	SPACER, SHOCK, SUSPENSION
14		BN302048		1	SHIM, MACH, WIDE, 2.5 ID X 14 GA
15		BN302047		2	SHIM, MACH, WIDE, 2.5 ID X 18 GA
16		BN316108		2	MOUNTING PARTS, SPRING
17		86980379		8	BOLT, HEX HD M8 X 20 CL8.8 DOR
18		87310607		2	WASHER, 17.5 X 34 X 5 MM HDN DOR
19		86980444		2	BOLT, HEX HD M16 X 40 CL8.8 DOR
20		87269216		1	BOLT, SHOCK, M20-2.5, DOR
21		86980518		1	NUT, PREV TRQ METAL M20 CL8 DOR
22		BN321041		1	SET SCREW, M12 x 55, 1.75 CPT
23		87344035		1	NUT, THIN M12 CLASS 05 DOR
24		BN306889		1	BUMPER, 2.5 X 4.5 X 1.5
25		BN50759		2	NUT, 3/8-16, NLN, SS
26		87267913		1	SPRING, SUSPENSION

3330

CYLINDER GROUP, 2 WHEEL STEER

4



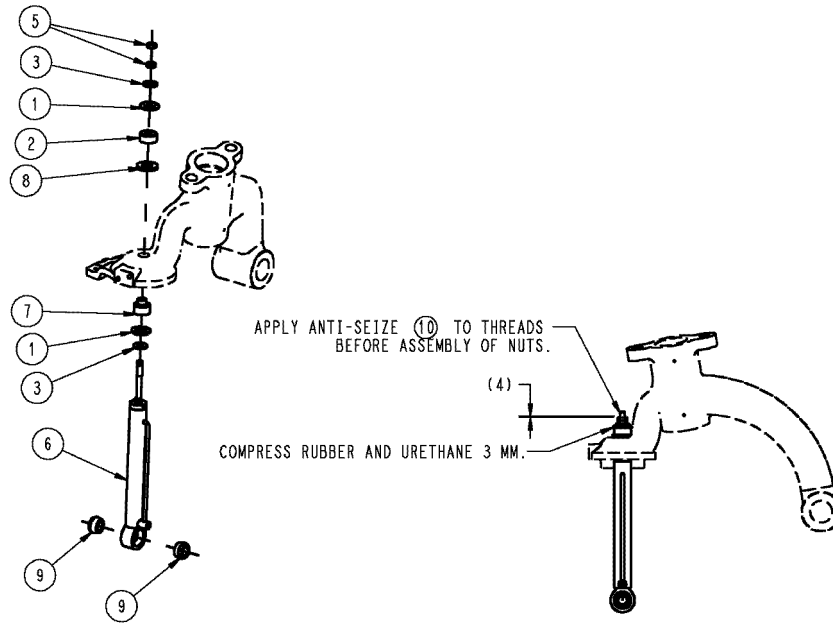
CYLINDER GROUP, 2 WHEEL STEER

REF	FN	PART NUMBER	YR/SN	QTY	DESCRIPTION
1		86986500		2	CYLINDER, HYD 2.50 x 10 x 1.25, SEE FIG. 07-001
2		425-1216		4	NUT, SLOTTED, 1"-8, G5, HH
3		87269214		8	BUSHING, SPRING
4		87270947		4	BOLT, STEERING, 1-8, DOR
7		495-81278		4	WASHER, 1 5/16" x 2" x .109"
8		BN50601		4	PIN, SPLIT (COTTER), 3/16 X 2

	3330
--	-------------

SUSPENSION CYLINDER GROUP

4



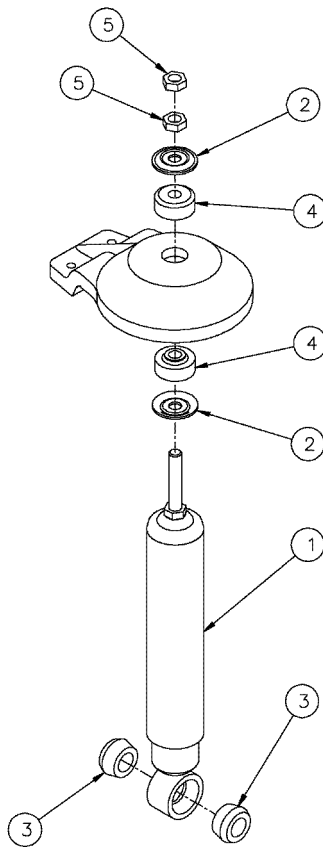
SUSPENSION CYLINDER GROUP

REF	FN	PART NUMBER	YR/SN	QTY	DESCRIPTION
1		BN313440		2	WASHER, Retainer
2		BN313532		1	BUSHING, Urethane (Red)
3		BN313204		2	WASHER, SPRING, HARDEN, 5/8
5		329-1510		2	NUT, Jam, 5/8"-18, G8
6		BN320608		1	HYDRAULIC CYLINDER, 1.38 x 10.38 x .88, See Fig 07-011
7		BN321661		1	BUSHING, Pilot Long Shock
8		BN321990		1	WASHER, SPRING, HARDEN 1"
9		87269274		2	SLEEVE, BUSHING, LOWER SHOCK
10		BN55077		AR	ANTISEIZE

3330

SUSPENSION SHOCK ASSEMBLY

4



04-014

p1

12/08

SUSPENSION SHOCK ASSEMBLY

REF	FN	PART NUMBER	YR/SN	QTY	DESCRIPTION
1		343351A1		1	SHOCK ABSORBER, SINGLE POSITION
2		BN313440		2	WASHER, Retainer
3		BN313441		2	BUSHING
4		BN324082		2	BUSHING, SHOCK, INNER
5		{BN329-1510}		2	5/8-18 HEX JAM, GR. 8
6		BN55077		AR	ANTISEIZE

4

3330

BRAKE CALIPER ASSEMBLY

REPAIR KIT #314703 (INCLUDES ITEMS 4, 5, 10).

LINING KIT #314704 (INCLUDES ITEM 7).

ITEMS 1, 2, AND 13 SUPPLIED WITH ASSEMBLY FROM VENDOR

- Items included in Repair Kit
- ▲ Items included in Lining Kit
- Model 03-520-181 has two spacers

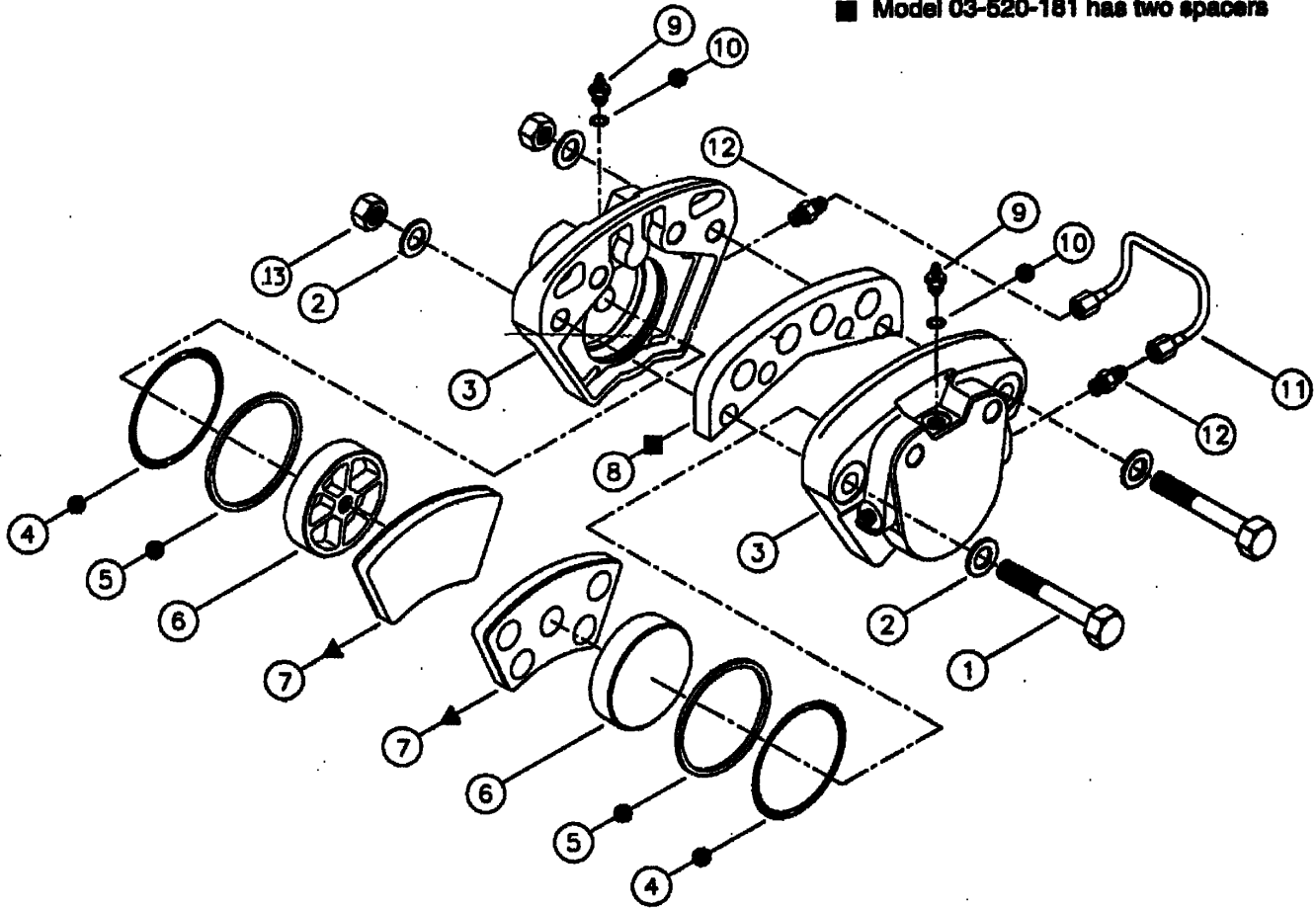


FIGURE 3

04-015

p1

12/08

BRAKE CALIPER ASSEMBLY

REF	FN	PART NUMBER	YR/SN	QTY	DESCRIPTION
		343996A1		1	CALIPER, MICO, 02-520-250 (COMPLETE BRAKE)
		S107710		1	SCREW, BLEEDER PLUG
4, 5, 10		BN314703		1	KIT, BRAKE REPAIR
7		BN314704		1	KIT, BRAKE LINING
9		87271758		2	BLEEDER
11		87271759		1	TUBE
12		87271760		2	CONNECTOR, HYD.
		BN314017		1	SPACER, DISC BRAKE (14 GA)

3330

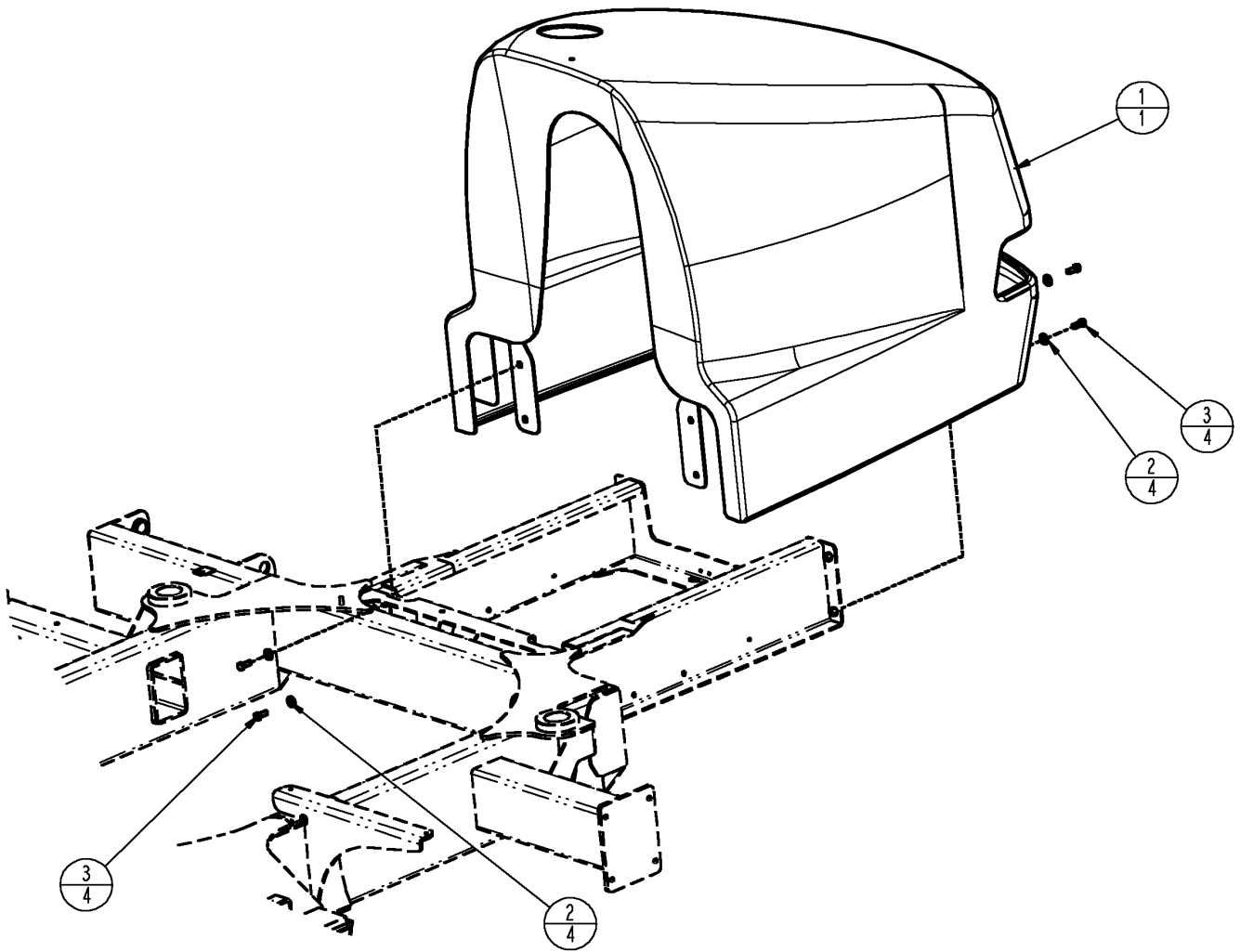
04-016

p1

12/08

HOOD GROUP, FRONT

4



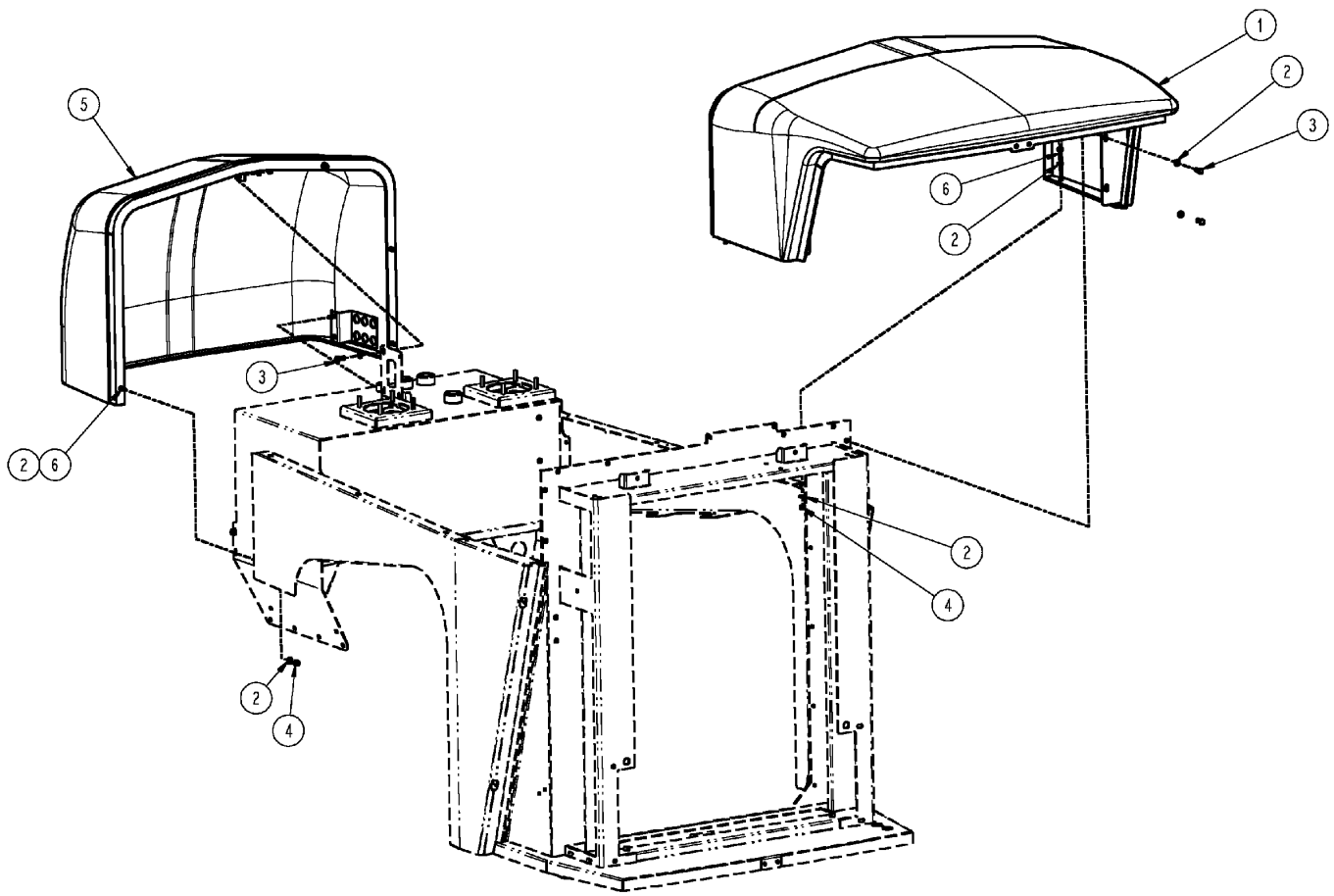
HOOD GROUP, FRONT

REF	FN	PART NUMBER	YR/SN	QTY	DESCRIPTION
1		87592178		1	HOOD, FUEL TANK, COMPLETE
2		87529312		8	WASHER, 11 X 24 X 3MM HDN DOR
3		86980400		8	BOLT, Hex, M10 x 25, 8.8

	3330
--	-------------

HOOD MOUNT GROUP, ENGINE, FRONT & REAR

4



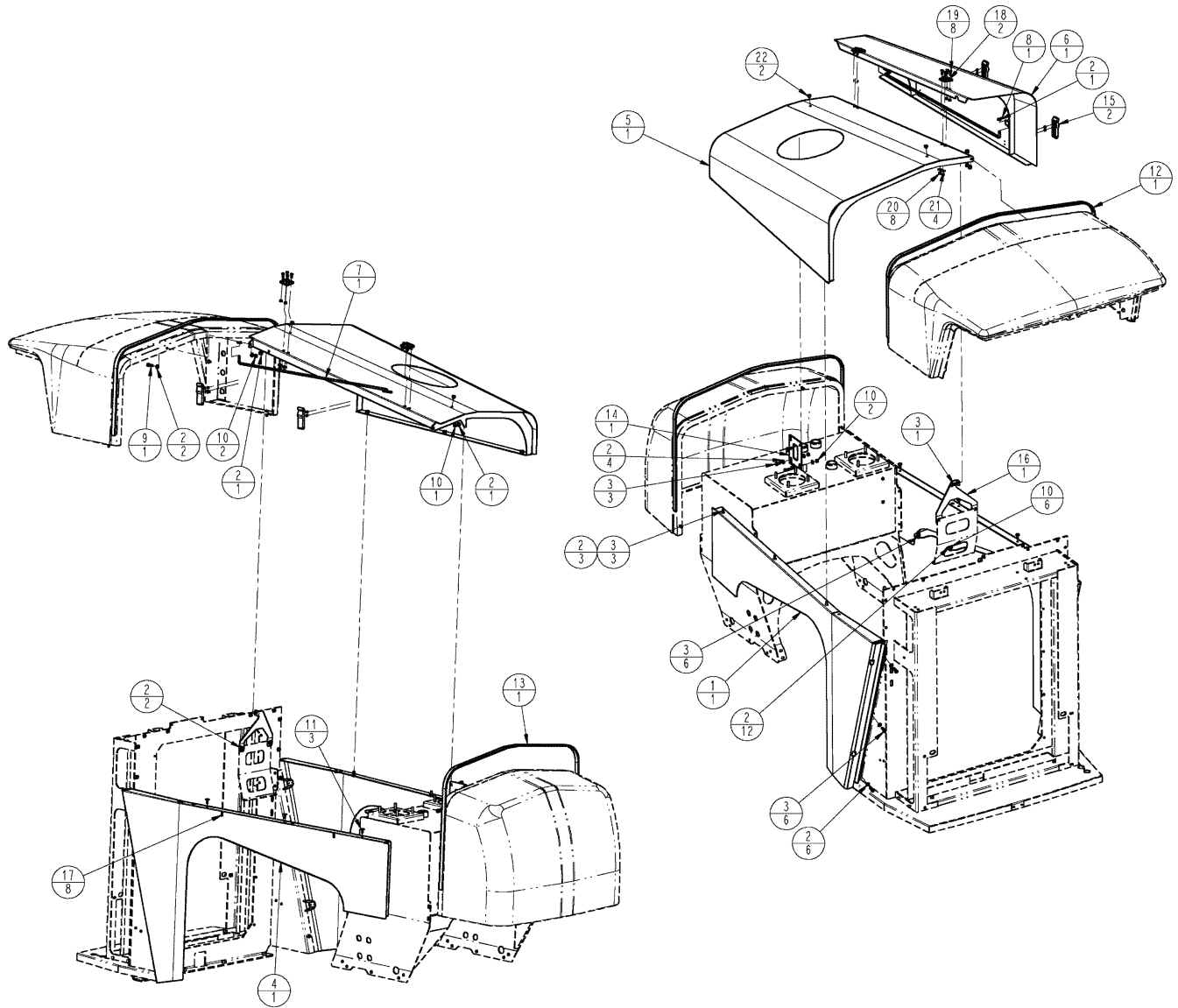
HOOD MOUNT GROUP, ENGINE, FRONT & REAR

REF	FN	PART NUMBER	YR/SN	QTY	DESCRIPTION
1		87269306		1	HOOD, ENGINE, FRONT, COMPLETE
2		87529315		26	WASHER, 9 X 17 X 2MM HDN
3		86980379		9	BOLT, M8 1.25 X 20, HH, 8.8, DO
4		86980514		11	NUT, M8 CL8 P/T, ALL METAL
5		87558353		1	HOOD, ENGINE, REAR, COMPLETE
6		86980380		6	BOLT, M8 1.25 X 25, HH, 8.8, DO

	3330
--	-------------

HOOD GROUP, ENGINE, TOP

4



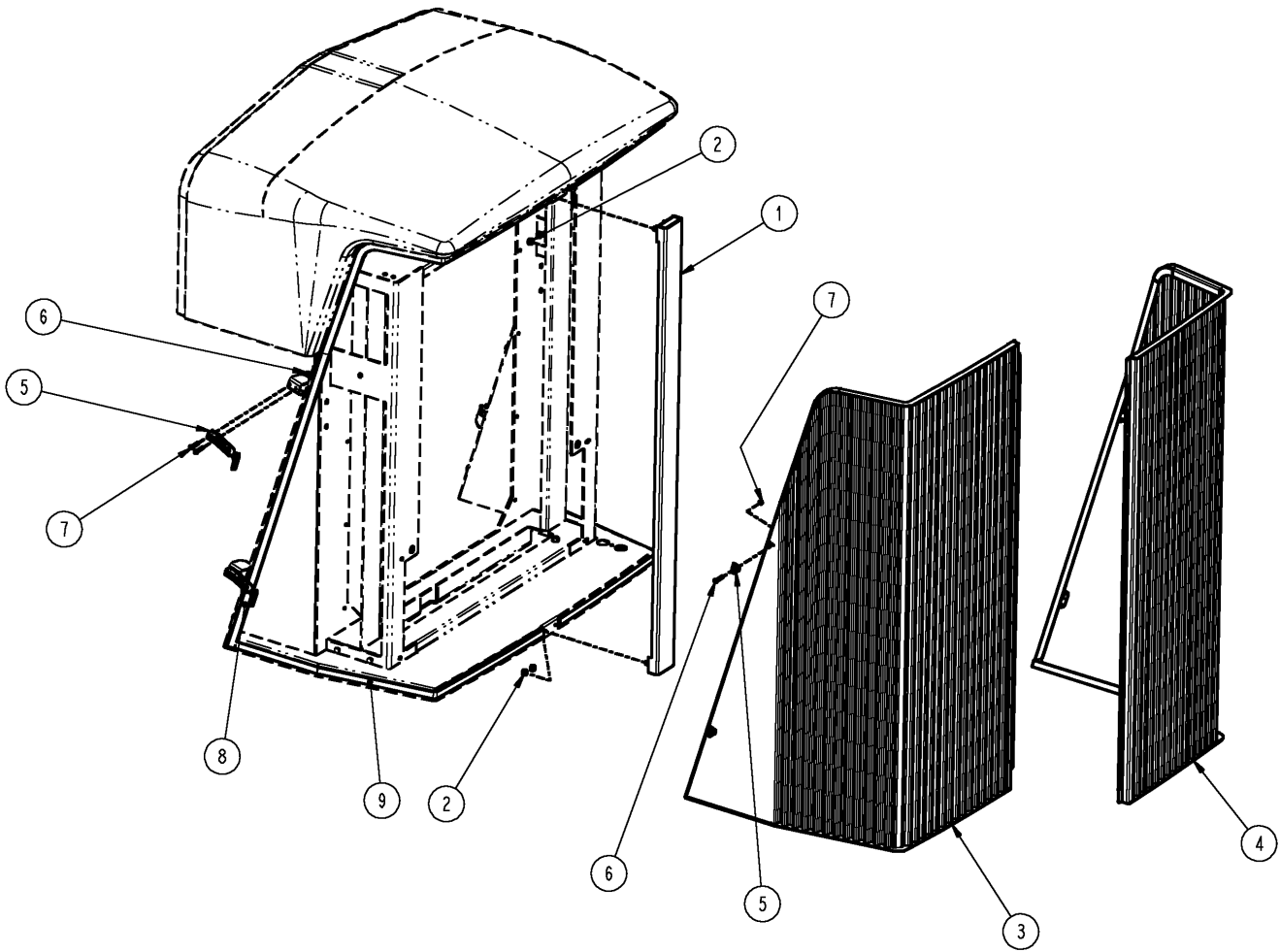
HOOD GROUP, ENGINE, TOP

REF	FN	PART NUMBER	YR/SN	QTY	DESCRIPTION
1		87269398		1	PANEL, ENGINE HOOD, SIDE WELDMENT, RH
2		87529315		32	WASHER, 9 X 17 X 2MM HDN D
3		86980379		19	BOLT, M8 1.25 X 20, HH, 8.8, DO
4		87269313		1	PANEL, ENGINE HOOD, SIDE WELDMENT
5		{87682007}		1	WELDMENT, RH
6		87565612		1	HOOD, WELDMENT, LH
7		87270945		1	ROD, FRONT HOOD PROP
8		733-2520		1	PIN, SPLIT (COTTER), M2.5 x 20
9		86980380		1	BOLT, M8 1.25 X 25, HH, 8.8, DO
10		86980514		11	NUT, M8 CL8 P/T ALL METAL
11		87268898		3	RIVET, NYLON, BLK, 1/4 X .80LG
12		{87265345}		1	1/4" X 3/4" X 78"
13		{87265517}		1	1/4" X 3/4" X 82"
14		87272795		1	BRACKET, SUPPORTING, MOUNT, HOOD
15		BN307683		2	LATCH, SOFT, W/CONCEAL, KEEP
16		87272806		1	SUPPORT, HOOD
17		87017053		8	RIVET, Pop, .146" x .425"
18		87566075		2	HINGE, BLACK SOUTHCO
19		14441427		8	SCREW, HEX, SOC, FLH, M6 X 20, 8.8 BZN
20		86980513		8	NUT, M6 CL8 P/T, ALL METAL
21		87529302		4	WASHER, 6.6 X 18 X 1.6MM, CST, DOR
22		86013942		2	GROMMET, PLUG, RUBBER

3330

GRILLE GROUP, ENGINE

4



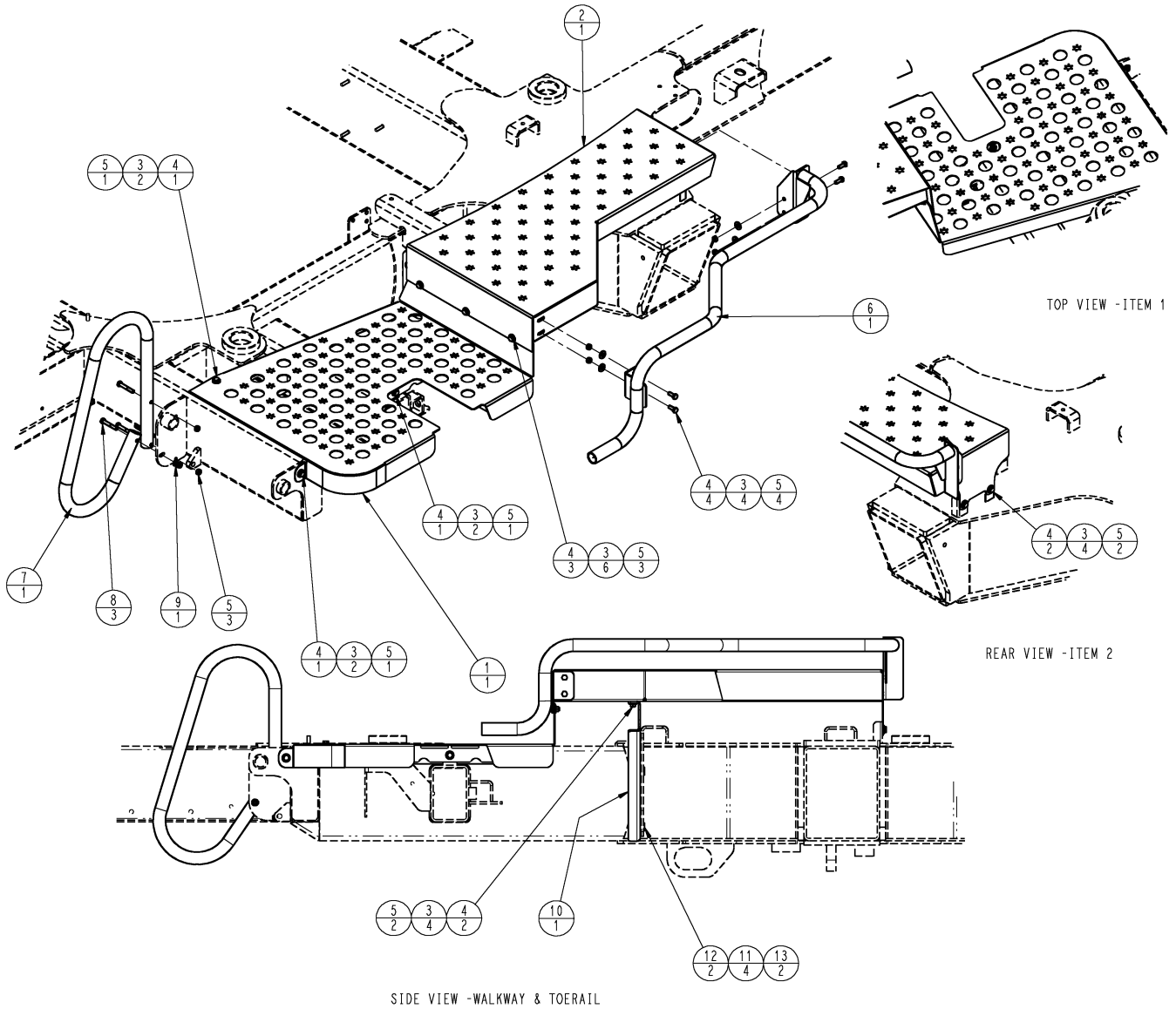
GRILLE GROUP, ENGINE

REF	FN	PART NUMBER	YR/SN	QTY	DESCRIPTION
1		87270505		1	SUPPORT, WELDMENT, GRILLE
2		86980514		4	NUT, M8 CL8 P/T, ALL METAL
3		87269315		1	GRILLE, WELDMENT, RH
4		87269250		1	GRILLE, WELDMENT,LH
5		BN309337		4	LATCH, LEXIBLE DRAW
6		87344030		12	NUT, PT M5 8
7		87343612		12	SCREW, M5 X 30 PHD H 4.8
8		{87268618}		2	1/4" X 3/4" X 76"
9		BN29964		2	RUBBER SEAL, 1/4" X 3/4" X 41"

3330

WALKWAY GROUP, HAND AND TOE RAIL, FRONT

4

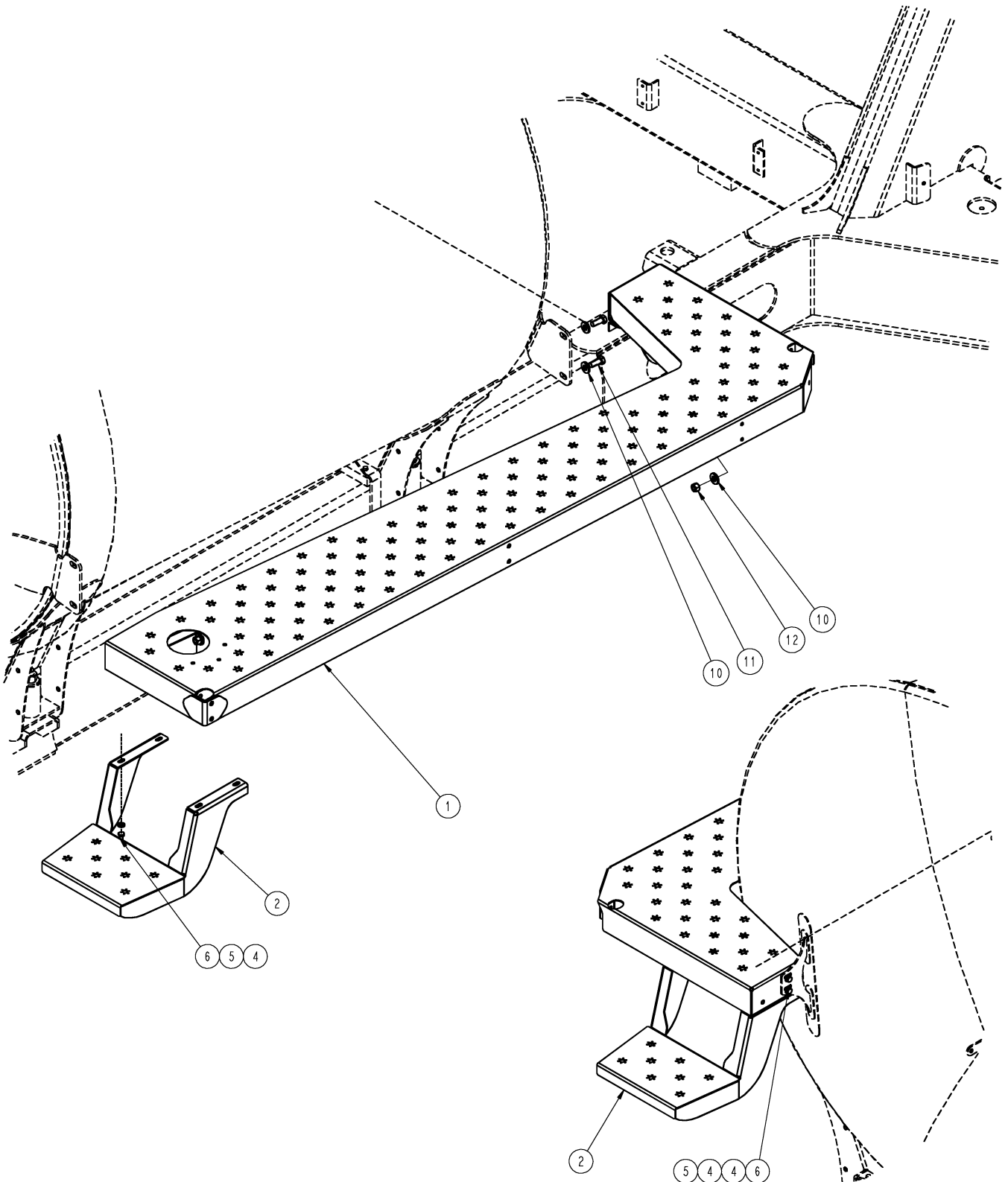


WALKWAY GROUP, HAND AND TOE RAIL, FRONT

REF	FN	PART NUMBER	YR/SN	QTY	DESCRIPTION
1		87270661		1	EXTENSION, WALKWAY, WELDMENT, LOWER
2		87271187		1	LOAD DECK, WLD, WALKWAY
3		87529316		24	WASHER, 9 X 21 2.5 HDN DOR
4		86980379		14	BOLT, M8 X 20 FULL 8.8 DOR
5		86980514		17	NUT, P/T ALL MTL M8 8 DOR
6		{84127235}		1	TOE DECK
7		84128609		1	HANDRAIL, FRT LADDER
8		86980385		3	BOLT, M8-1.25 X 50, HH, 8.8, DOR
9		87529315		1	WASHER, 9 X 17 X 2MM HDN DOR
10		87474251		1	SUPPORT, FRONT WALKWAY
11		87529310		4	WASHER, 13.5 X 28 X 4 HDN DOR
12		86980422		2	BOLT, M12-1.75 X 35. HH, 8.8
13		86980516		2	NUT, P/T, ALL MTL M12 8 DO

3330

WALKWAY GROUP, MID



04-021

p1

12/08

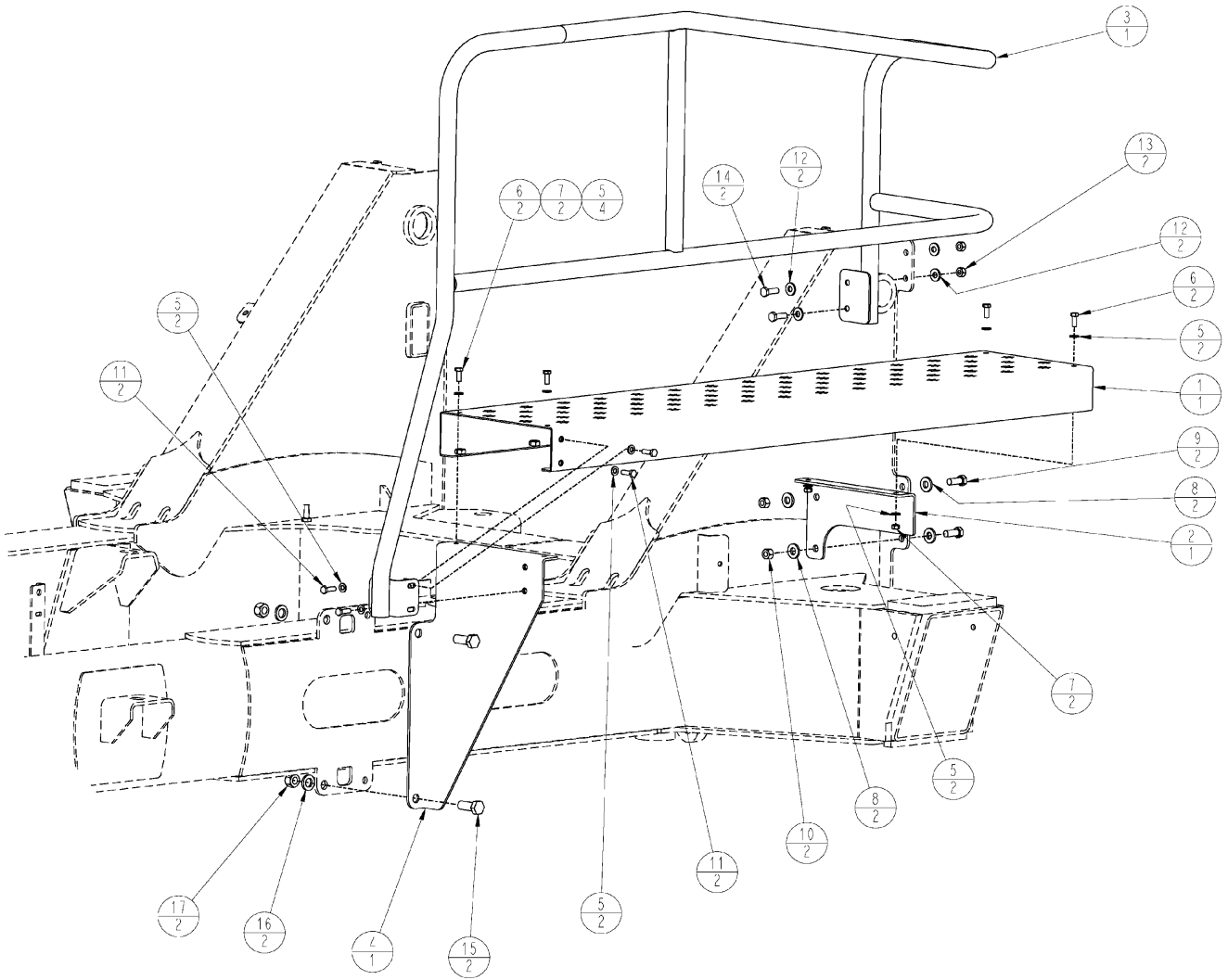
WALKWAY GROUP, MID

REF	FN	PART NUMBER	YR/SN	QTY	DESCRIPTION
1		87581318		1	EXTENSION, WALKWAY, WLD, MID
2		87271004		2	STEP, WELDMENT, WALKWAY
4		87529315		12	WASHER, 9 X 17 X 2MM HDN
5		86980379		10	BOLT, M8 1.25 X 20, HH, 8.8, DO
6		86980514		10	NUT, M8 CL8 P/T, ALL METAL
10		87529310		8	WASHER, 13.5 X 28 X 4 HDN
11		86980420		4	BOLT, M12 1.75 X 30, HH, 8.8, D
12		86980516		4	NUT, P/T, ALL MTL M12 8 DO

3330

PACKAGE, WALKWAY, REAR

4



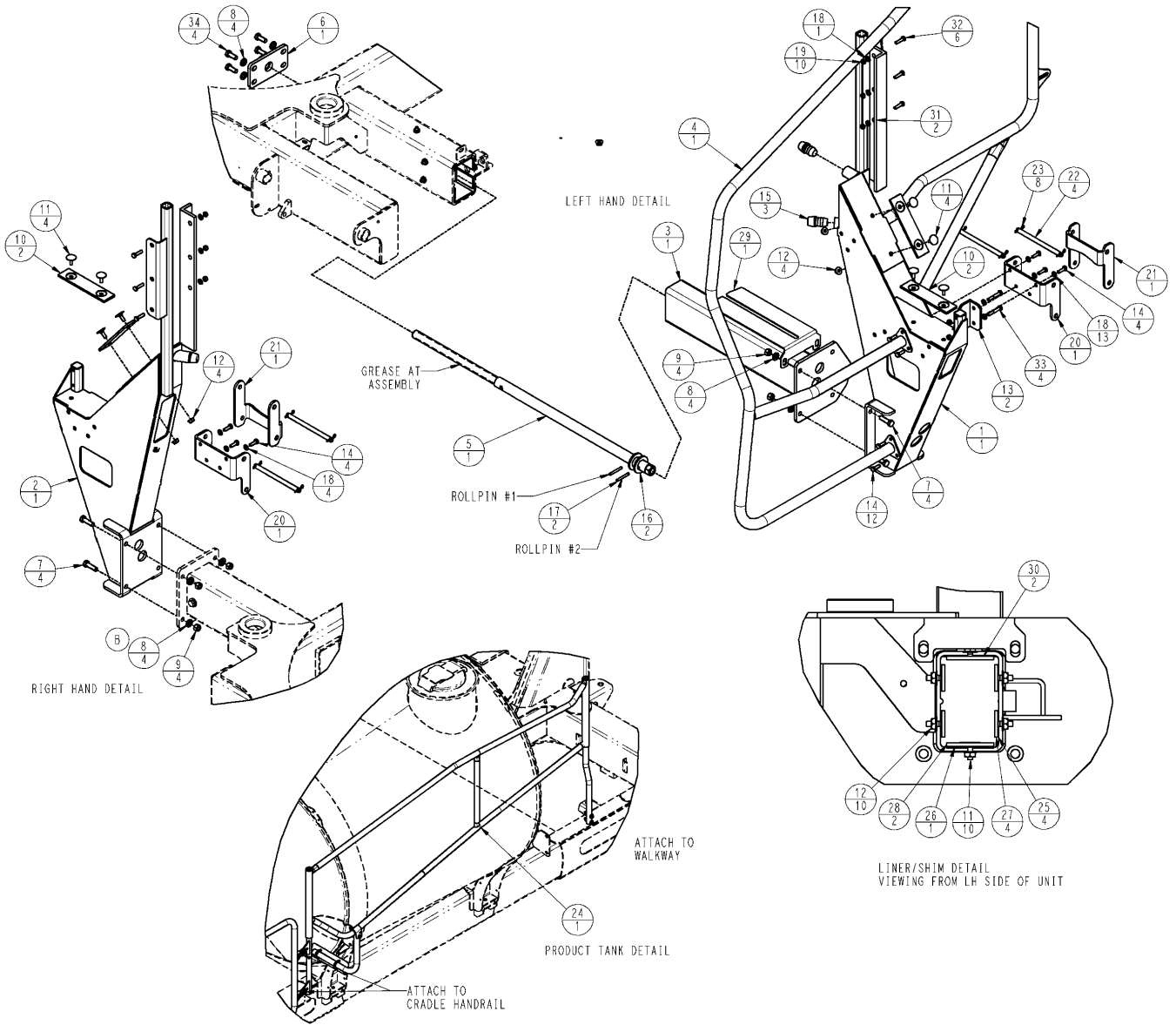
PACKAGE, WALKWAY, REAR

REF	FN	PART NUMBER	YR/SN	QTY	DESCRIPTION
1		87269248		1	EXTENSION, WELDMENT, REAR
2		{87741531}		1	WALKWAY SUPPORT
3		87269247		1	HANDRAIL, WELDMENT, REAR
4		{87474241}		1	WELDMENT, REAR WALKWAY
5		87529315		12	WASHER, M8 X 20 FULL 8.8 DOR
6		86980379		4	BOLT, 17.5 X 30 X 4MM HD
7		86980514		4	NUT
8		87529310		4	WASHER
9		86980420		2	BOLT
10		86980516		2	NUT, M12 8 DO
11		86980380		4	BOLT
12		87529312		4	WASHER, 11 X 24 X 3MM HDN DOR
13		86980515		2	NUT, LOCK, M10 x 1.5, CI 8
14		86980401		2	BOLT
15		86980444		2	BOLT, 11 X 24 X 3MM HDN DOR
16		87529306		2	WASHER, M10-1.5 X 60, HH, 8.8 DOR
17		86980517		2	NUT

3330

CRADLE/HANDRAIL ASSEMBLY, 120' BOOM

4

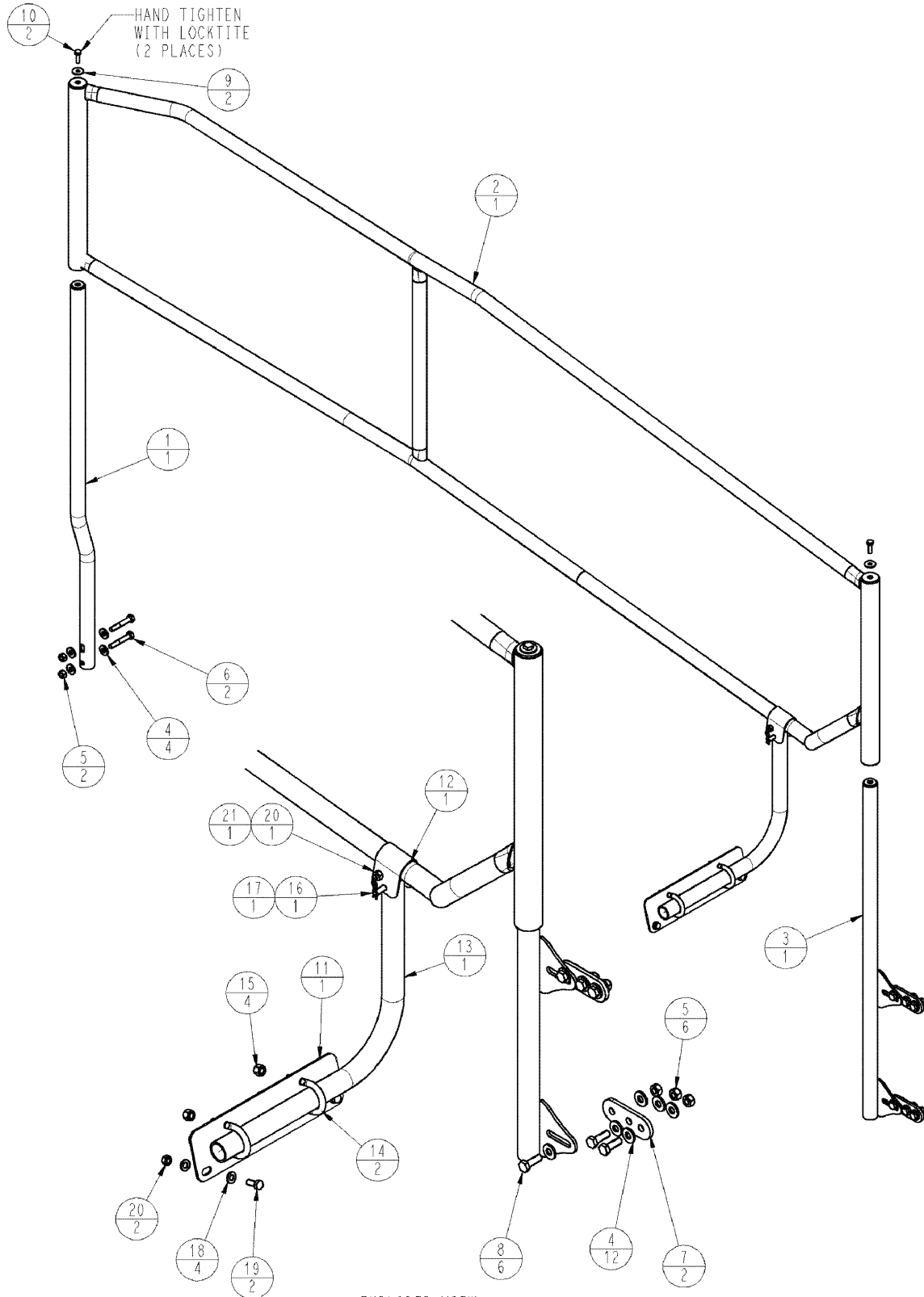


CRADLE/HANDRAIL ASSEMBLY, 120' BOOM

REF	FN	PART NUMBER	YR/SN	QTY	DESCRIPTION
1		{87543913}		1	BOOM, LH
2		{87543914}		1	BOOM, RH
3		{87548593}		1	LH, 3320
4		87546318		1	HANDRAIL, BOOM CRADLE
5		87547170		1	ROD, THREADED, CRADLE SLIDE
6		{87547172}		1	SLIDE
7		86980423		12	BOLT, M12 1.75 X 40, HH, 8.8, D
8		86981496		12	WASHER, M13.5 x 24.5 x 3, HT, DOR
9		86980516		8	NUT, P/T ALL MTL M12 8 DO
10		87270797		4	PAD, BOOM REST
11		BN50779		18	BOLT, 5/16"-18 x 1, EH, DOR
12		BN50057		18	NUT, 5/16-18 WHIZ LOCK SS
13		87715010		8	ANGLE
14		86980380		20	BOLT, M8 1.25 X 25, HH, 8.8, DO
15		363226A1		3	BUMPER, DOOR
16		87529309		2	WASHER, 33 X 56 X 5MM HDN
17		87020818		2	PIN, LOCK, 1/4" x 2", Slotted, ZND
18		87529315		18	WASHER, 9 X 17 X 2MM HDN D
19		86980514		10	NUT, P/T, ALL MTL M8 8 DOR
20		{87620211}		2	LOWER
21		87620212		2	LOCK, UPPER
22		87620384		4	PIN, BOOM LOCK
23		BN71006		8	PIN, SPLIT (COTTER), 1/8", #11
24		{87715077}		1	GROUP, SEE FIG, 04-024
25		87272436		4	SHIM, CRADLE SLIDE
26		342580A1		1	SHIM, CRADLE LINER, BTM
27		87270958		4	SLIDE, BOOM CRADLE
28		BN321038		2	LINER, TOP
29		{87715803}		1	WALKWAY
30		87664090		2	SHIM, LINER
31		{87715011}		2	UPPER
32		86980385		6	BOLT, HEX HD, M8 X 30, CL8.8, DOR
33		86980385		4	BOLT, HEX HD, M8 X 50, CL8.8, DOR
34		86980420		4	BOLT, HEX HD, M12 X 30, CL8.8, DOR

3330

HANDRAIL GROUP, MID PIVOT, 120' BOOM



EXPLODED VIEW
SCALE 1:4

4

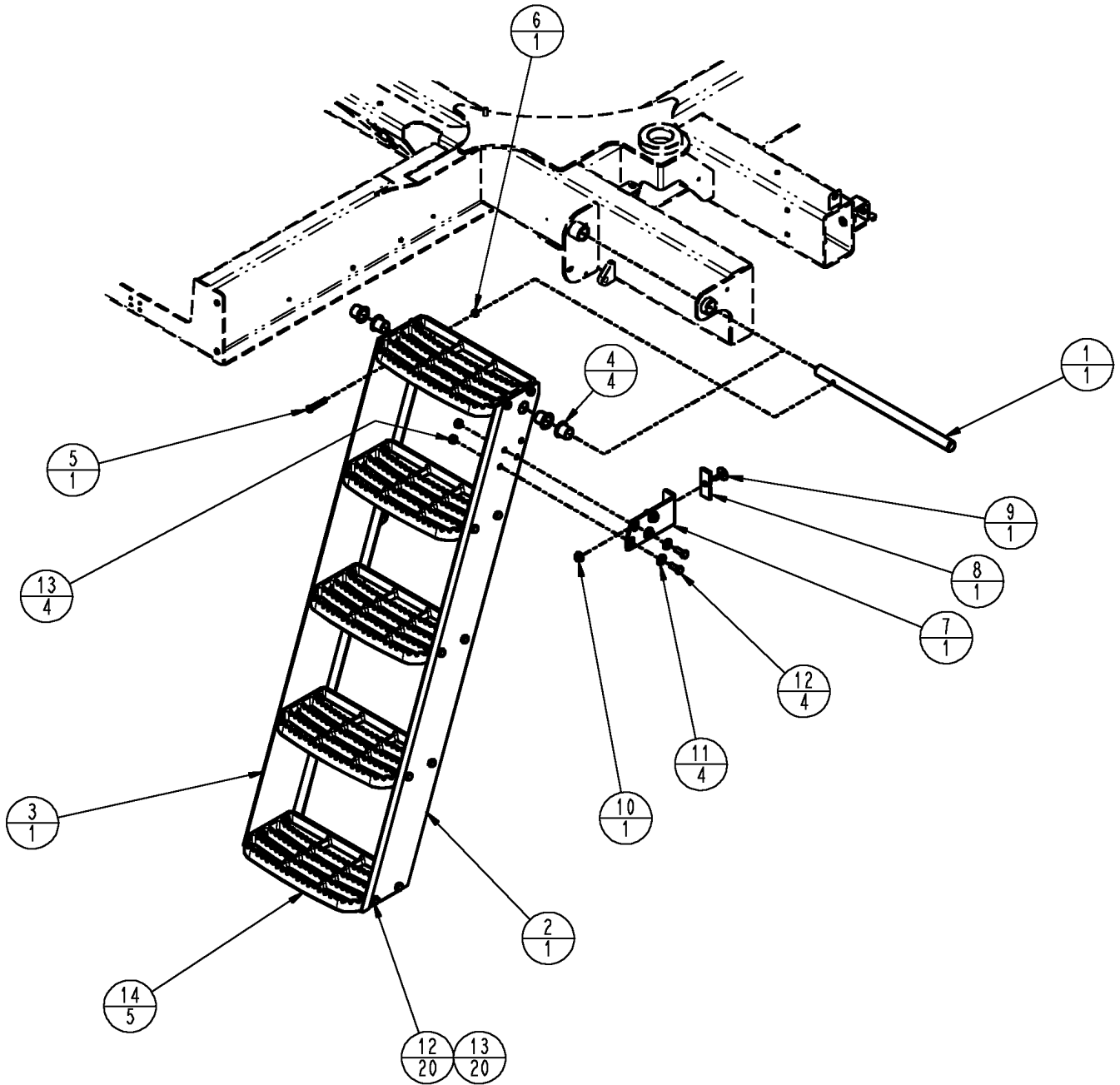
HANDRAIL GROUP, MID PIVOT, 120' BOOM

REF	FN	PART NUMBER	YR/SN	QTY	DESCRIPTION
1		{87711628}		1	REAR, HANDRAIL
2		87711626		1	HANDRAIL, MID PIVOT
3		{87711627}		1	FRONT, HANDRAIL
4		87529312		16	WASHER, 11 X 24 X 3MM, HTS, DOR
5		86980515		8	NUT, LOCK, M10 x 1.5, CI 8, PREV TRQ, METAL, M10, CL8, DOR
6		86980406		2	BOLT, HEX HD, M10 X 60, CL8.8, DOR
7		{87715477}		2	ADAPTOR
8		86980401		6	BOLT, HEX HD, M10 X 30, CL8.8, DOR
9		87528983		2	WASHER, M6 X 25 X 2, CST, DOR
10		87342022		2	BOLT, HEX HD, M8 X 25, CL10.9, DOR
11		87471544		1	MOUNT, HANDRAIL SUPPORT
12		87471546		1	ANCHOR, HANDRAIL SUPPORT
13		87471545		1	TUBE, HANDRAIL SUPPORT
14		87267464		2	U-BOLT, 3/8 X 1.5ID X 2.50
15		87343970		4	NUT, PREV TORQ ALL MTL 3/8-16 GR 8 DOR
16		87344039		1	PIN, CLEVIS M8 X 60 HTS DOR
17		19-5380		1	PIN, HAIR
18		87529315		4	WASHER, 9 X 17 2MM HDN DOR
19		86980379		2	BOLT
20		86980514		3	NUT, P/T ALL MTL M8 8 DOR
21		86980385		1	BOLT, M8-1.25 X 50, HH, 8.8, DOR

3330

LADDER GROUP, LH

4



LADDER GROUP, LH

REF	FN	PART NUMBER	YR/SN	QTY	DESCRIPTION
1		BN320322		1	PIN, LADDER PIVOT
2		342268A1		1	BRACKET, SUPPORTING, WLDT, LADDER STEP
3		342269A1		1	BRACKET, SUPPORTING, WLDT, LADDER STEP
4		BN321159		4	BUSHING
5		86980385		4	BOLT, M8 1.25 X 50, HH, 8.8, DL
6		86980514		4	NUT, M8 CL8 P/T, ALL METAL
7		BN323392		1	STOP, LADDER
8		BN320307		1	PAD, LADDER STOP
9		BN50779		1	BOLT, 5/16"-18 x 1, EH
10		BN50057		1	NUT, 5/16-18 WHIS LOCK SS
12		86980400		24	BOLT, Hex, M10 x 25, 8.8
11		87529312		4	WASHER, 11 X 24 X 3MM HDN
13		86980515		24	NUT, LOCK, M10 x 1.5, CI 8
14		87270245		5	STEP, BLACK ALUMINUM

3330

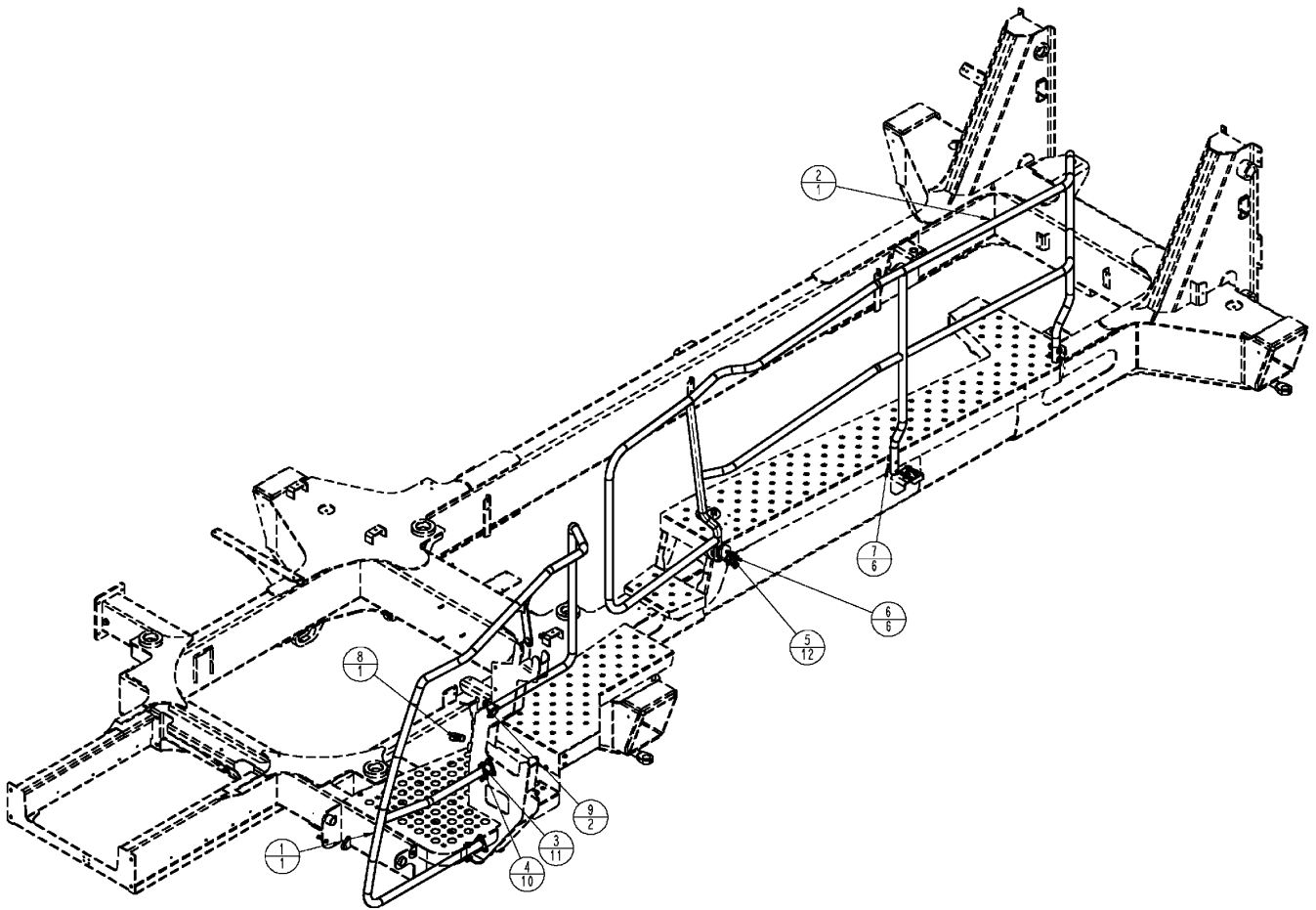
04-026

p1

12/08

FRONT/MID HANDRAIL GROUP

4



04-026

p1

12/08

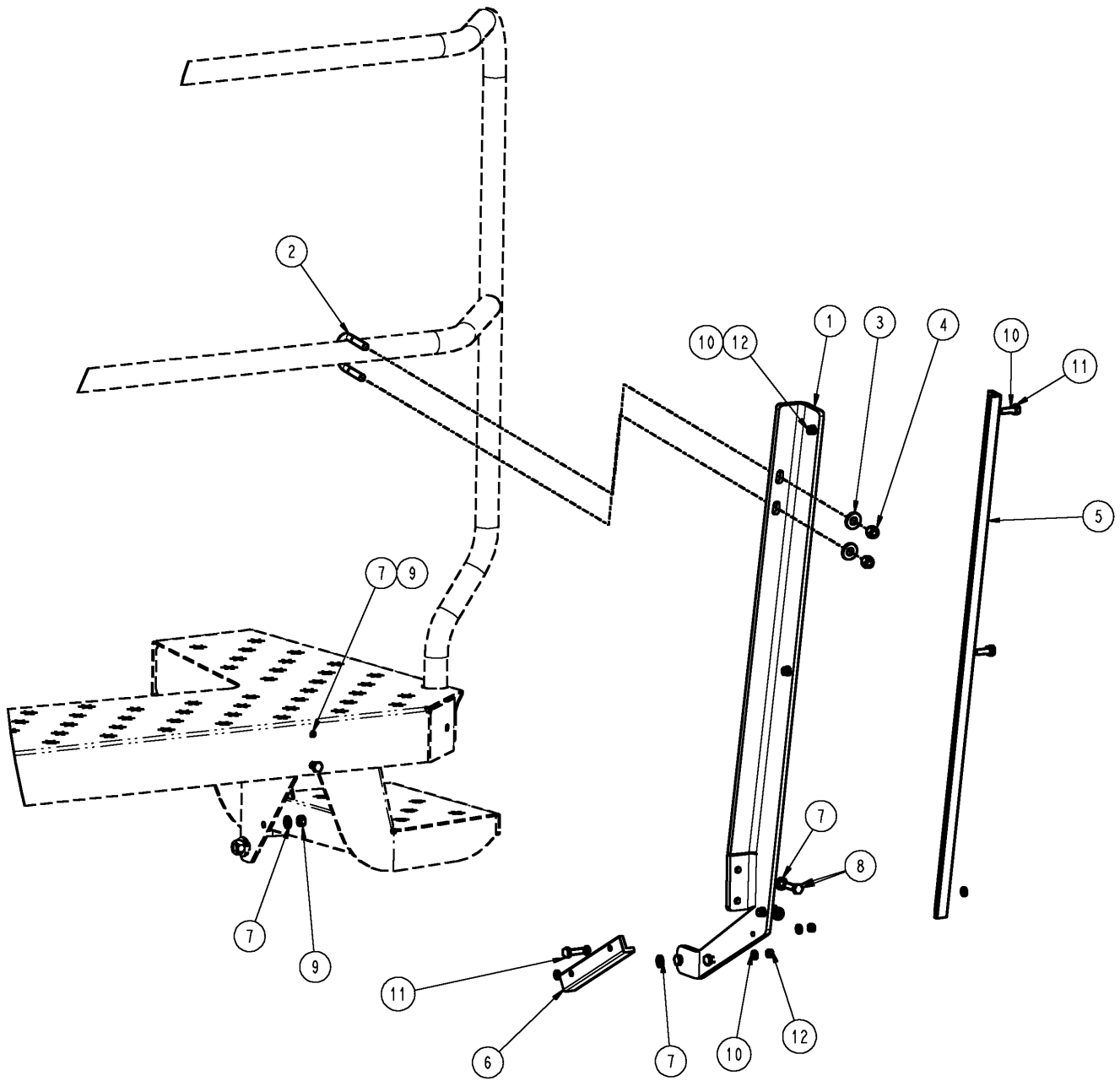
FRONT/MID HANDRAIL GROUP

REF	FN	PART NUMBER	YR/SN	QTY	DESCRIPTION
1		87271177		1	HANDRAIL, WALKWAY
2		87272551		1	HANDRAIL, WLD MID
3		87529316		10	WASHER, 9 X 21 X 2.5 HH, 8.8 DOR
4		86980380		9	BOLT, M8 1.25 X 25, HH, 8.8, DOR
5		87529312		12	WASHER, 11 X 24 X 3MM HDN DOR
6		86980406		6	BOLT, M10 1.5 X 60, HH, 8.8, DOR
7		86980515		6	NUT, LOCK, M10 x 1.5, CI 8
8		363226A1		1	BUMPER, DOOR
9		86980514		1	NUT, P/T, ALL MTL M8 8 DOR

3330**4**

WALKWAY PROTECTOR GROUP

4



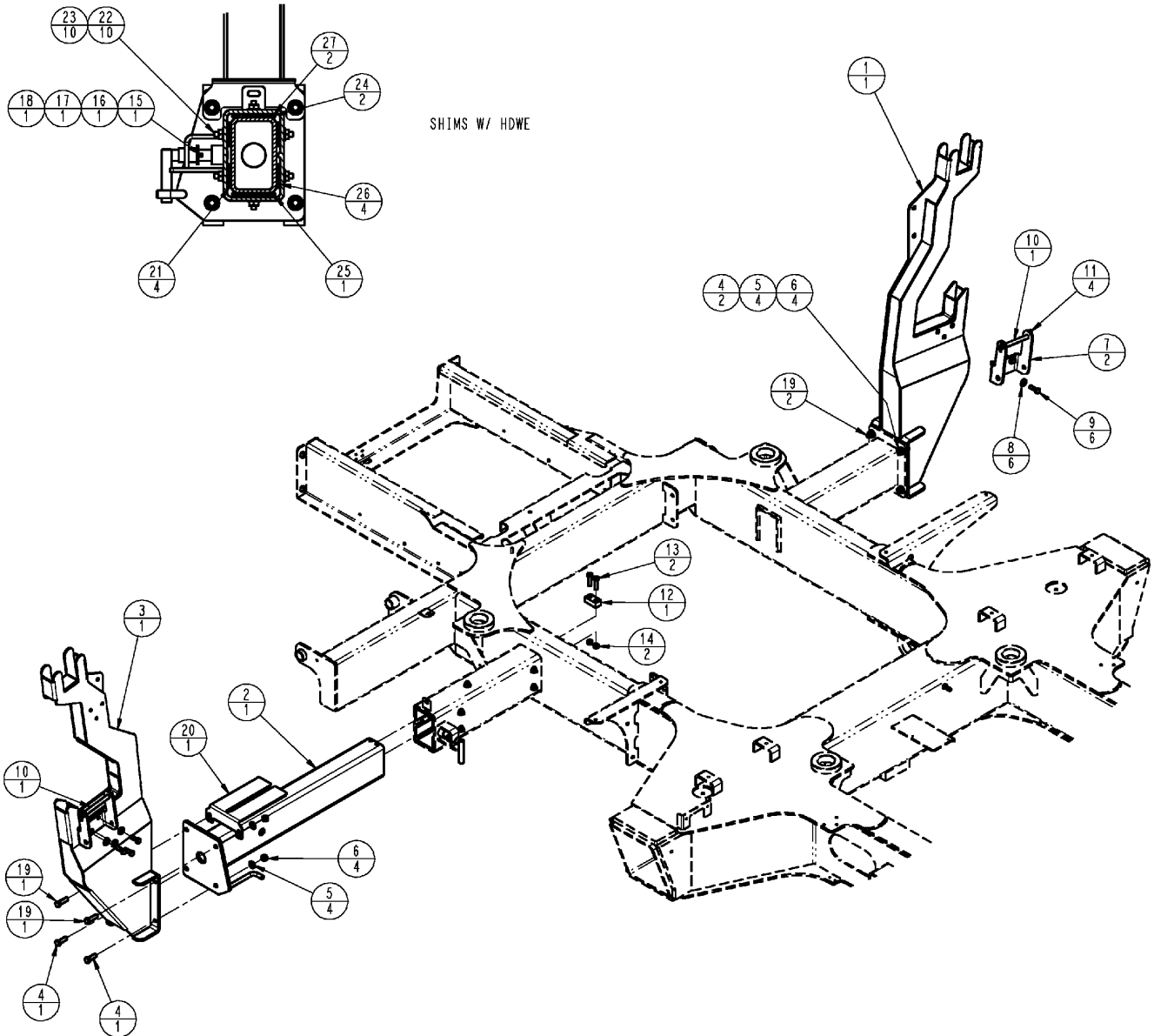
WALKWAY PROTECTOR GROUP

REF	FN	PART NUMBER	YR/SN	QTY	DESCRIPTION
1		87265743		1	BRACKET, SUPPORTING, WALKWAY PROTECTOR
2		87267464		1	U-BOLT, 3/8 X 1.5 ID X 2.50
3		87529237		2	WASHER, 0.406 X 0.812 X 0.065 HTS DOR HDN
4		87343970		2	NUT, PT 3/8-16 DIR B
5		87268630		1	ANGLE, WALKWAY PROTECTOR
6		87268631		1	ANGLE, WALKWAY PROTECTOR
7		87529315		6	WASHER, 9 X 17 X 2MM HDN D
8		86980380		3	BOLT, M8 1.25 X 25, HH, 8.8, DO
9		86980514		3	NUT, M8 CL8 P/T ALL METAL
10		895-11006		10	WASHER, M6
11		86980361		5	BOLT, M6 1 X 25, HH, 8.8, DOR R
12		86980513		5	NUT, M6 CL8 P/T, ALL METAL

3330

CRADLE GROUP, BOOM

4



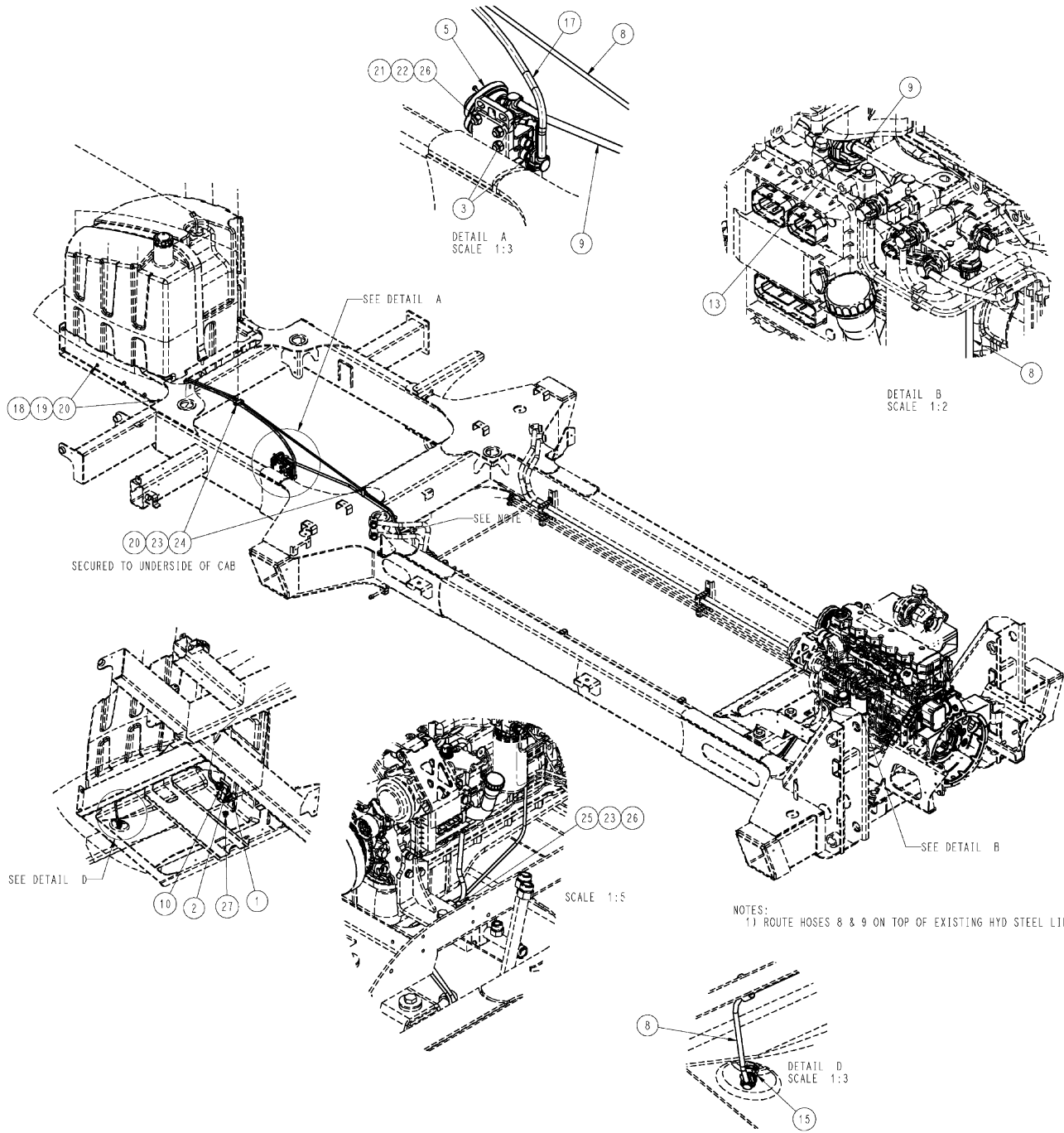
CRADLE GROUP, BOOM

REF	FN	PART NUMBER	YR/SN	QTY	DESCRIPTION
1		87609592		1	CRADLE, BOOM WELDMENT, RH
2		87270810		1	SLIDE, WELDMENT, CRADLE
3		87609586		1	CRADLE, CRADLE WLD, LH
4		86980422		6	BOLT, M12 1.75 X 35, HH, 8.8
5		896-11012		8	WASHER, M13.5 x 24.5 x 3, HT
6		86980516		8	NUT, P/T, ALL MTL M12 8 DO
7		342585A1		2	PLATE, BOOM LOCK
8		896-11010		6	WASHER, M10 x 21.5 x 2.5, HT
9		86980401		6	BOLT, M10 1.5 X 30, HH, 8.8, DO
10		342586A1		2	PIN, BOOM LOCK
11		BN71006		4	PIN, SPLIT (COTTER), 1/8", #11
12		BN321925		1	STOP, BOOM CRADLE
13		86980403		2	BOLT, M10 1.5 X 40, HH, 8.8
14		86980515		2	NUT, LOCK, M10 x 1.5, CI 8, P/T, ALL MTL, M10 8 DO
15		BN321930		1	PIN, WELDMENT, CRADLE STOP
16		BN31937		1	SPRING, COMPR .905 X .765 2
17		BN50178		1	WASHER, 1.25 OD X .75ID X 10GA
18		BN31444		1	PIN, ROLL, 1/4 X 1-1/2
19		86980423		2	BOLT, M12 1.75 X 40, HH, 8.8, D
20		87564073		1	PLATE, FRONT WALKWAY
21		87270958		4	SLIDE, BOOM CRADLE
22		BN50779		10	BOLT, 5/16"-18 x 1, EH, DOR
23		BN50057		10	NUT, 5/16-18 WHIZ LOCK SS
24		BN321038		2	LINER, TOP
25		342580A1		1	SHIM, CRADLE LINER, BTM
26		87272436		4	SHIM, BOOM CRADLE SLIDE

3330

FUEL GROUP, FITTINGS & LINES

4



FUEL GROUP, FITTINGS & LINES

REF	FN	PART NUMBER	YR/SN	QTY	DESCRIPTION
1		217-1226		AR	ELBOW, 90°, 1/2"-14 Male, NPTF
2		87265539		AR	BALL, 1/2 NPT FULL
3		8602542		AR	ADAPTER, 246 NG12/M14 X 1.5
4		87617087		AR	GUARD, WELDMENT, FUEL FILTER
5		87533314		AR	FILTER, FUEL
	1	87519307		AR	SENSOR, WATER
	2	87533313		AR	FILTER, ELEMENT, FUEL
8		87272536		AR	HOSE, FUEL, ENGINE TO TANK
9		87272534		AR	HOSE, FUEL, FILTER TO ENGIN
10		87270102		AR	FITTING, BRASS, NG12 X 1/2 NPTF
15		87270105		AR	FITTING, BRASS, NG8 X 3/8 NPTF
17		87272535		AR	HOSE, FUEL, TANK TO FILTER
18		515-22190		AR	CLAMP, 3/4", Insul, 5/16" Bolt, COATED, 19 MM
19		86980379		AR	BOLT, M8 1.25 X 20, HH, 8.8, DOR
20		86980514		AR	NUT, M8 CL8 P/T ALL METAL
21		87529312		AR	WASHER, 11 X 24 X 3MM HDN
22		86980403		AR	BOLT, M10 1.5 X 40, HH, 8.8, DOR
23		L101181		AR	CLAMP, DOUBLE
24		87529315		AR	WASHER, 9 X 17 X 2MM HDN DOR
25		86980400		AR	BOLT, Hex, M10 x 25, 8.8
26		86980515		AR	NUT, LOCK, M10 x 1.5, Cl 8
27		217-406		AR	PLUG, Hex Hd, 1/4"-18

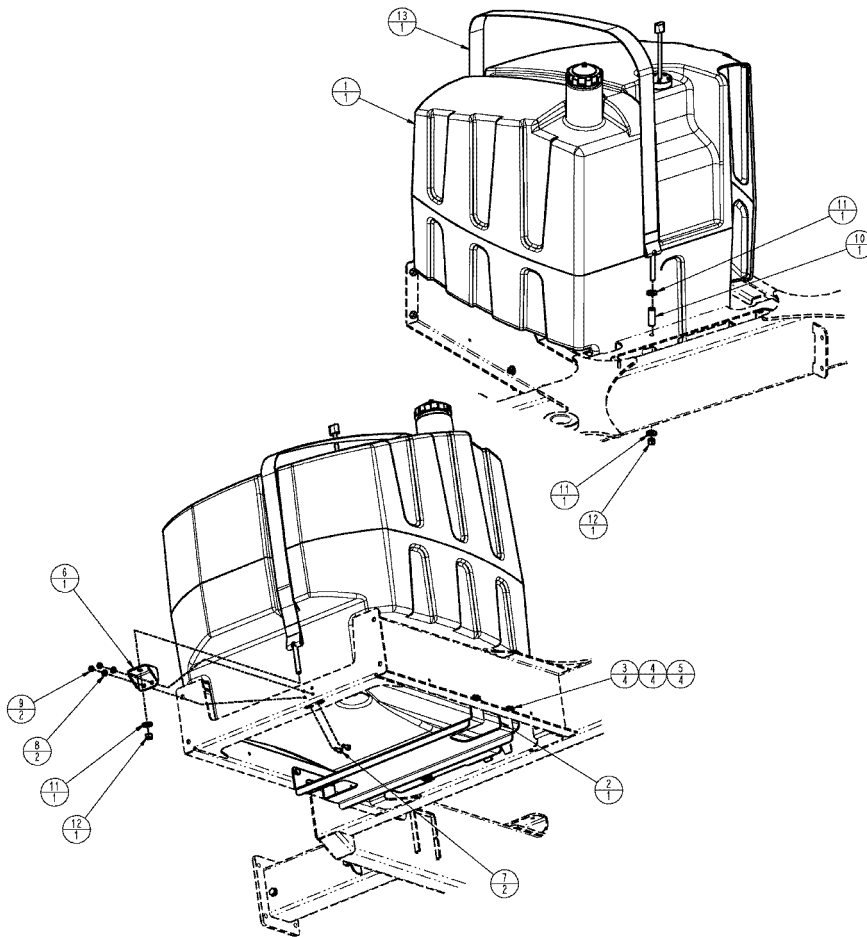
(1) ASSOCIATED PART OF FUEL FILTER A, P/N 87533314

(2) SERVICE PARTS FOR ITEM #5

3330

FUEL GROUP, TANK MOUNTING

4



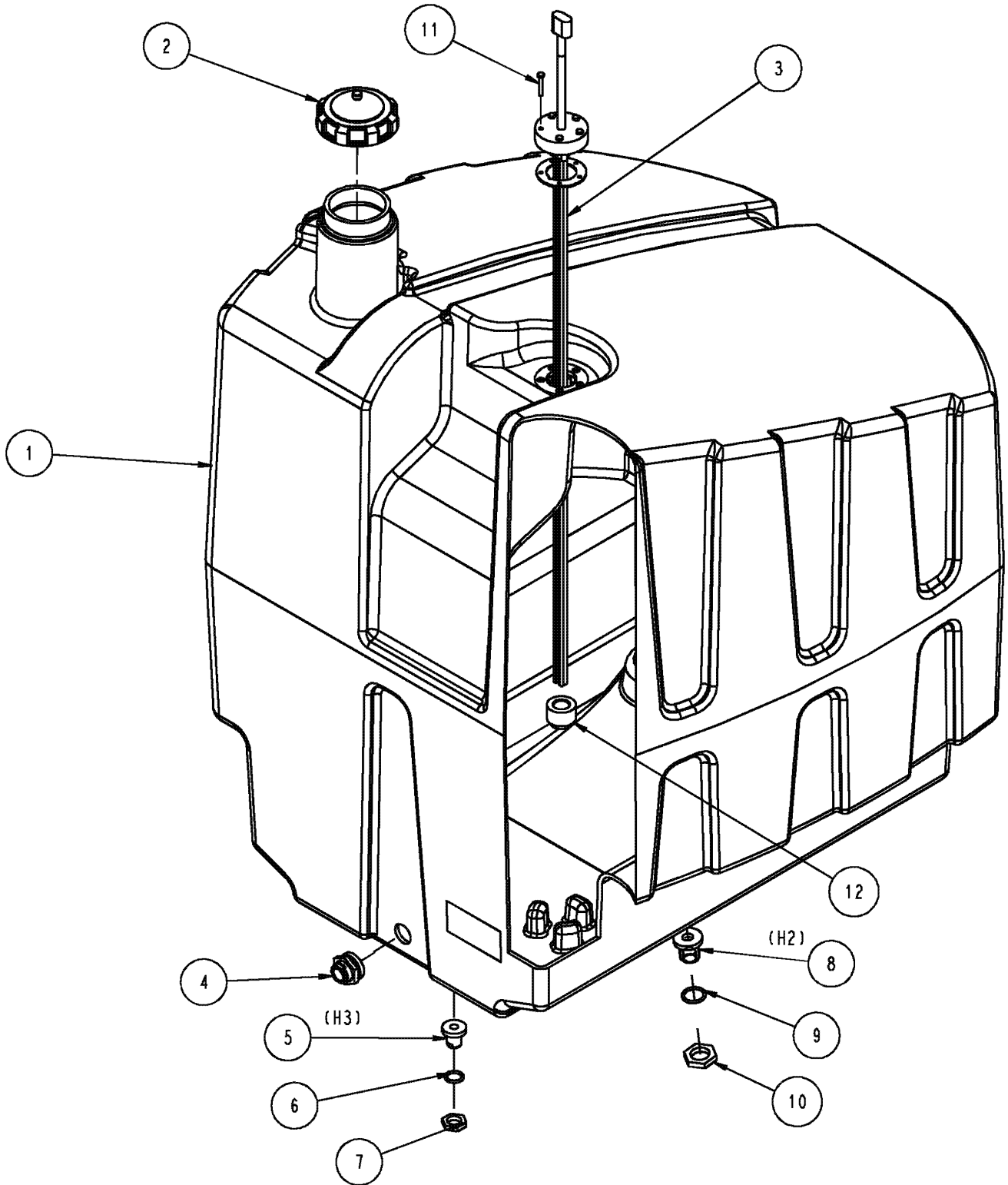
FUEL GROUP, TANK MOUNTING

REF	FN	PART NUMBER	YR/SN	QTY	DESCRIPTION
1		87271411		AR	TANK, 120 GAL, SEE FIG. 04-031
2		87272545		AR	SUPPORT, FUEL TANK
3		86980400		AR	BOLT, Hex, M10 x 25, 8.8
4		86980515		AR	NUT, LOCK, M10 x 1.5, CI 8
5		87529312		AR	WASHER, 11 X 24 X 3MM HDN DOR
6		87664092		AR	MOUNT, WELDMENT, TANK STRAP
7		86980379		AR	BOLT
8		87529315		AR	WASHER, 9 X 17 X 2MM HDN DOR
9		86980514		AR	NUT, P/T, ALL MTL M8 8 DOR
10		{BN21877}		AR	3/4 OD X 12 GA X 2.0
11		87529310		AR	WASHER, 13.5 X 28 X 4 HDN DOR
12		BN300407		AR	BOLT, 1/2-13, FLN, G8
13		87664095		AR	STRAP, FUEL TANK

3330

FUEL TANK ASSEMBLY

4



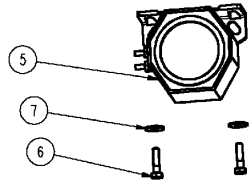
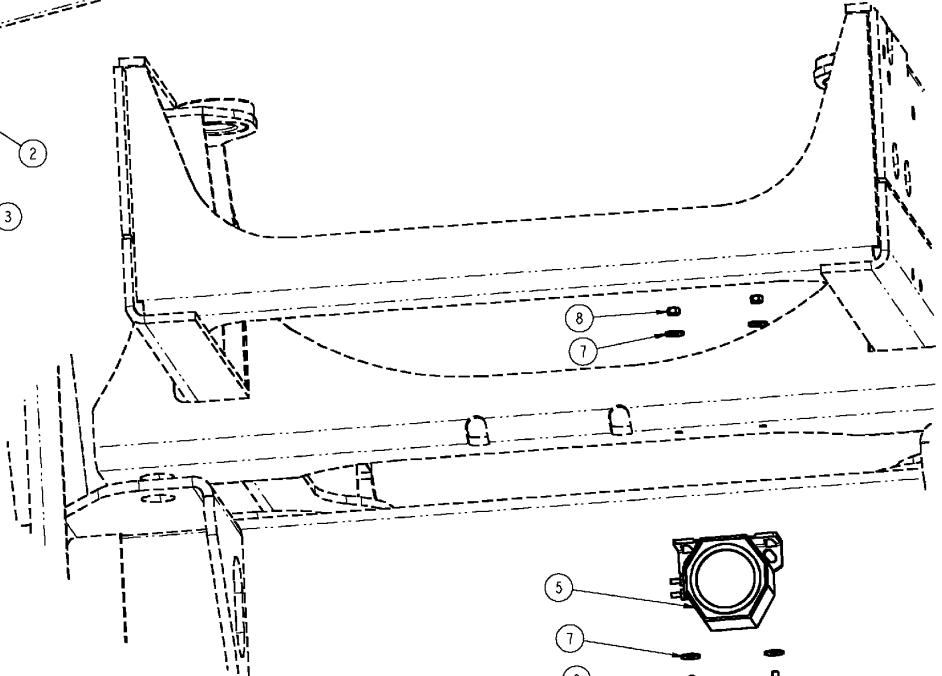
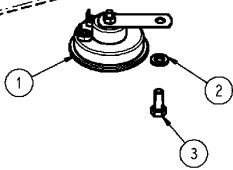
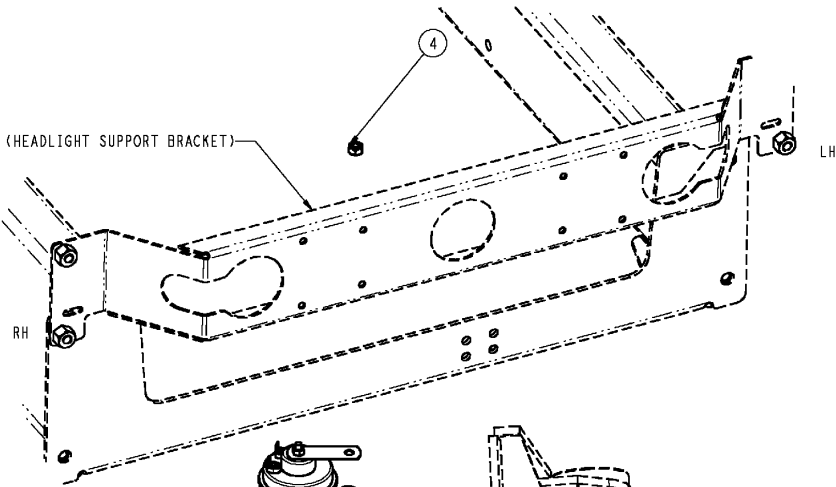
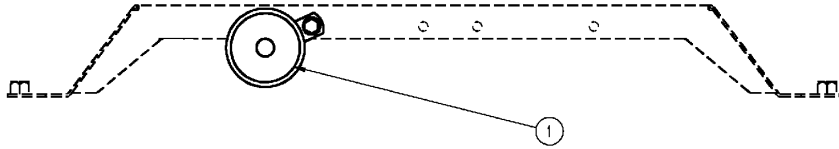
FUEL TANK ASSEMBLY

REF	FN	PART NUMBER	YR/SN	QTY	DESCRIPTION
1		{87269238}		1	FUEL, 120 G, FINISH
2		BN68502		1	CAP, FUEL, LOCKABLE, VENTED "DIESEL"
3		87267091		1	SENSOR, FUEL TANK LEVEL
4		344475A1		1	FITTING, FUEL TK 1/2 NPTF
5		87694594		1	BOLT, FITTING FUEL TANK DRAIN
6		238-5214		1	O-RING, -214, 70 Duro, .984" ID x .139" Thk
7		1251791C1		5	NUT, FUEL TANK DRAIN FIT
8		87707148		1	FITTING, FUEL TANK DRAIN
9		238-5210		1	O-RING, -210, 70 Duro, .734" ID x .139" Thk
10		282709A1		1	NUT, FITTING
11		87270794		5	BOLT, M5 X 30, S.S.
12		87272201		1	BUSHING, FUEL TANK SENDER

3330

AUDIBLE ALARM GROUP

4



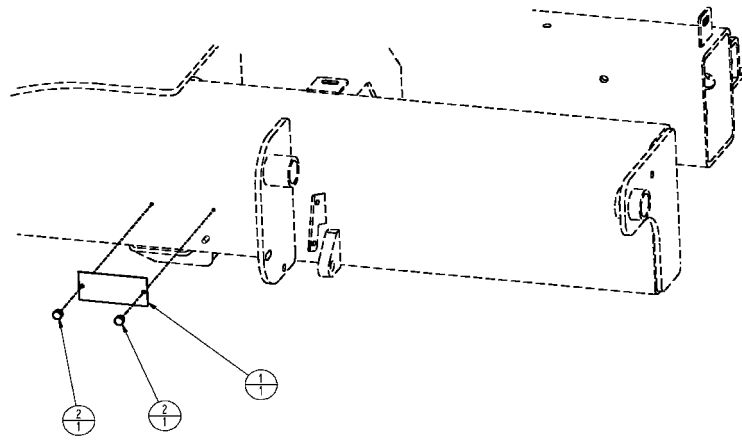
AUDIBLE ALARM GROUP

REF	FN	PART NUMBER	YR/SN	QTY	DESCRIPTION
1		87714969		1	HORN, W/BREATHER
2		87529315		2	WASHER
3		86980379		1	BOLT, M8 1.25 X 20, HH, 8.8, DO
4		86980514		1	NUT, M8 CL8 P/T ALL METAL
5		325258A1		1	KIT, SERVICE, BACK-UP ALARM
6		86980361		2	BOLT
7		87529302		4	WASHER, 6.6 X 18 X 1.6MM C
8		86980513		2	NUT, M6 CL8 P/T, ALL METAL

	3330
--	-------------

SERIAL PLATE GROUP

4



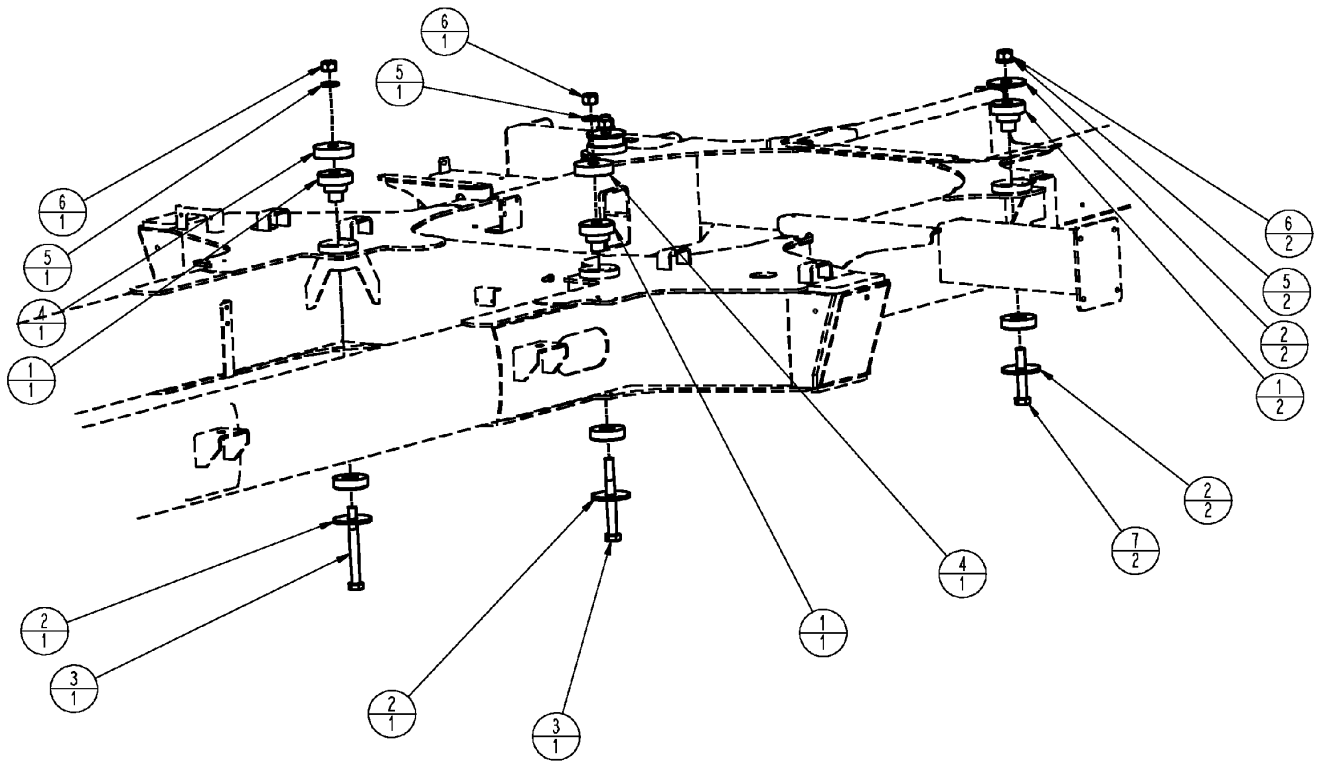
SERIAL PLATE GROUP

REF	FN	PART NUMBER	YR/SN	QTY	DESCRIPTION
1		321-7089		1	PLATE, S/N (STAINLESS)
2		BN52346		2	RIVET, POP, 1/8" x .5 SS

	3330
--	-------------

CAB MOUNTING GROUP

4



04-034

p1

09/08

CAB MOUNTING GROUP

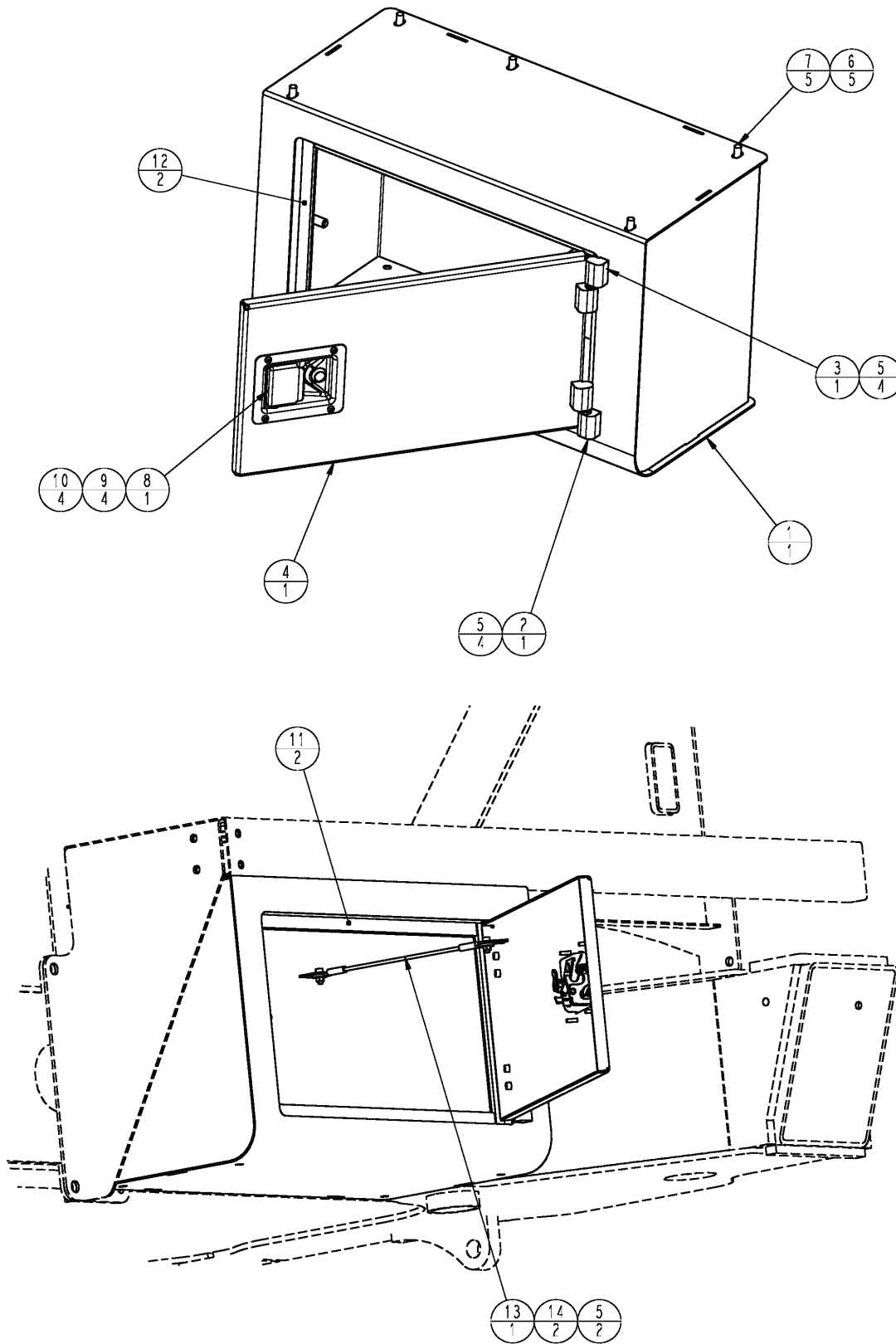
REF	FN	PART NUMBER	YR/SN	QTY	DESCRIPTION
1		BN302281		4	MOUNT, ENGINE
2		BN302284		6	WASHER, REBOUND
3		87532205		2	BOLT, M22 X 200 10.9 DOR
4		87541873		2	SPACER, CAB MOUNT
5		87529313		4	WASHER, 24 X 44 X 4MM, HND, DOR
6		87344025		4	NUT, PT M22 10
7		87532211		2	BOLT, M22 X 130 10.9 DOR

3330

4

STORAGE BOX GROUP

4



STORAGE BOX GROUP

REF	FN	PART NUMBER	YR/SN	QTY	DESCRIPTION
1		{87741533}		1	
2		BN306286		1	HINGE
3		BN306290		1	HINGE, NYLON, TYPE A, M6
4		87555040		1	DOOR, WELDMENT, STORAGE BOX
5		87343625		10	SCREW, M6 X 16 H-SOC 8.8
6		87529312		7	WASHER, 11 X 24 X 3MM HDN
7		86980399		7	BOLT, M10 1.5 X 20, HH, 8.8, DO
8		BN323944		1	LATCH, PADDLE HANDLE
9		BN311631		4	BOLT, 10-24 X .75, BSH, SS
10		BN310266		4	NUT, 10-24, NLN, SS
11		BN323949		2	SEAL, TRIM
12		87268931		2	SEAL, TRIM
13		F64526		1	CABLE, DOOR
14		86980513		2	NUT, P/T, ALL MTL M6 8 DOR

3330

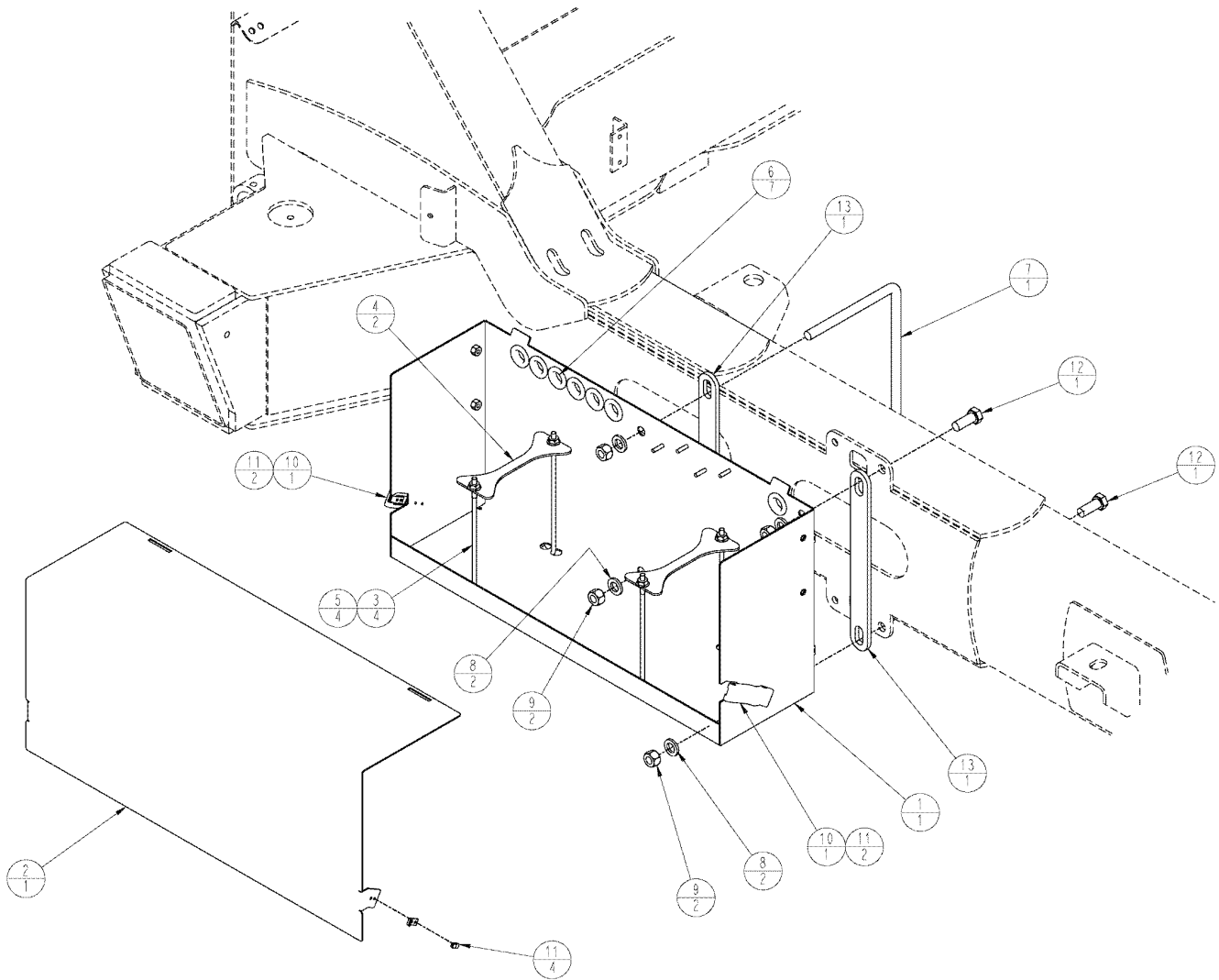
04-036

p1

12/08

BATTERY BOX GROUP

4



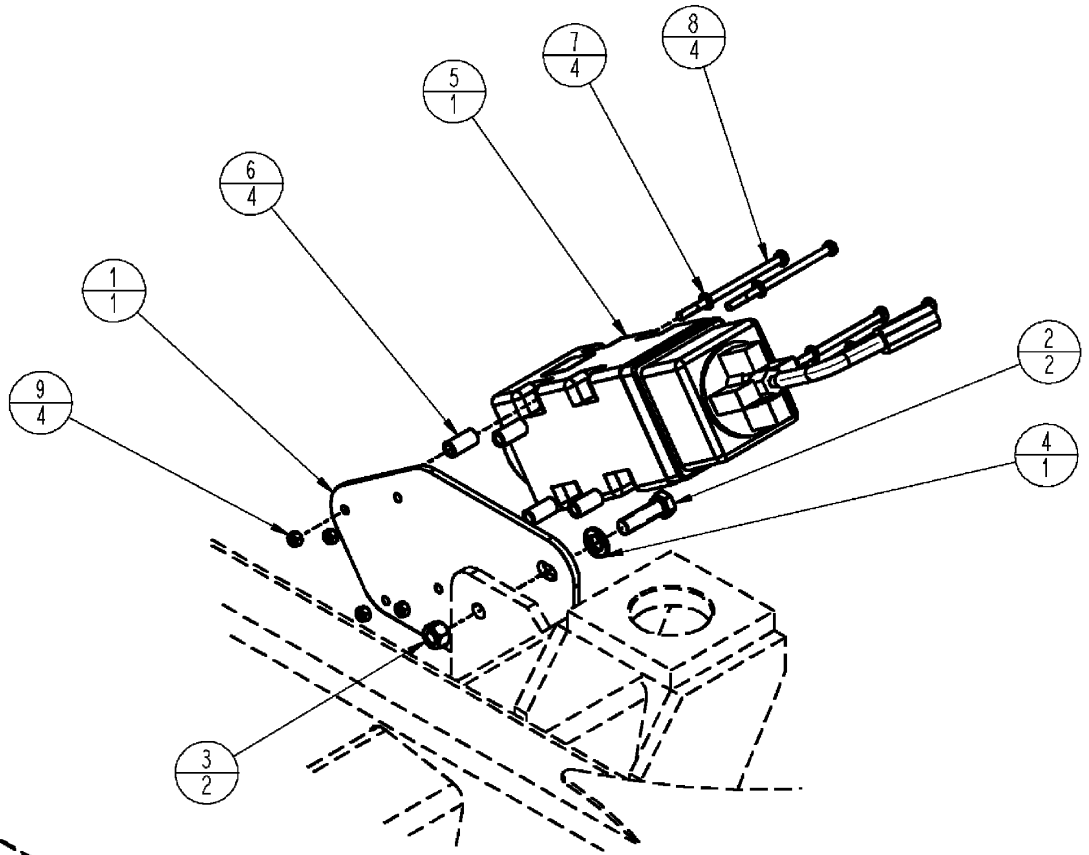
BATTERY BOX GROUP

REF	FN	PART NUMBER	YR/SN	QTY	DESCRIPTION
1		{87474237}		1	WELDMENT, BATTERIES
2		87271469		1	COVER, BATTERY BOX
3		87691876		4	ROD, BATTERY HOLD DOWN
4		BN320331		2	BRACKET, BATTERY
5		BN50057		4	NUT, 5/16-18 WHIZ LOCK SS
6		BN2290753		7	GROMMET, 2870 (7/8" HOLE)
7		343008A1		1	U-BOLT
8		87529306		4	WASHER, 17.5 X 30 X 4MM HDN DOR
9		86980517		4	NUT, P/T, ALL MTL M16 8 DOR
10		BN307683		2	LATCH, SOFT W/CONCEAL KEEP
11		87017053		2	RIVET, Pop, .146" x .425"
12		86980444		8	BOLT
13		{87474236}		1	BATTERY BOX

3330

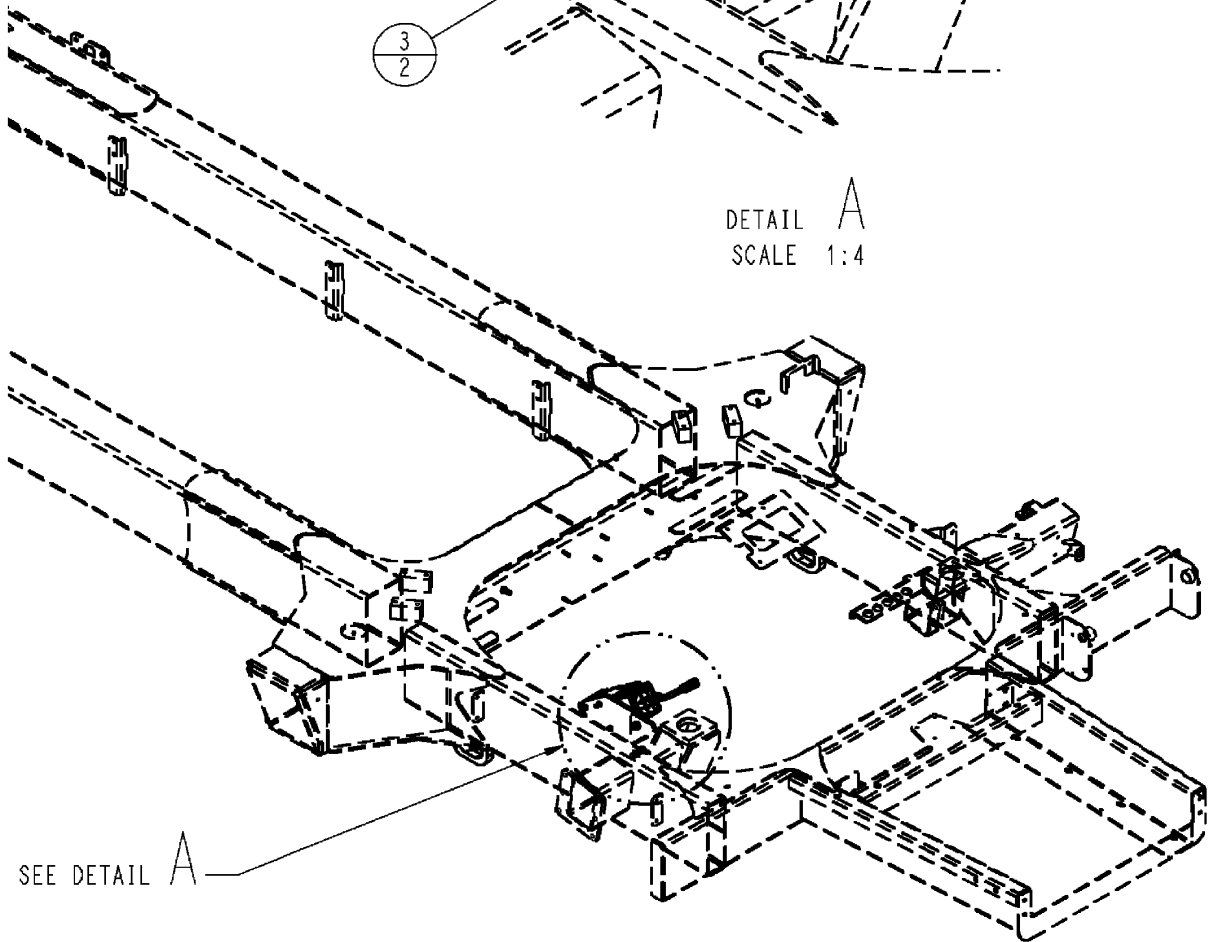
SPEED SENSOR GROUP

4



DETAIL A
SCALE 1:4

SEE DETAIL A



SPEED SENSOR GROUP

REF	FN	PART NUMBER	YR/SN	QTY	DESCRIPTION
1		BN322487		1	BRACKET, SPEED SENSOR
2		86980423		2	BOLT, M12-1.75 X 40, HH, 8.8, DORREPL
3		86980516		2	NUT, P/T ALL MTL M12 8 DOR
4		86981496		1	WASHER, M13.5 x 24.5 x 3, HT
5		228760A1		1	RADAR, TRUE GROUND
6		BN311760		4	SPACER, RADAR GUN MOUNT
7		87529314		4	WASHER, 6.6 X 12.5 X 2MM HDN DOR
8		86980371		4	BOLT, M6-1 X 110, HH, 8.8, DORREPL
9		86980513		4	NUT, P/T ALL MTL M6 8 DOR

3330

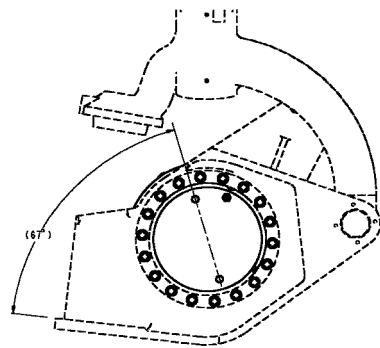
SECTION INDEX

Hub, Wheel & Tires

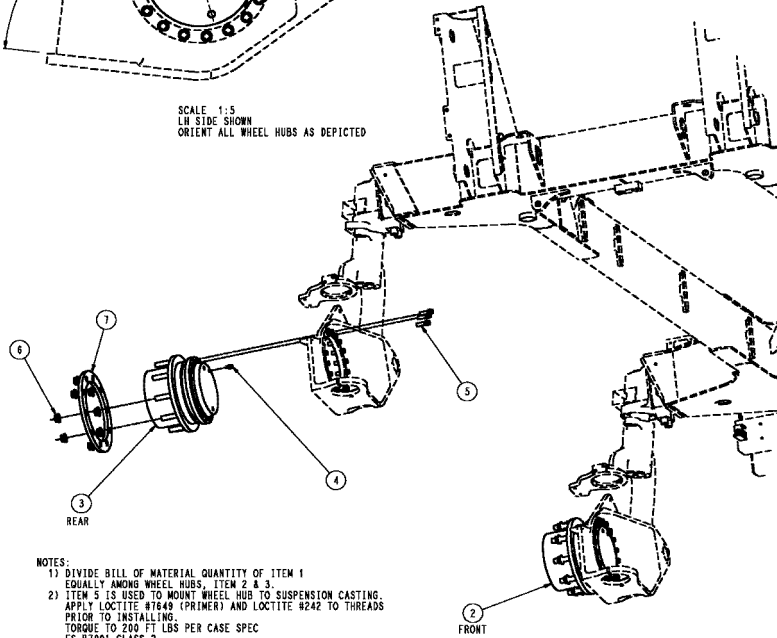
05-001	GEAR RATIO GROUP
05-002	GEARBOX, PLANETARY 25.2:1
05-003	GEARBOX, PLANETARY 31:1
05-004	TIRE KIT, 320/90R46 146 RT-10
05-005	TIRE KIT, 650/65R38
05-006	TIRE KIT, 520/85 R38
05-007	TIRE KIT, 380/85 R46
05-008	TIRE KIT, 380/90R46 157A8/B
05-009	TIRE KIT, 320/90 R46 LI 153
05-010	TIRE KIT, 380/90 R46 LI 159

GEAR RATIO GROUP

5



SCALE: 1:5
LN SIDE SHOWN
ORIENT ALL WHEEL HUBS AS DEPICTED



NOTES:
1) DIVIDE BILL OF MATERIAL QUANTITY OF ITEM 1
EQUALLY AMONG WHEEL HUBS, ITEM 2 & 3.
2) ITEM 5 IS USED TO MOUNT WHEEL HUB TO SUSPENSION CASTING.
APPLY LOCTITE #7649 (PRIMER) AND LOCTITE #242 TO THREADS
PRIOR TO INSTALLING.
TORQUE TO 200 FT LBS PER CASE SPEC
ES-B7001 CLASS 2.

05-001

p1

12/08

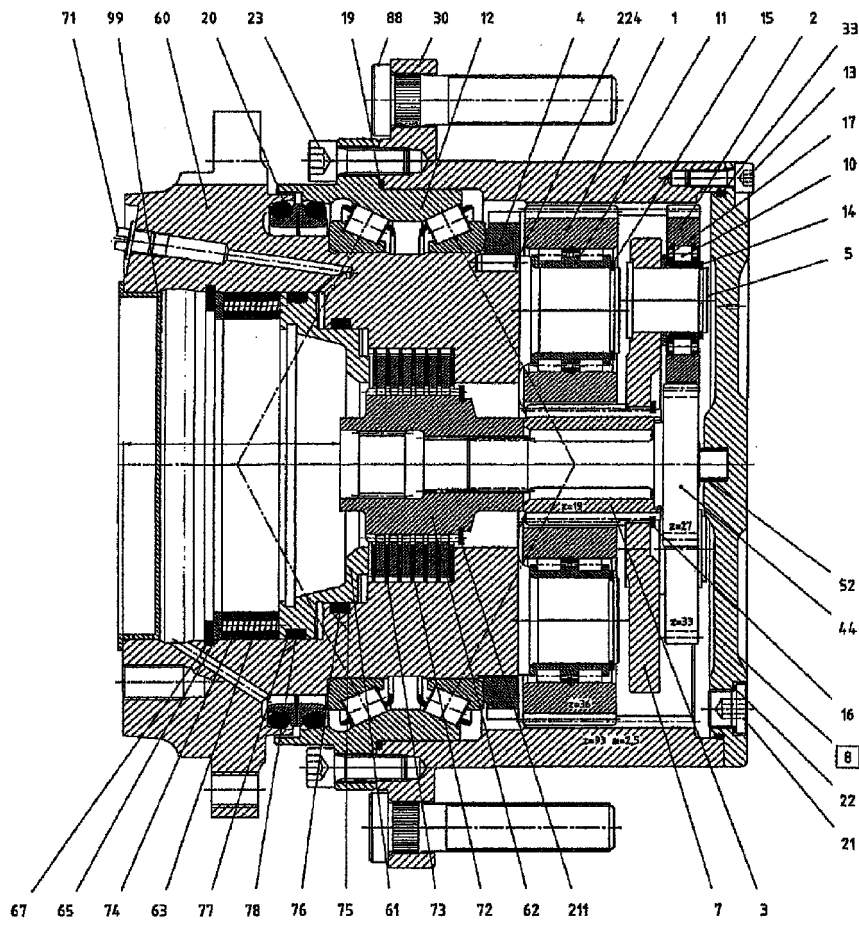
GEAR RATIO GROUP

REF	FN	PART NUMBER	YR/SN	QTY	DESCRIPTION
1		331-302		4	OIL, FLUID, 1 QT GEAR OIL SAE 85W140
2		87269800		2	GEARBOX, PLANETARY 25.2:1, SEE FIG. 05-002
3		87269801		2	GEARBOX, PLANETARY 31:1, SEE FIG. 05-003
4		BN302640		4	FITTING, 4MOR 4MB
5		BN304226		72	BOLT, M16-2 X 45, FH, 10.9
6		BN315229		40	NUT, FLANGE, WHL, 22MM DORRL
7		BN306152		2	SPACER, WHEEL HUB

3330

GEARBOX, PLANETARY 25.2:1

5



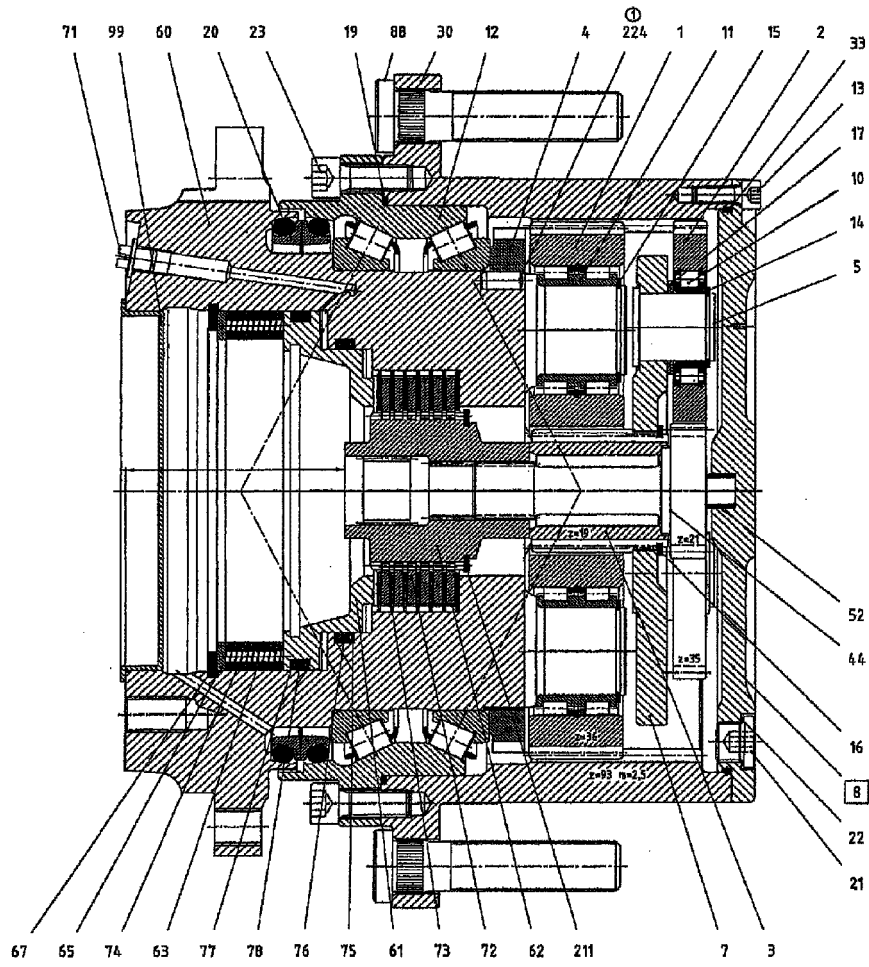
GEARBOX, PLANETARY 25.2:1

REF	FN	PART NUMBER	YR/SN	QTY	DESCRIPTION
		87272656		1	KIT, REPAIR, BRAKE DISC
		87272657		1	KIT, SEALS, GFT PLANETARY
1		87550016		4	GEAR, PLANETARY
2		87550046		3	GEAR, PLANETARY
3		87550018		1	LINK, UPPER, GEAR, SUN
4		87550019		1	NUT, SHAFT
5		87550020		3	PIN, PLANET
7		87550047		1	PLANET CARRIER
10		87550022		3	BEARING ASSY, CYLINDRICAL
11		87550023		4	BEARING ASSY, CYLINDRICAL
12		87550024		1	BEARING, ROLLER, TAPERED
13		87550025		12	BOLT, SOCKET HEAD
14		87550026		3	RING, SNAP
15		87550030		4	RING, SNAP
16		87550031		1	RING, SNAP
17		87550032		3	RING, STAY
19		87550033		1	O-RING
20		87550034		1	SEAL, FACE
21		87550035		2	PLUG, SCREW
211		87550049		1	RING, SNAP
22		87550036		2	RING
224		87550050		2	PIN
23		87550037		8	BOLT, SOCKET HEAD
33		87550038		1	O-RING
44		87550048		1	LINK, UPPER, GEAR, SUN
52		87550041		1	SPACER, RING
61		87550042		1	BRAKE, PISTON
63		87550043		1	SPACER, RING
67		87550044		1	RING, SNAP
88		87550045		10	STUD

3330

GEARBOX, PLANETARY 31:1

5



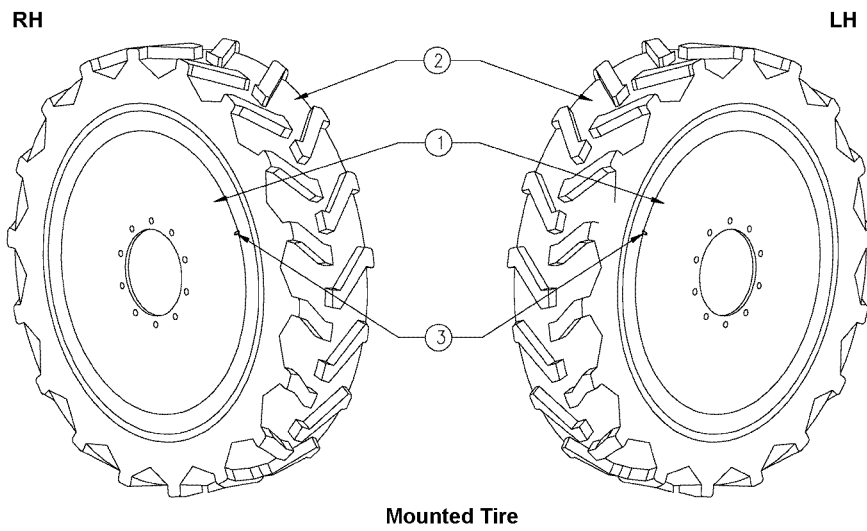
GEARBOX, PLANETARY 31:1

REF	FN	PART NUMBER	YR/SN	QTY	DESCRIPTION
		87272656		1	KIT, REPAIR, BRAKE DISC
		87272657		1	KIT, SEALS, GFT PLANETARY
1		87550016		4	GEAR, PLANETARY
2		87550017		3	GEAR, PLANETARY
3		87550018		1	LINK, UPPER, GEAR, SUN
4		87550019		1	NUT, SHAFT
5		87550020		3	PIN, PLANET
7		87550021		1	PLANET CARRIER
10		87550022		3	BEARING ASSY, CYLINDRICAL
11		87550023		4	BEARING ASSY, CYLINDRICAL
12		87550024		1	BEARING, ROLLER, TAPERED
13		87550025		12	BOLT, SOCKET HEAD
14		87550026		3	RING, SNAP
15		87550030		4	RING, SNAP
16		87550031		1	RING, SNAP
17		87550032		3	RING, STAY
19		87550033		1	O-RING
20		87550034		1	SEAL, FACE
21		87550035		2	PLUG, 2, SCREW
211		87550049		1	RING, SNAP
22		87550036		2	RING
224		87550050		2	PIN
23		87550037		8	BOLT, SOCKET HEAD
33		87550038		1	O-RING
44		87550039		1	LINK, UPPER, GEAR, SUN
52		87550041		1	SPACER, RING
61		87550042		1	BRAKE, PISTON
63		87550043		1	SPACER, RING
67		87550044		1	RING, SNAP
88		87550045		10	STUD

3330

TIRE KIT, 320/90R46 146 RT-10

5



TIRE KIT, 320/90R46 146 RT-10

REF	FN	PART NUMBER	YR/SN	QTY	DESCRIPTION
		BN324669		AR	TYRE/TIRE, WHL 320-90R46RH, GY
1		BN323843		1	WHEEL, 10 X 46, 10 HOLE
2		BN324234		1	TIRE, RUBBER, 320/90R46, GOODYEAR
3		362766A1		1	VALVE STEM, TUBELESS TIRE
		BN324670		AR	TYRE/TIRE, WHL 320-90R46LH, GY
1		BN323843		1	WHEEL, 10 X 46, 10 HOLE
2		BN324234		1	TIRE, RUBBER, 320/90R46, GOODYEAR
3		362766A1		1	VALVE STEM, TUBELESS TIRE

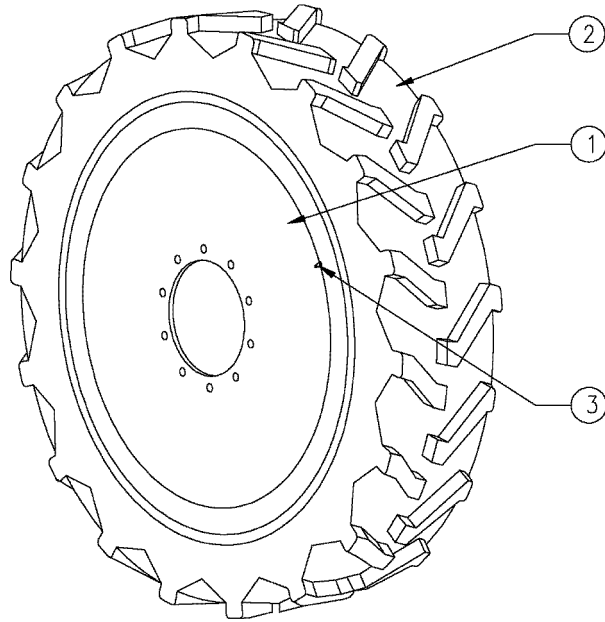
5

NOTE: Contact your local tire dealer for tire warranty and replacement tires.

3330

TIRE KIT, 650/65R38

5



TIRE KIT, 650/65R38

REF	FN	PART NUMBER	YR/SN	QTY	DESCRIPTION
		{87651826}		AR	650/65R38 RH
1		BN323842		1	WHEEL, 38 x 18, 10 hole
2		{87651823}		1	650/65R38 (MICHELIN)
3		362766A1		1	VALVE STEM, TUBELESS TIRE
		{87651825}		AR	650/65R38 LH
1		BN323842		1	WHEEL, 38 x 18, 10 hole
2		{87651823}		1	650/65R38 (MICHELIN)
3		362766A1		1	VALVE STEM, TUBELESS TIRE

NOTE: Contact your local tire dealer for tire warranty and replacement tires.

3330

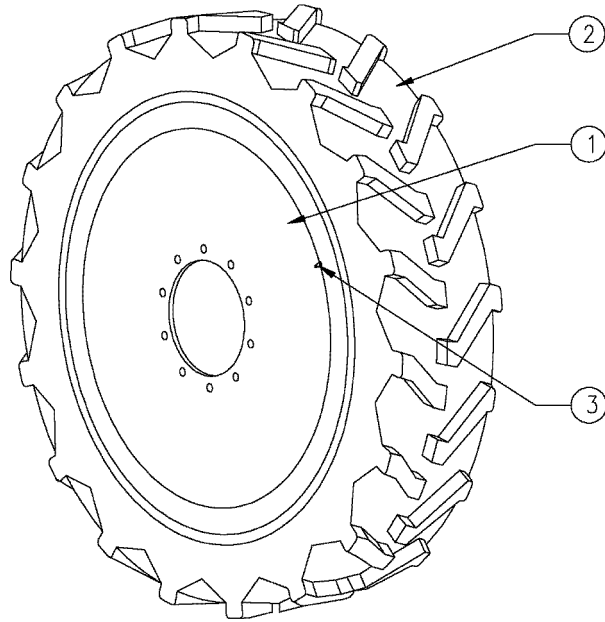
05-006

p1

09/08

TIRE KIT, 520/85 R38

5



TIRE KIT, 520/85 R38

REF	FN	PART NUMBER	YR/SN	QTY	DESCRIPTION
		{342264A1}		AR	MTD 520/85 R38 RH
1		BN323842		1	WHEEL, 38 x 18, 10 hole
2		{311648A1GY}		1	520/85R38, 155A8/B
3		362766A1		1	VALVE STEM, TUBELESS TIRE
		{342265A1}		AR	MTD 520/85 R38 LH
1		BN323842		1	WHEEL, 38 x 18, 10 hole
2		{311648A1GY}		1	520/85R38, 155A8/B
3		362766A1		1	VALVE STEM, TUBELESS TIRE

5

NOTE: Contact your local tire dealer for tire warranty and replacement tires.

3330

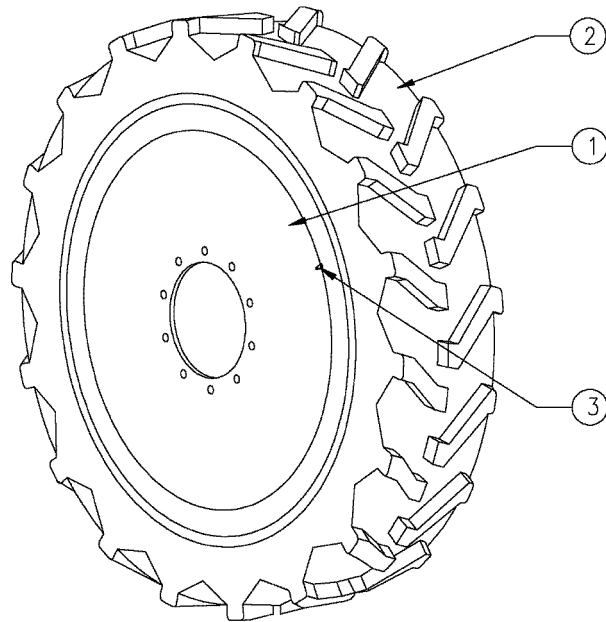
05-007

p1

12/08

TIRE KIT, 380/85 R46

5



TIRE KIT, 380/85 R46

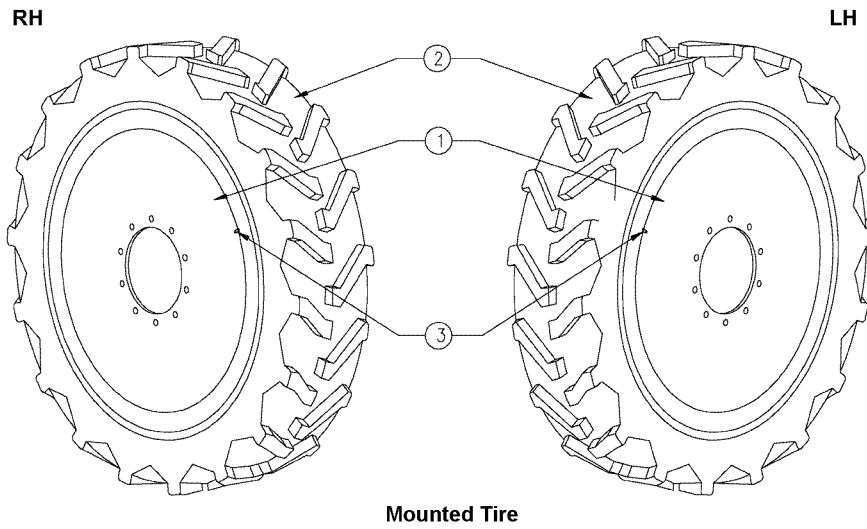
REF	FN	PART NUMBER	YR/SN	QTY	DESCRIPTION
		BN323747			TYRE/TIRE, 380/85 R46 DYNA RH
1		BN323634		1	WHEEL, W12 x 46
2		BN323749		1	TYRE/TIRE, 380/85R46, 146D
3		362766A1		1	VALVE STEM, TUBELESS TIRE
		BN323748			TYRE/TIRE, 380/85 R46 DYNA LH
1		BN323634		1	WHEEL, W12 x 46
2		BN323749		1	TYRE/TIRE, 380/85R46, 146D
3		362766A1		1	VALVE STEM, TUBELESS TIRE

NOTE: Contact your local tire dealer for tire warranty and replacement tires.

3330

TIRE KIT, 380/90R46 157A8/B

5



TIRE KIT, 380/90R46 157A8/B

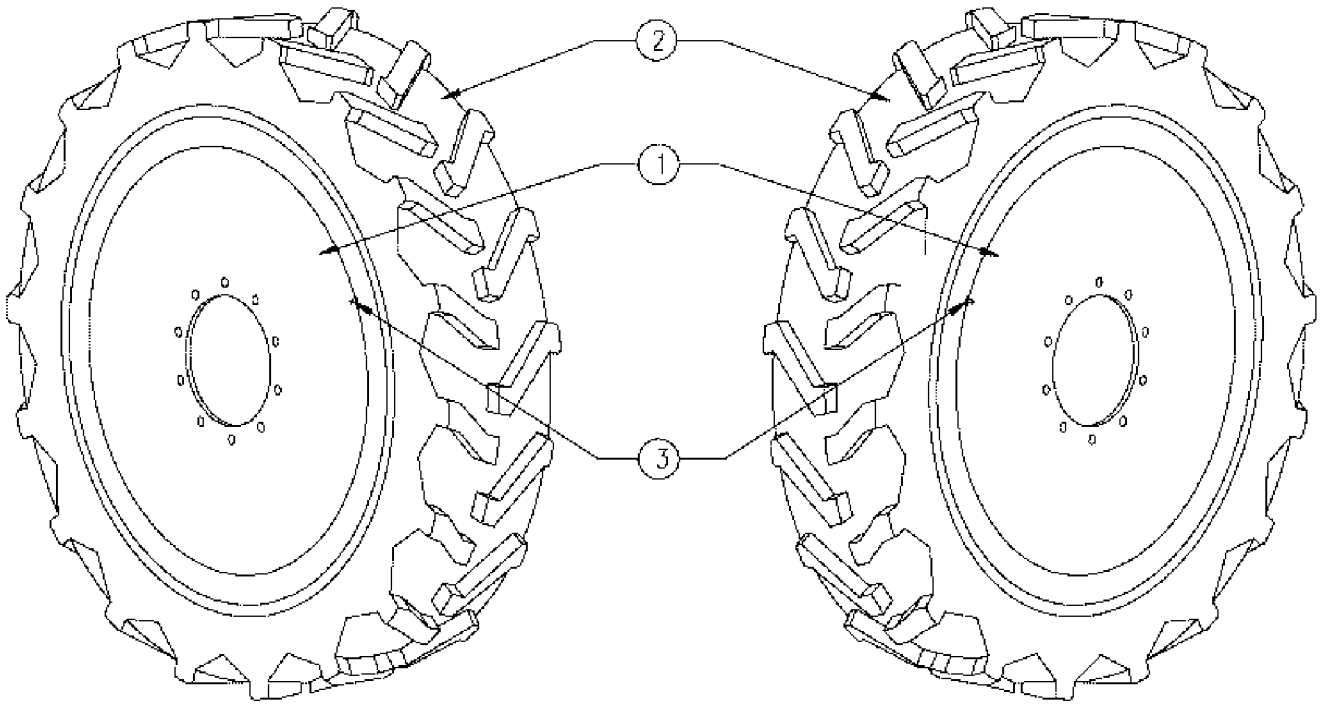
REF	FN	PART NUMBER	YR/SN	QTY	DESCRIPTION
		{87471702}			TIRE/WHEEL RH
1		BN323634		1	WHEEL, W12 X 46
2		{87624250}		1	TIRE, 380/90R46, 157A8/B
3		362766A1		1	VALVE STEM, TUBELESS TIRE
		{87471704}			TIRE/WHEEL LH
1		BN323634		1	WHEEL, W12 X 46
2		{87624250}		1	TIRE, 380/90R46, 157A8/B
3		362766A1		1	VALVE STEM, TUBELESS TIRE

NOTE: Contact your local tire dealer for tire warranty and replacement tires.

3330

TIRE KIT, 320/90 R46 LI 153

5



RIGHT SIDE

LEFT SIDE

TIRE KIT, 320/90 R46 LI 153

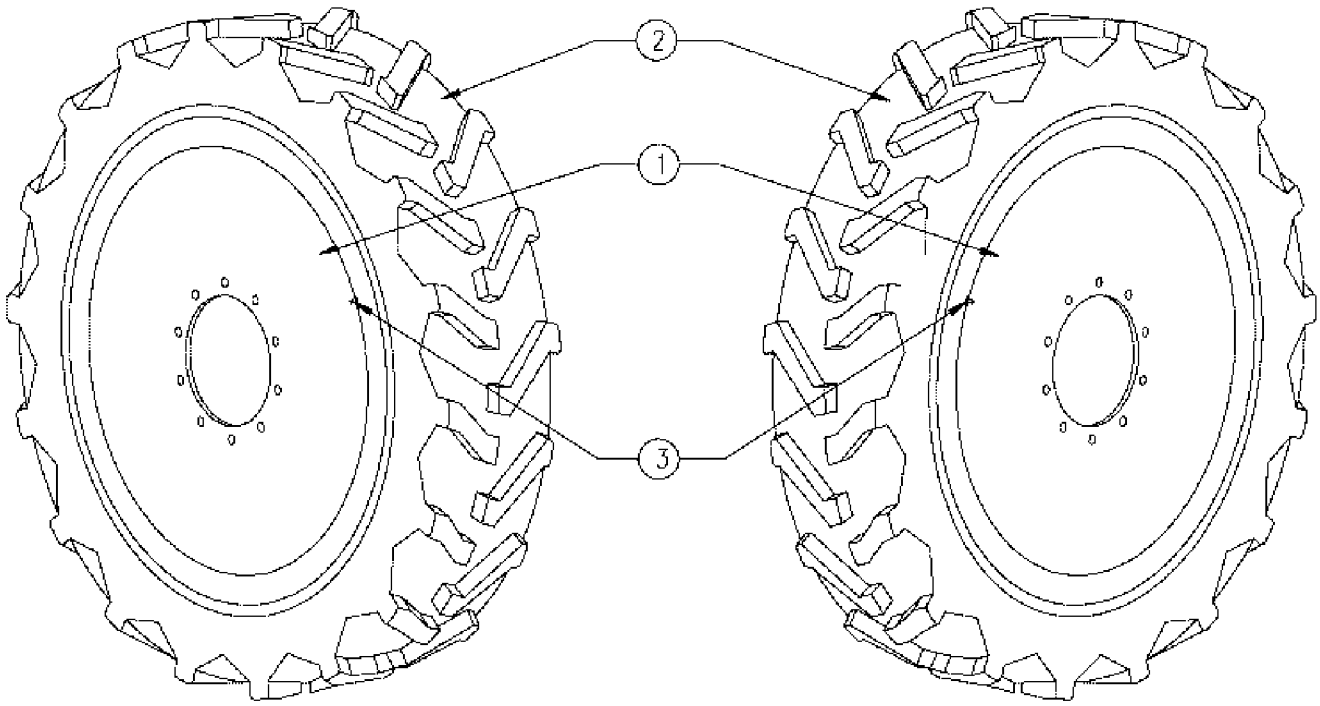
REF	FN	PART NUMBER	YR/SN	QTY	DESCRIPTION
		{87268375}		2	320-90R46LH
1		BN323843		1	WHEEL, 10 X 46, 10 HOLE
2		87268419		1	TYRE/TIRE, 320/90R46, LI 153A8
3		362766A1		1	VALVE STEM, TUBELESS TIRE
		{87268374}		2	320-90R46RH
1		BN323843		1	WHEEL, 10 X 46, 10 HOLE
2		87268419		1	TYRE/TIRE, 320/90R46, LI 153A8
3		362766A1		1	VALVE STEM, TUBELESS TIRE

NOTE: Contact your local tire dealer for tire warranty and replacement tires.

3330

TIRE KIT, 380/90 R46 LI 159

5



RIGHT SIDE

LEFT SIDE

TIRE KIT, 380/90 R46 LI 159

REF	FN	PART NUMBER	YR/SN	QTY	DESCRIPTION
		{87268373}		2	380/90R46 LI LH
1		BN323634		1	WHEEL, W12 x 46
2		{87268418}		1	380/90R46 LI 159A8
3		362766A1		1	VALVE STEM, TUBELESS TIRE
		{87268371}		2	380/90R46 LI RH
1		BN323634		1	WHEEL, W12 x 46
2		{87268418}		1	380/90R46 LI 159A8
3		362766A1		1	VALVE STEM, TUBELESS TIRE

NOTE: Contact your local tire dealer for tire warranty and replacement tires.

3330

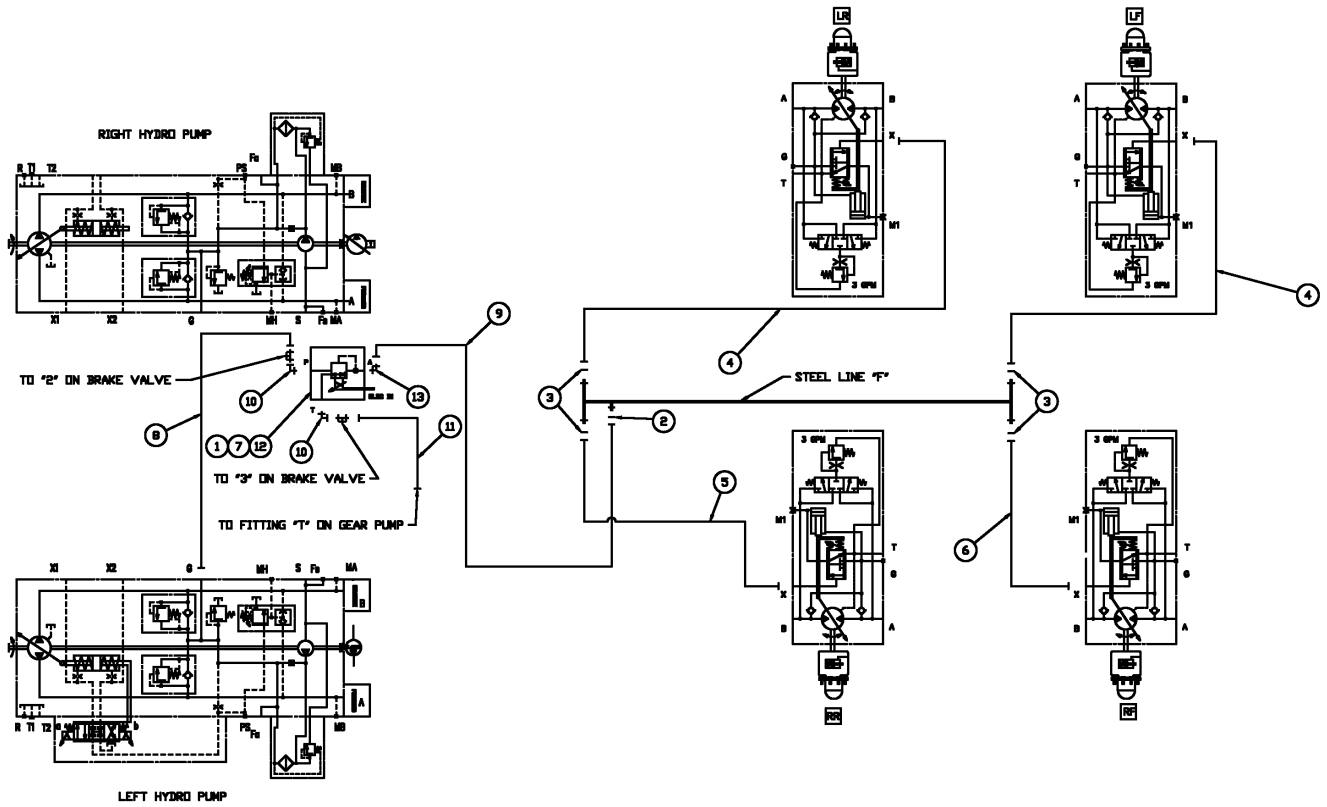
SECTION INDEX

Hydraulic Plumbing

06-001		DRIVE CONTROL HYDRAULIC GROUP
06-002		WHEEL MOTOR GROUP
06-003		STANDARD AXLE HYDRAULIC GROUP
06-004		VALVE, 2-BANK WITH FITTINGS
06-005		VALVE, 2-BANK W/O FITTINGS
06-006		CYLINDER, AXLE GROUP
06-007		HYDRAULIC GROUP, 2WS
06-008		SUSPENSION, ACTIVE HYDRAULIC
06-009		OIL COOLER GROUP
06-010		PUMP GROUP, DED
06-011		PUMP DRIVE GROUP
06-012		DRIVE-2 PUMP, 1.40 UP
06-013		HYDROSTATIC PUMP GROUP
06-014		HYDRAULIC PUMP, W/13 T
06-015		HYDRAULIC PUMP, W/11 T
06-016		VALVE, SHUNT
06-017		CASE DRAIN HYDRAULIC GROUP
06-018		HYDRAULIC DRIVE LOOP GROUP
06-019		BRAKE PEDAL HYDRAULIC GROUP
06-020		BRAKE GROUP, DYNAMIC
06-021		PARK BRAKE GROUP
06-022		MANIFOLD GROUP
06-023		PRESSURE COMP MANIFOLD
06-024-01	01	STEEL LINES GROUP
06-024-02	02	STEEL LINES GROUP
06-025		OIL TANK GROUP
06-026		TANK FILTER
06-027		FRONT LADDER HYDRAULIC GROUP
06-028		PRODUCT PUMP HYDRAULIC GROUP
06-029		BOOM OUTER FOLD HYDRAULIC GROUP
06-030		HYDRAULIC GROUP, 60' BOOM
06-033		VALVE, 6-SECTION, W/FITTINGS
06-034	01	VALVE, 6-SECTION, W/O FITTINGS
06-034	02	VALVE, 6-SECTION, W/O FITTINGS
06-035		OUTER FOLD HYDRAULIC GROUP, NO CYLINDER
06-036		PRODUCT CONTROL VALVE
06-037		BOOM HITCH HYDRAULIC GROUP
06-038		AUTO GUIDE HYDRAULIC GROUP
06-039	01	BOOM HYDRAULIC LOCK GROUP, 120' BOOM
06-039	02	BOOM HYDRAULIC LOCK GROUP, 120' BOOM
06-040		HYDRAULIC GROUP, OUTER, 120' BOOM
06-041		BOOM HYDRAULIC GROUP, 120'
06-042		SOLENOID VALVE
06-043		SOLENOID VALVE
06-044		INNER BOOM HYDRAULIC GROUP, 120'
06-045		OUTER BOOM HYDRAULIC GROUP, 120'
06-046		HITCH HYDRAULIC GROUP, 120'

DRIVE CONTROL HYDRAULIC GROUP

6



DRIVE CONTROL HYDRAULIC GROUP

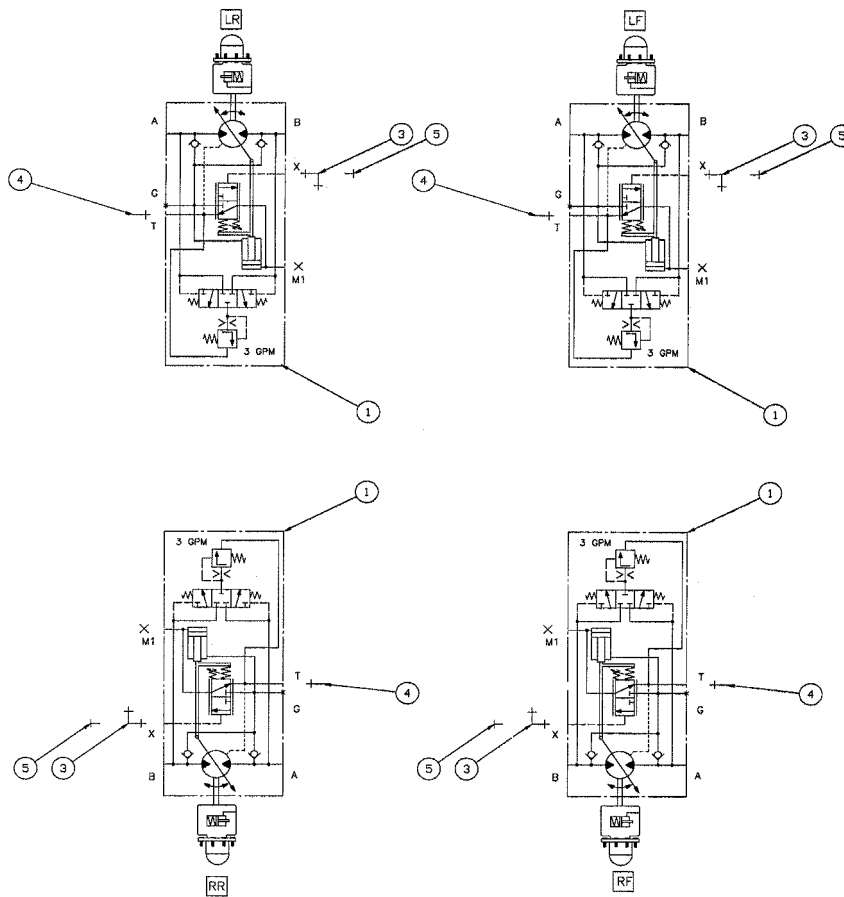
REF	FN	PART NUMBER	YR/SN	QTY	DESCRIPTION
1		87269798		1	VALVE, HYDRAULIC, MANIFOLD SHIFT
	1	87601672		1	VALVE, HYDRAULIC, CARTRIDGE
2		BN305411		1	O-RING, FOR 4 FFOR
3		BN305412		4	O-RING, FOR 6 FFOR
4		87574767		2	HOSE, 6 X 178
5		87271558		1	HOSE, 6 X 146
6		87574766		1	HOSE, 142
7		86980386		2	BOLT, M8 1.25 X 60, HH, 8.8, DOR
8		{87720272}		1	6 X 72"
9		BN316442		1	HOSE ASSY., 4 X 76"
10		BN324682		2	FITTING, 6 FOR 6MB X 90
11		87269785		1	HOSE ASSY., 6 X 82
12		86980514		2	NUT, M8 CL8 P/T, ALL METAL
13		BN302549		1	ELBOW, 4 MOR 6MB X 90

(1) SERVICE PARTS FOR ITEM #1

3330

WHEEL MOTOR GROUP

6



NOTES:
1) ITEM 2 IS USED TO MOUNT MOTOR TO WHEEL HUB.
APPLY LOCTITE #7649 (PRIMER) AND LOCTITE #242 TO THREADS
PRIOR TO INSTALLING.
TORQUE TO 188 FT LBS PER CASE SPEC
ES-87001 CLASS 1.

WHEEL MOTOR GROUP

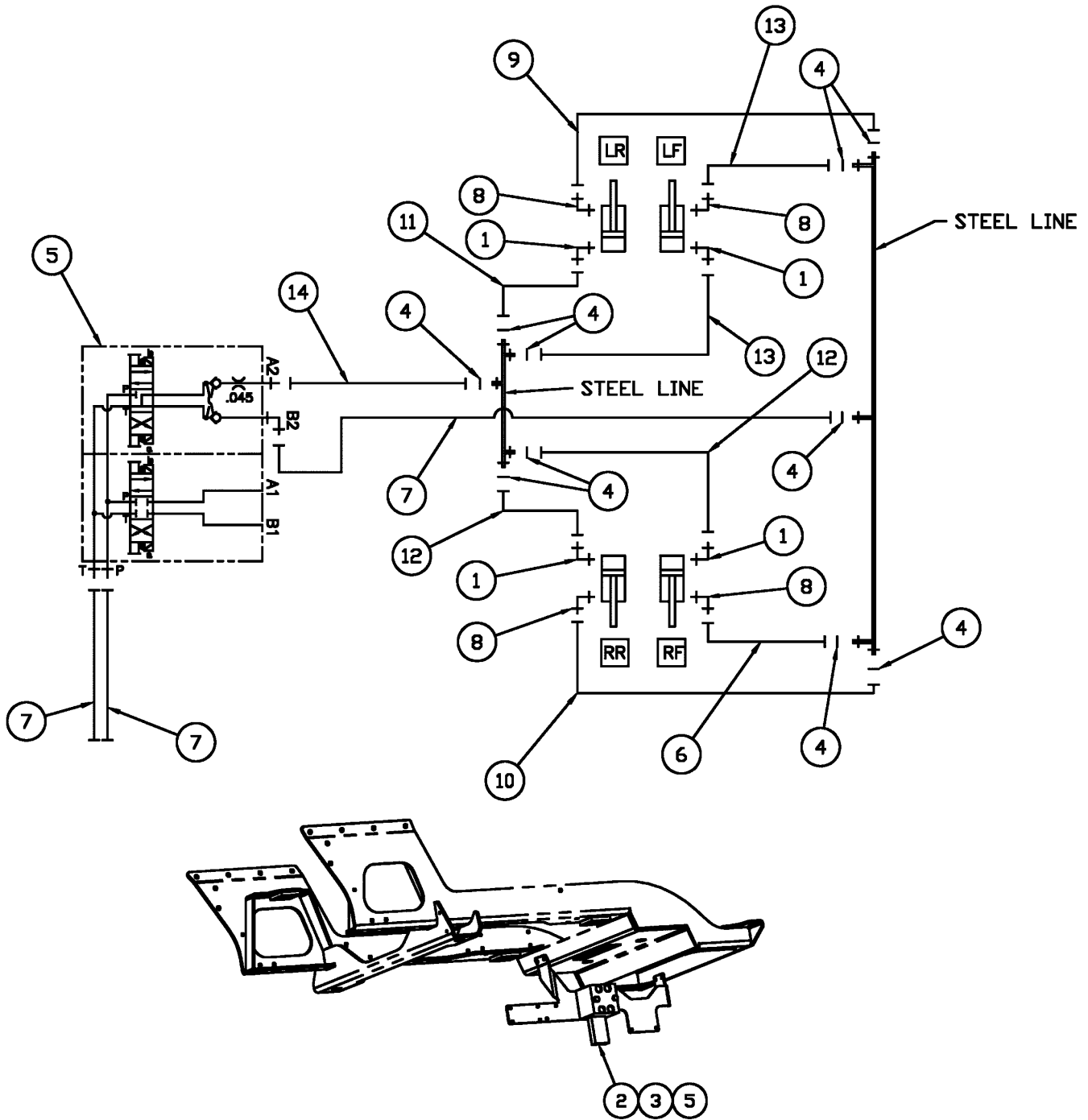
REF	FN	PART NUMBER	YR/SN	QTY	DESCRIPTION
1		87269799		4	MOTOR, 55 cc
	1	87603550		1	RING, RETAINING
	2	87603551		1	SEAL, SHAFT
	3	87603552		1	PLATE, BACK-UP
	4	87603553		1	O-RING
	5	87603554		1	O-RING
	6	87603547		1	CONTROL
	7	{87603555}		1	CONTROL
	8	{87603556}		1	FLUSH & BOOST PRESS.
2		868-16040		8	SCREW, M16 2 X 40 12PT 12.9
3		87584271		4	ADAPTER, REWORKED 90, 6 MOR
4		BN302650		4	FITTING, 8 MOR 8MB
5		87595456		4	PLUG, ORB, SOC HD 5/16-24

- (1) SERVICE PARTS FOR ITEM #1
(2) SERVICE PARTS FOR ITEM #1
(3) SERVICE PARTS FOR ITEM #1
(4) SERVICE PARTS FOR ITEM #1
(5) SERVICE PARTS FOR ITEM #1
(6) SERVICE PARTS FOR ITEM #1
(7) ASSOCIATED PART OF CONTROL, P/N 87603547
(8) ASSOCIATED PART OF CONTROL, P/N 87603547

3330

STANDARD AXLE HYDRAULIC GROUP

6



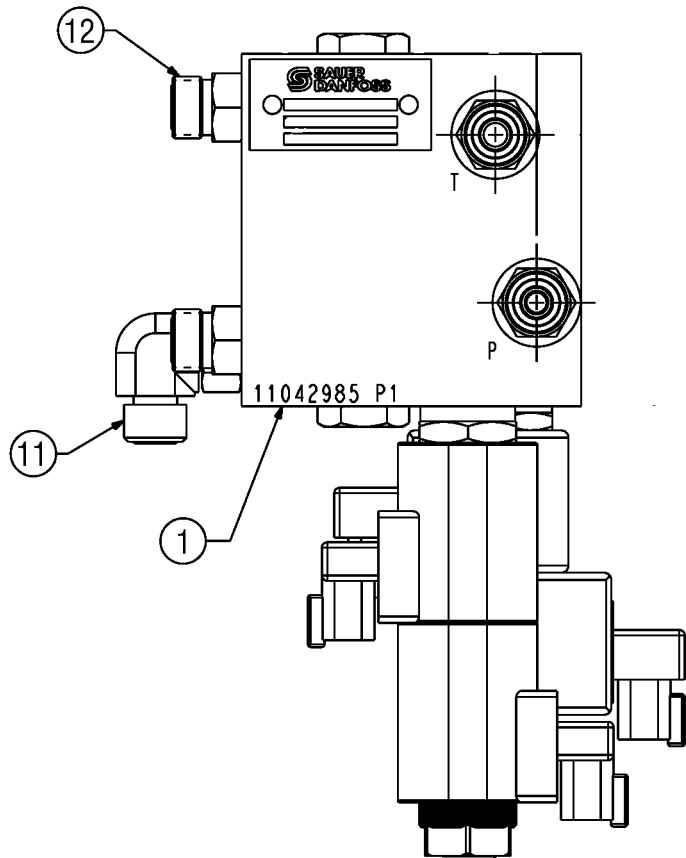
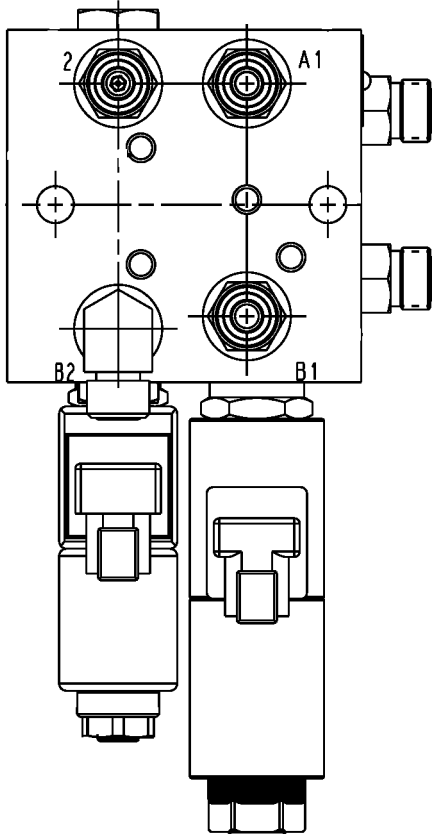
STANDARD AXLE HYDRAULIC GROUP

REF	FN	PART NUMBER	YR/SN	QTY	DESCRIPTION
1		BN302553		4	ELBOW, 6 MOR 6MB X 90
2		86980411		2	BOLT, M10 1.5 X 110, HH, 8.8, D
3		86980515		2	NUT, LOCK, M10 x 1.5, CI 8, P/T, ALL METAL
4		BN305412		10	O-RING, FOR 6 FFOR
5		87393150		1	VALVE, CONTROL, 2 BANK W/FTGS, SEE FIG. 06-004
6		BN317622		1	HOSE ASSY., 6 X 1498.6 MM
7		BN307824		4	HOSE ASSY., 6 X 495.3 MM
8		BN302419		4	FITTING, 6 MOR 6 MB X 90 LL
9		BN322523		1	HOSE, HYDRAULIC, - 6 x 1397 MM
10		BN320874		1	HOSE ASSY., -6 X 1625.6 MM
11		BN313337		1	HOSE, -6 X 1270 MM
12		BN307873		2	HOSE, -6 x 1548.4 MM
13		BN322525		2	HOSE ASSY., -6 X 1219.2 MM
14		BN307823		1	HOSE ASSY.

3330

VALVE, 2-BANK WITH FITTINGS

6



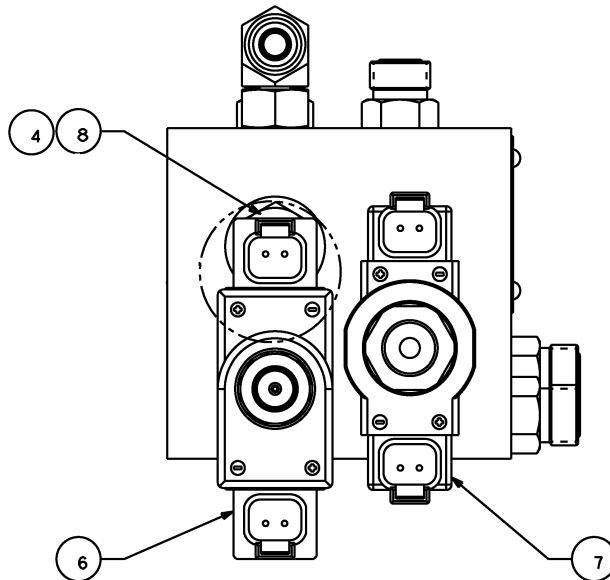
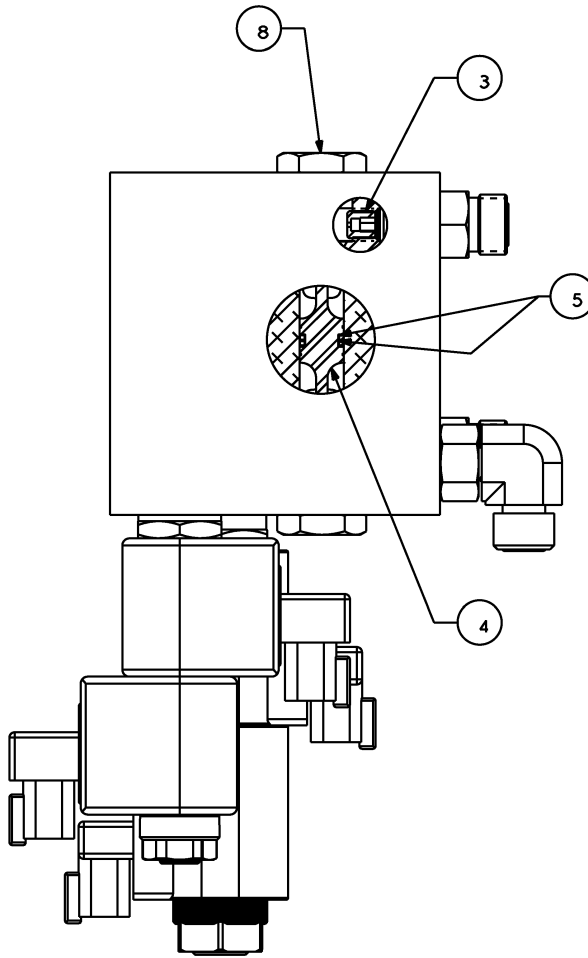
VALVE, 2-BANK WITH FITTINGS

REF	FN	PART NUMBER	YR/SN	QTY	DESCRIPTION
1		87393142		1	VALVE, CONTROL, 2-BANK WITHOUT FTGS SEE FIG. 06-004
11		BN302553		1	ELBOW, 6MOR-6MBX90
12		BN302646		5	FITTING, 6MOR-6MB

	3330
--	-------------

VALVE, 2-BANK W/O FITTINGS

6



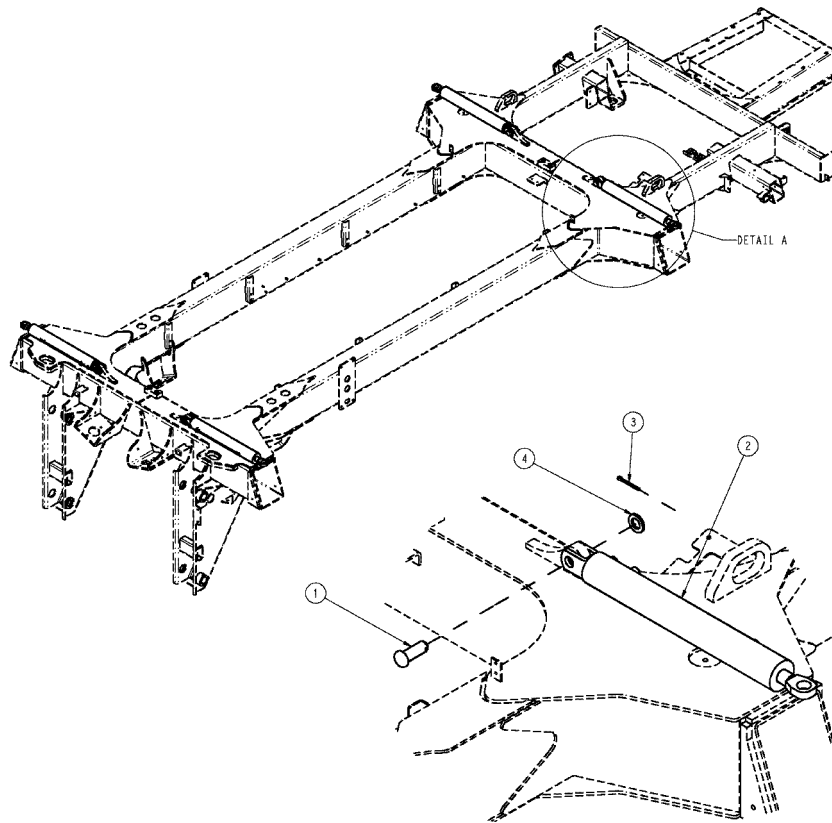
VALVE, 2-BANK W/O FITTINGS

REF	FN	PART NUMBER	YR/SN	QTY	DESCRIPTION
3		87758323		1	ORIFICE, .039
4		87758337		1	PISTON, VALVE BANK
5		87758319		1	VALVE, SOLENOID, SEE FIG 06-042
6		87758335		1	VALVE, SOLENOID, SEE FIG 06-043
7		87758336		2	VALVE, CHECK
	1	87472226			KIT, SEALS, VALVE
(1) SERVICE PARTS FOR REF 7					

	3330
--	-------------

CYLINDER, AXLE GROUP

6



SCALE 1:5
DETAIL A

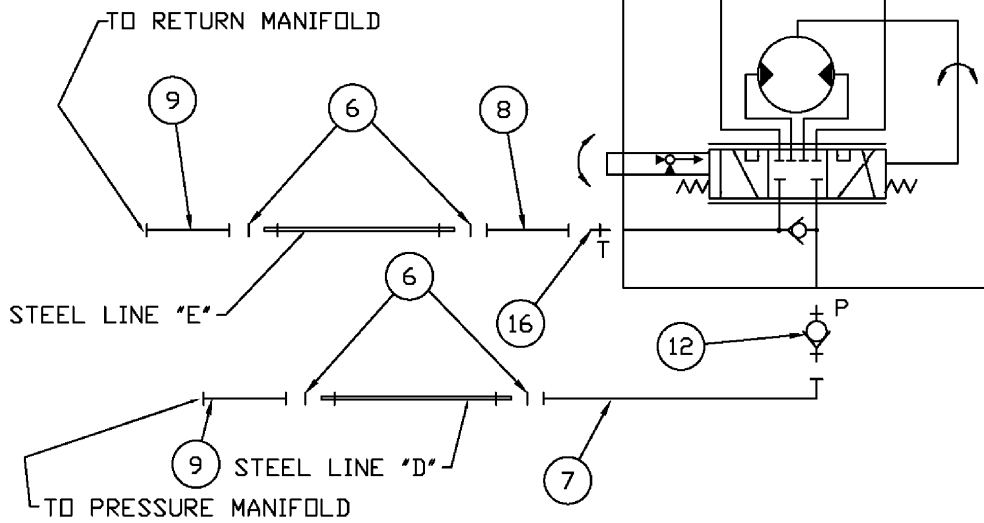
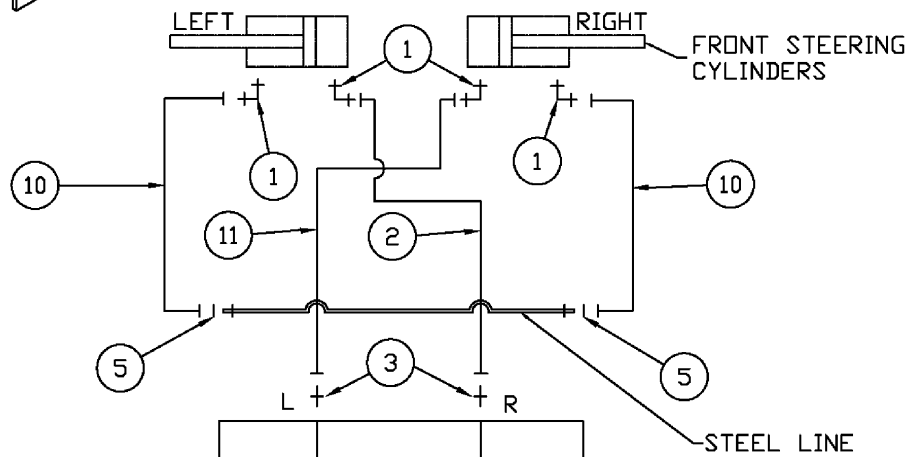
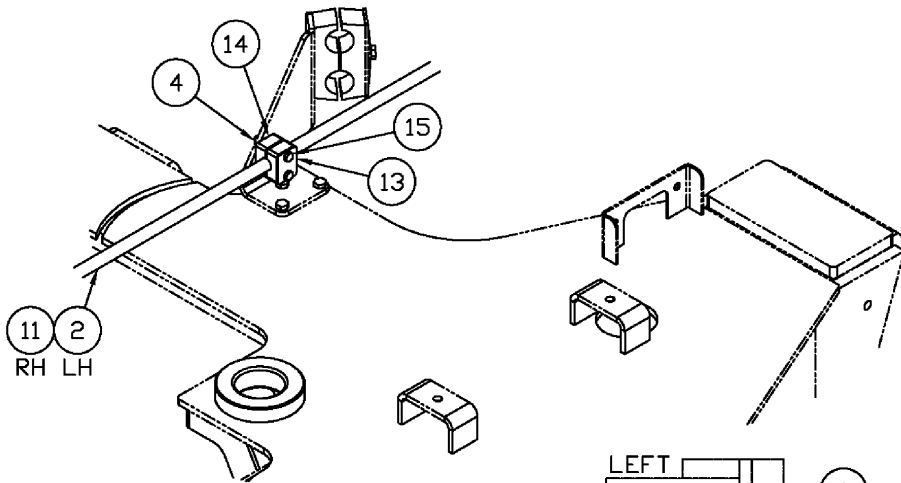
CYLINDER, AXLE GROUP

REF	FN	PART NUMBER	YR/SN	QTY	DESCRIPTION
1		439-51644		4	PIN, HEADED, 1" x 2 3/4", G5, CAST
2		87267921		4	CYLINDER, HYD, 2.5 X 20 X 1, SEE FIG. 07-002
3		BN50601		4	PIN, SPLIT (COTTER), 3/16 X 2
4		896-11024		4	WASHER, M24 x 44.5 x 5, HT

	3330
--	-------------

HYDRAULIC GROUP, 2WS

6



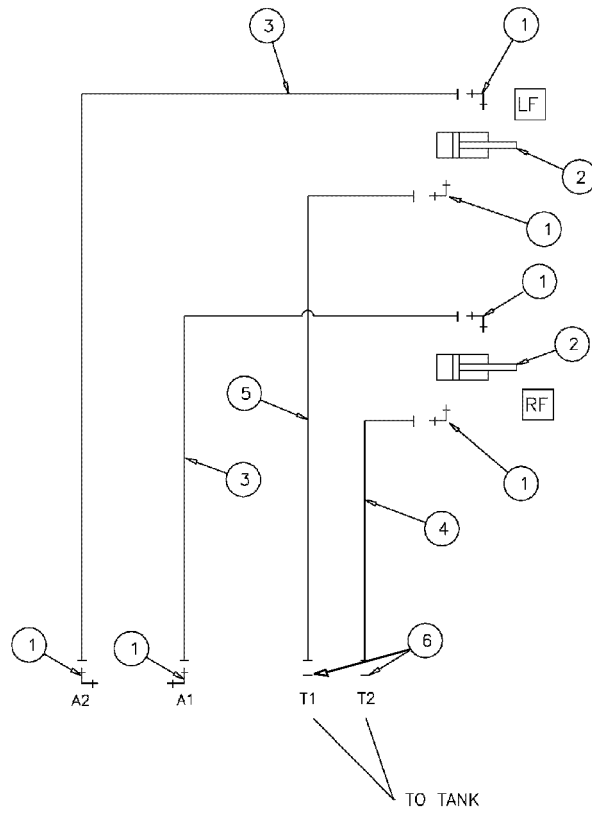
HYDRAULIC GROUP, 2WS

REF	FN	PART NUMBER	YR/SN	QTY	DESCRIPTION
1		BN302553		4	ELBOW, 6 MOR 6MB X 90
2		87399572		1	HOSE, 6 X 135
3		BN302647		2	FITTING, 6 MOR 8MB
4		86980513		4	NUT, M6 CL8 P/T, ALL METAL
5		BN305412		2	O-RING, FOR 6 FFOR
6		BN305413		4	O-RING, FOR 8 FFOR
7		87271556		1	HOSE, 6 X 92
8		87272006		1	HOSE, 8 X 93
9		87268537		1	HOSE, 8 X 15
10		BN307821		2	HOSE ASSY.
11		87399574		1	HOSE, 6 X 135
12		BN311751		1	VALVE, CHECK, -8 MORB/-6 MORS
13		BN29785		2	PLATE, Cover Single (1/2" Tube)
14		BN315164		2	CLAMP, PAIR, SNGL, 5/8 TUBE
15		86980366		4	BOLT, M6 1 X 50, HH, 8.8, DOR R
16		BN302650		1	FITTING, 8 MOR 8MB
17		87271215		1	HOSE, 8 X 12

3330

SUSPENSION, ACTIVE HYDRAULIC

6



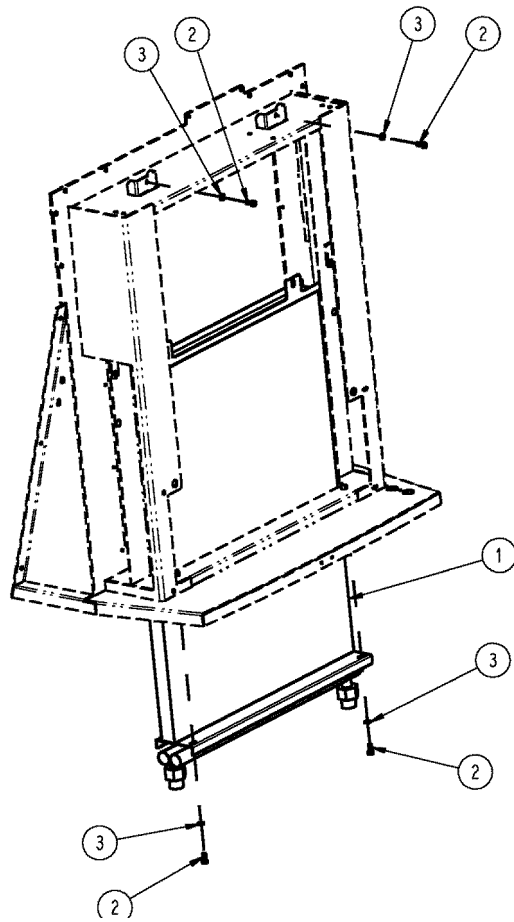
SUSPENSION, ACTIVE HYDRAULIC

REF	FN	PART NUMBER	YR/SN	QTY	DESCRIPTION
1		BN302547		6	ELBOW, 4 MOR 4MB X 90
2		{87269275}		2	SUSPENSION, SEE FIG. 04-013
3		BN313058		2	HOSE ASSY., 4 X 139
4		BN313061		1	HOSE, 4 X 200
5		BN307828		1	HOSE ASSY.
6		BN305411		2	O-RING, FOR 4 FFOR
7		BN313250		2	SUSPENSION, SHOCK, SEE FIG. 04-014
8		BN322741		2	SLEEVE, HOSE, 1.42 ID X 12, NOT SHOWN

3330

OIL COOLER GROUP

6



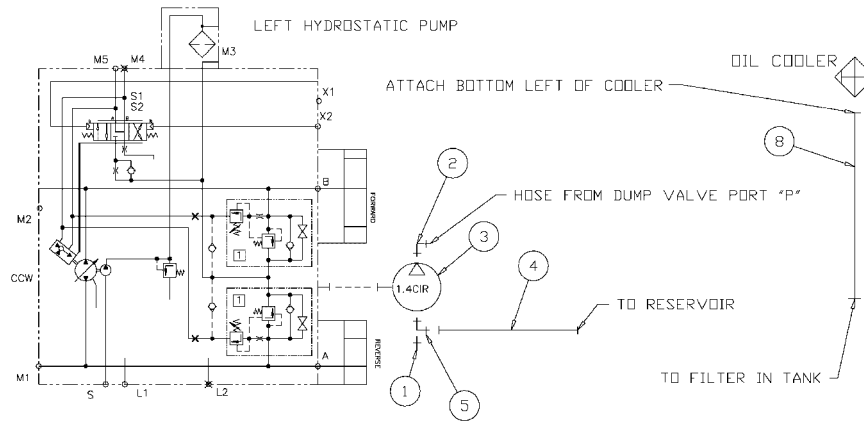
OIL COOLER GROUP

REF	FN	PART NUMBER	YR/SN	QTY	DESCRIPTION
1		86986928		1	COOLER, OIL
2		86980379		6	BOLT, M8 1.25 X 20, HH, 8.8, DO
3		87529315		6	WASHER, 9 X 17 X 2MM HDN DOR

	3330
--	-------------

PUMP GROUP, DED

6



NOTES:

- 1) USE HARDWARE 6 & 7 TO MOUNT PUMP 3.
ASSEMBLE WITH LOCTITE ITEM 13 & 14 AND
TORQUE TO 20-24 FT LBS.
- 2) USE COMPONENTS 10, 11 & 12 TO SECURE HOSE 9 TO TOP
SIDE OF RH CHANNEL RUNNING FROM RADIATOR MOUNT TO
THE HYDRAULIC TANK.

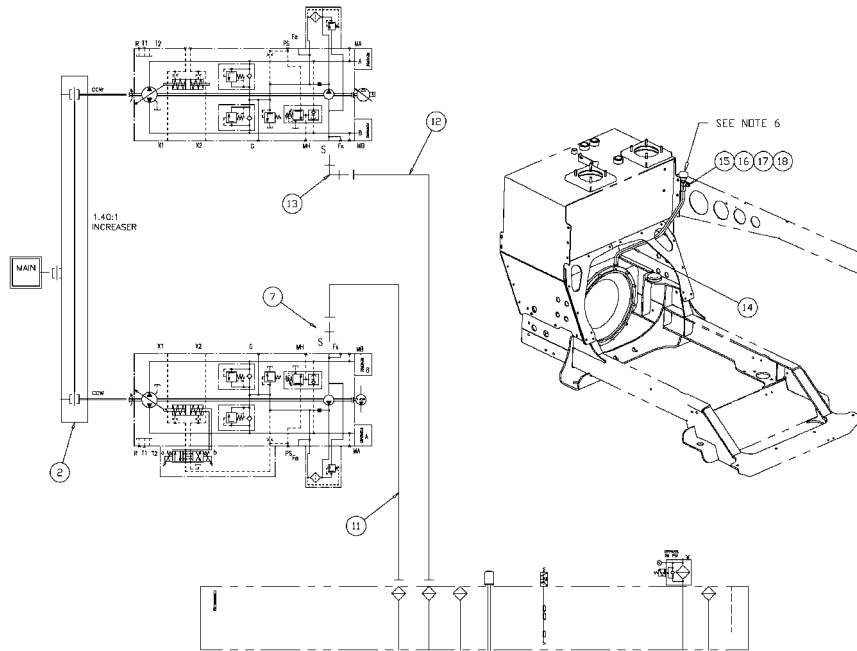
PUMP GROUP, DED

REF	FN	PART NUMBER	YR/SN	QTY	DESCRIPTION
1		BN302583		1	FITTING, 6 MOR 6 MOR 6 MBX
2		BN53590		1	ELBOW, 12MOR-10MB x 90
3		87266244		1	PUMP, GEAR, 1.39 CU. IN. LH
4		87272800		1	HOSE, 20 X 21"
5		BN313173		1	ADAPTER, MACHINED
6		87529312		2	WASHER, 11 X 24 X 3MM HDN DOR
7		87635863		2	BOLT, 3/8-16 X 1-1/4 FULL 8 DOR
8		87271213		1	HOSE, 16 X 88
10		515-23381		2	CLAMP, 1 1/2", Insul, 3/8" Bolt
11		86980379		2	BOLT, M8 1.25 X 20, HH, 8.8, DO
12		86980514		2	NUT, M8 CL8 P/T, ALL METAL

3330

PUMP DRIVE GROUP

6



NOTES

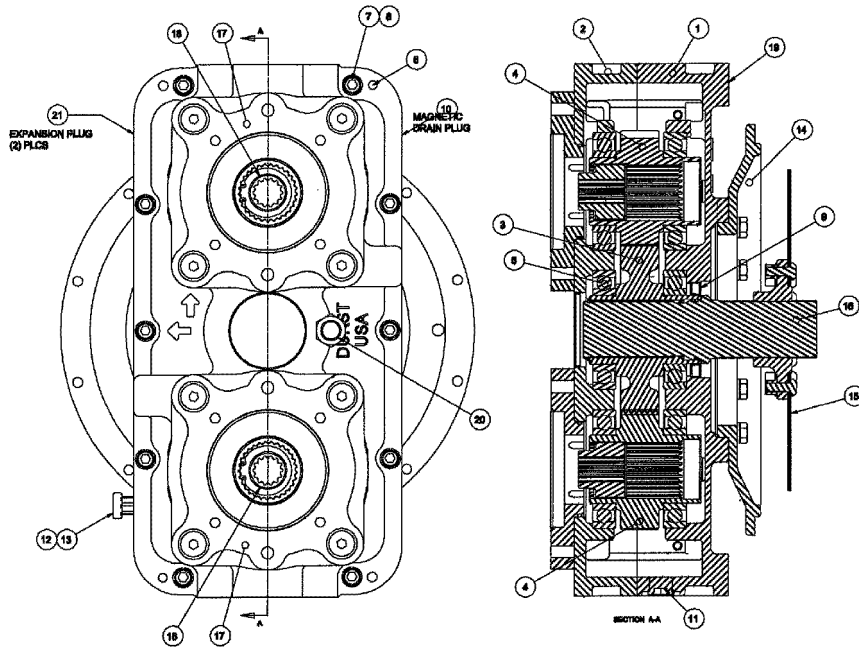
- 1) GEAR OIL ITEM 3 SHOULD BE ADDED TO ITEM 2 .
- 2) HARDWARE ITEM 5 IS USED TO SECURE DRIVE PLATE TO ENGINE. ASSEMBLE WITH LOCTITE ITEM 1 AND TORQUE TO 39-41 FT.-LBS PER ES-B7001 CLASS 1
- 3) SPLINE GREASE ITEM 4 SHOULD BE APPLIED TO SPLINE OF ITEM 2.
- 4) HARDWARE ITEM 6 IS USED TO SECURE GEAR BOX TO ENGINE. ASSEMBLE WITH LOCTITE ITEM 1 AND TORQUE TO 24-26 FT.-LBS PER ES-B7001 CLASS 1.
- 5) HARDWARE ITEM 8 & 9 IS USED TO SECURE PUMPS TO GEAR BOX. ASSEMBLE WITH LOCTITE ITEM 1 AND TORQUE TO 100-110 FT.-LBS PER ES-B7001 CLASS 1.
- 6) REMOVE BREATHER FITTING FROM TOP OF GEARBOX FITTING AND THREAD INTO END OF ITEM 14. REMOVE FITTING FROM TOP OF GEARBOX AND DISCARD. THREAD END OF HOSE INTO TOP OF GEARBOX AND SECURE TO RAIL USING ITEM 15, 16, 17 & 18.

PUMP DRIVE GROUP

REF	FN	PART NUMBER	YR/SN	QTY	DESCRIPTION
1		B17423		AR	LOCTITE, 271, 50ML
2		87270172		1	PUMP, DRIVE 2, 1.40 UP SPL, SEE FIG. 06-012
3		{87272005}		3	SYNTHETIC SHC629
4		BN55089		AR	COUPLING, Grease, 14 oz tube
5		863-10025		8	SCREW, Hex Soc Hd, M10 x 25, 12.9, EC
6		627-10030		12	BOLT, Hex, M10 x 30, 10.9, Full Thd
7		BN57223		1	FITTING, 16 MOR 16MB
8		87529241		4	WASHER, .640 X 1.047 X .13
9		87342850		4	SCREW, BLT, 5/8-11 X 25
11		87271198		1	HOSE, 16 X 18.5
12		87272443		1	HOSE, 16 X 24.25
13		BN302424		11	ELBOW, 6 MOR 16MB X 90LL
14		87592184		1	HOSE, 08 X 30"
15		515-23254		1	CLAMP, 1", Insul, 3/8" Bolt
16		86980400		1	BOLT, Hex, M10 x 25, 8.8
17		86980515		1	NUT, LOCK, M10 x 1.5, CI 8
18		87529312		1	WASHER, 11 X 24 X 3MM HDN DOR

3330

DRIVE-2 PUMP, 1.40 UP



DRIVE-2 PUMP, 1.40 UP

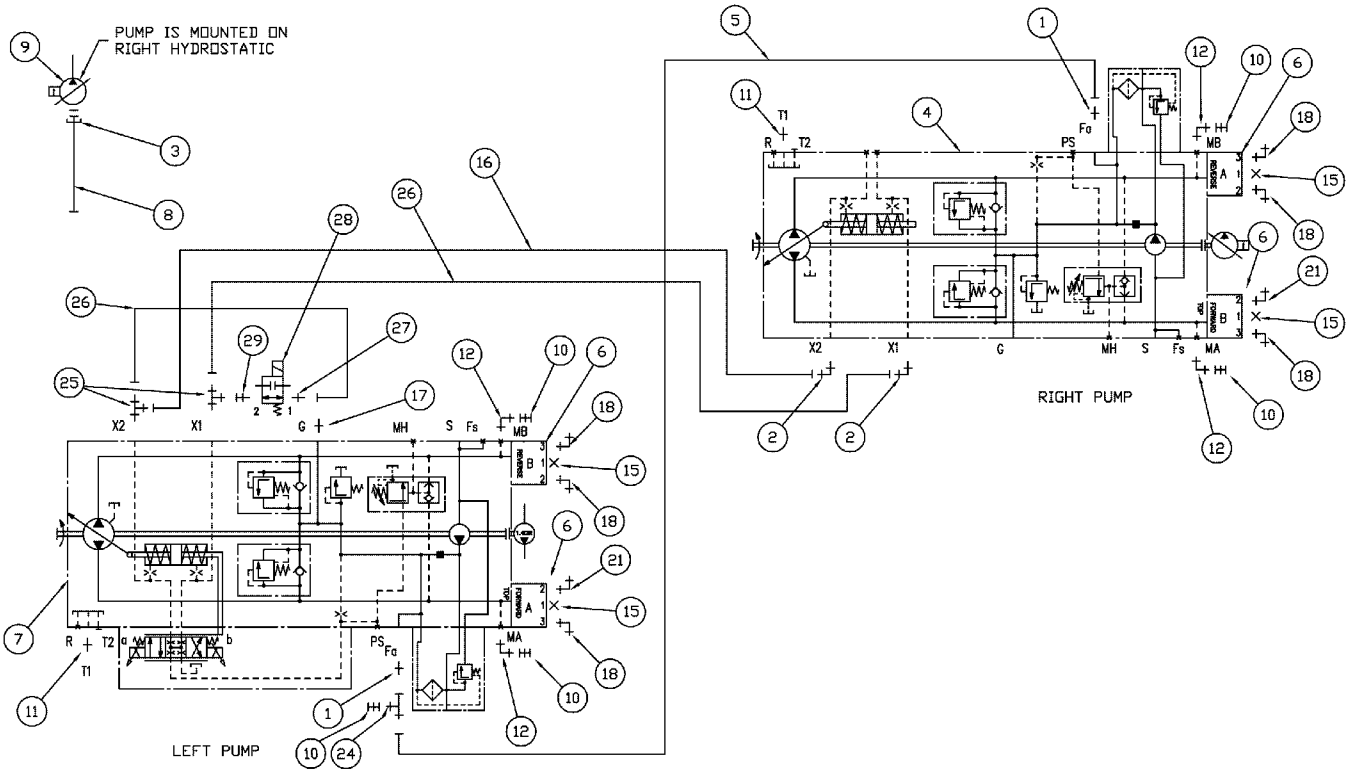
REF	FN	PART NUMBER	YR/SN	QTY	DESCRIPTION
3		84141288		1	GEAR, SPUR-6DP-42T
4		84141289		2	GEAR, SPUR-6DP-30T
5		84145358		6	BEARING, BALL, 2.9528 X 5.1181 X 0.9643 6215
7		82072		10	SCREW, Hex Soc Hd, 1/2"-13 x 1 1/2"
8		{87326976}		10	LOCK REG 1/2 0.507 CST PLN
9		84145401		1	SEAL, 2.938 X 4.125 X .375 DBL VITON
10		84141296		1	PLUG, DRAIN, ZEROLEAK HEX SOC MAG
12		84141297		1	PLUG, DRAIN, ZEROLEAK 1-16UN HD VENT
13		84145402		1	FITTING, BREATHER ASSY
14		87272928		1	ADAPTER, ENGINE DRIVE PUMP
15		87565603		1	PLATE, DRIVE ASSY DURST #X
16		{8727293}		1	SHAFT
17		87272929		2	PAD, PUMP
18		87272930		2	SPLINE, PUMP
20		84141299		1	GAUGE, SIGHT
	1	87565601		1	KIT, SEALS
	2	BN312705		2	O-RING, APR 158 Viton
	3	87565602			SEAL, SHAFT DURST #012042
	4	87564747		2	O-RING, .139X3.859 241 7

- (1) ASSOCIATED PART OF PUMP, SPLINE, P/N 87272930
(2) ASSOCIATED PART OF SEAL KIT, 87565601
(3) ASSOCIATED PART OF SEAL KIT, 87565601
(4) ASSOCIATED PART OF SEAL KIT, 87565601

3330

HYDROSTATIC PUMP GROUP

6



HYDROSTATIC PUMP GROUP

REF	FN	PART NUMBER	YR/SN	QTY	DESCRIPTION
1		BN302647		2	FITTING, 6 MOR 8MB
2		BN302547		2	ELBOW, 4 MOR 4MB X 90
3		BN316599		1	KIT, HYD PUMP REPAIR, 1-1/4 SPLIT FLGE CO 61
4		87269803		1	PUMP, HYD W/13 T, SEE FIG. 06-014
5		87517431		1	HOSE, 6 X 28
6		87270155		4	MANIFOLD, DRIVE
7		87269802		1	PUMP, HYD W/11 T, SEE FIG. 06-015
8		343888A1		1	HOSE, 20 X 20
9		BN316492		1	PUMP, PRES COMP. 1.16
10		BN307993		5	NIPPLE, LUBE, DIAGNOSTIC, 6F FOR
11		BN302655		2	FITTING, 12 MOR 12MB
12		BN302551		4	FITTING, 6 MOR 4MB X 90
13		87529240		2	WASHER, .531 X 1.062 X .1, NOT SHOWN
14		87342927		2	BOLT, 1/2-13 X 1-1/4 8, NOT SHOWN
15		{BN68743}		4	USE 218-5212
16		87271202		1	HOSE, 4 X 11.5
17		BN302646		2	FITTING, 6 MOR 6MB
18		BN302423		6	FITTING, 12 MOR 12 MB X 90LL
19		87342782		16	BOLT, NOT SHOWN
20		238-6214		4	O-RING, -214, 90 Duro, .984" ID x .139" Thk, NOT SHOWN
21		BN302568		2	ELBOW, 12 MOR 12MB X 90
24		BN302435		1	FITTING, 6 MOR 6 MOR 6 FORX
25		BN302580		2	FITTING, 4 MOR 4 MOR 4MBX
26		BN307884		2	HOSE
27		BN302640		1	FITTING, 4 MOR 4MB
28		87576210		1	VALVE, SHUNT DEUTSCH 4SAE, SEE FIG. 06-016
29		87576573		1	FITTING, 4MB 4 FORX

3330

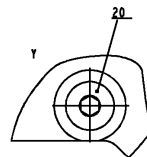
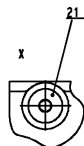
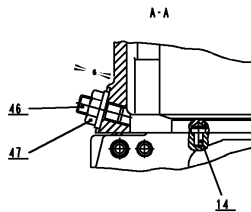
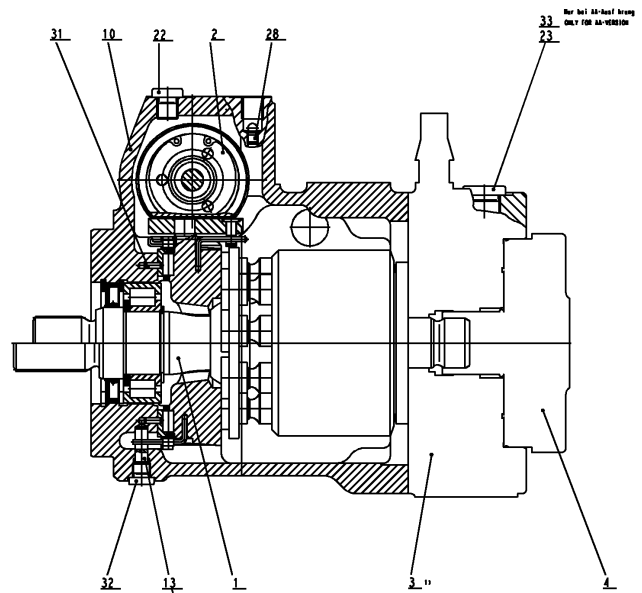
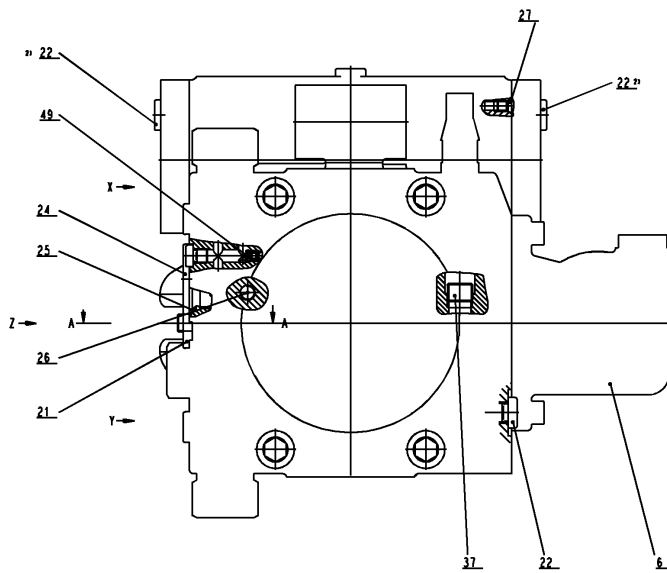
06-014

p1

11/08

HYDRAULIC PUMP, W/13 T

6



21 Bei der Anl. bzw. APMS/AMM/1/2/3/4/5/6/7/8/9/10/11/12/13/14/15/16/17/18/19/20/21/22/23/24/25/26/27/28/29/30/31/32/33/34/35/36/37/38/39/40/41/42/43/44/45/46/47/48/49/50/51/52/53/54/55/56/57/58/59/60/61/62/63/64/65/66/67/68/69/70/71/72/73/74/75/76/77/78/79/80/81/82/83/84/85/86/87/88/89/90/91/92/93/94/95/96/97/98/99/100/101/102/103/104/105/106/107/108/109/110/111/112/113/114/115/116/117/118/119/120/121/122/123/124/125/126/127/128/129/130/131/132/133/134/135/136/137/138/139/140/141/142/143/144/145/146/147/148/149/150/151/152/153/154/155/156/157/158/159/160/161/162/163/164/165/166/167/168/169/170/171/172/173/174/175/176/177/178/179/180/181/182/183/184/185/186/187/188/189/190/191/192/193/194/195/196/197/198/199/200/201/202/203/204/205/206/207/208/209/210/211/212/213/214/215/216/217/218/219/220/221/222/223/224/225/226/227/228/229/230/231/232/233/234/235/236/237/238/239/240/241/242/243/244/245/246/247/248/249/250/251/252/253/254/255/256/257/258/259/260/261/262/263/264/265/266/267/268/269/270/271/272/273/274/275/276/277/278/279/280/281/282/283/284/285/286/287/288/289/290/291/292/293/294/295/296/297/298/299/300/301/302/303/304/305/306/307/308/309/310/311/312/313/314/315/316/317/318/319/320/321/322/323/324/325/326/327/328/329/330/331/332/333/334/335/336/337/338/339/340/341/342/343/344/345/346/347/348/349/350/351/352/353/354/355/356/357/358/359/360/361/362/363/364/365/366/367/368/369/370/371/372/373/374/375/376/377/378/379/380/381/382/383/384/385/386/387/388/389/390/391/392/393/394/395/396/397/398/399/400/401/402/403/404/405/406/407/408/409/410/411/412/413/414/415/416/417/418/419/420/421/422/423/424/425/426/427/428/429/430/431/432/433/434/435/436/437/438/439/440/441/442/443/444/445/446/447/448/449/450/451/452/453/454/455/456/457/458/459/460/461/462/463/464/465/466/467/468/469/470/471/472/473/474/475/476/477/478/479/480/481/482/483/484/485/486/487/488/489/490/491/492/493/494/495/496/497/498/499/500/501/502/503/504/505/506/507/508/509/510/511/512/513/514/515/516/517/518/519/520/521/522/523/524/525/526/527/528/529/530/531/532/533/534/535/536/537/538/539/540/541/542/543/544/545/546/547/548/549/550/551/552/553/554/555/556/557/558/559/560/561/562/563/564/565/566/567/568/569/570/571/572/573/574/575/576/577/578/579/580/581/582/583/584/585/586/587/588/589/590/591/592/593/594/595/596/597/598/599/600/601/602/603/604/605/606/607/608/609/610/611/612/613/614/615/616/617/618/619/620/621/622/623/624/625/626/627/628/629/630/631/632/633/634/635/636/637/638/639/640/641/642/643/644/645/646/647/648/649/650/651/652/653/654/655/656/657/658/659/660/661/662/663/664/665/666/667/668/669/670/671/672/673/674/675/676/677/678/679/680/681/682/683/684/685/686/687/688/689/690/691/692/693/694/695/696/697/698/699/700/701/702/703/704/705/706/707/708/709/710/711/712/713/714/715/716/717/718/719/720/721/722/723/724/725/726/727/728/729/730/731/732/733/734/735/736/737/738/739/740/741/742/743/744/745/746/747/748/749/750/751/752/753/754/755/756/757/758/759/760/761/762/763/764/765/766/767/768/769/770/771/772/773/774/775/776/777/778/779/780/781/782/783/784/785/786/787/788/789/790/791/792/793/794/795/796/797/798/799/800/801/802/803/804/805/806/807/808/809/810/811/812/813/814/815/816/817/818/819/820/821/822/823/824/825/826/827/828/829/830/831/832/833/834/835/836/837/838/839/840/841/842/843/844/845/846/847/848/849/850/851/852/853/854/855/856/857/858/859/860/861/862/863/864/865/866/867/868/869/870/871/872/873/874/875/876/877/878/879/880/881/882/883/884/885/886/887/888/889/890/891/892/893/894/895/896/897/898/899/900/901/902/903/904/905/906/907/908/909/910/911/912/913/914/915/916/917/918/919/920/921/922/923/924/925/926/927/928/929/930/931/932/933/934/935/936/937/938/939/940/941/942/943/944/945/946/947/948/949/950/951/952/953/954/955/956/957/958/959/960/961/962/963/964/965/966/967/968/969/970/971/972/973/974/975/976/977/978/979/980/981/982/983/984/985/986/987/988/989/990/991/992/993/994/995/996/997/998/999/1000

HYDRAULIC PUMP, W/13 T

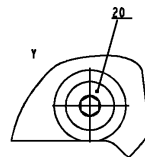
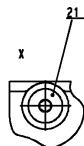
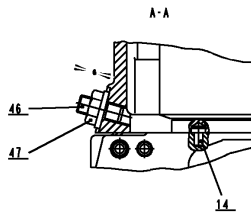
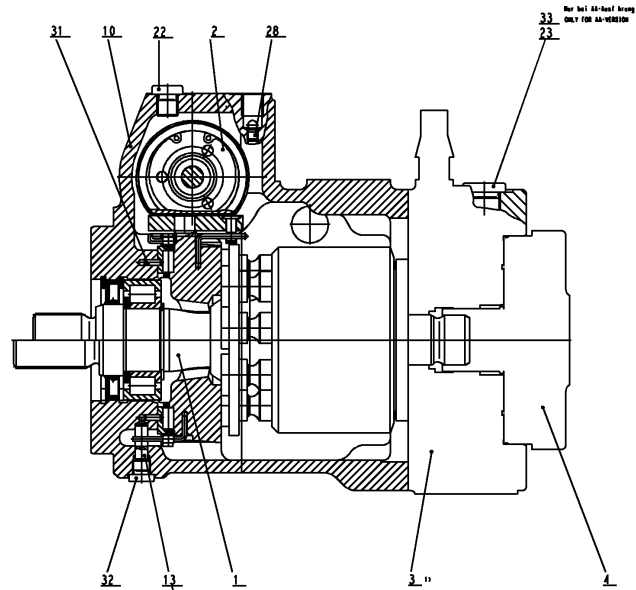
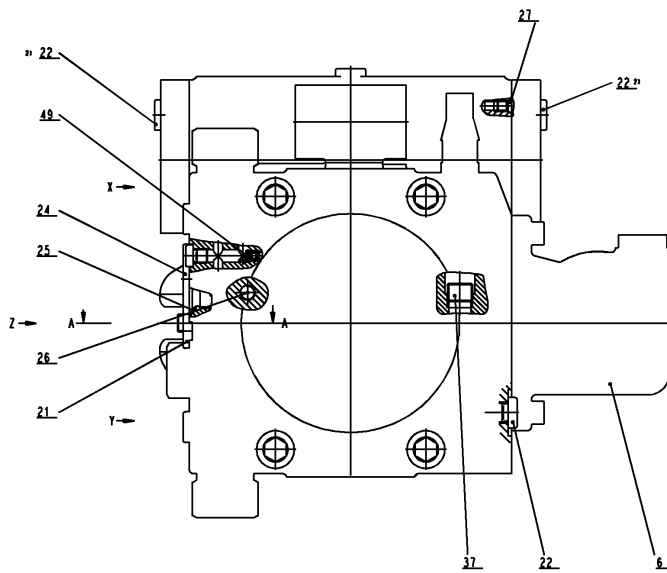
REF	FN	PART NUMBER	YR/SN	QTY	DESCRIPTION
1		87601542		1	KIT, SEALS, COMPLETE
		87601537		1	KIT, FIP, ROTARY GROUP, LH ROTATION
	1	{87601543}		1	BEARING, PLAIN ROLLER
	2	{87601544}		1	RETAINING
	3	{87601545}		1	SEAL RING
	4	{87604146}		1	SEAL, DRIVE SHAFT
2		87601538		1	CONTROL, HYDRAULIC
	5	{87604145}		1	SEAL, HYD CONTROL
3		87601539		1	PLATE, MOUNTING, PORT, WITH VALVES
	6	87601546		1	VALVE, PRESSURE RELIEF, 450 BAR
	7	87601547		1	VALVE, VALVE, CHARGE RELIEF 29 BAR
	8	87601549		1	VALVE, HYDRAULIC, POR
	9	{87603572}		1	SEAL, PORT PLATE
4		87601540		1	GEAR, INTERNAL GEAR ASSY
	10	{87601550}		1	BUSHING
	11	{87601551}		1	DRIVE
	12	{87601552}		1	SHAFT
	13	{87601553}		1	SNAP
	14	238-5155		1	O-RING, -155, 70 Duro, 3.987" ID x .103" Thk
	15	238-5151		1	O-RING, -151, 70 Duro, 2.987" ID x .103" Thk

- (1) SERVICE PARTS FOR ITEM #1
- (2) SERVICE PARTS FOR ITEM #1
- (3) SERVICE PARTS FOR ITEM #1
- (4) SERVICE PARTS FOR ITEM #1
- (5) SERVICE PARTS FOR ITEM #2
- (6) SERVICE PARTS FOR ITEM #3
- (7) SERVICE PARTS FOR ITEM #3
- (8) SERVICE PARTS FOR ITEM #3
- (9) SERVICE PARTS FOR ITEM #3
- (10) SERVICE PARTS FOR ITEM #4
- (11) SERVICE PARTS FOR ITEM #4
- (12) SERVICE PARTS FOR ITEM #4
- (13) SERVICE PARTS FOR ITEM #4
- (14) SERVICE PARTS FOR ITEM #4
- (15) SERVICE PARTS FOR ITEM #4

3330

HYDRAULIC PUMP, W/13 T

6



21 Bei der Anl. bzw. AP4540001/02-XXXXXX
 für Version AP4540001/02-XXXXXX
 11 Montagehinweis 1 (Einspeisung) selbst AP45, ist gegeben
 Montagehinweis 2 (Einspeisung) selbst AP45, ist gegeben
 Assembly instruction 1 (Injection port) at bottom AP45, is given
 Assembly instruction 2 (Injection port) at top AP45, is given

HYDRAULIC PUMP, W/13 T

REF	FN	PART NUMBER	YR/SN	QTY	DESCRIPTION
	1	{87673451}		1	SAE B
	2	87730800		1	SPACER
6		87601541		1	FILTER, COMPLETE
	3	87601556		1	FILTER, CARTRIDGE, 20 MICRON
<p>(1) SERVICE PARTS FOR ITEM #4 (2) SERVICE PARTS FOR ITEM #4 (3) SERVICE PARTS FOR ITEM #6</p>					

6

	3330
--	-------------

HYDRAULIC PUMP, W/11 T

REF	FN	PART NUMBER	YR/SN	QTY	DESCRIPTION
1		87603571		1	KIT, SEALS, COMPLETE
		87601537		1	KIT, FIP, ROTARY GROUP, LH ROTATION
	1	{87601543}		1	PLAIN ROLLER
	2	{87601544}		1	RETAINING
	3	{87601545}		1	SEAL
	4	{87604146}		1	DRIVE SHAFT
2		87601538		1	CONTROL, HYDRAULIC
	5	{87604145}		1	HYD CONTROL
3		87601539		1	PLATE, MOUNTING, PORT, WITH VALVES
	6	87601546		1	VALVE, PRESSURE RELIEF, 450 BAR
	7	87601547		1	VALVE, CHARGE RELIEF 29 BAR
	8	87601549		1	VALVE, HYDRAULIC, POR
	9	{87603572}		1	PORT PLATE
4		87601555		1	GEAR, INTERNAL
	10	{87601637}		1	RIVE
	11	{87601550}		1	BUSHING
	12	{87601552}		1	SHAFT
	13	{87601553}		1	SNAP
	14	87601638		1	O-RING
	15	{87673450}		1	SAE A

- (1) SERVICE PARTS FOR ITEM #1
- (2) SERVICE PARTS FOR ITEM #1
- (3) SERVICE PARTS FOR ITEM #1
- (4) SERVICE PARTS FOR ITEM #1
- (5) SERVICE PARTS FOR ITEM #2
- (6) SERVICE PARTS FOR ITEM #3
- (7) SERVICE PARTS FOR ITEM #3
- (8) SERVICE PARTS FOR ITEM #3
- (9) SERVICE PARTS FOR ITEM #3
- (10) SERVICE PARTS FOR ITEM #4
- (11) SERVICE PARTS FOR ITEM #4
- (12) SERVICE PARTS FOR ITEM #4
- (13) SERVICE PARTS FOR ITEM #4
- (14) SERVICE PARTS FOR ITEM #4
- (15) SERVICE PARTS FOR ITEM #4

3330

HYDRAULIC PUMP, W/11 T

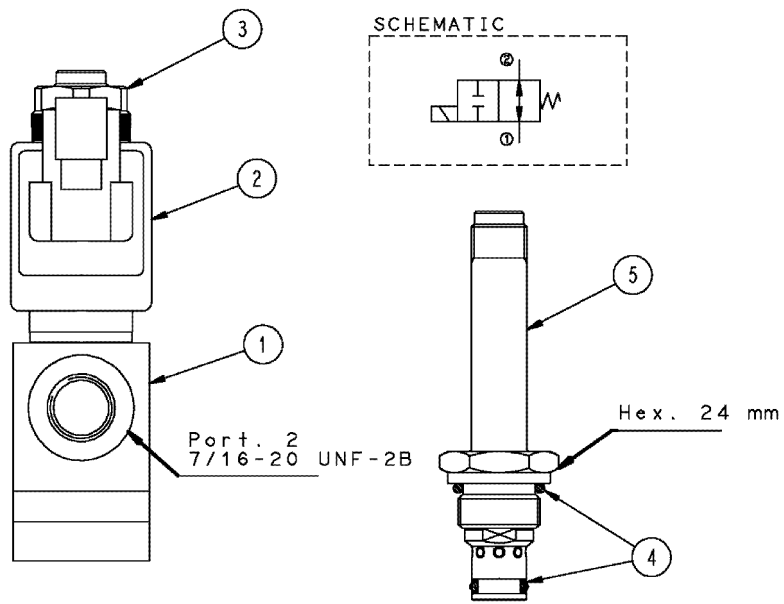
REF	FN	PART NUMBER	YR/SN	QTY	DESCRIPTION
5		87601636		1	MODULE, CONTROL
	1	87637964		1	SOLENOID, PROPORTIONAL
	2	87601554		1	KIT, SEALS, CONTROL MODULE
6		87601541		1	FILTER, COMPLETE
	3	87601556		1	FILTER, 20 MICRON
<p>(1) SERVICE PARTS FOR ITEM #5 (2) SERVICE PARTS FOR ITEM #5 (3) SERVICE PARTS FOR ITEM #6</p>					

6

	3330
--	-------------

VALVE, SHUNT

6



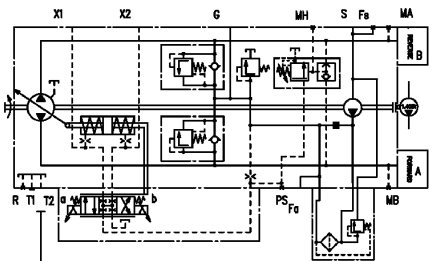
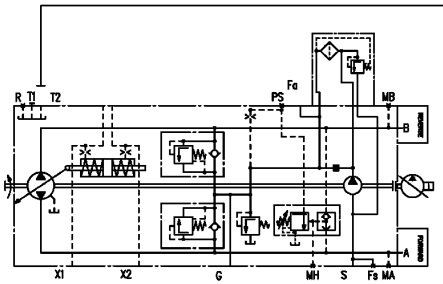
VALVE, SHUNT

REF	FN	PART NUMBER	YR/SN	QTY	DESCRIPTION
1		87582296		1	BODY, VALVE
2		87575869		1	VALVE, HYDRAULIC, COIL
3		87575870		1	NUT
4		87575871		1	KIT, REPAIR, SEAL
5		{87275872}		1	

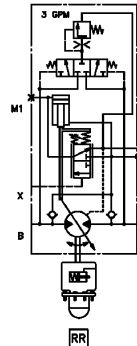
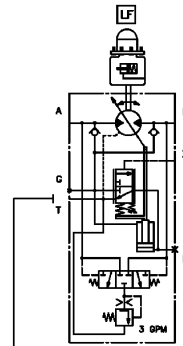
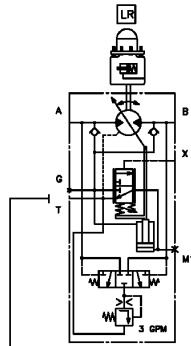
	3330
--	-------------

CASE DRAIN HYDRAULIC GROUP

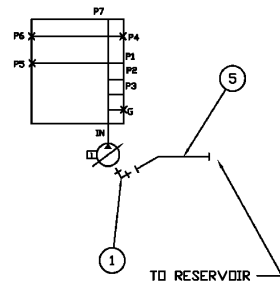
6



TO RESERVOIR



TO RESERVOIR



10

11

8

8

3

4

6

9

3

2

8

1

TO RESERVOIR

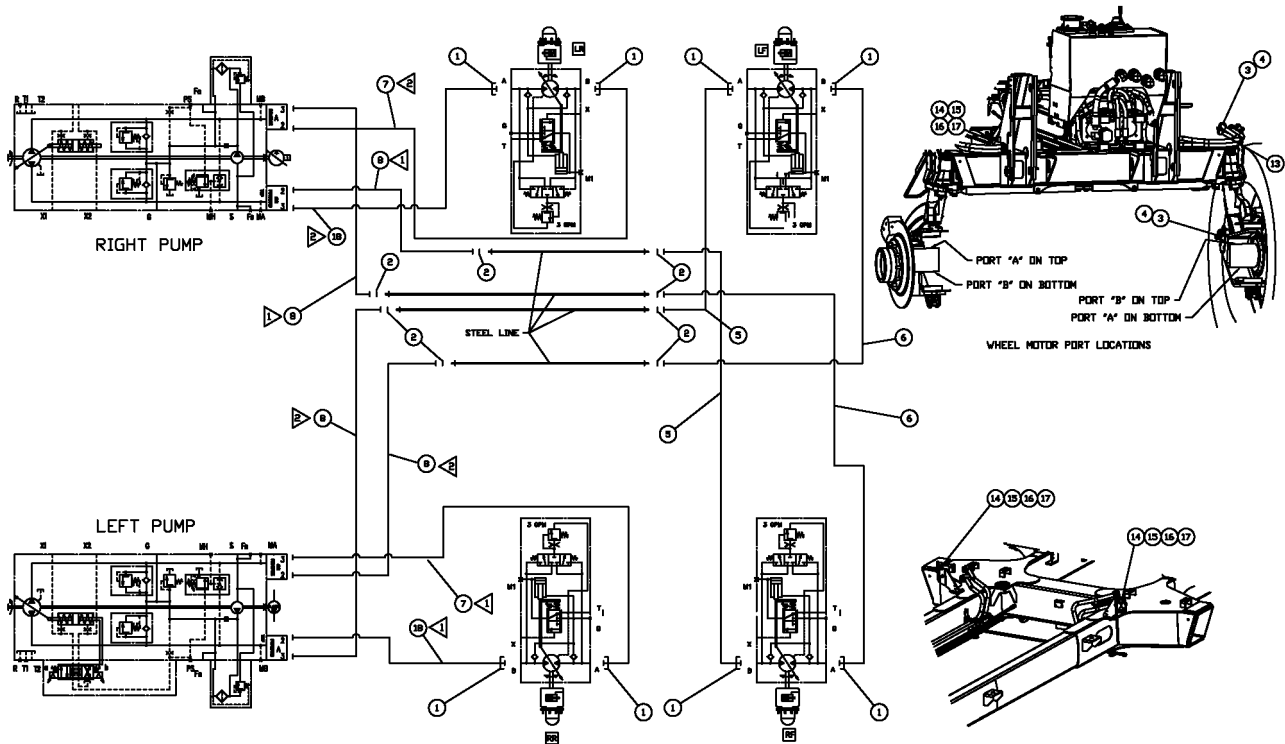
CASE DRAIN HYDRAULIC GROUP

REF	FN	PART NUMBER	YR/SN	QTY	DESCRIPTION
1		BN302558		1	ELBOW, 8 MOR 8MB X 90
2		BN305411		1	O-RING, FOR 4 FFOR
3		BN53894		4	O-RING, ARP STANDARD #018
4		BN53730		3	O-RING, ARP 021 BUNA-N
5		87485502		1	HOSE, HYDRAULIC, 08 X 46
6		BN307811		1	HOSE ASSY., #16 X 35"
7		BN316681		1	HOSE ASSY., 16 X 66"
8		87271552		3	HOSE, 8 X 144
9		87272432		1	HOSE, 8 X 162
10		87271204		1	HOSE, 12 X 32
11		87271205		1	HOSE, 12 X 39

3330

HYDRAULIC DRIVE LOOP GROUP

6



NOTES
1) HOSE MUST PASS THROUGH OVAL OPENING
IN FRONT RH OIL TANK GUSSET.
2) HOSE MUST PASS THROUGH OVAL OPENING
IN FRONT LH OIL TANK GUSSET.

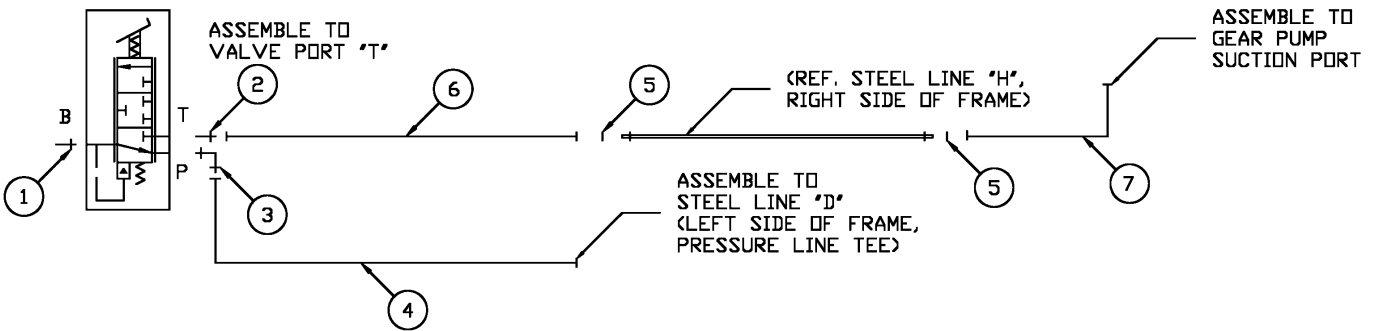
HYDRAULIC DRIVE LOOP GROUP

REF	FN	PART NUMBER	YR/SN	QTY	DESCRIPTION
1		87270171		8	KIT, REPAIR, 3/4 CODE 62 METRIC
2		BN53730		8	O-RING, ARP 021 BUNA-N
3		BN57235		16	CLAMP, Assy, 1"
4		87529236		16	WASHER, 0.281 X 0.625 X 0.065 HTS DOR HDN
5		87270912		2	HOSE, 12 X 116
6		87270913		2	HOSE, 12 X 125
7		87477280		2	HOSE, HYDRAULIC, 12 X 207
8		87516936		4	HOSE, 12 X 55
13		515-23365		4	CLAMP, 1 7/16", Insul, 3/8" Bolt
14		BN309849		6	CLAMP, DUAL, 1.25 TUBE
15		86980514		6	NUT, M8 CL8 P/T ALL METAL
16		86980388		6	BOLT, M8 1.25 X 80, HH, 8.8, DO
17		1324469C1		6	PLATE, HOSE CLAMP
18		87607922		2	HOSE, 12 X 195

3330

BRAKE PEDAL HYDRAULIC GROUP

6



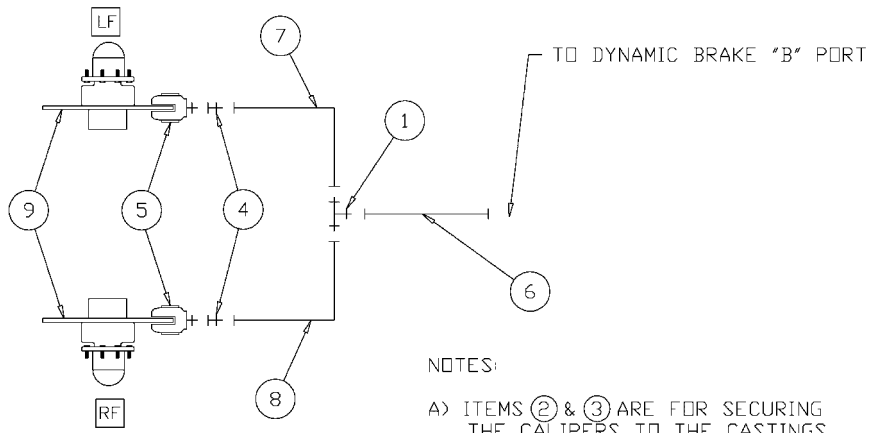
BRAKE PEDAL HYDRAULIC GROUP

REF	FN	PART NUMBER	YR/SN	QTY	DESCRIPTION
1		BN302646		1	FITTING, 6 MOR 6MB
2		BN302647		1	FITTING, 6 MOR 8MB
3		BN302549		1	ELBOW, 4 MOR 6MB X 90
4		BN307827		1	HOSE ASSY.
5		BN305411		2	O-RING, FOR 4 FFOR
6		87516518		2	HOSE, 4 X 98
7		87651702		1	HOSE, 4 X 1879.6 MM

3330

BRAKE GROUP, DYNAMIC

6



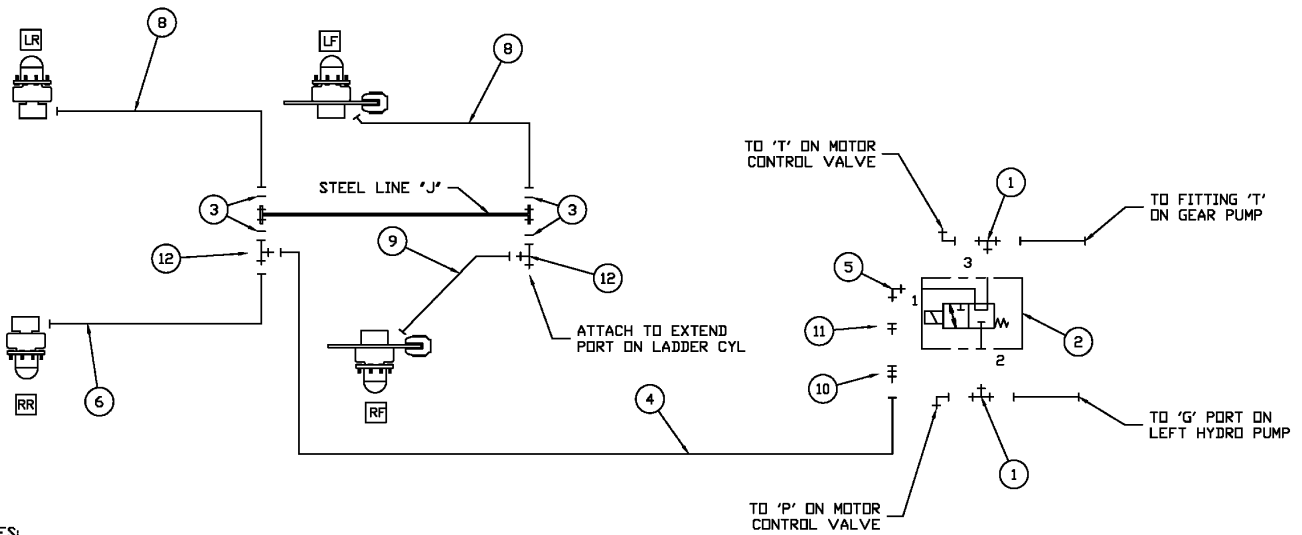
BRAKE GROUP, DYNAMIC

REF	FN	PART NUMBER	YR/SN	QTY	DESCRIPTION
1		BN302511		1	FITTING, 4 MOR 4 MOR 4 MOR
2		87341864		4	BOLT, M16 X 160 10.9
3		86980517		4	NUT, M16 CL8 P/T ALL METAL
4		BN306947		2	ADAPTER, 4MB 4MF FOR LONG
5		BN307717		2	PACKAGE, BRAKE CALIPER, SEE FIG. 04-015
6		BN307827		1	HOSE ASSY.
7		BN307829		1	HOSE ASSY.
8		BN324552		1	HOSE ASSY., 4 X 140"
9		BN301666		2	BRAKE DISC, 27.875 DIA.

3330

PARK BRAKE GROUP

6



NOTES:

- 1) ITEM 2 IS SECURED TO MOTOR CONTROL VALVE BY USE OF FITTINGS.

PARK BRAKE GROUP

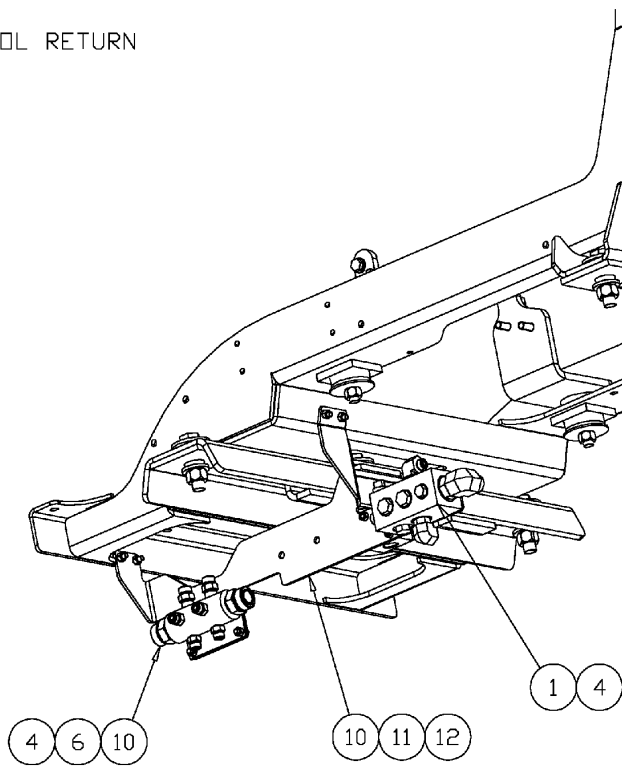
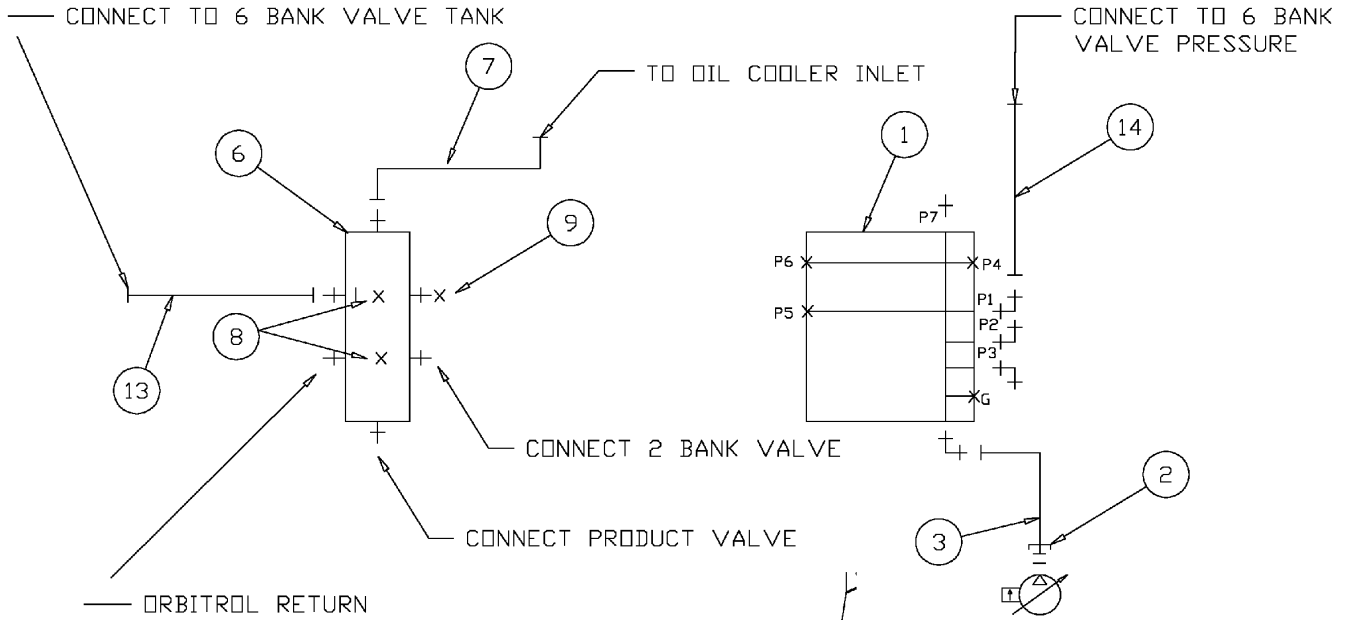
REF	FN	PART NUMBER	YR/SN	QTY	DESCRIPTION
1		BN302536		2	FITTING, 6 MOR 6 MBX 6 MOR, PLATE PER
2		87271739		1	VALVE SECTION, HYD, BRAKE-W/DEUT
	1	431548A1		1	VALVE, CARTRIDGE, SV2
	2	87269968		1	COIL
	3	87269976		1	KIT, SEALS, SEAL SK08-3X-MM
3		BN305412		4	O-RING, FOR 6 FFOR
4		{87720273}		1	6 X 20
5		BN302553		1	ELBOW, 6 MOR 6MB X 90
6		87529578		1	HOSE, 4 X 146
8		87574769		2	HOSE, 4 X 170
9		87529577		1	HOSE, 4 X 140
10		BN307992		1	COUPLING, DIAGNOSTIC COUPLER 4MNPT
11		BN307993		1	NIPPLE, LUBE, DIAGNOSTIC NIPPLE 6FFOR
12		BN302435		2	FITTING, 6 MOR 6 MOR 6 FORX

- (1) SERVICE PARTS FOR ITEM #2
(2) SERVICE PARTS FOR ITEM #2
(3) SERVICE PARTS FOR ITEM #2

3330

MANIFOLD GROUP

6



MANIFOLD GROUP

REF	FN	PART NUMBER	YR/SN	QTY	DESCRIPTION
1		BN323902		1	MANIFOLD, PRESS. COMP, SEE FIG. 06-023
2		BN316600		1	KIT, 3/4 SPLIT FLGE CO 61
3		87271562		1	HOSE, .12 X 85
4		86980379		6	BOLT, M8 1.25 X 20, HH, 8.8, DO
6		BN307639		1	MANIFOLD, HYD. RETURN
7		BN307811		1	HOSE ASSY., #16 X 35
8		BN305426		2	CAP, 6 FFOR
9		BN305427		1	CAP, 8 FFOR
10		86980514		6	NUT, M8 CL8 P/T ALL METAL
11		87271472		1	BRACKET, SUPPORTING, VALVES
12		86980380		4	BOLT, M8 1.25 X 25, HH, 8.8, DO
13		86986371		1	HOSE, 8 X 154
14		87271214		1	HOSE, 8 X 142

3330

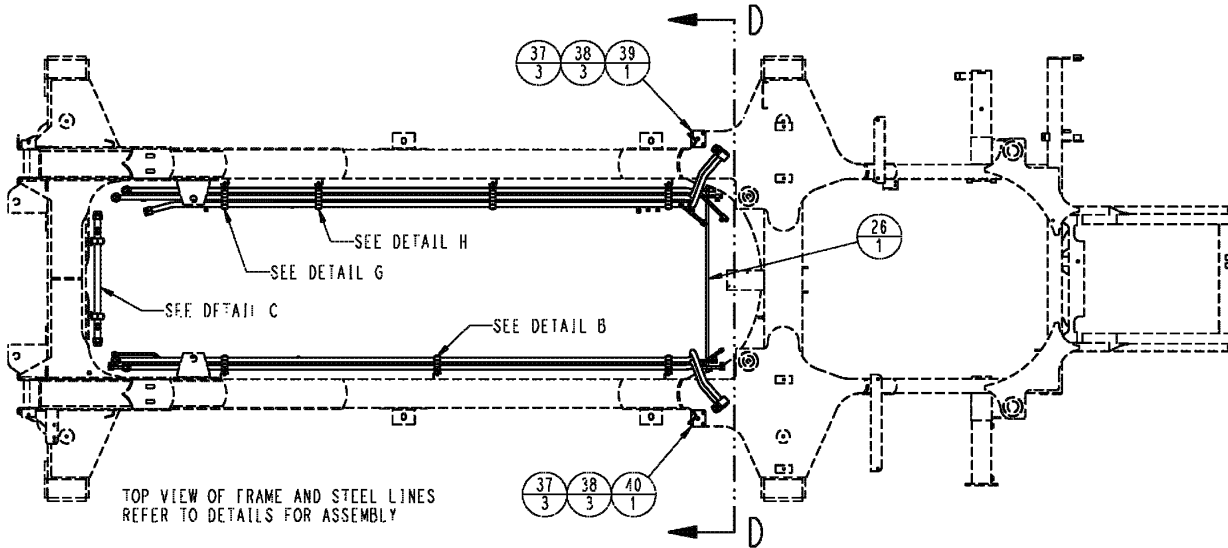
PRESSURE COMP MANIFOLD

REF	FN	PART NUMBER	YR/SN	QTY	DESCRIPTION
1		BN326042		1	BODY, ALUMINUM
2		BN302554		2	FITTING, 6 MOR 8MB X 90
3		BN302568		1	ELBOW, 12 MOR 12MB X 90
4		BN302652		1	FITTING, 8 MOR 12MB

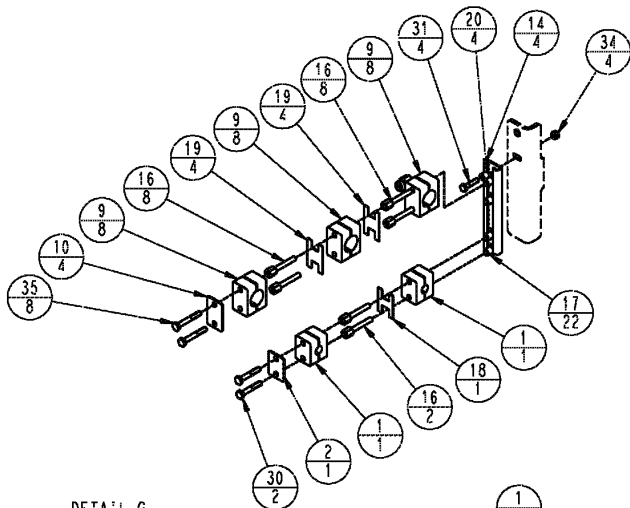
	3330
--	-------------

STEEL LINES GROUP

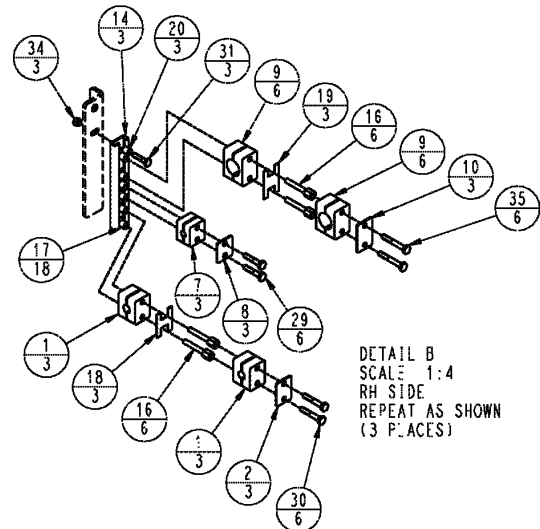
6



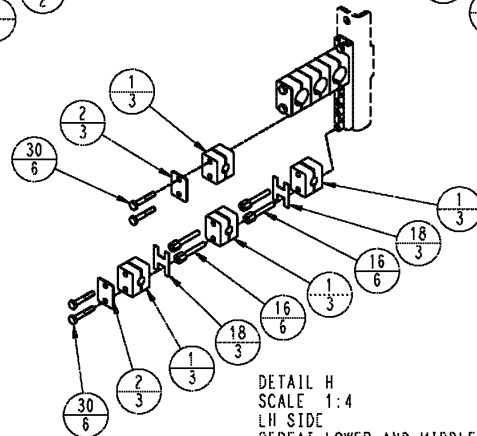
TOP VIEW OF FRAME AND STEEL LINES REFER TO DETAILS FOR ASSEMBLY



DETAIL G SCALE 1:4 LH SIDE REPEAT UPPER ROW AS SHOWN (4 PLACES)



DETAIL B SCALE 1:4 RH SIDE REPEAT AS SHOWN (3 PLACES)



DETAIL H SCALE 1:4 LH SIDE REPEAT LOWER AND MIDDLE ROW AS SHOWN (3 PLACES)

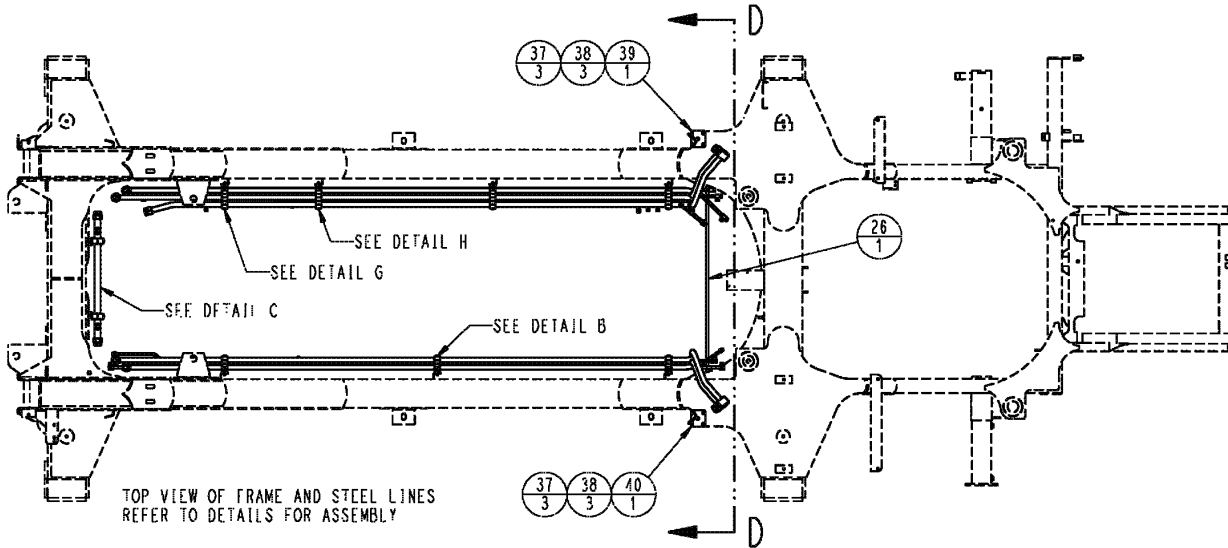
STEEL LINES GROUP

REF	FN	PART NUMBER	YR/SN	QTY	DESCRIPTION
1		BN29783		22	CLAMP
2		BN29785		12	PLATE
3		BN305996		1	TUBE
4		87574765		1	TUBE
5		BN306003		1	TUBE
6		BN306004		2	TUBE
7		BN307078		3	CLAMP
8		BN307079		3	PLATE
9		BN307080		18	CLAMP
10		BN307081		7	PLATE
11		BN307082		2	CLAMP
12		BN307083		2	PLATE
13		BN309602		1	BRAKE LINE
14		BN313247		7	RAIL
15		BN305412		1	O-RING
16		BN313261		42	BOLT
17		BN313262		40	NUT
18		BN313264		10	PLATE
19		BN313265		11	PLATE
20		BN316101		7	SPACER
21		BN319659		1	TUBE
22		87570217		1	TUBE, HYD
23		87570218		1	TUBE, HYD
24		87570219		1	TUBE, HYD
25		87570220		1	TUBE, HYD
26		BN324491		1	TUBE
27		BN324574		1	TUBE
28		BN325316		1	TUBE
29		87342607		6	BOLT
30		87342608		20	BOLT
31		86980361		7	BOLT
32		86980366		4	BOLT
33		86980369		4	BOLT
34		86980380		15	BOLT
35		87342609		14	BOLT

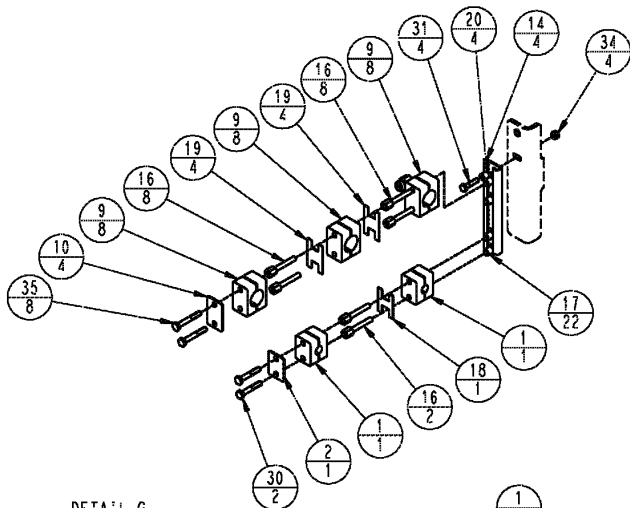
3330

STEEL LINES GROUP

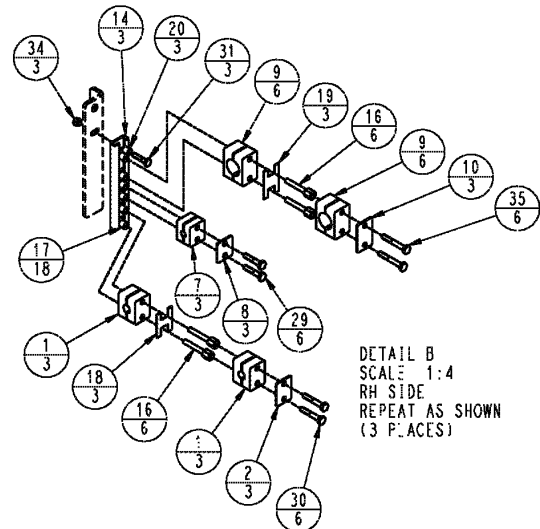
6



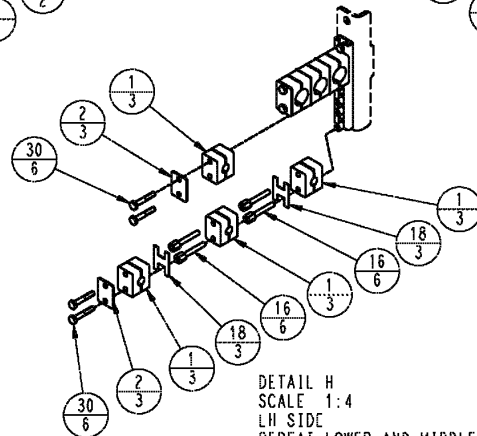
TOP VIEW OF FRAME AND STEEL LINES REFER TO DETAILS FOR ASSEMBLY



DETAIL G SCALE 1:4 LH SIDE REPEAT UPPER ROW AS SHOWN (4 PLACES)



DETAIL B SCALE 1:4 RH SIDE REPEAT AS SHOWN (3 PLACES)



DETAIL H SCALE 1:4 LH SIDE REPEAT LOWER AND MIDDLE ROW AS SHOWN (3 PLACES)

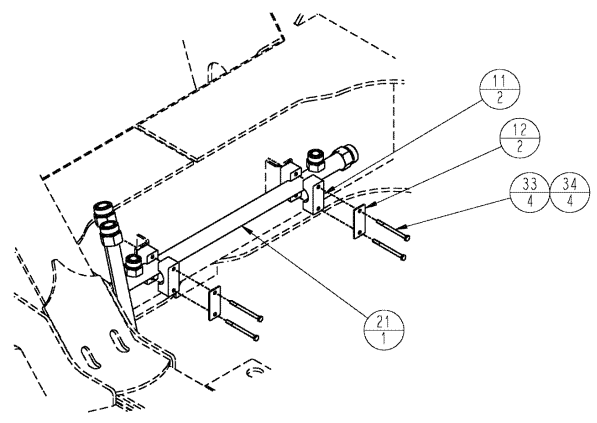
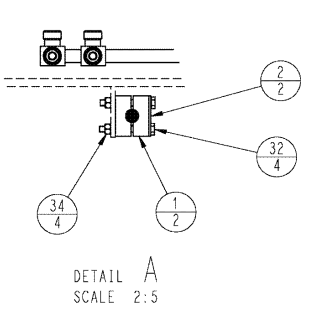
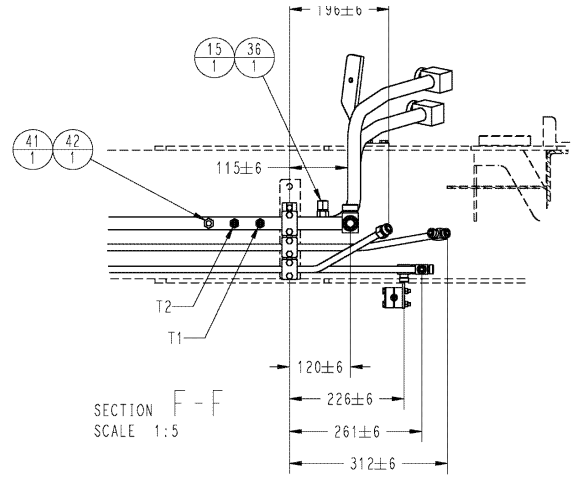
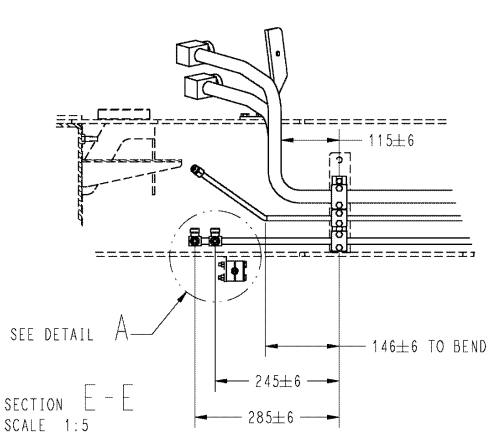
STEEL LINES GROUP

REF	FN	PART NUMBER	YR/SN	QTY	DESCRIPTION
36		BN305426		1	CAP
37		86980380		6	BOLT
38		86980514		6	NUT
39		{87730237}		1	Hoses,LH
40		{87730236}		1	Hoses,RH
41		BN305411		1	O-RING
42		BN305425		1	CAP

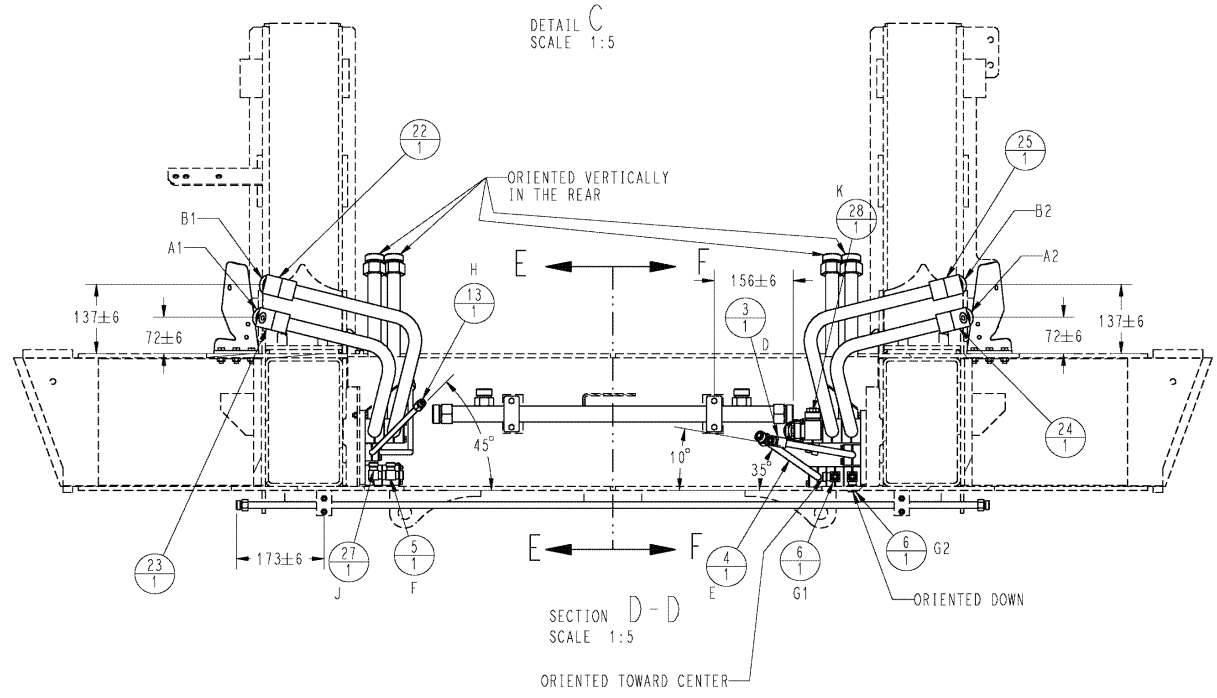
3330

STEEL LINES GROUP

6



- NOTES:
- 1) ITEM 3 STEERING PRESSURE
 - 2) ITEM 4 STEERING RETURN
 - 3) ITEM 5 MOTOR SHIFT
 - 4) ITEM 6 AXLE ADJUST
 - G1 - OUT
 - G2 - IN
 - 5) ITEM 13 BRAKE RETURN TO SUCTION ON GEAR PUMP
 - 6) ITEM 27 PARK BRAKE SUPPLY



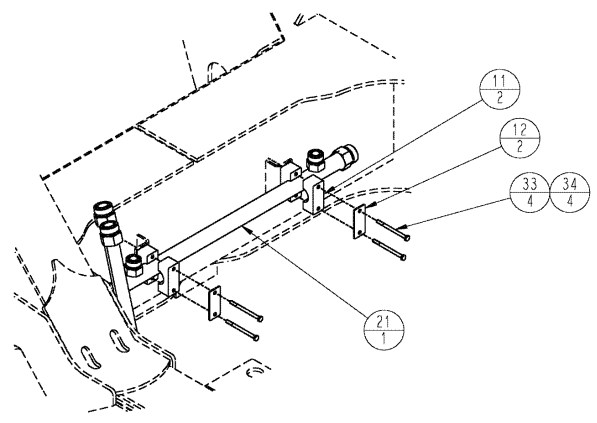
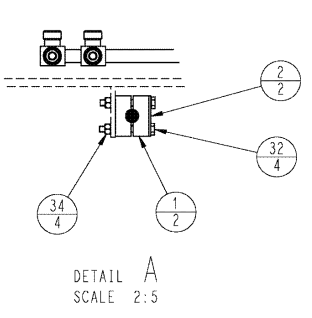
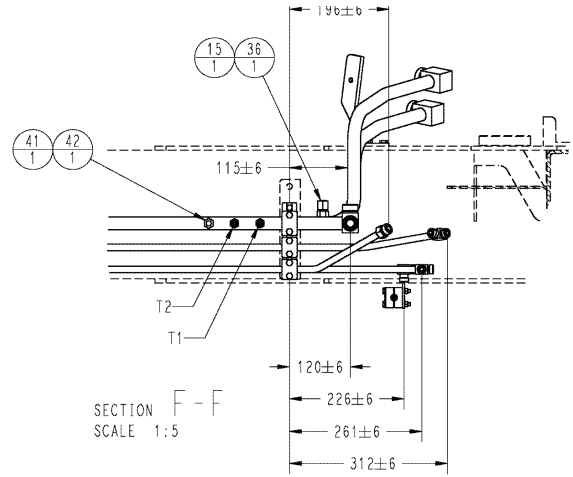
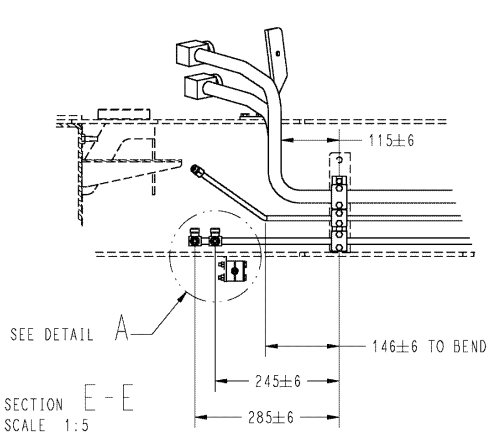
STEEL LINES GROUP

REF	FN	PART NUMBER	YR/SN	QTY	DESCRIPTION
1		BN29783		22	CLAMP
2		BN29785		12	PLATE
3		BN305996		1	TUBE
4		87574765		1	TUBE
5		BN306003		1	TUBE
6		BN306004		2	TUBE
7		BN307078		3	CLAMP
8		BN307079		3	PLATE
9		BN307080		18	CLAMP
10		BN307081		7	PLATE
11		BN307082		2	CLAMP
12		BN307083		2	PLATE
13		BN309602		1	BRAKE LINE
14		BN313247		7	RAIL
15		BN305412		1	O-RING
16		BN313261		42	BOLT
17		BN313262		40	NUT
18		BN313264		10	PLATE
19		BN313265		11	PLATE
20		BN316101		7	SPACER
21		BN319659		1	TUBE
22		87570217		1	TUBE, HYD
23		87570218		1	TUBE, HYD
24		87570219		1	TUBE, HYD
25		87570220		1	TUBE, HYD
26		BN324491		1	TUBE
27		BN324574		1	TUBE
28		BN325316		1	TUBE
29		87342607		6	BOLT
30		87342608		20	BOLT
31		86980361		7	BOLT
32		86980366		4	BOLT
33		86980369		4	BOLT
34		86980380		15	BOLT
35		87342609		14	BOLT

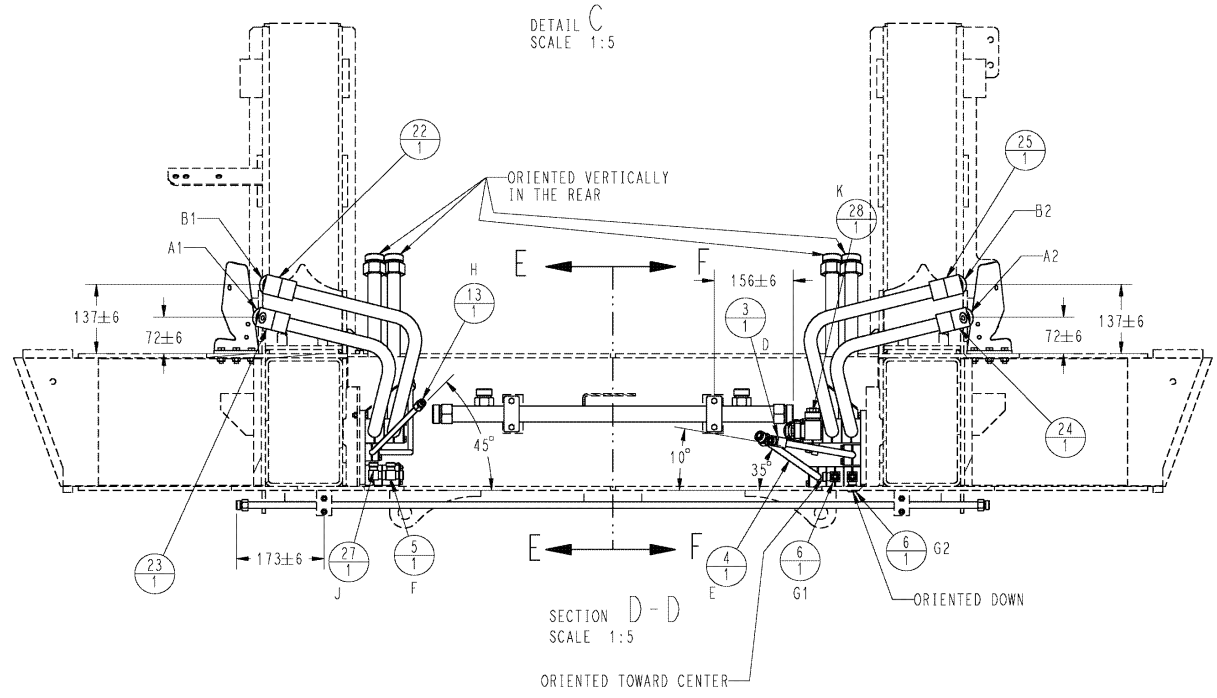
3330

STEEL LINES GROUP

6



- NOTES:
- 1) ITEM 3 STEERING PRESSURE
 - 2) ITEM 4 STEERING RETURN
 - 3) ITEM 5 MOTOR SHIFT
 - 4) ITEM 6 AXLE ADJUST
 - G1 - OUT
 - G2 - IN
 - 5) ITEM 13 BRAKE RETURN TO SUCTION ON GEAR PUMP
 - 6) ITEM 27 PARK BRAKE SUPPLY



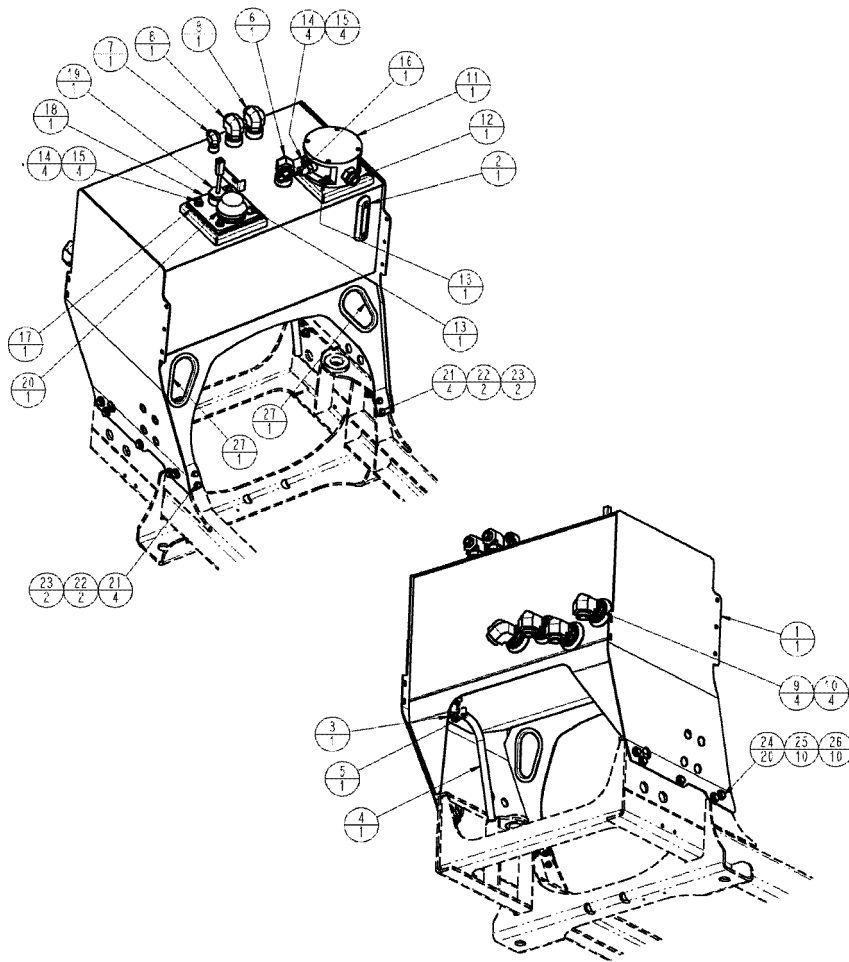
STEEL LINES GROUP

REF	FN	PART NUMBER	YR/SN	QTY	DESCRIPTION
36		BN305426		1	CAP
37		86980380		6	BOLT
38		86980514		6	NUT
39		{87730237}		1	Hoses,LH
40		{87730236}		1	Hoses,RH
41		BN305411		1	O-RING
42		BN305425		1	CAP

3330

OIL TANK GROUP

6



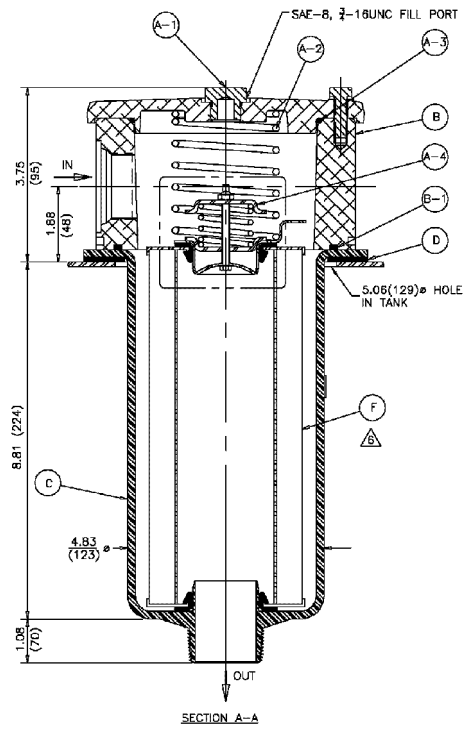
OIL TANK GROUP

REF	FN	PART NUMBER	YR/SN	QTY	DESCRIPTION
1		87586592		1	TANK, WELDMENT
2		BN322594		1	GAUGE, SIGHT W/TEMPERATUR
3		87105048		1	DRAINCOCK/TAP, SUPPLY, VALVE, HYDRAULIC
4		129096A1		1	HOSE, RESERVOIR DRAIN
5		214-1412		1	CLAMP, HOSE, #12, 0.69/1.25 Type F Worm
6		201-308		1	ELBOW, 90°, 1 7/16"-12 x 1 5/8"-12, Adj, ORFS
7		BN302558		1	ELBOW, 8 MOR 8MB X 90
8		BN302570		2	ELBOW, 12 MOR 16MB X 90
9		BN303528		4	STRAINER ASSY., 32 MB X 20FB, 100
10		BN302577		4	ELBOW, 20 MOR 20MB X 90
11		87267807		1	FILTER, OIL IN TANK, SEE FIG. 06-026
12		BN311052		1	FITTING, 16 MOR 20 MB
13		515-2363		2	CLAMP, M6.3, Insul, 3/8" Bolt
14		87529312		16	WASHER, 11 X 24 X 3MM HDN
15		86980515		16	NUT, LOCK, M10 x 1.5, CI 8, ALL META
16		87267808		1	SWITCH, PRESSURE, 25 PSI N/C
17		87272095		1	GASKET, COVER PLATE
18		87272099		1	PLATE, TEMP LEVEL, WLDM T
19		BN323888		1	INDICATOR, MULTI-LEVEL OIL
20		BN304339		1	FILTER, AIR, PRESS VALVE
21		87529315		54	WASHER, 9 X 17 X 2MM HDN D
22		86980381		4	BOLT, M8 1.25 X 30, HH, 8.8, DO
23		86980514		27	NUT, M8 CL8 P/T ALL METAL
24		87529310		20	WASHER, 13.5 X 28 X 4 HDN
25		86980422		10	BOLT, M12 1.75 X 35, HH, 8.8
26		86980516		10	NUT, M12 CL8 P/T ALL META
27		1977624C1		2	SEAL, TRIM EDGE

3330

TANK FILTER

6



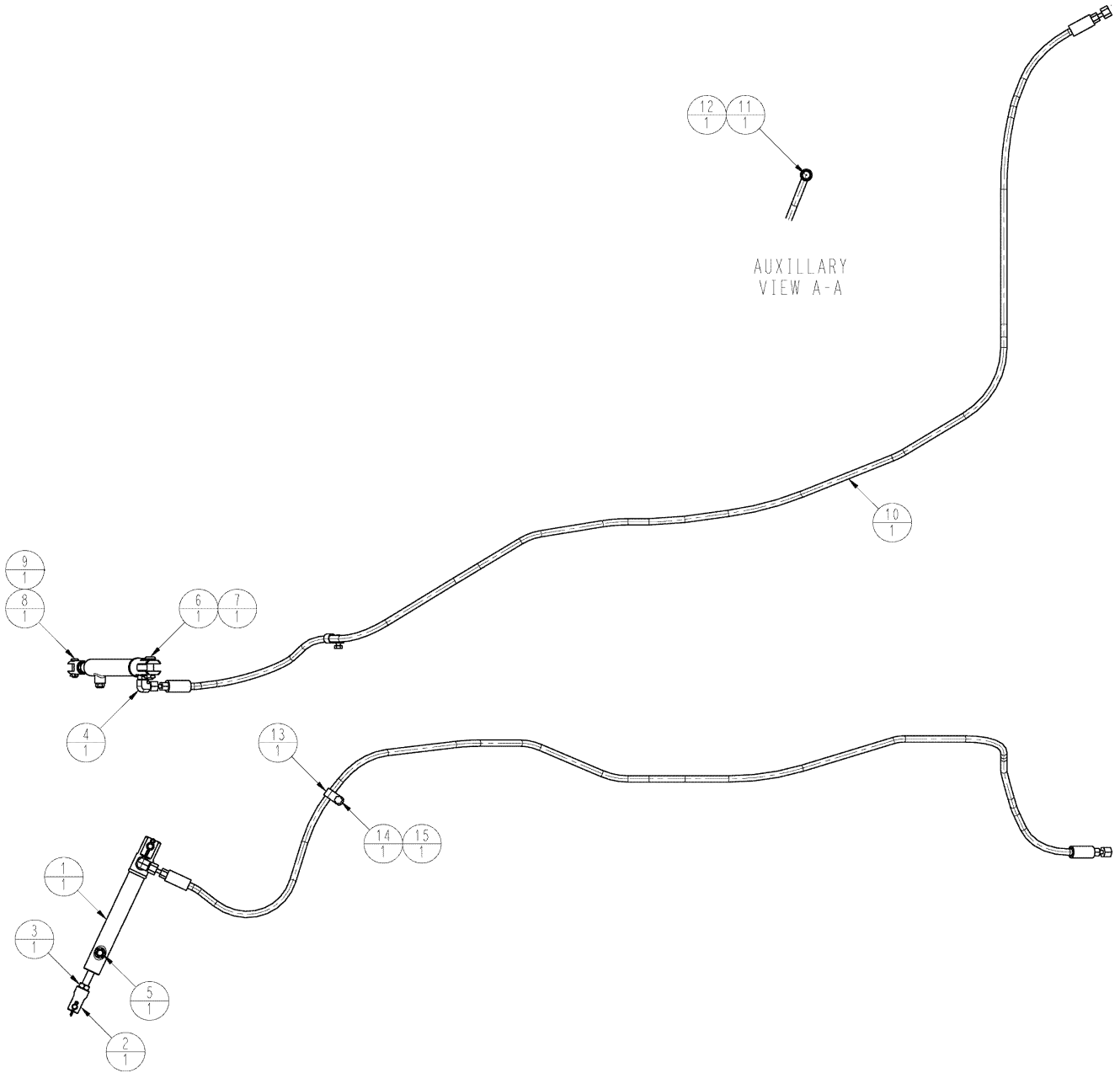
TANK FILTER

REF	FN	PART NUMBER	YR/SN	QTY	DESCRIPTION
A-1		87272027		1	CAP, W/FILL PORT, OIL FILTR
SAE-8		218-5156		1	PLUG, Hex Hd, 3/4"-16 ORB, SAE-8, 3/4"-16 UNC FILL PORT
A-2		87272028		1	SPRING, COMPRESS OIL FILTR
A-4		87272029		1	FILTER ASSY., BYPASS, OIL
B		87272030		1	HEAD, FILTER, OIL
C		87272031		1	BOWL, FILTER, OIL HOUSING
D		87272032		1	KIT, SEALS, BUNA, OIL FILTER
F		87272033		1	FILTER, ELEMENT, OIL

	3330
--	-------------

FRONT LADDER HYDRAULIC GROUP

6

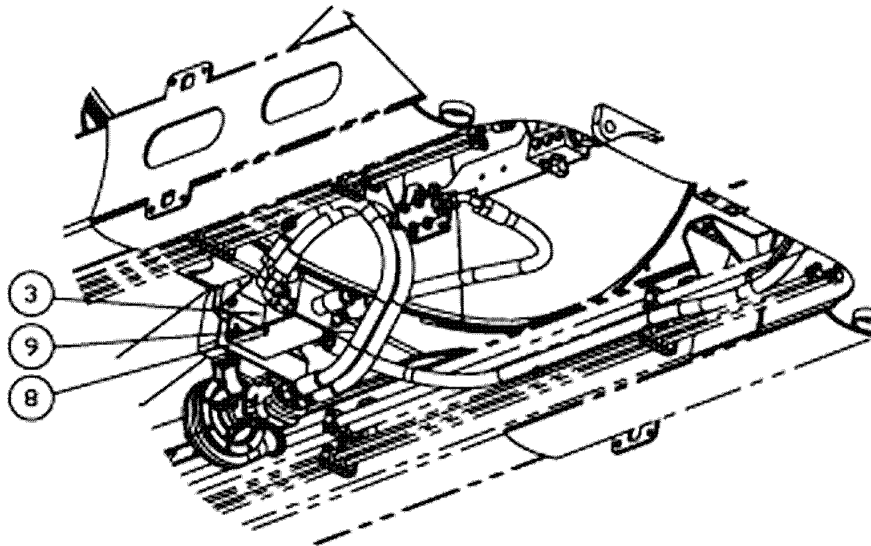


FRONT LADDER HYDRAULIC GROUP

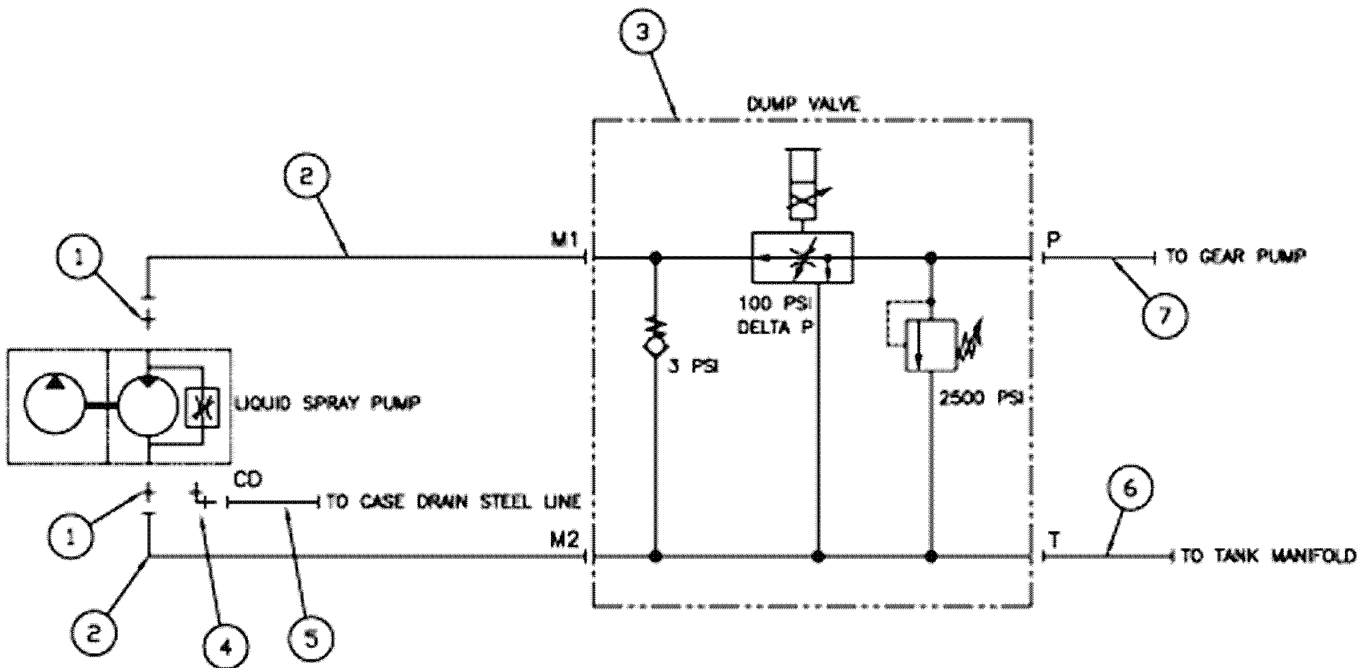
REF	FN	PART NUMBER	YR/SN	QTY	DESCRIPTION
1		87266443		1	HYDRAULIC CYLINDER, CYL HYD 1 X 6 X 0.5, SEE FIG. 07-010
2		BN21982		1	CLEVIS, 1" DIA CRS X 1.87
3		BN50075		1	NUT, 1/2-20 HEX SS
4		BN302547		1	ELBOW, 4 MOR 4MB X 90
5		87267314		1	BREATHER, SINTERED, 4 SAE
6		439-1824		1	PIN, HEADED, 1/2" x 1 1/2", G2, CLEVIS
7		432-1216		1	PIN, SPLIT (COTTER), 3/16" x 1"
8		439-1620		1	PIN, HEADED, 3/8" x 1 1/4", G2, CLEVIS
9		432-812		2	PIN, SPLIT (COTTER), 1/8" x 3/4", ZN
10		{87686433}		1	-4 x 116
11		BN313268		1	ORIFICE, .042, 6 DISK
12		BN305412		1	O-RING
13		515-22159		1	CLAMP, 5/8", Insul, 5/16" Bolt
14		86980379		1	BOLT, M8 x 20
15		86980514		1	NUT, M8 CL8 P/T ALL METAL

3330

PRODUCT PUMP HYDRAULIC GROUP



6



PRODUCT PUMP HYDRAULIC GROUP

REF	FN	PART NUMBER	YR/SN	QTY	DESCRIPTION
1		BN302655		2	FITTING, 12 MOR 12MB
2		86986096		2	SLEEVE, HOSE, 12 X 29"
3		342100A1		1	VALVE, W/FTNGS, SEE FIG. 06-036
4		BN302549		1	ELBOW, 4 MOR MB X 90
5		BN322267		1	HOSE, 4 X 67"
6		87271550		1	HOSE, 12 X 45
7		87272444		1	HOSE, 12 X 138
8		86980371		2	BOLT, M6 1 X 110, HH, 8.8, NOT SHOWN
9		86980513		2	NUT, P/T ALL MTL M6 8 DOR, NOT SHOWN

3330

BOOM OUTER FOLD HYDRAULIC GROUP

1 LH INNER BOOM FOLD

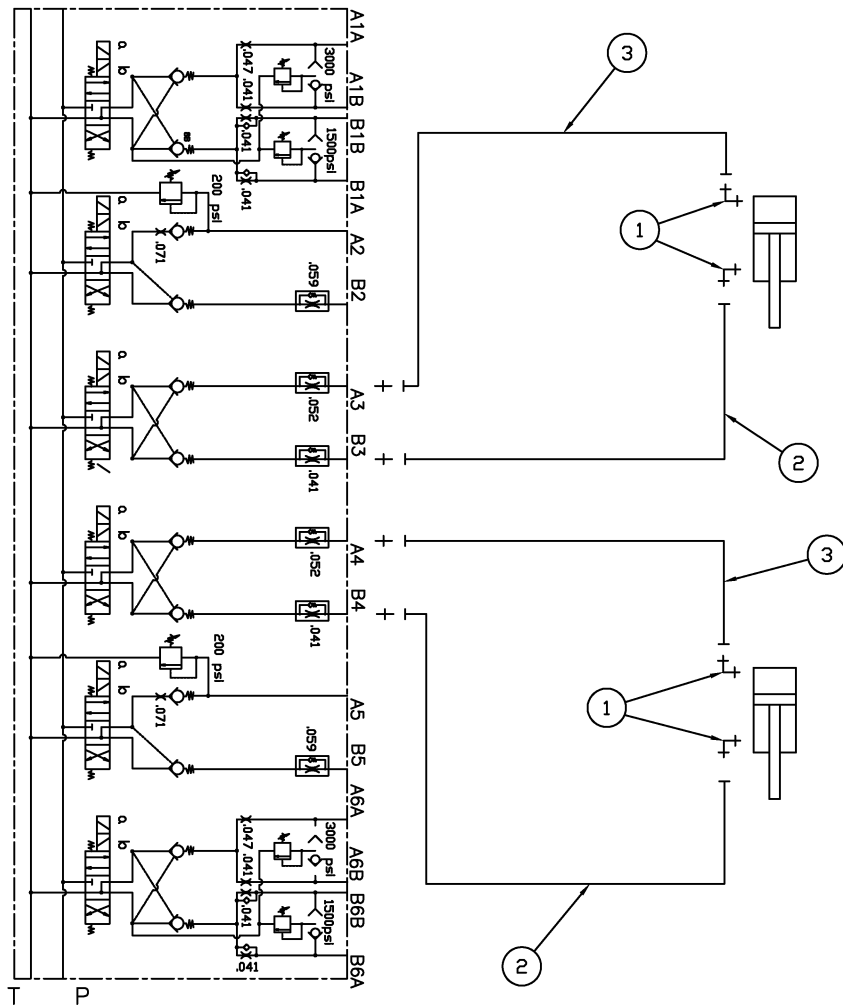
2 LH BOOM LEVEL

3 LH OUTER BOOM FOLD

4 RH OUTER BOOM FOLD

5 RH BOOM LEVEL

6 RH INNER BOOM FOLD



06-029

p1

10/08

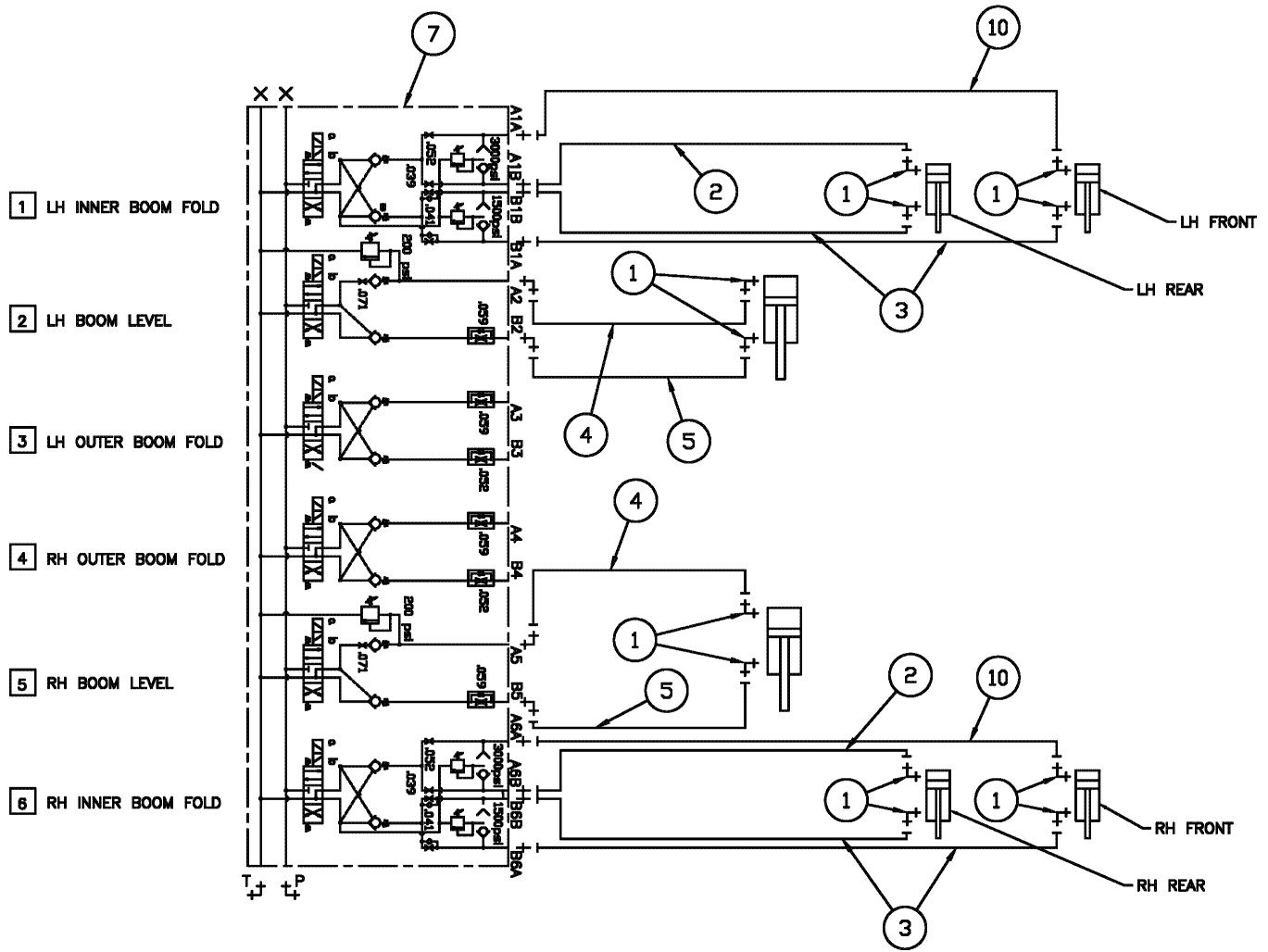
BOOM OUTER FOLD HYDRAULIC GROUP

REF	FN	PART NUMBER	YR/SN	QTY	DESCRIPTION
1		BN302553		4	ELBOW, 6MOR-6MBX90
2		87474625		2	HOSE, HYDRAULIC, -6 X 9931MM
2		BN307879		2	HOSE ASSY.
3		87474626		2	HOSE, HYDRAULIC, -6 X 9423MM
3		BN307880		2	HOSE ASSY.

3330

HYDRAULIC GROUP, 60' BOOM

6



HYDRAULIC GROUP, 60' BOOM

REF	FN	PART NUMBER	YR/SN	QTY	DESCRIPTION
1		BN302553		12	ELBOW, 6MOR-6MBX90
2		342591A1		2	HOSE ASSY., -6 X 40"
3		BN320874		4	HOSE ASSY., -6 X 64"
4		BN324327		2	HOSE ASSY., -6 X 64"
5		BN324328		2	HOSE ASSY., -6 X 90"
6		86980419		2	BOLT, M12-1.75 X 25, 8.8, DOR
7		87746154	From 01/09	1	VALVE, CONTROL, 6-BANK W/FTGS, SEE FIG 06-036-01
7		87270169	Before 01/09	1	VALVE, HYDRAULIC, 6-BANK W/FTGS, SEE FIG 06-036-02
10		84164481		2	HOSE, -6 x 1066 MM

3330

VALVE, 6-SECTION, W/FITTINGS

REF	FN	PART NUMBER	YR/SN	QTY	DESCRIPTION
1		87746153		1	VALVE, CONTROL, 6-BANK W/O FITTINGS SEE FIG. 06-034
21		BN302553		4	ELBOW, 6MOR-6MB X 90
22		BN302646		12	FITTING, 6MOR-6MB
23		BN302558		2	ELBOW, 8MOR-8MB X 90

	3330
--	-------------

06-034

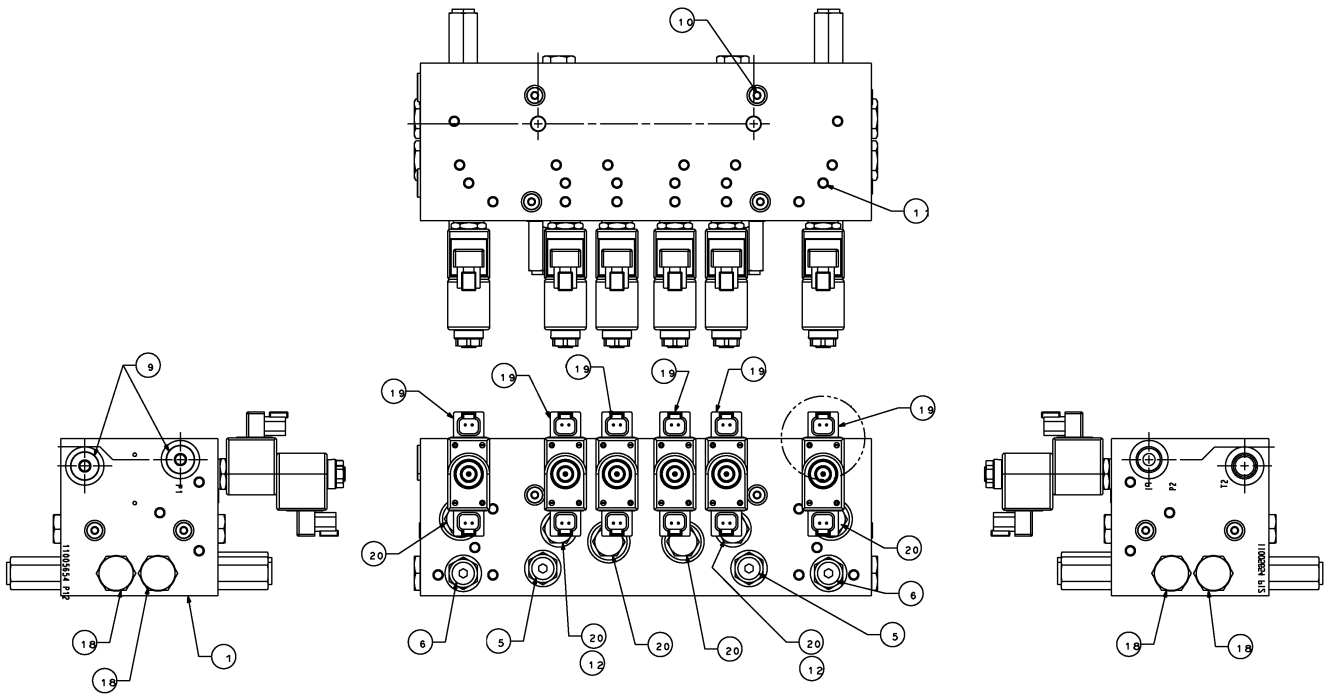
01

p1

09/08

VALVE, 6-SECTION, W/O FITTINGS

6



VALVE, 6-SECTION, W/O FITTINGS

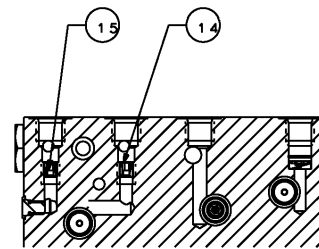
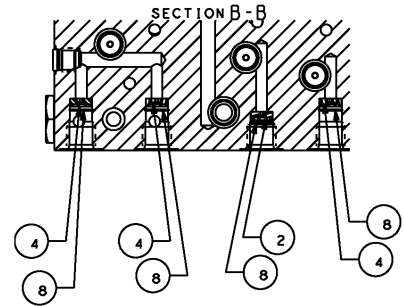
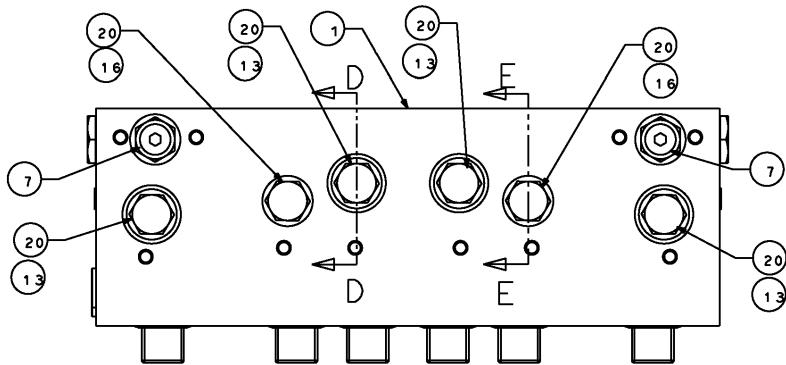
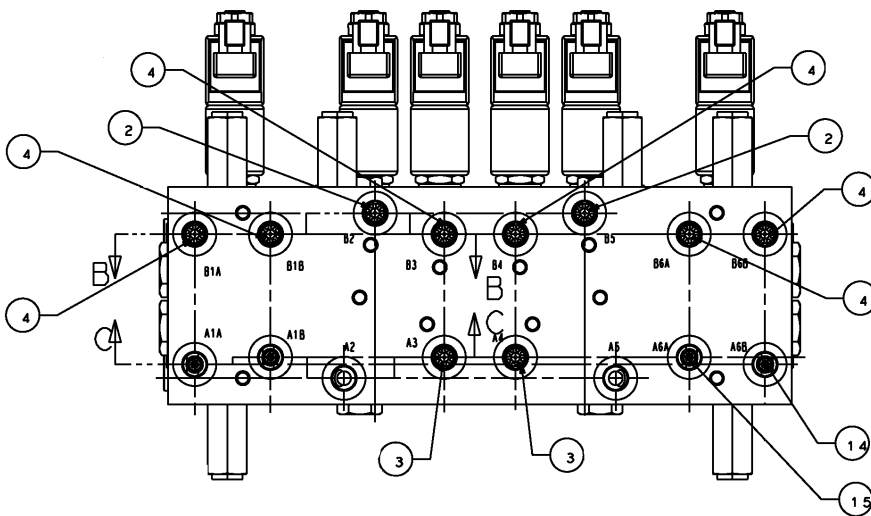
REF	FN	PART NUMBER	YR/SN	QTY	DESCRIPTION
2		87758332		2	ORIFICE, DISK .059
3		87758331		2	ORIFICE, DISK .052
4		87758330		6	ORIFICE, DISK .041
5		87758329		2	VALVE, RELIEF
	1	87472226			KIT, SEALS, VALVE
6		87758328		2	VALVE, RELIEF
	2	87472226			KIT, SEALS, VALVE
7		87758327		2	VALVE, RELIEF
	3	87472226			KIT, SEALS, VALVE
8		87758326		8	RETAINER, SNAP, RING, VALVE
12		87758325		2	PISTON, VALVE BANK
13		87758324		4	PISTON, VALVE BANK
14		87758323		2	ORIFICE, .039
15		87758322		2	ORIFICE, .047
16		87758321		2	ORIFICE, .071
17		87758320		12	RING, BACKUP, TEFLON
18		87473321		4	VALVE, SHUTTLE
	4	87746970			KIT, SEALS, SHUTTLE VALVE
19		87758319		6	VALVE, SOLENOID, SEE FIG 06-042
20		87758336		12	VALVE, CHECK

- (1) SERVICE PARTS FOR REF. 5
- (2) SERVICE PARTS FOR REF. 6
- (3) SERVICE PARTS FOR REF 7
- (4) SERVICE PARTS FOR REF 18

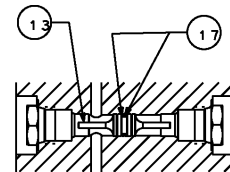
3330

VALVE, 6-SECTION, W/O FITTINGS

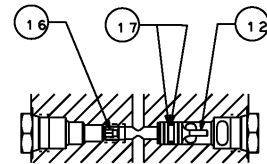
6



SECTION C-C



SECTION D-D
TYP 4-SECTIONS



SECTION E-E
TYP 2-SECTIONS

VALVE, 6-SECTION, W/O FITTINGS

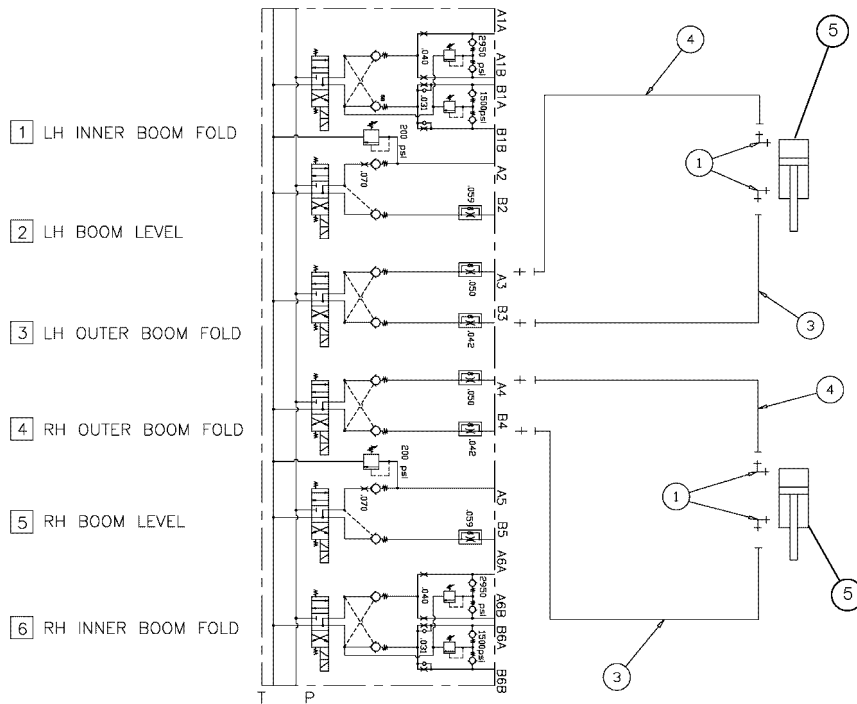
REF	FN	PART NUMBER	YR/SN	QTY	DESCRIPTION
2		87758332		2	ORIFICE, DISK .059
3		87758331		2	ORIFICE, DISK .052
4		87758330		6	ORIFICE, DISK .041
5		87758329		2	VALVE, RELIEF
6		87758328		2	VALVE, RELIEF
7		87758327		2	VALVE, RELIEF
	1	87472226			KIT, SEALS, VALVE
8		87758326		8	RETAINER, SNAP, RING, VALVE
12		87758325		2	PISTON, VALVE BANK
13		87758324		4	PISTON, VALVE BANK
14		87758323		2	ORIFICE, .039
15		87758322		2	ORIFICE, .047
16		87758321		2	ORIFICE, .071
17		87758320		12	RING, BACKUP, TEFLON
18		87473321		4	VALVE, SHUTTLE
	2	87746970			KIT, SEALS, SHUTTLE VALVE
19		87758319		6	VALVE, SOLENOID
	3	87472227			KIT, SEALS, SOLENOID VALVE
	4	87758999			VALVE, SOLENOID
	5	87758997			COIL
	6	{87758998}			RETAINER, NUT, COIL
20		87758336		12	VALVE, CHECK

- (1) SERVICE PARTS FOR REF 7
- (2) SERVICE PARTS FOR REF 18
- (3) SERVICE PARTS FOR REF 19
- (4) SERVICE PARTS FOR REF 19
- (5) SERVICE PARTS FOR REF 19
- (6) SERVICE PARTS FOR REF 19

3330

OUTER FOLD HYDRAULIC GROUP, NO CYLINDER

6



06-035

p1

12/08

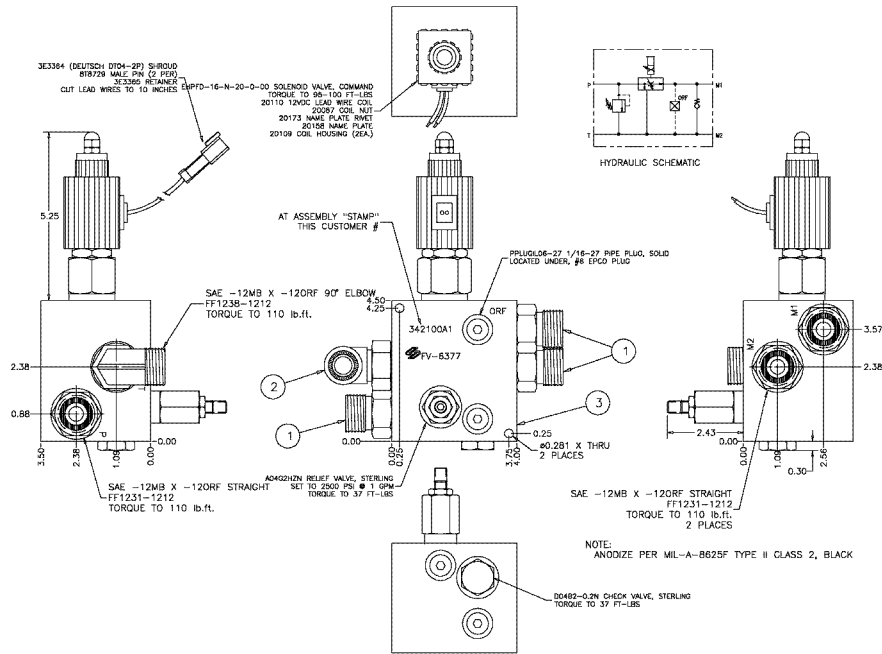
OUTER FOLD HYDRAULIC GROUP, NO CYLINDER

REF	FN	PART NUMBER	YR/SN	QTY	DESCRIPTION
1		BN302553		4	ELBOW, 6 MOR MB X 90
3		BN307879		2	HOSE ASSY.
4		BN307880		2	HOSE ASSY.
5		87266449		2	CYLINDER, OUTER BOOM FOLD, SEE FIG. 07-008

3330

PRODUCT CONTROL VALVE

6



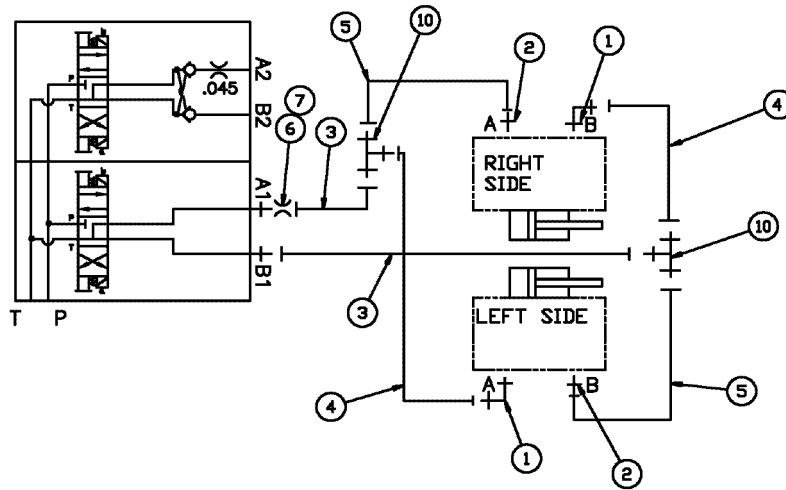
PRODUCT CONTROL VALVE

REF	FN	PART NUMBER	YR/SN	QTY	DESCRIPTION
1		BN302655		3	FITTING, 12 MOR 12MB
2		BN302568		1	ELBOW, 12 MOR 12MB X 90
3		86986093		1	VALVE, PRODUCT, W/O FTNGS
	1	BN306273		1	VALVE, PRESSURE RELIEF, 2500 PSI
	2	BN314658		1	VALVE, CHECK
	3	86986094		1	SOLENOID, VALVE, COMMAND
	4	87270915		1	KIT, REPAIR, COIL
	5	87270922		1	CARTRIDGE, PWM
<p>(1) SERVICE PARTS FOR ITEM #3 (2) SERVICE PARTS FOR ITEM #3 (3) SERVICE PARTS FOR ITEM #3 (4) ASSOCIATED PART OF SOLENOID VALVE, P/N 86986094 (5) ASSOCIATED PART OF SOLENOID VALVE, P/N 86986094</p>					

	3330
--	-------------

BOOM HITCH HYDRAULIC GROUP

6



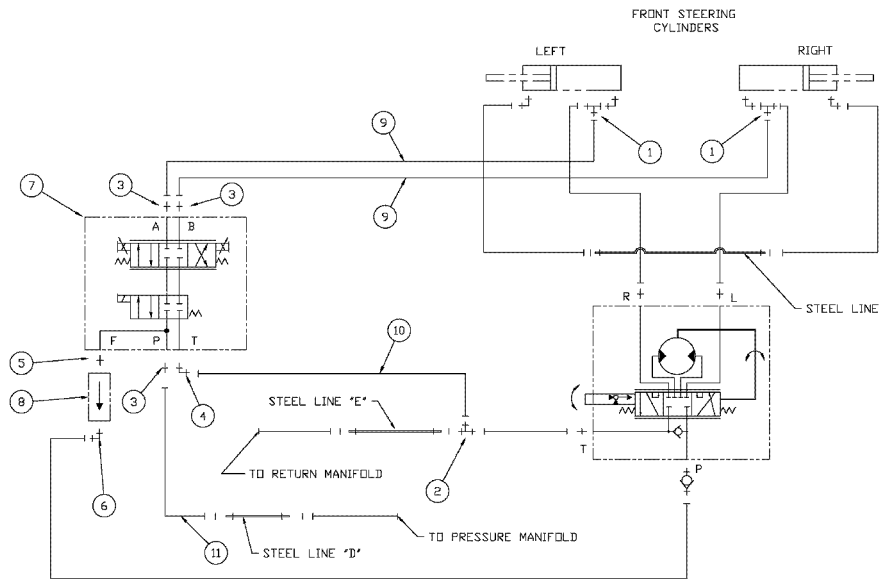
BOOM HITCH HYDRAULIC GROUP

REF	FN	PART NUMBER	YR/SN	QTY	DESCRIPTION
1		BN302553		2	ELBOW, 6 MOR 6MB X 90
2		BN302646		2	FITTING, 6 MOR 6MB
3		BN313336		2	HOSE, 6 X 30"
4		86986082		2	HOSE, 6 X 50"
5		BN313337		2	HOSE, 6 X 50"
6		BN316688		1	ORIFICE, .140, 6, DISK
7		BN305412		1	O-RING, FOR 6, FFOR
10		BN302512		2	FITTING, 6 MOR 6 MOR 6MOR

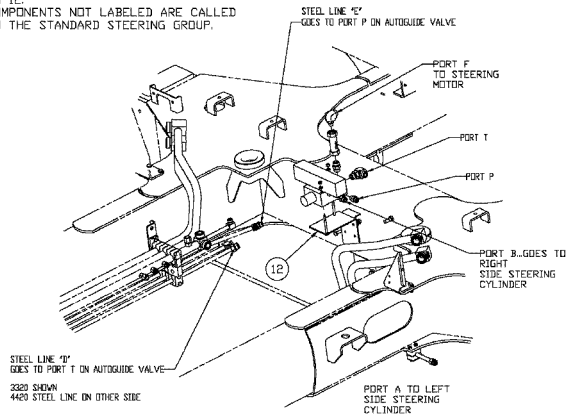
3330

AUTO GUIDE HYDRAULIC GROUP

6



- NOTES:
- 1) USE ITEMS 13, 15 & 16 TO MOUNT ITEM 12 TO MOUNT ON FRAME.
 - 2) USE ITEMS 14, 15 & 16 TO SECURE ITEM 7 TO ITEM 12.
 - 3) ALL COMPONENTS NOT LABELED ARE CALLED OUT IN THE STANDARD STEERING GROUP.



AUTO GUIDE HYDRAULIC GROUP

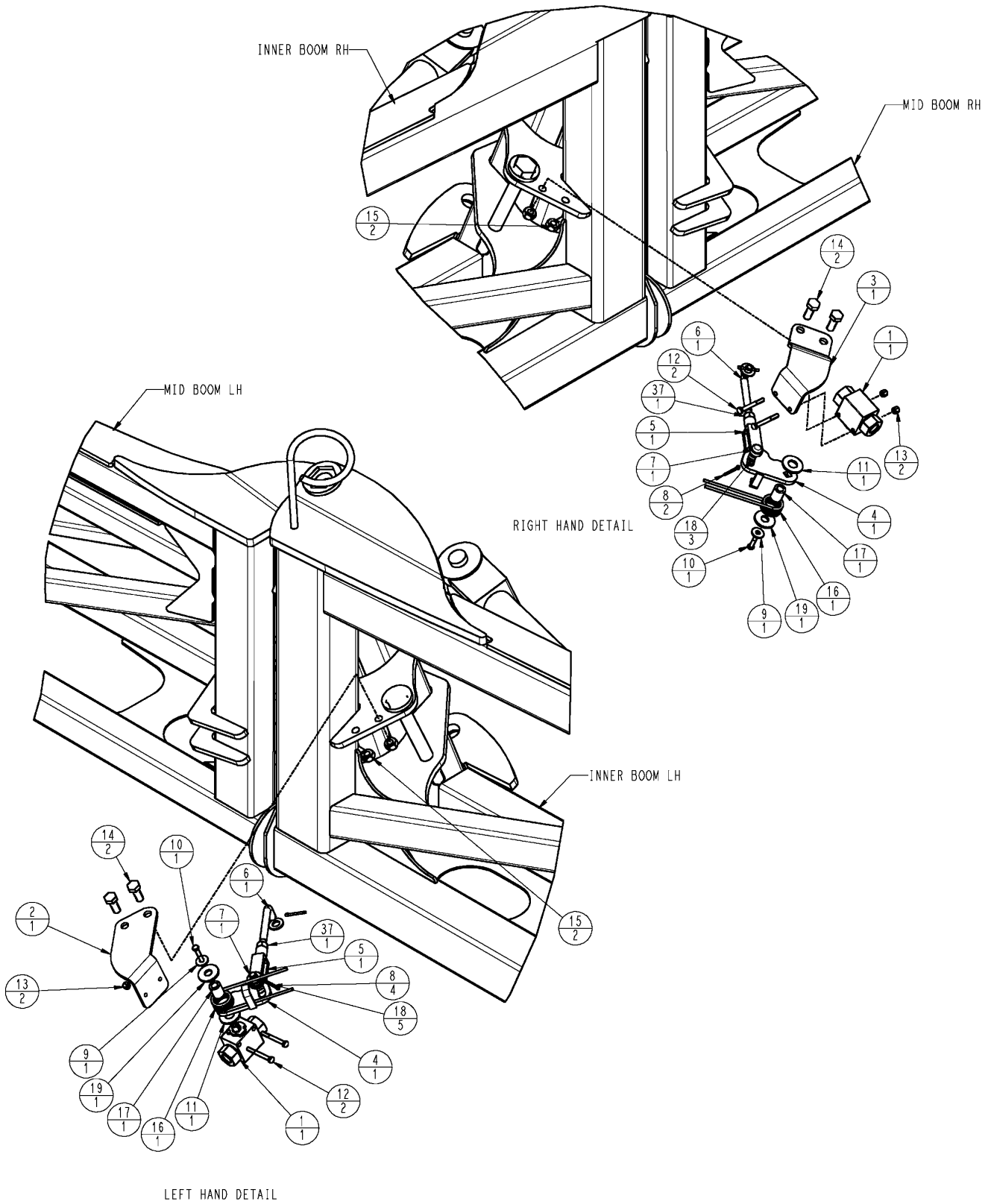
REF	FN	PART NUMBER	YR/SN	QTY	DESCRIPTION
1		BN302435		2	FITTING, 6 MOR 6 MOR 6 FOR X
2		BN302436		1	FITTING, 8 MOR 8 MOR 8 FOR X
3		BN302646		3	FITTING, 6 MOR 6MB
4		BN302558		1	ELBOW, 8 MOR 8MB X 90
5		BN322765		1	FITTING, 8MB, 8MB, ADAPTER
6		BN302554		1	FITTING, 6 MOR 8MB X 90
7		{87609218}		1	AUTO GUIDE
	1	87726186		1	MANIFOLD VALVE
8		87590181		1	SWITCH, FLOW
9		BN320874		2	HOSE ASSY., 6 X 64"
10		BN309746		1	HOSE, 08 X 25
11		BN314945		1	HOSE ASSY.
12		87609209		1	PLATE, MOUNTING, AUTO GUIDANCE
13		86980360		2	BOLT, M6 1 X 20, HH, 8.8, DOR
14		86980368		2	BOLT, M6 1 X 70, HH, 8.8, DOR
15		86980513		4	NUT, P/T ALL MTL M6 8 DOR
16		87529314		4	WASHER, 6.6 X 12.5 X 2MM

(1) ASSOCIATED PART OF VALVE, AUTO GUIDE, P/N 87609218

3330

BOOM HYDRAULIC LOCK GROUP, 120' BOOM

6



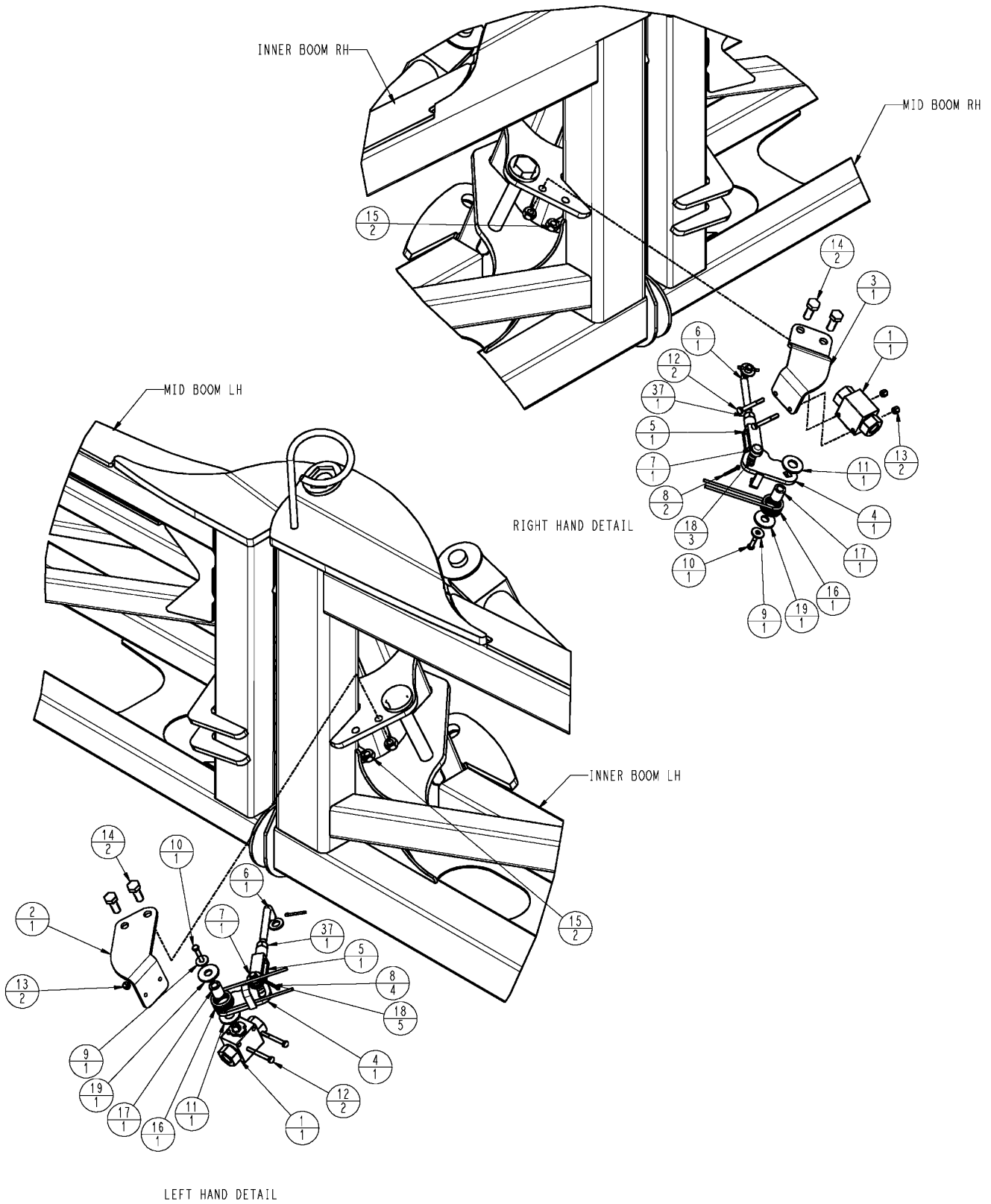
BOOM HYDRAULIC LOCK GROUP, 120' BOOM

REF	FN	PART NUMBER	YR/SN	QTY	DESCRIPTION
1		87599630		2	VALVE, BALL, 2-WAY, MANUAL
2		87675563		1	MOUNTING PARTS, LOCK VALVE, LH
3		87675564		1	MOUNTING PARTS, LOCK VALVE, RH
4		87730798		2	ACTUATOR, VALVE
5		86625043		2	CLEVIS, ADJUSTABLE, 3/8"-24 x 2 1/2", REG ADJ
6		87735870		2	BOLT, SPECIAL, 3/8"-24 UNF
7		439-1620		4	PIN, HEADED, 3/8" x 1 1/4", G2, 375 X 1.250, GR2, ZND
8		733-3220		6	PIN, SPLIT (COTTER), M3.2 x 20
9		87529302		2	WASHER, 6.6 X 18 X 1.6MM, CST, DOR
10		87270794		2	BOLT, CSHH, 8.8P, M5 X 30
11		87528989		2	WASHER, 13.5 X 30 X 2.5MM, CST, DOR
12		{87733376}		4	M5 X 45 8.8 DOR
13		87344030		4	NUT, PREV TRQ, METAL M5, CL8, DOR
14		86980400		4	BOLT, Hex, M10 x 25, 8.8, HEX DOR
15		86980515		20	NUT, LOCK, M10 x 1.5, CI 8, PREV TRQ, METAL, DOR
16		306255A2		2	SPRING, TORSION
17		87732339		2	TUBE, 625 OD X .125 WALL X 20MM
18		87529298		12	WASHER, 11 X 21 X 2MM, CST, DOR
19		86981677		2	WASHER, M10 x 30 x 2.5, CST, DOR
20		87490993		1	CATCH, BOOM LOCK, LH
21		87492067		1	CATCH, BOOM LOCK, RH
22		84129544		8	PLATE
23		87529310		8	WASHER, 13.5 X 28 X 4 HDN DOR
24		87491042		2	HOOK
25		87491099		1	HOOK, WELDMENT, LH
26		86980516		6	NUT, P/T ALL MTL M12 8 DOR
27		86980426		2	BOLT, M12-1.75 X 60, HH, 8.8, DOR
28		87497178		1	ANCHOR
29		87497177		1	ANCHOR
30		87492069		1	HOOK
31		84129543		16	TUBE SPACER
32		87529312		16	WASHER, 11 X 24 X 3MM HDN DOR
33		87266443		2	HYDRAULIC CYLINDER, SEE FIG 07-010

3330

BOOM HYDRAULIC LOCK GROUP, 120' BOOM

6



BOOM HYDRAULIC LOCK GROUP, 120' BOOM

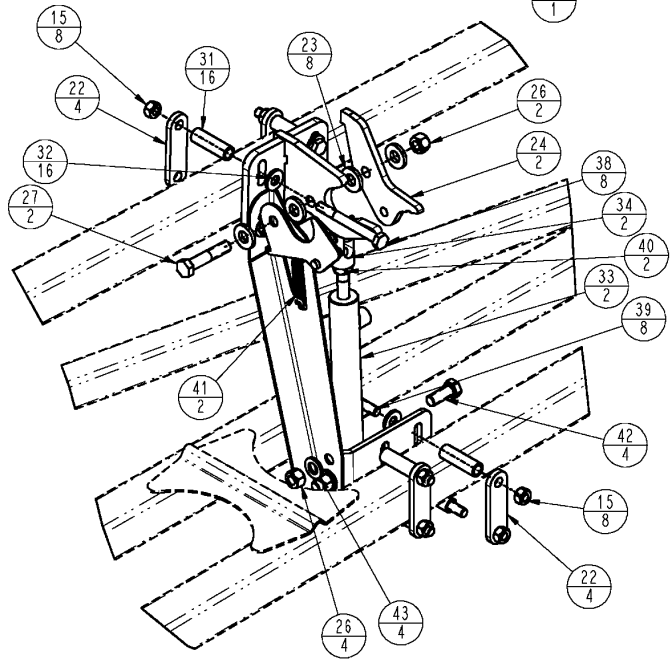
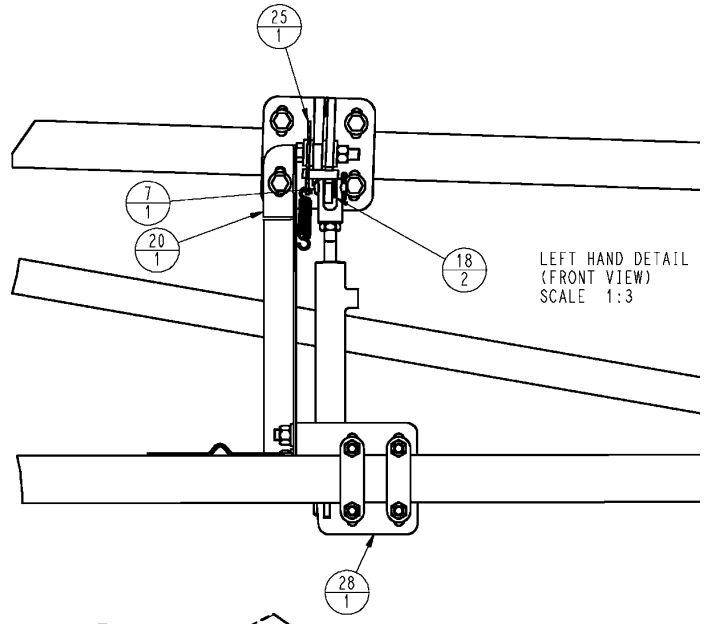
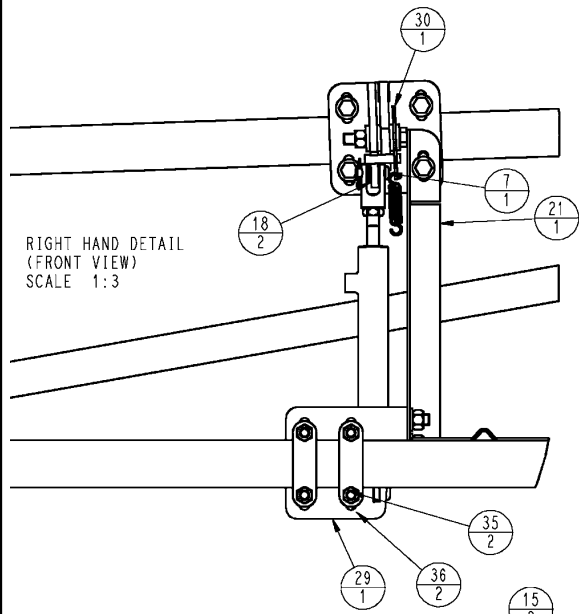
REF	FN	PART NUMBER	YR/SN	QTY	DESCRIPTION
34		BN21982		2	CLEVIS, 1 DIA CRS X 1.87
35		439-1824		2	PIN, HEADED, 1/2" x 1 1/2", G2
36		733-4032		2	PIN, SPLIT (COTTER), M4 x 32
37		87343675		2	NUT, 3/8-24 GR 5 DOR
38		86980409		8	BOLT, M10-1.5 X 90, HH, 8.8, DOR
39		86980408		8	BOLT, M10 X 80 8.8 DOR
40		BN50075		2	NUT, 1/2-20 HEX SS
41		BN313580		2	SPRING, CRADLE LOCK
42		86980420		4	BOLT, M12 X 30 FULL 8.8 DOR
43		86981496		4	WASHER, M13.5 x 24.5 x 3, HT

6

	3330
--	-------------

BOOM HYDRAULIC LOCK GROUP, 120' BOOM

6



BOOM HYDRAULIC LOCK GROUP, 120' BOOM

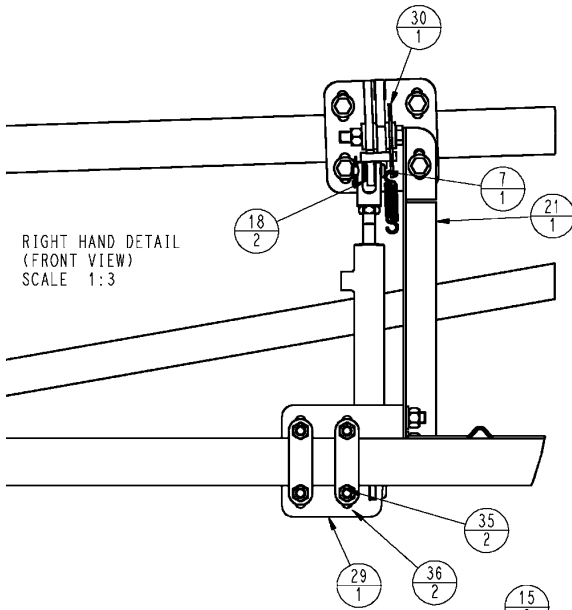
REF	FN	PART NUMBER	YR/SN	QTY	DESCRIPTION
1		87599630		2	VALVE, BALL, 2-WAY, MANUAL
2		87675563		1	MOUNTING PARTS, LOCK VALVE, LH
3		87675564		1	MOUNTING PARTS, LOCK VALVE, RH
4		87730798		2	ACTUATOR, VALVE
5		86625043		2	CLEVIS, ADJUSTABLE, 3/8"-24 x 2 1/2", REG ADJ
6		87735870		2	BOLT, SPECIAL, 3/8"-24 UNF
7		439-1620		4	PIN, HEADED, 3/8" x 1 1/4", G2, 375 X 1.250, GR2, ZND
8		733-3220		6	PIN, SPLIT (COTTER), M3.2 x 20
9		87529302		2	WASHER, 6.6 X 18 X 1.6MM, CST, DOR
10		87270794		2	BOLT, CSHH, 8.8P, M5 X 30
11		87528989		2	WASHER, 13.5 X 30 X 2.5MM, CST, DOR
12		{87733376}		4	M5 X 45 8.8 DOR
13		87344030		4	NUT, PREV TRQ, METAL M5, CL8, DOR
14		86980400		4	BOLT, Hex, M10 x 25, 8.8, HEX DOR
15		86980515		20	NUT, LOCK, M10 x 1.5, CI 8, PREV TRQ, METAL, DOR
16		306255A2		2	SPRING, TORSION
17		87732339		2	TUBE, 625 OD X .125 WALL X 20MM
18		87529298		12	WASHER, 11 X 21 X 2MM, CST, DOR
19		86981677		2	WASHER, M10 x 30 x 2.5, CST, DOR
20		87490993		1	CATCH, BOOM LOCK, LH
21		87492067		1	CATCH, BOOM LOCK, RH
22		84129544		8	PLATE
23		87529310		8	WASHER, 13.5 X 28 X 4 HDN DOR
24		87491042		2	HOOK
25		87491099		1	HOOK, WELDMENT, LH
26		86980516		6	NUT, P/T ALL MTL M12 8 DOR
27		86980426		2	BOLT, M12-1.75 X 60, HH, 8.8, DOR
28		87497178		1	ANCHOR
29		87497177		1	ANCHOR
30		87492069		1	HOOK
31		84129543		16	TUBE SPACER
32		87529312		16	WASHER, 11 X 24 X 3MM HDN DOR
33		87266443		2	HYDRAULIC CYLINDER, SEE FIG 07-010

3330

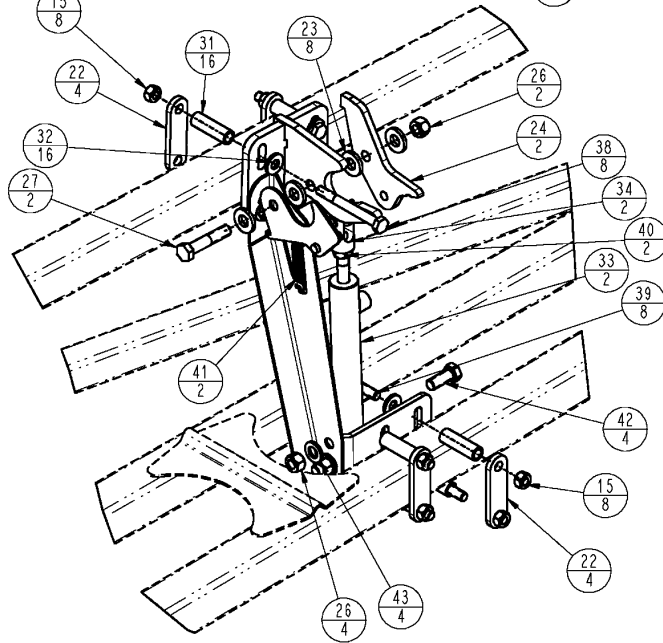
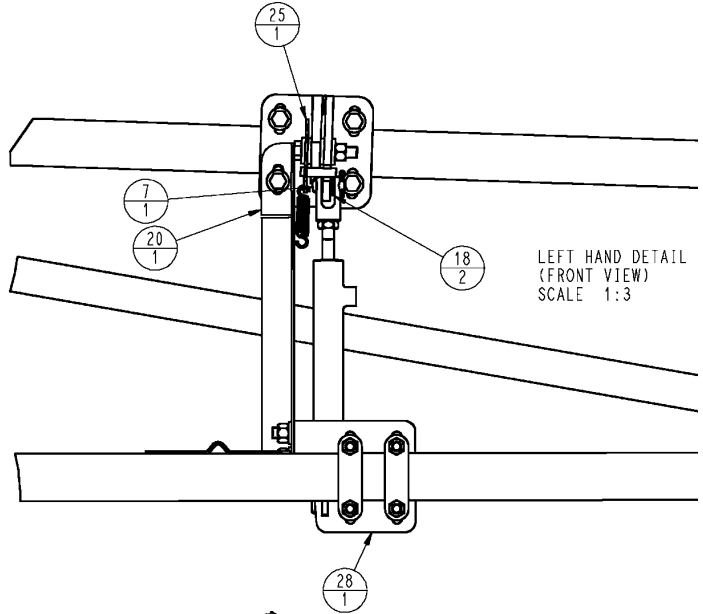
BOOM HYDRAULIC LOCK GROUP, 120' BOOM

6

RIGHT HAND DETAIL
(FRONT VIEW)
SCALE 1:3



LEFT HAND DETAIL
(FRONT VIEW)
SCALE 1:3



HOOK DETAIL
SCALE 1:3

BOOM HYDRAULIC LOCK GROUP, 120' BOOM

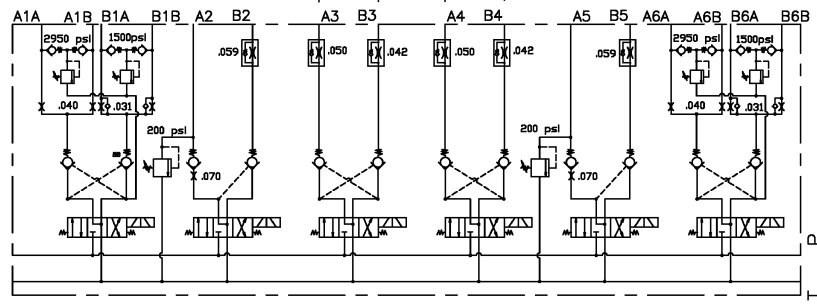
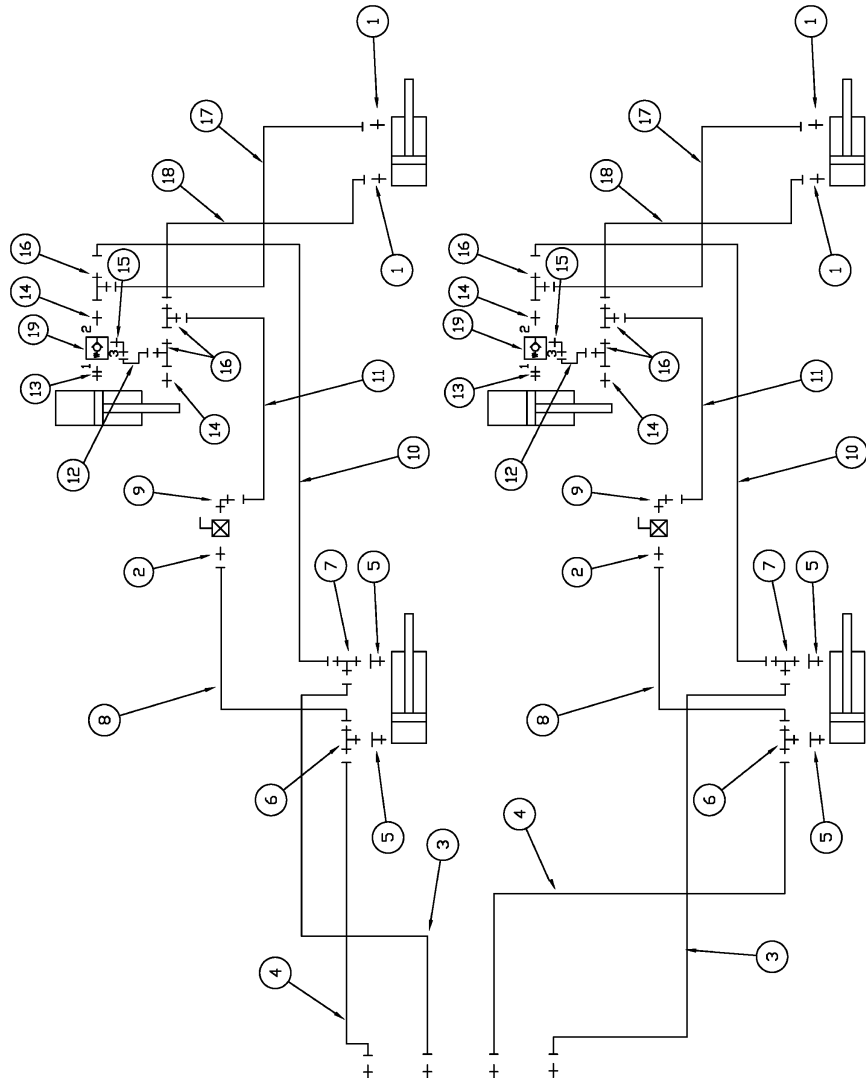
REF	FN	PART NUMBER	YR/SN	QTY	DESCRIPTION
34		BN21982		2	CLEVIS, 1 DIA CRS X 1.87
35		439-1824		2	PIN, HEADED, 1/2" x 1 1/2", G2
36		733-4032		2	PIN, SPLIT (COTTER), M4 x 32
37		87343675		2	NUT, 3/8-24 GR 5 DOR
38		86980409		8	BOLT, M10-1.5 X 90, HH, 8.8, DOR
39		86980408		8	BOLT, M10 X 80 8.8 DOR
40		BN50075		2	NUT, 1/2-20 HEX SS
41		BN313580		2	SPRING, CRADLE LOCK
42		86980420		4	BOLT, M12 X 30 FULL 8.8 DOR
43		86981496		4	WASHER, M13.5 x 24.5 x 3, HT

6

	3330
--	-------------

HYDRAULIC GROUP, OUTER, 120' BOOM

6



- 1 LH INNER BOOM FOLD
- 2 LH BOOM LEVEL
- 3 LH OUTER BOOM FOLD
- 4 RH OUTER BOOM FOLD
- 5 RH BOOM LEVEL
- 6 RH INNER BOOM FOLD

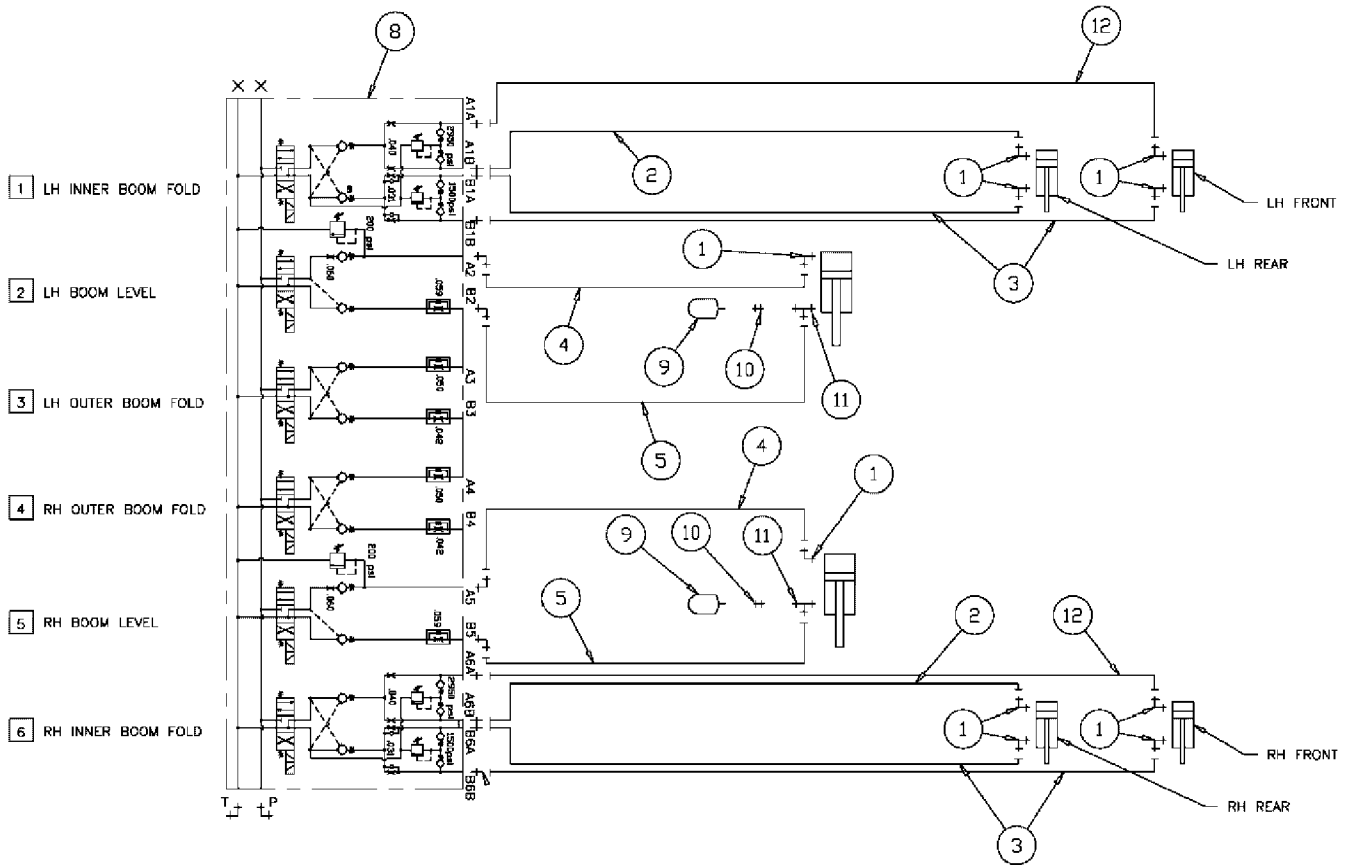
HYDRAULIC GROUP, OUTER, 120' BOOM

REF	FN	PART NUMBER	YR/SN	QTY	DESCRIPTION
1		BN302647		4	FITTING, 6MOR-8MB
2		BN302646		2	FITTING, 6MOR-6MB
3		{87600247}		2	-6 X 330"
4		{87600246}		2	-6 X 310"
5		218-5314		4	ADAPTER, 1/2" NPT Male x 1/2" Fem ORB
6		BN302536		2	FITTING, 6MOR-6MBX-6MOR
7		BN302583		2	FITTING, 6MOR-6MOR-6MBX
8		BN325308		2	HOSE ASSY., -6 X 36"
9		BN302553		2	ELBOW, 6MOR-6MBX90
10		87734443		2	HOSE, ASSY, -6 X 4826MM
11		87734444		2	HOSE, ASSY, -6 X 5004MM
12		87734445		2	HOSE, ASSY, -6 X 305MM
13		BN310595		2	FITTING, 4MB-4MB
14		201-125		4	CONNECTOR, HYD., 11/16"-16 ORFS x 7/16"-20 ORB
15		BN302548		2	FITTING, 4MOR-4MB
16		BN302435		6	FITTING, 6MOR-6MOR-6FORX
17		BN316764		2	HOSE, ASSY, -6 X 48"
18		87734446		2	HOSE, ASSY, -6 X 737MM
19		87733800		2	VALVE, CHECK, PO 5 GPM SEE FIG. 06-044

3330

BOOM HYDRAULIC GROUP, 120'

6



NOTES:

- 1. USE ITEMS 6 & 7 TO FASTEN THE VALVE BANK 8 TO THE CENTER SECTION.

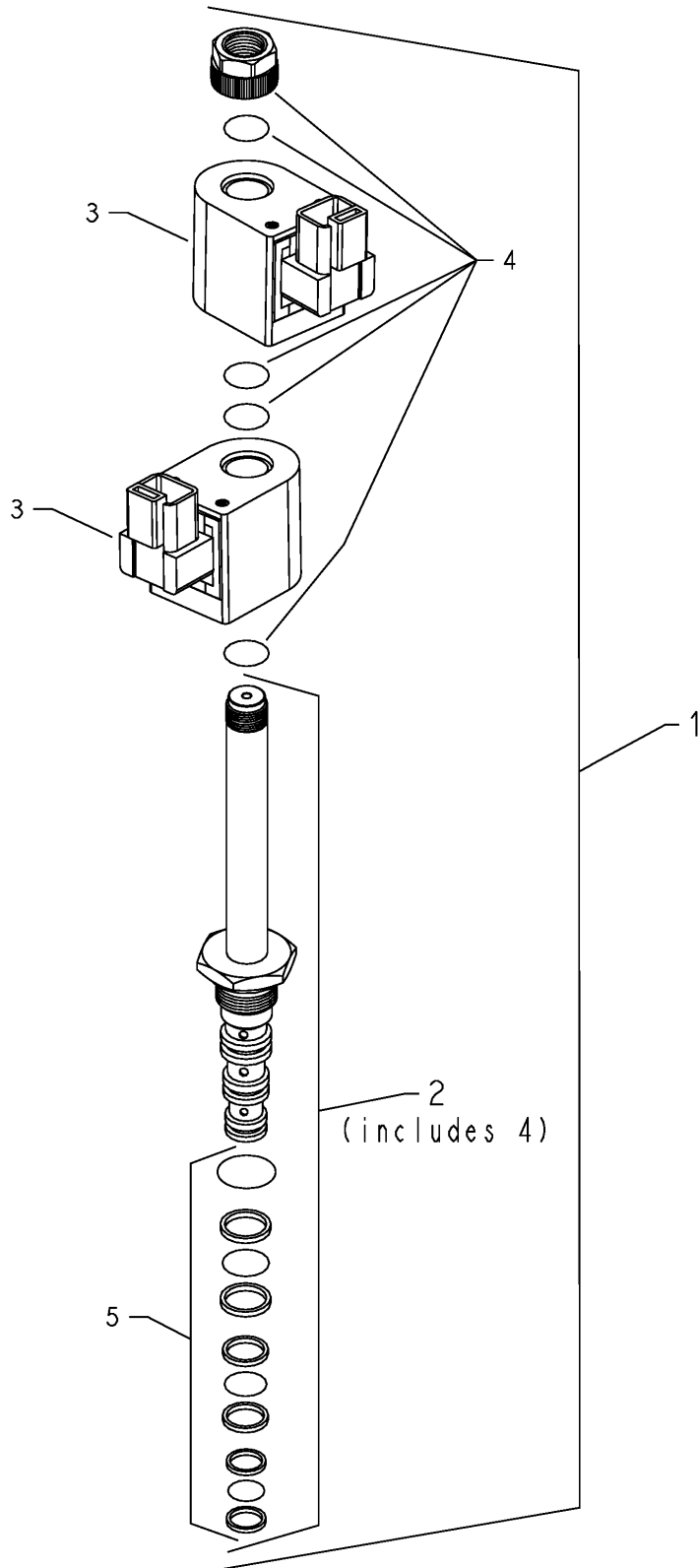
BOOM HYDRAULIC GROUP, 120'

REF	FN	PART NUMBER	YR/SN	QTY	DESCRIPTION
1		BN302553		10	ELBOW, 6MOR-6MBX90
2		342591A1		2	HOSE ASSY., -6 X 40
3		BN320874		4	HOSE ASSY., -6 X 64
4		BN307875		2	HOSE ASSY.
5		BN307872		2	HOSE ASSY.
6		86980432		2	BOLT, M12-1.75 X 120, HH, 8.8, DOR
7		86980516		2	NUT, P/T ALL MTL M12 8 DOR
8		87270169		1	VALVE, HYDRAULIC, 6-BANK, W/FTG, SEE FIG 06-035
9		87585943		2	ACCUMULATOR, ACCUM 10 CU IN HYDAC
10		BN314785		2	CONNECTION, SWIVEL, PARK6 F65OL-S
11		BN302583		2	FITTING, 6MOR-6MOR-6MBX
12		BN317622		2	HOSE ASSY., -6 X 59

3330

SOLENOID VALVE

6



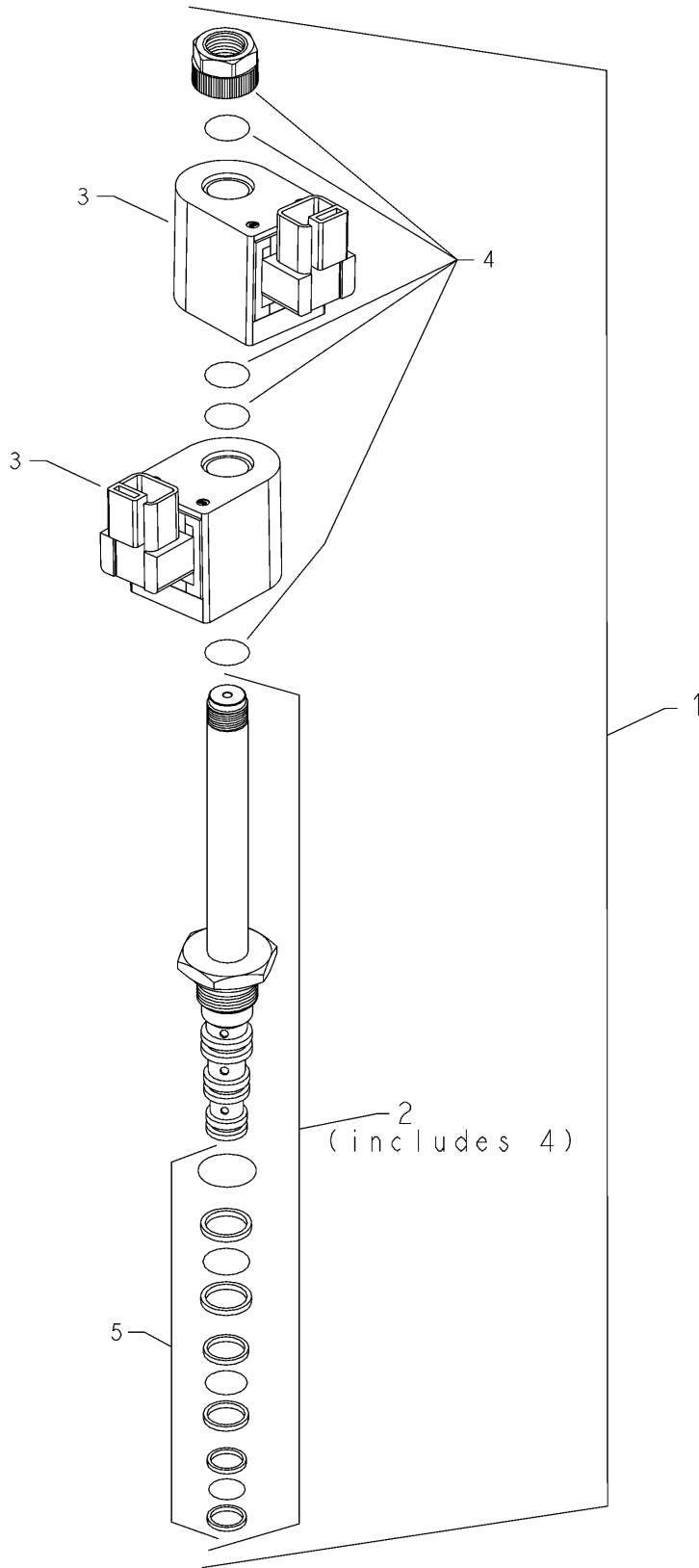
SOLENOID VALVE

REF	FN	PART NUMBER	YR/SN	QTY	DESCRIPTION
1		87758319		1	VALVE, SOLENOID, WITH COIL
2		87758999		1	VALVE, SOLENOID
3		87758997		2	COIL
4		{87758998}		1	
5		87472227		1	KIT, SEALS, SOLENOID VALVE

3330

SOLENOID VALVE

6



SOLENOID VALVE

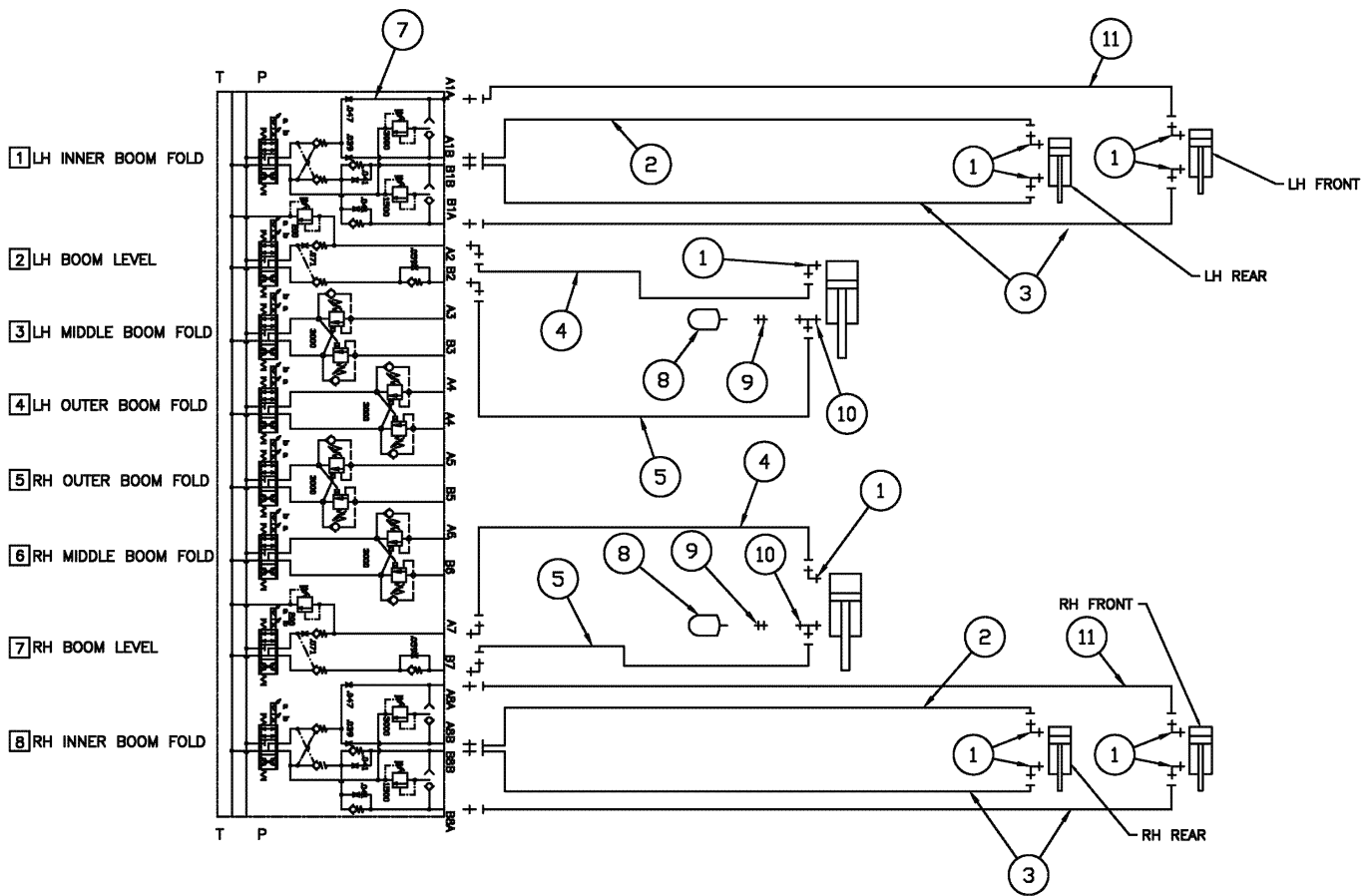
REF	FN	PART NUMBER	YR/SN	QTY	DESCRIPTION
1		87758335		1	VALVE, SOLENOID, WITH COIL
2		87758996		1	VALVE, SOLENOID
3		87758994		2	COIL
4		87758995		1	RETAINER, NUT, COIL
5		87472228		1	KIT, SEALS, SOLENOID VALVE

6

	3330
--	-------------

INNER BOOM HYDRAULIC GROUP, 120'

6



INNER BOOM HYDRAULIC GROUP, 120'

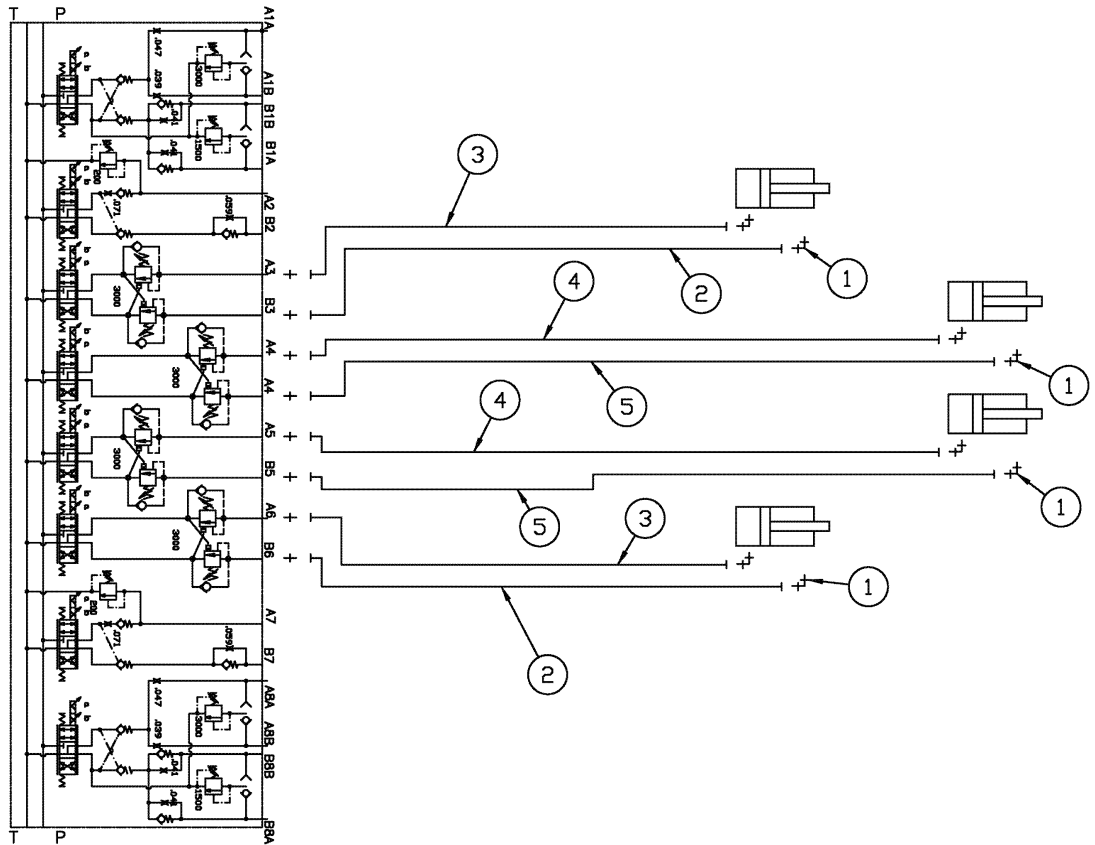
REF	FN	PART NUMBER	YR/SN	QTY	DESCRIPTION
1		BN302553		10	ELBOW, 6MOR-6MBX90
2		342591A1		2	HOSE ASSY., -6 X 40
3		BN320874		4	HOSE ASSY., -6 X 64
4		BN307875		2	HOSE ASSY.
5		BN307872		2	HOSE ASSY.
6		86980419		2	BOLT, M12-1.75 X 120, HH, 8.8, DOR
7		87749947		2	VALVE, 8-BANK, WITH FITTINGS
8		87585943		1	ACCUMULATOR
9		BN314785		2	CONNECTION, SWIVEL, PARK6 F65OL-S
10		BN302583		2	FITTING, 6MOR-6MOR-6MBX
11		BN317622		2	HOSE ASSY., -6 X 59

3330

OUTER BOOM HYDRAULIC GROUP, 120'

6

- 1 LH INNER BOOM FOLD
- 2 LH BOOM LEVEL
- 3 LH MIDDLE BOOM FOLD
- 4 LH OUTER BOOM FOLD
- 5 RH OUTER BOOM FOLD
- 6 RH MIDDLE BOOM FOLD
- 7 RH BOOM LEVEL
- 8 RH INNER BOOM FOLD



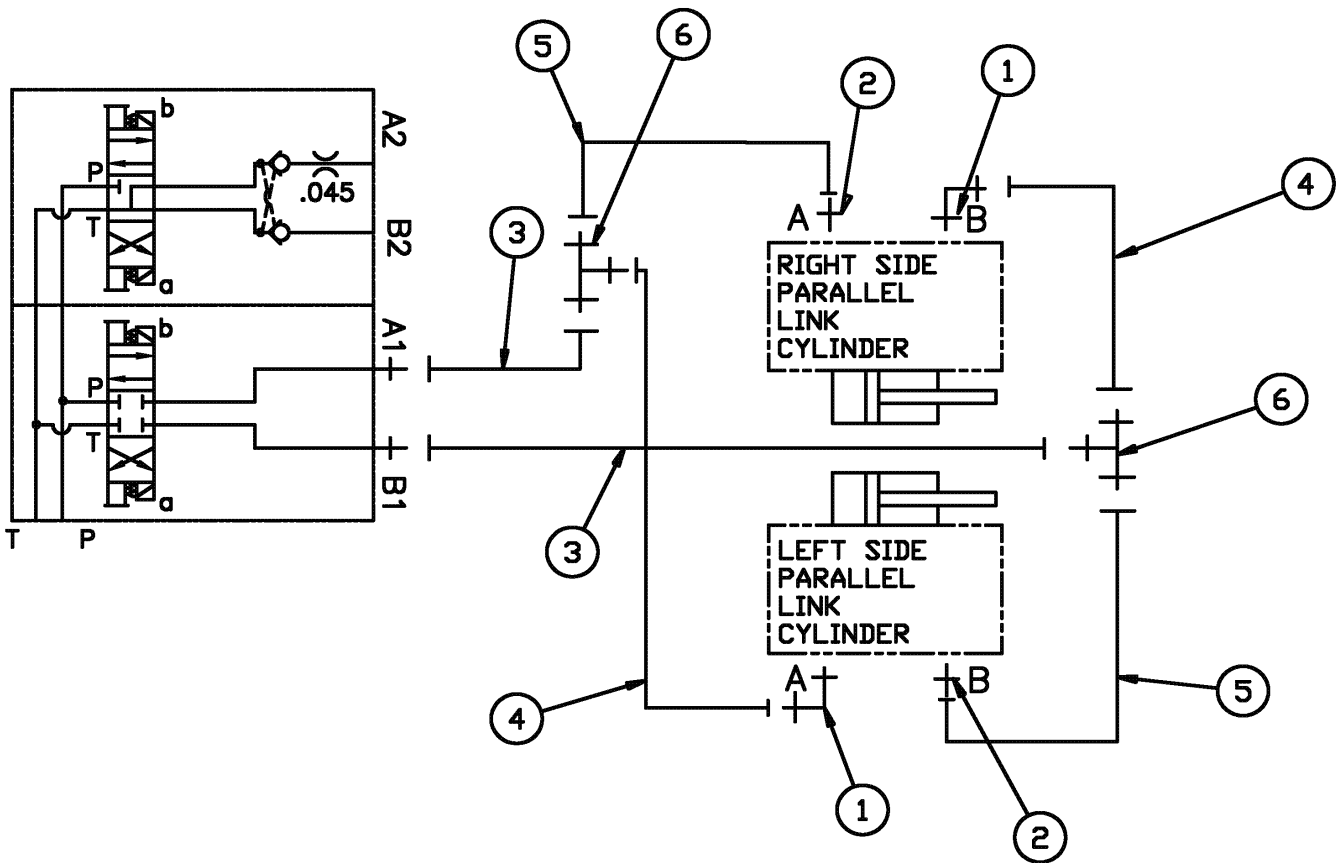
OUTER BOOM HYDRAULIC GROUP, 120'

REF	FN	PART NUMBER	YR/SN	QTY	DESCRIPTION
1		BN302554		8	FITTING, 6MOR-8MBX90
2		{87600247}		2	-6 X 8382 MM
3		{87600246}		2	-6 X 7874 MM
4		87471716		2	HOSE, HYDRAULIC, -6 X13843 MM
5		87471717		2	HOSE, HYDRAULIC, -6 X 14351 MM

	3330
--	-------------

HITCH HYDRAULIC GROUP, 120'

6



HITCH HYDRAULIC GROUP, 120'

REF	FN	PART NUMBER	YR/SN	QTY	DESCRIPTION
1		BN302553		2	ELBOW, 6MOR-6MBX90
2		BN302646		2	FITTING, 6MOR-6MB
3		BN313336		2	HOSE, -6 X 30"
4		86986082		2	HOSE, -6 X 50"
5		BN313337		2	HOSE, -6 X 50"
6		BN302512		2	FITTING, 6MOR-6MOR-6MOR

	3330
--	-------------

SECTION INDEX

Cylinders

07-001	STEERING CYLINDER
07-002	AXLE ADJUST CYLINDER
07-003	BOOM LEVEL CYLINDER
07-004	BOOM LEVEL CYLINDER, 120' BOOM
07-005	INNER BOOM FOLD CYLINDER, REAR
07-006	INNER BOOM FOLD CYLINDER, FRONT
07-007	INNER BOOM FOLD CYLINDER, 120' BOOM
07-008	OUTER BOOM FOLD CYLINDER
07-010	FRONT LADDER FOLD CYLINDER
07-011	SUSPENSION CYLINDER
07-012	CYLINDER GROUP, PARALLEL LINKS
07-013	BOOM HEIGHT CYLINDER
07-014	MID BOOM FOLD CYLINDER

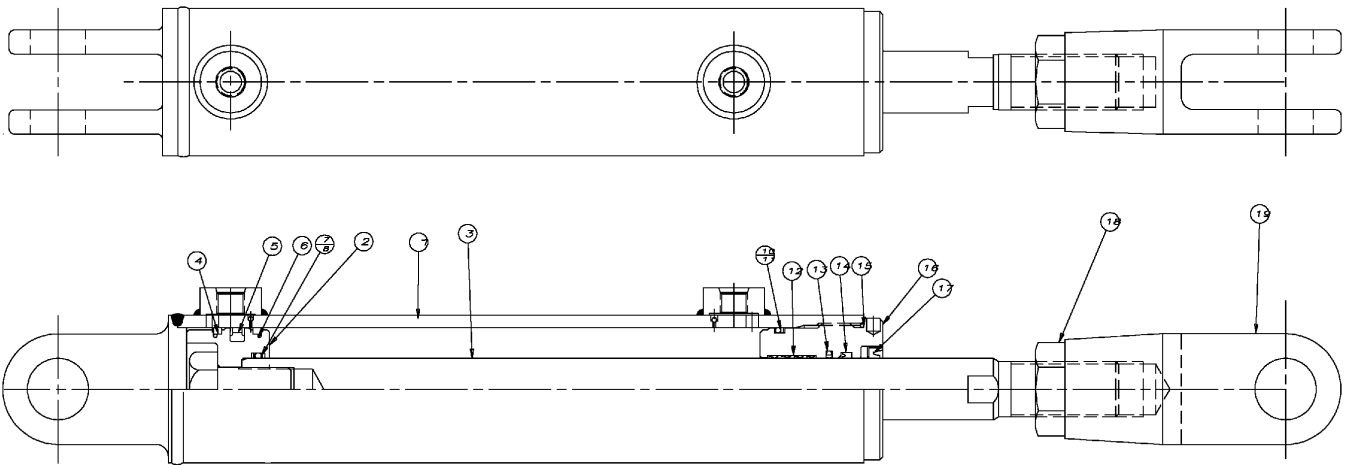
07-001

p1

11/08

STEERING CYLINDER

7



STEERING CYLINDER

REF	FN	PART NUMBER	YR/SN	QTY	DESCRIPTION
1		87266308		1	CYLINDER, CASE
2		86986242		1	PLUNGER, PISTON
3		BN324210		1	SHAFT
4		86986284		2	RING, WEAR, 2.500 B X .16W
5		86986286		1	PISTON, SEAL
6		238-5034		2	O-RING, -034, 70 Duro, 2.114" ID x .070" Thk, BUNA
7		238-5218		1	O-RING, -218, 70 Duro, 1.234" ID x .139" Thk
8		86986285		2	RING, BACK-UP
9		86986241		1	SCREW, CAP, NOT SHOWN
10		238-5228		1	O-RING, -228, 70 Duro, 2.234" ID x .139" Thk
11		G109297		1	BACK-UP RING, ARP 228 PLOY
12		86986281		1	STOP, WEAR RING, 1.25" ROD
13		86986282		1	RING, STEP SEAL, 1.25" ROD
14		86986283		1	SHANK, U-CUP, 1.25" ROD
15		238-5141		1	O-RING, -141, 90 Duro, 2.3" ID x .103" Thk
16		86986280		1	SCRAPER, GLAND
17		D95141		1	WIPER
18		86986240		1	NUT, JAM
19		87266309		1	EYE, CLEVIS
	1	BN324211		1	KIT, SEALS

(1) ASSOCIATED PART OF CLEVIS, P/N 872663098

3330

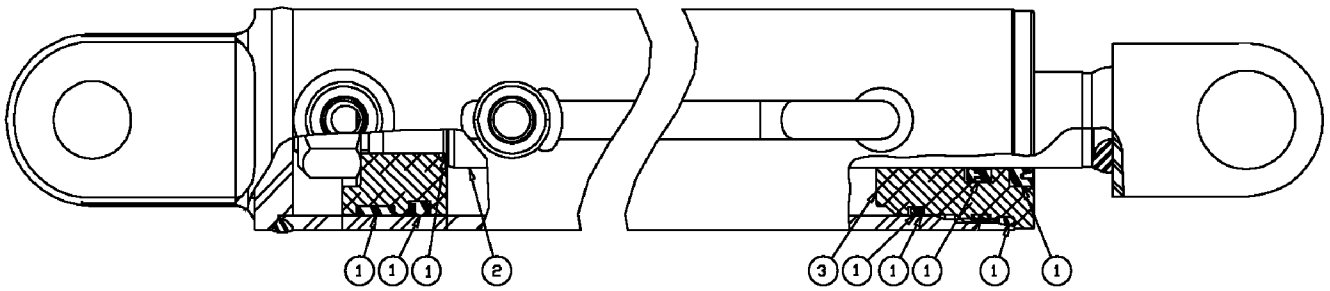
07-002

p1

11/08

AXLE ADJUST CYLINDER

7



AXLE ADJUST CYLINDER						
-----------------------------	--	--	--	--	--	--

REF	FN	PART NUMBER	YR/SN	QTY	DESCRIPTION	
1		87266795		1	SEAL	
2		87267923		1	ROD, WELDMENT	

	3330
--	-------------

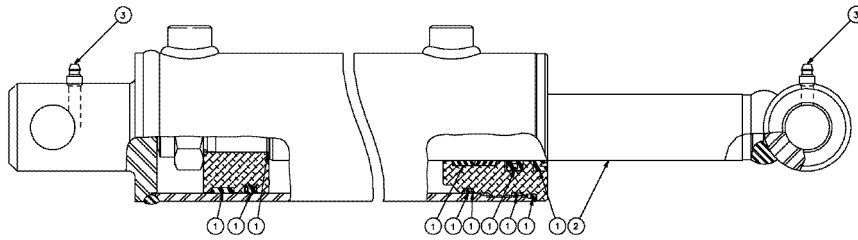
07-003

p1

11/08

BOOM LEVEL CYLINDER

7



07-003

p1

11/08

BOOM LEVEL CYLINDER

REF	FN	PART NUMBER	YR/SN	QTY	DESCRIPTION
1		87270349		1	KIT, SEAL, CYL
2		87270350		1	ROD, WELD'T, CYL
3		BN302051		2	NIPPLE, LUBE, 8MM X 1 STR

7

3330

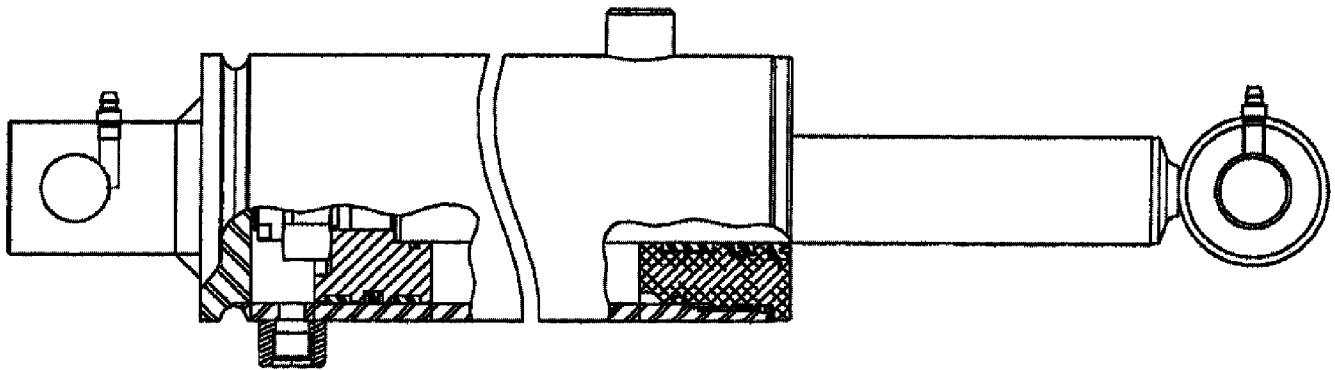
07-004

p1

12/08

BOOM LEVEL CYLINDER, 120' BOOM

7



BOOM LEVEL CYLINDER, 120' BOOM

REF	FN	PART NUMBER	YR/SN	QTY	DESCRIPTION
		87622033		1	KIT, SEALS, CYL
		87622034		1	ROD, WLDM'T, CYL
		BN302051		2	NIPPLE, LUBE, FITTING, 8MM X 1 STR

	3330
--	-------------

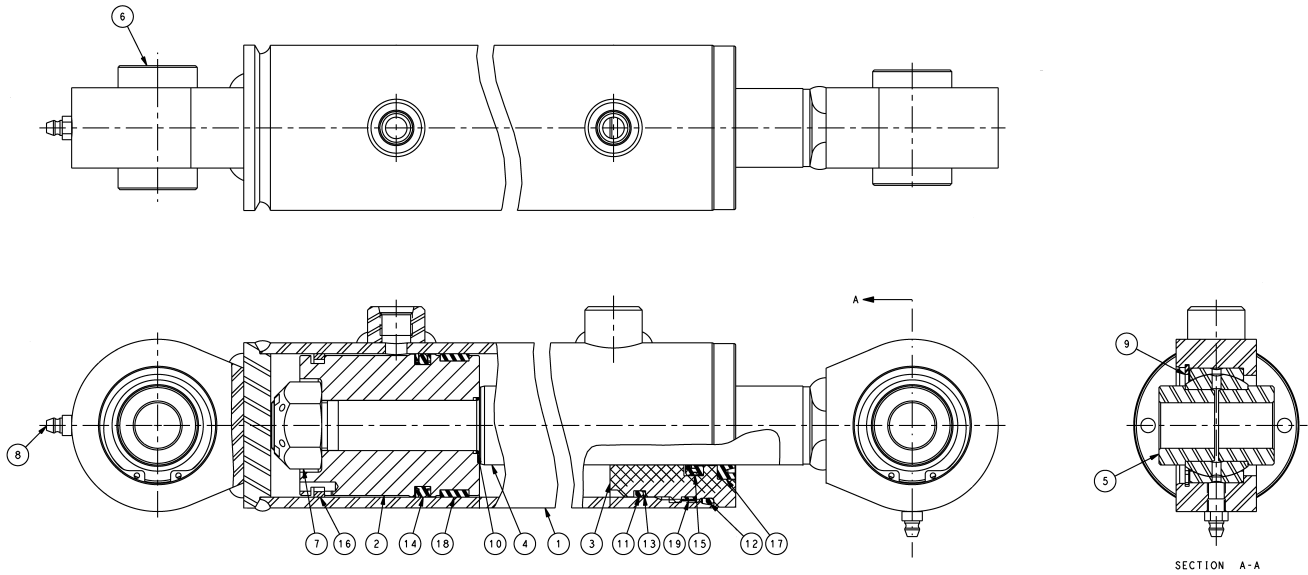
07-005

p1

12/08

INNER BOOM FOLD CYLINDER, REAR

7



INNER BOOM FOLD CYLINDER, REAR

REF	FN	PART NUMBER	YR/SN	QTY	DESCRIPTION
4		87746974		1	ROD, WELDMENT
5		87746972		1	BEARING ASSY, SPHERICAL
	1	87269921			SPACER, CYL, ROD END
	2	87266307			BEARING, SPHERICAL, CYL
6		87746971		1	BEARING ASSY, SPHERICAL
	3	87269922			SPACER, CYL, BLIND END
	4	87266307			BEARING, SPHERICAL, CYL
10-19		87746975		1	KIT, SEALS, 2.50 X 1.38

- (1) SERVICE PARTS FOR REF. 5
- (2) SERVICE PARTS FOR REF. 5
- (3) SERVICE PARTS FOR REF. 6
- (4) SERVICE PARTS FOR REF. 6

3330

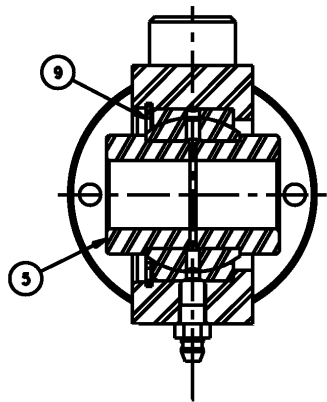
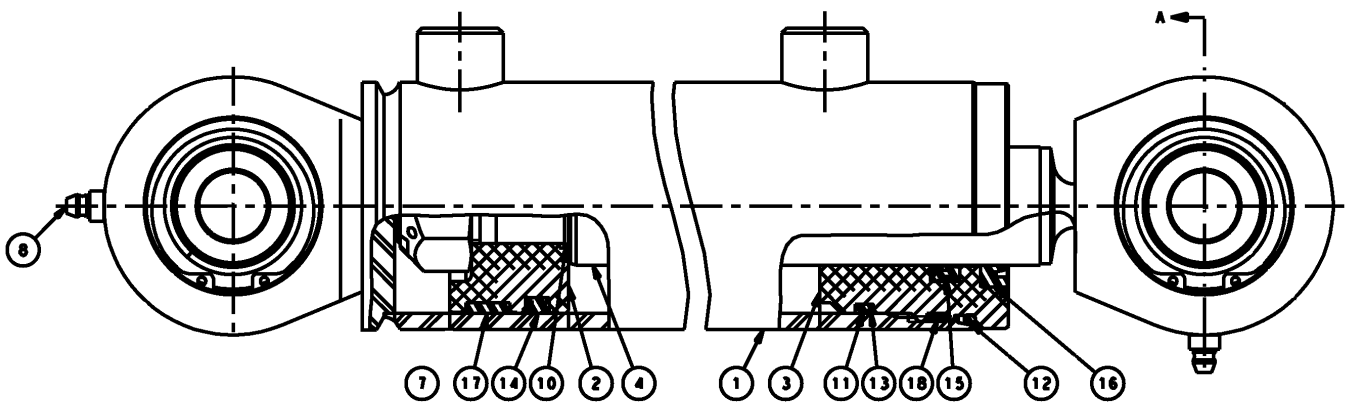
07-006

p1

12/08

INNER BOOM FOLD CYLINDER, FRONT

7



SECTION A-A

07-006

p1

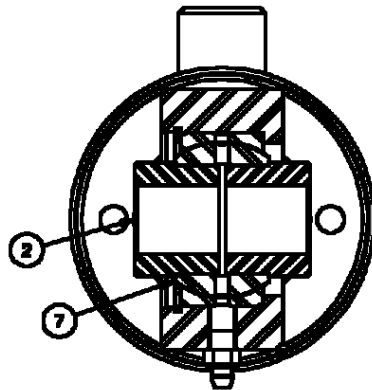
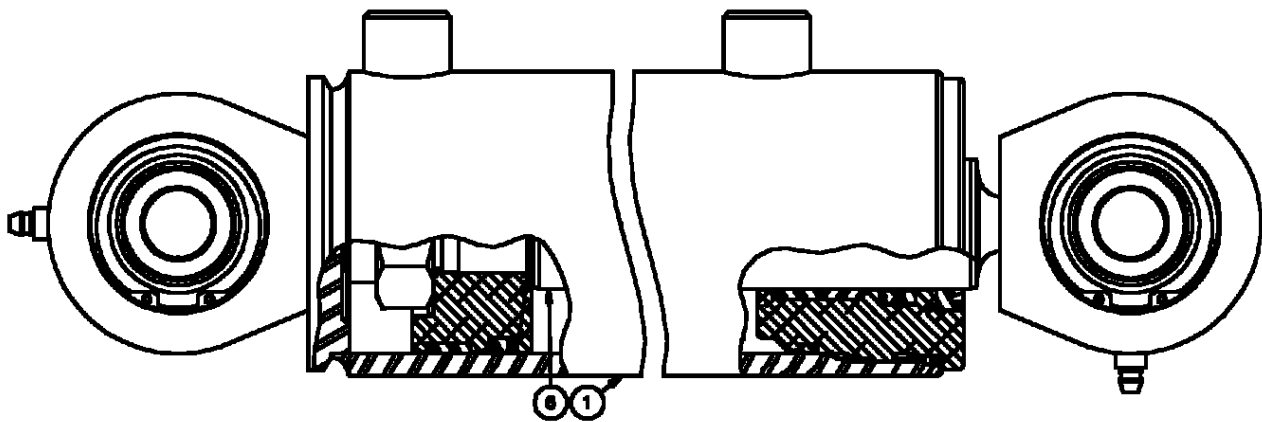
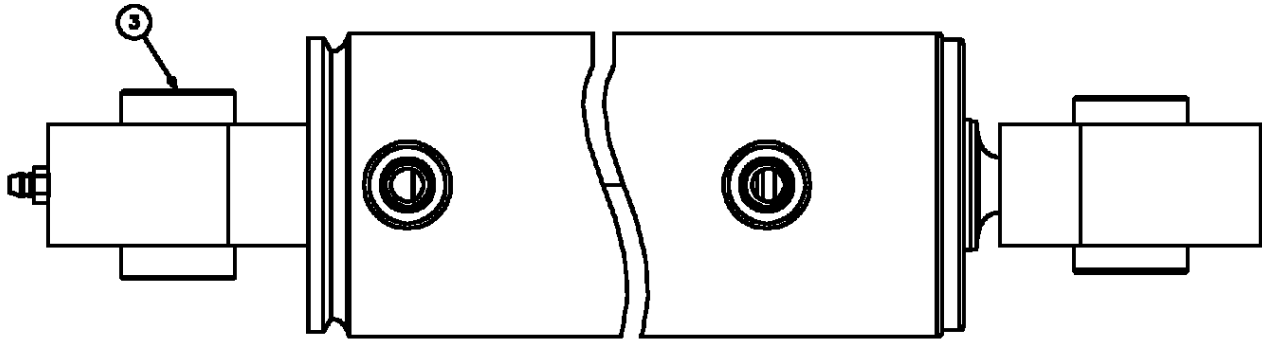
12/08

INNER BOOM FOLD CYLINDER, FRONT

REF	FN	PART NUMBER	YR/SN	QTY	DESCRIPTION
1		87267940		1	SEAL, Kit, 1.375" X 2.50"
2		84143345		1	JACK PISTON, 2.50 BORE
4		87267943		1	ROD, Weldment
5		87746972		1	BEARING ASSY, SPHERICAL
6		87746971		1	BEARING ASSY, SPHERICAL
10-18		87267940		1	SEAL, KIT, 1.375 X 2.50

3330

INNER BOOM FOLD CYLINDER, 120' BOOM



INNER BOOM FOLD CYLINDER, 120' BOOM

REF	FN	PART NUMBER	YR/SN	QTY	DESCRIPTION
1		87270349		1	KIT, SEAL, CYL. #87266461/235
2		87269921		2	SPACER, CYL, ROD END
3		87269922		2	SPACER, CYL, BLIND END
6		87272767		1	ROD, CONNECTING, WLDM'T, CYL87272004
7		87266307		2	BEARING, SPHERICAL, CYL

7

	3330
--	-------------

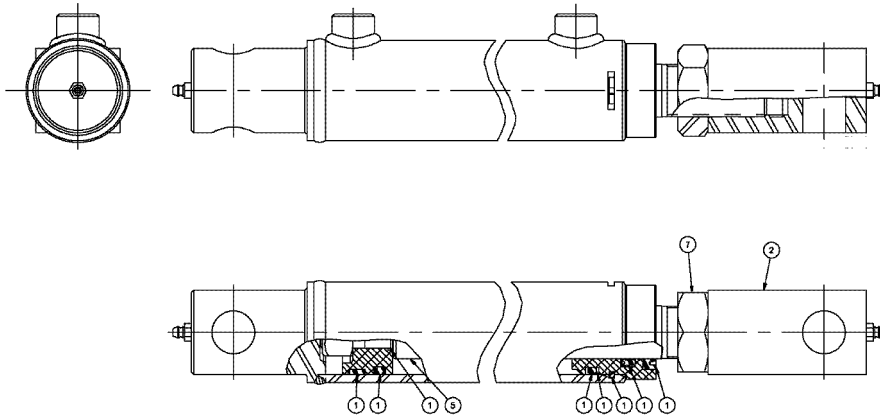
07-008

p1

12/08

OUTER BOOM FOLD CYLINDER

7



OUTER BOOM FOLD CYLINDER

REF	FN	PART NUMBER	YR/SN	QTY	DESCRIPTION
1		87267938		1	SEAL, 1.25" X 2.00"
2		87269923		1	ROD, END, CYL
5		87267941		1	ROD, THREADED
7		BN2294429		1	NUT, JAM 1-1/4 12NF

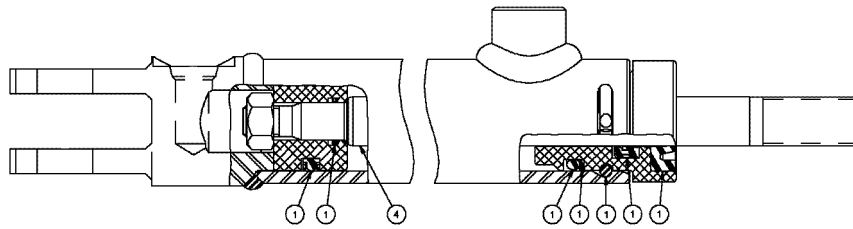
07-010

p1

11/08

FRONT LADDER FOLD CYLINDER

7



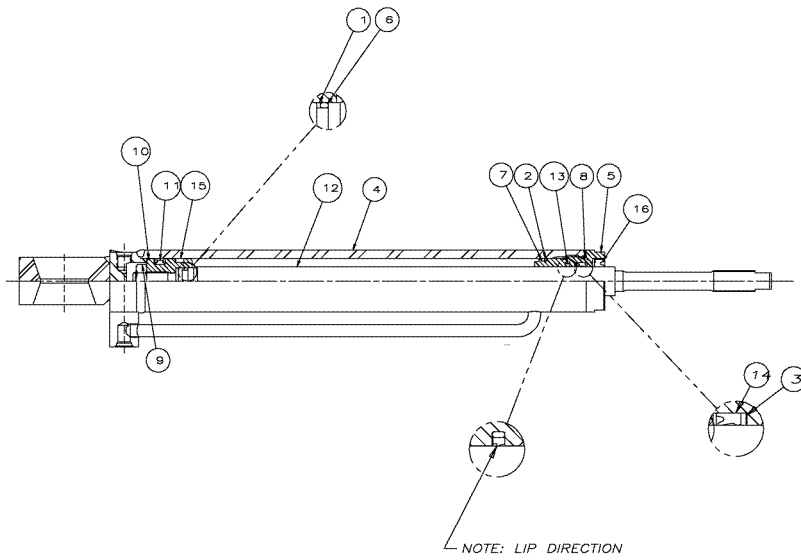
FRONT LADDER FOLD CYLINDER

REF	FN	PART NUMBER	YR/SN	QTY	DESCRIPTION
1		87268691		1	KIT, SEALS, 1" (ITEMS 6 - 12)
4		87268695		1	ROD, CYLINDER

	3330
--	-------------

SUSPENSION CYLINDER

7



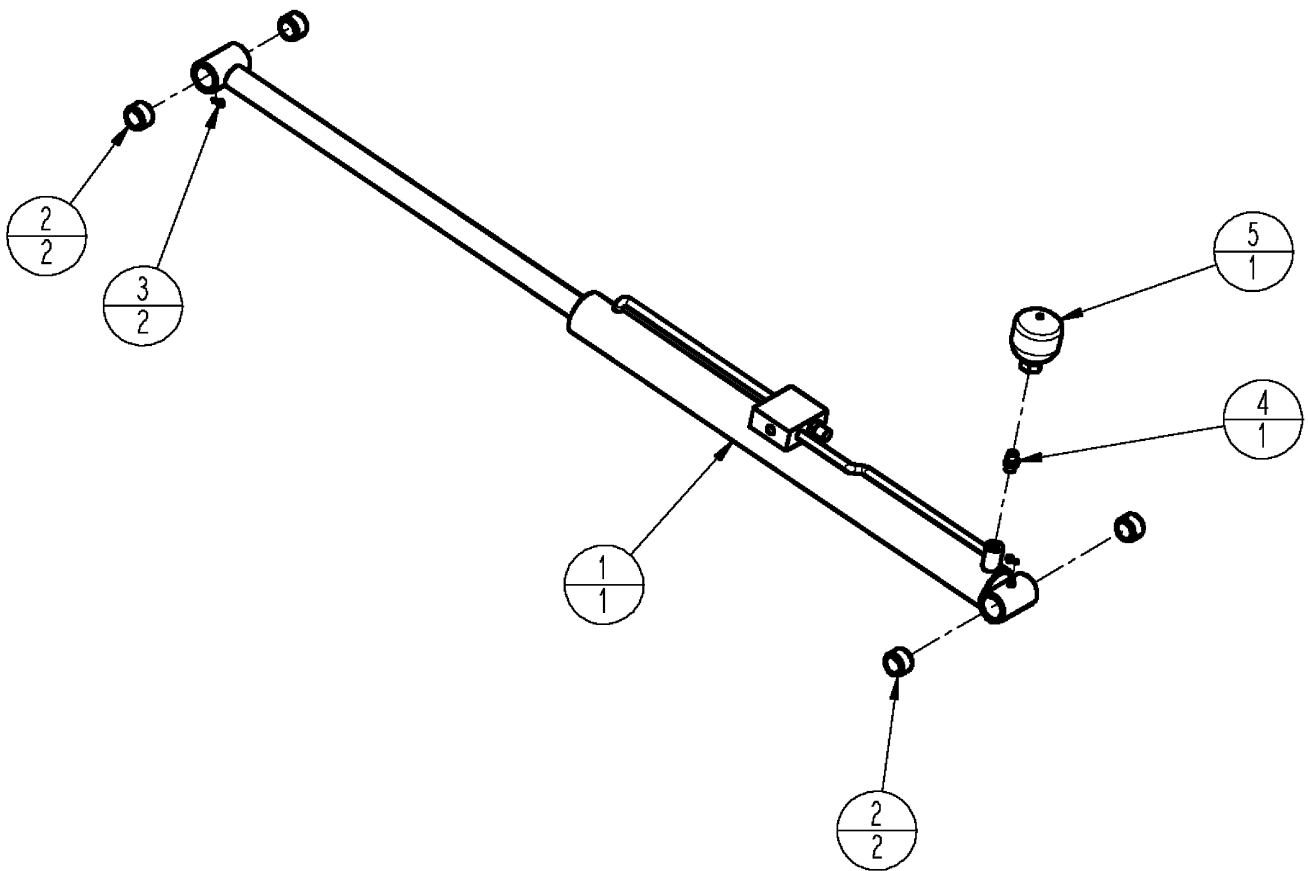
SUSPENSION CYLINDER

REF	FN	PART NUMBER	YR/SN	QTY	DESCRIPTION
		86986214		1	SEAL
1		86986190		1	RING, BACK-UP
2		86986191		1	RING, BACK-UP
3		86986290		1	RING, BACK-UP
4		86986208		1	CYLINDER, CASE
5		86986192		1	RING, GLAND
6		238-5114		1	O-RING, -114, 70 Duro, .612" ID x .103" Thk
7		238-6123		1	O-RING, -123, 90 Duro, 1.174" ID x .103" Thk
8		238-6125		1	O-RING, -125, 90 Duro, 1.237" ID x .103" Thk
9		86986193		1	NUT, JAM
10		86986194		1	PLUNGER, PISTON
11		86986195		1	PISTON, SEAL
12		86986196		1	AXLE, SHAFT
13		86986197		1	RING, STEP SEAL
14		86986205		1	SEAL, ROD
15		86986206		1	RING, WEAR
16		86986207		1	SEAL, OIL

3330

CYLINDER GROUP, PARALLEL LINKS

7



CYLINDER GROUP, PARALLEL LINKS

REF	FN	PART NUMBER	YR/SN	QTY	DESCRIPTION
1		87267726		1	CYLINDER, HYD, 2.5 X 28.5 X 1.5, SEE FIG. 07-013
2		87271483		4	BUSHING, SPRING
3		BN69951		2	CAP, GREASE
4		BN313038		1	FITTING, 6MB 6MB
5		87267325		1	ACCUMULATOR, 10 CU. 825 PSI

3330

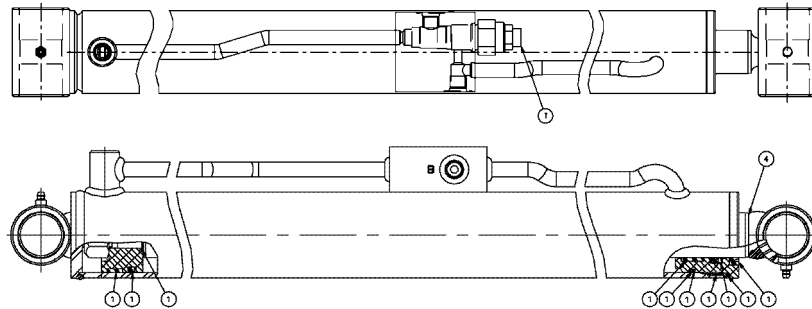
07-013

p1

11/08

BOOM HEIGHT CYLINDER

7



07-013

p1

11/08

BOOM HEIGHT CYLINDER

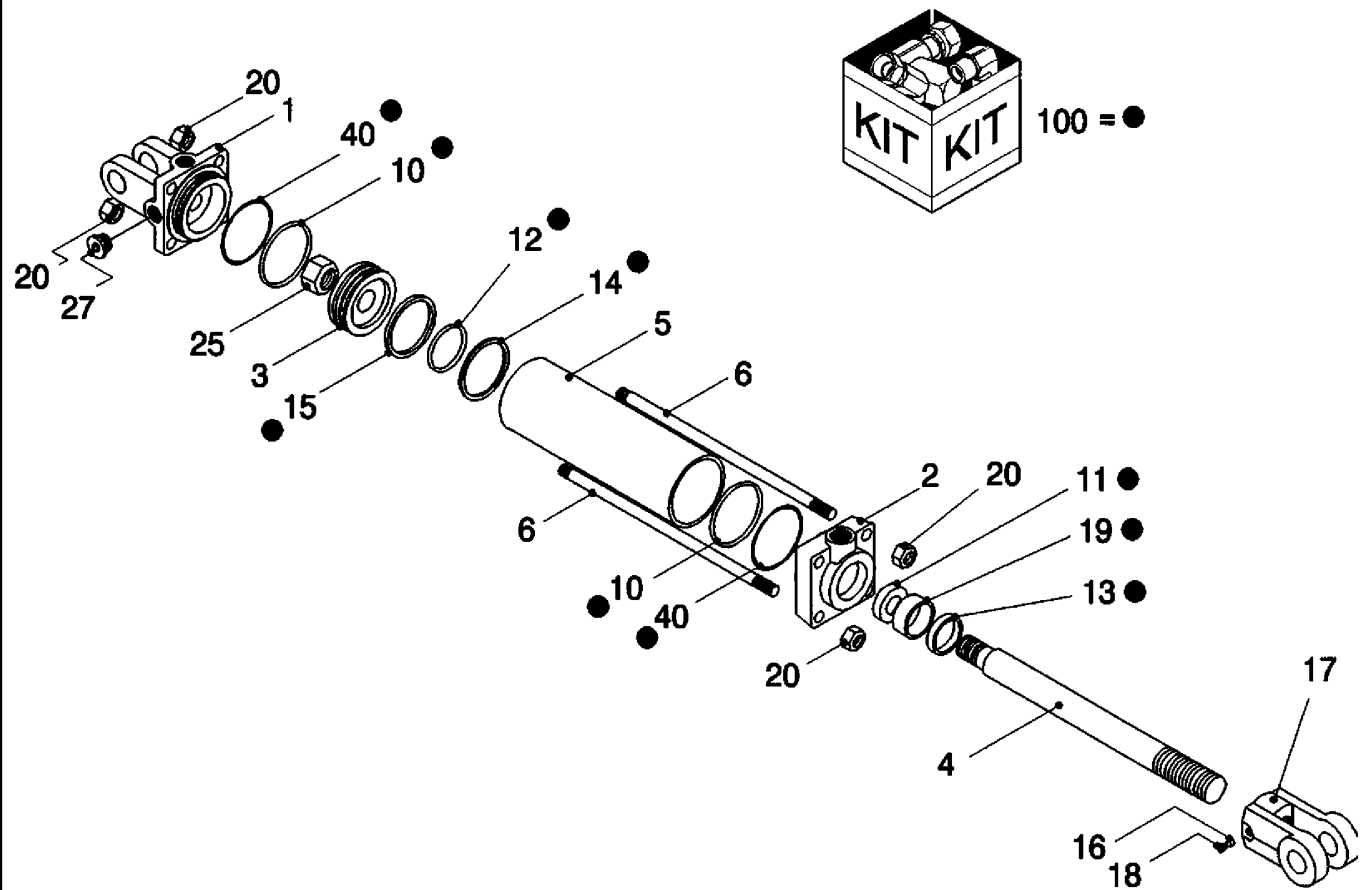
REF	FN	PART NUMBER	YR/SN	QTY	DESCRIPTION
1		87267939		1	SEAL, KIT, 1.50" X 2.50"
1		87270805		1	ROD, WELDMENT
7		87557834		1	VALVE, HYDRAULIC, C BALANCE 2200 PSI

7

3330

MID BOOM FOLD CYLINDER

7



MID BOOM FOLD CYLINDER

REF	FN	PART NUMBER	YR/SN	QTY	DESCRIPTION
1		87409430		4	HEAD, CYLINDER BASE
2		87409417		1	HEAD, CYLINDER FRONT
3		87548069		1	PISTON, CYL 3.5
4		87548067		1	SHAFT, CYL 1.5 X 20.9
6		87409492		4	TIE-ROD, THREADED, BOLT, HYD CYLINDER TIE
17		87409387		1	CLEVIS, CYLINDER ROD
18		83-1388		1	SET SCREW, Hex Soc, 3/8"-16 x 1/2", USE 87314803
20		25-1110		8	NUT, 5/8"-18, G5, HEX FINE TH
25		232-46316		1	NUT, LOCK, 1"-14, GC, REPLACE BY 87314800
27		86590562		1	PLUG, Hex Soc, 3/4"-16 ORB
100		87409039		1	KIT, SEALS, HYD CYL

3330

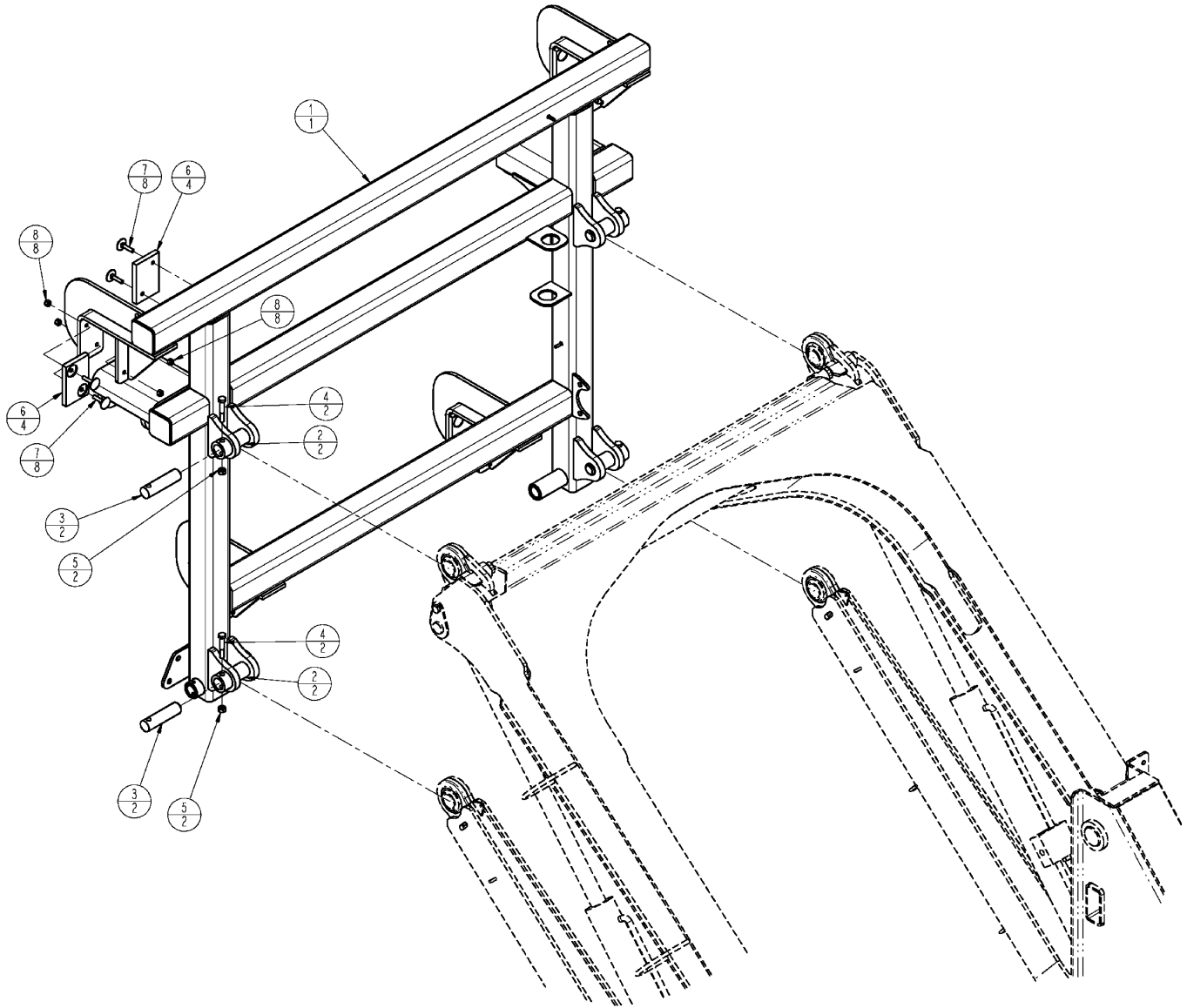
SECTION INDEX

Booms

08-002	PACKAGE, MAST, 120' BOOM
08-003	CENTER SECTION MOUNTING
08-004	CENTER SECTION MOUNTING, 120' BOOM
08-005	BOOM HITCH
08-006	STABILIZER SHOCKS GROUP
08-007	LINKAGE GROUP, BOOMS
08-008	MAST PIVOT ASSEMBLY
08-009	PIVOT ASSEMBLY, CENTER SECTION
08-010	WING, LEFT GROUP, 60' BOOM
08-011	WING, RIGHT GROUP, 60' BOOM
08-012	INNER BOOM MOUNTING, LH, 120' BOOM
08-013	INNER BOOM MOUNTING, RH, 120' BOOM
08-014	OUTER BOOM ASSEMBLY, LH, 90'
08-015	OUTER BOOM ASSEMBLY, RH, 90'
08-016	100' OUTER BOOM ASSEMBLY, LH
08-017	100' OUTER BOOM ASSEMBLY, RH
08-018	60-90' BOOM BREAKAWAY ASSEMBLY
08-019	BOOM BREAKAWAY ASSEMBLY, 100'
08-020	100' BOOM BREAKAWAY ASSEMBLY
08-021	BOOM BREAKAWAY ASSEMBLY, 120' BOOM
08-022	HINGE GROUP, OUTER TIPS
08-023	HINGE GROUP, 120' BOOM
08-024	OUTER CRADLE ASSEMBLY
08-025	PROTECTORS, INNER BOOM
08-026	SKID GROUP, LEFT
08-027	SKID GROUP, RIGHT
08-028	GUARD TIP GROUP
08-029	LIGHT GROUP, CENTER SECTION
08-030	LIGHT GROUP, CENTER SECTION, 120'
08-031	BOOM, BREAKAWAY ASSEMBLY, 90' BEGINNING 11/2008

PACKAGE, MAST, 120' BOOM

8



08-002

p1

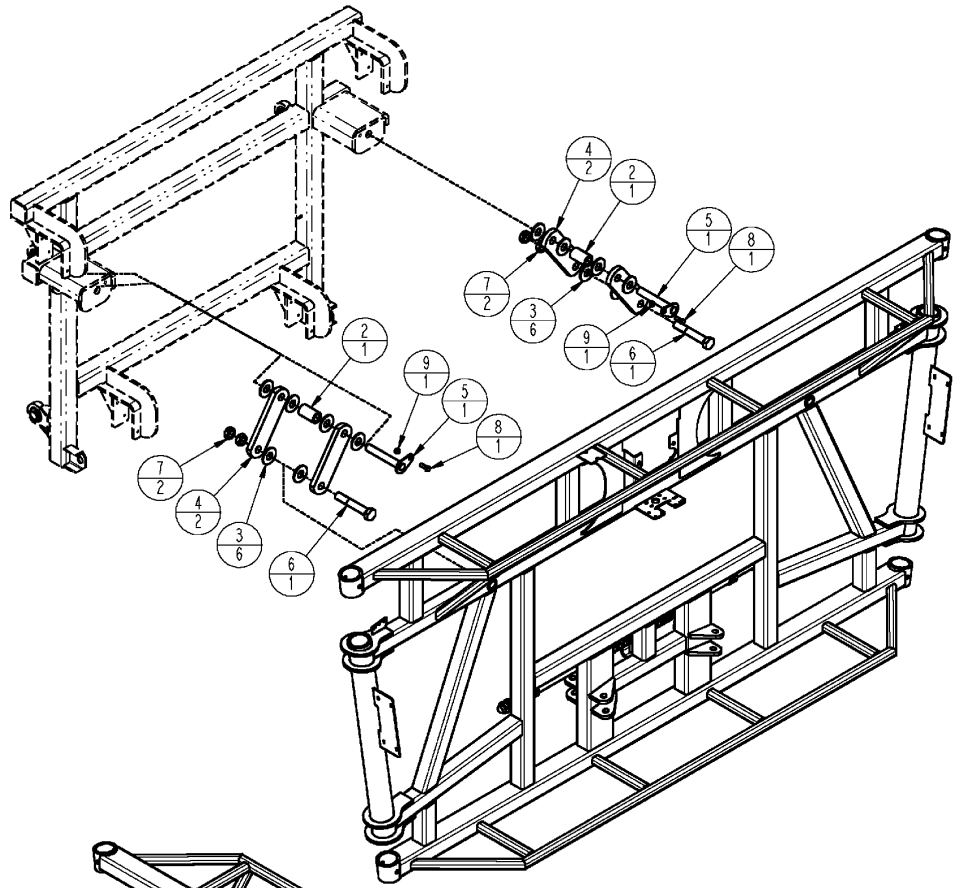
10/08

PACKAGE, MAST, 120' BOOM

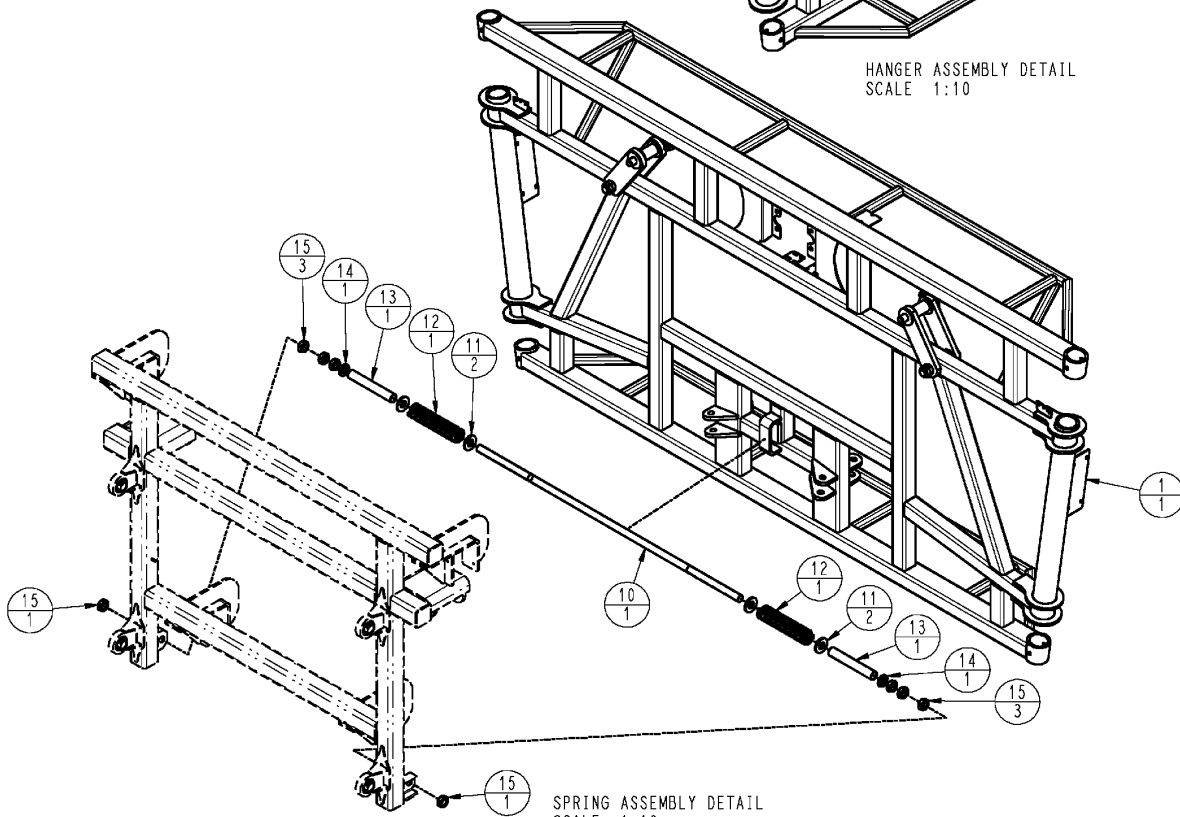
REF	FN	PART NUMBER	YR/SN	QTY	DESCRIPTION
1		87492632		1	MAST ASSEMBLY, 120' BOOM
2		47123096		4	BUSHING, LOWER LINK PIN
3		BN307221		4	PIN, 1.125 OD X 4.38
4		86980406		4	BOLT, M10 X 60 CL8.8 DOR
5		86980515		4	NUT, LOCK, M10 x 1.5, CI 8
6		BN306777		8	PAD, BOOM SLIDE
7		BN50930		16	BOLT, 5/16-18 X 1.5, EH--DOR
8		87343959		16	NUT, PREV TORQUE 5/16 GR B DOR DIRECT

3330

CENTER SECTION MOUNTING



HANGER ASSEMBLY DETAIL
SCALE 1:10



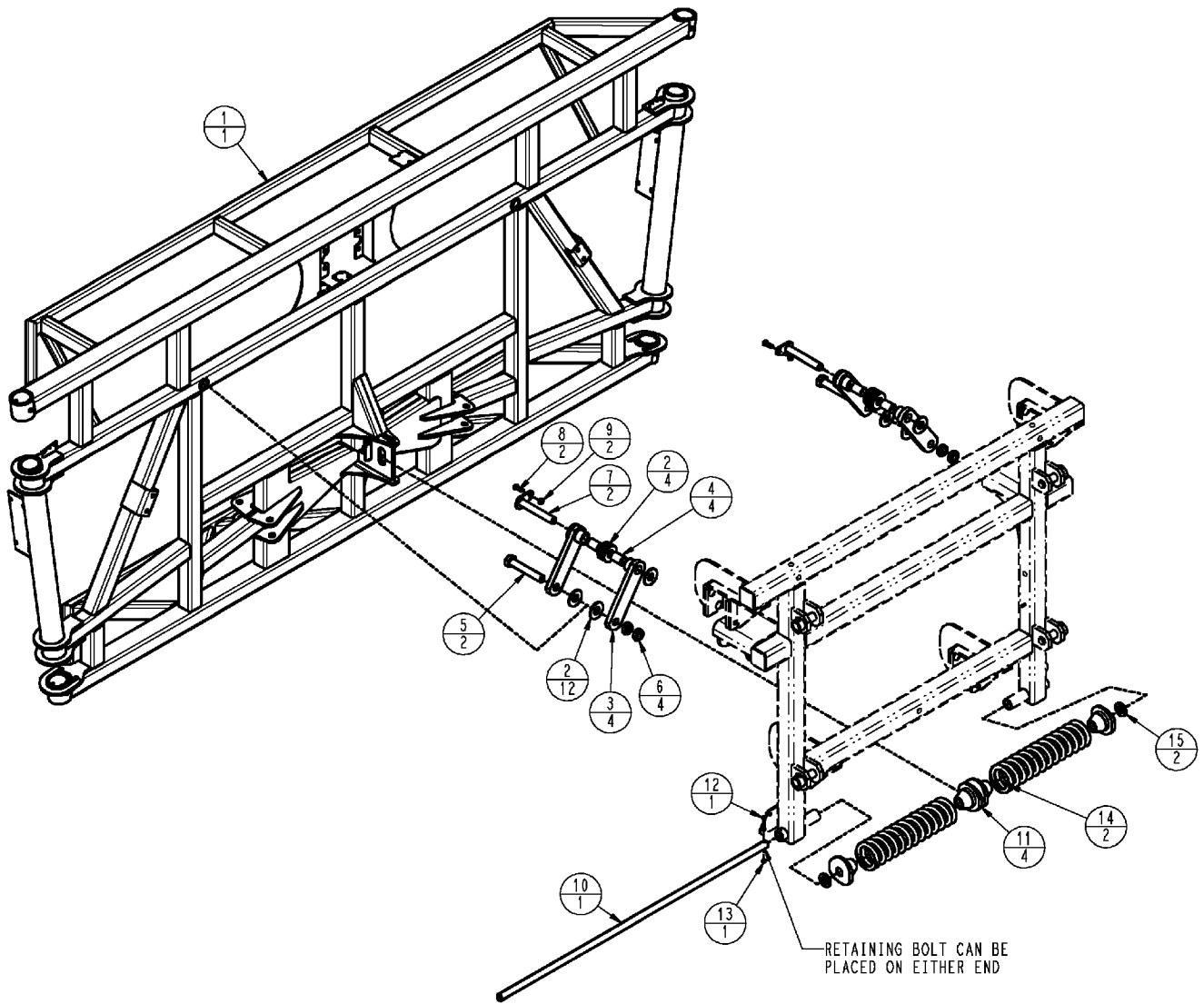
SPRING ASSEMBLY DETAIL
SCALE 1:10

CENTER SECTION MOUNTING

REF	FN	PART NUMBER	YR/SN	QTY	DESCRIPTION
1		87272748		1	FRAMEWORK, CENTER SECTION WLDMT
2		BN308003		2	BUSHING, HANGER
3		87529124		12	WASHER, 1.062 X 2.50 X .16
4		BN29505		4	HANGER, 3/4 x 3 HRFB x 10.50
5		BN306785		2	PIN, WELDMENT
6		87310330		2	SCREW, BOLT, 1-14 X 6 GR5 DOR
7		87310319		4	NUT, JAM 1-14 GRADE 8 DOR
8		86980401		2	BOLT, M10 1.5 X 30, HH, 8.8, DO
10		BN306783		1	SHAFT, THREADED 1"
11		896-16024		4	WASHER, M24 x 56.5 x 6, HT, 26 X 56 X 6 MM P
12		BN27328		2	SPRING, SPRING 1.75 OD X 11 COMPR
13		BN306784		2	TUBE, RND SPACER 1.25 X 12G
14		87529311		2	WASHER, 26 X 44 X 5MM HDN
15		87343879		8	NUT, JAM 1-8 5
16		86980515		4	NUT, LOCK, M10 x 1.5, CI 8

3330

CENTER SECTION MOUNTING, 120' BOOM

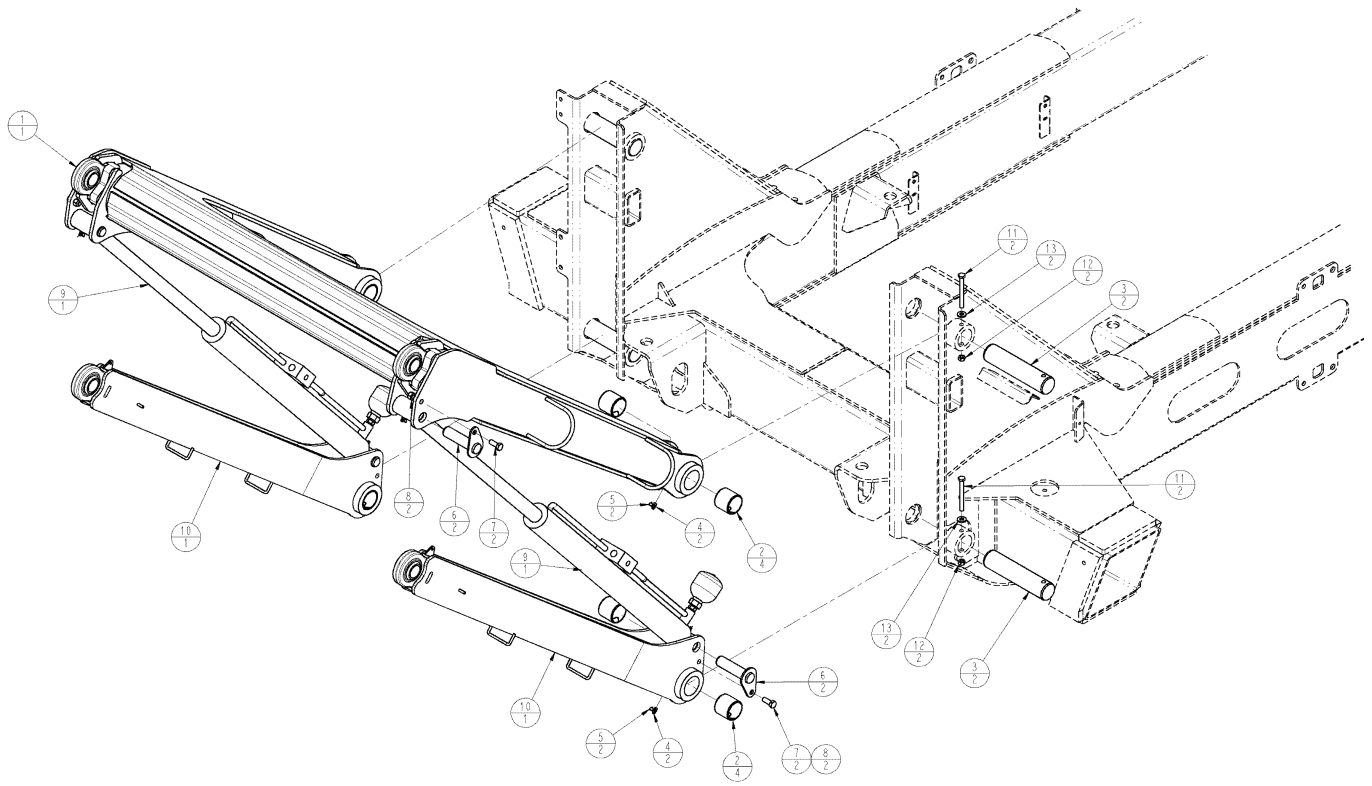


CENTER SECTION MOUNTING, 120' BOOM

REF	FN	PART NUMBER	YR/SN	QTY	DESCRIPTION
1		87537733		1	MAST ASSEMBLY, CENTER SECTION, WIDE
2		87529124		16	WASHER, 1.062 X 2.50 X .165 CST, DOR
3		87707145		4	HANGER, CENTER BOOM, WELDMENT
4		{87714127}		4	INSERT BUSHING
5		87310330		2	SCREW, BOLT, 1-14 X 6 GR5 DOR
6		87310319		4	NUT, JAM 1-14 GR 8 DOR
7		BN306785		2	PIN, WELDMENT
8		{87695423}		2	M10 X 30 FULL 10.9 DOR
9		87344003		2	NUT, P/T ALL MTL M10 10 DOR
10		{87543736}		1	SPRING RETAINER
11		{87536126}		4	SPRING
12		86980385		1	BOLT, M8-1.25 X 50, HH, 8.8, DOR
13		86980514		1	NUT, P/T ALL MTL M8 8 DOR
14		87700743		2	SPRING, COMPRESSION, BOOM
15		87529235		2	WASHER, 1.062 X 2.00 X .209 HDN DOR

3330

BOOM HITCH



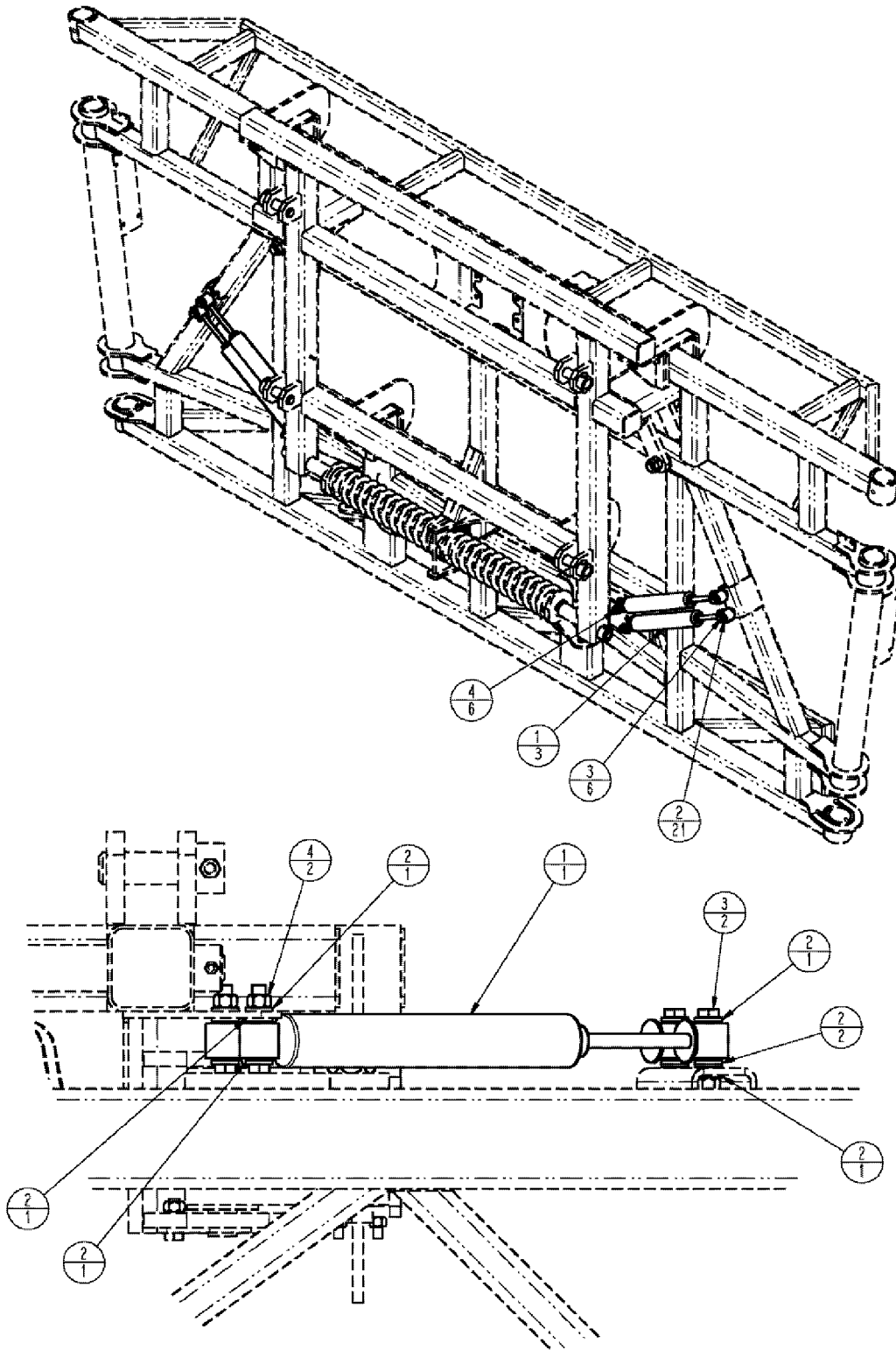
BOOM HITCH

REF	FN	PART NUMBER	YR/SN	QTY	DESCRIPTION
1		84158058		1	LINK, LIFT
2		BN321132		8	BUSHING
3		87267199		4	PIN
4		BN302051		4	NIPPLE, LUBE
5		BN69951		4	CAP
6		87271475		4	PIN
7		86980420		4	BOLT
8		86980516		4	NUT
9		{87268686}		2	CYL GROUP, PARALLEL LINK, SEE FIG. 07-012
10		84158059		2	LINK, LIFT
11		87341848		4	BOLT
12		86980515		4	NUT, LOCK, M10 x 1.5, CI 8
13		87529312		4	WASHER

3330

STABILIZER SHOCKS GROUP

8



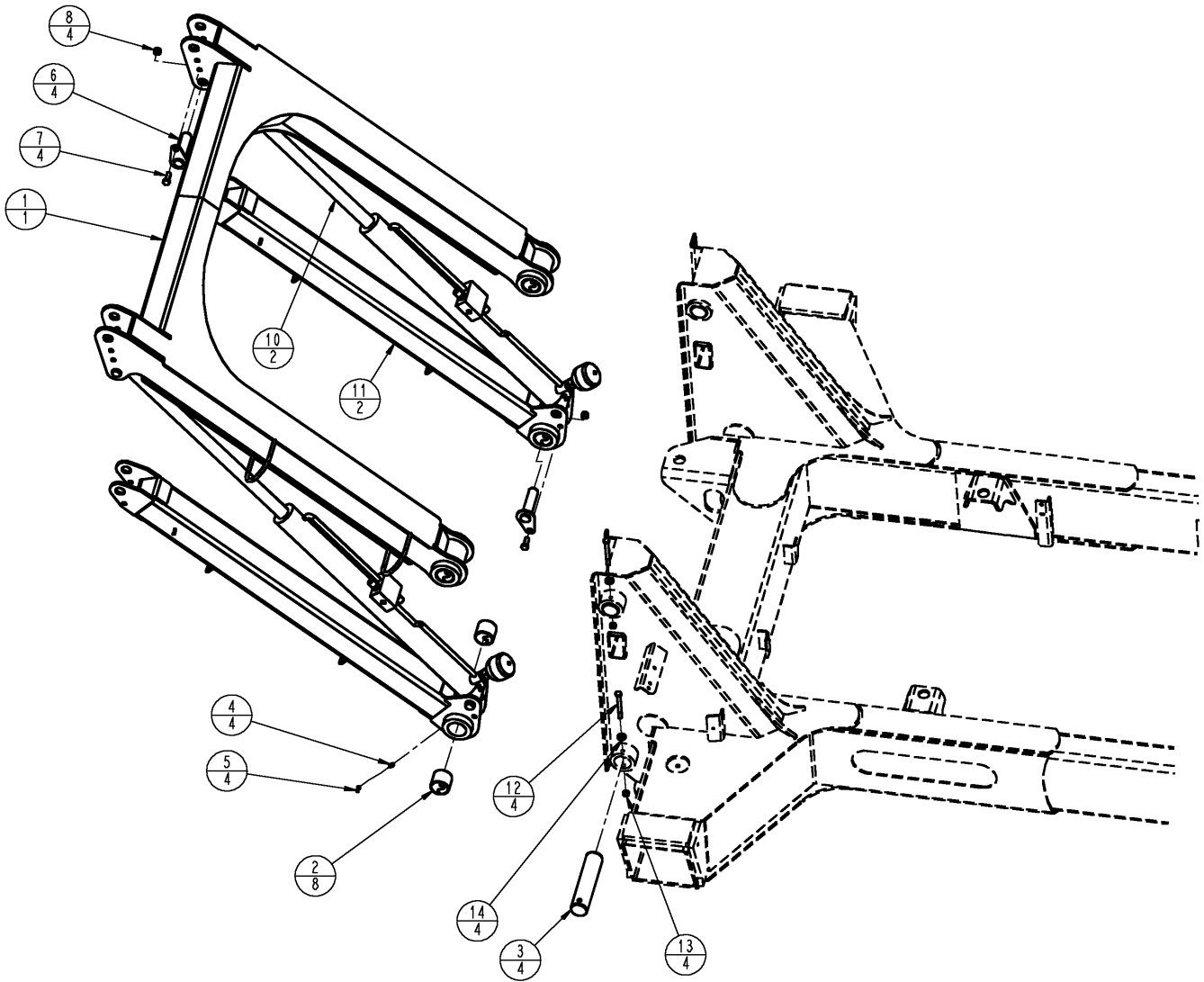
SCALE 1:3
BOTTOM VIEW OF CENTER SECTION

STABILIZER SHOCKS GROUP

REF	FN	PART NUMBER	YR/SN	QTY	DESCRIPTION
1		87632215		4	SHOCK ABSORBER, STEERING STABILIZER
2		86981496		28	WASHER, M13.5 x 24.5 x 3, HT
3		86980427		8	BOLT, M12-1.75 X 70, HH, 8.8, D
4		86980516		8	NUT, P/T ALL MTL M12 8 DO

	3330
--	-------------

LINKAGE GROUP, BOOMS



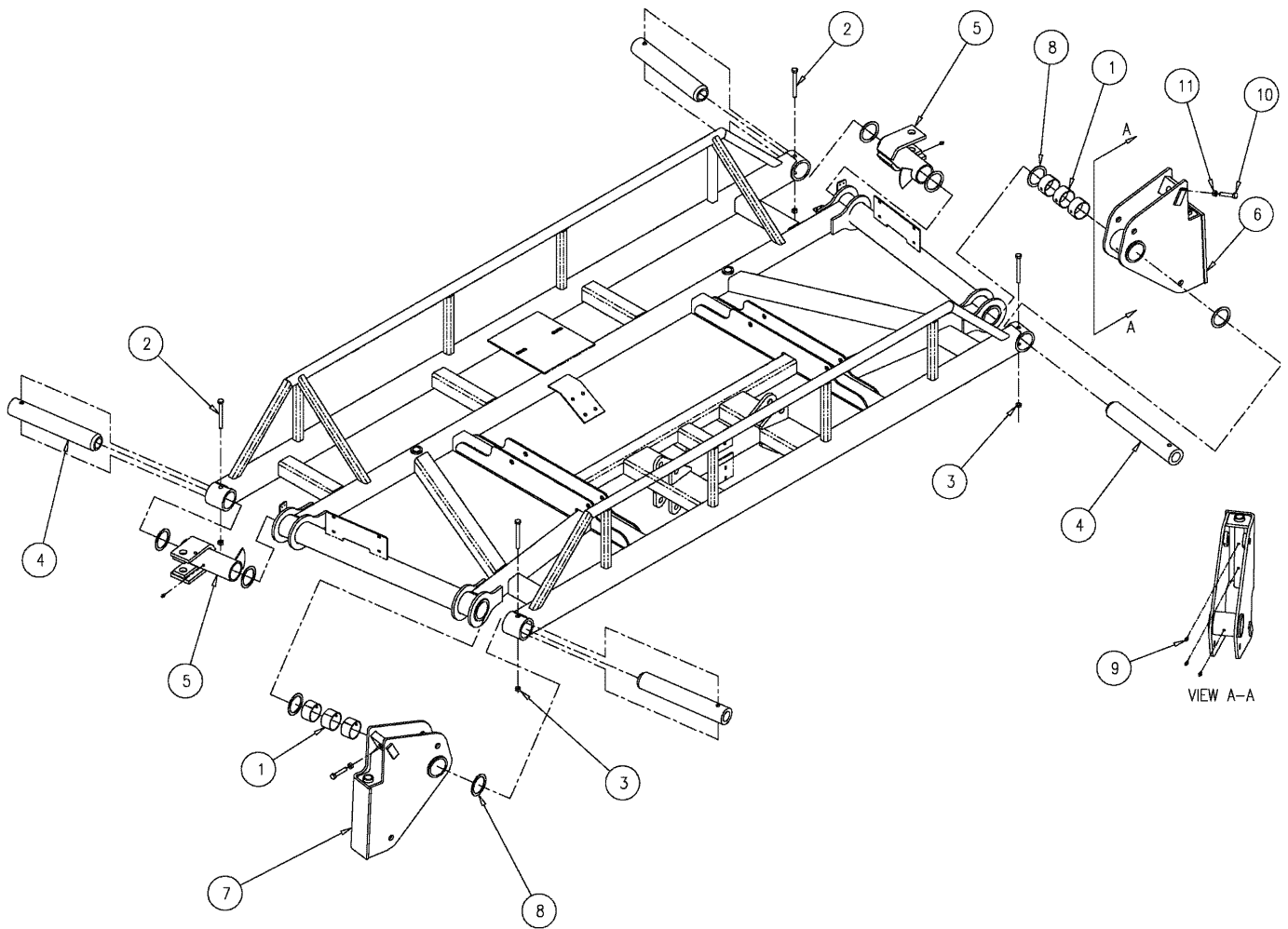
LINKAGE GROUP, BOOMS

REF	FN	PART NUMBER	YR/SN	QTY	DESCRIPTION
1		87267188		1	LINK, UPPER, WLD
2		BN321132		8	BUSHING, SPRING
3		87267199		4	PIN, PARA-LINKS
4		BN302051		4	NIPPLE, LUBE, 8MM X 1 STR
5		BN69951		4	CAP, GREASE
6		87271475		4	PIN, WELDMENT, LINKAGE
7		86980420		4	BOLT, M12 1.75 X 30, HH, 8.8, D
8		86980516		4	NUT, M12 CL8 P/T ALL META
10		{87268686}		2	PARA-LINKS, SEE FIG. 07-012
11		87270799		2	SWEEP, LOWER LINK WA
12		87341848		4	BOLT, M10 1.5 X 90, HH, 8.8, DO
13		86980515		4	NUT, LOCK, M10 x 1.5, CI 8
14		87529312		4	WASHER, 11 X 24 X 3MM HDN DOR

3330

MAST PIVOT ASSEMBLY

8



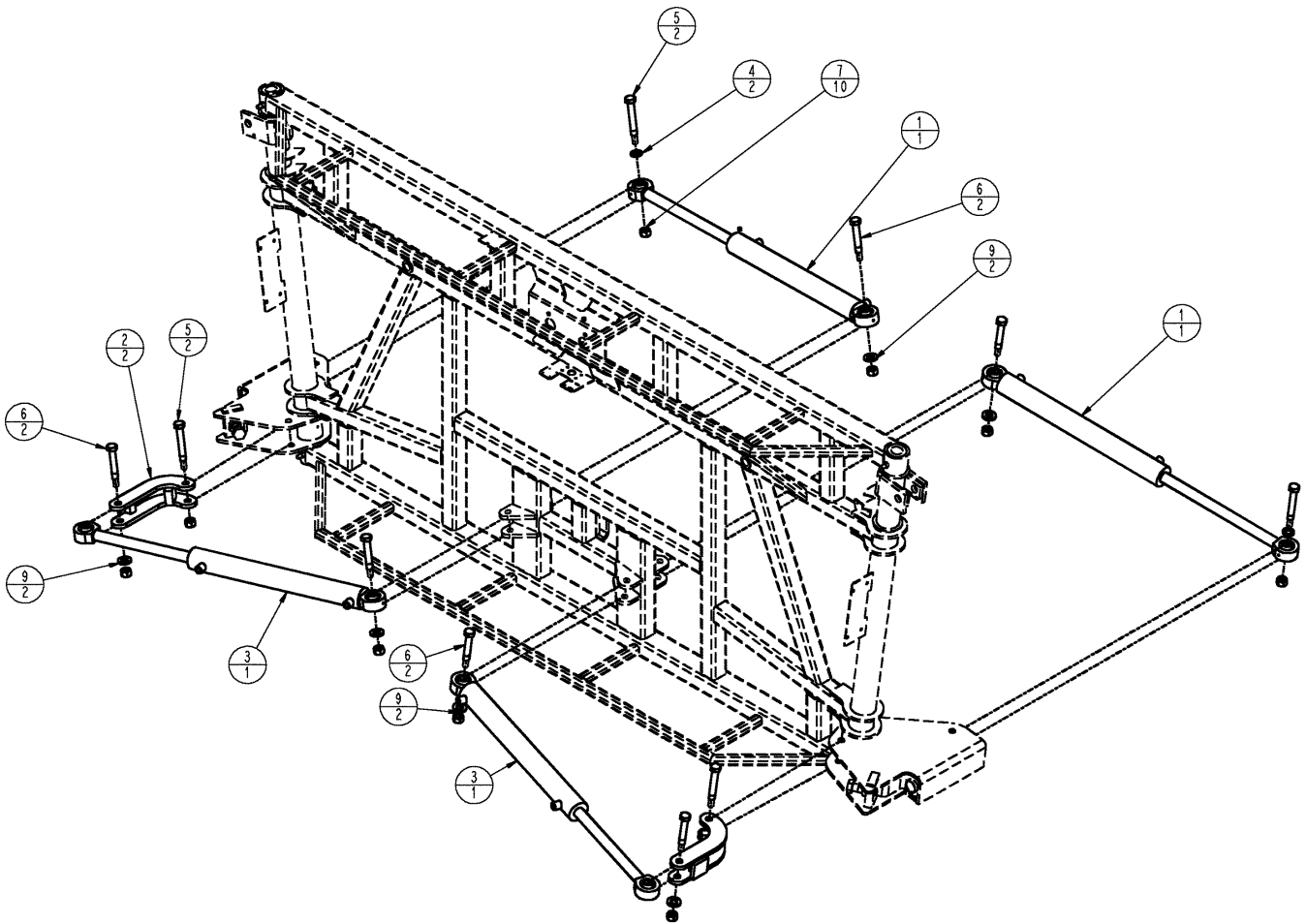
MAST PIVOT ASSEMBLY

REF	FN	PART NUMBER	YR/SN	QTY	DESCRIPTION
1		BN306666		2	MOUNTING PARTS, WELDMENT, CYL. MOUNT
2		87268416		1	PIVOT, INNER LH
3		87268417		1	PIVOT, INNER RH
4		87552137		6	BEARING COVER, BEARING, SLEEVE LOWER
5		BN306646		4	TUBE, RND INNER PIVOT
6		BN302048		8	SHIM, BUSHING, MACH.WIDE, 2.5ID X 14GA
7		87644287		2	BOLT, HEX HD, 1-14 X 3.00 GR8 DOR
8		87310319		2	NUT, HEX JAM, 1-14UNF GR8 DOR
9		{86980431}		4	HEX HD, M12 X 110 CL8.8 DOR
10		86980516		4	NUT, PREV TRQ, METAL M12 CL8 DOR
11		BN302051		6	NIPPLE, LUBE, 1/8-27 DRYSEAL PTF
12		331-37		AR	SPARE PART, FLUID, 1 LB LITHIUM #2 GREASE
13		BN307971		AR	SEALANT, THREAD
14		{B17243}		AR	THREAD, 50 ML LOCTITE 271

3330

PIVOT ASSEMBLY, CENTER SECTION

8

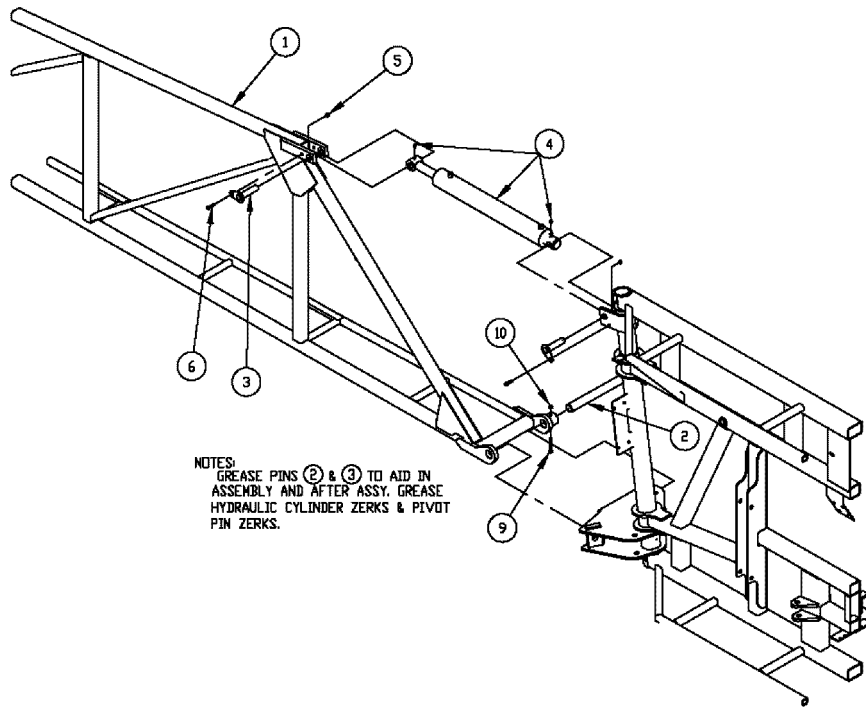


PIVOT ASSEMBLY, CENTER SECTION

REF	FN	PART NUMBER	YR/SN	QTY	DESCRIPTION
1		87272676		2	HYDRAULIC CYLINDER, 2.5 X 21.62 X 1.375, SEE FIG. 07-005
2		87272752		2	ARM, SUPPORTING, INNER BREAKAWAY
3		87266460		4	CYLINDER, HYD, 2.5 X 21.62 X 1.375, SEE FIG. 07-006
4		87529307		2	WASHER, 22 X 37 X 4MM HDN
5		BN310280		4	BOLT, M20 X 125 SHANK, CUTOFF
6		BN310279		6	BOLT, M20 X 108 SHANK, CUTOFF
7		86980518		10	NUT, M20 CL8 P/T ALL META
9		87310608		6	WASHER, 22 X 44 X 5MM HDN DOR

3330

WING, LEFT GROUP, 60' BOOM



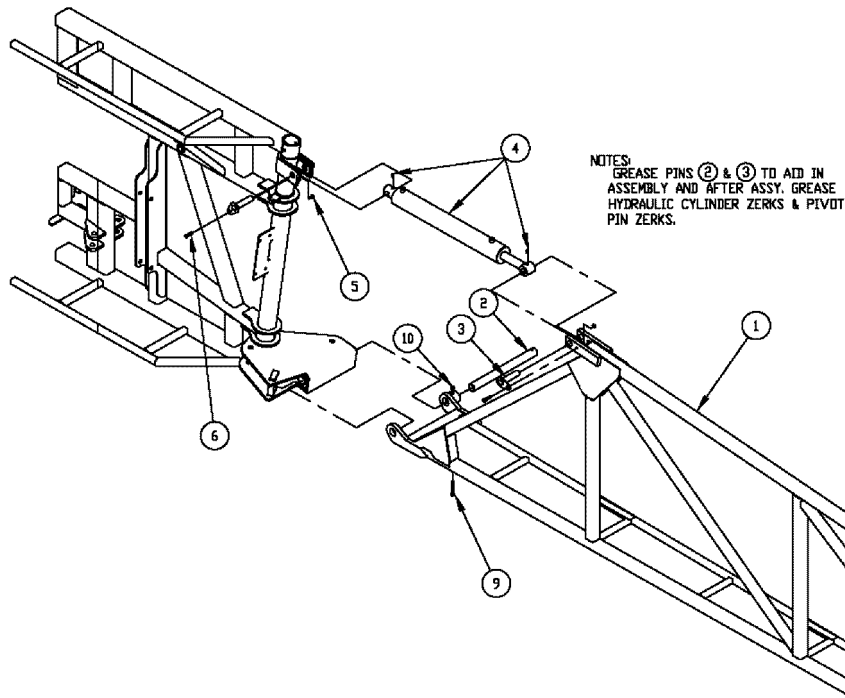
NOTES:
GREASE PINS ② & ③ TO AID IN
ASSEMBLY AND AFTER ASSY. GREASE
HYDRAULIC CYLINDER ZERKS & PIVOT
PIN ZERKS.

WING, LEFT GROUP, 60' BOOM

REF	FN	PART NUMBER	YR/SN	QTY	DESCRIPTION
1		BN326077		1	FRAME, Weldment, Inner Sec, LH
2		BN326079		1	PIN, BOOM PIVOT
3		BN305621		2	PIN, WELDMENT
4		87266461		1	CYLINDER ASSY., CYL HYD, 3.00 X 21 X 1.50, SEE FIG. 07-003
5		86980515		2	NUT, LOCK, M10 x 1.5, CI 8, P/T, ALL MTL M10 8 DOR
6		86980402		2	BOLT, M10 1.5 X 35, HH, 8.8, DOR REPL TYLER
8		331-37		AR	SPARE PART, LITHIUM 2 GREASE
9		87342784		1	BOLT, 3/8 X 3.5 DOR
10		87343970		1	NUT, PT 3/8-16 DIR B

3330

WING, RIGHT GROUP, 60' BOOM



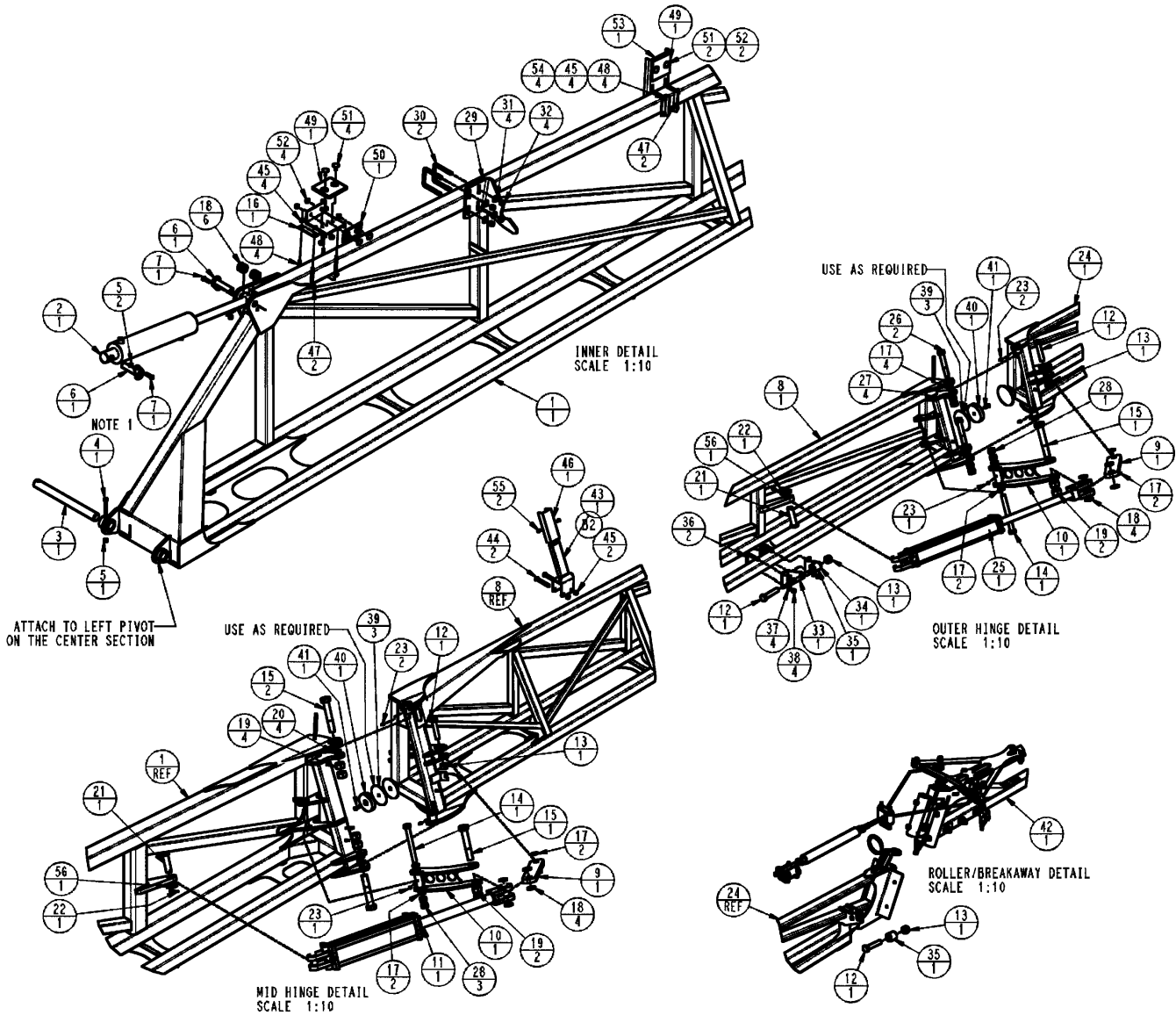
WING, RIGHT GROUP, 60' BOOM

REF	FN	PART NUMBER	YR/SN	QTY	DESCRIPTION
1		BN326099		1	FRAME, Weldment, Inner Sec, RH
2		BN326079		1	PIN, BOOM PIVOT
3		BN305621		2	PIN, WELDMENT
4		87266461		1	CYLINDER ASSY., HYD, 3.00 X 21 X 1.50, SEE FIG. 07-003
5		86980515		2	NUT, LOCK, M10 x 1.5, CI 8, P/T, ALL MTL 8 DOR
6		86980402		2	BOLT, M10 1.5 X 35, HH, 8.8, DOR REPL TYLER
8		331-37		AR	SPARE PART, LITHIUM 2 GREASE
9		87342784		1	BOLT, 3/8 X 3.5 DOR
10		{BN305606}		1	MTL, 3/8-16 GR B DOR

3330

INNER BOOM MOUNTING, LH, 120' BOOM

8



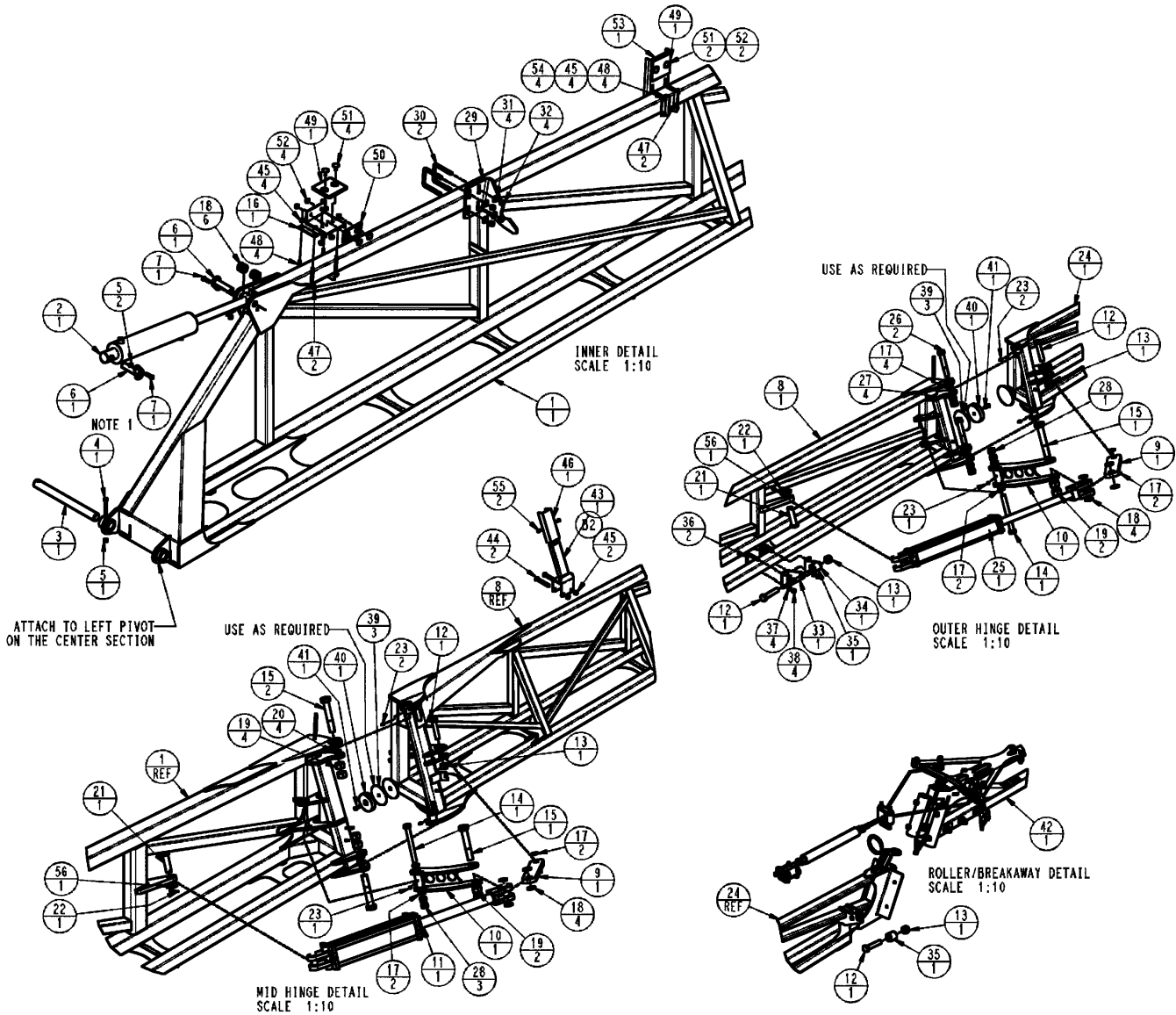
INNER BOOM MOUNTING, LH, 120' BOOM

REF	FN	PART NUMBER	YR/SN	QTY	DESCRIPTION
1		87397252		1	BOOM, EXTENSION, BOOM, INNER, LH
2		87566312		1	HYDRAULIC CYLINDER, HYD 3.50 X 14.50 X 1.62, SEE FIG. 07-004
3		BN326079		1	PIN, BOOM PIVOT
4		87698857		1	BOLT, M10 X 80 10.9 DOR
5		87344003		3	NUT, P/T ALL MTL M10 10 DOR
6		BN305621		2	PIN, WELDMENT
7		87315279		2	BOLT, Hex, M10 x 1.5 x 35, CI 10.9, Full Thd
8		87398605		1	BOOM, EXTENSION, MIDDLE LEFT WLDMT
9		84126408		1	ARM, SINGLE
10		84126409		2	ARM, DOUBLE
11		87446384		1	HYDRAULIC CYLINDER, 3.5 X 16 MON 3000 PSI SEE FIG. 07-014
12		87310194		4	BOLT, 3/4-10 X 3-1/2 GR5 DOR
13		87310323		4	NUT, PREV TORQ ALL MTL 3/4-10 GR B DOR
14		87564718		2	BOLT, 3/4-10 X 7 GRD 5 DOR
15		87698751		4	BOLT, 1-8 X 6 GRD 8 DOR
16		87666131		1	SUPPORT, WELDMENT, LH UPPER CRADLE
17		87564720		12	WASHER, .781 X 1.250 X .075 CST DOR
18		87564721		14	WASHER, 1.016 X 1.50 X .134 CST DOR
19		87343673		8	NUT, 1-8 GR 8 DOR
20		87564722		4	WASHER, 1.016 X 1.50 X .075 CST DOR
21		87735776		2	PIN, 1.00 DIAMETER HEAT TREATED
22		432-1228		2	PIN, SPLIT (COTTER), 3/16" x 1 3/4"
23		219-8		6	NIPPLE, LUBE, 1/4"-28 NPT x .54" lg
24		87527651		1	BOOM, EXTENSION, OUTER LH
25		87505171		1	HYDRAULIC CYLINDER, 2.5 X 16 MON 3000PSI 1 PIN, SEE FIG. 07-008
26		87698750		2	BOLT, 3/4-10 X 4-1/2 GRD 8 DOR
27		87310317		4	NUT, 3/4-10 GR 8 DOR
28		87343671		4	NUT, 3/4-10 GR 5 DOR
29		87543854		1	CRADLE, REST, INNER BOOM, LH
30		1404		2	U-BOLT, US .5 3.125W 4.25D
31		87528989		4	WASHER, M12 X 30MM X 2.5 DOR
32		87343983		4	NUT, PREV TORQ. ALL MTL 1/2-13 GR C DOR

3330

INNER BOOM MOUNTING, LH, 120' BOOM

8



INNER BOOM MOUNTING, LH, 120' BOOM

REF	FN	PART NUMBER	YR/SN	QTY	DESCRIPTION
33		{87543856}		1	INNER BOOM ROLLER LH
34		{87543857}		1	INNER BOOM ROLLER RH
35		87503700		2	ROLLER, 19.45 ID X 38.1OD 36MMLG
36		425254A1		2	U-BOLT, US .375 2.063W 2.815D
37		87529298		4	WASHER, 11 X 21 X 2MM CST DOR
38		87343974		4	NUT, PREV TORQ. ALL MTL 3/8-16 GR C DOR
39		87501591		6	WASHER, 10 ID 102 OD 1.9MM ZND
40		87501590		2	BUMPER, POLY, 89MM OD X 19MM, TK
41		86980380		2	BOLT, M8- 1.25 X 25, HH, 8.8, DOR
42		{87706481}		1	SEE FIG. 08-021
43		87621178		1	STOP, BOOM BREAKAWAY
44		86980408		2	BOLT, M10-1.5 X 80, HH, 8.8, DOR
45		86980515		10	NUT, LOCK, M10 x 1.5, CI 8, P/T ALL MTL M10 8 DOR
46		87573707		1	CHANNEL, SNAP-ON-1 X 2 X 6
47		87666126		4	MOUNTING PARTS, PLATE, CRADLE
48		86980410		8	BOLT, M10-1.5 X 100, HH, 8.8, DORREPL
49		BN320995		2	PAD, BOOM REST, BOTTOM
50		BN319335		1	PAD, BOOM REST
51		BN50779		6	BOLT, 5/16"-18 x 1, EH, DOR
52		BN50057		6	NUT, 5/16-18 WHIZ LOCK SS
53		87705378		1	PLATE, BOOM STOP
54		86981677		4	WASHER, M10 x 30 x 2.5
55		84144660		2	SCREW, SELF TAPPING, TAPPING, 10-16 X 3/4 BSD/2HWHD SSR
56		{87229235}		2	

3330

INNER BOOM MOUNTING, RH, 120' BOOM

REF	FN	PART NUMBER	YR/SN	QTY	DESCRIPTION
1		87397253		1	BOOM, EXTENSION, INNER, RH
2		87566312		1	HYDRAULIC CYLINDER, HYD 3.50 X 14.50 X 1.62, SEE FIG 07-004
3		BN326079		1	PIN, BOOM PIVOT
4		87698857		1	BOLT, M10 X 80 10.9 DOR
5		87344003		3	NUT, P/T ALL MTL M10 10 DOR
6		BN305621		2	PIN, WELDMENT
7		87315279		2	BOLT, Hex, M10 x 1.5 x 35, Cl 10.9, Full Thd
8		87398606		1	BOOM, EXTENSION, MID, RH
9		84126408		2	ARM, SINGLE
10		84126409		2	ARM, DOUBLE
11		87446384		1	HYDRAULIC CYLINDER, 3.5 X 16 MON 3000 PSI, SEE FIG 07-009
12		87310194		4	BOLT, 3/4-10 X 3-1/2 GR5 DOR
13		87310323		4	NUT, PREV TORQ ALL MTL 3/4-10 GR B DOR
14		87564718		2	BOLT, 3/4-10 X 7 GRD 5 DOR
15		87698751		4	BOLT, 1-8 X 6 GRD 8 DOR
16		87666132		1	SUPPORT, WELDMENT, RH UPPER CRADLE
17		87564720		12	WASHER, 781 X 1.250 X .075 CST DOR
18		87564721		14	WASHER, 1.016 X 1.50 X .134 CST DOR
19		87343673		8	NUT, 1-8 GR 8 DOR
20		87564722		4	WASHER, 1.016 X 1.50 X .075 CST DOR
21		87735776		2	PIN, 1.00 DIAMETER HEAT TREATED
22		432-1228		2	PIN, SPLIT (COTTER), 3/16" x 1 3/4"
23		219-8		6	NIPPLE, LUBE, 1/4"-28 NPT x .54" lg
24		87527652		1	BOOM, EXTENSION, OUTER, RH
25		87505171		1	HYDRAULIC CYLINDER, 2.5 X 16 MON 3000PSI 1 PIN, SEE FIG 07-008
26		87698750		2	BOLT, 3/4-10 X 4-1/2 GRD 8 DOR
27		87310317		4	NUT, 3/4-10 GR 8 DOR
28		87343671		4	NUT, 3/4-10 GR 5 DOR
29		87543855		1	CRADLE, REST, INNER BOOM, RH
30		1404		2	U-BOLT, .5 3.125W 4.25D
31		87528989		4	WASHER, M12 X 30MM X 2.5DOR
32		87343983		4	NUT, PREV TORQ. ALL MTL 1/2-13 GR C DOR

3330

INNER BOOM MOUNTING, RH, 120' BOOM

REF	FN	PART NUMBER	YR/SN	QTY	DESCRIPTION
33		{87543857}		1	INNER BOOM ROLLER RH
34		{87543856}		1	INNER BOOM ROLLER LH
35		87503700		2	ROLLER, 19.45ID X 38.1OD 36MMLG
36		425254A1		2	U-BOLT, .375 2.063W 2.815D
37		87529298		4	WASHER, 11 X 21 X 2MM CST DOR
38		87343974		4	NUT, PREV TORQ. ALL MTL 3/8-16 GR C DOR
39		87501591		6	WASHER, 10ID 102 OD 1.9MM ZND
40		87501590		2	BUMPER, POLY 89MM OD X 19MM TK
41		86980380		2	BOLT, M8- 1.25 X 25,HH,8.8,DOR
42		{87706481}		1	BOOM BREAKAWAY ASSEMBLY, SEE FIG 08-021
43		87621178		1	STOP, BOOM BREAKAWAY
44		86980408		2	BOLT, M10-1.5 X 80, HH, 8.8, DOR
45		86980515		10	NUT, LOCK, M10 x 1.5, CI 8
46		87573707		1	CHANNEL, SNAP-ON- 1 X 2 X 6
47		87666126		4	MOUNTING PARTS, PLATE, CRADLE
48		86980410		8	BOLT, M10-1.5 X 100, HH, 8.8, DORREPL
49		BN320995		2	PAD, BOOM REST, BOTTOM
50		BN319335		1	PAD, BOOM REST
51		BN50779		6	BOLT, 5/16"-18 x 1, EH, DOR
52		BN50057		6	NUT, 5/16-18 WHIZ LOCK SS
53		87681832		1	STOP, DOOR
54		363226A1		1	BUMPER, 87317653, DOOR
55		87705378		1	PLATE, BOOM STOP
56		86981677		4	WASHER, M10 x 30 x 2.5, 11 X 30 X 2.5 MM CST DOR
57		84144660		2	SCREW, SELF TAPPING, TAPPING, 10-16 X 3/4 BSD/2HWHD SSR
58		87529235		2	WASHER

3330

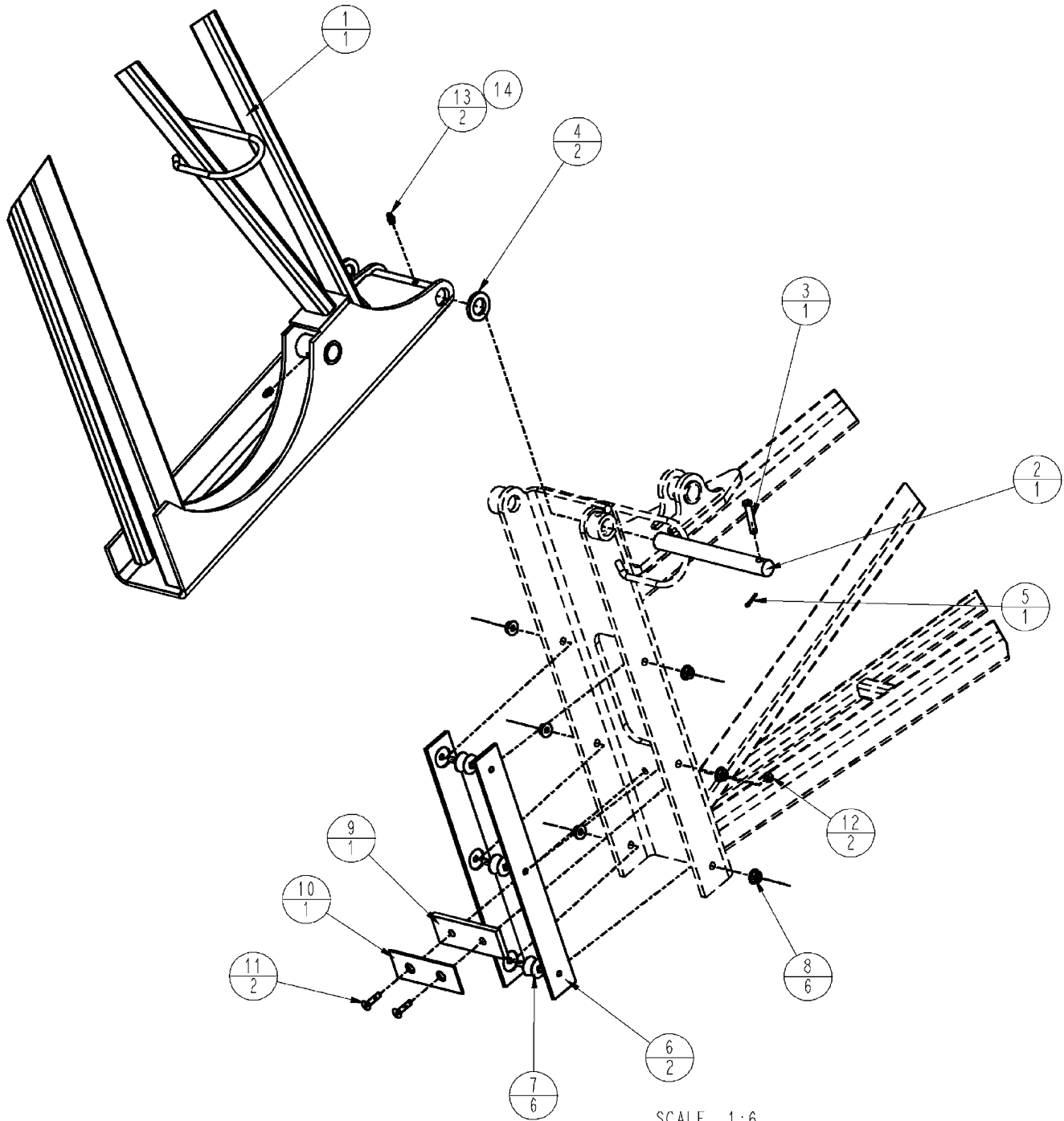
08-014

p1

11/08

OUTER BOOM ASSEMBLY, LH, 90'

8



SCALE 1:6

OUTER BOOM ASSEMBLY, LH, 90'

REF	FN	PART NUMBER	YR/SN	QTY	DESCRIPTION
1		87683496		1	BOOM, WLDMT, LHOUTER-90'
2		BN307893		1	PIN, V-FOLD
3		87344036		1	PIN, HEADED 3/8 X 1-55/64 5
4		87529311		2	WASHER, 26 X 44 X 5MM HDN DOR
5		432-816		1	PIN, SPLIT (COTTER), 1/8" x 1"
6		BN69856		2	PLATE, LINER-PLSTIC
7		BN50779		6	BOLT, 5/16-18X1
8		BN50057		6	NUT, 5/16-18 WHIZ LOCK SS
9		BN305437		1	BUMPER, RUBBER, 2 X 5.5 X .38
10		87266608		1	PLATE, STEEL, FOLD BUMPER
11		280591		2	SCREW, Hex Soc Flat Hd, 5/16"-18 x 1 1/4"
12		BN55361		2	NUT, 5/16-18, NLN, SS
13		BN302051		2	NIPPLE, LUBE, FITTING, 8MM X 1 STR
14		331-37		.01	SPARE PART

3330

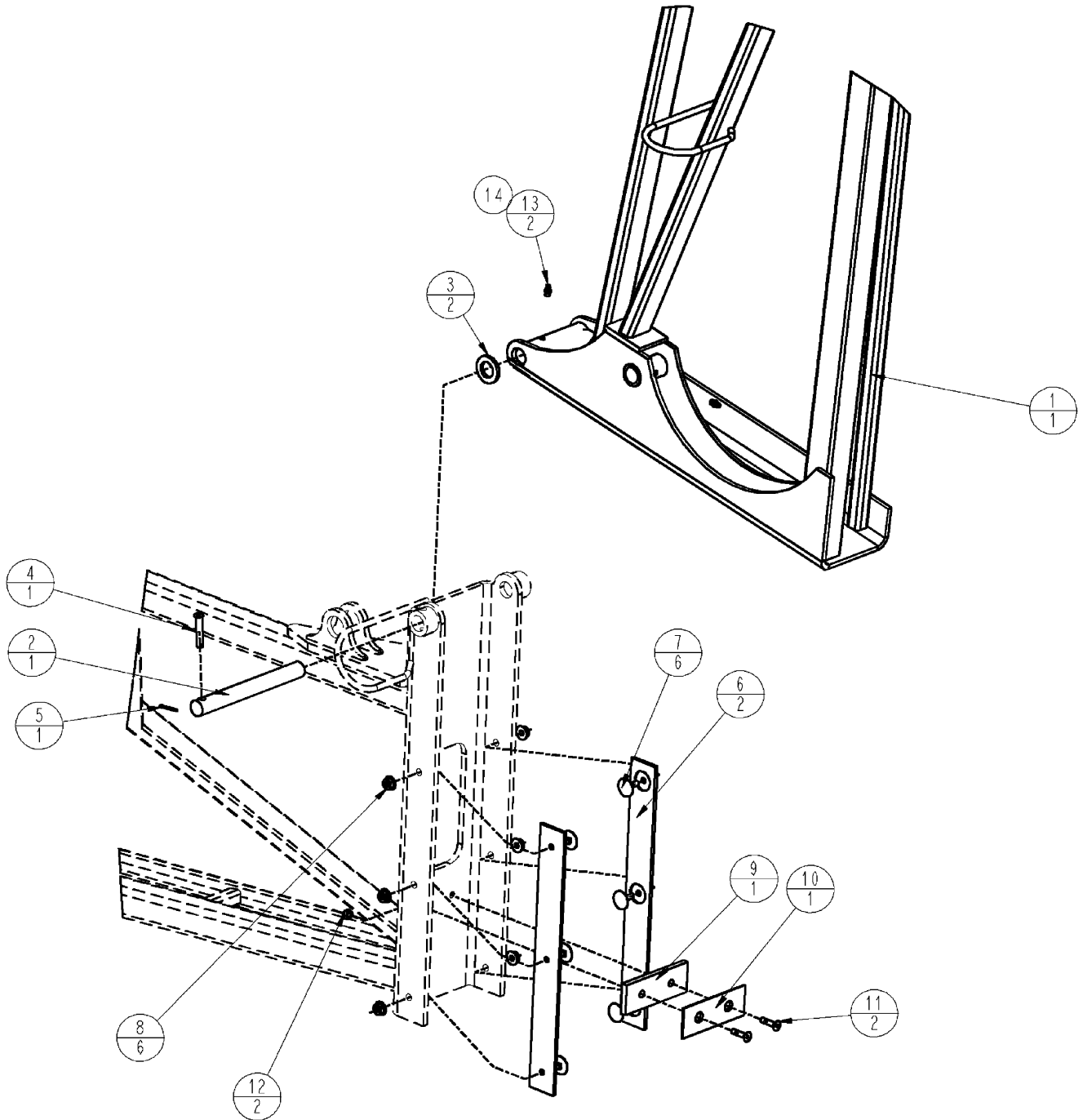
08-015

p1

11/08

OUTER BOOM ASSEMBLY, RH, 90'

8



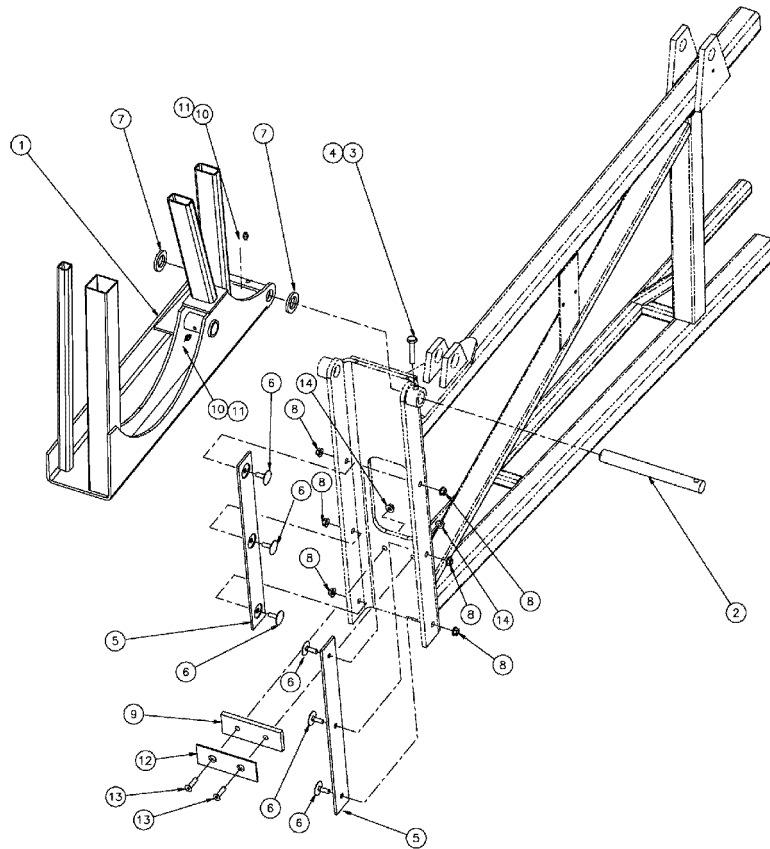
SCALE 1:6

OUTER BOOM ASSEMBLY, RH, 90'

REF	FN	PART NUMBER	YR/SN	QTY	DESCRIPTION
1		87683498		1	BOOM, WLDMT, RH OUTER-90'
2		BN307893		1	PIN, V-FOLD
3		87344036		1	PIN, HEADED 3/8 X 1-55/64 5
4		87529311		2	WASHER, 26 X 44 X 5MM HDN DOR
5		432-816		1	PIN, SPLIT (COTTER), 1/8" x 1"
6		BN69856		2	PLATE, LINER-PLSTIC
7		BN50779		6	BOLT, 5/16-18X1
8		BN50057		6	NUT, 5/16-18 WHIZ LOCK SS
9		BN305437		1	BUMPER, RUBBER, 2 X 5.5 X .38
10		87266608		1	PLATE, STEEL, FOLD BUMPER
11		280591		2	SCREW, Hex Soc Flat Hd, 5/16"-18 x 1 1/4"
12		BN55361		2	NUT, 5/16-18, NLN, SS
13		BN302051		2	NIPPLE, LUBE, FITTING, 8MM X 1 STR
14		331-37		.01	SPARE PART

3330

100' OUTER BOOM ASSEMBLY, LH

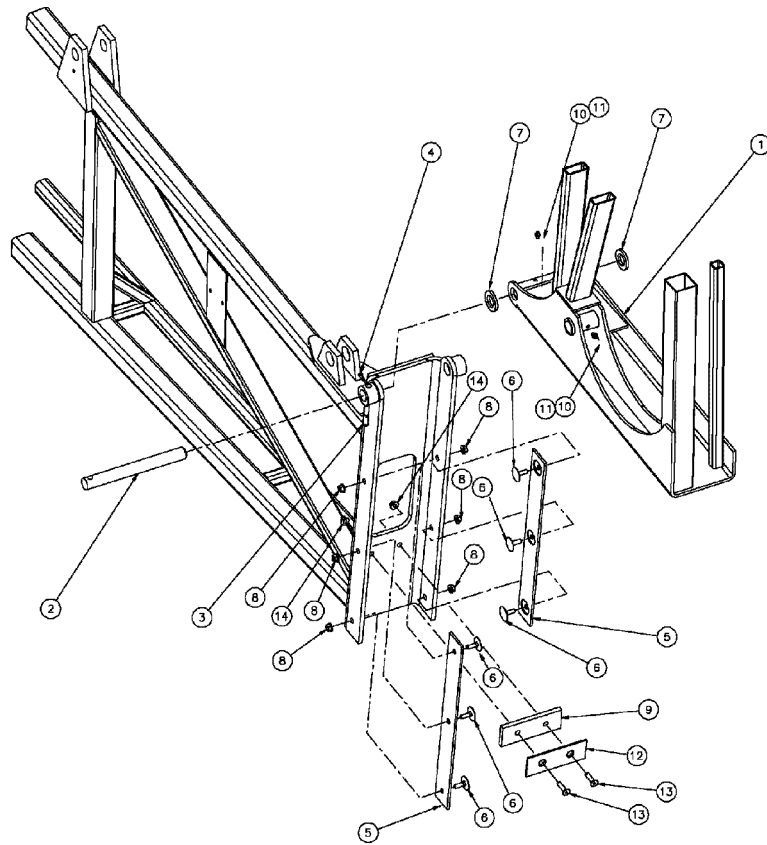


100' OUTER BOOM ASSEMBLY, LH

REF	FN	PART NUMBER	YR/SN	QTY	DESCRIPTION
1		87683496		1	BOOM, OUTER, LH, 100FT
2		BN307893		1	PIN, V-FOLD
3		87344036		1	PIN, HEADED, 3/8 X 1-55/64 5
4		432-816		1	PIN, SPLIT (COTTER), 1/8" x 1"
5		BN69856		2	PLATE, LINER, PLSTIC 3/16 X 2 X 17.50
6		BN50014		6	BOLT, 5/16"-18 x .75, EH
7		87529311		2	WASHER, 26 X 44 X 5MM ZND
8		BN50057		6	NUT, 5/16-18 WHIZ LOCK SS
9		BN305437		1	BUMPER, RUBBER, 2 X 5.5 X .38
10		BN302051		2	NIPPLE, LUBE, 8MM X 1 STR
11		331-37		AR	SPARE PART, GREASE, 1 LB LITHIUM #2 GR
12		87266608		1	PLATE, STEEL, FOLD BUMPER
13		280591		2	SCREW, Hex Soc Flat Hd, 5/16"-18 x 1 1/4"
14		BN55361		2	NUT, 5/16-18, NLN, SS

3330

100' OUTER BOOM ASSEMBLY, RH

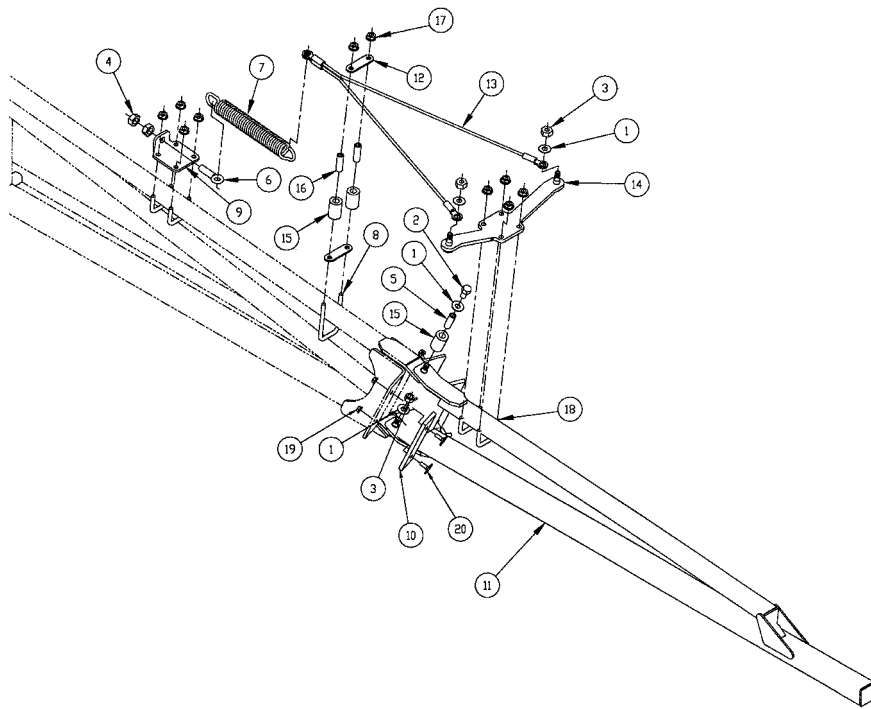


100' OUTER BOOM ASSEMBLY, RH

REF	FN	PART NUMBER	YR/SN	QTY	DESCRIPTION
1		87683498			BOOM, OUTER, RH, 100FT
2		BN307893		1	PIN, V-FOLD
3		87344036		1	PIN, HEADED, 3/8 X 1-55/64 5
4		432-816		1	PIN, SPLIT (COTTER), 1/8" x 1"
5		BN69856		2	PLATE, LINER, PLSTIC 3/16 X 2 X 17.50
6		BN50014		6	BOLT, 5/16"-18 x .75, EH
7		87529311		2	WASHER, 26 X 44 X 5MM ZND
8		BN50057		6	NUT, 5/16-18 WHIZ LOCK SS
9		BN305437		1	BUMPER, RUBBER, 2 X 5.5 X .38
10		BN302051		2	NIPPLE, LUBE, 8MM X 1 STR
11		331-37		AR	SPARE PART, GREASE, 1 LB LITHIUM #2 GR
12		87266608		1	PLATE, STEEL, FOLD BUMPER
13		280591		2	SCREW, Hex Soc Flat Hd, 5/16"-18 x 1 1/4"
14		BN55361		2	NUT, 5/16-18, NLN, SS

3330

60-90' BOOM BREAKAWAY ASSEMBLY



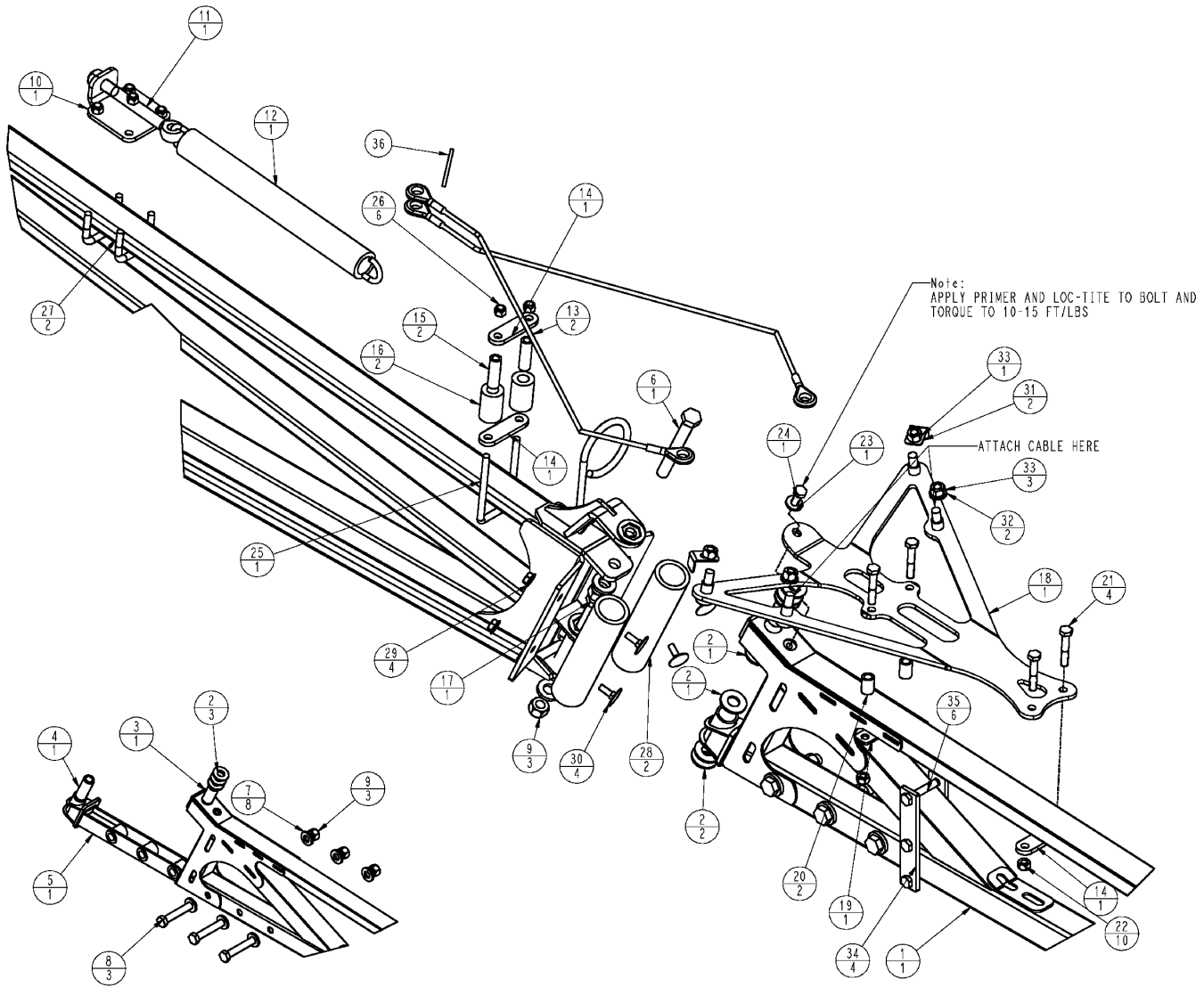
60-90' BOOM BREAKAWAY ASSEMBLY

REF	FN	PART NUMBER	YR/SN	QTY	DESCRIPTION
1		86981496		4	WASHER, M13.5 x 24.5 x 3, HT
2		614-12030		1	BOLT, Hex, M12 x 30, 8.8
3		832-46412		3	NUT, LOCK, M12 x 1.75, CI 8
4		832-46416		2	NUT, LOCK, M16 x 2, CI 8
5		BN304675		1	NUT, RND CONNECT, M12 X 40
6		BN304678		1	EYEBOLT, M16 X 160
7		BN305410		1	SPRING, 1.67 X 0.283 X 12
8		BN305434		1	U-BOLT, 3/8 X 2 X4.5
9		BN311733		1	ANCHOR, BREAKAWAY
10		BN312172		2	BUMPER, BREAKAWAY
11		BN325289		1	FRAME, BOOM WELDMENT, BREAKAWAY
12		BN308039		2	PLATE, SPACER
13		87271165		2	CABLE, BREAKAWAY
14		BN309505		1	ANGLE, WELDMENT, BREAKAWAY
15		87265981		3	ROLLER, BOOM BREAKAWAY
16		BN310055		2	BUSHING
17		BN50759		10	NUT, 3/8-16, NLN, SS
18		BN68062		4	U-BOLT, 3/8 SQ BND-2.06ID
19		BN50057		4	NUT, 5/16-18 WHIZ LOCK SS
20		BN50779		4	BOLT, 5/16"-18 x 1, EH

3330

BOOM BREAKAWAY ASSEMBLY, 100'

8



BOOM BREAKAWAY ASSEMBLY, 100'

REF	FN	PART NUMBER	YR/SN	QTY	DESCRIPTION
1		87686306		1	BOOM, BREAKAWAY, 100'
2		87272614		7	WASHER, 38 OD X 17 X 3.2, NYLON
3		87637173		1	BUSHING, UPPER HINGE 100
4		87272899		1	BUSHING, 25 OD X 16 ID X 68 NYLATRON
5		87272889		1	EXTENSION, PIVOT
6		86980451		1	BOLT, HEX HD, M16 X 130 CL8.8 DOR
7		87310607		8	WASHER, 17.5 X 34.0 X 5MM HDN DOR
8		86980510		3	BOLT, M16 2 X 90, HH, 8.8, DORREPL
9		86980517		6	NUT, P/T, ALL MTL M16 8 DOR
10		BN311733		1	ANCHOR, BREAKAWAY
11		BN304678		1	EYEBOLT, M16 X 160
12		BN305410		1	SPRING, 1.67 X 0.283 X 12
13		87271165		2	CABLE, BREAKAWAY
14		BN308039		3	PLATE, SPACER
15		BN310055		2	BUSHING
16		87265981		2	ROLLER, BOOM BREAKAWAY
17		87341861		1	BOLT, HEX HD, M16 X 140 CL10.9 DOR
18		87704989		1	ARM, BREAKAWAY
	1	{87704990}		1	PLATE
	2	BN304676		4	BOLT, SPECIAL, SHOULDER BOLT, (M12) 16 X 20
19		87620862		2	PLATE, 2 1/2" INCH TUBE
20		87706359		2	BUSHING
21		87341824		4	BOLT, HEX HD, M10 X 55, CL8.8, DOR
22		86980515		10	NUT, LOCK, M10 x 1.5, CI 8, PREV TRQ, METAL, M10, CL8, DOR
23		87529312		1	WASHER, 11 X 24 X 3MM, HTS, DOR HD
24		86980401		1	BOLT, HEX HD, M10 X 30, CL8.8, DOR
25		BN305434		1	U-BOLT, 3/8 X 2 X 4.5
26		BN50759		6	NUT, 3/8-16, NLN, SS
27		BN68062		2	U-BOLT, 3/8 SQ BND 2.06 ID
28		87706358		2	HOSE
29		BN50057		4	NUT, HEX, PREV, TRQ
30		BN50779		4	BOLT, 5/16"-18 x 1, EH, DOR

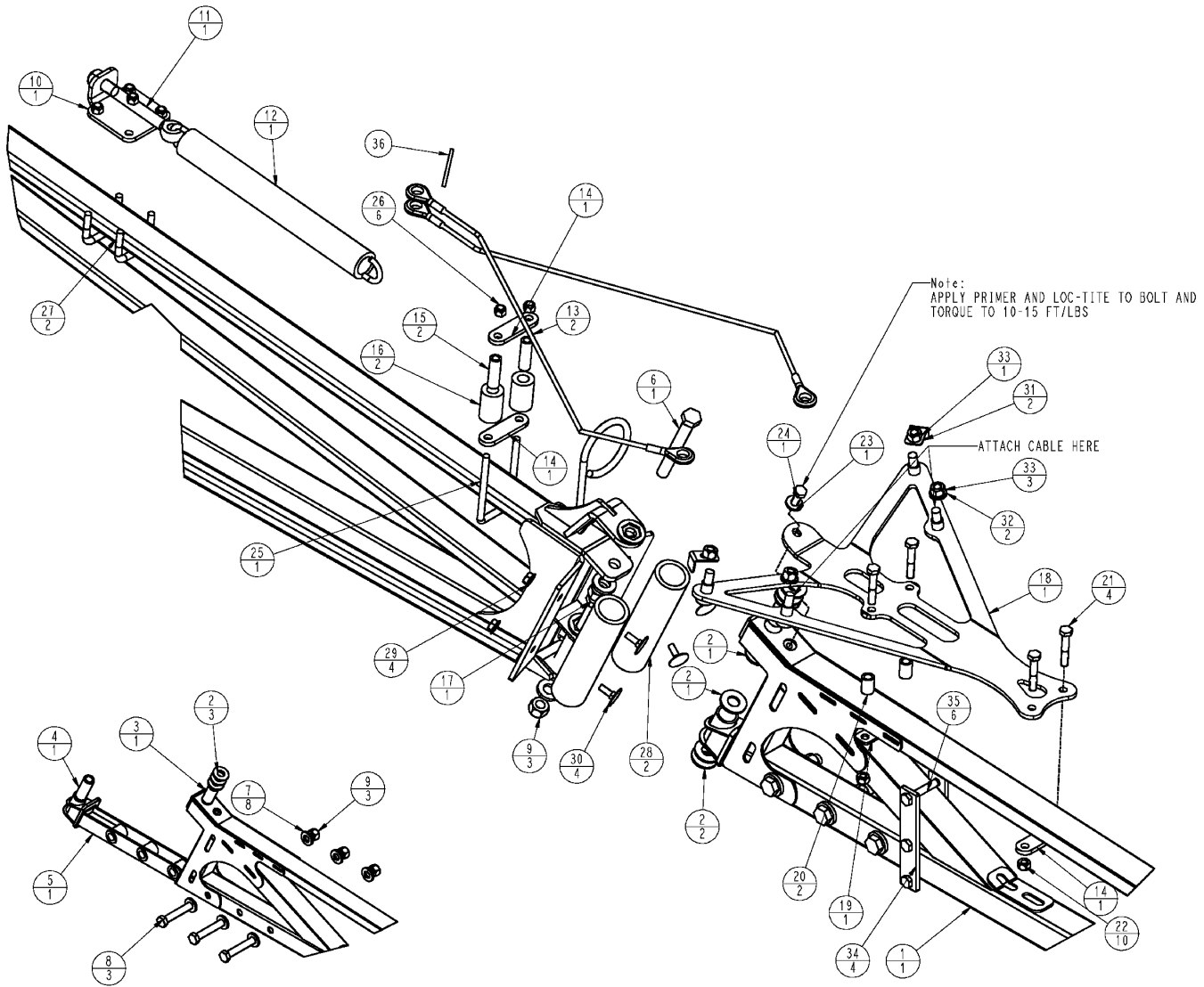
(1) ASSOCIATED PART OF ARM, BREAKAWAY, P/N 87704989

(2) ASSOCIATED PART OF ARM, BREAKAWAY, P/N 87704989

3330

BOOM BREAKAWAY ASSEMBLY, 100'

8



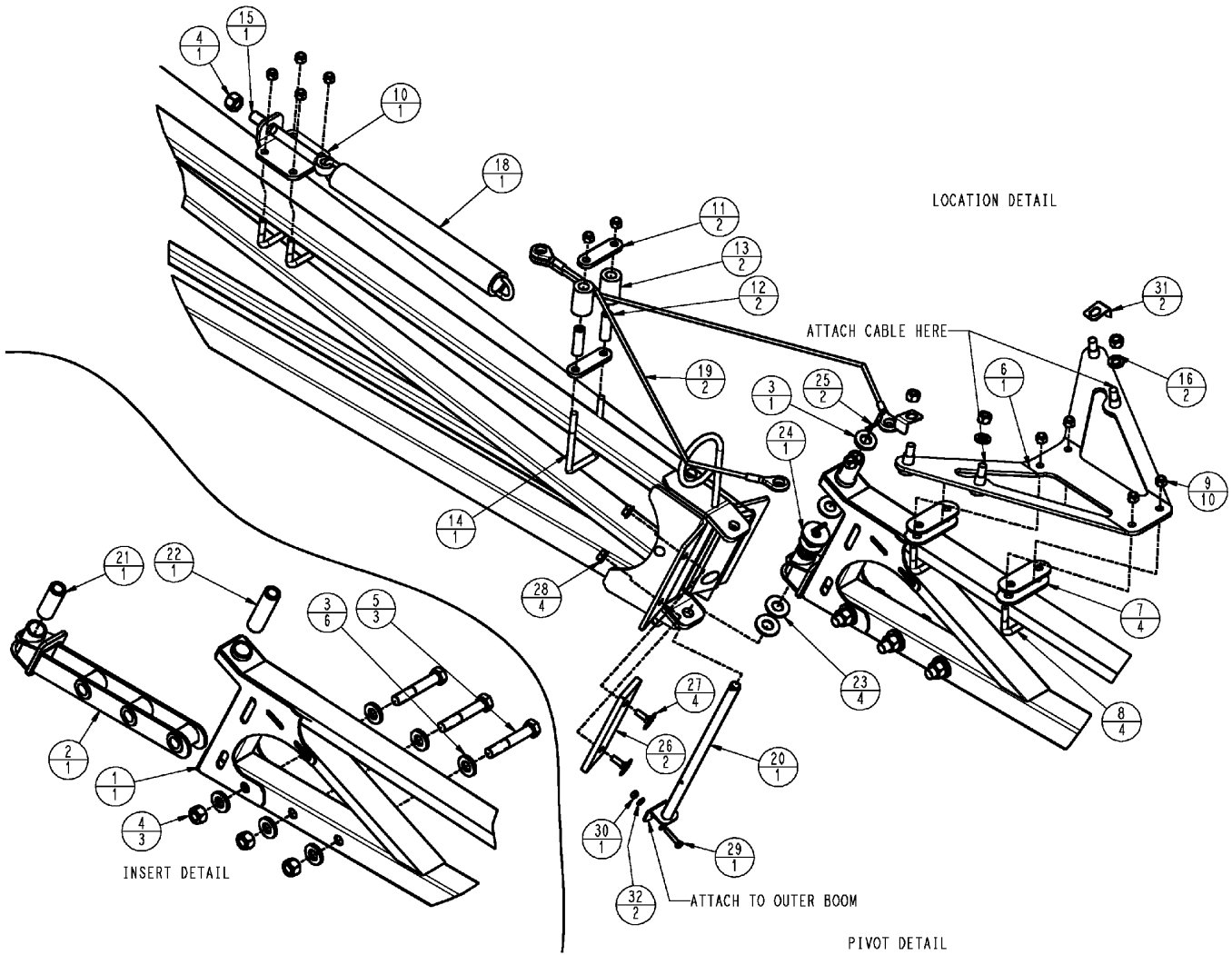
BOOM BREAKAWAY ASSEMBLY, 100'

REF	FN	PART NUMBER	YR/SN	QTY	DESCRIPTION
31		87520135		4	RETAINER, CABLE
32		86981496		2	WASHER, M13.5 x 24.5 x 3, HT
33		86980516		4	NUT, PREV TRQ, METAL M12 CL8 DOR
34		87707554		4	BRACKET, SUPPORTING, SPRAYBAR MOUNT
35		86980408		6	BOLT, M10 1.5 X 80, HH, 8.8, DOR

	3330
--	-------------

100' BOOM BREAKAWAY ASSEMBLY

8



100' BOOM BREAKAWAY ASSEMBLY

REF	FN	PART NUMBER	YR/SN	QTY	DESCRIPTION
1		87562361		1	BOOM, 100 FT BREAK-A-WAY
2		87272889		1	EXTENSION, INSERT, PIVOT
3		87310607		8	WASHER, 17.5 X 34.0 X 5MM
4		86980517		3	NUT, M16 CL8 P/T ALL MTL M6 8 DOR
5		86980510		3	BOLT, M16 2 X 80, HH, 8.8
6		87592129		1	ARM, BREAKAWAY
	1	{87592127}		1	ARM PLATE
	2	BN304676		4	BOLT, SPECIAL, SHOULDER, M12 16 X 20
7		87272755		4	SPACER, 38 X 100, POLY
8		BN68062		4	U-BOLT, 3/8 SQ BND 2.06ID
9		BN50759		10	NUT, 3/8 16, NLN, SS
10		BN311733		1	ANCHOR, BREAKAWAY
11		BN308039		2	PLATE, SPACER
12		BN310055		2	BUSHING
13		87265981		2	ROLLER, BOOM BREAKAWAY
14		BN305434		1	U-BOLT, 3/8 X 2 X 4.5
15		BN304678		1	EYEBOLT, M16 X 160
16		86981496		1	WASHER, M13.5 x 24.5 x 3, HT
17		86980516		4	NUT, P/T, ALL MTL M12 8 DO
18		BN305410		1	SPRING, 1.67 X 0.283 X 12
19		87271165		2	CABLE, BREAKAWAY
20		87385271		1	PIN, BREAKAWAY PIVOT
21		87272899		1	BUSHING, 25 OD X 16 ID X 68 NYLATRON
22		87272898		1	BUSHING, 25 OD X 16 ID X 92 NYLATRON
23		87272614		3	WASHER, BUSH, 38OD X 17 X 3.2 NYLON
24		9511052		1	WASHER, M12 x 44 x 4, P 86588446
25		838-1428		3	PIN, LOCK, M4 x 28, Slotted
26		BN312172		2	BUMPER, BREAKAWAY
27		BN50779		4	BOLT, 5/16"-18 x 1, EH
28		BN50057		4	NUT, 5/16-18 WHIZ LOCK SS
29		87342145		1	BOLT, M6 X 30, FULL 8.8
30		86980513		1	NUT, P/T, ALL MTL M6 8 DOR
31		87520135		2	RETAINER, CABLE

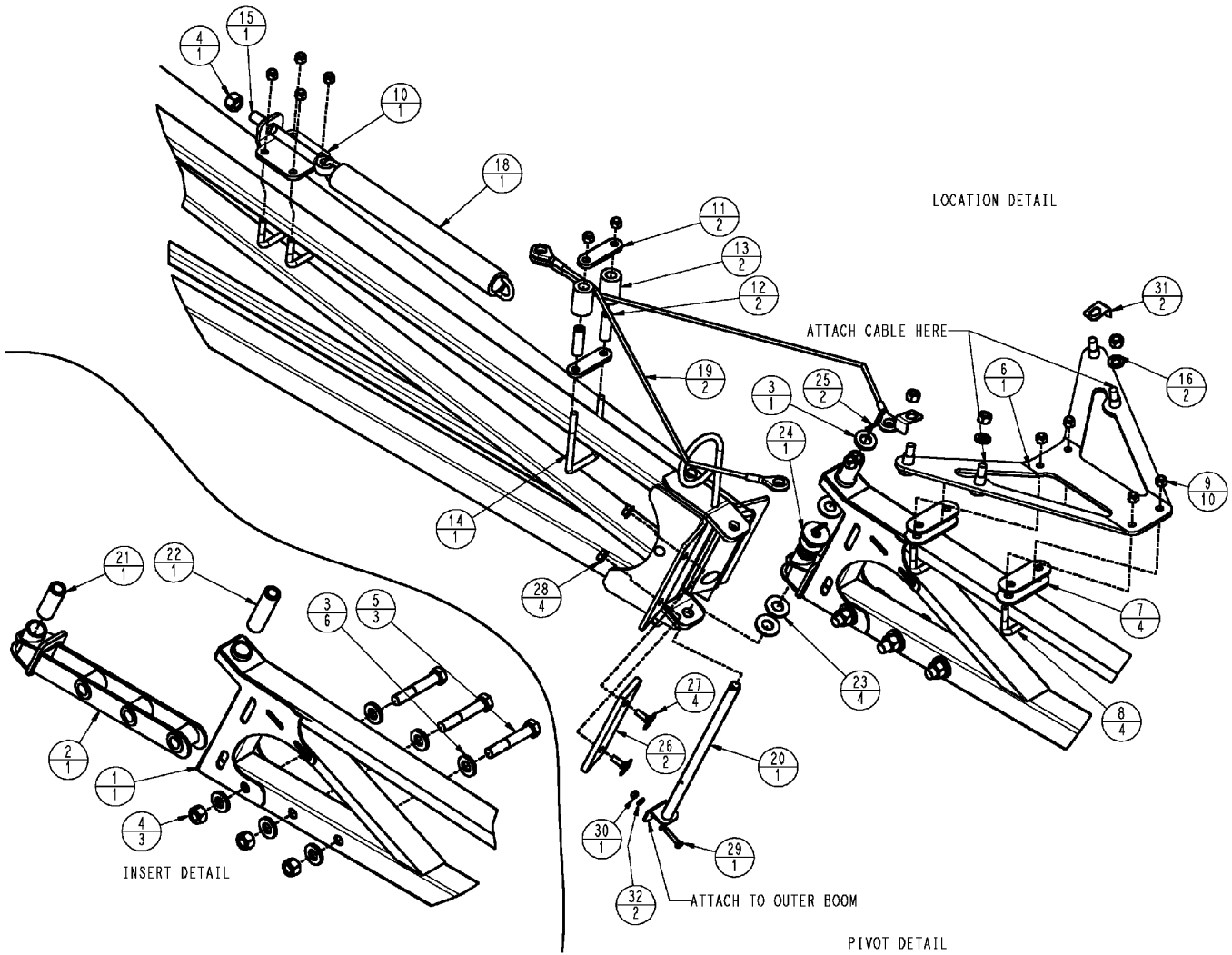
(1) ASSOCIATED PART OF ARM, BREAKAWAY, P/N 87592129

(2) ASSOCIATED PART OF ARM, BREAKAWAY, P/N 87592129

3330

100' BOOM BREAKAWAY ASSEMBLY

8



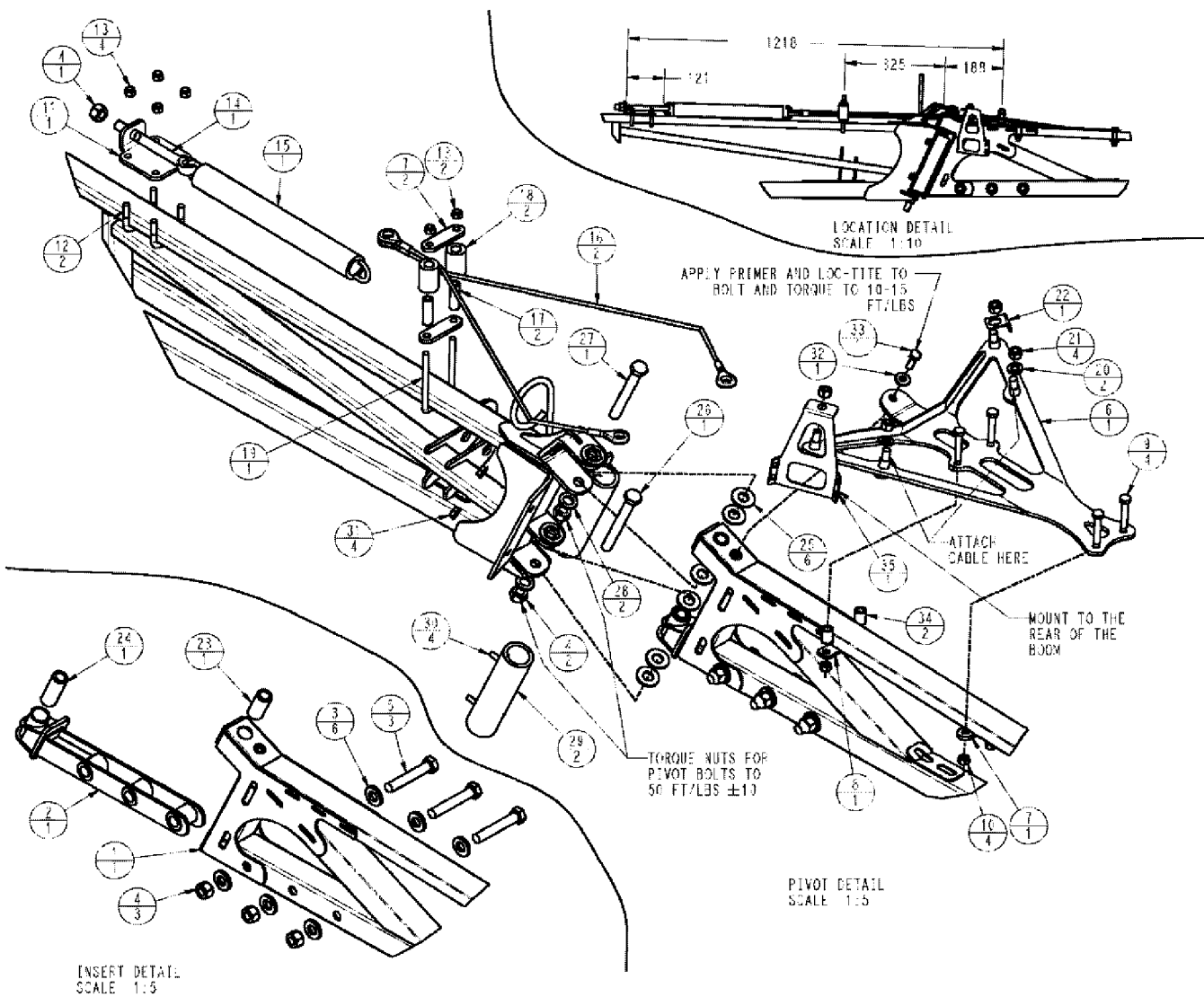
100' BOOM BREAKAWAY ASSEMBLY

REF	FN	PART NUMBER	YR/SN	QTY	DESCRIPTION
32		896-11006		2	WASHER, M6 x 13 x 2, HT

	3330
--	-------------

BOOM BREAKAWAY ASSEMBLY, 120' BOOM

8

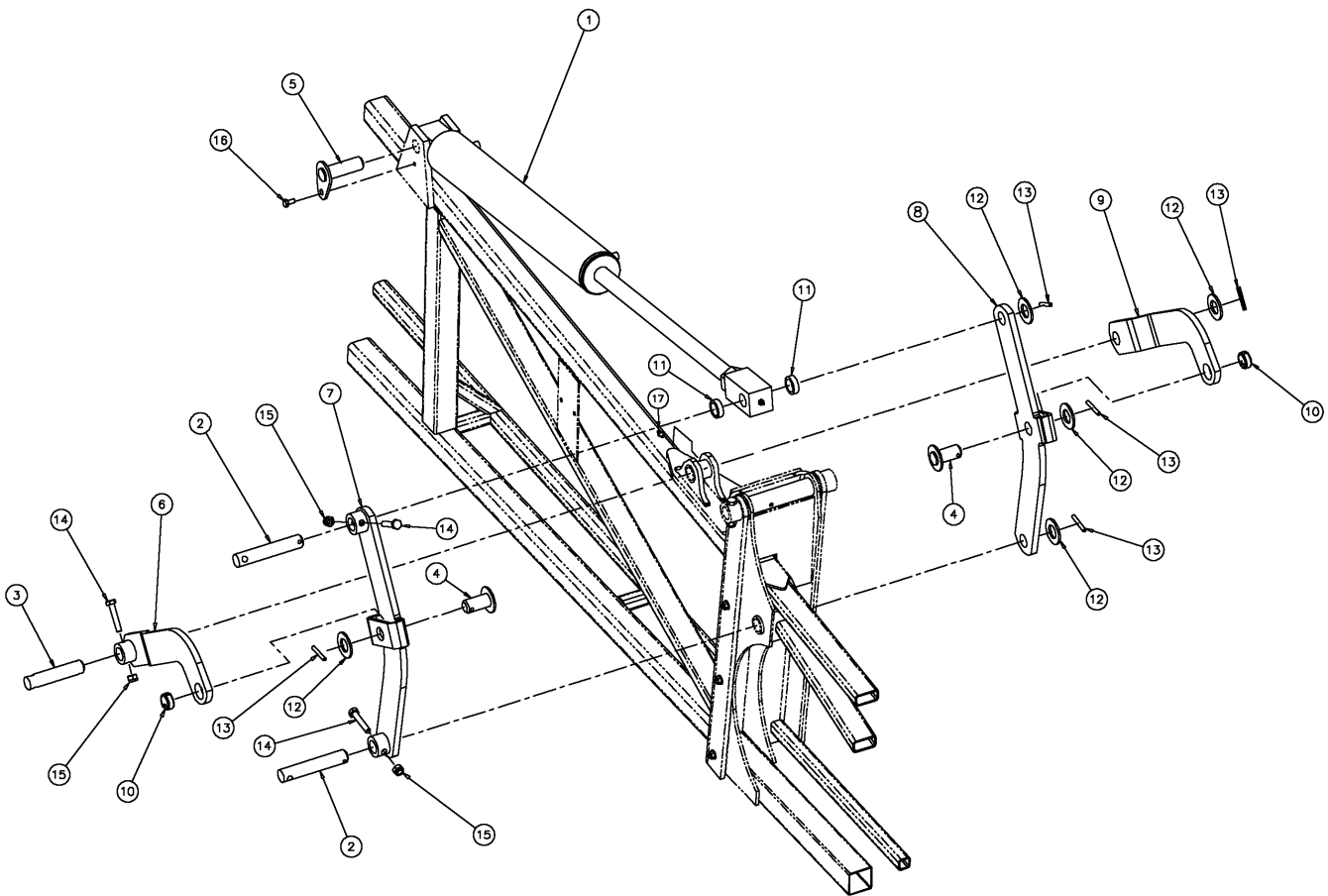


BOOM BREAKAWAY ASSEMBLY, 120' BOOM

REF	FN	PART NUMBER	YR/SN	QTY	DESCRIPTION
1		87704806		1	BOOM, WLDMT, BREAKAWAY
2		87272889		1	EXTENSION, INSERT, PIVOT
3		87310607		6	WASHER, 17.5 X 34.0 X 5MM, HDN, DOR
4		86980517		6	NUT, P/T ALL MTL M16 8 DOR
5		86980510		3	BOLT, M16-2 X 90, HH, 8.8, DOR
6		87704989		1	ARM, BEAKAWAY
7		BN308039		3	PLATE, SPACER
8		87620862		1	PLATE, 2 1/2" INCH TUBE
9		87341824		4	BOLT, HEX HD, M10 X 55, CL8.8, DOR
10		86980515		4	NUT, LOCK, M10 x 1.5, CI 8
11		BN311733		1	ANCHOR, BREAKAWAY
12		BN68062		2	U-BOLT, 3/8
13		BN50759		6	NUT, 3/8-16, NLN, SS
14		BN304678		1	EYEBOLT, M16 X 160
15		BN305410		1	SPRING, 1.67 X 0.283 X 12
16		87271165		2	CABLE, BREAKAWAY
17		BN310055		2	BUSHING
18		87265981		2	ROLLER, BOOM BREAKAWAY
19		BN305434		1	U-BOLT, 2" ID X 4.50 IL
20		86981496		2	WASHER, M13.5 x 24.5 x 3, HT
21		86980516		4	NUT, PREV TRQ METAL, M12, CL8, DOR
22		87520135		1	RETAINER, CABLE
23		87637173		1	BUSHING, 25 OD X 16 ID X 53, NYLATRON
24		87272899		1	BUSHING, 25 OD X 16 ID X 68, NYLATRON
25		87272614		6	WASHER, 38 OD X 17 ID X 3.2 T, UHMW
26		87341861		1	BOLT, HEX HD, M16 X 140 CL10.9 DOR
27		86980451		1	BOLT, HEX HD, M16 X 130 CL8.8 DOR
28		87529306		2	WASHER, 17.5 X 30 X 4MM, HTS, DOR, HDN
29		87706358		2	HOSE, HOSE
30		BN50779		4	BOLT, 5/16"-18 x 1, EH, DOR
31		BN50057		4	NUT, HEX, PREV, TRQ
32		87529312		1	WASHER, 11 X 24 X 3MM, HTS, DOR HDN
33		86980401		1	BOLT, HEX HD, M10 X 30, CL8.8, DOR
34		87706359		2	BUSHING, SPACER
35		87729496		1	SUPPORT, RETAINER, BREAKAWAY HOSE

3330

HINGE GROUP, OUTER TIPS

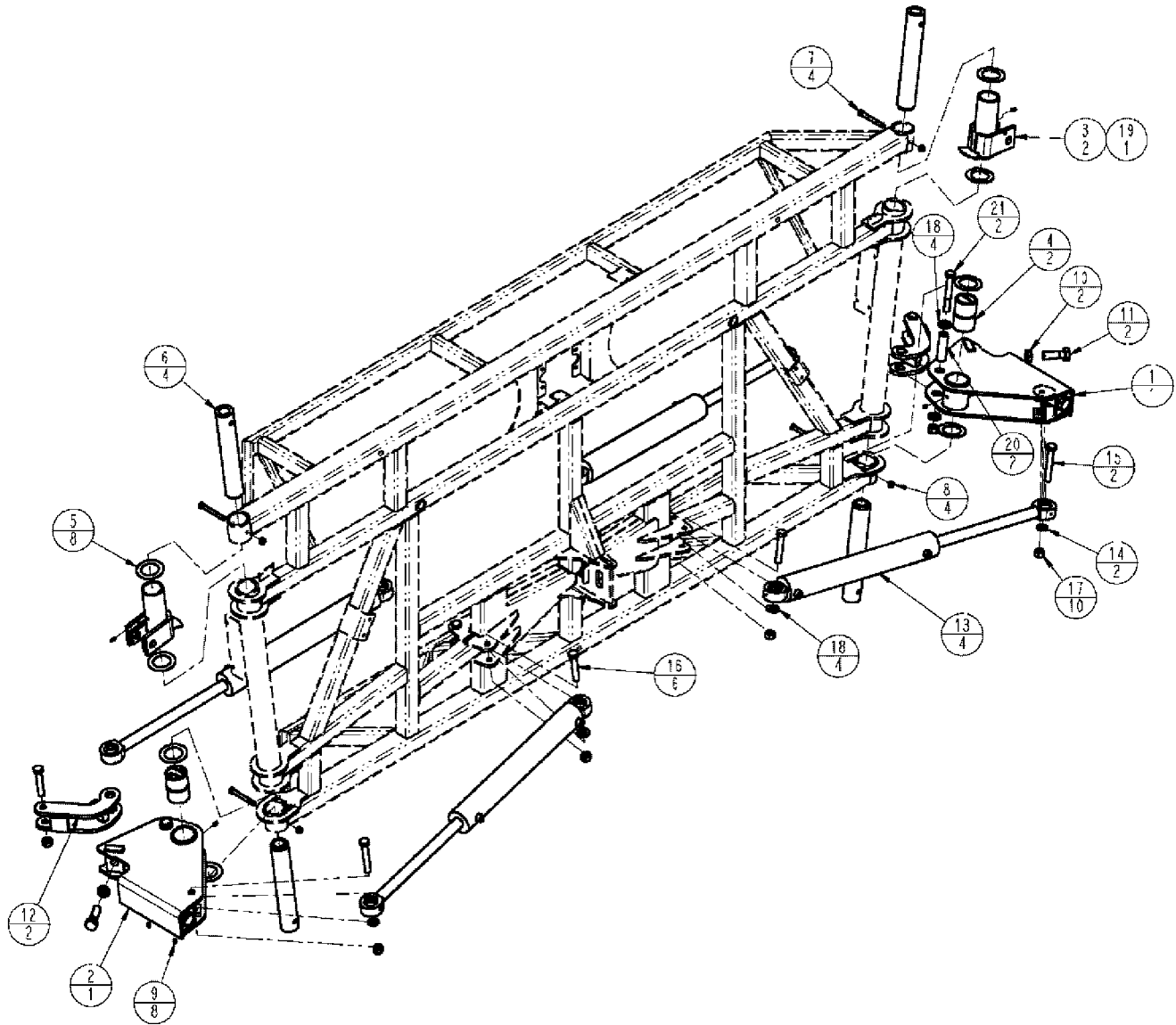


HINGE GROUP, OUTER TIPS

REF	FN	PART NUMBER	YR/SN	QTY	DESCRIPTION
1		87266449		1	CYLINDER, HYD, 2 X 20 X 1.25, SEE FIG. 07-008
2		BN307218		2	PIN, 1 OD X 5.63 ETD150
3		BN307217		1	PIN, 1 OD X 4.63 ETD150
4		BN310118		2	PIN, WELDMENT
5		BN307223		1	PIN, WELDMENT, CYL
6		BN305624		1	LINKAGE, WELDMENT, BAR
7		BN305623		1	LINKAGE, WELDMENT, BAR
8		BN305622		1	LINKAGE, WELDMENT, BAR
9		BN311368		1	LINKAGE, FORMED LH
10		BN69918		2	BUSHING, SPRING (CONNEX)
11		BN311573		2	SPACER
12		BN310130		5	WASHER, 10 GA 1.03" ID X 2.0
13		BN52330		5	PIN, ROLL, 1/4 X 1-3/4
14		814-10055		3	BOLT, Hex, M10 x 55, 8.8
15		832-46410		3	NUT, LOCK, M10 x 1.5, CI 8
16		614-8016		1	BOLT, Hex, M8 x 16, 8.8
17		BN302051		1	NIPPLE, LUBE, 8MM X 1 STR

3330

HINGE GROUP, 120' BOOM

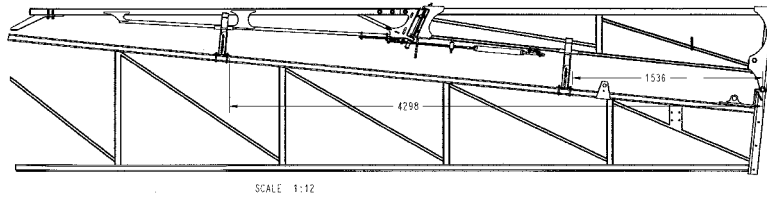
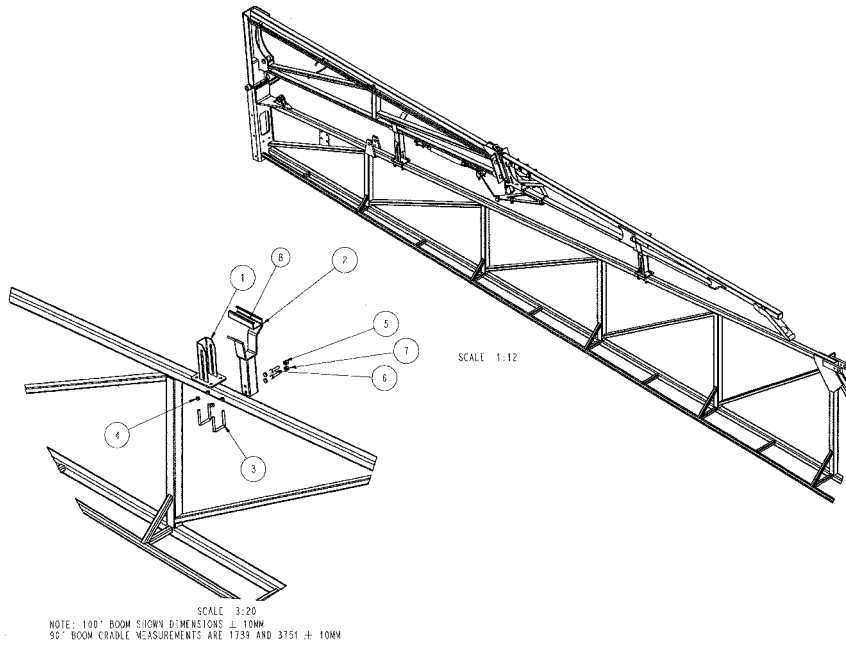


HINGE GROUP, 120' BOOM

REF	FN	PART NUMBER	YR/SN	QTY	DESCRIPTION
1		87709500		1	PIVOT, INNER, LH
2		87709501		1	PIVOT, INNER, RH
3		87543409		2	MOUNTING PARTS, UPPER CYLINDER
4		87675983		2	BUSHING, GROOVED, BOOM PIVOT
5		BN302048		8	SHIM, BUSH, MACH.WIDE, 2.5 ID X 14GA
6		BN306646		4	TUBE, RND INNER PIVOT
7		{87695425}		4	M12 X 110 10.9 DOR
8		87695422		4	NUT, P/T ALL MTL M12 10 DOR
9		BN302051		8	NIPPLE, LUBE, 8MM X 1 STR
10		87310319		2	NUT, JAM 1-14 GR 8 DOR
11		87644287		2	BOLT, 1-14 X 3 GRD 8 DOR
12		87708068		2	ARM, INNER BREAKAWAY
13		87272004		4	HYDRAULIC CYLINDER, 3.00 X 21.63 X 1.5 SEE FIG.07-006
14		87529307		4	WASHER, 22 X 37 X 4MM HDN
15		BN310280		2	BOLT, M20 X 125 SHANK, CUTOFF
16		BN310279		6	BOLT, M20 X 108 SHANK, CUTOFF
17		86980518		1	NUT, P/T ALL MTL M20 8 DOR
18		87310608		8	WASHER, 22 X 44 X 5MM HDN
19		331-37		1	SPARE PART, GREASE, 1 LB LITHIUM #2 GR
20		87708067		2	BUSHING, PIVOT
21		87341999		2	BOLT, M20 X 140 10.9 DOR

3330

OUTER CRADLE ASSEMBLY

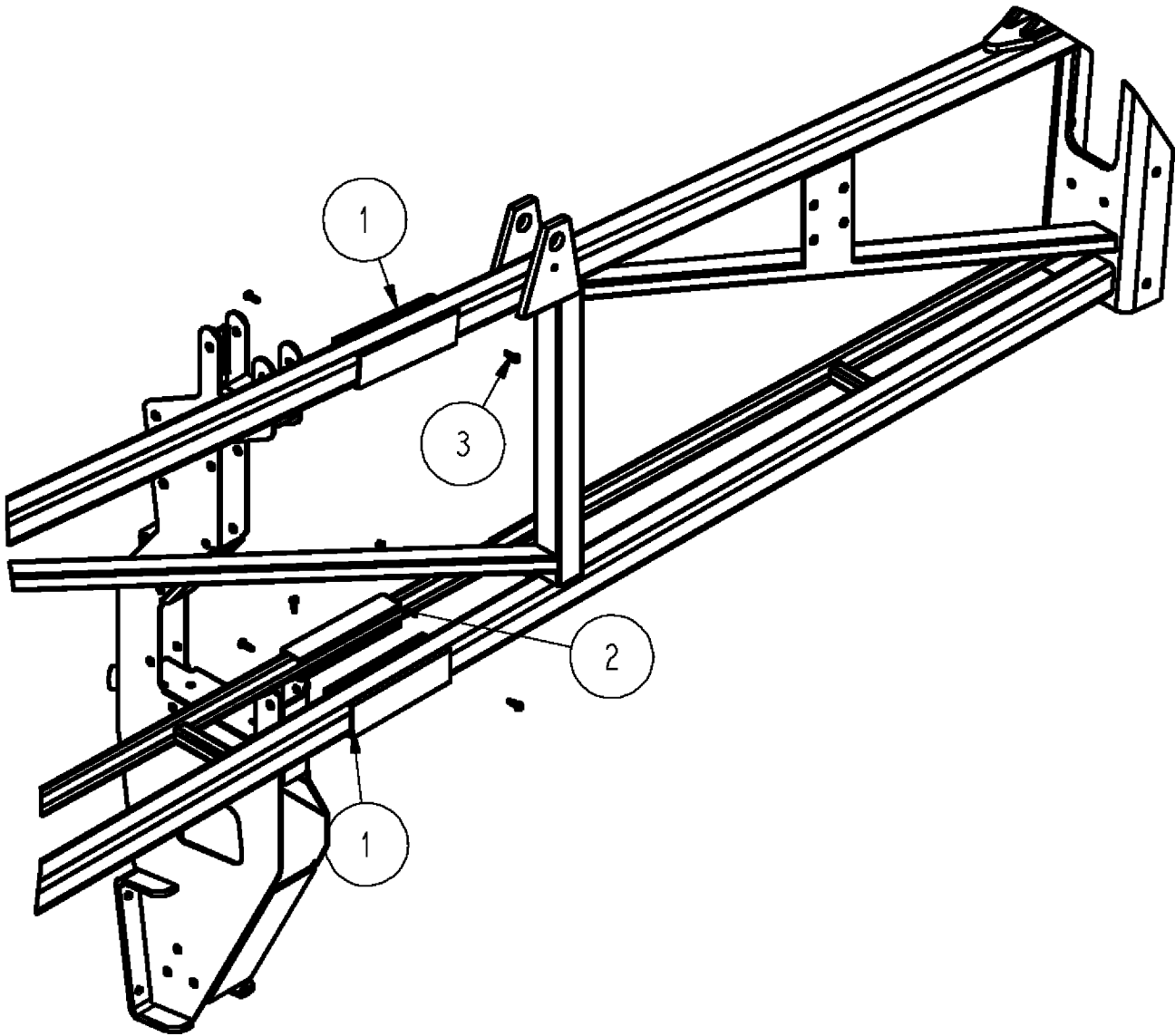


OUTER CRADLE ASSEMBLY

REF	FN	PART NUMBER	YR/SN	QTY	DESCRIPTION
1		87568915		2	SUPPORT, UPPER CRADLE, WELDMENT
2		87568911		2	SUPPORT, LOWER CRADLE, WELDMENT
3		BN319919		4	U-BOLT, Sq. Bnd 2.06 ID x 3/8
4		87343970		8	NUT, PREV TORQ, ALL MTL, 3/8-16 GR B DOR
5		87529312		8	WASHER, 11 X 24 X 3MM, HDN, DOR
6		86980408		4	BOLT, M10 1.5 X 80, HH, 8.8, DOR
7		86980515		4	NUT, LOCK, M10 x 1.5, CI 8
8		87573707		2	CHANNEL, SNAP-ON, " X 2" X 6"
9		84144660		4	SCREW, SELF TAPPING, TAPPING, 10-16 X 3/4 BSD/2HWHD SSR

3330

PROTECTORS, INNER BOOM



08-025

p1

10/08

PROTECTORS, INNER BOOM

REF	FN	PART NUMBER	YR/SN	QTY	DESCRIPTION
1		87602661		2	CHANNEL, SNAP-ON, 2 X 2 X 8
2		87602663		1	CHANNEL, SNAP-ON, 1.25 X 1.25 X 8
3		84144660		6	SCREW, SELF TAPPING, TAPPING, 10-16 X 3/4 BSD/2HWHD SST

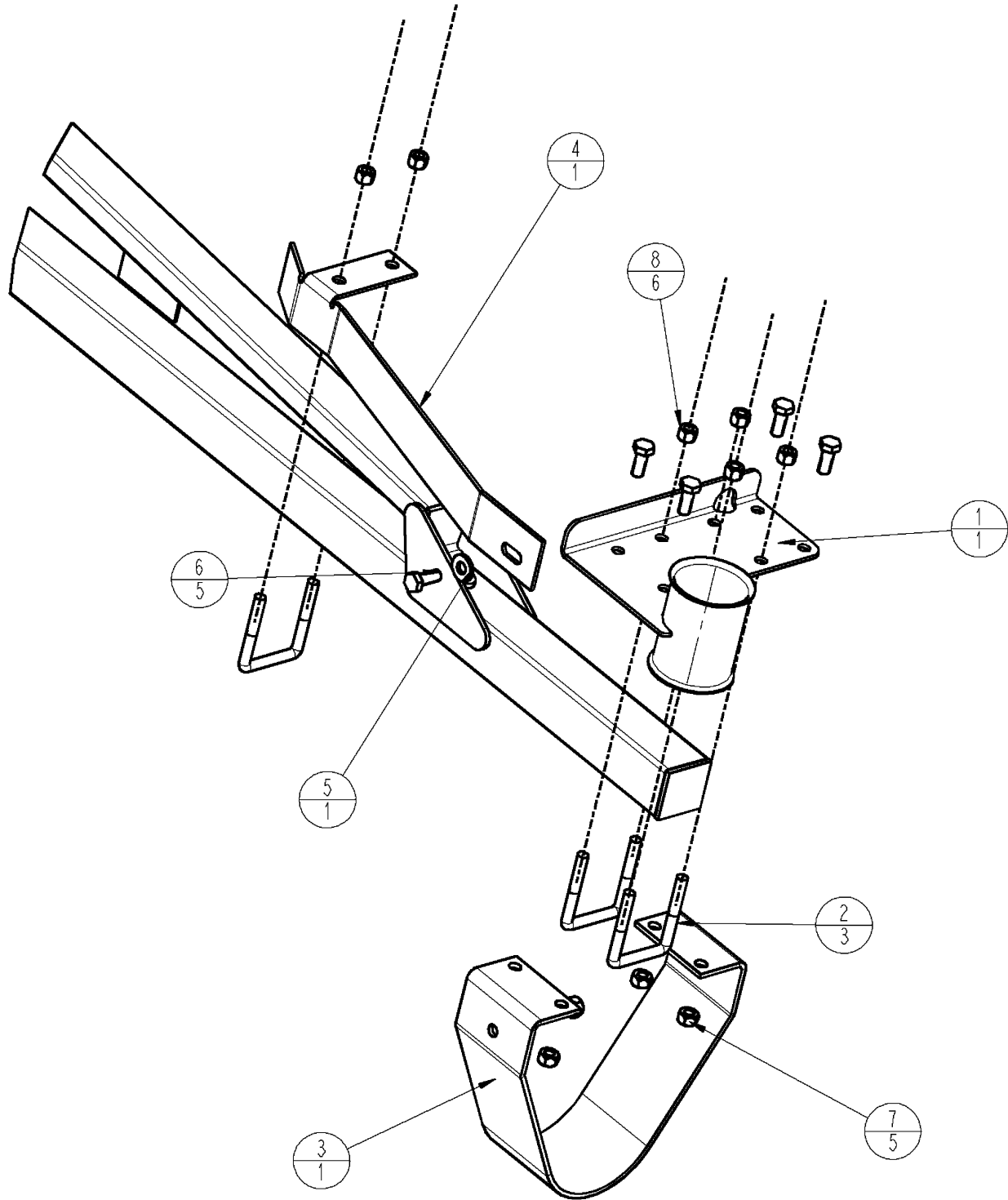
3330

08-026

p1

11/08

SKID GROUP, LEFT



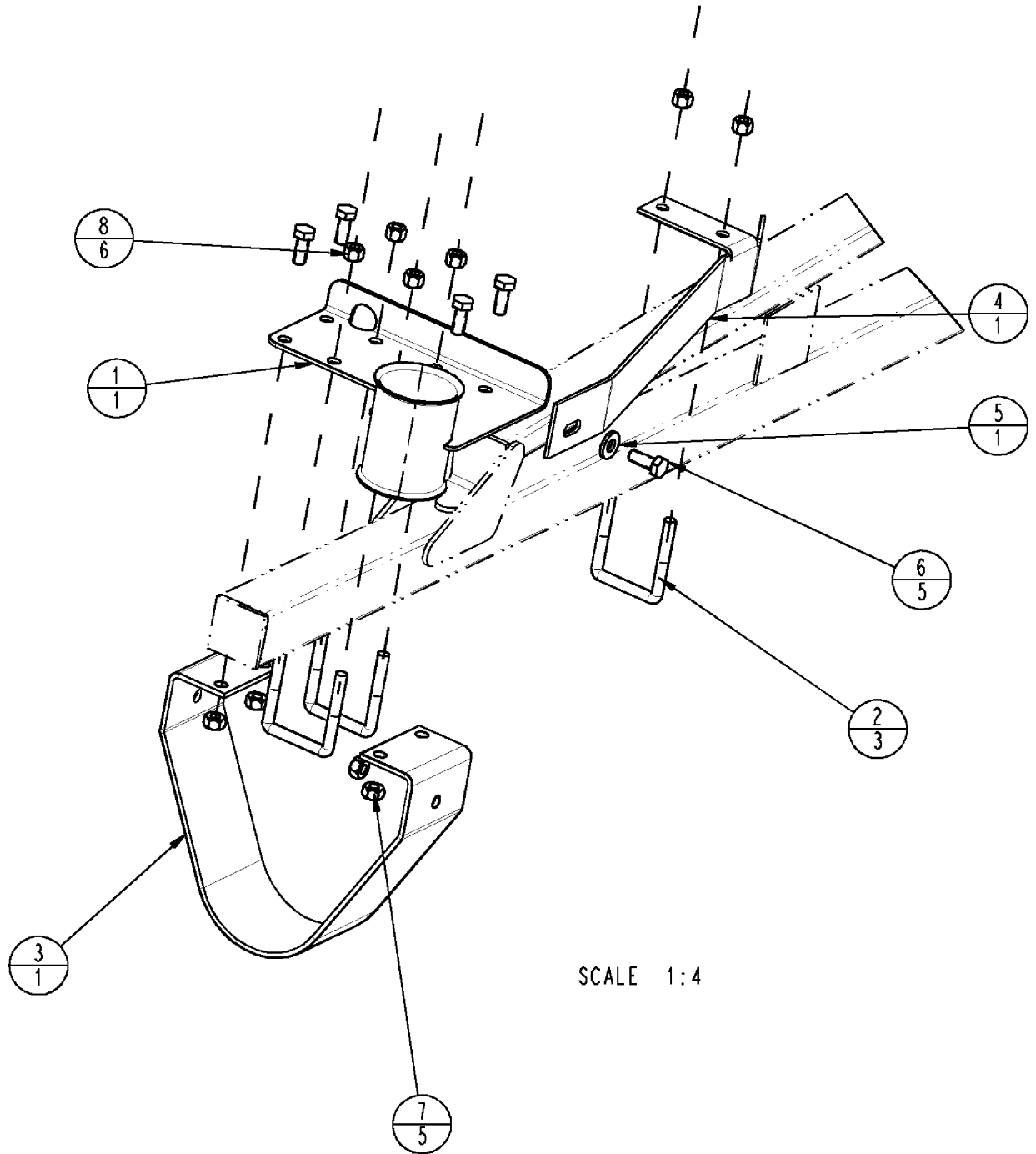
SCALE 1:4

SKID GROUP, LEFT

REF	FN	PART NUMBER	YR/SN	QTY	DESCRIPTION
1		87266616		1	PLATE, MOUNTING, W/M, OUTER LT FM DR
2		BN319919		3	U-BOLT, Sq. Bnd 2.06 ID x 3/8
3		BN313335		1	SKID/SHOE, BOOM BREAKAWAY
4		BN319660		1	GUARD, LH OUTER BOOM SKID
5		87529312		1	WASHER, 11 X 24 X 3MM HDN DOR
6		86980400		5	BOLT, Hex, M10 x 25, 8.8
7		86980515		5	NUT, LOCK, M10 x 1.5, CI 8
8		87343970		6	NUT, PT 3/8-16 DIR B

	3330
--	-------------

SKID GROUP, RIGHT



SCALE 1:4

08-027

p1

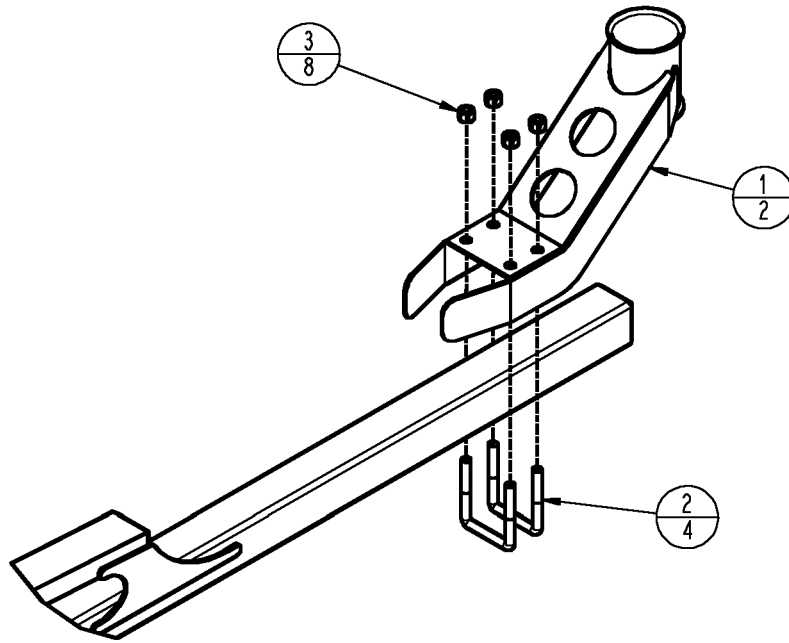
11/08

SKID GROUP, RIGHT

REF	FN	PART NUMBER	YR/SN	QTY	DESCRIPTION
1		87266615		1	MOUNTING PARTS, W/M, OUTER RT FM DR
2		BN319919		3	U-BOLT, Sq. Bnd 2.06 ID x 3/8
3		BN313335		1	SKID/SHOE, BOOM BREAKAWAY
4		BN319662		1	GUARD, RH OUTER BOOM SKID
5		87529312		1	WASHER, 11 X 24 X 3MM HDN DOR
6		86980400		5	BOLT, Hex, M10 x 25, 8.8
7		86980515		5	NUT, LOCK, M10 x 1.5, CI 8
8		87343970		6	NUT, PT 3/8-16 DIR B

3330

GUARD TIP GROUP

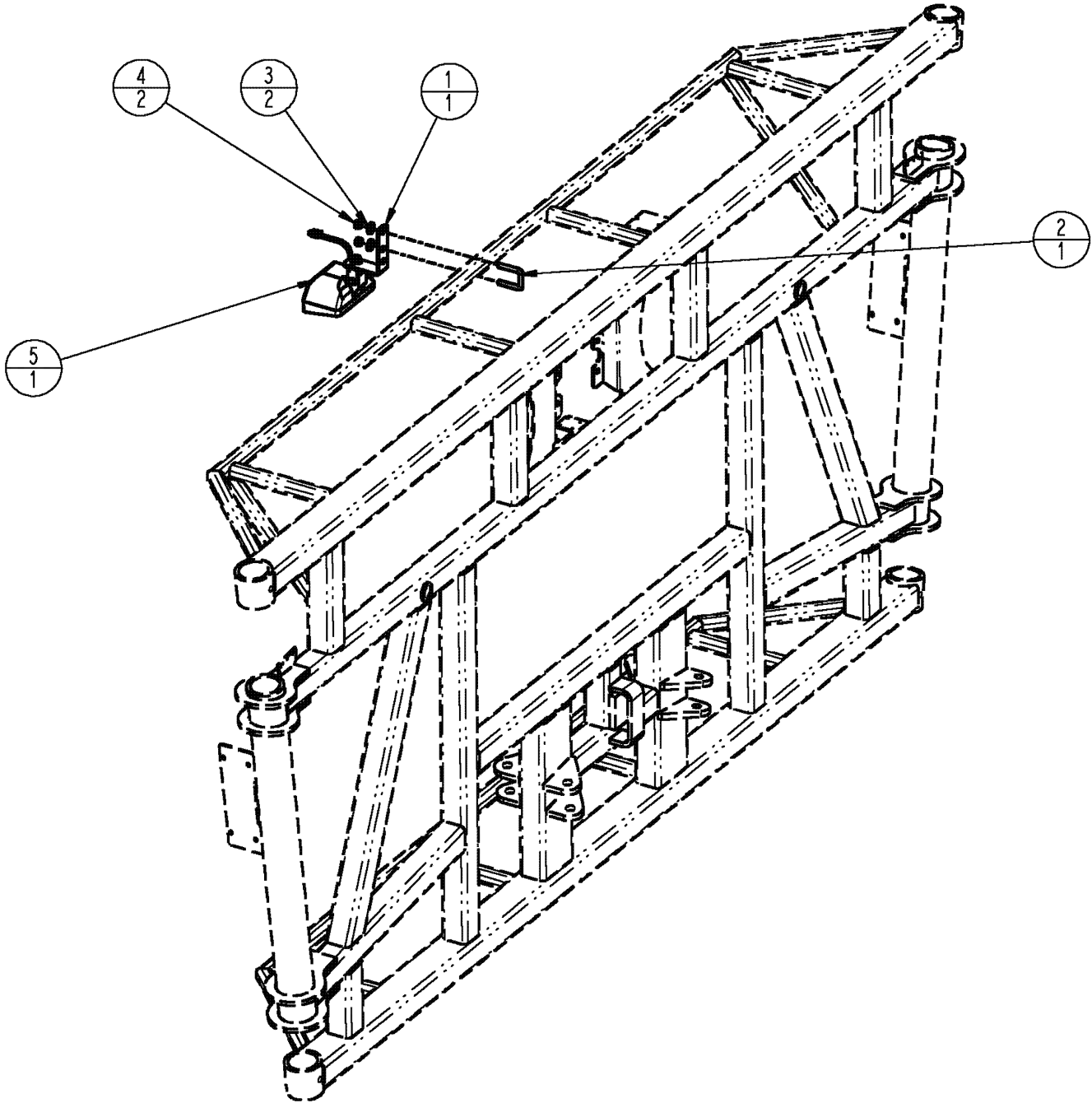


GUARD TIP GROUP						
------------------------	--	--	--	--	--	--

REF	FN	PART NUMBER	YR/SN	QTY	DESCRIPTION	
1		87636023		2	GUARD, TIP	
2		BN319919		4	U-BOLT, Sq. Bnd 2.06 ID x 3/8, D	
3		87343970		8	NUT, PT, 3/8-16 DIR B	

	3330
--	-------------

LIGHT GROUP, CENTER SECTION



LIGHT GROUP, CENTER SECTION

REF	FN	PART NUMBER	YR/SN	QTY	DESCRIPTION
1		87658595		1	PLATE, MOUNTING, BOOM LIGHT, REAR
2		BN319918		1	U-BOLT
3		87529312		2	WASHER, 11 X 24 X 3MM
4		87343974		2	NUT
5		87658615		1	LAMP, ASSEMBLY, FLOOD, 3 X 5
6		87658598		1	HARNES, WIRE, LIGHTS, CENTER SECTION

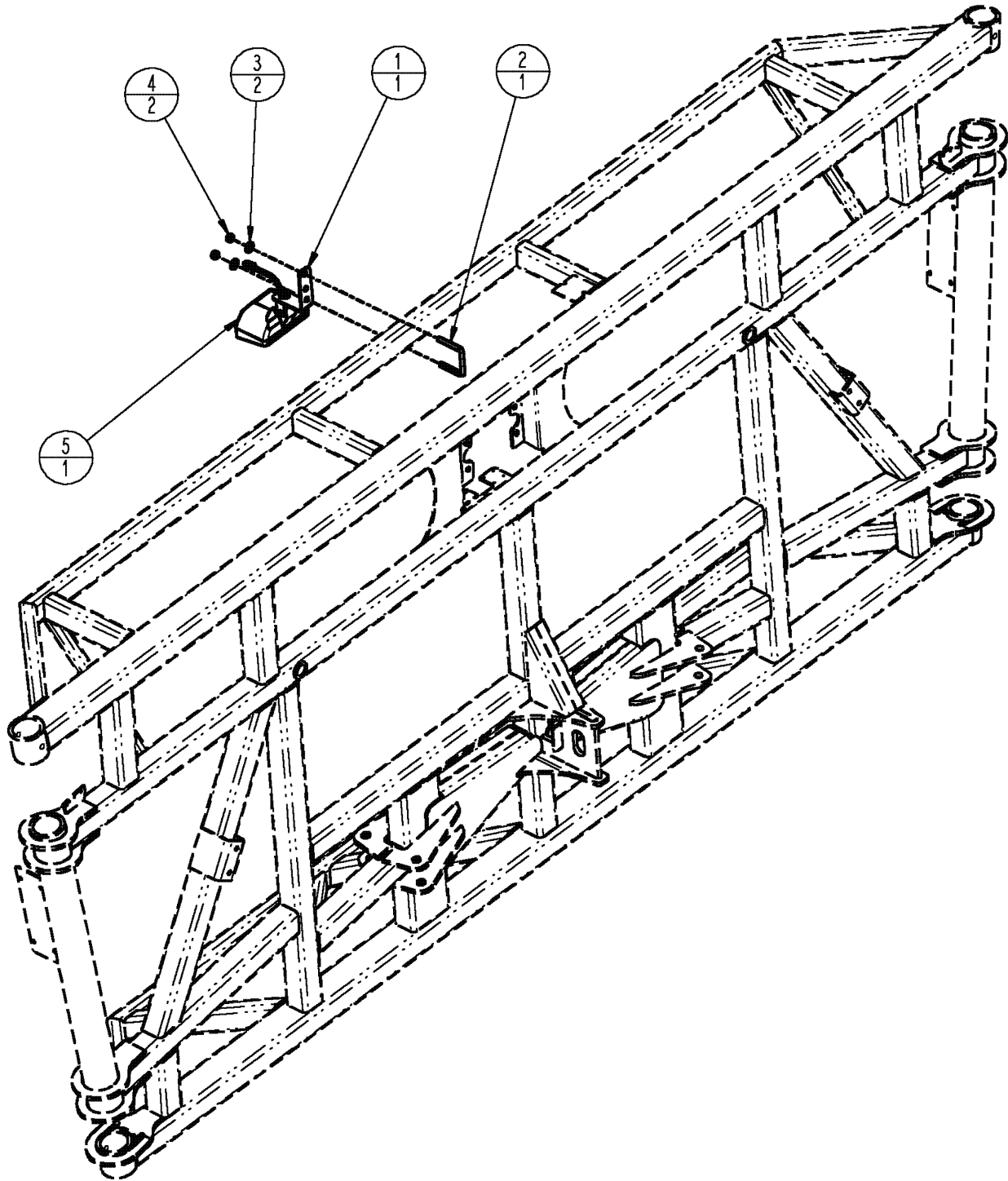
	3330
--	-------------

08-030

p1

09/08

LIGHT GROUP, CENTER SECTION, 120'

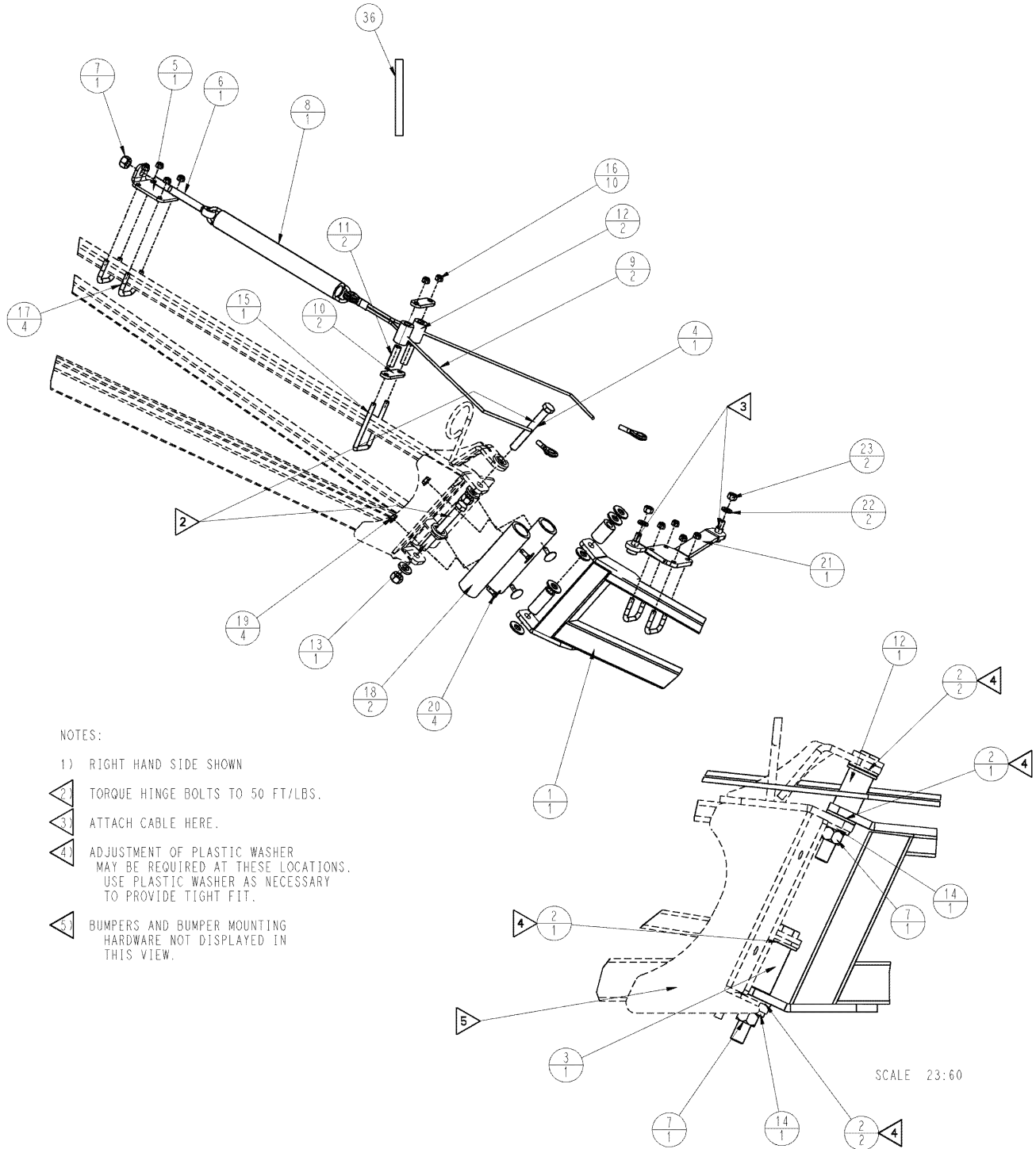


LIGHT GROUP, CENTER SECTION, 120'

REF	FN	PART NUMBER	YR/SN	QTY	DESCRIPTION
1		87658595		1	PLATE, MOUNTING, BOOM LIGHT, REAR
2		87586548		1	U-BOLT
3		87529312		2	WASHER, 11 X 24 X 3MM
4		86980515		2	NUT, LOCK, M10 x 1.5, CI 8
5		87658615		1	LAMP, ASSEMBLY, FLOOD, 3 X 5
6		87658598		1	HARNESS, WIRE, LIGHTS, CENTER SECTION

	3330
--	-------------

BOOM, BREAKAWAY ASSEMBLY, 90' BEGINNING 11/2008



NOTES:

1) RIGHT HAND SIDE SHOWN

2) TORQUE HINGE BOLTS TO 50 FT./LBS.

3) ATTACH CABLE HERE.

4) ADJUSTMENT OF PLASTIC WASHER MAY BE REQUIRED AT THESE LOCATIONS. USE PLASTIC WASHER AS NECESSARY TO PROVIDE TIGHT FIT.

5) BUMPERS AND BUMPER MOUNTING HARDWARE NOT DISPLAYED IN THIS VIEW.

SCALE 23:60

BOOM, BREAKAWAY ASSEMBLY, 90° BEGINNING 11/2008

REF	FN	PART NUMBER	YR/SN	QTY	DESCRIPTION
1		BN325289		1	FRAME, BOOM WELD, BREAKAWAY
2		87272614		6	WASHER, UHMW
3		87272899		1	BUSHING, 25 OD X 17 ID X 3.2
4		86980451		1	BOLT, M16 X 130
5		BN311733		1	ANCHOR, BREAKAWAY
6		BN304678		1	EYEBOLT, M16 X 160
7		86980517		3	NUT, M16
8		BN305410		1	SPRING, 1.67 X 0.283 X12
9		87271165		2	CABLE, BREAKAWAY
10		BN308039		2	PLATE, SPACER
11		BN310055		2	BUSHING
12		87265981		3	ROLLER, ROLLER, BREAKAWAY
13		87341861		1	BOLT, M16 X 140
14		87310607		2	WASHER, DOR
15		BN305434		1	U-BOLT, 2.00 ID X 4.50
16		BN50759		10	NUT, 3/8-16
17		BN68062		4	U-BOLT, 3/8
18		87706358		2	HOSE, BUMPER
19		BN50057		4	NUT
20		BN50779		4	BOLT, 5/16-18 X 1
21		BN309505		1	ANGLE, WELD, BREAKAWAY
22		86981496		2	WASHER, M13.5 x 24.5 x 3, HT
23		86980516		2	NUT, M12
36		BN570007		2	STRAP

3330

SECTION INDEX

Liquid Plumbing

09-001	TANK MOUNT GROUP
09-002	SIGHT GAUGE GROUP
09-003	RINSE TANK, MOUNTING GROUP
09-004	RINSE TANK, PLUMBING
09-005	RINSE TANK, LH
09-006	RINSE TANK, RH
09-007	FILL STATION GROUP
09-008	FILL STATION, PLUMBING
09-009	PLUMBING SUMP
09-010	REMOTE STATION RELOAD CENTER
09-011	PUMP GROUP, ACE
09-012	PUMP MOUNTING, GROUP
09-013	PUMP, PRODUCT, ACE
09-014	PLUMBING PUMP
09-015	PRESSURE SENDER GROUP, PUMP
09-016	VALVE, 3" MANIFOLD BALL
09-017	SPARGE PLUMBING
09-018	SUCTION FILL GROUP
09-019	VALVE PLUMBING GROUP, 5 & 6 SECTION
09-020	VALVE PLUMBING GROUP, 5 SECTION, CENTER
09-021	VALVE, 1.25 BALL ELECTRIC
09-022	STRAINER, 1" NPT 50M POLY
09-023	VALVE PLUMBING GROUP, 5 SECTION
09-024	VALVE PLUMBING GROUP, 5 SECTION
09-025	STRAINER PLUMBING GROUP, LO-FLOW
09-026	FLOW METER PLUMBING, LO-FLOW
09-027	THROTTLE VALVE/STRAINER, PLUMBING
09-028	THROTTLE VALVE, PLUMBING
09-029	STRAINER, 2" FLS
09-030	FLOWMETER STANDARD PLUMBING
09-031	FLOWMETER RFM 100
09-032	BOOM PLUMBING GROUP, 5 SECTION MID
09-033	BOOM PLUMBING GROUP, 5 SECTION 90'
09-034	BOOM PLUMBING GROUP, 5 SECTION MID
09-035	BOOM PLUMBING GROUP, 5 SECTION, CENTER SECTION
09-036	MANIFOLD GROUP, 5 AND 6 SECTION
09-037	MANIFOLD, CENTER SECTION, LO-FLOW
09-038	MANIFOLD SUPPORT GROUP, 5-6 SECTION
09-041	NOZZLE SPACING GROUP, 5 SECTION 90', 20/30" ON CENTER PLBG
09-042	NOZZLE SPACING GROUP, 5 SECTION MID, 20/30" ON CENTER PLBG
09-043	SPRAYBAR, CS, 20" OFF, 5 SECTION
09-044	SPRAYBAR, CS, 20" OFF, 6 SECTION
09-045	SPRAYBAR, CS 20/30", 5 SECTION
09-046	SPRAYBAR, CS, 20" OFF, 6 SECTION, LO-FLOW
09-047	SPRAYBAR, MID, 20" OFF, 6 SECTION, LO-FLOW
09-048	SPRAYBAR, OUTER, 20" OFF, 6 SECTION, LO-FLOW
09-049	SPRAYBAR, 100' OUTER, 20' OFF CL
09-053	SPRAYBARS
09-054	NOZZLE SPACING GROUP, 5 SECTION, 20" OFF, CENTER SECTION
09-055	NOZZLE SPACING GROUP, 5 & 6 SECTION MID, 20" OFF CL PLBG
09-056	VALVE PLUMBING GROUP, 6 SECTION, INNER RIGHT BOOM, 2 STRAINER

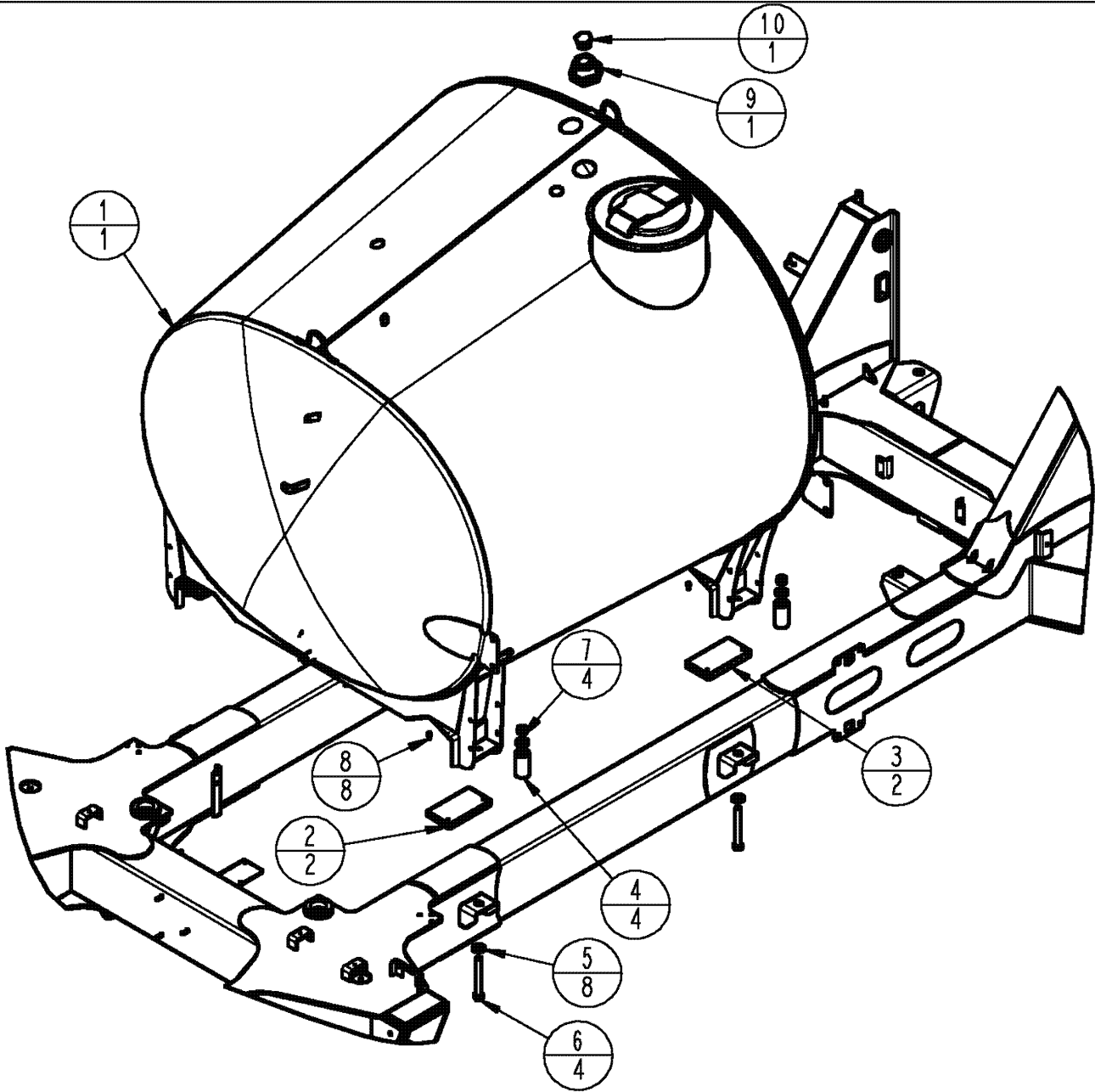
SECTION INDEX

Liquid Plumbing

09-057		VALVE PLUMBING GROUP, 6 SECTION, INNER LEFT BOOM, 2 STRAINER
09-058		BOOM PLUMBING GROUP, 5-6 SECTION 100'
09-059		BOOM PLUMBING GROUP, 6 SECTION CENTER
09-060		BOOM PLUMBING GROUP, 6 SEC MID, RH
09-061		BOOM PLUMBING GROUP, 6 SEC MID, LH
09-062		BOOM, CENTER SECTION PLUMBING, 6 SECTION, LO-FLOW
09-063		CENTER SECTION PLUMBING, 6 SECTION, LO-FLOW
09-066		BOOM, MID PLUMBING, 6 SECTION, LO-FLOW
09-067		BOOM, OUTER PLUMBING, 6 SECTION, LO-FLOW
09-068		NOZZLE SPACING GROUP, 6 SECTION CENTER, 20" OFF
09-069		NOZZLE SPACING GROUP, 90' OUTER, 20" OFF
09-070		90' KNOCKDOWN TUBE PACKAGE
09-071		90' KNOCKDOWN FITTING PACK
09-073		BOOM VALVE PLUMBING, MID, LO-FLOW
09-074		BOOM VALVE PLUMBING, OUTER, LO-FLOW
09-077		ELECTRICAL, 5 SECTION PLUMBING, CS
09-078		ELECTRICAL, 6 SECTION PLUMBING, CS
09-079		VALVE, MANIFOLD BOOM
09-080	01	SPRAYBAR PLUMBING, TWS, 20" OFFSET, 120' BOOM
09-080	02	SPRAYBAR PLUMBING, TWS, 20" OFFSET, 120' BOOM
09-081		CENTER SECTION PLUMBING, 7 SECTION, 120' BOOM
09-082		BOOM VALVE PLUMBING, 7 SECTION
09-083	01	SPRAYBAR PLUMBING, TWS, 7 SECTION, 20"/30", 120' BOOM
09-083	02	SPRAYBAR PLUMBING, TWS, 7 SECTION, 20"/30", 120' BOOM
09-084		CENTER SECTION PLUMBING, 7 SECTION, LOW FLOW, 120' BOOM
09-085		BOOM VALVE PLUMBING, 7 SECTION, LOW FLOW, 120' BOOM
09-085		MANIFOLD GROUP, 7 SECTION, LOW FLOW, 120' BOOM
09-086		STRAINER PLUMBING MOUNT GROUP
09-087		STRAINER PLUMBING GROUP
09-088		THROTTLE VALVE PLUMBING

TANK MOUNT GROUP

9

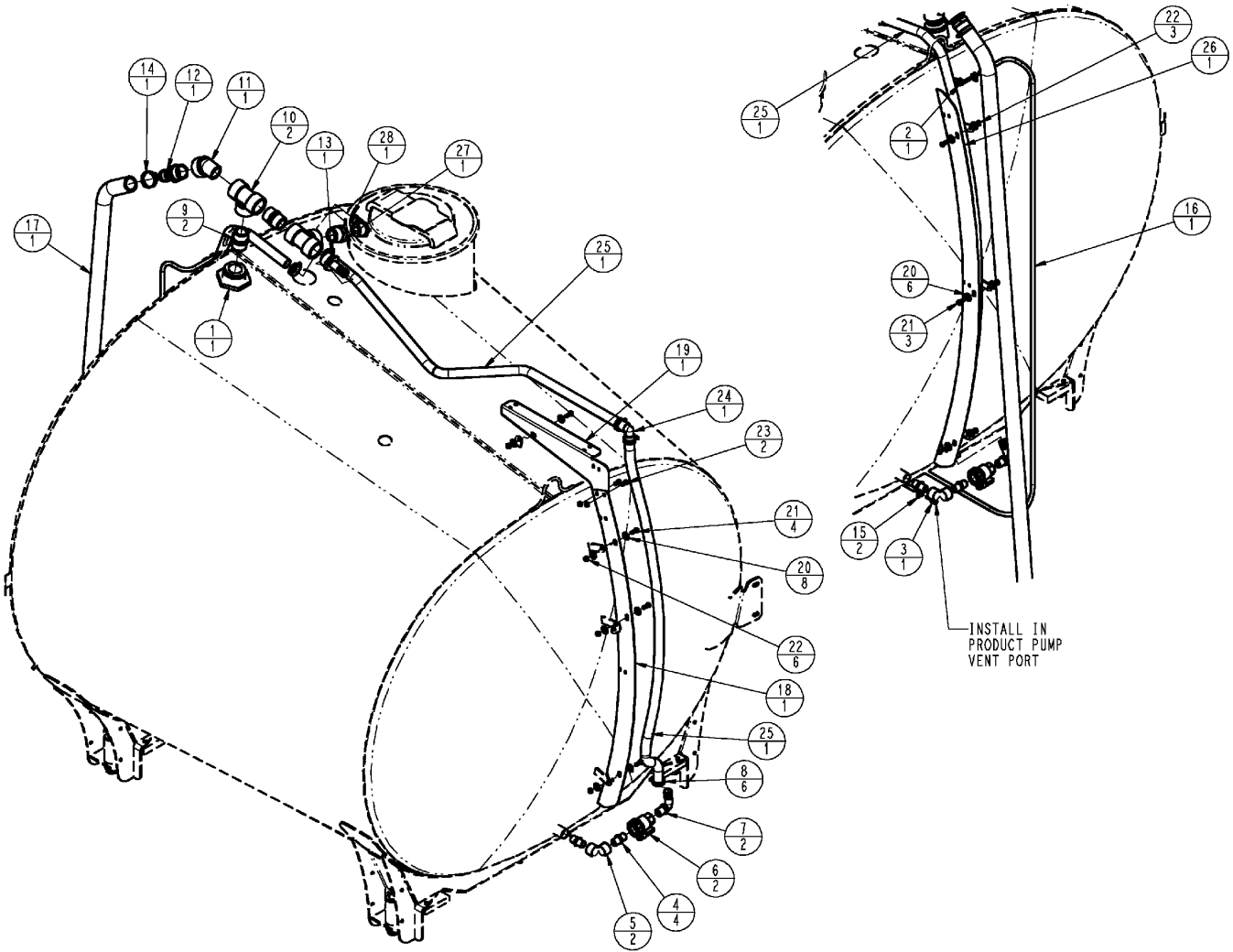


TANK MOUNT GROUP

REF	FN	PART NUMBER	YR/SN	QTY	DESCRIPTION
1		87730320		1	TANK, 1000 GAL, SS
2		87272750		2	PAD, TANK, 19MM, WITH HOLES
3		87272751		2	PAD, TANK, 25MM, WITH HOLES
4		BN312850		4	SPRING, 1" ID x 4" Lg-Die
5		87310608		8	WASHER, 22 X 44 X 5MM HDN DOR
6		87342000		4	BOLT, M20 X 160 10.9
7		87024336		4	NUT, M20 10METP/TDOR
8		87343659		8	SCREW, TAPPING, 1/4-20 X 3/4 H
9		BN73733		1	FITTING, BLKHD, 1.50FP, 3.00 HOLE, PP
10		BN73731		1	PLUG, 1-1/2" Poly Pipe

3330

SIGHT GAUGE GROUP

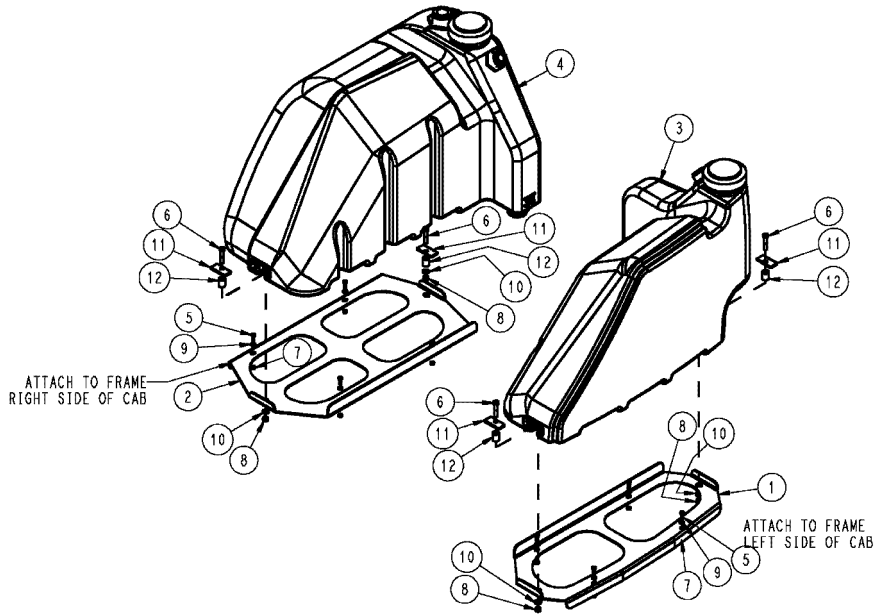


SIGHT GAUGE GROUP

REF	FN	PART NUMBER	YR/SN	QTY	DESCRIPTION
1		BN73733		1	FITTING, BLKHD, 1.50FP, 3.00 HOLE, PP
2		BN73412		1	ELBOW, Barb, 1/4 NPT x 1/4 HS, 90°, PP
3		BN72040		1	FITTING, STR, .125MP .25HB, SS
4		BN73565		4	NIPPLE, 3/4" Short Pipe, Poly
5		87580531		2	FITTING, .75, PP, EL075-90
6		BN324588		2	VALVE, BALL, .75FP, UNION, PP
7		134271C2		2	ELBOW
8		BN75990		6	CLAMP, HOSE, SS, #16, .81 to 1.5A
9		BN73715		2	NIPPLE, 1.5" Short Poly
10		BN73714		2	TEE, 1.5FP, PP
11		BN310467		1	ELBOW, 45, 1.5MP 1.5FP, PP
12		BN73725		1	FITTING, STR, 1.5MP 1.5HB, PP
13		BN304513		1	FITTING, STR, 1.5MP 1.0HB, PP
14		BN310448		1	CLAMP, HOSE, #28, 304 SS
15		BN310450		2	CLAMP, HOSE, #3, 304 SS
16		BN72041		10	SLEEVE, HOSE-EPDM 1/4" ID
17		{BN305785}		AR	1.5" KANAFLEX, BLK
18		{87580662}		1	SIGHT GAUGE, FRONT
19		{87580664}		1	TOP SIGHT GAUGE
20		87528983		14	WASHER, M8 X 25 X 2 CST DOR
21		86980379		7	BOLT, M8 1.25 X 20, HH, 8.8, DOR
22		86980514		9	NUT, P/T, ALL MTL, M8
23		86980378		2	BOLT, M8 1.25 X 16, HH, 8.8DOR
24		342684A1		1	FITTING, 90, 1.0HB, 1.0HB, PP
25		BN54256		AR	HOSE, 1.0" ID X 1/8" WL VINYL
26		{87593258}		1	SIGHT GAUGE, REAR
27		BN73726		1	BUSHING, BRONZE, RDCR, 1.5MP 1.25FP, PP
28		BN2296590		1	ELBOW, 90, 1.25MP 1.0HB, PP

3330

RINSE TANK, MOUNTING GROUP

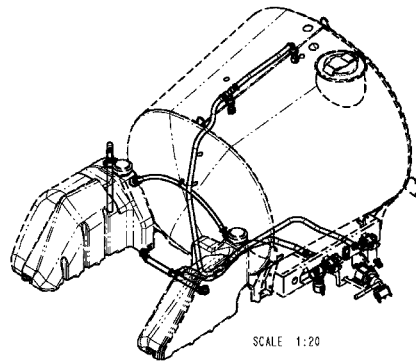
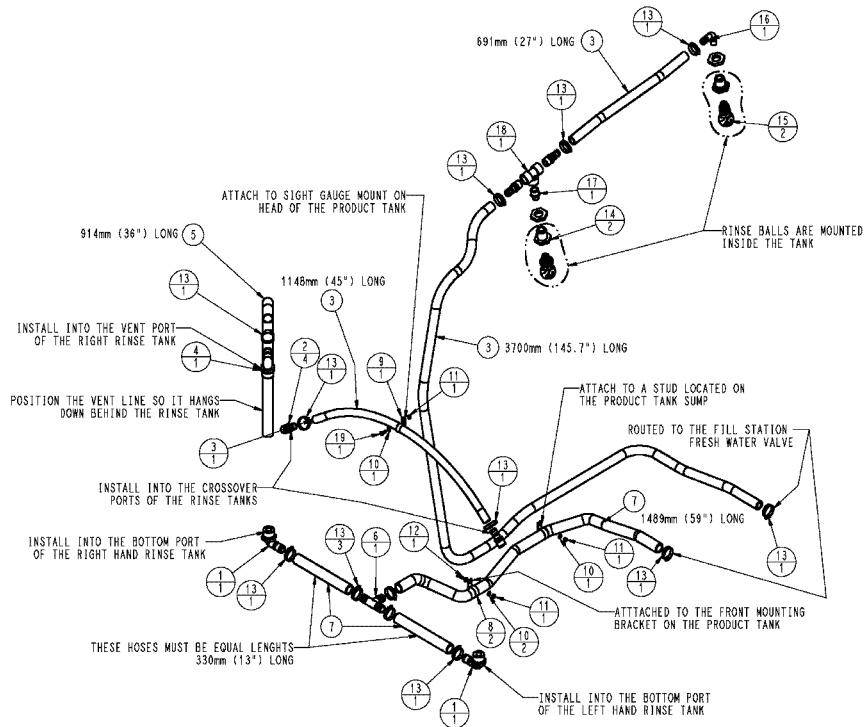


RINSE TANK, MOUNTING GROUP

REF	FN	PART NUMBER	YR/SN	QTY	DESCRIPTION
1		87270428		1	PLATE, MOUNTING, RINSE TANK, LH
2		87270430		1	PLATE, MOUNTING, RINSE TANK, RH
3		87270431		1	TANK, RINSE, LH, W/FITTINGS, SEE FIG. 09-005
4		87270432		1	TANK, RINSE, RH, W/FITTING, SEE FIG. 09-006
5		86980380		8	BOLT, M8 1.25 X 25, HH, 8.8, DO
6		86980426		4	BOLT, M12 1.75 X 60, HH, 8.8, DL
7		86980514		8	NUT, P/T ALL MTL M8 8 DOR
8		86980516		4	NUT, P/T, ALL MTL M12 8 DO
9		87529315		8	WASHER, 9 X 17 X 2MM HDN DOR
10		86981496		4	WASHER, M13.5 x 24.5 x 3, HT, HTS DOR
11		BN67652		4	WASHER, Tank Hold Down
12		BN67653		4	TANK, TB, RD, BUSHING

3330

RINSE TANK, PLUMBING

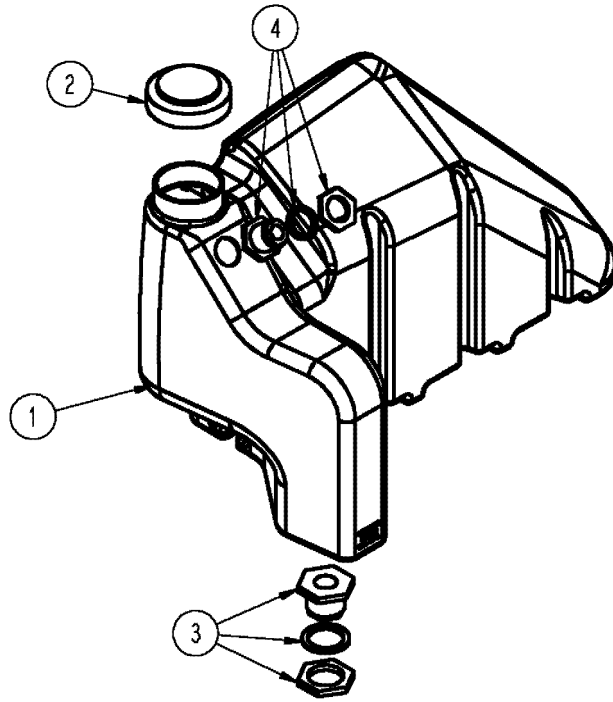


RINSE TANK, PLUMBING

REF	FN	PART NUMBER	YR/SN	QTY	DESCRIPTION
1		BN308040		2	FITTING, 90, 1.5MP 1.25HB, PP
2		BN53476		4	FITTING, STR, 1.0MP 1.0HB, PP
3		BN53479		AR	SLEEVE, HOSE BLK, 1" EPDM DISCHARG
4		BN73723		1	ELBOW, 90°, 1.5MP 1.5HB, PP
5		BN53842		3	HOSE, FLEXIBLE, BLK 1.5" EPDM DISCHAR
6		BN317579		1	TEE, 1.25 HB, PP
7		87271155		AR	HOSE, 1-1/4, SUCTION, STD
8		515-24444		2	CLAMP, 1 3/4", Insul, 7/16" Bolt
9		515-23365		1	CLAMP, 1 7/16", Insul, 3/8" Bolt
10		87529315		4	WASHER, 9 X 17 X 2MM HDN DOR
11		86980514		3	NUT, P/T ALL MTL M8 8 DOR
12		86980380		1	BOLT, M8 1.25 X 25, HH, 8.8, DO
13		BN310448		13	CLAMP, HOSE, #28, 304 SS
14		BN311041		2	FITTING, BLKHD, .75FP, 1.63 HOLE
15		343509A1		2	JET, NOZZLE, RINSE (360) W/ADPTR
16		134271C2		1	ELBOW
17		BN73649		1	NIPPLE, LUBE, RDCR, 1.0MP .75MP, PP
18		BN73629		1	TEE, 1.0FP, PP
19		86980379		1	BOLT, M8 1.25 X 20, HH, 8.8, DOR

3330

RINSE TANK, LH

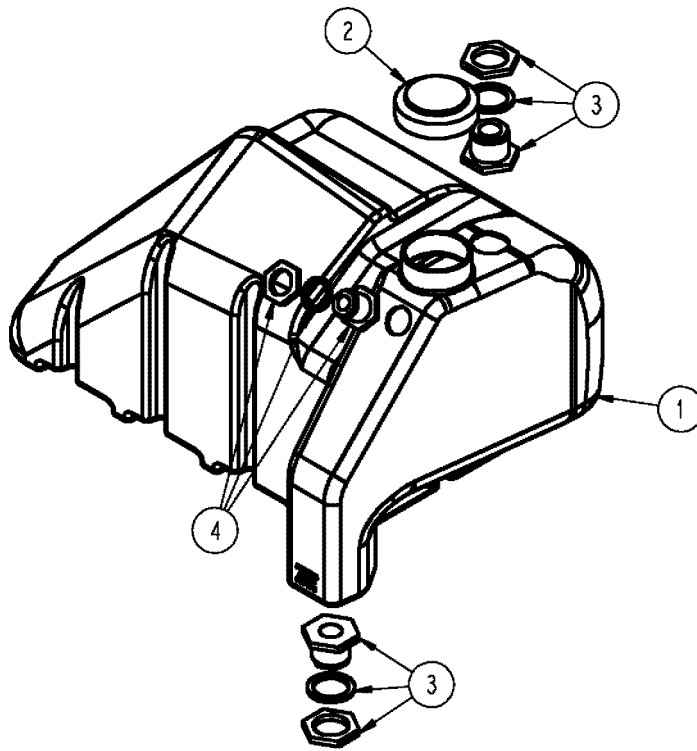


RINSE TANK, LH

REF	FN	PART NUMBER	YR/SN	QTY	DESCRIPTION
1		{87270073}		1	RINSE, WHEEL WELL, LH
2		BN314276		1	COVER, 6.00, W/BREATHER
3		BN73733		1	FITTING, BLKHD, 1.50FP, 3.00 HOLE, PP
4		BN2403685		1	BULKHEAD, BLKHD, 1.0FP, 2.25 HOLE

	3330
--	-------------

RINSE TANK, RH

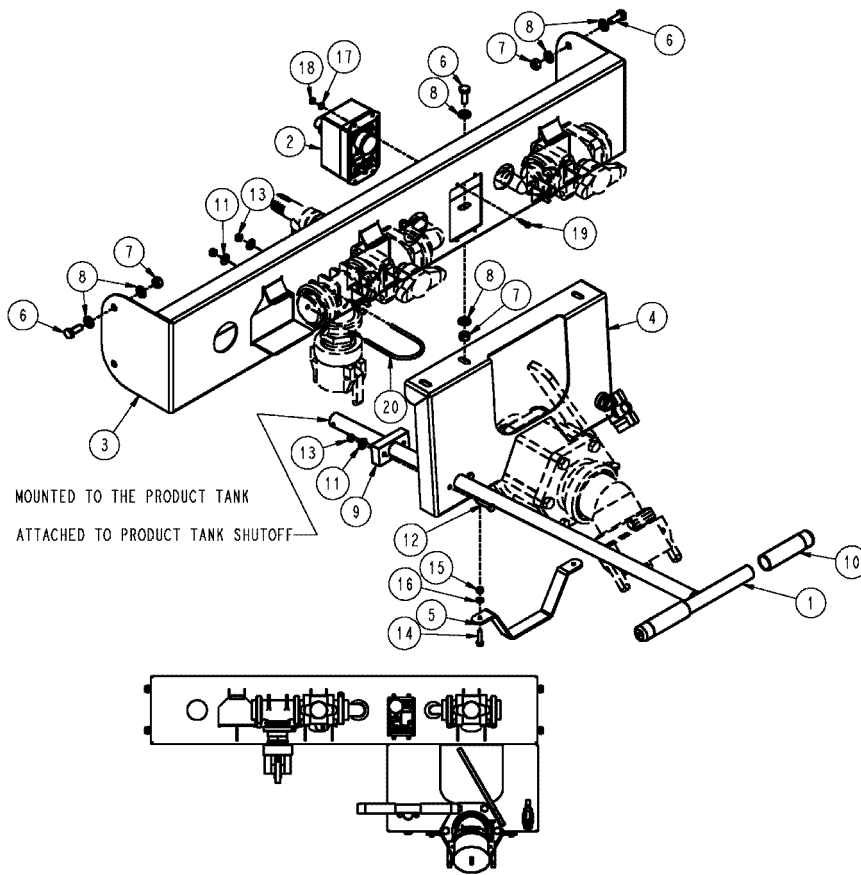


RINSE TANK, RH

REF	FN	PART NUMBER	YR/SN	QTY	DESCRIPTION
1		{87270074}		1	RINSE, WHEEL WELL, RH
2		BN314276		1	COVER, 6.00, W/BREATHER
3		BN73733		1	FITTING, BLKHD, 1.50FP, 3.00 HOLE, PP
4		BN2403685		1	BULKHEAD, BLKHD, 1.0FP, 2.25 HOLE

	3330
--	-------------

FILL STATION GROUP

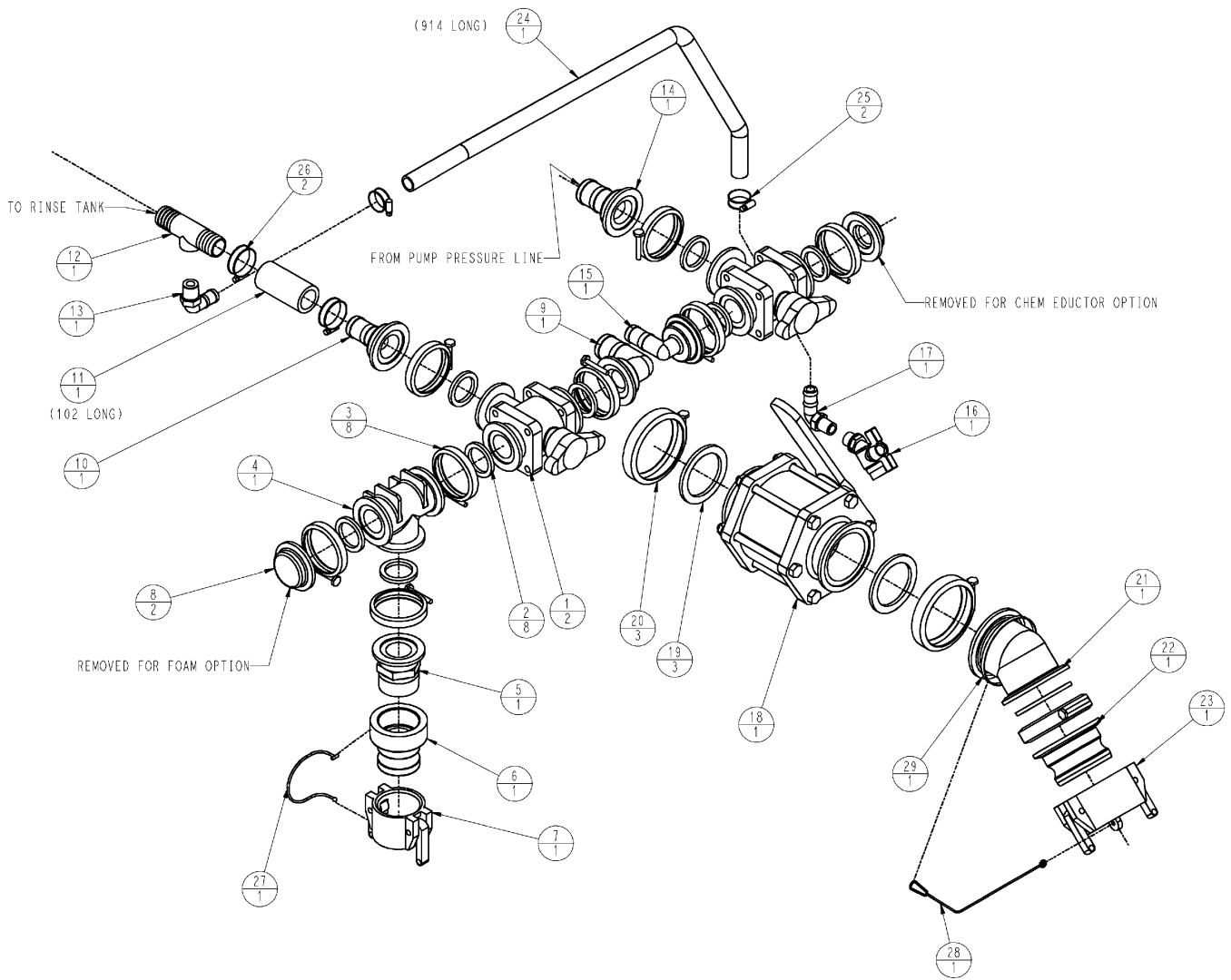


FILL STATION GROUP

REF	FN	PART NUMBER	YR/SN	QTY	DESCRIPTION
1		343411A1		1	HANDLE, W/M 3" VALVE 778 D
2		87266536		1	CONTROL UNIT, REMOTE STATION RELOAD CTR, SEE FIG. 09-010
3		87271621		1	PLATE, BASE, FILL STATION
4		87270439		1	PLATE, MOUNTING, FILL VLV/T-HANDLE
5		87270440		1	RETAINER, FILL VALVE
6		86980400		7	BOLT, Hex, M10 x 25, 8.8, DO
7		86980515		7	NUT, LOCK, M10 x 1.5, CI 8, P/T, ALL MTL 8 DO
8		87529312		14	WASHER, 11 X 24 X 3MM HDN DOR
9		BN323177		1	BUSHING, VALVE HANDLE EXT
10		BN323880		2	GRIP, 1" ID VINYL
11		BN50138		4	WASHER, 1/4", SS, Flat
12		BN50688		2	BOLT, 1/4 20 X 1.25, HH, SS
13		BN55359		4	NUT, LOCK, 1/4"-20, SS
14		86980361		2	BOLT, M6 1 X 25, HH, 8.8, DOR R
15		86980513		2	NUT, P/T, ALL MTL M6 8 DOR
16		87529314		2	WASHER, 6.6 X 12.5 X 2MM HDN DOR
17		BN310265		4	WASHER, 10, FW, SS
18		BN310266		4	NUT, 10-24, NLN, SS
19		BN311631		4	BOLT, 10-24 X .75, BSH, SS
20		BN303201		1	U-BOLT, 1/4 X 2.38R X 3.75

3330

FILL STATION, PLUMBING

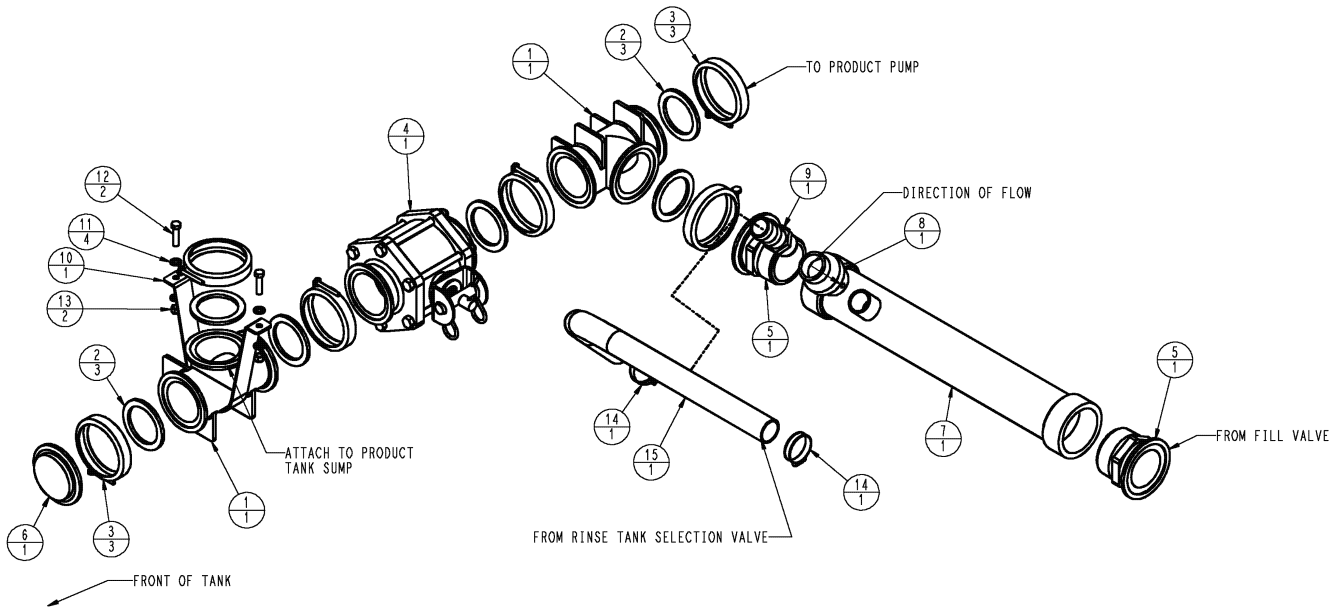


FILL STATION, PLUMBING

REF	FN	PART NUMBER	YR/SN	QTY	DESCRIPTION
1		BN324998		2	VALVE, BALL, 3W, BL, 2.0FLB, PP
2		BN303204		8	GASKET, 2.0 FLB, EPDM
3		BN303199		8	CLAMP, 2 FLB, STD
4		BN303196		1	TEE, 2.0 FLB, PP
5		BN303185		1	ADAPTER, STR, 2.0FLB 2.0MP, PP
6		BN304330		1	ADAPTER, 2.0 CAMM 2.0FP, PP
7		BN22901		1	COVER, 2.0 CAM, PP
8		BN304317		2	PLUG, 2.0 FLB, PP
9		BN304321		1	ELBOW, 90, 2.0FLB, 1.5HB, PP
10		BN306900		1	STRAINER ASSY., STR, 2.0FLB 1.25HB, PP
11		87271155		1	HOSE, 1-1/4, SUCTION, STD
12		BN311026		1	TEE, 1.25HB 1.25HB .75FP, PP
13		BN73562		1	ELBOW, Barb, 3/4 NPT x 3/4 HS, 90°, PP
14		BN306901		1	FITTING, STR, 2.0FLB 1.5HB, PP
15		BN322003		1	ELBOW, 90, 2.0FLB 1.0HB, PP
16		BN53817		1	VALVE, DRAIN, BALL, .50MP .50 MGH, BLUE
17		BN73519		1	FITTING, 90, .50MP .75HB, PP
18		BN321070		1	VALVE, BALL, 3.0FLB, PP
19		BN321073		3	GASKET, 3.0 FLB, EPDM
20		BN321074		3	CLAMP, 3.0 FLB
21		87266599		1	ELBOW, 45, 3.0 FLB 3.0 FLB, PP
22		343025A1		1	ELBOW, 3.0 CAMM, 3.0FLB, PP
23		BN2393384		1	CAP, 3.0 CAM, PP
24		BN27905		3	HOSE, BLK, 3/4" EPDM DISCHA
25		BN310446		2	CLAMP, HOSE, #12, 304 SS
26		BN320156		2	CLAMP, HOSE, #24,304 SS
27		BN321087		1	STRAP, LANYARD
28		416624A1		1	ROPE, NYLON
29		306132C1		1	STRAP, CABLE, .30" x 14.5"

3330

PLUMBING SUMP



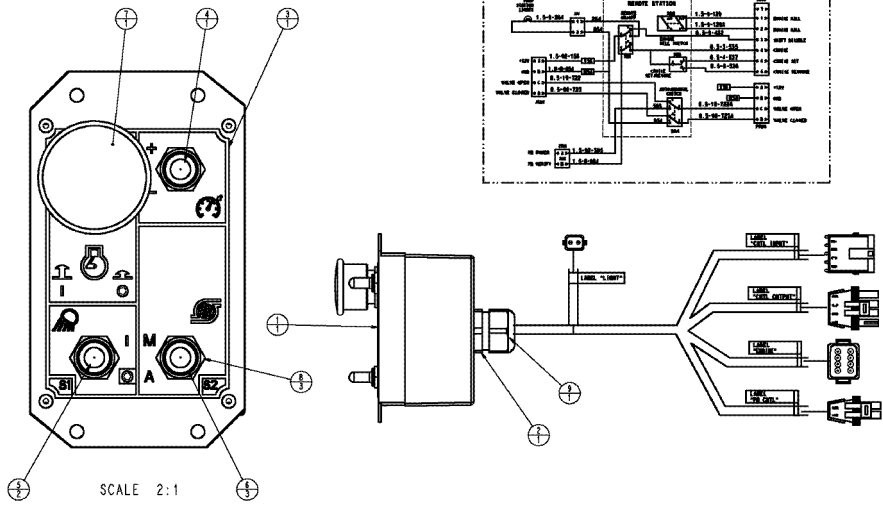
PLUMBING SUMP

REF	FN	PART NUMBER	YR/SN	QTY	DESCRIPTION
1		BN321071		2	TEE, 3.0 FLB, PP
2		BN321073		6	GASKET, 3.0 FLB, EPDM
3		BN321074		6	CLAMP, 3.0 FLB
4		BN322929		1	VALVE, 3" MANIFOLD BALL, SEE PAGE 09-016
5		BN321078		2	ADAPTER, STR, 3.0 FLB 3.0 MP, PP
6		BN321079		1	PLUG, 3.0 FLB, PP
7		87730318		1	TUBE, 3" FILL
8		BN24567		1	VALVE, CHECK, (CHECK) 1-1/4" NPT
9		BN2294412		1	NIPPLE, LUBE, STR, 1.25MP1.50HB, PP
10		86986136		1	STRAP, SUMP TEE, LONG
11		BN50146		4	WASHER, 3/8", Flat, SS
12		BN50260		2	BOLT, 3/8-16X1.5, HH, SS
13		BN50759		2	NUT, 3/8-16, NLN, SS
14		BN310448		2	CLAMP, HOSE, #28, 304 SS
15		BN53842		3.0	HOSE, FLEXIBLE, BLK, 1.5" EPDM DISCHAR

3330

REMOTE STATION RELOAD CENTER

9

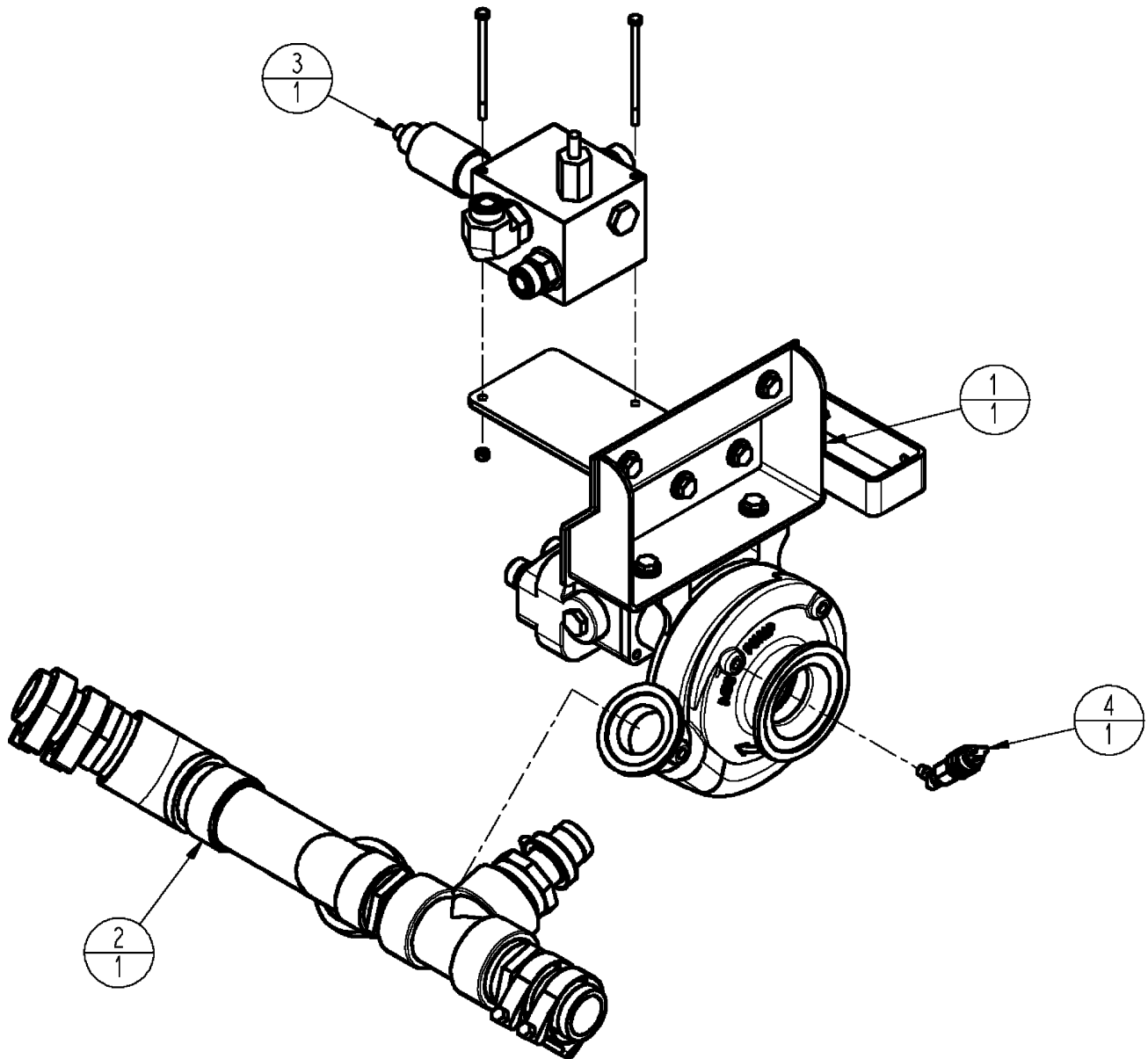


REMOTE STATION RELOAD CENTER

REF	FN	PART NUMBER	YR/SN	QTY	DESCRIPTION
1		86986403		1	SHIELD, W/REWORK
2		BN66117		1	NUT, Strain Relief-Shift Cable
3		86986405		1	DECAL, REMOTE STATION
4		BN29445		1	SWITCH, TOGGLE (ON) OFF (ON)
5		BN24129		2	SWITCH, ON, NONE ON DPDT
6		343660A1		3	COVER, SWITCH, BLK, TOGGL
7		86986404		1	SWITCH, PUSH/PULL, SEALED
8		BN324373		3	NUT, 1/2 TOGGLE SWITCH
9		87266537		1	HARNESS, REMOTE MODULE

3330

PUMP GROUP, ACE

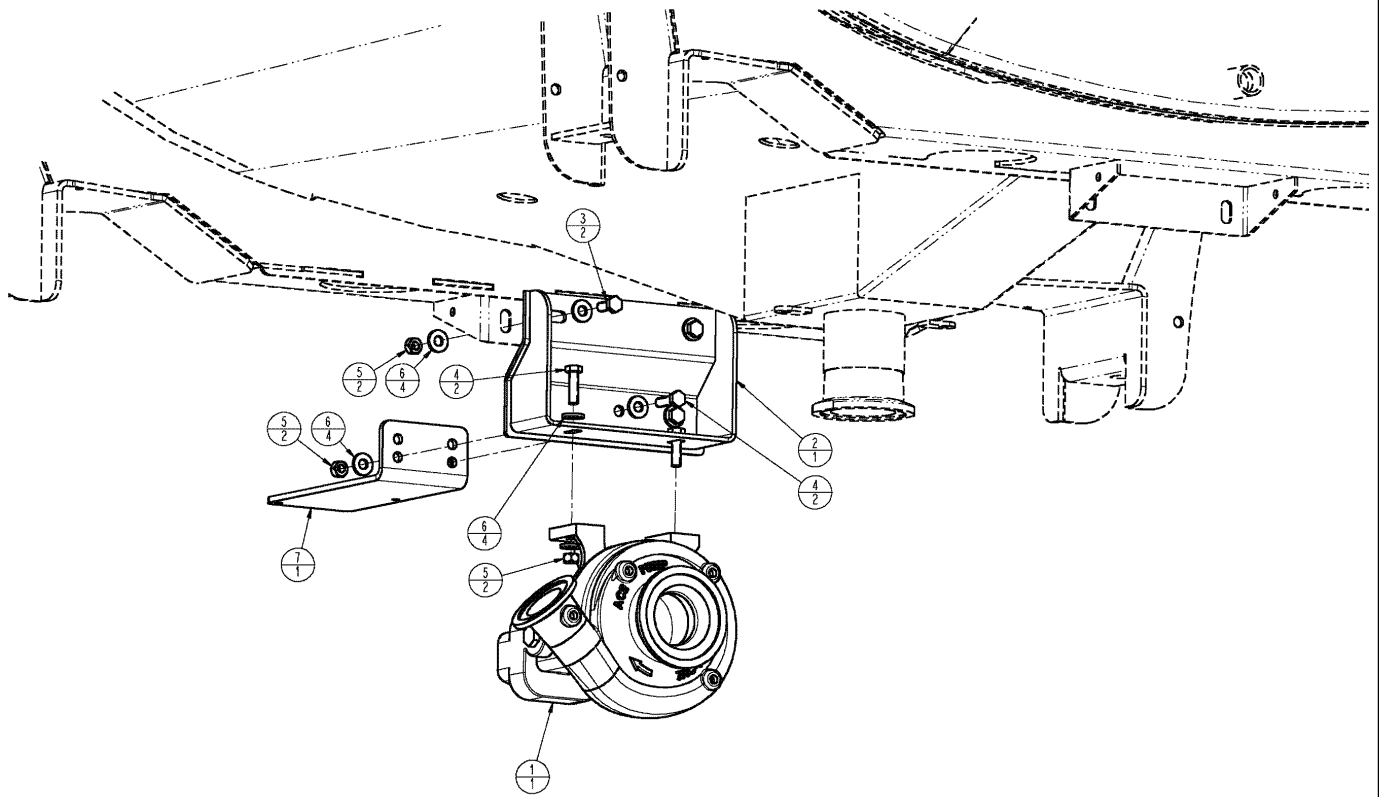


PUMP GROUP, ACE

REF	FN	PART NUMBER	YR/SN	QTY	DESCRIPTION
1		{87497512}		1	PUMP, SEE FIG. 09-012
2		{87270084}		1	PLUMBING, PUMP, SEE FIG. 09-014
3		{87497513}		1	
4		{87271620}		1	PRESS, SEE FIG. 09-015

	3330
--	-------------

PUMP MOUNTING, GROUP



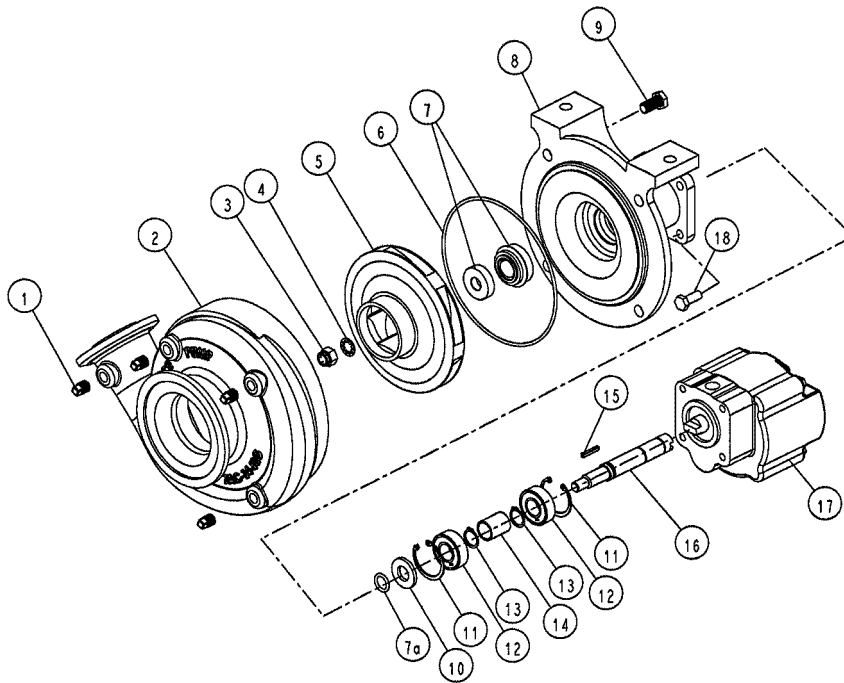
PUMP MOUNTING, GROUP

REF	FN	PART NUMBER	YR/SN	QTY	DESCRIPTION
1		87269948		1	PUMP, PRODUCT, SEE FIG. 09-013
2		87270086		1	PLATE, MOUNTING, PRODUCT PUMP
3		86980400		2	BOLT, Hex, M10 x 25, 8.8
4		86980402		4	BOLT, M10 1.5 X 35, HH, 8.8, DO
5		86980515		6	NUT, LOCK, M10 x 1.5, CI 8
6		87529312		12	WASHER, 11 X 24 X 3MM DOR
7		87271109		1	PLATE, MOUNTING, PRODUCT VALVE

3330

PUMP, PRODUCT, ACE

9



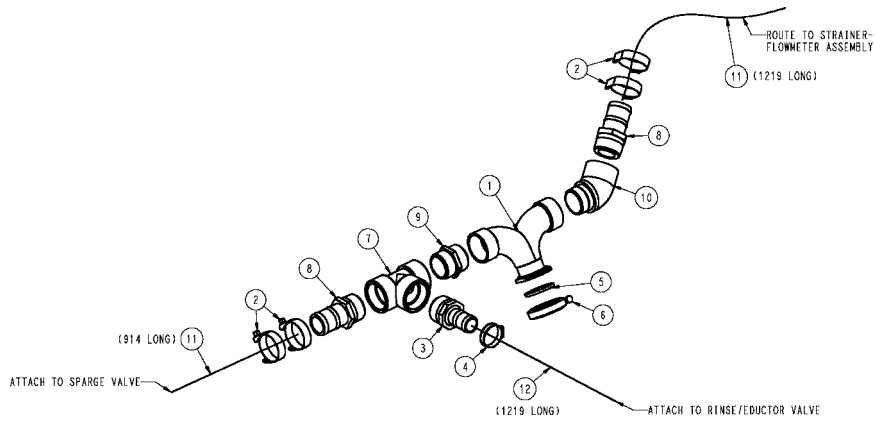
PUMP, PRODUCT, ACE

REF	FN	PART NUMBER	YR/SN	QTY	DESCRIPTION
1		87598194		4	PLUG, PIPE, PLUG
2		87598189		1	CASTING, VOLUTE
3		87598197		1	NUT, 3/8 NF, SS
4		BN325952		1	WASHER, 3/8 STAR, SS
5		BN325954		1	IMPELLER, THERMOPLASTIC
6		BN325955		1	O-RING, BODY SEAL
7		BN325957		1	SEAL, MECH
8		87598192		1	HOUSING, MOTOR
9		87598199		4	SCREW, 3/8 NC X 3/4 HEAD
10		BN325959		1	SLINGER
11		BN325960		2	RING, SNAP, INTERNAL
12		BN325961		2	BEARING, BALL, SEALED
13		BN325962		2	RING, SNAP, EXTERNAL
14		BN325963		1	SPACER, FOR BAC 6 SHAFT
15		BN325964		1	KEY, EXT, KEYWAY
16		BN325965		1	SHAFT, EXT, KEY TANG SS
17		87598211		1	MOTOR, HYDRAULIC, REPLACEMENT
18		87608631		4	SCREW, 5/16 NC
	1	87266722		1	KIT, REPAIR, FMC SERIES ACE
	2	87269847		1	KIT, REPAIR, HYD 300
	3	87598185		1	PUMP, ACE, W/O HYD MOTOR

- (1) ASSOCIATED PART OF SCREW, CAP, 5/16 NC, P/N 87608631
(2) ASSOCIATED PART OF SCREW, CAP, 5/16 NC, P/N 87608631
(3) ASSOCIATED PART OF SCREW, CAP, 5/16 NC, P/N 87608631

3330

PLUMBING PUMP



PLUMBING PUMP

REF	FN	PART NUMBER	YR/SN	QTY	DESCRIPTION
1		87265587		1	MANIFOLD, Y, PRODUCT PLMB
2		BN2403358		4	CLAMP, T-BOLT BAND, 2-1/2"
3		BN305163		1	FITTING, STR, 2.0MP 1.50HB, PP
4		BN310448		1	CLAMP, HOSE, #28, 304 SS
5		BN313772		1	GASKET, 2.2 FLB, EPDM
6		BN313773		1	CLAMP, 2.0 FLB, FULL
7		BN73779		1	TEE, 2.0 FP, PP
8		BN73781		2	FITTING, STR, 2.0MP 2.0HB, PP
9		BN73783		1	NIPPLE, 2" NPT Short Poly
10		BN73793		1	ELBOW, 45, 2.0MP 2.0FP, PP
11		BN29564		7	HOSE, FLEXIBLE, 2" Bulk EPDM Suction
12		BN53621		4	HOSE, 1-1/2" EPDM Suction

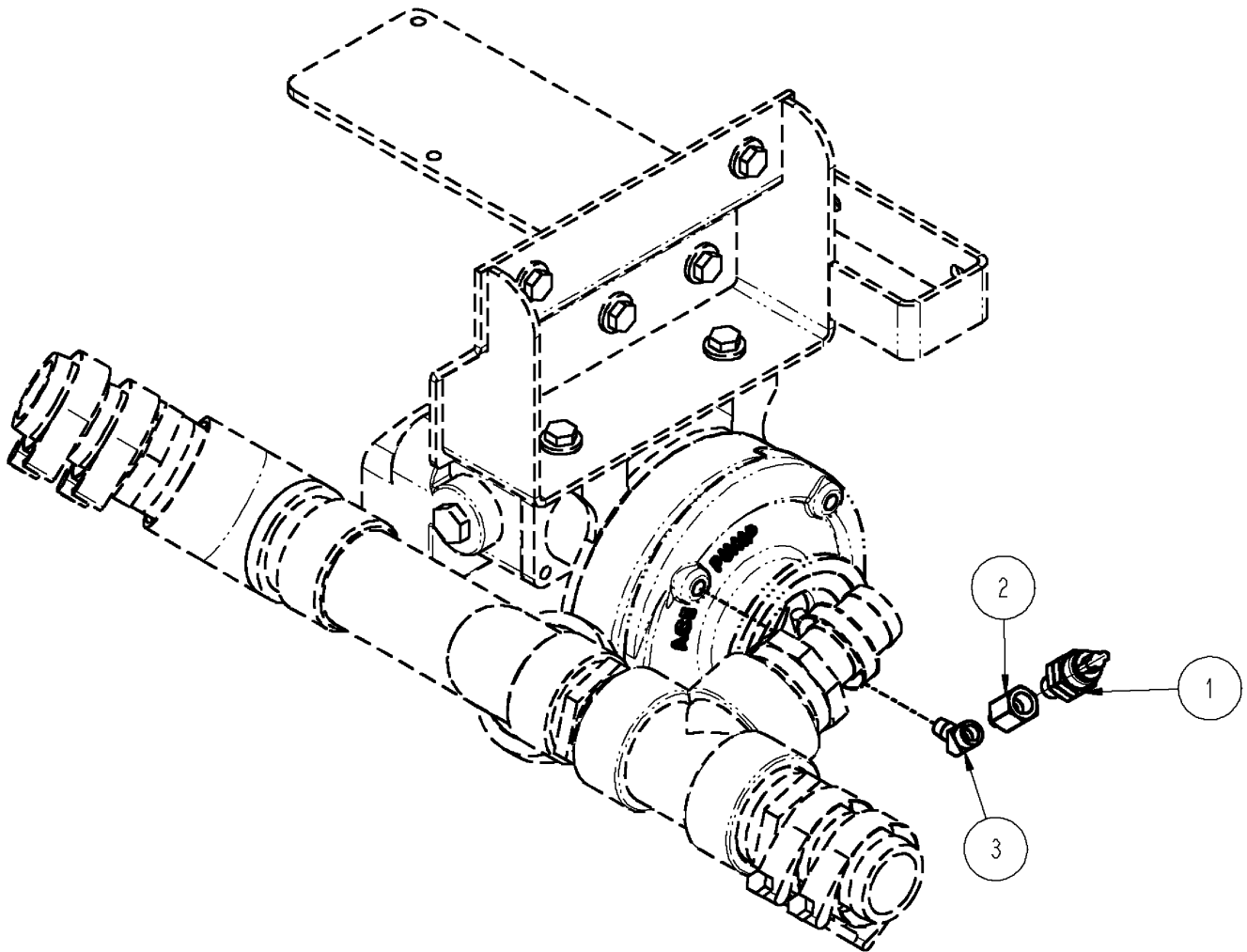
3330

09-015

p1

11/08

PRESSURE SENDER GROUP, PUMP

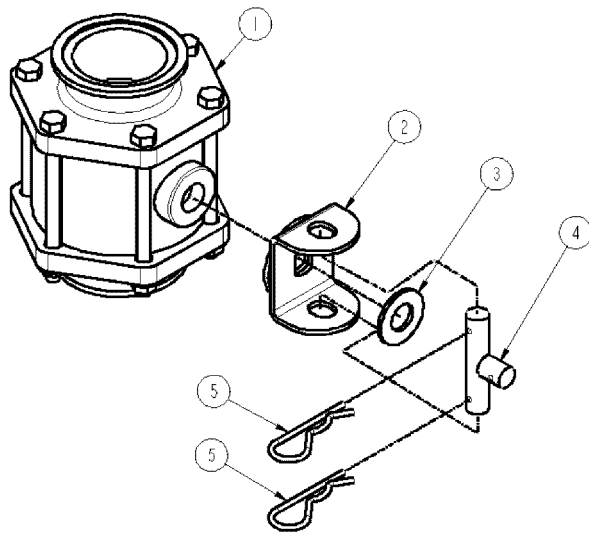


PRESSURE SENDER GROUP, PUMP

REF	FN	PART NUMBER	YR/SN	QTY	DESCRIPTION
1		86986400		1	SWITCH, PRESSURE, PMLF
2		217-1011		1	ADAPTER, 1/8"-27 Male NPTF x 1/4"-18 Female NPTF, PIPE, 1/8M X 1/4F
3		217-1084		1	ELBOW, 45°, 1/8"-27 Female x 1/8"-27 Male, Pipe

	3330
--	-------------

VALVE, 3" MANIFOLD BALL



09-016

p1

11/08

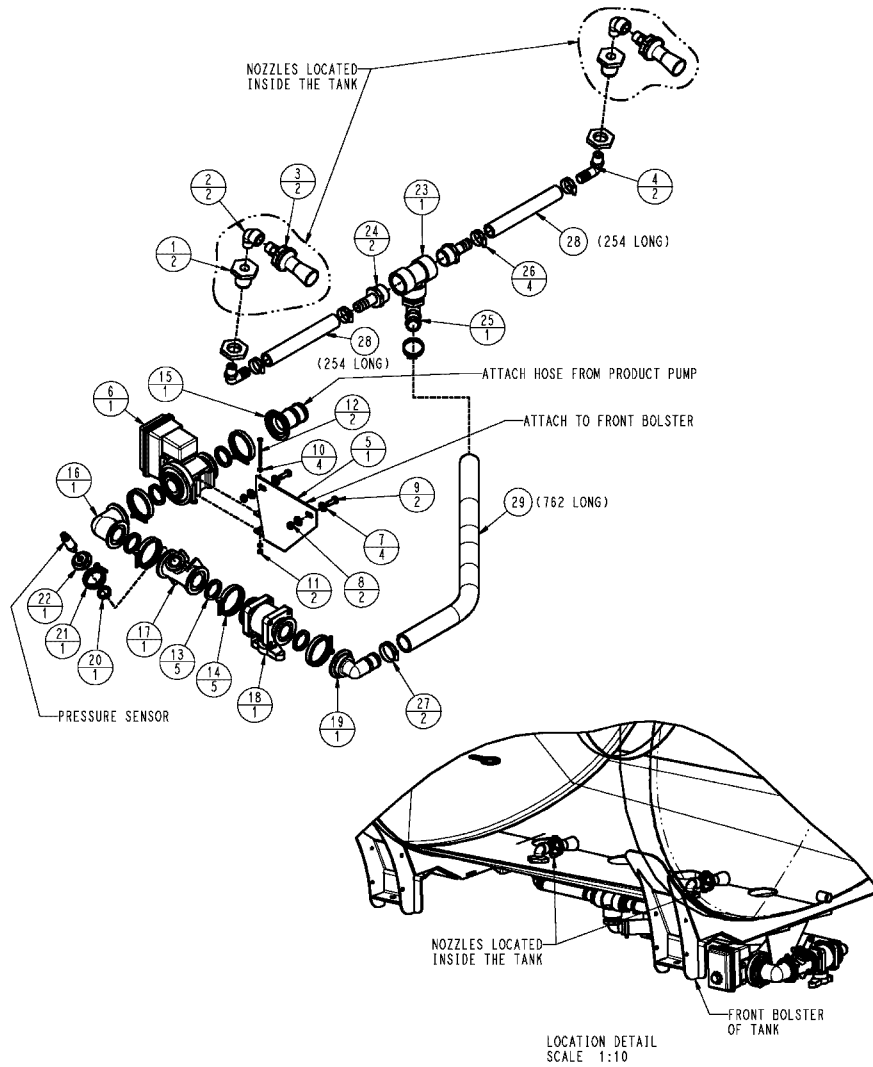
VALVE, 3" MANIFOLD BALL

REF	FN	PART NUMBER	YR/SN	QTY	DESCRIPTION
1		BN321070		1	VALVE, BALL, 3" FLG
2		BN323899		1	PLATE, W/M ROTATION VALVE
3		BN323898		1	WASHER, 3" VALVE HANDLE
4		BN323341		1	PIN, W/M VALVE HANDLE
5		BN71007		2	CLIP, HAIRPIN, 3/16" #8

3330

SPARGE PLUMBING

9

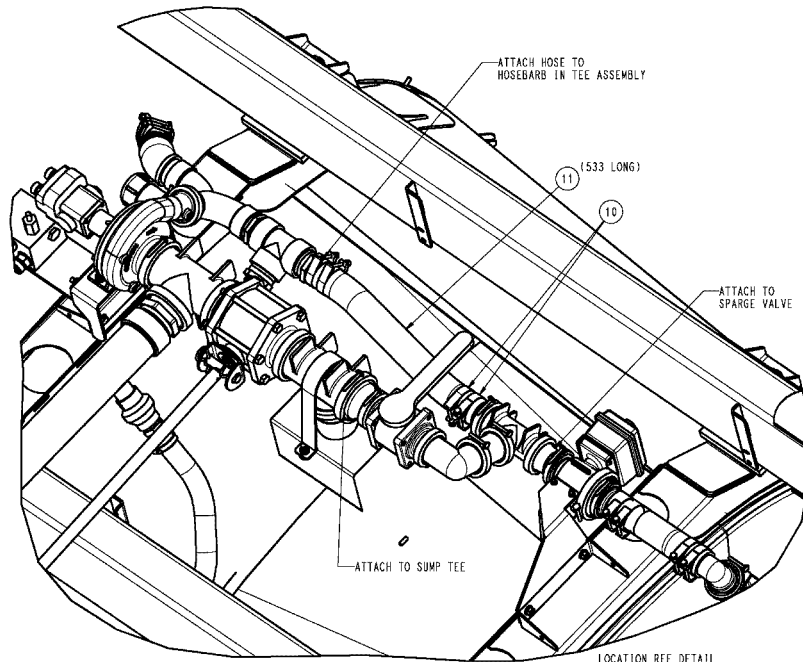


SPARGE PLUMBING

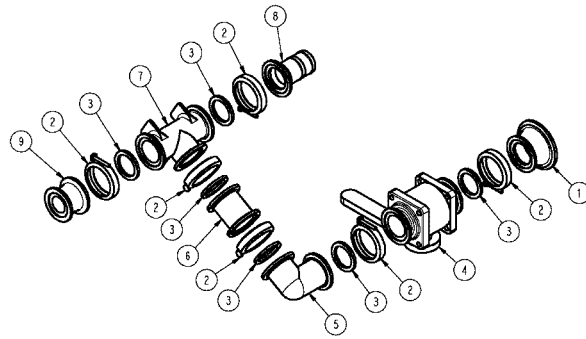
REF	FN	PART NUMBER	YR/SN	QTY	DESCRIPTION
1		BN311041		2	FITTING, .75FP, 1.63 HOLE
2		BN73566		2	ELBOW, 90, .75 MP .75 FP, PP
3		BN304248		2	AGITATOR, MIXING
4		134271C2		2	ELBOW
5		87270416		1	PLATE, MOUNTING, SPARGE VALVE
6		BN324054		1	VALVE, 1-1/2" B, ELECTRIC
7		87529312		4	WASHER, 11 X 24 X 3MM DOR
8		86980515		2	NUT, LOCK, M10 x 1.5, CI 8
9		86980400		2	BOLT, Hex, M10 x 25, 8.8
10		87529314		4	WASHER, 6.6 X 12.5 X 2MM HDN DOR
11		86980513		2	NUT, TALL, MTL M6 8 DOR
12		86980369		2	BOLT, M6 1 X 80, HH, 8.8, DOR R
13		BN303204		5	GASKET, 2.0 FLB, EPDM
14		BN303199		5	CLAMP, 2 FLB, STD
15		BN303198		1	FITTING, STR, 2.0 FLB 2.0HB, PP
16		BN320903		1	ELBOW, 90, 2.0 FLB 2.0FLB, SHORT
17		BN303191		1	TEE, 2.0 FLB 2.0 FLB 1.0 FLB, PP
18		BN304328		1	VALVE, BALL, 2.0FLB, W/T-HNDL
19		BN304321		1	ELBOW, 90, 2.0 FLB, 1.5HB, PP
20		BN303205		1	GASKET, 1.0 FLB, EPDM
21		BN303203		1	CLAMP, 1.0 FLB
22		BN324133		1	PLUG, 1.0 FLB W/.25FP, PP
23		BN73714		1	TEE, 1.5 FP, PP
24		BN304513		2	FITTING, STR, 1.5MP 1.0HB, PP
25		BN73723		1	ELBOW, 90°, 1.5MP 1.5HB, PP
26		BN75990		4	CLAMP, HOSE, SS, #16, .81 to 1.5A
27		BN310448		2	CLAMP, HOSE, #28, 304 SS
28		BN53479		AR	SLEEVE, HOSE BLK, 1" EPDM DISCHARG
29		BN53842		AR	HOSE, FLEXIBLE, BLK, 1.5" EPDM DISCHAR

3330

SUCTION FILL GROUP



LOCATION REF DETAIL
SCALE 1:5



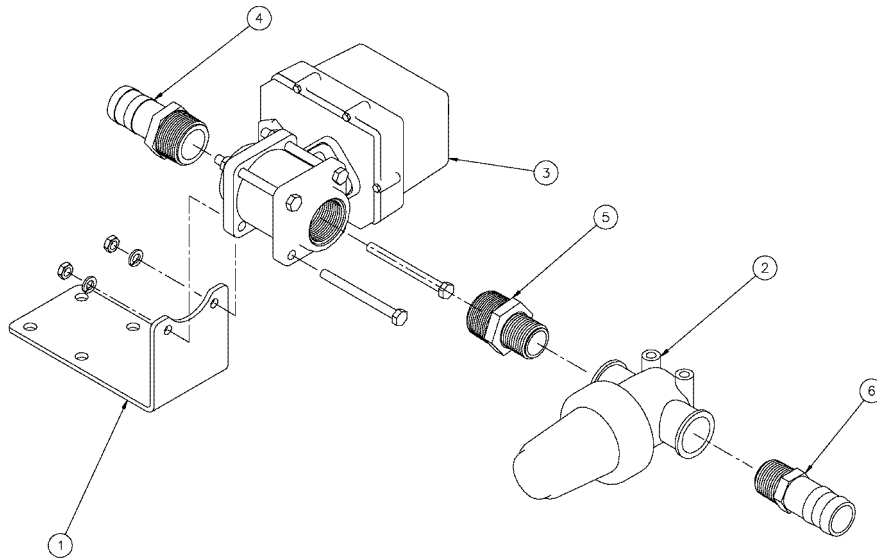
ASSEMBLY DETAIL
SCALE 1:5

SUCTION FILL GROUP

REF	FN	PART NUMBER	YR/SN	QTY	DESCRIPTION
1		BN321072		1	REDUCER, 3.0 FLB 2.2 FLB, PP
2		BN313773		6	CLAMP, 2.0 FLB, FULL
3		BN313772		6	GASKET, 2.2 FLB, EPDM
4		BN324057		1	VALVE, BALL, 2.2 FLB, PP
5		BN316710		1	FITTING, 90, 2.2 FLB 2.2 FLB, PP
6		BN325292		1	COUPLING, STR, 2.2 FLB 2.2 FLB, PP
7		BN322550		1	TEE, 2.2 FLB, PP
8		BN318600		1	FITTING, STR, 2.2 FLB 2.0 HB, PP
9		BN322100		1	REDUCER, 2.2 FLB 2.0 FLB, PP
10		BN2403358		2	CLAMP, T-BOLT BAND, 2-1/2"
11		BN53841		AR	HOSE, 2" EPDM AIR WATER

3330

VALVE PLUMBING GROUP, 5 & 6 SECTION

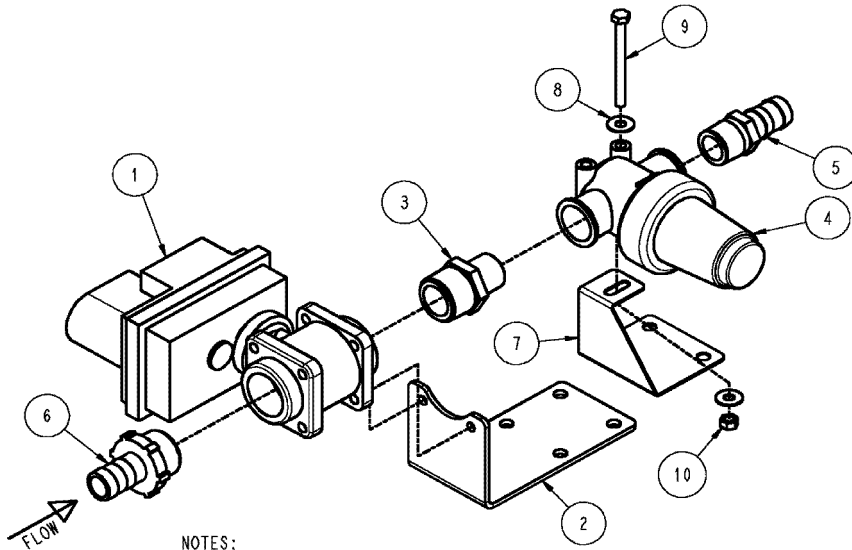


VALVE PLUMBING GROUP, 5 & 6 SECTION

REF	FN	PART NUMBER	YR/SN	QTY	DESCRIPTION
1		BN319996		1	BRACKET, NPT BALL VALVE
2		BN320072		1	FILTER, STRAINER, 1" NPT 50M Poly, See Fig. 09-022
3		87268179		1	VALVE, 1.25" BALL, ELECTRIC, SEE FIG. 09-021
4		BN73660		1	FITTING, BARB, 1-1/4 NPT X 1-1/4 HS
5		BN73656		1	NIPPLE, 1.25 x 1 Poly
6		BN321509		1	FITTING, BARB, 100 MPT X 125 HS

3330

VALVE PLUMBING GROUP, 5 SECTION, CENTER



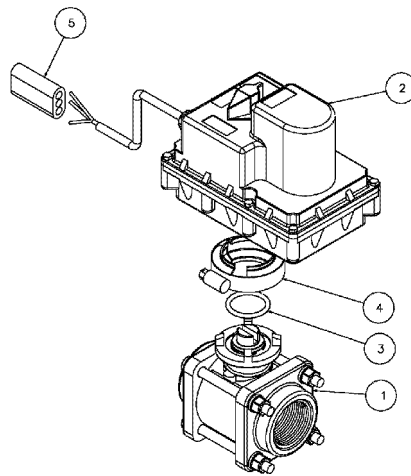
NOTES:
1) VALVE BODY BOLT TORQUE IS
50-70 IN-LBS FOR ITEM 1

VALVE PLUMBING GROUP, 5 SECTION, CENTER

REF	FN	PART NUMBER	YR/SN	QTY	DESCRIPTION
1		87268179		1	VALVE, 1.25" BALL, ELECTRIC, SEE FIG. 09-021
2		BN319996		1	BRACKET, NPT BALL VALVE
3		BN73656		1	NIPPLE, 1.25 x 1 Poly
4		BN320072		1	FILTER, STRAINER, 1" NPT 50M Poly, See Fig. 09-022
5		BN53476		1	FITTING, STR, 1.0MP 1.0HB PP
6		BN73657		1	FITTING, BARB, 1-1/4 NPT X 1HS
7		BN320060		1	BRACKET, STRAINER, CTR
8		BN50142		2	WASHER, 5/16, FW, SS
9		BN320109		1	BOLT, 5/16-18 X 3.5, HH, SS
10		BN55361		1	NUT, 5/16-18, NLN, SS

3330

VALVE, 1.25 BALL ELECTRIC



Connector/Wire Connection:

- "A" = Red
- "B" = Black
- "C" = White

VALVE, 1.25 BALL ELECTRIC

REF	FN	PART NUMBER	YR/SN	QTY	DESCRIPTION
1		87268180		1	VALVE, 1.25 BALL, SUB ASSY
2		87268181		1	MOTOR, 3/4 SEC, WIRE
3		87268182		1	O-RING, 216 EPDM
4		BN303203		1	CLAMP, 1" FLG MANIFOLD
5		245484C1		1	CONNECTOR, ELEC, 3 WAY SIZE
	1	225125C1		3	CONNECTOR, ELEC, SEAL, 1.0 WIRE SIZE
	2	225119C1		3	PIN, ELECT TERMINAL, WP MALE

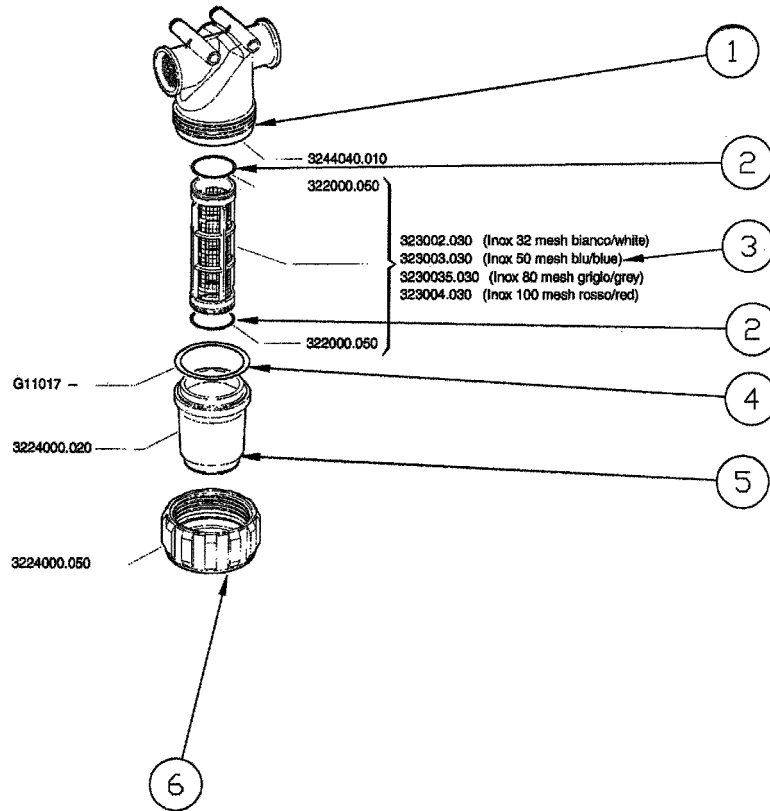
(1) ASSOCIATED PART OF CONN ASSEMBLIES 3 WAY SIZE, P/N 245484C1

(2) ASSOCIATED PART OF CONN ASSEMBLIES 3 WAY SIZE, P/N 245484C1

3330

STRAINER, 1" NPT 50M POLY

9

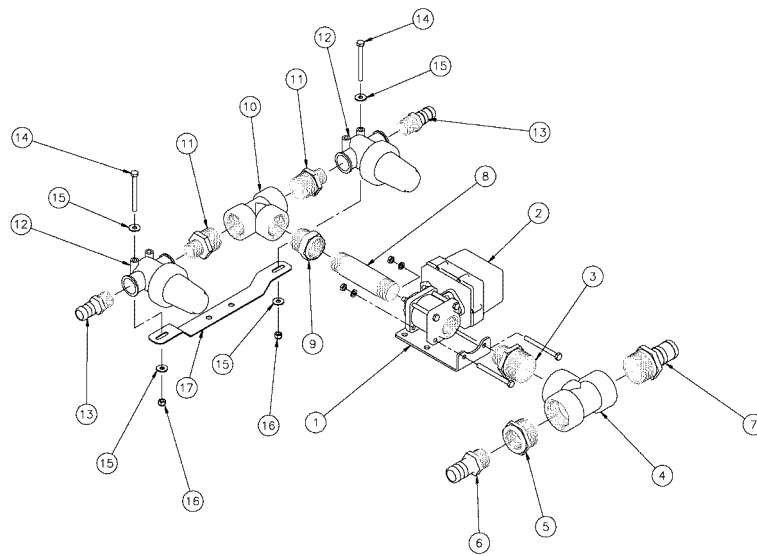


STRAINER, 1" NPT 50M POLY

REF	FN	PART NUMBER	YR/SN	QTY	DESCRIPTION
1		87270124		1	HEAD, ARAG STRAINER
2		87270125		2	O-RING, STRAINER GASKET
3		87270126		1	FILTER, STRAINER, 50M
4		87270127		1	GASKET, BODY ARAG
5		87270128		1	BODY, STRAINER
6		87270129		1	NUT, ARAG STRAINER

3330

VALVE PLUMBING GROUP, 5 SECTION

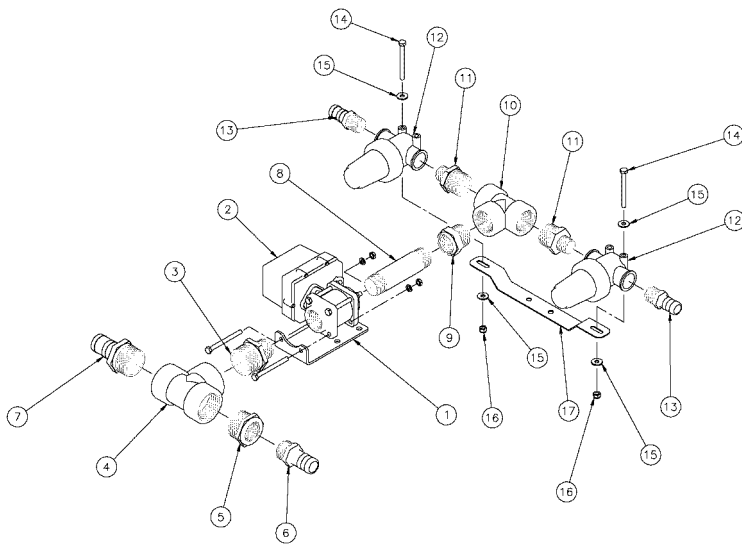


VALVE PLUMBING GROUP, 5 SECTION

REF	FN	PART NUMBER	YR/SN	QTY	DESCRIPTION
1		BN320992		1	BRACKET, NPT BALL VALVE
2		87268179		1	VALVE, 1.25" BALL, ELECTRIC, SEE FIG. 09-021
3		BN317158		1	NIPPLE, LUBE, 2" X 1.25" REDUC
4		BN73779		1	TEE, 2" POLY PIPE
5		BN73755		1	BUSHING, REDUCER, 2 X 1.25
6		BN73660		1	FITTING, BARB, 1-1/4 NPT X 1-1/4 HS
7		BN305163		1	FITTING, 2" MPT X 1.5" BRB
8		BN321466		1	NIPPLE, LUBE, 1.25 X 6, POLY
9		BN73726		1	BUSHING, BRONZE, 1-1/2 X 1-1/4, POLY
10		BN73714		1	TEE, 1.5" POLY
11		BN73741		2	NIPPLE, 1.5 x 1 Poly
12		BN320072		2	FILTER, STRAINER, 1" NPT 50M Poly, See Fig. 09-022
13		BN53476		2	FITTING, BARB, POLY, 1" NPT X 1" HS
14		BN320109		2	BOLT, 5/16-18 X 3.5, HH, SS
15		BN50142		4	WASHER, 5/16, FW, SS
16		BN55361		2	NUT, 5/16-18, NLN, SS
17		BN320993		1	BRACKET, STRAINER, TWO 1"

3330

VALVE PLUMBING GROUP, 5 SECTION

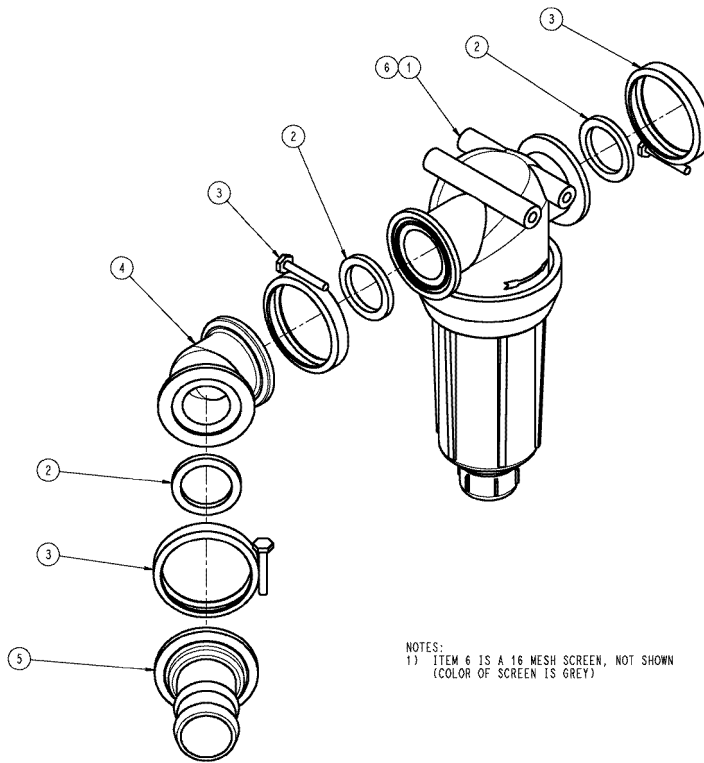


VALVE PLUMBING GROUP, 5 SECTION

REF	FN	PART NUMBER	YR/SN	QTY	DESCRIPTION
1		BN320992		1	BRACKET, NPT BALL VALVE
2		87268179		1	VALVE, 1.25" BALL, ELECTRIC, SEE FIG. 09-021
3		BN317158		1	NIPPLE, LUBE, 2" X 1.25" REDUC
4		BN73779		1	TEE, 2" POLY PIPE
5		BN73755		1	BUSHING, REDUCER, 2 X 1.25
6		BN73660		1	FITTING, BARB, 1-1/4 NPT X 1-1/4 HS
7		BN305163		1	FITTING, 2" MPT X 1.5" BRB
8		BN321466		1	NIPPLE, LUBE, 1.25 X 6, POLY
9		BN73726		1	BUSHING, BRONZE, 1-1/2 X 1-1/4 POLY
10		BN73714		1	TEE, 1.5" POLY
11		BN73741		2	NIPPLE, 1.5 x 1 Poly
12		BN320072		2	FILTER, STRAINER, 1" NPT 50M Poly, See Fig. 09-022
13		BN53476		2	FITTING, BARB, POLY, 1" NPT X 1" HS
14		BN320109		2	BOLT, 5/16-18 X 3.5, HH, SS
15		BN50142		4	WASHER, 5/16, FW, SS
16		BN55361		2	NUT, 5/16-18, NLN, SS
17		BN320993		1	BRACKET, STRAINER, TWO 1"

3330

STRAINER PLUMBING GROUP, LO-FLOW



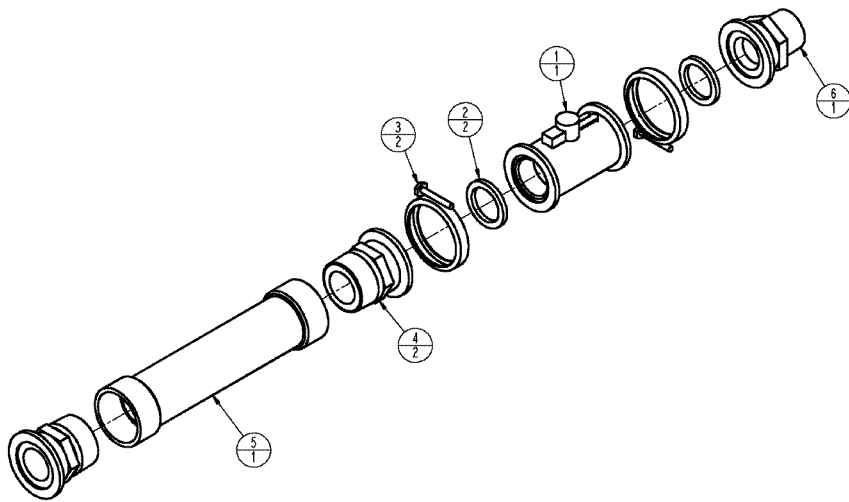
NOTES:
1) ITEM 6 IS A 16 MESH SCREEN, NOT SHOWN
(COLOR OF SCREEN IS GREY)

STRAINER PLUMBING GROUP, LO-FLOW

REF	FN	PART NUMBER	YR/SN	QTY	DESCRIPTION
1		87265489		1	ELEMENT, 2" FLS, SEE FIG. 09-029
2		BN303204		3	GASKET, 2" EPDM
3		BN303199		3	CLAMP, 2" STD FLG
4		87265590		1	FITTING, 45, 2 FLG, PY
5		BN303198		1	FITTING, BARB, STR 2" FLG X 2" HOSE
6		87268604		1	SCREEN, 16 MESH, SS, GRAY

3330

FLOW METER PLUMPING, LO-FLOW



09-026

p1

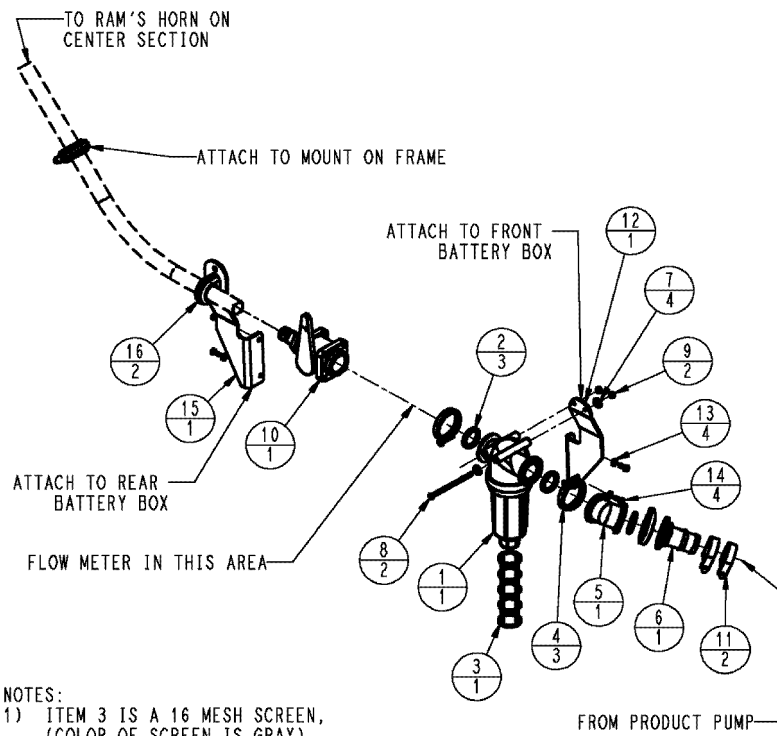
11/08

FLOW METER PLUMPING, LO-FLOW

REF	FN	PART NUMBER	YR/SN	QTY	DESCRIPTION
1		87271267		1	INSTRUMENT, MEASURING, RFM60P, H/P W/D
2		BN303204		2	GASKET, 2.0 FLB, EPDM
3		BN303199		2	CLAMP, 2 FLB, STD
4		BN303185		2	ADAPTER, STR, 2.0 FLB, 2.0 MP, PP
5		87268152		1	PIPE, PLUMBING, W/M, STANDARD
6		BN303190		1	MANIFOLD, STR, 2.0 FLB, 1.5MP, PP

3330

THROTTLE VALVE/STRAINER, PLUMBING



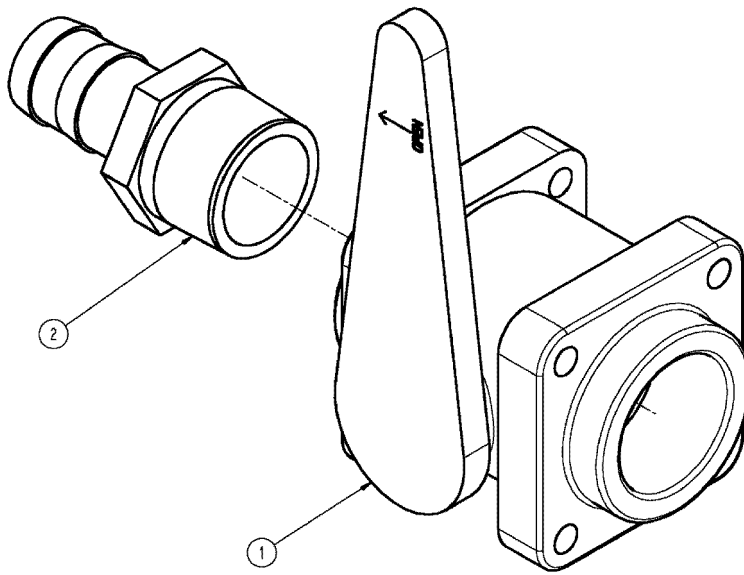
NOTES:
1) ITEM 3 IS A 16 MESH SCREEN,
(COLOR OF SCREEN IS GRAY)

THROTTLE VALVE/STRAINER, PLUMBING

REF	FN	PART NUMBER	YR/SN	QTY	DESCRIPTION
1		87265489		1	ELEMENT, 2 FLS, SEE FIG. 09-029
2		BN303204		3	GASKET, 2.0 FLB, EPDM
3		87268604		1	SCREEN, 16 MESH, SS, GRAY
4		BN303199		3	CLAMP, 2 FLB, STD
5		87265590		1	FITTING, 45, 2.0 FLB 2.0 FLB, PP
6		BN303198		1	FITTING, STR, 2.0 FLB 2.0 HB, PP
7		BN300506		4	WASHER, M8, Flat, SS
8		86980394		2	PIN, Hex, M8 x 140, 8.8, HH
9		86980514		2	NUT, P/T, ALL MTL M8 8 DOR
10		{87265467}		1	GROUP, LO, SEE FIG. 09-028
11		BN2403358		2	CLAMP, T-BOLT, BAND 1-1/2" EPDM
12		87271470		2	BRACKET, SUPPORTING, FILTER
13		87529315		4	WASHER, 9 X 17 X 2MM HDN D
14		86980379		4	BOLT, M8 1.25 X 20, HH, 8.8, DO
15		{87575788}		1	VALVE
16		BN320371		2	CLAMP, U-BOLT, 1.25 PIPE

3330

THROTTLE VALVE, PLUMBING

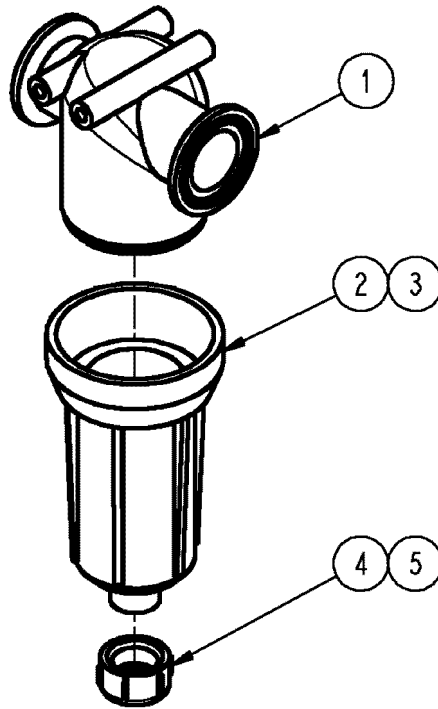


THROTTLE VALVE, PLUMBING

REF	FN	PART NUMBER	YR/SN	QTY	DESCRIPTION
1		BN322253		1	VALVE, 1.5" BALL (RWK)
2		BN73740		1	FITTING, STR, 1.5MP 1.25 HB, PP

	3330
--	-------------

STRAINER, 2" FLS

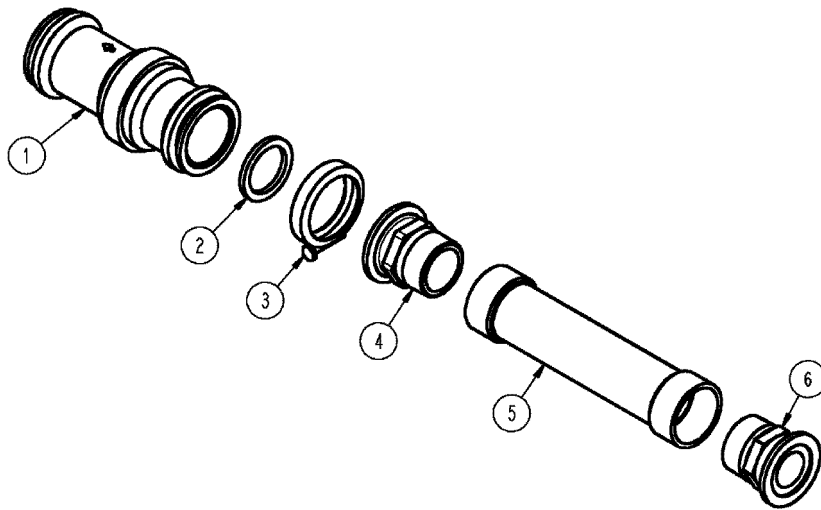


STRAINER, 2" FLS

REF	FN	PART NUMBER	YR/SN	QTY	DESCRIPTION
1		87268603		1	HEAD, STRAINER
2		87268606		1	PAN, GRAY
3		87268605		1	GASKET, EPDM, BOWL
4		87265585		1	COVER, 1" NPT, W/O-RING GROOVE
5		87270666		1	LINING, SUPPORT, GASKET, EPDM CAP
		87268604		1	SCREEN, 16 MESH, SS, GRAY (Not Shown)

	3330
--	-------------

FLOWMETER STANDARD PLUMBING



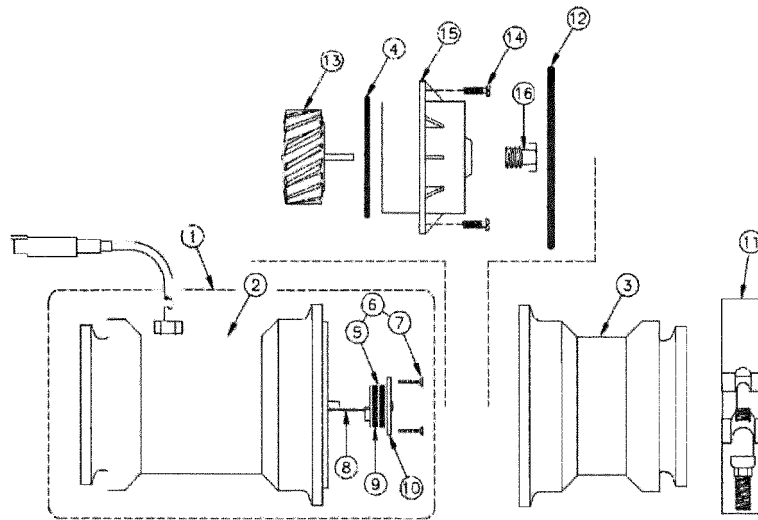
FLOWMETER STANDARD PLUMBING

REF	FN	PART NUMBER	YR/SN	QTY	DESCRIPTION
1		87265851		1	METER, RFM 100, H/P, SEE FIG. 09-031
2		BN313772		1	GASKET, 2.2 FLB, EPDM
3		BN313773		1	CLAMP, 2.0 FLB, FULL
4		BN314241		1	MANIFOLD, STR, 2.2 FLB 2.0 MP, PP
5		87268152		1	PIPE, PLUMBING, W/M, STANDARD
6		BN303185		1	ADAPTER, STR, 2.0 FLB 2.0 MP, PP

	3330
--	-------------

FLOWMETER RFM 100

9

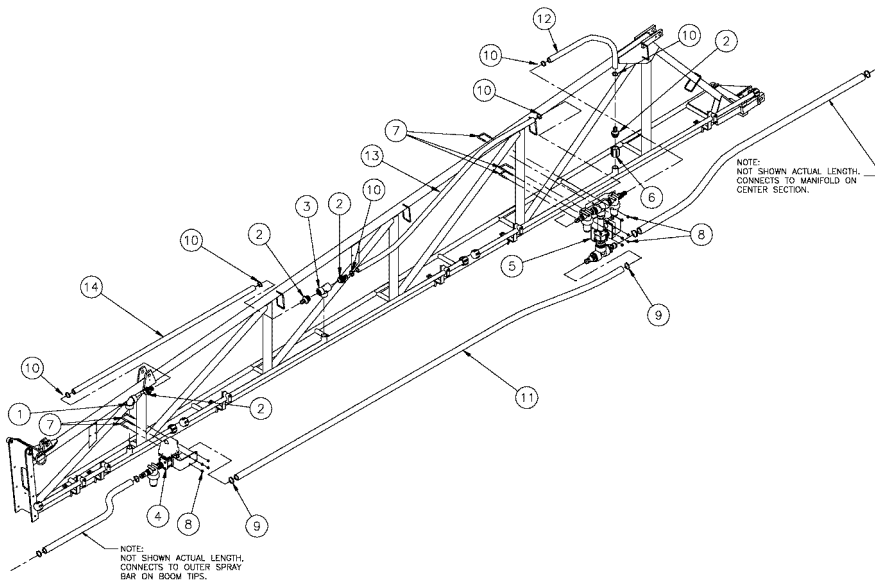


FLOWMETER RFM 100

REF	FN	PART NUMBER	YR/SN	QTY	DESCRIPTION
1		{87521159}		1	
2		{87521162}		1	OUTLET
3		{87521164}		1	INLET
4		{87521166}		2	VITON
5		{87521168}		1	PC
6		{87521174}		1	PC
8		{87521177}		1	
10		{87521180}		1	
11		{87521190}		1	RETAINER
12		{87521192}		1	VITON
13		{87521193}		1	
15		{87521201}		1	TURBINE
16		{87521203}		1	STUD

3330

BOOM PLUMBING GROUP, 5 SECTION MID

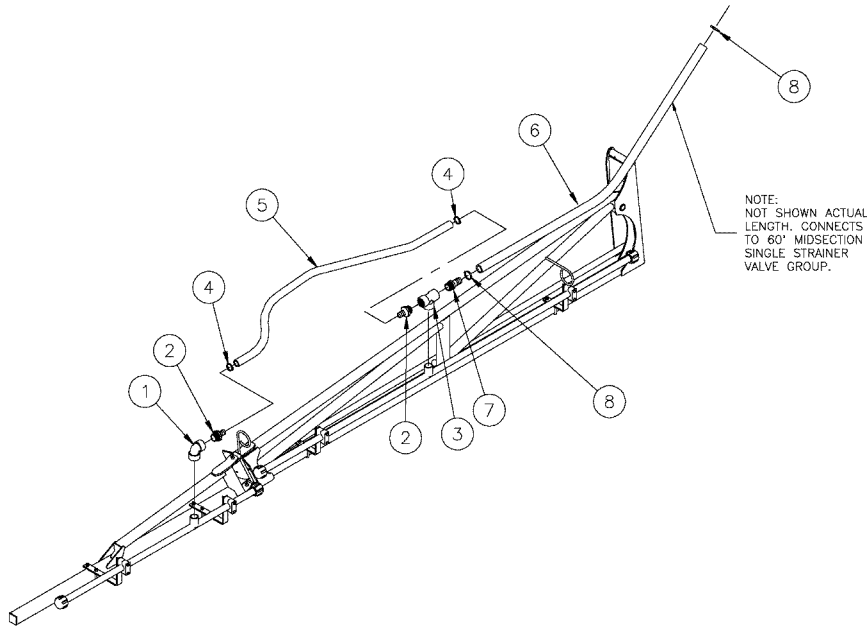


BOOM PLUMBING GROUP, 5 SECTION MID

REF	FN	PART NUMBER	YR/SN	QTY	DESCRIPTION
1		BN313202		1	ELBOW, 1-1/4" NPT, 90 DEG
2		BN73657		4	FITTING, BARB, 1-1/4 NPT X 1HS
3		BN73662		1	TEE, 1-1/4 PIPE, POLY
4		{BN321452(LH)}		1	SEE FIG. 09-019
4		{BN321452(RH)}		1	SEE FIG. 09-019
5		BN321454		1	VALVE, PLBG GRP, 5 SECT, SEE FIG. 09-023
6		BN305269		1	COUPLING, 1-1/4" POLY
7		BN319919		5	U-BOLT, Sq. Bnd 2.06 ID x 3/8
8		BN50759		10	NUT, 3/8-16, NLN, SS
9		BN320156		2	CLAMP, HOSE, #24, 304 SS
10		BN310447		6	CLAMP, HOSE, #20, 304 SS
11		BN321478		1	HOSE, 1.25" X 156", EPDM
12		BN53850		1	HOSE, EPDM 1" ID X 36"
13		BN321476		1	HOSE, 1" X 79", EPDM
14		BN320876		1	HOSE, 1" X 75", EPDM

3330

BOOM PLUMBING GROUP, 5 SECTION 90'

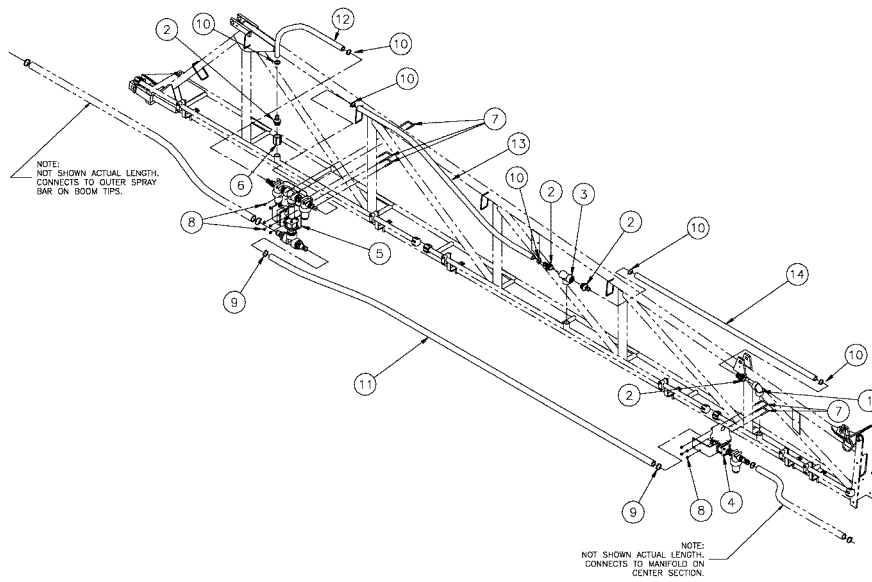


BOOM PLUMBING GROUP, 5 SECTION 90'

REF	FN	PART NUMBER	YR/SN	QTY	DESCRIPTION
1		BN313202		1	ELBOW, 1-1/4" NPT, 90 DEG
2		BN73657		2	FITTING, BARB, 1-1/4 NPT X 1 HS
3		BN73662		1	TEE, 1-1/4 PIPE, POLY
4		BN310447		2	CLAMP, HOSE, #20, 304 SS
5		BN321636		1	HOSE, 1" X 78", EPDM
6		{87383454}		1	1-1/4"
7		BN73660		1	FITTING, BARB, 1-1/4 NPT X 1-1/4 HS
8		BN320156		2	CLAMP, HOSE, #24, 304 SS

3330

BOOM PLUMBING GROUP, 5 SECTION MID

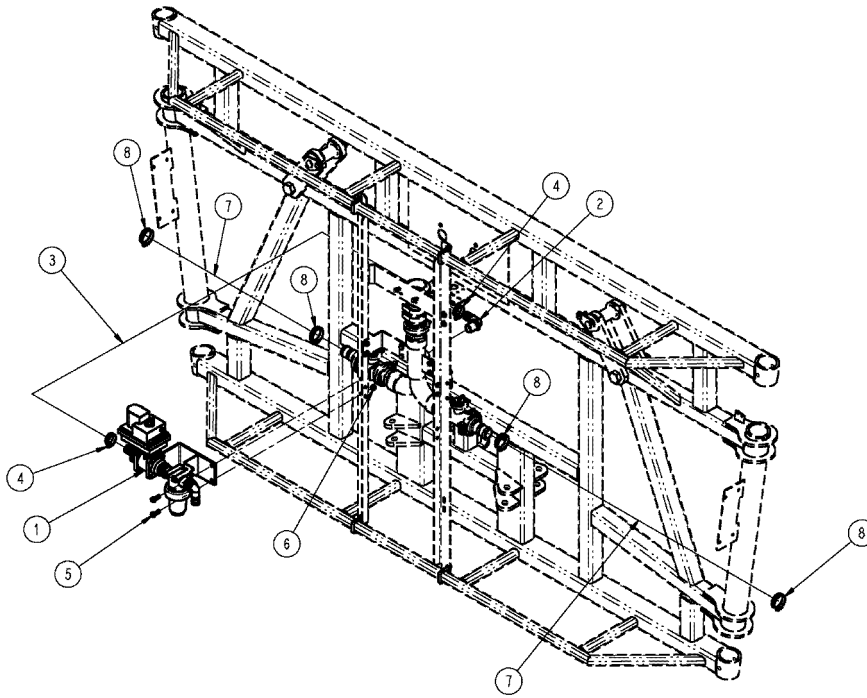


BOOM PLUMBING GROUP, 5 SECTION MID

REF	FN	PART NUMBER	YR/SN	QTY	DESCRIPTION
1		BN313202		1	ELBOW, 1-1/4" NPT, 90 DEG
2		BN73657		4	FITTING, BARB, 1-1/4 NPT X 1 HS
3		BN73662		1	TEE, 1-1/4 PIPE, POLY
4		{BN321452(LH)}		1	SEE FIG. 09-019
4		{BN321452(RH)}		1	SEE FIG. 09-019
5		BN321455		1	VALVE, PLBG GRP, 5 SECT, SEE FIG. 09-024
6		BN305269		1	COUPLING, 1-1/4" POLY
7		BN319919		5	U-BOLT, Sq. Bnd 2.06 ID x 3/8
8		BN50759		10	NUT, 3/8-16, NLN, SS
9		BN320156		2	CLAMP, HOSE, #24, 304 SS
10		BN310447		6	CLAMP, HOSE, #20, 304 SS
11		BN321478		1	HOSE, 1.25" X 156", EPDM
12		BN53850		1	HOSE, EPDM 1" ID X 36"
13		BN321476		1	HOSE, 1" X 79", EPDM
14		BN320876		1	HOSE, 1" X 75", EPDM

3330

BOOM PLUMBING GROUP, 5 SECTION, CENTER SECTION

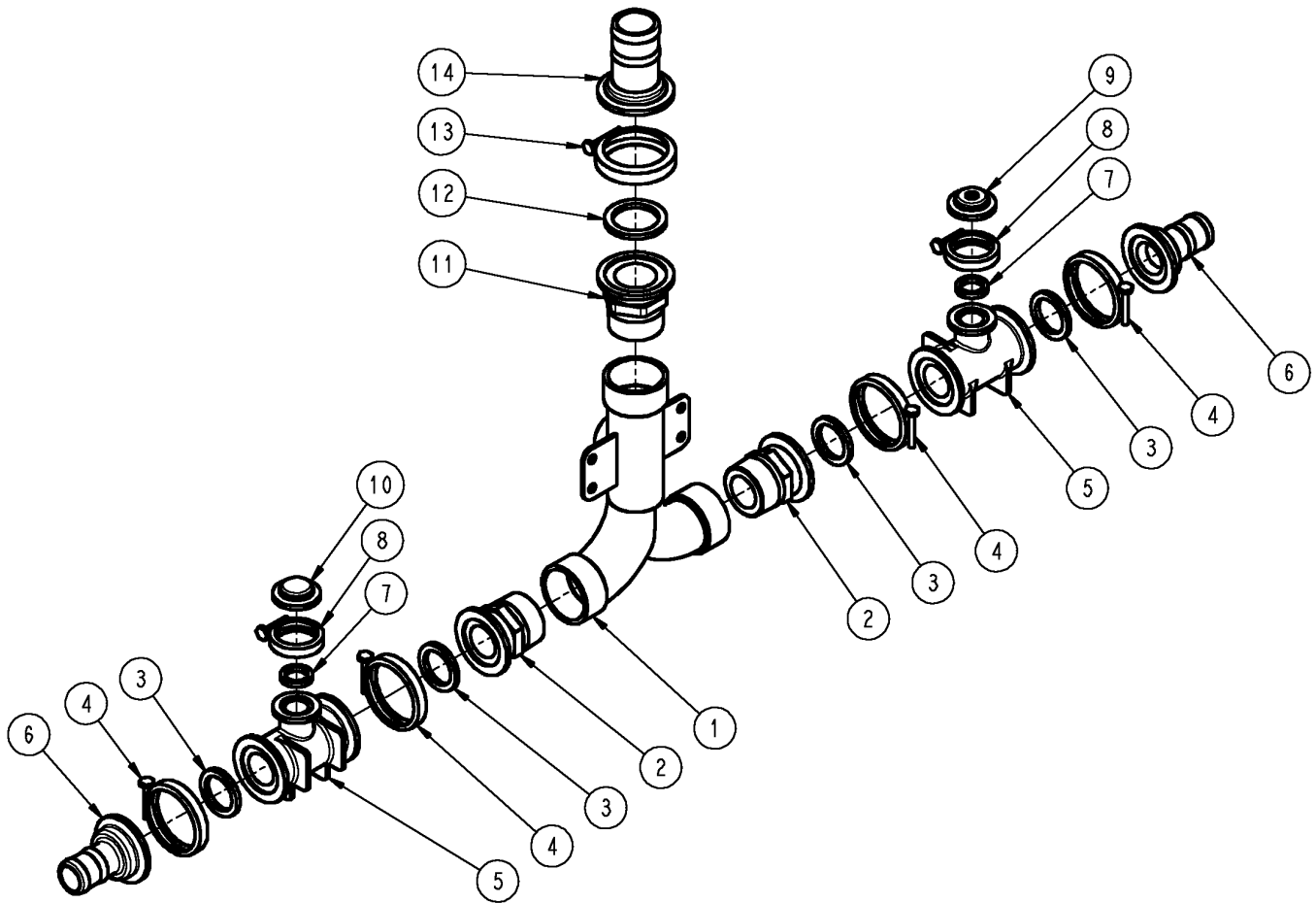


BOOM PLUMBING GROUP, 5 SECTION, CENTER SECTION

REF	FN	PART NUMBER	YR/SN	QTY	DESCRIPTION
1		BN325195		1	VALVE, PLBG GRP, 5 SEC CTR, SEE FIG. 09-020
2		BN53475		1	ELBOW, Barb, 1" NPT x 1" HS, 90°
3		BN69394		1	HOSE, 1" EPDM X 44.00"
4		BN75990		2	CLAMP, HOSE, SS, #16, .81 to 1.5A
5		BN50254		2	BOLT, 3/8-16 X 1, HH, SS
6		BN50759		2	NUT, 3/8-16, NLN, SS
7		342076A1		2	HOSE, 1.5" X 147", EPDM
8		BN310448		4	CLAMP, HOSE, #28, 304 SS

3330

MANIFOLD GROUP, 5 AND 6 SECTION

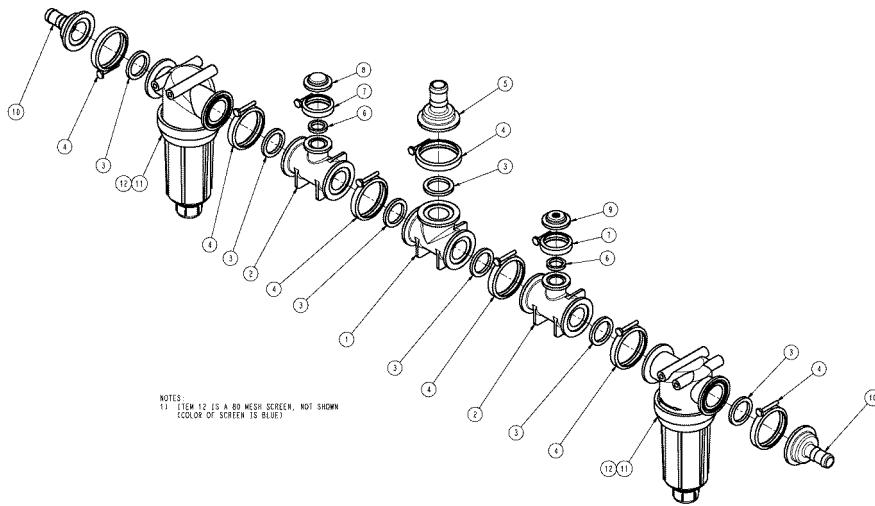


MANIFOLD GROUP, 5 AND 6 SECTION

REF	FN	PART NUMBER	YR/SN	QTY	DESCRIPTION
1		BN319213		1	MANIFOLD, 3 WAY
2		BN303185		2	ADAPTER, 2" FLG X 2" NPT
3		BN303204		4	GASKET, 2" EPDM
4		BN303199		4	CLAMP, 2" STD FLG
5		BN303191		2	TEE, 2" FLG X 1" FLG
6		BN306901		2	FITTING, BARB, 2" FLG X 1.5" HOSE
7		BN303205		2	GASKET, 1" FLG MANIFOLD
8		BN303203		2	CLAMP, 1" FLG MANIFOLD
9		BN324133		1	PLUG, 1" FLG W/1/4" NPT
10		BN306897		1	PLUG, 1" FLG
11		BN314241		1	MANIFOLD, 2" FULL PORT
12		BN313772		1	GASKET, 2" FULL PORT EPDM
13		BN313773		1	CLAMP, 2" FULL PORT
14		BN318600		1	FITTING, 2" FULL FLG X 2" HOSE

3330

MANIFOLD, CENTER SECTION, LO-FLOW



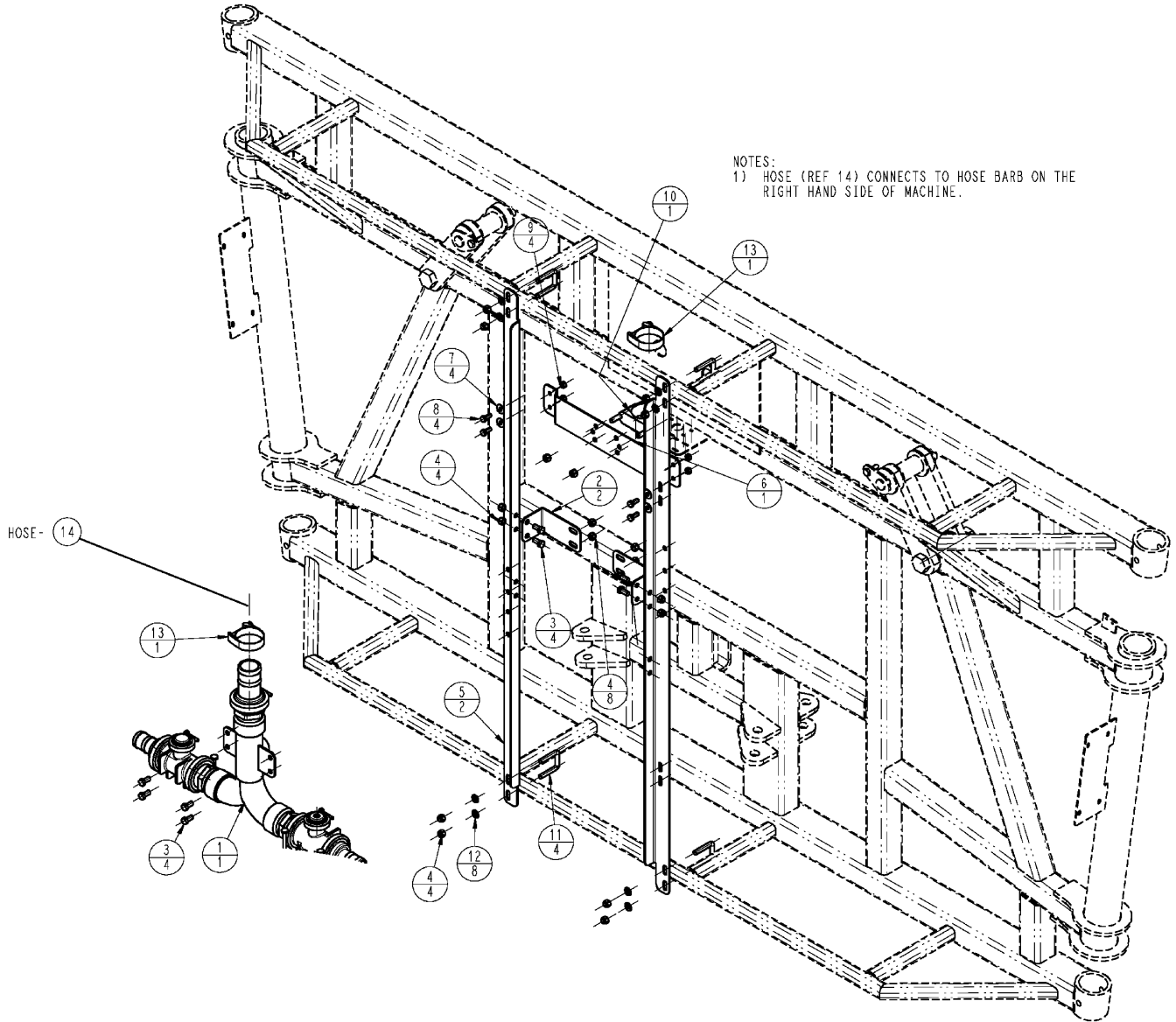
NOTES:
11 1/2" VIEW 1/2 IS A 80 MESH SCREEN, NOT SHOWN
(COLOR OF SCREEN IS BLUE)

MANIFOLD, CENTER SECTION, LO-FLOW

REF	FN	PART NUMBER	YR/SN	QTY	DESCRIPTION
1		BN303196		1	TEE, 2" FLG
2		BN303191		2	TEE, 2" FLG X 1" FLG
3		BN303204		7	GASKET, 2" EPDM
4		BN303199		7	CLAMP, 2" STD FLG
5		BN306900		1	STRAINER ASSY., 2" FLANGE X 1.25 HB
6		BN303205		2	GASKET, 1" FLG MANIFOLD
7		BN303203		2	CLAMP, 1" FLG MANIFOLD
8		BN306897		1	PLUG, 1" FLG
9		BN324133		1	PLUG, 1" FLG W/1/4" NPT
10		BN317966		2	FLANGE, STR 2" x 1" HB
11		87265489		2	ELEMENT, STRNR, 2" FLS, SEE FIG. 09-029
12		87265492		2	SCREEN, 80 MESH, SS, BLUE

3330

MANIFOLD SUPPORT GROUP, 5-6 SECTION

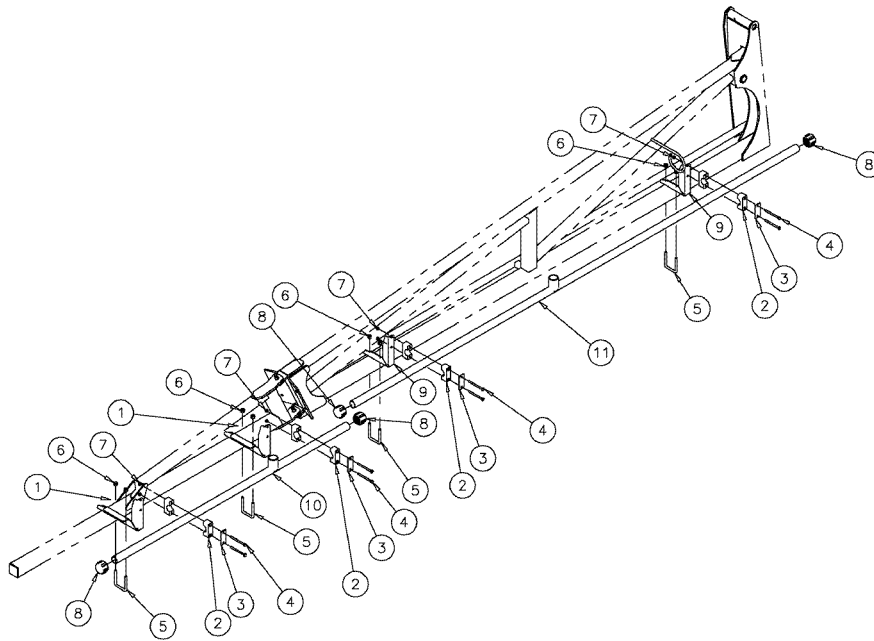


MANIFOLD SUPPORT GROUP, 5-6 SECTION

REF	FN	PART NUMBER	YR/SN	QTY	DESCRIPTION
1		{87267541}		1	GRP 5 & 6 SEC, SEE FIG. 09-036
2		84174089		2	BRACKET, 3-WAY MANIFOLD
3		BN50250		8	BOLT, 3/8"-16 x .75 HH, SS
4		BN50759		16	NUT, 3/8-16, NLN, SS
5		87267543		2	SUPPORT, MOUNT, MANIFOLD 778D
6		BN325194		1	BRACKET, SUPPORTING, MOUNT, CLAMP, 5 SECT, CTR
7		BN50142		4	WASHER, 5/16, FW, SS
8		BN50476		4	BOLT, 5/16-18 X .75, HH, SS
9		BN55361		4	NUT, 5/16-18, NLN, SS
10		BN320384		1	U-BOLT, CLAMP, U-BOLT--2" PIPE
11		BN319918		4	U-BOLT, SQ BND 1.31 ID X 3/8
12		BN50146		8	WASHER, 3/8", Flat, SS
13		BN2403358		2	CLAMP, T-BOLT BAND 2 1/2"
14		BN320784		1	HOSE, EPDM 2" ID X 13.0'

3330

NOZZLE SPACING GROUP, 5 SECTION 90', 20/30" ON CENTER PLBG

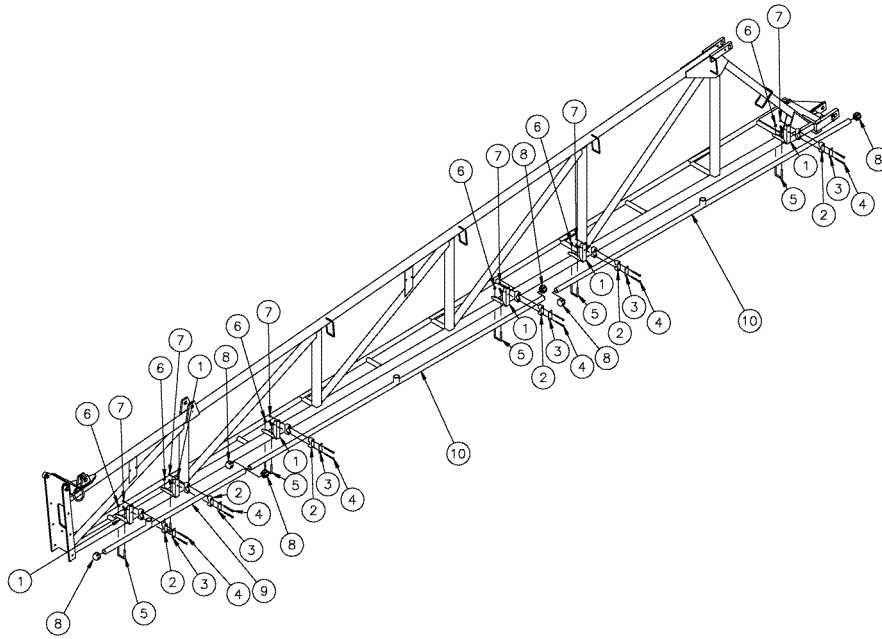


NOZZLE SPACING GROUP, 5 SECTION 90', 20/30" ON CENTER PLBG

REF	FN	PART NUMBER	YR/SN	QTY	DESCRIPTION
1		87562807		2	BRACKET, SUPPORTING, SPRAY BAR
2		BN67054		4	CLAMP, 1.315" OD (PP)
3		BN309483		4	PLATE, TOP, SINGLE, SIZE 5
4		BN55381		8	BOLT, 1/4-20 X 3.25, HH, SS
5		BN319919		4	U-BOLT, Sq. Bnd 2.06 ID x 3/8
6		BN50759		8	NUT, 3/8-16, NLN, SS
7		BN55359		8	NUT, LOCK, 1/4"-20, SS
8		BN73606		4	CAP, 1" POLY PIPE
9		BN323957		2	BRACKET, WDMT, SPRAY BAR
10		86986640		1	PIPE, WLDT, 20/30" SP X 4
11		86986642		1	TUBE, WLDT, 20/30" SP X 7

3330

NOZZLE SPACING GROUP, 5 SECTION MID, 20/30" ON CENTER PLBG

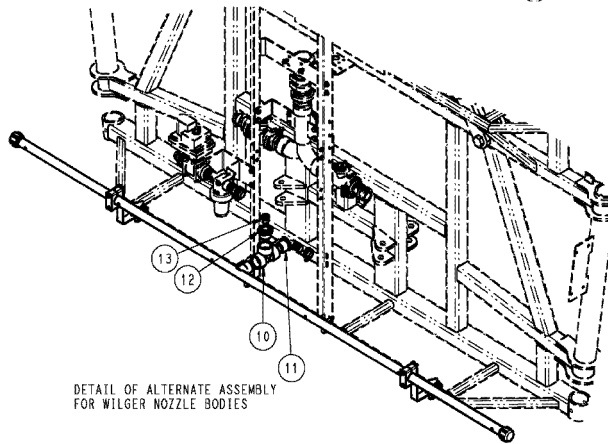
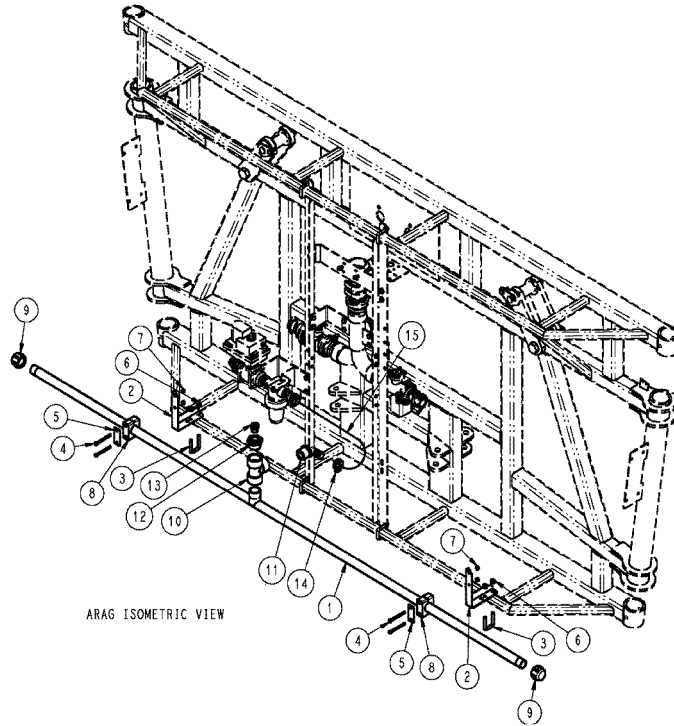


NOZZLE SPACING GROUP, 5 SECTION MID, 20/30" ON CENTER PLBG

REF	FN	PART NUMBER	YR/SN	QTY	DESCRIPTION
1		BN323957		6	BRACKET, WDMT, SPRAY BAR
2		BN67054		6	CLAMP, 1.315" OD (PP)
3		BN309483		6	PLATE, TOP, SINGLE, SIZE 5
4		BN55381		12	BOLT, 1/4-20 X 3.25, HH, SS
5		BN319919		6	U-BOLT, Sq. Bnd 2.06 ID x 3/8
6		BN50759		12	NUT, 3/8-16, NLN, SS
7		BN55359		12	NUT, LOCK, 1/4"-20, SS
8		BN73606		6	CAP, 1" POLY PIPE
9		86986640		1	PIPE, WLDT, 20/30" SP X 4
10		86986637		2	PIPE, WLDT, 20/30" SP X 8

3330

SPRAYBAR, CS, 20" OFF, 5 SECTION



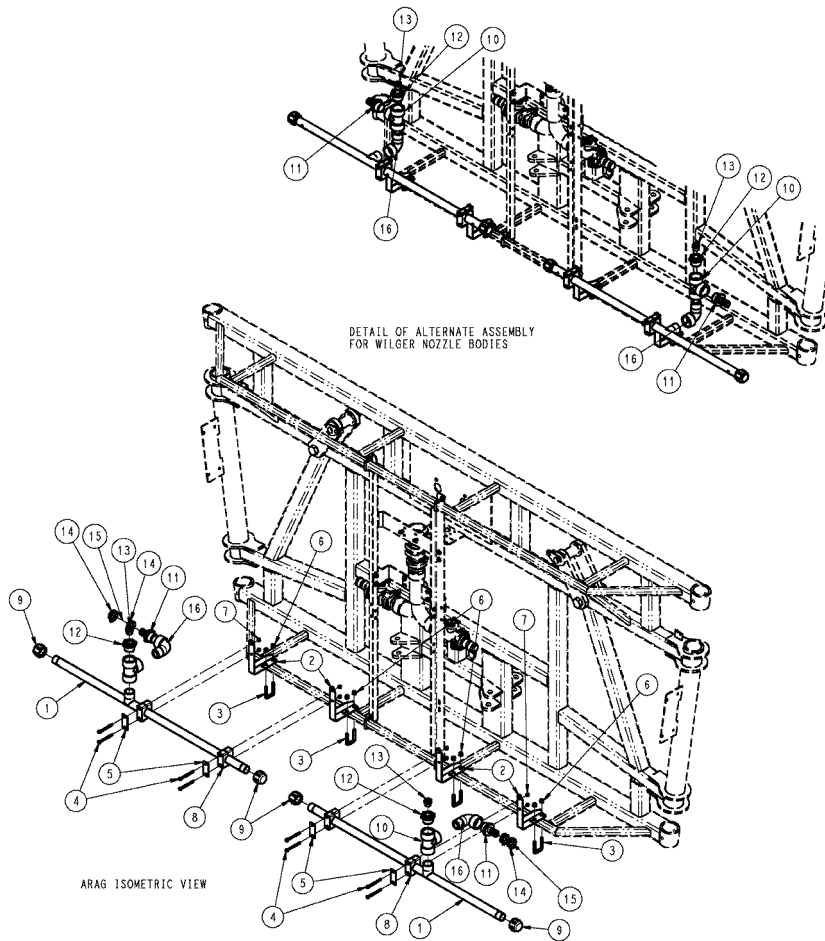
SPRAYBAR, CS, 20" OFF, 5 SECTION

REF	FN	PART NUMBER	YR/SN	QTY	DESCRIPTION
1		87266668		1	PIPE, SPRAY BAR, WLDMT, SS (20 X 6)
2		BN323957		2	BRACKET, WDMT, SPRAY BAR
3		BN319918		2	U-BOLT, SQ BND, 1.31 ID X 3/8
4		BN67050		4	BOLT, 1/4-20 X 3, HH, SS
5		BN309483		2	PLATE, TOP, SINGLE, SIZE 5
6		BN50759		4	NUT, 3/8-16, NLN, SS
7		BN55359		4	NUT, LOCK, 1/4"-20, SS
8		BN67054		2	CLAMP, 1.315" OD (PP)
9		BN73606		2	CAP, 1" POLY PIPE
10		BN73662		1	TEE, 1-1/4 PIPE, POLY
11		BN2296590		1	ELBOW, 90, 1.25MP 1.0HB
12		BN73653		1	BUSHING, Reducer, 1-1/4" x 3/4" Poly
13		BN73550		1	BUSHING, 3/4" x 1/4" Reducer, Poly
14		BN75990		2	CLAMP, HOSE, SS, #16, .81 to 1.5A
15		BN66855		1	HOSE, 1" EPDM X 26.00"

3330

SPRAYBAR, CS, 20" OFF, 6 SECTION

9



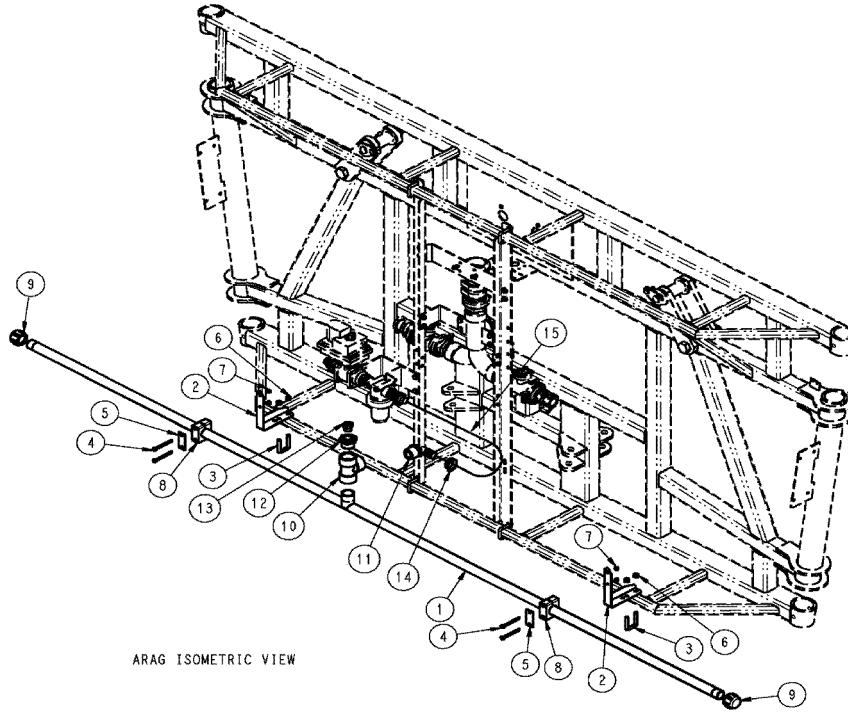
NOTES:
1) SPRAYBAR ARE ROTATED 90 DEGREES FROM UPRIGHT POSITION FOR THE WILGER SPRAY NOZZLES. ORIENTATION FOR THE WILGER NOZZLES IS SHOWN IN THE DETAIL ON THE LOWER RIGHT. CONSULT TOTAL BUILD ORDER FOR THE PARTICULAR MACHINE BEFORE ORIENTATION OCCURS, AS THIS HAS AN EFFECT ON THE WHOLE PROCESS.

SPRAYBAR, CS, 20" OFF, 6 SECTION

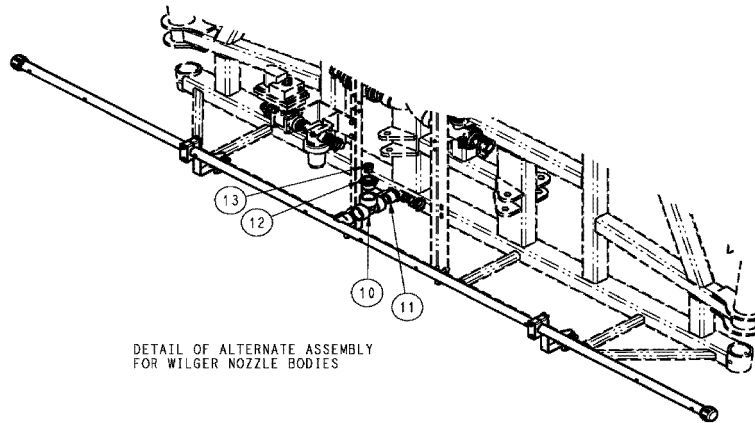
REF	FN	PART NUMBER	YR/SN	QTY	DESCRIPTION
1		87266669		2	PIPE, SPRAY BAR, WLDMT, SS (20 X 3)
2		BN323957		4	BRACKET, WDMT, SPRAY BAR
3		BN319918		4	U-BOLT, SQ BND, 1.31 ID X 3/8
4		BN67050		8	BOLT, 1/4-20 X 3, HH, SS
5		BN309483		4	PLATE, TOP, SINGLE, SIZE 5
6		BN50759		8	NUT, 3/8-16, NLN, SS
7		BN55359		8	NUT, LOCK, 1/4"-20, SS
8		BN67054		4	CLAMP, 1.315" OD (PP)
9		BN73606		4	CAP, 1" POLY PIPE
10		BN73662		2	TEE, 1-1/4 PIPE, POLY
11		BN73657		2	FITTING, BARB, 1-1/4 NPT X 1HS
12		BN73653		2	BUSHING, Reducer, 1-1/4" x 3/4" Poly
13		BN73550		2	BUSHING, 3/4" x 1/4" Reducer, Poly
14		BN75990		4	CLAMP, HOSE, SS, #16, .81 to 1.5A
15		BN323217		2	HOSE, 1" X 1 40", EPDM
16		BN324890		2	ELBOW, 90, 1.25 NPT STRT

3330

SPRAYBAR, CS 20/30", 5 SECTION



ARAG ISOMETRIC VIEW



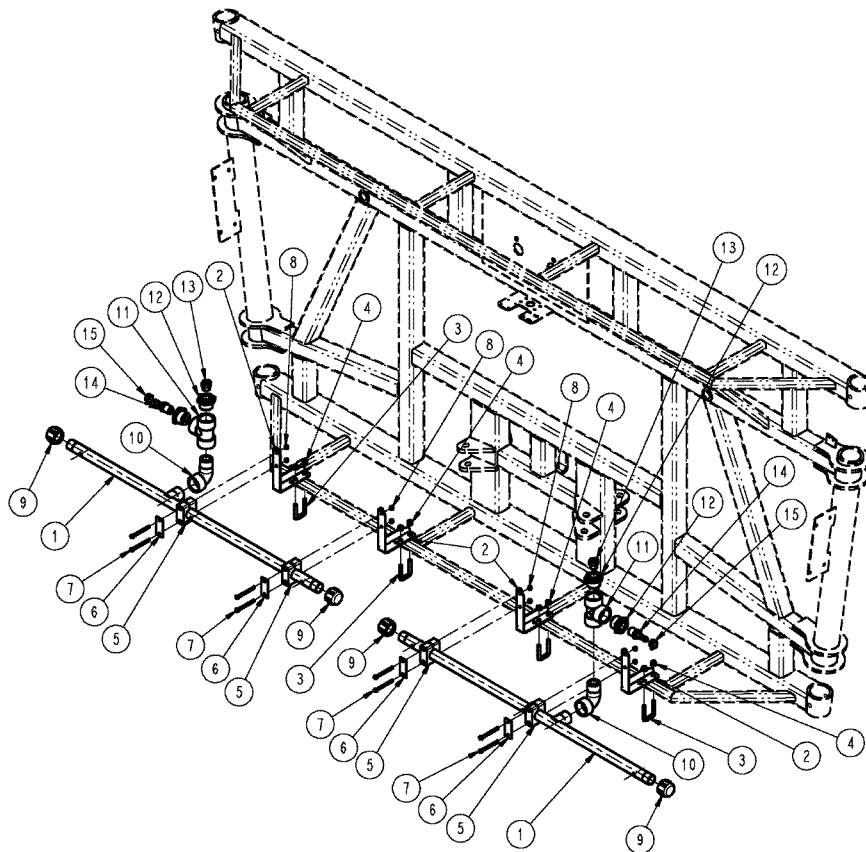
DETAIL OF ALTERNATE ASSEMBLY
FOR WILGER NOZZLE BODIES

SPRAYBAR, CS 20/30", 5 SECTION

REF	FN	PART NUMBER	YR/SN	QTY	DESCRIPTION
1		86986634		1	TUBE, W/M, 20/30" SP X 9
2		BN323957		2	BRACKET, WDMT, SPRAY BAR
3		BN319918		2	U-BOLT, SQ BND, 1.31 ID X 3/8
4		BN67050		4	BOLT, 1/4-20 X 3, HH, SS
5		BN309483		2	PLATE, SINGLE, SIZE 5
6		BN50759		4	NUT, 3/8-16, NLN, SS
7		BN55359		4	NUT, LOCK, 1/4"-20, SS
8		BN67054		2	CLAMP, 1.315" OD (PP)
9		BN73606		2	CAP, 1" POLY PIPE
10		BN73662		1	TEE, 1-1/4 PIPE, POLY
11		BN2296590		1	ELBOW, 90, 1.25 MP 1.0 HB
12		BN73653		1	BUSHING, Reducer, 1-1/4" x 3/4" Poly
13		BN73550		1	BUSHING, 3/4" x 1/4" Reducer, Poly
14		BN75990		2	CLAMP, HOSE, SS, #16, .81 to 1.5A
15		BN66855		1	HOSE, 1" EPDM X 26.00"

3330

SPRAYBAR, CS, 20" OFF, 6 SECTION, LO-FLOW

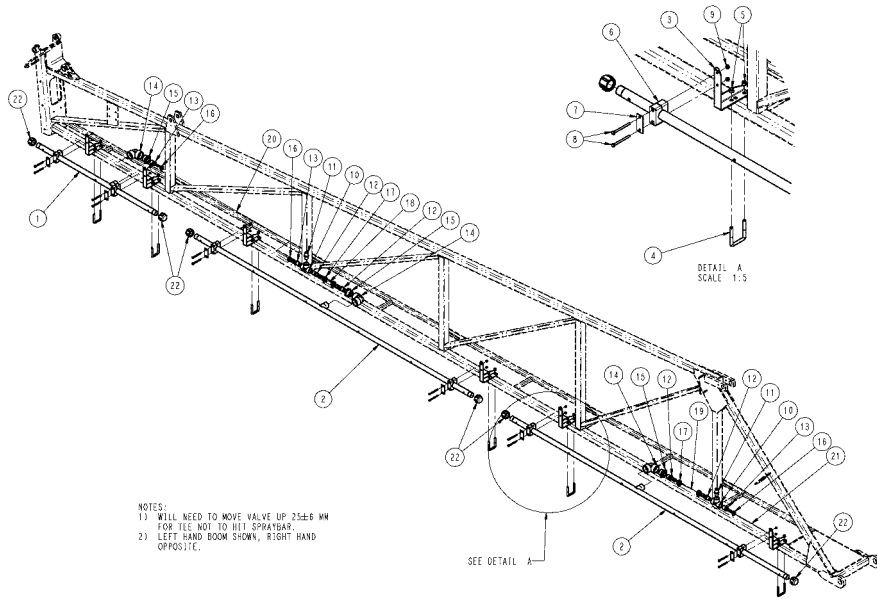


SPRAYBAR, CS, 20" OFF, 6 SECTION, LO-FLOW

REF	FN	PART NUMBER	YR/SN	QTY	DESCRIPTION
1		87266669		2	PIPE, SPRAY BAR, WLDMT, SS (20 X 3)
2		BN323957		4	BRACKET, WDMT, SPRAY BAR
3		BN319918		4	U-BOLT, SQ BND, 1.31 ID X 3/8
4		BN50759		8	NUT, 3/8-16, NLN, SS
5		BN67054		4	CLAMP, 1.315" OD (PP)
6		BN309483		4	PLATE, TOP, SINGLE, SIZE 5
7		BN67050		8	BOLT, 1/4-20 X 3, HH, SS
8		BN55359		8	NUT, LOCK, 1/4"-20, SS
9		BN73606		4	CAP, 1" POLY PIPE
10		BN324890		2	ELBOW, 90, 1.25 NPT STRT
11		BN73662		2	TEE, 1-1/4 PIPE, POLY
12		BN73653		4	BUSHING, Reducer, 1-1/4" x 3/4" Poly
13		BN73550		2	BUSHING, 3/4" x 1/4" Reducer, Poly
14		BN73568		2	FITTING, HB, 3/4" NPT X 1/2" HS
15		BN324022		2	CLAMP, HOSE, #8, 304 SS

3330

SPRAYBAR, MID, 20" OFF, 6 SECTION, LO-FLOW



SPRAYBAR, MID, 20" OFF, 6 SECTION, LO-FLOW

REF	FN	PART NUMBER	YR/SN	QTY	DESCRIPTION
1		87266669		1	PIPE, SPRAY BAR, WLDMT, SS (20 X 3)
2		87266668		2	PIPE, SPRAY BAR, WLDMT, SS (20 X 6)
3		BN323957		6	BRACKET, WDMT, SPRAY BAR
4		BN319919		6	U-BOLT, Sq. Bnd 2.06 ID x 3/8
5		BN50759		12	NUT, 3/8-16, NLN, SS
6		BN67054		6	CLAMP, 1.315" OD (PP)
7		BN309483		6	PLATE, TOP, SINGLE, SIZE 5
8		BN67050		12	BOLT, 1/4-20 X 3, HH, SS
9		BN55359		12	NUT, LOCK, 1/4"-20, SS
10		BN73560		2	TEE, 3/4" POLY PIPE
11		BN73565		2	NIPPLE, 3/4" Short Pipe, Poly
12		BN73561		4	FITTING, BARB, 3/4 NPT X 3/4 HS
13		BN73568		3	FITTING, HB, 3/4" NPT X 1/2" HS
14		BN313202		3	ELBOW, 1-1/4" NPT, 90 DEG
15		BN73653		3	BUSHING, Reducer, 1-1/4" x 3/4" Poly
16		BN324022		3	CLAMP, HOSE, #8, 304 SS
17		BN310446		4	CLAMP, HOSE, #12, 304 SS
18		BN53853		1	HOSE, EPDM 3/4" ID X 12"
19		{BN53859}		1	EPDM 3/4" ID X 13.5"
20		{BN321050}		1	1/2" X 54" EPDM
21		BN54225		1	HOSE, 1/2" X 77" EPDM
22		BN73606		6	CAP, 1" POLY PIPE

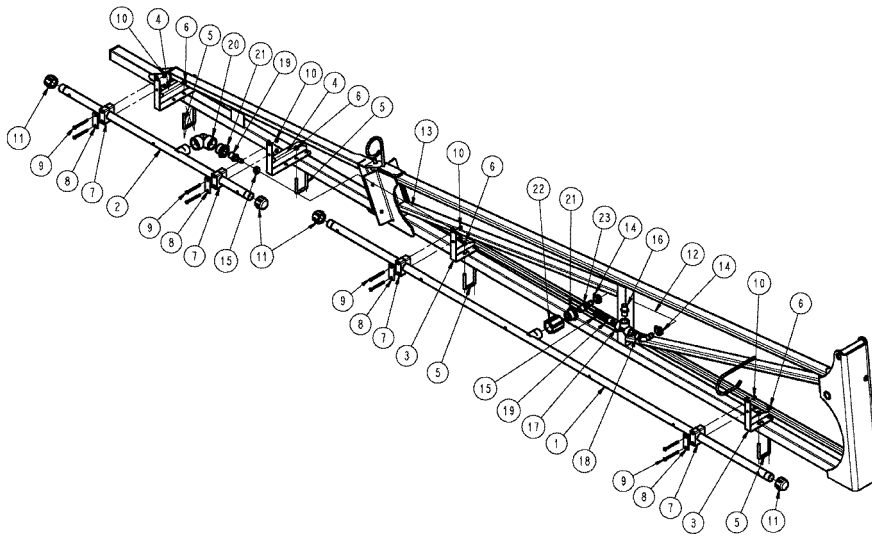
3330

09-048

p1

12/08

SPRAYBAR, OUTER, 20" OFF, 6 SECTION, LO-FLOW



SPRAYBAR, OUTER, 20" OFF, 6 SECTION, LO-FLOW

REF	FN	PART NUMBER	YR/SN	QTY	DESCRIPTION
1		87266668		1	PIPE, SPRAY BAR, WLDMT, SS (20 X 6)
2		87266669		1	PIPE, SPRAY BAR, WLDMT, SS (20 X 3)
3		BN323957		2	BRACKET, WDMT, SPRAY BAR
4		{87262807}		2	SPRAY BAR
5		BN319919		4	U-BOLT, Sq. Bnd 2.06 ID x 3/8
6		BN50759		8	NUT, 3/8-16, NLN, SS
7		BN67054		4	CLAMP, 1.315" OD (PP)
8		BN309483		4	PLATE, TOP, SINGLE, SIZE 5
9		BN67050		8	BOLT, 1/4-20 X 3, HH, SS
10		BN55359		8	NUT, LOCK, 1/4"-20, SS
11		BN73606		4	CAP, 1" POLY PIPE
12		{BN53863}		1	EPDM, 3/4" ID X 21"
13		{87265498}		1	1/2" X 85" EPDM
14		BN310446		2	CLAMP, HOSE, #12, 304 SS
15		BN324022		2	CLAMP, HOSE, #8, 304 SS
16		BN73565		1	NIPPLE, 3/4" Short Pipe, Poly
17		BN73560		1	TEE, 3/4" POLY PIPE
18		BN73562		1	ELBOW, Barb, 3/4 NPT x 3/4 HS, 90°
19		BN73568		2	FITTING, HB, 3/4" NPT X 1/2" HS
20		BN313202		1	ELBOW, 1-1/4" NPT, 90 DEG
21		BN73653		2	BUSHING, Reducer, 1-1/4" x 3/4" Poly
22		BN305269		1	COUPLING, 1-1/4" POLY
23		BN73561		1	FITTING, BARB, 3/4 NPT X 3/4HS

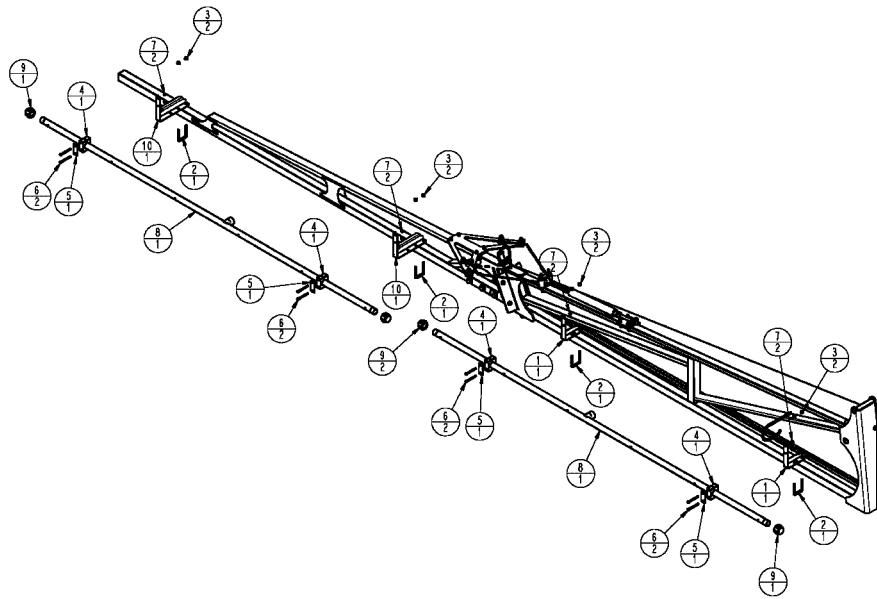
3330

09-049

p1

12/08

SPRAYBAR, 100' OUTER, 20' OFF CL



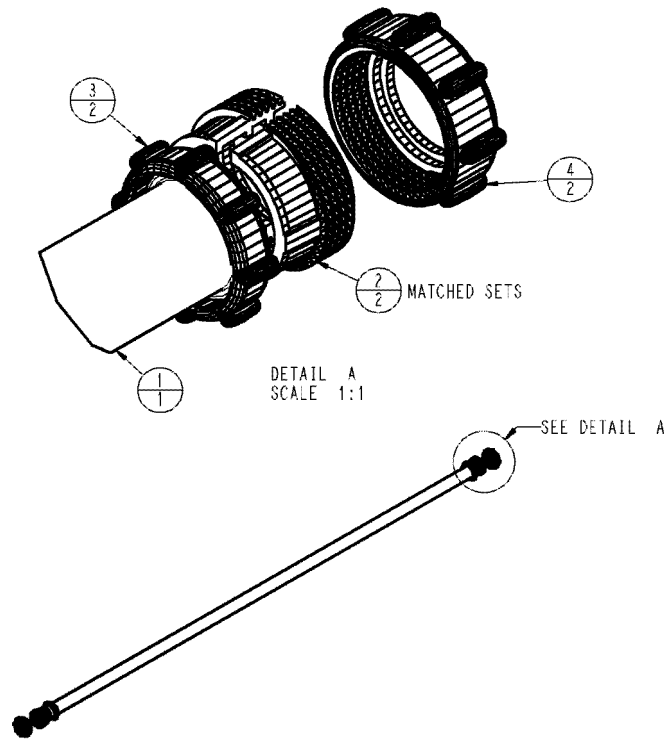
SPRAYBAR, 100' OUTER, 20' OFF CL

REF	FN	PART NUMBER	YR/SN	QTY	DESCRIPTION
1		87562807		2	BRACKET, SUPPORTING, MOUNT, SPRAY BAR
2		BN319919		4	U-BOLT, Sq. Bnd 2.06 ID x 3/8
3		BN50759		8	NUT, 3/8-16, NLN, SS
4		BN67054		4	CLAMP, 1.315" OD (PP)
5		BN309483		4	PLATE, TOP, SINGLE, SIZE 5
6		BN67050		8	BOLT, 1/4-20 X 3, HH, SS
7		BN55359		8	NUT, LOCK, 1/4"-20, SS
8		87266668		2	PIPE, SPRAY BAR, WLDMT, SS 920 X 60
9		BN73606		4	CAP, 1.00 FP, PP
10		87562807		2	BRACKET, SUPPORTING, MOUNT, SPRAY BAR

3330

SPRAYBARS

9

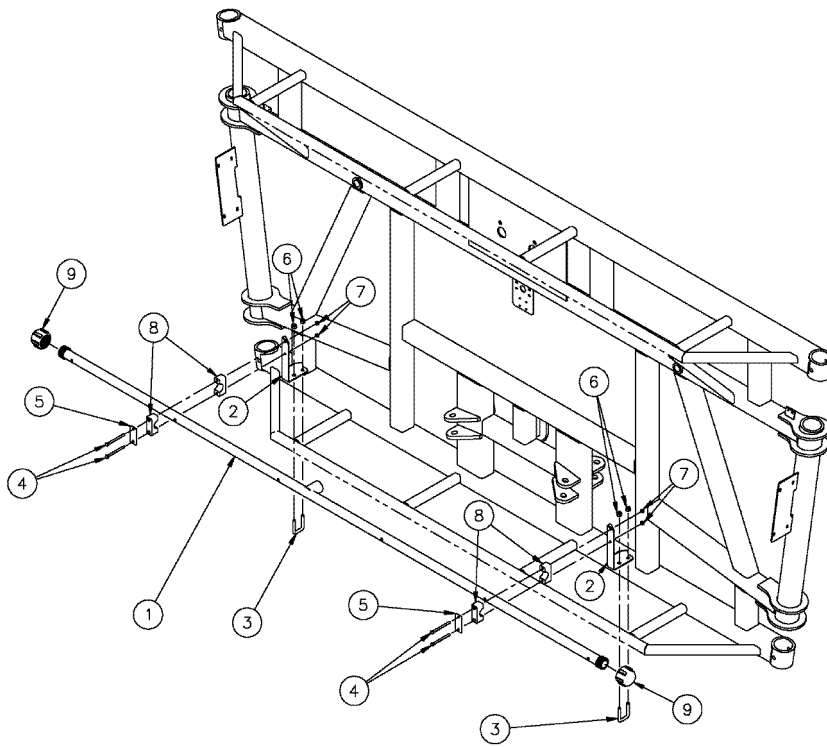


SPRAYBARS

REF	FN	PART NUMBER	YR/SN	QTY	DESCRIPTION
1		87673492		1	BOOM, SPRAY BAR, 10 X 7, TWS
1		87673493		1	BOOM, SPRAY BAR, 20/30 X 5 LONG, TWS
1		87673494		1	BOOM, SPRAY BAR, 20/30 X 6 SHORT, TWS
1		87673495		1	BOOM, SPRAY BAR, 20/30 X 6 LONG, TWS
1		87673496		1	BOOM, SPRAY BAR, 20/30 X 7 SHORT, TWS
1		87673497		1	BOOM, SPRAY BAR, 20/30 X 7 LONG, TWS
2		87630104		2	FITTING, SPLIT SLEEVE, 1 TWS, PP
3		87630103		2	FITTING, BINDING RING, 1 TWS, PP
4		87630105		2	FITTING, NUT, QUICK, 1 TWS, PP

3330

NOZZLE SPACING GROUP, 5 SECTION, 20" OFF, CENTER SECTION

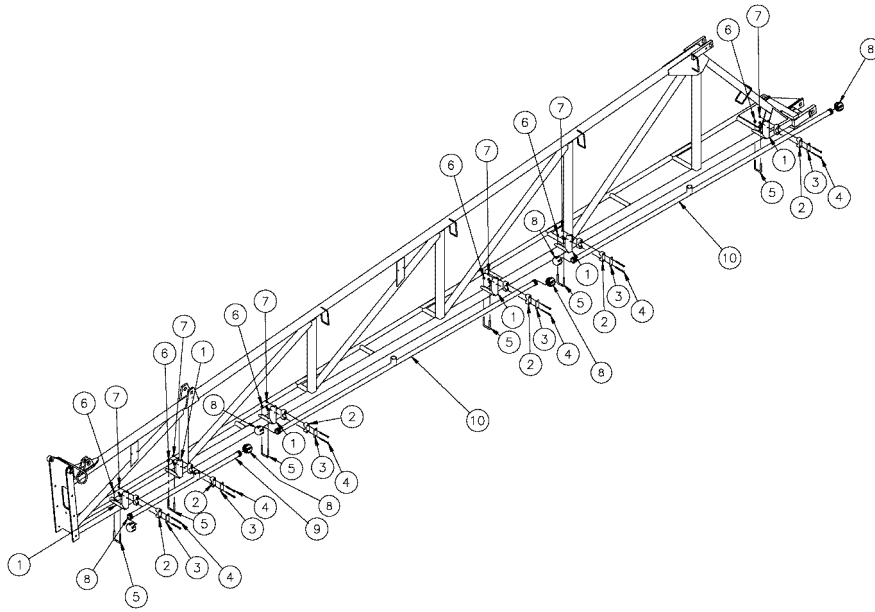


NOZZLE SPACING GROUP, 5 SECTION, 20" OFF, CENTER SECTION

REF	FN	PART NUMBER	YR/SN	QTY	DESCRIPTION
1		BN320271		1	TUBE, WLDT, 20" SP X 6 EA
2		BN323965		2	BOOM, MOUNT, WDMT, SPRAY BAR
3		BN319918		2	U-BOLT, SQ BND, 1.31 ID X 3/8
4		BN55381		4	BOLT, 1/4-20 X 3.25, HH, SS
5		BN309483		2	PLATE, TOP, SINGLE, SIZE 5
6		BN50759		4	NUT, 3/8-16, NLN, SS
7		BN55359		4	NUT, LOCK, 1/4"-20, SS
8		BN67054		2	CLAMP, 1.315" OD (PP)
9		BN21618		2	CAP, 1.25"

3330

NOZZLE SPACING GROUP, 5 & 6 SECTION MID, 20" OFF CL PLBG

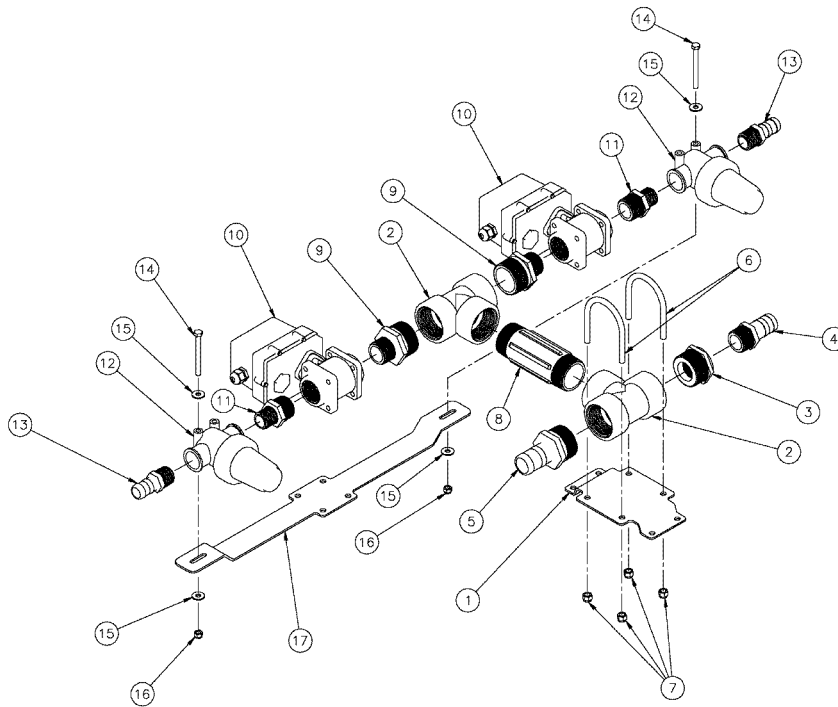


NOZZLE SPACING GROUP, 5 & 6 SECTION MID, 20" OFF CL PLBG

REF	FN	PART NUMBER	YR/SN	QTY	DESCRIPTION
1		BN323957		6	BRACKET, WDMT, SPRAY BAR
2		BN67054		6	CLAMP, 1.315" OD (PP)
3		BN309483		6	PLATE, TOP, SINGLE, SIZE 5
4		BN55381		12	BOLT, 1/4-20 X 3.25, HH, SS
5		BN319919		6	U-BOLT, Sq. Bnd 2.06 ID x 3/8
6		BN50759		12	NUT, 3/8-16, NLN, SS
7		BN55359		12	NUT, LOCK, 1/4"-20, SS
8		BN21618		6	CAP, 1.25"
9		BN320273		1	TUBE, WLDT, 20" SP X 3 EA
10		BN320271		2	TUBE, WLDT, 20" SP X 6 EA

3330

VALVE PLUMBING GROUP, 6 SECTION, INNER RIGHT BOOM, 2 STRAINER

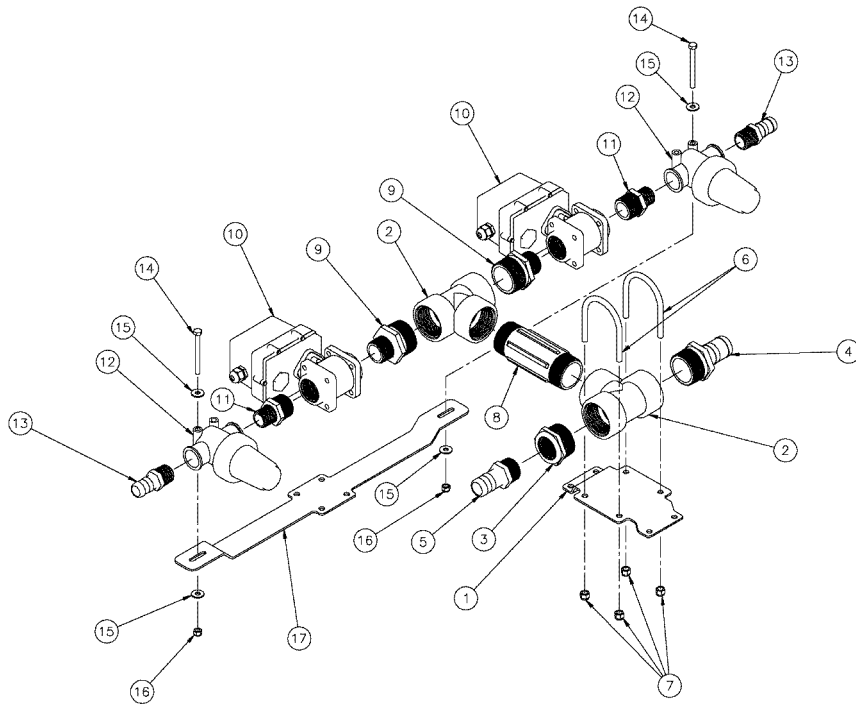


VALVE PLUMBING GROUP, 6 SECTION, INNER RIGHT BOOM, 2 STRAINER

REF	FN	PART NUMBER	YR/SN	QTY	DESCRIPTION
1		BN323107		1	BRACKET, 5 SEC, T-SUPPORT
2		BN73779		2	TEE, 2" POLY PIPE
3		BN73755		1	BUSHING, REDUCER, 2 X 1.25
4		BN73660		1	FITTING, BARB, 1-1/4 NPT X 1-1/4 HS
5		BN305163		1	FITTING, 2" MPT X 1.5" BRB
6		BN320385		2	U-BOLT, 2.98 ID X 3/8-16
7		BN50759		4	NUT, 3/8-16, NLN, SS
8		BN73790		1	NIPPLE, LUBE, 2" NPT X 6" POLY
9		BN317158		2	NIPPLE, LUBE, 2" X 1.25" REDUC
10		87268179		2	VALVE, 1.25" BALL, ELECTRIC, SEE FIG. 09-021
11		BN73656		2	NIPPLE, 1.25 x 1 Poly
12		BN320072		2	FILTER, STRAINER, 1" NPT 50M Poly, See Fig. 09-022
13		BN53476		2	FITTING, BARB, POLY, 1" NPT X 1" HS
14		BN320109		2	BOLT, 5/16-18 X 3.5, HH, SS
15		BN50142		4	WASHER, 5/16, FW, SS
16		BN55361		2	NUT, 5/16-18, NLN, SS
17		BN323106		1	BRACKET, 5 SEC, 2 STRAINER

3330

VALVE PLUMBING GROUP, 6 SECTION, INNER LEFT BOOM, 2 STRAINER

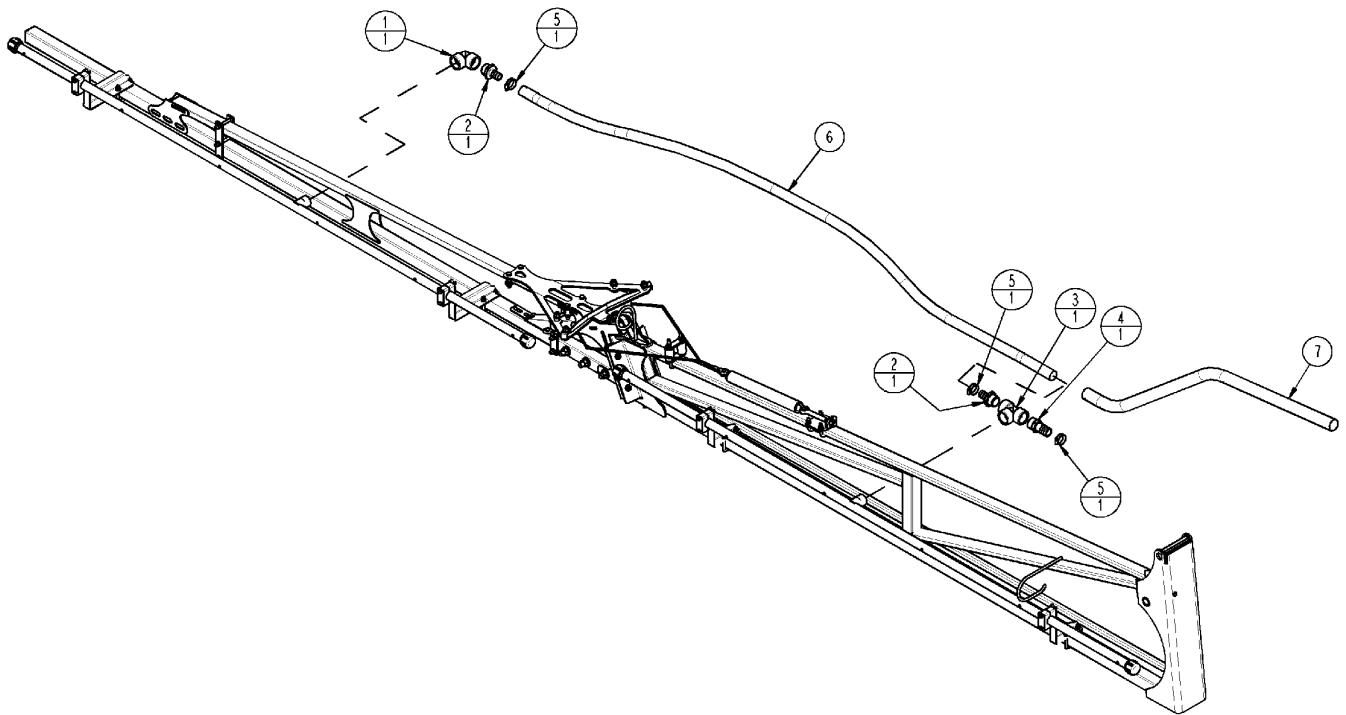


VALVE PLUMBING GROUP, 6 SECTION, INNER LEFT BOOM, 2 STRAINER

REF	FN	PART NUMBER	YR/SN	QTY	DESCRIPTION
1		BN323107		1	BRACKET, 5 SEC, T-SUPPORT
2		BN73779		2	TEE, 2" POLY PIPE
3		BN73755		1	BUSHING, REDUCER, 2 X 1.25
4		BN305163		1	FITTING, 2" MPT X 1.5" BRB
5		BN73660		1	FITTING, BARB, 1-1/4 NPT X 1-1/4 HS
6		BN320385		2	U-BOLT, 2.98 ID X 3/8-16
7		BN50759		4	NUT, 3/8-16, NLN, SS
8		BN73790		1	NIPPLE, LUBE, 2" NPT X 6" POLY
9		BN317158		2	NIPPLE, LUBE, 2" X 1.25" REDUC
10		87268179		2	VALVE, 1.25" BALL, ELECTRIC, SEE FIG. 09-021
11		BN73656		2	NIPPLE, 1.25 x 1 Poly
12		BN320072		2	FILTER, STRAINER, 1" NPT 50M Poly, See Fig. 09-022
13		BN53476		2	FITTING, BARB, POLY 1" NPT X 1" HS
14		BN320109		2	BOLT, 5/16-18 X 3.5, HH, SS
15		BN50142		4	WASHER, 5/16, FW, SS
16		BN55361		2	NUT, 5/16-18, NLN, SS
17		BN323106		1	BRACKET, 5 SEC 2 STRAINER

3330

BOOM PLUMBING GROUP, 5-6 SECTION 100'



09-058

p1

10/08

BOOM PLUMBING GROUP, 5-6 SECTION 100'

REF	FN	PART NUMBER	YR/SN	QTY	DESCRIPTION
1		BN313202		1	ELBOW, 90, 1.25 FP, PP
2		BN73657		2	FITTING, STR, 1.25 MP 1.0 HB, PP
3		BN73662		1	TEE, 1.25 FP, PP
4		BN73660		1	FITTING, STR, 1.25 MP 1.25 HB, PP
5		BN310447		3	CLAMP, HOSE, #20, 304 SS
6		BN53844		1	HOSE, EPDM, 1" ID X 120"
7		{87383454}		1	1-1/4"

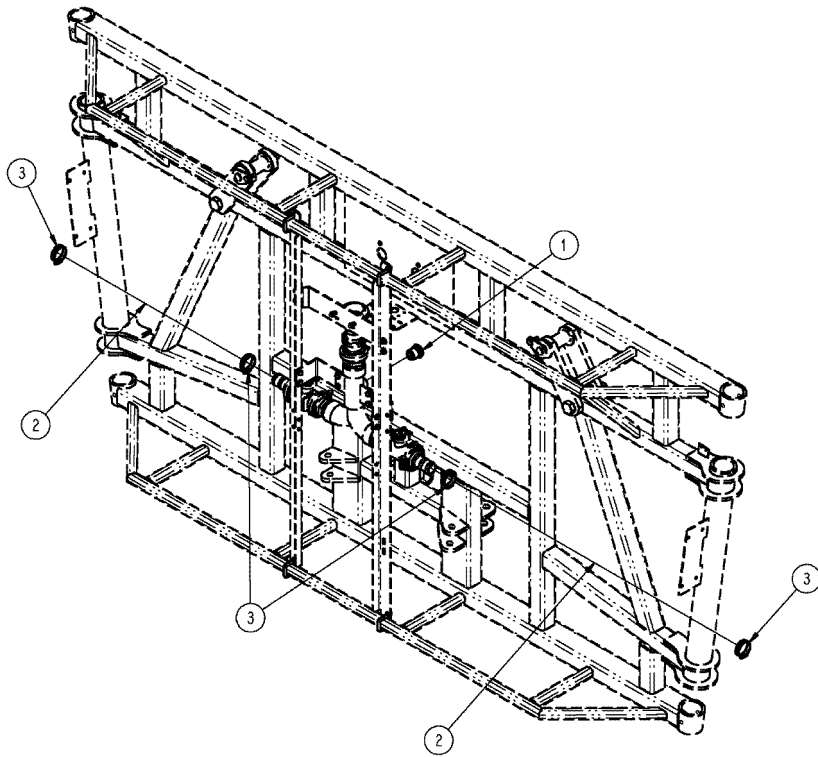
3330

09-059

p1

12/08

BOOM PLUMBING GROUP, 6 SECTION CENTER

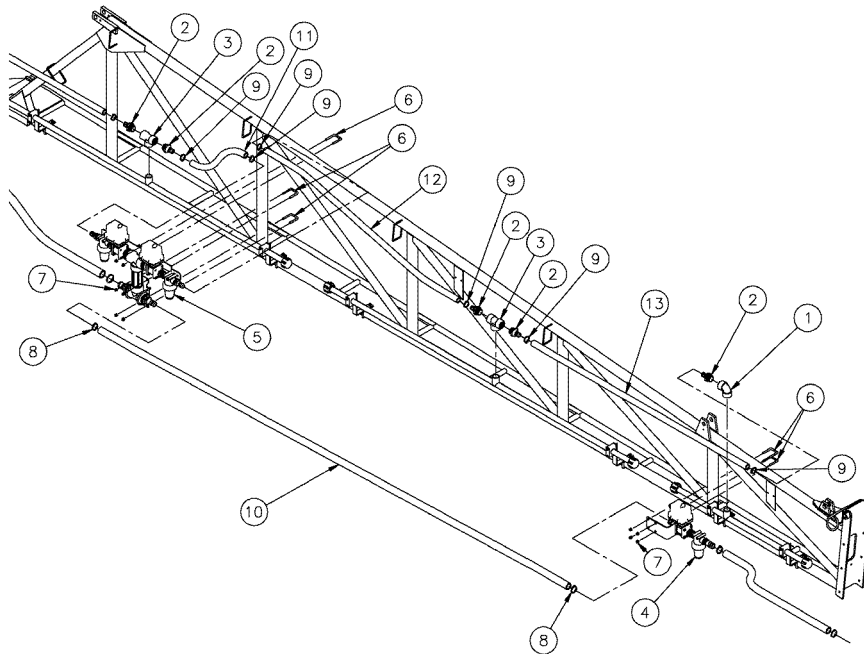


BOOM PLUMBING GROUP, 6 SECTION CENTER

REF	FN	PART NUMBER	YR/SN	QTY	DESCRIPTION
1		BN73604		1	PLUG, 1" PIPE, POLY
2		342076A1		2	HOSE, 1.5" X 147", EPDM
3		BN310448		4	CLAMP, HOSE, #28, 304 SS

	3330
--	-------------

BOOM PLUMBING GROUP, 6 SEC MID, RH

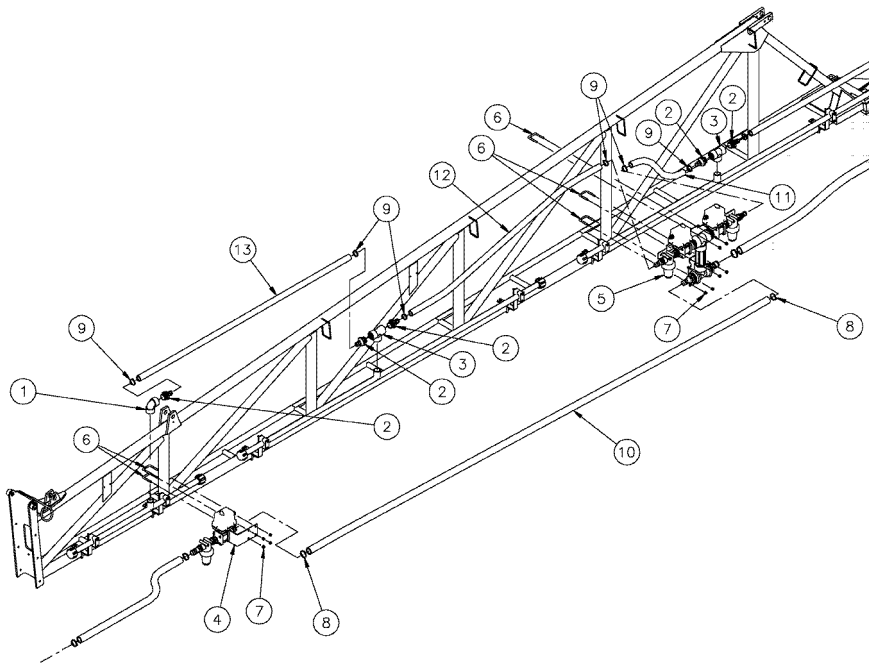


BOOM PLUMBING GROUP, 6 SEC MID, RH

REF	FN	PART NUMBER	YR/SN	QTY	DESCRIPTION
1		BN313202		1	ELBOW, 1-1/4" NPT, 90 DEG
2		BN73657		5	FITTING, BARB, 1-1/4 NPT X 1 HS
3		BN73662		2	TEE, 1-1/4 PIPE, POLY
4		BN321452		1	VALVE, PLBG GRP, 5 & 6 SECT (LH), SEE FIG. 09-019
4		BN321453		1	VALVE, PLBG GRP, 5 & 6 SECT (RH), SEE FIG. 09-019
5		{BN323105}		1	6 SECT, SEE FIG. 09-056
6		BN319919		5	U-BOLT, Sq. Bnd 2.06 ID x 3/8
7		BN50759		10	NUT, 3/8-16, NLN, SS
8		BN310447		2	CLAMP, HOSE, #24, 304 SS
9		BN75990		8	CLAMP, HOSE, SS-16.81 TO 1.5 A
10		BN321478		1	HOSE, 1.25" X 156", EPDM
11		BN53850		1	HOSE, EPDM 1" ID X 36"
12		BN321476		1	HOSE, 1" X 79", EPDM
13		BN320876		1	HOSE, 1" X 75", EPDM

3330

BOOM PLUMBING GROUP, 6 SEC MID, LH

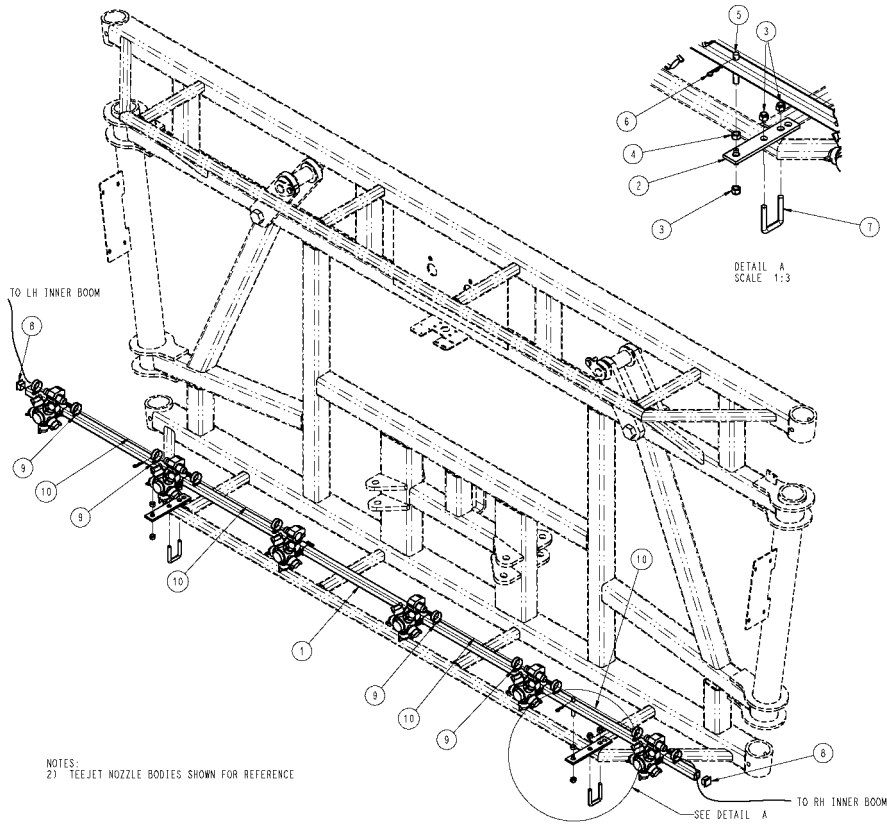


BOOM PLUMBING GROUP, 6 SEC MID, LH

REF	FN	PART NUMBER	YR/SN	QTY	DESCRIPTION
1		BN313202		1	ELBOW, 1 1/4" NPT 90 DEG
2		BN73657		5	FITTING, BARB, 1-1/4NPT X 1 HS
3		BN73662		2	TEE, 1/4 PIPE POLY
4		BN321452		1	VALVE, PLBG GRP, 5 & 6 SECT, SEE FIG.09-019
4		BN321453		1	VALVE, PLBG GRP, 5 & 6 SECT, SEE FIG.09-019
5		{BN323104}		1	VALVE PLBG GRP, 6 SECT, SEE FIG.09-057
6		BN319919		5	U-BOLT, Sq. Bnd 2.06 ID x 3/8
7		BN50759		10	NUT, 3/8-16, NLN, SS
8		BN310447		2	CLAMP, HOSE, #24, 304 SS
9		BN75990		8	CLAMP, HOSE, SS-16.81 TO 1.5 A
10		BN321478		1	HOSE, 1.25" X 156", EPDM
11		BN53850		1	HOSE, EPDM 1"ID X 36"
12		BN321476		1	HOSE, 1" X 79", EPDM
13		BN320876		1	HOSE, 1" X 75", EPDM

3330

BOOM, CENTER SECTION PLUMBING, 6 SECTION, LO-FLOW

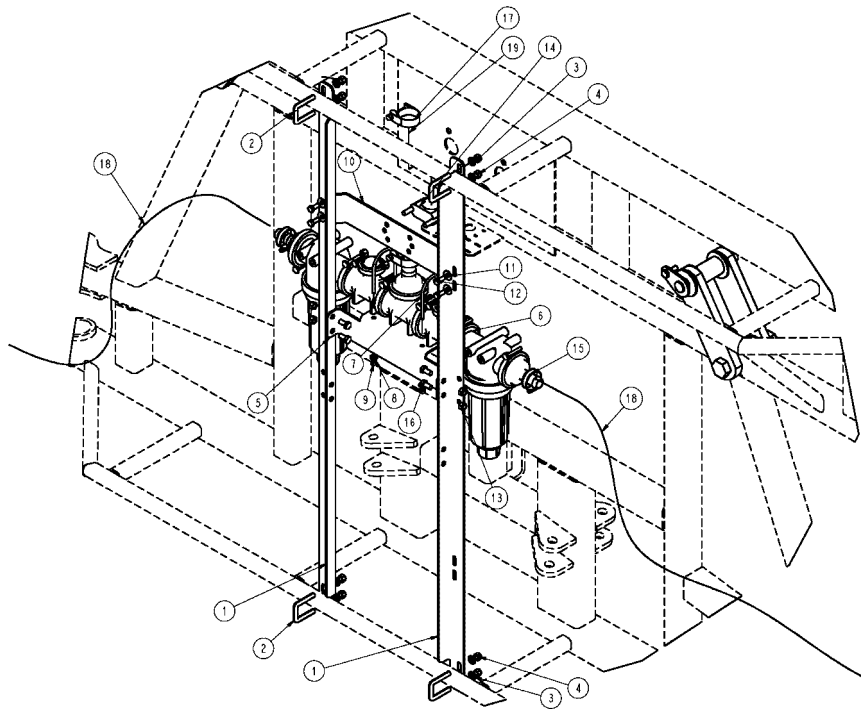


BOOM, CENTER SECTION PLUMBING, 6 SECTION, LO-FLOW

REF	FN	PART NUMBER	YR/SN	QTY	DESCRIPTION
1		87268203		1	TUBE, CENTER SECTION, BOOM
2		BN67279		2	BRACKET, DRY BOOM MOUNT
3		BN50759		6	NUT, 3/8-16, NLN, SS
4		BN50064		4	NUT, 3/8-16, HX, SS
5		BN29599		2	PIN, Rework Bolt 3/8 x 2.75
6		BN71006		2	PIN, SPLIT (COTTER), 1/8", #11
7		BN319919		2	U-BOLT, Sq. Bnd 2.06 ID x 3/8
8		BN32823		2	PLUG, TUBING, FITS 1 X 1 X 14G
9		BN310446		10	CLAMP, HOSE, #12, 304 SS
10		BN53738		4	HOSE, FLEXIBLE, 3/4" ID x 18.5"

3330

CENTER SECTION PLUMBING, 6 SECTION, LO-FLOW

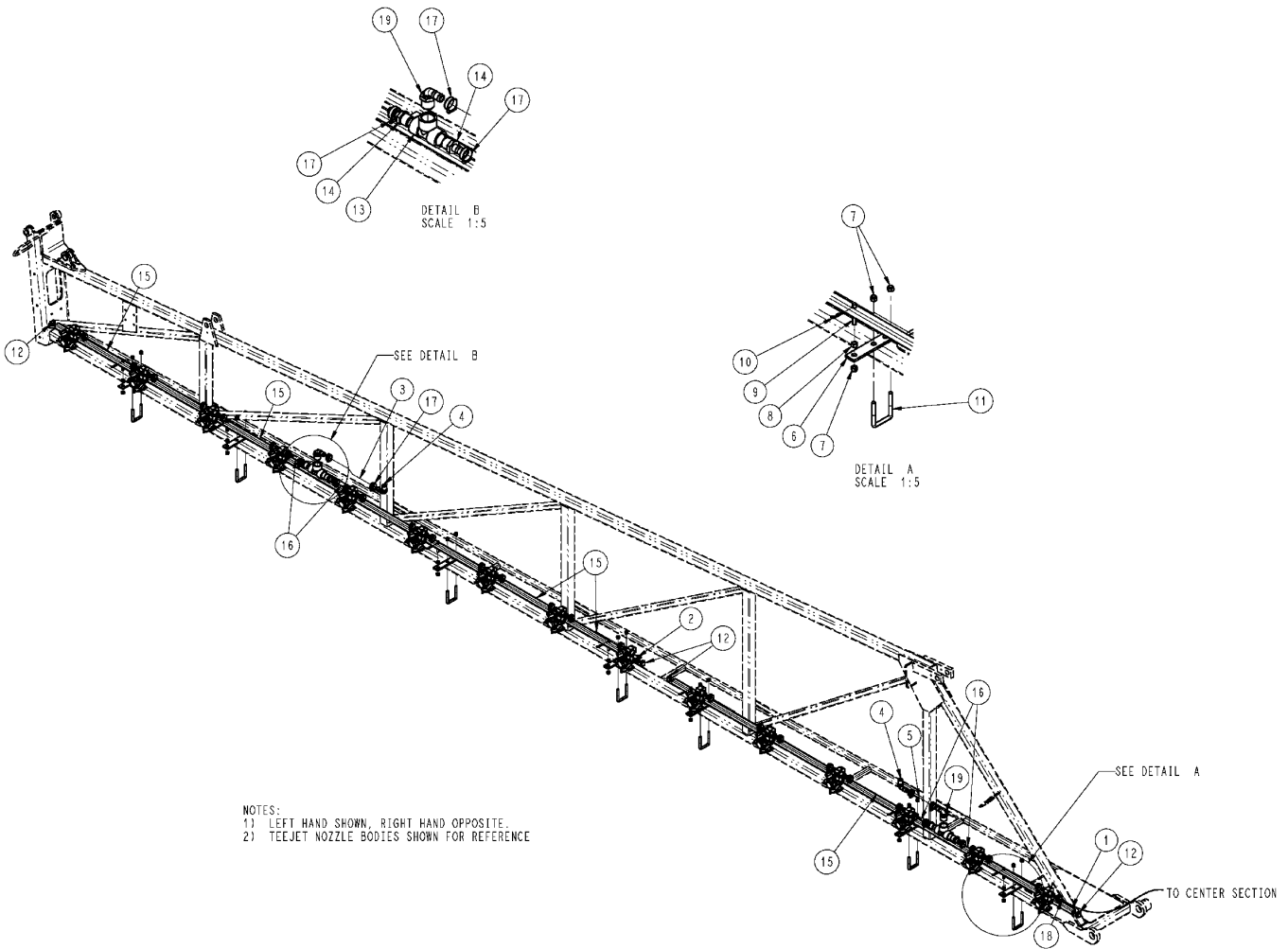


CENTER SECTION PLUMBING, 6 SECTION, LO-FLOW

REF	FN	PART NUMBER	YR/SN	QTY	DESCRIPTION
1		87267543		2	SUPPORT, MANIFOLD, 778D
2		BN319918		4	U-BOLT, SQ BND, 1.31 ID X 3/8
3		BN50146		8	WASHER, 3/8", Flat, SS
4		BN50759		12	NUT, 3/8-16, NLN, SS
5		87265454		1	SUPPORT, MANIFOLD, LO
6		{87272051}		1	CNTR SECTION, LO, SEE FIG. 09-037
7		BN303201		2	U-BOLT, 1/4 X 2.38 R X 3.75
8		495-11028		4	WASHER, 1/4", SAE
9		231-4144		4	NUT, LOCK, 1/4"-20, GB
10		BN325194		1	BRACKET, SUPPORTING, CLAMP, 5 SECT, CTR
11		BN50142		8	WASHER, 5/16, FW, SS
12		BN50476		4	BOLT, 5/16-18 X .75, HH, SS
13		BN55361		4	NUT, 5/16-18, NLN, SS
14		BN320371		1	CLAMP, U-BOLT, 1.25 PIPE
15		BN320156		2	CLAMP, HOSE, #24, 304 SS
16		BN50250		4	BOLT, 3/8"-16 x .75 HH, SS
17		BN53810		2	CLAMP, HOSE, 1 75" ID "T" BOLT
18		BN319019		2	HOSE, EPDM, 1" X 105"
19		87265473		1	HOSE, 1-1/4" X 156" SUCTION

3330

BOOM, MID PLUMBING, 6 SECTION, LO-FLOW

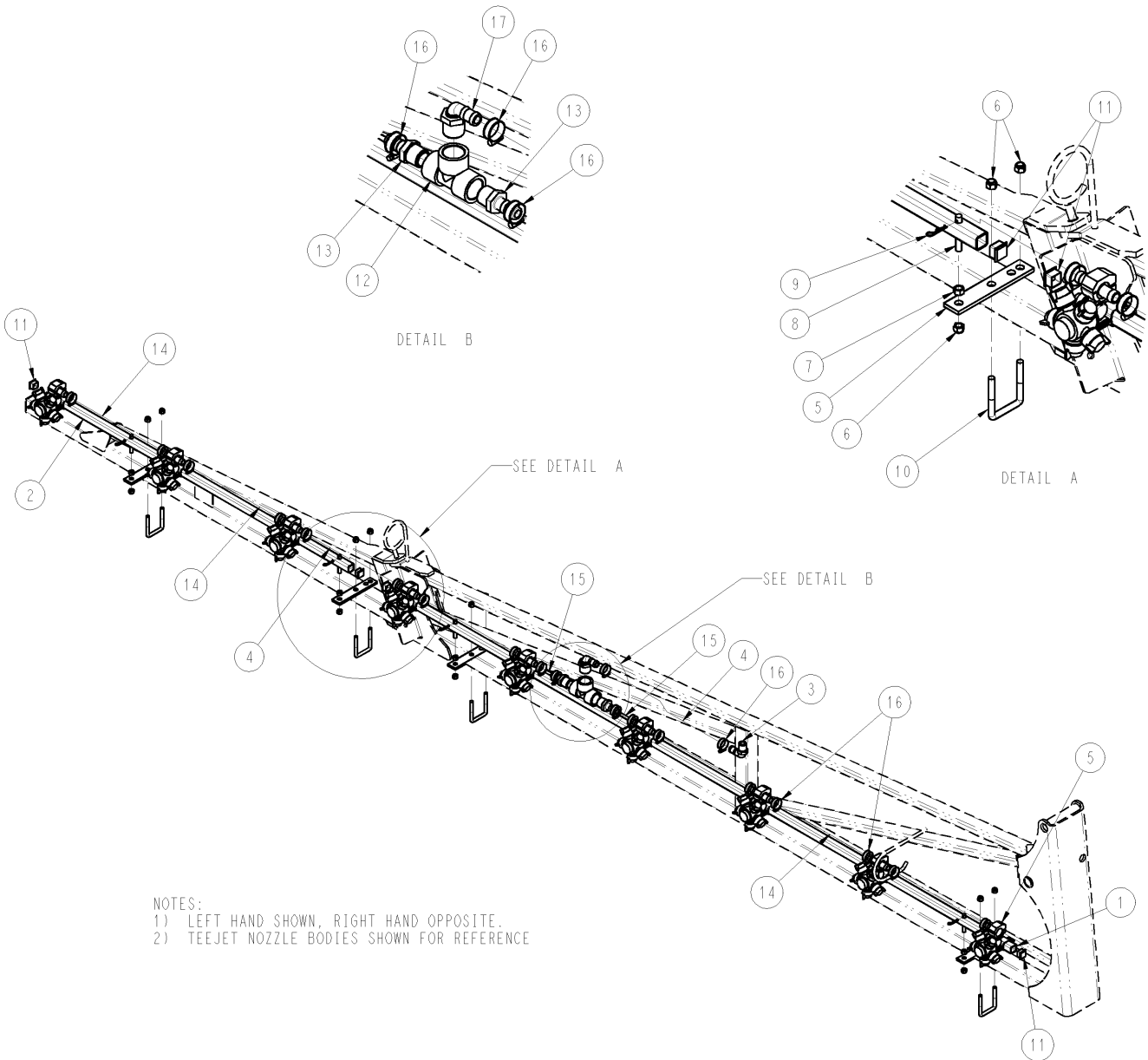


BOOM, MID PLUMBING, 6 SECTION, LO-FLOW

REF	FN	PART NUMBER	YR/SN	QTY	DESCRIPTION
1		BN67277		1	TUBE, NOZZLE MOUNT
2		BN67275		1	TUBE, NOZZLE MOUNT
3		BN53852		1	HOSE, FLEXIBLE, 3/4" ID x 17"
4		BN73562		2	ELBOW, Barb, 3/4 NPT x 3/4 HS, 90°
5		{BN53916}		1	3/4" ID EPDM X 4"
6		BN67279		7	BRACKET, DRY BOOM MOUNT
7		BN50759		21	NUT, 3/8-16, NLN, SS
8		BN50064		7	NUT, 3/8-16, HX, SS
9		BN29599		7	PIN, Rework Bolt 3/8 x 2.75
10		BN71006		7	PIN, SPLIT (COTTER), 1/8", #11
11		BN319919		7	U-BOLT, Sq. Bnd 2.06 ID x 3/8
12		BN32823		4	PLUG, TUBING, FITS 1 X 1 X 14 G
13		BN73629		2	TEE, 1" POLY PIPE
14		BN53666		4	FITTING, HOSE, BARB 1 NPT X 3/4 HOSE
15		BN53738		11	HOSE, FLEXIBLE, 3/4" ID x 18.5"
16		BN53737		4	HOSE, FLEXIBLE, 3/4" ID x 7.5"
17		BN310446		34	CLAMP, HOSE, #12, 304 SS
18		BN53914		1	HOSE, FLEXIBLE, 3/4" ID x 60"
19		BN73684		2	ELBOW, 90° 1" MPT x 3/4" Barb

3330

BOOM, OUTER PLUMBING, 6 SECTION, LO-FLOW



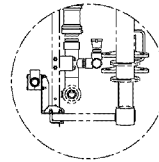
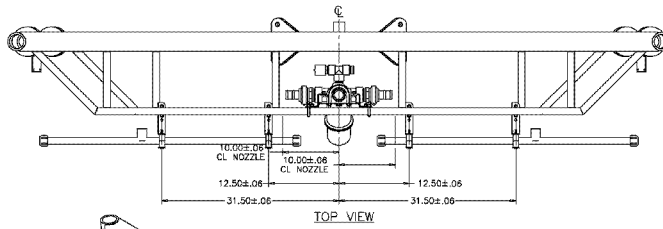
NOTES:
1) LEFT HAND SHOWN, RIGHT HAND OPPOSITE.
2) TEEJET NOZZLE BODIES SHOWN FOR REFERENCE

BOOM, OUTER PLUMBING, 6 SECTION, LO-FLOW

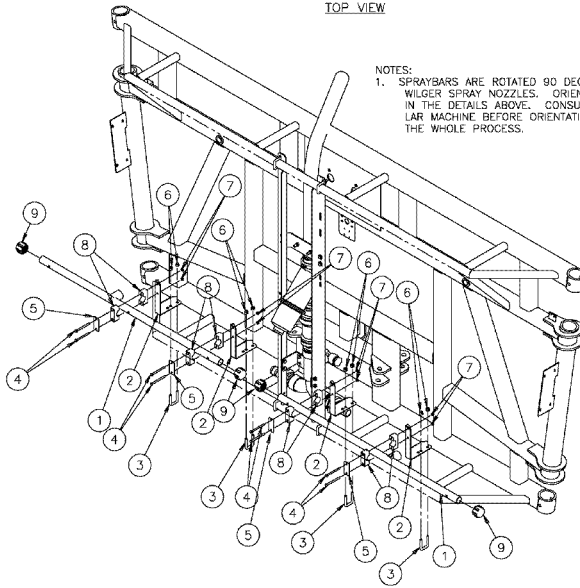
REF	FN	PART NUMBER	YR/SN	QTY	DESCRIPTION
1		87268204		1	TUBE, OUTER SECTION, BOOM
2		87268205		1	TUBE, OUTER BREAKAWAY, BOOM
3		BN73562		1	ELBOW, Barb, 3/4 NPT x 3/4 HS, 90°
4		BN53857		2	HOSE (METRES), FLEXIBLE, 3/4" ID x 26"
5		BN67279		4	BRACKET, DRY, BOOM MOUNT
6		BN50759		12	NUT, 3/8-16, NLN, SS
7		BN50064		4	NUT, 3/8-16, HX, SS
8		BN29599		4	PIN, Rework Bolt 3/8 x 2.75
9		BN71006		4	PIN, SPLIT (COTTER), 1/8", #11
10		BN319919		4	U-BOLT, Sq. Bnd 2.06 ID x 3/8
11		BN32823		4	PLUG, TUBING, FITS 1 X 1 X 14G
12		BN73629		1	TEE, 1" POLY PIPE
13		BN53666		2	FITTING, HOSE, BARB 1 NPT X 3/4 HOSE
14		BN53738		6	HOSE, FLEXIBLE, 3/4" ID x 18.5"
15		BN53737		2	HOSE, FLEXIBLE, 3/4" ID x 7.5"
16		BN310446		20	CLAMP, HOSE, #12, 304 SS
17		BN73684		1	ELBOW, 90° 1" MPT x 3/4" Barb

3330

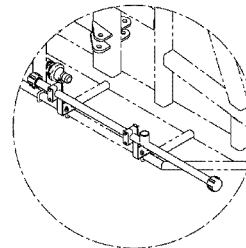
NOZZLE SPACING GROUP, 6 SECTION CENTER, 20" OFF



ARAG SIDE VIEW



NOTES:
1. SPRAYBARS ARE ROTATED 90 DEGREES FROM UPRIGHT POSITION FOR THE WILGER SPRAY NOZZLES. ORIENTATION FOR THE ARAG NOZZLES IS SHOWN IN THE DETAILS ABOVE. CONSULT TOTAL BUILD ORDER FOR THE PARTICULAR MACHINE BEFORE ORIENTATION OCCURS, AS THIS HAS AN EFFECT ON THE WHOLE PROCESS.



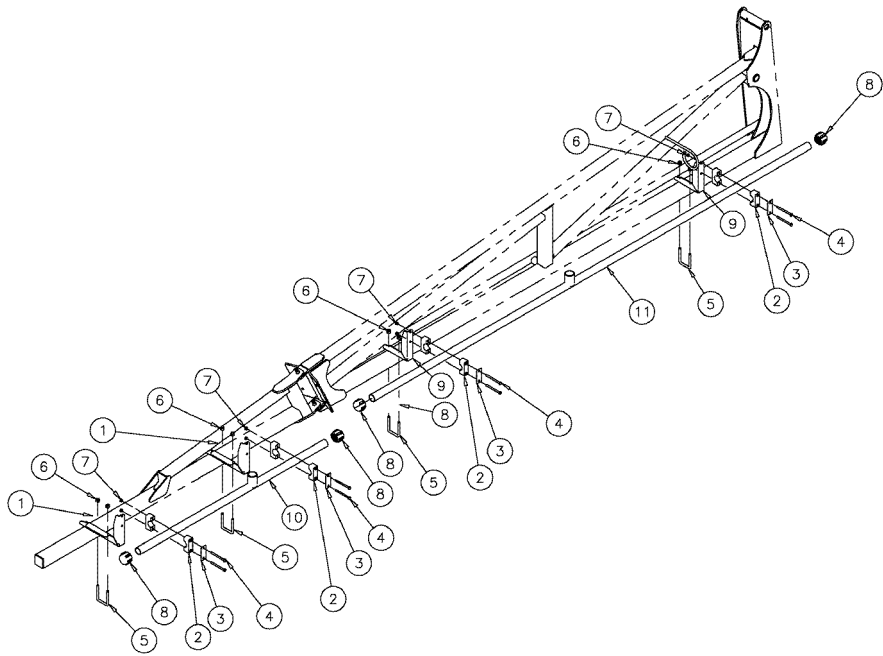
ARAG ISOMETRIC VIEW

NOZZLE SPACING GROUP, 6 SECTION CENTER, 20" OFF

REF	FN	PART NUMBER	YR/SN	QTY	DESCRIPTION
1		87266669		2	PIPE, SPRAY BAR, WLDMT, SS (20 X 3)
2		BN323957		4	BRACKET, WDMT, SPRAY BAR
3		BN319918		4	U-BOLT, SQ BND, 1.31 ID X 3/8
4		BN67050		8	BOLT, 1/4-20 X 3, HH, SS
5		BN309483		4	PLATE, TOP, SINGLE, SIZE 5
6		BN50759		8	NUT, 3/8-16, NLN, SS
7		BN55359		8	NUT, LOCK, 1/4"-20, SS
8		BN67054		4	CLAMP, 1.315" OD (PP)
9		BN73606		4	CAP, 1" POLY PIPE

3330

NOZZLE SPACING GROUP, 90' OUTER, 20" OFF



NOZZLE SPACING GROUP, 90' OUTER, 20" OFF

REF	FN	PART NUMBER	YR/SN	QTY	DESCRIPTION
1		87562807		2	BRACKET, SUPPORTING, SPRAY BAR
2		BN67054		4	CLAMP, 1.315" OD (PP)
3		BN309483		4	PLATE, TOP, SINGLE, SIZE 5
4		BN55381		8	BOLT, 1/4-20 X 3.25, HH, SS
5		BN319919		4	U-BOLT, Sq. Bnd 2.06 ID x 3/8
6		BN50759		8	NUT, 3/8-16, NLN, SS
7		BN55359		8	NUT, LOCK, 1/4"-20, SS
8		BN21618		4	CAP, 1.25"
9		BN323957		2	BRACKET, WDMT, SPRAY BAR
10		BN320273		1	TUBE, WLDT, 20" SP X 3 EA
11		BN320271		1	TUBE, WLDT, 20" SP X 6 EA

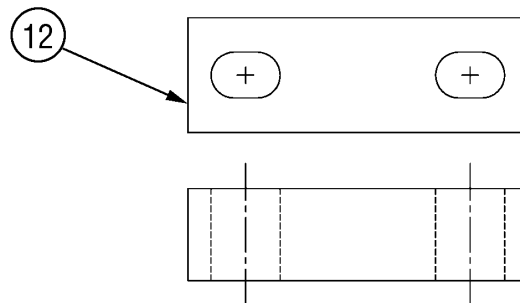
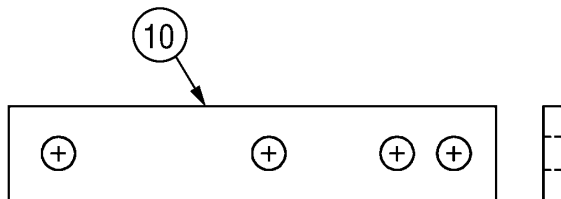
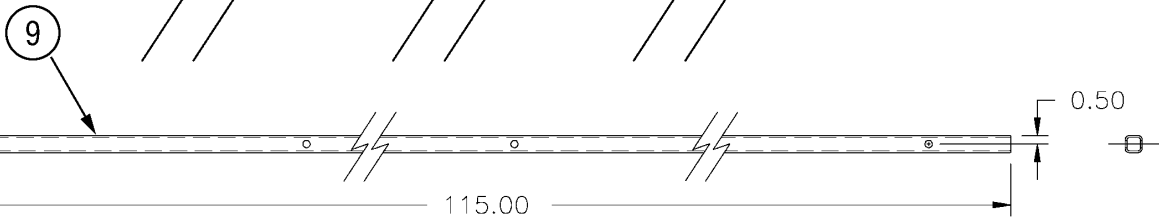
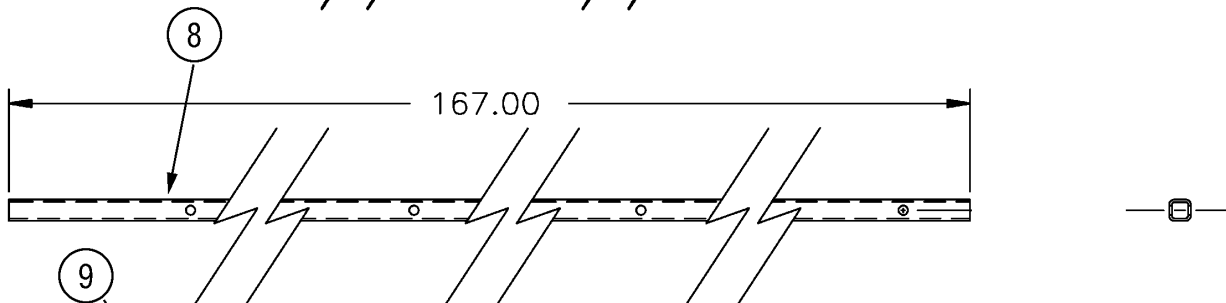
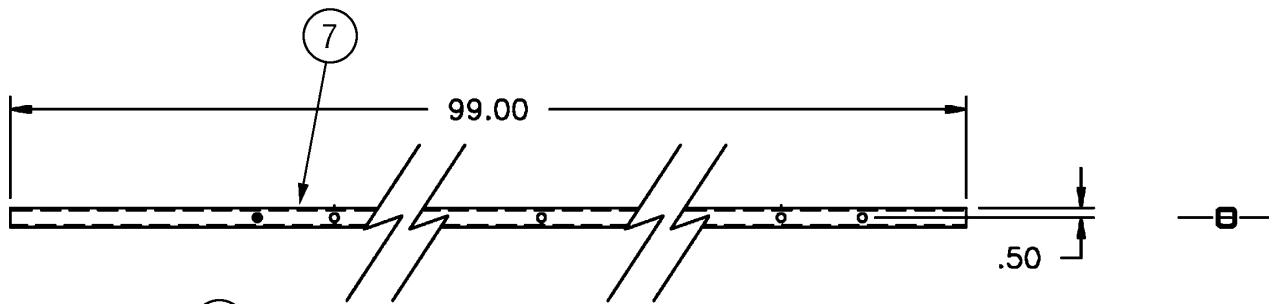
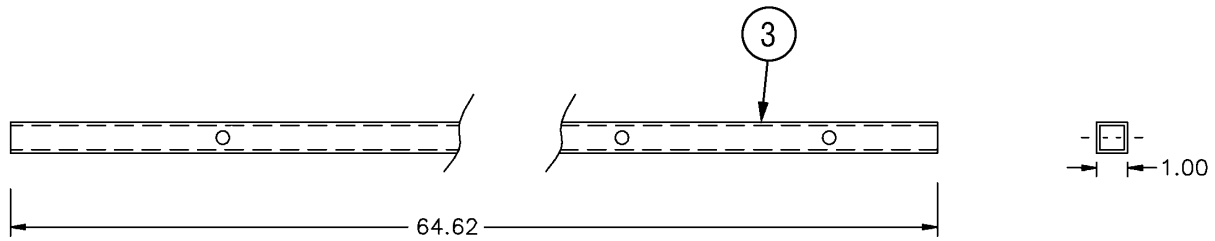
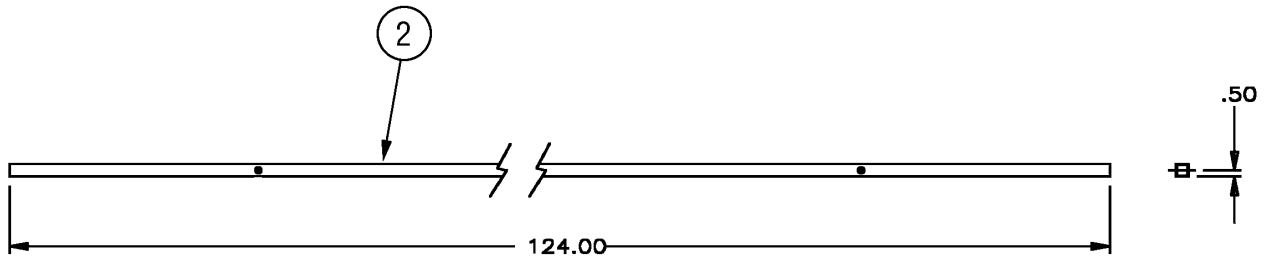
3330

09-070

p1

12/08

90° KNOCKDOWN TUBE PACKAGE



9

90' KNOCKDOWN TUBE PACKAGE

REF	FN	PART NUMBER	YR/SN	QTY	DESCRIPTION
		231-4146		104	NUT, LOCK, 3/8"-16, GB
2		BN24486		1	TUBE, 1 X 1 X 12 GA X 124.0
3		BN25936		2	TUBE, HYD, 1 X 1 X 12 GA X 64.62
		BN29599		26	PIN, Rework Bolt 3/8 x 2.75
		BN319919		24	U-BOLT, Sq. Bnd 2.06 ID x 3/8
		BN32823		18	PLUG, TUBING, FITS 1 X 1 X 14
7		BN67274		2	TUBE, NOZZLE MOUNT
8		BN67275		2	TUBE, NOZZLE MOUNT
9		BN67277		2	TUBE, NOZZLE MOUNT
10		BN67279		26	BRACKET, DRY, BOOM MOUN
		BN67284		2	U-BOLT, 3/8 SQ BND, 1.25ID
12		BN68213		4	BAR, NOZZLE SPACER, BRKAW
		BN71006		26	PIN, SPLIT (COTTER), 1/8", #11
					3330

09-071

p1

12/08

90' KNOCKDOWN FITTING PACK

**ART
NOT
AVAILABLE**

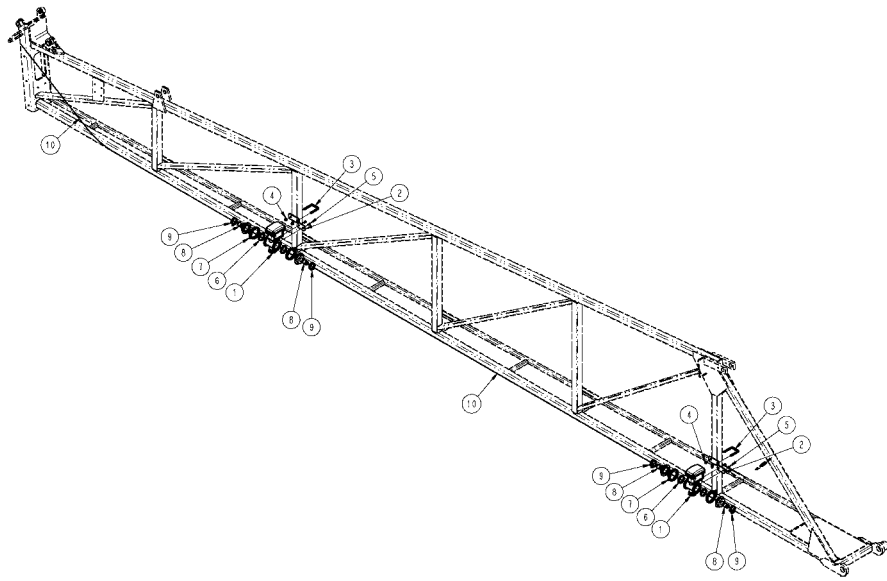
9

90' KNOCKDOWN FITTING PACK

REF	FN	PART NUMBER	YR/SN	QTY	DESCRIPTION
		{BN319118}		1	3/4" I.D. X 80' EPDM
		BN53666		12	FITTING, HOSE, BARB, 1 NPT X 3/4 HOSE
		BN53668		6	COUPLING, 1" Female, HS SHK
		BN68699		97	NOZZLE, W/CAP (5-W.75 DBL)
		BN69475		12	NOZZLE, W/CAP (5-W.75 SGL)
		BN73629		6	TEE, 1" POLY PIPE
		BN74448		109	CLAMP, 1" SQUARE TUBING
		BN75978		122	CLAMP, HOSE, SS, No. 12 adj., HS, .56-1.25

	3330
--	-------------

BOOM VALVE PLUMBING, MID, LO-FLOW

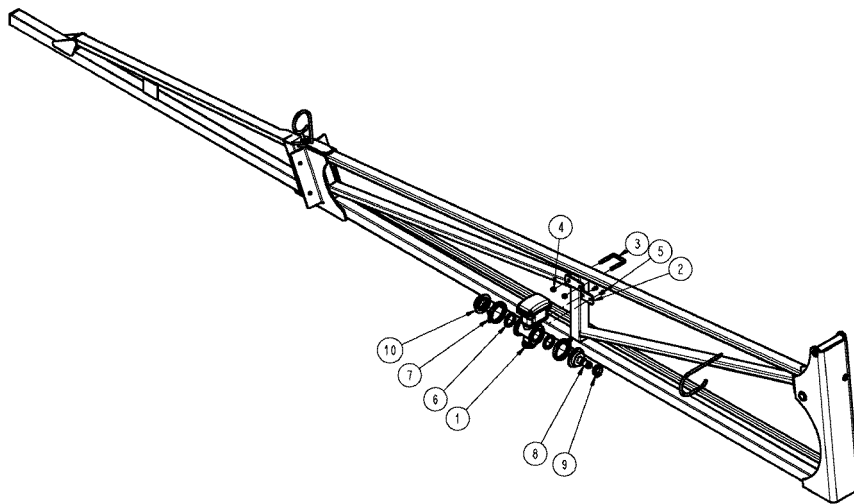


BOOM VALVE PLUMBING, MID, LO-FLOW

REF	FN	PART NUMBER	YR/SN	QTY	DESCRIPTION
1		87268840		2	VALVE, MANIFOLD, BOOM, SEE FIG. 09-079
2		87265462		2	MOUNTING PARTS, RAVEN VALVE
3		BN319919		2	U-BOLT, Sq. Bnd 2.06 ID x 3/8
4		BN50759		4	NUT, 3/8-16, NLN, SS
5		BN50697		4	BOLT, 1/4-20 X .5, HH, SS
6		BN303204		2	GASKET, 2" EPDM
7		BN303199		2	CLAMP, 2" STD FLG
8		BN317966		4	FLANGE, STR 2" x 1" HB
9		BN75990		4	CLAMP, HOSE, SS, #16, .81 to 1.5A
10		BN324925		2	HOSE, 1" X 152", EPDM

3330

BOOM VALVE PLUMBING, OUTER, LO-FLOW

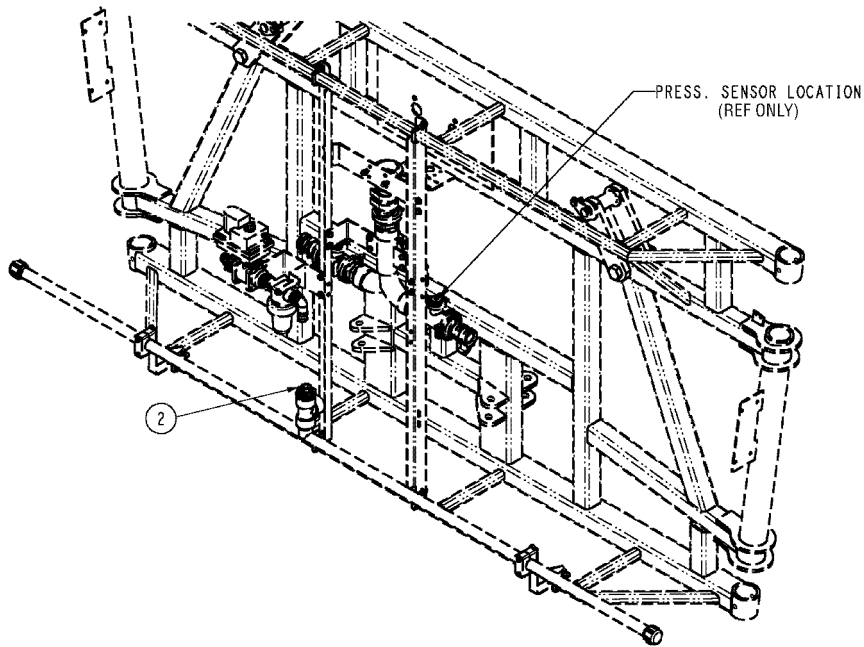


BOOM VALVE PLUMBING, OUTER, LO-FLOW

REF	FN	PART NUMBER	YR/SN	QTY	DESCRIPTION
1		87268840		1	VALVE, MANIFOLD, BOOM, SEE FIG. 09-079
2		87265462		1	MOUNTING PARTS, RAVEN VALVE
3		BN319919		1	U-BOLT, Sq. Bnd 2.06 ID x 3/8
4		BN50759		2	NUT, 3/8-16, NLN, SS
5		BN50697		2	BOLT, 1/4-20 X .5, HH, SS
6		BN303204		1	GASKET, 2" EPDM
7		BN303199		1	CLAMP, 2" STD FLG
8		BN317966		1	FLANGE, STR 2" x 1" HB
9		BN75990		1	CLAMP, HOSE, SS, #16, .81 to 1.5A
10		BN304317		1	PLUG, 2" FLANGE

3330

ELECTRICAL, 5 SECTION PLUMBING, CS

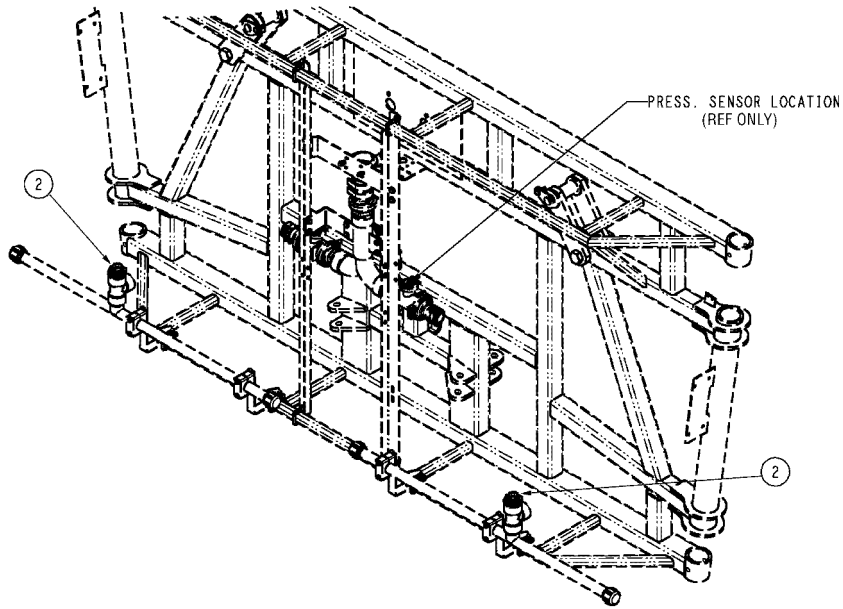


ELECTRICAL, 5 SECTION PLUMBING, CS

REF	FN	PART NUMBER	YR/SN	QTY	DESCRIPTION
2		86986400		1	SWITCH, PRESSURE, PMLF

	3330
--	-------------

ELECTRICAL, 6 SECTION PLUMBING, CS

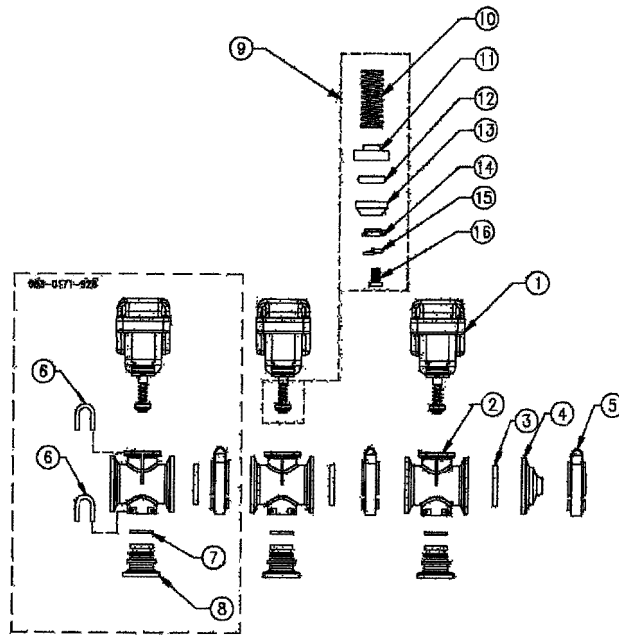


ELECTRICAL, 6 SECTION PLUMBING, CS

REF	FN	PART NUMBER	YR/SN	QTY	DESCRIPTION
2		86986400		2	SWITCH, PRESSURE, PMLF

	3330
--	-------------

VALVE, MANIFOLD BOOM

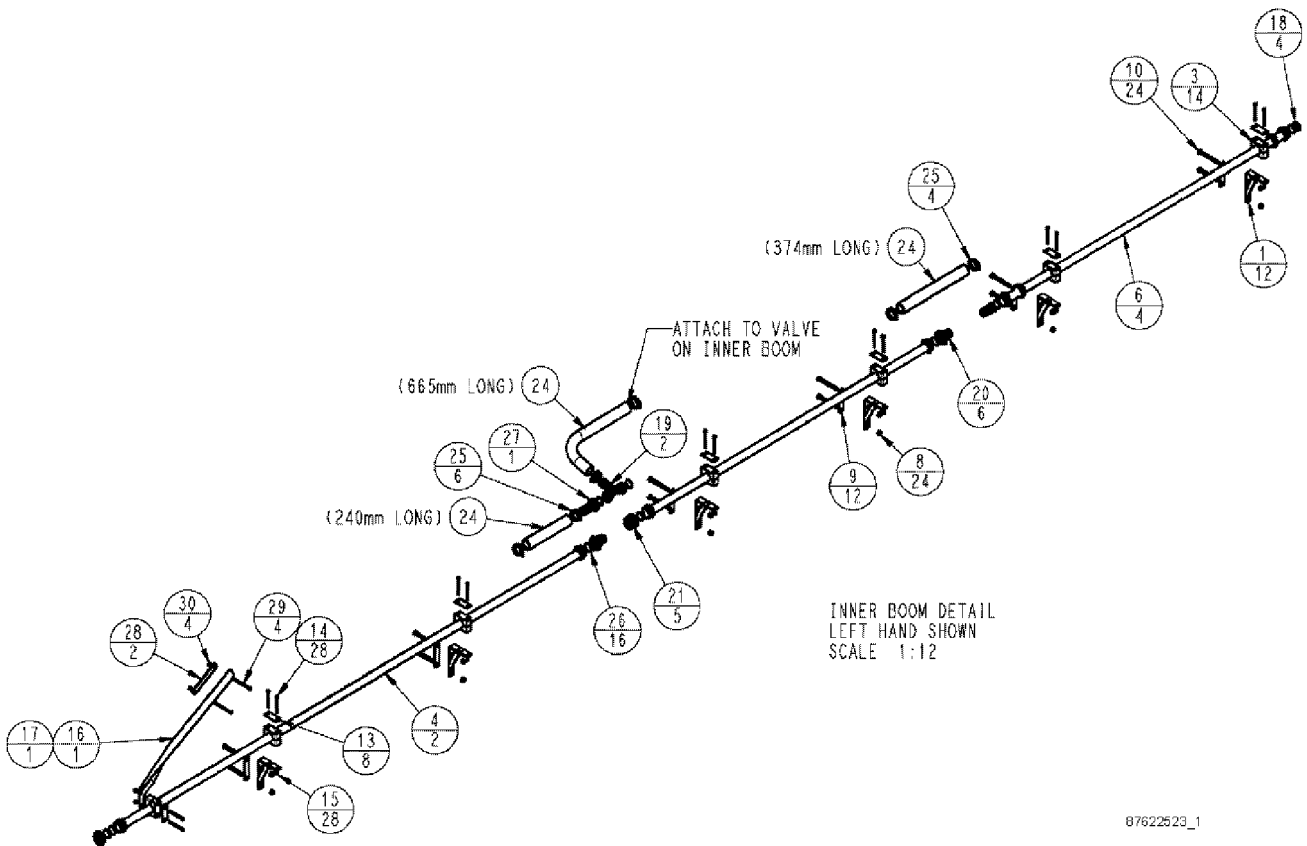
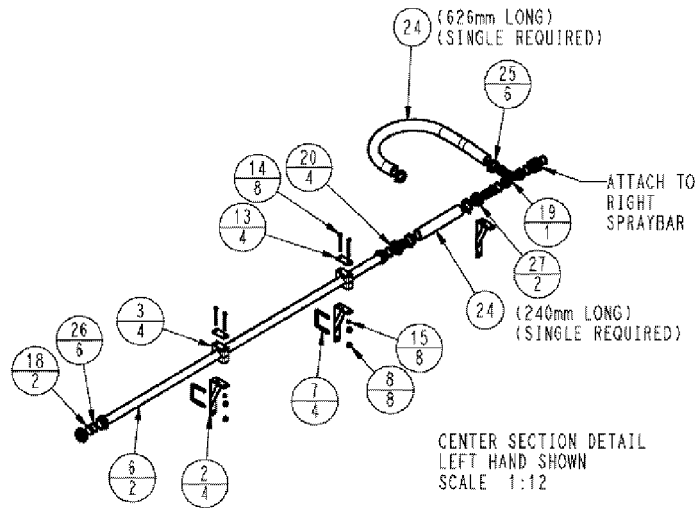


VALVE, MANIFOLD BOOM

REF	FN	PART NUMBER	YR/SN	QTY	DESCRIPTION
1		87271156		1	MOTOR
2		87271157		1	BODY
3		BN303204		1	GASKET, 2.0 FLB, EPDM
4		NSS		1	NOT SERVICED SEPARATELY, END PLATE
5		BN303199		1	CLAMP, 2FLB, STD
6		87271158		2	CLIP
7		87271159		1	O-RING
8		87271160		1	OUTLET
9		87271161		1	PLUNGER, SEAT, INCLUDES REF. 10 - 16

3330

SPRAYBAR PLUMBING, TWS, 20" OFFSET, 120' BOOM

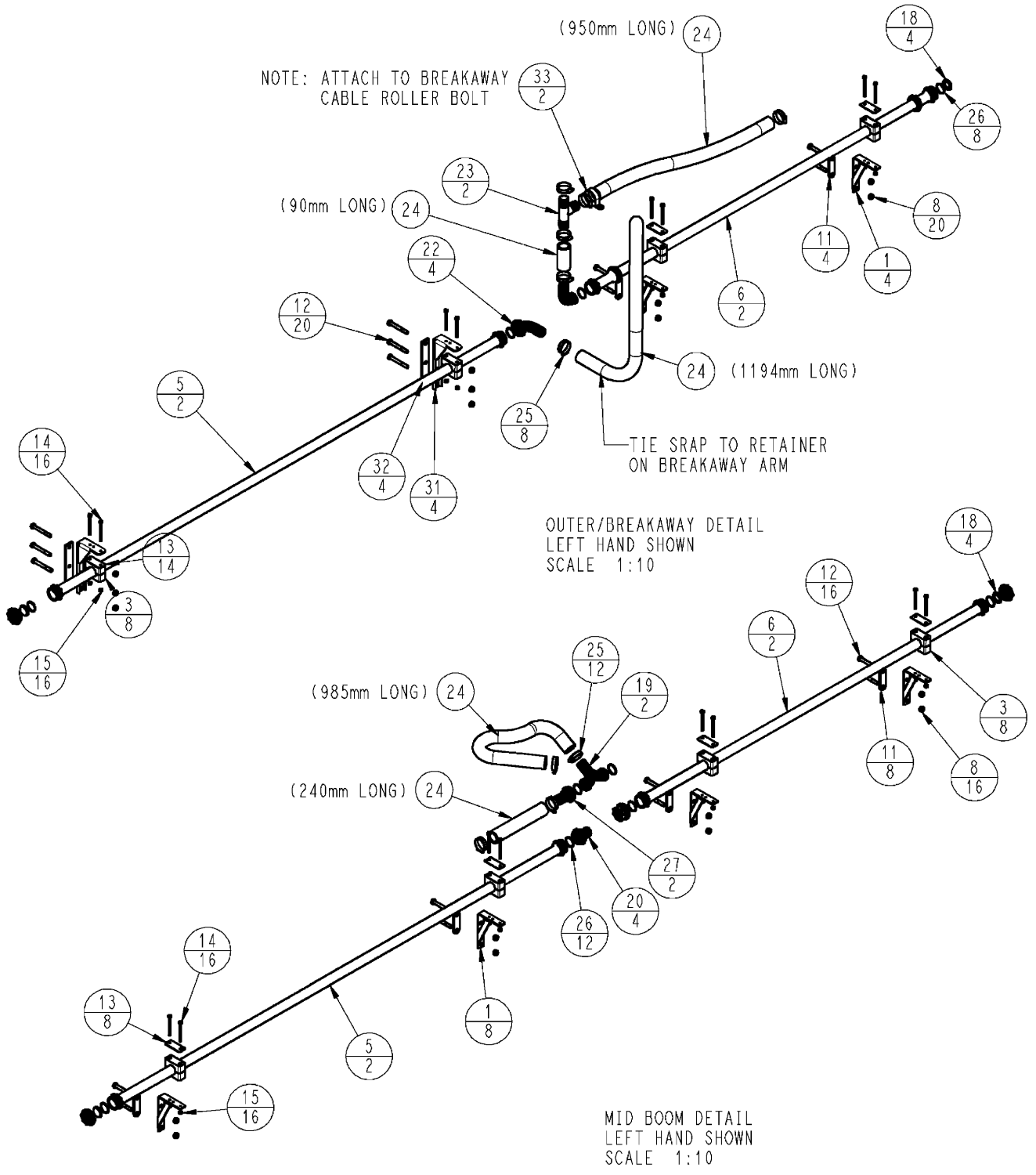


SPRAYBAR PLUMBING, TWS, 20" OFFSET, 120' BOOM

REF	FN	PART NUMBER	YR/SN	QTY	DESCRIPTION
1		87484196		24	MOUNTING PARTS, SPRAYBAR WELDMENT
2		87586920		4	MOUNTING PARTS, SPRAYBAR, CS
3		BN67054		34	CLAMP, 1.315" OD (PP)
4		87671762		2	BOOM, SPRAYBAR, 20 X 6, TWS, ASM
5		87671763		4	BOOM, SPRAYBAR, 20 X 5, TWS, ASM
6		87671764		10	BOOM, SPRAYBAR, 20 X 4, TWS, ASM
7		87586548		4	U-BOLT, 64MM ID X 64
8		86980515		68	NUT, LOCK, M10 x 1.5, CI 8, P/T ALL MTL M10 8 DO
9		87484194		12	PLATE, BACKER, SPRAYER MOUNT
10		86980410		24	BOLT, M10-1.5 X 100, HH, 8.8, D
11		BN308039		12	PLATE, SPACER
12		86980408		36	BOLT, M10-1.5 X 80, HH, 8.8, DO
13		BN309483		34	PLATE, TOP, SINGLE, SIZE 5
14		BN67050		68	BOLT, 1/4-20 X 3, HH, SS
15		BN55359		68	NUT, LOCK, 1/4"-20, SS
16		87672998		1	MOUNT, SPRAYBAR, EXTENTED, LH
17		87672999		1	MOUNT, SPRAYBAR, EXTENTED, RH
18		87630099		14	PLUG, PLUG, 1TWS, PP
19		87630101		5	FITTING, TEE, 1.25MP1.25MP1.25HB, PP
20		87630096		14	FITTING, STR, 1TWS1.25HB, PP
21		87630102		5	FITTING, CPLG,1.25FP, 1TWS, PP
22		87630097		4	FITTING, FTG,90, 1TWS1.25HB, PP
23		BN317579		2	TEE, 1.25HB, PP
24		BN29563		34	SLEEVE, HOSE-BLK-1.25" EPDM-DISCH
25		BN320156		36	CLAMP, HOSE, #24,304 SS
26		353108		42	O-RING, -219, 70 Duro, 1.296" ID x .139" Thk
27		87638736		5	FITTING, NUT, QUICK, 1.25FP, TWS, PP 2
28		87673096		2	PLATE, 4.50 IN TUBE
29		{86980370}		4	M6-1X90, HH, 8.8, DOR R
30		86980513		4	NUT, P/T ALL MTL M6 8 DOR
31		87707089		4	BRACKET, SUPPORTING, SPRAYBAR
32		87707554		2	BRACKET, SUPPORTING, SPRAYBAR, MOUNT, SHORT
33		515-23508		2	CLAMP, 2", Insul, 3/8" Bolt

3330

SPRAYBAR PLUMBING, TWS, 20" OFFSET, 120' BOOM

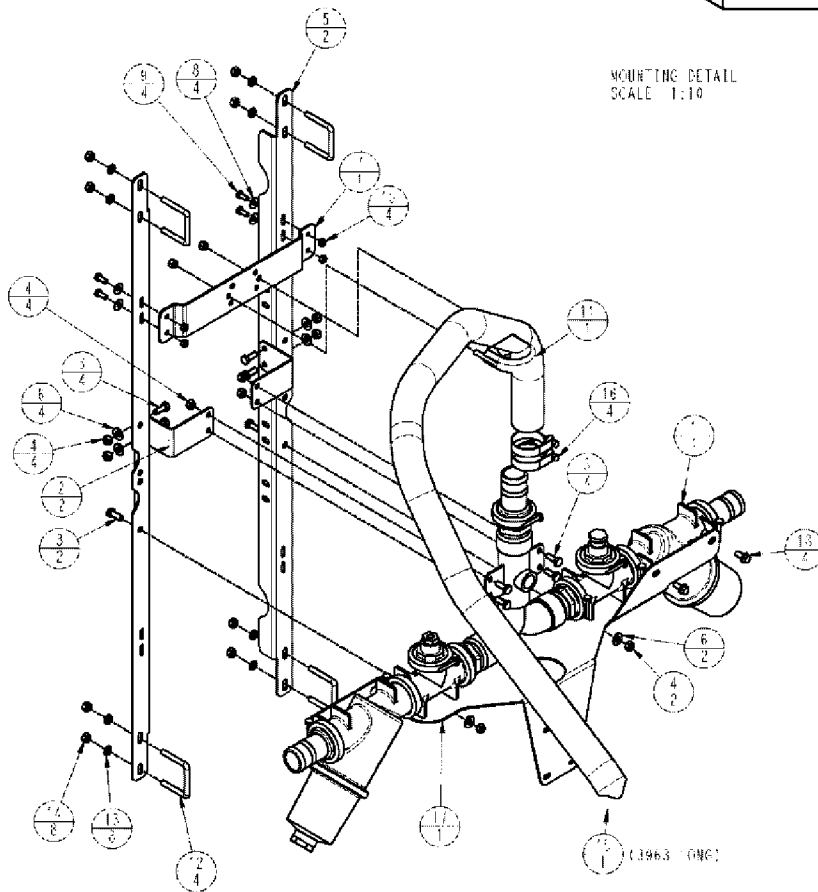
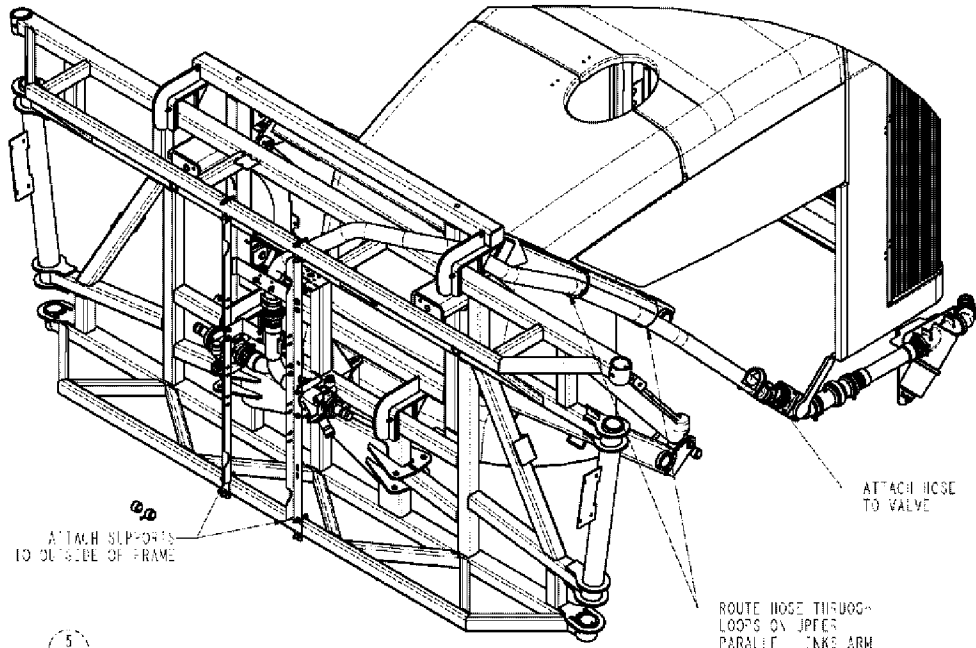


SPRAYBAR PLUMBING, TWS, 20" OFFSET, 120' BOOM

REF	FN	PART NUMBER	YR/SN	QTY	DESCRIPTION
1		87484196		24	MOUNTING PARTS, SPRAYBAR WELDMENT
2		87586920		4	MOUNTING PARTS, SPRAYBAR,CS
3		BN67054		34	CLAMP, 1.315" OD (PP)
4		87671762		2	BOOM, SPRAYBAR, 20 X 6, TWS, ASM
5		87671763		4	BOOM, SPRAYBAR, 20 X 5, TWS, ASM
6		87671764		10	BOOM, SPRAYBAR, 20 X 4, TWS, ASM
7		87586548		4	U-BOLT, 64MM ID X 64
8		86980515		68	NUT, LOCK, M10 x 1.5, CI 8, P/T ALL MTL M10 8 DO
9		87484194		12	PLATE, BACKER, SPRAYBAR MOUNT
10		86980410		24	BOLT, M10-1.5 X 100, HH, 8.8, D
11		BN308039		12	PLATE, SPACER
12		86980408		36	BOLT, M10-1.5 X 80, HH, 8.8, DO
13		BN309483		34	PLATE, TOP, SINGLE, SIZE 5
14		BN67050		68	BOLT, 1/4-20X3, HH, SS
15		BN55359		68	NUT, LOCK, 1/4"-20, SS
16		87672998		1	MOUNT, SPRAYBAR, EXTENTED, LH
17		87672999		1	MOUNT, SPRAYBAR, EXTENTED, RH
18		87630099		14	PLUG, PLUG, 1TWS, PP
19		87630101		5	FITTING, TEE, 1.25MP1.25MP1.25HB, PP
20		87630096		14	FITTING, STR, 1TWS1.25HB, PP
21		87630102		5	FITTING, CPLG,1.25FP, 1TWS, PP
22		87630097		4	FITTING, FTG,90, 1TWS1.25HB, PP
23		BN317579		2	TEE, 1.25HB, PP
24		BN29563		34	SLEEVE, HOSE-BLK-1.25" EPDM-DISCH
25		BN320156		36	CLAMP, HOSE, #24, 304 SS
26		353108		42	O-RING, -219, 70 Duro, 1.296" ID x .139" Thk
27		87638736		5	FITTING, NUT, QUICK, 1.25FP, TWS, PP 2
28		87673096		2	PLATE, 4.50 IN TUBE
29		{86980370}		4	M6-1 X 90, HH, 8.8, DOR R
30		86980513		4	NUT, P/T ALL MTL M6 8 DOR
31		87707089		4	BRACKET, SUPPORTING, SPRAYBAR
32		87707554		2	BRACKET, SUPPORTING, SPRAYBAR, MOUNT, SHORT
33		515-23508		2	CLAMP, 2", Insul, 3/8" Bolt

3330

CENTER SECTION PLUMBING, 7 SECTION, 120' BOOM



MOUNTING DETAIL
SCALE 1:10

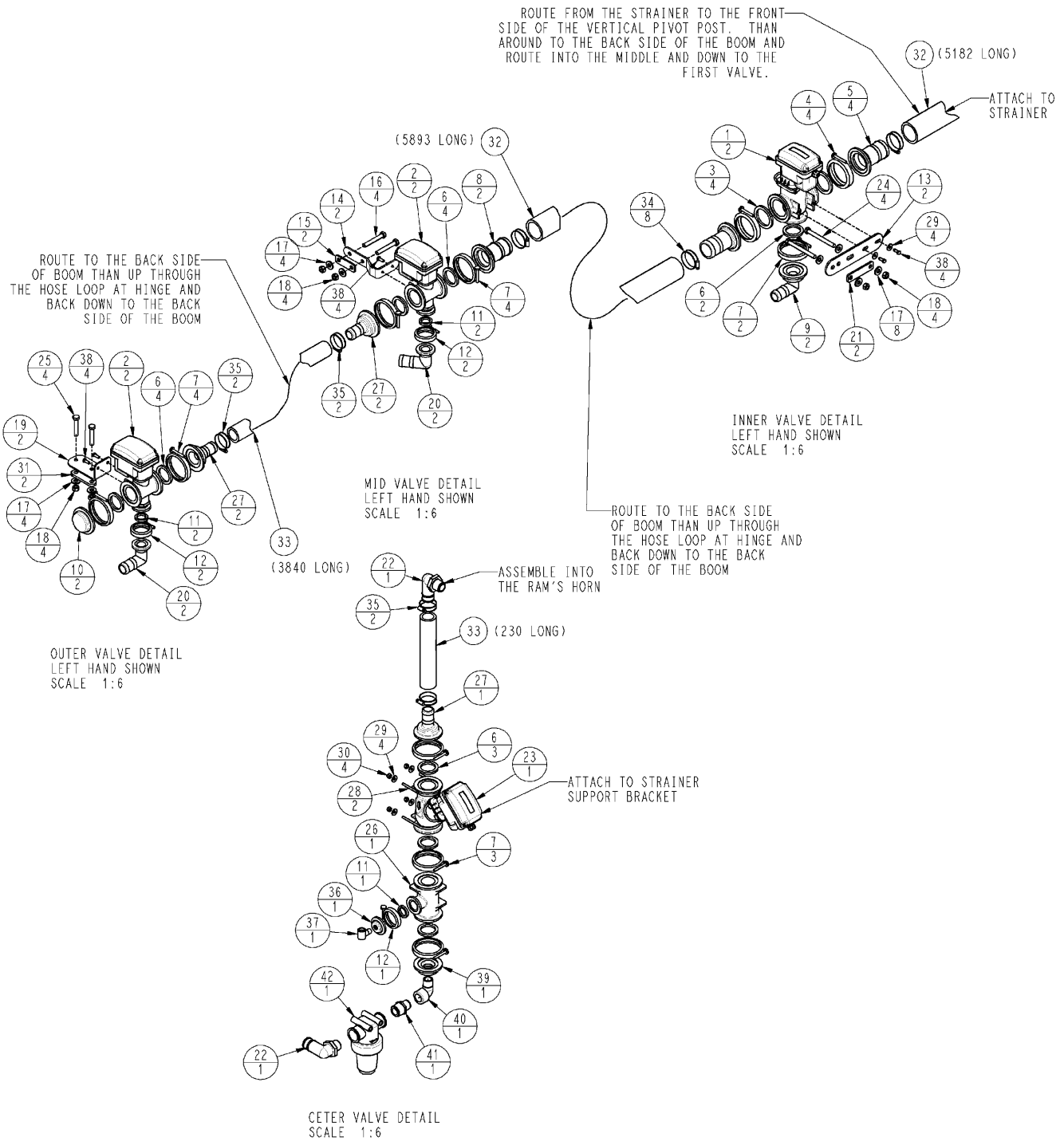
ASSEMBLY DETAIL
SCALE 1:15

CENTER SECTION PLUMBING, 7 SECTION, 120' BOOM

REF	FN	PART NUMBER	YR/SN	QTY	DESCRIPTION
1		NSS		1	NOT SERVICED SEPARATELY, MANIFOLD GROUP, 7 SECTION, SEE FIG.09-030
2		BN325193		2	BRACKET, 3-WAY MANIFOLD
3		86980400		10	BOLT, Hex, M10 x 25, 8.8, M10-1.5 X 25, HH, 8.8, DO
4		86980515		10	NUT, LOCK, M10 x 1.5, CI 8, PREV TRQ, METAL M10 CL8, DOR
5		{87586830}		2	CENTER SECTION
6		87529312		6	WASHER, 11 X 24 X 3MM, HTS, DOR
7		BN325194		1	BRACKET, SUPPORTING, MOUNT, CLAMP 5 SEC, CTR
8		BN50142		4	WASHER, 5/16 FLAT
9		BN50476		4	BOLT, 5/16-18 X .75 SS, HH
10		BN55361		4	NUT, 5/16-18, NYLON SS
11		BN320384		1	U-BOLT, CLAMP
12		87586548		4	U-BOLT, SQ BND, 10 X 64 ID X 64 IL, DOR
13		BN50146		8	WASHER, 3/8", Flat, SS
14		87344003		8	NUT, METAL M10 CL10, DOR
15		BN29564		13	HOSE, FLEXIBLE, 2" Bulk EPDM Suction
16		BN2403358		4	CLAMP, T BOLT
17		87623632		1	SUPPORT, STRAINERS
18		87344050		4	SCREW, HWHD TPG 3/8 X 1

3330

BOOM VALVE PLUMBING, 7 SECTION



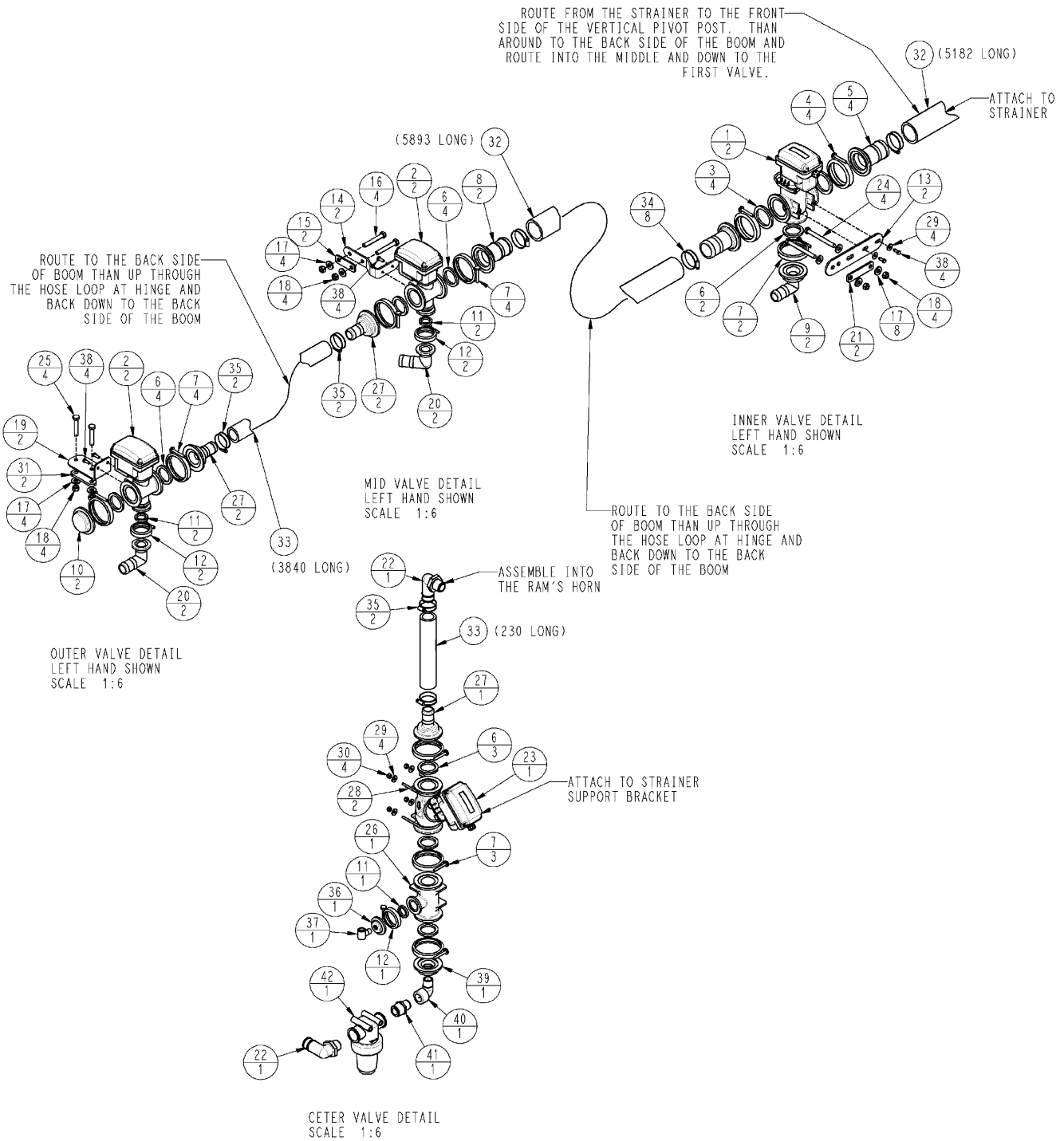
BOOM VALVE PLUMBING, 7 SECTION

REF	FN	PART NUMBER	YR/SN	QTY	DESCRIPTION
1		87624338		2	VALVE, RESTRICTOR, ELE, 2.2FLB2FLB, PP
	1	87658830		1	MOTOR-PUMP, MOTOR ASSY
2		87632830		4	VALVE, RESTRICTOR, ELE, 2FLB1FLB.75FP, PP
	2	87658829		1	MOTOR-PUMP, MOTOR ASSY
3		BN313772		4	GASKET, 2" FULL PORT EPDM
4		BN313773		4	CLAMP, 2" FULL PORT
5		BN318600		4	FITTING, 2" FULL FLG X 2" HOSE
6		BN303204		13	GASKET, 2" EPDM
7		BN303199		13	CLAMP, 2" STD FLG
8		BN303198		2	FITTING, 2.0FLB2.0HB, PP
9		BN303189		2	ELBOW, BARB-2" FLG X 1.25" HS
10		BN304317		2	PLUG, 2.0FLB, PP
11		BN303205		5	GASKET, 1" FLG MANIFOLD
12		BN303203		5	CLAMP, 1" FLG MANIFOLD
13		{87625607}		2	BOOM VALVE
14		87625608		2	MOUNTING PARTS, BOOM VALVE
15		{87628243}		2	1-1/2" INCH TUBE
16		86980407		4	BOLT, HEX HD M10 X 70 CL8.8 DOR
17		87529312		16	WASHER, 11 X 24 X 3MM HTS DOR HDN
18		86980515		12	NUT, LOCK, M10 x 1.5, CI 8
19		{87628244}		2	BOOM VALVE, OUTER
20		{87575511}		4	1.0FLB1.25HB, PP
21		87620862		2	PLATE, 2-1/2" INCH TUBE
22		BN67315		2	FITTING, 90, 1.0MP1.25HB, PP
23		87624339		1	VALVE, RESTRICTOR, 2FLB, PP
	3	87658830		1	MOTOR-PUMP, MOTOR ASSY
24		86980410		4	BOLT, HEX HD M10 X 100 CL8.8 DOR
25		87341824		4	BOLT, HEX HD M10 X 55 CL8.8 DOR
26		BN303191		1	TEE, 2" FLANGED
27		BN306900		5	STRAINER ASSY., 2" FLANGE X 1.25 HB
28		BN303201		2	U-BOLT, 1/4 X 2.38D X 3.75
29		BN50138		8	WASHER, 1/4", SS, Flat

- (1) SERVICE PARTS FOR REF. 1
(2) SERVICE PARTS FOR REF. 2
(3) SERVICE PARTS FOR REF. 23

3330

BOOM VALVE PLUMBING, 7 SECTION



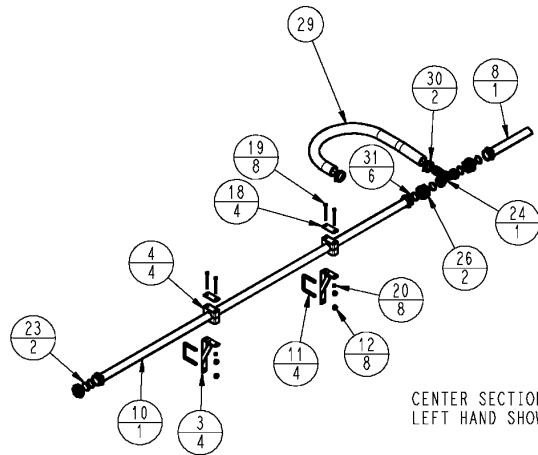
BOOM VALVE PLUMBING, 7 SECTION

REF	FN	PART NUMBER	YR/SN	QTY	DESCRIPTION
30		BN55359		4	NUT, LOCK, 1/4"-20, SS
31		BN308039		2	PLATE, SPACER
32		BN53841		1	HOSE, BLK, 2" EPDM SUCTION
33		BN29563		1	SLEEVE, HOSE-BLK-1.25" EPDM-DISCH
34		BN310448		8	CLAMP, HOSE, #28, 304 SS ABA STYLE
35		BN320156		6	CLAMP, HOSE, #24, 304 SS ABA STYLE
36		BN324133		1	PLUG, 1.0LB W/.25FP, PP
37		BN73017		1	ELBOW, 90, STREET, 1/4, SS
38		BN52033		12	BOLT, 1/4" X 5/8"
39		344407A1		1	PLUG, 2.0FLB WITH .75FP, PP
40		BN73566		1	ELBOW, 90, Street, 3/4" Poly
41		BN73649		1	NIPPLE, LUBE, 1" SHORT POLY PIPE
42		BN320072		1	FILTER, STRAINER, 1" NPT 50M Poly

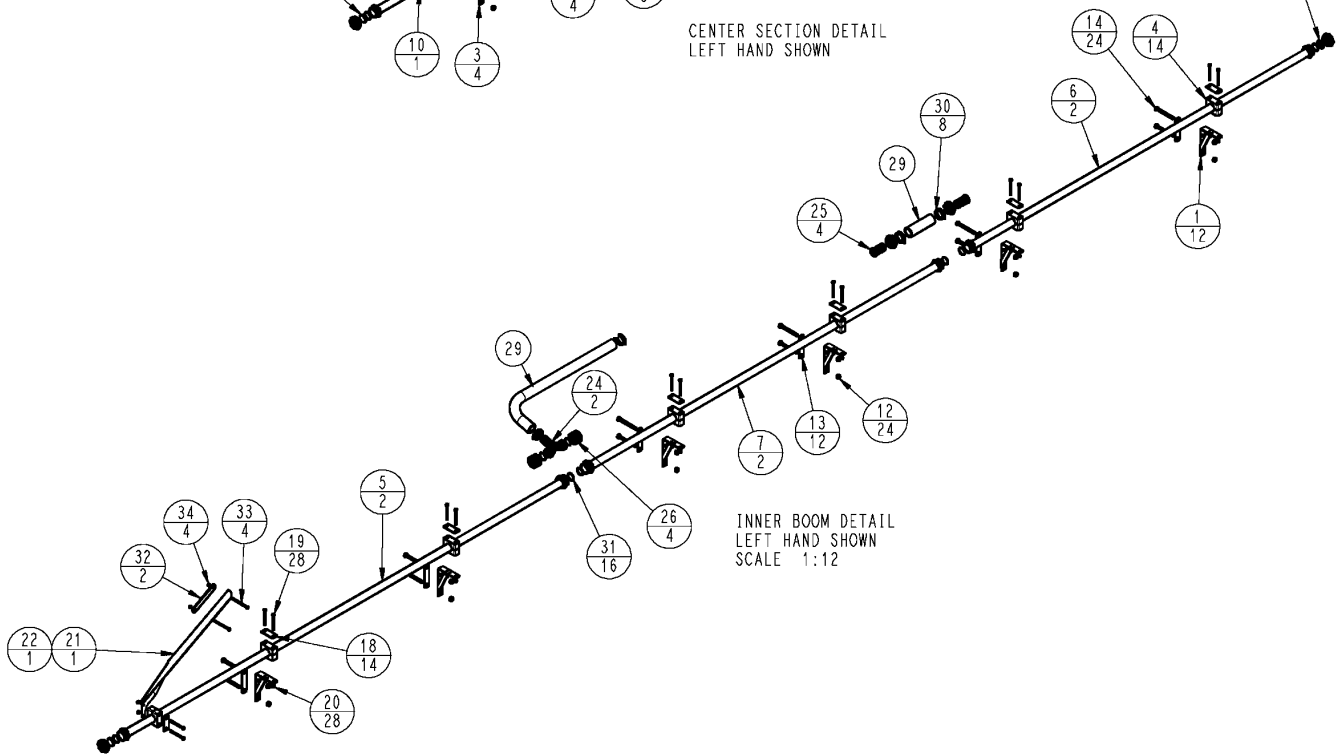
3330

SPRAYBAR PLUMBING, TWS, 7 SECTION, 20"/30", 120' BOOM

9



CENTER SECTION DETAIL
LEFT HAND SHOWN



INNER BOOM DETAIL
LEFT HAND SHOWN
SCALE 1:12

SPRAYBAR PLUMBING, TWS, 7 SECTION, 20"/30", 120' BOOM

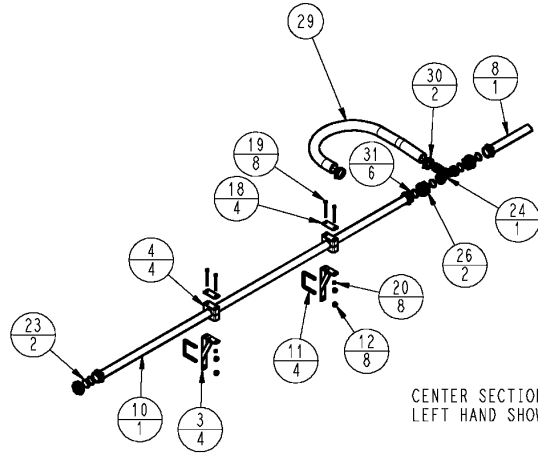
REF	FN	PART NUMBER	YR/SN	QTY	DESCRIPTION
1		87484196		24	MOUNTING PARTS, SPRAYBAR WELDMENT
2		87707089		4	BRACKET, SUPPORTING, SPRAYBAR
3		87586920		4	MOUNTING PARTS, SPRAYBAR, CENTER SECTION
4		BN67054		34	CLAMP, 1.315" OD (PP)
5		87696872		4	BOOM, SPRAYBAR, 20/30 X 7 LONG,TWS,ASM
	1	87673497		4	BOOM, SPRAYBAR, 20/30 X 7 LONG SEE FIG.09-053
6		87696868		2	BOOM, SPRAYBAR, 20/30 X 5, TWS, ASM
	2	87673493		2	BOOM, SPRAYBAR, 20/30 X 5, TWS SEE FIG.09-053
7		87696870		4	BOOM, SPRAYBAR, 20/30 X 6 LONG, TWS, ASM
	3	87673495		4	BOOM, SPRAYBAR, 20/30 X 6 LONG SEE FIG.09-053
8		87696867		3	BOOM, SPRAYBAR, 10 X 7, TWS, ASM
	4	87673492		3	BOOM, SPRAYBAR, 10 X 7, TWS SEE FIG.09-053
9		87696871		2	BOOM, SPRAYBAR, 20/30 X 7 SHORT, TWS,ASM
	5	87673496		2	BOOM, SPRAYBAR, 20/30 X 7 SHORT SEE FIG.09-053
10		87696869		1	BOOM, SPRAYBAR, 20/30 X 6 SHORT, TWS,ASM
	6	87673494		1	BOOM, SPRAYBAR, 20/30 X 6 SHORT SEE FIG.09-053
11		87586548		4	U-BOLT, SQ BND
12		86980515		68	NUT, LOCK, M10 x 1.5, CI 8, PREV TRQ METAL
13		87484194		12	PLATE, BACKER, SPRAYBAR MOUNT
14		86980410		24	BOLT, HEX HD, M10 X 100 CL8.8, DOR
15		BN308039		12	PLATE, SPACER
16		86980408		36	BOLT, HEX HD, M10 X 80, CL8.8, DOR
17		87707554		4	BRACKET, SUPPORTING, SPRAYBAR MOUNT

- (1) PARTS OF SPRAYBAR, P/N 87696872
(2) PARTS OF SPRAYBAR, P/N 87696868
(3) PARTS OF SPRAYBAR, P/N 87696870
(4) PARTS OF SPRAYBAR, P/N 87696867
(5) PARTS OF SPRAYBAR, P/N 87696871
(6) PARTS OF SPRAYBAR, P/N 87696869

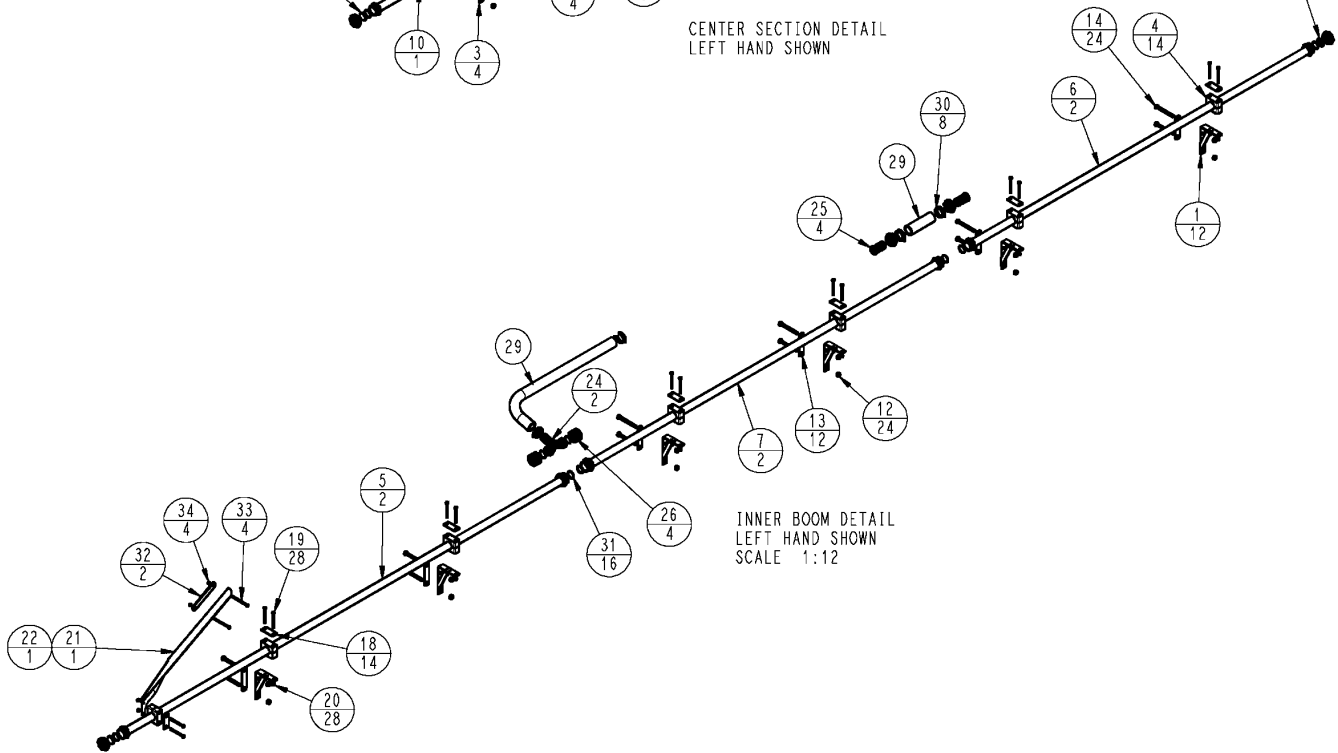
3330

SPRAYBAR PLUMBING, TWS, 7 SECTION, 20"/30", 120' BOOM

9



CENTER SECTION DETAIL
LEFT HAND SHOWN



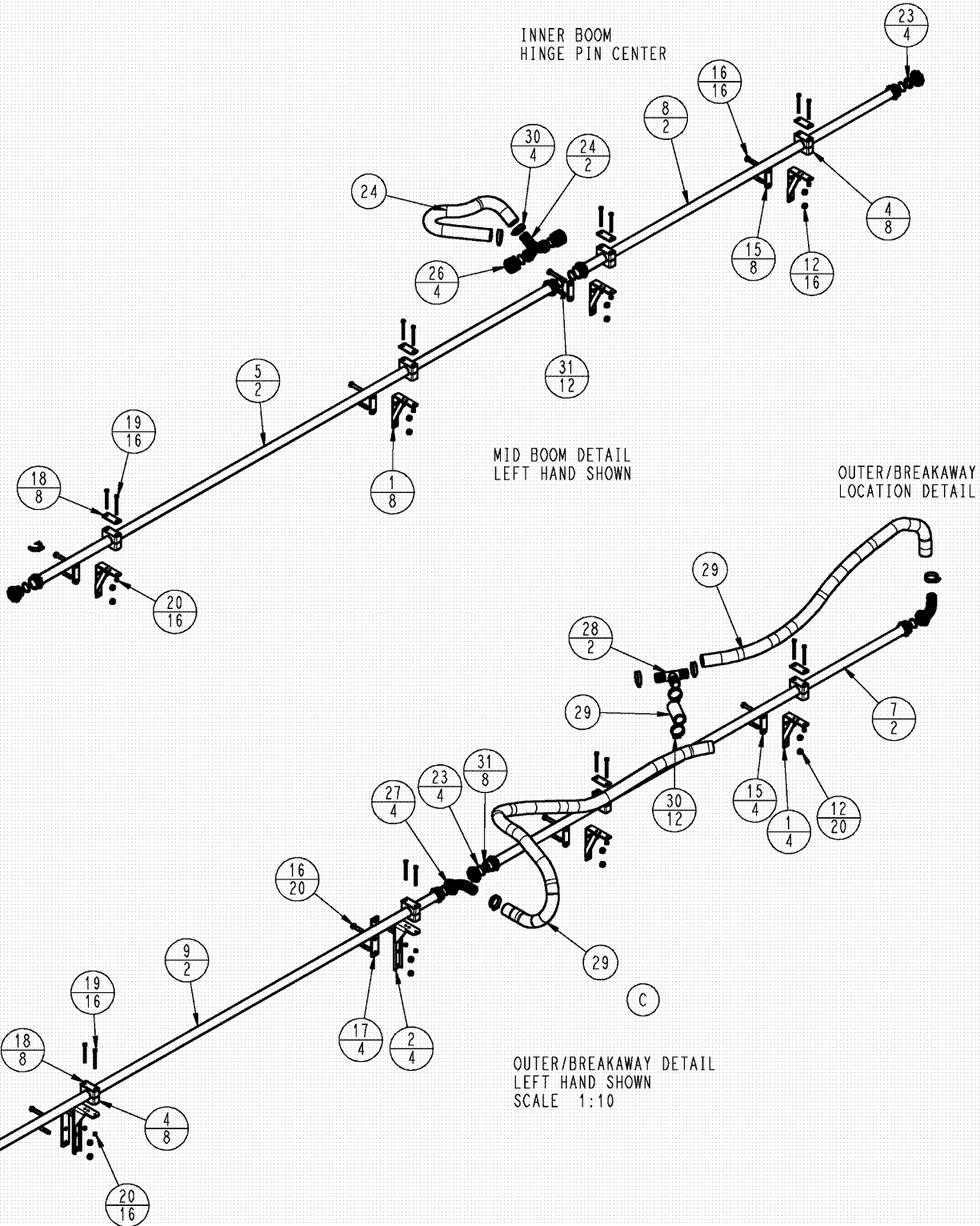
INNER BOOM DETAIL
LEFT HAND SHOWN
SCALE 1:12

SPRAYBAR PLUMBING, TWS, 7 SECTION, 20"/30", 120' BOOM

REF	FN	PART NUMBER	YR/SN	QTY	DESCRIPTION
18		BN309483		34	PLATE, COVER, SINGLE, SIZE 5
19		BN67050		68	BOLT, 1/4"-20 X 3" SS
20		BN55359		68	NUT, LOCK, 1/4"-20, SS
21		87672998		1	MOUNT, SPRAYBAR EXTENDED, LH
22		87672999		1	MOUNT, SPRAYBAR EXTENDED, RH
23		87630099		14	PLUG, PLUG, 1 TWS, PP
24		87630101		5	FITTING, TEE, 1.25MP, 1.25MP, 1.25HB, PP
25		87630096		4	FITTING, STR, 1TWS, 1.25 HB, PP
26		87630102		10	FITTING, CPLG, 1.25FP, 1.83AT,1TWS,PP
27		87630097		4	FITTING, FTG, 90 1TWS, 1.25HB,PP
28		BN317579		2	TEE, TEE, HOSEBARB, 1.25" HOSE
29		BN29563		35.83	SLEEVE, HOSE-BLK-1.25" EPDM-DISCH
30		BN320156		26	CLAMP, HOSE, #24, 304 SS
31		353108		42	O-RING, -219, 70 Duro, 1.296" ID x .139" Thk
32		87673096		2	PLATE, 4-1/2" INCH TUBE
33		{86980370}		4	HEX HD, M6 X 90, CL8.8, DOR
34		86980513		4	NUT, PREV TRQ, METAL, M6, CL8, DOR

3330

SPRAYBAR PLUMBING, TWS, 7 SECTION, 20"/30", 120' BOOM



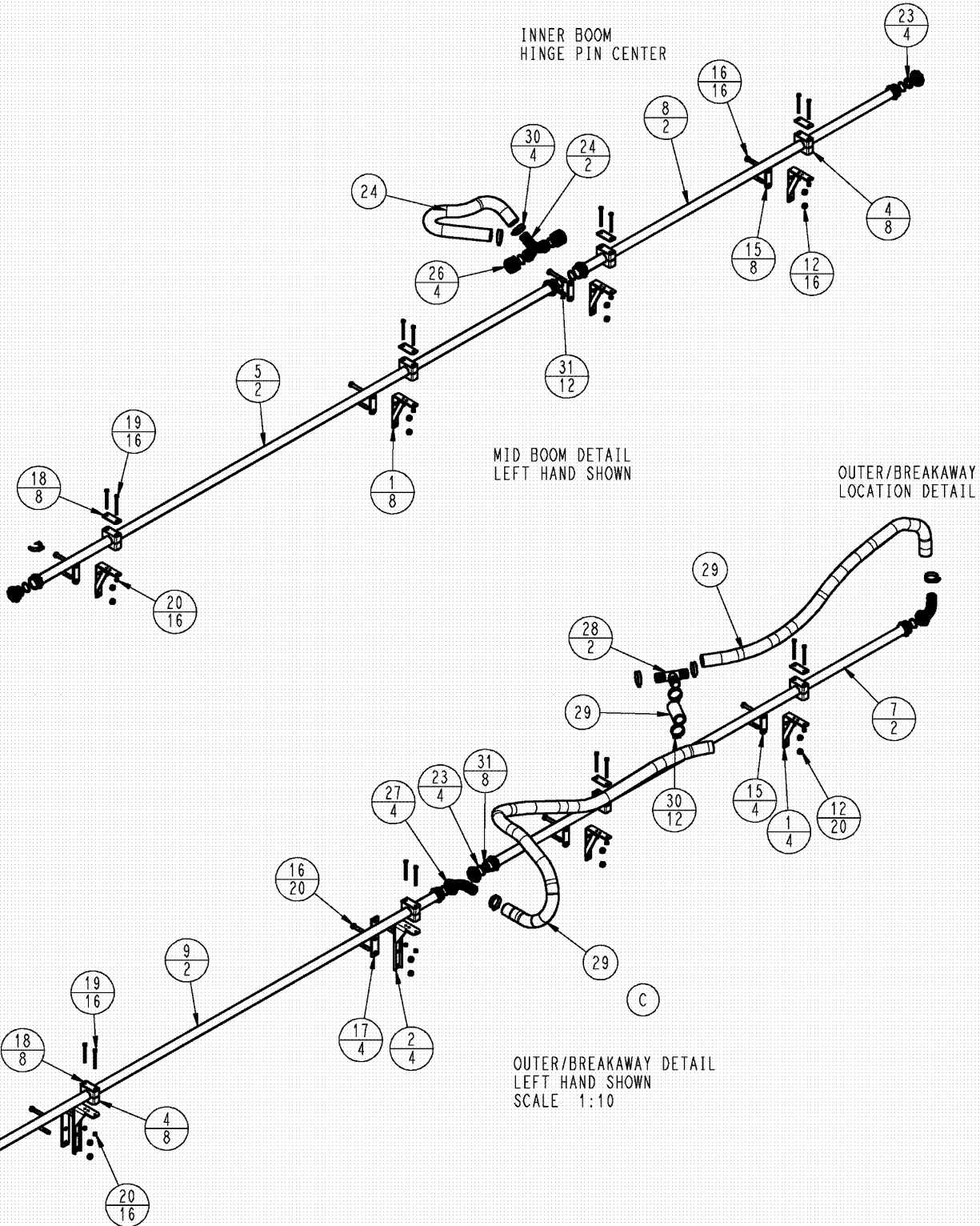
SPRAYBAR PLUMBING, TWS, 7 SECTION, 20"/30", 120' BOOM

REF	FN	PART NUMBER	YR/SN	QTY	DESCRIPTION
1		87484196		24	MOUNTING PARTS, SPRAYBAR WELDMENT
2		87707089		4	BRACKET, SUPPORTING, SPRAYBAR
3		87586920		4	MOUNTING PARTS, SPRAYBAR, CENTER SECTION
4		BN67054		34	CLAMP, 1.315" OD (PP)
5		87696872		4	BOOM, SPRAYBAR, 20/30 X 7 LONG,TWS,ASM
	1	87673497		4	BOOM, SPRAYBAR, 20/30 X 7 LONG SEE FIG.09-053
6		87696868		2	BOOM, SPRAYBAR, 20/30 X 5, TWS, ASM
	2	87673493		2	BOOM, SPRAYBAR, 20/30 X 5, TWS SEE FIG.09-053
7		87696870		4	BOOM, SPRAYBAR, 20/30 X 6 LONG, TWS, ASM
	3	87673495		4	BOOM, SPRAYBAR, 20/30 X 6 LONG SEE FIG.09-053
8		87696867		3	BOOM, SPRAYBAR, 10 X 7, TWS, ASM
	4	87673492		3	BOOM, SPRAYBAR, 10 X 7, TWS SEE FIG.09-053
9		87696871		2	BOOM, SPRAYBAR, 20/30 X 7 SHORT, TWS,ASM
	5	87673496		2	BOOM, SPRAYBAR, 20/30 X 7 SHORT SEE FIG.09-053
10		87696869		1	BOOM, SPRAYBAR, 20/30 X 6 SHORT, TWS,ASM
	6	87673494		1	BOOM, SPRAYBAR, 20/30 X 6 SHORT SEE FIG.09-053
11		87586548		4	U-BOLT, SQ BND
12		86980515		68	NUT, LOCK, M10 x 1.5, CI 8, PREV TRQ METAL
13		87484194		12	PLATE, BACKER, SPRAYBAR MOUNT
14		86980410		24	BOLT, HEX HD, M10 X 100 CL8.8, DOR
15		BN308039		12	PLATE, SPACER
16		86980408		36	BOLT, HEX HD, M10 X 80, CL8.8, DOR
17		87707554		4	BRACKET, SUPPORTING, SPRAYBAR MOUNT

- (1) PARTS OF SPRAYBAR, P/N 87696872
- (2) PARTS OF SPRAYBAR, P/N 87696868
- (3) PARTS OF SPRAYBAR, P/N 87696870
- (4) PARTS OF SPRAYBAR, P/N 87696867
- (5) PARTS OF SPRAYBAR, P/N 87696871
- (6) PARTS OF SPRAYBAR, P/N 87696869

	3330
--	-------------

SPRAYBAR PLUMBING, TWS, 7 SECTION, 20"/30", 120' BOOM

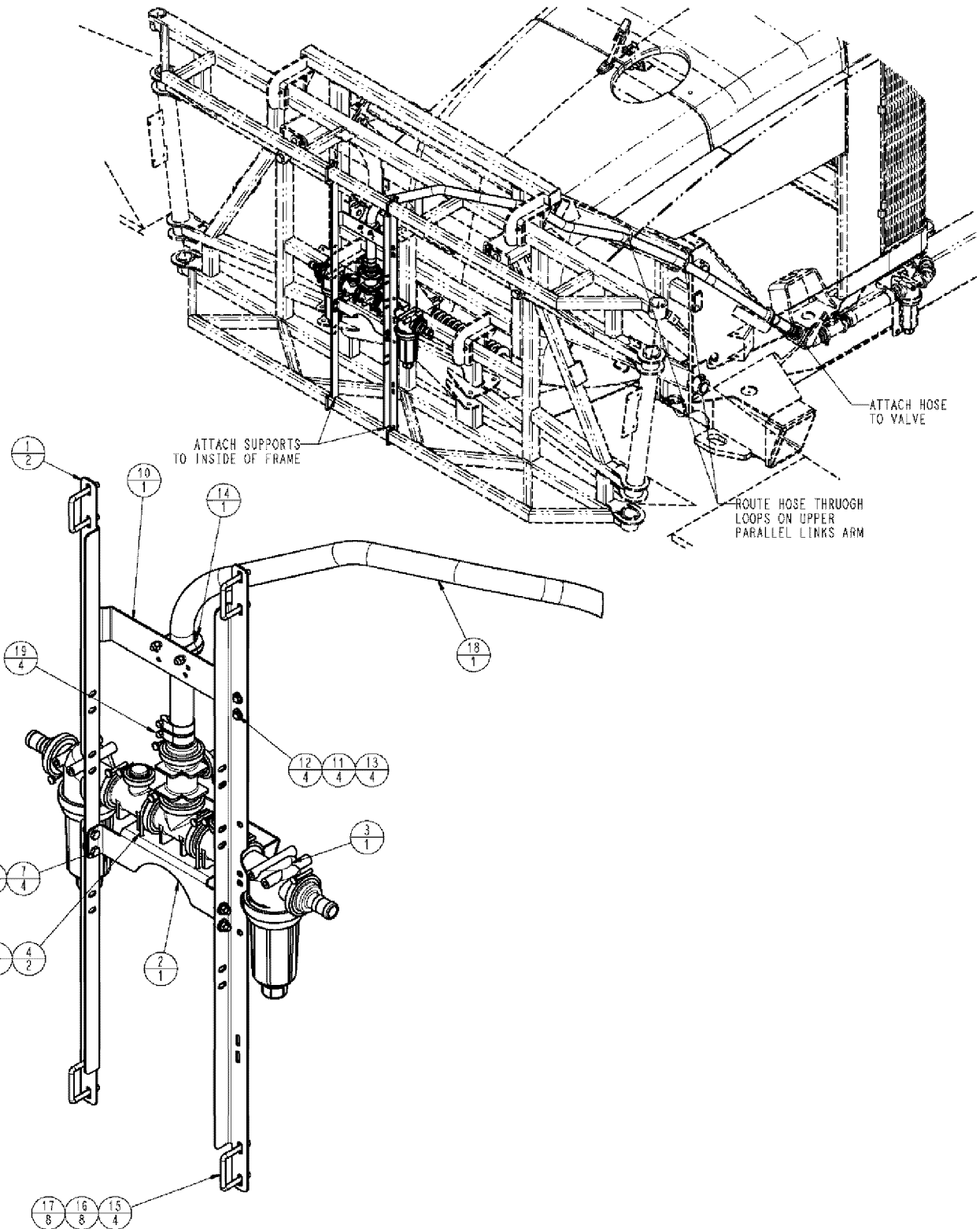


SPRAYBAR PLUMBING, TWS, 7 SECTION, 20"/30", 120' BOOM

REF	FN	PART NUMBER	YR/SN	QTY	DESCRIPTION
18		BN309483		34	PLATE, COVER, SINGLE, SIZE 5
19		BN67050		68	BOLT, 1/4"-20 X 3" SS
20		BN55359		68	NUT, LOCK, 1/4"-20, SS
21		87672998		1	MOUNT, SPRAYBAR EXTENDED, LH
22		87672999		1	MOUNT, SPRAYBAR EXTENDED, RH
23		87630099		14	PLUG, PLUG, 1 TWS, PP
24		87630101		5	FITTING, TEE, 1.25MP, 1.25MP, 1.25HB, PP
25		87630096		4	FITTING, STR, 1TWS, 1.25 HB, PP
26		87630102		10	FITTING, CPLG, 1.25FP, 1.83AT,1TWS,PP
27		87630097		4	FITTING, FTG, 90 1TWS, 1.25HB,PP
28		BN317579		2	TEE, TEE, HOSEBARB, 1.25" HOSE
29		BN29563		35.83	SLEEVE, HOSE-BLK-1.25" EPDM-DISCH
30		BN320156		26	CLAMP, HOSE, #24, 304 SS
31		353108		42	O-RING, -219, 70 Duro, 1.296" ID x .139" Thk
32		87673096		2	PLATE, 4-1/2" INCH TUBE
33		{86980370}		4	HEX HD, M6 X 90, CL8.8, DOR
34		86980513		4	NUT, PREV TRQ, METAL, M6, CL8, DOR

3330

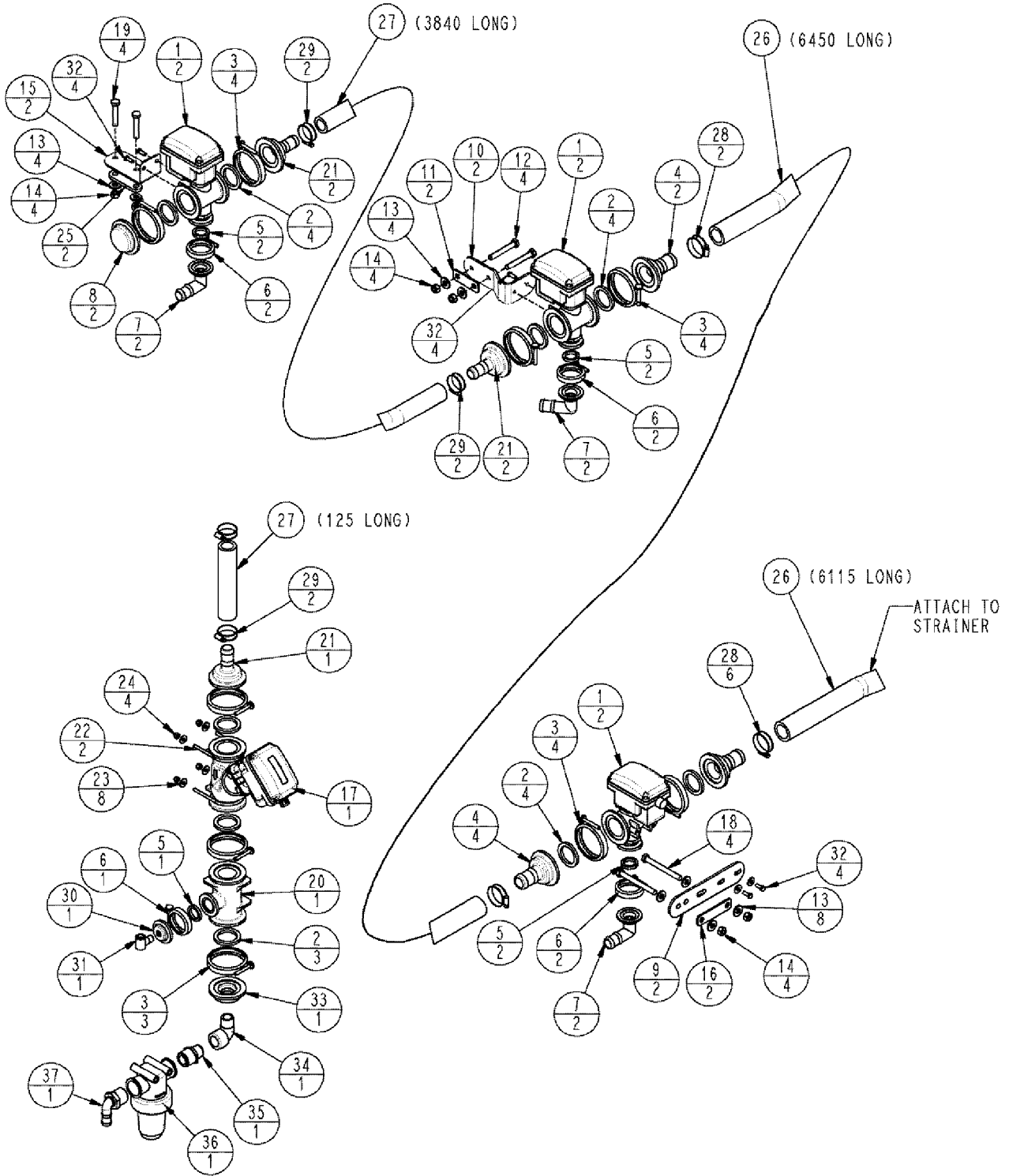
CENTER SECTION PLUMBING, 7 SECTION, LOW FLOW, 120' BOOM



CENTER SECTION PLUMBING, 7 SECTION, LOW FLOW, 120' BOOM

REF	FN	PART NUMBER	YR/SN	QTY	DESCRIPTION
1		{87586830}		2	MANIFOLD, CENTER SECTION
2		87663460		1	PLATE, MOUNTING, MANIFOLD, LO
3		{87662603}		1	CNTR SECTION, LO, SEE FIG.09-085
4		BN303201		2	U-BOLT, 1/4 X 2.38R X 3.75
5		87529236		4	WASHER, 0.281 X 0.625 X 0.065 HTS DOR HDN
6		87343957		4	NUT, PREV TORQ ALL MTL 1/4- 20 GR B DOR
7		86980400		4	BOLT, Hex, M10 x 25, 8.8, DOR REPL
8		87529312		4	WASHER, 11 X 24 X 3MM HDN DOR
9		86980515		4	NUT, LOCK, M10 x 1.5, CI 8, P/T ALL MTL
10		BN325194		1	BRACKET, SUPPORTING, MOUNT, CLAMP, 5 SECT, CTR
11		BN50142		4	WASHER, 5/16, FW, SS
12		BN50476		4	BOLT, 5/16-18 X .75, HH, SS
13		BN55361		4	NUT, 5/16-18, NLN, SS
14		BN320371		1	CLAMP, U-BOLT 1.25 PIPE
15		87586548		4	U-BOLT, 64MM ID X 64
16		BN50146		8	WASHER, 3/8", Flat, SS
17		87344003		8	NUT, P/T ALL MTL M10 10 DOR
18		87265473		1	HOSE, 1-1/4 X 156 SUCTION
19		BN53810		4	CLAMP, HOSE, T-BOLT,1.62-1.87
					3330

BOOM VALVE PLUMBING, 7 SECTION, LOW FLOW, 120' BOOM

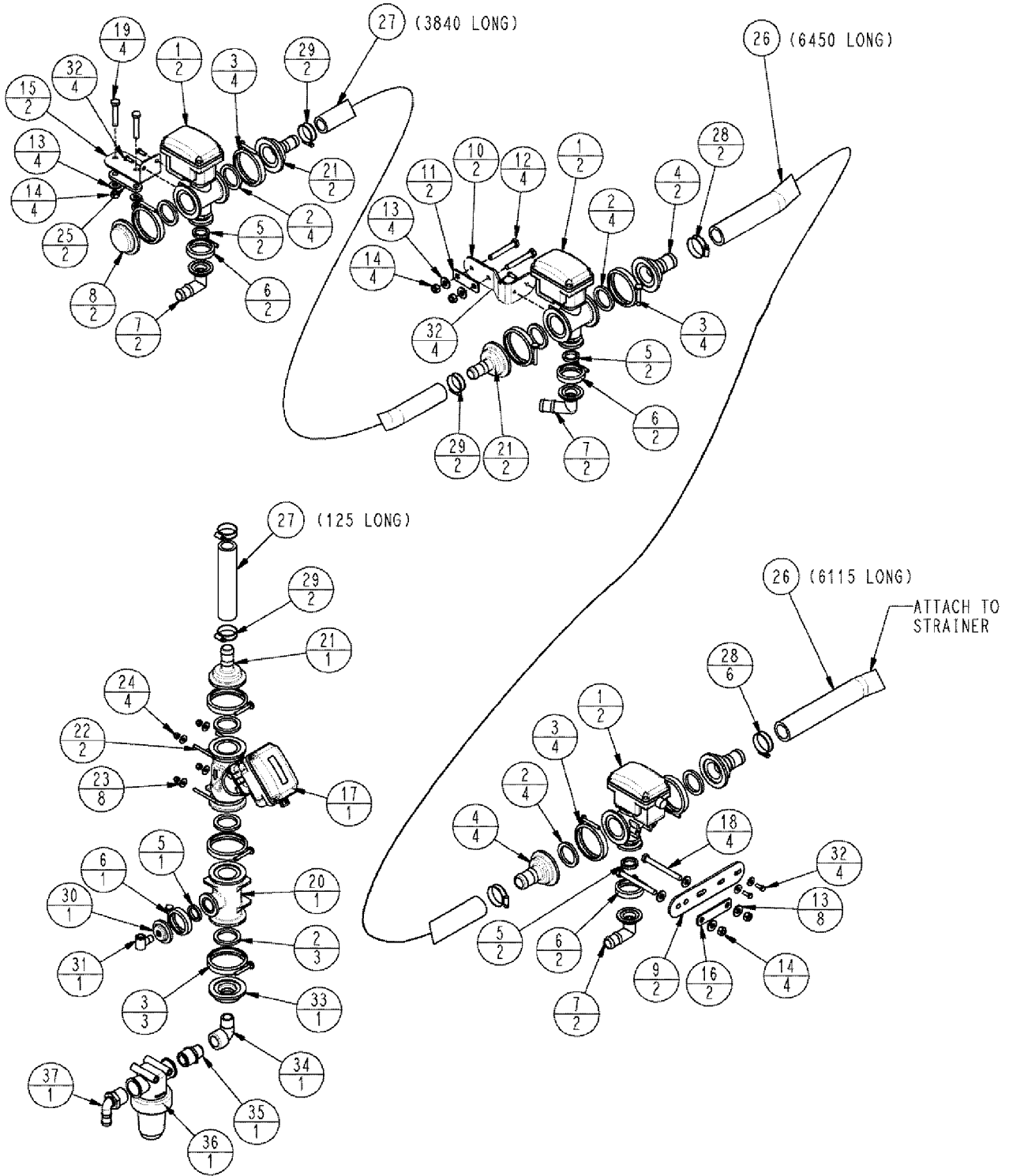


BOOM VALVE PLUMBING, 7 SECTION, LOW FLOW, 120' BOOM

REF	FN	PART NUMBER	YR/SN	QTY	DESCRIPTION
1		87632830		6	VALVE, RESTRICTOR, VLV, PLGR, ELE, 2FLB 1FLB.75FP
2		BN303204		15	GASKET, 2.0FLB, EPDM
3		BN303199		15	CLAMP, 2FLB,STD
4		BN306900		6	STRAINER ASSY., 2.0FLB1.25HB, PP
5		BN303205		7	GASKET, 1.0FLB, EPDM
6		BN303203		7	CLAMP, 1.0FLB
7		{87575511}		6	FTG, 90, 1.0FLB1.25HB,PP
8		BN304317		2	PLUG, 2.0FLB, PP
9		{87625607}		2	BOOM VALVE
10		87625608		2	MOUNTING PARTS, BOOM VALVE, BENT
11		{87628243}		2	1.5 IN TUBE
12		86980407		4	BOLT, M10-1.5 X 70, HH, 8.8, DOR
13		87529312		16	WASHER, 11 X 24 X 3MM HDN DOR
14		86980515		12	NUT, LOCK, M10 x 1.5, CI 8, P/T ALL MTL M10 8 DOR
15		{87628244}		2	BOOM VALVE, OUTER
16		87620862		2	PLATE, 2.5 IN TUBE
17		87624339		1	VALVE, RESTRICTOR, PLGR, ELE, 2FLB, PP
18		86980410		4	BOLT, M10-1.5 X 100, HH, 8.8, DORREPL
19		87341824		4	BOLT, M10 X 55 8.8 DOR
20		BN303191		1	TEE, 2.0FLB2.0FLB1.0FLB, PP
21		BN317966		5	FLANGE, STR 2" x 1" HB, PP
22		BN303201		2	U-BOLT, 1/4 X 2.38R X 3.75
23		BN50138		8	WASHER, 1/4", SS, Flat
24		BN55359		4	NUT, LOCK, 1/4"-20, SS
25		BN308039		2	PLATE, SPACER
26		BN29563		82.5	SLEEVE, HOSE-BLK-1.25" EPDM-DISCH
27		BN53479		26	SLEEVE, HOSE-BLK-1 EPDM-DISCHARG
28		BN320156		8	CLAMP, HOSE, 24, 304 SS
29		BN75990		6	CLAMP, HOSE, SS, #16, .81 to 1.5A
30		BN324133		1	PLUG, 1.0FLB W/.25FP, PP
31		BN73017		1	ELBOW, 90 STREET-1/4 SS
32		BN52033		12	BOLT, 1/4-20 X .625, HH, SS
33		344407A1		1	PLUG, 2.0FLB W/ .75FP,PP

3330

BOOM VALVE PLUMBING, 7 SECTION, LOW FLOW, 120' BOOM

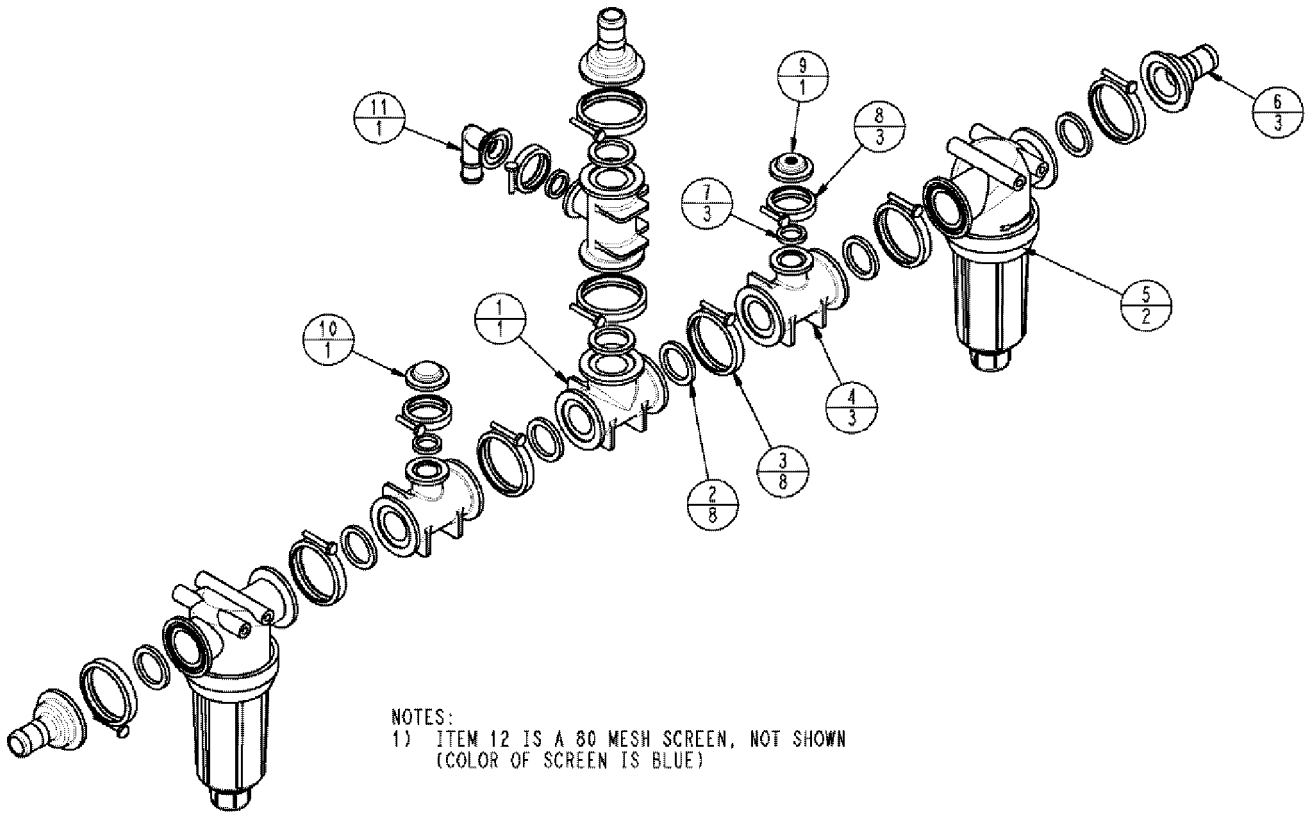


BOOM VALVE PLUMBING, 7 SECTION, LOW FLOW, 120' BOOM

REF	FN	PART NUMBER	YR/SN	QTY	DESCRIPTION
34		BN73566		1	ELBOW, FTG, 90, .75 MP.75 FP, PP
35		BN73649		1	NIPPLE, LUBE, RDCR, 1.0MP.75MP, PP
36		BN320072		1	FILTER, STRAINER, 1" NPT 50M Poly
37		BN67315		1	FITTING, 90, 1.0MP1.25HB, PP

	3330
--	-------------

MANIFOLD GROUP, 7 SECTION, LOW FLOW, 120' BOOM



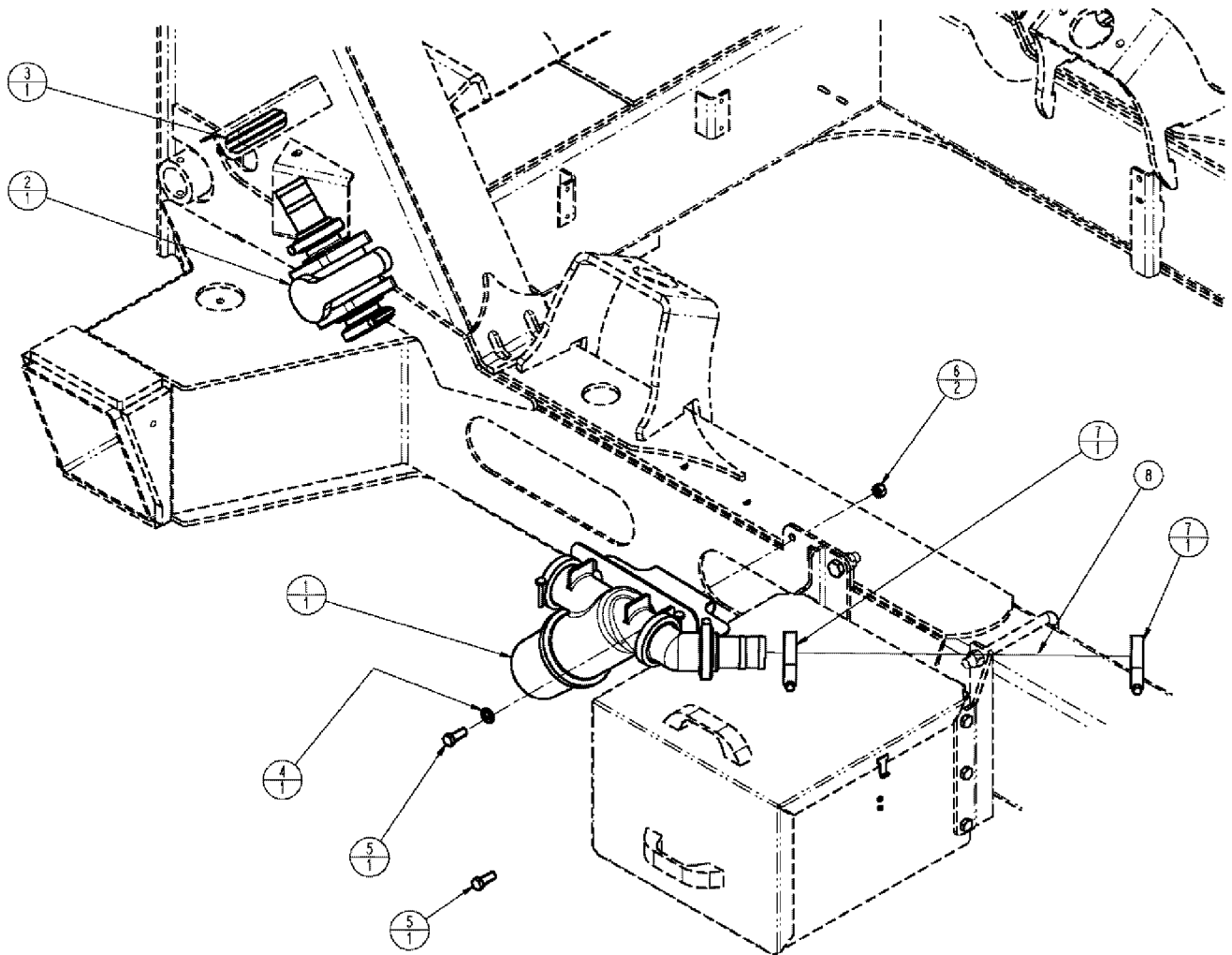
NOTES:
1) ITEM 12 IS A 80 MESH SCREEN, NOT SHOWN
(COLOR OF SCREEN IS BLUE)

MANIFOLD GROUP, 7 SECTION, LOW FLOW, 120' BOOM

REF	FN	PART NUMBER	YR/SN	QTY	DESCRIPTION
1		BN303196		1	TEE, 2.0 FLB, PP
2		BN303204		8	GASKET, TEE, 2.0 FLB, PP
3		BN303199		8	CLAMP, 2FLB,STD
4		BN303191		3	TEE, 2.0 FLB 2.0 FLB 1.0 FLB, PP
5		{87267538}		2	2 FLS, SEE FIG. 09-086
6		BN306900		3	STRAINER ASSY., 2.0 FLB 1.25HB, PP
7		BN303205		3	GASKET, 1.0 FLB, EPDM
8		BN303203		3	CLAMP, 1.0 FLB
9		BN324133		1	PLUG, 1.0FLB W/.25FP, PP
10		BN306897		1	PLUG, 1.0FLB, PP
11		BN303194		1	ELBOW, FTG, 90, 1.0 FLB 1.0 HB, PP
12		87265492		2	SCREEN, 80 MESH,SS,BLUE

3330

STRAINER PLUMBING MOUNT GROUP

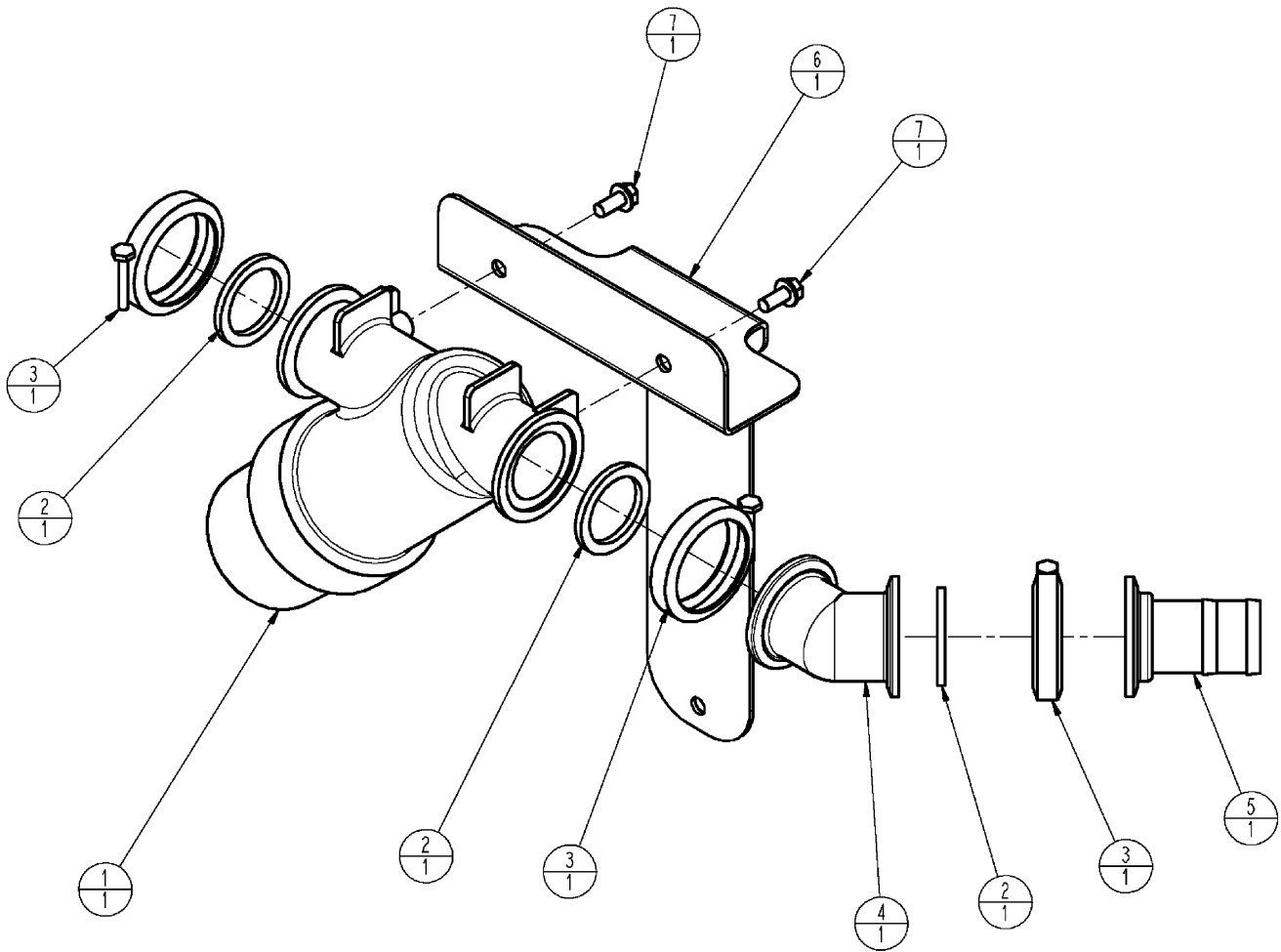


STRAINER PLUMBING MOUNT GROUP

REF	FN	PART NUMBER	YR/SN	QTY	DESCRIPTION
1		87267536		1	STRAINER ASSY., PLUMBING GROUP SEE FIG. 09-087
2		{87268153}		1	THROTTLE VALVE, SEE FIG. 09-088
3		BN320384		1	U-BOLT, CLAMP, 2" PIPE
4		86981496		1	WASHER, M13.5 x 24.5 x 3, HT, HTS DOR
5		86980420		2	BOLT, M12- 1.75 X 30, HH, 8.8, DORREPL
6		86980516		2	NUT, P/T ALL MTL M12 8 DOR
7		BN2403358		2	CLAMP, T-BOLT BAND 2 1/2
8		BN68377		1	HOSE, 2 EPDM X 50

3330

STRAINER PLUMBING GROUP

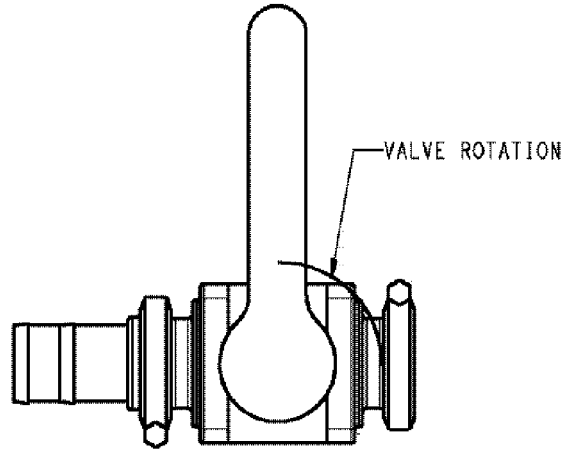


STRAINER PLUMBING GROUP

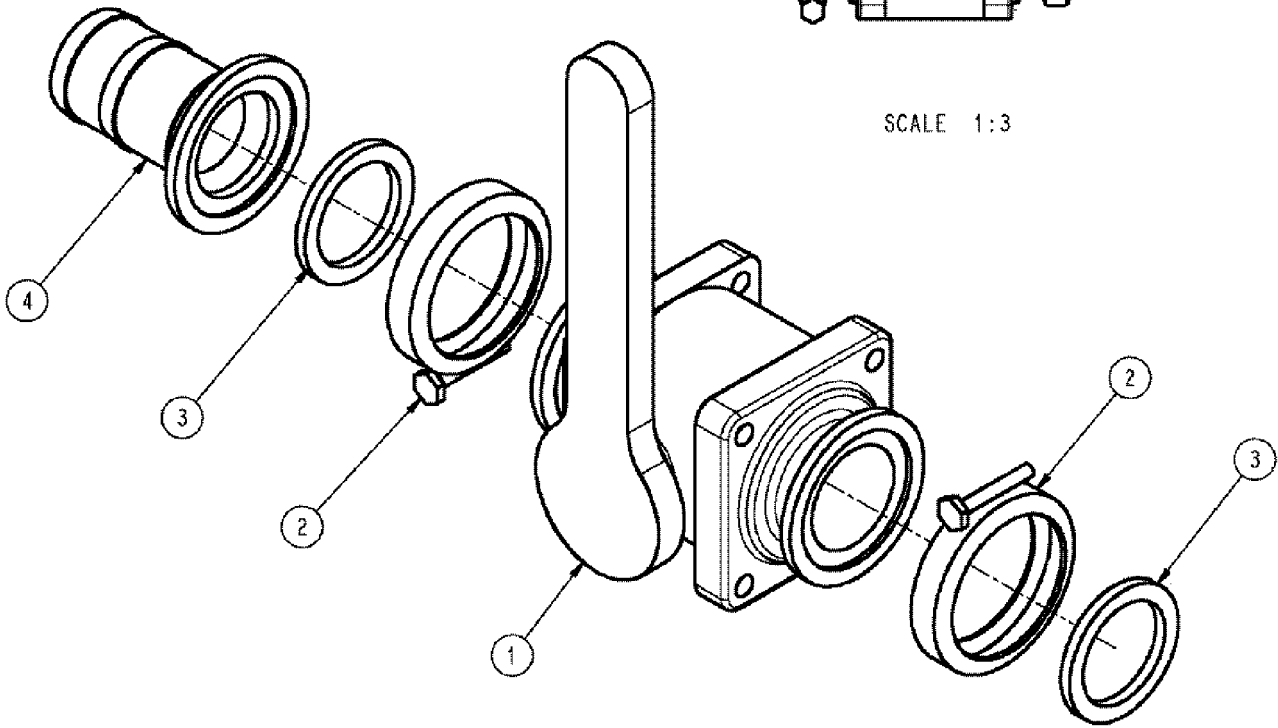
REF	FN	PART NUMBER	YR/SN	QTY	DESCRIPTION
1		87706933		1	STRAINER, ELEMENT, 2.2 FB, 10 MESH, SS, Y, PP
2		87267537		1	PLATE, STRAINER MOUNT
3		87303739		2	SCREW, 3/8-12 X 1, H/WHD AB
4		BN313772		3	GASKET, 2" FULL PORT EPDM
5		BN313773		3	CLAMP, 2" FULL PORT
6		87267540		1	FITTING, ELBOW, MANIFOLD 2" X 45 FP
7		BN318600		1	FITTING, BARB, 2" FULL FLG X 2" HOSE

3330

THROTTLE VALVE PLUMBING



SCALE 1:3



09-088

p1

10/08

THROTTLE VALVE PLUMBING

REF	FN	PART NUMBER	YR/SN	QTY	DESCRIPTION
1		87268158		1	VALVE, 2" FP MFLD, THROTTLE
2		BN313773		2	CLAMP, 2" FULL PORT
3		BN313772		2	GASKET, 2" FULL PORT EPDM
4		BN318600		1	FITTING, BARB, 2" FULL FLG X 2" HOSE

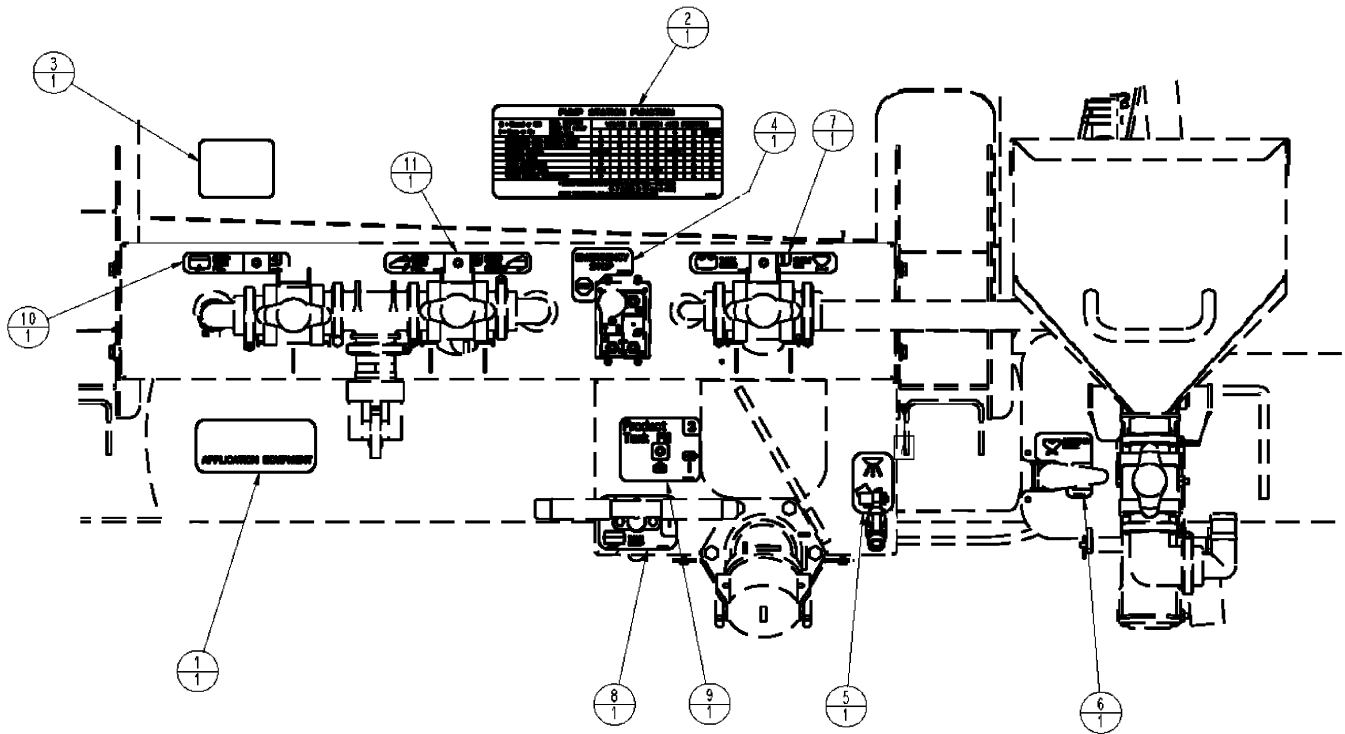
3330

SECTION INDEX

Decals

10-001	01	APPLICATION GROUP
10-001	02	APPLICATION GROUP
10-002		APPEARANCE GROUP
10-003		SAFETY GROUP
10-004	01	OPERATIONAL GROUP
10-004	02	OPERATIONAL GROUP
10-005		ENGINE DECAL GROUP
10-006		SPEED IDENTIFICATION SYMBOL
10-007		SMV GROUP
10-008		SMV GROUP, 120'
10-009		AIM DECAL GROUP
10-010		DECAL GROUP, 120' BOOM FOLD

APPLICATION GROUP



APPLICATION GROUP

REF	FN	PART NUMBER	YR/SN	QTY	DESCRIPTION
1		87653647		1	DECAL, CASE APPLICATION EQ
2		343736A1		1	DECAL, STA. FUNCTION
3		343189A1		1	DECAL, FOAMER FUNCTION
4		344405A1		1	DECAL, EMERGENCY STOP
5		BN323729		1	DECAL, HAND WASH
7		87271661		1	DECAL, RINSE/CHEM IND
8		87271662		1	DECAL, TANK SUMP
9		343184A1		1	DECAL, PROD TANK, FILL
10		87271665		1	DECAL, FOAM, FILL
11		87271663		1	DECAL, RINSE TANK
12		87580661		1	SIGHTGLASS, FRONT
13		87580663		1	DECAL, GAUGE, SIDE
14		87580665		1	SIGHTGLASS, UPPER
15		87593257		1	SIGHTGLASS, REAR

	3330
--	-------------

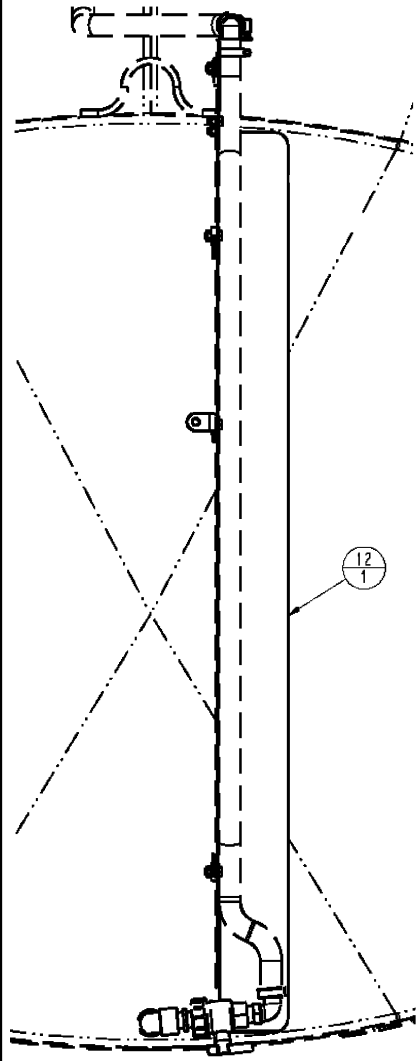
10-001

02

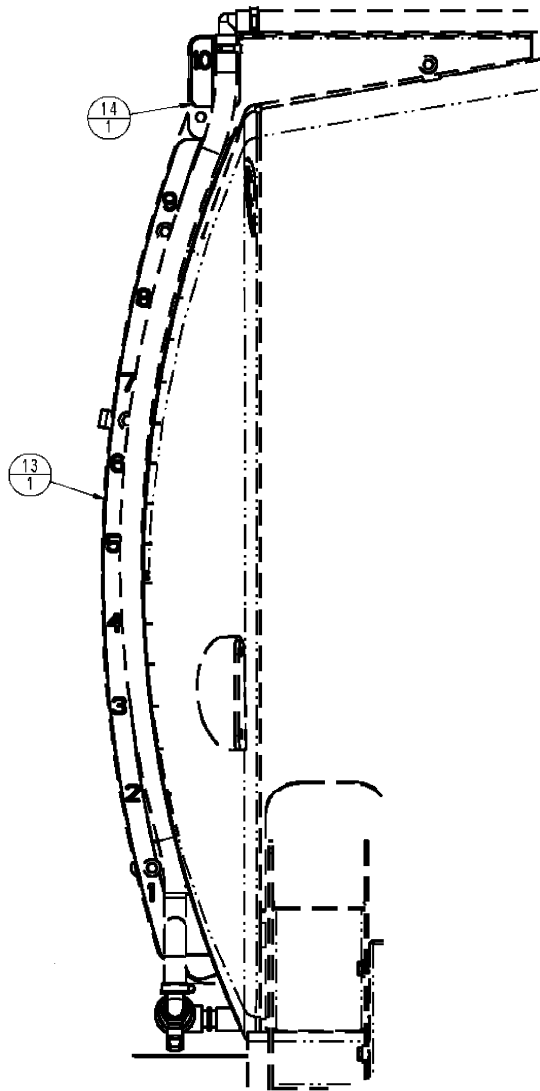
p1

12/08

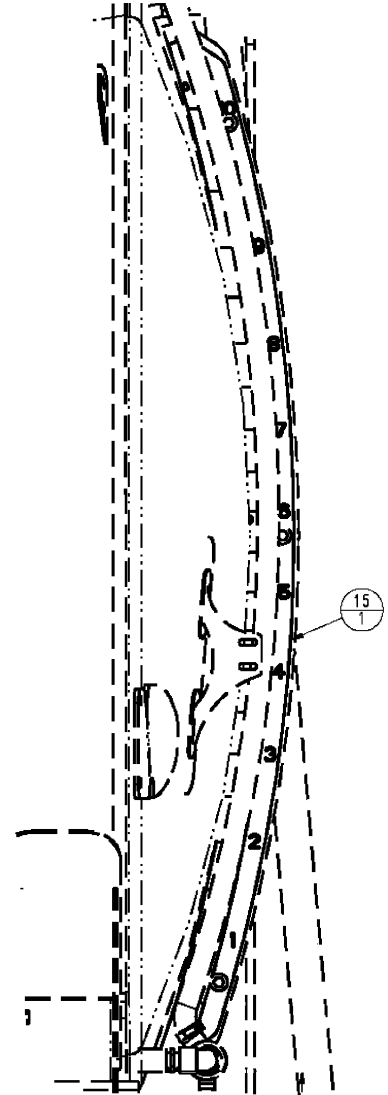
APPLICATION GROUP



FRONT VIEW



FRONT LH SIDE VIEW



REAR LH SIDE VIEW

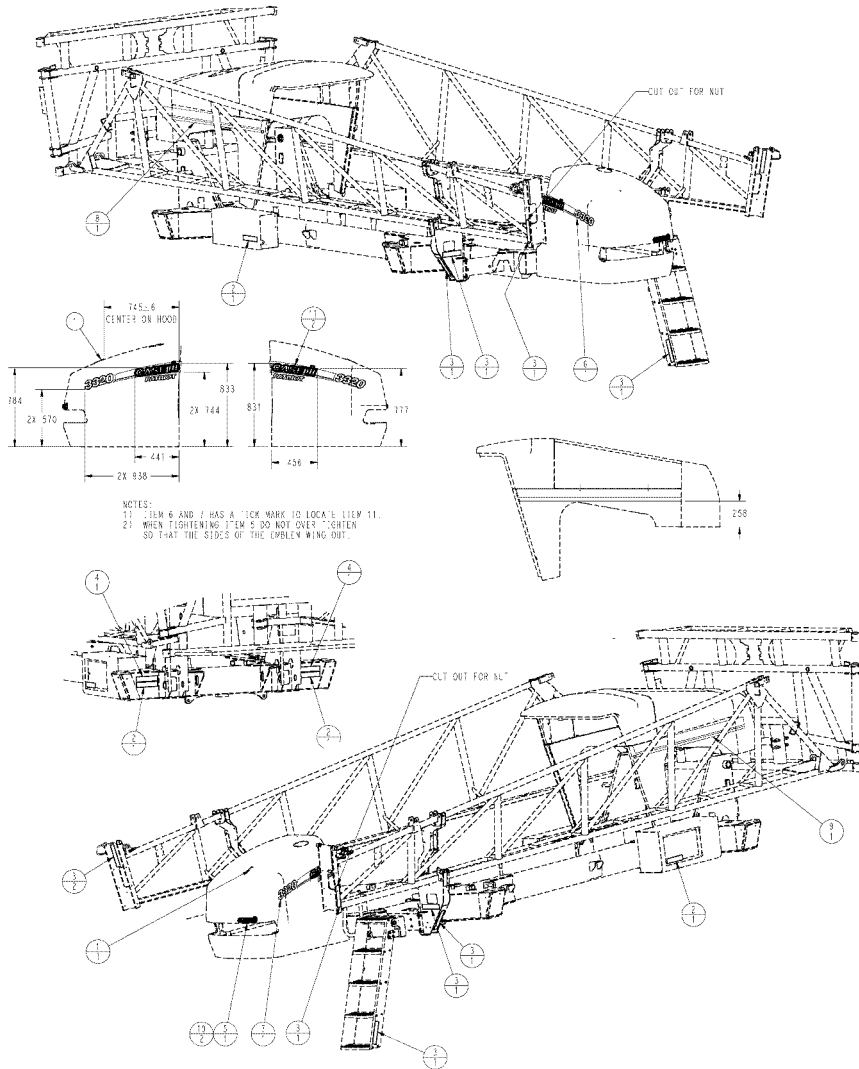
10

APPLICATION GROUP					
--------------------------	--	--	--	--	--

REF	FN	PART NUMBER	YR/SN	QTY	DESCRIPTION
1		87653647		1	DECAL, CASE APPLICATION EQ
2		343736A1		1	DECAL, STA. FUNCTION
3		343189A1		1	DECAL, FOAMER FUNCTION
4		344405A1		1	DECAL, EMERGENCY STOP
5		BN323729		1	DECAL, HAND WASH
7		87271661		1	DECAL, RINSE/CHEM IND
8		87271662		1	DECAL, TANK SUMP
9		343184A1		1	DECAL, PROD TANK, FILL
10		87271665		1	DECAL, FOAM, FILL
11		87271663		1	DECAL, RINSE TANK
12		87580661		1	SIGHTGLASS, FRONT
13		87580663		1	DECAL, GAUGE, SIDE
14		87580665		1	SIGHTGLASS, UPPER
15		87593257		1	SIGHTGLASS, REAR

	3330
--	-------------

APPEARANCE GROUP

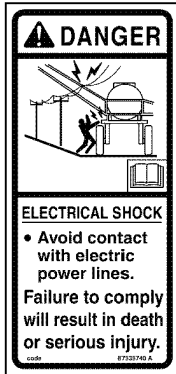


APPEARANCE GROUP

REF	FN	PART NUMBER	YR/SN	QTY	DESCRIPTION
1		1968108C2		1	GUIDE, TRIM, HOOD SIGHT
2		311863A1		4	REFLECTOR, RETRO, RED
3		311864A1		8	REFLECTOR, RETRO, AMBER
4		311865A1		2	REFLECTOR, FLUOR, ORANGE
5		87716230		1	EMBLEM, MEDALLION, CASE IH LOGO
6		87752595		1	DECAL, 3330, RH FRONT
7		87752594		1	DECAL, 3330, LH FRONT
8		87636745		1	DECAL, IH, RH REAR
9		87636746		1	DECAL, IH, LH REAR
10		86625060		2	NUT, Self, Threading, 1/4"
11		87558404		2	DECAL, CASE IH, REAR

	3330
--	-------------

SAFETY GROUP



Decal 1



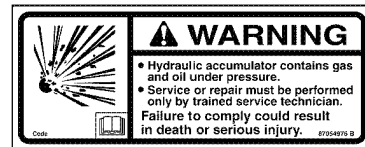
Decal 2



Decal 3



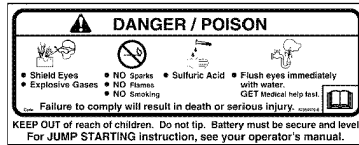
Decal 4



Decal 7



Decal 5



Decal 6



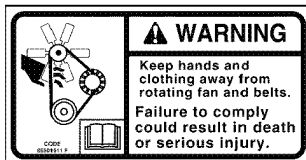
Decal 8



Decal 9



Decal 10



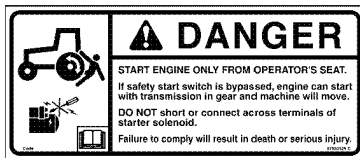
Decal 11



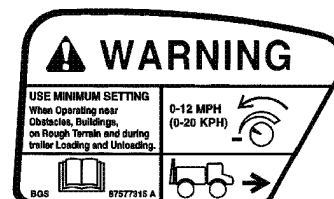
Decal 14



Decal 12



Decal 13



Decal 15

SAFETY GROUP

REF	FN	PART NUMBER	YR/SN	QTY	DESCRIPTION
1		87535740		1	DECAL, ELECTRICAL SHOCK
2		333088A1		1	DECAL, PROTECTIVE CLOTHING
3		{87752836}		1	WARNING, WEIGHT
4		86622073		1	DECAL, WARNING, English
5		87266217		2	DECAL, OIL, DRAIN
6		87054970		1	DECAL, DANGER, BATTERY
7		87054976		2	DECAL, WARNING, ACCUMULATOR
8		87271146		1	DECAL, DO NOT DRINK
9		87013363		1	DECAL, SIGN, RADIATOR CAP
10		87054969		1	DECAL, WARNING, WARN, REFRIGERANT
11		86501511		2	DECAL, WARNING, SIGN, FAN WARNING
12		629086		1	DECAL, DANGER, SIGN, DANGER
13		87033529		1	DECAL, SIGN, DANGER
14		410704A1		1	DECAL, INSTRUCTIONAL SEAT
15		87577315		1	DECAL, SPEED, DECAL

	3330
--	-------------

10-004

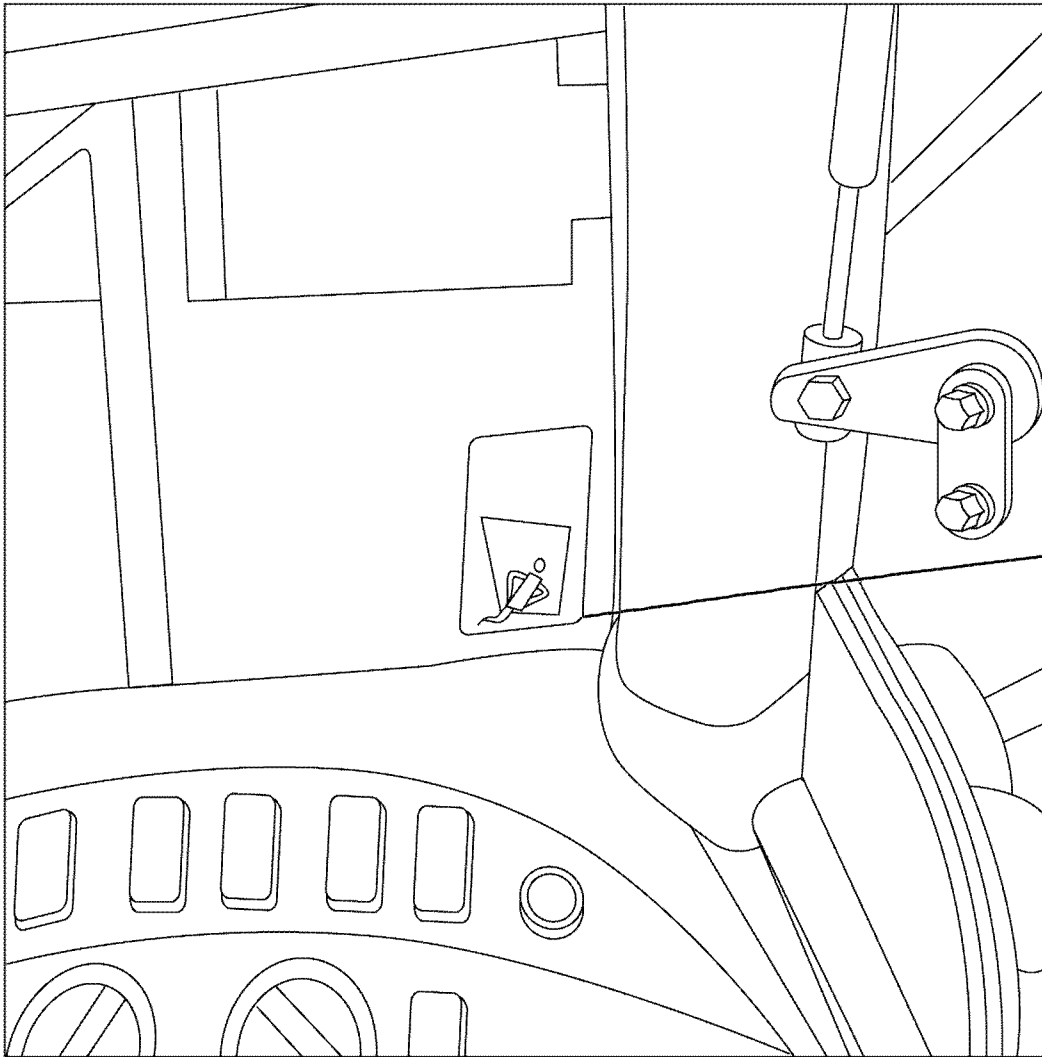
01

p1

12/08

OPERATIONAL GROUP

10



4
1

OPERATIONAL GROUP

REF	FN	PART NUMBER	YR/SN	QTY	DESCRIPTION
1		BN312660		1	DECAL, Torque Wheel Nuts
2		1968008C1		1	DECAL, NO STEP
3		87611379		1	DECAL, HYDRAULIC, OIL LEVEL
4		87052289		1	DECAL, EXIT
5		{84170628}		4	IMPORTANT, TIRE PRESS

	3330
--	-------------

OPERATIONAL GROUP

10

NO STEP




Do not adjust the oil level without completing the procedure outlined below.

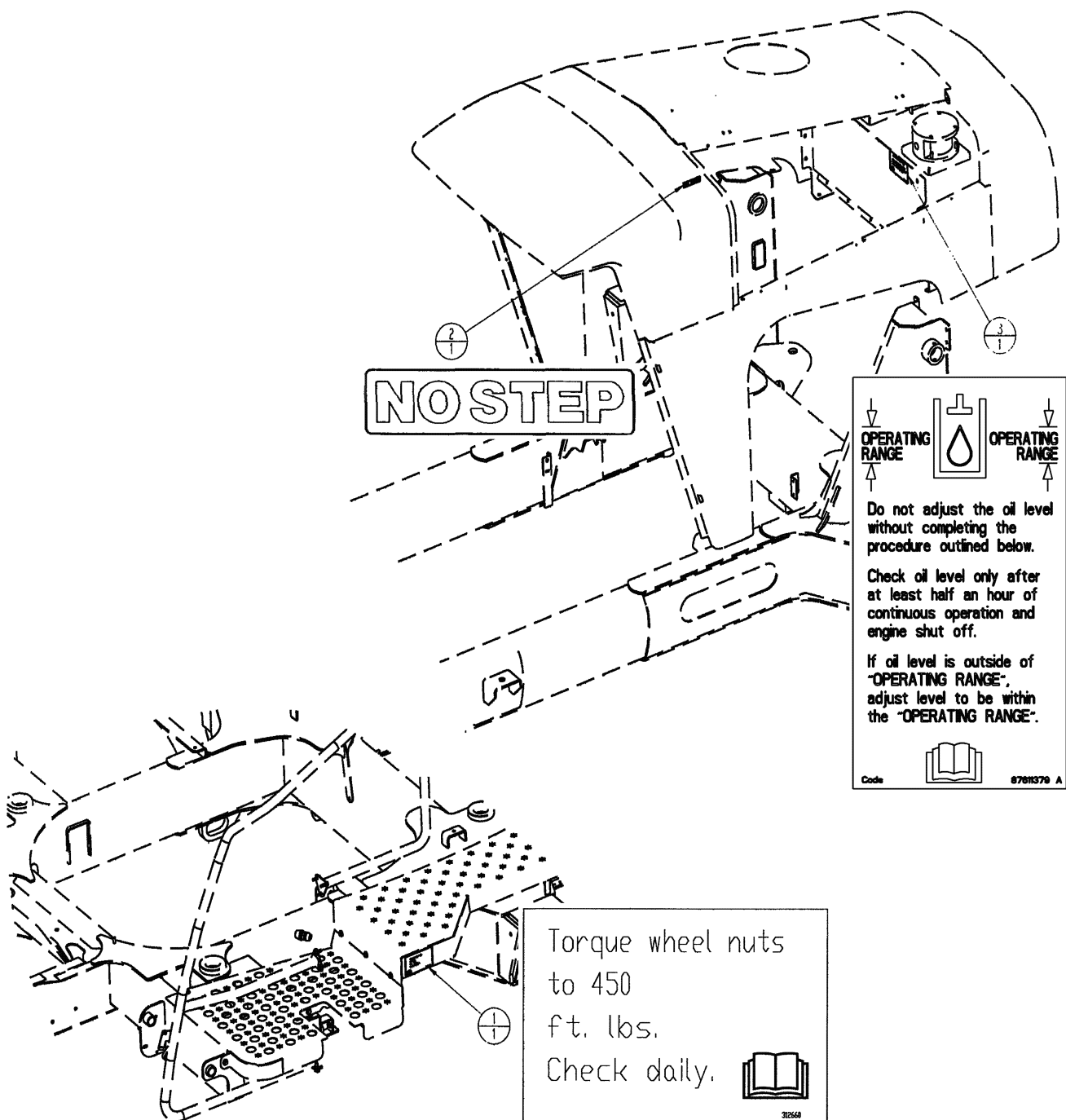
Check oil level only after at least half an hour of continuous operation and engine shut off.

If oil level is outside of "OPERATING RANGE", adjust level to be within the "OPERATING RANGE".

Code  6761376 A

Torque wheel nuts to 450 ft. lbs. Check daily. 

32568

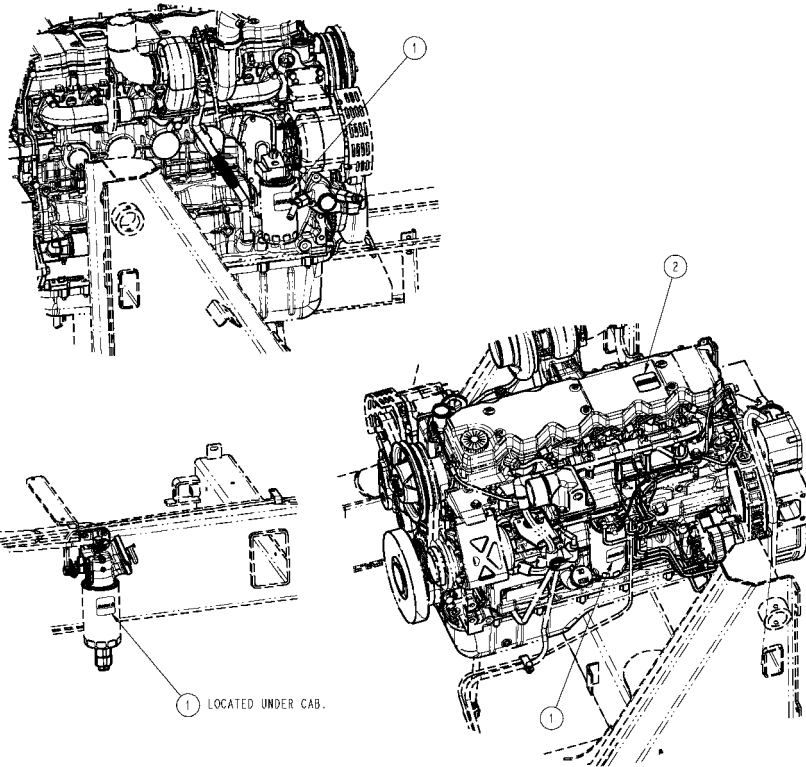


OPERATIONAL GROUP

REF	FN	PART NUMBER	YR/SN	QTY	DESCRIPTION
1		BN312660		1	DECAL, Torque Wheel Nuts
2		1968008C1		1	DECAL, NO STEP
3		87611379		1	DECAL, HYDRAULIC, OIL LEVEL
4		87052289		1	DECAL, EXIT
5		{84170628}		1	DECAL, IMPORTANT, TIRE PRESS.

	3330
--	-------------

ENGINE DECAL GROUP

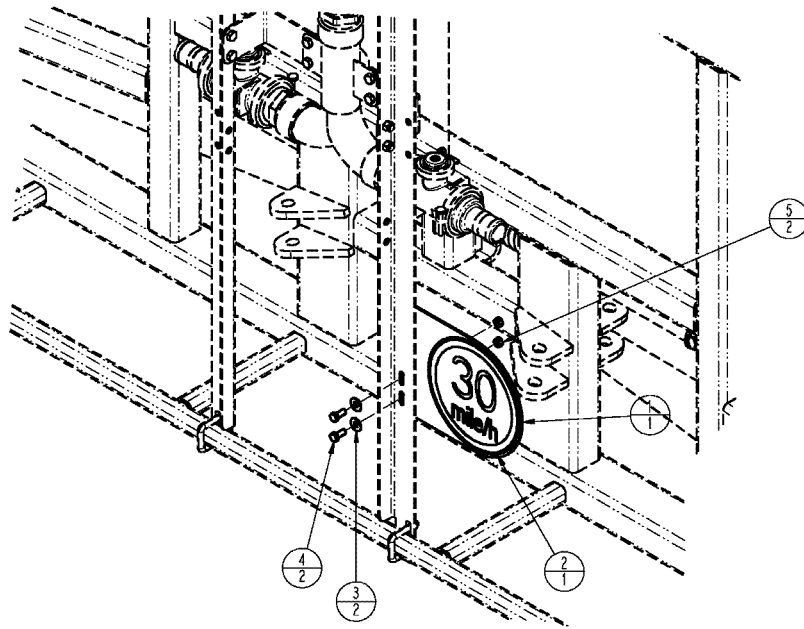


ENGINE DECAL GROUP

REF	FN	PART NUMBER	YR/SN	QTY	DESCRIPTION
1		87405724		3	EMBLEM, "CASE IH", 50 X 50MM
2		87802966		1	EMBLEM CASE/IH, PLATE ASSEMBLY, LOGO

	3330
--	-------------

SPEED IDENTIFICATION SYMBOL

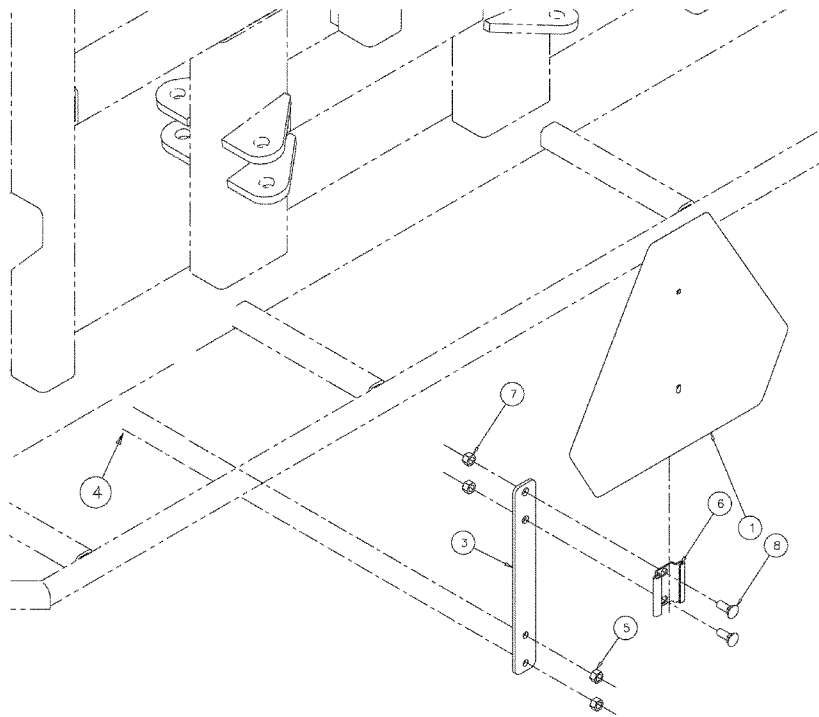


SPEED IDENTIFICATION SYMBOL

REF	FN	PART NUMBER	YR/SN	QTY	DESCRIPTION
1		87523676		1	PLATE, SIS MOUNT
2		87522628		1	DECAL, 30 MPH SPEED, SIGN
3		BN50142		2	WASHER, 5/16, FW, SS
4		BN50476		2	BOLT, 5/16-18 X .75, HH, SS
5		BN55361		2	NUT, 5/16-18, NLN, SS

	3330
--	-------------

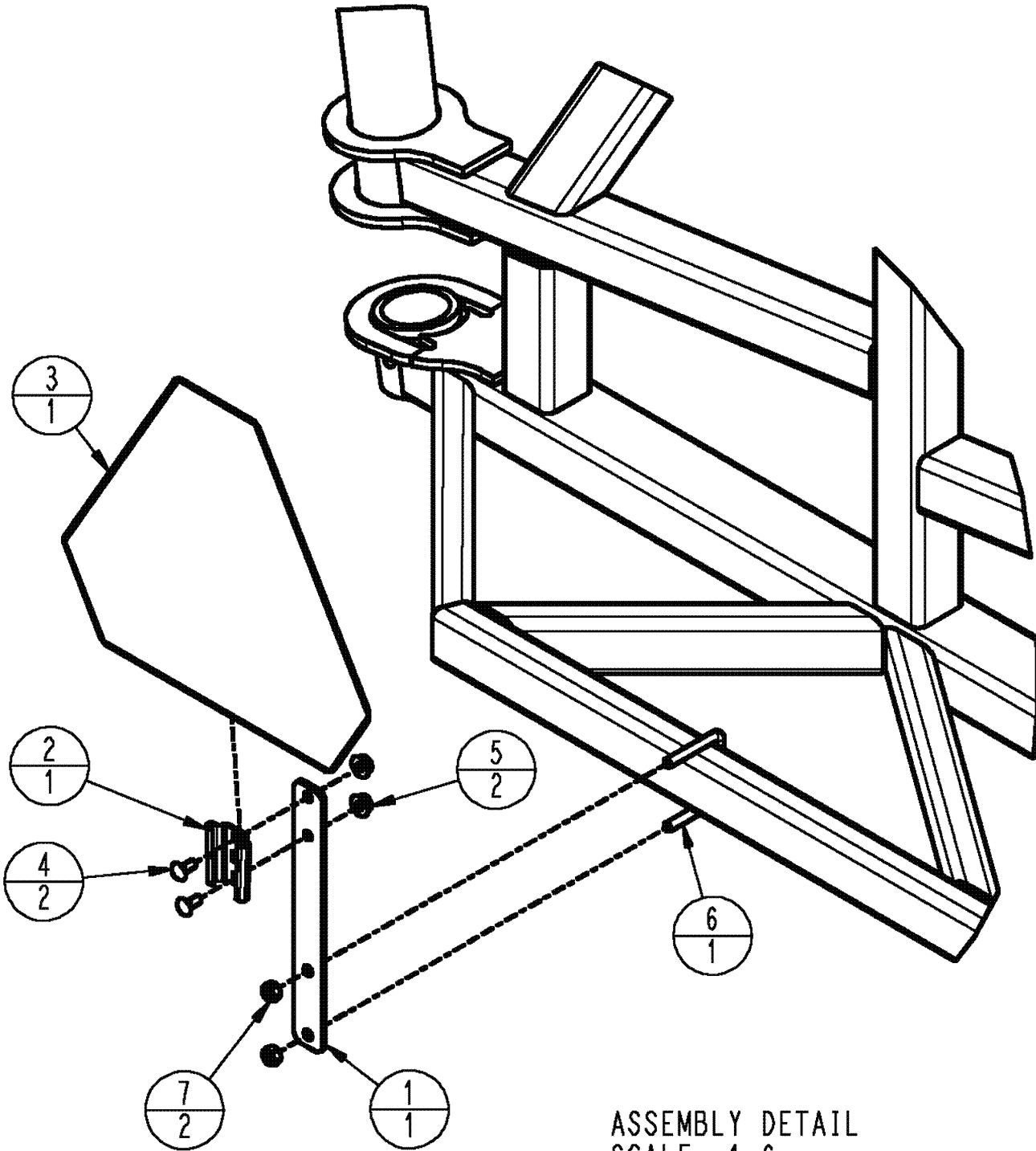
SMV GROUP



SMV GROUP						
------------------	--	--	--	--	--	--

REF	FN	PART NUMBER	YR/SN	QTY	DESCRIPTION
1		A59450		1	SIGN, WARNING, EMBLEM/A, SMV WARNING
3		BN313098		1	MOUNTING PARTS, SMV
4		BN319918		1	U-BOLT, 3/8 X 1.31 ID, DT
5		87343974		2	NUT, PT 3/8-16 DIRC
6		A59457		1	BRACKET, 76984291 SOCKET, SMV
7		BN50057		2	NUT, 5/16-18 WHIZ LOCK, SS

	3330
--	-------------



ASSEMBLY DETAIL
SCALE 1:6

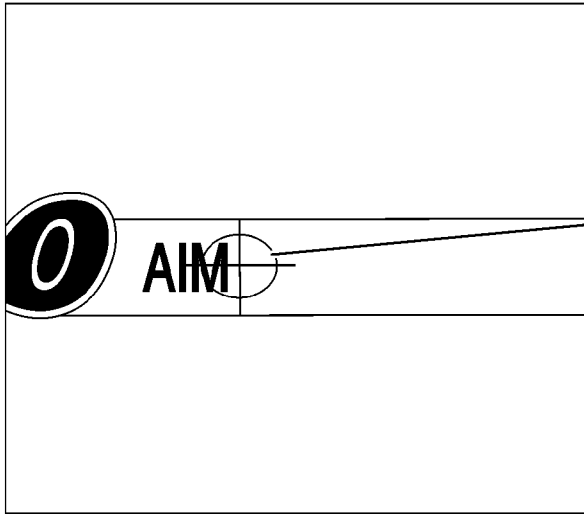
SMV GROUP, 120'

REF	FN	PART NUMBER	YR/SN	QTY	DESCRIPTION
1		{87618518}		1	SMV, 120 BOOM
2		A59457		1	BRACKET, 76984291 SOCKET, SMV
3		A59450		1	SIGN, WARNING, EMBLEM/A, SMV WARNING
4		BN50222		2	BOLT, 5/16-18 X .75
5		87343974		2	NUT, PT 3/8-16 DIRC
6		87586548		1	U-BOLT, 3/8 X 1.31 ID, DT
7		86980515		2	NUT, LOCK, M10 x 1.5, CI 8

	3330
--	-------------

AIM DECAL GROUP

10



1

LOCATE DECAL CENTERED ON MODEL
DECAL JUST BEHIND MODEL NUMBER
SAME LOCATION ON BOTH SIDES

LH SIDE OF UPPER FRONT HOOD SHOWN

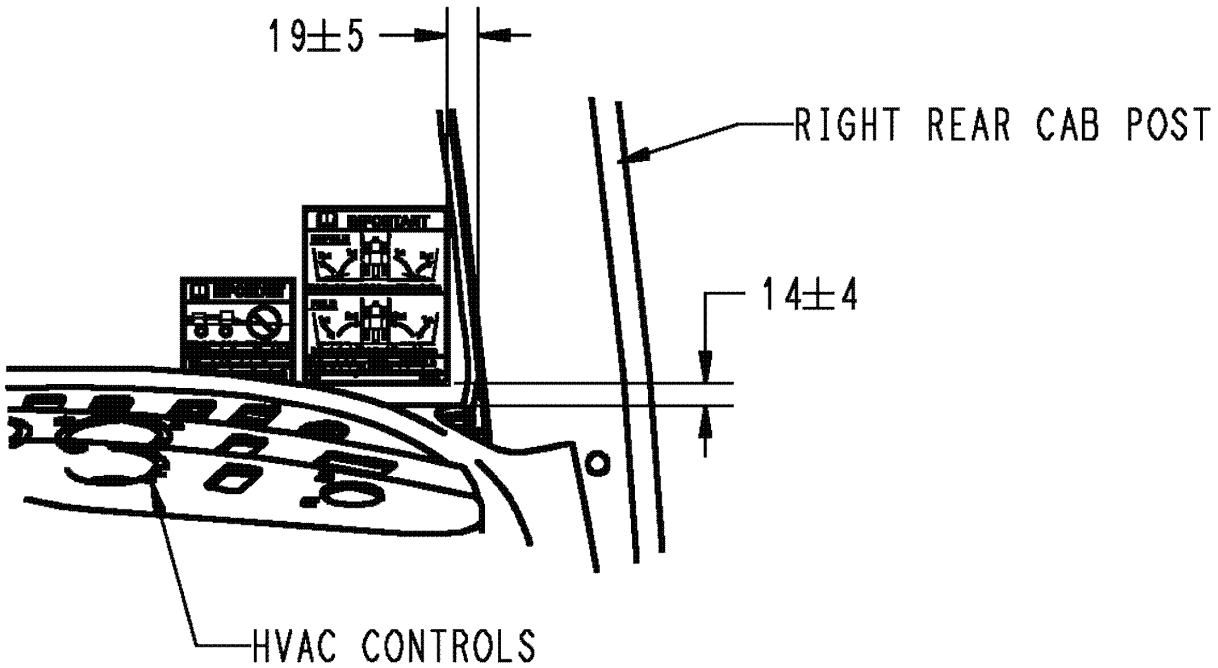
AIM DECAL GROUP

REF	FN	PART NUMBER	YR/SN	QTY	DESCRIPTION
------------	-----------	--------------------	--------------	------------	--------------------

1		BN324719		2	DECAL, AIM
---	--	----------	--	---	------------

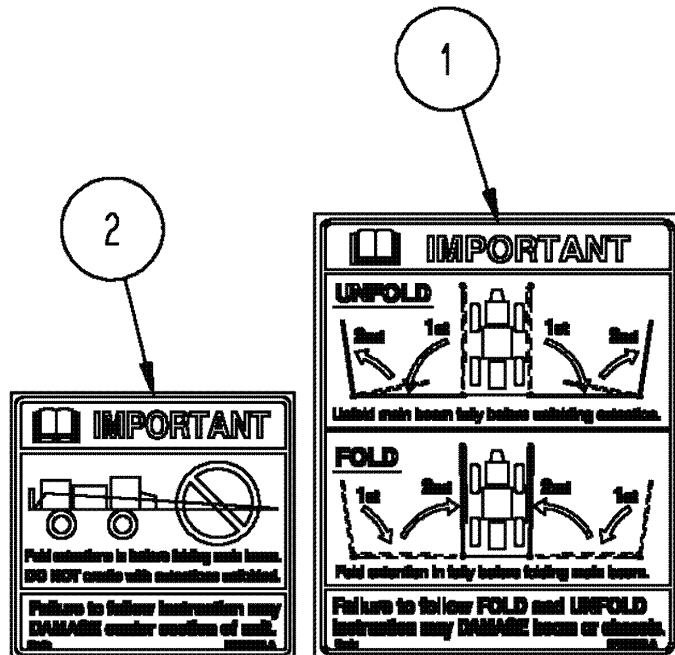
	3330
--	-------------

DECAL GROUP, 120' BOOM FOLD



PATRIOT 3320
(AS VIEWED FROM INSIDE CAB)
SCALE 1:5

10



DECAL GROUP, 120' BOOM FOLD

REF	FN	PART NUMBER	YR/SN	QTY	DESCRIPTION
1		87677603		1	DECAL, BOOM FOLD-UNFOLD
2		87677608		1	DECAL, DAMAGE CENTER SECTION

	3330
--	-------------

SECTION INDEX

Options

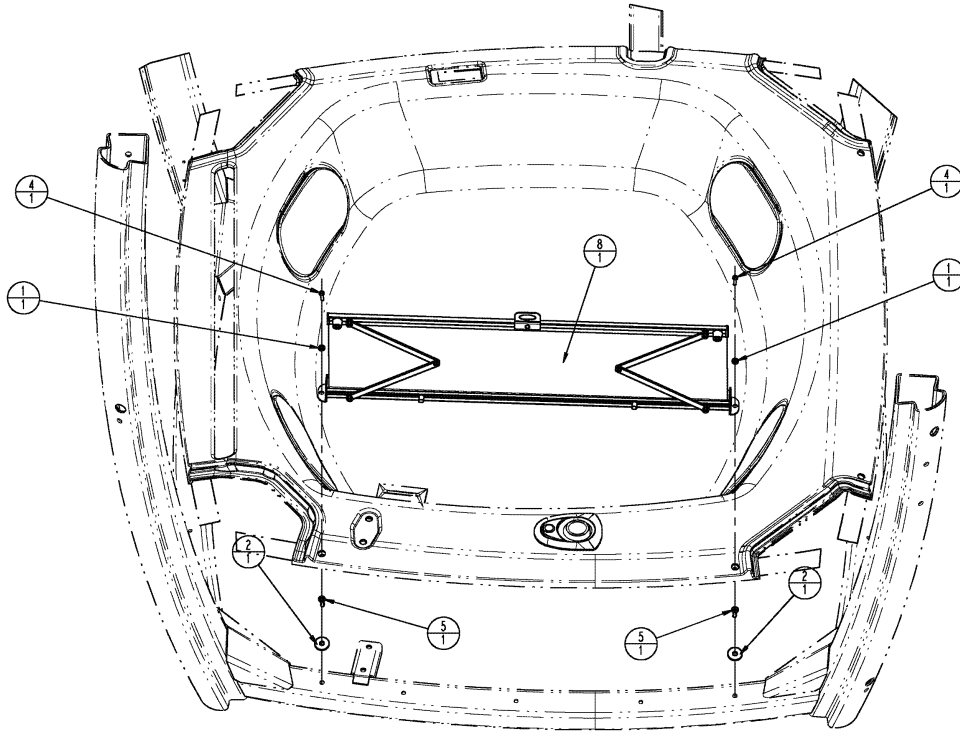
10-011		PACKAGE,SUNVISOR, SIDE AND REAR
11-001		FENDER GROUP, RH
11-002		FENDER ASSEMBLY, RH
11-003		FENDER GROUP, LH
11-004		FENDER ASSEMBLY, LH
11-005		TEE VALVE GROUP, LEFT BOOM, FENCE ROW
11-006		TEE VALVE GROUP, RIGHT BOOM, FENCE ROW
11-007		NOZZLE GROUP, LEFT BOOM, 90', FENCE ROW
11-008		NOZZLE GROUP, RIGHT BOOM, 90', FENCE ROW
11-009		NOZZLE, FENCE ROW, 90', LO-FLOW
11-010		FENCE ROW GROUP, 100' AND 120' BOOM
11-011		FENCE ROW GROUP, LO-FLOW, 100' AND 120' BOOM
11-012		AIR TANK SUPPLY LINE GROUP
11-013		AIR TANK GROUP
11-014		FOAMER REGULATOR, PLUMBING
11-015		TURBO FOAMER TANK GROUP
11-016		FOAMER STATION GROUP
11-017		FOAMER TANK GROUP
11-018		FOAMER TANK PLUMBING GROUP
11-019		TANK 55 GALLON W/FITTINGS
11-020		FOAMER, TRANSFER PUMP GROUP
11-021		SOLENOID GROUP, CENTER SECTION
11-022		FOAMER DROP GROUP,LH
11-023		FOAMER DROP GROUP, RH
11-024		FOAMER DROP GROUP, RIGHT, 120' BOOM
11-025		FOAMER DROP GROUP, LEFT, 120' BOOM
11-026		CHAMBER GROUP, LH
11-027		CHAMBER GROUP, RH
11-028		CHAMBER GROUP, LH DUAL DROP
11-029		CHAMBER GROUP, RH DUAL DROP
11-030		CHEMICAL INDUCTOR GROUP
11-031		TANK GROUP W/LINKAGE
11-032		TANK GROUP, W/LIQ PLUMBING
11-033		CHEMICAL INDUCTOR TEE GROUP
11-034		VENTURI ASSEMBLY
11-035		RINSE VALVE, GROUP
11-036	01	AUTOBOOM, ULTRAGLIDE
11-036	02	AUTOBOOM, ULTRAGLIDE
11-037		AUTOBOOM, DUAL SENSOR
11-038		AUTOBOOM, HEIGHT CONTROL
11-039		VALVE, HYDRAULIC, ULTRAGLIDE
11-040		SENSOR, ULTRASONIC ASSEMBLY, RIGHT
11-041		SENSOR, ULTRASONIC ASSEMBLY, LEFT
11-042		PACKAGE, AUTOBOOM, 90/100
11-043		KIT, AUTOBOOM WHEEL, 90/100
11-044		AUTOBOOM, 120', WHEEL
11-045		AUTOBOOM, WHEEL, 120'
11-046		HUB ASSEMBLY, 5-BOLT
11-047		TOOL BOX, PORTABLE
11-048		MIRROR ASSEMBLY, MANUAL
11-049		ELECTRIC MIRROR

SECTION INDEX

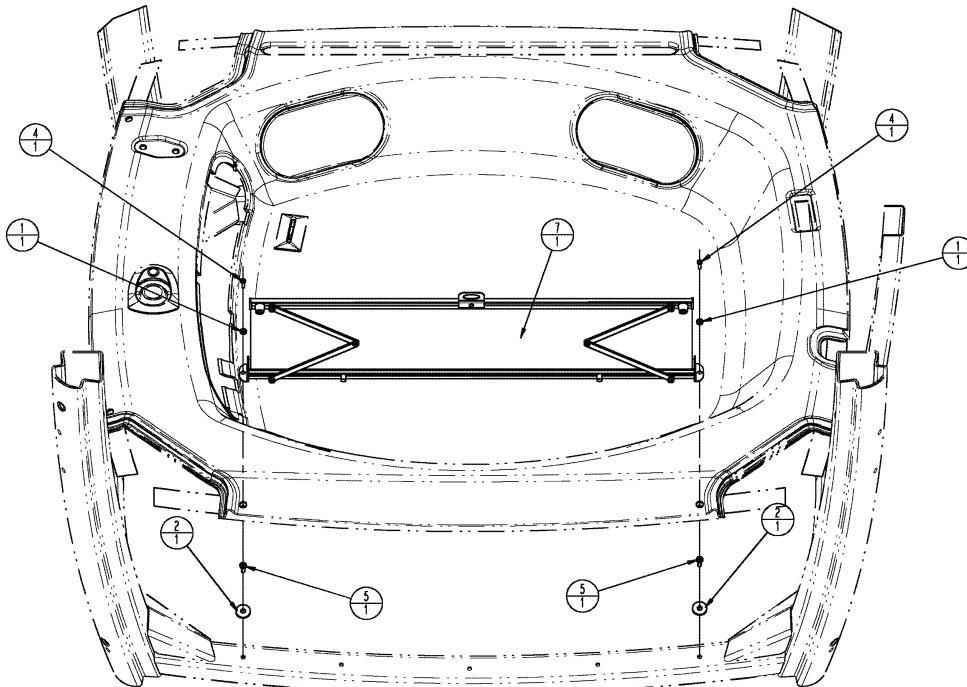
Options

11-050	MIRROR GROUP, BOOM
11-051	RADIO GROUP
11-052	ROADSIDE EMERGENCY KIT
11-053	LIGHT GROUP HID
11-054	LIGHT GROUP HALOGEN
11-055	LIGHT GROUP, HID, FRONT
11-056	LIGHT GROUP, HID, CAB
11-057	LIGHT GROUP, CENTER SECTION
11-058	LIGHT GROUP, MIDSHIP
11-059	2-WAY WILGER, ASSEMBLY
11-060	1-WAY WILGER, ASSEMBLY
11-061	FLOOD LIGHTING ASSEMBLY
11-062	NOZZLE WILGER, SADDLE
11-063	NOZZLE, DUAL WILGER
11-064	NOZZLE, SINGLE WILGER
11-065	ARAG NOZZLE-5-WAY WET 1" PIPE
11-066	NOZZLE, 20-30, 5 WAY, 120
11-067	NOZZLE, 20-30, COMBO, 120
11-068	MODULE, SHUT-OFF
11-069	SCREENS GROUP, 6 SECTION
11-070	SCREENS GROUP, 5 SECTION
11-071	VENTURI, SOLENOID ASSY, RH
11-072	VENTURI, SOLENOID ASSY, LH
11-073	AFS MONITOR READY PACKAGE
11-074	MONITOR MOUNTING BAR PACKAGE
11-075	ACCUGUIDE ELECTRICAL GROUP, CAB
11-079	DISPLAY, FIELD SERVICE BLACK
11-080	NAV II CONTROLLER
11-081	AUTOGUIDANCE V16 MANUALS
11-082	PACKAGE, AFS252/WAAS/EGNOS/VBS
11-083	PACKAGE, HARDWARE 252 MOUNTING
11-084	GPS RECEIVER
11-085	PACKAGE, NODES/HARNESSES, EZ-FOLD, 120'
11-086	PACKAGE, SENSORS, AUTOFOLD PLUS, 120'

PACKAGE,SUNVISOR, SIDE AND REAR



RH SIDE SUNSHADE INSTALLATION



REAR SUNSHADE INSTALLATION

PACKAGE,SUNVISOR, SIDE AND REAR

REF	FN	PART NUMBER	YR/SN	QTY	DESCRIPTION
1		195-81034		4	WASHER, 13/64" x 15/32" x .049"
2		87033737		4	WASHER, M8 x 28 x 3
3		780-14625		1	SCREW, SELF TAPPING, Hex Hd, M6.3 x 25
4		87030526		4	SCREW, Cross Pan Hd, #10-32 x 1"
5		87450324		1	NUT, 10-32
7		87668032		1	VISOR, SUN, REAR
8		87668031		1	VISOR, SUN, RH SIDE

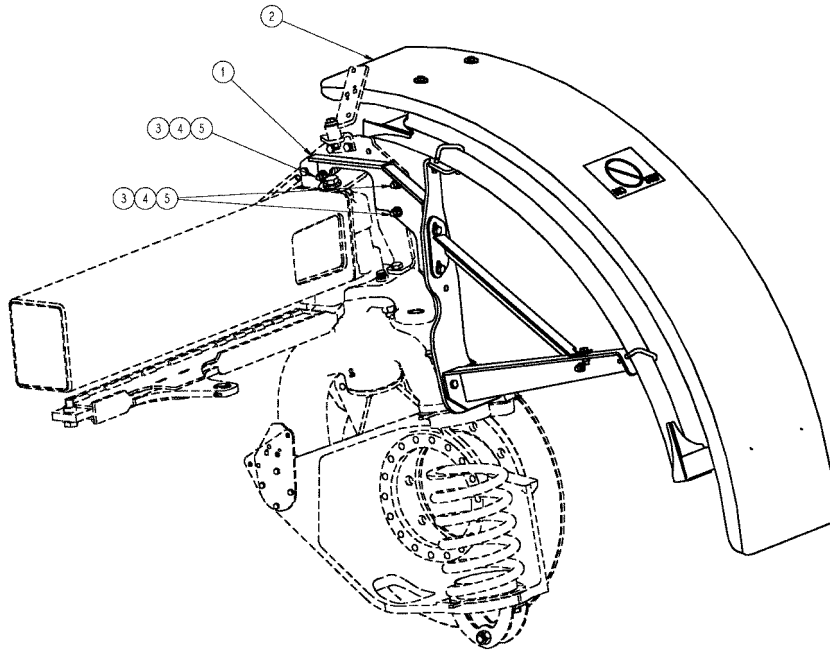
	3330
--	-------------

11-001

p1

12/08

FENDER GROUP, RH



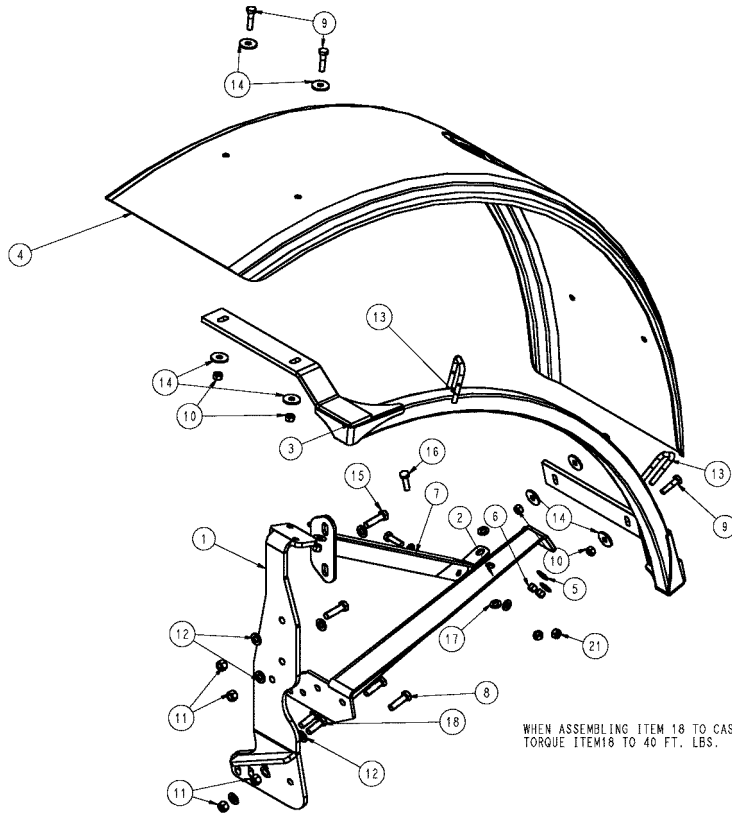
11

FENDER GROUP, RH

REF	FN	PART NUMBER	YR/SN	QTY	DESCRIPTION
1		87267630		1	BRACKET, FENDER, RH
2		86986459		1	FENDER ASSY., GRP, FENDER, RH, SEE FIG. 11-002
3		86981496		6	WASHER, M13.5 x 24.5 x 3, HT
4		814-12045		3	BOLT, Hex, M12 x 45, 8.8
5		832-46412		3	NUT, LOCK, M12 x 1.75, CI 8

	3330
--	-------------

FENDER ASSEMBLY, RH



WHEN ASSEMBLING ITEM 18 TO CASTING USE ITEM 19, 20.
TORQUE ITEM 18 TO 40 FT. LBS.

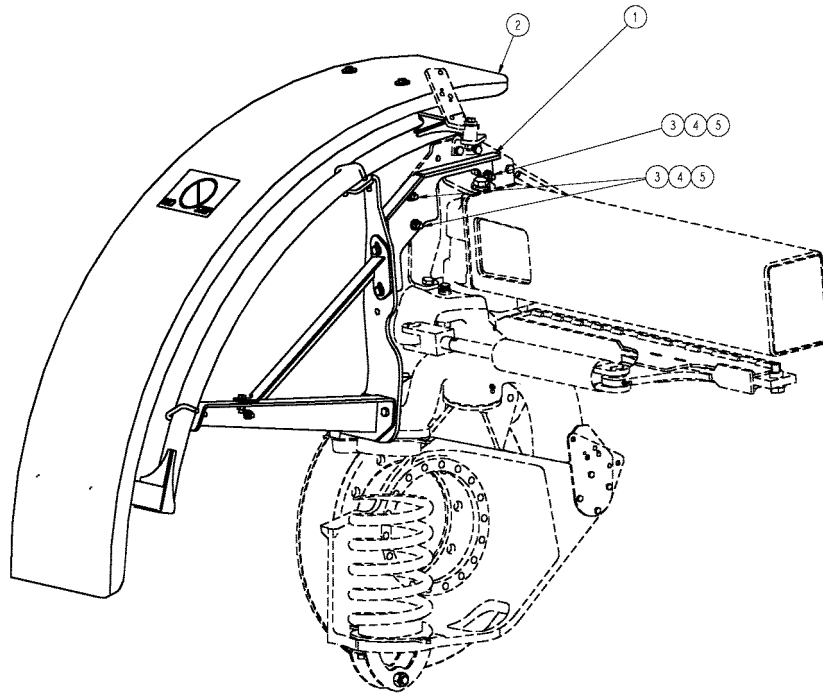
FENDER ASSEMBLY, RH

REF	FN	PART NUMBER	YR/SN	QTY	DESCRIPTION
1		87268334		1	SUPPORT, FENDER, RH WELDMENT
2		87268366		1	BRACKET, FENDER, LOWER, RH
3		86986713		1	FRAME, FENDER
4		87665204		1	FENDER, LONG, HOLES
5		1994980C1		4	WASHER, BELLEVILLE, M10
6		231-4146		4	NUT, LOCK, 3/8"-16, GB
7		87268377		1	CROSSMEMBER, BRACE, FENDER, RH
8		614-12040		2	BOLT, Hex, M12 x 40, 8.8, Full Thd
9		BN50260		4	BOLT, 3/8-16 X 1.5, HH, SS
10		BN50759		4	NUT, 3/8-16, NLN, SS
11		832-46412		4	NUT, LOCK, M12 x 1.75, CI 8
12		896-11012		8	WASHER, M13.5 x 24.5 x 3, HT, Flat
13		BN319919		2	U-BOLT, Sq. Bnd 2.06 ID x 3/8
14		BN325184		8	WASHER, 3/8, FW, SS, HVY, SPEC #MS815
15		814-12045		2	BOLT, Hex, M12 x 45, 8.8
16		614-10035		2	BOLT, Hex, M10 x 35, 8.8, Full Thd
17		896-11010		4	WASHER, M10 x 21.5 x 2.5, HT, FLAT
18		614-12035		2	BOLT, Hex, M12 x 35, 8.8, Full Thd
19		342205A1		AR	SPARE PART, LOCTITE, PRIMER, #770
20		SUP408		AR	SPARE PART, LOCTITE #242-31
21		832-46410		2	NUT, LOCK, M10 x 1.5, CI 8

11

	3330
--	-------------

FENDER GROUP, LH



FENDER GROUP, LH

REF	FN	PART NUMBER	YR/SN	QTY	DESCRIPTION
1		86986706		1	BRACKET, FENDER, LH
2		86986458		1	FENDER ASSY., GRP, FENDER, LH, SEE FIG. 11-004
3		86981496		6	WASHER, M13.5 x 24.5 x 3, HT, DOR
4		814-12045		3	BOLT, Hex, M12 x 45, 8.8
5		832-46412		3	NUT, LOCK, M12 x 1.75, CI 8

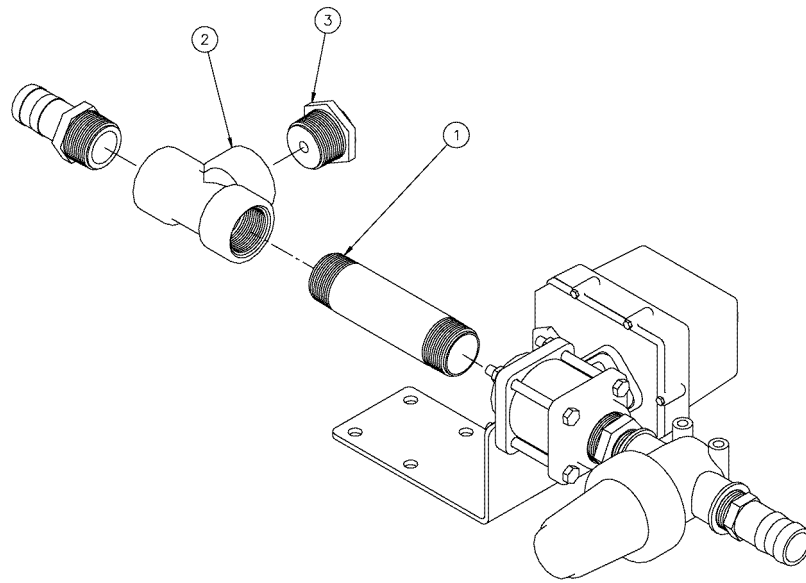
	3330
--	-------------

FENDER ASSEMBLY, LH

REF	FN	PART NUMBER	YR/SN	QTY	DESCRIPTION
1		87268333		1	SUPPORT, FENDER, LH WELDMENT
2		87268370		1	BRACKET, FENDER, LOWER, LH
3		86986713		1	FRAME
4		87665204		1	FENDER, LONG, HOLES
5		1994980C1		4	WASHER, BELLEVILLE, M10
6		231-4146		4	NUT, LOCK, 3/8"-16, GB
7		87268326		1	ARM, CROSS BRACE, FENDER, LH
8		614-12040		2	BOLT, Hex, M12 x 40, 8.8, Full Thd
9		BN50260		4	BOLT
10		BN50759		6	NUT
11		832-46412		4	NUT, LOCK, M12 x 1.75, CI 8
12		896-11012		8	WASHER, M13.5 x 24.5 x 3, HT
13		BN319919		2	U-BOLT, Sq. Bnd 2.06 ID x 3/8
14		BN325184		8	WASHER, 3/8, FW, SS, HVY, SPEC #MS815
15		814-12045		2	BOLT, Hex, M12 x 45, 8.8
16		614-10035		2	BOLT, Hex, M10 x 35, 8.8, Full Thd
17		896-11010		4	WASHER, M10 x 21.5 x 2.5, HT, FLAT
18		614-12035		2	BOLT, Hex, M12 x 35, 8.8, Full Thd
19		342205A1		AR	SPARE PART, LOCTITE, PRIMER, #770
20		SUP408		AR	SPARE PART, LOCTITE #242-31
21		832-46410		2	NUT, LOCK, M10 x 1.5, CI 8

3330

TEE VALVE GROUP, LEFT BOOM, FENCE ROW

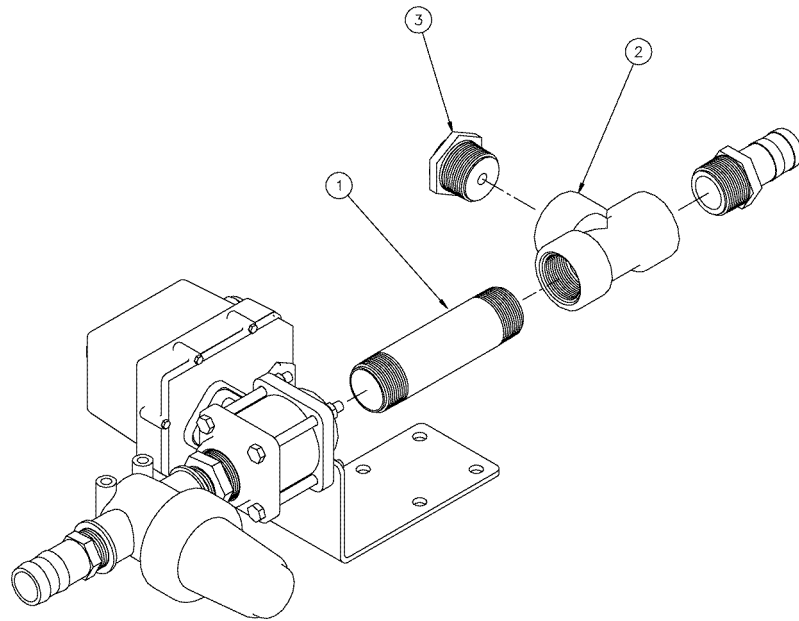


TEE VALVE GROUP, LEFT BOOM, FENCE ROW

REF	FN	PART NUMBER	YR/SN	QTY	DESCRIPTION
1		BN323762		1	NIPPLE, 1.25 x 4", Poly
2		BN73662		1	TEE, 1-1/4 PIPE, POLY
3		BN320968		1	PLUG, RB, 1.25 X .375, POLY

	3330
--	-------------

TEE VALVE GROUP, RIGHT BOOM, FENCE ROW

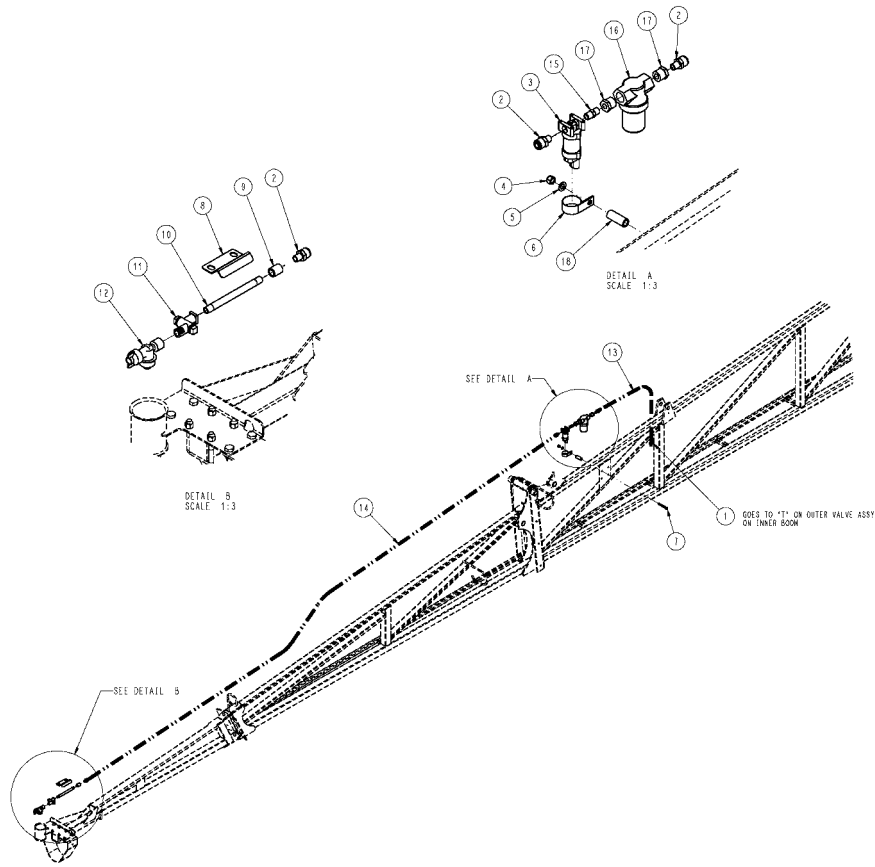


TEE VALVE GROUP, RIGHT BOOM, FENCE ROW

REF	FN	PART NUMBER	YR/SN	QTY	DESCRIPTION
1		BN323762		1	NIPPLE, 1.25 x 4", Poly
2		BN73662		1	TEE, 1-1/4 PIPE, POLY
3		BN320968		1	PLUG, RB, 1.25 X .375, POLY

	3330
--	-------------

NOZZLE GROUP, LEFT BOOM, 90', FENCE ROW

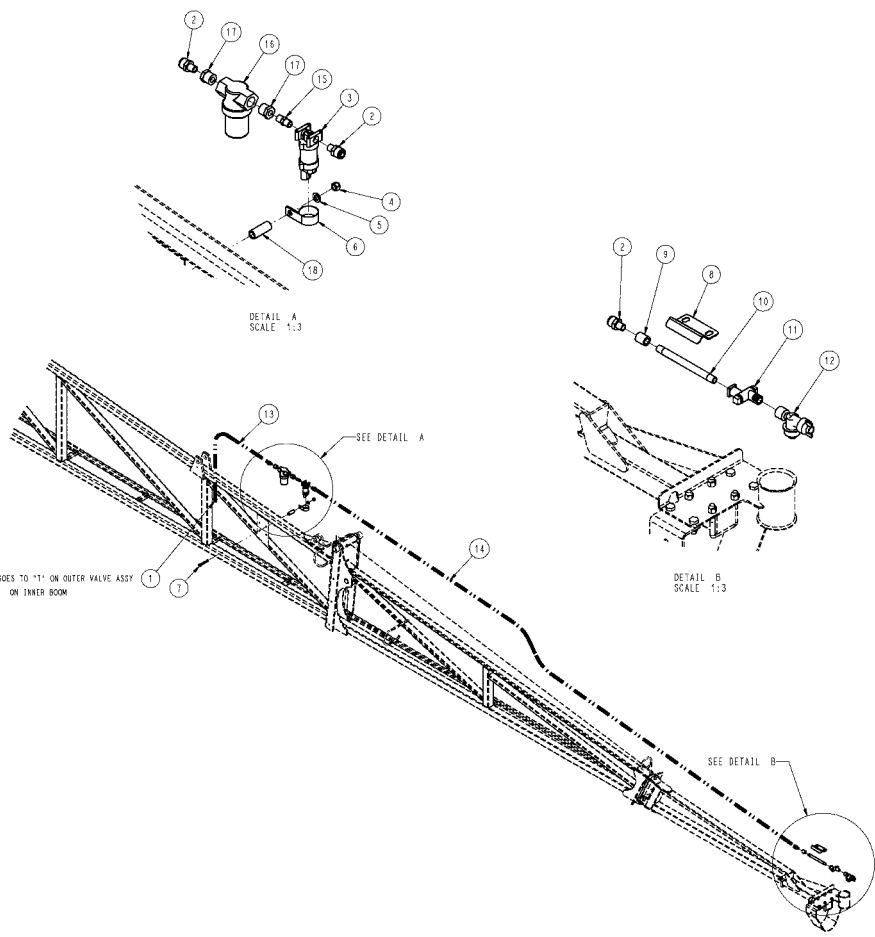


NOZZLE GROUP, LEFT BOOM, 90', FENCE ROW

REF	FN	PART NUMBER	YR/SN	QTY	DESCRIPTION
1		BN2399412		1	CONNECTOR, HYD., MC38038
2		BN2399403		3	CONNECTOR, MC38014
3		343778A1		1	SOLENOID, VALVE, 1/4 NPT
4		BN50759		1	NUT, 3/8-16, NLN, SS
5		BN50146		1	WASHER, 3/8", Flat, SS
6		515-23365		1	CLAMP, 1 7/16", Insul, 3/8" Bolt
7		BN50272		1	BOLT, 3/8-16 X 2.75, HH, SS
8		86986105		1	CLAMP, PLATE, NOZZLE
9		BN73015		1	COUPLING, 1/4" NPT SS Full
10		BN313361		1	NIPPLE, LUBE, 1/4" NPT x 6mm SS, 1/4" NPT, X 6.0SS
11		BN313256		1	NOZZLE INJECTION, W/SWIVEL
12		BN313255		1	NOZZLE INJECTION, W/CHECK VALVE
13		BN322073		1	TUBE, BLACK, 3/8 X 36"
14		BN313230		1	TUBE, BLACK, 3/8 X 220
15		86986808		1	NIPPLE, LUBE, .25 X SHORT, PP
16		87565152		1	STRAINER, ELEMENT, .50 FP, 50 MESH, PP
	1	87577399		1	SCREEN, 50 MESH, SS
	2	87577400		1	STRAINER, ELEMENT, HEAD, .50 MP
	3	87577401		1	SUCTION BOWL, MINI, BLK
	4	{87577402}		1	VITON
17		BN304521		2	REDUCER, .50MP .25 FP, PP
18		BN300892		1	TUBE, SPACER, 3/8 BOLT

- (1) SERVICE PARTS FOR ITEM #16
- (2) SERVICE PARTS FOR ITEM #16
- (3) SERVICE PARTS FOR ITEM #16
- (4) SERVICE PARTS FOR ITEM #16

NOZZLE GROUP, RIGHT BOOM, 90', FENCE ROW

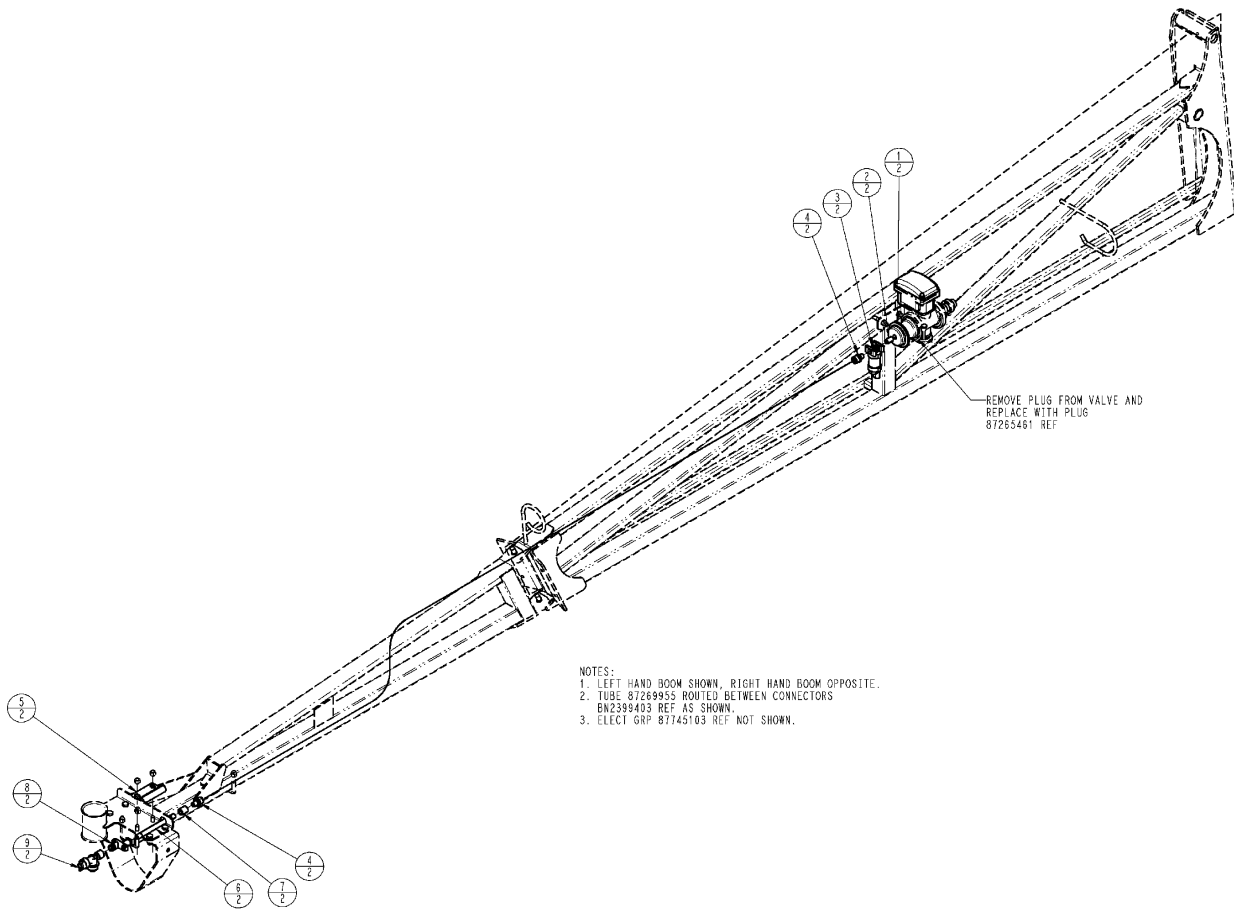


NOZZLE GROUP, RIGHT BOOM, 90', FENCE ROW

REF	FN	PART NUMBER	YR/SN	QTY	DESCRIPTION
1		BN2399412		1	CONNECTOR, HYD., MC38038
2		BN2399403		3	CONNECTOR, MC38014
3		343778A1		1	SOLENOID, 1/4 NPT
4		BN50759		1	NUT, 3/8-16, NLN, SS
5		BN50146		1	WASHER, 3/8", Flat, SS
6		515-23365		1	CLAMP, 1 7/16", Insul, 3/8" Bolt
7		BN50272		1	BOLT, 3/8-16 X 2.75, HH, SS
8		86986105		1	CLAMP, PLATE, NOZZLE
9		BN73015		1	COUPLING, 1/4" NPT SS Full
10		BN313361		1	NIPPLE, LUBE, 1/4" NPT x 6mm SS, 1/4" NPT, X 6.0 SS
11		BN313256		1	NOZZLE INJECTION, W/SWIVEL
12		BN313255		1	NOZZLE INJECTION, W/CHECK VALVE
13		BN322073		1	TUBE, BLACK, 3/8 X 36"
14		BN313230		1	TUBE, BLACK, 3/8 X 220
15		86986808		1	NIPPLE, LUBE, .25 X SHORT, PP
16		87565152		1	STRAINER, ELEMENT, .50 FP, 50 MESH, PP
	1	87577399		1	SCREEN, 50 MESH, SS
	2	87577400		1	STRAINER, ELEMENT, HEAD, .50MP
	3	87577401		1	SUCTION BOWL, MINI, BLK
	4	{87577402}		1	VITON
17		BN304521		2	REDUCER, .50 MP .25 FP, PP
18		BN300892		1	TUBE, SPACER, 3/8 BOLT

- (1) SERVICE PARTS FOR ITEM #16
- (2) SERVICE PARTS FOR ITEM #16
- (3) SERVICE PARTS FOR ITEM #16
- (4) SERVICE PARTS FOR ITEM #16

NOZZLE, FENCE ROW, 90', LO-FLOW

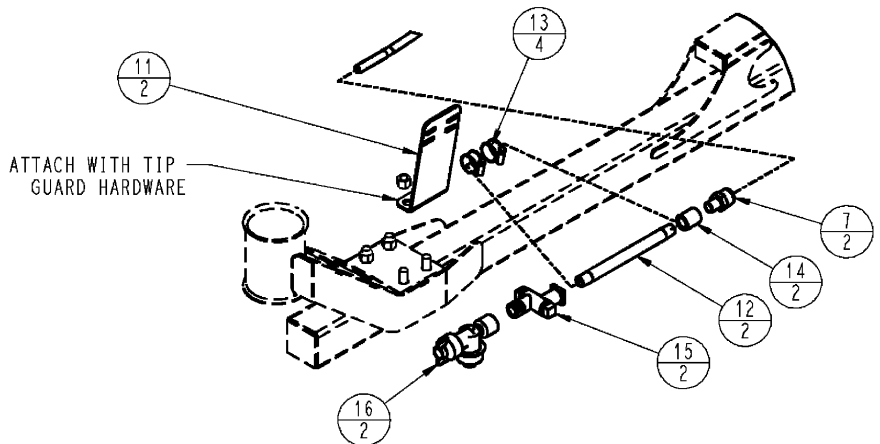
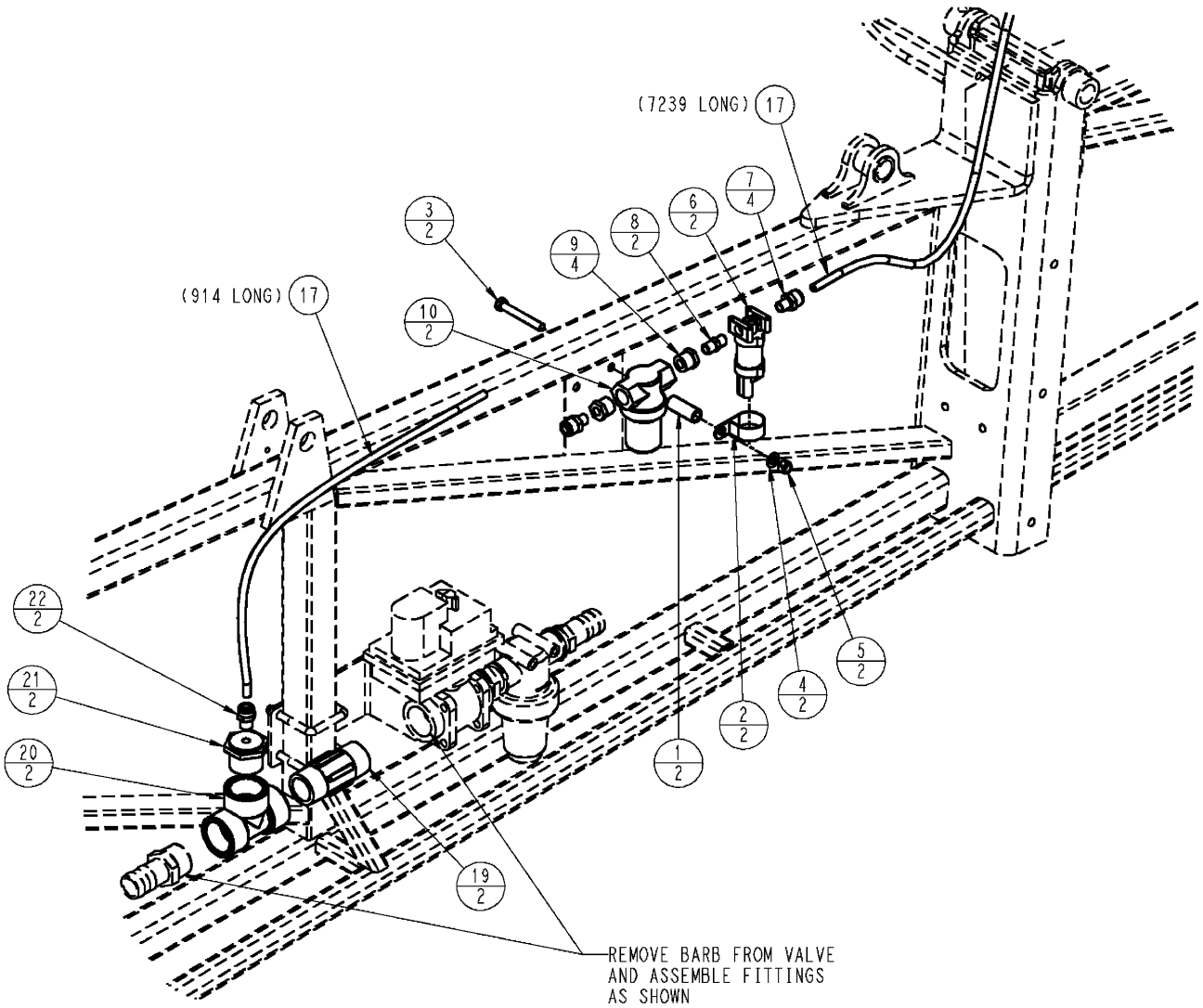


NOZZLE, FENCE ROW, 90', LO-FLOW

REF	FN	PART NUMBER	YR/SN	QTY	DESCRIPTION
1		87265461		2	PLUG, 2 FLG X 1/4 FP
2		BN1420036		2	NIPPLE, LUBE, 1/4 CLOSE SS
3		343778A1		2	SOLENOID, VALVE, 1/4 NPT
4		BN2399403		4	CONNECTOR, TUBE MC38014
5		86986105		2	CLAMP, PLATE, NOZZLE
6		BN313361		2	NIPPLE, LUBE, 1/4" NPT x 6mm SS, 1/4" NPT X 6.0SS
7		BN73015		2	COUPLING, 1/4" NPT SS Full
8		BN313256		2	NOZZLE INJECTION, W/SWIVEL
9		BN313255		2	NOZZLE INJECTION, W/CHECK VALVE
10		{87745103}		1	ELECT GRP, FENCE ROW SEE FIG 12-055
11		87269955		2	TUBE, 3/8 X 122, SYN BLK

	3330
--	-------------

FENCE ROW GROUP, 100' AND 120' BOOM



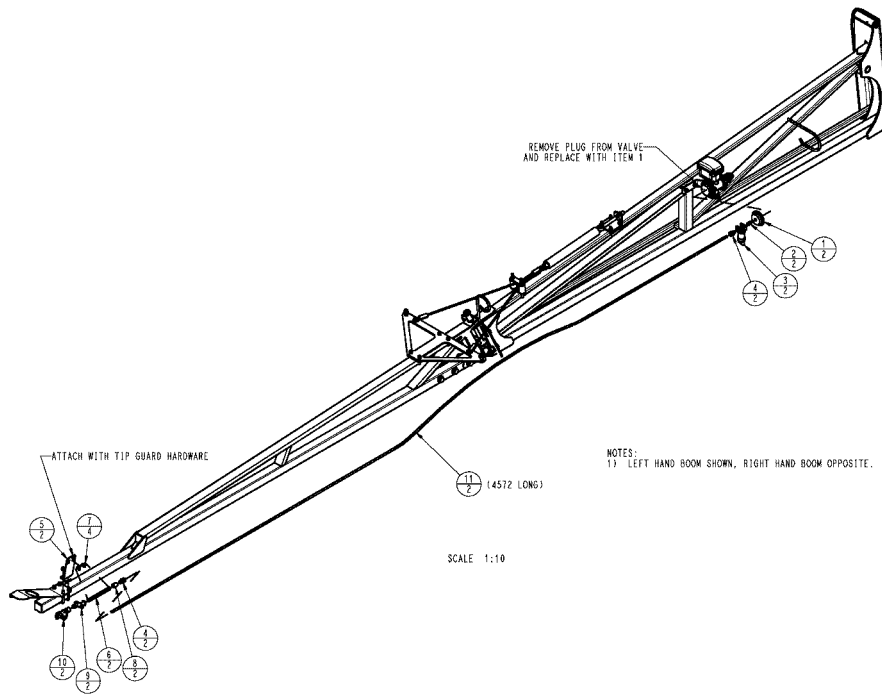
FENCE ROW GROUP, 100' AND 120' BOOM

REF	FN	PART NUMBER	YR/SN	QTY	DESCRIPTION
1		BN300892		2	TUBE, SPACER, 3/8 BOLT
2		515-23365		2	CLAMP, 1 7/16", Insul, 3/8" Bolt
3		BN50272		2	BOLT, 3/8-16 X 2.75, HH, SS
4		BN50146		2	WASHER, 3/8", Flat, SS
5		BN50759		2	NUT, 3/8-16, NLN, SS
6		343778A1		2	SOLENOID, 1/4" NPT
7		BN2399403		6	CONNECTOR, TUBE, MC38014
8		86986808		2	NIPPLE, LUBE, NIP, .25 X SHORT, PP
9		BN304521		4	REDUCER, .50 MP .25 FP, PP
10		87565152		2	STRAINER, ELEMENT, .5FP, 50 MESH, PP
	1	87577399		1	SCREEN, 50 MESH, SS
	2	87577400		1	STRAINER, ELEMENT, HEAD, .50MP
	3	87577401		1	SUCTION BOWL, MINI, BLK
	4	{87577402}		1	VITON
11		87380590		2	PLATE, MOUNTING, FENCE ROW
12		BN313361		2	NIPPLE, LUBE, 1/4" NPT x 6mm SS, 1/4" NPT, SS FULL
13		BN324022		4	CLAMP, HOSE, 8, 304 SS
14		BN73015		2	COUPLING, 1/4" NPT SS Full
15		BN313256		2	NOZZLE INJECTION, W/SWIVEL
16		BN313255		2	NOZZLE INJECTION, W/CHECK VALVE
17		BN2292088		AR	TUBE, AIR INTAKE, 3/8 BLACK
18		{84146852}		1	ELECT GRP, FENCE ROW SEE FIG 12-055
19		BN323762		2	NIPPLE, 1.25 x 4", Poly
20		BN73662		2	TEE, 1.25FP,PP
21		BN320968		2	PLUG, RDCR,1.25MP.38FP,PP
22		BN2399412		2	CONNECTOR, HYD., TUBE MC38038
<p>(1) SERVICE PARTS FOR ITEM #10 (2) SERVICE PARTS FOR ITEM #10 (3) SERVICE PARTS FOR ITEM #10 (4) SERVICE PARTS FOR ITEM #10</p>					

11

	3330
--	-------------

FENCE ROW GROUP, LO-FLOW, 100' AND 120' BOOM

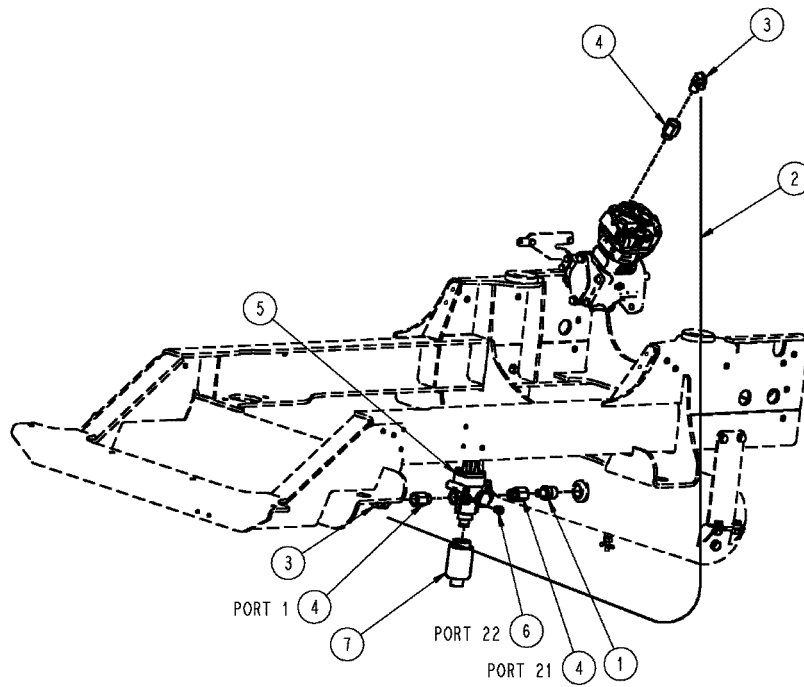


FENCE ROW GROUP, LO-FLOW, 100' AND 120' BOOM

REF	FN	PART NUMBER	YR/SN	QTY	DESCRIPTION
1		87265461		2	PLUG, TUBE, SPACER, 3/8 BOLT
2		BN1420036		2	NIPPLE, LUBE, STRNR, .50FP, 40 MESH, T, PP
3		343778A1		2	SOLENOID, 1/4" NPT
4		BN2399403		4	CONNECTOR, MC38014
5		87380590		2	PLATE, MOUNTING, NOZZLE, FENCE ROW
6		BN313361		2	NIPPLE, LUBE, 1/4" NPT x 6mm SS, 1/4" NPT X 6.0SS
7		BN324022		4	CLAMP, HOSE, 8,304,SS
8		BN73015		2	COUPLING, 1/4" NPT SS Full
9		BN313256		2	NOZZLE INJECTION, W/SWIVEL
10		BN313255		2	NOZZLE INJECTION, W/CHECK VALVE
11		BN2292088		30	TUBE, AIR INTAKE, 3/8 BLACK
12		{84146852}		1	ELECT GRP, FENCE ROW SEE FIG. 12-055

	3330
--	-------------

AIR TANK SUPPLY LINE GROUP

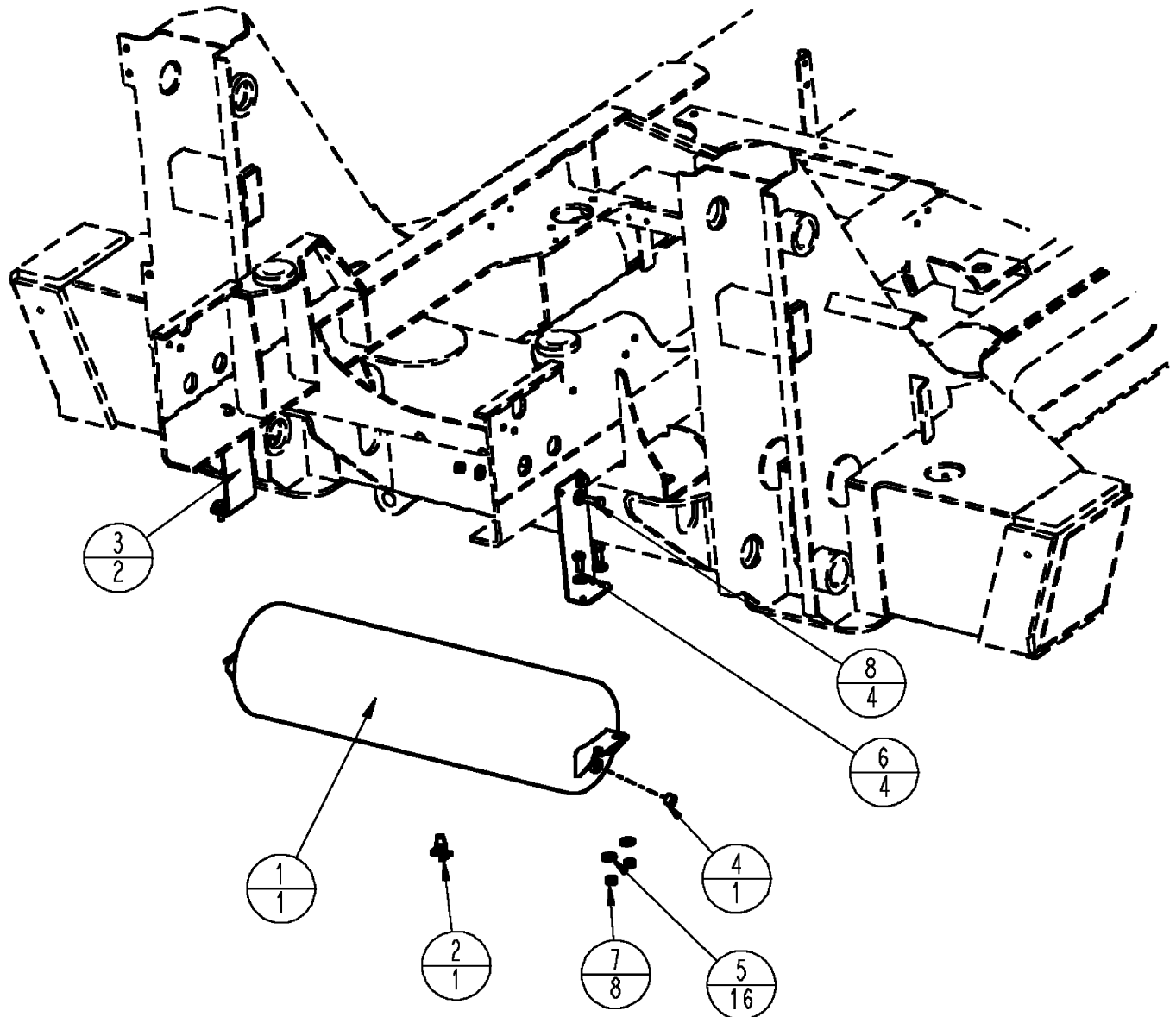


AIR TANK SUPPLY LINE GROUP

REF	FN	PART NUMBER	YR/SN	QTY	DESCRIPTION
1		BN51525		1	FITTING, CPL, 3/4 NPTF X 1/2 NPTF, ML
2		BN314858		1	HOSE, 10 X 50"
3		BN318668		2	FITTING, 8MP 10 MJ 90
4		87271484		3	FITTING, M22 X 1/2 NPTF
5		87272409		1	VALVE, HYDRAULIC, AIR, COMP UNLOADER
6		87272532		1	PLUG, M12 X 1.5, HOLLOW HEX
7		87590733		1	MUFFLER, AIR UNLOAD, VLV

	3330
--	-------------

AIR TANK GROUP

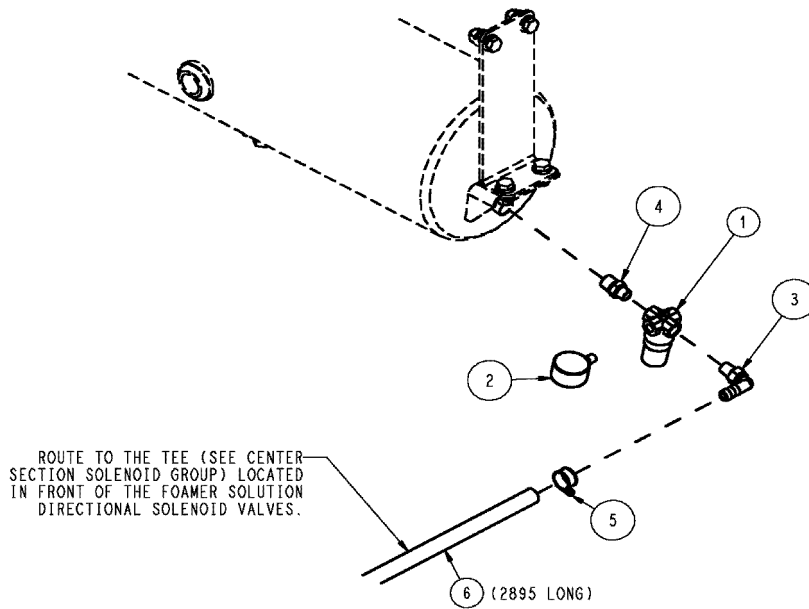


AIR TANK GROUP					
-----------------------	--	--	--	--	--

REF	FN	PART NUMBER	YR/SN	QTY	DESCRIPTION
1		BN316553		1	TANK, AIR, 8" DIA X 32"
2		217-92		1	COCK, DRAIN, 1/4 NPTF, DRAIN (NH)
3		87268119		2	BRACKET, SUPPORTING, AIR TANK
4		BN92391		1	PLUG, PIPE, 3/8" SOCKET HD
5		87529312		16	WASHER, 11 X 24 X 3MM HDN DOR
6		86980400		4	BOLT, Hex, M10 x 25, 8.8
7		86980515		8	NUT, LOCK, M10 x 1.5, CI 8
8		86980401		4	BOLT, M10 1.5 X 30, HH, 8.8, DO

	3330
--	-------------

FOAMER REGULATOR, PLUMBING



ROUTE TO THE TEE (SEE CENTER SECTION SOLENOID GROUP) LOCATED IN FRONT OF THE FOAMER SOLUTION DIRECTIONAL SOLENOID VALVES.

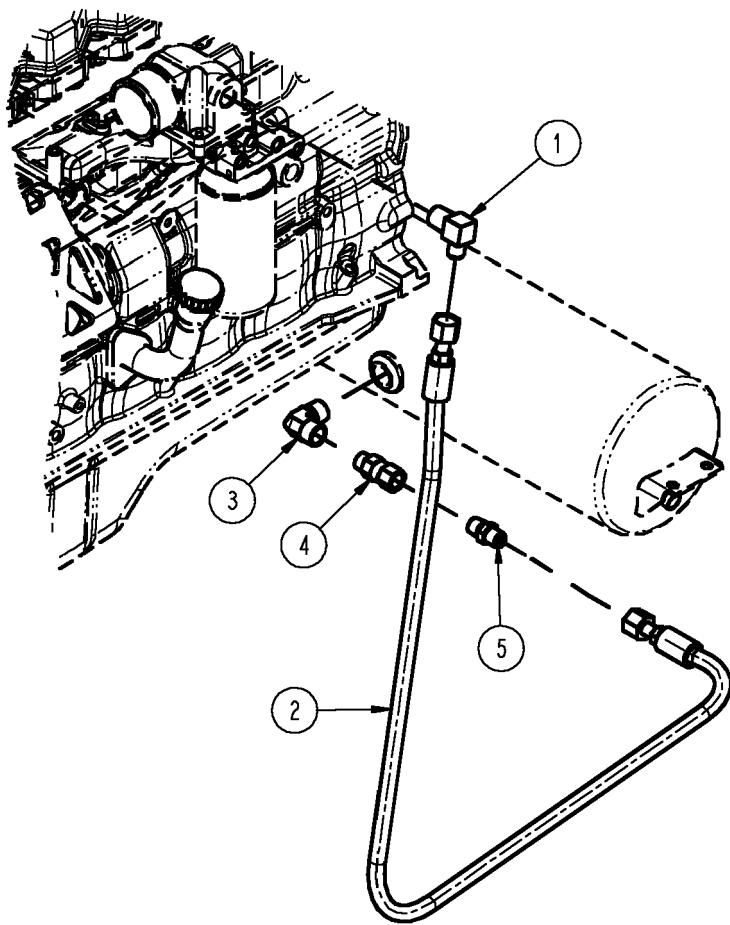
NOTE FLOW ARROW ON REGULATOR OUTLET PORT

FOAMER REGULATOR, PLUMBING

REF	FN	PART NUMBER	YR/SN	QTY	DESCRIPTION
1		87388151		1	REGULATOR, AIR PRESSURE
2		86986803		1	GAUGE, 0 - 30 PSI, 1/8" NPT
3		87265091		1	FITTING, 90, .25MP .50 HB, PE
4		BN324303		1	NIPPLE, LUBE, RED, 3/8 X 1/4 NPT, SS
5		BN324022		2	CLAMP, HOSE, #8, 304 SS
6		BN54239		AR	HOSE, BLK, 1/2 EPDM, DISCHA

	3330
--	-------------

TURBO FOAMER TANK GROUP

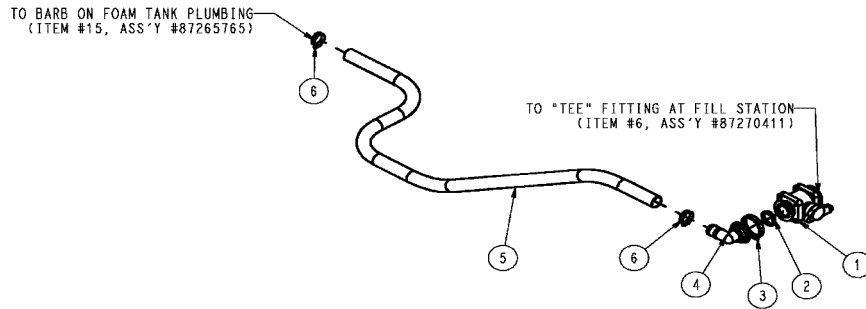


TURBO FOAMER TANK GROUP

REF	FN	PART NUMBER	YR/SN	QTY	DESCRIPTION
1		BN2390664		1	FITTING, 2024 12 10
2		87271679		1	HOSE, 6 X 72", HI TEMP
3		BN319011		1	FITTING, 12M 8F 90 DEG
4		BN2295247		1	VALVE, CHECK, AIR #5003980
5		BN316060		1	FITTING, 10MJ 8MP

	3330
--	-------------

FOAMER STATION GROUP

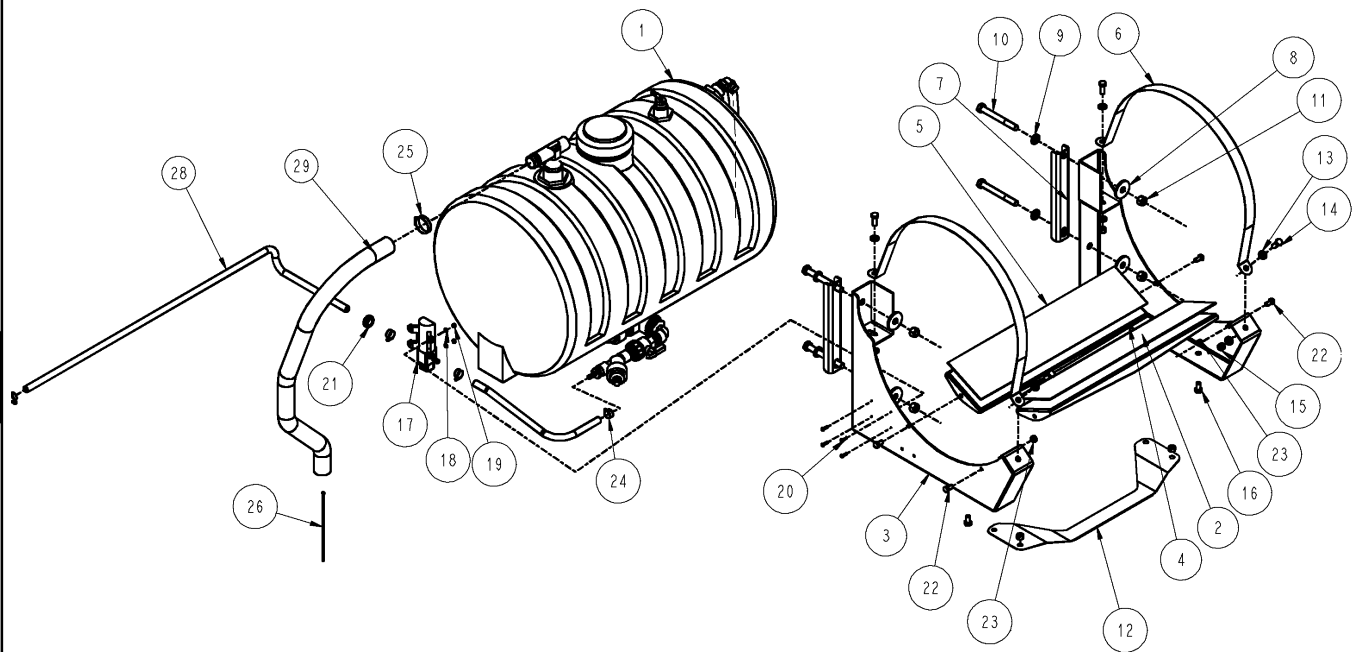


FOAMER STATION GROUP

REF	FN	PART NUMBER	YR/SN	QTY	DESCRIPTION
1		BN304328		1	VALVE, BALL, 2.0 FLB, W/T-HNDL
2		BN303204		1	GASKET, 2.0 FLB, EPDM
3		BN303199		1	CLAMP, 2 FLB, STD
4		BN304321		1	ELBOW, 90, 2.0 FLB, 1.5 HB, PP
5		BN53842		7	HOSE, FLEXIBLE, BLK, 1.5" EPDM, DISCHAR
6		BN320156		2	CLAMP, HOSE, #24, 304 SS

	3330
--	-------------

FOAMER TANK GROUP

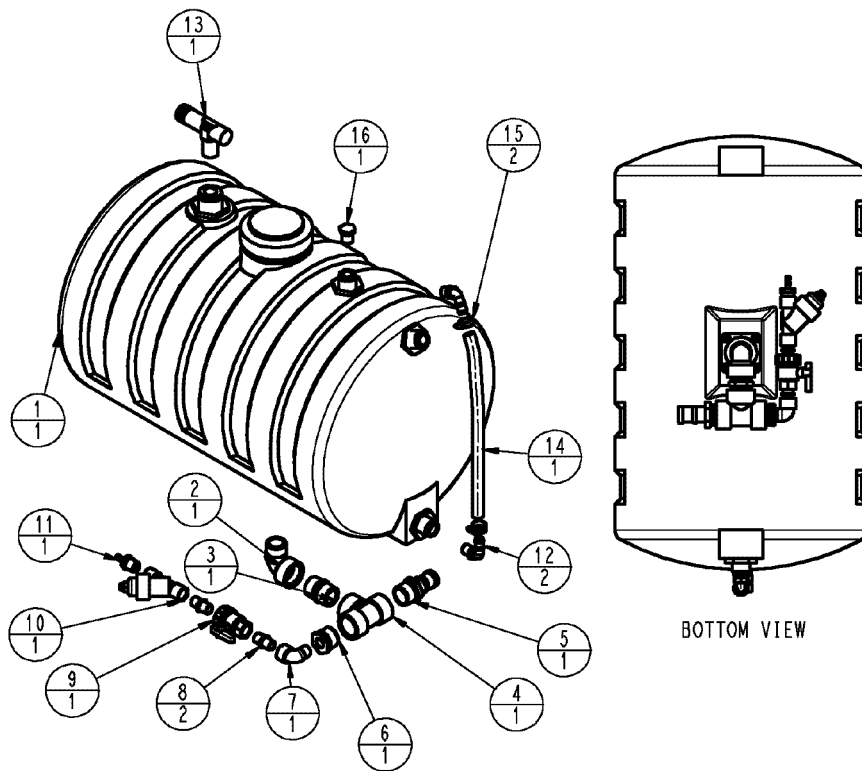


FOAMER TANK GROUP

REF	FN	PART NUMBER	YR/SN	QTY	DESCRIPTION
1		{87522843}		1	FOAM, PLUMBING, SEE FIG. 011-018
2		87270466		1	CRADLE, FOAMER, FRONT
3		87270467		1	CRADLE, FOAMER, REAR
4		87265766		2	SUPPORT, FOAM TANK
5		87265767		2	STRIP, RUBBER, MAST, 3 X 152 X 694
6		87270468		2	STRAP, TANK, 55 GAL.
7		87269940		2	PLATE, MOUNT, SUPPORT
8		87529305		4	WASHER, 17.5 X 56 X 5MM CS
9		87529306		4	WASHER, 17.5 X 30 X 4MM HD
10		87341861		4	BOLT, M16 X 140 10.9
11		86980517		4	NUT, M16 CL8 P/T, ALL META
12		87265768		1	SUPPORT, PLBG, FOAM TANK
13		86981496		8	WASHER, M13.5 x 24.5 x 3, HT
14		86980420		4	BOLT, M12 1.75 X 30, HH, 8.8, D
15		86980516		6	NUT, P/T, ALL MTL, M12 8 DO
16		86980418		2	BOLT, M12 1.75 X 20, HH, 8.8, D
17		87727677		1	PUMP, DIAPH, 1 GPM
18		BN310265		4	WASHER, 10, FW, SS
19		BN310266		4	NUT, 10-24, NLN, SS
20		BN311631		4	BOLT, 10-24 X .75, BSH, SS
21		248-2178		1	GROMMET, 3/4" ID x 1 1/16" Groove Dia, 3/4 ID, RUBBER
22		86980399		4	BOLT
23		86980515		4	NUT, LOCK, M10 x 1.5, CI 8
24		BN324022		4	CLAMP, HOSE, #8, 304 SS
25		BN310448		1	CLAMP, HOSE, #28, 304 SS
26		BN309265		1	CABLE, TIE
27		BN75913		AR	TUBE, 3/8 EVA
28		BN309785		AR	HOSE, KANAFLEX, 390 SD, 1.5

3330

FOAMER TANK PLUMBING GROUP

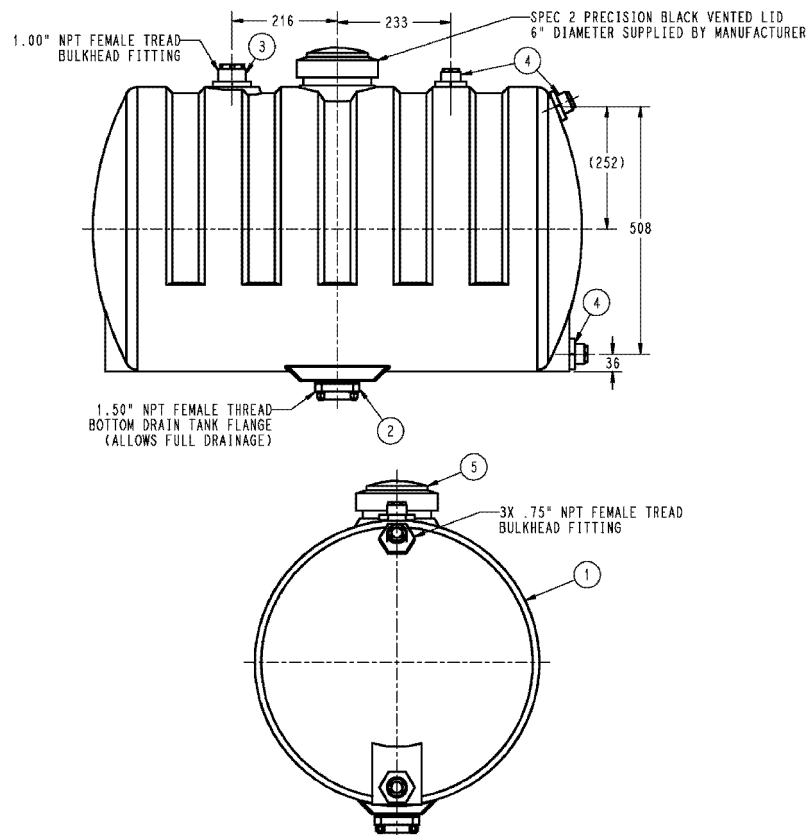


FOAMER TANK PLUMBING GROUP

REF	FN	PART NUMBER	YR/SN	QTY	DESCRIPTION
1		87270475		1	TANK, 55 GA, W/ FITTINGS, SEE FIG. 11-019
2		BN73730		1	ELBOW, 90, 1.5 MP 1.5 FP, PP
3		BN73715		1	NIPPLE, 1.5" Short Poly
4		BN73714		1	TEE, 1.5 FP, PP
5		BN73725		1	FITTING, STR, 1.5 MP 1.5 HB, PP
6		BN73716		1	BUSHING, 1.5 x .75 Reducer, FP, PP
7		BN73566		1	ELBOW, 90, .75 MP .75 FP, PP
8		BN73565		2	NIPPLE, 3/4" Short Pipe, Poly
9		BN324588		1	VALVE, BALL, .75 FP, UNION, PP
10		BN324892		1	FILTER, STRAINER, 3/4" FP, 40 MESH, Y, PP
11		343436A1		1	FITTING, STR, .75 MP .38 HB, PP
12		BN73562		2	ELBOW, Barb, 3/4 NPT x 3/4 HS, 90°, PP
13		BN2390521		1	FITTING, 90, 1.0 MP 1.5 HB, PP
14		BN319020		1	HOSE, CLEAR VNYL, 3/4" X 21
15		BN310446		2	CLAMP, HOSE, #12, 304 SS
16		87265956		1	FITTING, 90, 75 MP, .38 HB

	3330
--	-------------

TANK 55 GALLON W/FITTINGS

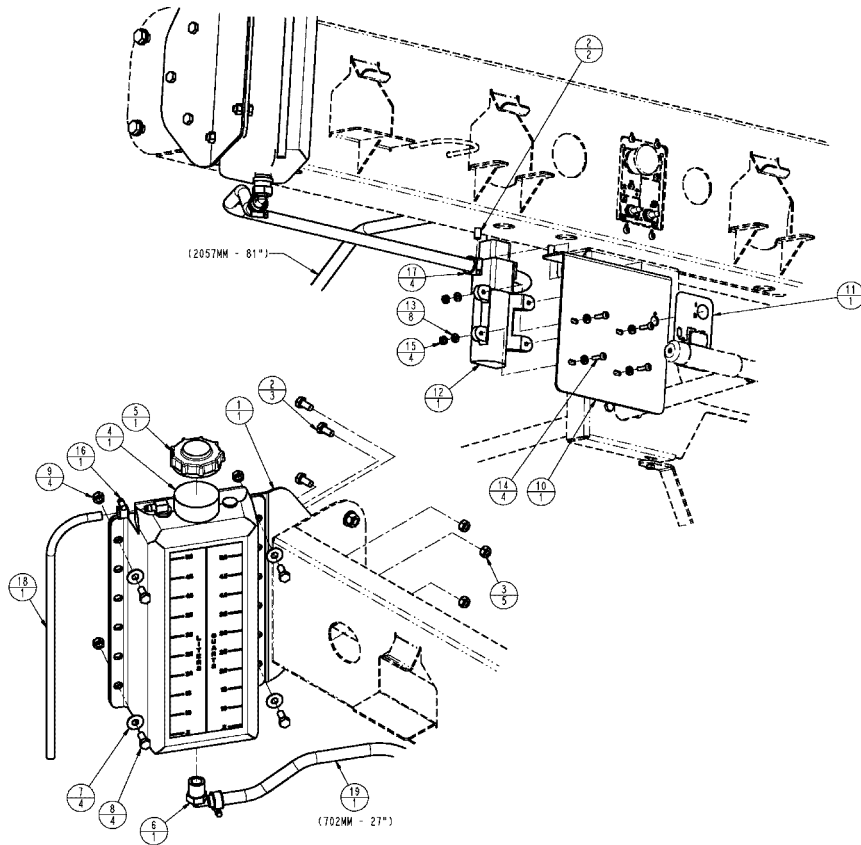


TANK 55 GALLON W/FITTINGS

REF	FN	PART NUMBER	YR/SN	QTY	DESCRIPTION
1		{343430A1}		1	55 GAL, BLANK CRM
2		87265596		1	BULKHEAD, 1.50 FP, BOT DRN, PP
3		BN2403685		1	BULKHEAD, 1.0 FP, 2.25 HOLE
4		BN311041		3	FITTING, BLKHD, .75 FP, 1.63 HOLE
5		BN314276		1	COVER, 6.00, W/BREATHER

	3330
--	-------------

FOAMER, TRANSFER PUMP GROUP

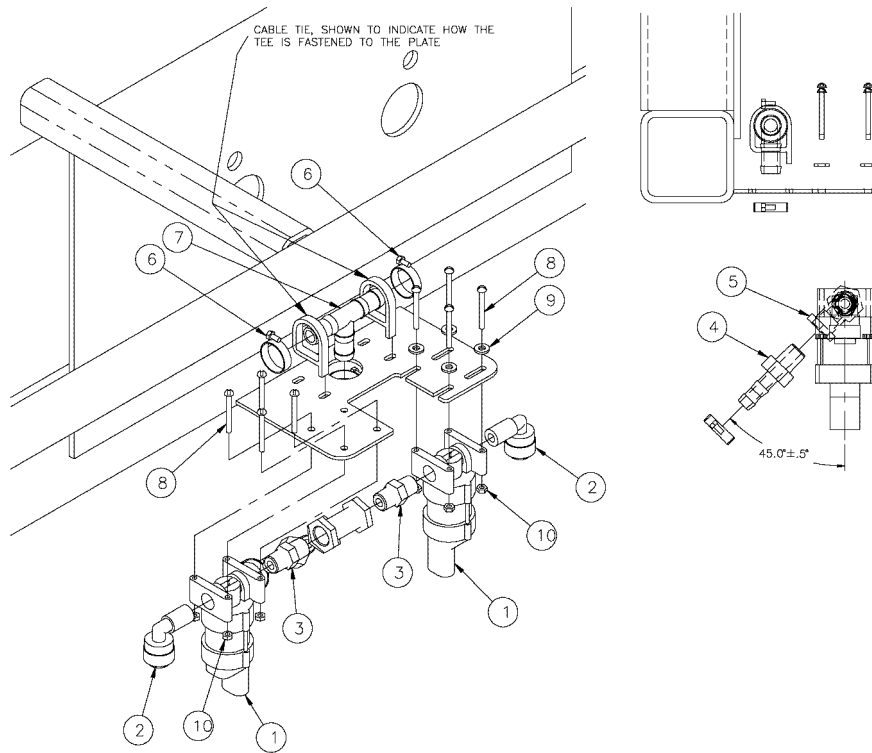


FOAMER, TRANSFER PUMP GROUP

REF	FN	PART NUMBER	YR/SN	QTY	DESCRIPTION
1		87588656		1	PLATE, BASE, CONCENTRATE, TANK
2		86980378		5	BOLT, M8 1.25 X 16, HH, 8.8, DO
3		86980514		5	NUT, P/T, ALL MTL, M8 8 DOR
4		{322944}		1	POLY, NATURAL
5		1547924C1		1	CAP, COOLANT, RECOV'Y BOTL
6		BN325981		1	ELBOW, Hosebarb, 1/2 MPT x 3/8 90, PP
7		BN50142		4	WASHER, 5/16, FW, SS
8		BN50476		4	BOLT, 5/16, 18 X .75, HH, SS
9		55361		4	NUT, 5/16, 18, NLN, SS
10		87588655		1	PLATE, BASE, TRANSFER AND SWITCH
11		87271976		1	DECAL, TRANSFER PUMP
12		87727677		1	PUMP, DIAPH, 1 GPM
13		{310265}		8	10, FW, SS
14		311631		4	BOLT, 10-24 X .75, BSH, SS
15		310266		4	NUT, 10-24, NLN, SS
16		{310450}		1	#3, 304 SS
17		{324022}		4	HOSE, #8, 304 SS
18		72041		AR	No Description/Retired, HOSE, EPDM, 1/4" ID
19		75913		9	SCREW, TUBING, 3/8 EVA

	3330
--	-------------

SOLENOID GROUP, CENTER SECTION

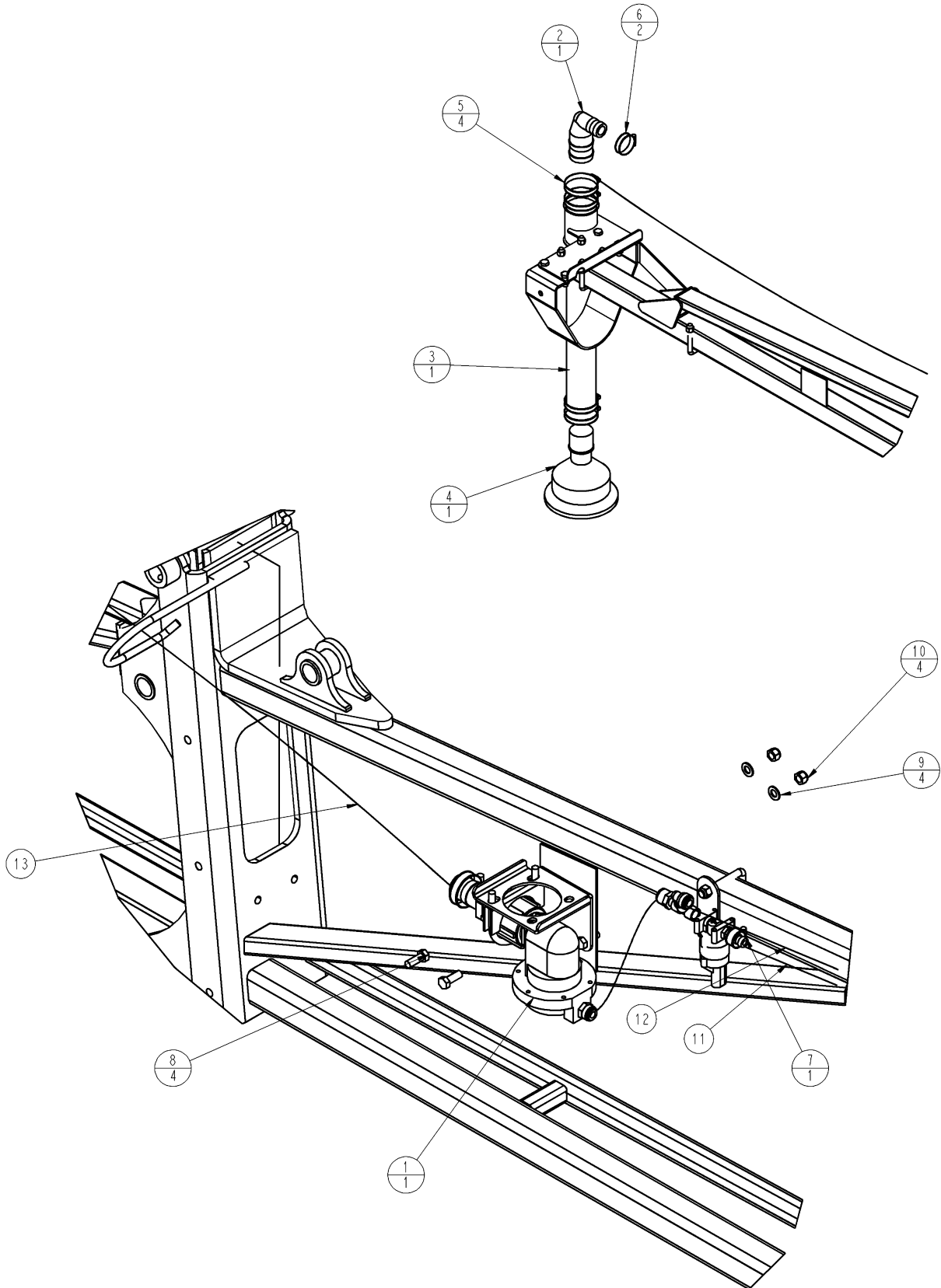


SOLENOID GROUP, CENTER SECTION

REF	FN	PART NUMBER	YR/SN	QTY	DESCRIPTION
1		BN307938		2	VALVE, 1/4 NPT
2		BN2399411		2	CONNECTOR, TUBE, ME380140
3		86986808		2	NIPPLE, LUBE, 1/4" SHORT, POLY
4		86986810		1	FITTING, HOSE, BARB, 3/8" X 1/4" NPT
5		86986807		1	TEE, 1/4" POLY
6		BN324022		4	CLAMP, HOSE, #8, 304 SS
7		BN324009		1	TEE, ALL 1/2" HB, POLY
8		BN317051		8	BOLT, 6-32 X 1.25"
9		87529123		4	WASHER, 0.156 X 0.375 X 0.049 CST DOR
10		BN317053		8	NUT, 6-32, NYLON LOCK

	3330
--	-------------

FOAMER DROP GROUP,LH



FOAMER DROP GROUP,LH

REF	FN	PART NUMBER	YR/SN	QTY	DESCRIPTION
1		{87711942}		1	CHAMBER GRP, LH FOAM MIX, SEE FIG 11-026
2		BN310939		1	ELBOW, 90, 2.0MP1.25HB, PP
3		87266611		1	HOSE, FOAM DROP, 2 X 16
4		BN2403252		1	BELL, ASSY FOAM MARKER
5		BN310449		4	CLAMP, HOSE, #32, 304 SS
6		BN320156		2	CLAMP, HOSE, 24, 304 SS
7		BN324022		1	CLAMP, HOSE, 8, 304 SS
8		BN50254		4	BOLT, 3/8-16 X 1, HH, SS
9		BN50146		4	WASHER, 3/8", Flat, SS
10		BN50759		4	NUT, 3/8-16, NLN, SS
11		87268240		1	HOSE, 1/2 X 32 EPDM
12		87268239		1	TUBE, SYNDFLEX, 3/8 X 33
13		BN310394		1	HOSE, 1-1/4 SUCTION, OVER

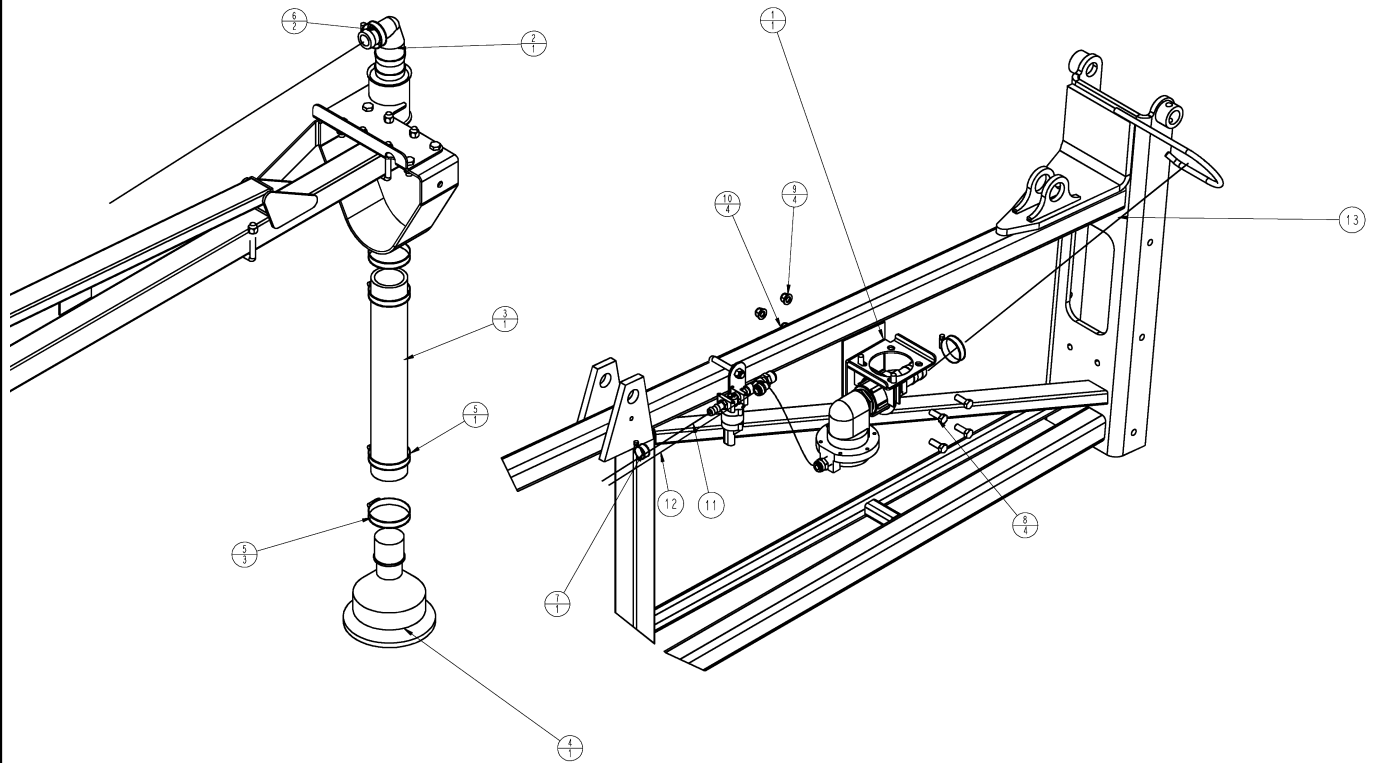
	3330
--	-------------

11-023

p1

11/08

FOAMER DROP GROUP, RH



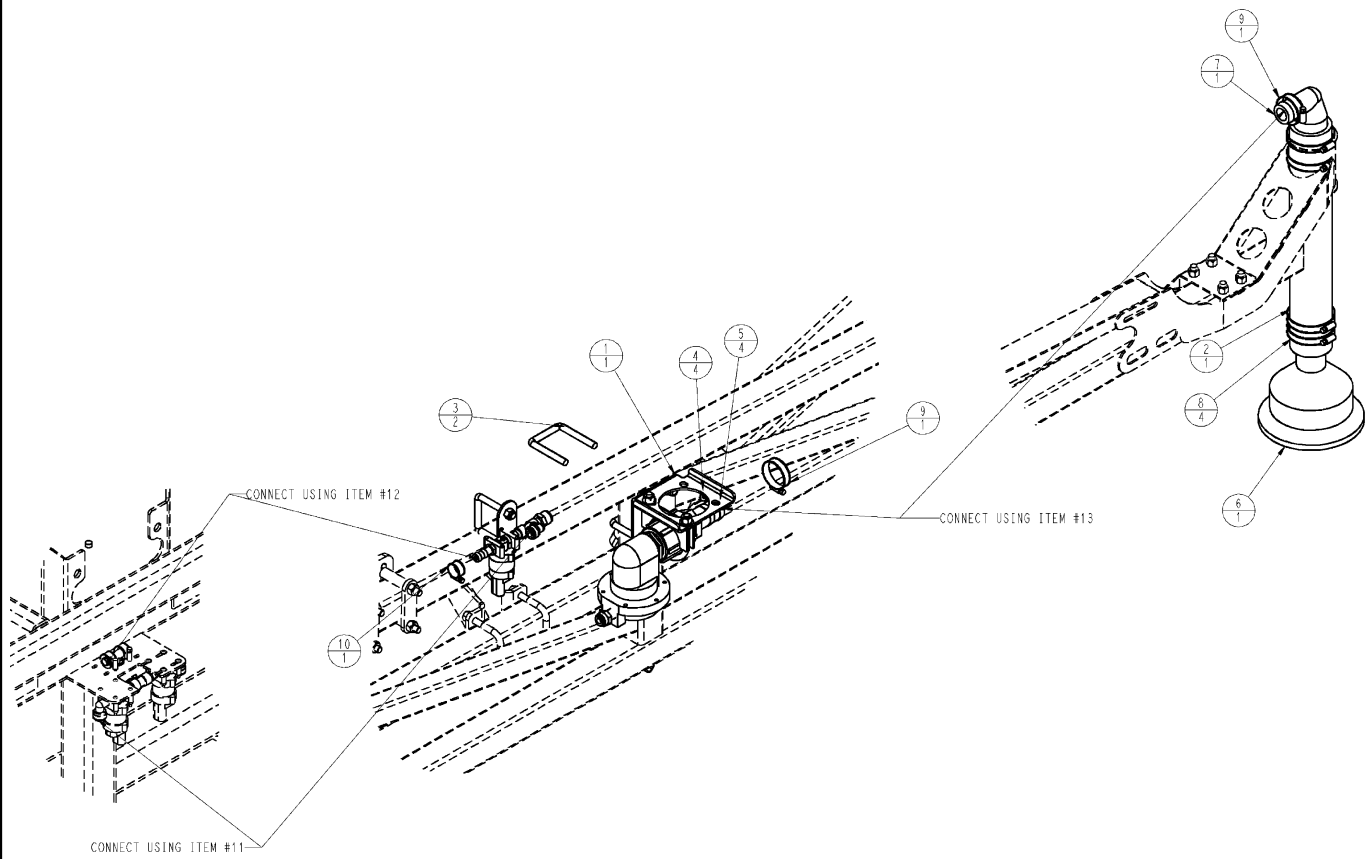
11

FOAMER DROP GROUP, RH

REF	FN	PART NUMBER	YR/SN	QTY	DESCRIPTION
1		{87711941}		1	CHAMBER GRP, RH FOAM MIX, SEE FIG 11-027
2		BN310939		1	ELBOW, HOSE-90DEG,2"X 1.25
3		87266611		1	HOSE, FOAM DROP, 2 X 16
4		BN2403252		1	BELL, ASSY, FOAM MARKER
5		BN310449		4	CLAMP, HOSE,#32,304 SS
6		BN320156		2	CLAMP, HOSE, 24, 304 SS
7		BN324022		1	CLAMP, HOSE, 8, 304 SS
8		BN50254		4	BOLT, 3/8-16X1,HH,SS
9		BN50146		4	WASHER, 3/8", Flat, SS
10		BN50759		4	NUT, 3/8-16,NLN,SS
11		87268240		1	HOSE, SYNDFLEX,3/8 X 33
12		87268239		1	TUBE, 1/2" X 32' EPDM
13		BN310394		1	HOSE, 1-1/4 SUCTION, OVER

	3330
--	-------------

FOAMER DROP GROUP, RIGHT, 120' BOOM

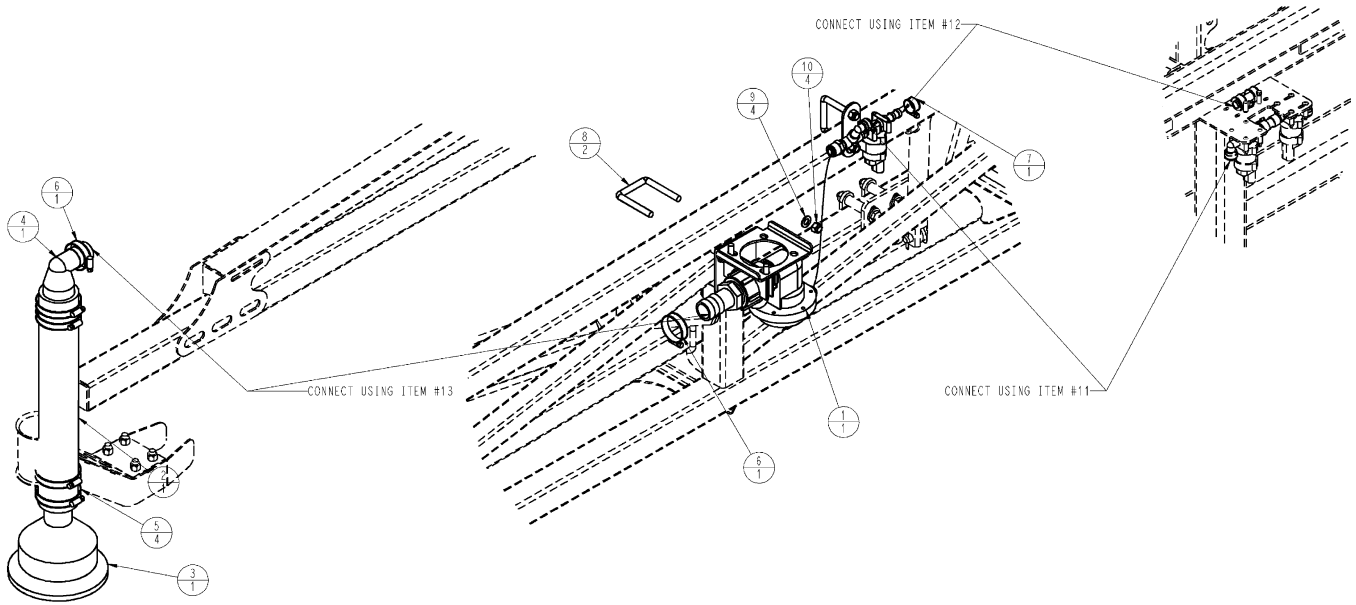


FOAMER DROP GROUP, RIGHT, 120' BOOM

REF	FN	PART NUMBER	YR/SN	QTY	DESCRIPTION
1		{87711941}		1	RH FOAM CHAMBER, SEE FIG. 11-027
2		87266611		1	HOSE, FOAM DROP, 2 X 16
3		BN319919		2	U-BOLT, Sq. Bnd 2.06 ID x 3/8
4		BN50146		4	WASHER, 3/8", Flat, SS
5		BN50759		4	NUT, 3/8-16, NLN, SS EM-620C
6		BN2403252		1	BELL, BELL ASSY, FOAM MARKER
7		BN310939		1	ELBOW, FTG, 90, 2.0MP1.25HB, PP
8		BN310449		4	CLAMP, HOSE, #32, 304 SS
9		BN320156		2	CLAMP, HOSE, #24, 304 SS
10		BN324022		1	CLAMP, HOSE, #8, 304 SS
11		BN2292088		44'	TUBE, AIR INTAKE, 3/8 BLACK
12		BN54239		44'	HOSE, BLK-1/2 EPDM, DISCHA
13		BN310394		AR	HOSE, 1-1/4 SUCTION, OVER, 21.5

	3330
--	-------------

FOAMER DROP GROUP, LEFT, 120' BOOM



11

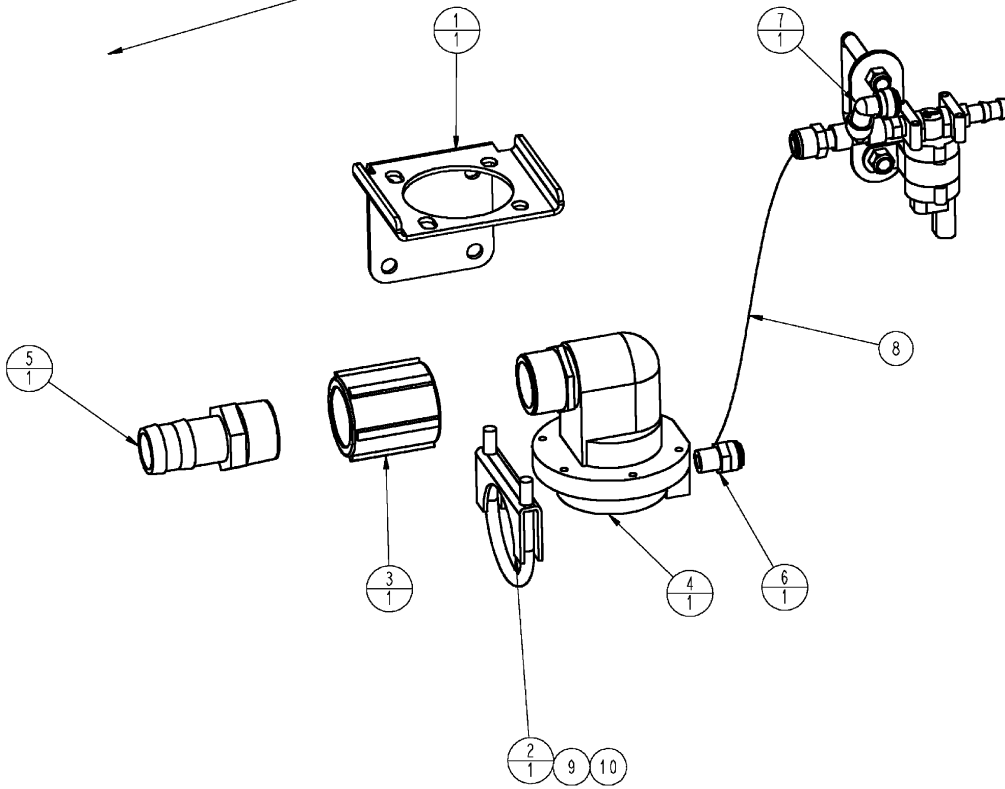
FOAMER DROP GROUP, LEFT, 120' BOOM

REF	FN	PART NUMBER	YR/SN	QTY	DESCRIPTION
1		{87711942}		1	LH FOAM CHAMBER, SEE FIG. 11-026
2		87266611		1	HOSE, FOAM DROP, 2 X 16
3		BN2403252		1	BELL, BELL, FOAM MARKER
4		BN310939		1	ELBOW, FTG, 90, 2.0MP, 1.25HB, PP
5		BN310449		4	CLAMP, HOSE, #32, 304 SS
6		BN320156		2	CLAMP, HOSE, #24, 304 SS
7		BN324022		1	CLAMP, HOSE, #8, 304 SS
8		BN319919		2	U-BOLT, Sq. Bnd 2.06 ID x 3/8
9		BN50146		4	WASHER, 3/8", Flat, SS
10		BN50759		4	NUT, 3/8-16, NLN, SS EM-620C
11		BN2292088		44	TUBE, AIR INTAKE, 3/8 BLACK
12		BN54239		44	HOSE, BLK-1/2 EPDM, DISCHA
13		{BN310094}		AR	1-1/4 SUCTION, OVER, 21.5

3330

CHAMBER GROUP, LH

FLOW DIRECTION



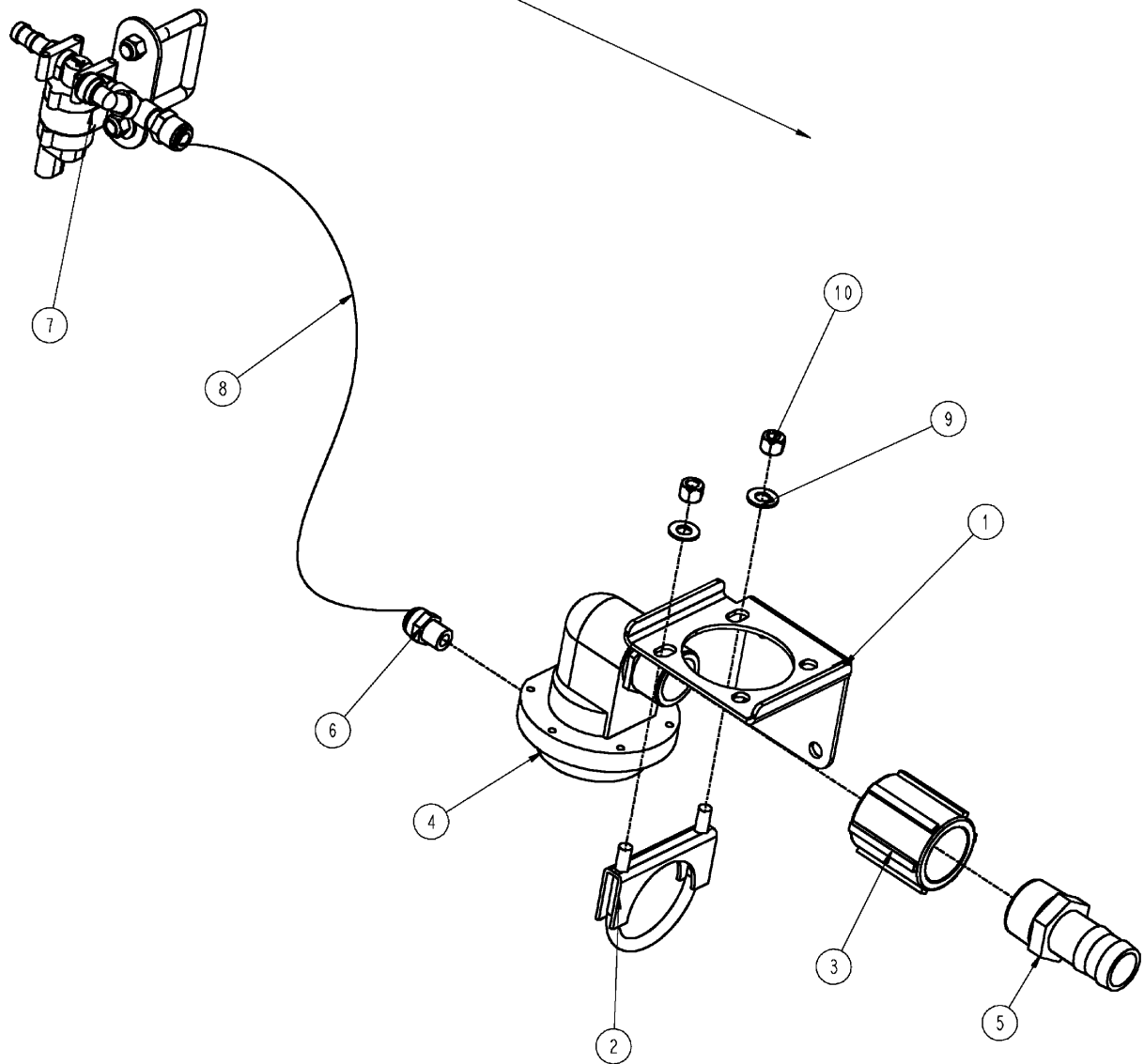
CHAMBER GROUP, LH

REF	FN	PART NUMBER	YR/SN	QTY	DESCRIPTION
1		87266740		1	PLATE, FOAMER CHAMBER
2		BN21276		2	CLAMP, 2.5
3		BN305269		3	COUPLING, 1-1/4"
4		BN307636		4	CHAMBER, MIXING
5		BN73660		5	FITTING, 1.25 MP X 1.25 HB
6		BN2399412		6	CONNECTOR, HYD., TUBE
7		{87666448}		7	VENTURI, LH ASSEMBLY, SEE FIG. 11-072
8		{87269612}		8	3/8" SYNDFLEX
9		87529237		9	WASHER
10		87343970		10	NUT, 3/8

	3330
--	-------------

CHAMBER GROUP, RH

FLOW DIRECTION

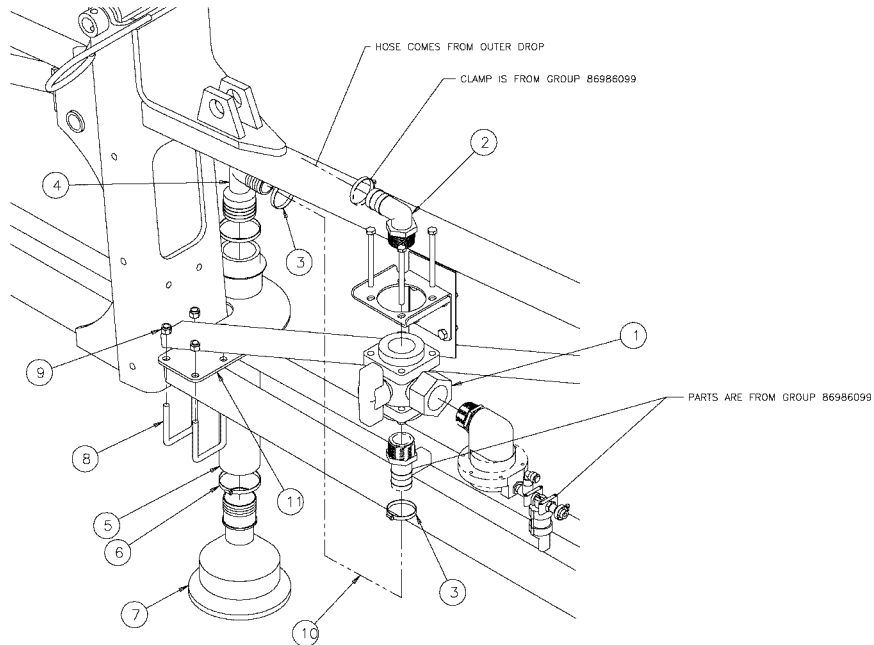


CHAMBER GROUP, RH

REF	FN	PART NUMBER	YR/SN	QTY	DESCRIPTION
1		87266740		1	PLATE, FOAMER CHAMBER
2		BN21276		2	CLAMP, 2.5
3		BN305269		3	COUPLING, 1-1/4"
4		BN307636		4	CHAMBER, MIXING
5		BN73660		5	FITTING, 1.25 MP X 1.25 HB
6		BN2399412		6	CONNECTOR, HYD., TUBE
7		{87663822}		7	VENTURI, RH ASSEMBLY, SEE FIG. 11-071
8		{87269612}		8	3/8" SYNDFLEX
9		87529237		9	WASHER
10		87343970		10	NUT, 3/8

	3330
--	-------------

CHAMBER GROUP, LH DUAL DROP

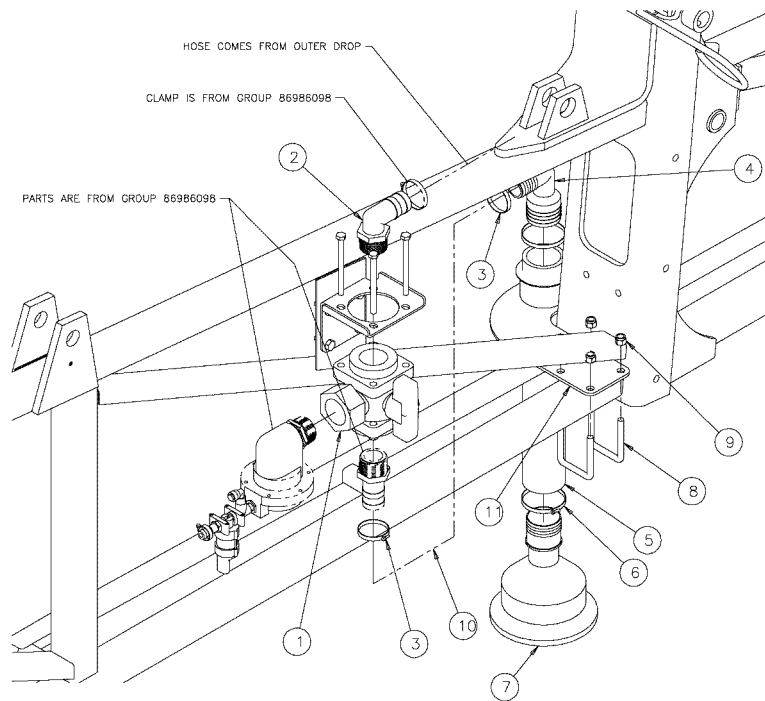


CHAMBER GROUP, LH DUAL DROP

REF	FN	PART NUMBER	YR/SN	QTY	DESCRIPTION
1		BN311011		1	VALVE, 3 WAY, 1-1/4 SL
2		BN73663		1	ELBOW, Barb, 1.25 NPT x 1.25 HS, 90°
3		BN310447		2	CLAMP, HOSE, #20, 304 SS
4		BN310939		1	ELBOW, BARB, HOSE, 90 DEG, 2" X 1.25
5		87266611		1	HOSE, FOAM, DROP, 2" X 16"
6		BN310449		2	CLAMP, HOSE, #32, 304 SS
7		BN2403252		1	BELL, BELL, FOAM MARKER
8		BN319919		2	U-BOLT, Sq. Bnd 2.06 ID x 3/8
9		BN50759		4	NUT, 3/8-16, NLN, SS
10		BN322089		1	HOSE, 1-1/4 X 32", TYPE K
11		BN313193		1	MOUNTING PARTS, W/M, INNER, FOAM TUBE

	3330
--	-------------

CHAMBER GROUP, RH DUAL DROP

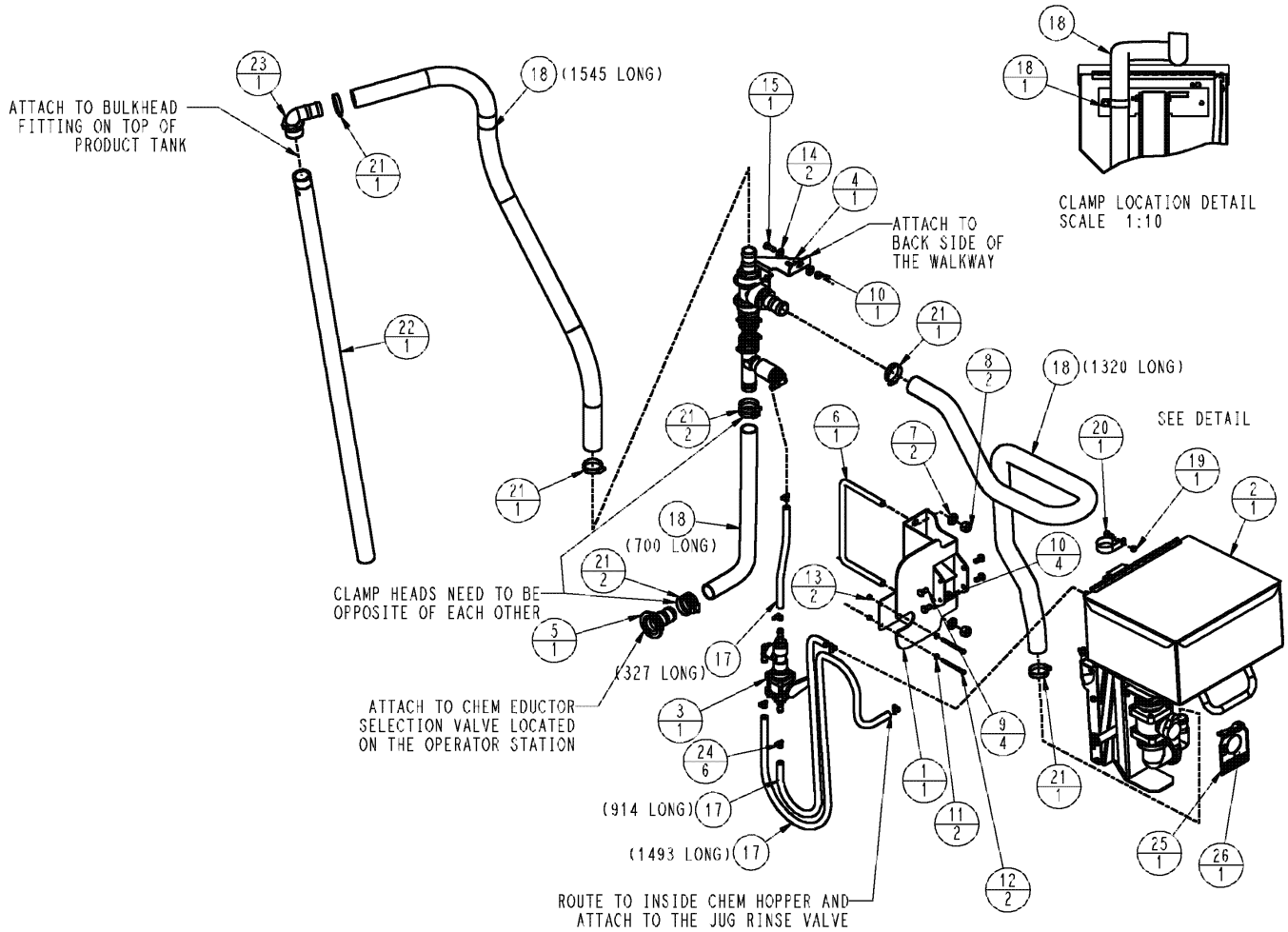


CHAMBER GROUP, RH DUAL DROP

REF	FN	PART NUMBER	YR/SN	QTY	DESCRIPTION
1		BN311011		1	VALVE, 3 WAY, 1-1/4 SL
2		BN73663		1	ELBOW, Barb, 1.25 NPT x 1.25 HS, 90°
3		BN310447		2	CLAMP, HOSE, #20, 304 SS
4		BN310939		1	ELBOW, BARB, HOSE, 90 DEG, 2" X 1.25
5		87266611		1	HOSE, FOAM, DROP, 2" X 16"
6		BN310449		2	CLAMP, HOSE, #32, 304 SS
7		BN2403252		1	BELL, BELL, FOAM MARKER
8		BN319919		2	U-BOLT, Sq. Bnd 2.06 ID x 3/8
9		BN50759		4	NUT, 3/8-16, NLN, SS
10		BN322089		1	HOSE, 1-1/4 X 32", TYPE K
11		BN313193		1	MOUNTING PARTS, W/M, INNER, FOAM TUBE

	3330
--	-------------

CHEMICAL INDUCTOR GROUP

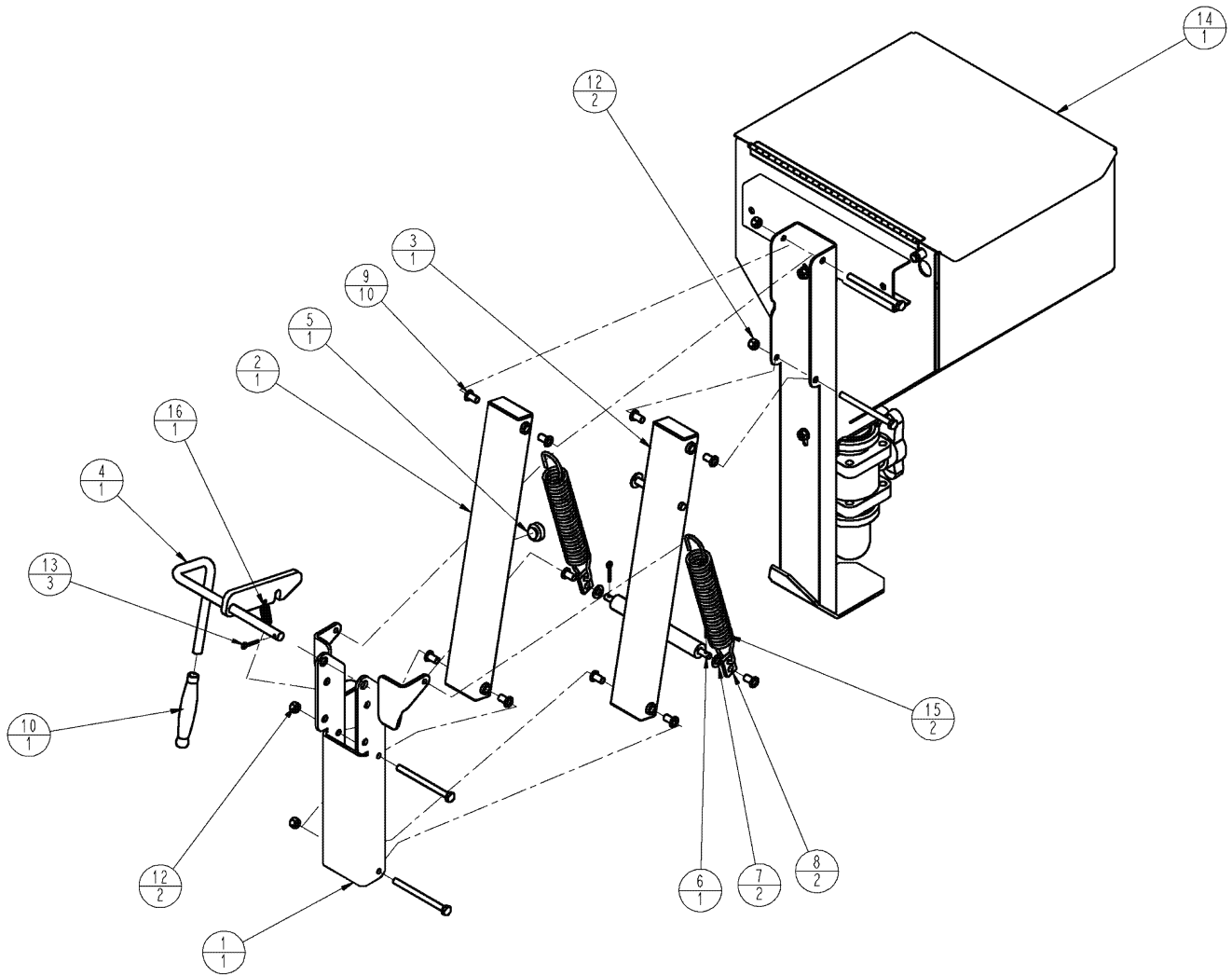


CHEMICAL INDUCTOR GROUP

REF	FN	PART NUMBER	YR/SN	QTY	DESCRIPTION
1		87271073		1	PLATE, MOUNTING, EDUCTOR
2		BN324763		1	TANK, W/LINKAGE CHEM, SEE FIG. 11-031
3		{87271077}		1	SEE FIG. 11-035
4		BN324807		1	KIT, SERVICE, CHEM IND, SEE FIG. 11-033
5		BN306901		1	FITTING, STR, 2.0 FLB 1.5 HB, PP
6		343924A1		1	BOLT, U, M16-2, 150 X 256
7		87529306		2	WASHER, 17.5 X 30 X 4MM HD
8		86980517		2	NUT, M16 CL8 P/T, ALL METAL
9		86980399		4	BOLT, M10 X 20
10		86980515		5	NUT, LOCK, M10 x 1.5, CI 8
11		87529314		2	WASHER, 6.6 X 12.5 X 2MM, HDN, DOR
12		86980369		2	BOLT, M6 1 X 80, HH, 8.8, DOR R
13		86980513		2	NUT, P/T, ALL MTL, M6 8, DOR
14		87529312		2	WASHER, 11 X 24 X 2.5MM Z
15		86980400		1	BOLT, Hex, M10 x 25, 8.8, M10 1.5 X 25, HH, 8.8, DO
16		BN54239		AR	HOSE, BLK, 1/2' X 9' EPDM, DISCHA
17		BN309785		AR	HOSE, KANAFLEX, 390 SD, 1.5" X 13.8'
18		515-23508		1	CLAMP, 2", Insul, 3/8" Bolt, 50.8MM P INSUL
19		86980514		1	NUT, P/T, ALL MT,L M8 8 DO
20		86980379		1	BOLT, M8 1.25 X 20, HH, 8.8, DO
21		BN310448		8	CLAMP, HOSE, #28, 304 SS
22		87272361		1	TUBE, CHEM DROP, POLY
23		BN73723		1	ELBOW, 90°, 1.5MP 1.5HB, PP
24		87487826		6	CLAMP, HOSE, 60.78/0.44 M SST 300
25		BN320997		1	BRACKET, MTG-DECAL
26		343187A1		1	DECAL, CHEMICAL IND

3330

TANK GROUP W/LINKAGE

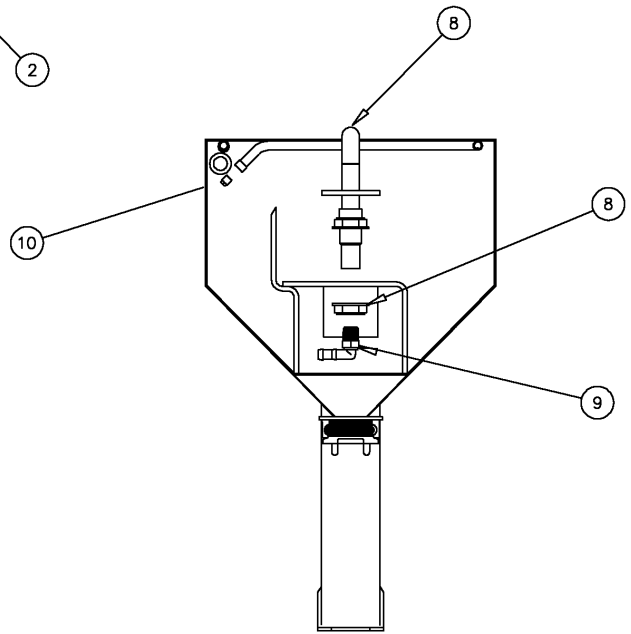
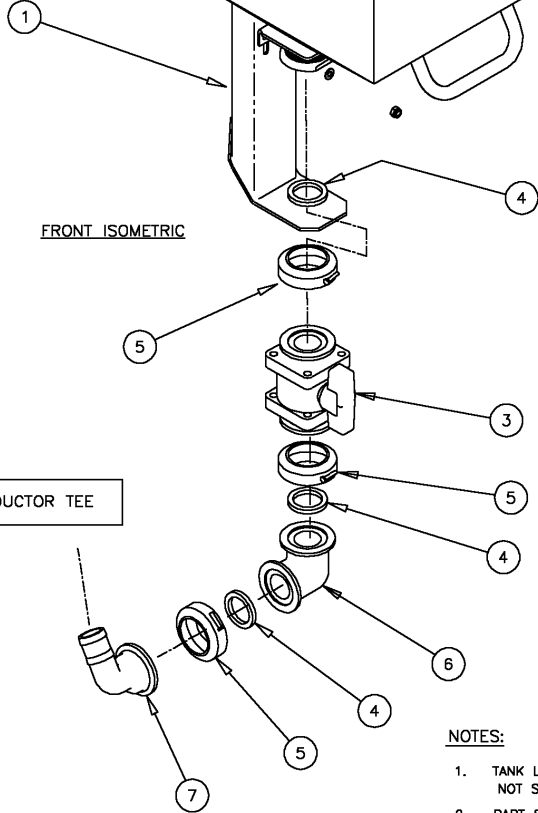
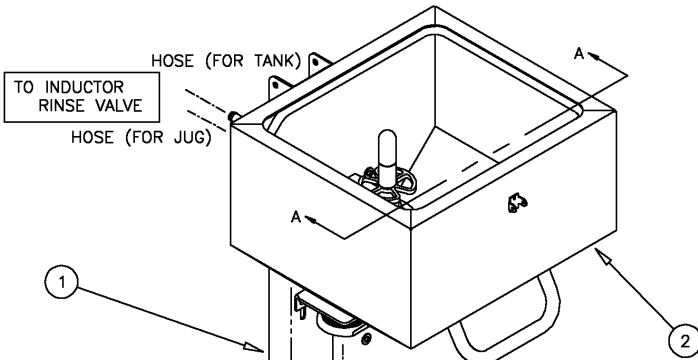
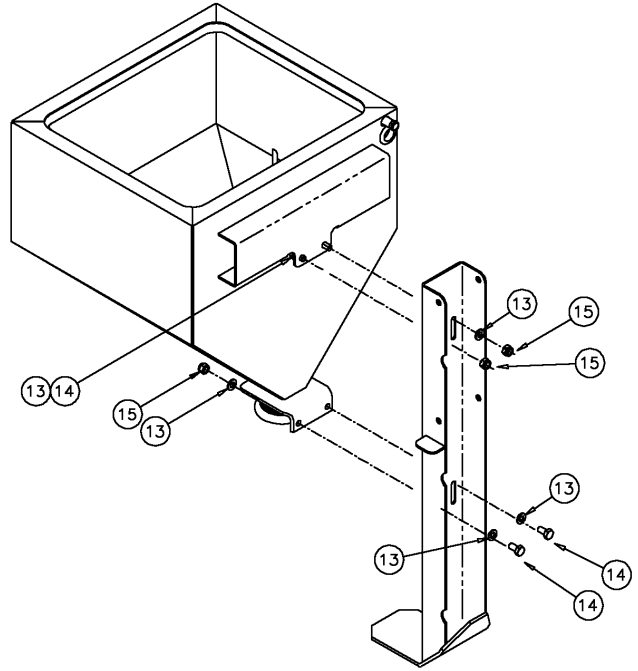
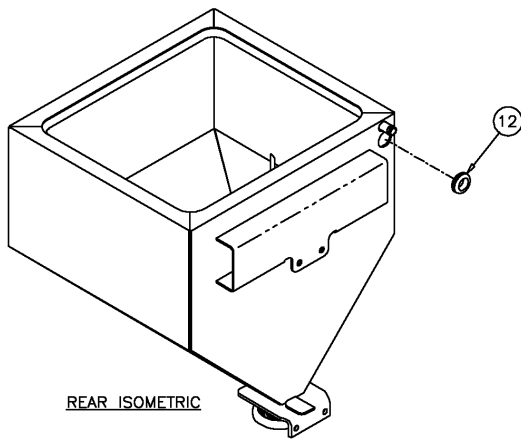


TANK GROUP W/LINKAGE

REF	FN	PART NUMBER	YR/SN	QTY	DESCRIPTION
1		BN324764		1	BRACKET, MOUNT, W/M LINKAGE ARM
2		BN318197		1	ARM, WDMT, LINKAGE (UPR)
3		BN318198		1	ARM, WDMT, LINKAGE (LWR)
4		BN318200		1	LATCH, WDMT, LINKAGE ARM
5		BN319152		1	BUMPER, RUBBER, 1" OD
6		BN319247		1	PIN, SPRING RETENSION
7		BN319150		2	WASHER, 3/8, FW, NYLON
8		BN319106		2	SPRING, TENSION, ADJUSTMENT
9		BN319151		10	BUSHING, 5/16, SHLDER, NYLON
10		BN29274		1	GRIP, Black-Vinyl, .5 ID Dia. x 4
11		87342752		4	BOLT, .312 X 4.00, G5
12		87343959		4	NUT
13		BN1630425		3	PIN, SPLIT (COTTER), 1/8 X 1
14		BN320818		1	TANK, W/LIQ PLUMB, SEE FIG 11-038
15		BN311889		2	SPRING, .50 X 2.00 X .067, SS
16		BN71050		1	SPRING, TENSION

3330

TANK GROUP, W/LIQ PLUMBING



NOTES:

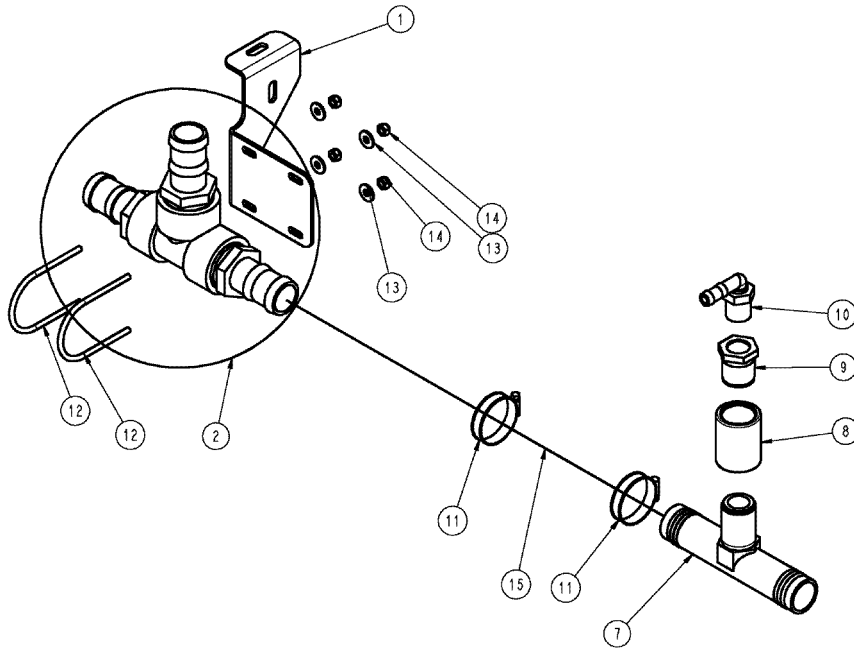
1. TANK LID AND LATCH PIECES FROM WELDMENT 320983 ARE NOT SHOWN FOR CLARITY.
2. PART 8, #310895, IS A PURCHASED ASSEMBLY. THE TWO (2) BUBBLES INDICATE THE VALVE AND A NUT FROM THE ASSEMBLY.
3. SECTION A - A: MISC. PARTS NOT SHOWN FOR CLARITY.
4. REAR ISOMETRIC: MISC. PARTS NOT SHOWN FOR CLARITY.

TANK GROUP, W/LIQ PLUMBING

REF	FN	PART NUMBER	YR/SN	QTY	DESCRIPTION
1		BN322941		1	BRACKET, MOUNT WLDMT, TANK
2		BN320983		1	TANK, INDUCTOR, WLDMT 2
3		BN304328		1	VALVE, BALL, 2" FL, W/T HNDL
4		BN303204		3	GASKET, 2" EPDM
5		BN303199		3	CLAMP, 2" STD FLG
6		BN320903		1	ELBOW, 2" FLANGE, 90 SHORT
7		BN304321		1	ELBOW, 2" FLANGE, X 1.5, 90 HB
8		BN310895		1	VALVE, INDUCTOR, JUG RINSE
9		BN73511		1	FITTING, BARB, 1/2 NPT X 1/2 HOSE X 90
10		BN311050		1	PLUG, Pipe, 1/8" poly hex
12		BN85855		1	GROMMET, Lg, for 1/2" hose
13		87529316		8	WASHER, 9 X 21 X 2.5, HDN
14		86980380		4	BOLT, M8 1.25 X 25, HH, 8.8
15		86980514		4	NUT, P/T, ALL MTL, M8 8 DOR

	3330
--	-------------

CHEMICAL INDUCTOR TEE GROUP

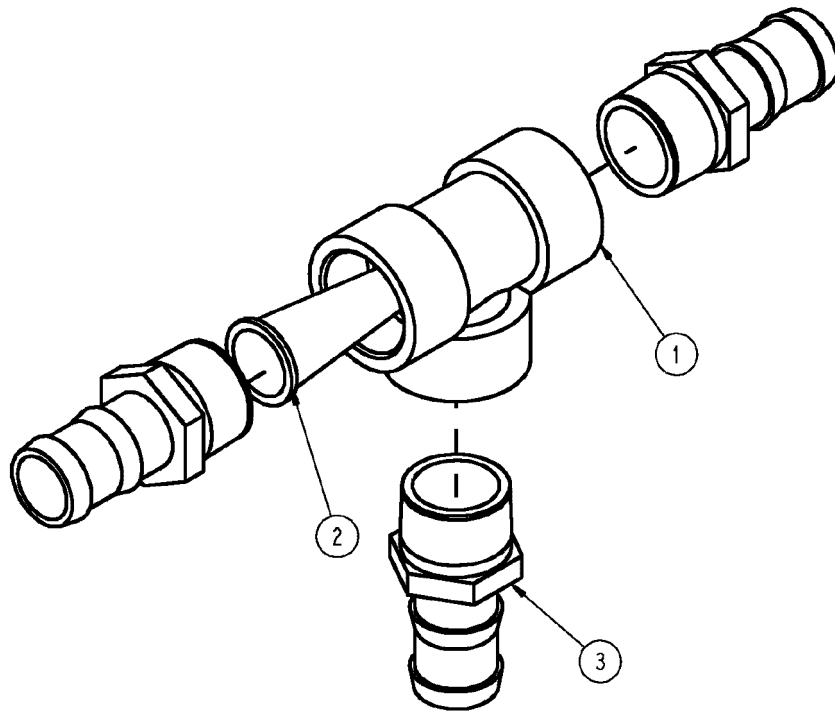


CHEMICAL INDUCTOR TEE GROUP

REF	FN	PART NUMBER	YR/SN	QTY	DESCRIPTION
1		BN320728		1	BRACKET, INDUCTOR, TEE
2		87270968		1	VENTURI, SEE FIG. 11-034
7		BN324828		1	TEE, 1-1/2" HS END S X 1" MPT
8		BN66968		1	COUPLING, 1" Poly
9		BN53665		1	BUSHING, 1" x .75 Poly
10		BN73578		1	FITTING, BARB, 3/4 NPT X 1/2 HB, 90
11		BN310448		4	CLAMP, HOSE, #28, 304 SS
12		BN303201		2	U-BOLT, 1/4 X 2.38 R X 3.75
13		BN50138		4	WASHER, 1/4", SS, Flat
14		BN55359		4	NUT, LOCK, 1/4"-20, SS
15		BN324833		1	HOSE, KANIFLEX, 1.5" X 6"

	3330
--	-------------

VENTURI ASSEMBLY

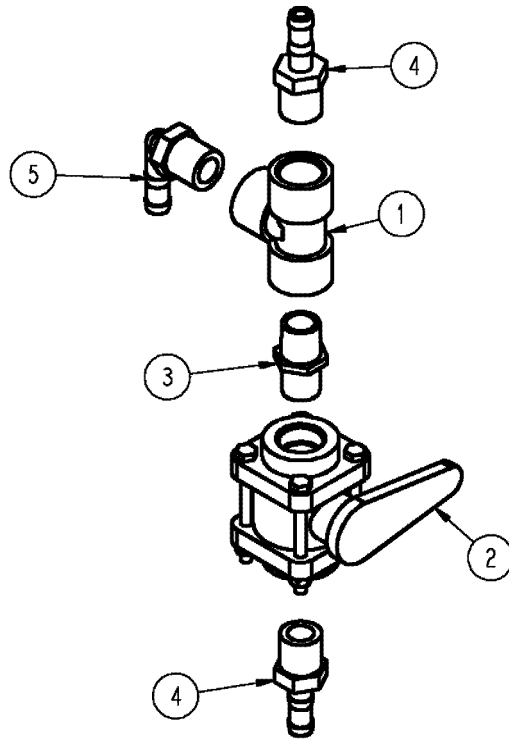


VENTURI ASSEMBLY

REF	FN	PART NUMBER	YR/SN	QTY	DESCRIPTION
1		BN73714		1	TEE, 2" FLG
2		21384		1	VENTURI, 1.5 IN, SPRAYER
3		BN73725		1	FITTING, 1.5 NPT X 1.5 HS

	3330
--	-------------

RINSE VALVE, GROUP

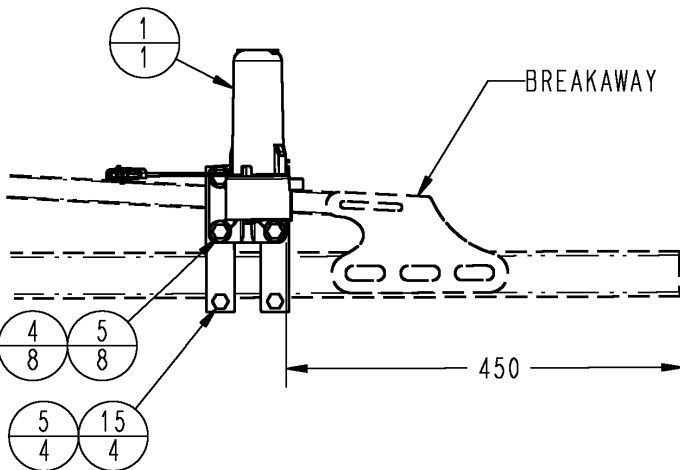
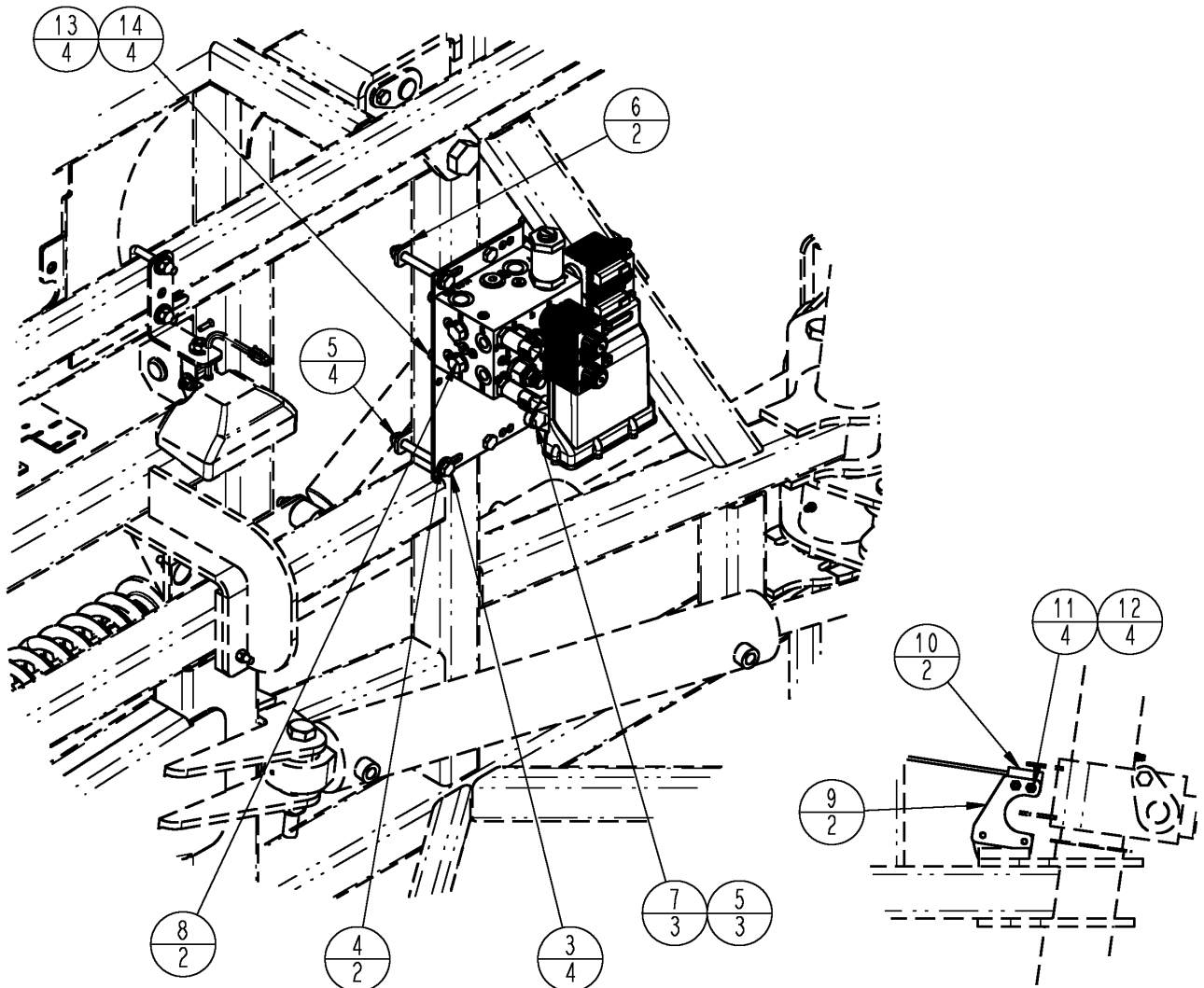


RINSE VALVE, GROUP

REF	FN	PART NUMBER	YR/SN	QTY	DESCRIPTION
1		BN73560		1	TEE, .75FP, PP
2		BN73564		1	VALVE, 3/4" Ball Poly 2 Way, Full, PP
3		BN73565		1	NIPPLE, 3/4" Short Pipe, Poly
4		BN73568		2	FITTING, STR, .75MP .50HB, PP
5		BN73578		1	FITTING, 90, .75MP .50HB, PP

	3330
--	-------------

AUTOBOOM, ULTRAGLIDE



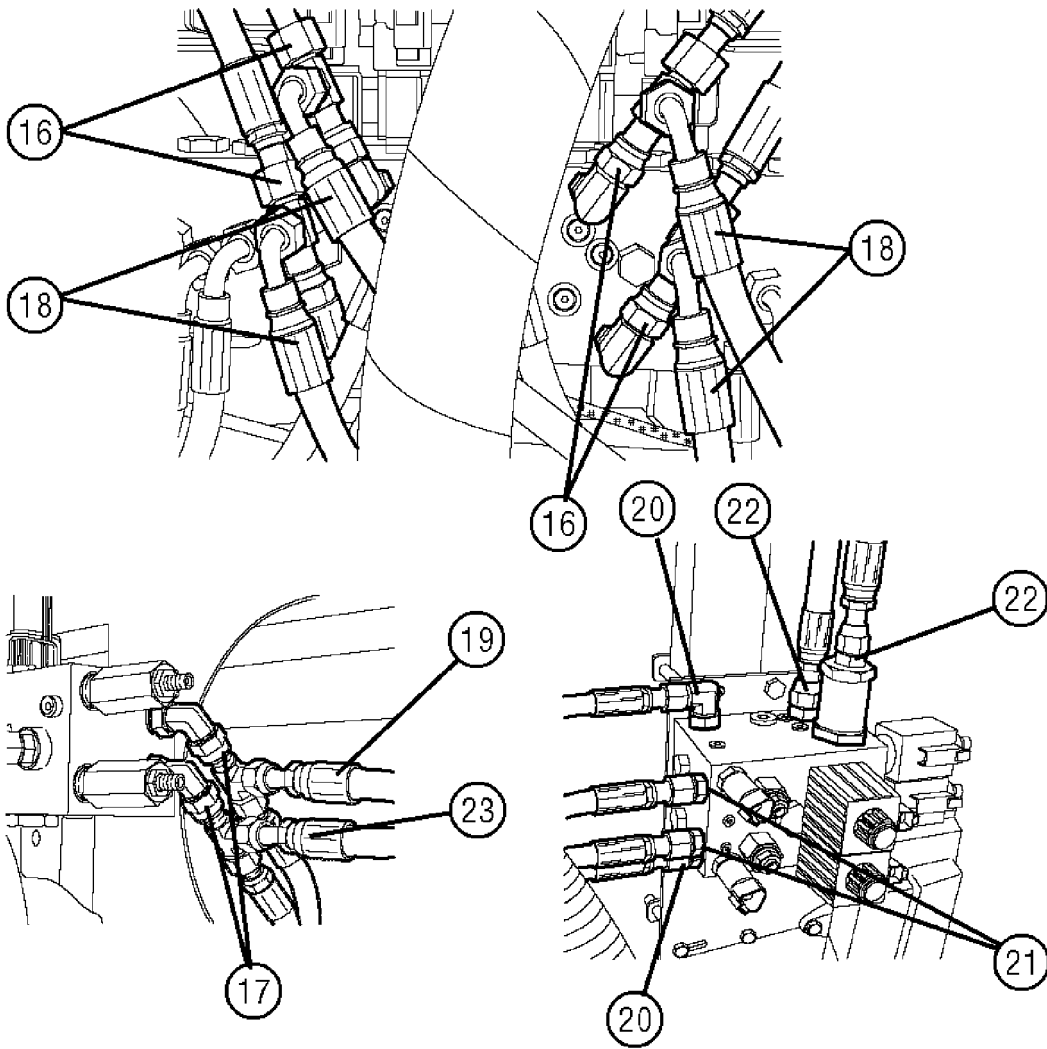
120FT BOOM LOCATION DETAIL

AUTOBOOM, ULTRAGLIDE

REF	FN	PART NUMBER	YR/SN	QTY	DESCRIPTION
1		87629615		1	SENSOR, HEIGHT CONTROL, SEE FIG. 11-037
2		87707554		8	BRACKET, SUPPORTING, SPRAYBAR MOUNT
3		86980409		12	BOLT, M10-1.5 X 90, HH, 8.8, DOR
4		87529312		10	WASHER, 11 X 24 X 3MM HDN DOR
5		86980515		19	NUT, LOCK, M10 x 1.5, CI 8
6		87620862		2	PLATE, 2.5 IN, TUBE
7		86980401		3	BOLT, M10-1.5 X 30, HH, 8.8, DOR
8		BN446048		2	PLUG, HEX, ORING, -6, 9/16-18PLATE
9		87723957		2	PLATE, BASE, PROXIMITY, SWITCH
10		BN315498		2	SWITCH, PROXIMITY
11		86980359		4	BOLT, M6-1 X 16, HH, 8.8, DOR
12		86980513		4	NUT, P/T ALL MTL, M6 8 DOR
13		80681		4	WASHER, LOCK, 5/16"
14		86512037		4	BOLT, 5/16-24 X 3/4 FULL GR8
15		86980408		4	BOLT, M10 X 80 8.8 DOR
16		BN302435		4	FITTING, 6MOR-6MOR-6FORX PLATE
17		BN302436		2	FITTING, 8MOR-8MOR-8FORX
18		342591A1		4	HOSE ASSY., 6 X 40" PLATE
19		87487132		1	HOSE ASSY., -8 X 813 MM
20		BN302554		2	FITTING, 6MOR-8MBX90
21		BN302646		2	FITTING, 6MOR-6MB PLATE
22		BN302650		2	FITTING, 8MOR-8MB
23		87487133		1	HOSE ASSY., -8 X 864 MM
24		453132C1		8	PLUG, DEUTSCH, CAVITY SEAL

	3330
--	-------------

AUTOBOOM, ULTRAGLIDE

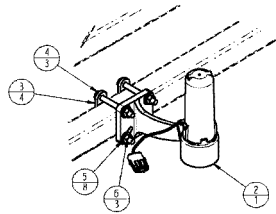
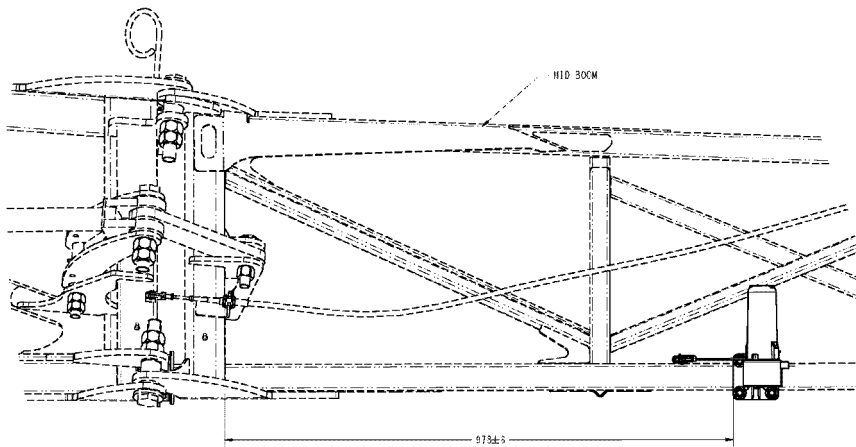


AUTOBOOM, ULTRAGLIDE

REF	FN	PART NUMBER	YR/SN	QTY	DESCRIPTION
1		87629615		1	SENSOR, HEIGHT CONTROL, SEE FIG. 11-037
2		87707554		8	BRACKET, SUPPORTING, SPRAYBAR MOUNT
3		86980409		12	BOLT, M10-1.5 X 90, HH, 8.8, DOR
4		87529312		10	WASHER, 11 X 24 X 3MM HDN DOR
5		86980515		19	NUT, LOCK, M10 x 1.5, CI 8
6		87620862		2	PLATE, 2.5 IN, TUBE
7		86980401		3	BOLT, M10-1.5 X 30, HH, 8.8, DOR
8		BN446048		2	PLUG, HEX, ORING, -6, 9/16-18PLATE
9		87723957		2	PLATE, BASE, PROXIMITY, SWITCH
10		BN315498		2	SWITCH, PROXIMITY
11		86980359		4	BOLT, M6-1 X 16, HH, 8.8, DOR
12		86980513		4	NUT, P/T ALL MTL, M6 8 DOR
13		80681		4	WASHER, LOCK, 5/16"
14		86512037		4	BOLT, 5/16-24 X 3/4 FULL GR8
15		86980408		4	BOLT, M10 X 80 8.8 DOR
16		BN302435		4	FITTING, 6MOR-6MOR-6FORX PLATE
17		BN302436		2	FITTING, 8MOR-8MOR-8FORX
18		342591A1		4	HOSE ASSY., 6 X 40" PLATE
19		87487132		1	HOSE ASSY., -8 X 813 MM
20		BN302554		2	FITTING, 6MOR-8MBX90
21		BN302646		2	FITTING, 6MOR-6MB PLATE
22		BN302650		2	FITTING, 8MOR-8MB
23		87487133		1	HOSE ASSY., -8 X 864 MM
24		453132C1		8	PLUG, DEUTSCH, CAVITY SEAL

	3330
--	-------------

AUTOBOOM, DUAL SENSOR

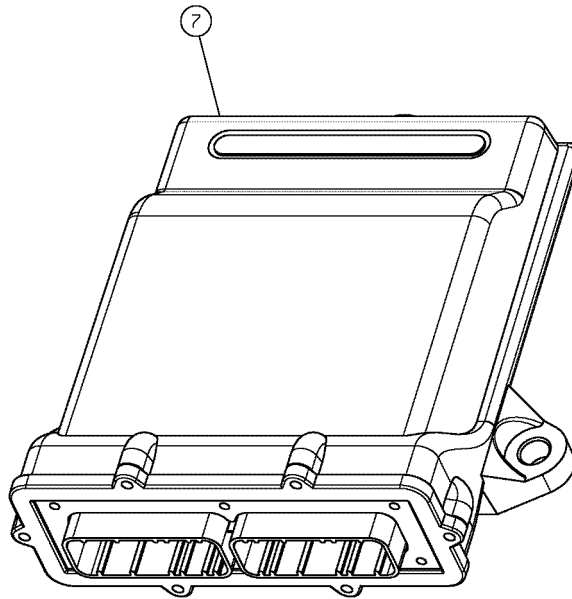


AUTOBOOM, DUAL SENSOR

REF	FN	PART NUMBER	YR/SN	QTY	DESCRIPTION
2		87718973		1	MANUAL, SERVICE, AUTOBOOM
3		87710685		1	SENSOR, ULTRASONIC ASSEMBLY
4		87710686		1	SENSOR, ULTRASONIC ASSEMBLY
5		87718266		1	PLATE, MOUNTING, HYD BLOC
6		87718974		1	MANUAL, SERVICE, CAN AUTOBOOM
7		87717349		1	CONTROL, NODE
8		84180985	From 06/09	2	HARNESS, WIRE, EXTENSION, ULTRAGLIDE SENSOR
9		87718983		1	CABLE, 20FT CAN, ULTRAGLIDE
8		87718980	Before 06/09	2	CABLE, 60FT EXTENSION, ULTRASONIC SENSOR
11		87717363		1	VALVE, HYDRAULIC, ULTRAGLIDE

	3330
--	-------------

AUTOBOOM, HEIGHT CONTROL

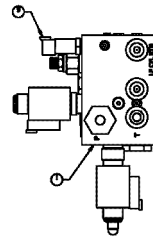
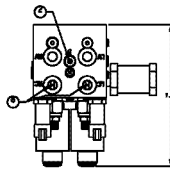
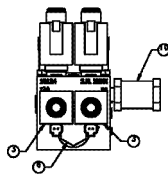
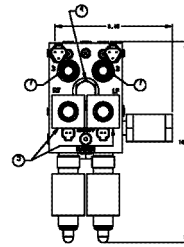
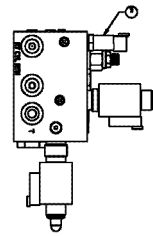
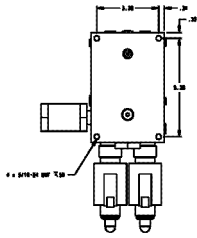
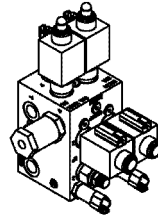
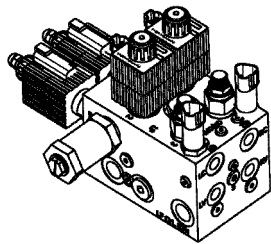


AUTOBOOM, HEIGHT CONTROL

REF	FN	PART NUMBER	YR/SN	QTY	DESCRIPTION
		87718973		1	MANUAL, SERVICE, AUTOBOOM, CASE IH
		87710685		1	SENSOR, ULTRASONIC, RIGHT, SEE FIG. 11-040
		87710686		1	SENSOR, ULTRASONIC, LEFT, SEE FIG. 11-041
		87718266		1	PLATE, MOUNTING, HYD BLOCK, CAN, AUTO BOOM
		87718974		1	MANUAL, SERVICE, CAN, AUTOBOOM CALIBRATION
7		87717349		1	CONTROL, CAN, AUTOBOOM
		87718980		1	CABLE, 60 FT, EXTENSION, ULTRASONIC SENSOR
		87718983		1	CABLE, 20 FT, CAN, ULTRAGLIDE
		87717363		1	VALVE, HYDRAULIC, HYD, ULTRAGLIDE, SEE FIG. 11-039

	3330
--	-------------

VALVE, HYDRAULIC, ULTRAGLIDE

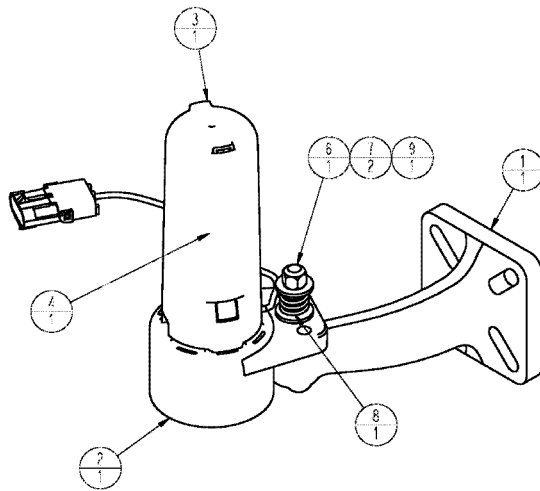


VALVE, HYDRAULIC, ULTRAGLIDE

REF	FN	PART NUMBER	YR/SN	QTY	DESCRIPTION
3		87720875		2	VALVE, HYDRAULIC, HYD, PRESSURE, REDUCING/RELIEVING
5		87717371		2	VALVE, SOLENOID, NORMALLY CLOSED, DOUBLE BLOCKER
9		87717374		2	SENDER UNIT, PRESSURE, 3 PIN DEUTSCH
31		87717372		1	COIL, 12V, DEUTSCH, COMMAND
32		87717373		1	VALVE, HYDRAULIC, HYD, PRESSURE, REDUCING/RELIEVING

	3330
--	-------------

SENSOR, ULTRASONIC ASSEMBLY, RIGHT

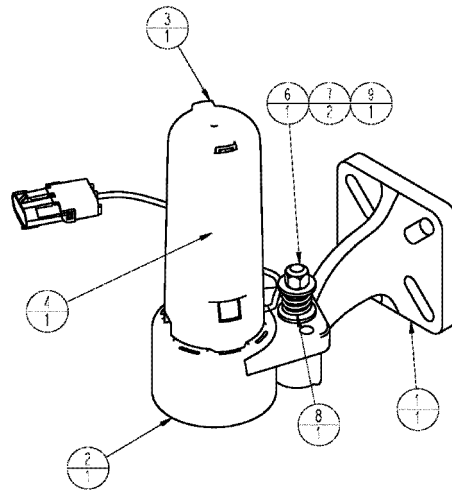


SENSOR, ULTRASONIC ASSEMBLY, RIGHT

REF	FN	PART NUMBER	YR/SN	QTY	DESCRIPTION
1		87710735		1	ARM, ULTRASONIC SENSOR
2		87710736		1	HOUSING, HOUSING, ULTRASONIC SENSOR
3		87710737		1	COVER, ULTRASONIC
4		87710738		1	SENSOR, ULTRASONIC, PROGRAMMED
6		281006		1	BOLT, CARRIAGE, Short NK, 5/16"-18 x 3", G5
7		95-21038		2	WASHER, 5/16"
8		87711151		1	SPRING, COMPRESSION
9		86050277		1	NUT, LOCK, 5/16"-18, GB, PREV TORQ, NON-MTL, ZND

	3330
--	-------------

SENSOR, ULTRASONIC ASSEMBLY, LEFT

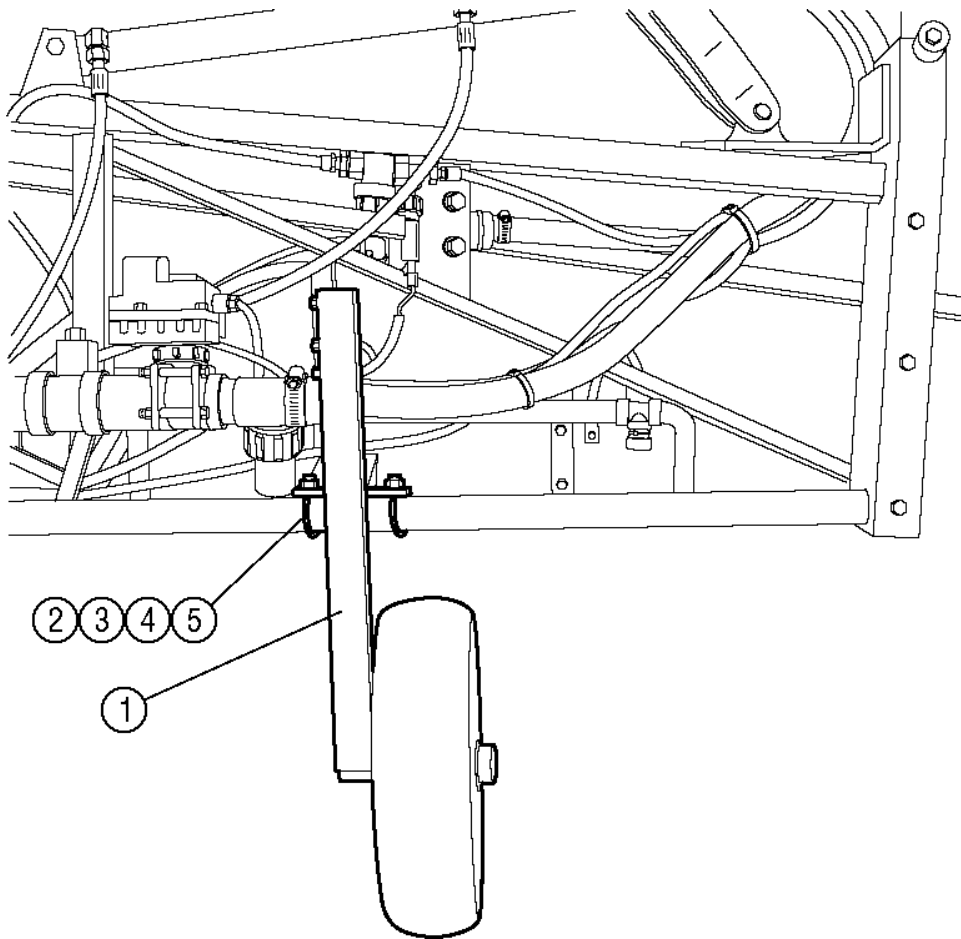


SENSOR, ULTRASONIC ASSEMBLY, LEFT

REF	FN	PART NUMBER	YR/SN	QTY	DESCRIPTION
1		87710735		1	ARM, ULTRASONIC
2		87710736		1	HOUSING, ULTRASONIC
3		87710737		1	COVER, ULTRASONIC
4		87710738		1	SENSOR, ULTRASONIC, PROGRAMMED
6		281006		1	BOLT, CARRIAGE, Short NK, 5/16"-18 x 3", G5
7		95-21038		2	WASHER, 5/16", .375 X .875 X .083
8		87711151		1	SPRING, COMPRESSION
9		86050277		1	NUT, LOCK, 5/16"-18, GB, PREV TORQ, NON-MTL 5/16-18

	3330
--	-------------

PACKAGE, AUTOBOOM, 90/100

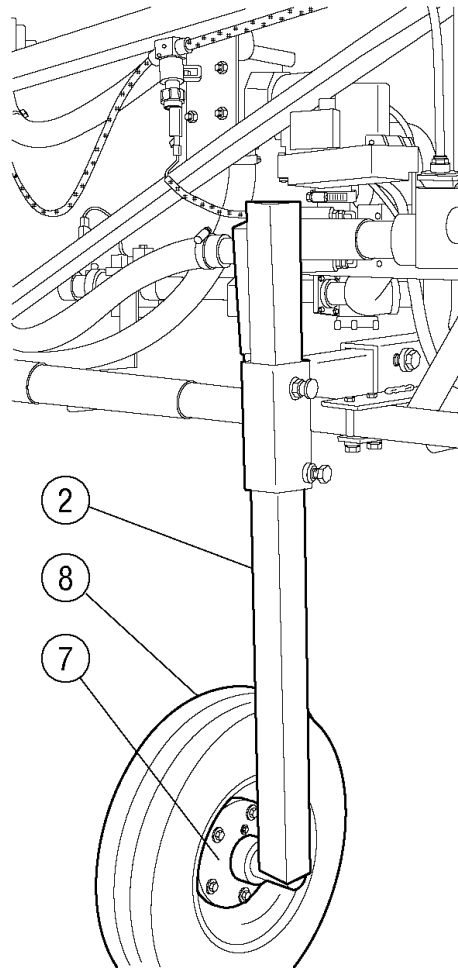


PACKAGE, AUTOBOOM, 90/100

REF	FN	PART NUMBER	YR/SN	QTY	DESCRIPTION
1		87487173		1	KIT, REPAIR, AUTOBOOM WHEEL, 90/100
2		BN319918		4	U-BOLT, 3/8 X 1.31 ID, DT
3		BN319919		4	U-BOLT, 3/8 X 2.06 ID, SQ, DOR
4		BN50759		16	NUT, 3/8-16, SS EM-620C
5		BN50146		8	WASHER, 3/8, SS

	3330
--	-------------

KIT, AUTOBOOM WHEEL, 90/100

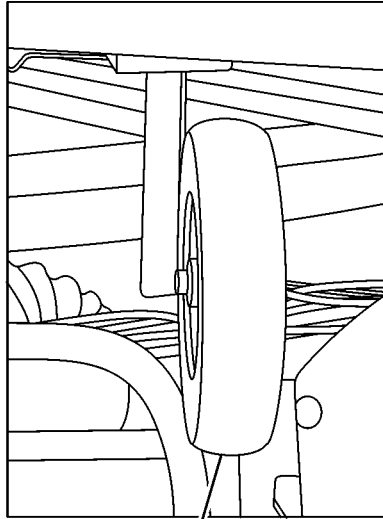


KIT, AUTOBOOM WHEEL, 90/100

REF	FN	PART NUMBER	YR/SN	QTY	DESCRIPTION
2		87719426		1	BRACKET, SUPPORTING, AXLE, 24IN STRAIGHT
4		84132941		1	BRACKET, RECEIVER, AXLE, LH
5		84132942		1	BRACKET, RECEIVER, AXLE, RH
6		87719425		1	TUBE, TYRE/TIRE, SMOOTH, NO FLAT
7		87711682		1	HUB, 5-BOLT
8		87720308		1	BRACKET, SUPPORTING, HUB RETAINER

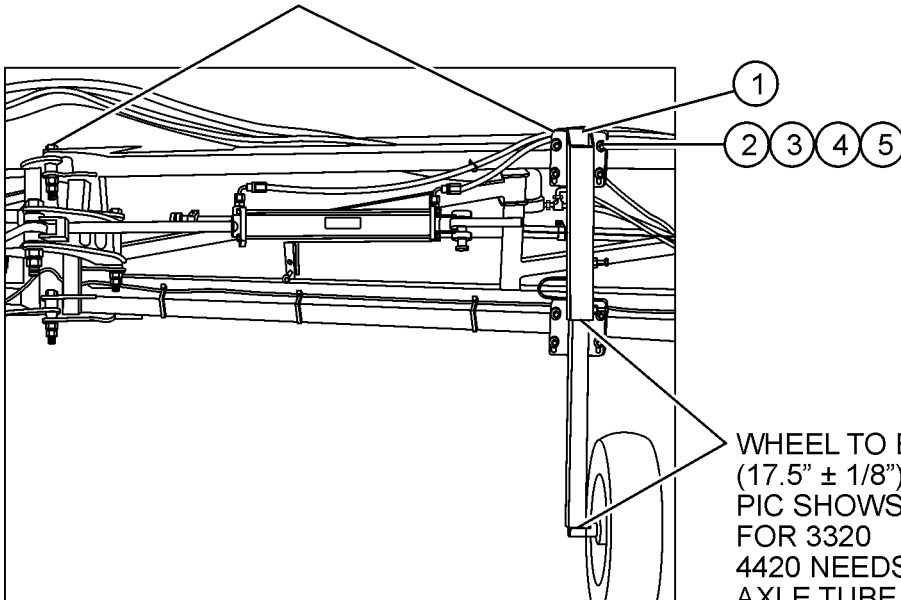
	3330
--	-------------

AUTOBOOM, 120', WHEEL



ON 3320 VERIFY THAT WHEEL DOES NOT HIT EITHER WALKWAY NOR HANDRAIL. IN CRADLE OUT & CRADLE IN POSITIONS

FROM HINGE CENTER TO INSIDE OF TUBE IS
3320 - 1346MM ± 3MM (52 1/4" ± 1/8")
4420 - 1041MM ± 3MM (41" ± 1/8")



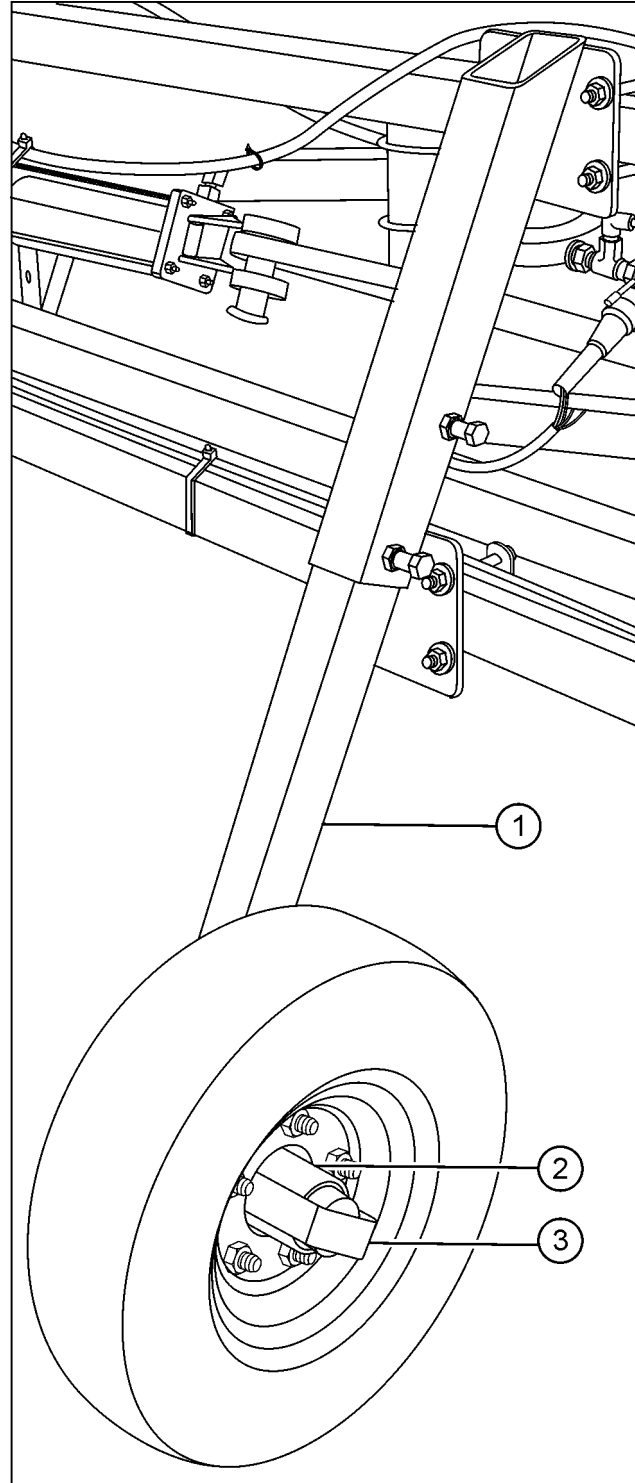
WHEEL TO BE EXTENDED 444MM ± 3MM (17.5" ± 1/8")
PIC SHOWS WHEEL ORIENTATION FOR 3320
4420 NEEDS TO BE ASSEMBLED WITH AXLE TUBE ROTATED 180°

AUTOBOOM, 120', WHEEL

REF	FN	PART NUMBER	YR/SN	QTY	DESCRIPTION
1		87629616		1	TYRE/TIRE, WHEELS, 120', SEE FIG. 11-045
2		BN308039		8	PLATE, SPACER
3		86980409		16	BOLT, M10 1.5 X 90, HH, 8.8, DOR
4		87529312		16	WASHER, 11 X 24 X 3MM HDN DOR
5		86980515		16	NUT, LOCK, M10 x 1.5, CI 8, P/T, ALL MTL

	3330
--	-------------

AUTOBOOM, WHEEL, 120'

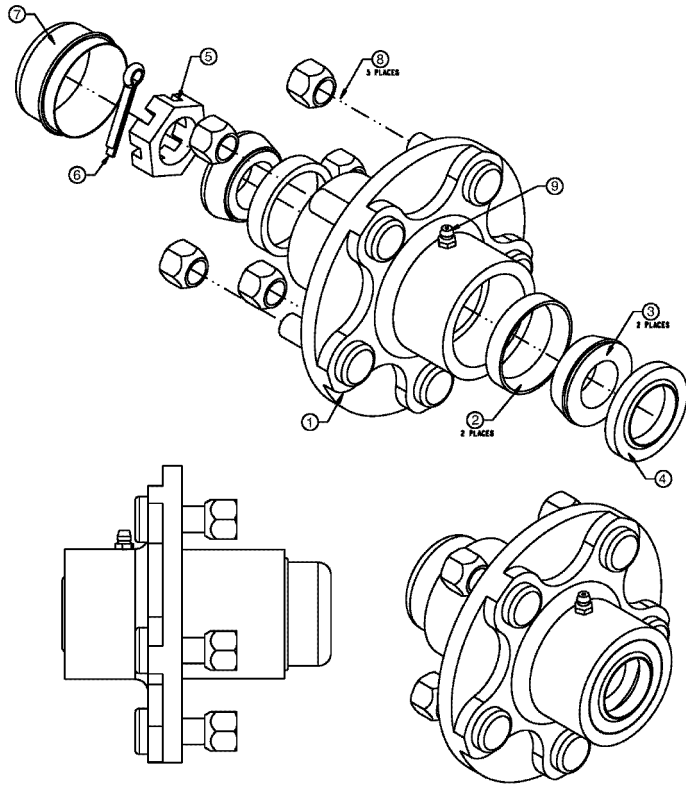


AUTOBOOM, WHEEL, 120'

REF	FN	PART NUMBER	YR/SN	QTY	DESCRIPTION
1		87719426		1	BRACKET, SUPPORTING, AXLE
2		87711682		1	HUB, 5-BOLT, SEE FIG. 11-045
3		87720308		1	BRACKET, SUPPORTING, HUB, RETAINER
4		87719424		1	BRACKET, SUPPORTING, CASE IH, 120' BOOM
5		87719425		1	TUBE, TYRE/TIRE, SMOOTH

	3330
--	-------------

HUB ASSEMBLY, 5-BOLT

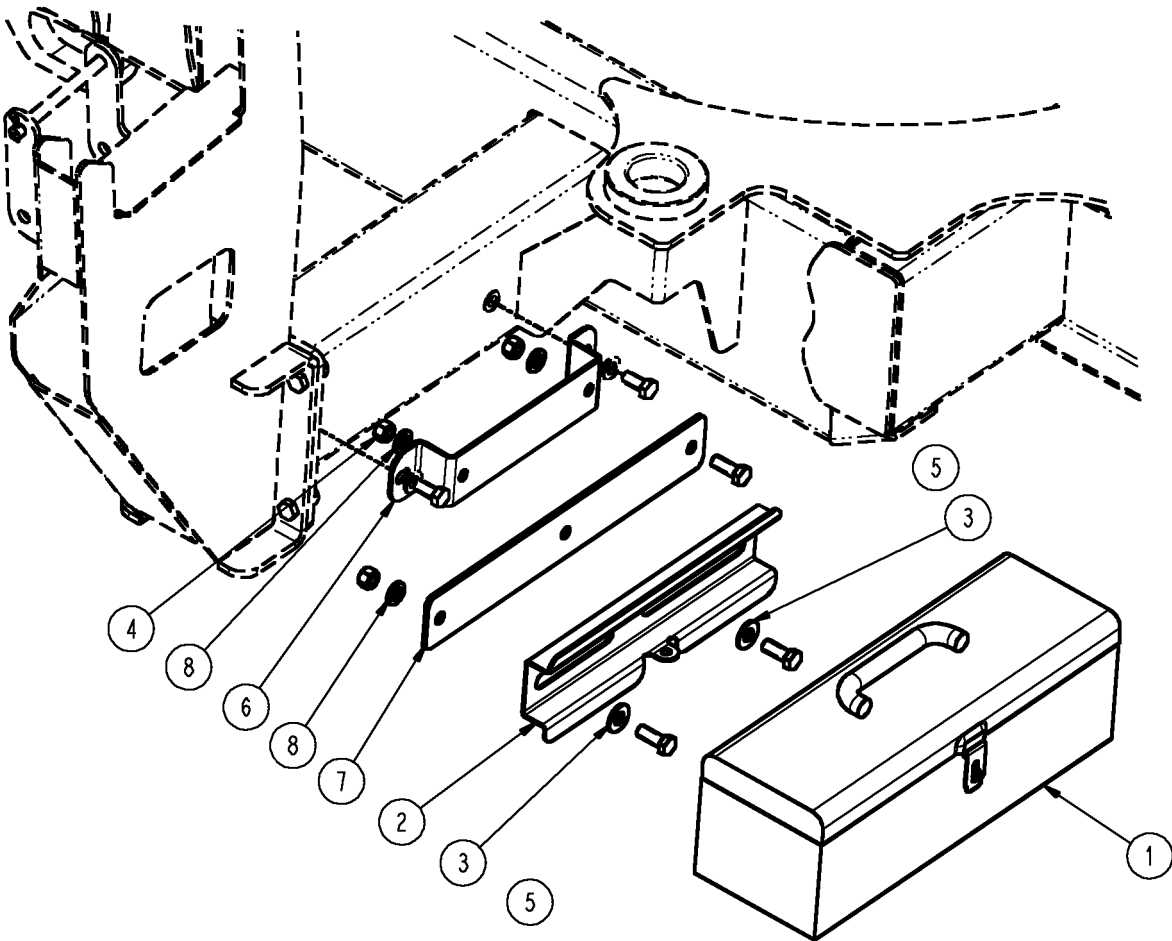


HUB ASSEMBLY, 5-BOLT

REF	FN	PART NUMBER	YR/SN	QTY	DESCRIPTION
1		87711646		1	HUB, 5 BOLT, AUTOBOOM
2		572564R1		2	BEARING, CUP, 1.980 (L44610) REF 59973
3		463911R91		2	BEARING, CONE, 1.00 (L44643) REF 59972
4		87711647		1	SEAL, 1.25 ID X 1.983 OD X .25 W
5		87711648		1	NUT, 1-14, HUB, MOUNTING
6		87400		1	PIN, SPLIT (COTTER), 3/16" x 2", STL ZND
7		87711649		1	HUB CAP, WHEEL HUB
8		87711650		5	NUT, LUG, CONICAL SEAT
9		BN10151		1	NIPPLE, LUBE, 1/8 27 STR.

	3330
--	-------------

TOOL BOX, PORTABLE



NOTES:

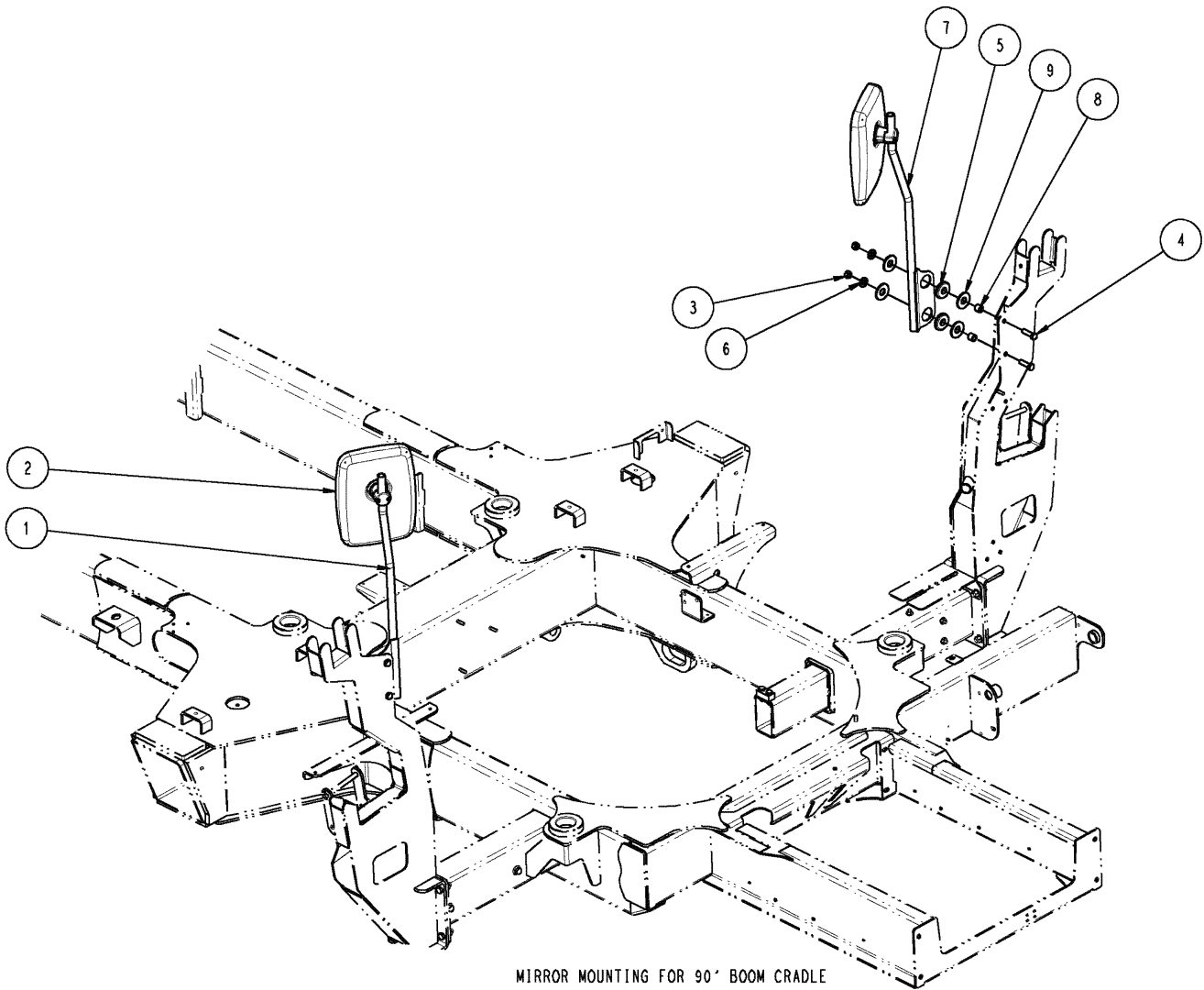
1) ITEM 6 IS SECURED USING EXISTING HARDWARE IN FRAME TUBE.

TOOL BOX, PORTABLE

REF	FN	PART NUMBER	YR/SN	QTY	DESCRIPTION
1		A181436		1	BOX, TOOL
2		A181434		1	SUPPORT, TOOLBOX MX
3		87528989		2	WASHER, M12 X 30MM X 2.5
5		86980420		3	BOLT, M12 1.75 X 30, HH, 8.8, D
6		87267627		1	BRACKET, SUPPORTING
7		87272805		1	BRACKET, SUPPORTING
8		86981496		3	WASHER, M13.5 x 24.5 x 3, HT
9		86980516		5	NUT, P/T ALL MTL M12 8 DOR

	3330
--	-------------

MIRROR ASSEMBLY, MANUAL



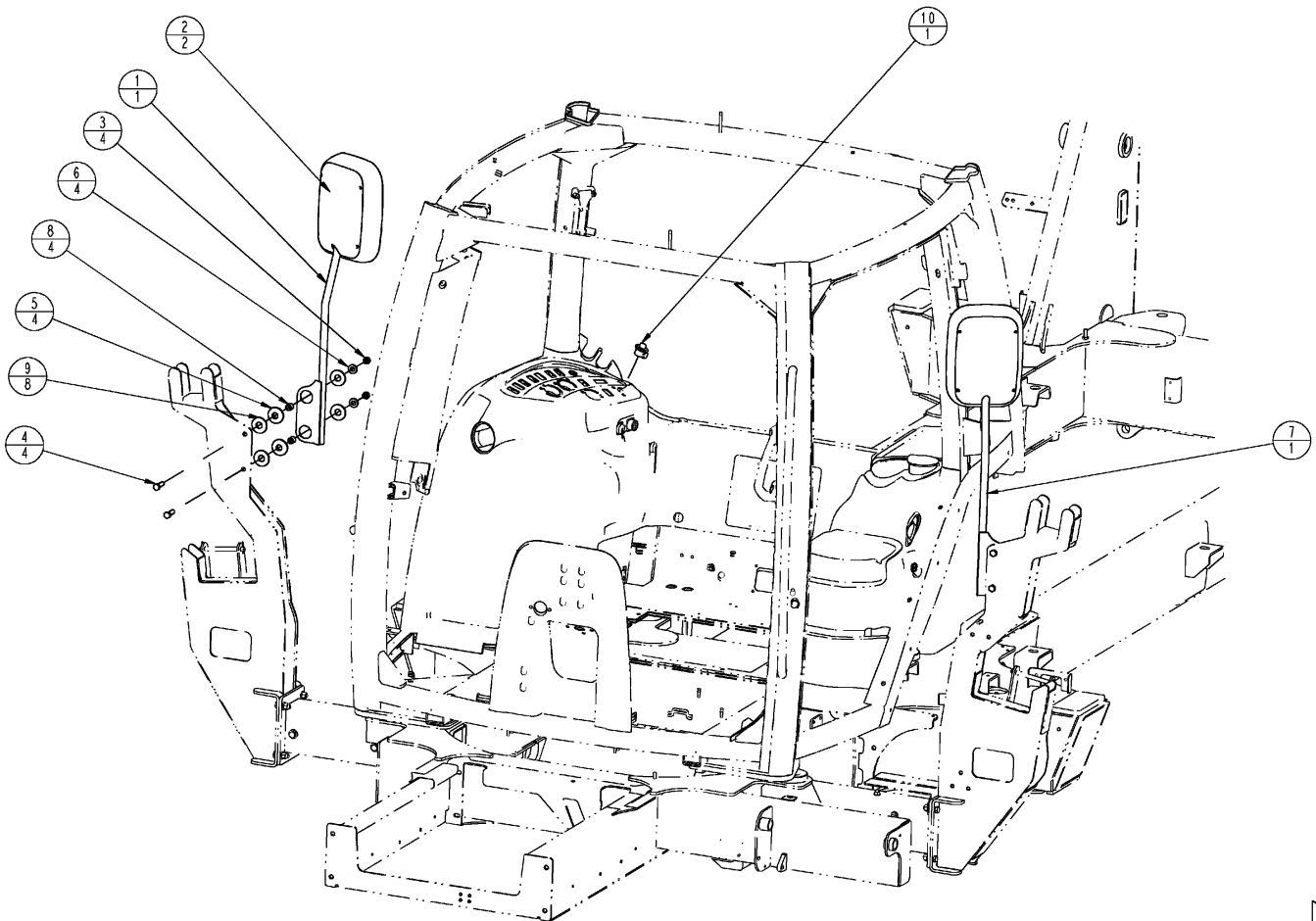
MIRROR MOUNTING FOR 90° BOOM CRADLE

MIRROR ASSEMBLY, MANUAL

REF	FN	PART NUMBER	YR/SN	QTY	DESCRIPTION
1		84136659		1	MOUNT, MIRROR, RH
2		87350494		2	MIRROR ASSY., MANUAL, HEAD, 1800
3		86980516		4	NUT, P/T, ALL MT,L M12 8 DO
4		86980423		4	BOLT, M12 1.75 X 40, HH, 8.8, D
5		BN320147		4	GROMMET, 2 X 3/4 X 7/16
6		87529310		4	WASHER, 13.5 X 28 X 4 HDN
7		84136660		1	MOUNT, MIRROR, LH
8		BN320164		4	BUSHING, MIRROR, BRACKET
9		{BN320165}		8	MIRROR, BRACKET

	3330
--	-------------

ELECTRIC MIRROR



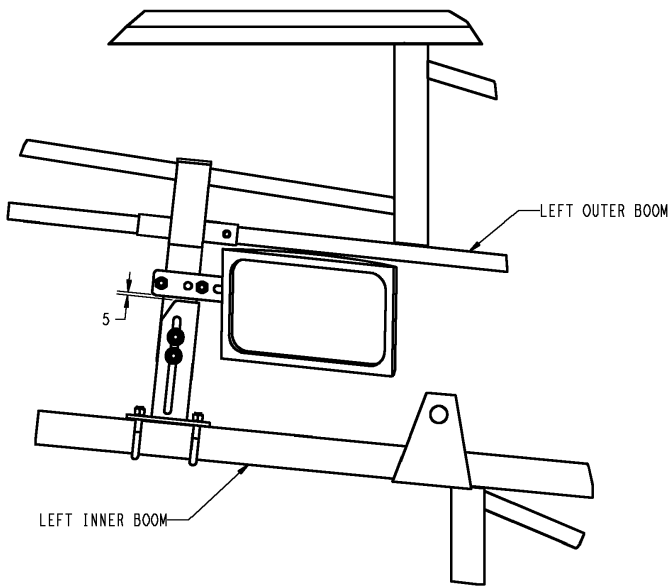
MIRROR MOUNTING FOR 90° BOOM CRADLE

ELECTRIC MIRROR

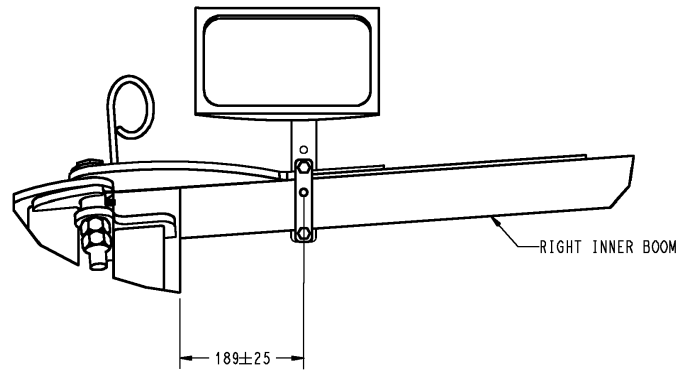
REF	FN	PART NUMBER	YR/SN	QTY	DESCRIPTION
1		84136659		1	MOUNT, MIRROR, RH
2		87363066		2	MIRROR, HEAD, ELECTRICAL
3		86980516		4	NUT, P/T, ALL MTL, M12 8 DO
4		86980423		4	BOLT, M12 1.75 X 40, HH, 8.8, D
5		BN320147		4	GROMMET, 2 X 3/4 X 7/16
6		87529310		4	WASHER, 13.5 X 28 X 4 HDN
7		84136660		1	MOUNT, MIRROR, LH
8		BN320164		4	BUSHING, MIRROR, BRACKET
9		{BN320165}		8	MIRROR, BRACKET
10		280627A1		1	SWITCH, MIRROR ADJUSTMENT, MIRROR
11		87272132		1	HARNESS, WIRE, MIRROR, LH/RH

	3330
--	-------------

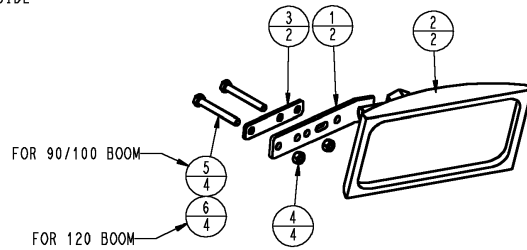
MIRROR GROUP, BOOM



90'/100' BOOM INSTALLATION
FRONT VIEW LEFT SIDE
SCALE 1:5



120' BOOM INSTALLATION
FRONT VIEW RIGHT SIDE
SCALE 1:5



MIRROR GROUP, BOOM

REF	FN	PART NUMBER	YR/SN	QTY	DESCRIPTION
1		84161902		2	MOUNT, MIRROR
2		87343970		4	NUT, 3/8-16
3		84161898		2	PLATE, MOUNTING
4		86980515		4	NUT, LOCK, M10 x 1.5, CI 8
5		86980408		4	BOLT, M10 X 80
6		86980410		4	BOLT, M10-1.5 X 100

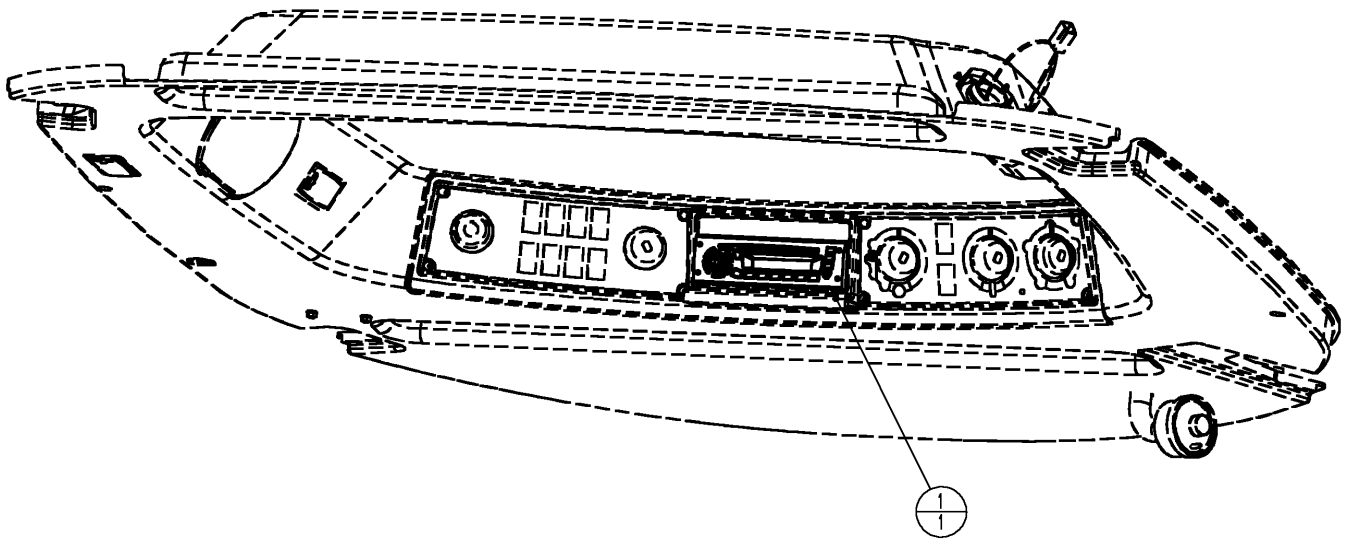
	3330
--	-------------

11-051

p1

09/08

RADIO GROUP



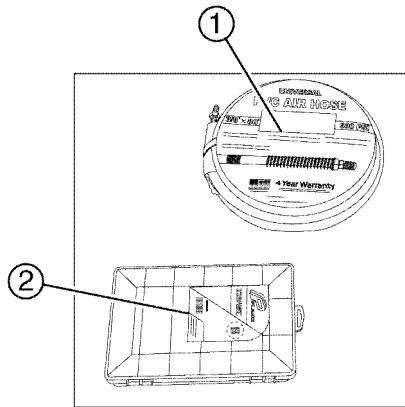
RADIO GROUP

REF	FN	PART NUMBER	YR/SN	QTY	DESCRIPTION
-----	----	-------------	-------	-----	-------------

1		87714994		1	RADIO, AM/FM/WB/CD WITH AUX INPUT
---	--	----------	--	---	-----------------------------------

	3330
--	-------------

ROADSIDE EMERGENCY KIT

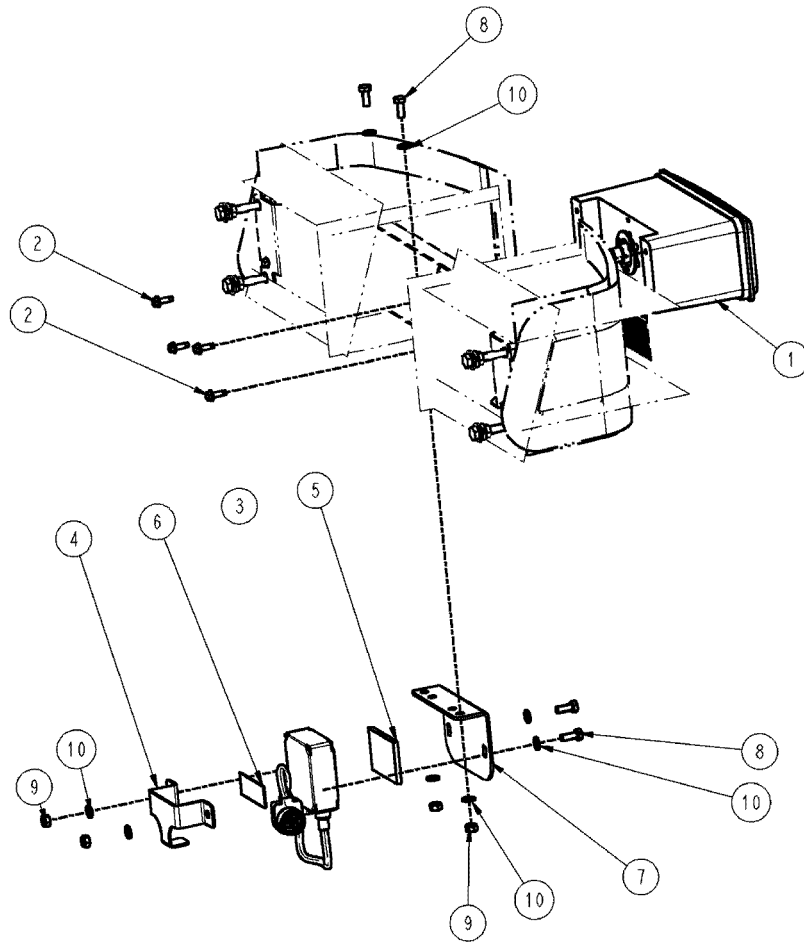


ROADSIDE EMERGENCY KIT

REF	FN	PART NUMBER	YR/SN	QTY	DESCRIPTION
1		BN2404001		1	HOSE, AIR, 3/8" X 50' W/FI
2		BN2404550		1	KIT, REPAIR, PNEUMATIC, ACCESSORY

	3330
--	-------------

LIGHT GROUP HID



LIGHT GROUP HID

REF	FN	PART NUMBER	YR/SN	QTY	DESCRIPTION
1		232455A2		1	LAMP, WORK, CENTER, HID
2		87343659		4	SCREW, TAPPING, 1/4-20 X 3/4 H
3		322332A1		1	BALLAST, LIGHT, CENTER, HID
4		333645A1		1	CLAMP, HID, BALLAST, HOLDOWN
5		333643A1		1	GASKET, FOAM, HID, BALLAST
6		333644A1		1	GASKET, FOAM, HID, BALLAST, HOLDOWN
7		87272407		1	PLATE, MOUNTING, HID, BALLAST
8		86980379		4	BOLT, M8 1.25 X 20, HH, 8.8, DO
9		86980514		4	NUT, P/T, ALL MTL, M8 8 DOR
10		87529315		8	WASHER, 9 X 17 X 2MM, HDN, D

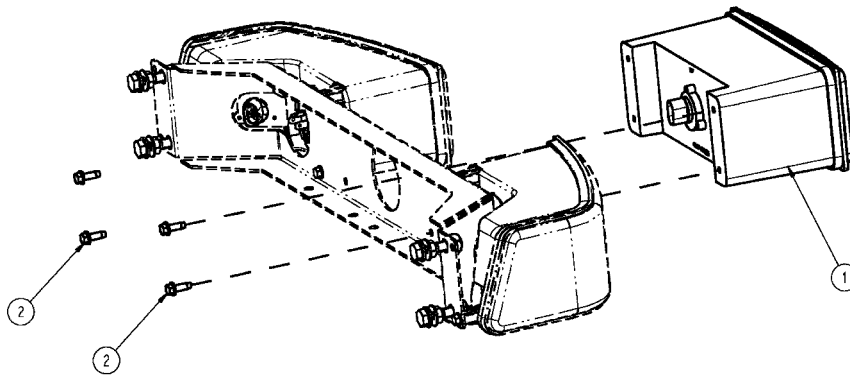
	3330
--	-------------

11-054

p1

12/08

LIGHT GROUP HALOGEN



LIGHT GROUP HALOGEN

REF	FN	PART NUMBER	YR/SN	QTY	DESCRIPTION
1		232454A2		1	LAMP, WORK, CENTER, HALOGEN
2		87343659		4	SCREW, TAPPING, 1/4-20 X 3/4 H
3		87265150		1	HARNESS, WIRE, ADAPTER C. WKLS

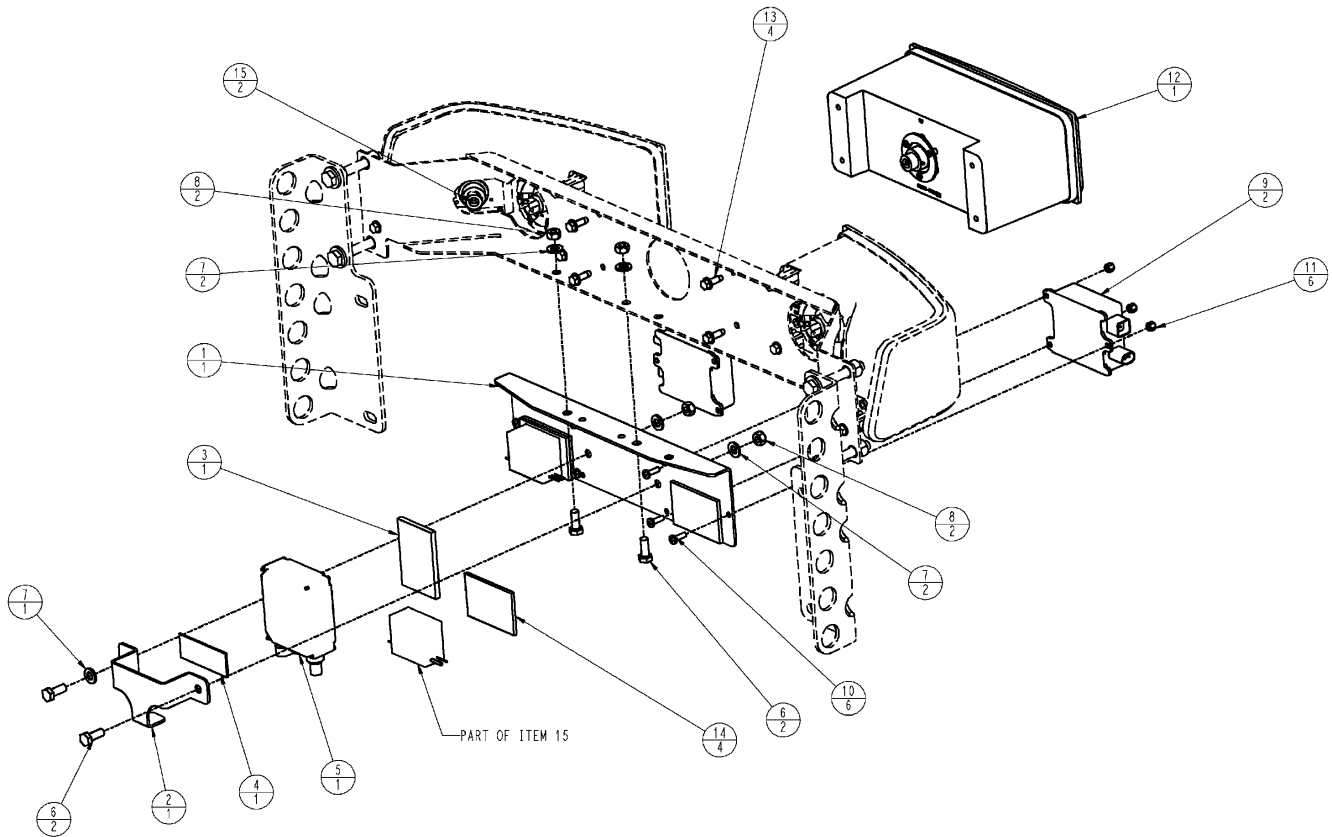
	3330
--	-------------

11-055

p1

12/08

LIGHT GROUP, HID, FRONT



LIGHT GROUP, HID, FRONT

REF	FN	PART NUMBER	YR/SN	QTY	DESCRIPTION
1		87658593		1	MOUNT, HID BALLAST
2		333645A1		1	CLAMP, HID HOLD DOWN
3		333643A1		1	GASKET, FOAM, HID BALLAST
4		333644A1		1	GASKET, FOAM, HID CLAMP
5		322332A1		1	BALLAST, LIGHT, CENTER, HID
6		86980379		4	BOLT, M8-1.25 X 20, HH, 8.8 DOR
7		87529315		5	WASHER, 9 X 17 X 2MM HDN DOR
8		86980514		4	NUT, P/T ALL MTL M8 8 DOR
9		87371375		2	BALLAST, HID, 35W/12V D2S/D2R
10		87343600		6	SCREW, M5 X 16 PHD H FULL 4.8 DOR
11		87344030		6	NUT, P/T ALL MTL M5 8 DOR
12		232455A2		1	LAMP, WORK, CENTER (HID)
13		86625224		4	SCREW, TAPPING 1/4-20 X 3/4 TT HWHD HEX CS
14		{87646099}		4	DUAL LOCK
15		87475201		2	BULB, HID WITH HARNESS

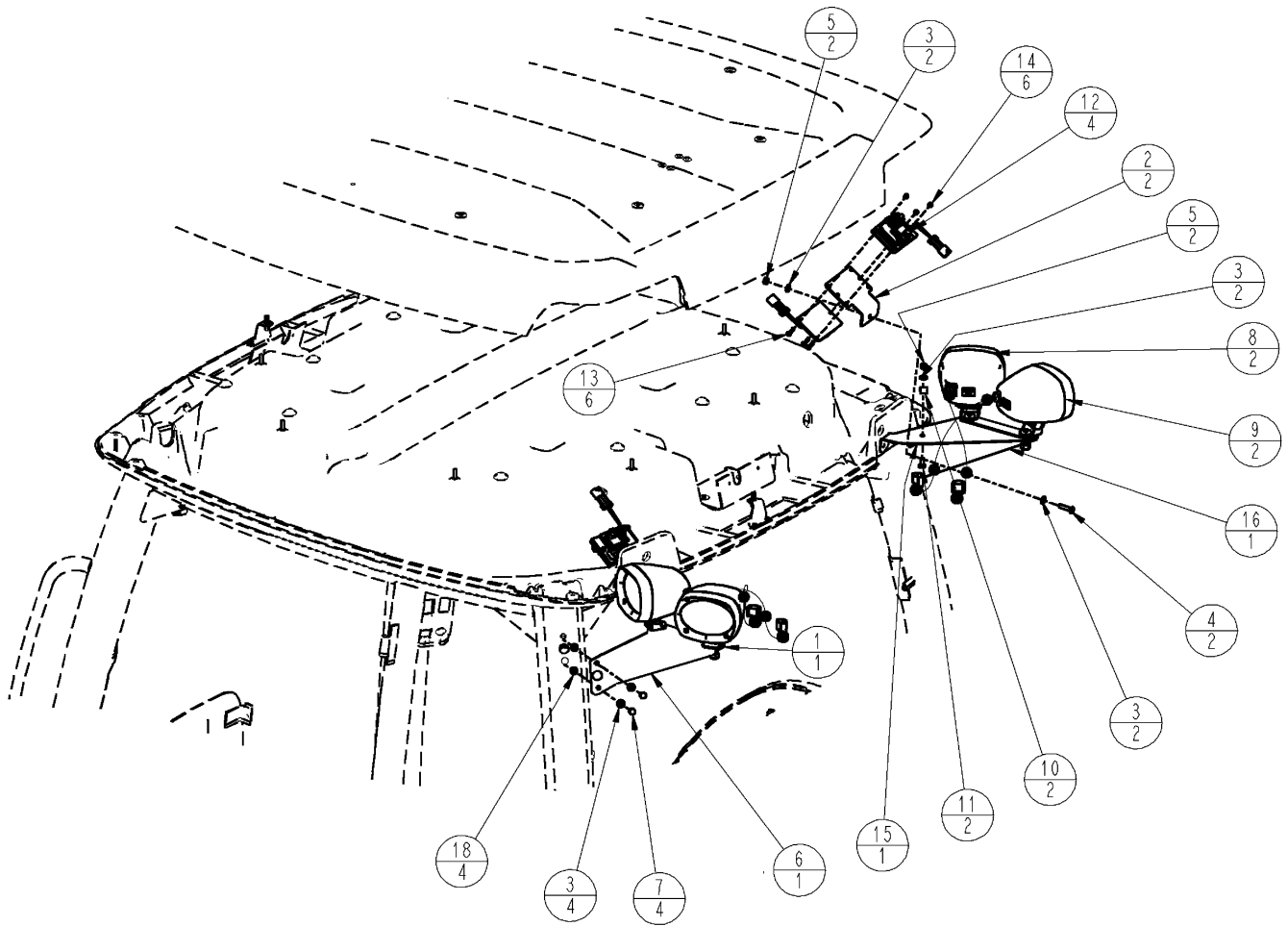
	3330
--	-------------

11-056

p1

12/08

LIGHT GROUP, HID, CAB

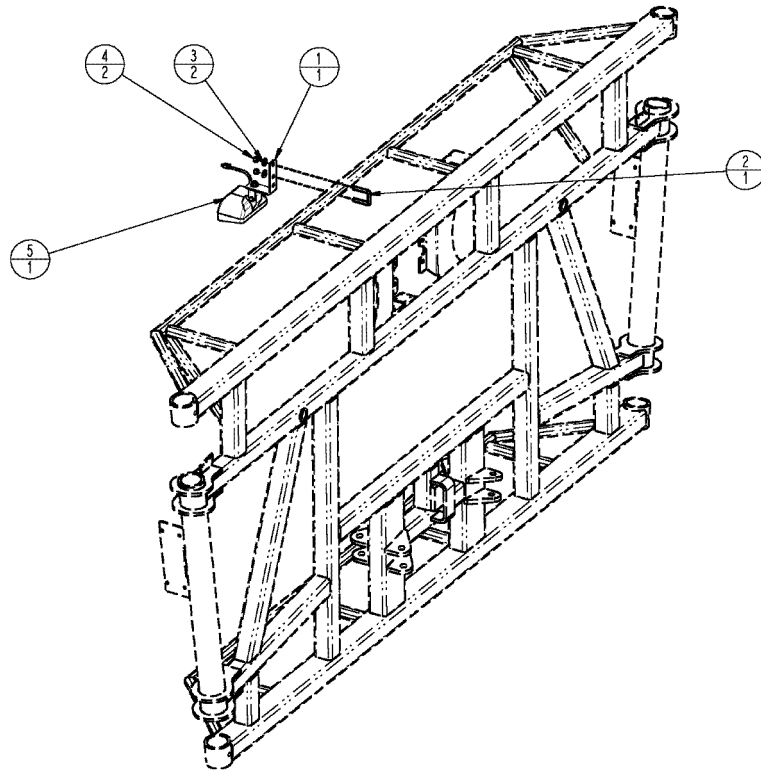


LIGHT GROUP, HID, CAB

REF	FN	PART NUMBER	YR/SN	QTY	DESCRIPTION
1		87658597		1	PLATE, MOUNTING
2		87664088		2	PLATE, MOUNTING
3		87529315		10	WASHER, 9 X 17 X 2MM HDN DOR
4		86980381		2	BOLT, M8-1.25 X 30, HH, 8.8, DOR
5		86980514		4	NUT, P/T ALL MTL M8 8 DOR
6		87658596		1	BRACKET, SUPPORTING
7		86980379		4	BOLT, M8-1.25 X 20, HH, 8.8, DOR
8		87475205		2	LAMP, REAR HID FLOOD
9		87475202		2	LAMP, REAR HID TRAP
10		515-22127		2	CLAMP, 1/2", Insul, 5/16" Bolt
11		86980378		2	BOLT, M8-1.25 X 16, HH, 8.8, DOR
12		87475204		4	BALLAST, REAR HID LIGHT
13		87343602		6	SCREW, M5 X 20 PHD H FULL 4.8 DOR
14		87344030		6	NUT, P/T ALL MTL M5 8 DOR
15		87658602		1	SUPPORT
16		87658601		1	BRACKET, SUPPORTING
17		{87664089}		2	
18		P35448		4	RIVET, M8 LONG
19		22-824		6	STRAP, CABLE, 3/16" x 7 1/4"

	3330
--	-------------

LIGHT GROUP, CENTER SECTION

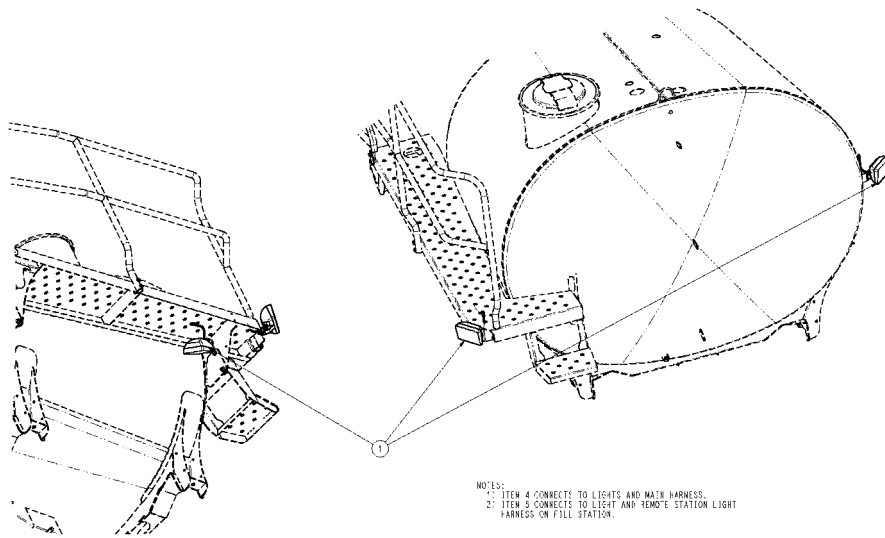


LIGHT GROUP, CENTER SECTION

REF	FN	PART NUMBER	YR/SN	QTY	DESCRIPTION
1		87658595		1	PLATE, MOUNTING, BOOM, LIGHT, REAR
2		BN319918		1	U-BOLT, 3/8 X 1.31 ID, DT
3		87529312		2	WASHER, 11 X 24 X 3MM, HDN, DOR
4		87343974		2	NUT, PREV TORQ, ALL MTL, 3/8-16 GR C DOR
5		87658615		1	LAMP, SEE FIG. 11-061
6		87658598		1	HARNESS, WIRE, LIGHTS, CENTER SECT

	3330
--	-------------

LIGHT GROUP, MIDSHIP



LIGHT GROUP, MIDSHIP

REF	FN	PART NUMBER	YR/SN	QTY	DESCRIPTION
1		87658615		1	LAMP, SEE FIG. 11-061
4		87270406		1	HARNESS, WIRE, MIDSHIP, WORKLIGHTS
5		87270252		1	HARNESS, WIRE, OP, STATION, LAMP

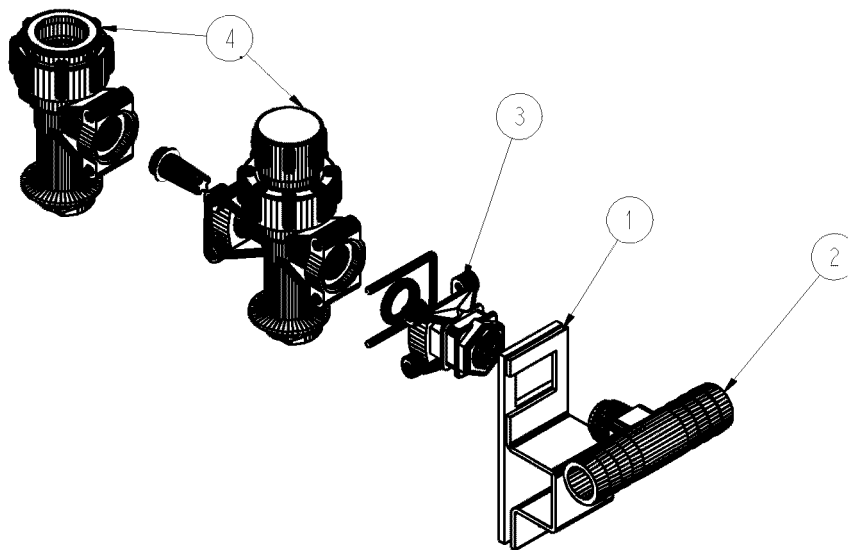
	3330
--	-------------

11-059

p1

12/08

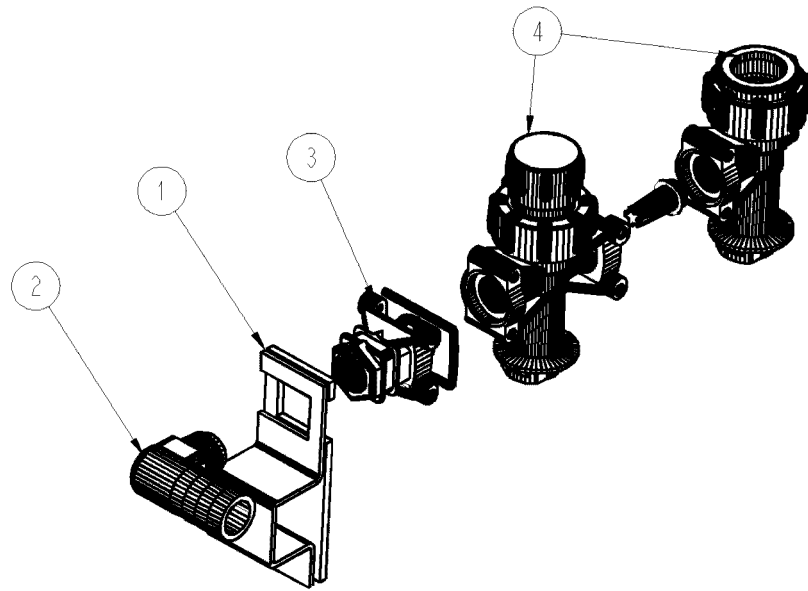
2-WAY WILGER, ASSEMBLY



2-WAY WILGER, ASSEMBLY

REF	FN	PART NUMBER	YR/SN	QTY	DESCRIPTION
1		87268381		1	TUBE, 1" SQ. MOUNT, WILGER
2		87268383		1	FITTING, 3/8 NPTM X 3/4 SHANK, 2 WAY
3		87268382		1	ADAPTER, COMBO CLIP, F X 3/8 NPTF
4		BN325221		1	NOZZLE, DUAL WILGER, C-R AIM, SEE FIG. 11-063

1-WAY WILGER, ASSEMBLY

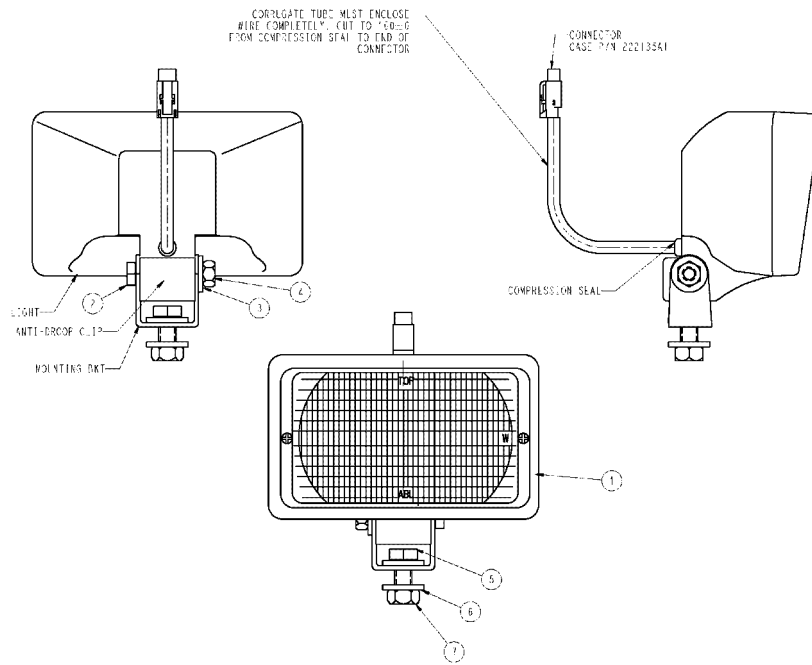


1-WAY WILGER, ASSEMBLY

REF	FN	PART NUMBER	YR/SN	QTY	DESCRIPTION
1		87268381		1	TUBE, 1" SQ. MOUNT, WILGER
2		87268384		1	FITTING, 3/8 NPTM X 3/4 SHANK, 1 WAY
3		87268382		1	ADAPTER, COMBO CLIP, F X 3/8 NPTF
4		BN325221		1	NOZZLE, DUAL, WILGER, C-R AIM, SEE FIG. 11-060

	3330
--	-------------

FLOOD LIGHTING ASSEMBLY



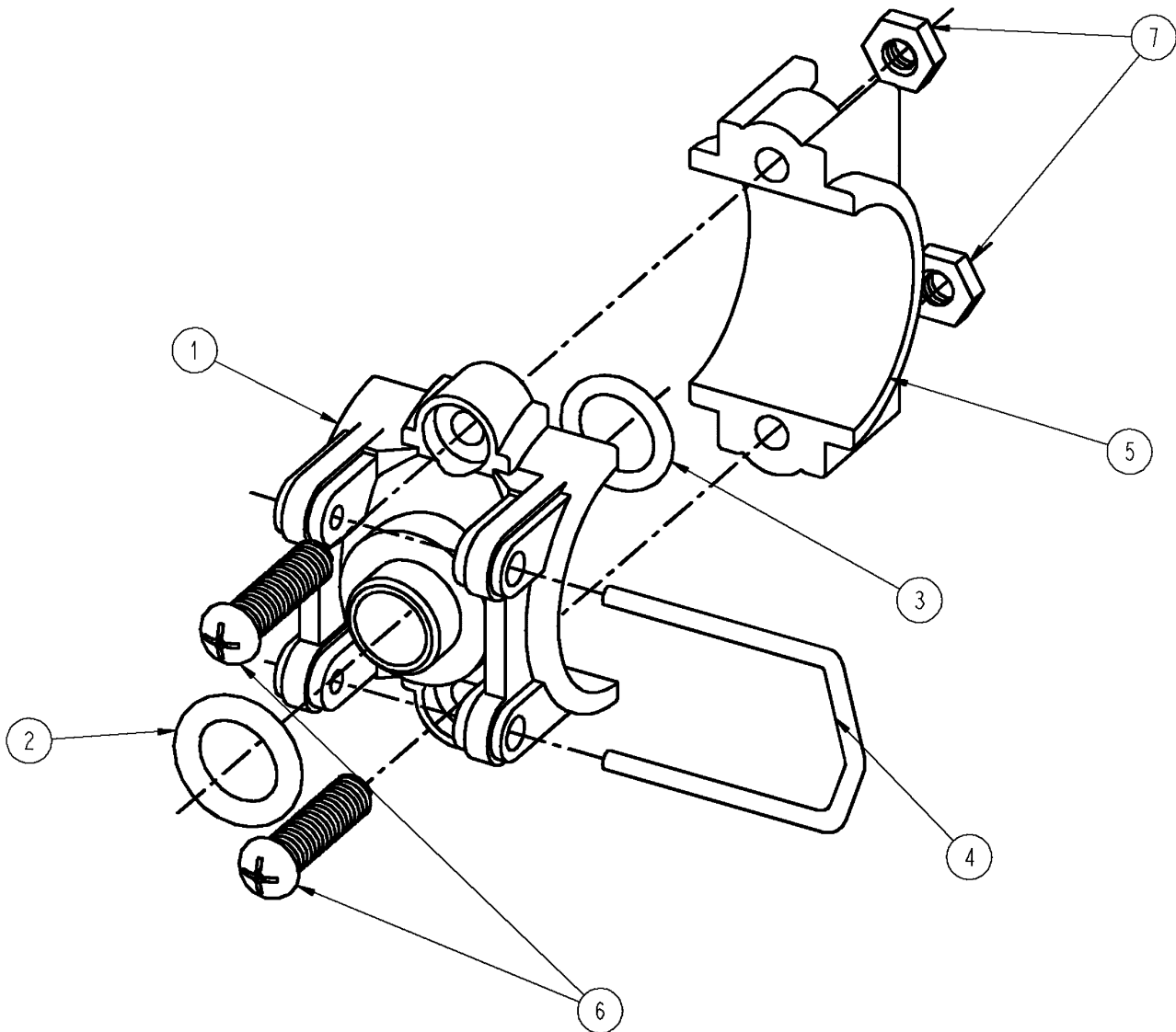
FLOOD LIGHTING ASSEMBLY

REF	FN	PART NUMBER	YR/SN	QTY	DESCRIPTION
1		87658381		1	LAMP, WORK, WORK
	1	{87658393}		1	WORK
	2	92242C2		1	BULB, H3-35W
	3	{87658392}		1	MOUNTING
	4	{87658412}		1	ANTI-DROOP
2		86980385		1	BOLT, M8 1.25 X 50, HH, 8.8, DOR
3		87529316		1	WASHER, 9 X 21 X 2.5, HDN, DOR
4		86980514		1	NUT, P/T, ALL MTL, M8 8 DOR
5		86980400		1	BOLT, Hex, M10 x 25, 8.8
6		87529312		2	WASHER, 11 X 247 X 3MM, HDN, DOR
7		86980515		1	NUT, LOCK, M10 x 1.5, CI 8

- (1) PARTS OF WORK LIGHT ASSEMBLY, P/N 87658381
- (2) SERVICE PARTS FOR ITEM #1
- (3) PARTS OF WORK LIGHT ASSEMBLY, P/N 87658381
- (4) PARTS OF WORK LIGHT ASSEMBLY, P/N 87658381

3330

NOZZLE WILGER, SADDLE

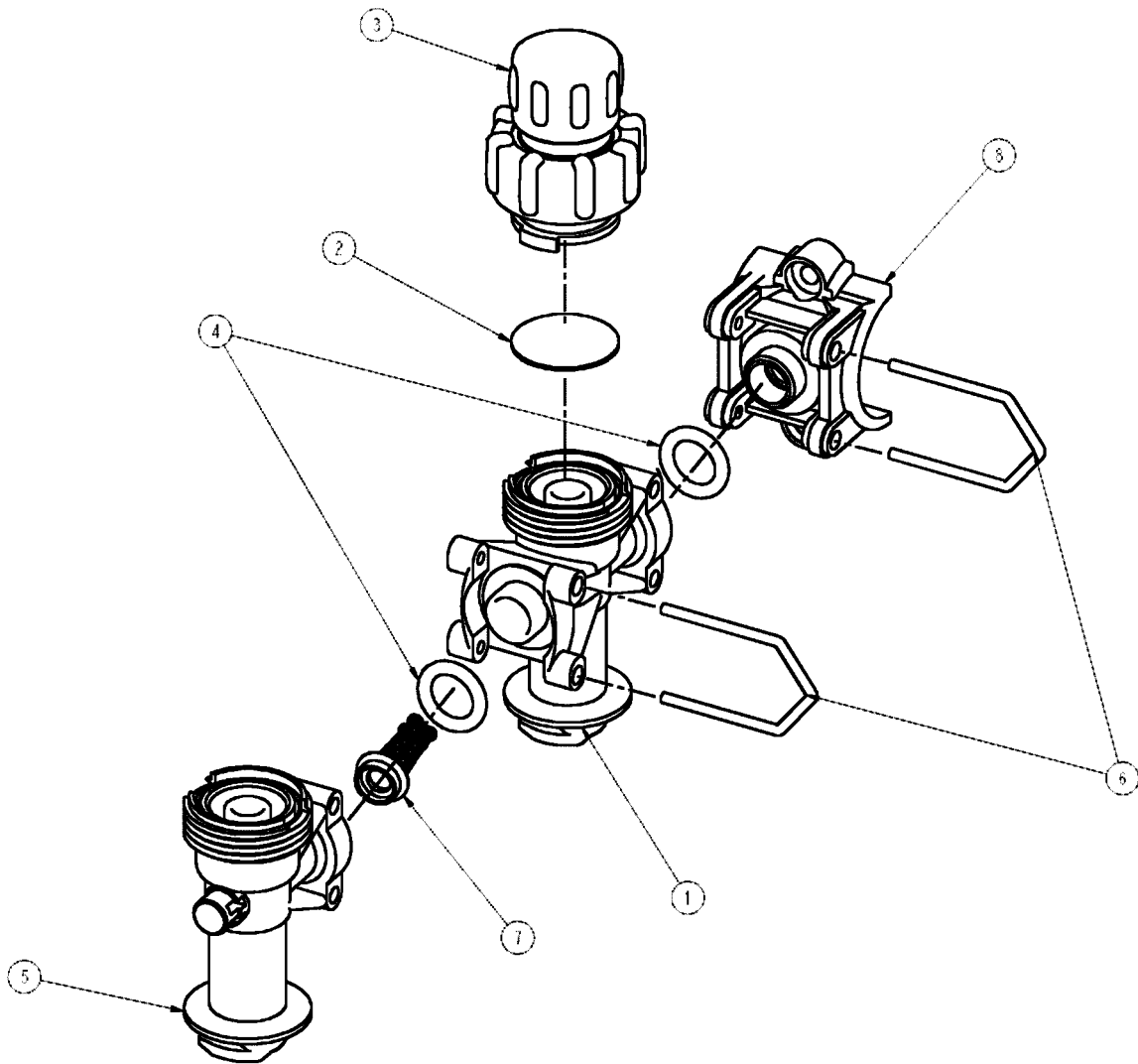


NOZZLE WILGER, SADDLE

REF	FN	PART NUMBER	YR/SN	QTY	DESCRIPTION
1		{84153118}		1	BODY, 3/8" INLET
2		84153115		1	O-RING, 206 BU 70
3		{84153120}		1	O-RING - 110 BU 90
4		{84153117}		1	LOCK U-CLIP
5		{84153119}		1	SADDLE BACKSTRAP
6		{87682408}		2	SCREW, #10-24 X 7/8 SS
7		BN310266		2	NUT, #10-24 SS

	3330
--	-------------

NOZZLE, DUAL WILGER

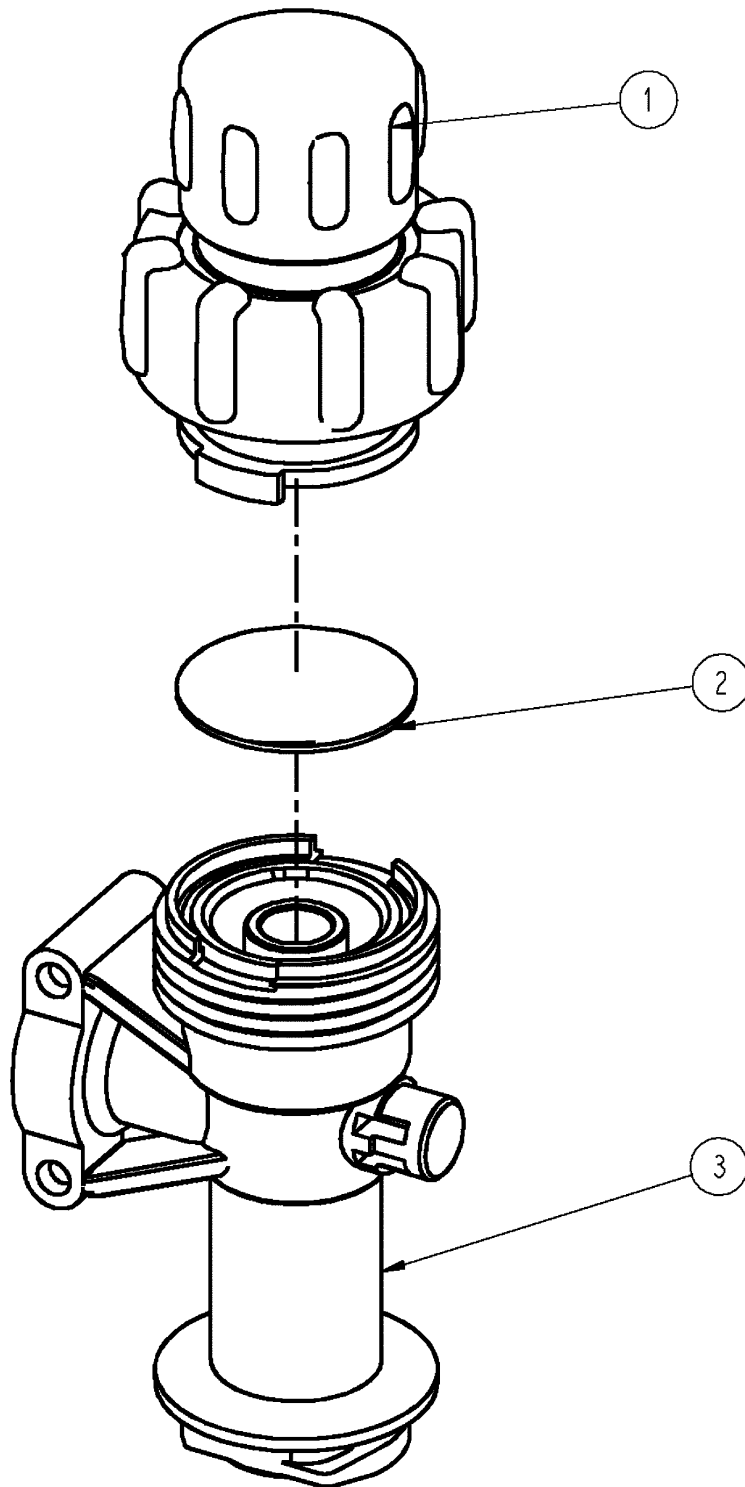


NOZZLE, DUAL WILGER

REF	FN	PART NUMBER	YR/SN	QTY	DESCRIPTION
1		{84153116}		1	THRU BODY NOZZLE, DIAPHRAGM STYLE
2		{84153112}		1	DIAPHRAGM
3		{84153113}		1	MODULE, SHUT-OFF ASSY.
4		84153115		2	O-RING
5		{84153114}		1	END BODY, DIAPHRAGM STYLE
6		{84153117}		2	LOCK U-CLIP
7		{84157747}		1	SCREEN, STRAINER ASSY, INTERBODY 80 MESH
8		{84153118}		1	SADDLE BODY, 3/8" INLET

	3330
--	-------------

NOZZLE, SINGLE WILGER



NOZZLE, SINGLE WILGER

REF	FN	PART NUMBER	YR/SN	QTY	DESCRIPTION
1		{84153113}		1	MODULE, SHUT-OFF ASSY
2		{84153112}		1	DIAPHRAGM
3		{84153114}		1	END BODY, DIAPHRAGM STYLE

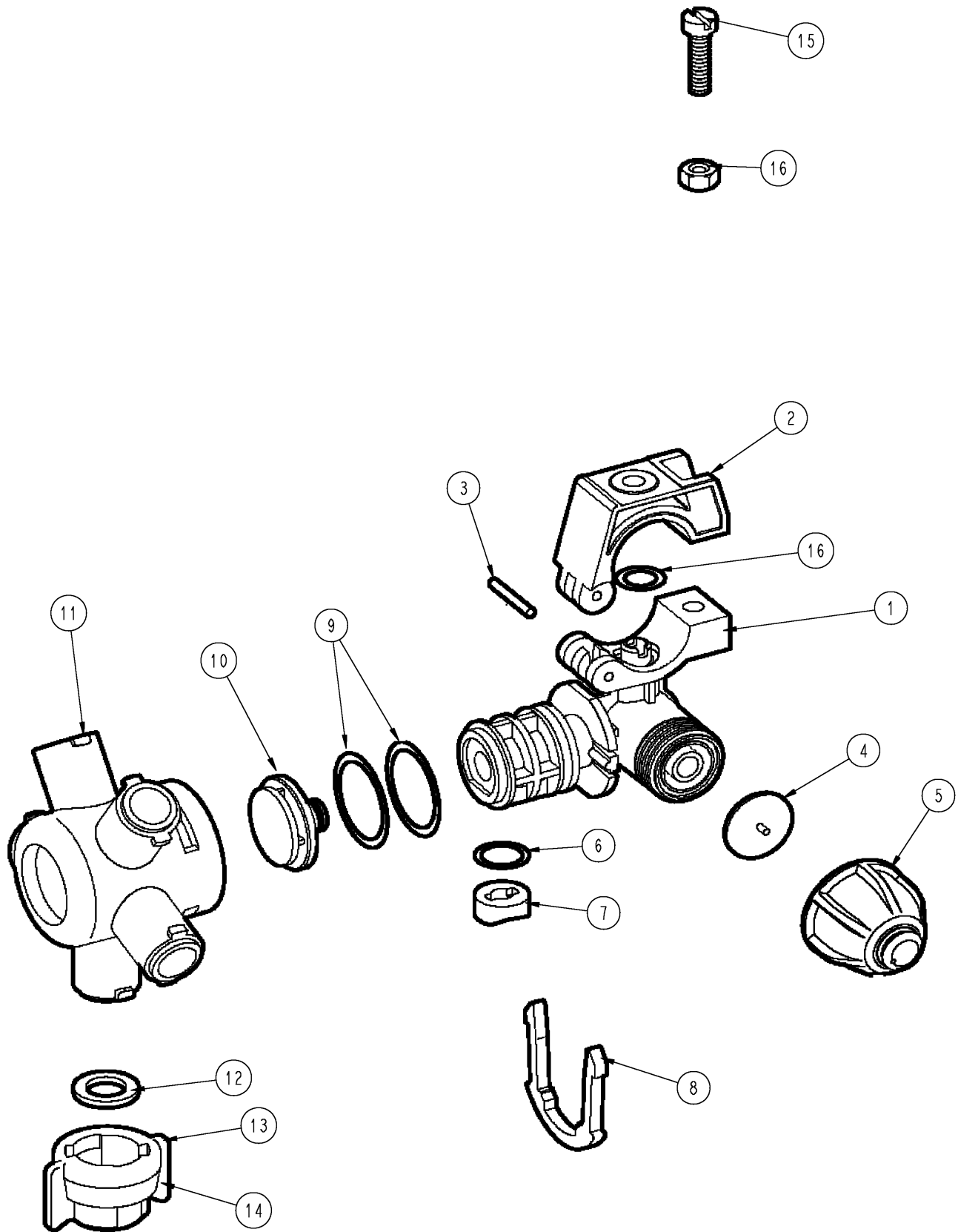
	3330
--	-------------

11-065

p1

10/08

ARAG NOZZLE-5-WAY WET 1" PIPE



ARAG NOZZLE-5-WAY WET 1" PIPE

REF	FN	PART NUMBER	YR/SN	QTY	DESCRIPTION
1		BN325787		1	BODY, NOZZLE
2		84136647		1	CLAMP, COLLAR
3		84136646		1	PIN, NOZZLE BODY CLAMP
4		BN325792		1	DIAPHRAGM
5		84152618		1	VALVE, CHECK
6		84136663		1	O-RING, NOZZLE SELECTOR SPACER
7		84152620		1	SPACER, NOZZLE, BODY, SELECTOR
8		BN325791		1	CLIP, RETAINING
9		84152989		2	O-RING, PIVOT
10		84136669		1	NOZZLE CAP, BODY SELECTOR END
11		BN325790		1	SELECTOR, FIVE WAY
12		84136670		1	GASKET, NOZZLE CAP
13		BN319276		5	NOZZLE, BLANK CAP
14		BN319275		1	NOZZLE, HOLDER 5 WAY
15		{84129709}		1	M6 X 20 P/HD C/R-H FULL SST PLN
16		BN325788		1	O-RING, WET BOOM
17		{87582904}		1	M6 SST PLN

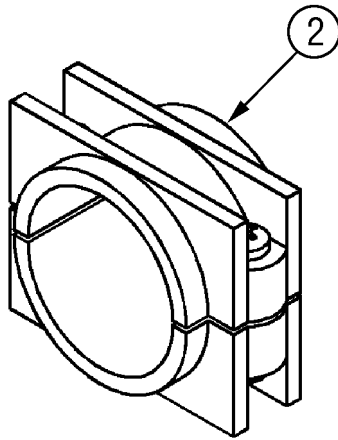
3330

11-066

p1

12/08

NOZZLE, 20-30, 5 WAY, 120



NOZZLE, 20-30, 5 WAY, 120

REF	FN	PART NUMBER	YR/SN	QTY	DESCRIPTION
2		BN318947		97	NOZZLE, 5-Way, Wet 1 Pipe SEE FIG. 11-065
		87718926		6	PLUG, SADDLE, BLANK, WILGER

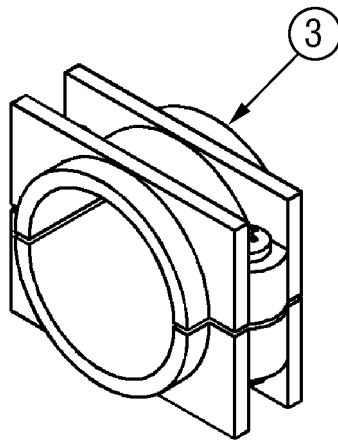
	3330
--	-------------

11-067

p1

12/08

NOZZLE, 20-30, COMBO, 120

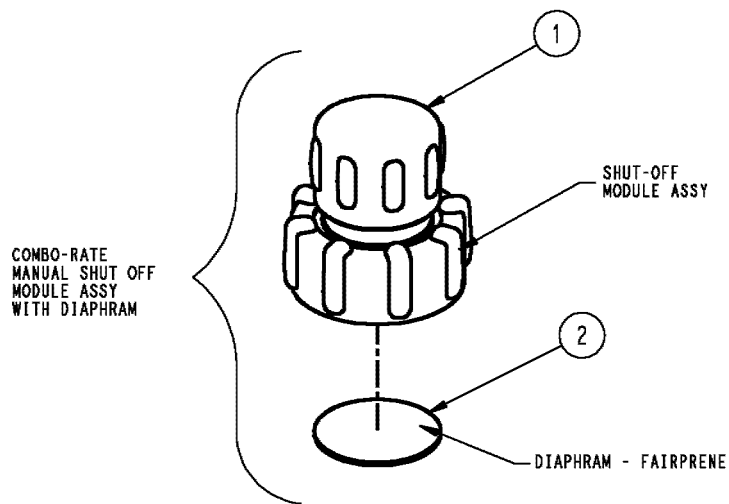


NOZZLE, 20-30, COMBO, 120

REF	FN	PART NUMBER	YR/SN	QTY	DESCRIPTION
		BN325220		97	SADDLE, C-R, WILGER, SEE FIG. 11-062
		BN325221		97	NOZZLE, DUAL WILGER, C-R AIM, SEE FIG. 11-063
3		87718926		6	PLUG, SADDLE, BLANK, WILGER

	3330
--	-------------

MODULE, SHUT-OFF

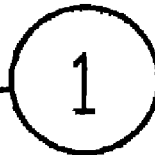
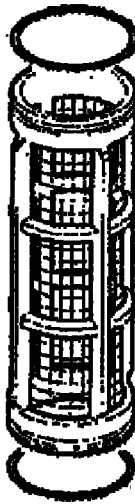
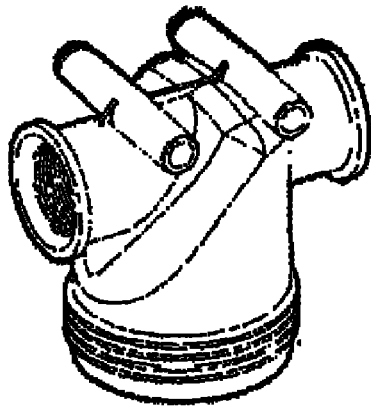


MODULE, SHUT-OFF

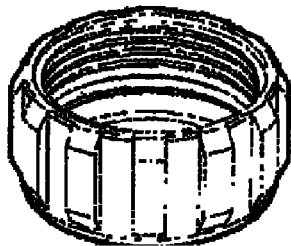
REF	FN	PART NUMBER	YR/SN	QTY	DESCRIPTION
1		87270667		1	MODULE, SHUT-OFF
2		87270668		1	DIAPHRAGM, FAIRPRENE

	3330
--	-------------

SCREENS GROUP, 6 SECTION



WHEN AIM COMMAND IS ORDERED THIS SCREEN IS SENT WITH IN THE CAB OF UNIT

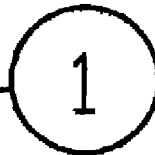
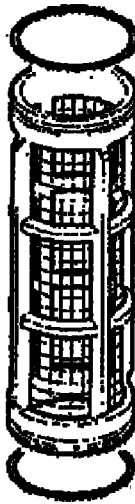
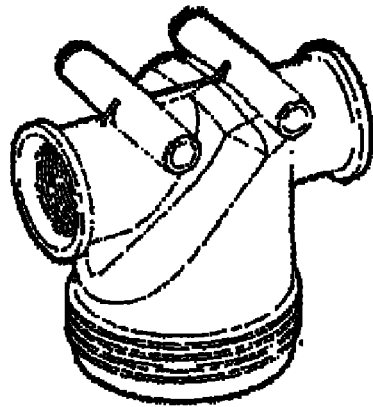


SCREENS GROUP, 6 SECTION

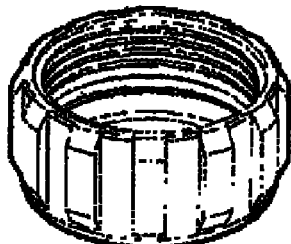
REF	FN	PART NUMBER	YR/SN	QTY	DESCRIPTION
1		87272055		6	SCREEN, 80 MESH, GRAY

	3330
--	-------------

SCREENS GROUP, 5 SECTION



WHEN AIM COMMAND IS ORDERED THIS SCREEN IS SENT WITH IN THE CAB OF UNIT

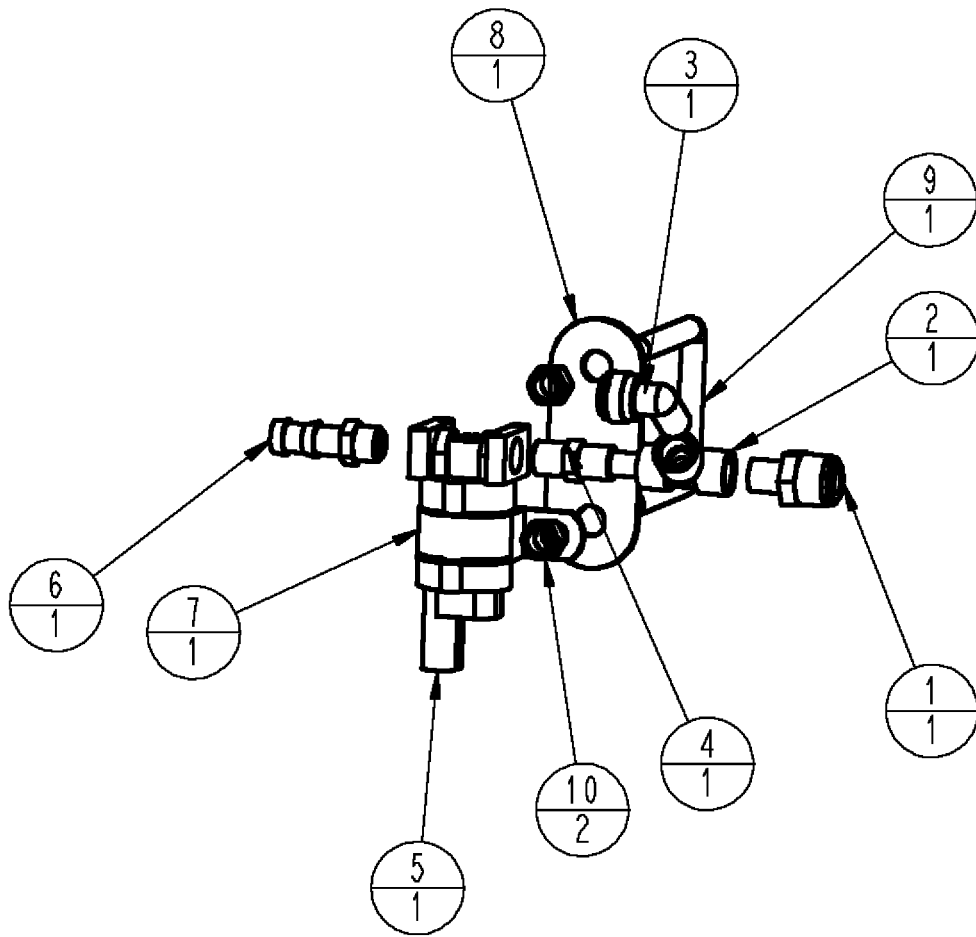


SCREENS GROUP, 5 SECTION

REF	FN	PART NUMBER	YR/SN	QTY	DESCRIPTION
1		87272055		7	SCREEN, 80 MESH, GRAY

	3330
--	-------------

VENTURI, SOLENOID ASSY, RH

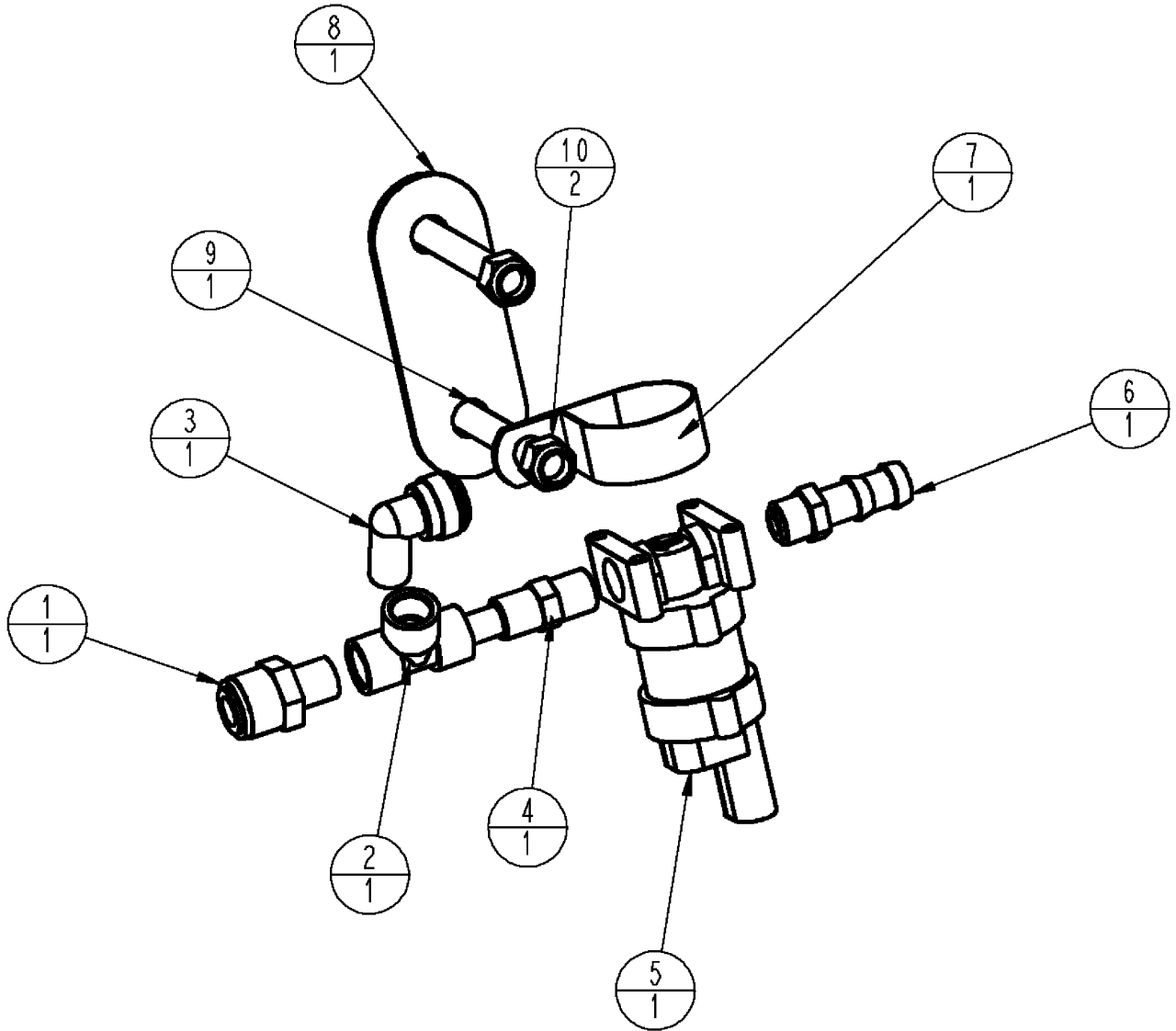


VENTURI, SOLENOID ASSY, RH

REF	FN	PART NUMBER	YR/SN	QTY	DESCRIPTION
1		BN2399403		1	CONNECTOR, TUBE
2		86986807		1	TEE, .25FP, PP
3		BN2399411		1	CONNECTOR, TUBE
4		87269827		1	VENTURI, FOAMER ASSY POLY
5		BN307938		1	VALVE, SOLENOID, 1/4 NPT
6		BN324008		1	FITTING, .25MP.50HB, PP
7		515-23365		1	CLAMP, 1 7/16", Insul, 3/8" Bolt
8		87272755		1	SPACER, 3 X 38 X 100, POLY
9		BN319919		1	U-BOLT, Sq. Bnd 2.06 ID x 3/8
10		BN50759		2	NUT, 3/8-16, NLN, SS EM

	3330
--	-------------

VENTURI, SOLENOID ASSY, LH



VENTURI, SOLENOID ASSY, LH

REF	FN	PART NUMBER	YR/SN	QTY	DESCRIPTION
1		BN2399403		1	CONNECTOR, TUBE
2		86986807		1	TEE, .25FP, PP
3		BN2399411		1	CONNECTOR, TUBE
4		87269827		1	VENTURI, FOAMER ASSY POLY
5		BN307938		1	VALVE, SOLENOID, 1/4 NPT
6		BN324008		1	FITTING, .25MP.50HB, PP
7		515-23365		1	CLAMP, 1 7/16", Insul, 3/8" Bolt
8		87272755		1	SPACER, 3 X 38 X 100, POLY
9		BN319919		1	U-BOLT, Sq. Bnd 2.06 ID x 3/8
10		BN50759		2	NUT, 3/8-16, NLN, SS EM

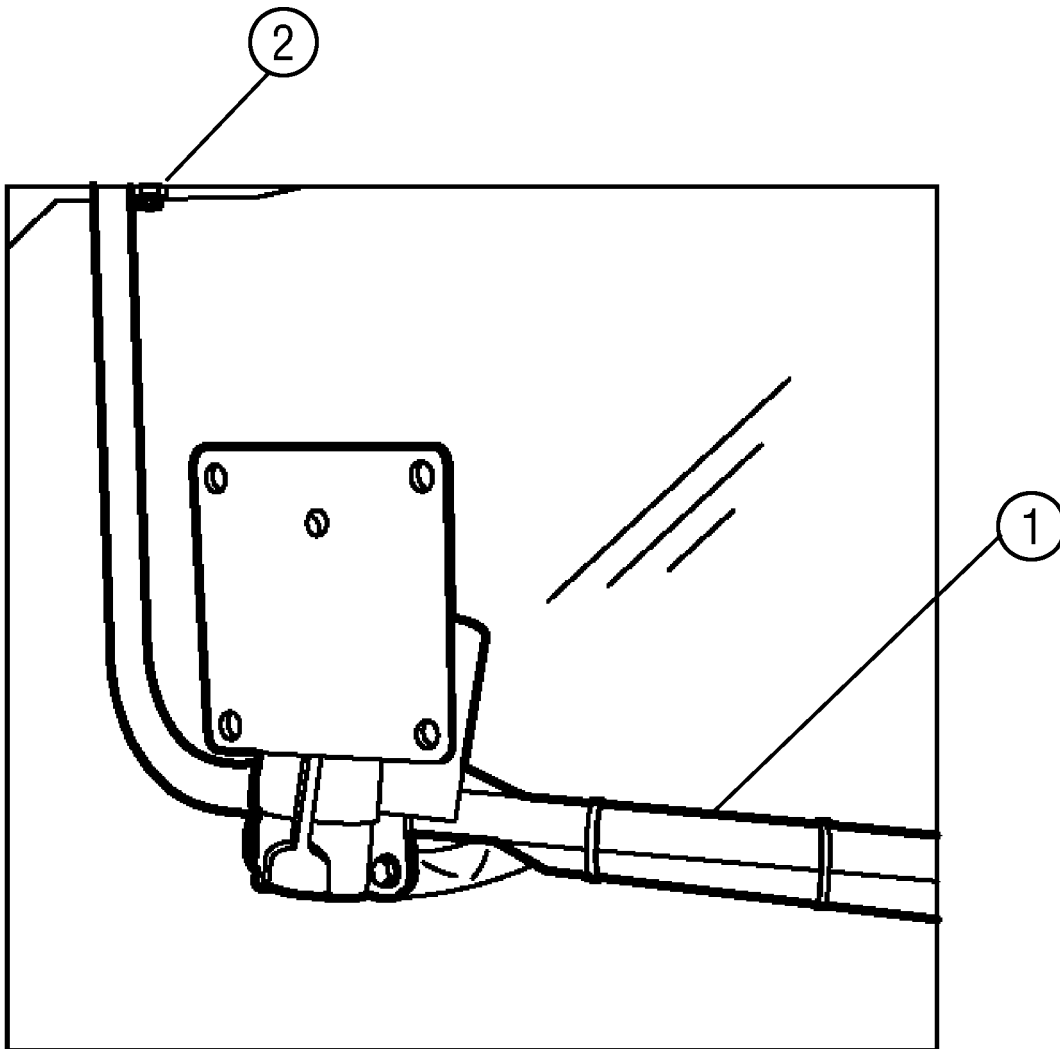
	3330
--	-------------

AFS MONITOR READY PACKAGE

REF	FN	PART NUMBER	YR/SN	QTY	DESCRIPTION
1		87386396		1	ARM, SUPPORTING, COLOR DISPLAY SEE FIG 11-075
2		87608504		1	HARNESS, CODI JUMPER
3		289862C1		4	STRAP, CABLE, 3/16" x 7"

	3330
--	-------------

MONITOR MOUNTING BAR PACKAGE

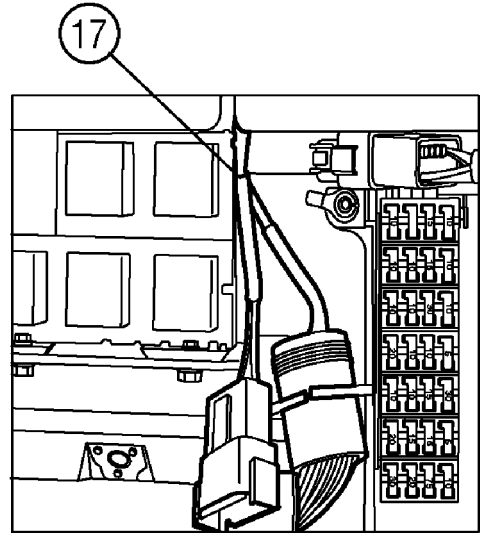
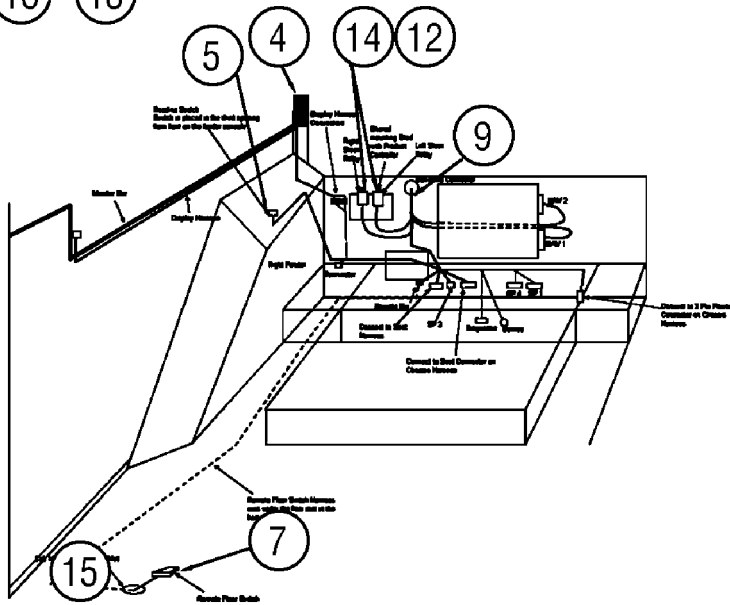
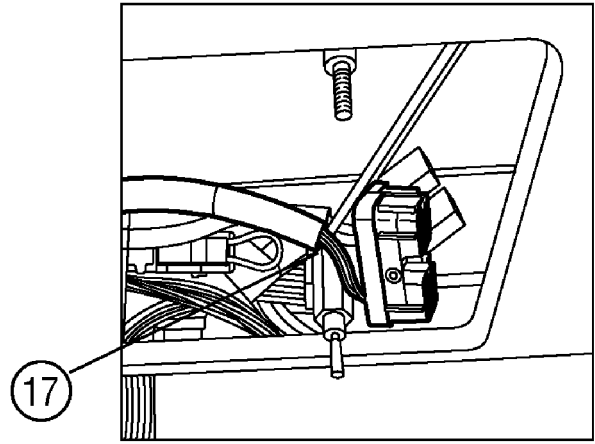
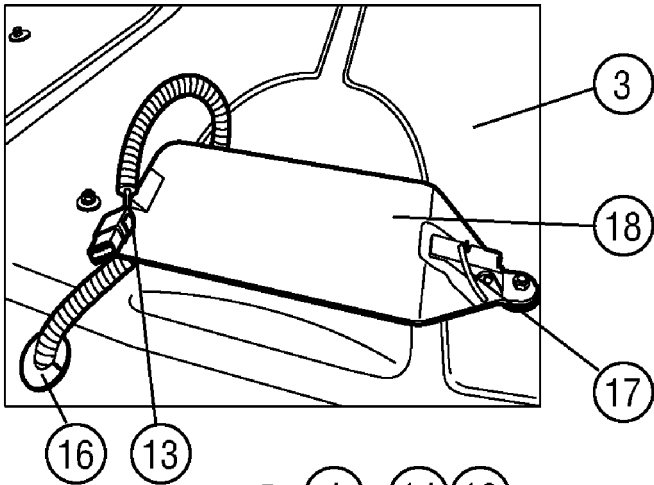


MONITOR MOUNTING BAR PACKAGE

REF	FN	PART NUMBER	YR/SN	QTY	DESCRIPTION
1		87439072		1	BAR, MONITOR MOUNTING
2		9804258		1	BOLT, Hex Flg, M8 x 20, 8.8

	3330
--	-------------

ACCUGUIDE ELECTRICAL GROUP, CAB

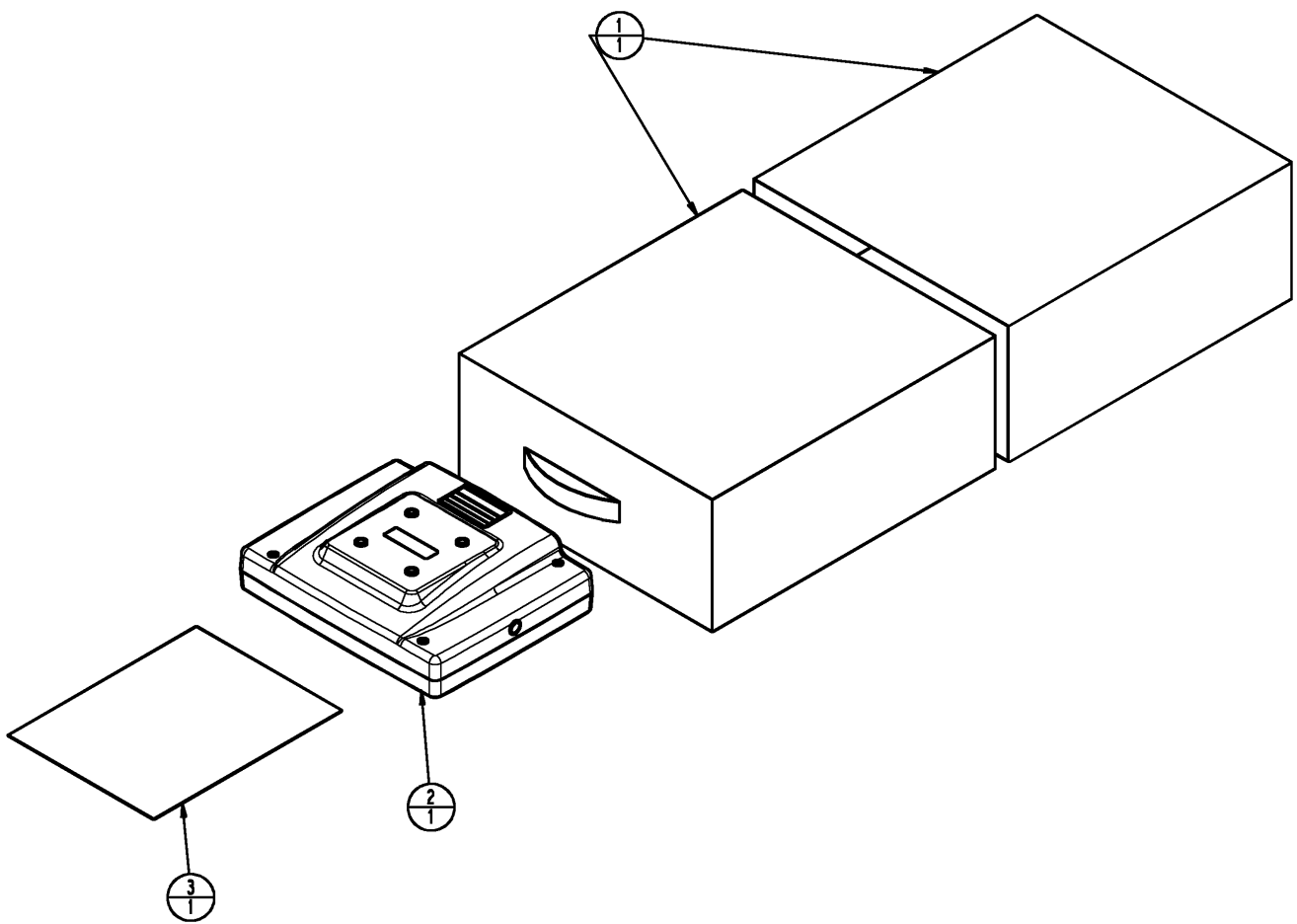


ACCUGUIDE ELECTRICAL GROUP, CAB

REF	FN	PART NUMBER	YR/SN	QTY	DESCRIPTION
3		{87537747}		1	UPPER ROOF NAO, (REWORK FOR AUTOGUIDANCE)
4		{87542375}		1	RH C-POST, (REWORK FOR AUTOGUIDANCE)
7		{87646096}		1	REMOTE, W/CONN
8		{87646099}		2	DUAL LOCK
9		87648173		1	HARNESS, CCH SPRAY CAB INSIDE AUTOGUIDANCE
12		9804276		2	NUT, M6 x 1, Fig, CI 8
13		87544759		1	HARNESS, GPS ANTENNA RECEIVER
14		87529315		2	WASHER, 9 X 17 X 2MM HDN DOR
15		87649885		1	PLUG, FLOOR AUTOGUIDANCE
16		87330628		1	GROMMET, .750 ID X 1.625 GRV CA DIAG SPLT
17		289862C1		3	STRAP, CABLE, 3/16" x 7"
18		87552885		1	BRACKET, ASSY (AUTOGUIDANCE)
19		278316A2		2	CLIP, RETAINER

3330

DISPLAY, FIELD SERVICE BLACK



DISPLAY, FIELD SERVICE BLACK

REF	FN	PART NUMBER	YR/SN	QTY	DESCRIPTION
1		87515548		1	BOX, DISPLAY STORAGE
2		87668597		1	DISPLAY
3		{87052327}		1	WIND CE LIC AGREE

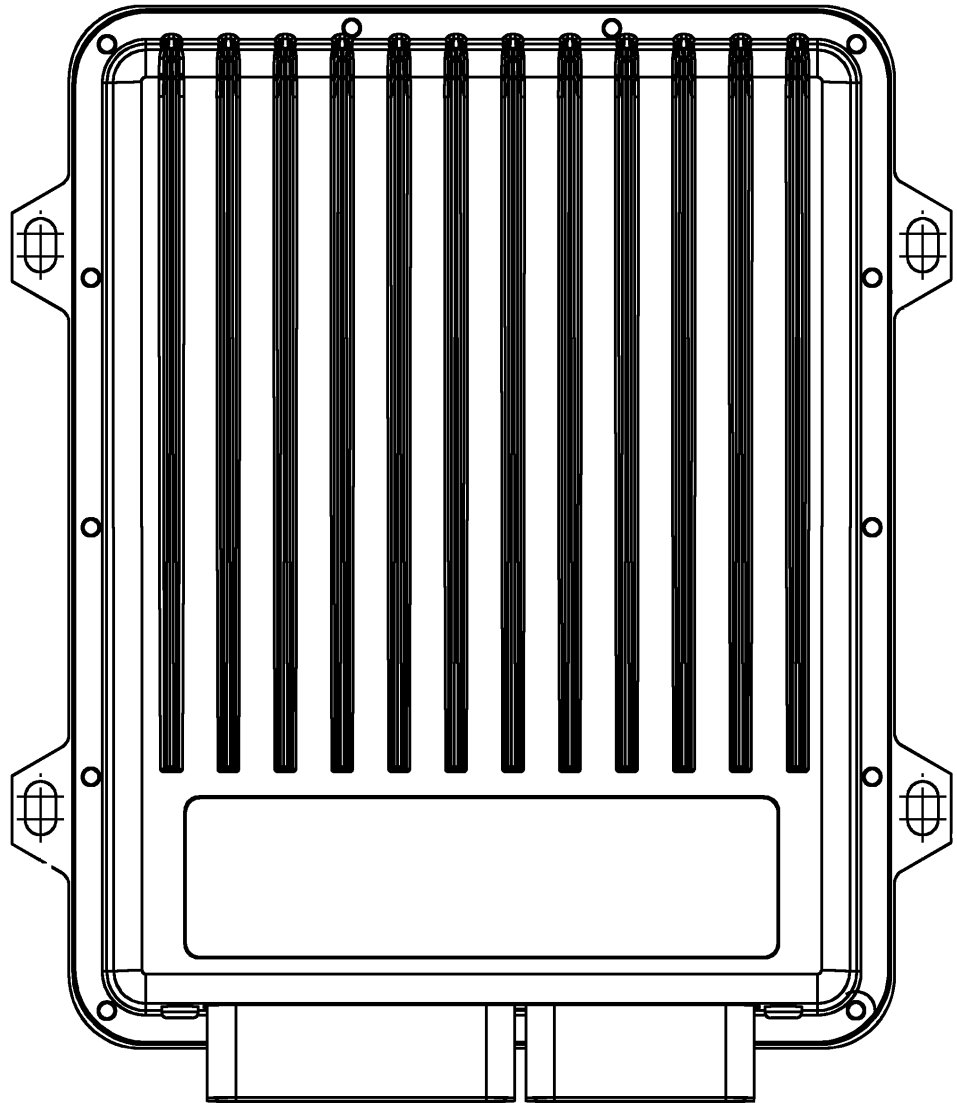
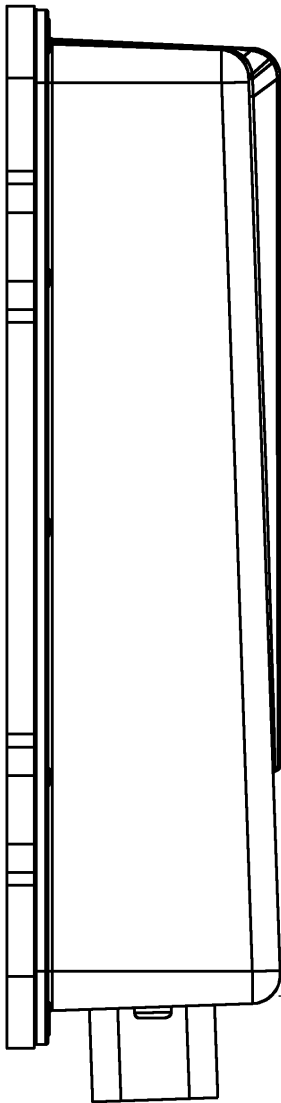
	3330
--	-------------

11-080

p1

11/08

NAV II CONTROLLER



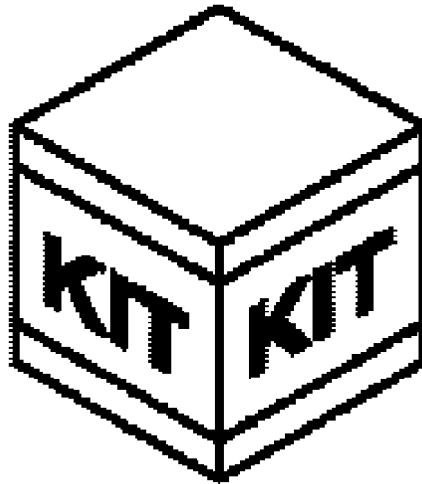
NAV II CONTROLLER

REF	FN	PART NUMBER	YR/SN	QTY	DESCRIPTION
-----	----	-------------	-------	-----	-------------

		87536512		1	CONTROL, CERES NAVII
		{84171666}	From 12/08	1	V3.40
1		{87723428}	Before 12/08	1	V3.31

(1) INDICATES OLD PART NUMBER OR CAN ORDER NEWER PART NUMBER LISTED ABOVE

	3330
--	-------------

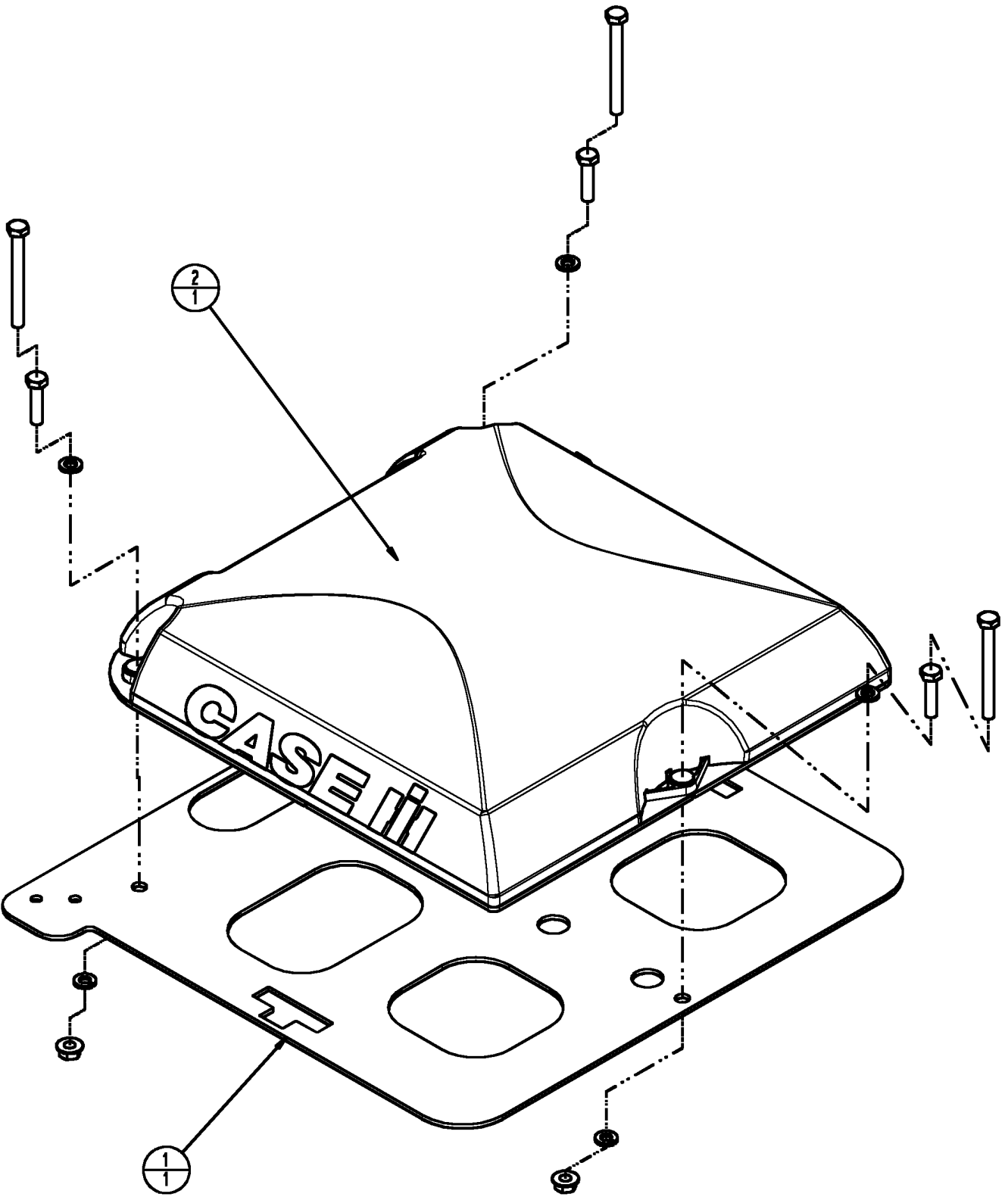


AUTOGUIDANCE V16 MANUALS

REF	FN	PART NUMBER	YR/SN	QTY	DESCRIPTION
		87701868		1	MANUAL, OPERATOR EN, AFS PRO 600 DISPLAY MANUAL
		87701914		1	MANUAL, OPERATOR EN, ACCUGUIDE FOR AFS PRO 600 DIS
		87701938		1	LITER. SERV. MISCELL. MTL, ACCUGUIDE QUICK REFERENCE CAR
		87708844		1	INSTRUCTION, UNIVERSAL GUIDANCE READY INSTALLATION

	3330
--	-------------

PACKAGE, AFS252/WAAS/EGNOS/VBS



PACKAGE, AFS252/WAAS/EGNOS/VBS

REF	FN	PART NUMBER	YR/SN	QTY	DESCRIPTION
1		84148119		1	MODULE, AFS262 WAAS/EGNOS/VBS/W/SO SEE FIG 11-084
		{87491301}		1	HARDWARE 252 MOUNTING SEE FIG 11-083

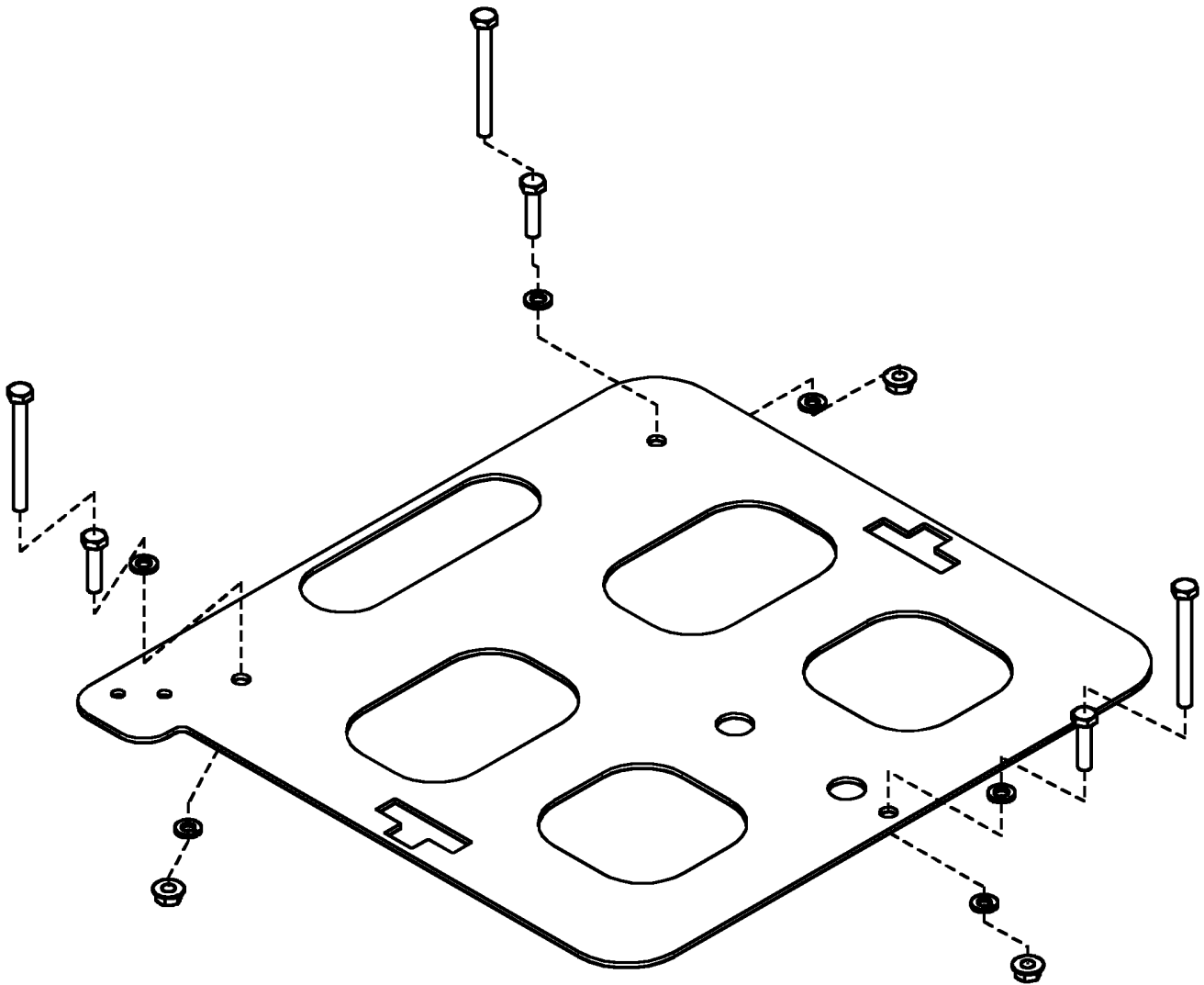
	3330
--	-------------

11-083

p1

09/08

PACKAGE, HARDWARE 252 MOUNTING



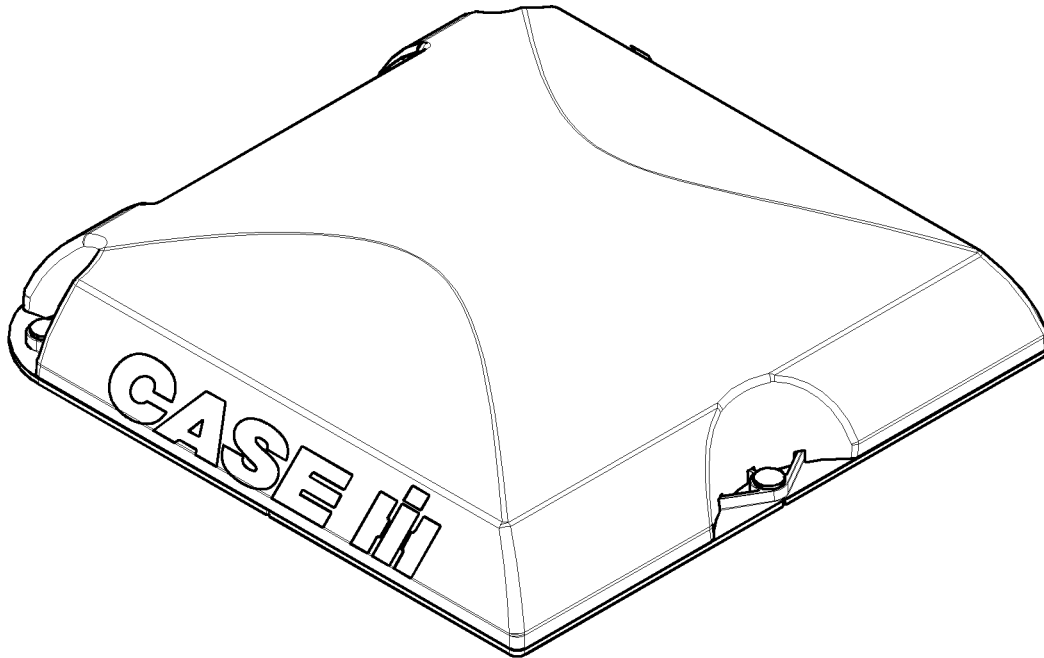
11

PACKAGE, HARDWARE 252 MOUNTING

REF	FN	PART NUMBER	YR/SN	QTY	DESCRIPTION
1		87496985		1	PLATE, MOUNTING, PTD, GPS
2		86977786		3	BOLT, Hex, M6 x 25, 8.8
3		338413		3	BOLT, Hex, M6 x 60, 8.8
4		86511444		3	NUT, M6, Flg Ser
5		86517328		3	WASHER, LOCK, M6
6		86588450		3	WASHER, M6

	3330
--	-------------

GPS RECEIVER

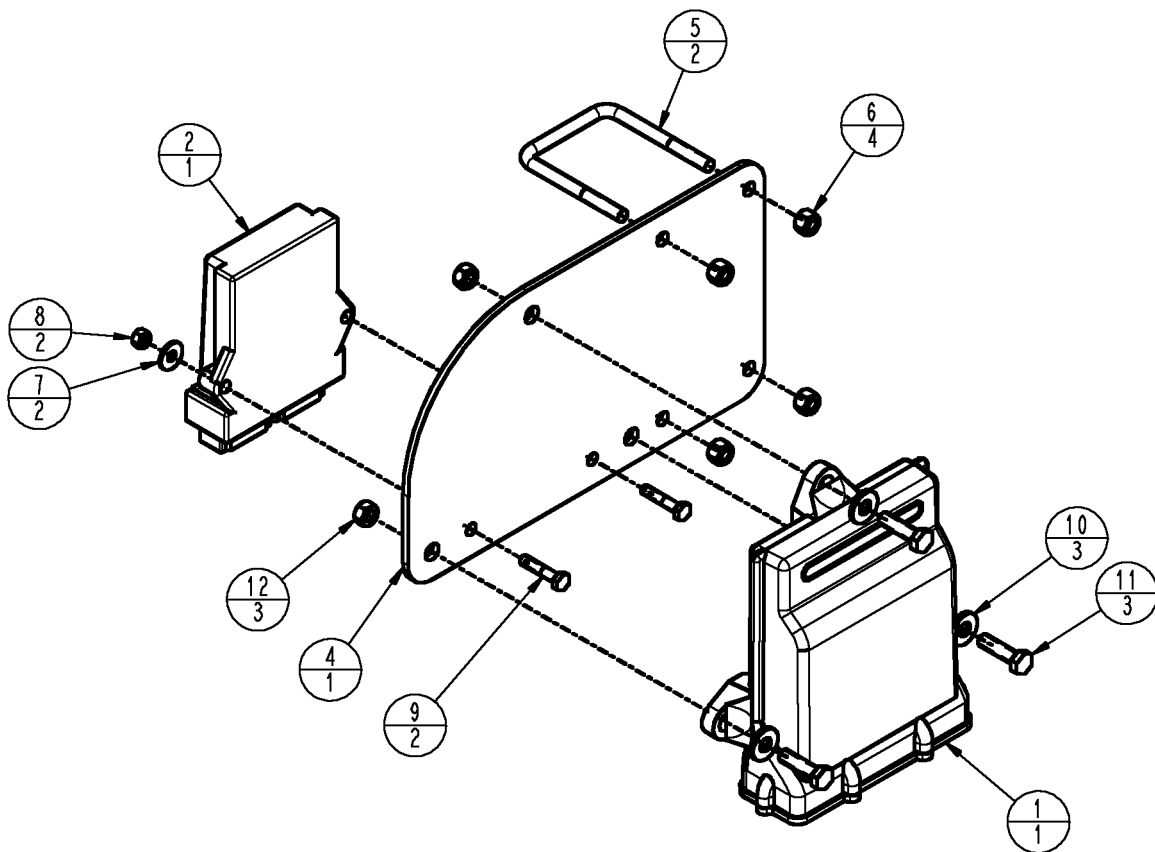


GPS RECEIVER

REF	FN	PART NUMBER	YR/SN	QTY	DESCRIPTION
1		{84148105}		1	AFS262 WAAS/EGNOS/VBS/W/SOFT
2		{84148070}		1	SOFTWARE, 262 RECEIVER

	3330
--	-------------

PACKAGE, NODES/HARNESSES, EZ-FOLD, 120'



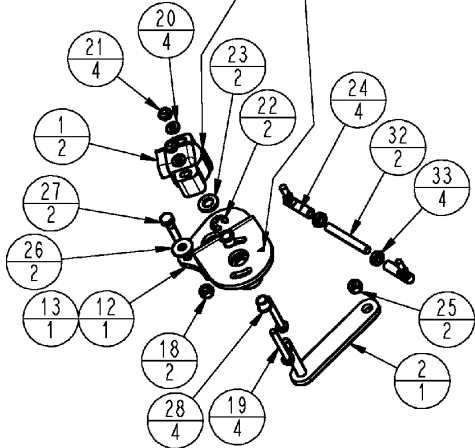
PACKAGE, NODES/HARNESSES, EZ-FOLD, 120'

REF	FN	PART NUMBER	YR/SN	QTY	DESCRIPTION
1		84138964		1	CONTROL BLOCK, NODE, AUTOFOLD, 120'
2		84138963		1	CONTROL BLOCK, NODE, HYD INPUT, 120'
3		84138914		1	HARNESSES, AUTOFOLD, 120' BOOM
4		87484395		1	MOUNT, NODES
5		BN313492		2	U-BOLT, 5/16 X 2.56 INSID
6		87343959		4	NUT, PREV TORQ ALL MTL 5/16-18 GR B DOR
7		87529302		2	WASHER, 6.6 X 18 X 1.6MM CST DOR
8		86980513		2	NUT, P/T ALL MTL M6 8 DOR
9		86980362		2	BOLT, M6-1 X 30, HH, 8.8, DOR
10		87529316		3	WASHER, 9 X 21 X 2.5 HDN DOR
11		86980381		3	BOLT, M8 X 30 FULL 8.8 DOR
12		86980515		3	NUT, LOCK, M10 x 1.5, CI 8
13		87397313		1	SWITCH, ONE TOUCH FOLD
14		87397319		1	HARNESSES, WIRE, ONE TOUCH FOLD

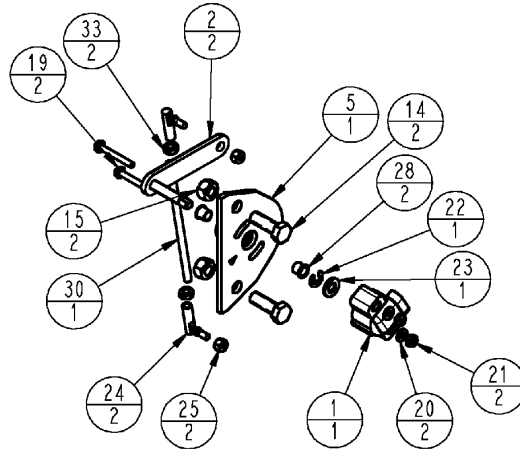
	3330
--	-------------

PACKAGE, SENSORS, AUTOFOLD PLUS, 120'

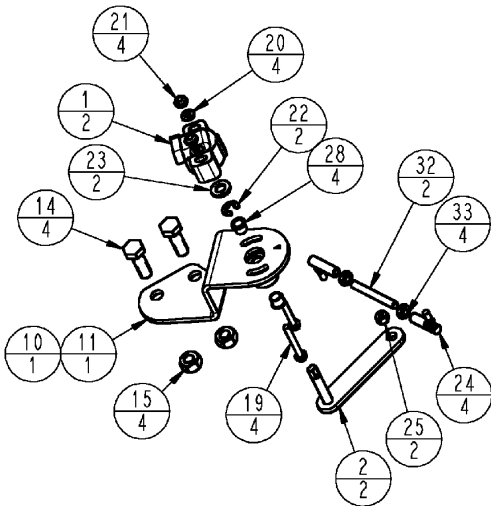
ALINE SENSOR GROOVE
WITH ARROW ON MOUNT
AT ALL LOCATIONS
AS STARTING POSITION



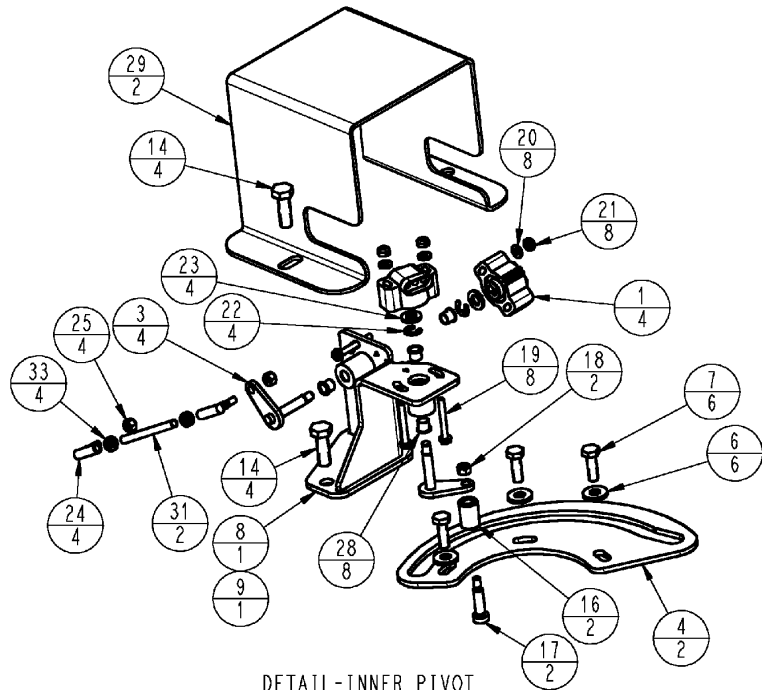
DETAIL-OUTER
(LEFT SHOWN)



DETAIL - CENTER



DETAIL - MID
(LEFT SHOWN)



DETAIL-INNER PIVOT
(LEFT SHOWN)

PACKAGE, SENSORS, AUTOFOLD PLUS, 120'

REF	FN	PART NUMBER	YR/SN	QTY	DESCRIPTION
1		86616339		9	SENSOR, AHHC
2		87046644		1	ROD ASSY.
3		431034A1		4	ARM, AHHC SENSOR CONTROL
4		87482929		2	CAM, PIVOT SENSOR
5		{87484198}		1	CENTER SECTION
6		87529316		6	WASHER, 9 X 21 X 2.5 HDN DOR
7		86980380		6	BOLT, M8 X 25 FULL 8.8 DOR
8		87487940		1	MOUNT, SENSOR, BOOM PIVOT, LH
9		87487944		1	MOUNT, SENSOR, BOOM PIVOT, RH
10		87488490		1	MOUNT, SENSOR, MID, RH
11		87488488		1	MOUNT, SENSOR, MID, LH
12		87488492		1	MOUNT, SENSOR, OUTER, LH
13		87488494		1	MOUNT, SENSOR, OUTER, RH
14		86980401		14	BOLT, M10 X 30 FULL 8.8 DOR
15		86980515		6	NUT, LOCK, M10 x 1.5, CI 8
16		87488496		2	ROLLER, CAM, POLY
17		87495287		2	SCREW, HEX SOC, M6 8 X 25MM SHOULDER 12
18		86980513		4	NUT, P/T ALL MTL M6 8 DOR
19		BN316803		18	SCREW, MACH- 10-24 X 1.5 SS
20		BN310265		18	WASHER, 10, FW, SS
21		BN310266		18	NUT, 10-24, NLN, SS
22		86640147		9	RING, LOCKING, #31, Ext, E-Type
23		87529315		9	WASHER, 9 X 17 X 2MM HDN DOR
24		86550597		14	BALL JOINT
25		231-24409		10	NUT, LOCK, #10-32
26		87529302		2	WASHER, 6.6 X 18 X 1.6MM CST DOR
27		86980361		2	BOLT, M6 X 25 FULL 8.8 DOR
28		87492420		18	BUSHING, 8 ID X 9.6 OD X 8 LONG, FLANGE
29		87488487		2	COVER, PIVOT SENSORS
30		84135001		1	TIE-ROD, .250-28UNF X 136MM, DOR
31		84135002		2	TIE-ROD, .250-28UNF X 78MM, DOR
32		84135003		4	TIE-ROD, .250-28UNF X 52MM, DOR
33		86976064		14	NUT, Jam, 1/4"-28, G5

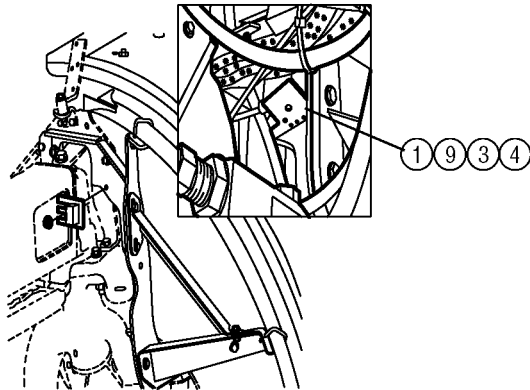
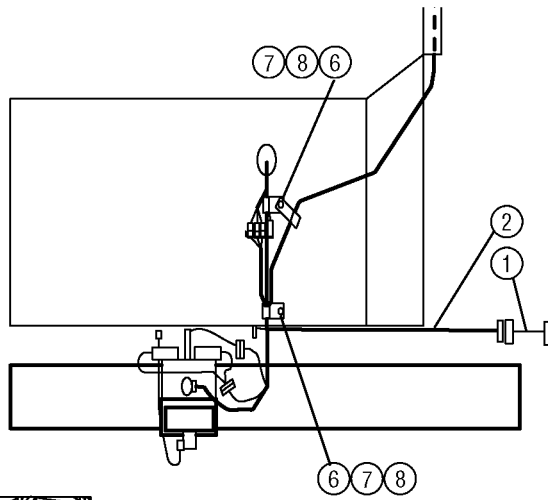
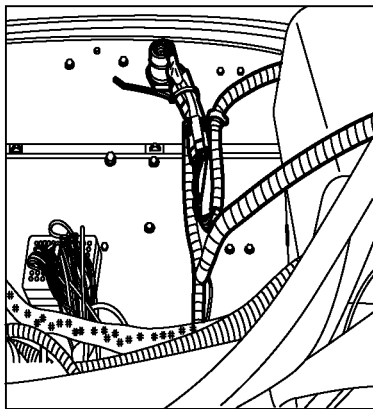
3330

SECTION INDEX

Electrical

11-076		ACCUGUIDE ELECTRICAL GROUP, FRAME
11-077		MOUNT, COLOR DISPLAY ARM
11-078		KIT, ACCU BOOM
12-001		FRAME ELECTRICAL GROUP
12-002		INTERMEDATE START RELAY, GROUP
12-003		HARNESS MOUNTING GROUP
12-004		MODULE, ELECTRICAL MAIN CAB
12-009		HARNESS, ENGINE
12-010		SELF CENTERING, ELECTRICAL GROUP
12-011		BATTERY GROUP W/CABLES
12-012		LIGHT GROUP
12-013		TAILLIGHT LIGHT GROUP
12-014		REAR STOP, SIGNAL ASSEMBLY
12-015		HARNESS HEADLIGHT EXT
12-016		ONE TOUCH FOLD, ELECTRICAL GROUP
12-017		ELECTRIC TRANSFER PUMP GROUP
12-018		FOAMER ELECTRICAL GROUP
12-022		CONTROL GROUP, SCS5000
12-023		VIPER CONTROL GROUP
12-025		CONTROL GROUP, NODE
12-027		BOOM ELECTRICAL GROUP, 5 SECTION
12-028		BOOM ELECTRICAL GROUP, 6 SECTION
12-030		AIM COMMAND, ELECTRICAL GROUP, PWM
12-031		AIM COMMAND, ELECTRICAL GROUP, 6 SEC
12-032		AIM COMMAND, ELECTRICAL GROUP, 5 SEC
12-033		AIM COMMAND, HARNESS GROUP
12-034		AIM COMMAND, BYPASS GROUP
12-036		CAB ELECTRICAL, AIM GROUP
12-037		AIM COMMAND, HARNESS GROUP
12-038		AIM SENSOR PLUMBING GROUP, CENTER SECTION
12-040		AIM COMMAND PACKAGE, PWM 1-6 SEC
12-041		AIM 90' X 20" SOL GROUP, ARAG 6
12-042		AIM 90' X 20" SOL GROUP, WILGER 6
12-045		SOLENOID, AIM, ARAG 150P
12-046		SOLENOID, AIM, WILGER 150P
12-048		HARNESS, AIM COMMAND, REAR
12-049		HARNESS, AIM COMMAND, 6 SECTION
12-050		HARNESS, AIM COMMAND, 6 SECTION
12-051		HARNESS, AIM, 6 NOZZLE TIP
12-052		HARNESS, AIM, 9 NOZZLE TIP
12-053		HARNESS, AIM, 15 NOZZLE
12-054		HARNESS, NOZZLE ALTERNATOR
12-055		ELECTRICAL GROUP, FENCE ROW
12-059	01	ELECTRIC GROUP, AUTO GUIDE
12-059	02	ELECTRIC GROUP, AUTO GUIDE
12-060		HARNESS, CCH SPRAY, CAB AUTO GUIDANCE
12-061		HARNESS, OUTSIDE AUTO GUIDANCE
12-062		BYPASS MODULE GROUP, 120' BOOM
12-066		BOOM, ELECTRICAL GROUP, 7 SECTION, 120' BOOM

ACCUGUIDE ELECTRICAL GROUP, FRAME

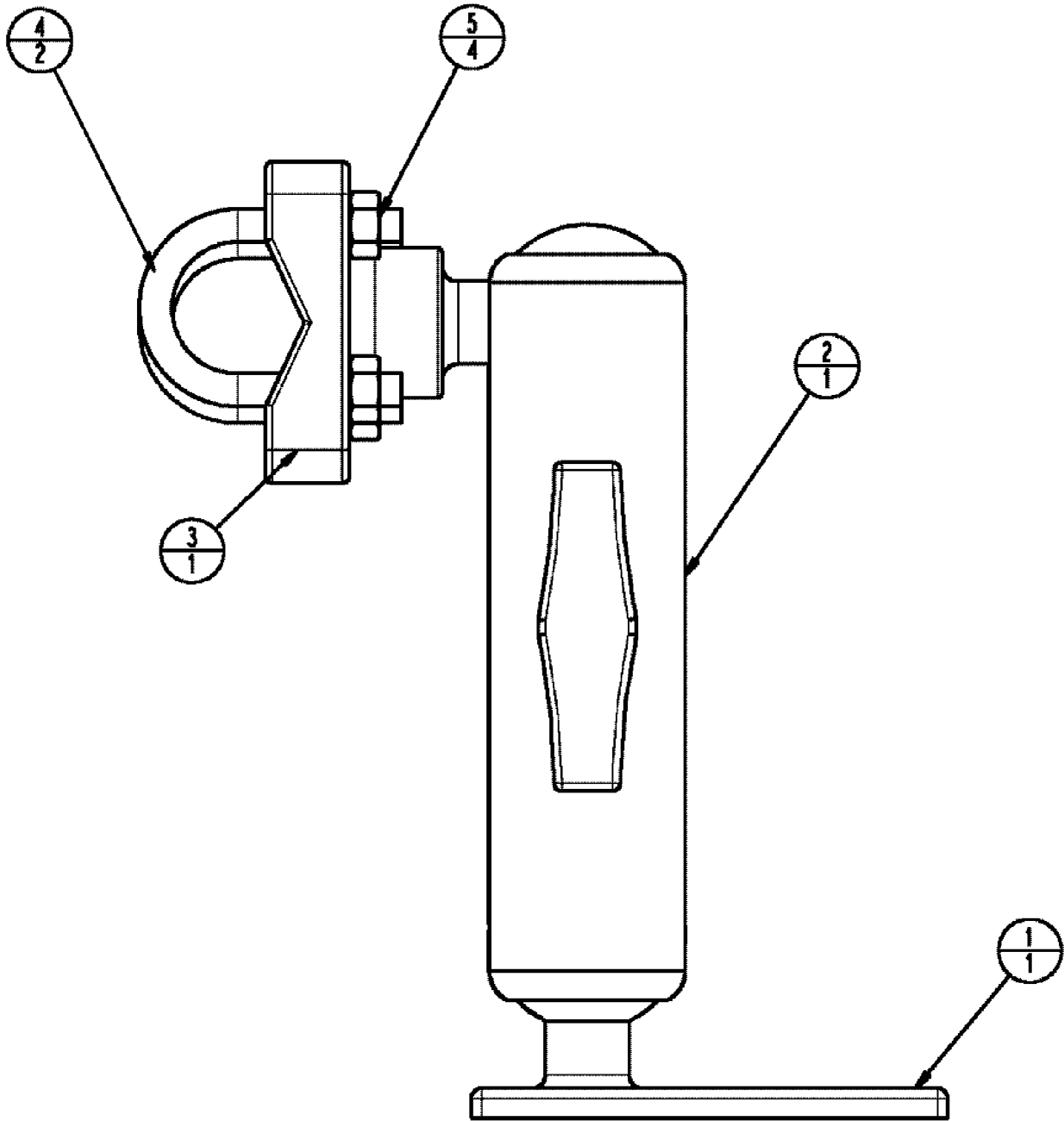


ACCUGUIDE ELECTRICAL GROUP, FRAME

REF	FN	PART NUMBER	YR/SN	QTY	DESCRIPTION
1		87743199		1	MODULE, AUTOSENSE
2		87648175		1	HARNESS, SPX OUTSIDE AUTOGUIDANCE
3		87649884		1	MOUNT, AUTOSENSE, SPX
4		{87657976}		4	HEX-SOC FHD 6-32 X .375 AST DOR
5		22-824		4	STRAP, CABLE, 3/16" x 7 1/4"
6		515-22159		3	CLAMP, 5/8", Insul, 5/16" Bolt
7		86980514		2	NUT, P/T ALL MTL M8 8 DOR
8		87529315		2	WASHER, 9 X 17 X 2MM HDN DOR
9		87743200		1	HARNESS, JUMPER, 24", AUTOSENSE

	3330
--	-------------

MOUNT, COLOR DISPLAY ARM

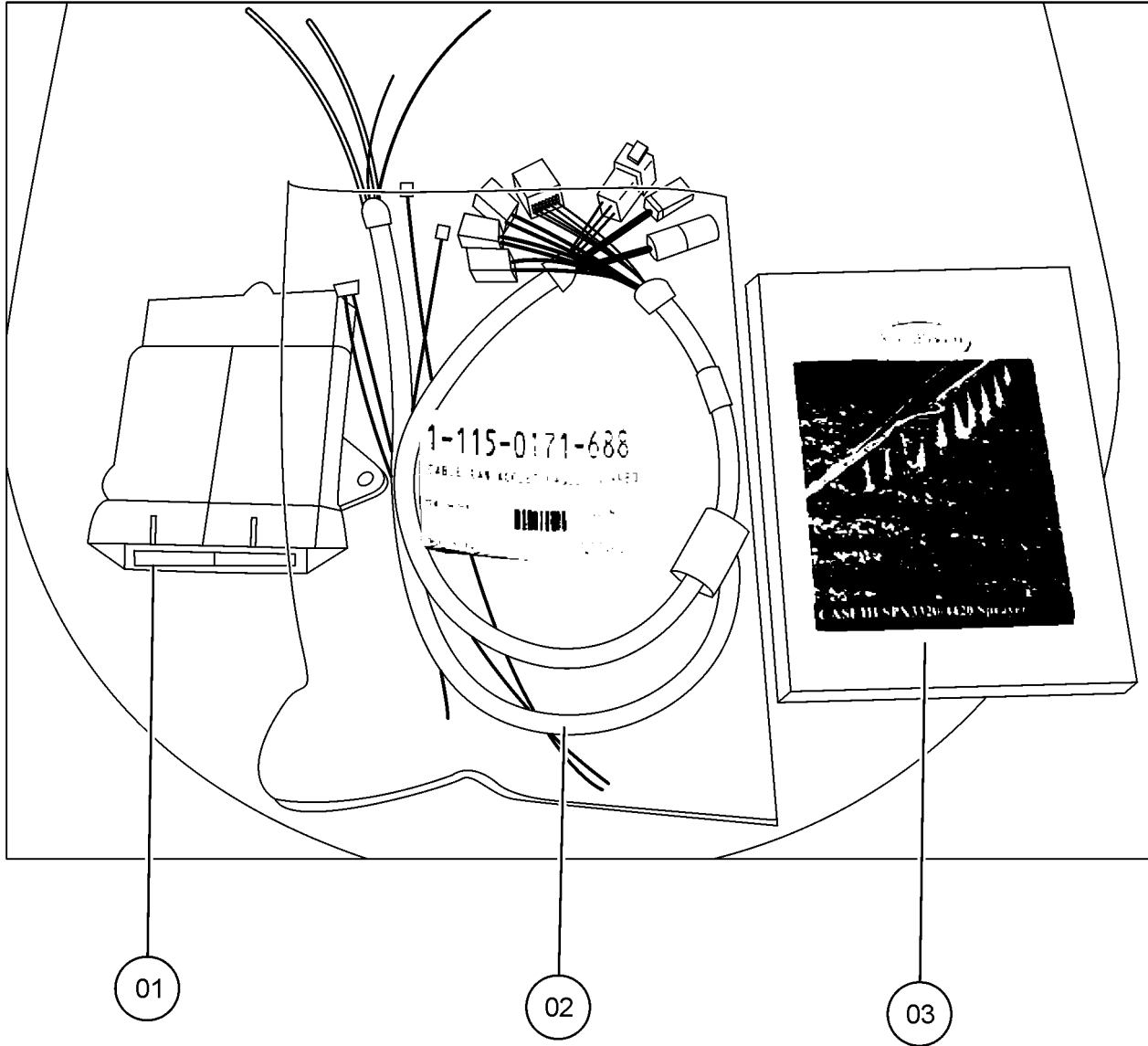


MOUNT, COLOR DISPLAY ARM

REF	FN	PART NUMBER	YR/SN	QTY	DESCRIPTION
1		87386398		1	ARM, SUPPORTING, RAM, SQ MOUNT, 75 X 75
2		87284257		1	RAM BOTTOM, ARM, DOUBLE SOCKET, 1.5
3		87284259		1	RAM FOOT, BASE, DOUBLE U-BOLT
4		86632541		2	U-BOLT
5		7770		7	NUT, 1/4"-20, G5

	3330
--	-------------

KIT, ACCU BOOM



12

KIT, ACCU BOOM

REF	FN	PART NUMBER	YR/SN	QTY	DESCRIPTION
1		{87643472}		1	CAN, ACCU BOOM, CONTROL
2		{87643474}		1	ACCU BOOM
3		{87711302}		1	ACCU BOOM

	3330
--	-------------

12-001

p1

09/08

FRAME ELECTRICAL GROUP

**ART
NOT
AVAILABLE**

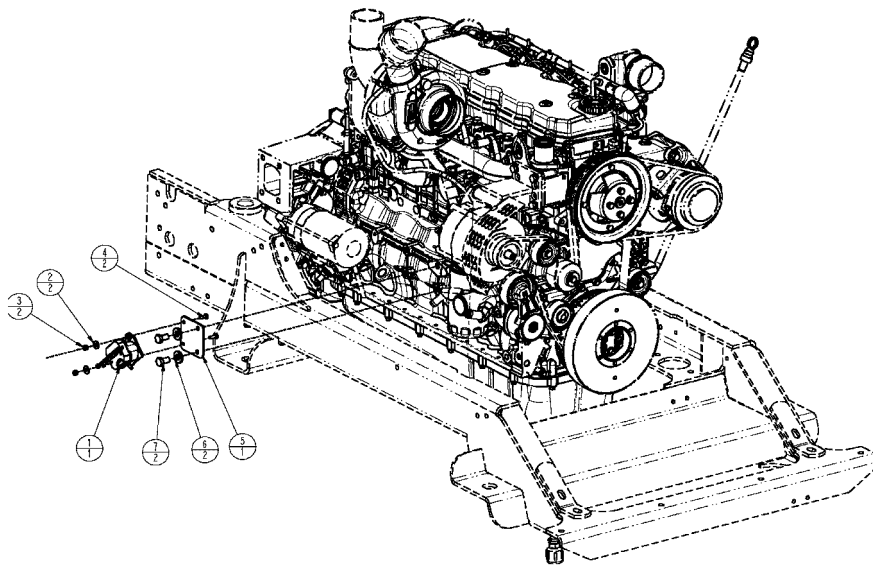
12

FRAME ELECTRICAL GROUP

REF	FN	PART NUMBER	YR/SN	QTY	DESCRIPTION
		87728479		1	HARNESS, MAIN FRAME SEE FIG. 12-007
		87474695		1	HARNESS, HYD CONTROL
		87474696		1	HARNESS, HYD CONTROL, CENTER SECTION
		87722110		1	HARNESS, HARNESS, PRODUCT CONTROL
		87756564		1	HARNESS, WIRE, HEADLIGHT EXT, SEE FIG. 12-005
		87272141		1	HARNESS, WIRE, ENGINE, IVECO SEE FIG. 12-009
		{87271412}		1	INT. START RELAY, SEE FIG. 12-002
		BN322488		1	SENSOR, SPEED SENSOR, SEE FIG. 04-037
		86980378		1	BOLT, DOR
		{87472205}		1	MOUNTING, SEE FIG. 12-003
		{84135770}		1	CONTROL, CAN, SEE FIG. 12-025

	3330
--	-------------

INTERMEDIATE START RELAY, GROUP

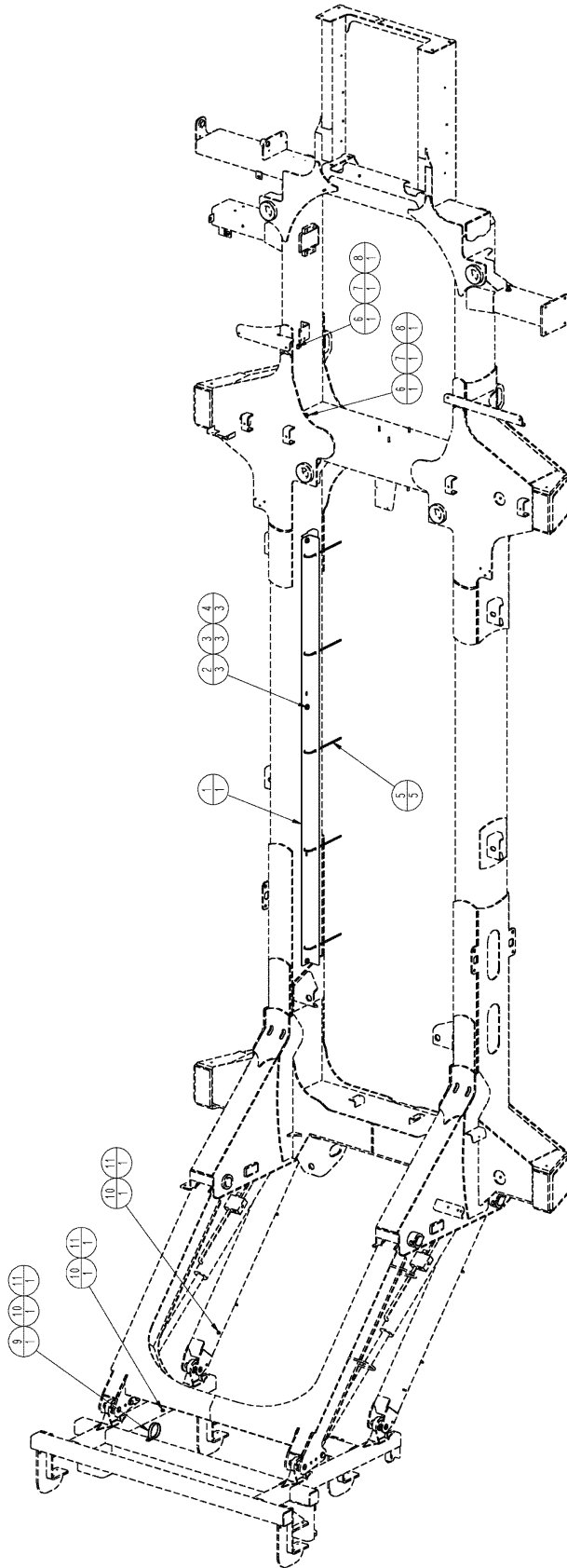


INTERMEDIATE START RELAY, GROUP

REF	FN	PART NUMBER	YR/SN	QTY	DESCRIPTION
1		178149A1		1	SWITCH, SOLENOID, WITH BARRIER
2		87529302		2	WASHER, 6.6 X 18 X 1.6MM C
3		86980513		2	NUT, P/T, ALL MTL, M6 8 DOR
4		86980359		2	BOLT, HEX HD, M6 1 X 16 CL8.8 DOR
5		87579954		1	RELAY
6		87529310		2	WASHER, 13.5 X 28 X 4MM HTS DOR
7		86980418		2	BOLT, HEX HD, M12 X 20 CL8.8 DOR

	3330
--	-------------

HARNESS MOUNTING GROUP

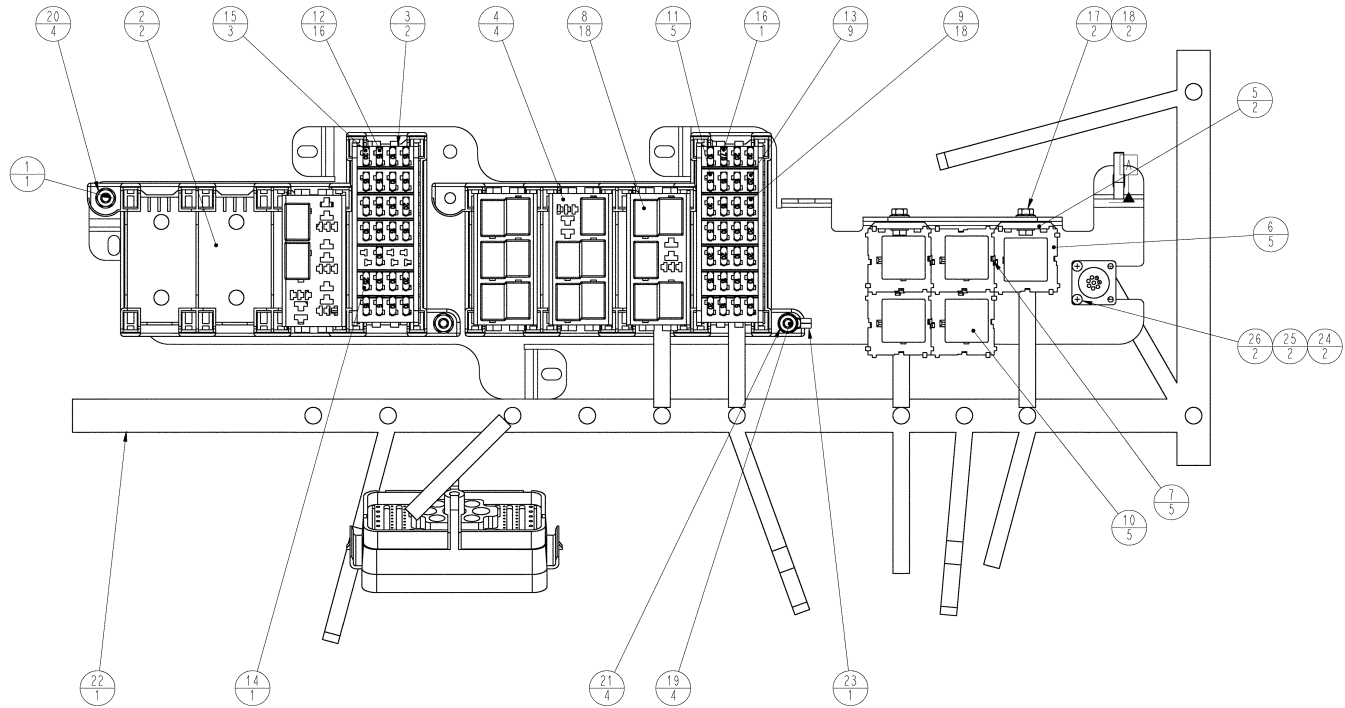


HARNES MOUNTING GROUP					
------------------------------	--	--	--	--	--

REF	FN	PART NUMBER	YR/SN	QTY	DESCRIPTION
1		{87739927}		1	ELECTRICAL
2		86980400		3	BOLT, Hex, M10 x 25, 8.8
3		86980515		3	NUT, LOCK, M10 x 1.5, CI 8
4		87529312		3	WASHER, 11 X 24 X 3MM HDN
5		87557084		5	STRAP, CABLE, 6.6 X 12.5 X 2MM H
6		515-2179		2	CLAMP, 5/16", Insul, 1/4" Bolt
7		87344030		2	NUT, PT M5 8
8		87529301		2	WASHER, 5.6 X 10 X 1 MM CST
9		{87021161}		1	
10		87529314		3	WASHER
11		86980513		3	NUT, P/T, ALL MTL, M6 8 DOR

	3330
--	-------------

MODULE, ELECTRICAL MAIN CAB

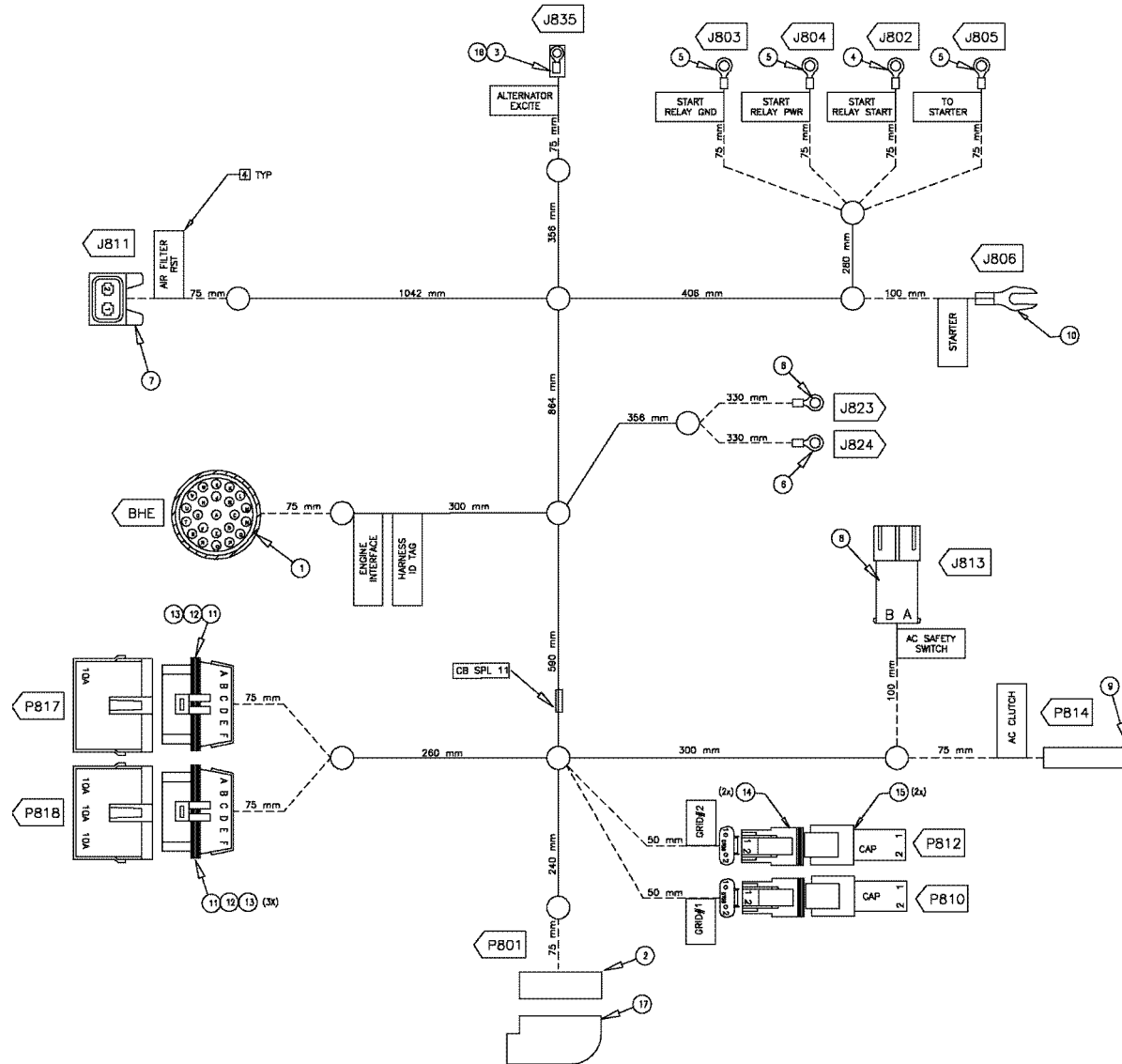


MODULE, ELECTRICAL MAIN CAB

REF	FN	PART NUMBER	YR/SN	QTY	DESCRIPTION
1		87517377		1	BRACKET, MOUNTING, ELEC
2		191135A1		2	BASE, RELAY/FUSE
3		144421A1		2	BLOCK, CONNECTING, PACKARD, 28 WAY, MINI
4		144417A1		4	BLOCK, CONNECTING, MICRO RELAY
5		367147A1		2	BRACKET, MTG, (DILL #59205)
6		367145A1		5	BLOCK, GREY, TERM DIL59184
7		367146A1		5	WEDGE, LOCK
8		105849A1		18	RELAY, EC, 20 AMP CONT D
9		121412A1		18	FUSE, ATM 10
10		368459A1		5	RELAY, 70A PWR, HELLA 6613
11		121410A1		5	FUSE, ATM 5
12		121413A1		16	FUSE, ATM 15
13		121414A1		9	FUSE, ATM 20
14		121415A1		1	FUSE, ATM 25
15		121416A1		3	FUSE, ATM 30
16		121411A1		1	FUSE, ATM 7.5
17		841-4512		2	SCREW, Hex Wash Hd, M5 x 12, 4.8
18		825-5145		2	NUT, M5, Flg Ser
19		614-6016		4	BOLT, Hex, M6 x 16, 8.8
20		895-11006		4	WASHER, M6, 6.6 X 12.5 X 1.6MM CST/ZND
21		829-1406		4	NUT, M6, CI 10
22		{87476208}		1	ELECTRICAL, MAIN CAB
23		{RING TERM}		1	TYPE A
24		86511815		2	SCREW, Cross Pan Hd, M3 x 8
25		87389403		2	SPRING, BELLEVILLE, BELLEVILLE
26		86508812		2	NUT, M3, CI 8

3330

HARNESS, ENGINE



12

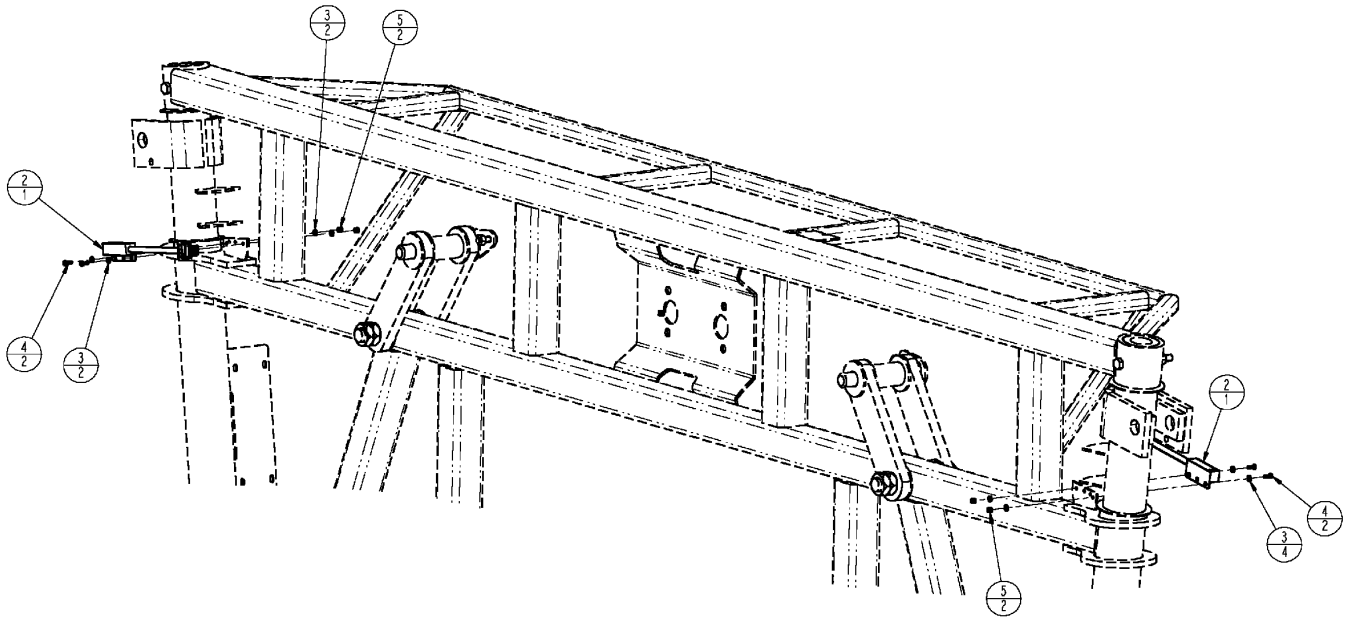
HARNESS, ENGINE

REF	FN	PART NUMBER	YR/SN	QTY	DESCRIPTION
------------	-----------	--------------------	--------------	------------	--------------------

		87272141		AR	HARNESS, WIRE, ENGINE
--	--	----------	--	----	-----------------------

	3330
--	-------------

SELF CENTERING, ELECTRICAL GROUP



SELF CENTERING, ELECTRICAL GROUP

REF	FN	PART NUMBER	YR/SN	QTY	DESCRIPTION
1		{87752367}		1	PIVOT ASSY, CENTER SECTION, SEE FIG. 08-009
2		87593274		2	SENSOR, POSITION, WITH DIODE
3		87529123		8	WASHER, .156 X .375 X .049 CST DOR
4		87529151		4	PANEL, DOOR, M4 X 12 FULL, 8.8 DOR
5		87344029		4	NUT, P/T, ALL MTL, M4 8 DOR

	3330
--	-------------

BATTERY GROUP W/CABLES

**ART
NOT
AVAILABLE**

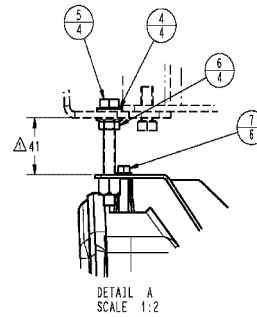
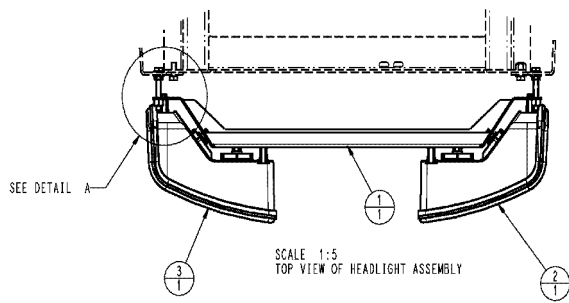
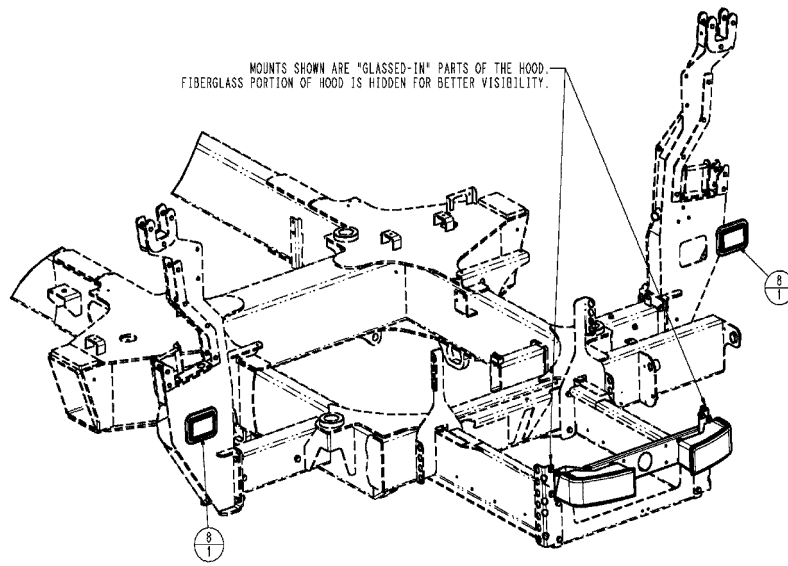
BATTERY GROUP W/CABLES

REF	FN	PART NUMBER	YR/SN	QTY	DESCRIPTION
		344067A1		4	PIPE CLAMP
		825-2408		1	NUT, M8 x 1.25, Flg, CI 8, M8
		86980513		2	NUT, M6 CL8 P/T, ALL METAL
		87676071		1	CABLE, 1/0 RED, ALT/STRTR
		87269287		1	CABLE, BATT TO FUSE
		87271233		2	CABLE, BATTERY, ENG. TO FR
		84127889		1	CABLE, BAT. TO CAB /W R
		87271426		1	CABLE, CB TO CAB /W RT.A
		87271427		1	CABLE, BAT. + TO STARTER
		BN320007		1	CABLE, NEG, ENG/FRAME
		86588450		2	WASHER, M6, FLAT
		91734C1		2	BATTERY, 12V, 950CCA, STUD
		9706687		1	BOLT, Hex, M12 x 30, 8.8, Full Thd
		BN307097		1	CABLE, 1/0 (-) 18"
		BN320001		1	CABLE, POS, BATT/BATT
		BN320002		1	CABLE, BATTERY (NEG), /Battery
		87344227		4	NUT, M8
		BN69860		1	CIRCUIT BREAKER, 150A
		342119A1		4	BOOT, BATTERY, RED
		86500689		1	NUT, M10, CI 10
		BN50062		1	NUT, LOCK
		86528503		1	WASHER

3330

LIGHT GROUP

MOUNTS SHOWN ARE "GLASSED-IN" PARTS OF THE HOOD.
FIBERGLASS PORTION OF HOOD IS HIDDEN FOR BETTER VISIBILITY.

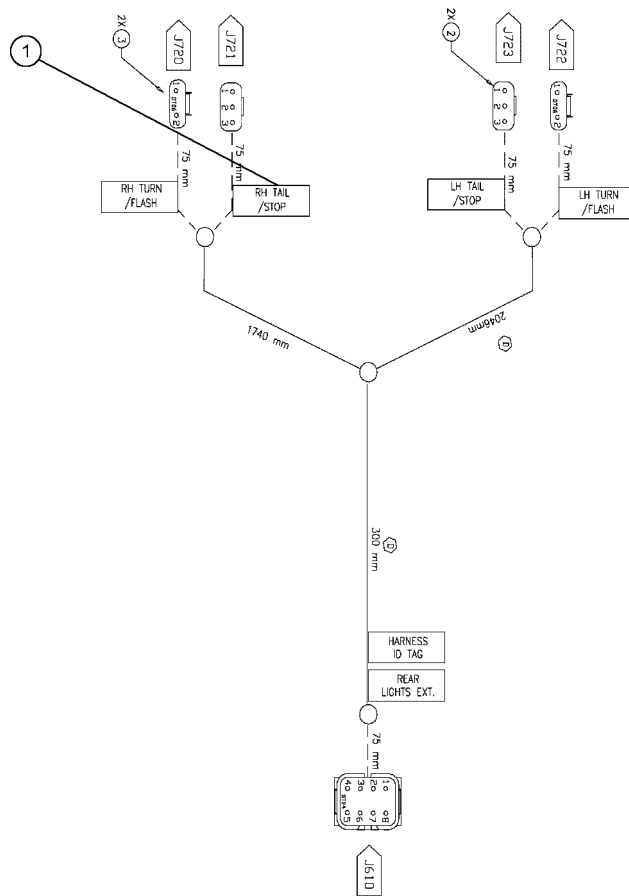


LIGHT GROUP

REF	FN	PART NUMBER	YR/SN	QTY	DESCRIPTION
1		87272801		1	PLATE, MOUNTING, HEADLIGHTS
2		87429389		1	HEADLAMP, LH, RH, DIP NAO
3		87429390		1	HEADLAMP, RH, DIP NAO
4		87529312		4	WASHER, 11 X 24 X 3MM DOR
5		87556948		4	BOLT, M10 X 70 FULL, 10.9
6		87344219		4	NUT, FLG, M10 8.8
7		87343659		6	SCREW, TAPPING, 1/4-20 X 3/4 H
8		86986699		2	LIGHT, PARK/TURN

	3330
--	-------------

TAILLIGHT LIGHT GROUP

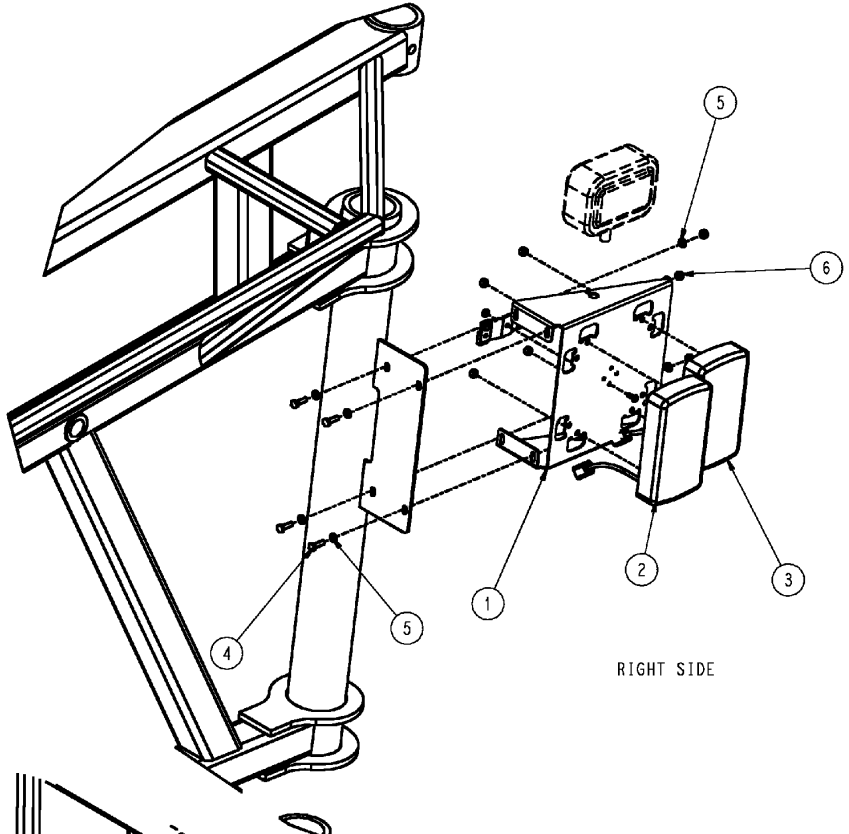


TAILLIGHT LIGHT GROUP

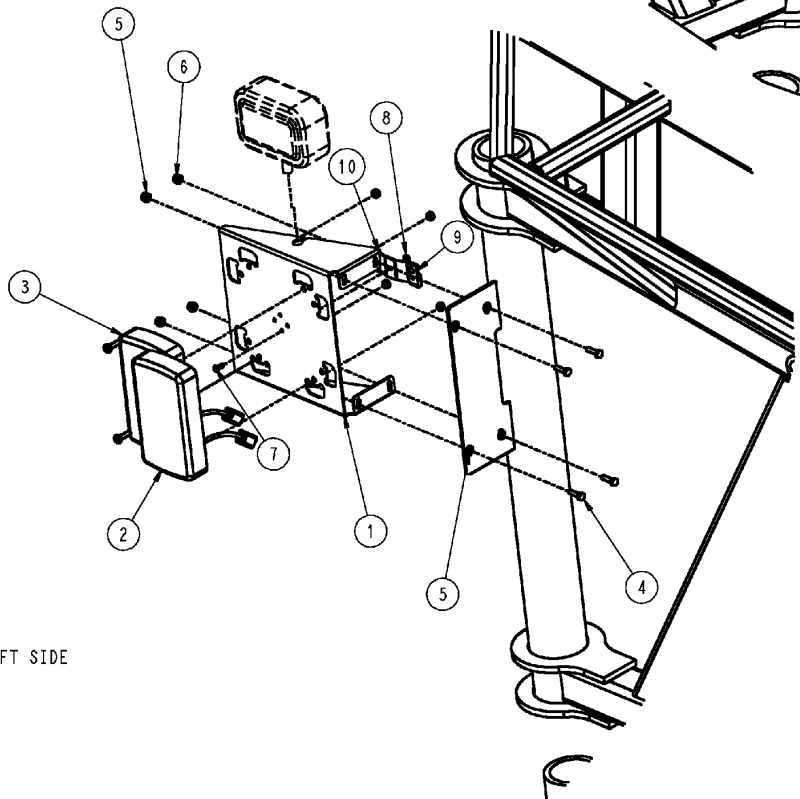
REF	FN	PART NUMBER	YR/SN	QTY	DESCRIPTION
1		{86986345}		1	SIGNAL, SEE FIG. 12-014
		84134650		1	HARNESS, TAILLIGHT, EXT

	3330
--	-------------

REAR STOP, SIGNAL ASSEMBLY



RIGHT SIDE



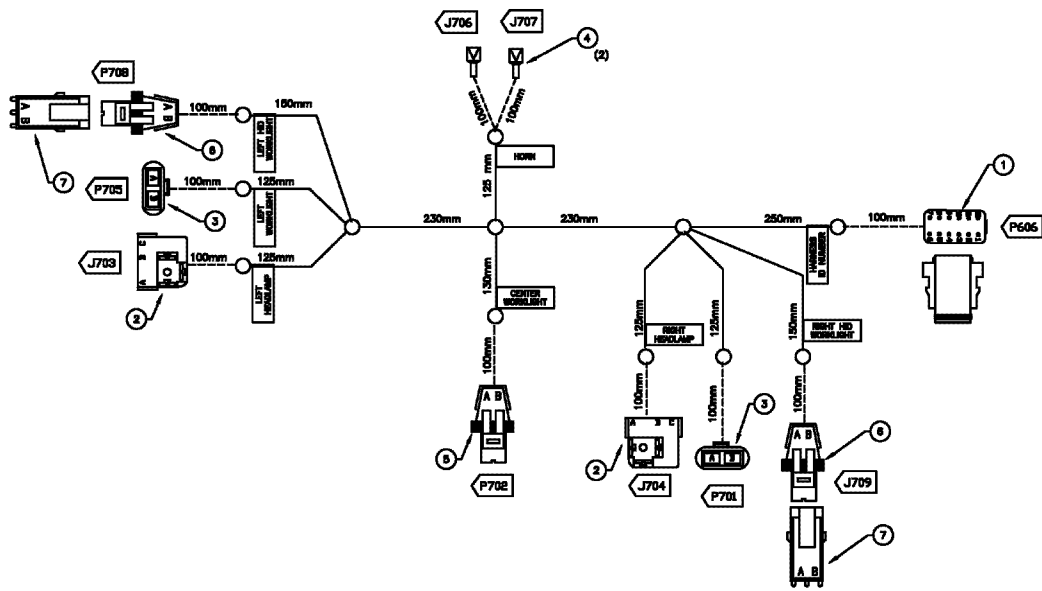
LEFT SIDE

REAR STOP, SIGNAL ASSEMBLY

REF	FN	PART NUMBER	YR/SN	QTY	DESCRIPTION
1		87267089		2	PLATE, MOUNTING, TAIL LIGHT, (LED)
2		BN325077		2	LIGHT, TAIL, LED, RED, 12V
3		BN325078		2	LIGHT, TURN, LED, AMBER, 12V
4		86980360		16	BOLT, M6 1 X 20, HH, 8.8, DOR R
5		895-11006		24	WASHER, M6, FLAT
6		86980513		16	NUT, P/T, ALL MTL, M6 8 DOR
7		BN52348		2	BOLT, 10-32 X 1/2 SS, PH, PHILLIP
8		225-30210		2	NUT, #10-32, Stainless
9		87267087		2	RETAINER, DEUTSCH, LH
10		87267088		2	RETAINER, DEUTSCH, RH

	3330
--	-------------

HARNESS HEADLIGHT EXT



12

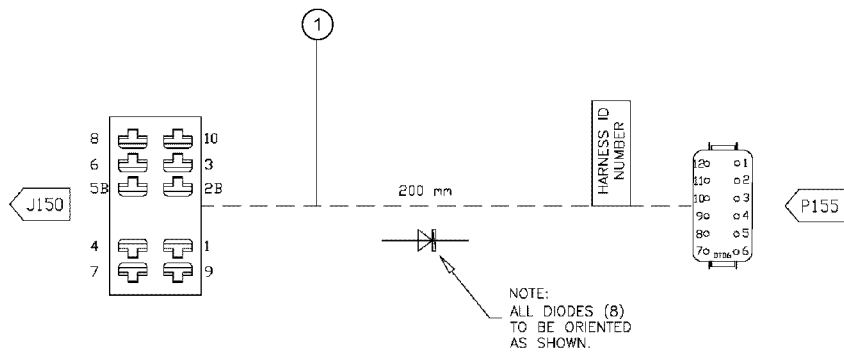
HARNES HEADLIGHT EXT

REF	FN	PART NUMBER	YR/SN	QTY	DESCRIPTION
-----	----	-------------	-------	-----	-------------

		87691622		AR	HARNES, HEADLIGHT, EXT.
--	--	----------	--	----	-------------------------

	3330
--	-------------

ONE TOUCH FOLD, ELECTRICAL GROUP

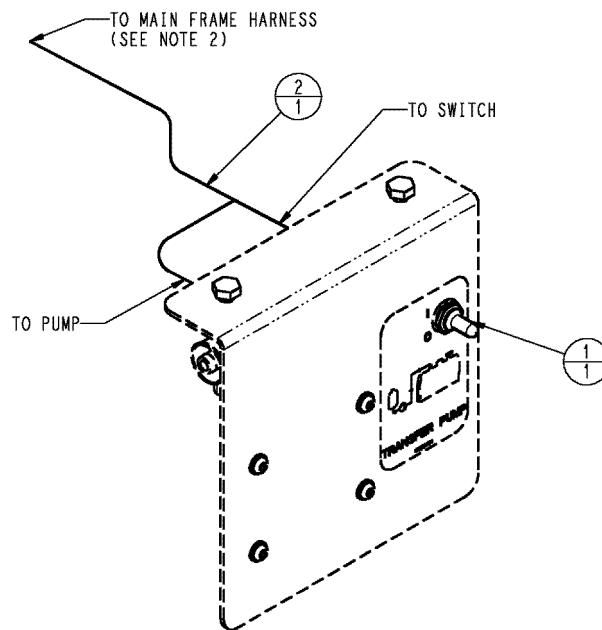


ONE TOUCH FOLD, ELECTRICAL GROUP

REF	FN	PART NUMBER	YR/SN	QTY	DESCRIPTION
1		87397319		1	HARNESS, WIRE, ONE TOUCH, FOLD
		87397313		1	SWITCH, ONE TOUCH, NOT SHOWN
		87397318		1	SWITCH, ROCKER, ONE TOUCH
		BN322908		1	SWITCH, NGR

	3330
--	-------------

ELECTRIC TRANSFER PUMP GROUP



NOTES:

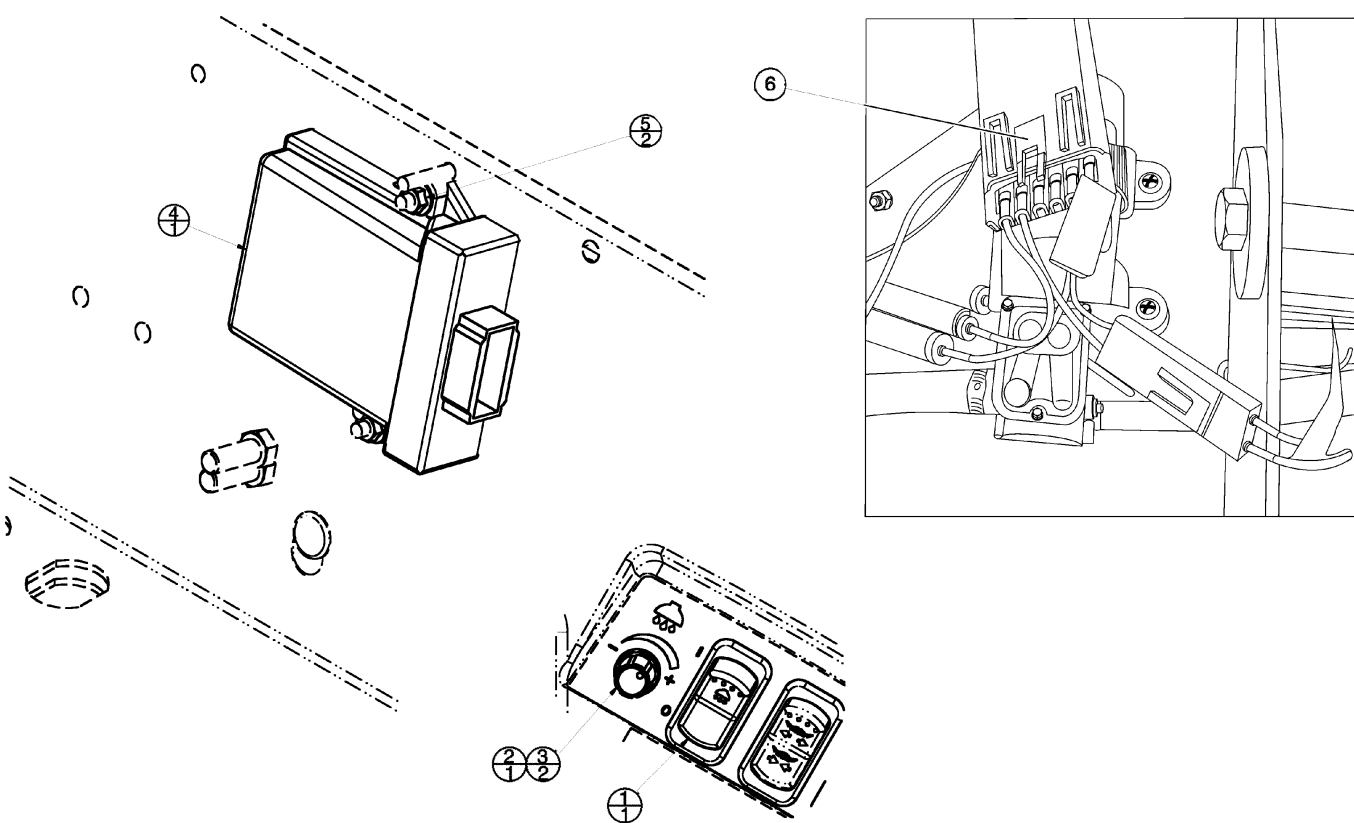
- 1) DRAWING FOR M49 UNIT, OTHER UNITS MAY VARY.
- 2) ITEM 2 GOES FROM SWITCH TO ACCESSORY CONNECTION ON THE MAIN FRAME HARNESS WHICH IS LOCATED ON THE RH SIDE BY THE FOAM TANK ALONG THE FRAME. TIE STRAP TO HOSE THAT GOES TO THE TOP OF THE FOAM TANK.

ELECTRIC TRANSFER PUMP GROUP

REF	FN	PART NUMBER	YR/SN	QTY	DESCRIPTION
1		87272643		1	SWITCH, FOAM PUMP
2		87271879		1	HARNESS, WIRE, FOAM PUMP

	3330
--	-------------

FOAMER ELECTRICAL GROUP

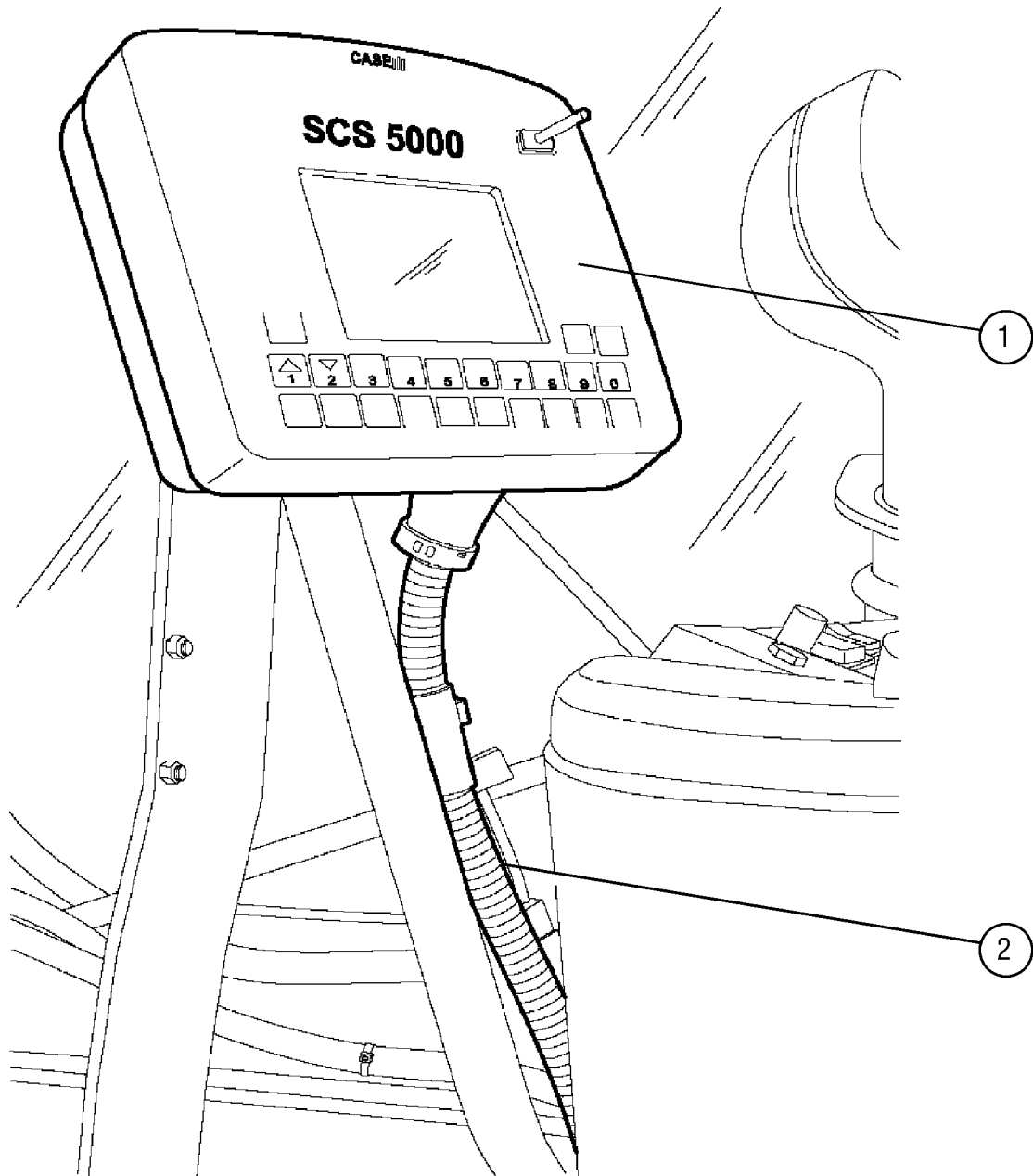


FOAMER ELECTRICAL GROUP

REF	FN	PART NUMBER	YR/SN	QTY	DESCRIPTION
1		BN321912		1	SWITCH, FOAM
2		114550A1		1	POTENTIOMETER, 1K OHM
3		118780A1		1	KNOB, CONSOLE, POTENTIOMETER
4		BN321964		1	CONTROL, FOAM ADVANCE (INSIDE CONSOLE)
5		825-5146		2	NUT, M6, Flg Ser
6		BN323760		1	SUPPRESSOR, TRANSORB, 18V

	3330
--	-------------

CONTROL GROUP, SCS5000

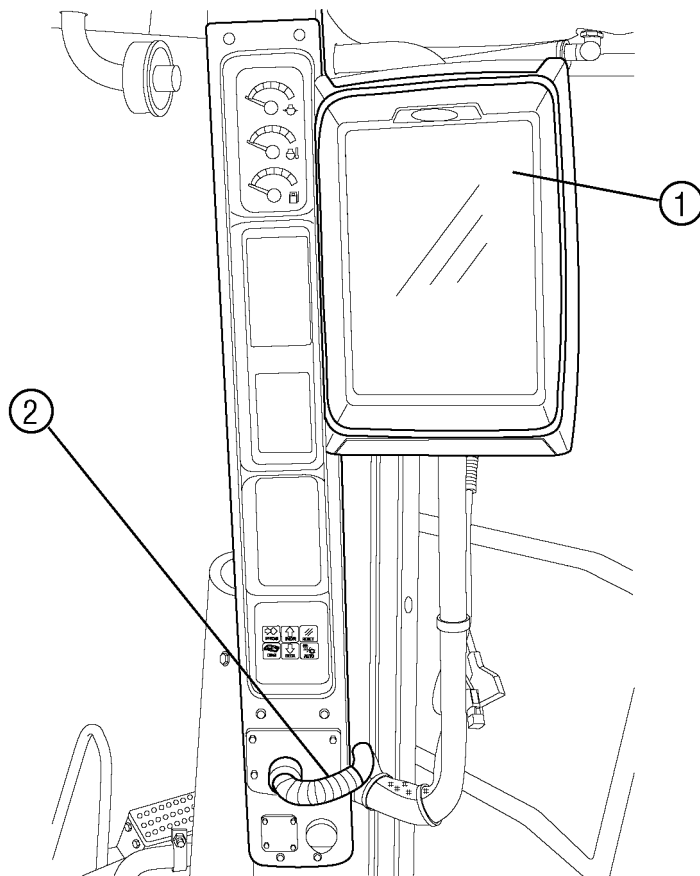


CONTROL GROUP, SCS5000

REF	FN	PART NUMBER	YR/SN	QTY	DESCRIPTION
1		87473684		1	CONTROL, SCS5000 CIH
2		87473673		1	HARNESS, SCS5000 CAB
3		87486566		1	MANUAL, OPERATOR EN

	3330
--	-------------

VIPER CONTROL GROUP

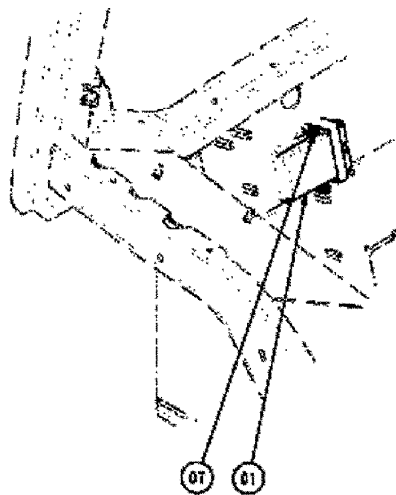
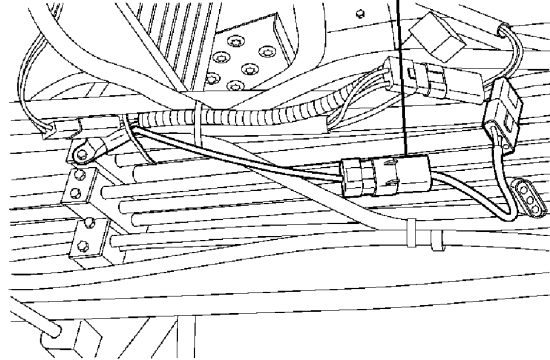
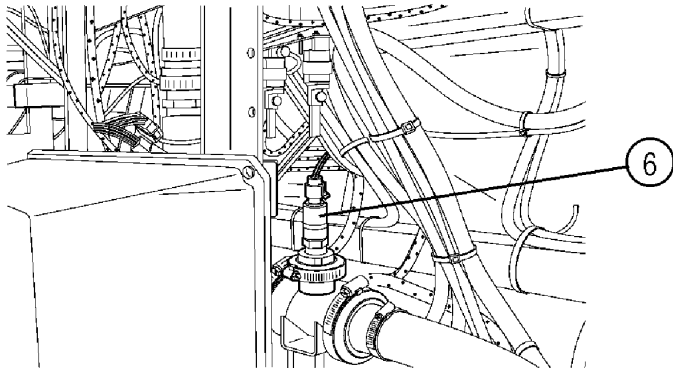
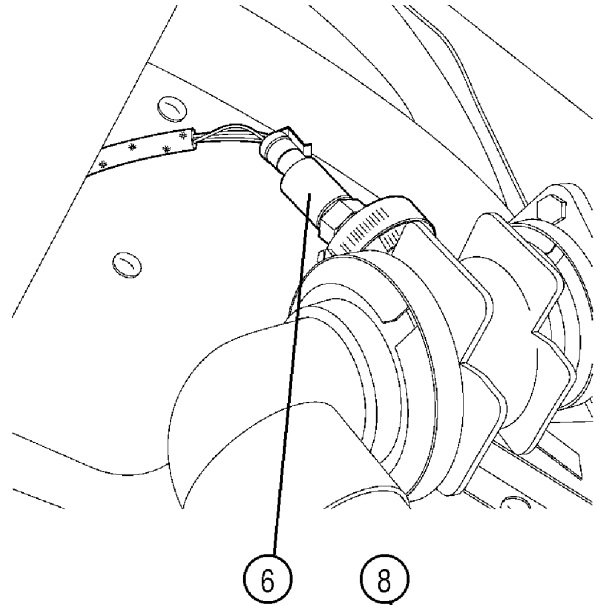
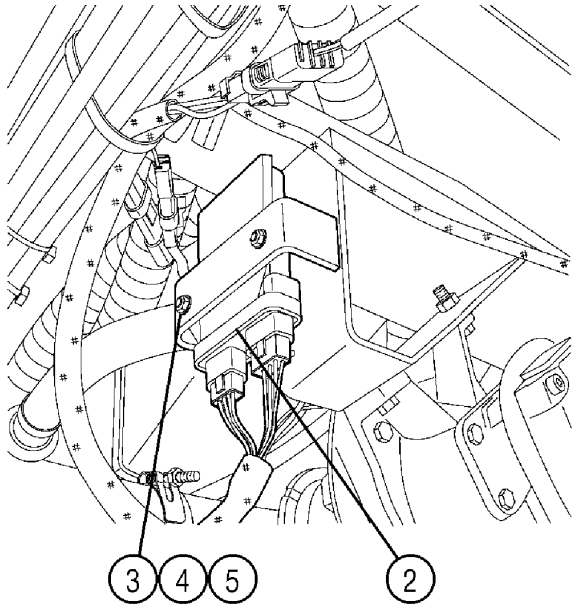


VIPER CONTROL GROUP

REF	FN	PART NUMBER	YR/SN	QTY	DESCRIPTION
1		87714026		1	CONTROL UNIT, VIPER PRO
2		87473672		1	HARNESS, VIPER CAB
3		87730741		1	STICK, USB FLASHDRIVE
4		87730736		1	KIT, MANUALS

	3330
--	-------------

CONTROL GROUP, NODE

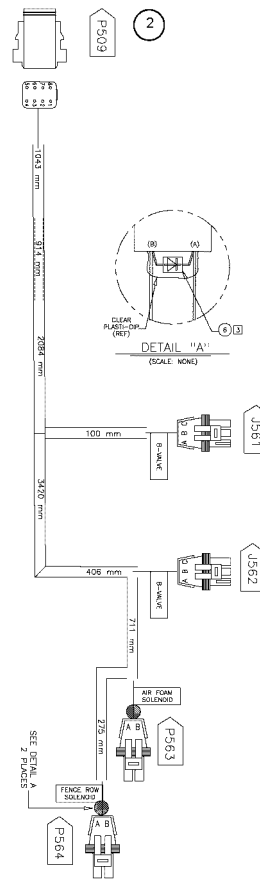
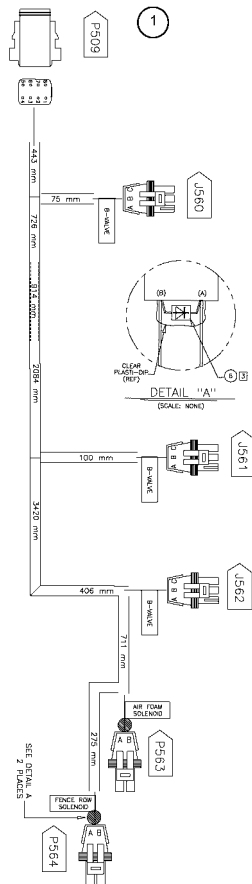


CONTROL GROUP, NODE

REF	FN	PART NUMBER	YR/SN	QTY	DESCRIPTION
1		87268815		1	CONTROL, NODE, CAN, BOOM/SPEED
2		87271219		1	CONTROL, NODE, LIQUID VIPER
3		86980513		2	NUT
4		86980362		2	BOLT
5		87529314		2	WASHER
6		87266753		2	CONTROL, SENSOR, PRESSURE
7		825-5146		2	NUT, M6, Flg Ser
8		86986043		1	CABLE, VALVE DRIVER

	3330
--	-------------

BOOM ELECTRICAL GROUP, 5 SECTION

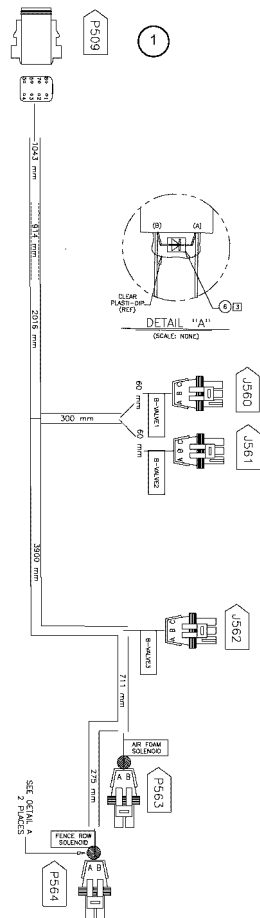


BOOM ELECTRICAL GROUP, 5 SECTION

REF	FN	PART NUMBER	YR/SN	QTY	DESCRIPTION
1		343957A1		1	HARNESS, 5 SECTION, LH BOOM
2		343958A1		1	HARNESS, 5 SECTION, RH BOOM
		{87267548}		1	5 SEC, PLMB, CS, SEE FIG. 09-077
		BN321910		5	SWITCH, BOOM SECTION

	3330
--	-------------

BOOM ELECTRICAL GROUP, 6 SECTION

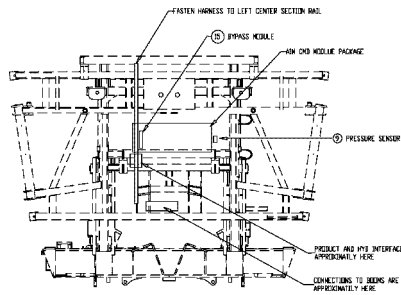
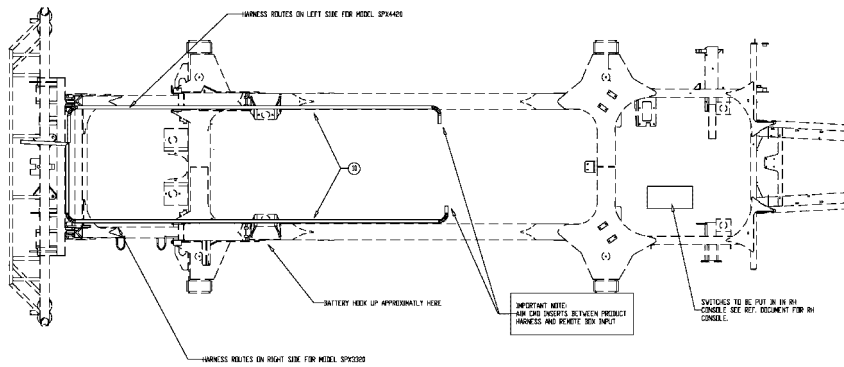


BOOM ELECTRICAL GROUP, 6 SECTION

REF	FN	PART NUMBER	YR/SN	QTY	DESCRIPTION
1		343956A1		2	HARNESS, 6 SECTION, LH BOOM
		{87268143}		1	6 SEC, PLMB, CS, SEE FIG. 09-078
		BN321910		6	SWITCH, BOOM SECTION

	3330
--	-------------

AIM COMMAND, ELECTRICAL GROUP, PWM

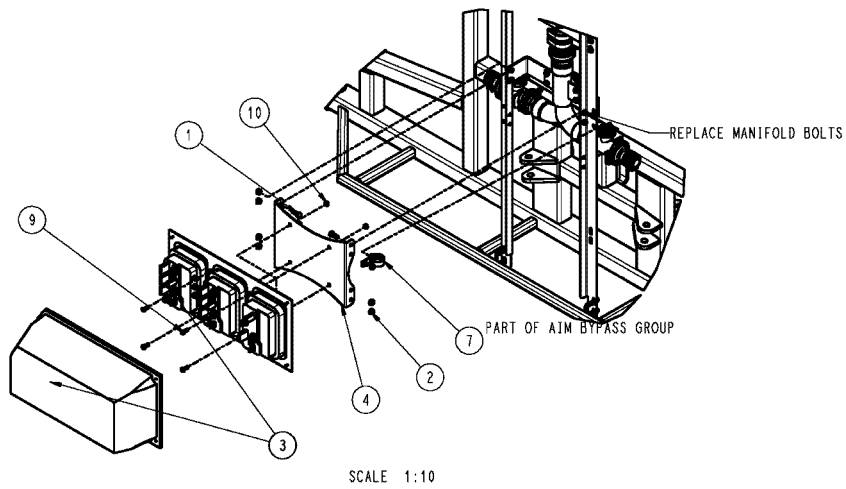


AIM COMMAND, ELECTRICAL GROUP, PWM

REF	FN	PART NUMBER	YR/SN	QTY	DESCRIPTION
1		{87271230}		1	B VALVE ISOLATORS, SEE FIG. 12-037
2		515-24444		1	CLAMP, 1 3/4", Insul, 7/16" Bolt, NOT SHOWN
3		86980379		4	BOLT, M8 1.25 X 20, HH, 8.8, DO, NOT SHOWN
4		86980400		8	BOLT, Hex, M10 x 25, 8.8, NOT SHOWN
5		86980514		4	NUT, P/T, ALL MTL, M8 8 DOR, NOT SHOWN
6		86980515		9	NUT, LOCK, M10 x 1.5, CI 8, NOT SHOWN
7		87270709		1	SWITCH, NGR, ON-OFF-ON
8		87271089		1	BRACKET, SUPPORTING, AIM CMD, REAR, NOT SHOWN
9		87271580		1	SENSOR, PRESSURE, AIM COM
10		87630216		1	HARNESS, AIM CMD, REAR, SEE FIG. 12-048
11		87529312		1	WASHER, 11 X 24 X 3MM HND DOR, NOT SHOWN
12		BN321908		1	SWITCH, AIM, CMD PRES ADJ
13		BN321909		1	SWITCH, PRESSURE, AIM, CMD PRES SET
14		BN322921		1	SWITCH, ROCKER, AIM CMD SYS
15		{87271226}		1	AIM, CMD BY-PASS, SEE FIG. 12-034

	3330
--	-------------

AIM COMMAND, ELECTRICAL GROUP, 6 SEC



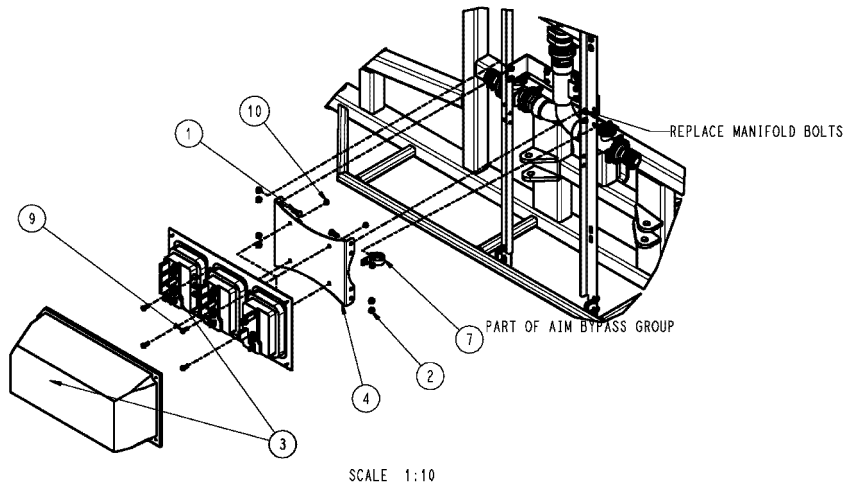
AIM COMMAND, ELECTRICAL GROUP, 6 SEC

REF	FN	PART NUMBER	YR/SN	QTY	DESCRIPTION
1		86980400		8	BOLT, Hex, M10 x 25, 8.8
2		86980515		8	NUT, LOCK, M10 x 1.5, CI 8
3		{87397541}		1	AIM, CMD, PWM 1-6 SEC, SEE FIG. 12-040
4		87271089		1	BRACKET, SUPPORTING, AIM, CMD, REAR
5		{87271225}		1	CAB, ELECTRICAL, SEE FIG. 12-036
6		87272273		1	SENSOR, HARNESS
	1	87271580		1	SENSOR, PRESSURE, AIM, COM
7		{87271226}		1	AIM, CMD BYPASS, SEE FIG. 12-034
8		{87271230}		1	AIM, CMD 6 HARNESS, SEE FIG. 12-037
9		86980379		4	BOLT, M8 1.25 X 20, HH, 8.8, DO
10		86980514		4	NUT, P/T, ALL MTL, M8 8 DOR

(1) ASSOCIATED PART OF SENSOR, HARNESS ASSY, P/N 87272273

	3330
--	-------------

AIM COMMAND, ELECTRICAL GROUP, 5 SEC



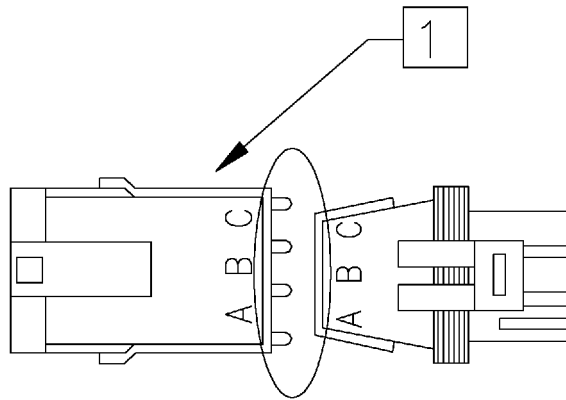
AIM COMMAND, ELECTRICAL GROUP, 5 SEC

REF	FN	PART NUMBER	YR/SN	QTY	DESCRIPTION
1		86980400		8	BOLT, Hex, M10 x 25, 8.8
2		86980379		4	BOLT, M8 1.25 X 20, HH, 8.8, DO
3		86980514		4	NUT, M8 CL8 P/, ALL METAL
4		86980515		8	NUT, LOCK, M10 x 1.5, CI 8
6		87272273		1	SENSOR, HARNESS
	1	87271580		1	SENSOR, PRESSURE, AIM, COM
	2	87271834		1	HARNESS, WIRE, EXT, PRESS SENSOR
7		87271089		1	BRACKET, SUPPORTING, AIM, CMD, REAR
8		{87271225}		1	CAB, ELECTRICAL, SEE FIG. 12-036
9		{87271226}		1	AIM, CMD, BYPASS, SEE FIG. 12-034
10		{87271227}		1	AIM, CMD, 5 HARNESS, SEE FIG. 12-033

- (1) ASSOCIATED PART OF SENSOR, HARNESS ASSY, P/N 87272273
- (2) ASSOCIATED PART OF SENSOR, HARNESS ASSY, P/N 87272273

	3330
--	-------------

AIM COMMAND, HARNESS GROUP

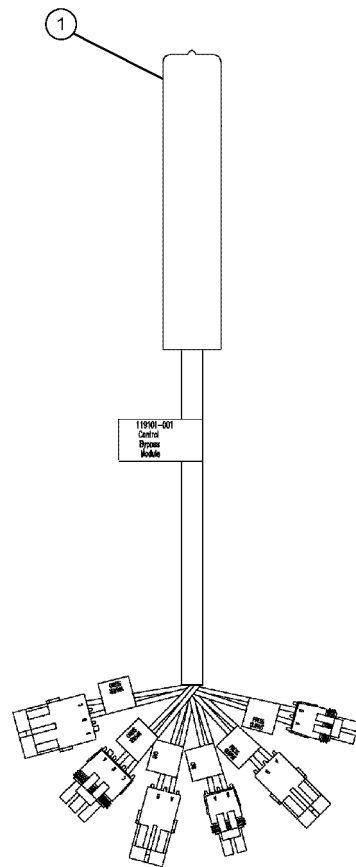


AIM COMMAND, HARNESS GROUP

REF	FN	PART NUMBER	YR/SN	QTY	DESCRIPTION
		87630216		1	HARNESS, AIM, CMD, REAR, SEE FIG. 12-048
		87586918		1	HARNESS, WIRE, AIM, 6 NOZZLE, CENTER, SEE FIG. 12-051
		87586925		2	HARNESS, WIRE, AIM, 15 NOZZLE INNER, SEE FIG. 12-053
		87586923		2	HARNESS, WIRE, AIM, 9 NOZZLE TIP, SEE FIG. 12-052
		BN316014		1	HARNESS, NOZZLE, ALTERNATOR
1		344498A1		1	VALVE, B ISOLATORS

	3330
--	-------------

AIM COMMAND, BYPASS GROUP

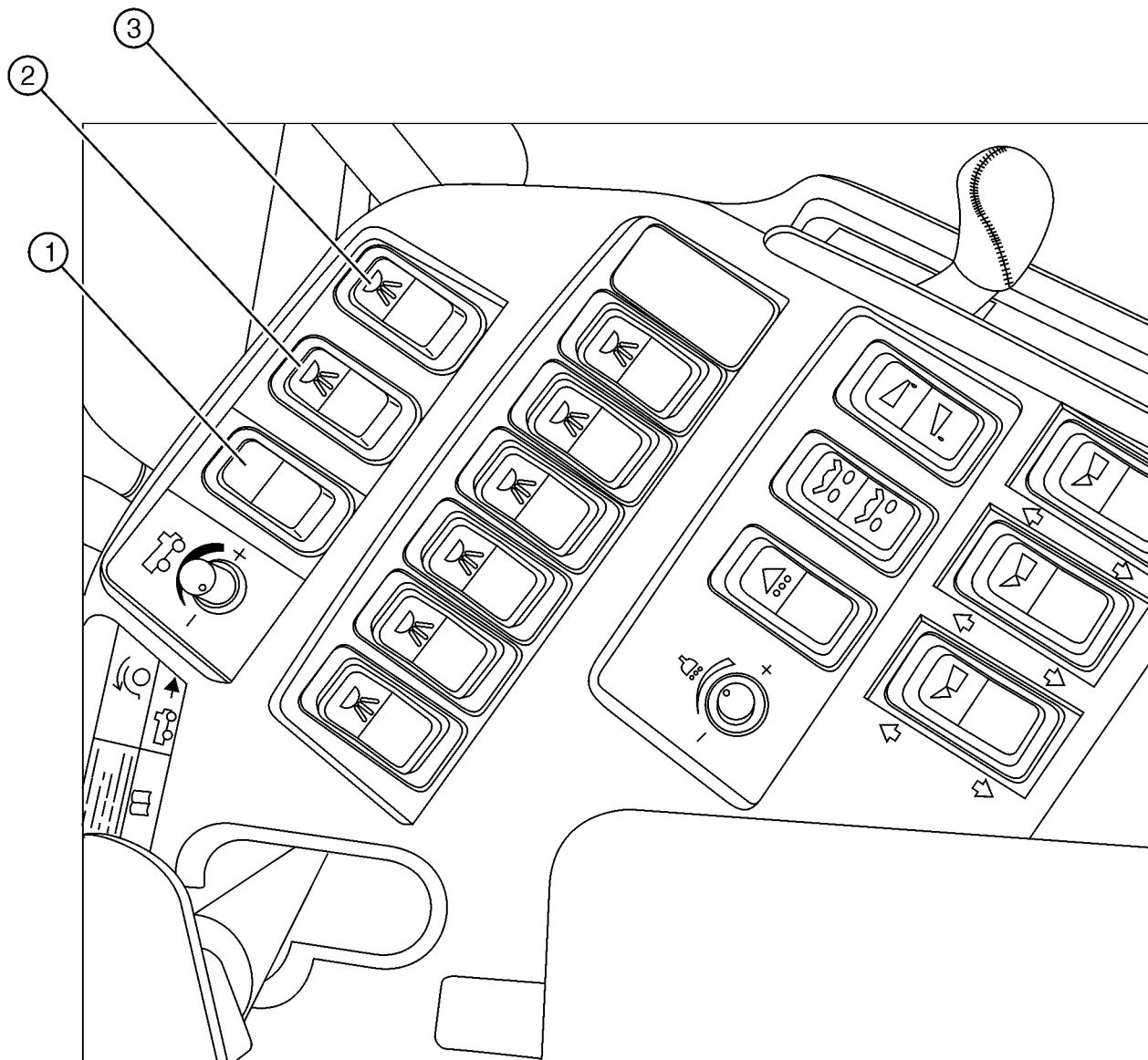


AIM COMMAND, BYPASS GROUP

REF	FN	PART NUMBER	YR/SN	QTY	DESCRIPTION
1		BN324107		1	MODULE, AIM, CMD, BY-PASS
2		515-24444		1	CLAMP, 1 3/4", Insul, 7/16" Bolt
3		86980400		1	BOLT, Hex, M10 x 25, 8.8
4		86980515		1	NUT, LOCK, M10 x 1.5, Cl 8

	3330
--	-------------

CAB ELECTRICAL, AIM GROUP

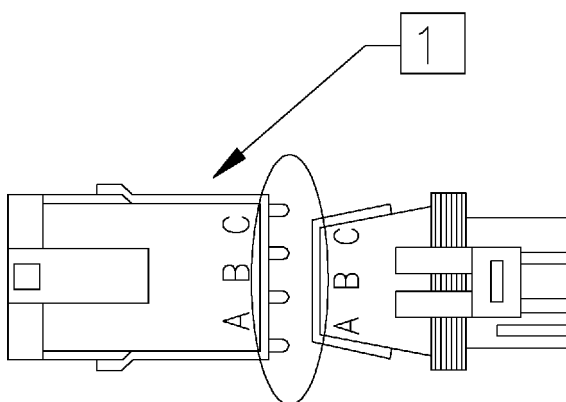


CAB ELECTRICAL, AIM GROUP

REF	FN	PART NUMBER	YR/SN	QTY	DESCRIPTION
1		BN322921		1	SWITCH, ROCKER SWITCH, AIM, CMD SYS
	1	87270709		1	SWITCH, NGR, ON-OFF-ON
2		BN321908		1	SWITCH, AIM, CMD, PRES ADJ
3		BN321909		1	SWITCH, PRESSURE, AIM, CMD, PRES SET
(1) ASSOCIATED PART OF ROCKER SWITCH AIM CMD SYS, P/N BN322921					

	3330
--	-------------

AIM COMMAND, HARNESS GROUP

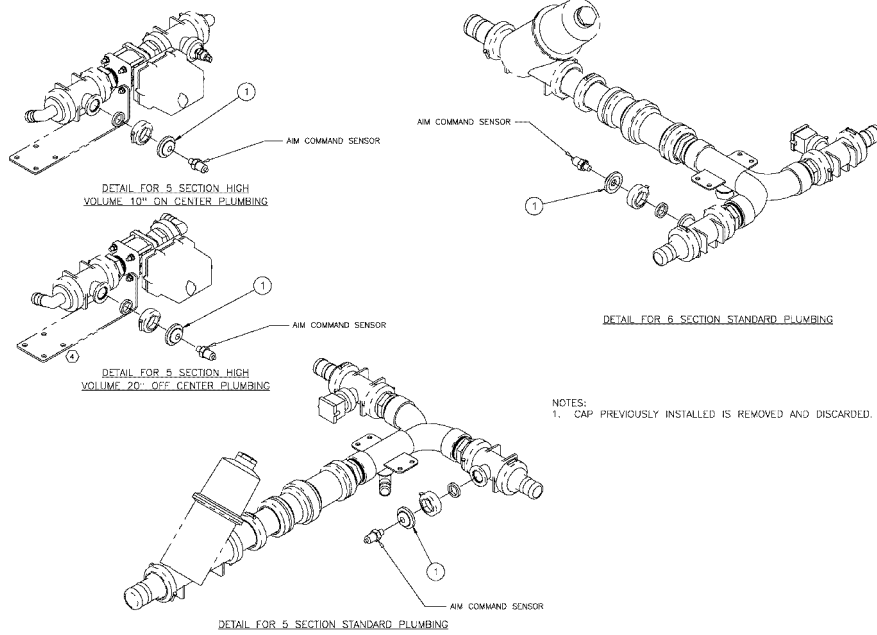


AIM COMMAND, HARNESS GROUP

REF	FN	PART NUMBER	YR/SN	QTY	DESCRIPTION
		87630216		1	HARNESS, AIM, CMD, REAR, SEE FIG. 12-048
		BN323118		2	HARNESS, WIRE, Aim Command 6 Section, See Fig 12-049
		BN323119		2	HARNESS, WIRE, Aim Command 6 Section, See Fig 12-050
		87586923		2	HARNESS, WIRE, AIM, 9 NOZZLE TIP, SEE FIG. 12-052
1		344498A1		1	VALVE, B ISOLATORS

	3330
--	-------------

AIM SENSOR PLUMBING GROUP, CENTER SECTION



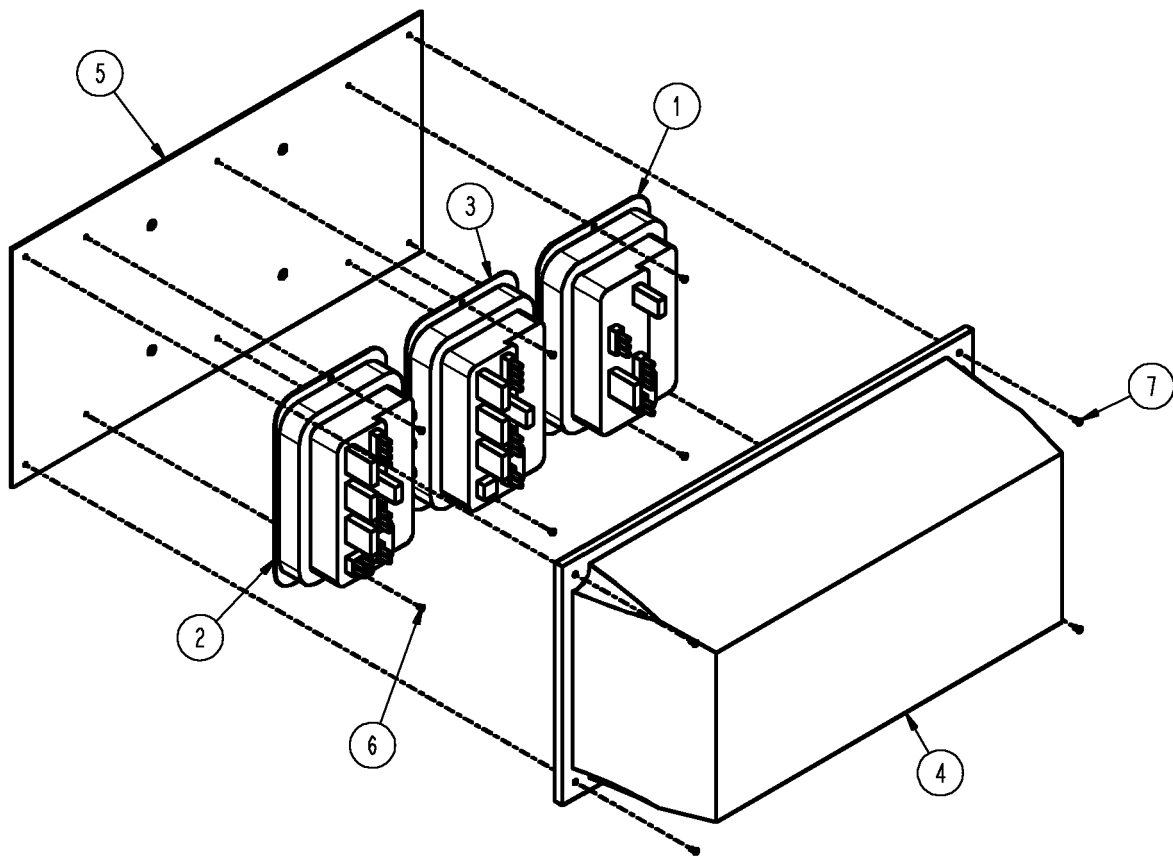
NOTES:
1. CAP PREVIOUSLY INSTALLED IS REMOVED AND DISCARDED.

AIM SENSOR PLUMBING GROUP, CENTER SECTION

REF	FN	PART NUMBER	YR/SN	QTY	DESCRIPTION
1		BN324133		1	PLUG, MFLD 1", W/1/4" NPT

	3330
--	-------------

AIM COMMAND PACKAGE, PWM 1-6 SEC



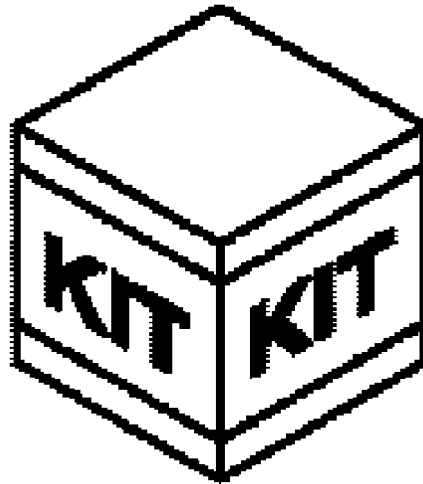
12

AIM COMMAND PACKAGE, PWM 1-6 SEC

REF	FN	PART NUMBER	YR/SN	QTY	DESCRIPTION
1		87542956		1	SENSOR, UNIPOLAR, PRES, PWM
2		87271843		1	MODULE, SLAVE, AIM, COMMAND
3		87271842		1	MODULE, MASTER, AIM, COMMAND
4		87397540		1	COVER, AIM, CMD, REAR MOUNT
5		BN310936		1	PLATE, MOUNTING, Synchro module
6		BN314296		6	SCREW, MODULE, MOUNTING
7		BN314297		4	SCREW, COVER, MOUNTING

	3330
--	-------------

AIM 90' X 20" SOL GROUP, ARAG 6

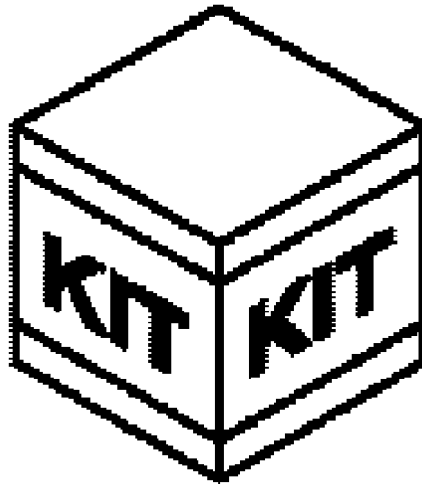


AIM 90' X 20" SOL GROUP, ARAG 6

REF	FN	PART NUMBER	YR/SN	QTY	DESCRIPTION
		BN316014		3	HARNESS, NOZZLE, ALTERNATOR, SEE FIG. 12-054
		87586923		2	HARNESS, WIRE, AIM, 9 NOZZLE TIP, SEE FIG. 12-052
		BN323118		2	HARNESS, WIRE, Aim Command 6 Section, See Fig 12-049
		BN323119		2	HARNESS, WIRE, Aim Command 6 Section, See Fig 12-050
		87271451		54	SOLENOID, AIM, ARAG, 150 P, SEE FIG. 12-045

	3330
--	-------------

AIM 90' X 20" SOL GROUP, WILGER 6

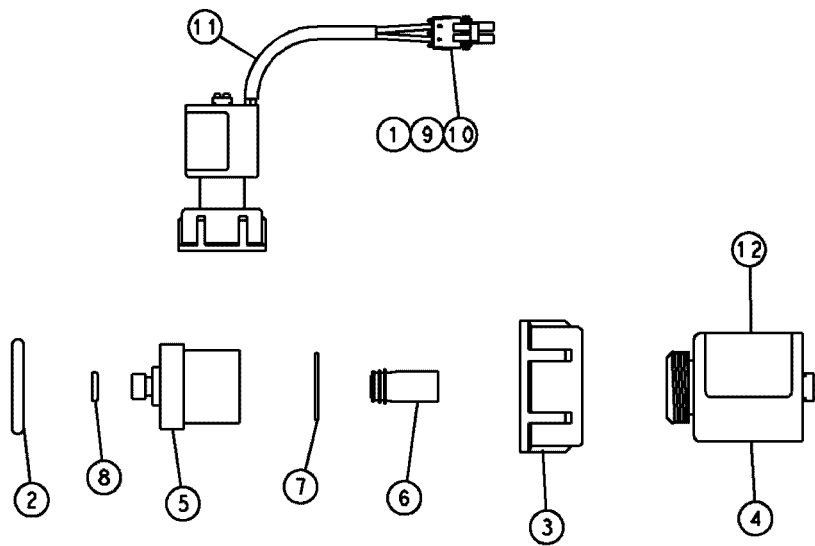


AIM 90' X 20" SOL GROUP, WILGER 6

REF	FN	PART NUMBER	YR/SN	QTY	DESCRIPTION
		BN316014		3	HARNESS, NOZZLE, ALTERNATOR, SEE FIG. 12-054
		87586923		2	HARNESS, WIRE, AIM, 9 NOZZLE TIP, SEE FIG. 12-052
		BN323118		2	HARNESS, WIRE, Aim Command 6 Section, See Fig 12-049
		BN323119		2	HARNESS, WIRE, Aim Command 6 Section, See Fig 12-050
		87271452		54	SOLENOID, AIM, WILGER, 150 P, SEE FIG. 12-046

	3330
--	-------------

SOLENOID, AIM, ARAG 150P



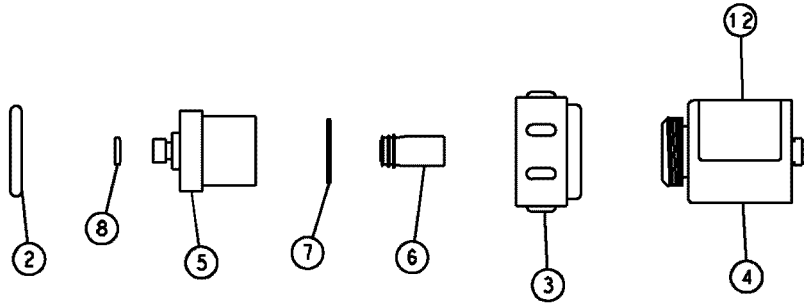
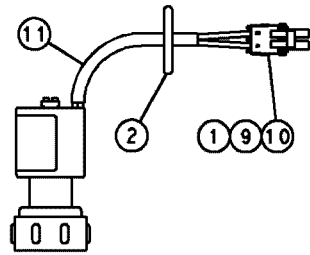
12

SOLENOID, AIM, ARAG 150P

REF	FN	PART NUMBER	YR/SN	QTY	DESCRIPTION
2		87272506		1	O-RING, ARAG, 115 VITON
4		87272502		1	SOLENOID, COIL, 7W, OVERMOLDED
5		87272507		1	VALVE, HYDRAULIC, GRIP BODY, ARAG
6		87272503		1	PLUNGER, PFE
7		87272504		1	O-RING, 0.015, VITON
8		87272505		1	O-RING, 0.008, VITON

	3330
--	-------------

SOLENOID, AIM, WILGER 150P



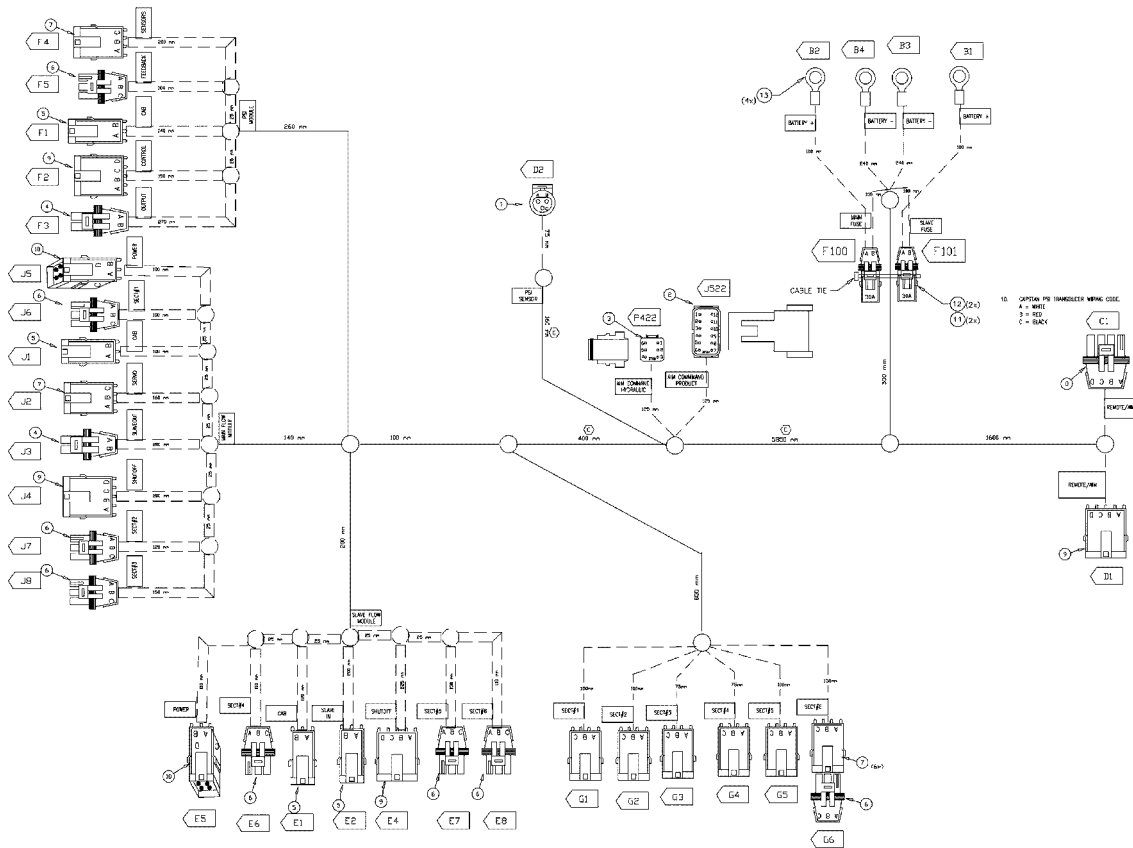
12

SOLENOID, AIM, WILGER 150P

REF	FN	PART NUMBER	YR/SN	QTY	DESCRIPTION
2		87266194		1	O-RING, ARAG, 116, VITON
4		87272502		1	SOLENOID, COIL, 7W, OVERMOLDED
5		87272501		1	BODY, VALVE, GRIP BODY, WILGER
6		87272503		1	PLUNGER, PFE
7		87272504		1	O-RING, 0.015, VITON
8		87272505		1	O-RING, 0.008, VITON

	3330
--	-------------

HARNESS, AIM COMMAND, REAR



12

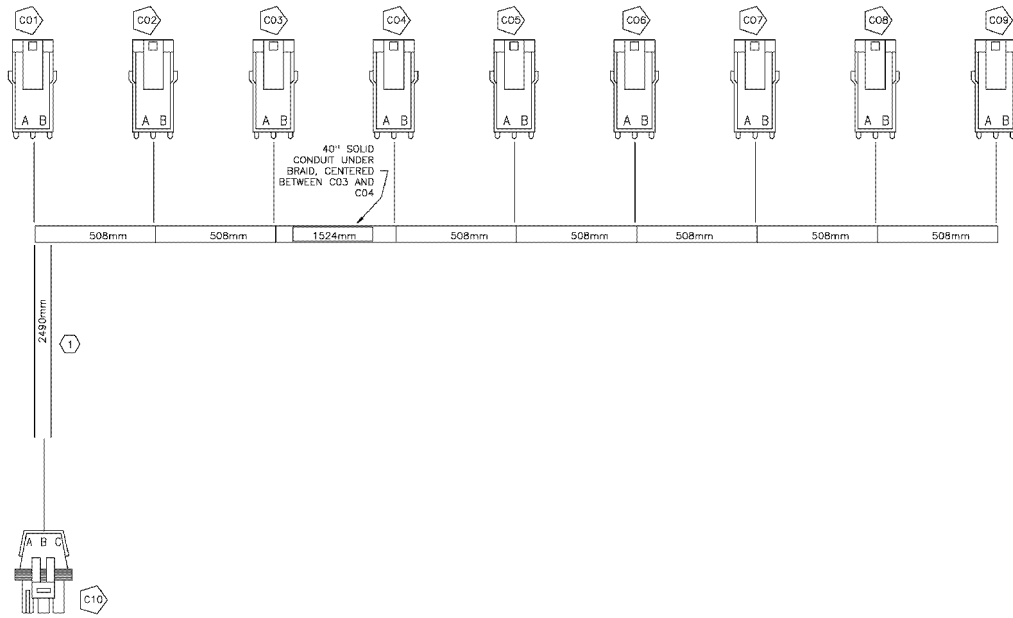
HARNESS, AIM COMMAND, REAR

REF	FN	PART NUMBER	YR/SN	QTY	DESCRIPTION
------------	-----------	--------------------	--------------	------------	--------------------

		87630216		AR	HARNESS, AIM, COMMAND, REAR
--	--	----------	--	----	-----------------------------

	3330
--	-------------

HARNESS, AIM COMMAND, 6 SECTION



12

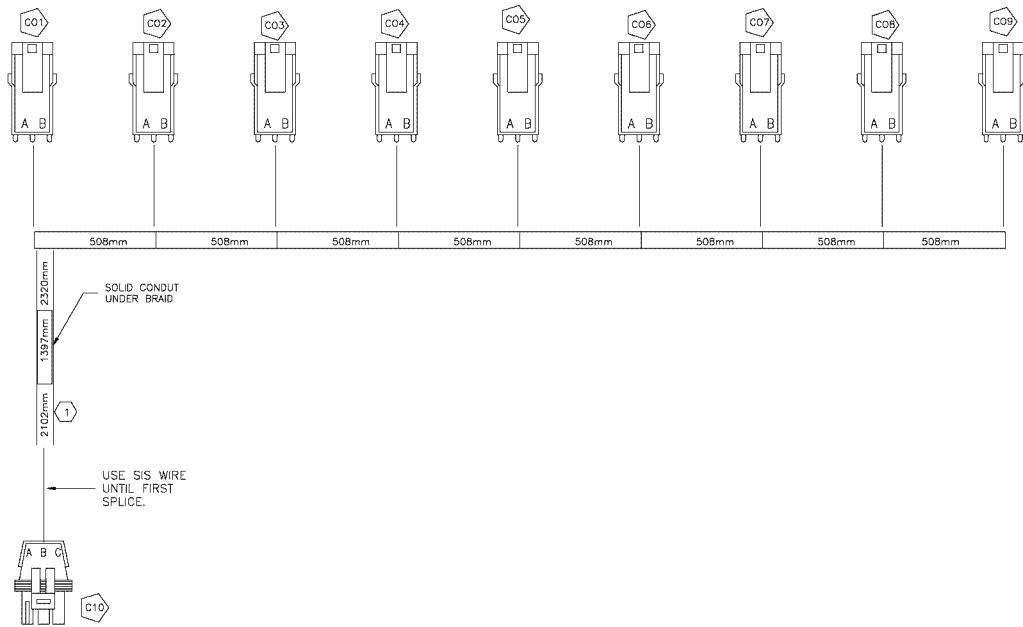
HARNESS, AIM COMMAND, 6 SECTION

REF	FN	PART NUMBER	YR/SN	QTY	DESCRIPTION
-----	----	-------------	-------	-----	-------------

		BN323118		AR	HARNESS, WIRE, Aim Command 6 Section
--	--	----------	--	----	--------------------------------------

	3330
--	-------------

HARNESS, AIM COMMAND, 6 SECTION



12

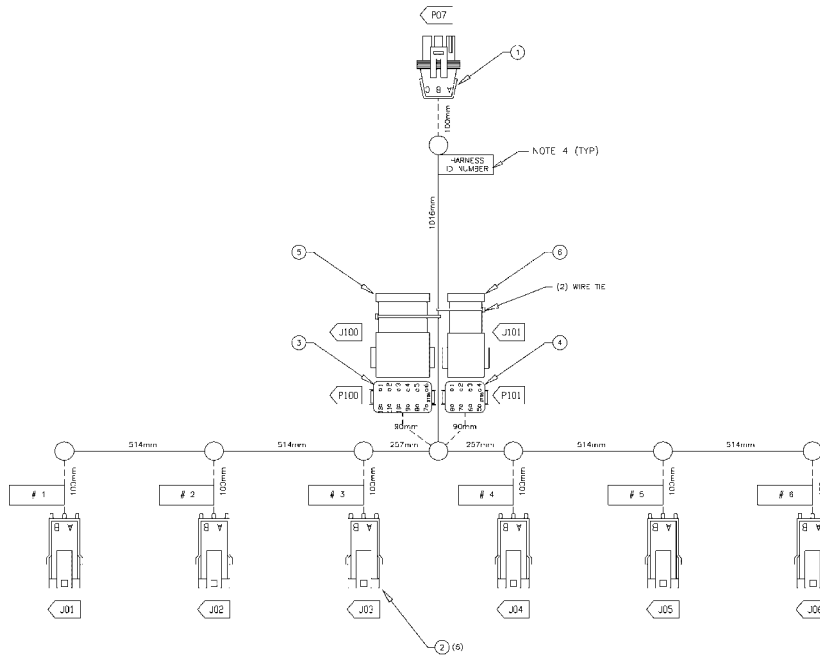
HARNESS, AIM COMMAND, 6 SECTION

REF	FN	PART NUMBER	YR/SN	QTY	DESCRIPTION
-----	----	-------------	-------	-----	-------------

		BN323119		AR	HARNESS, WIRE, Aim Command 6 Section
--	--	----------	--	----	--------------------------------------

	3330
--	-------------

HARNESS, AIM, 6 NOZZLE TIP



12

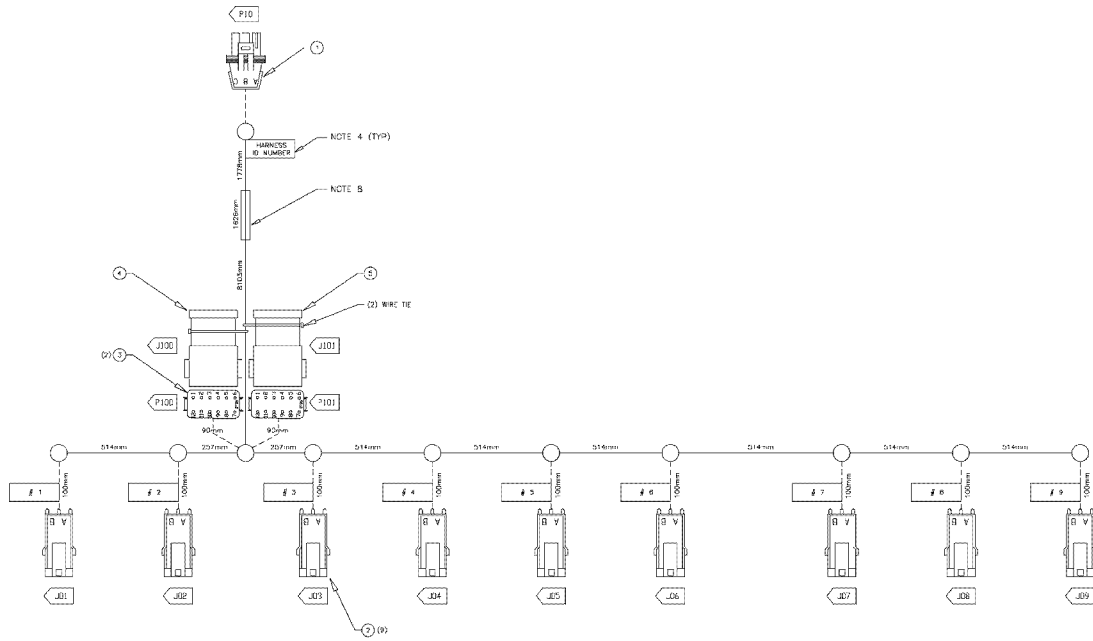
HARNESS, AIM, 6 NOZZLE TIP

REF	FN	PART NUMBER	YR/SN	QTY	DESCRIPTION
-----	----	-------------	-------	-----	-------------

		87586918		AR	HARNESS, WIRE, AIM, 6 NOZZLE TIP
--	--	----------	--	----	----------------------------------

	3330
--	-------------

HARNES, AIM, 9 NOZZLE TIP



12

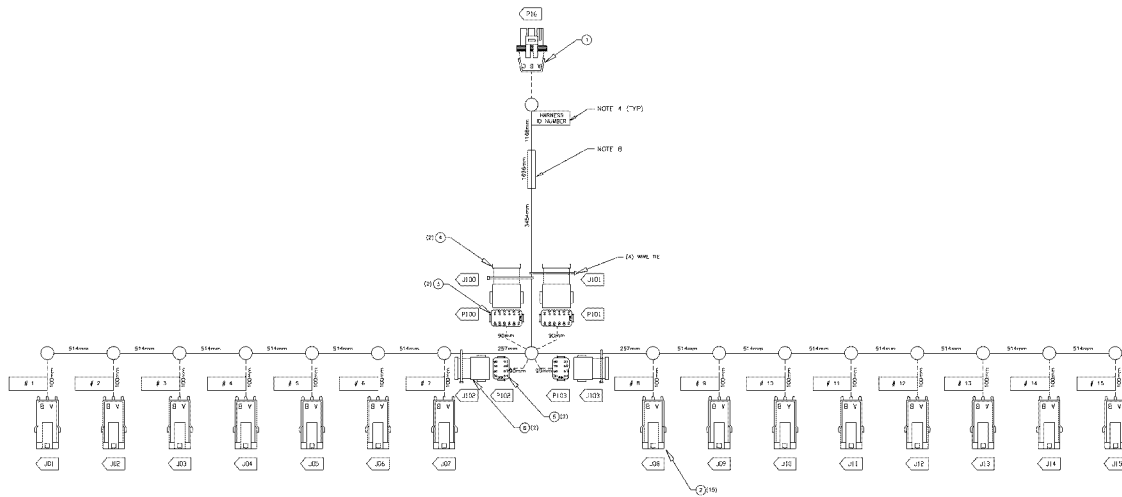
HARNESS, AIM, 9 NOZZLE TIP

REF	FN	PART NUMBER	YR/SN	QTY	DESCRIPTION
-----	----	-------------	-------	-----	-------------

		87586923		AR	HARNESS, WIRE, AIM, 9 NOZZLE TIP
--	--	----------	--	----	----------------------------------

	3330
--	-------------

HARNES, AIM, 15 NOZZLE



12

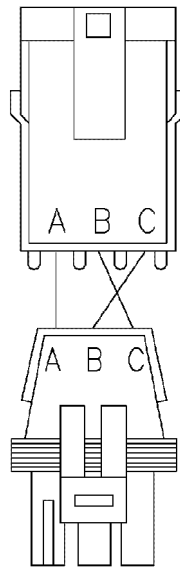
HARNES, AIM, 15 NOZZLE

REF	FN	PART NUMBER	YR/SN	QTY	DESCRIPTION
-----	----	-------------	-------	-----	-------------

		87586925		AR	HARNES, WIRE, AIM, 15 NOZZLE
--	--	----------	--	----	------------------------------

	3330
--	-------------

HARNESS, NOZZLE ALTERNATOR



12

HARNESS, NOZZLE ALTERNATOR

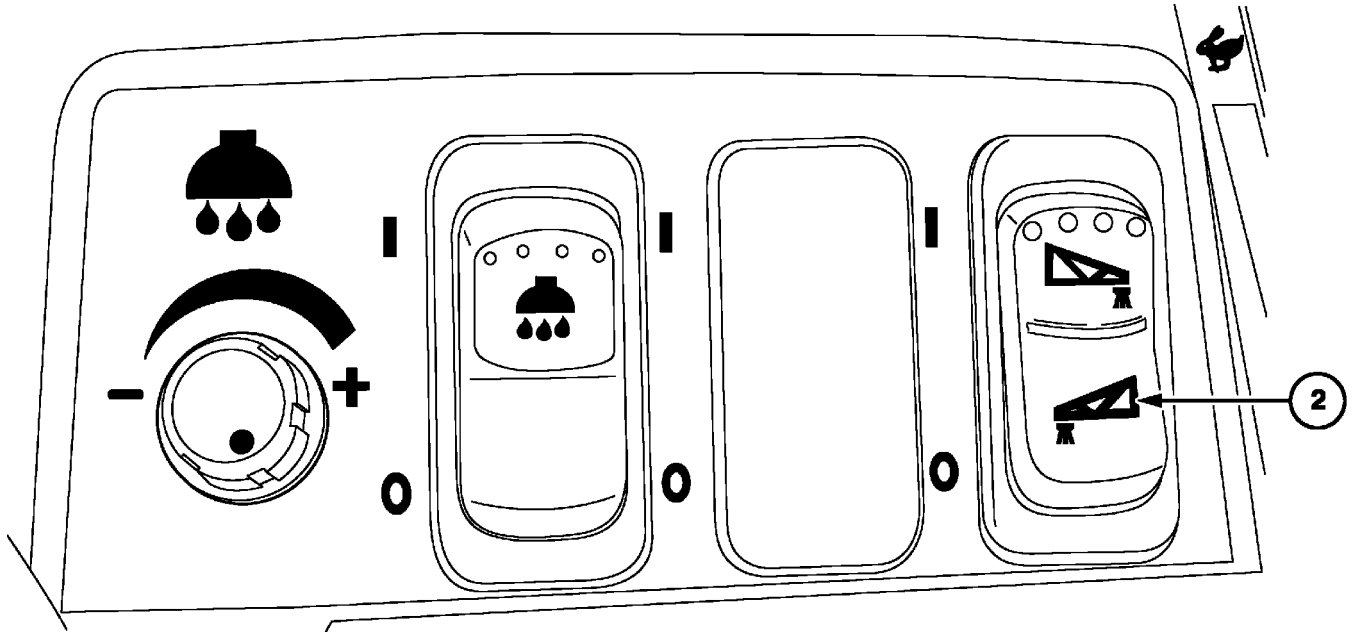
REF	FN	PART NUMBER	YR/SN	QTY	DESCRIPTION
-----	----	-------------	-------	-----	-------------

		BN316014		AR	HARNESS, NOZZLE, ALTERNATOR
--	--	----------	--	----	-----------------------------

	3330
--	-------------

ELECTRICAL GROUP, FENCE ROW

12



ELECTRICAL GROUP, FENCE ROW

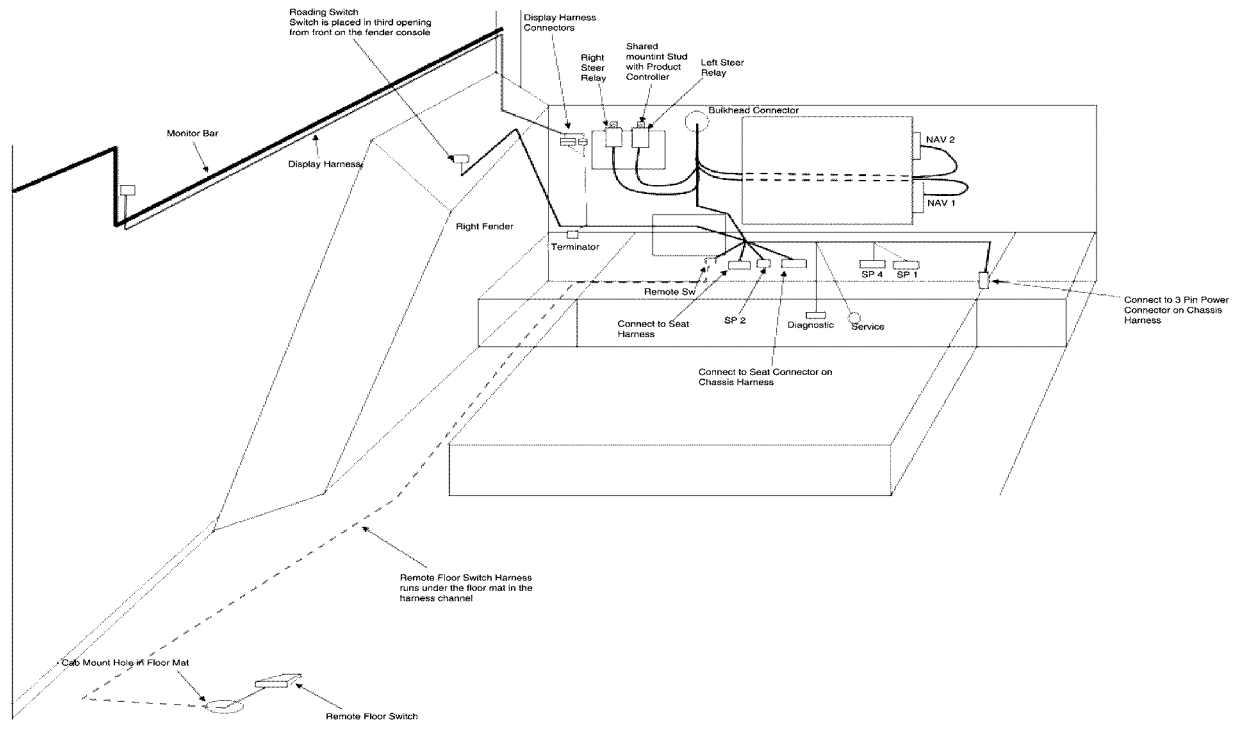
REF	FN	PART NUMBER	YR/SN	QTY	DESCRIPTION
-----	----	-------------	-------	-----	-------------

2		BN321911		1	SWITCH, FENCE ROW
---	--	----------	--	---	-------------------

	3330
--	-------------

ELECTRIC GROUP, AUTO GUIDE

REFERENCE FOR HARNESS ROUTING ONLY INSIDE CAB



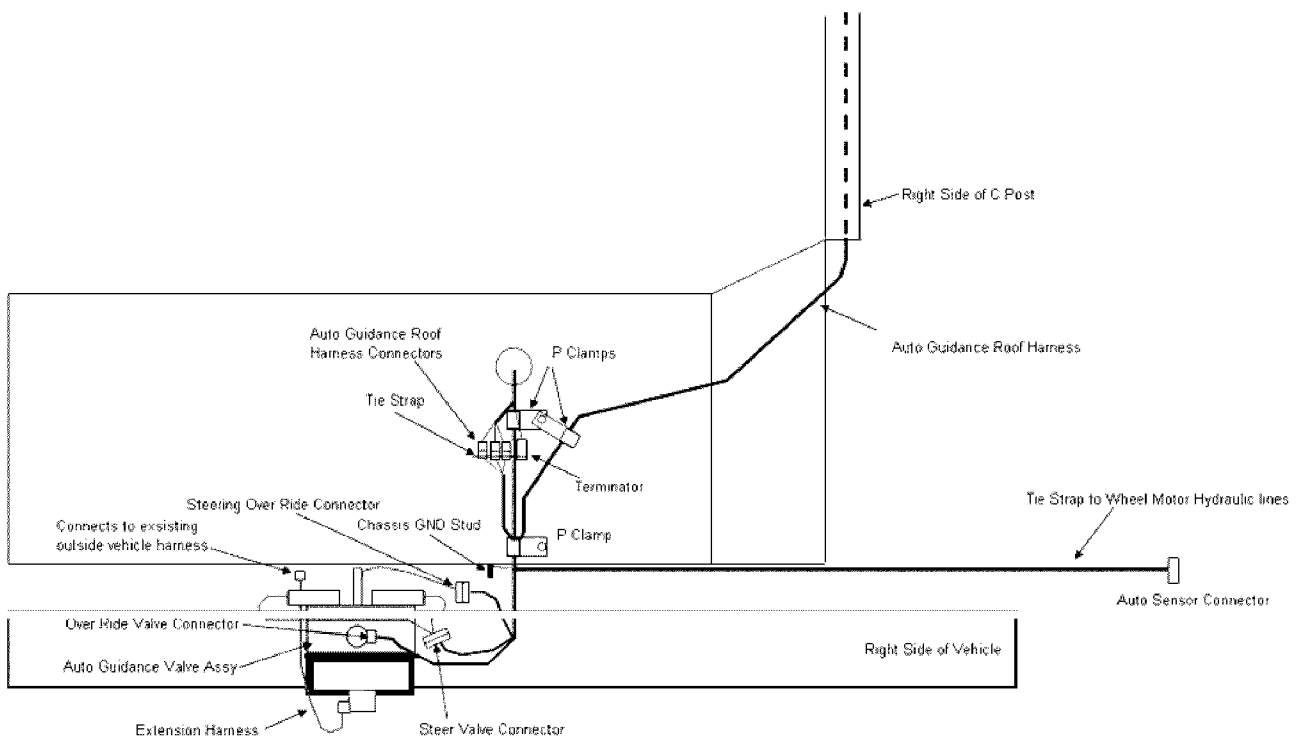
ELECTRIC GROUP, AUTO GUIDE

REF	FN	PART NUMBER	YR/SN	QTY	DESCRIPTION
1		87552885		1	BRACKET
2		87711789		1	SWITCH, AUTO GUIDANCE DISENGAGE
3		87386396		1	ARM, SUPPORTING, COLOR DISPLAY, ARM, SEE FIG. 12-052
4		87608504		1	HARNESS, CODI, JUMPER
5		87648173		1	HARNESS, CCH SPRAY CA,B INSIDE AUTO GUIDANCE, SEE FIG. 12-060
6		87648175		1	HARNESS, OUTSIDE AUTO GUIDANCE, SEE FIG. 12-061
7		87544759		1	HARNESS, GPS ANTENNA RECEIVER
8		87330628		1	GROMMET
9		87439072		1	BAR, MONITOR, MOUNTING
10		86639271		4	BOLT, Hex Flg, M8 x 30, 10.9, Full Thd
11		87602275		1	KIT, AUTO SENSE AND CABLES
12		{87657976}		4	SCREW
13		87649884		1	MOUNT, AUTO SENSE
14		87649885		1	PLUG, FLOOR, AUTO GUIDANCE
15		{87646096}		1	REMOTE, W/CONNECTOR
16		{87537747}		1	UPPER ROOF, NAO
17		{87542375}		1	RH C-POST
18		87624359		1	KIT, NAR/ANZ RTK RADIO REC SYS
19		{87646099}		2	DUAL LOCK
20		BN315870		AR	SEALANT
21		515-22159		2	CLAMP, 5/8", Insul, 5/16" Bolt
22		86980514		4	NUT, P/T, ALL MTL, M8 8, DOR
23		87529315		4	WASHER, 9 X 17 X 2MM, HDN, DOR
24		9804276		4	NUT, M6 x 1, Flg, CI 8

3330

ELECTRIC GROUP, AUTO GUIDE

REFERENCE FOR HARNESS ROUTING ONLY OUTSIDE CAB

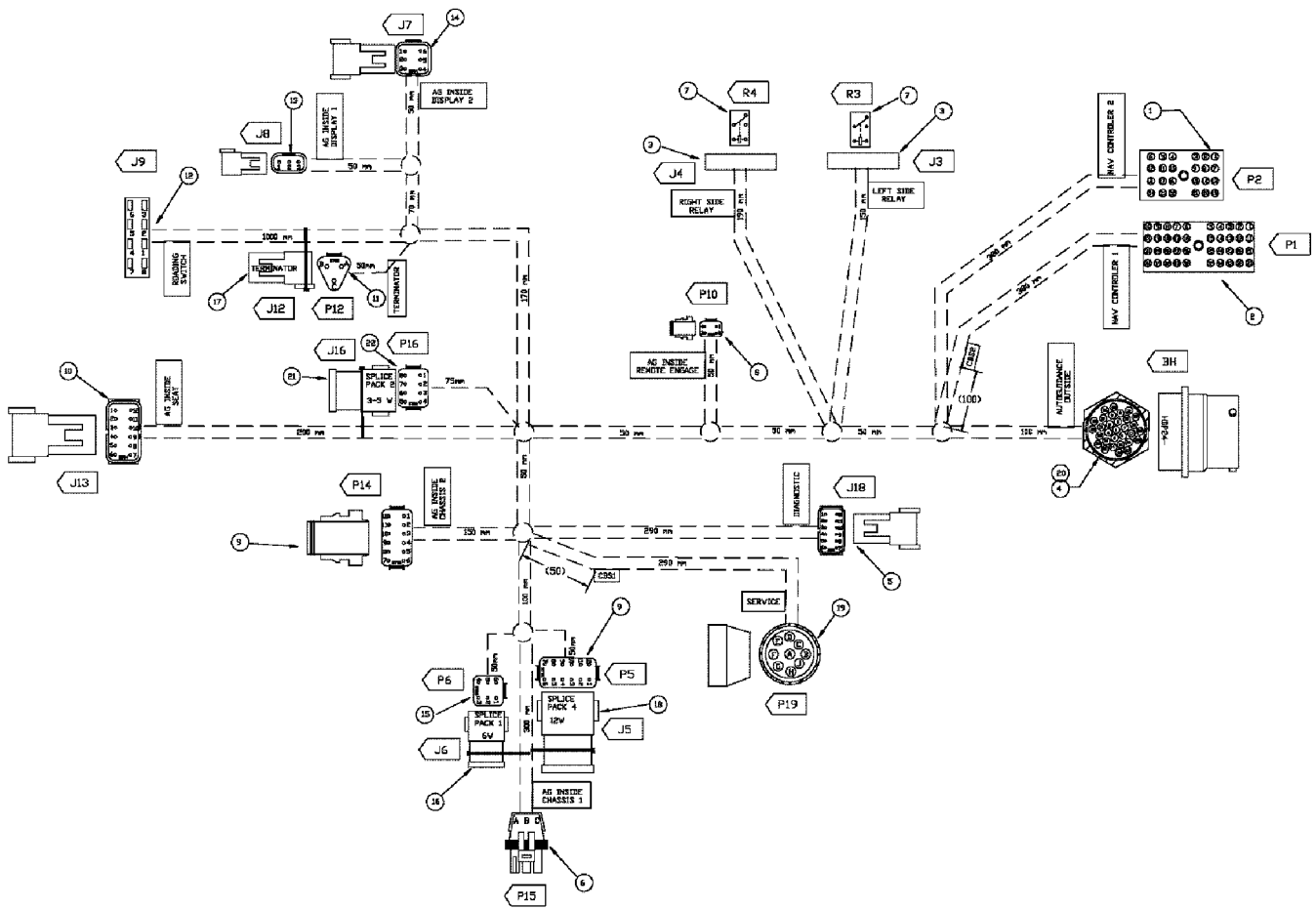


ELECTRIC GROUP, AUTO GUIDE

REF	FN	PART NUMBER	YR/SN	QTY	DESCRIPTION
1		87552885		1	BRACKET
2		87711789		1	SWITCH, AUTO GUIDANCE DISENGAGE
3		87386396		1	ARM, SUPPORTING, COLOR DISPLAY, ARM, SEE FIG. 12-052
4		87608504		1	HARNESS, CODI, JUMPER
5		87648173		1	HARNESS, CCH SPRAY CA,B INSIDE AUTO GUIDANCE, SEE FIG. 12-060
6		87648175		1	HARNESS, OUTSIDE AUTO GUIDANCE, SEE FIG. 12-061
7		87544759		1	HARNESS, GPS ANTENNA RECEIVER
8		87330628		1	GROMMET
9		87439072		1	BAR, MONITOR, MOUNTING
10		86639271		4	BOLT, Hex Flg, M8 x 30, 10.9, Full Thd
11		87602275		1	KIT, AUTO SENSE AND CABLES
12		{87657976}		4	SCREW
13		87649884		1	MOUNT, AUTO SENSE
14		87649885		1	PLUG, FLOOR, AUTO GUIDANCE
15		{87646096}		1	REMOTE, W/CONNECTOR
16		{87537747}		1	UPPER ROOF, NAO
17		{87542375}		1	RH C-POST
18		87624359		1	KIT, NAR/ANZ RTK RADIO REC SYS
19		{87646099}		2	DUAL LOCK
20		BN315870		AR	SEALANT
21		515-22159		2	CLAMP, 5/8", Insul, 5/16" Bolt
22		86980514		4	NUT, P/T, ALL MTL, M8 8, DOR
23		87529315		4	WASHER, 9 X 17 X 2MM, HDN, DOR
24		9804276		4	NUT, M6 x 1, Flg, CI 8

3330

HARNESS, CCH SPRAY, CAB AUTO GUIDANCE



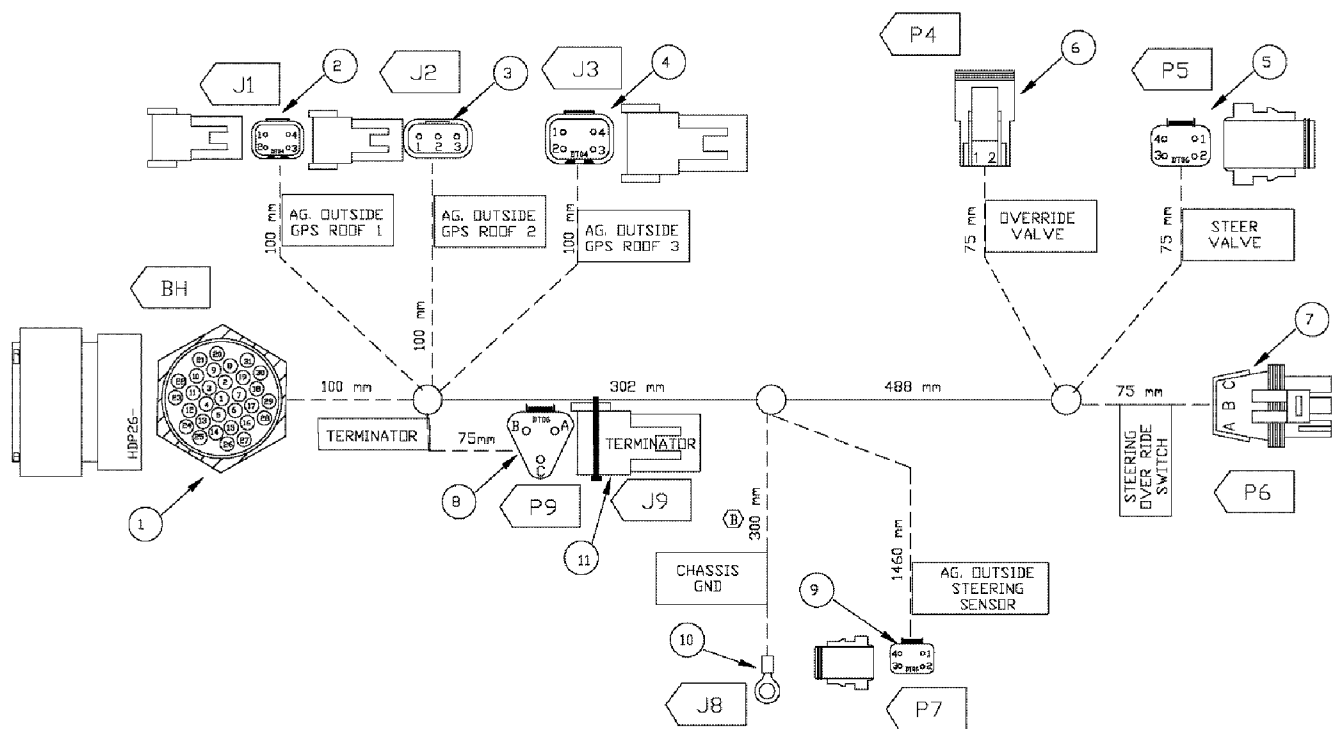
HARNESS, CCH SPRAY, CAB AUTO GUIDANCE

REF	FN	PART NUMBER	YR/SN	QTY	DESCRIPTION
-----	----	-------------	-------	-----	-------------

		87648173		AR	HARNESS, CCH SPRAY, CAB AUTO GUIDANCE
--	--	----------	--	----	---------------------------------------

	3330
--	-------------

HARNESS, OUTSIDE AUTO GUIDANCE



12

HARNESS, OUTSIDE AUTO GUIDANCE

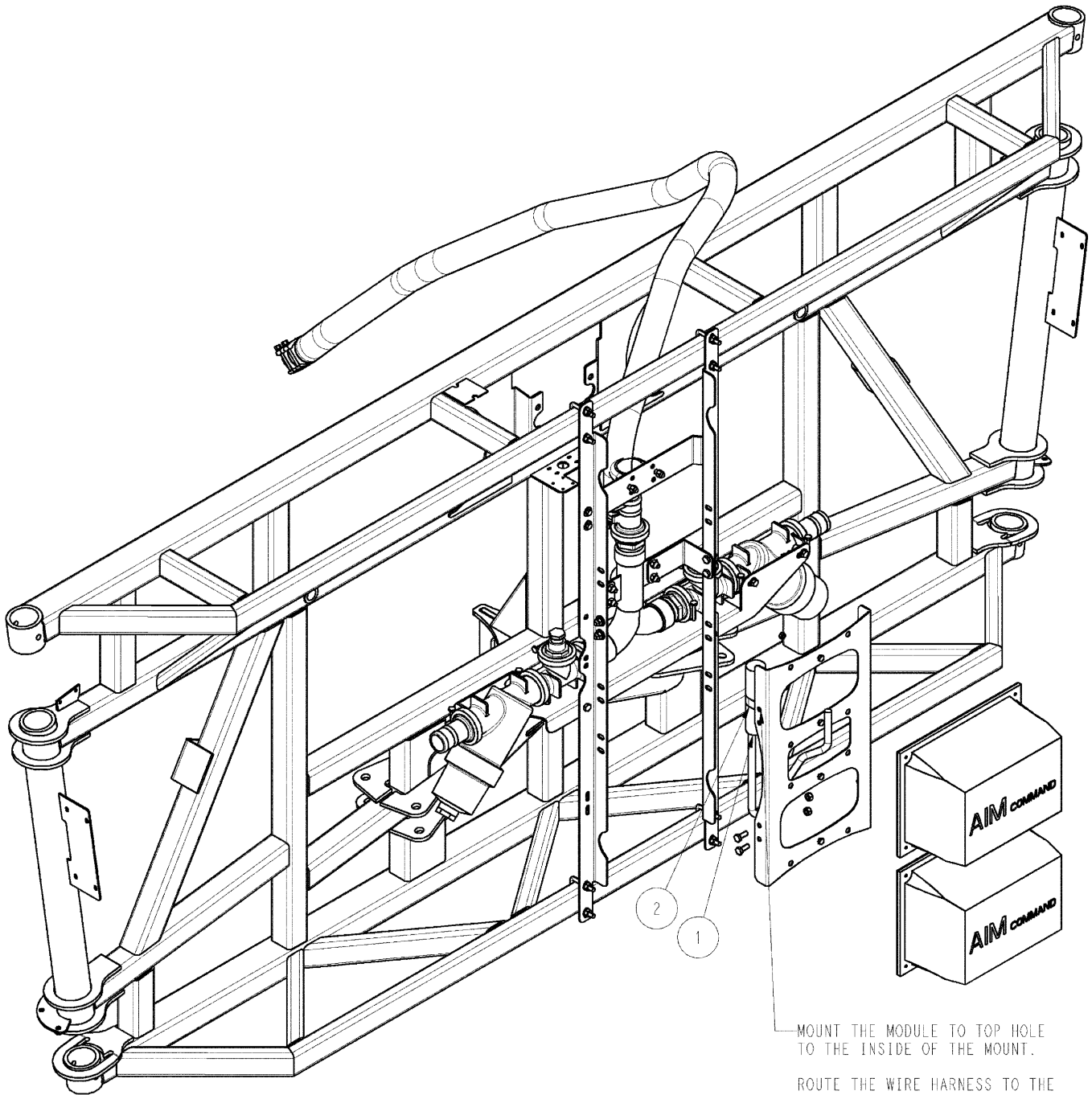
REF	FN	PART NUMBER	YR/SN	QTY	DESCRIPTION
-----	----	-------------	-------	-----	-------------

		87648175		AR	HARNESS, OUTSIDE, AUTO GUIDANCE
--	--	----------	--	----	---------------------------------

	3330
--	-------------

BYPASS MODULE GROUP, 120' BOOM

12



MOUNT THE MODULE TO TOP HOLE TO THE INSIDE OF THE MOUNT.

ROUTE THE WIRE HARNESS TO THE TOP CONTROL BOX

BYPASS MODULE GROUP, 120' BOOM

REF	FN	PART NUMBER	YR/SN	QTY	DESCRIPTION
1		BN324107		1	MODULE, AIM CMD BY-PASS
		515-24444		1	CLAMP, 1 3/4", Insul, 7/16" Bolt

	3330
--	-------------

BOOM, ELECTRICAL GROUP, 7 SECTION, 120' BOOM

REF	FN	PART NUMBER	YR/SN	QTY	DESCRIPTION
1		87479157		1	HARNESS, 7 SECT LH BOOM
1		87380309		1	SPARE PART, HARNESS, 7 SECT LH BOOM
		86986400		1	SWITCH, PRESSURE, PMLF
2		87479158		1	HARNESS, 7 SECT RH BOOM
2		87380310		1	HARNESS, 7 SECT RH BOOM
		87529314		2	WASHER, 6.6 X 12.5 X 2 MM HDN DOR
		86980513		2	NUT, P/T ALL MTL M6 8 DOR
		BN321910		7	SWITCH, BOOM SECTION

	3330
--	-------------

INDEX - INDICE - INDEX - ZAHLENVERZEICHNIS - INDICE - INDICE - INDHOLD - INHOUD

Number	Figure	Sequence	Ref.	Number	Figure	Sequence	Ref.
{}	03-033			{86980382}	03-051		35
	03-033			{86980431}	08-008		9
	03-033			{86986256}	04-003		23
	03-033			{86986257}	04-002		23
	03-033			{86986345}	12-013		
	03-033			{87021161}	12-003		9
	03-033			{87052327}	11-079		3
{2858051}	03-002		2	{87229235}	08-012		56
	03-035		3	{87262807}	09-048		4
{310265}	11-020		13	{87265343}	03-017		12
{310450}	11-020		16	{87265345}	04-018		12
{311648A1GY}	05-006		2	{87265467}	09-027		10
	05-006		2	{87265498}	09-048		13
{322944}	11-020		4	{87265517}	04-018		13
{324022}	11-020		17	{87267346}	01-034		14
{328941A3}	01-019		4		01-036		2
	01-020		4		01-036		3
{342264A1}	05-006				01-036		4
{342265A1}	05-006				01-036		5
{343430A1}	11-019		1		01-036		6
{344323A1}	03-052		3		01-036		7
{345-617}	01-004	01	34	{87267361}	01-040	01	12
	01-004	02	34		01-040	02	12
	01-004	03	34	{87267538}	09-085		5
	01-004	04	34	{87267541}	09-038		1
	01-004	05	34	{87267548}	12-027		
	01-004	06	34	{87268143}	12-028		
	01-049			{87268153}	09-086		2
{349-152}	02-005			{87268371}	05-010		
	02-007	01	3	{87268373}	05-010		
	02-007	02	3	{87268374}	05-009		
	02-008		6	{87268375}	05-009		
{349-154}	02-005			{87268418}	05-010		2
{357324A1}	02-004		2		05-010		2
{359026A2}	01-029		9	{87268618}	04-019		8
{378914A1}	01-022			{87268686}	08-005		9
	01-023				08-007		10
{405011A4}	01-004	01	5	{87269238}	04-031		1
	01-004	02	5	{87269275}	06-008		2
	01-004	03	5	{87269612}	11-026		8
	01-004	04	5		11-027		8
	01-004	05	5	{87270073}	09-005		1
	01-004	06	5	{87270074}	09-006		1
{4898756}	03-046		3	{87270084}	09-011		2
{84127235}	04-020		6	{87270247}	01-032		2
{84129709}	11-065		15	{87270586}	01-032		1
{84135770}	12-001			{87270595}	01-033		1
{84137773}	01-021			{87270722}	03-001		10
{84137774}	01-019		1	{87270766}	01-032		4
	01-020		1	{87271077}	11-030		3
{84146852}	11-010		18	{87271133}	03-001		3
	11-011		12	{87271135}	03-002		3
{84148070}	11-084		2	{87271225}	12-031		5
{84148105}	11-084		1		12-032		8
{84153112}	11-063		2	{87271226}	12-030		15
	11-064		2		12-031		7
{84153113}	11-063		3		12-032		9
	11-064		1	{87271227}	12-032		10
{84153114}	11-063		5	{87271230}	12-030		1
	11-064		3		12-031		8
{84153116}	11-063		1	{87271403}	02-013		10
{84153117}	11-062		4	{87271404}	02-013		11
	11-063		6	{87271412}	12-001		
{84153118}	11-062		1	{87271584}	01-009		17
	11-063		8	{87271620}	09-011		4
{84153119}	11-062		5	{87271694}	02-014		1
{84153120}	11-062		3	{87271786}	01-032		3
{84157747}	11-063		7	{87272005}	06-011		3
{84162952}	02-001		1	{87272051}	09-063		6
{84169079}	01-022		1	{87272129}	02-012		15
	01-023		1	{87272130}	02-012		16
{84170628}	10-004	01	5	{8727293}	06-012		16
	10-004	02	5	{87275872}	06-016		5
{84171666}	11-080			{87319299}	01-010		1
{86980370}	09-080	01	29	{87323225}	01-043		1
	09-080	02	29	{87326976}	06-012		8
	09-083	01	33	{873341829}	04-009		6
	09-083	02	33	{87339103}	02-002		1

INDEX - INDICE - INDEX - ZAHLENVERZEICHNIS - INDICE - INDICE - INHOLD - INHOUD

Number	Figure	Sequence	Ref.	Number	Figure	Sequence	Ref.
{87365493}	01-017		38	{87600247}	06-040		3
{87381207}	03-050		25		06-045		2
{87381259}	03-050		26	{87601543}	06-014		
{87381644}	03-001		13		06-015		
{87383454}	09-033		6	{87601544}	06-014		
	09-058		7		06-015		
{87397310}	01-036		29	{87601545}	06-014		
{87397541}	12-031		3		06-015		
{87419088}	02-008		1	{87601550}	06-014		
{87471702}	05-008				06-015		
{87471704}	05-008			{87601551}	06-014		
{87472205}	12-001			{87601552}	06-014		
{87474236}	04-036	13			06-015		
{87474237}	04-036	1		{87601553}	06-014		
{87474241}	04-022	4			06-015		
{87474249}	03-049	1		{87601637}	06-015		
{87476207}	01-009	1		{87603555}	06-002		
{87476208}	12-004	22		{87603556}	06-002		
{87484198}	11-086	5		{87603572}	06-014		
{87486049}	01-032	5			06-015		
{87486057}	01-035	27		{87604145}	06-014		
{87491301}	11-082				06-015		
{87492817}	03-001	2		{87604146}	06-014		
{87497512}	09-011	1			06-015		
{87497513}	09-011	3		{87609218}	06-038		7
{87521159}	09-031	1		{87613141}	03-050		11
{87521162}	09-031	2		{87614460}	01-002		11
{87521164}	09-031	3		{87615319}	04-004		17
{87521166}	09-031	4		{87615322}	04-008		2
{87521168}	09-031	5		{87615325}	04-005		17
{87521174}	09-031	6		{87615326}	04-009		2
{87521177}	09-031	8		{87616967}	01-015		25
{87521180}	09-031	10		{87618518}	10-008		1
{87521190}	09-031	11		{87620211}	04-023		20
{87521192}	09-031	12		{87624250}	05-008		2
{87521193}	09-031	13			05-008		2
{87521201}	09-031	15		{87625607}	09-082		13
{87521203}	09-031	16			09-085		9
{87522843}	11-017	1		{87628243}	09-082		15
{87524513}	03-056	9			09-085		11
{87524515}	03-056	1		{87628244}	09-082		19
{87536126}	08-004	11			09-085		15
{87537747}	11-075	3		{87643472}	11-078		1
	12-059	01	16	{87643474}	11-078		2
	12-059	02	16	{87646096}	11-075		7
{87542375}	11-075	4			12-059	01	15
	12-059	01	17		12-059	02	15
	12-059	02	17	{87646099}	11-055		14
{87543736}	08-004		10		11-075		8
{87543856}	08-012		33		12-059	01	19
	08-013		34		12-059	02	19
{87543857}	08-012		34	{87648641}	01-045		2
	08-013		33	{87651823}	05-005		2
{87543913}	04-023		1		05-005		2
{87543914}	04-023		2	{87651825}	05-005		
{87545506}	01-052		6	{87651826}	05-005		
{87547172}	04-023		3	{87657976}	11-076		4
{87548593}	04-023		3		12-059	01	12
{87559485}	01-007		1		12-059	02	12
{87559487}	01-007		3	{87658392}	11-061		
{87564077}	01-008		1	{87658393}	11-061		
{87575511}	09-082		20	{87658412}	11-061		
	09-085		7	{87662603}	09-084		3
{87575788}	09-027		15	{87663822}	11-027		7
{87577402}	11-007			{87664089}	11-056		17
	11-008			{87664096}	03-001		11
	11-010			{87664097}	02-011		18
{87580662}	09-002		18	{87664098}	03-052		6
{87580664}	09-002		19	{87666448}	11-026		7
{87582904}	11-065		17	{87673450}	06-015		
{87584853}	01-016			{87673451}	06-014		
{87584973}	03-006		2	{87682007}	04-018		5
{87586830}	09-081		5	{87682408}	11-062		6
	09-084		1	{87686433}	06-027		10
{87592127}	08-020			{87695423}	08-004		8
{87593258}	09-002		26	{87695425}	08-023		7
{87600246}	06-040		4	{87697303}	01-044		2
	06-045		3	{87704990}	08-019		

INDEX - INDICE - INDEX - ZAHLENVERZEICHNIS - INDICE - INDICE - INDHOLD - INHOUD

Number	Figure	Sequence	Ref.	Number	Figure	Sequence	Ref.
{87706481}	08-012		42	113316A1	01-041		2
	08-013		42	114550A1	01-036		21
{87711302}	11-078		3		12-018		2
{87711627}	04-024		3	116150A1	01-040	01	1
{87711628}	04-024		1		01-040	02	1
{87711941}	11-023		1		01-041		6
	11-024		1	116152A1	01-040	01	2
{87711942}	11-022		1		01-040	02	2
	11-025		1		01-041		5
{87714127}	08-004		4	117846A1	03-047		5
{87715011}	04-023		31	118780A1	01-035		8
{87715077}	04-023		24		01-036		22
{87715477}	04-024		7		12-018		3
{87715803}	04-023		29	121410A1	12-004		11
{87720272}	06-001		8	121411A1	12-004		16
{87720273}	06-021		4	121412A1	12-004		9
{87721676}	04-002		1	121413A1	12-004		12
	04-003		1	121414A1	12-004		13
{87721678}	04-004		1	121415A1	12-004		14
	04-005		1	121416A1	12-004		15
{87723428}	11-080			1250522C3	01-014		7
{87730236}	06-024-01	01	40		01-017		7
	06-024-02	02	40	1251791C1	04-031		7
{87730237}	06-024-01	01	39	127597A1	01-040	01	3
	06-024-02	02	39		01-040	02	3
{87733376}	06-039	01	12	1280263C1	02-001		4
	06-039	02	12	128209A1	01-053		1
{87734590}	01-052				02-007	01	13
{87739927}	12-003		1		02-007	02	13
{87741531}	04-022		2	128484A1	01-014		38
{87741533}	04-035		1		01-017		28
{87745103}	11-009		10	128485A1	01-014		39
{87748948}	01-029		9		01-017		27
{87752367}	12-010		1	128593A1	01-034		27
{87752836}	10-003		3	128833A2	01-036		8
{87758998}	06-034	02		128970A3	01-034		15
	06-042		4	129096A1	06-025		4
{B17243}	08-008		14	130412A1	01-034		13
{BN21877}	04-030		10	131-642	01-034		18
{BN305606}	08-011		10		02-012		4
{BN305785}	09-002		17	131-832	01-001		8
{BN310094}	11-025		13	131-839	01-001		9
{BN318899}	01-034				01-004	01	16
{BN319118}	09-071				01-004	02	16
{BN319780}	03-051		30		01-004	03	16
{BN320165}	11-048		9		01-004	04	16
	11-049		9		01-004	05	16
{BN321050}	09-047		20		01-004	06	16
{BN321452(LH)}	09-032		4		01-005		8
	09-034		4	1316827C1	04-002		11
{BN321452(RH)}	09-032		4		04-003		8
	09-034		4	1321290C2	01-014		40
{BN323104}	09-061		5		01-017		39
{BN323105}	09-060		5	1324469C1	06-018		17
{BN324737}	03-057		21	1331046C2	01-001		6
{BN329-1510}	04-014		5		01-011		6
{BN53859}	09-047		19		01-018		
{BN53863}	09-048		12	134071A1	01-038		4
{BN53916}	09-066		5	134271C2	09-002		7
{BN68743}	06-013		15		09-004		16
{INF10467}	01-029		1		09-017		4
{J965146}	03-055		3	1343962C1	01-040	01	4
{RING TERM}	12-004		23		01-040	02	4
104033C2	01-002		17		01-041		4
	01-004	01	32	1404	08-012		30
	01-004	02	32		08-013		30
	01-004	03	32	14441427	04-018		19
	01-004	04	32	144417A1	12-004		4
	01-004	05	32	144421A1	12-004		3
	01-004	06	32	144628A1	01-024		7
	02-012		6	151-535	01-002		14
105849A1	01-014		30		01-012		13
	01-017		29	151-537	01-003		3
	12-004		8	1533540C1	01-022		17
109239C2	01-014		9		01-023		17
	01-017		9	1534229C1	01-006		1
113314A2	01-040	01	14	1535323C1	02-003		11
	01-040	02	14	1547924C1	11-020		5

INDEX - INDICE - INDEX - ZAHLENVERZEICHNIS - INDICE - INDICE - INHOLD - INHOUD

Number	Figure	Sequence	Ref.	Number	Figure	Sequence	Ref.
159688R91	01-034		7	217-92	11-013		2
16677734	03-022		3	218-5156	06-026		SAE-8
	03-037		3	218-5314	06-040		5
169850C2	02-010		1	219-8	08-012		23
176245A2	02-003		8		08-013		23
176246A2	02-003		9	22-824	02-011		19
177250A1	01-012		5		03-001		26
177269A1	01-004	01	19		11-056		19
	01-004	02	19		11-076		5
	01-004	03	19	220935A3	02-003		4
	01-004	04	19	221429A2	02-002		8
	01-004	05	19		02-007	01	5
	01-004	06	19		02-007	02	5
	01-005		1	222787A2	02-003		2
	01-006			224808A1	01-029		5
	01-043		2	225-30210	12-014		8
	01-049			225119C1	09-021		
178149A1	12-002		1	225125C1	09-021		
178819A3	02-001		3	225350C1	01-040	01	5
180361A2	02-003		7		01-040	02	5
18138424	03-010		1	225353C1	01-040	01	6
	03-041		2		01-040	02	6
186149A4	02-003		12	225388C1	01-040	01	7
19-5380	04-024		17		01-040	02	7
190812A1	01-002		6	225390C1	01-040	01	8
191135A1	12-004		2		01-040	02	8
191206A3	02-002		16	227739A2	01-002		10
192012A4	01-052				01-012		6
192869A1	01-050		7	228760A1	04-037		5
193046A1	02-004		1	230009A4	02-003		5
193182A1	01-050		8	231-24409	11-086		25
195-81034	10-011		1	231-4144	09-063		9
1954736C1	01-014		29	231-4146	09-070		
	01-017		40		11-002		6
	03-056		2		11-004		6
1968008C1	10-004	01	2	231-5145	03-053	01	10
	10-004	02	2		03-053	02	10
1968108C2	10-002		1	232-46316	07-014		25
1975782C1	01-005		2	232454A2	11-054		1
1975919C1	02-012		5	232455A2	11-053		1
1977334C1	01-014		10		11-055		12
	01-017		8	236323A1	01-050		6
1977448C2	01-022		12	236504A3	01-050		13
	01-023		12	237275A1	02-008		2
1977624C1	06-025		27	238-5034	07-001		6
1983391C1	01-006		3	238-5114	07-011		6
198913A3	02-003		6	238-5141	07-001		15
198916A2	02-002		27	238-5151	06-014		
	02-003		3	238-5155	06-014		
1994980C1	01-034		9	238-5210	04-031		9
	11-002		5	238-5214	04-031		6
	11-004		5	238-5218	07-001		7
20-1451T1	01-009		8	238-5228	07-001		10
201-125	06-040		14	238-6123	07-011		7
201-308	06-025		6	238-6125	07-011		8
21384	11-034		2	238-6214	06-013		20
214-1410	03-006		5	242539A4	02-005		2
214-1412	03-001		14	245484C1	09-021		5
	03-051		24	245918C1	01-012		14
	06-025		5	248-1243	01-014		28
214-1540	02-013		3		01-017		26
214-1544	01-015		3	248-2178	11-017		21
214-1704	03-051		23	248-2381	01-014		11
214-32104	03-052		14		01-017		11
214-3272	03-052		12	25-1110	07-014		20
214-3296	03-052		13	251090A1	01-034		2
217-1011	09-015		2	253395A1	01-024		3
217-1084	09-015		3	253396A2	01-024		1
217-1226	04-029		1	253397A2	01-024		2
217-132	03-051		22	253679A1	01-022		26
217-153	03-001		6		01-023		26
217-188	03-003		3	254325A3	01-019		2
217-21	03-051		3		01-020		2
217-291	03-051		5	254711A1	02-003		13
217-331	03-003		1	255220A2	01-015		22
217-406	04-029		27	256331A2	01-015		2
217-432	03-049		4	258242A1	01-050		3
217-92	03-051		4	258866A4	02-012		2

INDEX - INDICE - INDEX - ZAHLENVERZEICHNIS - INDICE - INDICE - INDHOLD - INHOUD

Number	Figure	Sequence	Ref.	Number	Figure	Sequence	Ref.
259332A4	03-050		2	2852390	03-036		11
260-16512	01-034		20	2852392	03-015		9
260-16516	01-005		3		03-034		3
	01-043		3	2852396	03-015		
260-54310	01-040	01	9	2852397	03-015		3
	01-040	02	9	2852398	03-015		1
27-8343	01-034		4	2852426	03-019		2
275344A6	02-002		23	2852427	03-024		14
275444A1	02-001		8	2852428	03-024		10
275602A1	01-013		1	2852434	03-041		12
277059A1	01-022		21	2852440	03-044		1
	01-023		21	2852443	03-044		3
278316A2	01-011			2852446	03-044		4
	01-018			2852449	03-044		5
	11-075		19	2852451	03-044		7
279219A1	02-010		2	2852452	03-044		8
279220A1	02-010		3	2852457	03-045		4
279223A1	02-010		4	2852458	03-045		5
279224A1	02-010		5	2852468	03-034		5
279265A2	01-050		14	2852473	03-035		4
279492A1	03-052		9	2852484	03-043		5
280-1448	01-017		46	2852486	03-042		30
280164	02-002		29	2852488	03-039		3
280529A1	01-024		4	2852496	03-034		10
280591	08-014		11	2852500	03-005		10
	08-015		11		03-043		2
	08-016		13	2852602	03-024		20
	08-017		13	2852623	03-058		2
280627A1	01-011		9	2852626	03-058		3
	11-049		10	2852627	03-058		4
280628A1	01-011		9	2852628	03-058		5
281-14512	01-014		34	2852729	03-018		2
	01-017		32	2852746	03-036		8
281006	11-040		6	2852772	03-011		6
	11-041		6	2852773	03-023		2
281848A1	01-021			2852774	03-023		3
282056A1	01-035		18	2852776	03-024		9
	01-036		15	2852791	03-046		12
	01-040	01	10	2852793	03-046		1
	01-040	02	10	2852794	03-044		6
282709A1	04-031		10	2852804	03-039		10
2830076	03-016		1	2852805	03-039		11
2830222	03-024		7	2852817	03-042		3
2830304	03-011		15	2852818	03-042		6
2830434	03-024		15	2852820	03-042		10
2830444	03-027		3	2852821	03-042		15
2830546	03-010		9	2852825	03-042		29
2830559	03-009		10	2852925	03-058		6
2830592	03-011		13	2853233	03-004		4
2830704	03-025		15	2853443	03-014		1
2830711	03-046		14		03-015		8
2830733	03-046		2	2853537	03-041		3
2831006	03-046		10	2853604	03-009		9
2831279	03-025		3	2853780	03-009		2
2831287	03-025		7	2853781	03-009		3
2831297	03-032		3	2853784	03-023		6
2831298	03-032		1	2853788	03-024		19
2831473	03-025		8	2853857	03-023		1
284273A2	03-057		12	2853871	03-004		7
284777A1	01-024		12	2854072	03-034		2
2852100	03-045		6	2854079	03-042		20
2852134	03-005		7	2854282	03-042		5
2852135	03-005		8	2854375	03-023		4
2852136	03-005		9	2854528	03-019		6
2852171	03-004		8	2854530	03-024		18
2852172	03-004		11	2854534	03-026		1
2852175	03-022		1	2854537	03-031		1
2852202	03-017		10	2854540	03-041		1
2852212	03-026		11	2854542	03-041		5
2852221	03-031		2	2854543	03-041		4
2852234	03-004		1	2854544	03-041		9
	03-039		13	2854549	03-041		8
2852245	03-015		5	2854552	03-041		10
2852250	03-004		3	2854581	03-005		2
2852305	03-029		1	2854585	03-036		10
2852325	03-034		1	2854593	03-042		4
2852377	03-005		6	2854594	03-042		18
2852380	03-036		13	2854595	03-042		19

INDEX - INDICE - INDEX - ZAHLENVERZEICHNIS - INDICE - INDICE - INHOLD - INHOUD

Number	Figure	Sequence	Ref.	Number	Figure	Sequence	Ref.
2854598	03-043		1	318323A1	02-010		6
2854599	03-043		4	321-7089	04-033		1
2854600	03-043		6	321023A4	02-002		20
2854604	03-028		5	321277A1	02-001		10
2854606	03-040		2	321535A1	02-001		9
2854609	03-040		6	321551A1	02-002		4
2854701	03-026		5	321552A1	02-002		3
2854702	03-026		6	321959A1	03-051		1
2854829	03-012		1	322072A2	01-002		9
2854837	03-026		4		01-004	01	10
2854847	03-030		3		01-004	02	10
2854887	03-058		7		01-004	03	10
2854890	03-058		8		01-004	04	10
2855125	03-045		1		01-004	05	10
2855135	03-040		5		01-004	06	10
2855150	03-042		23	322073A1	01-004	01	20
2855413	03-005		1		01-004	02	20
2856173	03-015		2		01-004	03	20
2856458	03-024		2		01-004	04	20
2857015	03-036		2		01-004	05	20
289862C1	11-073		3		01-004	06	20
	11-075		17	322332A1	11-053		3
293615A1	01-015		9		11-055		5
295006A1	03-057		3	322413A2	01-004	01	40
295191A3	01-022		18		01-004	02	40
	01-023		18		01-004	03	40
295192A1	01-022		20		01-004	04	40
	01-023		20		01-004	05	40
295478A1	01-022		4		01-004	06	40
	01-023		4	322839A1	01-014		35
296316A3	01-030		2		01-017		5
	01-031		2	322840A1	01-014		36
296317A3	01-029				01-017		6
296775A2	01-022		16	3229749R1	02-006		3
	01-023		16	322985A1	01-014		17
298464A1	02-012		3		01-017		15
298465A2	01-015		7	322987A1	01-014		18
2992147	03-029		4		01-017		16
2992153	03-029		5	322989A1	01-014		12
300381	02-002		19		01-017		12
300432A2	01-015		8	322990A1	01-014		13
300655A1	01-012		1		01-017		13
301180A3	01-015		5	322994A1	01-014		3
301200A1	01-022		9		01-017		44
301901A1	01-004	01	15	322995A1	01-014		4
	01-004	02	15		01-017		34
	01-004	03	15	322996A1	01-014		1
	01-004	04	15		01-017		1
	01-004	05	15	323016A1	01-014		31
	01-004	06	15		01-017		30
302456A1	01-004	01	1	323094A1	02-010		
	01-004	02	1	3233348R1	02-001		5
	01-004	03	1	3234063R1	02-001		6
	01-004	04	1		02-002		10
	01-004	05	1	3234176R1	01-004	01	13
	01-004	06	1		01-004	02	13
303732A1	01-015		24		01-004	03	13
304921A1	02-002		14		01-004	04	13
3050958R1	01-006				01-004	05	13
305158A1	02-002		15		01-004	06	13
305159A1	02-002		17	323610A1	01-017		18
305688A1	01-046		1	323611A1	01-014		16
306132C1	09-008		29	323657A1	01-022		24
306255A2	06-039	01	16		01-023		24
	06-039	02	16	324022A1	01-014		41
307559A1	01-022		15		01-017		41
	01-023		15	324023A1	01-014		42
308538A2	01-002		5		01-017		43
308633A1	02-002		7	324484A1	01-014		21
308904A1	01-002		13		01-017		33
308905A1	01-002		12	325258A1	04-032		5
309099A1	01-029		2	326281A1	01-018		
310266	11-020		15	326282A1	01-011		4
311430A1	01-009		3		01-018		
311631	11-020		14	327306A1	01-014		
311863A1	10-002		2	329-1510	04-013		5
311864A1	10-002		3	329677A1	01-022		3
311865A1	10-002		4		01-023		3

INDEX - INDICE - INDEX - ZAHLENVERZEICHNIS - INDICE - INDICE - INDHOLD - INHOUD

Number	Figure	Sequence	Ref.	Number	Figure	Sequence	Ref.
331-110	02-006		8	343736A1	10-001	02	2
331-302	05-001		1	343778A1	11-007		3
331-37	08-008		12		11-008		3
	08-010		8		11-009		3
	08-011		8		11-010		6
	08-014		14		11-011		3
	08-015		14	343883A1	04-002		21
	08-016		11		04-003		21
	08-017		11	343888A1	06-013		8
	08-023		19	343924A1	11-030		6
331-578	03-057		20	343956A1	12-028		1
333088A1	10-003		2	343957A1	12-027		1
333643A1	11-053		5	343958A1	12-027		2
	11-055		3	343996A1	04-015		
333644A1	11-053		6	344067A1	12-011		
	11-055		4	344405A1	10-001	01	4
333645A1	11-053		4		10-001	02	4
	11-055		2	344407A1	09-082		39
333772A1	01-047		3		09-085		33
336383A1	01-004	01	23	344475A1	04-031		4
	01-004	02	23	344498A1	12-033		1
	01-004	03	23		12-037		1
	01-004	04	23	345-184	02-005		
	01-004	05	23		02-007	01	4
	01-004	06	23		02-007	02	4
336384A1	01-004	01	24		02-008		7
	01-004	02	24	349-153	02-005		
	01-004	03	24	352790A1	03-052		7
	01-004	04	24	353-402	01-035		9
	01-004	05	24		01-036		23
	01-004	06	24	353-411	01-034		24
336385A1	01-004	01	25	353-432	01-053		2
	01-004	02	25		02-007	01	14
	01-004	03	25		02-007	02	14
	01-004	04	25	353108	09-080	01	26
	01-004	05	25		09-080	02	26
	01-004	06	25		09-083	01	31
338413	11-083		3		09-083	02	31
342028A1	04-001		2	355098A1	01-019		5
342029A1	04-001		3		01-020		5
342030A1	04-001		4	355099A1	01-004	01	8
342076A1	09-035		7		01-004	02	8
	09-059		2		01-004	03	8
342100A1	06-028		3		01-004	04	8
342119A1	12-011				01-004	05	8
342205A1	11-002		19		01-004	06	8
	11-004		19	355100A1	01-004	01	9
342268A1	04-025		2		01-004	02	9
342269A1	04-025		3		01-004	03	9
342580A1	04-023		26		01-004	04	9
	04-028		25		01-004	05	9
342585A1	04-028		7		01-004	06	9
342586A1	04-028		10	357325A1	02-004		4
342591A1	06-030		2	357662A1	01-018		
	06-041		2	358670A1	01-001		3
	06-044		2	358671A1	01-001		2
	11-036	01	18	358683A1	01-003		4
	11-036	02	18	358794A2	01-002		
342656A1	03-051		29	358795A1	01-002		2
342684A1	09-002		24	358804A1	01-005		4
342938A1	01-034		21	358805A1	01-004	01	42
342939A1	04-002		18		01-004	02	42
	04-003		18		01-004	03	42
	04-004		13		01-004	04	42
	04-005		13		01-004	05	42
343008A1	04-036		7		01-004	06	42
343025A1	09-008		22	359029A1	01-030		4
343184A1	10-001	01	9		01-031		4
	10-001	02	9	359030A2	01-031		1
343187A1	11-030		26	359031A2	01-031		3
343189A1	10-001	01	3	359033A1	01-023		9
	10-001	02	3	359037A1	01-004	01	14
343351A1	04-014		1		01-004	02	14
343411A1	09-007		1		01-004	03	14
343436A1	11-018		11		01-004	04	14
343509A1	09-004		15		01-004	05	14
343660A1	09-010		6		01-004	06	14
343736A1	10-001	01	2	359039A1	01-029		

INDEX - INDICE - INDEX - ZAHLENVERZEICHNIS - INDICE - INDICE - INHOLD - INHOUD

Number	Figure	Sequence	Ref.	Number	Figure	Sequence	Ref.
359321A1	02-003		18	426575A1	01-004	01	44
	02-007	01	16		01-004	02	44
	02-007	02	16		01-004	03	44
360322A1	01-005		5		01-004	04	44
360362A1	01-001		4		01-004	05	44
	01-004	01	33		01-004	06	44
	01-004	02	33	427182A1	01-012		3
	01-004	03	33	427352A1	01-013		4
	01-004	04	33	427353A1	01-013		3
	01-004	05	33	427354A1	01-013		5
	01-004	06	33	427356A1	01-014		20
360363A1	01-001		7		01-017		42
360364A1	01-003		5	427360A1	01-013		2
361024A3	01-022		25	428192A2	01-004	01	2
	01-023		25		01-004	02	2
362394A1	01-001		5		01-004	03	2
362766A1	05-004		3		01-004	04	2
	05-004		3		01-004	05	2
	05-005		3		01-004	06	2
	05-005		3	428264A5	01-002		4
	05-006		3	431034A1	11-086		3
	05-006		3	431548A1	06-021		
	05-007		3	432-1216	06-027		7
	05-007		3	432-1228	08-012		22
	05-008		3		08-013		22
	05-008		3	432-812	06-027		9
	05-009		3	432-816	01-034		5
	05-009		3		08-014		5
	05-010		3		08-015		5
	05-010		3		08-016		4
363226A1	04-023		15		08-017		4
	04-026		8	432239A1	01-012		8
	08-013		54	433800A1	02-007	01	8
363882A1	01-015		19		02-007	02	8
365219A1	02-007	01	11	433973A4	02-007	01	1
	02-007	02	11	434177A1	01-022		13
	01-022		5		01-023		13
366073A1	01-023		5		03-050		10
367145A1	12-004		6	437304A1	01-007		2
367146A1	12-004		7	437550A1	01-009		4
367147A1	12-004		5	439-1620	06-027		8
368143A1	01-003		6		06-039	01	7
368313A1	01-014		43		06-039	02	7
	01-017		35	439-1824	06-027		6
368459A1	12-004		10		06-039	01	35
370105A2	01-022		11		06-039	02	35
	01-023		11	439-51644	06-006		1
376597A2	01-005		6	441460A1	01-052		
377999A1	01-036		1		02-007	01	15
378608A1	01-039		2		02-007	02	15
380930A1	01-050		15	442244A1	01-003		7
381940A1	01-030		6	442245A1	01-003		8
	01-031		6	444547A1	01-005		7
386535A1	01-014		6	444877A1	01-025		4
	01-017		4		01-026		4
389521A1	01-042		1	447742A1	02-011		12
400132A1	01-029			449074A1	02-008		8
401109A3	01-051		1	449901A1	02-007	01	
	02-009		1		02-007	02	
401110A2	02-008		3	453132C1	11-036	01	24
406324A2	01-012		7		11-036	02	24
	01-018			461-42512	02-002		12
	02-009		2	463911R91	11-046		3
406697A2	01-022		6	47123096	08-002		2
	01-023		6	4890088	03-039		6
406718A1	01-010		2	4890189	03-042		8
409205A2	01-002		3	4890190	03-042		9
409426A3	01-049			4890193	03-042		11
410704A1	01-029		11	4890634	03-039		7
	10-003		14	4890635	03-039		14
412350A1	01-022		10	4890700	03-039		4
	01-023		10	4890732	03-004		2
412425A1	01-010		3	4890832	03-021		4
416624A1	09-008		28	4890833	03-019		8
425-1216	04-012		2	4890926	03-040		7
425-164	02-002		28	4890929	03-040		3
425254A1	08-012		36	4890964	03-042		21
	08-013		36		03-046		8

INDEX - INDICE - INDEX - ZAHLENVERZEICHNIS - INDICE - INDICE - INDHOLD - INHOUD

Number	Figure	Sequence	Ref.	Number	Figure	Sequence	Ref.
4891024	03-025		1	4895408	03-025		11
4891025	03-025		1		03-025		17
4891209	03-021		5	4895424	03-026		8
4891288	03-036		5	4895432	03-024		1
4891353	03-016		6		03-026		2
4891385	03-039		8	4895477	03-042		12
	03-042		22	4895483	03-040		1
4892255	03-042		14	4895576	03-034		4
4892426	03-004		9	4895577	03-010		5
4892708	03-032		2	4895579	03-036		15
4892732	03-004		10	4895605	03-017		2
4892762	03-035		5	4895610	03-005		5
4892867	03-030		2		03-036		
4892871	03-002		1	4895623	03-034		8
	03-011		11	4895625	03-034		9
4892915	03-019		2	4895817	03-042		26
4893036	03-025		16	4896153	03-017		1
4893234	03-011		12	4896329	03-045		3
4893244	03-025		10	4896380	03-028		2
4893386	03-029		2	4896404	03-009		4
4893389	03-039		12	4896407	03-009		9
4893391	03-009		8	4896409	03-009		11
4893464	03-046		7	4896410	03-009		7
4893487	03-024		16	4896542	03-042		24
4893739	03-040		4	4896543	03-046		9
4893936	03-023		5	4896650	03-012		5
4893940	03-010		7		03-027		2
4893962	03-039		9	4896651	03-027		1
4894095	03-044		2	4896773	03-004		12
	03-045		2		03-015		4
4894100	03-037		1		03-030		1
4894218	03-017		11	4896884	03-041		11
4894410	03-037		2	4896893	03-036		6
4894641	03-031		3	4896897	03-022		2
4894721	03-046		6	4896924	03-034		17
4894816	03-024		4	4896939	03-020		4
4895031	03-024		17	4896952	03-039		2
4895038	03-016		4	4896991	03-023		4
4895039	03-016		3	4897026	03-004		13
4895040	03-016		7		03-015		6
4895045	03-009		5		03-021		1
4895049	03-016		2	4897224	03-042		13
	03-017		8		03-046		5
4895051	03-025		5	4897248	03-024		3
4895052	03-025		6	4897277	03-044		9
4895065	03-024		8	4897330	03-005		4
4895067	03-024		11	4897457	03-028		4
4895068	03-024		5	4897481	03-007		1
4895074	03-025		9	4897534	03-011		1
4895078	03-034		13	4897536	03-011		5
	03-035		6	4897537	03-011		4
4895079	03-026		10	4897546	03-011		2
	03-034		12	4897547	03-011		3
4895080	03-034		14	4897858	03-010		6
4895082	03-034		15	4897861	03-010		8
4895085	03-025		11	4897897	03-002		4
4895089	03-025		12		03-046		11
	03-036		9	4898036	03-010		4
4895108	03-036			4898283	03-023		8
4895118	03-034		16	4898301	03-010		3
4895131	03-035		2	4898372	03-011		14
4895132	03-012		2	4898439	03-011		9
4895155	03-019		3	4898758	03-046		4
4895157	03-042		17	4898876	03-046		13
4895174	03-027		6	4898921	03-039		5
4895198	03-024		6	4899003	03-036		12
4895219	03-027		5		03-039		1
4895227	03-058		9	4899009	03-017		4
4895228	03-016		5	4899019	03-009		1
4895336	03-027		4	4899020	03-041		7
4895378	03-019		4	4899026	03-019		1
4895379	03-019		5		03-020		1
4895392	03-017		6	4899032	03-004		5
	03-034		6		03-018		1
4895393	03-017		7	4899035	03-009		6
	03-034		7	4899036	03-005		3
4895406	03-025		13	4899039	03-026		3
4895407	03-025		14	4899046	03-029		3

INDEX - INDICE - INDEX - ZAHLENVERZEICHNIS - INDICE - INDICE - INHOLD - INHOUD

Number	Figure	Sequence	Ref.	Number	Figure	Sequence	Ref.
4899052	03-014		2	515-23365	06-018		13
4899057	03-042		27		09-004		9
4899058	03-036		7		11-007		6
4899063	03-021		3		11-008		6
4899068	03-019		7		11-010		2
	03-028		3		11-071		7
	03-036		14		11-072		7
4899072	03-017		5	515-23381	06-010		10
4899073	03-020		3	515-23508	09-080	01	33
4899076	03-019		2		09-080	02	33
4899078	03-004		6		11-030		18
	03-020		2	515-2363	06-025		13
	03-021		2	515-24444	09-004		8
	03-042		25		12-030		2
4899079	03-014		3		12-034		2
	03-028		1		12-062		
	03-036		1	55361	11-020		9
	03-037		4	561-707	01-026		
4899080	03-028		6	572564R1	11-046		2
4899081	03-025		4	60-7083T1	02-002		5
4899085	03-012		4	614-10035	01-022		14
	03-027		7		01-023		14
4899086	03-012		3		11-002		16
4899089	03-024		21		11-004		16
4899090	03-007		2	614-12025	01-029		7
4899091	03-010		2	614-12030	08-018		2
4899092	03-011		10	614-12035	11-002		18
4899093	03-020		3		11-004		18
4899107	03-036		3	614-12040	04-006		15
4899108	03-036				04-007		15
	03-036		4		11-002		8
4899109	03-019		2		11-004		8
4899110	03-035		1	614-20060	04-006		7
	03-042		2		04-007		7
	03-042		7	614-6016	01-017		20
4899115	03-017		3		12-004		19
4899124	03-042		1	614-8016	08-022		16
4899144	03-058		11	614-8020	01-004	01	3
4899147	03-058		10		01-004	02	3
4899219	03-011		8		01-004	03	3
4899239	03-023		7		01-004	04	3
4899242	03-011		16		01-004	05	3
4899245	03-024		12		01-004	06	3
4899257	03-024		13		02-009		
4899678	03-020		5		03-053	01	13
4899689	03-040		8		03-053	02	13
4899803	03-017		9	614-8025	01-050		2
4899815	03-043		3	614-8040	01-008		3
4899824	03-034		11	627-10030	06-011		6
4899921	03-026		9	627-8020	01-050		16
4899926	03-011		7	627-8025	01-014		25
493-81002	01-014		26		01-017		22
	01-017		23	628-6016	02-003		21
495-11028	09-063		8	629086	10-003		12
495-21031	01-016			713608R91	04-010		7
495-81121	02-009				04-011		8
495-81140	02-007		6	72041	11-020		18
	02-007	01	6	733-2520	04-018		8
	04-012	02	7	733-3220	06-039	01	8
495-81278	01-022		19		06-039	02	8
496-81028	01-023		19	733-4032	06-039	01	36
	01-014		33		06-039	02	36
515-21127	01-017		25	758-5	01-002		15
	12-003		6		02-007	01	10
515-2179	02-011		10		02-007	02	10
515-22127	03-051		36		02-008		5
	11-056		10	75913	11-020		19
515-22159	01-009		12	760-14413	01-024		11
	03-001		18	760-17113	01-004	01	28
	06-027		13		01-004	02	28
	11-076		6		01-004	03	28
	12-059	01	21		01-004	04	28
	12-059	02	21		01-004	05	28
515-22190	04-029		18		01-004	06	28
515-23254	03-051		38	760-17316	01-004	01	29
	03-056		7		01-004	02	29
	06-011		15		01-004	03	29
515-23302	03-001		27		01-004	04	29

INDEX - INDICE - INDEX - ZAHLENVERZEICHNIS - INDICE - INDICE - INDHOLD - INHOUD

Number	Figure	Sequence	Ref.	Number	Figure	Sequence	Ref.
760-17316	01-004	05	29	825-5145	12-004		18
	01-004	06	29	825-5146	01-034		12
	01-006				03-053	01	14
	01-049				03-053	02	14
761-17325	01-002		16		12-018		5
	01-003		9		12-025		7
	01-004	01	30	829-1312	01-025		9
	01-004	02	30		01-026		9
	01-004	03	30	829-1406	01-014		27
	01-004	04	30		01-017		24
	01-004	05	30		12-004		21
	01-004	06	30	829-1408	01-049		
765-14322	01-006				01-050		1
7770	11-077		5		02-002		33
780-14625	01-048		3		02-009		
	10-011		3	829-1410	01-050		10
780-34319	01-009		5	83-1388	07-014		18
781-24613	01-004	01	31	832-46404	01-017		47
	01-004	02	31	832-46408	01-051		4
	01-004	03	31		02-003		17
	01-004	04	31		02-007	01	7
	01-004	05	31		02-007	02	7
	01-004	06	31	832-46410	01-022		8
781-24620	01-007		4		01-023		8
	02-002		22		08-022		15
	02-003		15		11-002		21
781-24820	01-009		7		11-004		21
	01-015		15	832-46412	04-006		13
781-24825	01-008		4		04-007		13
	01-016				08-018		3
800-3120	01-050		12		11-001		5
800-437	02-003		14		11-002		11
800-439	02-001		7		11-003		5
806-12030	01-025		5		11-004		11
	01-026		5	832-46416	04-006		17
806-12040	01-025		6		04-007		17
	01-026		6		08-018		4
80681	11-036	01	13	833-40305	01-029		8
	11-036	02	13	838-1428	08-020		25
8093882	03-032		4	840-1312	01-032		8
8094846	03-033		1	840-1330	01-035		3
814-10055	08-022		14	840-146	01-024		6
814-12045	11-001		4	840-1516	01-009		9
	11-002		15	840-1612	02-002		25
	11-003		4		02-010		
	11-004		15	840-1820	02-012		7
814-12050	04-006		14	840-2616	01-030		5
	04-007		14		01-031		5
814-12070	04-006		12	841-4512	12-004		17
	04-007		12	84122637	01-051		3
814-12130	01-033		3	84126408	08-012		9
814-16065	04-006		16		08-013		9
	04-007		16	84126409	08-012		10
82072	06-012		7		08-013		10
824-1403	01-032		9	84127889	12-011		
	01-035		5	84128609	04-020		7
824-1405	03-053	01	11	84129543	06-039	01	31
	03-053	02	11		06-039	02	31
825-11414	01-022		23	84129544	06-039	01	22
	01-023		23		06-039	02	22
825-2408	01-004	01	17	84132941	11-043		4
	01-004	02	17	84132942	11-043		5
	01-004	03	17	84134650	12-013		1
	01-004	04	17	84135001	11-086		30
	01-004	05	17	84135002	11-086		31
	01-004	06	17	84135003	11-086		32
	01-015		20	84136646	11-065		3
	01-022		2	84136647	11-065		2
	01-023		2	84136659	11-048		1
	01-025		3		11-049		1
	01-026			84136660	11-048		7
	02-007	01	12		11-049		7
	02-007	02	12	84136663	11-065		6
	12-011			84136669	11-065		10
825-2410	01-026			84136670	11-065		12
825-51410	01-009		13	84138473	03-050		31
	01-029		3	84138474	03-050		30
825-51412	01-029		4	84138475	03-050		9

INDEX - INDICE - INDEX - ZAHLENVERZEICHNIS - INDICE - INDICE - INHOLD - INHOUD

Number	Figure	Sequence	Ref.	Number	Figure	Sequence	Ref.
84138914	11-085		3	868-16040	06-002		2
84138931	01-026		1	86976064	11-086		33
84138963	11-085		2	86977786	11-083		2
84138964	11-085		1	86977789	02-002		21
84141288	06-012		3	86980358	01-014		23
84141289	06-012		4		01-051		9
84141296	06-012		10	86980359	11-036	01	11
84141297	06-012		12		11-036	02	11
84141299	06-012		20		12-002		4
84143345	07-006		2	86980360	03-053	01	2
84144660	08-012		55		03-053	02	2
	08-013		57		06-038		13
	08-024		9		12-014		4
	08-025		3	86980361	04-027		11
84145358	06-012		5		04-032		6
84145401	06-012		9		06-024-01	01	31
84145402	06-012		13		06-024-02	02	31
84148119	11-082		1		09-007		14
84150025	01-009		6		11-086		27
84152618	11-065		5	86980362	01-035		25
84152620	11-065		7		11-085		9
84152989	11-065		9		12-025		4
84153115	11-062		2	86980366	06-007		15
	11-063		4		06-024-01	01	32
84155868	01-026		2		06-024-02	02	32
84158058	08-005		1	86980368	06-038		14
84158059	08-005		10	86980369	06-024-01	01	33
84160023	02-002		13		06-024-02	02	33
84161898	11-050		3		09-017		12
84161902	11-050		1		11-030		12
84164481	06-030		10	86980371	04-037		8
84174089	09-038		2		06-028		8
84180985	11-037		8	86980378	02-011		11
844-10035	03-054		2		09-002		23
844-6025	01-029		10		11-020		2
84814892	01-004	01	18		11-056		11
	01-004	02	18		12-001		
	01-004	03	18	86980379	02-006		5
	01-004	04	18		02-011		7
	01-004	05	18		03-001		24
	01-004	06	18		03-050		16
86013942	04-018		22		03-051		2
8602005	03-001		21		03-052		15
8602542	04-029		3		03-057		16
86050277	11-040		9		04-010		21
	11-041		9		04-011		17
863-10025	06-011		5		04-017		3
864-5025	01-024		8		04-018		3
864-8012	02-013		2		04-020		4
86500689	12-011				04-021		5
86501511	10-003		11		04-022		6
86507190	03-051		25		04-024		19
86508812	12-004		26		04-029		19
86508813	01-009		16		04-030		7
86511444	11-083		4		04-032		3
86511815	12-004		24		06-009		2
86512037	11-036		14		06-010		11
	11-036	01	14		06-022		4
	02-002	02	31		06-027		14
86514457	11-083		5		09-002		21
86517328	12-011				09-004		19
86528503	11-086		24		09-027		14
86550597	11-083		6		11-030		20
86588450	12-011				11-053		8
	07-014		27		11-055		6
86590562	11-086		1		11-056		7
86616339	10-003		4		12-030		3
86622073	01-009		8		12-031		9
86624184	06-039	01	5		12-032		2
86625043	06-039	02	5	86980380	03-051		37
	10-002		10		03-057		14
86625060	11-055		13		04-017		6
86625224	01-008		2		04-018		9
86625263	11-077		4		04-022		11
86632541	01-026				04-023		14
86639232	12-059	01	10		04-026		4
86639271	12-059	02	10		04-027		8
86640147	11-086		22		06-022		12

INDEX - INDICE - INDEX - ZAHLENVERZEICHNIS - INDICE - INDICE - INDHOLD - INHOUD

Number	Figure	Sequence	Ref.	Number	Figure	Sequence	Ref.
86980380	06-024-01	01	34	86980406	04-024		6
	06-024-01	01	37		04-026		6
	06-024-02	02	34		08-002		4
	06-024-02	02	37	86980407	09-082		16
	08-012		41		09-085		12
	08-013		41	86980408	06-039	01	39
	09-003		5		06-039	02	39
	09-004		12		08-012		44
	11-032		14		08-013		44
	11-086		7		08-019		35
	02-011		4		08-024		6
03-001		5	09-080		01	12	
03-051		15	09-080		02	12	
06-025		22	09-083		01	16	
11-056		4	09-083		02	16	
86980381	11-085		11		11-036	01	15
	04-020		8		11-036	02	15
	04-023		32		11-050		5
	04-023		33	86980409	06-039	01	38
	04-024		21		06-039	02	38
	04-025		5		11-036	01	3
	08-004		12		11-036	02	3
	11-061		2		11-044		3
	06-001		7	86980410	03-050		17
	06-018		16		03-055		5
	09-027		8		08-012		48
03-001		28	08-013			48	
03-049		6	09-080		01	10	
03-059		12	09-080		02	10	
04-035		7	09-082			24	
11-017		22	09-083		01	14	
11-030		9	09-083		02	14	
03-050		22	09-085			18	
86980385	03-052		10		11-050		6
	03-056		8	86980411	03-051		11
	03-057		6		06-003		2
	04-016		3	86980418	11-017		16
	04-025		12		12-002		7
	04-029		25	86980419	06-030		6
	04-030		3		06-044		6
	06-011		16	86980420	04-021		11
	06-039	01	14		04-022		9
	06-039	02	14		04-023		34
	08-026		6		06-039	01	42
08-027		6	06-039		02	42	
09-007		6	08-005			7	
09-012		3	08-007			7	
09-017		9	09-086			5	
09-081		3	11-017			14	
09-084		7	11-047			5	
86980400	11-013		6	86980422	03-047		14
	11-030		15		04-020		12
	11-061		5		04-028		4
	12-003		2	86980423	06-025		25
	12-030		4		04-008		6
	12-031		1		04-009		8
	12-032		1		04-023		7
	12-034		3		04-028		19
	03-050		12		04-037		2
	03-055		9		11-048		4
	03-056		5		11-049		4
04-022		14	86980426		06-039	01	27
04-024		8			06-039	02	27
04-028		9		09-003		6	
08-003		8	86980427	08-006		3	
08-019		24		86980432		6	
08-021		33	86980444	06-041		6	
11-013		8		04-010		17	
11-036	01	7		04-011		19	
11-036	02	7		04-022		15	
11-086		14		04-036		12	
03-050		28	86980448	03-047		7	
08-010		6		86980451	08-019		6
08-011		6		08-021		27	
09-012		4	86980457	08-031		4	
03-050		13		04-004		11	
86980403	04-028		13		04-005		12
	04-029		22	86980460	04-008		5
					04-009		5

INDEX - INDICE - INDEX - ZAHLENVERZEICHNIS - INDICE - INDICE - INDHOLD - INHOUD

Number	Figure	Sequence	Ref.	Number	Figure	Sequence	Ref.
86980510	08-019		8	86980514	12-032		3
	08-020		5		12-059	01	22
	08-021		5		12-059	02	22
86980513	01-035		26	86980515	03-049		2
	02-014		3		03-050		19
	03-053	01	3		03-052		11
	03-053	02	3		03-055		7
	04-018		20		03-056		6
	04-027		12		03-057		7
	04-032		8		04-022		13
	04-035		14		04-024		5
	04-037		9		04-025		13
	06-007		4		04-026		7
	06-028		9		04-028		14
	06-038		15		04-029		26
	08-020		30		04-030		4
	09-007		15		06-003		3
	09-017		11		06-011		17
	09-080	01	30		06-025		15
	09-080	02	30		06-039	01	15
	09-083	01	34		06-039	02	15
	09-083	02	34		08-002		5
	11-030		13		08-003		16
	11-036	01	12		08-005		12
	11-036	02	12		08-007		13
	11-085		8		08-010		5
	11-086		18		08-011		5
	12-002		3		08-012		45
	12-003		11		08-013		45
	12-011				08-019		22
	12-014		6		08-021		10
	12-025		3		08-024		7
	12-066				08-026		7
86980514	02-006		6		08-027		7
	02-011		5		08-030		4
	02-012		11		09-007		7
	02-013		7		09-012		5
	03-001		20		09-017		8
	03-051		14		09-080	01	8
	03-052		17		09-080	02	8
	03-057		15		09-081		4
	04-017		4		09-082		18
	04-018		10		09-083	01	12
	04-019		2		09-083	02	12
	04-020		5		09-084		9
	04-021		6		09-085		14
	04-022		7		10-008		7
	04-023		19		11-013		7
	04-024		20		11-017		23
	04-025		6		11-030		10
	04-026		9		11-036	01	5
	04-027		9		11-036	02	5
	04-029		20		11-044		5
	04-030		9		11-050		4
	04-032		4		11-061		7
	06-001		12		11-085		12
	06-010		12		11-086		15
	06-018		15		12-003		3
	06-022		10		12-030		6
	06-024-01	01	38		12-031		2
	06-024-02	02	38		12-032		4
	06-025		23		12-034		4
	06-027		15	86980516	03-047		24
	08-004		13		04-008		7
	09-002		22		04-009		9
	09-003		7		04-020		13
	09-004		11		04-021		12
	09-027		9		04-022		10
	11-020		3		04-023		9
	11-030		19		04-028		6
	11-032		15		04-037		3
	11-053		9		06-025		26
	11-055		8		06-039	01	26
	11-056		5		06-039	02	26
	11-061		4		06-041		7
	11-076		7		08-005		8
	12-030		5		08-006		4
	12-031		10		08-007		8

INDEX - INDICE - INDEX - ZAHLENVERZEICHNIS - INDICE - INDICE - INDHOLD - INHOUD

Number	Figure	Sequence	Ref.	Number	Figure	Sequence	Ref.
86980516	08-008		10	86986241	07-001		9
	08-019		33	86986242	07-001		2
	08-020		17	86986252	04-011		1
	08-021		21	86986254	04-010		1
	08-031		23	86986280	07-001		16
	09-003		8	86986281	07-001		12
	09-086		6	86986282	07-001		13
	11-017		15	86986283	07-001		14
	11-047		9	86986284	07-001		4
	11-048		3	86986285	07-001		8
	11-049		3	86986286	07-001		5
86980517	03-047		9	86986290	07-011		3
	04-008		9	86986371	06-022		13
	04-009		7	86986400	09-015		1
	04-022		17		09-077		2
	04-036		9		09-078		2
	06-020		3		12-066		
	08-019		9	86986403	09-010		1
	08-020		4	86986404	09-010		7
	08-021		4	86986405	09-010		3
	08-031		7	86986458	11-003		2
	11-017		11	86986459	11-001		2
	11-030		8	86986500	04-012		1
86980518	03-047		21	86986634	09-045		1
	04-010		19	86986637	09-042		10
	04-011		21	86986640	09-041		10
	08-009		7		09-042		9
	08-023		17	86986642	09-041		11
86981461	01-033		4	86986699	12-012		8
	02-012		9	86986706	11-003		1
86981479	02-013		9	86986713	11-002		3
86981482	01-034		25		11-004		3
86981496	01-033		2	86986803	11-014		2
	03-055		11	86986807	11-021		5
	04-023		8		11-071		2
	04-037		4		11-072		2
	06-039	01	43	86986808	11-007		15
	06-039	02	43		11-008		15
	08-006		2		11-010		8
	08-018		1		11-021		3
	08-019		32	86986810	11-021		4
	08-020		16	86986928	06-009		1
	08-021		20	86986933	04-002		3
	08-031		22		04-003		2
	09-003		10	86986934	04-003		9
	09-086		4	86986935	04-002		4
	11-001		3	86986942	03-047		15
	11-003		3	86987885	01-040	01	11
	11-017		13		01-040	02	11
	11-047		8		01-041		3
86981677	06-039	01	19	86989942	01-012		4
	06-039	02	19	86990262	01-014		2
	08-012		54		01-017		2
	08-013		56	86991370	03-052		
86986043	12-025		8	86991373	03-052		
86986082	06-037		4	87013363	10-003		9
	06-046		4	87014923	02-006		2
86986093	06-036		3	87016450	01-015		23
86986094	06-036			87017053	04-018		17
86986096	06-028		2		04-036		11
86986105	11-007		8	87020818	04-023		17
	11-008		8	87022683	03-047		4
	11-009		5	87024336	04-002		20
86986136	09-009		10		04-003		20
86986190	07-011		1		04-004		15
86986191	07-011		2		04-005		15
86986192	07-011		5		09-001		7
86986193	07-011		9	87030526	10-011		4
86986194	07-011		10	87033529	10-003		13
86986195	07-011		11	87033737	10-011		2
86986196	07-011		12	87042086	03-052		2
86986197	07-011		13	87046644	11-086		2
86986205	07-011		14	87052289	10-004	01	4
86986206	07-011		15		10-004	02	4
86986207	07-011		16	87054969	10-003		10
86986208	07-011		4	87054970	10-003		6
86986214	07-011			87054976	10-003		7
86986240	07-001		18	87105048	06-025		3

INDEX - INDICE - INDEX - ZAHLENVERZEICHNIS - INDICE - INDICE - INHOLD - INHOUD

Number	Figure	Sequence	Ref.	Number	Figure	Sequence	Ref.
87105748	03-001		9	87266753	12-025		6
87107380	01-015		21	87266795	07-002		1
87265091	11-014		3	87266807	04-006		1
87265150	11-054		3		04-007		1
87265454	09-063		5		04-008		1
87265461	11-009		1		04-009		1
	11-011		1	87266809	04-006		5
87265462	09-073		2		04-007		5
	09-074		2	87266885	01-039		6
87265473	09-063		19	87266886	01-039		5
	09-084		18	87266890	01-039		4
87265489	09-025		1	87266893	01-038		+
	09-027		1		01-039		7
	09-037		11	87266895	01-042		2
87265492	09-037		12	87267087	12-014		9
	09-085		12	87267088	12-014		10
87265539	04-029		2	87267089	12-014		1
87265585	09-029		4	87267091	04-031		3
87265587	09-014		1	87267188	08-007		1
87265590	09-025		4	87267199	08-005		3
	09-027		5		08-007		3
87265596	11-019		2	87267255	03-051		27
87265738	04-002		2	87267314	06-027		5
87265739	04-003		7	87267325	07-012		5
87265743	04-027		1	87267349	01-039		1
87265766	11-017		4	87267350	01-039		3
87265767	11-017		5	87267363	02-013		13
87265768	11-017		12	87267364	02-013		
87265851	09-030		1	87267464	04-024		14
87265956	11-018		16		04-027		2
87265981	08-018		15	87267517	01-041		1
	08-019		16	87267536	09-086		1
	08-020		13	87267537	09-087		2
	08-021		18	87267540	09-087		6
	08-031		12	87267543	09-038		5
87266194	12-046		2		09-063		1
87266217	10-003		5	87267627	11-047		6
87266244	06-010		3	87267630	11-001		1
87266307	07-005			87267726	07-012		1
	07-005			87267775	03-051		6
	07-007		7	87267807	06-025		11
87266308	07-001		1	87267808	06-025		16
87266309	07-001		19	87267913	04-010		26
87266443	06-027		1		04-011		26
	06-039	01	33	87267921	06-006		2
	06-039	02	33	87267923	07-002		2
87266449	06-035		5	87267938	07-008		1
	08-022		1	87267939	07-013		1
87266460	08-009		3	87267940	07-006		1
87266461	08-010		4		07-006		10-18
	08-011		4	87267941	07-008		5
87266536	09-007		2	87267943	07-006		4
87266537	09-010		9	87267962	03-051		28
87266599	09-008		21	87268056	03-051		40
87266608	08-014		10	87268119	11-013		3
	08-015		10	87268122	03-051		19
	08-016		12	87268152	09-026		5
	08-017		12		09-030		5
87266611	11-022		3	87268158	09-088		1
	11-023		3	87268179	09-019		3
	11-024		2		09-020		1
	11-025		2		09-023		2
	11-028		5		09-024		2
	11-029		5		09-056		10
87266615	08-027		1		09-057		10
87266616	08-026		1	87268180	09-021		1
87266668	09-043		1	87268181	09-021		2
	09-047		2	87268182	09-021		3
	09-048		1	87268203	09-062		1
	09-049		8	87268204	09-067		1
87266669	09-044		1	87268205	09-067		2
	09-046		1	87268239	11-022		12
	09-047		1		11-023		12
	09-048		2	87268240	11-022		11
	09-068		1		11-023		11
87266722	09-013			87268326	11-004		7
87266740	11-026		1	87268333	11-004		1
	11-027		1	87268334	11-002		1

INDEX - INDICE - INDEX - ZAHLENVERZEICHNIS - INDICE - INDICE - INDHOLD - INHOUD

Number	Figure	Sequence	Ref.	Number	Figure	Sequence	Ref.
87268366	11-002		2	87270086	09-012		2
87268370	11-004		2	87270102	04-029		10
87268377	11-002		7	87270105	04-029		15
87268381	11-059		1	87270124	09-022		1
	11-060		1	87270125	09-022		2
87268382	11-059		3	87270126	09-022		3
	11-060		3	87270127	09-022		4
87268383	11-059		2	87270128	09-022		5
87268384	11-060		2	87270129	09-022		6
87268416	08-008		2	87270155	06-013		6
87268417	08-008		3	87270169	06-030		7
87268419	05-009		2		06-041		8
	05-009		2	87270171	06-018		1
87268537	06-007		9	87270172	06-011		2
87268603	09-029		1	87270202	03-057		8
87268604	09-025		6	87270222	03-003		5
	09-027		3	87270227	03-050		23
	09-029			87270245	04-025		14
87268605	09-029		3	87270252	11-058		5
87268606	09-029		2	87270349	07-003		1
87268630	04-027		5		07-007		1
87268631	04-027		6	87270350	07-003		2
87268646	04-002		19	87270406	11-058		4
	04-003		19	87270416	09-017		5
	04-004		14	87270428	09-003		1
	04-005		14	87270430	09-003		2
87268691	07-010		1	87270431	09-003		3
87268695	07-010		4	87270432	09-003		4
87268815	12-025		1	87270439	09-007		4
87268840	09-073		1	87270440	09-007		5
	09-074		1	87270466	11-017		2
87268898	04-018		11	87270467	11-017		3
87268927	04-005		2	87270468	11-017		6
87268928	04-004		12	87270475	11-018		1
87268931	04-035		12	87270502	03-047		18
87269214	04-012		3	87270505	04-019		1
87269215	04-010		14	87270529	01-044		1
	04-011		13	87270585	01-034		19
87269216	04-010		18	87270591	01-034		1
	04-011		20	87270628	03-047		17
87269247	04-022		3	87270636	03-057		9
87269248	04-022		1	87270649	03-057		1
87269250	04-019		4	87270661	04-020		1
87269274	04-013		9	87270662	03-050		7
87269287	12-011			87270663	03-051		9
87269306	04-017		1	87270664	03-057		4
87269313	04-018		4	87270666	09-029		5
87269315	04-019		3	87270667	11-068		1
87269398	04-018		1	87270668	11-068		2
87269649	01-050		4	87270709	12-030		7
87269656	01-050		11		12-036		
87269664	01-022		27	87270726	03-050		14
	01-023		27	87270759	01-034		22
87269666	01-015		10	87270763	01-045		1
87269668	01-015		13	87270767	01-038		1
87269670	01-015		11	87270786	03-051		32
87269672	01-015		12	87270787	03-051		31
87269785	06-001		11	87270788	03-051		16
87269798	06-001		1	87270790	03-057		17
87269799	06-002		1	87270791	03-057		18
87269800	05-001		2	87270794	04-031		11
87269801	05-001		3		06-039	01	10
87269802	06-013		7		06-039	02	10
87269803	06-013		4	87270795	03-050		4
87269827	11-071		4	87270797	04-023		10
	11-072		4	87270799	08-007		11
87269847	09-013			87270805	07-013		1
87269921	07-005			87270810	04-028		2
	07-007		2	87270912	06-018		5
87269922	07-005			87270913	06-018		6
	07-007		3	87270915	06-036		
87269923	07-008		2	87270922	06-036		
87269940	11-017		7	87270945	04-018		7
87269948	09-012		1	87270947	04-012		4
87269955	11-009		11	87270954	03-055		1
87269968	06-021			87270958	04-023		27
87269976	06-021				04-028		21
87269993	03-052		4	87270968	11-033		2

INDEX - INDICE - INDEX - ZAHLENVERZEICHNIS - INDICE - INDICE - INHOLD - INHOUD

Number	Figure	Sequence	Ref.	Number	Figure	Sequence	Ref.
87271004	04-021		2	87271879	12-017		2
87271073	11-030		1	87271976	11-020		11
87271080	03-055		8	87272004	08-023		13
87271089	12-030		8	87272006	06-007		8
	12-031		4	87272027	06-026		A-1
	12-032		7	87272028	06-026		A-2
87271109	09-012		7	87272029	06-026		A-4
87271146	10-003		8	87272030	06-026		B
87271155	09-004		7	87272031	06-026		C
	09-008		11	87272032	06-026		D
87271156	09-079		1	87272033	06-026		F
87271157	09-079		2	87272055	11-069		1
87271158	09-079		6		11-070		1
87271159	09-079		7	87272095	06-025		17
87271160	09-079		8	87272099	06-025		18
87271161	09-079		9	87272118	02-013		8
87271165	08-018		13	87272119	02-013		5
	08-019		13	87272132	11-049		11
	08-020		19	87272141	12-001		
	08-021		16		12-009		
	08-031		9	87272201	04-031		12
87271177	04-026		1	87272203	03-059		11
87271187	04-020		2	87272273	12-031		6
87271198	06-011		11		12-032		6
87271202	06-013		16	87272361	11-030		22
87271204	06-017		10	87272407	11-053		7
87271205	06-017		11	87272409	11-012		5
87271213	06-010		8	87272411	03-060		1
87271214	06-022		14	87272412	03-060		2
87271215	06-007		17	87272413	03-060		3
87271219	12-025		2	87272414	03-060		4
87271233	12-011			87272415	03-060		5
87271267	09-026		1	87272416	03-059		1
87271346	03-047		11	87272417	03-059		2
87271347	03-047		13	87272418	03-059		3
87271411	04-030		1	87272419	03-059		4
87271426	12-011			87272420	03-059		5
87271427	12-011			87272421	03-059		6
87271451	12-041			87272422	03-059		7
87271452	12-042			87272423	03-059		8
87271469	04-036		2	87272424	03-059		9
87271470	09-027		12	87272425	03-059		10
87271472	06-022		11	87272432	06-017		9
87271475	08-005		6	87272436	04-023		25
	08-007		6		04-028		26
87271482	03-003		4	87272443	06-011		12
87271483	07-012		2	87272444	06-028		7
87271484	11-012		4	87272501	12-046		5
87271488	03-050		5	87272502	12-045		4
87271489	03-050		6		12-046		4
87271550	06-028		6	87272503	12-045		6
87271552	06-017		8		12-046		6
87271556	06-007		7	87272504	12-045		7
87271558	06-001		5		12-046		7
87271562	06-022		3	87272505	12-045		8
87271580	12-030		9		12-046		8
	12-031			87272506	12-045		2
	12-032			87272507	12-045		5
87271583	01-012		2	87272532	11-012		6
87271621	09-007		3	87272534	04-029		9
87271661	10-001	01	7	87272535	04-029		17
	10-001	02	7	87272536	04-029		8
87271662	10-001	01	8	87272545	04-030		2
	10-001	02	8	87272551	04-026		2
87271663	10-001	01	11	87272554	02-006		1
	10-001	02	11	87272614	08-019		2
87271665	10-001	01	10		08-020		23
	10-001	02	10		08-021		25
87271679	11-015		2		08-031		2
87271699	02-013		4	87272643	12-017		1
87271739	06-021		2	87272656	05-002		
87271758	04-015		9		05-003		
87271759	04-015		11	87272657	05-002		
87271760	04-015		12		05-003		
87271789	01-038		2	87272676	08-009		1
87271834	12-032			87272748	08-003		1
87271842	12-040		3	87272750	09-001		2
87271843	12-040		2	87272751	09-001		3

INDEX - INDICE - INDEX - ZAHLENVERZEICHNIS - INDICE - INDICE - INDHOLD - INHOUD

Number	Figure	Sequence	Ref.	Number	Figure	Sequence	Ref.
87272752	08-009		2	87310608	08-009		9
87272755	08-020		7		08-023		18
	11-071		8		09-001		5
	11-072		8	87313014	01-004	01	35
87272767	07-007		6		01-004	02	35
87272788	02-006		9		01-004	03	35
87272795	04-018		14		01-004	04	35
87272800	06-010		4		01-004	05	35
87272801	12-012		1		01-004	06	35
87272805	11-047		7	87313017	01-004	01	21
87272806	04-018		16		01-004	02	21
87272889	08-019		5		01-004	03	21
	08-020		2		01-004	04	21
	08-021		2		01-004	05	21
87272898	08-020		22		01-004	06	21
87272899	08-019		4	87313020	01-004	01	41
	08-020		21		01-004	02	41
	08-021		24		01-004	03	41
	08-031		3		01-004	04	41
87272928	06-012		14		01-004	05	41
87272929	06-012		17		01-004	06	41
87272930	06-012		18	87313413	01-025		7
87284257	11-077		2		01-026		7
87284259	11-077		3	87315279	08-012		7
87303739	09-087		3		08-013		7
87306495	01-014		19	87318294	01-016		
	01-017		17	87319298	01-015		6
87306706	01-017		37	87323829	01-014		37
87306773	01-014		44		01-017		45
	01-017		36	87323958	01-017		31
87308050	03-038			87324951	01-014		14
87308202	01-015		1		01-017		14
87309034	02-003		20	87325114	02-003		23
87309738	02-003		1	87330109	02-003		16
87309745	01-004	01	39	87330628	11-075		16
	01-004	02	39		12-059	01	8
	01-004	03	39		12-059	02	8
	01-004	04	39	87330636	01-019		3
	01-004	05	39		01-020		3
	01-004	06	39	87339360	02-002		9
87309897	01-004	01	36	87340760	03-050		3
	01-004	02	36	87341550	03-047		19
	01-004	03	36	87341554	03-053	01	5
	01-004	04	36		03-053	02	5
	01-004	05	36	87341824	08-019		21
	01-004	06	36		08-021		9
87309901	01-004	01	37		09-082		25
	01-004	02	37		09-085		19
	01-004	03	37	87341829	04-008		8
	01-004	04	37	87341848	08-005		11
	01-004	05	37		08-007		12
	01-004	06	37	87341861	08-019		17
87310029	01-015		17		08-021		26
87310030	01-015		16		08-031		13
87310191	03-055		13		11-017		10
87310194	08-012		12	87341864	06-020		2
	08-013		12	87341998	03-047		23
87310317	08-012		27	87341999	08-023		21
	08-013		27	87342000	09-001		6
87310319	08-003		7	87342001	04-002		22
	08-004		6		04-003		22
	08-008		8		04-004		16
	08-023		10		04-005		16
87310323	08-012		13	87342019	04-002		8
	08-013		13		04-003		14
87310330	08-003		6	87342022	04-024		10
	08-004		5	87342045	04-002		14
87310599	02-012		10		04-003		5
87310607	04-010		16		04-004		5
	04-011		18		04-005		6
	08-019		7	87342145	01-034		16
	08-020		3		08-020		29
	08-021		3	87342146	01-034		11
	08-031		14	87342607	06-024-01	01	29
87310608	04-006		6		06-024-02	02	29
	04-007		6	87342608	06-024-01	01	30
	04-008		4		06-024-02	02	30
	04-009		4	87342609	06-024-01	01	35

INDEX - INDICE - INDEX - ZAHLENVERZEICHNIS - INDICE - INDICE - INHOLD - INHOUD

Number	Figure	Sequence	Ref.	Number	Figure	Sequence	Ref.
87342609	06-024-02	02	35	87344219	12-012		6
87342670	03-038			87344227	12-011		
87342752	11-031		11	87347036	02-002		6
87342782	06-013		19	87348974	03-038		
87342784	08-010		9	87350494	11-048		2
	08-011		9	87356776	03-038		
87342824	03-055		10	87359889	03-038		
87342850	06-011		9	87363066	11-049		2
87342927	06-013		14	87371375	11-055		9
87343600	01-015		14	87376798	04-006		4
	01-034		23		04-007		4
	11-055		10	87377626	01-050		9
87343602	02-011		13	87380309	12-066		1
	11-056		13	87380310	12-066		2
87343604	01-015		18	87380590	11-010		11
87343612	01-038		3		11-011		5
	04-019		7	87381643	03-006		1
87343613	01-035		23	87385271	08-020		20
87343621	01-034		17	87386396	11-073		1
87343623	01-024		10		12-059	01	3
87343625	04-035		5		12-059	02	3
87343659	09-001		8	87386398	11-077		1
	11-053		2	87388151	11-014		1
	11-054		2	87388415	01-035		10
	12-012		7		01-036		26
87343666	03-055		12	87389403	12-004		25
87343671	08-012		28	87390349	04-008		3
	08-013		28		04-009		3
87343673	08-012		19	87393142	06-004		1
	08-013		19	87393150	06-003		5
87343675	06-039	01	37	87394246	01-009		11
	06-039	02	37	87397252	08-012		1
87343879	08-003		15	87397253	08-013		1
87343957	09-084		6	87397313	11-085		13
87343959	08-002		8		12-016		
	11-031		12	87397318	12-016		
	11-085		6	87397319	11-085		14
87343970	04-024		15		12-016		1
	04-027		4	87397540	12-040		4
	08-010		10	87398605	08-012		8
	08-024		4	87398606	08-013		8
	08-026		8	87399572	06-007		2
	08-027		8	87399574	06-007		11
	08-028		3	87400	11-046		6
	11-026		10	87405636	01-011		5
	11-027		10	87405724	10-005		1
	11-050		2	87409039	07-014		100
87343974	08-012		38	87409387	07-014		17
	08-013		38	87409417	07-014		2
	08-029		4	87409430	07-014		1
	10-007		5	87409492	07-014		6
	10-008		5	87413139	01-004	01	12
	11-057		4		01-004	02	12
87343983	08-012		32		01-004	03	12
	08-013		32		01-004	04	12
87344003	08-004		9		01-004	05	12
	08-012		5		01-004	06	12
	08-013		5	87413140	01-004	01	27
	09-081		14		01-004	02	27
	09-084		17		01-004	03	27
87344025	04-034		6		01-004	04	27
87344029	12-010		5		01-004	05	27
87344030	02-011		14		01-004	06	27
	04-019		6	87414959	01-003		1
	06-039	01	13	87417629	01-004	01	6
	06-039	02	13		01-004	02	6
	11-055		11		01-004	03	6
	11-056		14		01-004	04	6
	12-003		7		01-004	05	6
87344035	04-010		24		01-004	06	6
	04-011		23	87417632	01-004	01	7
87344036	08-014		3		01-004	02	7
	08-015		3		01-004	03	7
	08-016		3		01-004	04	7
	08-017		3		01-004	05	7
87344039	04-024		16		01-004	06	7
87344050	09-081		18	87417637	01-020		6
87344207	01-045		3	87417638	01-004	01	38

INDEX - INDICE - INDEX - ZAHLENVERZEICHNIS - INDICE - INDICE - INDHOLD - INHOUD

Number	Figure	Sequence	Ref.	Number	Figure	Sequence	Ref.
87417638	01-004	02	38	87479157	12-066		1
	01-004	03	38	87479158	12-066		2
	01-004	04	38	87481454	03-051		13
	01-004	05	38	87482929	11-086		4
	01-004	06	38	87484194	09-080	01	9
87417671	02-005		3		09-080	02	9
87419087	02-007	01	2		09-083	01	13
	02-007	02	2		09-083	02	13
87419587	02-011		8	87484196	09-080	01	1
87419591	02-011		9		09-080	02	1
87421503	01-004	01	22		09-083	01	1
	01-004	02	22		09-083	02	1
	01-004	03	22	87484395	11-085		4
	01-004	04	22	87485001	03-051		34
	01-004	05	22	87485502	06-017		5
	01-004	06	22	87485524	01-025		1
87429389	12-012		2	87486566	12-022		3
87429390	12-012		3	87487132	11-036	01	19
87429903	01-014		15		11-036	02	19
87430122	03-058		12	87487133	11-036	01	23
87439072	11-074		1		11-036	02	23
	12-059	01	9	87487173	11-042		1
	12-059	02	9	87487826	11-030		24
87439461	02-006			87487940	11-086		8
87441605	01-002		8	87487944	11-086		9
87442359	03-054		1	87488487	11-086		29
87444610	01-018			87488488	11-086		11
87444946	01-004	01	43	87488490	11-086		10
	01-004	02	43	87488492	11-086		12
	01-004	03	43	87488494	11-086		13
	01-004	04	43	87488496	11-086		16
	01-004	05	43	87490993	06-039	01	20
	01-004	06	43		06-039	02	20
87446384	08-012		11	87491042	06-039	01	24
	08-013		11		06-039	02	24
87448669	01-052			87491099	06-039	01	25
87449853	01-001		1		06-039	02	25
87450324	10-011		5	87492067	06-039	01	21
87450395	01-011		10		06-039	02	21
87450396	01-011		11	87492069	06-039	01	30
87451319	01-018				06-039	02	30
87451321	01-011		1	87492420	11-086		28
87452817	01-015		4	87492632	08-002		1
87454442	01-016			87495287	11-086		17
87454443	01-014		5	87496985	11-083		1
	01-017		3	87497177	06-039	01	29
87454558	01-018				06-039	02	29
87455571	03-053	01	1	87497178	06-039	01	28
	03-053	02	1		06-039	02	28
87456379	02-005		1	87501590	08-012		40
87471544	04-024		11		08-013		40
87471545	04-024		13	87501591	08-012		39
87471546	04-024		12		08-013		39
87471716	06-045		4	87503700	08-012		35
87471717	06-045		5		08-013		35
87472226	06-005			87505171	08-012		25
	06-034	01			08-013		25
	06-034	01		87515548	11-079		1
	06-034	01		87516518	06-019		6
	06-034	02		87516936	06-018		8
87472227	06-034	02		87517377	12-004		1
	06-042		5	87517431	06-013		5
87472228	06-043		5	87518803	03-057		10
87473321	06-034	01	18	87518804	03-057		11
	06-034	02	18	87518813	03-001		16
87473672	12-023		2	87519307	04-029		
87473673	12-022		2	87519458	03-001		4
87473684	12-022		1	87520135	08-019		31
87474251	04-020		10		08-020		31
87474625	06-029		2		08-021		22
87474626	06-029		3	87520307	04-002		7
87474695	12-001				04-003		4
87474696	12-001			87522628	10-006		2
87475201	11-055		15	87523676	10-006		1
87475202	11-056		9	87524509	03-056		10
87475204	11-056		12	87527651	08-012		24
87475205	11-056		8	87527652	08-013		24
87477280	06-018		7	87528983	04-024		9

INDEX - INDICE - INDEX - ZAHLENVERZEICHNIS - INDICE - INDICE - INHOLD - INHOUD

Number	Figure	Sequence	Ref.	Number	Figure	Sequence	Ref.
87528983	09-002		20	87529312	04-030		5
87528989	06-039	01	11		04-035		6
	06-039	02	11		06-010		6
	08-012		31		06-011		18
	08-013		31		06-025		14
	11-047		3		06-039	01	32
87529123	11-021		9		06-039	02	32
	12-010		3		08-005		13
87529124	08-003		3		08-007		14
	08-004		2		08-019		23
87529151	12-010		4		08-021		32
87529235	08-004		15		08-024		5
	08-013		58		08-026		5
87529236	06-018		4		08-027		5
	09-084		5		08-029		3
87529237	04-027		3		08-030		3
	11-026		9		09-007		8
	11-027		9		09-012		6
87529239	03-050		18		09-017		7
87529240	06-013		13		09-081		6
87529241	06-011		8		09-082		17
87529248	01-034		8		09-084		8
87529297	02-009				09-085		13
87529298	06-039	01	18		11-013		5
	06-039	02	18		11-030		14
	08-012		37		11-036	01	4
	08-013		37		11-036	02	4
87529299	01-035		4		11-044		4
87529301	12-003		8		11-057		3
87529302	04-018		21		11-061		6
	04-032		7		12-003		4
	06-039	01	9		12-012		4
	06-039	02	9		12-030		11
	11-085		7	87529313	04-034		5
	11-086		26	87529314	02-014		2
	12-002		2		04-037		7
87529305	11-017		8		06-038		16
87529306	03-047		28		09-007		16
	03-047		6		09-017		10
	04-022		16		11-030		11
	04-036		8		12-003		10
	08-021		28		12-025		5
	11-017		9		12-066		
	11-030		7	87529315	02-006		4
87529307	03-047		20		02-011		3
	04-004		4		02-013		6
	04-005		5		03-001		23
	08-009		4		03-050		15
	08-023		14		03-051		7
87529309	04-023		16		03-052		16
87529310	03-047		3		03-055		6
	04-020		11		03-057		19
	04-021		10		04-017		2
	04-022		8		04-018		2
	04-030		11		04-020		9
	06-025		24		04-021		4
	06-039	01	23		04-022		5
	06-039	02	23		04-023		18
	11-048		6		04-024		18
	11-049		6		04-027		7
	12-002		6		04-029		24
87529311	08-003		14		04-030		8
	08-014		4		04-032		2
	08-015		4		06-009		3
	08-016		7		06-025		21
	08-017		7		09-003		9
87529312	03-050		27		09-004		10
	03-051		10		09-027		13
	03-055		4		11-053		10
	03-056		4		11-055		7
	03-057		5		11-056		3
	03-059		13		11-075		14
	04-016		2		11-076		8
	04-022		12		11-086		23
	04-024		4		12-059	01	23
	04-025		11		12-059	02	23
	04-026		5	87529316	04-020		3
	04-029		21		04-026		3

INDEX - INDICE - INDEX - ZAHLENVERZEICHNIS - INDICE - INDICE - INDHOLD - INHOUD

Number	Figure	Sequence	Ref.	Number	Figure	Sequence	Ref.
87529316	11-032		13	87550034	05-003		20
	11-061		3	87550035	05-002		21
	11-085		10		05-003		21
	11-086		6	87550036	05-002		22
87529319	02-013		1		05-003		22
87529329	03-059		14	87550037	05-002		23
87529577	06-021		9		05-003		23
87529578	06-021		6	87550038	05-002		33
87532159	01-004	01	26		05-003		33
	01-004	02	26	87550039	05-003		44
	01-004	03	26	87550041	05-002		52
	01-004	04	26		05-003		52
	01-004	05	26	87550042	05-002		61
	01-004	06	26		05-003		61
87532205	04-034		3	87550043	05-002		63
87532211	04-034		7		05-003		63
87533313	04-029			87550044	05-002		67
87533314	04-029		5		05-003		67
87534532	02-003		10	87550045	05-002		88
87535740	10-003		1		05-003		88
87536188	03-025			87550046	05-002		2
87536512	11-080			87550047	05-002		7
87536766	03-053	01	6	87550048	05-002		44
	03-053	02	6	87550049	05-002		211
87536767	03-053	01	7		05-003		211
	03-053	02	7	87550050	05-002		224
87537733	08-004		1		05-003		224
87540210	04-002		13	87552137	04-010		10
	04-003		6		04-011		11
	04-004		3		08-008		4
	04-005		3	87552885	11-075		18
87541873	04-034		4		12-059	01	1
87542696	02-002		2		12-059	02	1
87542956	12-040		1	87554184	03-053	01	9
87542959	02-002		30		03-053	02	9
	02-003		22	87555040	04-035		4
87543409	08-023		3	87556948	12-012		5
87543854	08-012		29	87557084	12-003		5
87543855	08-013		29	87557834	07-013		7
87544759	11-075		13	87558353	04-017		5
	12-059	01	7	87558354	03-052		1
	12-059	02	7	87558355	03-050		20
87545531	02-012		1	87558356	03-050		21
87546318	04-023		4	87558357	03-050		1
87547170	04-023		5	87558404	10-002		11
87547317	03-047		2	87559483	03-050		29
87547318	03-047		10	87562361	08-020		1
87548067	07-014		4	87562807	09-041		1
87548069	07-014		3		09-049		1
87550016	05-002		1		09-049		10
	05-003		1		09-069		1
87550017	05-003		2	87563477	01-034		6
87550018	05-002		3	87564073	04-028		20
	05-003		3	87564078	01-014		32
87550019	05-002		4	87564718	08-012		14
	05-003		4		08-013		14
87550020	05-002		5	87564720	08-012		17
	05-003		5		08-013		17
87550021	05-003		7	87564721	08-012		18
87550022	05-002		10		08-013		18
	05-003		10	87564722	08-012		20
87550023	05-002		11		08-013		20
	05-003		11	87564747	06-012		
87550024	05-002		12	87565152	11-007		16
	05-003		12		11-008		16
87550025	05-002		13		11-010		10
	05-003		13	87565601	06-012		
87550026	05-002		14	87565602	06-012		
	05-003		14	87565603	06-012		15
87550030	05-002		15	87565612	04-018		6
	05-003		15	87566075	04-018		18
87550031	05-002		16	87566312	08-012		2
	05-003		16		08-013		2
87550032	05-002		17	87568911	08-024		2
	05-003		17	87568915	08-024		1
87550033	05-002		19	87570217	06-024-01	01	22
	05-003		19		06-024-02	02	22
87550034	05-002		20	87570218	06-024-01	01	23

INDEX - INDICE - INDEX - ZAHLENVERZEICHNIS - INDICE - INDICE - INDHOLD - INHOUD

Number	Figure	Sequence	Ref.	Number	Figure	Sequence	Ref.
87570218	06-024-02	02	23	87592178	04-016		1
87570219	06-024-01	01	24	87592184	06-011		14
	06-024-02	02	24	87593257	10-001	01	15
87570220	06-024-01	01	25		10-001	02	15
	06-024-02	02	25	87593274	12-010		2
87573707	08-012		46	87595456	06-002		5
	08-013		46	87598185	09-013		
	08-024		8	87598189	09-013		2
87574393	01-014		8	87598192	09-013		8
	01-017		10	87598194	09-013		1
87574511	03-051		12	87598197	09-013		3
87574765	06-024-01	01	4	87598199	09-013		9
	06-024-02	02	4	87598211	09-013		17
87574766	06-001		6	87599630	06-039	01	1
87574767	06-001		4		06-039	02	1
87574769	06-021		8	87601537	06-014		1
87575869	06-016		2		06-015		1
87575870	06-016		3	87601538	06-014		2
87575871	06-016		4		06-015		2
87576210	06-013		28	87601539	06-014		3
87576280	01-049				06-015		3
87576573	06-013		29	87601540	06-014		4
87577315	10-003		15	87601541	06-014		6
87577399	11-007				06-015		6
	11-008			87601542	06-014		
	11-010			87601546	06-014		
87577400	11-007				06-015		
	11-008			87601547	06-014		
	11-010				06-015		
87577401	11-007			87601549	06-014		
	11-008				06-015		
	11-010			87601554	06-015		
87578136	01-034			87601555	06-015		4
87578140	01-034		3	87601556	06-014		
87579954	12-002		5		06-015		
87579956	03-001		25	87601636	06-015		5
87579957	03-051		17	87601638	06-015		
87580531	09-002		5	87601672	06-001		
87580647	03-047		1	87602275	12-059	01	11
87580661	10-001	01	12		12-059	02	11
	10-001	02	12	87602661	08-025		1
87580663	10-001	01	13	87602663	08-025		2
	10-001	02	13	87603547	06-002		
87580665	10-001	01	14	87603550	06-002		
	10-001	02	14	87603551	06-002		
87581318	04-021		1	87603552	06-002		
87582296	06-016		1	87603553	06-002		
87584271	06-002		3	87603554	06-002		
87584983	03-006		3	87603571	06-015		
87585943	06-041		9	87605320	03-047		12
	06-044		8	87607922	06-018		18
87586548	08-030		2	87608504	11-073		2
	09-080	01	7		12-059	01	4
	09-080	02	7		12-059	02	4
	09-081		12	87608631	09-013		18
	09-083	01	11	87609209	06-038		12
	09-083	02	11	87609586	04-028		3
	09-084		15	87609592	04-028		1
	10-008		6	87610697	01-046		2
87586592	06-025		1	87611379	10-004	01	3
87586918	12-033				10-004	02	3
	12-051			87613502	01-022		
87586920	09-080	01	2		01-023		
	09-080	02	2	87614457	01-003		2
	09-083	01	3	87617087	04-029		4
	09-083	02	3	87619166	03-001		15
87586923	12-033			87619397	03-053	01	8
	12-037				03-053	02	8
	12-041			87620212	04-023		21
	12-042			87620384	04-023		22
	12-052			87620862	08-019		19
87586925	12-033				08-021		8
	12-053				09-082		21
87588655	11-020		10		09-085		16
87588656	11-020		1		11-036	01	6
87590181	06-038		8		11-036	02	6
87590733	11-012		7	87621178	08-012		43
87592129	08-020		6		08-013		43

INDEX - INDICE - INDEX - ZAHLENVERZEICHNIS - INDICE - INDICE - INDHOLD - INHOUD

Number	Figure	Sequence	Ref.	Number	Figure	Sequence	Ref.
87621184	01-002		7	87651702	06-019		7
87621241	01-049			87653647	10-001	01	1
87622033	07-004				10-001	02	1
87622034	07-004			87657275	02-010		
87623632	09-081		17	87658381	11-061		1
87624338	09-082		1	87658593	11-055		1
87624339	09-082		23	87658595	08-029		1
	09-085		17		08-030		1
87624359	12-059	01	18		11-057		1
	12-059	02	18	87658596	02-011		6
87625608	09-082		14		11-056		6
	09-085		10	87658597	02-011		1
87626014	03-001		7		11-056		1
87626015	03-001		8	87658598	08-029		6
87629615	11-036	01	1		08-030		6
	11-036	02	1		11-057		6
87629616	11-044		1	87658601	02-011		16
87630096	09-080	01	20		11-056		16
	09-080	02	20	87658602	02-011		15
	09-083	01	25		11-056		15
	09-083	02	25	87658615	08-029		5
87630097	09-080	01	22		08-030		5
	09-080	02	22		11-057		5
	09-083	01	27		11-058		1
	09-083	02	27	87658829	09-082		
87630099	09-080	01	18	87658830	09-082		
	09-080	02	18		09-082		
	09-083	01	23	87663460	09-084		2
	09-083	02	23	87664088	02-011		2
87630101	09-080	01	19		11-056		2
	09-080	02	19	87664090	04-023		30
	09-083	01	24	87664092	04-030		6
	09-083	02	24	87664095	04-030		13
87630102	09-080	01	21	87665204	11-002		4
	09-080	02	21		11-004		4
	09-083	01	26	87666126	08-012		47
	09-083	02	26		08-013		47
87630103	09-053		3	87666131	08-012		16
87630104	09-053		2	87666132	08-013		16
87630105	09-053		4	87668030	01-048		6
87630216	12-030		10	87668031	10-011		8
	12-033			87668032	10-011		7
	12-037			87668597	11-079		2
	12-048			87671762	09-080	01	4
87632215	08-006		1		09-080	02	4
87632830	09-082		2	87671763	09-080	01	5
	09-085		1		09-080	02	5
87635862	04-002		17	87671764	09-080	01	6
	04-003		17		09-080	02	6
	04-004		8	87672998	09-080	01	16
	04-005		9		09-080	02	16
87635863	06-010		7		09-083	01	21
87636023	08-028		1		09-083	02	21
87636745	10-002		8	87672999	09-080	01	17
87636746	10-002		9		09-080	02	17
87637173	08-019		3		09-083	01	22
	08-021		23		09-083	02	22
87637964	06-015			87673096	09-080	01	28
87638736	09-080	01	27		09-080	02	28
	09-080	02	27		09-083	01	32
87644287	08-008		7		09-083	02	32
	08-023		11	87673380	01-051		5
87645567	03-055		2	87673381	01-051		2
87648173	11-075		9	87673492	09-053		1
	12-059	01	5		09-083	01	
	12-059	02	5		09-083	02	
	12-060			87673493	09-053		1
87648175	11-076		2		09-083	01	
	12-059	01	6		09-083	02	
	12-059	02	6	87673494	09-053		1
	12-061				09-083	01	
87648718	02-012		14		09-083	02	
87649884	11-076		3	87673495	09-053		1
	12-059	01	13		09-083	01	
	12-059	02	13		09-083	02	
87649885	11-075		15	87673496	09-053		1
	12-059	01	14		09-083	01	
	12-059	02	14		09-083	02	

INDEX - INDICE - INDEX - ZAHLENVERZEICHNIS - INDICE - INDICE - INDHOLD - INHOUD

Number	Figure	Sequence	Ref.	Number	Figure	Sequence	Ref.
87673497	09-053		1	87708068	08-023		12
	09-083	01		87708844	11-081		
	09-083	02		87709500	08-023		1
87674247	01-029			87709501	08-023		2
87675563	06-039	01	2	87710685	11-037		3
	06-039	02	2		11-038		
87675564	06-039	01	3	87710686	11-037		4
	06-039	02	3		11-038		
87675983	08-023		4	87710735	11-040		1
87676071	12-011				11-041		1
87677603	10-010		1	87710736	11-040		2
87677608	10-010		2		11-041		2
87679383	01-004	01	4	87710737	11-040		3
	01-004	02	4		11-041		3
	01-004	03	4	87710738	11-040		4
	01-004	04	4		11-041		4
	01-004	05	4	87711151	11-040		8
	01-004	06	4		11-041		8
87681832	08-013		53	87711626	04-024		2
87683496	08-014		1	87711646	11-046		1
	08-016		1	87711647	11-046		4
87683498	08-015		1	87711648	11-046		5
	08-017		1	87711649	11-046		7
87686306	08-019		1	87711650	11-046		8
87689147	04-010		9	87711682	11-043		7
	04-011		9		11-045		2
87691622	12-015			87711789	12-059	01	2
87691876	04-036		3		12-059	02	2
87693195	01-035		6	87714026	12-023		1
87694594	04-031		5	87714969	04-032		1
87695422	08-023		8	87714994	11-051		1
87696867	09-083	01	8	87715010	04-023		13
	09-083	02	8	87716230	10-002		5
87696868	09-083	01	6	87717349	11-037		7
	09-083	02	6		11-038		7
87696869	09-083	01	10	87717363	11-037		11
	09-083	02	10		11-038		
87696870	09-083	01	7	87717371	11-039		5
	09-083	02	7	87717372	11-039		31
87696871	09-083	01	9	87717373	11-039		32
	09-083	02	9	87717374	11-039		9
87696872	09-083	01	5	87718266	11-037		5
	09-083	02	5		11-038		
87698750	08-012		26	87718926	11-066		2
	08-013		26		11-067		3
87698751	08-012		15	87718973	11-037		2
	08-013		15		11-038		
87698857	08-012		4	87718974	11-037		6
	08-013		4		11-038		
87700743	08-004		14	87718980	11-037		8
87701868	11-081				11-038		
87701914	11-081			87718983	11-037		9
87701938	11-081				11-038		
87704806	08-021		1	87719424	11-045		4
87704989	08-019		18	87719425	11-043		6
	08-021		6		11-045		5
87705378	08-012		53	87719426	11-043		2
	08-013		55		11-045		1
87706358	08-019		28	87720308	11-043		8
	08-021		29		11-045		3
	08-031		18	87720875	11-039		3
87706359	08-019		20	87722110	12-001		
	08-021		34	87723957	11-036	01	9
87706933	09-087		1		11-036	02	9
87707089	09-080	01	31	87726186	06-038		
	09-080	02	31	87727677	11-017		17
	09-083	01	2		11-020		12
	09-083	02	2	87728471	01-032		6
87707145	08-004		3	87728474	01-032		7
87707148	04-031		8	87728479	12-001		
87707554	08-019		34	87729496	08-021		35
	09-080	01	32	87730318	09-009		7
	09-080	02	32	87730320	09-001		1
	09-083	01	17	87730736	12-023		4
	09-083	02	17	87730741	12-023		3
	11-036	01	2	87730798	06-039	01	4
	11-036	02	2		06-039	02	4
87708067	08-023		20	87730800	06-014		

INDEX - INDICE - INDEX - ZAHLENVERZEICHNIS - INDICE - INDICE - INDHOLD - INHOUD

Number	Figure	Sequence	Ref.	Number	Figure	Sequence	Ref.
87732239	03-001		1	87758336	06-034	02	20
87732339	06-039	01	17	87758337	06-005		4
	06-039	02	17	87758994	06-043		3
87733800	06-040		19	87758995	06-043		4
87734443	06-040		10	87758996	06-043		2
87734444	06-040		11	87758997	06-034	02	
87734445	06-040		12		06-042		3
87734446	06-040		18	87758999	06-034	02	
87734572	02-012		12		06-042		2
87734573	02-012		13	87802966	10-005		2
87735661	03-048		1	87803136	03-058		1
87735776	08-012		21	87803261	03-002		5
	08-013		21		03-008		1
87735870	06-039	01	6	892-11004	01-024		5
	06-039	02	6	892-11006	01-014		22
87737237	03-038				01-017		19
87743199	11-076		1		01-051		8
87743200	11-076		9		02-002		11
87746153	06-033		1	892-11008	01-014		24
87746154	06-030		7		01-017		21
87746967	03-051		39	892-11020	04-002		16
87746970	06-034	01			04-003		16
	06-034	02			04-004		7
87746971	07-005		6		04-005		8
	07-006		6	893-11008	01-049		
87746972	07-005		5	893-16005	01-024		9
	07-006		5	895-11003	01-003		10
87746974	07-005		4	895-11005	03-053	01	12
87746975	07-005		10-19		03-053	02	12
87748949	01-030		1	895-11006	01-035		24
87748950	01-030		3		02-002		24
87749241	01-025				02-007	01	9
87749302	01-025				02-007	02	9
87749303	01-025				04-027		10
87749304	01-025				12-004		20
87749947	06-044		7		12-014		5
87751236	01-047		1	895-11008	01-050		17
87752587	01-025				02-002		32
87752594	10-002		7	895-11010	01-002		18
87752595	10-002		6		01-022		7
87754737	03-051		20		01-023		7
87756562	02-011		17	895-11014	01-022		22
87756564	12-001				01-023		22
87758319	06-005		5	895-11020	01-051		6
	06-034	01	19	895-15006	02-008		4
	06-034	02	19		02-009		
	06-042		1	895-15008	01-004	01	45
87758320	06-034	01	17		01-004	02	45
	06-034	02	17		01-004	03	45
87758321	06-034	01	16		01-004	04	45
	06-034	02	16		01-004	05	45
87758322	06-034	01	15		01-004	06	45
	06-034	02	15		02-002		18
87758323	06-005		3	895-18010	02-001		2
	06-034	01	14	896-11006	08-020		32
	06-034	02	14	896-11010	04-028		8
87758324	06-034	01	13		11-002		17
	06-034	02	13		11-004		17
87758325	06-034	01	12	896-11012	01-025		8
	06-034	02	12		01-026		8
87758326	06-034	01	8		01-029		6
	06-034	02	8		04-028		5
87758327	06-034	01	7		11-002		12
	06-034	02	7		11-004		12
87758328	06-034	01	6	896-11024	06-006		4
	06-034	02	6	896-16024	08-003		11
87758329	06-034	01	5	906056R1	02-004		3
	06-034	02	5	91734C1	12-011		
87758330	06-034	01	4	92100C2	01-011		2
	06-034	02	4	92115C2	01-011		3
87758331	06-034	01	3	92242C2	11-061		
	06-034	02	3	93199C1	01-004	01	11
87758332	06-034	01	2		01-004	02	11
	06-034	02	2		01-004	03	11
87758335	06-005		6		01-004	04	11
	06-043		1		01-004	05	11
87758336	06-005		7		01-004	06	11
	06-034	01	20		01-047		2

INDEX - INDICE - INDEX - ZAHLENVERZEICHNIS - INDICE - INDICE - INHOLD - INHOUD

Number	Figure	Sequence	Ref.	Number	Figure	Sequence	Ref.
95-21038	11-040		7	BN2403685	09-005		4
	11-041		7		09-006		4
9511052	08-020		24		11-019		3
96814C3	02-012		8	BN2404001	11-052		1
9706687	12-011			BN2404550	11-052		2
9706690	01-009		18	BN24129	09-010		5
9804258	11-074		2	BN24486	09-070		2
9804276	11-075		12	BN24567	09-009		8
	12-059	01	24	BN25936	09-070		3
	12-059	02	24	BN27328	08-003		12
9824326	01-009		15	BN27905	09-008		24
A170241	03-051		21	BN29274	11-031		10
A181434	11-047		2	BN29445	09-010		4
A181436	11-047		1	BN29505	08-003		4
A184524	03-051		8	BN29563	09-080	01	24
A184939	03-052				09-080	02	24
A187523	01-009		2		09-082		33
A41264	02-010		9		09-083	01	29
A59450	10-007		1		09-083	02	29
	10-008		3		09-085		26
A59457	10-007		6	BN29564	09-014		11
	10-008		2		09-081		15
B17423	06-011		1	BN29599	09-062		5
BN10151	11-046		9		09-066		9
BN1243001	03-047		26		09-067		8
BN1420036	11-009		2		09-070		
	11-011		2	BN29783	06-024-01	01	1
BN1630425	11-031		13		06-024-02	02	1
BN21276	11-026		2	BN29785	06-007		13
	11-027		2		06-024-01	01	2
BN21618	09-054		9		06-024-02	02	2
	09-055		8	BN29964	04-019		9
	09-069		8	BN300407	04-030		12
BN21982	06-027		2	BN300506	09-027		7
	06-039	01	34	BN300759	03-050		8
	06-039	02	34	BN300892	11-007		18
BN22901	09-008		7		11-008		18
BN2290753	04-036		6		11-010		1
BN2292088	11-010		17	BN300991	04-010		2
	11-011		11	BN300992	04-011		2
	11-024		11	BN301666	06-020		9
	11-025		11	BN301998	04-002		12
BN2294412	09-009		9		04-003		3
BN2294429	07-008		7		04-004		2
BN2295247	11-015		4		04-005		4
BN2296590	09-002		28	BN302031	04-010		13
	09-043		11		04-011		12
	09-045		11	BN302044	04-010		8
BN2390521	11-018		13		04-011		10
BN2390664	11-015		1	BN302045	04-010		4
BN2393384	09-008		23		04-011		4
BN2399403	11-007		2	BN302046	04-010		3
	11-008		2		04-011		3
	11-009		4	BN302047	04-010		12
	11-010		7		04-011		15
	11-011		4	BN302048	04-010		11
	11-071		1		04-011		14
	11-072		1		08-008		6
BN2399411	11-021		2		08-023		5
	11-071		3	BN302051	04-002		9
	11-072		3		04-003		10
BN2399412	11-007		1		04-010		5
	11-008		1		04-011		6
	11-010		22		07-003		3
	11-026		6		07-004		
BN2403252	11-027		6		08-005		4
	11-022		4		08-007		4
	11-023		4		08-008		11
	11-024		6		08-014		13
	11-025		3		08-015		13
	11-028		7		08-016		10
	11-029		7		08-017		10
BN2403358	09-014		2		08-022		17
	09-018		10		08-023		9
	09-027		11	BN302052	04-002		6
	09-038		13		04-003		13
	09-081		16		04-004		10
	09-086		7		04-005		10

INDEX - INDICE - INDEX - ZAHLENVERZEICHNIS - INDICE - INDICE - INDHOLD - INHOUD

Number	Figure	Sequence	Ref.	Number	Figure	Sequence	Ref.
BN302281	04-034		1	BN302650	11-036	02	22
BN302284	04-034		2	BN302652	06-023		4
BN302419	06-003		8	BN302655	06-013		11
BN302423	06-013		18		06-028		1
BN302424	06-011		13		06-036		1
BN302435	06-013		24	BN303185	09-008		5
	06-021		12		09-026		4
	06-038		1		09-030		6
	06-040		16		09-036		2
	11-036	01	16	BN303189	09-082		9
	11-036	02	16	BN303190	09-026		6
BN302436	06-038		2	BN303191	09-017		17
	11-036	01	17		09-036		5
	11-036	02	17		09-037		2
BN302511	06-020		1		09-082		26
BN302512	06-037		10		09-085		20
	06-046		6		09-085		4
BN302536	06-021		1	BN303194	09-085		11
	06-040		6	BN303196	09-008		4
BN302547	06-008		1		09-037		1
	06-013		2		09-085		1
	06-027		4	BN303198	09-017		15
BN302548	06-040		15		09-025		5
BN302549	06-001		13		09-027		6
	06-019		3		09-082		8
	06-028		4	BN303199	09-008		3
BN302551	06-013		12		09-017		14
BN302553	06-003		1		09-025		3
	06-004		11		09-026		3
	06-007		1		09-027		4
	06-021		5		09-036		4
	06-029		1		09-037		4
	06-030		1		09-073		7
	06-033		21		09-074		7
	06-035		1		09-079		5
	06-037		1		09-082		7
	06-040		9		09-085		3
	06-041		1		09-085		3
	06-044		1		11-016		3
	06-046		1		11-032		5
BN302554	06-023		2	BN303201	09-007		20
	06-038		6		09-063		7
	06-045		1		09-082		28
	11-036	01	20		09-084		4
	11-036	02	20		09-085		22
BN302558	06-017		1		11-033		12
	06-025		7	BN303203	09-017		21
	06-033		23		09-021		4
	06-038		4		09-036		8
BN302568	06-013		21		09-037		7
	06-023		3		09-082		12
	06-036		2		09-085		6
BN302570	06-025		8		09-085		8
BN302577	06-025		10	BN303204	09-008		2
BN302580	06-013		25		09-017		13
BN302583	06-010		1		09-025		2
	06-040		7		09-026		2
	06-041		11		09-027		2
	06-044		10		09-036		3
BN302640	05-001		4		09-037		3
	06-013		27		09-073		6
BN302646	06-004		12		09-074		6
	06-013		17		09-079		3
	06-019		1		09-082		6
	06-033		22		09-085		2
	06-037		2		09-085		2
	06-038		3		11-016		2
	06-040		2		11-032		4
	06-046		2	BN303205	09-017		20
	11-036	01	21		09-017		7
	11-036	02	21		09-036		6
BN302647	06-007		3		09-037		6
	06-013		1		09-082		11
	06-019		2		09-085		5
	06-040		1		09-085		7
BN302650	06-002		4	BN303528	06-025		9
	06-007		16	BN304226	05-001		5
	11-036	01	22	BN304248	09-017		3
				BN304317	09-008		8

INDEX - INDICE - INDEX - ZAHLENVERZEICHNIS - INDICE - INDICE - INHOLD - INHOUD

Number	Figure	Sequence	Ref.	Number	Figure	Sequence	Ref.
BN304317	09-074		10	BN305996	06-024-01	01	3
	09-082		10		06-024-02	02	3
	09-085		8	BN306003	06-024-01	01	5
BN304321	09-008		9		06-024-02	02	5
	09-017		19	BN306004	06-024-01	01	6
	11-016		4		06-024-02	02	6
	11-032		7	BN306152	05-001		7
BN304328	09-017		18	BN306273	06-036		
	11-016		1	BN306286	04-035		2
	11-032		3	BN306290	04-035		3
BN304330	09-008		6	BN306646	08-008		5
BN304339	06-025		20		08-023		6
BN304513	09-002		13	BN306666	08-008		1
	09-017		24	BN306777	08-002		6
BN304521	11-007		17	BN306783	08-003		10
	11-008		17	BN306784	08-003		13
	11-010		9	BN306785	08-003		5
BN304675	08-018		5		08-004		7
BN304676	08-019			BN306819	04-010		20
	08-020				04-011		5
BN304678	08-018		6	BN306889	04-010		22
	08-019		11		04-011		24
	08-020		15	BN306897	09-036		10
	08-021		14		09-037		8
	08-031		6		09-085		10
BN305163	09-014		3	BN306900	09-008		10
	09-023		7		09-037		5
	09-024		7		09-082		27
	09-056		5		09-085		4
	09-057		4		09-085		6
BN305269	09-032		6	BN306901	09-008		14
	09-034		6		09-036		6
	09-048		22		11-030		5
	11-026		3	BN306947	06-020		4
	11-027		3	BN307078	06-024-01	01	7
BN305410	08-018		7		06-024-02	02	7
	08-019		12	BN307079	06-024-01	01	8
	08-020		18		06-024-02	02	8
	08-021		15	BN307080	06-024-01	01	9
	08-031		8		06-024-02	02	9
BN305411	06-001		2	BN307081	06-024-01	01	10
	06-008		6		06-024-02	02	10
	06-017		2	BN307082	06-024-01	01	11
	06-019		5		06-024-02	02	11
	06-024-01	01	41	BN307083	06-024-01	01	12
	06-024-02	02	41		06-024-02	02	12
BN305412	03-001		19	BN307097	12-011		
	06-001		3	BN307217	08-022		3
	06-003		4	BN307218	08-022		2
	06-007		5	BN307221	08-002		3
	06-021		3	BN307223	08-022		5
	06-024-01	01	15	BN307636	11-026		4
	06-024-02	02	15		11-027		4
	06-027		12	BN307639	06-022		6
	06-037		7	BN307683	04-018		15
BN305413	06-007		6		04-036		10
BN305425	06-024-01	01	42	BN307717	06-020		5
	06-024-02	02	42	BN307811	06-017		6
BN305426	06-022		8		06-022		7
	06-024-01	01	36	BN307821	06-007		10
	06-024-02	02	36	BN307823	06-003		14
BN305427	06-022		9	BN307824	06-003		7
BN305434	08-018		8	BN307827	06-019		4
	08-019		25		06-020		6
	08-020		14	BN307828	06-008		5
	08-021		19	BN307829	06-020		7
	08-031		15	BN307872	06-041		5
BN305437	08-014		9		06-044		5
	08-015		9	BN307873	06-003		12
	08-016		9	BN307875	06-041		4
	08-017		9		06-044		4
BN305621	08-010		3	BN307879	06-029		2
	08-011		3		06-035		3
	08-012		6	BN307880	06-029		3
	08-013		6		06-035		4
BN305622	08-022		8	BN307884	06-013		26
BN305623	08-022		7	BN307893	08-014		2
BN305624	08-022		6		08-015		2

INDEX - INDICE - INDEX - ZAHLENVERZEICHNIS - INDICE - INDICE - INDHOLD - INHOUD

Number	Figure	Sequence	Ref.	Number	Figure	Sequence	Ref.
BN307893	08-016		2	BN310446	09-067		16
	08-017		2		11-018		15
BN307938	11-021		1	BN310447	09-032		10
	11-071		5		09-033		4
	11-072		5		09-034		10
BN307971	03-047		27		09-058		5
	08-008		13		09-060		8
BN307992	06-021		10		09-061		8
BN307993	06-013		10		11-028		3
	06-021		11		11-029		3
BN308003	08-003		2	BN310448	09-002		14
BN308039	08-018		12		09-004		13
	08-019		14		09-009		14
	08-020		11		09-014		4
	08-021		7		09-017		27
	08-031		10		09-035		8
	09-080	01	11		09-059		3
	09-080	02	11		09-082		34
	09-082		31		11-017		25
	09-083	01	15		11-030		21
	09-083	02	15		11-033		11
	09-085		25	BN310449	11-022		5
	11-044		2		11-023		5
BN308040	09-004		1		11-024		8
BN309265	11-017		26		11-025		5
BN309337	04-019		5		11-028		6
BN309483	09-041		3		11-029		6
	09-042		3	BN310450	09-002		15
	09-043		5	BN310467	09-002		11
	09-044		5	BN310595	06-040		13
	09-045		5	BN310689	03-048		2
	09-046		6	BN310895	11-032		8
	09-047		7	BN310936	12-040		5
	09-048		8	BN310939	11-022		2
	09-049		5		11-023		2
	09-054		5		11-024		7
	09-055		3		11-025		4
	09-068		5		11-028		4
	09-069		3		11-029		4
	09-080	01	13	BN311011	11-028		1
	09-080	02	13		11-029		1
	09-083	01	18	BN311026	09-008		12
	09-083	02	18	BN311041	09-004		14
BN309505	08-018		14		09-017		1
	08-031		21		11-019		4
BN309602	06-024-01	01	13	BN311050	11-032		10
	06-024-02	02	13	BN311052	06-025		12
BN309746	06-038		10	BN311368	08-022		9
BN309785	11-017		28	BN311573	08-022		11
	11-030		17	BN311631	04-035		9
BN309849	06-018		14		09-007		19
BN310055	08-018		16		11-017		20
	08-019		15	BN311733	08-018		9
	08-020		12		08-019		10
	08-021		17		08-020		10
	08-031		11		08-021		11
BN310118	08-022		4		08-031		5
BN310130	08-022		12	BN311751	06-007		12
BN310265	09-007		17	BN311760	04-037		6
	11-017		18	BN311882	02-002		26
	11-086		20	BN311889	11-031		15
BN310266	04-035		10	BN312172	08-018		10
	09-007		18		08-020		26
	11-017		19	BN312604	04-002		5
	11-062		7		04-003		12
	11-086		21		04-004		9
BN310279	08-009		6		04-005		11
	08-023		16	BN312660	10-004	01	1
BN310280	08-009		5		10-004	02	1
	08-023		15	BN312705	06-012		
BN310394	11-022		13	BN312850	09-001		4
	11-023		13	BN313038	07-012		4
	11-024		13	BN313058	06-008		3
BN310446	09-008		25	BN313061	06-008		4
	09-047		17	BN313098	10-007		3
	09-048		14	BN313173	06-010		5
	09-062		9	BN313193	11-028		11
	09-066		17		11-029		11

INDEX - INDICE - INDEX - ZAHLENVERZEICHNIS - INDICE - INDICE - INHOLD - INHOUD

Number	Figure	Sequence	Ref.	Number	Figure	Sequence	Ref.
BN313202	09-032		1	BN314276	11-019		5
	09-033		1	BN314296	12-040		6
	09-034		1	BN314297	12-040		7
	09-047		14	BN31444	04-028		18
	09-048		20	BN314658	06-036		
	09-058		1	BN314703	04-015		4, 5, 10
	09-060		1	BN314704	04-015		7
	09-061		1	BN314785	06-041		10
BN313204	04-013		3		06-044		9
BN313230	11-007		14	BN314858	11-012		2
	11-008		14	BN314945	06-038		11
BN313247	06-024-01	01	14	BN315164	06-007		14
	06-024-02	02	14	BN315229	05-001		6
BN313250	06-008		7	BN315498	11-036	01	10
BN313255	11-007		12		11-036	02	10
	11-008		12	BN315870	02-013		12
	11-009		9		02-014		4
	11-010		16		12-059	01	20
	11-011		10		12-059	02	20
BN313256	11-007		11	BN316014	12-033		
	11-008		11		12-041		
	11-009		8		12-042		
	11-010		15		12-054		
	11-011		9	BN316060	11-015		5
BN313261	06-024-01	01	16	BN316101	06-024-01	01	20
	06-024-02	02	16		06-024-02	02	20
BN313262	06-024-01	01	17	BN316108	04-010		15
	06-024-02	02	17		04-011		16
BN313264	06-024-01	01	18	BN316442	06-001		9
	06-024-02	02	18	BN316492	06-013		9
BN313265	06-024-01	01	19	BN316553	11-013		1
	06-024-02	02	19	BN316599	06-013		3
BN313268	06-027		11	BN316600	06-022		2
BN313335	08-026		3	BN316681	06-017		7
	08-027		3	BN316688	06-037		6
BN313336	06-037		3	BN316710	09-018		5
	06-046		3	BN316764	06-040		17
BN313337	06-003		11	BN316803	11-086		19
	06-037		5	BN316871	03-047		8
	06-046		5	BN317051	11-021		8
BN313361	11-007		10	BN317053	11-021		10
	11-008		10	BN317158	09-023		3
	11-009		6		09-024		3
	11-010		12		09-056		9
	11-011		6		09-057		9
BN313440	04-013		1	BN317579	09-004		6
	04-014		2		09-080	01	23
BN313441	04-014		3		09-080	02	23
BN313492	11-085		5		09-083	01	28
BN313532	04-013		2		09-083	02	28
BN313580	06-039	01	41	BN317622	06-003		6
	06-039	02	41		06-041		12
BN313618	04-006		8		06-044		11
	04-007		8	BN317966	09-037		10
BN313619	04-006		9		09-073		8
	04-007		9		09-074		8
BN313639	04-006		11		09-085		21
	04-007		11	BN318197	11-031		2
BN313772	09-014		5	BN318198	11-031		3
	09-018		3	BN318200	11-031		4
	09-030		2	BN318600	09-018		8
	09-036		12		09-036		14
	09-082		3		09-082		5
	09-087		4		09-087		7
	09-088		3		09-088		4
BN313773	09-014		6	BN318668	11-012		3
	09-018		2	BN318707	01-034		10
	09-030		3	BN318947	11-066		
	09-036		13	BN319011	11-015		3
	09-082		4	BN319019	09-063		18
	09-087		5	BN319020	11-018		14
	09-088		2	BN319106	11-031		8
BN314017	04-015			BN319150	11-031		7
BN314241	09-030		4	BN319151	11-031		9
	09-036		11	BN319152	11-031		5
BN314262	03-051		26	BN319213	09-036		1
BN314276	09-005		2	BN319247	11-031		6
	09-006		2	BN319275	11-065		14

INDEX - INDICE - INDEX - ZAHLENVERZEICHNIS - INDICE - INDICE - INDHOLD - INHOUD

Number	Figure	Sequence	Ref.	Number	Figure	Sequence	Ref.
BN319276	11-065		13	BN320156	09-082		35
BN319335	08-012		50		09-083	01	30
	08-013		50		09-083	02	30
BN31937	04-028		16		09-085		28
BN319659	06-024-01	01	21		11-016		6
	06-024-02	02	21		11-022		6
BN319660	08-026		4		11-023		6
BN319662	08-027		4		11-024		9
BN319918	08-029		2		11-025		6
	09-038		11	BN320164	11-048		8
	09-043		3		11-049		8
	09-044		3	BN320271	09-054		1
	09-045		3		09-055		10
	09-046		3		09-069		11
	09-054		3	BN320273	09-055		9
	09-063		2		09-069		10
	09-068		3	BN320307	04-025		8
	10-007		4	BN320322	04-025		1
	11-042		2	BN320331	04-036		4
	11-057		2	BN320371	09-027		16
BN319919	08-024		3		09-063		14
	08-026		2		09-084		14
	08-027		2	BN320384	09-038		10
	08-028		2		09-081		11
	09-032		7		09-086		3
	09-034		7	BN320385	09-056		6
	09-041		5		09-057		6
	09-042		5	BN320608	04-013		6
	09-047		4	BN320728	11-033		1
	09-048		5	BN320759	04-002		15
	09-049		2		04-003		15
	09-055		5		04-004		6
	09-060		6		04-005		7
	09-061		6	BN320784	09-038		14
	09-062		7	BN320818	11-031		14
	09-066		11	BN320874	06-003		10
	09-067		10		06-030		3
	09-069		5		06-038		9
	09-070				06-041		3
	09-073		3		06-044		3
	09-074		3	BN320876	09-032		14
	11-002		13		09-034		14
	11-004		13		09-060		13
	11-024		3		09-061		13
	11-025		8	BN320903	09-017		16
	11-028		8		11-032		6
	11-029		8	BN320968	11-005		3
	11-042		3		11-006		3
	11-071		9		11-010		21
	11-072		9	BN320983	11-032		2
BN319996	09-019		1	BN320992	09-023		1
	09-020		2		09-024		1
BN320001	12-011			BN320993	09-023		17
BN320002	12-011				09-024		17
BN320007	12-011			BN320995	08-012		49
BN320060	09-020		7		08-013		49
BN320072	09-019		2	BN320997	11-030		25
	09-020		4	BN321038	04-023		28
	09-023		12		04-028		24
	09-024		12	BN321041	04-010		23
	09-056		12		04-011		22
	09-057		12	BN321070	09-008		18
	09-082		42		09-016		1
	09-085		36	BN321071	09-009		1
BN320109	09-020		9	BN321072	09-018		1
	09-023		14	BN321073	09-008		19
	09-024		14		09-009		2
	09-056		14	BN321074	09-008		20
	09-057		14		09-009		3
BN320147	11-048		5	BN321078	09-009		5
	11-049		5	BN321079	09-009		6
BN320156	09-008		26	BN321087	09-008		27
	09-032		9	BN321132	08-005		2
	09-033		8		08-007		2
	09-034		9	BN321159	04-025		4
	09-063		15	BN321283	04-006		3
	09-080	01	25	BN321286	04-007		3
	09-080	02	25	BN321452	09-060		4

INDEX - INDICE - INDEX - ZAHLENVERZEICHNIS - INDICE - INDICE - INHOLD - INHOUD

Number	Figure	Sequence	Ref.	Number	Figure	Sequence	Ref.
BN321452	09-061		4	BN323118	12-041		
BN321453	09-060		4		12-042		
	09-061		4		12-049		
BN321454	09-032		5	BN323119	12-037		
BN321455	09-034		5		12-041		
BN321466	09-023		8		12-042		
	09-024		8		12-050		
BN321476	09-032		13	BN323177	09-007		9
	09-034		13	BN323217	09-044		15
	09-060		12	BN323341	09-016		4
	09-061		12	BN323392	04-025		7
BN321478	09-032		11	BN323495	01-035		1
	09-034		11		01-037		1
	09-060		10	BN323496	01-035		2
	09-061		10		01-037		2
BN321509	09-019		6	BN323620	01-035		17
BN321530	01-040	01	13		01-036		25
	01-040	02	13	BN323634	05-007		1
BN321636	09-033		5		05-007		1
BN321661	04-013		7		05-008		1
BN321908	01-036		17		05-008		1
	12-030		12		05-010		1
	12-036		2		05-010		1
BN321909	01-036		18	BN323696	04-006		10
	12-030		13	BN323697	04-007		10
	12-036		3	BN323729	10-001	01	5
BN321910	01-036		20		10-001	02	5
	12-027			BN323747	05-007		
	12-028			BN323748	05-007		
	12-066			BN323749	05-007		2
BN321911	01-036		19		05-007		2
	12-055		2	BN323760	12-018		6
BN321912	01-036		9	BN323762	11-005		1
	12-018		1		11-006		1
BN321913	01-035		16		11-010		19
	01-036		11	BN323811	04-001		1
BN321914	01-035		14	BN323842	05-005		1
	01-036		10		05-005		1
BN321915	01-035		15		05-006		1
	01-036		12		05-006		1
BN321916	01-035		13	BN323843	05-004		1
	01-036		13		05-004		1
BN321925	04-028		12		05-009		1
BN321930	04-028		15		05-009		1
BN321964	12-018		4	BN323880	09-007		10
BN321990	04-013		8	BN323888	06-025		19
BN322003	09-008		15	BN323898	09-016		3
BN322073	11-007		13	BN323899	09-016		2
	11-008		13	BN323902	06-022		1
BN322089	11-028		10	BN323944	04-035		8
	11-029		10	BN323949	04-035		11
BN322100	09-018		9	BN323957	09-041		9
BN322253	09-028		1		09-042		1
BN322267	06-028		5		09-043		2
BN322487	04-037		1		09-044		2
BN322488	12-001				09-045		2
BN322523	06-003		9		09-046		2
BN322525	06-003		13		09-047		3
BN322550	09-018		7		09-048		3
BN322594	06-025		2		09-055		1
BN322626	01-035		19		09-068		2
	01-036		14		09-069		9
BN322638	01-035		20	BN323965	09-054		2
BN322741	06-008		8	BN324008	11-071		6
BN322765	06-038		5		11-072		6
BN322908	01-036		28	BN324009	11-021		7
	12-016			BN324022	09-046		15
BN322921	01-036		16		09-047		16
	12-030		14		09-048		15
	12-036		1		11-010		13
BN322925	03-047		16		11-011		7
BN322929	09-009		4		11-014		5
BN322941	11-032		1		11-017		24
BN323106	09-056		17		11-021		6
	09-057		17		11-022		7
BN323107	09-056		1		11-023		7
	09-057		1		11-024		10
BN323118	12-037				11-025		7

INDEX - INDICE - INDEX - ZAHLENVERZEICHNIS - INDICE - INDICE - INDHOLD - INHOUD

Number	Figure	Sequence	Ref.	Number	Figure	Sequence	Ref.
BN324054	09-017		6	BN325954	09-013		5
BN324057	09-018		4	BN325955	09-013		6
BN324082	04-014		4	BN325957	09-013		7
BN324107	12-034		1	BN325959	09-013		10
	12-062		1	BN325960	09-013		11
BN324133	09-017		22	BN325961	09-013		12
	09-036		9	BN325962	09-013		13
	09-037		9	BN325963	09-013		14
	09-082		36	BN325964	09-013		15
	09-085		30	BN325965	09-013		16
	09-085		9	BN325981	11-020		6
	12-038		1	BN326042	06-023		1
BN324210	07-001		3	BN326077	08-010		1
BN324211	07-001			BN326079	08-010		2
BN324234	05-004		2		08-011		2
	05-004		2		08-012		3
BN324263	03-047		22		08-013		3
BN324303	11-014		4	BN326099	08-011		1
BN324327	06-030		4	BN32823	09-062		8
BN324328	06-030		5		09-066		12
BN324373	09-010		8		09-067		11
BN324394	03-051		33		09-070		
BN324491	06-024-01	01	26	BN446048	11-036	01	8
	06-024-02	02	26		11-036	02	8
BN324552	06-020		8	BN50014	08-016		6
BN324574	06-024-01	01	27		08-017		6
	06-024-02	02	27	BN50054	01-040	01	16
BN324588	09-002		6		01-040	02	16
	11-018		9	BN50057	04-001		5
BN324669	05-004				04-023		12
BN324670	05-004				04-025		10
BN324682	06-001		10		04-028		23
BN324719	10-009		1		04-036		5
BN324763	11-030		2		08-012		52
BN324764	11-031		1		08-013		52
BN324807	11-030		4		08-014		8
BN324828	11-033		7		08-015		8
BN324833	11-033		15		08-016		8
BN324890	09-044		16		08-017		8
	09-046		10		08-018		19
BN324892	11-018		10		08-019		29
BN324896	01-040	01	15		08-020		28
	01-040	02	15		08-021		31
BN324925	09-073		10		08-031		19
BN324998	09-008		1		10-007		7
BN325000	01-035		11	BN50062	12-011		
	01-036		27	BN50064	09-062		4
BN325077	12-014		2		09-066		8
BN325078	12-014		3		09-067		7
BN325088	04-006		2	BN50075	06-027		3
	04-007		2		06-039	01	40
BN325184	11-002		14		06-039	02	40
	11-004		14	BN50138	09-007		11
BN325193	09-081		2		09-082		29
BN325194	09-038		6		09-085		23
	09-063		10		11-033		13
	09-081		7	BN50142	09-020		8
	09-084		10		09-023		15
BN325195	09-035		1		09-024		15
BN325220	11-067				09-038		7
BN325221	11-059		4		09-056		15
	11-060		4		09-057		15
	11-067				09-063		11
BN325289	08-018		11		09-081		8
	08-031		1		09-084		11
BN325292	09-018		6		10-006		3
BN325308	06-040		8		11-020		7
BN325316	06-024-01	01	28	BN50146	09-009		11
	06-024-02	02	28		09-038		12
BN325618	01-035		7		09-063		3
	01-036		24		09-081		13
BN325787	11-065		1		09-084		16
BN325788	11-065		16		11-007		5
BN325790	11-065		11		11-008		5
BN325791	11-065		8		11-010		4
BN325792	11-065		4		11-022		9
BN325825	01-035		12		11-023		9
BN325952	09-013		4		11-024		4

INDEX - INDICE - INDEX - ZAHLENVERZEICHNIS - INDICE - INDICE - INHOLD - INHOUD

Number	Figure	Sequence	Ref.	Number	Figure	Sequence	Ref.
BN50146	11-025		9	BN50779	04-025		9
	11-042		5		04-028		22
BN50178	04-028		17		08-012		51
BN50179	03-050		24		08-013		51
BN50222	10-008		4		08-014		7
BN50250	09-038		3		08-015		7
	09-063		16		08-018		20
BN50254	09-035		5		08-019		30
	11-022		8		08-020		27
	11-023		8		08-021		30
BN50260	09-009		12		08-031		20
	11-002		9	BN50930	04-001		7
	11-004		9		08-002		7
BN50272	11-007		7	BN51525	11-012		1
	11-008		7	BN52033	09-082		38
	11-010		3		09-085		32
BN50476	09-038		8	BN52330	08-022		13
	09-063		12	BN52346	04-033		2
	09-081		9	BN52348	12-014		7
	09-084		12	BN53475	09-035		2
	10-006		4	BN53476	09-004		2
	11-020		8		09-020		5
BN50601	04-012		8		09-023		13
	06-006		3		09-024		13
BN50688	09-007		12		09-056		13
BN50697	09-073		5		09-057		13
	09-074		5	BN53479	09-004		3
BN50759	04-010		25		09-017		28
	04-011		25		09-085		27
	08-018		17	BN53590	06-010		2
	08-019		26	BN53621	09-014		12
	08-020		9	BN53665	11-033		9
	08-021		13	BN53666	09-066		14
	08-031		16		09-067		13
	09-009		13		09-071		
	09-032		8	BN53668	09-071		
	09-034		8	BN53730	06-017		4
	09-035		6		06-018		2
	09-038		4	BN53737	09-066		16
	09-041		6		09-067		15
	09-042		6	BN53738	09-062		10
	09-043		6		09-066		15
	09-044		6		09-067		14
	09-045		6	BN53810	09-063		17
	09-046		4		09-084		19
	09-047		5	BN53817	09-008		16
	09-048		6	BN53841	09-018		11
	09-049		3		09-082		32
	09-054		6	BN53842	09-004		5
	09-055		6		09-009		15
	09-056		7		09-017		29
	09-057		7		11-016		5
	09-060		7	BN53844	09-058		6
	09-061		7	BN53850	09-032		12
	09-062		3		09-034		12
	09-063		4		09-060		11
	09-066		7		09-061		11
	09-067		6	BN53852	09-066		3
	09-068		6	BN53853	09-047		18
	09-069		6	BN53857	09-067		4
	09-073		4	BN53894	06-017		3
	09-074		4	BN53914	09-066		18
	11-002		10	BN54029	01-009		14
	11-004		10	BN54225	09-047		21
	11-007		4	BN54239	11-014		6
	11-008		4		11-024		12
	11-010		5		11-025		12
	11-022		10		11-030		16
	11-023		10	BN54256	09-002		25
	11-024		5	BN55077	04-013		10
	11-025		10		04-014		6
	11-028		9	BN55089	06-011		4
	11-029		9	BN55359	09-007		13
	11-042		4		09-041		7
	11-071		10		09-042		7
	11-072		10		09-043		7
BN50779	04-001		6		09-044		7
	04-023		11		09-045		7

INDEX - INDICE - INDEX - ZAHLENVERZEICHNIS - INDICE - INDICE - INDHOLD - INHOUD

Number	Figure	Sequence	Ref.	Number	Figure	Sequence	Ref.		
BN55359	09-046		8	BN67279 BN67284 BN67315 BN67652 BN67653 BN67965 BN68062 BN68213 BN68377 BN68502 BN68699 BN69394 BN69475 BN69601 BN69856 BN69860 BN69918 BN69951 BN71006 BN71007 BN71050 BN72040 BN72041 BN73015 BN73017 BN73412 BN73511 BN73519 BN73550 BN73560 BN73561 BN73562 BN73564 BN73565 BN73566		09-070		10	
	09-047		9		09-070				
	09-048		10		09-082			22	
	09-049		7		09-085			37	
	09-054		7		09-003			11	
	09-055		7		09-003			12	
	09-068		7		01-035			21	
	09-069		7		08-018			18	
	09-080	01	15		08-019			27	
	09-080	02	15		08-020			8	
	09-082		30		08-021			12	
	09-083	01	20		08-031			17	
	09-083	02	20		09-070			12	
	09-085		24		09-086			8	
	11-033		14		04-031			2	
	BN55361	08-014			12	09-071			
		08-015			12	09-035			3
		08-016			14	09-071			
		08-017			14	01-035			22
		09-020			10	08-014			6
09-023			16	08-015			6		
09-024			16	08-016			5		
09-038			9	08-017			5		
09-056			16	03-053	01		4		
09-057			16	03-053	02		4		
09-063			13	12-011					
09-081			10	08-022			10		
09-084			13	04-002			10		
10-006			5	04-003			11		
09-041			4	04-010			6		
09-042			4	04-011			7		
09-054			4	07-012			3		
09-055			4	08-005			5		
09-069			4	08-007			5		
BN57007 BN57223 BN57235 BN66117 BN66855 BN66968 BN67050		08-031		36	04-023			23	
	06-011		7	04-028			11		
	06-018		3	09-062			6		
	09-010		2	09-066			10		
	09-043		15	09-067			9		
	09-045		15	09-070					
	11-033		8	09-016			5		
	09-043		4	11-031			16		
	09-044		4	09-002			3		
	09-045		4	09-002			16		
	09-046		7	11-007			9		
	09-047		8	11-008			9		
	09-048		9	11-009			7		
	09-049		6	11-010			14		
	09-068		4	11-011			8		
	09-080	01	14	09-082			37		
	09-080	02	14	09-085			31		
	09-083	01	19	09-002			2		
	09-083	02	19	11-032			9		
	BN67054	09-041		2	09-008			17	
09-042			2	09-043			13		
09-043			8	09-044			13		
09-044			8	09-045			13		
09-045			8	09-046			13		
09-046			5	09-047			10		
09-047			6	09-048			17		
09-048			7	11-035			1		
09-049			4	09-047			12		
09-054			8	09-048			23		
09-055			2	09-008			13		
09-068			8	09-048			18		
09-069			2	09-066			4		
09-080		01	3	09-067			3		
09-080		02	3	11-018			12		
09-083		01	4	11-035			2		
09-083		02	4	09-002			4		
BN67274 BN67275 BN67277 BN67279		09-070		7	09-047			11	
		09-066		2	09-048			16	
		09-070		8	11-018			8	
	09-066		1	11-035			3		
	09-070		9	09-017			2		
	09-062		2	09-082			40		
	09-066		6	09-085			34		
	09-067		5	11-018			7		

INDEX - INDICE - INDEX - ZAHLENVERZEICHNIS - INDICE - INDICE - INHOLD - INHOUD

Number	Figure	Sequence	Ref.	Number	Figure	Sequence	Ref.	
BN73568	09-046		14	BN73723	09-004		4	
	09-047		13		09-017		25	
	09-048		19		11-030		23	
BN73571	11-035		4	BN73725	09-002		12	
	03-006		4		11-018		5	
BN73578	11-033		10	BN73726	11-034		3	
	11-035		5		09-002		27	
BN73604	09-059		1		09-023		9	
BN73606	09-041		8		09-024		9	
	09-042		8	BN73730	11-018		2	
	09-043		9	BN73731	09-001		10	
	09-044		9	BN73733	09-001		9	
	09-045		9		09-002		1	
	09-046		9		09-005		3	
	09-047		22		09-006		3	
	09-048		11	BN73740	09-028		2	
	09-049		9	BN73741	09-023		11	
	BN73629	09-068		9		09-024		11
		09-004		18	BN73755	09-023		5
		09-066		13		09-024		5
		09-067		12		09-056		3
		09-071				09-057		3
	BN73649	09-004		17	BN73779	09-014		7
09-082			41	09-023			4	
BN73653	09-085		35		09-024		4	
	09-043		12		09-056		2	
	09-044		12		09-057		2	
	09-045		12	BN73781	09-014		8	
	09-046		12	BN73783	09-014		9	
	09-047		15	BN73790	09-056		8	
	09-048		21		09-057		8	
	09-019		5	BN73793	09-014		10	
BN73656	09-020		3	BN74448	09-071			
	09-056		11	BN75913	11-017		27	
	09-057		11	BN75978	09-071			
	09-020		6	BN75990	03-003		2	
	09-032		2		09-002		8	
	09-033		2		09-017		26	
	09-034		2		09-035		4	
	09-044		11		09-043		14	
	09-058		2		09-044		14	
	09-060		2		09-045		14	
BN73660	09-061		2		09-060		9	
	09-019		4		09-061		9	
	09-023		6		09-073		9	
	09-024		6		09-074		9	
	09-033		7		09-085		29	
	09-056		4	BN85855	11-032		12	
	09-057		5	BN92391	11-013		4	
	09-058		4	BN98901	02-006			
	11-026		5	D145289	03-057		2	
	11-027		5	D50920	03-052		5	
	BN73662	09-032		3	D71346	01-006		
		09-033		3	D95141	07-001		17
		09-034		3	F64526	04-035		13
		09-043		10	G109297	07-001		11
		09-044		10	J008465	03-013		1
09-045			10	J069053	03-013		4	
09-046			11	J883284	03-013		2	
09-058			3	J903652	03-049		5	
09-060			3	J910991	03-049		3	
09-061			3	J918350	03-013		5	
11-005			2	J923041	03-013		3	
11-006			2	J945929	03-038			
11-010			20	J945930	03-038			
BN73663		11-028		2	K307050	02-006		7
		11-029		2	KSH0932	03-052		
BN73684	09-066		19	KSH0933	03-052			
	09-067		17	L101181	03-057		22	
BN73714	09-002		10		04-029		23	
	09-017		23	L112087	01-051		7	
	09-023		10	L115548	03-051		18	
	09-024		10	NSS	09-079		4	
	11-018		4		09-081		1	
	11-034		1	P35448	02-011		20	
BN73715	09-002		9		11-056		18	
	11-018		3	R54363	03-056		3	
BN73716	11-018		6		03-057		13	

INDEX - INDICE - INDEX - ZAHLENVERZEICHNIS - INDICE - INDICE - INDHOLD - INHOUD

Number	Figure	Sequence	Ref.	Number	Figure	Sequence	Ref.
REF	03-015		7				
	03-017		13				
	03-030		4				
S107710	04-015						
SUP408	03-051		41				
	11-002		20				
	11-004		20				
T102217	01-050		5				