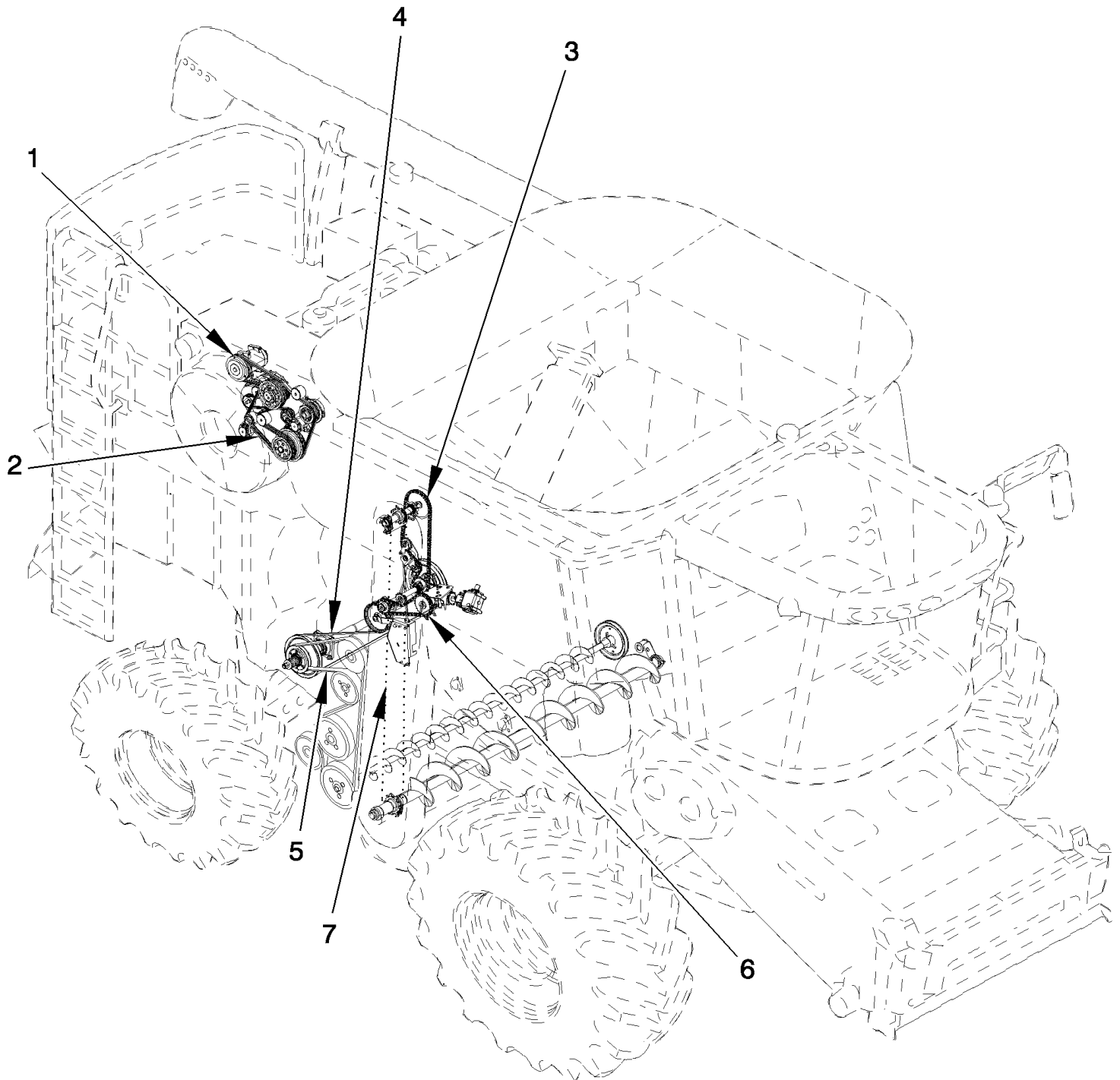


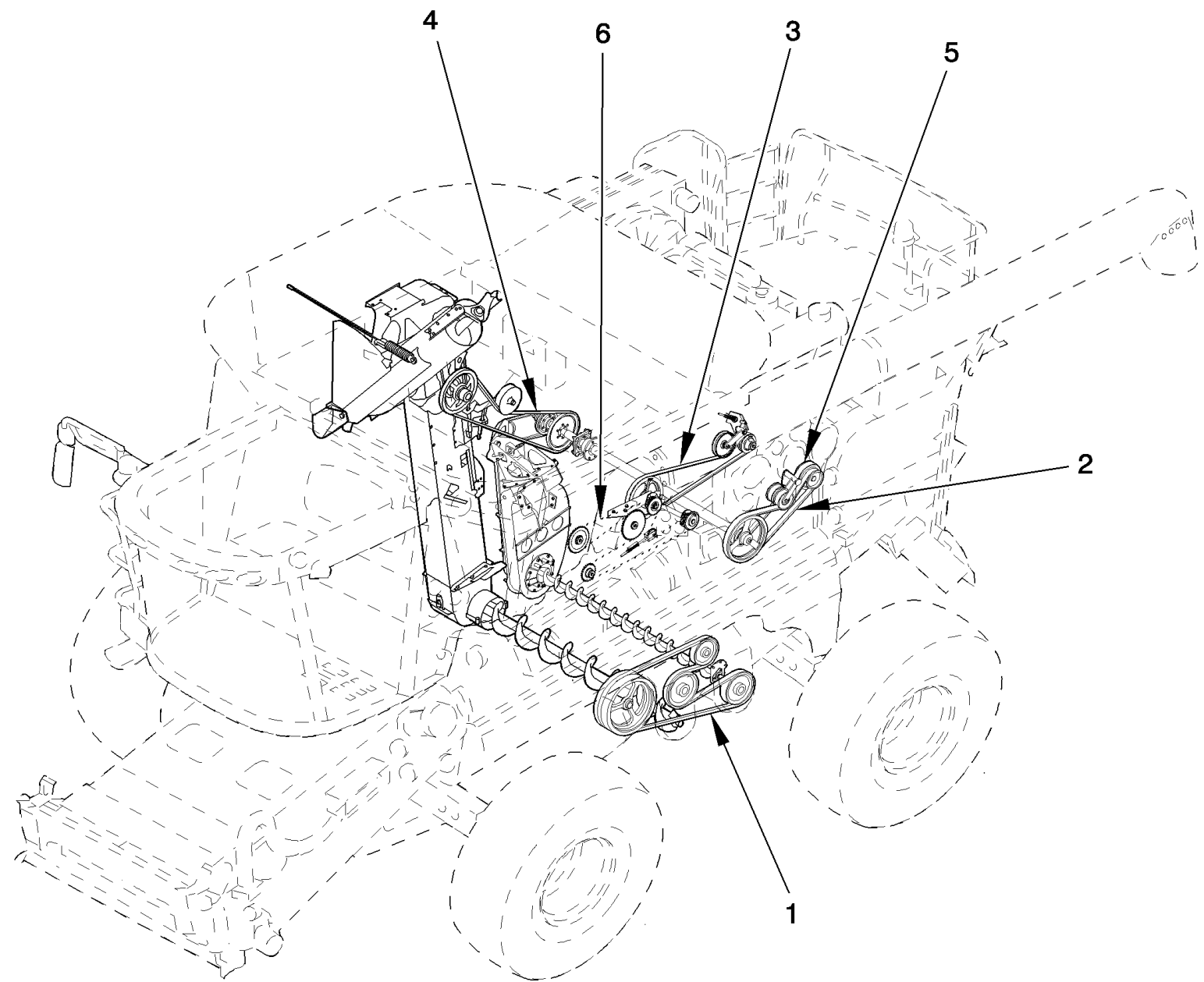
01 BELTS & CHAINS - RIGHT SIDE



01 BELTS & CHAINS - RIGHT SIDE

сылка	Номер детали	Кол-во	Описание
1	504078066	1	BELT, Alt., A/C, Water Pump See Figure E.40.D.31, Europe Only
1	87282333	1	BELT, Alt., A/C, Water Pump See Figure E.40.D.31, For NA Only
2	504078068	1	BELT, Fan See Figure B.50.A.54, Europe Only
2	87282305	1	BELT, Fan See Figure B.50.A.54, For NA Only
3	87108801	1	CHAIN, Elevator Drive See Figure K.60.B.52 (1)
4	86975809	1	BELT, Bubble - Up Drive See Figure K.60.B.40 (1)
5	87109130	1	BELT, Tailings Processor, HCC, 184.2" Effective Length See Figure K.62.C.41, Prior to PIN HAJ103201EU & HAJ105207NA
5	87283139	1	BELT, Tailings Processor, HCC, 182.0" Effective Length See Figure K.62.C.41, PIN HAJ103201EU & HAJ105207NA and after
6	87105134	1	CHAIN, Bubble - Up Drive See Figure K.60.B.40 (1)
7	87281911	1	CHAIN, ELEVATOR, Includes Paddles See Figure K.60.B.52 (1)

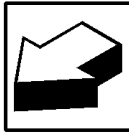
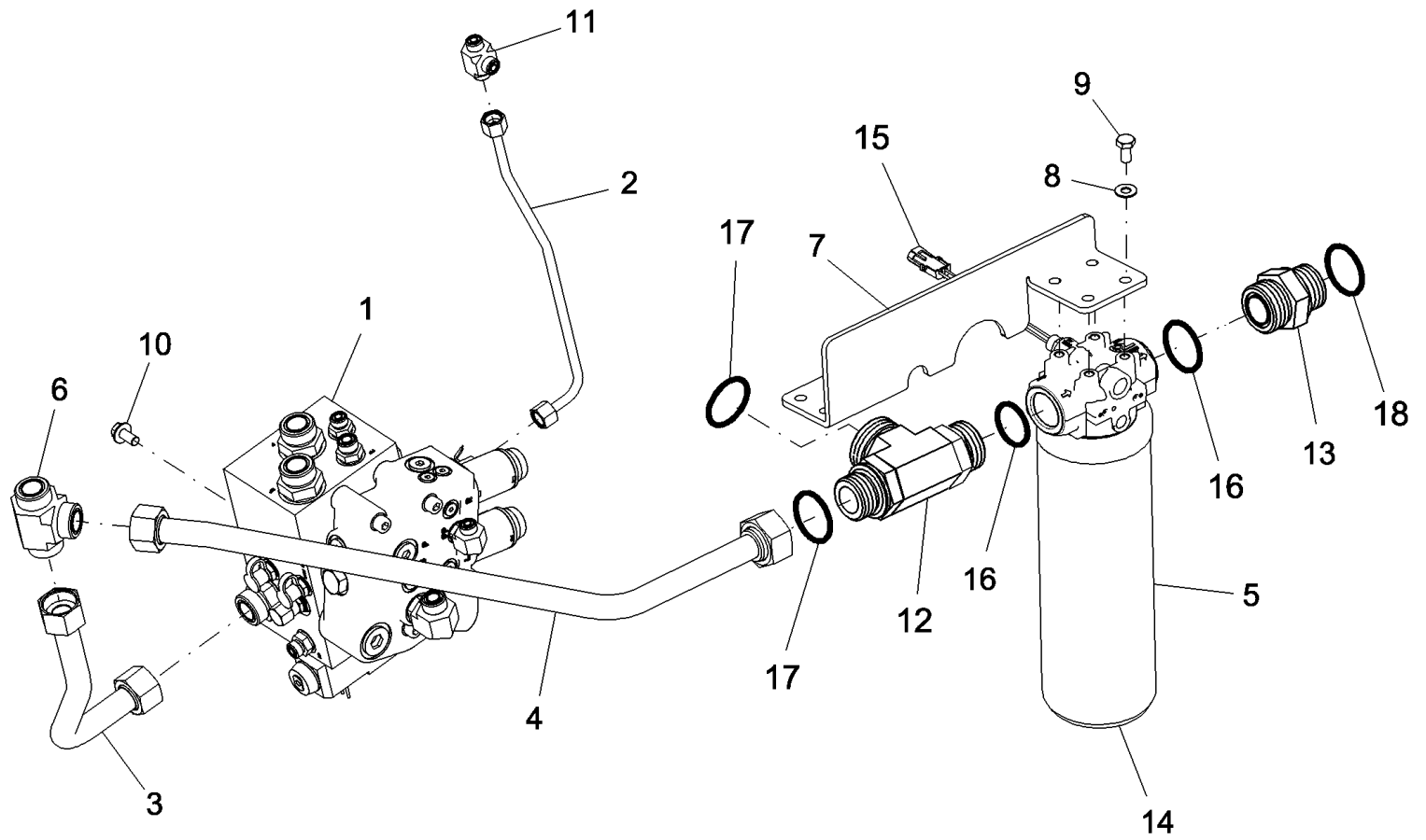
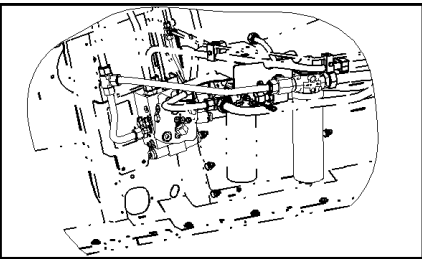
02 BELTS & CHAINS - LEFT SIDE



02 BELTS & CHAINS - LEFT SIDE

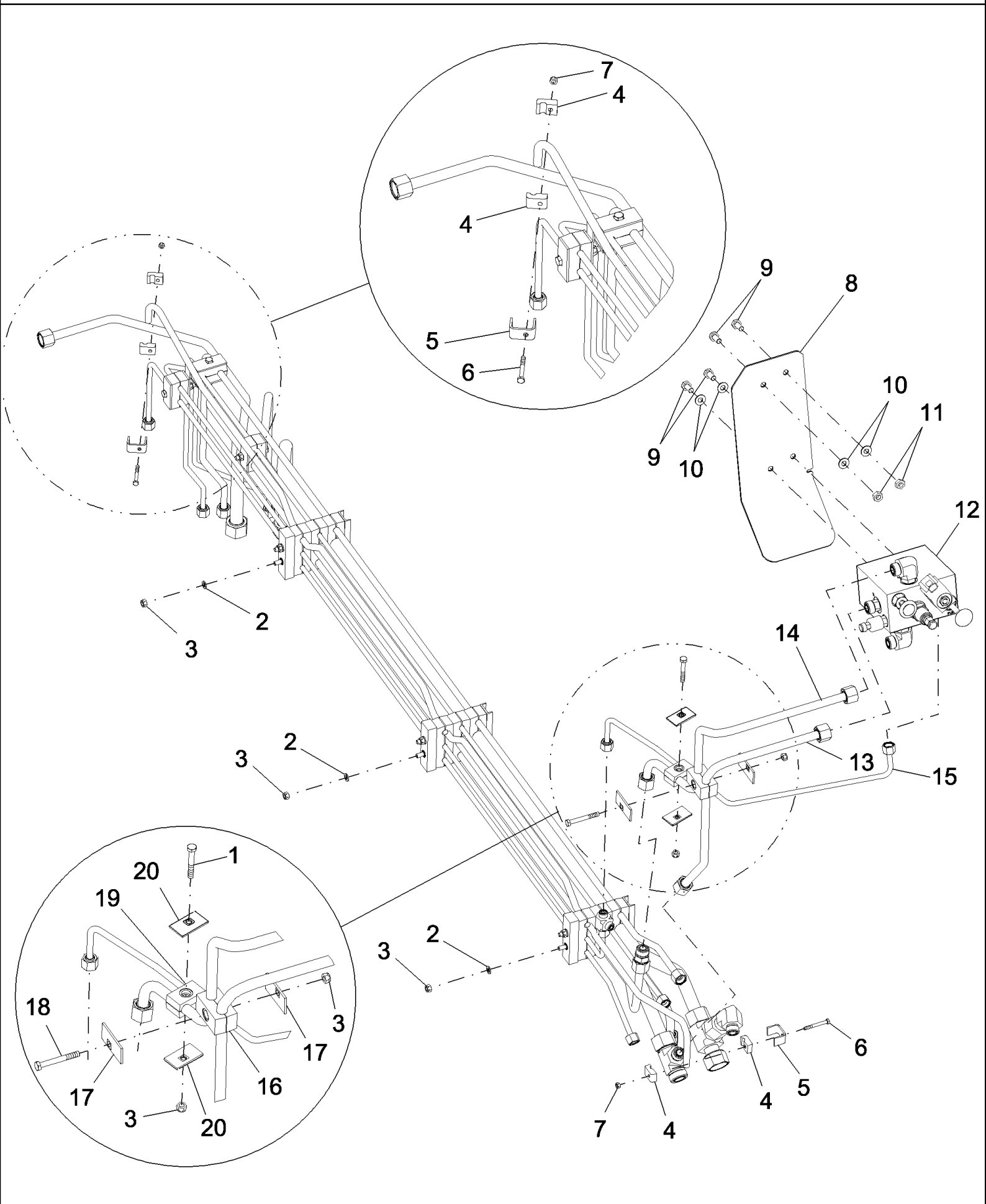
сылка	Номер детали	Кол-во	Описание
1	86980546	1	BELT, Shoe Drive - 3758 mm Effective Length See Figure K.62.B.41 (1)
1	87317063	1	BELT, Shoe Drive - 3651 mm Effective Length See Figure K.62.B.41 (1), Enhanced Cleaning
2	86517680	1	BELT, Beater Drive - 3045.5 mm Effective Length See Figure K.64.E.40 (2)
3	87011585	1	BELT, Unloading Drive - 3254 mm Effective Length See Figure K.72.B.40 (1)
4	86975809	1	BELT, Bubble - Up Drive - 86975809 See Figure K.60.B.40 (1)
5	86976208	1	BELT, Strawchopper Drive - 2720 mm Effective Length See Figure K.64.C.40 (2), 3000 RPM
5	87283315	1	BELT, Strawchopper Drive - 2690 mm Effective Length See Figure K.64.C.40 (2), 2800 RPM
6	86998066	1	CHAIN, Unloading Drive See Figure K.72.B.40 (2)

A.10.A(1) FILTERS AND MAIN STACK VALVE



A.10.A(1) FILTERS AND MAIN STACK VALVE

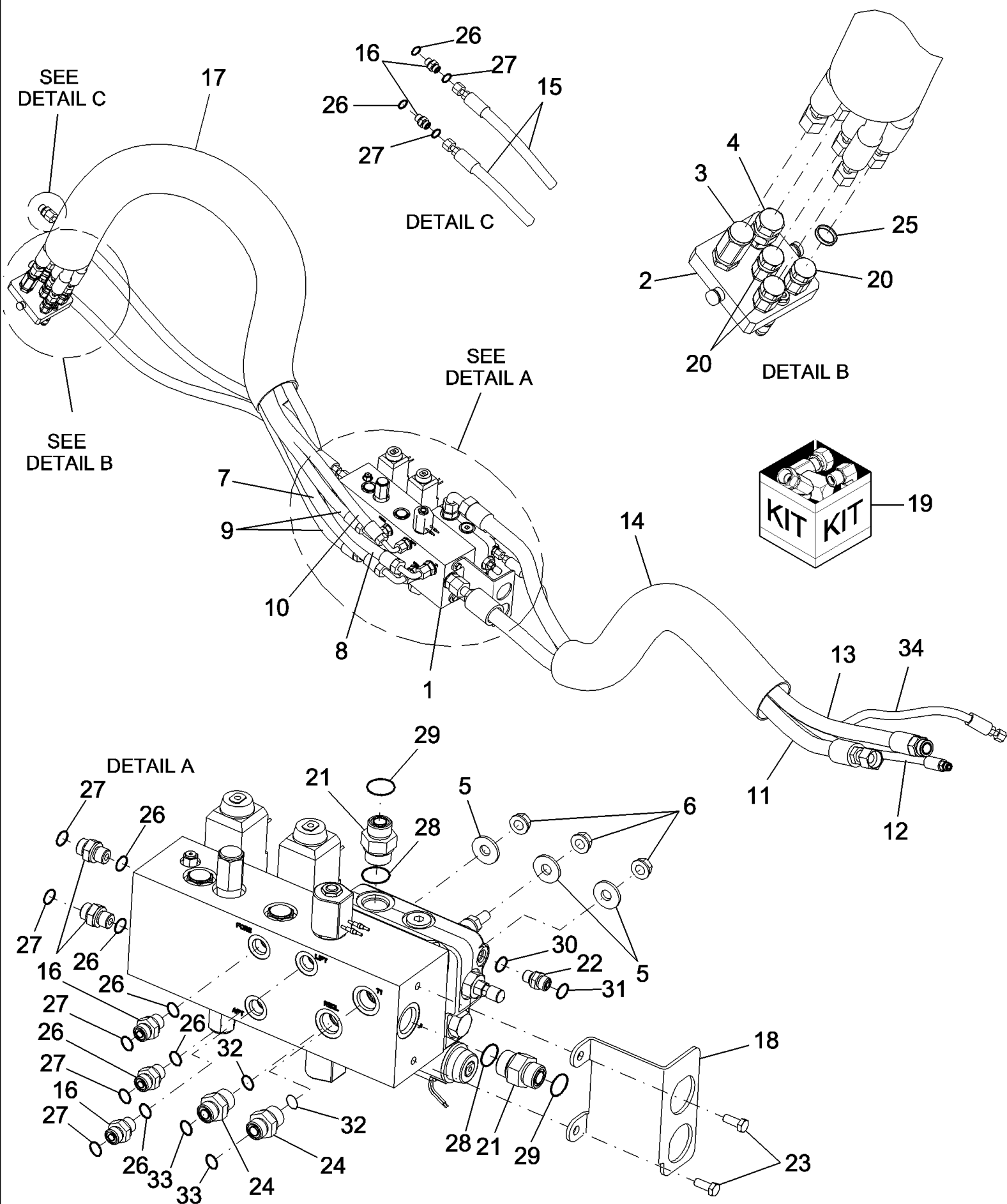
сылка	Номер детали	Кол-во	Описание
1	0C	1	ORDER COMPONENTS, Main Stack; For Component Breakdown, Refer To Fig. A.10.A.18[4]
2	86995855	1	TUBE, HYD, Load Sense from Main Valve
3	86995864	1	TUBE, HYD, Return from Main Valve Stack
4	86995867	1	TUBE, HYD, PFC Return to Filter
5	86998593	1	FILTER ASSY., Aux Return to Reservoir, 17.4 " long
6	86705422	1	TEE,
7	87284382	1	STRAP, Mounting, Ref. # 5, BSN HAJ105757
7	87284938	1	STRAP, Mounting, Ref. # 5, ASN HAJ105758
8	140045	AR	WASHER, SPRING, Belleville, M10,
9	43138	8	BOLT, Hex, M10 x 20, 8.8, Full Thd,
9	43139	4	SCREW, Cap, HH, CL 8.8, M10 x 25
10	274249	3	BOLT, Hex Serr Flg, M10 x 20,
11	9840322	1	TEE, 11/16"-16 ORFS,
12	86579708	1	TEE, 1 11/16"-12 ORFS x M42 x 2 ORB Run,
13	86997863	1	CONNECTOR, HYD., 2"-12 ORFS x M42 x 2 ORB,
14	277311A1	1	FILTER, HYDRAULIC OIL, Element, 14.4 " long
15	87447716	1	SWITCH, Filter Bypass
16	637-64386	2	O-RING, CI 6, 38.6MM ID x 2.9 Thk,
17	238-6025	2	O-RING, -025, 90 Duro, 1.176" ID x .070" Thk,
18	238-6029	1	O-RING, -029, 90 Duro, 1.489" ID x .070" Thk,



A.10.A(2) HYDRAULIC TUBES - TOW/PARK

сылка	Номер детали	Кол-во	Описание
1	16044321	1	BOLT, Hex, M8 x 55, 8.8,
2	140016	3	WASHER, M8 x 16 x 1.6,
3	832-46408	5	NUT, LOCK, M8 x 1.25, CI 8,
4	433008	4	CLAMP,
5	442340	2	SUPPORT,
6	120056	2	BOLT, Hex, M6 x 50, 8.8,
7	353308	2	NUT, LOCK, M6 x 1, CI 8,
8	87280113	1	BRACKET,
9	43138	4	BOLT, Hex, M10 x 20, 8.8, Full Thd,
10	140045	4	WASHER, SPRING, Belleville, M10,
11	100016	2	NUT, M10, CI 8,
12	87109702	1	VALVE, HYDRAULIC, Park/Tow/Reg - with Fittings
13	87109730	1	TUBE, HYD, Valve Supply
14	87280109	1	TUBE, HYD, Drain
15	87280107	1	TUBE, HYD, Regulated Pressure
16	87000150	1	CLAMP, Tube
17	87000230	2	PLATE, Clamp, Hose
18	300510	1	BOLT, Hex, M8 x 65, 8.8,
19	87000159	1	CLAMP, Tube
20	72180326	2	PLATE, Clamp, Hose

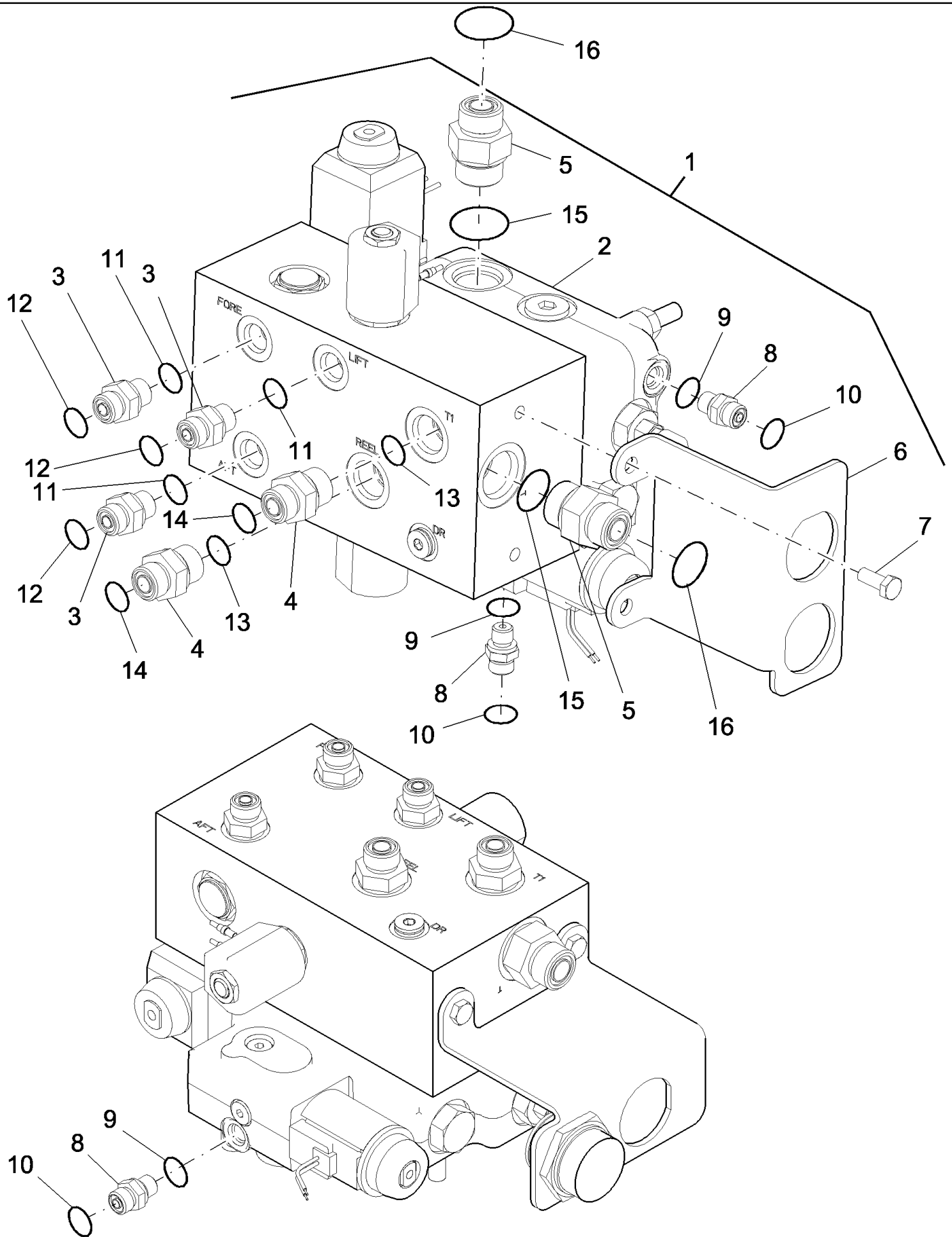
A.10.A.18(1) HYDRAULICS - FEEDER STACK VALVE



A.10.A.18(1) HYDRAULICS - FEEDER STACK VALVE

сылка	Номер детали	Кол-во	Описание
1	87109742	1	VALVE, HYDRAULIC, With Lateral - Tilt
1	87109740	1	VALVE, HYDRAULIC,
2	84435010	1	COUPLING, QUICK, MALE, Assembly
3	84435502	1	CONNECTOR, HYD., Quick Coupling
4	84435503	1	CONNECTOR, HYD., Quick Coupling
5	86642464	3	WASHER, M11 x 30 x 2.5,
6	43435	3	NUT, M10, Flg Ser,
7	87109346	1	HOSE, Reel Pressure
8	87109347	1	HOSE, Reel Return
9	87109349	2	HOSE, Reel - Fore & Aft
10	87109348	1	HOSE, Reel Lift
11	87280150	1	HOSE, Feeder Stack Return
12	87109105	1	HOSE, Feeder Stack LS
13	87280151	1	HOSE, Feeder Stack Pressure
14	87106239	1	SLEEVE,
15	87109107	2	HOSE, With Lateral - Tilt
16	86579672	7	CONNECTOR, HYD., 11/16"-16 ORFS x M16 x 1.5 ORB,
17	87106154	1	SLEEVE,
18	86997309	1	BRACKET,
19	86623900	1	KIT, REPAIR, Aligning Pins and Bolts, For Ref. # 2
20	84435504	3	CONNECTOR, HYD., With Lateral - Tilt
21	86597760	2	CONNECTOR, HYD., 1"-14 ORFS x M27 x 2 ORB, 16 mm ORFS x M27 ORB
22	86593173	1	CONNECTOR, HYD., 9/16"-18 ORFS x M12 x 1.5 ORB, 6 mm ORFS x M12 ORB
23	120104	2	BOLT, Hex, M8 x 20, 8.8,
24	86579678	2	CONNECTOR, HYD., 13/16"-16 ORFS x M22 x 1.5 ORB, 12 mm ORFS x M22 ORB
25	86623899	3	SEAL, For Ref. 20
25	86623898	AR	SEAL, For Ref. 3 & 4
26	86598100	7	O-RING, CI 6, 13.3MM ID x 2.2 Thk,
27	9993141	7	O-RING, -012, 90 Duro, .364" ID x .070" Thk,
28	86598103	2	O-RING, CI 6, 23.6MM ID x 2.9 Thk,
29	9992069	2	O-RING, -016, 90 Duro, .614" ID x .070" Thk,
30	86598098	1	O-RING, CI 6, 9.3MM ID x 2.2 Thk,
31	9825770	1	O-RING, -011, 90 Duro, .301" ID x .070" Thk,
32	86598102	2	O-RING, CI 6, 19.3MM ID x 2.2 Thk,
33	9992298	2	O-RING, -014, 90 Duro, .489" ID x .070" Thk,
34	87280152	1	HOSE, Feeder Stack, Regulated

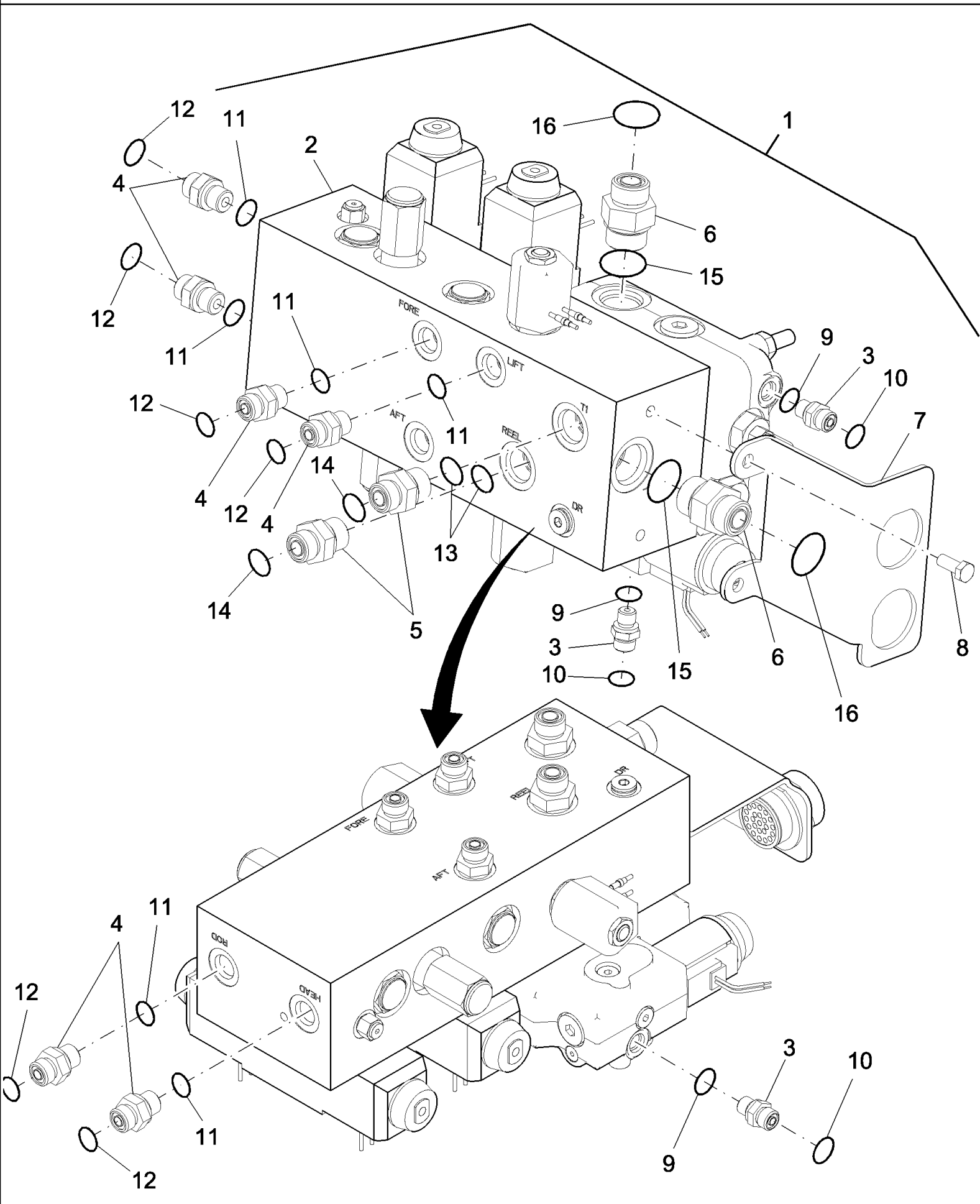
A.10.A.18(2) VALVE, FEEDER STACK



A.10.A.18(2) VALVE, FEEDER STACK

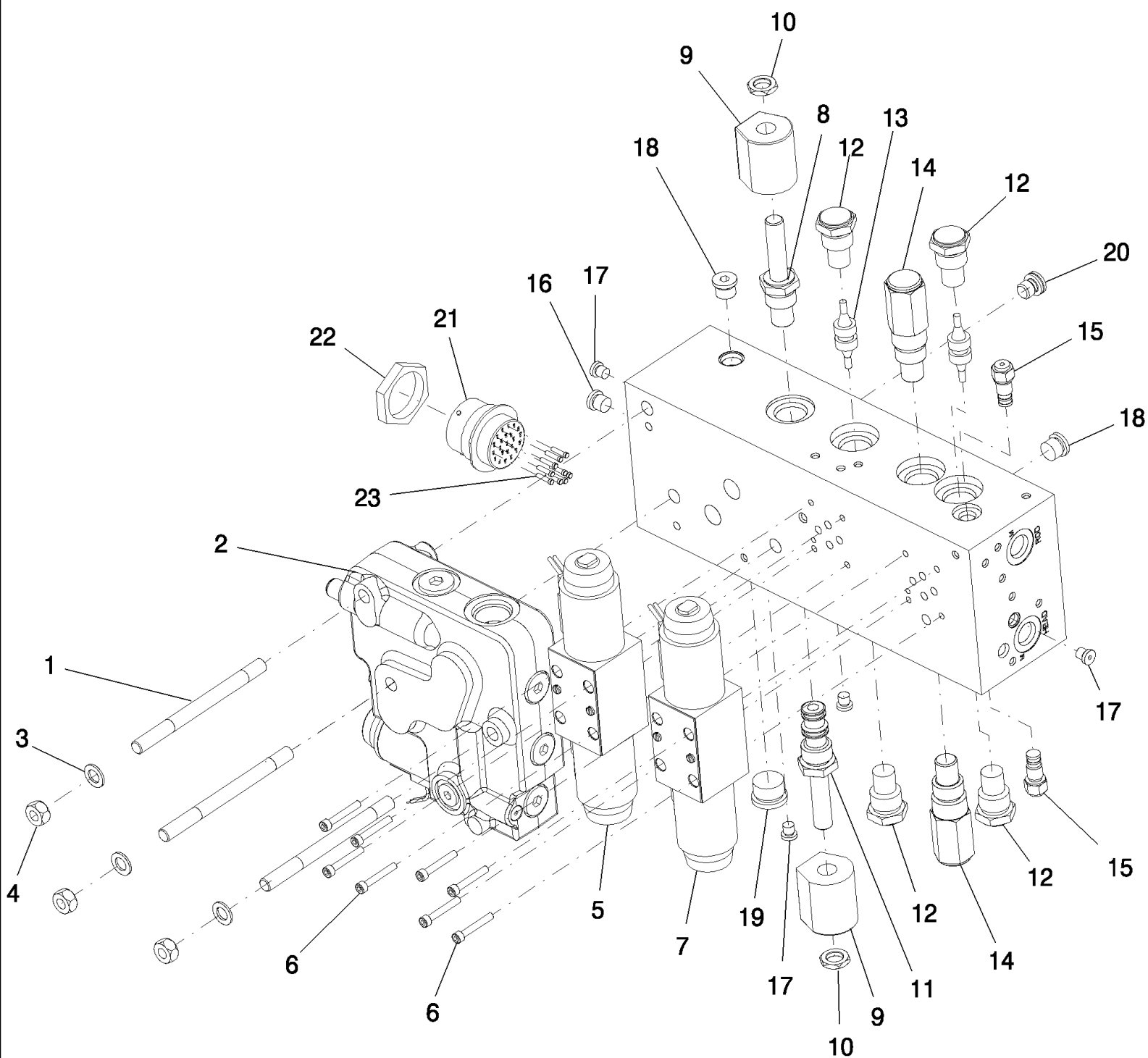
сылка	Номер детали	Кол-во	Описание
1	87109741	1	VALVE, HYDRAULIC, Assy, Includes Ref. 2 thru 8
2	87109740	1	VALVE, HYDRAULIC, Feeder Stack, Standard - Fig. A.10.A.18 (6)
3	86579672	3	CONNECTOR, HYD., 11/16"-16 ORFS x M16 x 1.5 ORB,
4	86579678	2	CONNECTOR, HYD., 13/16"-16 ORFS x M22 x 1.5 ORB,
5	86597760	2	CONNECTOR, HYD., 1"-14 ORFS x M27 x 2 ORB,
6	86997309	1	BRACKET,
7	120104	2	BOLT, Hex, M8 x 20, 8.8,
8	86593173	3	CONNECTOR, HYD., 9/16"-18 ORFS x M12 x 1.5 ORB,
9	86598098	3	O-RING, CI 6, 9.3MM ID x 2.2 Thk,
10	9825770	3	O-RING, -011, 90 Duro, .301" ID x .070" Thk,
11	86598100	3	O-RING, CI 6, 13.3MM ID x 2.2 Thk,
12	9993141	3	O-RING, -012, 90 Duro, .364" ID x .070" Thk,
13	86598102	2	O-RING, CI 6, 19.3MM ID x 2.2 Thk,
14	9992298	2	O-RING, -014, 90 Duro, .489" ID x .070" Thk,
15	86598103	2	O-RING, CI 6, 23.6MM ID x 2.9 Thk,
16	9992069	2	O-RING, -016, 90 Duro, .614" ID x .070" Thk,

A.10.A.18(3) VALVE, FEEDER STACK - WITH LATERAL TILT



A.10.A.18(3) VALVE, FEEDER STACK - WITH LATERAL TILT

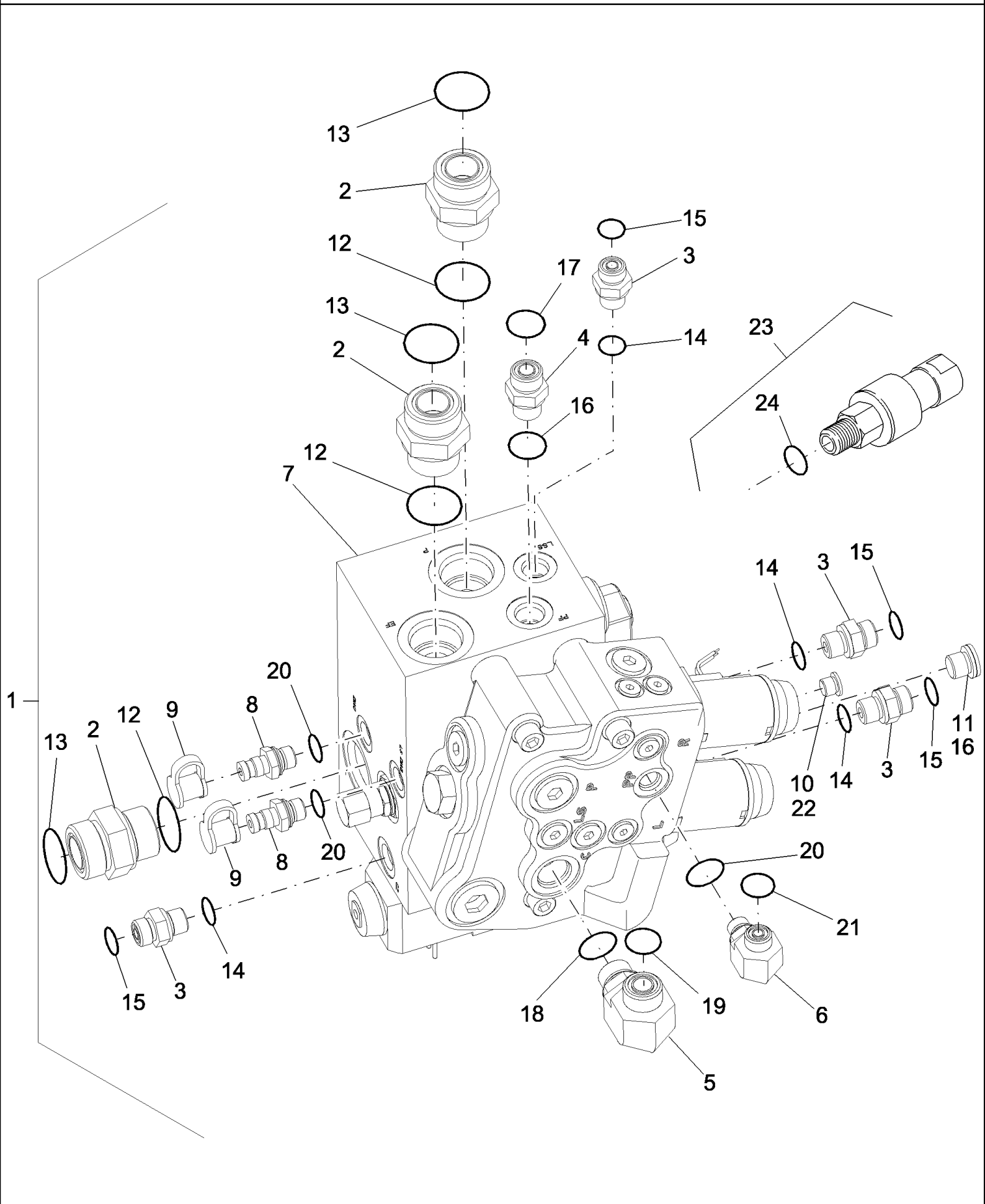
сылка	Номер детали	Кол-во	Описание
1	87109743	1	VALVE, HYDRAULIC, Assy, Feeder Stack - With Lateral Tilt - Includes: Ref. 2 - 9
2	87109742	1	VALVE, HYDRAULIC, Fig. A.10.A.18 (3A)
3	86593173	3	CONNECTOR, HYD., 9/16"-18 ORFS x M12 x 1.5 ORB,
4	86579672	6	CONNECTOR, HYD., 11/16"-16 ORFS x M16 x 1.5 ORB,
5	86579678	2	CONNECTOR, HYD., 13/16"-16 ORFS x M22 x 1.5 ORB,
6	86597760	2	CONNECTOR, HYD., 1"-14 ORFS x M27 x 2 ORB,
7	86997309	1	BRACKET,
8	120104	2	BOLT, Hex, M8 x 20, 8.8,
9	86598098	3	O-RING, CI 6, 9.3MM ID x 2.2 Thk,
10	9825770	3	O-RING, -011, 90 Duro, .301" ID x .070" Thk,
11	86598100	6	O-RING, CI 6, 13.3MM ID x 2.2 Thk,
12	9993141	6	O-RING, -012, 90 Duro, .364" ID x .070" Thk,
13	86598102	2	O-RING, CI 6, 19.3MM ID x 2.2 Thk,
14	9992298	2	O-RING, -014, 90 Duro, .489" ID x .070" Thk,
15	86598103	2	O-RING, CI 6, 23.6MM ID x 2.9 Thk,
16	9992069	2	O-RING, -016, 90 Duro, .614" ID x .070" Thk,



A.10.A.18(3A) VALVE, FEEDER STACK W/ LATERAL TILT

сылка	Номер детали	Кол-во	Описание
1	190716A1	1	STUD,
2	87281778	1	VALVE, Reel Drive
3	895-18010	3	WASHER, M10 x 18 x 1.6,
4	829-1410	3	NUT, M10, CI 10,
5	87434014	1	VALVE, CONTROL, Three Position, Four Way
6	61-31020	8	SCREW, Hex Soc Hd, #10-24 x 1 1/4",
7	86995306	1	VALVE, Three Position, Four Way
8	87436627	1	VALVE,
9	86995302	2	SOLENOID, Coil
10	195683A1	2	NUT, 1/2"-13, Thin,
11	190711A1	1	VALVE,
12	87433998	4	VALVE, CHECK,
13	149940C1	2	PISTON,
14	190986A1	2	VALVE, PRESSURE RELIEF,
15	190704A1	2	VALVE, CHECK,
15A	190707A1	2	KIT, SEALS, Ref. 15
16	278548	1	PLUG, Hex Soc, 7/16"-20 ORB,
17	86632547	4	PLUG, Hex Soc, 5/16"-24 ORB,
18	9625178	2	PLUG, Hex Soc, 9/16"-18 ORB,
19	86625138	1	PLUG, Hex Soc, 7/8"-14 ORB,
20	221573A1	1	PLUG, Hex Soc, M12 x 1.5, ORB,
21	319151A1	1	CONNECTOR,
22	86619907	1	NUT,
23	453133C1	9	PLUG,
24	190716A1	3	STUD,
25	87109742		VALVE, HYDRAULIC,

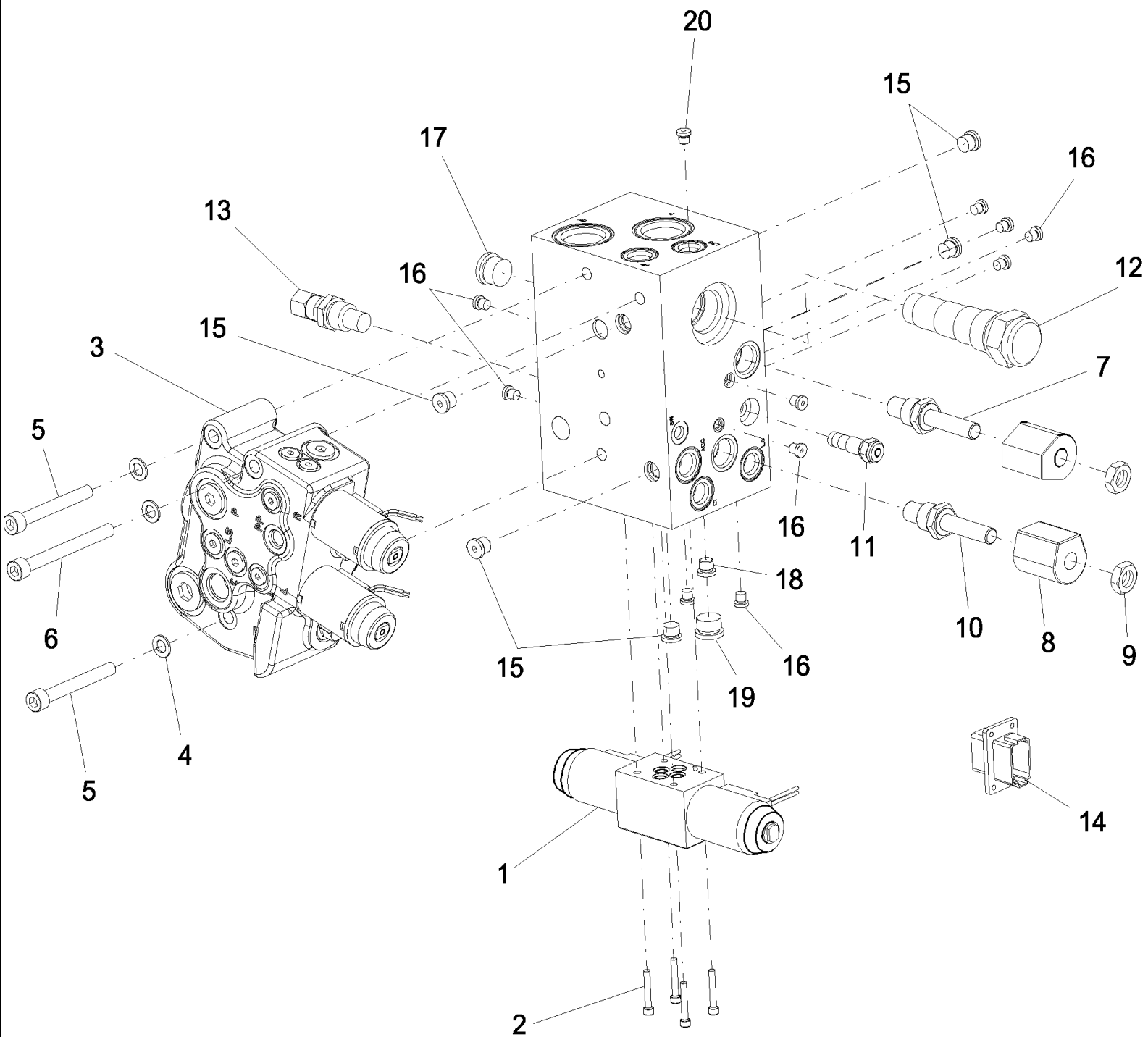
A.10.A.18(4) VALVE, HYDRAULIC - MAIN STACK



A.10.A.18(4) VALVE, HYDRAULIC - MAIN STACK

сылка	Номер детали	Кол-во	Описание
1	0C	1	ORDER COMPONENTS, Main Stack
2	86580179	3	CONNECTOR, HYD., 1 7/16"-12 ORFS x M22 x 2 ORB,
3	86579672	4	CONNECTOR, HYD., 11/16"-16 ORFS x M16 x 1.5 ORB,
4	86579676	1	CONNECTOR, HYD., 13/16"-16 ORFS x M18 x 1.5 ORB,
5	86579694	1	ELBOW, 90є, 1"-14 ORFS x M22 x 1.5 ORB,
6	86579686	1	ELBOW, 90є, 11/16"-18 ORFS x M14 x 1.5 ORB,
7	87109738	1	VALVE, For Component Breakdown, Refer To Fig. A.10.A.18[5]
8	84320565	2	COUPLING,
9	86502604	2	DUST CAP,
10	86529630	1	PLUG, Hex Soc, 3/8"-24 ORB,
11	86598046	1	PLUG, Hex Soc, M18 x 1.5, ORB,
12	86598104	3	O-RING, CI 6, 26.6MM ID x 2.9 Thk,
13	9824050	3	O-RING, -021, 90 Duro, .926" ID x .070" Thk,
14	86598100	4	O-RING, CI 6, 13.3MM ID x 2.2 Thk,
15	9993141	4	O-RING, -012, 90 Duro, .364" ID x .070" Thk,
16	86598101	2	O-RING, CI 6, 15.3MM ID x 2.2 Thk,
17	9992298	1	O-RING, -014, 90 Duro, .489" ID x .070" Thk,
18	86598102	1	O-RING, CI 6, 19.3MM ID x 2.2 Thk,
19	9992069	1	O-RING, -016, 90 Duro, .614" ID x .070" Thk,
20	86598099	3	O-RING, CI 6, 11.3MM ID x 2.2 Thk,
21	9993141	1	O-RING, -012, 90 Duro, .364" ID x .070" Thk,
22	86513328	1	O-RING, 3-1, .301" ID x .064" Thk,
23	86975430	1	SENSOR, Header Height Lift Cylinder Pressure, Includes Ref. 24
24	237-6003	1	O-RING, 3-1, .301" ID x .064" Thk,

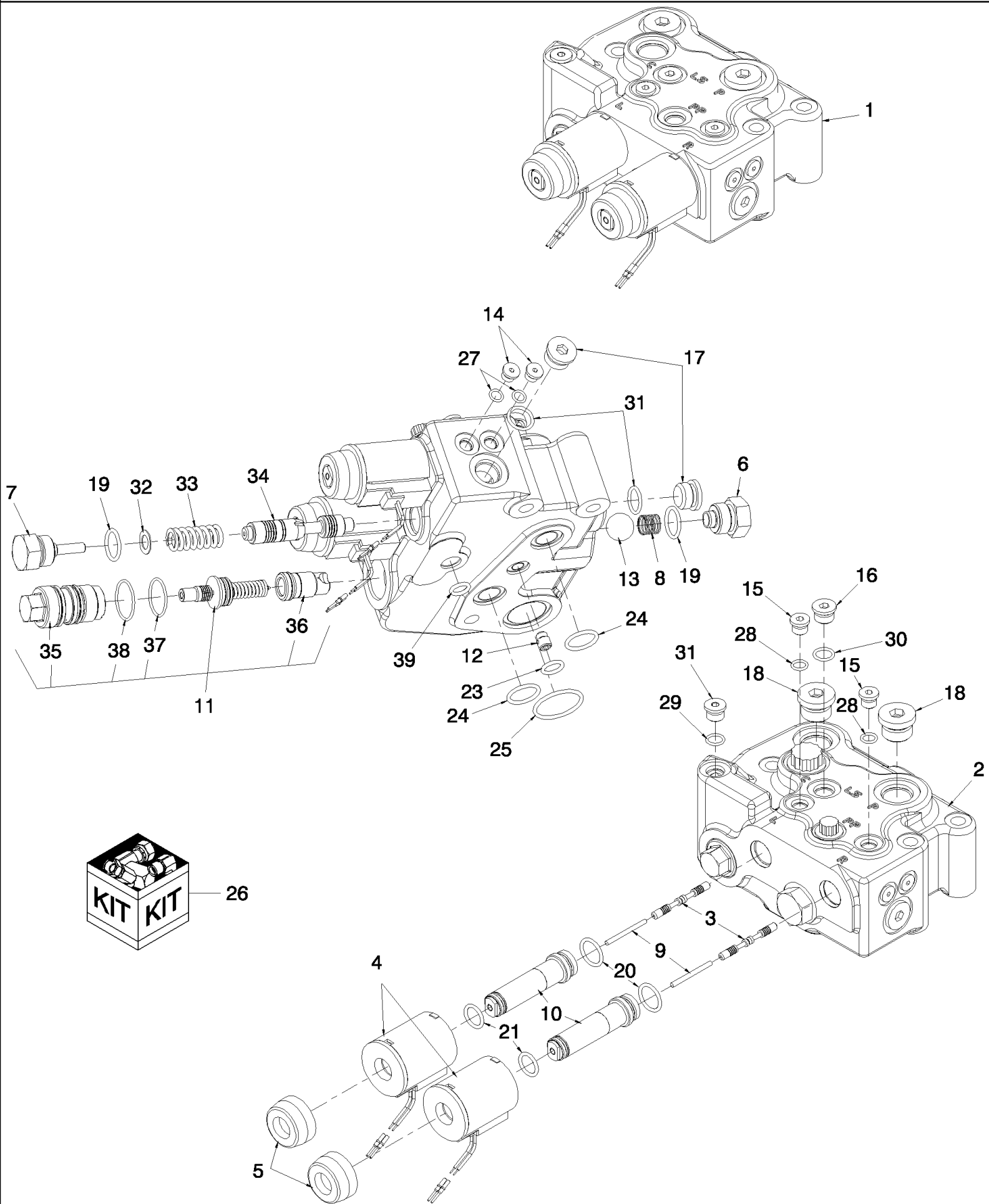
A.10.A.18(5) VALVE, FEEDER LIFT



A.10.A.18(5) VALVE, FEEDER LIFT

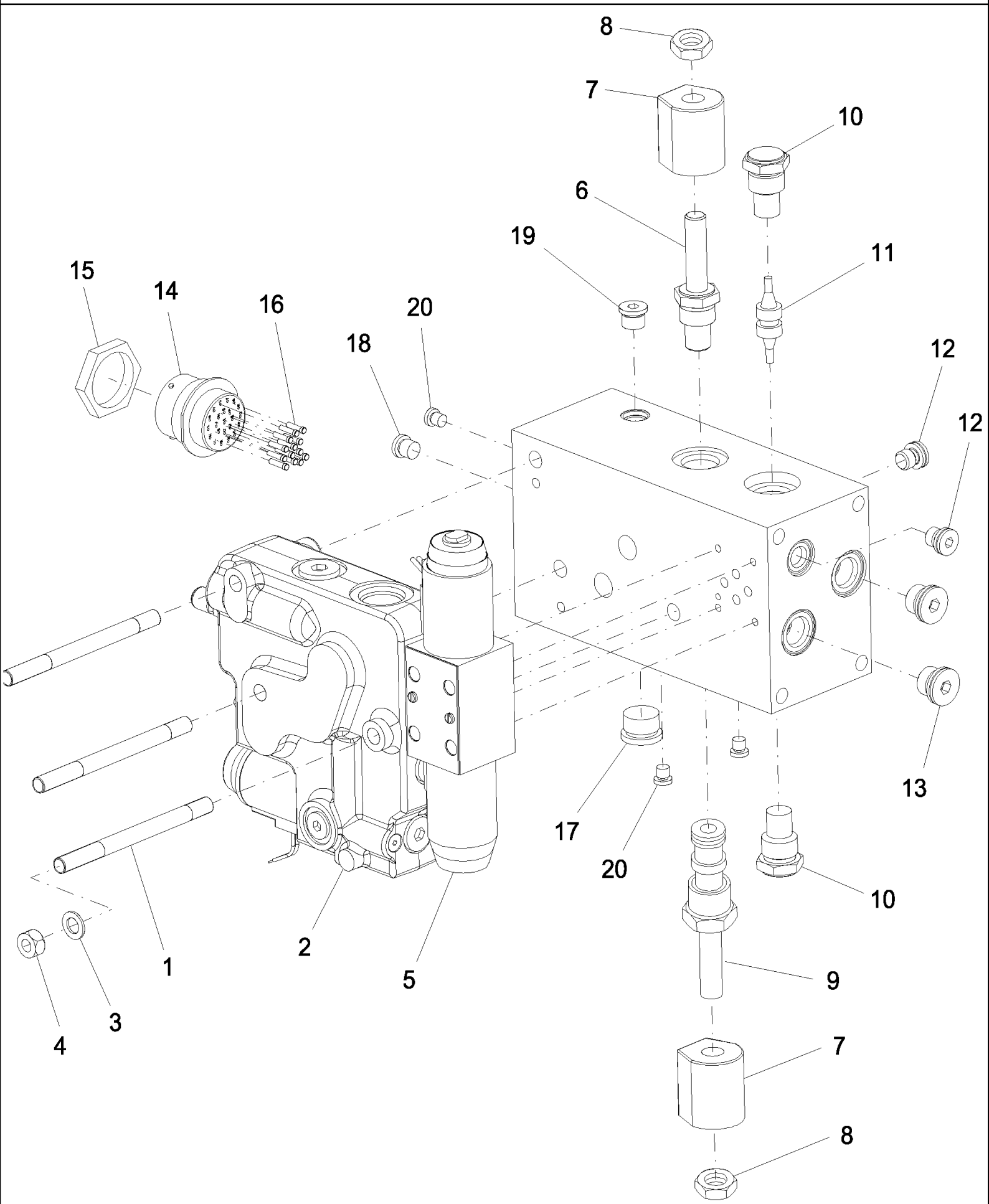
сылка	Номер детали	Кол-во	Описание
1	87434014	1	VALVE, CONTROL, Three Position, Four Way
2	61-31020	4	SCREW, Hex Soc Hd, #10-24 x 1 1/4",
3	87434009	1	VALVE, CONTROL, Feeder Lift
4	895-18010	3	WASHER, M10 x 18 x 1.6,
5	864-10080	2	SCREW, Hex Soc Hd, M10 x 80, 8.8,
6	864-10100	1	SCREW, Hex Soc Hd, M10 x 100, 8.8,
7	191121A1	1	VALVE, Two Way, Normally Closed
8	86995302	2	SOLENOID, Coil, 12 Volt
9	195683A1	2	NUT, 1/2"-13, Thin,
10	87281256	1	VALVE, CHECK, Two Way, Two Position With Orifice
11	190704A1	1	VALVE, CHECK,
11A	190707A1	1	KIT, SEALS, Repair Ref. 11
12	87678444	1	VALVE, Valve, Priority; See Also: Ref. 21
13	87434000	1	VALVE, PRESSURE RELIEF,
14	323464A1	1	CONNECTOR,
15	87035062	5	PLUG, Hex Soc, 1/2"-20 ORB, Tube OD = 5/16"
16	86632547	10	PLUG, Hex Soc, 5/16"-24 ORB, Tube OD = 1/8"
17	86625138	1	PLUG, Hex Soc, 7/8"-14 ORB, Tube OD = 5/8"
18	87434016	1	PLUG, Orificed With Screen
19	71100209	1	PLUG, Hex Soc, 3/4"-16 ORB, Tube OD = 1/2"
20	87434017	1	PLUG, Orificed, .030
21	87434015	1	KIT, SEALS, Services: Ref. 12

A.10.A.18(5A) VALVE, FEEDER / HEADER LIFT CONTROL



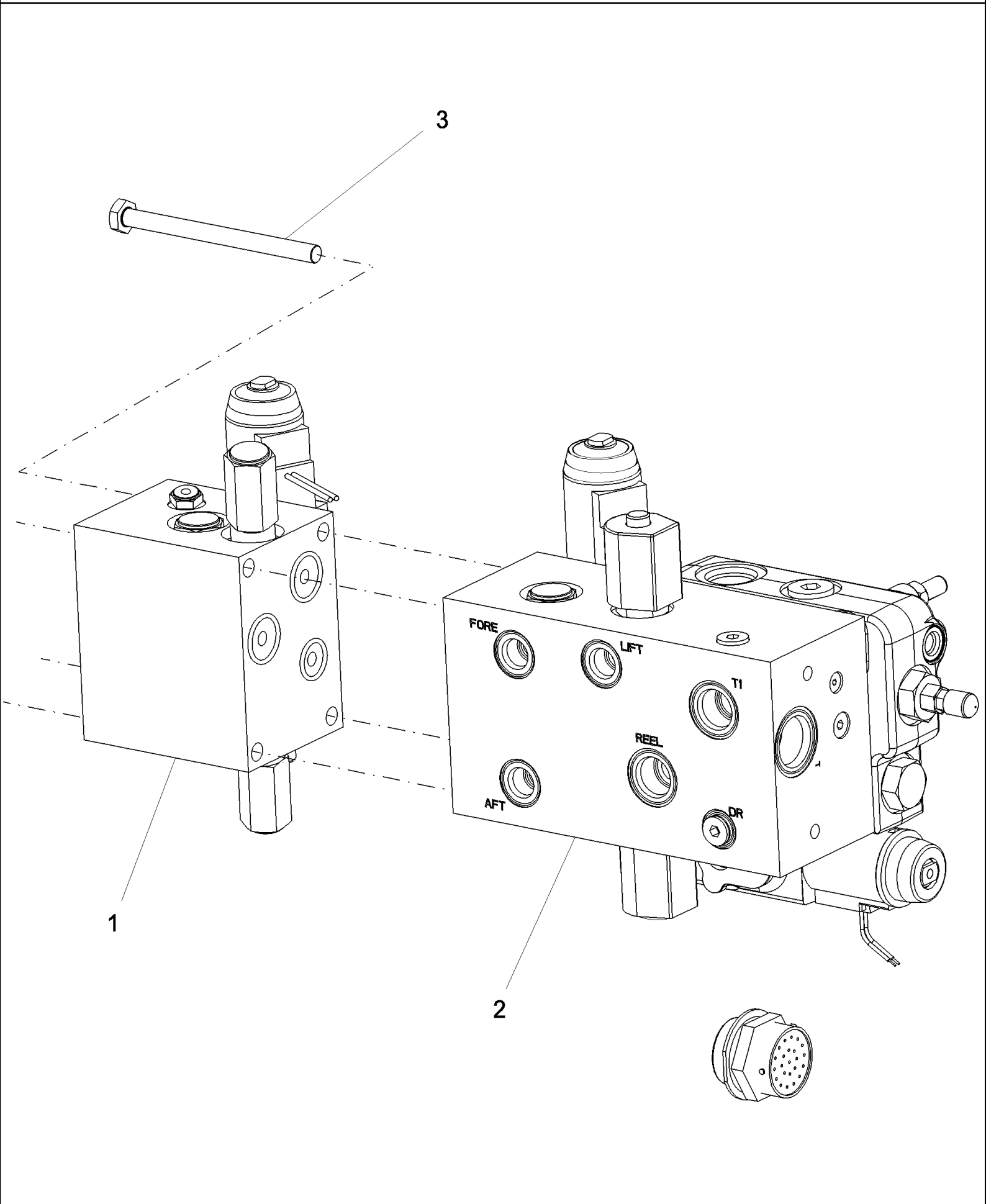
A.10.A.18(5A) VALVE, FEEDER / HEADER LIFT CONTROL

сылка	Номер детали	Кол-во	Описание
1	87434009	1	VALVE, CONTROL,
2	NSS	1	NOT SERVICED SEPARATELY, Body
3	188104A1	2	SPOOL,
4	188105A1	2	SOLENOID,
5	188106A1	2	NUT,
6	188107A1	1	PLUG,
7	188110A1	1	PLUG,
8	188114A1	1	SPRING,
9	188116A1	2	PIN,
10	188117A1	2	TUBE,
11	87643252	1	KIT, Meter Out
12	373758A1	1	VALVE,
13	511-10200	1	BALL, 20mm Dia,
14	86529630	2	PLUG, Hex Soc, 3/8"-24 ORB,
15	278548	2	PLUG, Hex Soc, 7/16"-20 ORB,
16	9625178	1	PLUG, Hex Soc, 9/16"-18 ORB,
17	86590562	2	PLUG, Hex Soc, 3/4"-16 ORB,
18	86598047	2	PLUG,
19	237-6010	1	O-RING, 10-1, 90 Duro, .755" ID x .097" Thk,
20	238-5017	2	O-RING, -017, 70 Duro, .676" ID x .070" Thk,
21	238-5114	2	O-RING, -114, 70 Duro, .612" ID x .103" Thk,
22	238-6111	1	O-RING, -111, 90 Duro, .424" ID x .103" Thk,
23	238-6112	1	O-RING, -112, 90 Duro, .487" ID x .103" Thk,
24	238-6117	1	O-RING, -117, 90 Duro, .799" ID x .103" Thk,
25	238-6125	1	O-RING, -125, 90 Duro, 1.237" ID x .103" Thk,
26	243253A1	1	KIT, SEALS,
27	NSS	2	NOT SERVICED SEPARATELY,
28	NSS	2	NOT SERVICED SEPARATELY,
29	NSS	1	NOT SERVICED SEPARATELY,
30	NSS	1	NOT SERVICED SEPARATELY,
31	NSS	1	NOT SERVICED SEPARATELY,
32	NSS	1	NOT SERVICED SEPARATELY,
33	NSS	1	NOT SERVICED SEPARATELY,
34	NSS	1	NOT SERVICED SEPARATELY,
35	NSS	1	NOT SERVICED SEPARATELY,
36	NSS	1	NOT SERVICED SEPARATELY,
37	NSS	1	NOT SERVICED SEPARATELY,
38	NSS	1	NOT SERVICED SEPARATELY,
39	NSS	1	NOT SERVICED SEPARATELY,



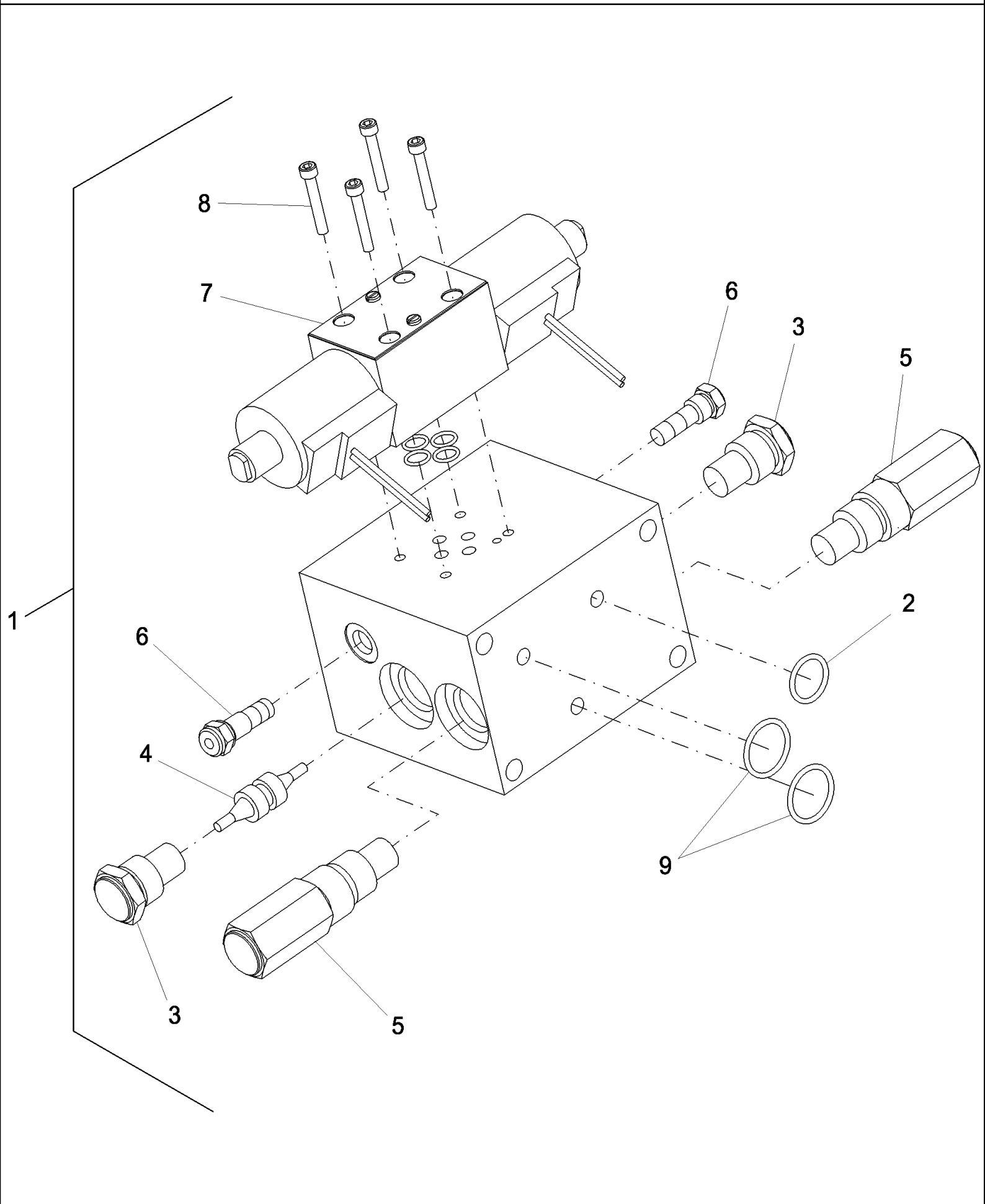
A.10.A.18(6) VALVE, FEEDER STACK, STANDARD

сылка	Номер детали	Кол-во	Описание
	87109740		VALVE, HYDRAULIC, STD. - Includes Ref. 1-20
1	190716A1	3	STUD, Threaded
2	87281778	1	VALVE, Reel Drive
3	895-18010	3	WASHER, M10 x 18 x 1.6,
4	829-1410	3	NUT, M10, CI 10,
5	87434014	1	VALVE, CONTROL, Three Position, Four Way
6	87436627	1	VALVE, Normally Closed
7	86995302	2	SOLENOID, Coil, 12 Volt
8	195683A1	2	NUT, 1/2"-13, Thin,
9	190711A1	1	VALVE, Three Way, Two Position
10	87433998	2	VALVE, CHECK,
11	149940C1	1	PISTON,
12	221573A1	2	PLUG, Hex Soc, M12 x 1.5, ORB,
13	221578A1	2	PLUG, Hex Soc, M18 x 1.5, ORB,
14	319151A1	1	CONNECTOR,
15	86619907	1	NUT,
16	453133C1	13	PLUG,
17	86625138	1	PLUG, Hex Soc, 7/8"-14 ORB, Tube OD = 5/8"
18	278548	1	PLUG, Hex Soc, 7/16"-20 ORB, Tube OD = 1/4"
19	9625178	1	PLUG, Hex Soc, 9/16"-18 ORB, Tube OD = 3/8"
20	86632547	3	PLUG, Hex Soc, 5/16"-24 ORB, Tube OD = 1/8"



A.10.A.18(7) VALVE, FEEDER STACK & LATERAL TILT

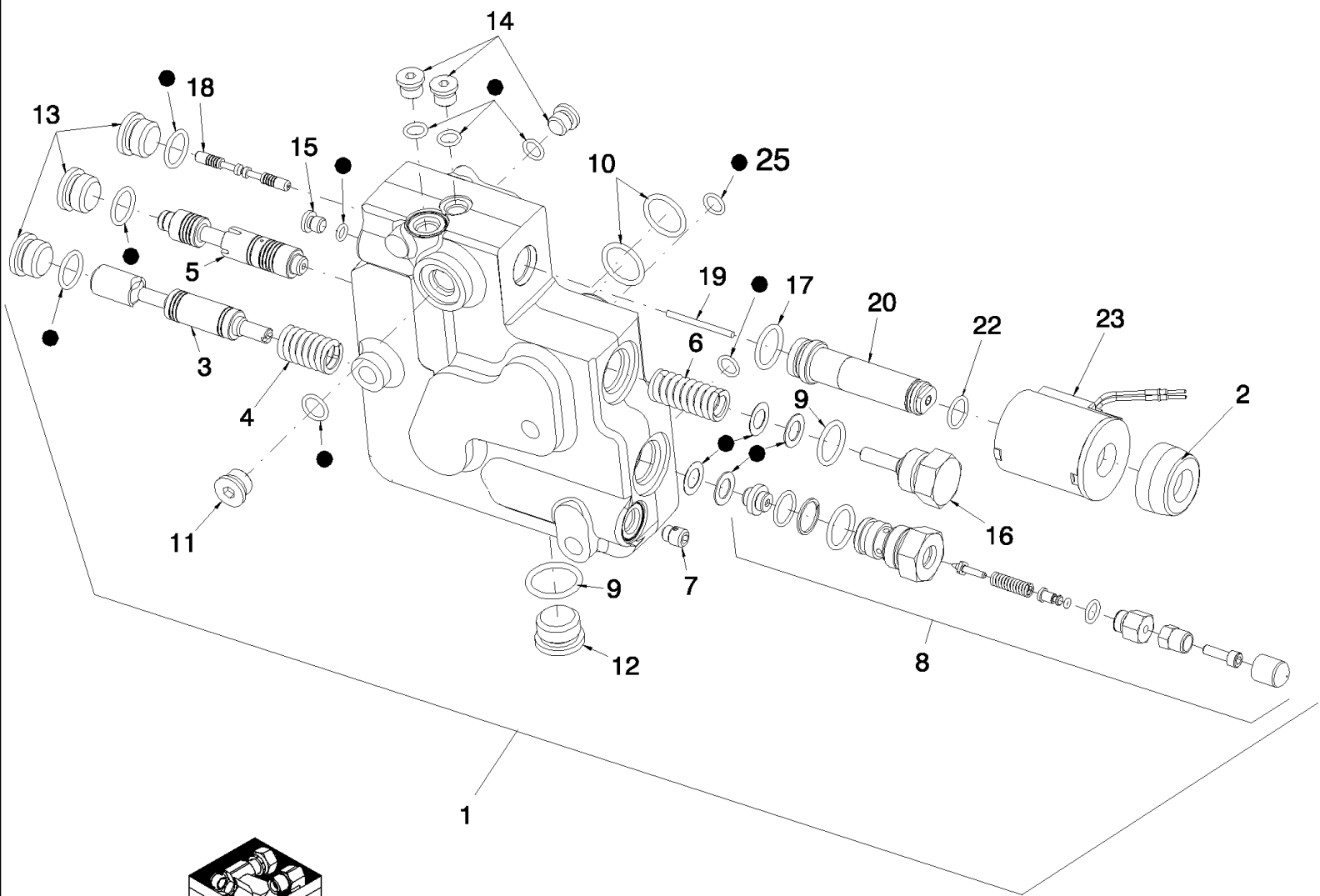
сылка	Номер детали	Кол-во	Описание
1	86995690	1	VALVE, CONTROL, Lateral Tilt
2	87109740	1	VALVE, HYDRAULIC, Feeder Stack - Standard
3	86508575	4	BOLT, Hex, M10 x 130, 8.8,



A.10.A.18(8) VALVE, LATERAL TILT

сылка	Номер детали	Кол-во	Описание
1	86995690	1	VALVE, CONTROL, Add-On - Lateral Tilt
2	238-6116	1	O-RING, -116, 90 Duro, .737" ID x .103" Thk,
3	87433998	2	VALVE, CHECK,
4	149940C1	1	PISTON,
5	190986A1	2	VALVE, PRESSURE RELIEF,
6	190704A1	2	VALVE, CHECK,
6A	190707A1	2	KIT, SEALS, Repair Ref. 6
7	86995306	1	VALVE, Three Position, Four Way
8	61-31020	4	SCREW, Hex Soc Hd, #10-24 x 1 1/4",
9	238-6119	2	O-RING, -119, 90 Duro, .924" ID x .103" Thk,

A.10.A.18(9) VALVE, REEL DRIVE

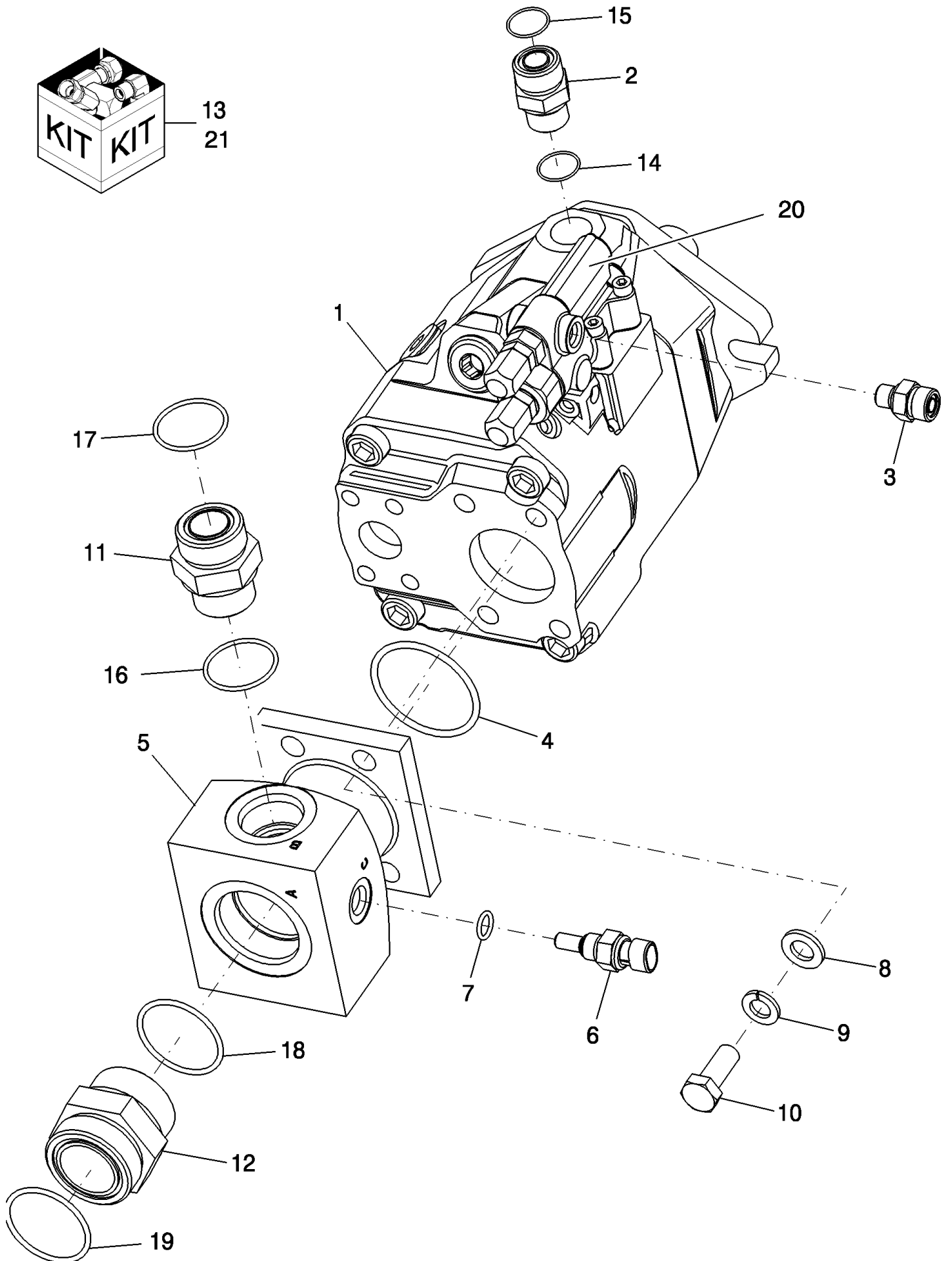


24 = ●

AFX8010 AXIAL-FLOW COMBINE (3/03-9/06)

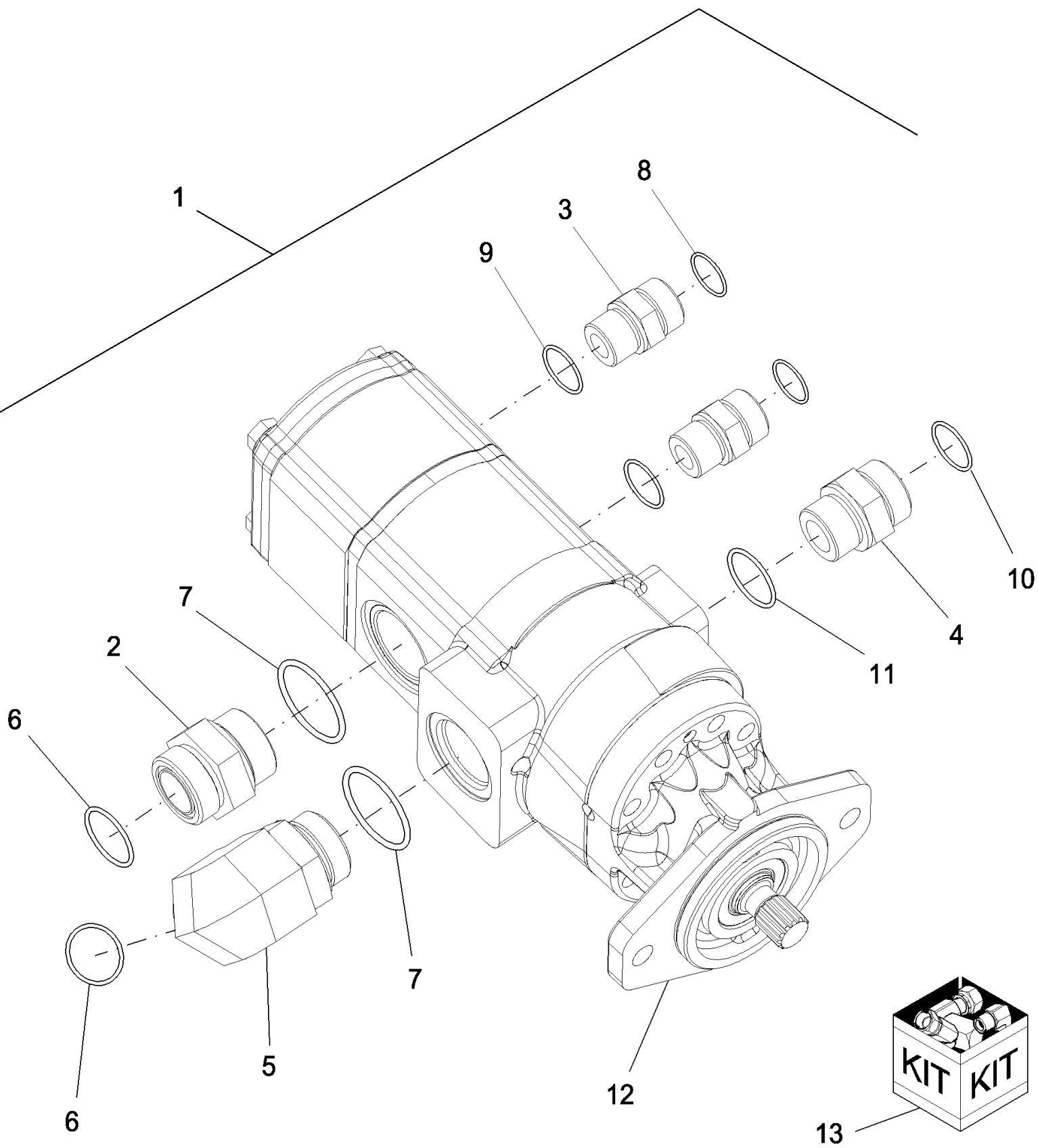
A.10.A.18(9) VALVE, REEL DRIVE

сылка	Номер детали	Кол-во	Описание
1	87281778	1	VALVE, Reel Drive
2	188106A1	1	NUT,
3	87434010	1	SPOOL,
4	87434024	1	VALVE, CHECK,
5	87434013	1	SPOOL,
6	190699A1	1	SPRING,
7	373758A1	1	VALVE, Load Sense, Check
8	190702A1	1	VALVE, PRESSURE RELIEF,
9	238-6012	2	O-RING, -012, 90 Duro, .364" ID x .070" Thk,
10	238-6117	2	O-RING, -117, 90 Duro, .799" ID x .103" Thk,
11	9625178	1	PLUG, Hex Soc, 9/16"-18 ORB,
12	86625138	1	PLUG, Hex Soc, 7/8"-14 ORB,
13	71100209	3	PLUG, Hex Soc, 3/4"-16 ORB,
14	278548	2	PLUG, Hex Soc, 7/16"-20 ORB,
15	86632547	1	PLUG, Hex Soc, 5/16"-24 ORB,
16	188110A1	1	PLUG,
17	237-6010	1	O-RING, 10-1, 90 Duro, .755" ID x .097" Thk,
18	188104A1	1	SPOOL,
19	188116A1	1	PIN,
20	188117A1	1	TUBE,
21	238-5017	1	O-RING, -017, 70 Duro, .676" ID x .070" Thk,
22	238-5114	1	O-RING, -114, 70 Duro, .612" ID x .103" Thk,
23	188105A1	1	SOLENOID,
24	190696A1	1	KIT, SHIM,
25	86598098	1	O-RING, CI 6, 9.3MM ID x 2.2 Thk,



A.10.A.20(1) PUMP, HYDRAULIC, PFC

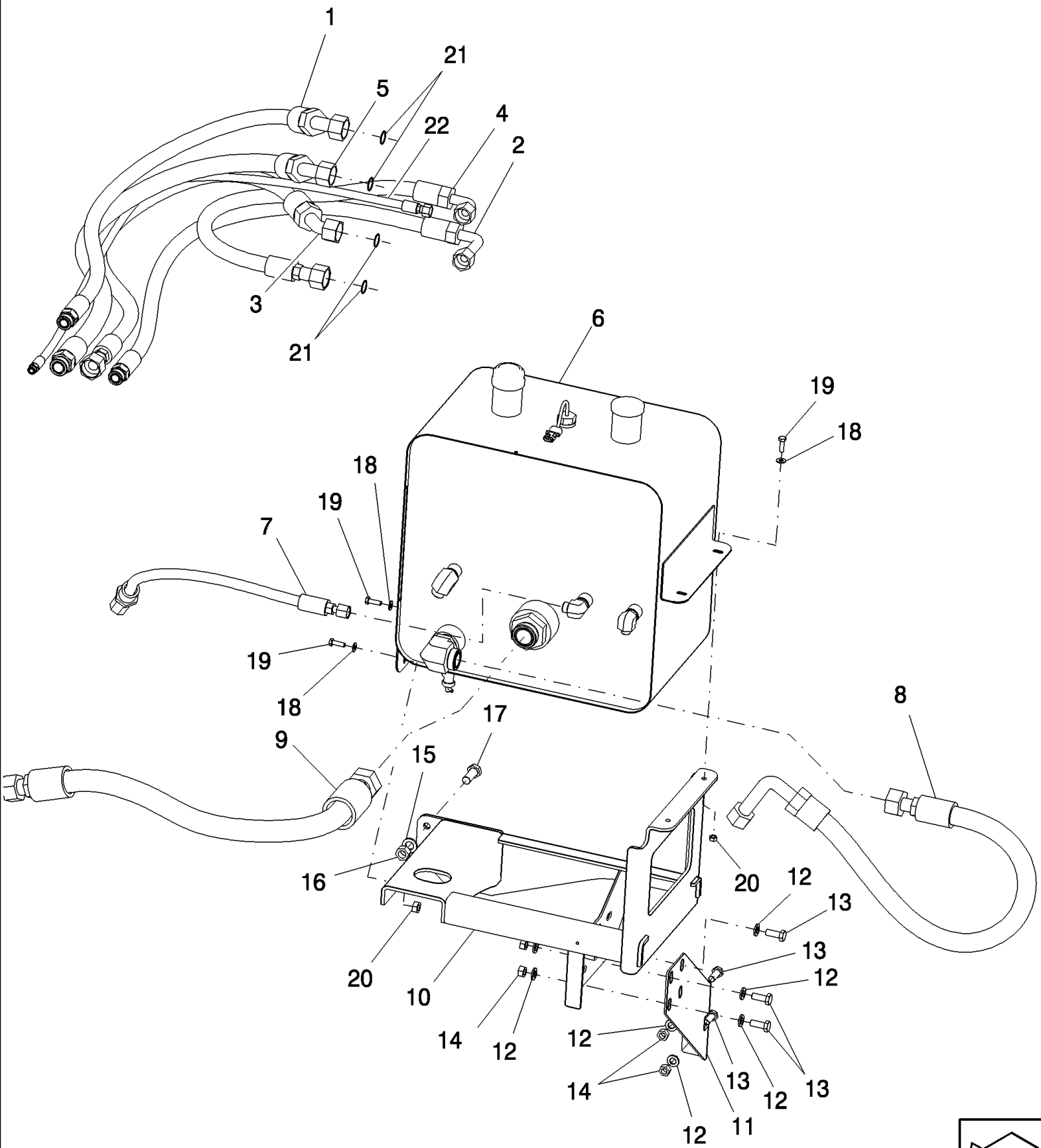
сылка	Номер детали	Кол-во	Описание
1	87105987	1	PUMP, HYDRAULIC, Pressure Flow Compensated; Includes: Ref. 20
2	86579680	1	CONNECTOR, HYD., 1"-14 ORFS x M22 x 1.5 ORB,
3	87106462	1	ADAPTER, Screen
4	86637769	1	O-RING, -228, 90 Duro, 2.234" ID x .139" Thk,
5	86975008	1	MANIFOLD,
6	86571273	1	SENSOR,
7	86598099	1	O-RING, CI 6, 11.3MM ID x 2.2 Thk,
8	140018	4	WASHER, M12 x 24 x 2.5,
9	412123	4	WASHER, LOCK, M12,
10	300389	4	BOLT, Hex, M12 x 35, 8.8, Full Thd,
11	86580179	1	CONNECTOR, HYD., 1 7/16"-12 ORFS x M22 x 2 ORB,
12	86836518	1	CONNECTOR, HYD., 2"-12 ORFS x M48 x 2 ORB,
13	87010918	AR	KIT, SEALS,
14	86598102	1	O-RING, CI 6, 19.3MM ID x 2.2 Thk,
15	9992069	1	O-RING, -016, 90 Duro, .614" ID x .070" Thk,
16	86598104	1	O-RING, CI 6, 26.6MM ID x 2.9 Thk,
17	9824050	1	O-RING, -021, 90 Duro, .926" ID x .070" Thk,
18	86583917	1	O-RING, CI 6, 44.6MM ID x 2.9 Thk,
19	9840589	1	O-RING, -029, 90 Duro, 1.489" ID x .070" Thk,
20	87360820	1	VALVE, CONTROL, Regulator, Pressure
21	87380545	AR	KIT, SERVICE, , Services Ref. 20
22	86598043	1	PLUG, Hex Soc, M12 x 1.5, ORB, , Not Shown, Services Ref. 20
23	86512136	4	SCREW, Hex Soc Hd, M6 x 30, 12.9, , Services Ref. 20, Not Shown
24	9825770	3	O-RING, -011, 90 Duro, .301" ID x .070" Thk, , Not Shown, Services Ref. 20



A.10.A.20(2) PUMP, TRIPLE GEAR

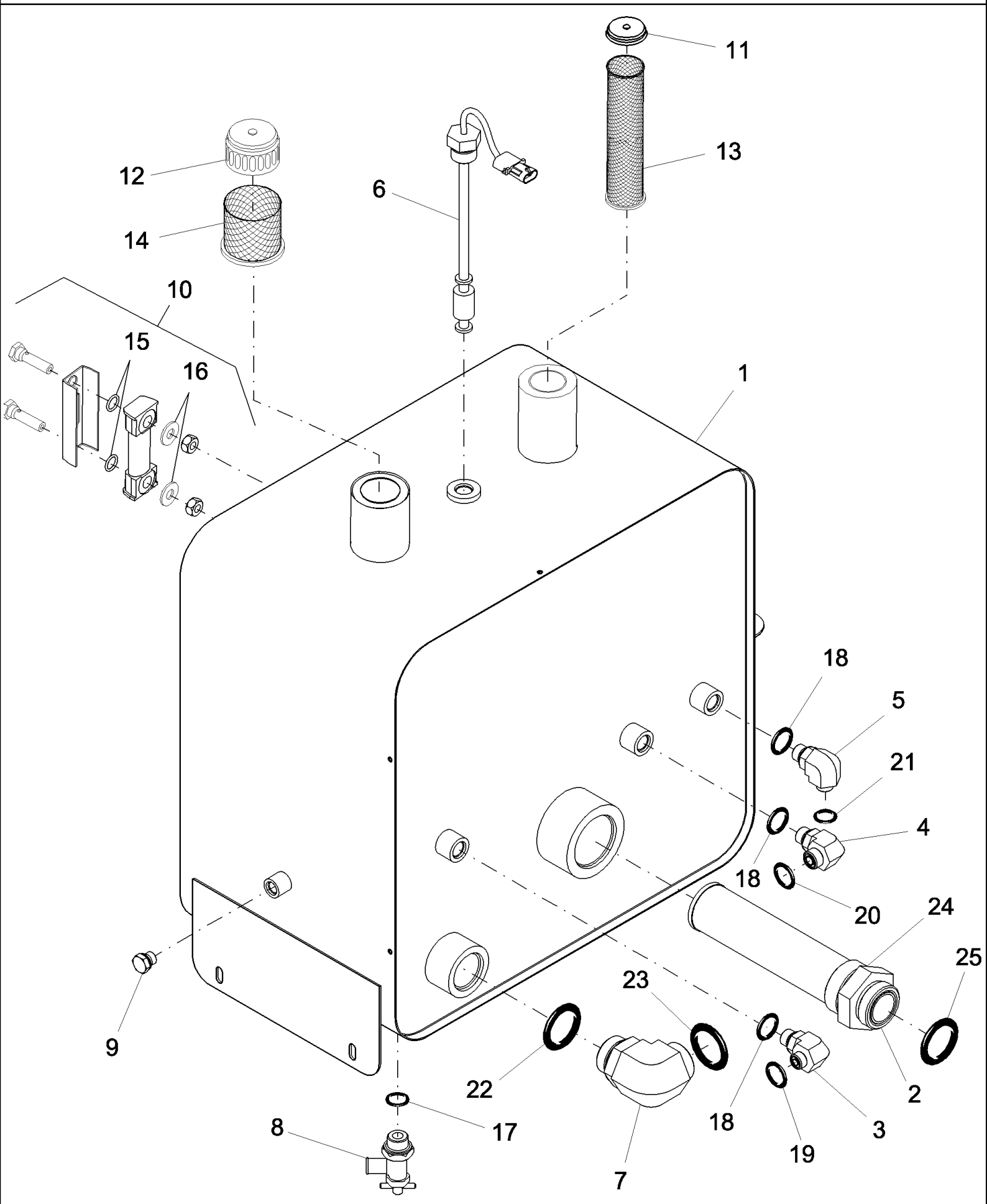
сылка	Номер детали	Кол-во	Описание
1	86996946	1	PUMP, HYDRAULIC, [2109383], BPIN HAJ105375
1	87284570	1	PUMP, HYDRAULIC, (2991224), PIN HAJ105375 and after
2	86579685	1	CONNECTOR, HYD., 1 11/16"-12 ORFS x M42 x 2 ORB, Includes Ref. 6 & 7
3	86579682	2	CONNECTOR, HYD., 1 3/16"-12 ORFS x M27 x 2 ORB, Includes Ref. 8 & 9
4	86580179	1	CONNECTOR, HYD., 1 7/16"-12 ORFS x M22 x 2 ORB, Includes Ref. 10 & 11
5	86579700	1	ELBOW, 90є, 1 11/16"-12 ORFS x M42 x 2 ORB, Includes Ref. 6 & 7
6	9824051	2	O-RING, -025, 90 Duro, 1.176" ID x .070" Thk,
7	86598105	2	O-RING, CI 6, 38.6MM ID x 2.9 Thk,
8	9991976	2	O-RING, -018, 90 Duro, .739" ID x .070" Thk,
9	86598103	2	O-RING, CI 6, 23.6MM ID x 2.9 Thk,
10	9824050	1	O-RING, -021, 90 Duro, .926" ID x .070" Thk,
11	86598104	1	O-RING, CI 6, 26.6MM ID x 2.9 Thk,
12	86998057	1	PUMP, HYDRAULIC, [2109383], BPIN HAJ105375
12	87284569	1	PUMP, HYDRAULIC, (2991224), PIN HAJ105375 and after
13	87283528	1	KIT, SEALS, For 86998057
13	87284671	1	KIT, SEALS, For 87284569

A.10.A.22(1) RESERVOIR, HYDRAULIC, WITH HOSES AND SUPPORTS



A.10.A.22(1) RESERVOIR, HYDRAULIC, WITH HOSES AND SUPPORTS

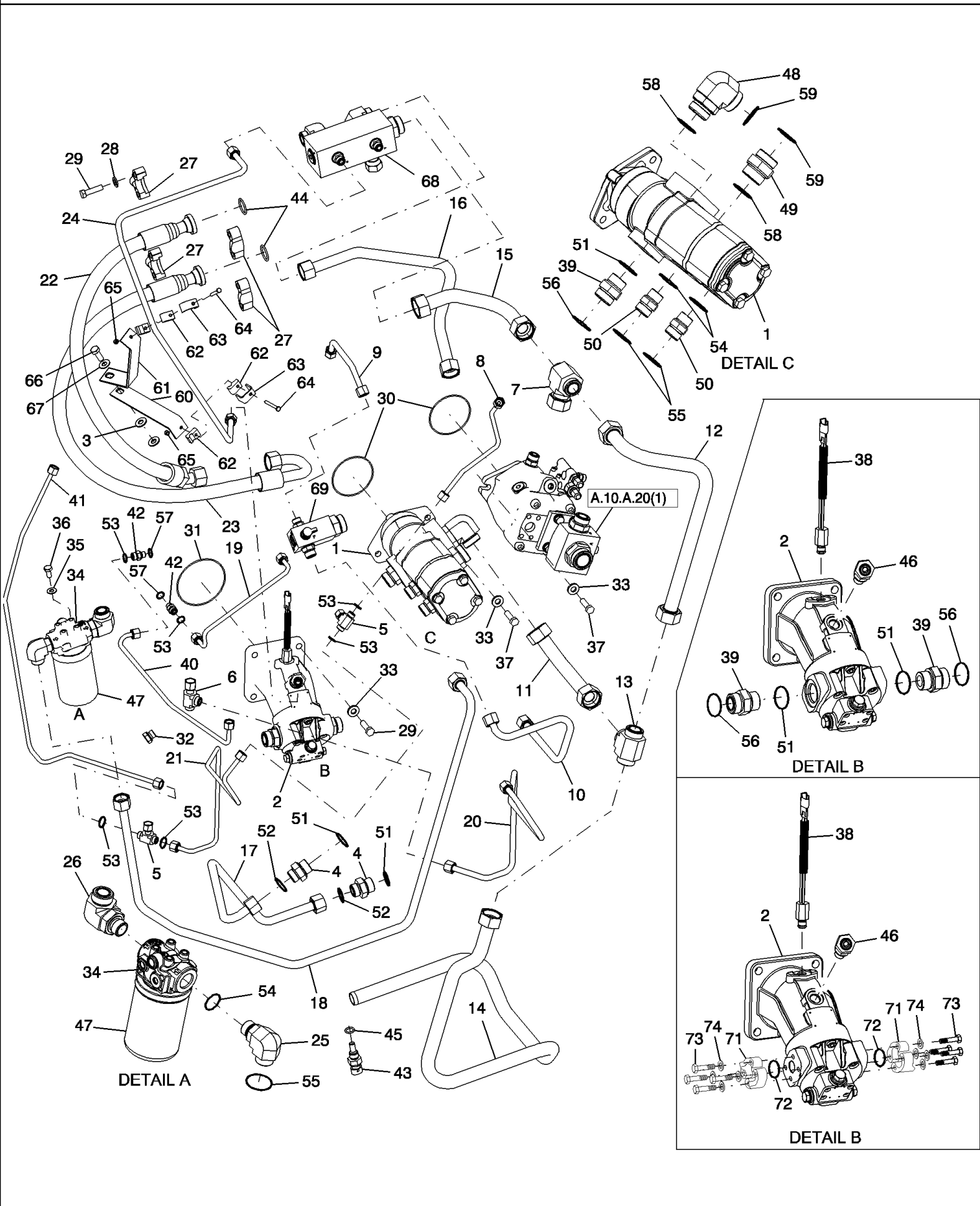
сылка	Номер детали	Кол-во	Описание
1	87105712	1	HOSE, FLEXIBLE, Hydro Cooler Outlet
2	87105713	1	HOSE, FLEXIBLE, Spreader to Air Screen Motor
2	87529196	1	HOSE, FLEXIBLE, Spreader to Air Screen Motor, For EU Only, Start Year: 01/01/2006
3	87105714	1	HOSE, FLEXIBLE, Aux Cooler Outlet
4	87105715	1	HOSE, FLEXIBLE, Motor to Aux Cooler Inlet
4	87529197	1	HOSE, FLEXIBLE, Air Screen Motor to Cooler Inlet, For EU Only, Start Year: 01/01/2006
5	87105716	1	HOSE, FLEXIBLE, Hydro Cooler Inlet
6	86976211	1	RESERVOIR, HYDRAULIC OIL,
7	86999156	1	HOSE, FLEXIBLE, PFC Pump, Drain
8	86999154	1	HOSE, FLEXIBLE, PFC Pump, Suction
9	86999153	1	HOSE, FLEXIBLE, Gear Pump, Suction
10	86975645	1	BRACKET,
11	86976375	1	BRACKET,
12	140018	AR	WASHER, M12 x 24 x 2.5,
13	9706687	6	BOLT, Hex, M12 x 30, 8.8,
14	9706685	AR	NUT, M12, CI 8,
15	140020	3	WASHER, M16 x 30 x 3,
16	825-1416	3	NUT, M16, CI 8,
17	43168	3	BOLT, Hex, M16 x 40, 8.8,
17	86629541	3	BOLT, Hex, M12 x 40, 8.8, Full Thd, , For EU Only, Start Year: 01/01/2006
18	322358	4	WASHER, SPRING, Belleville, M8,
19	43127	4	BOLT, Hex, M8 x 25, 8.8,
20	9706690	4	NUT, M8, CI 8,
21	9824050	4	O-RING, -021, 90 Duro, .926" ID x .070" Thk,
22	87529198	1	HOSE, FLEXIBLE, Air Screen Case Drain, For EU Only, Start Year: 01/01/2006



A.10.A.22(2) RESERVOIR, HYDRAULIC OIL

сылка	Номер детали	Кол-во	Описание
1	86976211	1	RESERVOIR, HYDRAULIC OIL, Includes Ref. 10, 11, 12, 13, 14, 15 & 16
2	86995010	1	STRAINER, ELEMENT, Suction
3	86579693	1	ELBOW, 90°, 1"-14 ORFS x M18 x 1.5 ORB,
4	86579691	1	ELBOW, 90°, 1 3/16"-18 ORFS x M18 x 1.5 ORB,
5	86579688	1	ELBOW, 90°, 1 1/16"-18 ORFS x M18 x 1.5 ORB,
5	87030025	1	PLUG, Hex, M18 x 1.5 ORB,
6	86619910	1	SENSOR,
7	86579700	1	ELBOW, 90°, 1 11/16"-12 ORFS x M42 x 2 ORB,
8	87105048	1	DRAINCOCK/TAP, SUPPLY, Includes Ref. 17
9	86611704	1	PLUG, HH, ORB, M14 x 1.5
10	87107405	1	GAUGE, LEVEL, Includes Ref. 15 & 16
11	87000624	1	CAP, Fill
12	87000625	1	CAP, With Breather Filter
13	87000623	1	SCREEN, Reservoir Fill
14	87000622	1	FILTER, ELEMENT, Fill Neck Baffle
15	86598100	2	O-RING, CI 6, 13.3MM ID x 2.2 Thk,
16	720060	2	WASHER, RUBBER,
17	PL	1	PROCURE LOCALLY, O-RING, Included with Ref. 8
18	86598101	3	O-RING, CI 6, 15.3MM ID x 2.2 Thk,
19	9992069	1	O-RING, -016, 90 Duro, .614" ID x .070" Thk,
20	9992298	1	O-RING, -014, 90 Duro, .489" ID x .070" Thk,
21	9993141	1	O-RING, -012, 90 Duro, .364" ID x .070" Thk,
22	86598105	1	O-RING, CI 6, 38.6MM ID x 2.9 Thk,
23	9824051	1	O-RING, -025, 90 Duro, 1.176" ID x .070" Thk,
24	86995010	1	STRAINER, ELEMENT,
25	9840589	1	O-RING, -029, 90 Duro, 1.489" ID x .070" Thk,

A.10.A.36(1) GENERAL HYDRAULIC



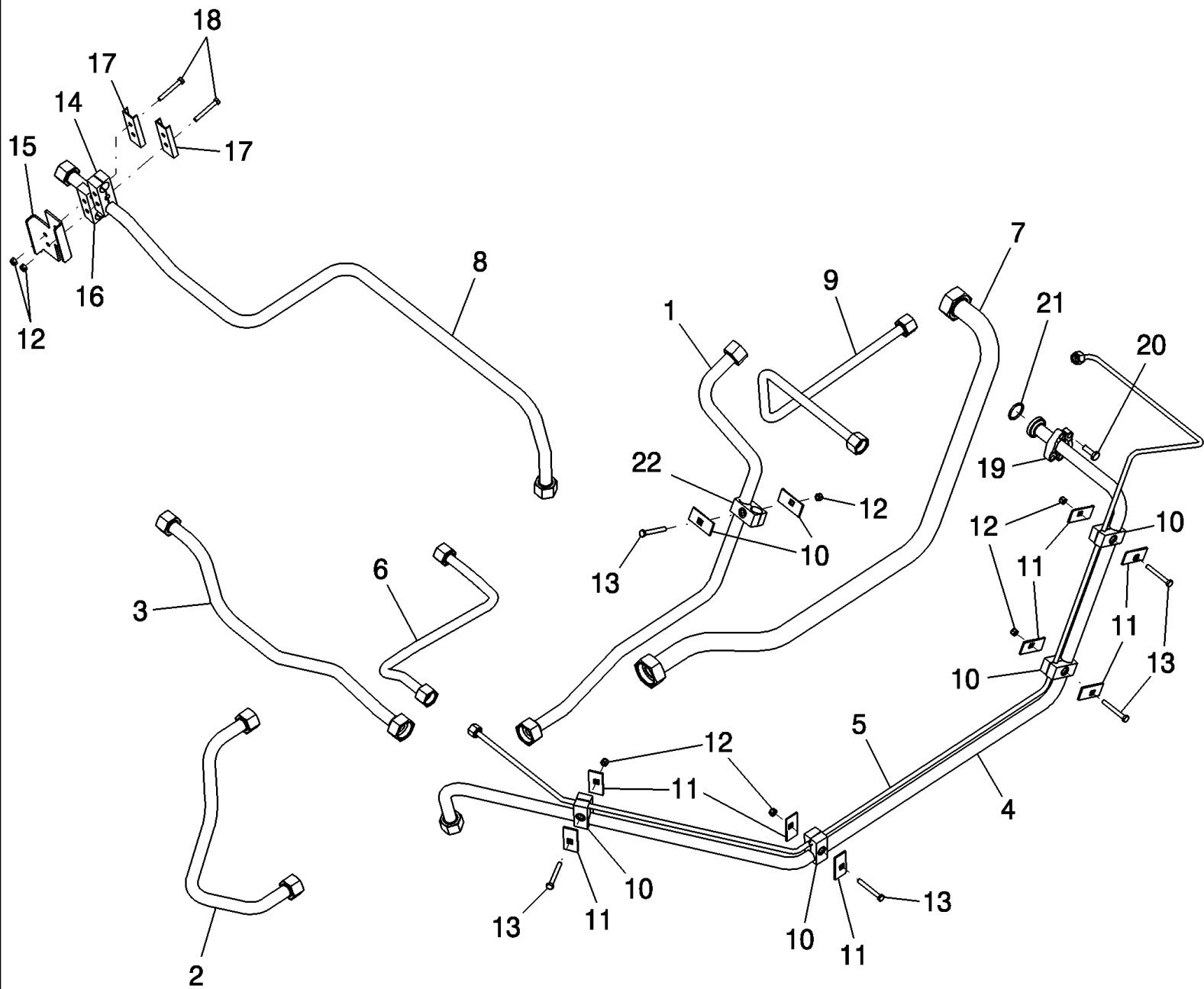
A.10.A.36(1) GENERAL HYDRAULIC

сылка	Номер детали	Кол-во	Описание
1	86998057	1	PUMP, HYDRAULIC, Triple Gear[2109383], BPIN HAJ105375, See Fig A.10.A.20[2]
1	87284569	1	PUMP, HYDRAULIC, Triple Gear(2991224), PIN HAJ105375 and after, See Fig A.10.A.20[2]
2	86837121	1	MOTOR, HYDRAULIC, Fitted Hoses
2	87310111	1	MOTOR, HYDRAULIC, Clamped Hoses, ASN HAJ106401
3	378245	2	WASHER, M12,
4	86579683	2	CONNECTOR, HYD., 1 3/16"-12 ORFS x M33 x 2 ORB,
5	86591334	2	TEE, 11/16"-16 ORFS x 11/16"-16 Fem Sw Br,
6	86514261	1	TEE, 13/16"-16 ORFS x 13/16"-16 Fem Sw Run,
7	86705424	1	TEE, 1 11/16"-12 ORFS x 1 11/16"-12 Fem Sw Br,
8	86995863	1	TUBE, HYD, Reg. to Feeder Clutch from Manifold
9	87106670	1	TUBE, HYD, Charge to Rotor Pump
10	86995878	1	TUBE, HYD, Charge to Propulsion Pump
11	86995865	1	TUBE, HYD, Suction from Tee to Charge Pump
12	86998291	1	TUBE, HYD, Suction from Tee to Lube Pump
13	86705423	1	TEE,
14	86996000	1	TUBE, HYD, PTO Oil Pan Suction to Tee
15	86995871	1	TUBE, HYD, Return from Drain Manifold
16	86995870	1	TUBE, HYD, Ground Drive Pump Drain
17	86995997	1	TUBE, HYD, Feeder Gearbox Drain
18	86995882	1	TUBE, HYD, Lube to Filter, BSN HAJ105757
18	87284931	1	TUBE, Lube to Filter, ASN HAJ105758
19	86995995	1	TUBE, Feeder Clutch Pressure
20	86995885	1	TUBE, HYD, Feeder Clutch Lube Supply
21	86995872	1	TUBE, HYD, Rotor Clutch Regulated Supply
22	87108747	1	HOSE, FLEXIBLE, Rotor Drive "B"
22	87314312	1	HOSE, FLEXIBLE, Rotor Drive "B" - Both Ends Clamped, ASN HAJ106401
23	87108746	1	HOSE, FLEXIBLE, Rotor Drive "A"
23	87314311	1	HOSE, FLEXIBLE, Rotor Drive "A" - Both Ends Clamped, ASN HAJ106401
24	86995883	1	TUBE, HYD, Rotor Motor Case Drain
25	86579697	1	ELBOW, 90°, 1 3/16"-12 ORFS x M27 x 2 ORB,
26	87010650	1	ELBOW, 90°, 1 7/16"-12 ORFS x M27 x 2 ORB,
27	86980732	4	CLAMP, Split Flange
28	86625255	8	WASHER, M13.5 x 24.5 x 3, HT,
29	87022684	12	BOLT, Hex, M12 x 45, 10.9, Full Thd,
30	9828498	2	O-RING, -155, 70 Duro, 3.987" ID x .103" Thk,
31	274336	1	O-RING, -158, 70 Duro, 4.737" ID x .103" Thk,
32	86589753	1	PLUG, Hex, M18 x 1.5, EndYear: 08/29/2003
32	87030025	1	PLUG, Hex, M18 x 1.5 ORB, , Start Year: 08/29/2003
33	86625256	8	WASHER, M12 x 28.5 x 4, HT,
34	86998689	1	FILTER, HYDRAULIC OIL, PTO Lube
35	140045	4	WASHER, SPRING, Belleville, M10,
36	43138	4	BOLT, Hex, M10 x 20, 8.8, Full Thd,
37	87022683	4	BOLT, Hex, M12 x 40, 10.9, Full Thd,
38	87105602	1	SENSOR, Rotor Motor Speed
39	86580179	3	CONNECTOR, HYD., 1 7/16"-12 ORFS x M22 x 2 ORB,

A.10.A.36(1) GENERAL HYDRAULIC

сылка	Номер детали	Кол-во	Описание
40	86995994	1	TUBE, HYD, Rotor Clutch Pressure
41	86995887	1	TUBE, HYD, Clutch pressure Supply to UNL
42	86579671	2	CONNECTOR, HYD., 11/16"-16 ORFS x M14 x 1.5 ORB,
43	86571273	1	SENSOR, , EndYear: 08/29/2003
44	86529541	2	O-RING, -219, 90 Duro, 1.296" ID x .139" Thk,
45	86598099	1	O-RING, CI 6, 11.3MM ID x 2.2 Thk, , EndYear: 08/29/2003
46	86639056	1	ELBOW, 45е, 13/16"-18 ORFS x M18 x 1.5 ORB,
47	294721A1	1	FILTER, HYDRAULIC OIL, Element
48	86579700	1	ELBOW, 90е, 1 11/16"-12 ORFS x M42 x 2 ORB,
49	86579685	1	CONNECTOR, HYD., 1 11/16"-12 ORFS x M42 x 2 ORB,
50	86579682	2	CONNECTOR, HYD., 1 3/16"-12 ORFS x M27 x 2 ORB,
51	86598104	5	O-RING, CI 6, 26.6MM ID x 2.9 Thk,
52	9991976	2	O-RING, -018, 90 Duro, .739" ID x .070" Thk,
53	9993141	6	O-RING, -012, 90 Duro, .364" ID x .070" Thk,
54	86598103	3	O-RING, CI 6, 23.6MM ID x 2.9 Thk,
55	9991976	3	O-RING, -018, 90 Duro, .739" ID x .070" Thk,
56	9824050	2	O-RING, -021, 90 Duro, .926" ID x .070" Thk,
57	86598099	2	O-RING, CI 6, 11.3MM ID x 2.2 Thk,
58	86598105	2	O-RING, CI 6, 38.6MM ID x 2.9 Thk,
59	9824051	AR	O-RING, -025, 90 Duro, 1.176" ID x .070" Thk,
60	87324916	1	BRACKET, Mount to PTO Gearbox, was 87281774
61	87324918	1	BRACKET, Mount to PTO Gearbox, was 87281776
62	433008	4	CLAMP,
63	442340	2	SUPPORT,
64	120056	2	BOLT, Hex, M6 x 50, 8.8,
65	353308	2	NUT, LOCK, M6 x 1, CI 8,
66	9706687	1	BOLT, Hex, M12 x 30, 8.8,
67	140046	1	WASHER, SPRING, Belleville, M12,
68	87108152	1	MANIFOLD, Drain, See Fig A.12.A.36
69	87282545	1	MANIFOLD, Pressure Control, See Fig A.12.A.19
69	87553802	1	VALVE, Pressure Control, See Fig A.12.A.19
70	9992298	3	O-RING, -014, 90 Duro, .489" ID x .070" Thk,
71	86980731	4	CLAMP,
72	86503302	2	O-RING, -214, 90 Duro, .984" ID x .139" Thk,
73	87315279	8	BOLT, Hex, M10 x 1.5 x 35, CI 10.9, Full Thd,
74	86639325	8	WASHER, M10 x 24.5 x 3, HT,

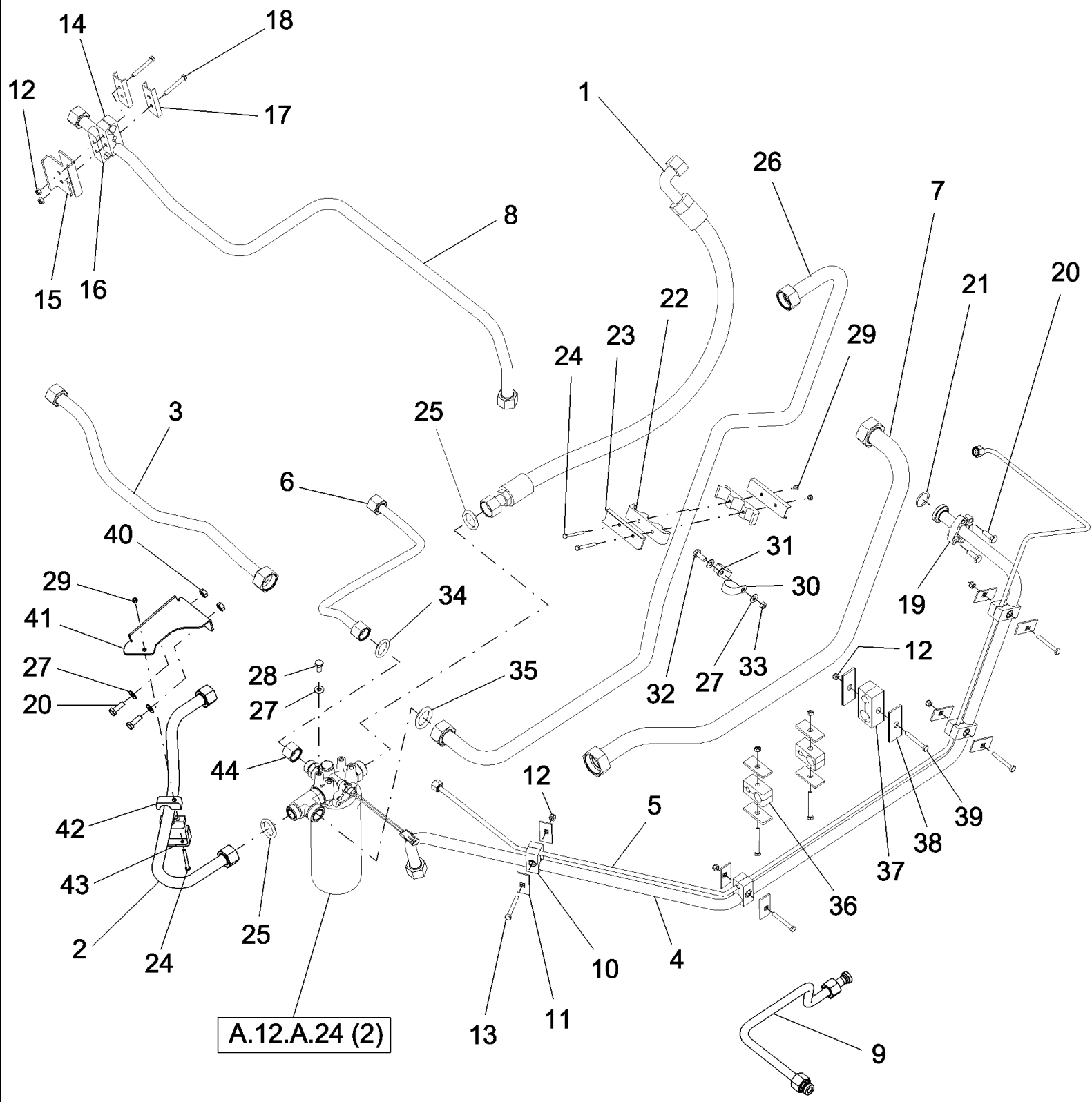
A.10.A.36(2) HYDRAULIC LINES



A.10.A.36(2) HYDRAULIC LINES

сылка	Номер детали	Кол-во	Описание
1	87109045	1	TUBE, HYD, Charge Pump to Filter
2	87109046	1	TUBE, HYD, Charge Pump from Filter
3	86996178	1	TUBE, HYD, Gear Flow to Filter
4	87105738	1	TUBE, HYD, PFC Pump to Main Valve
5	87105739	1	TUBE, HYD, Load Sense to PFC Pump
6	87109047	1	TUBE, HYD, Charge Bypass, BSN HAJ105757
6	9847689	2	CAP, 1 3/16"-12 ORFS, , ASN HAJ105758
7	87106605	1	TUBE, HYD, Filter to PFC Pump
8	87105709	1	TUBE, HYD, Hydro Cooler Inlet
9	87000881	1	TUBE, HYD, Spreader Valve Pressure
10	87000142	4	CLAMP, Hydraulic Tube
11	87000230	10	PLATE, Hose Clamp
12	832-46408	9	NUT, LOCK, M8 x 1.25, Cl 8,
13	300510	5	BOLT, Hex, M8 x 65, 8.8,
14	86999893	1	CLAMP, Hydraulic Tube
15	87107783	1	BRACKET, Hydraulic Clamp
16	87000734	1	CLAMP, Hydraulic Tube
17	87000242	2	CHANNEL, Clamp Back-Up
18	120061	4	BOLT, Hex, M8 x 60, 8.8,
19	86980728	2	CLAMP, COLLAR, Split Flange
20	43140	4	BOLT, Hex, M10 x 30, 8.8, Full Thd,
21	86529541	1	O-RING, -219, 90 Duro, 1.296" ID x .139" Thk,
22	87000147	1	CLAMP, Hydraulic Tube

A.10.A.36(2A) HYDRAULIC LINES



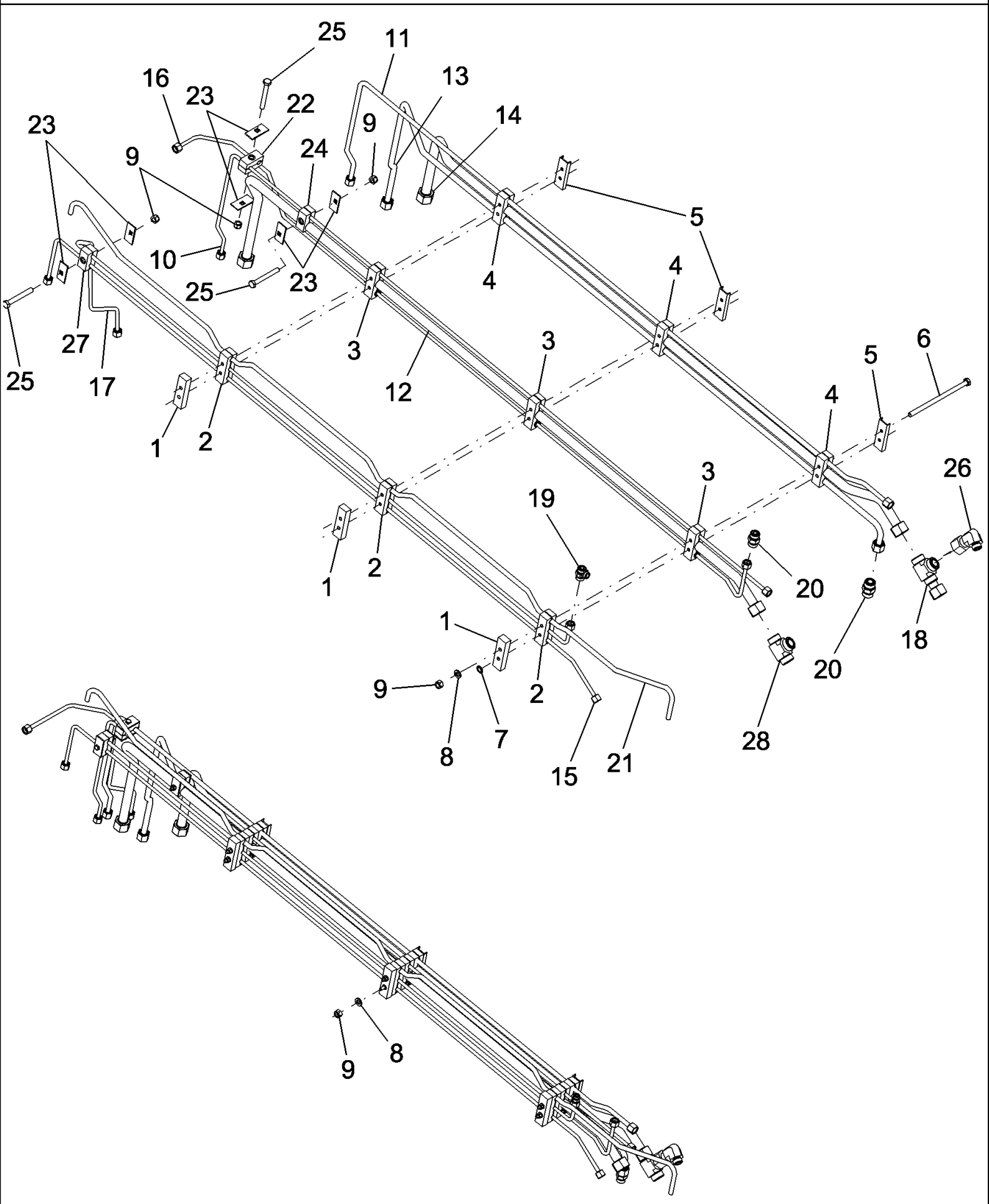
A.10.A.36(2A) HYDRAULIC LINES

сылка	Номер детали	Кол-во	Описание
1	87283082	1	HOSE, FLEXIBLE, Charge - Pump to Filter
2	87282543	1	TUBE, HYD, Charge - Filter to Valve
3	86996178	1	TUBE, HYD, Gear Flow to Filter
4	87105738	1	TUBE, HYD, PFC Pump to Main Valve, BSN HAJ105757
4	87284927	1	TUBE, HYD, PFC Pump to Main Valve, ASN HAJ105758
5	87105739	1	TUBE, HYD, Load Sensing to PFC Pump, BSN HAJ105757
5	87284930	1	TUBE, HYD, Load Sensing to PFC Pump, ASN HAJ105758
6	87109047	1	TUBE, HYD, Charge Bypass, BSN HAJ105757
7	87106605	1	TUBE, HYD, Filter to PFC Pump, BSN HAJ105757
7	87284926	1	TUBE, HYD, Filter to PFC Pump, ASN HAJ105758
8	87105709	1	TUBE, HYD, Hydro Cooler Inlet, BSN HAJ105757
8	87284948	1	TUBE, HYD, Hydro Cooler Inlet, ASN HAJ105758
9	87000881	1	TUBE, HYD, Spreader Valve Pressure, BSN HAJ105757
9	87284928	1	TUBE, HYD, Spreader Valve Pressure, ASN HAJ105758
10	87000142	4	CLAMP, Tube, Hydraulic
11	87000230	12	PLATE, Hose Clamp
12	832-46408	11	NUT, LOCK, M8 x 1.25, CI 8,
13	300510	6	BOLT, Hex, M8 x 65, 8.8,
14	86999893	1	CLAMP, Tube, Hydraulic
15	87107783	1	BRACKET, Hydraulic Clamp
16	87000734	1	CLAMP, Tube, Hydraulic
17	87000242	2	CHANNEL, Clamp Back-up
18	120061	4	BOLT, Hex, M8 x 60, 8.8,
19	86980728	2	CLAMP, COLLAR,
20	43140	AR	BOLT, Hex, M10 x 30, 8.8, Full Thd,
21	86529541	1	O-RING, -219, 90 Duro, 1.296" ID x .139" Thk,
22	455533	2	CLAMP, Tube
23	87283294	2	CHANNEL, Clamp Back-up
24	338413	2	BOLT, Hex, M6 x 60, 8.8,
25	9824050	2	O-RING, -021, 90 Duro, .926" ID x .070" Thk, ORF, 1-7/16"
26	87282544	1	TUBE, HYD, Charge Filter to Manifold
27	140045	AR	WASHER, SPRING, Belleville, M10,
28	43138	4	BOLT, Hex, M10 x 20, 8.8, Full Thd,
29	353308	AR	NUT, LOCK, M6 x 1, CI 8,
30	86628564	1	CLAMP, 1 1/4", Insul, 3/8" Bolt,
31	86637998	1	CLAMP, 1 1/2", Insul, 3/8" Bolt,
32	43139	1	SCREW, Cap, HH, CL 8.8, M10 x 25
33	9706690	1	NUT, M8, CI 8,
34	9991976	1	O-RING, -018, 90 Duro, .739" ID x .070" Thk,
35	9824051	1	O-RING, -025, 90 Duro, 1.176" ID x .070" Thk,
36	87000146	2	CLAMP,
37	87283573	1	CLAMP,
38	87000231	2	PLATE, Hose Clamp
39	43133	1	BOLT, Hex, M8 x 80, 8.8,
40	100016	3	NUT, M10, CI 8,

After 8/15/2003

A.10.A.36(2A) HYDRAULIC LINES

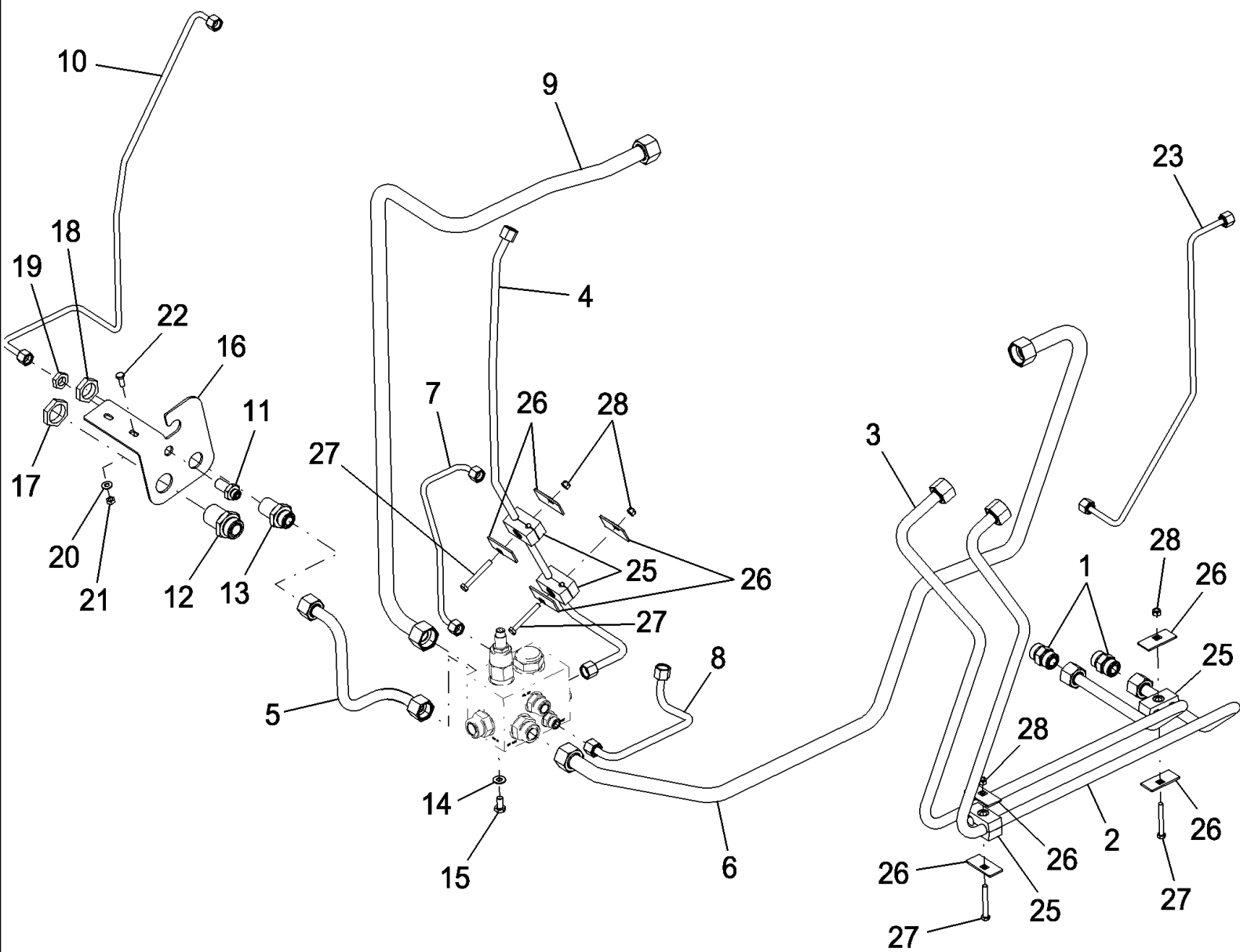
сылка	Номер детали	Кол-во	Описание
41	87284346	1	SUPPORT, Clamp
42	457546	2	CLAMP,
43	743318	1	SUPPORT,
44	9847689	2	CAP, 1 3/16"-12 ORFS, Replaces Ref. 6, ASN HAJ105758



A.10.A.36(3) HYDRAULICS - MAIN LINES

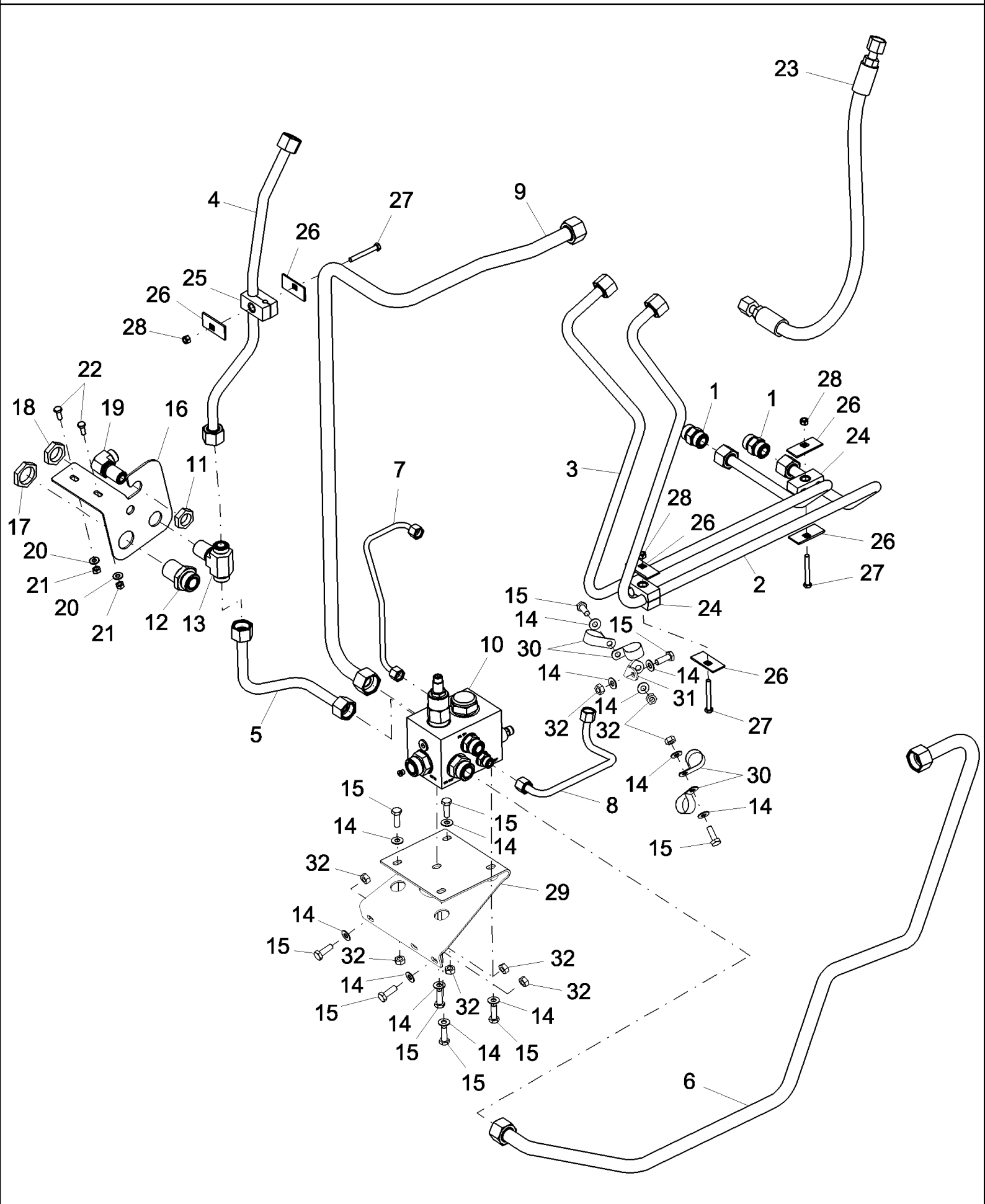
сылка	Номер детали	Кол-во	Описание
1	86998428	3	SPACER, Clamp, Tube
2	86998371	3	CLAMP, Hydraulic Tube
3	86998372	3	CLAMP, Hydraulic Tube
4	86998373	3	CLAMP, Hydraulic Tube
5	87000242	3	CHANNEL, Clamp Back-Up
6	412422	6	BOLT, Hex, M8 x 150, 8.8,
7	87012484	3	RING, SNAP, #31, Ext,
8	140016	6	WASHER, M8 x 16 x 1.6,
9	832-46408	9	NUT, LOCK, M8 x 1.25, CI 8,
10	86995857	1	TUBE, HYD, Load Sense to Steering
11	87280106	1	TUBE, HYD, Priority Flow to Steering
12	87280105	1	TUBE, HYD, Extra Flow to Feeder Valve
13	86995861	1	TUBE, HYD, Feeder Lift, EndYear: 12/04/2004
13	87283796	1	TUBE, HYD, Feeder Lift, Start Year: 12/04/2004
14	86995869	1	TUBE, HYD, Return from Feeder Stack
15	86996184	1	TUBE, Load Sense from Feeder Valve
16	87109922	1	TUBE, HYD, Drain
17	87109749	1	TUBE, HYD, Regulator, Pressure to Main Stack
18	86641295	1	TEE, 1 7/16"-12 ORFS to Swivel,
19	9840322	1	TEE, 11/16"-16 ORFS,
20	84431473	2	CONNECTOR, HYD.,
21	87106606	1	TUBE, Wire Harness Support
22	87105732	1	CLAMP, Hydraulic Tube
23	87000230	6	PLATE, Clamp, Hose
24	87000142	1	CLAMP, Hydraulic Tube
25	300510	3	BOLT, Hex, M8 x 65, 8.8,
26	87105745	1	ELBOW, Reducer
27	86988833	1	CLAMP, Hydraulic Tube
28	87280130	1	TEE,

A.12.A.17(1) HYDRAULICS - PTO REGULATOR VALVE



A.12.A.17(1) HYDRAULICS - PTO REGULATOR VALVE

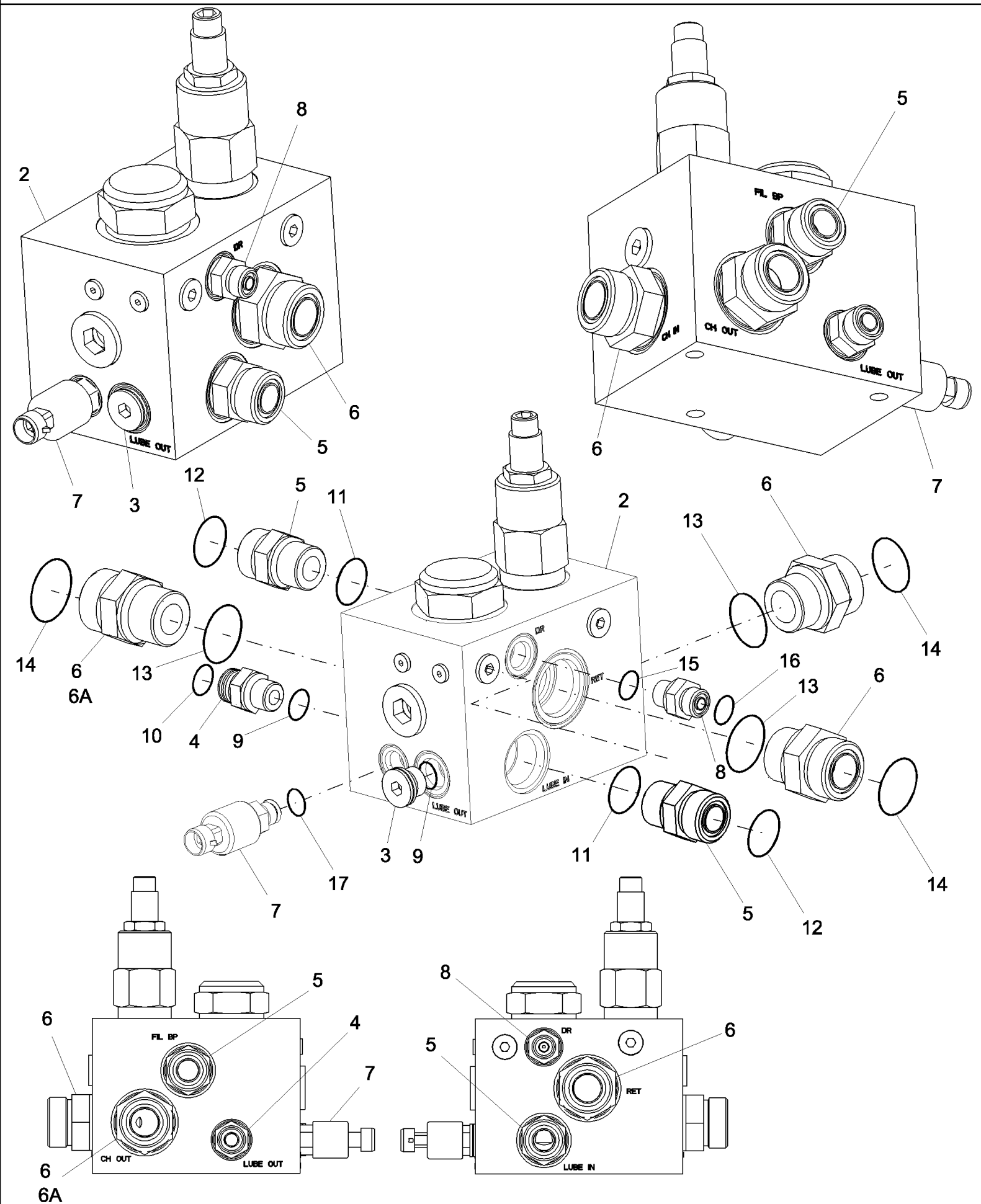
сылка	Номер детали	Кол-во	Описание
1	84100407	2	UNION, 1 3/16"-12 ORFS,
2	86995999	1	TUBE, HYD, Gear Pump to Fan
3	86995998	1	TUBE, HYD, Gear Pump to RAS and Spreaders
4	86998287	1	TUBE, HYD, Lube, from Valve to UNL Valve
5	86995880	1	TUBE, HYD, Lube Supply to PTO Valve
6	87106669	1	TUBE, HYD, Charge from Valve, EndYear: 08/15/2003
7	87106673	1	TUBE, HYD, Drain from PTO Regulator Valve
8	86995886	1	TUBE, HYD, Lube Supply to Rotor Clutch
9	86995856	1	TUBE, HYD, PTO Regulator Valve Bypass
10	86996001	1	TUBE, HYD, Park Brake from Valve
11	86978770	1	UNION, 11/16"-6 ORFS, Blkd,
12	86639060	1	UNION, 1 7/16"-12 ORFS, Blkd,
13	86639064	1	UNION, 1 3/16"-12 ORFS, Blkd,
14	140045	3	WASHER, SPRING, Belleville, M10,
15	43138	3	BOLT, Hex, M10 x 20, 8.8, Full Thd,
16	87001274	1	BRACKET,
17	86639084	1	NUT, LOCK, 1 7/16"-12, ORFS Blkhd, Tube OD = 1"
18	86639062	1	NUT, LOCK, 1 3/16"-12, ORFS Blkhd, Tube OD = 3/4"
19	87010704	1	NUT, LOCK, 11/16"-16, Blkhd, Tube OD = 3/8"
20	322358	2	WASHER, SPRING, Belleville, M8,
21	9706690	2	NUT, M8, CI 8,
22	120104	2	BOLT, Hex, M8 x 20, 8.8,
23	87000777	1	TUBE, HYD, Cleaning Fan Drain
24	87000140	2	CLAMP, Tube
25	87105732	2	CLAMP, Tube
26	87000230	8	PLATE, Hose Clamp
27	300510	4	BOLT, Hex, M8 x 65, 8.8,
28	832-46408	4	NUT, LOCK, M8 x 1.25, CI 8,



A.12.A.17(2) HYDRAULICS - PTO REGULATOR VALVE, PIN

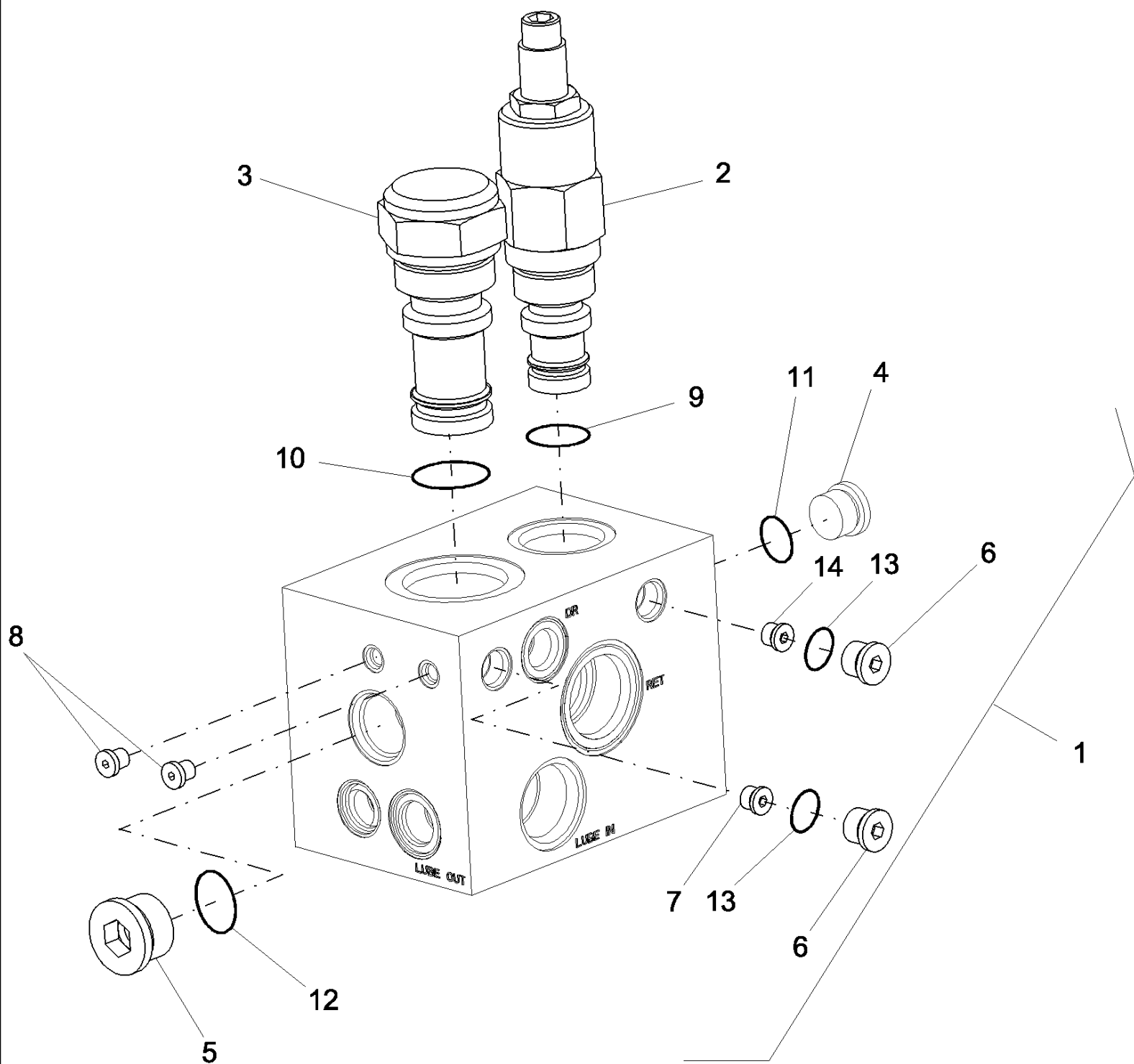
сылка	Номер детали	Кол-во	Описание
1	84100407	2	UNION, 1 3/16"-12 ORFS,
2	86995999	1	TUBE, HYD, Gear Pump to Fan, BSN HAJ105757
2	87284932	1	TUBE, HYD, Gear Pump to Fan, ASN HAJ105758
3	86995998	1	TUBE, HYD, Gear Pump to RAS and Spreaders, BSN HAJ105757
3	87284933	1	TUBE, HYD, Gear Pump to RAS and Spreaders, ASN HAJ105758
4	87281693	1	TUBE, HYD, Lube Supply, Tee to Cross
5	87281692	1	TUBE, HYD, Lube Regulator, Supply to Valve
6	87106669	1	TUBE, HYD, Charge, from Valve, EndYear: 08/15/2003
7	87106673	1	TUBE, HYD, Drain, from PTO Regulator Valve
8	86995886	1	TUBE, HYD, Lube Supply, to Rotor
9	86995856	1	TUBE, HYD, PTO Regulator Valve Bypass
10	87281628	1	VALVE, HYDRAULIC, Hydraulic PTO/ Charge Regulator, EndYear: 08/15/2003
10	87282402	1	VALVE, HYDRAULIC, , Years: 08/15/2003-02/09/2004, BSN HAJ100949
10	87283360	1	VALVE, HYDRAULIC, , Start Year: 02/09/2004, ASN HAJ100950
11	86639085	1	NUT, LOCK, 1"-14, ORFS Blkhd,
12	86639060	1	UNION, 1 7/16"-12 ORFS, Blkd,
13	86900241	1	TEE, 1 7/16"-12 ORFS, Blkhd Br,
14	140045	AR	WASHER, SPRING, Belleville, M10,
15	43138	3	BOLT, Hex, M10 x 20, 8.8, Full Thd,
15	43140	AR	BOLT, Hex, M10 x 30, 8.8, Full Thd,
16	87001274	1	BRACKET, Bulkhead
17	86639084	1	NUT, LOCK, 1 7/16"-12, ORFS Blkhd,
18	86639062	1	NUT, LOCK, 1 3/16"-12, ORFS Blkhd,
19	87028944	1	ELBOW, 90e, 1"-14, ORFS, Blkhd,
20	322358	2	WASHER, SPRING, Belleville, M8,
21	9706690	2	NUT, M8, CI 8,
22	120104	2	BOLT, Hex, M8 x 20, 8.8,
23	87109746	1	HOSE, FLEXIBLE, Cleaning Fan / Regulator Return
24	87000140	2	CLAMP,
25	87000154	1	CLAMP,
26	87000230	6	PLATE, Hose Clamp
27	300510	3	BOLT, Hex, M8 x 65, 8.8,
28	86528579	3	NUT, LOCK, M8 x 1.25, CI 10,
29	87284344	1	SUPPORT, Bracket
30	86628564	4	CLAMP, 1 1/4", Insul, 3/8" Bolt,
31	87314169	1	BRACKET,
32	100016	8	NUT, M10, CI 8,

A.12.A.17(3) VALVE, HYDRAULIC PTO / CHARGE REGULATOR



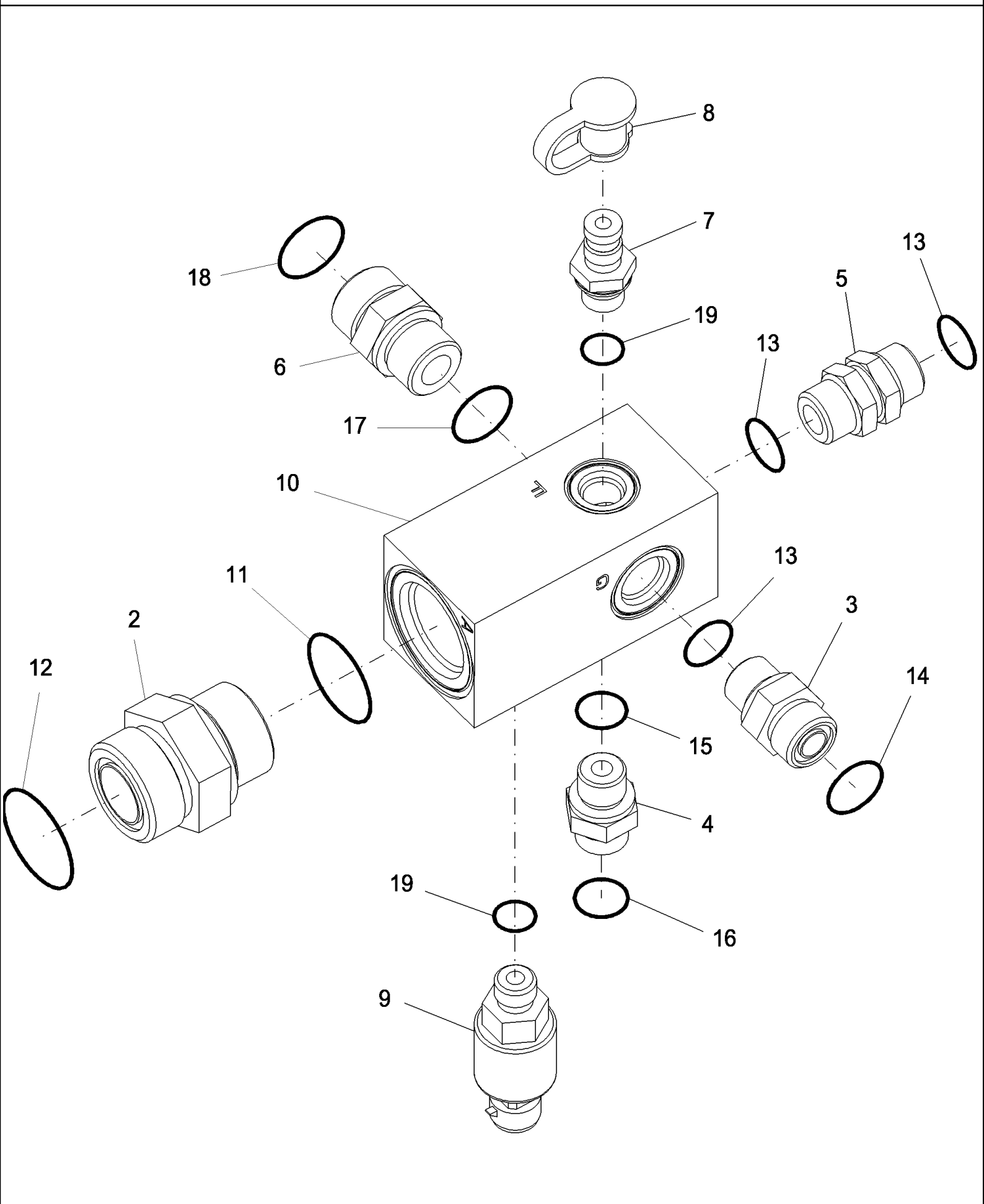
A.12.A.17(3) VALVE, HYDRAULIC PTO / CHARGE REGULATOR

сылка	Номер детали	Кол-во	Описание
1	87281628	1	VALVE, HYDRAULIC, PTO Regulator - With Fittings - Was 86998777, EndYear: 08/15/2003
1	87282402	1	VALVE, HYDRAULIC, Less Fittings, Years: 08/15/2003-02/09/2004, BSN HAJ100949
1	87283360	1	VALVE, HYDRAULIC, Less Fittings, Start Year: 02/09/2004, ASN HAJ100950
2	86975010	1	VALVE, HYDRAULIC, PTO Regulator - Less Fittings, EndYear: 08/15/2003
3	86598046	1	PLUG, Hex Soc, M18 x 1.5, ORB, , EndYear: 08/15/2003
4	86579676	1	CONNECTOR, HYD., 13/16"-16 ORFS x M18 x 1.5 ORB,
5	86579682	2	CONNECTOR, HYD., 1 3/16"-12 ORFS x M27 x 2 ORB,
6	86580179	3	CONNECTOR, HYD., 1 7/16"-12 ORFS x M22 x 2 ORB, , EndYear: 08/15/2003
6	86580179	2	CONNECTOR, HYD., 1 7/16"-12 ORFS x M22 x 2 ORB, , Start Year: 08/15/2003
6A	86583482	1	PLUG, , Start Year: 08/15/2003
7	87280944	1	SENSOR, Lube Pressure
8	86579672	1	CONNECTOR, HYD., 11/16"-16 ORFS x M16 x 1.5 ORB,
9	86598101	2	O-RING, CI 6, 15.3MM ID x 2.2 Thk,
10	9992298	1	O-RING, -014, 90 Duro, .489" ID x .070" Thk,
11	86598103	2	O-RING, CI 6, 23.6MM ID x 2.9 Thk,
12	9991976	2	O-RING, -018, 90 Duro, .739" ID x .070" Thk,
13	86598104	3	O-RING, CI 6, 26.6MM ID x 2.9 Thk,
14	9824050	3	O-RING, -021, 90 Duro, .926" ID x .070" Thk,
15	86598100	1	O-RING, CI 6, 13.3MM ID x 2.2 Thk,
16	9993141	1	O-RING, -012, 90 Duro, .364" ID x .070" Thk,
17	86598099	1	O-RING, CI 6, 11.3MM ID x 2.2 Thk,



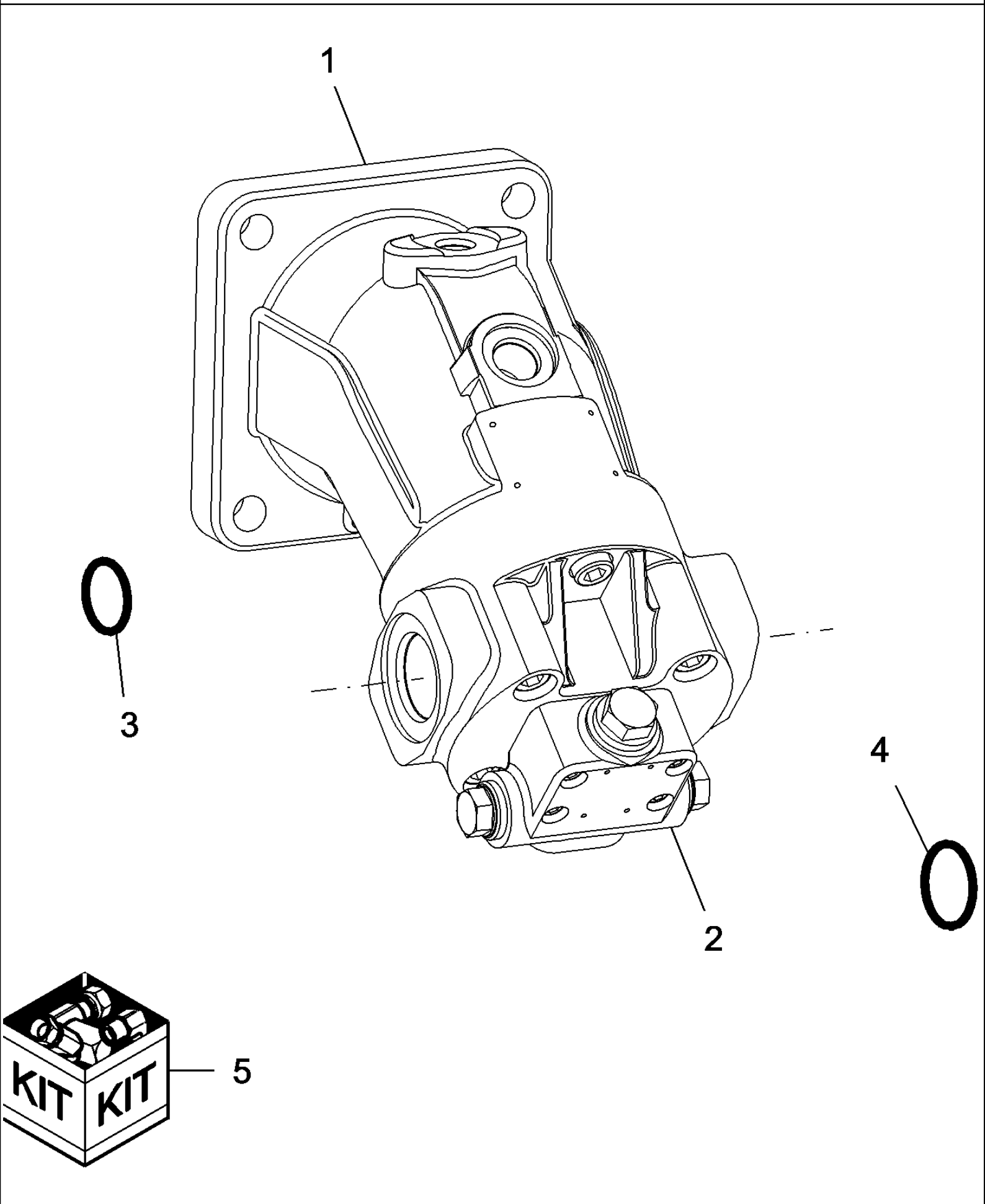
A.12.A.17(4) VALVE, HYDRAULIC PTO/CHARGE REGULATOR

сылка	Номер детали	Кол-во	Описание
1	86975010	1	VALVE, HYDRAULIC, Includes: Ref 1 thru 13 , BSN HAJ100949
1	87283360	1	VALVE, HYDRAULIC, Includes: Ref 1 thru 14 , ASN HAJ100950
2	87000399	1	Pressure Regulating, Includes Ref. 9 , BSN HAJ100949
2	87283362	1	VALVE, HYDRAULIC, Pressure Regulating, Includes Ref.9 , ASN HAJ100950
3	87281715	1	VALVE, HYDRAULIC, Pressure Regulating, Includes Ref. 10
4	86590562	1	PLUG, Hex Soc, 3/4"-16 ORB, Includes Ref. 11
5	9841223	1	PLUG, Hex Soc, 1 1/16"-12 ORB, Incl. Ref. 12
6	9625178	2	PLUG, Hex Soc, 9/16"-18 ORB, Includes Ref. 13
7	87281716	1	PLUG, Orifice , BSN HAJ100949
7	87026245	1	ORIFICE, .040 , ASN HAJ100950
8	86602475	2	PLUG, BSN
8	86632547	2	PLUG, Hex Soc, 5/16"-24 ORB, ASN
9	1978123C1	1	KIT, SEALS,
10	700714185	1	KIT, Seal
11	237-6008	1	O-RING, 8-1, 90 Duro, .644" ID x .087" Thk,
12	167266	1	O-RING, 12-1, 90 Duro, .924 ID x .116" Thk,
13	9617873	2	O-RING, 6-1, 90 Duro, .468" ID x .078" Thk,
14	87444190	1	ORIFICE, .045 , ASN HAJ100950



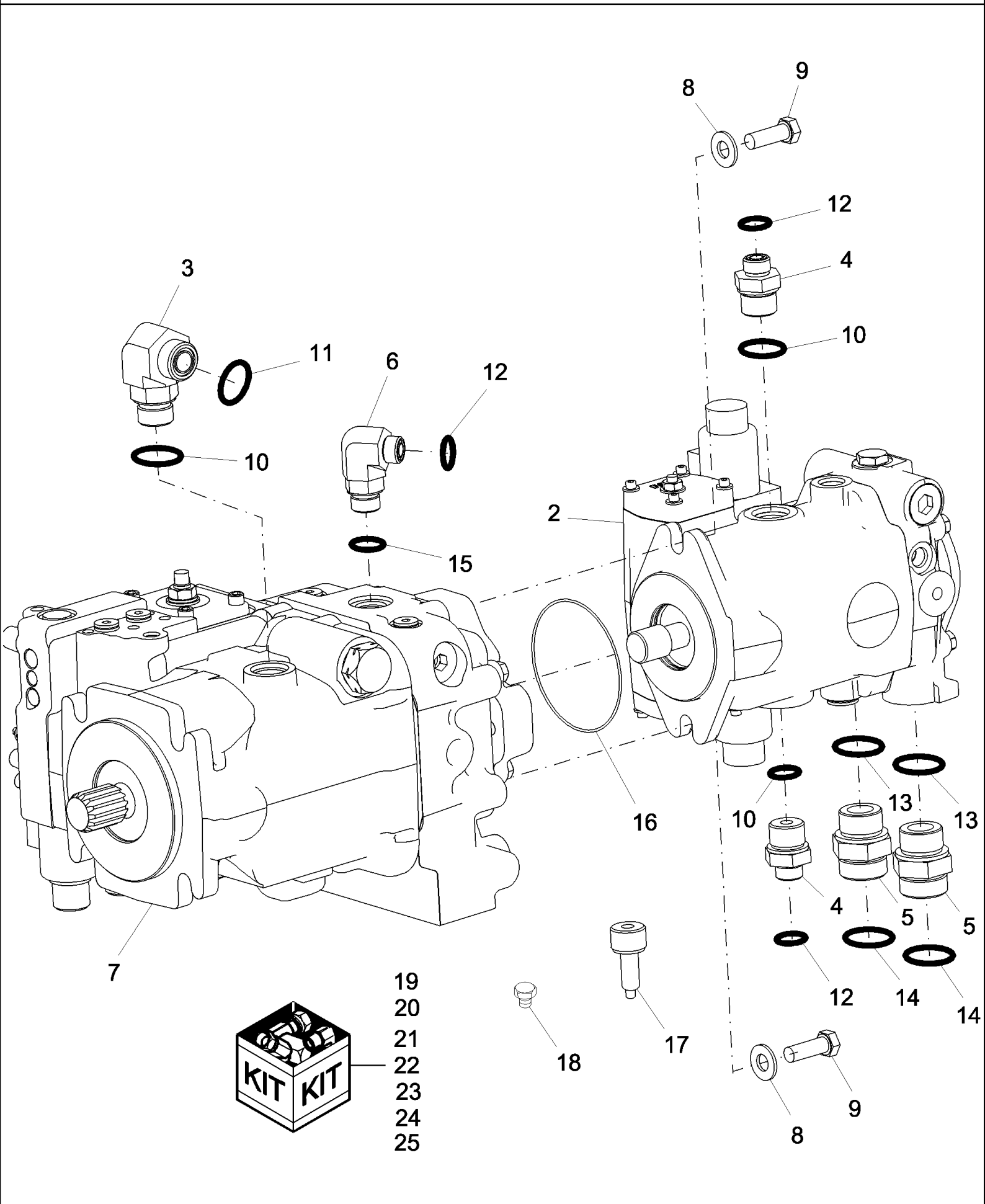
A.12.A.19 MANIFOLD, CHARGE PRESSURE

сылка	Номер детали	Кол-во	Описание
1	86975013	1	MANIFOLD, Includes Ref. 2 thru 10, EndYear: 08/15/2003
1	87282545	1	MANIFOLD, Includes Ref. 2 thru 10, Start Year: 08/15/2003
1	87283811	1	Pressure Control, Includes Ref. 2, 3, 4, 6, 7, 8, 9, 10, Start Year: 12/04/2004
2	86580179	1	CONNECTOR, HYD., 1 7/16"-12 ORFS x M22 x 2 ORB, , EndYear: 08/15/2003
2	86579684	1	CONNECTOR, HYD., 1 11/16"-12 ORFS x M33 x 2 ORB, , Start Year: 08/15/2003
3	86579676	1	CONNECTOR, HYD., 13/16"-16 ORFS x M18 x 1.5 ORB,
4	86579672	1	CONNECTOR, HYD., 11/16"-16 ORFS x M16 x 1.5 ORB,
5	86997654	1	CONNECTOR, HYD.,
6	86579680	1	CONNECTOR, HYD., 1"-14 ORFS x M22 x 1.5 ORB,
7	84320565	1	COUPLING,
8	86502604	1	DUST CAP,
9	86597585	1	SENSOR, Control Pressure Switch
10	86975009	1	MANIFOLD, , EndYear: 12/04/2004
10	87283810	1	MANIFOLD, , Start Year: 12/04/2004
11	86598104	1	O-RING, CI 6, 26.6MM ID x 2.9 Thk, ORB, M33
12	9824050	1	O-RING, -021, 90 Duro, .926" ID x .070" Thk, ORF, 1-7/16" , EndYear: 08/15/2003
12	9824051	1	O-RING, -025, 90 Duro, 1.176" ID x .070" Thk, ORF, 1-11/16", Start Year: 08/15/2003
13	86598101	3	O-RING, CI 6, 15.3MM ID x 2.2 Thk, ORB, M18
14	9992298	1	O-RING, -014, 90 Duro, .489" ID x .070" Thk, ORF, 13/16"
15	86598100	1	O-RING, CI 6, 13.3MM ID x 2.2 Thk, ORB, M16
16	9993141	1	O-RING, -012, 90 Duro, .364" ID x .070" Thk, ORF, 11/16"
17	86598102	1	O-RING, CI 6, 19.3MM ID x 2.2 Thk, ORB, M22
18	9992069	1	O-RING, -016, 90 Duro, .614" ID x .070" Thk,
19	86598099	2	O-RING, CI 6, 11.3MM ID x 2.2 Thk, ORB, M14



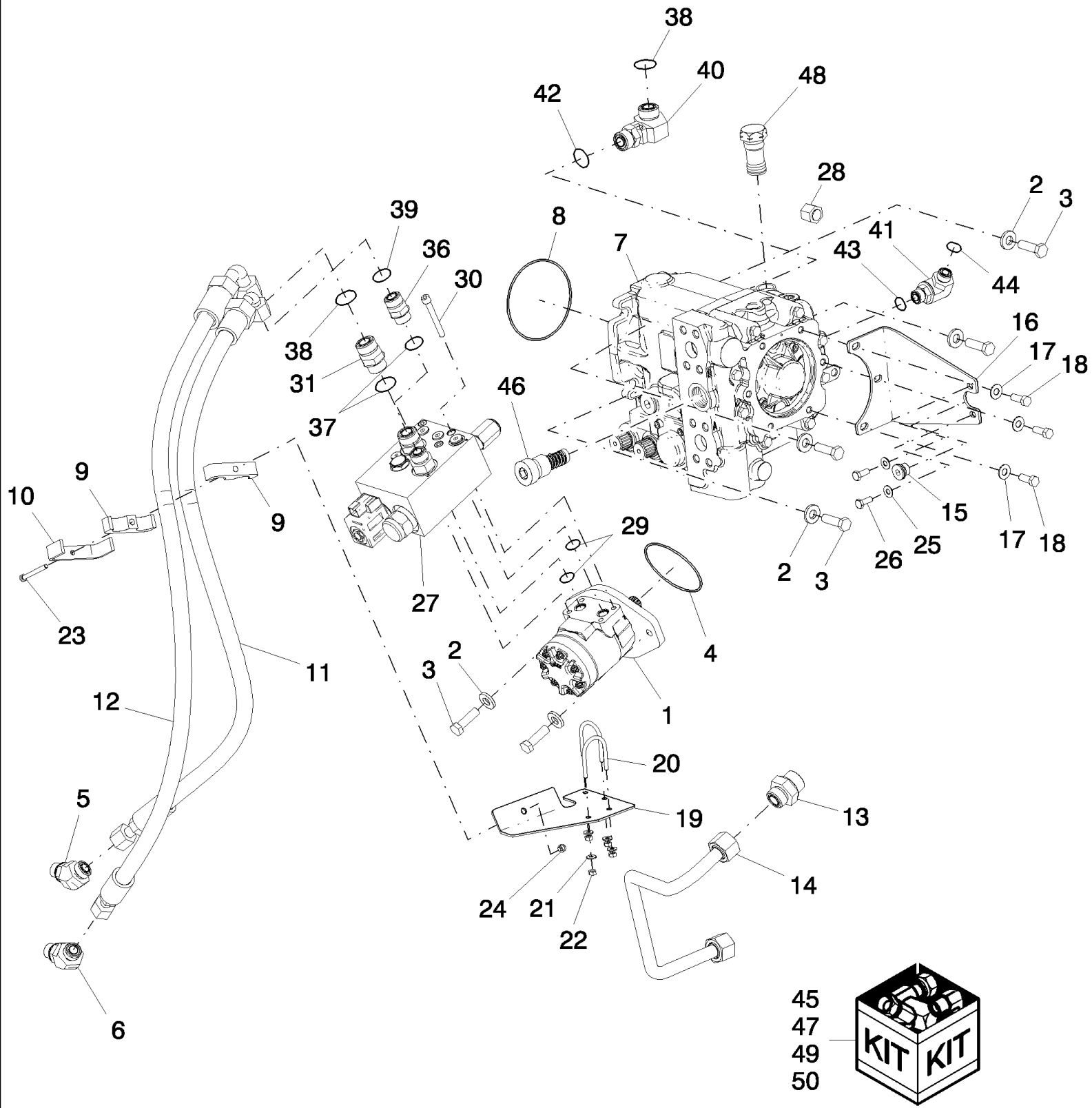
A.12.A.20 MOTOR, HYDRAULIC - ROTOR

сылка	Номер детали	Кол-во	Описание
1	86837121	1	MOTOR, HYDRAULIC,
1	87310111	1	MOTOR, HYDRAULIC,
1	87442684	AR	REMAN Motor
1	87442685	AR	CORE Return
2	87283442	1	VALVE, Motor Flush
3	236535	1	O-RING, -110, 90 Duro, .362" ID x .103" Thk,
4	87016958	2	O-RING, -111, 90 Duro, .424" ID x .103" Thk,
5	87283441	1	KIT, SEALS, For Ref. 1



A.12.A.20(1) PUMP, TANDEM HYDRO - ROTOR & HEADER FEEDER

сылка	Номер детали	Кол-во	Описание
1	86638315	1	PUMP, HYDRAULIC, Tandem Hydro (Rotor and Header Feeder)
2	86638314	1	PUMP, HYDRAULIC, Variable Feeder - Includes Ref. 22, 23, 24, 25
2	87010878	AR	REMAN Pump
2	87010875	AR	CORE-HYDRAULIC PUMP, CORE Return
3	86579697	1	ELBOW, 90є, 1 3/16"-12 ORFS x M27 x 2 ORB,
4	86597761	2	CONNECTOR, HYD., 13/16"-16 ORFS x M27 x 2 ORB,
5	86580179	2	CONNECTOR, HYD., 1 7/16"-12 ORFS x M22 x 2 ORB,
6	86579692	1	ELBOW, 90є, 13/16"-18 ORFS x M22 x 1.5 ORB,
7	86999117	1	PUMP, HYDRAULIC, Rotor - Includes Ref. 17, 18, 19, 20, 21
7	87010876	AR	REMAN Pump
7	87010875	AR	CORE-HYDRAULIC PUMP, CORE Return
8	86625254	2	WASHER, M12 x 28 x 2.5,
9	86980422	2	BOLT, Bolt, HH, CL 8.8, M12 x 35
10	86598103	3	O-RING, CI 6, 23.6MM ID x 2.9 Thk,
11	9991976	1	O-RING, -018, 90 Duro, .739" ID x .070" Thk,
12	9992298	3	O-RING, -014, 90 Duro, .489" ID x .070" Thk,
13	86598104	2	O-RING, CI 6, 26.6MM ID x 2.9 Thk,
14	9824050	2	O-RING, -021, 90 Duro, .926" ID x .070" Thk,
15	86598102	1	O-RING, CI 6, 19.3MM ID x 2.2 Thk,
16	9706914	1	O-RING, -045, 70 Duro, 3.989" ID x .070" Thk,
17	86995060	1	VALVE, Port Relief
18	87450568	1	PLUG, Orifice, Charge Relief
19	87450563	1	KIT, EP Controller
20	87450570	1	KIT, SEALS, Shaft
21	87450569	1	KIT, SEALS, Pump
22	87453381	1	VALVE, PRESSURE RELIEF, Valve, Relief
23	87453375	1	PACKAGE, SEALS, Servo Controller
24	87453382	1	PACKAGE, SEALS, Kit, Seal Relief
25	87453383	1	PACKAGE, SEALS, Kit, Shaft Seal

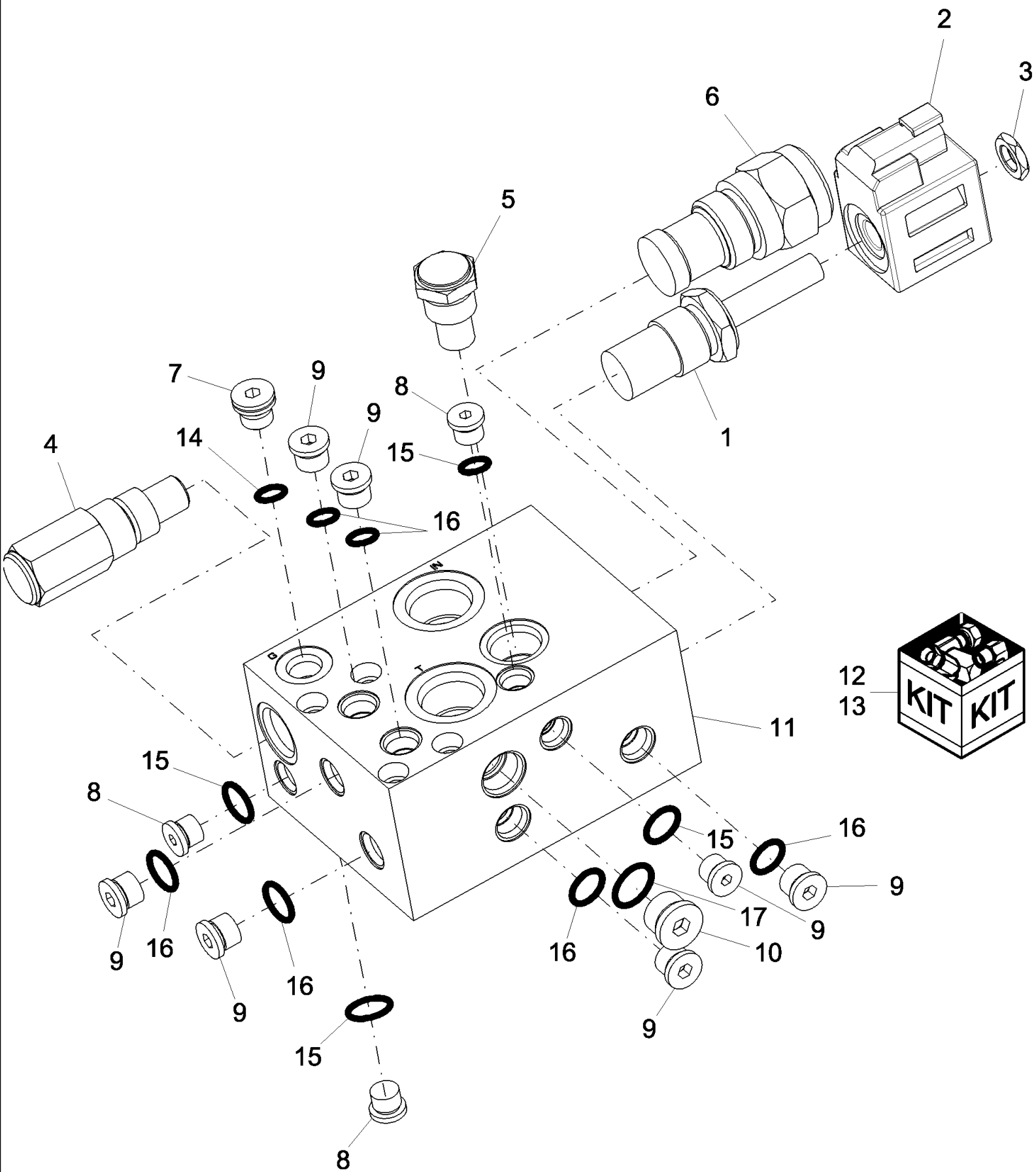


A.12.A.20(2) FIXED SPEED - FEEDER / HEADER DRIVE HYDRAULICS

сылка	Номер детали	Кол-во	Описание
1	87280752	1	MOTOR, HYDRAULIC,
1	87284672	1	MOTOR, HYDRAULIC, Was 87280752
2	86625256	6	WASHER, M12 x 28.5 x 4, HT,
3	87022683	6	BOLT, Hex, M12 x 40, 10.9, Full Thd,
4	9828498	1	O-RING, -155, 70 Duro, 3.987" ID x .103" Thk,
5	86639053	AR	ELBOW, 45е, 1"-14 ORFS x M22 x 1.5 ORB,
6	86639055	1	ELBOW, 45е, 1 3/16"-12 ORFS x M27 x 2 ORB,
7	87281160	1	PUMP, HYDRAULIC,
7	87284709	1	PUMP, REMAN
7	87284710	1	CORE-HYDRAULIC PUMP, CORE Return
8	274336	1	O-RING, -158, 70 Duro, 4.737" ID x .103" Thk,
9	457547	2	CLAMP,
10	743320	1	SUPPORT,
11	87283792	1	HOSE, Supply, Reverser
12	87284629	1	HOSE, FLEXIBLE, Return, Reverser, Was 87283793
13	86579683	1	CONNECTOR, HYD., 1 3/16"-12 ORFS x M33 x 2 ORB,
14	87283801	1	TUBE, Feeder Gearcase Drain
15	86598046	1	PLUG, Hex Soc, M18 x 1.5, ORB,
16	87283799	1	BRACKET,
16	87323284	1	BRACKET,
17	140045	3	WASHER, SPRING, Belleville, M10,
18	88206	3	BOLT, Hex, 3/8"-16 x 1", G5, Full Thd,
19	87283795	1	BRACKET, Hose Support
20	799339	2	U-BOLT,
21	322357	4	WASHER, SPRING, Belleville, M6,
22	9706755	4	NUT, M6, CI 8,
23	120061	1	BOLT, Hex, M8 x 60, 8.8,
23	338413	1	BOLT, Hex, M6 x 60, 8.8,
24	86629542	1	NUT, LOCK, M8 x 1.25, CI 8,
24	353308	1	NUT, LOCK, M6 x 1, CI 8,
25	322358	2	WASHER, SPRING, Belleville, M8,
26	120104	2	BOLT, Hex, M8 x 20, 8.8,
27	87284673	1	VALVE, Reverser
28	9840575	1	CAP, 13/16"-16 ORFS,
29	272344	2	O-RING, -112, 90 Duro, .487" ID x .103" Thk,
30	87302046	4	SCREW, Hex Soc Hd, M8 x 80, 8.8,
31	86579682	1	CONNECTOR, HYD., 1 3/16"-12 ORFS x M27 x 2 ORB,
32	353308	1	NUT, LOCK, M6 x 1, CI 8,
36	86597760	1	CONNECTOR, HYD., 1"-14 ORFS x M27 x 2 ORB,
37	86598103	2	O-RING, CI 6, 23.6MM ID x 2.9 Thk,
38	9991976	2	O-RING, -018, 90 Duro, .739" ID x .070" Thk,
39	9992069	1	O-RING, -016, 90 Duro, .614" ID x .070" Thk,
40	86579697	1	ELBOW, 90е, 1 3/16"-12 ORFS x M27 x 2 ORB,
41	86579692	1	ELBOW, 90е, 13/16"-18 ORFS x M22 x 1.5 ORB,
42	86598103	1	O-RING, CI 6, 23.6MM ID x 2.9 Thk,

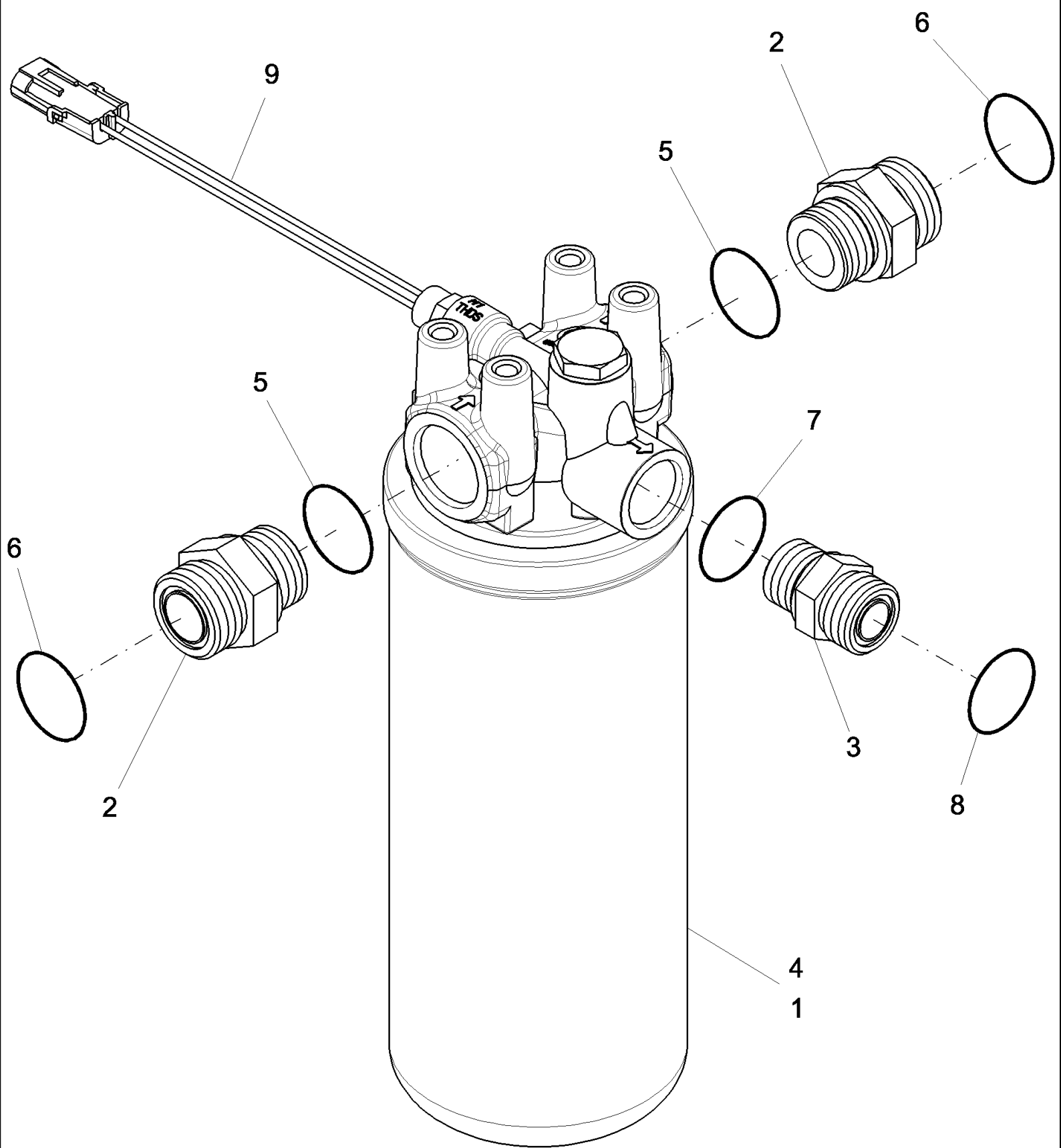
A.12.A.20(2) FIXED SPEED - FEEDER / HEADER DRIVE HYDRAULICS

сылка	Номер детали	Кол-во	Описание
43	86598102	1	O-RING, CI 6, 19.3MM ID x 2.2 Thk,
44	9992298	1	O-RING, -014, 90 Duro, .489" ID x .070" Thk,
45	9807617	AR	KIT, SEALS, For Ref. 1 Motors
46	86995060	1	VALVE, Port Relief
47	87450563	1	KIT, EP Controller, For Ref. 7
48	87450568	1	PLUG, Orifice, Charge Relief
49	87450569	1	KIT, SEALS, Pump , For Ref. 7
50	87450570	1	KIT, SEALS, Shaft , For Ref. 7



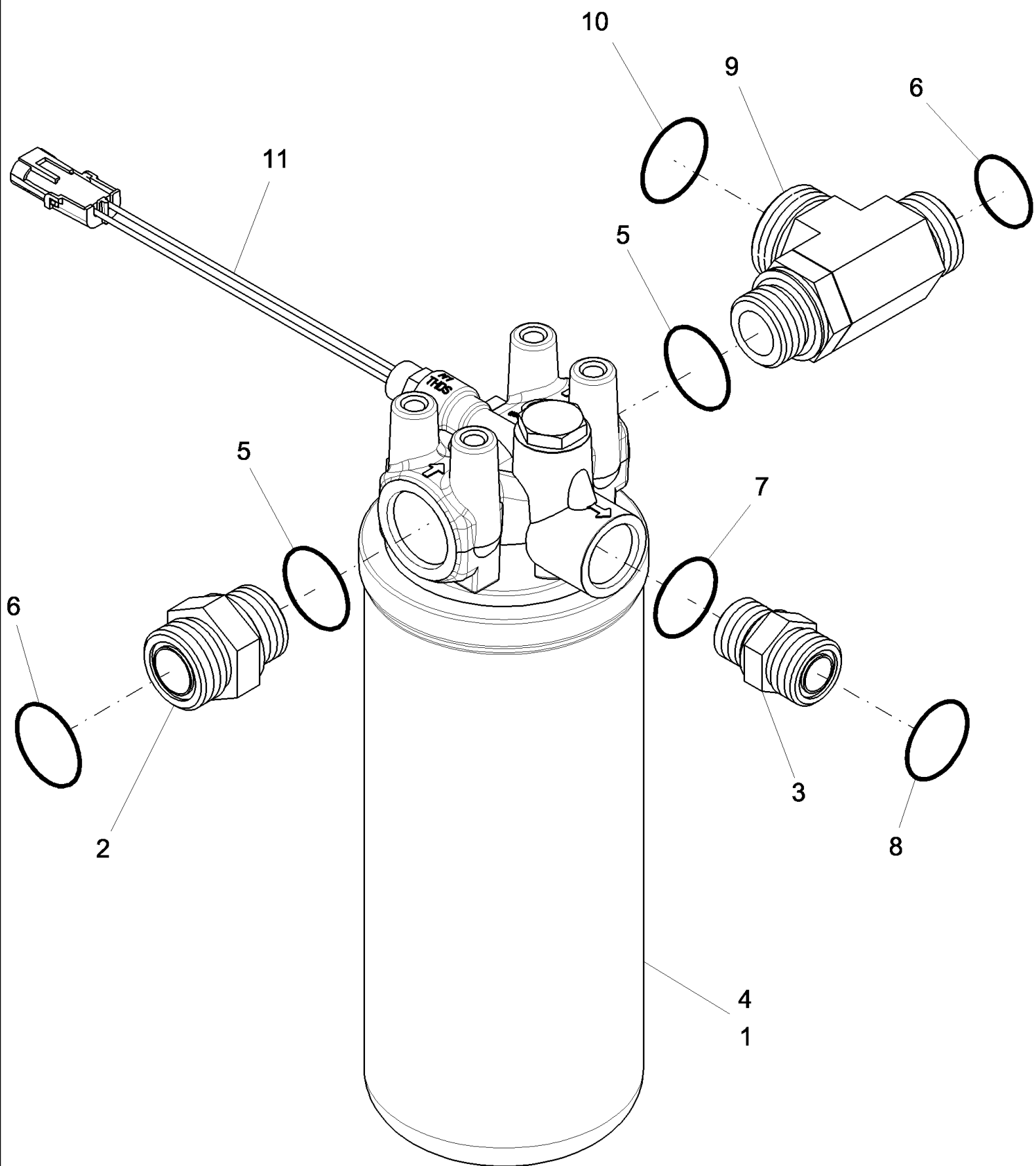
A.12.A.20(3) VALVE, HYDRAULIC REVERSER

сылка	Номер детали	Кол-во	Описание
	87284673	AR	VALVE, Includes Ref. 1 thru 11, Was 87280753
1	86514793	1	VALVE, SOLENOID, Cartridge
2	87352779	1	SOLENOID, Was 86837739
3	195683A1	1	NUT, 1/2"-13, Thin,
4	87449364	1	CARTRIDGE, Relief
5	86511474	1	VALVE, CHECK,
6	87449365	1	CARTRIDGE, Flow Regulator
7	221576A1	1	PLUG, Hex Soc, M14 x 1.5, ORB,
8	87035062	4	PLUG, Hex Soc, 1/2"-20 ORB, Tube OD = 5/16"
9	9625178	6	PLUG, Hex Soc, 9/16"-18 ORB, Tube OD = 3/8"
10	71100209	1	PLUG, Hex Soc, 3/4"-16 ORB, Tube OD = 1/2"
11	NSS	1	NOT SERVICED SEPARATELY, Body
12	86514794	1	KIT, SEALS, For Ref. 1
13	86509022	1	KIT, SEALS, For Ref. 5
14	637-63113	1	O-RING, CI 6, 11.3MM ID x 2.2 Thk,
15	237-6002	4	O-RING, 2-1, .239" ID x .064" Thk,
16	237-6003	6	O-RING, 3-1, .301" ID x .064" Thk,
17	237-6005	1	O-RING, 5-1, 90 Duro, .414" ID x .072" Thk,



A.12.A.24(1) FILTER ASSY. - HYDRO CHARGE

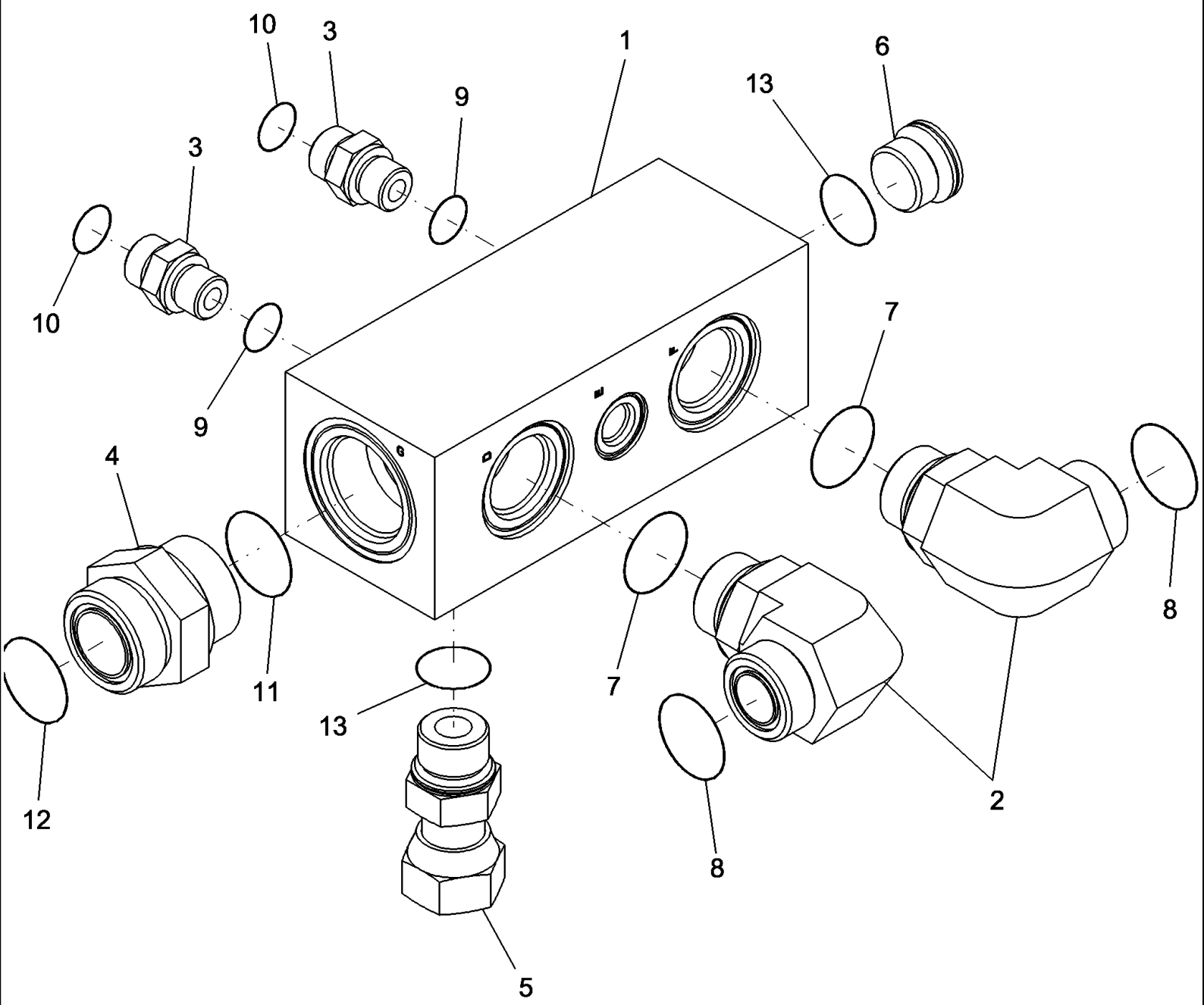
сылка	Номер детали	Кол-во	Описание
1	86975883	1	FILTER ASSY., Hydro Pressure, 14.6 " long
2	86580179	2	CONNECTOR, HYD., 1 7/16"-12 ORFS x M22 x 2 ORB,
3	86579682	1	CONNECTOR, HYD., 1 3/16"-12 ORFS x M27 x 2 ORB,
4	254353A1	1	FILTER, HYDRAULIC OIL, 11.6" long
5	86598104	2	O-RING, CI 6, 26.6MM ID x 2.9 Thk,
6	9824050	2	O-RING, -021, 90 Duro, .926" ID x .070" Thk,
7	86598103	1	O-RING, CI 6, 23.6MM ID x 2.9 Thk,
8	9991976	1	O-RING, -018, 90 Duro, .739" ID x .070" Thk,
9	87447716	1	SWITCH, Filter Bypass



A.12.A.24(2) FILTER ASSY. - HYDRO CHARGE

сылка	Номер детали	Кол-во	Описание
1	86975883	1	FILTER ASSY., Hydro Pressure, 14.6" long
2	86580179	1	CONNECTOR, HYD., 1 7/16"-12 ORFS x M22 x 2 ORB,
3	86579682	1	CONNECTOR, HYD., 1 3/16"-12 ORFS x M27 x 2 ORB,
4	254353A1	1	FILTER, HYDRAULIC OIL, 11.6" long
5	86598104	2	O-RING, CI 6, 26.6MM ID x 2.9 Thk,
6	9824050	2	O-RING, -021, 90 Duro, .926" ID x .070" Thk,
7	86598103	1	O-RING, CI 6, 23.6MM ID x 2.9 Thk,
8	9991976	1	O-RING, -018, 90 Duro, .739" ID x .070" Thk,
9	87282542	1	FITTING, PIPE, Fitting, Tee
10	9824051	1	O-RING, -025, 90 Duro, 1.176" ID x .070" Thk,
11	87447716	1	SWITCH, Filter Bypass

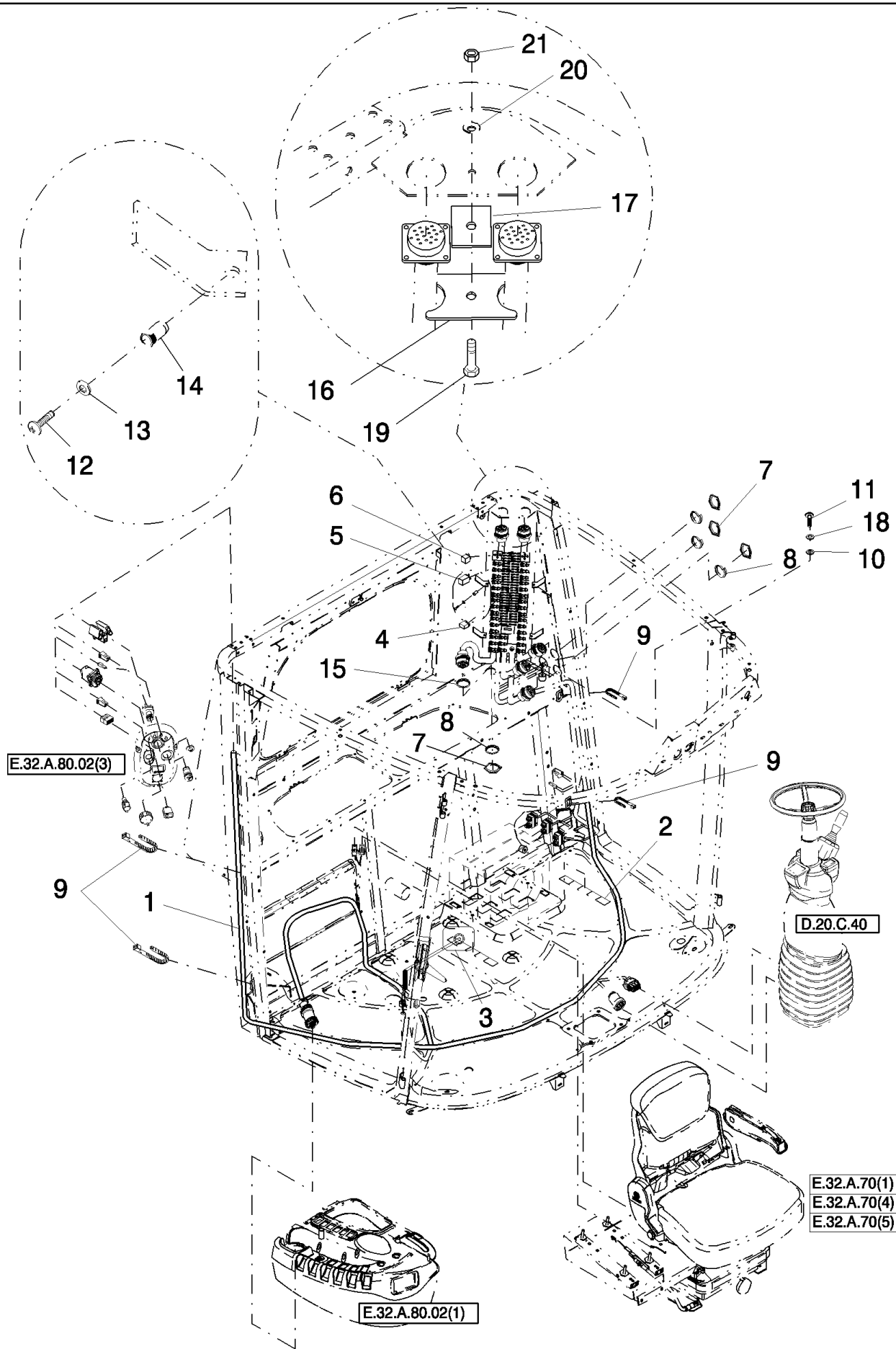
A.12.A.36 DRAIN MANIFOLD BLOCK



A.12.A.36 DRAIN MANIFOLD BLOCK

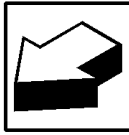
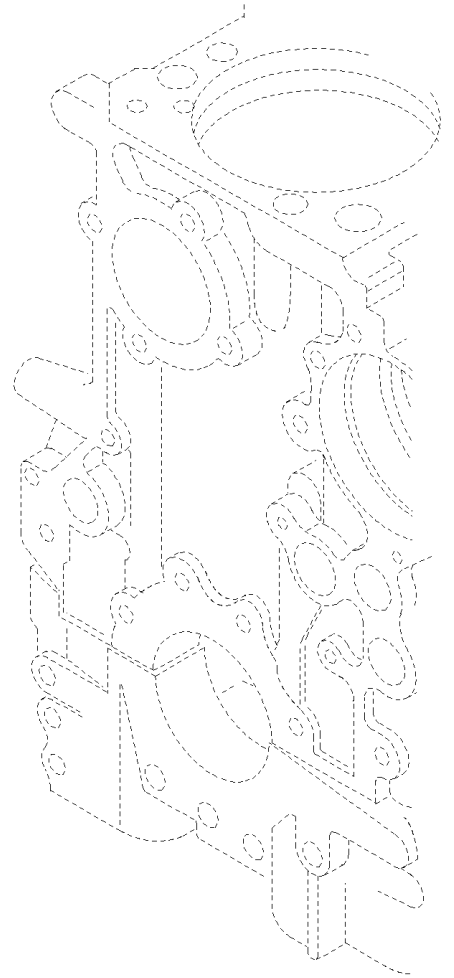
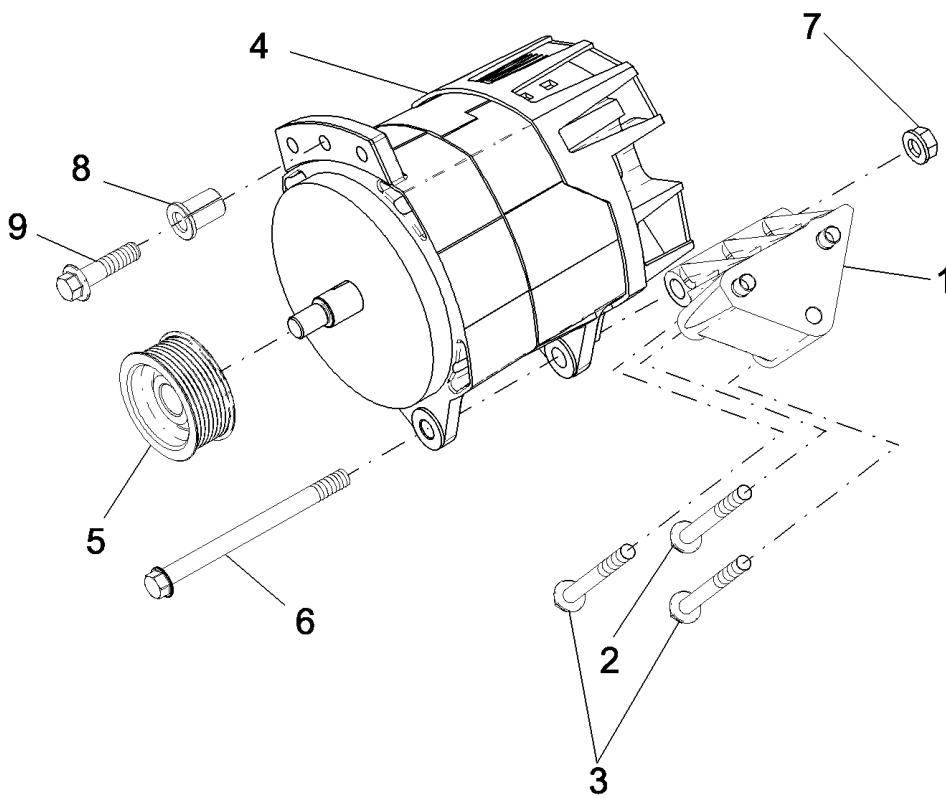
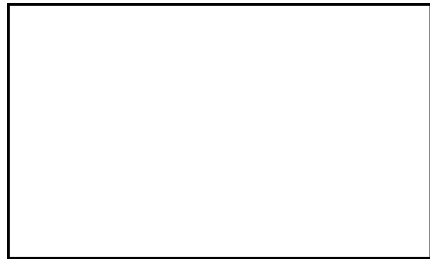
сылка	Номер детали	Кол-во	Описание
	87108152	1	MANIFOLD, Includes: Ref. 1 - 13
1	87108222	1	MANIFOLD, Drain Return
2	86580180	2	ELBOW, 90°, 1 7/16"-12 ORFS x M33 x 2 ORB,
3	86579676	2	CONNECTOR, HYD., 13/16"-16 ORFS x M18 x 1.5 ORB,
4	86579685	1	CONNECTOR, HYD., 1 11/16"-12 ORFS x M42 x 2 ORB,
5	86998396	1	FITTING,
6	86598048	1	PLUG, Hex Soc, M27 x 2, ORB,
7	86598104	2	O-RING, CI 6, 26.6MM ID x 2.9 Thk,
8	9824050	2	O-RING, -021, 90 Duro, .926" ID x .070" Thk,
9	86598101	2	O-RING, CI 6, 15.3MM ID x 2.2 Thk,
10	9992298	2	O-RING, -014, 90 Duro, .489" ID x .070" Thk,
11	86598105	1	O-RING, CI 6, 38.6MM ID x 2.9 Thk,
12	9824051	1	O-RING, -025, 90 Duro, 1.176" ID x .070" Thk,
13	86598103	2	O-RING, CI 6, 23.6MM ID x 2.9 Thk,

A.30.A.80 MAIN CAB ELECTRICITY



A.30.A.80 MAIN CAB ELECTRICITY

сылка	Номер детали	Кол-во	Описание
1	87019319	1	HARNESS, WIRE, Main Cab, EndYear: 08/29/2003
1	87032330	1	HARNESS, WIRE, Main Cab, Start Year: 08/29/2003
1	87045780	1	HARNESS, WIRE, Main Cab (Start Relay in Cab), Start Year: 09/03/2004
1	87379206	1	HARNESS, WIRE, Main, Cab - With Fuel Pump Shut-Off
2	86611340	1	DECAL, LH
3	86611339	1	DECAL, RH
4	86509590	33	RELAY, 20 Amp
5	86633776	1	TIMER,
6	86529089	1	RELAY, SPDT
7	86619907	4	NUT,
8	636665	4	WASHER, LOCK,
9	323597	4	STRAP, CABLE, M9 x 165 or M5 x 197,
10	140016	1	WASHER, M8 x 16 x 1.6,
11	120104	1	BOLT, Hex, M8 x 20, 8.8,
12	86511042	4	SCREW, Cross Pan Hd, M4 x 16, Use with Ref. 14
12	87324967	4	SCREW, Self-Tapping - Use without Ref. 14
13	9824840	4	WASHER, M4,
14	84438912	4	INSERT, THREADED,
15	87010222	4	GASKET,
16	87010225	1	PLATE,
17	87013665	1	PLATE,
18	322358	1	WASHER, SPRING, Belleville, M8,
19	120100	1	BOLT, Hex, M6 x 20, 8.8,
20	322357	1	WASHER, SPRING, Belleville, M6,
21	9706755	1	NUT, M6, CI 8,
22	178149A1	1	SWITCH, SOLENOID, Start Relay, Includes Ref. 23 - 28, Start Year: 09/03/2004
23	178148A1	1	COVER,
24	183038A1	1	SWITCH, SOLENOID,
25	225-14210	1	NUT, #10-32,
26	231-5145	3	NUT, Flg, USR, 5/16"-18,
27	492-11010	1	WASHER, LOCK, #10,
28	L18337	2	STRAP, CABLE, 9.95"-12.1" lg,

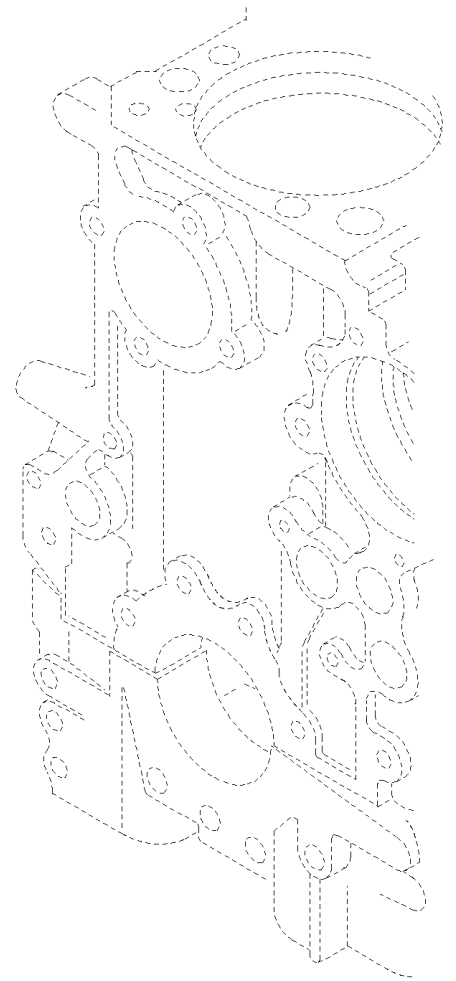
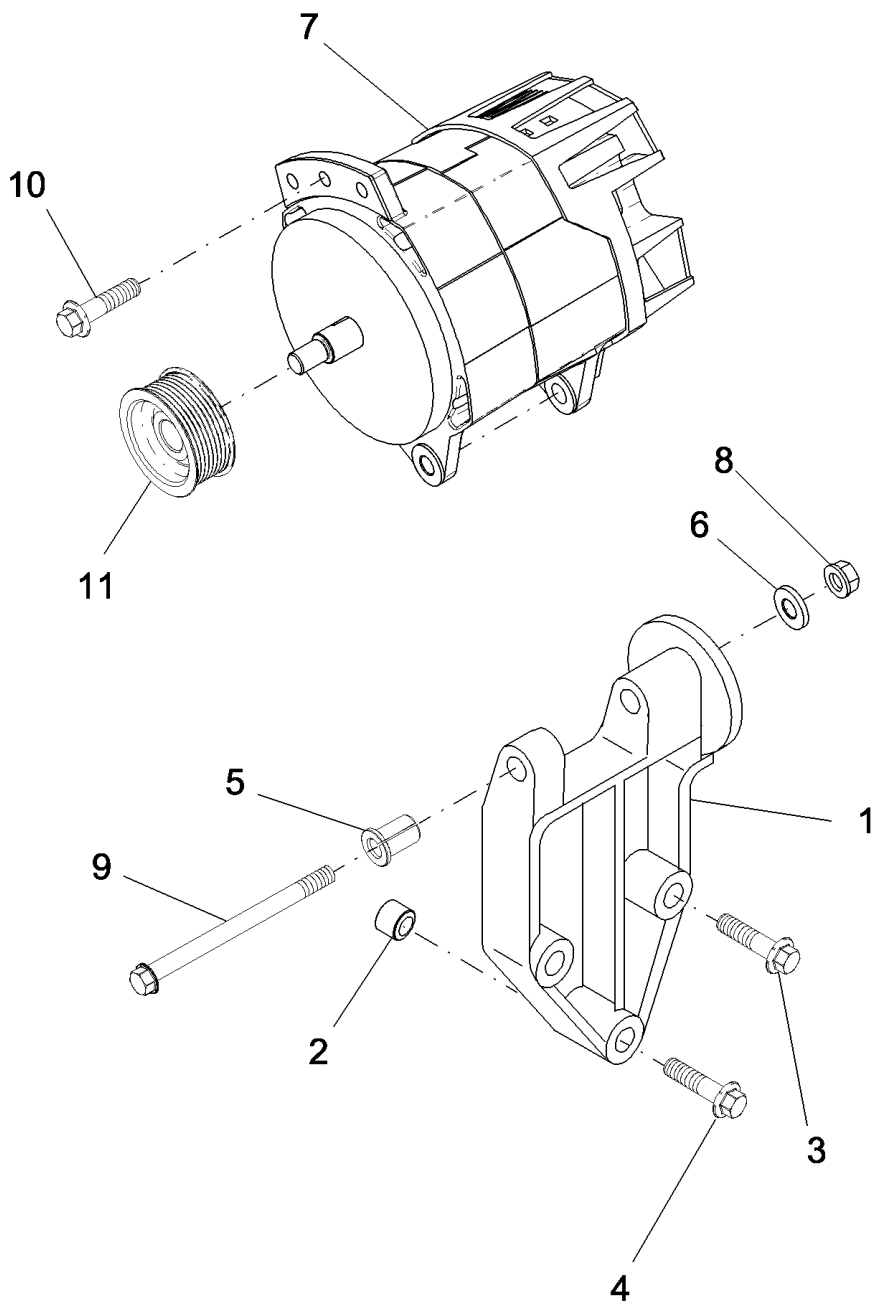


AFX8010 AXIAL-FLOW COMBINE (3/03-9/06)

A.30.A.82(1) ALTERNATOR (500389442)

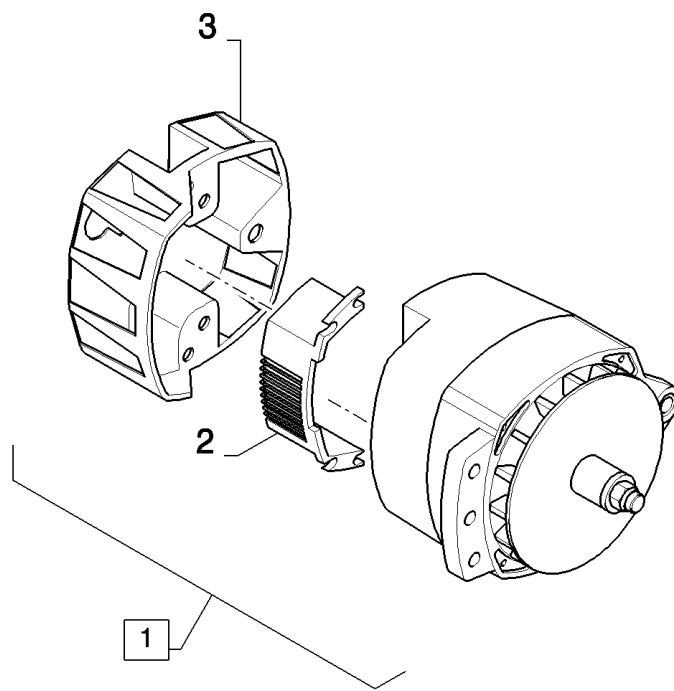
сылка	Номер детали	Кол-во	Описание
1	504079796	1	BRACKET,
2	16599125	1	BOLT,
3	16593125	2	SCREW,
4	86975726	1	ALTERNATOR,
5	504078554	1	PULLEY,
6	16600024	1	SCREW,
7	17038421	1	NUT,
8	504080582	1	SPACER,
9	504080581	1	SCREW,

A.30.A.82(2) ALTERNATOR MOUNTING - PIN HAJ106401 AND AFTER



A.30.A.82(2) ALTERNATOR MOUNTING - PIN HAJ106401 AND AFTER

сылка	Номер детали	Кол-во	Описание
1	500346543	1	SUPPORT,
2	98405462	2	DOWEL,
3	16593125	2	SCREW,
4	16599125	1	BOLT,
5	504080582	1	SPACER,
6	17097324	1	WASHER, LOCK,
7	504073358	1	ALTERNATOR,
8	17038421	1	NUT,
9	16600024	1	SCREW,
10	504080581	1	SCREW,
11	504078554	1	PULLEY,

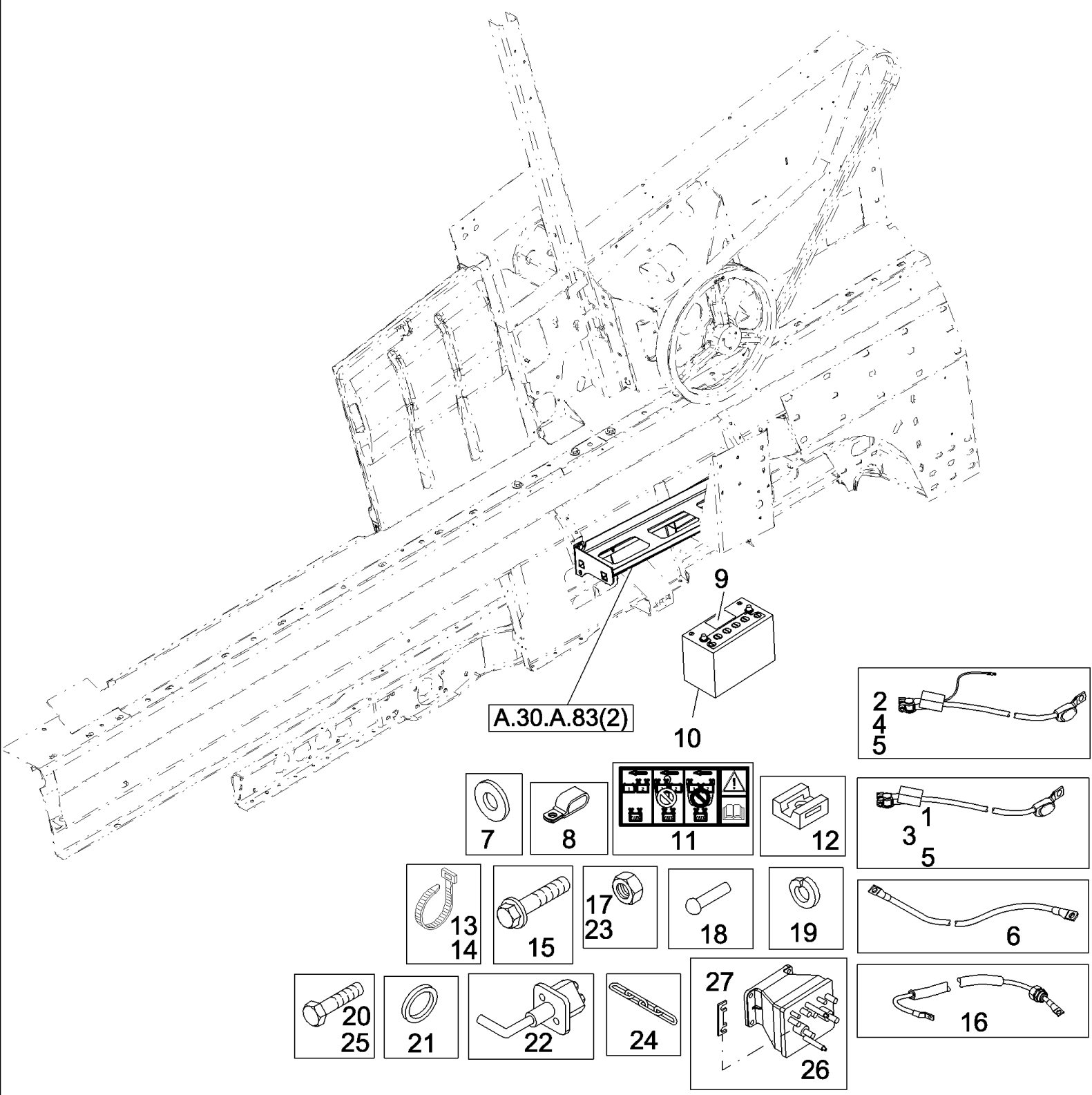


AFX8010 AXIAL-FLOW COMBINE (3/03-9/06)

A.30.A.82(3) ALTERNATOR - PIN HAJ106401 AND AFTER

сылка	Номер детали	Кол-во	Описание
1	504073358	1	ALTERNATOR,
2	87284374	1	REGULATOR, VOLTAGE,
3	86590414	1	SCREEN,

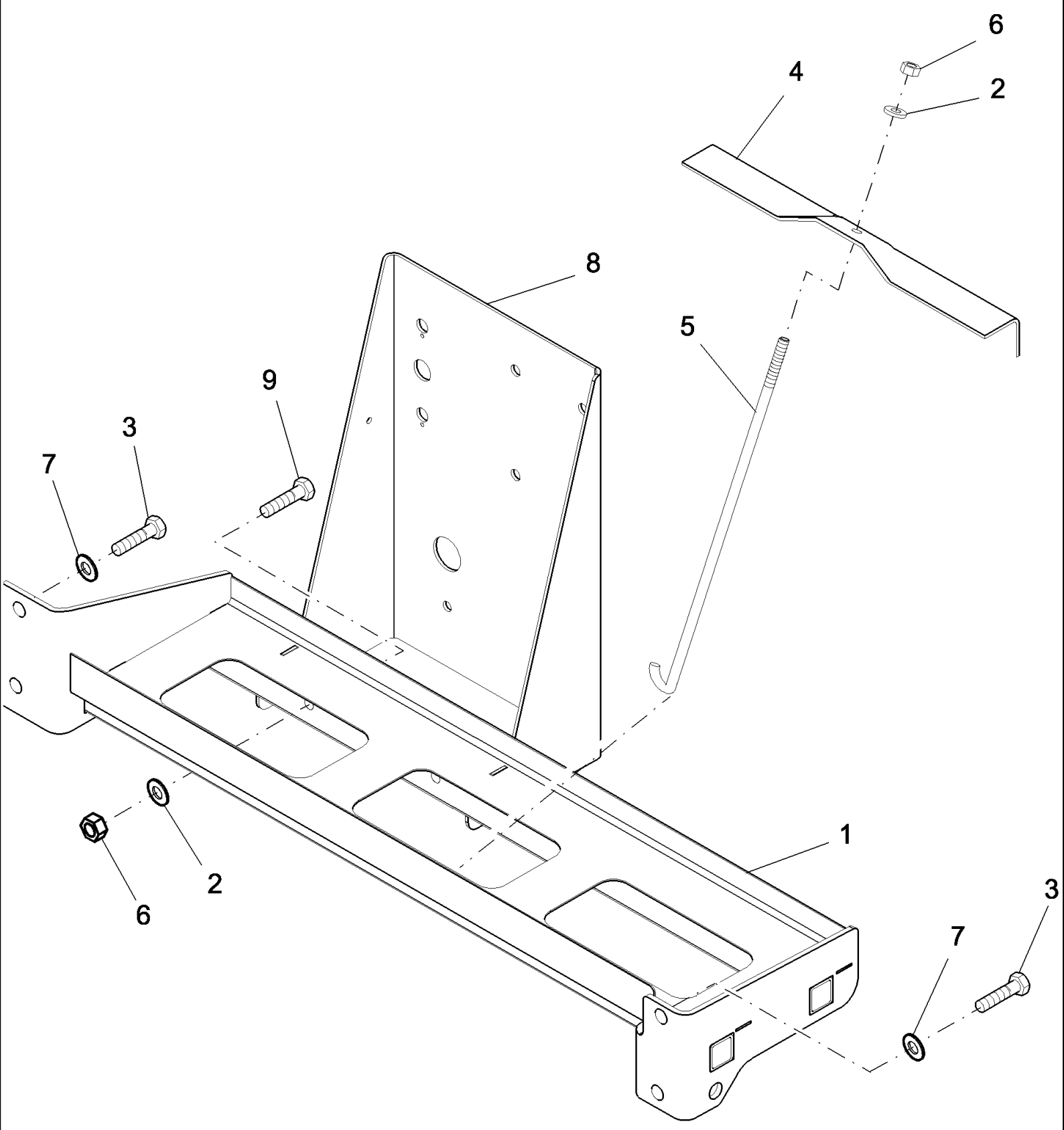
A.30.A.83(1) BATTERY SYSTEM



A.30.A.83(1) BATTERY SYSTEM

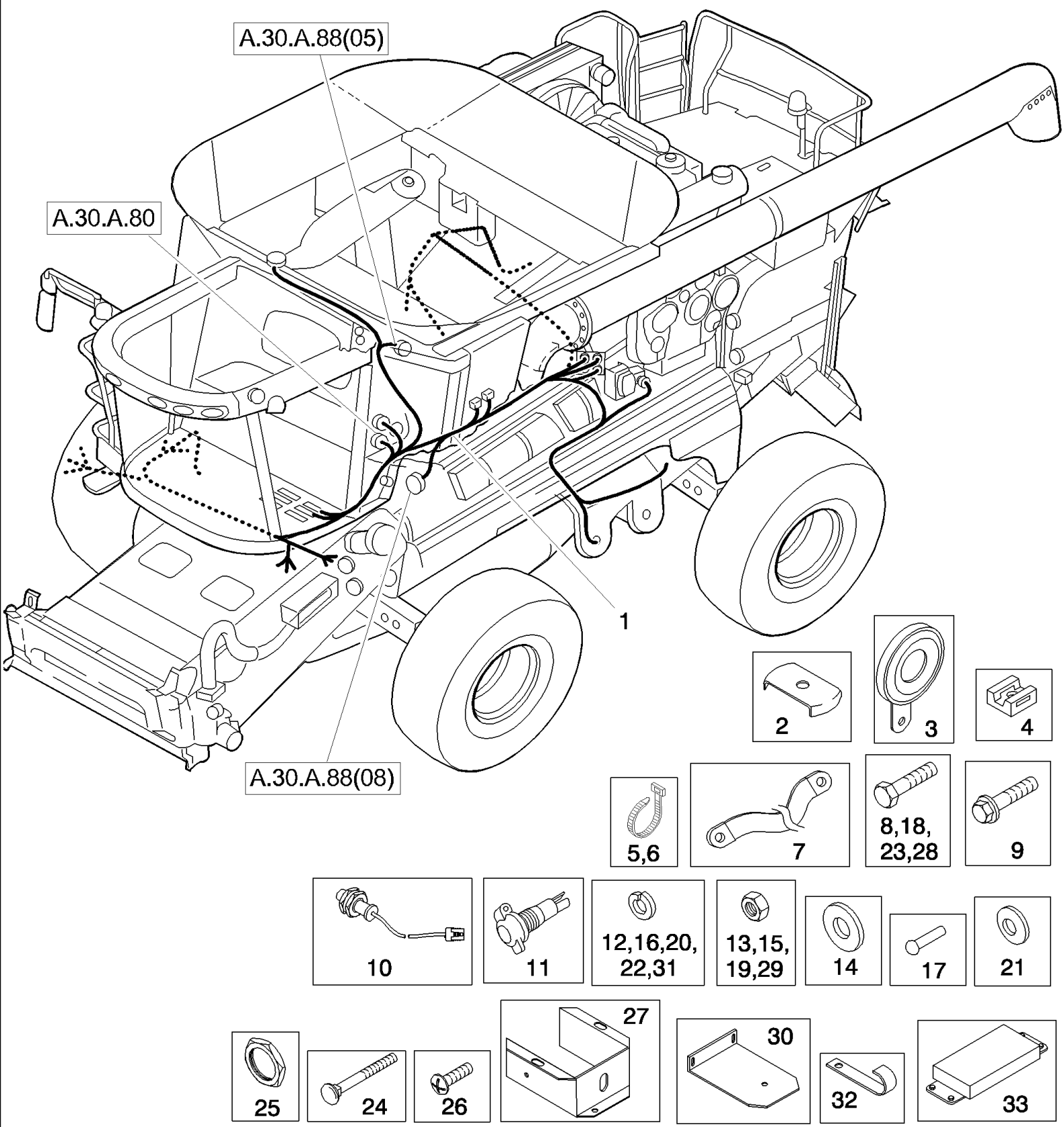
сылка	Номер детали	Кол-во	Описание
1	87109621	1	CABLE, Positive, Rear - 750 mm
2	87109619	1	CABLE, Positive, Front to Starter, with 832 wire - 2500 mm
3	87109616	1	CABLE, BATTERY (NEG), Negative, Front - 1300 mm
4	87109620	1	GAUGE, Negative, Rear, with 833 wire - 2250 mm, For NA Only
5	87109617	1	GAUGE, Negative - 350 mm - Without Ground Cable
5	87281631	1	CABLE, Negative, Rear - With Ground Cable, For EU Only
6	87109618	1	CABLE, GROUND, Black, Disconnect Switch to Chassis - 2500 mm, For EU Only
7	140016	2	WASHER, M8 x 16 x 1.6, , For EU Only
8	87000220	1	CLAMP, HOSE,
9	86993121	2	LABEL, Battery
10	BMF31GW	2	BATTERY, WET, NA - (86993119)
10	CBMF31G	2	BATTERY, Canada
11	86640426	1	DECAL, Safety
12	86590413	3	CLAMP, Base, Wire Tie
13	86566990	10	STRAP, CABLE,
14	86566989	6	STRAP, CABLE,
15	86511842	1	BOLT, Hex Flg, M8 x 40, 8.8,
16	84435752	1	CABLE,
17	9804277	1	NUT, M8 x 1.25, Flg, CI 8,
18	445394	3	RIVET, Pop, M4.8 x 12.7,
19	322358	2	WASHER, SPRING, Belleville, M8,
20	120104	1	BOLT, Hex, M8 x 20, 8.8,
21	87026295	1	WASHER, Key Ring, For EU Only
22	84004375	1	SWITCH, Key, Battery, For EU Only
23	9706690	2	NUT, M8, CI 8, , For EU Only
24	539289	1	CHAIN, , For EU Only
25	43129	2	BOLT, Hex, M8 x 40, 8.8, , For EU Only
26	389120	1	SWITCH, Reverse, 12-24 Volt Swap Relay - Includes Ref. 28
27	420580	2	PLATE, Fuse - 80 Amp

A.30.A.83(2) BATTERY TRAY

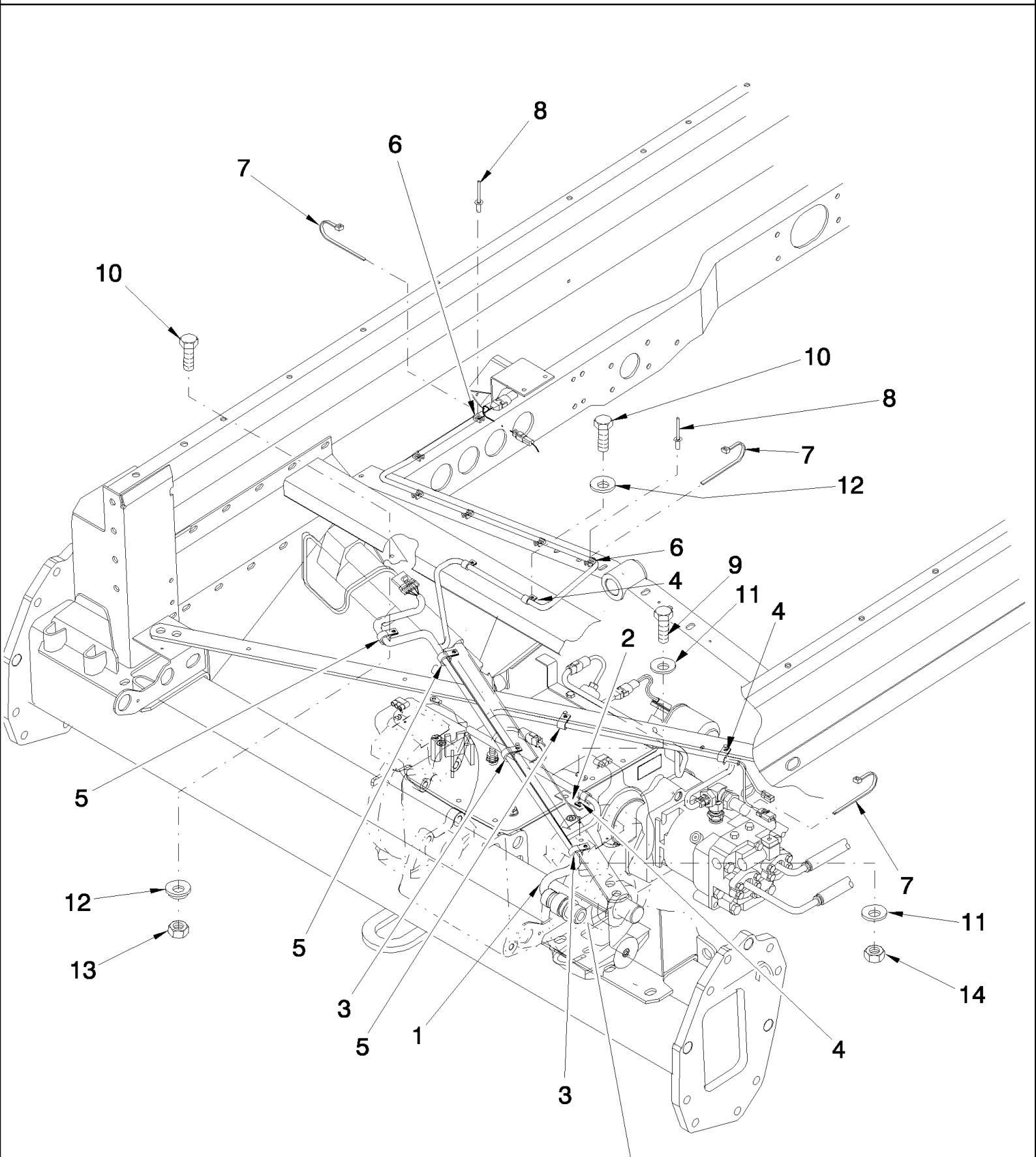


A.30.A.83(2) BATTERY TRAY

сылка	Номер детали	Кол-во	Описание
1	87106388	1	TRAY, BATTERY, Without Shield, EndYear: 08/15/2003
1	87280323	1	TRAY, BATTERY, Battery, with welded on Shield, Start Year: 08/15/2003
1	87282073	1	TRAY, BATTERY, Battery, with Bolt on Shield, ASN HAJ103201
2	322358	AR	WASHER, SPRING, Belleville, M8,
3	43139	4	SCREW, Cap, HH, CL 8.8, M10 x 25
4	87109059	1	BRACKET, Replaces 87106393, Start Year: 08/15/2003
5	87109057	AR	BOLT, J Battery Hold Down
6	9706690	AR	NUT, M8, CI 8,
7	140045	4	WASHER, SPRING, Belleville, M10,
8	87282075	1	SHIELD,
9	120061	2	BOLT, Hex, M8 x 60, 8.8,



сылка	Номер детали	Кол-во	Описание
1	87106320	1	HARNESS, WIRE, Main Frame, EndYear: 08/15/2003
1	87280757	1	HARNESS, WIRE, Main Frame, Years: 08/15/2003-02/09/2004, BSN HAJ105316
1A	87283332	AR	HARNESS, WIRE, Extension, Light - Use with 87280757 Only, Not Shown, Years: 08/15/2003-02/09/2004, BSN HAJ105316
1	87283033	1	HARNESS, WIRE, Main Frame, Start Year: 02/09/2004, ASN HAJ105317
1	87284349	1	HARNESS, WIRE, Main Frame, ASN HAJ106401
1	87326649	1	HARNESS, WIRE, Main Frame, ASN HAJ106401
1	87530064	1	HARNESS, WIRE, Main Frame, Start Year: 01/01/2007
2	87108836	1	PLATE, Disc
3	86617144	1	HORN, (Bosch)
3	87049215	1	HORN, (Seeger) Replaces: 86617144
4	86590413	AR	CLAMP, Base, Wire Tie
5	86566990	AR	STRAP, CABLE, 11"
6	86566989	AR	STRAP, CABLE, 7.5"
7	86534915	1	CABLE, GROUND,
8	86508568	1	BOLT, Hex, M6 x 16, 8.8,
9	86050286	1	BOLT, Hex Flg, M10 x 20, 8.8,
10	84058861	1	SENSOR,
11	82002966	1	SOCKET, POWER,
12	9861349	1	WASHER, LOCK,
13	9861348	1	NUT,
14	9824840	AR	WASHER, M4,
15	9706690	1	NUT, M8, CI 8,
16	636665	AR	WASHER, LOCK,
17	445394	AR	RIVET, Pop, M4.8 x 12.7,
18	412255	AR	BOLT, Hex, M4 x 20, 8.8, Full Thd,
19	385681	AR	NUT, LOCK, M4 x .7, CI 8,
20	322358	AR	WASHER, SPRING, Belleville, M8,
21	140045	1	WASHER, SPRING, Belleville, M10,
22	140042	1	WASHER, M10 x 34 x 3,
23	120104	2	BOLT, Hex, M8 x 20, 8.8,
24	86507486	1	BOLT, CARRIAGE, Short NK, M8 x 20, CI8.8, Full Thd,
25	86619907	4	NUT,
26	NSS	2	NOT SERVICED SEPARATELY, Screw, Pan Hd, #6 x 1/2"
27	87036570	1	COVER,
28	336199	2	BOLT, Hex, M8 x 12, 8.8, Full Thd,
29	9706755	3	NUT, M6, CI 8,
30	87036591	1	COVER,
31	322357	1	WASHER, SPRING, Belleville, M6,
32	134577	3	CLIP,
33		AR	Rotor Loss Sensors - See Fig. K.40.C.95 for Components

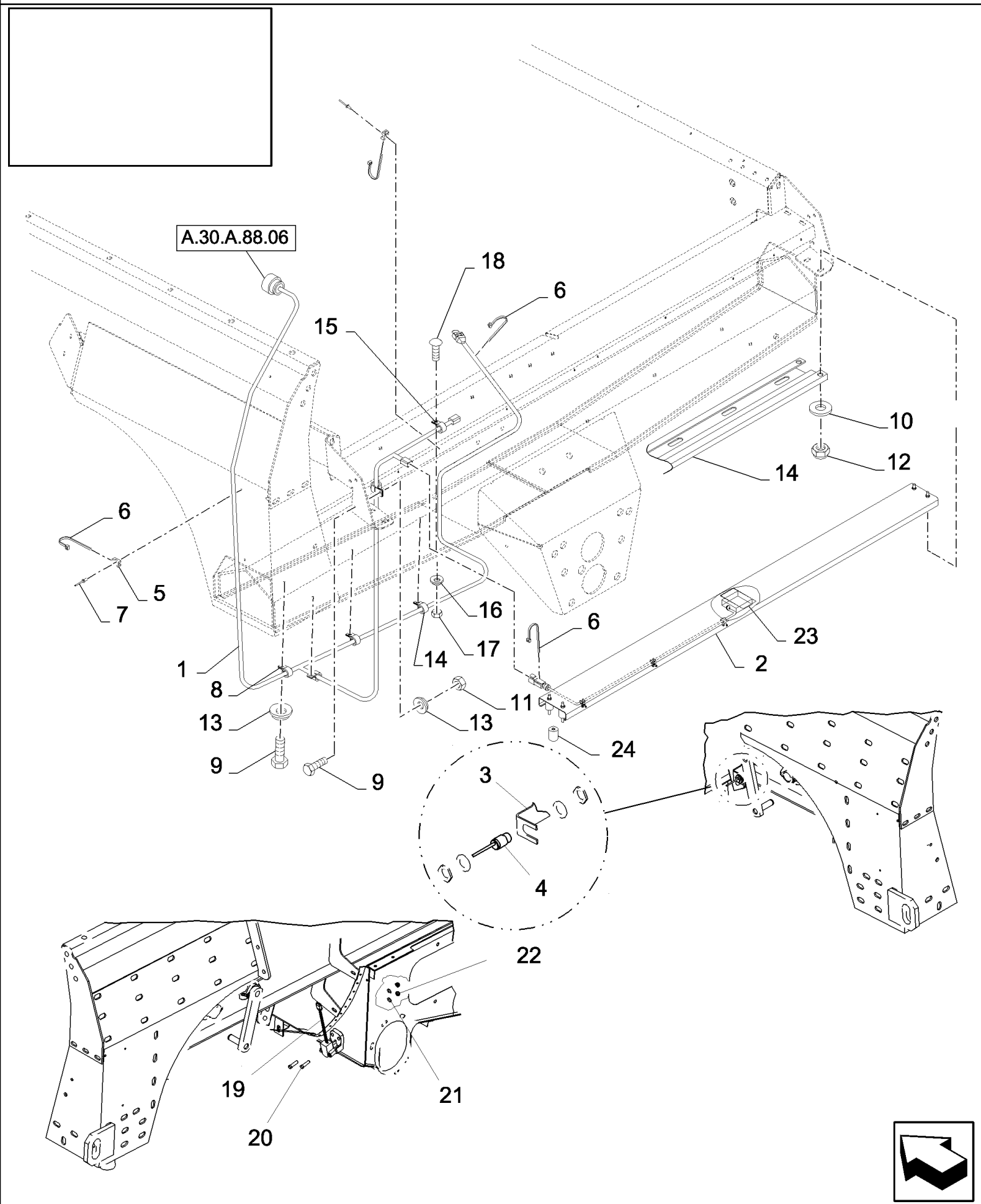


A.30.A.88(08)

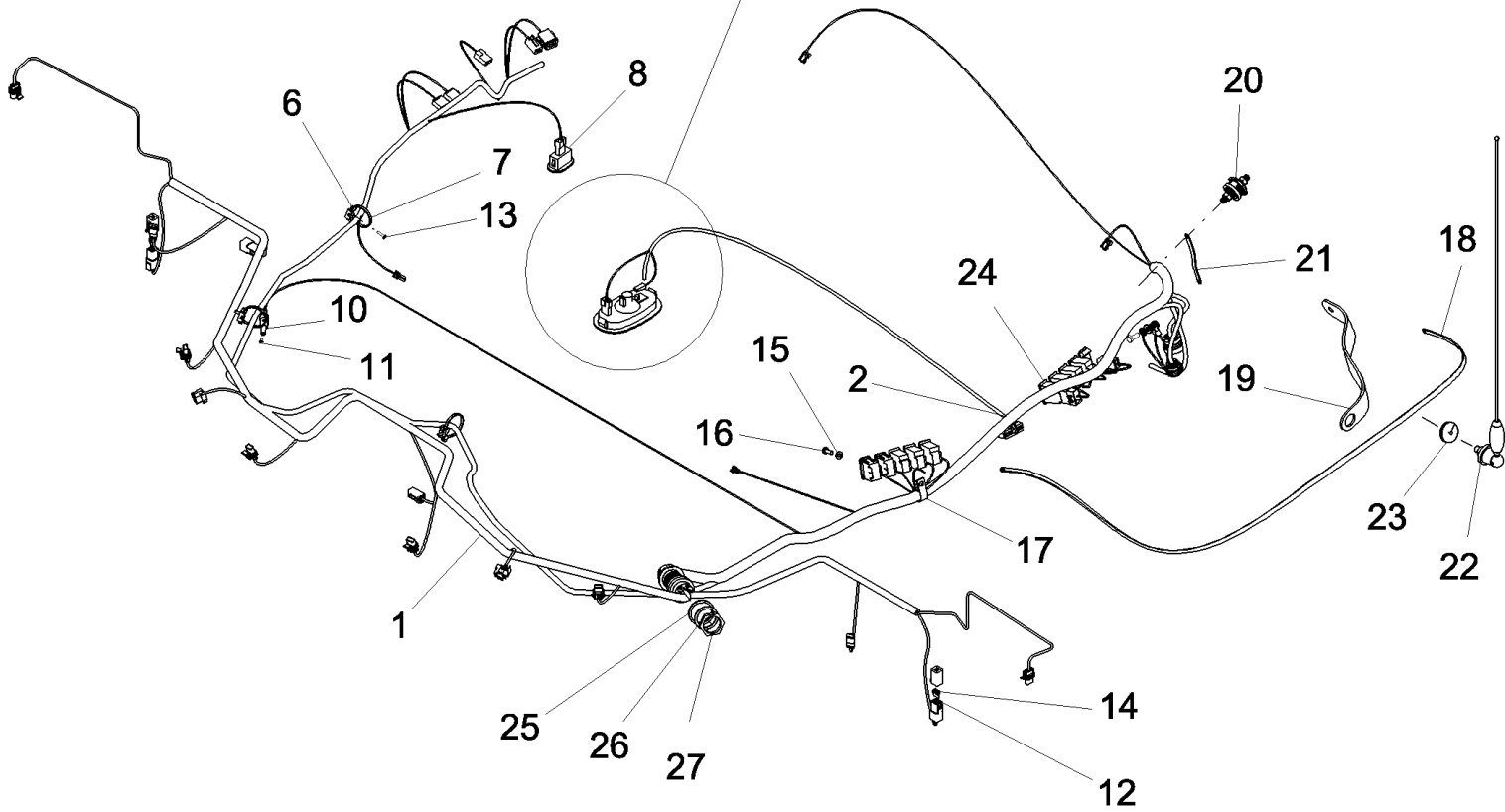
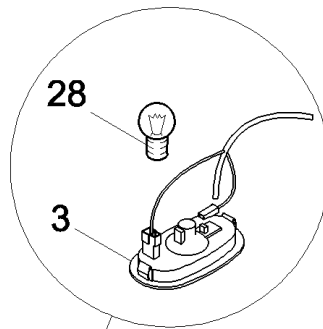
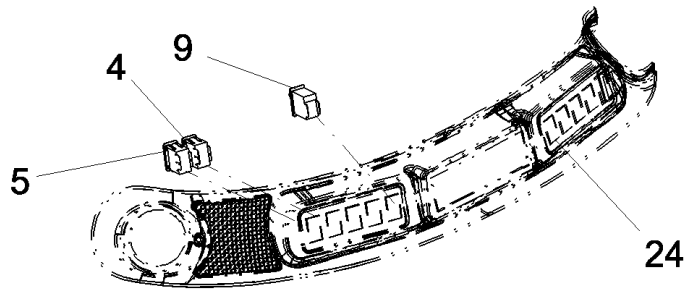
A.30.A.88(02) WIRE HARNESS, FRONT, LOWER FRAME

сылка	Номер детали	Кол-во	Описание
1	87108020	1	HARNESS, WIRE, Front, Lower Frame, EndYear: 02/09/2004
1	87283296	1	HARNESS, WIRE, Front, Lower Frame, Start Year: 02/09/2004
2	84435328	1	BRACKET,
3	9827902	2	CLAMP, 1", Insul, 3/8" Bolt,
4	9706748	3	CLAMP, 5/8", Insul, 5/16" Bolt,
5	619284	3	CLAMP, 15/16", Insul, 3/8" Bolt,
6	86590413	6	CLAMP, Base Wire Tie
7	86566989	7	STRAP, CABLE,
8	445395	6	RIVET, Pop, M4.8 x 18.1,
9	86508568	1	BOLT, Hex, M6 x 16, 8.8,
10	120103	8	BOLT, Hex, M8 x 16, 8.8,
11	322357	2	WASHER, SPRING, Belleville, M6,
12	322358	8	WASHER, SPRING, Belleville, M8,
13	9706690	6	NUT, M8, CI 8,
14	9706755	1	NUT, M6, CI 8,

A.30.A.88(03) WIRE HARNESS, REAR, LOWER FRAME

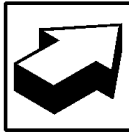
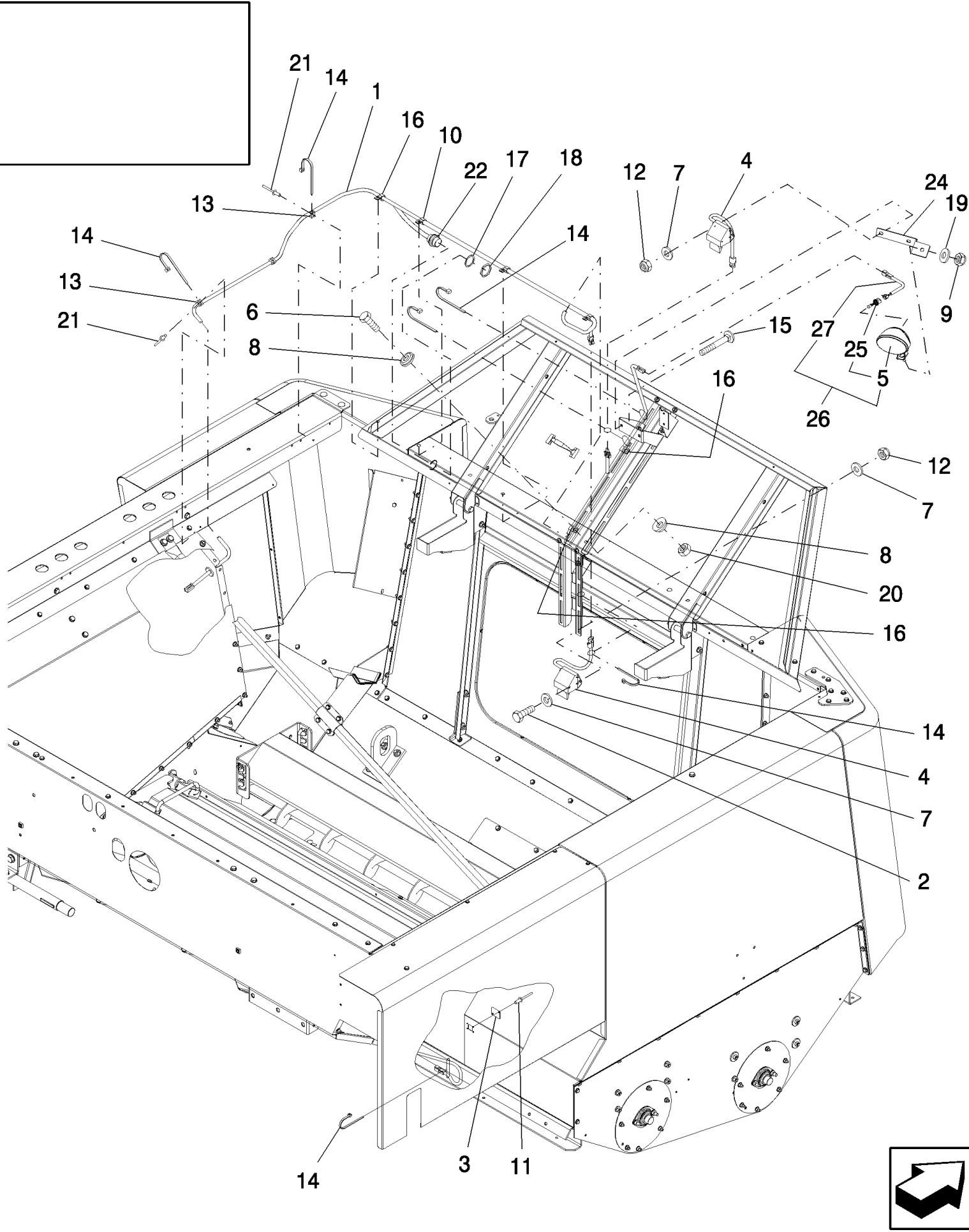


сылка	Номер детали	Кол-во	Описание
1	86900862	1	HARNESS, WIRE, STD Shoe
1	86900861	1	HARNESS, WIRE, Narrow Shoe
2	86579534	1	DETECTOR, STD Shoe - 1634 mm long, Includes Ref. 23 & 24
2	86579535	1	DETECTOR, Narrow Shoe - 1374 mm long, Includes Ref. 23 & 24
3	86997800	1	BRACKET,
4	84058862	1	SENSOR,
5	86590413	3	CLAMP, Base, Tie Wrap
6	86566989	7	STRAP, CABLE,
7	445394	3	RIVET, Pop, M4.8 x 12.7,
8	619284	1	CLAMP, 15/16", Insul, 3/8" Bolt,
9	120100	5	BOLT, Hex, M6 x 20, 8.8,
10	9824259	4	WASHER, M6 x 12 x 1.6,
10	412649	4	WASHER, SPRING, Belleville, M6, Replaces 9824259
11	9706755	1	NUT, M6, CI 8,
12	353308	4	NUT, LOCK, M6 x 1, CI 8,
13	322357	5	WASHER, SPRING, Belleville, M6,
14	89837692	4	CLAMP,
15	86010402	4	CLAMP, 1/2", Insul, 3/8" Bolt,
16	322358	4	WASHER, SPRING, Belleville, M8,
17	9706690	4	NUT, M8, CI 8,
18	86619060	4	BOLT, CARRIAGE, Short NK, M8 x 16, CI8.8, Full Thd,
19	87108588	1	SENSOR, Tailings Volume
20	43128	2	BOLT, Hex, M8 x 30, 8.8,
21	140016	4	WASHER, M8 x 16 x 1.6,
22	832-46408	2	NUT, LOCK, M8 x 1.25, CI 8,
23	84000257	1	SENSOR,
24	9513734	4	ISOLATOR,
25	87675176	1	PLATE, Plate, Protection, Service Only



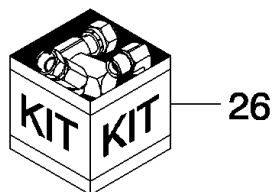
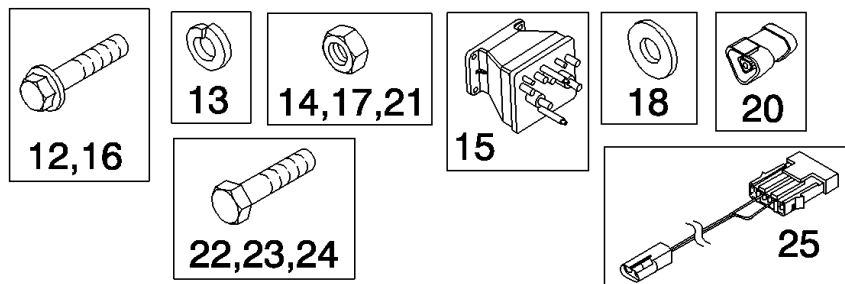
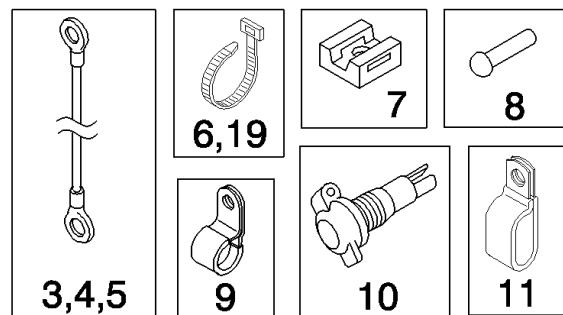
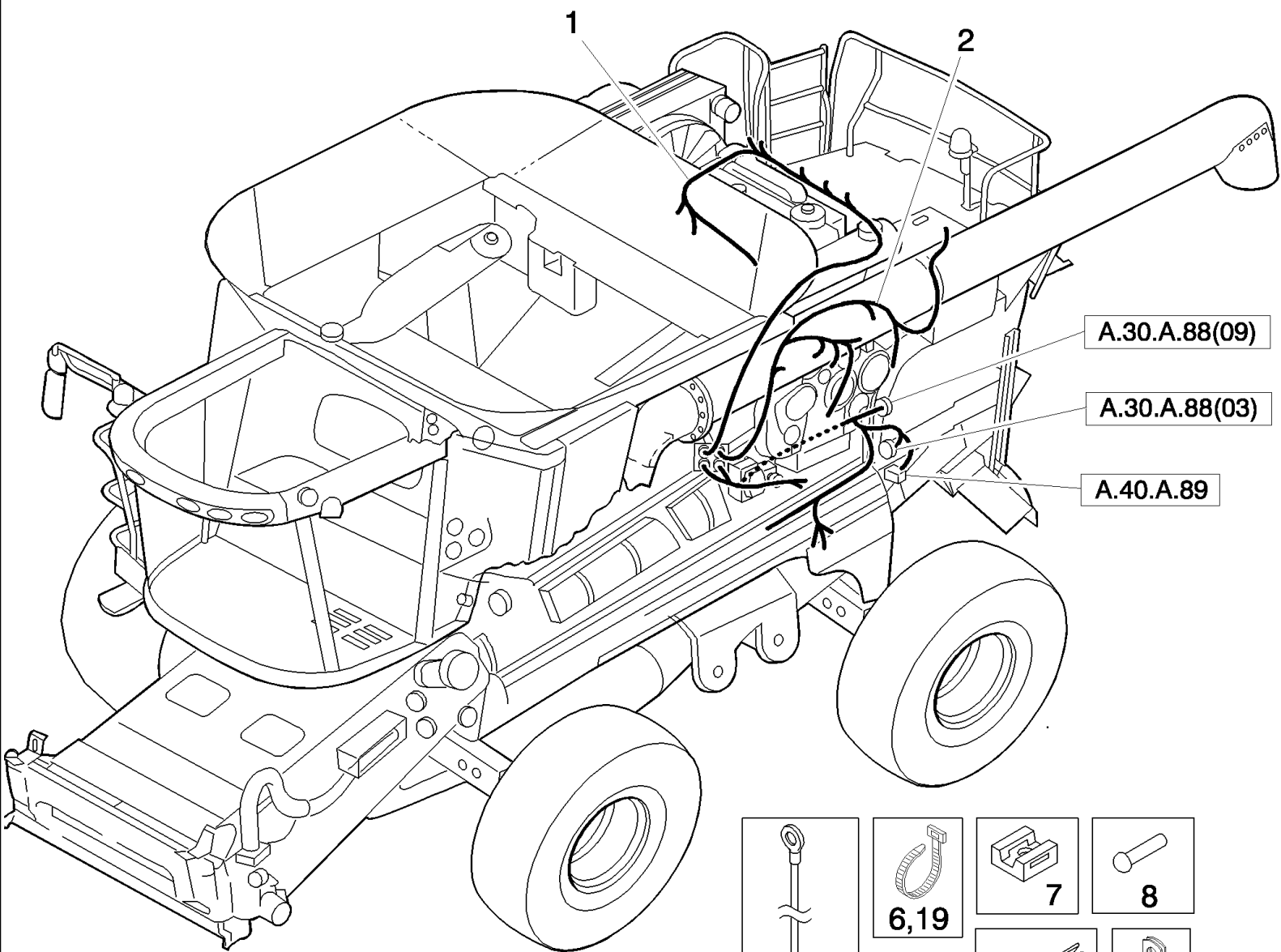
A.30.A.88(04) CAB ROOF ELECTRICAL

сылка	Номер детали	Кол-во	Описание
1	87281469	1	HARNESS, WIRE, Outer, EndYear: 02/09/2004
1	87283295	1	HARNESS, WIRE, Outer, Start Year: 02/09/2004
2	87032331	1	HARNESS, WIRE, Inner
3	86622305	1	LAMP, CEILING, Includes Ref. 28
4	84320248	1	SWITCH, LIGHTS, Front Lights
5	84320268	1	SWITCH, LIGHTS, Rear Work Lights
6	86590413	3	CLAMP, Wire Tie
7	86566989	3	STRAP, CABLE,
8	84067961	1	LAMP, CEILING,
9	84320252	1	SWITCH, WINDSHIELD WIPER,
9	84320250	1	SWITCH, Grain Tank Covers
10	9990447	1	SWITCH, LIGHTS, Interior Lamp
11	87106463	1	SCREW, SELF TAP,
12	84074642	2	CONNECTOR, WIRE,
13	412475	3	SCREW, Pan Hd, CL 4.8, M4 x 16
14	700514	1	CLAMP,
15	322357	1	WASHER, SPRING, Belleville, M6,
16	86511830	1	SCREW, Cross Pan Hd, M6 x 20,
17	9861378	2	CONNECTOR, ELEC, 6-Pin Wedge
18	87107165	1	STRAP, GROUND, Antenna
19	86975124	1	CABLE, Antenna
20	87109037	1	BLOCK,
21	87109036	1	CABLE, Ground Strap
22	86975123	1	ANTENNA, Radio
23	84607475	1	GROMMET,
24	84320263	AR	PLUG, Cover, Switch
25	87010222	1	GASKET,
26	636665	1	WASHER, LOCK,
27	86619907	1	NUT,
28	86616249	1	BULB,

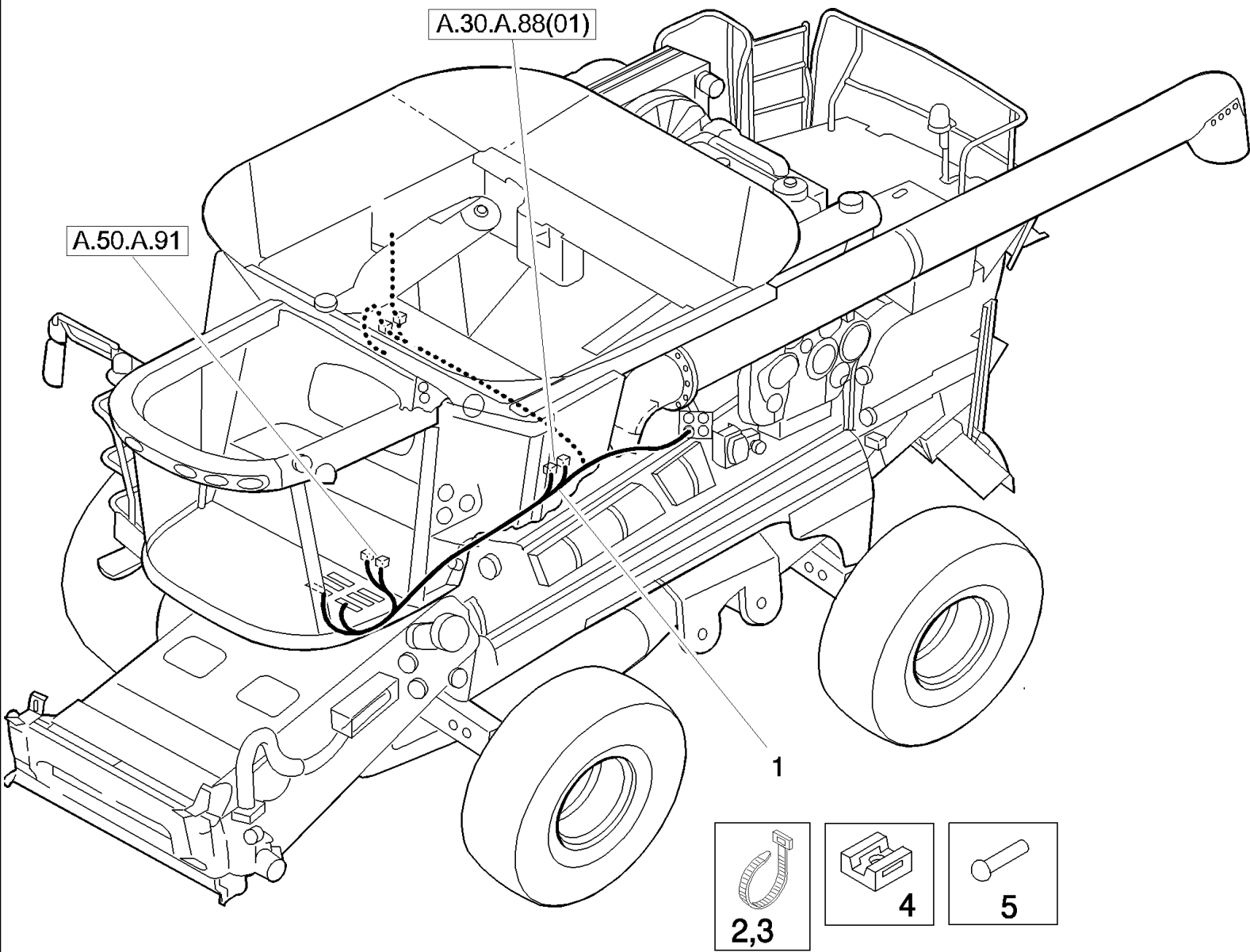


A.30.A.88(05) GRAIN TANK ELECTRICITY

сылка	Номер детали	Кол-во	Описание
1	86900854	1	HARNESS, WIRE, Includes Ref. 23
1	87281626	1	HARNESS, WIRE, With Grain Tank Covers
2	120103	AR	BOLT, Hex, M8 x 16, 8.8,
3	87017441	1	COVER,
4	86626239	2	SWITCH, Sensor, Full Tank
5	87329757	1	LAMP, Includes Ref. 25
6	120104	2	BOLT, Hex, M8 x 20, 8.8,
7	140016	AR	WASHER, M8 x 16 x 1.6,
8	322358	4	WASHER, SPRING, Belleville, M8,
9	385681	AR	NUT, LOCK, M4 x .7, CI 8,
10	9706748	3	CLAMP, 5/8", Insul, 5/16" Bolt,
11	325911	2	RIVET, Pop, M4.8 x 7.4,
12	832-46408	AR	NUT, LOCK, M8 x 1.25, CI 8,
13	86590413	AR	CLAMP, Base, Wire Tie
14	86566989	7	STRAP, CABLE,
14	86566990	1	STRAP, CABLE,
15	308761	2	BOLT, CARRIAGE, Short NK, M8 x 25, CI8.8, Full Thd,
15	412255	4	BOLT, Hex, M4 x 20, 8.8, Full Thd,
16	86010402	AR	CLAMP, 1/2", Insul, 3/8" Bolt,
17	9861349	1	WASHER, LOCK,
18	9861348	1	NUT,
19	9824840	AR	WASHER, M4,
20	9706690	2	NUT, M8, CI 8,
21	445394	AR	RIVET, Pop, M4.8 x 12.7,
22	84058863	1	SENSOR, Grain Tank Covers Position
23	625670	AR	GROMMET, Not Shown
24	87350863	1	BRACKET,
25	87329813	1	BULB,
26	87331113	1	LAMP, Kit, Lamp and Jumper Harness, 200 mm long
27	NS	1	NOT SERVICED, Jumper Harness, 200 mm long



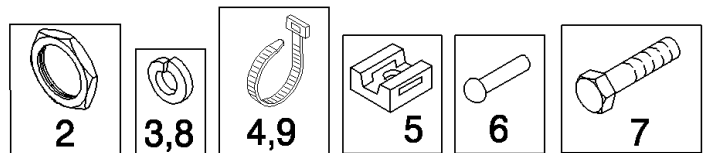
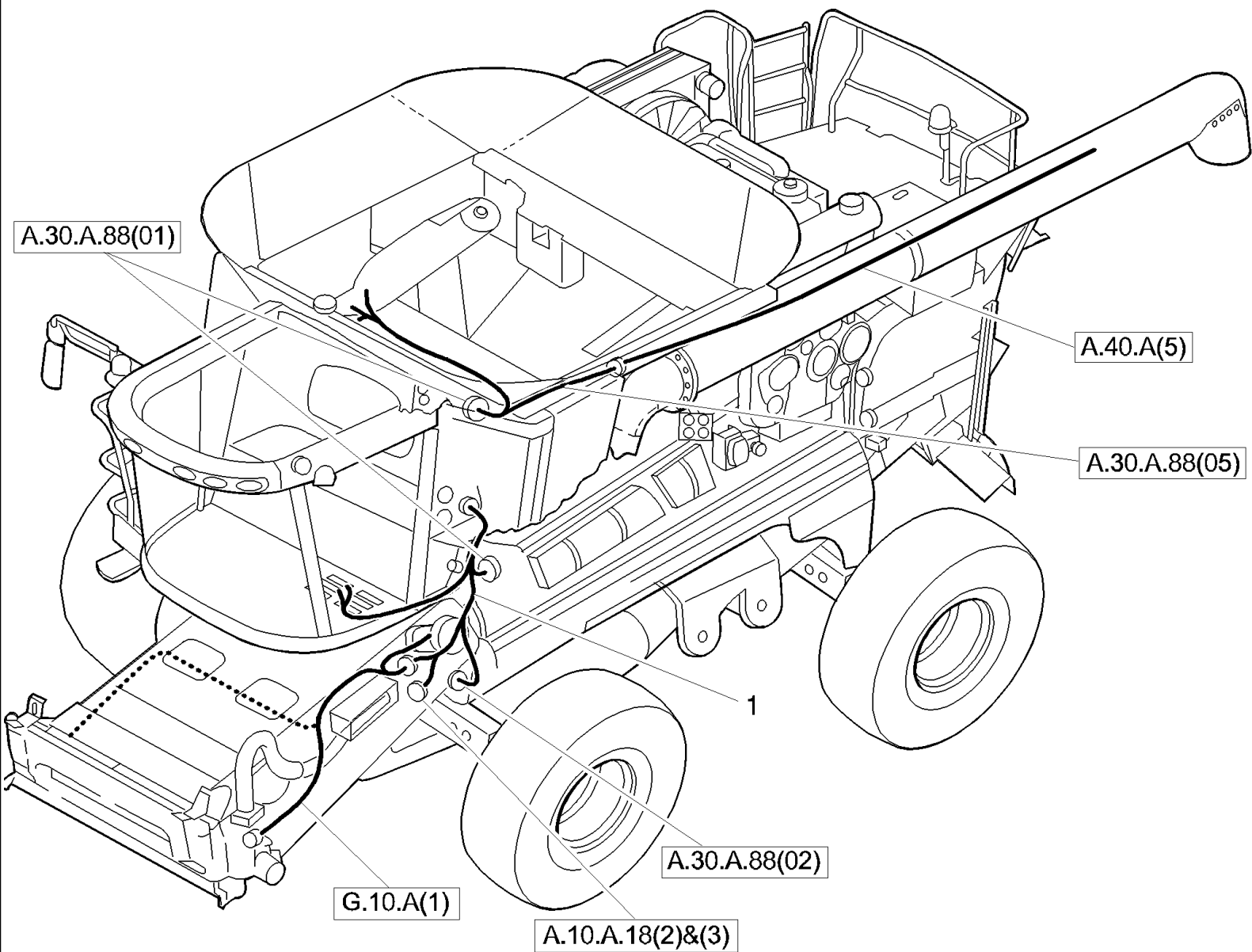
сылка	Номер детали	Кол-во	Описание
1	87280755	1	HARNESS, WIRE, Engine
1	87284351	1	HARNESS, WIRE, Engine, Tier 2 , Start Year: 01/01/2005
1	87053777	1	HARNESS, WIRE, Engine, Tier 3, Start Year: 01/01/2006
2	87280759	1	HARNESS, WIRE, Gearbox
3	86611285	1	WIRE, White
4	86611286	1	WIRE, Red
5	86611287	1	WIRE, Black
6	86566989	26	STRAP, CABLE, 4.8 mm x 190 mm
7	86590413	7	CLAMP, Base, Wire Tie
8	445395	7	RIVET, Pop, M4.8 x 18.1,
9	9827902	5	CLAMP, 1", Insul, 3/8" Bolt,
10	82002966	1	SOCKET, POWER, Auxiliary
11	87000220	1	CLAMP, HOSE,
12	86511842	2	BOLT, Hex Flg, M8 x 40, 8.8,
13	322358	7	WASHER, SPRING, Belleville, M8,
14	9804277	1	NUT, M8 x 1.25, Flg, CI 8,
15	389120	1	SWITCH, Reversing
16	9804255	1	BOLT, Hex Flg, M6 x 16, 8.8,
17	353308	1	NUT, LOCK, M6 x 1, CI 8,
18	86588450	1	WASHER, M6,
19	86566990	6	STRAP, CABLE, 4.8 mm x 290 mm
20	84058092	1	CONNECTOR, TERMINAL,
21	9706690	4	NUT, M8, CI 8,
22	43127	4	BOLT, Hex, M8 x 25, 8.8,
23	86508568	1	BOLT, Hex, M6 x 16, 8.8,
24	120104	1	BOLT, Hex, M8 x 20, 8.8,
25	87284207	1	HARNESS, WIRE, Fixed Speed Feeder Adapter
26	87633941	1	DIA KIT, HARVESTER, Kit, Control Pressure Relocation, Relocates Pressure Transducer From Control Pressure Manifold To Regulator Valve



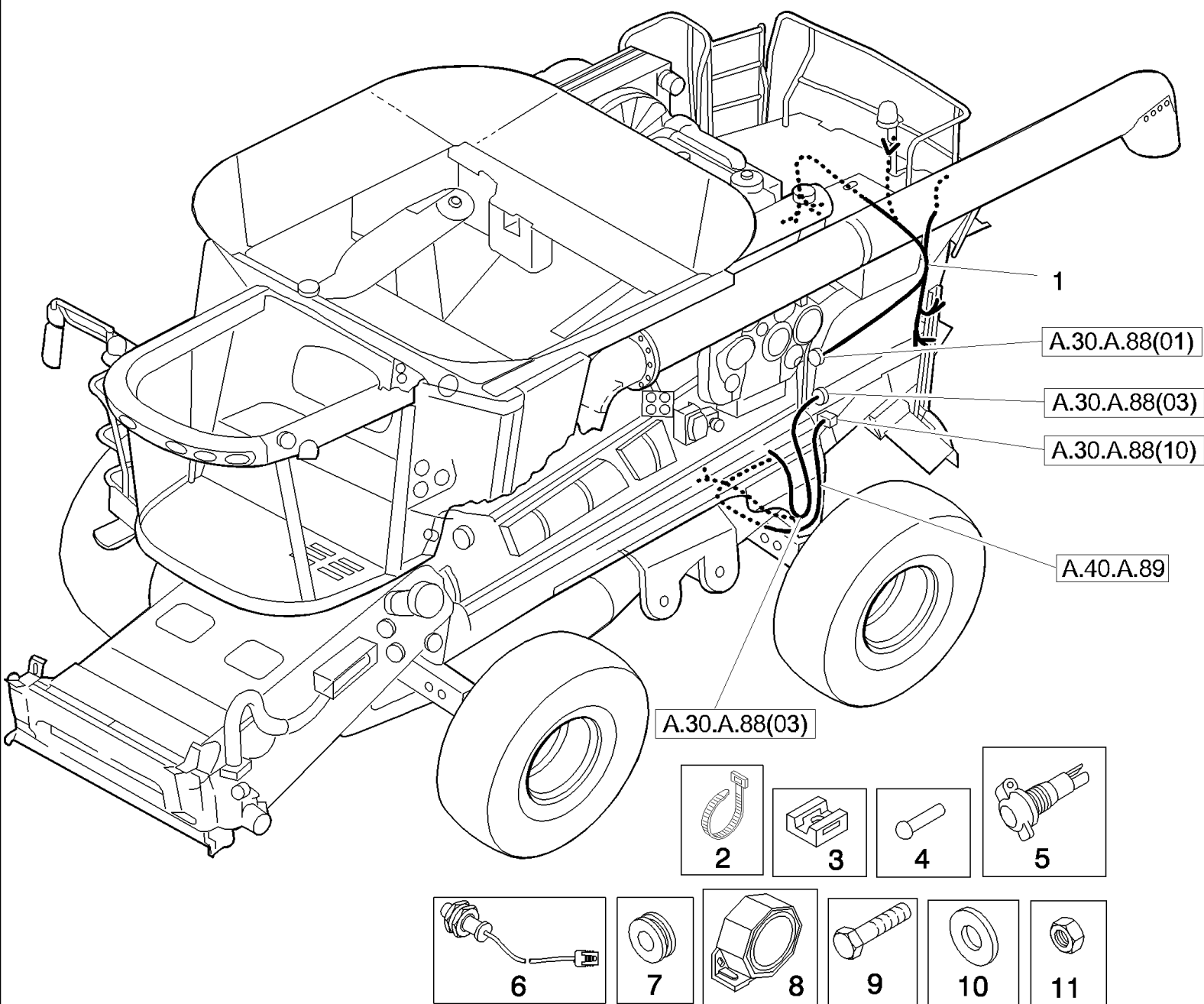
AFX8010 AXIAL-FLOW COMBINE (3/03-9/06)

A.30.A.88(07) WIRE HARNESS, EXPANSION

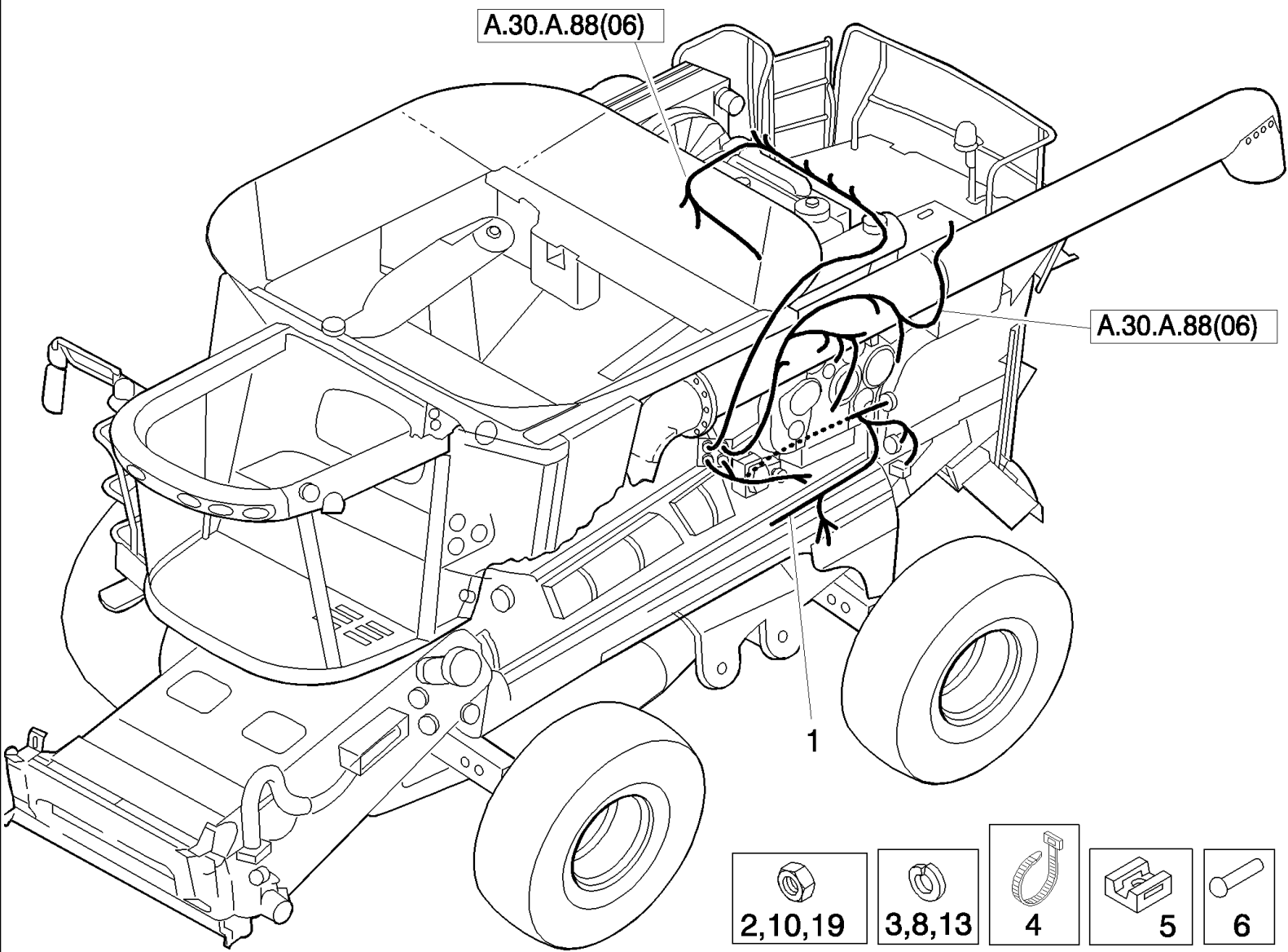
сылка	Номер детали	Кол-во	Описание
1	87108001	1	HARNESS, WIRE, Expansion, EndYear: 07/31/2003
1	87280758	1	HARNESS, WIRE, Expansion, Start Year: 08/01/2003
2	86566990		AR STRAP, CABLE, 11"
3	86566989		AR STRAP, CABLE, 7.5"
4	86590413		AR CLAMP, Base, Wire Tie
5	445394		AR RIVET, Pop, M4.8 x 12.7,



сылка	Номер детали	Кол-во	Описание
1	87107999	1	HARNESS, WIRE, Mainframe, Front
1	87326650	1	HARNESS, WIRE, Mainframe, Front , Start Year: 01/01/2006
2	86619907	1	NUT,
3	636665	1	WASHER, LOCK,
4	86566989	AR	STRAP, CABLE, 7.5"
5	86590413	AR	CLAMP, Base, Wire Tie
6	445394	AR	RIVET, Pop, M4.8 x 12.7,
7	120104	1	BOLT, Hex, M8 x 20, 8.8,
8	322358	1	WASHER, SPRING, Belleville, M8,
9	86566990	AR	STRAP, CABLE, 11"



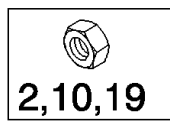
сылка	Номер детали	Кол-во	Описание
1	87107998	1	HARNESS, WIRE, Strawhood, Rear, EndYear: 08/01/2003
1	87281629	1	HARNESS, WIRE, Strawhood, Rear, Start Year: 08/01/2003
2	86566989	AR	STRAP, CABLE, 7.5"
3	86590413	AR	CLAMP, Base, Wire Tie
4	445394	AR	RIVET, Pop, M4.8 x 12.7,
5	82002966	1	SOCKET, POWER, Auxiliary, EndYear: 12/31/2004
6	84058863	1	SENSOR, Unloader Tube Position
7	103258	1	GROMMET, 5/8" ID x 7/8" Groove Dia, Ladder Sensor
8	87010223	1	BUZZER, Back-Up Alarm
9	120100	2	BOLT, Hex, M6 x 20, 8.8,
10	86588450	2	WASHER, M6,
11	353308	2	NUT, LOCK, M6 x 1, CI 8,



A.30.A.88(06)

A.30.A.88(06)

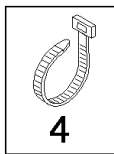
1



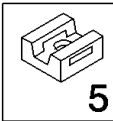
2,10,19



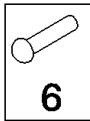
3,8,13



4



5



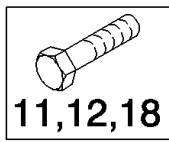
6



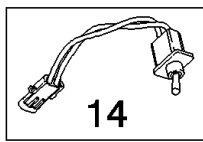
7



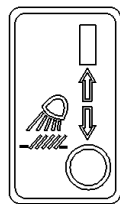
9,17



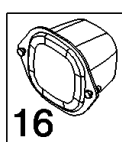
11,12,18



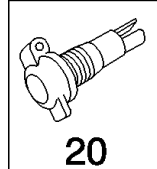
14



15



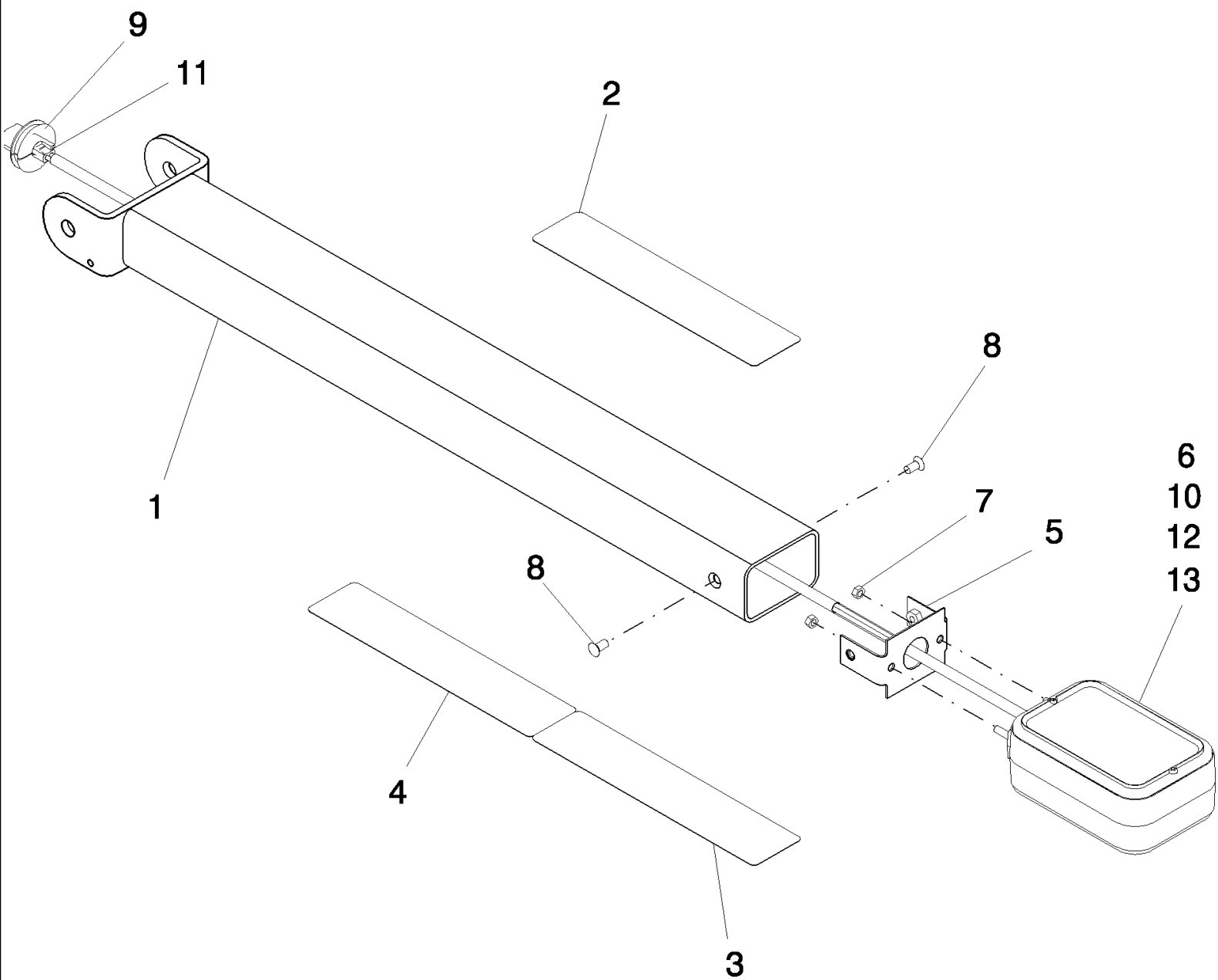
16



20

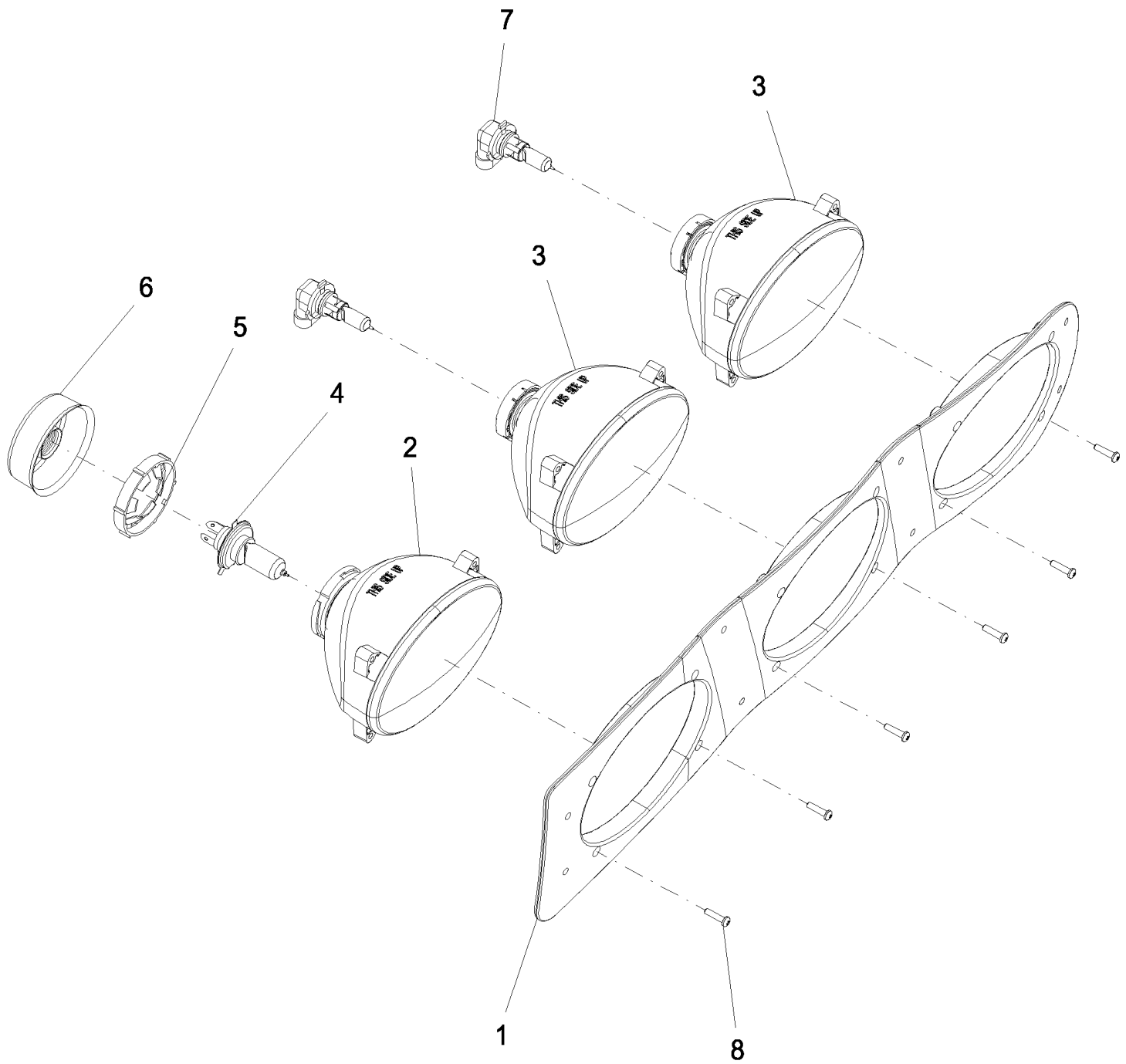
A.30.A.88(10) WIRE HARNESS, STRAWHOOD - FRONT

сылка	Номер детали	Кол-во	Описание
1	87108871	1	HARNESS, WIRE, Strawhood, Front, EndYear: 07/31/2003
1	87281625	1	HARNESS, WIRE, Strawhood, Front, Start Year: 08/01/2003
2	9861348	1	NUT,
3	9861349	1	WASHER, LOCK,
4	86566989	AR	STRAP, CABLE, 7.5"
5	86590413	AR	CLAMP, Base, Wire Tie
6	445394	AR	RIVET, Pop, M4.8 x 12.7,
7	86619907	1	NUT,
8	636665	1	WASHER, LOCK,
9	9824840	2	WASHER, M4,
10	385681	2	NUT, LOCK, M4 x .7, CI 8,
11	412255	2	BOLT, Hex, M4 x 20, 8.8, Full Thd,
12	120104	1	BOLT, Hex, M8 x 20, 8.8,
13	322358	1	WASHER, SPRING, Belleville, M8,
14	391062A1	1	SWITCH, Sieve Lights
15	84432998	1	DECAL, Sieve Light Switch
16	86590412	2	LAMP, Sieve, Includes 9847313
16	9847313	2	BULB, #894, 12V, 37.5W, Used in 86590412
17	86588450	4	WASHER, M6,
18	86508568	4	BOLT, Hex, M6 x 16, 8.8,
19	353308	4	NUT, LOCK, M6 x 1, CI 8,
20	82002966	1	SOCKET, POWER, Auxiliary



сылка	Номер детали	Кол-во	Описание
1	87109527	1	ARM, Standard
1	87105380	1	ARM, , Used with Oversize and Dual Tires
2	87105392	1	REFLECTOR, Yellow
3	87105393	1	REFLECTOR, Red
4	87105394	1	REFLECTOR, Orange
5	87105372	1	BRACKET,
6	87000916	1	LIGHT, WARNING, , EndYear: 02/09/2004
6	87283034	1	LIGHT, WARNING, Includes Ref. 10 - 13 , Start Year: 02/09/2004
7	86508813	2	NUT, M5, CI 8,
8	86511855	2	SCREW, Hex Flat Hd, M6 x 12, 4.8,
9	87015294	1	GROMMET, 1/2" ID x 1 3/4" Groove Dia, Str Cut,
10	232212A1	2	LENS, Amber
11	222136A1	1	CONNECTOR, ELEC,
12	233561A1	2	O-RING, Seal
13	529068	1	BULB, #1156, 12V,

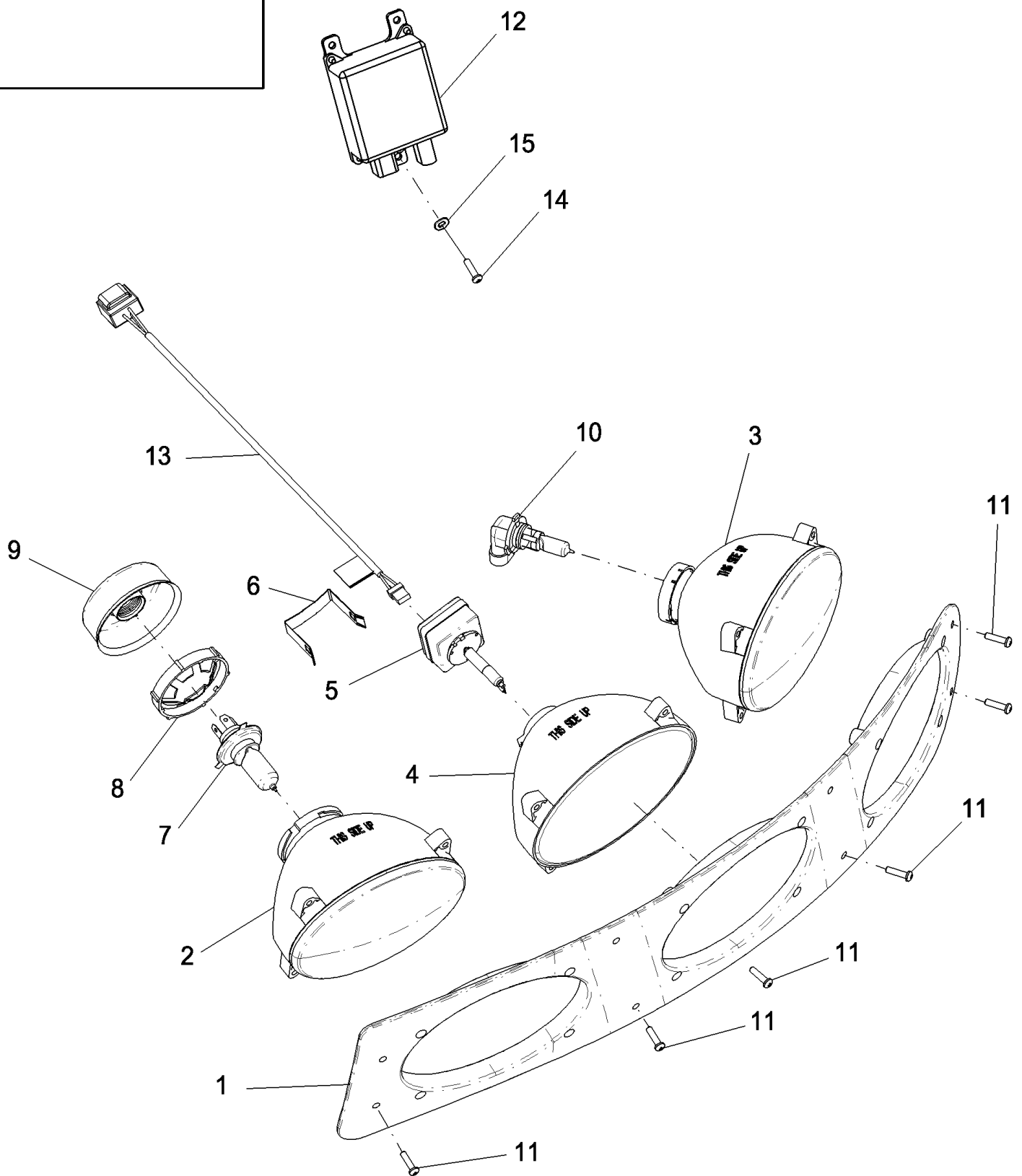
A.40.A(2) HALOGEN CAB ROOF LIGHTS



A.40.A(2) HALOGEN CAB ROOF LIGHTS

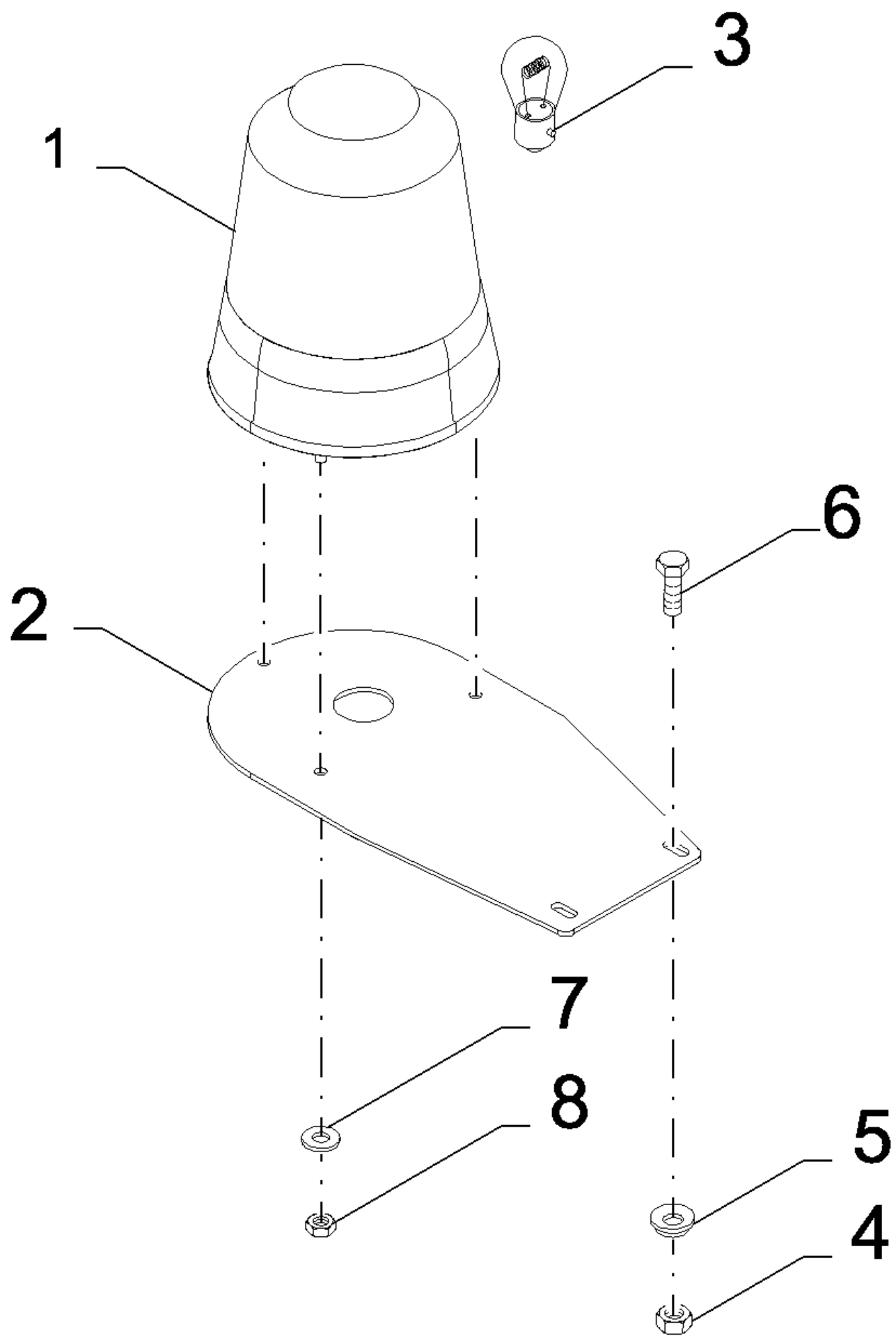
сылка	Номер детали	Кол-во	Описание
1	86975104	1	BEZEL, LH - Shown
1	86975551	1	BEZEL, RH
2	87106352	1	HEADLAMP, Inner
3	87106353	2	HEADLAMP, Center & Outer
4	87283179	1	BULB, H4-12V - Inner
5	87106302	1	COLLAR,
6	87106301	1	SEAL,
7	87106291	2	BULB, 9005-12V - Center & Outer
8	87106305	12	SCREW,

A.40.A(3) HID CAB ROOF LIGHTS



A.40.A(3) HID CAB ROOF LIGHTS

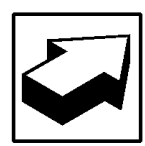
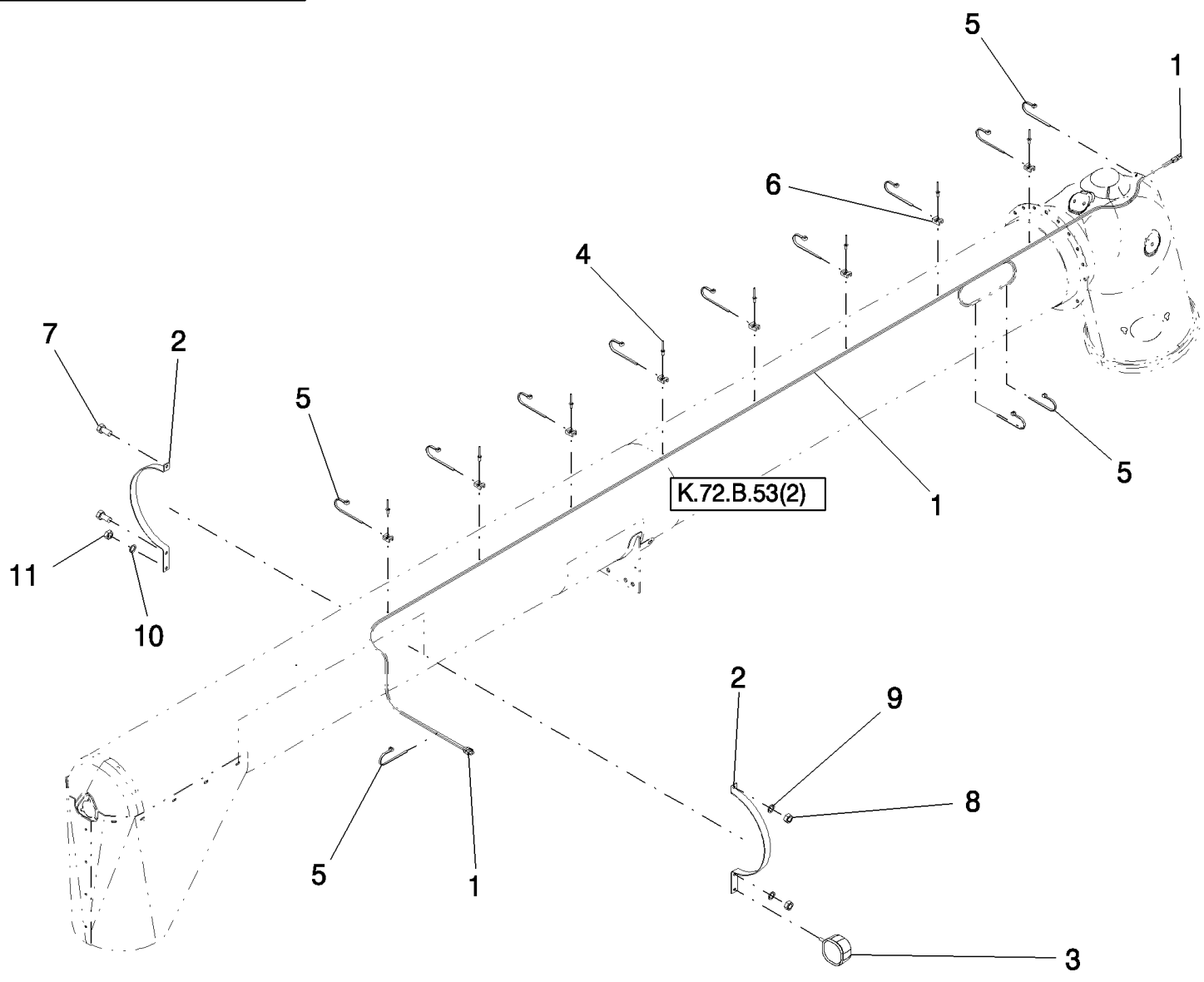
сылка	Номер детали	Кол-во	Описание
1	86975104	1	BEZEL, LH, Fixed Cab Light - Shown
1	86975551	1	BEZEL, RH, Fixed Cab Light
2	87106352	1	HEADLAMP, Inner
3	87106353	AR	HEADLAMP, Outer
4	87106354	AR	HEADLAMP, Center
5	87106288	1	BULB, HID - Center
6	87106287	1	CLIP, Locking
7	87283179	1	BULB, H4-12V - Inner
8	87106302	1	COLLAR,
9	87106301	1	SEAL,
10	87106291	1	BULB, 9005-12V - Outer
11	87106305	12	SCREW,
12	87106306	1	BALLAST,
13	87108021	1	HARNES, WIRE,
14	86511042	6	SCREW, Cross Pan Hd, M4 x 16,
15	335872	6	WASHER,



A.40.A(4) BEACON, REAR, ROTATING

сылка	Номер детали	Кол-во	Описание
1	84067911	1	BEACON,
1	87050694	1	BEACON, , ASN HAJ106527
2	87107403	1	SUPPORT,
3	86616248	1	BULB, #HI, 55w,
4	9706690	2	NUT, M8, CI 8,
5	322358	2	WASHER, SPRING, Belleville, M8,
6	120103	2	BOLT, Hex, M8 x 16, 8.8,
7	86517328	3	WASHER, LOCK, M6,
8	9706755	3	NUT, M6, CI 8,

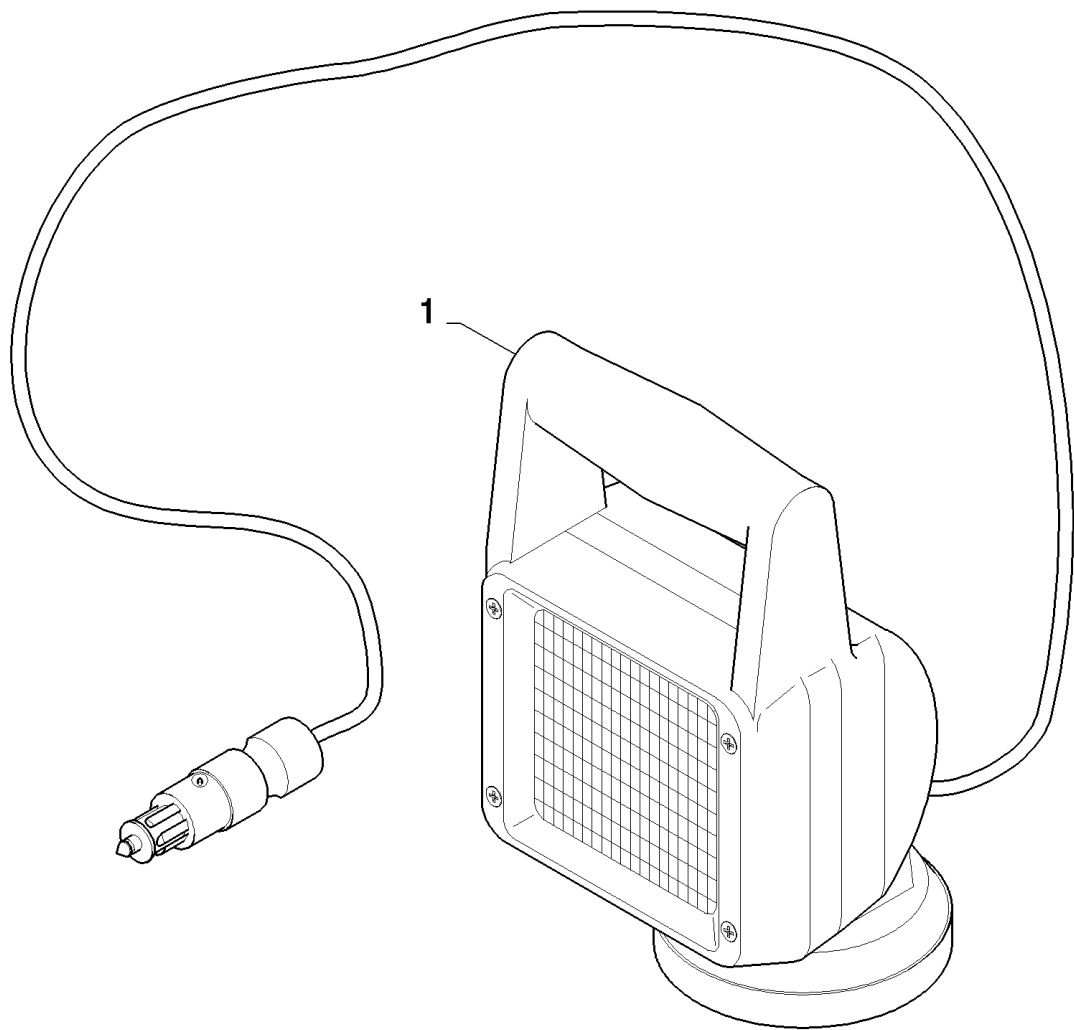
A.40.A(5) LIGHT, UNLOADING AUGER



A.40.A(5) LIGHT, UNLOADING AUGER

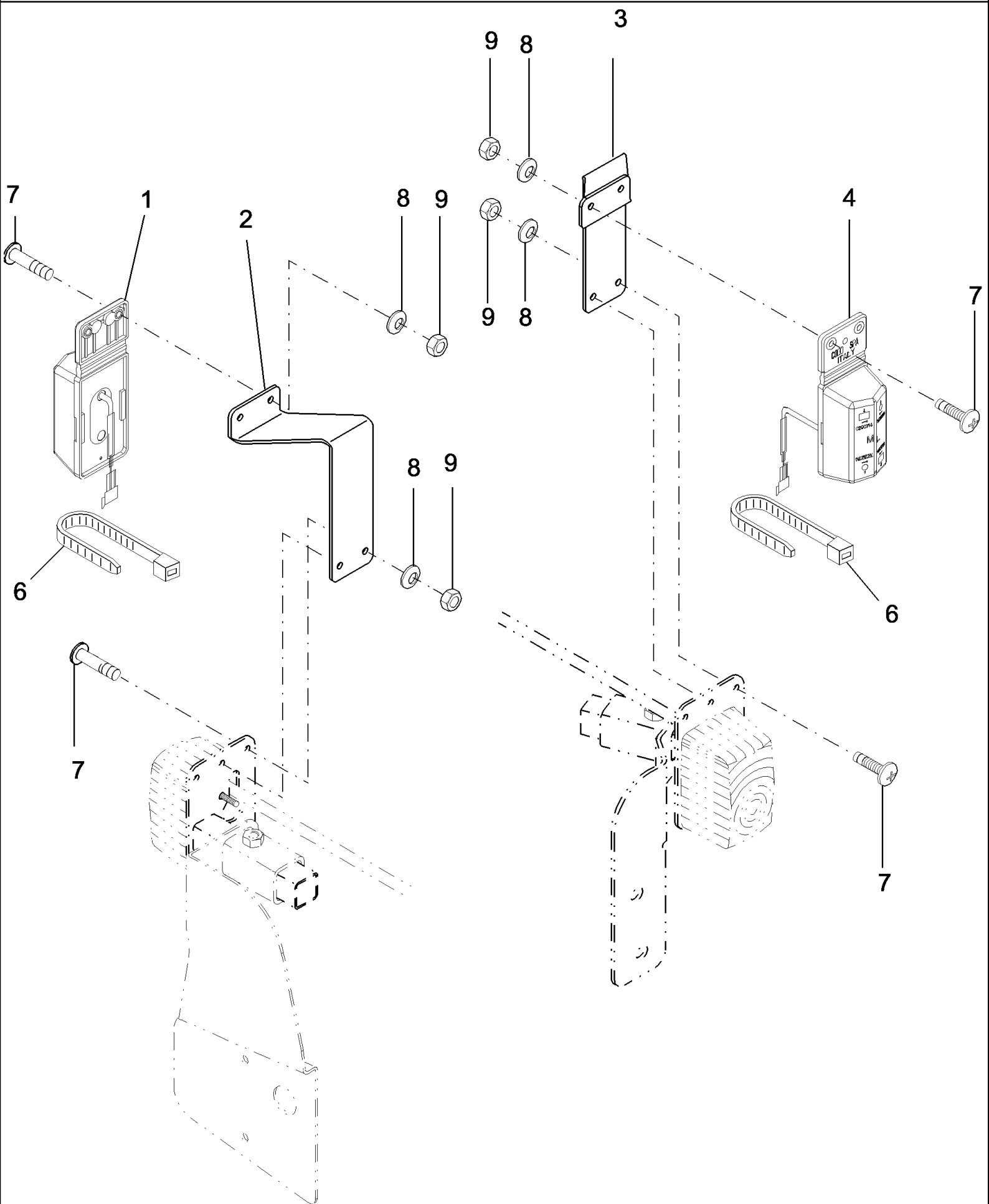
сылка	Номер детали	Кол-во	Описание
1	86900852	1	HARNES, WIRE,
2	84072630	2	SUPPORT,
3	84067907	1	LAMP, WORK,
4	445394	8	RIVET, Pop, M4.8 x 12.7,
5	86566989	12	STRAP, CABLE,
6	86590413	8	CLAMP,
7	43139	2	SCREW, HH, CL 8.8, M10 x 1.5 x 25
8	100016	2	NUT, M10, CI 8,
9	140045	2	WASHER, SPRING, Belleville, M10,
10	322358	1	WASHER, SPRING, Belleville, M8,
11	9706690	1	NUT, M8, CI 8,

A.40.A(6) INSPECTION LAMP



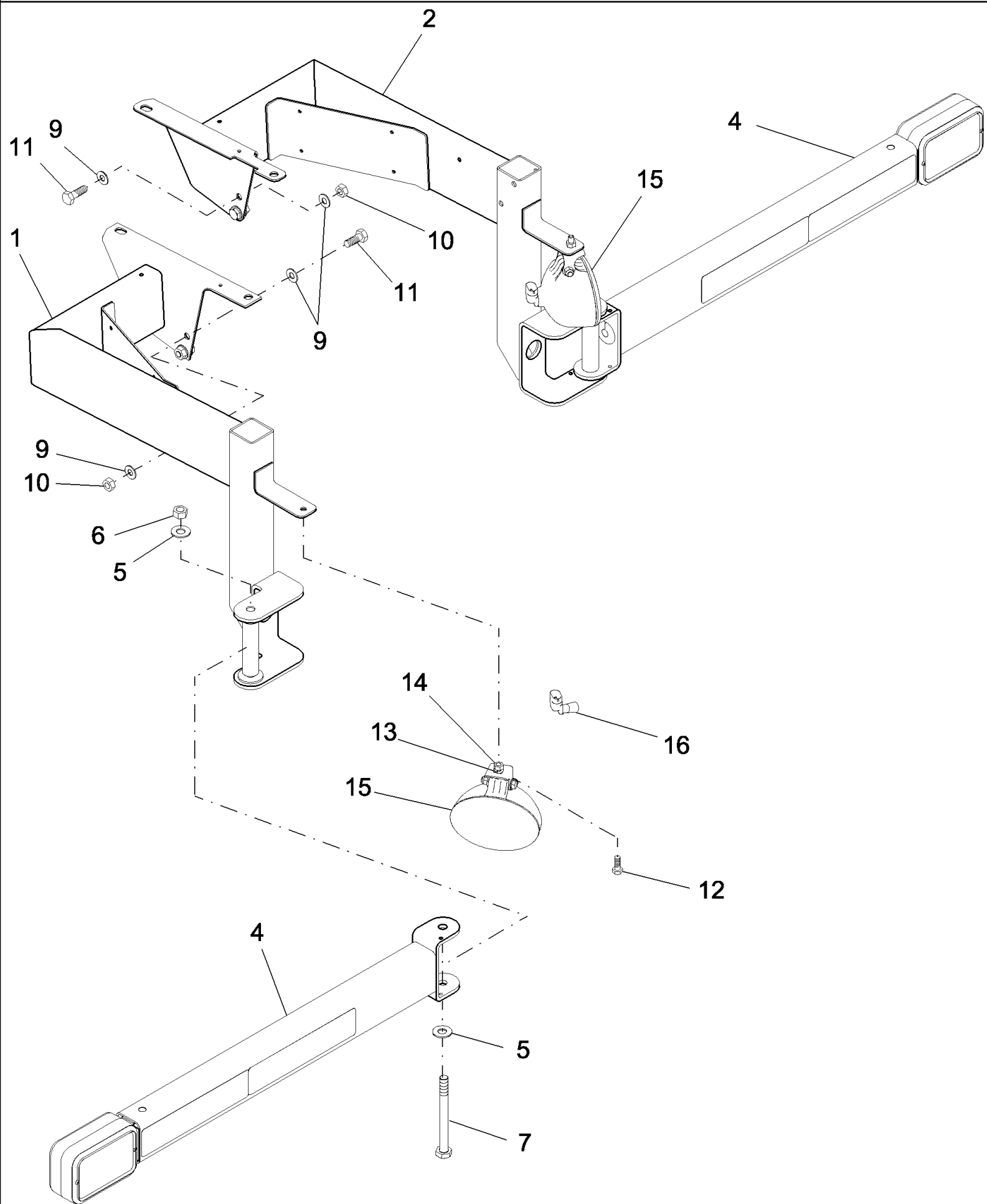
A.40.A(6) INSPECTION LAMP

сылка	Номер детали	Кол-во	Описание
1	84081054	1	ADD. ERRANT LIGHT,
1	86508819	1	CONNECTOR, ELEC, Male
1	9703399	1	BULB, 12V, 55W



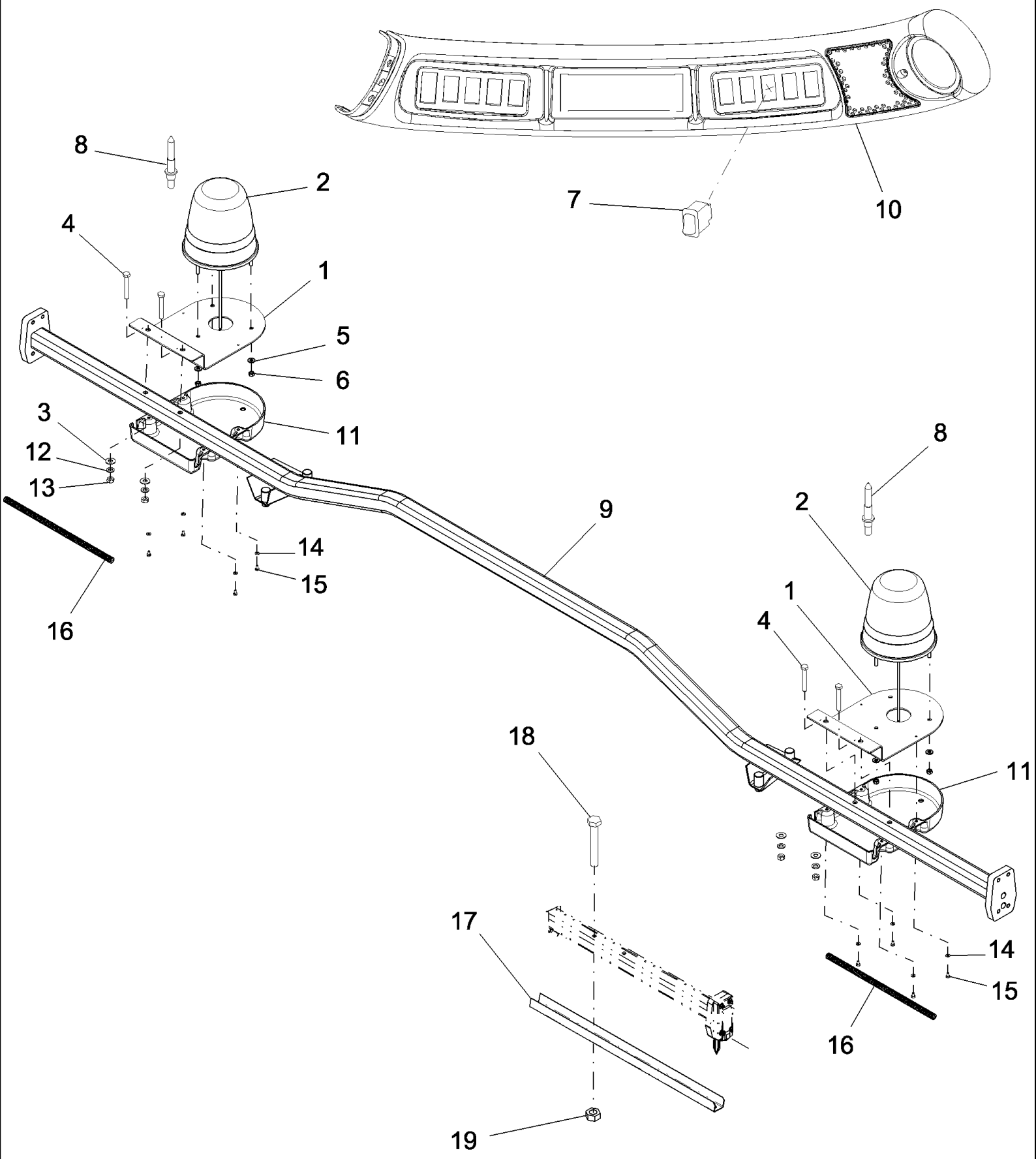
сылка	Номер детали	Кол-во	Описание
1	84437311	1	LAMP, RH, Includes: Ref. 5
2	84441701	1	SUPPORT, RH
3	84441700	1	BRACKET, Support, LH
4	84437310	1	LAMP, LH, Includes: Ref. 5
5	89626322	AR	BULB, #R5W, 5w, Not Shown
6	86566989	2	STRAP, CABLE,
7	86511042	8	SCREW, Cross Pan Hd, M4 x 16,
8	322355	8	WASHER, SPRING, Belleville, M4,
9	100012	8	NUT, M4, CI 8,

A.40.A(8) WARNING LIGHTS, REAR

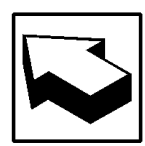
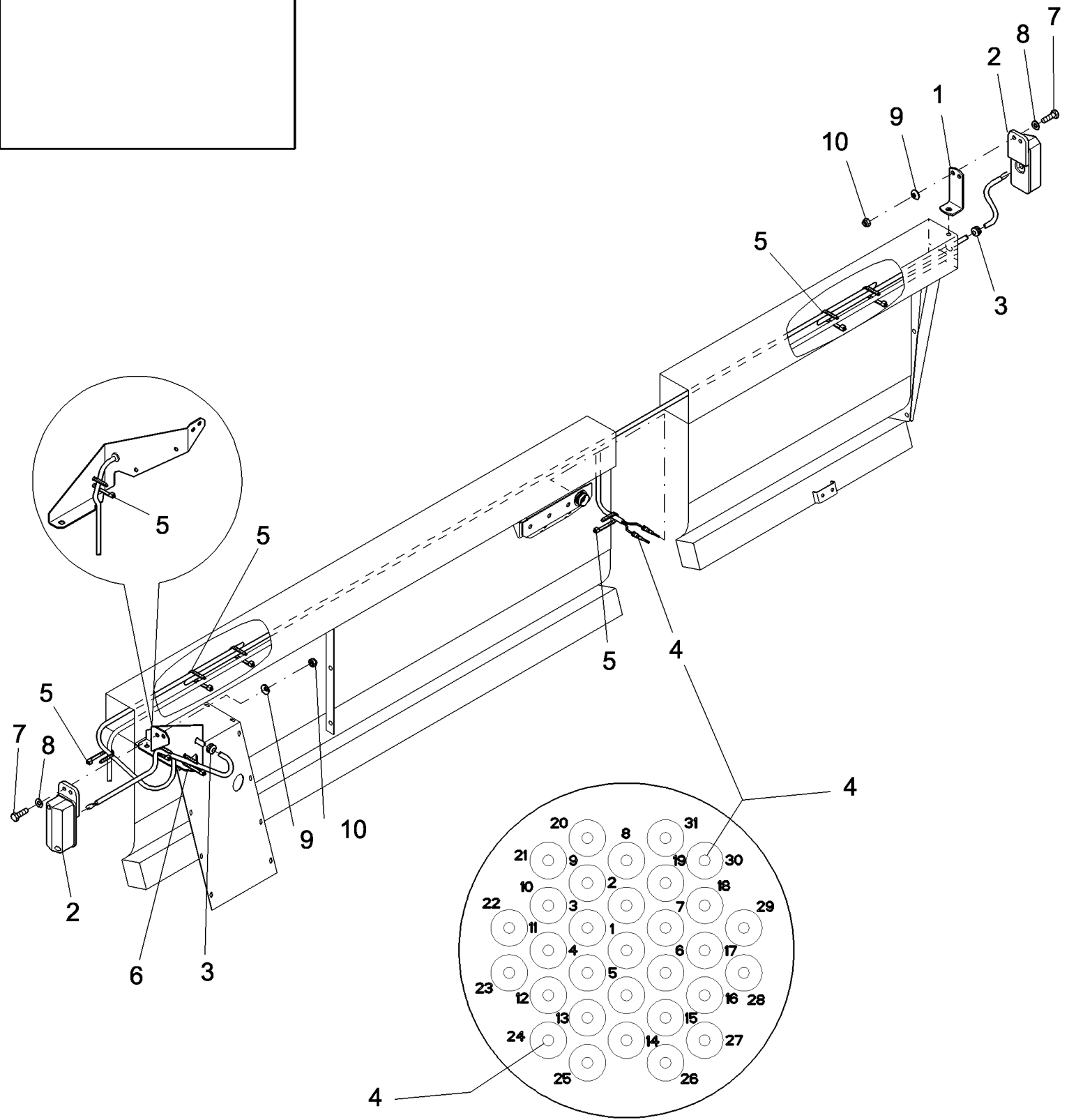


A.40.A(8) WARNING LIGHTS, REAR

сылка	Номер детали	Кол-во	Описание
1	87108902	1	ARM, LH
2	87109857	1	SUPPORT, RH
3	86997936	4	WASHER,
4	87105377	2	LIGHT, WARNING, Assembly
4	87105381	2	LIGHT, WARNING, Assembly , Used with Oversize and Dual Tires
5	140046	4	WASHER, SPRING, Belleville, M12,
6	9706685	2	NUT, M12, CI 8,
7	385427	2	BOLT, Hex, M12 x 150, 8.8,
8	87105383	2	SPACER,
9	140045	8	WASHER, SPRING, Belleville, M10,
10	100016	4	NUT, M10, CI 8,
11	43138	4	BOLT, Hex, M10 x 20, 8.8, Full Thd,
12	PL	2	PROCURE LOCALLY, Bolt, M8
13	83990583	2	WASHER, LOCK, M8,
14	9706690	2	NUT, M8, CI 8,
15	87001315	2	LAMP, WORK,
16	87107077	2	BULB, #862, 37.5w,

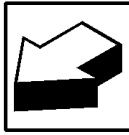
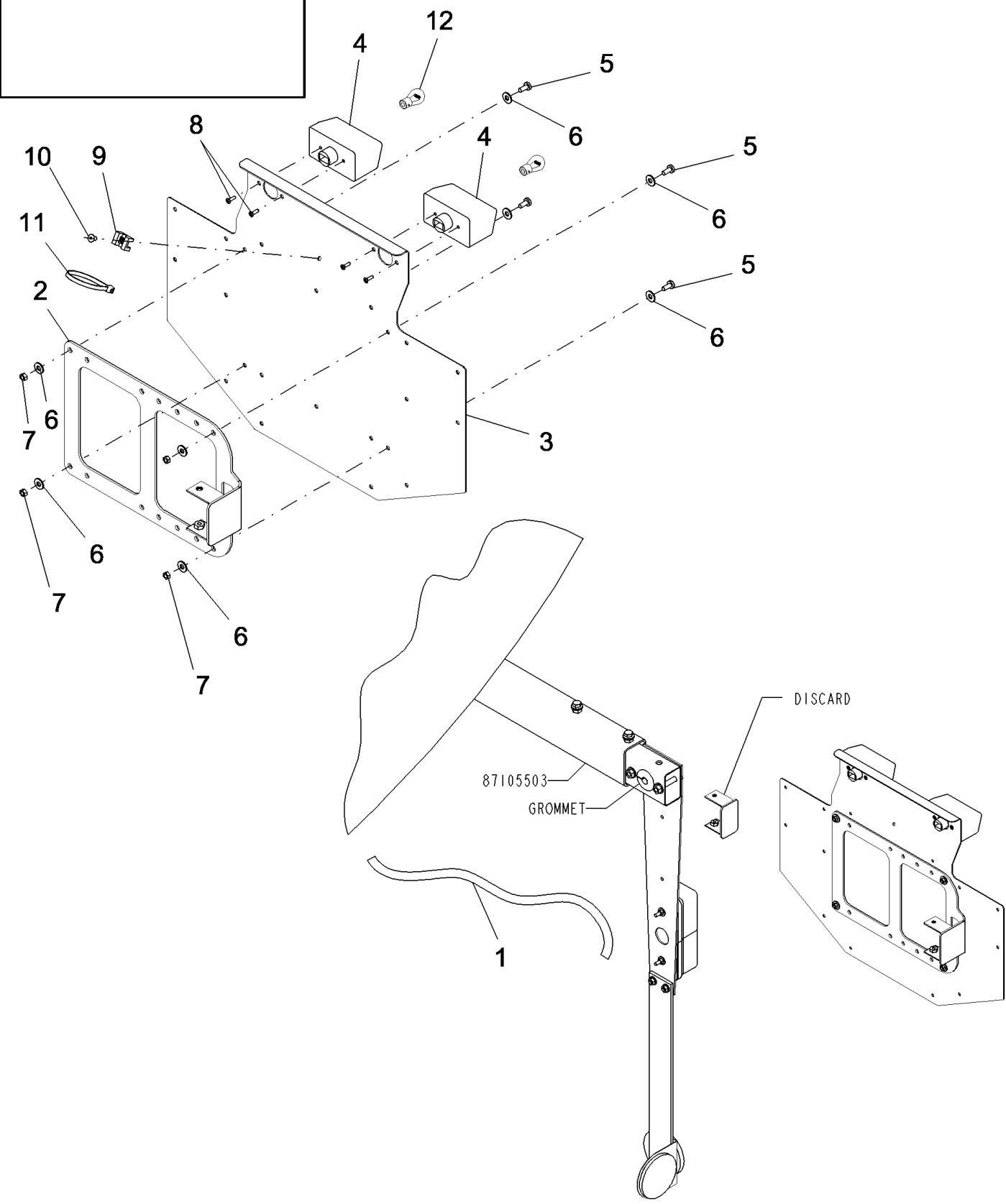


сылка	Номер детали	Кол-во	Описание
1	87341279	2	SUPPORT,
2	84067911	2	BEACON,
2	87050694	2	BEACON, , ASN HAJ106527
3	86625263	4	WASHER, M8 x 20 x 1.6,
4	86900240	4	BOLT, Hex, M8 x 55, 8.8,
5	322357	6	WASHER, SPRING, Belleville, M6,
6	9706755	6	NUT, M6, CI 8,
7	84320234	1	SWITCH, Beacons
8	86616248	2	BULB, #HI, 55w,
9	87107127	1	SUPPORT, , EndYear: 10/17/2005
9	87326681	1	SUPPORT, , Start Year: 10/17/2005
10	86995945	1	PANEL,
11	87331119	2	COVER,
12	895-11008	4	WASHER, M8 x 16 x 1.6,
13	9706690	4	NUT, M8, CI 8,
14	895-11004	8	WASHER, M4,
15	87367495	8	SCREW, Thread Rolling, M4 x 8
16	87283961	2	INSULATOR, Conduit
17	87381862	2	BRACKET, Without Beacon
18	120062	4	BOLT, Hex, M8 x 70, 8.8, Without Beacon
19	86629542	4	NUT, LOCK, M8 x 1.25, CI 8, Without Beacon



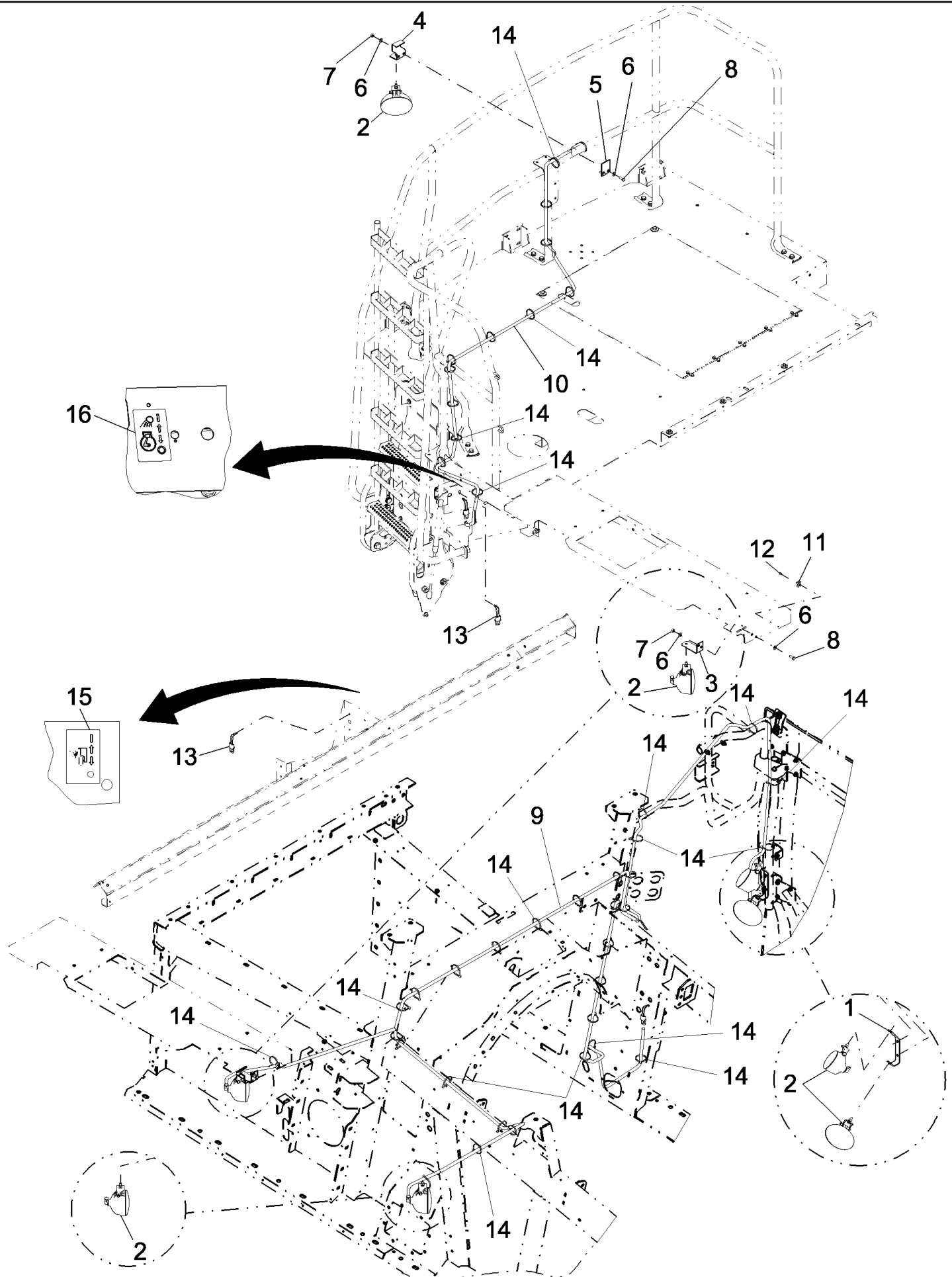
сылка	Номер детали	Кол-во	Описание
1	84077733	1	BRACKET,
2	449531	2	LAMP, Side Marker
3	335315	2	GROMMET,
4	84432334	1	HARNESS, WIRE,
5	86566989	9	STRAP, CABLE,
6	84432804	1	SUPPORT,
7	120100	4	BOLT, Hex, M6 x 20, 8.8,
8	86588450	4	WASHER, M6,
9	322357	4	WASHER, SPRING, Belleville, M6,
10	353308	4	NUT, LOCK, M6 x 1, CI 8,

A.40.A.85(2) LIGHTING, LICENSE PLATE



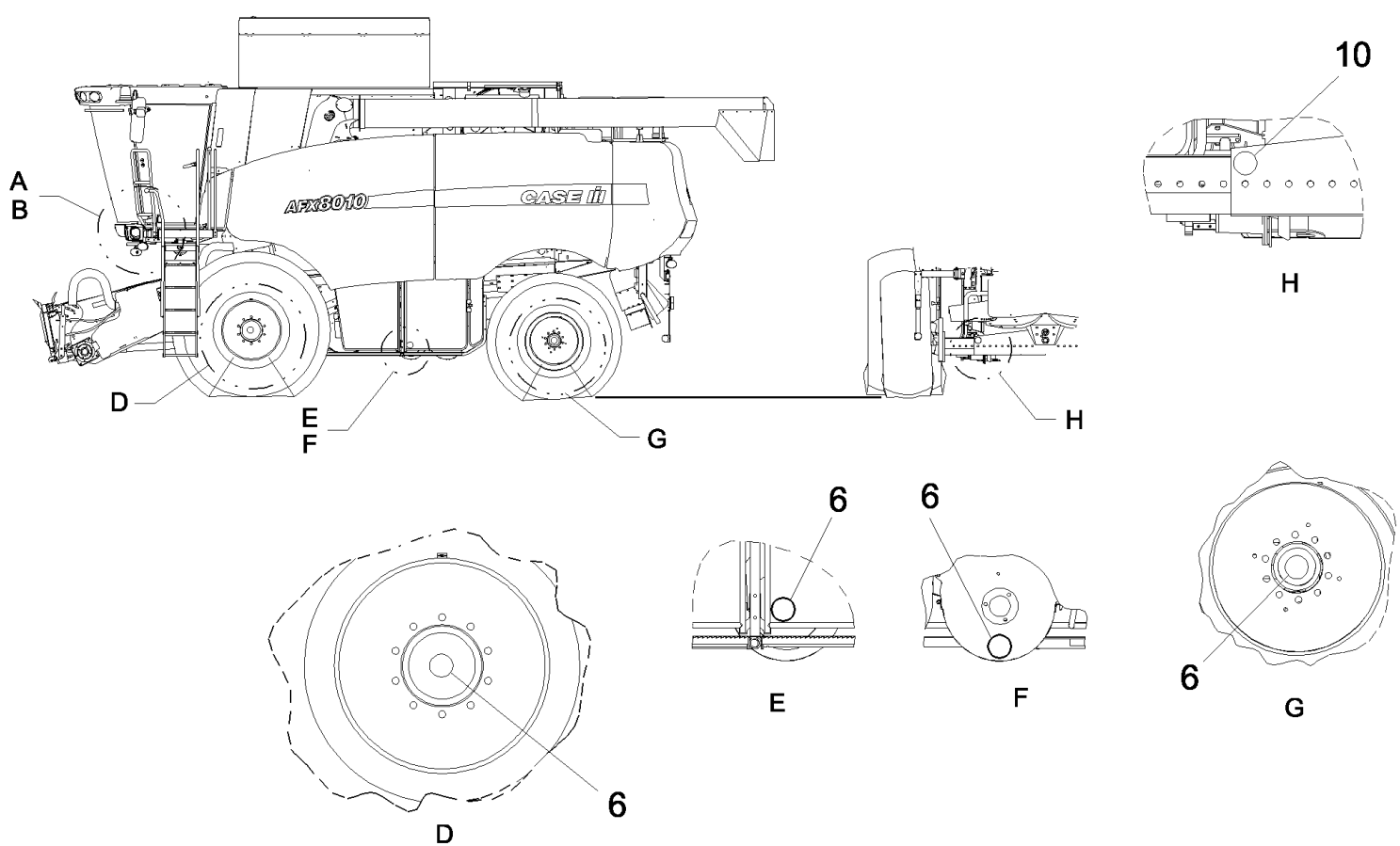
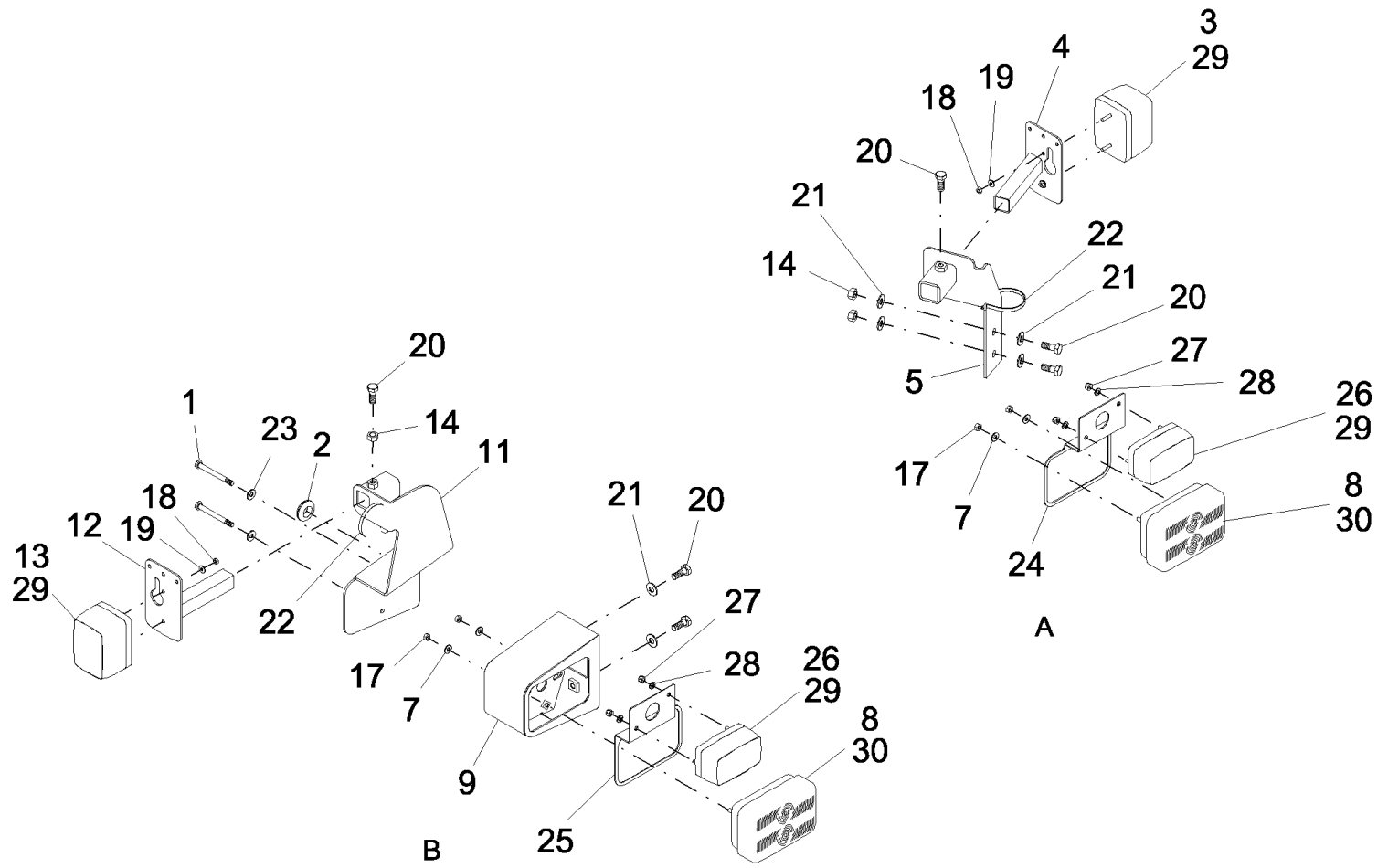
A.40.A.85(2) LIGHTING, LICENSE PLATE

сылка	Номер детали	Кол-во	Описание
1	87108347	1	HARNES, WIRE,
2	87105810	1	BRACKET,
2	87284856	1	BRACKET,
3	87001317	1	PLATE, RETAINING, License Plates
4	84067964	2	LAMP, NUMBER PLATE, Includes Ref. 12
5	80043982	4	SCREW, Pan Hd, M5 x 10
6	322357	8	WASHER, SPRING, Belleville, M6,
7	86508813	4	NUT, M5, CI 8,
8	9835804	4	SCREW,
9	86590413	1	CLAMP, Base, Wire Tie
10	325911	1	RIVET, Pop, M4.8 x 7.4,
11	86566989	1	STRAP, CABLE,
12	86616250	2	BULB, #W5W, 5w,

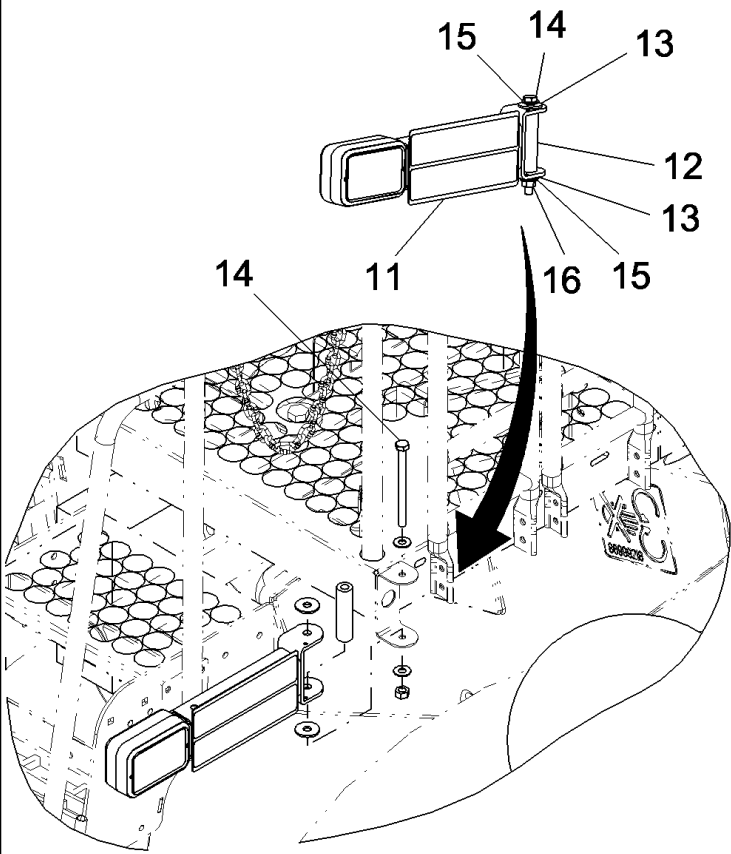


A.40.A.85(3) DELUXE SERVICE LIGHTING

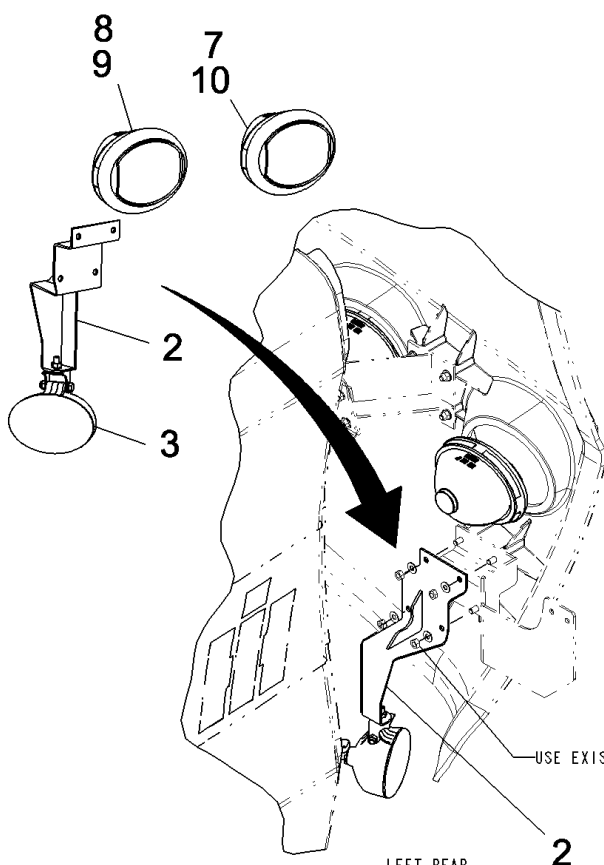
сылка	Номер детали	Кол-во	Описание
1	87105346	1	BRACKET,
2	87001315	5	LAMP, WORK,
3	87105352	1	BRACKET,
4	87107537	1	BRACKET,
5	87107539	1	PLATE,
6	322358	8	WASHER, SPRING, Belleville, M8,
7	9706690	4	NUT, M8, CI 8,
8	120104	4	BOLT, Hex, M8 x 20, 8.8,
9	87109354	1	HARNESS, WIRE, Underpanel Lights
10	87109355	1	HARNESS, WIRE, Engine Deck Lights
11	86590413	1	CLAMP, Base, Wire Tie
12	325911	1	RIVET, Pop, M4.8 x 7.4,
13	86627353	2	SWITCH, 391062A1
14	86566989	42	STRAP, CABLE, Nylon
15	87015175	1	DECAL, Light Switch
16	87013946	1	DECAL, Light Switch
17	87107077	5	BULB, #862, 37.5w,



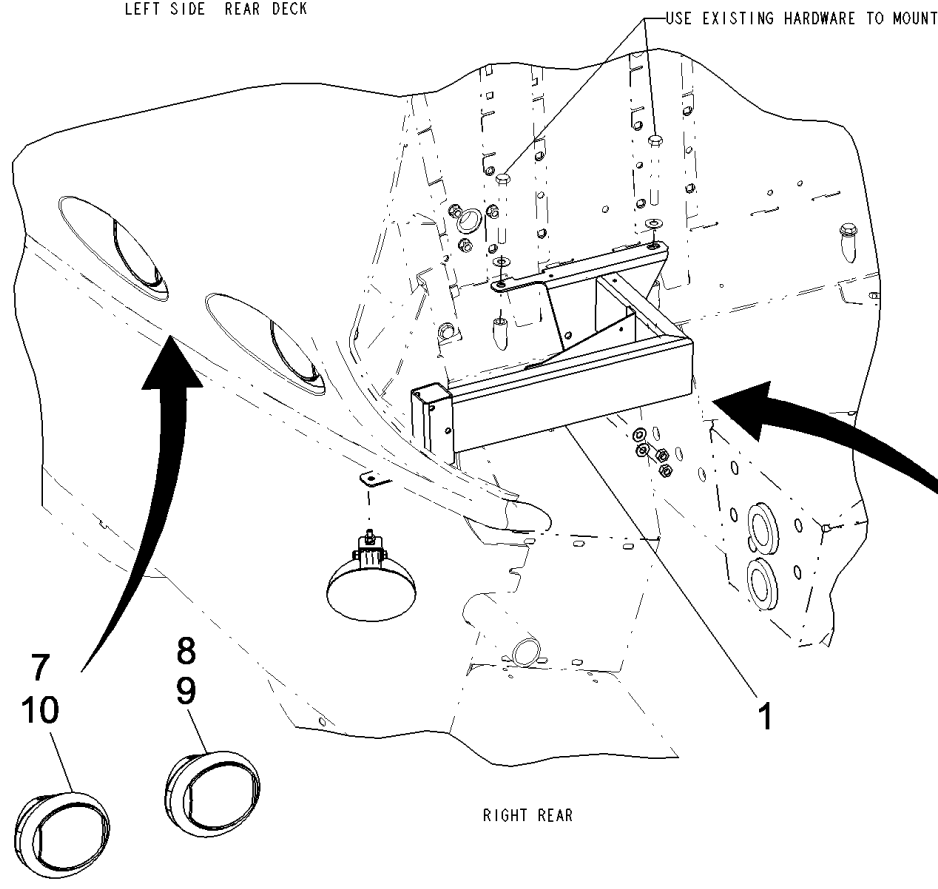
сылка	Номер детали	Кол-во	Описание
1	338413	2	BOLT, Hex, M6 x 60, 8.8,
2	103258	1	GROMMET, 5/8" ID x 7/8" Groove Dia,
3	84067994	1	LAMP ASSY, SIDE, LH, Turn
4	84441698	1	SUPPORT, LH
5	87281255	1	SUPPORT, LH
6	435895	6	REFLECTOR, Amber
7	322356	4	WASHER, LOCK,
8	84067986	2	LAMP,
9	84607394	1	HOUSING,
10	437024	2	REFLECTOR, Red
11	87106695	1	PLATE, MOUNTING,
12	84441699	1	SUPPORT,
13	84067995	1	LAMP ASSY, SIDE, RH, Turn
14	9706690	3	NUT, M8, CI 8,
15	86616173	1	HARNESS, WIRE, RH - Not Shown
16	86616172	1	HARNESS, WIRE, LH - Not Shown
17	86508813	4	NUT, M5, CI 8,
18	100012	4	NUT, M4, CI 8,
19	322355	4	WASHER, SPRING, Belleville, M4,
20	120104	6	BOLT, Hex, M8 x 20, 8.8,
21	322358	6	WASHER, SPRING, Belleville, M8,
22	86566989	2	STRAP, CABLE,
23	322357	2	WASHER, SPRING, Belleville, M6,
24	86596662	1	BRACKET, LH, Austria Only
25	84431478	1	BRACKET, RH, Austria Only
26	84067992	2	LAMP, , Austria Only
27	43440	4	NUT, LOCK, M5 x .8, CI 8, , Austria Only
28	140014	4	WASHER, M5 x 10 x 1, , Austria Only
29	398877	4	BULB, 21W, (1) Included with Ref. 3, 8 & 13
30	86616250	2	BULB, #W5W, 5w, (1) Included with Ref. 26, Austria Only



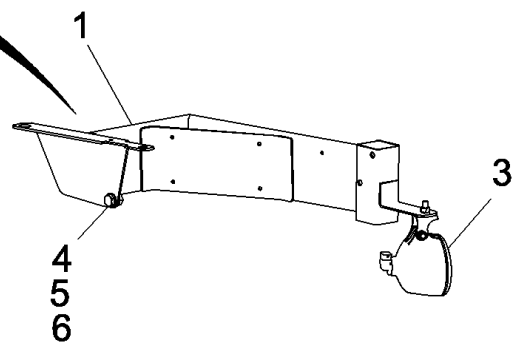
LEFT SIDE REAR DECK



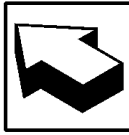
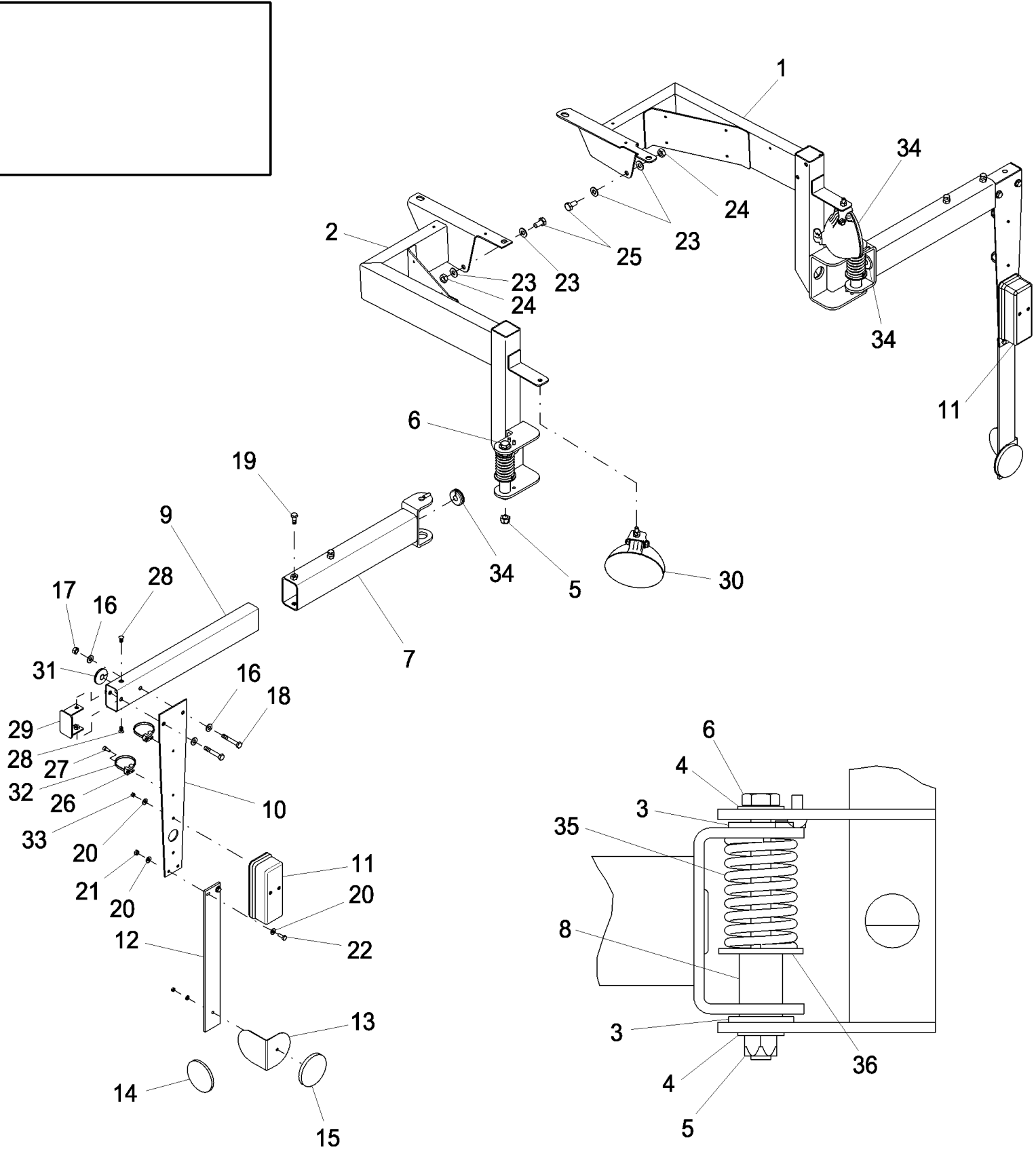
LEFT REAR



RIGHT REAR

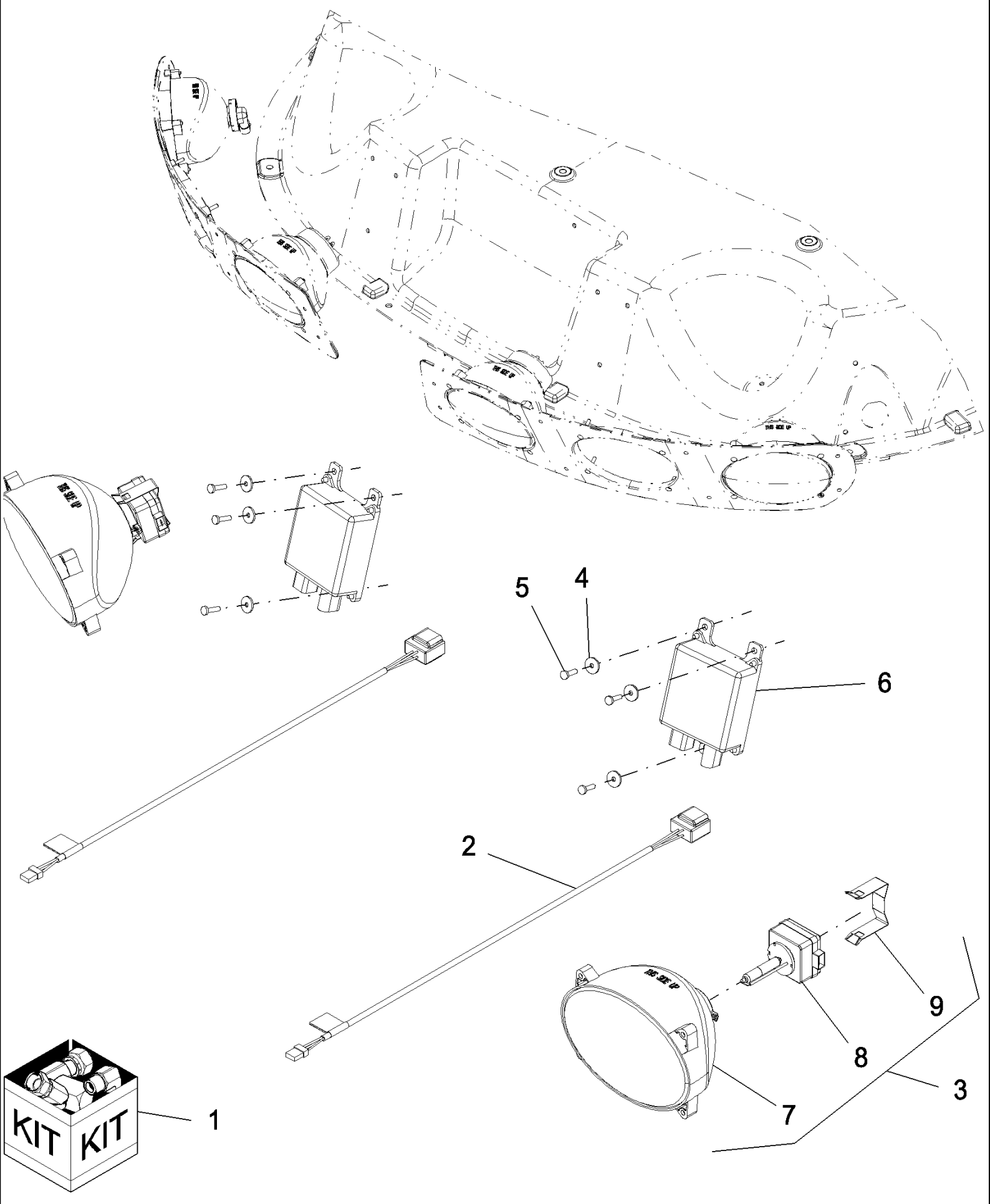


сылка	Номер детали	Кол-во	Описание
1	87280716	1	SUPPORT, RH, EndYear: 02/09/2004
1	87284252	1	SUPPORT, RH, Start Year: 02/09/2004
2	87280783	1	SUPPORT, LH
3	87001315	2	LAMP, WORK, , EndYear: 02/09/2004
3	87284332	2	LAMP, WORK, , Start Year: 02/09/2004
4	140045	2	WASHER, SPRING, Belleville, M10,
5	100016	1	NUT, M10, CI 8,
6	43138	1	BOLT, Hex, M10 x 20, 8.8, Full Thd,
7	86995359	2	LAMP, Rear, Red
8	86995360	2	LAMP, Rear, Amber
9	87106261	2	BULB, #3156
10	87106262	2	BULB, #3157
11	87109722	1	LIGHT, WARNING, LH Platform, EndYear: 02/09/2004
11	87283298	1	LIGHT, WARNING, LH Platform, Start Year: 02/09/2004
12	87105383	1	SPACER,
13	86997936	2	WASHER,
14	385427	1	BOLT, Hex, M12 x 150, 8.8,
15	140046	2	WASHER, SPRING, Belleville, M12,
16	9706685	1	NUT, M12, CI 8,



сылка	Номер детали	Кол-во	Описание
1	87281484	1	SUPPORT, RH
2	87281482	1	SUPPORT, LH
3	86997936	4	WASHER,
4	140046	4	WASHER, SPRING, Belleville, M12,
5	412672	2	NUT, LOCK, M12 x 1.75, CI 10,
6	385427	2	BOLT, Hex, M12 x 150, 8.8,
7	87001248	2	ARM,
8	87105383	2	SPACER, , EndYear: 02/09/2004
8	87283257	2	SPACER, , Start Year: 02/09/2004
9	87001250	2	EXTENSION,
10	87001252	2	PLATE,
11	87001253	2	LAMP, Stop / Tail / Turn
12	84442354	2	SUPPORT,
13	84433683	2	BRACKET,
14	435895	2	REFLECTOR, Amber
15	470023	2	REFLECTOR, Red
16	322358	AR	WASHER, SPRING, Belleville, M8,
17	9706690	4	NUT, M8, CI 8,
18	43130	4	BOLT, Hex, M8 x 50, 8.8,
19	120104	4	BOLT, Hex, M8 x 20, 8.8,
20	322357	12	WASHER, SPRING, Belleville, M6,
21	9706755	4	NUT, M6, CI 8,
22	86508568	4	BOLT, Hex, M6 x 16, 8.8,
23	140045	4	WASHER, SPRING, Belleville, M10,
24	100016	2	NUT, M10, CI 8,
25	43138	2	BOLT, Hex, M10 x 20, 8.8, Full Thd,
26	86590413	4	CLAMP, Base, Wire Tie
27	325911	4	RIVET, Pop, M4.8 x 7.4,
28	86511855	4	SCREW, Hex Flat Hd, M6 x 12, 4.8,
29	87001324	2	BRACKET,
29	87284717	2	BRACKET,
30	87001315	2	LAMP, WORK,
31	87015293	2	GROMMET, 1/2" ID x 1 1/4" Groove Dia, Str Cut,
32	86566989	4	STRAP, CABLE,
33	86508813	4	NUT, M5, CI 8,
34	87015294	2	GROMMET, 1/2" ID x 1 3/4" Groove Dia, Str Cut,
35	87283260	2	SPRING, Compression, Start Year: 02/09/2004
36	87026355	2	WASHER, M12 x 50 x 3, HT, , Start Year: 02/09/2004

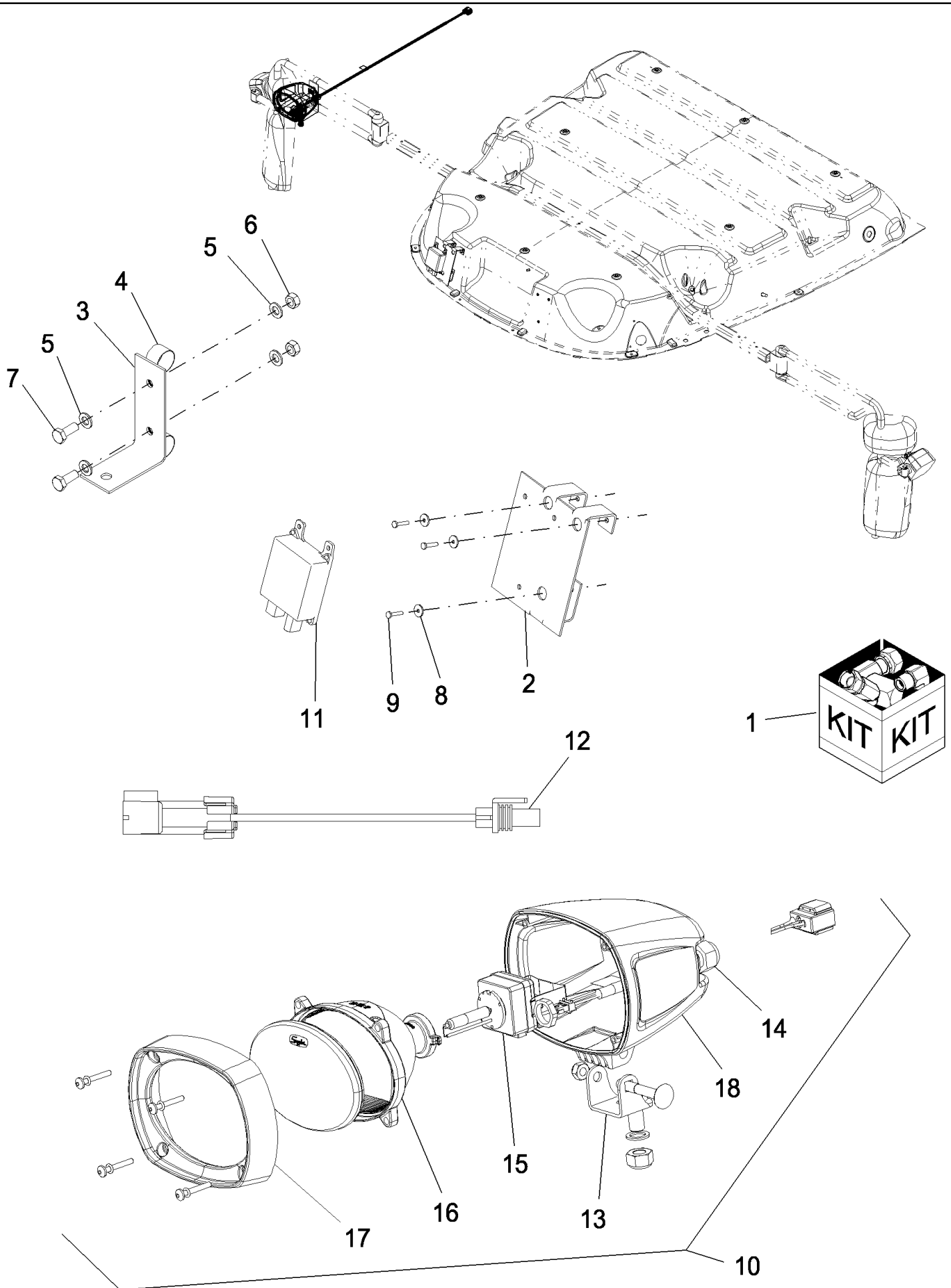
A.40.A.85(7) KIT, HID ROOF LIGHTS



A.40.A.85(7) KIT, HID ROOF LIGHTS

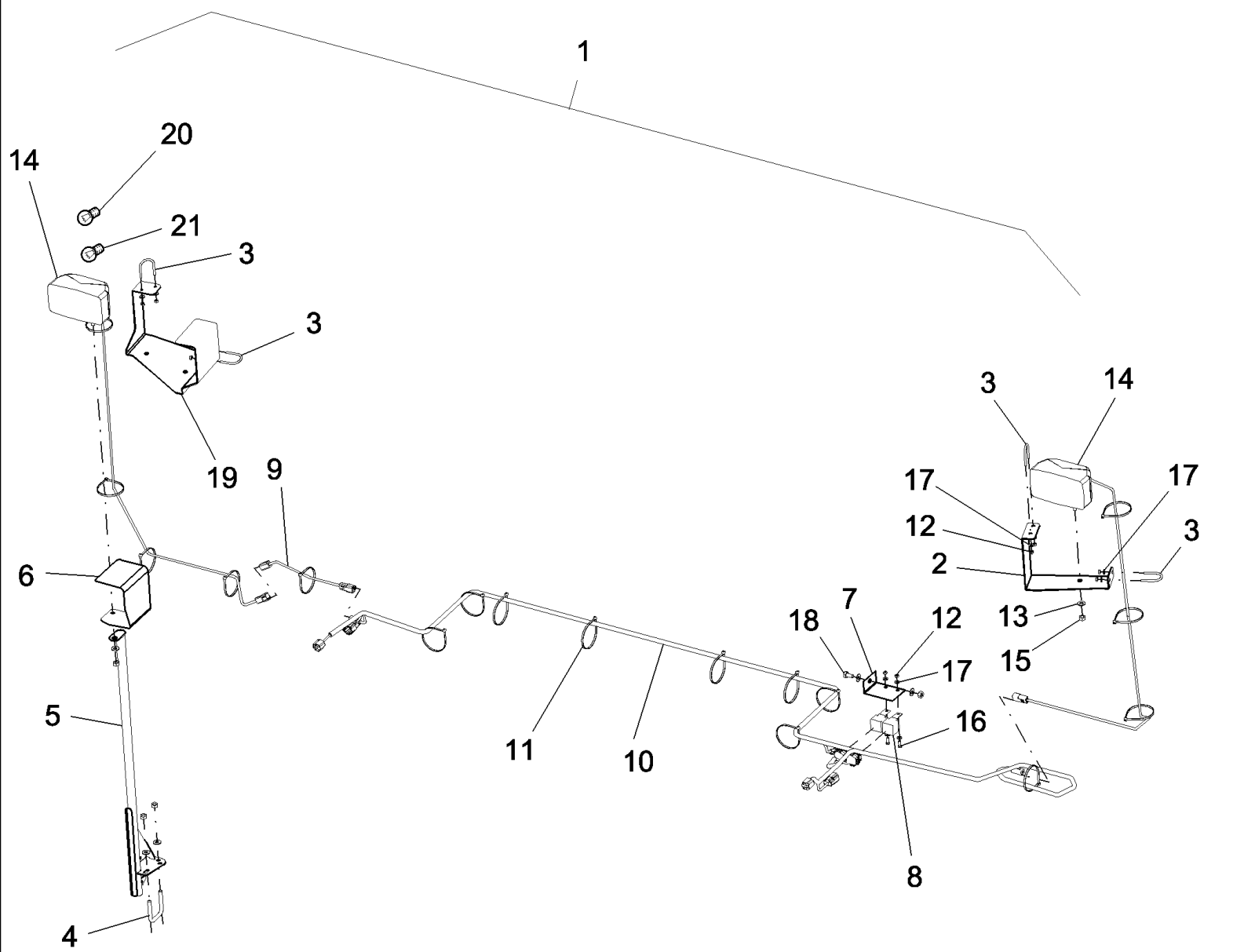
сылка	Номер детали	Кол-во	Описание
1	84084476	1	DIA KIT, HARVESTER, HID Roof Lights - Includes Ref. 2 thru 6
2	87108021	2	HARNESS, WIRE, HID
3	87283214	2	HEADLAMP, Assy
4	335872	6	WASHER,
5	86511042	6	SCREW, Cross Pan Hd, M4 x 16,
6	87106306	2	BALLAST,
7	87106354	2	HEADLAMP,
8	87282633	2	BULB, HID
9	87106287	2	CLIP,

A.40.A.85(8) MID DISTANCE HID LIGHT - R.H. MIRROR MOUNTED

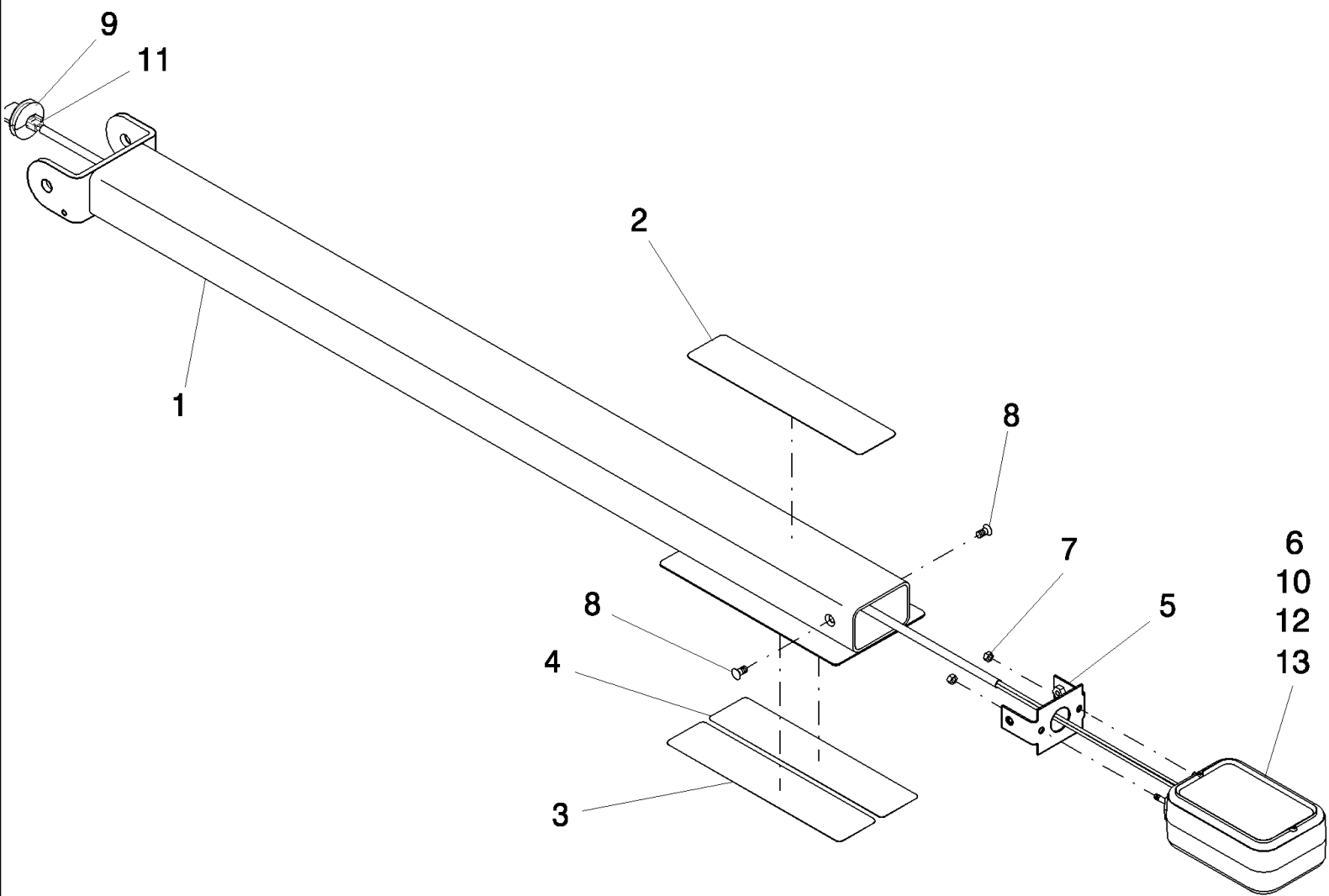


A.40.A.85(8) MID DISTANCE HID LIGHT - R.H. MIRROR MOUNTED

сылка	Номер детали	Кол-во	Описание
1	84083982	1	DIA KIT, HARVESTER, Light, HID Mid Distance - Includes Ref. 2 thru 18
2	87281521	1	BRACKET,
3	87280377	1	BRACKET,
4	86637996	2	CLAMP, 1 1/8", Insul, 3/8" Bolt,
5	86624176	4	WASHER, M10 x 20 x 2,
6	829-1410	2	NUT, M10, CI 10,
7	43139	2	SCREW, Cap, HH, CL 8.8, M10 x 25
8	335872	3	WASHER,
9	86511824	3	SCREW, Cross Pan Hd, M4 x 20,
10	87282113	1	HEADLAMP, Includes Ref. 11 thru 18
11	87106306	1	BALLAST,
12	87282630	1	HARNESS, WIRE,
13	87282631	1	BRACKET,
14	87282632	1	HARNESS, WIRE,
15	87282633	1	BULB,
16	87282634	1	LENS, and Reflector
17	87282635	1	BEZEL, with Foam
18	87282636	1	HOUSING,



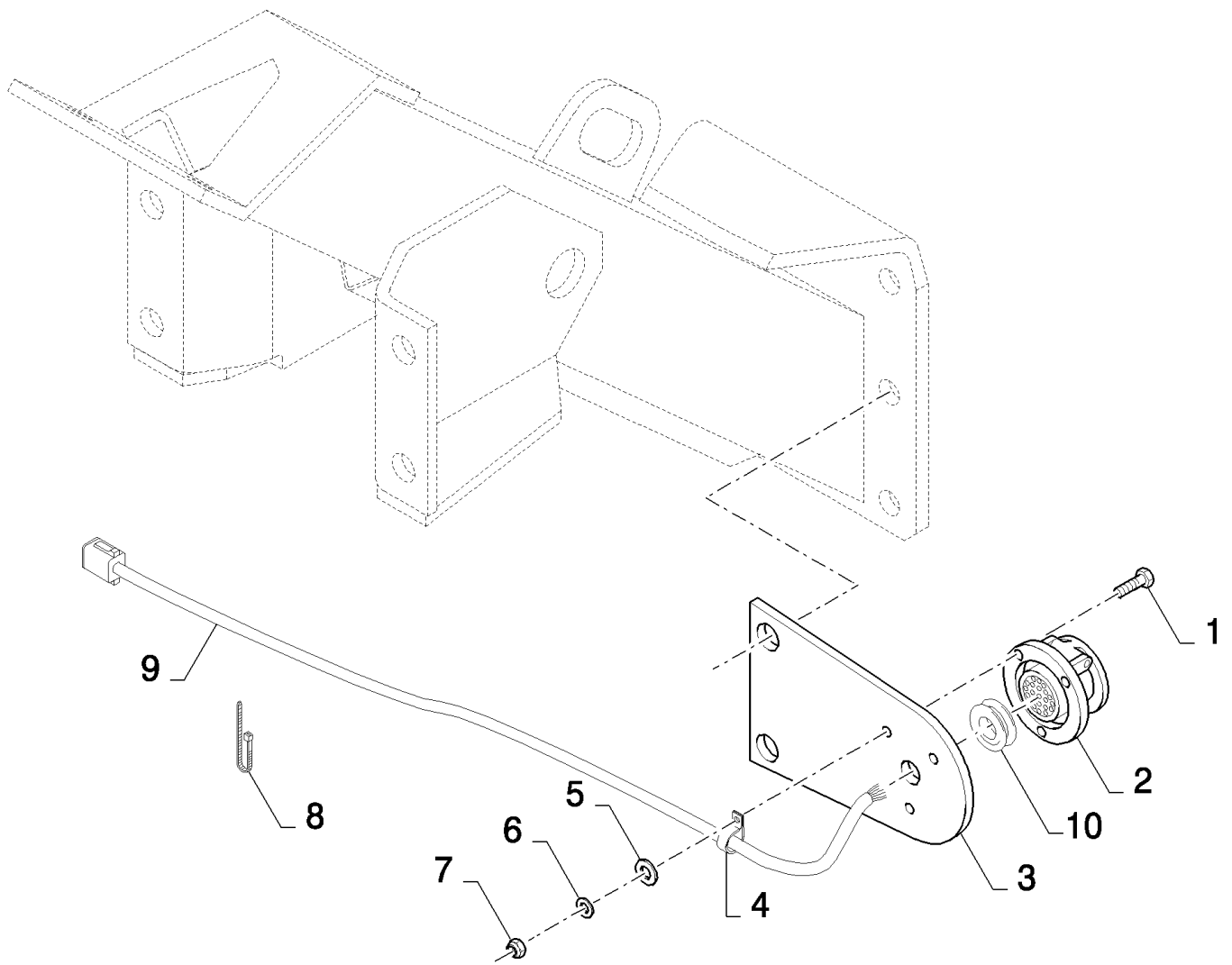
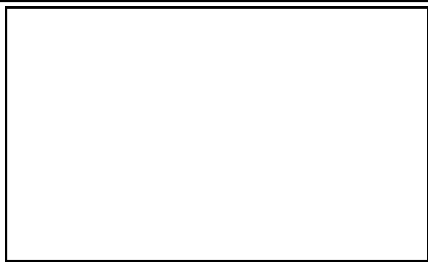
сылка	Номер детали	Кол-во	Описание
1	84083663	1	DIA KIT, HARVESTER, Kit, Light, Front Platform, Wide - Replaced 84084871
2	87106686	1	BRACKET, LH
3	799339	4	U-BOLT,
4	84334056	1	U-BOLT, M10
5	87283022	1	SUPPORT, RH, with Platform Extensions
6	84433636	1	SHIELD, RH
7	86643195	1	BRACKET,
8	86606352	2	RELAY,
9	87283194	1	HARNESS, WIRE,
10	86616161	1	HARNESS, WIRE,
11	86566990	17	STRAP, CABLE,
12	9706755	10	NUT, M6, CI 8,
13	140045	6	WASHER, SPRING, Belleville, M10,
14	86613046	2	LAMP,
15	100016	5	NUT, M10, CI 8,
16	86508568	2	BOLT, Hex, M6 x 16, 8.8,
17	322357	12	WASHER, SPRING, Belleville, M6,
18	43138	1	BOLT, Hex, M10 x 20, 8.8, Full Thd,
19	87106688	1	BRACKET, RH, without Platform Extensions
20	446592	1	BULB,
21	353078	1	BULB,



A.40.A.86 WARNING LIGHT WITH L.H. PLATFORM EXTENSIONS - NA ONLY

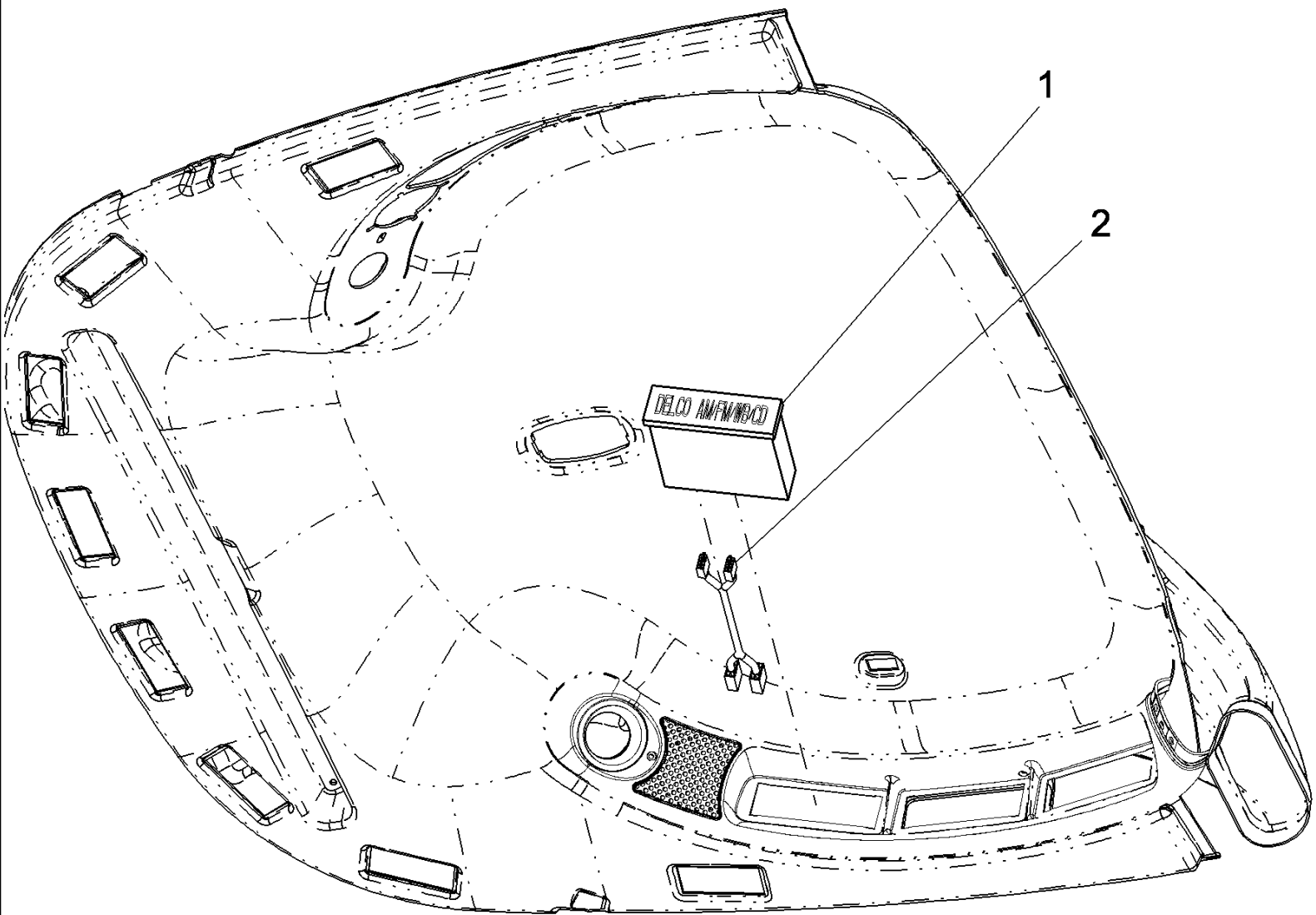
сылка	Номер детали	Кол-во	Описание
1	87109712	1	ARM, 250 mm
1	87109716	1	ARM, 500 mm
1	87109720	1	ARM, 750 mm
2	87105392	1	REFLECTOR, Yellow, Front
3	87105393	1	REFLECTOR, Red, Rear, Top
4	87105394	1	REFLECTOR, Orange, Rear, Bottom
5	87105372	1	BRACKET,
6	87000916	1	LIGHT, WARNING, , EndYear: 02/09/2004
6	87283034	1	LIGHT, WARNING, Includes Ref. 10 - 13, Start Year: 02/09/2004
7	86508813	2	NUT, M5, CI 8,
8	86511855	2	SCREW, Hex Flat Hd, M6 x 12, 4.8,
9	87015294	1	GROMMET, 1/2" ID x 1 3/4" Groove Dia, Str Cut,
10	232212A1	2	LENS, Amber
11	222136A1	1	CONNECTOR, ELEC,
12	233561A1	2	O-RING, Seal
13	A41264	1	BULB, #1156, 12V,

A.40.A.89 ELECTRICS ON HITCH



A.40.A.89 ELECTRICS ON HITCH

сылка	Номер детали	Кол-во	Описание
	84081529		HITCH, Kit, For EU Only
	84081530		HITCH, Kit, For NA Only
1	86585708	3	SCREW, Cross Pan Hd, M4 x 40, , For EU Only
1	43127	3	BOLT, Hex, M8 x 25, 8.8, Replaced 120104, For NA Only
1	120104	1	BOLT, Hex, M8 x 20, 8.8, , For EU Only
2	398224	1	SOCKET, POWER, , For EU Only
2	265927	1	SOCKET, POWER, , For NA Only
3	84432533	1	BRACKET, , For EU Only
3	86837475	1	BRACKET, , For NA Only
4	9706748	2	CLAMP, 5/8", Insul, 5/16" Bolt,
5	86588450	1	WASHER, M6, , For EU Only
6	89824840	3	WASHER, M4, For EU Only
6	322358	AR	WASHER, SPRING, Belleville, M8, , For NA Only
6	322358	1	WASHER, SPRING, Belleville, M8, , For EU Only
7	385681	3	NUT, LOCK, M4 x .7, CI 8, , For EU Only
7	9706690	3	NUT, M8, CI 8, , For NA Only
7	9706690	1	NUT, M8, CI 8, , For EU Only
8	86566989	7	STRAP, CABLE,
9	86604178	1	HARNESS, WIRE,
10	102043	1	GROMMET, 1-3/8" OD x 3/4" ID, For EU Only

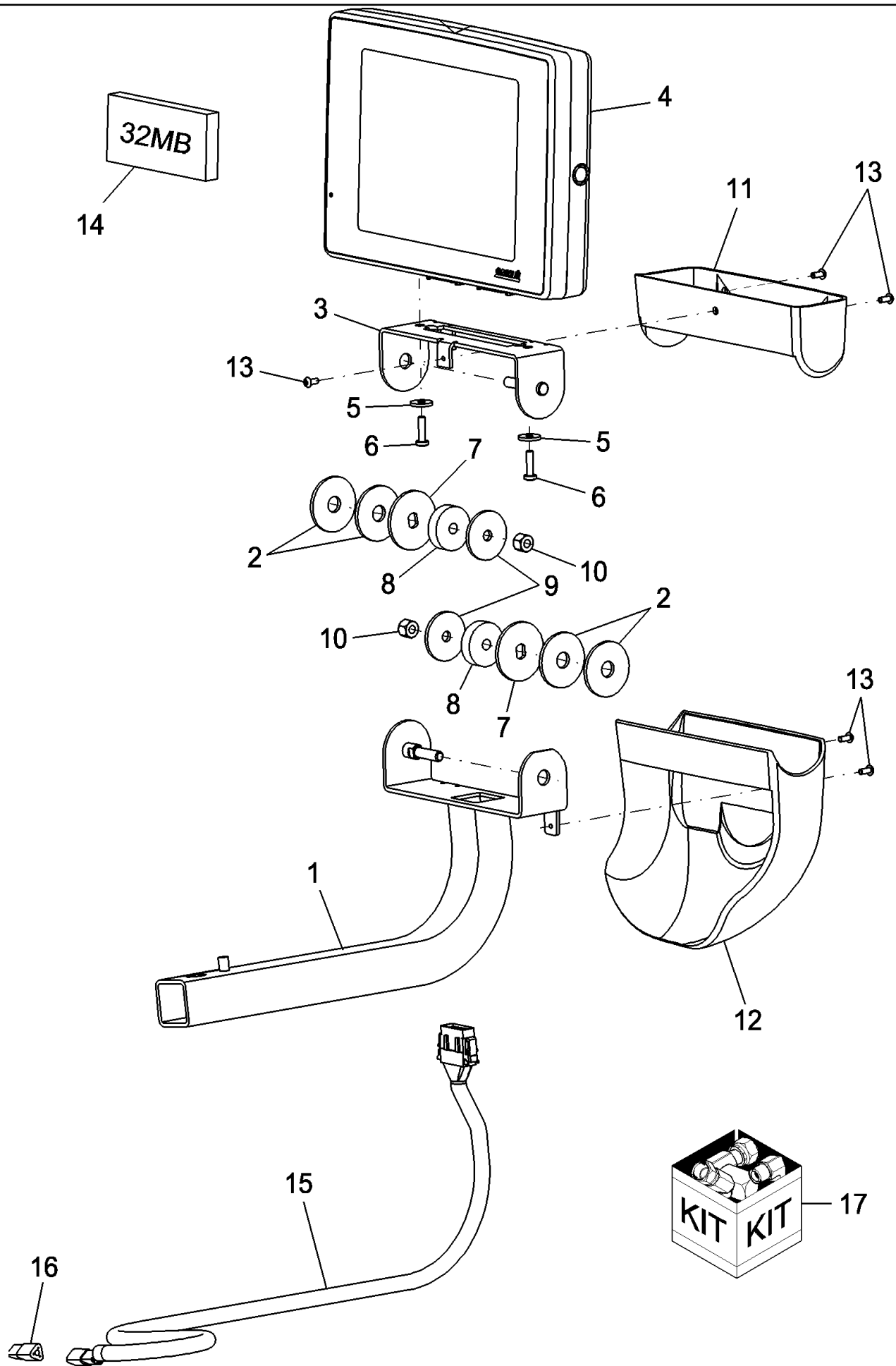


A.50.A.87 RADIO

сылка	Номер детали	Кол-во	Описание
1	366631A2	1	RADIO, AM/FM/WB
1	86998223	1	RADIO, AM/FM/WB/CD
2	87108325	1	HARNESS, WIRE, See Figure E.34.A.78 (5) for Speakers

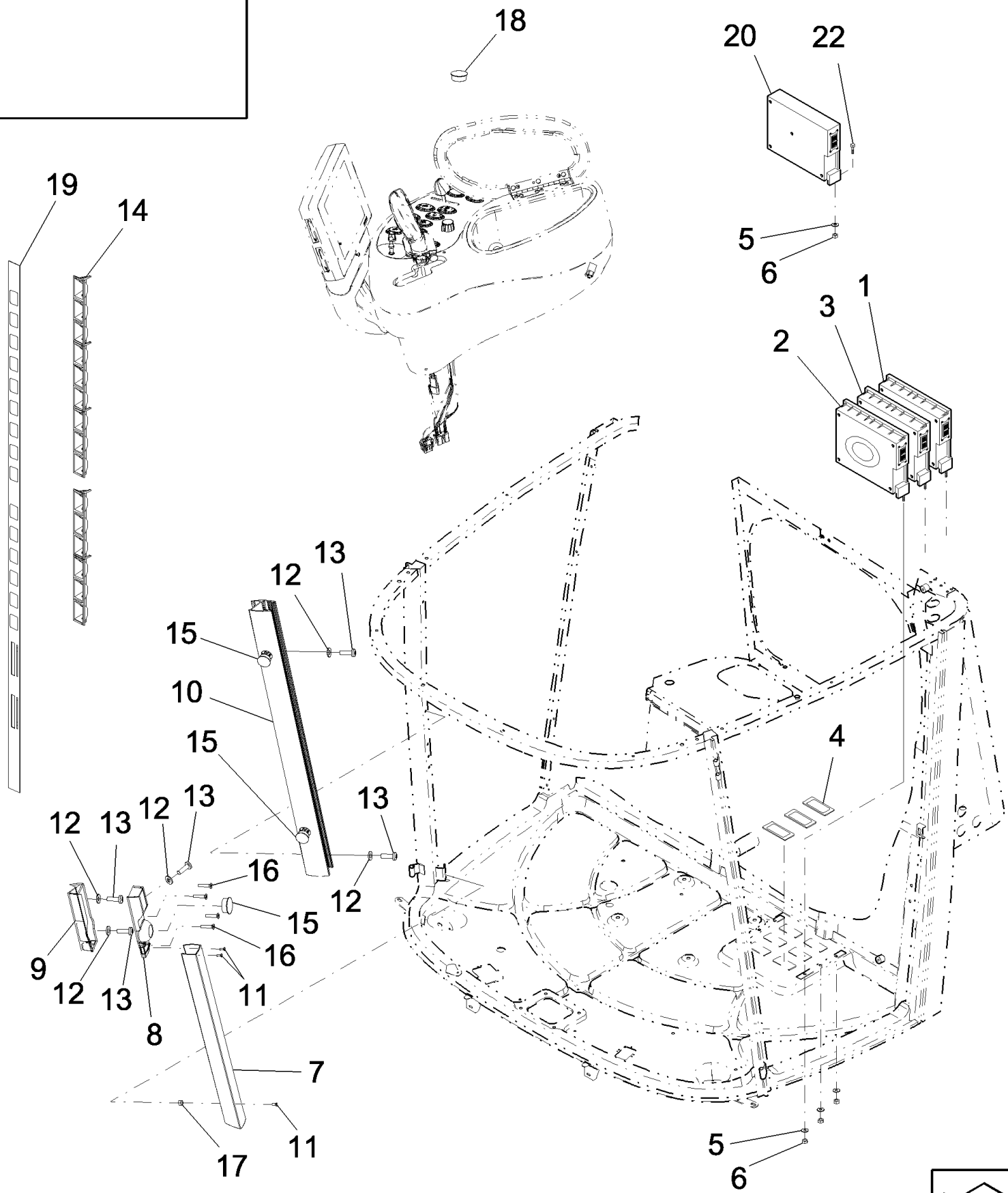
A.50.A.88 ANTENNA - NA

сылка	Номер детали	Кол-во	Описание
1	86591733	1	CABLE, ELECTRIC,
2	84076700	1	BUSHING,
3	84607475	1	GROMMET,
4	86591730	1	DUST CAP,
5	86531234	1	RING,
6	NS	1	NOT SERVICED, Antenna (Should Be Provided W/Radio



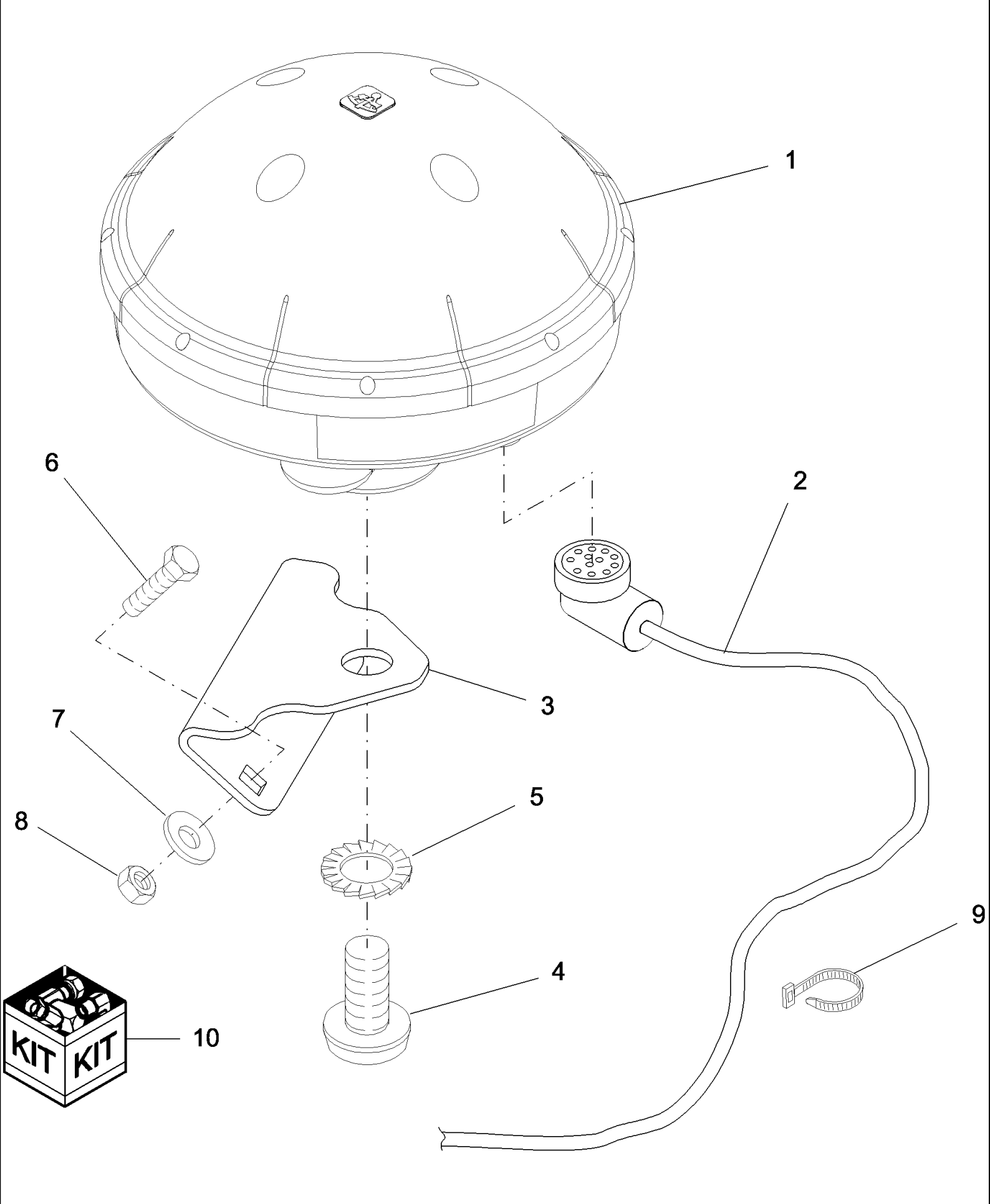
A.50.A.90 UNIVERSAL DISPLAY PLUS MONITOR

сылка	Номер детали	Кол-во	Описание
1	87109975	1	TUBE,
2	86997469	4	DISC, Friction
3	86999022	1	BRACKET, , Shown
3	87389768	1	BRACKET, , Not Shown, Allows CODI Display To Be Used On MY06 And Prior Units
4	87284361	1	MONITOR, CONTROL, Wheat Color
5	86509828	2	WASHER, LOCK, M5,
6	86050276	2	BOLT, Hex, M5 x 16, 8.8, Full Thd,
7	86997470	2	WASHER,
8	86997472	2	WASHER, Plastic
9	86997471	2	WASHER,
10	86528579	2	NUT, LOCK, M8 x 1.25, CI 10,
11	86997517	1	COVER, Upper
12	86976473	1	COVER, Bottom
13	340-1086	5	SCREW, Cross Pan Hd, #8-32 x 3/8",
14	87341265	1	SOFTWARE, Data Card
15	87284688	1	HARNESS, WIRE, ICDU Adapter
15	87645215	1	HARNESS, WIRE, Harness, Wire, Allows CODI Display To Be Used On MY06 And Prior Units
16	84058092	1	CONNECTOR, TERMINAL,
17	87662573	1	KIT, SERVICE, DIA Kit; Includes: Ref.s 3, 14, & 15, Plus Manuals & Reference Cards , Allows CODI Display To Be Used On MY06 And Prior Units

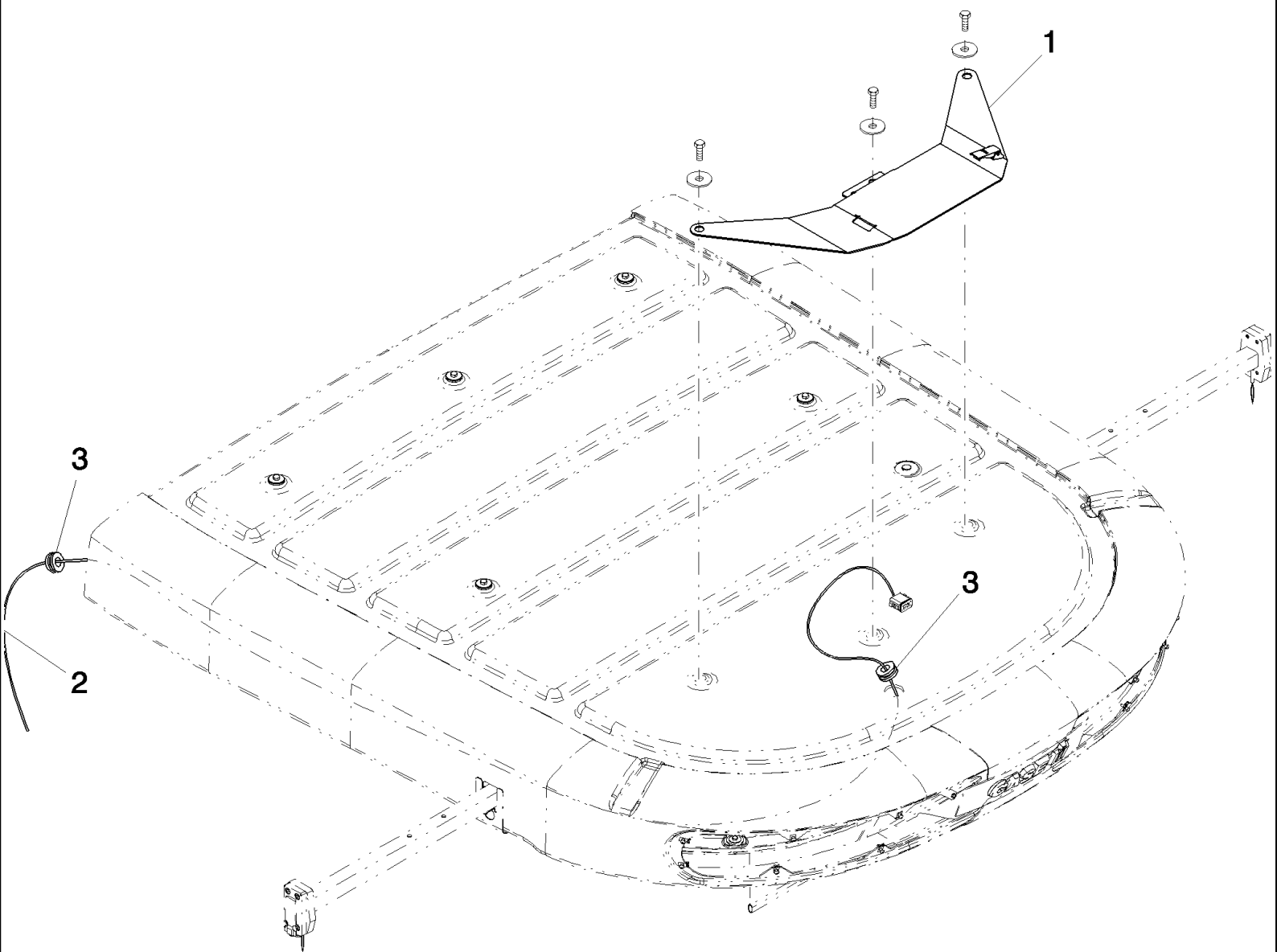


A.50.A.91 CCM MODULES, YMIU CONTROLLER & SHAFT SPEED MONITOR

сылка	Номер детали	Кол-во	Описание
1	87014401	1	ELECTRONIC UNIT, CONTROL, CCM1
2	87014401	1	ELECTRONIC UNIT, CONTROL, CCM2
3	87014401	1	ELECTRONIC UNIT, CONTROL, CCM3
4	87011216	6	SEAL, RUBBER,
5	322358	AR	WASHER, SPRING, Belleville, M8,
6	9706690	AR	NUT, M8, CI 8,
7	84059810	1	COVER,
8	84061202	1	COVER,
9	84061201	1	BRACKET,
10	87023985	1	MONITOR, CONTROL, Includes Ref. 14 & 19
11	9844205	3	SCREW,
12	448889	5	WASHER, M6
13	84073086	5	SCREW, Pan Hd, M6 x 20
14	86606222	5	Bezel
15	86619911	3	PLUG,
16	86555127	4	SCREW, Phil Flat Hd, M4 x 20, 4.8,
17	9628100	1	NUT, Spring
18	86997284	AR	CAP, Cover
19	87023986	1	DECAL,
20	86976394	1	ELECTRONIC UNIT, CONTROL, YMIU
21	87282399	1	SOFTWARE, YMIU, Replaces 87105243, Not Shown, Start Year: 02/01/2004
22	120104	AR	BOLT, Hex, M8 x 20, 8.8,



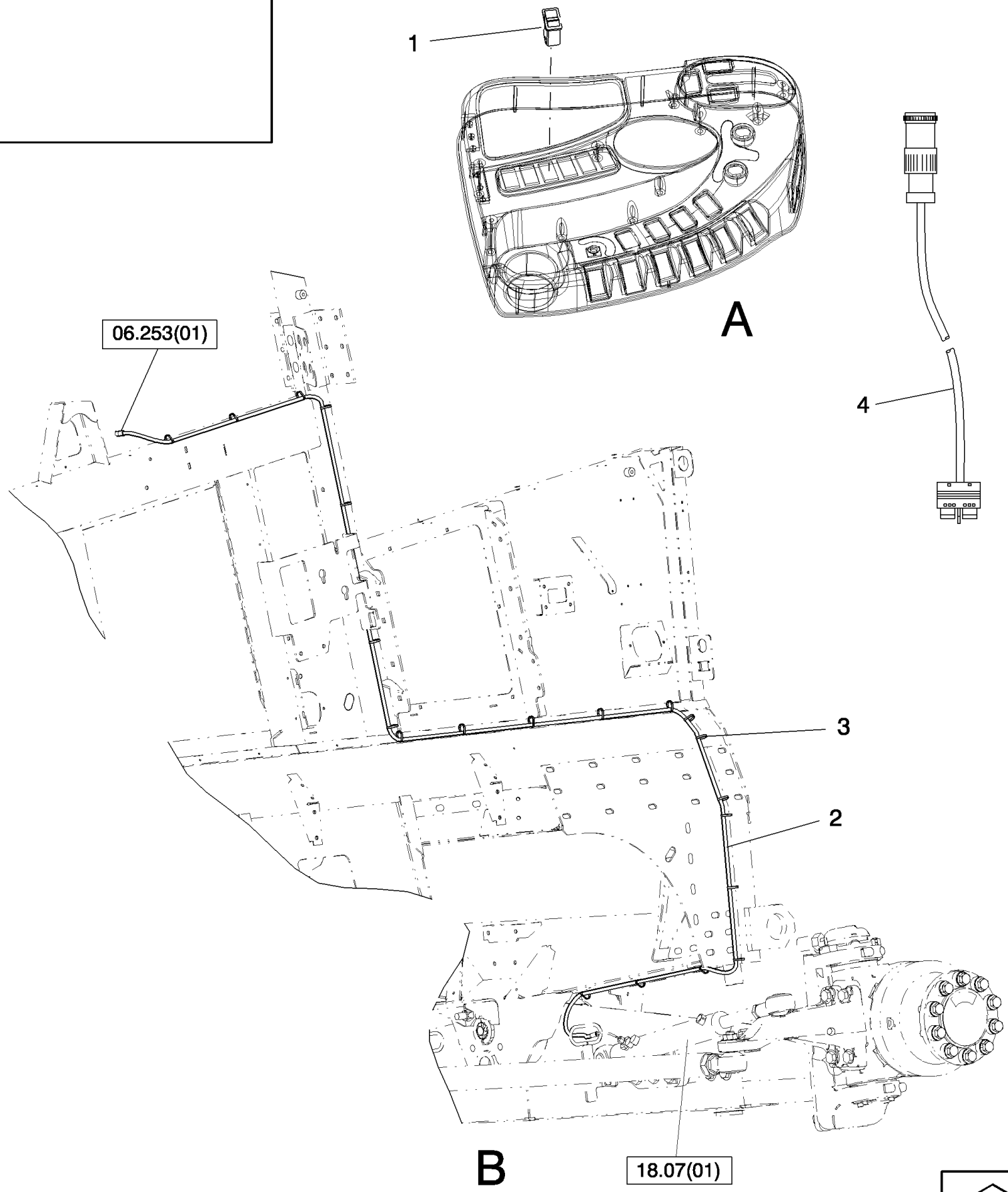
сылка	Номер детали	Кол-во	Описание
1	87283829	1	AFS PARTS & PACKAGES, Antenna, AFS 110, BSN HAJ106566
1	87350411	1	ANTENNA, AFS 110, ASN HAJ106567
1	87000727	1	AFS PARTS & PACKAGES, Antenna, WAAS Receiver, BSN HAJ105701
1	87350409	1	ANTENNA, WAAS Receiver, ASN HAJ105701
2	87281699	1	CABLE, Antenna
3	87109748	1	SUPPORT,
4	87106351	1	SCREW,
5	86977690	1	WASHER, LOCK, Ext Tooth, 5/8",
5	140048	1	WASHER, SPRING, Belleville, M16,
6	120104	AR	BOLT, Hex, M8 x 20, 8.8,
7	322358	AR	WASHER, SPRING, Belleville, M8,
8	9706690	AR	NUT, M8, CI 8,
9	86566989	10	STRAP, CABLE,
10	87282475	1	DIA KIT, HARVESTER, Includes Ref. 2, 3, 4, 5, 9



AFX8010 AXIAL-FLOW COMBINE (3/03-9/06)

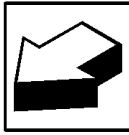
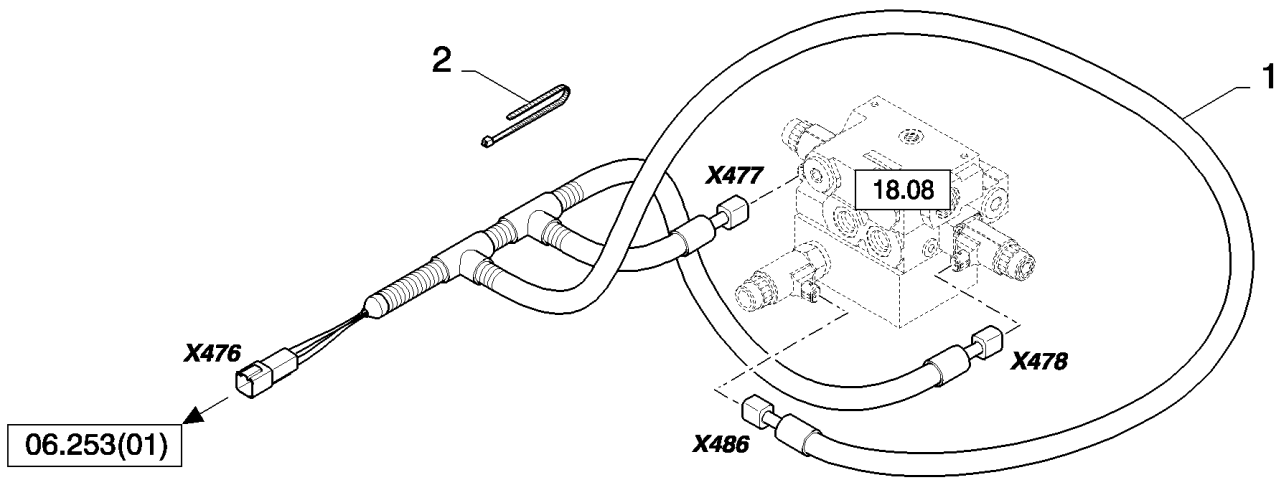
A.50.A.96.88(02) GPS MOUNTING - EU

сылка	Номер детали	Кол-во	Описание
1	87529646	1	BRACKET,
2	87382741	1	HARNESS, WIRE,
3	86637780	2	GROMMET, 5/8" ID x 1 1/4" Groove Dia, Str Cut,



A = Auto Guidance Switch.....B = Steering Cylinder & Frame. Europe Only

сылка	Номер детали	Кол-во	Описание
1	84454794	1	SWITCH, Auto-Guidance
1	84454885	1	Harness, Wire; Switch To Auto-Guidance RHC
2	84454986	1	Harness, Wire; Steering Cylinder Switch To Cab Main, CCM
3	86566990	21	STRAP, CABLE,
4	84454927	1	Harness, Wire; Console (X001) To CCM-3 (X012)

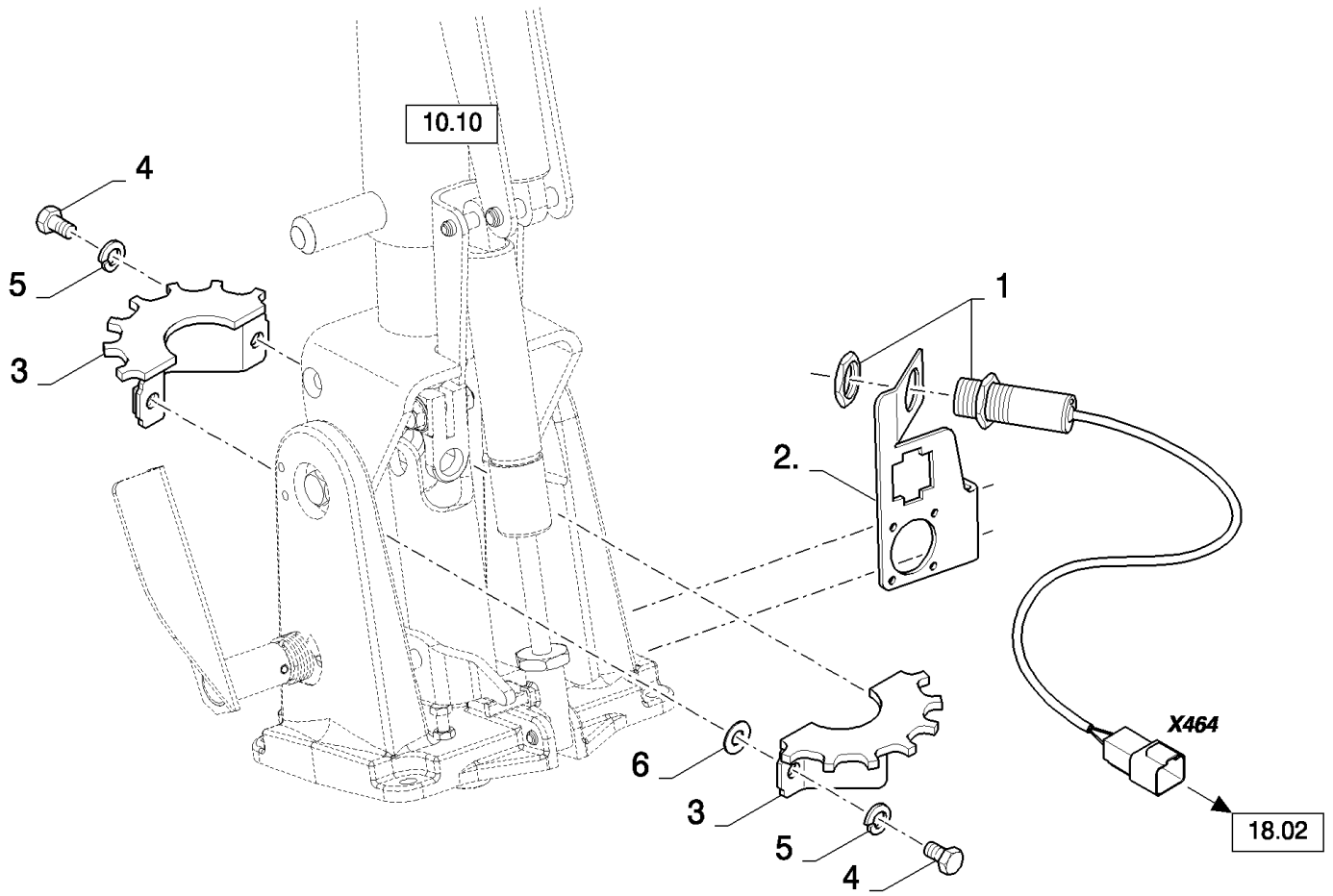
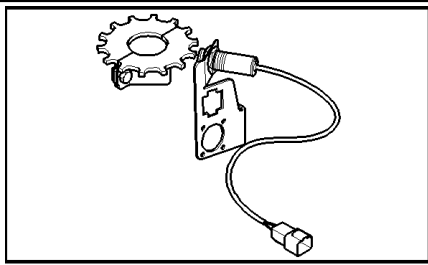


AFX8010 AXIAL-FLOW COMBINE (3/03-9/06)

A.50.A.96.88(06) AUTO GUIDANCE-READY, ELECTRICAL WIRING

сылка	Номер детали	Кол-во	Описание
1	84455109	1	HARNESS, WIRE,
2	89993154		AR CLAMP,

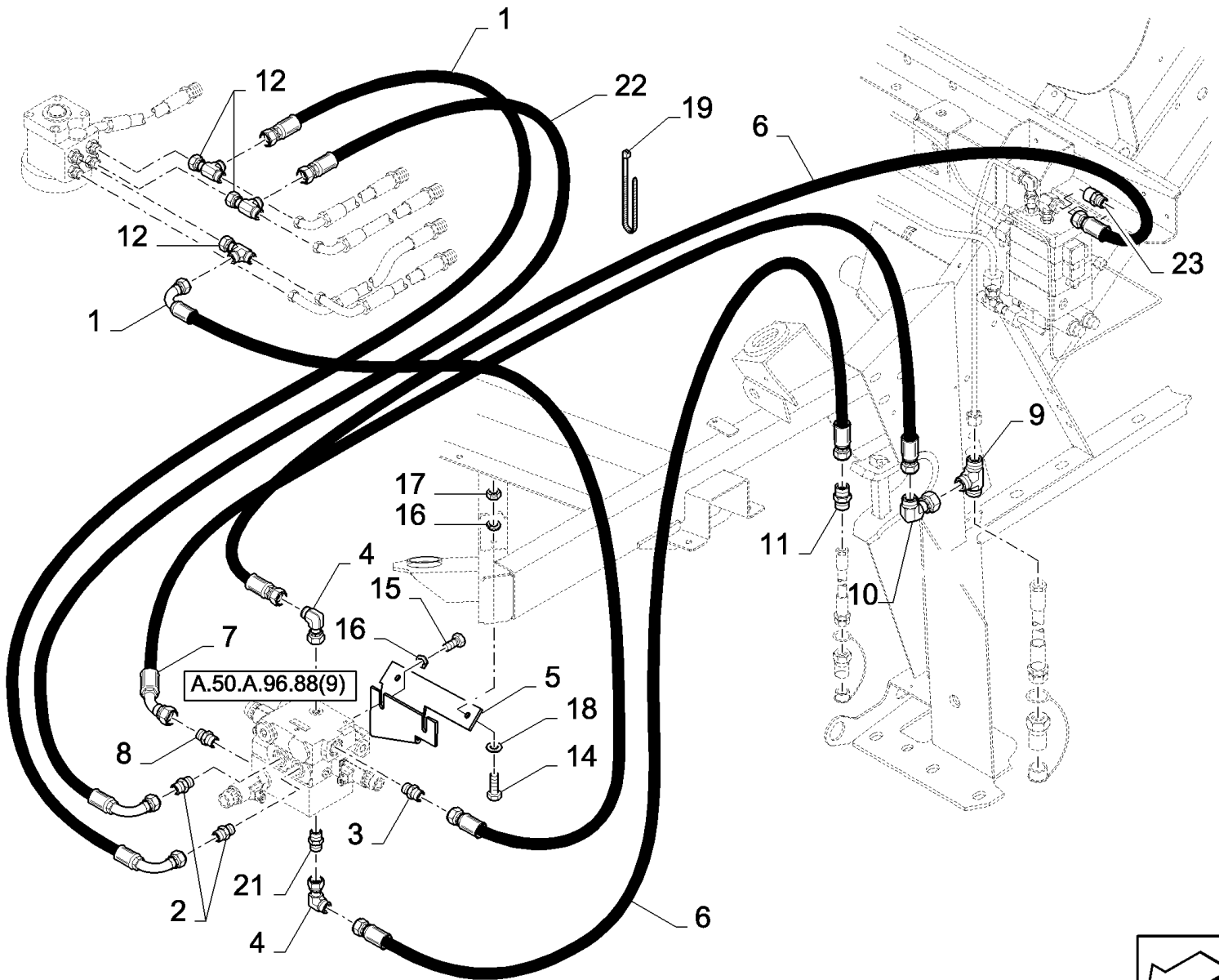
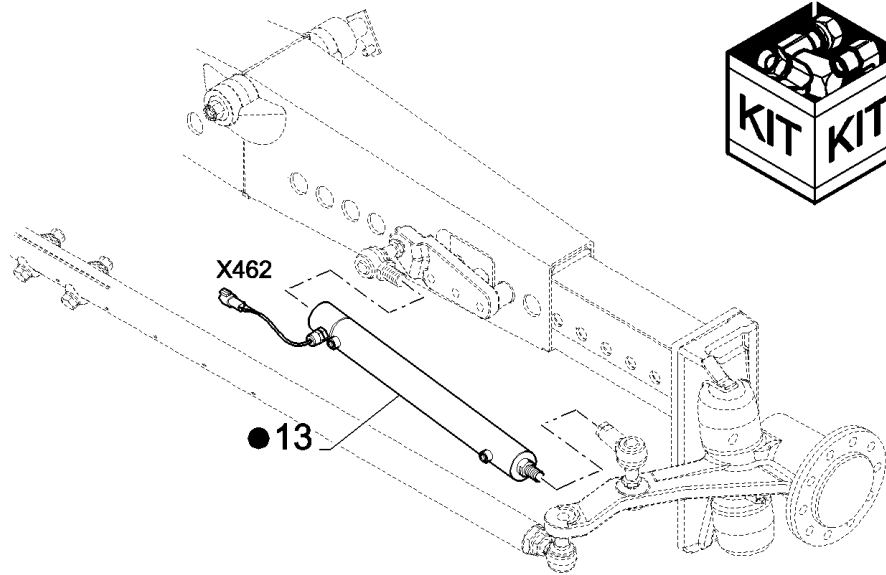
Europe Only



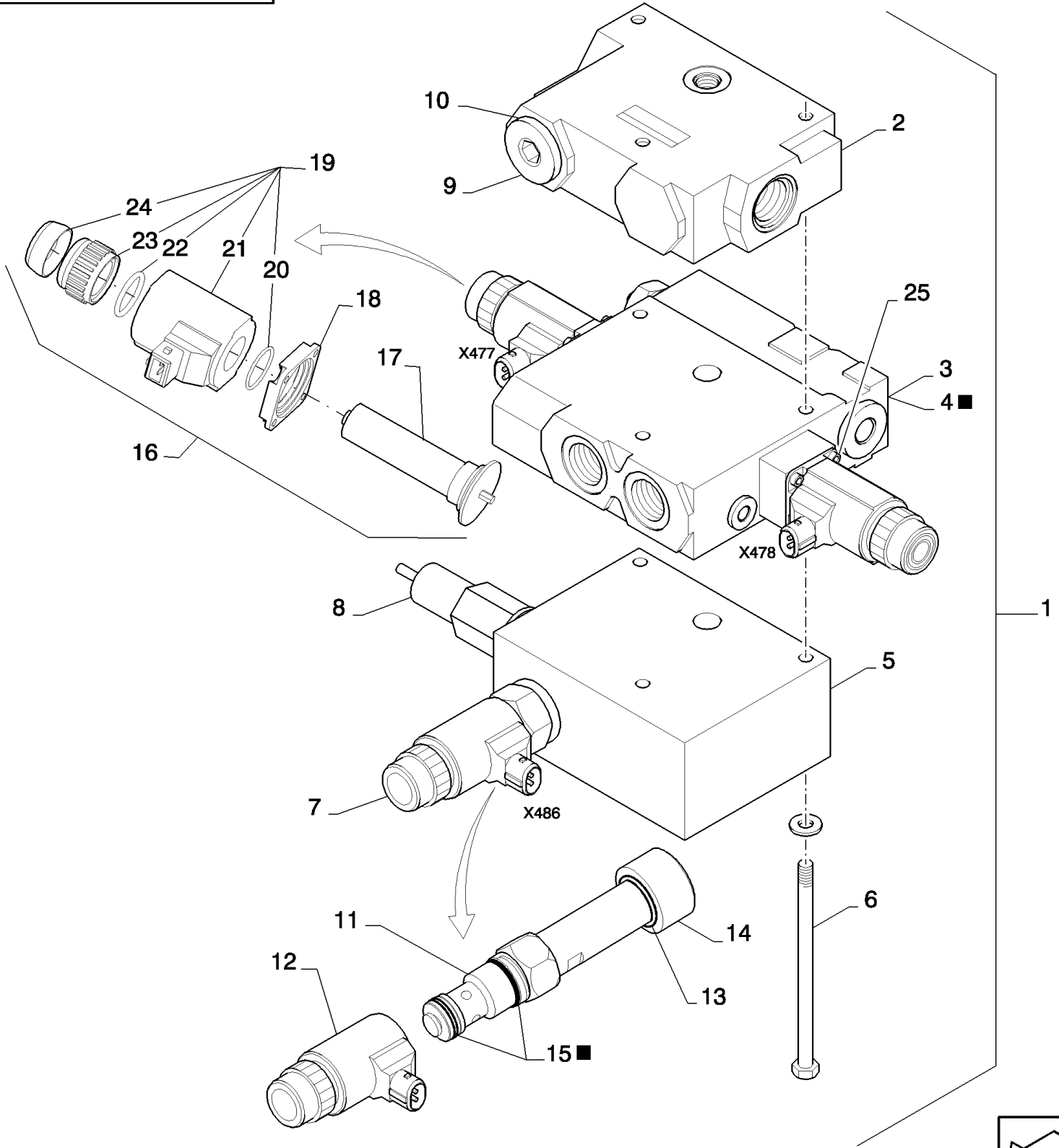
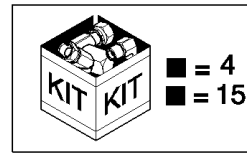
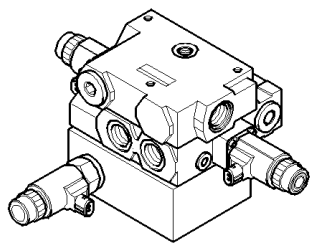
сылка	Номер детали	Кол-во	Описание
1	84058862	1	SENSOR,
2	84455232	1	SUPPORT,
3	84452411	2	RING, SPLINED,
4	86508568	2	BOLT, Hex, M6 x 16, 8.8,
5	322357	2	WASHER, SPRING, Belleville, M6,
6	399544	1	WASHER, M6
7	84454986	1	Harness, Steering Cyl. Sensor/Cab Main/CCM-1/CCM-2/CCM-3/Valve/Steering Col. Sensor/Inclination Sensor, Not Shown



● = 20

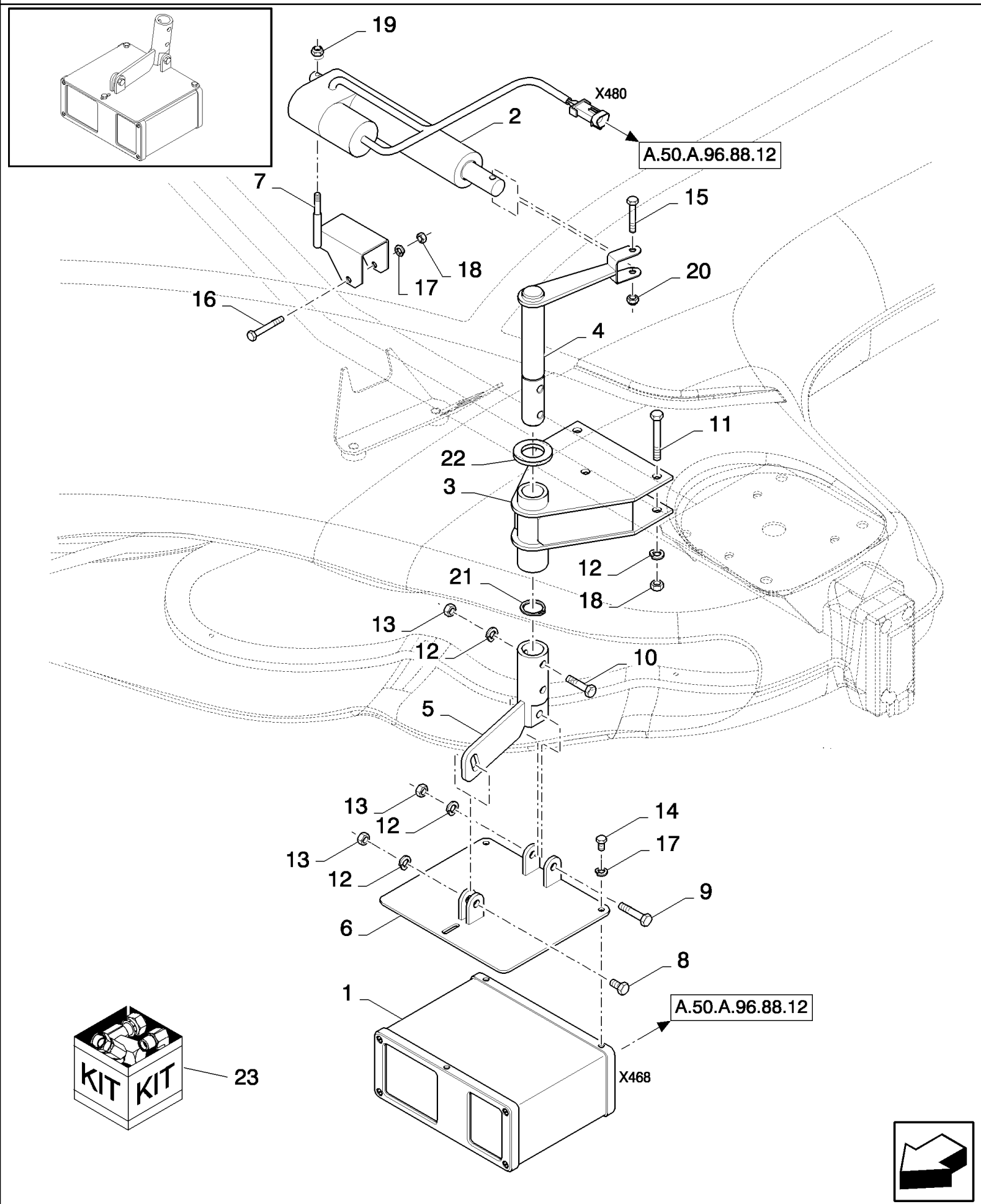


сылка	Номер детали	Кол-во	Описание
1	84068062	2	HOSE, FLEXIBLE,
2	86579676	2	CONNECTOR, HYD., 13/16"-16 ORFS x M18 x 1.5 ORB,
3	86597761	1	CONNECTOR, HYD., 13/16"-16 ORFS x M27 x 2 ORB,
4	86580178	2	ELBOW, 90є, 11/16"-18 ORFS x M12 x 1.5 ORB,
5	87574734	1	SUPPORT ASSY.,
6	86623770	2	HOSE, FLEXIBLE,
7	87541510	1	HOSE ASSY.,
8	86579694	1	ELBOW, 90є, 1"-14 ORFS x M22 x 1.5 ORB,
9	86642450	1	TEE, 1"-14 ORFS x 1"-14 Fem Sw Run,
10	201-361	1	ELBOW, 90є, 1"-14 x 1"-14 Fem Sw ORFS,
11	84431546	1	UNION, 11/16"-16 ORFS,
12	86514261	3	TEE, 13/16"-16 ORFS x 13/16"-16 Fem Sw Run,
13	84448270	1	HYDRAULIC CYLINDER,
14	43127	2	BOLT, Hex, M8 x 25, 8.8,
15	16043224	2	BOLT, Hex, M8 x 16, 8.8, Full Thd,
16	322358	4	WASHER, SPRING, Belleville, M8,
17	86629542	2	NUT, LOCK, M8 x 1.25, Cl 8,
18	378243	2	WASHER, M8,
19	396718	4	STRAP,
20	84455606	1	KIT, SEALS,
21	84989850	1	CONNECTION, 3 WAY,
22	87563558	1	HOSE ASSY.,
23	87536726	1	VALVE, Includes: O-Rings (2)
23	9993141	2	O-RING, -012, 90 Duro, .364" ID x .070" Thk,



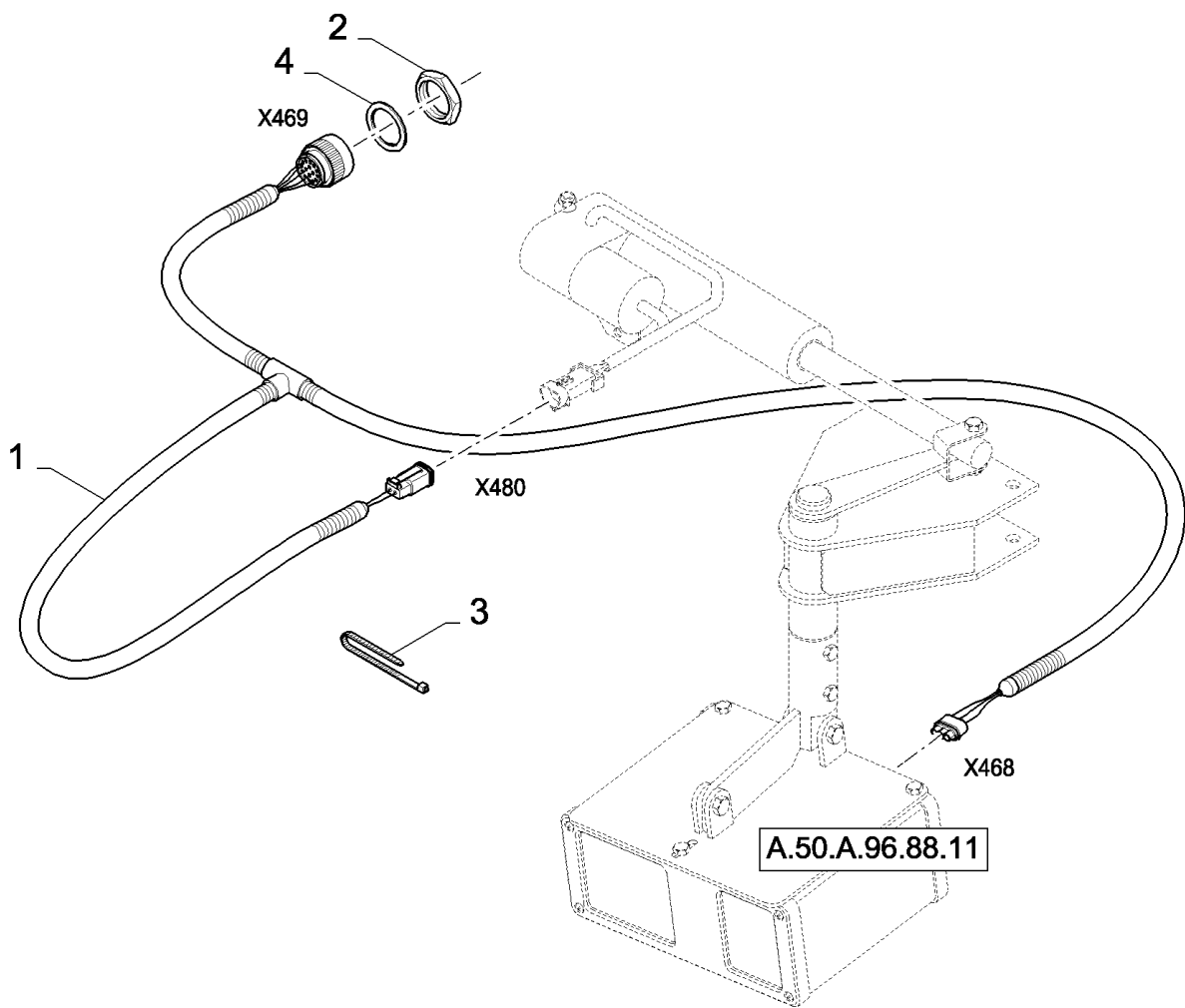
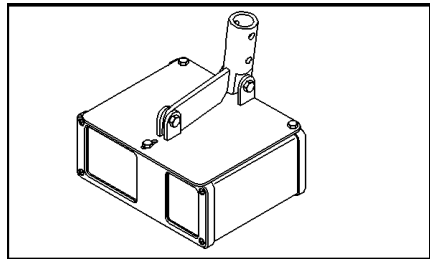
сылка	Номер детали	Кол-во	Описание
1	87313989	1	VALVE, HYDRAULIC, (2 to 10)
2	86580294	1	VALVE, HYDRAULIC,
3	84455371	1	VALVE, HYDRAULIC,
4	84014433	1	KIT, SEALS,
5	84461195	1	PLATE, BASE,
6	84461196	3	TIE-ROD, THREADED,
7	84461271	1	VALVE, HYDRAULIC, Includes: Ref.s 11 Thru 15
8	84462258	1	VALVE, PRESSURE RELIEF,
9	221579A1	1	PLUG, Hex Soc, M22 x 1.5, ORB, Includes Ref. 10
10	86598102	1	O-RING, CI 6, 19.3MM ID x 2.2 Thk,
11	87571183	1	VALVE, HYDRAULIC, Auto Guidance Enable; Includes: Ref.s 13, 14, & 15
12	87571187	1	VALVE, Coil, Solenoid
13	87571186	1	O-RING,
14	87571184	1	NUT,
15	87571185	1	KIT, SEALS,
16	84062114	2	ELECTROMAGNET,
17	NSS	1	NOT SERVICED SEPARATELY, Tube
18	87601705	1	PLATE, Mounting
19	87638466	1	SOLENOID, Solenoid
20	87635978	1	O-RING, M21x1.5
21	NSS	1	NOT SERVICED SEPARATELY, Coil, Solenoid
22	87635979	1	O-RING, M20x2.5
23	87603337	1	NUT, Coil
24	84429046	1	PROTECTION CAP,
25	14302924	8	SCREW, Hex Soc Hd, M4 x 10, 8.8, Full Thd,

A.50.A.96.88(11) SMART STEER AUTO-GUIDANCE KIT - EDGE DETECTION SENSOR



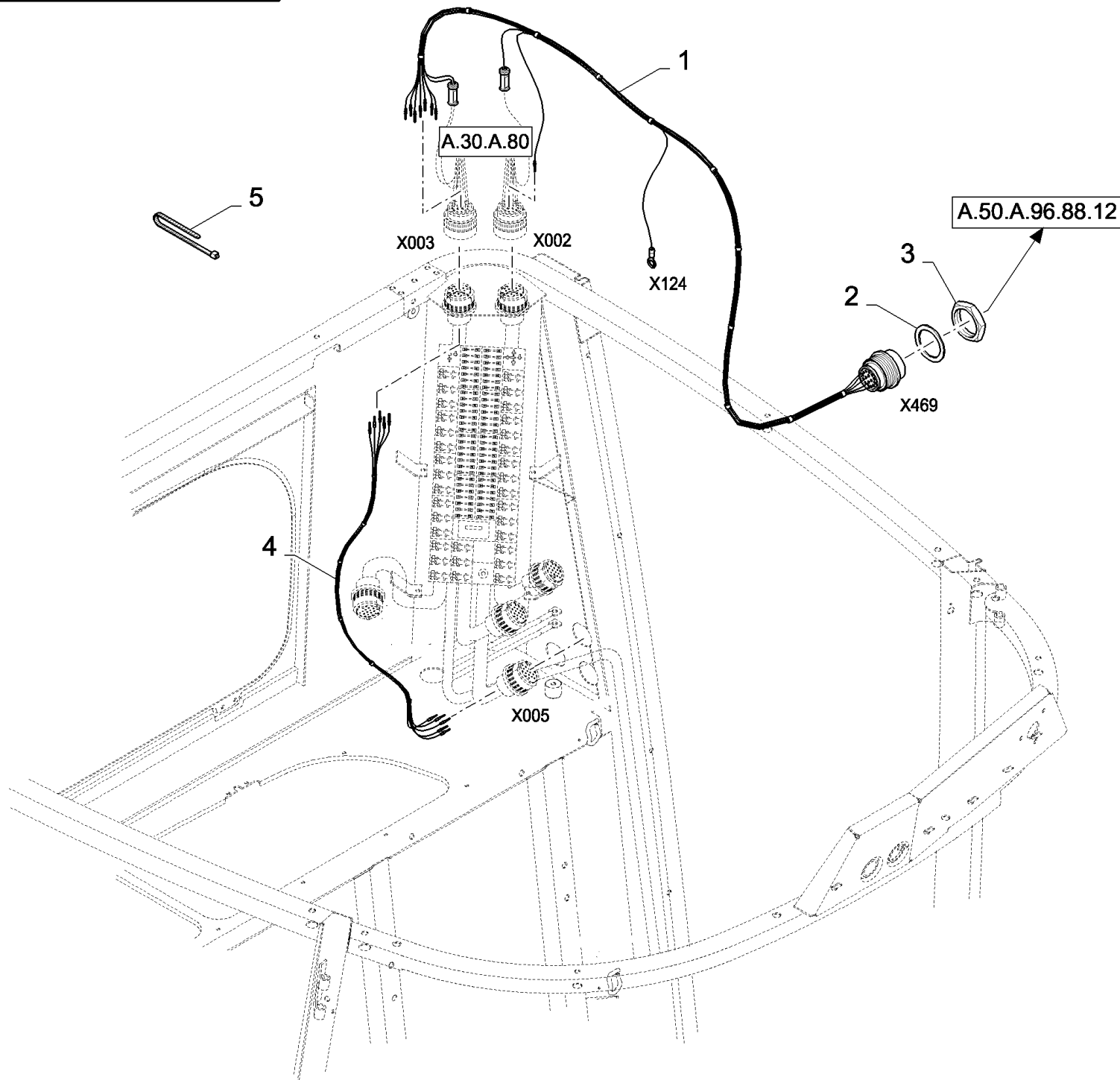
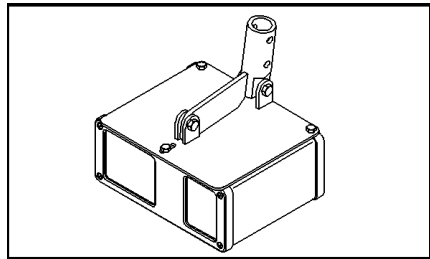
A.50.A.96.88(11) SMART STEER AUTO-GUIDANCE KIT - EDGE DETECTION SENSOR

сылка	Номер детали	Кол-во	Описание
1	87540656	1	MODULE, Module
2	87347281	1	ACTUATOR,
3	87378786	1	BRACKET, Support
4	87378799	1	PIVOT ASSY., Shaft
5	87378788	1	BRACKET, Support
6	87378791	1	BRACKET, Support
7	87378797	1	BRACKET,
8	43127	1	BOLT, Hex, M8 x 25, 8.8,
9	43129	1	BOLT, Hex, M8 x 40, 8.8,
10	300381	2	BOLT, Hex, M8 x 35, 8.8,
11	120061	3	BOLT, Hex, M8 x 60, 8.8,
12	322358	7	WASHER, SPRING, Belleville, M8,
13	89706690	5	NUT, M8, CI 8,
14	86977726	3	BOLT, Hex, M6 x 12, 8.8,
15	87716	1	BOLT, Hex, 1/4"-20 x 1 1/4", G5,
16	120056	1	BOLT, Hex, M6 x 50, 8.8,
17	322357	AR	WASHER, SPRING, Belleville, M6,
18	9706755	4	NUT, M6, CI 8,
19	353308	1	NUT, LOCK, M6 x 1, CI 8,
20	280129	1	NUT, LOCK, 1/4"-20, GC,
21	370002	1	RING, SNAP, M25, Ext,
22	896-12024	1	WASHER, M24 x 44.5 x 5, HT,
23	87327568	1	KIT, REPAIR, Includes: Ref.s 1 Thru 22, Plus Items On Fig.s A.50.A.96.88[05] Thru [09], [12], [13], [14], E.32.A.80.02[03] Ref. 10, & A.40.A[9] Ref.s 2 & 11, When Ordering 87327568, it is also necessary to order and install kit 87701671



A.50.A.96.88(12) SMART STEER AUTO-GUIDANCE KIT - ELECTRICAL WIRING

сылка	Номер детали	Кол-во	Описание
1	84454985	1	HARNESS, WIRE, Harness, Wire, Included In Kit 87327568; See Fig. A.50.A.96.88[11]
2	636666	1	NUT,
3	86566990	AR	STRAP, CABLE,
4	636665	1	WASHER, LOCK,



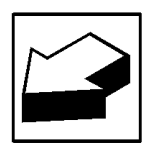
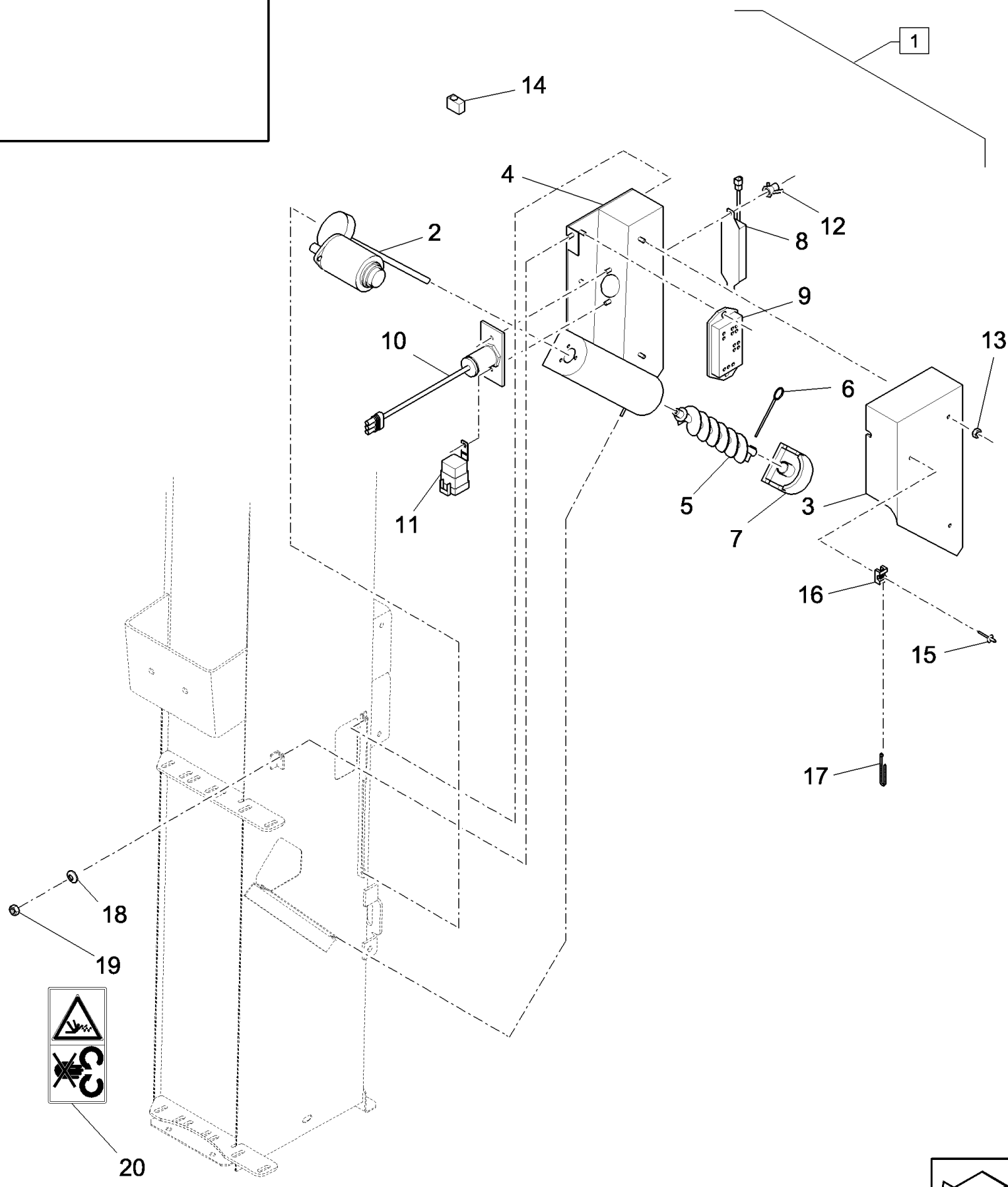
A.50.A.96.88(13) SMART STEER AUTO-GUIDANCE KIT - ELECTRICAL WIRING

сылка	Номер детали	Кол-во	Описание
1	84454966	1	Harness, Wire, Included In Kit 87327568; See Fig. A.50.A.96.88[11]
2	636665	1	WASHER, LOCK,
3	636666	1	NUT,
4	84454929	1	Harness, Wire, Included In Kit 87327568; See Fig. A.50.A.96.88[11]

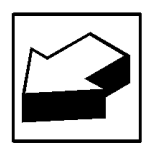
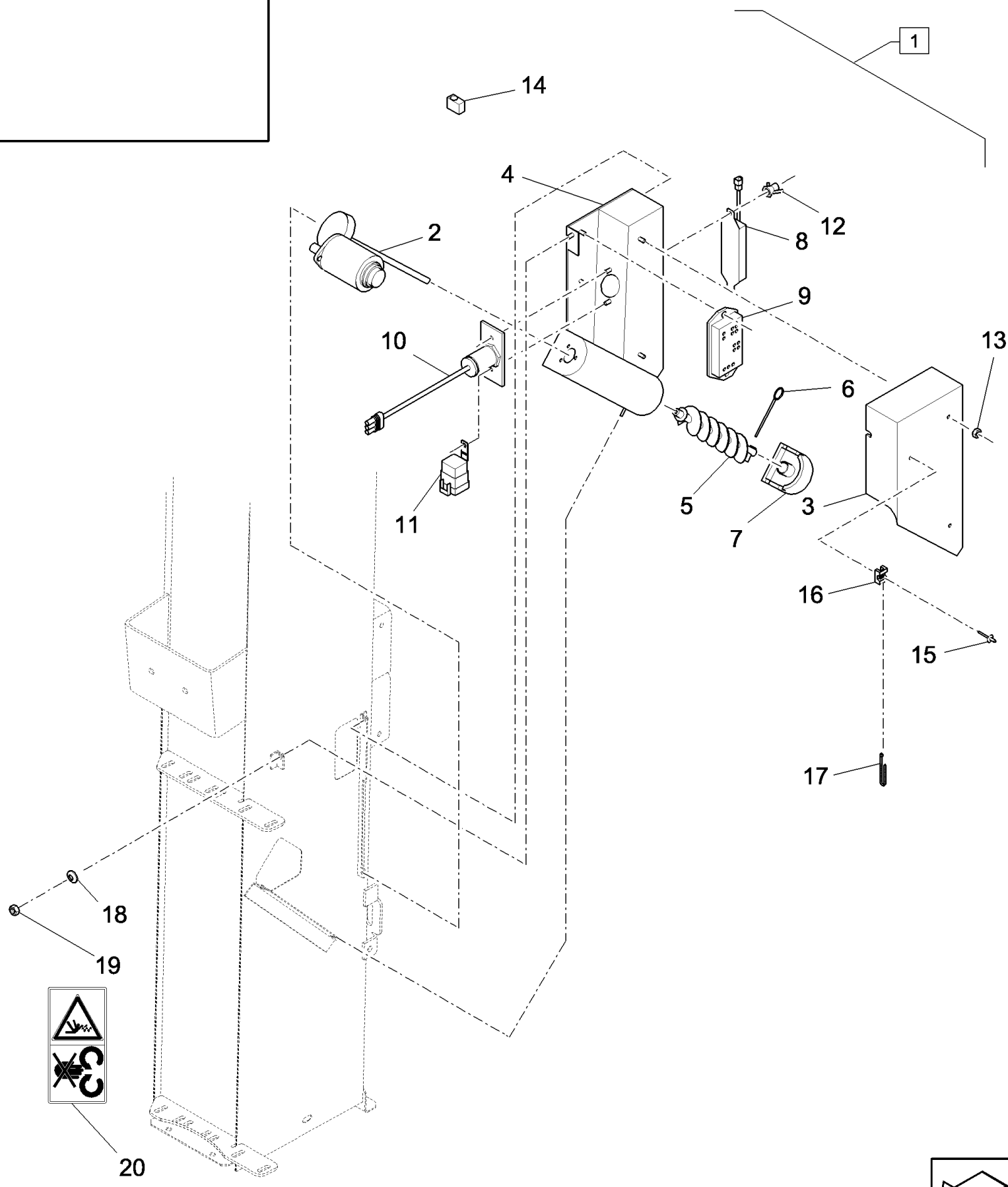
**ART
NOT
AVAILABLE**

A.50.A.96.88(14) SMART STEER AUTO-GUIDANCE KIT - ADDITIONAL HYDRAULIC PARTS

сылка	Номер детали	Кол-во	Описание
1	701-418	1	TEE, 1 7/16"-12 ORFS x 1 7/16"-12 Fem Sw Run,
2	203-905	1	NUT, 1 7/16"-12 ORFS,
3	87541888	1	ADAPTER,
4	277961A1	1	VALVE, Inline Check
5	701-900	1	CAP, 11/16"-16 ORFS,
6	277963A1	1	FITTING,
7	87377735	1	SPACER,
8	87377736	1	SPACER,
9	201-138	1	REDUCER, 11/16"-18 Male x 13/16"-16 Fem, ORFS,
10	86579676	1	CONNECTOR, HYD., 13/16"-16 ORFS x M18 x 1.5 ORB,

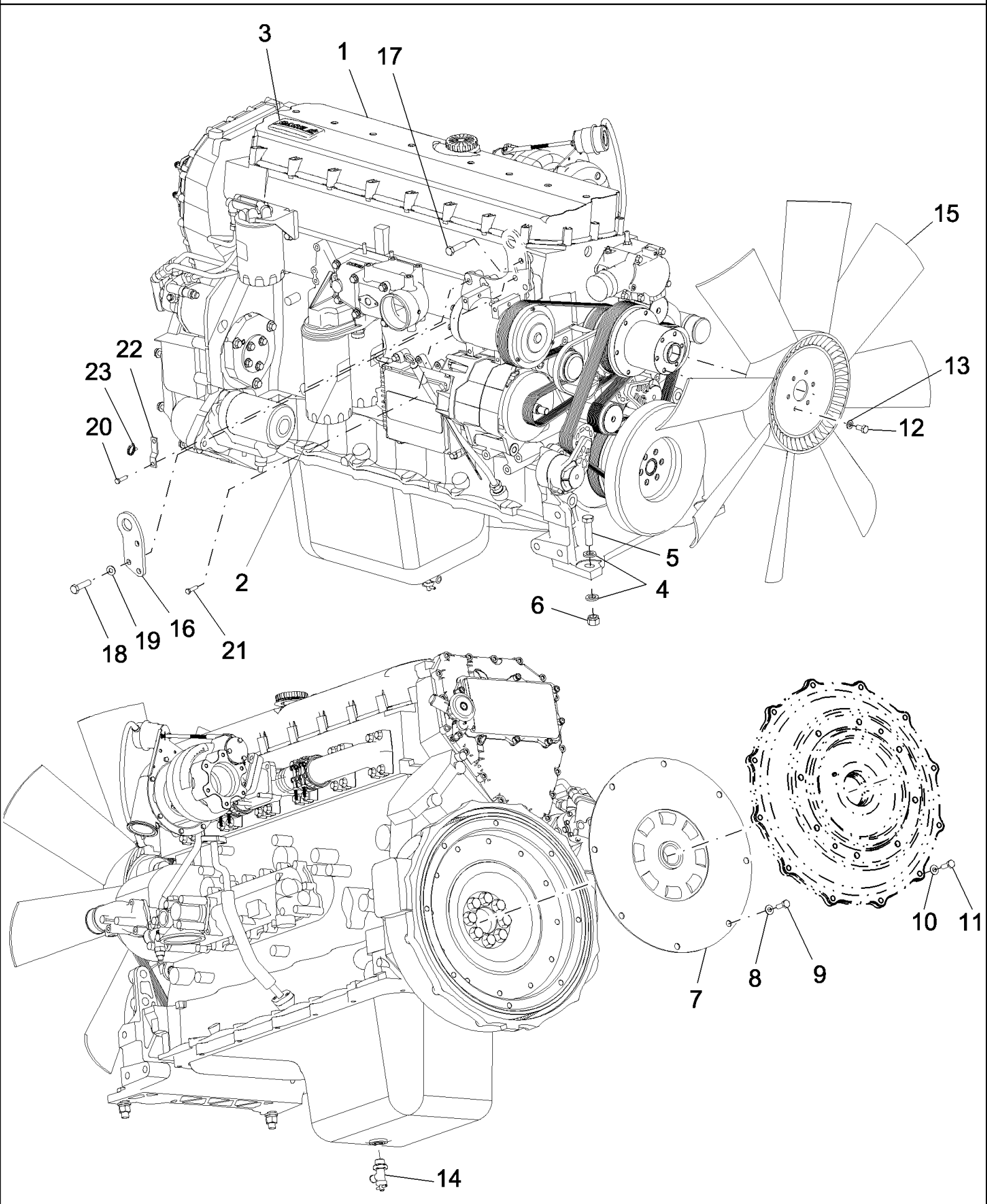


сылка	Номер детали	Кол-во	Описание
1	84435210	1	SENSOR, Includes: (2 to 14)
2	84435827	1	MOTOR, ELECTRIC,
3	84435834	1	COVER,
4	84435325	1	HOUSING,
5	84435828	1	AUGER,
6	84435829	2	PIN,
7	84435830	1	BLOCK,
8	84435324	1	METER, MOISTURE,
9	84435831	1	PRINTED CIRCUIT BOARD,
10	84435833	1	SENSOR,
11	84435874	1	RELAY,
12	84814892	2	NUT, WING, M6 x 1,
13	86512440	7	NUT, LOCK, CL 10, M6
14	84320044	1	FUSE, 5A
15	445394	1	RIVET, Pop, M4.8 x 12.7,
16	86590413	1	CLAMP,
17	86566989	1	STRAP, CABLE,
18	322357	5	WASHER, SPRING, Belleville, M6,
19	9706755	5	NUT, M6, CI 8,
20	84004736	1	DECAL,



сылка	Номер детали	Кол-во	Описание
1	87534936	1	SENSOR, Includes: (2 Thru 17)
2	84435827	1	MOTOR, ELECTRIC,
3	87536585	1	COVER,
4	84435325	1	HOUSING,
5	84435828	1	AUGER,
6	84435829	2	PIN,
7	84435830	1	BLOCK,
8	87534933	1	METER, MOISTURE, Sensor, Moisture
9	84435831	1	PRINTED CIRCUIT BOARD,
10	84435833	1	SENSOR,
11	84435874	1	RELAY,
12	84814892	2	NUT, WING, M6 x 1,
13	86512440	7	NUT, LOCK, CL 10, M6
14	84320044	1	FUSE, 5A
15	445394	1	RIVET, Pop, M4.8 x 12.7,
16	86590413	1	CLAMP,
17	86566989	1	STRAP, CABLE,
18	322357	5	WASHER, SPRING, Belleville, M6,
19	9706755	5	NUT, M6, CI 8,
20	84004736	1	DECAL,

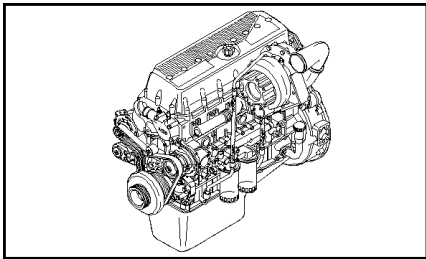
B.10(1) COMPLETE ENGINE



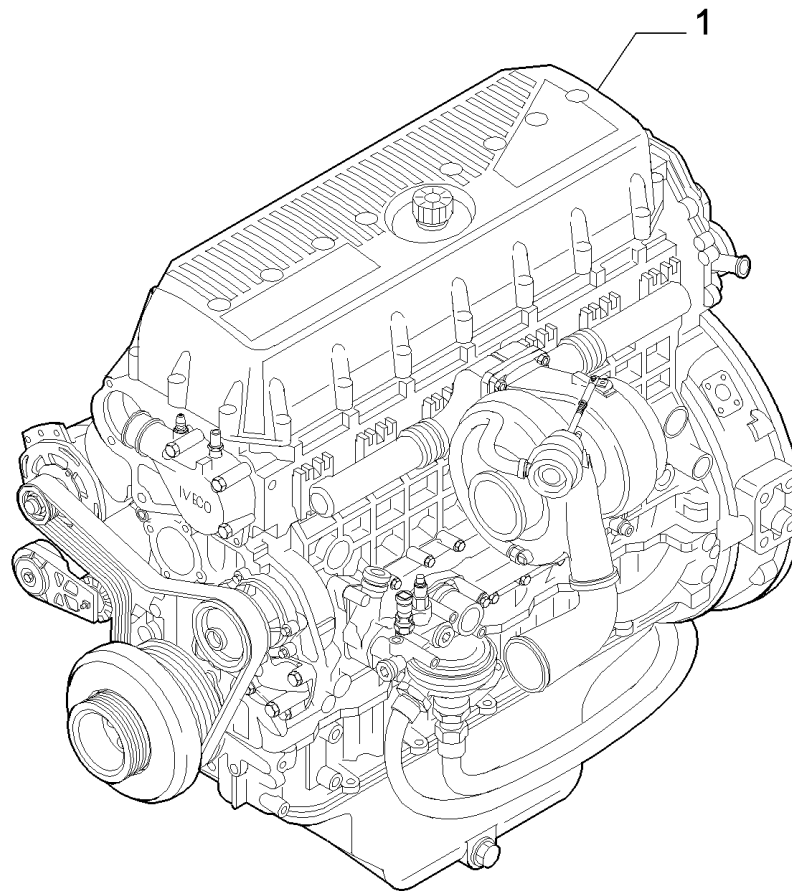
B.10(1) COMPLETE ENGINE

сылка	Номер детали	Кол-во	Описание
1	86975963	1	ENGINE, IVECO, F3A
1	87281946	1	ENGINE, IVECO, F3A, Tier 2
1	87533746	1	ENGINE, IVECO, F3A, Tier 3 - Was 87283779, ASN HAJ106401
2	87405724	3	DECAL, CASE IH
3	87802953	1	EMBLEM,
3	87802966	1	EMBLEM CASE/IH,
4	86625266	4	WASHER, M17.5 x 30 x 4, HT,
5	120091	2	BOLT, Hex, M16 x 60, 8.8,
5	374889	2	BOLT, Hex, M16 x 100, 8.8,
6	412066	2	NUT, LOCK, M16 x 2, Cl 8,
7	87536815	1	COUPLING, SPLINED, Flex
8	140046	8	WASHER, SPRING, Belleville, M12,
9	300388	8	BOLT, Hex, M12 x 25, 8.8,
10	140045	12	WASHER, SPRING, Belleville, M10,
11	43140	12	BOLT, Hex, M10 x 30, 8.8, Full Thd,
11	120069	12	BOLT, Hex, M10 x 50, 8.8,
12	43138	6	BOLT, Hex, M10 x 20, 8.8, Full Thd,
12	43139	6	SCREW, Cap, HH, CL 8.8, M10 x 25
13	86511323	6	WASHER, M10 x 20 x 2,
14	87105048	1	DRAINCOCK/TAP, SUPPLY,
15	86976471	1	FAN,
15	87282911	1	FAN, Tier 3, ASN HAJ106401
16	504078127	1	LOAD HOOK, Lifting, Front
16	500372844	1	LOAD HOOK, Lifting, Rear
17	16587925	1	BOLT, M12
18	16588625	2	BOLT, M12
19	16687624	2	Washer
20	16692324	2	BOLT, M10
21	504080093	2	BOLT, M7
22	504060889	1	RETAINER, Cable
23	504023286	1	CLIP, Plastic Collar

B.10(2) ENGINE ASSY (500363876)



- = 2
- = 3
- = 4
- = 5

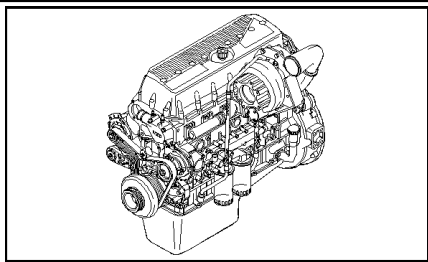


AFX8010 AXIAL-FLOW COMBINE (3/03-9/06)

B.10(2) ENGINE ASSY (500363876)

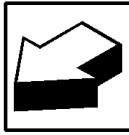
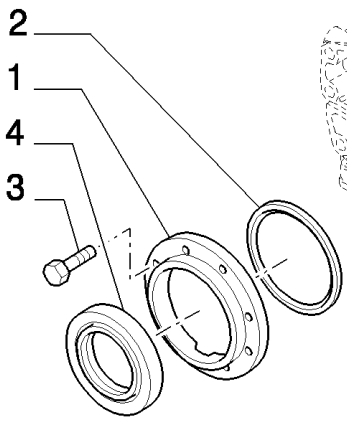
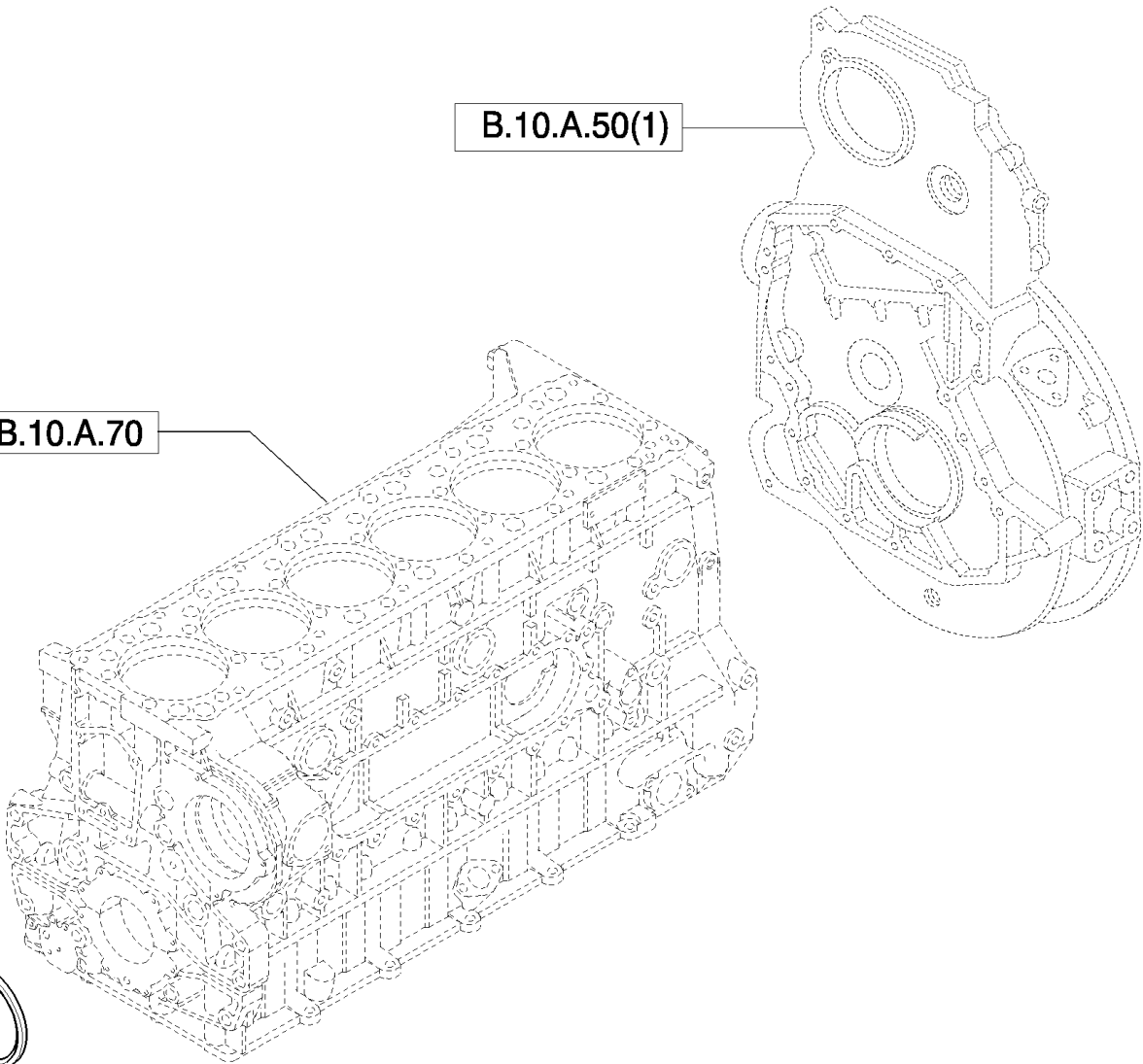
сылка	Номер детали	Кол-во	Описание
1	500363876	1	ENGINE, Assy
1	87533746	1	ENGINE, Tier 3 (504091390), ASN HAJ106401
2	1931112	1	KIT, ENGINE GASKET,
3	1931113	1	KIT, ENGINE TOP GASKETS,
4	8093891	1	KIT, ENGINE OVERHAUL, Tier 3, ASN HAJ106401
5	8093892	1	KIT, ENGINE TOP GASKETS, Tier 3, ASN HAJ106401

B.10.A(1) ENGINE BLOCK FRONT COVER (500308638)



B.10.A.70

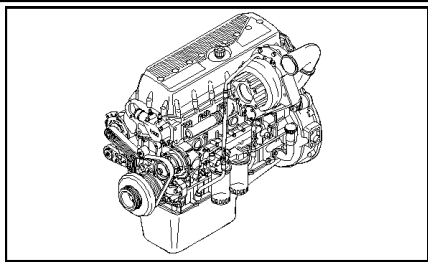
B.10.A.50(1)



AFX8010 AXIAL-FLOW COMBINE (3/03-9/06)

B.10.A(1) ENGINE BLOCK FRONT COVER (500308638)

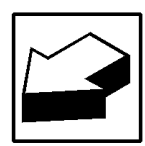
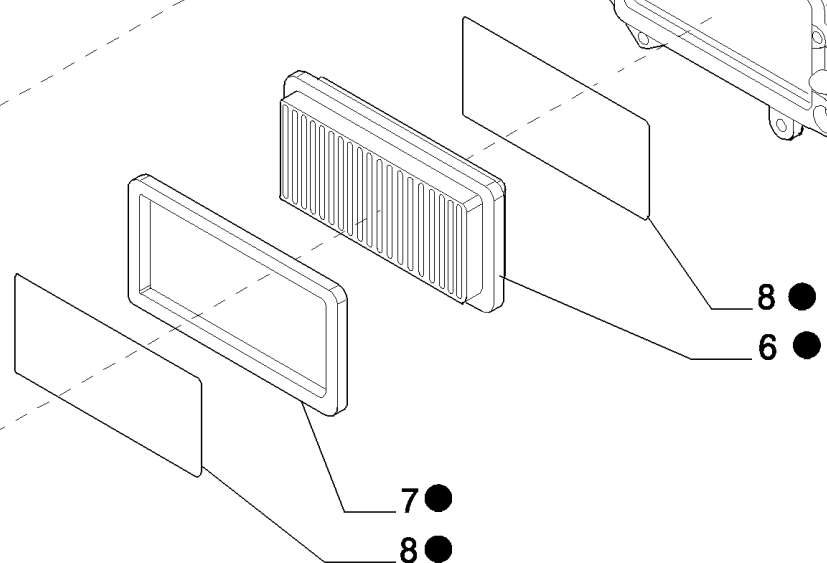
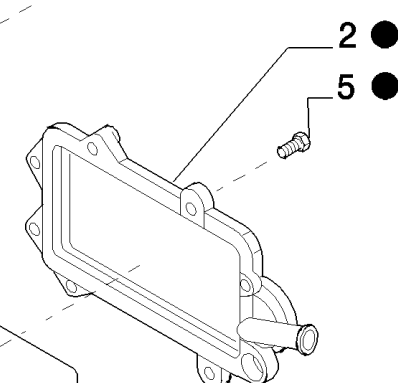
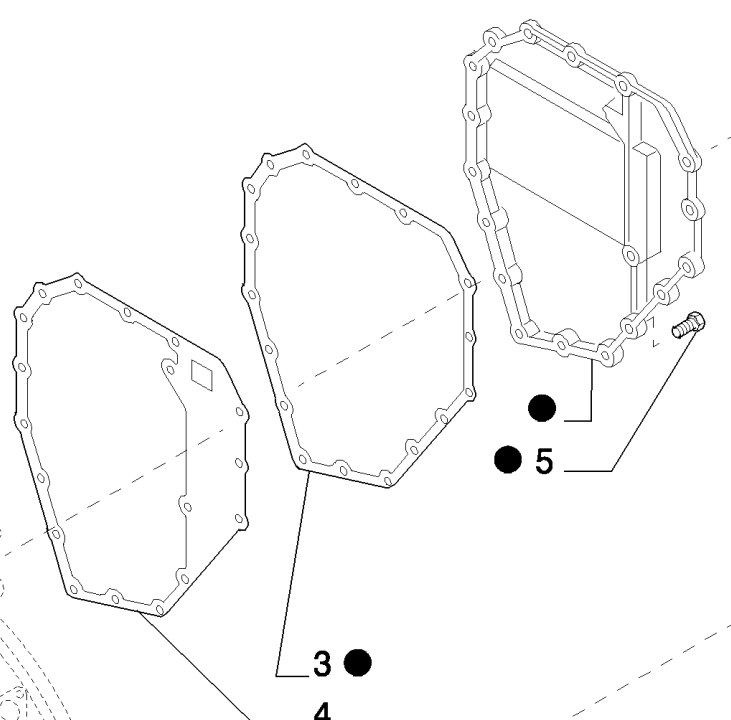
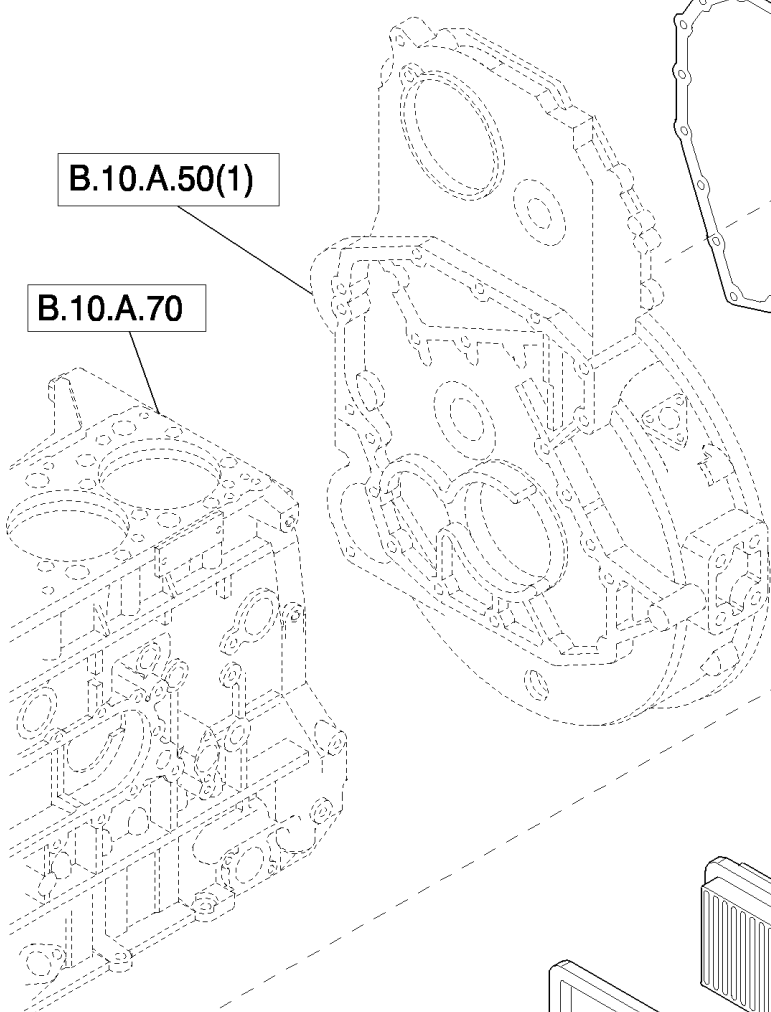
сылка	Номер детали	Кол-во	Описание
1	500304671	1	COVER,
2	17292681	1	GASKET,
3	16586224	8	SCREW, M8 x 1.25 x 16
3	16586225	8	SCREW, Tier 3, ASN HAJ106401
4	40102683	1	SEAL,



● = 1

B.10.A.50(1)

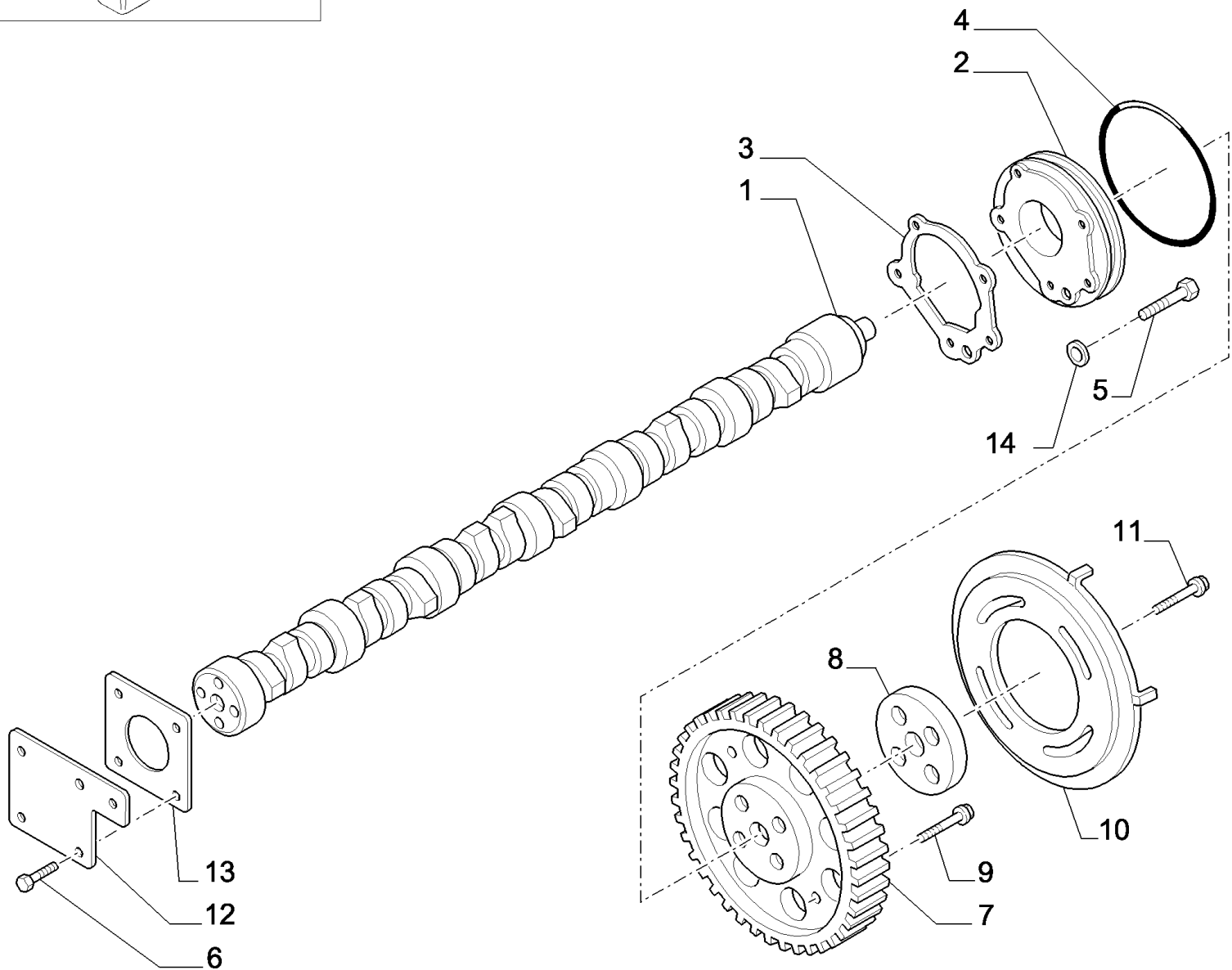
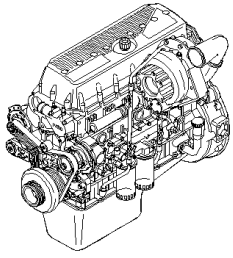
B.10.A.70



AFX8010 AXIAL-FLOW COMBINE (3/03-9/06)

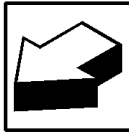
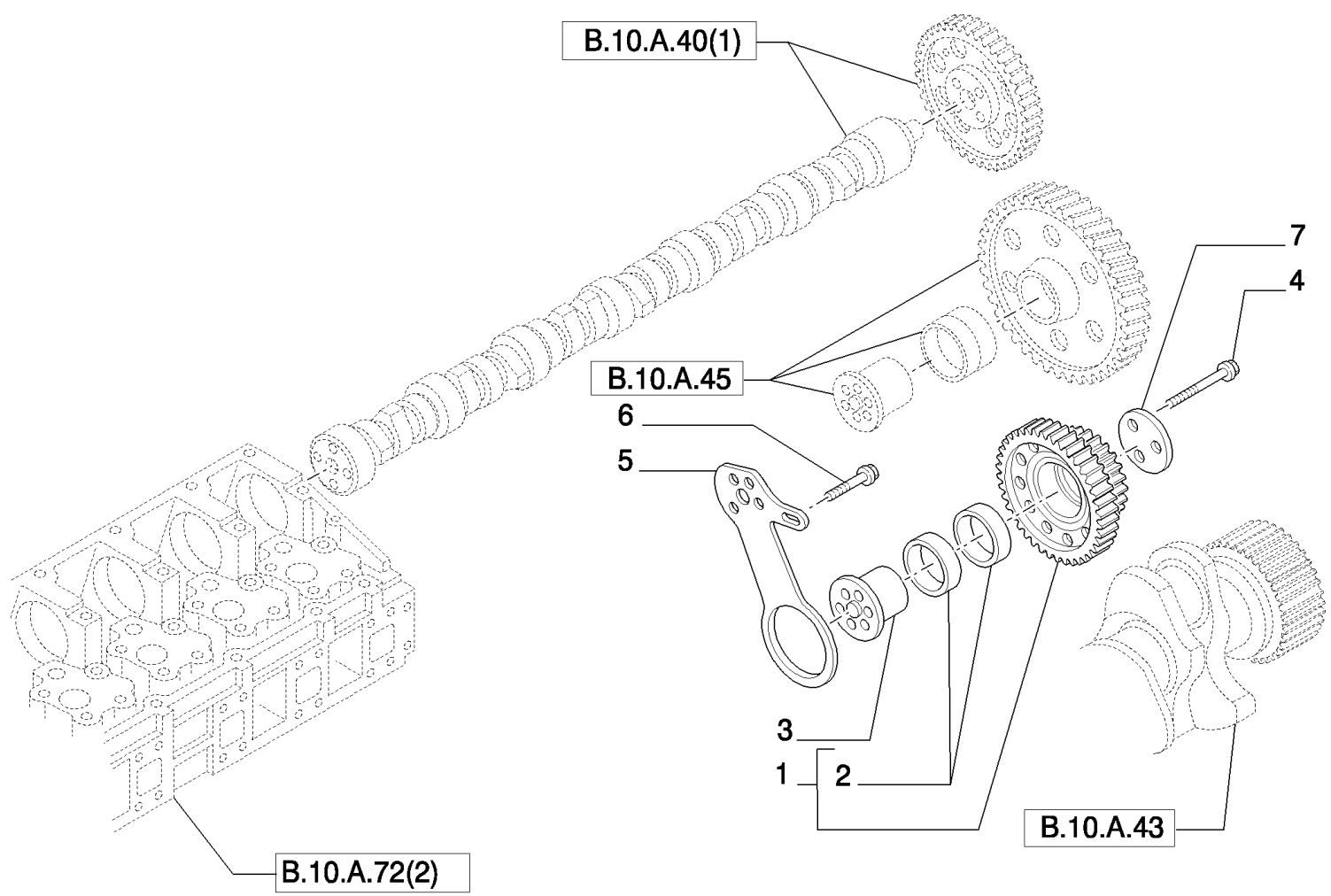
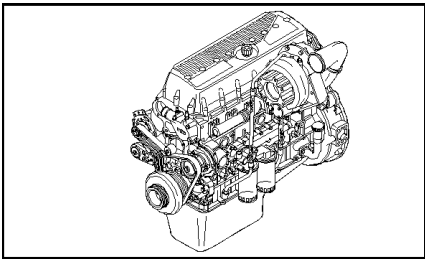
B.10.A(2) ENGINE BREATHERS (500386078)

сылка	Номер детали	Кол-во	Описание
1	500382997	1	BREATHER,
2	500383037	1	COVER,
3	500382999	1	GASKET,
4	500383189	1	GASKET,
5	500383042	25	SCREW,
6	500383040	1	FILTER, OIL COOLER,
7	500398649	1	GASKET,
8	500383043	2	GASKET,

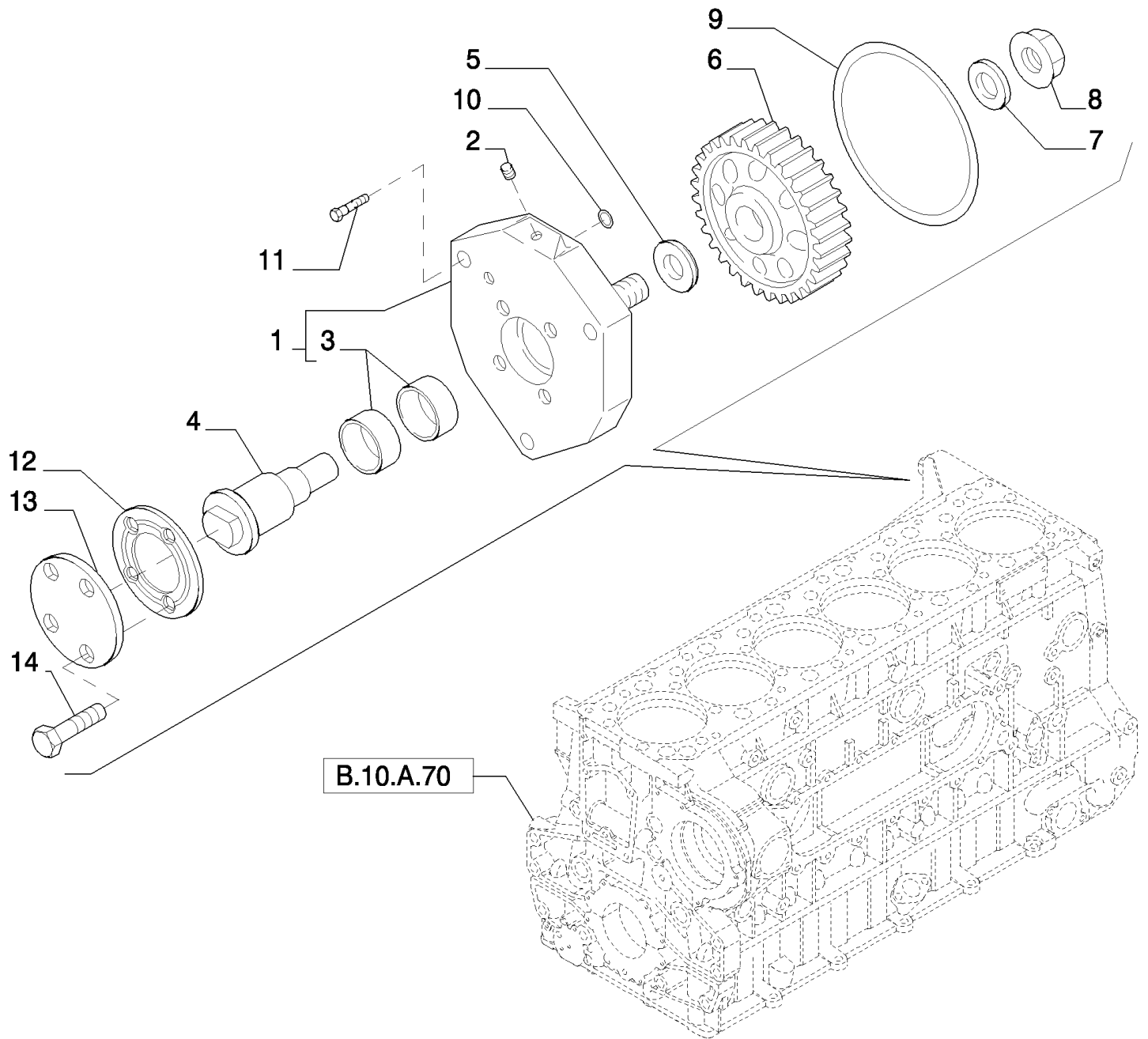
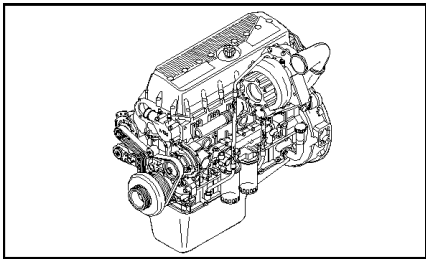


сылка	Номер детали	Кол-во	Описание
1	500333869	1	CAMSHAFT,
1	504092824	1	CAMSHAFT, Tier 3, ASN HAJ106401
2	500322294	1	PLATE,
3	99448739	1	GASKET,
4	17292381	1	GASKET, D=129.8 x 3.53 mm
5	504002590	5	SCREW, M8 x 1.25 x 25
5	16690625	5	SCREW, Tier 3, ASN HAJ106401
6	16587124	4	SCREW, M10 x 25
6	16587125	4	SCREW, Tier 3, ASN HAJ106401
7	99450035	1	GEAR,
8	98496024	1	SPACER,
9	99431774	4	SCREW,
10	500336396	1	PLATE,
11	500397562	4	SCREW,
12	500370032	1	COVER,
13	500370033	1	GASKET,
14	17096824	5	WASHER, LOCK, Tier 3, ASN HAJ106401

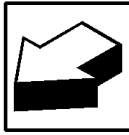
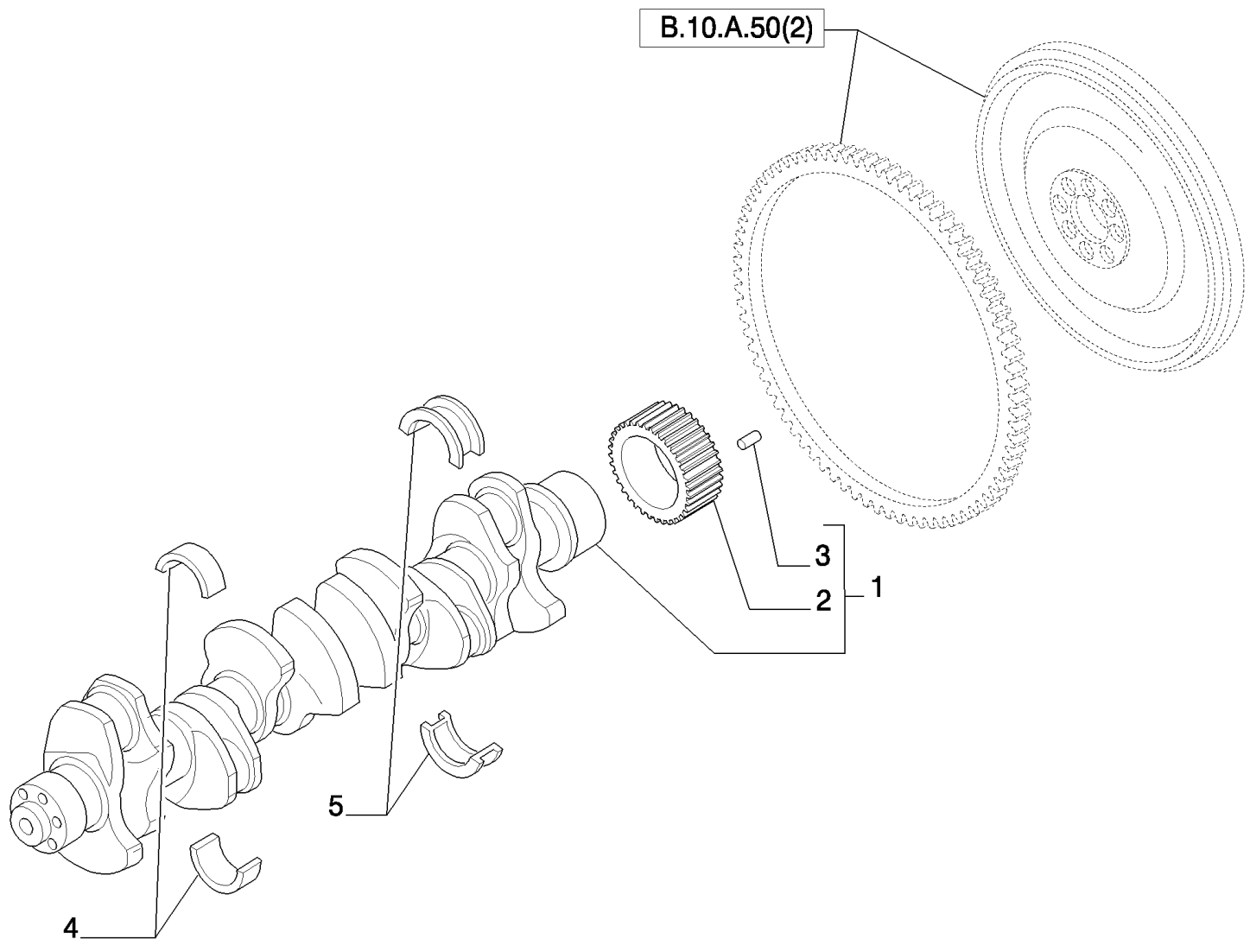
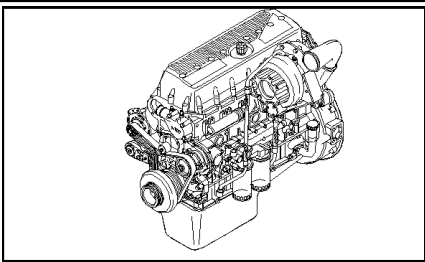
B.10.A.40(2) INTERMEDIATE CONTROLS (500343151)



сылка	Номер детали	Кол-во	Описание
1	500339012	1	GEAR, IDLER, Assy
2	98475174	2	BUSHING,
3	500304182	1	PIN,
4	16679034	3	SCREW, M12 x 90
5	500305483	1	BRACKET,
6	16586224	1	SCREW, M8 x 1.25 x 16
7	500305012	1	WASHER, LOCK,

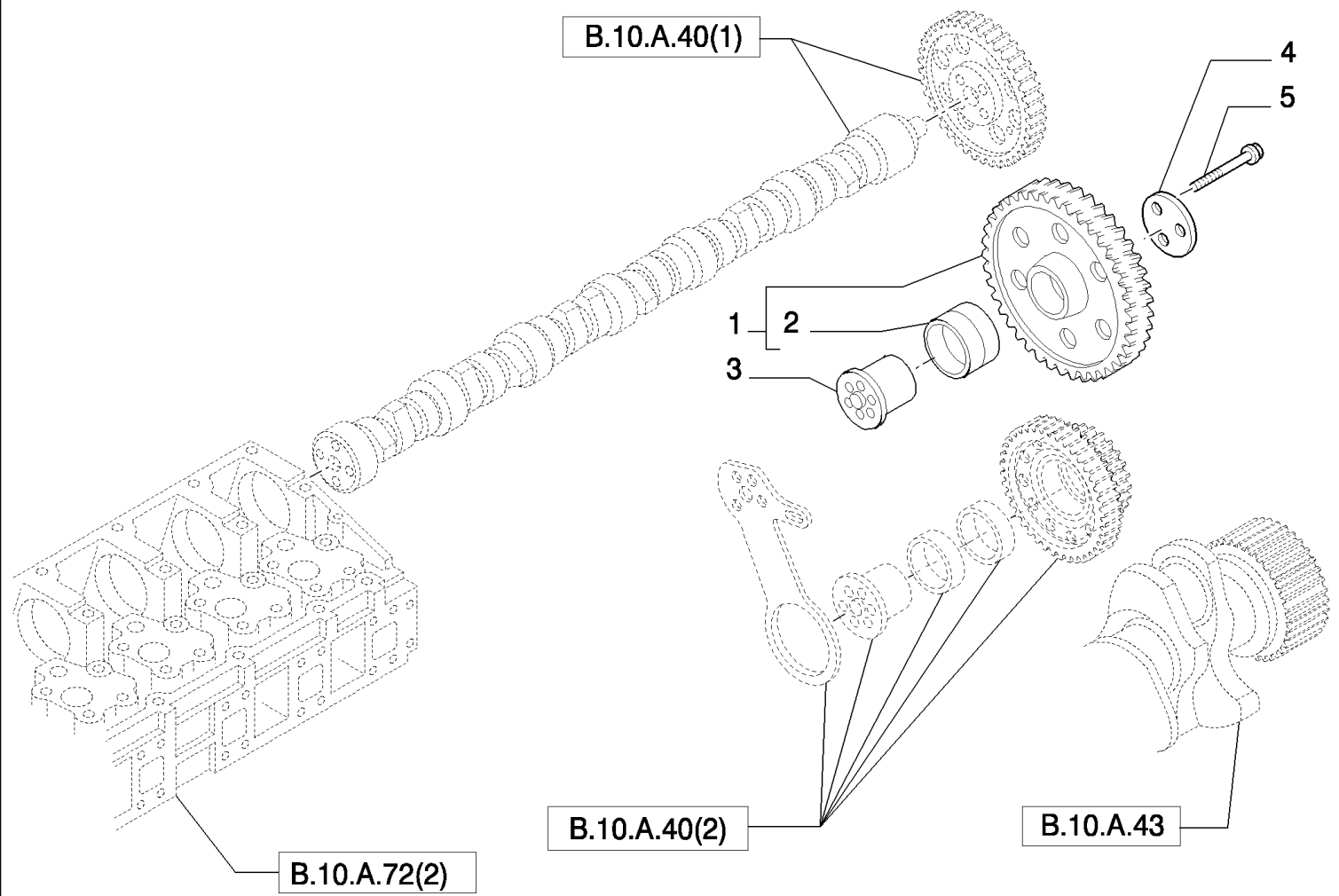
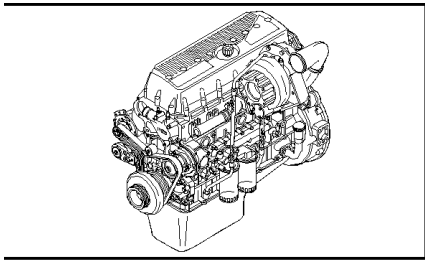


сылка	Номер детали	Кол-во	Описание
1	500353779	1	SUPPORT, Assy
1	500382578	1	SUPPORT, Tier 3, ASN HAJ106401
2	98472270	1	PLUG,
2	504051236	1	PLUG, Tier 3, ASN HAJ106401
3	4788087	2	BUSHING,
4	504026315	1	SHAFT, PTO,
5	500351319	1	WASHER, LOCK,
6	500382573	1	GEAR,
7	500382574	1	WASHER, LOCK,
8	17046231	1	NUT,
9	17292281	1	O-RING, D=126.59 x 3.53 mm
10	17281381	1	O-RING, D=9.19 mm
11	16678134	3	SCREW, M12 x 45
11	16678135	3	SCREW, Tier 3, ASN HAJ106401
12	500355018	1	GASKET,
13	500355019	1	COVER,
14	16587024	4	SCREW, M10 x 20
14	18139424	4	SCREW, Tier 3, ASN HAJ106401



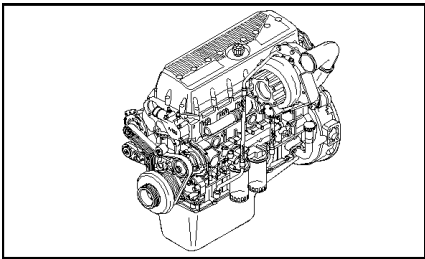
B.10.A.43 CRANKSHAFT & RELATED PARTS (500321101)

сылка	Номер детали	Кол-во	Описание
1	99437550	1	CRANKSHAFT, Assy
2	99437423	1	GEAR, DRIVING,
3	17275410	1	DOWEL, D=8 mm
4	2991776	6	SET OF MAIN BRGS.STD, - Red
4	2991836	6	SET OF MAIN BRGS.STD, - Green
4	2991777	6	SET OF MAIN BRGS.STD, - Red Black 0.127
4	2991837	6	SET OF MAIN BRGS.STD, - Green Black 0.127
4	2991838	6	SET OF MAIN BRGS -0.254, - Red
4	2991839	6	SET OF MAIN BRGS -0.508, - Red
5	2991780	1	SET, THRUST WASHERS (STD), - Red
5	2991840	1	SET, THRUST WASHERS (STD), - Green
5	2991841	1	SET, THRUST WASHERS+0.254, - Red
5	2991842	1	SET, THRUST WASHERS+0.508, - Red

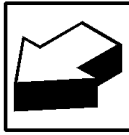
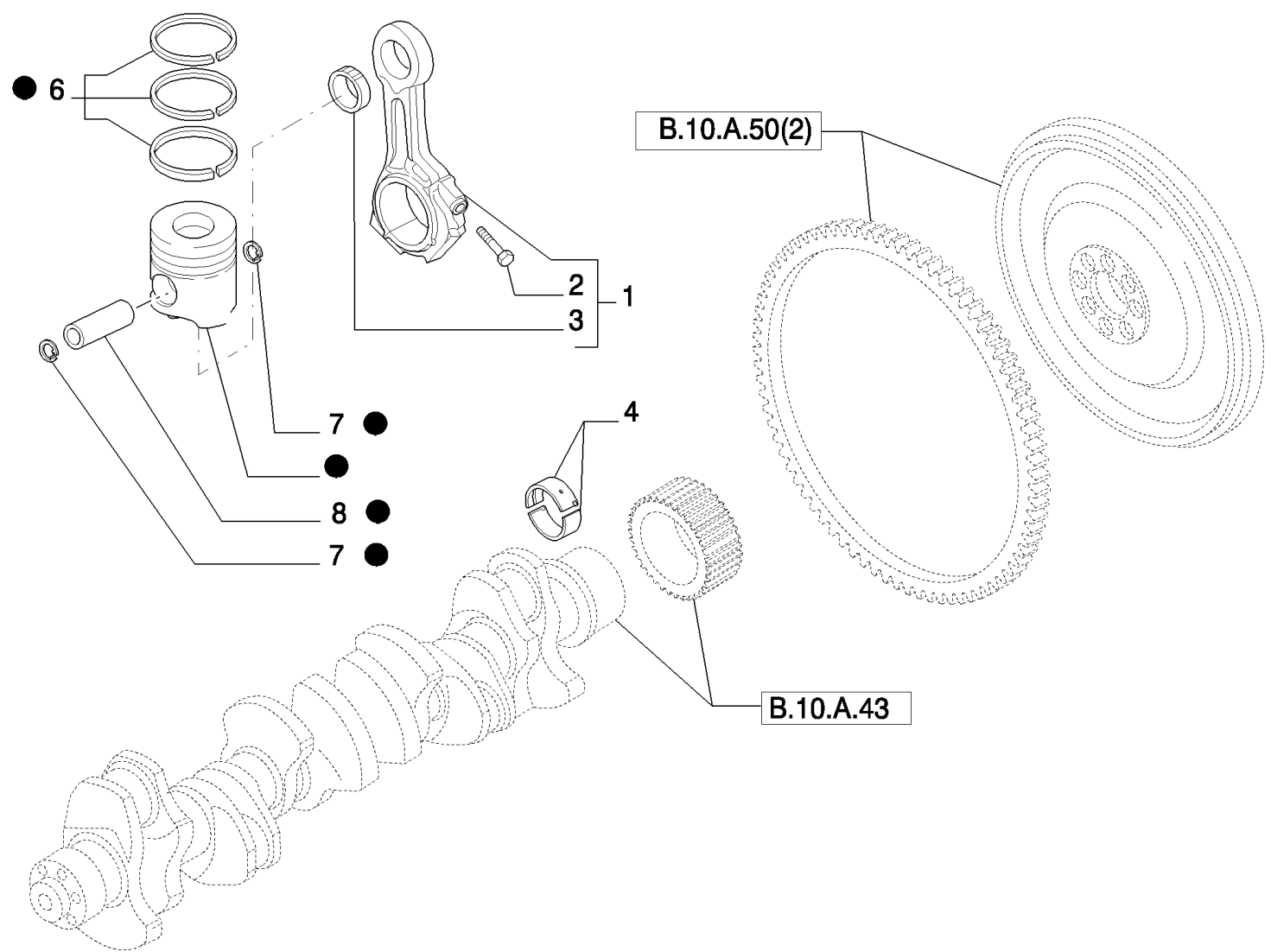


сылка	Номер детали	Кол-во	Описание
1	500305485	1	GEAR, IDLER, Assy
2	500310440	1	BUSHING,
3	500305484	1	PIN,
4	99483931	1	WASHER, LOCK,
4	504003307	1	WASHER, LOCK, Tier 3, ASN HAJ106401
5	16679234	3	SCREW,

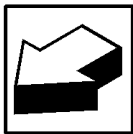
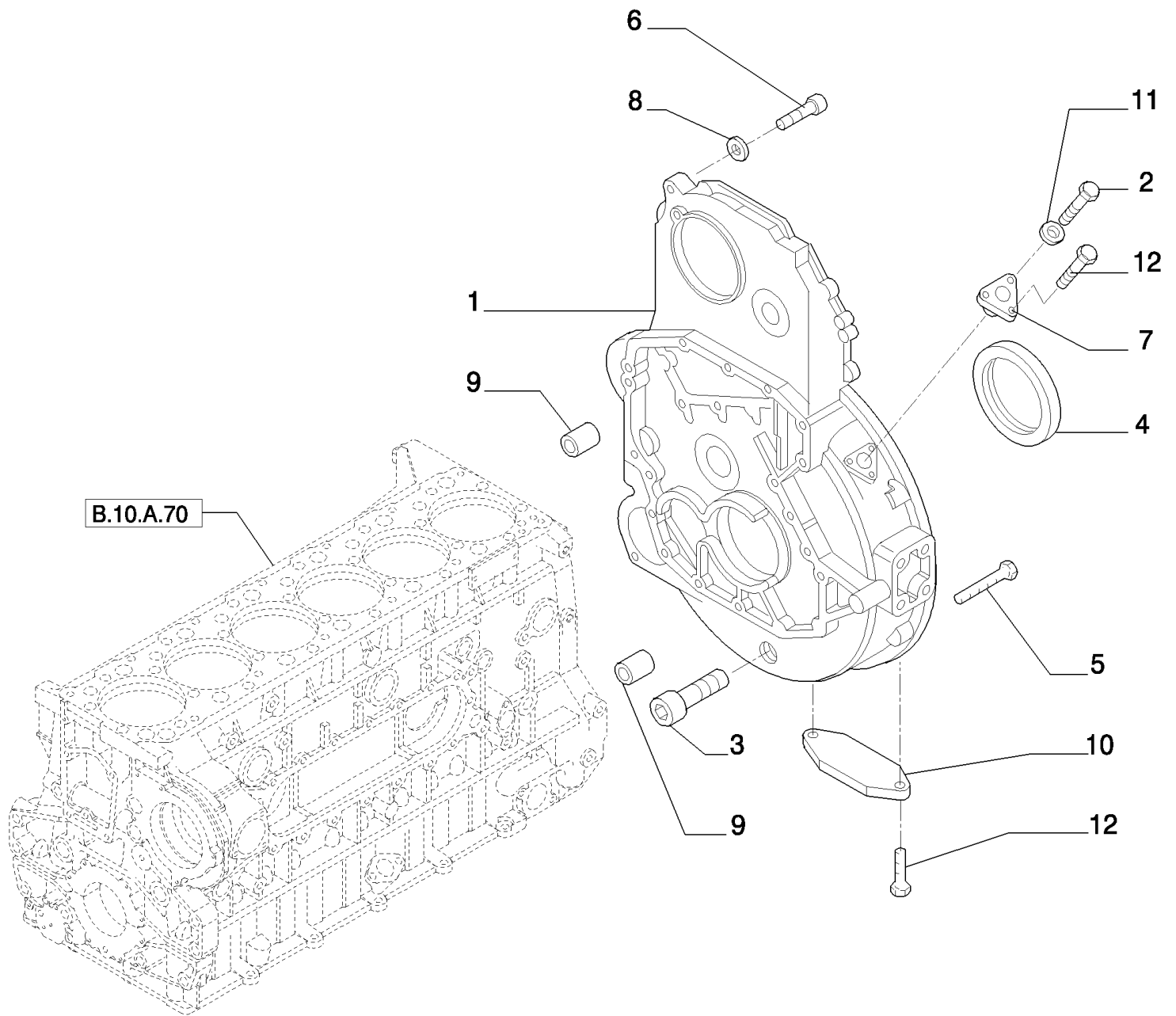
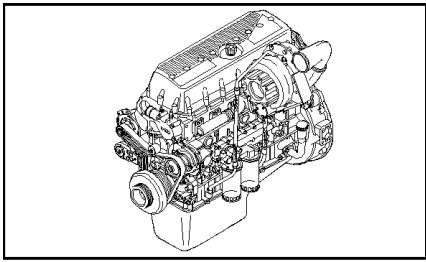
B.10.A.47 CONNECTING ROD (500381336)



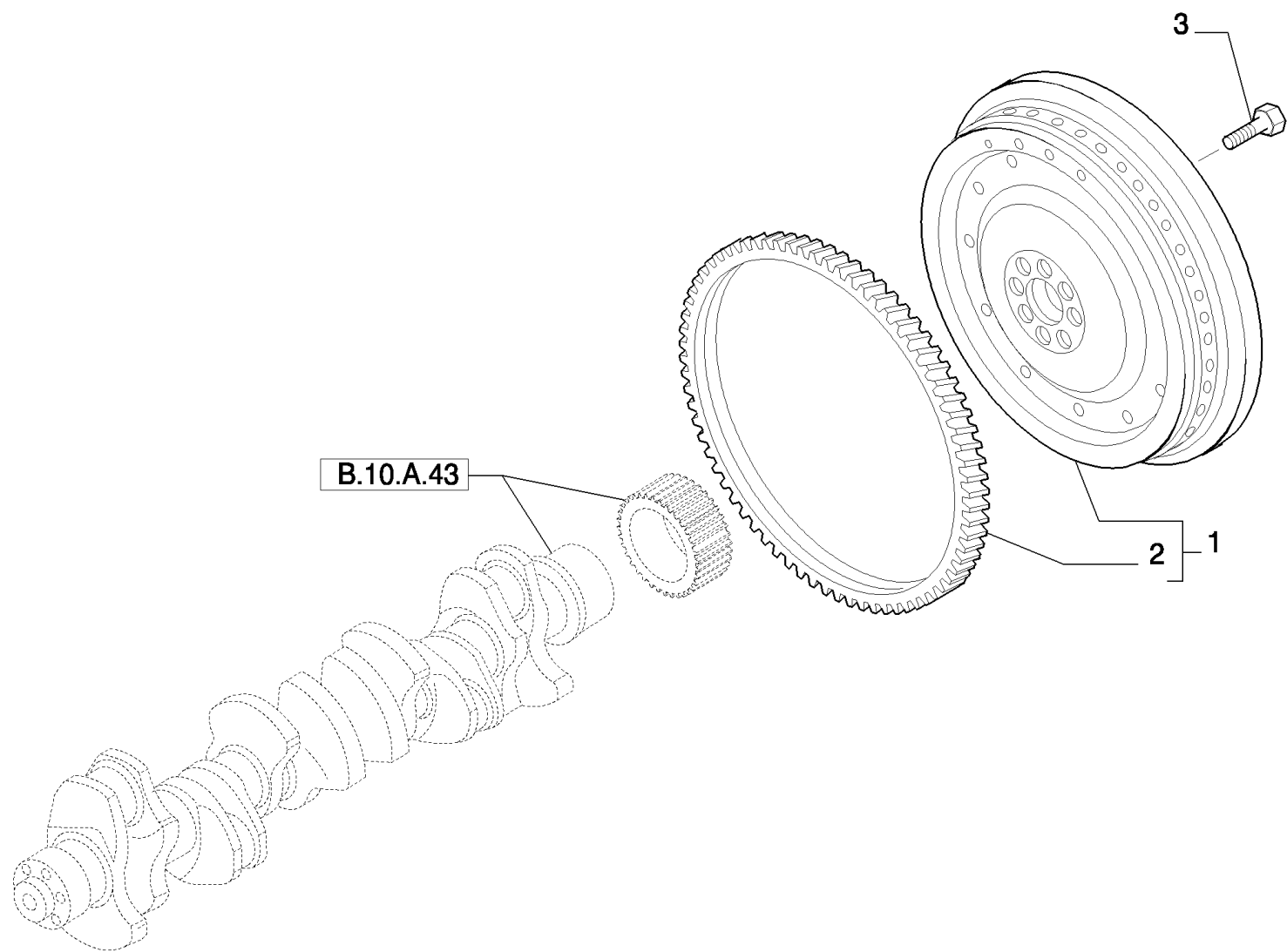
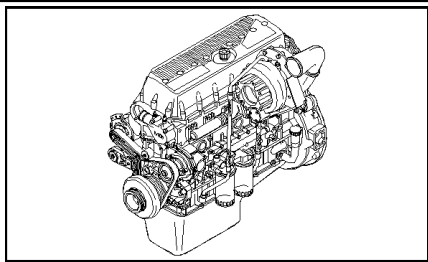
● = 5



сылка	Номер детали	Кол-во	Описание
1	500380287	6	ROD, CONNECTING, Assy
2	99431774	12	SCREW,
3	99468352	6	BUSHING,
4	2991778	6	SET OF CONN ROD BRGS U/S, - Red
4	2991843	6	SET OF CONN ROD BRGS U/S, - Green
4	2991779	6	SET, CONN ROD BRGS (STD), - Green - 0.127
4	2991844	6	SET OF CONN ROD BRGS U/S, - Green Black - 0.127
4	2991845	6	SET OF CONN ROD BRGS U/S, - Red
4	2991846	6	SET OF CONN ROD BRGS U/S, - Green
4	2991847	6	SET OF CONN ROD BRGS U/S, - Red
4	2991848	6	SET OF CONN ROD BRGS U/S, - Green
5	2992282	6	PISTON ASSY,
5	8094838	6	PISTON ASSY, Tier 3, ASN HAJ106401
6	2991781	6	KIT, PISTON RINGS,
6	8094837	6	KIT, PISTON RINGS, Tier 3, ASN HAJ106401
7	16873376	12	RING, LOCKING,
7	16873373	6	RING, LOCKING, Tier 3, ASN HAJ106401
8	504032095	6	PIN, PISTON,



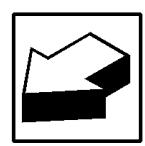
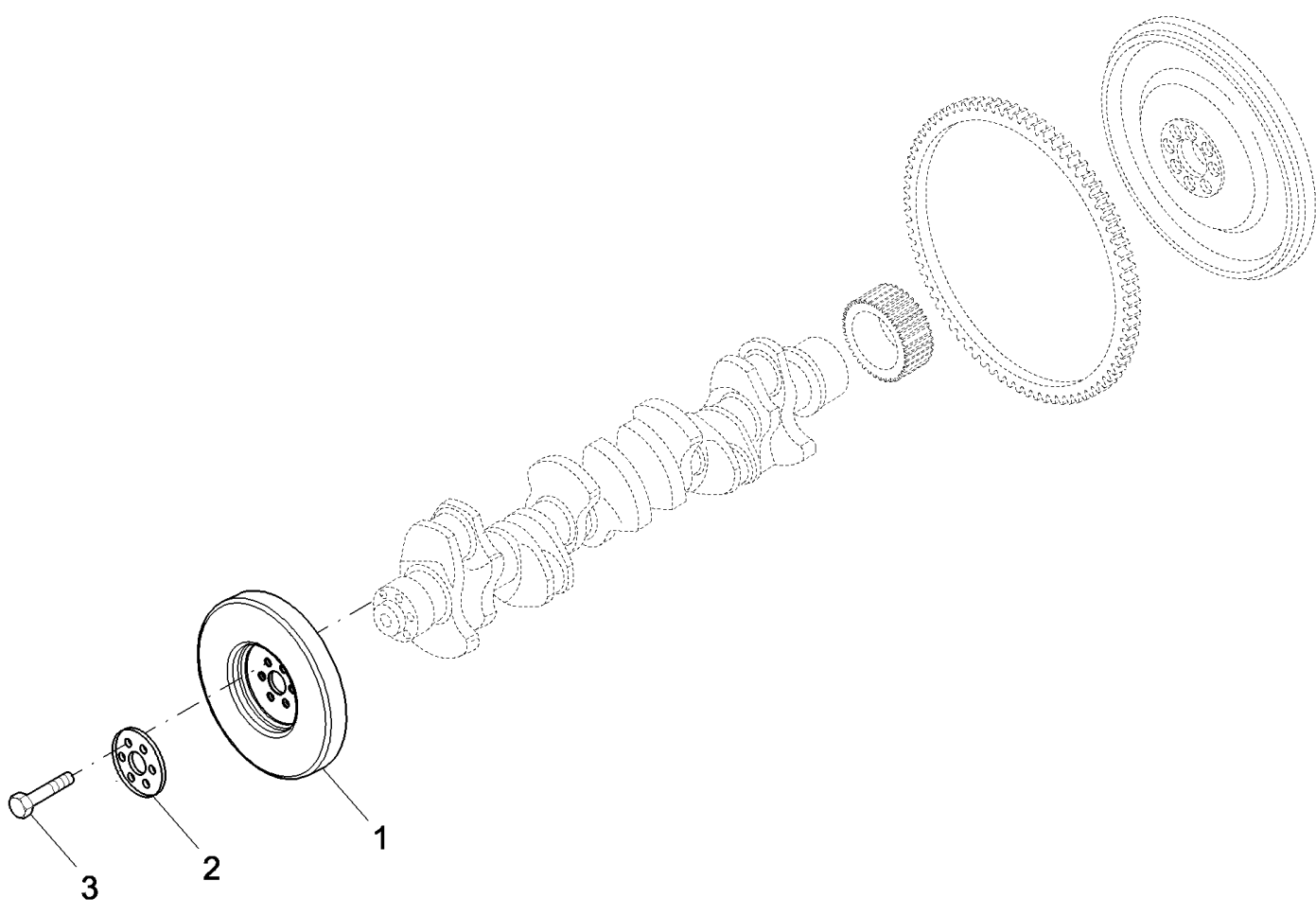
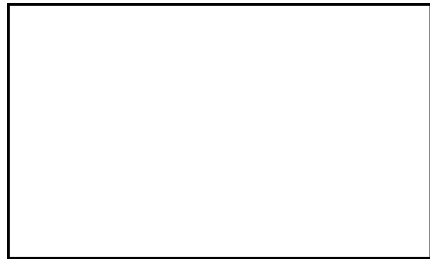
сылка	Номер детали	Кол-во	Описание
1	500310414	1	HOUSING,
2	61315661	1	SCREW,
3	16992911	1	PLUG, M52 x 2
4	40102693	1	GASKET,
5	16677934	4	SCREW, M12 x 1.75 x 35
5	16593624	1	SCREW, M12 x 1.75 x 120
5	99475978	2	SCREW,
5	16588824	2	SCREW, M12 x 1.75 x 70
5	16593424	10	SCREW, M12 x 100
6	16675834	2	SCREW, M10 x 30
7	99472521	1	COVER,
8	98474305	2	WASHER, SEALING, D=10 x 17 x 2.3 mm
9	17275610	2	DOWEL,
10	4851842	1	COVER,
11	14496521	1	WASHER, M8 x 17 x 1.6,
12	16597924	4	SCREW, M8 x 14



AFX8010 AXIAL-FLOW COMBINE (3/03-9/06)

B.10.A.50(2) FLYWHEEL (500386692)

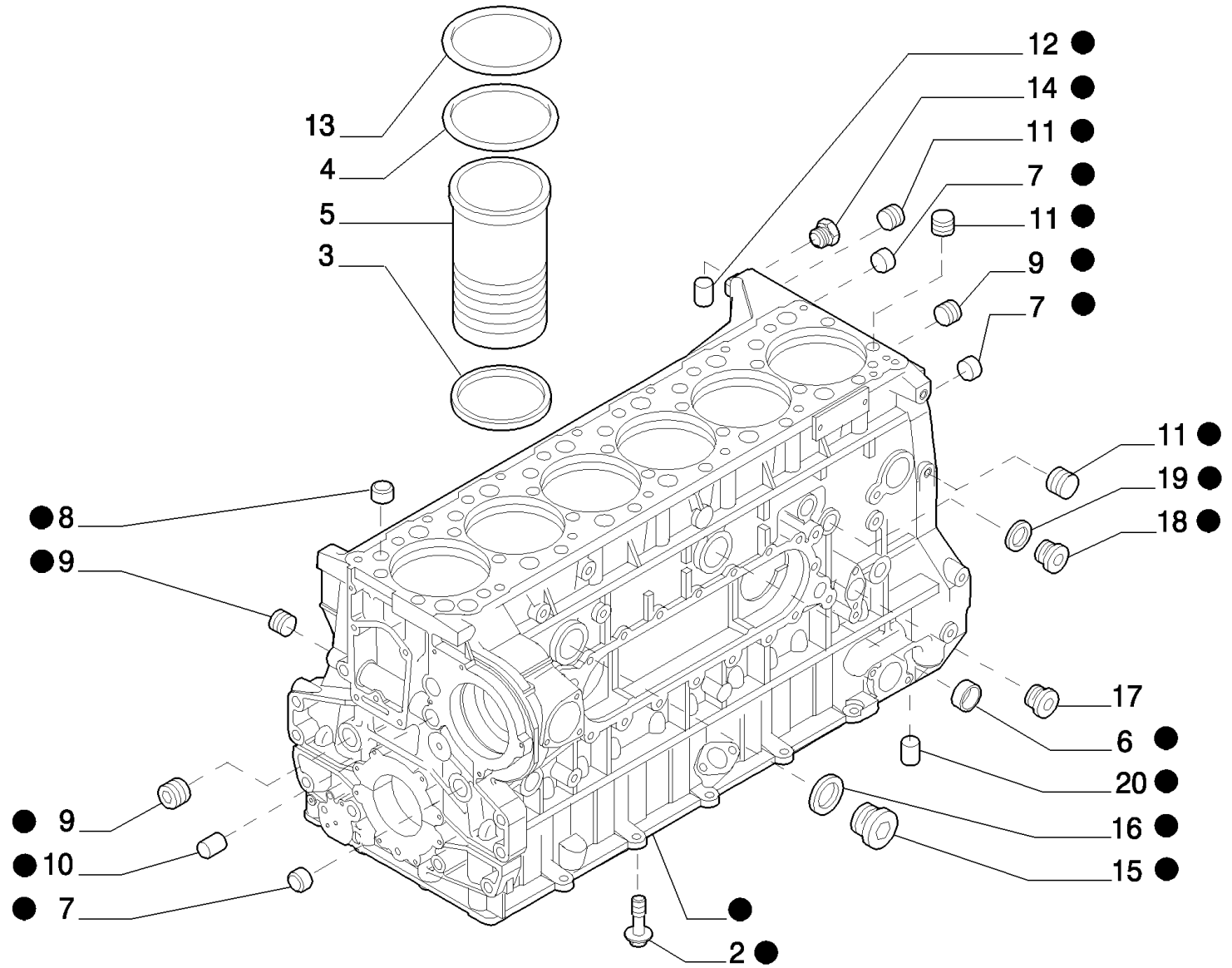
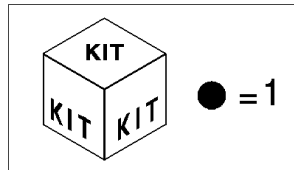
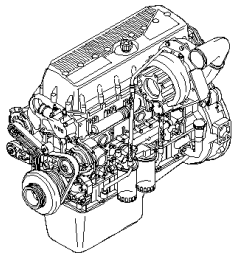
сылка	Номер детали	Кол-во	Описание
1	500374302	1	FLYWHEEL, ENGINE, Assy
2	99433386	1	GEAR, RING,
3	99430395	8	SCREW,



B.10.A.68 DAMPER (500387418)

сылка	Номер детали	Кол-во	Описание
1	500351805	1	DAMPER,
1	504145413	1	DAMPER, Tier 3, ASN HAJ106401
2	500339537	1	WASHER,
2	504145946	1	WASHER, Tier 3, ASN HAJ106401
3	16681435	6	SCREW,

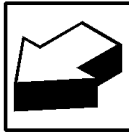
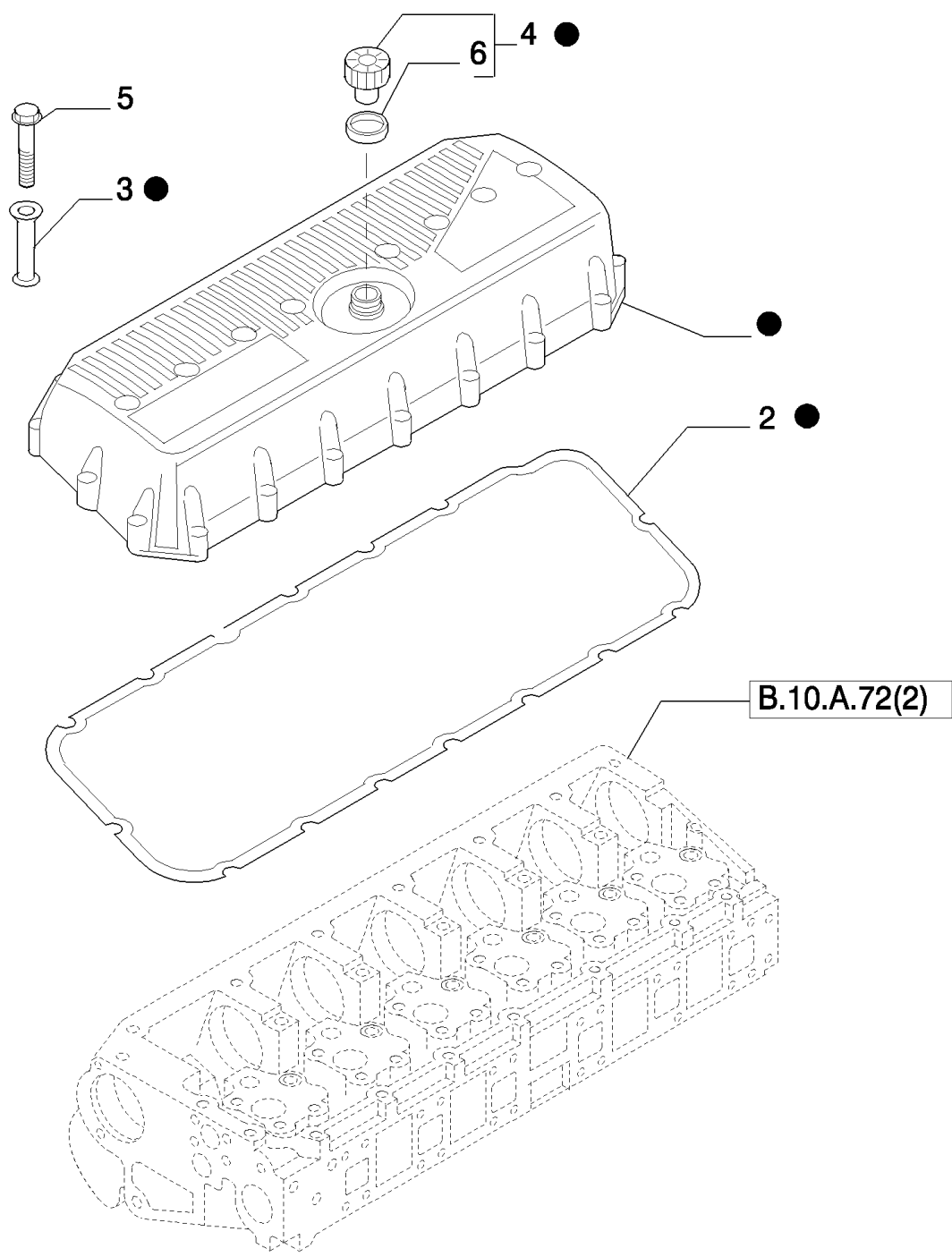
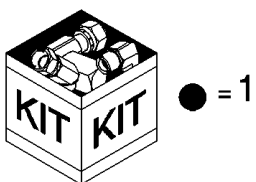
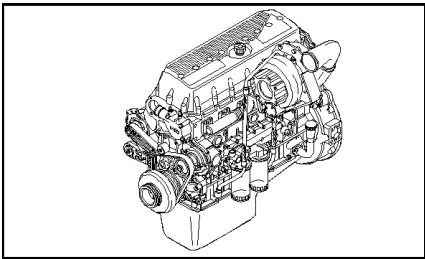
B.10.A.70 CYLINDER BLOCK & RELATED PARTS (500386466)



B.10.A.70 CYLINDER BLOCK & RELATED PARTS (500386466)

сылка	Номер детали	Кол-во	Описание
1	500334231	1	CYLINDER BLOCK,
1	504137348	1	CYLINDER BLOCK, Tier 3, ASN HAJ106401
2	99430335	14	SCREW,
2	99432869	25	SCREW,
2	99433863	1	SCREW,
3	99432876	6	GASKET, Thk. 0.08 mm
3	99432875	6	GASKET, Thk. 0.1 mm
3	99432873	6	GASKET, Thk. 0.12 mm
3	500378984	6	GASKET, Thk. 0.14 mm
4	99456553	6	GASKET,
5	500338224	6	LINER, ENGINE CYLINDER, STD
6	16991370	2	PLUG, D=45 mm
7	16990870	3	PLUG, D=28 mm
8	16990570	6	PLUG, D=20 mm
9	98474481	3	PLUG,
10	98475100	1	PLUG,
11	98472271	3	PLUG,
12	500368916	1	DOWEL,
13	99456554	12	GASKET,
14	99433597	3	SCREW,
15	4665029	1	PLUG, M42 x 1.5
16	99469382	1	WASHER, SEALING, D=40 mm
17	99430692	1	PLUG, D=1/2"
18	16992411	3	PLUG, M16 x 1.5
19	99489019	3	WASHER, SEALING, D=16 x 24 x 1.5 mm
20	99467554	4	DOWEL, D=14 mm

B.10.A.72(1) HEAD COVER (504033727)

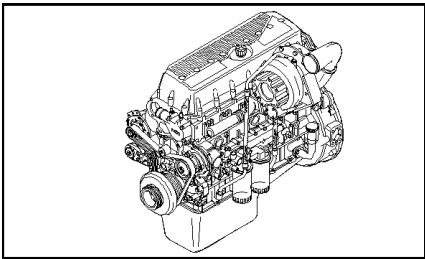


AFX8010 AXIAL-FLOW COMBINE (3/03-9/06)

B.10.A.72(1) HEAD COVER (504033727)

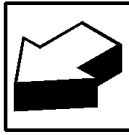
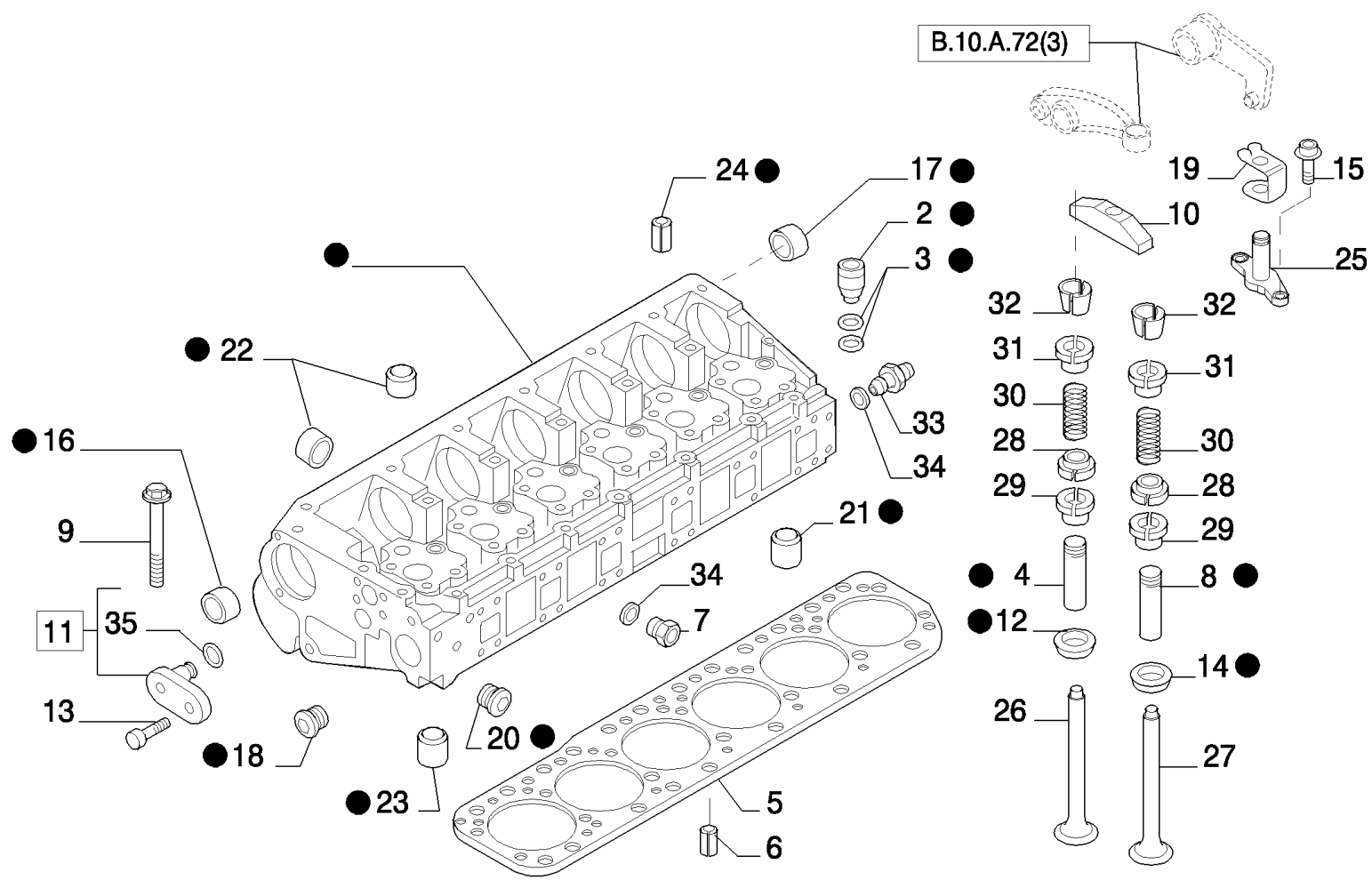
сылка	Номер детали	Кол-во	Описание
1	504033053	1	COVER, VALVE,
2	500323989	1	GASKET,
3	99446693	22	BUSHING,
4	98442027	1	CAP, Assy
5	500309013	22	SCREW,
6	98412146	1	GASKET,

B.10.A.72(2) CYLINDER HEAD & RELATED PARTS (500387339)



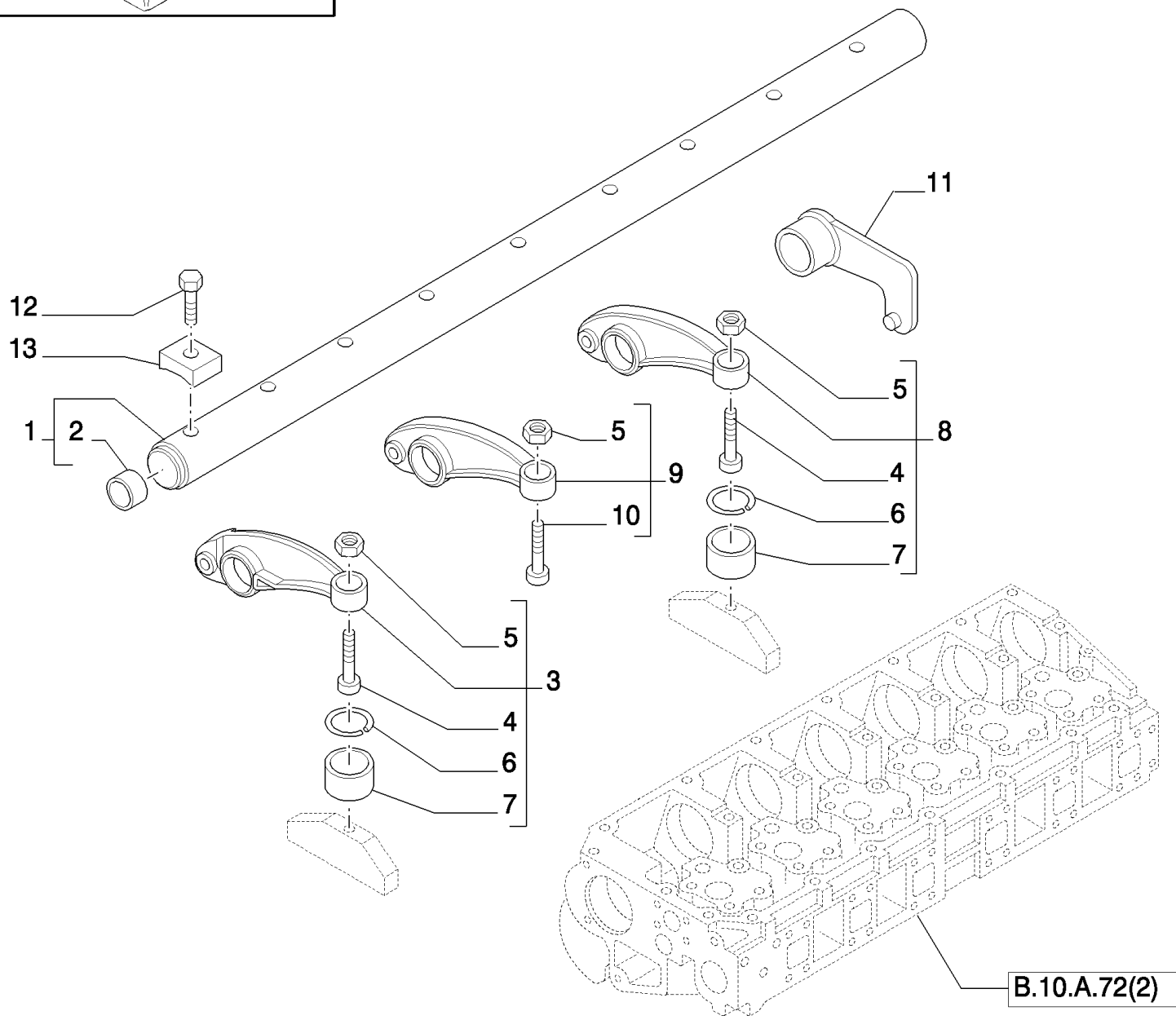
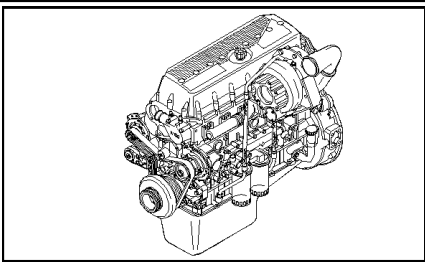
● = 1

B.10.A.72(3)

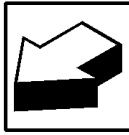
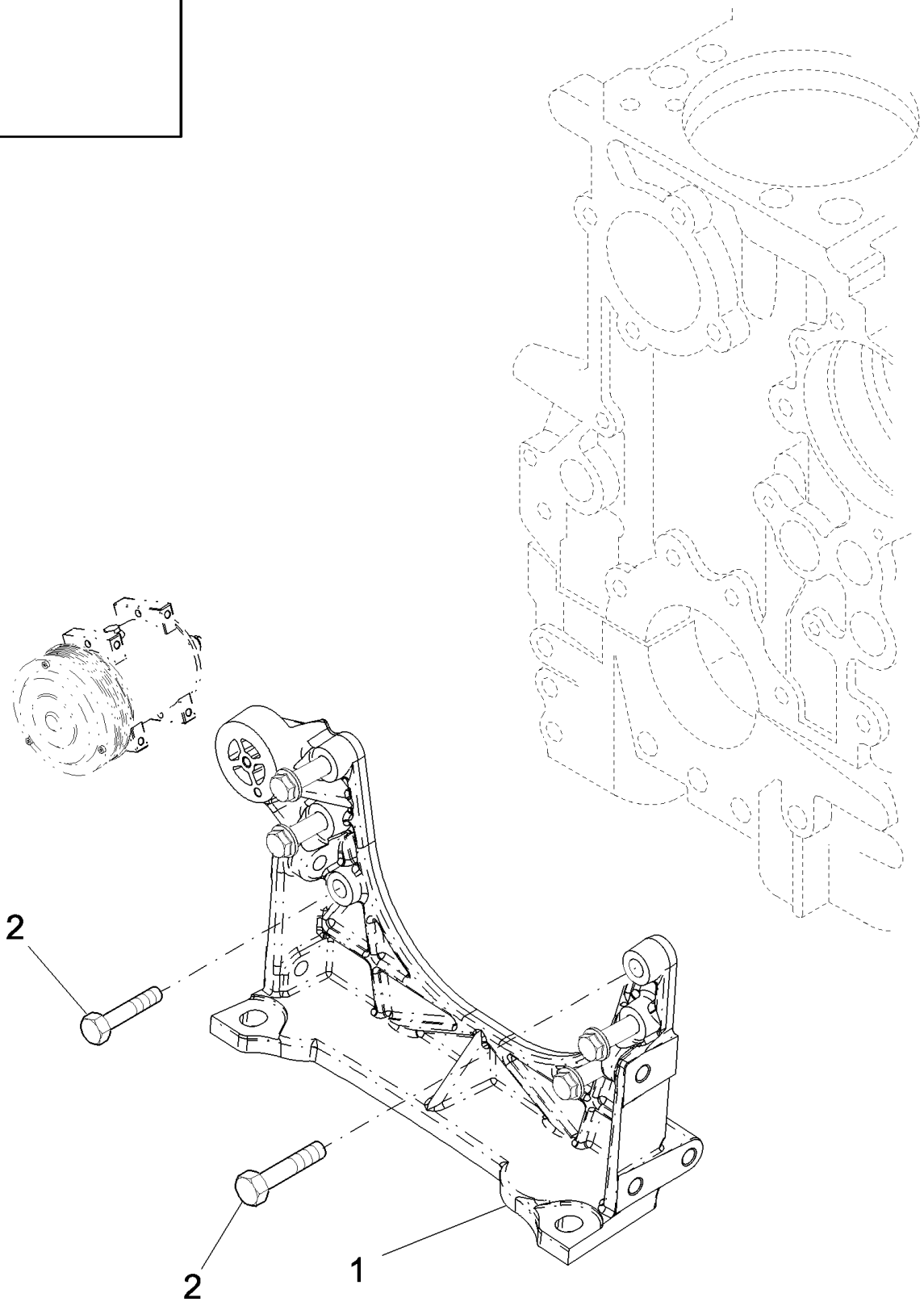


B.10.A.72(2) CYLINDER HEAD & RELATED PARTS (500387339)

сылка	Номер детали	Кол-во	Описание
1	500380776	1	CYLINDER HEAD,
2	99476929	6	CASE,
3	17279081	12	GASKET, D=26.7 x 1.7 mm
4	500391479	12	GUIDE, VALVE, INTAKE, STD
4	500391480	12	GUIDE, VALVE, INTAKE, + 0,2
4	500391481	12	GUIDE, VALVE, INTAKE, + 0,4
5	500396535	1	GASKET, CYLINDER HEAD,
6	17275510	2	DOWEL, D=10 mm
7	16992411	1	PLUG, M16 x 1.5
8	500391476	12	GUIDE, VALVE, EXHAUST, STD
8	500391477	12	GUIDE, VALVE, EXHAUST, + 0,2
8	500391478	12	GUIDE, VALVE, EXHAUST, + 0,4
9	99430334	20	SCREW,
9	99430335	6	SCREW,
10	500388169	12	SUPPORT,
11	500340761	1	PLUG, Assy
12	99466613	12	VALVE SEAT, STD
12	500379595	12	VALVE SEAT, + 0,20
13	16586224	1	SCREW, M8 x 1.25 x 16
14	99466612	12	VALVE SEAT, STD
14	500379597	12	VALVE SEAT, + 0,20
15	16707134	12	SCREW, M8 x 20
16	504003914	6	BUSHING,
17	504003915	1	BUSHING,
18	98472271	7	PLUG,
18	500310146	1	PLUG,
19	500376911	6	SPRING,
20	99430692	1	PLUG,
21	16991370	2	PLUG, D=45 mm
22	16990870	13	PLUG, D=28 mm
23	16990570	12	PLUG, D=20 mm
24	17257074	1	PIN, ROLL,
25	504001460	6	SPACER,
26	500355776	12	VALVE, ENGINE, INLET, STD,
27	500355779	12	VALVE, ENG EXHAUST, STD,
28	504000042	24	CUP,
29	40101584	12	GASKET,
30	500321560	24	SPRING,
31	99430785	24	PLATE, COTTERS,
32	61320851	48	COTTER, ROCKER ARM,
33	41031569	1	FITTING,
34	99489019	2	WASHER, SEALING, D=16 x 24 x 1.5 mm
35	17277981	1	O-RING, D=9.2 x 1.7 mm



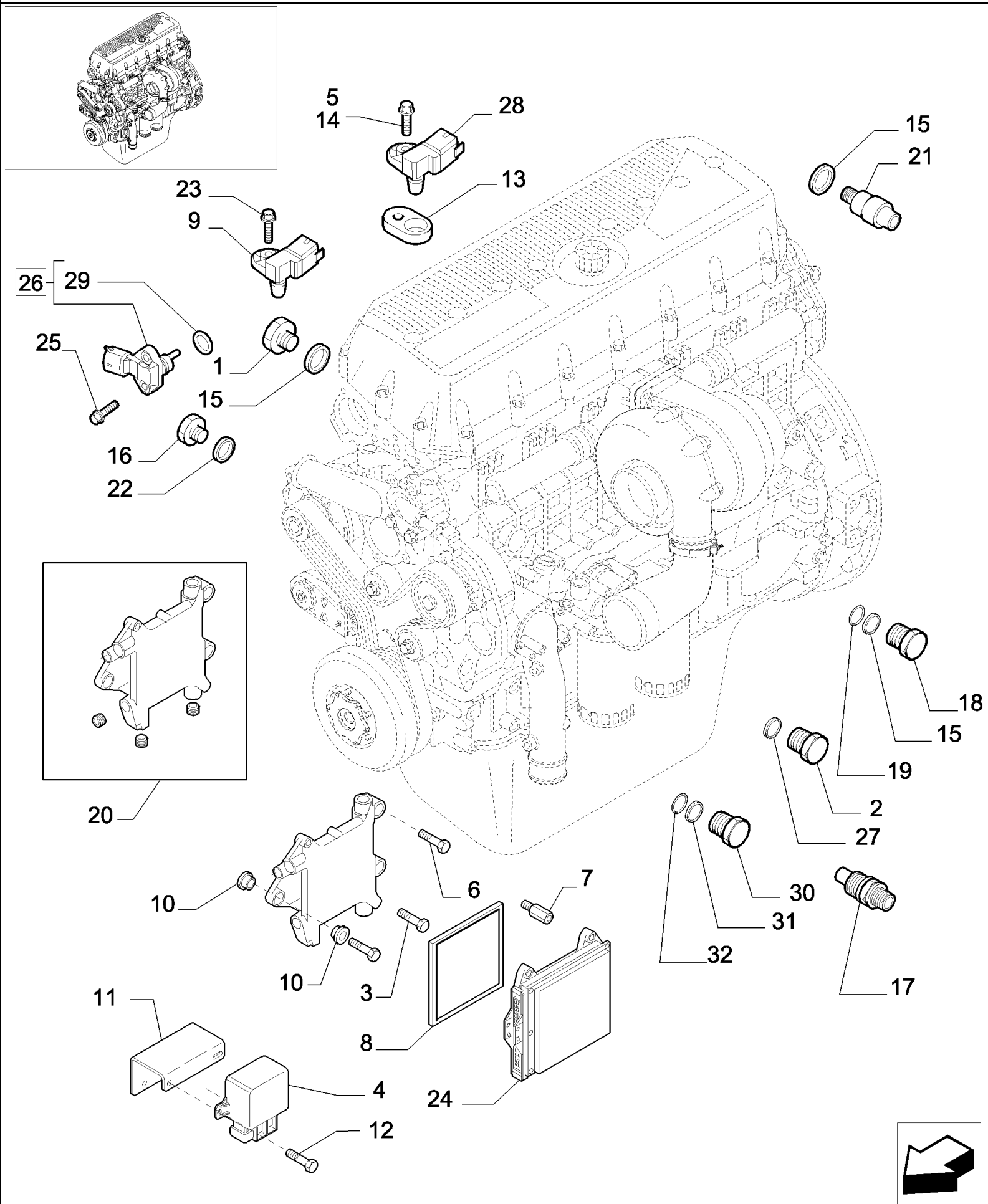
сылка	Номер детали	Кол-во	Описание
1	99483035	1	SHAFT, Assy
2	16988301	2	PLUG, D=20 mm
3	500315947	6	ROCKER ARM, Assy
3	504137936	6	ROCKER ARM, Tier 3, ASN HAJ106401
4	98498411	12	SCREW,
5	98470656	18	NUT,
6	17084376	12	RING,
7	500300903	12	PAD, SLIDING,
8	500315946	6	ROCKER ARM, Assy
9	500314916	6	ROCKER ARM, Assy
10	98498410	6	SCREW,
11	99483047	6	LEVER,
12	99475580	7	SCREW,
13	500344277	7	CAP,



AFX8010 AXIAL-FLOW COMBINE (3/03-9/06)

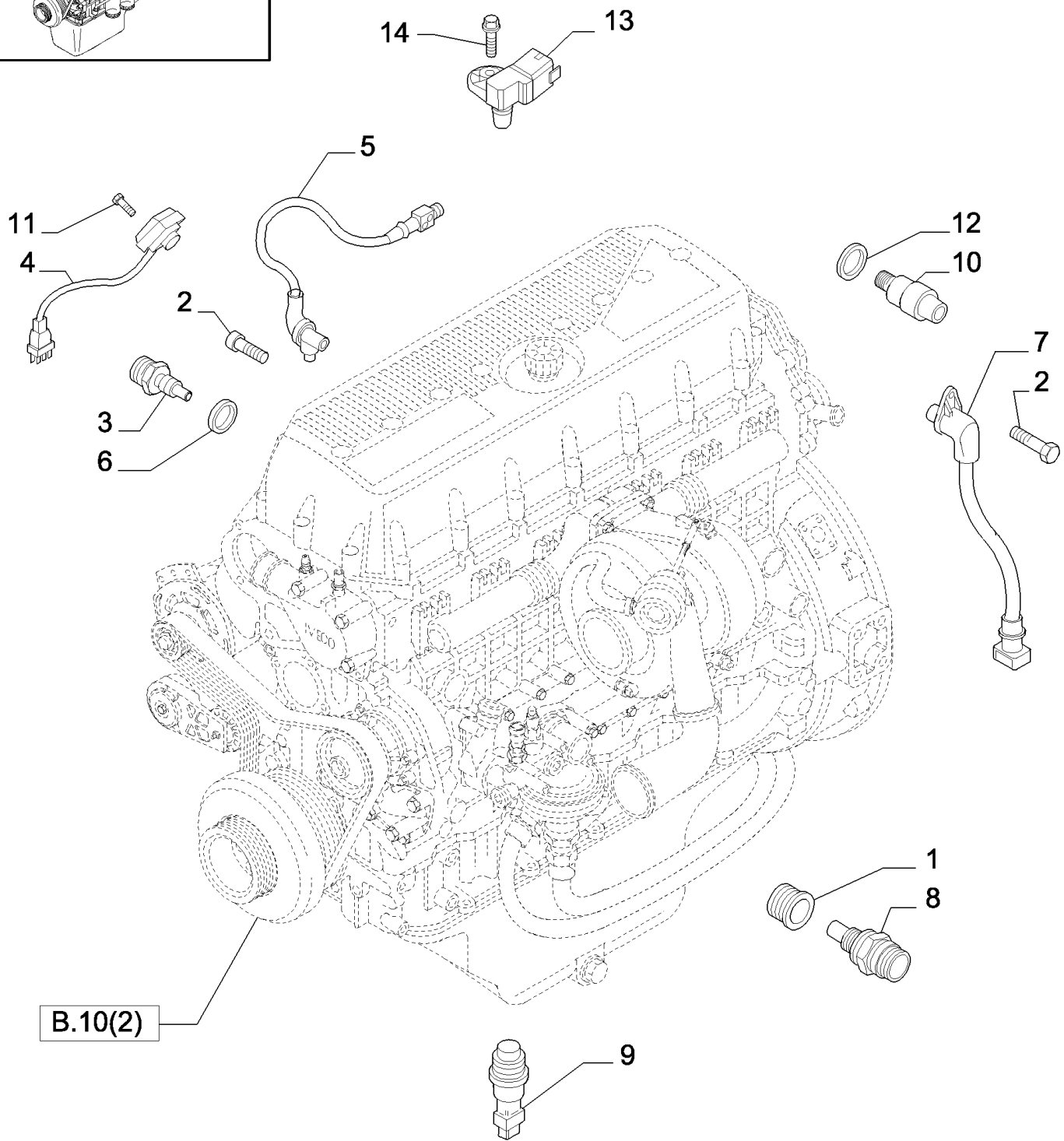
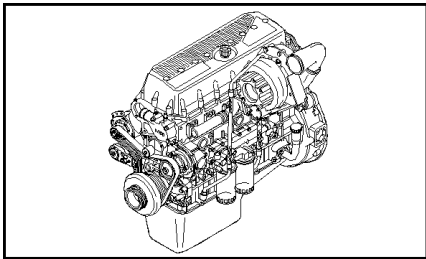
B.10.A.77 ENGINE INTERFACE PARTS (504032828)

сылка	Номер детали	Кол-во	Описание
1	504078135	1	MOUNT, ENGINE,
2	99484191	6	SCREW,



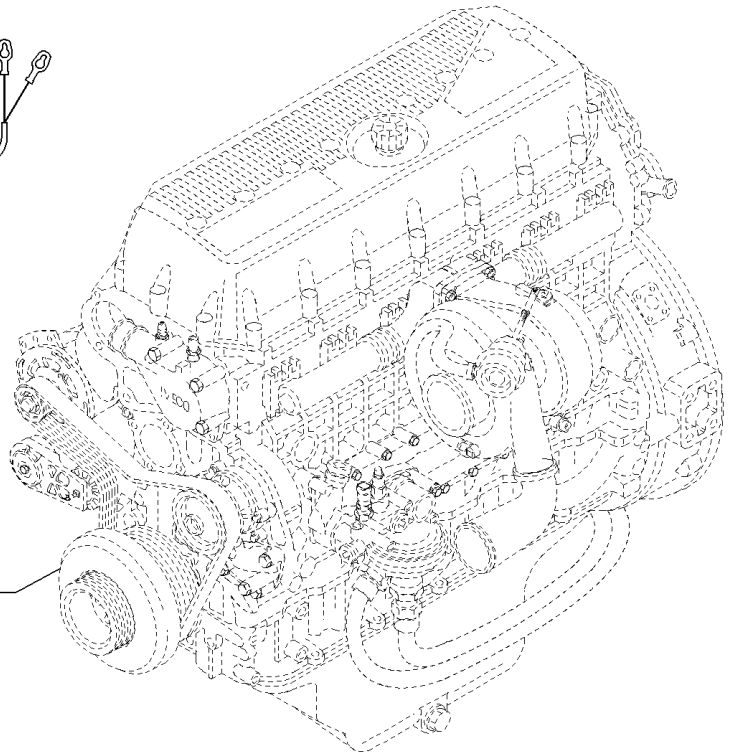
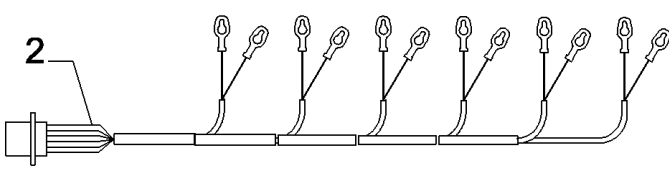
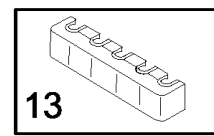
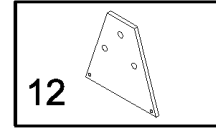
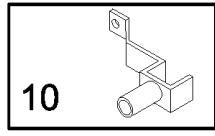
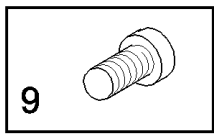
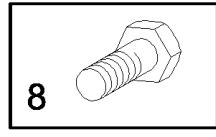
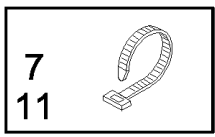
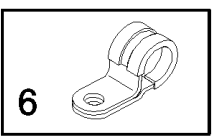
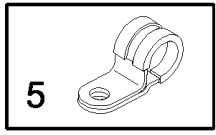
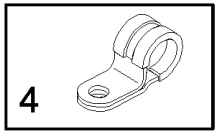
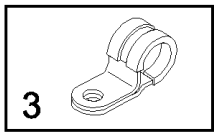
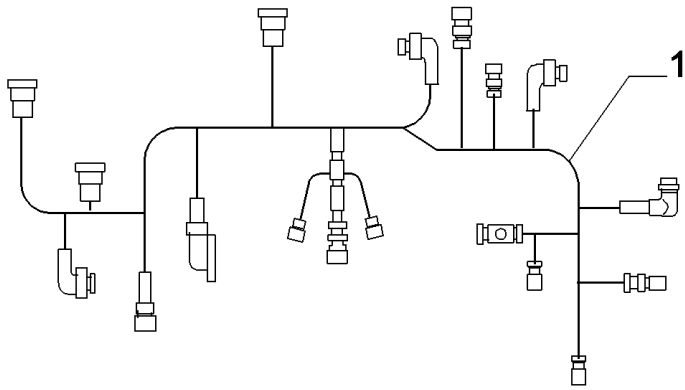
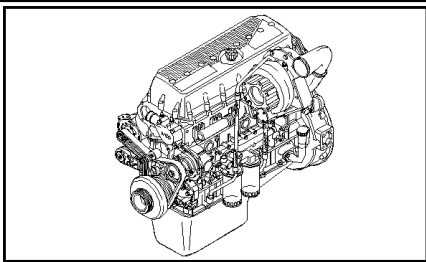
B.10.A.95 ENGINE SENSORS & ECU - TIER 3 - PIN HAJ106401 AND AFTER

сылка	Номер детали	Кол-во	Описание
1	10300611	2	PLUG, M14 x 1.5 x 14, CI5.8,
2	16992415	1	PLUG,
3	16586025	8	SCREW,
4	500343161	1	RELAY,
5	16689324	1	SCREW,
6	16586825	3	SCREW,
7	99475194	1	SPACER,
8	504070042	1	GASKET,
9	504073323	1	CONNECTOR, ELEC, Air Pressure & Temperature
10	98498817	6	ISOLATOR,
11	504036533	1	SUPPORT,
12	18137825	4	SCREW,
13	504163664	1	SPACER,
14	16689024	1	SCREW,
15	99489018	4	WASHER, SEALING,
16	16887515	1	PLUG,
17	500382599	2	SENSOR, Coolant Temperature
18	504084571	1	PLUG,
19	17277881	1	GASKET,
20	504097239	1	BRACKET,
21	500346371	1	SENSOR, Clogged Fuel Filter
22	99489017	1	GASKET,
23	16597225	1	SCREW,
24	8094789	1	ELECTRONIC UNIT, CONTROL,
25	4899110	2	SCREW, Hex Flg, M6 x 1 x 20,
26	4890193	1	SENDER UNIT, Oil Pressure & Temperature
27	99489019	1	WASHER, SEALING,
28	504096645	2	SENDER UNIT,
29	4895477	1	O-RING,
30	500337200	2	PLUG,
31	500337199	1	O-RING,
32	17278181	1	O-RING,

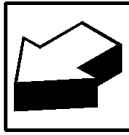


сылка	Номер детали	Кол-во	Описание
1	504035912	1	ADAPTER,
2	16688924	2	SCREW, M6 x 10
3	98412656	1	SENDER UNIT, Air Temperature Sensor, Used On Engine Type "J"; See Ninth Character On ECU Data Tag
4	500360579	1	SENDER UNIT, Air Pressure Sensor, Used On Engine Type "J"; See Ninth Character On ECU Data Tag
5	99450797	1	SENDER UNIT, Camshaft Position Sensor
6	99489019	1	WASHER, SEALING,
7	500306772	1	SENDER UNIT, Flywheel Position Sensor
8	500382599	1	SENSOR, Coolant Temperature
9	500386057	1	SENDER UNIT, Coolant Temperature
10	500346371	1	SENSOR, Plugged Fuel Filter Switch
11	16597224	1	SCREW, M6 x 18
12	99489018	1	WASHER, SEALING, D=12 mm
13	504073323	1	CONNECTOR, ELEC, Sensor, Air Pressure & Temperature, Used On Engine Type "M"; See Ninth Character On ECU Data Tag , Replaces Refs. 3 & 4
14	16597225	1	SCREW,

B.10.A.95(2) ENGINE ELECTRIC INSTALLATION (504032829)

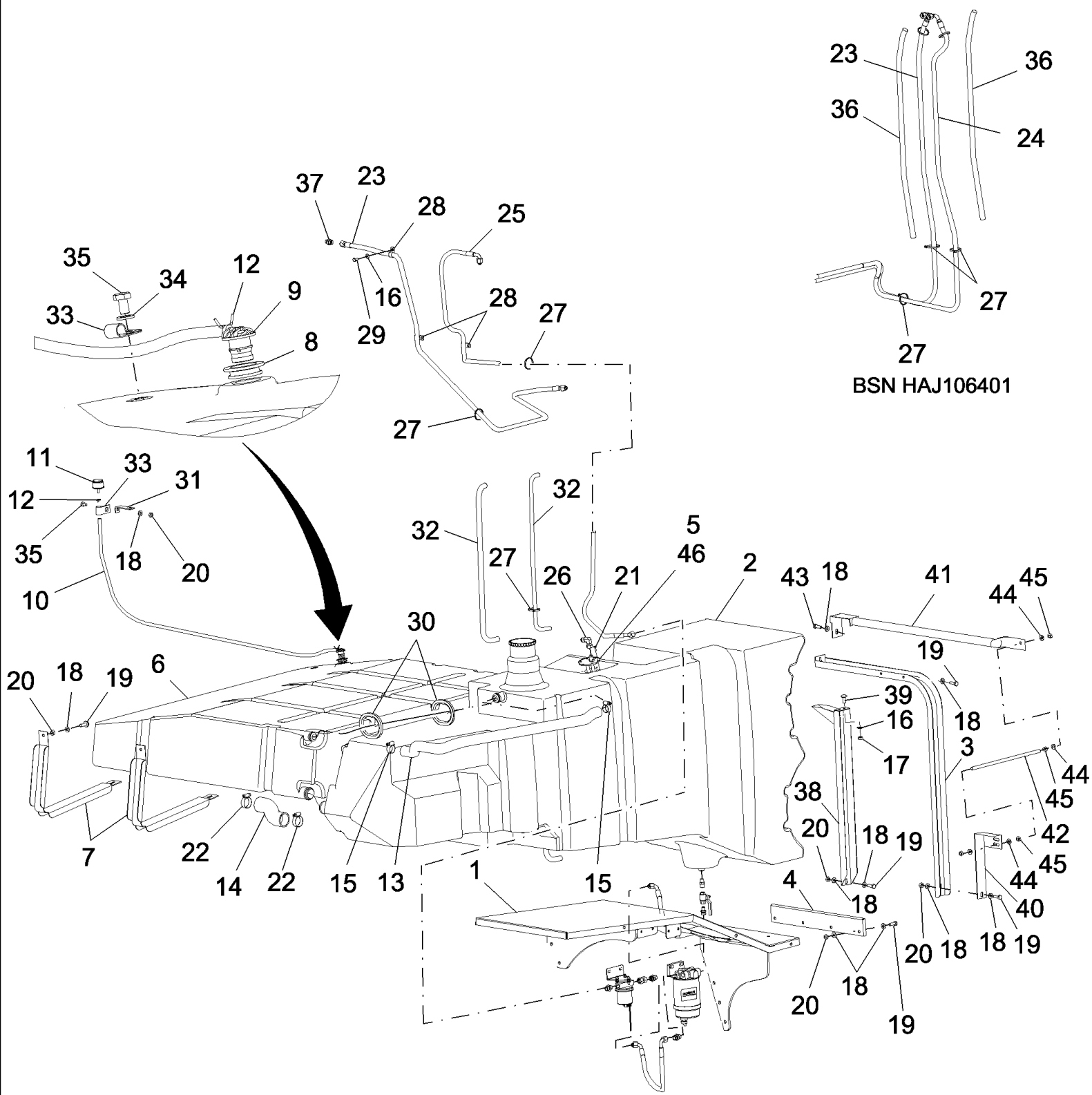


B.10(2)



сылка	Номер детали	Кол-во	Описание
1	504041674	1	HARNESS, WIRE, , Used On Engine Type "J"; See Ninth Character On ECU Data Tag
1	504074628	1	CABLE, ELECTRIC, , Used On Engine Type "M"; See Ninth Character On ECU Data Tag
1	504122099	1	HARNESS, WIRE, Tier 3, ASN HAJ106401
2	500347901	1	HARNESS, WIRE, , Used On Engine Type "J"; See Ninth Character On ECU Data Tag
2	504009221	1	CABLE, ELECTRIC, , Used On Engine Type "M"; See Ninth Character On ECU Data Tag
2	504132611	1	HARNESS, WIRE, Tier 3, ASN HAJ106401
3	17315490	1	CLAMP, , ASN HAJ106401
4	17310001	1	CLAMP, , ASN HAJ106401
5	17310401	3	CLAMP, , ASN HAJ106401
6	17310501	1	CLAMP, , ASN HAJ106401
7	504023286	3	CLIP, , ASN HAJ106401
8	11612224	5	SCREW, , ASN HAJ106401
9	16673835	1	SCREW, , ASN HAJ106401
10	504020897	1	BRACKET, , ASN HAJ106401
11	99455033	2	CLAMP, , ASN HAJ106401
12	504067009	1	BRACKET, , ASN HAJ106401
13	504060889	1	RETAINER, , ASN HAJ106401

B.20.A(1) FUEL SYSTEM



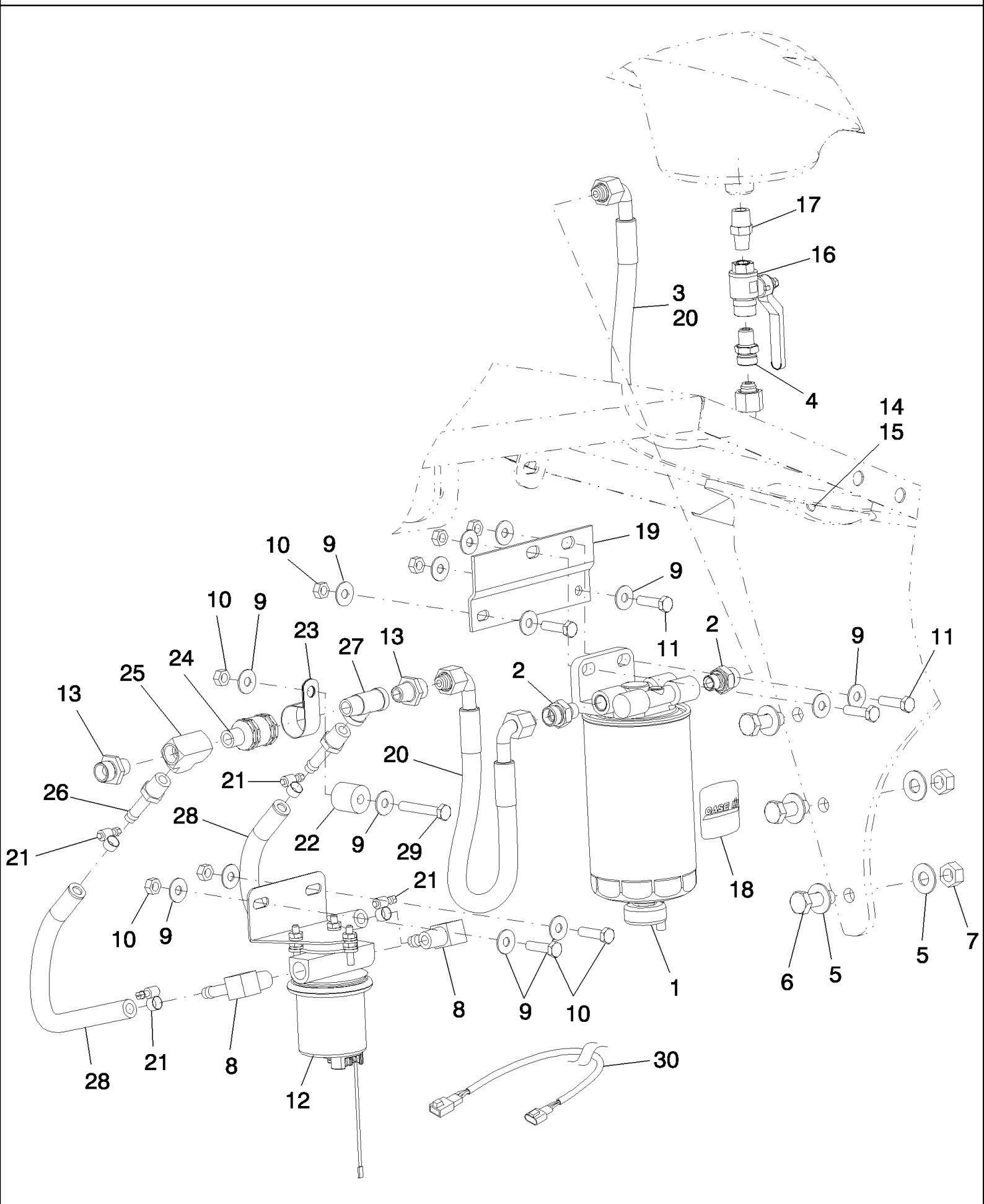
B.20.A(1) FUEL SYSTEM

сылка	Номер детали	Кол-во	Описание
1	87282293	1	PLATE, Support, For NA Only
1	87510788	1	SUPPORT ASSY., Support, Tier 3, For NA Only
1	87282291	1	SUPPORT, , For EU Only
2	87280968	1	FUEL TANK, Main, was 87109558
2	87351468	1	FUEL TANK, , ASN HAJ106401
3	86638144	1	SUPPORT,
3	87608408	1	ARMATURE, , ASN HAJ106401
4	87282297	1	PLATE, Stop, was 8699673
5	86976912	1	GAUGE, FUEL,
5	87392122	1	GAUGE, FUEL, Includes Ref. 46 - Gasket , ASN HAJ106401
6	86998004	1	FUEL TANK, Auxiliary
7	86999837	2	SUPPORT, , Replaced For Service By Two Parts: 87584443 & 87584444; Hardware Remains The Same
8	86999947	1	GROMMET,
9	86999948	1	VALVE, SAFETY,
10	A21561X	1	HOSE, Breather, Bulk, Cut to Length Rq'd.
11	86999949	1	FILTER, Vent
12	86637701	2	CLAMP, HOSE, #8, 1/2", Spring,
13	87000616	1	HOSE,
14	87000615	1	HOSE,
15	86634186	2	CLAMP, HOSE, 1.25/2.125 HD Worm, W/liner,
16	322358	AR	WASHER, SPRING, Belleville, M8, Was 84432306
17	9706690	AR	NUT, M8, CI 8,
18	140045	12	WASHER, SPRING, Belleville, M10,
19	43140	11	BOLT, Hex, M10 x 30, 8.8, Full Thd,
20	100016	11	NUT, M10, CI 8,
21	86511826	6	SCREW, Cross Pan Hd, M5 x 16, Pan Hd, M5 x 16
22	86625019	2	CLAMP, HOSE, 1.75/2.625 HD Worm, W/liner,
23	87314674	1	HOSE, Fuel Return, Tier 3, ASN HAJ106401
23	87109291	1	HOSE, Fuel Return, BSN HAJ106401
24	87109292	1	HOSE, , BSN HAJ106401
25	86975310	1	HOSE,
26	218-5230	1	ELBOW, 90e, 3/4"-16, 37e x 3/4"-16, 37e Fem Sw,
27	86566989	8	STRAP, CABLE,
28	9706748	3	CLAMP, 5/8", Insul, 5/16" Bolt, Was 86594406
29	120103	2	BOLT, Hex, M8 x 16, 8.8,
30	87280963	2	Protection Edge - 290 mm Length
31	87280946	1	BRACKET,
32	291262A2	2	CONDUIT, , Sold In Bulk Rolls (L = 3930 mm); Cut To Desired Length
33	86010402	2	CLAMP, 1/2", Insul, 3/8" Bolt,
34	86511323	1	WASHER, M10 x 20 x 2,
35	300383	2	BOLT, Hex, M10 x 16, 8.8, Full Thd,
36	291262A2	2	CONDUIT, , Sold In Bulk Rolls (L = 3930 mm); Cut To Desired Length
37	84431916	1	FITTING,
38	87107355	1	STRAP,

B.20.A(1) FUEL SYSTEM

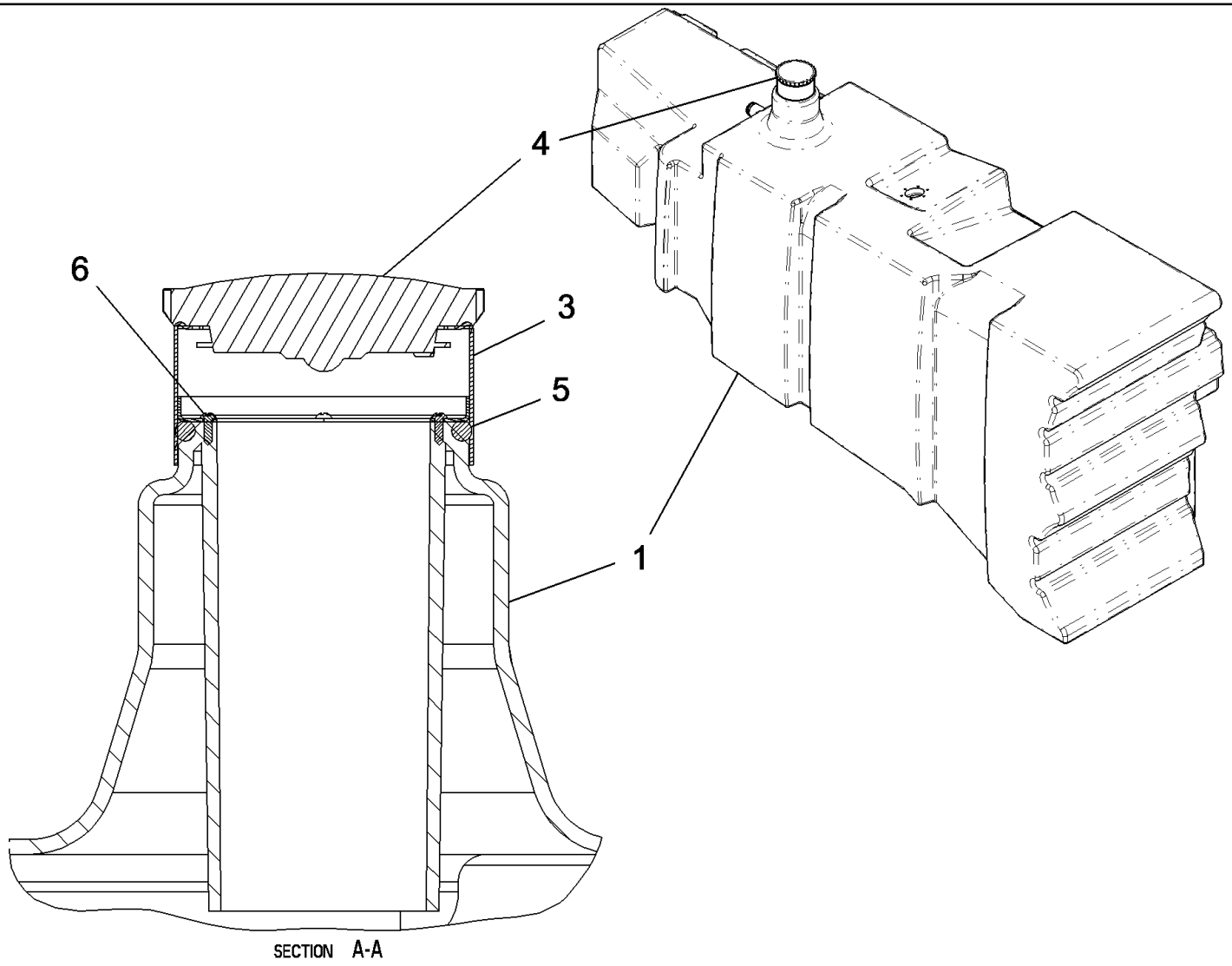
сылка	Номер детали	Кол-во	Описание
39	86507486	2	BOLT, CARRIAGE, Short NK, M8 x 20, CI8.8, Full Thd,
40	87510668	1	BRACKET,
41	87369684	1	SUPPORT,
42	87390420	1	ROD,
43	811-10025	1	BOLT, CARRIAGE, Short NK, M10 x 25, CI8.8, Full Thd,
44	140046	4	WASHER, SPRING, Belleville, M12,
45	9706685	4	NUT, M12, CI 8,
46	9832364	1	GASKET, Fuel Gauge

B.20.A(2) FUEL SYSTEM

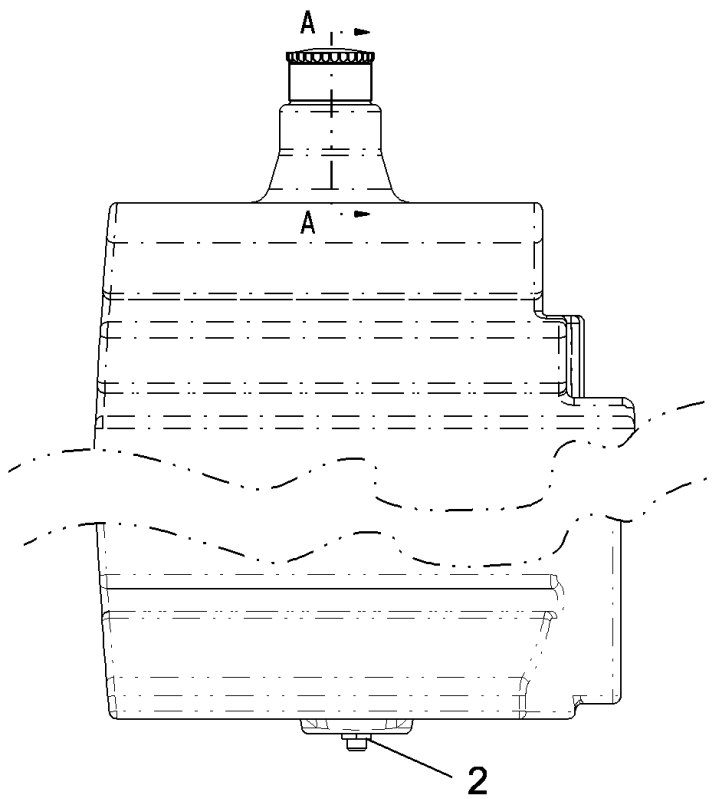


B.20.A(2) FUEL SYSTEM

сылка	Номер детали	Кол-во	Описание
1	84989839	1	FILTER, FUEL, Without Sensor, BSN HAJ106401
1	87332468	1	With Sensor 88740335, ASN HAJ106401
1	87525714	1	With Sensor 87525715
2	84431916	1	FITTING,
3	84434312	1	HOSE, FLEXIBLE, 460 mm long
3	87510791	1	HOSE, FLEXIBLE, 415 mm long, 90 Degree Ends
4	84069089	1	CONNECTOR, HYD., Coupling
5	140046	12	WASHER, SPRING, Belleville, M12,
6	300389	6	BOLT, Hex, M12 x 35, 8.8, Full Thd,
7	9706685	6	NUT, M12, CI 8,
8	87017042	2	FITTING, 90c, 3/8" Hose x 3/8" NPTF Beaded, Stem, was 84438779
9	412650	8	WASHER, SPRING, Belleville, M8,
10	9706690	AR	NUT, M8, CI 8,
11	43128	4	BOLT, Hex, M8 x 30, 8.8,
12	84432306	1	PUMP, FUEL,
13	521872	2	CONNECTOR, HYD., Nipple
14	445395	3	RIVET, Pop, M4.8 x 18.1,
15	86590413	3	CLAMP, Base, Wire Tie
16	84011517	1	DRAINCOCK/TAP, SUPPLY,
17	86642918	1	REDUCER, 3/8"-18 NPTF x 1/4"-18 NPTF, Nipple
18	87405724	1	DECAL, CASE IH
19	87332643	1	BRACKET, Painted
20	87380475	2	HOSE, FLEXIBLE, 415 mm long , 90 Degree Ends, ASN HAJ106401
21	214-1406	4	CLAMP, HOSE, #06, .44/.78 Type F Worm,
21	214-1706	4	CLAMP, HOSE, #6, 0.44/0.78 Type M Worm, , ASN HAJ106401
22	9611984	1	SPACER,
23	515-23286	1	CLAMP, 1 1/8", Insul, 3/8" Bolt,
24	87365506	1	VALVE, CHECK,
25	217-12	1	TEE, 3/8"-18 NPTF Fem, Pipe
26	217-380	2	FITTING, 3/8" Hose X 3/8" NPTF Beaded,
27	217-52	1	TEE, 3/8"-18 NPTF Fem x 3/8"-18 NPTF Male Run,
28	87301674	2	TUBE, Hose Fuel Return
29	43130	1	BOLT, Hex, M8 x 50, 8.8,
30	87525937	1	HARNESS, WIRE, Jumper Harness - ONLY with 87525714 , Years: 01/01/2006-12/31/2006

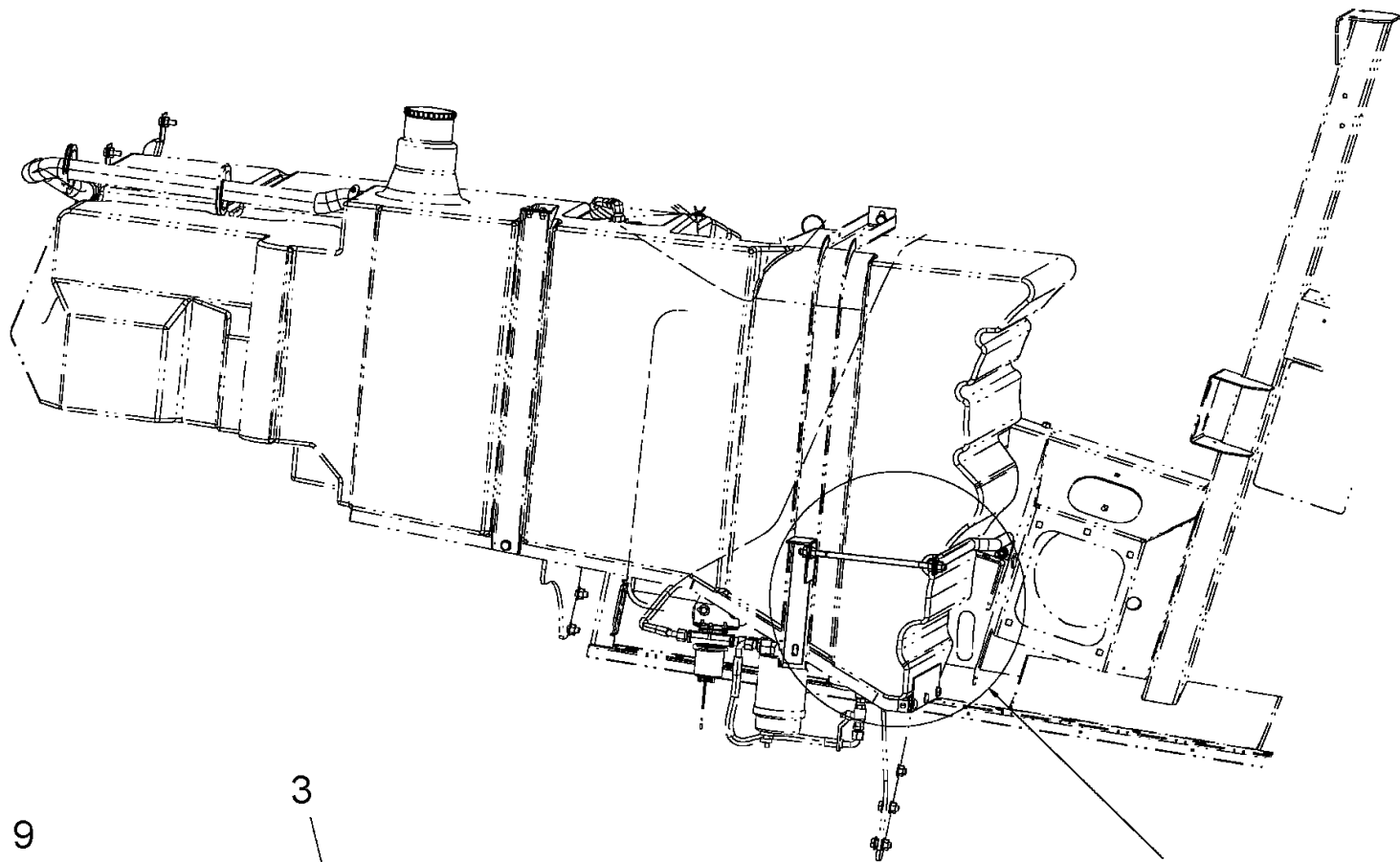


SECTION A-A

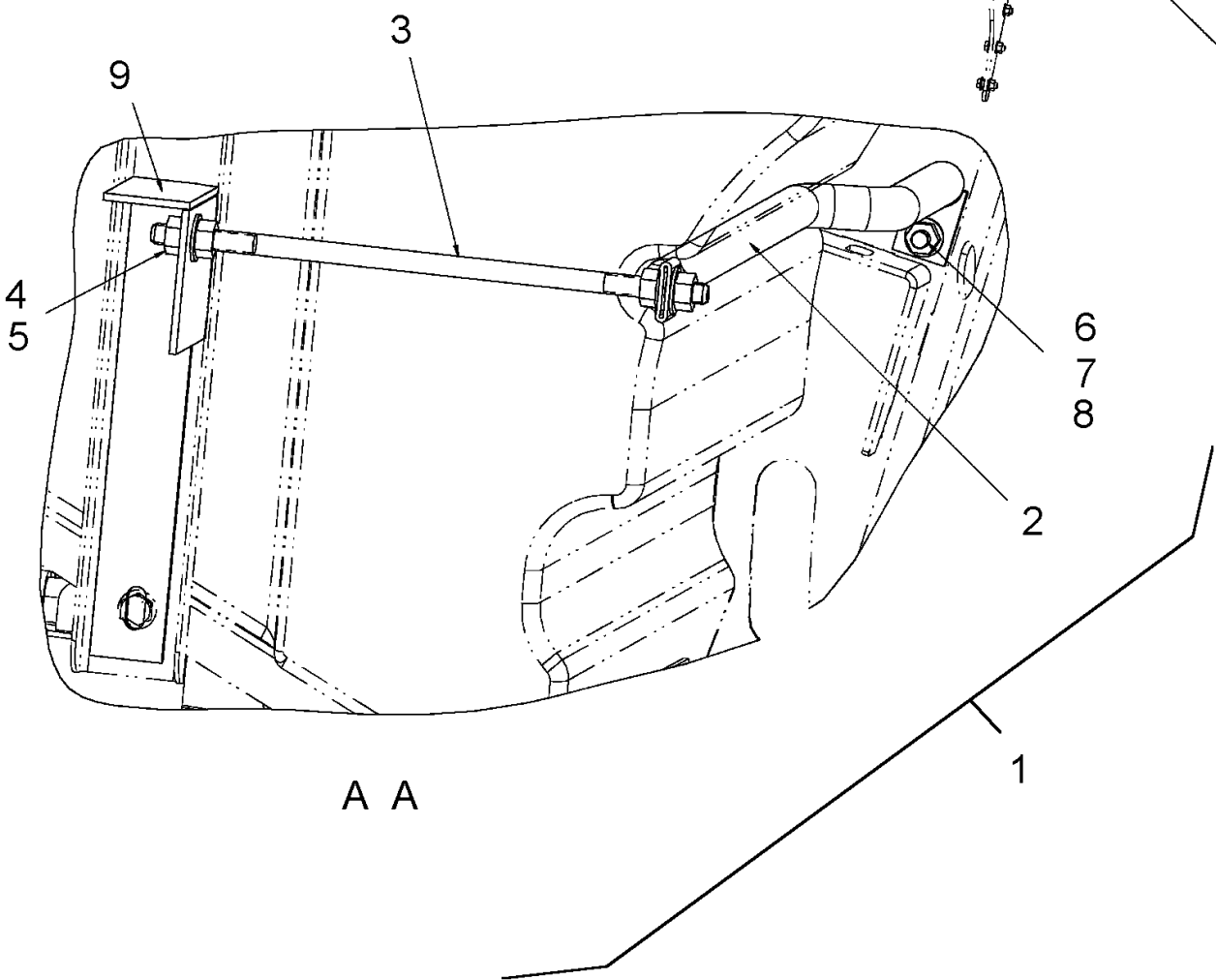


B.20.A.22(1) TANK, FUEL - MAIN

сылка	Номер детали	Кол-во	Описание
1	87280968	1	FUEL TANK, Main, Includes Ref. 1 thru 6
1	87351468	1	FUEL TANK, Main, With Tie-Rod and End Support
2	86975155	1	GASKET, Fitting
3	87106621	1	COLLAR,
4	84041999	1	CAP,
5	87106619	1	O-RING,
6	87106660	4	SCREW, SELF TAP,
7	87357091	1	STRAINER ASSY., Removeable - Not Shown



AA



AA

1

6
7
8

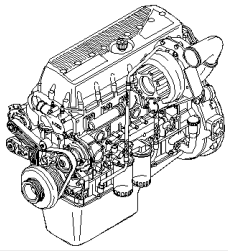
4
5

3

9

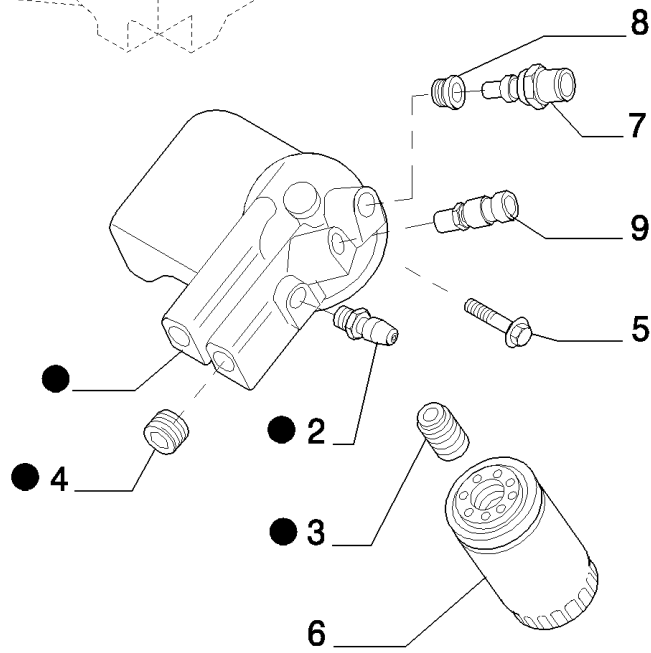
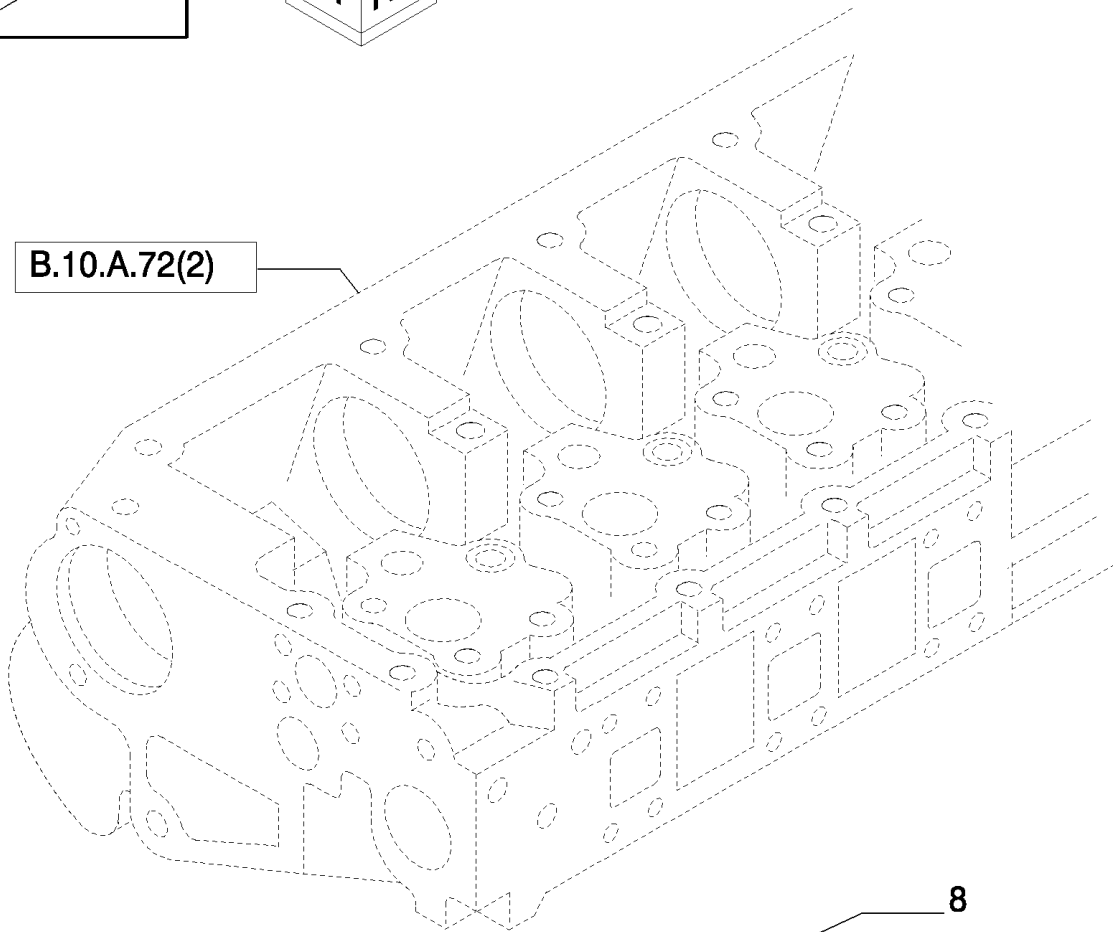
B.20.A.22(2) FUEL TANK SUPPORT KIT

сылка	Номер детали	Кол-во	Описание
1	87510614	AR	KIT, Fuel Tank Support With Chopper Option
1	87520952	AR	KIT, Fuel Tank Support
2	87510669	1	SUPPORT, With Chopper Option
2	87369684	1	SUPPORT,
3	87510595	1	TIE ROD,
4	140046	4	WASHER, SPRING, Belleville, M12,
5	9706685	4	NUT, M12, CI 8,
6	140045	2	WASHER, SPRING, Belleville, M10,
7	100016	1	NUT, M10, CI 8,
8	43139	1	SCREW, Capscrew, HH, CL 8.8, M10 x 25
9	87510668	1	BRACKET,



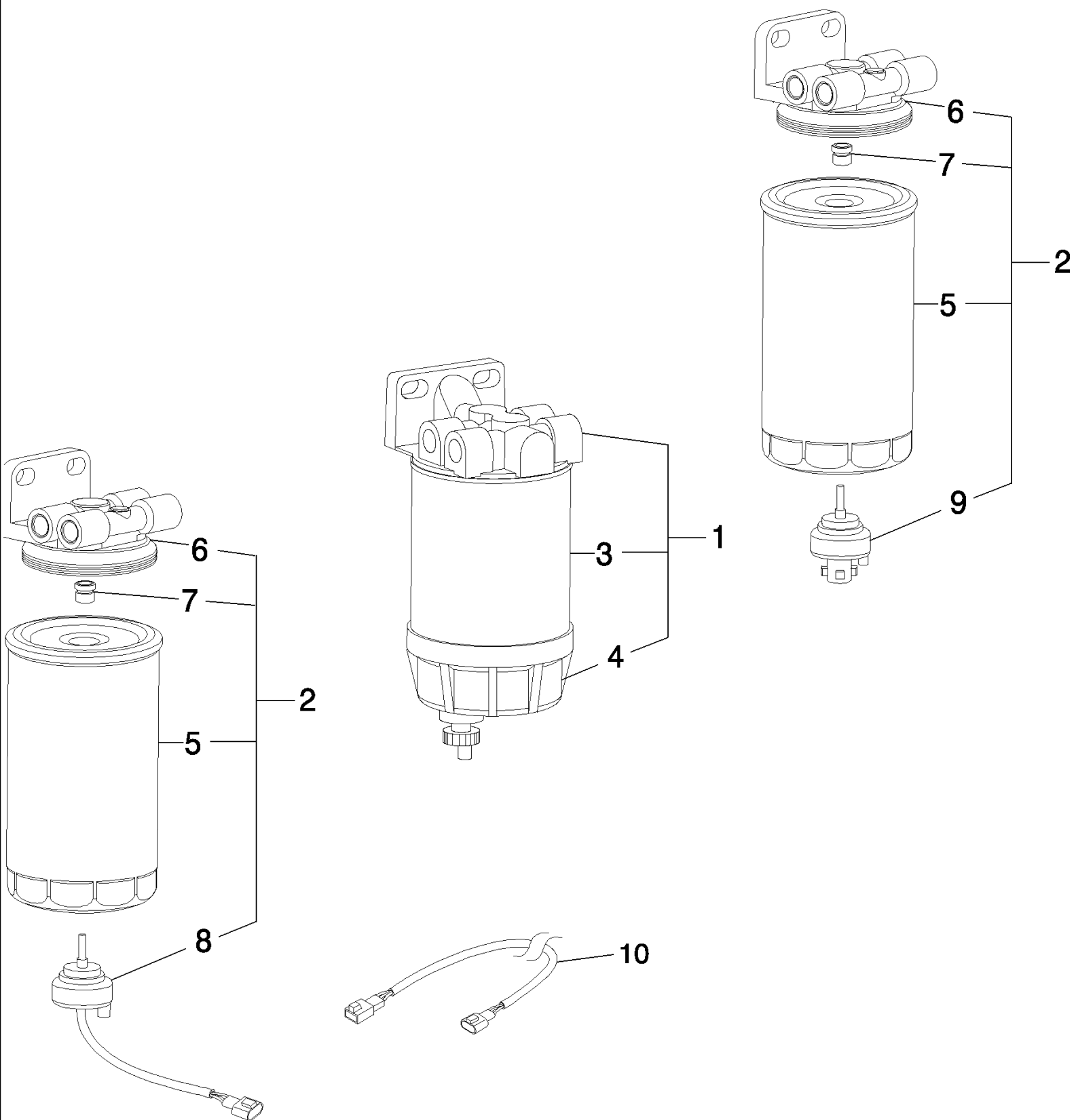
● = 1

B.10.A.72(2)



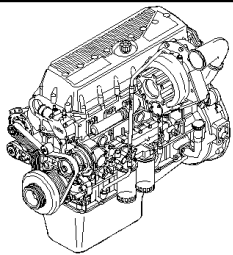
сылка	Номер детали	Кол-во	Описание
1	500335289	1	SUPPORT,
1	504046809	1	HEAD, FILTER, Tier 3, ASN HAJ106401
2	500304562	1	PLUG,
3	98498837	1	FITTING, M14 x 1.5 - M16 x 1.5
4	98472271	1	PLUG,
4	504051237	1	PLUG, Tier 3, ASN HAJ106401
5	16675834	2	SCREW, M10 x 30
5	16675835	2	SCREW, Tier 3, ASN HAJ106401
6	84818745	1	FILTER, FUEL,
6	84818745	1	FILTER, FUEL, Tier 3, ASN HAJ106401
7	500382599	1	SENSOR, Coolant Temperature
8	504035912	1	ADAPTER,
9	500346074	1	SENDER UNIT, Fuel Filter Pressure Switch

B.20.A.24.22 FUEL FILTERS

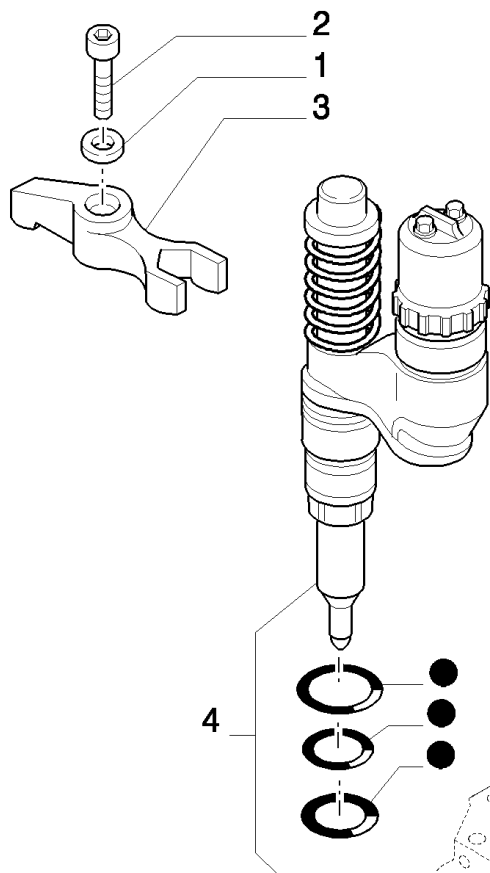


B.20.A.24.22 FUEL FILTERS

сылка	Номер детали	Кол-во	Описание
1	84989839	1	FILTER, FUEL, W/O WIF Sensor, BSN HAJ106401
2	87332468	1	W/ WIF Sensor - Includes Ref. 5, 6, 7 & 8, ASN HAJ106401
2	87525714	1	W/ WIF Sensor - Includes Ref. 5, 6, 7 & 9, ASN HAJ106401
3	84814636	1	FILTER, FUEL, Element, BSN HAJ106401
4	84431280	1	BOWL, FILTER, , BSN HAJ106401
5	87340333	1	FILTER, FUEL, Element, ASN HAJ106401
6	87340338	1	HEAD, FILTER,
7	87344284	1	FITTING,
8	87340335	1	SENSOR,
9	87525715	1	SENSOR,
10	87525937	1	HARNESS, WIRE, Jumper Harness



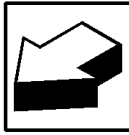
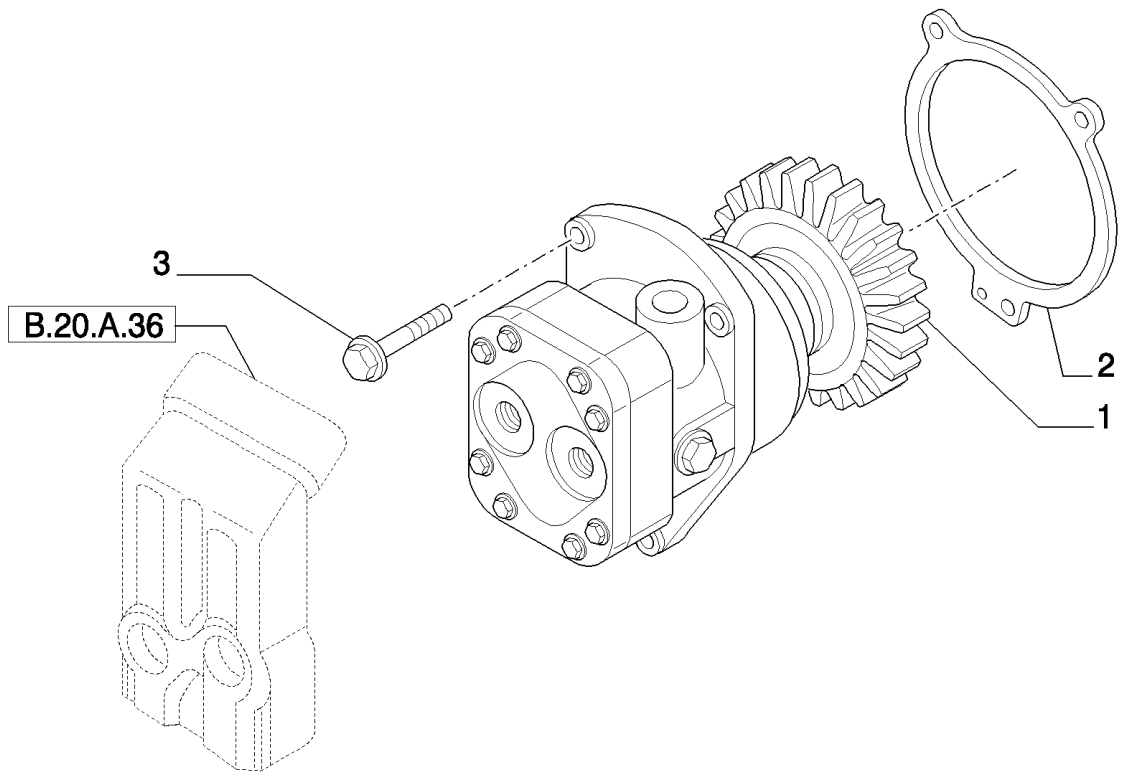
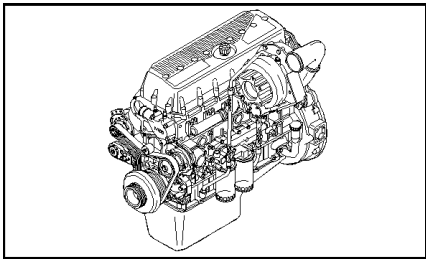
● = 5



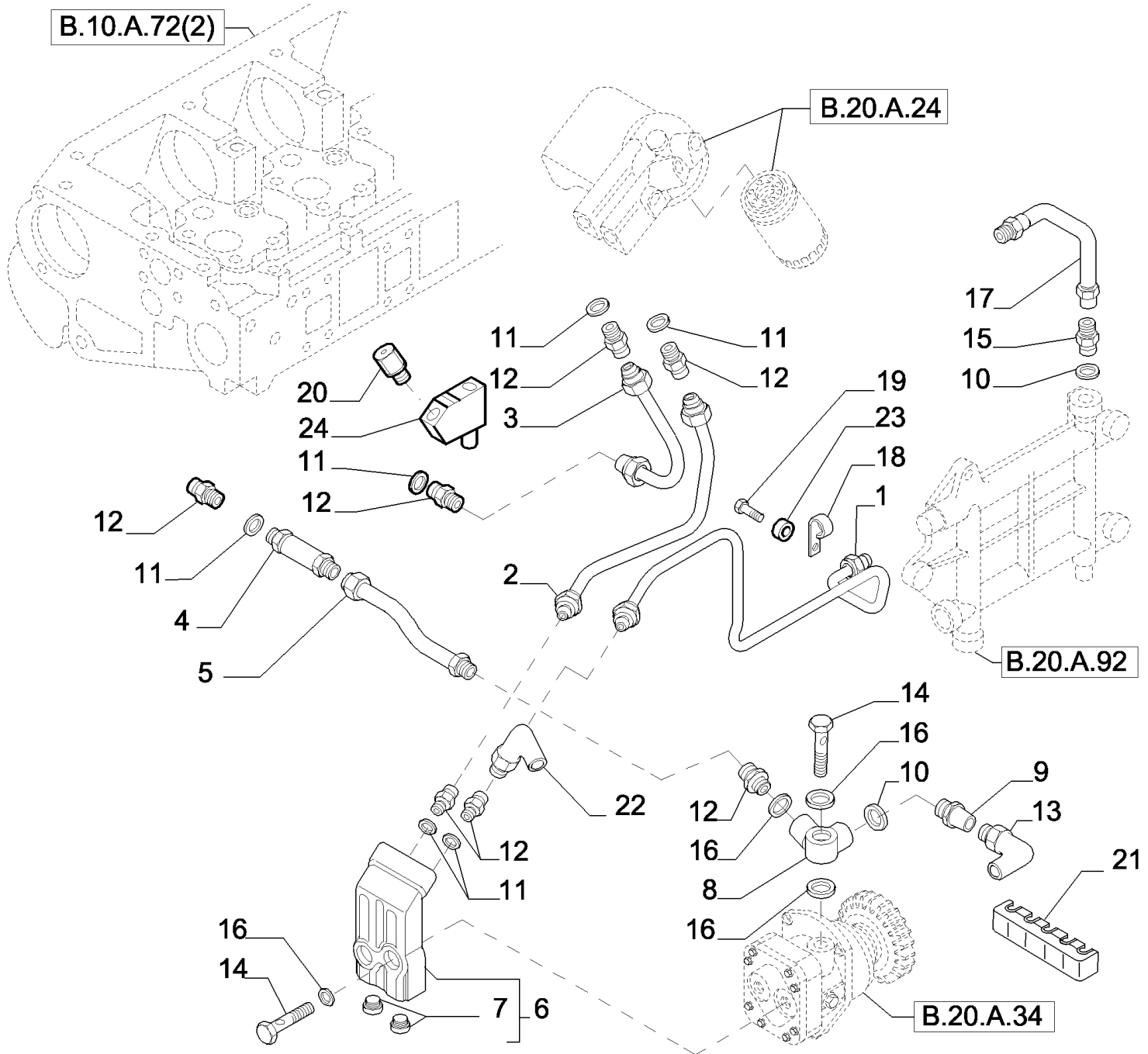
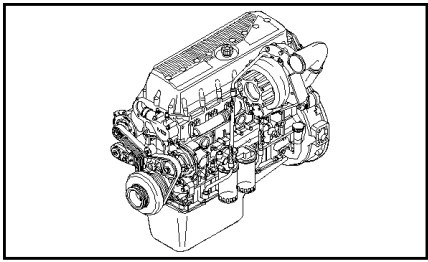
B.10.A.72(2)



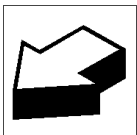
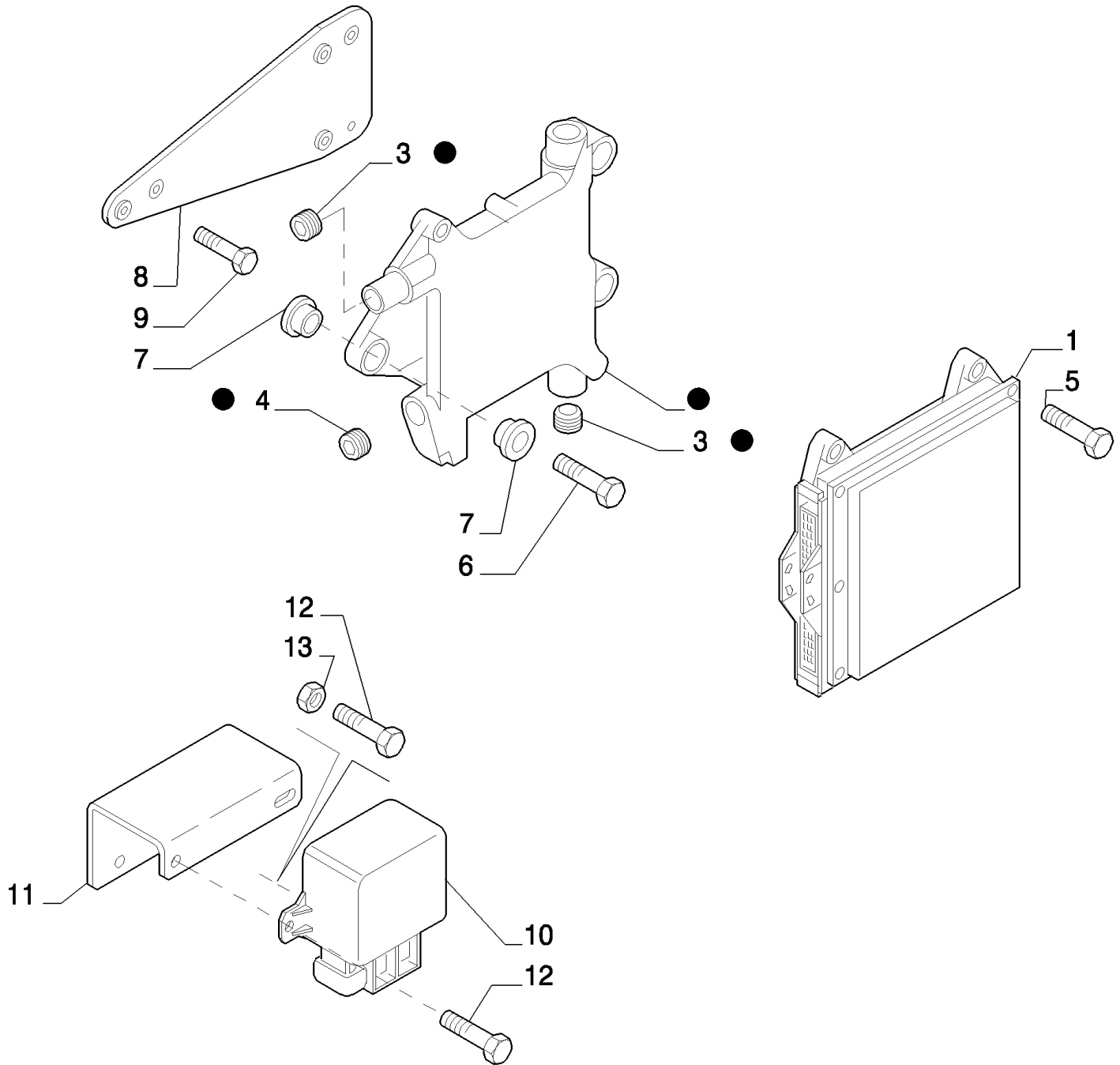
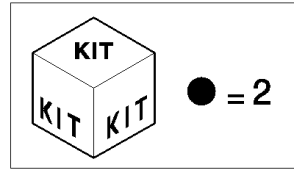
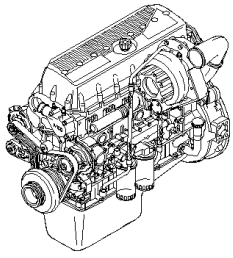
сылка	Номер детали	Кол-во	Описание
1	99435007	6	WASHER, LOCK,
2	16707734	6	SCREW,
3	99435006	6	BRACKET,
4	504062436	6	INJECTOR, FUEL SYSTEM, , Before Ordering, Pull Cover To Verify Number On Injector, BSN HAJ106401
4	504128354	6	INJECTOR, FUEL SYSTEM, Tier 3, Before Ordering, Pull Cover To Verify Number On Injector, ASN HAJ106401
5	500379769	6	KIT, REPAIR,
5	504140437	6	KIT, REPAIR, Tier 3, ASN HAJ106401



сылка	Номер детали	Кол-во	Описание
1	504040201	1	PUMP, FUEL,
1	504066263	1	PUMP, FUEL, Tier 3
2	99447382	1	GASKET,
2	504045787	1	SEAL, Tier 3, ASN HAJ106401
3	16673734	3	SCREW, M8 x 25
3	16673735	3	SCREW, Tier 3, ASN HAJ106401

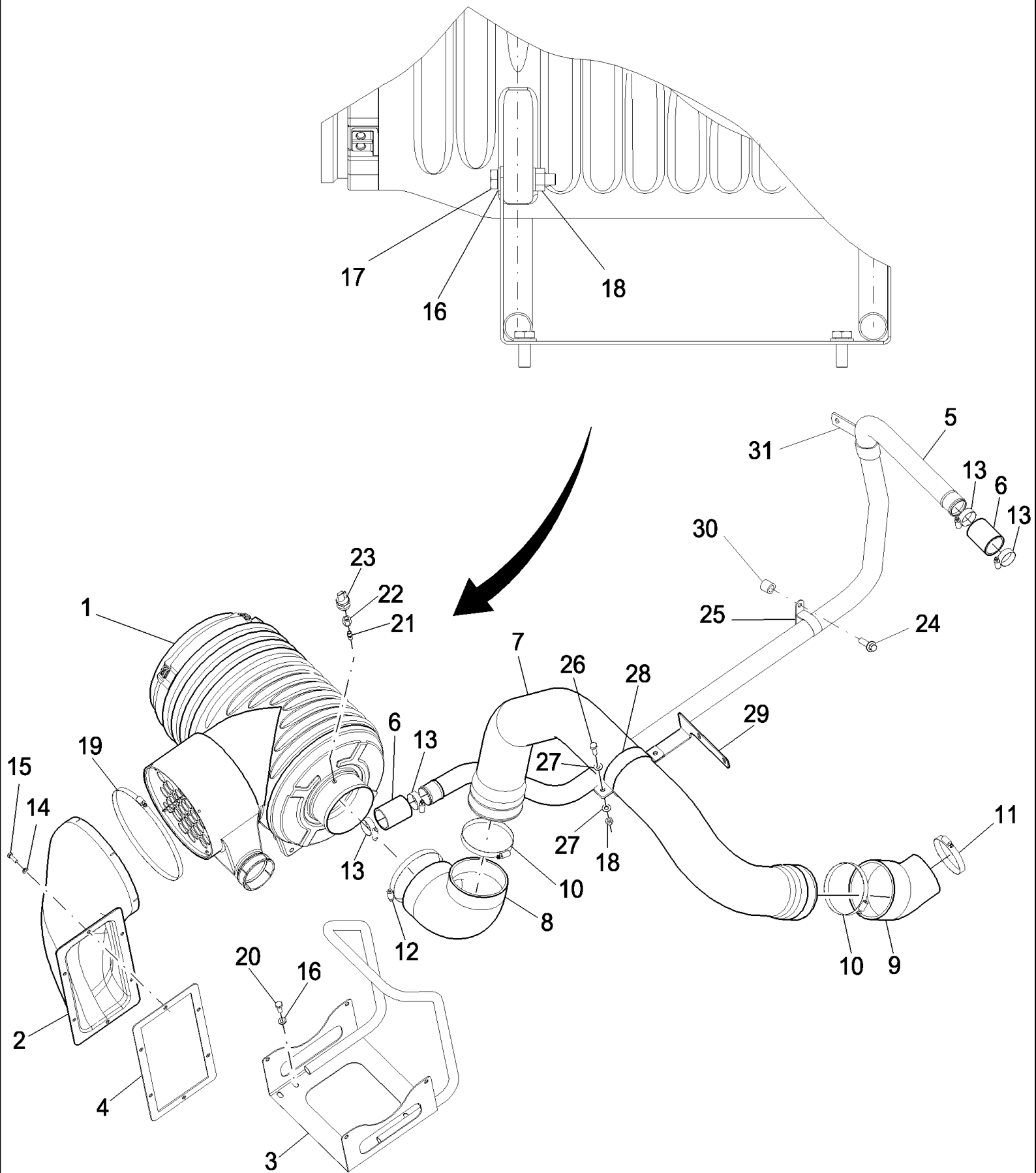


сылка	Номер детали	Кол-во	Описание
1	504043312	1	TUBE,
1	504132108	1	TUBE, Tier 3, ASN HAJ106401
2	500348310	1	TUBE,
3	500348313	1	TUBE,
3	504056124	1	PIPE, Tier 3, ASN HAJ106401
4	500310076	2	FITTING,
5	500348301	1	TUBE,
6	500314313	1	BLOCK, CONNECTING, Assy
7	98472271	2	PLUG,
7	504051237	2	PLUG, Tier 3, ASN HAJ106401
8	500348306	1	ELBOW,
9	500328251	1	VALVE, PRESSURE RELIEF,
10	99489018	2	WASHER, SEALING, D=12 mm
11	99489019	7	WASHER, SEALING, D=16 x 24 x 1.5 mm
12	41031569	5	FITTING, M16 x 1.5 - M18 x 1.5
12	16500315	7	CONNECTOR, HYD., Tier 3, ASN HAJ106401
13	500350162	1	ELBOW,
14	4864084	3	BOLT, BANJO, M16 x 1.5
15	1244661	1	FITTING,
16	98474309	4	GASKET, D=16 x 24 x 1.9 mm
17	500390069	1	TUBE,
18	17316590	3	BRACKET, D=12 mm
18	17316599	3	CLAMP, Tier 3, ASN HAJ106401
19	16597924	3	SCREW, M8 x 14
19	16673735	2	SCREW, Tier 3, ASN HAJ106401
19	16597925	1	SCREW, Tier 3, ASN HAJ106401
20	504112433	3	VALVE, Reduction - Tier 3, ASN HAJ106401
21	500306941	2	CLAMP, Tier 3, ASN HAJ106401
22	16504114	1	ELBOW, Tier 3, ASN HAJ106401
23	17816214	2	SPACER, Tier 3, ASN HAJ106401
24	504125079	1	UNION, Tier 3, ASN HAJ106401



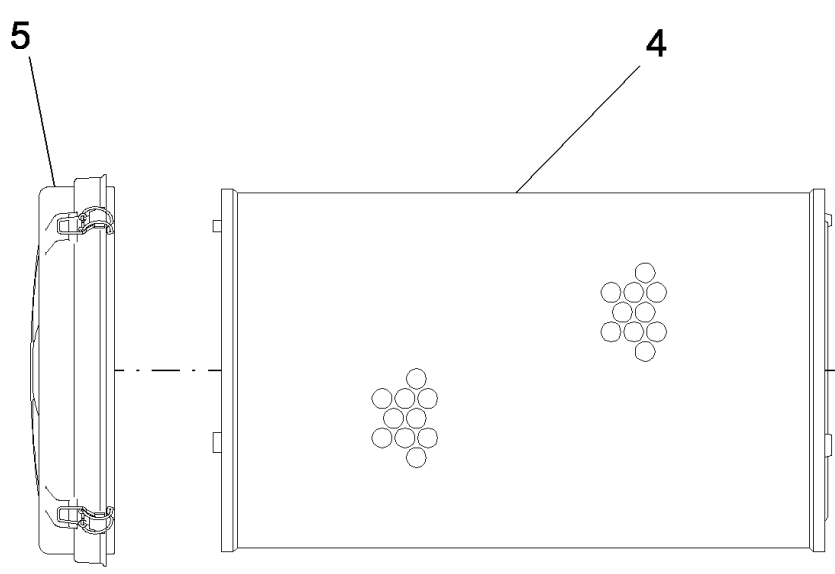
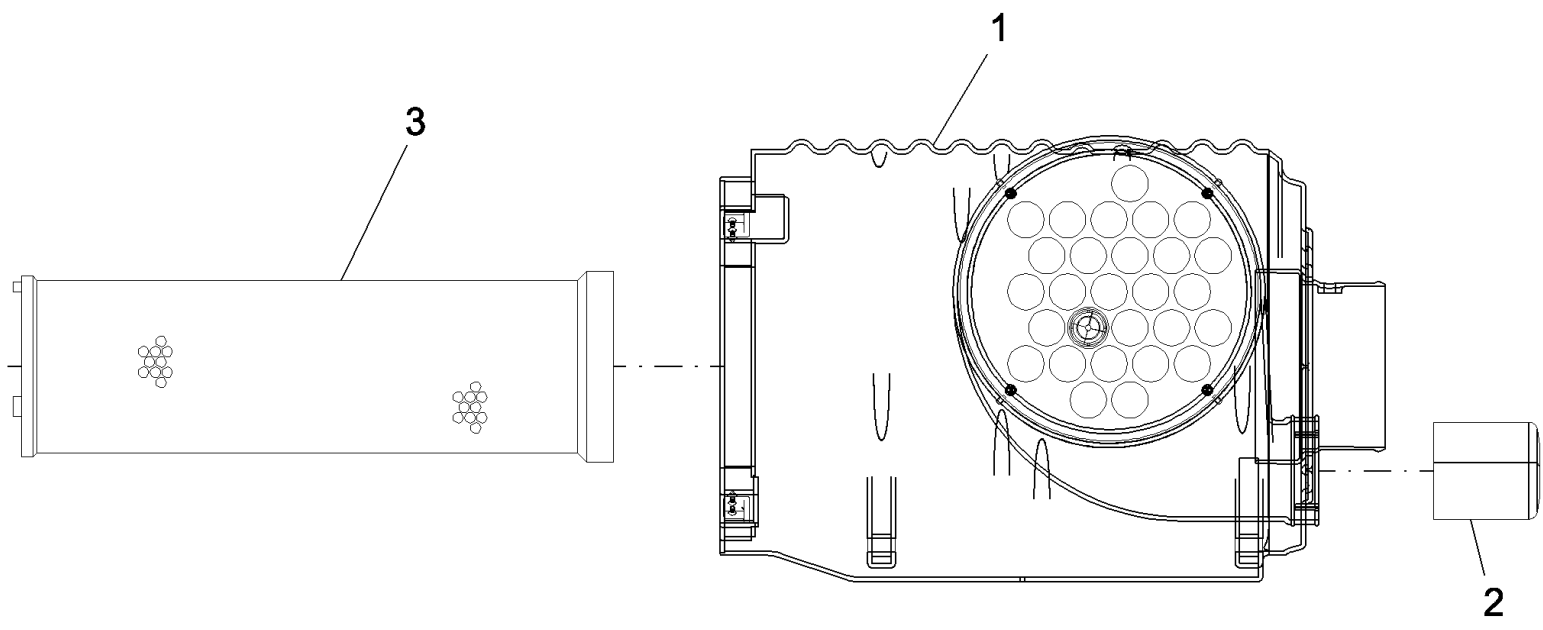
сылка	Номер детали	Кол-во	Описание
1	500365533	1	ELECTRONIC UNIT, CONTROL,
2	500345719	1	SUPPORT,
3	98474481	2	PLUG,
4	99430692	1	PLUG,
5	16586624	4	SCREW, M8 x 35
6	16674134	3	SCREW, M8 x 45
7	98498817	6	ISOLATOR,
8	504079747	1	BRACKET,
9	16600224	1	SCREW,
9	16674134	2	SCREW, M8 x 45
10	500343161	1	RELAY, Grid Heater
11	504036533	1	SUPPORT,
12	16585724	4	SCREW, M6 x 16
13	17044621	2	NUT, M6

B.30.A AIR INTAKE - ENGINE



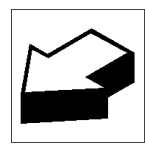
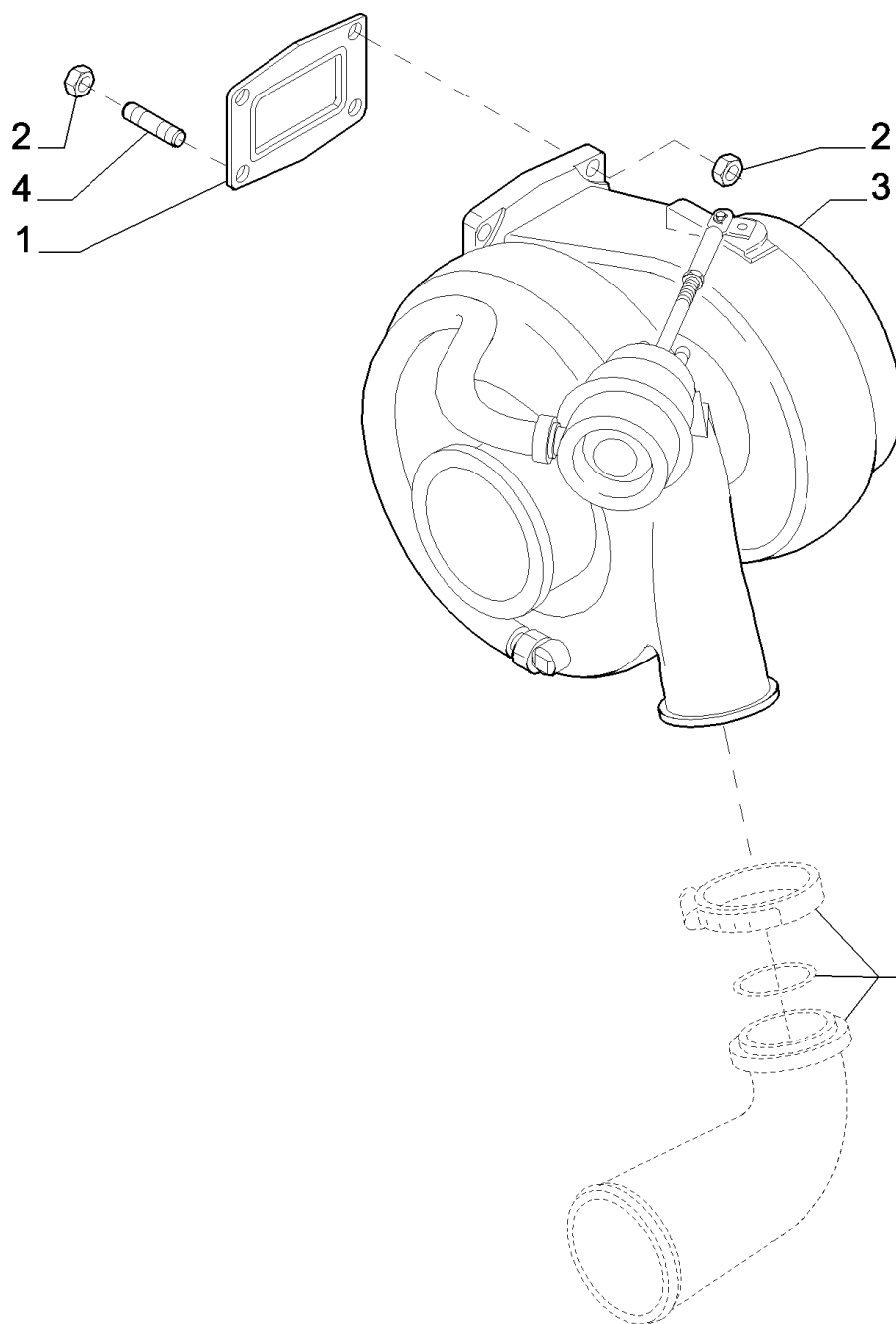
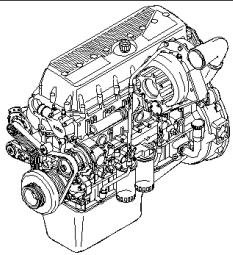
B.30.A AIR INTAKE - ENGINE

сылка	Номер детали	Кол-во	Описание
1	87284162		AIR CLEANER, , For EU Only
1	86998329	1	AIR CLEANER,
2	86998351	1	DUCT, AIR,
3	86998339	1	BRACKET,
4	86999111	1	GASKET,
5	87109071	1	TUBE,
6	86980983	2	HOSE,
7	87109070	1	TUBE, AIR INTAKE,
8	86995317	1	ELBOW,
9	86995562	1	ELBOW,
10	86637712	2	CLAMP, HOSE, 5.25/6.125 HD Worm, W/liner, Hose, 6"
11	86637711	1	CLAMP, HOSE, 5.25/5.125 HD Worm, W/liner, Hose, 5"
12	86633350	1	CLAMP, HOSE, 6.25/7.125 HD Worm, W/liner, Hose, 7"
13	86625019	4	CLAMP, HOSE, 1.75/2.625 HD Worm, W/liner, Hose, 2.5"
14	140016	12	WASHER, M8 x 16 x 1.6,
15	43127	6	BOLT, Hex, M8 x 25, 8.8,
16	86511323	10	WASHER, M10 x 20 x 2,
17	120069	4	BOLT, Hex, M10 x 50, 8.8,
18	100016	6	NUT, M10, Cl 8,
19	86636847	1	CLAMP, HOSE, #180, 10.88/11.75 Type F Worm,
20	43139	2	SCREW, Cap, HH, CL 8.8, M10 x 25
21	D36264	1	FITTING,
22	86977922	1	REDUCER, 1/4"-18 NPTF x 1/8"-27 NPTF,
23	87013666	1	SWITCH, Pressure Transducer, Was 86604175
24	86625201	2	SCREW, SELF TAP, Hex Flg Hd, M8 x 30,
25	86634189	2	CLAMP, 2", Insul, 1/2" Bolt,
26	43140	2	BOLT, Hex, M10 x 30, 8.8, Full Thd,
27	140045	4	WASHER, SPRING, Belleville, M10,
28	87109174	2	CLAMP,
29	87108687	1	BRACKET,
30	87035448	2	SPACER, 1/2" Tube x 1/2",
31	87282059	1	CLAMP,
32	87802167	1	DECAL, Not Shown - for 87284162, For EU Only



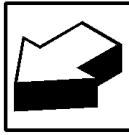
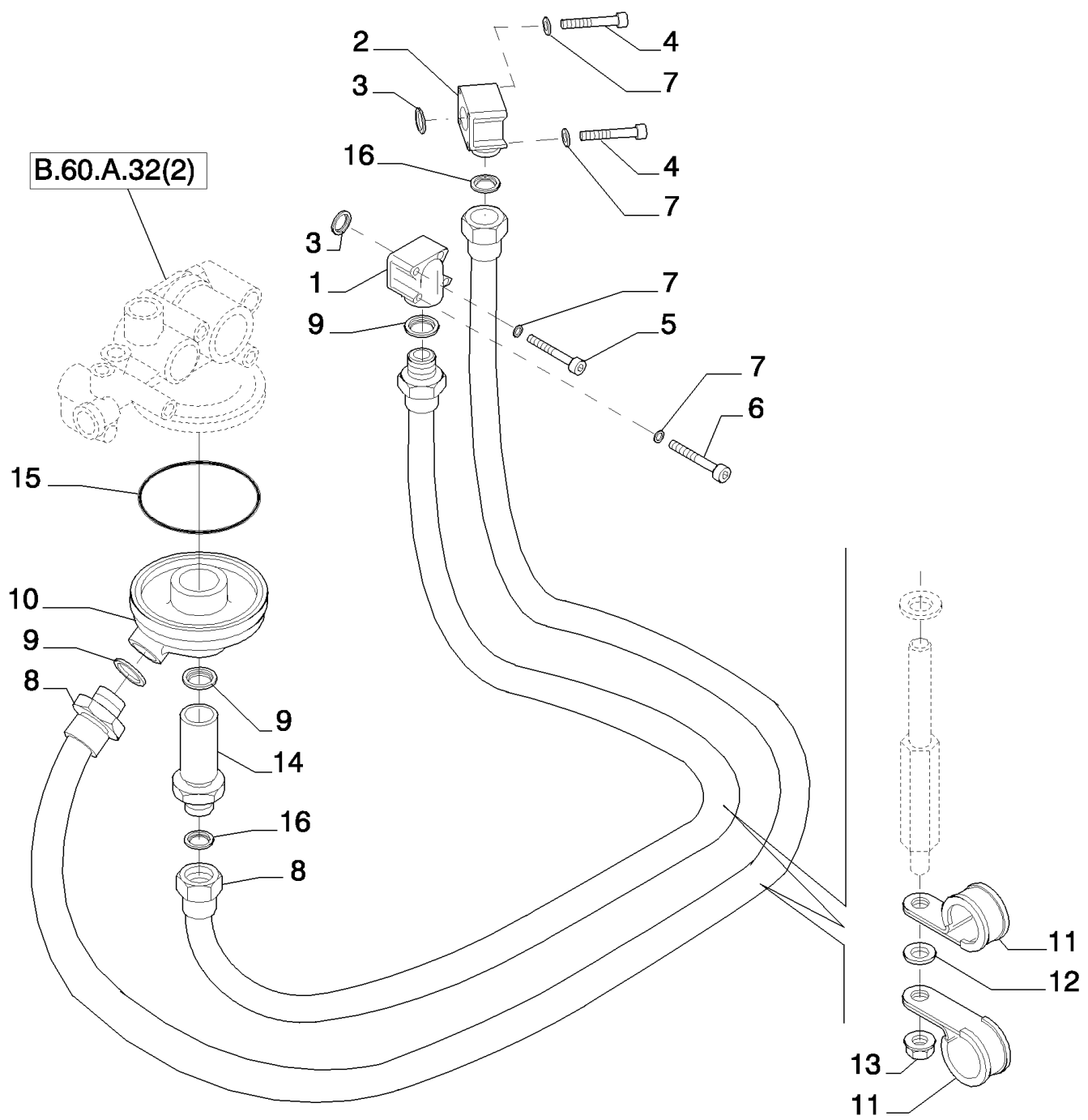
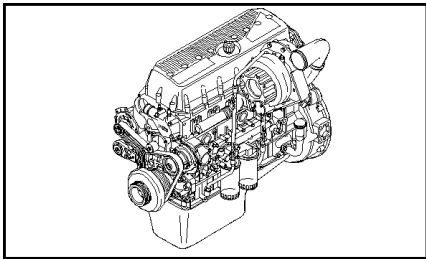
сылка	Номер детали	Кол-во	Описание
1	86998330	1	HOUSING,
2	86998331	1	VALVE, CHECK,
3	86998332	1	FILTER, AIR, Inner
4	86998333	1	FILTER, AIR, Outer
5	87414982	1	COVER,

B.30.A.31(1) TURBOCHARGER



B.30.A.31(1) TURBOCHARGER

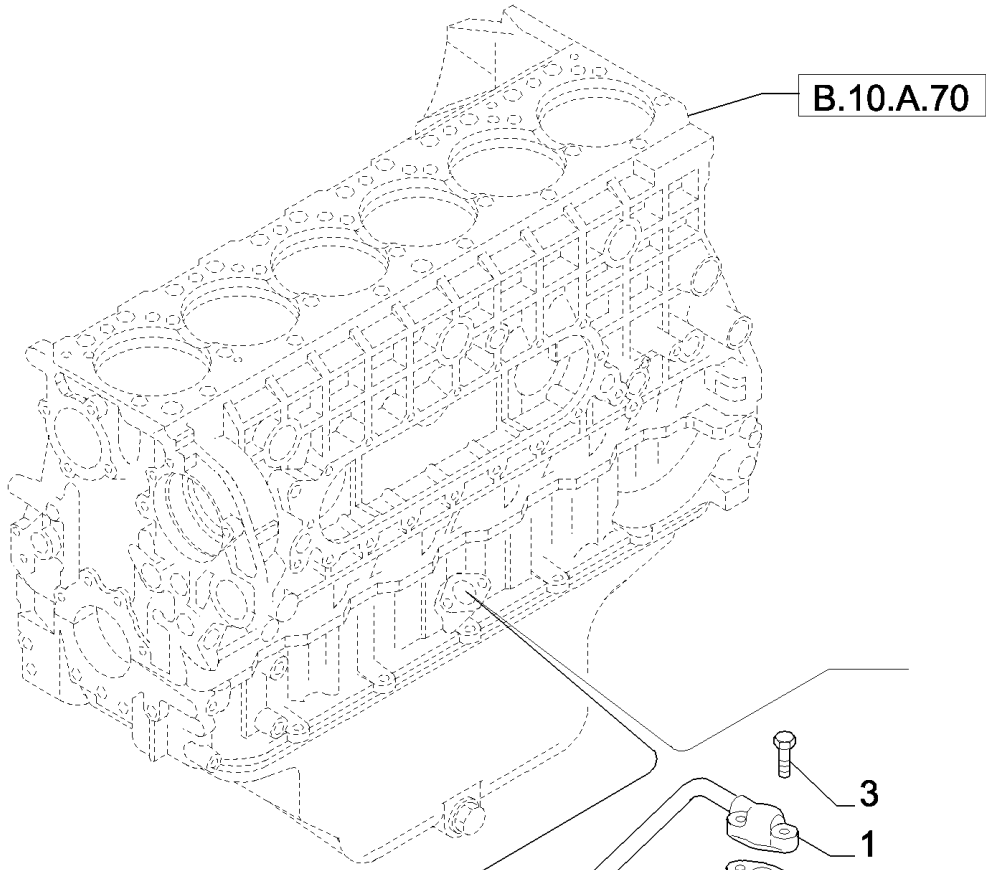
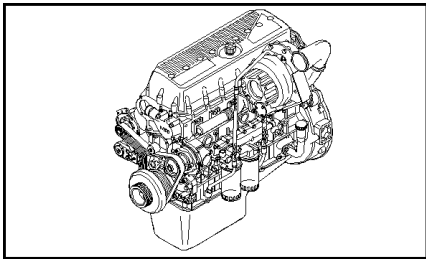
сылка	Номер детали	Кол-во	Описание
1	98451118	1	GASKET,
2	500300795	4	NUT, M10
3	504066692	1	TURBOCHARGER,
3	504130994	1	TURBOCHARGER, Tier 3, ASN HAJ106401
4	16731370	2	STUD,



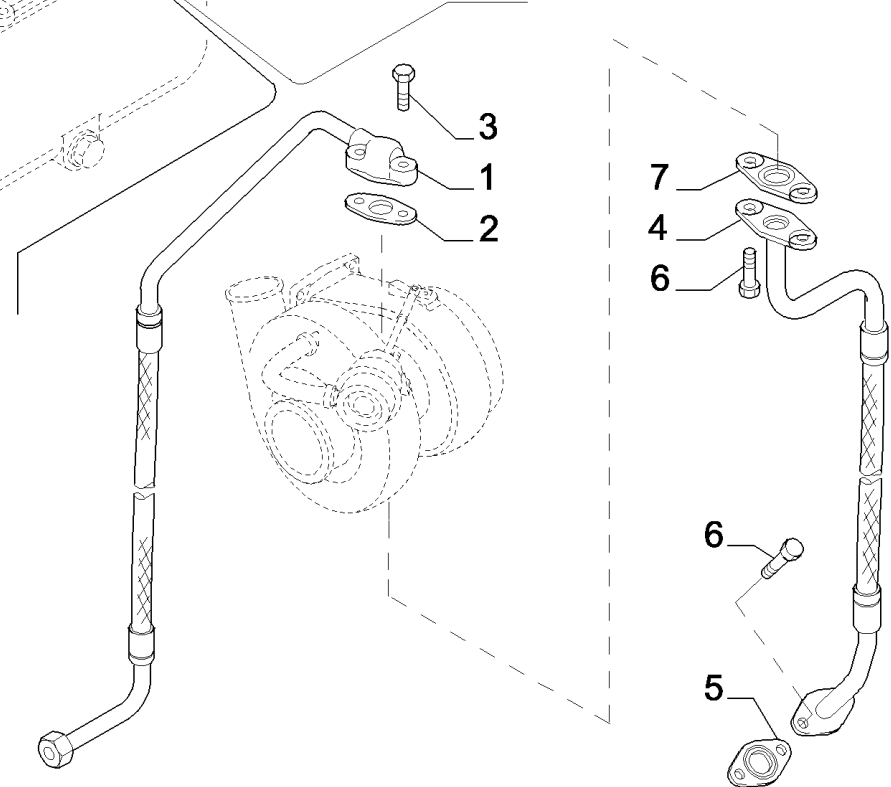
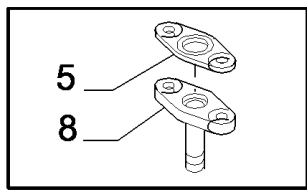
AFX8010 AXIAL-FLOW COMBINE (3/03-9/06)

B.30.A.37(1) AIR DELIVERY PIPES (504032686)

сылка	Номер детали	Кол-во	Описание
1	504005572	1	ELBOW,
2	98481998	1	FITTING,
3	17282281	2	O-RING,
4	16689724	2	SCREW,
5	16689824	2	SCREW,
6	16689924	4	SCREW,
7	17088474	8	WASHER, LOCK,
8	504002665	2	HOSE,
9	99434480	3	GASKET,
10	504005569	1	SUPPORT,
11	17317390	8	CLAMP,
12	17094924	5	WASHER,
13	17044721	5	NUT, M8 x 1.25
14	500382730	1	FITTING,
15	17291281	1	GASKET, Tier 3, ASN HAJ106401
16	87681214	2	O-RING, O-Ring



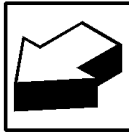
B.10.A.70



- 3
- 1
- 2

- 7
- 4
- 6

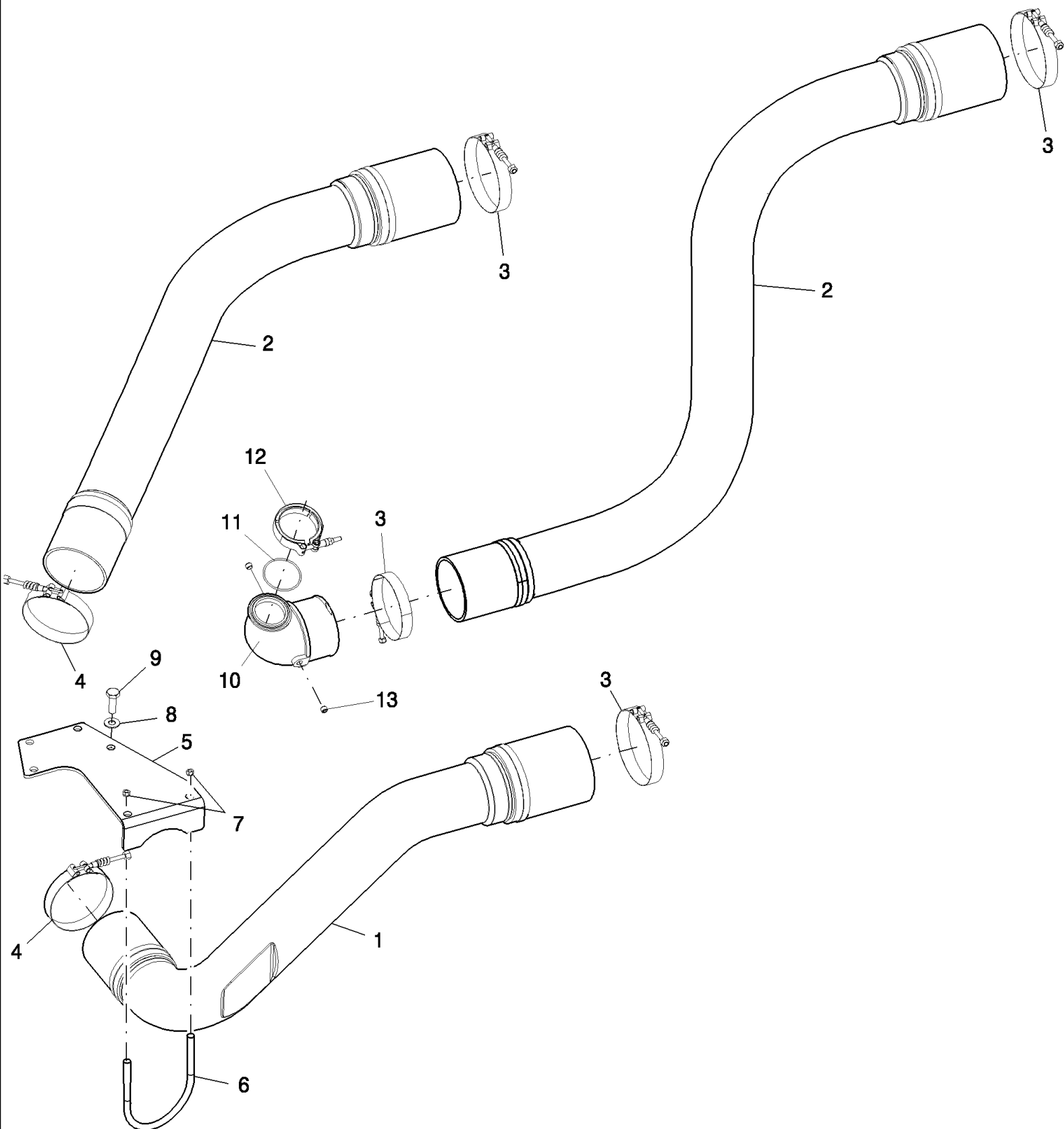
- 6
- 5



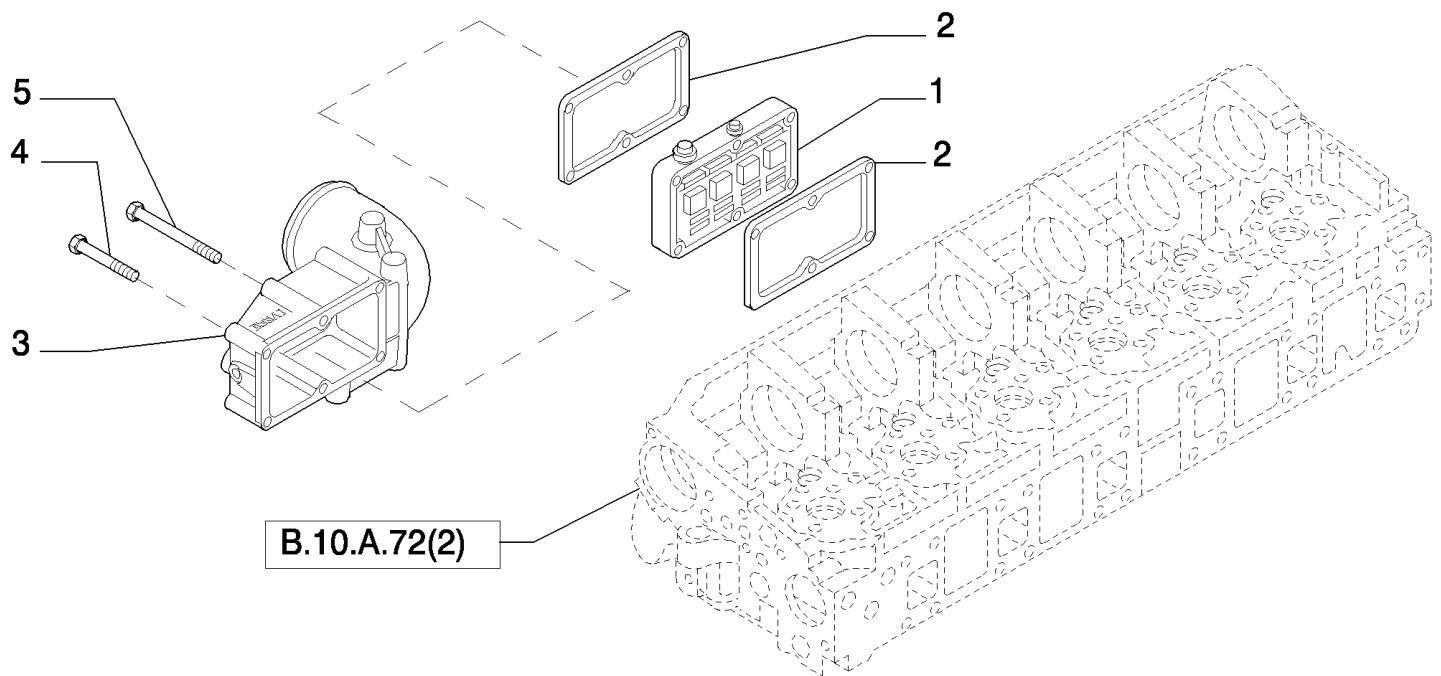
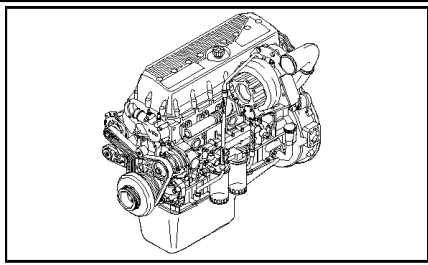
AFX8010 AXIAL-FLOW COMBINE (3/03-9/06)

B.30.A.37(2) TURBOBLOWER PIPES (504066907 - 504066908)

сылка	Номер детали	Кол-во	Описание
1	504066924	1	PIPE, SUCTION,
2	61318303	1	GASKET,
3	16586624	2	SCREW, M8 x 35
3	16586625	2	SCREW, Tier 3, ASN HAJ106401
4	504066909	1	PIPE, RETURN,
5	99475979	AR	GASKET,
6	16586324	4	SCREW, M8 x 1.25 x 20
7	98412509	1	GASKET,
8	500333923	1	FLANGE, Tier 3, ASN HAJ106401



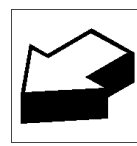
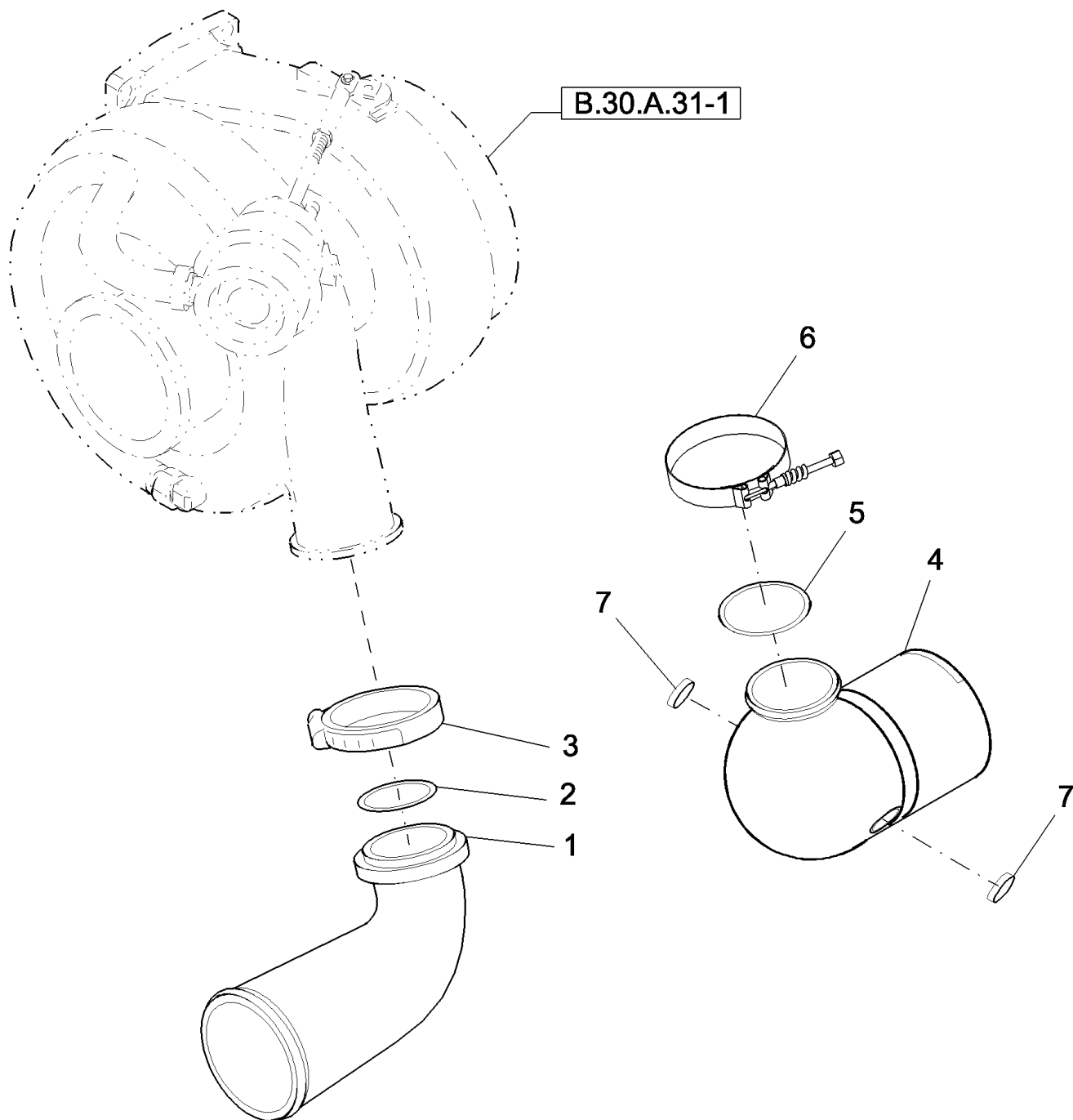
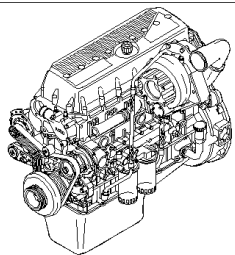
сылка	Номер детали	Кол-во	Описание
1	87109575	1	TUBE, Cold
1	87284685	1	TUBE, Cold, Tier 3
2	87105616	1	TUBE, Hot - L Shaped
2	87284686	1	TUBE, Hot - S Shaped - Tier 3
3	87420676	AR	CLAMP, HOSE,
4	86976661	AR	CLAMP, HOSE,
5	87109471	1	BRACKET, Tube Support
6	87028029	1	U-BOLT, 3/8-16 x 3.56 x 5.5
7	231-4146	2	NUT, LOCK, 3/8"-16, GB,
8	140045	4	WASHER, SPRING, Belleville, M10,
9	43140	4	BOLT, Hex, M10 x 30, 8.8, Full Thd,
10	86998476	1	ELBOW,
11	J883284	1	O-RING,
12	J069053	1	CLAMP, Turbo Outlet, V-Band
13	86998472	2	PLUG,



AFX8010 AXIAL-FLOW COMBINE (3/03-9/06)

B.30.A.38(1) AIR INLET HEATER (500387607)

сылка	Номер детали	Кол-во	Описание
1	99437042	1	RESISTOR,
2	504026624	2	GASKET,
3	504005570	1	MANIFOLD, INLET,
4	16593124	3	SCREW, M10 x 100
4	16593125	2	SCREW, Tier 3, ASN HAJ106401
5	16599224	3	SCREW, M10 x 140
5	16599225	4	SCREW, Tier 3, ASN HAJ106401

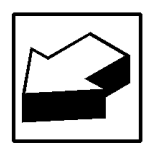
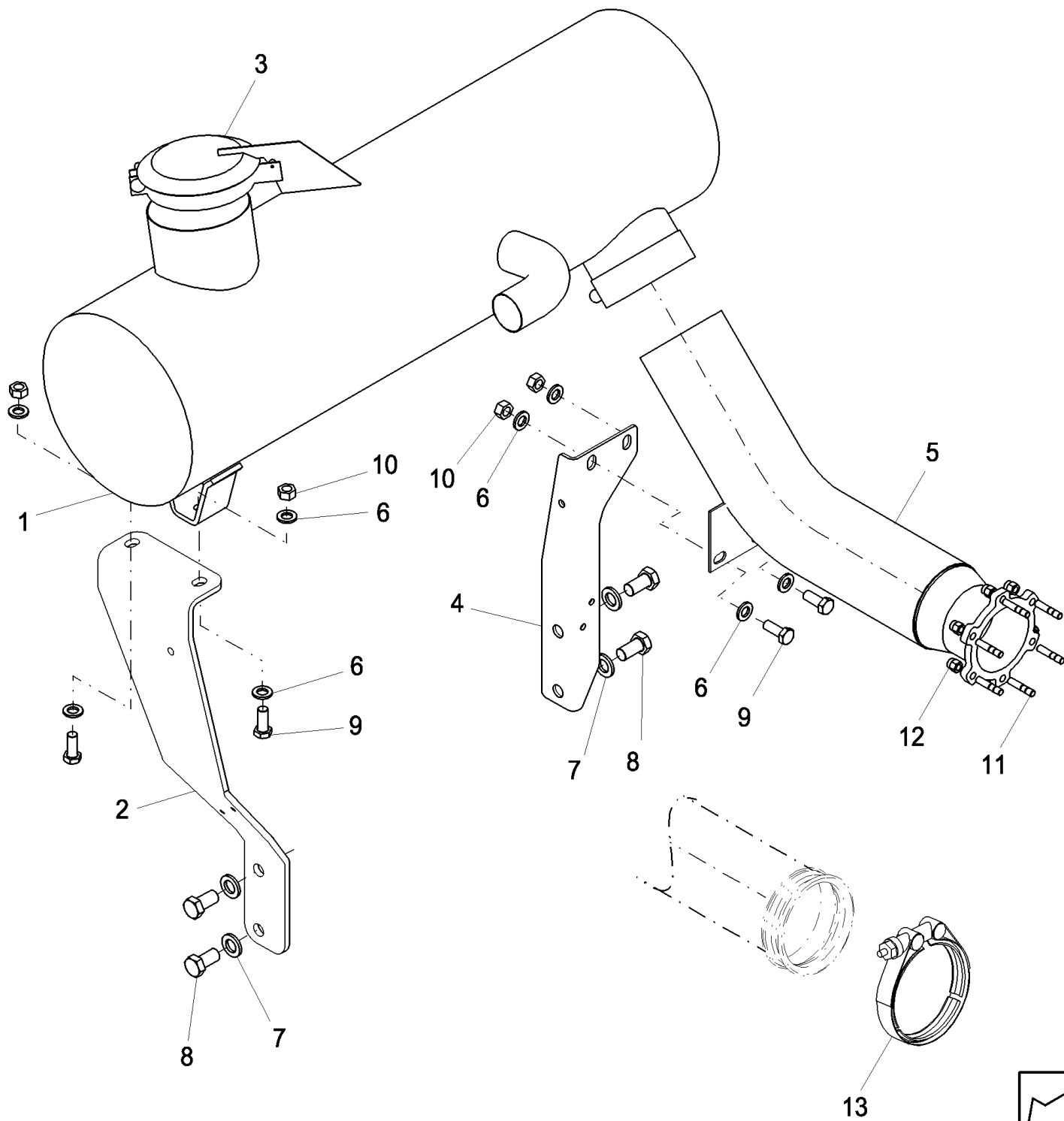
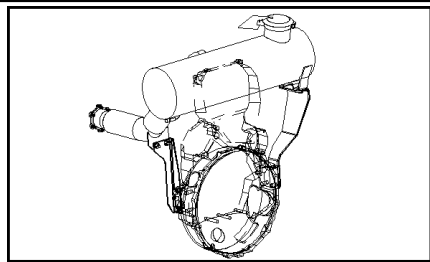


AFX8010 AXIAL-FLOW COMBINE (3/03-9/06)

B.30.A.38(2) TURBOBLOWER PIPES (500376112)

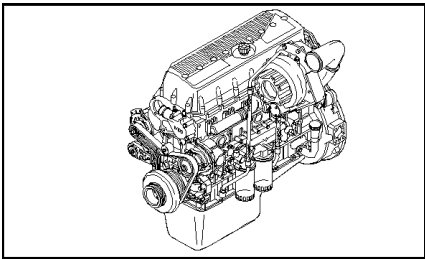
сылка	Номер детали	Кол-во	Описание
1	61318365	1	ELBOW,
2	17284681	1	GASKET, D=61.6 x 2.62 mm
3	4800661	1	CLAMP, HOSE,
4	86998476	1	ELBOW,
5	J883284	1	O-RING, 2.35" ID
6	86998471	1	CLAMP, HOSE,
7	86998472	2	PLUG,

B.40.A.36 MUFFLER & EXHAUST

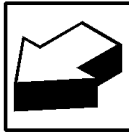
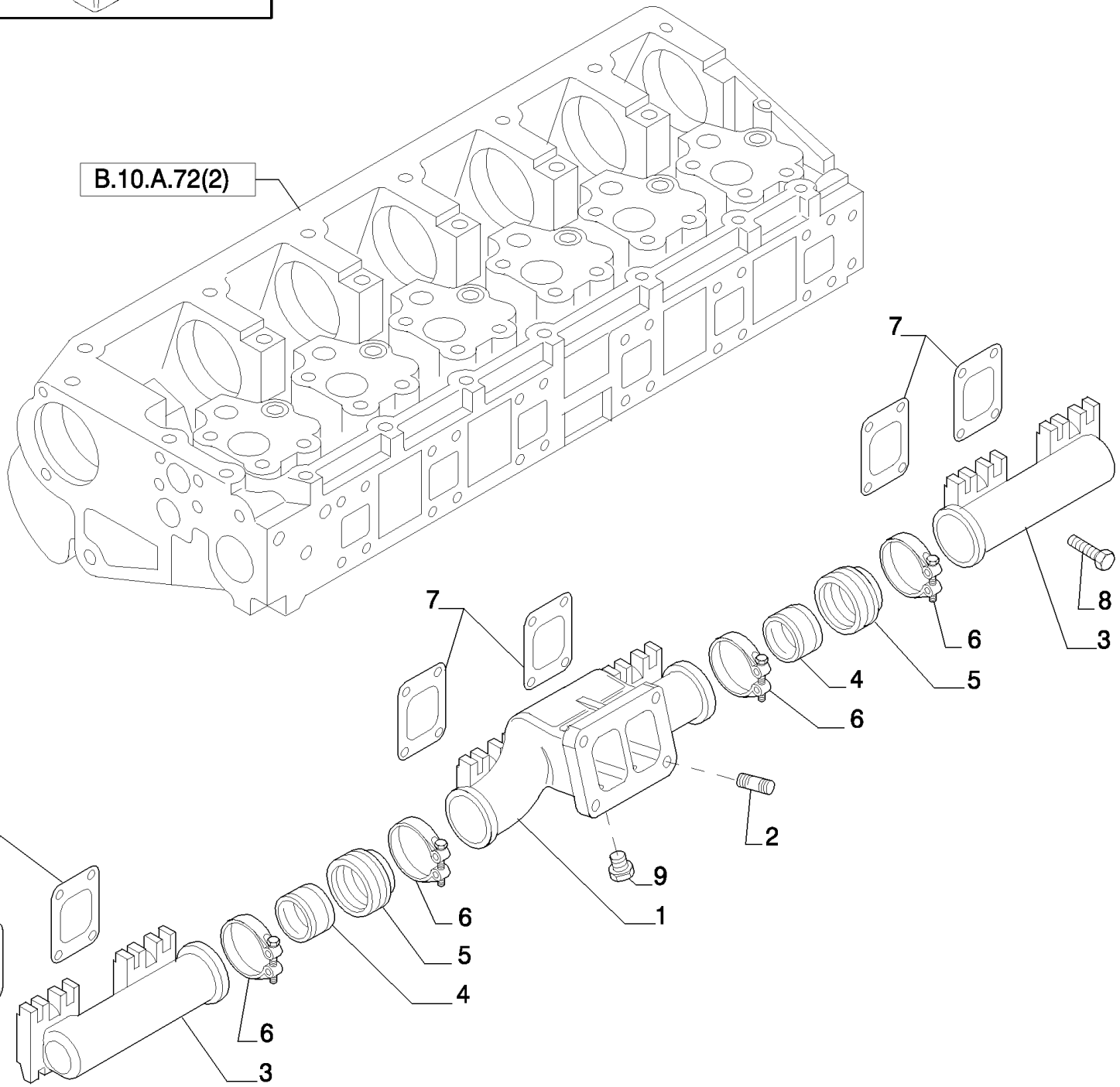


B.40.A.36 MUFFLER & EXHAUST

сылка	Номер детали	Кол-во	Описание
1	86976531	1	MUFFLER, 10.3 L Engine and Tier 3
1	87106699	1	MUFFLER, IVECO Engine
2	87109598	1	PLATE,
2	87283490	1	PLATE, Tier 3, ASN HAJ106401
3	86997809	1	COVER,
4	87109596	1	SUPPORT,
4	87283492	1	SUPPORT, Tier 3, ASN HAJ106401
5	86976533	1	PIPE, EXHAUST SYSTEM,
5	87283493	1	PIPE, EXHAUST SYSTEM, Tier 2
5	87329445	1	PIPE, EXHAUST SYSTEM, Tier 3 - Use with Ref. 13, ASN HAJ106401
6	140018	8	WASHER, M12 x 24 x 2.5,
7	140020	4	WASHER, M16 x 30 x 3,
8	43167	4	BOLT, Hex, M16 x 30, 8.8, Full Thd,
9	9706687	4	BOLT, Hex, M12 x 30, 8.8,
10	9706685	4	NUT, M12, CI 8,
11	84031344	6	STUD, M8 x 40
12	84041352	6	NUT, LOCK, M8 x 1.25, CI8.8,
13	87329014	1	CLAMP, , ASN HAJ106401



B.10.A.72(2)

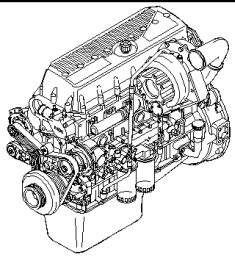


AFX8010 AXIAL-FLOW COMBINE (3/03-9/06)

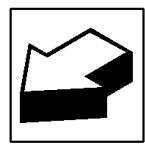
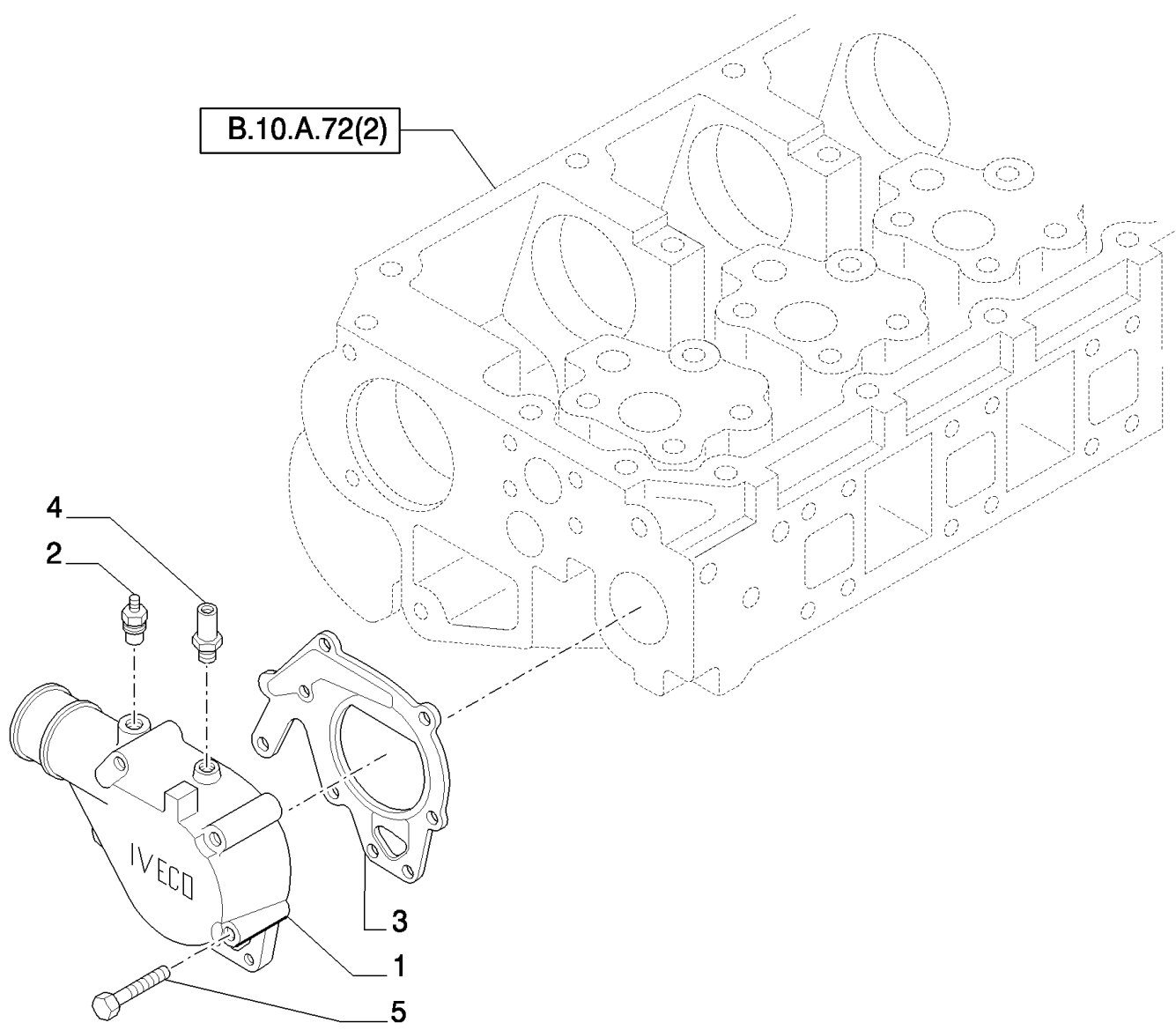
B.40.A.38 EXHAUST MANIFOLD (500335634)

сылка	Номер детали	Кол-во	Описание
1	500333842	1	MANIFOLD, EXHAUST,
1	504142535	1	MANIFOLD, EXHAUST, Tier 3, ASN HAJ106401
2	16731370	2	STUD, M10 x 30
3	99434992	2	MANIFOLD, EXHAUST,
3	504027315	2	MANIFOLD, EXHAUST, Tier 3, ASN HAJ106401
4	99440118	2	RING,
5	99440117	2	BELLOWS,
6	500305815	4	CLAMP,
7	99440116	6	GASKET,
8	99443210	24	SCREW,
9	99441940	2	PLUG, M12 x 1.5

B.50.A.18 TEMPERATURE CONTROL (THERMOSTAT)

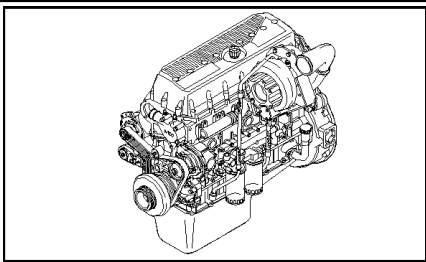


B.10.A.72(2)

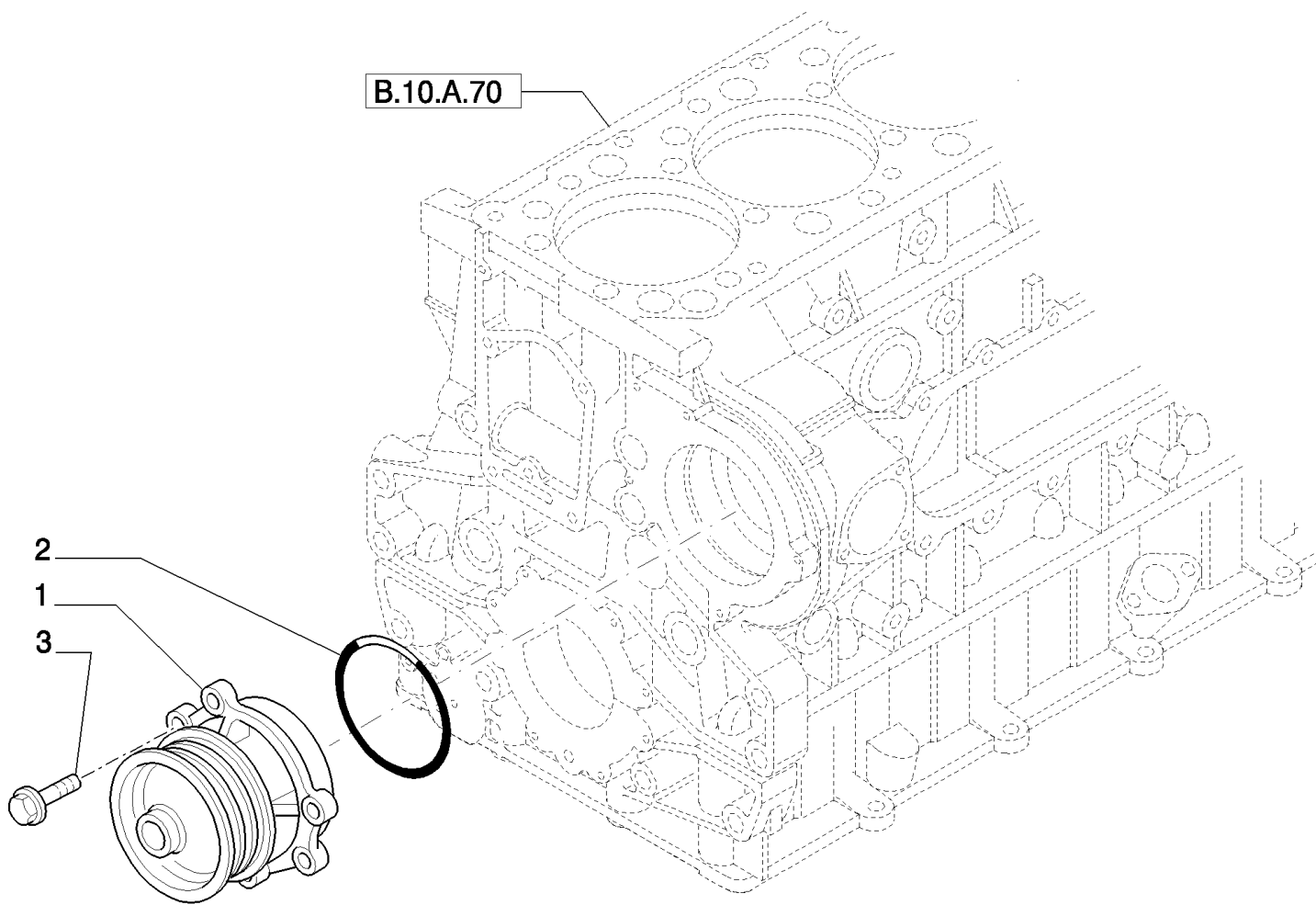


B.50.A.18 TEMPERATURE CONTROL (THERMOSTAT)

сылка	Номер детали	Кол-во	Описание
1	504078623	1	
1	504078142	1	HOUSING, Tier 3, ASN HAJ106401
2	500304562	1	PLUG,
3	500362150	1	GASKET,
4	98475757	1	FITTING,
5	16674134	2	SCREW, M8 x 45
5	16586877	2	BOLT, Tier 3, ASN HAJ106401
5	500383813	5	SCREW, M8 x 105
6	504071087	1	THERMOSTAT,

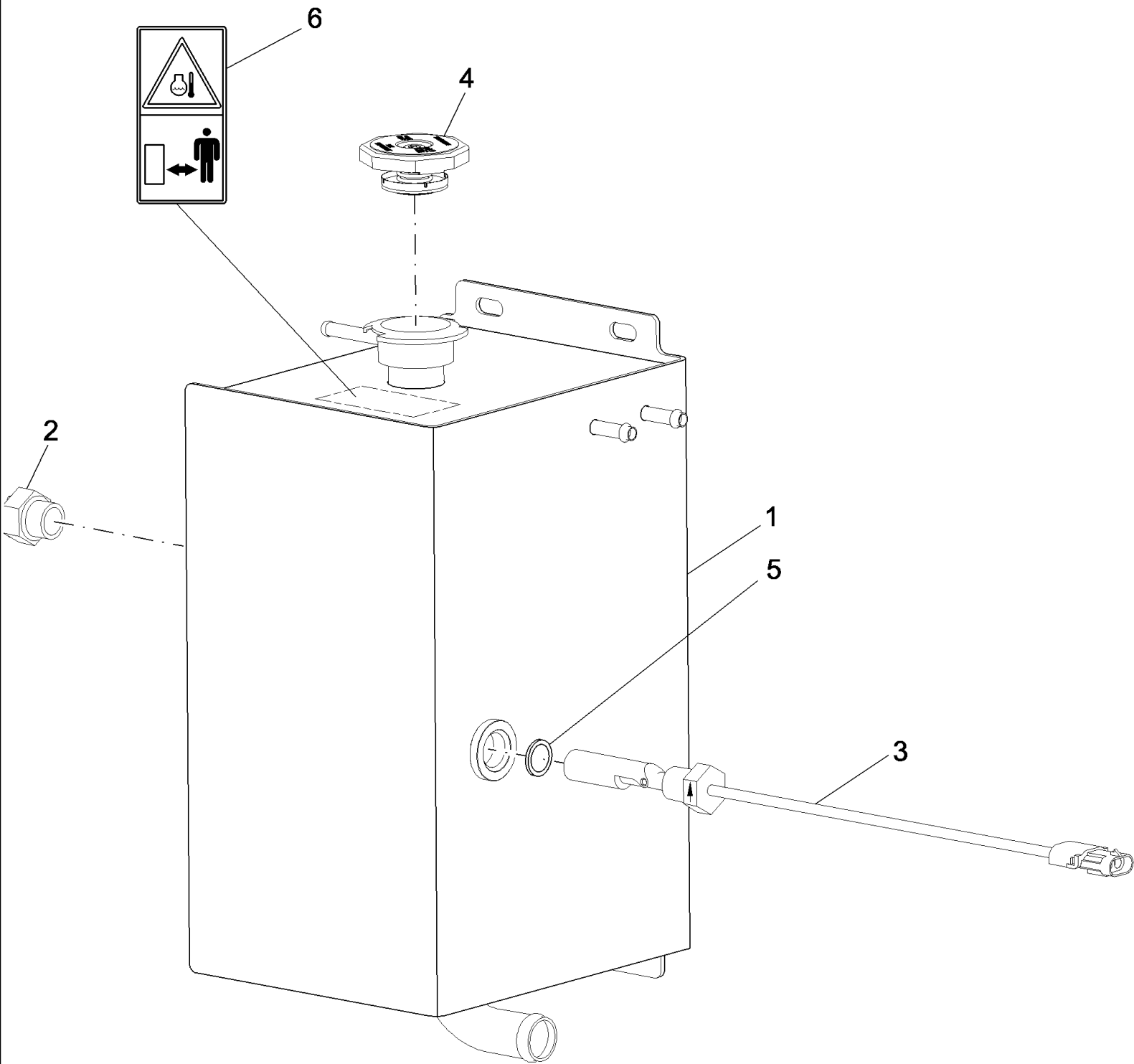


B.10.A.70



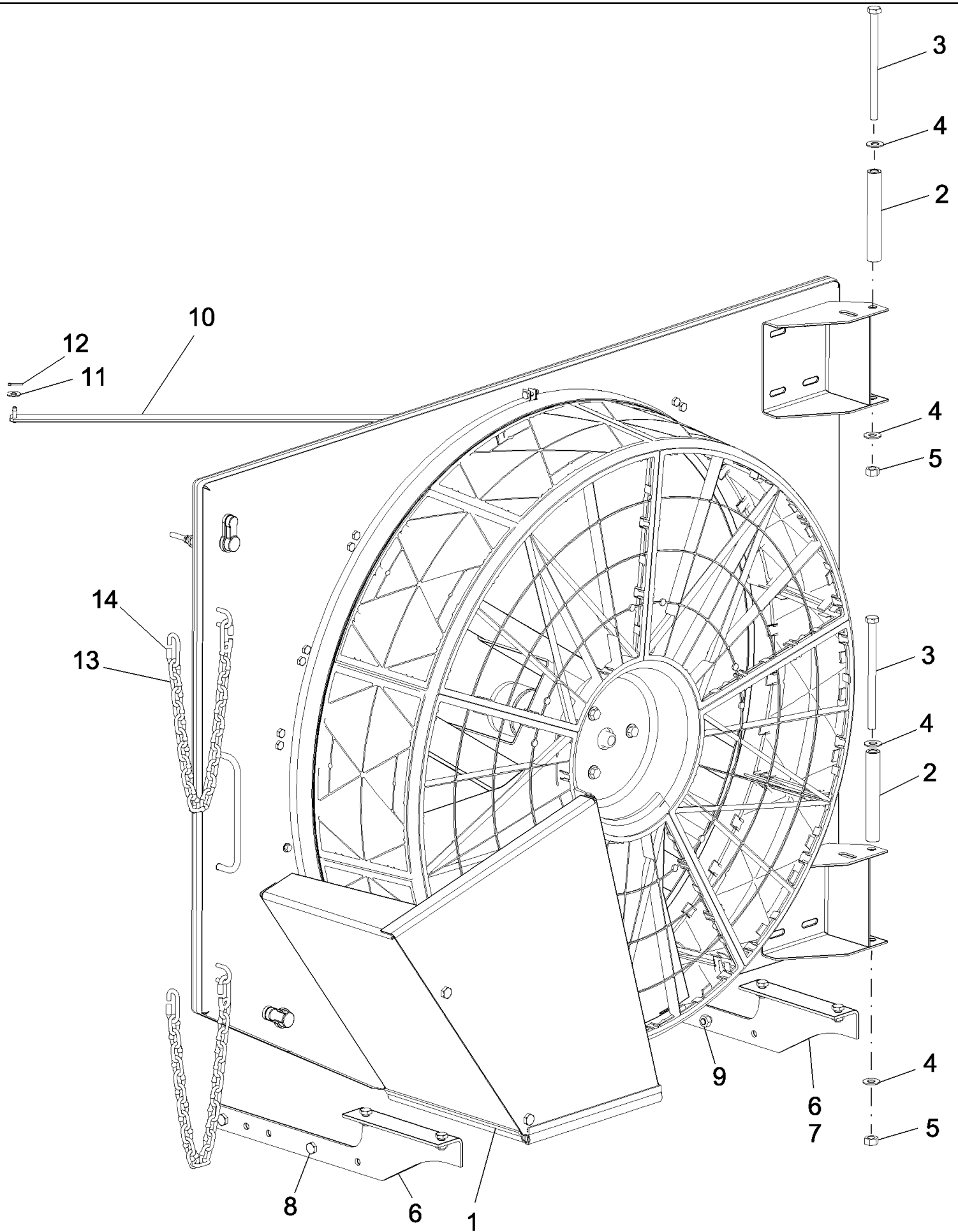
сылка	Номер детали	Кол-во	Описание
1	504079715	1	PUMP, WATER,
1	504102491	1	PUMP, WATER, Tier 3, ASN HAJ106401
2	70935905	1	O-RING, -248, CI 8, 4.734" ID x .139" Thk,
2	17292081	1	GASKET, Tier 3, ASN HAJ106401
3	16586324	4	SCREW, M8 x 1.25 x 20
3	16586325	4	SCREW, Tier 3, ASN HAJ106401

B.50.A.23 RESERVOIR, COOLANT EXPANSION

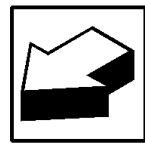
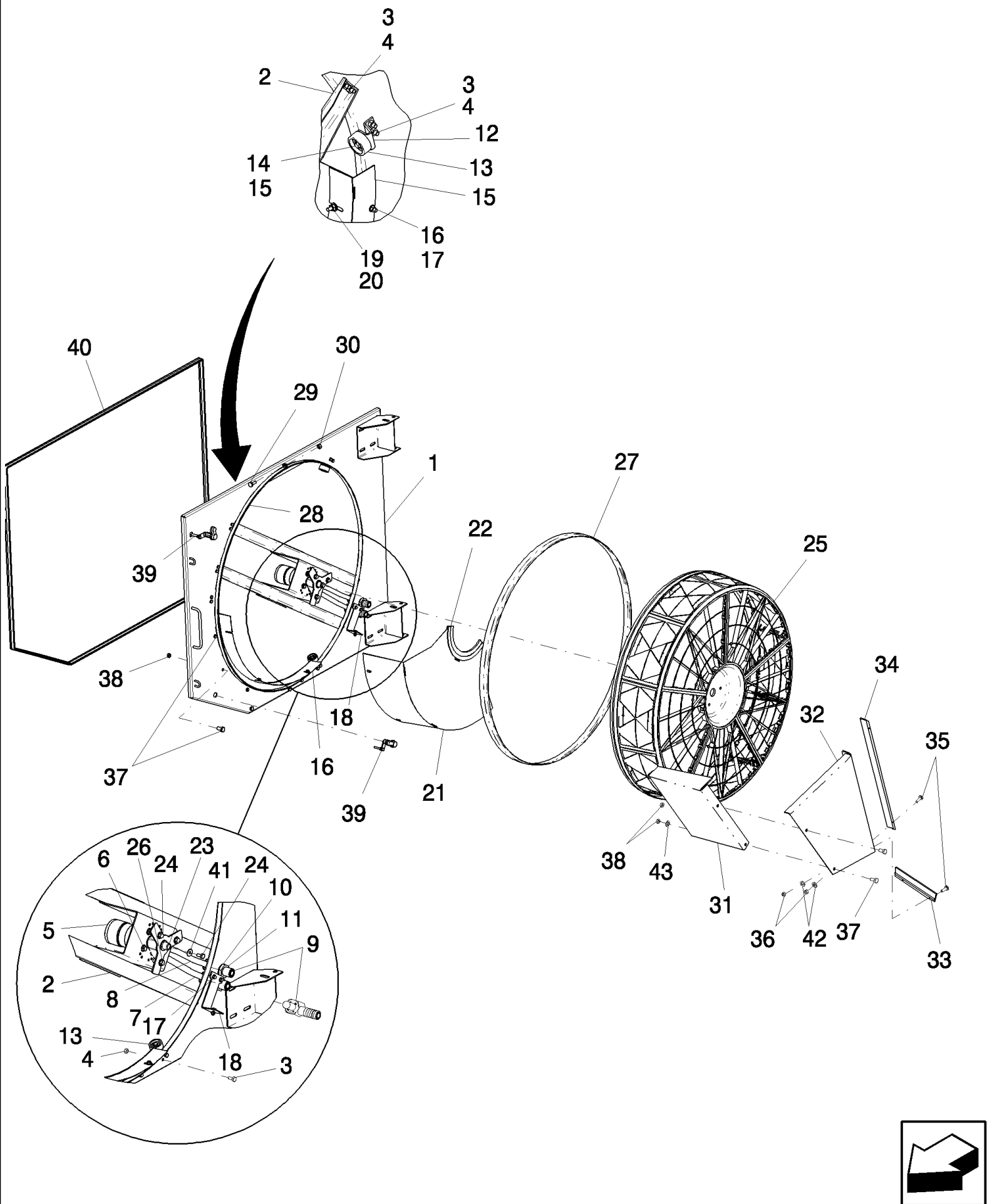


B.50.A.23 RESERVOIR, COOLANT EXPANSION

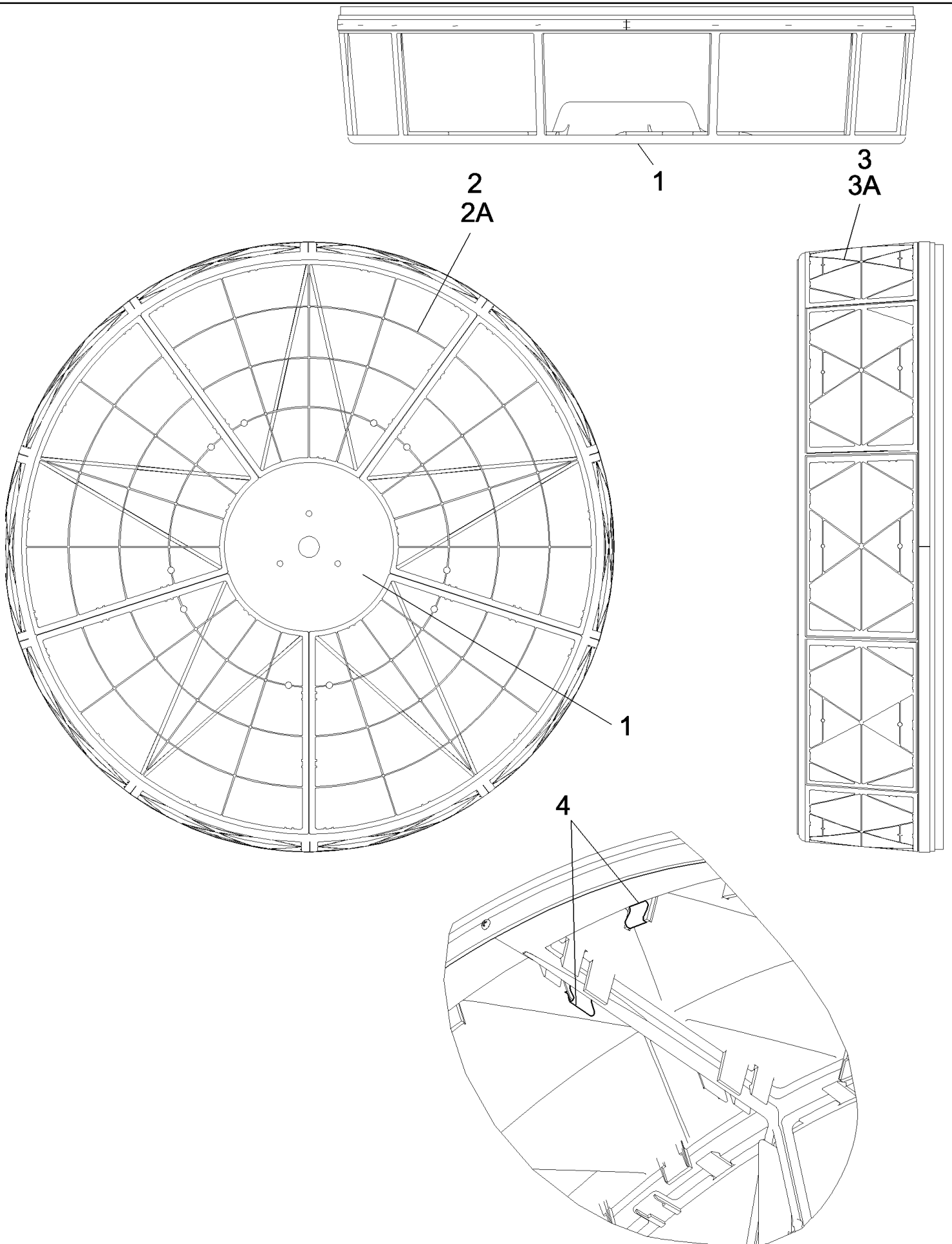
сылка	Номер детали	Кол-во	Описание
1	87280978	1	GEARBOX, 15 PSI, Reservoir, Coolant Expansion
1	87369692	1	RESERVOIR, COOLANT EXPNSN, 10 PSI, Includes Ref. 6
2	406721A1	1	GAUGE, Same as 87000080
3	87109915	1	SWITCH, Fluid Level, 48 mm lg Float
3	87000081	1	SWITCH, Fluid Level, 59 mm lg Float
4	A170241	1	CAP, RADIATOR, 15 PSI - Same as 87281627
4	87109814	1	CAP, FILLER, 10 PSI
5	167269	1	O-RING, 10-1, 90 Duro, .755" ID x .097" Thk,
6	84432981	1	DECAL,



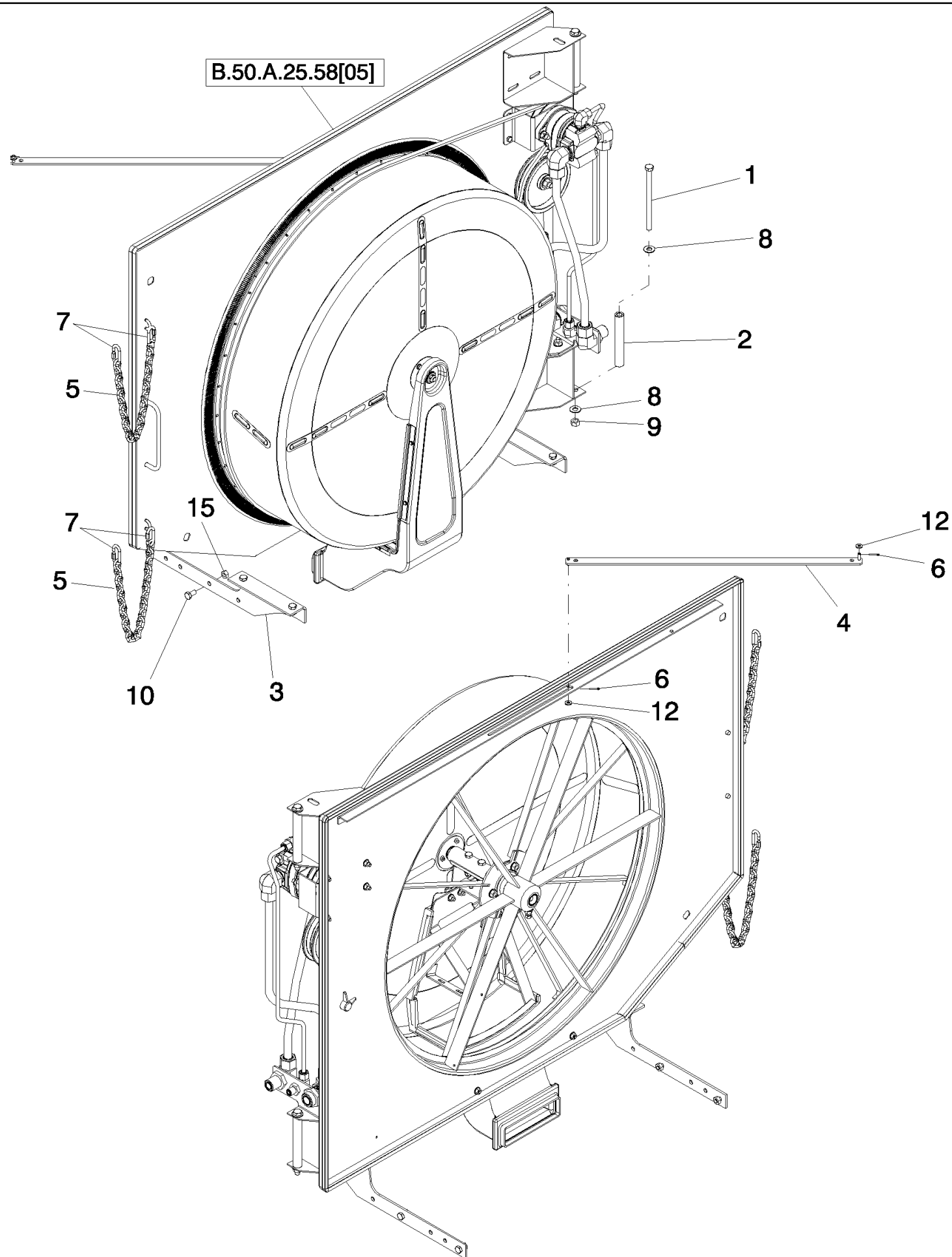
сылка	Номер детали	Кол-во	Описание
1	87107683	3	SEAL,
2	87109309	2	SPACER,
3	336383	2	BOLT, Hex, M12 x 180, 8.8,
4	140046	4	WASHER, SPRING, Belleville, M12,
5	9706685	2	NUT, M12, CI 8,
6	86976802	2	BRACKET,
8	43138	8	BOLT, Hex, M10 x 20, 8.8, Full Thd,
9	100016	8	NUT, M10, CI 8,
10	87000549	1	STRAP,
11	87361	2	WASHER, 1/4", SAE,
12	280250	2	PIN, SPLIT (COTTER), 3/32" x 3/4",
13	87105185	2	CHAIN, Ladder Gate
14	87107072	4	LINK, Chain



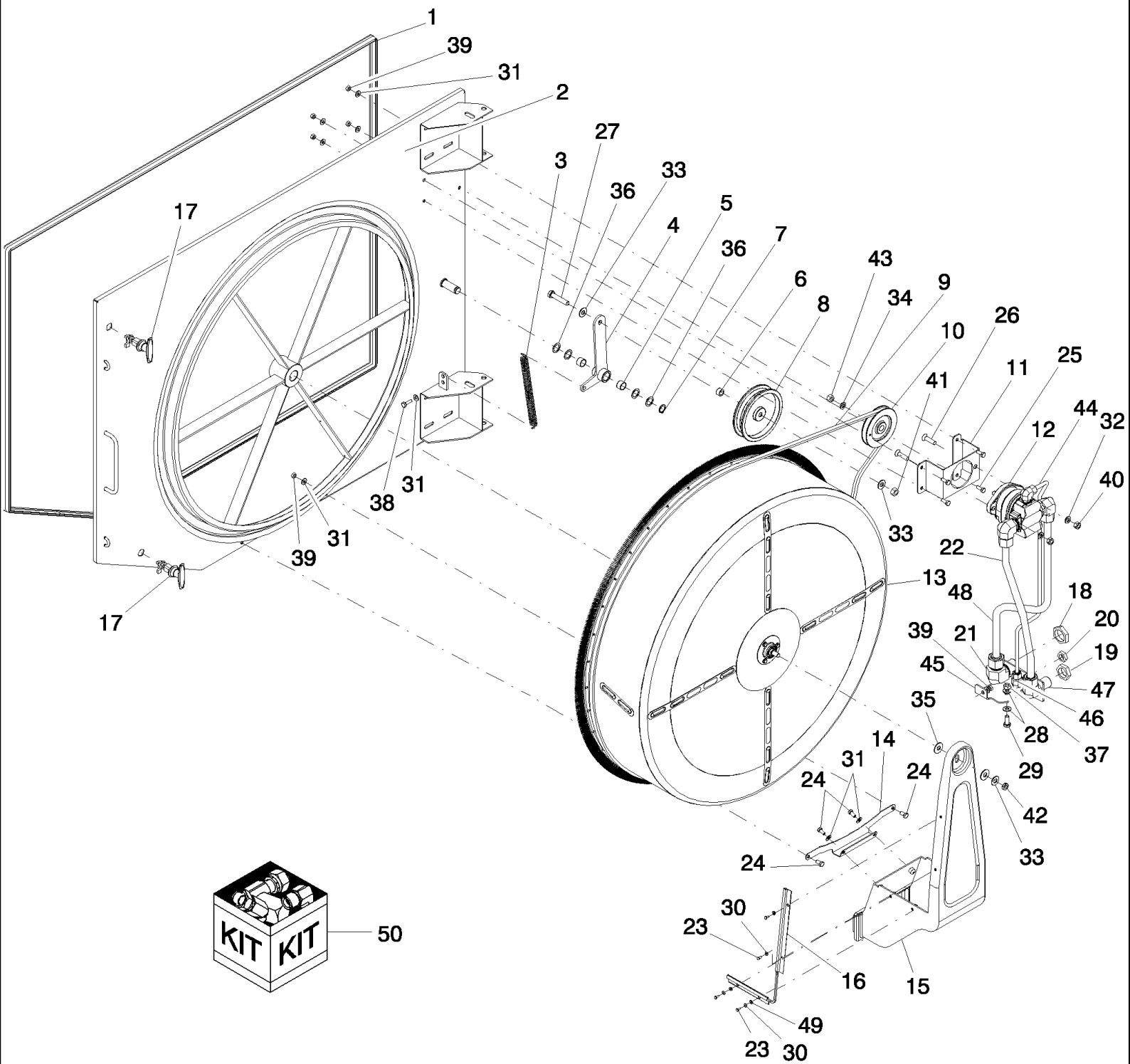
сылка	Номер детали	Кол-во	Описание
1	87348678	1	DOOR,
2	86976611	1	SUPPORT,
3	120104	14	BOLT, Hex, M8 x 20, 8.8,
4	9706690	14	NUT, M8, CI 8,
5	86995688	1	MOTOR, HYDRAULIC,
6	87021006	4	BOLT, Hex Flg, M10 x 16, 10.9, Full Thd,
7	87000884	1	TUBE, HYD, Motor, Pressure
8	87000885	1	TUBE, HYD, Motor, Return
9	86837484	2	ELBOW, 90e, 1 3/16"-12. ORFS, Blkhd,
10	32455	2	WASHER,
11	86639062	2	NUT, LOCK, 1 3/16"-12, ORFS Blkhd,
12	86976607	3	SUPPORT,
13	87408568	3	BEARING, BALL,
14	9804257	3	BOLT, Hex Flg, M6 x 25, 8.8,
15	9804276	9	NUT, M6 x 1, Flg, CI 8,
16	87105398	1	BRACKET,
17	9804255	6	BOLT, Hex Flg, M6 x 16, 8.8,
18	87001015	1	ANGLE,
19	87361	3	WASHER, 1/4", SAE,
20	7770	3	NUT, 1/4"-20, G5,
21	87000952	1	SHEET,
22	86976732	1	BRUSH, Inner
23	86976779	1	HUB, Use with 86566099 Screw
23	87315352	1	HUB, Use with 386045 Capscrew
24	86566099	1	SCREW, Hex Soc Hd, M8 x 16, 12.9,
24	386045	1	BOLT, Hex, M8 x 45, 8.8,
25	87409302	1	SCREEN, Coarse Mesh
26	9804261	3	BOLT, Hex Flg, M10 x 25, 8.8,
27	87429394	1	SEAL, Rotary Screen - Replaces 86976657
28	86976658	1	CLAMP,
29	409-7416	1	BOLT, Hex Flg, 1/4"-20 x 1", Serr,
30	231-1444	1	NUT, LOCK, 1/4"-20, GB,
31	87348352	1	SHEET,
32	87348625	1	SHEET,
33	86976571	1	BRUSH,
34	86976572	1	BRUSH, Outer
35	44334	4	SCREW, Cross Pan Hd, M4 x 12,
36	100012	4	NUT, M4, CI 8,
37	43138	AR	BOLT, Hex, M10 x 20, 8.8, Full Thd,
38	100016	AR	NUT, M10, CI 8,
39	87283386	2	LATCH,
40	86976597	1	SEAL,
41	86625263	1	WASHER, M8 x 20 x 1.6,
42	9824840	4	WASHER, M4,
43	378244	3	WASHER, M10,



сылка	Номер детали	Кол-во	Описание
1	87410086	1	SUPPORT, Frame and Wear Strip Assembly
2	86988942		AR KIT, Screen, Rear, Includes: 1 Ref. 2A and 10 of Ref. 4
2A	86998565	5	SCREEN, Front Section
3	86988941		AR KIT, Screen, Outer, Includes: 1 Ref. 3A and 10 of Ref. 4
3A	86998564	10	SCREEN, Side Section
4	86983638	145	CLIP,

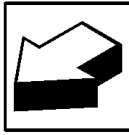
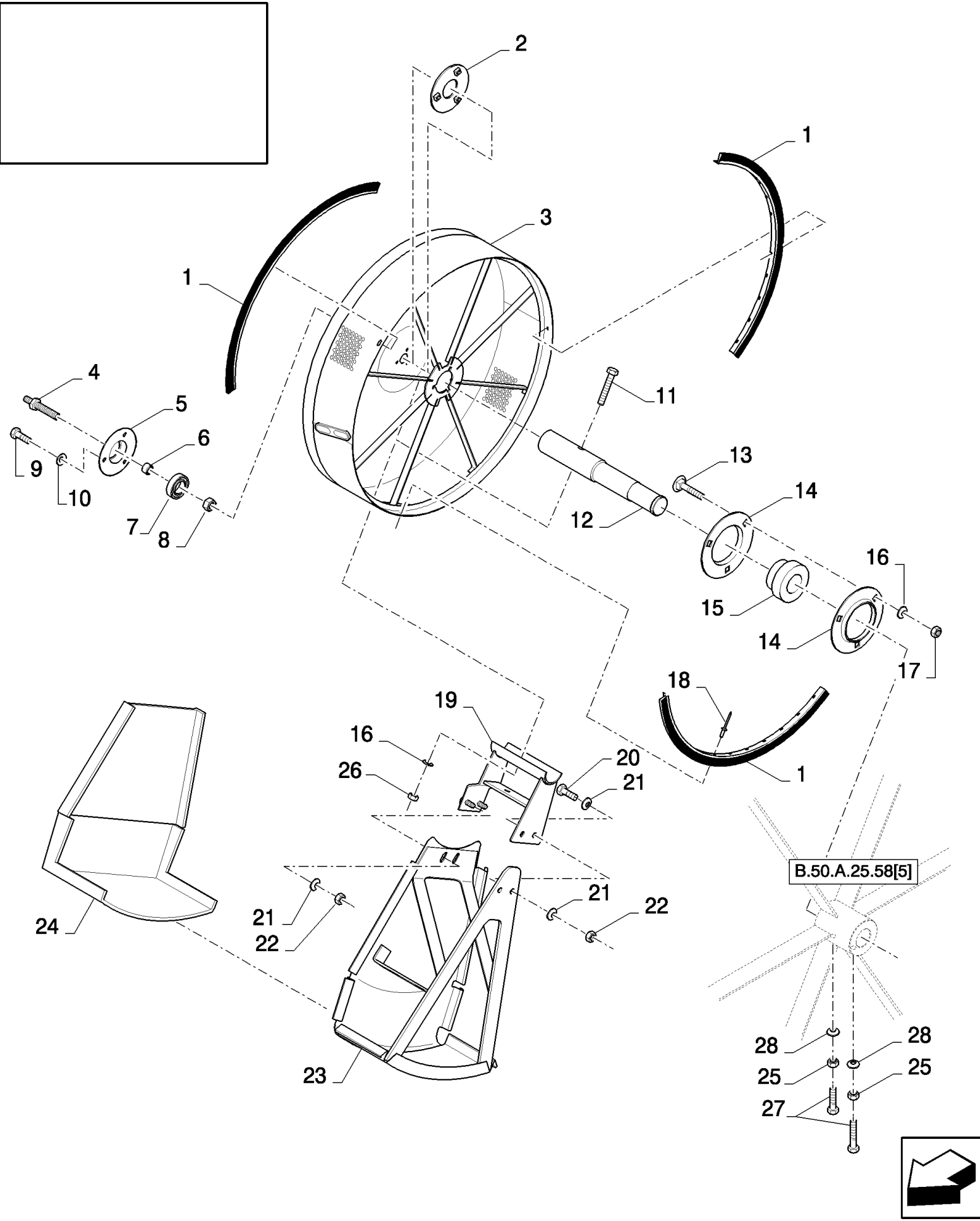


сылка	Номер детали	Кол-во	Описание
1	336383	2	BOLT, Hex, M12 x 180, 8.8,
2	87109309	2	SPACER,
3	86976802	2	BRACKET,
4	87000549	1	STRAP,
5	87105185	2	CHAIN,
6	280250	2	PIN, SPLIT (COTTER), 3/32" x 3/4",
7	87107072	4	LINK, Chain
8	140046	4	WASHER, SPRING, Belleville, M12,
9	9706685	2	NUT, M12, CI 8,
10	43138	8	BOLT, Hex, M10 x 20, 8.8, Full Thd,
11	100016	8	NUT, M10, CI 8,
12	87361	2	WASHER, 1/4", SAE,

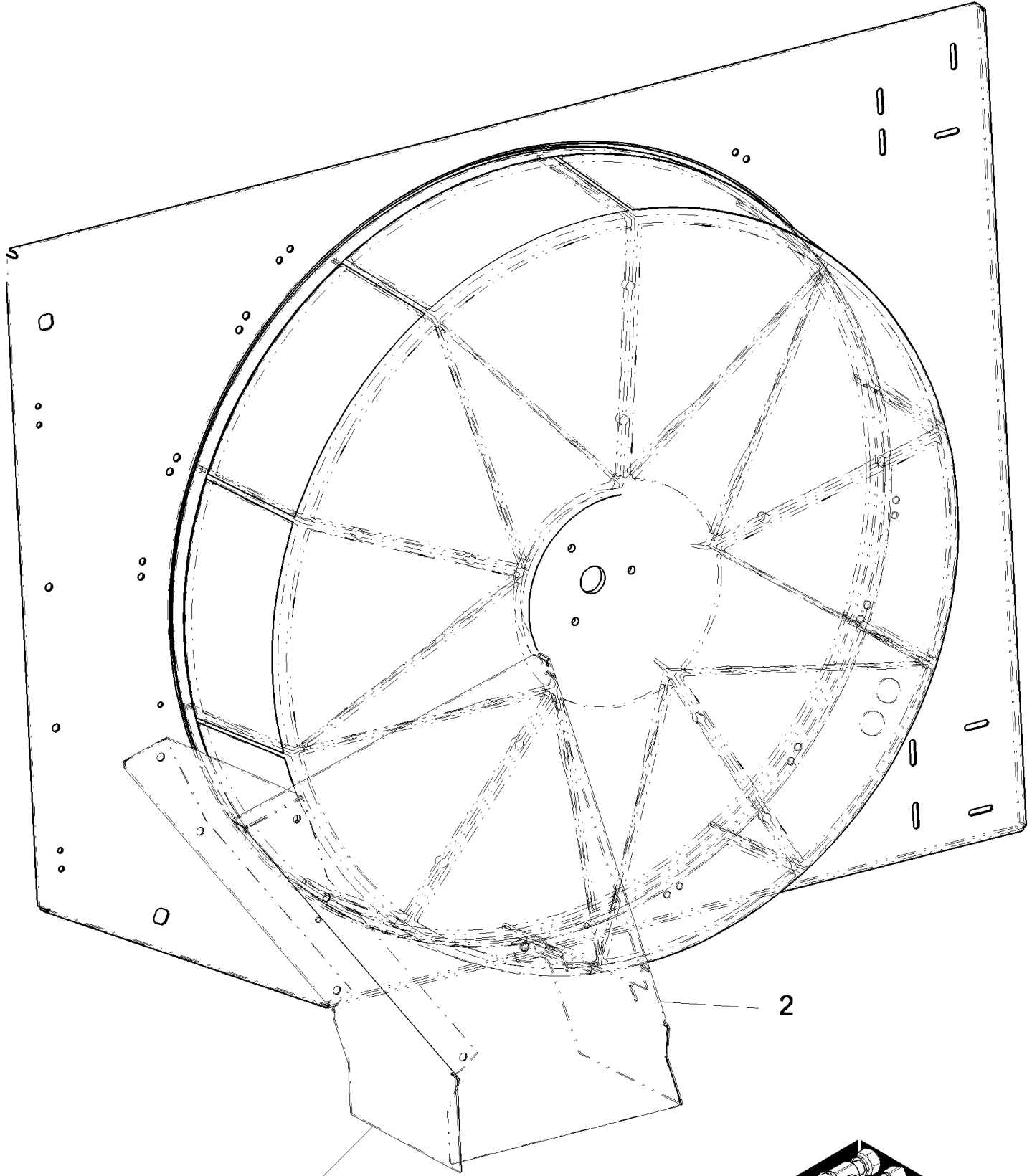


сылка	Номер детали	Кол-во	Описание
1	86976597	1	SEAL,
2	87350016	1	DOOR,
3	87647773	1	SPRING, COIL, Spring
4	87350955	1	LEVER, IDLER,
5	382974	2	SLEEVE,
6	84069986	1	BUSHING,
7	370024	1	RING, SNAP, M20, Ext,
8	84072736	1	PULLEY,
9	9513136	1	BELT,
10	87352111	1	PULLEY,
11	87350147	1	SUPPORT,
12	87524536	1	MOTOR, HYDRAULIC,
13	84050266	1	SCREEN, Dust
14	87350223	1	SUPPORT,
15	87351069	1	CHANNEL,
16	84057946	1	BRUSH,
17	87283386	2	LATCH,
19	86639062	1	NUT, LOCK, 1 3/16"-12, ORFS Blkhd,
20	87010704	1	NUT, LOCK, 11/16"-16, Blkhd,
21	701-363	1	ELBOW, 90°, 1 7/16"-12, ORFS, Blkhd,
22	87523670	1	TUBE, HYD, Pressure
23	86585706	4	SCREW, Cross Pan Hd, M4 x 10,
24	120103	4	BOLT, Hex, M8 x 16, 8.8,
25	120104	4	BOLT, Hex, M8 x 20, 8.8,
26	120259	2	SCREW, Hex Soc Flat Hd, M10 x 40, 8.8,
27	9706693	1	BOLT, Hex, M12 x 60, 8.8,
28	140045	2	WASHER, SPRING, Belleville, M10,
29	43139	1	SCREW,
30	322355	4	WASHER, SPRING, Belleville, M4,
31	322358	10	WASHER, SPRING, Belleville, M8,
32	140017	2	WASHER, M10 x 20 x 2,
33	140046	3	WASHER, SPRING, Belleville, M12,
34	81547	1	WASHER, LOCK, 7/16",
35	543043	2	WASHER,
36	443434	4	WASHER,
37	100016	1	NUT, M10, CI 8,
38	43127	1	BOLT, Hex, M8 x 25, 8.8,
39	9706690	7	NUT, M8, CI 8,
40	100037	2	NUT, M10 x 1.5, CI 8,
41	9706685	1	NUT, M12, CI 8,
42	323238	1	NUT, Thin, M12 x 1.75, CI 05,
43	50456	1	NUT, 7/16"-20, G5,
44	87527617	1	TUBE, HYD, Case Drain
45	87526412	1	BRACKET,
46	87317453	1	ELBOW, 90°, 11/16"-16, ORFS, Blkhd,

сылка	Номер детали	Кол-во	Описание
47	86837484	1	ELBOW, 90°, 1 3/16"-12. ORFS, Blkhd,
48	87523671	1	TUBE, HYD, Return
49	895-30108	4	WASHER, M4 x 16 x 1.2, , Used If Brush Mounting Holes Are Slots
50	87349999	1	DOOR ASSY., Includes: Ref.s 1 Thru 49



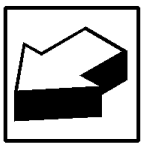
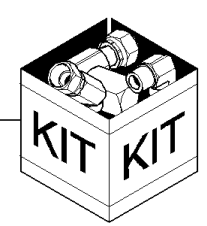
сылка	Номер детали	Кол-во	Описание
1	84057430	3	BRUSH,
2	84071581	1	SUPPORT,
3	84458357	1	SCREEN,
4	84032079	1	SCREW,
5	365018	1	FLANGE,
6	434182	1	BUSHING,
7	362804	1	BEARING, BALL,
8	9706685	1	NUT, M12, CI 8,
9	86508568	3	BOLT, Hex, M6 x 16, 8.8,
10	322357	3	WASHER, SPRING, Belleville, M6,
11	120070	AR	BOLT, Hex, M10 x 60, 8.8,
12	84448897	1	SHAFT,
13	120041	3	BOLT, CARRIAGE, Short NK, M10 x 20, CI8.8, Full Thd,
14	36403	2	FLANGE,
15	322360	1	BEARING, BALL,
16	140045	AR	WASHER, SPRING, Belleville, M10,
17	100016	AR	NUT, M10, CI 8,
18	PL	AR	PROCURE LOCALLY,
20	120104	2	BOLT, Hex, M8 x 20, 8.8,
21	322358	AR	WASHER, SPRING, Belleville, M8,
22	89706690	4	NUT, M8, CI 8,
23	84069815	1	SCREEN,
24	87601497	1	INSULATOR,
25	320648	2	NUT, M10, CI 8,
26	100037	2	NUT, M10 x 1.5, CI 8,
27	391136	2	SET SCREW, Hex Soc, M10 x 40,
28	86511323	2	WASHER, M10 x 20 x 2,



3

2

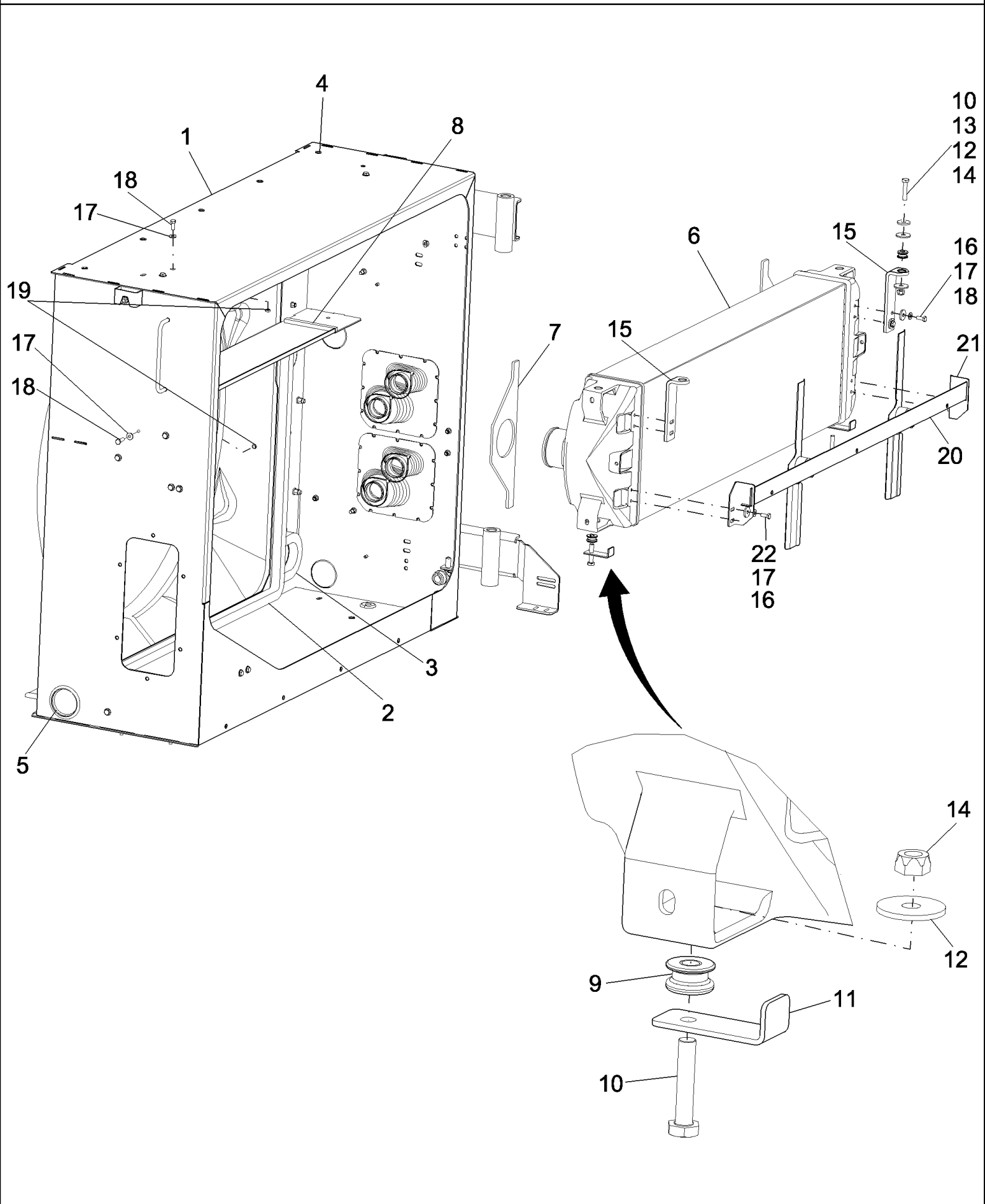
1



AFX8010 AXIAL-FLOW COMBINE (3/03-9/06)

B.50.A.25.58(7) KIT, RAS DROP CHUTE

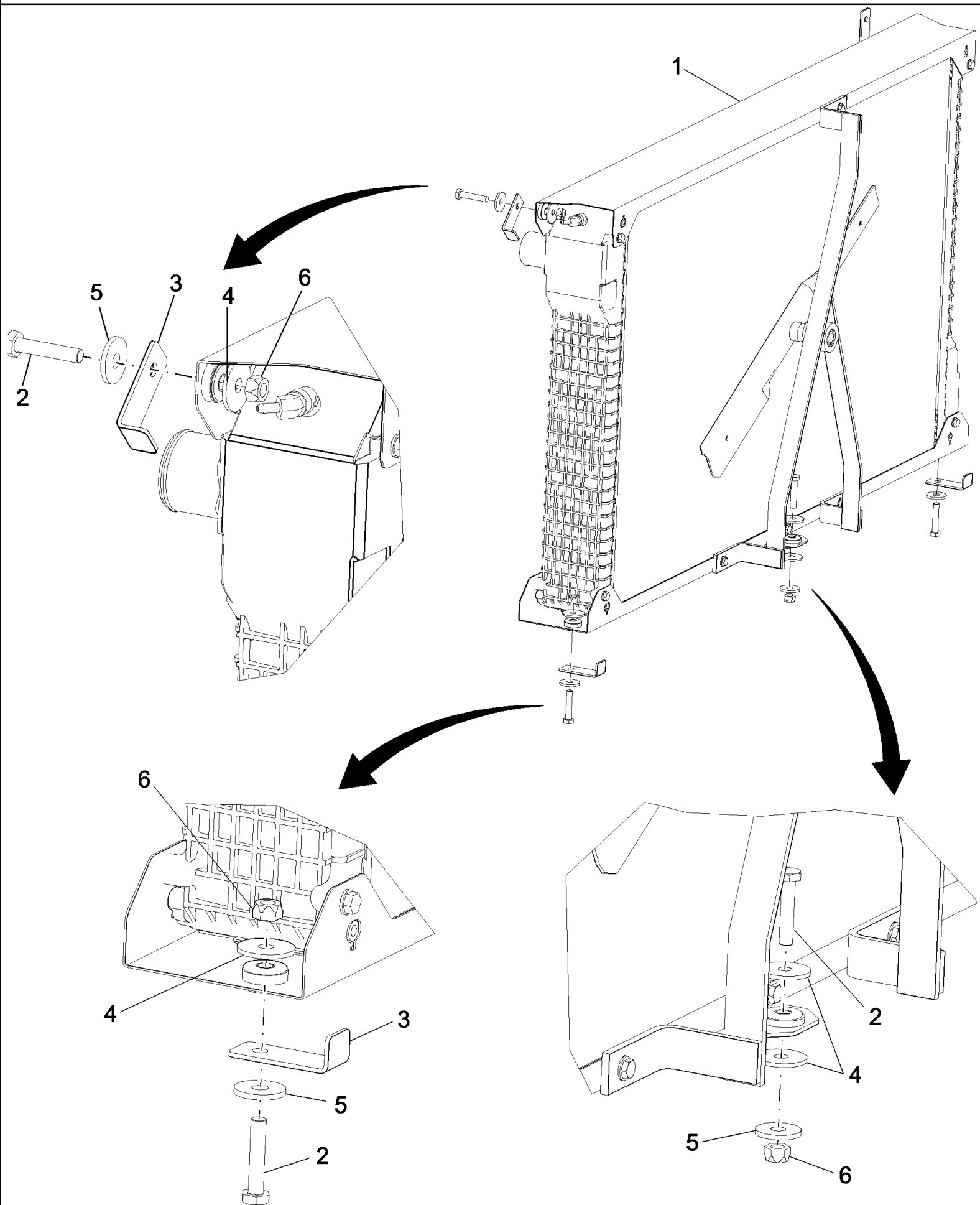
сылка	Номер детали	Кол-во	Описание
1	87638862	1	KIT, SERVICE, Kit, RAS Drop Chute; Includes: Ref.s 2, 3, & Instructions
2	87584889	1	SHEET ASSY., Sheet Out
3	87584858	1	SHEET ASSY., Sheet



B.50.A.32(01) FRAME & INTERCOOLER

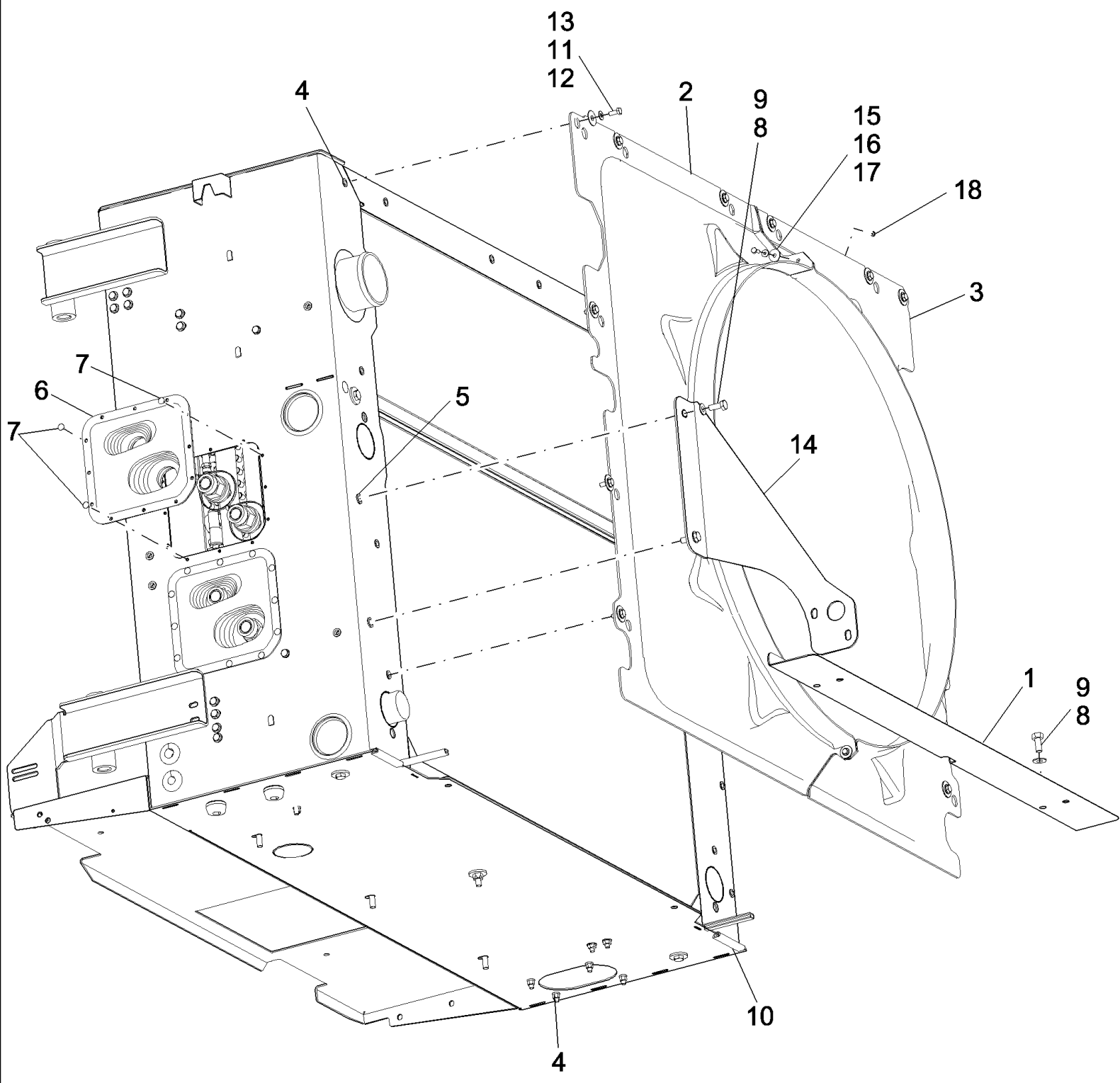
сылка	Номер детали	Кол-во	Описание
1	87109140	1	FRAME, Cooling Box
1	87281610	1	FRAME, Tier 2
1	87284210	1	FRAME, Tier 3, ASN HAJ106401
2	87000002	1	SEAL, RUBBER,
3	87105917	2	SEAL, RUBBER,
4	86976590	5	INSERT, 8 mm Well
5	87000778	1	PLUG,
6	86975928	1	INTERCOOLER,
6	87284211	1	INTERCOOLER, , ASN HAJ106401
7	87106629	2	SEAL, RUBBER,
8	87106630	2	SEAL, RUBBER,
9	86976579	4	ISOLATOR, Center Bonded Isomount
10	120069	4	BOLT, Hex, M10 x 50, 8.8,
11	87106857	2	BRACKET, Isomount Spacer
12	86637594	6	WASHER, 13/32" x 1 1/2" x .120",
13	140042	4	WASHER, M10 x 34 x 3,
14	100037	4	NUT, M10 x 1.5, CI 8,
15	86976583	2	BRACKET,
16	140041	8	WASHER, M8 x 28 x 3,
17	322358	18	WASHER, SPRING, Belleville, M8,
18	43127	9	BOLT, Hex, M8 x 25, 8.8,
19	9706690	5	NUT, M8, CI 8,
20	87000890	1	BRACKET, Chaff Wiper
21	87109308	1	BRACKET, Wiper
22	120104	4	BOLT, Hex, M8 x 20, 8.8,

B.50.A.32(02) RADIATOR MOUNTING



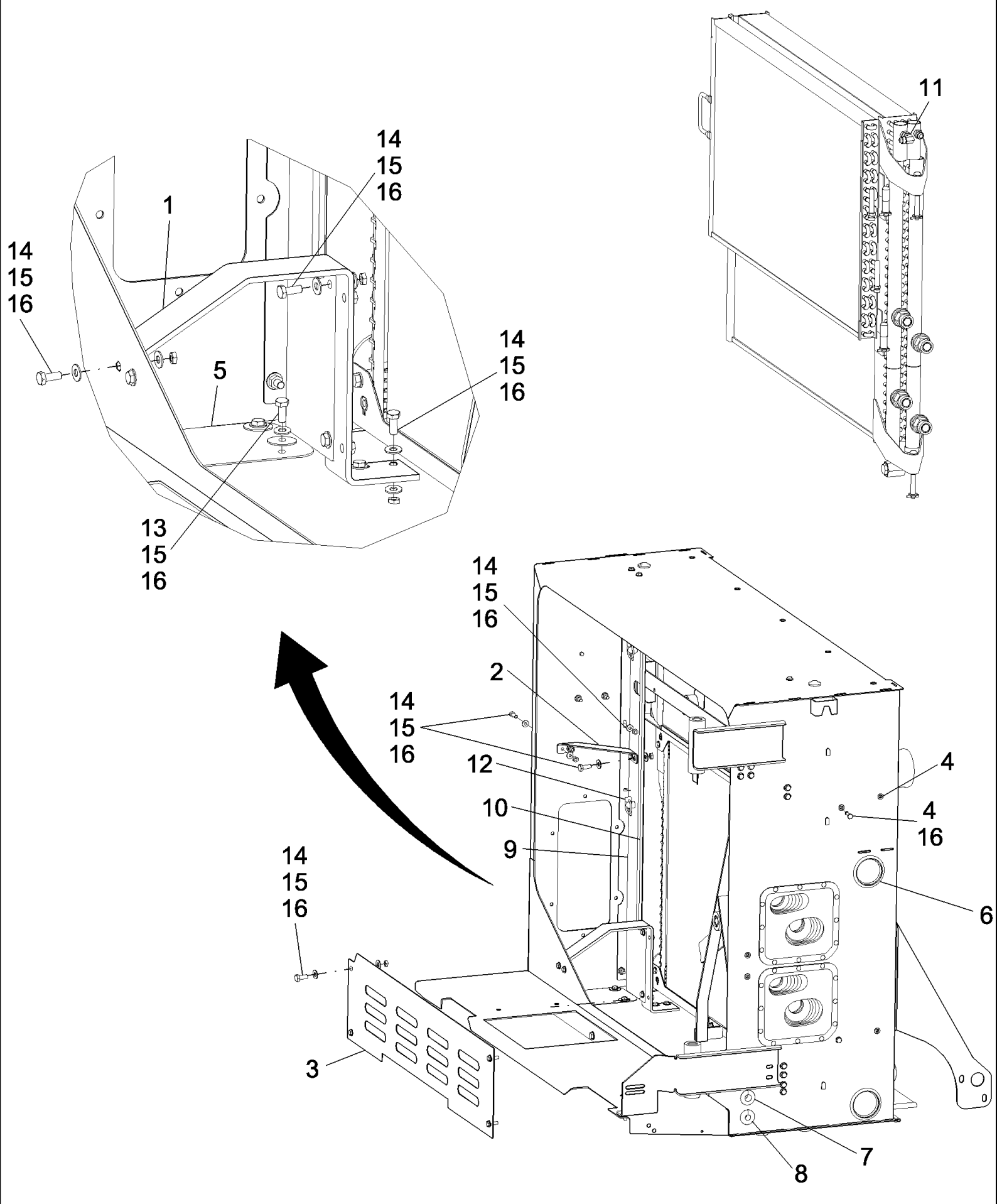
B.50.A.32(02) RADIATOR MOUNTING

сылка	Номер детали	Кол-во	Описание
1	86976584	1	RADIATOR,
2	120069	5	BOLT, Hex, M10 x 50, 8.8,
3	87106857	4	BRACKET, Isomount Spacer
4	86637594	6	WASHER, 13/32" x 1 1/2" x .120",
5	140042	5	WASHER, M10 x 34 x 3,
6	100037	5	NUT, M10 x 1.5, Cl 8,

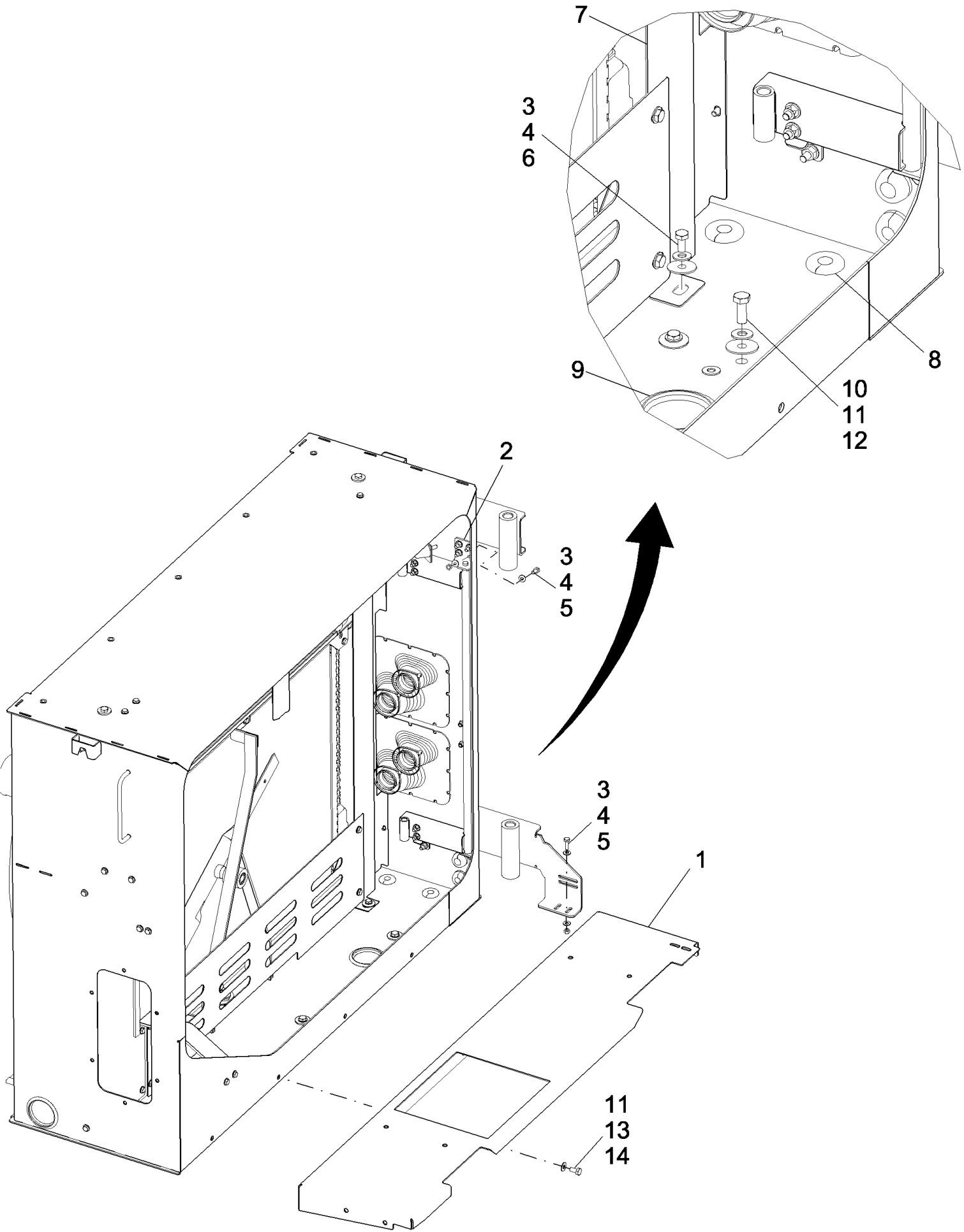


B.50.A.32(03) FAN SHROUD

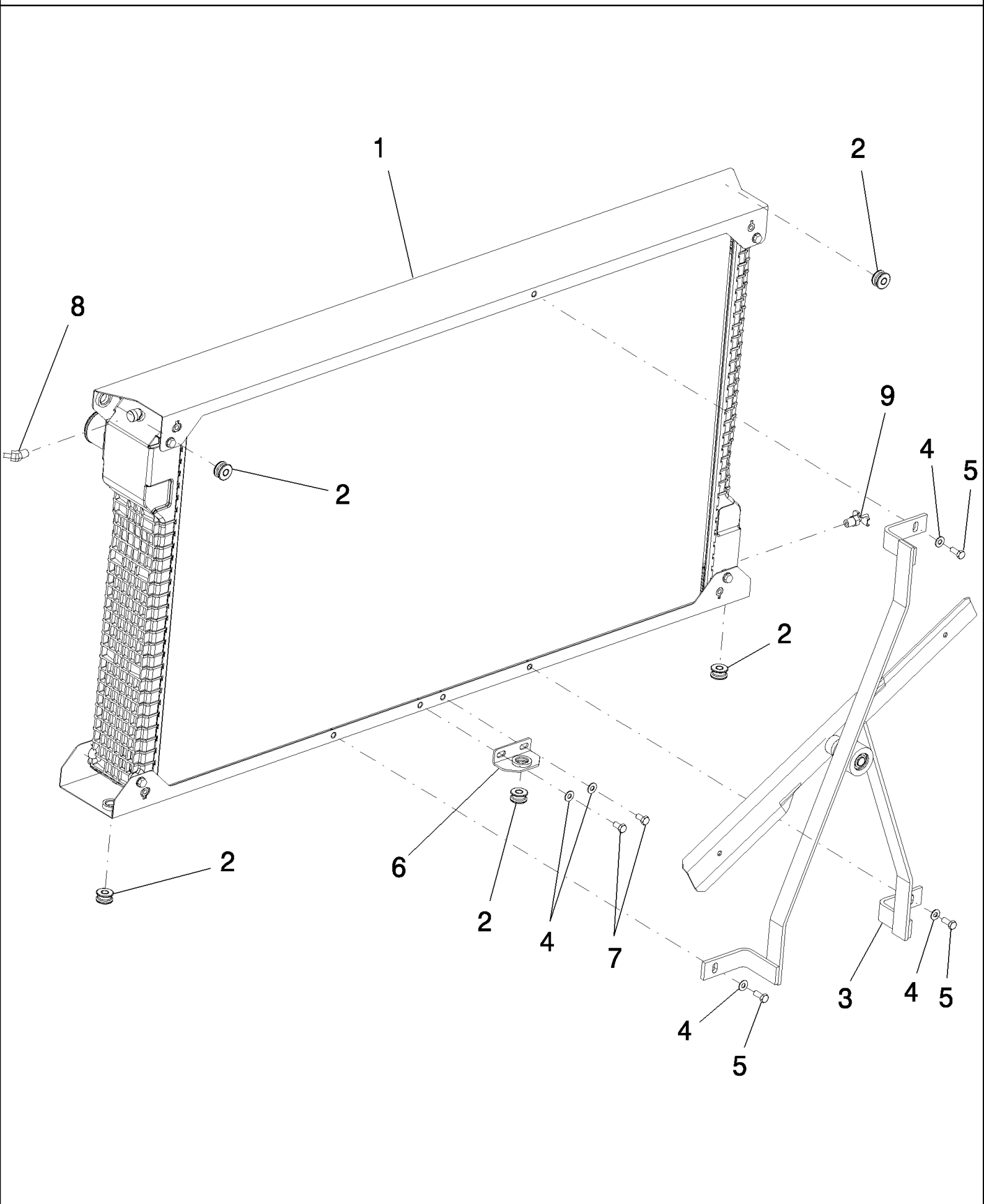
сылка	Номер детали	Кол-во	Описание
1	87109228	1	PANEL, Blockoff
2	87108862	1	SHROUD, LH
3	87108863	1	SHROUD, RH
4	86976590	21	INSERT, 8 mm Well
5	86976968	2	INSERT, 10 mm Well
6	87106648	2	BOOT, Insulator
7	87107418	24	FASTENER, Push
8	140045	4	WASHER, SPRING, Belleville, M10,
9	43140	4	BOLT, Hex, M10 x 30, 8.8, Full Thd,
10	291186	AR	PROTECTION, Edging
11	322358	12	WASHER, SPRING, Belleville, M8,
12	120104	12	BOLT, Hex, M8 x 20, 8.8,
13	86979986	12	WASHER,
14	86976557	1	SUPPORT,
15	86624183	4	WASHER, M6 x 25 x 1.6,
16	322357	4	WASHER, SPRING, Belleville, M6,
17	120100	2	BOLT, Hex, M6 x 20, 8.8,
18	9706755	2	NUT, M6, CI 8,



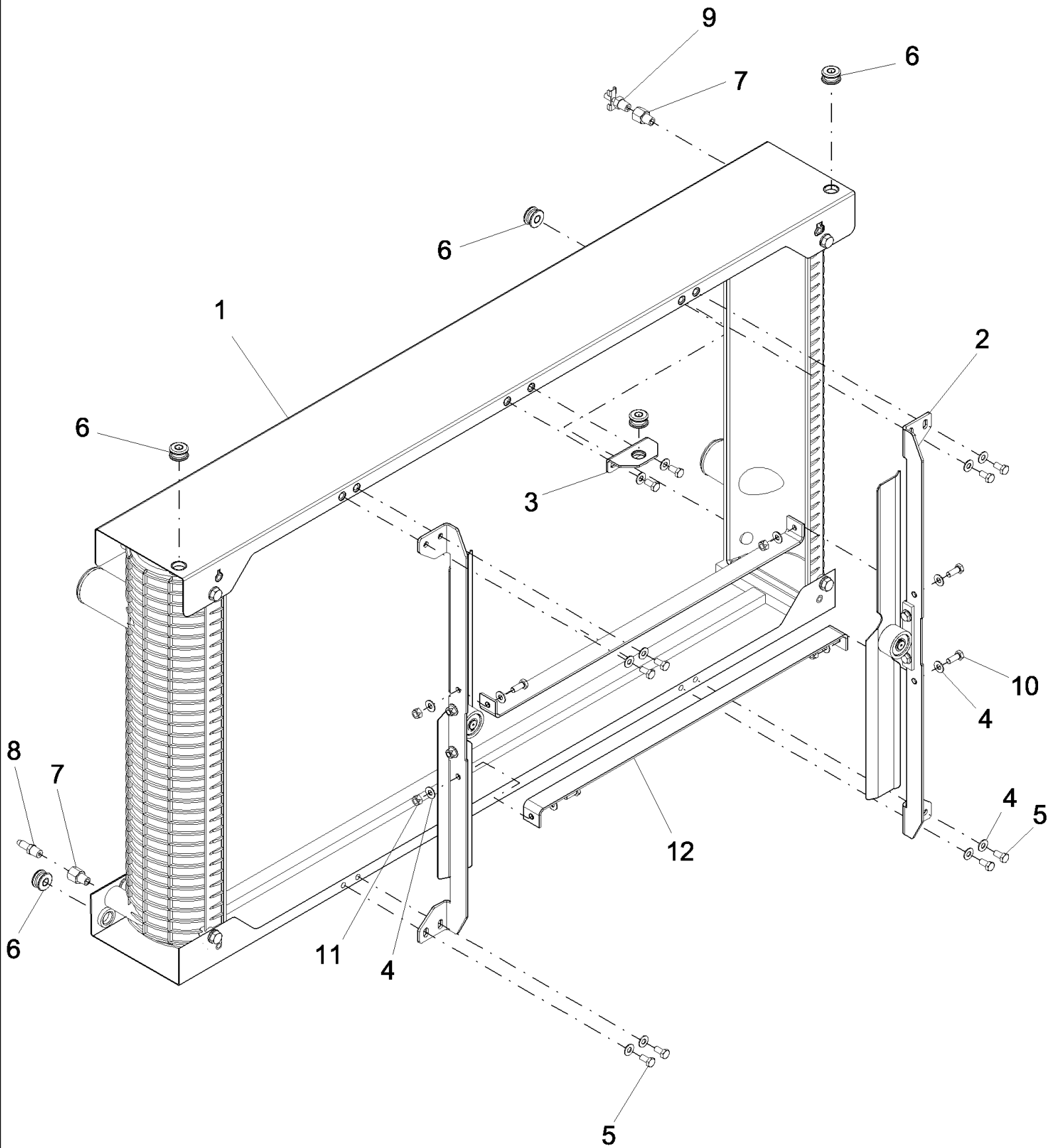
сылка	Номер детали	Кол-во	Описание
1	86976962	1	BRACKET,
2	87105919	1	SUPPORT,
3	87106737	1	PANEL,
4	86976590	6	INSERT, 8 mm Well
5	86976592	1	PLATE,
6	87000778	2	PLUG,
7	86976974	1	GROMMET, Inlet, Condenser
8	87107420	1	GROMMET, Outlet, Condenser
9	87109233	1	PANEL,
10	87106854	1	SEAL, Oil Cooler
11	218-5230	1	ELBOW, 90°, 3/4"-16, 37° x 3/4"-16, 37° Fem Sw,
12	87107423	2	PIN, LINCH,
13	86979986	4	WASHER,
14	9706690	17	NUT, M8, CI 8,
15	322358	38	WASHER, SPRING, Belleville, M8,
16	43127	23	BOLT, Hex, M8 x 25, 8.8,



сылка	Номер детали	Кол-во	Описание
1	87280517	1	PLATFORM,
2	87109155	1	BRACKET, Top Hinge
3	322358	13	WASHER, SPRING, Belleville, M8,
4	43127	7	BOLT, Hex, M8 x 25, 8.8,
5	9706690	6	NUT, M8, CI 8,
6	86979986	1	WASHER,
7	87106215	1	PANEL,
8	87107420	2	GROMMET,
9	87000778	1	PLUG,
10	43140	3	BOLT, Hex, M10 x 30, 8.8, Full Thd,
11	140045	11	WASHER, SPRING, Belleville, M10,
12	86637594	3	WASHER, 13/32" x 1 1/2" x .120",
13	43138	4	BOLT, Hex, M10 x 20, 8.8, Full Thd,
14	100016	4	NUT, M10, CI 8,

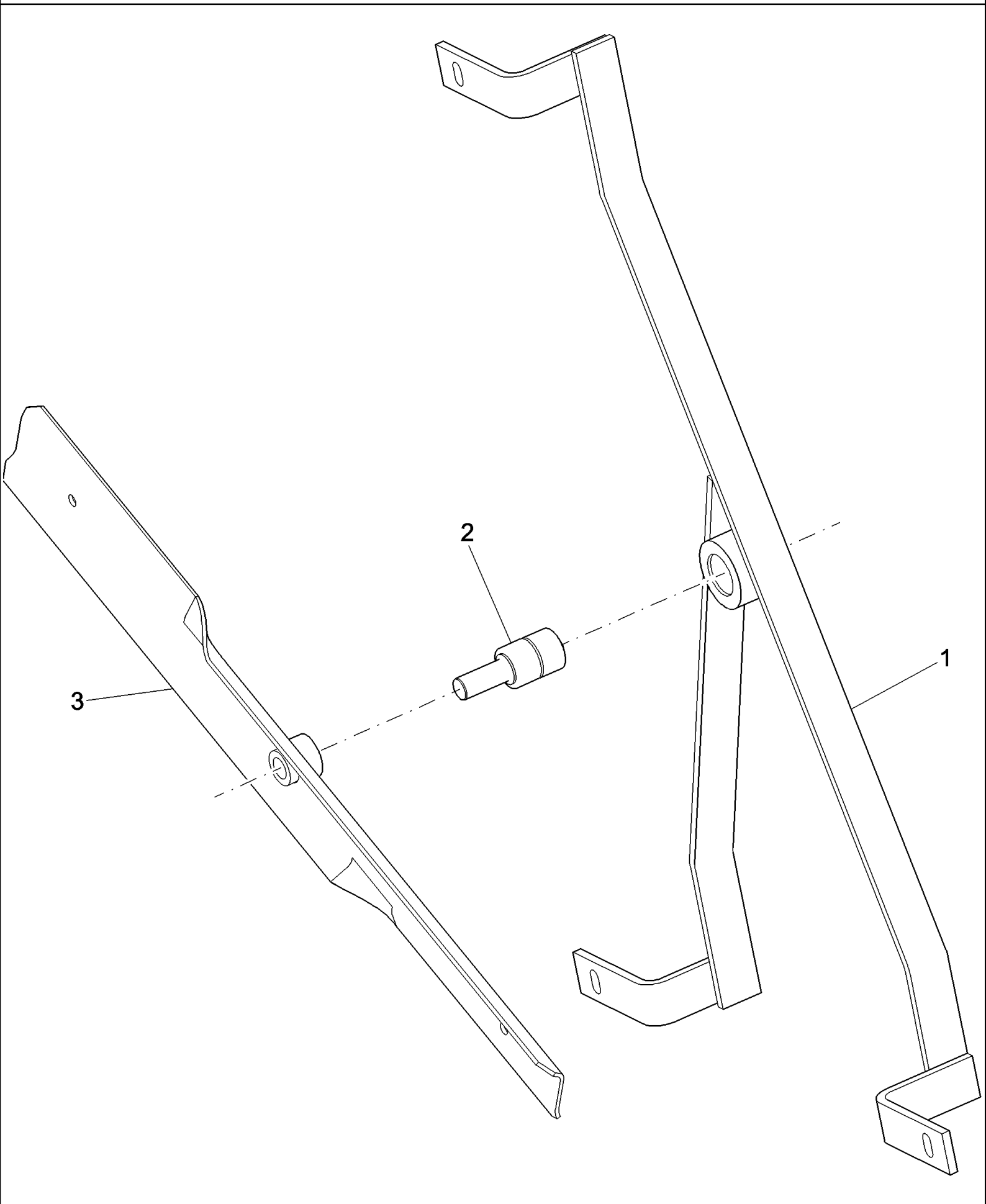


сылка	Номер детали	Кол-во	Описание
1	87281277	1	RADIATOR,
2	86976579	5	ISOLATOR, Center Bonded Isomount
3	86998131	1	BLADE, Complete Assembly
4	322358	5	WASHER, SPRING, Belleville, M8,
5	120104	3	BOLT, Hex, M8 x 20, 8.8,
6	87106644	1	BRACKET, Radiator Isomount
7	120103	2	BOLT, Hex, M8 x 16, 8.8,
8	87026949	1	FITTING, 45e, 5/16" Hose x 1/4" NPTF, Barbed,
9	86625234	1	COCK, DRAIN,

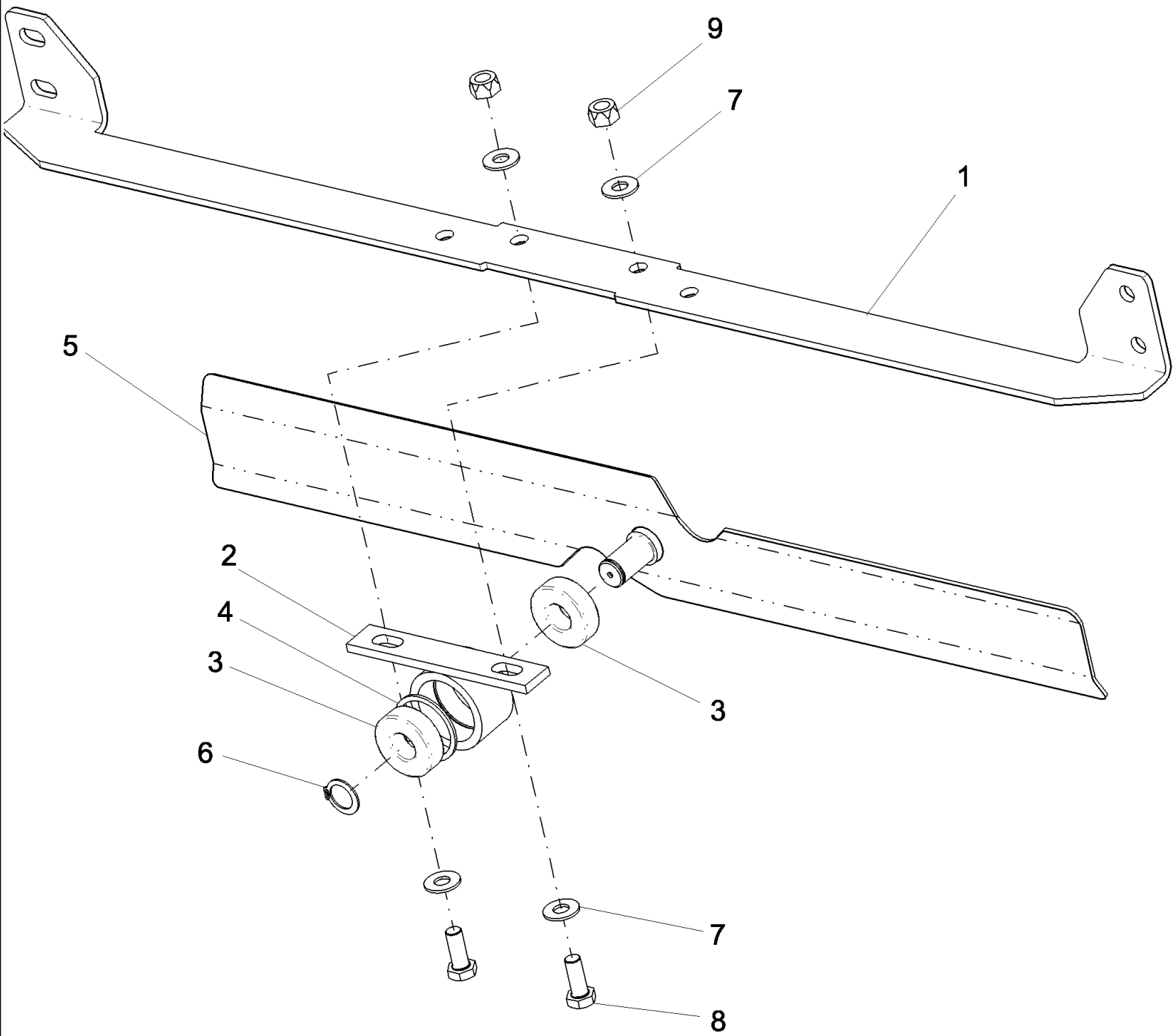


B.50.A.32(07) RADIATOR & DUAL WIPER BLADE ASSEMBLY

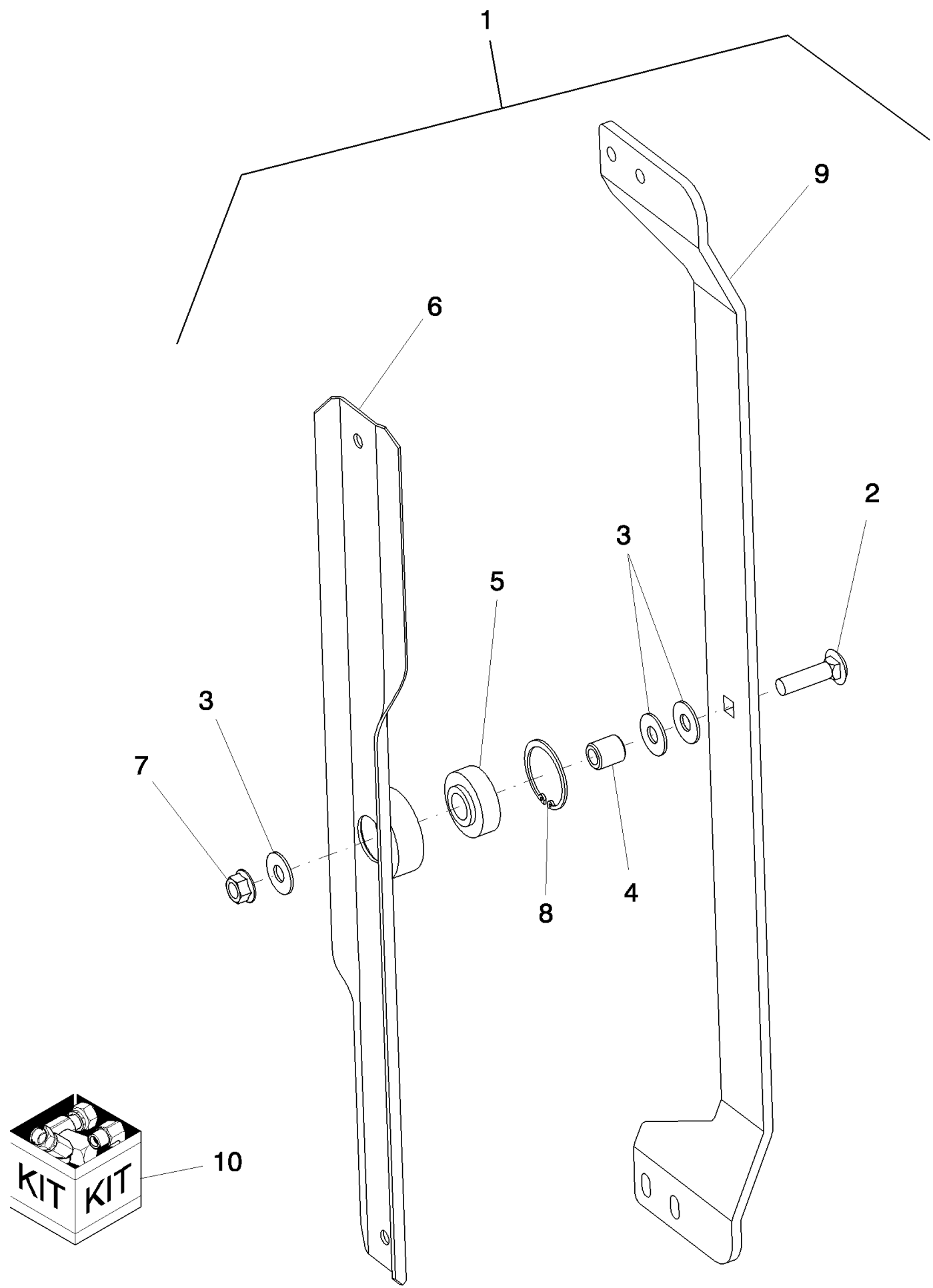
сылка	Номер детали	Кол-во	Описание
1	87284213	1	RADIATOR,
2	87284845	2	BRACKET, CAC Chaff Wiper
3	87106644	1	BRACKET, Radiator
4	322358	18	WASHER, SPRING, Belleville, M8,
5	120103	10	BOLT, Hex, M8 x 16, 8.8,
6	86976579	5	ISOLATOR,
7	87306797	2	ADAPTER, 1/4"-18 Fem NPTF x 1/4"-18 NPTF Male,
8	847367	1	FITTING, 5/16" Hose x 1/4" NPTF, Barbed,
9	86625234	1	COCK, DRAIN,
10	120104	4	BOLT, Hex, M8 x 20, 8.8,
11	86629542	4	NUT, LOCK, M8 x 1.25, CI 8,
12	87360620	2	SUPPORT,



сылка	Номер детали	Кол-во	Описание
1	86975859	1	Bracket
2	86976596	1	BEARING,
3	86976958	1	BLADE,



сылка	Номер детали	Кол-во	Описание
1	87360617	1	SUPPORT, Bearing
2	604599	1	SUPPORT,
3	308803	2	BEARING, BALL,
4	300642	1	RING, SNAP, M35, Int,
5	87284271	1	BLADE, Wiper
6	301615	1	RING, SNAP, Ext. 15 mm
7	322358	4	WASHER, SPRING, Belleville, M8,
8	120104	2	BOLT, Hex, M8 x 20, 8.8,
9	86629542	2	NUT, LOCK, M8 x 1.25, Cl 8,

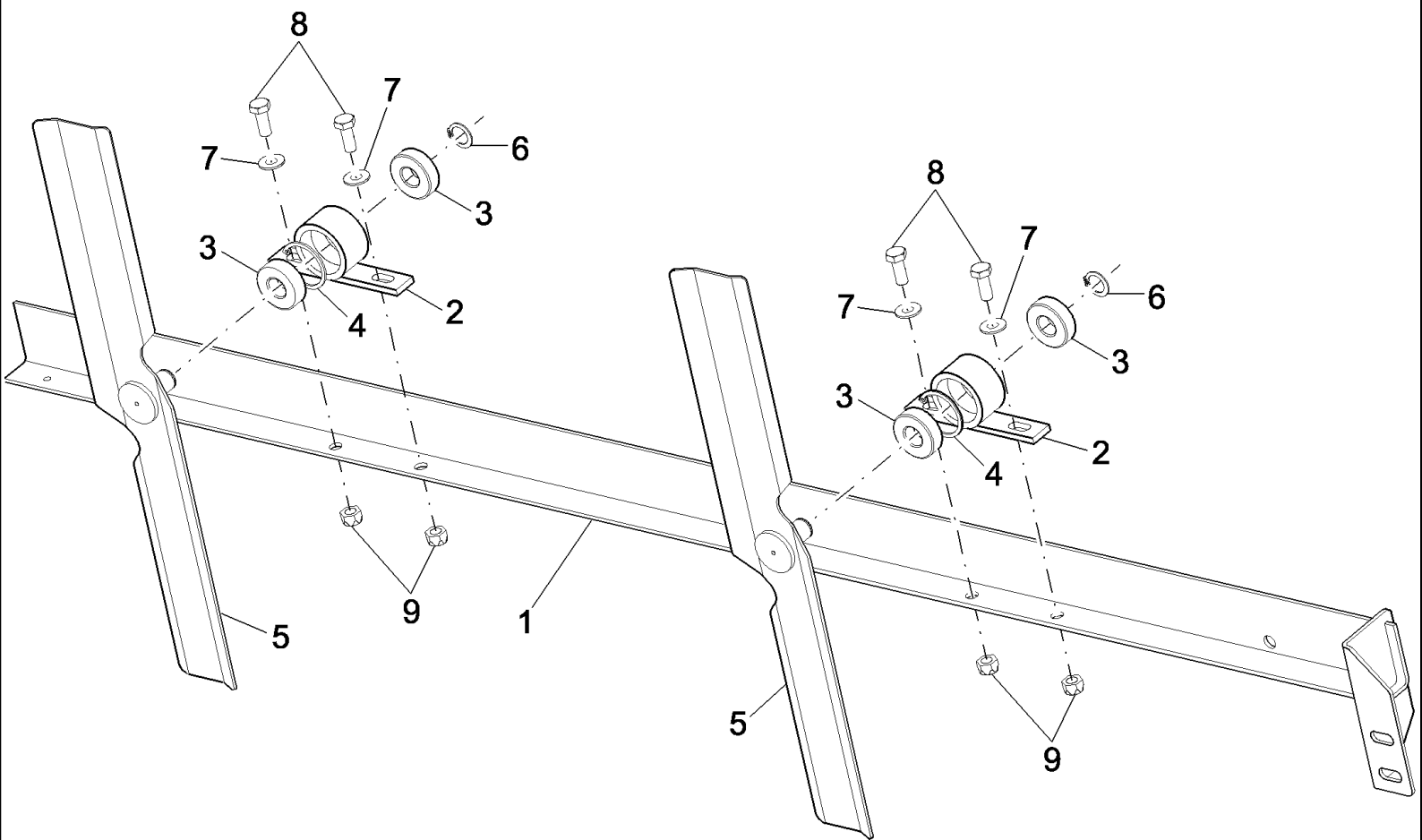


B.50.A.32(10) CHAFF WIPER

сылка	Номер детали	Кол-во	Описание
1	87579726	1	ARM ASSY., Includes: Ref.s 2 Thru 9
2	433-624	1	BOLT, CARRIAGE, Short NK, 3/8"-16 x 1 1/2", G5,
3	495-61041	3	WASHER, 3/8" x 1" x .063",
4	87404683	1	BUSHING,
5	149261C91	1	BEARING, BALL,
6	87579723	1	BLADE,
7	231-5146	1	NUT, Flg, USR, 3/8"-16,
8	100-21156	1	RING, SNAP, 1.562", Int, #156,
9	87579720	1	BRACKET,
10	87584233	1	KIT, SERVICE, Includes: Ref. 1 (2), Bolt 120104 (8), & Lock Washer 322358 (8)

Service Only; Replaces Chaff Wiper Found On Figure b.50.A.32[09]

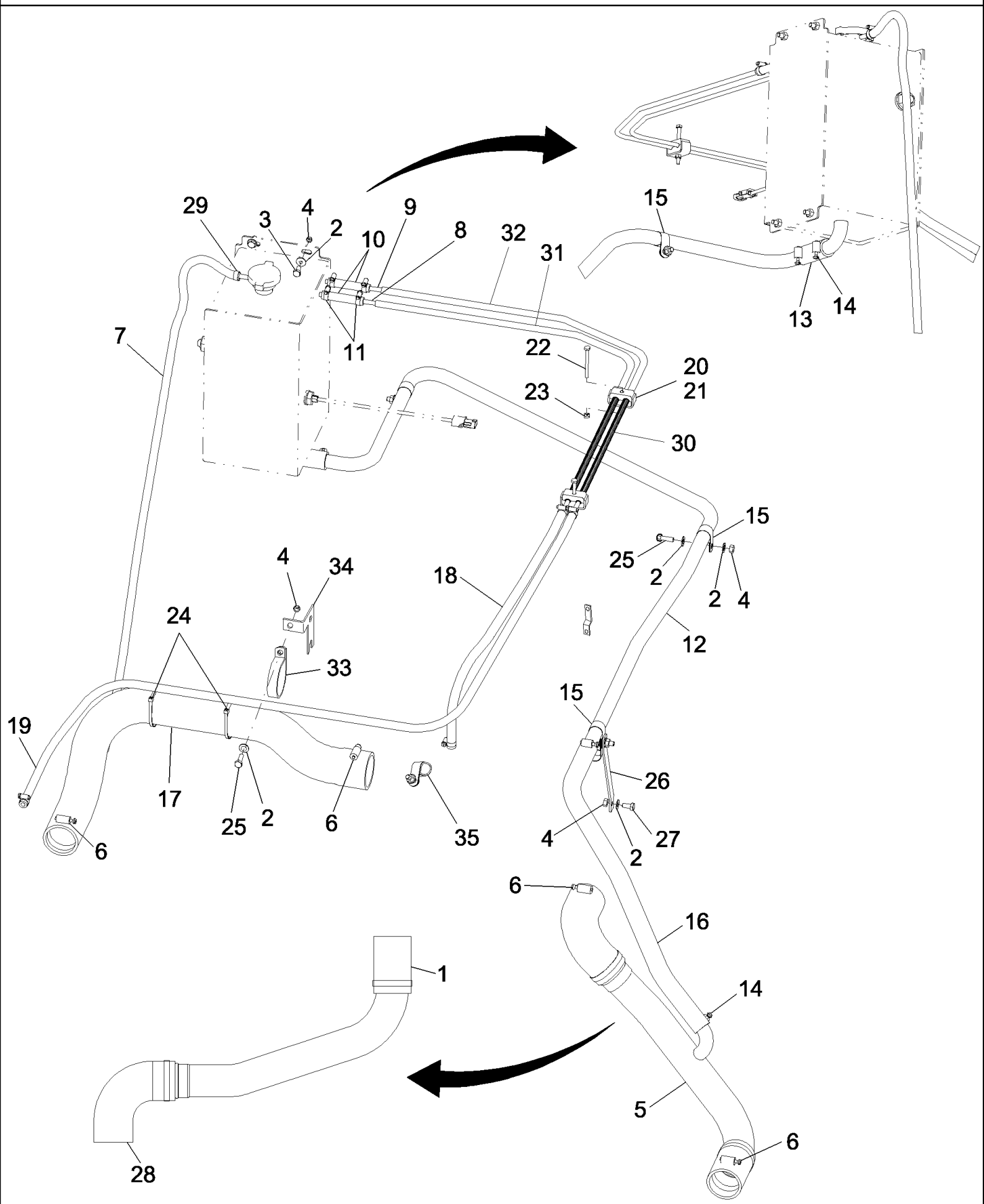
B.50.A.32.65 CHAFF WIPER ASSEMBLY



B.50.A.32.65 CHAFF WIPER ASSEMBLY

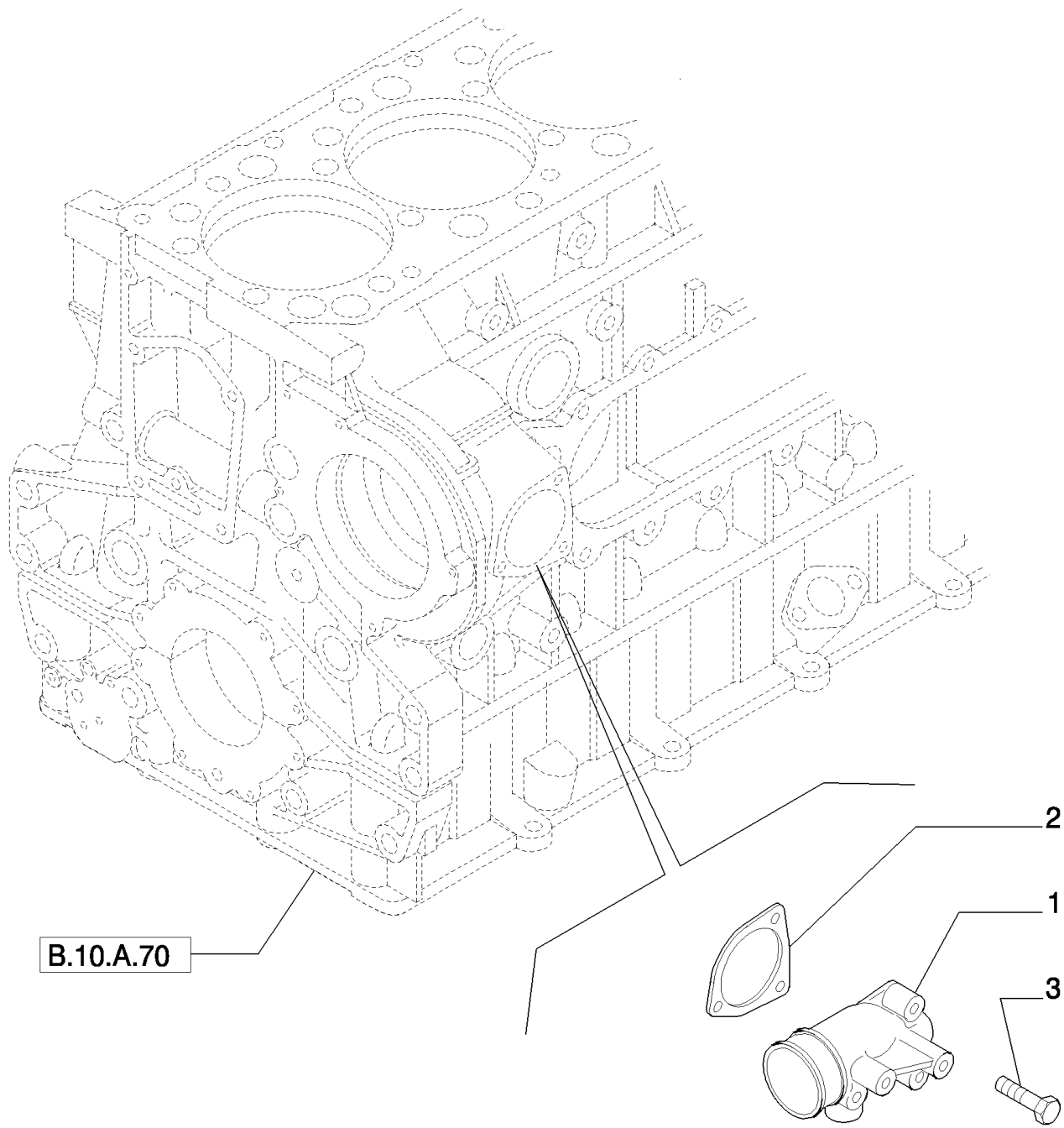
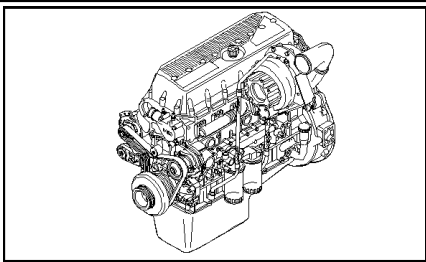
сылка	Номер детали	Кол-во	Описание
1	86976177	1	SUPPORT,
2	604599	2	SUPPORT,
3	308803	4	BEARING, BALL,
4	300642	2	RING, SNAP, M35, Int,
5	86976959	2	BLADE,
6	301615	2	RING, SNAP,
7	322358	4	WASHER, SPRING, Belleville, M8,
8	120104	4	BOLT, Hex, M8 x 20, 8.8,
9	832-46408	4	NUT, LOCK, M8 x 1.25, CI 8,

B.50.A.36 COOLANT LINES

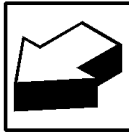


B.50.A.36 COOLANT LINES

сылка	Номер детали	Кол-во	Описание
1	87402765	1	HOSE,
2	322358	AR	WASHER, SPRING, Belleville, M8,
3	120104	AR	BOLT, Hex, M8 x 20, 8.8,
4	9706690	AR	NUT, M8, CI 8,
5	86976405	1	TUBE, Includes Ref. 1 & 28
5	87284665	1	TUBE, Includes Ref. 1 & 28, ASN HAJ105758
6	214-3148	4	CLAMP, HOSE, 2.25/3.125 HD Worm, Same as 86633352
7	PL	AR	PROCURE LOCALLY, Hose
8	87109017	1	TUBE, Deaeration Vent
9	87109018	1	TUBE, Deaeration Vent
10	87109023	2	HOSE, Deaeration Connection
11	913888	9	CLAMP, HOSE, Hose
12	87281668	1	TUBE, Deaeration - Replaced 87109214
13	87109022	1	HOSE, Deaeration Supply
14	507586	4	CLAMP, HOSE, #20, 0.81/1.75 Type F Worm,
15	9827902	AR	CLAMP, 1", Insul, 3/8" Bolt,
16	87109215	1	HOSE, Deaeration Supply
17	87109073	1	HOSE, Radiator
17	87284666	1	HOSE, Radiator, ASN HAJ105758
18	87109074	1	HOSE, Deaeration Vent
19	87109075	1	HOSE, Deaeration Vent
19	87284698	1	HOSE, Deaeration Vent, ASN HAJ105758
20	430357	4	CLAMP,
21	431941	2	SUPPORT,
22	86508569	2	BOLT, Hex, M6 x 70, 8.8,
23	353308	2	NUT, LOCK, M6 x 1, CI 8,
24	86566990	AR	STRAP, CABLE,
25	43127	AR	BOLT, Hex, M8 x 25, 8.8,
26	87281676	1	BRACKET, Hose - Replaced 87109225
27	120103	1	BOLT, Hex, M8 x 16, 8.8,
28	86976412	1	HOSE,
29	86566989	1	STRAP, CABLE,
30	87283961	2	INSULATOR,
31	87283962	1	INSULATOR,
32	87283963	1	INSULATOR,
33	87302918	1	CLAMP, 2 3/4", Insul, 3/8" Bolt, , ASN HAJ105758
34	87284821	1	BRACKET, , ASN HAJ105758
35	86594406	1	CLAMP, 5/8", Insul, 3/8" Bolt, , ASN HAJ105758



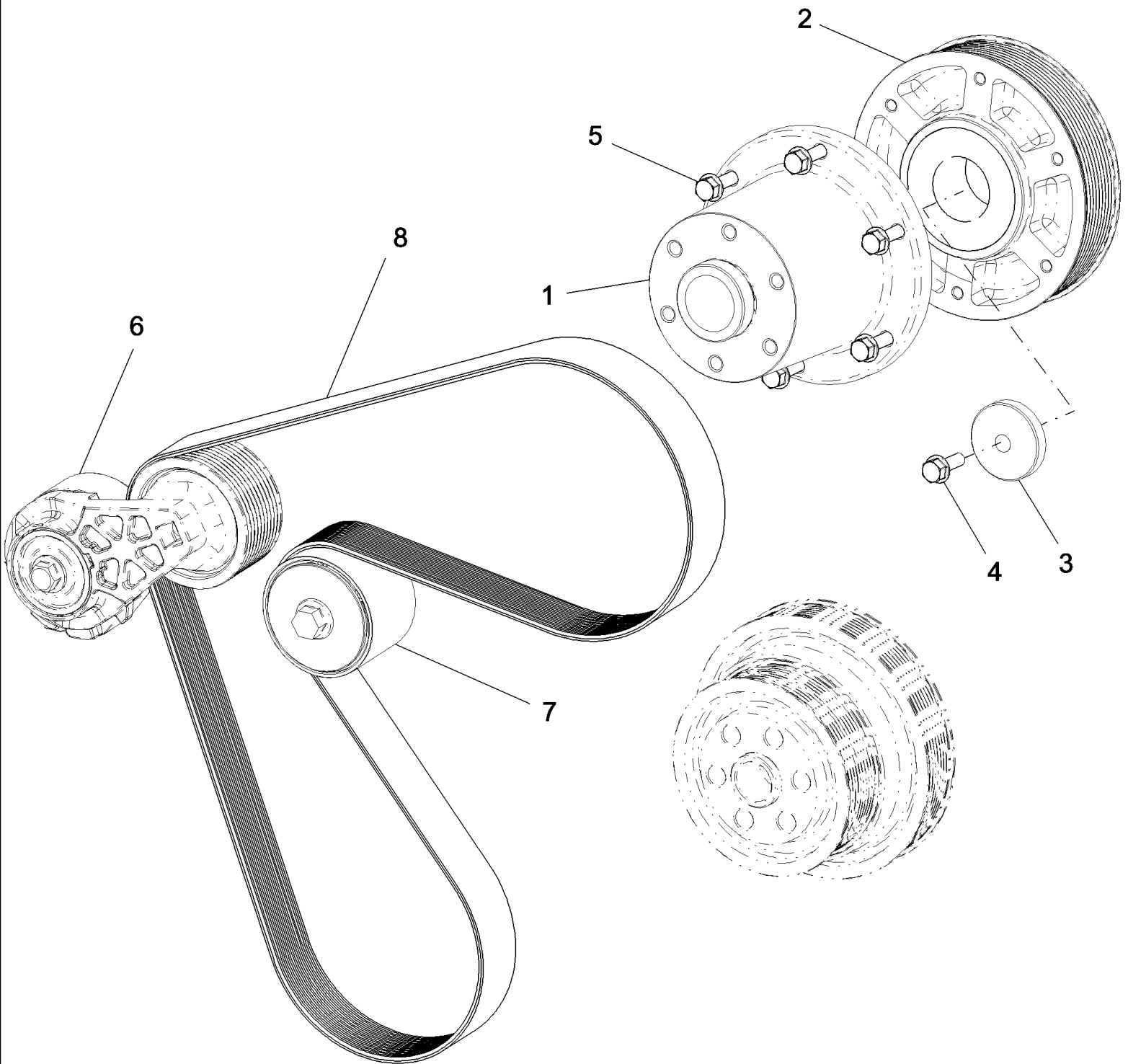
B.10.A.70



AFX8010 AXIAL-FLOW COMBINE (3/03-9/06)

B.50.A.38 WATER PUMP PIPES (500387449)

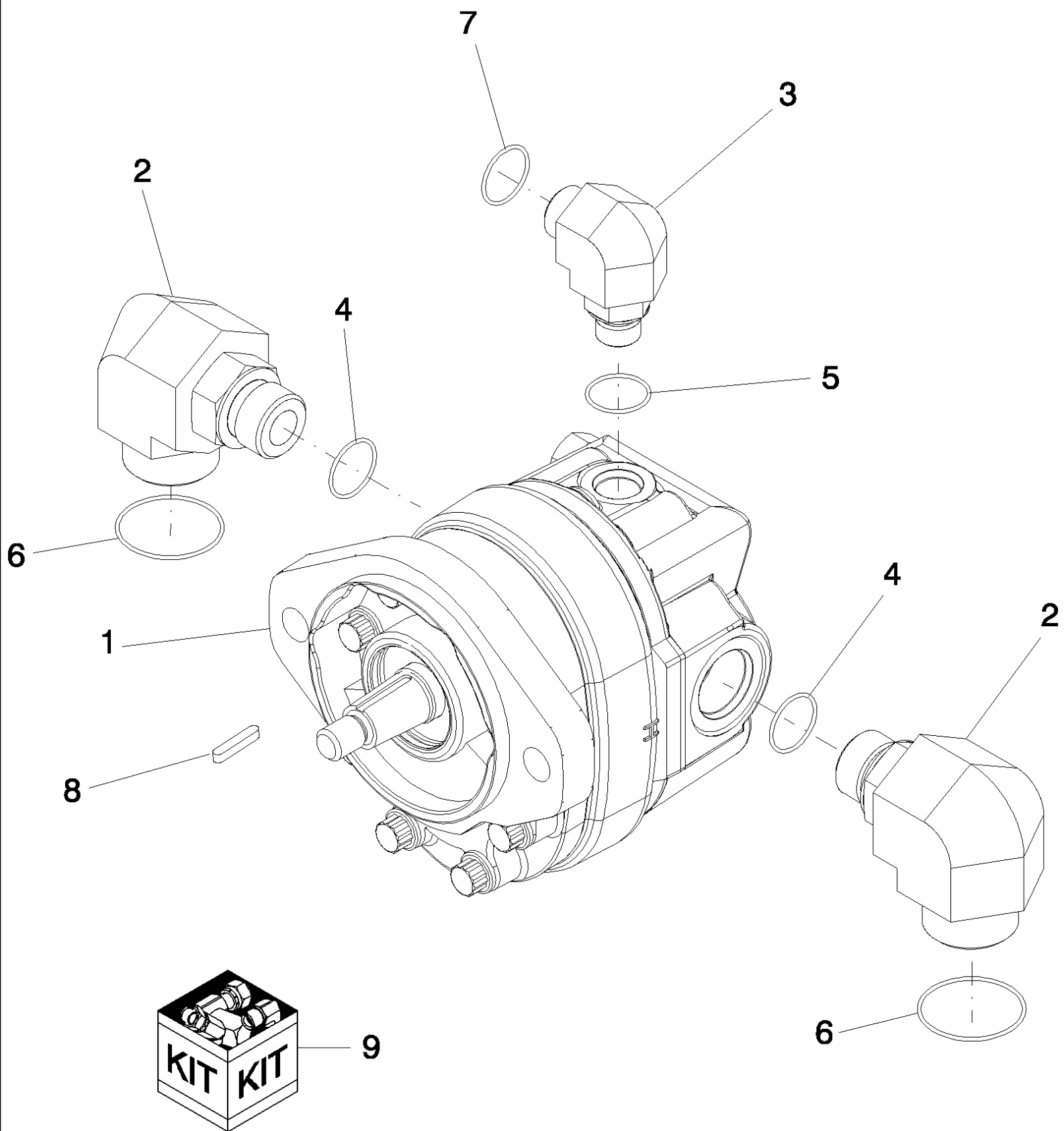
сылка	Номер детали	Кол-во	Описание
1	500373280	1	OUTLET, Water Pump
2	99466940	1	GASKET,
3	16674934	2	SCREW, M8 x 80
3	16674434	1	SCREW,



AFX8010 AXIAL-FLOW COMBINE (3/03-9/06)

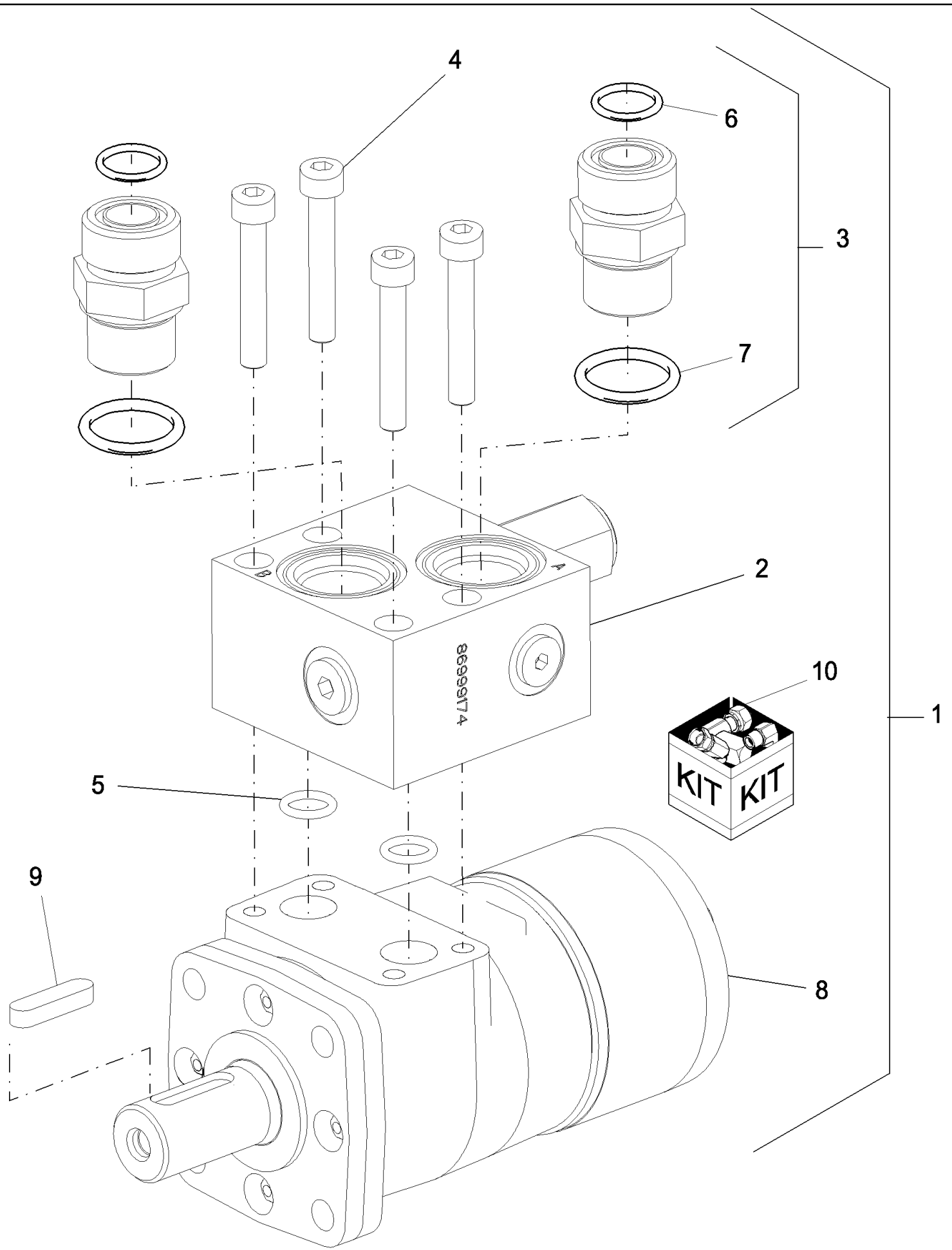
B.50.A.54 TENSIONER, BELT (99478707- 99472043)

сылка	Номер детали	Кол-во	Описание
1	504078614	1	SPACER, Fan
2	504079720	1	PULLEY, Fan Drive - Includes 98427607
2	98427607	AR	BEARING ASSY,
3	99474237	1	WASHER,
4	16676635	1	SCREW,
5	16673834	6	SCREW,
6	504078069	1	TENSIONER, BELT,
7	504078065	1	IDLER,
8	504078068	1	BELT, Fan Drive - Tier 3, ASN HAJ106401
8	87282305	1	BELT, Fan Drive, For NA Only

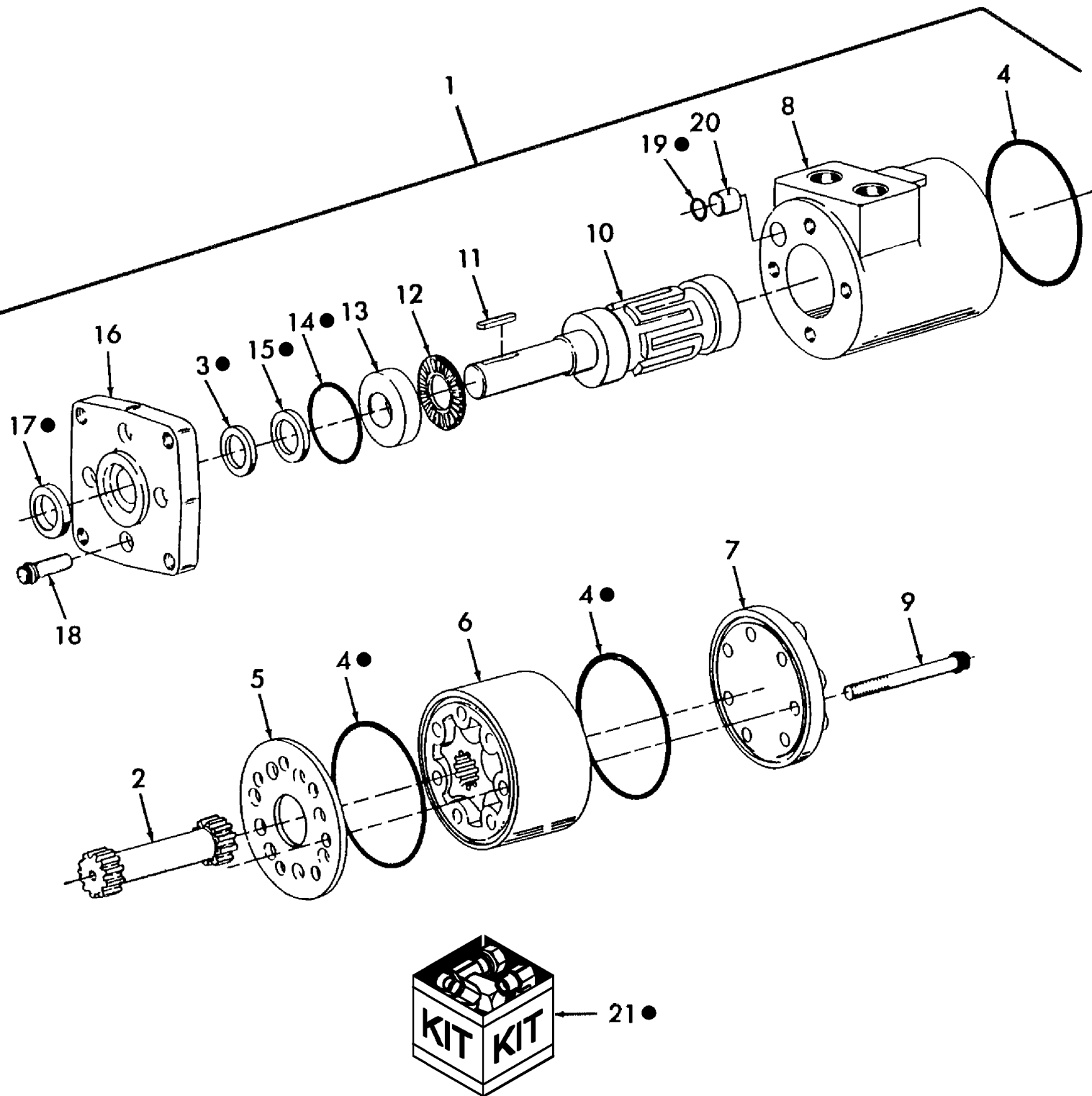


B.50.A.58.01 MOTOR, ROTARY SCREEN

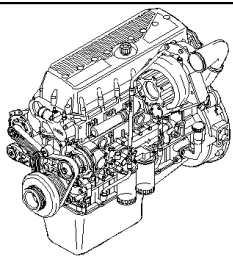
сылка	Номер детали	Кол-во	Описание
1	87352868	1	MOTOR, HYDRAULIC,
2	86579695	2	ELBOW,
3	86579686	1	ELBOW, 90°, 1 1/16"-18 ORFS x M14 x 1.5 ORB,
4	86598102	2	O-RING, CI 6, 19.3MM ID x 2.2 Thk,
5	86598099	1	O-RING, CI 6, 11.3MM ID x 2.2 Thk,
6	9991976	2	O-RING, -018, 90 Duro, .739" ID x .070" Thk,
7	9993141	1	O-RING, -012, 90 Duro, .364" ID x .070" Thk,
8	8040487	1	KEY,
9	87530092	1	KIT, SEALS,



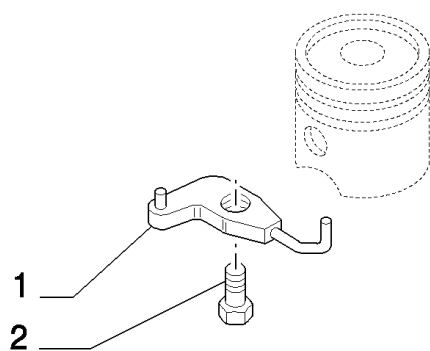
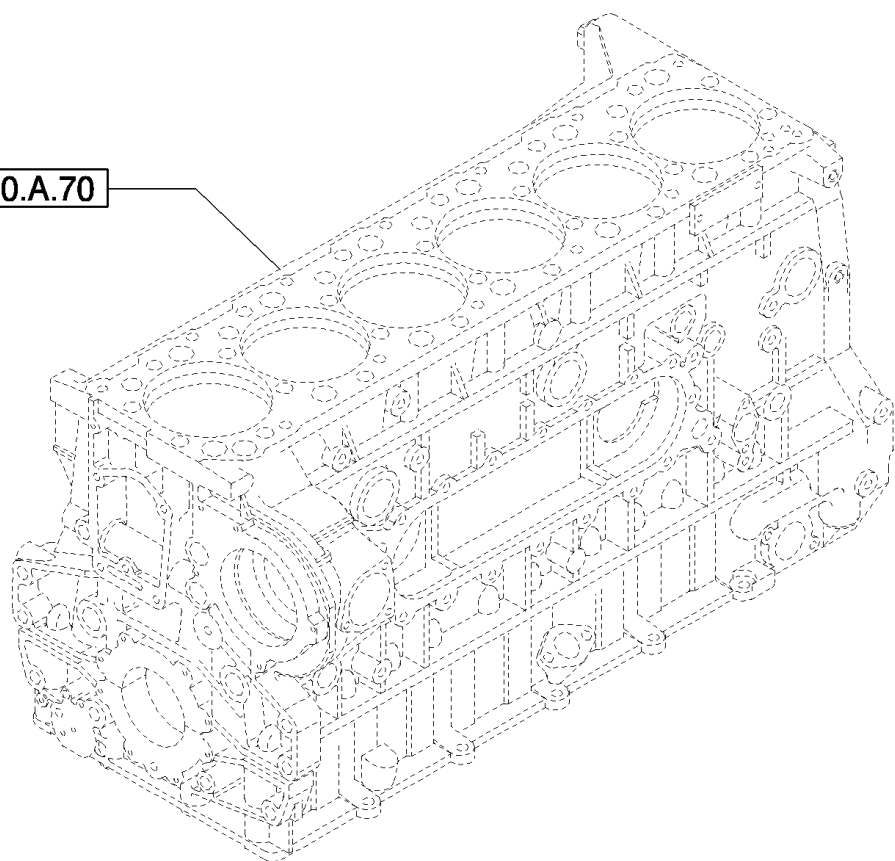
сылка	Номер детали	Кол-во	Описание
1	86999176	1	MOTOR, HYDRAULIC,
2	86999174	1	VALVE, PRESSURE RELIEF,
3	86579682	2	CONNECTOR, HYD., 1 3/16"-12 ORFS x M27 x 2 ORB,
4	73170457	4	SCREW, Hex Soc Hd, M8 x 50, 8.8,
5	272344	2	O-RING, -112, 90 Duro, .487" ID x .103" Thk,
6	9824051	2	O-RING, -025, 90 Duro, 1.176" ID x .070" Thk,
7	86598103	2	O-RING, CI 6, 23.6MM ID x 2.9 Thk,
8	86995688	1	MOTOR, HYDRAULIC,
9	170030	1	KEY, M8 x 7 x 32, Par,
10	9807617	1	KIT, SEALS, Motor



сылка	Номер детали	Кол-во	Описание
1	86995688	1	MOTOR, HYDRAULIC,
2	NSS	1	NOT SERVICED SEPARATELY, Drive
3	9620580	1	GASKET, Back-Up
4	277739	3	O-RING, Seal, Oil
5	527746	1	
6	NSS	1	NOT SERVICED SEPARATELY, Set
7	527737	1	End
8	NSS	AR	NOT SERVICED SEPARATELY, Housing
9	NSS	7	NOT SERVICED SEPARATELY, Cap, 12 Point Drive Head, 5/16"-24 x 2-7/8"
10	NSS	1	NOT SERVICED SEPARATELY, Output
11	170030	1	KEY, M8 x 7 x 32, Par,
12	527739	1	BEARING, THRUST,
13	527745	1	RACE,
14	277738	1	O-RING,
15	9620579	1	SEAL, Oil, 1.042" ID x .126" Thk
16	NSS	1	NOT SERVICED SEPARATELY, Flange, Mounting
17	527741	1	SEAL, Dust
18	518979	4	SCREW, Cap, 12 Pt, 5/16"-24 x 7/8"
19	9620577	1	O-RING,
20	9620576	1	
21	9807617	AR	KIT, SEALS,



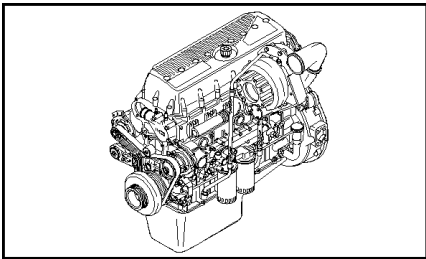
B.10.A.70



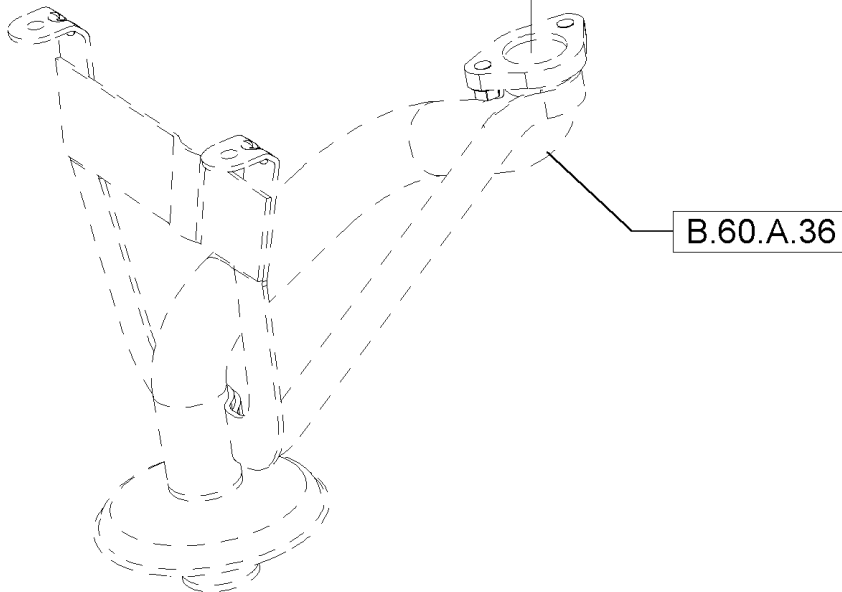
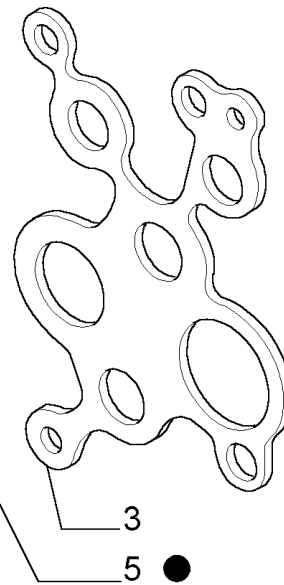
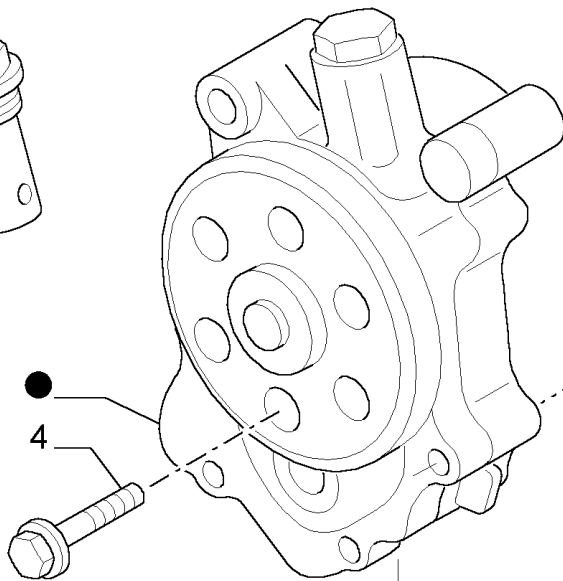
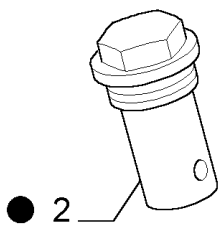
AFX8010 AXIAL-FLOW COMBINE (3/03-9/06)

B.60.A CYLINDER BARREL LUBRICATION NOZZLE (99483075)

сылка	Номер детали	Кол-во	Описание
1	99435597	6	NOZZLE, LUB. OIL JET,
1	504026207	6	NOZZLE, LUB. OIL JET, Tier 3, ASN HAJ106401
2	99474718	6	BOLT, BANJO, M12 x 1.5



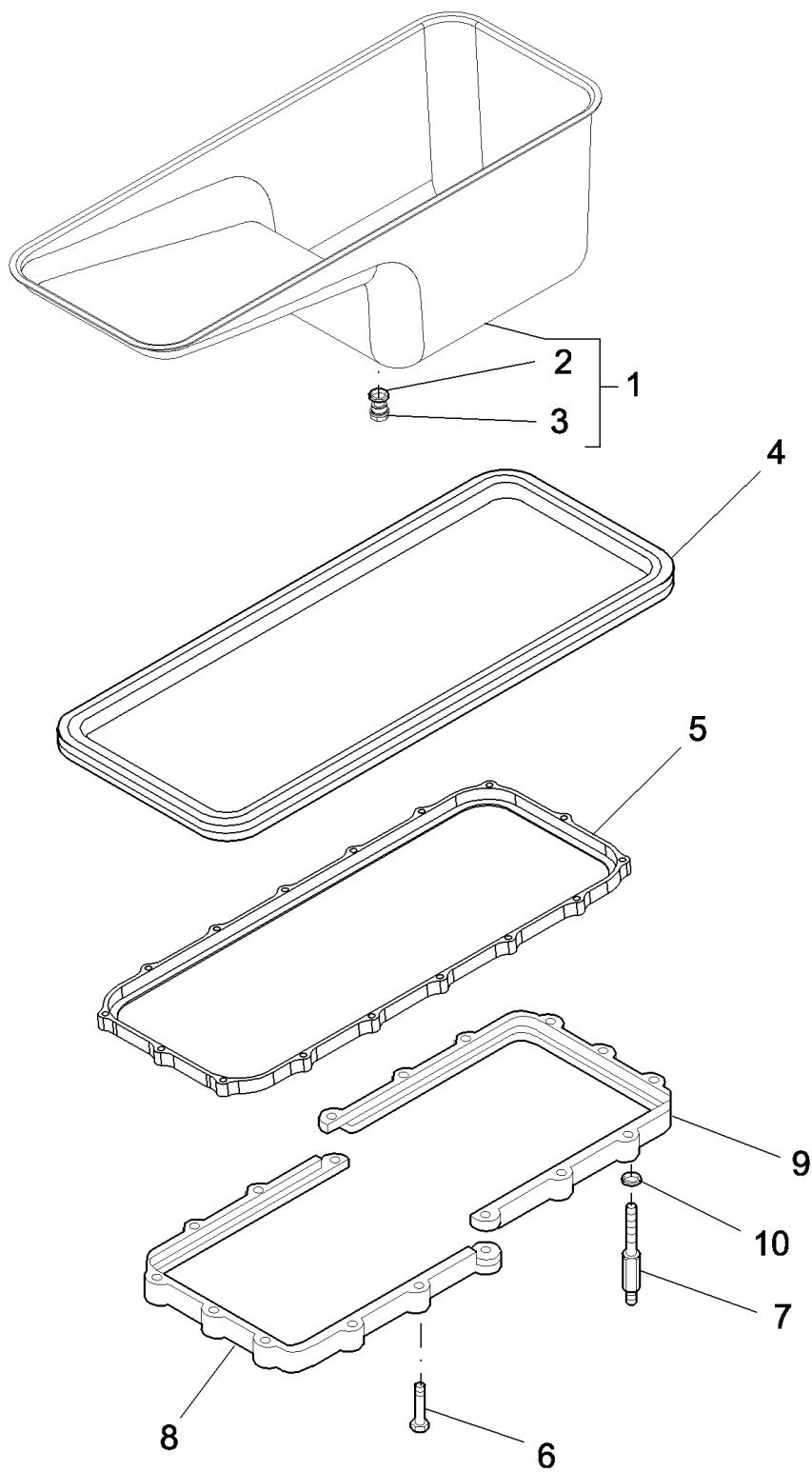
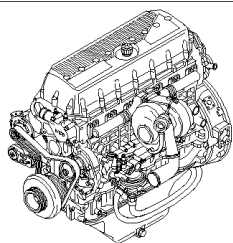
● = 1



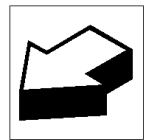
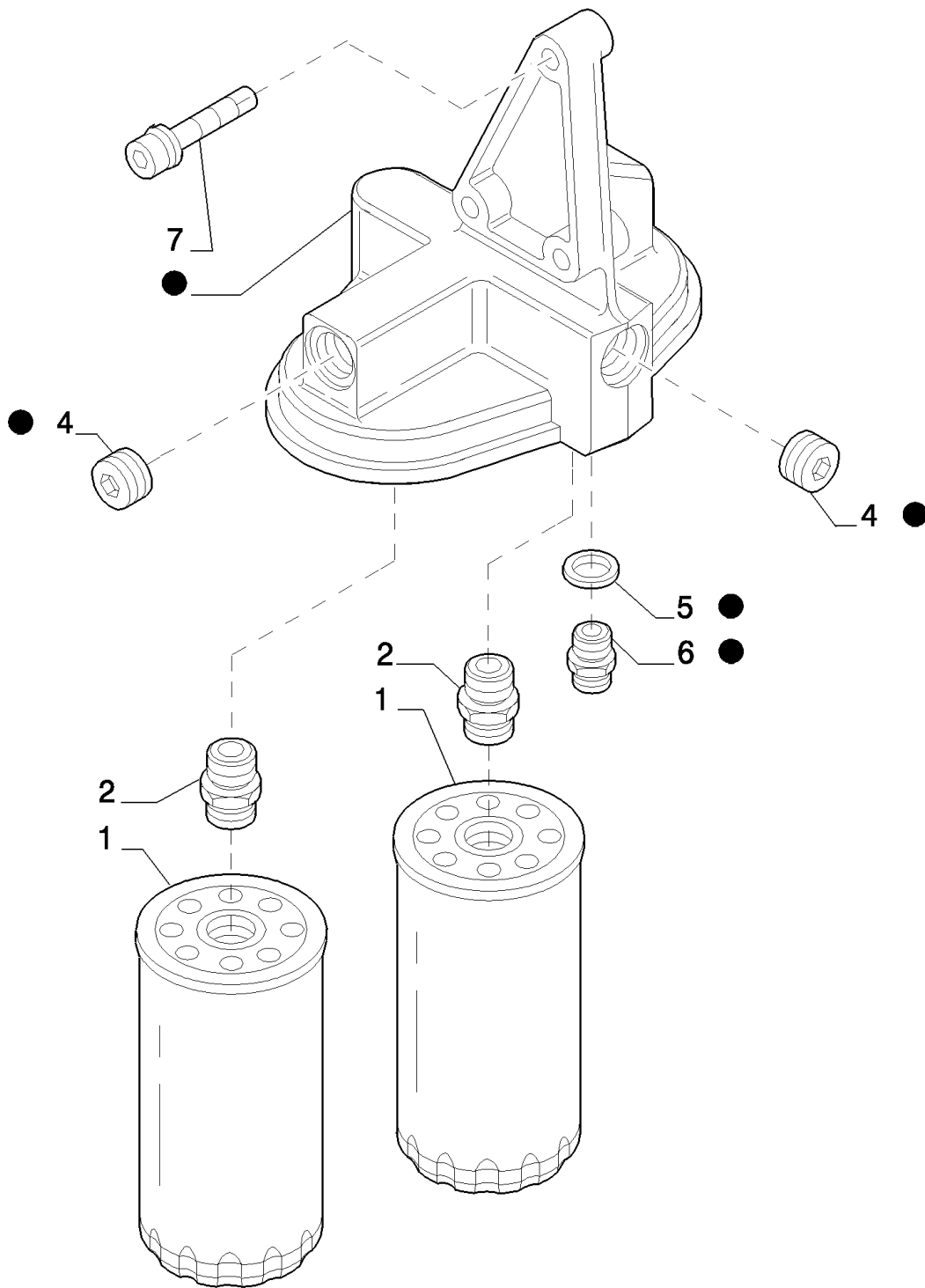
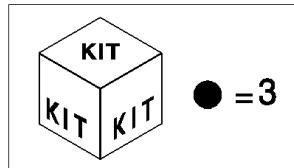
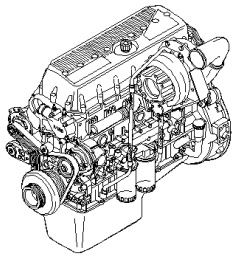
AFX8010 AXIAL-FLOW COMBINE (3/03-9/06)

B.60.A.20 PUMP, ENGINE OIL & RELATED PARTS (99469333)

сылка	Номер детали	Кол-во	Описание
1	99468458	1	PUMP, ENGINE OIL,
2	500359679	1	VALVE, SAFETY,
3	99452273	1	GASKET,
4	16592424	3	SCREW, M8 x 65
4	16586624	1	SCREW, M8 x 35
4	16586625	1	SCREW, Tier 3, ASN HAJ106401
5	16690924	3	SCREW, M8 x 40



сылка	Номер детали	Кол-во	Описание
1	500336615	1	PAN, ENGINE OIL, Assy
2	99489022	1	WASHER, SEALING, D=22 mm
3	16992611	1	PLUG, M22 x 1.5
4	504028001	1	GASKET,
5	99468496	1	Spacer
6	16587524	AR	SCREW, M10 x 45
7	504005577	AR	PROP,
8	99468498	1	SPACER, , ASN HAJ106401
9	99468497	1	SPACER, , ASN HAJ106401
10	17095024	AR	WASHER, Tier 3, ASN HAJ106401

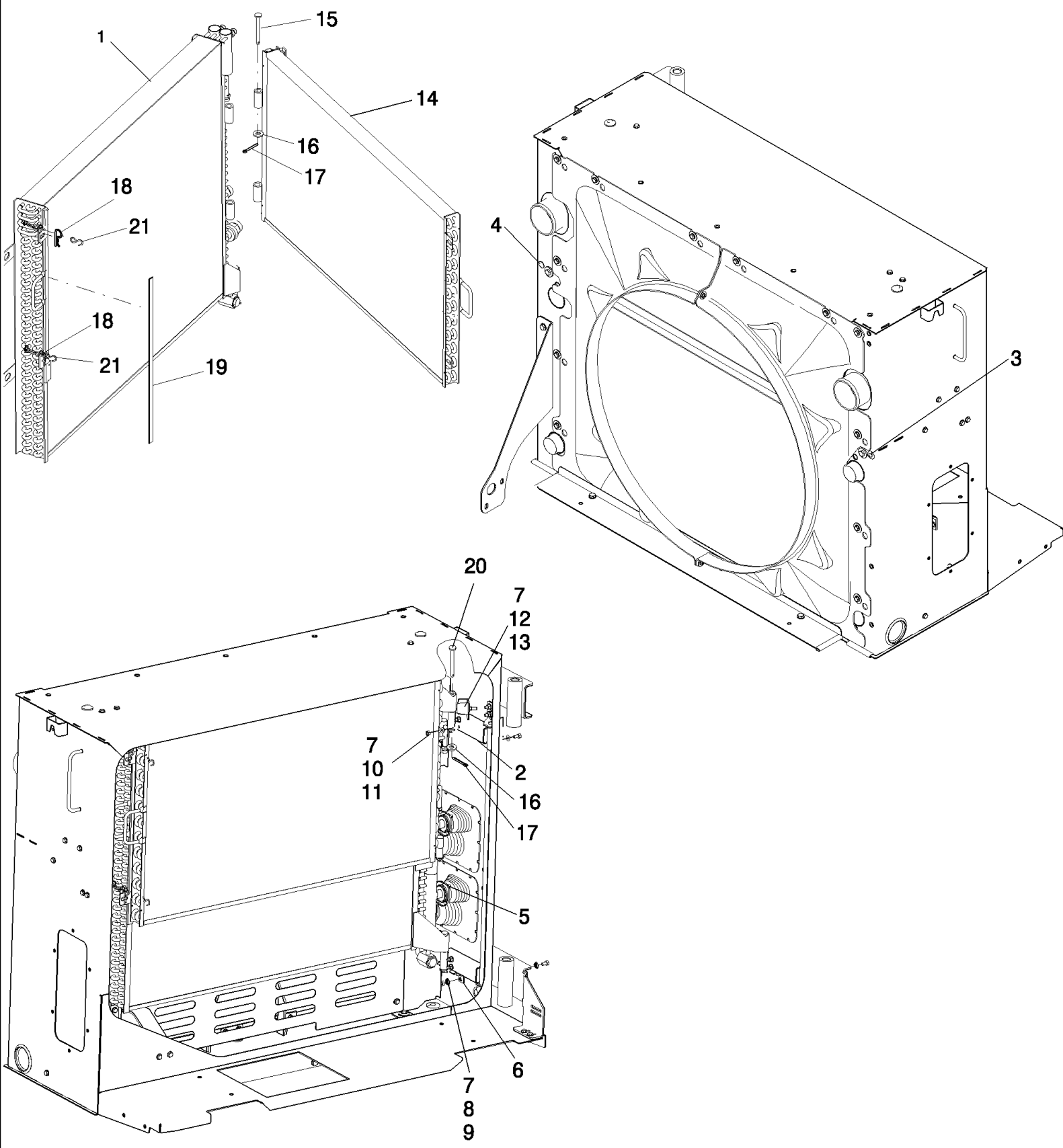


AFX8010 AXIAL-FLOW COMBINE (3/03-9/06)

B.60.A.24 FILTER, ENGINE OIL (504037241)

сылка	Номер детали	Кол-во	Описание
1	84818743	2	FILTER, ENGINE OIL,
2	99431947	2	CONNECTOR, HYD., M30 x 20
3	504033726	1	HEAD, FILTER, Assy
4	99430692	2	PLUG,
5	99434480	1	GASKET,
6	504037176	1	FITTING,
7	504010370	3	SCREW,

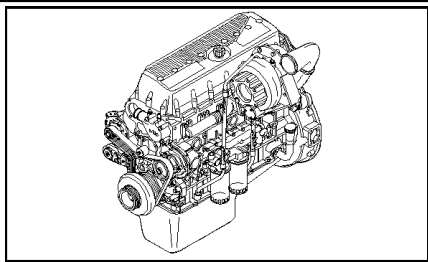
B.60.A.32(1) COOLER FRAME



B.60.A.32(1) COOLER FRAME

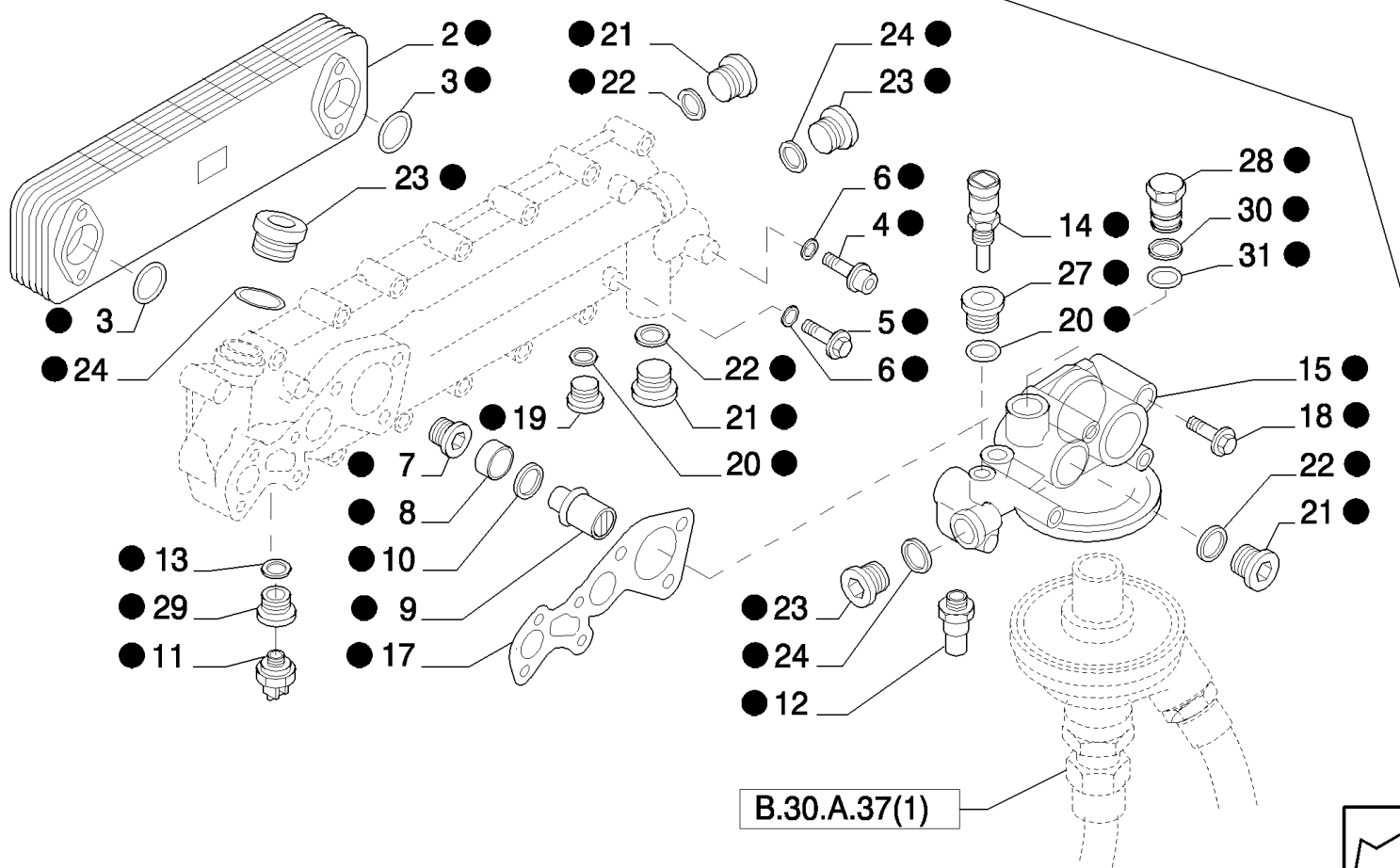
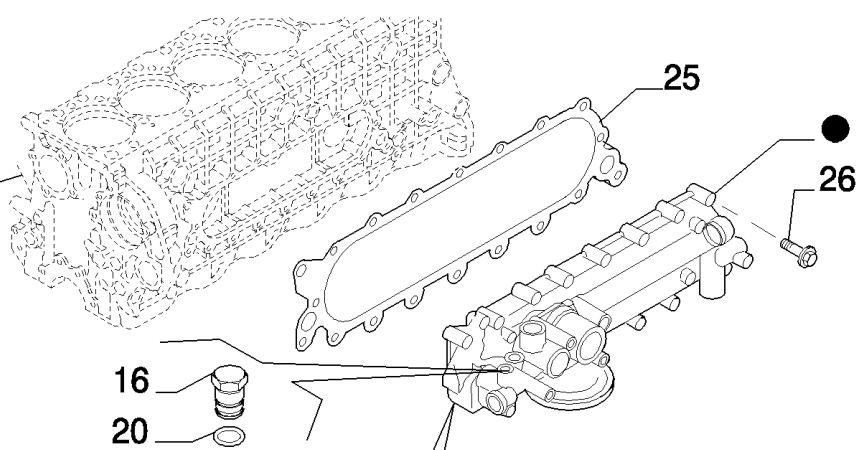
сылка	Номер детали	Кол-во	Описание
1	87106640	1	COOLER, OIL,
2	87109151	1	HINGE,
3	86637777	1	GROMMET, 1/2" ID x 13/16" Groove Dia, Diag Cut,
4	86979988	1	PLUG, Dome, .812" hole, Nylon,
5	86566990	4	STRAP, CABLE,
6	87109187	1	BRACKET,
7	322358	13	WASHER, SPRING, Belleville, M8,
8	43127	2	BOLT, Hex, M8 x 25, 8.8,
9	9706690	2	NUT, M8, CI 8,
10	120061	4	BOLT, Hex, M8 x 60, 8.8,
11	832-46408	4	NUT, LOCK, M8 x 1.25, CI 8,
12	87109195	1	BUMPER, Rubber
13	9635082	1	NUT, 5/16"-18, G5,
14	87106641	1	CONDENSER,
15	86979987	2	PIN, HEADED, 1/2" x 3", G5,
16	140018	4	WASHER, M12 x 24 x 2.5,
17	394818	4	PIN, SPLIT (COTTER), M5 x 25,
18	87106855	2	PIN, Hairpin with Tether
19	87282055	1	SEAL, RUBBER,
20	87019656	2	PIN, HEADED, 1/2" x 5",
21	87280365	1	HOOK, Retaining

B.60.A.32(2) ENGINE OIL COOLER

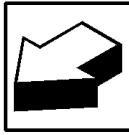


● = 1

B.10.A.72(2)

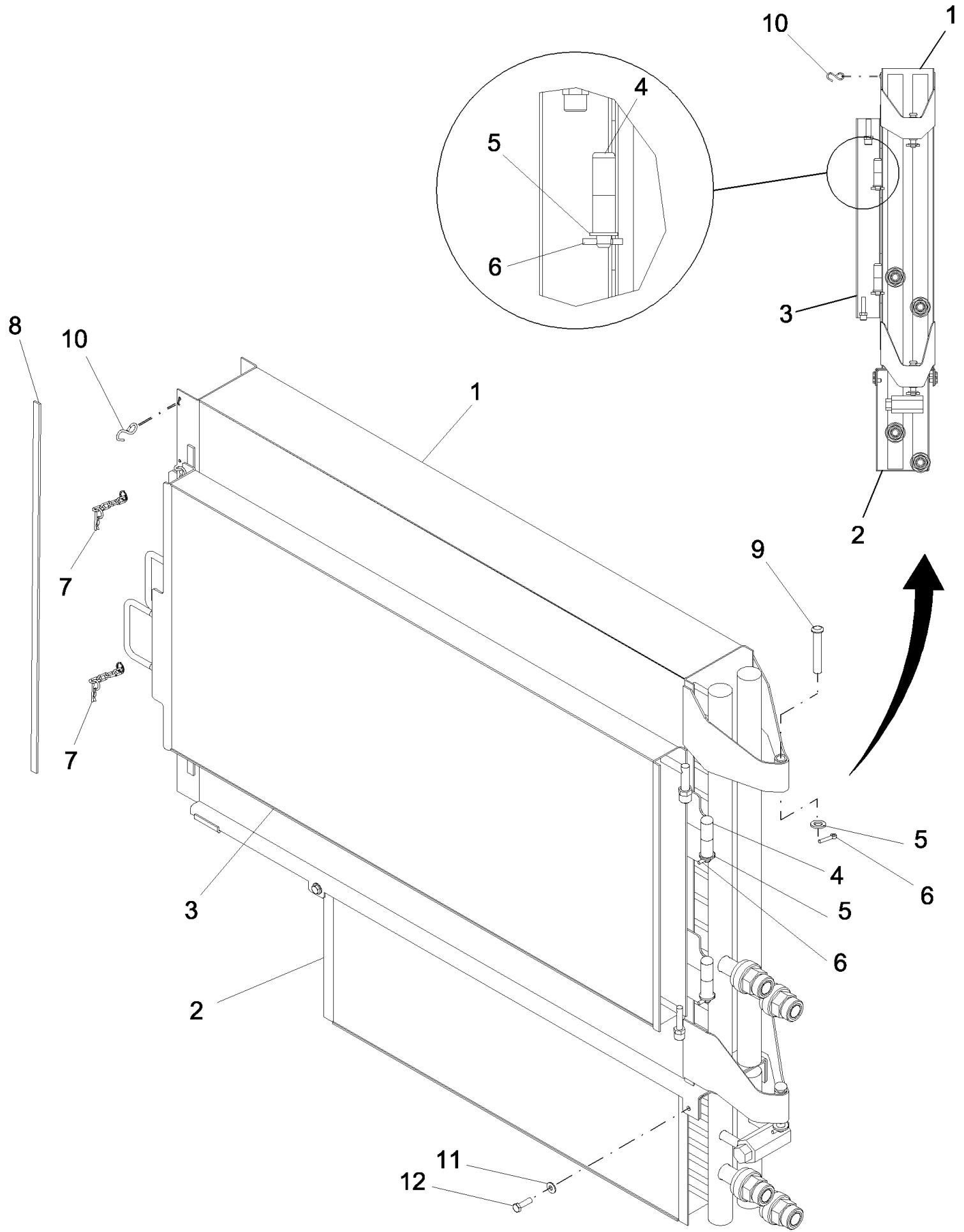


B.30.A.37(1)



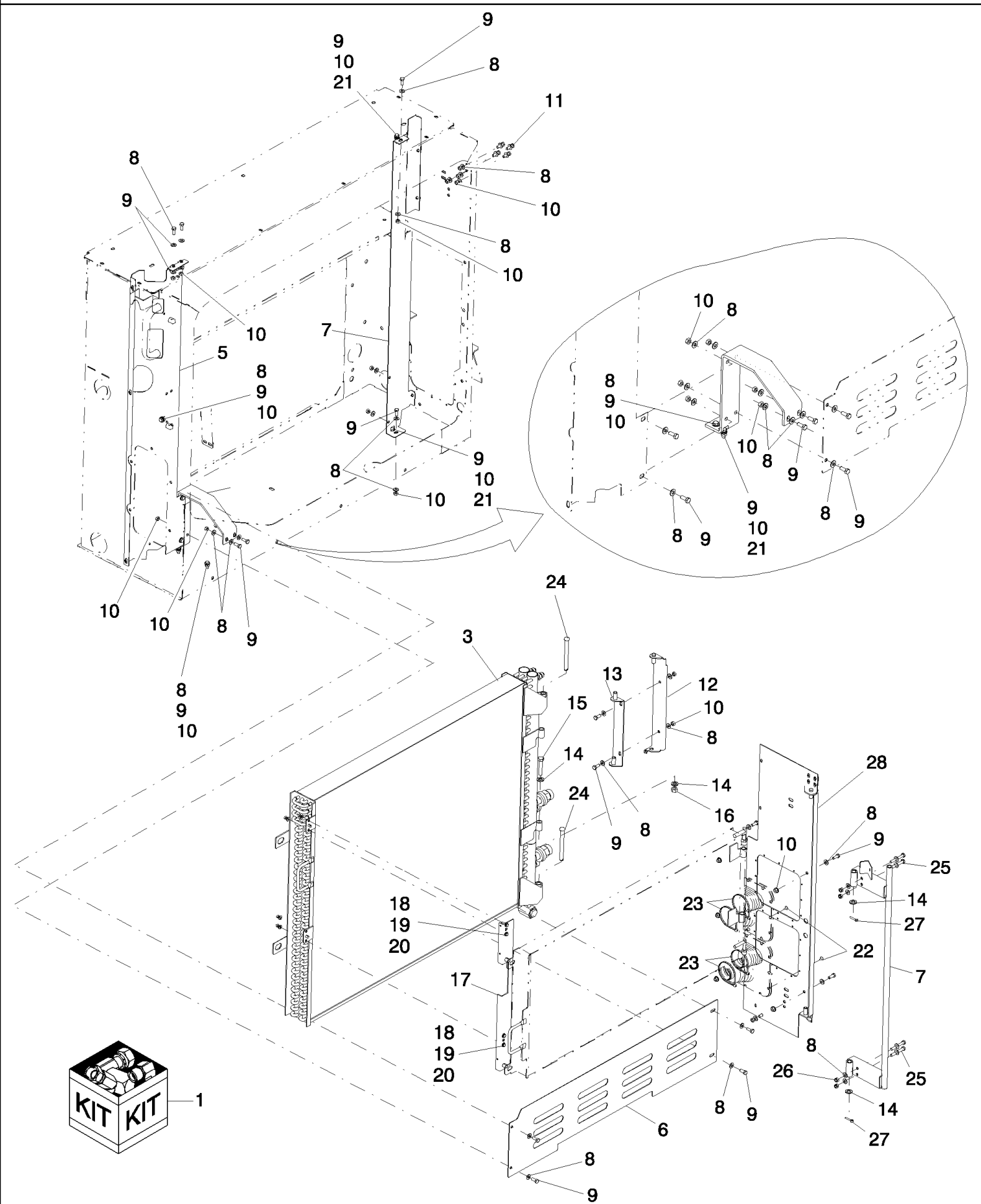
B.60.A.32(2) ENGINE OIL COOLER

сылка	Номер детали	Кол-во	Описание
1	504015758	1	HEAT EXCHANGER, Assy
1	504139734	1	HEAT EXCHANGER, Assy - Tier 3, ASN HAJ106401
2	99434989	1	COOLER, OIL,
3	17283581	2	O-RING, D=44.12 x 2.62 mm
4	16586624	3	SCREW, M8 x 35
4	16586625	3	SCREW, M8 x 35 - Tier 3, ASN HAJ106401
5	16586924	2	SCREW, M8 x 50
6	99489014	4	WASHER, SEALING,
6	98474303	4	WASHER, SEALING, Tier 3, ASN HAJ106401
7	99433799	1	PLUG,
8	99433798	1	SPACER,
9	98498322	1	VALVE, HYDRAULIC,
10	98494952	1	GASKET,
11	500377533	1	SENDER UNIT, Oil Pressure Sensor
12	98445111	1	SWITCH, Oil Temperature - BORLETTI
12	98442879	1	SWITCH, Oil Temperature - SIPEA
13	99489018	1	WASHER, SEALING, D=12 mm
14	500382599	1	SENSOR, Coolant Temperature
14	16992415	1	PLUG, Tier 3, ASN HAJ106401
15	504013552	1	SUPPORT,
16	4741616	1	BOLT, BANJO,
17	504013562	1	GASKET,
18	16598224	AR	SCREW, M8 x 90
19	16992411	1	PLUG, M16 x 1.5
19	16992415	1	PLUG, Tier 3, ASN HAJ106401
20	99489019	AR	WASHER, SEALING, D=6 x 24 x 1.5 mm
21	16993711	3	PLUG, M35 x 1.5
21	16993715	3	PLUG, Tier 3, ASN HAJ106401
22	99469380	3	WASHER, SEALING, D=33 mm
23	16993511	3	PLUG, M28 x 1.5
24	99432291	3	WASHER, SEALING, D=28 mm
25	98497873	1	GASKET,
25	504045796	1	SEAL, , ASN HAJ106401
26	16674034	14	SCREW, M8 x 40 mm
26	16598624	2	SCREW, Hex Flg, M8 x 1.25 x 140,
26	16598224	2	SCREW, Tier 3, ASN HAJ106401
26	16586925	2	SCREW, Tier 3, ASN HAJ106401
26	16586725	11	SCREW, M8 x 40 - Tier 3, ASN HAJ106401
26	504064192	2	SCREW, M8 x 130 - Tier 3, ASN HAJ106401
26	16673735	1	SCREW, M8 x 25 - Tier 3, ASN HAJ106401
27	504009680	1	ADAPTER,
28	500337200	1	PLUG, M16 x 1.5
29	500356858	1	ADAPTER,
30	500337199	1	O-RING,
31	17278181	1	O-RING,



B.60.A.32(3) OIL COOLER ASSEMBLY W/ CONDENSER

сылка	Номер детали	Кол-во	Описание
1	87536476	1	COOLER, OIL, Main
2	87284534	1	COOLER, OIL, Auxiliary
3	87284217	1	CONDENSER,
4	86979987	2	PIN, HEADED, 1/2" x 3", G5,
5	140018	4	WASHER, M12 x 24 x 2.5,
6	394818	4	PIN, SPLIT (COTTER), M5 x 25,
7	87106855	2	PIN, Hair w/Tether
8	87282055	1	SEAL, RUBBER,
9	87308174	2	PIN, HEADED, 1/2" x 3 1/4",
10	87280365	1	HOOK, Retaining
11	322358	4	WASHER, SPRING, Belleville, M8,
12	120103	4	BOLT, Hex, M8 x 16, 8.8,



To Help Prevent Radiator Plugging Due To Dust On Model Year '06 Combines

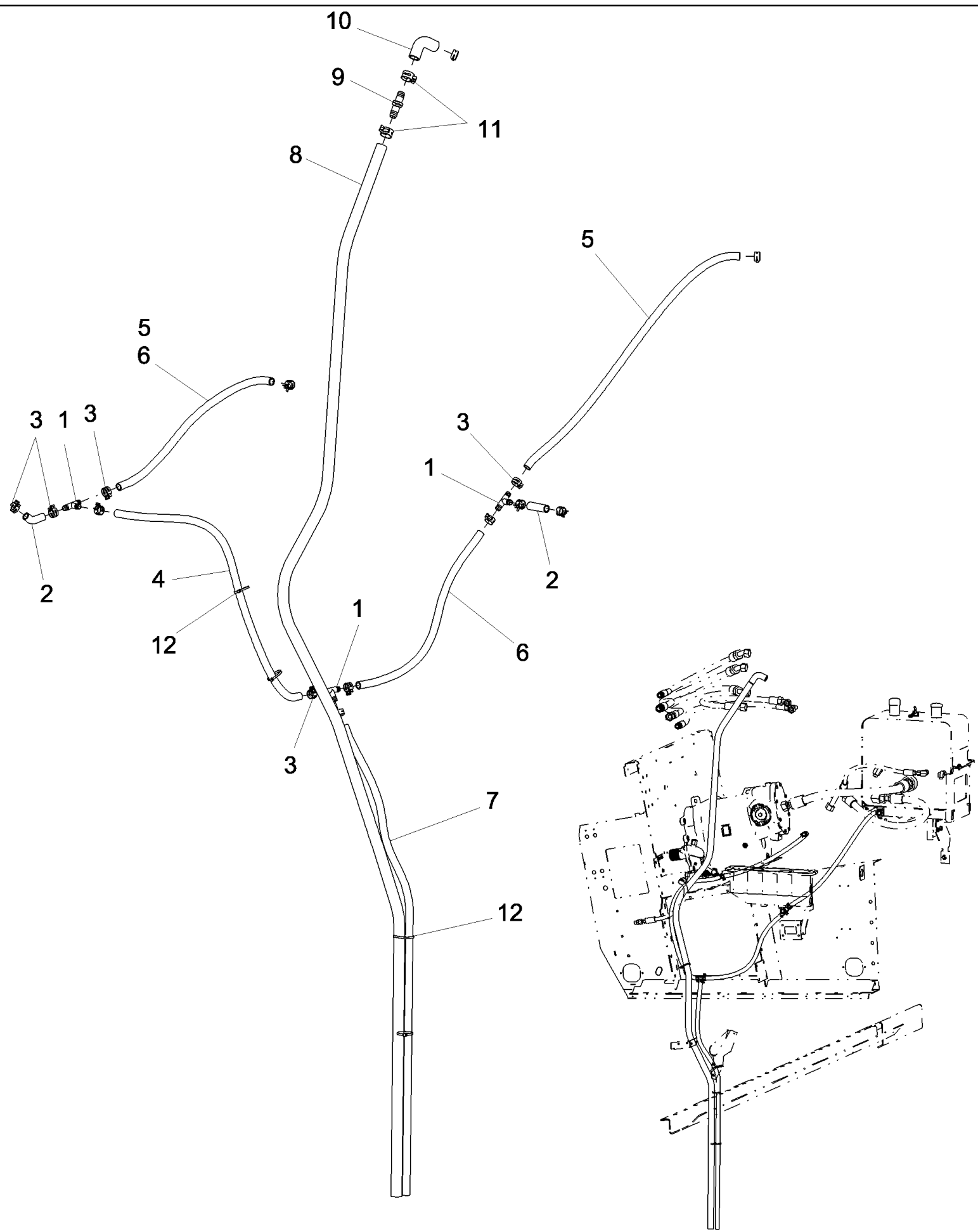
AFX8010 AXIAL-FLOW COMBINE (3/03-9/06)

B.60.A.32(4) KIT, OIL COOLER

сылка	Номер детали	Кол-во	Описание
1	87627812	1	PACKAGE,SERVICE, Kit, Oil Cooler; Includes: Ref.s 2 Thru 28
2	87625984	1	HINGE, Hinge
3	87106640	1	COOLER, OIL,
4	87626162	1	BRACKET, Bracket
5	87625988	1	PANEL ASSY., Panel
6	87106737	1	PANEL,
7	87626160	1	PANEL, Panel
8	322358	62	WASHER, SPRING, Belleville, M8,
9	120104	26	BOLT, Hex, M8 x 20, 8.8,
10	9706690	30	NUT, M8, CI 8,
11	43127	4	BOLT, Hex, M8 x 25, 8.8,
12	87630960	1	SUPPORT ASSY., Support
13	87630963	1	BRACKET, Bracket, Condensor
14	140018	4	WASHER, M12 x 24 x 2.5,
15	9706693	1	BOLT, Hex, M12 x 60, 8.8,
16	9706685	1	NUT, M12, CI 8,
17	87630957	1	PLATE ASSY., Plate
18	322357	8	WASHER, SPRING, Belleville, M6,
19	9706755	4	NUT, M6, CI 8,
20	120100	4	BOLT, Hex, M6 x 20, 8.8,
21	86624184	5	WASHER, M8 x 16 x 1.6,
22	87107418	24	FASTENER,
23	86566990	4	STRAP, CABLE,
24	87019656	2	PIN, HEADED, 1/2" x 5",
25	120061	4	BOLT, Hex, M8 x 60, 8.8,
26	86629542	4	NUT, LOCK, M8 x 1.25, CI 8,
27	394818	2	PIN, SPLIT (COTTER), M5 x 25,
28	87625981	1	PANEL ASSY., Panel

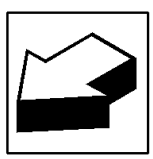
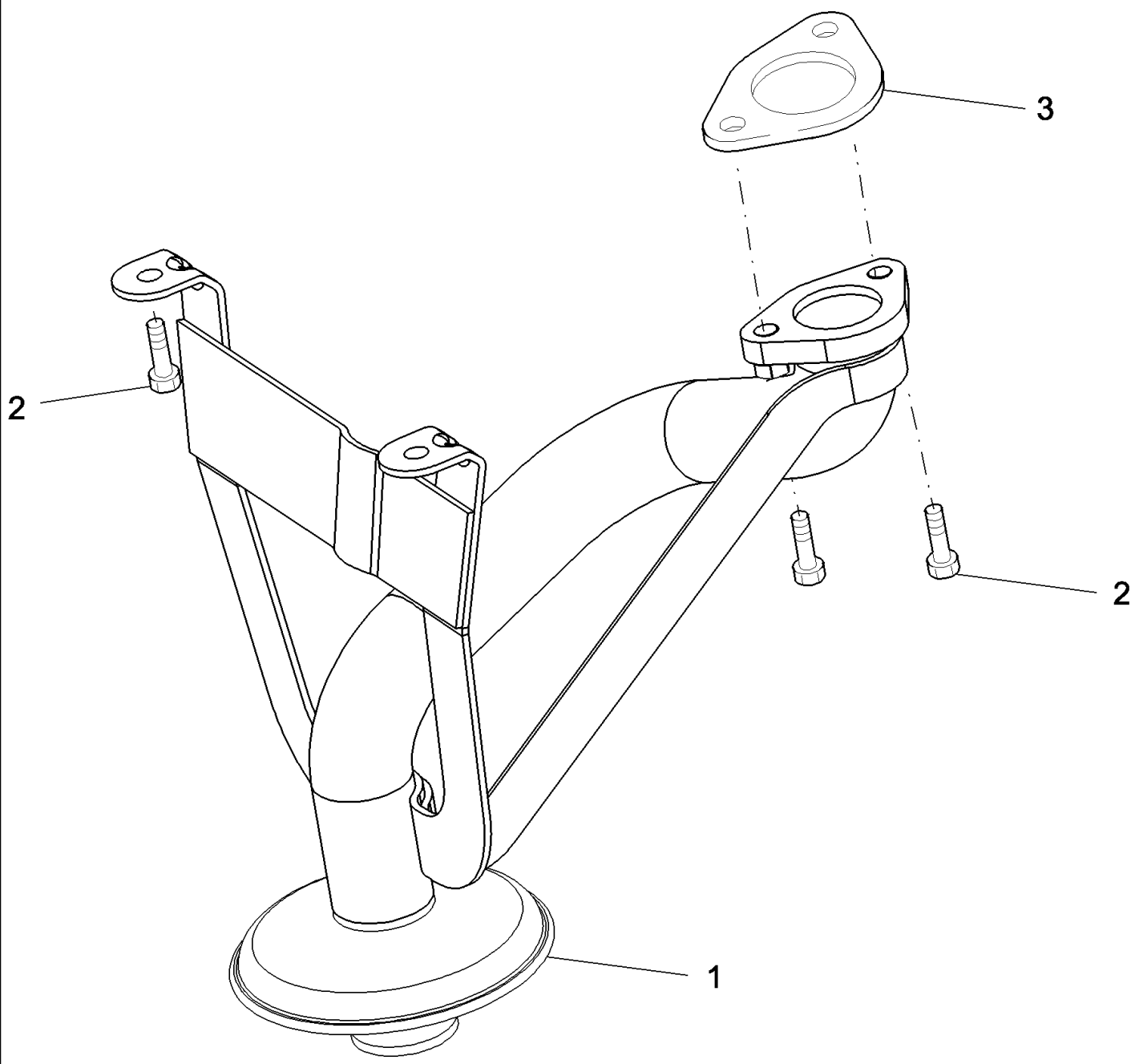
To Help Prevent Radiator Plugging Due To Dust On Model Year '06 Combines

B.60.A.36(1) OIL DRAIN LINES



B.60.A.36(1) OIL DRAIN LINES

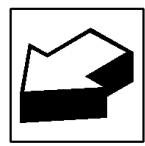
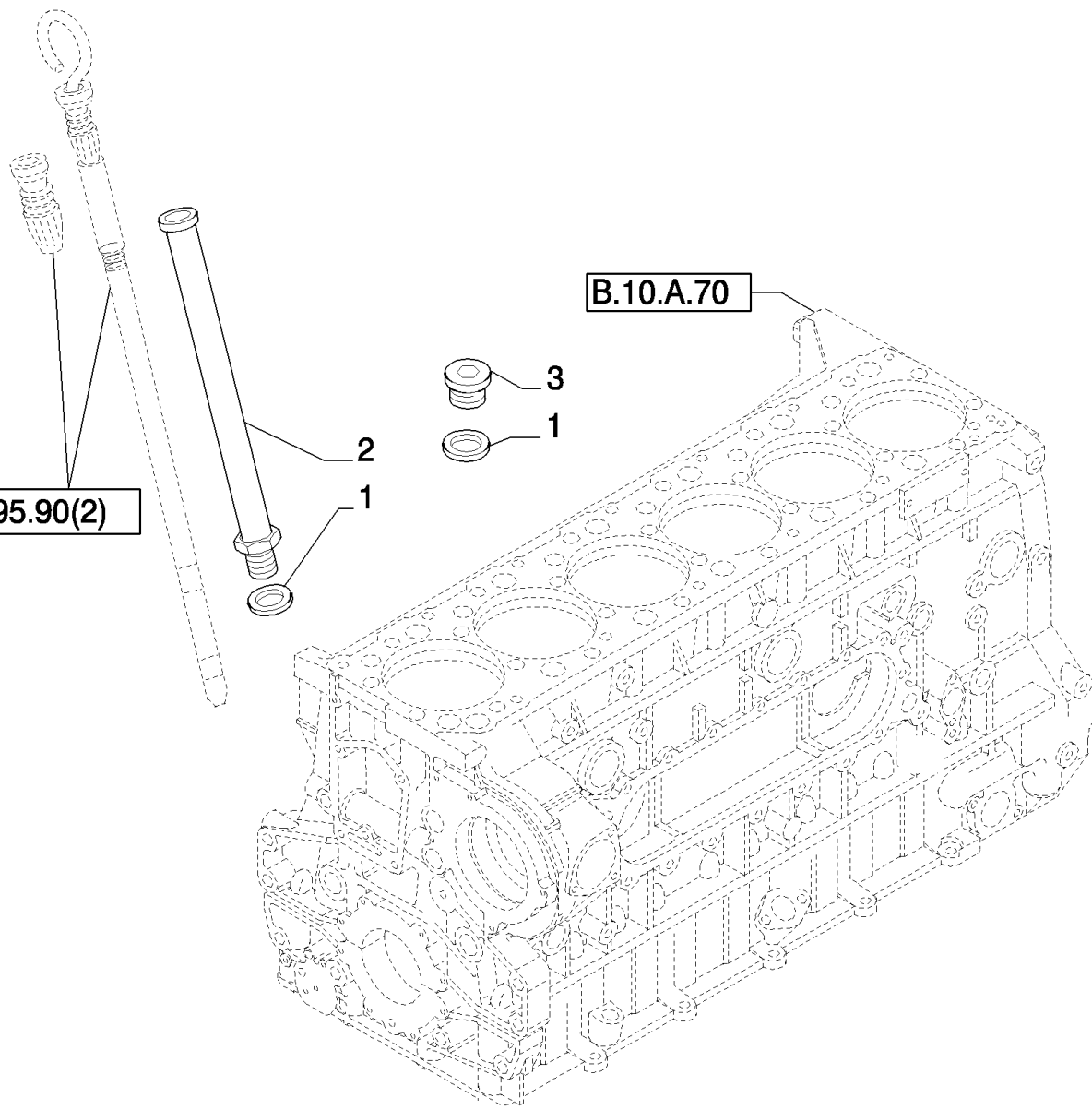
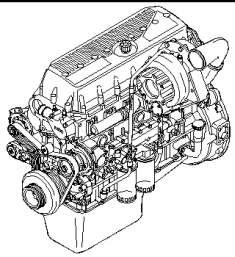
сылка	Номер детали	Кол-во	Описание
1	87107102	3	TEE,
2	PL	2	PROCURE LOCALLY, Hose, Drain - From Valves on Rotor Gearbox and PTO Gearbox Oil Pan
3	87000223	13	CLAMP, HOSE,
4	PL	1	PROCURE LOCALLY, Hose, Drain
5	PL	1	PROCURE LOCALLY, Hose, Drain - From Valve on Hydraulic Oil Reservoir
6	PL	2	PROCURE LOCALLY, Hose, Drain - (1) From Valve on Engine Oil Pan
7	PL	1	PROCURE LOCALLY, Hose, Drain
8	87107435	1	HOSE, Drain
9	87107557	1	FITTING,
10	84334134	1	HOSE, Elbow - From Breather Port on Engine
11	382527	3	CLAMP, HOSE,
12	86566989	4	STRAP, CABLE,



AFX8010 AXIAL-FLOW COMBINE (3/03-9/06)

B.60.A.36(2) OIL PUMP PIPING (500387388)

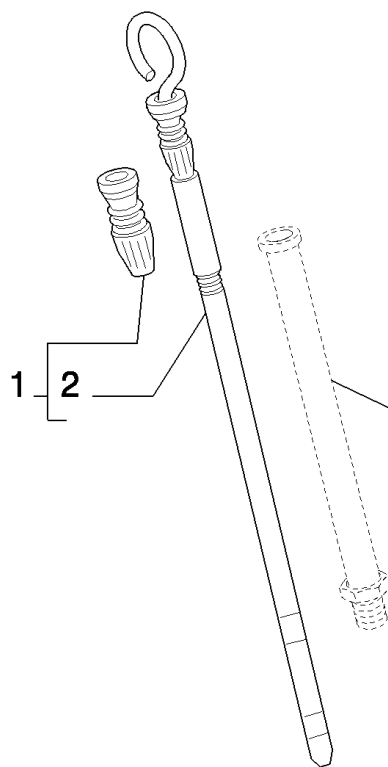
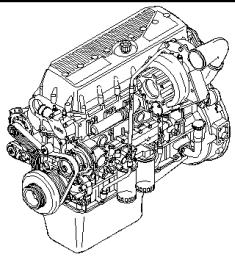
сылка	Номер детали	Кол-во	Описание
1	504078989	1	PIPE, SUCTION,
2	16586224	4	SCREW, M8 x 1.5 x 13
3	500343518	1	GASKET,



AFX8010 AXIAL-FLOW COMBINE (3/03-9/06)

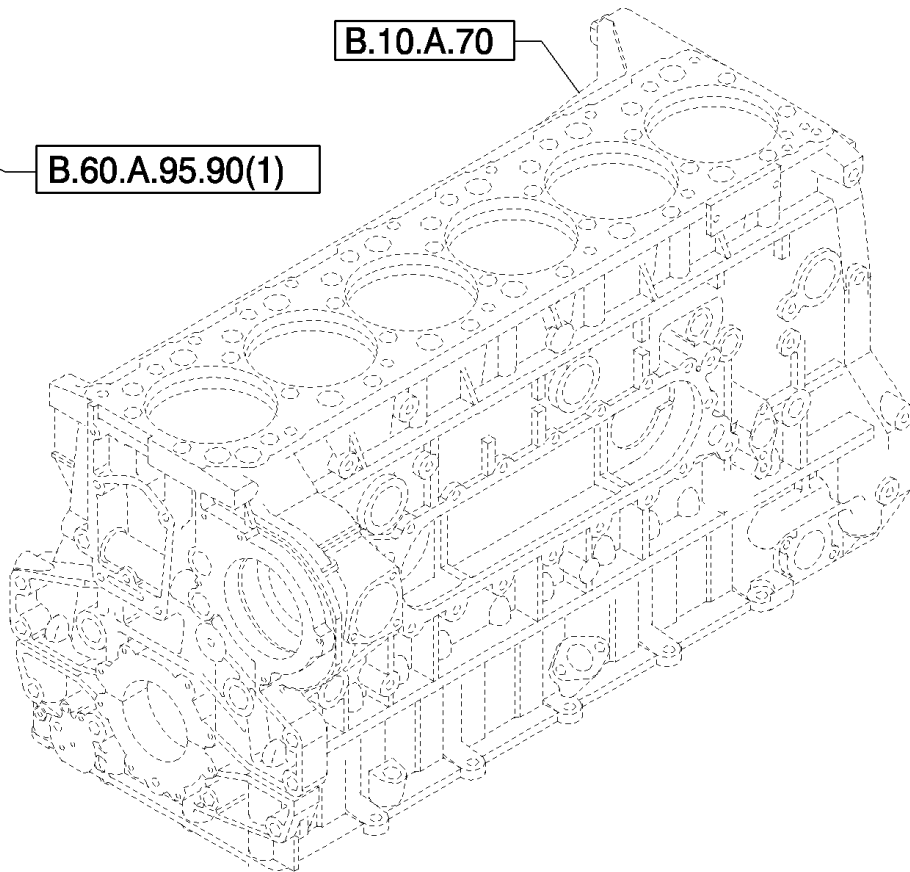
B.60.A.95.90(1) OIL LEVEL CHECK (504032805)

сылка	Номер детали	Кол-во	Описание
1	99489020	2	WASHER, SEALING,
2	99471019	1	PIPE,
3	16992511	1	PLUG, M18 x 1.5



B.60.A.95.90(1)

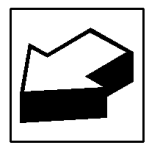
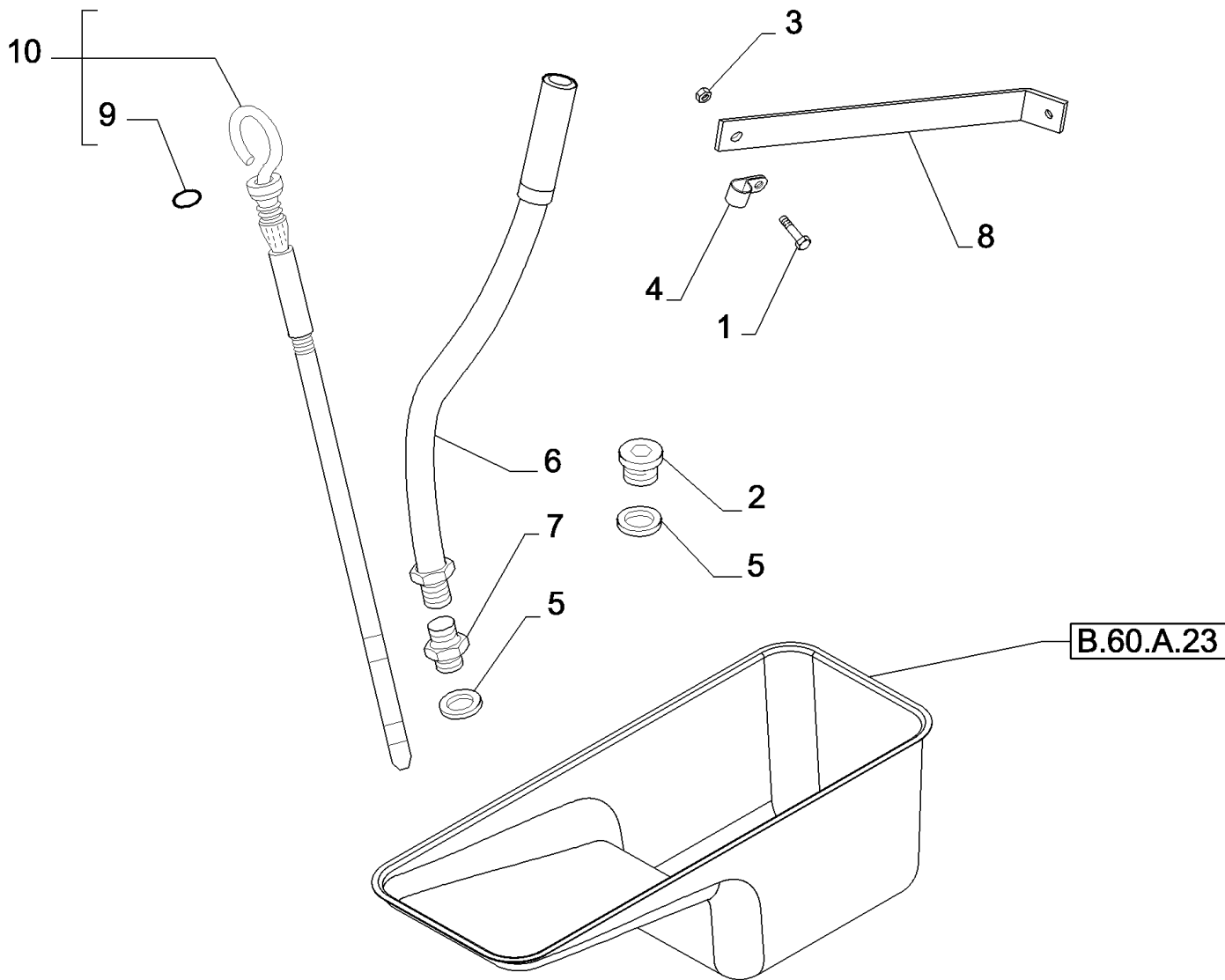
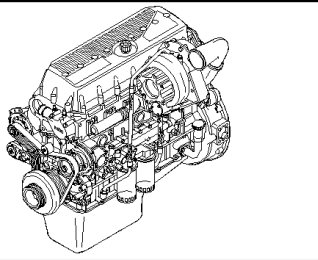
B.10.A.70



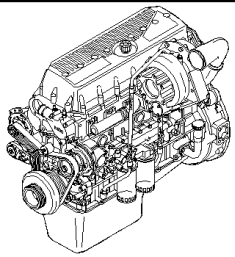
AFX8010 AXIAL-FLOW COMBINE (3/03-9/06)

B.60.A.95.90(2) OIL DIPSTICK (504031714)

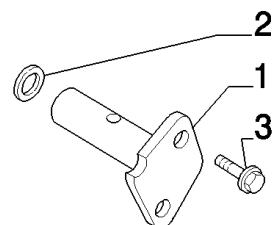
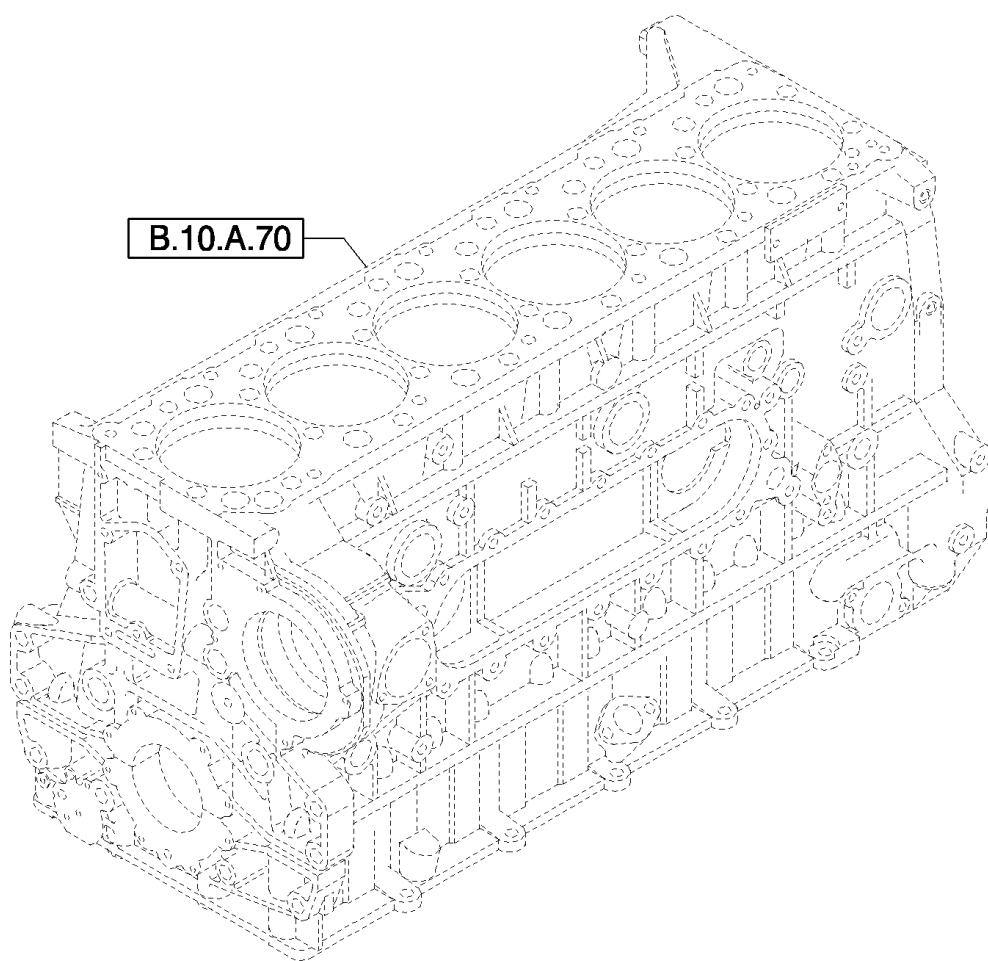
сылка	Номер детали	Кол-во	Описание
1	504066753	1	DIPSTICK,
2	7300023	1	GASKET,



сылка	Номер детали	Кол-во	Описание
1	16586224	2	SCREW,
2	16992511	2	PLUG,
3	17044721	1	NUT,
4	17316699	1	COLLAR,
5	99489020	3	WASHER, SEALING,
6	504117963	1	TUBE,
7	504023175	1	CONNECTOR, HYD.,
8	504066745	1	BRACKET,
9	504027969	1	O-RING,
10	504121045	1	DIPSTICK,



B.10.A.70

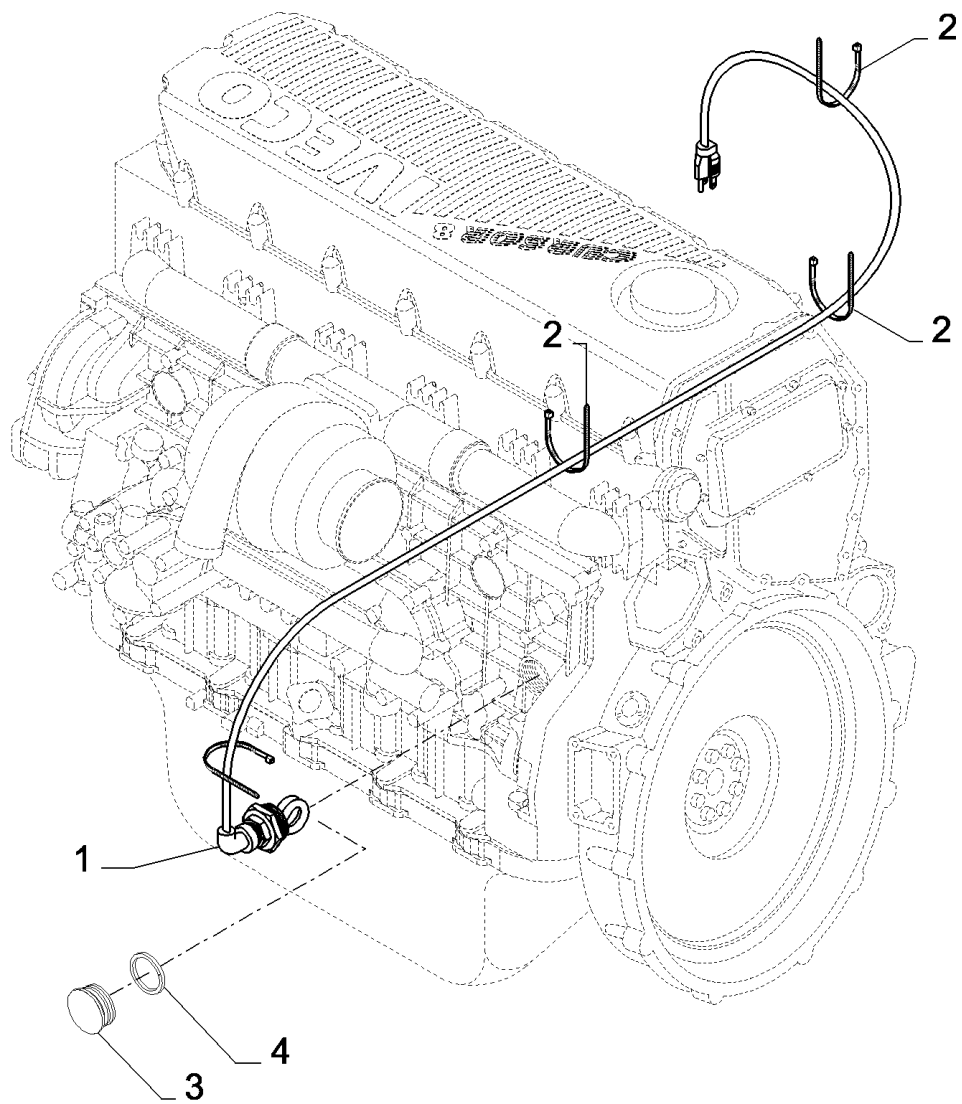


AFX8010 AXIAL-FLOW COMBINE (3/03-9/06)

B.60.A.95.91 OIL PRESSURE REGULATION VALVE (99459425)

сылка	Номер детали	Кол-во	Описание
1	500378929	1	VALVE,
2	17288881	1	GASKET, D=28.1 x 3.5 mm
3	16586324	2	SCREW, M8 x 1.25 x 20
3	16673635	2	SCREW, Tier 3, ASN HAJ106401

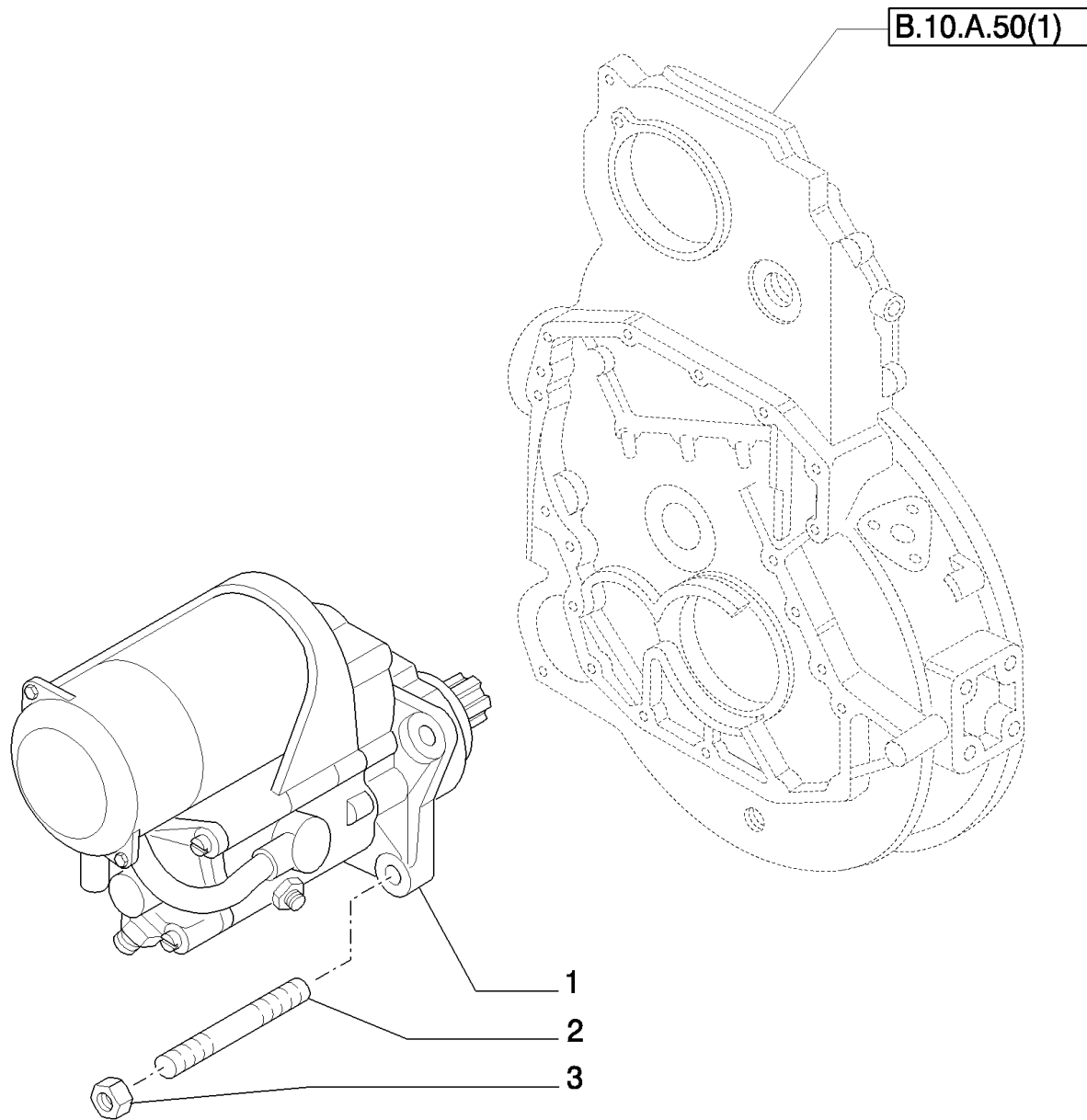
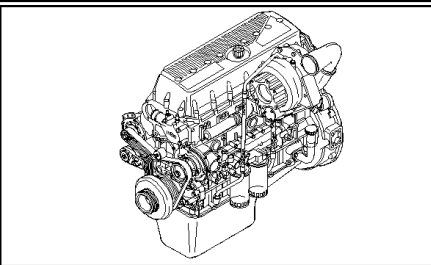
B.80.A.30.83 COOLANT HEATER



AFX8010 AXIAL-FLOW COMBINE (3/03-9/06)

B.80.A.30.83 COOLANT HEATER

сылка	Номер детали	Кол-во	Описание
1	84438888	1	HEATER,
2	86566989	4	STRAP, CABLE,
3	4665029	1	PLUG, M42 x 1.5
4	99469382	1	WASHER, SEALING,

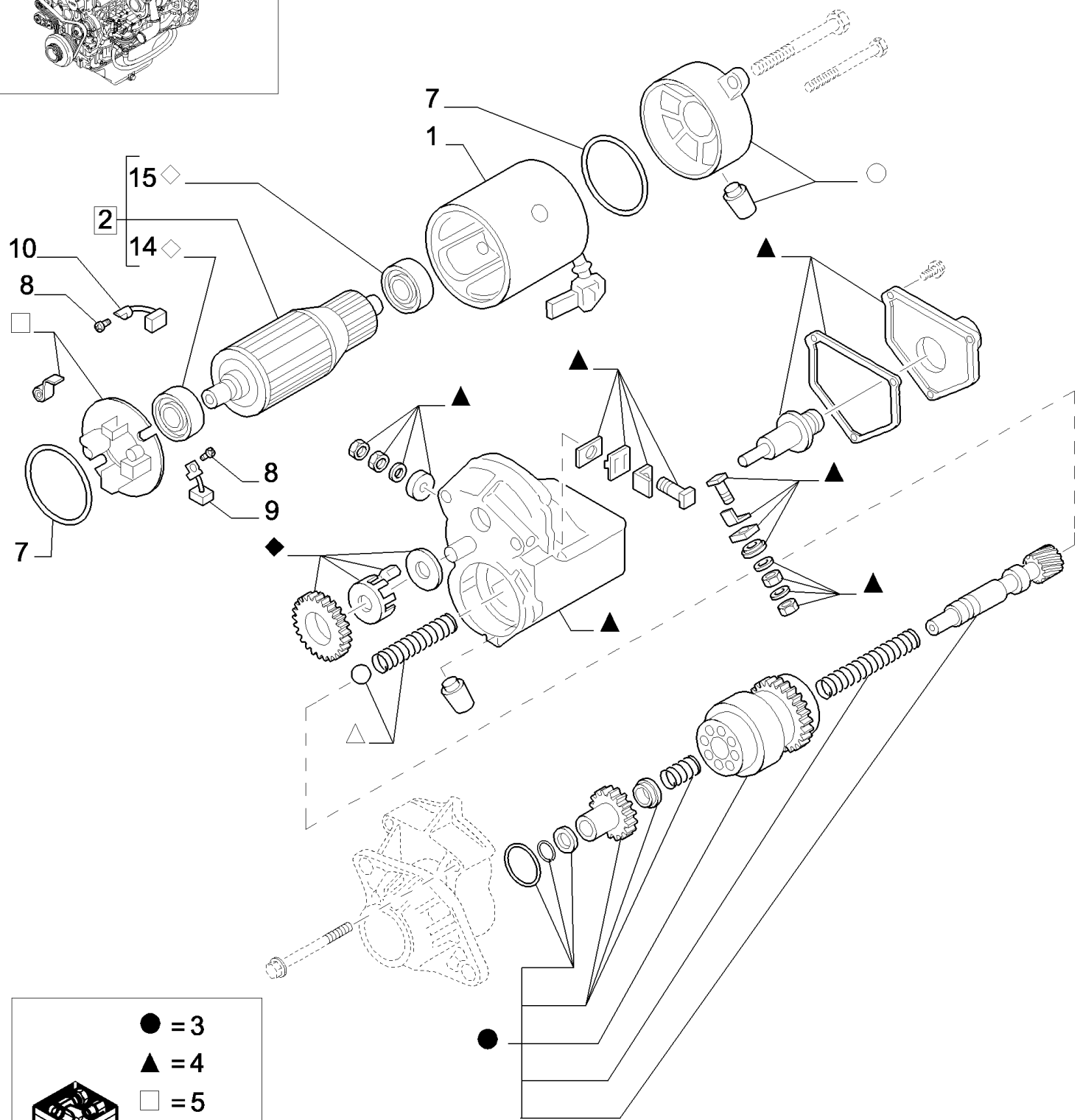
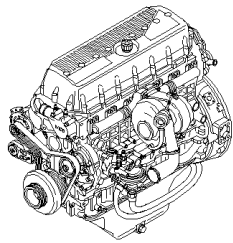



AFX8010 AXIAL-FLOW COMBINE (3/03-9/06)

B.80.A.82(1) STARTER MOTOR (99488641)

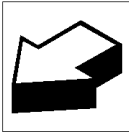
сылка	Номер детали	Кол-во	Описание
1	99486046	1	MOTOR, STARTER,
2	16760524	3	STUD, M12
3	17044921	3	NUT, M12

B.80.A.82(2) STARTER MOTOR - PIN HAJ106401 AND AFTER

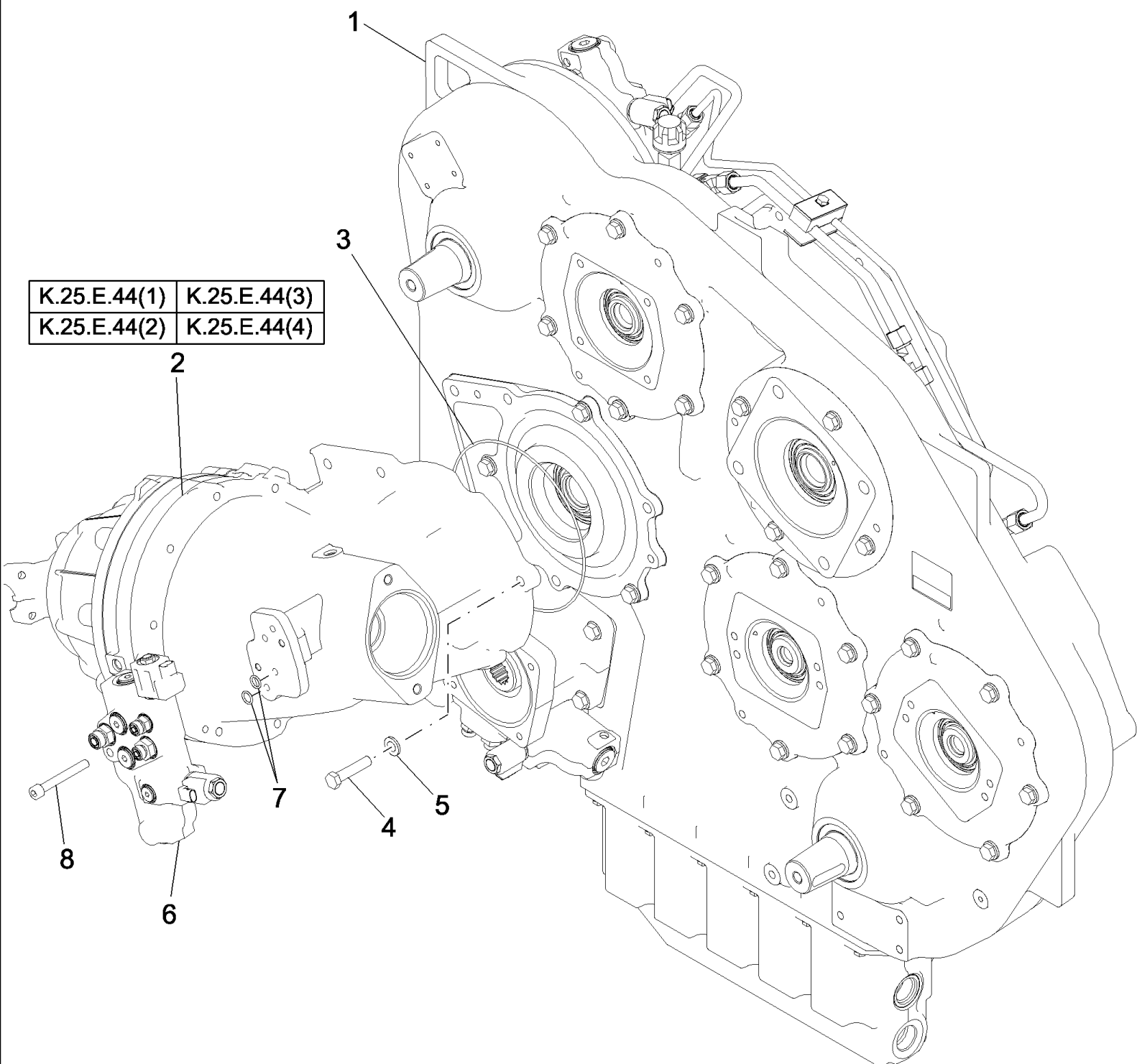




- = 3
- ▲ = 4
- = 5
- = 6
- △ = 11
- ◆ = 12
- ◇ = 13



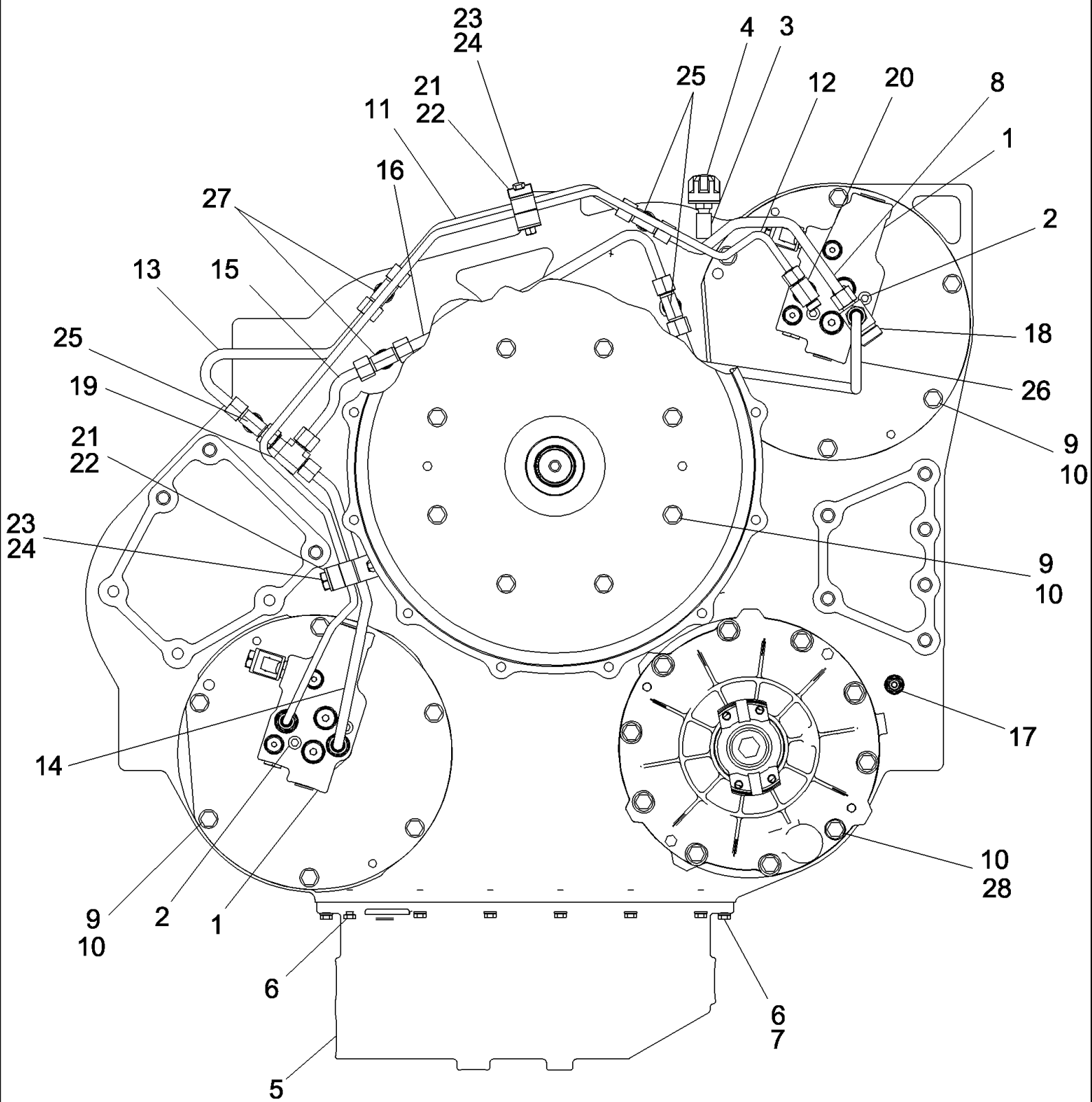
сылка	Номер детали	Кол-во	Описание
1	42471438	1	STATOR, Winding
2	42471439	1	ARMATURE, Kit
3	42471440	1	KIT, STARTER MTR REPAIR,
4	42471441	1	KIT, STARTER MTR REPAIR,
5	42471442	1	KIT, STARTER MTR REPAIR,
6	42471443	1	KIT, STARTER MTR REPAIR,
7	42471444	2	O-RING,
8	42471445	4	SCREW,
9	42471446	2	BRUSH,
10	42471447	2	BRUSH,
11	42471378	1	KIT, STARTER MTR REPAIR,
12	42471450	1	KIT, STARTER MTR REPAIR,
13	42471451	1	KIT, STARTER MTR REPAIR,
13	42546503	1	BEARING,
14	42471541	1	BEARING,
15	42546522	1	BEARING,



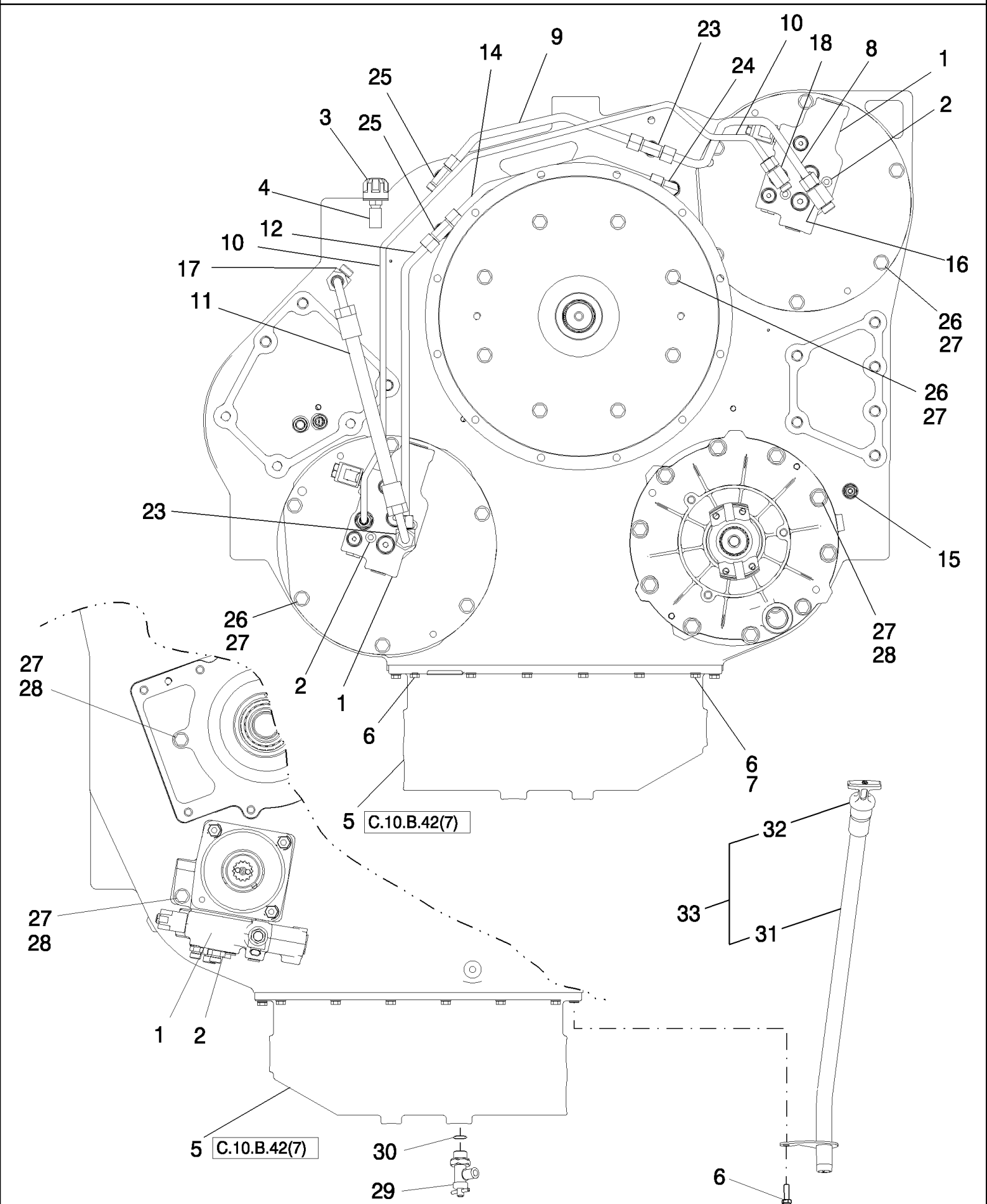
K.25.E.44(1)	K.25.E.44(3)
K.25.E.44(2)	K.25.E.44(4)

C.10.B.42 GEARBOX, FEEDER / HEADER, W/PTO

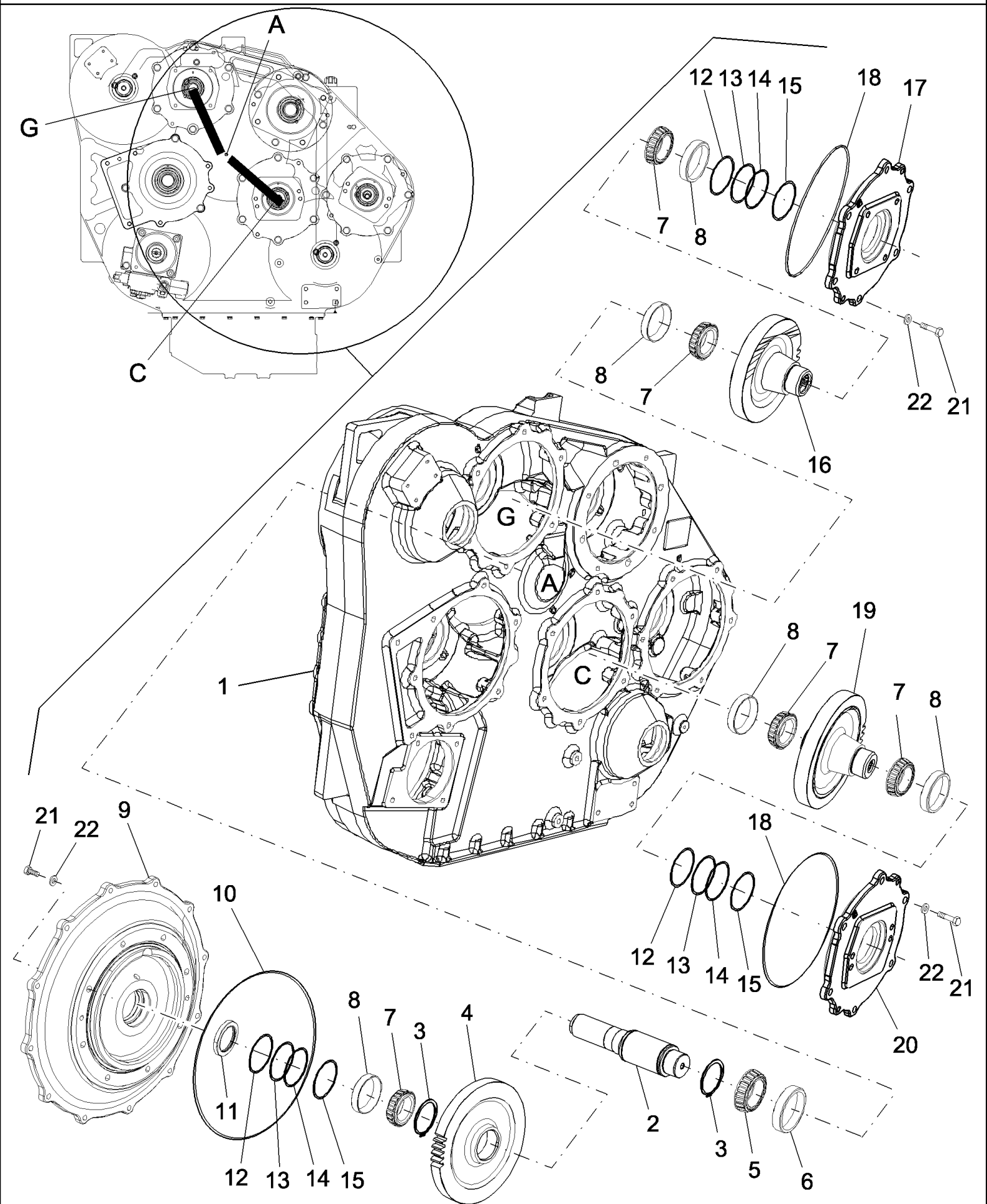
сылка	Номер детали	Кол-во	Описание
1	87281163	1	PTO, Feeder / Header PTO
2	86998844	1	GEARBOX, Variable Speed, Feeder / Header
2	86998845	1	GEARBOX, Fixed Speed, Feeder / Header
3	238-5269	1	O-RING, -269, 70 Duro, 8.734" ID x .139" Thk,
4	828-12055	5	BOLT, Hex, M12 x 55, 10.9,
5	896-12012	5	WASHER, M12 x 24.5 x 3, HT,
6	86981235	1	VALVE, CONTROL, Variable Speed, Feeder / Header
6	87447038	1	VALVE, CONTROL, Fixed Speed, Feeder / Header
7	238-5112	4	O-RING, -112, 70 Duro, .487" ID x .103" Thk,
8	864-10080	2	SCREW, Hex Soc Hd, M10 x 80, 8.8,



сылка	Номер детали	Кол-во	Описание
1	86981234	2	VALVE, HYDRAULIC,
2	864-10080	6	SCREW, Hex Soc Hd, M10 x 80, 8.8,
3	217-1015	1	ELBOW, 90°, 1/4"-18 Female x 1/4"-18 Male,
4	1971726C1	1	BREATHER,
5	87108616	1	PAN, Assy, PTO
6	628-8025	14	BOLT, Hex, M8 x 25, 10.9, Full Thd,
7	895-11008	13	WASHER, M8 x 16 x 1.6,
8	87108512	1	TUBE, Lube to C7
9	628-12035	49	BOLT, Hex, M12 x 35, 10.9, Full Thd,
10	896-12012	59	WASHER, M12 x 24.5 x 3, HT,
11	87108513	1	TUBE, Lube to Second Spray Port
12	87449002	1	TUBE, Clutch Valve Supply
13	87108883	1	TUBE, Lube C9 to C2
14	87108884	1	TUBE, Lube C9 to C2
15	87449001	1	TUBE, Lube C2 to C9
16	87449000	1	TUBE, Lube C2 to C7
17	700-101	1	CONNECTOR, HYD., 11/16"-16 ORFS x M14 x 1.5 ORB,
18	87281679	1	FITTING, Special ORFS Cross
19	701-416	1	TEE, 13/16"-16 ORFS x 13/16"-16 Fem Sw Run,
20	701-434	1	TEE, 11/16"-16 ORFS x 11/16"-16 Fem Sw Br,
21	1347127C1	4	PLATE, Hose Clamp
22	410573A1	2	CLAMP, Hydraulic Tube, 12.7 x 9.52
23	814-8060	2	BOLT, Hex, M8 x 60, 8.8,
24	832-10408	2	NUT, LOCK, M8 x 1.25, Cl 8,
25	87108509	3	FITTING, Orificed Tee
26	87448999	1	TUBE, Lube C8 to C7
27	87108517	2	FITTING, Orificed Tee
28	828-12120	10	BOLT, Hex, M12 x 120, 10.9,

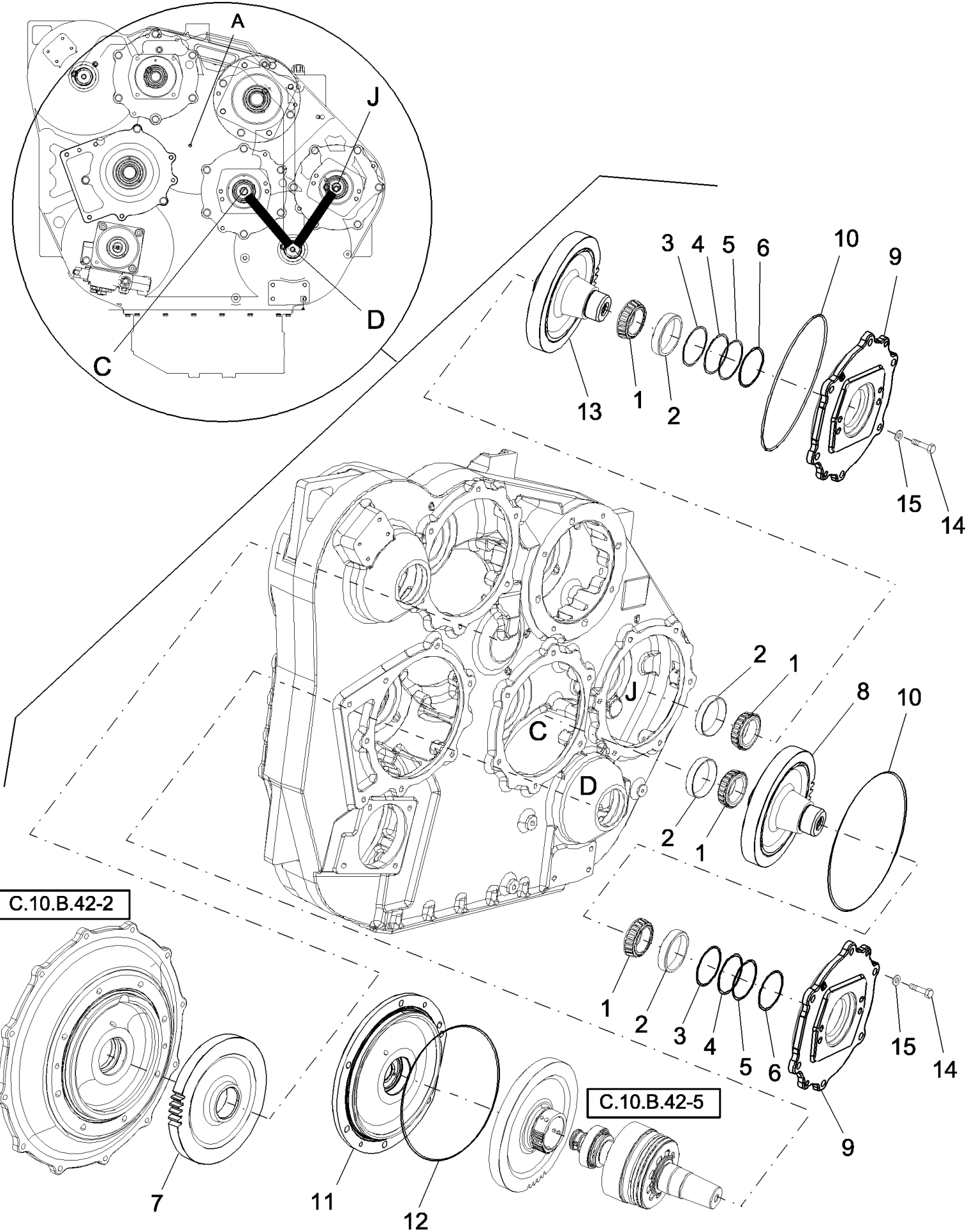


сылка	Номер детали	Кол-во	Описание
1	86981234	2	VALVE, HYDRAULIC,
2	864-10080	4	SCREW, Hex Soc Hd, M10 x 80, 8.8,
3	1971726C1	1	BREATHER,
4	217-1015	1	ELBOW, 90є, 1/4"-18 Female x 1/4"-18 Male,
5	87108616	1	PAN, Pan, PTO
6	628-8025	14	BOLT, Hex, M8 x 25, 10.9, Full Thd,
7	895-11008	13	WASHER, M8 x 16 x 1.6,
8	87108512	1	TUBE, Lube, To C7
9	87108513	1	TUBE, Lube, To Second Spray Port
10	87449002	1	TUBE, Main Clutch Valve Supply
11	87108883	1	TUBE, Lube, C9 To C2
12	87108884	1	TUBE, Lube, C9 To C2
13	87108885	1	TUBE, Lube, C9 To C2
13	87449001	1	TUBE, Lube, C2 To C9
14	87108886	1	TUBE, Lube, C2 To C7
14	87449000	1	TUBE, Lube, C2 To C7
15	700-101	1	CONNECTOR, HYD., 11/16"-16 ORFS x M14 x 1.5 ORB,
16	701-411	1	TEE, 13/16"-16 ORFS x 13/16"-16 Fem Sw Br,
17	701-416	1	TEE, 13/16"-16 ORFS x 13/16"-16 Fem Sw Run,
18	701-434	1	TEE, 11/16"-16 ORFS x 11/16"-16 Fem Sw Br,
19	1347127C1	4	PLATE, Hose Clamp
20	410573A1	2	CLAMP, Tube
21	814-8060	2	BOLT, Hex, M8 x 60, 8.8,
22	832-10408	2	NUT, LOCK, M8 x 1.25, Cl 8,
23	87108509	2	FITTING, Orificed Tee
24	87108510	1	FITTING, Orificed Elbow
25	87108517	2	FITTING, Orificed Tee
26	628-12035	30	BOLT, Hex, M12 x 35, 10.9, Full Thd,
27	896-12012	30	WASHER, M12 x 24.5 x 3, HT,
28	828-12120	10	BOLT, Hex, M12 x 120, 10.9,
29	87105048	1	DRAINCOCK/TAP, SUPPLY, Drain, Includes Ref. 30
30	PL	1	PROCURE LOCALLY, O-Ring
31	86999244	1	TUBE,
32	86999027	1	DIPSTICK,
33	86975665	1	TUBE, HYD, Includes Ref. 31 & 32
34	87281678	1	TUBE, Lube, C8 to C7



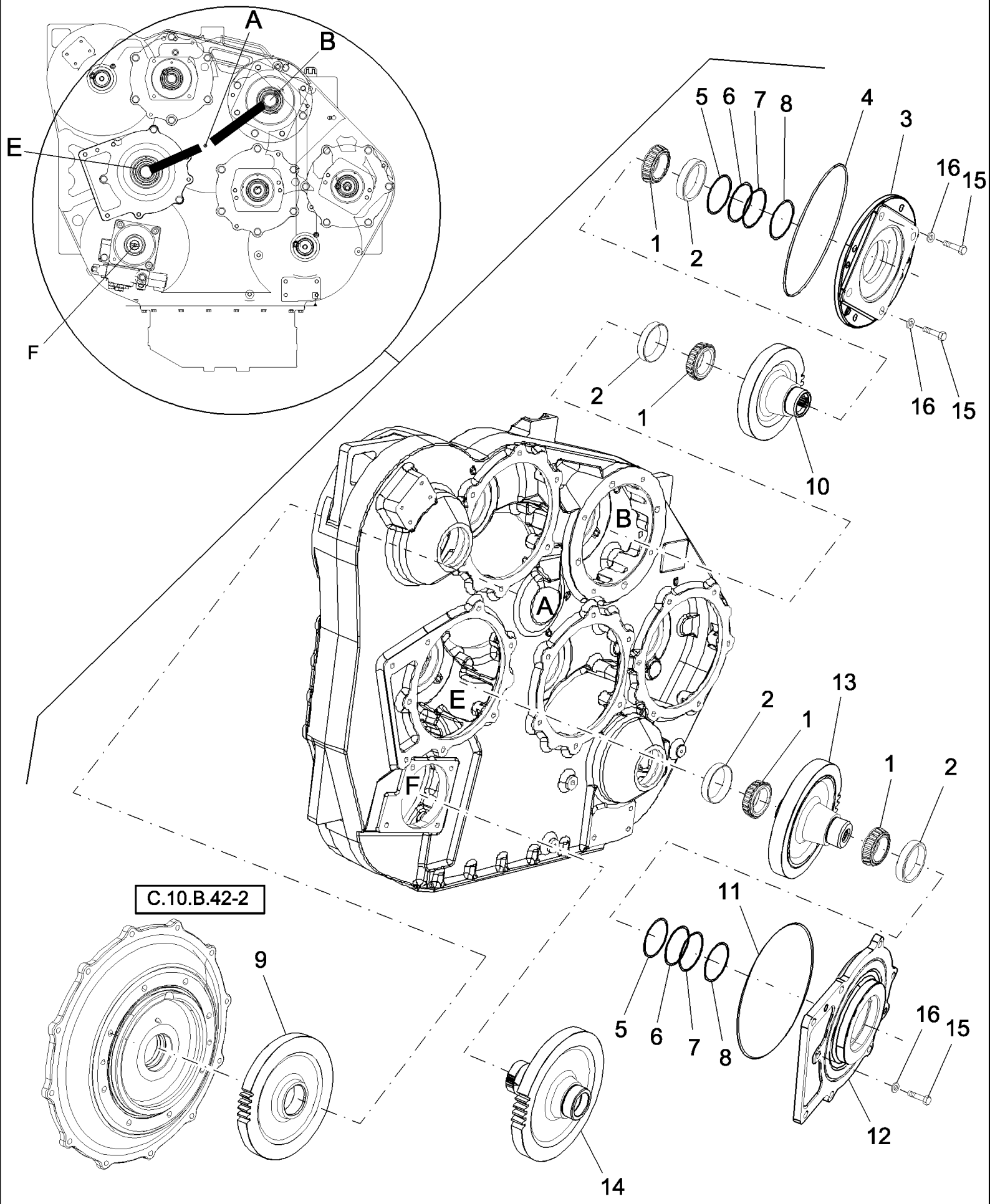
C.10.B.42(2) PTO, INPUT SHAFT, ENGINE GEARBOX

сылка	Номер детали	Кол-во	Описание
1	87108216	1	HOUSING, Housing
2	397688A1	1	SHAFT, Input
3	100-11262	2	RING, SNAP, #262, Ext,
4	86975202	1	GEAR, Input, 58T
5	PO12993	1	BEARING, CONE,
6	22365V	1	BEARING, CUP,
7	364463C91	AR	BEARING, CONE,
8	364462C1	AR	BEARING, CUP,
9	397673A1	1	COVER, Input, SAE 2 - CDC Engine
9	397675A1	1	COVER, Input, SAE 1 - Iveco Engine
10	238-5277	1	O-RING, -277, 70 Duro, 11.484" ID x .139" Thk,
11	328567A1	1	SEAL, Lip
12	378154A1	AR	SHIM,
13	378155A1	AR	SHIM,
14	378156A1	AR	SHIM,
15	378157A1	AR	SHIM,
16	86975207	1	GEAR, 42T
17	86975218	1	FLANGE,
18	238-5272	2	O-RING, -272, 70 Duro, 9.484" ID x .139" Thk,
19	86975204	1	GEAR, 48T
20	87107642	1	FLANGE,
21	628-12035	AR	BOLT, Hex, M12 x 35, 10.9, Full Thd,
22	896-12012	AR	WASHER, M12 x 24.5 x 3, HT,



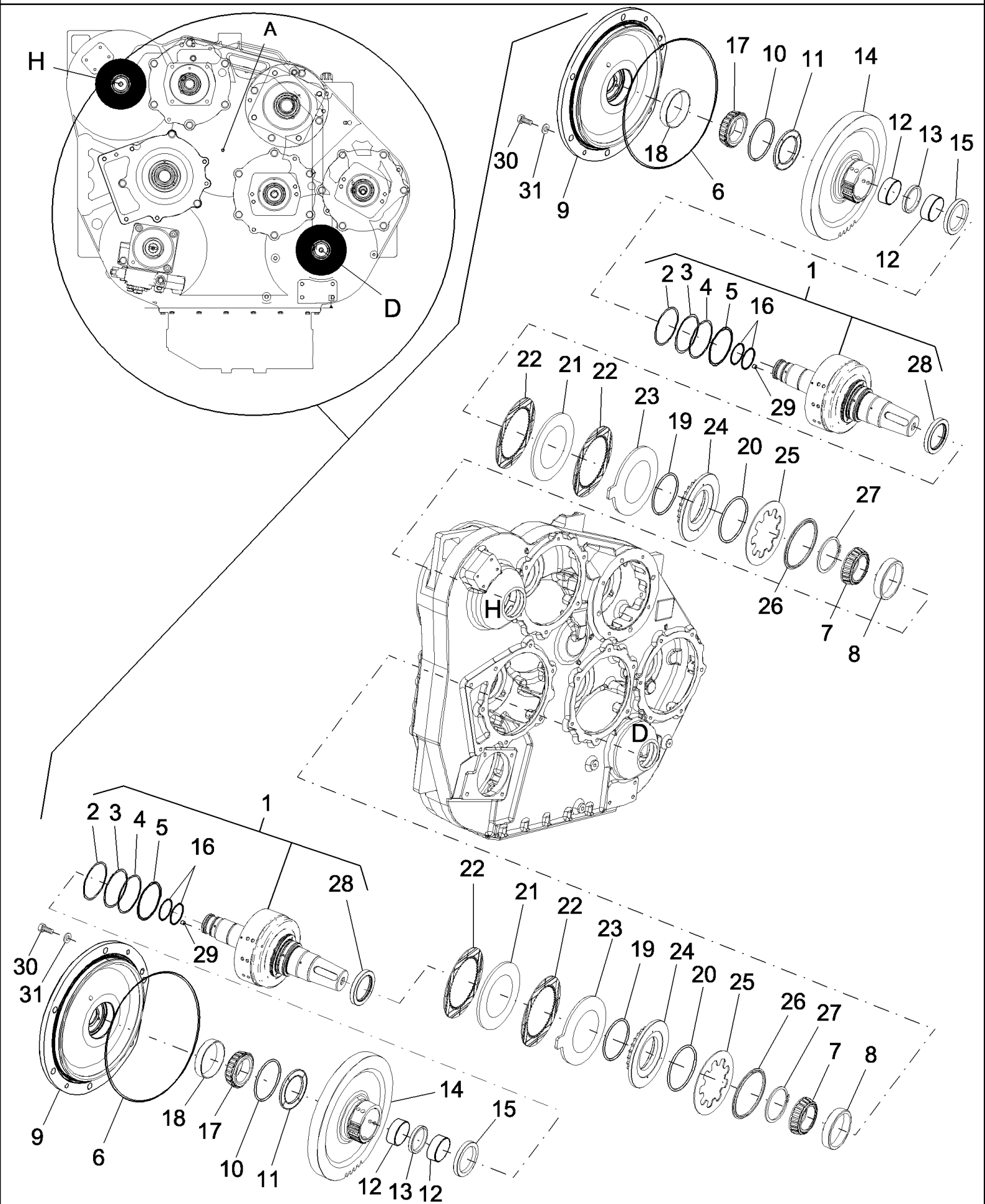
C.10.B.42(3) PTO, OUTPUT GEARS, ENGINE GEARBOX

сылка	Номер детали	Кол-во	Описание
1	364463C91	4	BEARING, CONE,
2	364462C1	4	BEARING, CUP,
3	378154A1	AR	SHIM,
4	378155A1	AR	SHIM,
5	378156A1	AR	SHIM,
6	378157A1	AR	SHIM,
7	86975202	1	GEAR, PTO Input, 58T
8	86975207	1	GEAR, Pump Drive, 42T
9	87107642	2	FLANGE,
10	238-5272	2	O-RING, -272, 70 Duro, 9.484" ID x .139" Thk,
11	87105122	1	COVER, Driveshaft, Feeder / Header
12	238-5277	1	O-RING, -277, 70 Duro, 11.484" ID x .139" Thk,
13	86975208	1	GEAR, PFC Pump Drive, 48T
14	628-12035	AR	BOLT, Hex, M12 x 35, 10.9, Full Thd,
15	896-12012	AR	WASHER, M12 x 24.5 x 3, HT,



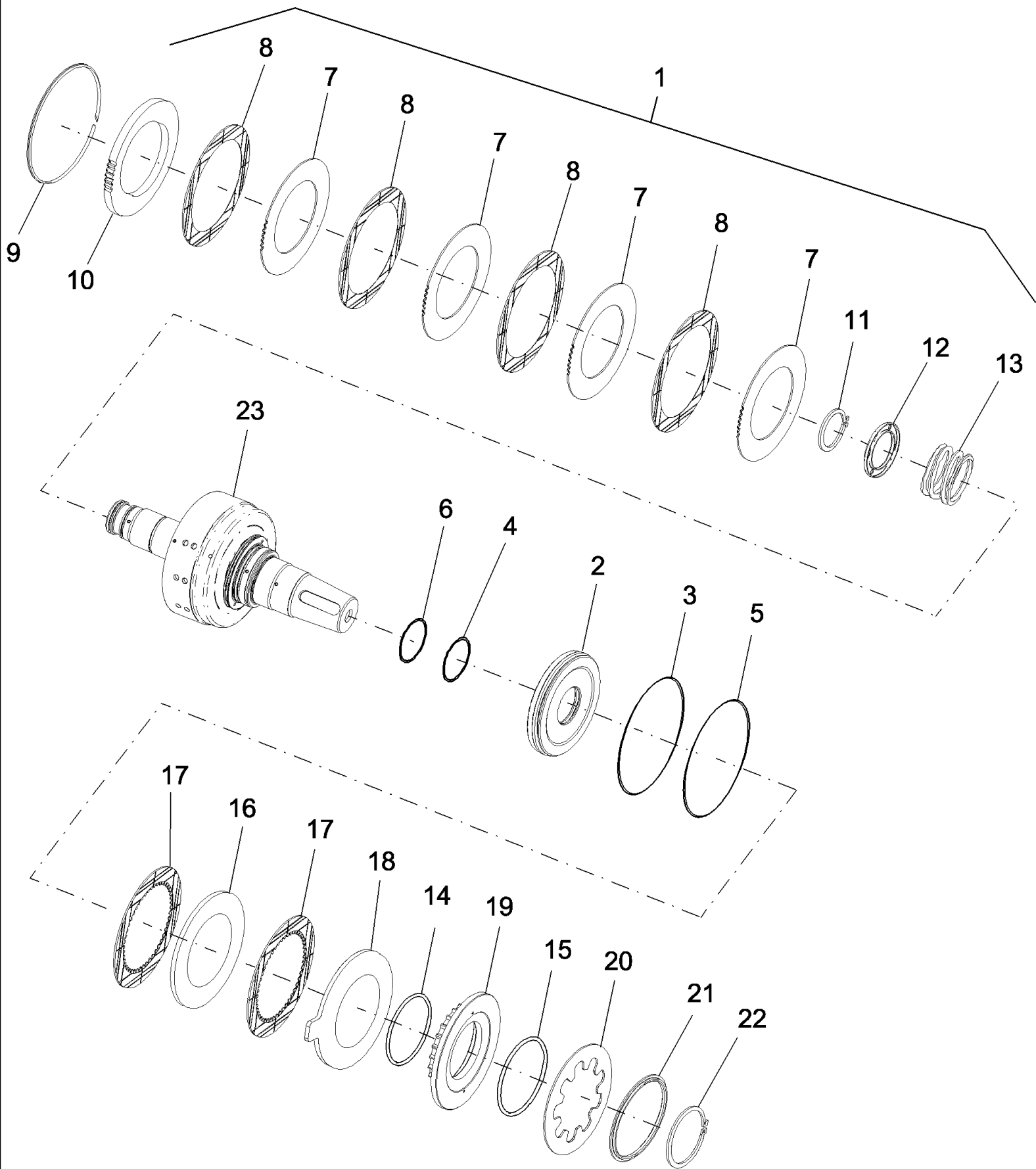
C.10.B.42(4) PTO, COVERS, OUTPUT GEARS, ENGINE GEARBOX

сылка	Номер детали	Кол-во	Описание
1	L33289	4	BEARING, CONE,
2	105497H	4	BEARING, CUP,
3	397677A1	1	FLANGE, Pump Mounting
4	238-5171	1	O-RING, 8" ID X 8 13/16" OD, CI 5,
5	378158A1	AR	SHIM,
6	378159A1	AR	SHIM,
7	378160A1	AR	SHIM,
8	378161A1	AR	SHIM,
9	86975202	1	GEAR, PTO Input, 58T
10	86975203	1	GEAR, Pump Drive, 42T
11	238-5274	1	O-RING, -274, 70 Duro, 9.984" ID x .139" Thk,
12	86997812	1	FLANGE, Driveshaft, Feeder / Header
13	86975205	1	GEAR, Drive, Feeder / Header, 51T
14	86975206	1	GEAR, Rotor Drive, 57T
15	628-12035	AR	BOLT, Hex, M12 x 35, 10.9, Full Thd,
16	896-12012	AR	WASHER, M12 x 24.5 x 3, HT,



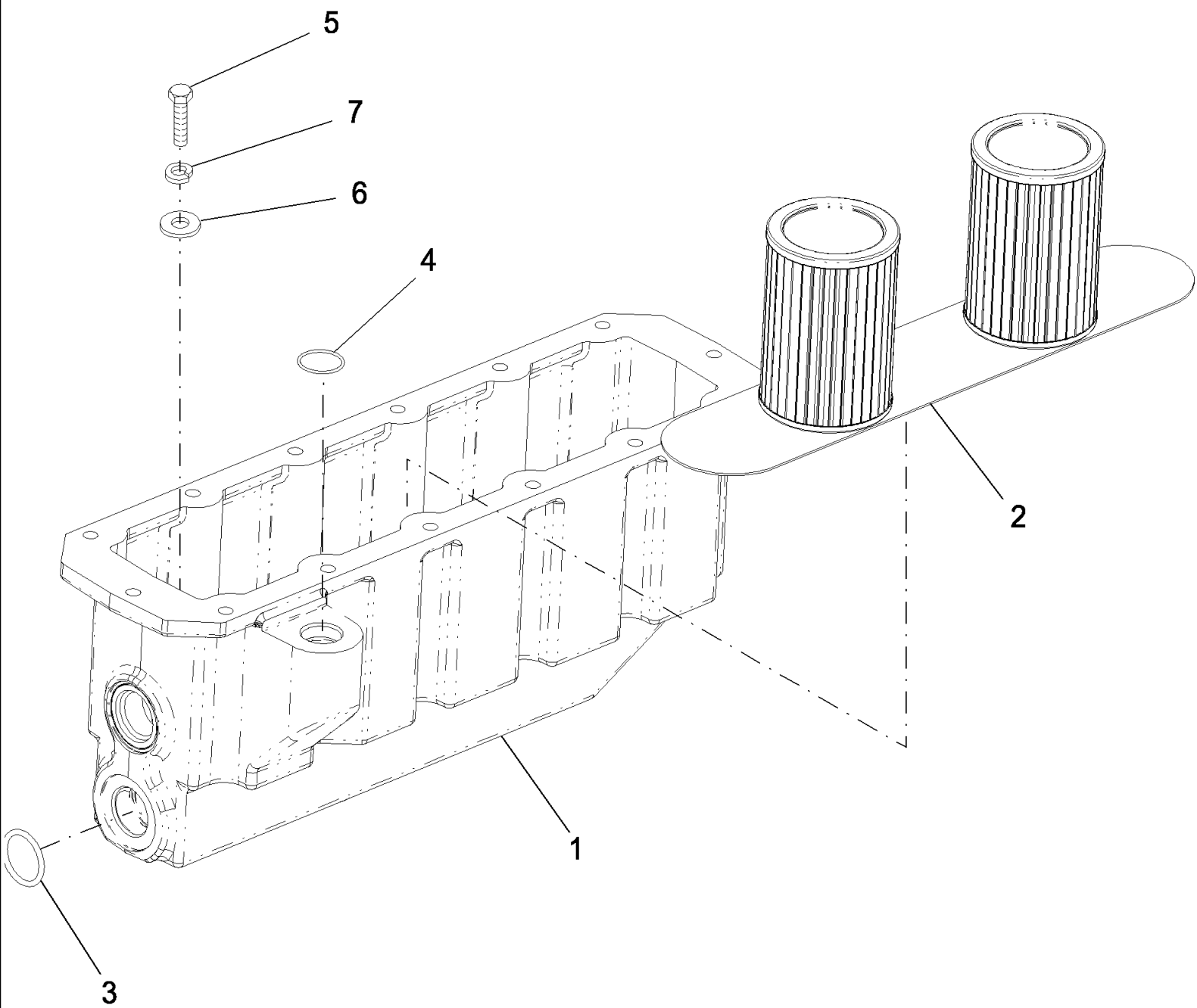
C.10.B.42(5) PTO, CLUTCHES & VALVES, ENGINE GEARBOX

сылка	Номер детали	Кол-во	Описание
1	87325136	2	CLUTCH ASSEMBLY, Shaft & Clutch Housing Assembly
2	378154A1	AR	SHIM,
3	378155A1	AR	SHIM,
4	378156A1	AR	SHIM,
5	378157A1	AR	SHIM,
6	238-5277	2	O-RING, -277, 70 Duro, 11.484" ID x .139" Thk,
7	L33289	2	BEARING, CONE,
8	105497H	2	BEARING, CUP,
9	87105122	2	COVER,
10	A188192	4	WASHER, THRUST,
11	A183452	4	BEARING, THRUST,
12	A178460	4	BEARING, NEEDLE,
13	A188194	2	RING, Inner
14	87105111	2	GEAR, PTO Clutch, 60T
15	257277A1	2	SEALRING, Clutch Lube
16	A188653	4	SEALRING, Shaft Sealing
17	636826R91	2	BEARING, CONE,
18	130503H	2	BEARING, CUP,
19	87105115	2	SEALRING,
20	87105116	2	SEALRING,
21	87105109	2	PLATE,
22	86990276	4	DISC, Friction, Shift Clutch
23	87108318	2	PLATE, Piloted - Raised Outer Lip - For 7 Prebuild Units Only, BSN HAJ105205
23	87109365	2	PLATE, Flat, ASN HAJ105206
24	87105676	2	PISTON,
25	87105113	2	SPRING, Disc
26	87105114	2	RING,
27	800-1170	2	RING, SNAP, M70, Ext,
28	619585C91	2	SEAL, Lip
29	1345887C1	2	PLUG, Expansion, 9 mm
30	628-12035	AR	BOLT, Hex, M12 x 35, 10.9, Full Thd,
31	896-12012	AR	WASHER, M12 x 24.5 x 3, HT,



C.10.B.42(6) PTO, CLUTCH

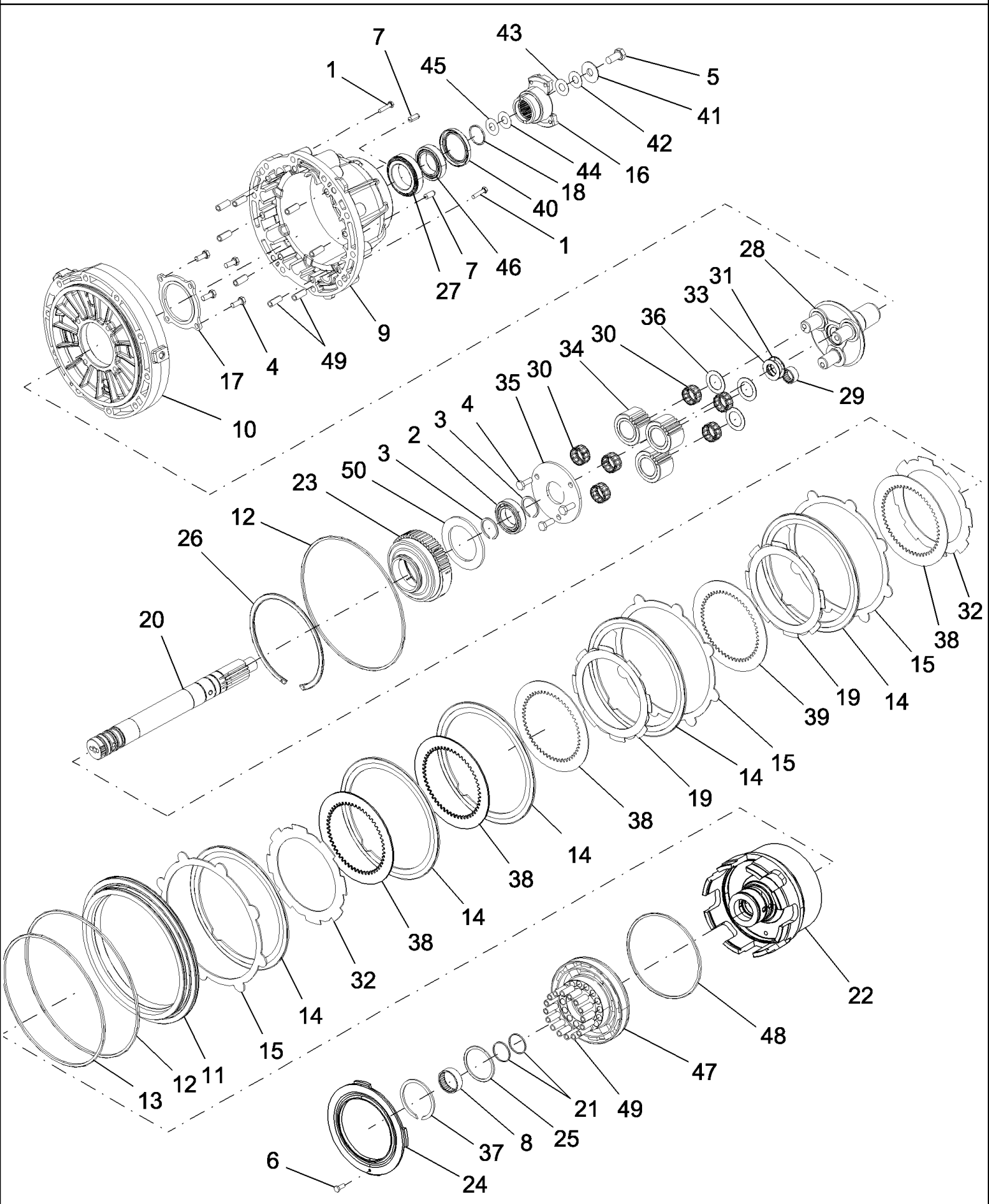
сылка	Номер детали	Кол-во	Описание
1	87344271	1	CLUTCH ASSEMBLY, Shaft & Clutch
2	329889A1	1	PISTON,
3	329896A1	1	SEAL,
4	A159297	1	SEAL, Clutch Piston
5	238-5158	1	O-RING, -158, 70 Duro, 4.737" ID x .103" Thk,
6	238-5137	1	O-RING, -137, 90 Duro, 2.05" ID x .103" Thk,
7	345335A2	4	PLATE,
8	345334A1	4	PLATE, Friction
9	345337A1	1	RING,
10	345336A1	1	PLATE, CLUTCH, DRIVING,
11	100-16175	1	RING, SNAP, #175, Ext,
12	A188044	1	RETAINER, Piston Return Spring
13	A188080	1	SPRING, Piston Return
14	87105115	1	SEALRING, Sealing
15	87105116	1	SEALRING, Sealing
16	87105109	1	PLATE,
17	86990276	2	DISC, Friction
18	87109365	1	PLATE,
19	87105676	1	PISTON,
20	87105113	1	SPRING, Disc
21	87105114	1	RING,
22	800-1170	1	RING, SNAP, M70, Ext,
23	87107563	1	SHAFT, Prior 408482A1



C.10.B.42(7) PAN, PTO GEARBOX

сылка	Номер детали	Кол-во	Описание
1	87108616	1	PAN, Pan, PTO - Includes Ref. 1 thru 7
2	87107440	1	SCREEN, FILTER, Screen Assembly
3	14463680	1	O-RING, -218, 70 Duro, 1.234" ID x .139" Thk,
4	238-5022	1	O-RING, -022, 70 Duro, .989" ID x .070" Thk, Was 129740
5	614-6012	2	BOLT, Hex, M6 x 12, 8.8,
6	895-11006	2	WASHER, M6,
7	892-11006	2	WASHER, LOCK, M6,

C.10.B.42(8) ROTOR VARIATOR



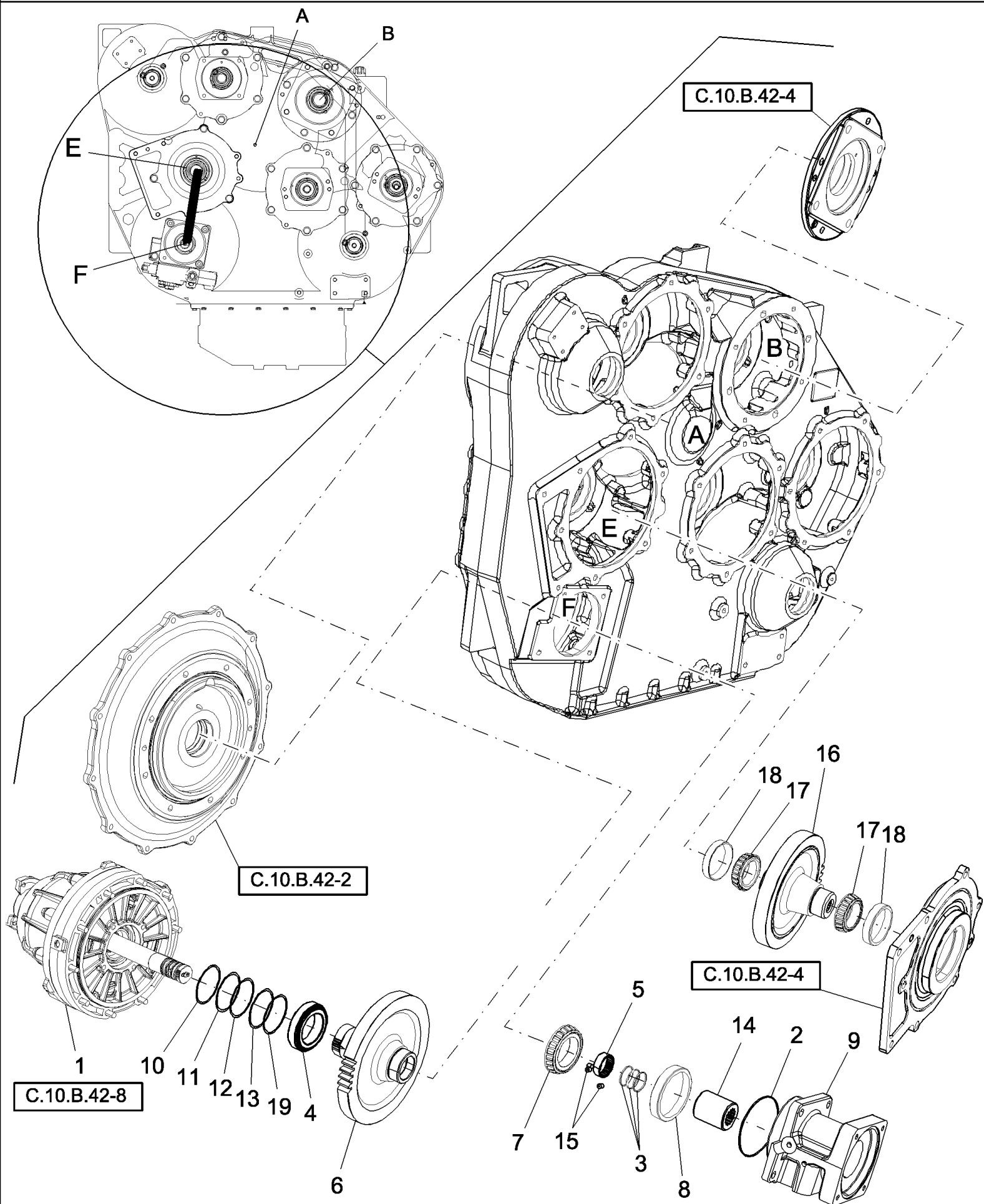
C.10.B.42(8) ROTOR VARIATOR

сылка	Номер детали	Кол-во	Описание
1	43129	2	BOLT, Hex, M8 x 40, 8.8,
2	A75193	1	BEARING, BALL,
3	87281477	2	RING, SNAP,
4	614-10025	7	BOLT, Hex, M10 x 25, 8.8, Full Thd,
5	514-1021	1	BOLT, Hex, M16 x 1.5 x 35, 10.9, Full Thd,
6	614-6010	1	BOLT, Hex, M6 x 10, 8.8, Full Thd,
7	837-12030	2	DOWEL, M12 x 30,
8	86996784	1	BEARING, NEEDLE,
9	87281492	1	HOUSING, Front
10	86999536	1	PLATE, Center
11	87281427	1	PISTON, Reverse
12	87281428	2	RING, Outer
13	87281429	1	RING, Inner
14	87281430	5	PLATE, CLUTCH, DRIVING,
15	87281431	6	PLATE,
16	87281433	1	YOKE,
17	87281434	1	RETAINER,
18	238-5223	1	O-RING, -223, 70 Duro, 1.609" ID x .139" Thk,
19	375529A1	4	DISC, CLUTCH,
20	87675694	1	SHAFT, Shaft
21	A188653	2	SEALRING,
22	87281443	1	GEAR, RING,
23	87281445	1	HUB, Drive
24	87281446	1	PLATE, End
25	87281447	1	RING,
26	87281501	1	RING, SNAP,
27	225805A1	1	BEARING, ROLLER,
28	87281448	1	SHAFT, Output
29	87281503	1	BEARING, CUP,
30	87281504	6	BEARING, NEEDLE,
31	87281505	1	BEARING, THRUST,
32	375528A1	2	DISC, CLUTCH,
33	87281507	1	WASHER, THRUST,
34	87281450	3	GEAR, PLANETARY, 25T
35	87281451	1	PLATE WASHER,
36	87281508	3	WASHER, THRUST,
37	428163A1	1	SNAP RING,
38	S2080S00F	AR	DISC, CLUTCH,
39	S2090S00F	AR	DISC, CLUTCH,
40	S8820S00F	1	SEAL, OIL,
41	S8860S00F	1	WASHER, THRUST, Thrust
42	S9950S00F	AR	SHIM, 0.1 mm
43	S9960S00F	AR	SHIM, 0.3 mm
44	S9970S00F	AR	SHIM, 0.5 mm
45	S9980S00F	AR	SHIM, 0.7 mm

C.10.B.42(8) ROTOR VARIATOR

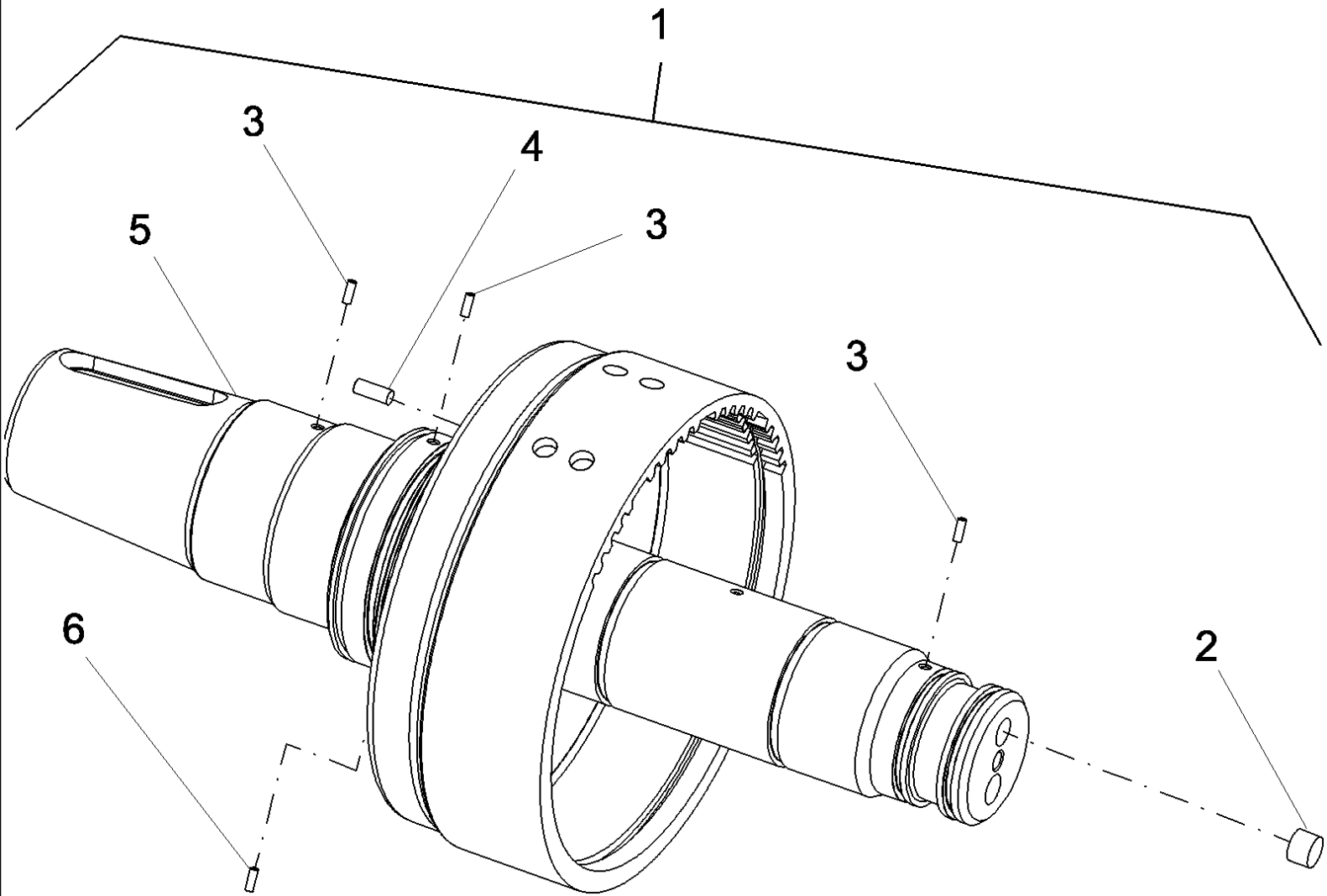
сылка	Номер детали	Кол-во	Описание
46	427662A1	1	BEARING, ROLLER, TAPERED,
47	352833A1	1	PISTON,
48	87431391	1	RING,
49	352828A1	24	SPRING, Return
50	352827A1	1	PLATE,

C.10.B.42(9) PTO, ROTOR VARIATOR ASSY., ENGINE GEARBOX



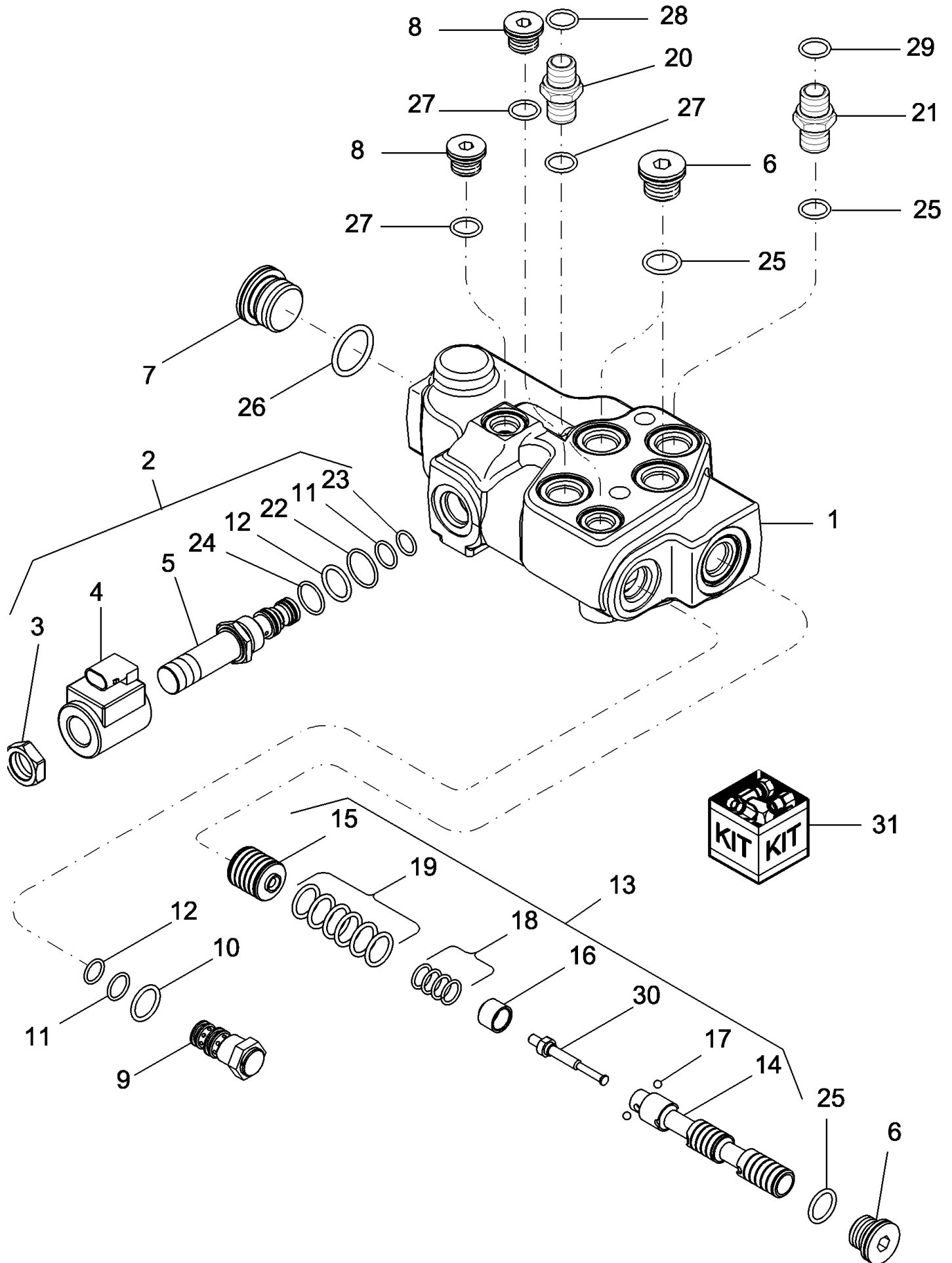
C.10.B.42(9) PTO, ROTOR VARIATOR ASSY., ENGINE GEARBOX

сылка	Номер детали	Кол-во	Описание
1	86998846	1	GEARBOX, Variator, Rotor
2	238-5158	1	O-RING, -158, 70 Duro, 4.737" ID x .103" Thk,
3	A188653	3	SEALRING,
4	86998145	1	BEARING, ROLLER, TAPERED,
5	86996784	1	BEARING, NEEDLE,
6	86975206	1	GEAR, Rotor Drive, 57T
7	227488A1	1	BEARING, CONE,
8	29214H	1	BEARING, CUP,
9	397700A1	1	SLEEVE,
10	359242A1	AR	SHIM, 0.1 mm
11	359243A1	AR	SHIM, 0.15 mm
12	359244A1	AR	SHIM, 0.3 mm
13	359251A1	AR	SHIM, 0.5 mm
14	399972A3	1	HUB, Hydraulic Motor Drive
15	87520607	3	PLUG, Expansion, 9 mm - Was 1345887C1
16	86975205	1	GEAR, 51T
17	L33289	1	BEARING, CONE,
18	105497H	1	BEARING, CUP,
19	87282628	AR	SHIM, Shim



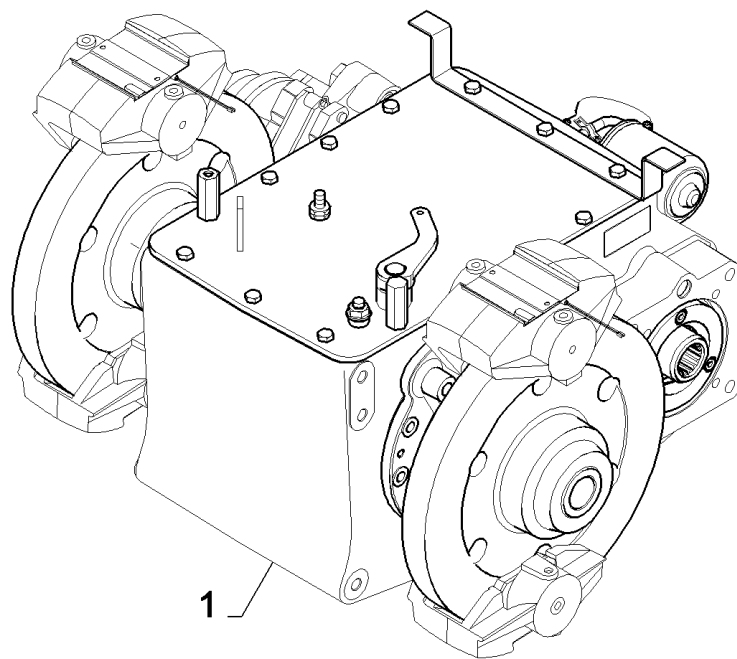
C.10.B.42(11) SHAFT, CLUTCH PTO

сылка	Номер детали	Кол-во	Описание
1	87107563	1	SHAFT, Includes Ref. 2 thru 6
2	1345887C1	1	PLUG,
3	38-3605	3	PIN, 3/32" x 5/16", Coiled,
4	31263R1	2	DOWEL, M4 x 12,
5	NSS	1	NOT SERVICED SEPARATELY, Shaft
6	932625R1	1	PIN, LOCK, M3 x 8, Slotted,



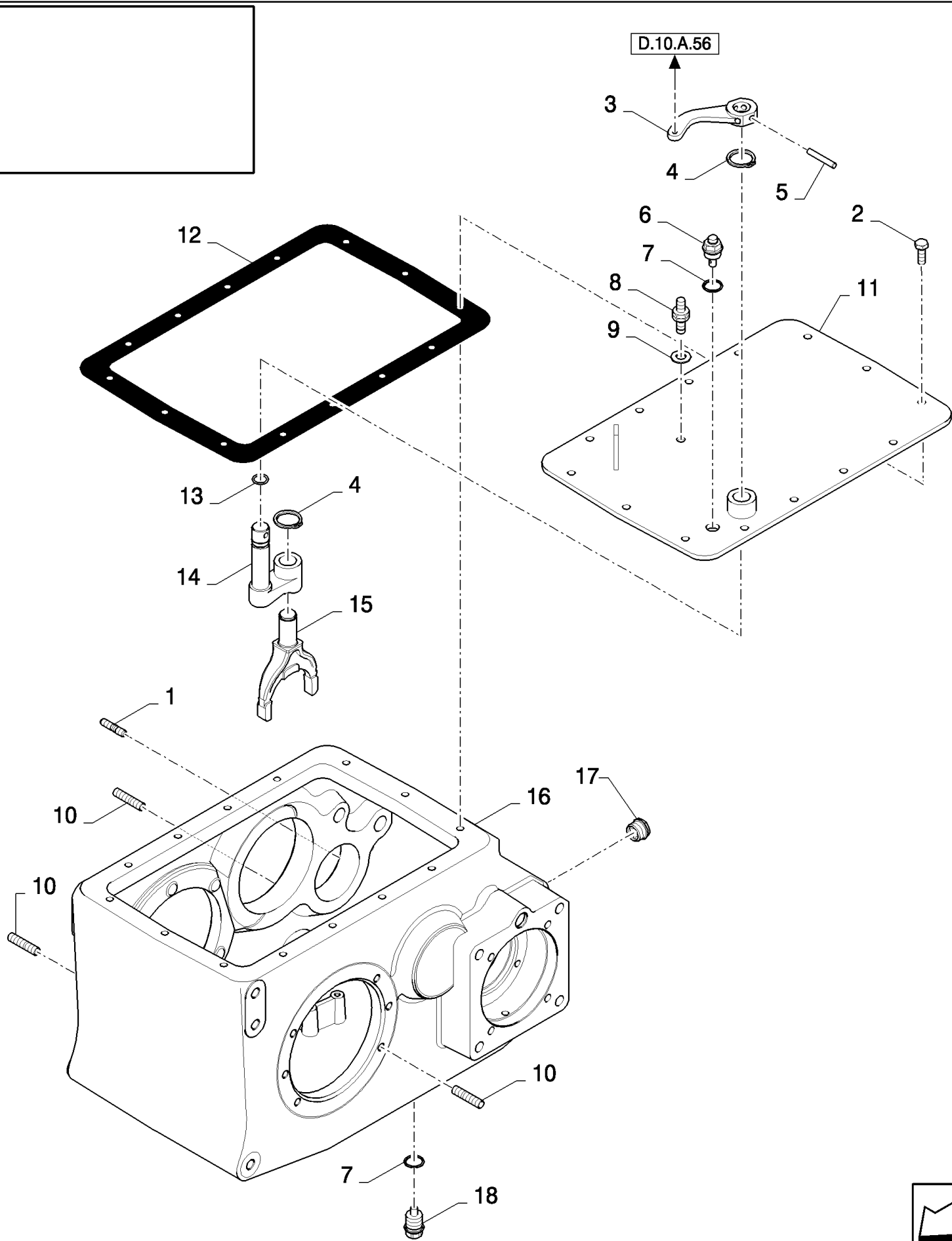
C.10.B.42(12) VALVE, HYDRAULIC

сылка	Номер детали	Кол-во	Описание
1	86981234	1	VALVE, HYDRAULIC, PTO Clutch Control
2	239552A2	1	VALVE, SOLENOID, Assembly PWM Solenoid, Includes: Ref. 3, 4, 5, 11, 12, 22-24
3	304836A1	1	NUT, Retainer
4	304834A1	1	SOLENOID,
5	304831A1	1	SPOOL, Cartridge
6	221578A1	3	PLUG, Hex Soc, M18 x 1.5, ORB, Includes: Ref. 25
7	221580A1	1	PLUG, Hex Soc, M27 x 2, ORB, Includes Ref. 26
8	221576A1	3	PLUG, Hex Soc, M14 x 1.5, ORB, Includes Ref. 27
9	177120A1	1	PLUG, Solenoid Valve, 2 GPM
10	237-6008	1	O-RING, 8-1, 90 Duro, .644" ID x .087" Thk,
11	238-5014	2	O-RING, -014, 70 Duro, .489" ID x .070" Thk,
12	238-5013	2	O-RING, -013, 70 Duro, .426" ID x .070" Thk,
13	86981236	1	SPOOL, Assembly, Includes: Ref. 14-19, 30
14	86981237	1	SPOOL, Modulation
15	NSS	1	NOT SERVICED SEPARATELY, Piston Modulator Assembly
16	NSS	1	NOT SERVICED SEPARATELY, Sleeve Retaining
17	511-1040	2	BALL, 4mm Dia, GR 28 Chrome, Aly Stl
18	NSS	1	NOT SERVICED SEPARATELY, Spring Light Modulation
19	NSS	1	NOT SERVICED SEPARATELY, Spring Preload
20	700-101	1	CONNECTOR, HYD., 11/16"-16 ORFS x M14 x 1.5 ORB, Incl. 27, 28
21	700-102	1	CONNECTOR, HYD., 13/16"-16 ORFS x M18 x 1.5 ORB, Includes: Ref. 25, 29
22	238-6008	1	O-RING, -008, 90 Duro, .176" ID x .070" Thk,
23	238-7016	1	O-RING, -016, CI 7, .614" ID x .070" Thk,
24	238-7018	1	O-RING, -018, CI 7, .739" ID x .070" Thk,
25	86598101	5	O-RING, CI 6, 15.3MM ID x 2.2 Thk,
26	86598103	1	O-RING, CI 6, 23.6MM ID x 2.9 Thk,
27	86598099	3	O-RING, CI 6, 11.3MM ID x 2.2 Thk,
28	9993141	1	O-RING, -012, 90 Duro, .364" ID x .070" Thk,
29	9992298	1	O-RING, -014, 90 Duro, .489" ID x .070" Thk,
30	NSS	1	NOT SERVICED SEPARATELY, Pin
31	308245A1	1	KIT, SEALS, Includes (1) each of Ref. 11, 12, 22, 23, 24



C.20.B(1) COMPLETE MECHANICAL TRANSMISSION

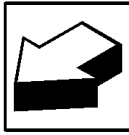
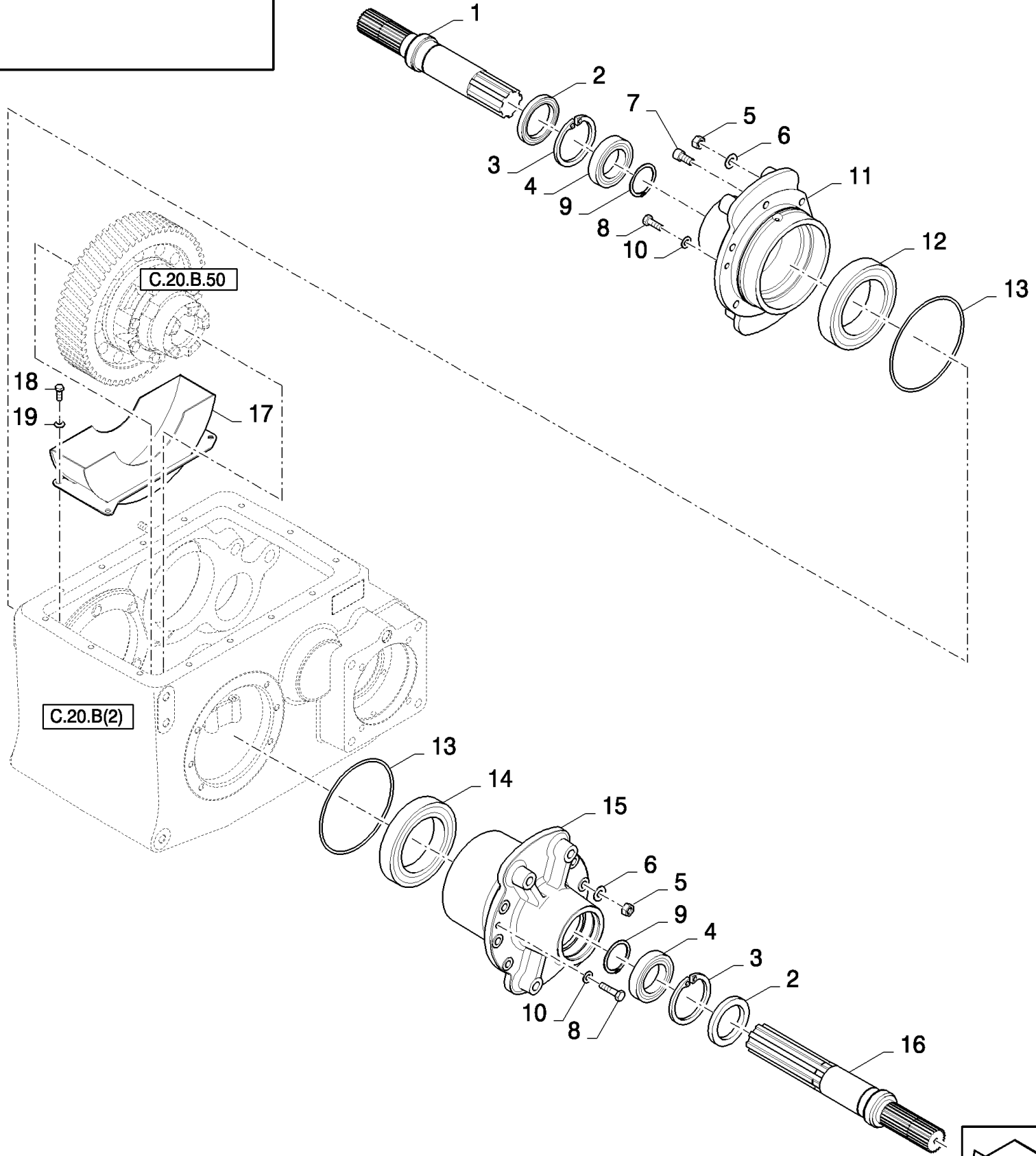
сылка	Номер детали	Кол-во	Описание
1	84081801	1	TRANSMISSION, 20/61, With Diff. Lock
1	84081800	1	TRANSMISSION, 20/61



C.20.B(2) MECHANICAL TRANSMISSION HOUSING

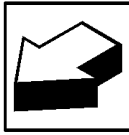
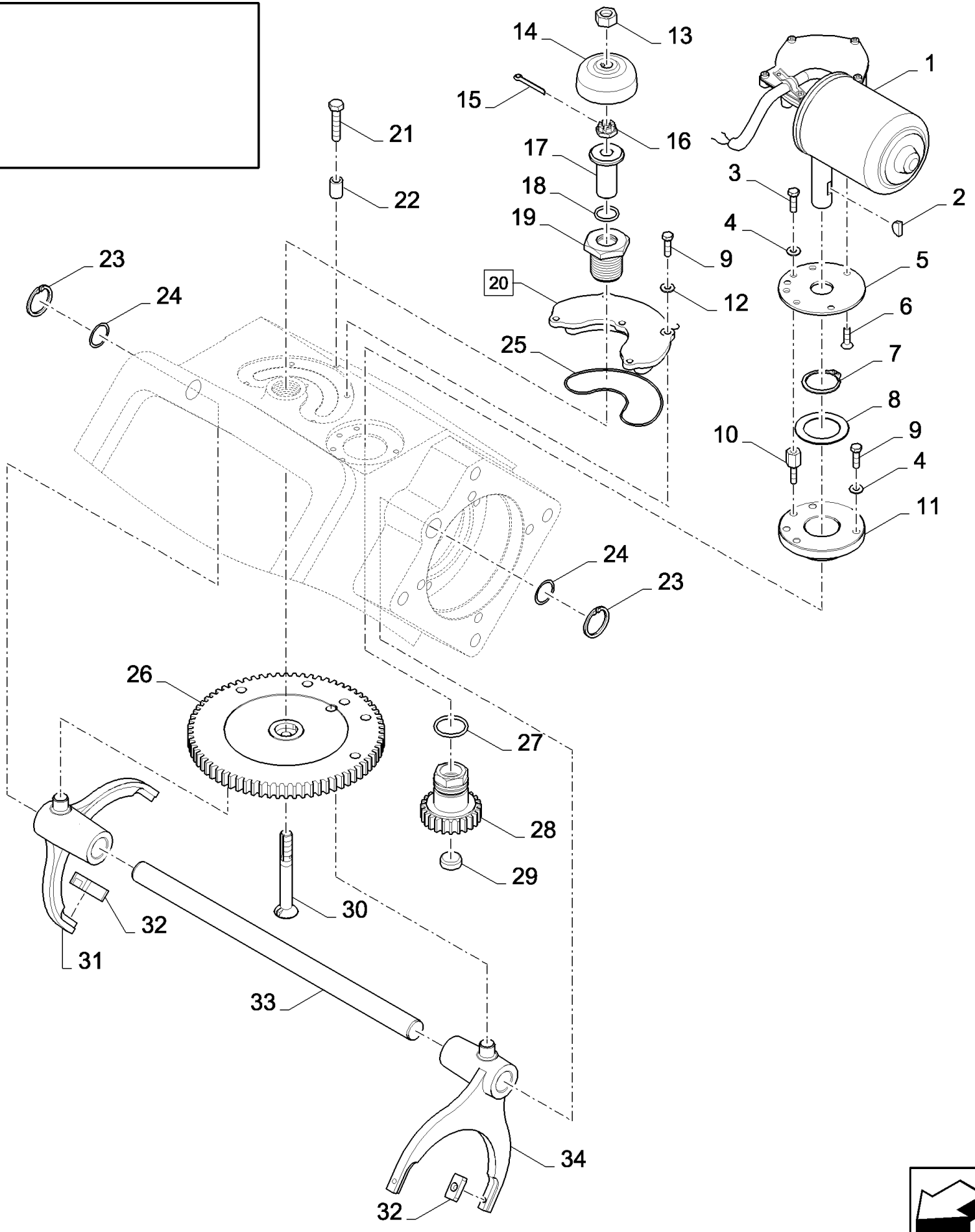
сылка	Номер детали	Кол-во	Описание
1	110019	5	STUD,
2	412621	14	BOLT, Hex Lock, M10 x 30, 8.8,
3	84334005	1	LEVER, , With Diff. Lock
4	370002	2	RING, SNAP, M25, Ext, , With Diff. Lock
5	9506888	1	PIN, , With Diff. Lock
6	398136	1	BREATHER,
7	220025	2	SEALRING,
8	84058860	1	SENSOR,
9	355607	1	SEALRING,
10	350341	15	STUD,
11	84072053	1	COVER, , With Diff. Lock
11	84072051	1	COVER, , Standard
12	84071961	1	GASKET,
13	89818942	1	O-RING, , With Diff. Lock
14	89818945	1	ARM, , With Diff. Lock
15	89818947	1	YOKE, , With Diff. Lock
16	84439588	1	HOUSING,
17	84071596	1	LEVEL GAUGE CONTROL,
18	336897	1	PLUG, Stop

C.20.B(3) MECHANICAL TRANSMISSION OUTPUT SHAFT



C.20.B(3) MECHANICAL TRANSMISSION OUTPUT SHAFT

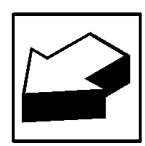
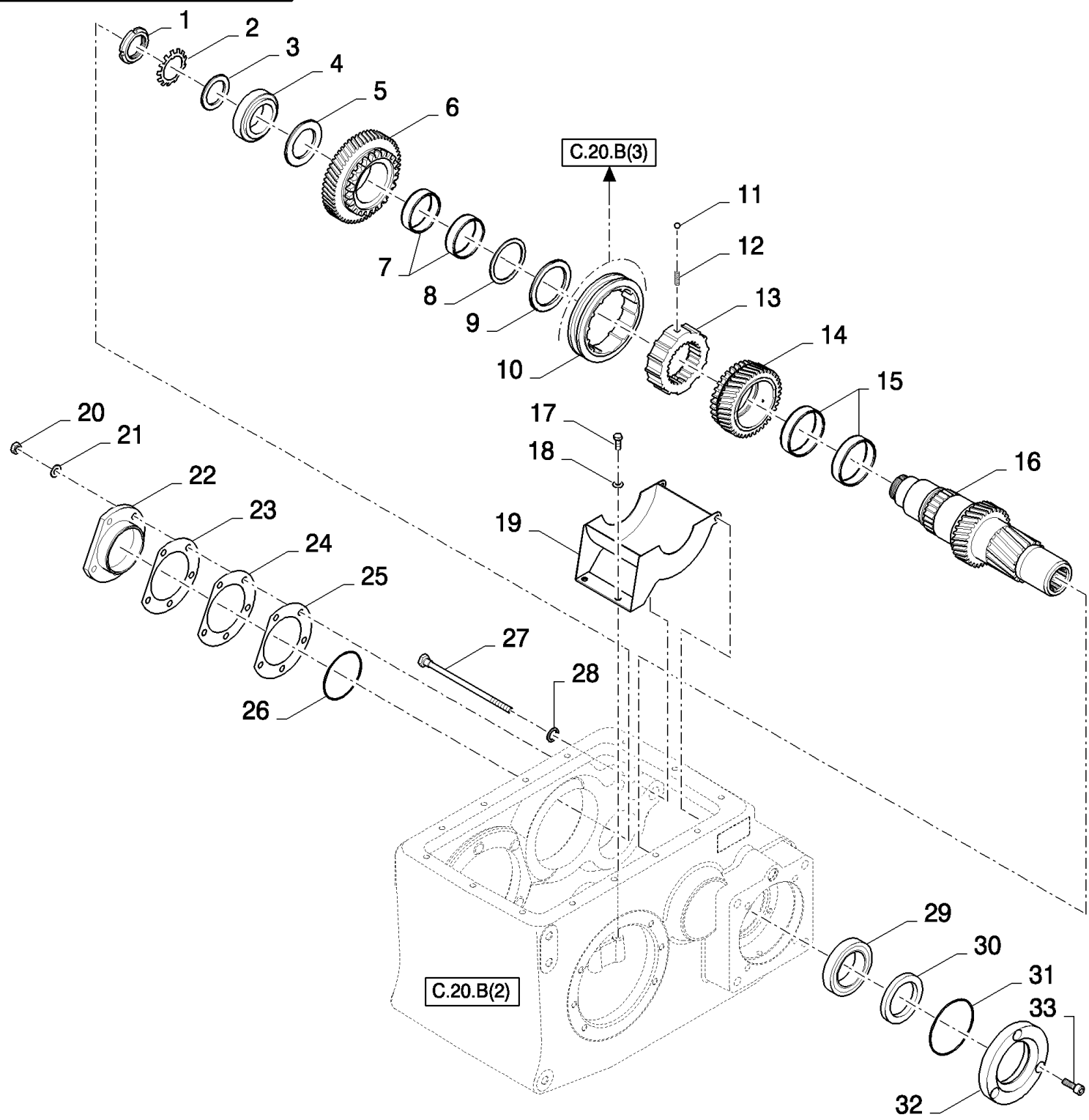
сылка	Номер детали	Кол-во	Описание
1	84069687	1	SHAFT,
2	84045429	2	SEALRING,
3	370013	2	RING, SNAP, M90, Int,
4	9825886	3	BEARING, BALL,
5	9706685	2	NUT, M12, CI 8,
6	140046	4	WASHER, SPRING, Belleville, M12,
7	89837786	2	SCREW, M12 x 1.75 x 20
8	86512298	4	BOLT, Hex, M10 x 12, 8.8, Full Thd,
9	327911	2	CIRCLIP, Ext. 55 mm
10	140045	4	WASHER, SPRING, Belleville, M10,
11	84071109	1	FLANGE, For 16/71 Differential
11	84071156	1	FLANGE, For 20/61 Differential
12	80210046	1	BEARING, BALL,
13	89815655	2	O-RING,
14	80418831	1	BEARING, BALL,
15	84071206	1	FLANGE, For 16/71 Differential
15	84071210	1	FLANGE, For 20/61 Differential
16	84069822	1	SHAFT, For Std Differential
16	84069688	1	SHAFT, For Differential W/Lock
17	84435237	1	SHIELD, For 16/71 Differential
17	84435233	1	SHIELD, For 20/61 Differential
18	120103	4	BOLT, Hex, M8 x 16, 8.8,
19	322358	4	WASHER, SPRING, Belleville, M8,



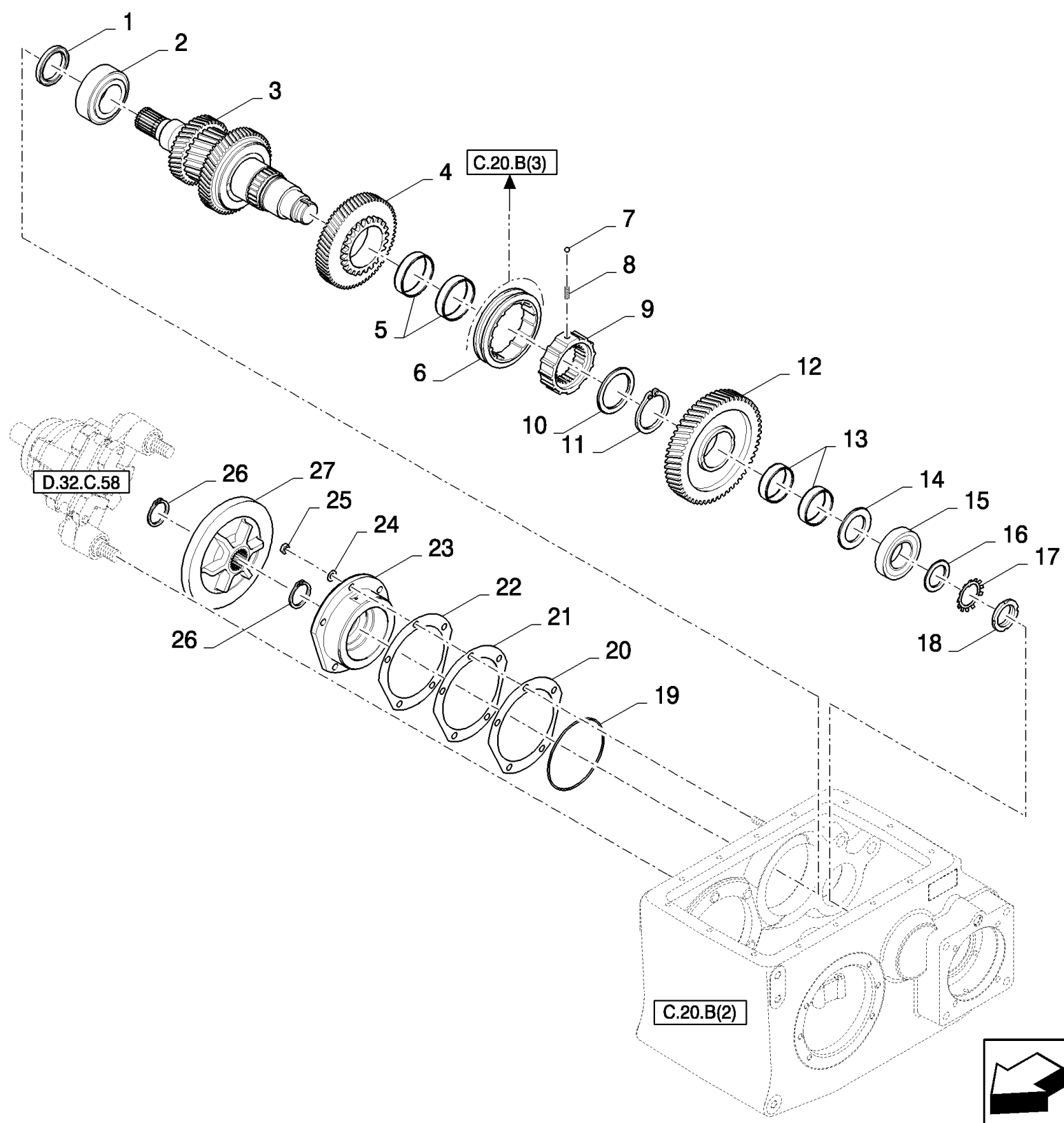
C.20.B.05 MECHANICAL TRANSMISSION, GEARSHIFT CONTROL

сылка	Номер детали	Кол-во	Описание
1	84807563	1	MOTOR, ELECTRIC,
2	84041731	1	WOODRUFF KEY,
3	378056	4	BOLT, Hex, M6 x 10, 8.8, Full Thd,
4	322357	5	WASHER, SPRING, Belleville, M6,
5	84071166	1	DISC,
6	300497	3	SCREW, Hex Soc Flat Hd, M6 x 16, 8.8,
7	370004	1	RING, SNAP, M35, Ext,
8	442245	1	RING,
9	86508568	6	BOLT, Hex, M6 x 16, 8.8,
10	84071865	4	SCREW, Distance
11	87588654	1	SPACER,
12	9824259	5	WASHER, M6 x 12 x 1.6,
13	9706685	1	NUT, M12, CI 8,
14	84072087	1	LID,
15	130004	1	PIN, SPLIT (COTTER), M3.2 x 25,
16	84334523	1	NUT, SLOTTED, M14 x 1.5, CI 8,
17	84334799	1	BUSHING,
18	304967	1	O-RING,
19	84071821	1	INSERT, THREADED,
20	84072805	1	SENSOR, (25)
21	120106	1	BOLT, Hex, M8 x 40, 8.8, Full Thd,
22	84038824	1	BUSHING,
23	84078050	2	RING, SNAP, M22, Int,
24	48106	2	O-RING, -118, 70 Duro, .862" ID x .103" Thk,
25	84042797	1	O-RING,
26	84607593	1	GEAR,
27	84021955	1	O-RING,
28	87591787	1	GEAR,
29	396661	1	PLUG,
30	84334394	1	SCREW,
31	84071587	1	FORK, SHIFTER,
32	84432249	4	GUIDE,
33	84071538	1	SHAFT,
34	84071378	1	FORK, SHIFTER,

C.20.B.43(1) MECHANICAL TRANSMISSION, INPUT SHAFT

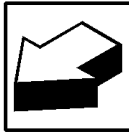
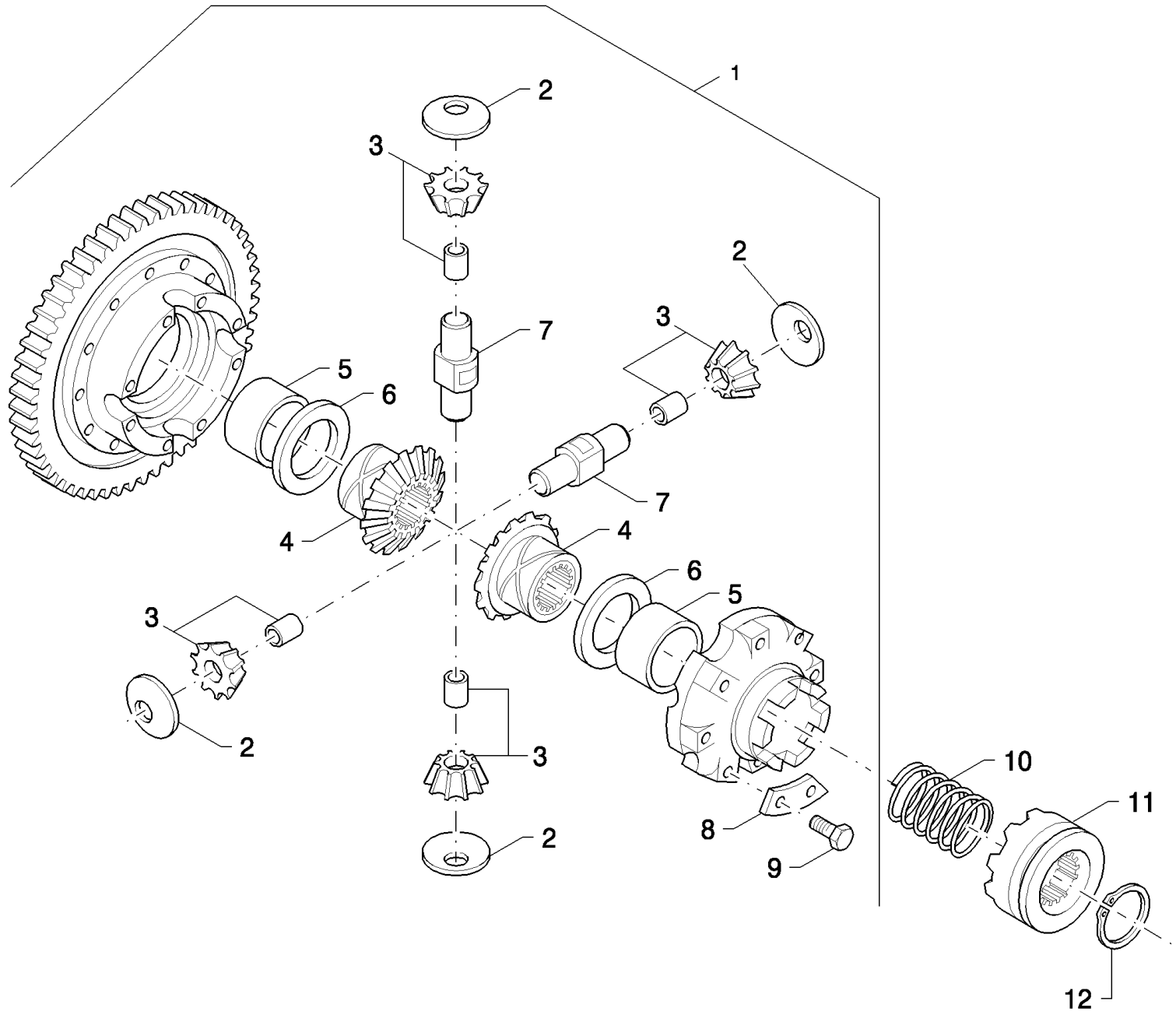


сылка	Номер детали	Кол-во	Описание
1	9615771	1	NUT, LOCK, M45 x 1.5, Bearing,
2	80410880	1	RING, LOCKING,
3	84071395	1	RING,
4	853116	1	BEARING, ROLLER, TAPERED,
5	84071394	1	RING,
6	84435944	1	GEAR,
7	87317816	1	BEARING SET, Was 84043299, Set of 2
8	84078051	1	RING, SNAP, M72, Ext,
9	84072052	1	RING,
10	84433358	1	GEAR,
11	84041521	2	BALL,
12	84041522	2	SPRING,
13	84433352	1	GEAR,
14	84433269	1	GEAR,
15	84071622	1	BEARING SET, Set of 2
16	84071392	1	SHAFT,
17	120103	2	BOLT, Hex, M8 x 16, 8.8,
18	322358	2	WASHER, SPRING, Belleville, M8,
19	84435240	1	SHIELD,
20	100016	5	NUT, M10, CI 8,
21	140045	5	WASHER, SPRING, Belleville, M10,
22	84071116	1	HOUSING, BEARING,
23	84072114	4	SHIM, Thk: 0.05 mm
24	84072113	2	SHIM, Thk: 0.2 mm
25	84072110	1	SHIM, Thk: 0.5 mm
26	84078053	1	O-RING,
27	84334964	1	SET SCREW, Hex Soc, M12 x 205,
28	84011379	1	RING,
29	750347	1	BEARING, ROLLER, TAPERED,
30	84045429	1	SEALRING,
31	84032297	1	O-RING,
32	84071648	1	HOUSING, BEARING,
33	300442	3	SCREW, Hex Soc Hd, M10 x 30, 8.8,



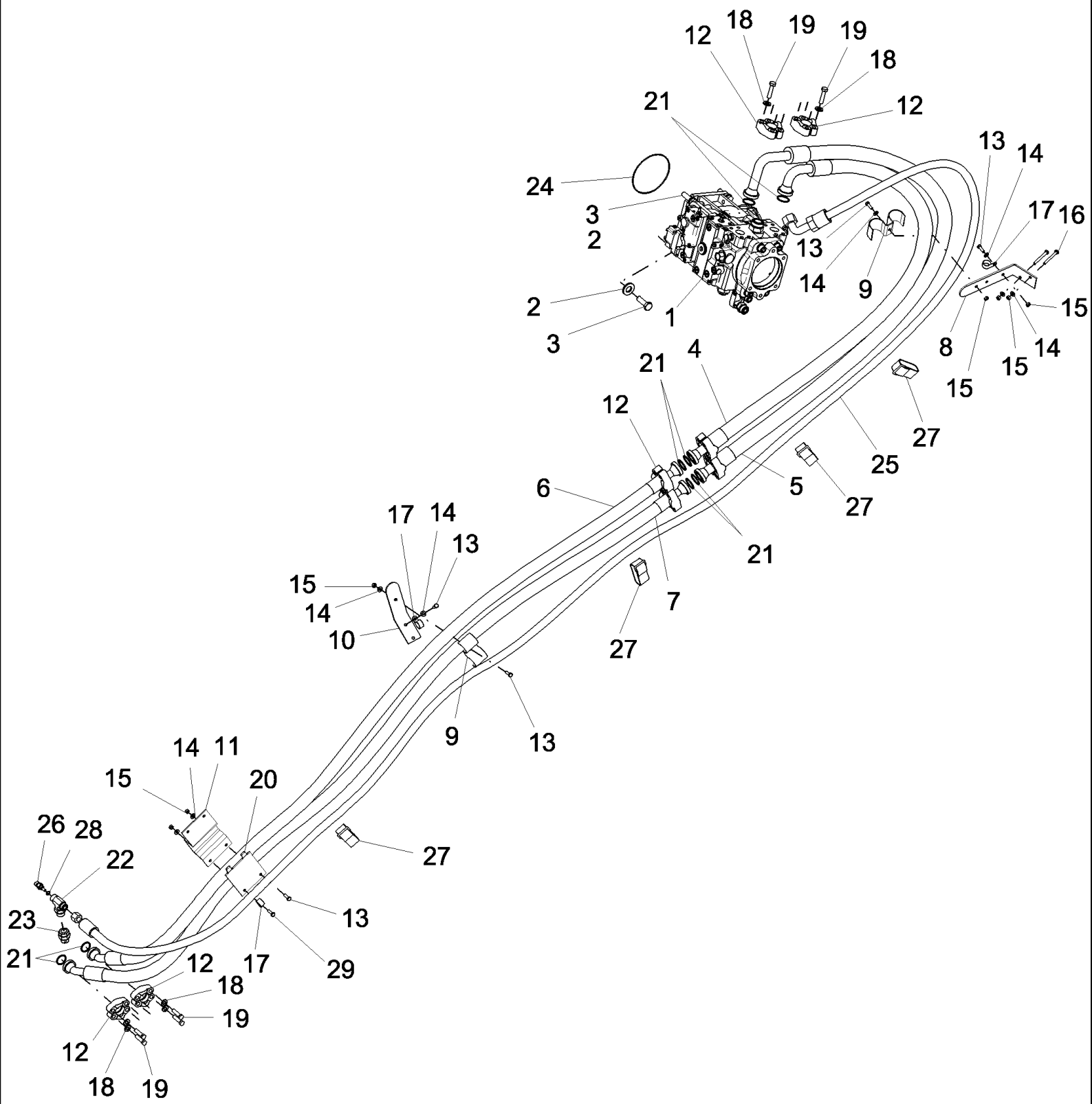
сылка	Номер детали	Кол-во	Описание
1	84017986	1	SEAL,
2	84074759	1	BEARING, ROLLER, TAPERED,
3	84433499	1	SHAFT, 20T
4	84433264	1	GEAR,
5	84071622	1	BEARING SET, Set of 2
6	84433358	1	GEAR,
7	84041521	2	BALL,
8	84041522	2	SPRING,
9	84433352	1	GEAR,
10	84072052	1	RING,
11	84078051	1	RING, SNAP, M72, Ext,
12	84433278	1	GEAR, Driven
13	87317816	1	BEARING SET, Was 84043299
14	84071394	1	RING,
15	84320593	1	BEARING, ROLLER, TAPERED,
16	84071395	1	RING,
17	80410880	1	RING, LOCKING,
18	9615771	1	NUT, LOCK, M45 x 1.5, Bearing,
19	84078052	1	O-RING,
20	84072115	1	SHIM, Thk: 0.5 mm
21	84072116	2	SHIM, Thk: 0.2 mm
22	84072118	4	SHIM, Thk: 0.05 mm
23	84071119	1	HOUSING, BEARING,
24	140046	5	WASHER, SPRING, Belleville, M12,
25	9706685	5	NUT, M12, CI 8,
26	370007	2	RING, SNAP, M45, Ext,
27	84071123	1	BRAKE DISC,

C.20.B.50 DIFFERENTIAL



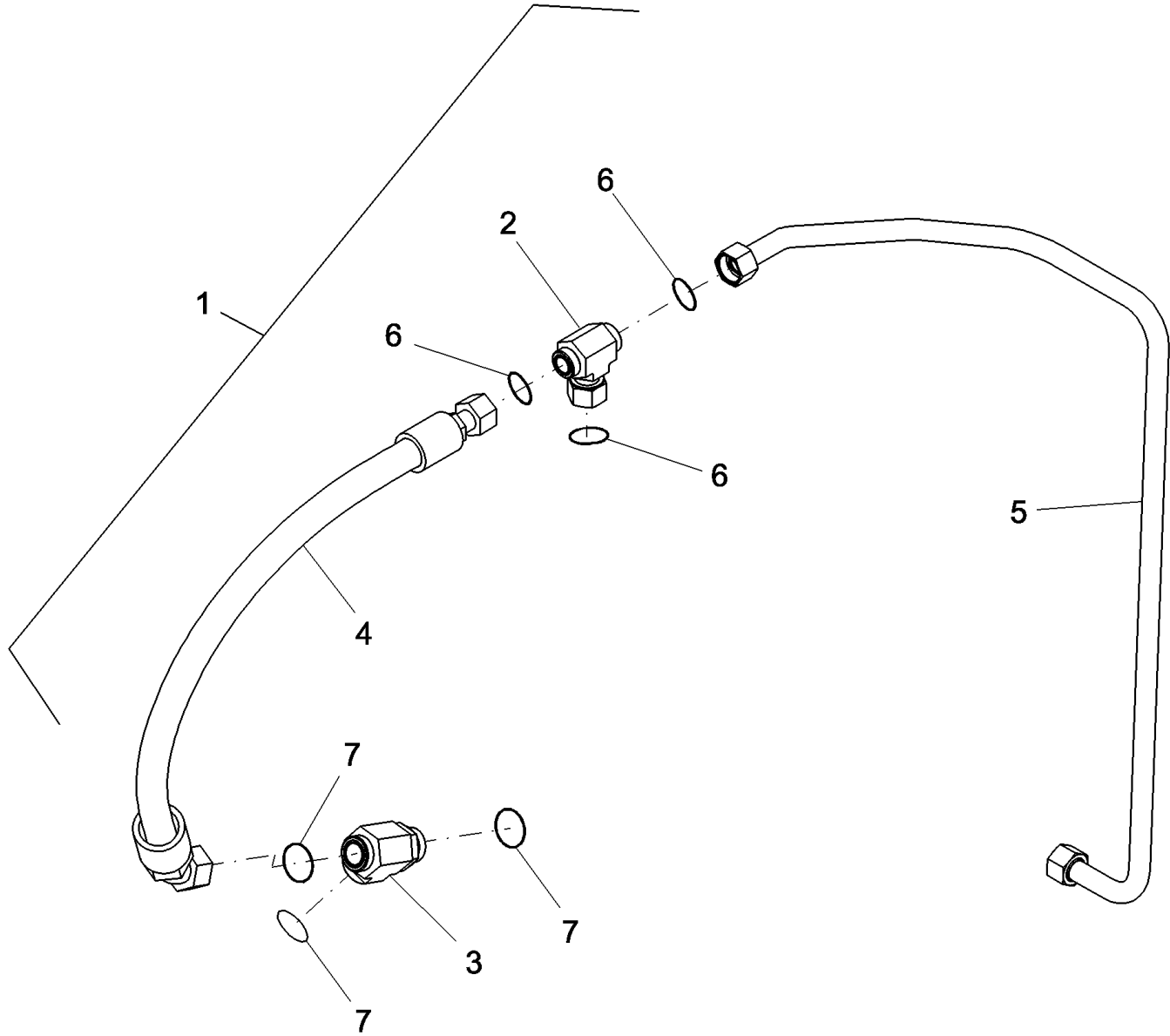
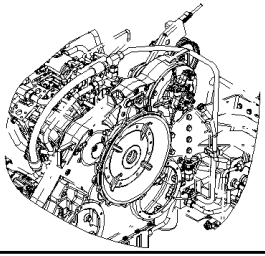
C.20.B.50 DIFFERENTIAL

сылка	Номер детали	Кол-во	Описание
1	84071411	1	DIFFERENTIAL, 16/71, Std
1	84071412	1	DIFFERENTIAL, 20/61, Std
1	84071437	1	DIFFERENTIAL, 16/71, W/Lock
1	84071415	1	DIFFERENTIAL, 20/61, W/Lock
2	80210014	4	WASHER, Dished
3	89850394	4	GEAR, Pinion
4	89514042	2	GEAR, PLANETARY,
5	89514039	2	BUSHING,
6	80210013	2	WASHER, THRUST,
7	89514041	2	SHAFT, Satellite
8	80331649	4	PLATE, LOCKING,
9	120073	8	BOLT, Hex, M10 x 80, 8.8,
10	80455097	1	SPRING, For Differential W/Lock
11	80455094	1	RING, For Differential W/Lock
12	327911	1	CIRCLIP, For Differential W/Lock

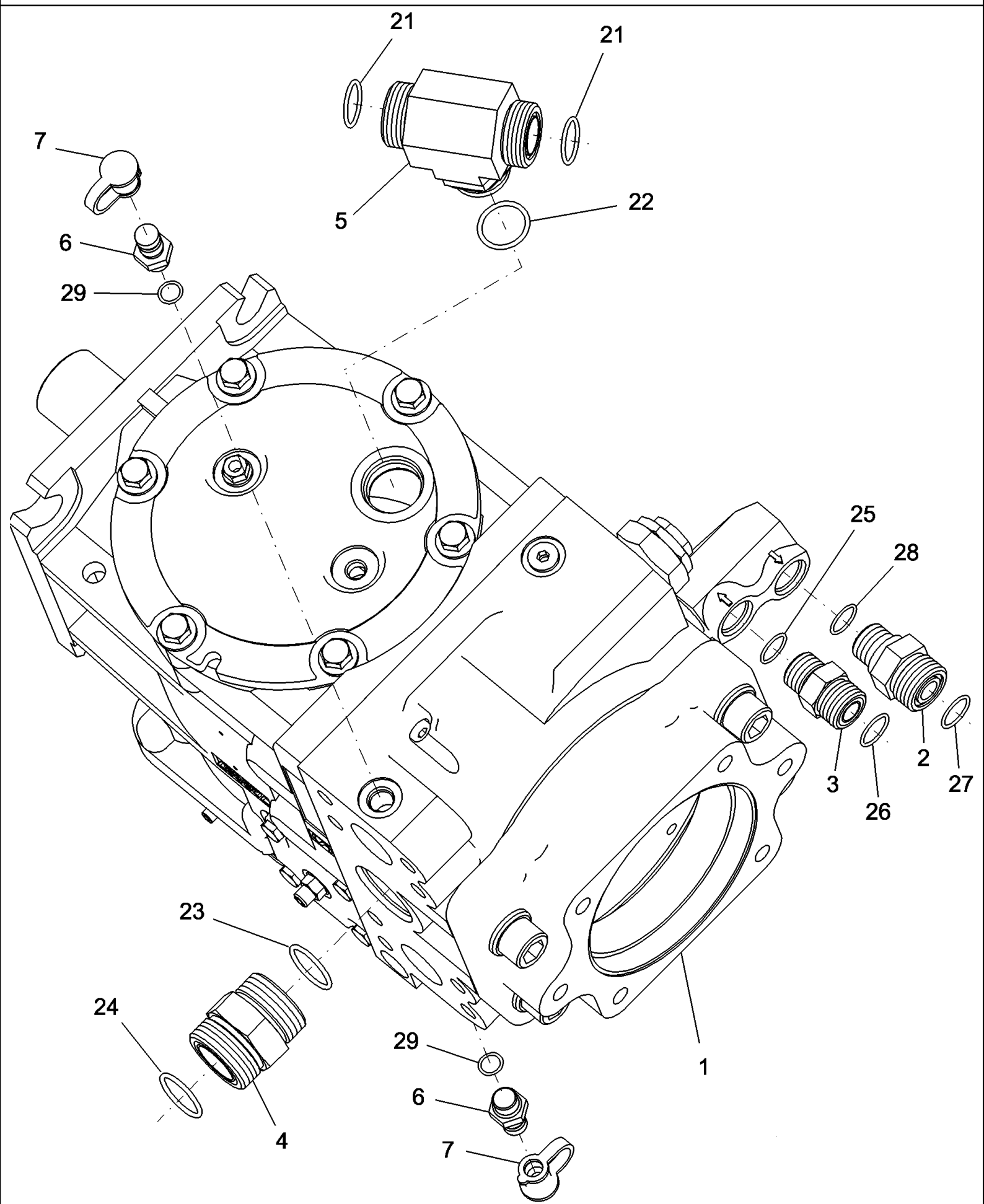


C.20.F HYDRO DRIVE, HEAVY DUTY

сылка	Номер детали	Кол-во	Описание
1	87011461	1	PUMP, HYDROSTATIC, Propulsion, 130 cc - LESS Connectors
2	84058945	4	WASHER, Replaces 86625266
3	87303611	4	BOLT, Hex, M16 x 65, 10.9, Full Thd,
4	86999714	1	HOSE, Drive Pump, A
5	86999715	1	HOSE, Drive Pump, B
6	86999716	1	HOSE, Drive Motor, A
7	86999717	1	HOSE, Drive Motor, B
8	87108157	1	SUPPORT, Hose
9	84053483	2	CLAMP, Hose
10	87109782	1	BRACKET, Hose
11	84069548	1	PLATE,
12	86980733	16	CLAMP, Split Flange
13	43127	6	BOLT, Hex, M8 x 25, 8.8,
14	322358	9	WASHER, SPRING, Belleville, M8,
15	9706690	7	NUT, M8, CI 8,
16	120062	2	BOLT, Hex, M8 x 70, 8.8,
17	87035382	3	CLAMP, 1 3/16", Insul, 3/8" Bolt, Replaces 86637977
18	86624188	16	WASHER, 17/32" x 1 1/6" x .134",
19	87019710	16	BOLT, Hex, 1/2"-13 x 2", G8,
20	84069549	1	PLATE, Retention
21	235757	8	O-RING, -222, 90 Duro, 1.484" ID x .139" Thk,
22	87105734	1	TEE, Drain, Case
23	87105733	1	REDUCER,
24	87017583	1	O-RING, -163, CI 7, 5.987" ID x .103" Thk, O.D. = 156mm
25	87108040	1	HOSE, Drive Motor Case Drain
26	86571273	1	SENSOR,
27	87108048	4	STRAP, SECURING,
28	86598099	1	O-RING, CI 6, 11.3MM ID x 2.2 Thk,
29	300381	1	BOLT, Hex, M8 x 35, 8.8,

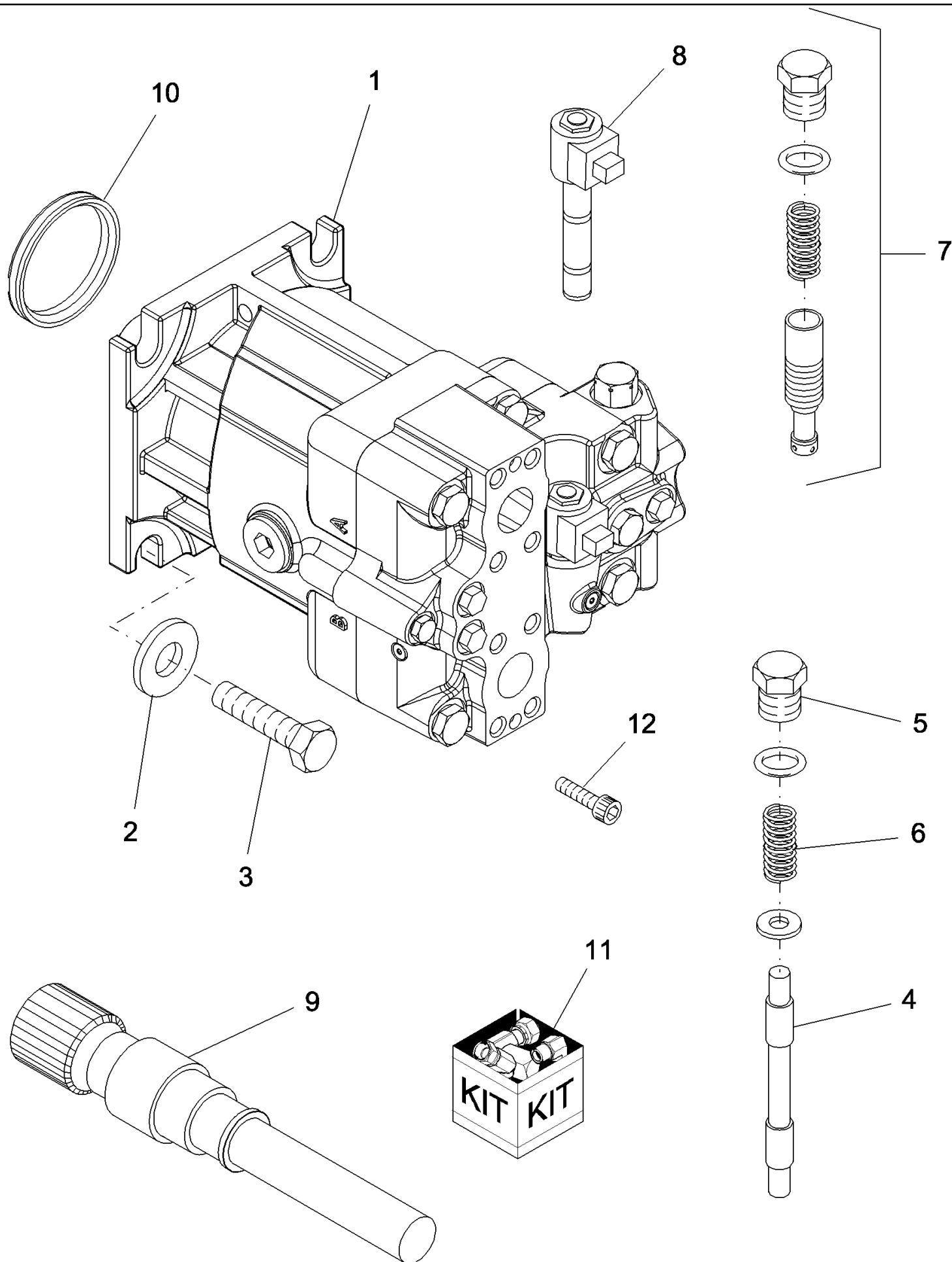


сылка	Номер детали	Кол-во	Описание
1	87283780	AR	KIT, Bypass, Oil Cooling
2	87301769	1	TEE, 1 7/16"-12 ORFS x 1 7/16"-12 Fem Sw Br,
3	86579708	1	TEE, 1 11/16"-12 ORFS x M42 x 2 ORB Run,
4	87283739	1	HOSE, Return, Manifold Bypass
5	87283740	1	TUBE, HYD, Regulator Valve Bypass
6	238-6021	3	O-RING, -021, 90 Duro, .926" ID x .070" Thk,
7	238-6025	3	O-RING, -025, 90 Duro, 1.176" ID x .070" Thk,



C.20.F.20 PUMP, PROPULSION

сылка	Номер детали	Кол-во	Описание
1	87011462	1	PUMP, HYDROSTATIC, Propulsion - 110 cc
1	87011461	1	PUMP, HYDROSTATIC, Propulsion - 130 cc
1	87510612	1	RE-MAN, 130 cc, Was 87010871
1	87510613	1	CORE, 130 cc, Was 87010872
2	9840534	1	CONNECTOR, HYD., 1 3/16"-12 ORFS x 7/8"-14 ORB,
3	9621483	1	CONNECTOR, HYD., 1"-14 ORFS x 7/8"-14 ORB,
4	9840325	1	CONNECTOR, HYD., 1 11/16"-12 ORFS x 1 5/8"-12 ORB,
5	9628061	1	TEE, Tee
6	86596853	2	COUPLING, QUICK, MALE,
7	86502604	2	DUST CAP,
8	87051129	1	KIT, SEALS,
9	87283364	1	SEAL,
10	87051130	2	VALVE, PTO Lube Relief, Includes Ref 17
11	87051131	2	VALVE, Multi Function, Includes Ref. 30 & 31
12	87051132	1	VALVE, EDC, Includes Ref 15, 16, 18, 19 & 20
13	87051135	1	SHAFT, Shaft
14	87051136	1	FITTING, Remote Filter, Includes Ref 21
15	87051134	1	VALVE, Valve
16	87051133	1	GASKET, Gasket
17	167266	1	O-RING, 12-1, 90 Duro, .924 ID x .116" Thk,
18	50458	1	O-RING,
19	9993141	1	O-RING, -012, 90 Duro, .364" ID x .070" Thk,
20	49856	2	O-RING,
21	167268	3	O-RING, 16-1, 90 Duro, 1.171" ID x .116" Thk,
22	9824050	1	O-RING, -021, 90 Duro, .926" ID x .070" Thk,
23	570186	1	O-RING, 20-1, 90 Duro, 1.475" ID x .116" Thk,
24	9824051	1	O-RING, -025, 90 Duro, 1.176" ID x .070" Thk,
25	167269	1	O-RING, 10-1, 90 Duro, .755" ID x .097" Thk,
26	128359	1	O-RING, -016, 70 Duro, .614" ID x .070" Thk,
27	9991976	1	O-RING, -018, 90 Duro, .739" ID x .070" Thk,
28	237-6010	1	O-RING, 10-1, 90 Duro, .755" ID x .097" Thk,
29	9617873	2	O-RING, 6-1, 90 Duro, .468" ID x .078" Thk,
30	79291	1	O-RING, -022, 70 Duro, 1.176" ID x .070" Thk,
31	14454680	1	O-RING, -029, 70 Duro, 1.489" ID x .070" Thk,

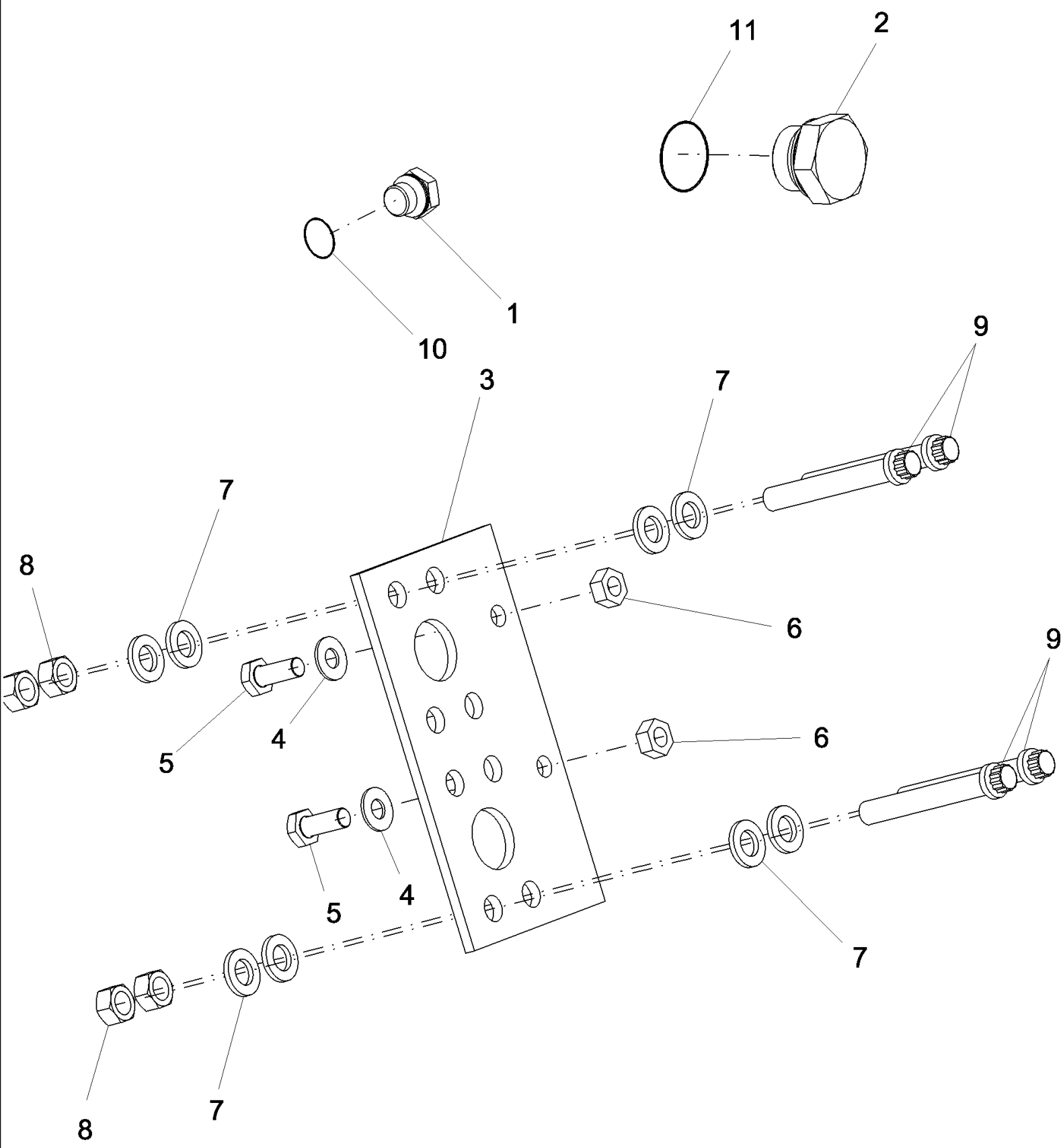


AFX8010 AXIAL-FLOW COMBINE (3/03-9/06)

C.20.F.28 MOTOR, PROPULSION (130 CC)

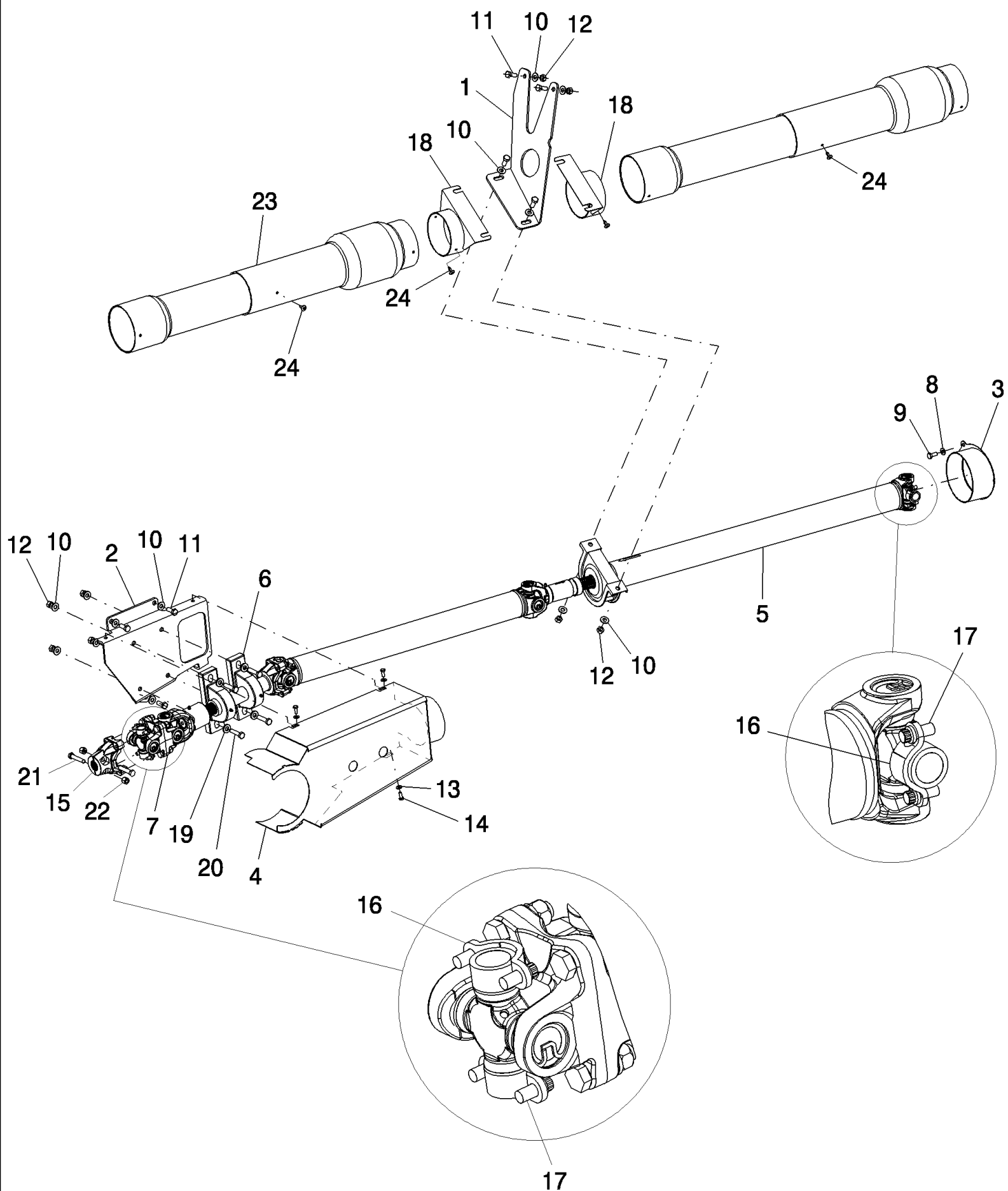
сылка	Номер детали	Кол-во	Описание
1	86997120	1	MOTOR, HYDRAULIC, 130 cc, EndYear: 02/09/2004
1	87282670	1	MOTOR, HYDRAULIC, 130 cc, Start Year: 02/09/2004
1	87010882	1	Remanufactured Motor
1	87019742	1	CORE-MOTOR HYDRAULIC,
2	84058945	4	WASHER, Replaced 86625266
3	87027232	4	BOLT, Hex, M16 x 45, 10.9, Full Thd,
4	84449301	1	SPOOL,
5	84806878	2	RING, Spring Guide
6	84806879	2	SPRING, Shuttle
7	87453377	1	VALVE, PRESSURE RELIEF,
8	84807022	1	SOLENOID,
9	84806882	1	SHAFT,
10	87283364	1	SEAL,
11	84806869	1	KIT, SEALS,
12	120229	3	SCREW, Hex Soc Hd, M6 x 20, 8.8,

C.20.F.36 HYDRO JUNCTION BOX PLUGS AND MOUNTING



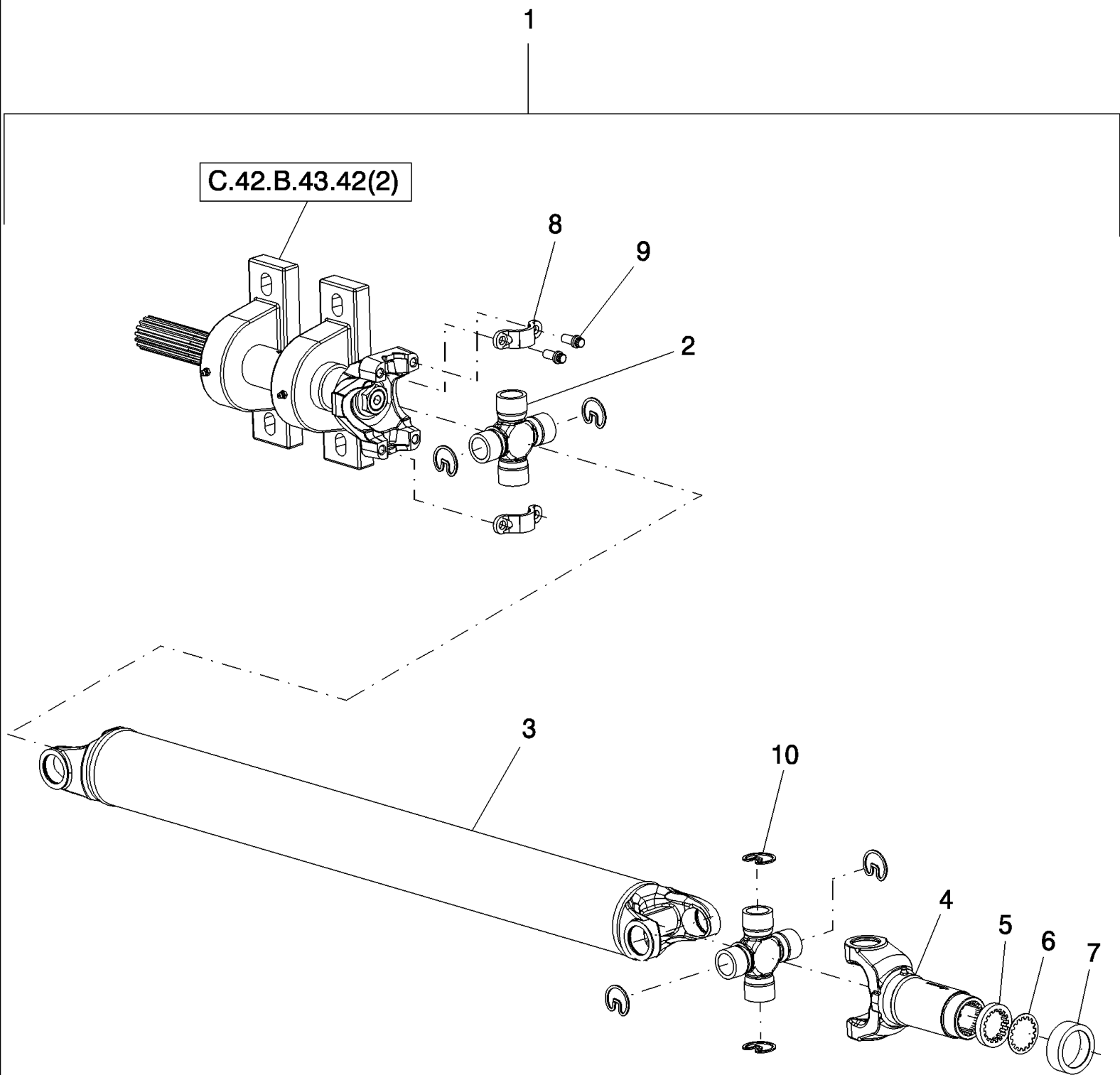
C.20.F.36 HYDRO JUNCTION BOX PLUGS AND MOUNTING

сылка	Номер детали	Кол-во	Описание
1	86981620	1	PLUG, M16 x 1.5, ORB, Includes O-Ring
2	87013333	1	PLUG, M33 x 2, ORB, Includes O-Ring
3	86976664	1	PLATE, Connecting
4	140045	2	WASHER, SPRING, Belleville, M10,
5	43139	2	SCREW, HH, CL 8.8, M10 x 25
6	100016	2	NUT, M10, CI 8,
7	896-11012	16	WASHER, M13.5 x 24.5 x 3, HT,
8	337475	8	NUT, M12, CI 10,
9	87020804	8	BOLT, Hex, M12 x 85, 10.9,
10	637-63133	1	O-RING, CI 6, 13.3MM ID x 2.2 Thk, M16
11	637-64296	1	O-RING, CI 6, 29.6MM ID x 2.9 Thk, M33

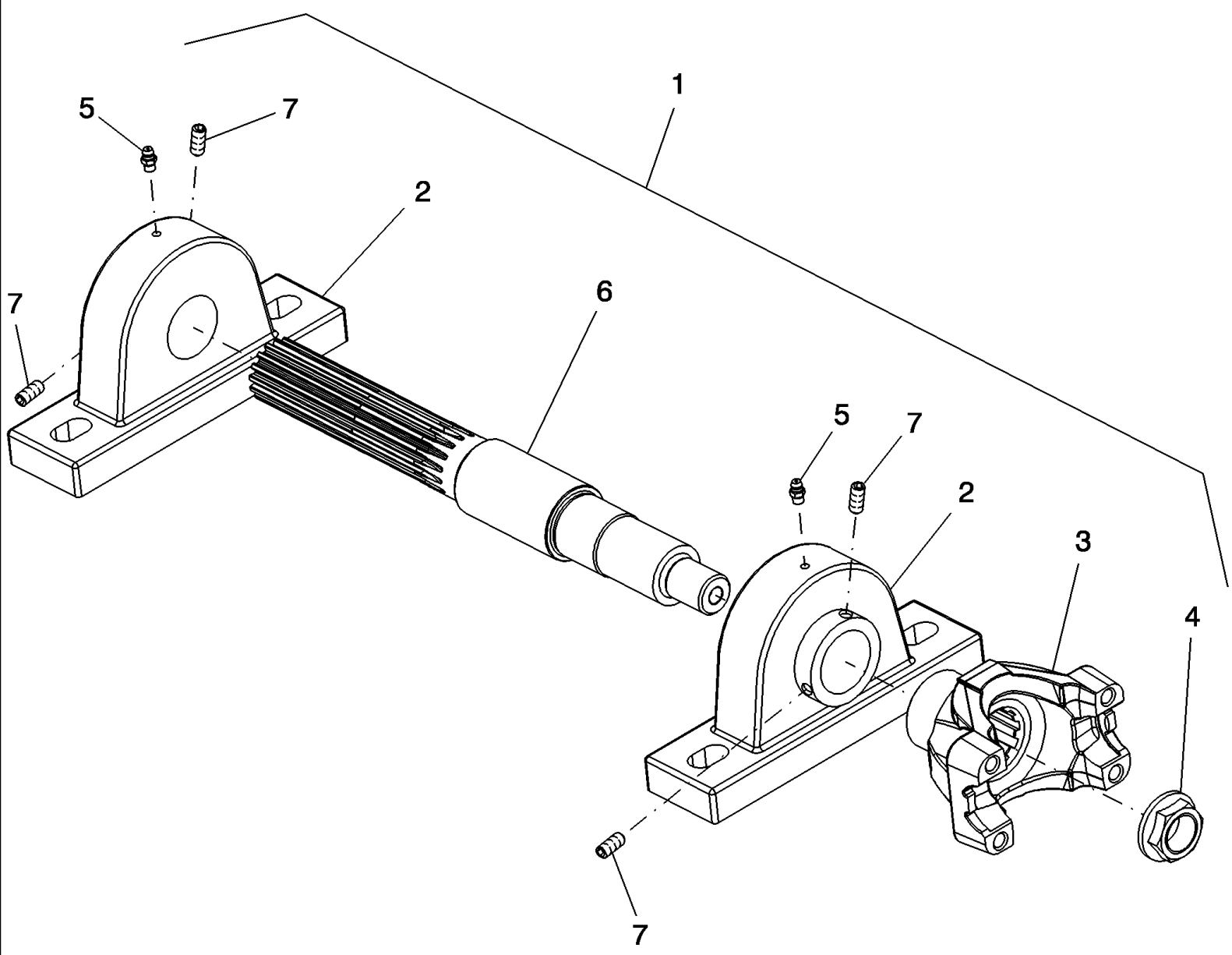


C.42.B.43 DRIVE SHAFT - FEEDER / HEADER

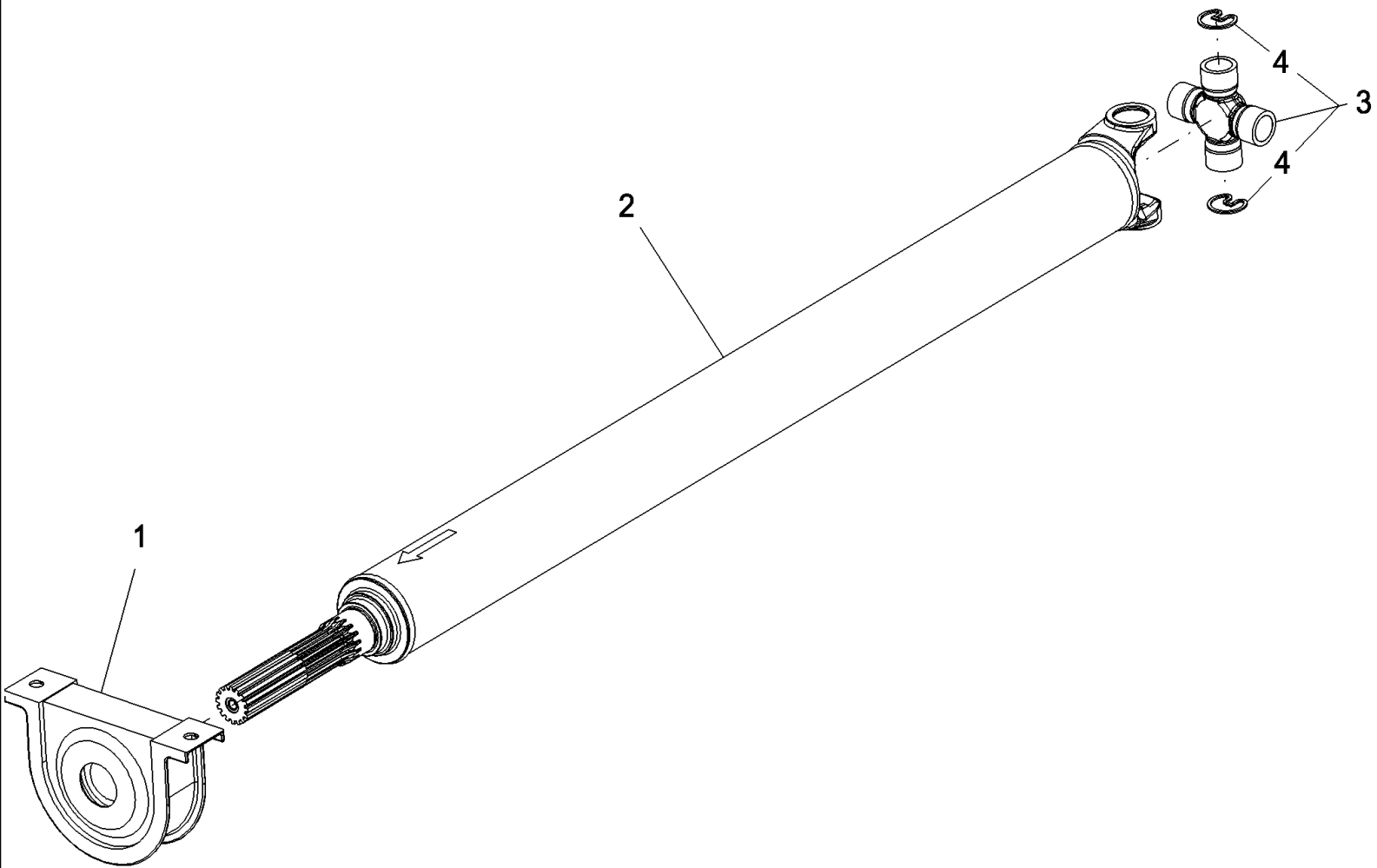
сылка	Номер детали	Кол-во	Описание
1	87106570	1	SUPPORT,
2	87284593	1	BRACKET,
3	87107409	1	SHIELD,
4	87108306	1	SHIELD,
5	87000204	1	SHAFT, DRIVE, Upper - See Fig. C.42.B.43.43 for Components
6	87000205	1	SHAFT, DRIVE, Lower - See Fig. C.42.B.43.42 for Components
7	87000203	1	SHAFT, DRIVE, Pivot - See Fig. K.25.E.41.10 (01) for Components
8	140045	3	WASHER, SPRING, Belleville, M10,
9	43139	3	SCREW, Cap, HH, CL 8.8, M10 x 25
10	140046	13	WASHER, SPRING, Belleville, M12,
11	9706687	5	BOLT, Hex, M12 x 30, 8.8,
12	9706685	8	NUT, M12, CI 8,
13	322358	3	WASHER, SPRING, Belleville, M8,
14	120104	3	BOLT, Hex, M8 x 20, 8.8,
15	87109469	1	YOKE,
16	86976817	2	STRAP, Bearing
16	9672925	2	STRAP, SECURING,
17	87010436	8	SCREW, 12 Pt Flg, 3/8"-24 x 3/4", G8,
18	86998389	2	BRACKET, Center
19	86625256	4	WASHER, M12 x 28.5 x 4, HT,
20	9706702	4	BOLT, Hex, M12 x 50, 8.8,
21	87021759	2	BOLT, Hex, M12 x 60, 10.9,
22	87021758	2	NUT, LOCK, M12 x 1.75, CI 10,
23	87106571	2	SHIELD,
24	87284693	4	FASTENER, Was 87000460
25	86629541	2	BOLT, Hex, M12 x 40, 8.8, Full Thd,



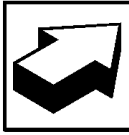
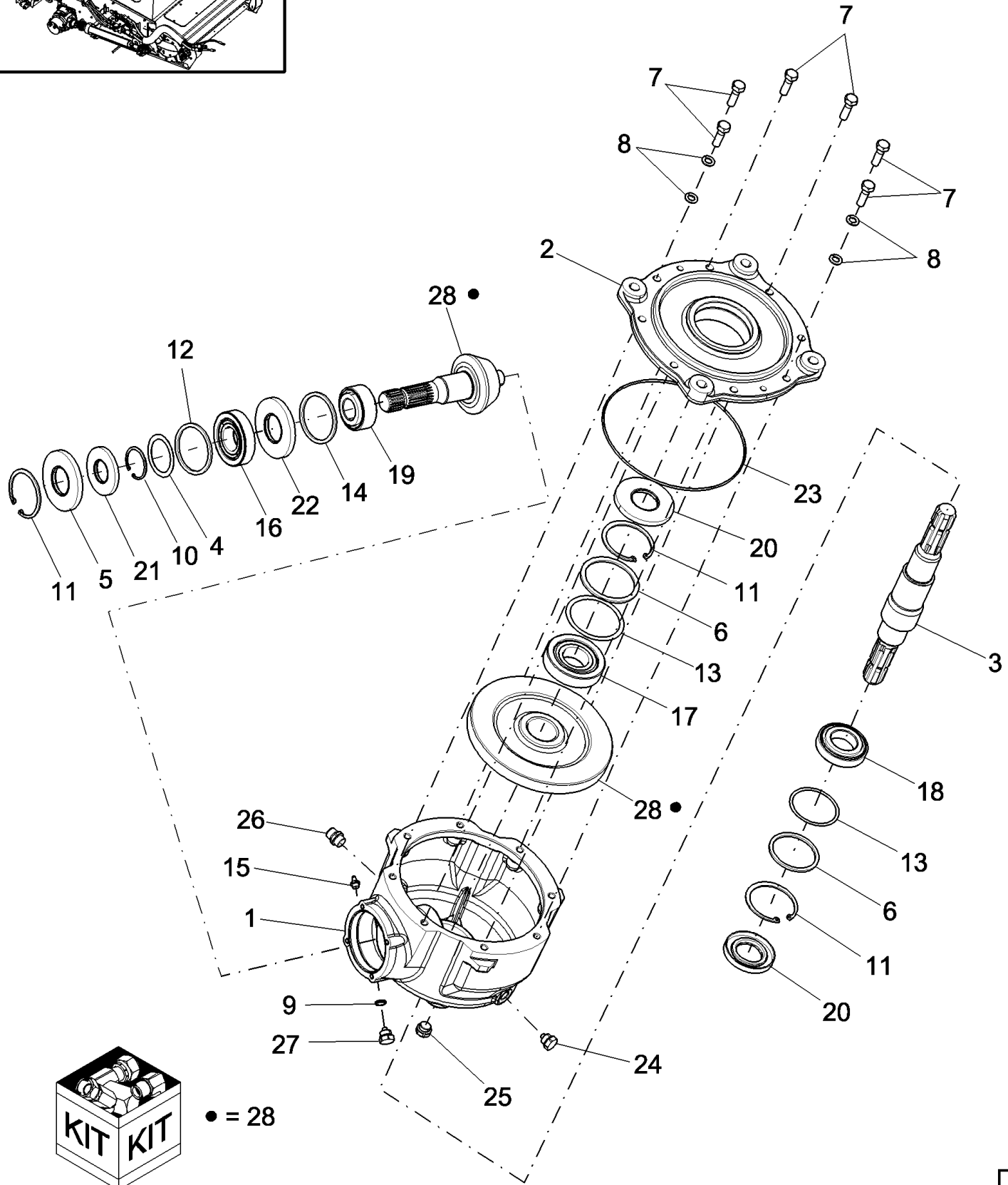
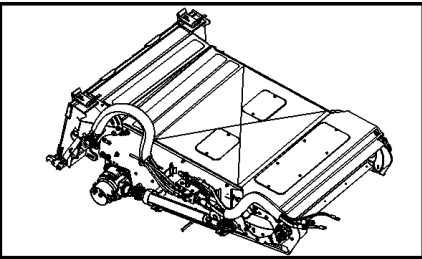
сылка	Номер детали	Кол-во	Описание
1	87000205	1	SHAFT, DRIVE, Includes 1 - 10
2	87400942	2	KIT, SERVICE, Joint
3	87280465	1	Shaft
4	87280468	1	SHAFT, Yoke
5	87280475	1	SEAL, Cork
6	87280471	1	WASHER, Steel
7	87109468	1	DUST CAP,
8	86976817	2	STRAP, Bearing Retaining
8	9672925	2	STRAP, SECURING,
9	87010436	4	SCREW, 12 Pt Flg, 3/8"-24 x 3/4", G8,
10	87280463	6	RING, SNAP,



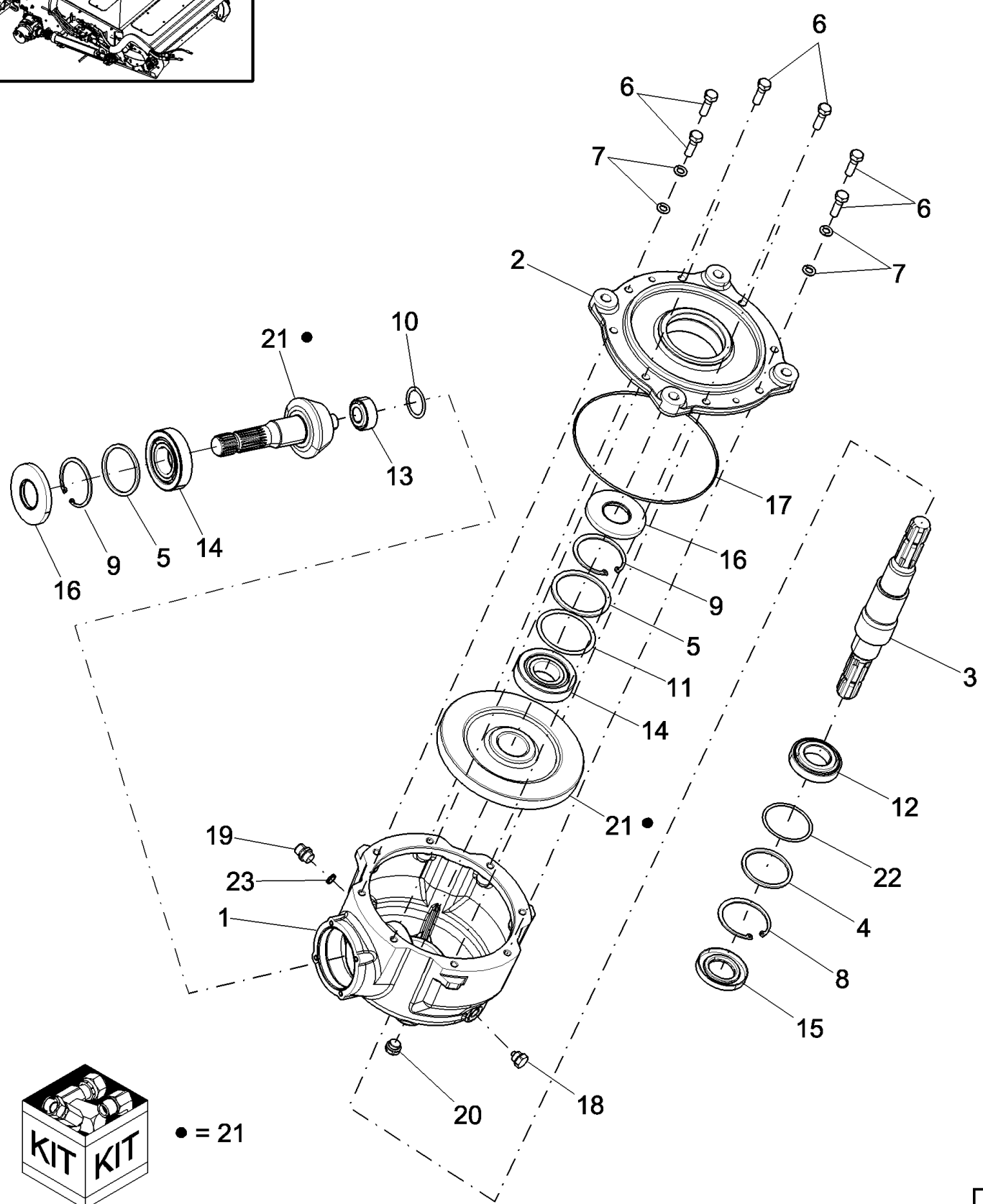
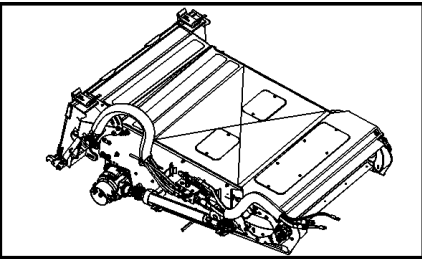
сылка	Номер детали	Кол-во	Описание
1	87280466	1	SHAFT, DRIVE, Includes Ref. 2 - 6
2	87457217	2	BEARING ASSY, Pillow Block
3	87457218	1	YOKE,
4	L117413	1	NUT,
5	219-87	2	NIPPLE, LUBE, 1/4"-28 x .56" lg, Self-Tap,
5	87563868	2	FITTING, Fitting, Lube
6	NSS	1	NOT SERVICED SEPARATELY, Shaft
7	877-11010	4	SET SCREW, Hex Soc, M10 x 10, Cup Pt,



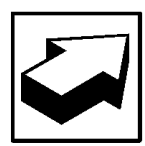
сылка	Номер детали	Кол-во	Описание
	87000204	1	SHAFT, DRIVE, Includes 1 - 4
1	87280791	1	BEARING, Center Support
2	87280464	1	Shaft, Drive
3	87400942	1	KIT, SERVICE, Includes (4) Ref. 4
4	87280463		AR RING, SNAP,



сылка	Номер детали	Кол-во	Описание
	86999169	1	GEARBOX,
1	87282027	1	HOUSING,
2	87282028	1	GEARBOX,
3	87282029	1	SHAFT,
4	87282030	1	SHIM,
5	87282031	1	PLATE,
6	87282032	2	SHIM,
7	614-10035	6	BOLT, Hex, M10 x 35, 8.8, Full Thd,
8	892-11010	6	WASHER, LOCK, M10,
9	933697R1	1	WASHER, SEALING, M10 x 13.5 x 1,
10	800-5135	1	RING, SNAP, M35, Ext, Hvy,
11	800-6172	3	RING, SNAP, M72, Int, Hvy,
12	87282026	1	SHIM, Kit, 35 mm ID
13	87282023	2	SHIM, Kit, 72 mm ID
14	87439525	1	SHIM, Kit, 79 mm ID
15	933781R1	1	NIPPLE, LUBE, M10 x 1,
16	87282046	1	BEARING, ROLLER, TAPERED,
17	905844R91	1	BEARING, ROLLER, TAPERED,
18	93296C1	1	BEARING, ROLLER, TAPERED,
19	87282036	1	BEARING, ROLLER, TAPERED,
20	87282015	2	SEAL, OIL,
21	87282037	1	SEAL, OIL,
22	87282038	1	SEAL, OIL,
23	238-5265	1	O-RING, -265, 70 Duro, 7.734" ID x .139" Thk,
24	87282043	1	PLUG, MAGNETIC, Drain
25	87282048	1	PLUG, MAGNETIC,
26	87282045	1	PLUG, Level
27	87282049	1	PLUG, MAGNETIC, Breather
28	87282039	1	GEAR SET, Bevel

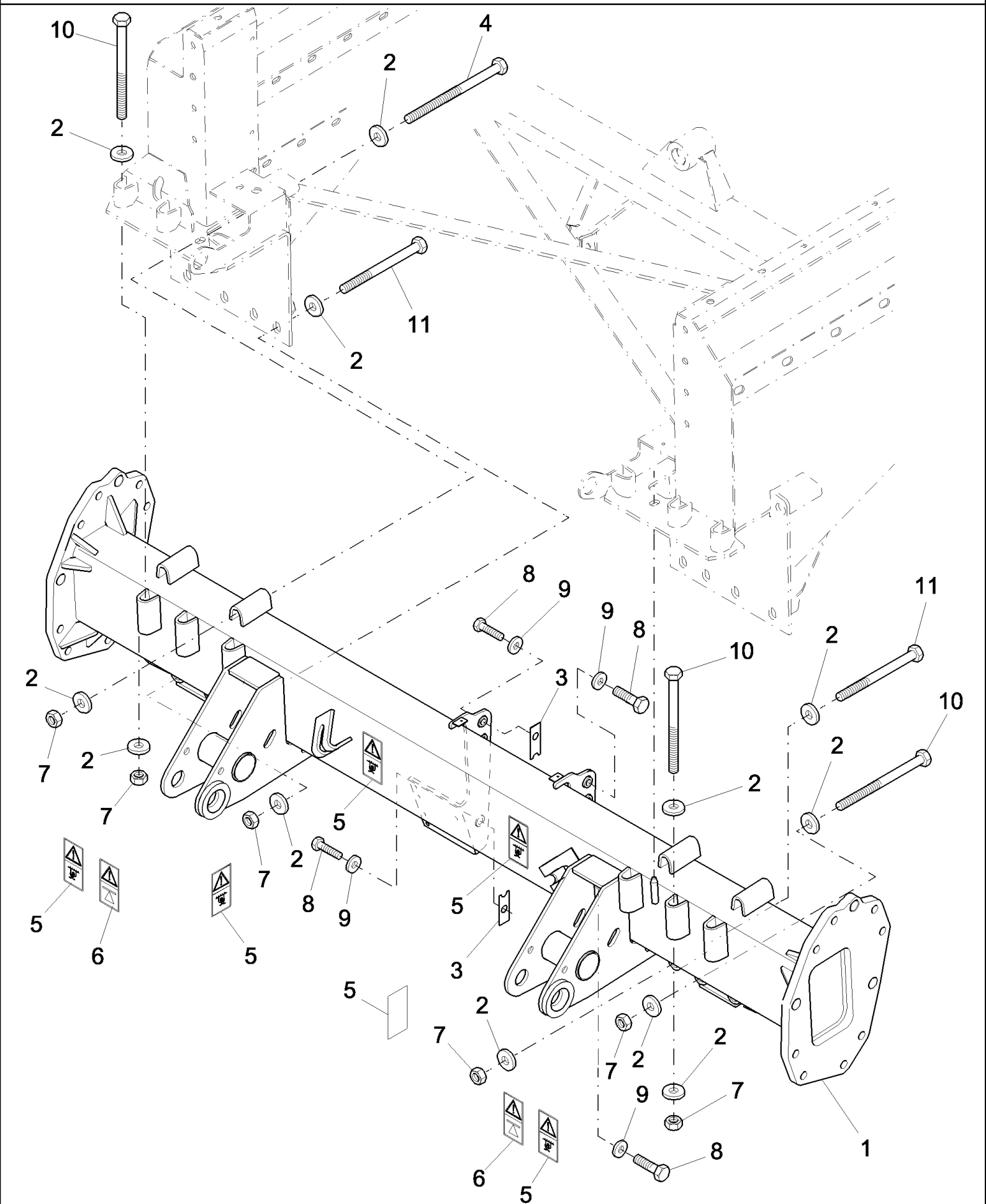


● = 21



сылка	Номер детали	Кол-во	Описание
	87109542	1	GEARBOX,
1	87449554	1	HOUSING,
2	87449555	1	COVER,
3	87449556	1	SHAFT,
4	87449557	1	SPACER, D.74 x 84, 8 x 4
5	87449558	2	SPACER, D.85.2 x 99, 8 x 4
6	627-12040	8	BOLT, Hex, M12 x 40, 10.9, Full Thd,
7	892-11012	8	WASHER, LOCK, M12,
8	800-2185	1	RING, SNAP, M85 x 3, Int,
9	800-21100	2	RING, SNAP, Int, M100 x 3,
10	87449559	1	KIT, SHIM,
11	87449569	2	KIT, SHIM,
12	86018152	1	BEARING, ROLLER, TAPERED,
13	81864433	1	BEARING, ROLLER, TAPERED,
14	87449570	2	BEARING, ROLLER, TAPERED,
15	87610910	1	SEAL, OIL, M45 x 89 x 10
16	87610911	1	SEAL, OIL, M45 x 100 x 10
17	238-5271	1	O-RING, -271, 70 Duro, 9.234" ID x .139" Thk,
18	87282043	1	PLUG, MAGNETIC, Drain, M18 x 1.5
19	87282044	1	PLUG, Breather, M18 x 1.5
20	87282045	1	PLUG, Level, M18 x 1.5
21	87449573	1	GEAR SET,
22	87449564	1	KIT, SHIM,
23	3051337R1	1	WASHER, SEALING, M18 x 24 x 1.5,

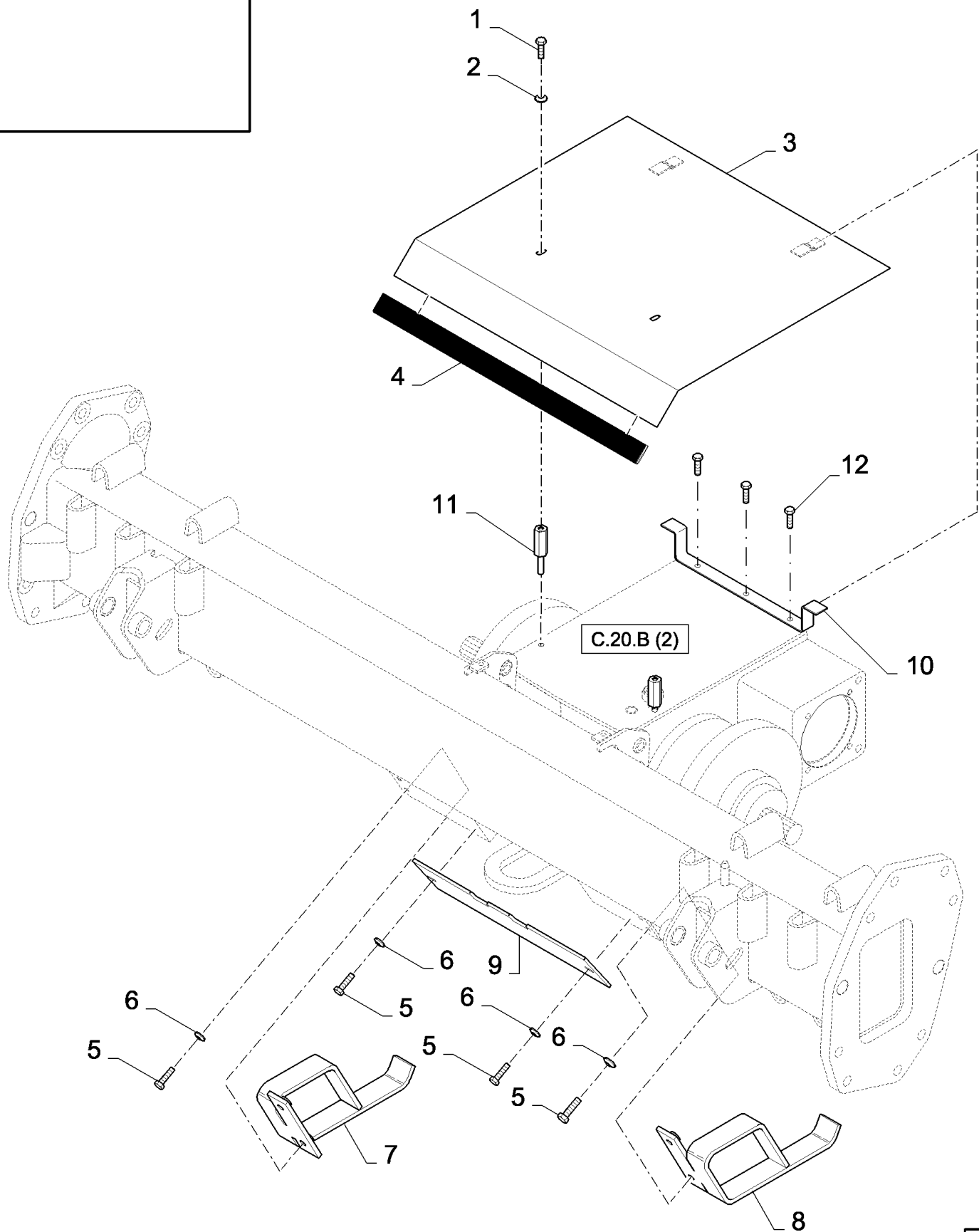
D.10.A.40.01(1) FRONT AXLE



D.10.A.40.01(1) FRONT AXLE

сылка	Номер детали	Кол-во	Описание
1	87284174	1	AXLE, FRONT, Axle, Includes Ref. 5 & 6 - Was 86995736 , For NA Only
1	87587580	1	AXLE, FRONT, , For NA Only
1	87587577	1	AXLE, , For EU Only
2	84439733	32	WASHER, Lock
3	84073986	2	SHIM,
4	84037083	4	BOLT, Hex, M20 x 260, 8.8,
5	84100296	AR	DECAL, Tie-Down
5	449973	1	DECAL, Towhook Direction, For EU Only
6	84078384	2	DECAL, Jack Point
7	9706694	16	NUT, M20, CI 8,
8	614-16050	6	BOLT, Hex, M16 x 50, 8.8,
9	394631	6	WASHER, Hardened
10	381523	10	BOLT, Hex, M20 x 210, 8.8,
11	384197	2	BOLT, Hex, M20 x 150, 8.8,

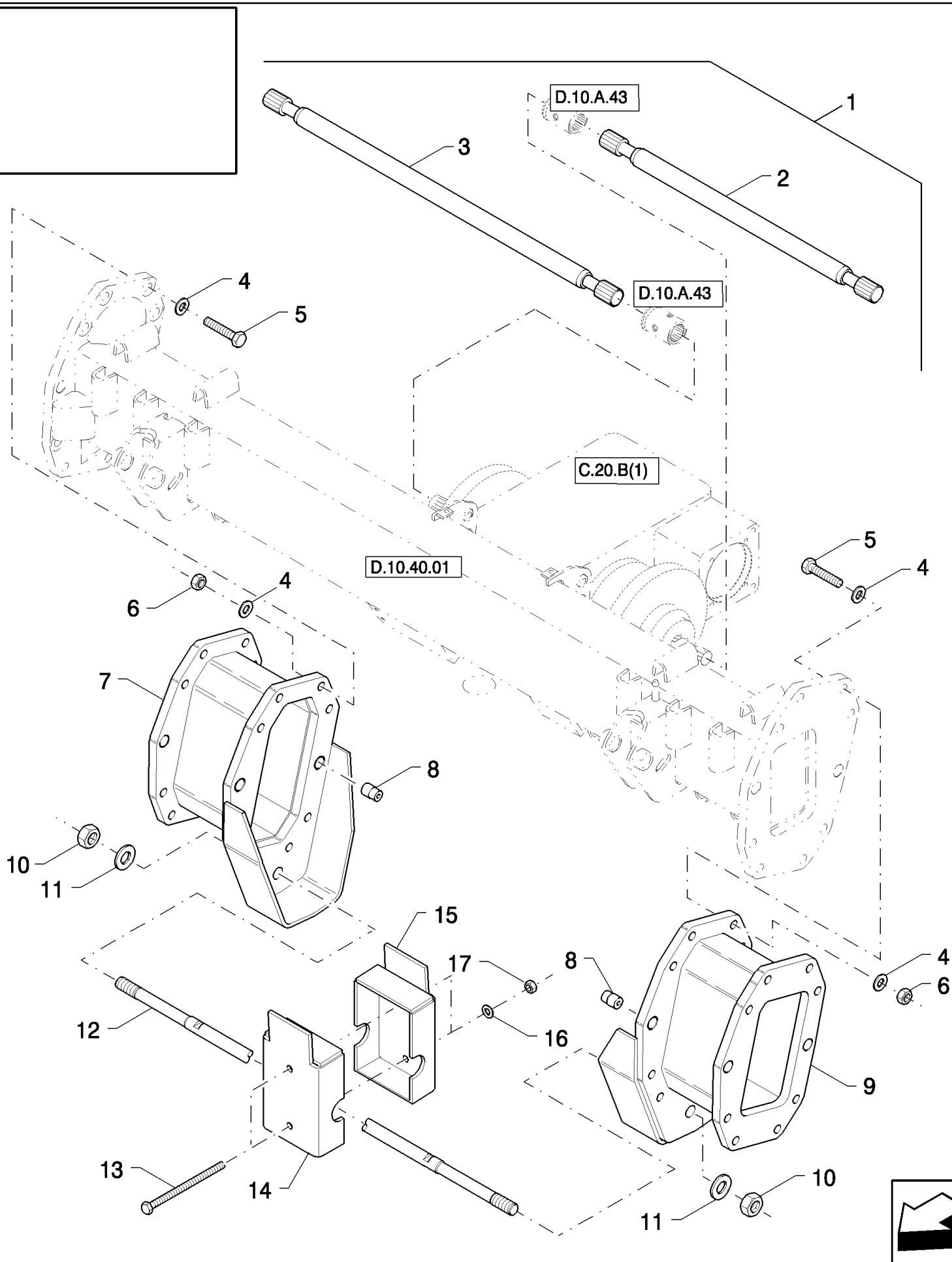
D.10.A.40.01(2) GEARBOX AND BRAKE PROTECTIONS



D.10.A.40.01(2) GEARBOX AND BRAKE PROTECTIONS

сылка	Номер детали	Кол-во	Описание
1	16043224	2	BOLT, Hex, M8 x 16, 8.8, Full Thd,
2	412650	2	WASHER, SPRING, Belleville, M8,
3	84075412	1	Cover
4	NS	AR	NOT SERVICED, Protection Strip
5	43140	6	BOLT, Hex, M10 x 30, 8.8, Full Thd,
6	140045	6	WASHER, SPRING, Belleville, M10,
7	84334570	1	SUPPORT,
8	84334556	1	SUPPORT,
9	84435587	1	PLATE,
10	84075330	1	BRACKET,
11	84075338	2	SCREW,
12	412621	AR	BOLT, Hex Lock, M10 x 30, 8.8,

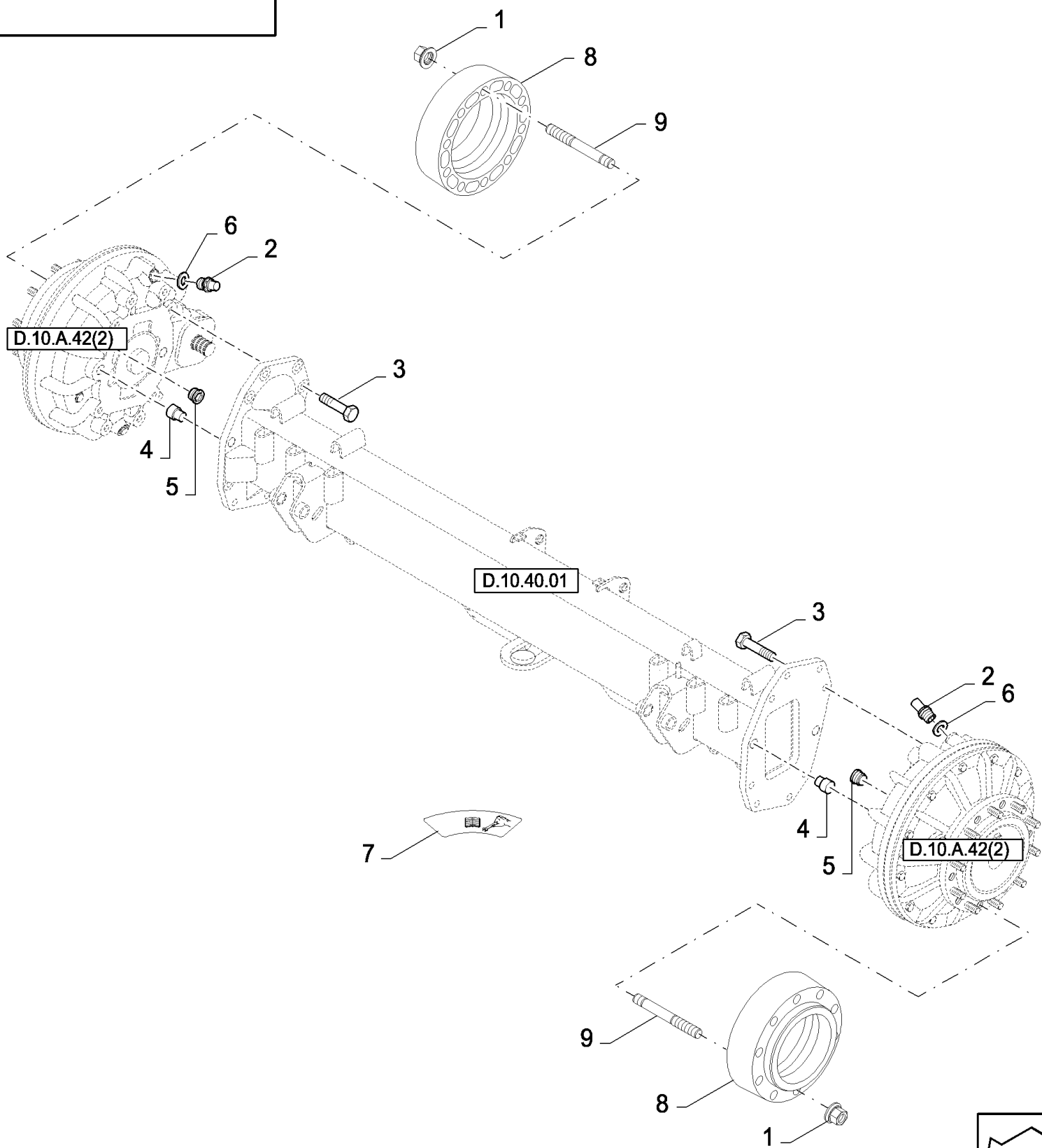
D.10.A.40.02 FRONT AXLE EXTENSION KITS



D.10.A.40.02 FRONT AXLE EXTENSION KITS

сылка	Номер детали	Кол-во	Описание
1	84095969	AR	DIA KIT, HARVESTER, Axle Extensions, 138 mm, For Planetary Final Drive
1	84095964	AR	DIA KIT, HARVESTER, Axle Extensions, 265 mm, For Planetary Final Drive
1	84095959	AR	DIA KIT, HARVESTER, Axle Extensions, 316 mm, For Planetary Final Drive
2	84440985	1	SHAFT, DRIVE, Transmission, LH, For 138 mm Extension, For Planetary Final Drive
2	84440967	1	SHAFT, DRIVE, Transmission, LH, For 265 mm Extension, For Planetary Final Drive
2	84440951	1	SHAFT, DRIVE, Transmission, LH, For 316 mm Extension, For Planetary Final Drive
3	84440991	1	SHAFT, DRIVE, Transmission, RH, For 138 mm Extension, For Planetary Final Drive
3	84440974	1	SHAFT, DRIVE, Transmission, RH, For 265 mm Extension, For Planetary Final Drive
3	84440957	1	SHAFT, DRIVE, Transmission, RH, For 316 mm Extension, For Planetary Final Drive
4	394632	32	WASHER, M20 x 40 x 4, HT,
5	87024335	16	BOLT, Hex, M20 x 80, 10.9, Full Thd,
6	89706694	16	NUT, M20, CI 8,
7	84440939	1	EXTENSION, RH, 138 mm
7	84440935	1	EXTENSION, RH, 265 mm
7	84440931	1	EXTENSION, RH, 316 mm
8	80626826	4	PIN,
9	84440937	1	EXTENSION, LH, 138 mm
9	84440933	1	EXTENSION, LH, 265 mm
9	84440929	1	EXTENSION, LH, 316 mm
10	80300852	2	NUT,
11	80140184	2	WASHER,
12	84989399	1	ROD,
13	382358	2	BOLT, Hex, M16 x 200, 8.8,
14	84075648	1	CLAMP,
15	84075650	1	CLAMP,
16	140048	2	WASHER, SPRING, Belleville, M16,
17	825-1416	2	NUT, M16, CI 8,

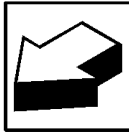
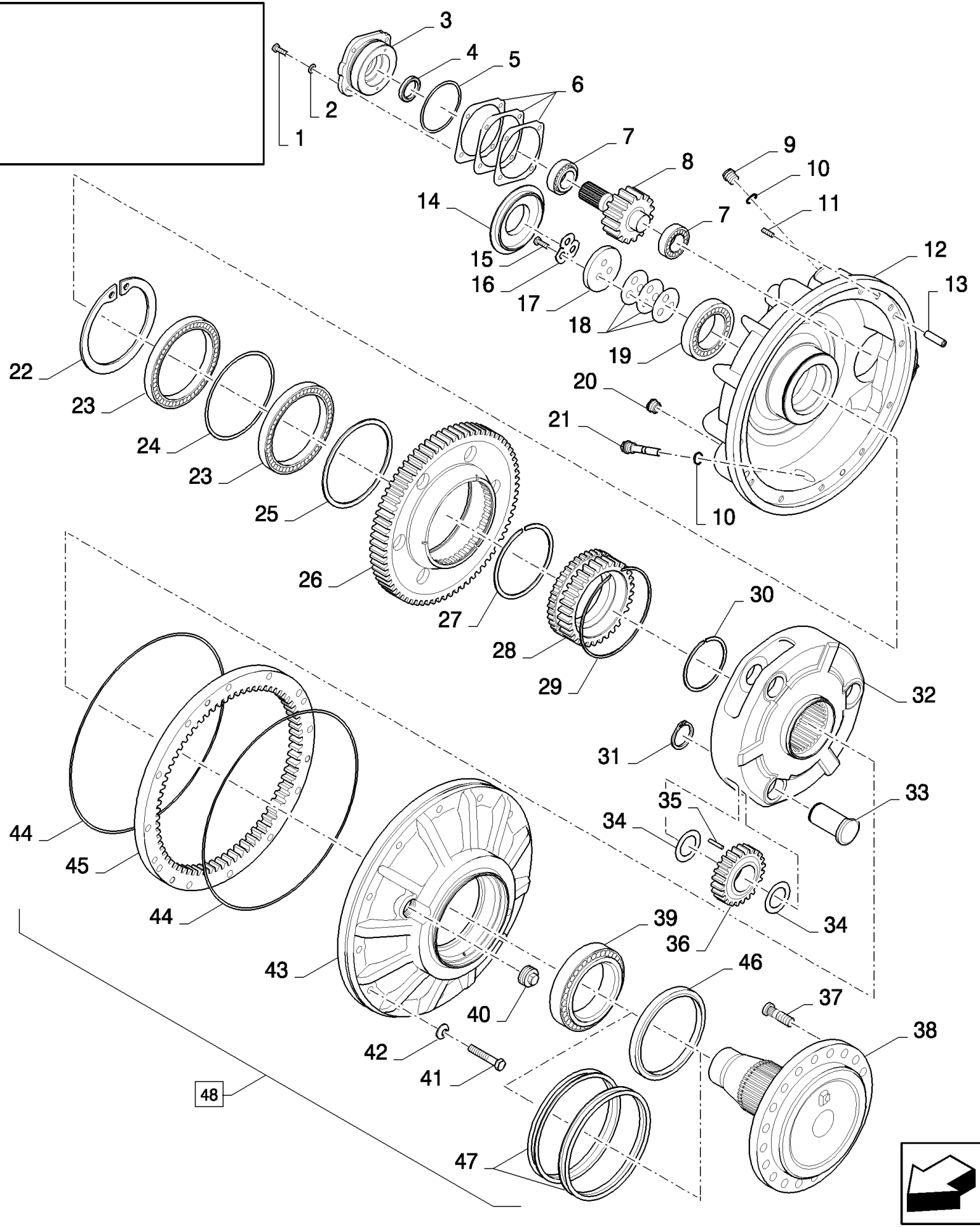
D.10.A.42(1) PLANETARY FINAL DRIVE MOUNTING HARDWARE



D.10.A.42(1) PLANETARY FINAL DRIVE MOUNTING HARDWARE

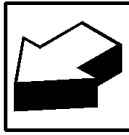
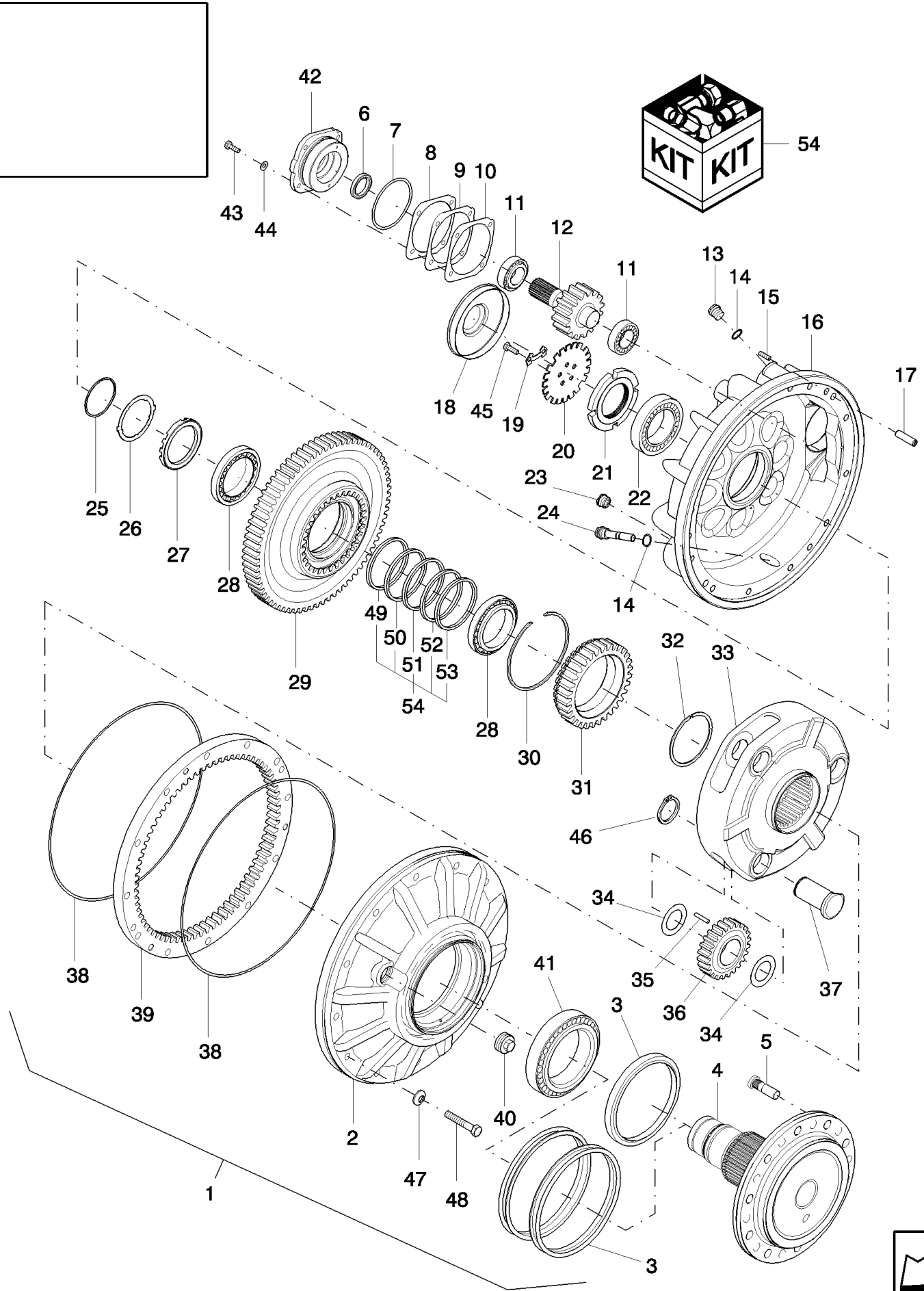
сылка	Номер детали	Кол-во	Описание
1	748961	20	NUT,
2	84068655	2	BREATHER,
3	9843495	16	BOLT, Hex, M20 x 60, 10.9,
4	626826	4	PIN,
5	84817215	2	PLUG,
6	220025	2	SEALRING,
7	87283497	2	DECAL, Replaces 87108676
8	84989374	2	SPACER,
9	84989380	20	STUD,

D.10.A.42(2) PLANETARY FINAL DRIVE, PRIOR TO PIN HAJ106401



сылка	Номер детали	Кол-во	Описание
1	43140	4	BOLT, Hex, M10 x 30, 8.8, Full Thd,
2	140045	4	WASHER, SPRING, Belleville, M10,
3	84074714	1	COVER,
4	84074392	1	RING, SNAP,
5	84074393	1	O-RING,
6	84074713	AR	SHIM, Thk: 0.5 mm
6	84074712	AR	SHIM, Thk: 0.2 mm
6	84074711	AR	SHIM, Thk: 0.05 mm
7	84074701	2	BEARING, ROLLER, TAPERED,
8	84074717	1	GEAR,
9	150006	1	PLUG, 24 mm
10	220025	2	SEALRING,
11	84074543	3	SET SCREW, Hex Soc, M16 x 30,
12	84074832	1	HOUSING,
13	84074391	2	DOWEL,
14	84074709	1	COVER,
15	84056523	3	BOLT, Hex, M16 x 45, 10.9,
16	84075204	1	PLATE, LOCKING,
17	84074710	1	PLATE, MOUNTING,
18	84074706	AR	SHIM, Thk: 0.5 mm
18	84074707	AR	SHIM, Thk: 0.2 mm
18	84074708	AR	SHIM, Thk: 0.05 mm
19	84074719	1	BEARING, ROLLER, TAPERED,
20	84071596	2	LEVEL GAUGE CONTROL, Sight, Lower, 26mm
20	84817215	2	PLUG, Plastic, Upper, 26mm , Socket Head
21	84074519	1	PLUG, MAGNETIC,
22	84074401	1	RING, SNAP,
23	84074402	2	BEARING, BALL,
24	84074705	1	RING,
25	84074725	1	RING,
26	84074704	1	GEAR,
27	84074403	1	RING, SNAP,
28	84074724	1	GEAR,
29	84074405	1	RING, SNAP,
30	84074395	1	RING, SNAP,
31	370008	3	RING, SNAP, M50, Ext,
32	84078324	1	RETAINER, Planetary
33	84072219	3	PIN,
34	84074023	6	RING,
35	84074703	69	NEEDLE,
36	84074702	3	GEAR, PLANETARY,
37	330291	10	BOLT,
37	87282493	10	STUD, Dual Wheel, M22 x 84
38	84071703	1	FLANGE, , Standard
38	84073413	1	FLANGE, , For Muddy Conditions Only

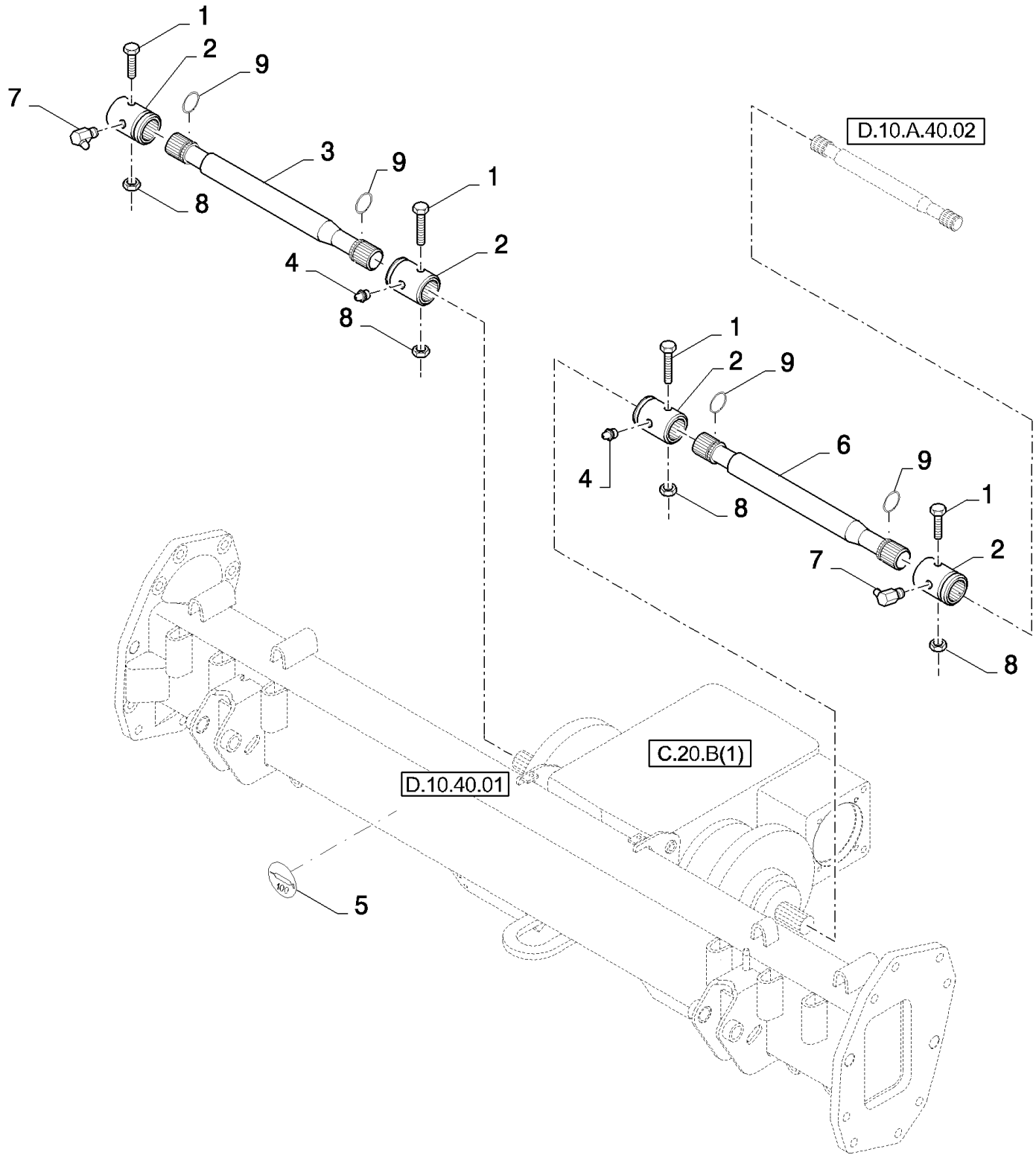
сылка	Номер детали	Кол-во	Описание
39	84074720	1	BEARING, ROLLER, TAPERED,
40	84074399	1	PLUG, 45 mm, Tapered
41	86521733	12	BOLT, Hex, M16 x 90, 10.9,
42	140048	12	WASHER, SPRING, Belleville, M16,
43	84074831	1	HOUSING, , Standard
43	84074833	1	HOUSING, , For Muddy Conditions Only
44	84074400	2	O-RING,
45	84074723	1	RING, SPLINED,
46	9832264	1	SEAL, , Standard
47	84074404	1	SET OF RINGS, EU Only, For Muddy Conditions Only
48	84074594	1	GEARBOX, FINAL REDUCTION, (1 to 46), Standard
48	87283791	1	GEARBOX, FINAL REDUCTION, Dual Wheels, Standard
48	84100909	1	GEARBOX, FINAL REDUCTION, (1 to 45, 47), For Muddy Conditions Only
48	87283834	1	GEARBOX, FINAL REDUCTION, Dual Wheels, For Muddy Conditions Only



сылка	Номер детали	Кол-во	Описание
1	84453963	1	GEARBOX, FINAL REDUCTION, Final Drive, Standard, For NA Only
1	84453962	1	, For EU Only
1	84453965	1	GEARBOX, FINAL REDUCTION, Final Drive, For NA Only, With Mud Seal
1	84453964	1	, With Mud Seal, For EU Only
2	84448821	1	HOUSING, Standard
2	84074833	1	HOUSING, Mud
3	9832264	1	SEAL, Standard
3	84074404	1	SET OF RINGS, Seal, Mud
4	84449320	1	SHAFT, DRIVEN, Wheel, For NA Only, For Standard Only
4	84449573	1	, For Standard Only, For EU Only
4	84449575	1	, For EU Only , With Mud Seal
4	84449574	1	AXLE, Wheel, With Mud Seal, For NA Only
5	87282493	10	STUD, Wheel, M22 x 1.5 x 84, For NA Only
5	330291	10	BOLT, , For EU Only
6	5183845	1	SEAL, Shaft Seal
7	84074393	1	O-RING, 120 x 5, NBR70
8	84074713	1AR	SHIM, 0.5 mm
9	84074712	2AR	SHIM, 0.2 mm
10	84074711	2AR	SHIM, 0.05 mm
11	84074701	2	BEARING, ROLLER, TAPERED,
12	84449593	1	GEAR, Driving, 18T
13	150006	1	PLUG, Fill, M24 x 1.5
14	220025	2	SEALRING, Washer, 28.9 OD x 24.3 ID x 2.0 Thk
15	84074543	3	SET SCREW, Hex Soc, M16 x 30,
16	84819478	1	COVER, Inner Shell
17	84074391	2	DOWEL, 16 x 60, M8 Internal Thread
18	84448749	1	COVER,
19	84448750	1	PLATE, LOCKING,
20	84448751	1	PLATE, LOCKING,
21	84818180	1	NUT, LOCK, M90 x 2
22	84074719	1	BEARING, ROLLER, TAPERED,
23	84071596	2	LEVEL GAUGE CONTROL, Plastic, Lower, 26 mm
23	84817215	2	PLUG, Plastic, Upper, 26 mm, Socket Head
24	84074519	1	PLUG, MAGNETIC, M24 x1.5, 109 Long
25	84449172	1	CIRCLIP, Out, 92 ID x 95.4 OD x 2.5 Thk
26	84449597	1	PLATE, LOCKING,
27	84449598	1	NUT, LOCK, M100 x 2
28	84449190	2	BEARING, ROLLER, TAPERED,
29	84806528	1	GEAR, 72T x 33T
30	84449173	1	CIRCLIP, Inner, 19.5 OD x 3 Thk
31	84806529	1	GEAR, 33T
32	84074395	1	RING, SNAP, 123.6 ID x 130.8 OD x 2.82 Thk
33	84449594	1	RETAINER, Carrier Planet
34	84074023	6	RING, 51.5 ID x 80 OD x 1 Thk
35	84074703	69	NEEDLE, 8 x 42

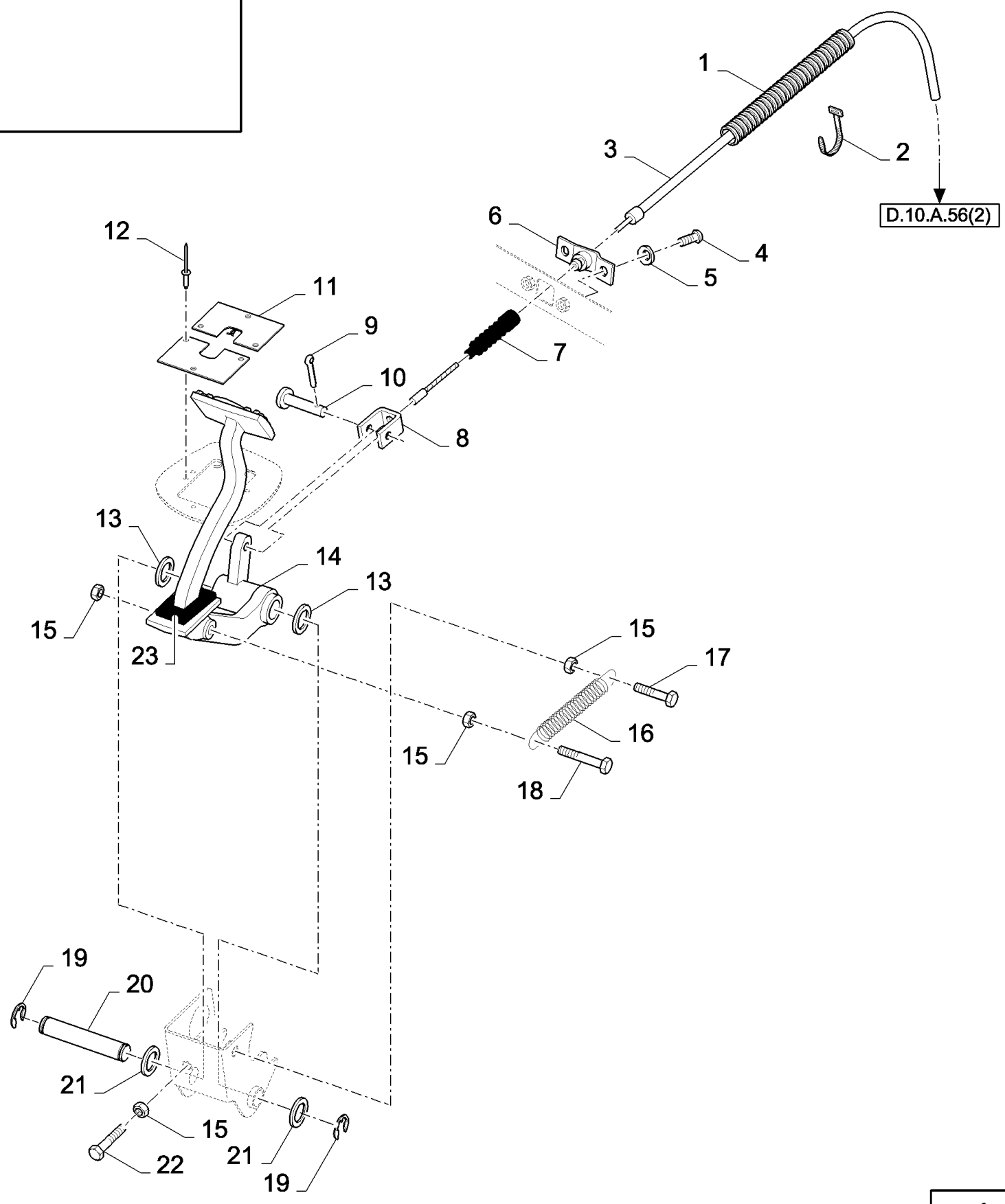
сылка	Номер детали	Кол-во	Описание
36	84074702	3	GEAR, PLANETARY, 21T
37	84072219	3	PIN, 100 x 50
38	84074400	2	O-RING, 500 ID x 4, NBR70
39	84074723	1	RING, SPLINED,
40	84074399	1	PLUG, HH, M45 x 1.5, Tapered
41	84074720	1	BEARING, ROLLER, TAPERED,
42	84449197	1	COVER, Housing, Bearing
43	814-10030	5	BOLT, Hex, M10 x 30, 8.8,
44	140045	4	WASHER, SPRING, Belleville, M10,
45	814-10020	3	BOLT, Hex, M10 x 20, 8.8, Full Thd,
46	370008	3	RING, SNAP, M50, Ext,
47	140048	12	WASHER, SPRING, Belleville, M16,
48	86521733	12	BOLT, Hex, M16 x 90, 10.9,
49	87375317	AR	SHIM, 4.6
50	87357938	AR	SHIM, 4.65
51	87357939	AR	SHIM, 4.75
52	87380319	AR	SHIM, 4.85
53	87380320	AR	SHIM, 4.9
54	87358151	1	KIT, SHIM, Includes: Refs. 49-53

D.10.A.43 HALF-SHAFTS WITHOUT EXTENSIONS

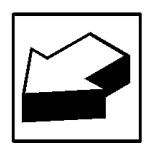


D.10.A.43 HALF-SHAFTS WTHOUT EXTENSIONS

сылка	Номер детали	Кол-во	Описание
1	120073	4	BOLT, Hex, M10 x 80, 8.8,
2	84438982	4	COUPLING, SPLINED,
3	84440165	1	SHAFT, DRIVE, RH, 923 mm
3	84440159	1	SHAFT, DRIVE, RH, 753 mm, For EU Only
4	321204	2	NIPPLE, LUBE, M6 x 1, 16mm lg,
5	84334828	4	DECAL, 100 HR, For NA Only
6	84440162	1	SHAFT, DRIVE, LH, 663 mm
6	84440156	1	SHAFT, DRIVE, LH, 493 mm, For EU Only
7	323713	2	NIPPLE, LUBE,
8	100037	4	NUT, M10 x 1.5, Cl 8,
9	84446910	4	CIRCLIP, 40 mm I.D.



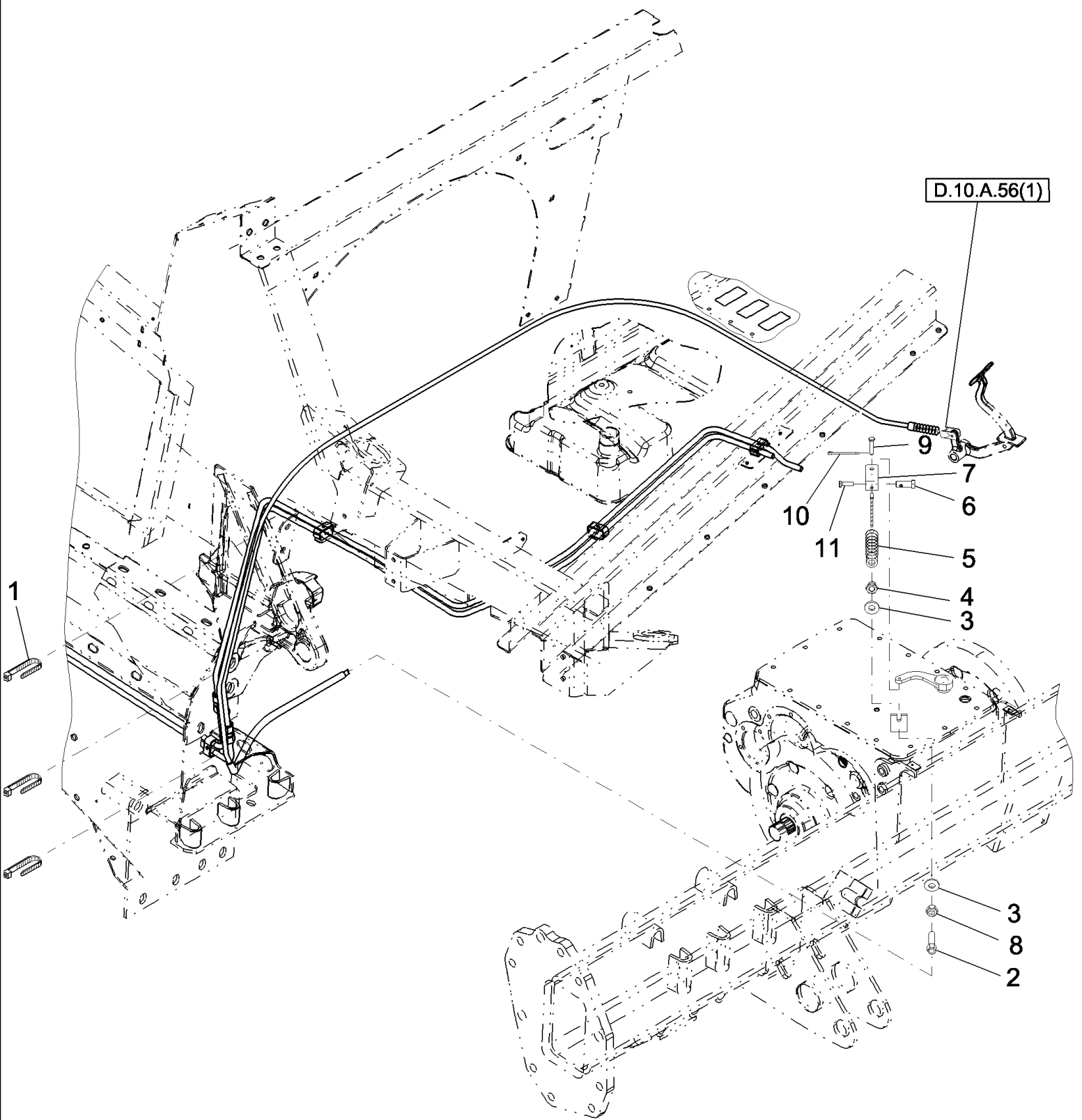
D.10.A.56(2)



D.10.A.56(1) DIFFERENTIAL LOCK CONTROL

сылка	Номер детали	Кол-во	Описание
1	9507812	AR	SLEEVE, Protection
2	323597	1	STRAP, CABLE, M9 x 165 or M5 x 197,
3	9508257	1	CABLE,
4	120100	2	BOLT, Hex, M6 x 20, 8.8,
5	322357	2	WASHER, SPRING, Belleville, M6,
6	84064224	1	BRACKET,
7	427705	1	COVER,
8	388340	1	YOKE,
9	86977785	1	PIN, SPLIT (COTTER), M1.6 x 20,
10	376876	1	PIN, CLEVIS, M6 x 30,
11	84064130	2	PLATE,
12	425519	6	Rivet
13	393062	2	WASHER,
14	84334950	1	PEDAL,
15	9706690	4	NUT, M8, CI 8,
16	354039	1	SPRING,
17	43128	1	BOLT, Hex, M8 x 30, 8.8,
18	87015731	1	BOLT, Hex, M8 x 50, 8.8, Full Thd,
19	84062118	2	CIRCLIP, M13,
20	84064170	1	PIN,
21	9513615	2	WASHER,
22	43129	1	BOLT, Hex, M8 x 40, 8.8,
23	9819826	1	SEAL,

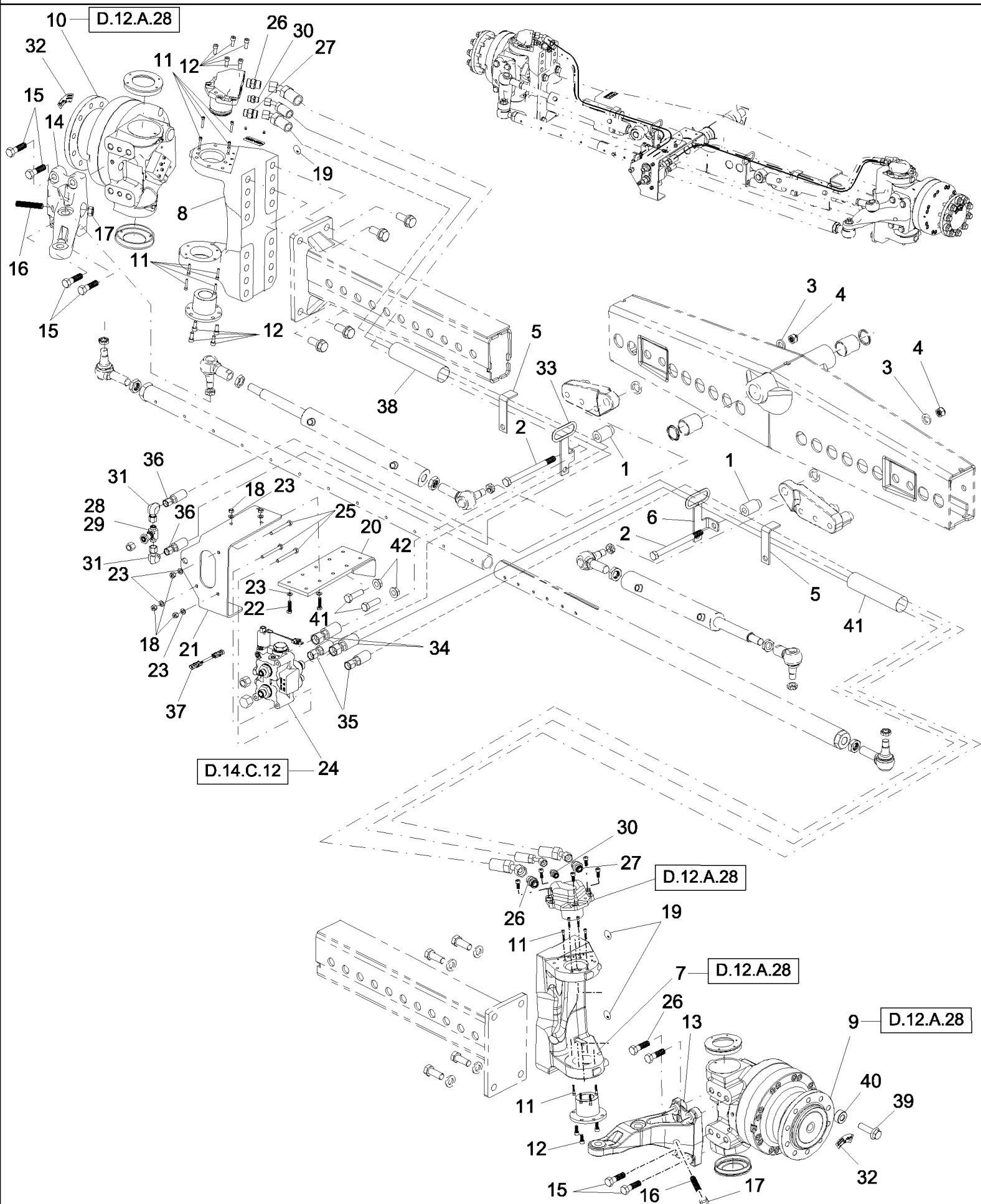
D.10.A.56(2) DIFFERENTIAL LOCK



D.10.A.56(2) DIFFERENTIAL LOCK

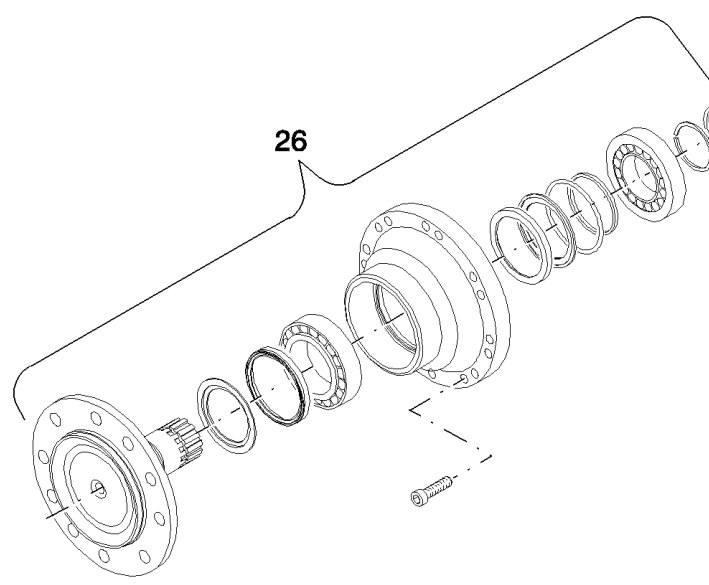
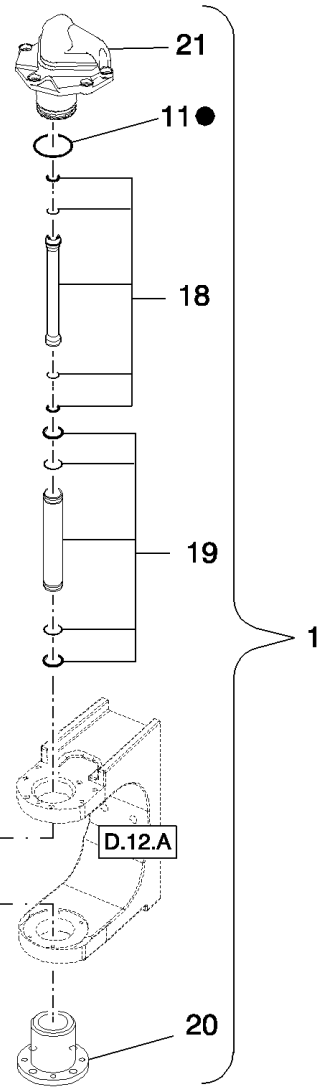
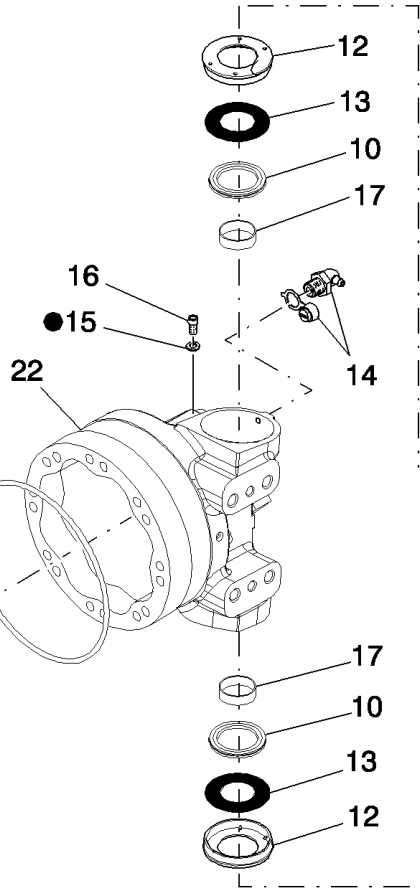
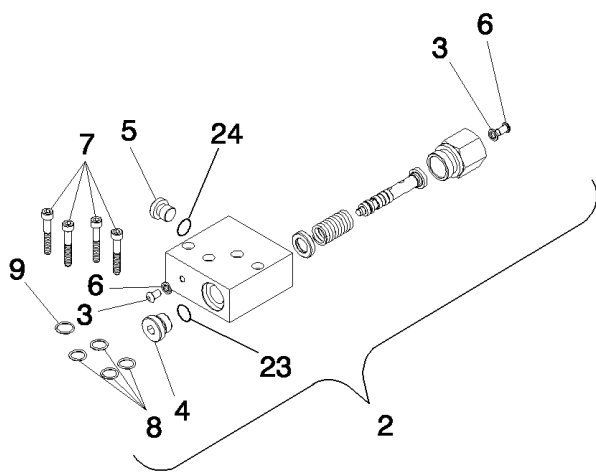
сылка	Номер детали	Кол-во	Описание
1	9818147	3	CLAMP,
2	449469	1	SCREW,
3	394629	2	WASHER, LOCK,
4	449470	1	NUT,
5	9818291	1	BELLOWS,
6	381140	1	CLAMP,
7	388340	1	YOKE,
8	100016	1	NUT, M10, CI 8,
9	376876	1	PIN, CLEVIS, M6 x 30,
10	86977785	1	PIN, SPLIT (COTTER), M1.6 x 20,
11	120100	1	BOLT, Hex, M6 x 20, 8.8,

D.12. A POWERED REAR AXLE

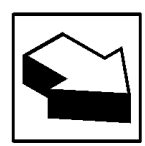


D.12. A POWERED REAR AXLE

сылка	Номер детали	Кол-во	Описание
1	84334527	2	BUSHING, Spacer, 74 mm
2	86509730	2	BOLT, Hex, M20 x 240, 8.8,
3	9850384	2	WASHER,
4	84100564	2	NUT, LOCK, M20, GC,
5	87281646	2	BRACKET, Hose Guide
6	87281645	1	GUIDE, Hose, LH
7	87281647	1	FRAME, LH
8	87281648	1	FRAME, RH
9	87281652	1	MOTOR, HYDRAULIC, LH
10	87281653	1	MOTOR, HYDRAULIC, RH
11	9515561	16	SCREW, Hex Soc Hd, M6 x 35, 12.9,
12	86508097	18	SCREW, Hex Soc Hd, M10 x 25, 12.9,
13	87281649	1	BRACKET, LH
14	87281650	1	BRACKET, RH
15	412641	8	BOLT, Hex, M20 x 70, 10.9,
16	87035487	2	SET SCREW, Hex Soc, M20 x 100, Flat Pt,
17	9847024	2	NUT, M20, CI 10,
18	412141	5	NUT, LOCK, M10 x 1.5, CI 8,
19	84334828	4	DECAL, 100 Hour Lube
20	9512254	1	BRACKET, Valve
21	87281651	1	BRACKET, Valve Mount
22	43248	2	BOLT, Hex, M10 x 40, 10.9, Full Thd,
23	86511323	7	WASHER, M10 x 20 x 2,
24	87280433	1	VALVE, Selector
24	87281708	1	VALVE, Selector
25	43253	3	BOLT, Hex, M10 x 100, 10.9,
26	86579682	2	CONNECTOR, HYD., 1 3/16"-12 ORFS x M27 x 2 ORB,
27	86597760	2	CONNECTOR, HYD., 1"-14 ORFS x M27 x 2 ORB,
28	86639082	1	TEE, 13/16"-16 ORFS, Blkhd Br,
29	86639083	1	NUT, LOCK, 13/16"-16, ORFS Blkhd,
30	86579676	2	CONNECTOR, HYD., 13/16"-16 ORFS x M18 x 1.5 ORB,
31	84989383	2	ELBOW, 90°, 13/16"-16 ORFS x 13/16"-16 Fem Sw,
32	87108678	2	DECAL, Wheel Bolt Torque
33	87283481	1	GUIDE, Guide, Hose, RH
34	87281007	2	HOSE, FLEXIBLE, Forward
35	87281008	2	HOSE, FLEXIBLE, Reverse
36	87281009	2	HOSE, FLEXIBLE, Case Drain
37	84807867	1	HARNESS, WIRE,
38	84800193	2	SLEEVE, Sleeve, 48" Length
39	87035472	20	BOLT, SPECIAL, Flg, CL 10.9, M20 x 70
40	87281709	20	SPACER, Wheel Bolt
41	281074	2	BOLT, Hex, 3/4"-10 x 2 1/2", G8,
42	280375	2	NUT, LOCK, 3/4"-10, GC,



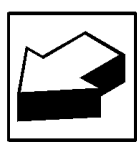
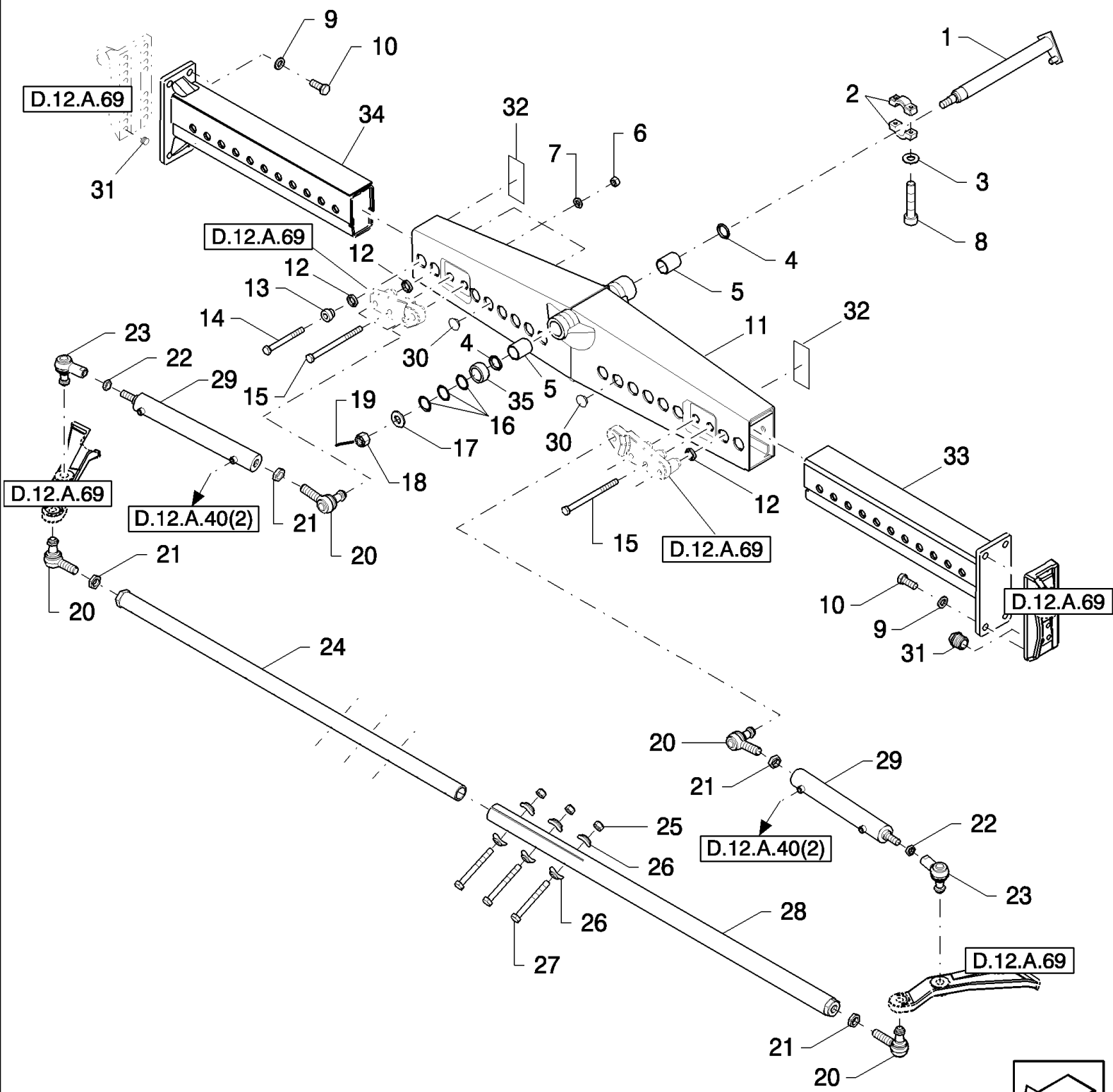
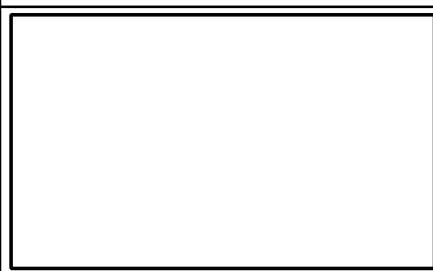
● = 25



D.12.A.28 MOTOR, HYDROSTATIC, PRA II

сылка	Номер детали	Кол-во	Описание
1	87281652	1	MOTOR, HYDRAULIC, LH
1	87281653	1	MOTOR, HYDRAULIC, RH
2	87281713	1	HYDRAULIC CYLINDER, Motor
3	863-6010	2	SCREW, Hex Soc Hd, M6 x 10, 12.9,
4	221578A1	1	PLUG, Hex Soc, M18 x 1.5, ORB, -08, W/Ref 23
5	254742A1	1	PLUG, M14 x 1.5, -05, W/Ref 24
6	87283879	2	WASHER, Bleed Screw Seal
7	87035492	4	SCREW, Hex Soc Hd, M6 x 40, 12.9,
8	379365R1	4	O-RING, -012, 90 Duro, .364" ID x .070" Thk,
9	238-6015	1	O-RING, -015, 90 Duro, .551" ID x .070" Thk,
10	84817926	2	SEAL, Environmental
11	84817917	1	SEAL, 3.02" OD x 0.21" Thick
12	84817924	2	COVER, Seal
13	84817900	2	WASHER, THRUST,
14	87415	2	NIPPLE, LUBE, 90с, 1/4" NPT x .75" lg, Drive,
15	87281727	3	WASHER, Motor Seal, Metal/Rubber
16	87035490	3	SCREW, Hex Soc Hd, M8 x 10, 8.8,
17	84817916	2	BUSHING,
18	84800213	1	KIT, SEALS, Inner
19	84800212	1	KIT, SEALS, Outer
20	84800194	1	PIN, Bottom, King
21	87281730	1	PIN, Upper, King
22	NSS	1	NOT SERVICED SEPARATELY, Motor
23	637-63153	1	O-RING, CI 6, 15.3MM ID x 2.2 Thk,
24	637-63113	1	O-RING, CI 6, 11.3MM ID x 2.2 Thk,
25	87360505	AR	KIT, SEALS, Includes Ref. 11 & 15
26	87552816	1	KIT, REPAIR, Front Side Motor

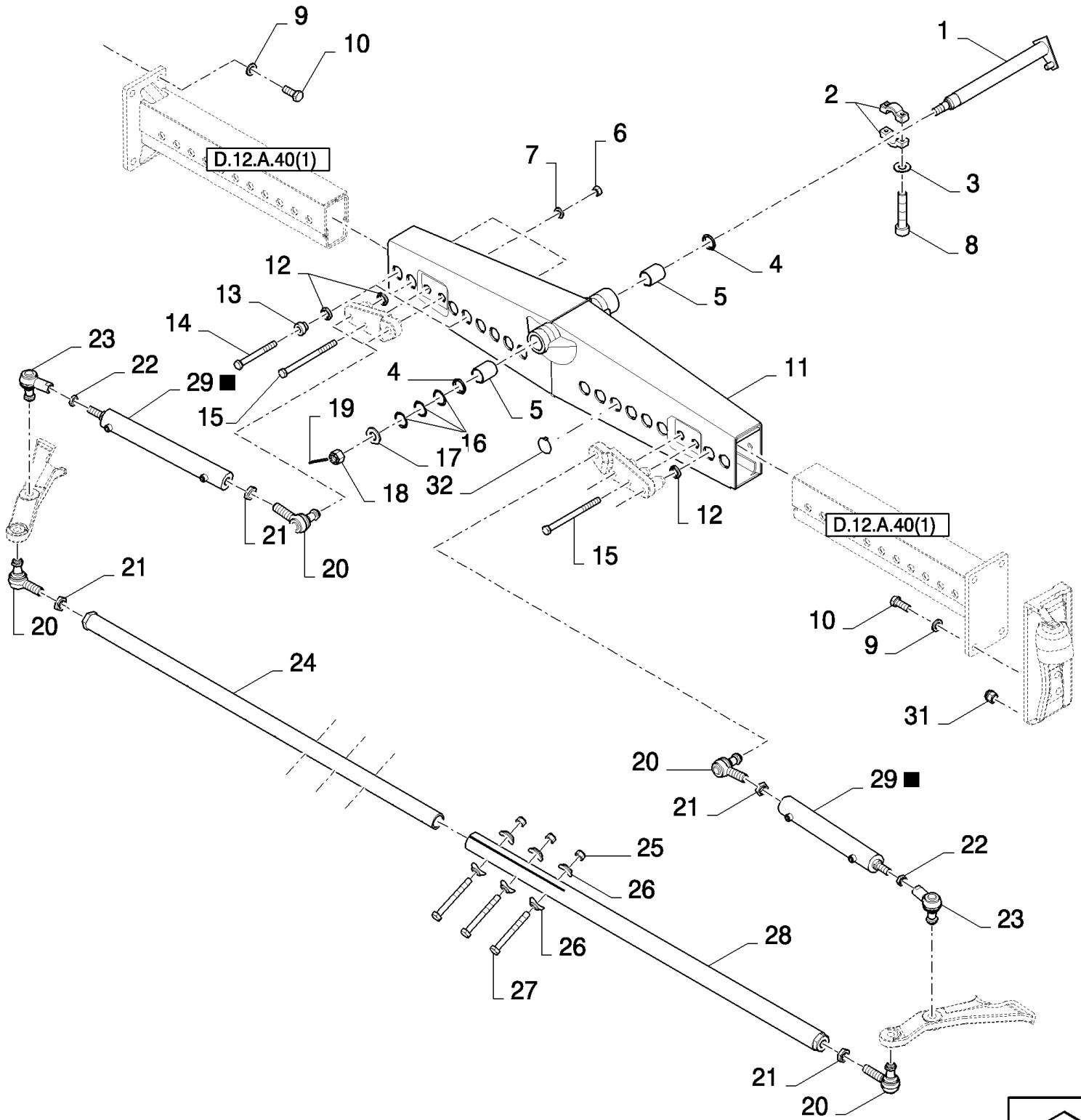
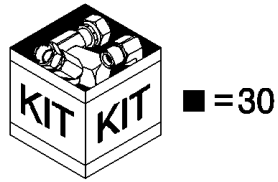
D.12.A.40(1) CENTRAL STEERING BRIDGE, POWERED & HEAVY DUTY, W/EXTENSIONS



D.12.A.40(1) CENTRAL STEERING BRIDGE, POWERED & HEAVY DUTY, W/EXTENSIONS

сылка	Номер детали	Кол-во	Описание
1	84074397	1	SHAFT,
2	84077496	2	CLAMP,
3	140045	2	WASHER, SPRING, Belleville, M10,
4	84069736	2	SEAL,
5	84334438	2	SLEEVE, Bushing
6	84100564	10	NUT, LOCK, M20, GC,
7	89850384	10	WASHER,
8	84015950	2	SCREW, Cylinder Hd, M10 x 1.25 x 50
9	84015771	8	WASHER,
10	84075037	8	BOLT, Hex, M24 x 60, 12.9,
11	84074066	1	AXLE, REAR,
11	84454269	1	AXLE, REAR,
12	84334526	6	WASHER,
13	84334525	4	BUSHING,
14	412290	4	BOLT, Hex, M20 x 180, 8.8,
15	84037083	6	BOLT, Hex, M20 x 260, 8.8,
16	539450	3	SHIM,
17	80327802	1	WASHER,
18	80390822	1	NUT, Slotted, M30 x 1.5
19	80130016	1	PIN, SPLIT (COTTER), M6.3 x 63
20	84073399	4	BALL JOINT,
21	100034	4	NUT, M30 x 1.5, CI 8,
22	412321	2	NUT, M26 x 1.5, CI 8,
23	84814042	2	BALL JOINT,
24	84074074	1	TRACK ROD ASSY, RH
25	80412141	3	NUT, LOCK, Lock, M10 x 1.5
26	80379401	6	CLAMP, Hose
27	120074	3	BOLT, Hex, M10 x 90, 8.8,
28	84074075	1	TRACK ROD ASSY, LH
29	84814043	2	CYLINDER STEERING, Complete, Refer to Separate Breakdown
30	84440667	12	PLUG,
31	84439474	12	PLUG,
32	84439510	2	DECAL,
33	84074067	1	EXTENSION, LH
34	84074073	1	EXTENSION, RH
35	87281726	1	SPACER, Pivot

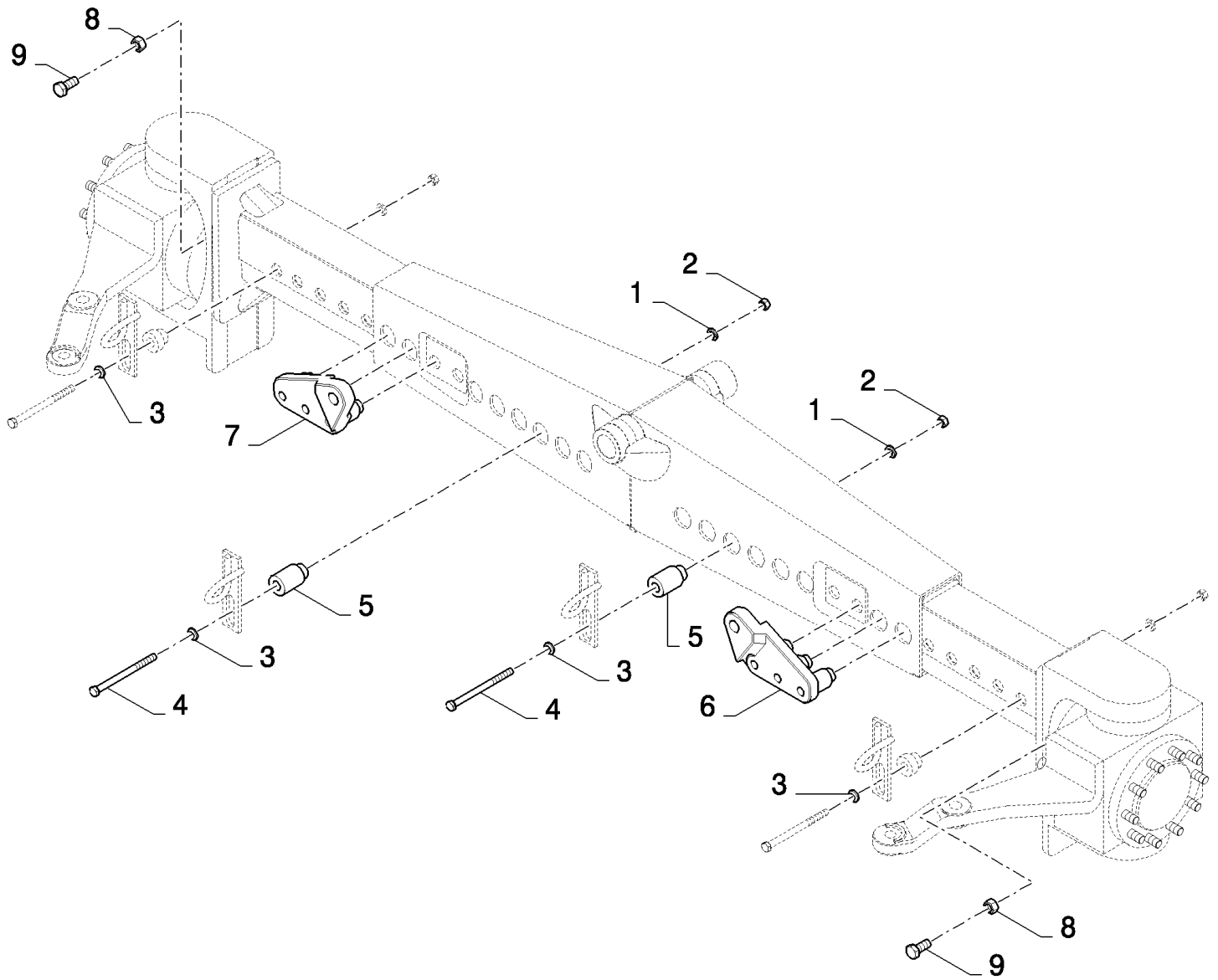
D.12.A.40(2) AXLE, POWERED AND HEAVY DUTY (HD)



D.12.A.40(2) AXLE, POWERED AND HEAVY DUTY (HD)

сылка	Номер детали	Кол-во	Описание
1	84074397	1	SHAFT,
2	84077496	2	CLAMP,
2	87284194	1	SPACER, , Start Year: 01/01/2004
3	140045	2	WASHER, SPRING, Belleville, M10,
4	84069736	2	SEAL,
5	84334438	2	SLEEVE,
6	84100564	10	NUT, LOCK, M20, GC,
7	9850384	10	WASHER,
8	84015950	2	SCREW, M10 x 50
9	84015771	8	WASHER,
10	84075037	8	BOLT, Hex, M24 x 60, 12.9,
11	84074066	1	AXLE, REAR,
11	84454269	1	AXLE, REAR, , Start Year: 01/01/2004
12	84334526	6	WASHER,
13	84334525	4	BUSHING,
14	412290	4	BOLT, Hex, M20 x 180, 8.8,
15	84037083	6	BOLT, Hex, M20 x 260, 8.8,
16	539450	3	SHIM,
17	327802	1	WASHER,
18	390822	1	NUT, SLOTTED, M30 x 1.5, CI 8,
19	130016	1	PIN, SPLIT (COTTER), M6.3 x 63,
20	84073399	4	BALL JOINT,
21	100034	4	NUT, M30 x 1.5, CI 8,
22	412321	2	NUT, M26 x 1.5, CI 8,
23	84814042	2	BALL JOINT,
24	84074074	1	TRACK ROD ASSY,
25	86514720	3	NUT, LOCK, M10
25	412141	3	NUT, LOCK, M10 x 1.5, CI 8, , Start Year: 01/01/2004
26	379401	6	CLAMP,
27	120074	3	BOLT, Hex, M10 x 90, 8.8,
28	84074075	1	TRACK ROD ASSY,
28	87280258	1	TUBE, , Start Year: 01/01/2004
29	84814043	2	CYLINDER STEERING, (30), SV Engraved in Cylinder
30	86590994	1	KIT, SEALS,
31	84439474	12	PLUG,
32	84440667	12	PLUG,
33	84439510	2	DECAL, Not Shown, Start Year: 01/01/2004

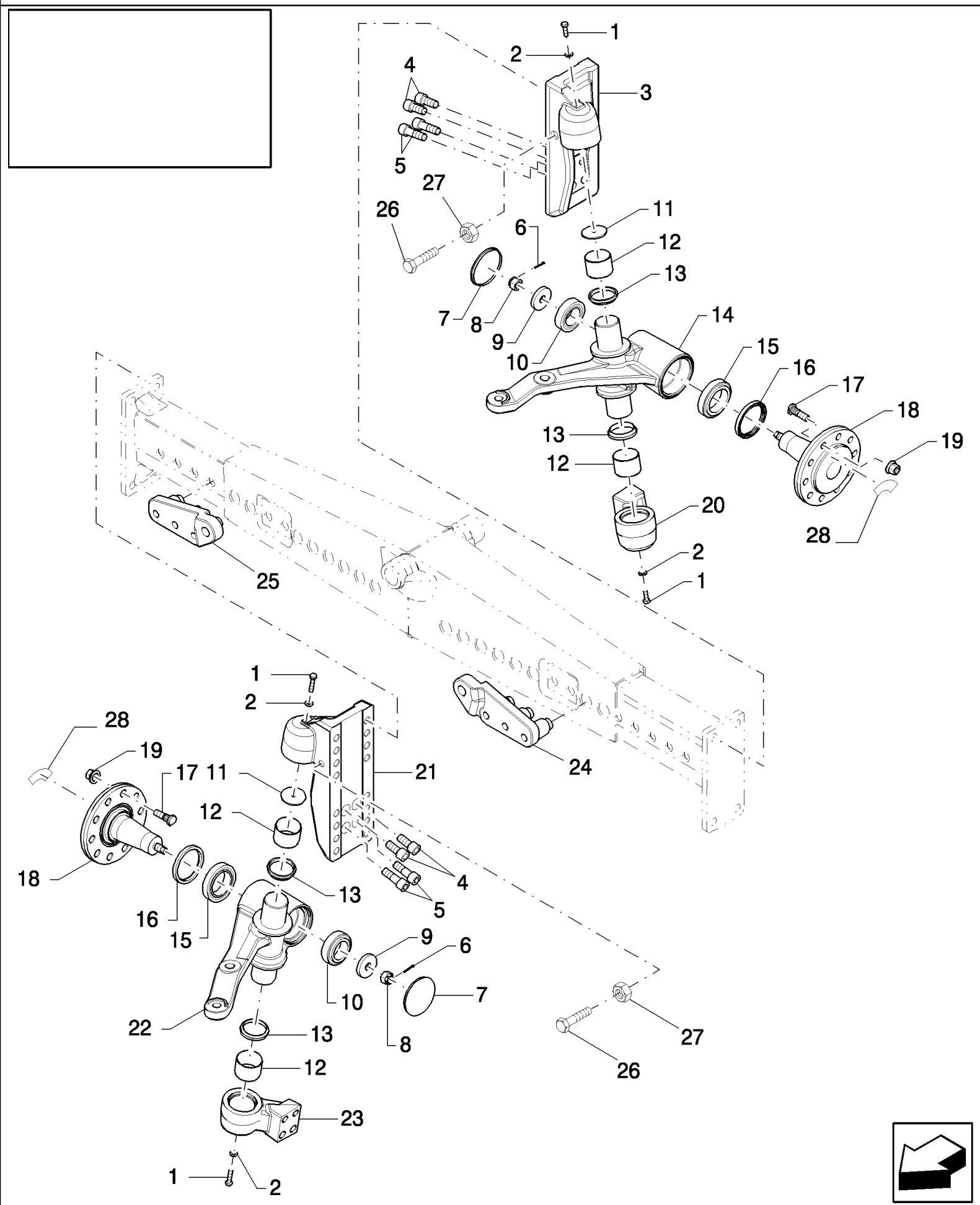
D.12.A.40.01 POWERED STEERING AXLE, MOUNTING HARDWARE



D.12.A.40.01 POWERED STEERING AXLE, MOUNTING HARDWARE

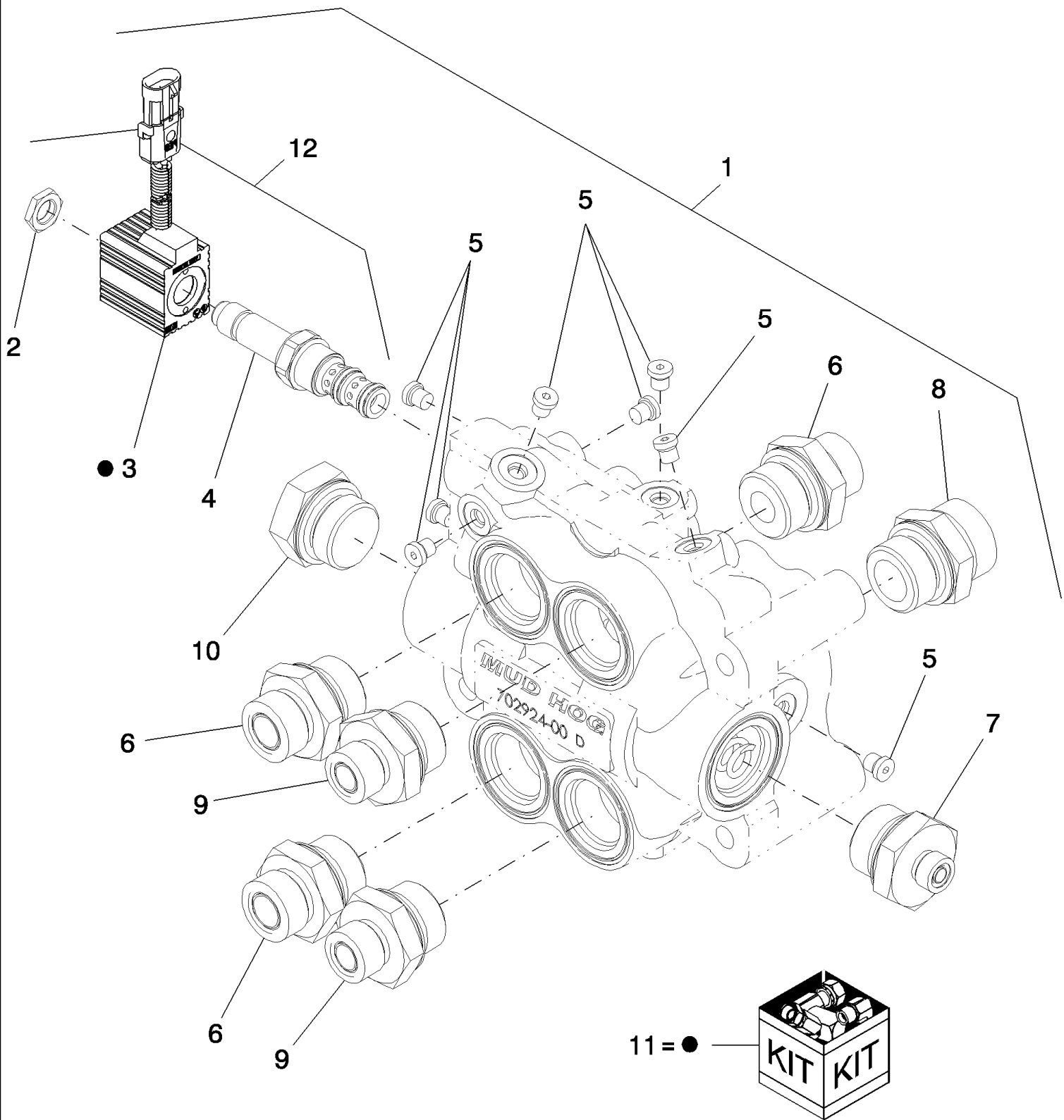
сылка	Номер детали	Кол-во	Описание
1	89850384	2	WASHER, M23
2	84100564	2	NUT, LOCK, M20, GC,
3	322359	4	WASHER, SPRING, Belleville, M20,
4	86509730	2	BOLT, Hex, M20 x 240, 8.8,
5	84334527	2	BUSHING,
6	84435038	1	SUPPORT, LH
7	84435041	1	SUPPORT, RH
8	9848973	2	NUT, M24, CI 10,
9	84075037	2	BOLT, Hex, M24 x 60, 12.9,

D.12.A.69 STANDARD STEERING AXLE SPINDLES



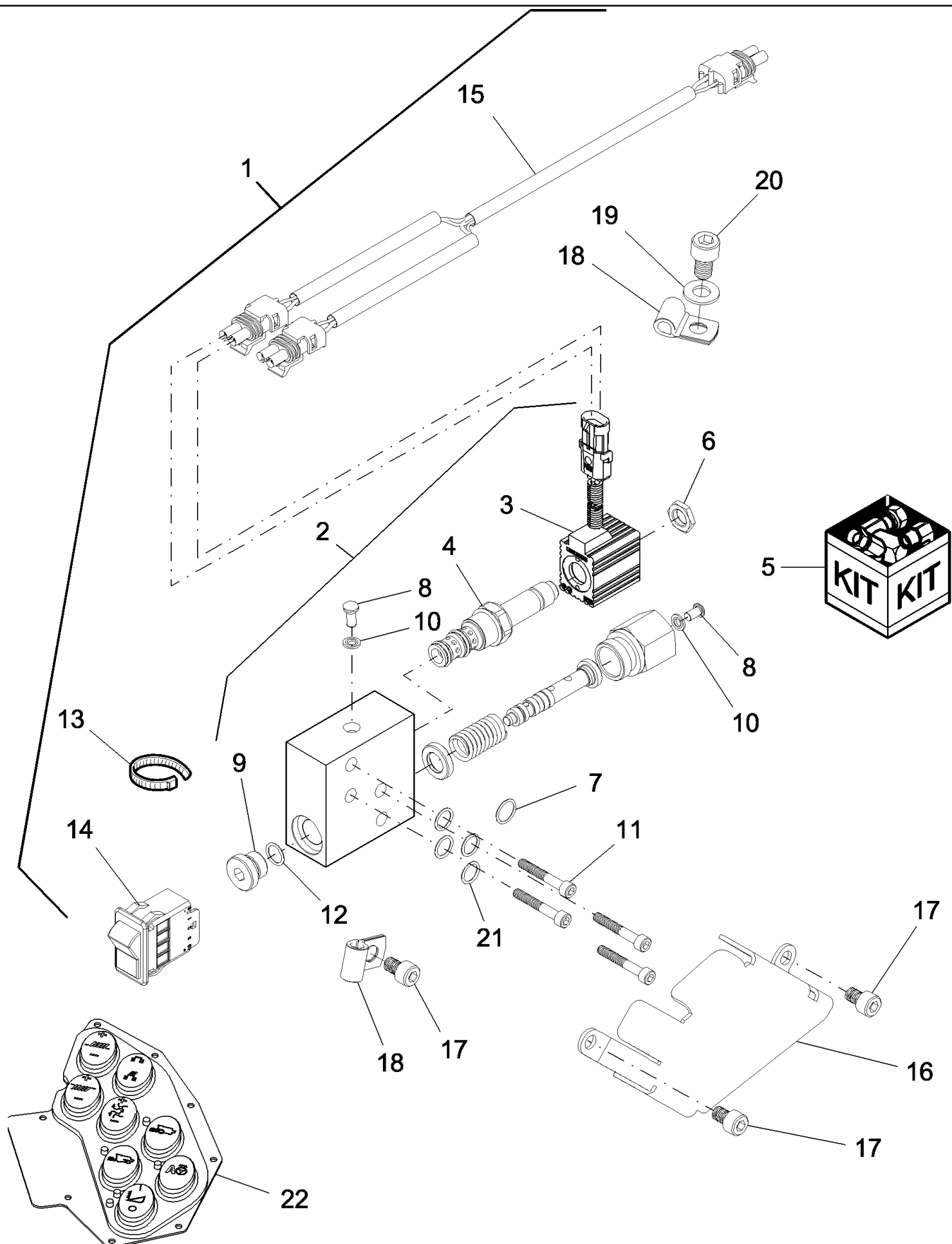
D.12.A.69 STANDARD STEERING AXLE SPINDLES

сылка	Номер детали	Кол-во	Описание
1	378056	4	BOLT, Hex, M6 x 10, 8.8, Full Thd,
2	80446307	4	SEALRING,
3	84074069	1	SUPPORT, LH, BSN HAJ105205
3	84446945	1	SUPPORT, LH, ASN HAJ105206
4	84069447	4	SCREW, HSH, CL 8.8, M24 x 2 x 50
5	84069505	4	SCREW, HSH, CL 8.8, M24 x 2 x 70
6	80130011	2	PIN, SPLIT (COTTER), M5 x 40
7	84431059	2	COVER, , BSN HAJ105205
7	84429450	2	COVER, , ASN HAJ105206
8	80309090	2	NUT, SLOTTED, Slotted, M24 x 1.5
9	84064952	2	WASHER, M25
10	84068653	2	BEARING, ROLLER, TAPERED,
11	84074068	2	DISC,
12	84074214	4	SLEEVE, , BSN HAJ105205
12	84064163	4	SLEEVE, , ASN HAJ105206
13	84069731	4	SEAL,
14	84074065	1	KNUCKLE, STEERING, , BSN HAJ105205
14	84448541	1	KNUCKLE, STEERING, , ASN HAJ105206
15	84068654	2	BEARING, ROLLER, TAPERED,
16	84068674	2	SEAL, 12 x 110 ID x 130 OD, BSN HAJ105205
16	84454949	2	SEAL, 12 x 125 ID x 150 OD, ASN HAJ105206
17	84062510	20	BOLT, Wheel, CL 10.9, M20 x 1.5 x 70, BSN HAJ105205
17	84443588	20	BOLT, Wheel, CL 10.9, M20 x 1.5 x 76, ASN HAJ105206
18	84074076	2	FLANGE, Wheel, BSN HAJ105205
18	84448564	2	FLANGE, Wheel, ASN HAJ105206
19	84062511	20	NUT, Wheel, M20 x 1.5
20	84074071	1	SUPPORT, LH, BSN HAJ105205
20	84446948	1	SUPPORT, LH, ASN HAJ105206
21	84074070	1	SUPPORT, RH, BSN HAJ105205
21	84446947	1	SUPPORT, RH, ASN HAJ105206
22	84074064	1	KNUCKLE, STEERING, , BSN HAJ105205
22	84448540	1	KNUCKLE, STEERING, , ASN HAJ105206
23	84074072	1	SUPPORT, RH, BSN HAJ105205
23	84446949	1	SUPPORT, RH, ASN HAJ105206
24	84435031	1	SUPPORT, LH
25	84435034	1	SUPPORT, RH
26	84075037	2	BOLT, Hex, M24 x 60, 12.9, , BSN HAJ105205
26	87035522	2	SET SCREW, Hex Soc, M24 x 85, Flat Pt, , ASN HAJ105206
27	9848973	2	NUT, M24, CI 10, , BSN HAJ105205
27	10717921	2	NUT, Thin, M24 x 3, CI 05, , ASN HAJ105206
28	87108677	2	DECAL, Torque, Wheel Bolt



D.14.C.12 POWERED REAR AXLE, SELECTOR VALVE

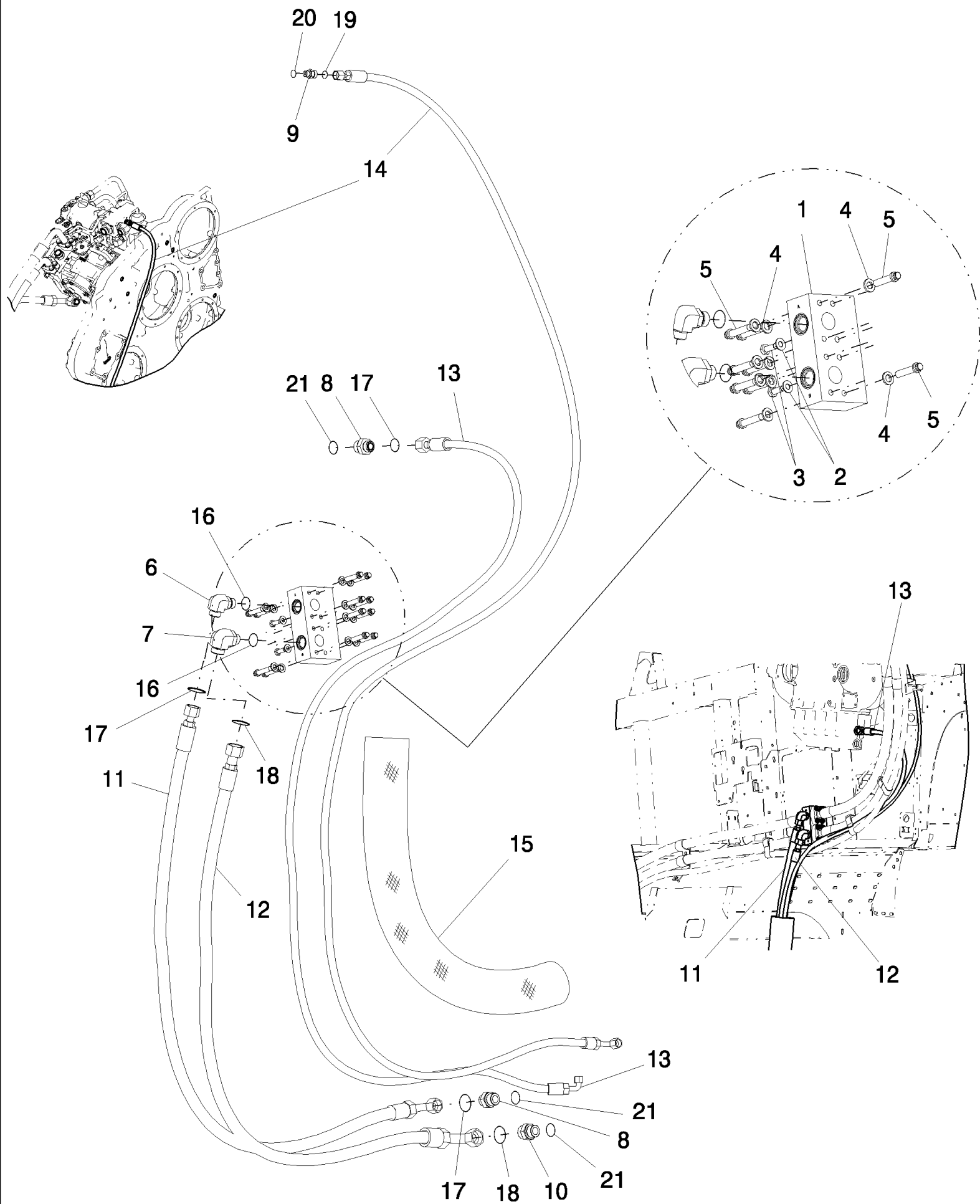
сылка	Номер детали	Кол-во	Описание
1	87281708	1	VALVE, PRA Selector
2	590907	1	NUT, 1/2"-20, UNF
3	87645123	1	SOLENOID, Coil
4	87283662	1	CARTRIDGE,
5	86602475	8	PLUG, -12, O-Ring, Hex Socket
6	700-164	3	CONNECTOR, HYD., 1 3/16"-12 ORFS x M33 x 2 ORB,
7	87281712	1	CONNECTOR, HYD., M33 x 2 / -16 ORS Modified
8	700-105	1	CONNECTOR, HYD., 1 7/16"-12 ORFS x M22 x 2 ORB,
9	87035471	2	CONNECTOR, HYD., 1"-14 ORFS x M33 x 1.5 ORB,
10	220069A1	1	PLUG, M33 x 2, ORB,
11	86509023	1	KIT, SEALS, Ref 3
12	87281710	1	VALVE, SOLENOID, Solenoid Assy; Includes: Ref.s 2 Thru 4



D.14.C.14.11 KIT, DUAL SPEED - POWERED REAR AXLE

сылка	Номер детали	Кол-во	Описание
1	84110799	1	KIT, Dual Speed, PRA, Includes Ref. 2 - 21
2	87283383	1	VALVE, Includes Ref. 3 - 12 and 21
3	87283881	1	SOLENOID,
4	87283880	1	CARTRIDGE,
5	86509023	1	KIT, SEALS,
6	590907	1	NUT, 1/2"- 20, UNF
7	165212	1	O-RING, -015, 90 Duro, .551" ID x .070" Thk,
8	87016478	2	SCREW, Hex Soc Hd, M6 x 10, 12.9,
9	86598046	1	PLUG, Hex Soc, M18 x 1.5, ORB,
10	87283879	2	WASHER, Seal
11	87035492	4	SCREW, Hex Soc Hd, M6 x 40, 12.9,
12	86598101	1	O-RING, CI 6, 15.3MM ID x 2.2 Thk,
13	86566989	6	STRAP, CABLE,
14		1	Not Used AFX 8010
15	87283382	1	HARNESS, WIRE,
16	87283381	2	Shield
17	2168745	6	SCREW, M8 x 12
18	87301308	4	CLAMP, Clamp
19	86511323	2	WASHER, M10 x 20 x 2,
20	87301307	2	SCREW, M10 x 16
21	9993141	AR	O-RING, -012, 90 Duro, .364" ID x .070" Thk,
22	87282484	1	PAD, RUBBER, Console, RH

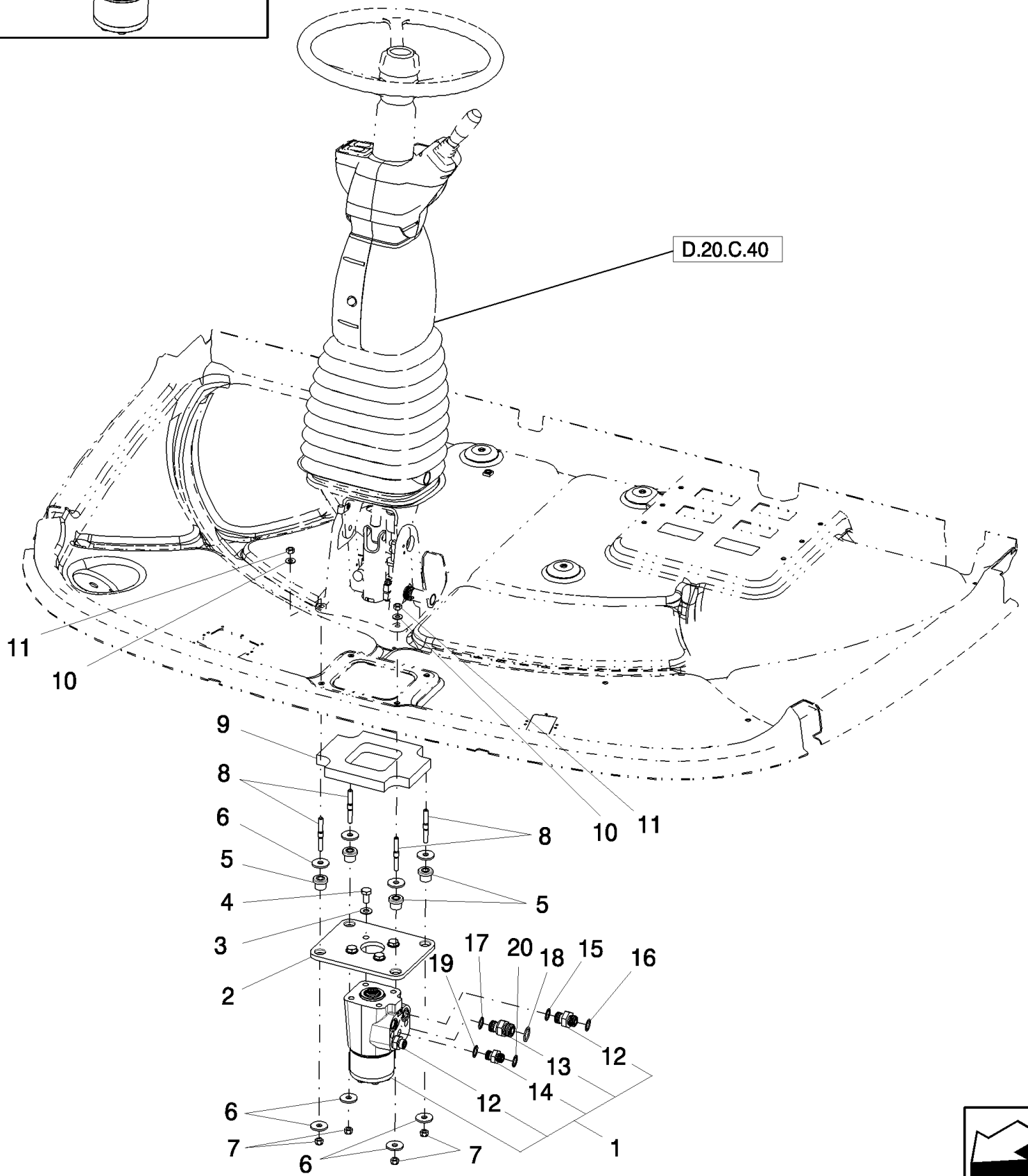
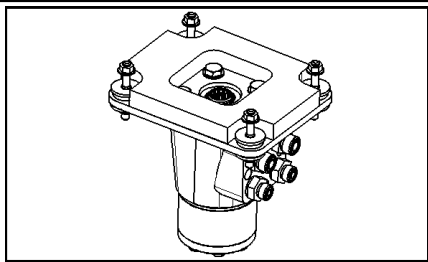
D.14.C.36(1) HYDRAULIC LINES, POWERED REAR AXLE



D.14.C.36(1) HYDRAULIC LINES, POWERED REAR AXLE

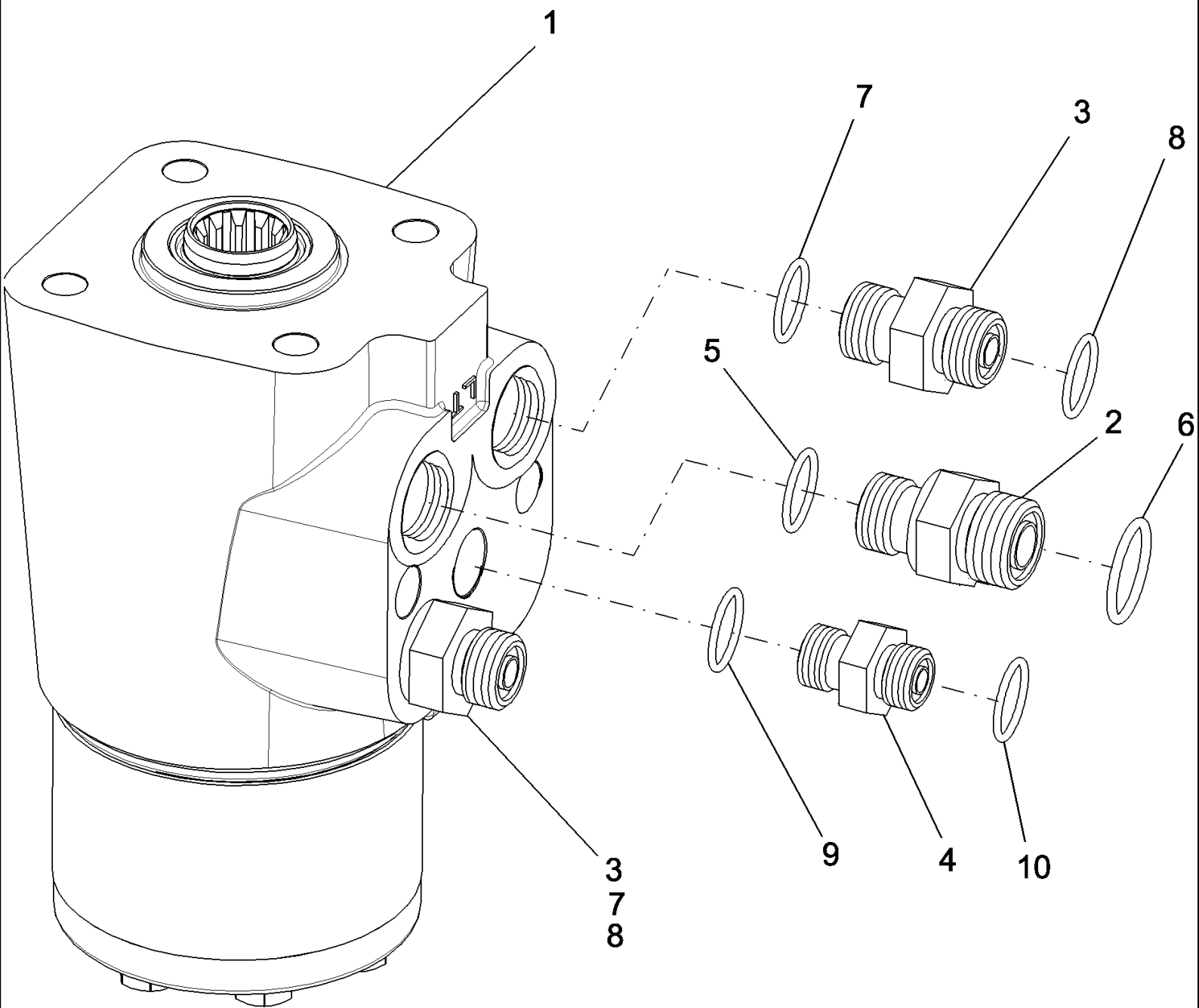
сылка	Номер детали	Кол-во	Описание
1	86976663	1	BLOCK, CONNECTING,
2	140045	2	WASHER, SPRING, Belleville, M10,
3	43139	2	SCREW, HH, CL 8.8, M10 x 25
4	86625255	16	WASHER, M13.5 x 24.5 x 3, HT,
5	87026652	16	SCREW, 12 Pt Hd, M12 x 50, 12.9,
6	86579697	1	ELBOW, 90є, 1 3/16"-12 ORFS x M27 x 2 ORB,
7	87010650	1	ELBOW, 90є, 1 7/16"-12 ORFS x M27 x 2 ORB,
8	86579683	1/2	CONNECTOR, HYD., 1 3/16"-12 ORFS x M33 x 2 ORB,
9	86579675	1	CONNECTOR, HYD., 13/16"-16 ORFS x M16 x 1.5 ORB,
10	86580179	1	CONNECTOR, HYD., 1 7/16"-12 ORFS x M22 x 2 ORB,
11	87105632	1	HOSE, FLEXIBLE, Pressure, A
12	87105635	1	HOSE ASSY., Pressure, B
13	87105633	1	HOSE ASSY., Valve, Drain
14	87280418	1	HOSE, Motor, Drain
15	87106155	1	SLEEVE, Hose Protection
16	637-64236	2	O-RING, CI 6, 23.6MM ID x 2.9 Thk,
17	238-6018	3	O-RING, -018, 90 Duro, .739" ID x .070" Thk,
18	238-6021	2	O-RING, -021, 90 Duro, .926" ID x .070" Thk,
19	238-6012	1	O-RING, -012, 90 Duro, .364" ID x .070" Thk,
20	637-63133	1	O-RING, CI 6, 13.3MM ID x 2.2 Thk,
21	637-64296	3	O-RING, CI 6, 29.6MM ID x 2.9 Thk,
22	86566989	2	STRAP, CABLE,

D.20.C 14(1) STEERING CONTROL VALVE



D.20.C 14(1) STEERING CONTROL VALVE

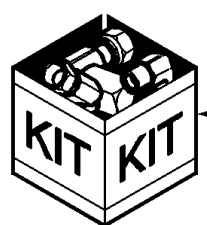
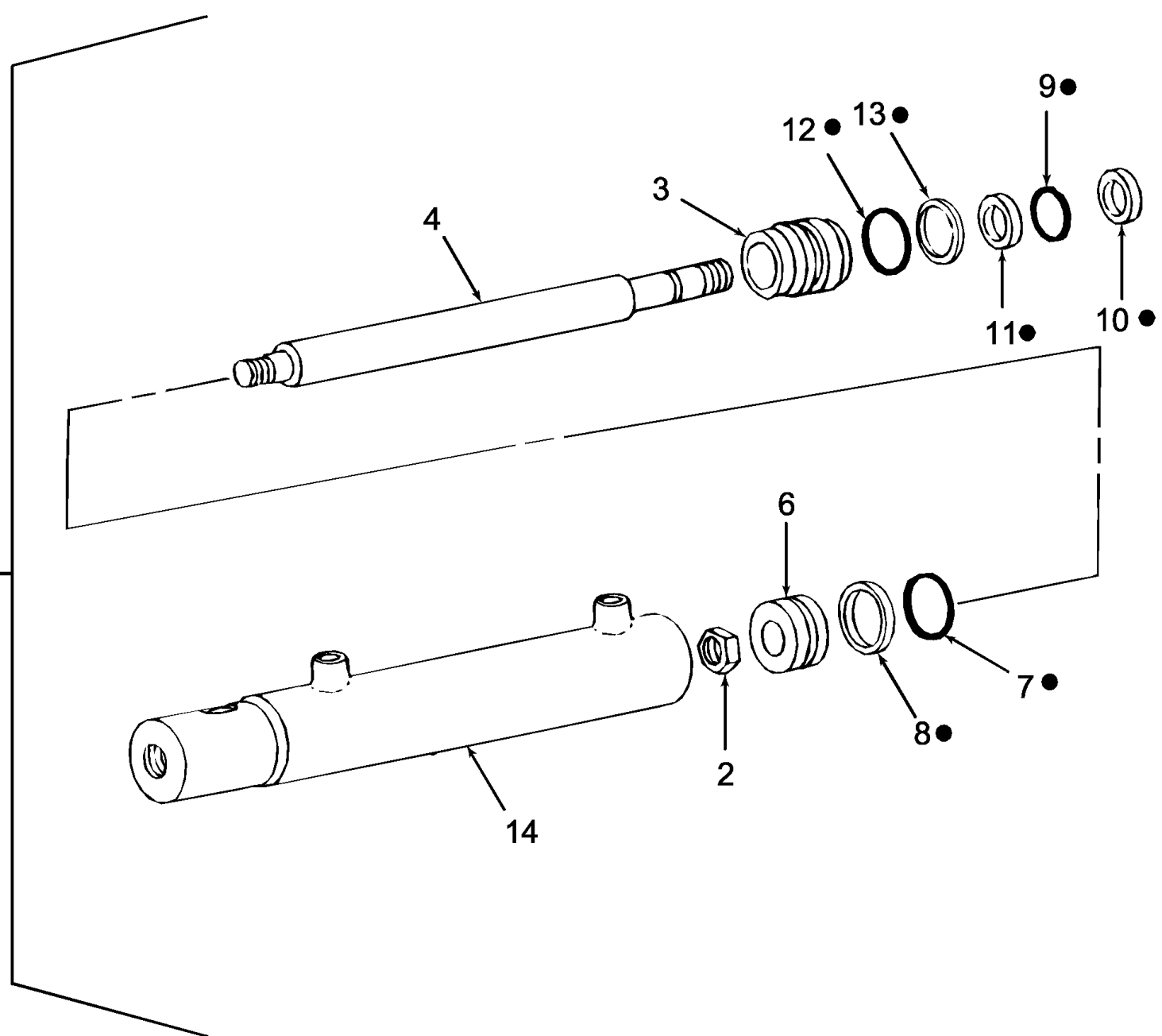
сылка	Номер детали	Кол-во	Описание
1	87280548	1	STEERING HYDRAULIC, NA
1	87280549	1	STEERING HYDRAULIC, EU
2	84075217	1	PLATE,
3	140045	4	WASHER, SPRING, Belleville, M10,
4	43138	4	BOLT, Hex, M10 x 20, 8.8, Full Thd,
5	601062	4	ISOLATOR, Mounting
6	86012639	8	WASHER,
7	832-46408	4	NUT, LOCK, M8 x 1.25, CI 8,
8	84432508	4	STUD,
9	86974950	1	SEAL,
10	322358	4	WASHER, SPRING, Belleville, M8,
11	9706690	4	NUT, M8, CI 8,
12	86579673	2	CONNECTOR, HYD., 11/16"-16 ORFS x M18 x 1.5 ORB,
13	86579676	2	CONNECTOR, HYD., 13/16"-16 ORFS x M18 x 1.5 ORB,
14	86593173	1	CONNECTOR, HYD., 9/16"-18 ORFS x M12 x 1.5 ORB,
15	86598101	2	O-RING, CI 6, 15.3MM ID x 2.2 Thk,
16	9993141	2	O-RING, -012, 90 Duro, .364" ID x .070" Thk,
17	86598101	2	O-RING, CI 6, 15.3MM ID x 2.2 Thk,
18	9992298	2	O-RING, -014, 90 Duro, .489" ID x .070" Thk,
19	86598098	1	O-RING, CI 6, 9.3MM ID x 2.2 Thk,
20	9825770	1	O-RING, -011, 90 Duro, .301" ID x .070" Thk,



D.20.C.14(2) STEERING CONTROL UNIT

сылка	Номер детали	Кол-во	Описание
1	87280548	1	STEERING HYDRAULIC, NA
1	87280549	1	STEERING HYDRAULIC, EU
2	86579676	2	CONNECTOR, HYD., 13/16"-16 ORFS x M18 x 1.5 ORB,
3	86579673	2	CONNECTOR, HYD., 11/16"-16 ORFS x M18 x 1.5 ORB,
4	86593173	1	CONNECTOR, HYD., 9/16"-18 ORFS x M12 x 1.5 ORB,
5	86598101	2	O-RING, CI 6, 15.3MM ID x 2.2 Thk,
6	9992298	2	O-RING, -014, 90 Duro, .489" ID x .070" Thk,
7	86598101	2	O-RING, CI 6, 15.3MM ID x 2.2 Thk,
8	9993143	2	CONNECTOR, HYD., 11/16"-16 ORFS x 9/16"-18 ORB,
9	86598098	1	O-RING, CI 6, 9.3MM ID x 2.2 Thk,
10	9825770	1	O-RING, -011, 90 Duro, .301" ID x .070" Thk,

1

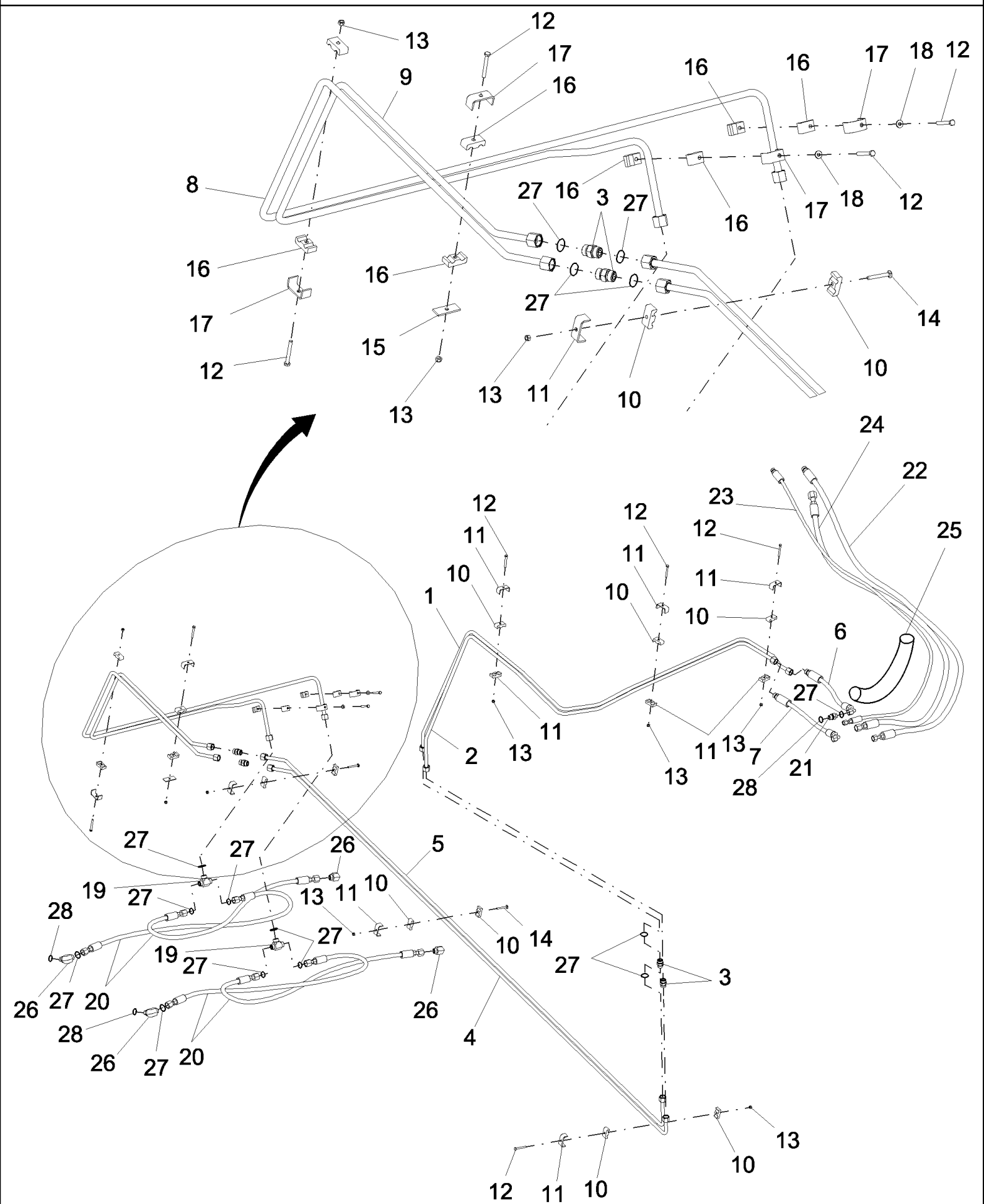


5 = ●

D.20.C.27 CYLINDER, STEERING

сылка	Номер детали	Кол-во	Описание
1	84814043	1	CYLINDER STEERING,
2	87629	1	NUT, LOCK, 5/8"-11, GB,
3	86590990	1	Cylinder Head
4	86590954	1	Piston
5	86590994	1	KIT, SEALS, Includes: Ref. 7, 8, 9, 10, 11, 12 & 13
6	86511736	1	PISTON,
7	86570920	AR	SEAL, Piston
8	771701	AR	RING, WEAR,
9	9600664	AR	SEAL,
10	46886	AR	SEAL,
11	86571906	AR	RING, WEAR,
12	510121	AR	O-RING, -227, 70 Duro, 2.109" ID x .139" Thk,
13	86502489	AR	BACK-UP RING,
14	NS	1	NOT SERVICED, Barrel

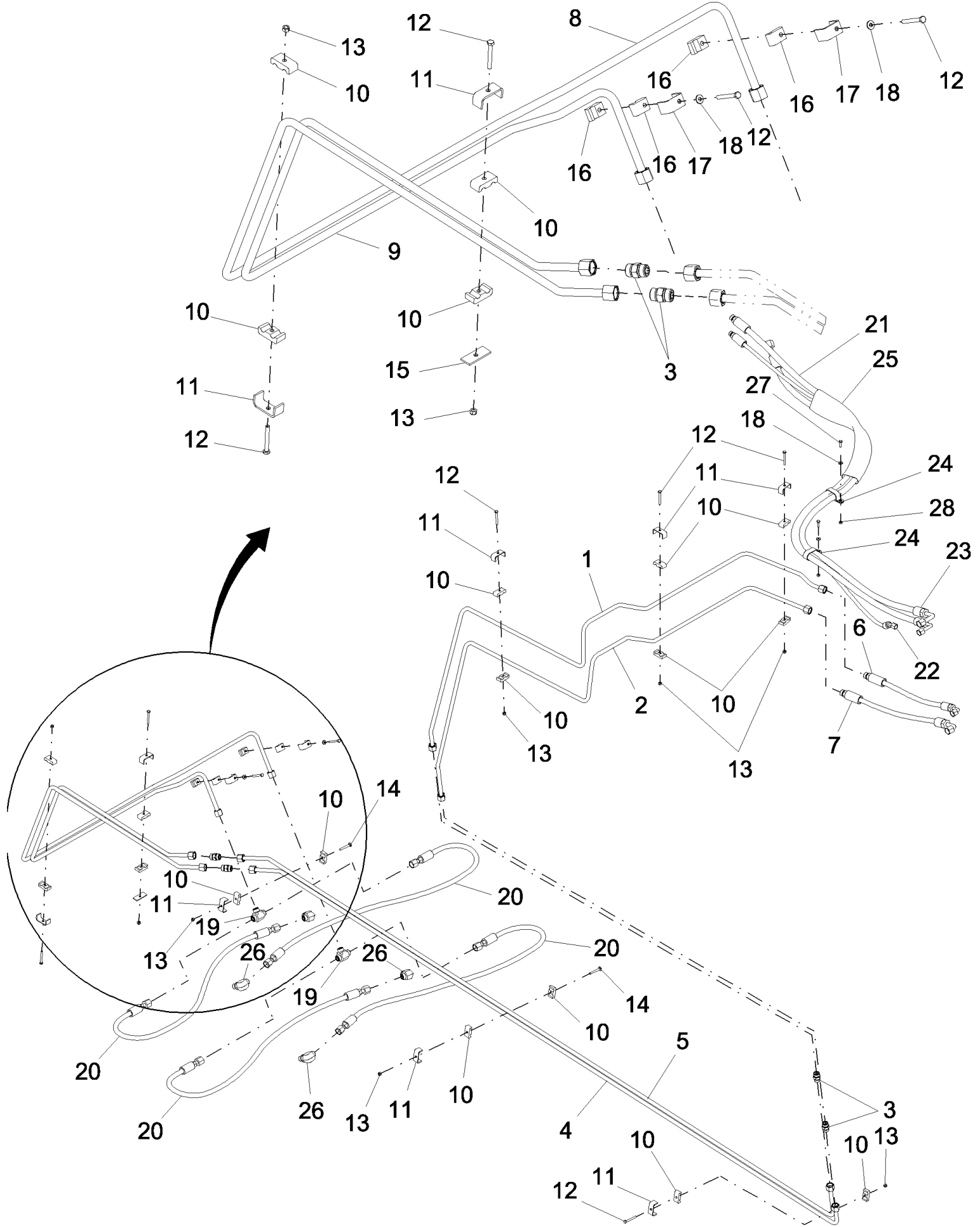
D.20.C.36(1) STEERING LINES



D.20.C.36(1) STEERING LINES

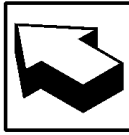
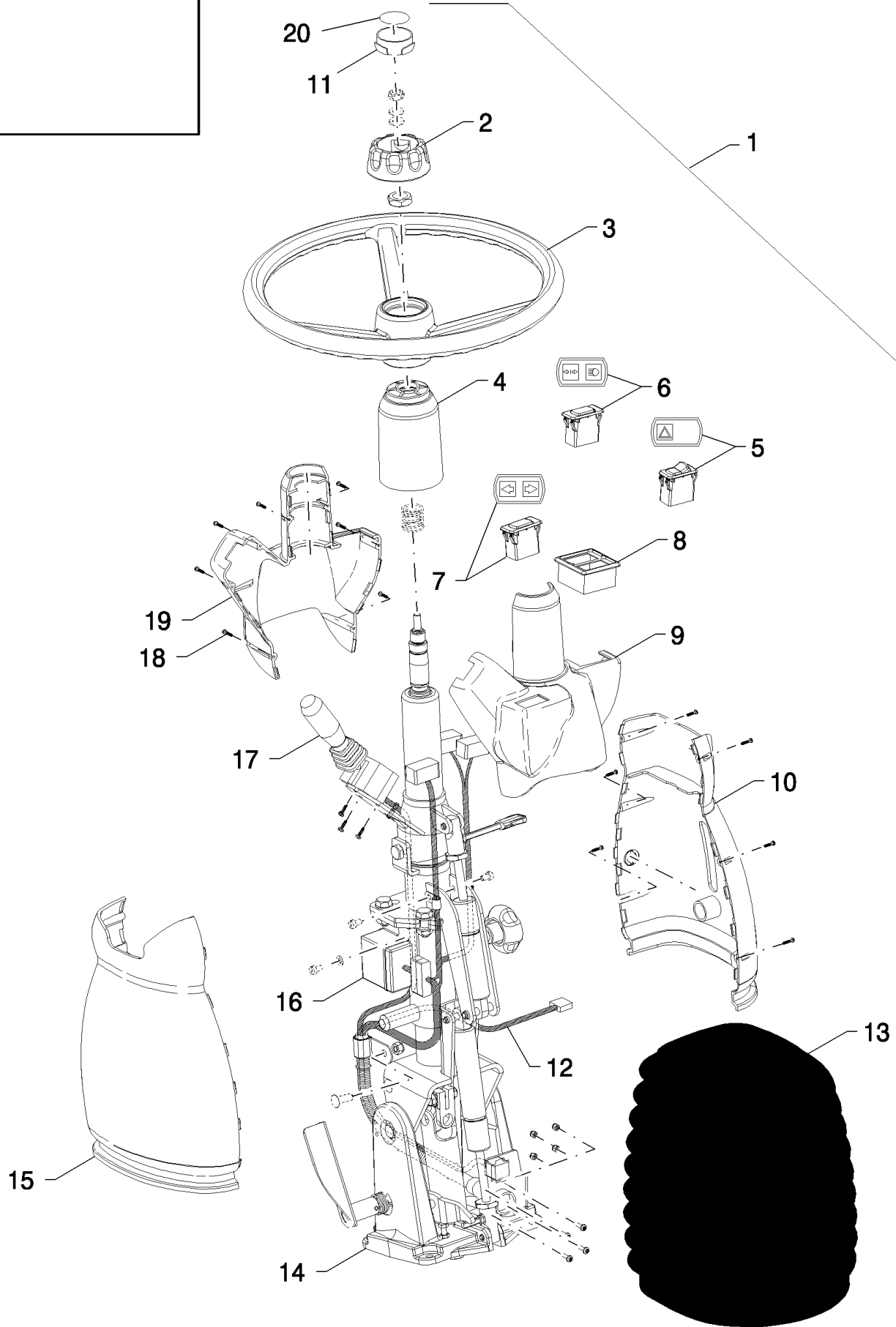
сылка	Номер детали	Кол-во	Описание
1	87106471	1	TUBE, HYD, Front, RH
1	87106473	1	TUBE, HYD, Front, RH - Narrow
2	87106472	1	TUBE, HYD, Front, LH
2	87106474	1	TUBE, HYD, Front, LH - Narrow
3	84431547	4	UNION, 13/16"-16 ORFS,
4	86975347	1	TUBE, HYD, Mid, Lower
5	86975348	1	TUBE, HYD, Mid, Upper
6	87105922	1	HOSE, FLEXIBLE, SCU, RH
7	86975355	1	HOSE, FLEXIBLE, SCU, LH
8	87011296	1	TUBE, HYD,
8	87011295	1	TUBE, HYD, Narrow
9	86575639	1	TUBE, HYD,
9	86598056	1	TUBE, HYD, Narrow
10	430357	16	CLAMP,
11	431941	8	SUPPORT,
12	120056	8	BOLT, Hex, M6 x 50, 8.8,
13	353308	8	NUT, LOCK, M6 x 1, CI 8,
14	412364	2	BOLT, CARRIAGE, Short NK, M6 x 50, CI8.8, Full Thd,
15	434097	1	BRACKET,
16	433008	4	CLAMP,
17	442340	2	SUPPORT,
18	322357	2	WASHER, SPRING, Belleville, M6,
19	86533127	2	TEE, 13/16"-16 ORFS,
20	84068103	4	HOSE, FLEXIBLE, Steering Cylinder
21	86579673	1	CONNECTOR, HYD., 11/16"-16 ORFS x M18 x 1.5 ORB,
22	87106440	1	TUBE, HYD, SCU, Supply
23	87106441	1	TUBE, HYD, SCU, LS
24	87106442	1	TUBE, HYD, SCU, Return
25	87106240	1	SLEEVE, Steering Hoses, Front
26	86579691	4	ELBOW, 90°, 13/16"-18 ORFS x M18 x 1.5 ORB,
27	9992298	17	O-RING, -014, 90 Duro, .489" ID x .070" Thk,
28	86598101	5	O-RING, CI 6, 15.3MM ID x 2.2 Thk,
29	9993141	1	O-RING, -012, 90 Duro, .364" ID x .070" Thk,

& AFTER



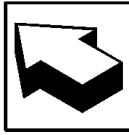
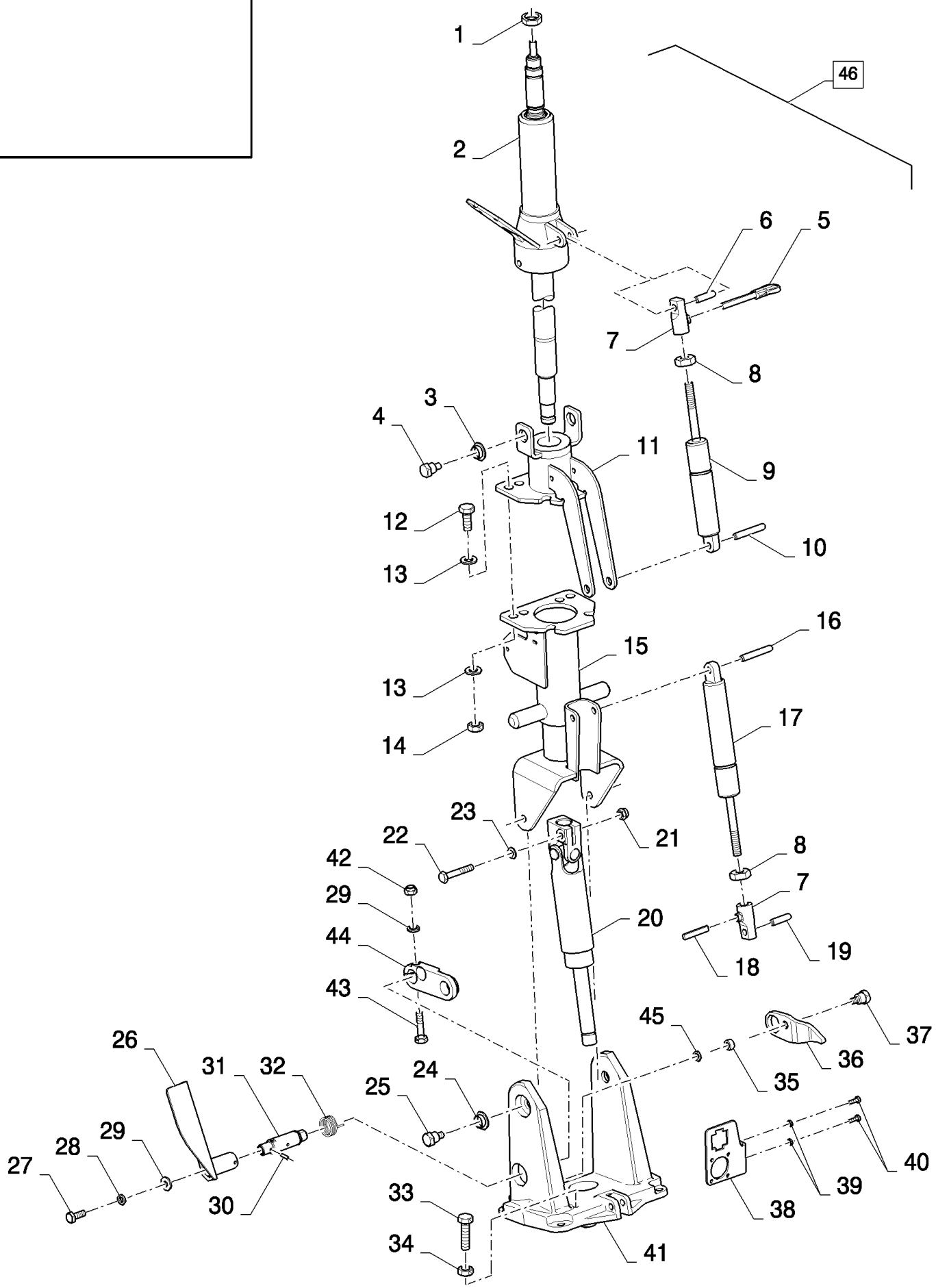
сылка	Номер детали	Кол-во	Описание
1	87280110	1	TUBE, HYD, Front, RH, WLC
2	87280108	1	TUBE, HYD, Front, LH, WLC
3	84431547	4	UNION, 13/16"-16 ORFS,
4	87280104	1	TUBE, HYD, Lower, Mid
5	86975348	1	TUBE, HYD, Upper, Mid
6	87280679	1	HOSE, FLEXIBLE, RH, SCU
7	84068100	1	HOSE, FLEXIBLE, LH, SCU - Was 87280678
8	87011296	1	TUBE, HYD,
9	86575639	1	TUBE, HYD,
10	430357	16	CLAMP,
11	431941	8	SUPPORT,
12	120056	8	BOLT, Hex, M6 x 50, 8.8,
13	353308	8	NUT, LOCK, M6 x 1, CI 8,
14	412364	2	BOLT, CARRIAGE, Short NK, M6 x 50, CI8.8, Full Thd,
15	434097	1	BRACKET,
16	433008	4	CLAMP,
17	442340	2	SUPPORT,
18	322357	4	WASHER, SPRING, Belleville, M6,
19	86533127	2	TEE, 13/16"-16 ORFS,
20	84068103	4	HOSE, FLEXIBLE,
21	87280799	1	HOSE, FLEXIBLE, Pressure, SCU
22	87280802	1	HOSE, FLEXIBLE, Signal, SCU
23	87280801	1	HOSE, FLEXIBLE, Return, SCU
24	87000220	2	CLAMP, HOSE,
25	87106240	1	SLEEVE,
26	86579691	4	ELBOW, 90e, 13/16"-18 ORFS x M18 x 1.5 ORB,
27	120100	2	BOLT, Hex, M6 x 20, 8.8,
28	9706755	2	NUT, M6, CI 8,

D.20.C.40(1) STEERING COLUMN, SIDE TILT LEVER



D.20.C.40(1) STEERING COLUMN, SIDE TILT LEVER

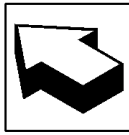
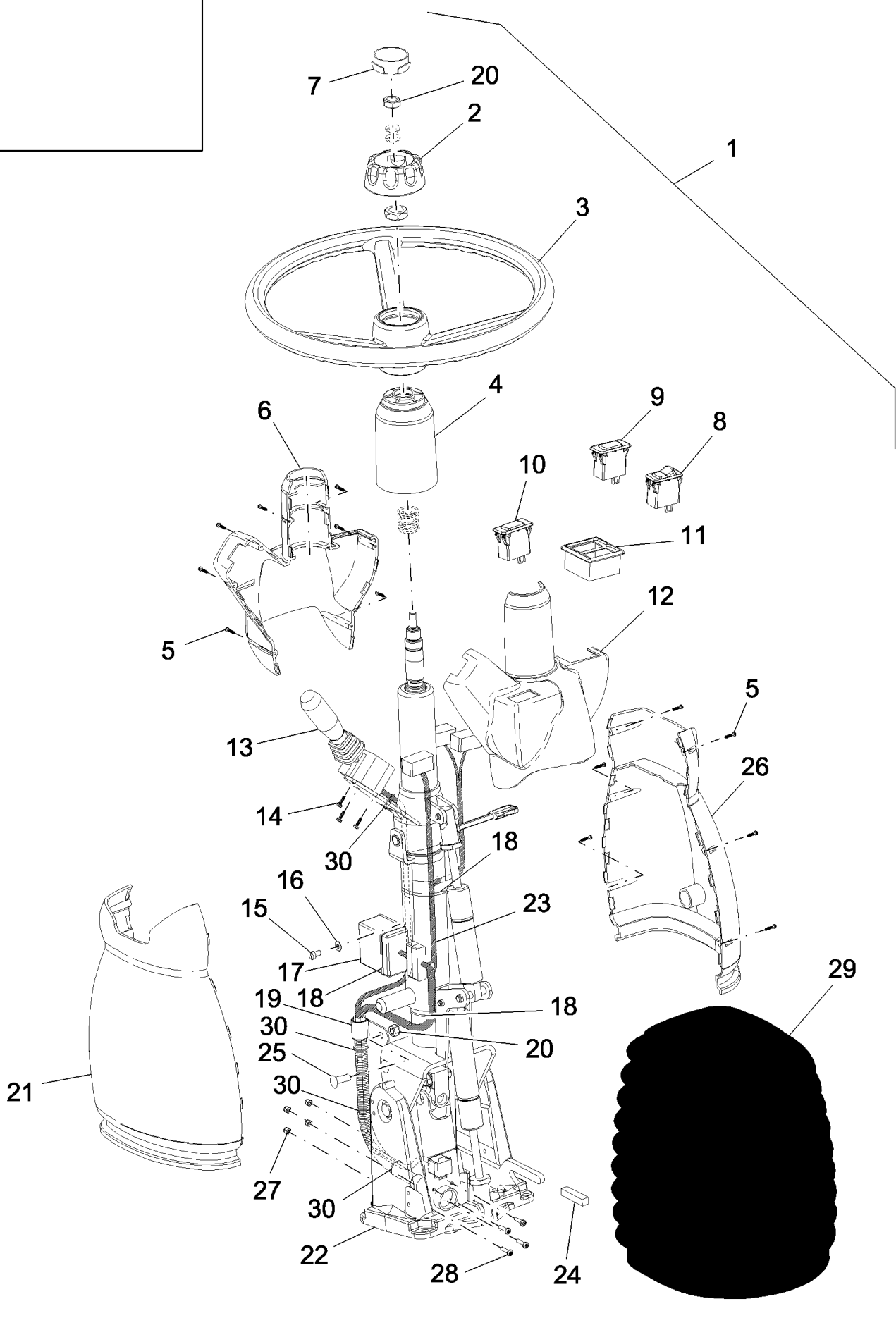
сылка	Номер детали	Кол-во	Описание
1	NS	1	NOT SERVICED, Steering Column, Complete
2	86996214	1	KNOB, Was 84320688
3	86995157	1	STEERING WHEEL,
4	86995762	1	COVER, Top
5	84320243	1	SWITCH, Hazard
6	84320257	1	LIGHT, INDICATER, Lamp, High Beam / Trailer
7	84320256	1	LIGHT, INDICATER, Lamp, LH / RH
8	84320261	2	BEZEL, Switches
9	86995940	1	COVER, Upper Rear
10	86995942	1	COVER, Lower RH
11	84806242	1	KNOB, Dust Cap
12	86900859	1	HARNES, WIRE,
13	86536314	1	BOOT, Boot
14	86536306	1	STEERING COLUMN, Core, Steering Column
15	86995941	1	COVER, Lower LH
16	86578898	1	FLASHER UNIT,
17	86622301	1	SWITCH, Horn / Lights / Turn Signal
18	84067935	13	SCREW,
19	86995939	1	COVER, Upper Front
20	86401696	1	EMBLEM CASE/IH,
20	NSS	1	NOT SERVICED SEPARATELY, Insert, AFS



D.20.C.40(2) STEERING COLUMN, SIDE TILT LEVER

сылка	Номер детали	Кол-во	Описание
1	87281805	1	NUT, M18
2	87281806	1	SHAFT,
3	87281807	2	SLEEVE,
4	87281808	2	BOLT,
5	87281809	1	LEVER, Release
6	87281810	1	PIN,
7	87281811	2	HEAD, Release
8	87281812	2	NUT,
9	87281813	1	SPRING, Gas
10	87281814	1	PIN,
11	87281815	1	SUPPORT,
12	87281816	4	SCREW, M10 x 25
13	87281817	8	WASHER,
14	87281827	4	NUT, M10
15	87281828	1	HANDLE,
16	87281829	1	PIN,
17	87281830	1	SPRING, Gas
18	87281831	1	SHAFT,
19	87281832	1	PIN,
20	87281833	1	JOINT, UNIVERSAL,
21	87281834	1	NUT, M8
22	87281836	1	SCREW, M8 x 40
23	87281837	1	WASHER,
24	87281838	2	SLEEVE,
25	87281839	2	BOLT,
26	87281840	1	PEDAL,
27	87281841	1	SCREW,
28	87281842	1	WASHER,
29	87281844	2	WASHER,
30	87281843	1	PIN,
31	87281845	1	BOLT,
32	87281846	1	SPRING,
33	87281847	1	SCREW, M6 x 22
34	87281848	1	NUT, M6
35	87281849	1	BUSHING,
36	87281850	1	LEVER,
37	87281851	1	BOLT,
38	87281852	1	SUPPORT,
39	87281853	2	WASHER,
40	87281854	2	SCREW,
41	87281855	1	BASE,
42	87281856	1	NUT, M6
43	87281857	1	SCREW, M6 x 30
44	87281858	1	LEVER,
45	87281859	1	WASHER,

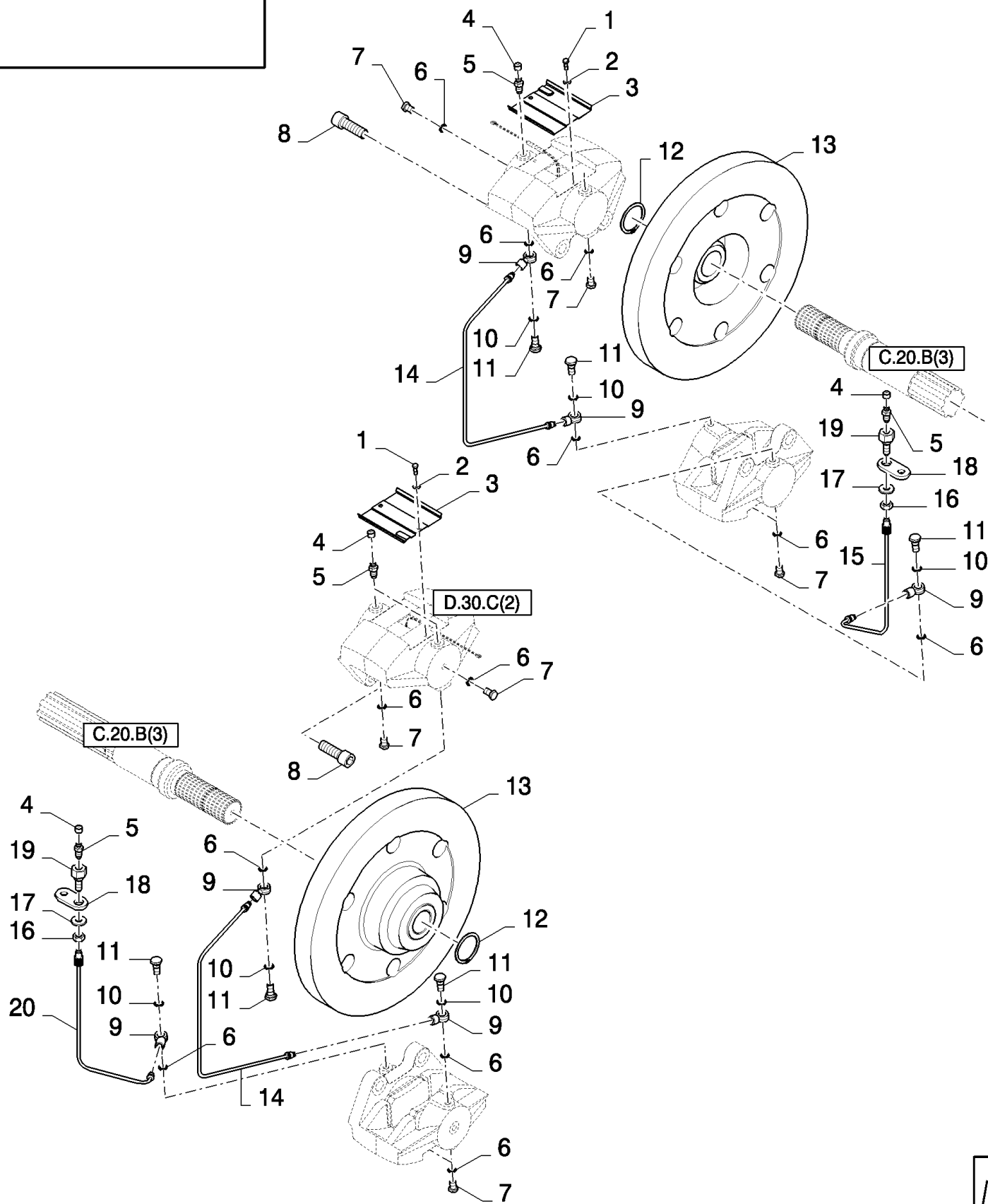
сылка	Номер детали	Кол-во	Описание
46	86536306	1	STEERING COLUMN, (1 to 45)



D.20.C.40(3) STEERING COLUMN, REAR TILT LEVER

сылка	Номер детали	Кол-во	Описание
1	84800572	1	STEERING COLUMN, , Start Year: 10/04/2004
2	86996214	1	KNOB,
3	86995157	1	STEERING WHEEL,
4	86995762	1	COVER,
5	84067935	13	SCREW,
6	86995939	1	COVER, Upper, Front
7	84806242	1	KNOB,
8	84800576	1	SWITCH, Hazard
9	84800577	1	LIGHT, INDICATER, High Beam, Trailer
10	84800578	1	LIGHT, INDICATER, Turn Signal
11	84800579	2	BEZEL,
12	86995940	1	COVER, Upper, Rear
13	86622301	1	SWITCH, Horn / Lights / Turn Signal
14	87016548	3	SCREW, SELF TAP, Pan Hd, M3.5 x 13,
15	10376424	3	Screw
16	86588450	1	WASHER, M6,
17	86578898	1	FLASHER UNIT,
18	PL	3	PROCURE LOCALLY, Wire Tie
19	PL	1	PROCURE LOCALLY, Clamp
20	100067	2	NUT, LOCK, M8
21	86995941	1	COVER, Lower, LH
22	84442024	1	STEERING COLUMN,
23	84800580	1	HARNES, WIRE,
24	84807930	1	BOOT,
25	120228	1	SCREW, Hex Soc Hd, M8 x 20, 8.8,
26	86995942	1	COVER, Lower, RH
27	86625075	4	NUT, LOCK, M4 x .7, CI 8,
28	120007	4	SCREW, M4 x 16
29	84800574	1	BOOT,
30	PL	6	PROCURE LOCALLY, Wire Tie

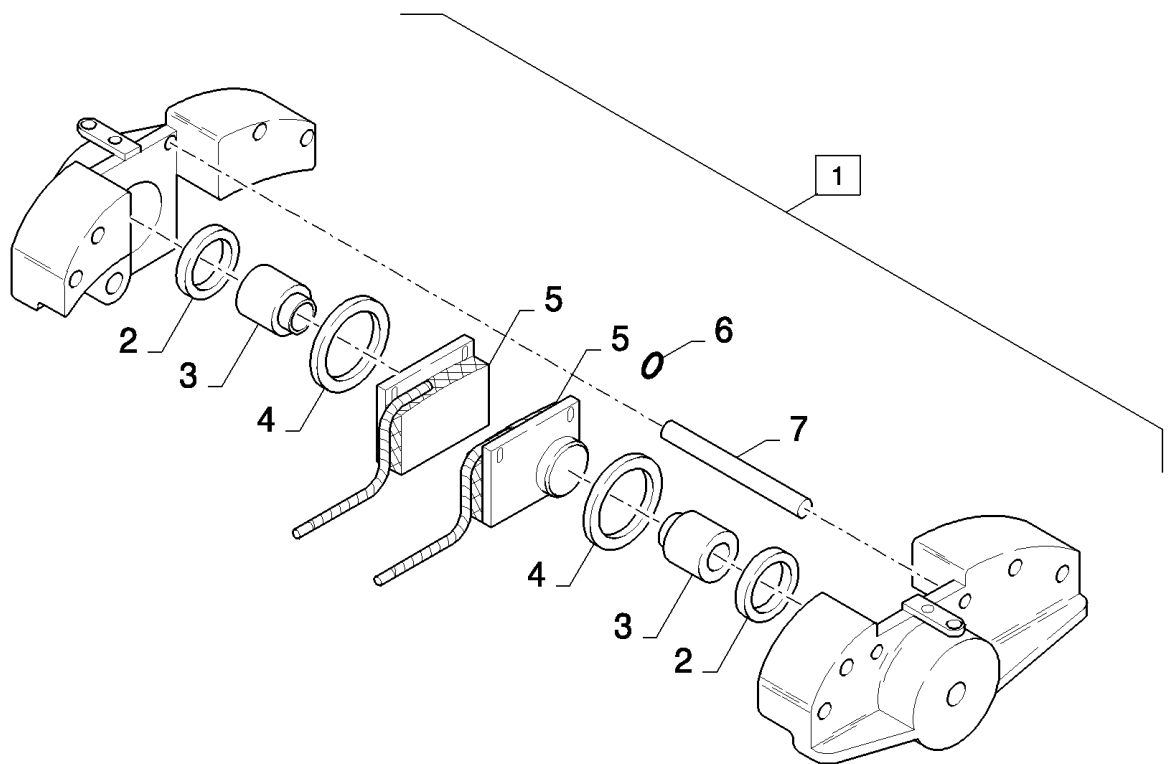
D.30.C(1) SERVICE BRAKES



D.30.C(1) SERVICE BRAKES

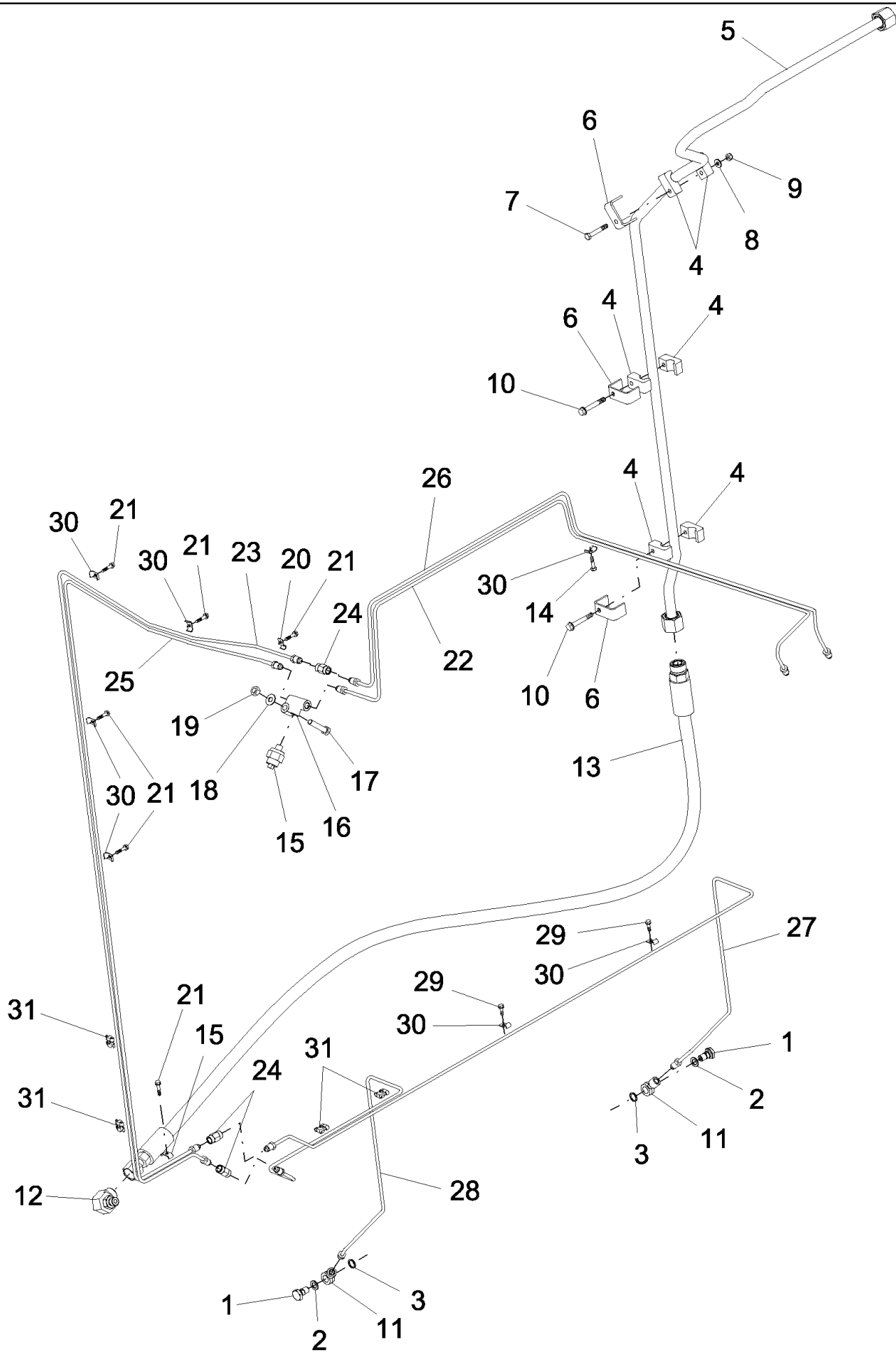
сылка	Номер детали	Кол-во	Описание
1	300806	4	BOLT, Hex, M5 x 10, 8.8, Full Thd,
2	80322356	4	WASHER, LOCK, M5
3	84004317	2	COVER,
4	89835349	6	CAP,
5	89832308	6	SCREW, Venting
6	84439102	14	WASHER, SEALING,
7	89832307	8	SCREW, Sealing
8	89817243	8	SCREW, Cylinder Hd
9	89832303	6	FITTING, Banjo
10	80355607	6	SEALRING,
11	89832304	6	BOLT, BANJO,
12	370007	2	RING, SNAP, M45, Ext,
13	84071143	2	BRAKE DISC, For 16/71 Differential
13	84071125	2	BRAKE DISC, For 20/61 Differential
14	84441718	2	TUBE, For 16/71 Differential
14	84073447	2	TUBE, For 20/61 Differential
15	84989927	1	TUBE, Brake, For 16/71 Differential
15	84431163	1	TUBE, Brake, For 20/61 Differential
16	84022934	2	NUT, M10 x 1, CI 8,
17	80394629	2	WASHER, LOCK, Heat-treated, M10
18	84075471	2	PLATE,
19	84062542	2	CONNECTOR, HYD.,
20	84989946	1	TUBE, Brake, For 16/71 Differential
20	84431161	1	TUBE, Brake, For 20/61 Differential

D.30.C(2) BRAKE CALIPER



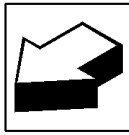
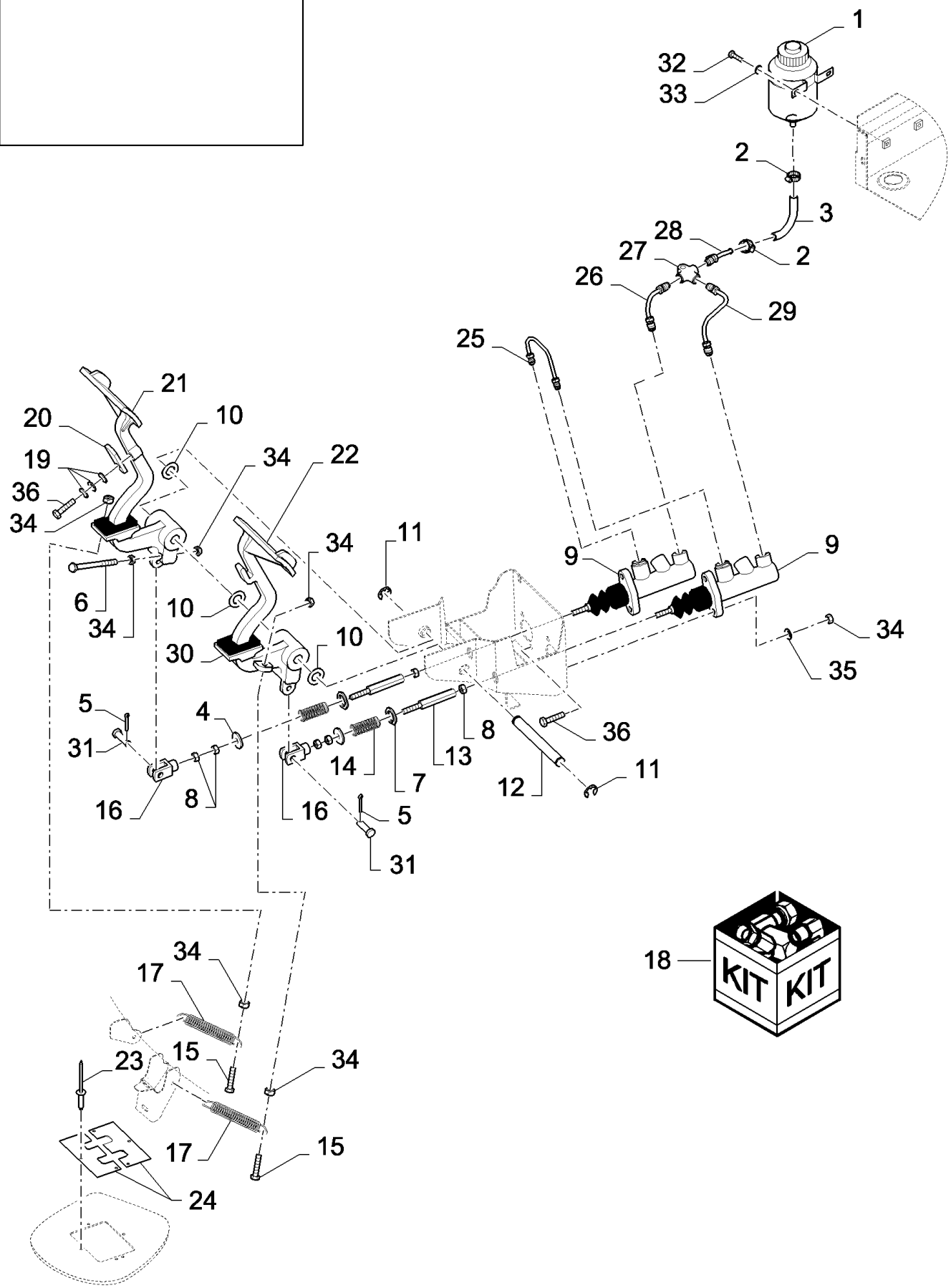
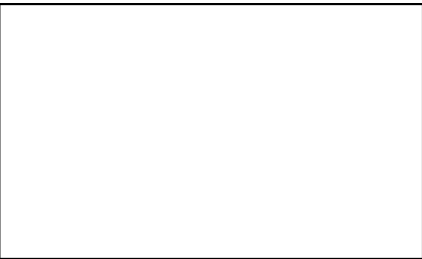
D.30.C(2) BRAKE CALIPER

сылка	Номер детали	Кол-во	Описание
1	84989455	AR	BRAKE CALIPER,
2	89835351	2	SEAL,
3	89850149	2	PISTON,
4	89835350	2	GASKET,
5	89832306	2	BRAKE, PAD,
6	89835353	1	O-RING,
7	89850148	2	PIN,



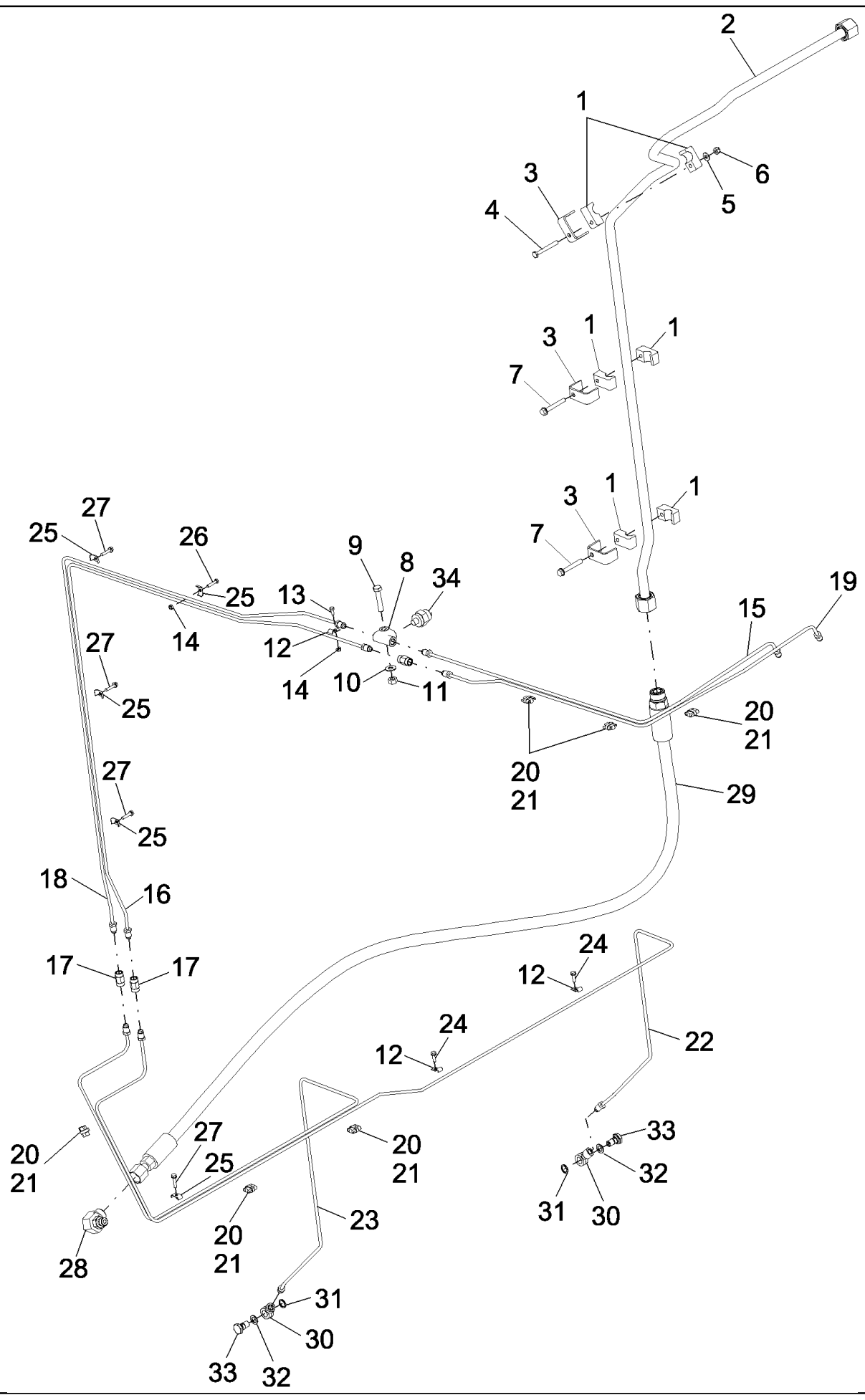
сылка	Номер детали	Кол-во	Описание
1	9832304	1	BOLT, BANJO,
2	84439102	2	WASHER, SEALING,
3	355607	2	SEALRING,
4	433008	6	CLAMP, Tube
4	433007	6	CLAMP, , ASN HAJ105207
5	87000673	1	TUBE, Park Brake Release - Valve to Hose
5	87109729	1	TUBE, HYD, , ASN HAJ105207
6	442340	3	SUPPORT, Tube Clamp
6	433100	3	SUPPORT, , ASN HAJ105207
7	86977790	1	BOLT, Hex, M6 x 45, 8.8,
7	120056	1	BOLT, Hex, M6 x 50, 8.8, , ASN HAJ105207
8	322357	1	WASHER, SPRING, Belleville, M6,
9	353308	1	NUT, LOCK, M6 x 1, CI 8,
10	86900242	2	SCREW, SELF TAP, Hex Wash Hd, M6.3 x 45,
10	87028761	2	SCREW, SELF TAP, Hex Wash Hd, M6.3 x 50, , ASN HAJ105207
11	9832303	1	FITTING, Banjo
12	86579689	1	ELBOW, 90°, 13/16"-18 ORFS x M14 x 1.5 ORB, Tube
12	87106484	1	HOSE, FLEXIBLE, , ASN HAJ105207
13	87280111	1	HOSE,
14	86979018	1	SCREW, SELF TAP, Flat Hd, M4.2 x 22,
14	87016553	1	SCREW, SELF TAP, Hex Hd, M4.8 x 19, , ASN HAJ105207
15	354372	1	SWITCH, PRESSURE, Brake
16	9505391	1	TEE,
17	43129	1	BOLT, Hex, M8 x 40, 8.8,
18	322358	1	WASHER, SPRING, Belleville, M8,
19	9706690	1	NUT, M8, CI 8,
20	336748	3	CLAMP, Tube
20	84814932	3	CLAMP, Tube, ASN HAJ105207
21	86979018	6	SCREW, SELF TAP, Flat Hd, M4.2 x 22,
22	86976346	1	TUBE, Brake, Upper Right
23	86976349	1	TUBE, Brake, Mid Left
24	84062540	3	CONNECTOR, HYD.,
25	86976350	1	TUBE, Brake, Mid Right
26	86976345	1	TUBE, Brake, Upper Left
27	87105728	1	TUBE, Brake, Lower Left
28	87105731	1	TUBE, Brake, Lower Right
29	87024982	2	SCREW, SELF TAP, Hex Wash Hd, M4.2 x 16,
30	336760	6	CLAMP, Tube
30	84814933	6	CLAMP, Tube, ASN HAJ105207
31	87000394	4	CLAMP, Tube

D.30.C.05 SERVICE BRAKE COMMAND

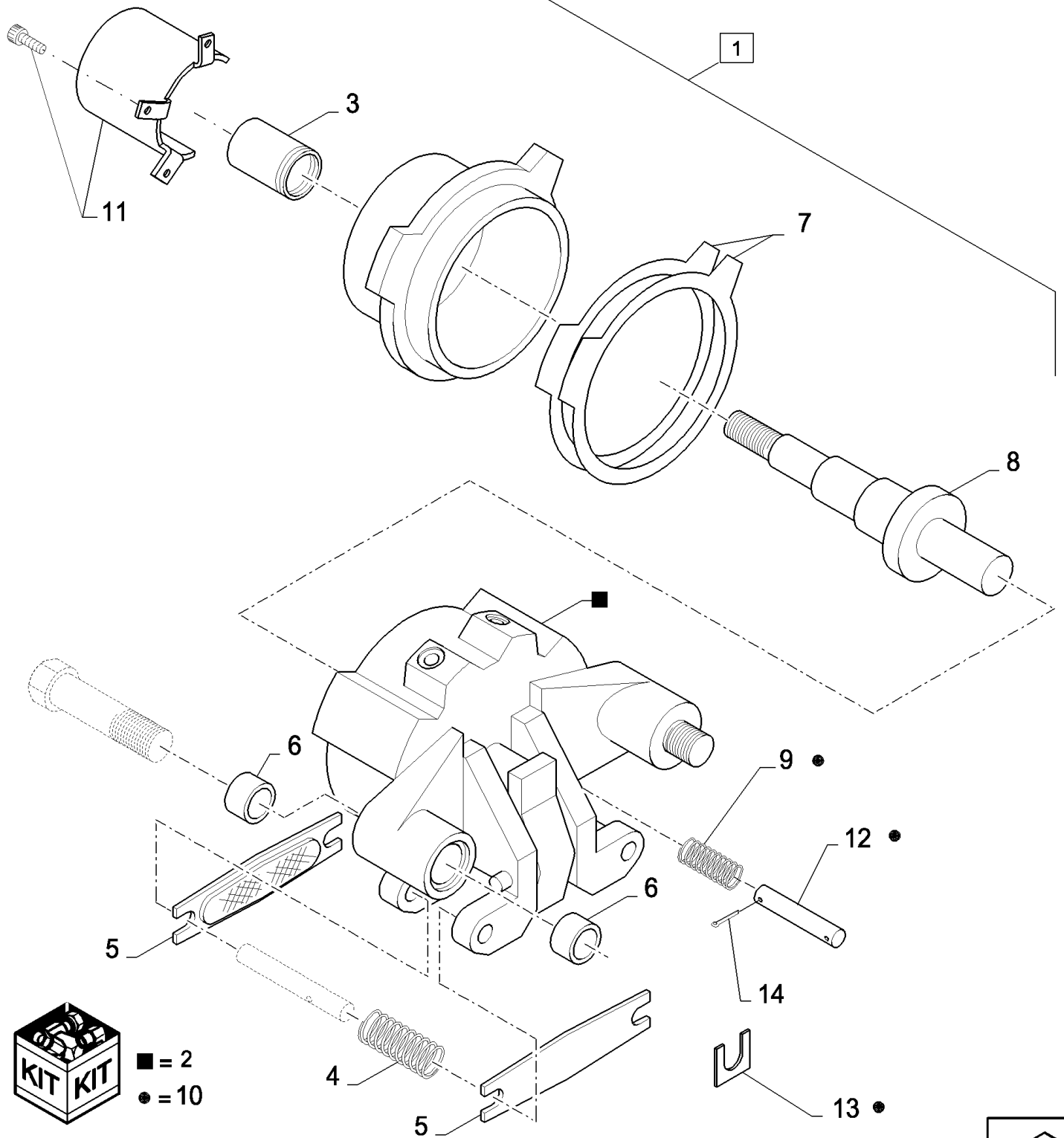
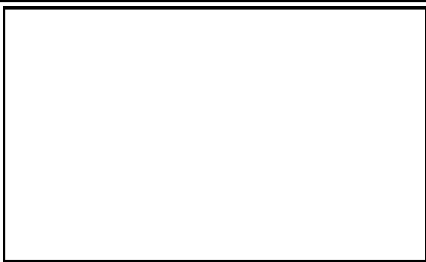


D.30.C.05 SERVICE BRAKE COMMAND

сылка	Номер детали	Кол-во	Описание
1	9819520	1	RESERVOIR, BRAKE FLUID,
2	913888	2	CLAMP, HOSE,
3	84100427	1	HOSE, Upper Left
4	140041	2	WASHER, M8 x 28 x 3,
5	9512667	2	PIN, SPLIT (COTTER), M2 x 20,
6	86639028	2	BOLT, Hex, M8 x 65, 8.8, Full Thd,
7	378246	2	WASHER, M16
8	100097	6	NUT, Thin, M8 x 1.25, CI 04,
9	84062326	2	MASTER CYLINDER,
10	393062	3	WASHER,
11	87016948	2	CIRCLIP, M13,
12	84061893	1	SHAFT,
13	84334737	2	COUPLING,
14	395710	2	SPRING, Return, Brake Valve
15	120107	2	BOLT, Hex, M8 x 50, 8.8, Full Thd,
16	916433	2	CLEVIS,
17	9811656	2	SPRING, Clutch
18	84429169	AR	KIT, REPAIR, Master Cylinder
19	397881	3	WASHER, SPRING,
20	84334941	1	PLATE,
21	84071203	1	PEDAL, RH
22	84071204	1	PEDAL, LH
23	425519	10	Rivet, Pop
24	84061895	2	PLATE,
25	84989919	1	TUBE, Brake
26	84989893	1	TUBE, Brake
27	919855	1	TEE,
28	84989891	1	TUBE, Brake
29	84989866	1	TUBE, Brake
30	9819826	2	SEAL,
31	374834	2	PIN, CLEVIS, M8 x 22,
32	86508568	2	BOLT, Hex, M6 x 16, 8.8,
33	322357	2	WASHER, SPRING, Belleville, M6,
34	9706690	12	NUT, M8, CI 8,
35	322358	4	WASHER, SPRING, Belleville, M8,
36	43127	5	BOLT, Hex, M8 x 25, 8.8,

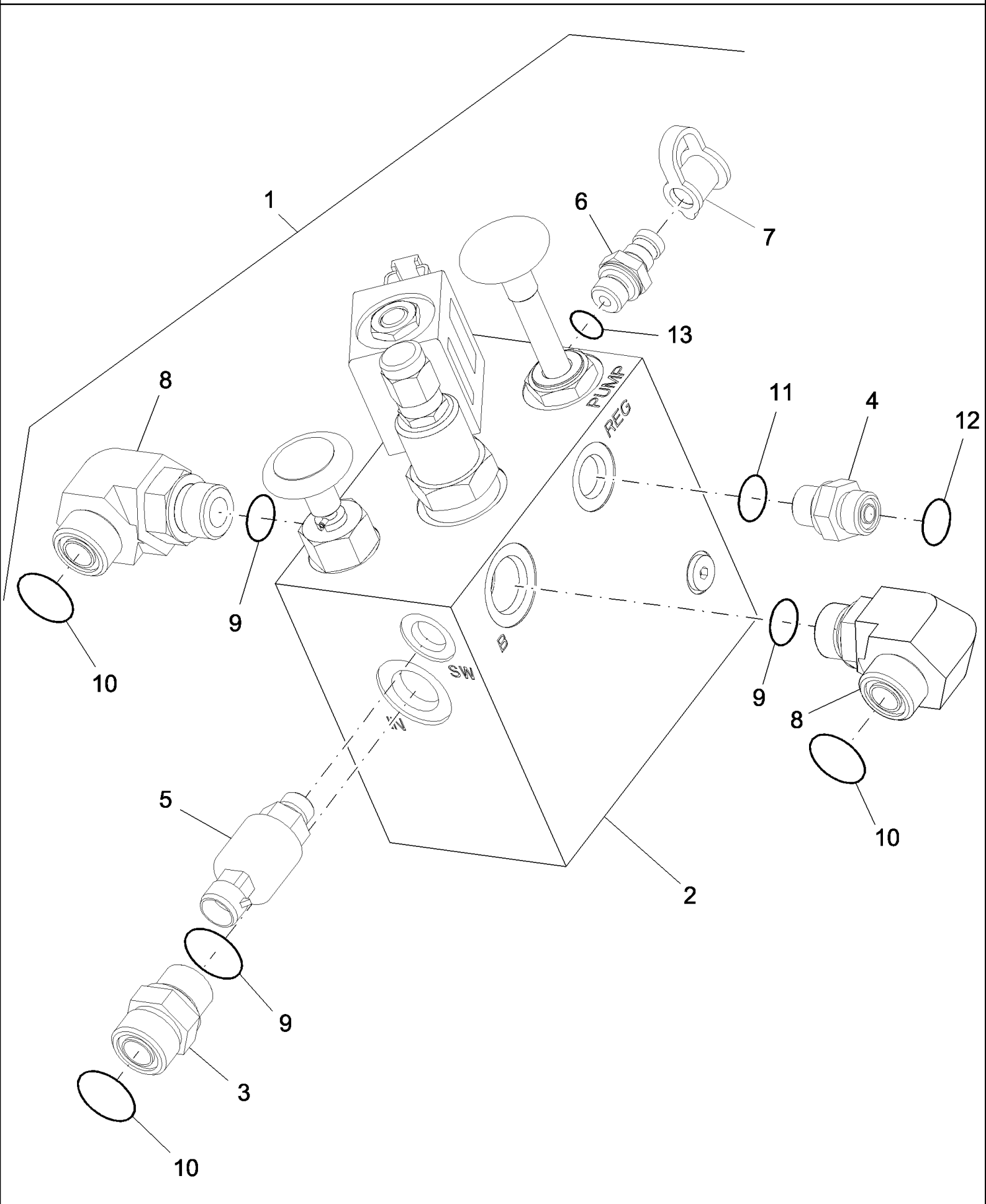


сылка	Номер детали	Кол-во	Описание
1	433007	6	CLAMP,
2	87109729	1	TUBE, HYD, Park Brake Work
3	433100	3	SUPPORT,
4	120056	1	BOLT, Hex, M6 x 50, 8.8,
5	322357	1	WASHER, SPRING, Belleville, M6,
6	353308	1	NUT, LOCK, M6 x 1, CI 8,
7	87028761	2	SCREW, SELF TAP, Hex Wash Hd, M6.3 x 50,
8	9505391	1	TEE,
9	43129	1	BOLT, Hex, M8 x 40, 8.8,
10	322358	1	WASHER, SPRING, Belleville, M8,
11	9706690	1	NUT, M8, CI 8,
12	84814932	3	CLAMP,
13	385683	1	BOLT, Hex, M4 x 10, 8.8, Full Thd,
14	385681	2	NUT, LOCK, M4 x .7, CI 8,
15	87280703	1	TUBE, Brake, Upper, Right
16	87280706	1	TUBE, Brake, Mid, Left
17	84062540	3	CONNECTOR, HYD.,
18	87280705	1	TUBE, Brake, Mid, Right
19	87280704	1	TUBE, Brake, Upper, Left
20	87000394	6	CLAMP, Tube
21	86566989	6	STRAP, CABLE,
22	87280710	1	TUBE, Brake, Lower, Left, Pln Dr
23	87280709	1	TUBE, Brake, Lower, Right, Pln Dr
24	87024982	2	SCREW, SELF TAP, Hex Wash Hd, M4.2 x 16,
25	84814933	5	CLAMP,
26	412255	1	BOLT, Hex, M4 x 20, 8.8, Full Thd,
27	86979018	4	SCREW, SELF TAP, Flat Hd, M4.2 x 22,
28	86579689	1	ELBOW, 90°, 13/16"-18 ORFS x M14 x 1.5 ORB,
29	87280111	1	HOSE, Park Brake Supply
30	9832303	2	FITTING, Banjo
31	355607	2	SEALRING,
32	84439102	2	WASHER, SEALING,
33	9832304	2	BOLT, BANJO,
34	354372	1	SWITCH, PRESSURE, Brake

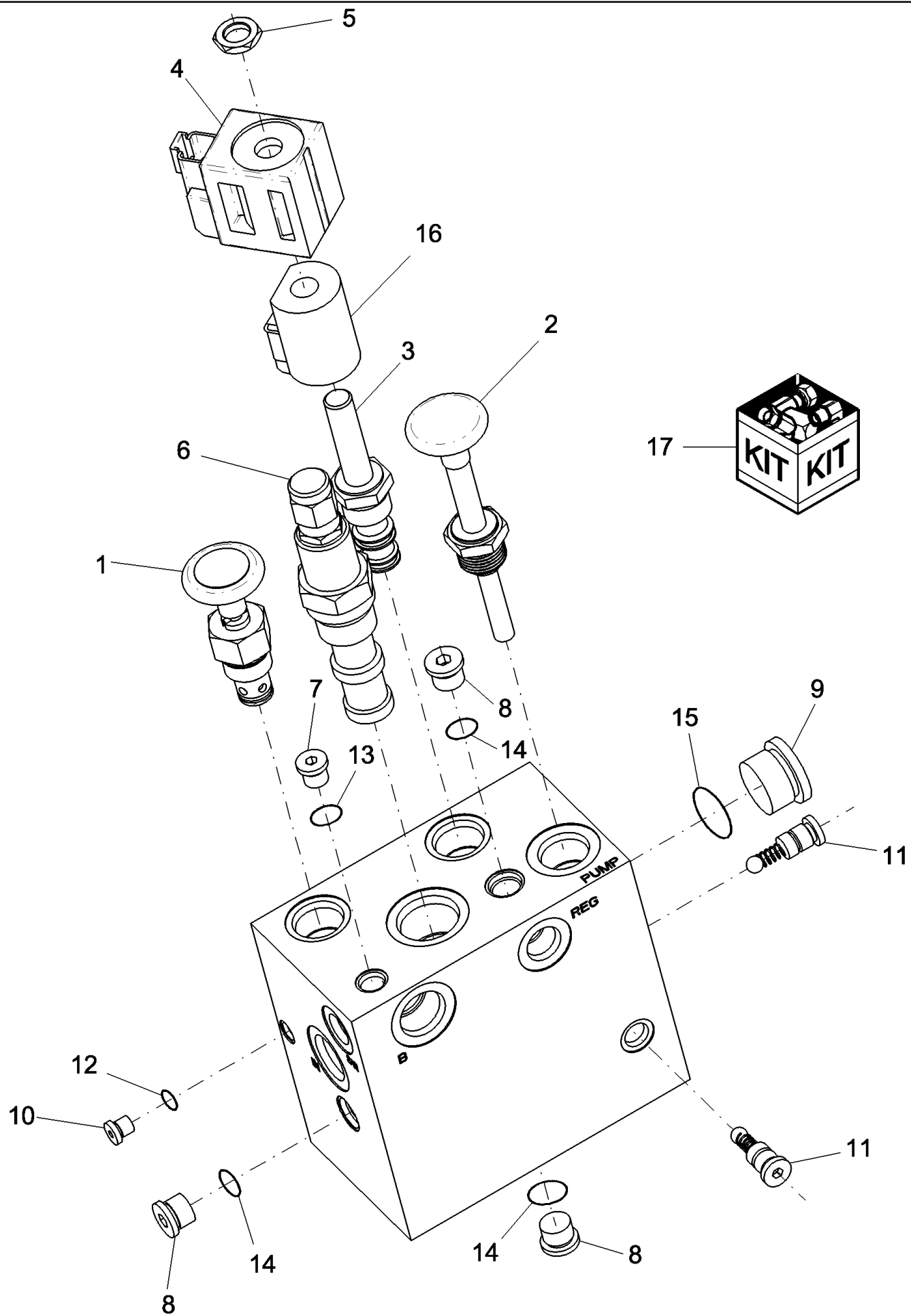


D.32.C.58 GEARBOX, BRAKE

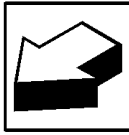
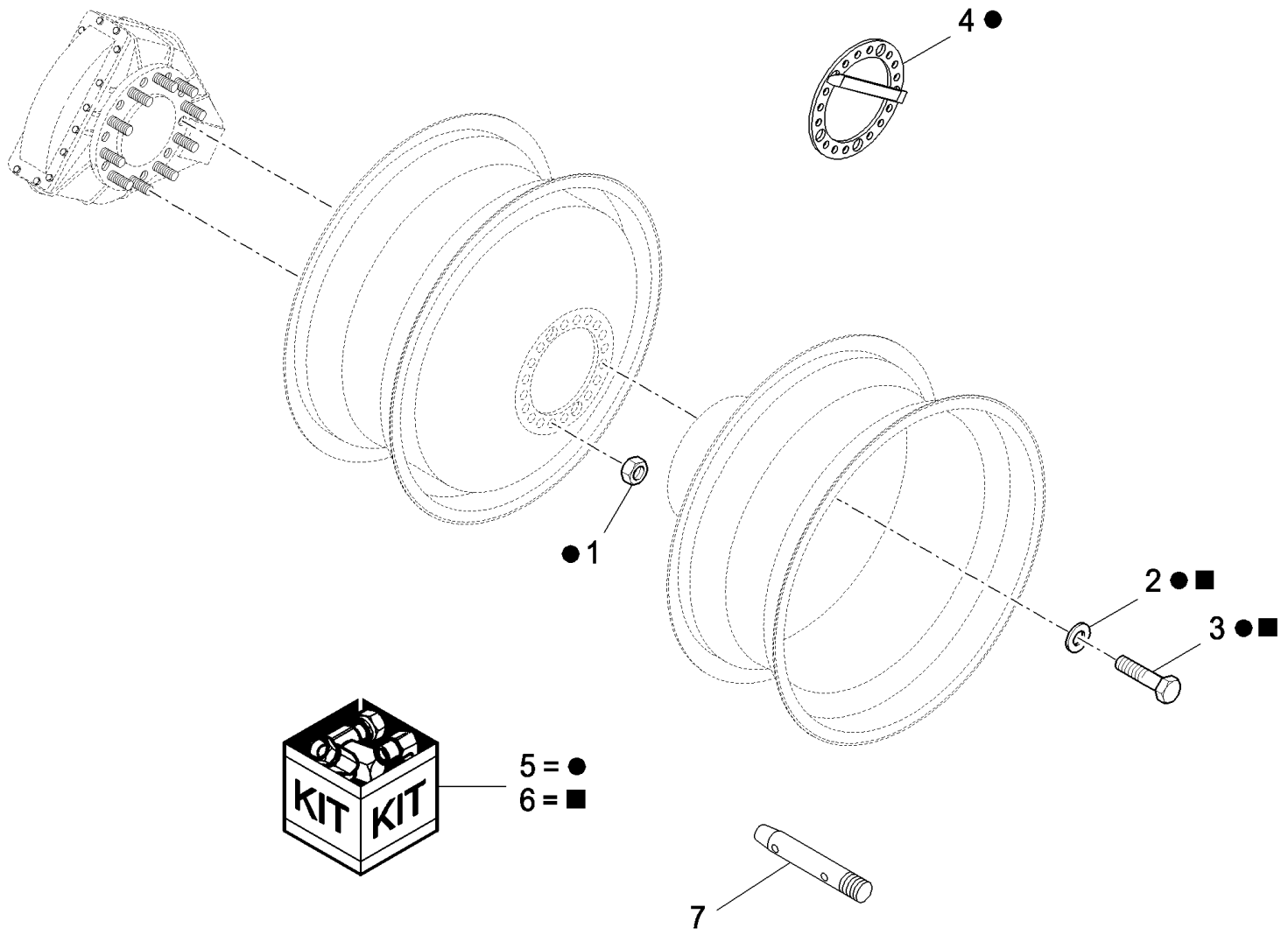
сылка	Номер детали	Кол-во	Описание
1	84818665	1	BRAKE, HAND, (2 to 12)
2	84819189	1	KIT, SEALS,
3	84607351	1	CAP,
4	84607345	2	SPRING,
5	84817132	2	BRAKE, PAD, Kit of (2)
6	84607354	4	SLEEVE,
7	84607355	15	SHIM,
8	84817131	1	PISTON, Kit
9	84447472	2	SPRING, Compression
10	84447501	1	PIN, Kit, Includes Ref. (2) 9, (2) 12, (2) 13
11	84817135	1	COVER, Kit
12	84818666	2	PIN,
13	84818667	2	SPRING, Retainer Clip
14	PL	2	PROCURE LOCALLY, Pin



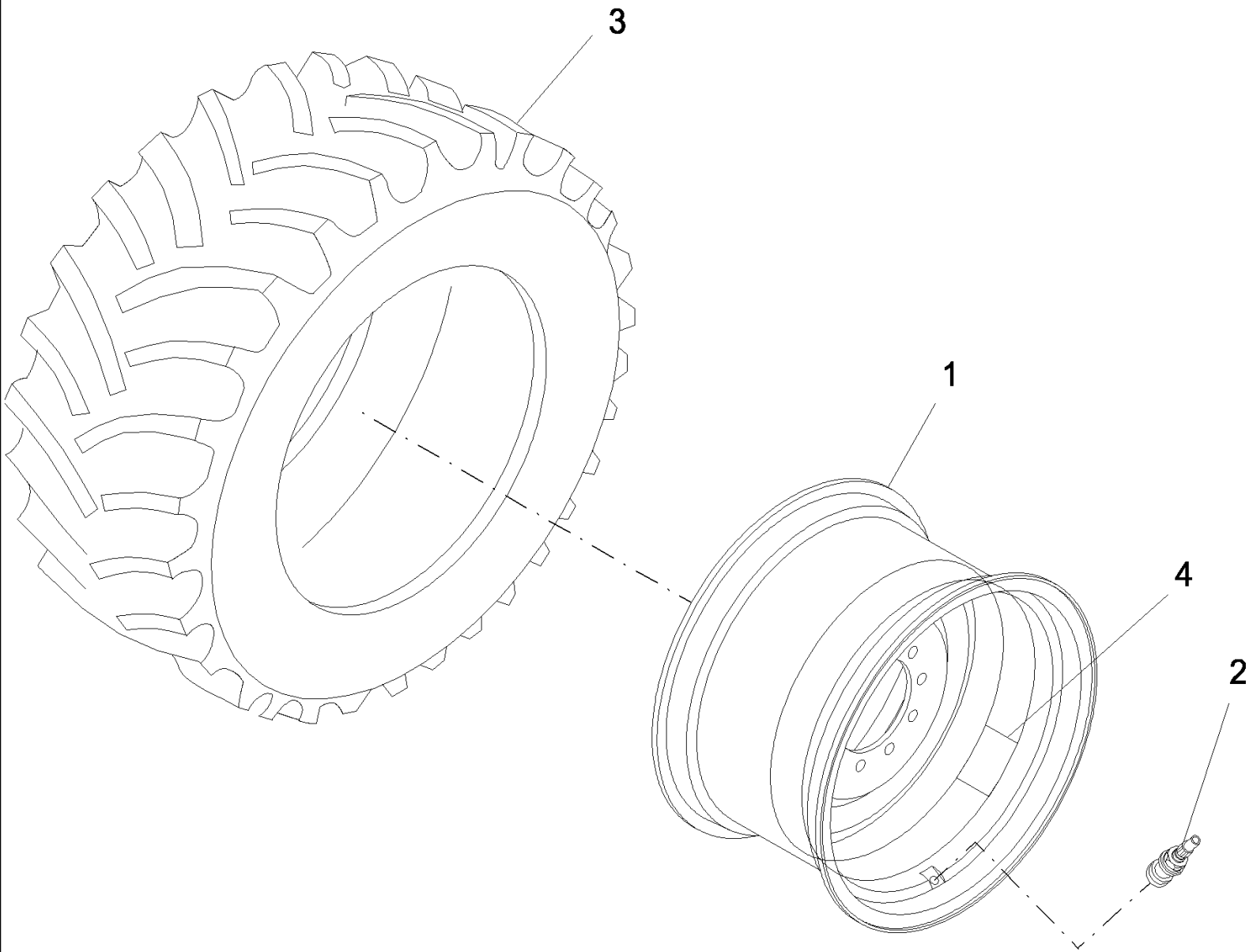
сылка	Номер детали	Кол-во	Описание
1	87109702	1	VALVE, HYDRAULIC, Includes Fittings
2	87109701	1	VALVE, HYDRAULIC, See Fig. D.32.C.59
3	86579680	1	CONNECTOR, HYD., 1"-14 ORFS x M22 x 1.5 ORB,
4	86579672	1	CONNECTOR, HYD., 11/16"-16 ORFS x M16 x 1.5 ORB,
5	86597585	1	SENSOR, Park Brake Pressure
6	84320565	1	COUPLING, Diagnostic
7	86502604	1	DUST CAP,
8	86579694	2	ELBOW, 90°, 1"-14 ORFS x M22 x 1.5 ORB,
9	86598102	3	O-RING, CI 6, 19.3MM ID x 2.2 Thk,
10	9992069	3	O-RING, -016, 90 Duro, .614" ID x .070" Thk,
11	86598100	1	O-RING, CI 6, 13.3MM ID x 2.2 Thk,
12	9993141	1	O-RING, -012, 90 Duro, .364" ID x .070" Thk,
13	86598099	1	O-RING, CI 6, 11.3MM ID x 2.2 Thk,



сылка	Номер детали	Кол-во	Описание
1	87434007	1	VALVE, SHUT-OFF,
2	87434008	1	PUMP, Hand
3	190711A1	1	VALVE, 3 - Way / 2 - Position
4	87352779	1	SOLENOID, Was 86837739
5	195683A1	1	NUT, 1/2"-13, Thin,
6	377593A1	1	VALVE, PRESSURE RELIEF,
7	278548	1	PLUG, Hex Soc, 7/16"-20 ORB,
8	9625178	3	PLUG, Hex Soc, 9/16"-18 ORB,
9	9841223	1	PLUG, Hex Soc, 1 1/16"-12 ORB,
10	86632547	1	PLUG, Hex Soc, 5/16"-24 ORB,
11	1341811C1	2	KIT, REPAIR,
12	237-6002	1	O-RING, 2-1, .239" ID x .064" Thk,
13	237-6004	1	O-RING, 4-1, 90 Duro, .351" ID x .072" Thk,
14	237-6006	3	O-RING, 6-1, 90 Duro, .468" ID x .078" Thk,
15	237-6012	1	O-RING, 12-1, 90 Duro, .924 ID x .118" Thk,
16	190715A1	1	SOLENOID, Included with Ref. 3
17	1260872C91	1	KIT, SEALS, Services Ref. 3

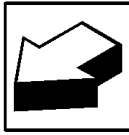
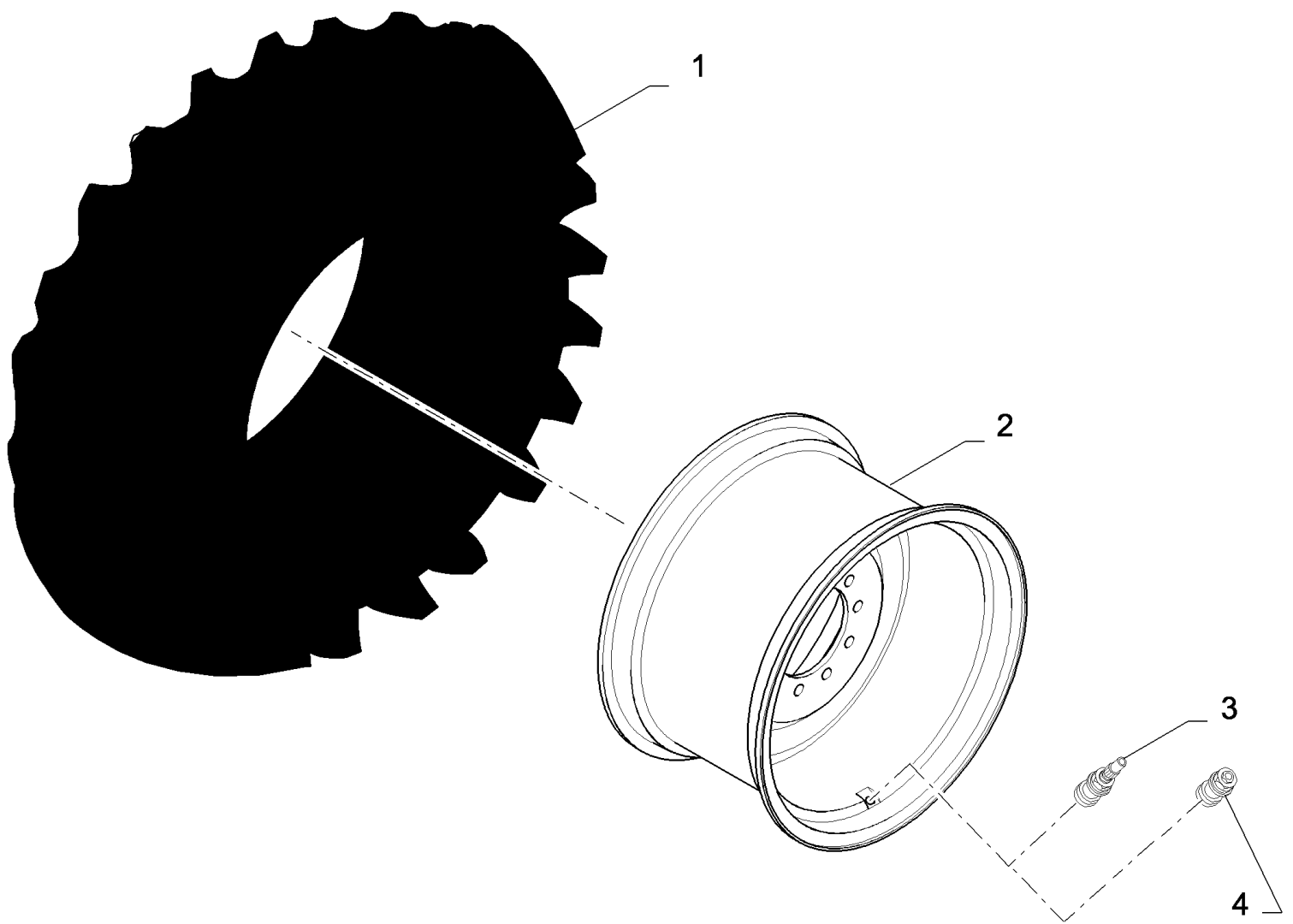


сылка	Номер детали	Кол-во	Описание
1	336945	10	NUT, M22 x 1.5, CI 10,
2	9850384	20	WASHER,
3	84076627	20	BOLT, Hex, M22 x 1.5 x 65, 8.8,
3	87029972	20	BOLT, Hex, M22 x 1.5 x 55, 10.9, Full Thd,
3	87282493	20	STUD, Wheel, M22 x 1.5 x 84
4	87280385	2	SPACER,
5	87280417	AR	KIT, Fixation - Includes Ref. 1, 2, 3 & 4 (87282493 Stud NOT Included)
6	87283866	AR	KIT, Fixation - Includes Ref. 2, 3 (87029972) & 7 (87282493 NOT Included)
7	87283521	2	STUD,



D.50.C.60(2) DUAL WHEELS

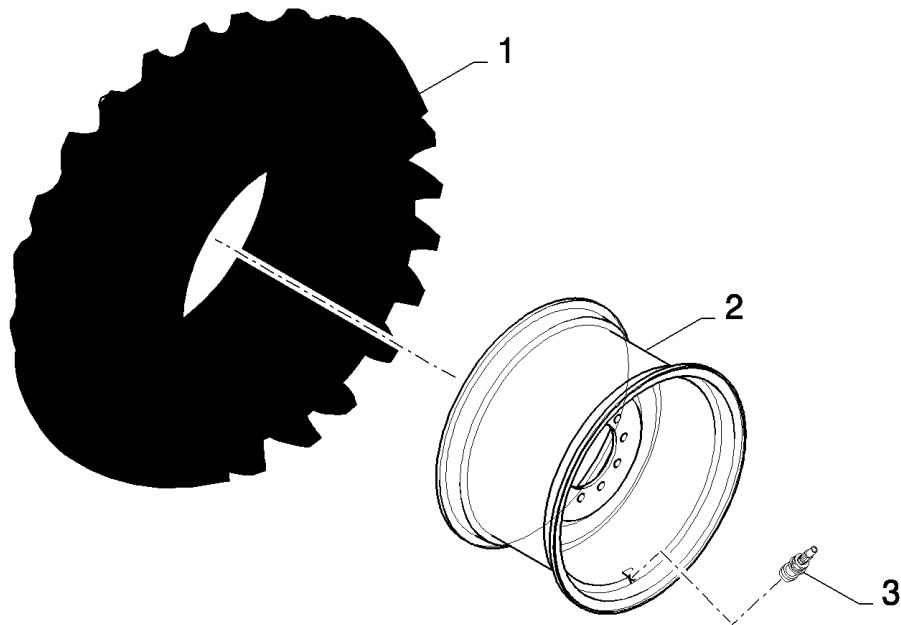
сылка	Номер детали	Кол-во	Описание
1	87109642	AR	WHEEL, 20.8R42 x DD18
1	87109630	AR	WHEEL, 18.4R42 x DD16
1	86996690	AR	WHEEL, 420/80R46 x 12
2	395448	1	VALVE STEM,
3	PL	1	PROCURE LOCALLY, Tire
4	87394059	2	DECAL, Mounting and Torque Instructions



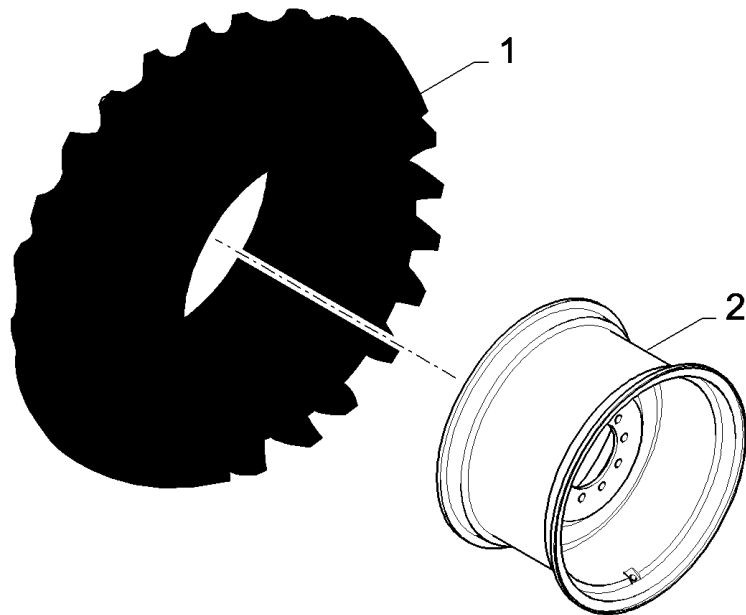
AFX8010 AXIAL-FLOW COMBINE (3/03-9/06)

D.50.C.60(3) WHEELS, FRONT - 32 X DW27A

сылка	Номер детали	Кол-во	Описание
1	NS	1	NOT SERVICED, Tire
2	86996617	AR	WHEEL, 32 x DW27A
3	87106339	AR	VALVE STEM,
4	87106340	AR	PLUG, For Tubeless Tire
4	86998062	1	PLUG, Not Shown, For Tire with Tube Only
5	NS	AR	NOT SERVICED, Not Shown, Tube



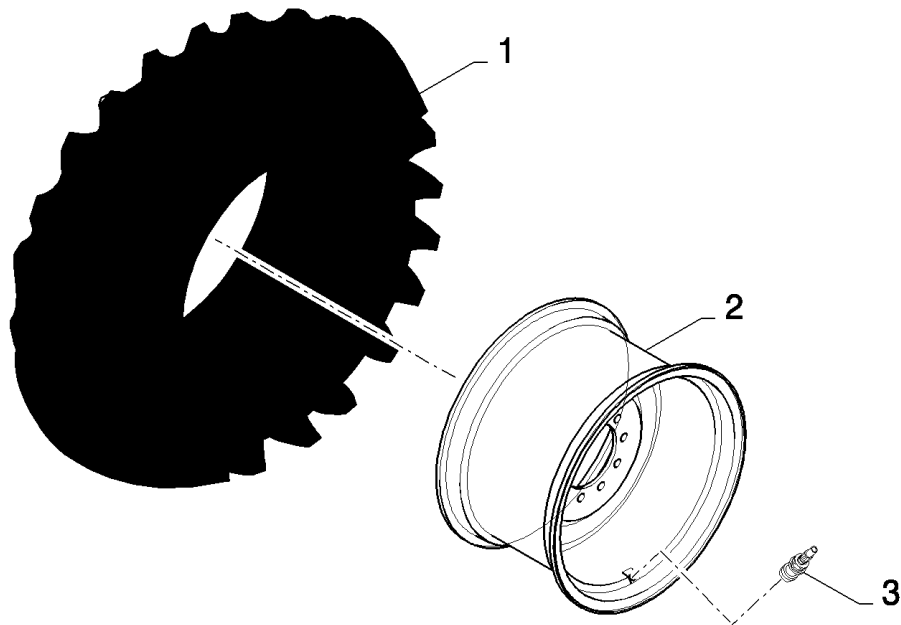
сылка	Номер детали	Кол-во	Описание
1	NS	1	NOT SERVICED, Tire
2	86996678	AR	WHEEL,
3	86997685	1	VALVE STEM,
4	87280416	AR	KIT, Includes Ref. 5 & 6
4	87283866	AR	KIT, Includes Ref. 5, 6, & 7
5	87340028	20	BOLT,
6	9850384	20	WASHER,
7	87283521	2	STUD, M22 x 180



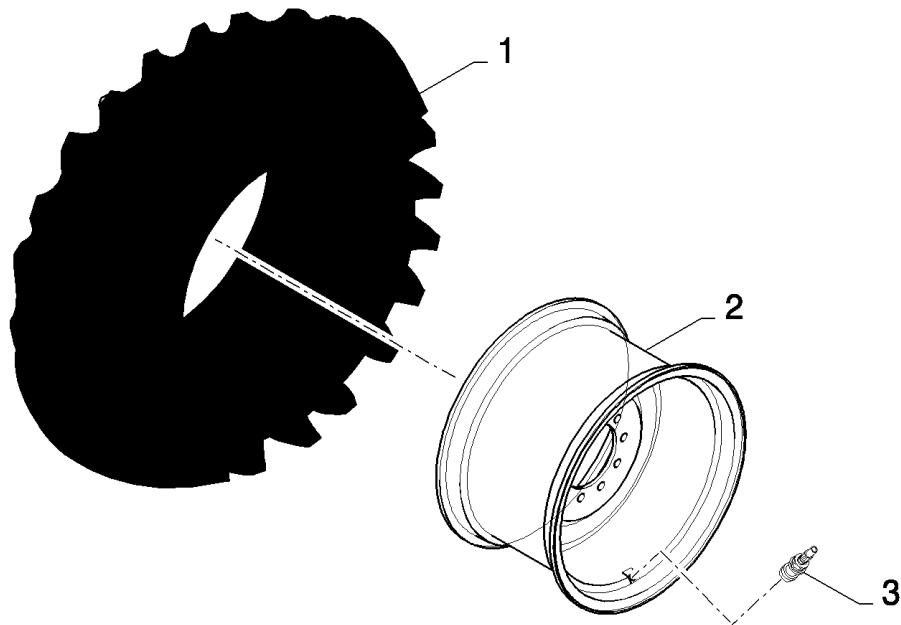
AFX8010 AXIAL-FLOW COMBINE (3/03-9/06)

D.50.C.60(5) WHEELS, FRONT - 30.5L-32 X DH27

сылка	Номер детали	Кол-во	Описание
1	NS	1	NOT SERVICED, Tire & Tube
2	86996629	AR	WHEEL, 32 x DH27



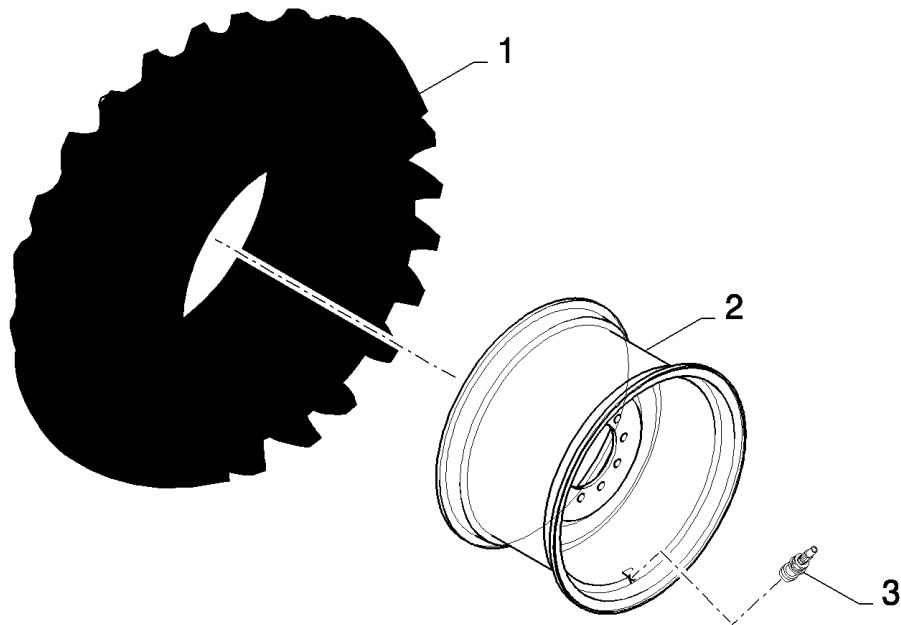
сылка	Номер детали	Кол-во	Описание
1	NS	1	NOT SERVICED, Tire
2	87106506	AR	WHEEL, 710/70R38 x DW21A
2	86996617	AR	WHEEL, 800/65R32 x DW27A and 900/60R32 x DW27A
2	86996597	AR	WHEEL, 650/75R32 x DW21A
3	87106339	1	VALVE STEM,
4	87106340	1	PLUG, Not Shown



AFX8010 AXIAL-FLOW COMBINE (3/03-9/06)

D.50.C.60(7) WHEELS, FRONT - EU - 1050/50R32 X DWW36A

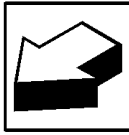
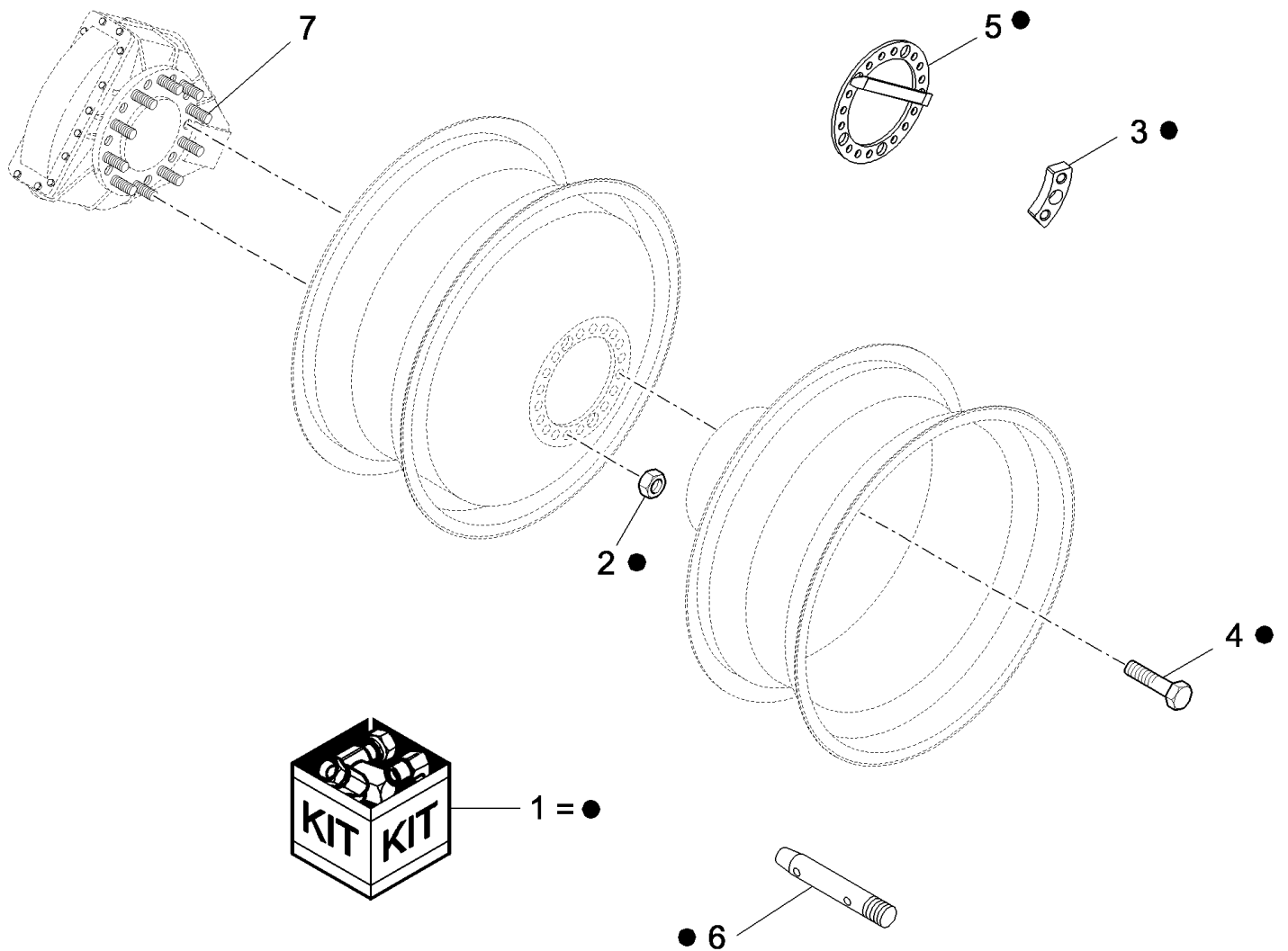
сылка	Номер детали	Кол-во	Описание
1	NS	1	NOT SERVICED, Tire
2	84441712	AR	WHEEL,
3	397236	1	VALVE STEM,
3	84460168	1	VALVE STEM, Michelin Tyre/Tire



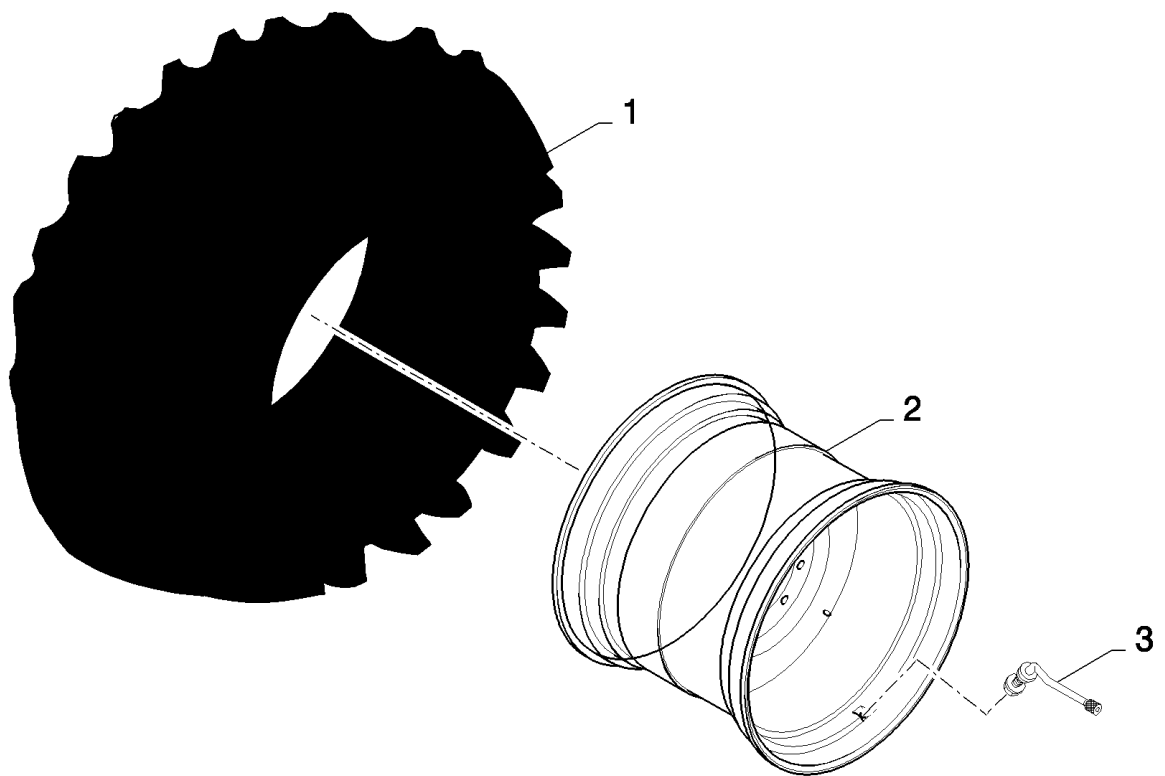
AFX8010 AXIAL-FLOW COMBINE (3/03-9/06)

D.50.C.60(8) WHEELS, FRONT - EU - 18.4-30 X 30

сылка	Номер детали	Кол-во	Описание
1	NS	1	NOT SERVICED, Tire & Tube
2	84607504	AR	WHEEL,
3	9507108	1	VALVE STEM,

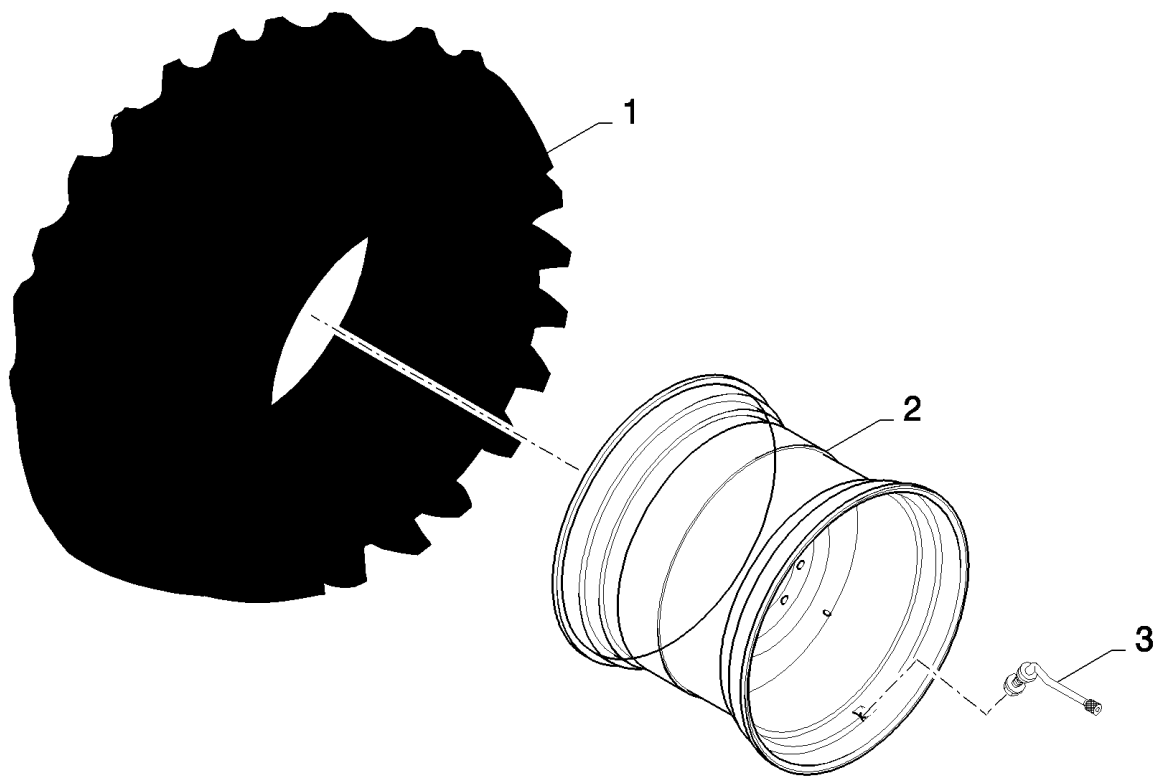


сылка	Номер детали	Кол-во	Описание
1	87283504	1	KIT, Fixation, Dual Wheels, Includes Ref. 2 thru 6
2	336945	20	NUT, M22 x 1.5, CI 10,
3	87283501	10	SPACER, Plate, Wheel Mounting
4	87367550	20	BOLT, Flg, CL 12.9, M22 95
5	87280385	2	SPACER,
6	87283521	2	STUD, Starter, Drive Wheel
7	87282493	20	STUD, M22 x 1.5 x 84



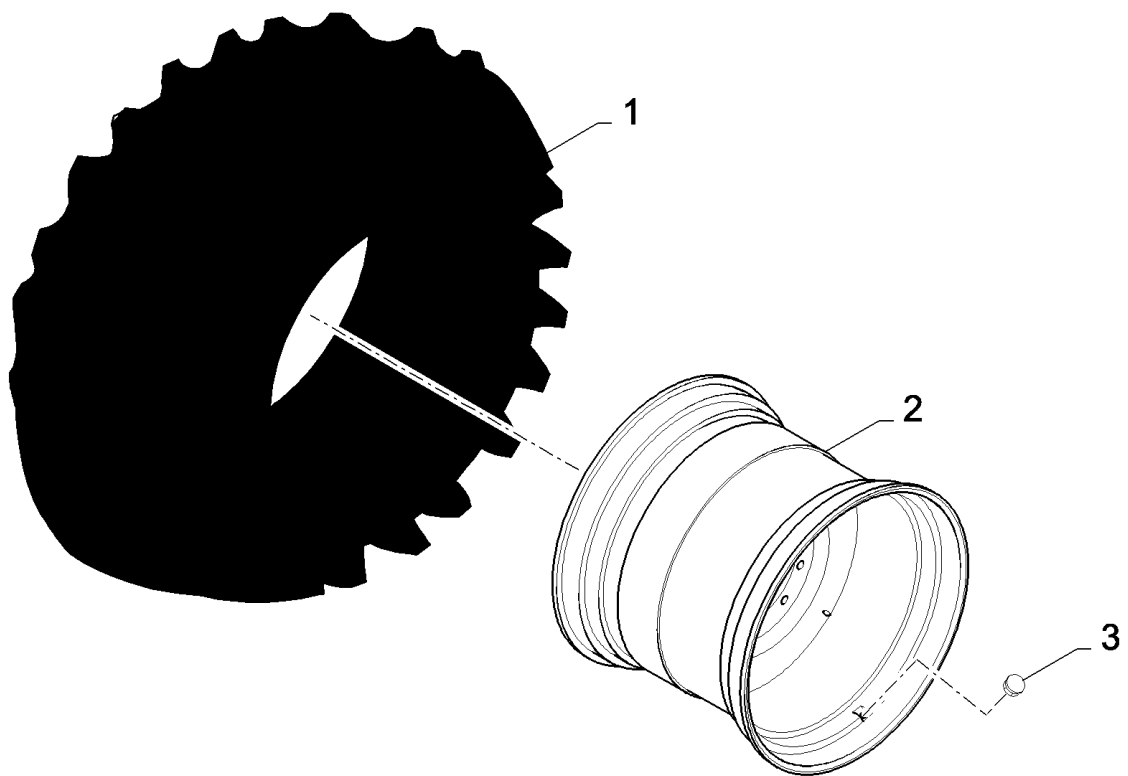
D.50.C.61(1) WHEELS, REAR

сылка	Номер детали	Кол-во	Описание
1	NS	1	NOT SERVICED, Tire
2	86996741	AR	WHEEL, 23.1-26 x DW20A
2	86996749	AR	WHEEL, 28L-26 x DW25A
2	86996745	AR	WHEEL, 600/65R28 x W18L
3	395448	1	VALVE STEM,
4	86997821	1	PLUG, Not Shown



D.50.C.61(2) WHEELS, REAR

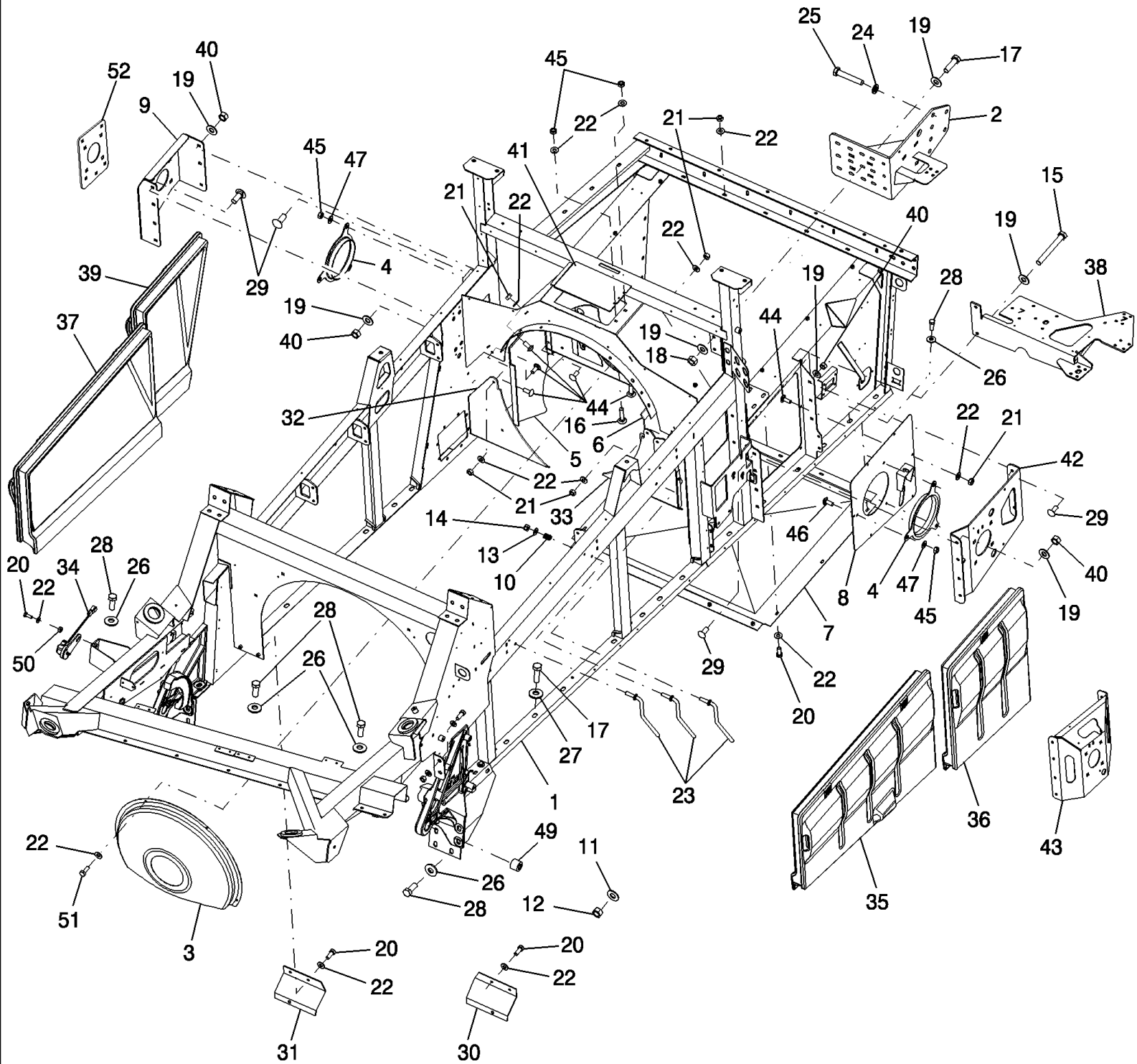
сылка	Номер детали	Кол-во	Описание
1	NS	1	NOT SERVICED, Tire
2	86996753	AR	WHEEL, 460/70R24 x W15L, For EU Only
2	86996737	AR	WHEEL, 480/70R30 x DW16A and 540/65R30 x DW16A
3	395448	1	VALVE STEM,



D.50.C.61(3) WHEELS, REAR

сылка	Номер детали	Кол-во	Описание
1	NS	1	NOT SERVICED, Tire & Tube
2	86996741	AR	WHEEL, 23.1-26 x DW20A
3	86998062	1	PLUG, Not Shown

E.10.B(1) FRAME, THRESHING

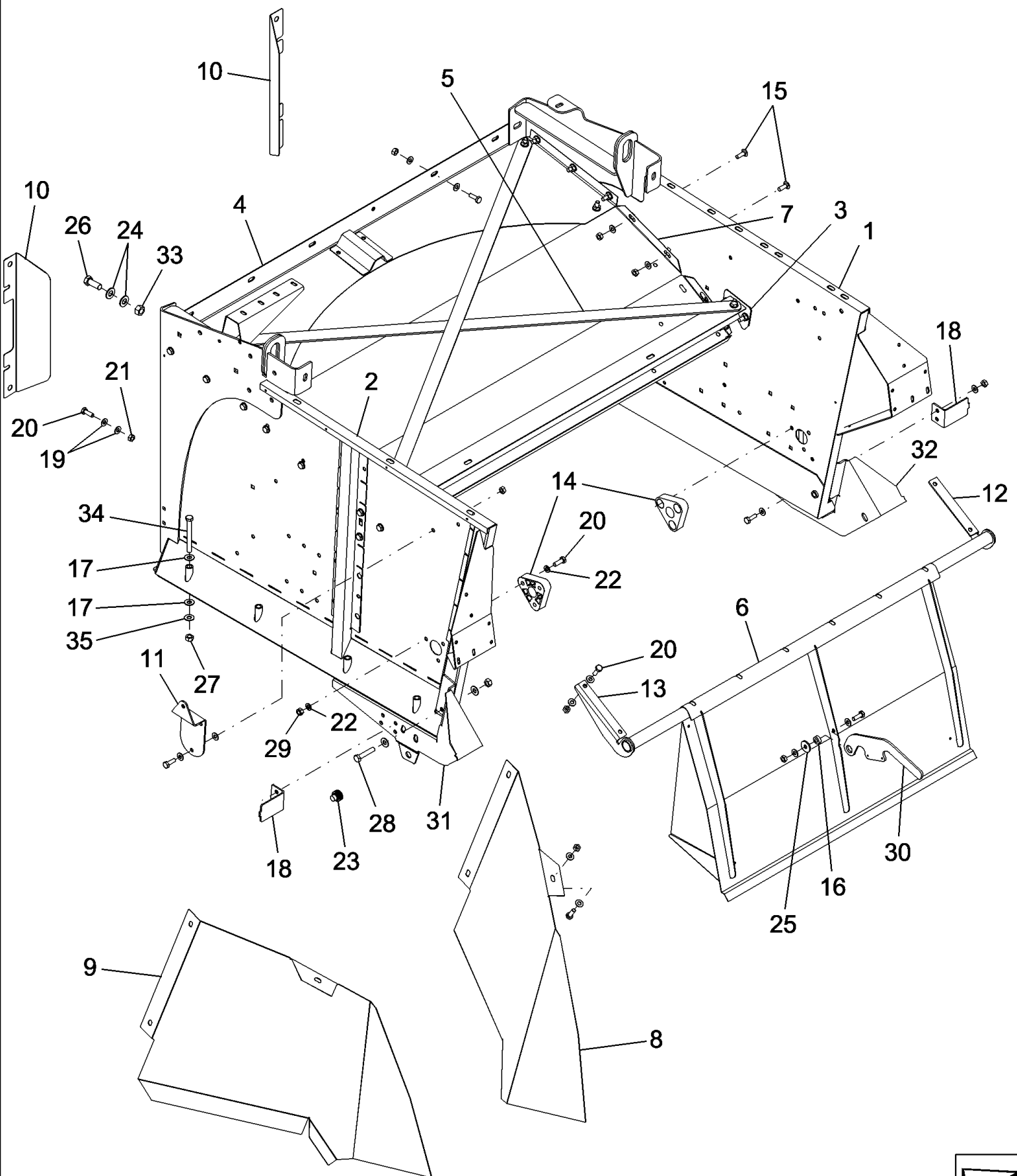


E.10.B(1) FRAME, THRESHING

сылка	Номер детали	Кол-во	Описание
1	NS	1	NOT SERVICED, Main Frame, was 87109809, Replaces 87105303, EndYear: 01/31/2005
1	NS	1	NOT SERVICED, Main Frame, 87324600, Start Year: 02/01/2005
2	87108897	1	SUPPORT, , BSN HAJ105757
2	87284952	1	SUPPORT, , ASN HAJ105758
3	87106513	1	CONE,
4	87108633	2	RING, , EndYear: 12/06/2003
5	87107510	1	DEFLECTOR, RH
6	87107511	1	DEFLECTOR, LH
7	87109397	1	SHEET,
8	87108668	1	PLATE, , EndYear: 02/09/2004
8	87282876	1	PLATE, , Start Year: 02/09/2004
9	87282803	1	BRACKET,
10	87281904	6	SPRING,
11	140048	8	WASHER, SPRING, Belleville, M16,
12	825-1416	4	NUT, M16, CI 8,
13	140045	6	WASHER, SPRING, Belleville, M10,
14	100037	6	NUT, M10 x 1.5, CI 8,
15	86508622	2	BOLT, Hex, M12 x 100, 10.9,
16	87024996	2	BOLT, Carriage, Short Neck, CL 8.8, M8 x 40
17	86629541	38	BOLT, Hex, M12 x 40, 8.8, Full Thd,
18	9706685	14	NUT, M12, CI 8,
19	140046	42	WASHER, SPRING, Belleville, M12,
20	120104	27	BOLT, Hex, M8 x 20, 8.8,
21	9706690	31	NUT, M8, CI 8,
22	322358	AR	WASHER, SPRING, Belleville, M8,
23	87106461	6	HANDLE, Access Door
24	86625266	6	WASHER, M17.5 x 30 x 4, HT,
25	350616	6	BOLT, Hex, M16 x 90, 8.8,
26	86589278	16	WASHER, SPRING,
27	86585939	26	WASHER, SPRING,
28	43168	20	BOLT, Hex, M16 x 40, 8.8,
29	120044	14	BOLT, CARRIAGE, Short NK, M12 x 30, CI8.8, Full Thd,
30	87000628	1	COVER, LH
30	87352267	1	COVER, LH, Also Included In Enhanced Cleaning Kit; See Fig. K.62.B.63, Enhanced Cleaning
31	87000630	1	COVER, RH
31	87352269	1	COVER, RH, Enhanced Cleaning, Also Included In Enhanced Cleaning Kit; See Fig. K.62.B.63
32	87107515	1	PLATE, RH
33	87107513	1	PLATE, LH
34	87108745	1	SENSOR,
34	87282765	1	SENSOR, , Start Year: 12/06/2003
35	87000990	1	DOOR, Rotor, LH, Front
36	86975027	1	DOOR, Rotor, LH, Rear
37	87000991	1	DOOR, Rotor, RH, Front
38	87109087	1	BRACKET,
39	86975029	1	DOOR, Rotor, RH, Rear

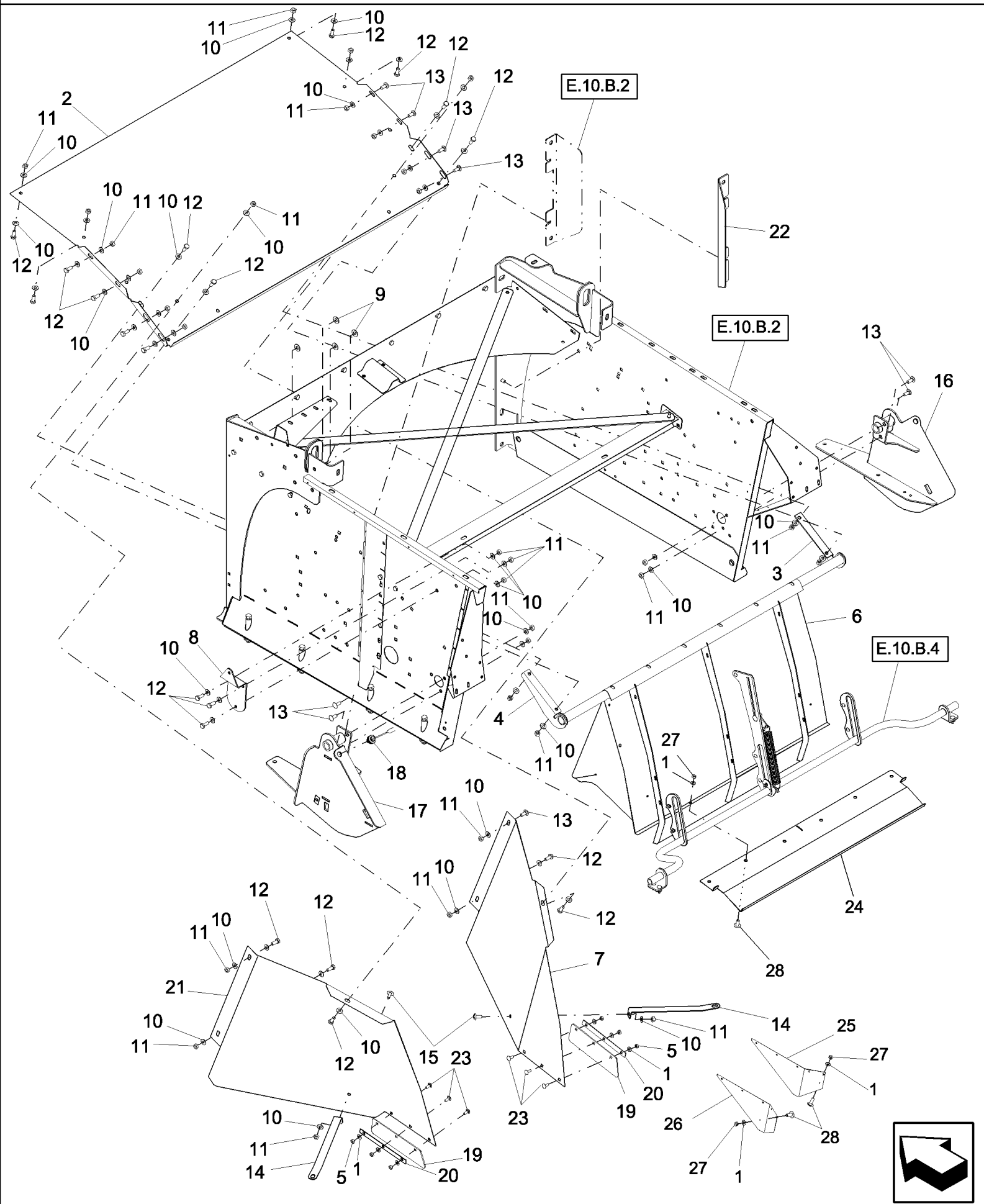
E.10.B(1) FRAME, THRESHING

сылка	Номер детали	Кол-во	Описание
40	337475	14	NUT, M12, CI 10,
41	86976525	1	COVER, , EndYear: 12/06/2003
41	87282112	1	COVER, , Start Year: 12/06/2003
42	87109779	1	PLATE, Mounting, LH - 52" Wide
43	87108645	1	BRACKET, , EndYear: 12/06/2003
43	87283010	1	BRACKET, , Years: 02/09/2004-09/01/2005
43	87316122	1	BRACKET, Mounting, LH, Start Year: 09/01/2005
44	86507486	22	BOLT, CARRIAGE, Short NK, M8 x 20, CI8.8, Full Thd,
45	43362	8	NUT, M8, CI 10,
46	308761	6	BOLT, CARRIAGE, Short NK, M8 x 25, CI8.8, Full Thd,
47	80140041	AR	WASHER, M8
48	86629542	AR	NUT, LOCK, M8 x 1.25, CI 8, Prevailing Torque, Start Year: 12/06/2003
49	87280254	2	BUSHING,
50	87283407	2	BUSHING, , Start Year: 12/06/2003
51	43127	4	BOLT, Hex, M8 x 25, 8.8, , Start Year: 12/06/2003
52	87282128	1	BRACKET, RH - Flat

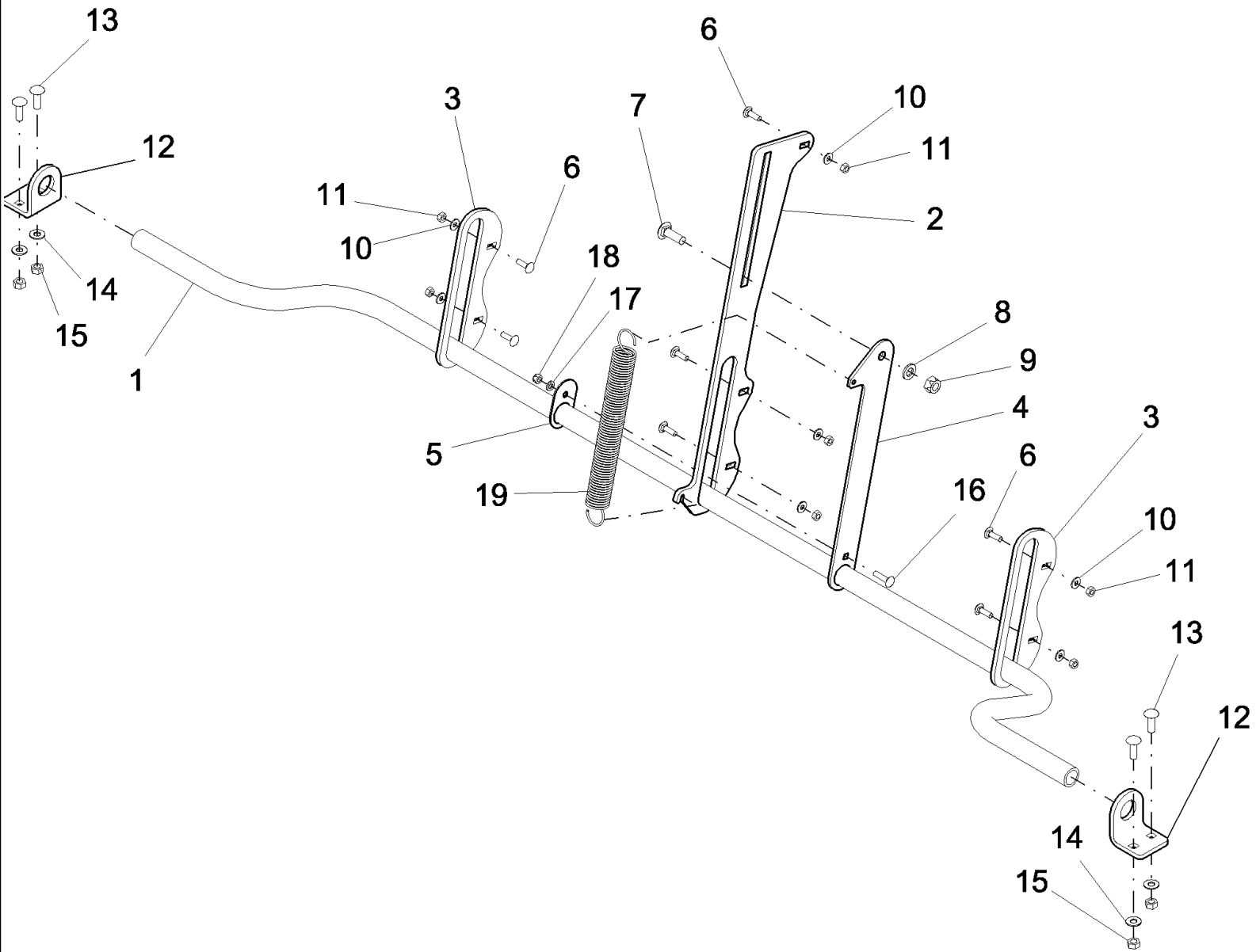


сылка	Номер детали	Кол-во	Описание
1	87107929	1	SHEET, RH, EndYear: 12/06/2003
1	87039631	1	SHEET, , Start Year: 12/06/2003
2	87107931	1	SHEET, LH, EndYear: 12/06/2003
2	87039628	1	SHEET, , Start Year: 12/06/2003
3	87107941	1	SUPPORT, Center
4	86999083	1	SUPPORT,
5	86999088	2	PLATE,
6	87283103	1	DOOR, Straw Hood, was 87105870
7	87107970	1	SHEET,
8	87000246	1	DEFLECTOR, RH
9	87000244	1	DEFLECTOR, LH
10	87000249	2	DEFLECTOR,
11	87106531	1	BRACKET, Cylinder
12	86975687	1	SUPPORT, RH
13	86975685	1	SUPPORT, LH
14	87105202	2	BUSHING,
15	86512446	AR	BOLT, CARRIAGE, Short NK, M10 x 30, Cl8.8, Full Thd,
16	86997386	1	BUSHING,
17	140046	AR	WASHER, SPRING, Belleville, M12,
18	87106529	2	BRACKET, Stop
19	140045	AR	WASHER, SPRING, Belleville, M10,
20	43140	AR	BOLT, Hex, M10 x 30, 8.8, Full Thd,
20	43139	AR	SCREW, HH, CL 8.8, M10 x 25
21	100016	AR	NUT, M10, Cl 8,
22	9820489	12	WASHER, M10
23	84058863	1	SENSOR, Proximity, Spreader Position
24	140048	AR	WASHER, SPRING, Belleville, M16,
25	140042	1	WASHER, M10 x 34 x 3,
26	43168	AR	BOLT, Hex, M16 x 40, 8.8,
27	9706685	AR	NUT, M12, Cl 8,
27	100038	8	NUT, LOCK, M12 x 1.75, Cl 8, , Start Year: 02/09/2004
28	9706693	2	BOLT, Hex, M12 x 60, 8.8,
29	100037	6	NUT, M10 x 1.5, Cl 8,
30	87000907	1	HANDLE, Locking
31	87106525	1	BRACKET, LH
32	87106527	1	BRACKET, RH
33	825-1416	AR	NUT, M16, Cl 8,
34	9501756	8	BOLT, Hex, M12 x 110, 10.9, Replaced 86562594
35	86592701	8	WASHER, M12 x 35 x 5, HT, , Start Year: 02/09/2004

E.10.B(3) STRAWHOOD - PIN HAJ105201NA/HAJ103201EU AND AFTER

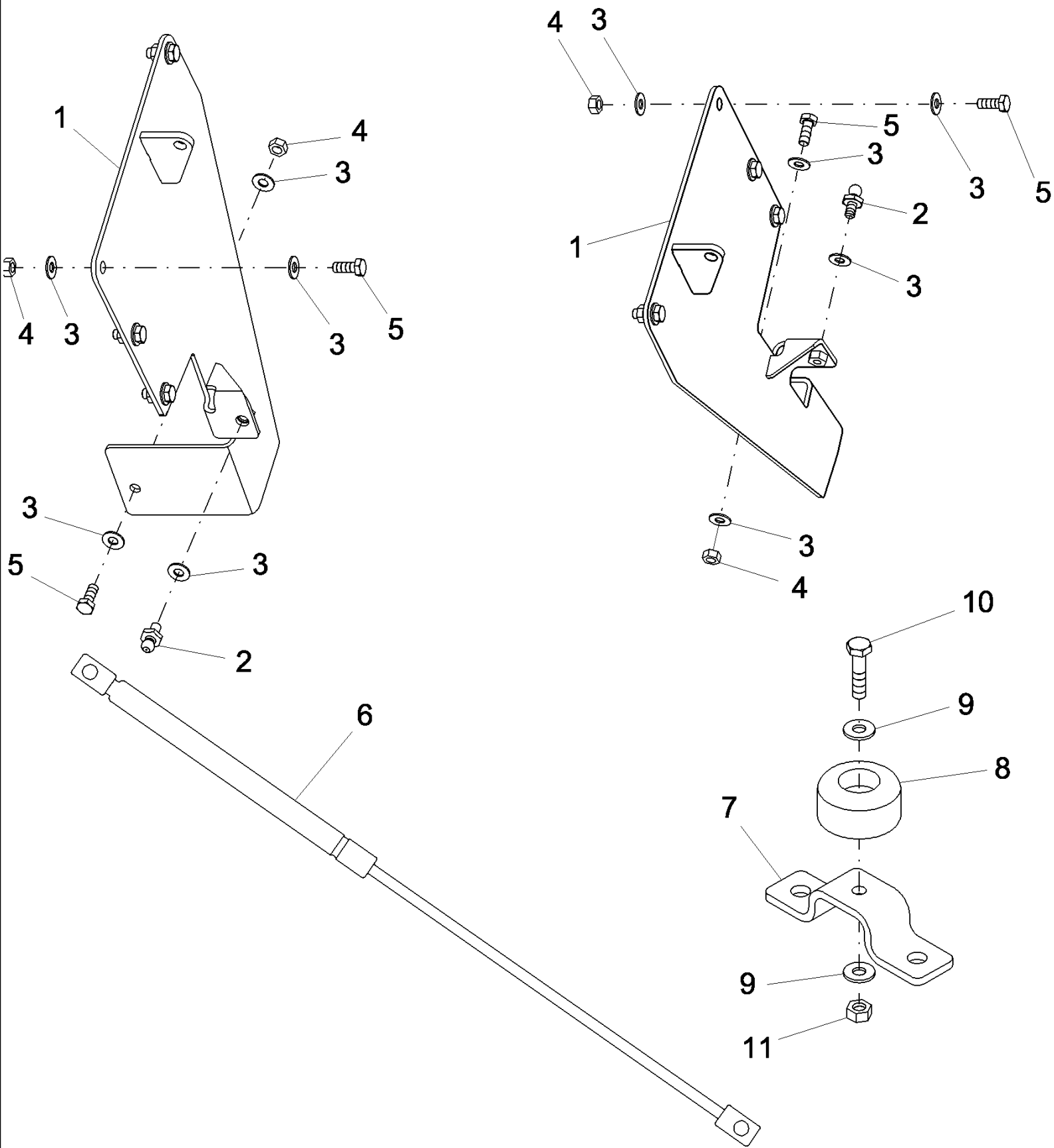


сылка	Номер детали	Кол-во	Описание
1	322358	6	WASHER, SPRING, Belleville, M8,
2	87107970	1	SHEET,
3	86975687	1	SUPPORT, RH
4	86975685	1	SUPPORT, LH
5	43362	6	NUT, M8, CI 10,
6	87510733	1	DOOR, Straw
6	87380015	1	DOOR,
7	87283232	1	PANEL, RH, Convergence
7	87324936	1	DEFLECTOR,
8	87109078	1	BRACKET, Cylinder
9	140046	4	WASHER, SPRING, Belleville, M12,
10	140045	51	WASHER, SPRING, Belleville, M10,
11	100016	31	NUT, M10, CI 8,
12	43139	20	SCREW, Cap, HH, CL 8.8, M10 x 25
13	811-10025	9	BOLT, CARRIAGE, Short NK, M10 x 25, CI8.8, Full Thd,
14	87281908	2	SUPPORT,
15	62320	2	SCREW, Truss Hd, M10 x 1.5 x 25
16	87283165	1	SUPPORT, RH, Spreader Pivot
17	87283157	1	SUPPORT, LH, Spreader Pivot
18	84058863	1	SENSOR, Proximity, Spreader Position
19	87283234	2	SEAL, Spreader - 76 mm
19	87348132	2	SEAL, Spreader - 107 mm
20	87283312	2	RETAINER, Spreader Seal
21	87283230	1	PANEL, LH, Convergence
21	87324890	1	DEFLECTOR,
22	87283259	2	ANGLE, Deflector
23	811-8020	6	BOLT, CARRIAGE, Short NK, M8 x 20, CI8.8, Full Thd,
24	87324772	1	PLATE, Campaign Part, Large Opening Door
25	87044364	1	PLATE, RH, Large Opening Door
26	87044362	1	PLATE, LH, Large Opening Door
27	829-1408	12	NUT, M8, CI 10,
28	847-3816	12	SCREW, Slt'd Tr Hd, M8 x 16, 10.9, Serr,



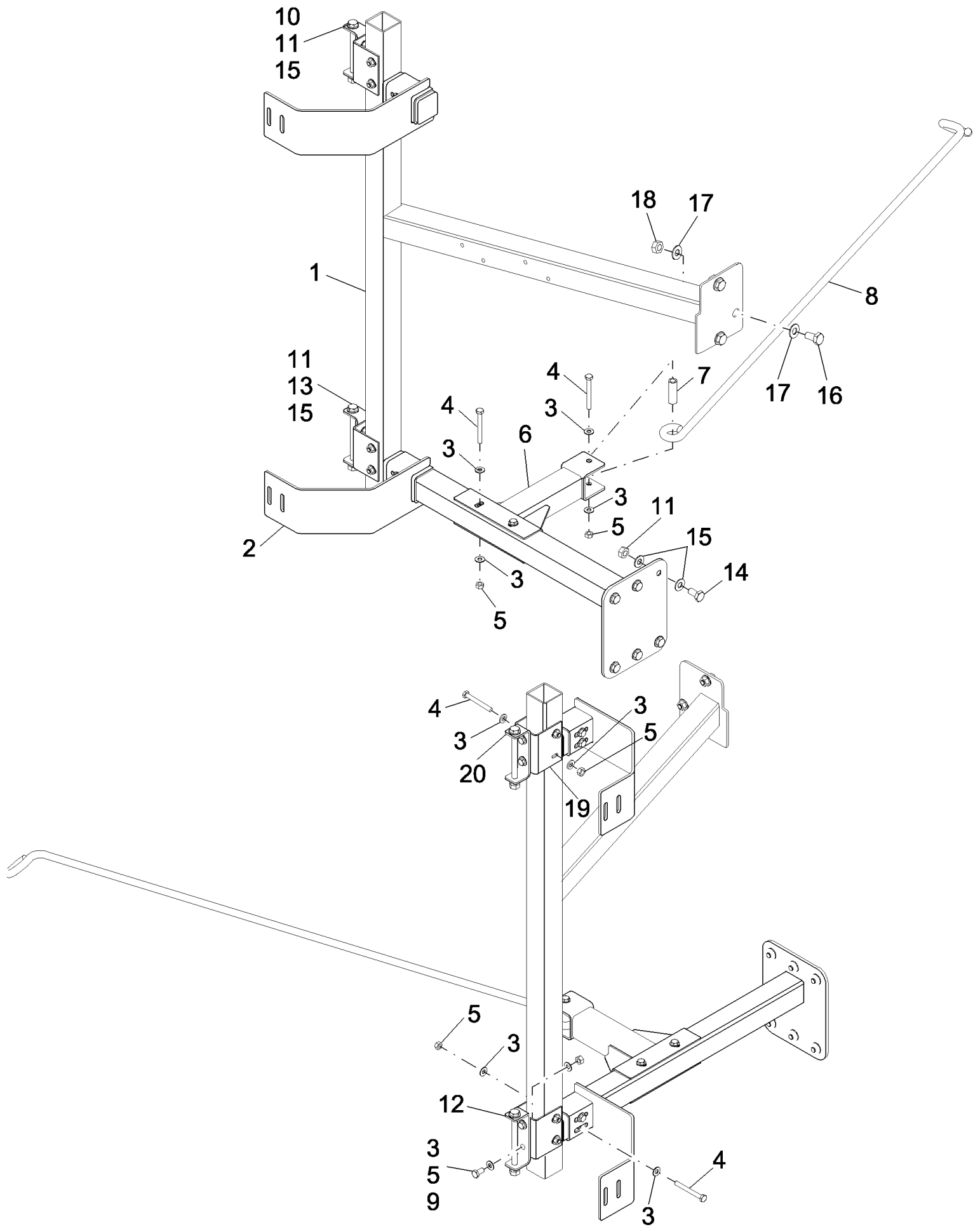
сылка	Номер детали	Кол-во	Описание
1	87283107	1	TUBE,
2	87283115	1	PLATE, Guide
3	87283117	2	PLATE, Guide
4	87283111	1	PLATE, Slide
5	87283113	1	PLATE, LOCKING,
6	9706703	7	BOLT, CARRIAGE, Short NK, M6 x 20, CI8.8, Full Thd,
7	86512446	1	BOLT, CARRIAGE, Short NK, M10 x 30, CI8.8, Full Thd,
8	86511323	1	WASHER, M10 x 20 x 2,
9	100037	1	NUT, M10 x 1.5, CI 8,
10	322357	7	WASHER, SPRING, Belleville, M6,
11	9706755	7	NUT, M6, CI 8,
12	87283109	2	BRACKET,
13	308761	4	BOLT, CARRIAGE, Short NK, M8 x 25, CI8.8, Full Thd,
14	322358	4	WASHER, SPRING, Belleville, M8,
15	9706690	4	NUT, M8, CI 8,
16	374891	1	BOLT, CARRIAGE, Short NK, M6 x 25, CI8.8, Full Thd,
17	86588450	1	WASHER, M6,
18	353308	1	NUT, LOCK, M6 x 1, CI 8,
19	87283314	1	SPRING, Extension

E.20.A(1) BRACKETS, SUPPORTING - FRONT



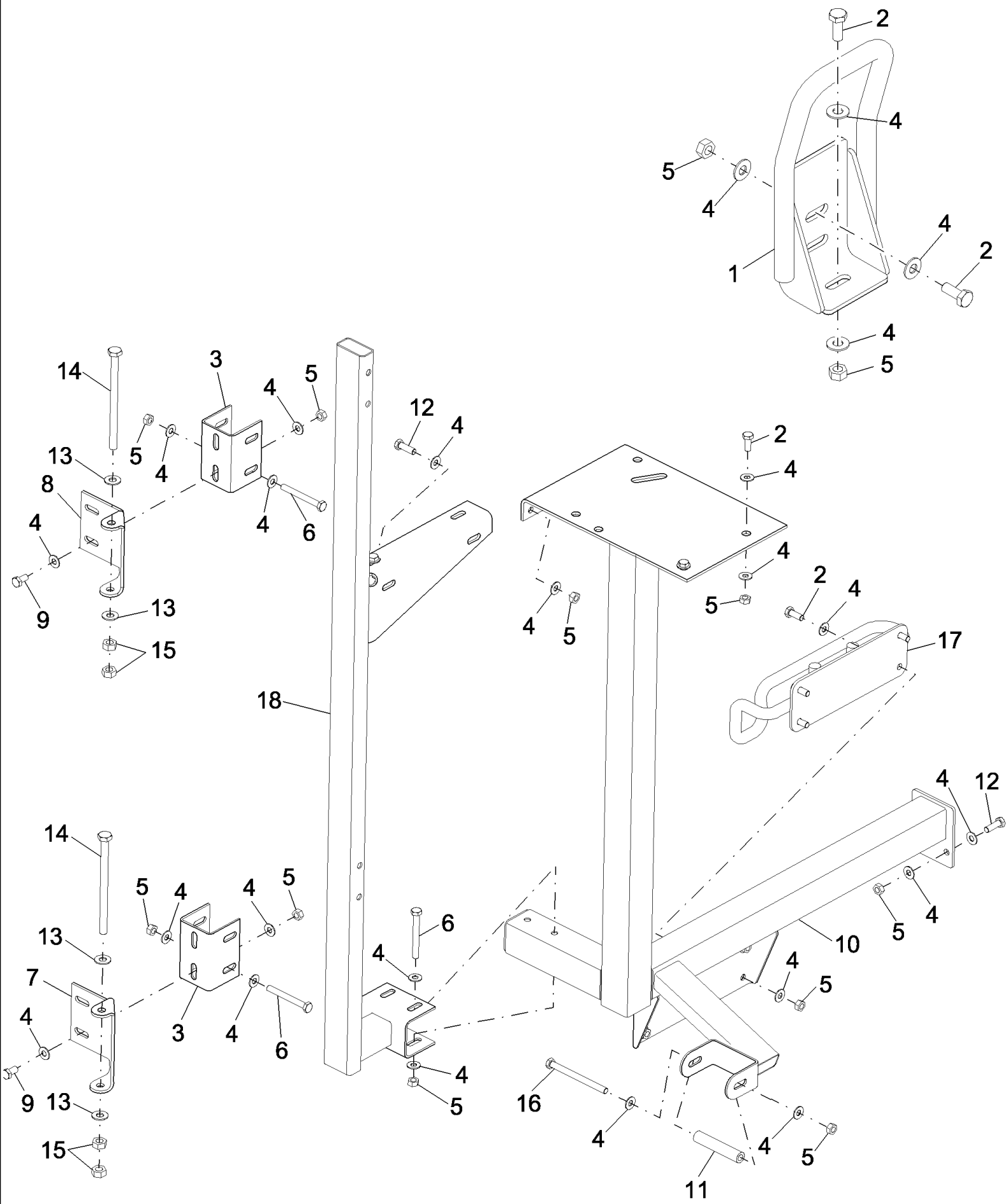
E.20.A(1) BRACKETS, SUPPORTING - FRONT

сылка	Номер детали	Кол-во	Описание
1	87000335	1	BRACKET, LH, Front
1	87284799	1	
1	87000332	1	BRACKET, RH, Front
1	87284797	1	
2	86634307	2	STUD, Ball
3	322358	22	WASHER, SPRING, Belleville, M8,
4	9706690	10	NUT, M8, CI 8,
5	120104	10	BOLT, Hex, M8 x 20, 8.8,
6	87108532	2	GAS STRUT, 600N
7	87001351	2	BRACKET, Door Stop
8	86514271	2	BUMPER,
9	322357	4	WASHER, SPRING, Belleville, M6,
10	86977786	2	BOLT, Hex, M6 x 25, 8.8,
11	9706755	2	NUT, M6, CI 8,



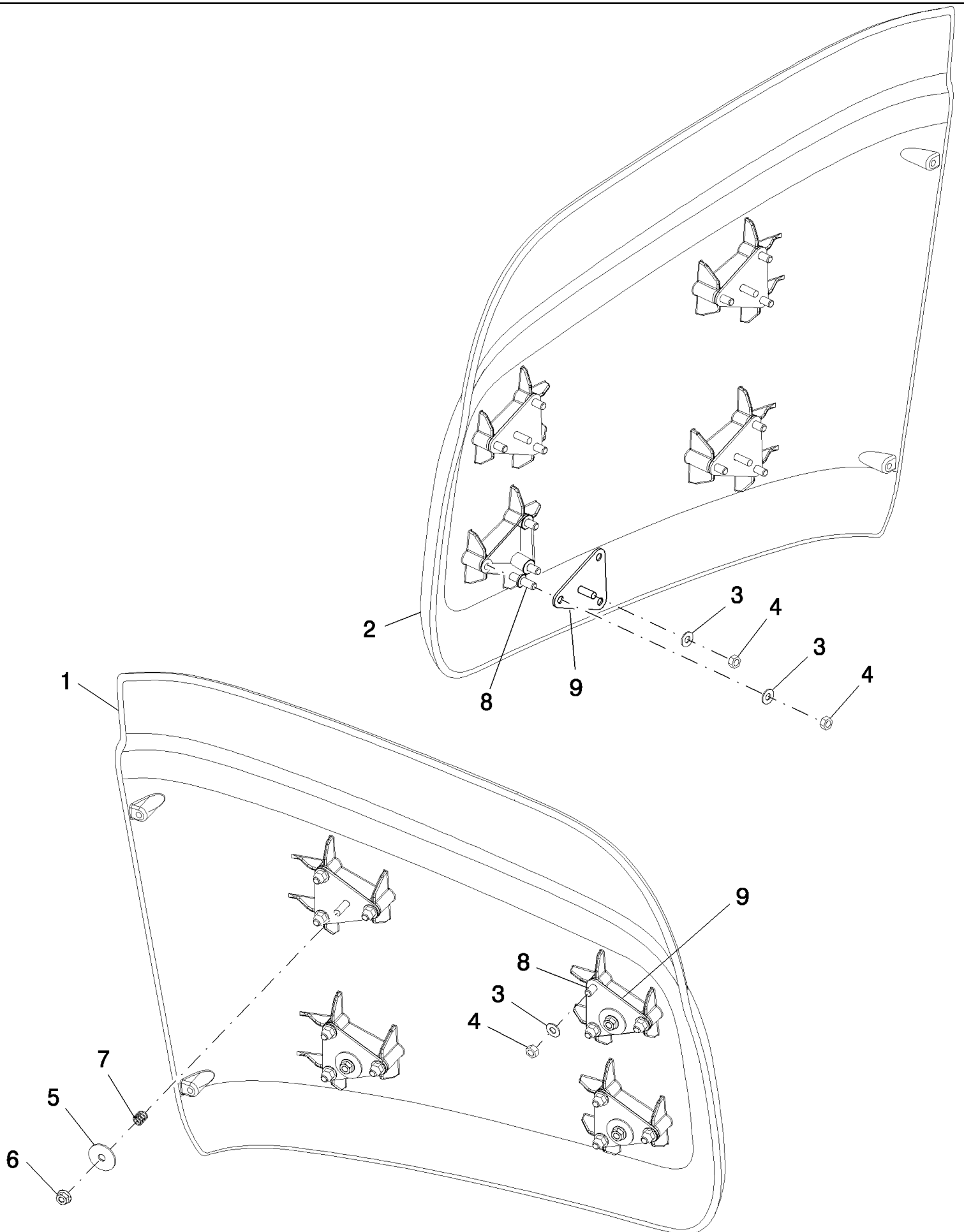
сылка	Номер детали	Кол-во	Описание
1	87108892	1	SUPPORT, LH
2	87000781	2	SUPPORT, Arm
3	322358	30	WASHER, SPRING, Belleville, M8,
4	120062	11	BOLT, Hex, M8 x 70, 8.8,
5	9706690	15	NUT, M8, CI 8,
6	87107641	1	BRACKET,
7	87107639	1	SPACER,
8	87109278	1	ROD, Door Keeper
9	120104	4	BOLT, Hex, M8 x 20, 8.8,
10	86508575	1	BOLT, Hex, M10 x 130, 8.8,
11	100016	10	NUT, M10, CI 8,
12	87000648	1	BRACKET,
13	331168	1	BOLT, Hex, M10 x 140, 8.8,
14	43138	6	BOLT, Hex, M10 x 20, 8.8, Full Thd,
15	140045	16	WASHER, SPRING, Belleville, M10,
16	300388	3	BOLT, Hex, M12 x 25, 8.8,
17	140046	6	WASHER, SPRING, Belleville, M12,
18	9706685	3	NUT, M12, CI 8,
19	87000644	2	BRACKET,
20	87000646	1	BRACKET,

E.20.A(3) SUPPORT, REAR DOOR



E.20.A(3) SUPPORT, REAR DOOR

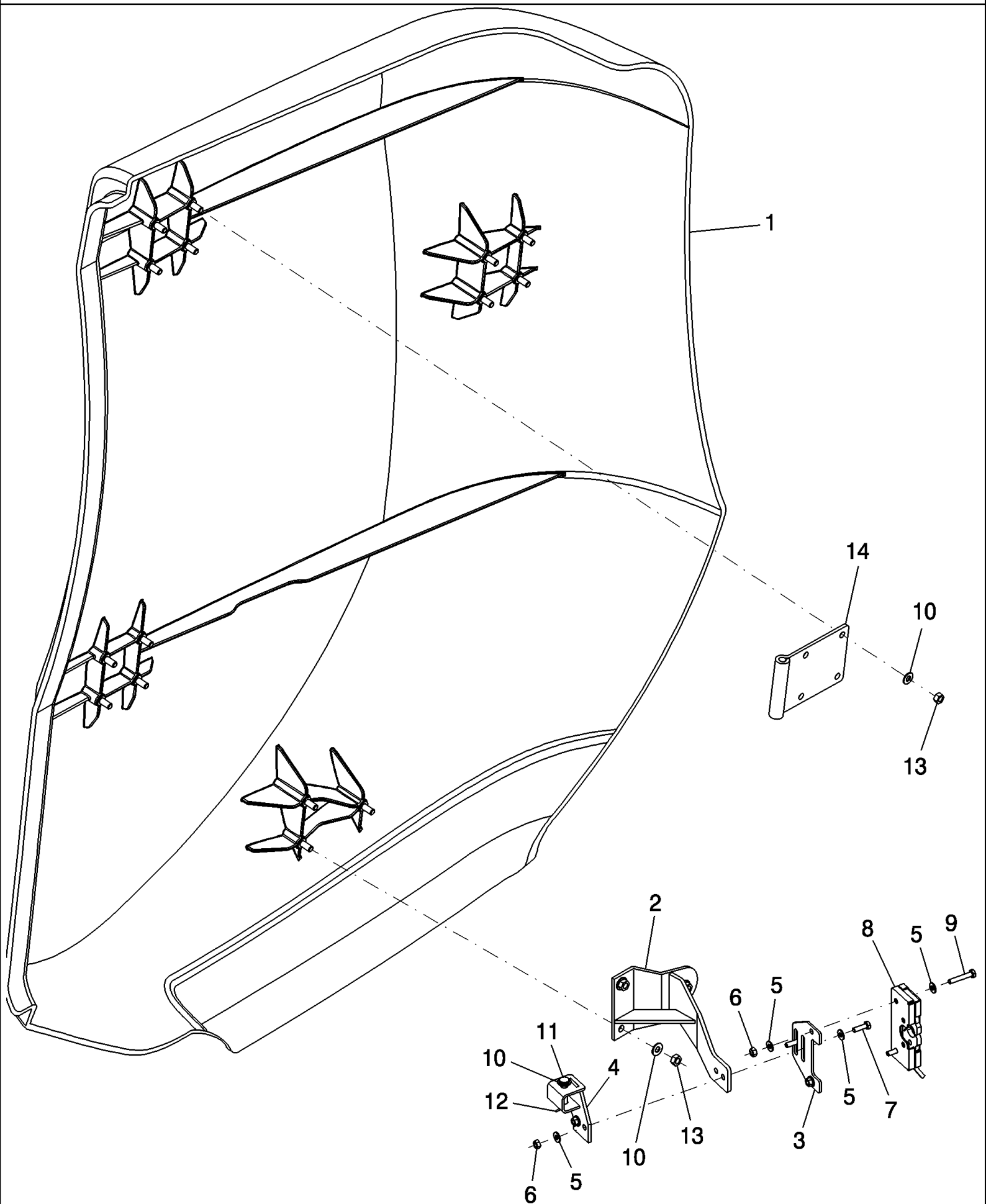
сылка	Номер детали	Кол-во	Описание
1	87280396	1	ROD, , EndYear: 08/15/2003
1	87282203	1	ROD, , Start Year: 08/15/2003
2	120104	11	BOLT, Hex, M8 x 20, 8.8,
3	86976748	2	BRACKET,
4	322358	52	WASHER, SPRING, Belleville, M8,
5	9706690	26	NUT, M8, CI 8,
6	120062	6	BOLT, Hex, M8 x 70, 8.8,
7	87000860	1	BRACKET,
8	86976750	1	BRACKET,
9	120103	4	BOLT, Hex, M8 x 16, 8.8,
10	87109406	1	SUPPORT,
11	86975340	1	Pin, Panel Latch
12	43127	4	BOLT, Hex, M8 x 25, 8.8,
13	140045	4	WASHER, SPRING, Belleville, M10,
14	212668	2	BOLT, Hex, M10 x 150, 8.8, Full Thd,
15	100016	4	NUT, M10, CI 8,
16	412215	1	BOLT, Hex, M8 x 100, 8.8,
17	87109956	1	BRACKET, RH Rear Door Keeper
18	87280180	1	SUPPORT,



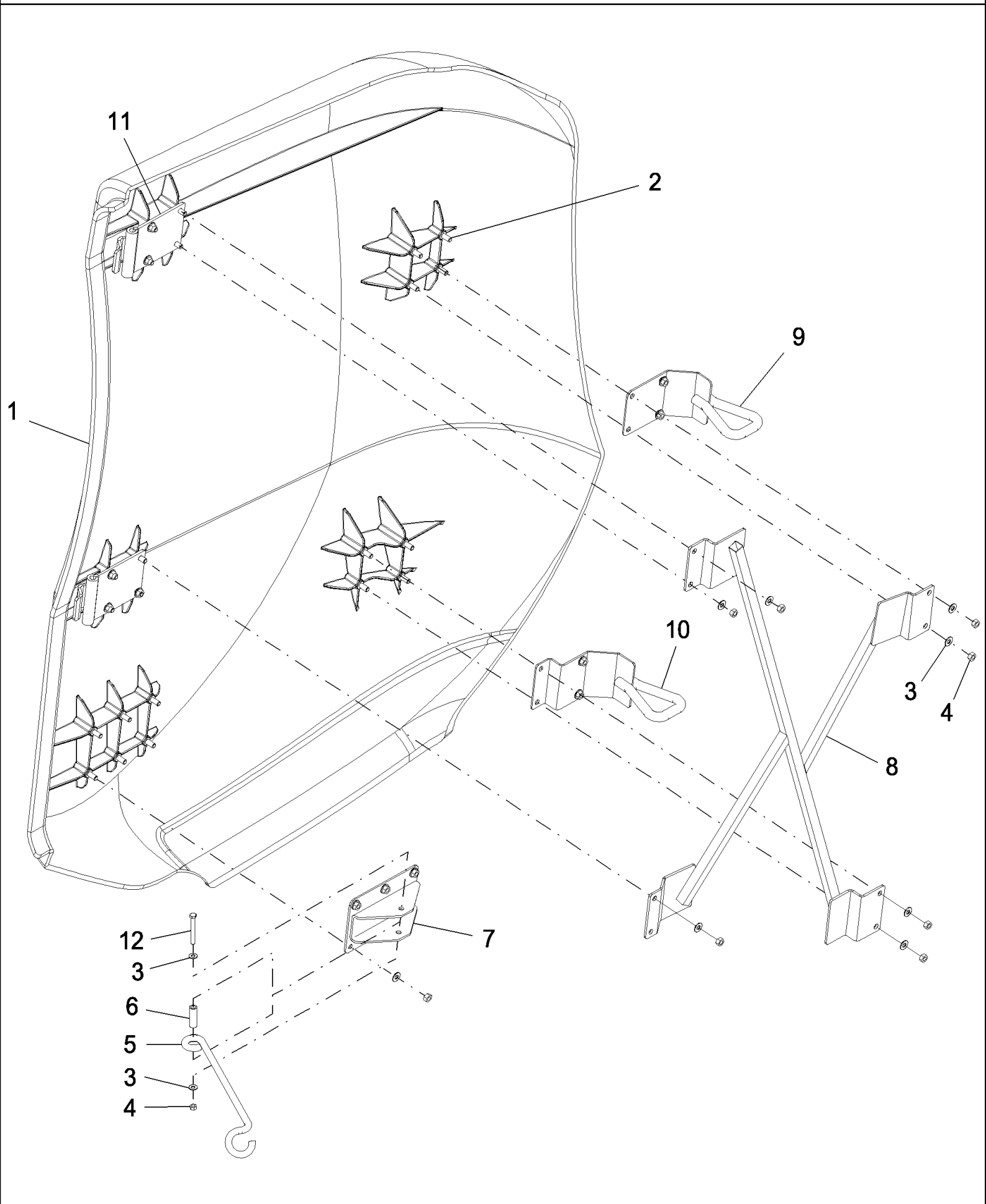
AFX8010 AXIAL-FLOW COMBINE (3/03-9/06)

E.20.A.70(01) PANEL, FRONT, L.H. & R.H.

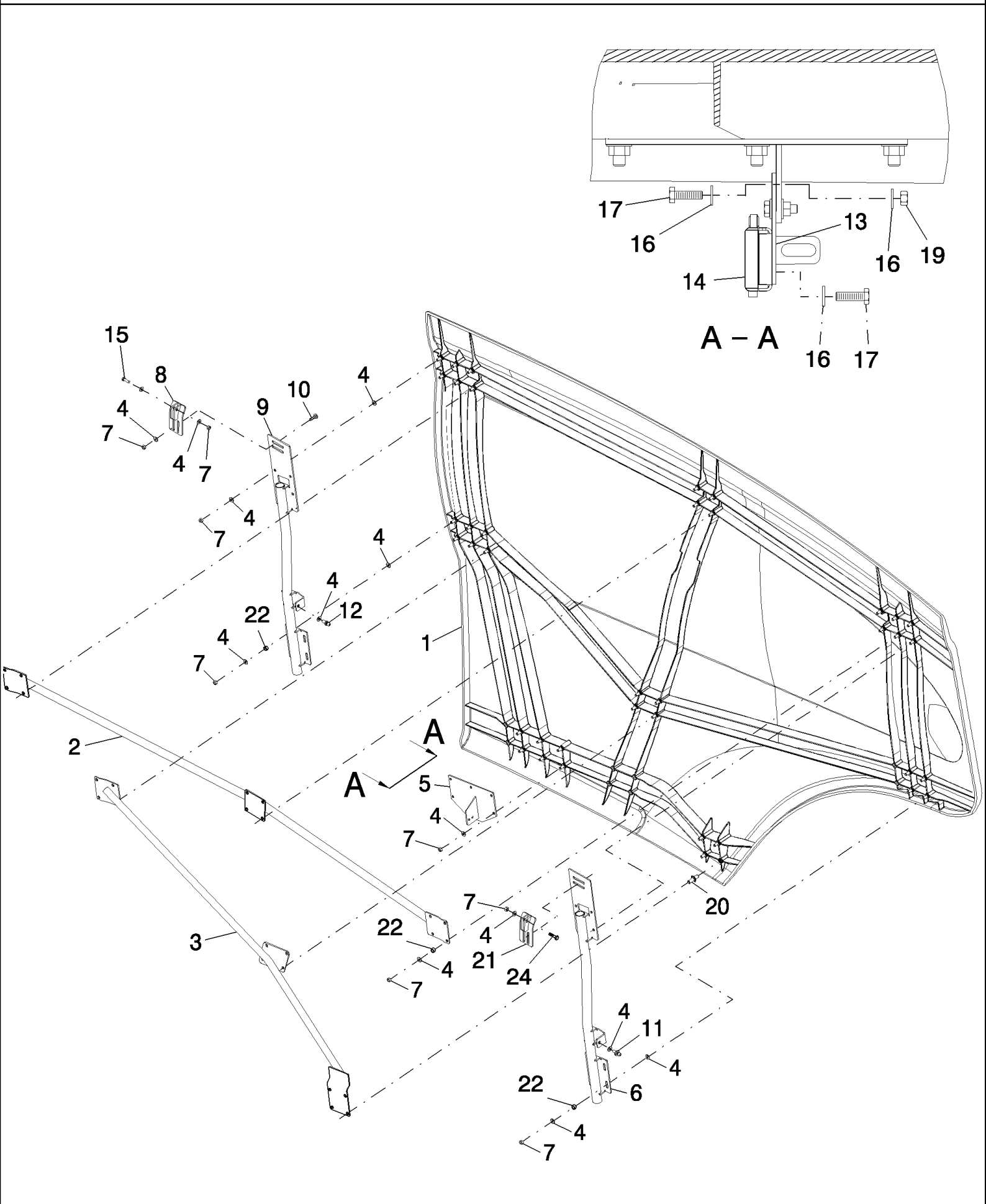
сылка	Номер детали	Кол-во	Описание
1	86998071	1	PANEL, SIDE, Front, LH
2	86998079	1	PANEL, SIDE, Front, RH
3	322358	28	WASHER, SPRING, Belleville, M8,
4	9706690	28	NUT, M8, CI 8,
5	87109561	4	SPACER, LH Only
6	86981466	4	NUT, LOCK, M8 x 1.25, Flg, CI 10, LH Only
7	87000806	4	SPRING, COMPRESSION, LH Only
8	86975784	24	STUD,
9	87105480	8	PLATE,



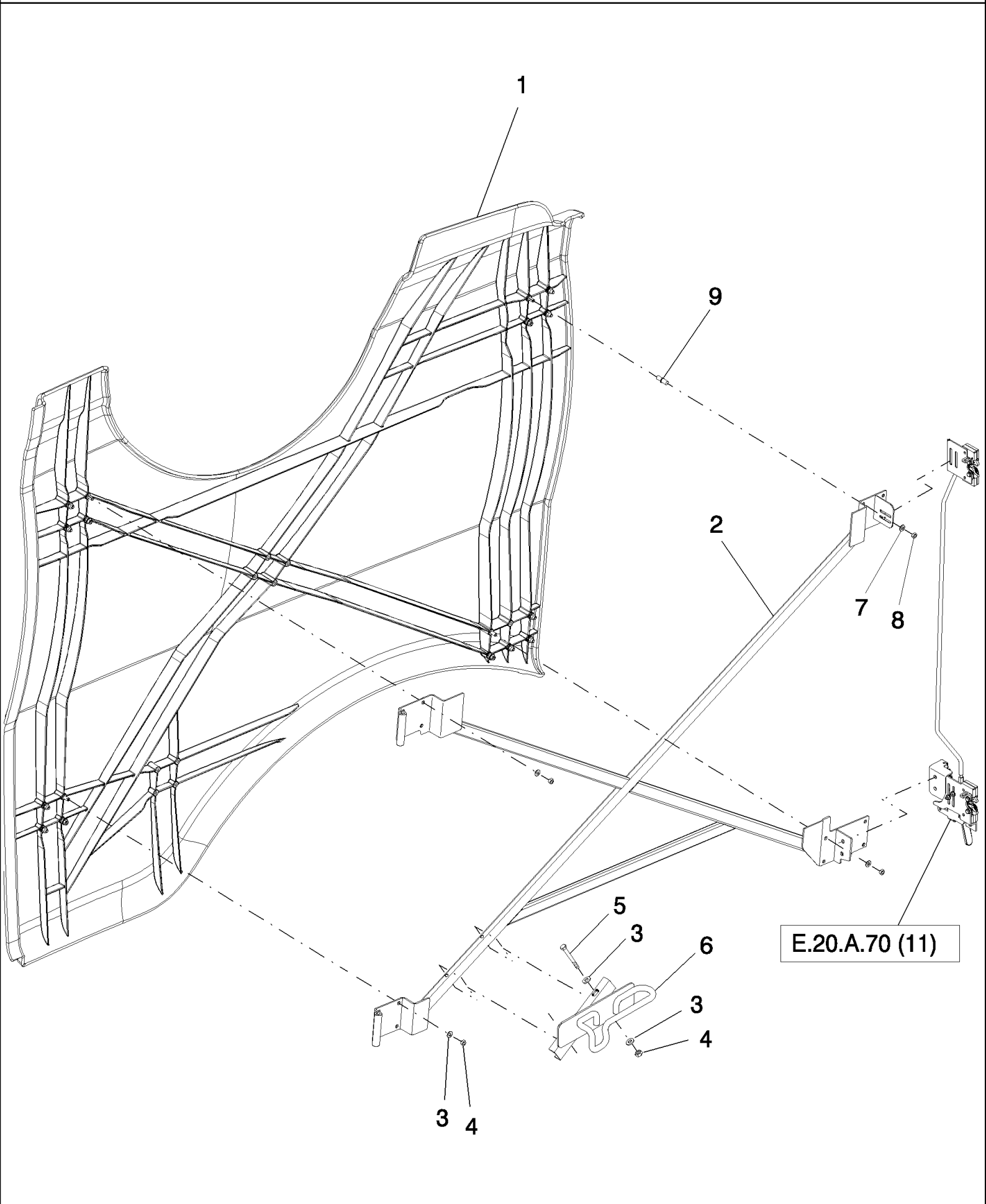
сылка	Номер детали	Кол-во	Описание
1	86998085	1	PANEL, SIDE, Rear, RH
2	87000477	1	ARM, SUPPORTING,
3	86995799	1	BRACKET, Adjustment, Latch
4	87105168	1	BRACKET,
5	322357	8	WASHER, SPRING, Belleville, M6,
6	9706755	4	NUT, M6, CI 8,
7	120100	2	BOLT, Hex, M6 x 20, 8.8,
8	86998686	1	LATCH, Door
9	86977789	2	BOLT, Hex, M6 x 35, 8.8,
10	322358	13	WASHER, SPRING, Belleville, M8,
11	353216	1	PIN, CLEVIS, M8 x 45,
12	9512667	1	PIN, SPLIT (COTTER), M2 x 20,
13	9706690	11	NUT, M8, CI 8,
14	87000827	2	HINGE,
15	86975784	22	STUD,



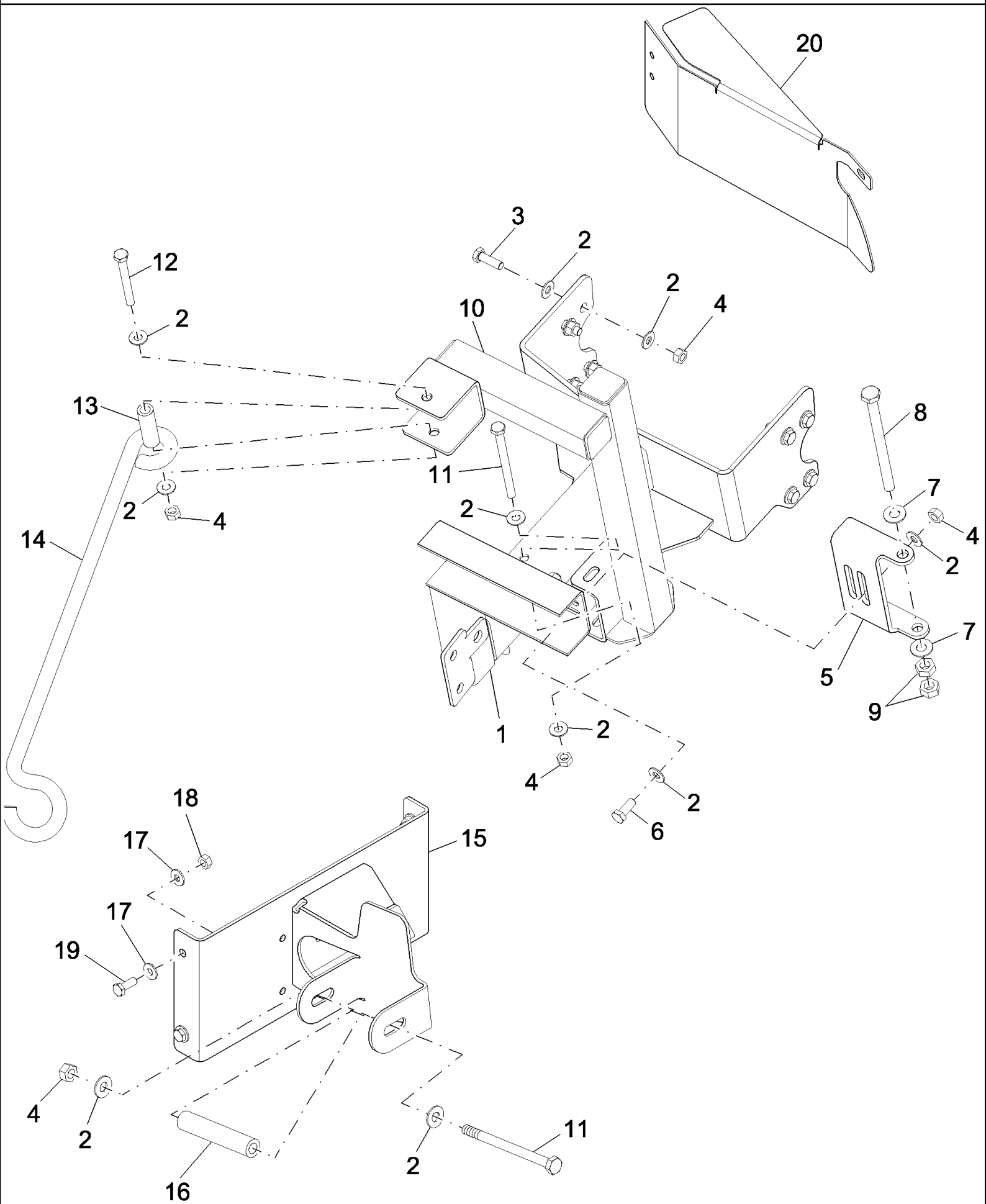
сылка	Номер детали	Кол-во	Описание
1	86998085	1	PANEL, SIDE,
2	86975784	22	STUD,
3	322358	24	WASHER, SPRING, Belleville, M8,
4	9706690	23	NUT, M8, CI 8,
5	87280048	1	ROD, Door Keeper
6	87107639	1	SPACER,
7	87280047	1	BRACKET,
8	87280103	1	BRACKET,
9	87282210	1	BRACKET,
10	87282211	1	BRACKET,
11	87282724	2	BRACKET, With Stop, Start Year: 08/15/2003
11	87000827	2	HINGE, Without Stop, EndYear: 08/15/2003
12	120062	1	BOLT, Hex, M8 x 70, 8.8,



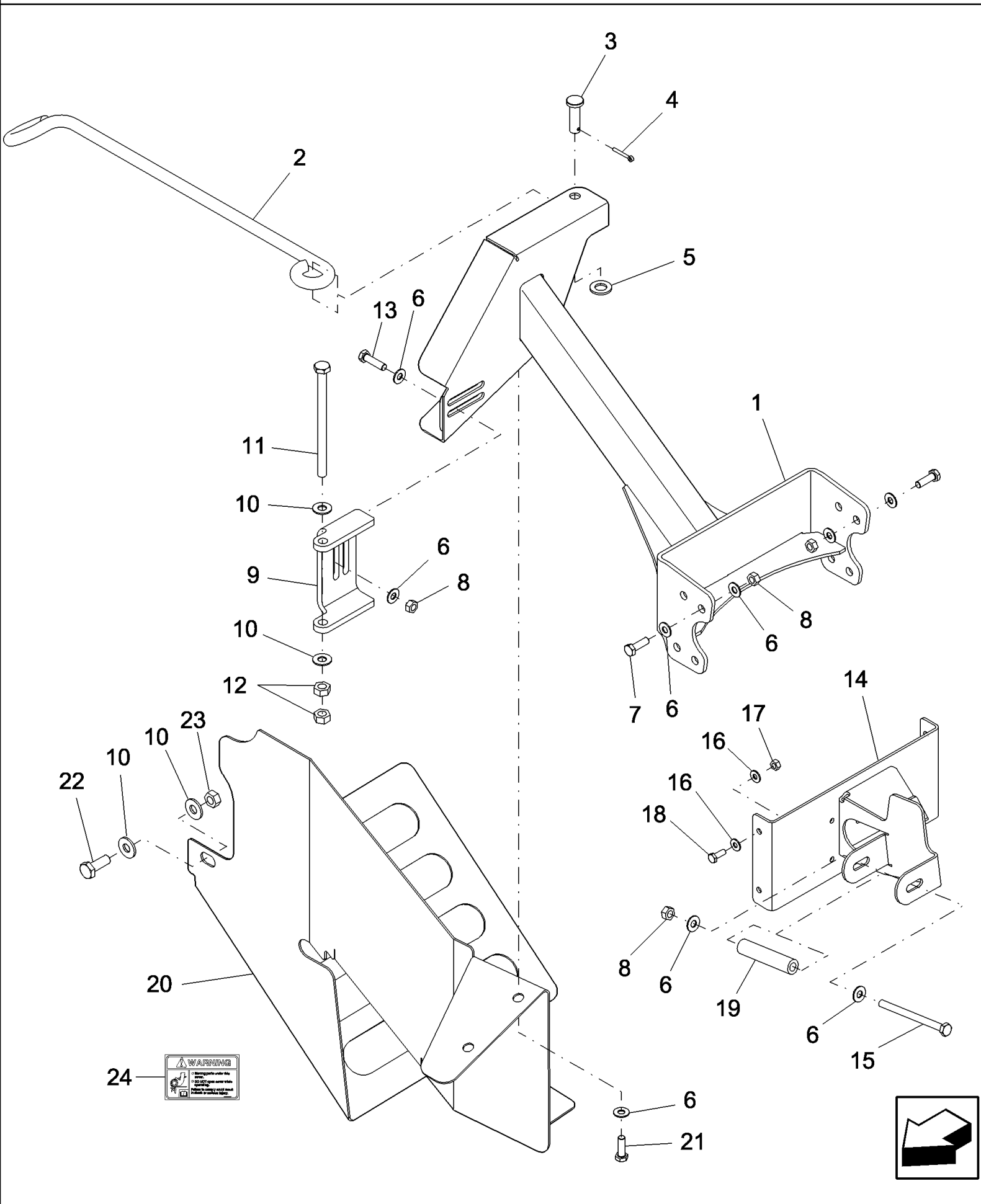
сылка	Номер детали	Кол-во	Описание
1	86998073	1	PANEL, SIDE, Front, LH
1	86998081	1	PANEL, SIDE, Front, RH
2	87327596	1	SUPPORT, Top, LH
2	87109282	1	SUPPORT, Top, RH, BSN HAJ106546
2	87327601	1	SUPPORT, Top, RH, ASN HAJ106457
3	87108626	1	SUPPORT, Lower, LH
3	87109284	1	SUPPORT, Lower, RH
4	322358	AR	WASHER, SPRING, Belleville, M8,
5	86638228	1	LATCH,
6	87327589	1	BRACKET, Forward, LH
6	87329504	1	BRACKET, Forward, RH
7	9706690	AR	NUT, M8, CI 8,
8	87329458	1	HINGE, Rear
9	87329474	1	BRACKET, Rear, LH
9	87327579	1	BRACKET, Rear, RH
10	86512420	AR	BOLT, CARRIAGE, Short NK, M8 x 20, CI8.8, Full Thd,
10	86636815	AR	BOLT, CARRIAGE, Short NK, M8 x 25, CI8.8, Full Thd,
11	86634307	1	STUD, Ball
12	9706807	1	STUD, Ball, M8 x 1.25
13	87280052	1	PLATE, MOUNTING,
13	87282461	1	BRACKET, , For EU Only, Start Year: 12/06/2003
14	87108543	1	LATCH, , For NA Only, EndYear: 08/15/2003
14	87282205	1	LATCH, , For NA Only, Start Year: 08/15/2003
14	87108544	1	LATCH, , For EU Only, EndYear: 08/15/2003
14	87282725	1	LATCH, Replaces 87282217, For EU Only, Start Year: 12/06/2003
15	43128	2	BOLT, Hex, M8 x 30, 8.8,
16	322357	8	WASHER, SPRING, Belleville, M6,
17	120100	AR	BOLT, Hex, M6 x 20, 8.8,
18	86977789	2	BOLT, Hex, M6 x 35, 8.8,
19	9706755	4	NUT, M6, CI 8,
20	86975784	40	STUD, Quantity Per Panel
21	87329217	1	HINGE, Forward
22	87327222	11	SLEEVE,
23	86981466	11	NUT, LOCK, M8 x 1.25, Flg, CI 10,
23	87383746	11	NUT, M8 x 1.25, Flg, CI 10,
24	813-8060	1	BOLT, Hex, M8 x 60, 8.8,



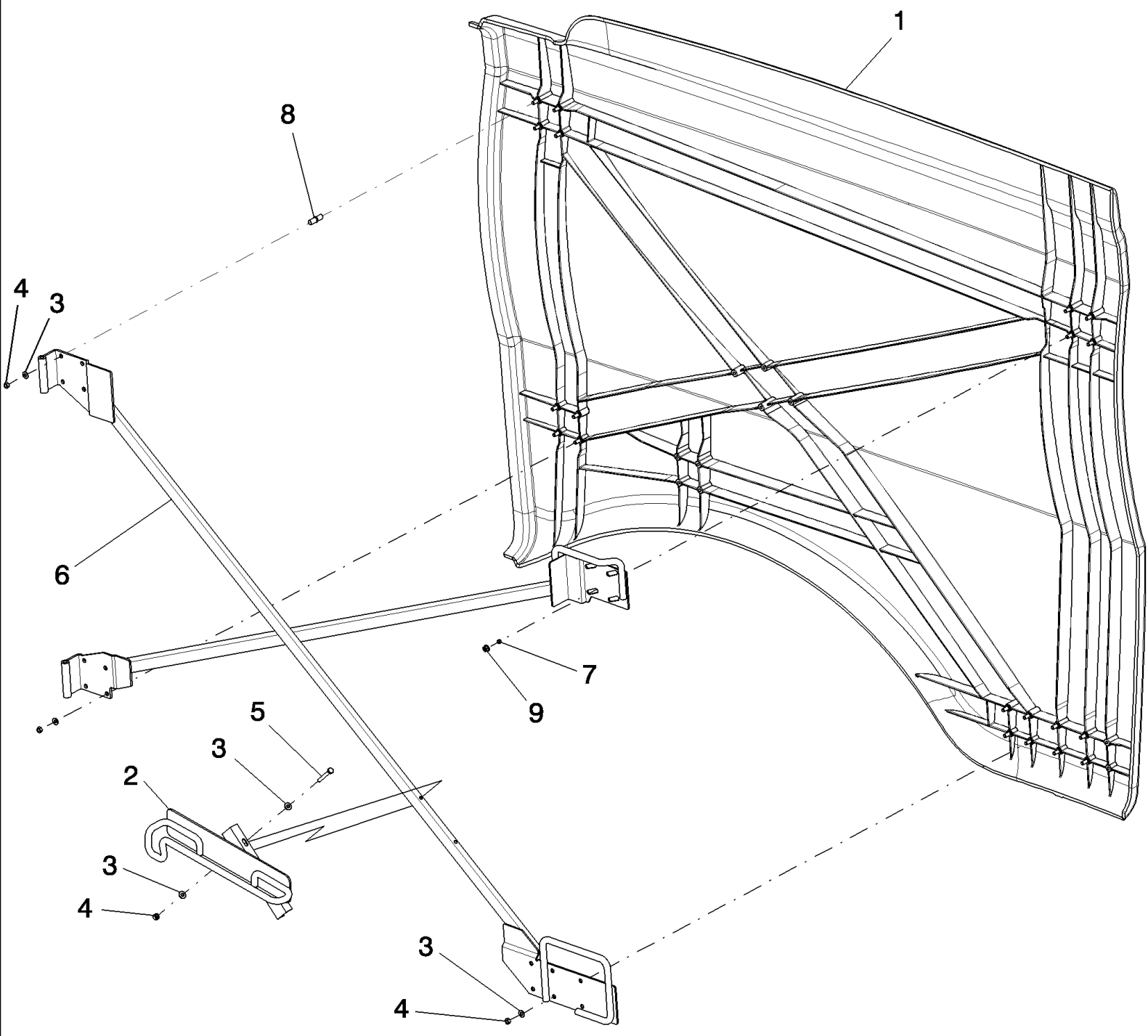
сылка	Номер детали	Кол-во	Описание
1	86998083	1	PANEL, SIDE, RH, Center
2	87316161	1	SUPPORT, X
3	322358	13	WASHER, SPRING, Belleville, M8,
4	9706690	13	NUT, M8, CI 8,
5	120061	2	BOLT, Hex, M8 x 60, 8.8,
6	87108356	1	BRACKET, RH Door Keeper
7	87327222	4	SLEEVE, Sleeve
8	87383746	4	NUT, M8 x 1.25, Flg, CI 10,
9	86975784	17	STUD,



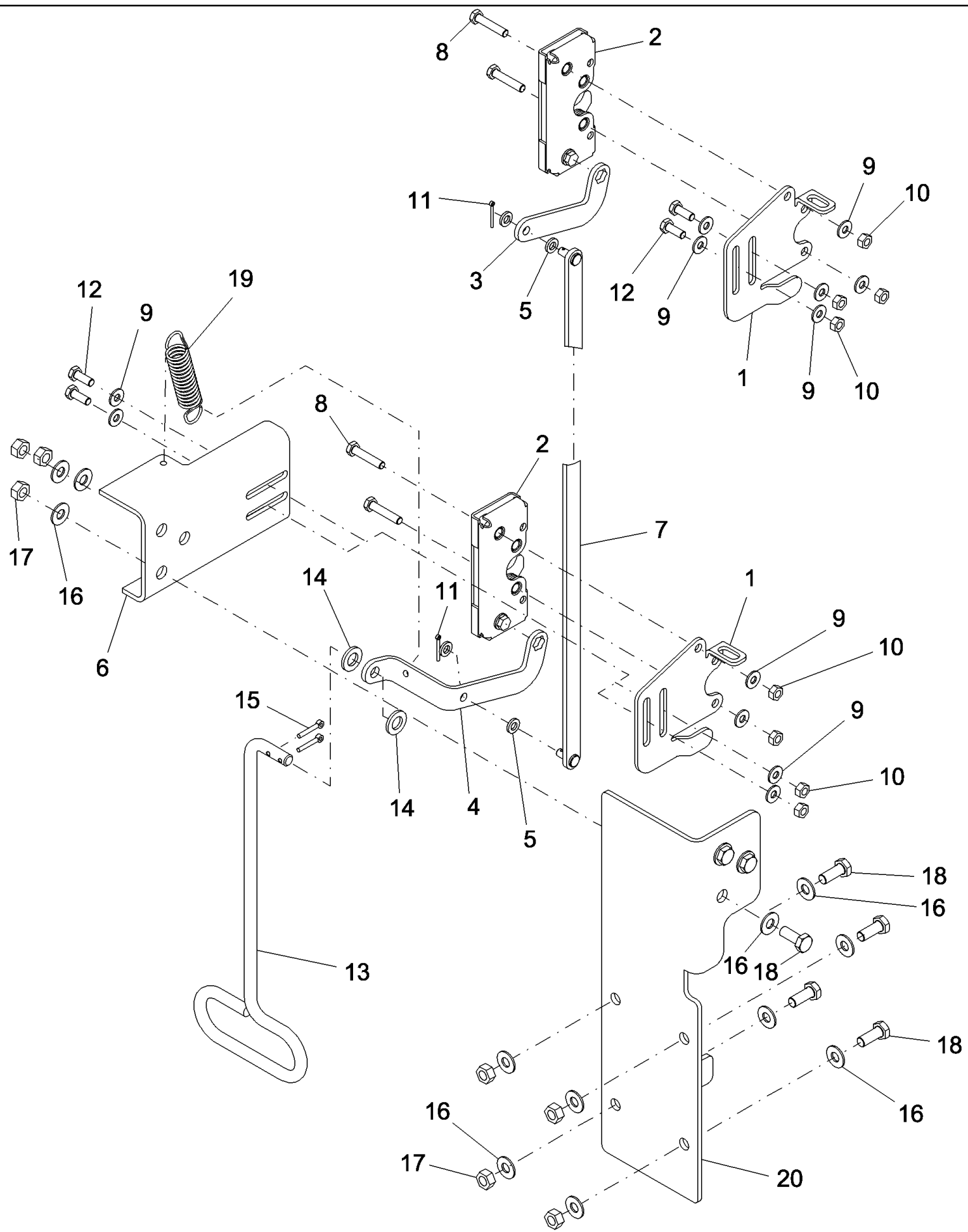
сылка	Номер детали	Кол-во	Описание
1	87109636	1	BRACKET, Hinge, Lower
2	322358	28	WASHER, SPRING, Belleville, M8,
3	43127	8	BOLT, Hex, M8 x 25, 8.8,
4	9706690	14	NUT, M8, CI 8,
5	87280546	1	BRACKET,
6	120104	2	BOLT, Hex, M8 x 20, 8.8,
7	140045	2	WASHER, SPRING, Belleville, M10,
8	331168	1	BOLT, Hex, M10 x 140, 8.8,
9	100016	2	NUT, M10, CI 8,
10	87108352	1	BRACKET, Keeper, RH
11	412215	3	BOLT, Hex, M8 x 100, 8.8,
12	120062	1	BOLT, Hex, M8 x 70, 8.8,
13	87107639	1	SPACER,
14	87109279	1	ROD, Keeper, RH Door
15	87105594	1	BRACKET,
16	87282194	1	SPACER, Panel, Latch
17	322357	4	WASHER, SPRING, Belleville, M6,
18	9706755	2	NUT, M6, CI 8,
19	86508568	2	BOLT, Hex, M6 x 16, 8.8,
20	87109244	1	SHIELD,



сылка	Номер детали	Кол-во	Описание
1	87282832	1	BRACKET,
2	87282373	1	ROD, RH Door Keeper
3	728-1240	1	PIN, CLEVIS, M12 x 40,
4	80755	1	PIN, SPLIT (COTTER), 1/8" x 1",
5	86511324	1	WASHER, M12 x 24 x 2.5,
6	322358	AR	WASHER, SPRING, Belleville, M8,
7	43127	8	BOLT, Hex, M8 x 25, 8.8,
8	9706690	11	NUT, M8, CI 8,
9	87283274	1	BRACKET,
10	140045	AR	WASHER, SPRING, Belleville, M10,
11	86624000	1	BOLT, Hex, M10 x 150, 8.8,
12	100016	AR	NUT, M10, CI 8,
13	43128	2	BOLT, Hex, M8 x 30, 8.8,
14	87105594	1	BRACKET,
15	412215	1	BOLT, Hex, M8 x 100, 8.8,
16	322357	8	WASHER, SPRING, Belleville, M6,
17	9706755	4	NUT, M6, CI 8,
18	86508568	4	BOLT, Hex, M6 x 16, 8.8,
19	87282194	1	SPACER, Latch
20	87510523	1	SHIELD, Belt - Includes Ref. 24, For NA Only
20	87510558	1	SHIELD, Belt - Includes Ref. 24, For EU Only
21	120104	2	BOLT, Hex, M8 x 20, 8.8,
22	43139	1	SCREW, Cap, HH, CL 8.8, M10 x 25
23	100037	1	NUT, M10 x 1.5, CI 8,
24	86626958	1	DECAL, Warning, For NA Only
24	84011345	1	DECAL, Warning, For EU Only

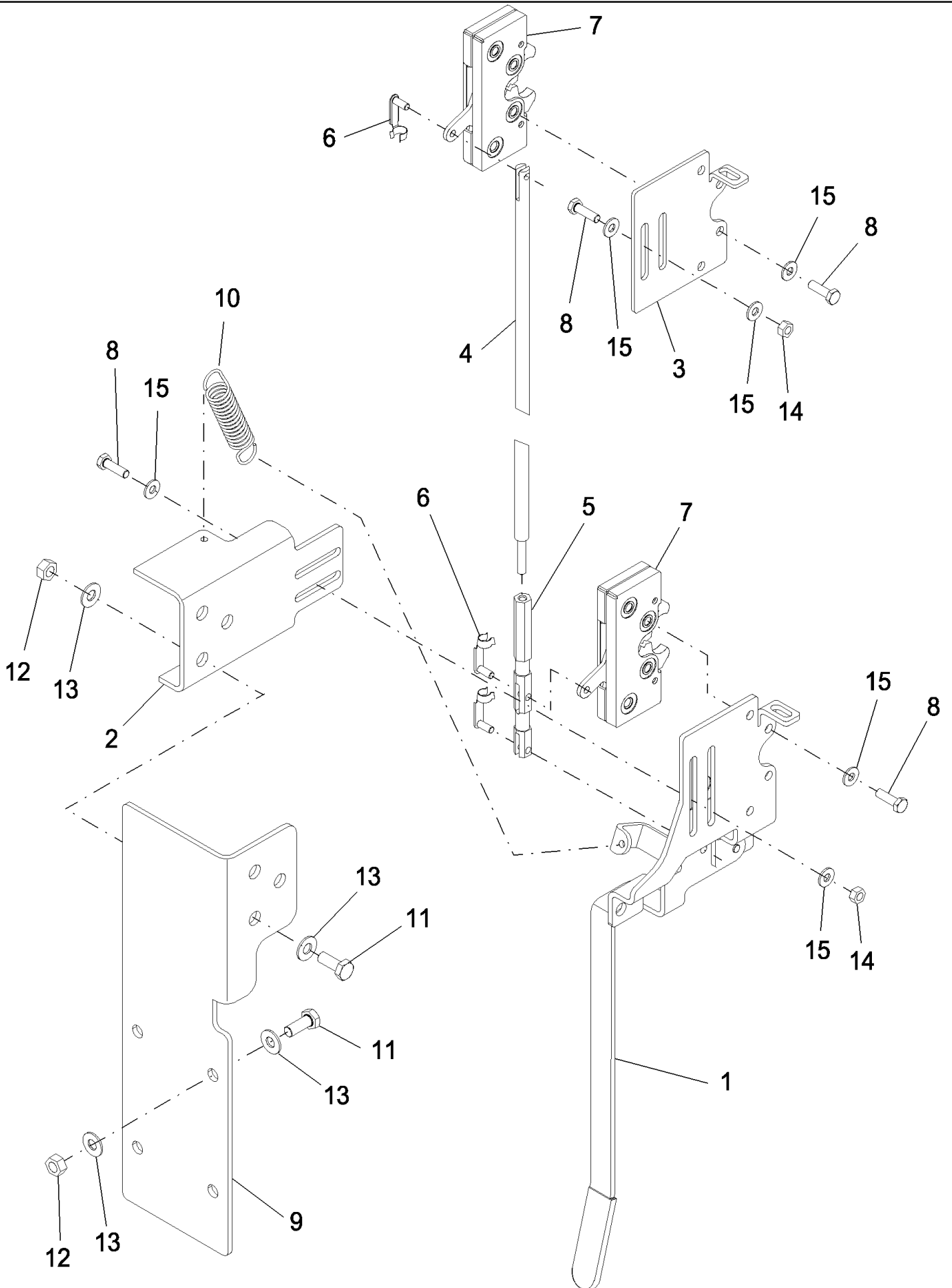


сылка	Номер детали	Кол-во	Описание
1	86998075	1	PANEL, Side, LH Center
2	87107681	1	BRACKET,
3	322358	20	WASHER, SPRING, Belleville, M8,
4	9706690	18	NUT, M8, CI 8,
5	120061	2	BOLT, Hex, M8 x 60, 8.8,
6	87313392	1	BRACKET, SUPPORTING,
7	87327222	4	SLEEVE,
8	86975784	20	STUD,
9	87383746	4	NUT, M8 x 1.25, Flg, CI 10,

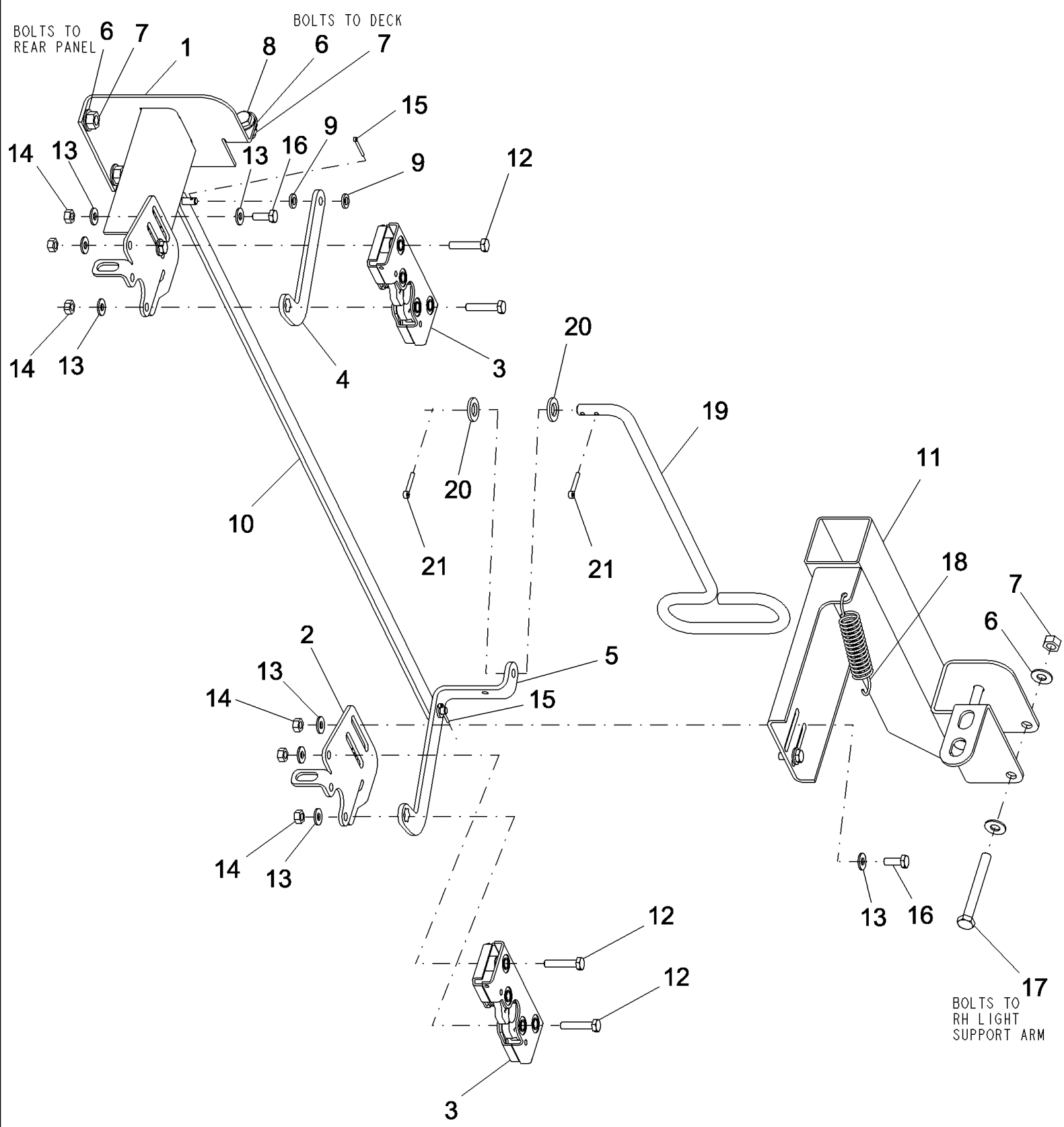


сылка	Номер детали	Кол-во	Описание
1	87109694	2	BRACKET,
2	87108544	2	LATCH,
3	87280168	1	LEVER,
4	87280157	1	LEVER,
5	86588450	4	WASHER, M6,
6	87280253	1	BRACKET,
7	87280170	1	ARM,
8	43117	4	BOLT, Hex, M6 x 30, 8.8,
9	322357	12	WASHER, SPRING, Belleville, M6,
10	9706755	8	NUT, M6, CI 8,
11	9512667	2	PIN, SPLIT (COTTER), M2 x 20,
12	86508568	4	BOLT, Hex, M6 x 16, 8.8,
13	87109698	1	HANDLE,
14	86511323	2	WASHER, M10 x 20 x 2,
15	130003	2	PIN, SPLIT (COTTER), M3.2 x 20,
16	322358	14	WASHER, SPRING, Belleville, M8,
17	9706690	7	NUT, M8, CI 8,
18	120104	7	BOLT, Hex, M8 x 20, 8.8,
19	87109697	1	SPRING, Extension
20	87280155	1	BRACKET, Door, LH

& AFTER

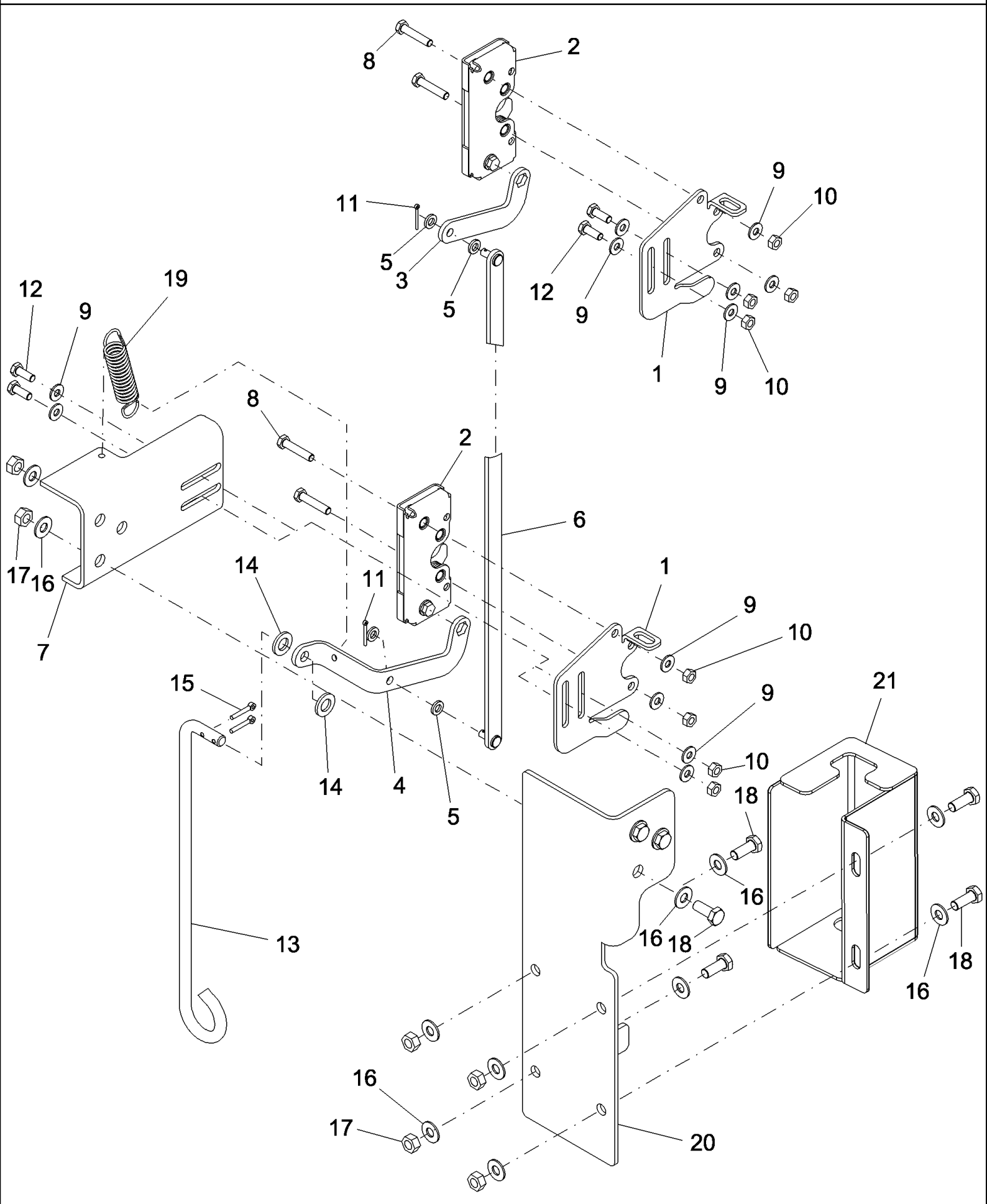


сылка	Номер детали	Кол-во	Описание
1	87282641	1	LEVER, LH
2	87282594	1	BRACKET,
3	87282458	1	BRACKET, Upper
4	87282457	1	ROD, LH
5	87282456	1	CLEVIS, Dual Latch
6	87282455	3	PIN, LOCK,
7	87282640	2	LATCH,
8	120100	8	BOLT, Hex, M6 x 20, 8.8,
9	87280155	1	BRACKET, Door, LH
10	87109697	1	SPRING, Extension
11	120104	7	BOLT, Hex, M8 x 20, 8.8,
12	9706690	7	NUT, M8, CI 8,
13	322358	14	WASHER, SPRING, Belleville, M8,
14	9706755	4	NUT, M6, CI 8,
15	322357	12	WASHER, SPRING, Belleville, M6,

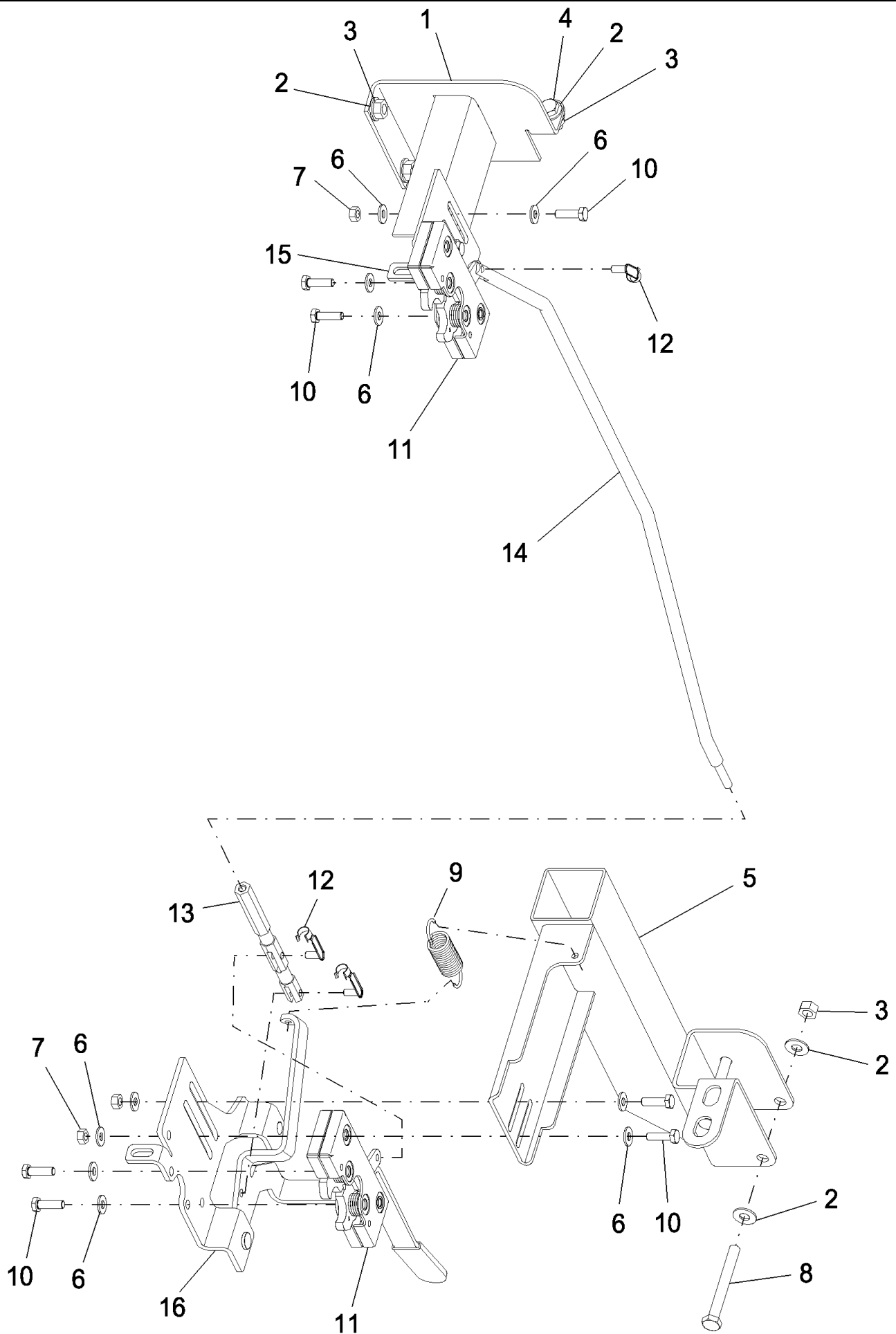


сылка	Номер детали	Кол-во	Описание
1	87109686	1	BRACKET,
2	87109694	2	BRACKET, , EndYear: 08/15/2003
3	87108544	2	LATCH, , EndYear: 08/15/2003
4	87109695	1	LEVER, , EndYear: 08/15/2003
5	87109696	1	LEVER, , EndYear: 08/15/2003
6	322358	8	WASHER, SPRING, Belleville, M8,
7	9706690	5	NUT, M8, CI 8,
8	120104	1	BOLT, Hex, M8 x 20, 8.8,
9	86588450	4	WASHER, M6, , EndYear: 08/15/2003
10	87109693	1	ARM, , EndYear: 08/15/2003
11	87109691	1	SUPPORT, , EndYear: 08/15/2003
11	87282249	1	SUPPORT, , Start Year: 08/15/2003
12	43117	4	BOLT, Hex, M6 x 30, 8.8,
13	322357	12	WASHER, SPRING, Belleville, M6,
14	9706755	8	NUT, M6, CI 8,
15	9512667	2	PIN, SPLIT (COTTER), M2 x 20, , EndYear: 08/15/2003
16	86508568	4	BOLT, Hex, M6 x 16, 8.8,
17	120062	2	BOLT, Hex, M8 x 70, 8.8,
18	87109697	1	SPRING, Extension
19	87109698	1	HANDLE, , EndYear: 08/15/2003
20	86511323	2	WASHER, M10 x 20 x 2, , EndYear: 08/15/2003
21	130003	2	PIN, SPLIT (COTTER), M3.2 x 20, , EndYear: 08/15/2003

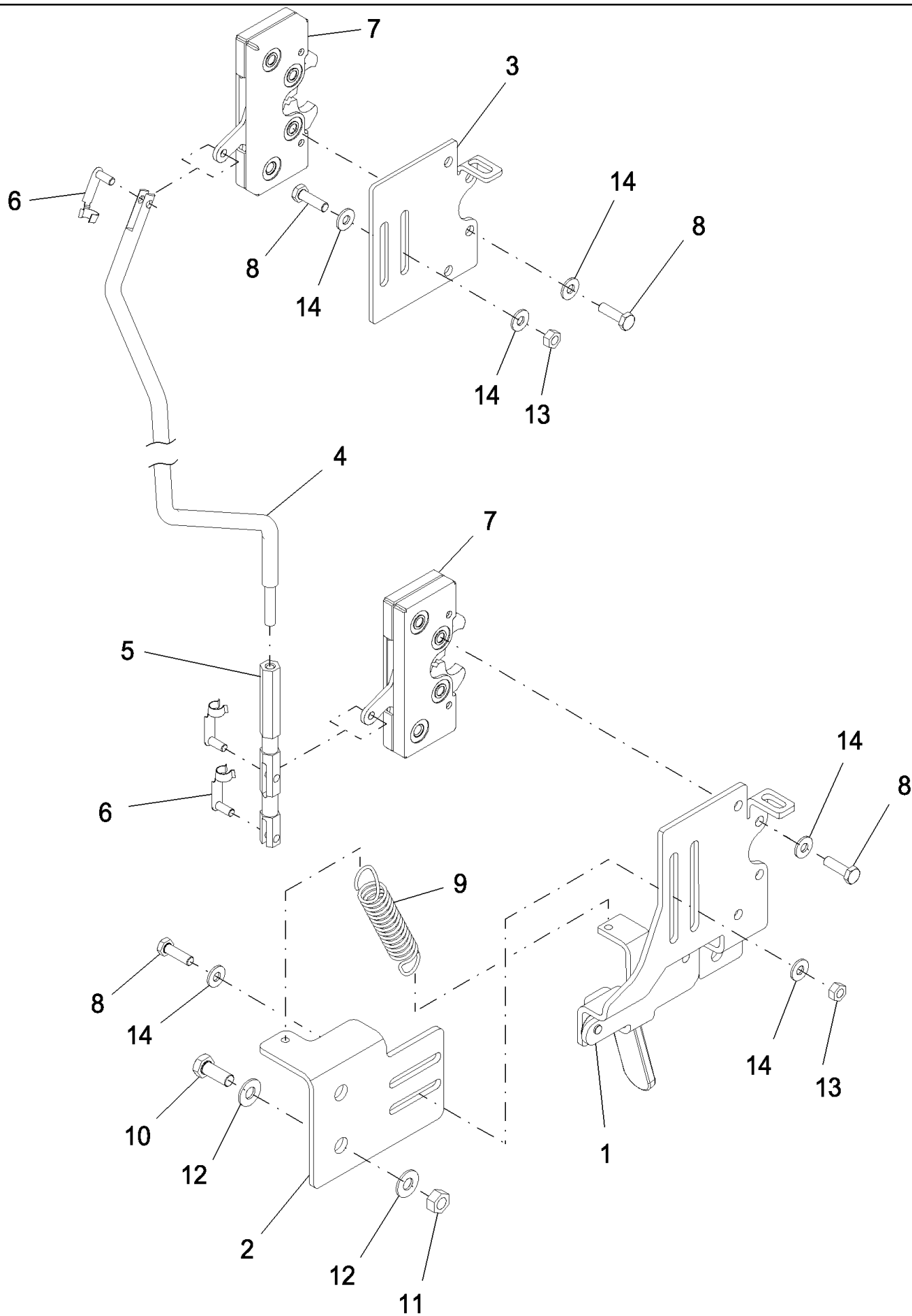
E.20.A.70(09) LATCH, SIDE



сылка	Номер детали	Кол-во	Описание
1	87109694	2	BRACKET,
2	87108544	2	LATCH,
3	87280168	1	LEVER,
4	87280157	1	LEVER,
5	86588450	4	WASHER, M6,
6	87280170	1	ARM,
7	87280253	1	BRACKET, , For EU Only
8	43117	4	BOLT, Hex, M6 x 30, 8.8,
9	322357	12	WASHER, SPRING, Belleville, M6,
10	9706755	8	NUT, M6, CI 8,
11	9512667	2	PIN, SPLIT (COTTER), M2 x 20,
12	86508568	4	BOLT, Hex, M6 x 16, 8.8,
13	87280245	1	HANDLE, LOCKING,
14	86511323	2	WASHER, M10 x 20 x 2,
15	130003	2	PIN, SPLIT (COTTER), M3.2 x 20,
16	322358	14	WASHER, SPRING, Belleville, M8,
17	9706690	7	NUT, M8, CI 8,
18	120104	7	BOLT, Hex, M8 x 20, 8.8,
19	87109697	1	SPRING, Extension
20	87280155	1	BRACKET, Door, LH
21	87280314	1	SHIELD, , For EU Only

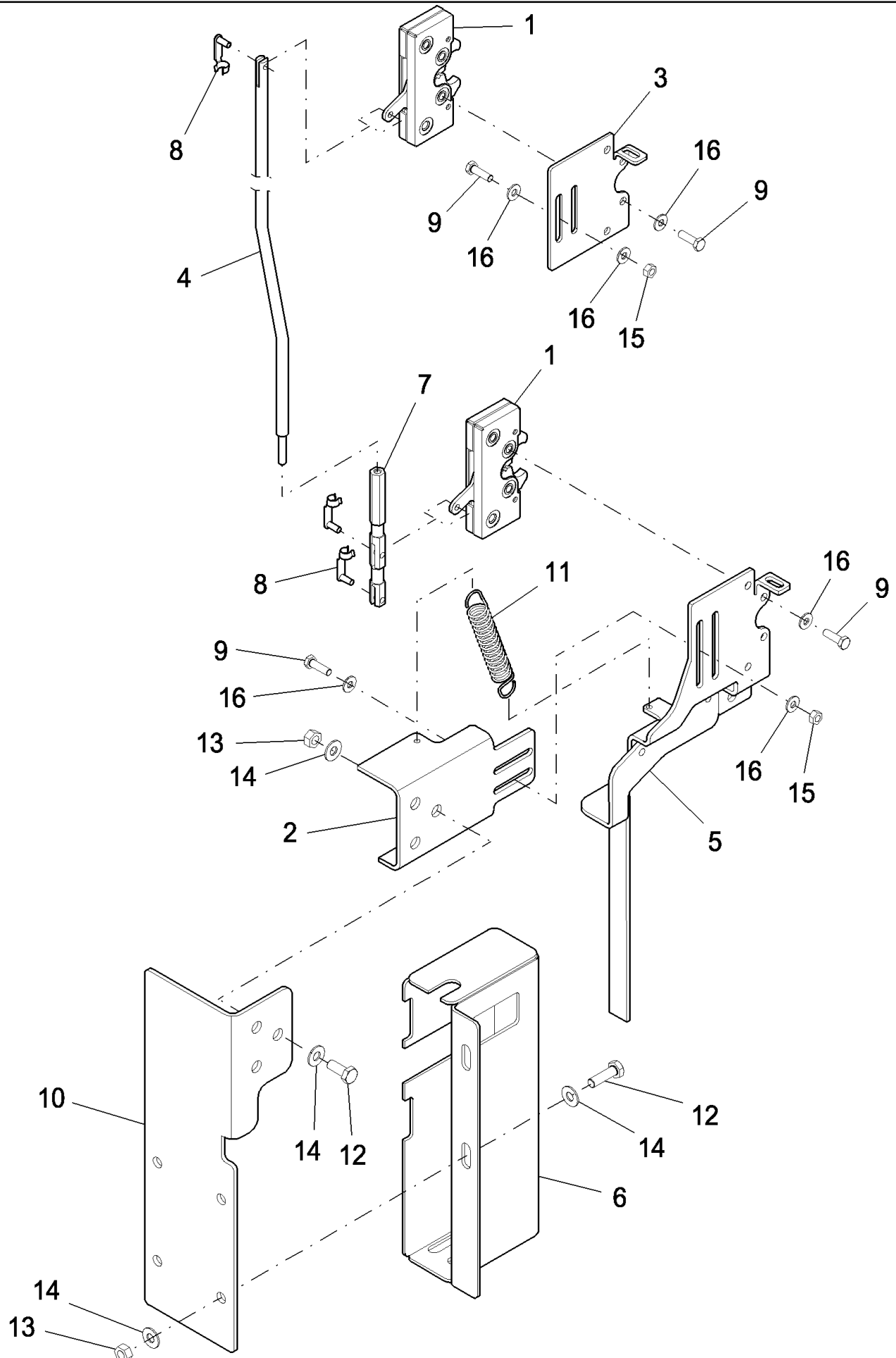


сылка	Номер детали	Кол-во	Описание
1	87109686	1	BRACKET,
2	322358	8	WASHER, SPRING, Belleville, M8,
3	9706690	5	NUT, M8, CI 8,
4	120104	1	BOLT, Hex, M8 x 20, 8.8,
5	87282249	1	SUPPORT,
6	322357	12	WASHER, SPRING, Belleville, M6,
7	9706755	4	NUT, M6, CI 8,
8	120062	2	BOLT, Hex, M8 x 70, 8.8,
9	87109697	1	SPRING, Extension
10	120100	8	BOLT, Hex, M6 x 20, 8.8,
11	87282640	2	LATCH,
12	87282455	3	PIN, LOCK,
13	87282456	1	CLEVIS, Dual Latch
14	87282460	1	ROD, RH, Rear
15	87282458	1	BRACKET, Upper
16	87282639	1	LEVER, RH, Rear



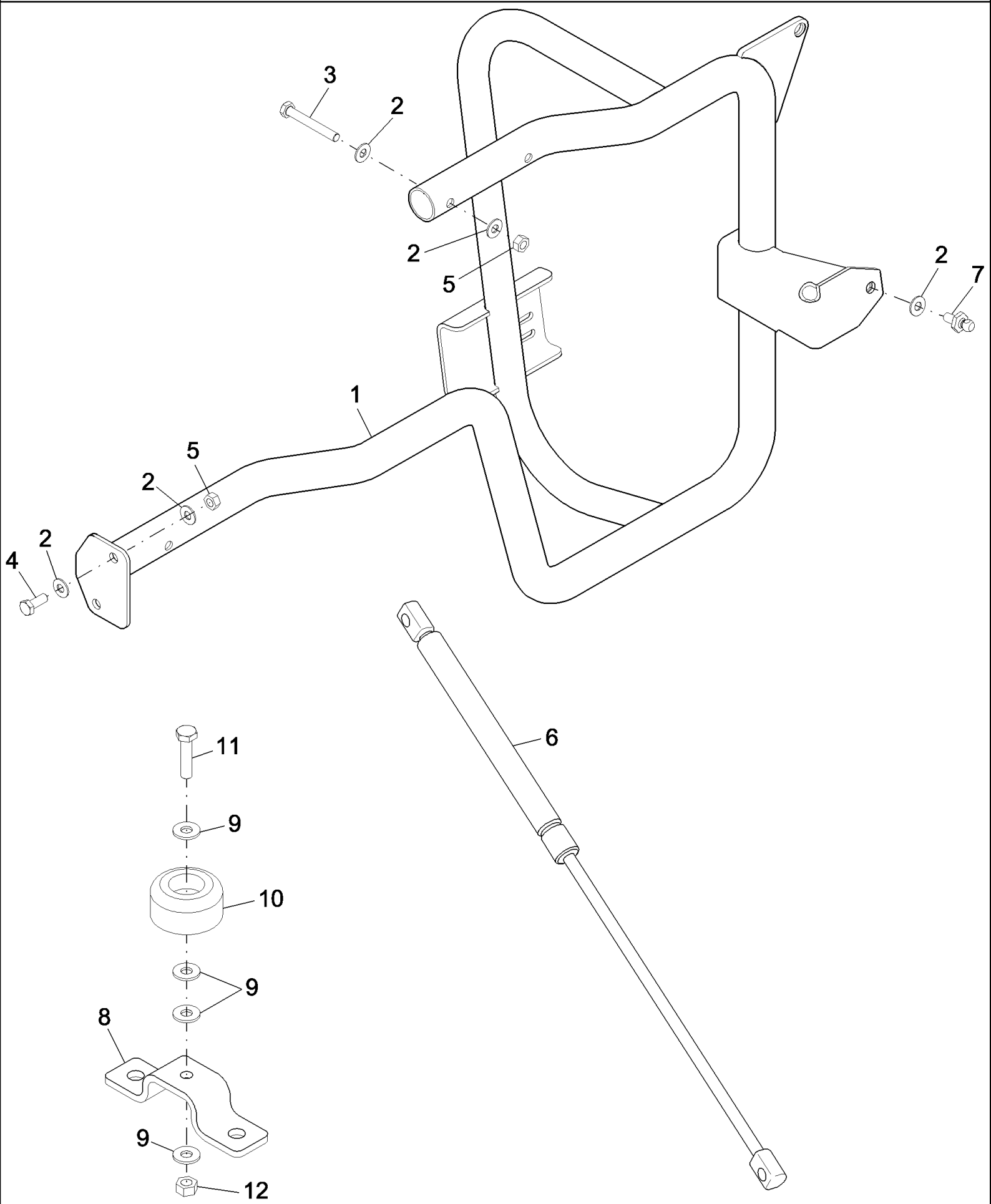
сылка	Номер детали	Кол-во	Описание
1	87282642	1	LEVER, RH Mid
2	87282578	1	BRACKET,
3	87282458	1	BRACKET, Upper
4	87282459	1	ROD, RH Mid
5	87282456	1	CLEVIS, Dual Latch
6	87282455	3	PIN, LOCK,
7	87282640	2	LATCH,
8	120100	8	BOLT, Hex, M6 x 20, 8.8,
9	87109697	1	SPRING, Extension
10	120104	2	BOLT, Hex, M8 x 20, 8.8,
11	9706690	2	NUT, M8, CI 8,
12	322358	4	WASHER, SPRING, Belleville, M8,
13	9706755	4	NUT, M6, CI 8,
14	322357	12	WASHER, SPRING, Belleville, M6,

& AFTER

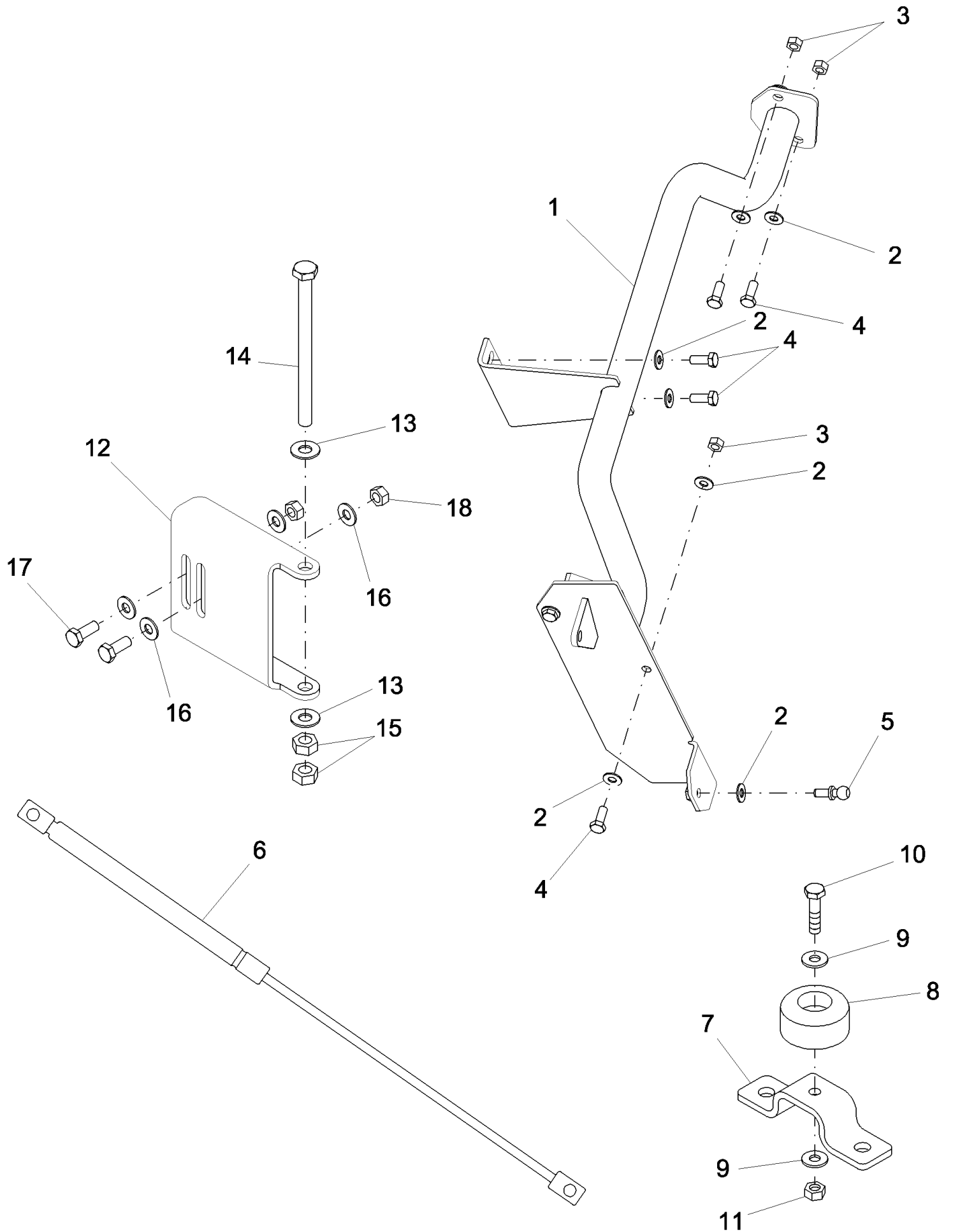


сылка	Номер детали	Кол-во	Описание
1	87282640	2	LATCH,
2	87282594	1	BRACKET,
3	87282458	1	BRACKET, Upper
4	87282457	1	ROD, LH
5	87282489	1	LEVER, LH
6	87282462	1	COVER, LH
7	87282456	1	CLEVIS, Dual Latch
8	87282455	3	PIN, LOCK,
9	120100	8	BOLT, Hex, M6 x 20, 8.8,
10	87280155	1	BRACKET, Door, LH
11	87109697	1	SPRING, Extension
12	120104	7	BOLT, Hex, M8 x 20, 8.8,
13	9706690	7	NUT, M8, CI 8,
14	322358	14	WASHER, SPRING, Belleville, M8,
15	9706755	4	NUT, M6, CI 8,
16	322357	12	WASHER, SPRING, Belleville, M6,
17	87282181	1	BRACKET,

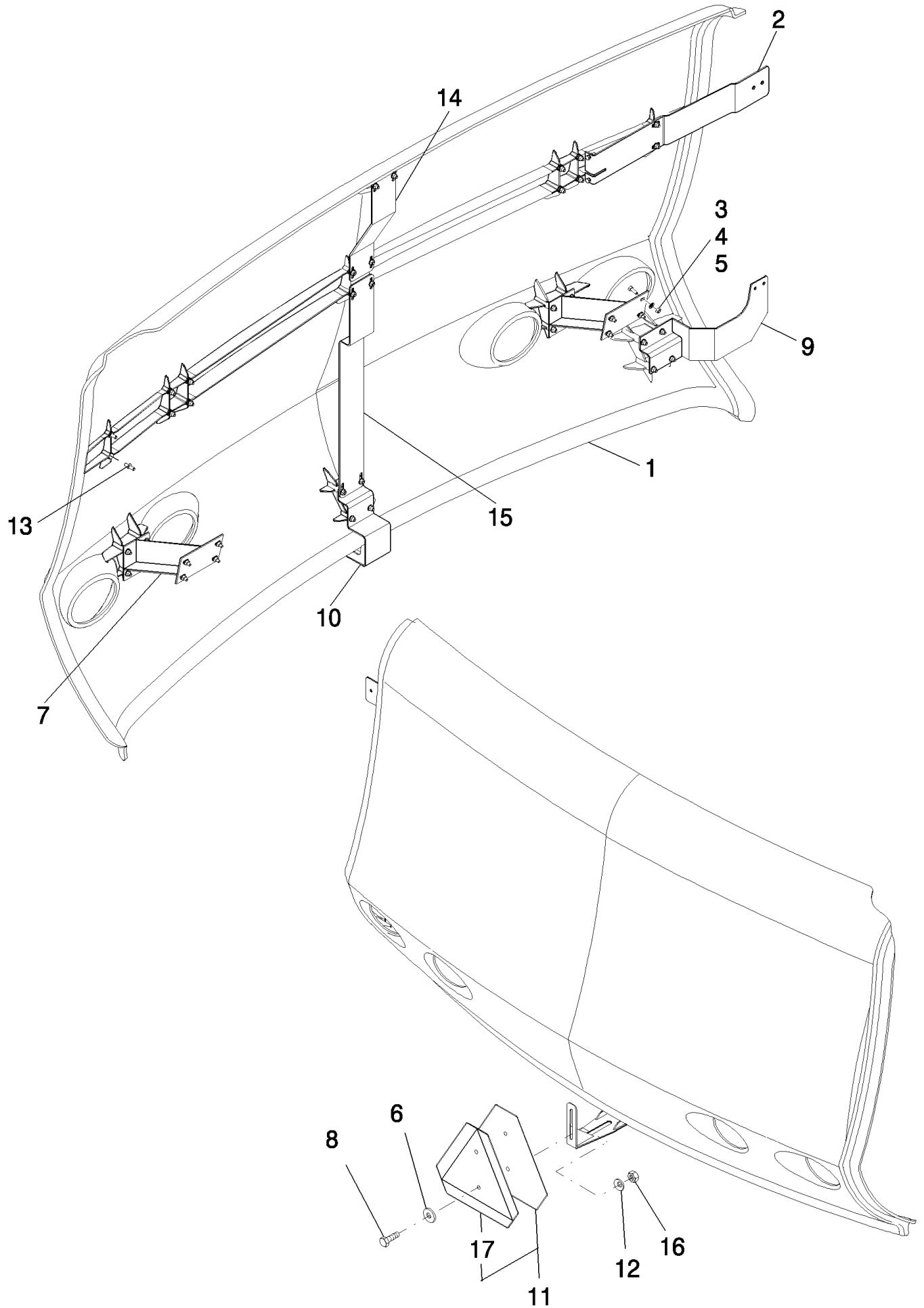
E.20.A.71(1) TUBE SUPPORT, L. H. REAR UPPER PANEL



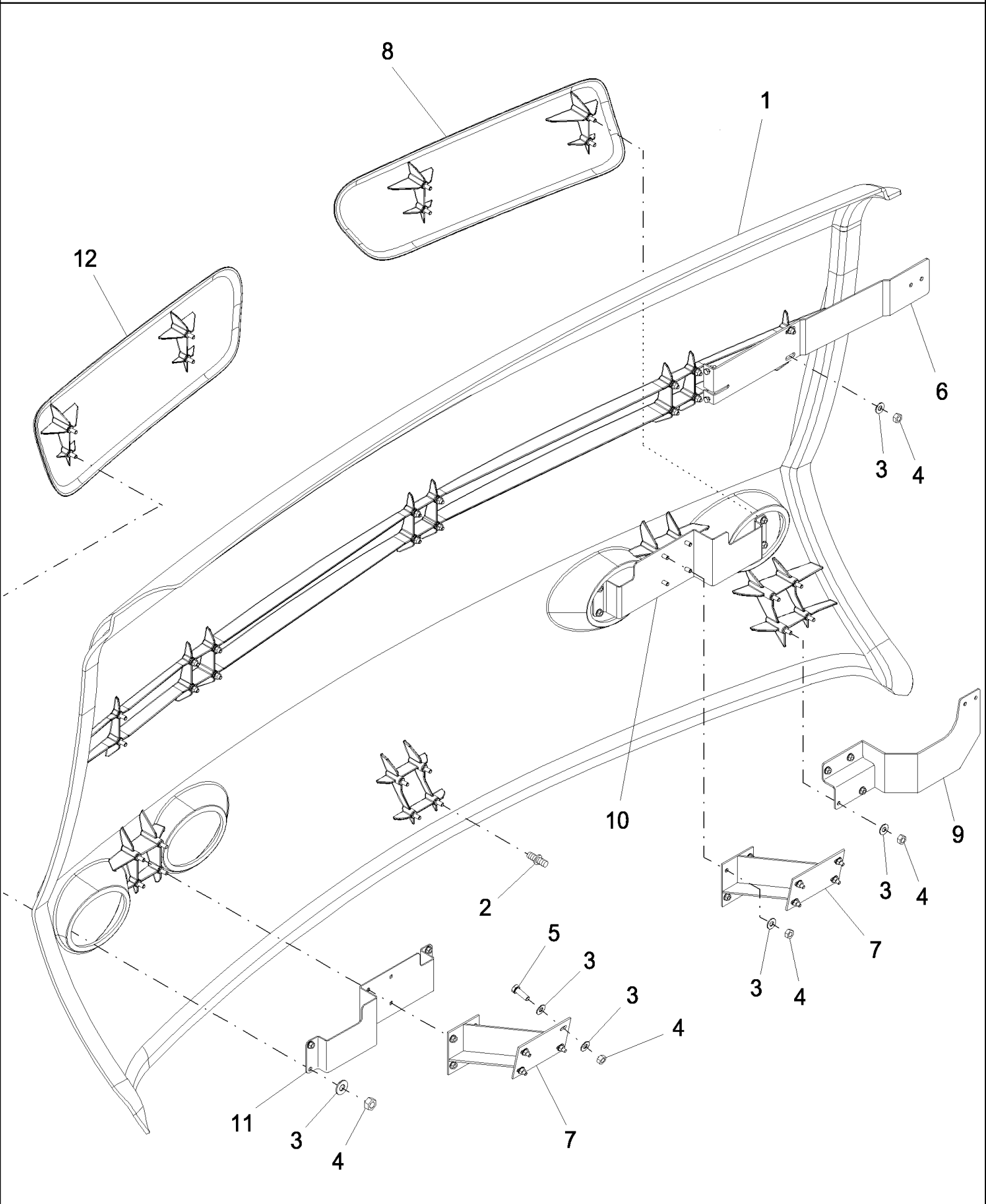
сылка	Номер детали	Кол-во	Описание
1	87314151	1	SUPPORT, LH Support - Was 87280161, 87284402
2	322358	9	WASHER, SPRING, Belleville, M8,
3	120061	2	BOLT, Hex, M8 x 60, 8.8,
4	120104	2	BOLT, Hex, M8 x 20, 8.8,
5	9706690	4	NUT, M8, CI 8,
6	87108531	1	GAS STRUT, 900N
7	9706807	1	STUD, Ball
8	87001351	1	BRACKET, Door Stop
9	322357	4	WASHER, SPRING, Belleville, M6,
10	86514271	1	BUMPER,
11	86977786	1	BOLT, Hex, M6 x 25, 8.8,
12	9706755	1	NUT, M6, CI 8,



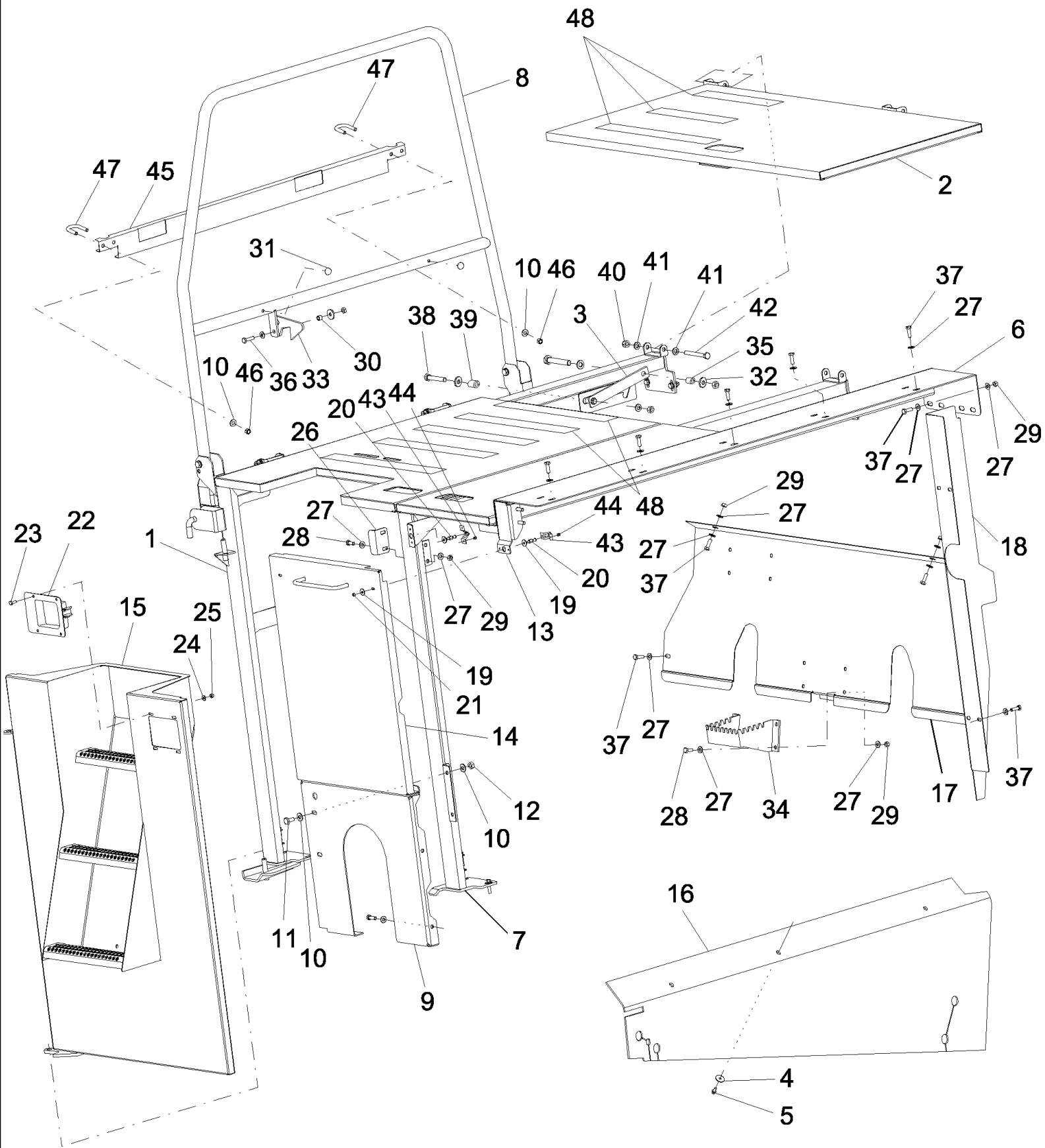
сылка	Номер детали	Кол-во	Описание
1	87108095	1	SUPPORT,
2	322358	11	WASHER, SPRING, Belleville, M8,
3	9706690	4	NUT, M8, CI 8,
4	120104	6	BOLT, Hex, M8 x 20, 8.8,
5	9706807	1	STUD, Ball
6	87108531	1	GAS STRUT, 900N
7	87001351	1	BRACKET, Door Stop
8	86514271	1	BUMPER,
9	322357	2	WASHER, SPRING, Belleville, M6,
10	86977786	1	BOLT, Hex, M6 x 25, 8.8,
11	9706755	1	NUT, M6, CI 8,
12	87280546	1	BRACKET,
13	140045	2	WASHER, SPRING, Belleville, M10,
14	331168	1	BOLT, Hex, M10 x 140, 8.8,
15	100016	2	NUT, M10, CI 8,
16	322358	4	WASHER, SPRING, Belleville, M8,
17	120104	2	BOLT, Hex, M8 x 20, 8.8,
18	9706690	2	NUT, M8, CI 8,



сылка	Номер детали	Кол-во	Описание
1	86998087	1	PANEL, SIDE, Rear
2	87107411	1	BRACKET,
3	322358	AR	WASHER, SPRING, Belleville, M8,
4	9706690	AR	NUT, M8, CI 8,
5	43127	10	BOLT, Hex, M8 x 25, 8.8,
6	86624183	2	WASHER, M6 x 25 x 1.6,
7	87000755	2	BRACKET,
8	120100	2	BOLT, Hex, M6 x 20, 8.8,
9	87000853	1	BRACKET,
10	87280724	1	BRACKET,
11	87280744	1	PLATE, SMV, Includes Ref. 17
12	322357	2	WASHER, SPRING, Belleville, M6,
13	86975784	AR	STUD,
14	87280928	1	BRACKET,
15	87280930	1	BRACKET,
16	9706755	2	NUT, M6, CI 8,
17	86547711	1	DECAL, SMV

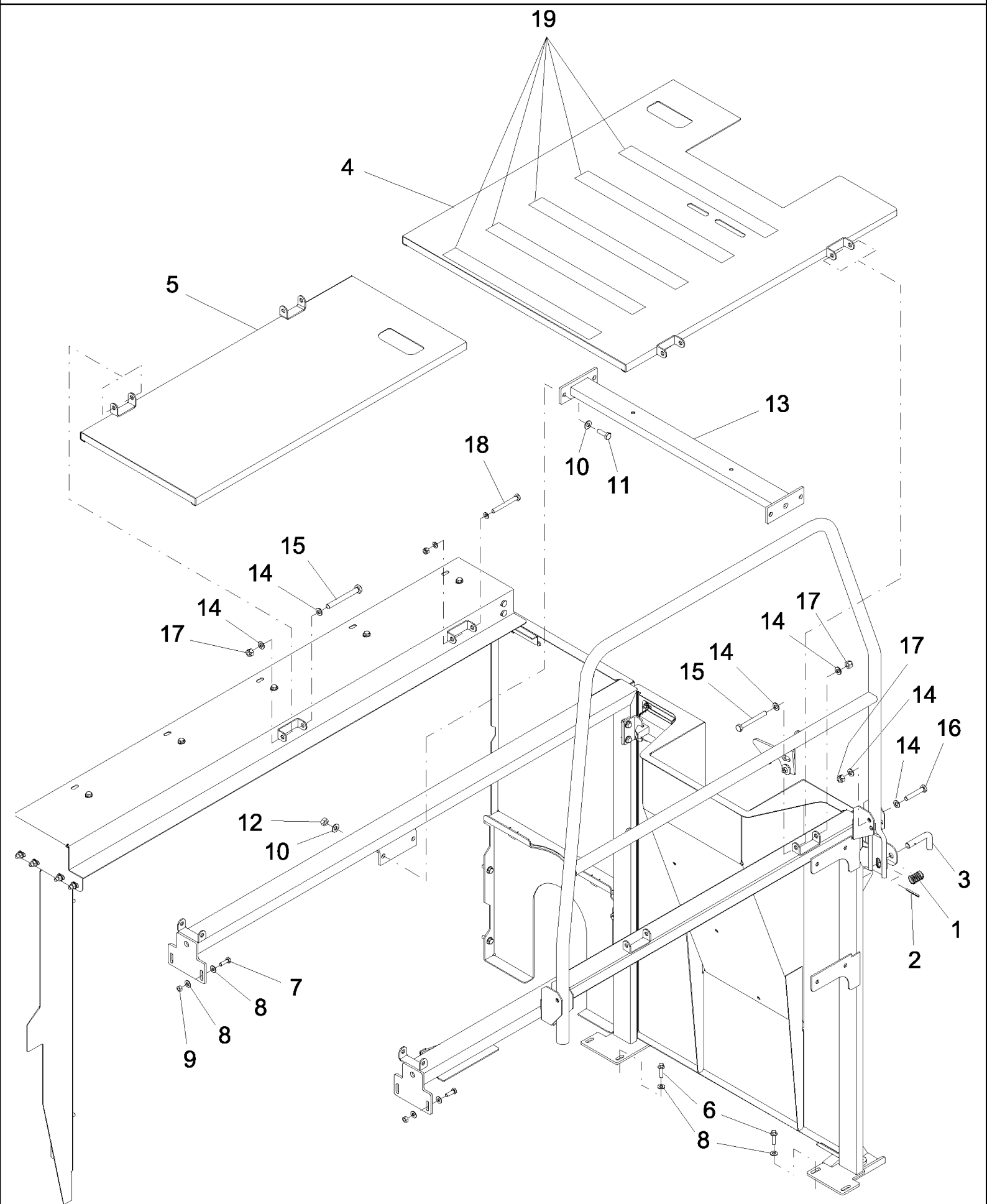


сылка	Номер детали	Кол-во	Описание
1	86998087	1	PANEL, SIDE, Rear
2	86975784	32	STUD,
3	322358	52	WASHER, SPRING, Belleville, M8,
4	9706690	44	NUT, M8, CI 8,
5	43127	10	BOLT, Hex, M8 x 25, 8.8,
6	87107411	1	BRACKET,
7	87000755	2	BRACKET,
8	87107079	1	BEZEL, LH
9	87000853	1	BRACKET,
10	87107491	1	BRACKET, LH
11	87107487	1	BRACKET, RH
12	87107080	1	BEZEL, RH

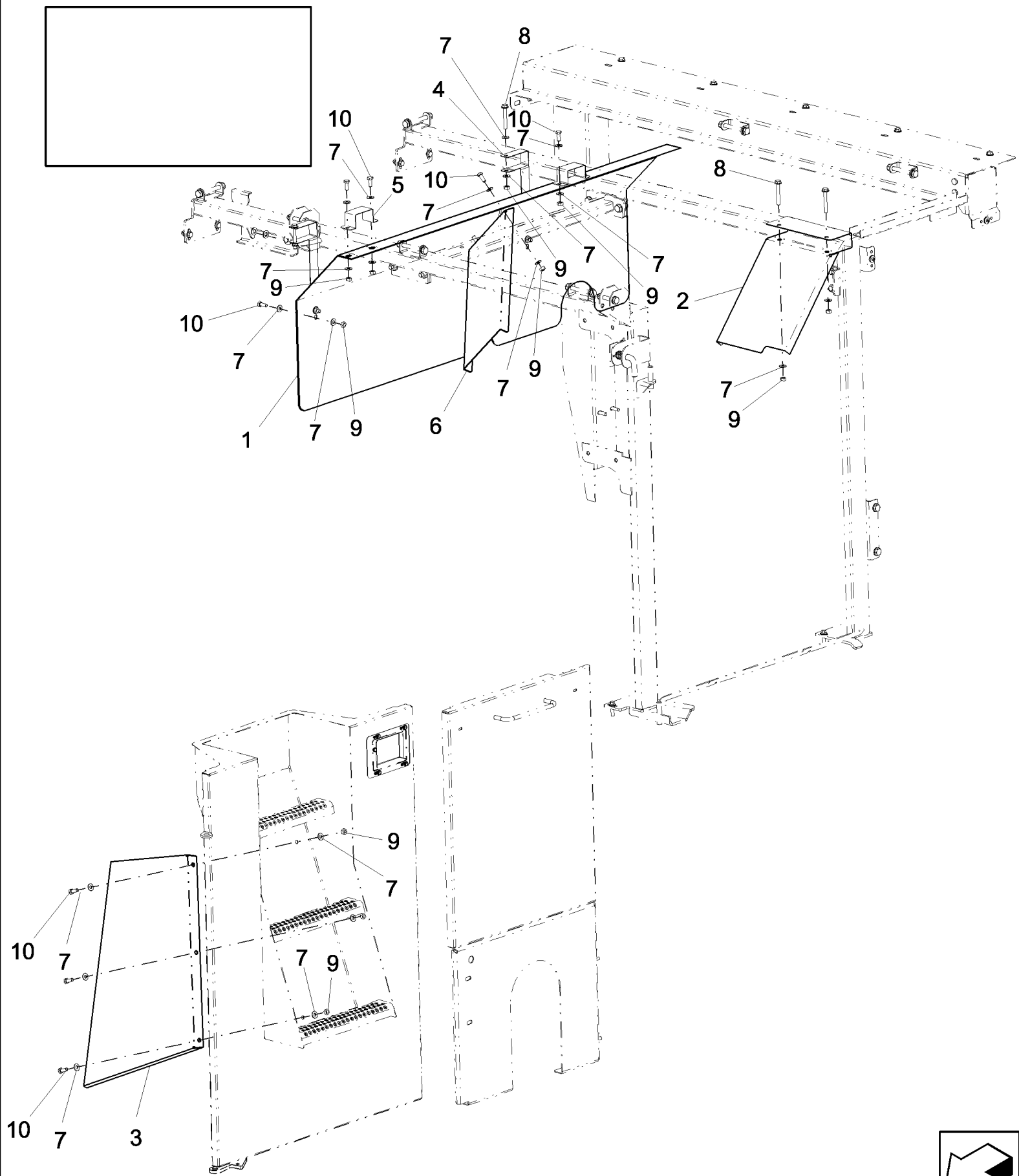


сылка	Номер детали	Кол-во	Описание
1	87281687	1	BEAM, , ASN HAJ105206
1	87281687	1	BEAM, , For EU Only, ASN HAJ103201
2	87106949	1	COVER, Less Strips, EndYear: 09/01/2004
2	87283729	1	COVER, Less Strips, Start Year: 09/01/2004
2	87283654	1	COVER, With Strips, Start Year: 09/01/2004
3	87109081	1	SUPPORT,
4	86624183	3	WASHER, M6 x 25 x 1.6,
5	86625199	3	SCREW, SELF TAP, Hex Flg Hd, M6 x 13,
6	87106961	1	COVER,
7	87107116	1	ARM, Support
8	87281756	1	HANDRAIL, , ASN HAJ105206
8	87281756	1	HANDRAIL, , For EU Only, ASN HAJ103201
9	87106978	1	COVER,
10	140045	8	WASHER, SPRING, Belleville, M10,
11	43138	2	BOLT, Hex, M10 x 20, 8.8, Full Thd,
12	100016	2	NUT, M10, CI 8,
13	87107113	1	BRACKET,
14	87106973	1	COVER,
15	87281685	1	COVER, Door Panel, ASN HAJ105206
15	87281685	1	COVER, Door Panel, For EU Only, ASN HAJ103201
16	86976321	1	DEFLECTOR,
17	87109109	1	SHEET, Deflector
18	87109237	1	DEFLECTOR,
18	87510726	1	DEFLECTOR, Tier 3, ASN HAJ106401
19	412649	4	WASHER, SPRING, Belleville, M6,
20	86998687	2	STUD, Ball
21	86508813	2	NUT, M5, CI 8,
22	87107238	1	LATCH,
23	86508568	4	BOLT, Hex, M6 x 16, 8.8,
24	322357	4	WASHER, SPRING, Belleville, M6,
25	9706755	4	NUT, M6, CI 8,
26	87107237	1	PLATE, STRIKER, Door
27	322358	AR	WASHER, SPRING, Belleville, M8,
28	120104	10	BOLT, Hex, M8 x 20, 8.8,
29	9706690	AR	NUT, M8, CI 8,
30	87026609	1	SPACER, 1/2" Pipe x 3/8",
31	86975394	2	BUMPER,
32	140041	3	WASHER, M8 x 28 x 3,
33	87281690	1	LATCH,
34	87105622	2	STEP,
35	87281729	1	BUSHING,
36	43128	1	BOLT, Hex, M8 x 30, 8.8,
37	43127	AR	BOLT, Hex, M8 x 25, 8.8,
38	43129	1	BOLT, Hex, M8 x 40, 8.8,
39	86580795	1	SPACER,

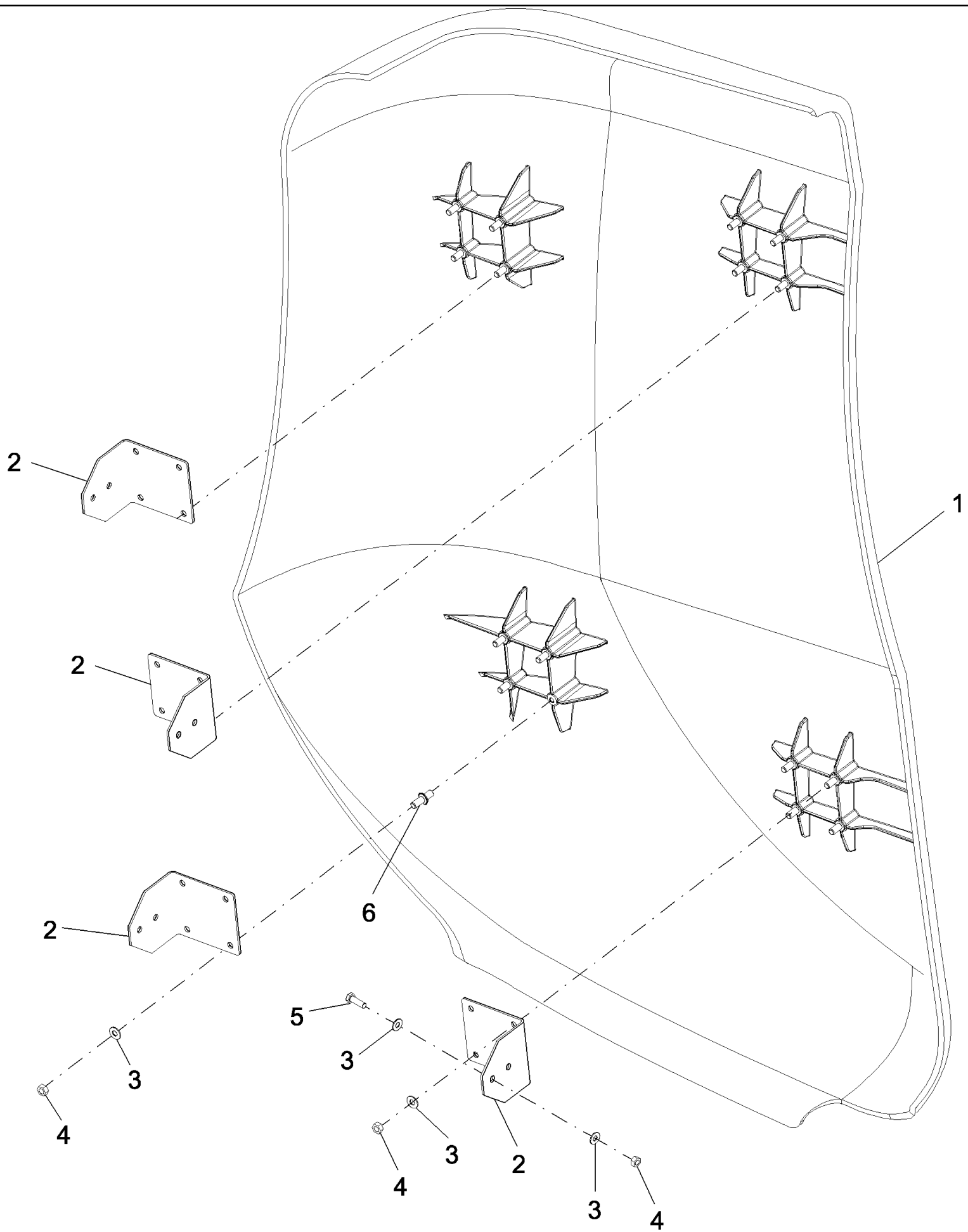
сылка	Номер детали	Кол-во	Описание
40	100037	2	NUT, M10 x 1.5, Cl 8,
41	86511323	4	WASHER, M10 x 20 x 2,
42	120074	2	BOLT, Hex, M10 x 90, 8.8,
43	86998688	2	LATCH, Clip
44	86984400	4	RIVET, Pop, 1/8" x .400", Stainless,
45	87284590	1	RAIL, Cross
46	9628503	4	NUT, 3/8"-16, G5,
47	87037482	2	U-BOLT,
48	401502	AR	STRIP, ANTI-SKID, , Start Year: 09/01/2004



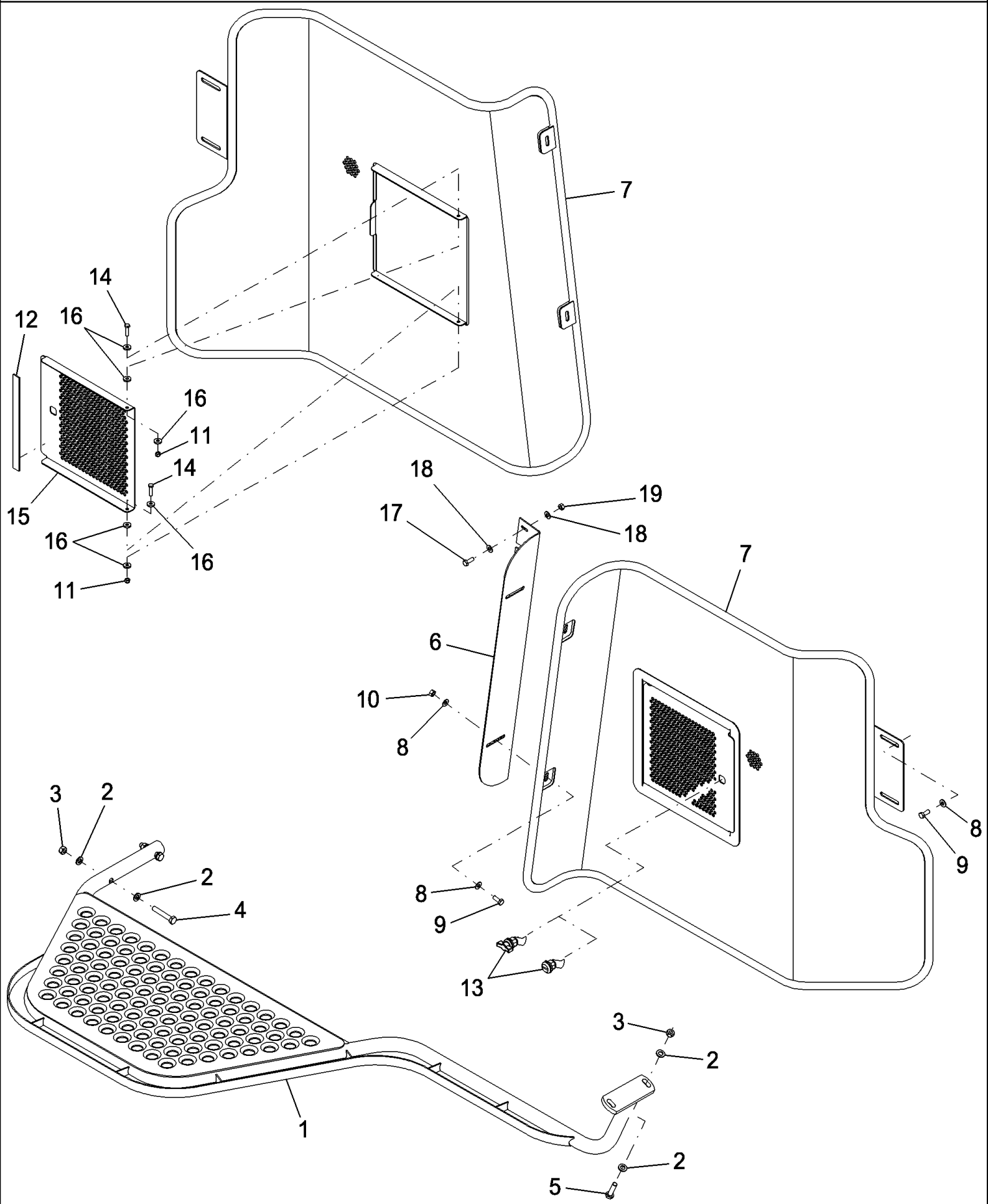
сылка	Номер детали	Кол-во	Описание
1	86611329	1	SPRING,
2	87913	1	PIN, LOCK, 1/8" x 1 1/4", Slotted,
3	86611330	1	PIN, Jack Pin
4	87106958	1	COVER, LH, Less Strips, EndYear: 09/01/2004
4	87283731	1	COVER, LH, Less Strips, Start Year: 09/01/2004
4	87283655	1	COVER, LH, With Strips , Start Year: 09/01/2004
5	87106954	1	COVER, Top, EndYear: 09/01/2004
5	87283733	1	COVER, Top, Start Year: 09/01/2004
6	86625201	4	SCREW, SELF TAP, Hex Flg Hd, M8 x 30,
7	43127	AR	BOLT, Hex, M8 x 25, 8.8,
8	322358	AR	WASHER, SPRING, Belleville, M8,
9	9706690	AR	NUT, M8, CI 8,
10	140045	8	WASHER, SPRING, Belleville, M10,
11	43140	4	BOLT, Hex, M10 x 30, 8.8, Full Thd,
12	100016	4	NUT, M10, CI 8,
13	87108077	1	TUBE,
14	86511323	12	WASHER, M10 x 20 x 2,
15	120074	4	BOLT, Hex, M10 x 90, 8.8,
16	120070	2	BOLT, Hex, M10 x 60, 8.8,
17	100037	6	NUT, M10 x 1.5, CI 8,
18	86585703	2	SCREW, Cross Pan Hd, M8 x 20,
19	401502	AR	STRIP, ANTI-SKID, , Start Year: 09/01/2004



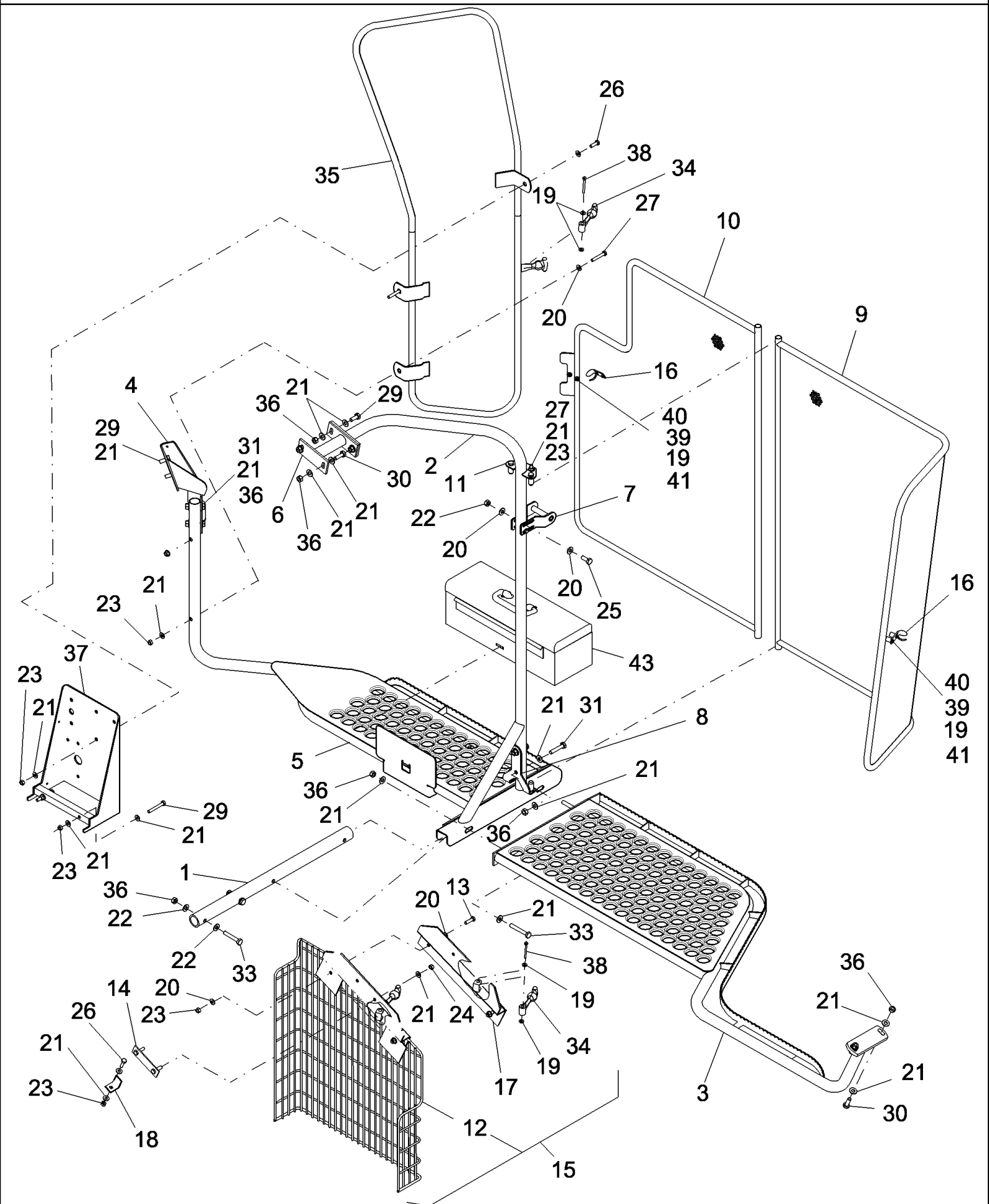
сылка	Номер детали	Кол-во	Описание
1	87282270	1	DEFLECTOR,
2	87282274	1	DEFLECTOR,
3	87282326	1	DEFLECTOR,
4	87282330	2	BRACKET,
5	87282328	2	BRACKET,
6	87282272	1	DEFLECTOR,
7	322358	34	WASHER, SPRING, Belleville, M8,
8	813-8060	4	BOLT, Hex, M8 x 60, 8.8,
9	9706690	17	NUT, M8, CI 8,
10	615-8020	13	BOLT, Hex, M8 x 20, 8.8, Full Thd,



сылка	Номер детали	Кол-во	Описание
1	86998077	1	PANEL, Rear, LH
2	86638220	4	BRACKET,
3	322358	32	WASHER, SPRING, Belleville, M8,
4	9706690	24	NUT, M8, CI 8,
5	43127	8	BOLT, Hex, M8 x 25, 8.8,
6	86975784	16	STUD,

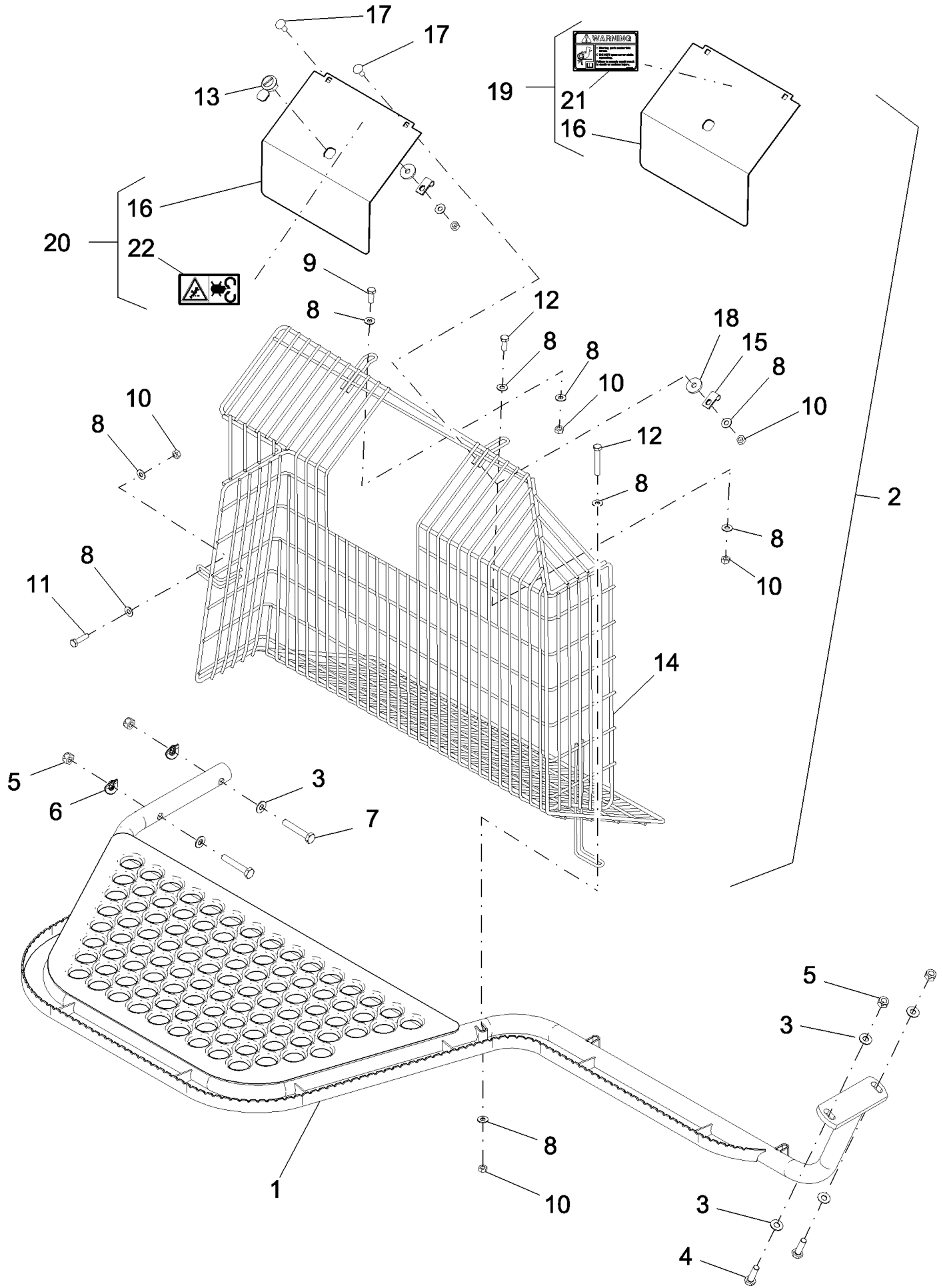


сылка	Номер детали	Кол-во	Описание
1	87283675	1	PLATFORM,
2	9820489	8	WASHER, M10
2	140045	6	WASHER, SPRING, Belleville, M10,
3	86980515	4	NUT, LOCK, M10 x 1.5, CI 8,
3	100037	4	NUT, M10 x 1.5, CI 8,
4	120070	2	BOLT, Hex, M10 x 60, 8.8,
5	120068	2	BOLT, Hex, M10 x 40, 8.8, Full Thd,
5	9706704	2	BOLT, Hex, M10 x 35, 8.8, Full Thd,
6	87108313	1	BRACKET,
7	87108203	1	SHIELD, Cleaning Fan
8	322358	6	WASHER, SPRING, Belleville, M8,
9	120104	4	BOLT, Hex, M8 x 20, 8.8,
10	9706690	2	NUT, M8, CI 8,
11	353308	2	NUT, LOCK, M6 x 1, CI 8,
12	87108414	1	SEAL,
13	87017720	1	LATCH, Hand Operated
13	87108393	1	LATCH, Tool Operated , For EU Only
14	86977786	2	BOLT, Hex, M6 x 25, 8.8,
15	87108209	1	DOOR, Cleaning Fan
16	86592710	6	WASHER, M6 x 17 x 3,
17	120100	3	BOLT, Hex, M6 x 20, 8.8,
18	322357	6	WASHER, SPRING, Belleville, M6,
19	9706755	3	NUT, M6, CI 8,
20	379401	2	CLAMP, Washer

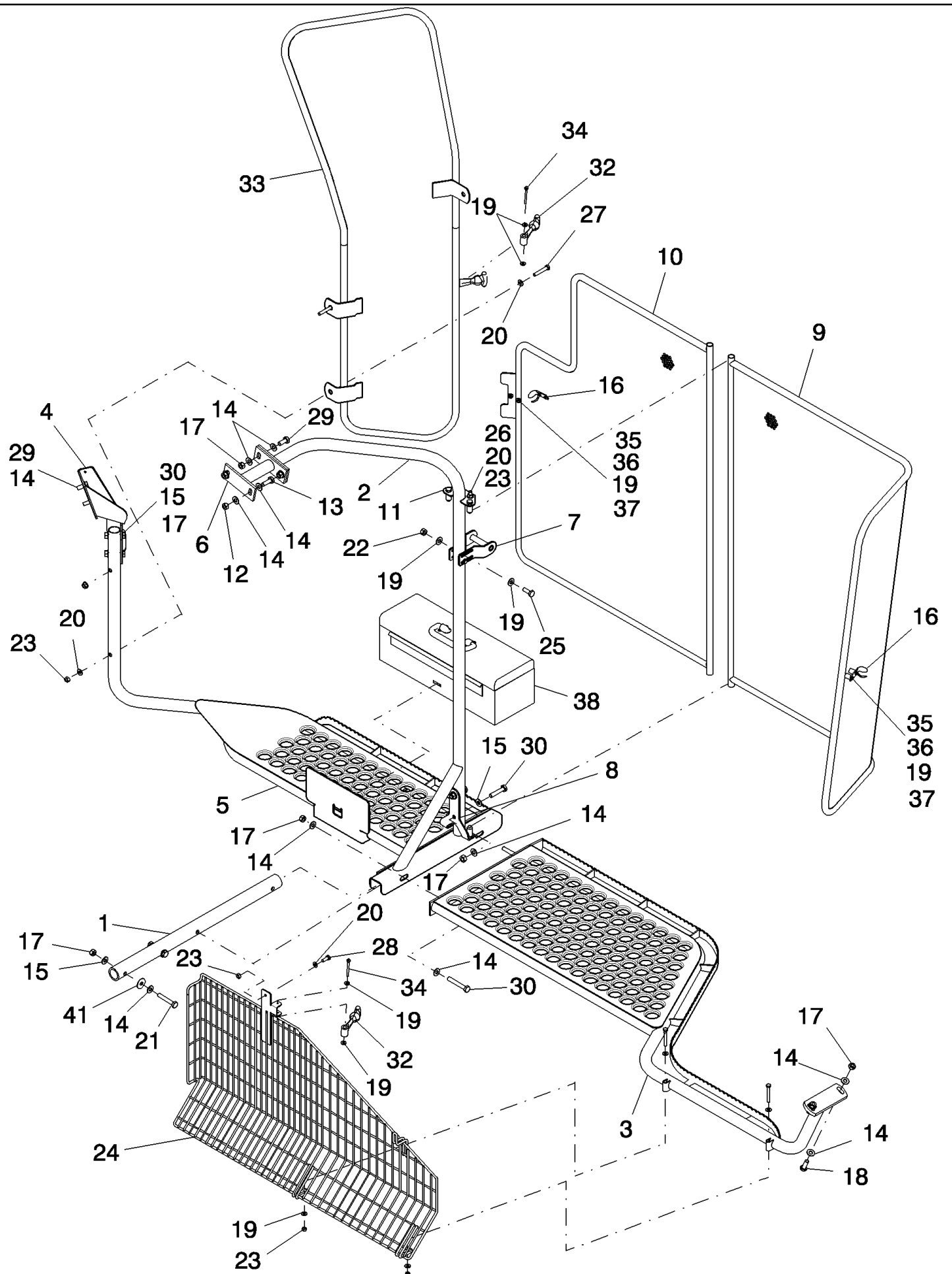


сылка	Номер детали	Кол-во	Описание
1	86976334	1	TUBE,
2	86998284	1	TUBE, RIGID,
3	87283370	1	PLATFORM,
4	86623051	1	SUPPORT,
5	87281169	1	PLATFORM,
6	86999896	1	SUPPORT,
7	86638313	1	BRACKET, , EndYear: 08/15/2003
7	87282197	1	BRACKET, , Start Year: 08/15/2003
8	86638375	1	BRACKET, Supporting
9	87510550	1	SHIELD, Includes Ref. 44 & 45
10	87510549	1	SHIELD, Includes Ref. 44
11	86998278	1	BRACKET,
12	86998505	1	SHIELD,
13	43128	2	BOLT, Hex, M8 x 30, 8.8,
14	86998570	1	PLATE, Mounting
15	86976678	1	SHIELD, Complete, Includes Ref. 17, 34 and Hardware
16	86975624	2	HOOK, LATCH,
17	86998803	1	BRACKET,
18	86999136	1	BRACKET,
19	322357	12	WASHER, SPRING, Belleville, M6, , EndYear: 08/15/2003
19	322357	8	WASHER, SPRING, Belleville, M6, , Start Year: 08/15/2003
20	322358	AR	WASHER, SPRING, Belleville, M8,
21	140045	AR	WASHER, SPRING, Belleville, M10,
21	379401	6	CLAMP, Washer
22	9706755	2	NUT, M6, Cl 8, , EndYear: 08/15/2003
23	9706690	AR	NUT, M8, Cl 8,
24	814-5030	2	BOLT, Hex, M5 x 30, 8.8,
25	120056	2	BOLT, Hex, M6 x 50, 8.8, , EndYear: 08/15/2003
26	43127	6	BOLT, Hex, M8 x 25, 8.8,
27	43130	2	BOLT, Hex, M8 x 50, 8.8,
28	120061	2	BOLT, Hex, M8 x 60, 8.8, , EndYear: 08/15/2003
29	43139	AR	SCREW, HH, CL 8.8, M10 x 25
30	43140	4	BOLT, Hex, M10 x 30, 8.8, Full Thd,
30	9706704	2	BOLT, Hex, M10 x 35, 8.8, Full Thd,
31	120069	4	BOLT, Hex, M10 x 50, 8.8,
32	120070	2	BOLT, Hex, M10 x 60, 8.8,
33	43144	2	BOLT, Hex, M10 x 70, 8.8,
33	120073	2	BOLT, Hex, M10 x 80, 8.8,
34	494307C1	2	LATCH,
35	87107459	1	SHIELD,
36	86980515	AR	NUT, LOCK, M10 x 1.5, Cl 8,
36	100037	12	NUT, M10 x 1.5, Cl 8,
37	87280298	1	SHIELD, , EndYear: 08/15/2003
38	87400	2	PIN, SPLIT (COTTER), 3/16" x 2",
39	86508566	3	BOLT, Hex, M5 x 30, 8.8,

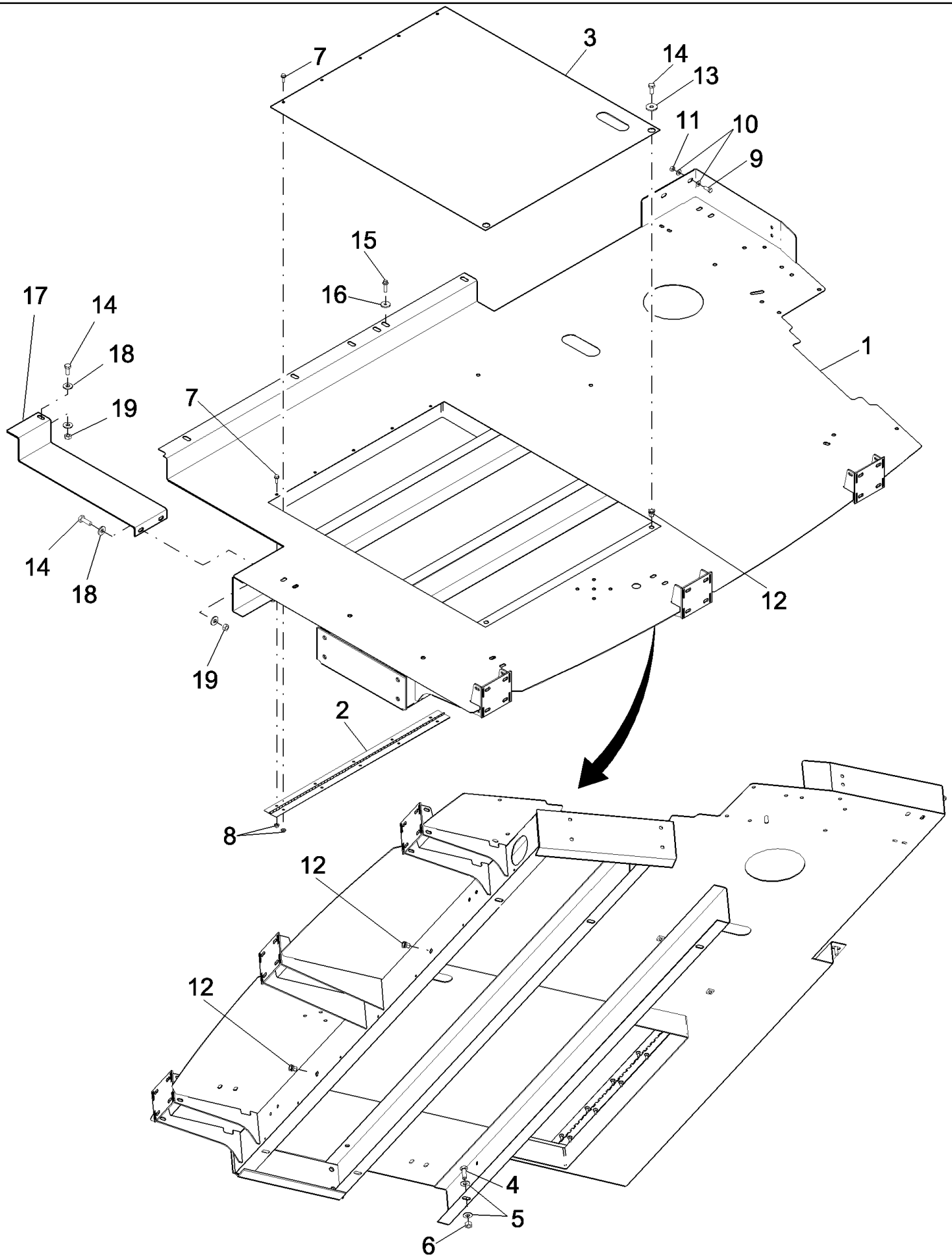
сылка	Номер детали	Кол-во	Описание
40	86975625	2	SPACER,
41	86508813	4	NUT, M5, CI 8,
42	300806	1	BOLT, Hex, M5 x 10, 8.8, Full Thd,
43	87280324	1	BOX, TOOL,
44	84011345	2	DECAL, Safety - Not Shown
45	84432906	1	DECAL, Not Shown



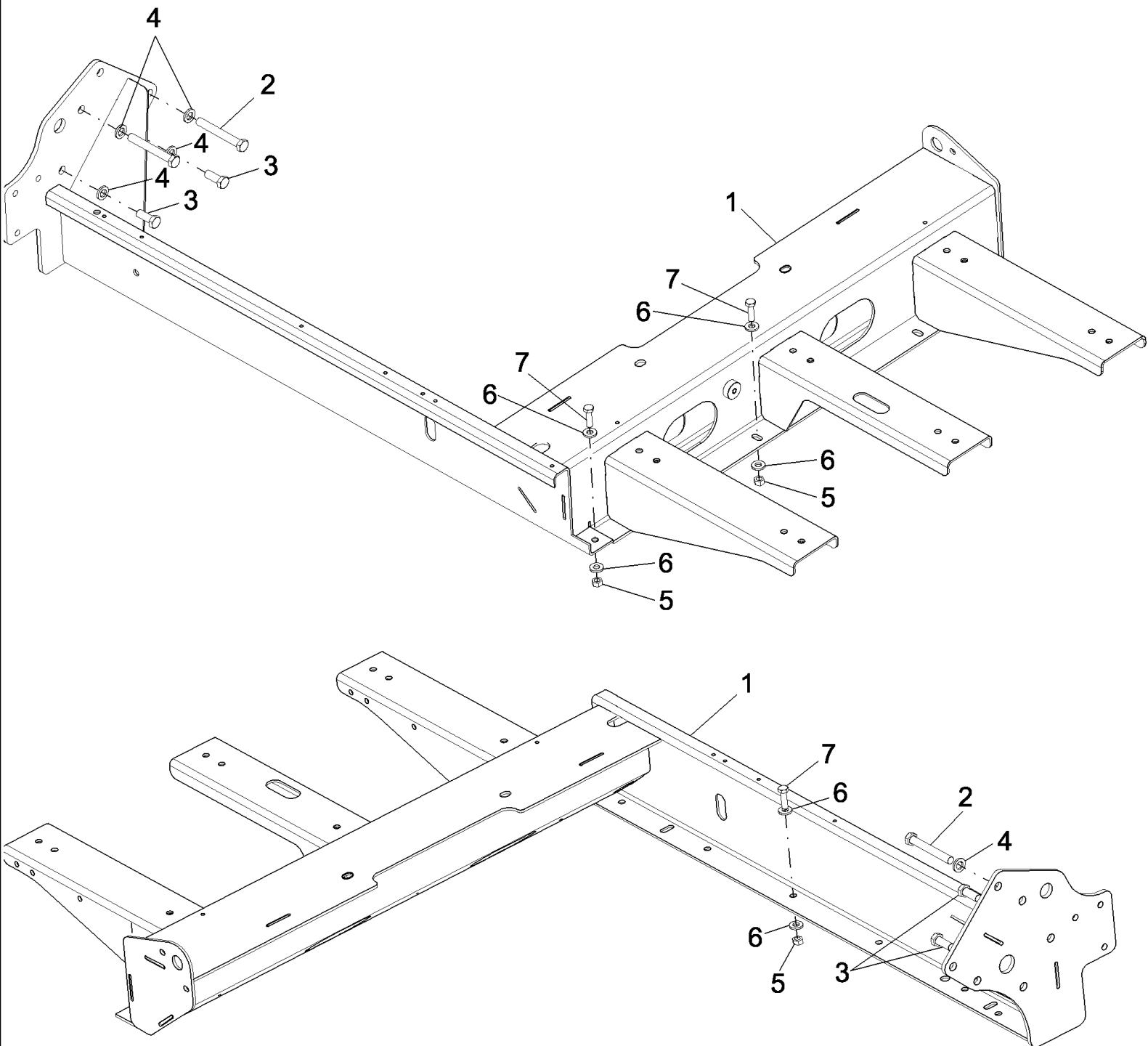
сылка	Номер детали	Кол-во	Описание
1	87283675	1	PLATFORM,
2	87284191	1	SHIELD, Cleaning Fan, RH, NA
2	87284192	1	SHIELD, Cleaning Fan, RH - Includes Ref. 13, Europe Only
3	140045	6	WASHER, SPRING, Belleville, M10,
4	9706704	2	BOLT, Hex, M10 x 35, 8.8, Full Thd,
5	100037	4	NUT, M10 x 1.5, CI 8,
6	379401	2	CLAMP,
7	120070	2	BOLT, Hex, M10 x 60, 8.8,
8	322358	10	WASHER, SPRING, Belleville, M8,
9	86625001	2	BOLT, Hex, M8 x 22, 8.8, Full Thd,
10	9706690	6	NUT, M8, CI 8,
11	43128	1	BOLT, Hex, M8 x 30, 8.8,
12	16044321	1	BOLT, Hex, M8 x 55, 8.8,
13	143347A1	1	LATCH, Shield, Europe Only
14	87283171	1	SHIELD, Rear, RH
15	853764	2	CLAMP, 5/16", Insul, 5/16" Bolt,
16	87318426	1	SHIELD, Door
17	86507486	2	BOLT, CARRIAGE, Short NK, M8 x 20, CI8.8, Full Thd,
18	140041	2	WASHER, M8 x 28 x 3,
19	87323909	1	SHIELD, Includes Decal P/N 86626958
20	87323910	1	SHIELD, Includes Decal P/N 84011345, Europe Only
21	86626958	1	DECAL, Safety, NA
22	84011345	1	DECAL, Safety, Europe Only



сылка	Номер детали	Кол-во	Описание
1	86976334	1	TUBE,
2	86998284	1	TUBE, RIGID,
3	87283370	1	PLATFORM,
4	86623051	1	SUPPORT,
5	87281169	1	PLATFORM,
6	86999896	1	SUPPORT,
7	86638313	1	BRACKET, , EndYear: 08/15/2003
7	87282197	1	BRACKET, , Start Year: 08/15/2003
8	86638375	1	BRACKET,
9	87510550	1	SHIELD, Includes Ref. 40 & 41
10	87510549	1	SHIELD, Includes Ref. 40
11	86998278	1	BRACKET,
12	100016	2	NUT, M10, CI 8,
13	120068	2	BOLT, Hex, M10 x 40, 8.8, Full Thd,
14	140045	AR	WASHER, SPRING, Belleville, M10,
15	379401	6	CLAMP,
16	86975624	2	HOOK, LATCH,
17	100037	12	NUT, M10 x 1.5, CI 8,
18	9706704	2	BOLT, Hex, M10 x 35, 8.8, Full Thd,
19	322357	AR	WASHER, SPRING, Belleville, M6, , Start Year: 08/15/2003
20	322358	AR	WASHER, SPRING, Belleville, M8,
21	43144	2	BOLT, Hex, M10 x 70, 8.8,
22	9706755	2	NUT, M6, CI 8, , EndYear: 08/15/2003
23	9706690	AR	NUT, M8, CI 8,
24	87283331	1	SHIELD,
25	120056	2	BOLT, Hex, M6 x 50, 8.8, , EndYear: 08/15/2003
26	43127	6	BOLT, Hex, M8 x 25, 8.8,
27	43130	2	BOLT, Hex, M8 x 50, 8.8,
28	120104	1	BOLT, Hex, M8 x 20, 8.8,
29	43139	AR	SCREW, HH, CL 8.8, M10 x 25
30	120070	4	BOLT, Hex, M10 x 60, 8.8,
31	120073	2	BOLT, Hex, M10 x 80, 8.8,
32	86975220	2	HOOK, LATCH,
33	87107459	1	SHIELD,
34	87400	2	PIN, SPLIT (COTTER), 3/16" x 2",
35	86508566	3	BOLT, Hex, M5 x 30, 8.8,
36	86975625	2	SPACER,
37	86508813	4	NUT, M5, CI 8,
38	87280324	1	BOX, TOOL,
39	84011345	2	DECAL, Safety - Not Shown
40	84432906	1	DECAL, Not Shown
41	140042	2	WASHER, M10 x 34 x 3,

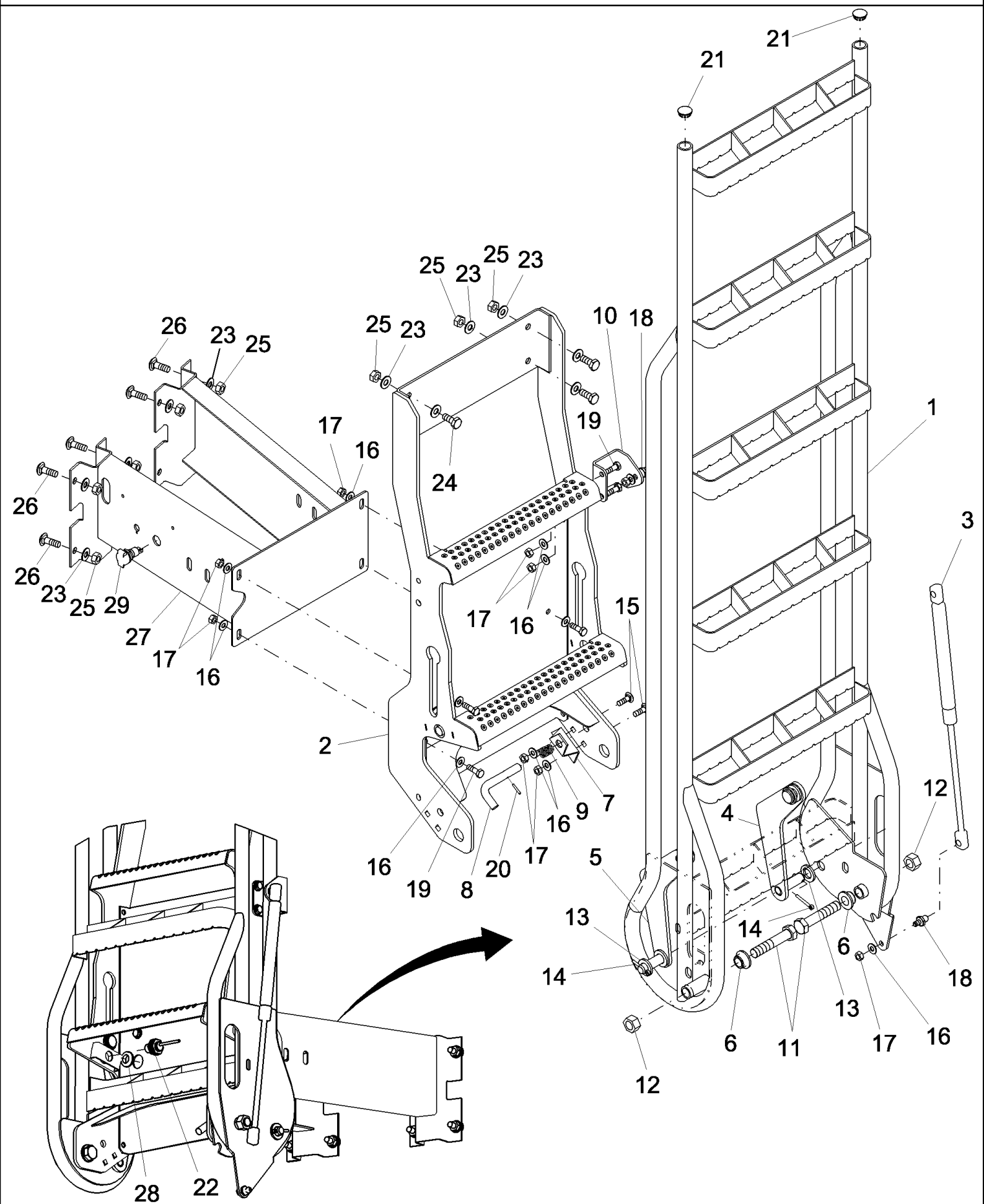


сылка	Номер детали	Кол-во	Описание
1	87281280	1	PLATFORM,
2	87107368	1	HINGE,
3	87106860	1	PANEL, Access
4	9706687	6	BOLT, Hex, M12 x 30, 8.8,
5	140046	12	WASHER, SPRING, Belleville, M12,
6	9706685	6	NUT, M12, CI 8,
7	9804256	10	BOLT, Hex Flg, M6 x 20, 8.8,
8	9804276	10	NUT, M6 x 1, Flg, CI 8,
9	120104	4	BOLT, Hex, M8 x 20, 8.8,
10	322358	8	WASHER, SPRING, Belleville, M8,
11	9706690	4	NUT, M8, CI 8,
12	86976968	4	INSERT, 10 mm Well
13	140042	2	WASHER, M10 x 34 x 3,
14	43139	2	SCREW, Cap, HH, CL 8.8, M10 x 25
15	86625201	3	SCREW, SELF TAP, Hex Flg Hd, M8 x 30,
16	140041	3	WASHER, M8 x 28 x 3,
17	87107744	1	PLATE,
18	140045	6	WASHER, SPRING, Belleville, M10,
19	100016	3	NUT, M10, CI 8,



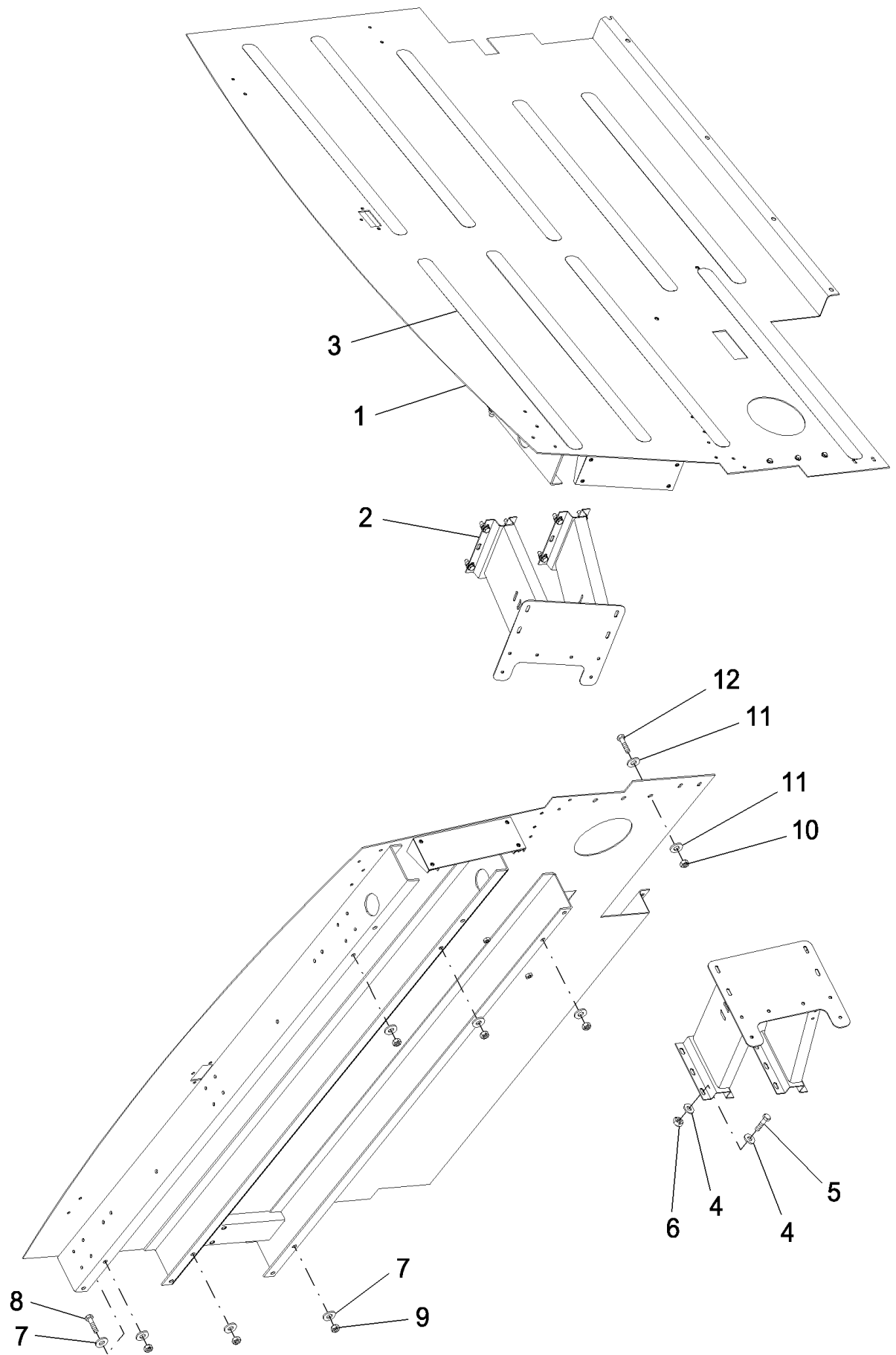
E.30.A.70(2) FRAME, ENGINE

сылка	Номер детали	Кол-во	Описание
1	87108613	1	FRAME, Engine Compartment
1	87282107	1	FRAME, Tier 2
1	87510712	1	FRAME, Tier 3
1	87351473	1	FRAME, With New Fuel Tank 87351468 - Replaces 87510712
2	321246	3	BOLT, Hex, M16 x 120, 8.8,
3	43168	3	BOLT, Hex, M16 x 40, 8.8,
4	86625266	6	WASHER, M17.5 x 30 x 4, HT,
5	9706685	12	NUT, M12, CI 8,
6	86625256	24	WASHER, M12 x 28.5 x 4, HT,
7	86629541	12	BOLT, Hex, M12 x 40, 8.8, Full Thd,



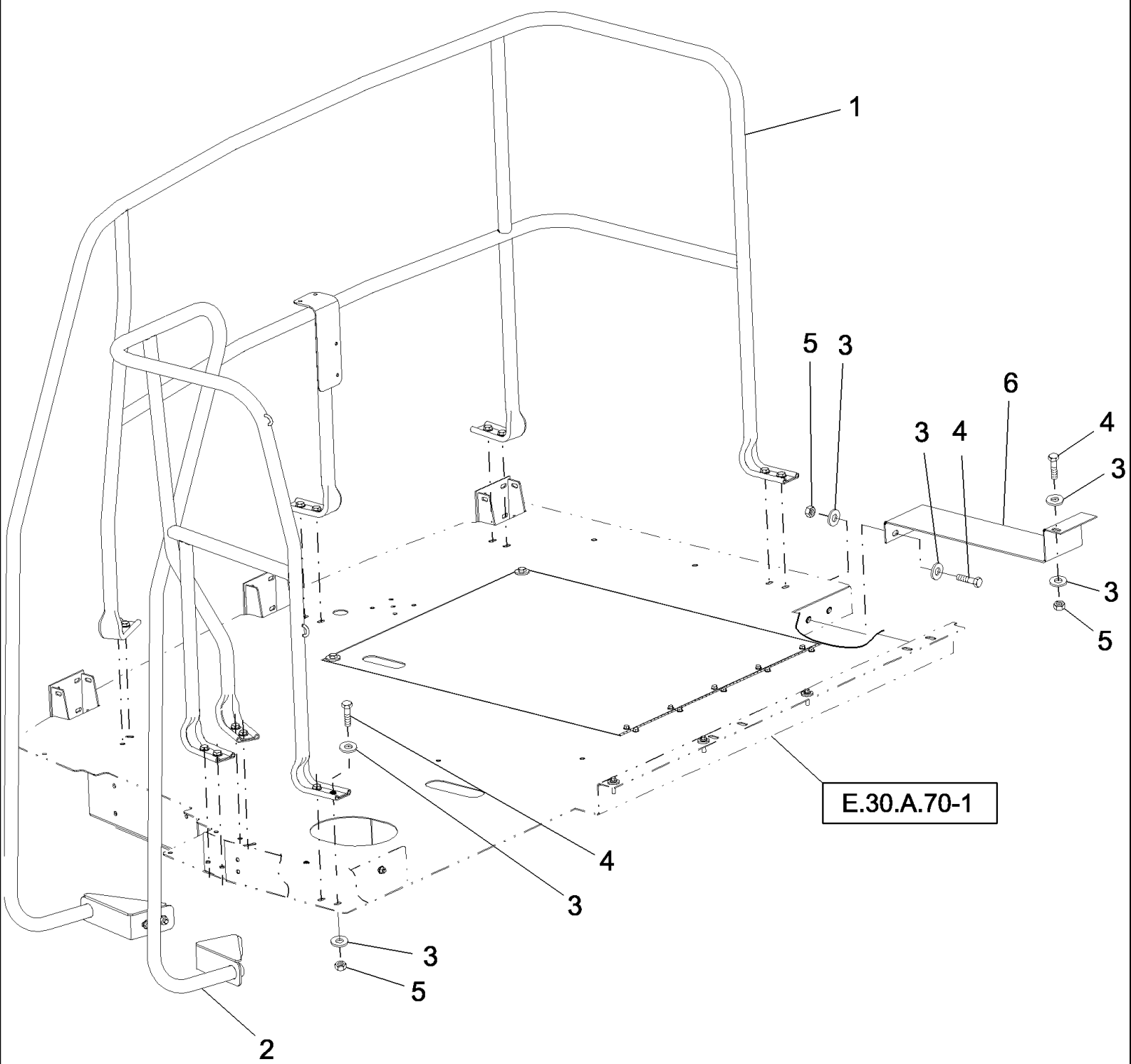
E.30.A.71 LADDER ASSY, REAR

сылка	Номер детали	Кол-во	Описание
1	87280614	1	LADDER, Lower
2	87280612	1	LADDER, Stationary
2	87546670	1	LADDER, Anti - Twisting - ASN
3	87568394	1	SPRING, was 87000385
4	87280653	1	ARM, RH
5	87280655	1	ARM, LH
6	87106780	2	BUSHING, Pivot
7	87000069	1	BRACKET, Ladder Pin Support
7	87283272	1	BRACKET, Ladder Pin Support - ASN
8	87106782	1	PIN,
8	87000059	1	PIN, ASN
9	87000071	1	SPRING, COMPRESSION,
10	87106784	1	BRACKET,
11	350616	2	BOLT, Hex, M16 x 90, 8.8,
12	825-1416	2	NUT, M16, CI 8,
13	140020	4	WASHER, M16 x 30 x 3,
14	412685	2	PIN, SPLIT (COTTER), M4 x 32,
15	308761	AR	BOLT, CARRIAGE, Short NK, M8 x 25, CI8.8, Full Thd,
16	322358	AR	WASHER, SPRING, Belleville, M8,
17	9706690	AR	NUT, M8, CI 8,
18	86634307	2	STUD,
19	43127	6	BOLT, Hex, M8 x 25, 8.8,
20	300865	1	PIN, LOCK, M3 x 20, Slotted,
21	87022431	2	CAP, Plug, Button
22	84058862	1	SENSOR, Rear Ladder, Replaced 84058863
23	140045	16	WASHER, SPRING, Belleville, M10,
24	43139	4	SCREW, Cap, HH, CL 8.8, M10 x 25
25	100016	12	NUT, M10, CI 8,
26	86512446	8	BOLT, CARRIAGE, Short NK, M10 x 30, CI8.8, Full Thd,
27	87106753	1	SUPPORT,
27	87284173	1	SUPPORT, ASN
28	103258	1	GROMMET, 5/8" ID x 7/8" Groove Dia, Rubber
29	82002966	1	SOCKET, POWER,



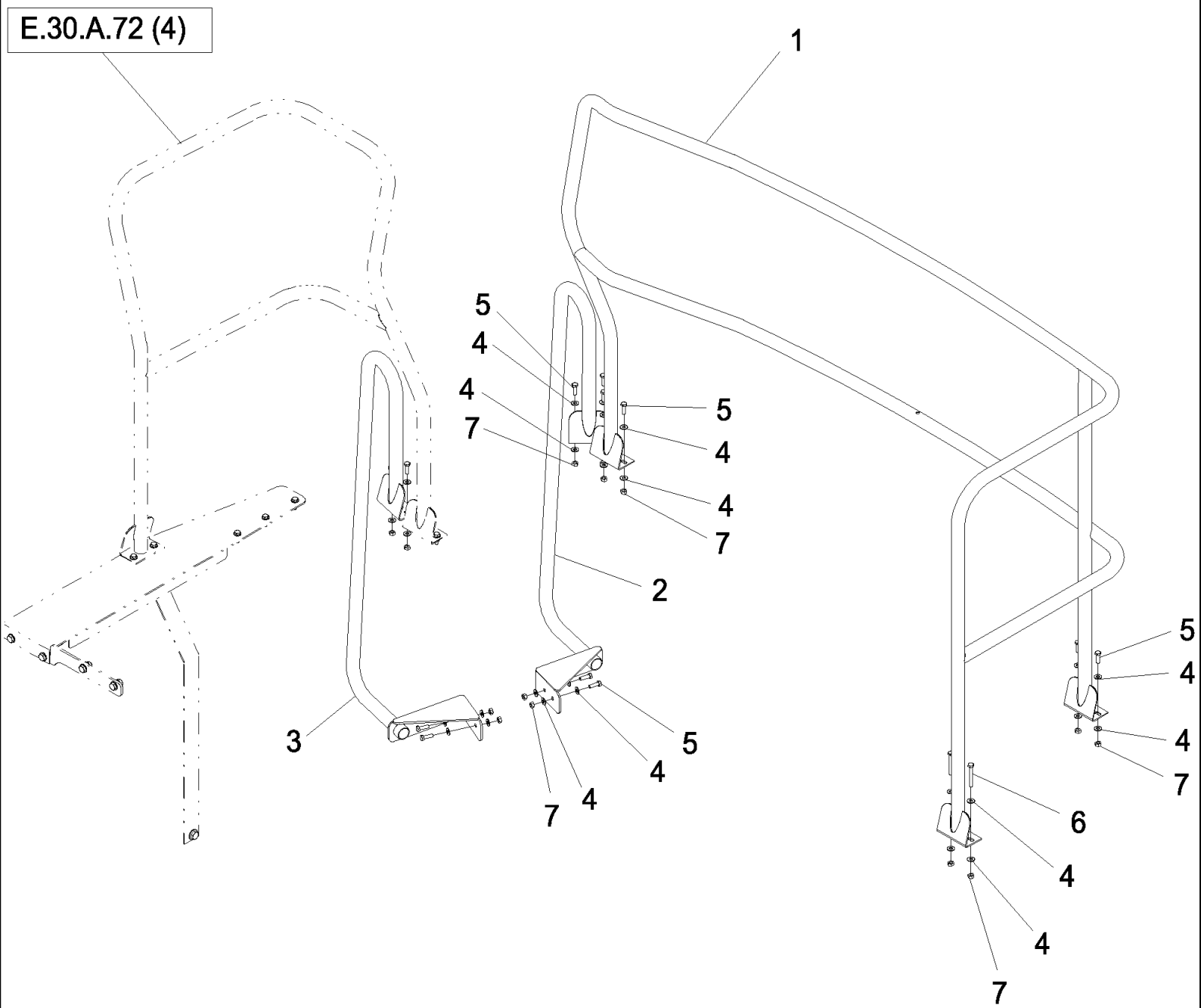
E.30.A.72(1) PLATFORM, REAR

сылка	Номер детали	Кол-во	Описание
1	86976706	1	PLATFORM,
2	86976820	1	SUPPORT,
3	9803755	AR	STRIP, ANTI-SKID, Safety Tape
4	140045	16	WASHER, SPRING, Belleville, M10,
5	43140	8	BOLT, Hex, M10 x 30, 8.8, Full Thd,
6	100016	8	NUT, M10, CI 8,
7	140046	12	WASHER, SPRING, Belleville, M12,
8	9706687	6	BOLT, Hex, M12 x 30, 8.8,
9	9706685	6	NUT, M12, CI 8,
10	9706690	3	NUT, M8, CI 8,
11	322358	6	WASHER, SPRING, Belleville, M8,
12	43127	3	BOLT, Hex, M8 x 25, 8.8,



сылка	Номер детали	Кол-во	Описание
1	87106993	1	HANDRAIL, Rear
2	87107002	1	HANDRAIL, Front RH
3	140045	AR	WASHER, SPRING, Belleville, M10,
5	11106231	AR	BOLT, Hex, M10 x 25, 10.9, Full Thd,
6	87107744	1	PLATE,

E.30.A.72(3) HANDRAILS, REAR DECK

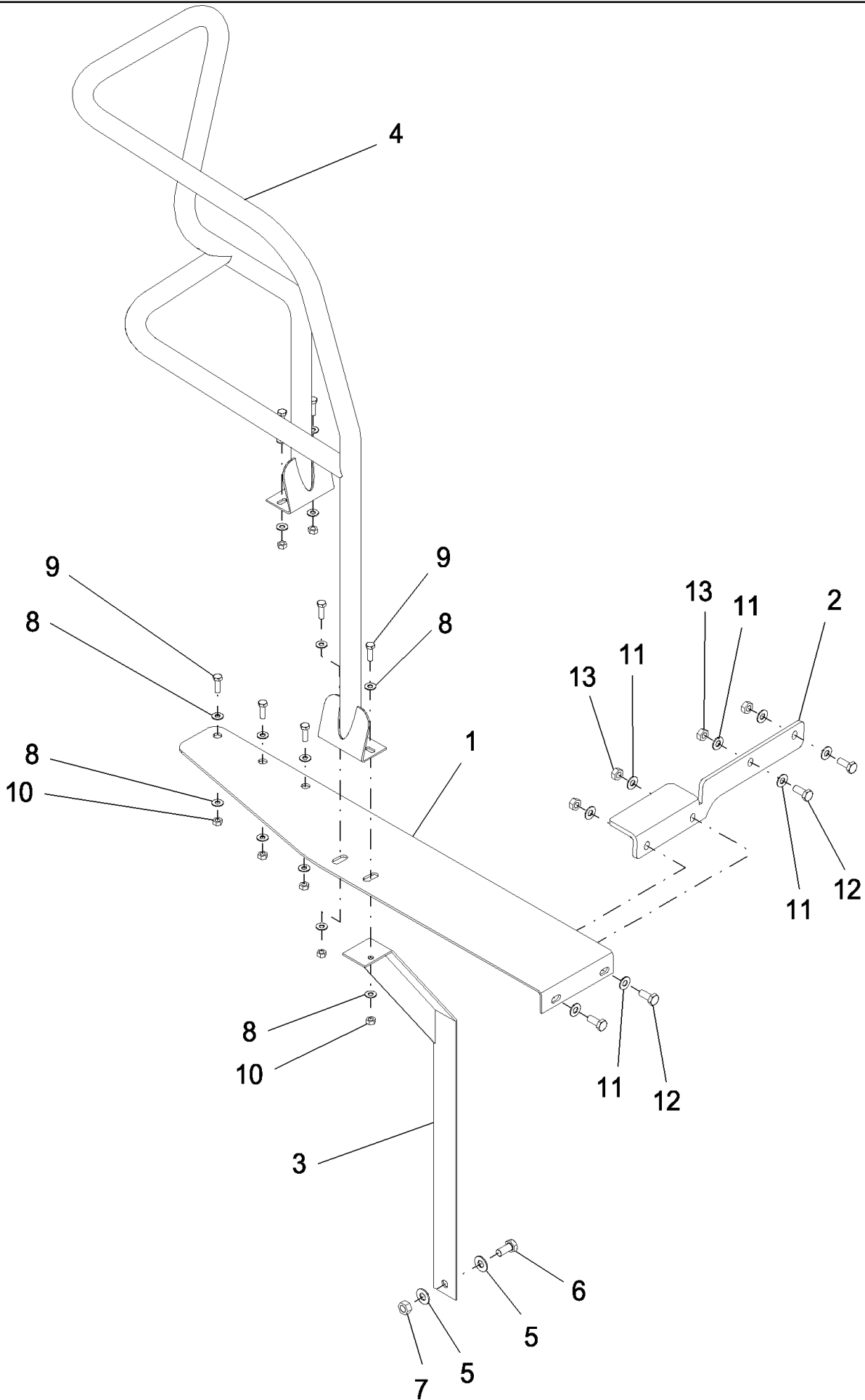


E.30.A.72 (4)

E.30.A.72(3) HANDRAILS, REAR DECK

сылка	Номер детали	Кол-во	Описание
1	86976712	1	TUBE, Rear
2	86976785	1	HANDRAIL,
3	86976783	1	HANDRAIL,
4	322358	AR	WASHER, SPRING, Belleville, M8,
5	43127	AR	BOLT, Hex, M8 x 25, 8.8,
6	120061	2	BOLT, Hex, M8 x 60, 8.8,
7	9706690	AR	NUT, M8, CI 8,

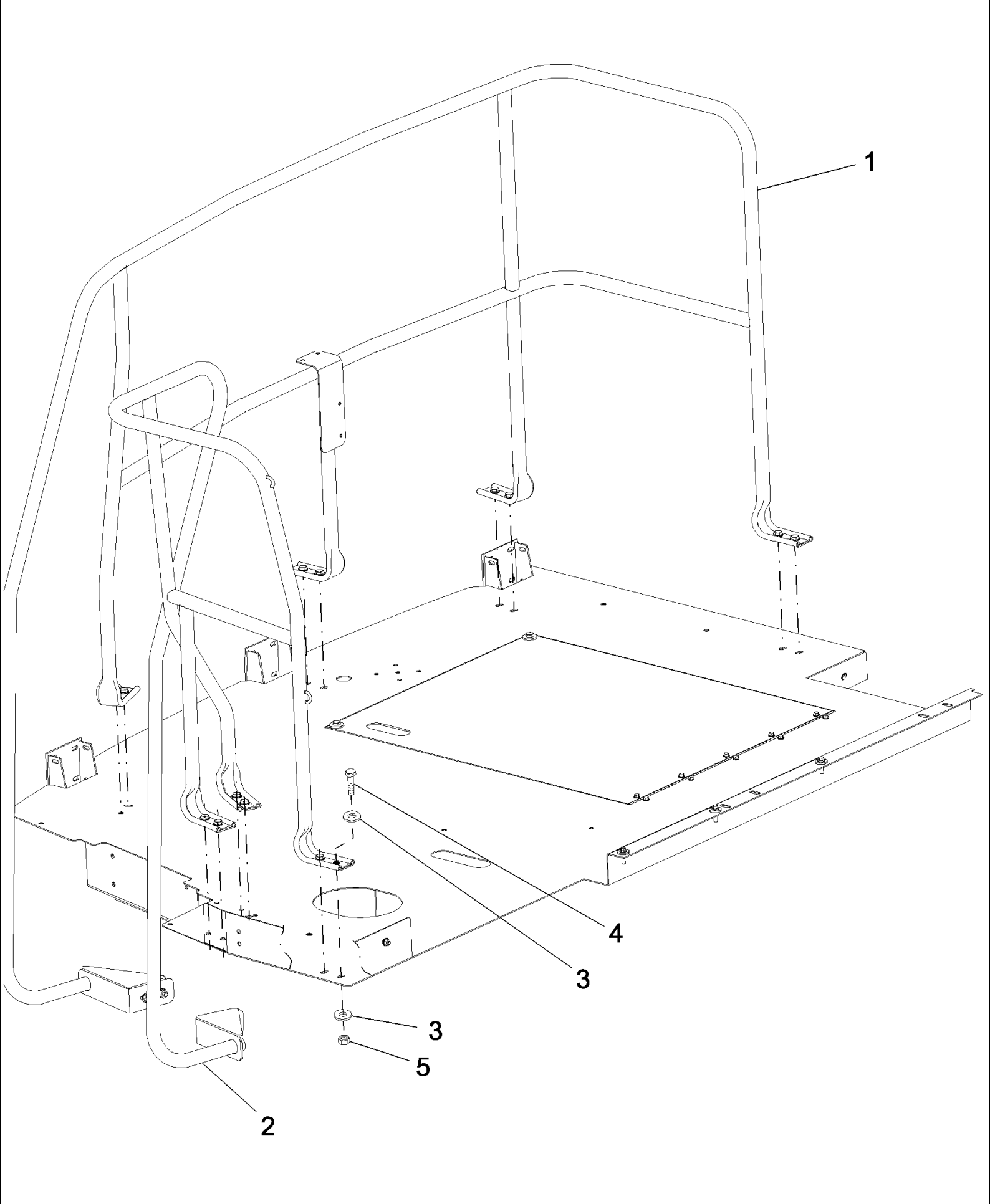
E.30.A.72(4) HANDRAIL, REAR DECK



E.30.A.72(4) HANDRAIL, REAR DECK

сылка	Номер детали	Кол-во	Описание
1	86998946	1	Platform
2	86998953	1	Arm
3	86998949	1	
4	86998944	1	
5	140046	2	WASHER, SPRING, Belleville, M12,
6	300388	1	BOLT, Hex, M12 x 25, 8.8,
7	9706685	1	NUT, M12, CI 8,
8	322358	14	WASHER, SPRING, Belleville, M8,
9	43127	7	BOLT, Hex, M8 x 25, 8.8,
10	9706690	7	NUT, M8, CI 8,
11	140045	8	WASHER, SPRING, Belleville, M10,
12	11106231	4	BOLT, Hex, M10 x 25, 10.9, Full Thd,
13	100016	4	NUT, M10, CI 8,

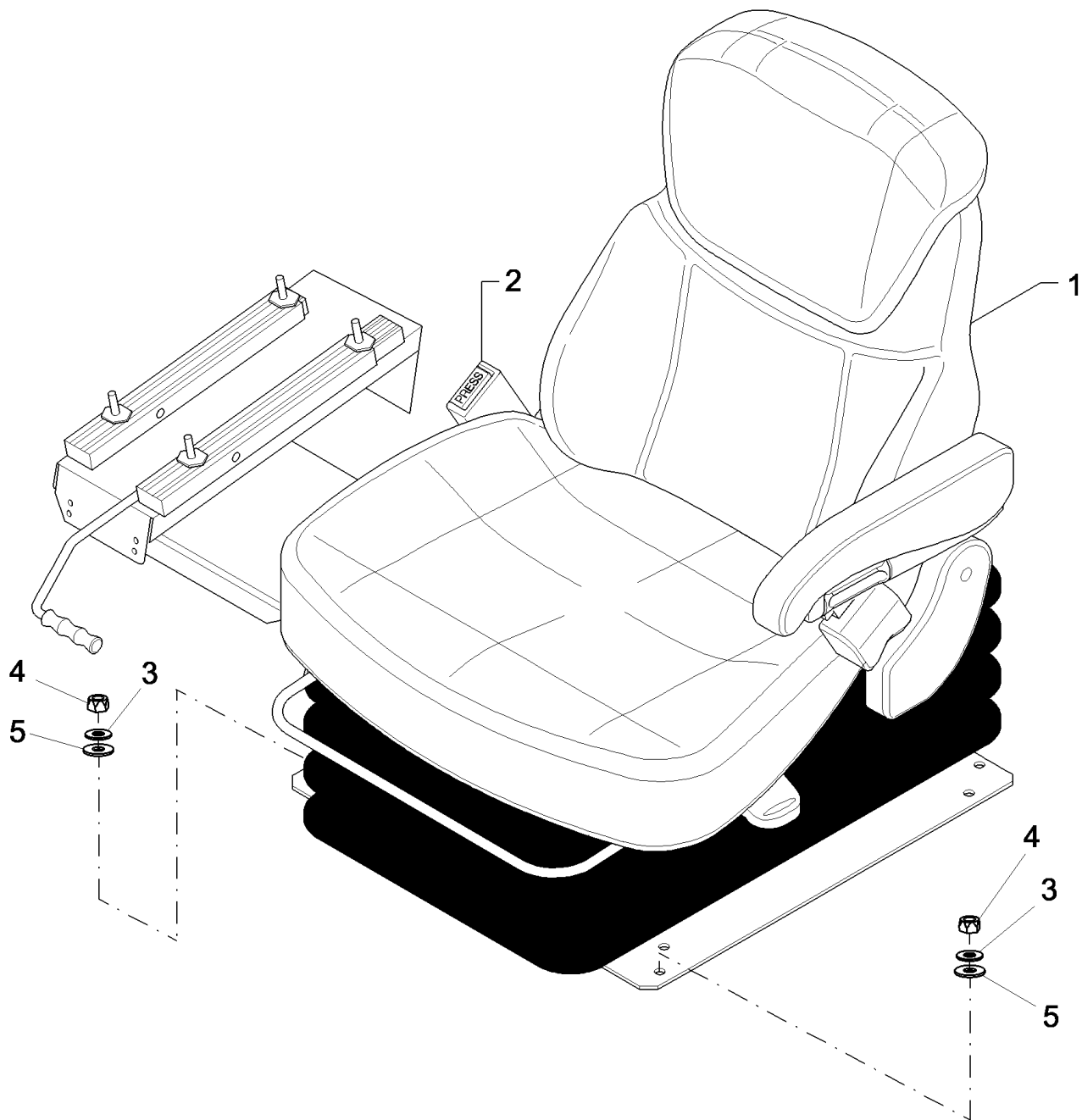
E.30.A.72(5) REAR DECK HANDRAILS



E.30.A.72(5) REAR DECK HANDRAILS

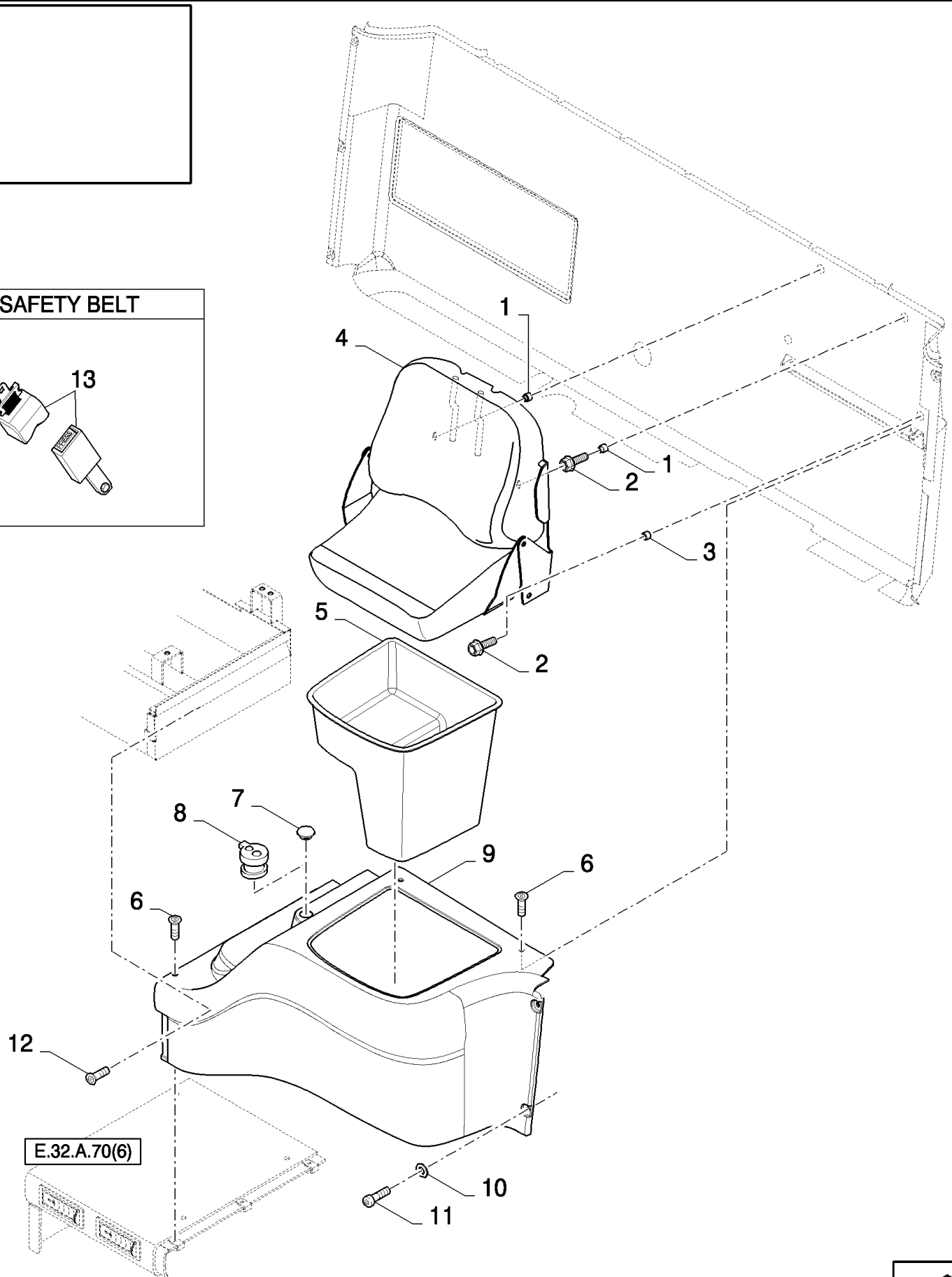
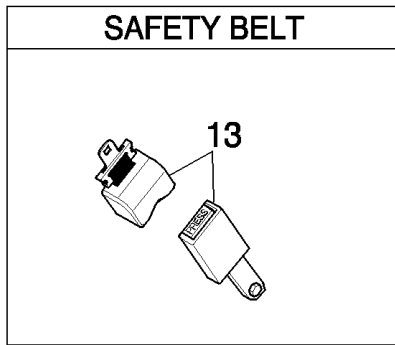
сылка	Номер детали	Кол-во	Описание
1	87106993	1	HANDRAIL, Rear
2	87107002	1	HANDRAIL,
3	140045	36	WASHER, SPRING, Belleville, M10,
4	11106231	18	BOLT, Hex, M10 x 25, 10.9, Full Thd,
5	100016	18	NUT, M10, CI 8,

E.32.A.70(1) SEAT, OPERATOR



E.32.A.70(1) SEAT, OPERATOR

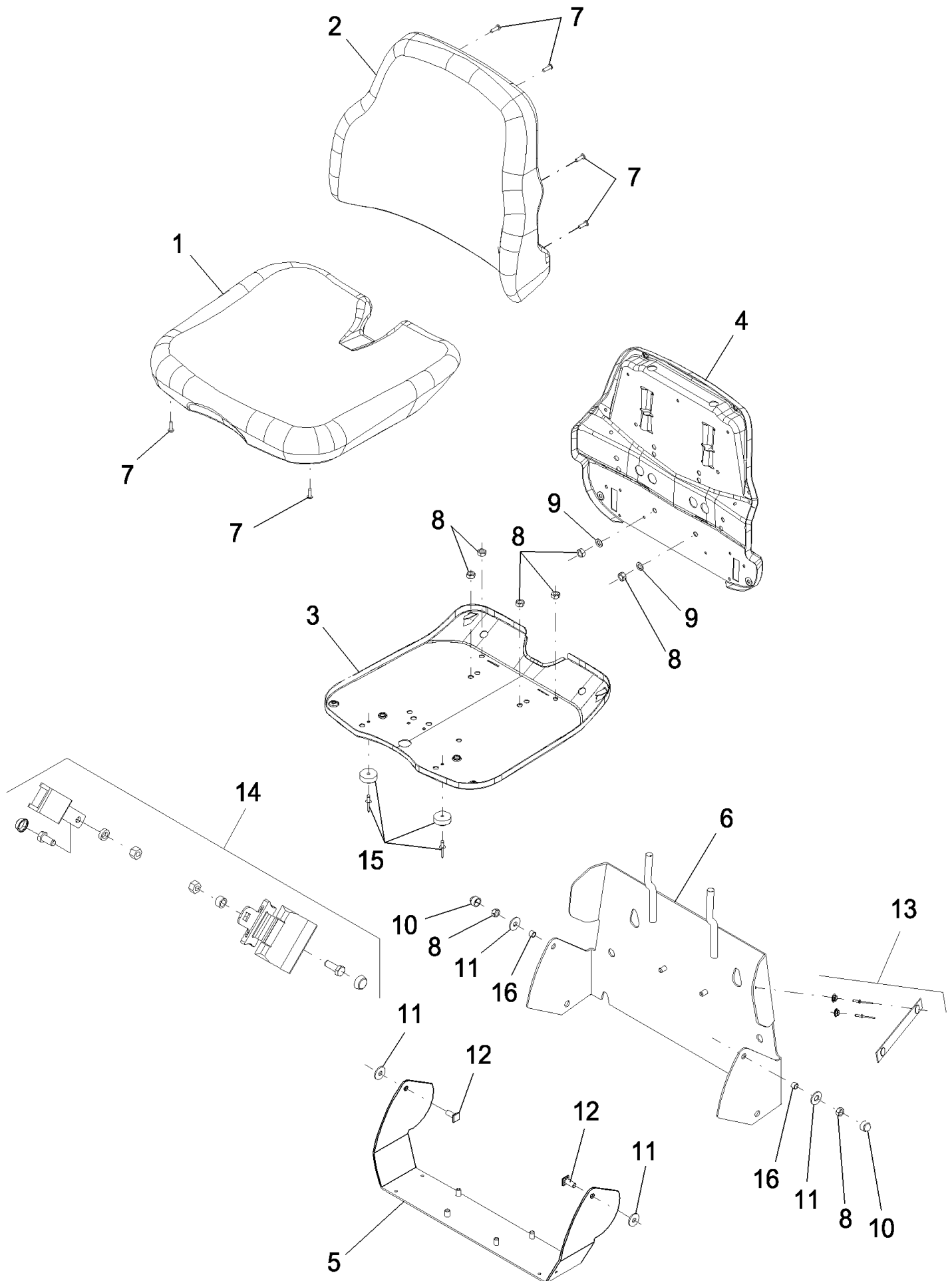
сылка	Номер детали	Кол-во	Описание
1	86976854	1	SEAT ASSY., Complete
2	84081887	1	SEAT BELT,
3	322358	4	WASHER, SPRING, Belleville, M8,
4	832-46408	4	NUT, LOCK, M8 x 1.25, CI 8,
5	378243	4	WASHER, M8,



E.32.A.70(2) SEAT, INSTRUCTIONAL

сылка	Номер детали	Кол-во	Описание
1	84075475	2	BUSHING,
2	86511480	4	BOLT, Hex Serr Flg, M8 x 30,
3	84075476	2	BUSHING,
4	86995156	1	SEAT ASSY.,
5	84067905	1	BOX,
6	86502680	5	SCREW, Cross Oval Hd, M6 x 20,
7	84067984	1	PLUG,
8	84320279	1	LIGHTER, CIGARETTE,
9	86995759	1	COVER,
10	84072877	2	WASHER,
11	84007540	2	SCREW,
12	9844205	1	SCREW, M4 x 14
13	84081010	1	SEAT BELT,

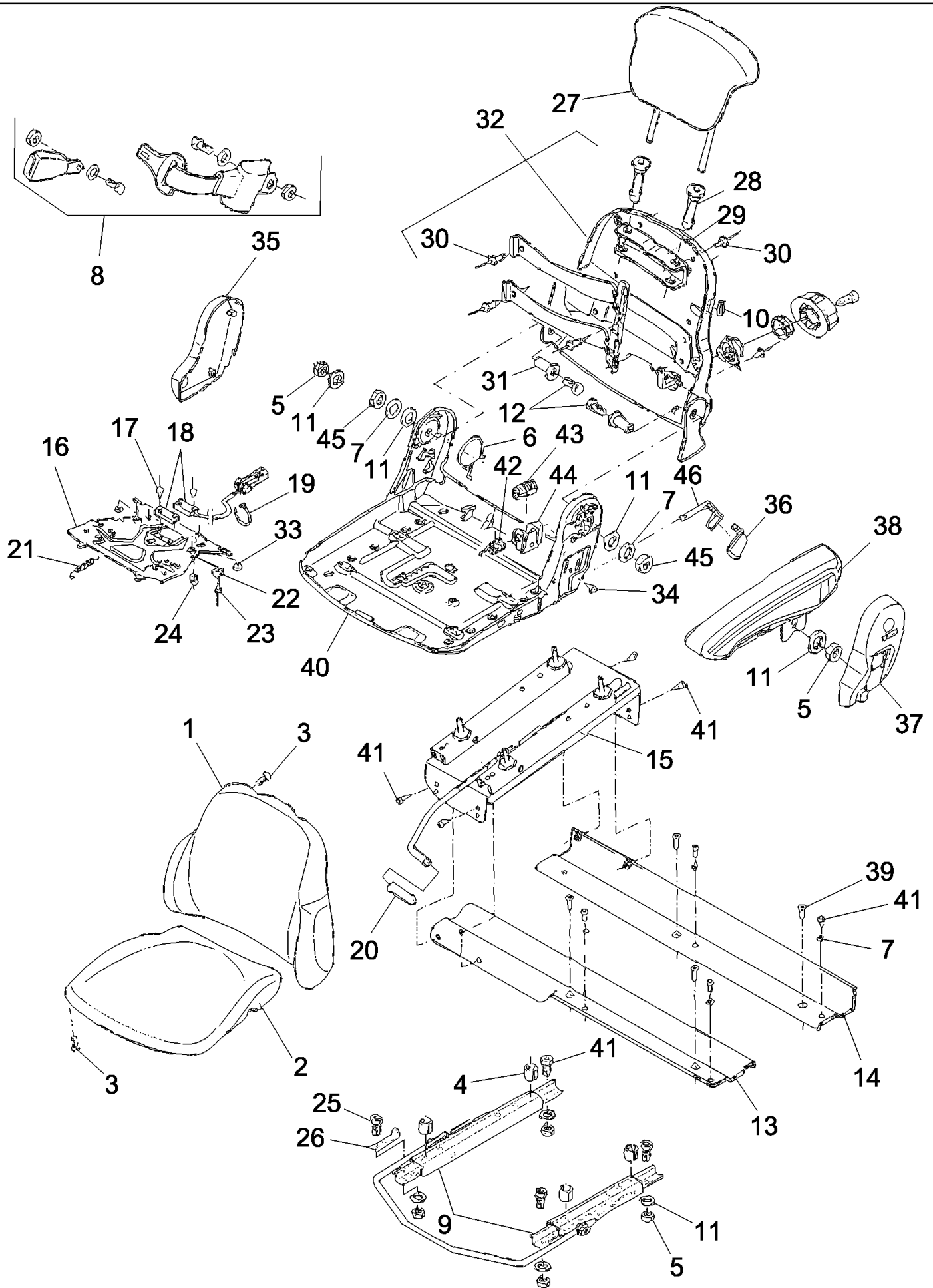
E.32.A.70(3) SEAT, INSTRUCTIONAL



E.32.A.70(3) SEAT, INSTRUCTIONAL

сылка	Номер детали	Кол-во	Описание
1	87280203	1	SEAT, BACK, Cushion
2	87280202	1	SEAT, BACK, Cushion, Backrest
3	87280201	1	SEAT ACCESSORY, Pan, Seat
4	87280204	1	Pan, Backrest
5	87280199	1	SUPPORT, Pan, Seat
6	87280198	1	SUPPORT, Pan, Backrest
7	85819815	6	SCREW, M5 x 16
8	47124497	8	NUT,
9	10519601	2	WASHER, M8 x 17 x 2,
10	87280197	2	COVER,
11	87280196	4	WASHER,
12	87280195	2	SCREW,
13	87280205	1	BRACKET,
14	84081010	1	SEAT BELT,
15	87280194	1	BUMPER,
16	87280193	2	TUBE,

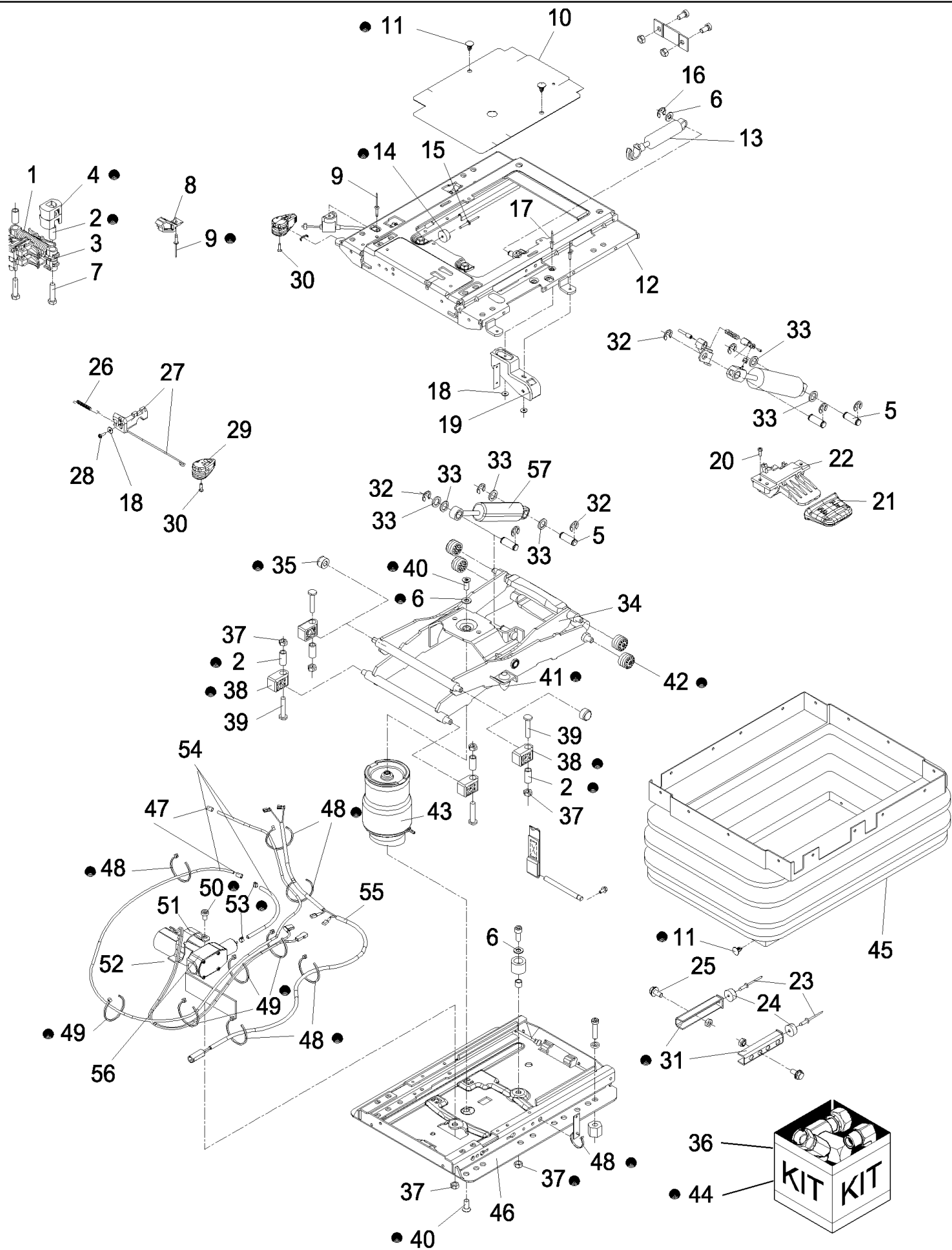
E.32.A.70(4) SEAT, OPERATOR



сылка	Номер детали	Кол-во	Описание
1	87109325	1	BACKREST,
2	87109326	1	CUSHION, SEAT,
3	87109327	7	SCREW, M5 x 25
4	83958399	4	TUBE,
5	85817458	5	NUT, M8
6	85811364	1	SPRING, Leg
7	10519601	6	WASHER, M8 x 17 x 2,
8	84081887	1	SEAT BELT,
9	87109328	1	ROD, ADJUSTMENT,
10	1493641	1	COVER,
11	9960692	6	SPACER,
12	85817471	2	SCREW, M8 x 40
13	87109330	1	BRACKET,
14	87109331	1	BRACKET,
15	87109332	1	BRACKET,
16	87109333	1	SWITCH,
17	9972167	4	RIVET,
18	87109334	1	SWITCH,
19	9968911	5	STRAP, CABLE,
20	9971502	1	KNOB, Handle
21	9960786	1	SPRING, Tension
22	81826865	2	BUMPER,
23	9963873	2	RIVET,
24	9972166	2	SPRING, Pressure
25	14306321	1	SCREW, Hex Soc Hd, M8 x 20, 8.8,
26	87109335	1	SUPPORT,
27	87109336	1	HEADREST, SEAT,
28	85811350	2	BUSHING,
29	85811349	1	BRACKET,
30	85811351	4	RIVET,
31	85811352	2	TUBE,
32	85811348	1	SUPPORT, Backrest
33	9962944	2	BUMPER,
34	85811353	1	RIVET,
35	85811358	1	COVER,
36	85811355	1	LEVER,
37	85811356	1	COVER,
38	87109342	1	ARMREST,
39	87109343	4	SCREW,
40	85811347	1	SUPPORT, Pan, Seat
41	9962736	11	SCREW,
42	47124879	1	SPRING,
43	85811362	1	BUSHING, Spring
44	47124552	1	KIT, Bearing
45	14048211	2	NUT, LOCK, M8 x 1.25, CI 8,

сылка	Номер детали	Кол-во	Описание
46	85811354	1	LEVER,

E.32.A.70(5) SUSPENSION, SEAT

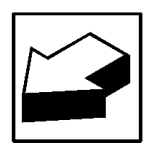
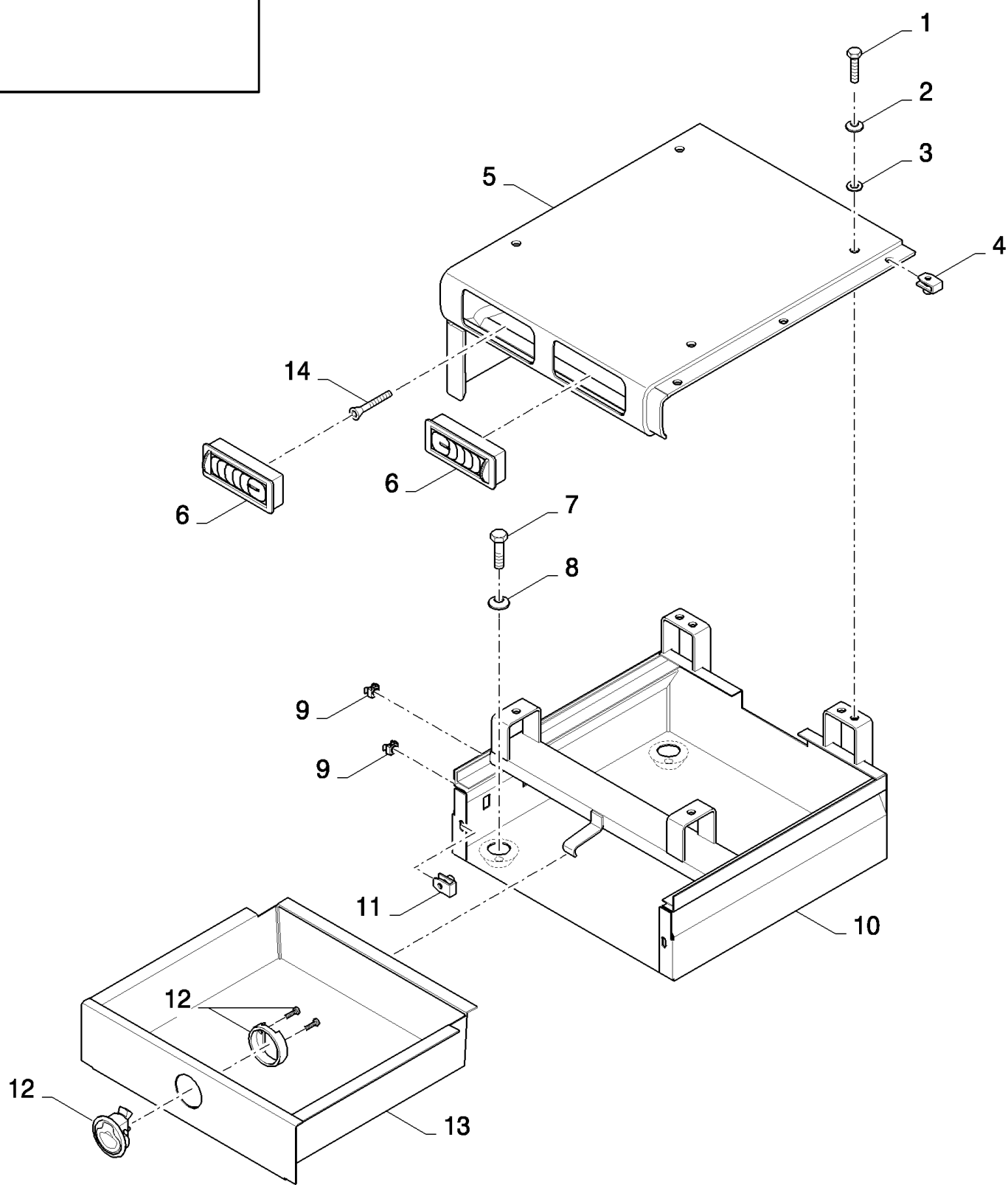


E.32.A.70(5) SUSPENSION, SEAT

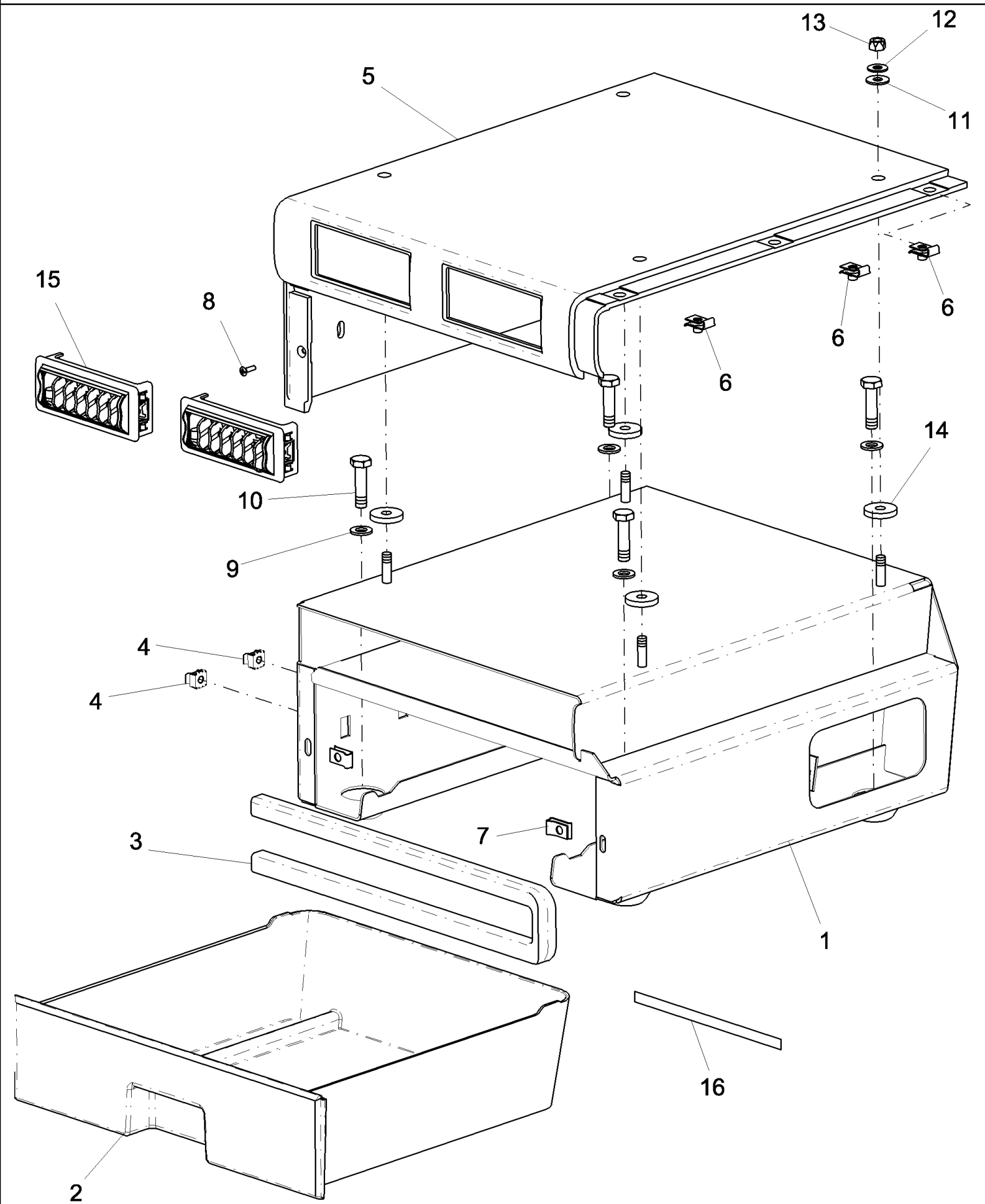
сылка	Номер детали	Кол-во	Описание
1	8487825	1	ISOLATOR, Horizontal
2	71485465	4	SLEEVE,
3	71485480	2	BUSHING,
4	71485467	1	BUMPER,
5	87281732	2	BOLT,
6	10519601	2	WASHER, M8 x 17 x 2,
7	8484522	2	SCREW,
8	87281733	2	STOP,
9	87281734	2	RIVET,
10	85817486	1	COVER,
11	84814976	24	PLUG, Retainer
12	87281735	1	SUSPENSION,
13	84021202	1	DAMPER,
14	87281736	1	BUMPER, RUBBER,
15	47124820	1	RIVET,
16	85817560	1	WASHER,
17	85817488	2	RIVET,
18	85817499	3	WASHER,
19	85817490	1	LEVER, CONTROL, Level Control
20	85819815	3	SCREW,
21	85817492	1	HANDLE,
22	85817493	1	CONTROL,
23	87281749	2	RIVET,
24	81826865	2	BUMPER,
25	83984666	2	SCREW,
26	47124824	2	SPRING, Tension
27	71486982	1	LEVER & PIN ASSY, Locking
28	87281737	1	SCREW,
29	9966563	1	HANDLE,
30	47124829	1	SCREW,
31	87281748	1	STOP,
32	85817496	4	WASHER,
33	9961887	3	WASHER,
34	87281738	1	SUSPENSION, Lower
35	87281739	2	NEEDLE ROLLER,
36	87281747	1	SUSPENSION,
37	14048211	3	NUT, LOCK, M8 x 1.25, CI 8,
38	71485470	2	BEARING,
39	71485469	2	SCREW,
40	9968924	2	SCREW,
41	71485476	2	BUMPER,
42	71485474	4	NEEDLE ROLLER,
43	85817500	1	SPRING, Air
44	87281746	1	KIT, Wear Parts
45	87281745	1	BELLOWS,

E.32.A.70(5) SUSPENSION, SEAT

сылка	Номер детали	Кол-во	Описание
46	87281743	1	SUSPENSION,
47	85817514	2	FITTING, Hose
48	9968911	7	STRAP, CABLE,
49	87281740	4	STRAP, CABLE,
50	85817516	1	SCREW,
51	85817517	1	BRACKET,
52	9971526	1	PLATE,
53	9962741	2	CLAMP,
54	87281741	1	TUBE,
55	87281742	1	HARNESS, WIRE,
56	84021210	1	COMPRESSOR, AIR,
57	87281744	1	SHOCK ABSORBER,

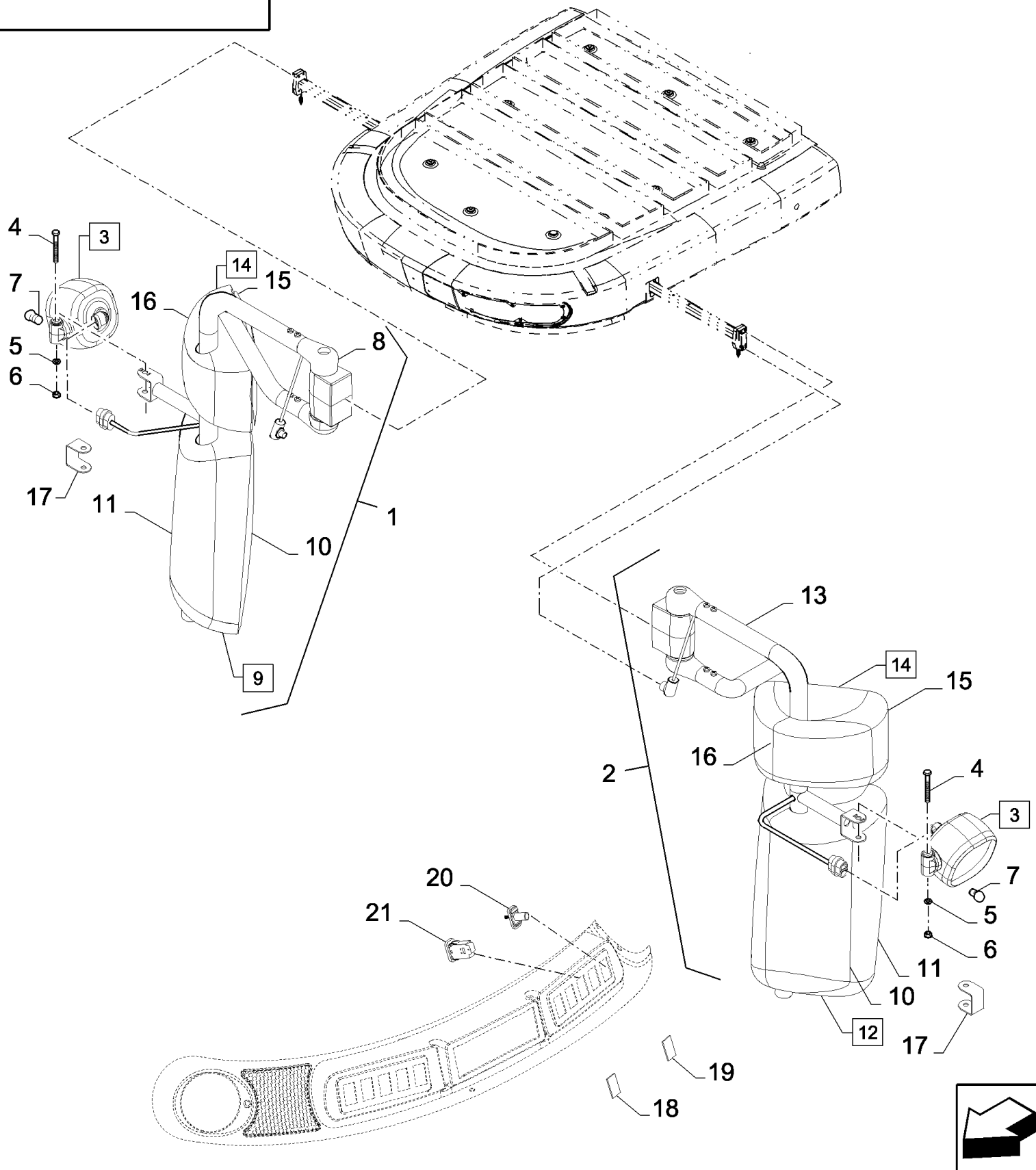


сылка	Номер детали	Кол-во	Описание
1	43128	4	BOLT, Hex, M8 x 30, 8.8,
2	322358	4	WASHER, SPRING, Belleville, M8,
3	378243	4	WASHER, M8,
4	86014250	3	NUT, M6
5	86995760	1	COVER,
6	84059873	2	DIFFUSER,
7	43138	4	BOLT, Hex, M10 x 20, 8.8, Full Thd,
8	86511323	4	WASHER, M10 x 20 x 2,
9	84432090	2	NUT, M6
10	84076824	1	SUPPORT,
11	9628100	2	NUT, M4
12	84061285	1	LOCK,
13	84076843	1	BOX, Drawer
14	9844205	1	SCREW, M4 x 14



сылка	Номер детали	Кол-во	Описание
1	87281315	1	SUPPORT,
2	87281324	1	BOX, Drawer
3	87283661	1	SEAL,
4	84432090	2	NUT, Cage
5	87281385	1	COVER, RH
6	86014250	3	NUT, Spring
7	9628100	2	NUT, Spring
8	87342920	1	BUTTON, HOLE PLUG, Plug
9	86511323	4	WASHER, M10 x 20 x 2,
10	9706704	4	BOLT, Hex, M10 x 35, 8.8, Full Thd,
11	378243	4	WASHER, M8,
12	322358	4	WASHER, SPRING, Belleville, M8,
13	832-46408	4	NUT, LOCK, M8 x 1.25, Cl 8,
14	87283653	4	SPACER,
15	87281670	2	DIFFUSER, Louver
16	87281325	1	Tape, Magnetic

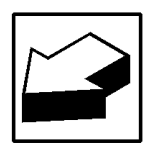
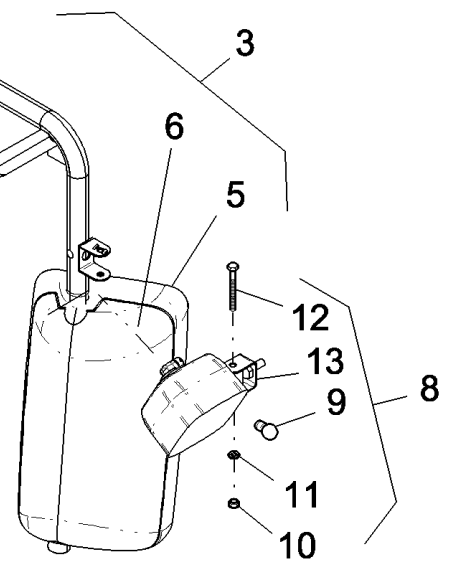
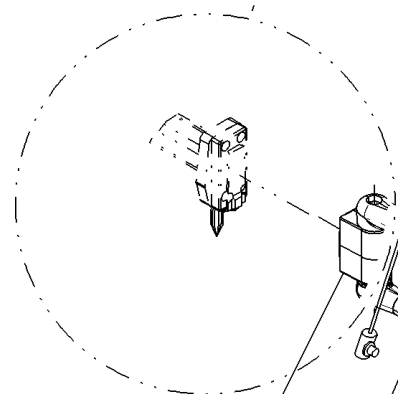
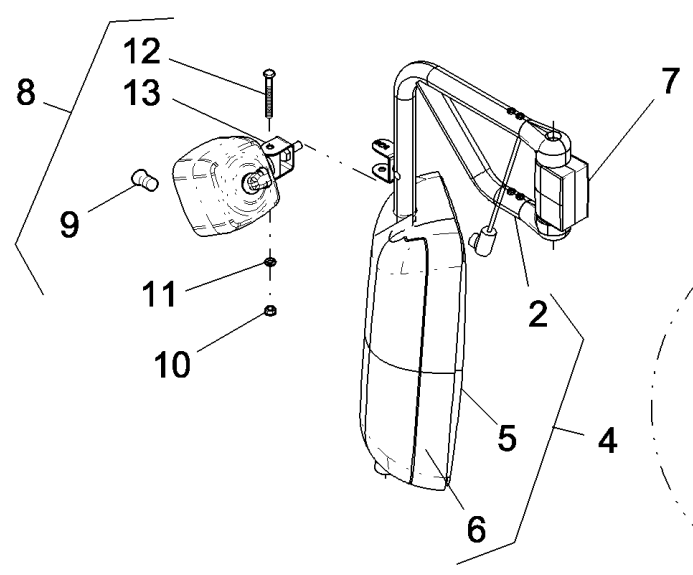
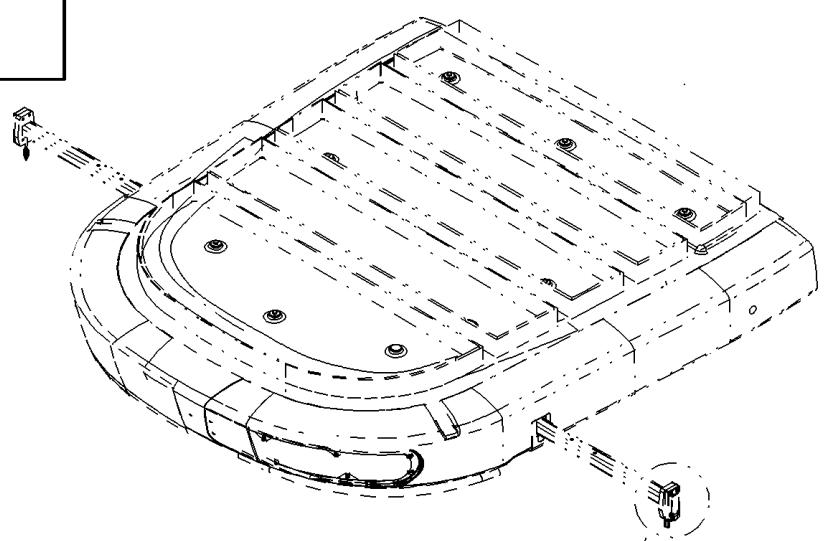
E.32.A.74(1) MIRROR, REAR VIEW



E.32.A.74(1) MIRROR, REAR VIEW

сылка	Номер детали	Кол-во	Описание
1	86999935	1	MIRROR, REAR-VIEW, RH, Mirror, Complete - Less Light, Deluxe
1	86999931	1	MIRROR, REAR-VIEW, RH, Mirror, Complete - Less Light, Standard
2	86999936	1	MIRROR, REAR-VIEW, LH, Mirror, Complete - Less Light, Deluxe
2	86999932	1	MIRROR, REAR-VIEW, LH, Mirror, Complete - Less Light, Standard
3	84320374	2	LAMP, Assy. (4 to 7) & 17
4	84431556	1	BOLT, Hex, M8 x 50, 8.8,
5	412712	1	WASHER, 8 mm
6	9991588	1	NUT, LOCK, M8 x 1.25, Cl 8,
7	9847312	1	BULB, 12V, 50W Halogen
8	84067960	1	ARM, RH, Deluxe
8	84073713	1	ARM, RH, Standard
9	84059852	1	MIRROR, RH, (10, 11), Deluxe
9	87107209	1	MIRROR, (10, 11), Standard
10	84434478	1	GLASS, , Deluxe
10	84434471	1	GLASS, , Standard
11	84434473	1	COVER,
12	84059851	1	MIRROR, LH, (10, 11), Deluxe
12	87107208	1	MIRROR, (10, 11), Standard
13	84067959	1	ARM, LH, Deluxe
13	84073711	1	ARM, LH, Standard
14	84059853	1	MIRROR, REAR-VIEW, (15, 16), Deluxe
15	84434479	1	GLASS, , Deluxe
16	84434474	1	COVER,
17	NSS	2	NOT SERVICED SEPARATELY, Clamp, was 84431558
18	86533310	1	PLUG, Cover, Switch, Standard
19	84320263	1	PLUG, Cover, Switch, Standard
20	86565146	1	SWITCH, Mirror Adjustment, Deluxe
21	84320244	1	SWITCH, Mirror Heating, Deluxe

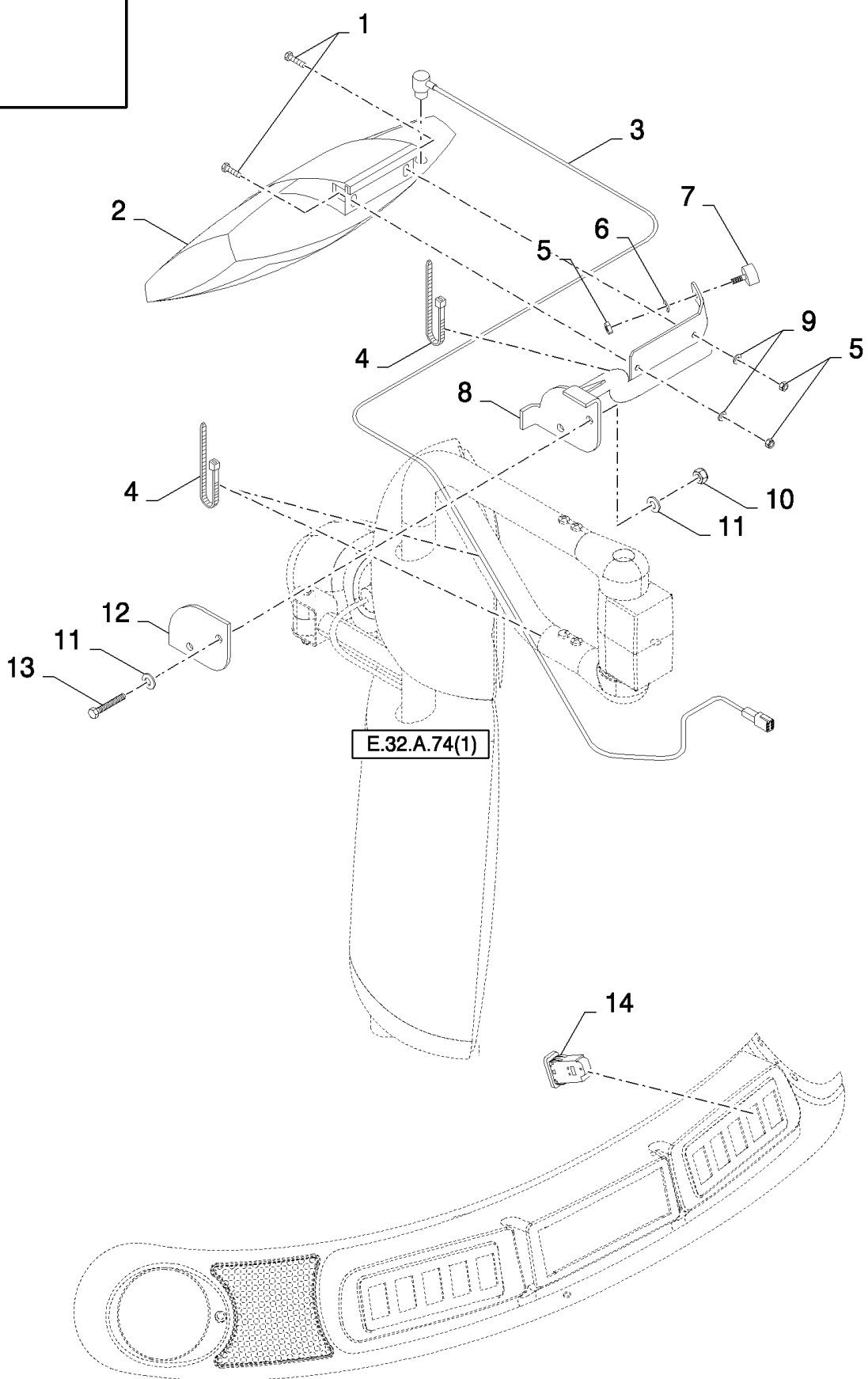
E.32.A.74(2) MIRROR, REAR VIEW, STANDARD



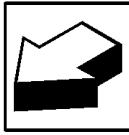
E.32.A.74(2) MIRROR, REAR VIEW, STANDARD

сылка	Номер детали	Кол-во	Описание
1	84073711	1	ARM, LH
2	84073713	1	ARM, RH
3	87107208	1	MIRROR, Rear View, LH
4	87107209	1	MIRROR, Rear View, RH
5	87107210	2	Glass Mirror
6	84434473	2	COVER,
7	84059856	2	CONNECTOR, WIRE, Wedge Mounting
8	84320374	2	LAMP, Assy. Includes: Ref. 9-13 (See Fig. E.32.A.74 (1) Ref. 3
9	9847312	2	BULB, 12V, 50W, Halogen
10	9991588	1	NUT, LOCK, M8 x 1.25, CI 8,
11	412712	1	WASHER, M8
12	84431556	1	BOLT, Hex, M8 x 50, 8.8,
13	NSS	2	NOT SERVICED SEPARATELY, Clamp

E.32.A.74(3) MIRROR FOR GERMANY

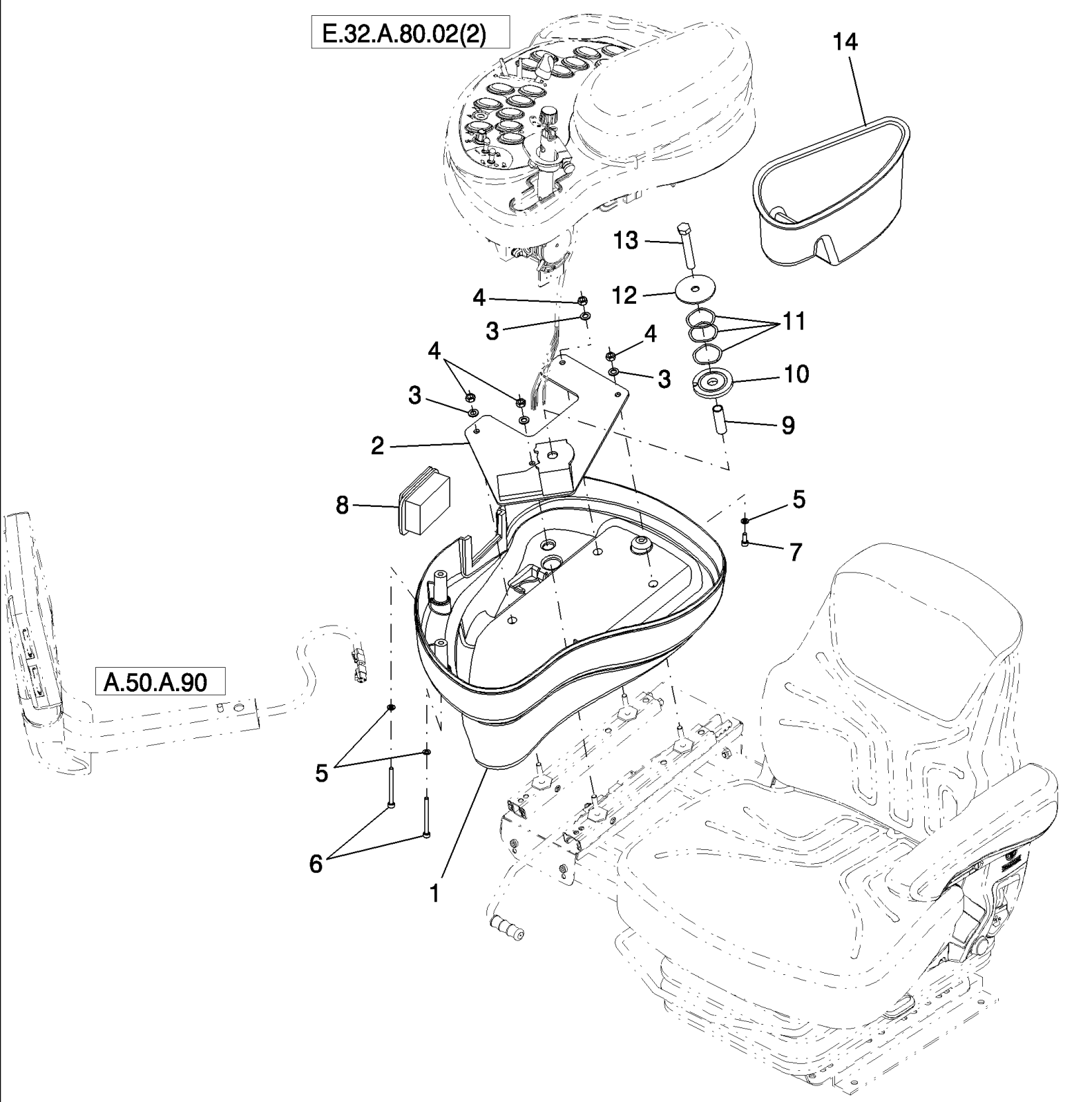


E.32.A.74(1)



E.32.A.74(3) MIRROR FOR GERMANY

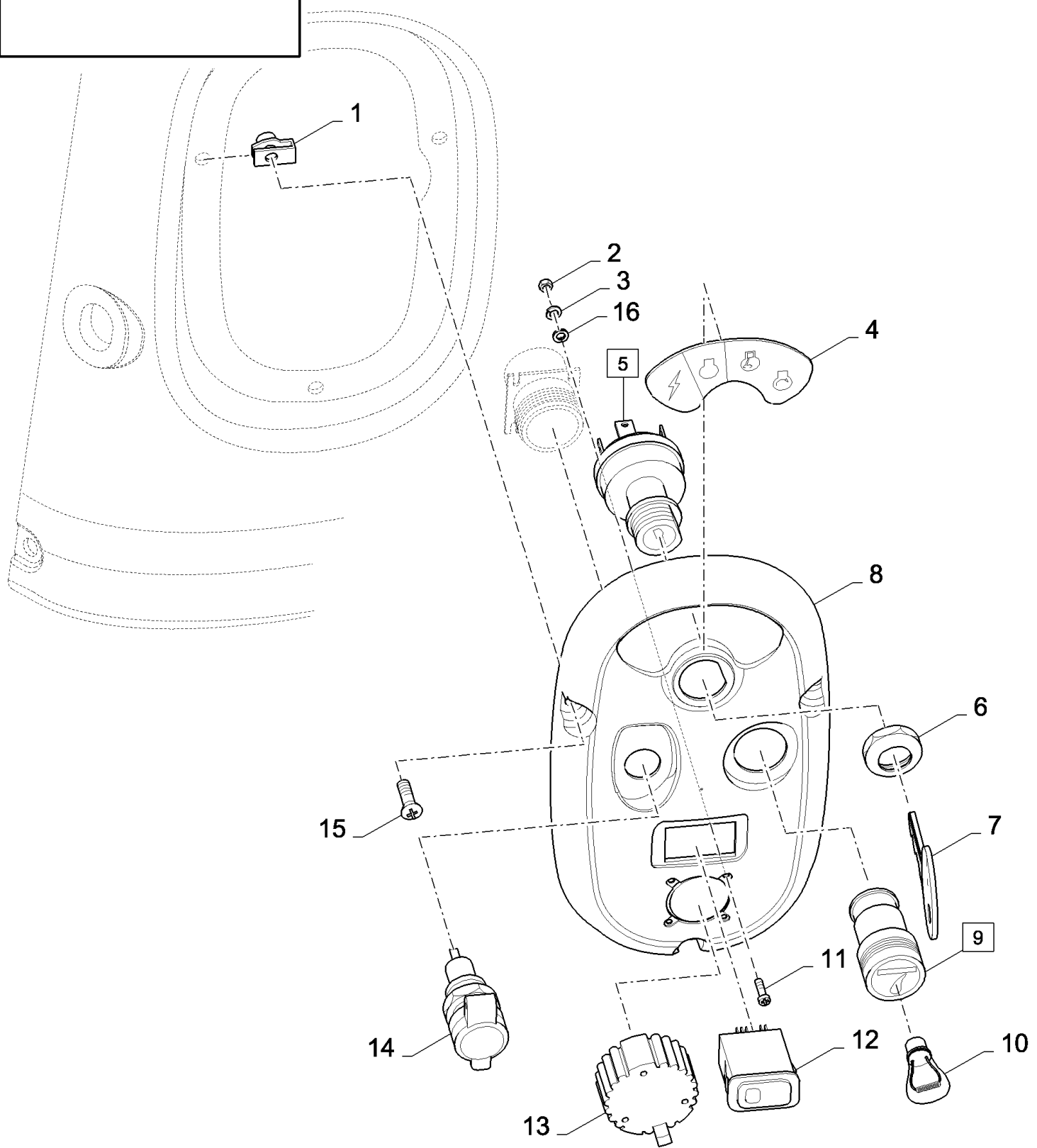
сылка	Номер детали	Кол-во	Описание
1	86508568	2	BOLT, Hex, M6 x 16, 8.8,
2	84433606	1	MIRROR, REAR-VIEW,
3	84444198	1	HARNESS, WIRE,
4	86566989	4	STRAP, CABLE,
5	353308	5	NUT, LOCK, M6 x 1, CI 8,
6	140015	1	WASHER, 6 mm
7	916454	1	DAMPER,
8	84435413	1	SUPPORT, Arm
9	140040	2	WASHER, M6 x 22 x 2,
10	100037	2	NUT, M10 x 1.5, CI 8,
11	86511323	4	WASHER, M10 x 20 x 2,
12	84435412	1	SUPPORT,
13	120069	2	BOLT, Hex, M10 x 50, 8.8,
14	84320260	1	SWITCH, Mirror Choice



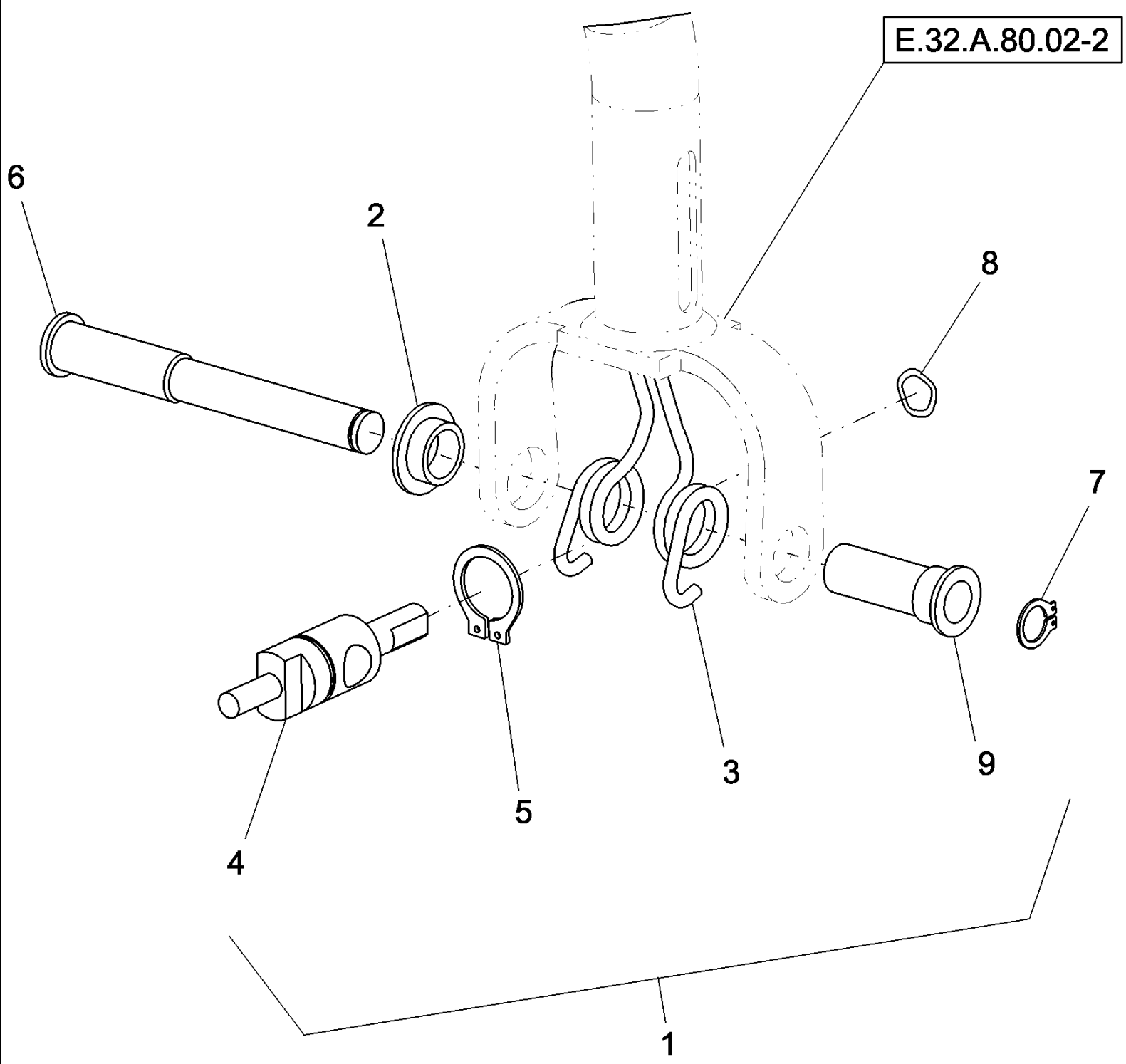
сылка	Номер детали	Кол-во	Описание
1	86998394	1	CONSOLE, Bottom
2	86975761	1	PLATE,
3	895-11008	4	WASHER, M8 x 16 x 1.6,
4	43362	4	NUT, M8, CI 10,
5	895-11006	3	WASHER, M6,
6	864-6070	2	SCREW, Hex Soc Hd, M6 x 70, 8.8,
7	864-6016	1	SCREW, Hex Soc Hd, M6 x 16, 8.8,
8	9824826	1	ASH TRAY,
9	86975763	1	BUSHING,
10	86975764	1	WASHER,
11	86975889	3	WASHER, Wave
12	86975765	1	WASHER,
13	828-12080	1	BOLT, Hex, M12 x 80, 10.9,
14	86996699	1	BOX, Storage

сылка	Номер детали	Кол-во	Описание
1	86998395	1	CONSOLE, Upper
1	87393154	1	CONSOLE, Upper, Start Year: 01/01/2007
2	86997464	2	SWITCH, Feeder Mode
3	86997465	1	POTENTIOMETER,
4	86997466	1	KNOB, Console Control
4	118780A1	1	KNOB, Console Control, Start Year: 01/01/2007
5	87106744	1	PAD, RUBBER,
6	86995126	1	THROTTLE, Control
7	86525096	1	SWITCH, Gear Shift
8	86998256	1	BRACKET,
8	87532610	1	
9	87109134	1	BASE, Base - Replaced 87107949
10	87107952	1	HANDLE, Requires Ref. 56, Not Included
10	87377032	1	HANDLE, With Edge Guidance / Autopilot Steering; Requires Ref. 56, Not Included, Start Year: 01/01/2006
11	86995956	1	ARMREST,
12	87109133	1	PLATE, Stop, Friction
13	895-11006	AR	WASHER, M6,
14	864-6016	AR	SCREW, Hex Soc Hd, M6 x 16, 8.8,
15	87107914	1	MODULE, Monitor, Includes Ref. 45
15	87332641	1	MODULE, Monitor, Includes Ref. 45
15	87521010	1	MODULE, Monitor, Includes Ref. 45 , Start Year: 01/01/2007
16	87107910	1	DECAL, , EndYear: 07/31/2004
16	87282486	1	DECAL, , Start Year: 07/31/2004
16	87376151	1	DECAL, , Start Year: 01/01/2007
17	86998255	1	SPEAKER,
18	86977872	17	SCREW, SELF TAP, Cross Pan Hd, #6 x 1/4",
19	87105681	1	KNOB, EH Control Lever
20	86622310	1	KNOB,
21	86997341	1	SUPPORT, LH
22	86997342	1	SUPPORT, RH
23	7770	1	NUT, 1/4"-20, G5,
24	86618564	1	CLIP,
25	86618563	1	KNOB,
26	87105234	2	Adhesive, Dual Lock
27	87107953	1	WASHER, Wave
28	87107954	1	PLATE, Stop, EndYear: 07/31/2004
28	87284703	1	Cam, Replaced 87282488, Start Year: 07/31/2004
29	87107955	4	SCREW, Cap, Socket Hd, #4-40 x 3/8"
30	340-1088	3	SCREW, Cross Pan Hd, #8-32 x 1/2",
31	87107957	1	SWITCH, Neutral
32	87107958	2	SCREW, Pan Hd, #2-56 x .50
33	86975889	3	WASHER, Wave
34	87107960	1	PLATE, Stop
35	87107961	1	WASHER, Flat, #10, EndYear: 07/31/2004

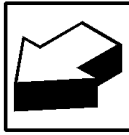
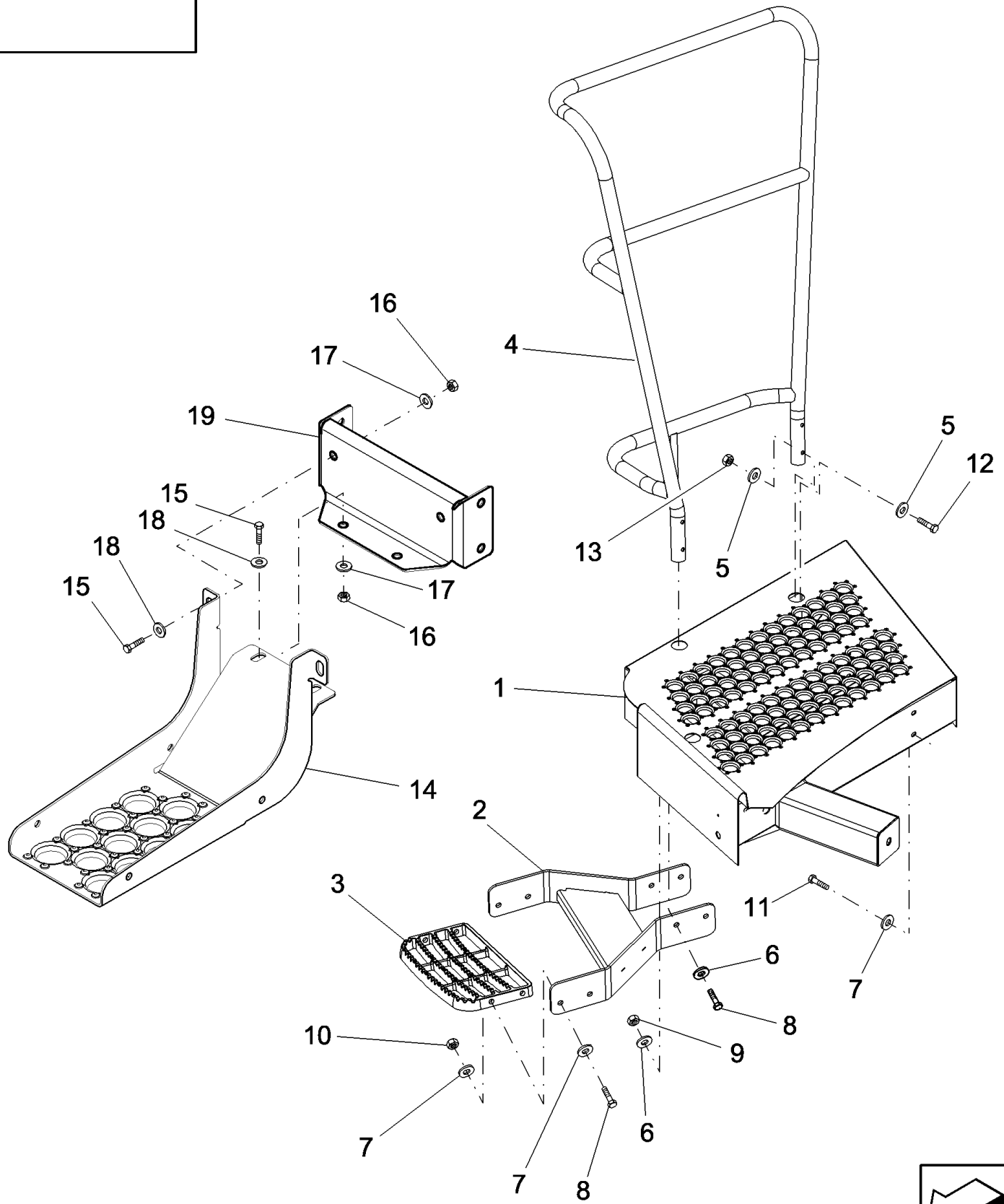
сылка	Номер детали	Кол-во	Описание
36	87107962	1	NUT, LOCK, M6 x 1
37	87107963	1	LOCK,
38	87045052	1	SENSOR, Replaced 87107964, then Replaced 86590416, Ground Speed
39	87108107	2	WASHER, #10, EndYear: 07/31/2004
40	87107965	2	SCREW, HOLLOW, Torx, Pan Hd, #10-32, EndYear: 07/31/2004
40	87282487	2	SCREW, Torx, #10-32 x 1 1/4", Locking, Start Year: 07/31/2004
41	87106743	1	PAD, RUBBER, , EndYear: 07/31/2004
41	87282484	1	PAD, RUBBER, Required on all Dual Speed Rear Axle , Start Year: 07/31/2004
42	87107911	1	HARNESS, WIRE, Console, RH
42	87376152	1	HARNESS, WIRE, Console, RH, Start Year: 01/01/2007
43	87107915	1	BOARD, PRINTED CIRCUIT, Front
43	87107589	1	SWITCH, Includes Ref. 5 & 43
44	87107916	1	BOARD, PRINTED CIRCUIT, Rear, EndYear: 07/31/2004
44	87282485	1	SWITCH, Panel, Includes Ref. 41 & 44, Start Year: 07/31/2004
45	87107913	1	SOFTWARE,
45	87564795	1	Software, Start Year: 01/01/2007
46	86997284	AR	CAP, Cover
47	87284702	AR	KIT, Plates, Friction - Includes Ref. 13, 28, 33, 34 & 36, Replaced 87282658
48	87282659	AR	KIT, Stop, Propulsion Handle - Includes Ref. 12 & 29
49	87282573	AR	KIT, Potentiometer, Throttle - Includes Potentiometer and Screws
50	87282656	AR	KIT, Sensor, Propulsion Handle - Includes Ref. 38 & 40, EndYear: 10/04/2004
50	87284090	AR	KIT, Sensor, Replaces 87282656 - Includes Ref. 38 & 40 , Start Year: 10/04/2004
51	87533906	1	Bracket, Start Year: 01/01/2007
52	140024	4	WASHER, LOCK, M4, , Start Year: 01/01/2007
53	100012	4	NUT, M4, Cl 8, , Start Year: 01/01/2007
54	87327317	AR	PLASTIC PLUG, Touch Screen Display
54	87453959	1	SWITCH, Small Color Display (Escape)
54	87453957	1	SWITCH, Small Color Display (Home)
55	87570112	1	PLUG, Touch Screen Display
56	87282657	1	KIT, Neutral Switch with Wires
57	87582997	1	INSULATION, FOAM,



сылка	Номер детали	Кол-во	Описание
1	86014250	3	NUT,
2	86508812	4	NUT, M3, CI 8,
3	86509827	4	WASHER, LOCK, M3,
4	86533664	1	DECAL, , EndYear: 08/15/2003
4	87023988	1	DECAL, , Start Year: 08/15/2003
5	86500903	1	SWITCH, IGNITION, (6, 7) - Keys Included, EndYear: 08/15/2003
5	87281750	1	SWITCH, IGNITION, Keys NOT Included, Start Year: 08/15/2003
6	86502200	1	NUT, RING,
7	86502201	1	SET OF 2 KEYS, Set of Two Keys, Ignition and Door Locking
8	86995947	1	DASHBOARD,
9	5148077	1	LIGHTER, CIGARETTE, (10)
10	5148133	1	LIGHTER, CIGARETTE, Heating
11	86511816	4	SCREW, Cross Pan Hd, M3 x 16,
12	84320263	1	PLUG,
13	84074633	1	COVER,
14	82002966	1	SOCKET, POWER,
15	86503049	3	SCREW, Cross Oval Hd, M6 x 30,
16	86639310	4	WASHER, M3,

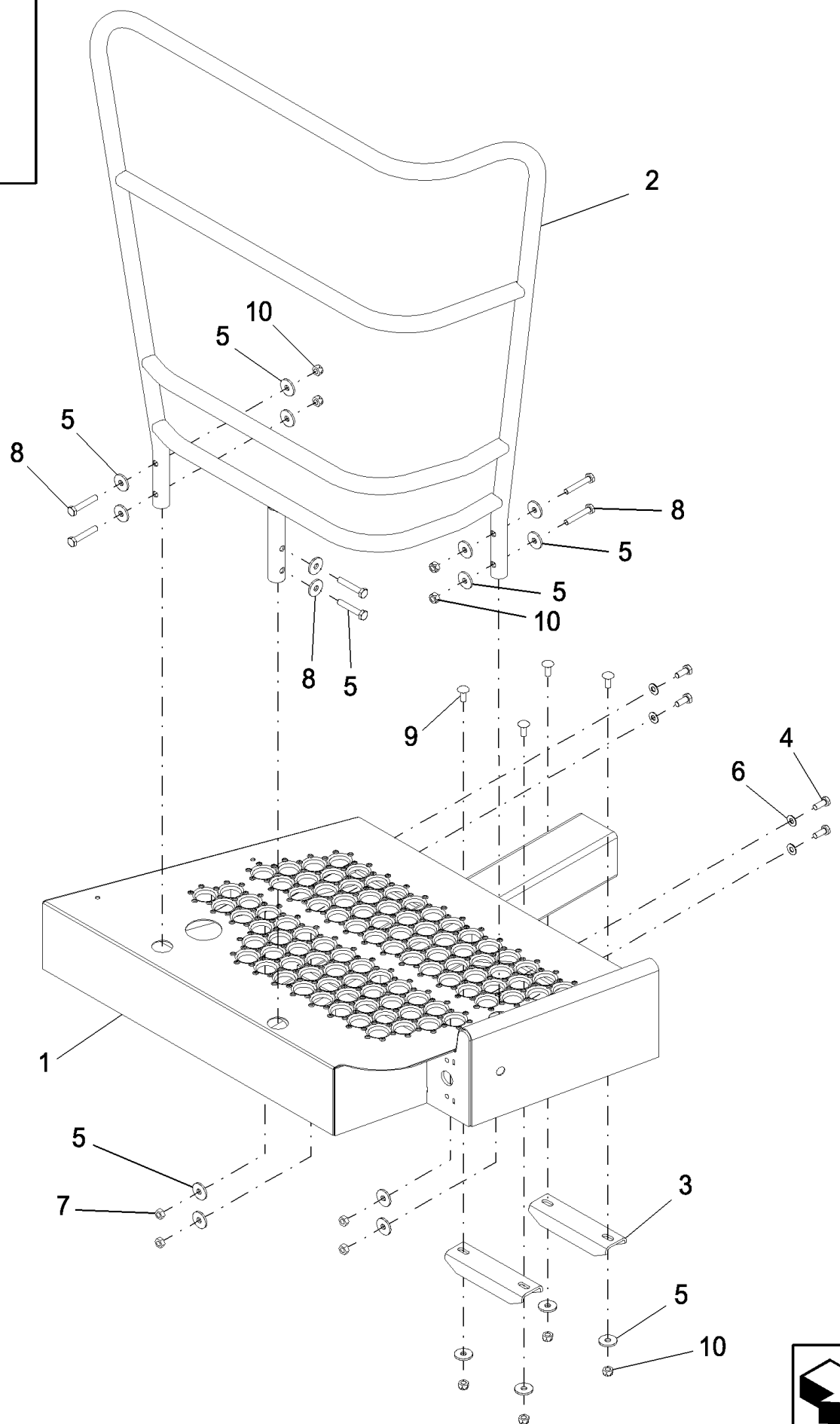


сылка	Номер детали	Кол-во	Описание
1	87282655	1	KIT, Handle
2	87282622	1	Bushing
3	87282624	1	Spring, Torsion
4	87282625	1	Shaft, Cross
5	87282623	1	Snap Ring
6	87282621	1	Pin
7	87282627	1	RING, SNAP,
8	87107953	1	WASHER, Wave
9	87282626	1	Bushing

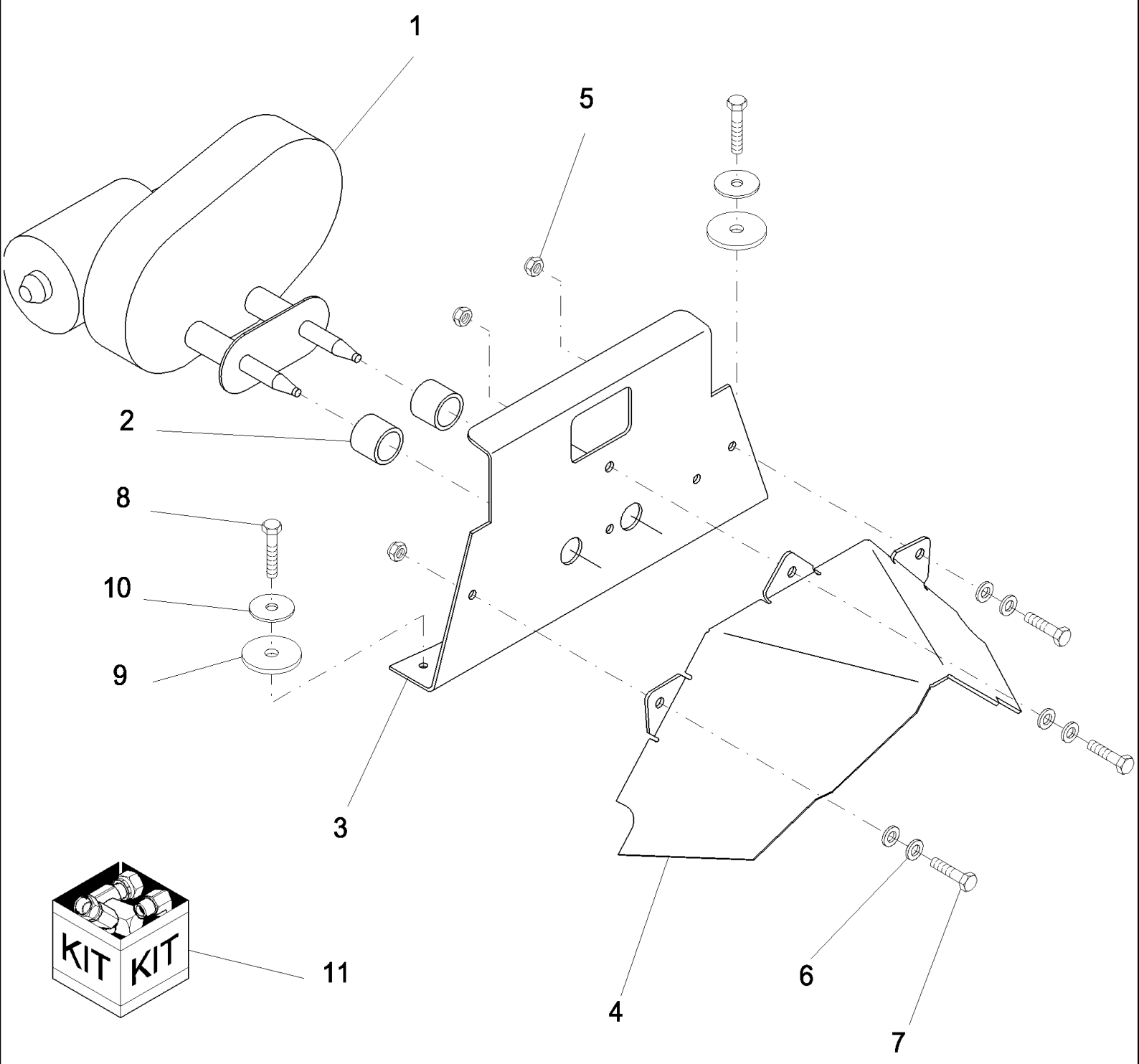


E.34.A(1) USER PLATFORM, RH

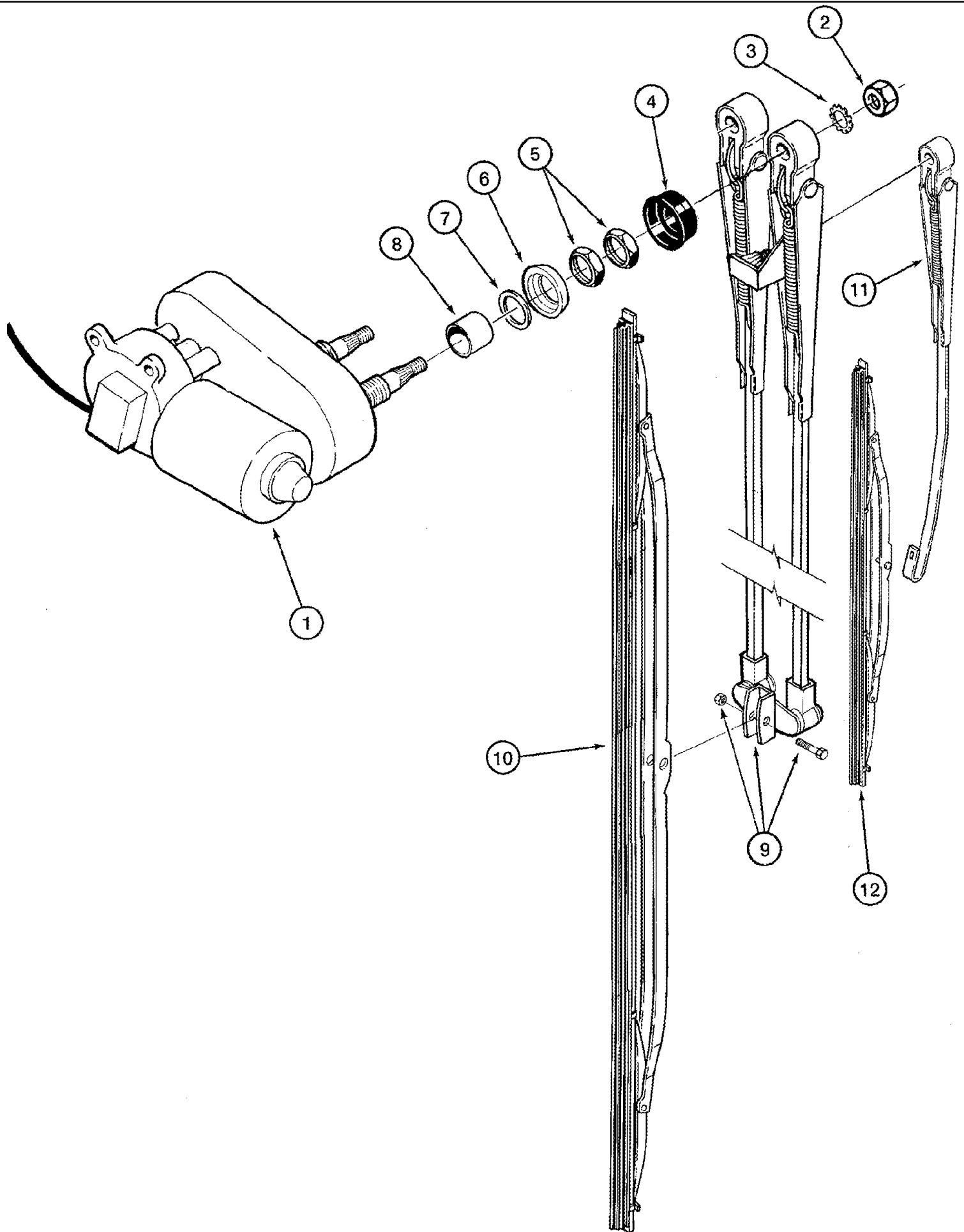
сылка	Номер детали	Кол-во	Описание
1	86999859	1	PLATFORM,
2	86999875	1	SUPPORT, , EndYear: 08/15/2003
3	86642692	1	STEP, , EndYear: 08/15/2003
4	86999866	1	HANDRAIL,
5	86625263	10	WASHER, M8 x 20 x 1.6,
6	86625255	8	WASHER, M13.5 x 24.5 x 3, HT, , EndYear: 08/15/2003
7	86624176	12	WASHER, M10 x 20 x 2, , EndYear: 08/15/2003
7	86624176	AR	WASHER, M10 x 20 x 2, , Start Year: 08/15/2003
8	9824642	4	BOLT, Hex, M12 x 35, 10.9, , EndYear: 08/15/2003
9	337475	4	NUT, M12, CI 10, , EndYear: 08/15/2003
10	829-1410	4	NUT, M10, CI 10, , EndYear: 08/15/2003
11	86624978	8	BOLT, Hex, M10 x 35, 10.9, Full Thd,
12	86625005	6	BOLT, Hex, M8 x 60, 10.9,
13	43362	4	NUT, M8, CI 10,
14	87281023	1	STEP, Access, Start Year: 08/15/2003
15	43138	4	BOLT, Hex, M10 x 20, 8.8, Full Thd, , Start Year: 08/15/2003
16	100016	4	NUT, M10, CI 8, , Start Year: 08/15/2003
17	140045	4	WASHER, SPRING, Belleville, M10, , Start Year: 08/15/2003
18	86511323	4	WASHER, M10 x 20 x 2, , Start Year: 08/15/2003
19	87428462	1	SUPPORT,



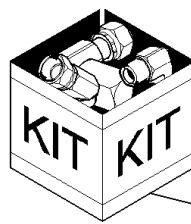
сылка	Номер детали	Кол-во	Описание
1	87105192	1	PLATFORM,
2	87281293	1	HANDRAIL,
3	87281554	2	PLATE,
4	140045	4	WASHER, SPRING, Belleville, M10,
5	140042	18	WASHER, M10 x 34 x 3,
6	43139	4	SCREW, Cap, HH, CL 8.8, M10 x 25
7	100016	4	NUT, M10, CI 8,
8	120070	6	BOLT, Hex, M10 x 60, 8.8,
9	86633356	4	BOLT, CARRIAGE, Short NK, M10 x 25, CI8.8, Full Thd,
10	100037	8	NUT, M10 x 1.5, CI 8,



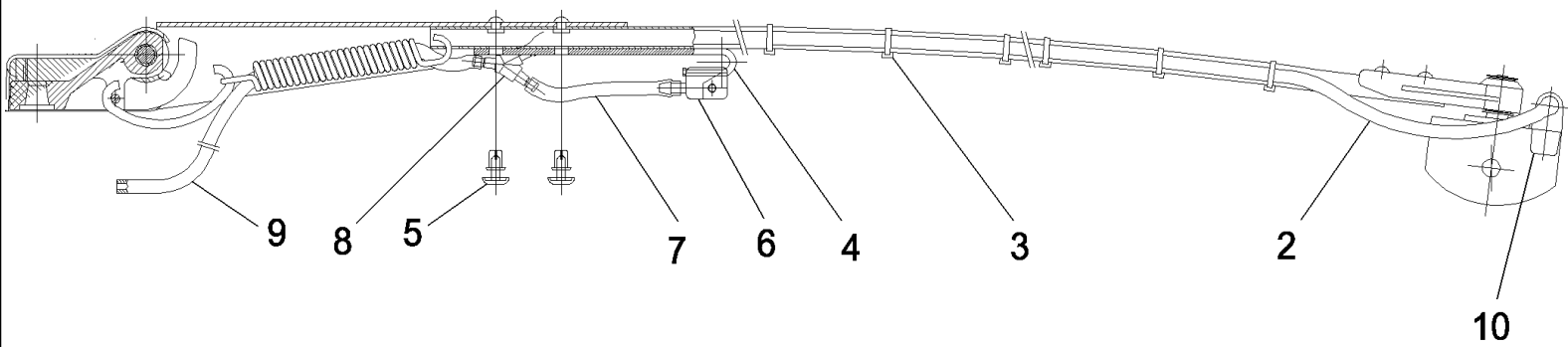
сылка	Номер детали	Кол-во	Описание
1	86976257	1	WIPER MOTOR,
2	86975131	2	SPACER,
3	87282810	1	BRACKET, Replaces 87105758
4	87105760	1	COVER,
5	393392	3	NUT, LOCK, M6 x 1, CI 8,
6	86624181	4	WASHER, M6,
7	86977786	3	BOLT, Hex, M6 x 25, 8.8,
8	86977789	2	BOLT, Hex, M6 x 35, 8.8,
9	87000585	2	SPACER,
10	86624183	2	WASHER, M6 x 25 x 1.6,
11	138013A1	1	KIT, REPAIR, Wiper Motor Hardware



сылка	Номер детали	Кол-во	Описание
	137838A1	1	WIPER MOTOR, Includes 1 - 7
1	NSS	1	NOT SERVICED SEPARATELY, Motor
	138013A1	1	KIT, REPAIR, Includes 2 - 7
2	829-1408	2	NUT, M8, CI 10,
3	893-11008	2	WASHER, LOCK, Ext Tooth, M8,
4	NSS	2	NOT SERVICED SEPARATELY, Cover
5	NSS	2	NOT SERVICED SEPARATELY, Nut
6	NSS	2	NOT SERVICED SEPARATELY, Retainer
7	NSS	2	NOT SERVICED SEPARATELY, Seal
8	123936A1	2	SPACER,
	352976A1	1	WIPER BLADE, Includes 9 - 12
9	123150A1	1	WIPER ARM, 1000 mm
10	123151A1	1	WIPER BLADE, 1000 mm (39-3/8 in)
11	231284A1	1	WIPER ARM, 176 mm lg
12	231283A1	1	WIPER BLADE, 330 mm lg



1



9

8

5

7

6

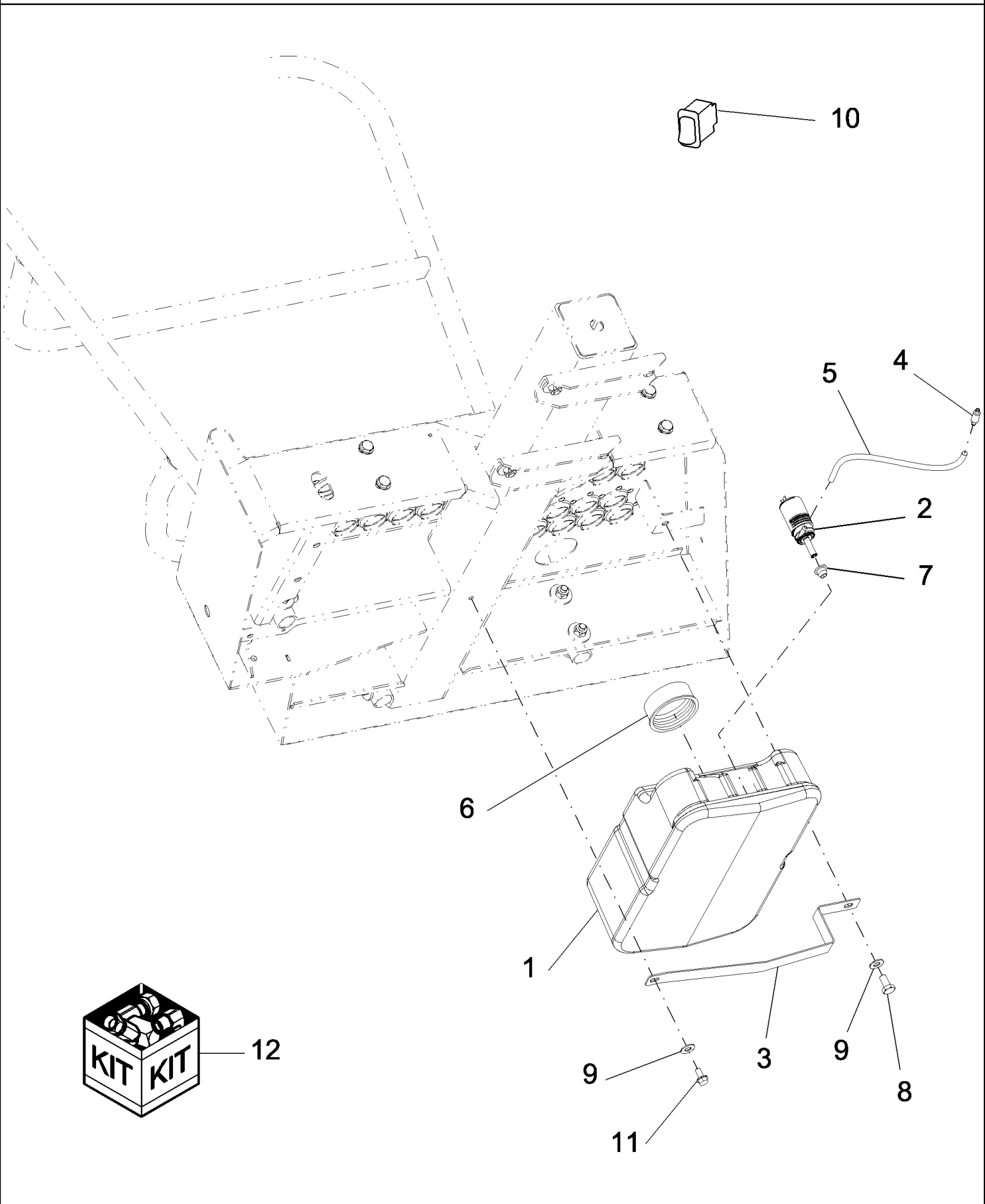
4

3

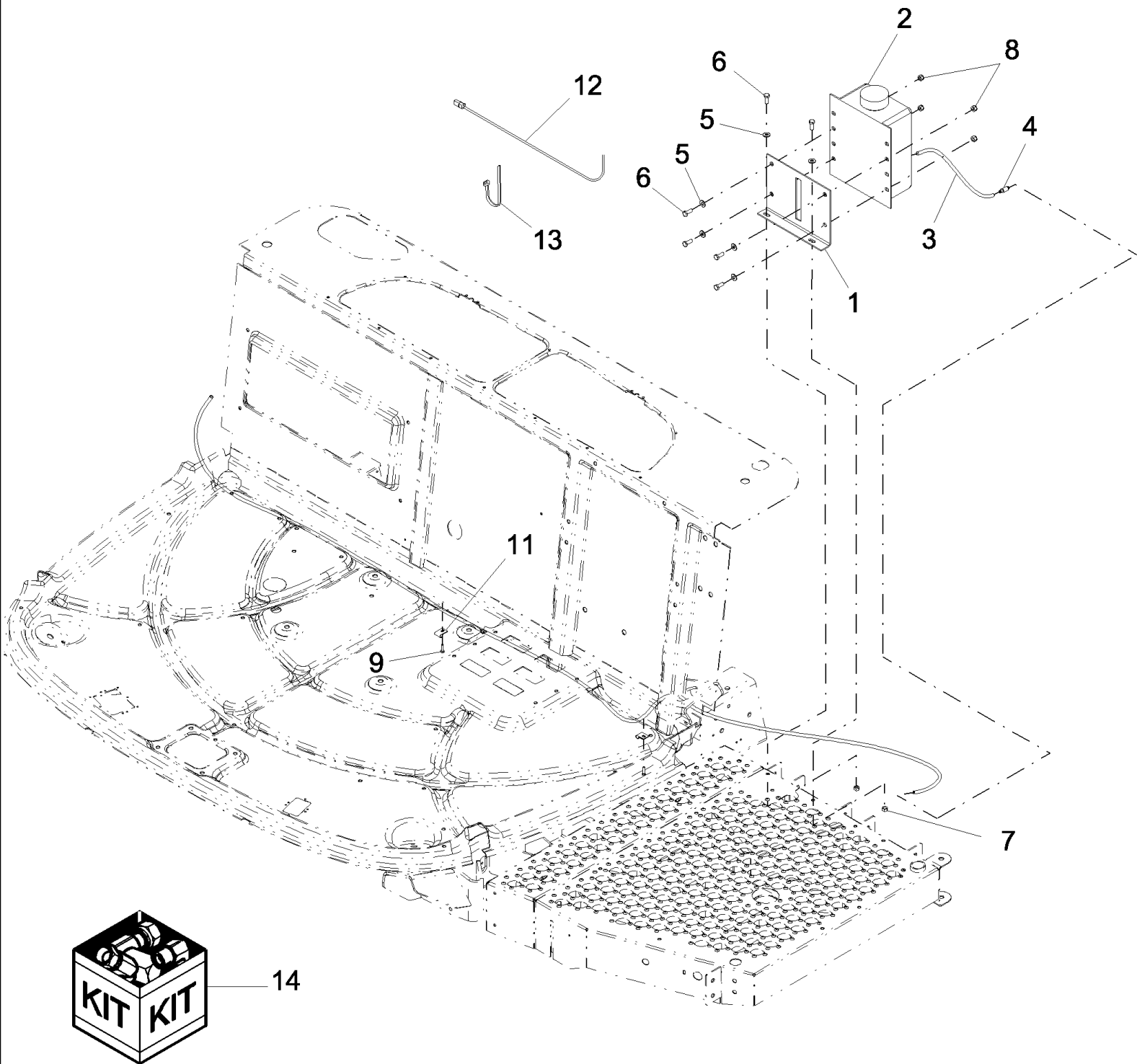
2

10

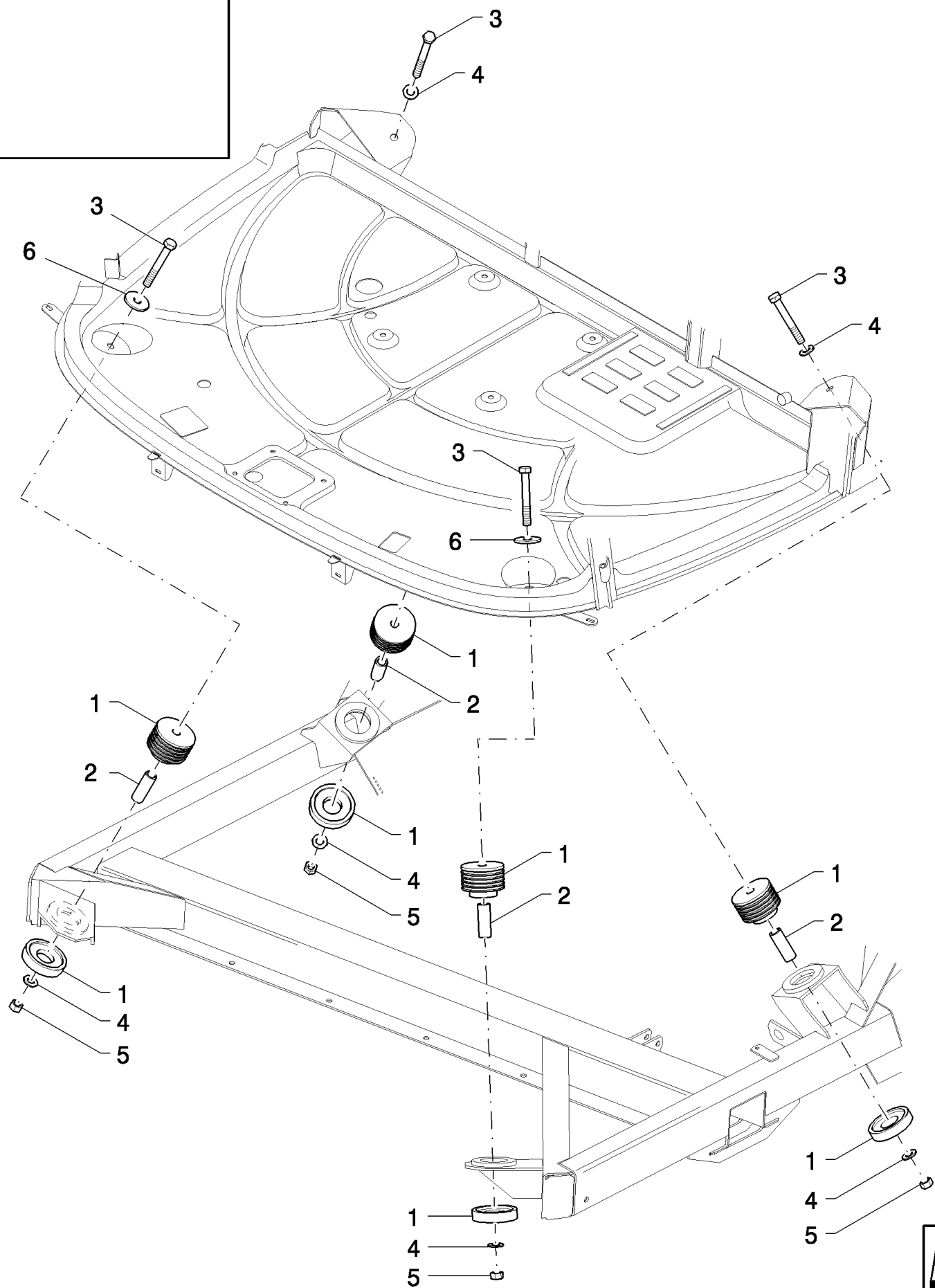
сылка	Номер детали	Кол-во	Описание
1	87281666	1	WASHER, WINDSHIELD, Includes: Ref. 2 thru 10
2	87282393	1	HOSE, 870 mm
3	PL	8	PROCURE LOCALLY, Bundling Tie
4	87282394	1	ARM, Locking
5	87282395	2	RIVET, Snap
6	87282396	1	NOZZLE CAP, Single
7	87282397	1	HOSE, 70 mm
8	87282398	1	FITTING, " Y "
9	87282393	1	HOSE, 450 mm, Cut-to-Length
10	87282392	1	HOLDER, Nozzle, Double



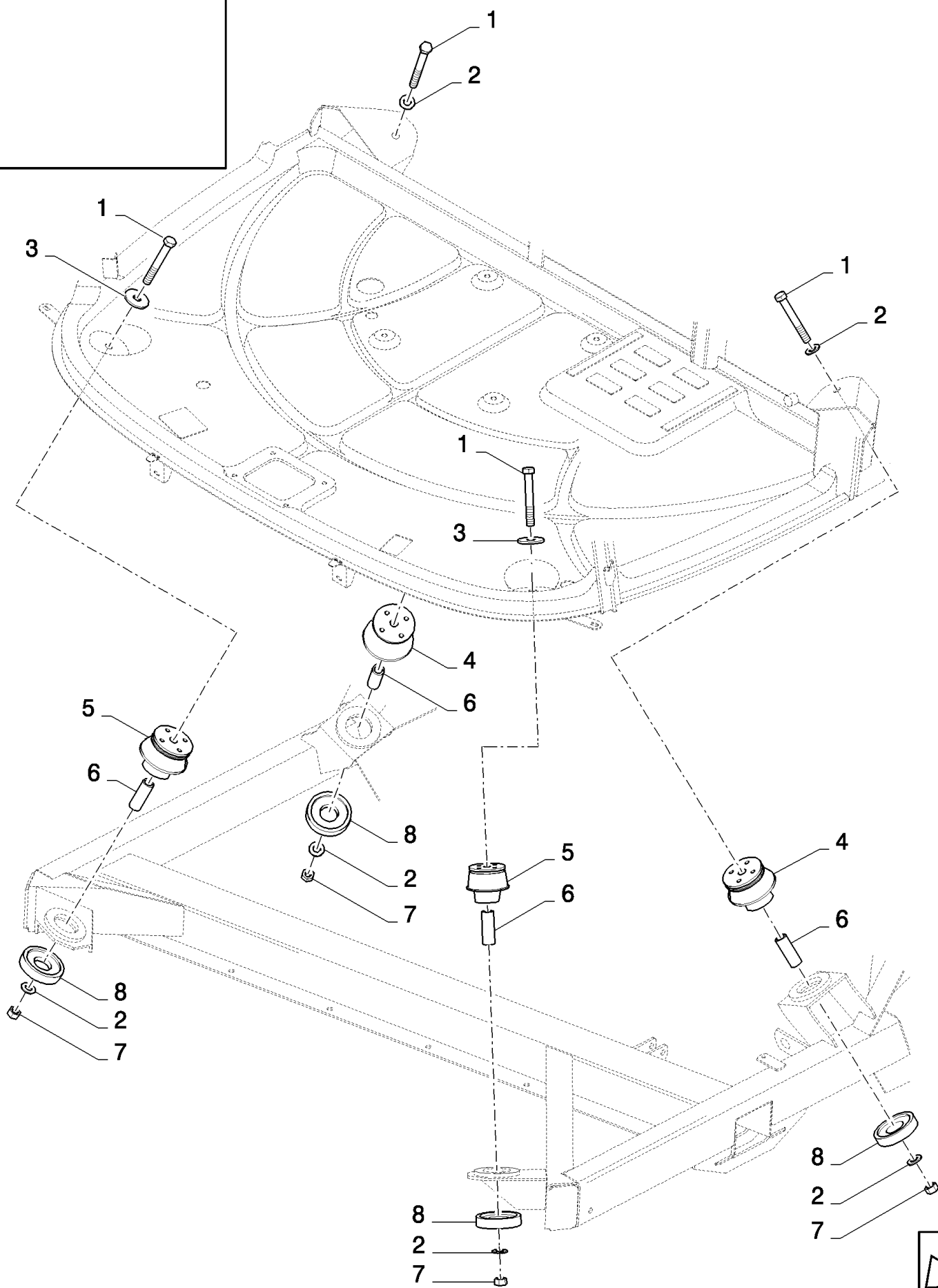
сылка	Номер детали	Кол-во	Описание
1	84067920	1	RESERVOIR, WINDSH. WASH, Includes Ref. 2, 6 & 7
2	84037533	2	PUMP, Washer Fluid
3	87282860	1	BRACKET,
4	84037530	1	VALVE, CHECK,
5	87282056	1	HOSE, 200 mm
6	84073021	1	CAP,
7	84037531	1	SEAL,
8	43138	1	BOLT, Hex, M10 x 20, 8.8, Full Thd,
9	140045	2	WASHER, SPRING, Belleville, M10,
10	84320245	1	SWITCH, In Cab, Washer Fluid
11	86978776	1	SCREW, SELF TAP, Hex Wash Hd, 5/16" x 3/4",
12	84083382	AR	DIA KIT, ADDITIONAL PROD., Includes: Ref.s 1 Thru 11 Plus Contents Of Fig. E.34.A.66



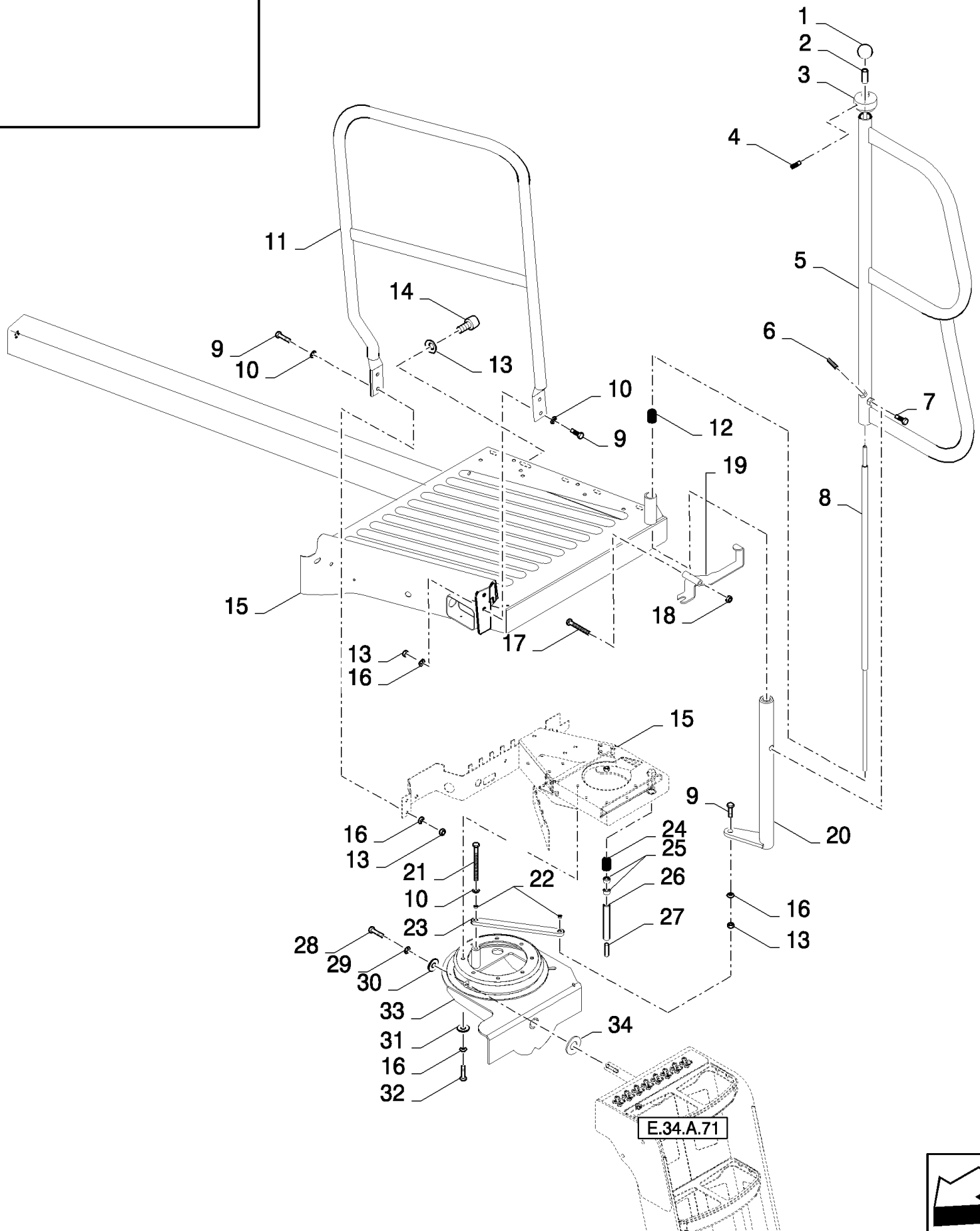
сылка	Номер детали	Кол-во	Описание
1	87044151	1	BRACKET,
2	87014923	1	TANK,
3	87282056	AR	HOSE,
4	84037530	1	VALVE, CHECK,
5	322358	6	WASHER, SPRING, Belleville, M8,
6	120104	6	BOLT, Hex, M8 x 20, 8.8,
7	9706690	2	NUT, M8, CI 8,
8	86629542	4	NUT, LOCK, M8 x 1.25, CI 8,
9	87016553	2	SCREW, SELF TAP, Hex Hd, M4.8 x 19,
10	84320245	1	SWITCH, Cab, Washer Fluid
11	237910	2	CLAMP, WIRE,
12	87045781	1	HARNESS, WIRE,
13	86566989	1	STRAP, CABLE,
14	87049763	AR	DIA KIT, HARVESTER, Includes: Ref.s 1 Thru 13 Plus Contents Of Fig. E.34.A.66



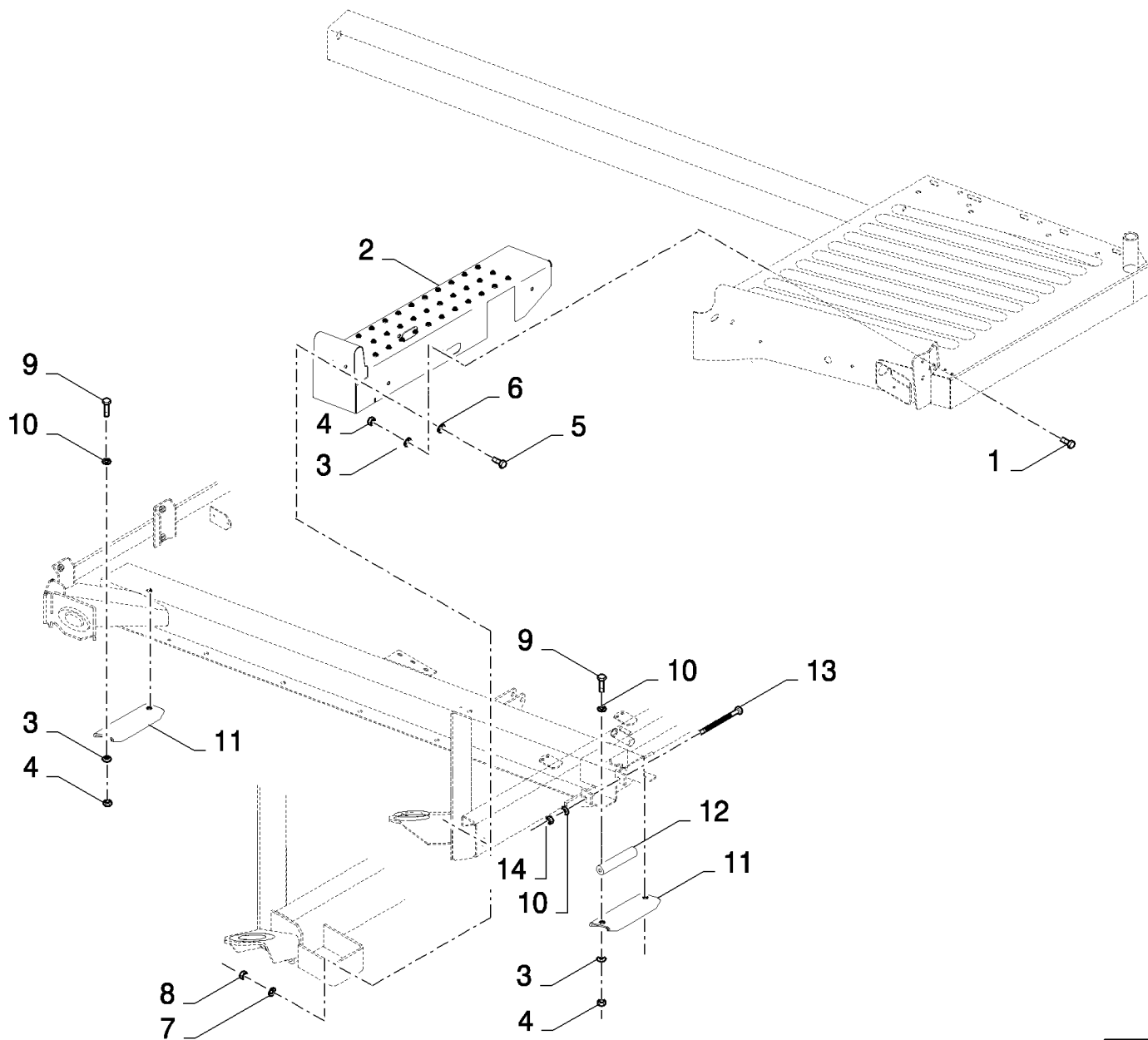
сылка	Номер детали	Кол-во	Описание
1	84807139	4	ISOLATOR,
2	84807136	4	SPACER,
3	321246	4	BOLT, Hex, M16 x 120, 8.8,
4	80378246	6	WASHER, M16
5	86000441	4	NUT, LOCK, M16 x 2, Cl 8,
6	337522	2	WASHER, M16 x 56 x 5,



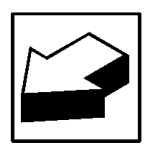
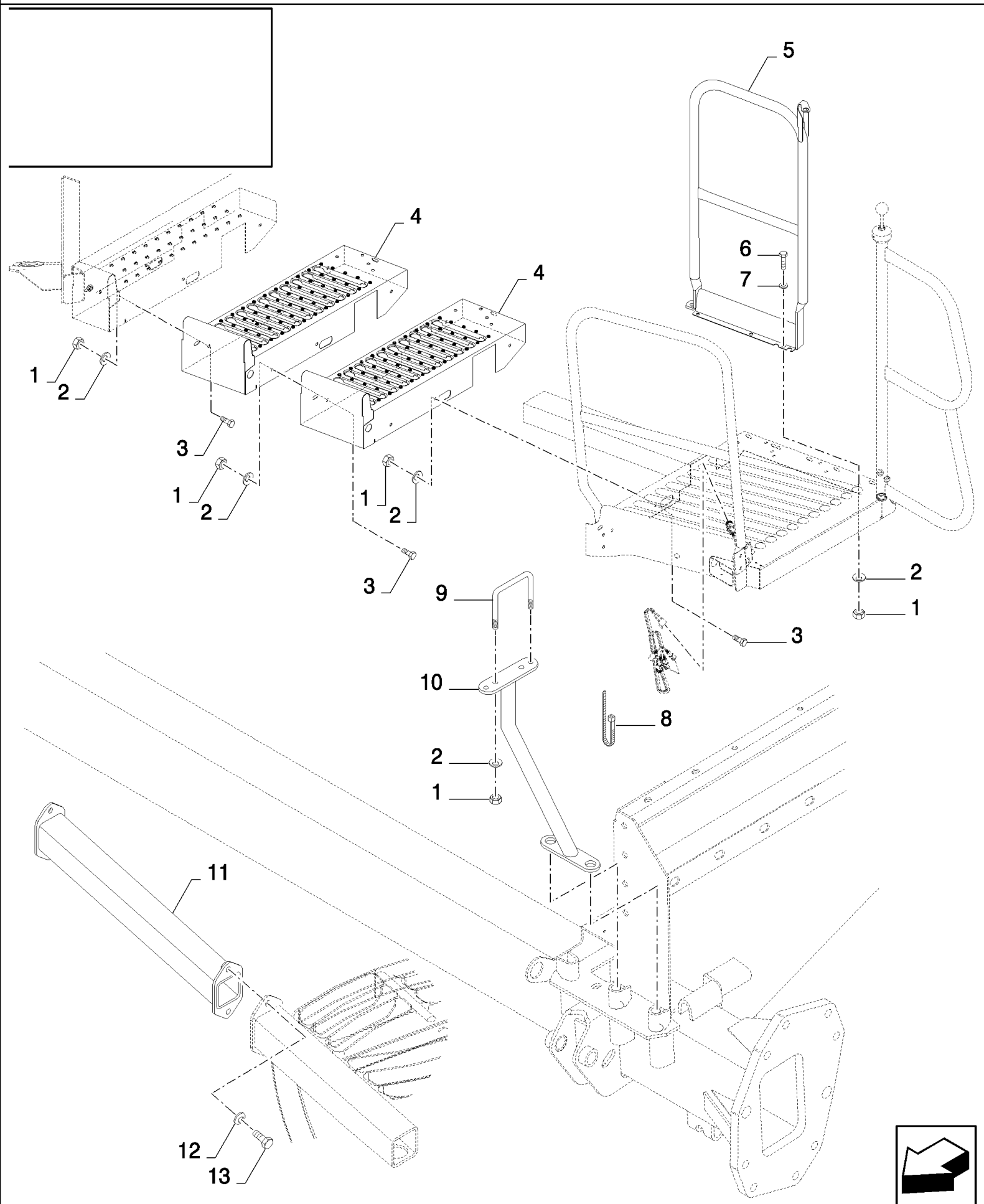
сылка	Номер детали	Кол-во	Описание
1	321246	4	BOLT, Hex, M16 x 120, 8.8,
2	378246	6	WASHER, M16
3	337522	2	WASHER, M16 x 56 x 5,
4	87012026	2	DAMPER, Isolator, Rear
5	87012025	2	ISOLATOR, Isolator, Front
6	84807136	4	SPACER, Spacer
7	86000441	4	NUT, LOCK, M16 x 2, CI 8,
8	87022202	4	WASHER, Rebound



сылка	Номер детали	Кол-во	Описание
1	84056709	1	KNOB,
2	86613007	2	WASHER,
3	86615493	1	PLUG,
4	80120242	1	SCREW, Set, HS, M6 x 1 x 10
5	300480	1	SET SCREW, Hex Soc, M10 x 12, Cup Pt,
6	300383	1	BOLT, Hex, M10 x 16, 8.8, Full Thd,
7	43140	1	BOLT, Hex, M10 x 30, 8.8, Full Thd,
8	86615579	1	ROD,
9	43139	5	SCREW, HH, CL 8.8, M10 x 1.5 x 25
10	86511323	5	WASHER, M10 x 20 x 2,
11	87105178	1	HANDRAIL,
12	80918027	1	SPRING, Compression
13	100016	AR	NUT, M10, CI 8,
14	87105177	1	HANDRAIL,
15	87106000	1	PLATFORM,
16	140045	11	WASHER, SPRING, Belleville, M10,
17	120073	1	BOLT, Hex, M10 x 80, 8.8,
18	100037	1	NUT, M10 x 1.5, CI 8,
19	84437664	1	PLATE,
20	86615047	1	ROD,
21	120075	1	BOLT, Hex, M10 x 100, 8.8,
22	86615036	2	BUSHING,
23	86615035	1	PLATE,
24	226829	1	SPRING, Compression
25	399994	2	SLEEVE, Bushing
26	86611680	1	PIN,
27	86615492	1	PIN,
28	300389	1	BOLT, Hex, M12 x 35, 8.8, Full Thd,
29	140046	1	WASHER, SPRING, Belleville, M12,
30	9511052	1	WASHER, M12 x 44 x 4,
31	80140042	6	WASHER, M10
32	43140	6	BOLT, Hex, M10 x 30, 8.8, Full Thd,
33	86606336	1	BEARING, BALL,
34	87105186	1	SPRING,
35	130003	1	PIN, SPLIT (COTTER), M3.2 x 20,
36	86625266	1	WASHER, M17.5 x 30 x 4, HT,

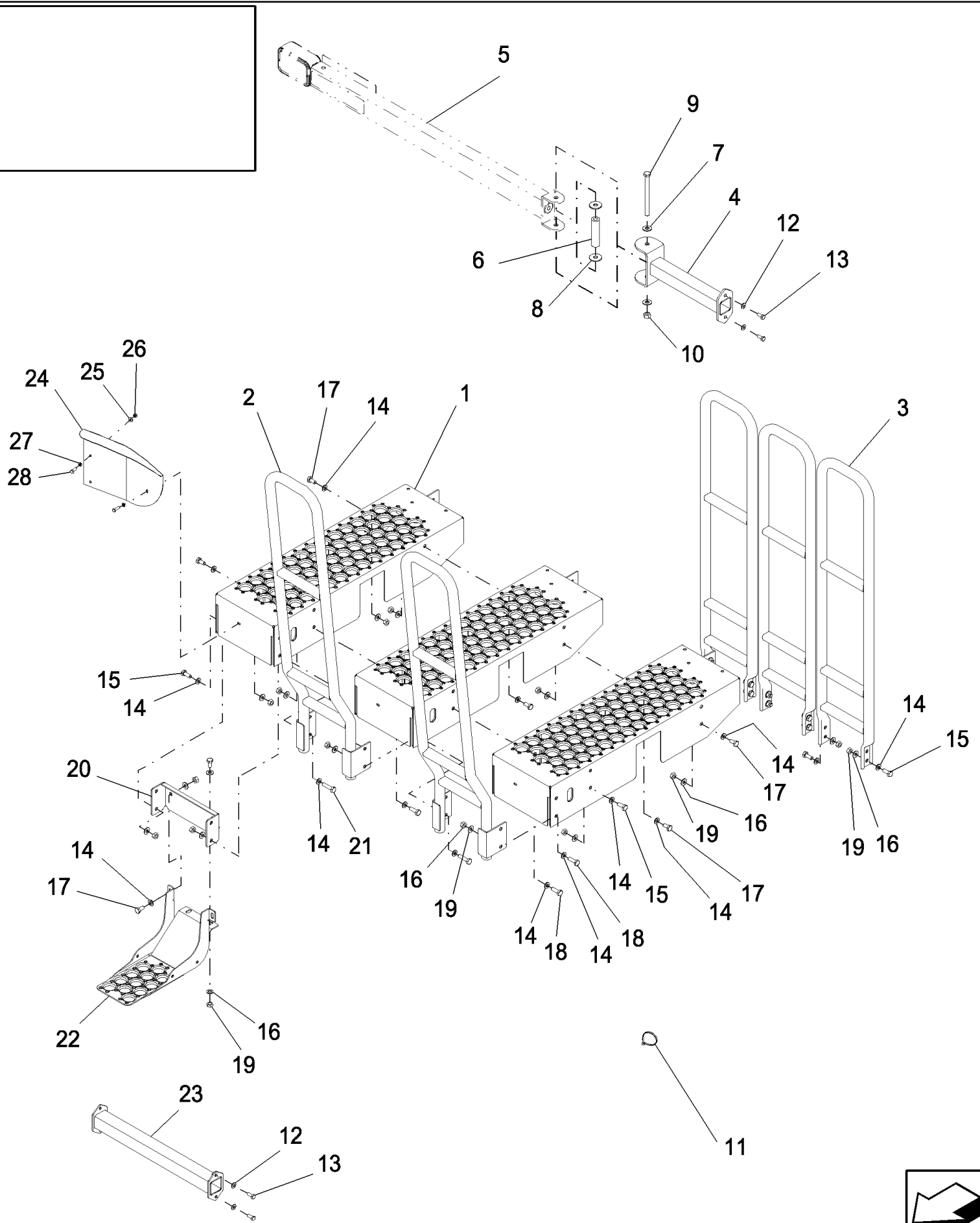


сылка	Номер детали	Кол-во	Описание
1	43138	3	BOLT, Hex, M10 x 20, 8.8, Full Thd,
2	87106000	1	PLATFORM,
3	140045	AR	WASHER, SPRING, Belleville, M10,
4	100016	AR	NUT, M10, CI 8,
5	43151	1	BOLT, Hex, M12 x 20, 8.8, Full Thd,
6	86511324	1	WASHER, M12 x 24 x 2.5,
7	140046	2	WASHER, SPRING, Belleville, M12,
8	9706685	1	NUT, M12, CI 8,
9	43139	4	SCREW, HH, CL 8.8 x M10 x 1.5 x 25
10	86511323	5	WASHER, M10 x 20 x 2,
11	86615600	2	PLATE,
12	84989474	1	ROLLER,
13	86509596	1	BOLT, Hex, M10 x 160, 8.8,
14	100037	1	NUT, M10 x 1.5, CI 8,

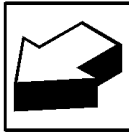
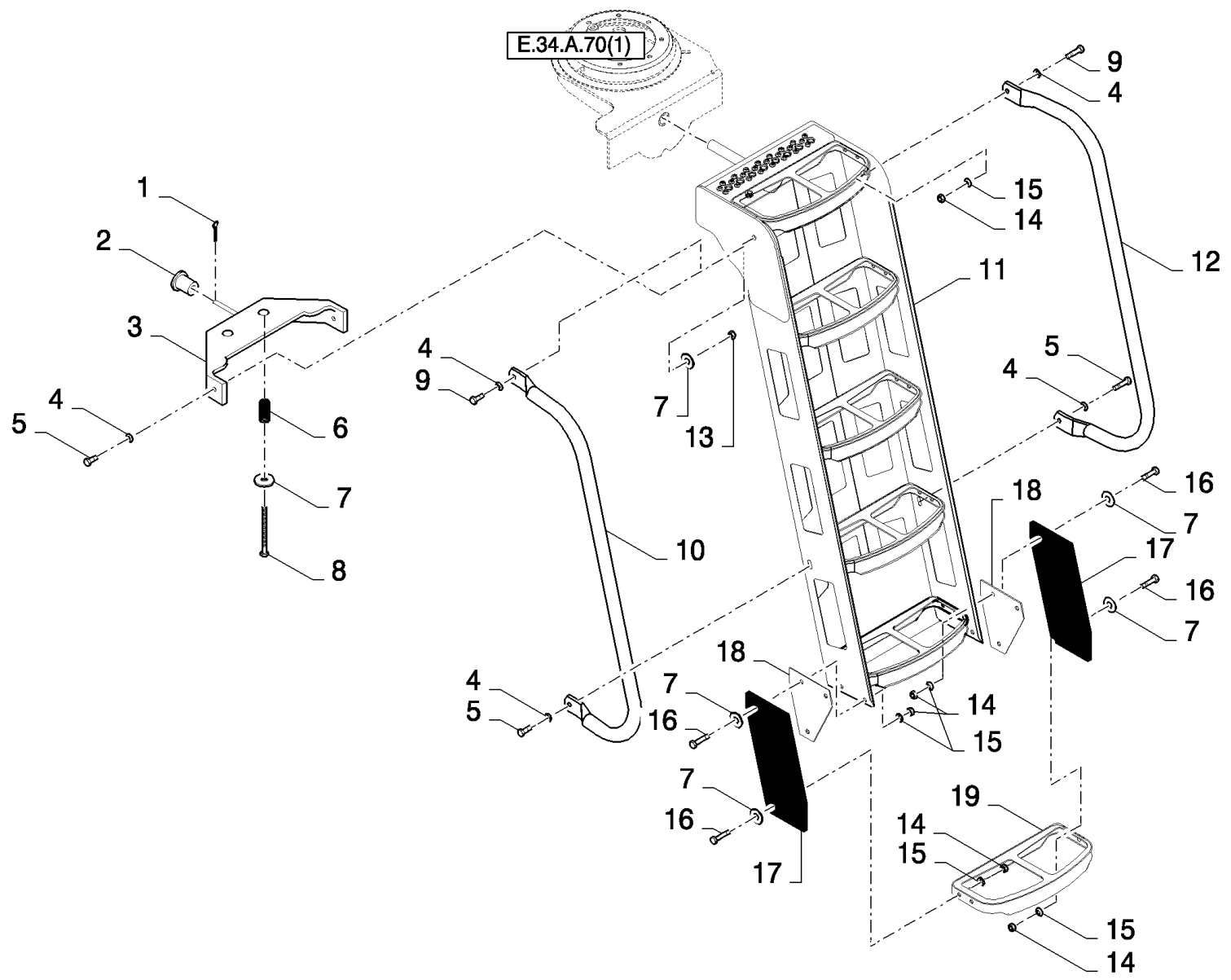


сылка	Номер детали	Кол-во	Описание
1	100016		AR NUT, M10, CI 8,
2	140045		AR WASHER, SPRING, Belleville, M10,
3	43138		AR BOLT, Hex, M10 x 20, 8.8, Full Thd,
4	87105996	3	PLATFORM, , 750 mm
4	87105996	2	PLATFORM, , 500 mm
4	87105996	1	PLATFORM, , 250 mm
5	86610972	1	HANDRAIL, , 750 mm
5	86618604	1	HANDRAIL, , 500 mm
5	86592225	1	HANDRAIL, , 250 mm
6	43139		AR SCREW, M10 x 25
7	86511323		AR WASHER, M10 x 20 x 2,
8	86566989		AR STRAP, CABLE,
9	84439668	1	U-BOLT,
10	84442674	1	SUPPORT,
11	84607458	1	EXTENSION, , 750 mm
11	84607456	1	EXTENSION, , 500 mm
11	84607454	1	EXTENSION, , 250 mm
12	322358	2	WASHER, SPRING, Belleville, M8,
13	120104	2	BOLT, Hex, M8 x 20, 8.8,

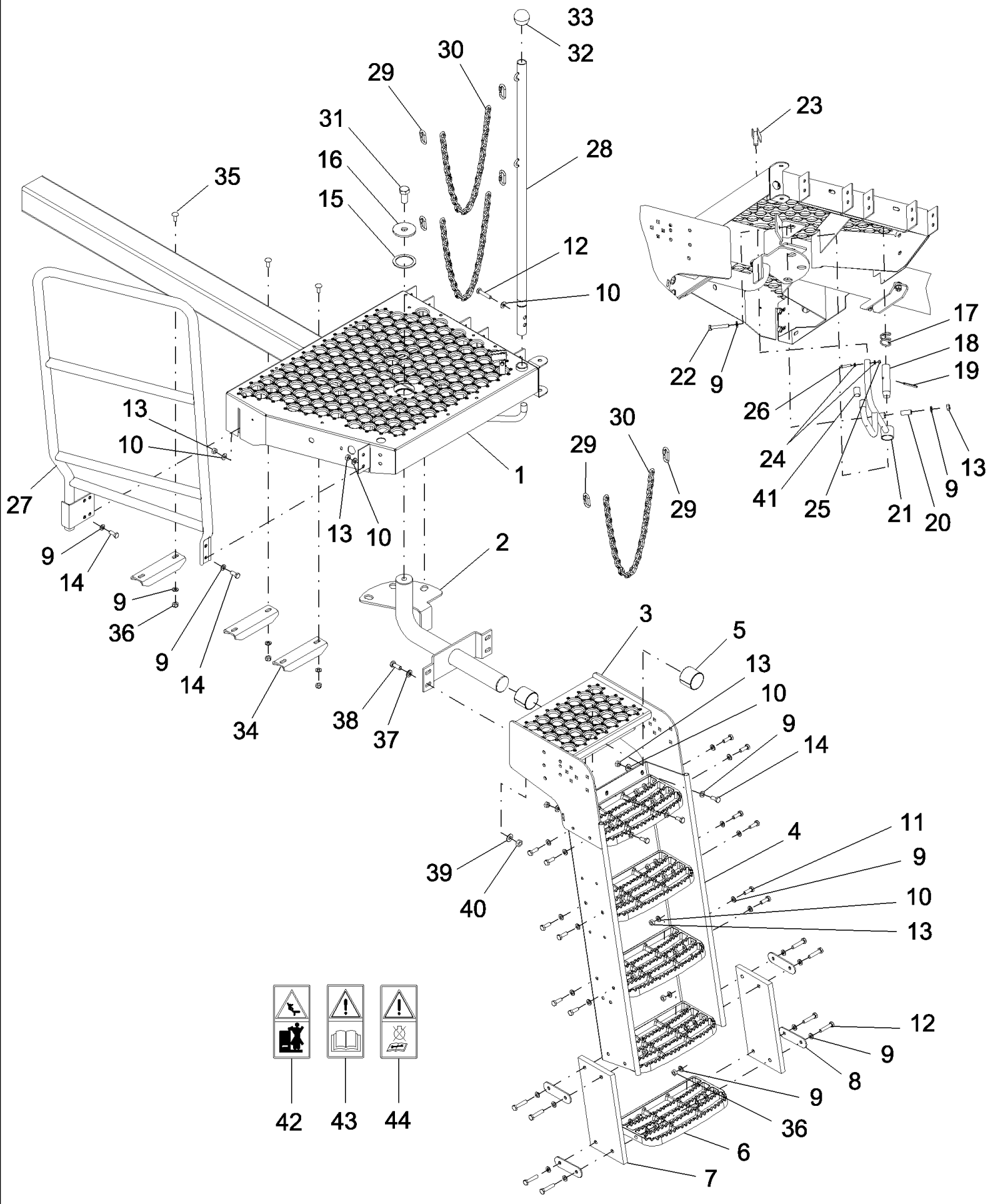
E.34.A.70(4) PLATFORM EXTENSIONS - PIN HAJ105201NA/HAJ103201EU AND AFTER



сылка	Номер детали	Кол-во	Описание
	84083290		DIA KIT, HARVESTER, 250 mm Platform Extension
	84083181		DIA KIT, HARVESTER, 250 mm Platform Extension, Europe Only
	84083291		DIA KIT, HARVESTER, 500 mm Platform Extensions
	84083366		DIA KIT, HARVESTER, 500 mm Platform Extensions, Europe Only
	84083292		DIA KIT, HARVESTER, 750 mm Platform Extensions
1	87109473	AR	PLATFORM ASSY.,
2	87109929	AR	HANDRAIL,
3	87280493	AR	HANDRAIL,
4	87109737	1	SUPPORT,
5	87109713	1	, EndYear: 02/09/2004
5	87283303	1	LIGHT, WARNING, 250 mm Extension, Start Year: 02/09/2004
5	87109717	1	, EndYear: 02/09/2004
5	87283302	1	LIGHT, WARNING, 500 mm Extensions , Start Year: 02/09/2004
5	87109721	1	, EndYear: 02/09/2004
5	87283301	1	LIGHT, WARNING, 750 mm Extensions, Start Year: 02/09/2004
6	87105383	1	SPACER,
7	140046	2	WASHER, SPRING, Belleville, M12,
8	86997936	2	WASHER,
9	385427	1	BOLT, Hex, M12 x 150, 8.8,
10	9706685	1	NUT, M12, CI 8,
11	86566989	3	STRAP, CABLE,
12	322358	2	WASHER, SPRING, Belleville, M8,
13	120104	2	BOLT, Hex, M8 x 20, 8.8,
14	86511323	AR	WASHER, M10 x 20 x 2,
15	43139	AR	SCREW, Cap, HH, CL 8.8, M10 x 25
16	140045	AR	WASHER, SPRING, Belleville, M10,
17	43138	AR	BOLT, Hex, M10 x 20, 8.8, Full Thd,
18	43140	AR	BOLT, Hex, M10 x 30, 8.8, Full Thd,
19	100016	AR	NUT, M10, CI 8,
20	87428462	1	SUPPORT, LH Step
21	120068	AR	BOLT, Hex, M10 x 40, 8.8, Full Thd,
22	87281023	1	STEP, Access
23	87281175	1	EXTENSION, Extension, 500 mm - EU Only
24	87109591	1	COVER, Chin Guard - EU Only
25	322357	3	WASHER, SPRING, Belleville, M6, EU Only
26	86500688	3	NUT, M6, CI 10, EU Only
27	86588450	3	WASHER, M6, EU Only
28	120100	3	BOLT, Hex, M6 x 20, 8.8, EU Only



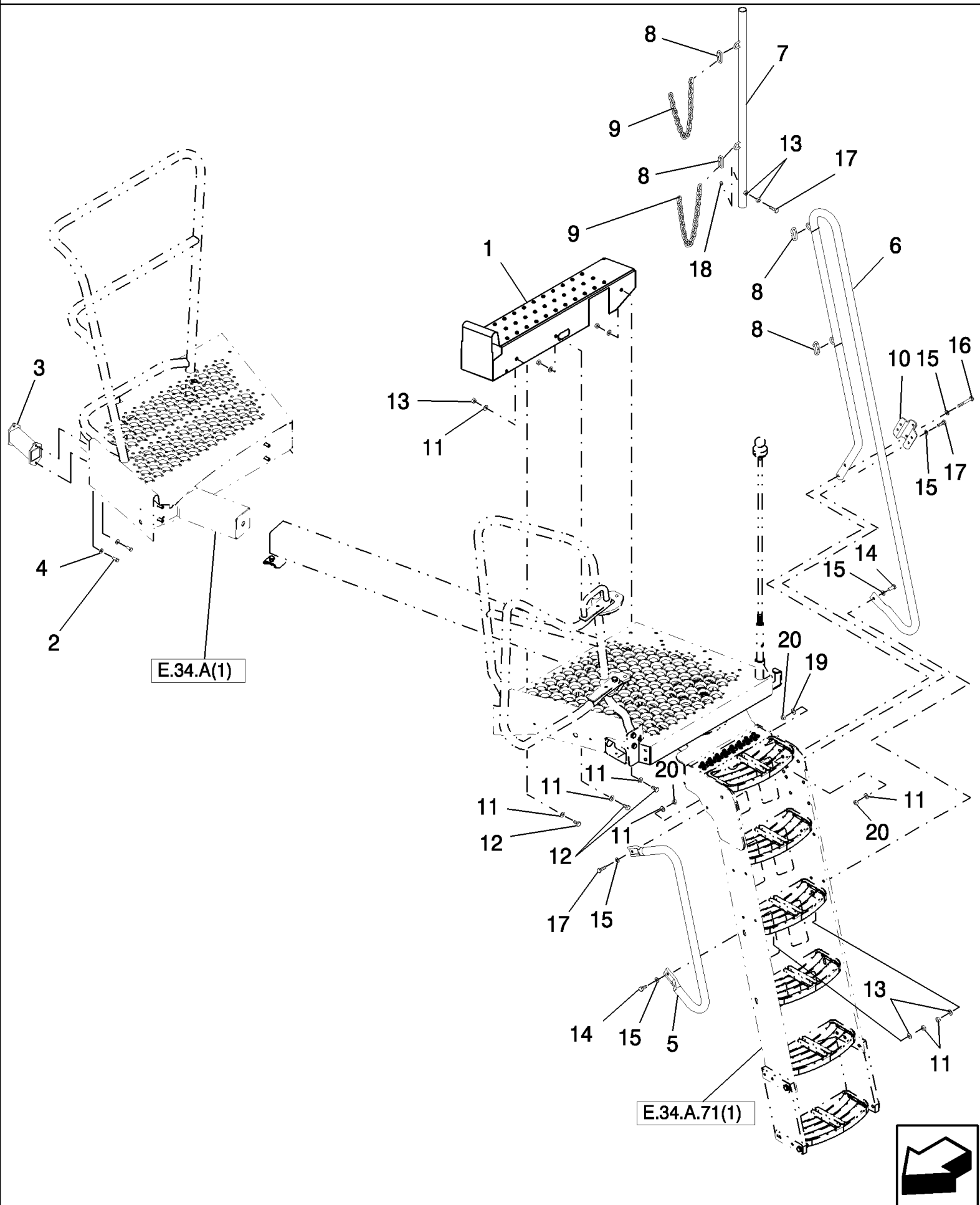
сылка	Номер детали	Кол-во	Описание
1	130007	1	PIN, SPLIT (COTTER), M4 x 25,
2	80913654	1	BUSHING,
3	87108467	1	BRACKET,
4	86511323	AR	WASHER, M10 x 20 x 2,
5	43139	AR	SCREW, HH, CL 8.8, M10 x 1.5 x 25
6	89509233	2	SPRING,
7	80140042	AR	WASHER, M10
8	87025068	2	STUD,
9	43140	2	BOLT, Hex, M10 x 30, 8.8, Full Thd,
10	87105181	1	HANDRAIL,
11	87024522	1	LADDER,
12	87105182	1	HANDRAIL,
13	100037	AR	NUT, M10 x 1.5, CI 8,
14	100016	AR	NUT, M10, CI 8,
15	140045	AR	WASHER, SPRING, Belleville, M10,
16	9706704	AR	BOLT, Hex, M10 x 35, 8.8, Full Thd,
17	87024104	2	HANGER, Support, Flexible
18	87024309	4	BRACKET, Plate
19	84443533	1	STEP,
20	87025064	1	BRACKET,
21	87108429	2	BUSHING,



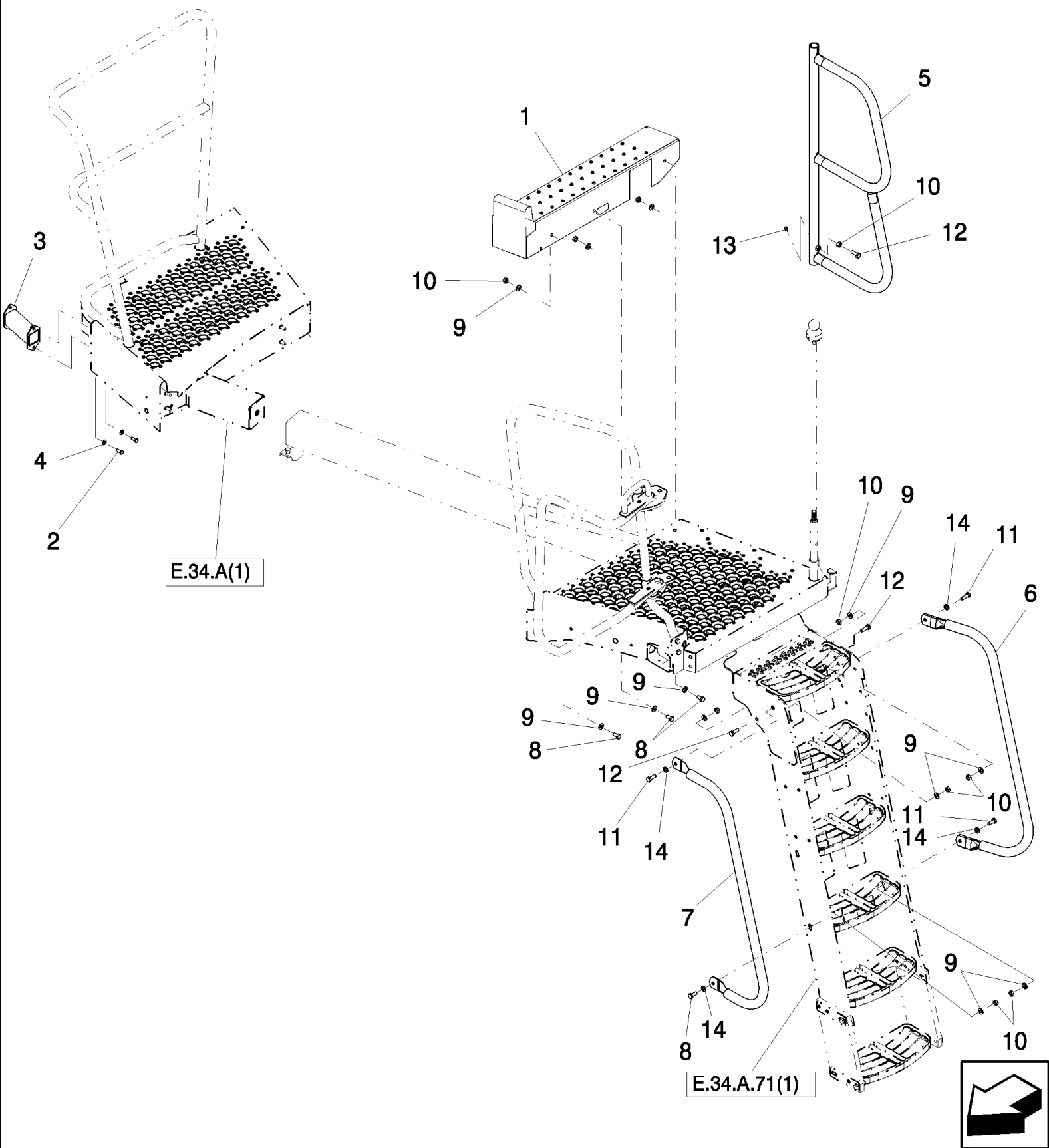
- 42
- 43
- 44

сылка	Номер детали	Кол-во	Описание
1	87109254	1	PLATFORM,
2	87283997	1	ARM,
3	87109256	1	LADDER,
3	87283973	1	LADDER, , Start Year: 10/04/2004
4	87510520	1	LADDER, , For NA Only
4	87284036	1	LADDER, Includes Ref. 42, 43, & 44, For EU Only
5	NS	2	NOT SERVICED, Bushing - 87109507
6	87301185	5	STEP, Replaced 86642692
7	87109724	2	HANGER, Step, Rubber
7	87284743	2	, Start Year: 10/04/2004
8	87281588	4	PLATE,
9	86511323	AR	WASHER, M10 x 20 x 2,
10	140045	AR	WASHER, SPRING, Belleville, M10,
11	43140	12	BOLT, Hex, M10 x 30, 8.8, Full Thd,
12	120069	10	BOLT, Hex, M10 x 50, 8.8,
13	100016	AR	NUT, M10, CI 8,
14	43139	7	SCREW, Cap, HH, CL 8.8, M10 x 25
15	87281392	1	WASHER, THRUST,
16	86637951	AR	WASHER, 13/16" x 3" x .238", HDN,
17	87109472	1	SPRING,
18	87106596	1	PIN,
19	87020818	1	PIN, LOCK, 1/4" x 2", Slotted,
20	87108760	1	BUSHING,
21	87109490	1	HANDLE, Includes Ref. 41
22	120070	1	BOLT, Hex, M10 x 60, 8.8,
23	87109799	1	PEDAL, Foot Release
24	86588450	2	WASHER, M6,
25	43117	1	BOLT, Hex, M6 x 30, 8.8,
26	86500688	1	NUT, M6, CI 10,
27	87109516	1	HANDRAIL, LH, Front
28	87109394	1	GRAB RAIL,
29	87107072	AR	LINK, Chain
30	87109887	AR	CHAIN,
31	86624002	AR	BOLT, Hex, M20 x 40, 8.8,
32	349014A1	1	KNOB,
33	PL	1	PROCURE LOCALLY, Adhesive, Loctite
34	87281554	3	PLATE,
35	86633356	6	BOLT, CARRIAGE, Short NK, M10 x 25, CI8.8, Full Thd,
36	100037	6	NUT, M10 x 1.5, CI 8,
37	86511324	4	WASHER, M12 x 24 x 2.5,
38	9706687	4	BOLT, Hex, M12 x 30, 8.8,
39	140046	4	WASHER, SPRING, Belleville, M12,
40	9706685	4	NUT, M12, CI 8,
41	87109878	1	CAP,
42	84004732	1	DECAL, Do Not Ride on Platform or Ladder

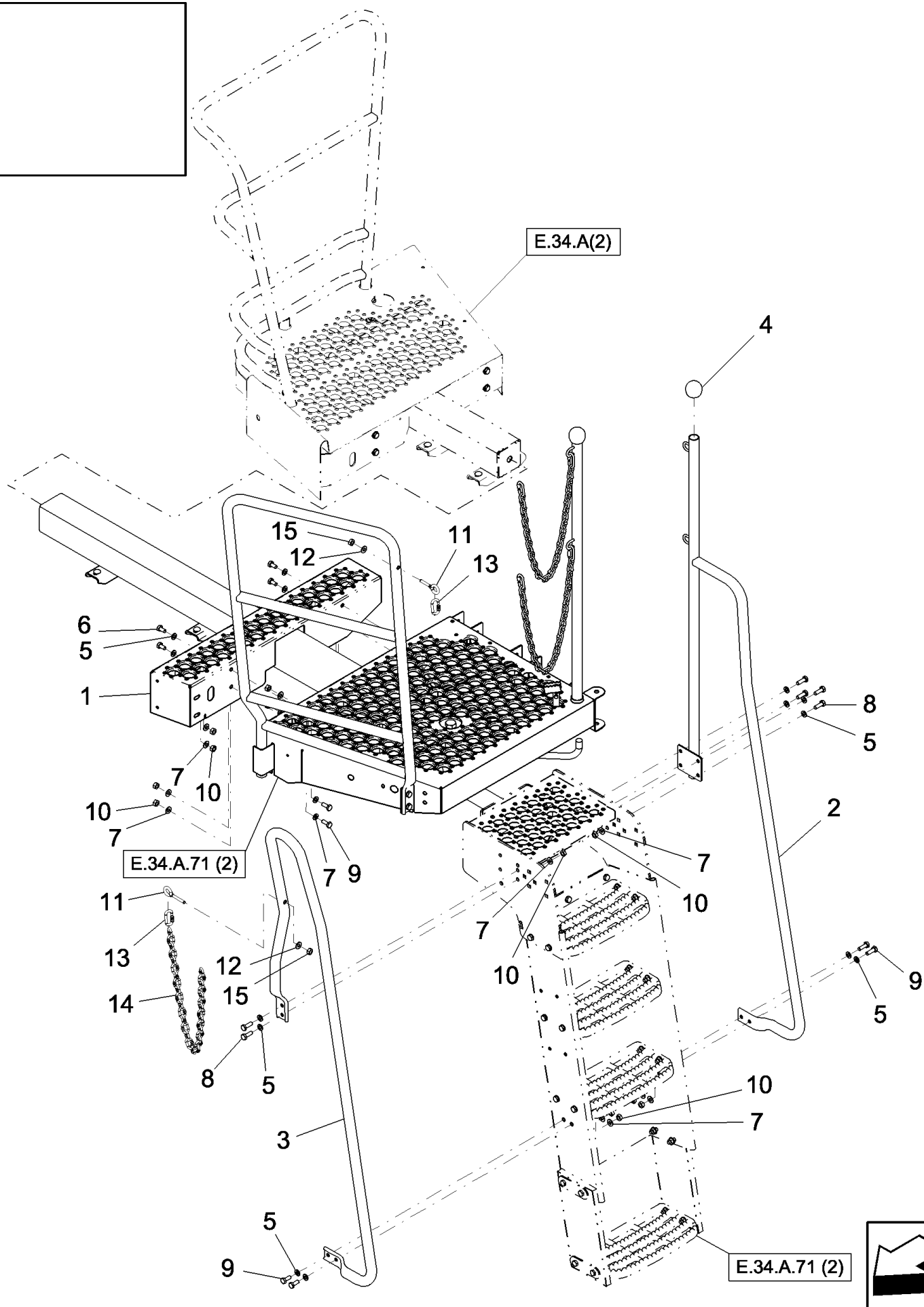
сылка	Номер детали	Кол-во	Описание
43	84004731	1	DECAL, Read Operator's Manual Before Operating
44	84004733	1	DECAL, Stop Engine Before Servicing



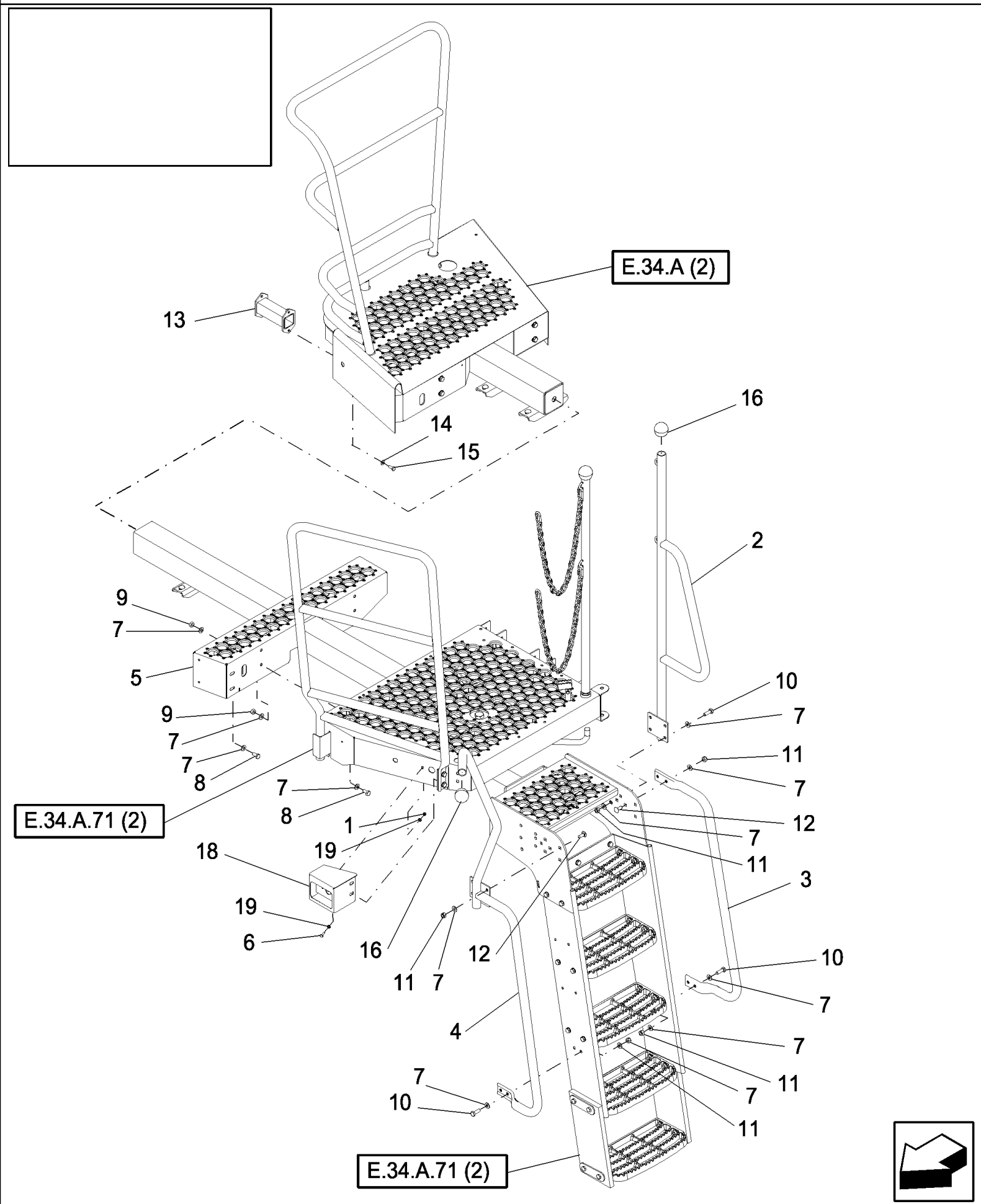
сылка	Номер детали	Кол-во	Описание
1	86605444	1	PLATFORM,
2	120104	2	BOLT, Hex, M8 x 20, 8.8,
3	87000407	1	EXTENSION, Tube WA
4	322358	2	WASHER, SPRING, Belleville, M8,
5	87105181	1	HANDRAIL,
6	87105182	1	HANDRAIL,
7	87105184	1	HANDRAIL,
8	87107072	4	LINK, Chain
9	87105185	2	CHAIN,
10	87109373	1	CLAMP,
11	140045	13	WASHER, SPRING, Belleville, M10,
12	43138	3	BOLT, Hex, M10 x 20, 8.8, Full Thd,
13	100016	7	NUT, M10, CI 8,
14	43139	2	SCREW, HH, CL 8.8, M10 x 25
15	9706704	1	BOLT, Hex, M10 x 35, 8.8, Full Thd,
16	120115	2	SCREW, Hex, M10 x 70, 8.8, Full Thd,
17	43140	6	BOLT, Hex, M10 x 30, 8.8, Full Thd,
18	300480	1	SET SCREW, Hex Soc, M10 x 12, Cup Pt,
19	140042	2	WASHER, M10 x 34 x 3,
20	100037	6	NUT, M10 x 1.5, CI 8,



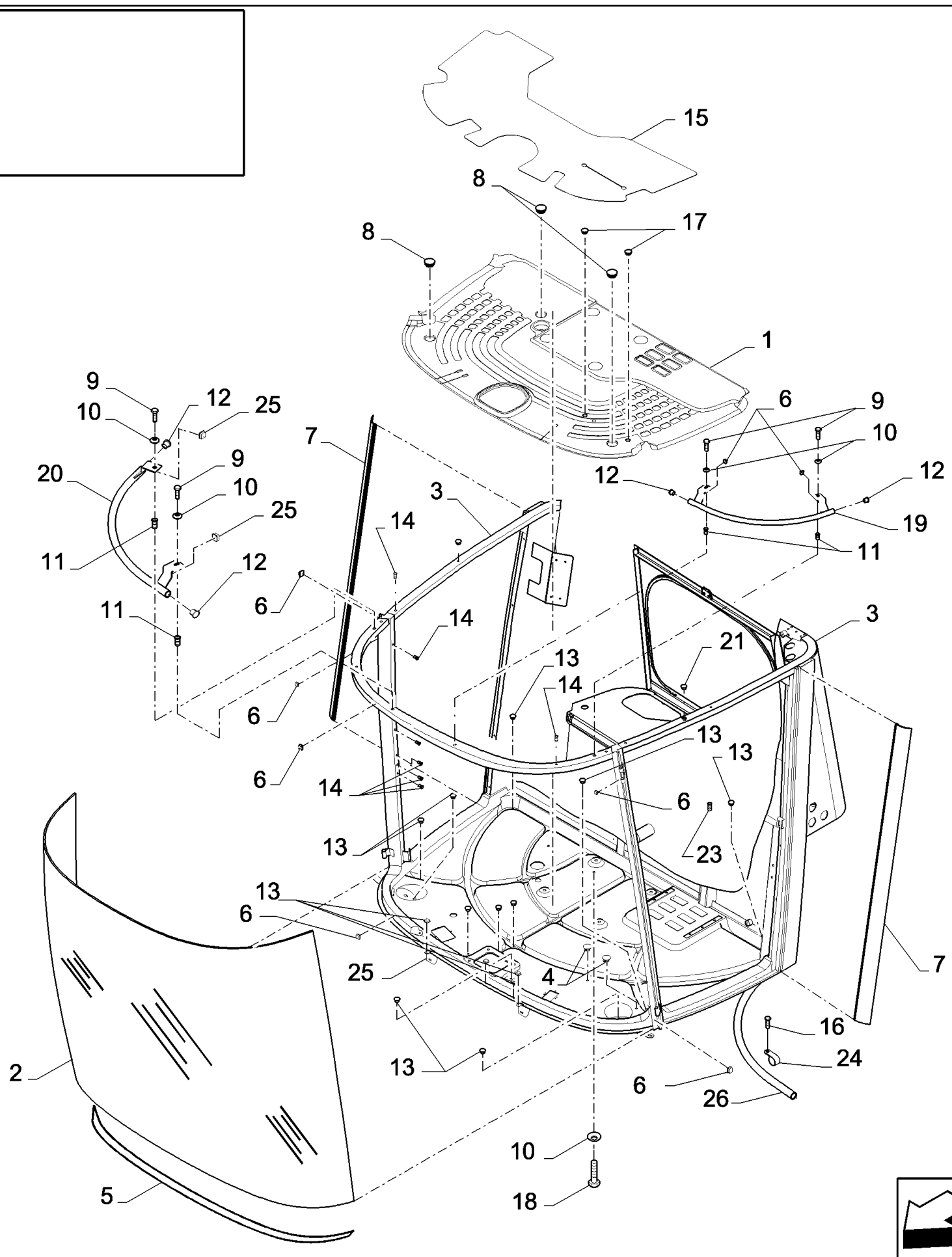
сылка	Номер детали	Кол-во	Описание
1	86605444	1	PLATFORM,
2	120104	1	BOLT, Hex, M8 x 20, 8.8,
3	87000407	1	EXTENSION, Tube WA
4	322358	2	WASHER, SPRING, Belleville, M8,
5	86615599	1	HANDRAIL,
6	86594509	1	HANDRAIL,
7	84064346	1	HANDRAIL,
8	43138	3	BOLT, Hex, M10 x 20, 8.8, Full Thd,
9	140045	12	WASHER, SPRING, Belleville, M10,
10	100016	10	NUT, M10, CI 8,
11	43139	2	SCREW, Cap, HH, CL 8.8, M10 x 25
12	43140	5	BOLT, Hex, M10 x 30, 8.8, Full Thd,
13	300480	1	SET SCREW, Hex Soc, M10 x 12, Cup Pt,
14	86511323	4	WASHER, M10 x 20 x 2,



сылка	Номер детали	Кол-во	Описание
1	87280955	1	PLATFORM, 150, Extension
2	87109386	1	HANDRAIL,
3	87284635	1	HANDRAIL, LH
4	87109879	1	KNOB, Ladder Latch
5	86511323	18	WASHER, M10 x 20 x 2,
6	43138	4	BOLT, Hex, M10 x 20, 8.8, Full Thd,
7	140045	18	WASHER, SPRING, Belleville, M10,
8	43140	8	BOLT, Hex, M10 x 30, 8.8, Full Thd,
9	43139	6	SCREW, Cap, HH, CL 8.8, M10 x 25
10	100016	18	NUT, M10, CI 8,
11	87510645	2	EYEBOLT, M6 x 1 x 33, Campaign Item
12	322357	2	WASHER, SPRING, Belleville, M6, Campaign Item
13	87308550	2	NUT, Dome, M6 x 1, Campaign Item
14	326376A2	2	LINK, Chain, Campaign Item
15	87109887	1	CHAIN, Ladder Gate, Campaign Item

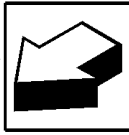
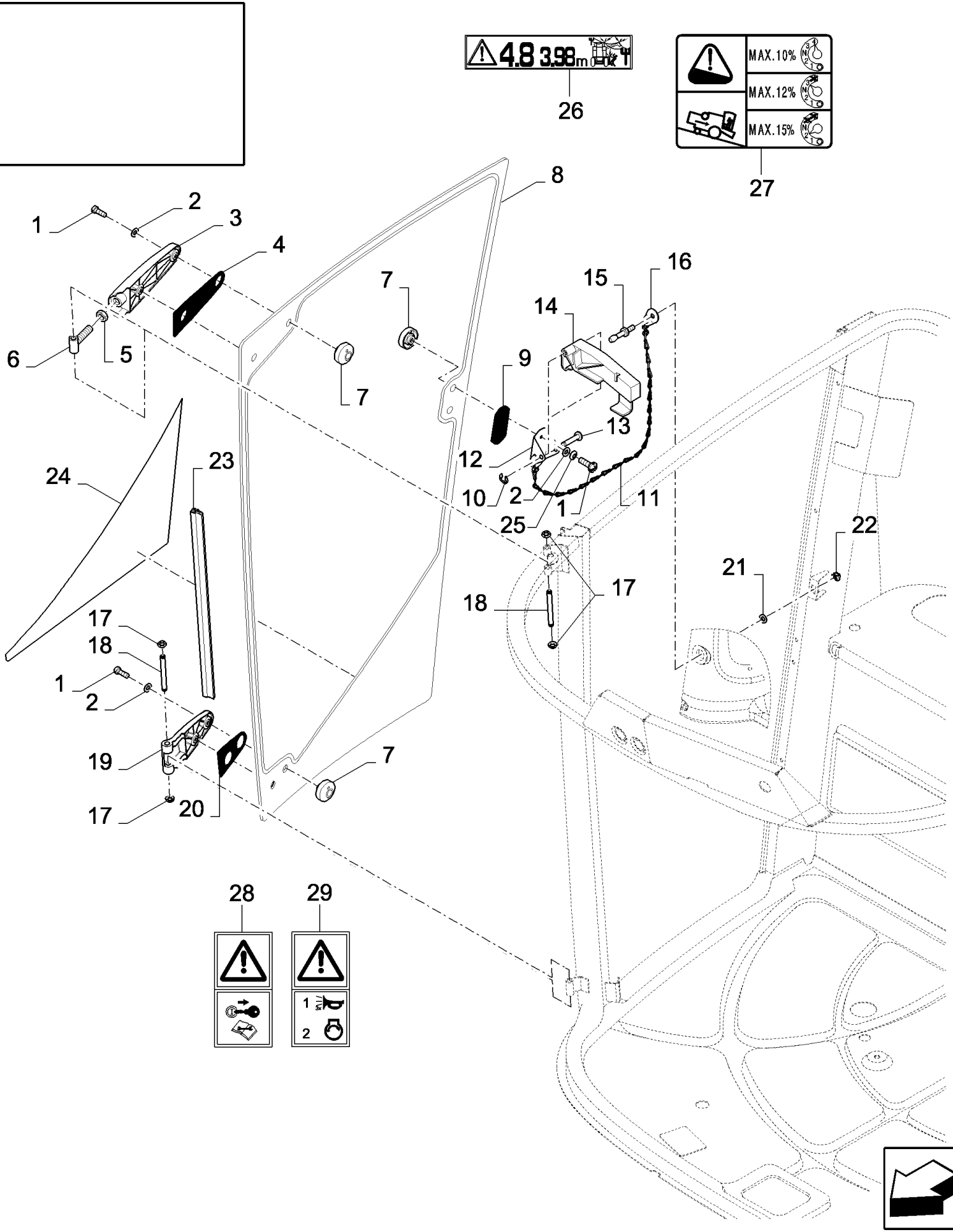


сылка	Номер детали	Кол-во	Описание
1	86500688	1	NUT, M6, CI 10,
2	87280936	1	GRAB RAIL,
3	87109584	1	HANDRAIL, Lower, RH
4	87284947	1	HANDRAIL, Ladder, LH
5	87280955	1	PLATFORM,
6	120100	1	BOLT, Hex, M6 x 20, 8.8,
7	140045	38	WASHER, SPRING, Belleville, M10,
8	43138	8	BOLT, Hex, M10 x 20, 8.8, Full Thd,
9	100016	8	NUT, M10, CI 8,
10	43140	14	BOLT, Hex, M10 x 30, 8.8, Full Thd,
11	100037	14	NUT, M10 x 1.5, CI 8,
12	86633356	6	BOLT, CARRIAGE, Short NK, M10 x 25, CI8.8, Full Thd,
13	87280542	1	EXTENSION, Tube
14	322358	2	WASHER, SPRING, Belleville, M8,
15	120104	2	BOLT, Hex, M8 x 20, 8.8,
16	349014A1	1	KNOB,
18	87281328	1	BRACKET,
19	86588450	2	WASHER, M6,

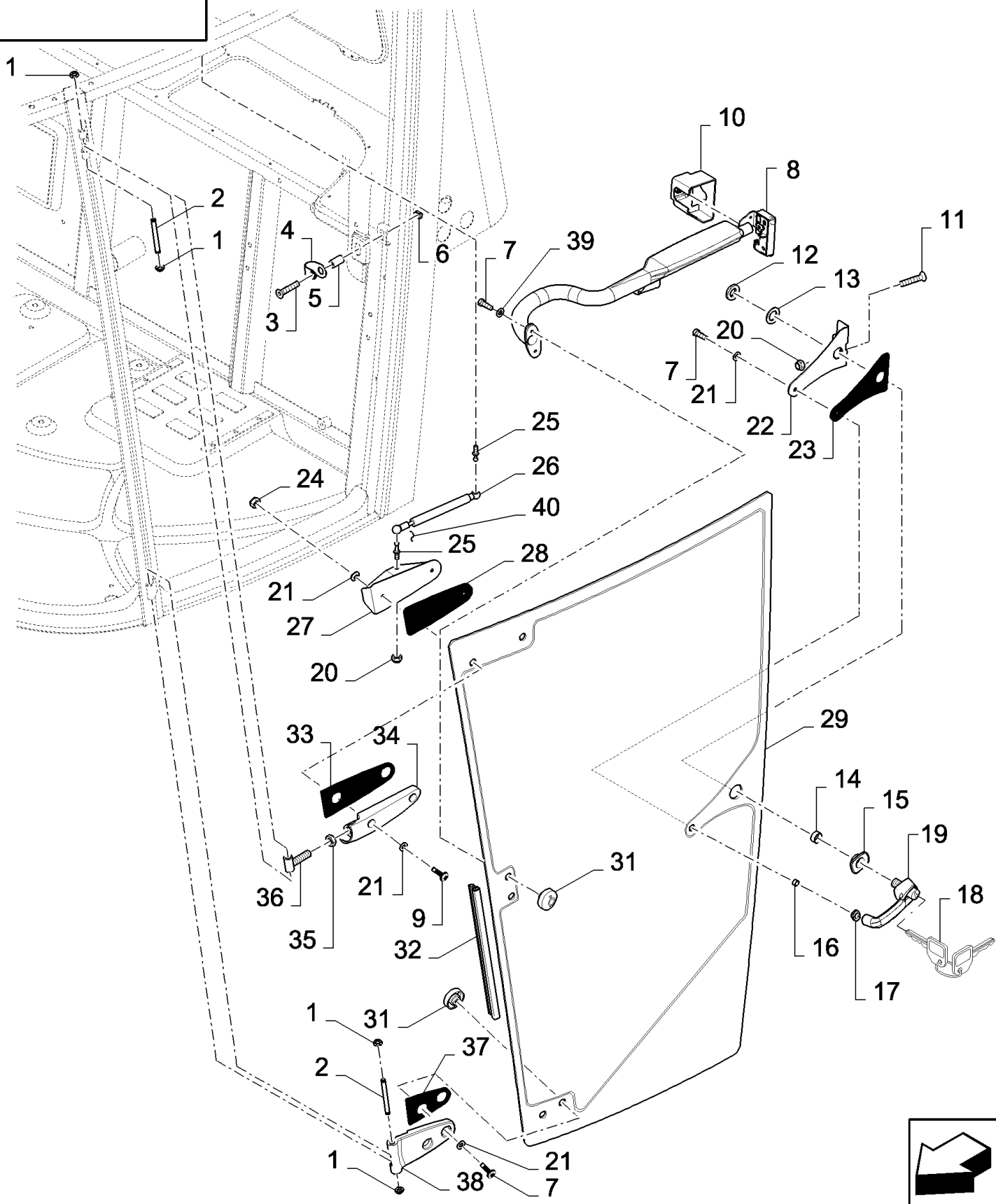


E.34.A.73 FRAME, CAB

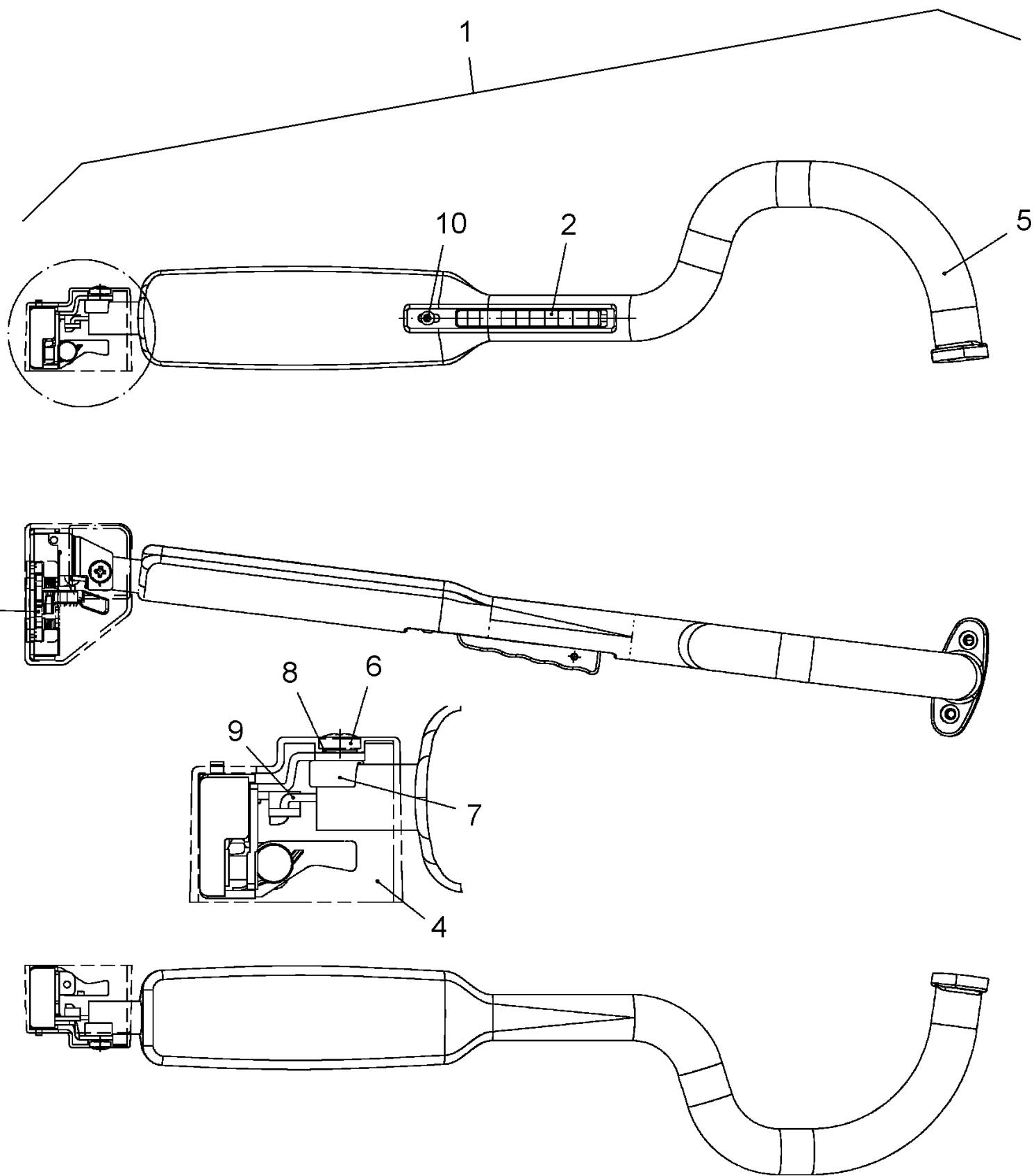
сылка	Номер детали	Кол-во	Описание
1	86520776	1	MAT, FLOOR,
2	84059822	1	WINDSHIELD,
3	86996254	1	FRAME, CAB,
4	84440697	2	PLUG,
5	87012018	1	WEATHERSTRIP, RUBBER,
6	87012019	19	STRIP, RUBBER,
7	87019749	2	SEAL, RUBBER,
8	84067943	3	PLUG,
9	412479	4	BOLT, Hex, M8 x 35, 8.8,
10	322358	6	WASHER, SPRING, Belleville, M8,
11	84073973	4	NUT, CONTROL,
12	87280507	4	PLUG,
13	87280131	24	PLUG,
13	87283846	24	TAPE, ADHESIVE, Magnetic
14	87106208	16	INSERT, THREADED, M6
15	87019748	2	MAT, FLOOR, Cardboard
16	87016553	2	SCREW, SELF TAP, Hex Hd, M4.8 x 19,
17	84067981	2	PLUG,
18	120103	2	BOLT, Hex, M8 x 16, 8.8,
19	87001000	1	HANDRAIL, LH
20	87000998	1	HANDRAIL, RH
21	87106212	1	GROMMET,
23	84438912	15	INSERT, THREADED,
24	237910	2	CLAMP, WIRE,
25	9818501	6	PLUG, Sq, Plastic,
26	84037518	5	HOSE,



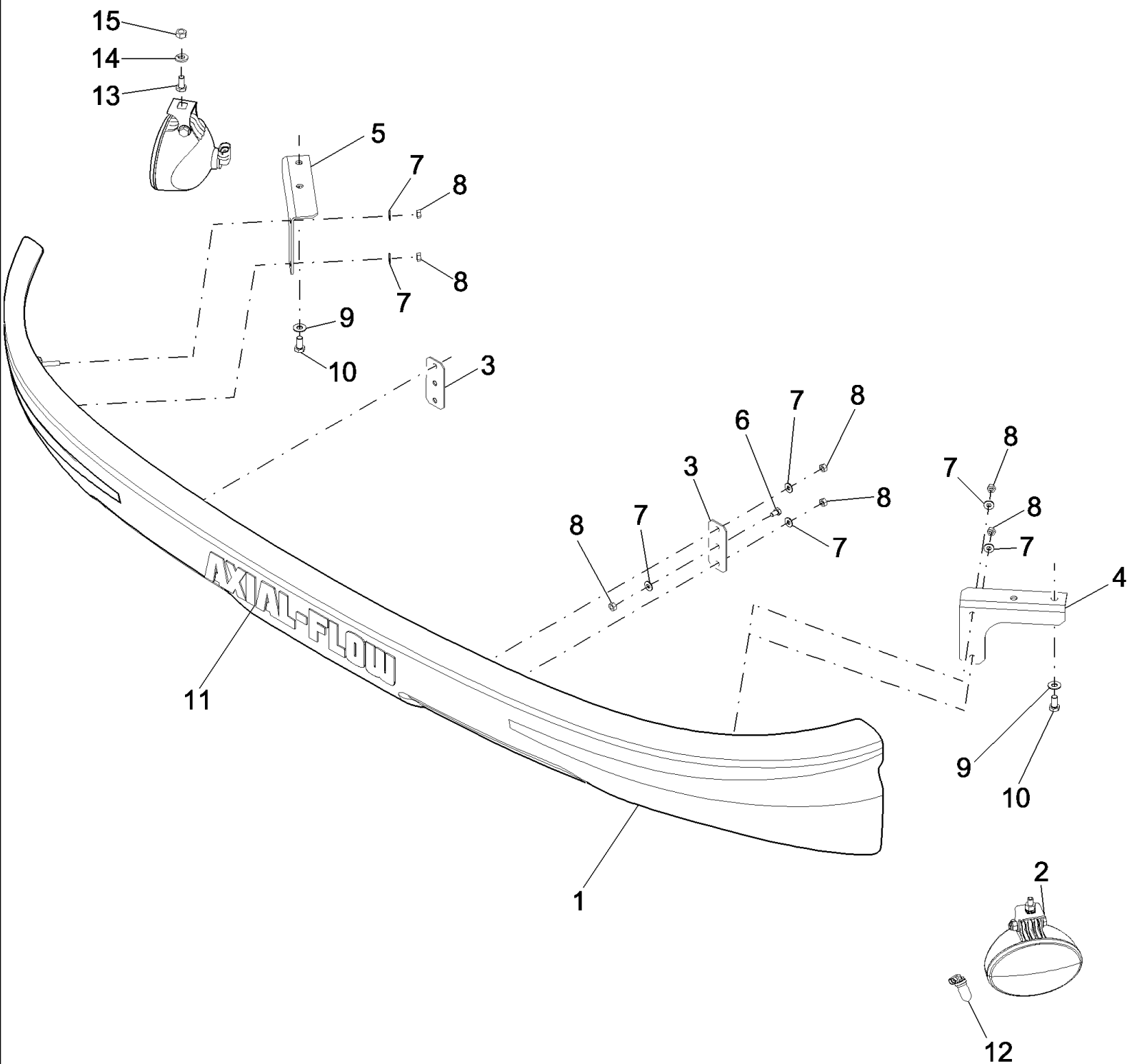
сылка	Номер детали	Кол-во	Описание
1	84073086	6	SCREW, Pan Hd, M6 x 20
2	84072877	AR	WASHER,
3	84061311	1	HINGE,
4	84057937	1	SEAL,
5	84061314	1	NUT, M16 x 2, Cl 8,
6	84607170	1	HINGE,
7	86531235	6	BUSHING,
8	84440388	1	GLASS, CAB, RH, EndYear: 08/29/2003
8	87282167	1	GLASS, CAB, RH, Start Year: 08/29/2003
9	84057939	1	SEAL PROTECTION,
9	87360665	1	SEAL,
10	89992582	AR	CIRCLIP,
11	84059889	1	CHAIN, Pull
12	84434979	1	BRACKET, RH
13	84320278	1	PIN, With Flat Head on One End
13	87032578	1	PIN, Headless
14	89992366	1	HANDLE, Door Latch
15	84434978	1	PIN,
16	86600939	1	BRACKET,
17	431021	4	WASHER, SPECIAL, Starlock
18	84607358	2	PIN,
19	84061313	1	HINGE,
20	84057936	1	SEAL,
21	84434981	1	SPACER,
22	87015110	1	PLATE,
23	84057848	1	SEAL, RUBBER,
24	84059845	1	DECAL,
25	84007539	2	WASHER,



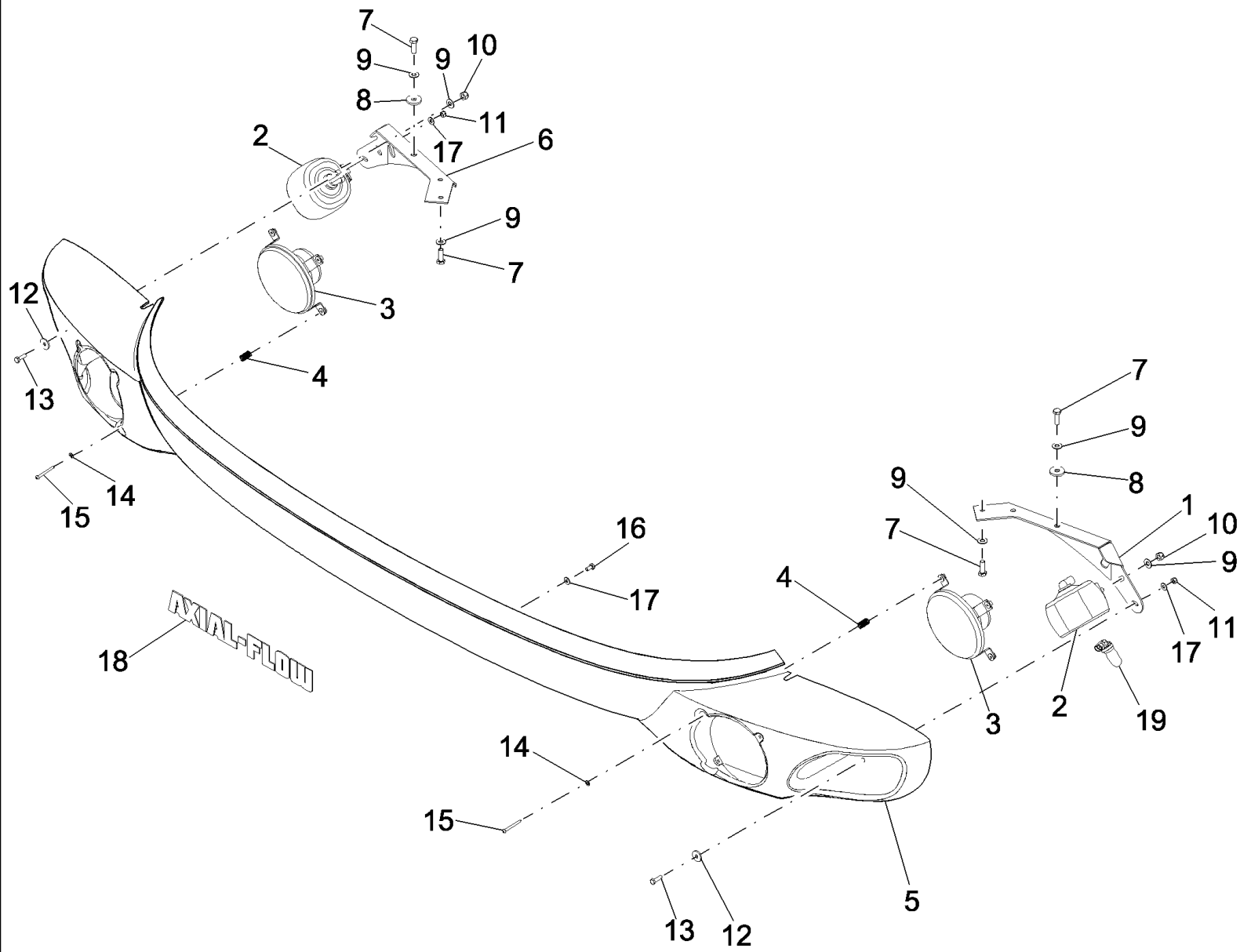
сылка	Номер детали	Кол-во	Описание
1	431021	4	WASHER, SPECIAL, Starlock
2	84607358	2	PIN,
3	84320291	1	SCREW, Hex Soc Flat Hd, M8 x 45, 8.8,
4	84067949	1	SUPPORT, Guard, LH
5	84076428	1	STOP, LH
6	87012017	1	PLATE,
7	84073086	5	SCREW, Pan Hd, M6 x 20
8	84067947	1	HANDLE GRIP, Includes Ref. 10
9	84007540	2	SCREW, Pan Hd, M6 x 25
10	84067944	1	COVER,
11	300352	2	SCREW, Hex Flat Hd, M8 x 40, 4.8,
12	84989695	1	NUT,
13	84989694	1	WASHER,
14	84064278	1	BUSHING,
15	86521017	1	GASKET,
16	84989696	1	BUSHING,
17	86531231	1	GASKET,
18	84989693	1	KEY, DOOR LOCK, DOOR LOCK ONLY - #14603 Stamped on Key
18	86502201	1	SET OF 2 KEYS, Set of Two Keys, Ignition and Door Locking
19	87280263	1	HANDLE, LOCKING, Includes Ref. 12, 13, 14, 15, 16 & 17 Only
20	832-46408	3	NUT, LOCK, M8 x 1.25, CI 8,
21	84072877	AR	WASHER,
22	84320292	1	BRACKET, Latch, LH
23	86521015	1	SEAL,
23	87360675	1	SEAL,
24	86500656	2	NUT, LOCK, M6 x 1, CI 8,
25	9706807	2	STUD, Ball, M8 x 13 mm
26	84320293	1	GAS STRUT,
27	84442720	1	SUPPORT, LH
27	87283389	1	SUPPORT, , Start Year: 06/07/2004
28	84064222	1	SEAL,
28	87360671	1	SEAL,
29	87510522	1	GLASS, CAB, Includes Ref. 41- Replaced 87282168, Replaced 84440387
31	86531235	4	BUSHING,
32	84057848	1	SEAL, RUBBER,
32	87032582	1	SEAL, RUBBER, Flat Strip, 15 x 1250 mm
33	84057937	1	SEAL,
34	84061311	1	HINGE, Rear
36	84607170	1	HINGE,
37	84057936	1	SEAL,
38	84061312	1	HINGE, Rear
39	86624181	2	WASHER, M6,
40	86999310	2	CLIP, Spring
41	86640438	1	DECAL, Warning, Instruction Seat



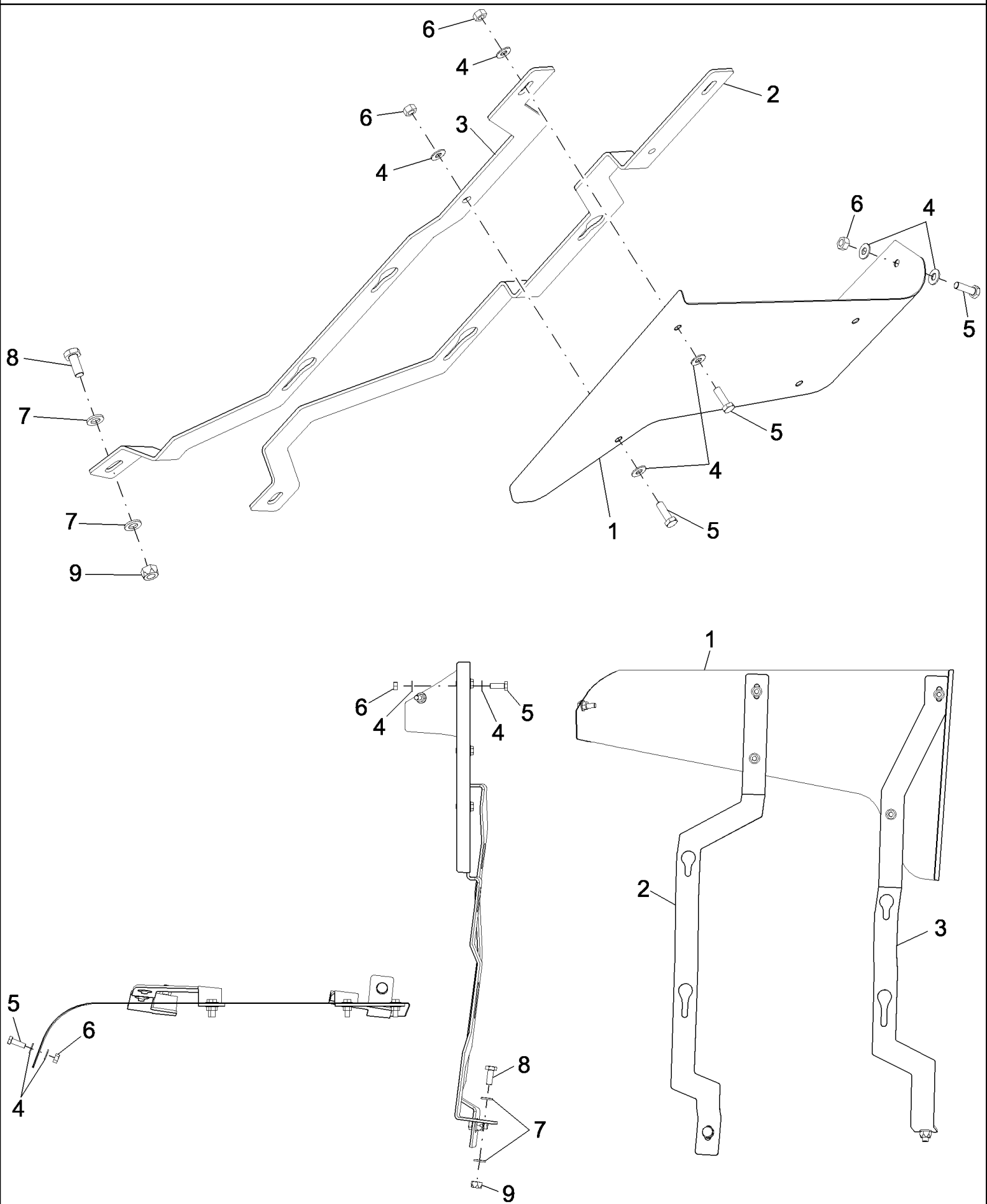
сылка	Номер детали	Кол-во	Описание
1	84067947	1	HANDLE GRIP, LH
2	84320301	1	HANDLE, Latch
3	86520782	1	LATCH,
4	84067944	1	COVER, Latch
5	86521008	1	HANDLE, Grab
6	44317	1	SCREW, Cross Pan Hd, M8 x 16,
7	84320299	1	BEARING,
8	86511315	1	WASHER, M8 x 16 x 1.6,
9	84320300	1	Rod, Connecting
10	86585711	1	SCREW, Cross Pan Hd, M6 x 10,



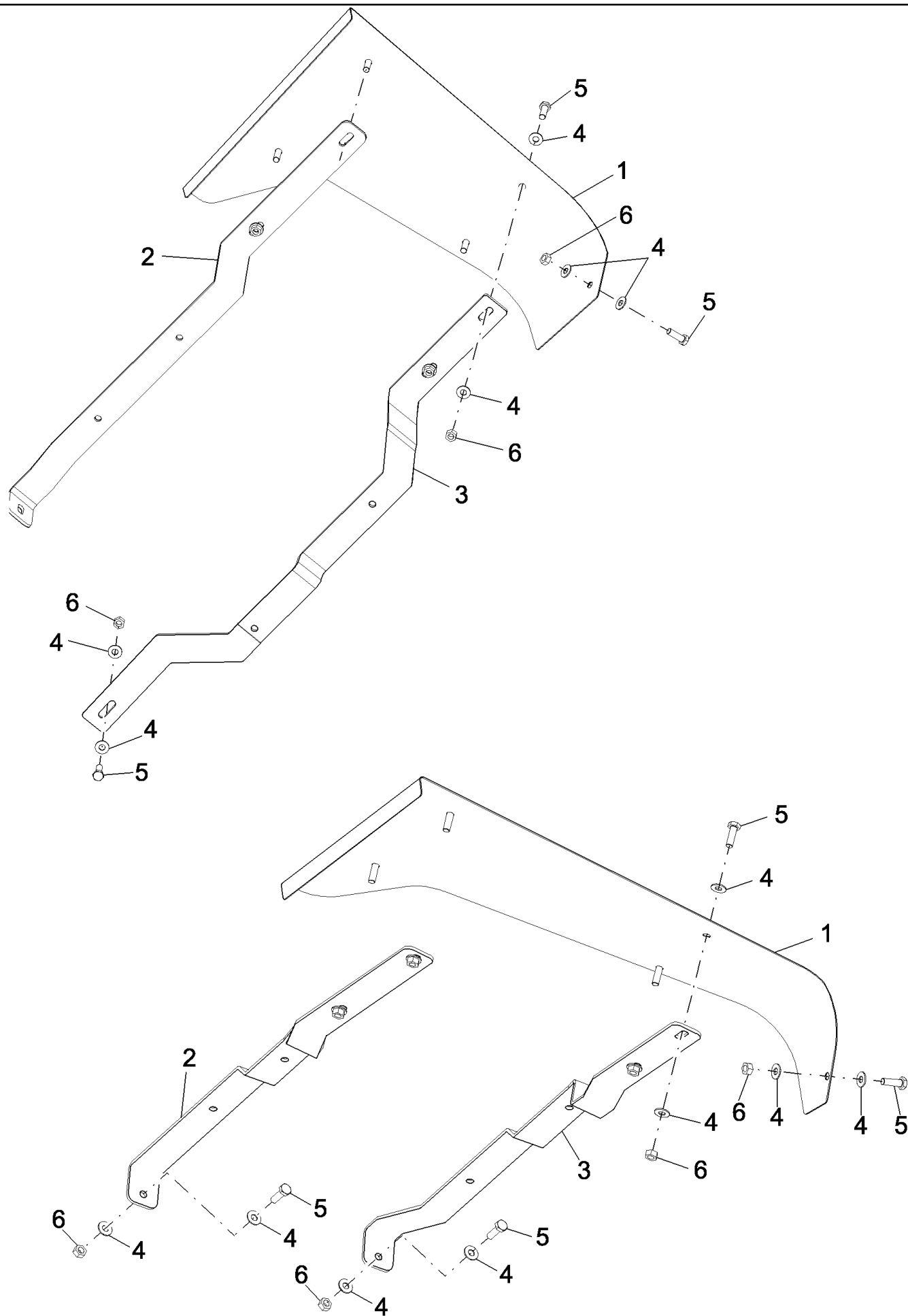
сылка	Номер детали	Кол-во	Описание
1	87107867	1	PANEL, Includes: Ref. 11
2	87001315	2	LAMP, WORK, Includes: Ref. 12 thru 15
3	87109113	2	PLATE, MOUNTING,
4	87108879	1	BRACKET, LH
5	87108881	1	BRACKET, RH
6	378056	2	BOLT, Hex, M6 x 10, 8.8, Full Thd,
7	322357	10	WASHER, SPRING, Belleville, M6,
8	9706755	10	NUT, M6, CI 8,
9	322358	4	WASHER, SPRING, Belleville, M8,
10	120103	4	BOLT, Hex, M8 x 16, 8.8,
11	1987144C1	1	DECAL,
12	87107077	2	BULB, #862, 37.5w,
13	43127	2	BOLT, Hex, M8 x 25, 8.8,
14	322358	2	WASHER, SPRING, Belleville, M8,
15	9706690	2	NUT, M8, CI 8,



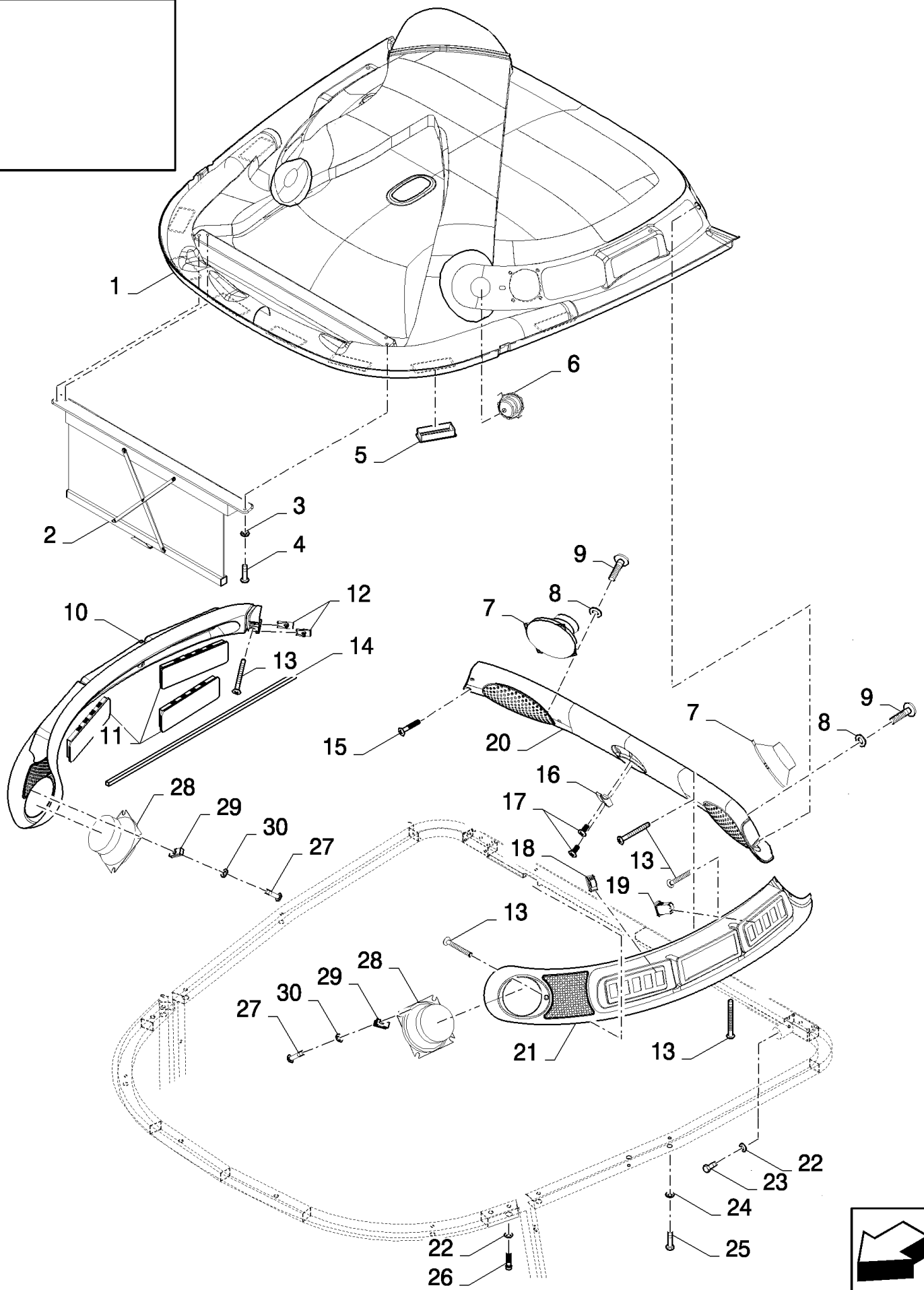
сылка	Номер детали	Кол-во	Описание
1	87108085	1	SUPPORT, LH
2	84067907	2	LAMP, WORK, Assembly, Includes Ref. 19
3	84067913	2	HEADLAMP, , UK Only
3	84067914	2	HEADLAMP,
4	84429835	6	SPRING,
5	87105504	1	PANEL, Lower, Front
6	87108087	1	BRACKET, RH
7	43127	6	BOLT, Hex, M8 x 25, 8.8,
8	140041	2	WASHER, M8 x 28 x 3,
9	322358	8	WASHER, SPRING, Belleville, M8,
10	832-46408	2	NUT, LOCK, M8 x 1.25, CI 8,
11	353308	2	NUT, LOCK, M6 x 1, CI 8,
12	140040	2	WASHER, M6 x 22 x 2,
13	120100	2	BOLT, Hex, M6 x 20, 8.8,
14	140014	6	WASHER, M5 x 10 x 1,
15	84429834	6	SCREW, Pan Hd, 4.25 x 25 mm
16	86977726	2	BOLT, Hex, M6 x 12, 8.8,
17	322357	4	WASHER, SPRING, Belleville, M6,
18	1987144C1	1	DECAL, Axial Flow
19	9847313	2	BULB, #894, 12V, 37.5W, Halogen



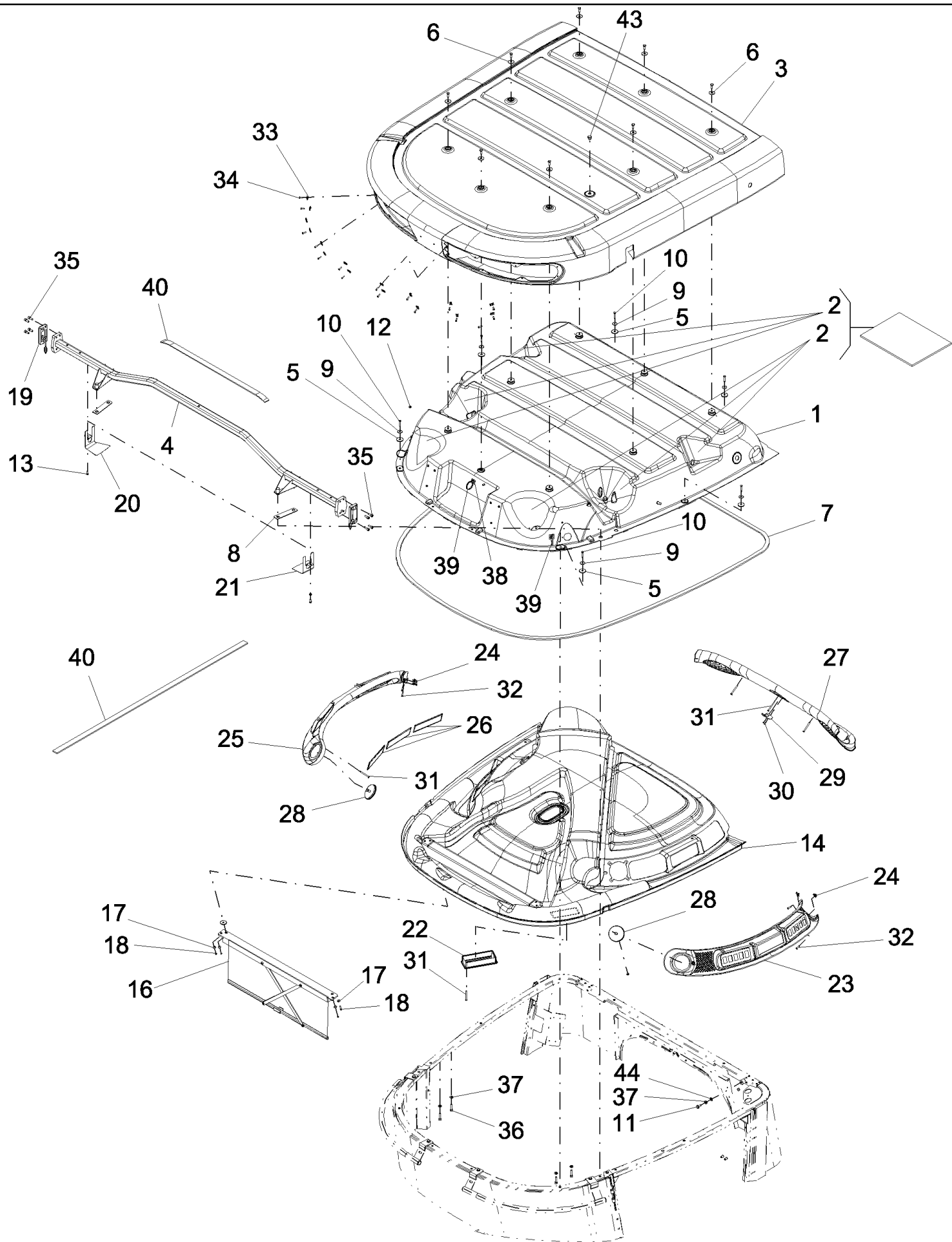
сылка	Номер детали	Кол-во	Описание
1	86999428	1	SHIELD, Front, LH
1	87284806	1	
2	87280877	1	BRACKET, Outer
3	87280879	1	BRACKET, Inner
4	322358	10	WASHER, SPRING, Belleville, M8,
5	43127	5	BOLT, Hex, M8 x 25, 8.8,
6	9706690	5	NUT, M8, CI 8,
7	86511323	4	WASHER, M10 x 20 x 2,
8	43139	2	SCREW, HH, CL 8.8, M10 x 25
9	100037	2	NUT, M10 x 1.5, CI 8,



сылка	Номер детали	Кол-во	Описание
1	86999429	1	SHIELD, RH
1	87284804	1	
1	86999389	1	SHIELD, RH - Narrow Shoe
2	87105561	1	BRACKET, Inner
2	87108577	1	BRACKET, Inner - Narrow Shoe
3	87108859	1	BRACKET, Outer
3	87108579	1	BRACKET, Outer - Narrow
4	322358	18	WASHER, SPRING, Belleville, M8,
4	322358	19	WASHER, SPRING, Belleville, M8,
5	43127	7	BOLT, Hex, M8 x 25, 8.8,
6	9706690	11	NUT, M8, CI 8,
6	9706690	10	NUT, M8, CI 8,



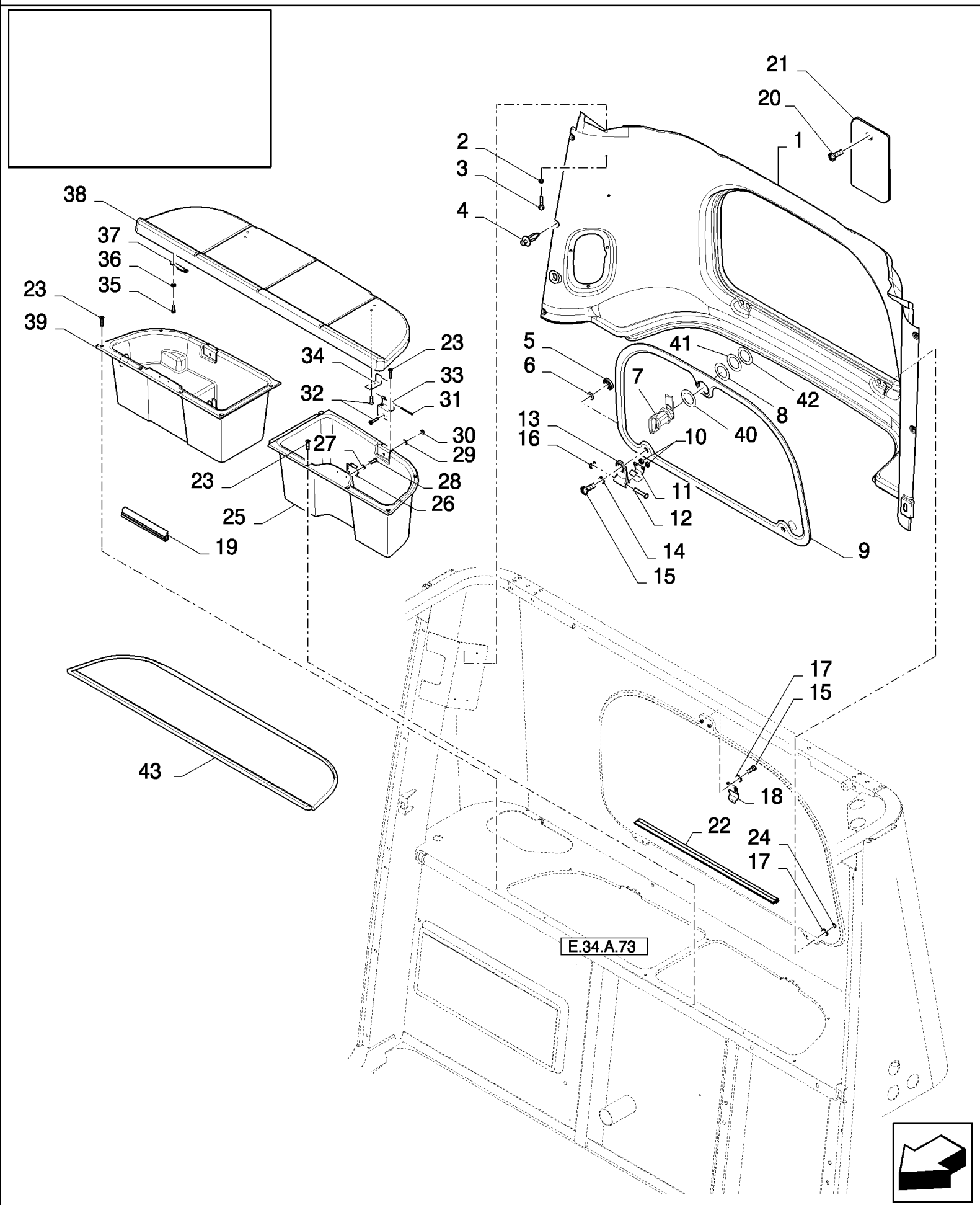
сылка	Номер детали	Кол-во	Описание
1	86995949	1	LINING, ROOF,
2	82004428	1	SUN CURTAIN,
3	335872	4	WASHER,
4	86050251	4	SCREW, Cross Pan Hd, M4 x 25,
5	84059873	8	DIFFUSER,
6	84059804	2	GRILLE,
7	86572628	2	SPEAKER, Std.
7	86572627	2	SPEAKER, Premium
7	86520822	2	SPEAKER, Mid and High - Premium
8	140014	8	WASHER, M5 x 10 x 1,
9	86511827	8	SCREW, Cross Pan Hd, M5 x 20,
10	86995946	1	PANEL, RH
11	84439017	3	COVER,
12	86014250	4	NUT,
13	84439080	9	SCREW, Cross Oval Hd, M6 x 60
14	84435430	1	STRIP-GASKET,
15	86502680	4	SCREW, Cross Oval Hd, M6 x 20,
16	86520824	1	CLOTHING, HANGER,
17	84058989	2	SCREW, M4 x 10
18	84320252	1	SWITCH, WINDSHIELD WIPER, 1 Speed
19	84320263	AR	PLUG,
20	86995944	1	PANEL, Rear
21	86995945	1	PANEL, LH
22	322358	5	WASHER, SPRING, Belleville, M8,
23	120104	1	BOLT, Hex, M8 x 20, 8.8,
24	322357	6	WASHER, SPRING, Belleville, M6,
25	86534686	6	SCREW, M6 x 30
26	84000811	4	SCREW, M8 x 35
27	86511824	8	SCREW, Cross Pan Hd, M4 x 20,
28	86572627	2	SPEAKER, Mid and High
29	9628100	8	NUT,
30	335872	8	WASHER, 4 mm



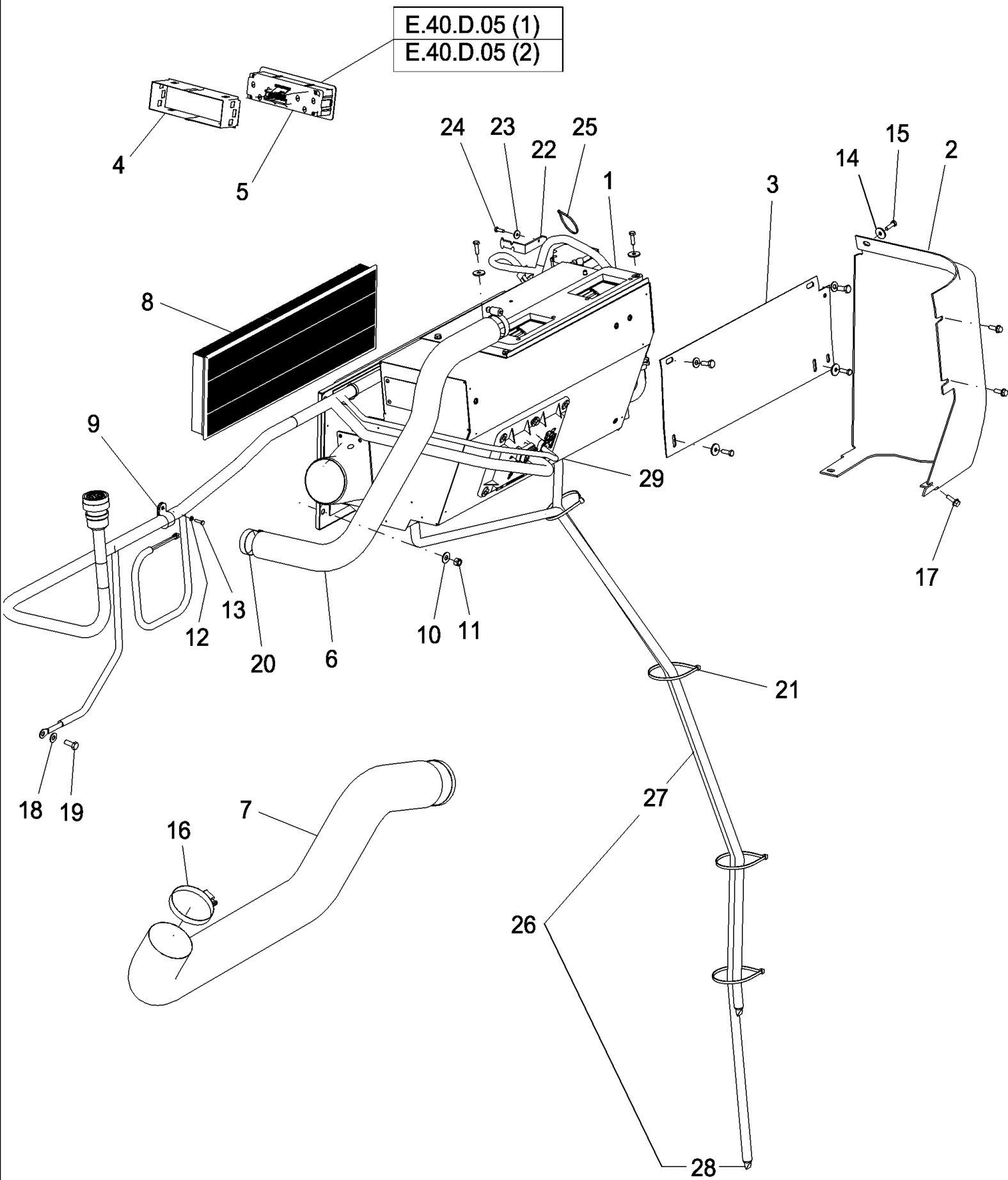
сылка	Номер детали	Кол-во	Описание
1	87105766	1	ROOF, Inner
2	87000601	6	SEAL,
3	87105772	1	ROOF, Outer
4	87107127	1	SUPPORT, , EndYear: 10/17/2005
4	87326681	1	SUPPORT, , Start Year: 10/17/2005
5	87000585	14	SPACER,
6	86900237	8	WASHER, 13/32" x 1 1/4" x .060",
7	86996707	1	SEAL,
8	87105773	2	SEAL,
9	86624183	6	WASHER, M6 x 25 x 1.6,
10	86977789	6	BOLT, Hex, M6 x 35, 8.8,
11	120104	9	BOLT, Hex, M8 x 20, 8.8,
12	322357	8	WASHER, SPRING, Belleville, M6,
13	86508568	2	BOLT, Hex, M6 x 16, 8.8,
14	86995949	1	LINING, ROOF,
16	82004428	1	SUN CURTAIN, Visor, Deluxe
17	335872	4	WASHER,
18	86050251	4	SCREW, Cross Pan Hd, M4 x 25,
19	84059856	2	CONNECTOR, WIRE,
20	87109881	1	BRACKET, RH
21	87109880	1	BRACKET, LH
22	87281670	8	DIFFUSER, Louver
23	86995945	1	PANEL, LH
24	86014250	4	NUT, Spring, M6 x 1
25	86995946	1	PANEL, RH
26	84439017	3	COVER, BSN -
26	87105189	3	COVER, ASN -
27	86995944	1	PANEL, Rear
28	84059804	2	GRILLE,
29	86520824	1	CLOTHING, HANGER,
30	84058989	2	SCREW, Ph Hd, M4 x 10
31	84439080	7	SCREW, M6 x 60
32	86502680	4	SCREW, Cross Oval Hd, M6 x 20,
33	86900239	16	NUT, Tinn, U, #10-24, Speed
34	86900238	16	SCREW, SELF TAP, Cross Pan Hd, #10 x 3/4",
35	120228	8	SCREW, Hex Soc Hd, M8 x 20, 8.8,
36	84000811	4	SCREW, Soc Hd, CL 8.8, M8 x 35
37	322358	5	WASHER, SPRING, Belleville, M8,
38	87280913	4	PAD, RUBBER, Mounting
39	86566989	4	STRAP, CABLE,
40	87282566	1	FOAM, Seal
41	86628133	1	EMBLEM, CASE IH - Not Shown
41	238638A1	1	EMBLEM, AFS - Not Shown
42	86628134	2	NUT, Not Shown
43	87510719	1	PLUG, Cap

сылка	Номер детали	Кол-во	Описание
44	140016	1	WASHER, M8 x 16 x 1.6,

E.34.A.79 REAR PANEL, UPPER - CAB INTERIOR

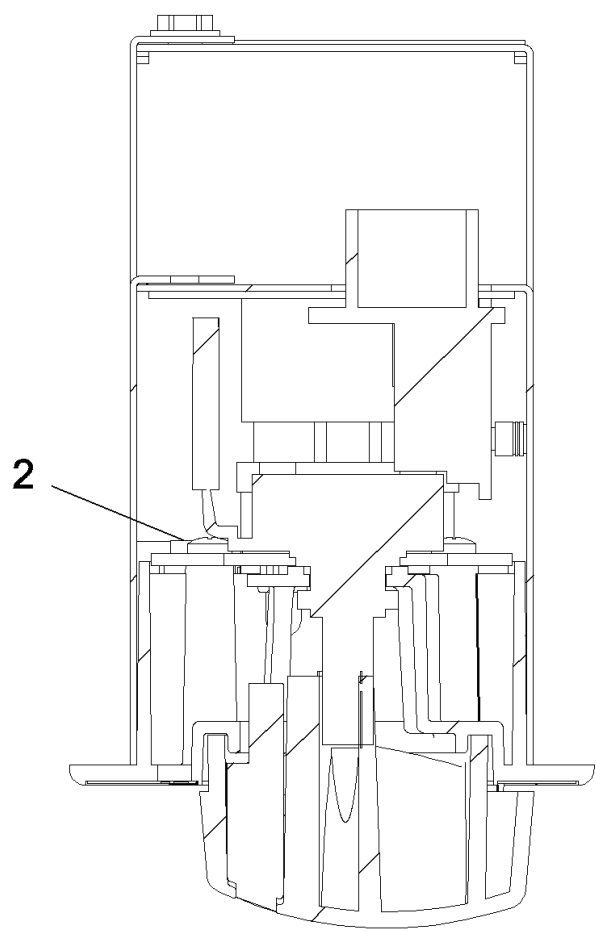
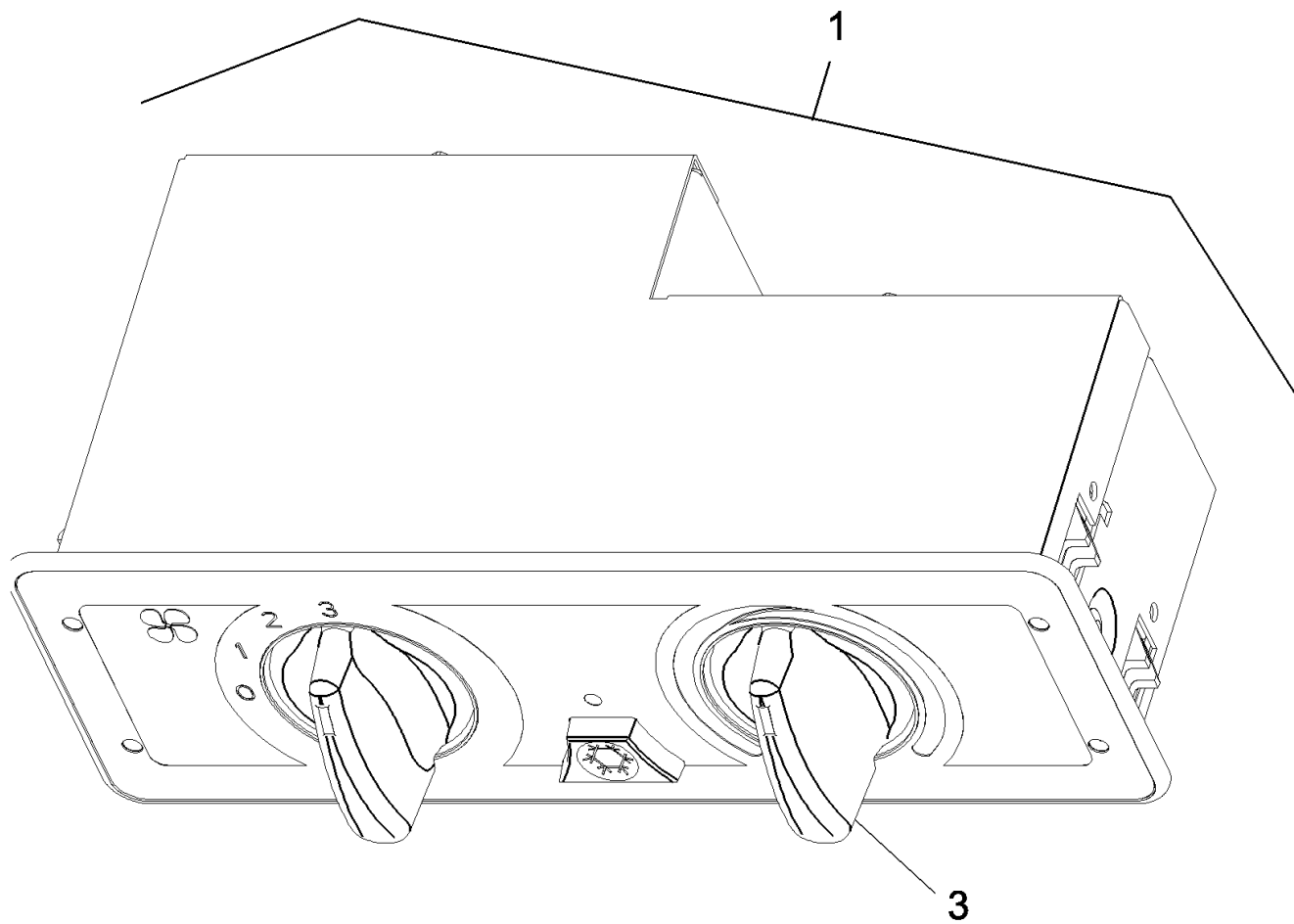


сылка	Номер детали	Кол-во	Описание
1	86995951	1	LINER, Soft Trim, Upper
2	84607406	2	WASHER,
3	84607407	2	SCREW,
4	84320280	9	PLUG,
5	86531235	2	BUSHING,
6	86531234	2	RING,
7	84441355	1	LATCH,
8	84441337	1	PLATE, MOUNTING,
9	84440767	1	GLASS, Cab
10	84061305	4	SPACER,
11	84435282	2	HINGE,
12	84320278	2	PIN,
13	84061288	2	HINGE,
14	84072877	2	WASHER,
15	84073086	8	SCREW, M6 x 20
16	89992582	2	CIRCLIP, M8
17	322357	6	WASHER, SPRING, Belleville, M6,
18	84440747	1	PLATE, Stop
19	87106805	1	SEAL,
20	87012023	1	LATCH, Fuse Panel
21	87107708	1	DOOR, Fuse Panel
22	86979500	1	SEAL,
23	86511042	4	SCREW, Cross Pan Hd, M4 x 16,
24	9706755	4	NUT, M6, CI 8,
25	87106698	1	BOX, Storage, LH
26	84432741	2	LATCH,
27	86509827	4	WASHER, LOCK, M3,
28	86511816	4	SCREW, Cross Pan Hd, M3 x 16,
29	86639310	4	WASHER, M3,
30	385681	2	NUT, LOCK, M4 x .7, CI 8,
31	84432117	2	PIN,
32	9844205	6	SCREW, M4 x 14
33	84432120	2	HINGE,
34	84432119	2	HINGE, Window
35	86511042	4	SCREW, Cross Pan Hd, M4 x 16,
36	89824840	6	WASHER, M4
37	84432767	2	LATCH,
38	86995948	1	CUSHION,
39	84059837	1	BOX, Storage, RH
40	84441321	1	BUSHING,
41	84441319	1	SEAL, Latch
42	84441333	1	WASHER, Latch
43	87106697	1	SEAL,

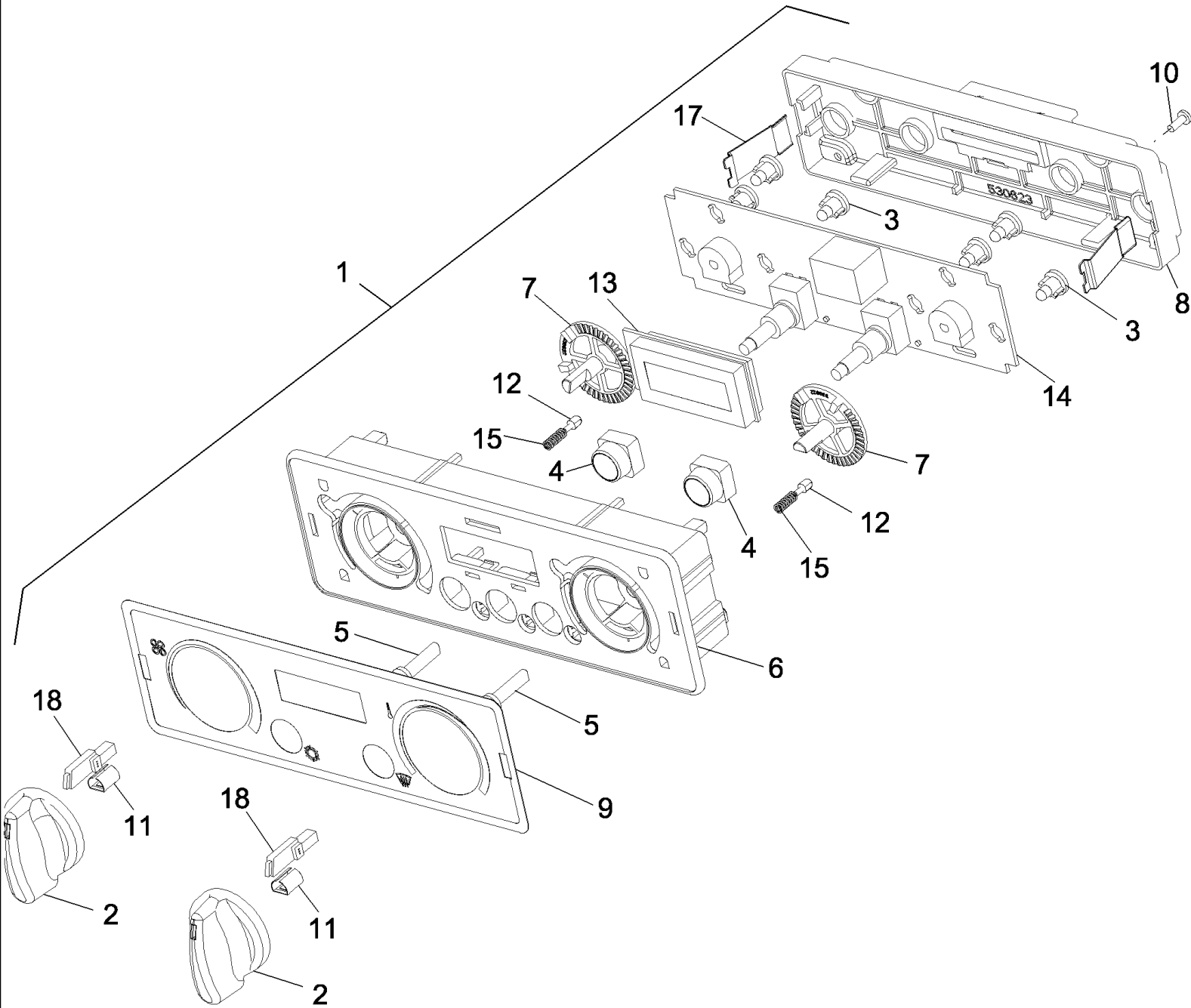


E.40.D HVAC CAB KIT

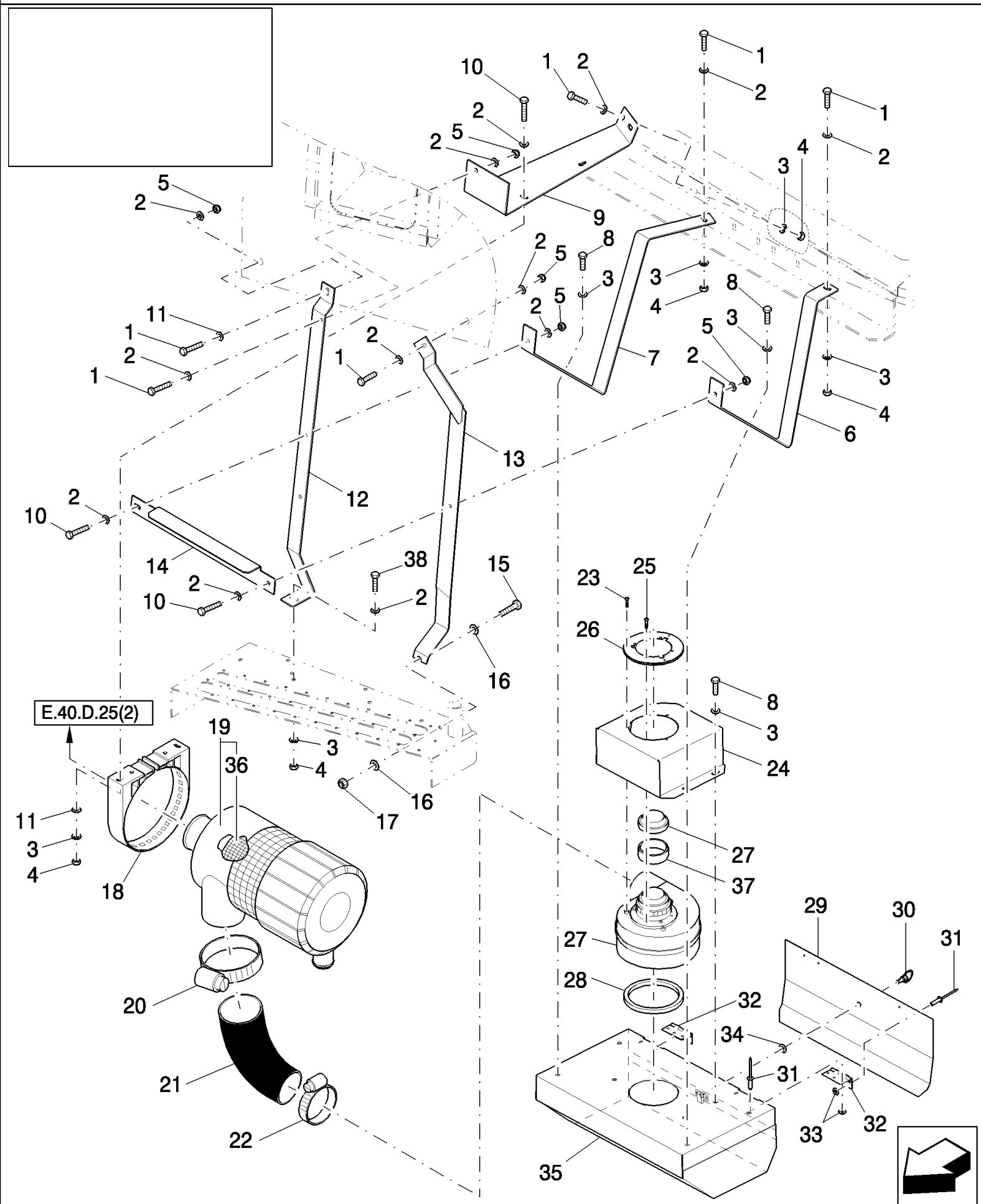
сылка	Номер детали	Кол-во	Описание
1	NSS	1	NOT SERVICED SEPARATELY, ATC - 86996838
1	86975154	1	AIR CONDITIONER, Manual
2	84067980	1	COVER,
3	84076757	1	SUPPORT,
4	84334445	1	SLEEVE,
5	86996837	1	CONTROL, ATC
5	86975153	1	CONTROL, Manual
6	86531050	1	HOSE, FLEXIBLE,
7	86531048	1	HOSE, FLEXIBLE,
8	84058793	1	FILTER, CAB,
9	84818444	1	CLAMP,
10	378243	4	WASHER, M8,
11	832-46408	4	NUT, LOCK, M8 x 1.25, CI 8,
12	9824840	1	WASHER, M4,
13	86511042	1	SCREW, Cross Pan Hd, M4 x 16,
14	140040	6	WASHER, M6 x 22 x 2,
15	120100	6	BOLT, Hex, M6 x 20, 8.8,
16	381144	2	CLAMP, HOSE, #60, 3.31/4.25 Type F Worm, ATC
17	9804256	3	BOLT, Hex Flg, M6 x 20, 8.8,
18	322358	3	WASHER, SPRING, Belleville, M8,
19	120104	3	BOLT, Hex, M8 x 20, 8.8,
20	86624194	2	CLAMP, HOSE, #36, 1.81/2.75 Type F Worm,
21	86566990	4	STRAP, CABLE, 76 mm
22	84431349	1	BRACKET,
23	322357	1	WASHER, SPRING, Belleville, M6,
24	86585711	1	SCREW, Cross Pan Hd, M6 x 10,
25	86566989	1	STRAP, CABLE, 45 mm
26	86976191	2	HOSE, FLEXIBLE, Drain; Includes: Ref.s 27 Thru 29
27	198091C1	AR	HOSE, 50' Roll; 75" Required, Cut to Required Lengths
28	109239C2	2	VALVE,
29	1250522C3	2	ELBOW,



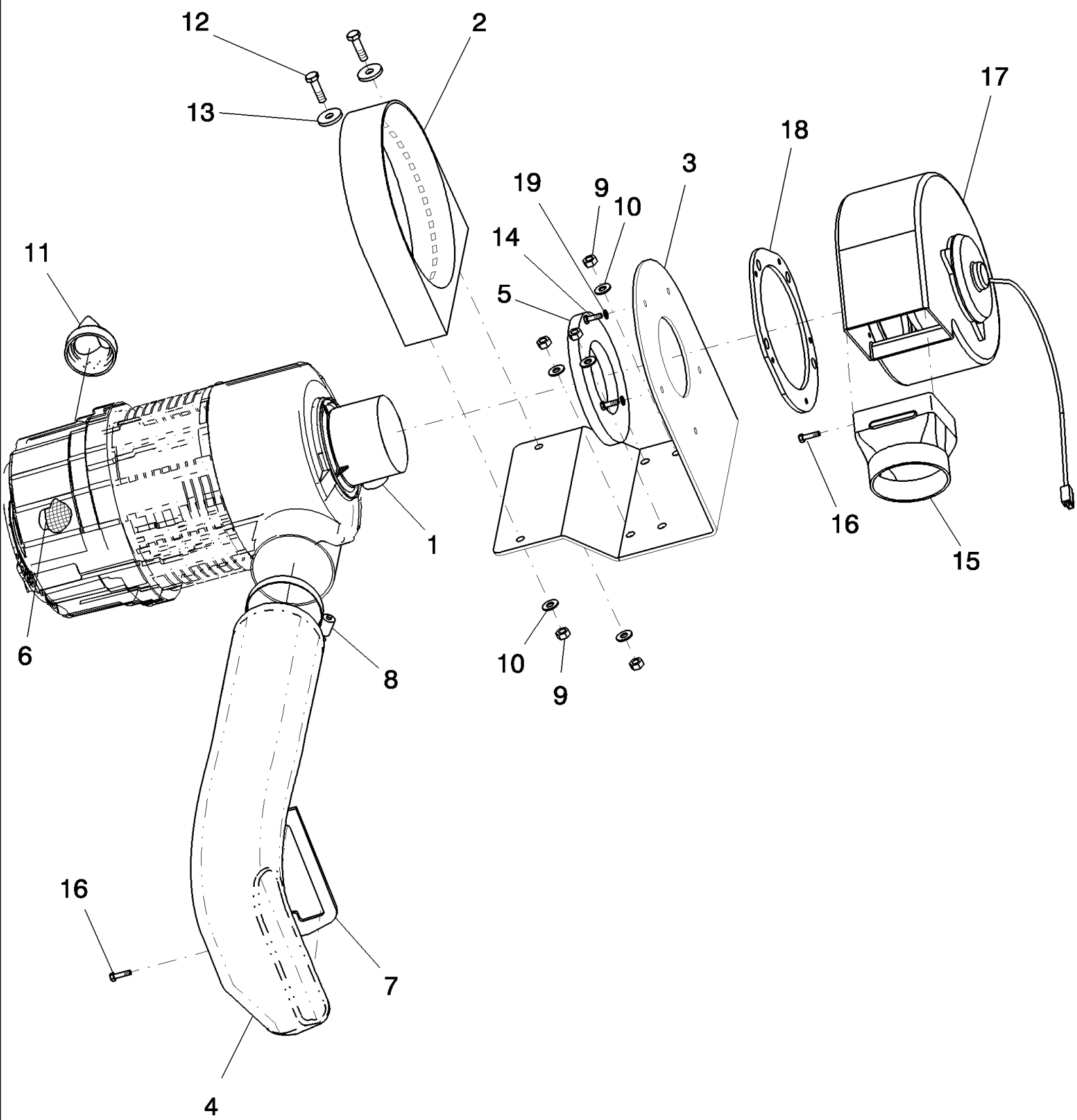
сылка	Номер детали	Кол-во	Описание
1	86975153	1	CONTROL,
2	87107596	3	BULB,
3	87107591	2	KNOB,



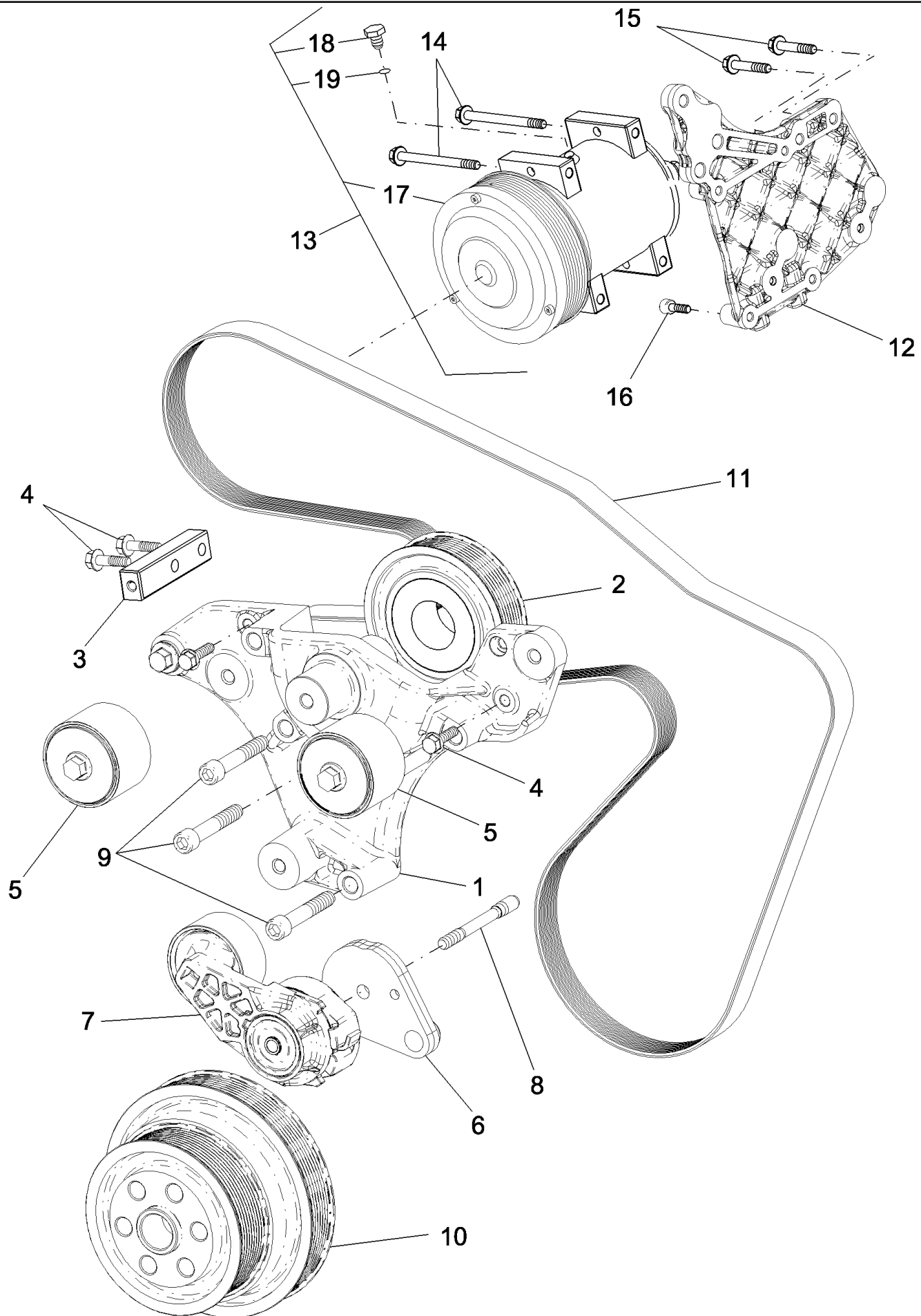
сылка	Номер детали	Кол-во	Описание
1	86996837	1	CONTROL, Air Conditioning, EndYear: 12/01/2005
1	87337658	1	AIR CONDITIONING, Air Conditioning, Start Year: 01/01/2006, ASN HAJ106401
2	87107591	2	KNOB,
3	87107596	6	BULB,
4	87107592	2	Cap, Pushbutton
5	87107604	2	Light Pipe, Control
6	87107603	1	Cover, Control
7	87107598	2	Shaft, Potentiometer
8	87107597	1	Housing, Rear
9	87107602	1	Overlay, Control
10	87107601	4	Screw, Plastic
11	87107599	2	Sleeve, Shaft
12	87107608	2	Detent
13	87107605	1	LCD Assembly
14	87107606	1	Light Board Assembly
15	87107595	2	Spring, Detent
17	87107593	2	Clip, Spring
18	87107607	2	Light Pipe, Knob



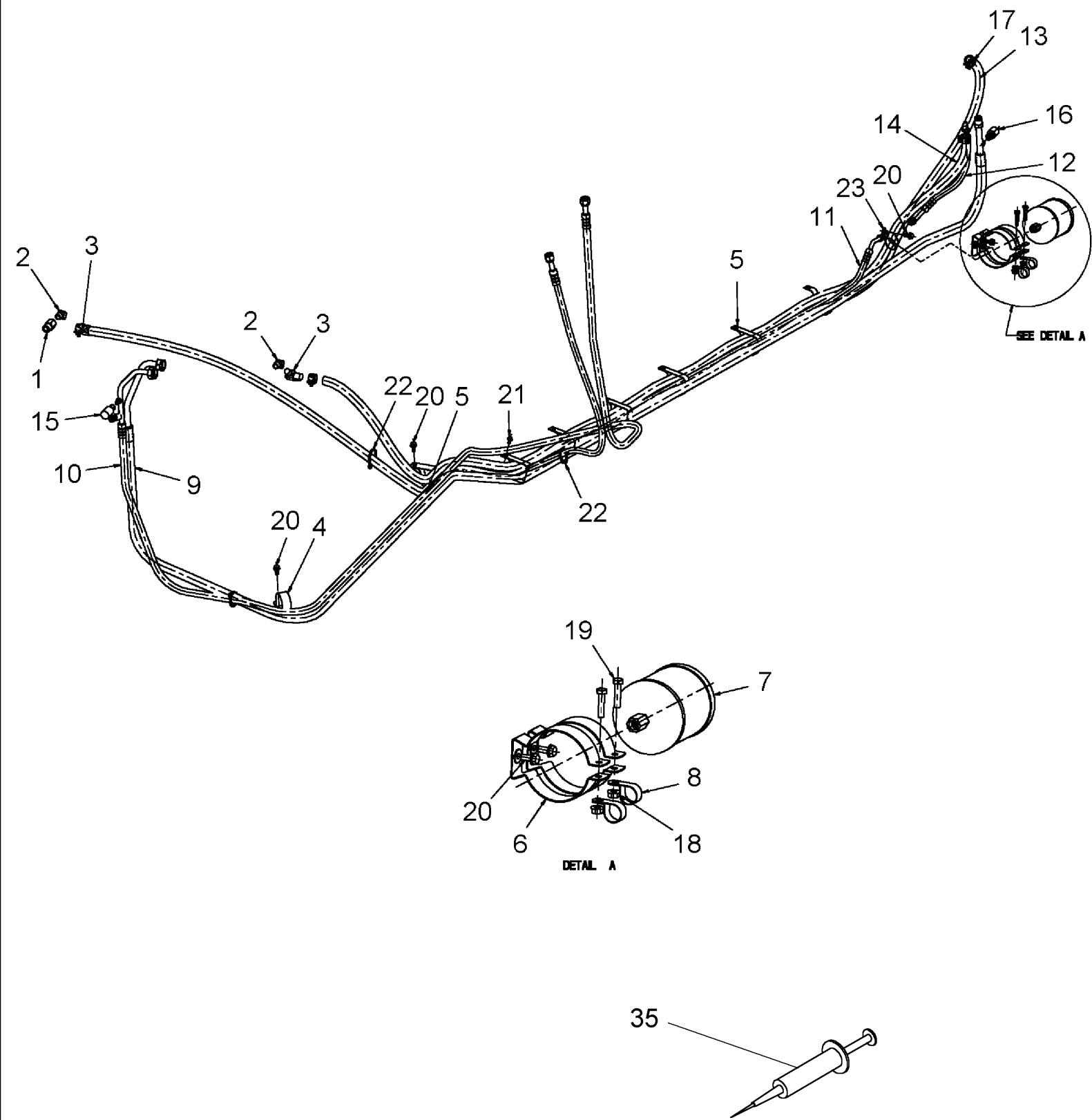
сылка	Номер детали	Кол-во	Описание
1	120104	7	BOLT, Hex, M8 x 20, 8.8,
2	378243	16	WASHER, M8,
3	322358	14	WASHER, SPRING, Belleville, M8,
4	9706690	7	NUT, M8, CI 8,
5	832-46408	5	NUT, LOCK, M8 x 1.25, CI 8,
6	84334735	1	SUPPORT,
7	84435219	1	SUPPORT,
8	120103	7	BOLT, Hex, M8 x 16, 8.8,
9	84444373	1	SUPPORT,
10	43128	4	BOLT, Hex, M8 x 30, 8.8,
11	80140041	3	WASHER, M8
12	84444371	1	SUPPORT,
13	84433761	1	SUPPORT,
14	84076929	1	SUPPORT,
15	43138	1	BOLT, Hex, M10 x 20, 8.8, Full Thd,
16	80140017	2	WASHER, LOCK, M10
17	100037	1	NUT, M10 x 1.5, CI 8,
18	84057675	1	SUPPORT,
19	84334657	1	AIR CLEANER, Cab Air
20	381144	1	CLAMP, HOSE, #60, 3.31/4.25 Type F Worm,
21	84320216	1	HOSE, Elbow
22	419950	1	CLAMP, HOSE,
23	84043237	3	SCREW,
24	84076921	1	PLATE, MOUNTING,
25	84043238	4	SCREW,
26	84437229	1	RING,
27	84056300	1	BLOWER, Fan
28	84334696	1	SEAL,
29	84076925	1	COVER,
30	89819681	1	PANEL, DOOR, Quick-locker
31	80445394	8	RIVET, 3/16" x 1/2"
32	89833212	2	HINGE,
33	80140182	8	WASHER,
34	84000656	1	RING,
35	84076940	1	HOUSING, Fan
36	84036676	1	FILTER, AIR,
37	NS	AR	NOT SERVICED,
38	43139	1	SCREW, HH, CL 8.8, M10 x 1.5 x 25



сылка	Номер детали	Кол-во	Описание
1	84334657	1	AIR CLEANER, Includes Ref 6
2	84057675	1	SUPPORT,
3	87280316	1	BRACKET, Blower Mount
4	87108999	1	DUCT, Air Cleaner
5	87107233	1	SEAL,
6	84036676	1	FILTER, AIR,
7	87109185	1	GASKET,
8	381144	1	CLAMP, HOSE, #60, 3.31/4.25 Type F Worm,
9	9706690	6	NUT, M8, CI 8,
10	322358	6	WASHER, SPRING, Belleville, M8,
11	9809800	1	VALVE, DUST,
12	43128	2	BOLT, Hex, M8 x 30, 8.8,
13	140041	2	WASHER, M8 x 28 x 3,
14	86050276	5	BOLT, Hex, M5 x 16, 8.8, Full Thd,
15	87107256	1	ADAPTER,
16	86639138	2	SCREW, SELF TAP, Hex Wash Hd, M4.8 x 13,
17	87107380	1	BLOWER,
18	87107381	1	GASKET, Blower to Bracket
19	9824326	5	WASHER, M5,

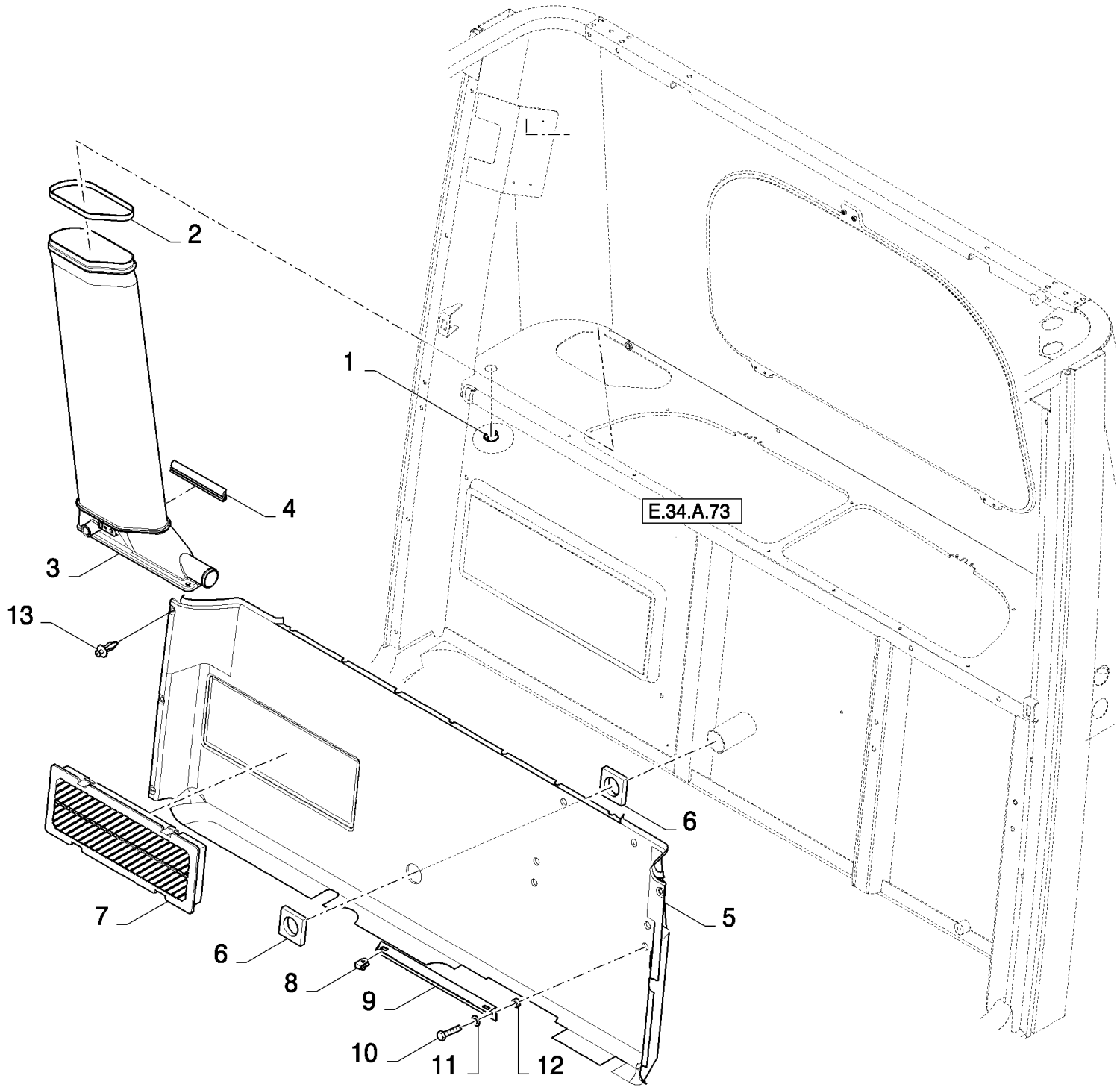


сылка	Номер детали	Кол-во	Описание
1	504078323	1	BODY,
2	504079721	1	TENSIONER, Pulley
3	504078628	1	Brace
3	504079738	1	SPACER, Tier 3, ASN HAJ106401
4	16673835	4	SCREW,
5	504078065	2	IDLER, Pulley
6	504079738	1	SPACER,
7	504078064	1	TENSIONER, BELT,
8	504079727	1	STUD,
9	16711235	4	SCREW,
10	504077386	1	PULLEY, Drive
10	504142482	1	PULLEY, Tier 3, ASN HAJ106401
11	504078066	1	BELT, Drive, For EU Only
11	87282333	1	BELT, Drive, For NA Only
12	504078148	1	HOLDER, Support
13	86993463	1	COMPRESSOR, AIRCOND, Includes Ref. 17, 18 & 19
13	504078610	1	COMPRESSOR, AIRCOND, Tier 3, ASN HAJ016401
14	16598325	4	SCREW,
15	16586525	2	BOLT,
16	504080093	2	BOLT,
17	403585A1	1	CLUTCH,
17	8093816	1	CLUTCH, Tier 3, ASN HAJ106401
18	A49667	1	PLUG,
19	128483A1	1	O-RING, 5/16 ID x 1/16
20	42535660	1	COMPRESSOR, AIRCOND, Kit (Ref. 13) - Tier 3, ASN HAJ106401



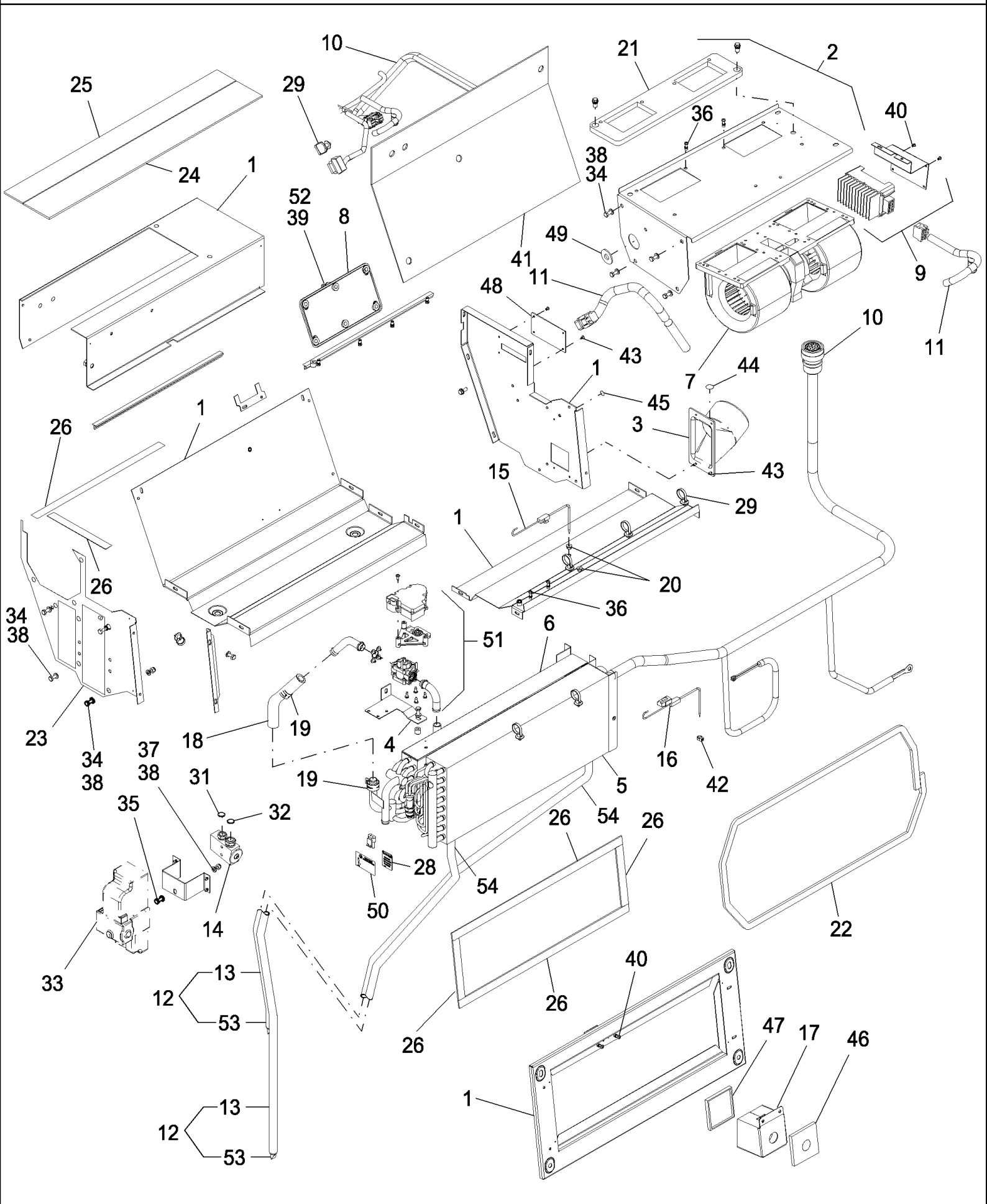
сылка	Номер детали	Кол-во	Описание
1	84334474	1	FITTING,
2	3905214	2	ELBOW, 45 Degree
3	83961305	2	VALVE, SHUT-OFF,
4	86634189	1	CLAMP, 2", Insul, 1/2" Bolt,
5	87000226	7	CLAMP, HOSE,
6	87105841	2	BRACKET, Clamp
7	87105840	1	RECEIVER-DRYER,
8	86637977	2	CLAMP, 1", Insul, 5/16" Bolt,
9	87109381	1	HOSE, To Suction Port on Compressor, BSN HAJ106401
9	87337664	1	HOSE, , ASN HAJ106401
10	87548074	1	HOSE, To Discharge Port on Compressor
11	86997294	1	HOSE,
12	87109562	1	HOSE, FLEXIBLE,
13	87106553	1	HOSE (METRES), Heater Return
14	87106556	1	HOSE (METRES), Heater Supply
15	87000227	1	SWITCH, PRESSURE, High
16	87000228	1	SWITCH, PRESSURE, Low
17	87000223	4	CLAMP, HOSE,
18	86505868	2	NUT, M8, Flg Ser,
19	412479	2	BOLT, Hex, M8 x 35, 8.8,
20	86978776	5	SCREW, SELF TAP, Hex Wash Hd, 5/16" x 3/4",
21	412093	1	SCREW, SELF TAP, M6 x 12
22	87000312	3	STRAP, CABLE,
23	87000220	1	CLAMP, HOSE,
24	87589867	AR	FLUID, Dye, Leak Detection

E.40.D.38 REAR PANEL, LOWER



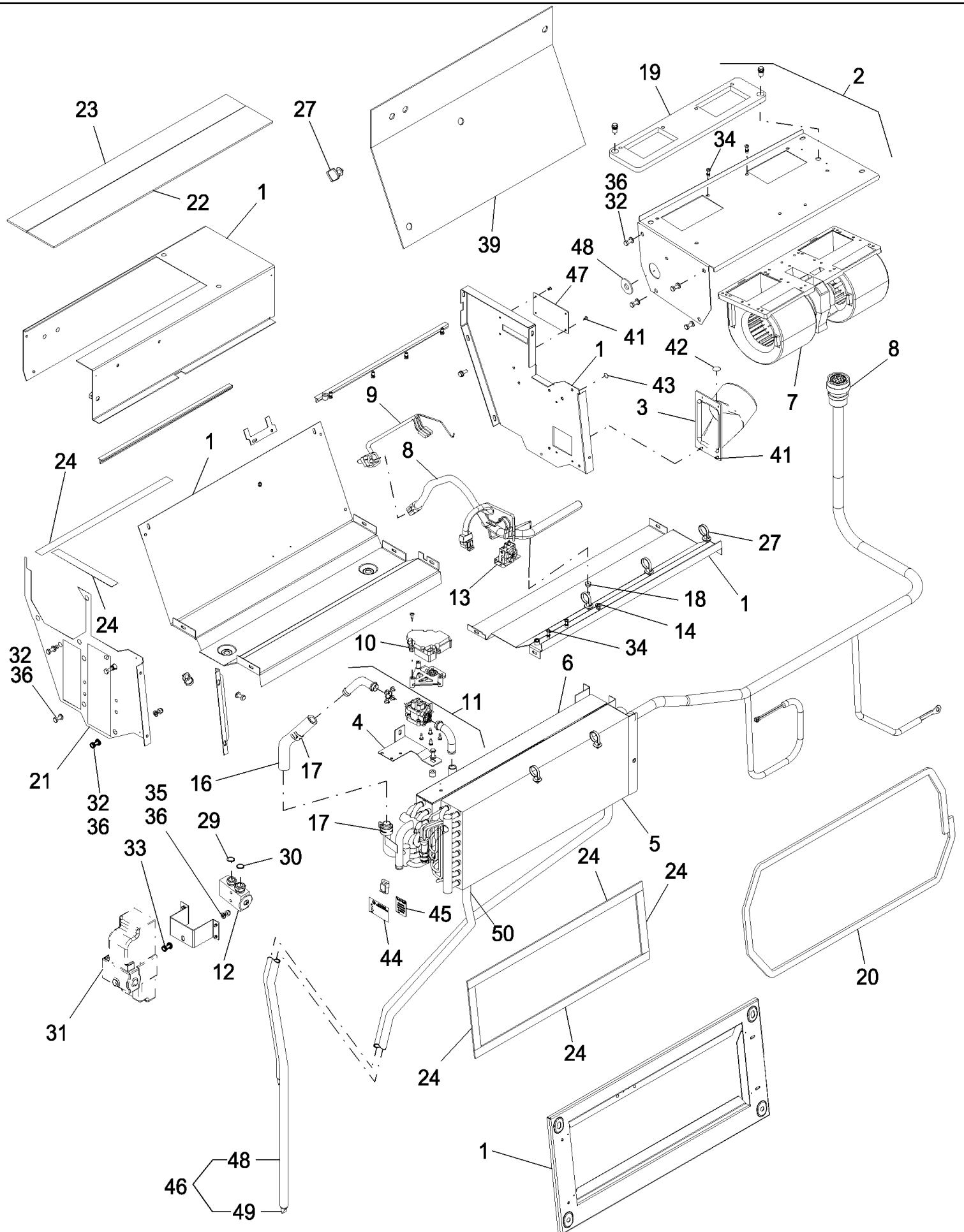
E.40.D.38 REAR PANEL, LOWER

сылка	Номер детали	Кол-во	Описание
1	84989335	1	PLUG,
1	353-411	1	PLUG, Dome, 1.000" hole, Nylon, was 84989335
2	84059894	1	SEAL,
3	87345072	1	DUCT, AIR,
4	87019752	1	SEAL,
5	86995950	1	LINER, Soft Trim, Lower
6	84067933	2	SEAL,
7	84061669	1	GRILLE,
8	86014250	2	NUT,
9	84076869	1	SUPPORT,
10	43128	2	BOLT, Hex, M8 x 30, 8.8,
11	140016	2	WASHER, M8 x 16 x 1.6,
12	200202	2	RING,
13	84320280	9	PLUG,



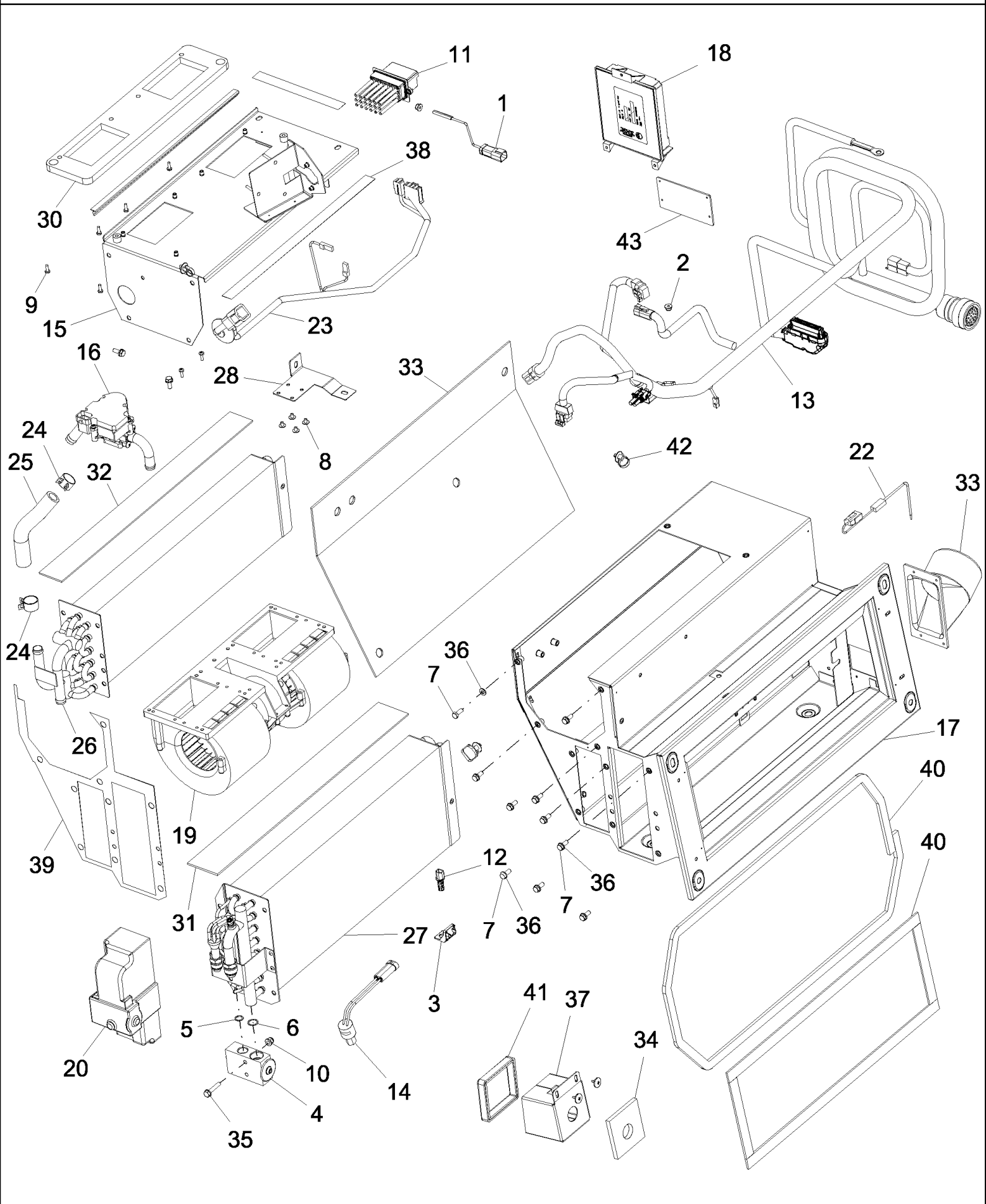
сылка	Номер детали	Кол-во	Описание
1	86523252	1	HOUSING, , EndYear: 09/25/2003
1	87282348	1	HOUSING, , Start Year: 09/25/2003
2	NSS	1	NOT SERVICED SEPARATELY, Plate, Blower
3	84320221	1	DUCT, AIR, Fresh Air Inlet
4	NSS	1	NOT SERVICED SEPARATELY, Watervalve
5	86523242	1	EVAPORATOR, Coil
6	86523241	1	HEATER, Coil
7	NSS	1	NOT SERVICED SEPARATELY, Blower Assembly
8	87280280	1	CONTROL, Module, ATC, EndYear: 09/25/2003
8	87429902	1	CONTROL, Module, ATC, Start Year: 09/25/2003
9	NSS	1	NOT SERVICED SEPARATELY, Blower
10	87282350	1	HARNES, WIRE,
11	87282351	1	HARNES, WIRE, Blower - Includes Ref.49
12	86976191	2	HOSE, FLEXIBLE, Drain; Includes: Ref.s 13, 53, & 54
13	198091C1	AR	HOSE, 50'; 75" Required, Cut to Required Lengths
14	84015397	1	VALVE, Expansion, EndYear: 08/15/2003
14	87033212	1	VALVE, Expansion, Start Year: 08/15/2003
15	87282407	1	SENSOR, Probe
16	86531133	1	SENSOR, Temperature
17	84443617	1	COVER, Venturi, BSN HAJ106401
17	87367963	1	VENTURI, , ASN HAJ106401
18	86997298	AR	HOSE, Heater
19	87000223	2	CLAMP, HOSE,
20	84320222	2	GROMMET,
21	84074261	1	SEAL, Air Duct
22	84320224	1	SEAL, Strip
23	84320226	1	SEAL, Unit End Plate
24	84320227	1	SEAL, Evaporator Coil Top
25	84320228	1	SEAL, Heater Coil Top
26	84015383	AR	SEAL,
27	84434934	1	SEAL, Blower
28	NSS	1	NOT SERVICED SEPARATELY, Decal, Warning
29	84320229	5	STRAP, CABLE,
31	84015185	1	O-RING, , EndYear: 08/15/2003
31	84817009	1	O-RING, , Start Year: 08/15/2003
32	9827059	1	O-RING,
33	84320230	1	TAPE, ADHESIVE,
34	86508568	16	BOLT, Hex, M6 x 16, 8.8,
35	43118	1	BOLT, Hex, M6 x 40, 8.8,
36	44334	8	SCREW, Cross Pan Hd, M4 x 12,
37	412152	1	NUT, LOCK, M6 x 1, CI 8.8,
38	9824259	16	WASHER, M6 x 12 x 1.6,
39	80701	2	WASHER, 1/4",
40	28283R1	4	SCREW/Retired, Cross Pan Hd, #8-32 x 7/16", w/LW,
41	84320231	1	SEAL, Gasket

сылка	Номер детали	Кол-во	Описание
42	PL	1	PROCURE LOCALLY, Cable Tie
43	PL	6	PROCURE LOCALLY, Rivet, Pop, 3mm
44	PL	1	PROCURE LOCALLY, Plug
45	PL	2	PROCURE LOCALLY, Plug
46	87034252	1	SEAL,
47	87034253	1	SEAL, , BSN HAJ106401
47	87369069	1	GASKET, , ASN HAJ106401
48	87280279	1	COVER,
49	NSS	1	NOT SERVICED SEPARATELY, Grommet
50	NSS	1	NOT SERVICED SEPARATELY, Decal, Nameplate
51	87282821	1	VALVE, Water, BSN HAJ106401
52	4899110	1	SCREW, Hex Flg, M6 x 1 x 20,
53	109239C2	2	VALVE,
54	1250522C3	2	ELBOW,

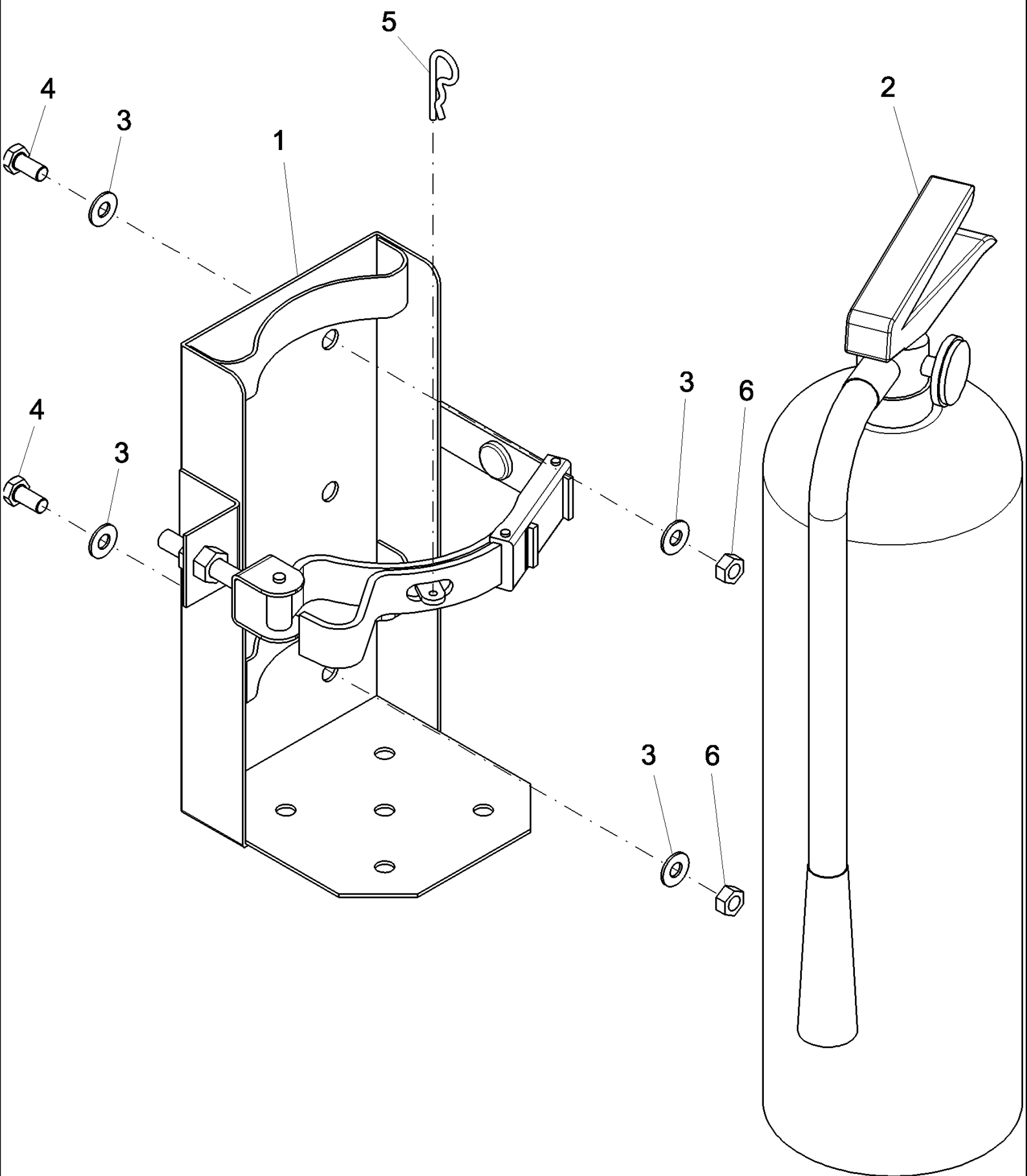


сылка	Номер детали	Кол-во	Описание
1	86523252	1	HOUSING,
2	84989879	1	PLATE, Blower
3	84320221	1	DUCT, AIR, Fresh Air Inlet
4	84074997	1	BRACKET, Watervalue
5	86523242	1	EVAPORATOR, Coil
6	86523241	1	HEATER, Coil
7	84431351	1	BLOWER,
8	87280357	1	HARNESS, WIRE,
9	86594052	1	HARNESS, WIRE, Blower
10	84074260	1	ACTUATOR, , EndYear: 09/25/2003
11	84074259	1	VALVE,
12	84015397	1	VALVE, Expansion, EndYear: 09/25/2003
12	87033212	1	VALVE, Expansion, Start Year: 09/25/2003
13	84078518	1	SWITCH, Freeze
14	PL	1	PROCURE LOCALLY, Plug
15	84074288	1	BUSHING, Actuator, EndYear: 09/25/2003
16	86997298	AR	HOSE, Heater
17	87000223	2	CLAMP, HOSE,
18	84320222	1	GROMMET,
19	84074261	1	SEAL, Air Duct
20	84320224	1	SEAL, Strip
21	84320226	1	SEAL, End Plate
22	84320227	1	SEAL, Evaporator Coil, Top
23	84320228	1	SEAL, Evaporator Coil, Top
24	84015383	AR	SEAL,
25	84434934	1	SEAL, Blower
26	86976190	1	TUBE, Drain
27	84320229	5	STRAP, CABLE,
29	84015185	1	O-RING, , EndYear: 09/25/2003
29	84817009	1	O-RING, , Start Year: 09/25/2003
30	9827059	1	O-RING,
31	84320230	AR	TAPE, ADHESIVE,
32	86508568	17	BOLT, Hex, M6 x 16, 8.8,
33	43118	1	BOLT, Hex, M6 x 40, 8.8,
34	44334	8	SCREW, Cross Pan Hd, M4 x 12,
35	412152	1	NUT, LOCK, M6 x 1, CI 8.8,
36	9824259	17	WASHER, M6 x 12 x 1.6,
37	80701	2	WASHER, 1/4",
38	28283R1	1	SCREW/Retired, Cross Pan Hd, #8-32 x 7/16", w/LW,
39	84320231	1	SEAL,
40	PL	AR	PROCURE LOCALLY, Insulation
41	PL	8	PROCURE LOCALLY, Rivet, Pop
42	PL	2	PROCURE LOCALLY, Plug
43	PL	1	PROCURE LOCALLY, Plug
44	591120	1	DECAL,

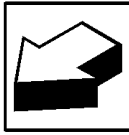
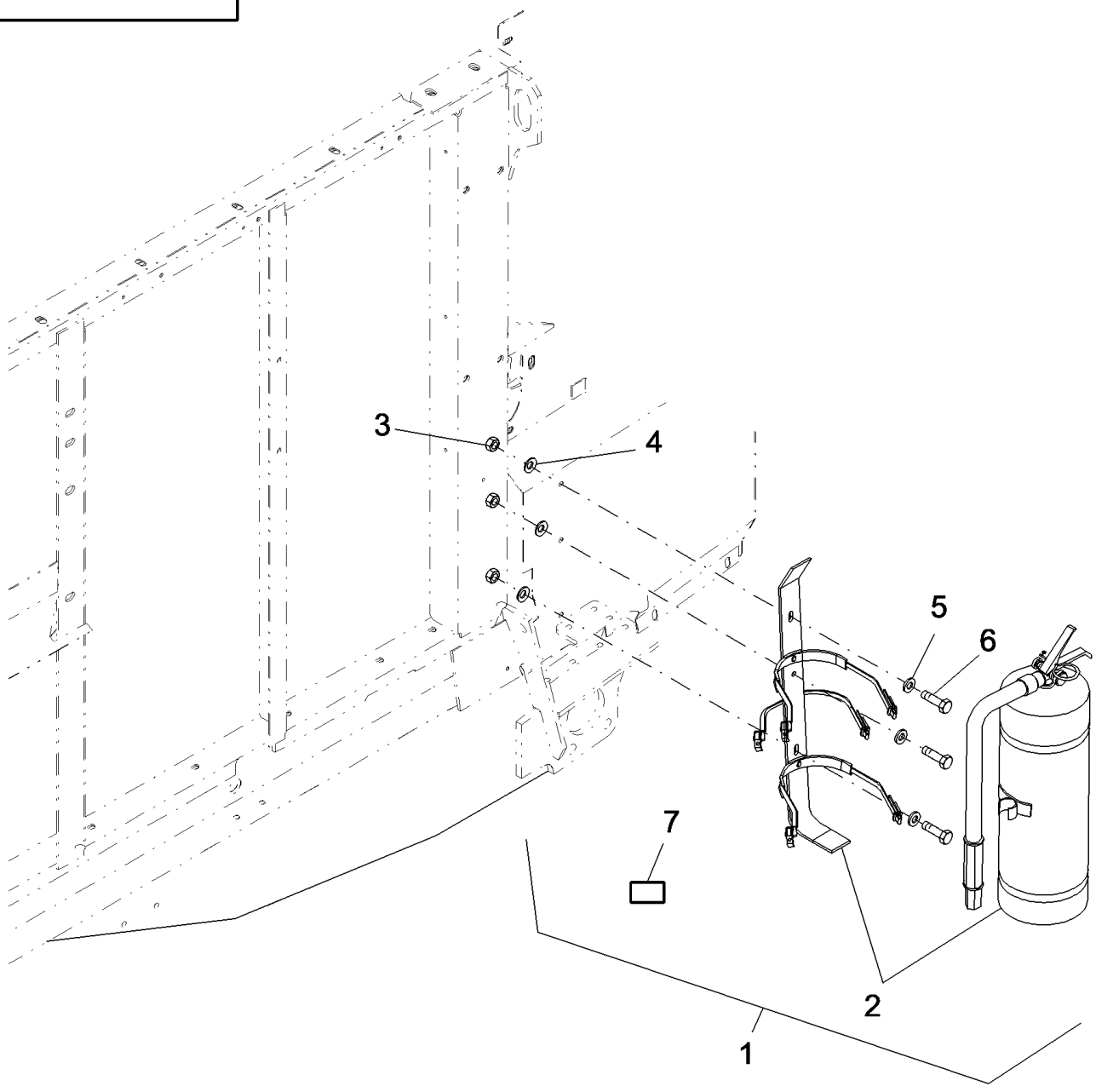
сылка	Номер детали	Кол-во	Описание
45	NS	1	NOT SERVICED, Decal
46	86976191	2	HOSE, FLEXIBLE, Drain; Includes: Ref.s 48 Thru 50
47	87280279	1	COVER, Coolbox
48	198091C1	AR	HOSE, 50'; 75" Required, Cut to Required Lengths
49	109239C2	2	VALVE,
50	1250522C3	2	ELBOW,



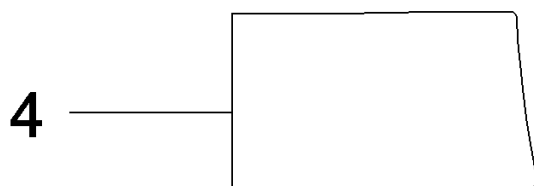
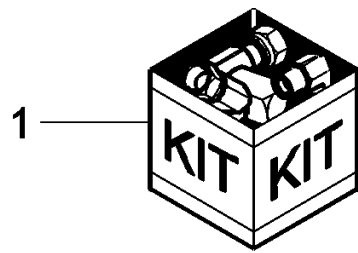
сылка	Номер детали	Кол-во	Описание
1	86531126	1	SENSOR, Temp.
2	84320222	2	GROMMET, Freeze Switch
3	87318294	1	CLIP, Sensor
4	87033212	1	VALVE, Expansion
5	84817009	1	O-RING,
6	9827059	1	O-RING,
7	86508568	16	BOLT, Hex, M6 x 16, 8.8,
8	87355939	4	SCREW, #10 Truss, 8-16 x .280
9	44334	8	SCREW, Cross Pan Hd, M4 x 12,
10	412152	1	NUT, LOCK, M6 x 1, CI 8.8,
11	87306706	1	TERMINAL CONNECTOR, Blower Drive Linear
12	87454442	1	SENSOR, Thermistor
13	87355947	1	HARNESS, WIRE, ATC
14	87000228	1	SWITCH, PRESSURE,
15	NSS	1	NOT SERVICED SEPARATELY, Weldment, Blower
16	87369070	1	VALVE, Water
17	87355943	1	HOUSING,
18	87282416	1	AIR CONTROL,
19	87663947	1	BLOWER ASSY., Blower
20	84320230	1M	TAPE, ADHESIVE,
21	84434934	1	SEAL, Blower, Not Shown
22	86531133	1	SENSOR, Evaporator
23	87355948	1	HARNESS, WIRE, Blower
24	87000223	2	CLAMP, HOSE, Heater
25	86997298	.153M	HOSE, Heater Supply, Bulk
26	86523241	1	HEATER, Coil
27	87355949	1	EVAPORATOR, Evaporator
28	84074997	1	BRACKET, Water Valve
29	87362249	1	DUCT, AIR,
30	87355950	1	SEAL, Duct
31	84320227	1	SEAL, Evaporator Coil
32	84320228	1	SEAL, Heater Coil
33	84320231	1	SEAL,
34	87034252	1	SEAL, Venturi
35	43118	1	BOLT, Hex, M6 x 40, 8.8,
36	9824259	16	WASHER, M6 x 12 x 1.6,
37	87367963	1	VENTURI,
38	84015383	2.41M	SEAL,
39	84320226	1	SEAL, Unit End Plate
40	84320224	1	SEAL,
41	87034253	1	SEAL, Strip
42	84320229	9	STRAP, CABLE,
43	87280279	1	COVER,



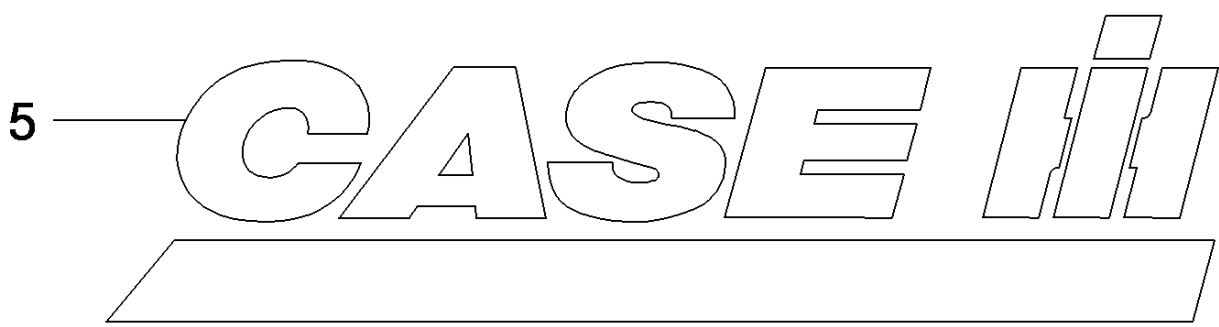
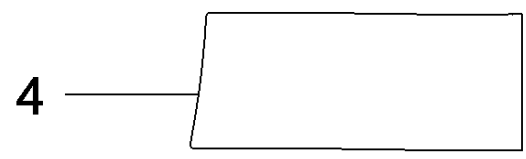
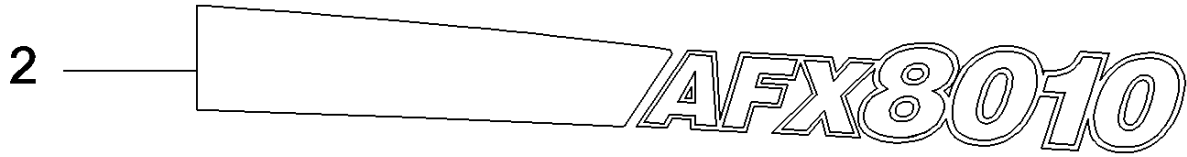
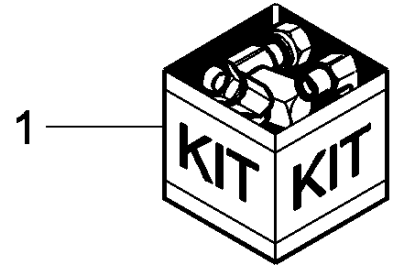
сылка	Номер детали	Кол-во	Описание
1	87414154	1	BRACKET,
2	87414153	1	FIRE EXTINGUISHER,
3	322358	8	WASHER, SPRING, Belleville, M8,
4	120103	4	BOLT, Hex, M8 x 16, 8.8,
5	216698	1	PIN, SPLIT (COTTER), Hair Pin
6	9706690	4	NUT, M8, CI 8,



сылка	Номер детали	Кол-во	Описание
1	84085886	1	DIA KIT, HARVESTER, Fire Extinguisher
2	84440547	1	FIRE EXTINGUISHER, Fire Extinguisher - Includes Bracket
3	9706690	3	NUT, M8, CI 8,
4	412650	3	WASHER, SPRING, Belleville, M8,
5	140016	3	WASHER, M8 x 16 x 1.6,
6	43127	3	BOLT, Hex, M8 x 25, 8.8,
7	84442434	1	DECAL, Decal



сылка	Номер детали	Кол-во	Описание
1	86976361	AR	DECAL, Kit
2	87106819	1	DECAL, Front
3	87106813	1	DECAL, Center
4	87106814	1	DECAL, Rear
5	87107364	1	DECAL, AFS



сылка	Номер детали	Кол-во	Описание
1	86976362	AR	DECAL, Kit
2	87106820	1	DECAL, Front
3	87106816	1	DECAL, Center
4	87106817	1	DECAL, Rear
5	87106818	1	DECAL, CASE IH, Rear - NOT SIDE
6	87107364	1	DECAL, AFS

WARNING



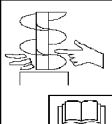
Always fasten seatbelt during operation.

Failure to comply could result in death or serious injury.

86640447

2

DANGER



- Rotating auger under this cover.
- Keep hands out when machine is running.

Failure to comply will result in death or serious injury.

86610420

10



17

WARNING

STAND CLEAR



- Rotating flails under hood: Crop materials exiting at high speed.
- STOP machine, LOOK, LISTEN, and WAIT for all movement to stop before approaching.

Failure to comply could result in death or serious injury.

86640441

4

WARNING

SHIELD IS OPEN STAND CLEAR



Replace or close shield before operating machine.

Failure to comply could result in death or serious injury.

86626650

11

DANGER



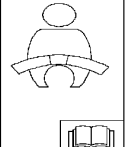
DO NOT use other starting fluid. AN EXPLOSION MAY OCCUR. Failure to comply will result in death or serious injury.

00329065

18

WARNING

INSTRUCTIONAL SEAT



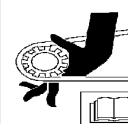
- To be used for training or diagnostic purposes.
- Extra riders, especially children, are NOT permitted on machine.
- Buckle up!

Failure to comply could result in death or serious injury.

86640456

5

WARNING

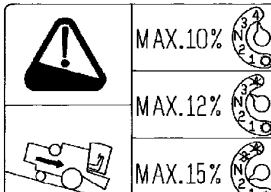


- Moving parts under this cover.
- DO NOT open cover while operating.

Failure to comply will result in death or serious injury.

86626656

12




MAX.10%

MAX.12%

MAX.15%

19

WARNING



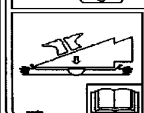
- Hydraulic fluid under high pressure
- Read manual before attempting any service.

Failure to comply could result in death or serious injury.

86640435

6

DANGER

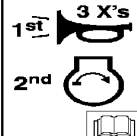


- Headerfeeder will fall rapidly if hydraulic lift system should fail.
- Rest headerfeeder on ground or engage lift cylinder lockouts when working around raised headerfeeder.

Failure to comply will result in death or serious injury.

13

WARNING



Before starting engine or any function.

- Warn bystanders
- Sound horn 3 times.

Failure to comply could result in death or serious injury.

86640422

7

WARNING

Before operating machine, read operator's manual and ALL SAFETY instructions.

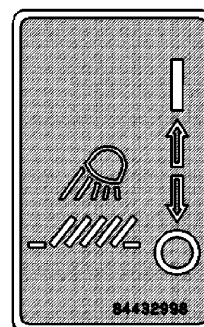
If manual is missing, contact your dealer service department

- Before starting engine or operation, clear area of bystanders.
- Disengage drives including PTO. Stop engine, wait for all movement to stop before leaving operator's position.
- Keep all shields in place, keep hands, feet, clothing and hair away from moving parts.
- Keep riders off machines.
- Use Slow-Moving Vehicle (SMV) identification emblem and flashing warning lights when operating on highways, except when prohibited by law.
- Never adjust, lubricate, clean or unplug machine with engine running.

Failure to comply could result in death or serious injury.

86625076

14



20

DANGER



Avoid contact with electrical power lines.


Failure to comply will result in death or serious injury.

86640420

8

WARNING

PINCH AREA

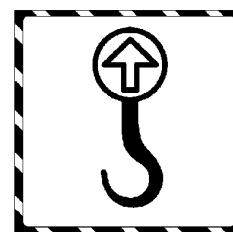


Keep away

Failure to comply could result in death or serious injury.


86619700

15



21

WARNING



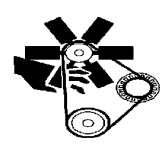
- Rotating augers.
- DO NOT enter grain tank with machine running.

Failure to comply could result in death or serious injury.

86640423

9

WARNING




Keep hands and clothing away from rotating fan and belts.

Failure to comply could result in death or serious injury.

86601511

16

WARNING



Chain(s) provided for your protection. Fasten when windshield or feeder access is complete.

Failure to comply could result in death or serious injury.

22

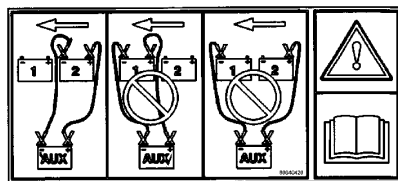
E.60.A.01(3) DECALS

сылка	Номер детали	Кол-во	Описание
	87105650		KIT, DECALS,
	84083167		KIT, DECALS, French
2	86640447	1	DECAL, Warning, Seat Belt
	84083188		KIT, DECALS, Spanish
2	86640448	1	DECAL, Warning, Seat Belt, French
2	86640450	1	DECAL, Warning, Seat Belt, Spanish
4	86640441	4	DECAL, Stand Clear
4	86640442	4	DECAL, Stand Clear, French
4	86640443	4	DECAL, Stand Clear, Spanish
5	86640438	1	DECAL, Warning, Instr. Seat
5	86640439	1	DECAL, Warning, Instr. Seat, French
5	86640440	1	DECAL, Warning, Instr. Seat, Spanish
6	86640435	2	DECAL, Warning, Hydraulic Fluid
6	86640436	2	DECAL, Warning, Hydraulic Fluid, French
6	86640437	2	DECAL, Warning, Hydraulic Fluid, Spanish
7	86640432	1	DECAL, Warning, Horn
7	86640433	1	DECAL, Warning, Horn, French
7	86640434	1	DECAL, Warning, Horn, Spanish
8	86640429	1	DECAL, Danger, Electric
8	86640430	1	DECAL, Danger, Electric, French
8	86640431	1	DECAL, Danger, Electric, Spanish
9	86640423	2	DECAL, Warning, Rotating Auger
9	86640424	2	DECAL, Warning, Rotating Auger, French
9	86640425	2	DECAL, Warning, Rotating Auger, Spanish
10	86640420	4	DECAL, Danger, Rotating Auger
10	86640421	4	DECAL, Danger, Rotating Auger, French
10	86640422	4	DECAL, Danger, Rotating Auger, Spanish
11	86626959	3	DECAL, Warning
11	86624741	3	DECAL, Warning, French
11	86624653	3	DECAL, Warning, Spanish
12	86626958	16	DECAL, Warning, Moving Parts
12	86626961	16	DECAL, Warning, Moving Parts, French
12	86626962	16	DECAL, Warning, Moving Parts, Spanish
13	86624774	4	DECAL, Danger
13	86625174	4	DECAL, Danger, French
13	86625175	4	DECAL, Danger, Spanish
14	86622073	1	DECAL, Warning, English
14	86622074	1	DECAL, Warning, French
14	86622075	1	DECAL, Warning, Spanish
15	86521673	3	DECAL, Warning, Pinch Area
15	850610	3	DECAL, Warning, Pinch Area, French
15	9801750	3	DECAL, Warning, Pinch Area, Spanish
16	86501511	1	DECAL, Warning, Fan
16	86509716	1	DECAL, Warning, Fan, French
16	86601164	1	DECAL, Warning, Fan, Spanish

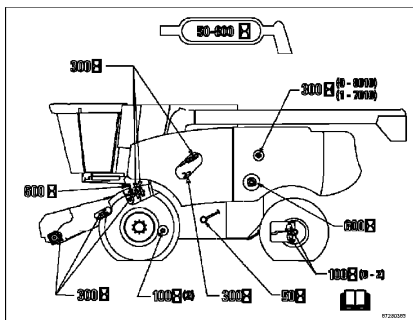
E.60.A.01(3) DECALS

сылка	Номер детали	Кол-во	Описание
17	84432904	2	DECAL, For English, French, and Spanish
18	629086	2	DECAL, Danger
18	682683	2	DECAL, Danger, French
18	86600617	2	DECAL, Danger, Spanish
19	84439462	1	DECAL, For English, French, and Spanish
20	84432998	1	DECAL, For English, French, and Spanish
21	449973	4	DECAL, For English, French, and Spanish
22	87385554	1	DECAL, Warning, English
22	87390899	1	DECAL, Warning, French
22	87390900	1	DECAL, Warning, Spanish

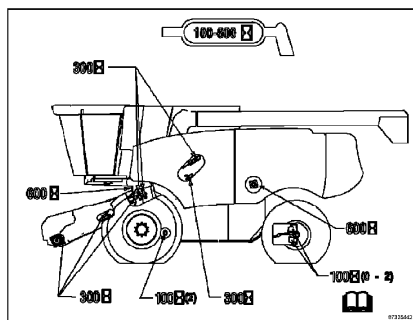
E.60.A.01(4) DECALS



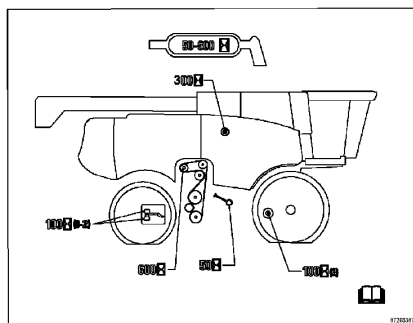
1



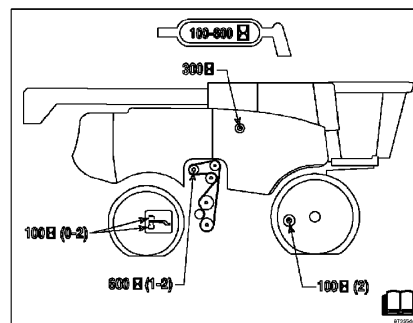
2



2



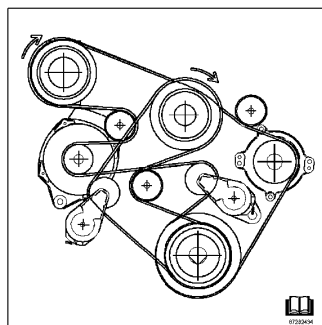
3



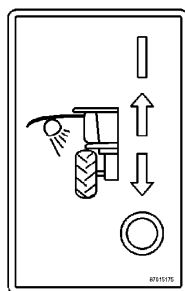
3



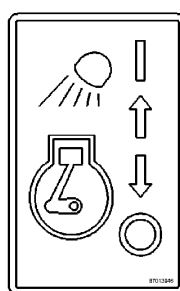
4



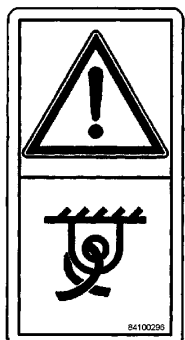
5



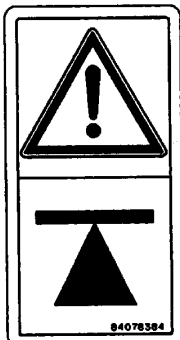
6



7



8



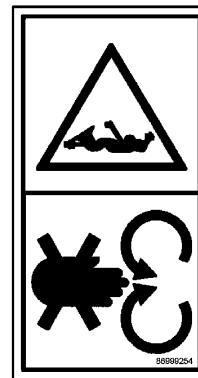
9



10



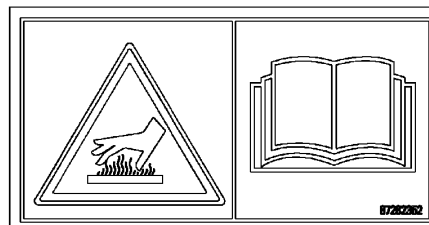
11



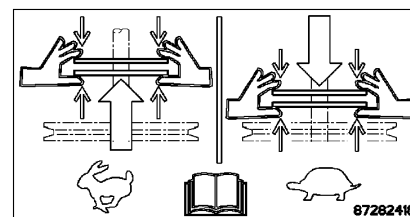
12



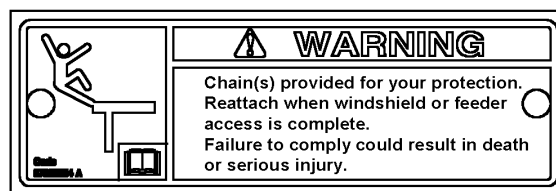
13



14



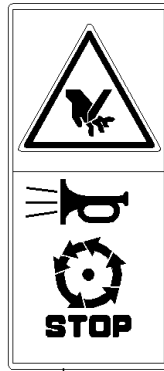
15



16

E.60.A.01(4) DECALS

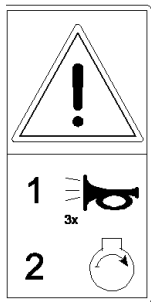
сылка	Номер детали	Кол-во	Описание
1	86640426	1	DECAL, Safety, For English, French, and Spanish
2	87280363	1	DECAL, Lubrication, LH, For English, French, and Spanish
2	87645433	1	DECAL, Decal, Lubrication, LH, For English, French, and Spanish, Enhanced Cleaning
3	87283387	1	DECAL, Lubrication, RH, For English, French, and Spanish
3	87335441	1	DECAL, Lubrication, RH, For English, French, and Spanish, Enhanced Cleaning
4	84004742	1	DECAL, For English, French, and Spanish
5	87282434	1	DECAL, Engine Belt Routing, For English, French, and Spanish
6	87015175	1	DECAL, Light Switch, For English, French, and Spanish
7	87013946	1	DECAL, Light Switch, For English, French, and Spanish
8	84100296	8	DECAL, For English, French, and Spanish
9	84078384	2	DECAL, For English, French, and Spanish
10	84439510	2	DECAL, For English, French, and Spanish
11	86996879	2	DECAL, For English, French, and Spanish
12	86999254	1	DECAL, For English, French, and Spanish
13	9826789	1	DECAL, Danger, English
13	9827448	1	DECAL, Danger, French
13	87013474	1	DECAL, Danger, Spanish
14	87282352	2	DECAL, HOT, For English, French, and Spanish
15	87282418	2	DECAL, High/Low, For English, French, and Spanish
16	87385554	1	DECAL, Safety Chain, English
16	87390899	1	DECAL, Safety Chain, Spanish
16	87390900	1	DECAL, Safety Chain, French



1



2



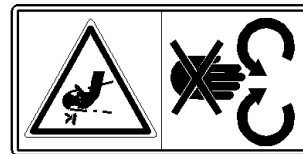
3



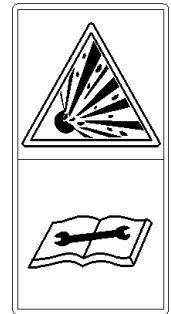
4



5



7



8



9



10

"Achtung! Fahrzeug schert aus".

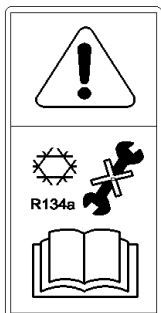
11



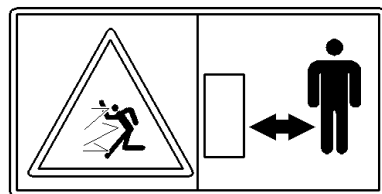
12



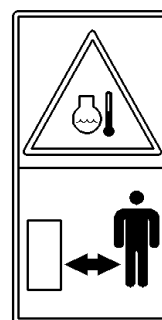
13



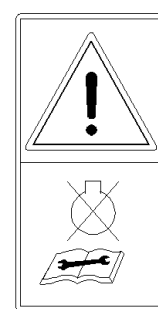
14



15



16

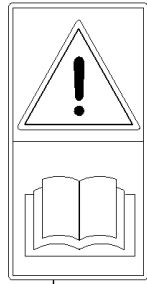


17

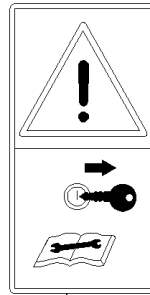


18

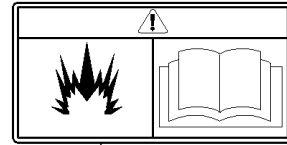
сылка	Номер детали	Кол-во	Описание
	87105654		KIT, DECALS,
1	84014117	11	DECAL,
2	87396791	1	DECAL,
3	84012892	1	DECAL,
4	84012893	1	DECAL,
5	84432906	1	DECAL,
7	84011345	2	DECAL,
8	84005363	2	DECAL,
9	84004735	2	DECAL,
10	89513272	3	DECAL, "20" - Germany Only
11	425961	1	DECAL, Slow moving Vehicle - Germany Only
12	84004740	2	DECAL,
13	84004742	1	DECAL,
14	84012596	1	DECAL,
15	84004739	2	DECAL,
16	84432981	1	DECAL,
17	84004733	1	DECAL,
18	84004732	2	DECAL,



1



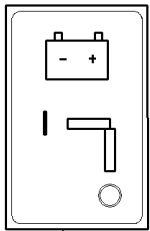
2



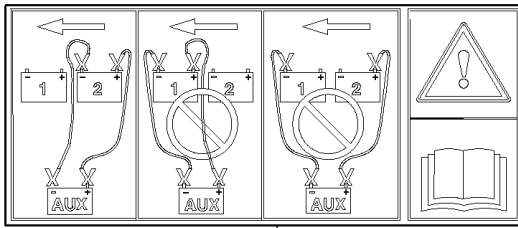
3



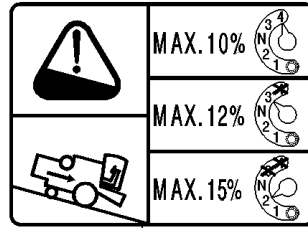
4



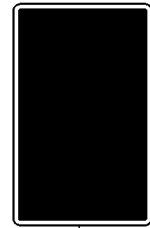
5



6



7



8



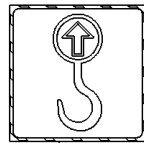
9



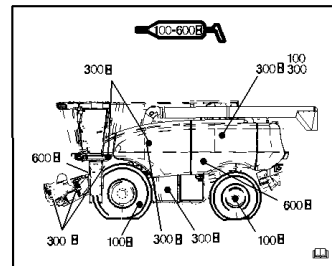
10



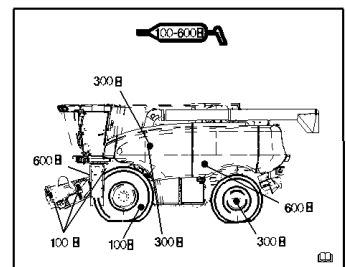
11



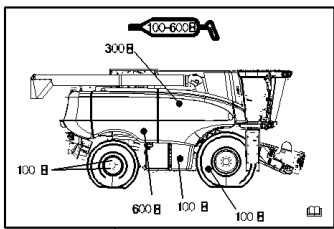
12



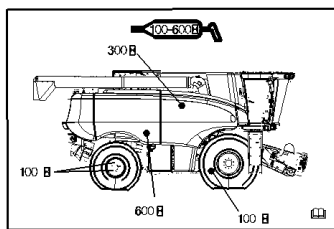
13



13



14



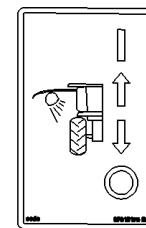
14



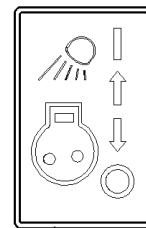
15



16



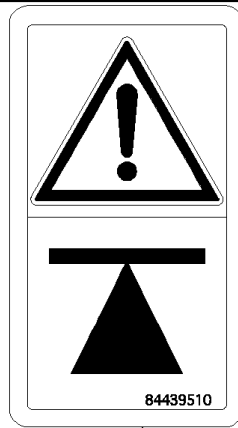
17



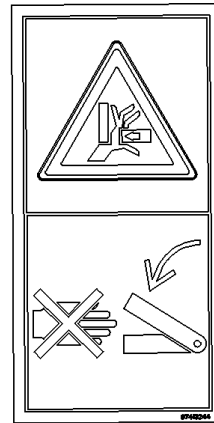
18



сылка	Номер детали	Кол-во	Описание
	87105654		KIT, DECALS,
1	84004731	1	DECAL,
2	84004744	2	DECAL,
3	87802167	1	DECAL,
4	87395659	1	DECAL, Safety Chain, Top - With Ladder Ext.
5	86729633	1	DECAL, Battery Switch
6	86640426	1	DECAL,
7	84439462	1	DECAL,
8	84432998	1	DECAL,
9	84432904	2	DECAL,
10	84100296	6	DECAL,
11	84078384	2	DECAL,
12	449973	5	DECAL,
13	87280363	1	DECAL, Lubrication, LH
13	87645433	1	DECAL, Decal, Lubrication, LH, Enhanced Cleaning
14	87280364	1	DECAL,
14	87283387	1	DECAL, Lubrication, RH
15	87335441	1	DECAL, Lubrication, RH, Enhanced Cleaning
15	84004734	2	DECAL, Safety
16	84004736	4	DECAL,
17	87015175	1	DECAL,
18	87013946	1	DECAL, Light Switch



1



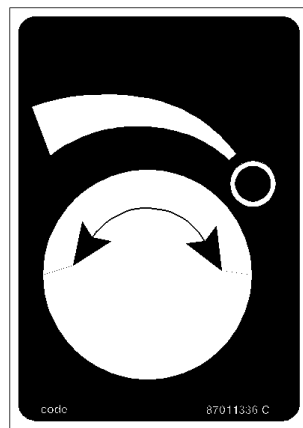
2



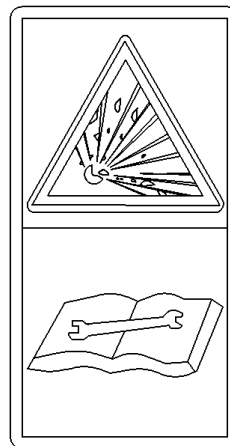
3



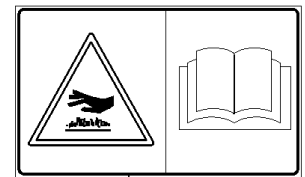
4



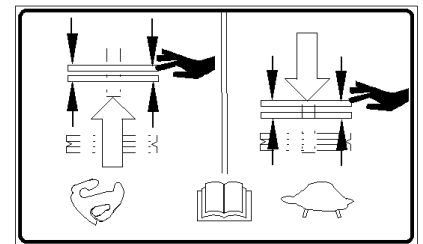
5



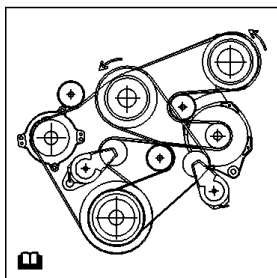
6



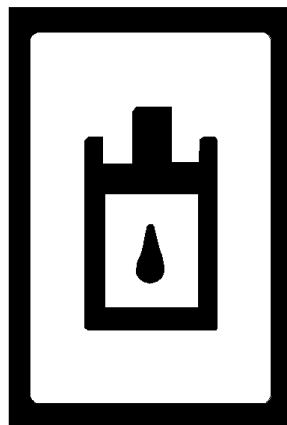
7



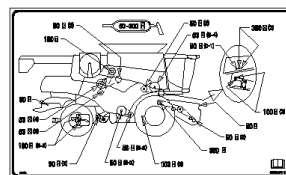
8



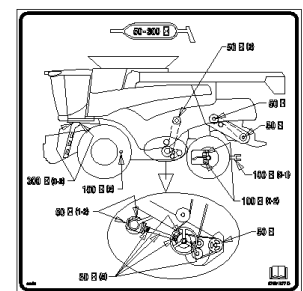
9



10



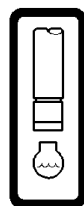
11



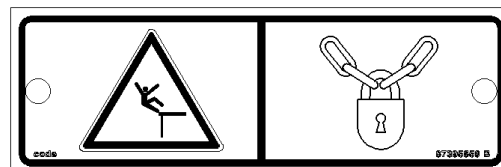
12



13



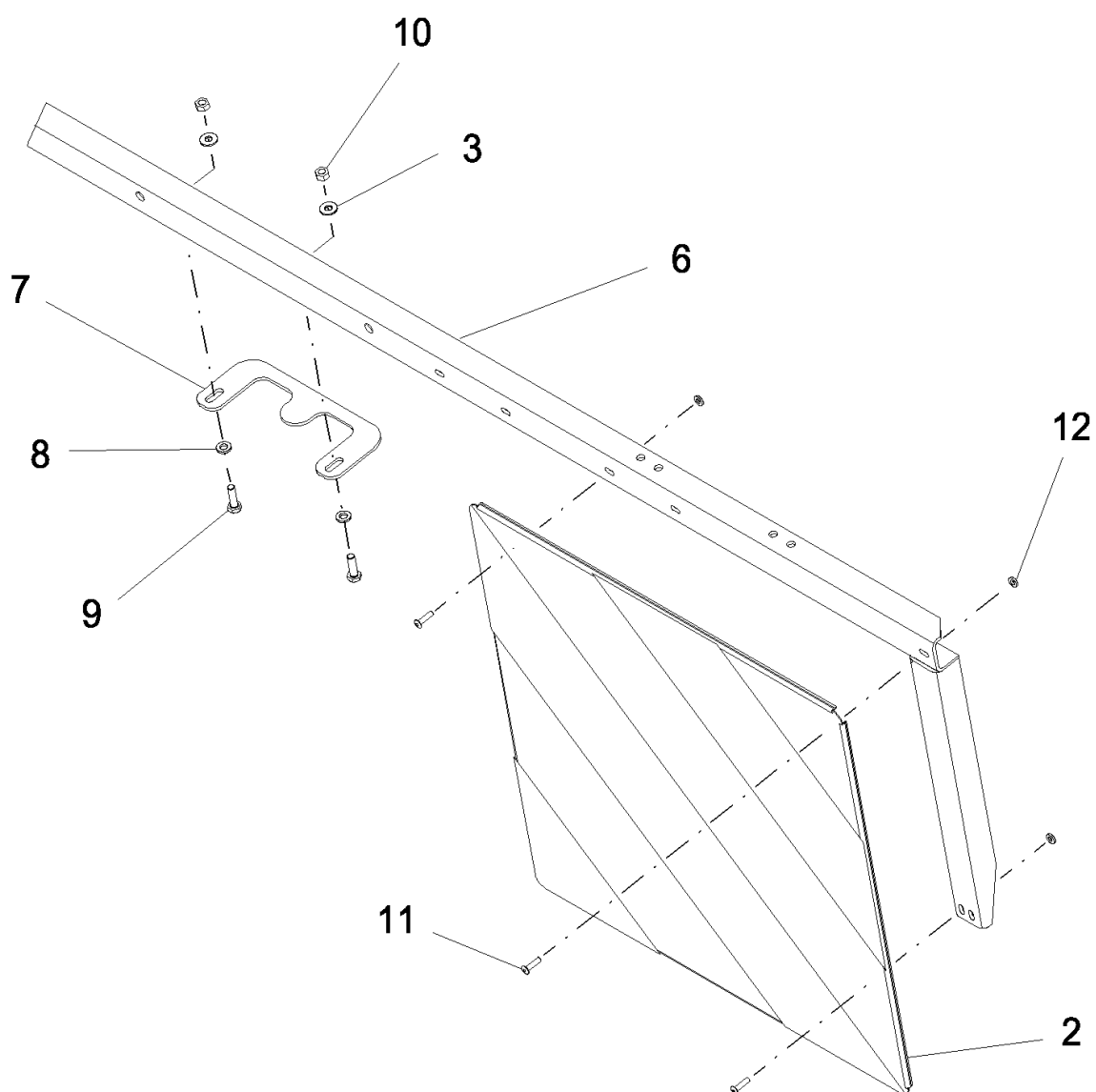
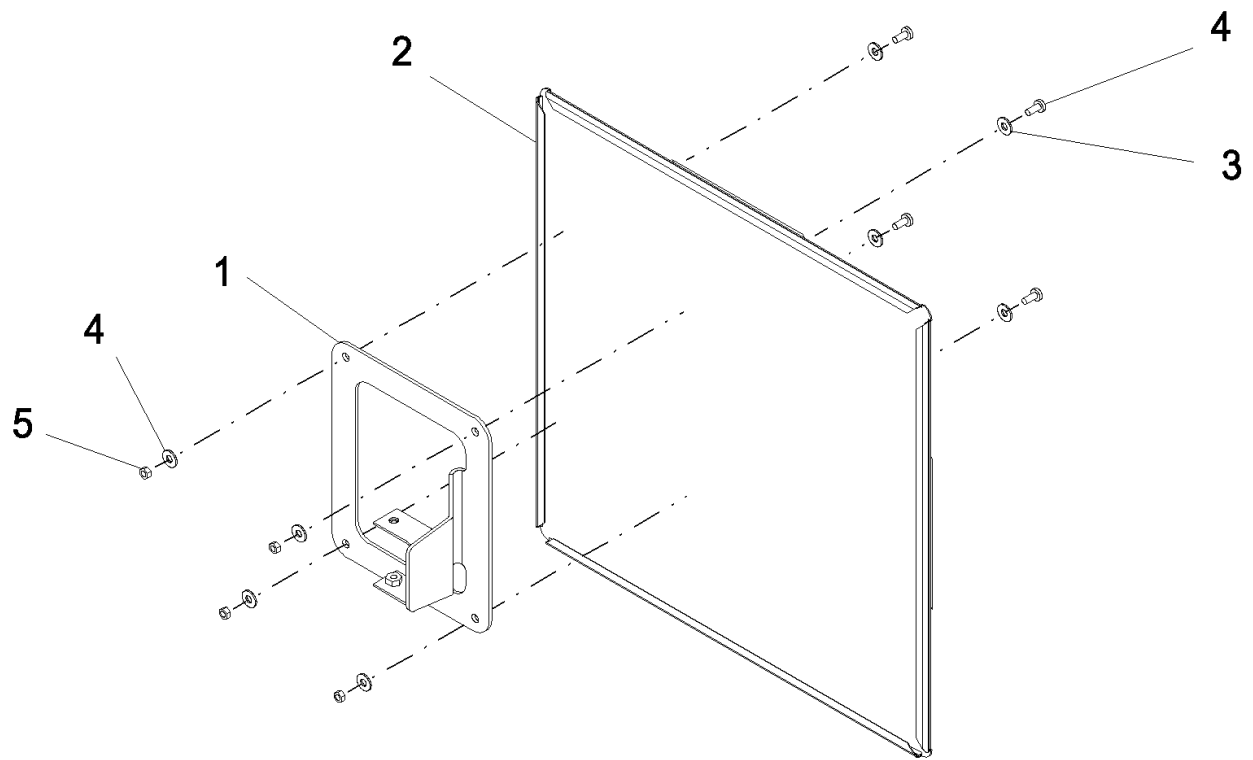
14



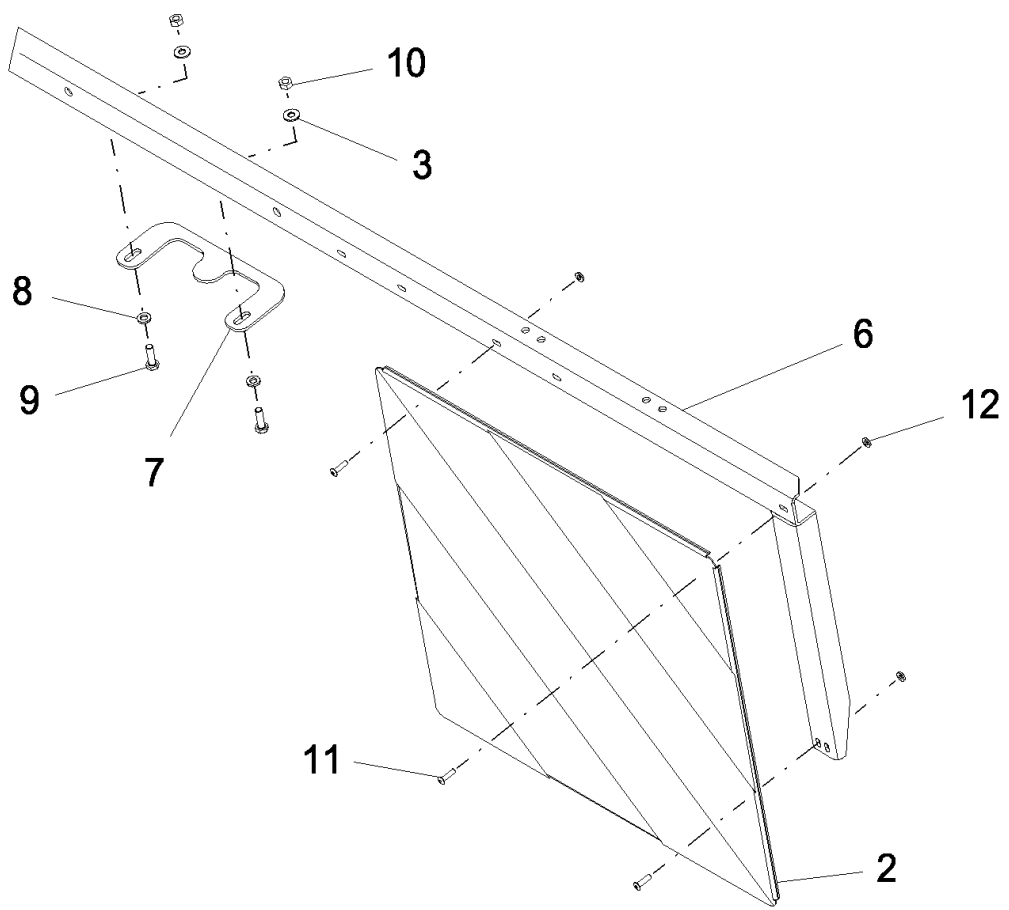
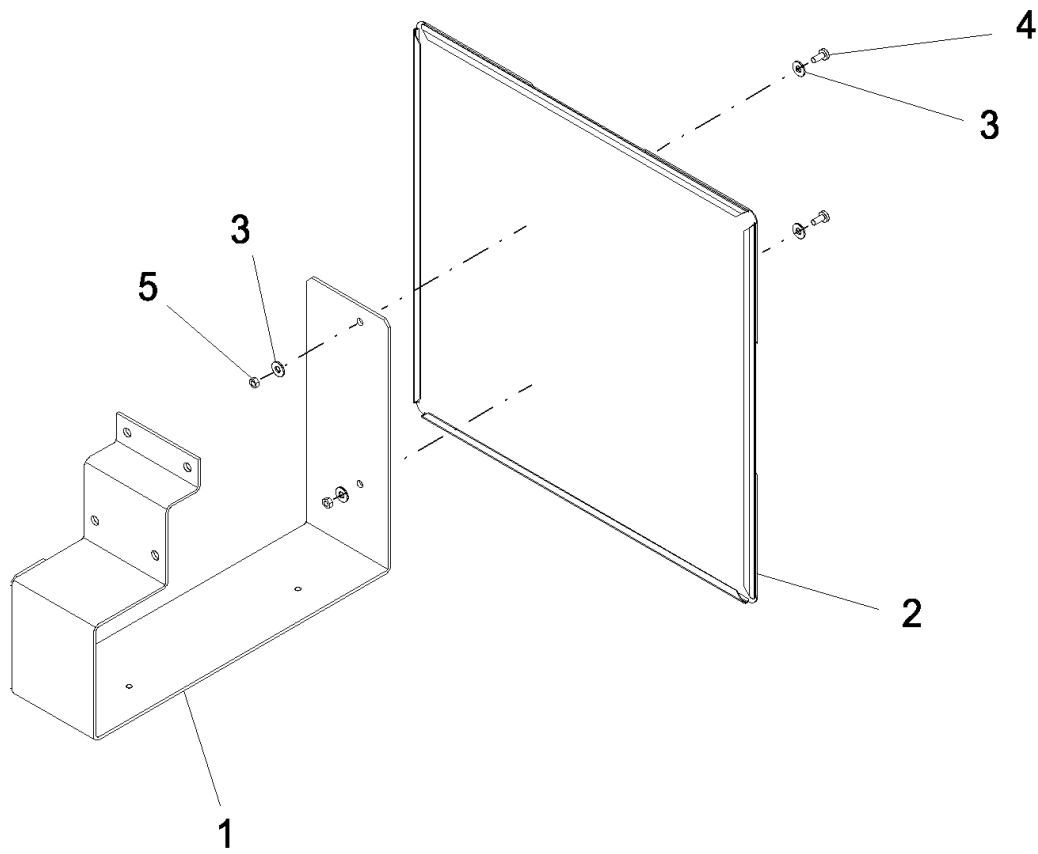
15

сылка	Номер детали	Кол-во	Описание
	87105654		KIT, DECALS,
1	84439510	2	DECAL,
2	87413244	2	DECAL, Pinch Point
3	86999254	1	DECAL,
4	86623941	AR	DECAL,
5	87011336	AR	DECAL,
6	84005363	1	DECAL,
7	87282352	2	DECAL, HOT
8	87282418	2	DECAL, High/Low
9	87282434	1	DECAL, Engine Belt Routing
10	922220	1	DECAL, Hydraulic Fluid Fill
11	87031676	1	DECAL, RH
12	87031677	1	DECAL, LH
13	84011346	4	DECAL,
14	84433021	1	DECAL,
15	87395659	1	DECAL, Warning

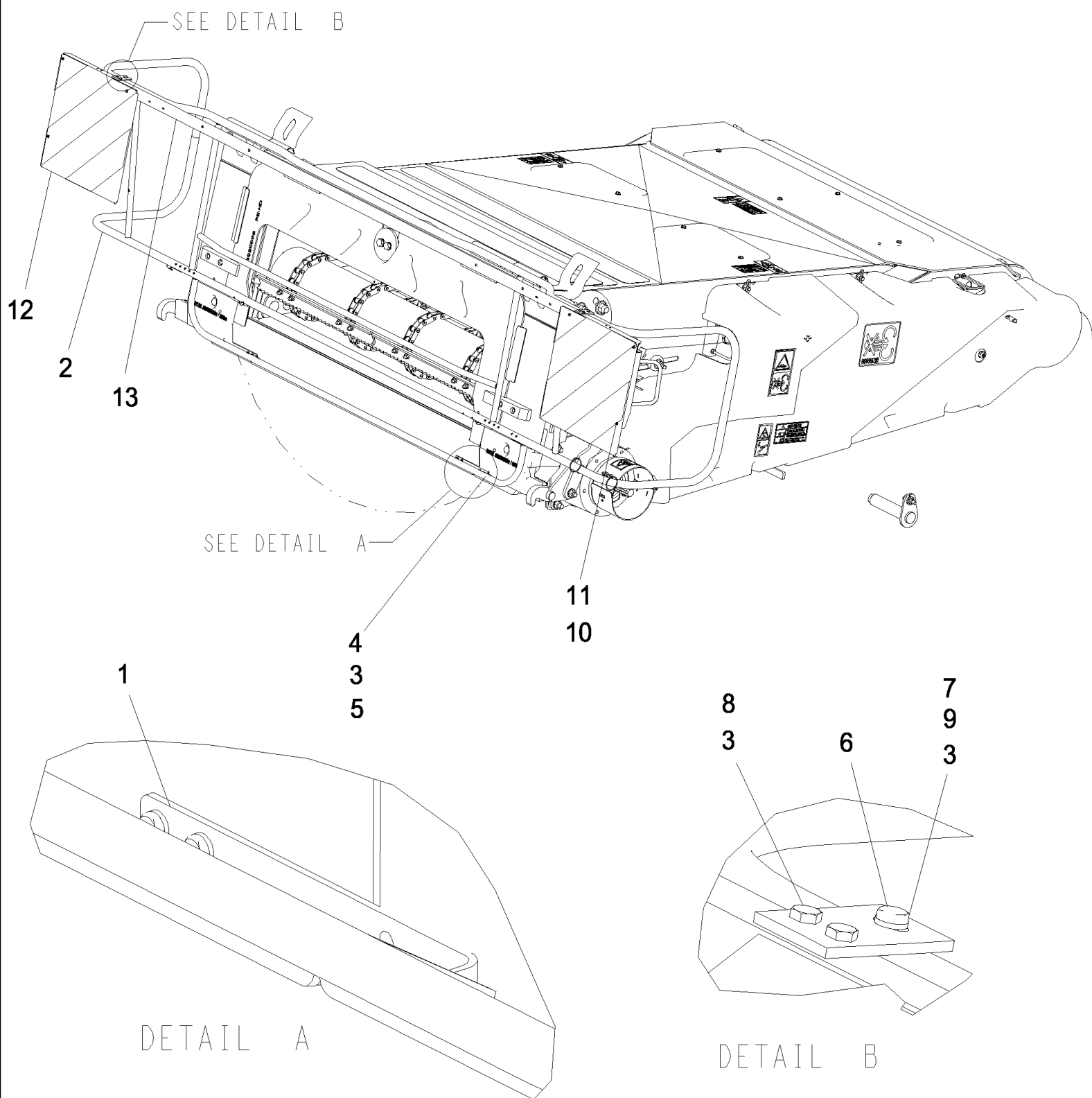
E.60.A.02(1) SIGNAL PLATES, WIDE



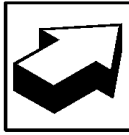
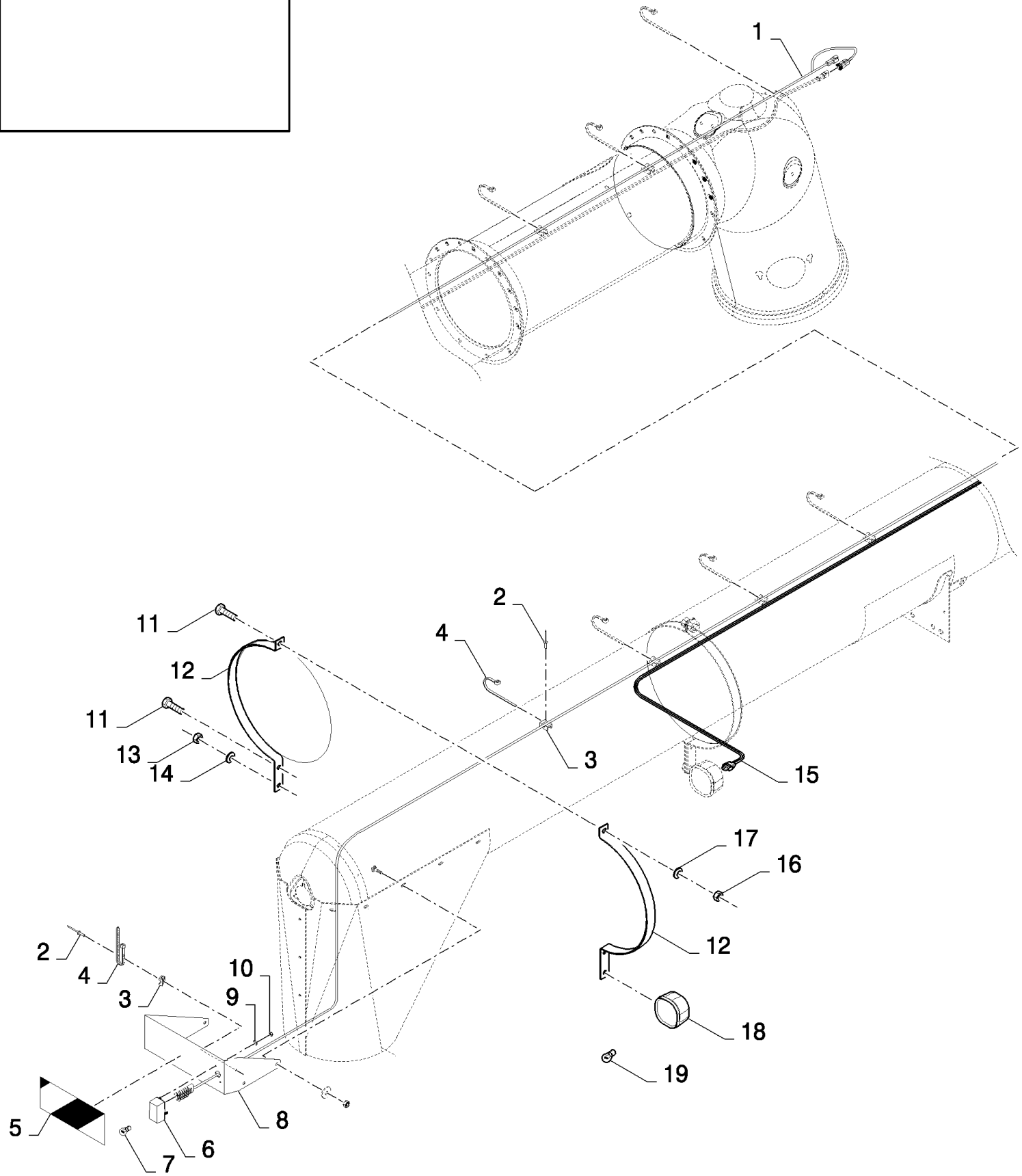
сылка	Номер детали	Кол-во	Описание
1	87106368	2	BRACKET, Rear
1	87284854	2	BRACKET,
2	84607381	4	PLATE, Signal
3	322357	20	WASHER, SPRING, Belleville, M6,
4	80043982	8	SCREW, Pan Hd, M5 x 10
5	86508813	8	NUT, M5, CI 8,
6	9502877	1	SUPPORT, Profile
7	87000768	2	BRACKET,
8	86588450	4	WASHER, M6,
9	120100	4	BOLT, Hex, M6 x 20, 8.8,
10	9706755	4	NUT, M6, CI 8,
11	425523	6	RIVET, Pop, Aluminum
12	9824840	6	WASHER, M4,



сылка	Номер детали	Кол-во	Описание
1	87109573	1	BRACKET, Rear
2	84607381	3	PLATE, Signal
3	322357	8	WASHER, SPRING, Belleville, M6,
4	80043982	2	SCREW, Pan Hd, M5 x 10
5	86508813	2	NUT, M5, CI 8,
6	9502877	1	SUPPORT, Profile
7	87000768	2	BRACKET,
8	86588450	4	WASHER, M6,
9	120100	4	BOLT, Hex, M6 x 20, 8.8,
10	9706755	4	NUT, M6, CI 8,
11	425523	6	RIVET, Pop, Aluminum
12	9824840	6	WASHER, M4,

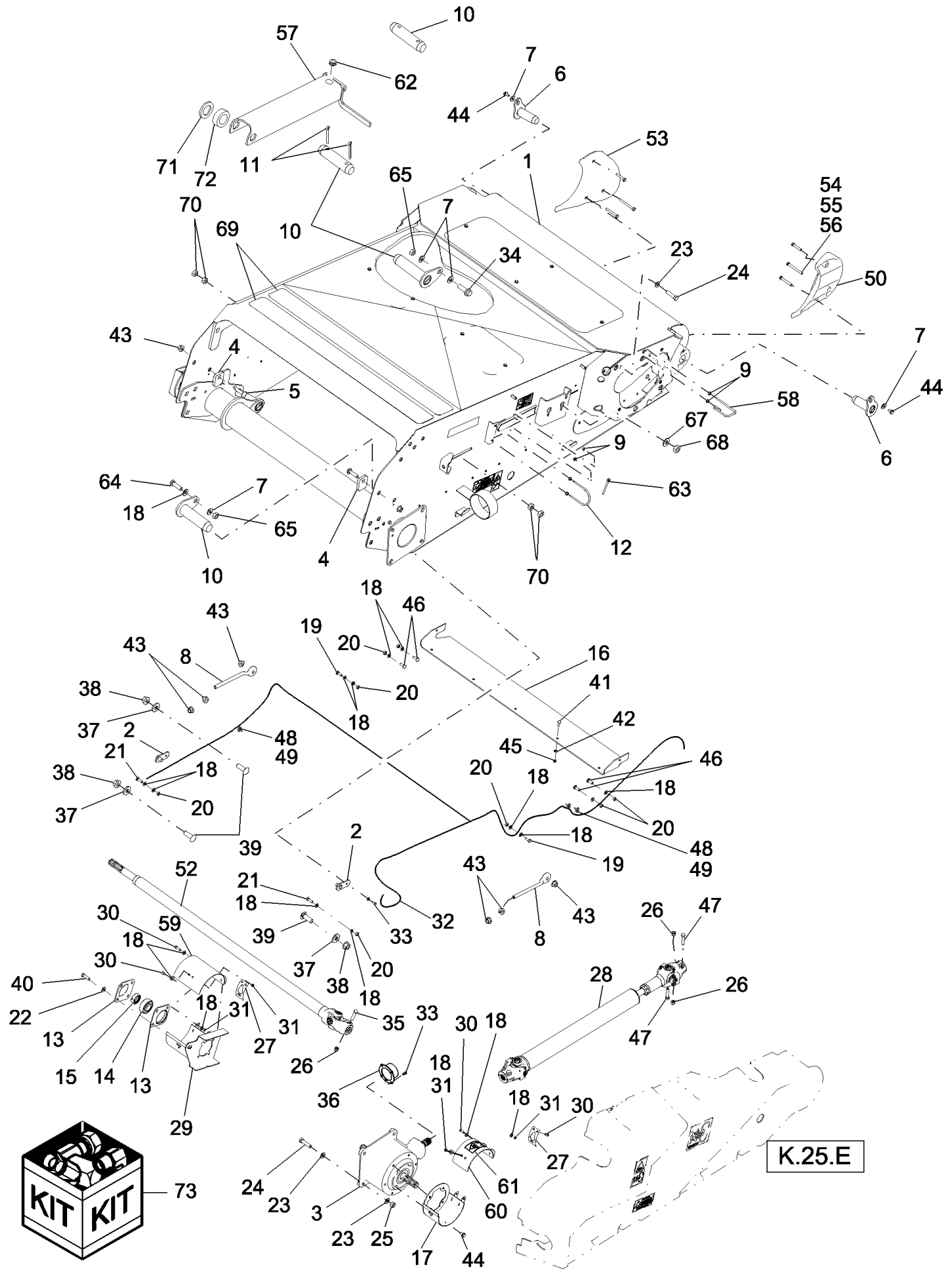


сылка	Номер детали	Кол-во	Описание
1	87000770	2	BRACKET,
2	419643	1	SHIELD,
3	86588450	14	WASHER, M6,
4	9706755	12	NUT, M6, CI 8,
5	120100	6	BOLT, Hex, M6 x 20, 8.8,
6	84818296	2	SUPPORT,
7	43118	2	BOLT, Hex, M6 x 40, 8.8,
8	86508568	4	BOLT, Hex, M6 x 16, 8.8,
9	322357	6	WASHER, SPRING, Belleville, M6,
10	425523	6	RIVET, Pop, Aluminum
11	9824840	6	WASHER, M4,
12	84607381	2	PLATE, Signal
13	9502877	1	SUPPORT, Profile



сылка	Номер детали	Кол-во	Описание
1	86610718	1	HARNESS, WIRE,
2	325911	2	RIVET, Pop, M4.8 x 7.4,
3	86590413	AR	CLAMP,
4	86566989	2	STRAP, CABLE,
5	84441358	1	DECAL,
6	84429842	1	LAMP, (7)
7	PL	1	PROCURE LOCALLY, 12V-5W
8	84441194	1	SUPPORT,
9	140014	2	WASHER, M5 x 10 x 1,
10	43440	2	NUT, LOCK, M5 x .8, CI 8,
11	43139	2	SCREW, M10 x 25
12	84072630	2	SUPPORT,
13	9706690	1	NUT, M8, CI 8,
14	322358	1	WASHER, SPRING, Belleville, M8,
15	86900852	1	HARNESS, WIRE,
16	100016	2	NUT, M10, CI 8,
17	140045	2	WASHER, SPRING, Belleville, M10,
18	84067907	1	LAMP, WORK, (19)
19	9847313	1	BULB, #894, 12V, 37.5W,

G.10.A(1) FEEDER FRAME

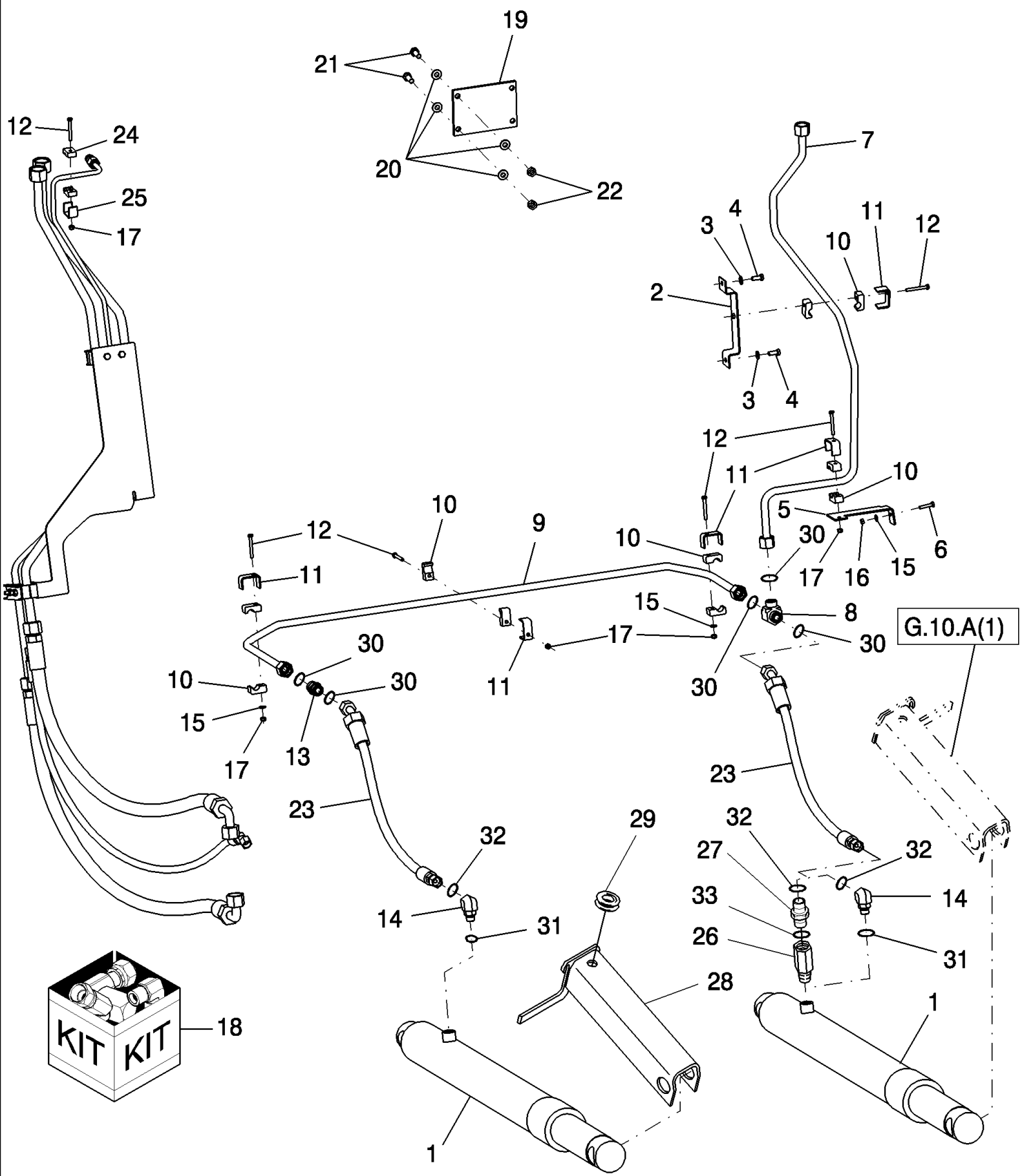


G.10.A(1) FEEDER FRAME

сылка	Номер детали	Кол-во	Описание
1	86995292	1	HOUSING, Includes: Decals & Anti-Skid Pads
1	87282752	1	, For EU Only
2	87106719	2	BRACKET,
3	87109542	1	GEARBOX, Was 86999169
4	86995788	2	PLATE, , EndYear: 12/06/2003
4	87282452	2	PLATE, , Start Year: 12/06/2003
5	86981360	2	BOLT, , EndYear: 12/06/2003
5	87281691	2	BOLT, , Start Year: 12/06/2003
6	87109123	2	PIN, , EndYear: 12/06/2003
6	87281673	2	PIN, , Start Year: 12/06/2003
7	362810	AR	WASHER,
8	87109127	2	BOLT,
9	9804277	AR	NUT, M8 x 1.25, Flg, CI 8,
10	87109728	4	PIN, , EndYear: 12/06/2003
10	87282445	4	PIN, , Start Year: 12/06/2003
11	80752	8	PIN, SPLIT (COTTER), 1/4" x 2 1/2",
12	87108395	1	U-BOLT,
13	848286	2	FLANGE, , EndYear: 12/06/2003
13	86974037	2	FLANGE, , Start Year: 12/06/2003
14	86575514	1	BEARING, BALL,
15	45393	1	COLLAR,
16	87282529	1	SEAL, Rear, Replaced 87106711
17	87108951	1	SHIELD, LH
18	140045	AR	WASHER, SPRING, Belleville, M10,
19	43139	AR	SCREW, HH, CL 8.8, M10 x 25
20	100016	34	NUT, M10, CI 8,
21	43140	4	BOLT, Hex, M10 x 30, 8.8, Full Thd,
22	140046	6	WASHER, SPRING, Belleville, M12,
23	140048	12	WASHER, SPRING, Belleville, M16,
24	120091	8	BOLT, Hex, M16 x 60, 8.8,
25	825-1416	4	NUT, M16, CI 8,
26	87021758	5	NUT, LOCK, M12 x 1.75, CI 10,
27	86638316	2	LATCH,
28	86999166	1	SHAFT, Conveyor Jackshaft
29	87108942	1	SHIELD, RH
30	120104	8	BOLT, Hex, M8 x 20, 8.8,
31	9706690	8	NUT, M8, CI 8,
32	87108254	1	HARNESS, Wire
32	87326647	1	HARNESS, WIRE, Wire - with Reel Position Sensors, Start Year: 01/01/2006
33	120103	AR	BOLT, Hex, M8 x 16, 8.8,
34	9804263	2	BOLT, Hex Flg, M10 x 40, 8.8, , Start Year: 02/09/2004
35	87301326	1	BOLT, Hex, M12 x 75, 10.9,
36	87283910	1	GUARD, , Start Year: 10/04/2004
37	86592703	14	WASHER, M20 x 50 x 6, HT,
38	86512499	14	NUT, M20 x 2.5, Flg, CI 10,

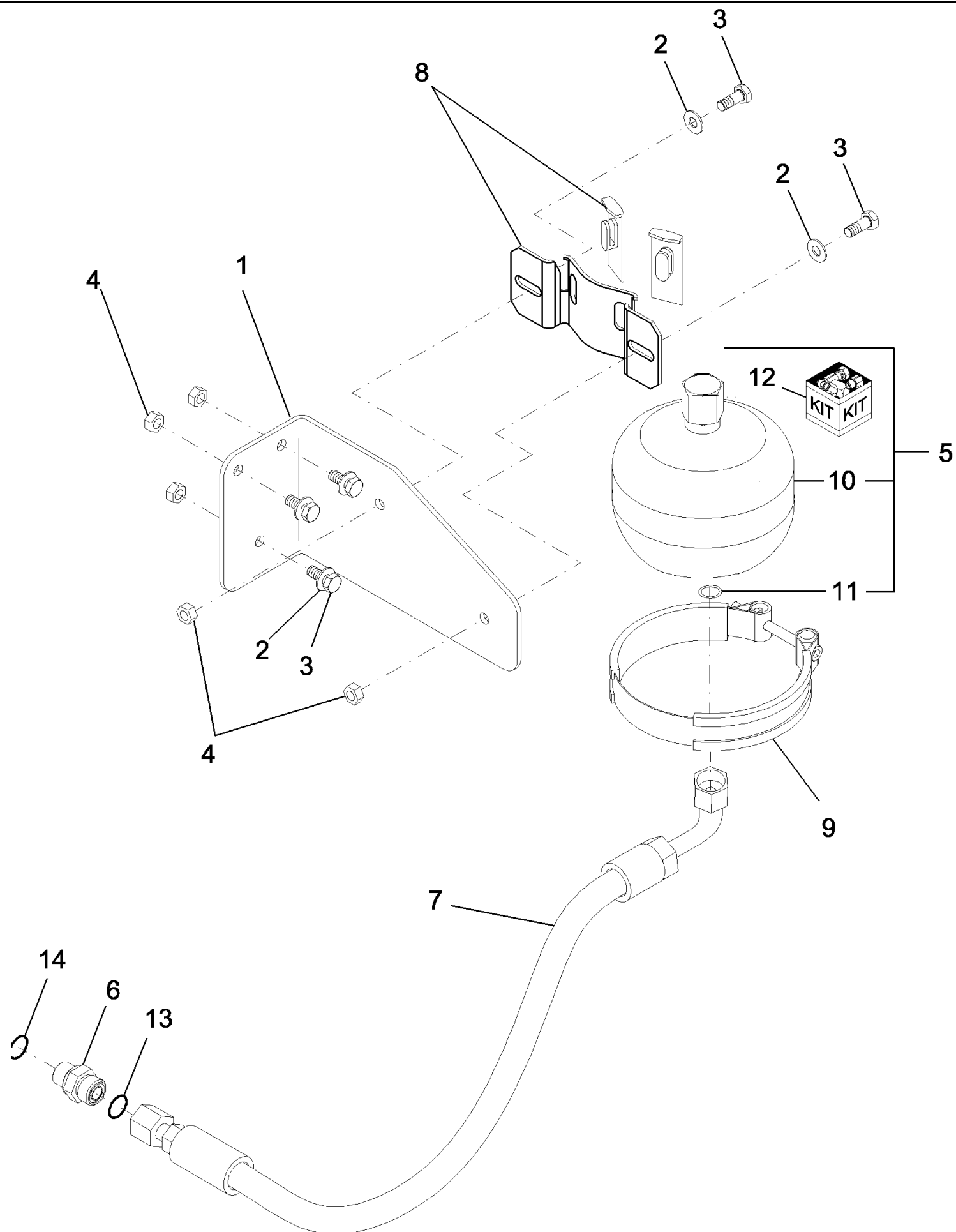
G.10.A(1) FEEDER FRAME

сылка	Номер детали	Кол-во	Описание
39	86981478	14	BOLT, CARRIAGE, Short NK, M20 x 60, CI10.9,
40	86629541	4	BOLT, Hex, M12 x 40, 8.8, Full Thd,
41	308761	5	BOLT, CARRIAGE, Short NK, M8 x 25, CI8.8, Full Thd, , EndYear: 12/06/2003
41	86507486	5	BOLT, CARRIAGE, Short NK, M8 x 20, CI8.8, Full Thd, , Start Year: 12/06/2003
42	322358	7	WASHER, SPRING, Belleville, M8,
43	86512498	AR	NUT, M16 x 2, Flg, CI 10,
44	86050286	6	BOLT, Hex Flg, M10 x 20, 8.8,
45	832-46408	6	NUT, LOCK, M8 x 1.25, CI 8,
46	86512446	4	BOLT, CARRIAGE, Short NK, M10 x 30, CI8.8, Full Thd,
47	87021759	4	BOLT, Hex, M12 x 60, 10.9,
48	86590413	4	CLAMP, Base, Wire Tie
49	445395	4	RIVET, Pop, M4.8 x 18.1,
50	87282755	1	DEFLECTOR, LH
52	86999167	1	SHAFT, Feeder Jackshaft
53	87282756	1	DEFLECTOR, RH
54	120075	2	BOLT, Hex, M10 x 100, 8.8,
55	412151	2	BOLT, Hex, M10 x 55, 8.8,
56	83931335	2	BOLT, Hex, M10 x 75, 8.8,
57	87564959	1	CHANNEL, , For NA Only
57	87564963	1	CHANNEL, , For EU Only
58	87283141	1	WIRE, RETAINING, Replaces 87107616
59	87108949	1	SHIELD, RH
60	87108945	1	SHIELD, LH, Includes Decal
60	87108944	1	SHIELD, LH, Less Decal
61	84004742	1	DECAL,
62	87107921	1	GROMMET,
63	281072	8	PIN, SPLIT (COTTER), 5/16" x 3",
64	120112	2	BOLT, Hex, M10 x 40, 8.8, Full Thd,
65	9804278	8	NUT, M10 x 1.5, Flg, CI 8,
66	9804264	2	BOLT, Hex Flg, M10 x 50, 8.8, , EndYear: 02/09/2004
67	636665	1	WASHER, LOCK,
68	86619907	1	NUT,
69	86995792	2	PAD,
70	392530	4	NUT, M16, CI 10, , Start Year: 02/09/2004
71	87583638	2	WASHER,
72	87583639	2	SPACER,
73	87583642	1	KIT, SERVICE, Includes Ref. 71 & 72



G.10.A(2) HYDRAULICS - FEEDER LIFT

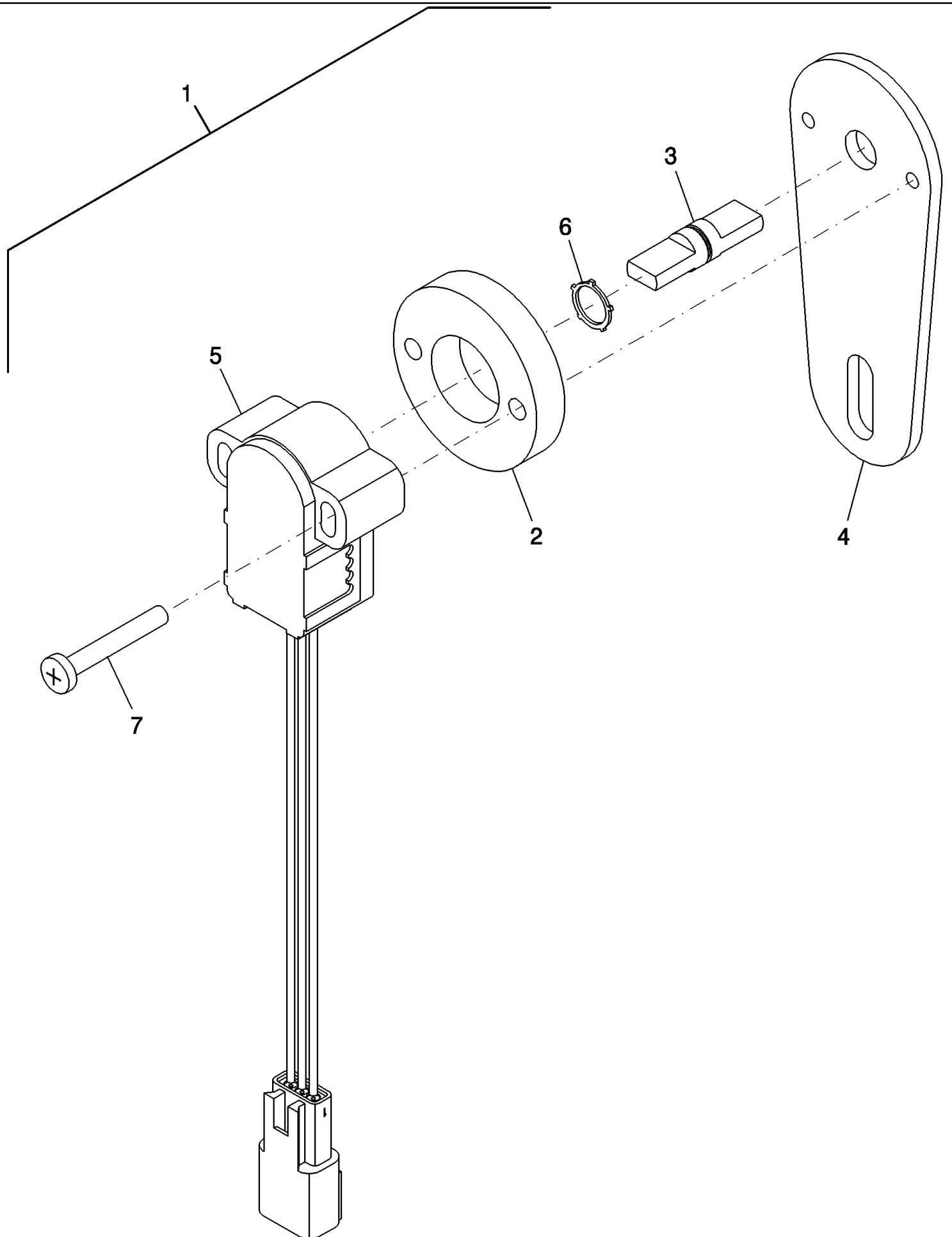
сылка	Номер детали	Кол-во	Описание
1	86981406	2	CYLINDER, Feeder Lift, EndYear: 08/15/2003, BSN HAJ105236
1	86981406	2	CYLINDER, Feeder Lift, For EU Only, EndYear: 08/15/2003, BSN HAJ103230
1	87031103	2	CYLINDER, Feeder Lift, Years: 08/15/2003-12/06/2003, ASN HAJ105237
1	87031103	2	CYLINDER, Feeder Lift, For EU Only, Years: 08/15/2003-12/06/2003, ASN HAJ103231
1	87282426	2	CYLINDER, , Start Year: 12/06/2003
2	87108130	1	BRACKET, Feeder Lift Tube, EndYear: 08/15/2003
2	87281787	1	BRACKET, Feeder Lift Tube, Start Year: 08/15/2003
3	322358	AR	WASHER, SPRING, Belleville, M8,
4	120104	AR	BOLT, Hex, M8 x 20, 8.8,
5	87108132	1	SUPPORT, Feeder Lift, Case Drain Tubes
6	43117	1	BOLT, Hex, M6 x 30, 8.8, , EndYear: 08/15/2003
6	120100	1	BOLT, Hex, M6 x 20, 8.8, , Start Year: 08/15/2003
7	87000417	1	TUBE, Feeder Lift, Mid
8	84989665	1	TEE, 1"-14 ORFS,
9	87000419	1	TUBE, Feeder Lift, Lower
10	433007	10	CLAMP,
11	433100	5	SUPPORT,
12	120056	AR	BOLT, Hex, M6 x 50, 8.8,
13	84431473	1	CONNECTOR, HYD.,
14	86579691	2	ELBOW, 90€, 13/16"-18 ORFS x M18 x 1.5 ORB,
15	322357	AR	WASHER, SPRING, Belleville, M6,
16	9706755	1	NUT, M6, CI 8,
17	353308	AR	NUT, LOCK, M6 x 1, CI 8,
18	87105743	AR	Kit, Seals - Feeder Lift Cylinder, EndYear: 08/15/2003
18	87031097	AR	KIT, SEALS, Feeder Lift Cylinder, Start Year: 08/15/2003
19	86976845	1	PLATE, Mounting
20	140045	4	WASHER, SPRING, Belleville, M10,
21	43139	2	SCREW, HH, CL 8.8, M10 x 25
22	100016	2	NUT, M10, CI 8,
23	87105740	2	HOSE, FLEXIBLE, Feeder Lift Cylinder
24	433008	2	CLAMP,
25	442340	1	SUPPORT,
26	84442647	1	VALVE, SAFETY, , For EU Only, Start Year: 08/29/2003
27	86579678	1	CONNECTOR, HYD., 13/16"-16 ORFS x M22 x 1.5 ORB, , For EU Only, Start Year: 08/29/2003
28	87280191	1	CHANNEL, , For EU Only, Start Year: 08/29/2003
29	87107921	1	GROMMET, , For EU Only, Start Year: 08/29/2003
30	9992069	5	O-RING, -016, 90 Duro, .614" ID x .070" Thk,
31	86598101	2	O-RING, CI 6, 15.3MM ID x 2.2 Thk,
32	9992298	3	O-RING, -014, 90 Duro, .489" ID x .070" Thk,
33	86598102	1	O-RING, CI 6, 19.3MM ID x 2.2 Thk,



G.10.A.30 ACCUMULATOR - RIDE CONTROL

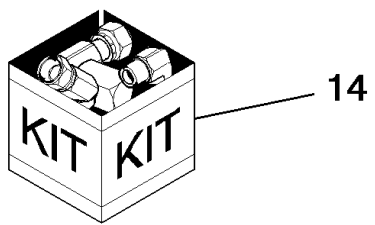
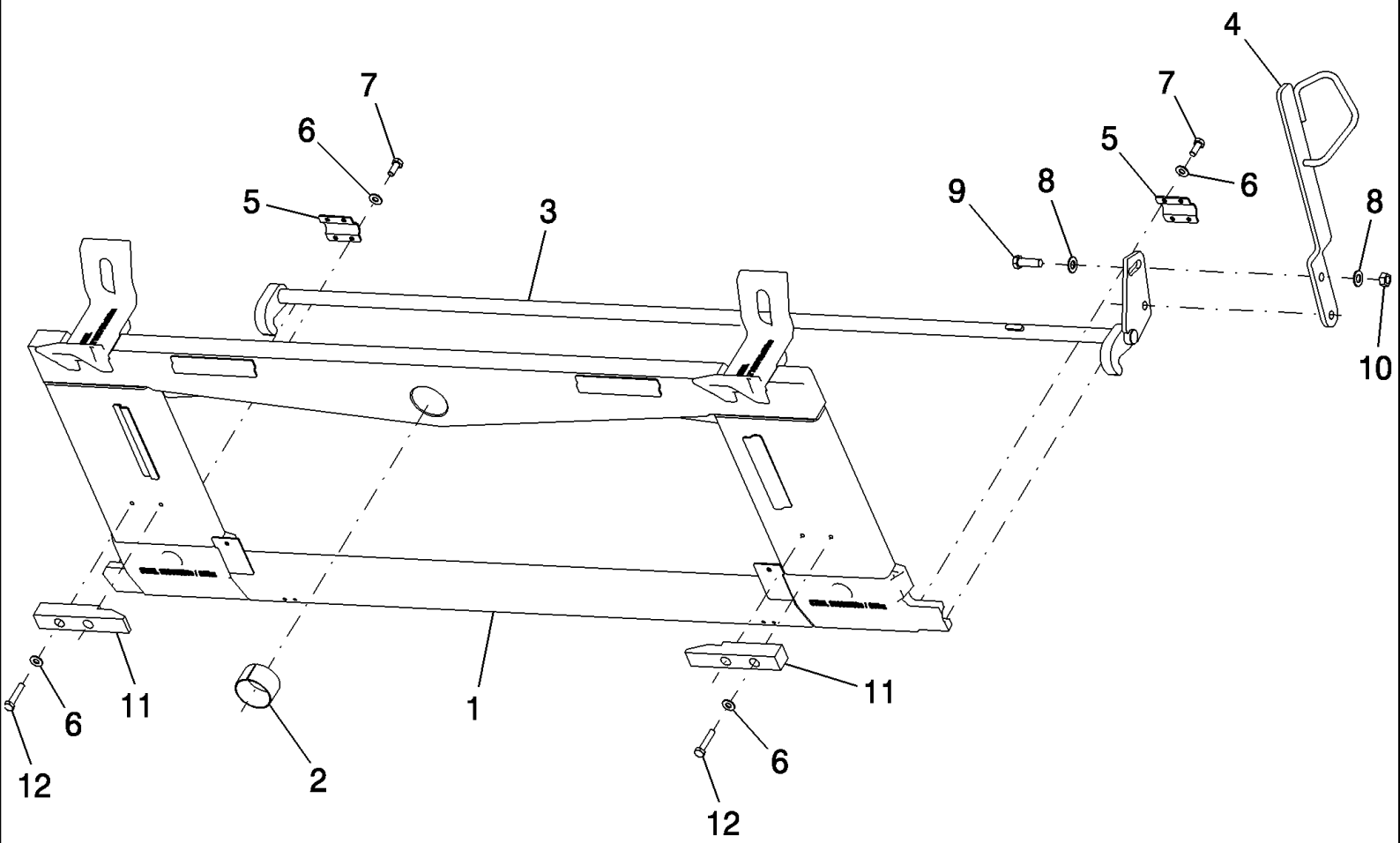
сылка	Номер детали	Кол-во	Описание
	84083383	AR	KIT, Ride Control Accumulator
1	87105672	1	BRACKET,
2	322358	5	WASHER, SPRING, Belleville, M8,
3	120104	5	BOLT, Hex, M8 x 20, 8.8,
4	9706690	5	NUT, M8, CI 8,
5	86976987	1	ACCUMULATOR, Hydraulic System, Includes Ref. 10, 11 & 12
6	86579676	1	CONNECTOR, HYD., 13/16"-16 ORFS x M18 x 1.5 ORB,
7	87105677	1	HOSE,
8	87105669	1	BRACKET,
9	87105670	1	CLAMP,
10	87105673	1	ACCUMULATOR,
11	9992298	1	O-RING, -014, 90 Duro, .489" ID x .070" Thk,
12	87106501	1	KIT, Charging Valve
13	86598101	1	O-RING, CI 6, 15.3MM ID x 2.2 Thk,
14	9992298	1	O-RING, -014, 90 Duro, .489" ID x .070" Thk,

G.10.A.95 SENSOR ASSEMBLY

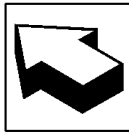
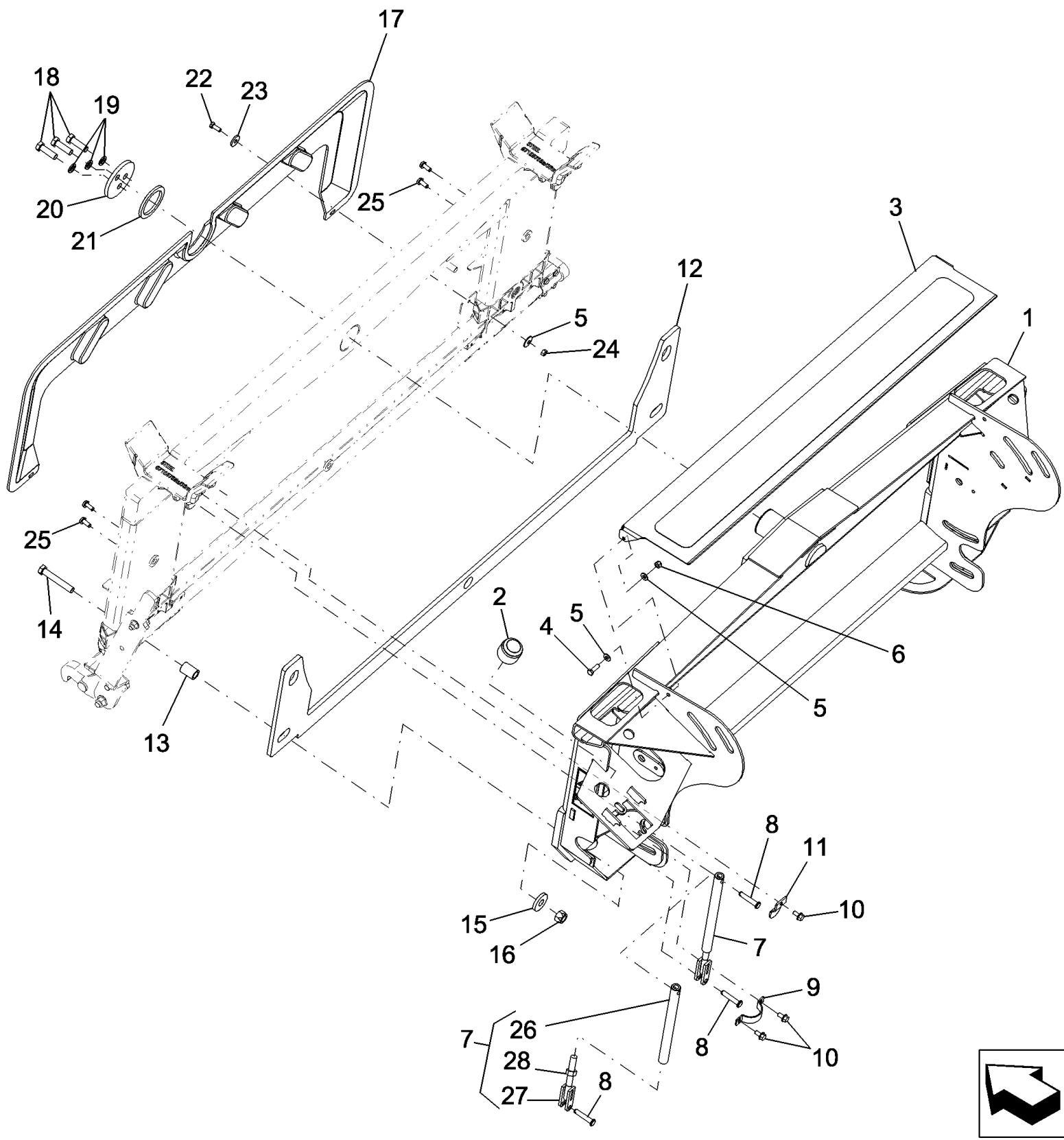


G.10.A.95 SENSOR ASSEMBLY

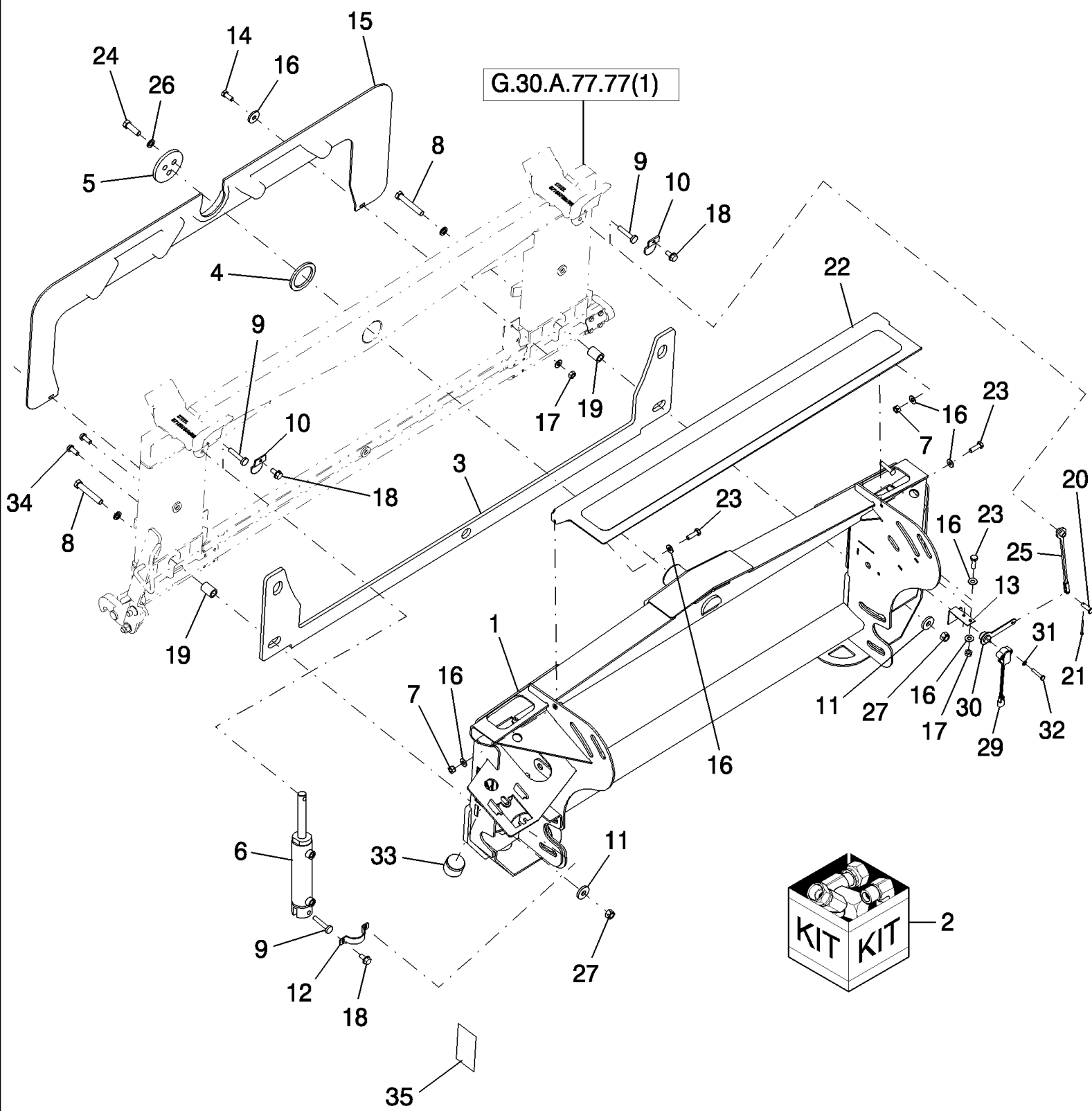
сылка	Номер детали	Кол-во	Описание
1	87108745	1	SENSOR, Assembly, EndYear: 12/05/2003
1	87282765	1	SENSOR, Assembly, Start Year: 12/06/2003
2	87108959	1	SPACER,
3	87108958	1	SHAFT,
4	87108744	1	PLATE, , EndYear: 12/05/2003
4	87282170	1	PLATE, , Start Year: 12/06/2003
5	86995593	1	SENSOR, , EndYear: 12/05/2003
5	87283864	1	SENSOR, , Start Year: 12/06/2003
6	86979020	1	CIRCLIP, M9,
7	86546084	2	SCREW, Cross Pan Hd, M5 x 35,



сылка	Номер детали	Кол-во	Описание
1	86995529	1	Includes Ref. 2 - Replaces 86995678, Start Year: 03/29/2004
1	87344098	1	FRAME, , Start Year: 01/01/2006
2	86995533	1	BEARING,
3	86995727	1	LATCH, , EndYear: 03/29/2004
3	87281876	1	LATCH, , Start Year: 03/29/2004
4	87108876	1	LEVER,
5	87107674	2	CLAMP,
6	322358	12	WASHER, SPRING, Belleville, M8,
7	120104	8	BOLT, Hex, M8 x 20, 8.8,
8	140048	4	WASHER, SPRING, Belleville, M16,
9	614-16050	2	BOLT, Hex, M16 x 50, 8.8,
10	825-1416	2	NUT, M16, CI 8,
11	87108071	2	PLATE, Strip - Off
12	43129	4	BOLT, Hex, M8 x 40, 8.8,
13	87105683	1	CAP,
14	84083484	AR	KIT, Strip-Off Plate; Includes: Ref.s 6(4), 11(2), & 12(4)

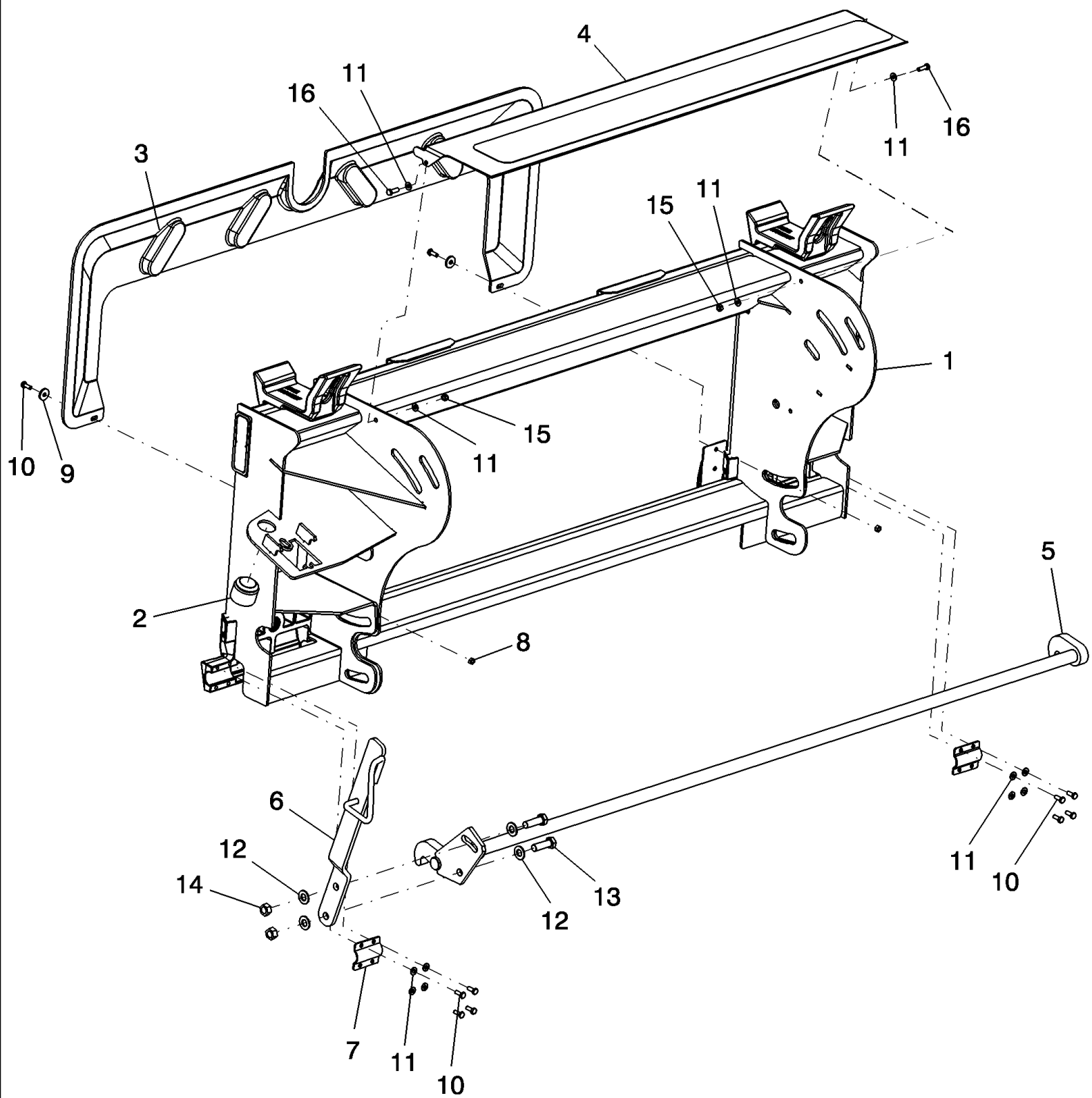


сылка	Номер детали	Кол-во	Описание
1	86996120	1	ADAPTER, Front Face, For NA Only, EndYear: 03/29/2004
1	87282753	1	, For EU Only
1	87280726	1	ADAPTER, Front Face , Start Year: 03/29/2004
2	87105683	1	CAP,
3	86996008	1	SHEET, Top
4	43127	2	BOLT, Hex, M8 x 25, 8.8,
5	322358	6	WASHER, SPRING, Belleville, M8,
6	832-46408	2	NUT, LOCK, M8 x 1.25, CI 8,
7	86997269	1	CLEVIS, , EndYear: 03/29/2004
7	87283241	1	CLEVIS, Adjustable, Start Year: 03/29/2004
8	383420	2	PIN, CLEVIS, M12 x 55, , EndYear: 03/29/2004
8	87282857	2	PIN, , Start Year: 03/29/2004
9	87107105	1	U-BRACKET, Pin Retaining
10	86511841	3	BOLT, Hex Flg, M8 x 16, 8.8,
11	87107104	1	PLATE, Pin Retaining
12	86995541	1	SHEET,
13	87107672	2	SPACER,
14	86541970	2	BOLT, Hex, M16 x 100, 10.9,
15	86592702	2	WASHER, M16 x 45 x 6, HT, , EndYear: 03/29/2004
15	913347	2	WASHER, , Start Year: 03/29/2004
16	86512555	2	NUT, LOCK, M16 x 2, CI 10,
17	86995566	1	DEFLECTOR, Front
18	412398	2	BOLT, Hex, M16 x 50, 10.9, , EndYear: 03/29/2004
18	9828248	3	BOLT, Hex, M16 x 60, 10.9, , Start Year: 03/29/2004
19	86588503	AR	WASHER, M16 x 28 x 3,
20	87283738	1	PLATE, RETAINING, Front Center, 3 Holes; Was 86995680 - 2 Holes, EndYear: 03/29/2004
20	87283209	1	PLATE, RETAINING, Front Center, 3 Holes, Start Year: 03/29/2004
21	86995542	1	WASHER, THRUST,
22	120104	2	BOLT, Hex, M8 x 20, 8.8,
23	80140041	2	WASHER, M8
24	9706690	2	NUT, M8, CI 8,
25	86585703	4	SCREW, Cross Pan Hd, M8 x 20, , Start Year: 03/29/2004
26	87283240	1	TUBE, , Start Year: 03/29/2004
27	87283238	1	CLEVIS, , Start Year: 03/29/2004
28	9847024	1	NUT, M20, CI 10, , Start Year: 03/29/2004

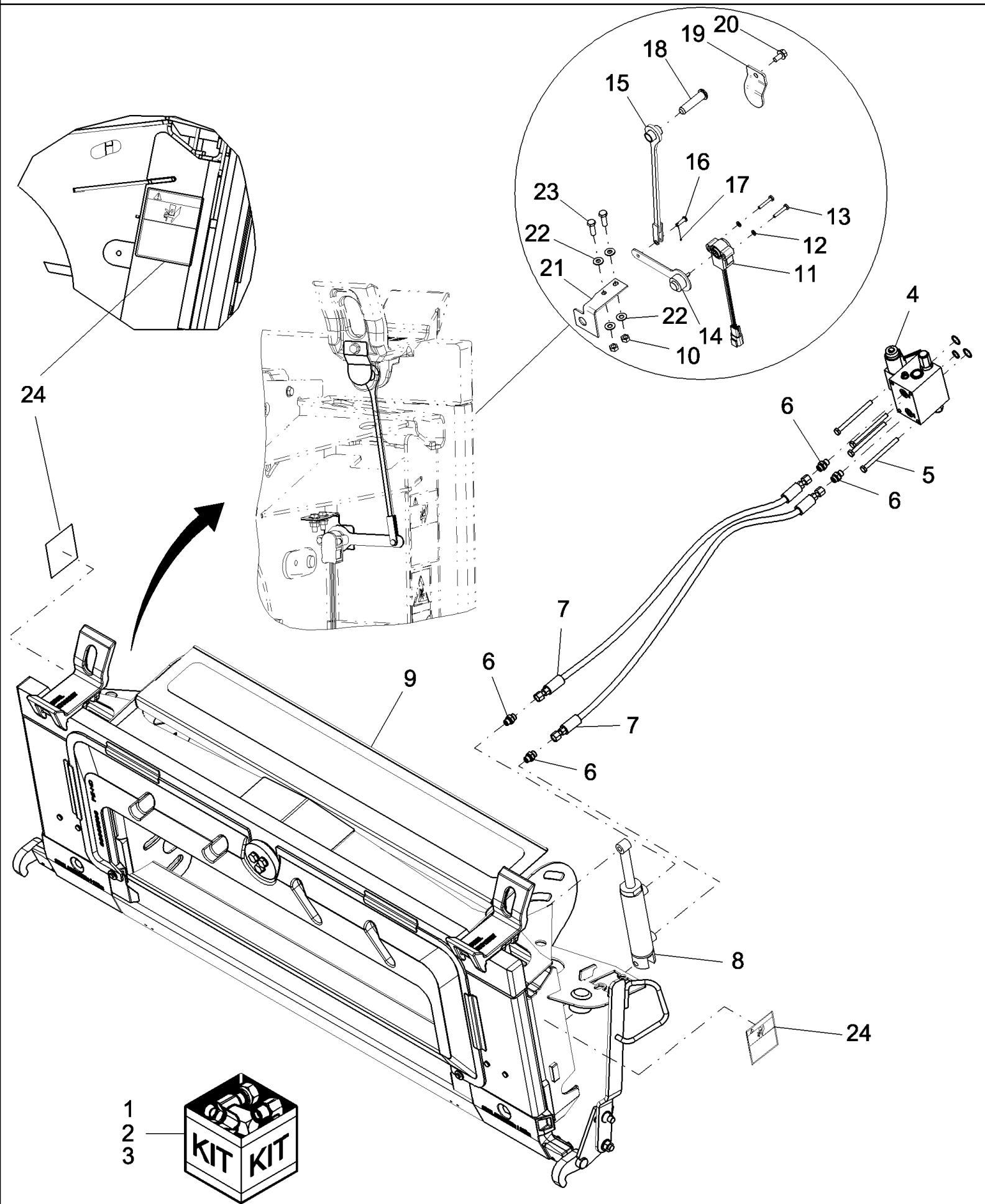


сылка	Номер детали	Кол-во	Описание
1	86996120	1	ADAPTER, , For NA Only, EndYear: 12/31/2005
1	87282753	1	, For EU Only, EndYear: 12/31/2005
1	87532606	1	ADAPTER, Was 87344106 Includes Ref. 35, For NA Only, Start Year: 01/01/2006
1	87532607	1	ADAPTER, Was 87344107 Includes Ref. 35, For EU Only, Start Year: 01/01/2006
2	87105744	1	KIT, SEALS, Ref.6, Cylinder Repair
3	86995541	1	SHEET, Front
4	86995542	1	WASHER, THRUST, Center, Front
5	86995680	1	PLATE, RETAINING, Center, 2 Holes, EndYear: 03/29/2004
5	87283209	1	PLATE, RETAINING, Center, 3 Holes, Start Year: 03/29/2004
6	87108710	1	CYLINDER, , EndYear: 03/29/2004
6	87282645	1	CYLINDER, , For NA Only, Start Year: 03/29/2004
6	87108114	1	CYLINDER, , For EU Only, EndYear: 03/29/2004
6	87282646	1	CYLINDER, , For EU Only, Start Year: 03/29/2004
7	832-46408	2	NUT, LOCK, M8 x 1.25, CI 8,
8	86541970	2	BOLT, Hex, M16 x 100, 10.9,
9	87024342	3	PIN, Headed, CL 8.8, M12 x 55, EndYear: 03/29/2004
9	87282857	3	PIN, Replaces 87280511, Start Year: 03/29/2004
9	87312143	3	PIN, , Start Year: 01/01/2006
10	87107104	2	PLATE,
10	87312141	2	PLATE, , Start Year: 01/01/2006
11	86592702	2	WASHER, M16 x 45 x 6, HT, , EndYear: 03/29/2004
11	913347	2	WASHER, , Start Year: 03/29/2004
12	87107105	1	U-BRACKET,
13	87001364	1	BRACKET,
14	120104	2	BOLT, Hex, M8 x 20, 8.8,
15	86995566	1	DEFLECTOR, Front
16	322358	AR	WASHER, SPRING, Belleville, M8,
17	9706690	4	NUT, M8, CI 8,
18	86511841	4	BOLT, Hex Flg, M8 x 16, 8.8,
19	87107672	2	SPACER,
20	84019930	1	PIN, CLEVIS, M6 x 20,
21	86523849	1	PIN, SPLIT (COTTER), 1/16" x 3/4",
22	86996008	1	SHEET, Top
23	43127	AR	BOLT, Hex, M8 x 25, 8.8,
24	412398	2	BOLT, Hex, M16 x 50, 10.9, , EndYear: 03/29/2004
24	9828248	2	BOLT, Hex, M16 x 60, 10.9, , Start Year: 03/29/2004
25	86997312	1	LINKAGE, , EndYear: 03/29/2004
25	87283220	1	LINKAGE, , Start Year: 03/29/2004
26	86588503	4	WASHER, M16 x 28 x 3,
27	86512555	2	NUT, LOCK, M16 x 2, CI 10,
28	140041	1	WASHER, M8 x 28 x 3,
29	86995593	1	SENSOR, Feeder Angle
29	87283864	1	SENSOR, Feeder Angle, Start Year: 01/01/2006
30	87105024	1	ARM,
31	9824326	2	WASHER, M5,

сылка	Номер детали	Кол-во	Описание
32	86502967	2	SCREW, Cross Pan Hd, M5 x 30,
33	87105683	1	CAP,
34	86585703	4	SCREW, Cross Pan Hd, M8 x 20, , Start Year: 03/29/2004
35	86996879	2	DECAL, , For NA Only, Start Year: 01/01/2006
35	87413244	2	DECAL, , For EU Only, Start Year: 01/01/2006



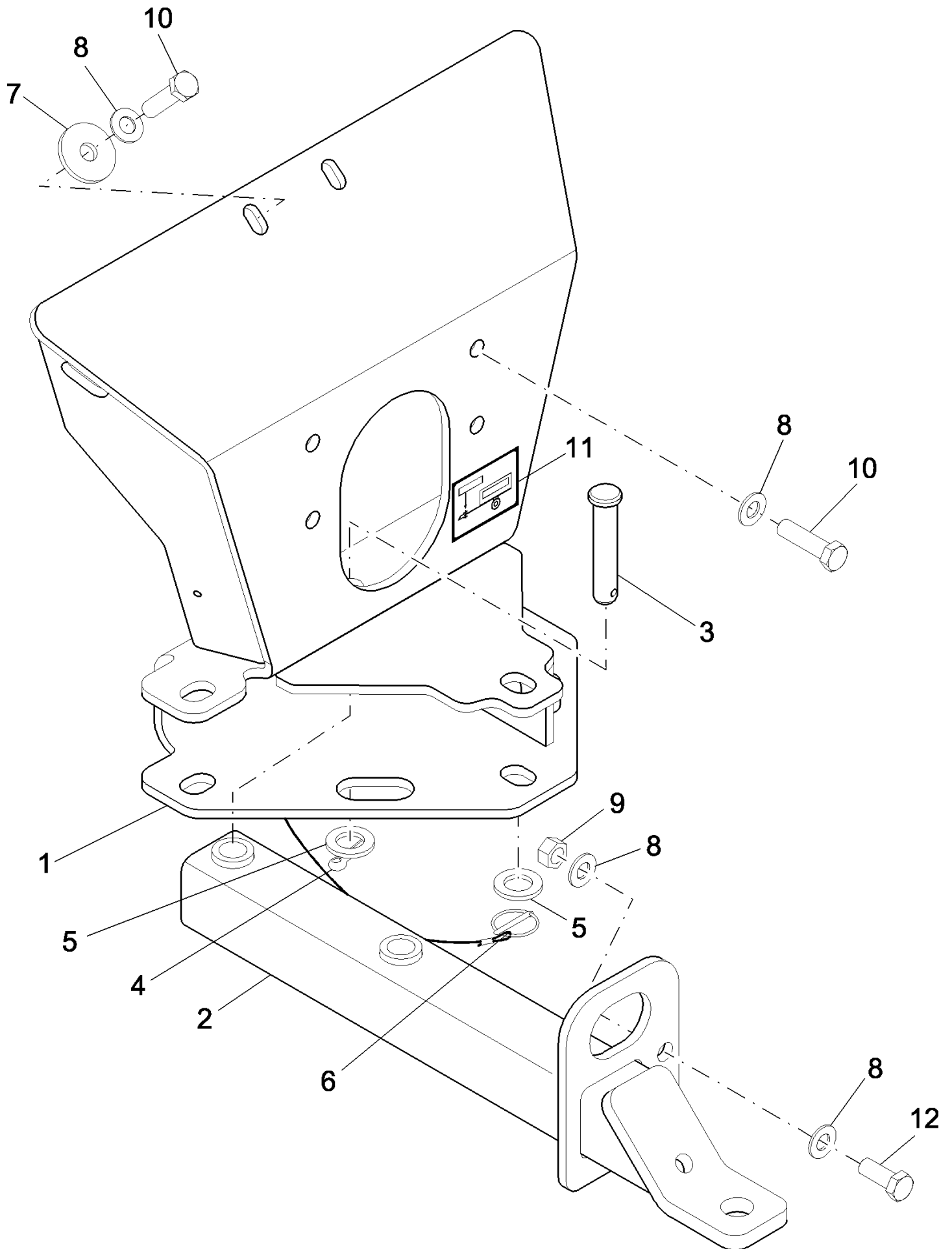
сылка	Номер детали	Кол-во	Описание
1	87280726	1	ADAPTER,
2	87105683	1	CAP,
3	86995566	1	DEFLECTOR,
4	86996008	1	SHEET, Top
5	87281876	1	LATCH,
6	87108876	1	LEVER,
7	87107674	2	CLAMP,
8	9706690	2	NUT, M8, CI 8,
9	140041	2	WASHER, M8 x 28 x 3,
10	120104	10	BOLT, Hex, M8 x 20, 8.8,
11	322358	12	WASHER, SPRING, Belleville, M8,
12	140048	4	WASHER, SPRING, Belleville, M16,
13	120090	2	BOLT, Hex, M16 x 50, 8.8,
14	100020	2	NUT, M16, CI 8,
15	86629542	2	NUT, LOCK, M8 x 1.25, CI 8,
16	43127	2	BOLT, Hex, M8 x 25, 8.8,



G.30.A.77.77(5) LATERAL TILT KITS

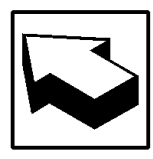
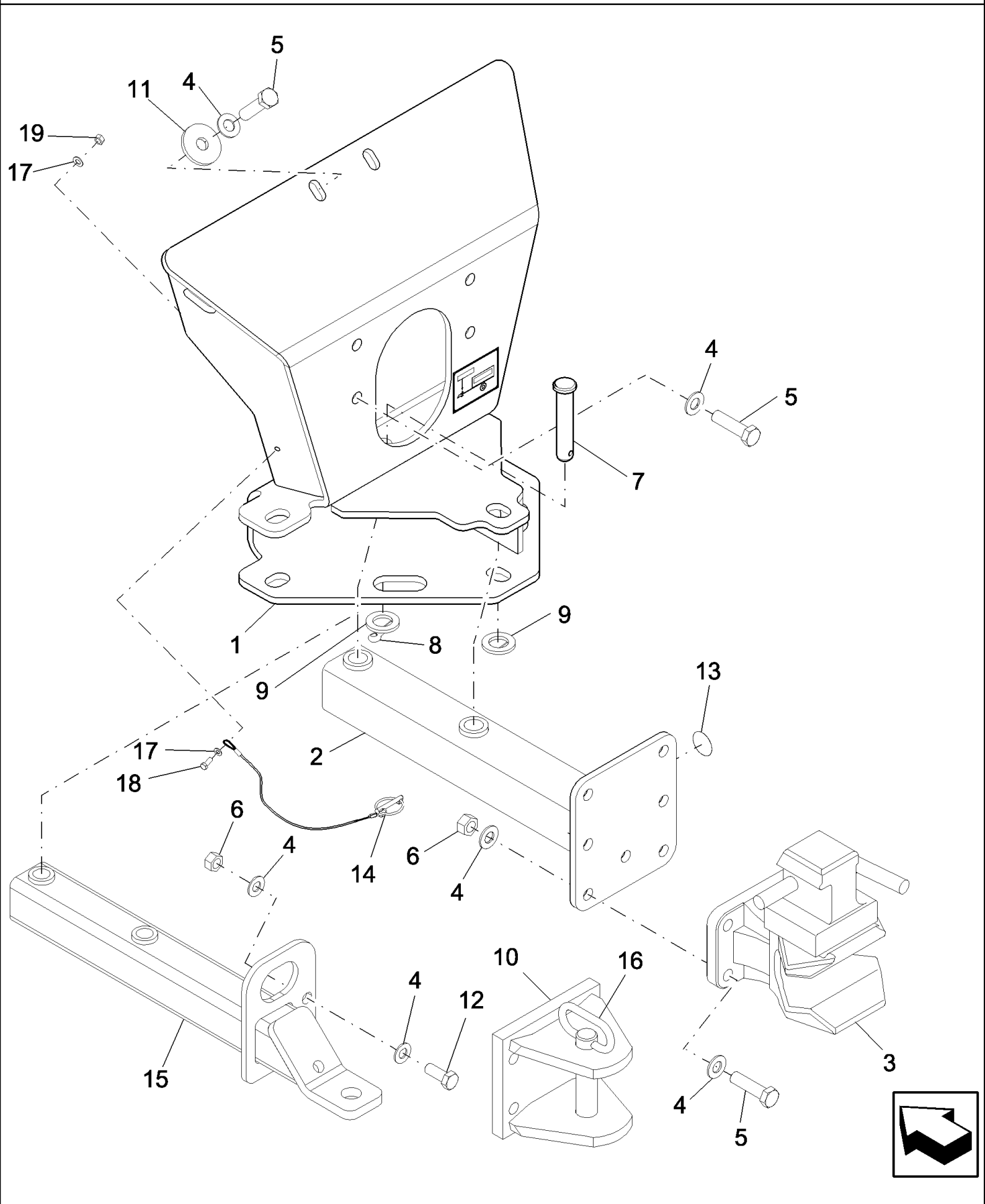
сылка	Номер детали	Кол-во	Описание
1	87281928	1	KIT, Includes: Refs. 4-8, 10-23
2	84083570	1	KIT, Includes: Refs. 4-7, 9, 24
3	87105744	1	KIT, SEALS, Ref. 8, Cylinder Repairs
4	86995690	1	VALVE, CONTROL, Lateral Tilt Add-on
5	86508575	4	BOLT, Hex, M10 x 130, 8.8,
6	86579672	4	CONNECTOR, HYD., 11/16"-16 ORFS x M16 x 1.5 ORB,
7	87109107	2	HOSE, Assy. Lateral Tilt
8	87282645	1	CYLINDER,
9	NSS	1	NOT SERVICED SEPARATELY, Adapter Assy. See Figure G.30.A.77.77 (3)
10	9706690	2	NUT, M8, CI 8,
11	87283864	1	SENSOR, Feeder Angle
12	9824326	2	WASHER, M5,
13	86502967	2	SCREW, Cross Pan Hd, M5 x 30,
14	87105024	1	ARM,
15	87283220	1	LINKAGE,
16	84019930	1	PIN, CLEVIS, M6 x 20,
17	86523849	1	PIN, SPLIT (COTTER), 1/16" x 3/4",
18	87282857	1	PIN,
19	87107104	1	PLATE,
20	86511841	1	BOLT, Hex Flg, M8 x 16, 8.8,
21	87001364	1	BRACKET,
22	322358	4	WASHER, SPRING, Belleville, M8,
23	43127	2	BOLT, Hex, M8 x 25, 8.8,
24	86996879	2	DECAL,

H.10.C(1) HITCH, FIXED MECHANICAL



H.10.C(1) HITCH, FIXED MECHANICAL

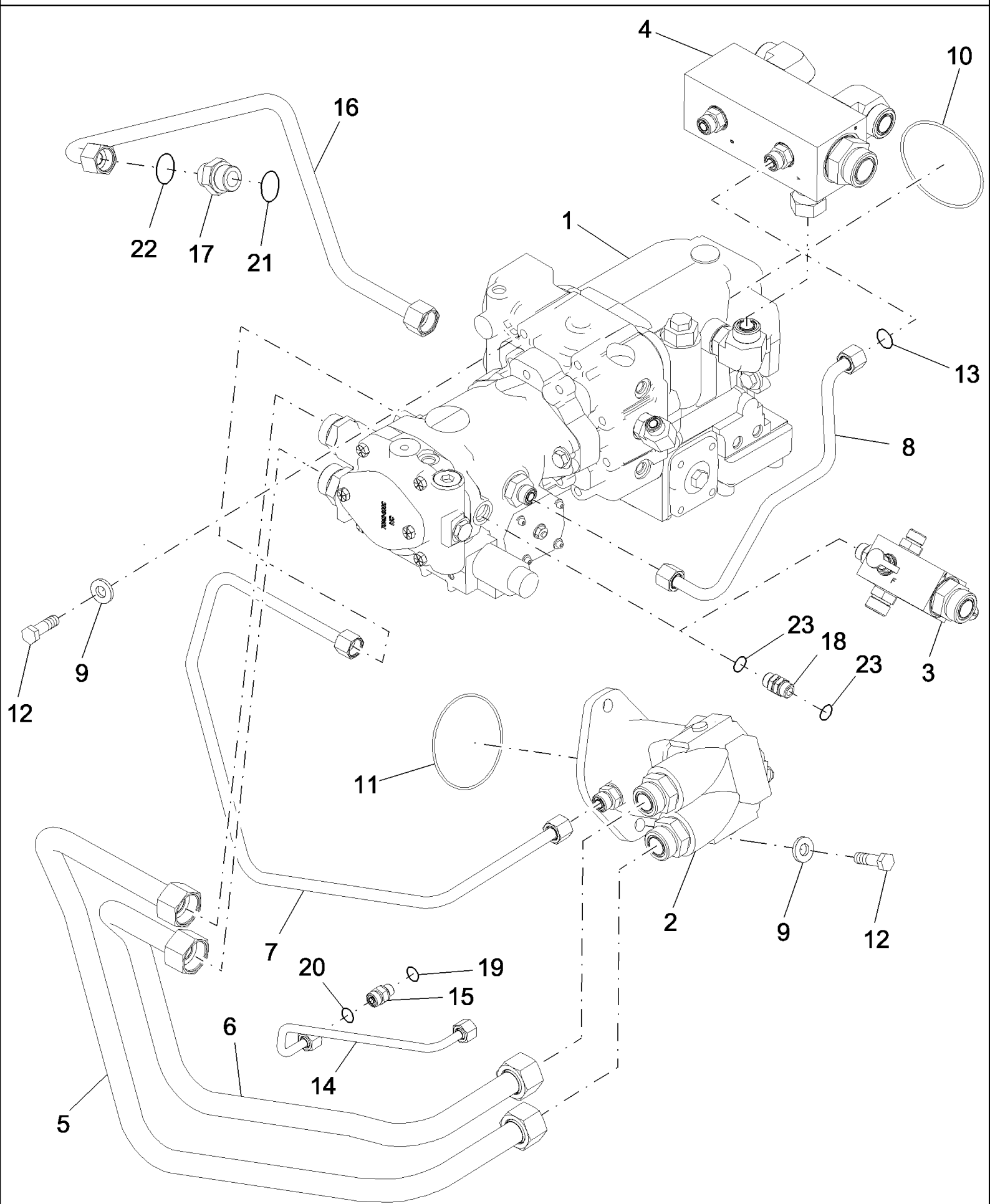
сылка	Номер детали	Кол-во	Описание
1	87107901	1	HITCH,
1	87044130	1	HITCH, , Start Year: 01/01/2005
2	87107917	1	TUBE,
3	86984254	2	PIN, CLEVIS, M24 x 135,
4	9515820	1	PIN, SPLIT (COTTER), M6.3 x 40,
5	140022	2	WASHER, M24 x 44 x 4,
6	87108028	1	PIN, LOCK, Includes Tether
7	337522	2	WASHER, M16 x 56 x 5,
8	140048	10	WASHER, SPRING, Belleville, M16,
9	825-1416	2	NUT, M16, CI 8,
10	120091	6	BOLT, Hex, M16 x 60, 8.8,
11	84433130	1	DECAL, Weight Limit
12	43168	2	BOLT, Hex, M16 x 40, 8.8,



H.10.C(2) HITCH, TRAILER - AUTO ROTATING

сылка	Номер детали	Кол-во	Описание
	84083387		DIA KIT, HARVESTER, Auto-Rotating Hitch, Includes Components on Fig. A.40.A.89
	84083385		DIA KIT, HARVESTER, Auto-Rotating Hitch, Includes Components on Fig. A.40.A.89
	87354413		Kit - (2,10)
	87352419		Kit - (2,3)
	84084745		HITCH, Kit - (15)
1	87109776	1	HITCH, Includes: Decal
2	87105060	1	TUBE, Hitch
3	84400986	1	HITCH, Automatic Rotating
4	140048	14	WASHER, SPRING, Belleville, M16,
5	120091	10	BOLT, Hex, M16 x 60, 8.8,
6	100020	4	NUT, M16, CI 8,
7	86984254	2	PIN, CLEVIS, M24 x 135,
8	9515820	1	PIN, SPLIT (COTTER), M6.3 x 40,
9	140022	2	WASHER, M24 x 44 x 4,
10	84400985	1	HITCH, Fixed Head, For EU Only
11	337522	2	WASHER, M16 x 56 x 5,
12	43168	2	BOLT, Hex, M16 x 40, 8.8,
13	84334828	1	DECAL, 100 Hour, Used with Ref. #3 ONLY
14	87108028	1	PIN, LOCK, Includes: Tether
15	87107917	1	TUBE, , For NA Only
16	84817651	1	PIN, HITCH, , For EU Only
17	86625263	2	WASHER, M8 x 20 x 1.6,
18	43127	1	BOLT, Hex, M8 x 25, 8.8,
19	9706690	1	NUT, M8, CI 8,

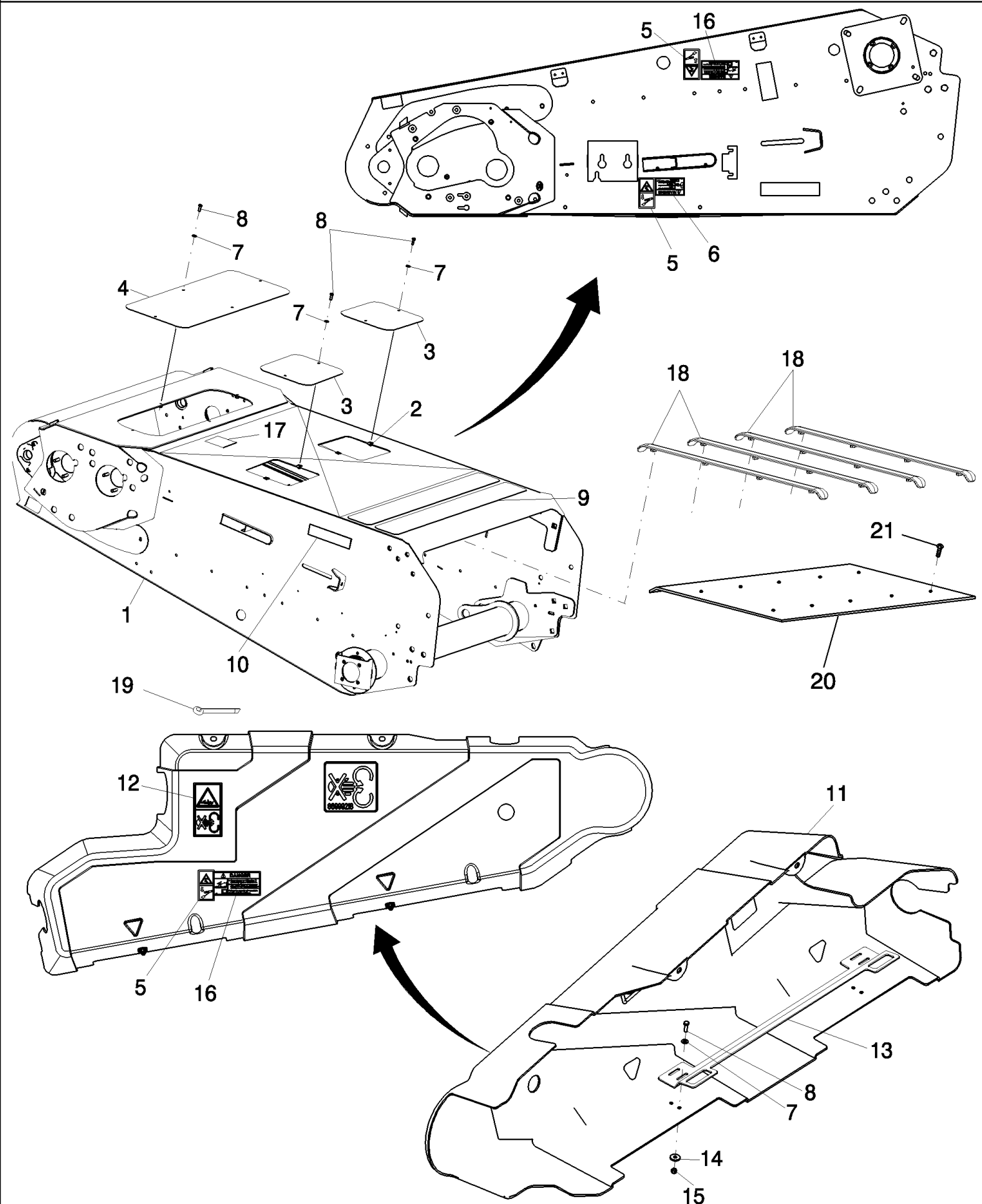
K.25.B CVT FEEDER / HEADER DRIVE



K.25.B CVT FEEDER / HEADER DRIVE

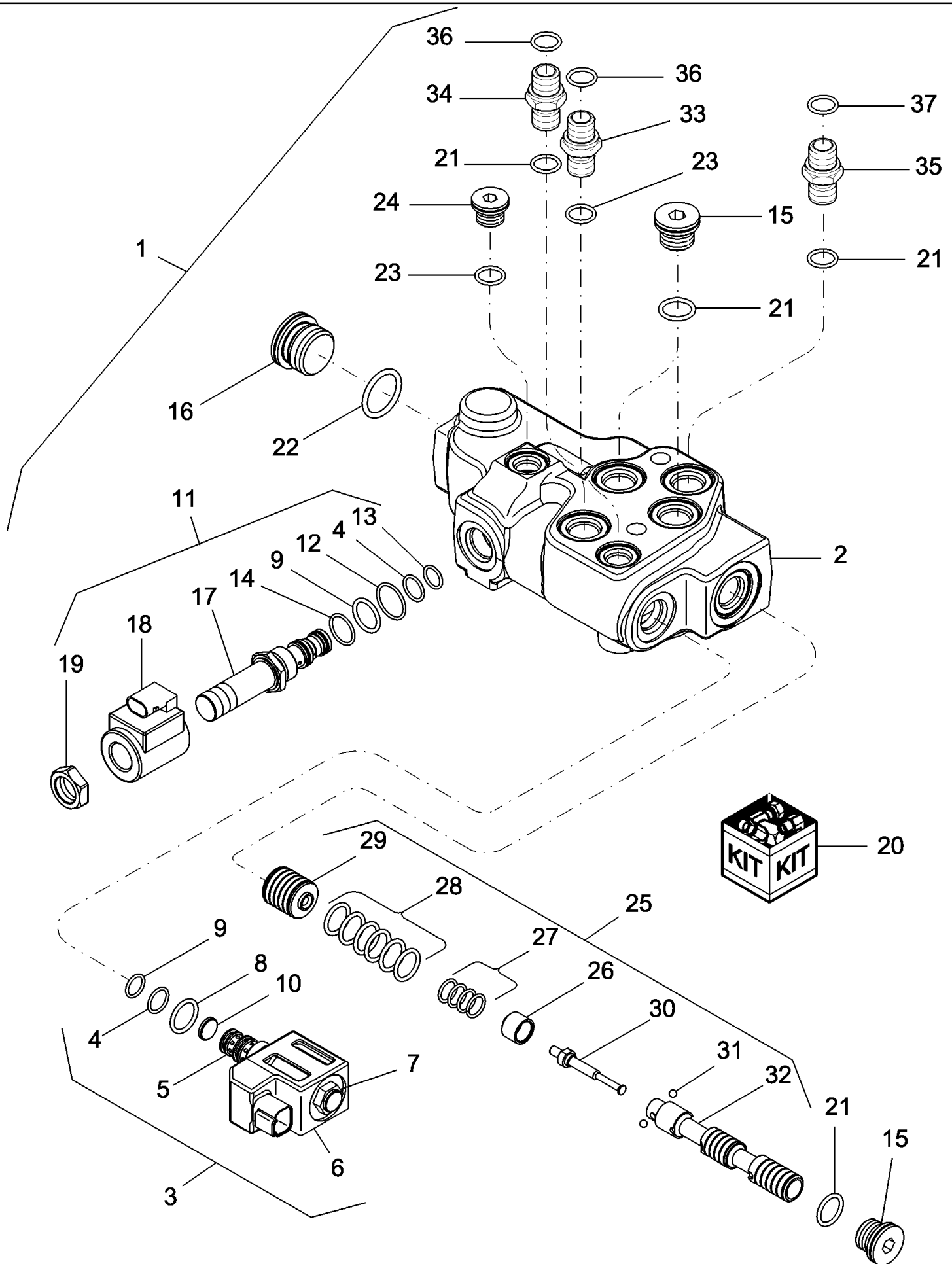
сылка	Номер детали	Кол-во	Описание
1	86638315	1	PUMP, HYDRAULIC, Rotor / Header
2	86996948	1	MOTOR, HYDRAULIC, Header
3	86975013	1	MANIFOLD, Charge Pressure, EndYear: 08/15/2003
3	87282545	1	MANIFOLD, Charge Pressure, Start Year: 08/15/2003
4	87108152	1	MANIFOLD, Block
5	86995853	1	TUBE, HYD, Feeder 1
6	86995854	1	TUBE, HYD, Feeder 2
7	86995874	1	TUBE, HYD, Motor, Drain
8	86995888	1	TUBE, HYD, Pump, Drain
9	86625256	6	WASHER, M12 x 28.5 x 4, HT,
10	274336	1	O-RING, -158, 70 Duro, 4.737" ID x .103" Thk,
11	9828498	1	O-RING, -155, 70 Duro, 3.987" ID x .103" Thk,
12	87022683	6	BOLT, Hex, M12 x 40, 10.9, Full Thd,
13	9992298	AR	O-RING, -014, 90 Duro, .489" ID x .070" Thk,
14	86995995	1	TUBE, Feeder Clutch Pressure
15	86579671	1	CONNECTOR, HYD., 11/16"-16 ORFS x M14 x 1.5 ORB,
16	86995997	1	TUBE, HYD, Feeder Gearbox Drain
17	86579683	1	CONNECTOR, HYD., 1 3/16"-12 ORFS x M33 x 2 ORB,
18	86997654	1	CONNECTOR, HYD.,
19	86598099	1	O-RING, CI 6, 11.3MM ID x 2.2 Thk,
20	9993141	1	O-RING, -012, 90 Duro, .364" ID x .070" Thk,
21	86598104	1	O-RING, CI 6, 26.6MM ID x 2.9 Thk,
22	9991976	1	O-RING, -018, 90 Duro, .739" ID x .070" Thk,
23	86598101	2	O-RING, CI 6, 15.3MM ID x 2.2 Thk,

K.25.E FEEDER HOUSING AND SHIELDS

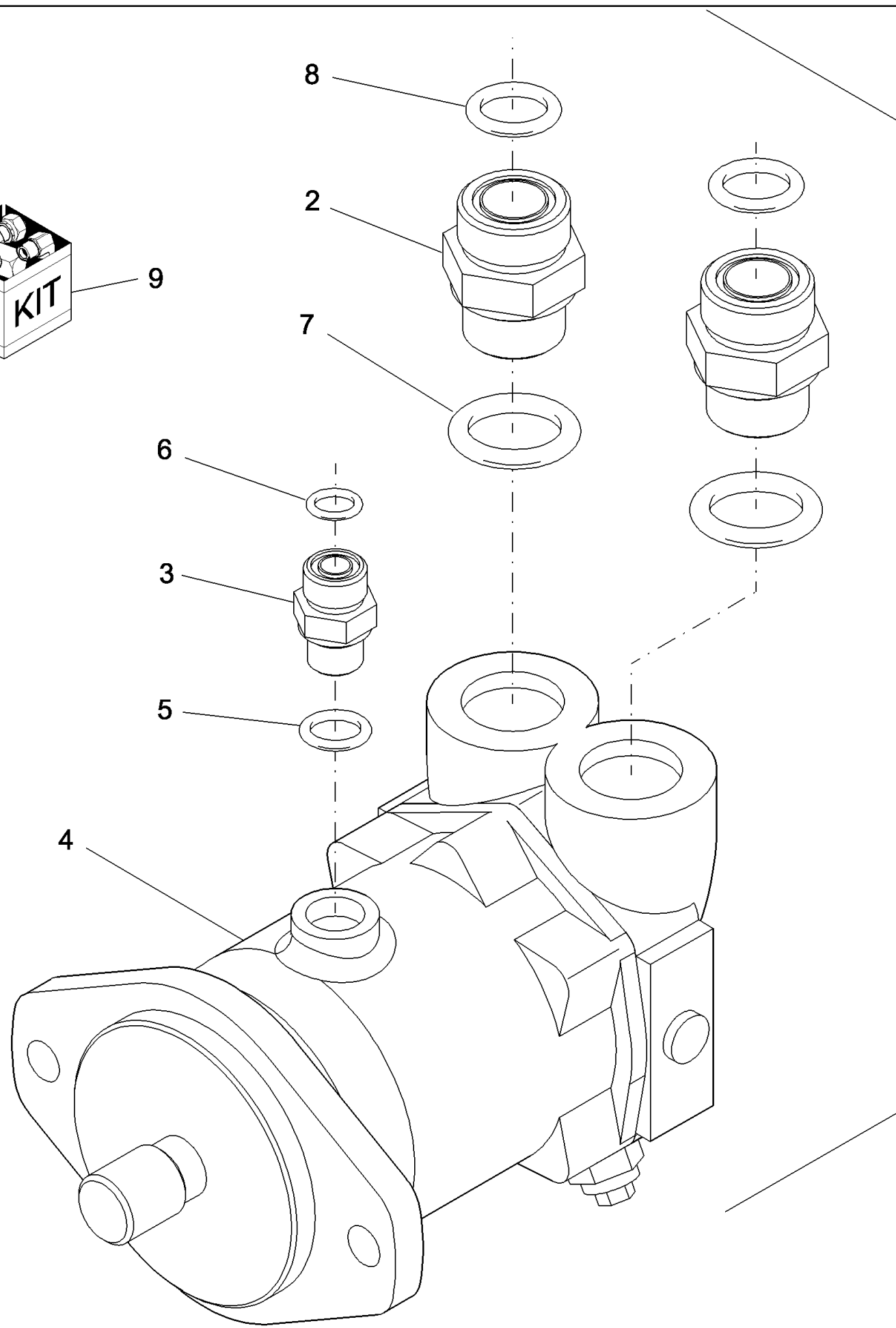
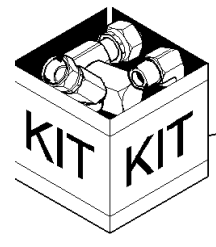


K.25.E FEEDER HOUSING AND SHIELDS

сылка	Номер детали	Кол-во	Описание
1	86995292	1	HOUSING, Feeder, Includes: Decals and Anti-Skid Pads
1	87282752	1	Feeder, Includes: Decals and Anti-Skid Pads, For EU Only
2	86508354	4	NUT, U-Spring, M8 x 1.50 x 3.50 mm
3	86995571	2	COVER, Top
4	87108031	1	COVER, , EndYear: 02/09/2004
4	87283147	1	COVER, , Start Year: 02/09/2004
5	84004735	3	DECAL,
6	86626958	4	DECAL,
7	322358	12	WASHER, SPRING, Belleville, M8,
8	43127	12	BOLT, Hex, M8 x 25, 8.8,
9	86995792	2	PAD, Anti-Skid
10	86547782	2	DECAL, Reflective
11	86999218	1	SHIELD, W/Decals
11	87282751	1	SHIELD, W/Decals, For EU Only
12	86999254	1	DECAL,
13	87108372	1	BRACKET,
14	140041	4	WASHER, M8 x 28 x 3,
15	832-46408	4	NUT, LOCK, M8 x 1.25, CI 8,
16	86624774	2	DECAL, Danger
17	84014117	4	DECAL, Stop
18	86638209	4	STRIP, Wear, See Ref 20 and Figure Note
19	86629239	2	PIN, SPLIT (COTTER), Int, 5/16" x .177, , Start Year: 02/09/2004
19	87109290	2	PIN, LOCK,
20	87339327	1	SHEET, UHMW, Wear Pad, Campaigned MY04[HAJ105201NA/HAJ103201EU] and prior. Ref 18 required HAJ105701 and after.
21	86616032	20	SCREW, SELF TAP, Cross Flat Hd, 1/4" x 1",

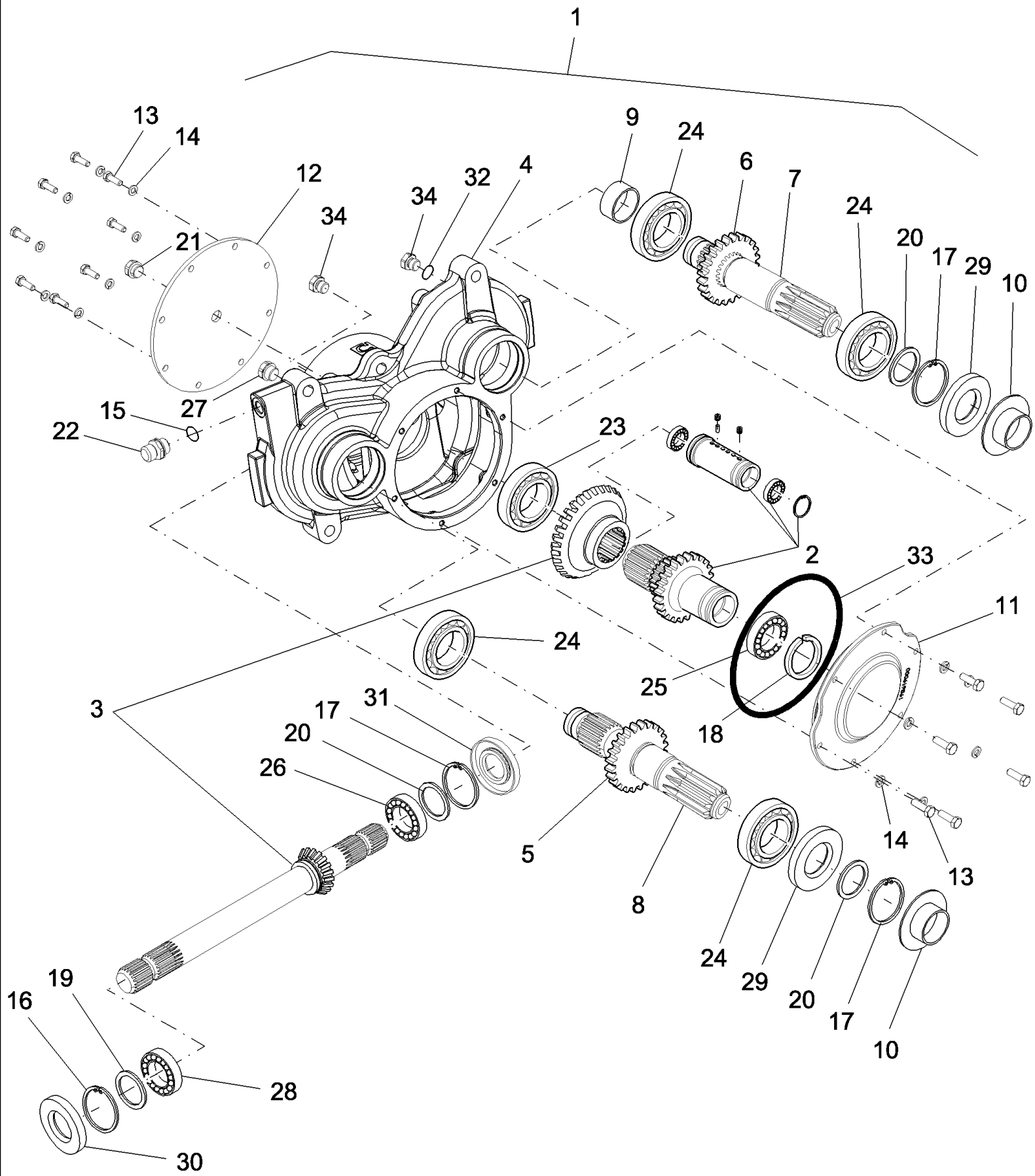


сылка	Номер детали	Кол-во	Описание
1	86981235	1	VALVE, CONTROL, Includes Ref. 2 - 37 - Variable Speed
1	87447038	1	VALVE, CONTROL, Includes Ref. 2 - 37 - Fixed Speed, Start Year: 12/04/2004
2	NSS	1	NOT SERVICED SEPARATELY, Body, Valve
3	349295A1	1	SOLENOID, Includes Ref. 4 - 10
4	238-5014	1	O-RING, -014, 70 Duro, .489" ID x .070" Thk,
5	349291A1	1	CARTRIDGE,
6	298614A1	1	SOLENOID,
7	349292A1	1	NUT, Jam
8	237-6008	1	O-RING, 8-1, 90 Duro, .644" ID x .087" Thk,
9	238-5013	1	O-RING, -013, 70 Duro, .426" ID x .070" Thk,
10	196096A1	1	SCREEN,
11	239552A2	1	VALVE, SOLENOID, Includes Ref. 4, 9, 12-14, 17-19
12	238-6008	1	O-RING, -008, 90 Duro, .176" ID x .070" Thk,
13	238-7016	1	O-RING, -016, CI 7, .614" ID x .070" Thk,
14	238-7018	1	O-RING, -018, CI 7, .739" ID x .070" Thk,
15	221578A1	3	PLUG, Hex Soc, M18 x 1.5, ORB,
16	221580A1	1	PLUG, Hex Soc, M27 x 2, ORB,
17	304831A1	1	SPOOL, Cartridge
18	304834A1	1	SOLENOID,
19	304836A1	1	NUT,
20	308245A1	AR	KIT, SEALS, Includes (1) each Ref. 4, 9, 12, 13 & 14
21	86598101	5	O-RING, CI 6, 15.3MM ID x 2.2 Thk,
22	86598103	1	O-RING, CI 6, 23.6MM ID x 2.9 Thk,
23	86598099	3	O-RING, CI 6, 11.3MM ID x 2.2 Thk,
24	221576A1	2	PLUG, Hex Soc, M14 x 1.5, ORB,
25	86981236	1	SPOOL, Includes Ref. 26 - 32, For 86981235
25	283642A4	1	SPOOL, Includes Ref. 26 - 32, For 87447038, Start Year: 12/04/2004
26	NSS	1	NOT SERVICED SEPARATELY, Sleeve
27	NSS	1	NOT SERVICED SEPARATELY, Spring
28	NSS	1	NOT SERVICED SEPARATELY, Spring
29	NSS	1	NOT SERVICED SEPARATELY, Piston
30	NSS	1	NOT SERVICED SEPARATELY, Pin
31	511-1040	2	BALL, 4mm Dia,
32	86981237	1	SPOOL,
33	700-101	1	CONNECTOR, HYD., 11/16"-16 ORFS x M14 x 1.5 ORB,
34	700-106	1	CONNECTOR, HYD., 11/16"-16 ORFS x M18 x 1.5 ORB,
35	700-102	1	CONNECTOR, HYD., 13/16"-16 ORFS x M18 x 1.5 ORB,
36	9993141	2	O-RING, -012, 90 Duro, .364" ID x .070" Thk,
37	9992298	1	O-RING, -014, 90 Duro, .489" ID x .070" Thk,



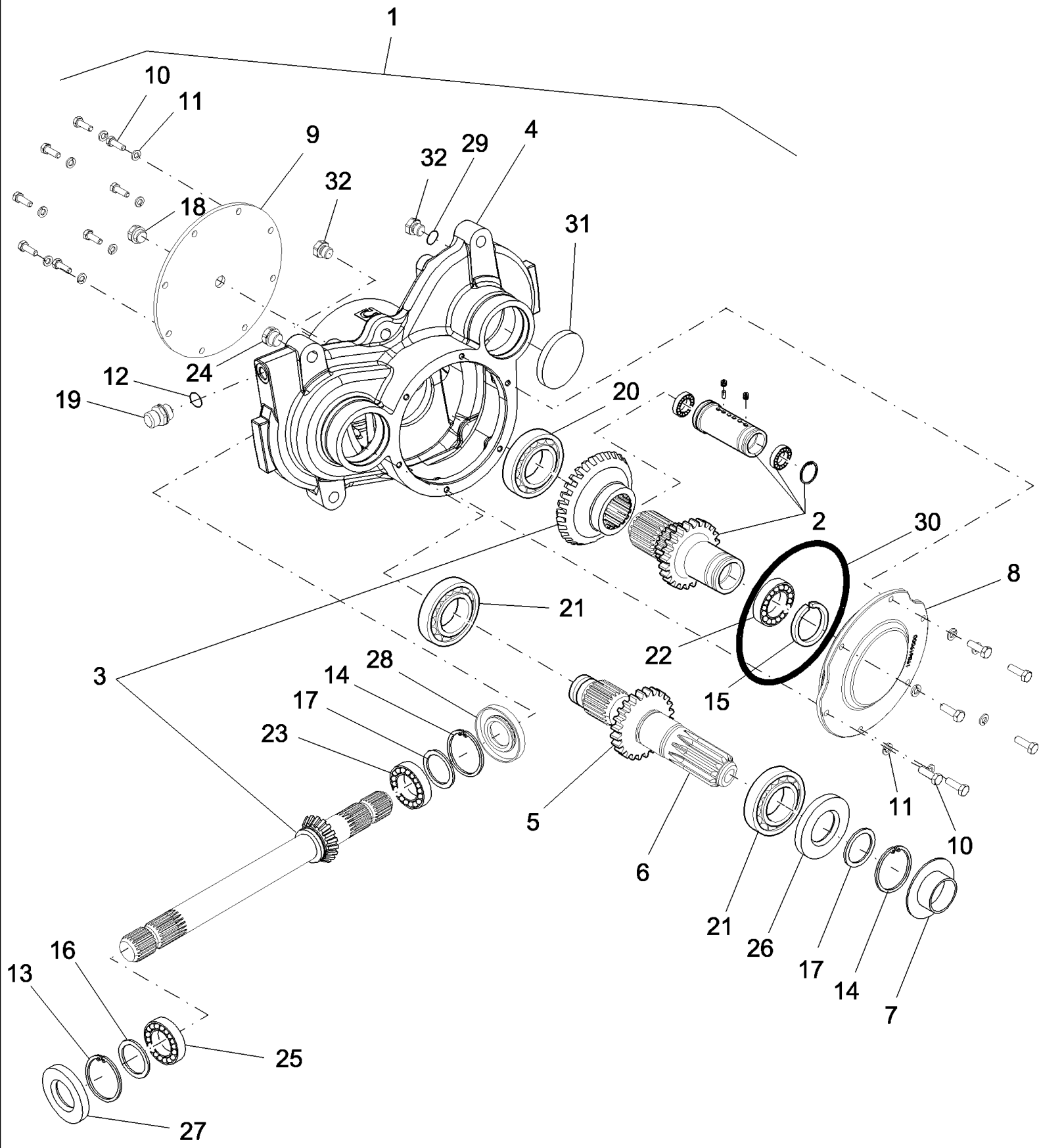
K.25.E.28 MOTOR, HEADER - FEEDER

сылка	Номер детали	Кол-во	Описание
1	86996948	1	MOTOR, HYDRAULIC, Header Feeder - Includes Ref. 2 thru 9
1	87010885	AR	Reman Motor
1	87010886	AR	Core Return
2	86580179	2	CONNECTOR, HYD., 1 7/16"-12 ORFS x M22 x 2 ORB, Includes Ref. 7 & 8
3	86579676	1	CONNECTOR, HYD., 13/16"-16 ORFS x M18 x 1.5 ORB, Includes Ref. 5 & 6
4	86981121	1	MOTOR, HYDRAULIC,
5	86598101	1	O-RING, CI 6, 15.3MM ID x 2.2 Thk,
6	9992298	1	O-RING, -014, 90 Duro, .489" ID x .070" Thk,
7	86598104	2	O-RING, CI 6, 26.6MM ID x 2.9 Thk,
8	9824050	2	O-RING, -021, 90 Duro, .926" ID x .070" Thk,
9	87284675	AR	KIT, SEALS,



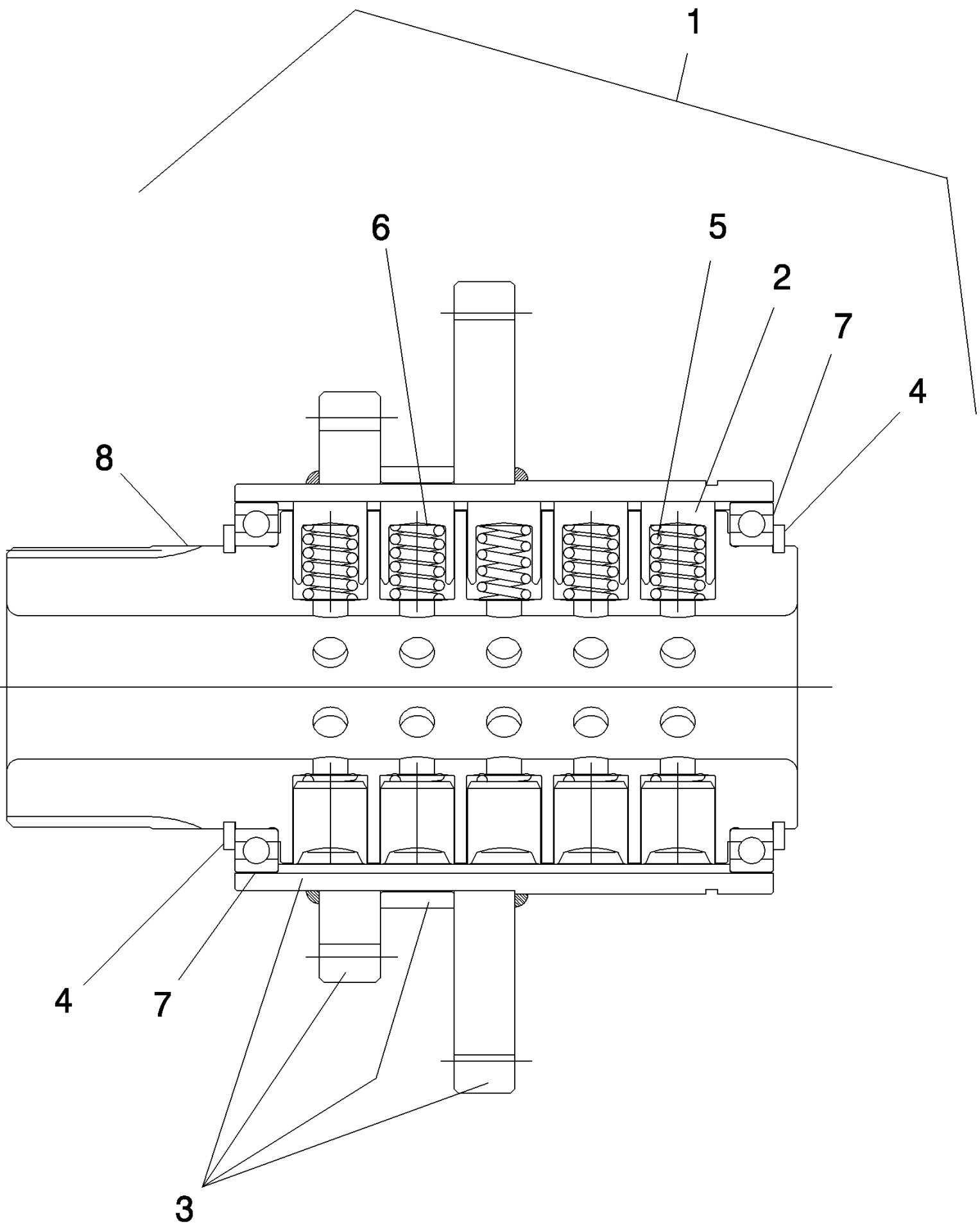
K.25.E.40(1) GEARBOX - FEEDER CONVEYOR DRIVE, WITH ROCK TRAP DRIVE

сылка	Номер детали	Кол-во	Описание
1	86996329	1	GEARBOX, , EndYear: 10/04/2004
1	87283914	1	GEARBOX, , Start Year: 10/04/2004
2	87282021	1	CLUTCH ASSEMBLY, Torque Limiter, See Fig K.25.E.40 [5], EndYear: 10/04/2004
2	87448715	1	CLUTCH ASSEMBLY, Torque Limiter, See Fig K.25.E.40 [5], Start Year: 10/04/2004
2	87619913	1	KIT, SERVICE, Friction Slip Clutch, For Component Breakdown See Fig K.25.E.40[4], Not Shown, Service Only; Provides Improved Feeding
3	87282018	1	GEAR SET,
4	87281999	1	HOUSING,
5	87282001	1	GEAR, 31T
6	87282002	1	GEAR, 44T
7	87282003	1	SHAFT, Conveyor
8	87282004	1	SHAFT, Rock Trap
8	87536812	1	SHAFT, Rock Trap; Used W/Friction Slip Clutch; See Also: Fig. K.25.E.40[4], Service Only
9	87282005	1	SPACER,
10	87282006	2	GUARD,
11	87282007	1	COVER,
12	87282008	1	COVER,
13	614-8025	14	BOLT, Hex, M8 x 25, 8.8,
14	892-11008	14	WASHER, LOCK, M8,
15	3051337R1	1	WASHER, SEALING, M18 x 24 x 1.5,
16	800-2172	1	RING, SNAP,
17	800-2180	3	RING, SNAP, M80, Int,
18	87282009	1	RING, SNAP,
19	87282023	1	SHIM, Kit
20	87282025	3	SHIM, Kit
21	87282045	1	PLUG, Level
22	87282044	1	PLUG, Breather
23	5181866	1	BEARING, BALL,
24	301164	4	BEARING, BALL,
25	87282012	1	BEARING, BALL,
26	210048	1	BEARING, BALL,
27	87282043	1	PLUG, MAGNETIC,
28	37203	1	BEARING, BALL,
29	87282014	2	SEAL, OIL,
30	87282015	1	SEAL, OIL,
31	87282016	1	SEAL, OIL,
32	238-5111	2	O-RING, -111, 70 Duro, .424" ID x .103" Thk,
33	238-5263	1	O-RING, -263, 70 Duro, 7.234" ID x .139" Thk,
34	220064A1	2	PLUG, M14 x 1.5, ORB,



K.25.E.40(2) GEARBOX - FEEDER CONVEYOR DRIVE WITHOUT ROCK TRAP

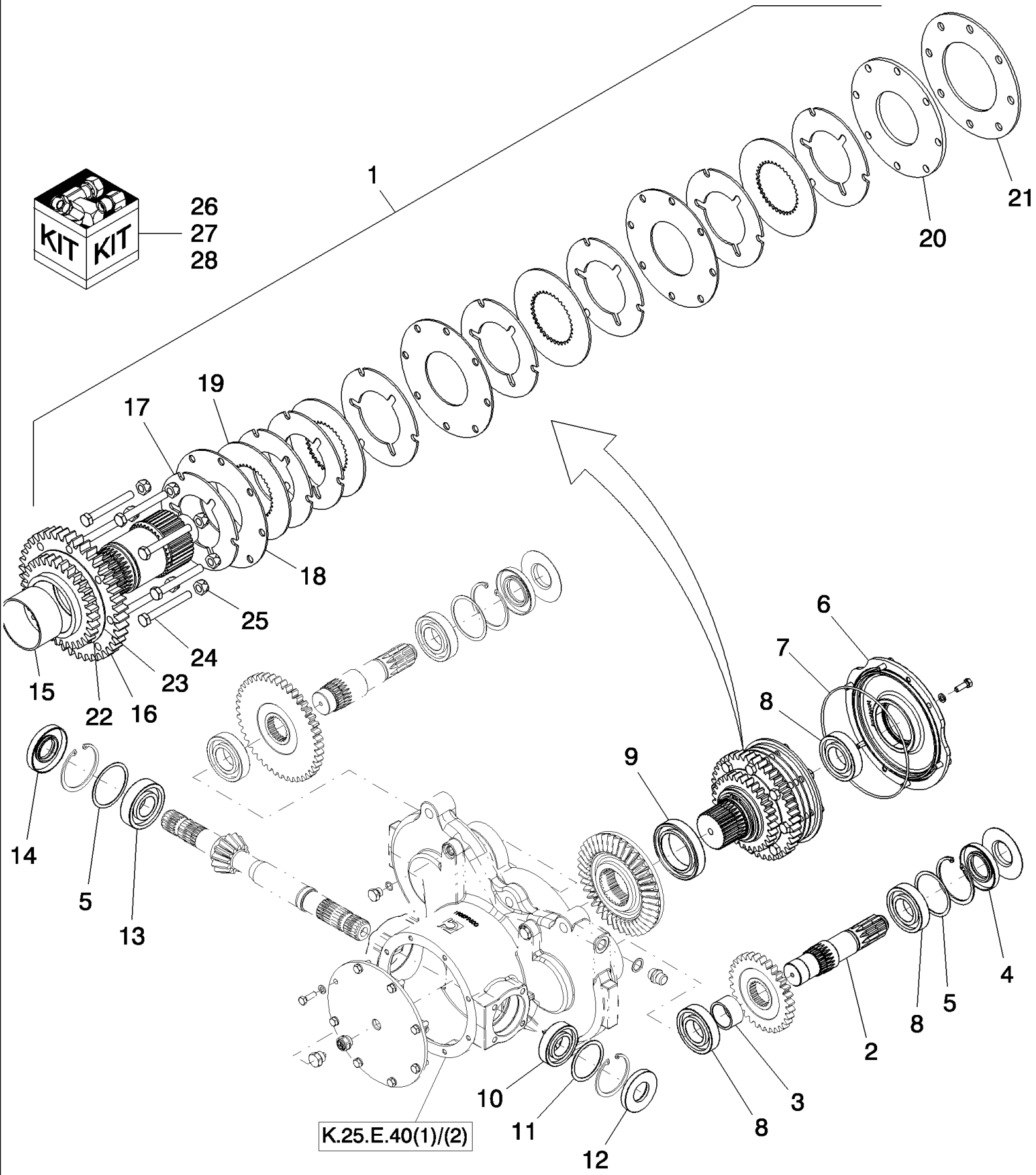
сылка	Номер детали	Кол-во	Описание
1	86996330	1	GEARBOX, , EndYear: 10/04/2004
1	87283912	1	GEARBOX, , Start Year: 10/04/2004
2	87282021	1	CLUTCH ASSEMBLY, Torque Limiter, See Fig K.25.E.40 [5], EndYear: 10/04/2004
2	87448715	1	CLUTCH ASSEMBLY, Torque Limiter, See Fig K.25.E.40 [5], Start Year: 10/04/2004
2	87619913	1	KIT, SERVICE, Friction Slip Clutch, For Component Breakdown See Fig K.25.E.40[4], Service Only; Provides Improved Feeding, Not Shown
3	87282018	1	GEAR SET,
4	87281999	1	HOUSING,
5	87282002	1	GEAR,
6	87282003	1	SHAFT, Conveyor
7	87282006	1	GUARD,
8	87282007	1	COVER,
9	87282008	1	COVER,
10	614-8025	14	BOLT, Hex, M8 x 25, 8.8,
11	892-11008	14	WASHER, LOCK, M8,
12	3051337R1	1	WASHER, SEALING, M18 x 24 x 1.5,
13	800-2172	1	RING, SNAP,
14	800-2180	2	RING, SNAP, M80, Int,
15	87282009	1	RING, SNAP,
16	87282023	1	SHIM, Kit - .72
17	87282025	2	SHIM, Kit - .80
18	87282045	1	PLUG,
19	87282044	1	PLUG,
20	5181866	1	BEARING, BALL,
21	301164	2	BEARING, BALL,
22	87282012	1	BEARING, BALL,
23	210048	1	BEARING, BALL,
24	87282043	1	PLUG, MAGNETIC,
25	37203	1	BEARING, BALL,
26	87282014	1	SEAL, OIL,
27	87282015	1	SEAL, OIL,
28	87282016	1	SEAL, OIL,
29	238-5111	2	O-RING, -111, 70 Duro, .424" ID x .103" Thk,
30	238-5263	1	O-RING, -263, 70 Duro, 7.234" ID x .139" Thk,
31	87282017	1	PLUG,
32	220064A1	1	PLUG, M14 x 1.5, ORB,



K.25.E.40(3) CLUTCH, TORQUE LIMITING

сылка	Номер детали	Кол-во	Описание
1	87282021	1	CLUTCH ASSEMBLY, Torque Limiting, EndYear: 10/04/2004
1	87448715	1	CLUTCH ASSEMBLY, Torque Limiting, Start Year: 10/04/2004
2	87281996	30	Pin
3	87281997	1	Housing
4	800-1165	2	RING, SNAP, M65, Ext,
5	87282011	6	Spring, EndYear: 10/04/2004
5	87448815	12	Spring, Start Year: 10/04/2004
6	87282010	24	Spring, EndYear: 10/04/2004
6	87282010	18	Spring, Start Year: 10/04/2004
7	87282013	2	Bearing
8	87281995	1	Hub

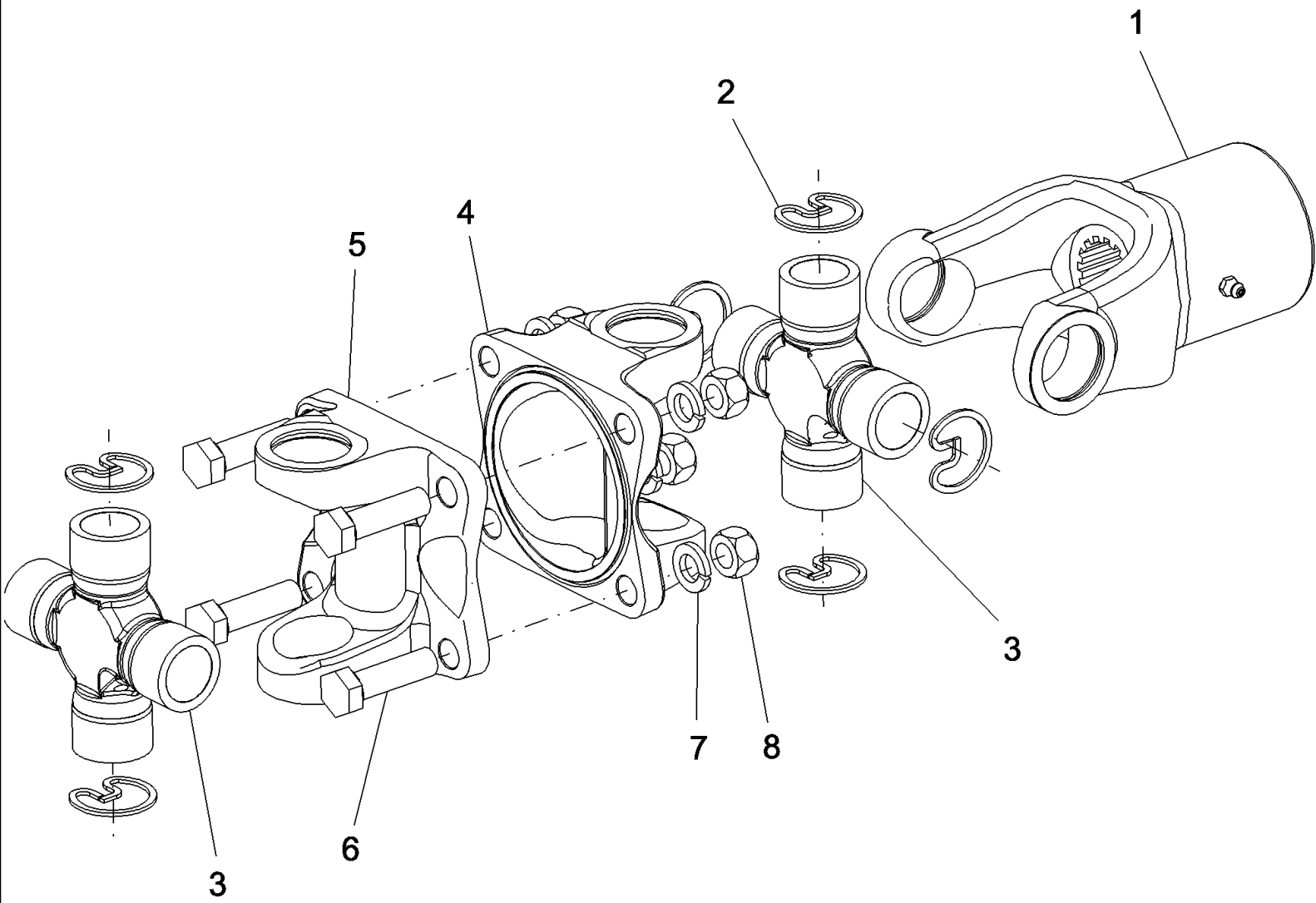
K.25.E.40(4) CLUTCH, FRICTION DISC



K.25.E.40(4) CLUTCH, FRICTION DISC

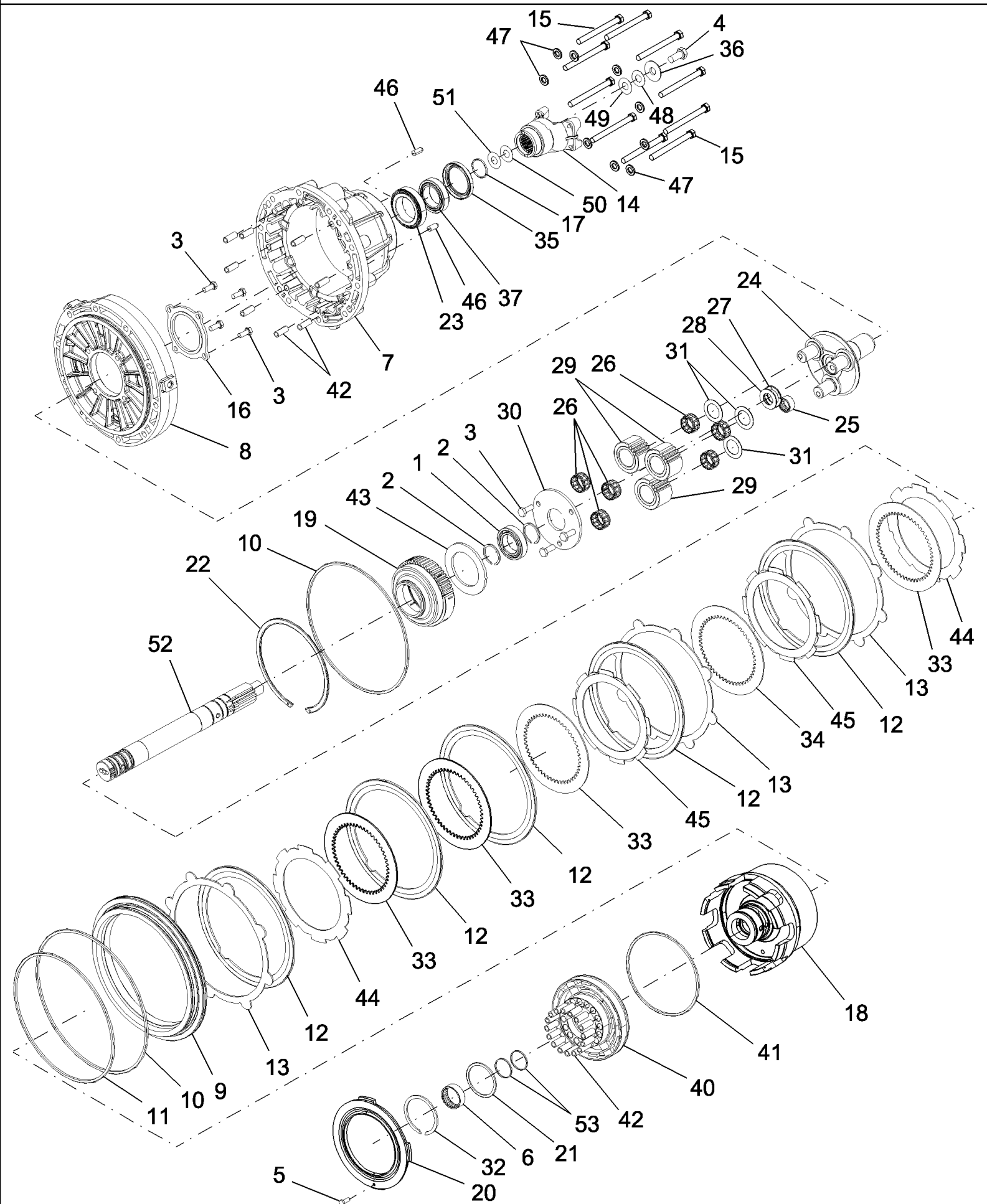
сылка	Номер детали	Кол-во	Описание
1	87536810	1	CLUTCH ASSEMBLY,
2	87536812	1	SHAFT,
3	87536813	1	SPACER,
4	87612665	1	SEAL,
5	87282025	2	SHIM,
6	87536811	1	COVER,
7	87302761	1	O-RING, -253, 7.484" ID x .139" Thk,
8	301164	3	BEARING, BALL,
9	5181866	1	BEARING, BALL,
10	37203	1	BEARING, BALL,
11	87282023	1	SHIM,
12	87612666	1	SEAL,
13	210048	1	BEARING, BALL,
14	87612667	1	SEAL,
15	87536803	1	SHAFT,
16	87536802	1	GEAR SET,
17	87536805	8	PLATE,
18	87536807	3	PLATE, External Separator
19	87536806	4	PLATE, Internal Separator
20	87536808	1	PLATE,
21	87536809	1	SPRING, BELLEVILLE,
22	300636	1	CIRCLIP, M70, Ext,
23	87536804	1	WASHER, THRUST,
24	120073	8	BOLT, Hex, M10 x 80, 8.8,
25	100037	8	NUT, M10 x 1.5, Cl 8,
26	87619913	AR	KIT, SERVICE, Friction Slip Clutch; Includes: Ref.s 1, 6, 7, & 8, Plus Instructions
27	87536816	AR	SHAFT ASSY., Rock Trap; Includes: Ref.s 2, 3, 4, & 5
28	87621731	AR	KIT, SERVICE, Rebuild; Includes: Ref.s 5 (1), 8 (2), 9 (1), 10 (1), 11 (1), 12 (1), 13 (1), & 14 (1)
29	87624260	1	KIT, SERVICE, Friction Slip Clutch, Complete; Includes: Ref. 26 & 28 , W/O Rock Trap
30	87624261	1	KIT, SERVICE, Friction Slip Clutch, Complete; Includes: Ref. 26, 27, & 28 , W/Rock Trap

Service Only



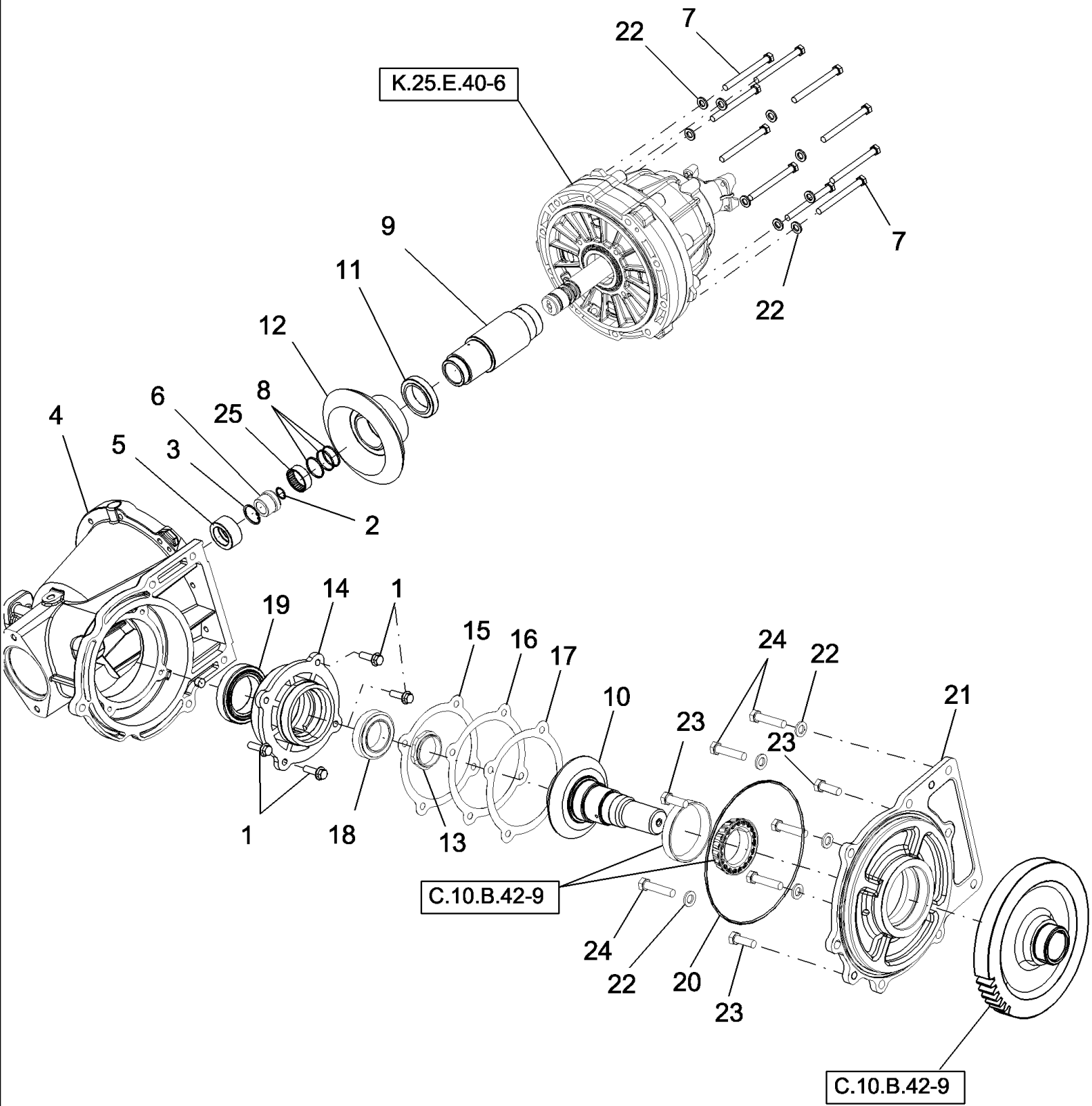
сылка	Номер детали	Кол-во	Описание
1	87000203	1	SHAFT, DRIVE, Pivot, Feeder
1	87280461	1	Yoke
2	87280463	6	RING, SNAP,
3	87400942	2	KIT, SERVICE, Cross Bearing
4	87280462	1	Yoke, Flange
5	87280626	1	Yoke, Flange
6	428-828	4	BOLT, Hex, 1/2"-20 x 1 3/4", G8,
7	80679	4	WASHER, LOCK, 1/2",
8	86539262	4	NUT, 1/2"-20, G8,
9	87280461	1	Yoke

K.25.E.44(1) GEARBOX, HEADER/FEEDER, VARIABLE SPEED, OUTPUT HALF

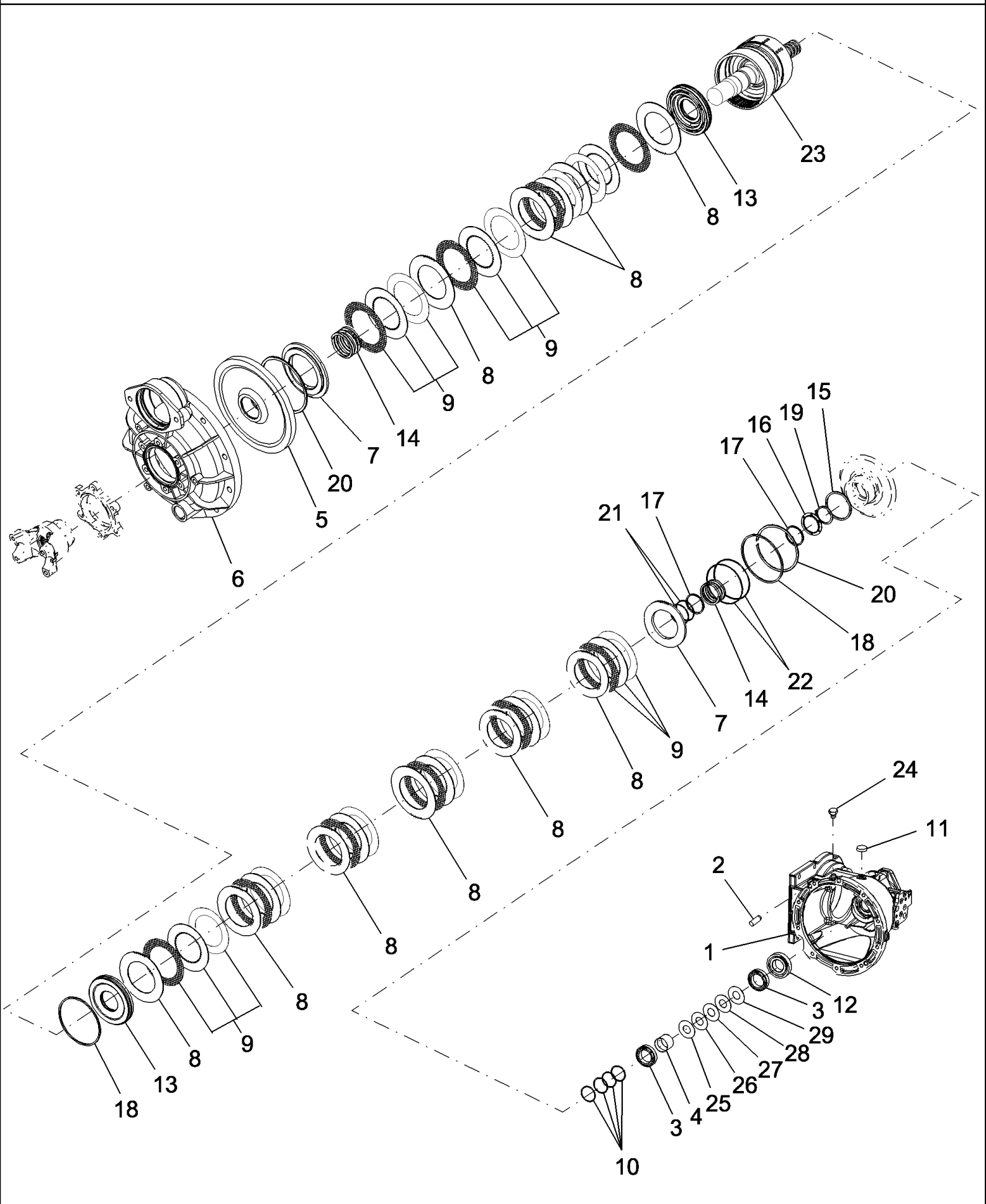


сылка	Номер детали	Кол-во	Описание
1	A75193	1	BEARING, BALL,
2	87281477	2	RING, SNAP, Retaining
3	614-10025	7	BOLT, Hex, M10 x 25, 8.8, Full Thd,
4	514-1021	1	BOLT, Hex, M16 x 1.5 x 35, 10.9, Full Thd,
5	614-6010	1	BOLT, Hex, M6 x 10, 8.8, Full Thd,
6	86996784	2	BEARING, NEEDLE,
7	86999534	1	CASE, Front, Output
8	86999536	1	PLATE, Center
9	87281427	1	PISTON, Reverse
10	87281428	1	RING,
11	87281429	1	RING,
12	87281430	3	PLATE, CLUTCH, DRIVING, Friction
13	87281431	4	PLATE, Steel
14	87281432	1	YOKE,
15	814-12130	10	BOLT, Hex, M12 x 130, 8.8,
16	87281434	1	RETAINER,
17	238-5223	1	O-RING, -223, 70 Duro, 1.609" ID x .139" Thk,
18	87281443	1	GEAR, RING, Ring & Drum
19	87281445	1	HUB, Drive
20	87281446	1	PLATE, End
21	87281447	1	RING,
22	87281501	1	RING, SNAP,
23	225805A1	1	BEARING, ROLLER,
24	87281448	1	SHAFT, Output
25	87281503	1	BEARING, CUP,
26	87281504	6	BEARING, NEEDLE, Roller
27	87281505	1	BEARING, THRUST, Thrust
28	87281507	1	WASHER, THRUST,
29	87281450	3	GEAR, PLANETARY, 25T
30	87281451	1	PLATE WASHER,
31	87281508	3	WASHER, THRUST,
32	428163A1	1	SNAP RING,
33	S2080S00F	AR	DISC, CLUTCH, 2.4 mm
34	S2090S00F	AR	DISC, CLUTCH, 2.1 mm
35	S8820S00F	1	SEAL, OIL,
36	S8860S00F	1	WASHER, THRUST,
37	427662A1	1	BEARING, ROLLER, TAPERED,
38	86998145	2	BEARING, ROLLER, TAPERED,
40	352833A1	1	PISTON, Clutch, 9"
41	87431391	1	RING,
42	352828A1	24	SPRING, Return
43	352827A1	1	PLATE, Spring Return
44	375528A1	2	DISC, CLUTCH, 7"
45	375529A1	4	DISC, CLUTCH, 7"
46	837-12030	2	DOWEL, M12 x 30,

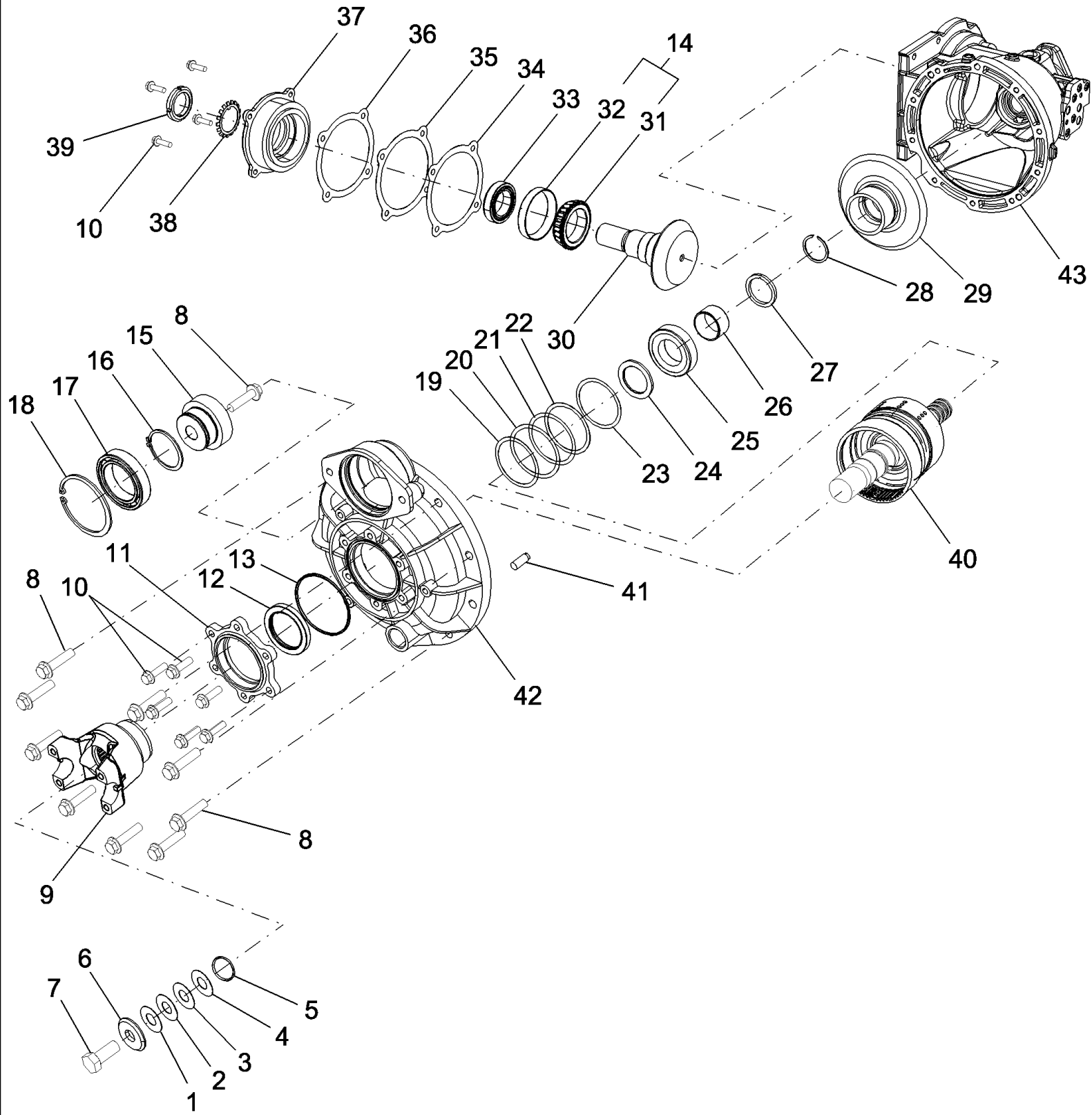
сылка	Номер детали	Кол-во	Описание
47	896-11012	10	WASHER, M13.5 x 24.5 x 3, HT,
48	S9950S00F	AR	SHIM, 0.1 mm
49	S9960S00F	AR	SHIM, 0.3 mm
50	S9970S00F	AR	SHIM, 0.5 mm
51	S9980S00F	AR	SHIM, 0.7 mm
52	87281437	1	SHAFT,
53	A188653	AR	SEALRING,



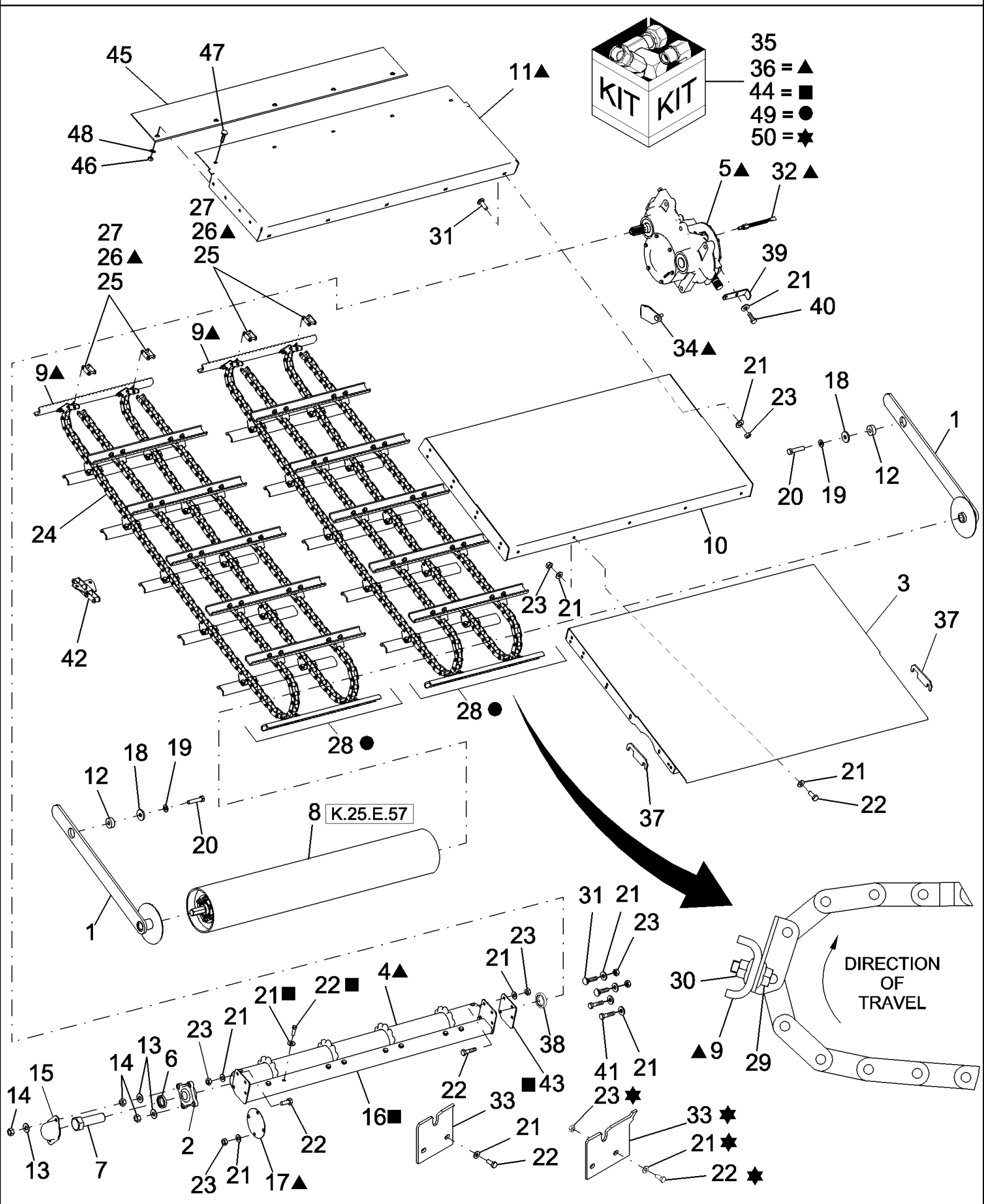
сылка	Номер детали	Кол-во	Описание
	86998844	1	GEARBOX, Includes: Ref.s 1 Thru 25, Plus Output Half (Breakdown on Fig. K.25.E.44[1])
1	844-10035	4	BOLT, Hex Flg, M10 x 35, 8.8,
2	800-2122	1	RING, SNAP, M22, Int,
3	800-2137	1	RING, SNAP, M37, Int,
4	87281499	1	HOUSING, Rear
5	87281435	1	SLEEVE,
6	87281436	1	ADAPTER,
7	814-12130	10	BOLT, Hex, M12 x 130, 8.8,
8	A188653	5	SEALRING, Seal
9	87281441	1	SHAFT, Bevel Gear
10	87281452	1	GEAR, BEVEL,
11	87281502	1	BEARING, ROLLER,
12	87281442	1	GEAR, BEVEL, Input
13	87281509	1	NUT, M50
14	87281453	1	SLEEVE, Input
15	87281510	AR	SHIM, 0.4 mm
16	87281511	AR	SHIM, 0.6 mm
17	87281512	AR	SHIM, 0.6 mm
18	86998145	1	BEARING, ROLLER, TAPERED,
19	427662A1	1	BEARING, ROLLER, TAPERED,
20	87281428	1	RING,
21	86997812	1	FLANGE,
22	896-11012	15	WASHER, M13.5 x 24.5 x 3, HT,
23	628-12035	3	BOLT, Hex, M12 x 35, 10.9, Full Thd,
24	828-12055	5	BOLT, Hex, M12 x 55, 10.9,
25	86996784	1	BEARING, NEEDLE,



сылка	Номер детали	Кол-во	Описание
1	87442523	1	HOUSING,
2	837-12030	2	DOWEL, M12 x 30,
3	87445164	2	BEARING, ROLLER, TAPERED,
4	87445165	1	SPACER,
5	87445172	1	GEAR,
6	87442520	1	CASE,
7	345336A1	2	PLATE, CLUTCH, DRIVING,
8	345335A2	10	PLATE,
9	345334A1	10	PLATE,
10	A188653	4	SEALRING,
11	220064A1	1	PLUG, M14 x 1.5, ORB,
11	641-1330	1	PLUG, M30, Tapered,
12	3142394R91	1	BEARING, ROLLER,
13	345005A1	2	PISTON,
14	228833A1	2	SPRING,
15	257277A1	1	SEALRING,
16	232867A1	1	RETAINER,
17	235660A1	2	SEAL,
18	329896A1	2	SEAL,
19	800-1152	1	RING, SNAP, M52, Ext,
20	345337A1	2	RING,
21	238-5141	2	O-RING, -141, 90 Duro, 2.3" ID x .103" Thk,
22	238-5158	2	O-RING, -158, 70 Duro, 4.737" ID x .103" Thk,
23	87442525	1	SHAFT,
24	220064A1	1	PLUG, M14 x 1.5, ORB,
25	87445166	AR	SHIM,
26	87445167	AR	SHIM,
27	87445168	AR	SHIM,
28	87445169	AR	SHIM,
29	87445170	AR	SHIM,

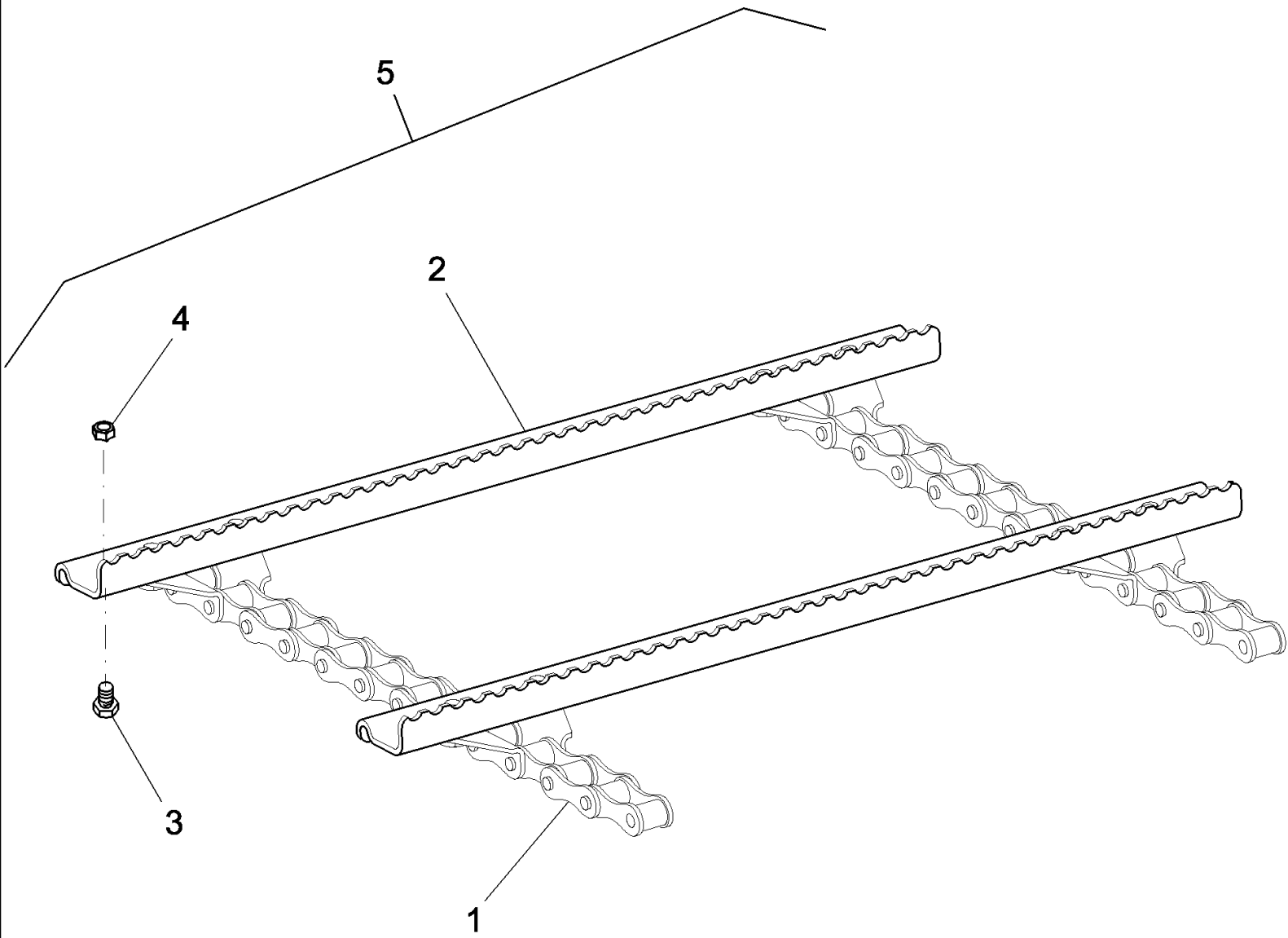


сылка	Номер детали	Кол-во	Описание
1	S9950S00F	1	SHIM,
2	S9960S00F	1	SHIM,
3	S9970S00F	1	SHIM,
4	S9980S00F	1	SHIM,
5	238-5223	1	O-RING, -223, 70 Duro, 1.609" ID x .139" Thk,
6	S8860S00F	1	WASHER, THRUST,
7	514-1021	1	BOLT, Hex, M16 x 1.5 x 35, 10.9, Full Thd,
8	844-12050	10	BOLT, Hex Flg, M12 x 50, 8.8,
9	87281432	1	YOKE,
10	844-10035	10	BOLT, Hex Flg, M10 x 35, 8.8,
11	87442521	1	COVER,
12	S8820S00F	1	SEAL, OIL,
13	362574A1	1	O-RING,
14	86998145	1	BEARING, ROLLER, TAPERED,
15	87445171	1	GEAR,
16	800-1160	1	RING, SNAP, M60, Ext,
17	70073647	1	BEARING, BALL,
18	800-2195	1	RING, SNAP, M95, Int,
19	428665A1	1	SHIM,
20	428666A1	1	SHIM,
21	428667A1	1	SHIM,
22	428668A1	1	SHIM,
23	428669A1	1	SHIM,
24	87445174	2	WASHER, THRUST,
25	3140666R91	1	BEARING, ROLLER,
26	87445173	1	BEARING, NEEDLE,
27	87445162	1	WASHER,
28	375560A1	2	SNAP RING,
29	87442526	1	GEAR, BEVEL,
30	87445175	1	GEAR,
31	87281210	1	BEARING,
32	87281211	1	BEARING,
33	87281696	1	BEARING, ROLLER, TAPERED,
34	87281510	1	SHIM,
35	87281511	1	SHIM,
36	87281512	1	SHIM,
37	87445178	1	SLEEVE,
38	87445176	1	WASHER,
39	87445177	1	NUT,
40	87442525	1	SHAFT,
41	837-12030	2	DOWEL, M12 x 30,
42	87442520	1	CASE,
43	87442523	1	HOUSING,



сылка	Номер детали	Кол-во	Описание
1	87107279	2	ARM, , EndYear: 02/09/2004
1	87282449	2	ARM, , Start Year: 02/09/2004
2	86995212	1	HOUSING, BEARING,
3	87109623	1	FLOOR, Front, EndYear: 02/09/2004
3	87282541	1	FLOOR, Front, Start Year: 02/09/2004
4		1	See Fig K.25.E.57
5	87283912	1	GEARBOX, 1500NM Clutch Setting, Replaces 86996330 [1300NM Clutch Setting]
6	86997123	1	WASHER,
7	86981357	1	BOLT,
8	86981181	1	ROLL, Front Feed
9	87282650	2	SLAT, Serrated, Holes 198 mm [7.8"] from centerline
9	87283556	2	SLAT, Option, Smooth, Holes 198 mm [7.8"] from centerline
10	86995577	1	FLOOR, Center, EndYear: 02/09/2004
10	87282537	1	FLOOR, Center, Start Year: 02/09/2004
10	86995665	1	FLOOR, Center, Optional, Perforated
11	87108934	1	FLOOR, Rear, EndYear: 02/09/2004
11	87282534	1	FLOOR, Rear, Start Year: 02/09/2004
11	87283282	1	FLOOR,
12	86995910	2	BUSHING, , EndYear: 02/09/2004
12	87282454	2	BUSHING, , Start Year: 02/09/2004
13	140046	10	WASHER, SPRING, Belleville, M12,
14	9706685	10	NUT, M12, CI 8,
15	86996082	1	COVER,
16	87385031	1	SUPPORT,
17	86995710	1	COVER,
18	333040	2	WASHER, Hardened, EndYear: 02/09/2004
18	84007183	2	WASHER, Hardened, Start Year: 02/09/2004
19	140048	2	WASHER, SPRING, Belleville, M16,
20	120092	2	BOLT, Hex, M16 x 70, 8.8, , EndYear: 02/09/2004
20	87283073	2	BOLT, CL 10.9, M16 x 90, Special, Start Year: 02/09/2004
21	140045	19	WASHER, SPRING, Belleville, M10,
21	140045	AR	WASHER, SPRING, Belleville, M10, With Strip Off Plates
22	43139	5	SCREW, HH, CL 8.8, M10 x 25
22	43139	13	SCREW, HH, CL 8.8, M10 x 25 - With Strip Off Plates
23	100016	AR	NUT, M10, CI 8,
24	87283354	4	CHAIN, ELEVATOR, A557
25	87283349	AR	LINK, CONNECTING, A557
26	87283350	AR	LINK, OFFSET, A557
27	87283351	AR	LINK, CHAIN, A557
28	87283358	2	CHAIN, ELEVATOR, Serrated Slats, A557
28	87283359	2	CHAIN, ELEVATOR, Smooth Slats, A557
29	86981484	56	BOLT, Hex Flg, M10 x 25, 10.9, Full Thd,
30	86981467	56	NUT, LOCK, M10 x 1.5, Flg, CI 10,
31	86512446	AR	BOLT, CARRIAGE, Short NK, M10 x 30, CI8.8, Full Thd,
31	9706704	AR	BOLT, Hex, M10 x 35, 8.8, Full Thd,

сылка	Номер детали	Кол-во	Описание
31	374892	AR	BOLT, CARRIAGE, Short NK, M10 x 40, CI8.8, Full Thd,
32	87105603	1	SENSOR, Feeder Speed
33	87384612	2	PLATE, Strip-Off, Center
33	87384614	1	PLATE, Strip-Off, LH
33	87384616	1	PLATE, Strip-Off, RH
34	87281862	1	PLATE,
35	87105405	1	KIT, SERVICE, Hardware
36	87105340	AR	KIT, Feeder, Std. - Includes: Ref. 4, 5, 9, 11, 17, 26, 32, 34, 35
36	87372974	AR	KIT, Feeder, Replaces: P/N 87105340
37	87282304	AR	SHIM, , Start Year: 02/09/2004
38	87109491	AR	SEAL,
39	87044119	1	BRACKET,
40	300383	2	BOLT, Hex, M10 x 16, 8.8, Full Thd,
41	412160	2	BOLT, Hex, M10 x 1.25 x 30, CI8.8, Full Thd,
42	87283373	AR	LINK, CHAIN, Repair
43	87385034	4	SHIM,
44	87510604	AR	DIA KIT, HARVESTER, Support, Includes Ref. 16, 43, & Hardware
45	87283285	1	SEAL,
46	9804277	5	NUT, M8 x 1.25, Flg, CI 8,
47	86507486	5	BOLT, CARRIAGE, Short NK, M8 x 20, CI8.8, Full Thd,
48	322358	5	WASHER, SPRING, Belleville, M8,
49	84084683	1	CHAIN, ELEVATOR, Kit, Smooth Slat, 2-Sets
50	87397429	1	KIT, REPAIR, Kit, Strip Off Plates, Includes: Refs. 21, 23, 31 and 33
50	87523360	AR	KIT, REPAIR, Feeder Strippers and Support, Includes Ref. 16, 21, 23, 31, 33, 43, Years: 01/01/2006-12/31/2006
51	1329837C2	AR	PIN, S - Type, For Ref. 25 & 26

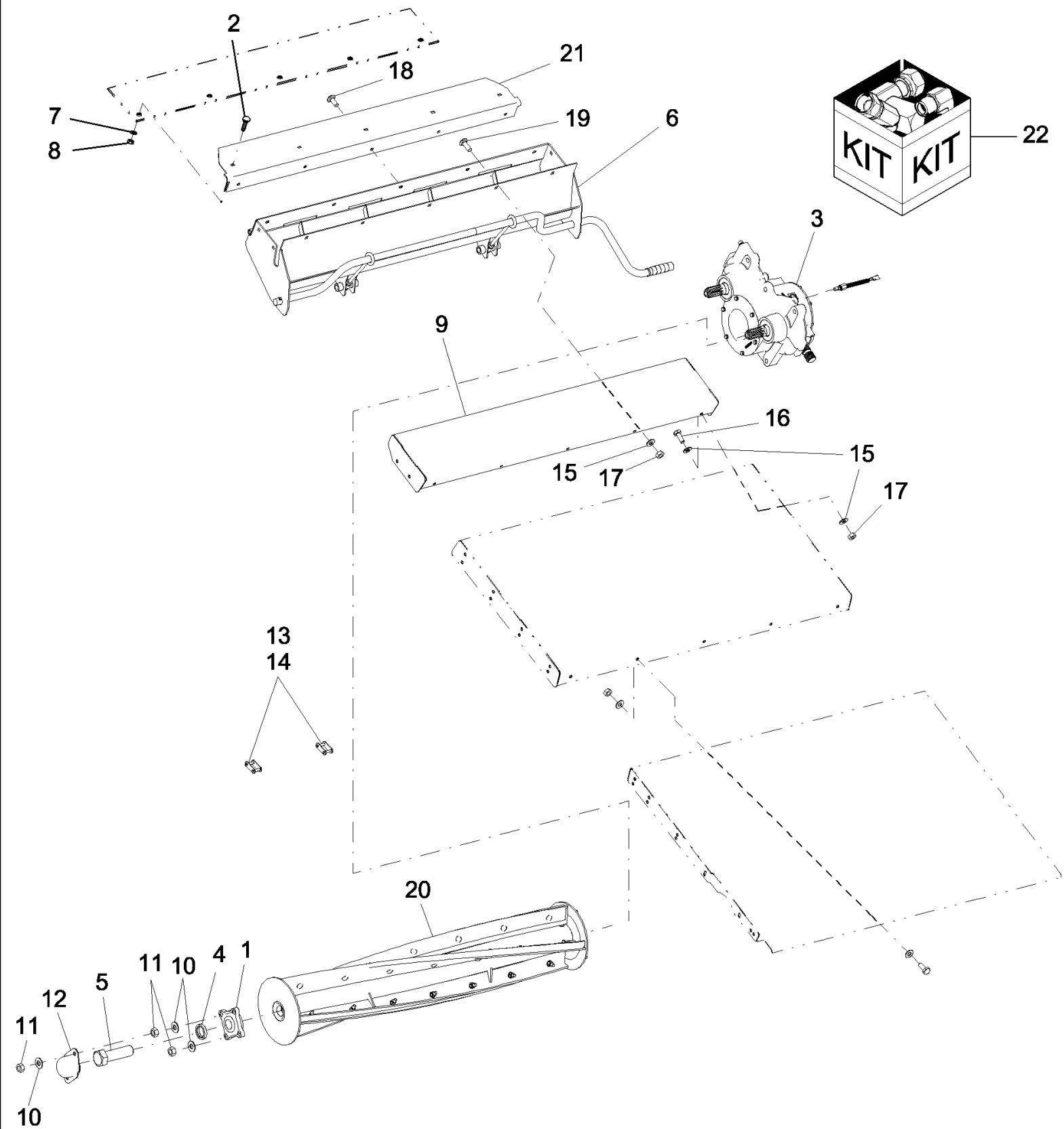


K.25.E.48(10) CHAIN ASSY AND FEEDER SLATS - FULL LENGTH SLATS

сылка	Номер детали	Кол-во	Описание
1	87283354	4	CHAIN, ELEVATOR, , W/O Rock Trap
1	87283355	4	CHAIN, , W/Rock Trap
2	87546907	AR	SLAT, Slat, Feeder, L = 50-5/32"; W/O Rock Trap (14), W/Rock Trap (12)
3	9861444	AR	BOLT, Hex, M10 x 20, 10.9, Full Thd, W/O Rock Trap (112), W/Rock Trap (96)
4	86512554	AR	NUT, LOCK, M10 x 1.5, Cl 10, W/O Rock Trap (112), W/Rock Trap (96)
5	87625521	1	CHAIN (AGRICULTURE), Chain; Includes: Refs. 1-4, W/O Rock Trap
5	87625520	1	CHAIN (AGRICULTURE), Chain; Includes: Refs. 1-4, W/Rock Trap
6	87283351	AR	LINK, CHAIN, Roller; 87283354 (55), 87283355 (49), Not Shown
7	87283349	1	LINK, CONNECTING, , Not Shown
8	87283350	1	LINK, OFFSET, , Not Shown

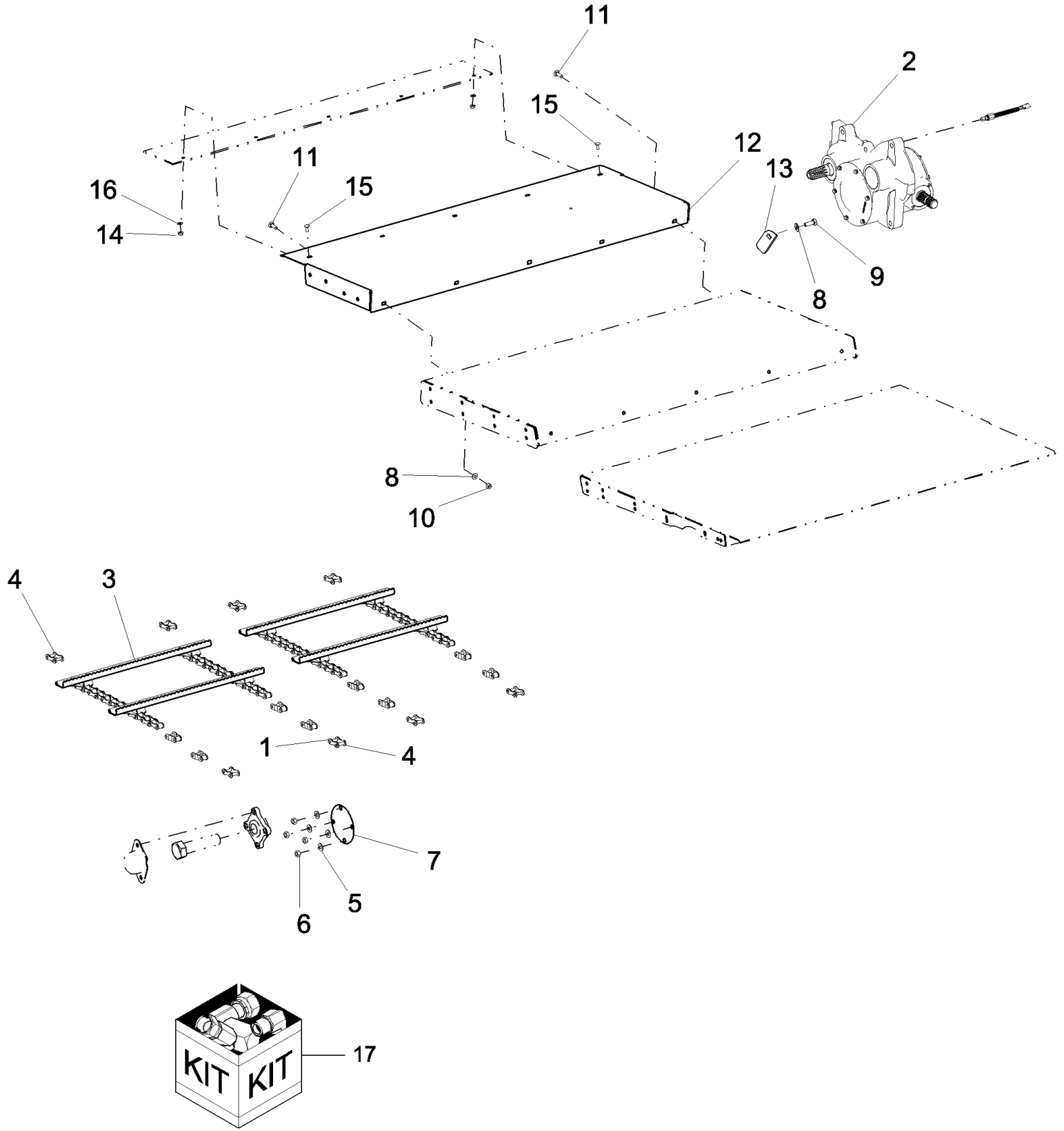
сылка	Номер детали	Кол-во	Описание
1	86995212	2	HOUSING, BEARING,
2	87109623	1	FLOOR, Front, EndYear: 02/09/2004
2	87282541	1	FLOOR, Front, Start Year: 02/09/2004
3	87282648	1	ROLLER, Upper
4	87283914	1	GEARBOX, 1500NM Clutch Setting, Replaces 86996329 [1300NM Clutch Setting]
5	86997123	2	WASHER,
6	86981357	2	BOLT,
7	86995139	1	SUMP,
8	86996311	1	FLOOR, Rear
9	87283356	2	CHAIN, ELEVATOR, Serrated Slats
9	87283357	2	CHAIN, ELEVATOR, Smooth Slats
9	87397925	2	CHAIN, ELEVATOR, Reinforced, Serrated Slats, ASN HAJ106756
10		1	See Fig K.90.E.70
11	86995577	1	FLOOR, Center, EndYear: 02/09/2004
11	87282537	1	FLOOR, Center, Start Year: 02/09/2004
11	86995665	1	FLOOR, Center, Optional - Perforated
12	86995578	1	FLOOR, Rear
13	140046	12	WASHER, SPRING, Belleville, M12,
14	9706685	12	NUT, M12, CI 8,
15	86996082	2	COVER,
16	87385031	1	SUPPORT,
17	87107279	2	ARM, , EndYear: 02/09/2004
17	87282449	2	ARM, , Start Year: 02/09/2004
18	86981181	1	ROLL, Front Feed
19	86995910	2	BUSHING, , EndYear: 02/09/2004
19	87282454	2	BUSHING, , Start Year: 02/09/2004
20	333040	2	WASHER, Hardened, EndYear: 02/09/2004
20	84007183	2	WASHER, Hardened, Start Year: 02/09/2004
21	140048	2	WASHER, SPRING, Belleville, M16,
22	120092	2	BOLT, Hex, M16 x 70, 8.8, , EndYear: 02/09/2004
22	87283073	2	BOLT, Special, Start Year: 02/09/2004
23	140045	34	WASHER, SPRING, Belleville, M10,
23	140045	AR	WASHER, SPRING, Belleville, M10, With Strip Off Plates
24	43139	8	SCREW, HH, CL 8.8, M10 x 25
24	43139	16	SCREW, HH, CL 8.8, M10 x 25 - With Strip Off Plates
25	100016	AR	NUT, M10, CI 8,
26	87283355	4	CHAIN,
27	87283349	4	LINK, CONNECTING,
28	86633356	5	BOLT, CARRIAGE, Short NK, M10 x 25, CI8.8, Full Thd,
29	86512446	AR	BOLT, CARRIAGE, Short NK, M10 x 30, CI8.8, Full Thd,
29	9706704	AR	BOLT, Hex, M10 x 35, 8.8, Full Thd,
29	374892	AR	BOLT, CARRIAGE, Short NK, M10 x 40, CI8.8, Full Thd,
30	87283350	4	LINK, OFFSET, Offset Link
31	87283351	AR	LINK, CHAIN, Roller Link
32	87105603	1	SENSOR, Feeder Speed

сылка	Номер детали	Кол-во	Описание
33	87282650	12	SLAT, Serrated, Holes 198 mm [7.8"] from centerline
33	87283556	12	SLAT, Optional, Smooth, Holes 198 mm [7.8"] from centerline
34	86981467	48	NUT, LOCK, M10 x 1.5, Flg, CI 10,
35	86981484	48	BOLT, Hex Flg, M10 x 25, 10.9, Full Thd,
36	87384612	2	PLATE, Strip-Off, Center
36	87384614	1	PLATE, Strip-Off, LH
36	87384616	1	PLATE, Strip-Off, RH
37	87282304	AR	SHIM, , Start Year: 02/09/2004
38	87109491	2	SEAL,
39	87385034	4	SHIM,
40	87510604	AR	DIA KIT, HARVESTER, Support, Includes Ref. 16, 39 & Hardware
41	87283285	1	SEAL,
42	9804277	5	NUT, M8 x 1.25, Flg, CI 8,
43	308761	5	BOLT, CARRIAGE, Short NK, M8 x 25, CI8.8, Full Thd,
44	322358	5	WASHER, SPRING, Belleville, M8,
45	87283373	AR	LINK, CHAIN, Slat Attaching
46	87397429	1	KIT, REPAIR, Kit Strip-Off Plates, Includes: Refs. 23, 25, 29, 36
46	87523360	AR	KIT, REPAIR, Feeder Strippers and Support, Includes Ref. 16, 23, 25, 29, 36, 39, Years: 01/01/2006-12/31/2006
47	1329837C2	AR	PIN, S - Type For Ref. 27 & 30



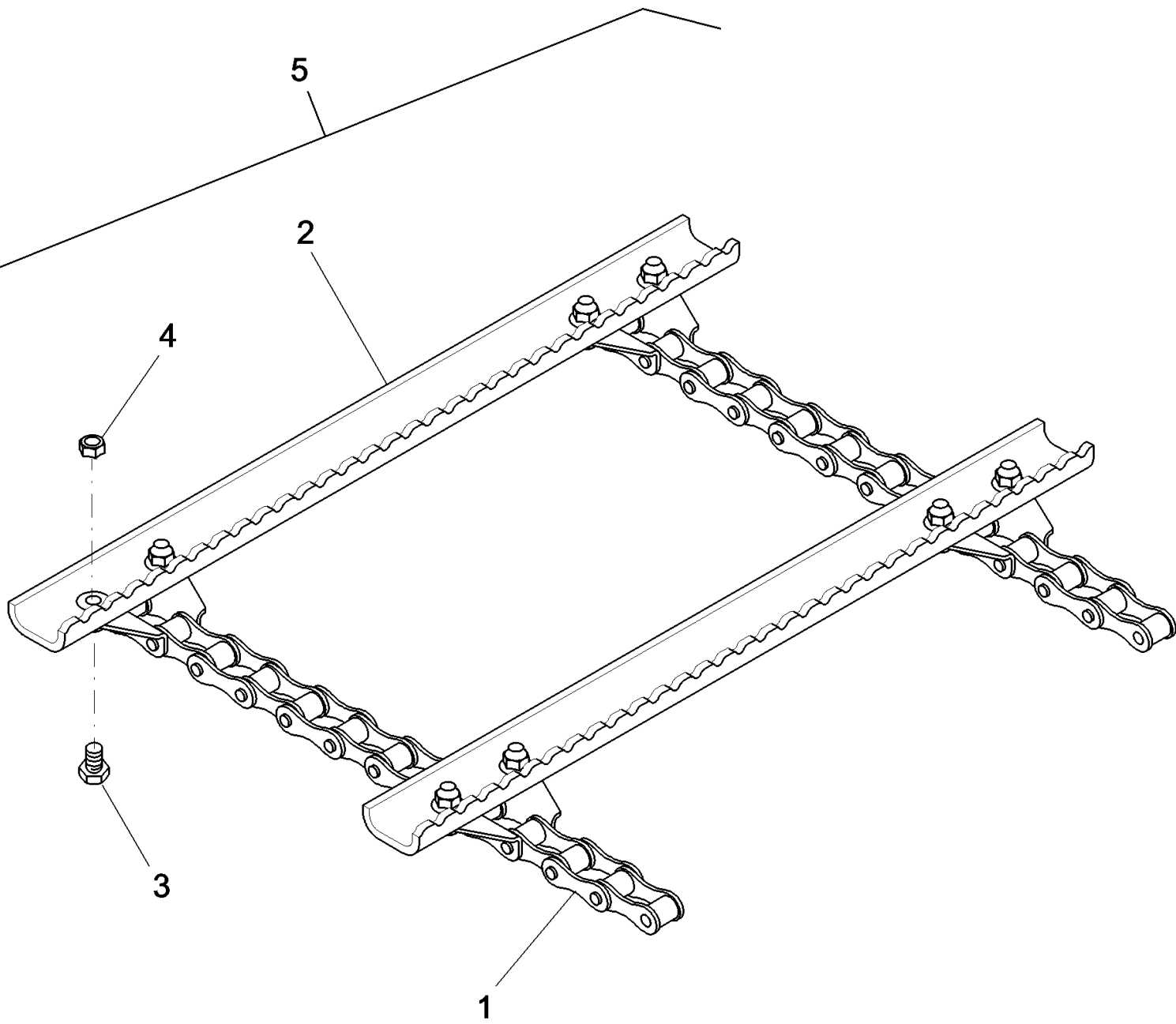
K.25.E.48(3) STONE TRAP KIT

сылка	Номер детали	Кол-во	Описание
1	86995212	1	HOUSING, BEARING,
2	308761	5	BOLT, CARRIAGE, Short NK, M8 x 25, CI8.8, Full Thd,
3	87283914	1	GEARBOX, w/ Stone Trap
4	86997123	1	WASHER,
5	86981357	1	BOLT,
6	86995139	1	SUMP,
7	322358	5	WASHER, SPRING, Belleville, M8,
8	9804277	5	NUT, M8 x 1.25, Flg, CI 8,
9	87533212	1	FLOOR,
9	86995578	1	FLOOR,
10	140046	6	WASHER, SPRING, Belleville, M12,
11	9706685	6	NUT, M12, CI 8,
12	86996082	1	COVER,
13	87283350	16	LINK, OFFSET,
14	87283349	4	LINK, CONNECTING,
15	140045	18	WASHER, SPRING, Belleville, M10,
16	11106231	3	BOLT, Hex, M10 x 25, 10.9, Full Thd,
17	100016	15	NUT, M10, CI 8,
18	86633356	5	BOLT, CARRIAGE, Short NK, M10 x 25, CI8.8, Full Thd,
19	86512446	5	BOLT, CARRIAGE, Short NK, M10 x 30, CI8.8, Full Thd,
20	87284912	1	BEATER, Assy., Stone Roll, Was 87108961
21	87537638	1	FLOOR, Rear, Replaces 87283284
21	87283284	1	FLOOR, Rear
22	87553555	1	KIT, Stone Trap, Includes Ref. 1-24
22	87372971	1	KIT, Stone Trap, Includes: Refs. 1-21
23	1329837C2	AR	PIN, S Type For Ref. 13 & 14
24	87546900	4	SHIM, Not Shown



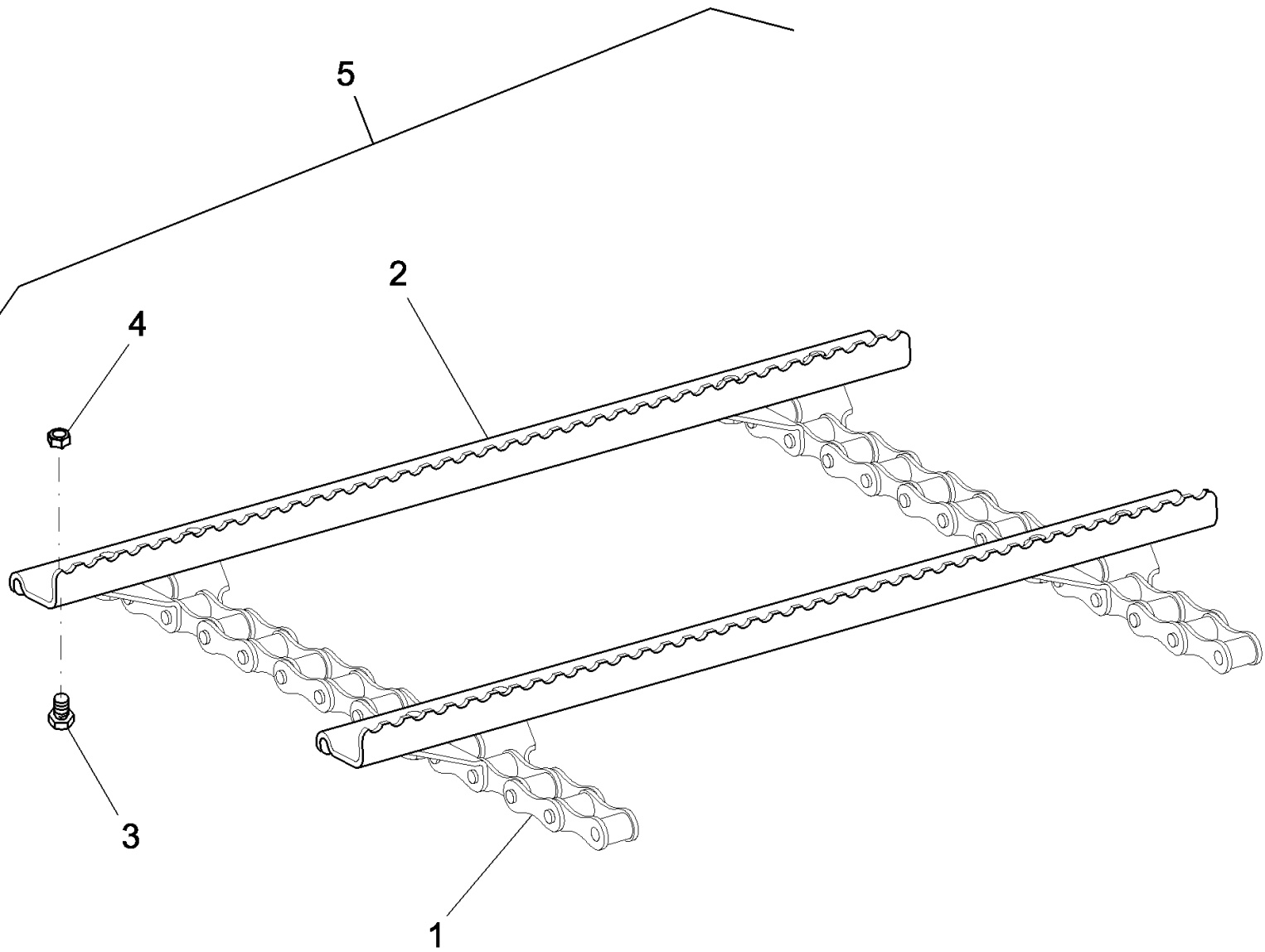
K.25.E.48(4) NON STONE TRAP KIT

сылка	Номер детали	Кол-во	Описание
1	87283350	8	LINK, OFFSET,
2	87283912	1	GEARBOX, w/o Stone Trap
3	87372978	2	CHAIN (AGRICULTURE), Chain Assy. Part of Kit P/N 87372974
3	87397927	2	CHAIN, ELEVATOR, Assy. Part of Kit P/N 87397926
4	87283349	8	LINK, CONNECTING,
5	140046	4	WASHER, SPRING, Belleville, M12,
6	9706685	4	NUT, M12, CI 8,
7	86995710	1	COVER,
8	140045	6	WASHER, SPRING, Belleville, M10,
9	11106231	1	BOLT, Hex, M10 x 25, 10.9, Full Thd,
10	100016	5	NUT, M10, CI 8,
11	86512446	5	BOLT, CARRIAGE, Short NK, M10 x 30, CI8.8, Full Thd,
12	87283282	1	FLOOR, Rear
12	87533206	1	FLOOR, Rear
13	87281862	1	PLATE,
14	9804277	5	NUT, M8 x 1.25, Flg, CI 8,
15	86507486	5	BOLT, CARRIAGE, Short NK, M8 x 20, CI8.8, Full Thd,
16	322358	5	WASHER, SPRING, Belleville, M8,
17	87553554	1	KIT, Non Stone Trap, Includes: Refs. 1-16
17	87372974	1	KIT, Non Stone Trap, Includes: Refs. 1-16
17	87397926	1	KIT, Non Stone Trap, Includes: Refs. 1-16
18	1329837C2	AR	PIN, S Type For Ref. 1 & 4



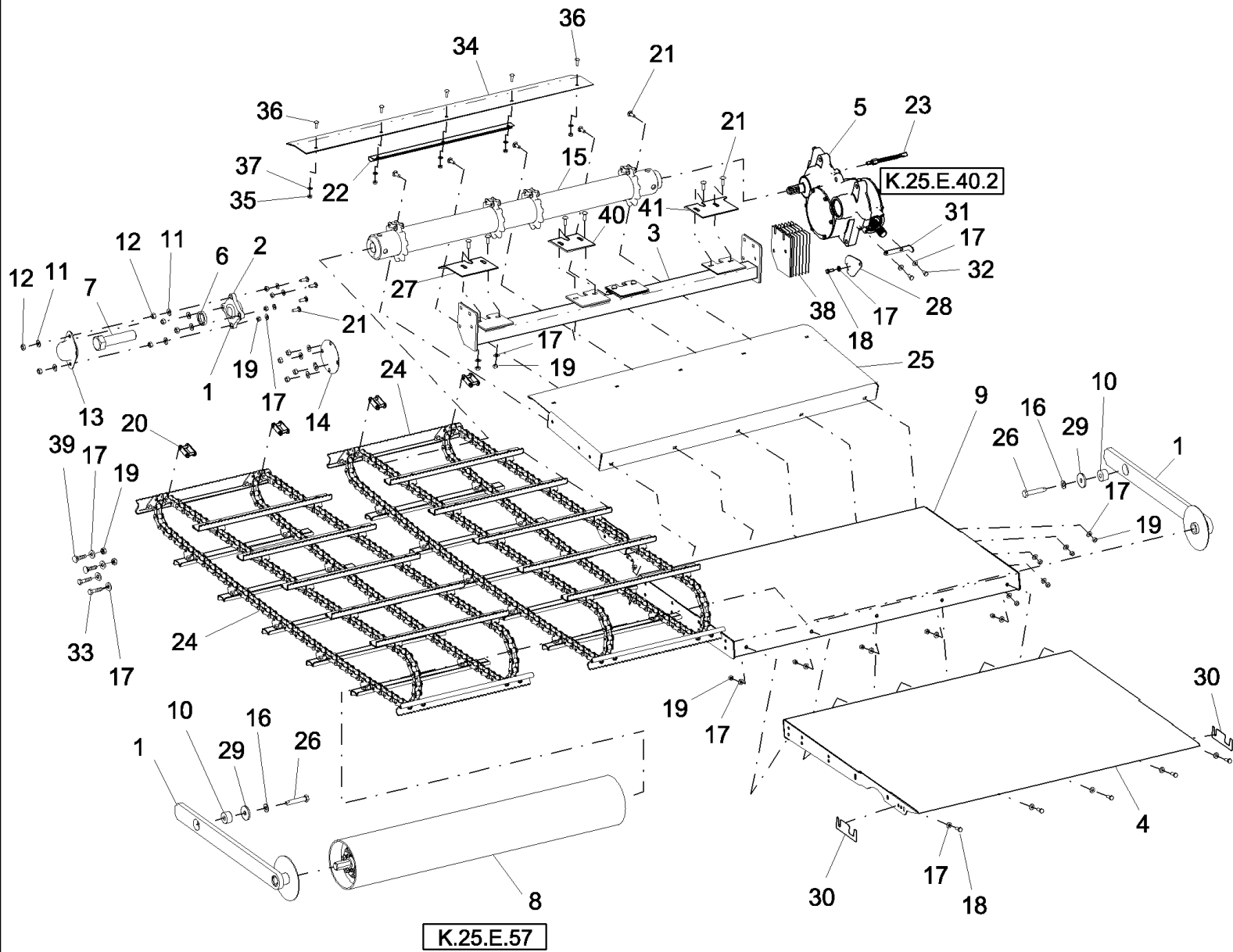
K.25.E.48(5) CHAIN ASSY AND SLAT FEEDERS

сылка	Номер детали	Кол-во	Описание
1	87372975	2	CHAIN (AGRICULTURE), Chain Assy
2	87282650	2	SLAT, Feeder
3	86981484	8	BOLT, Hex Flg, M10 x 25, 10.9, Full Thd,
4	86981467	8	NUT, LOCK, M10 x 1.5, Flg, CI 10,
5	87372978	1	CHAIN (AGRICULTURE), Assy. Includes: Refs. 1-4

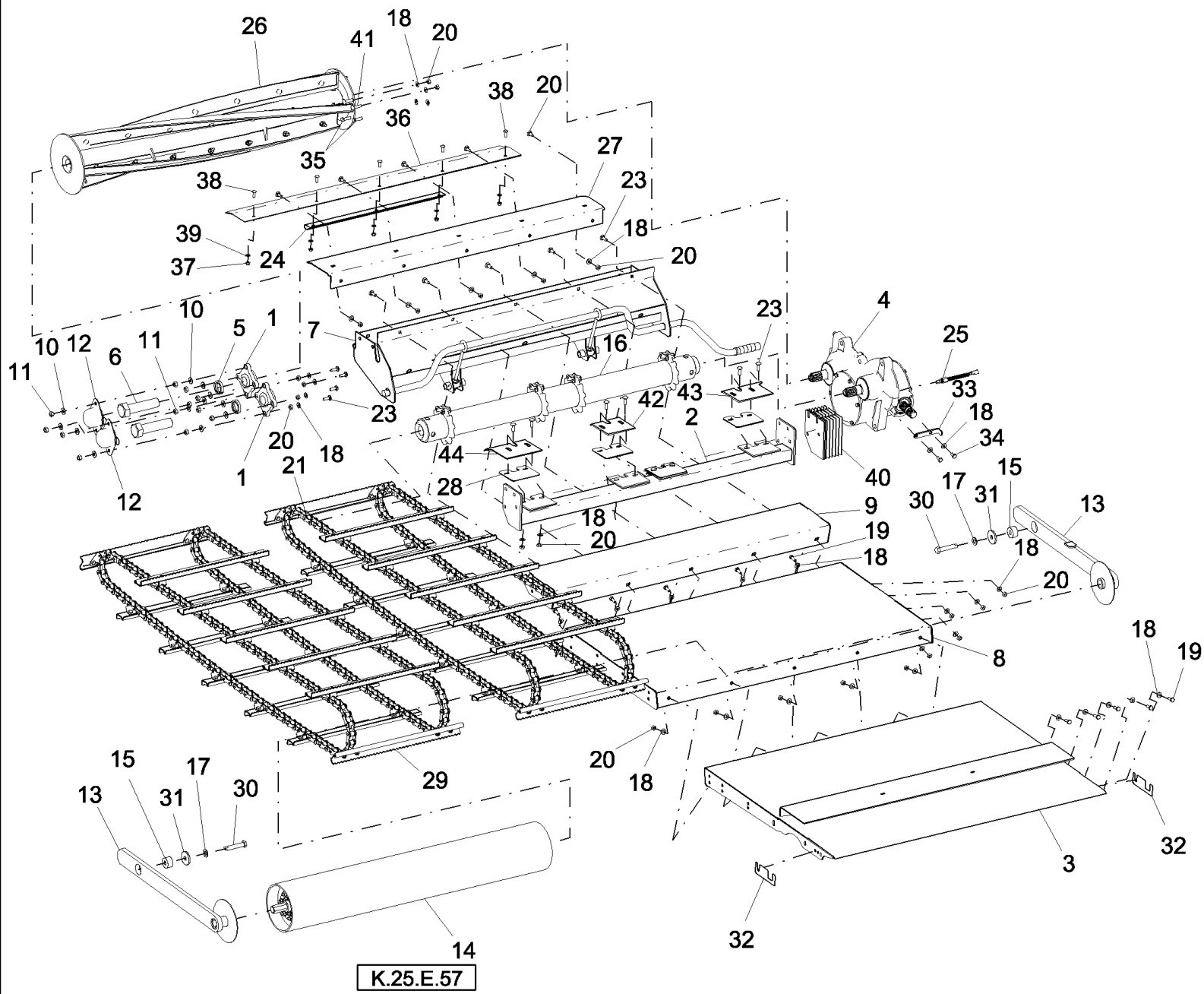


K.25.E.48(6) CHAIN ASSY AND SLAT FEEDERS

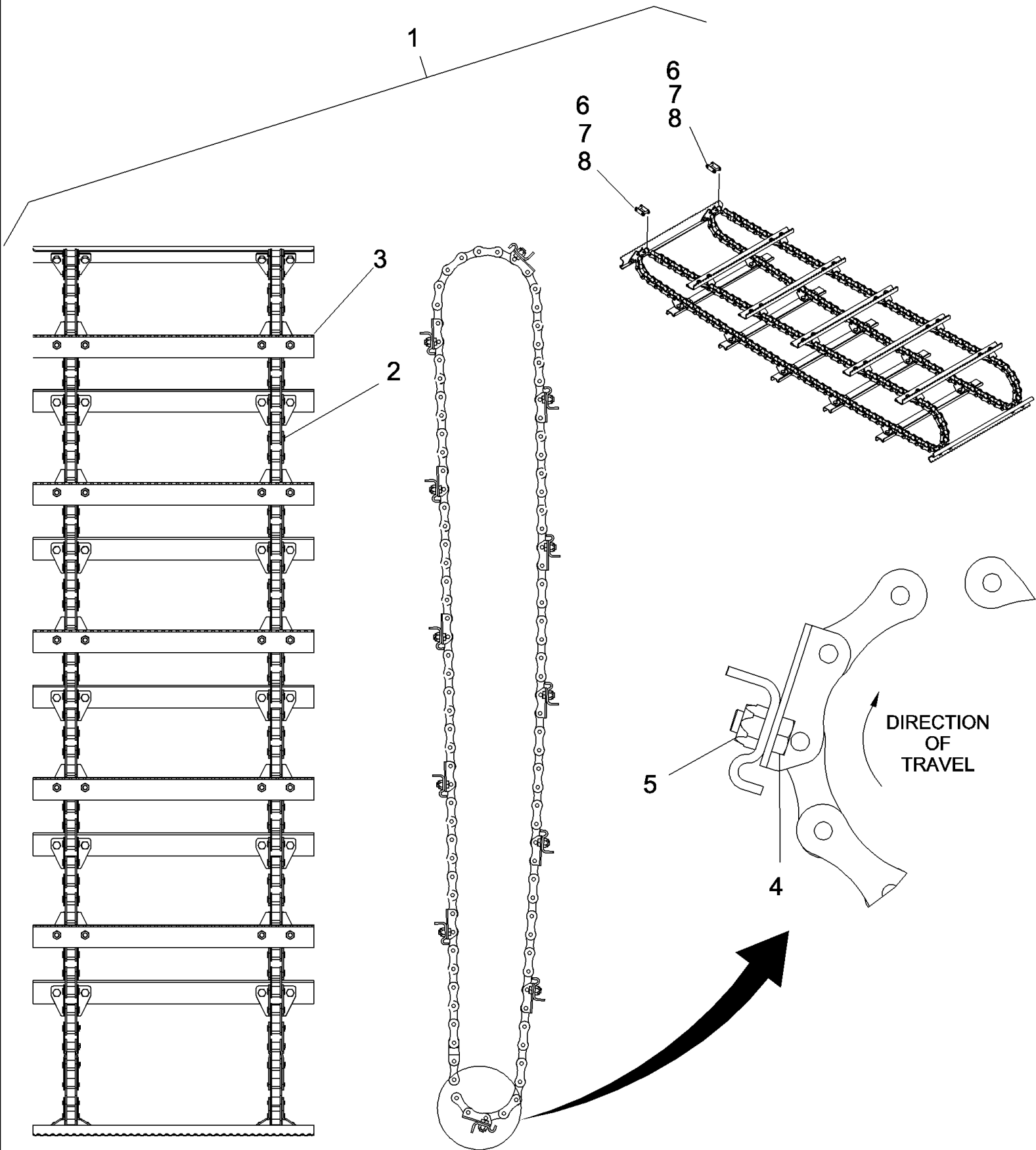
сылка	Номер детали	Кол-во	Описание
1	87372975	2	CHAIN (AGRICULTURE), Chain Assy
2	87395271	2	SLAT, Feeder
3	9861444	8	BOLT, Hex, M10 x 20, 10.9, Full Thd,
4	86512554	8	NUT, LOCK, M10 x 1.5, CI 10,
5	87397927	1	CHAIN, ELEVATOR, Assy. Includes: Refs. 1-4



сылка	Номер детали	Кол-во	Описание
1	87282449	2	ARM,
2	86995212	1	HOUSING, BEARING,
3	87385031	1	SUPPORT,
4	87393958	1	FLOOR,
5	87283912	1	GEARBOX,
6	86997123	1	WASHER,
7	86981357	1	BOLT,
8	86981181	1	ROLL,
9	87282537	1	FLOOR,
9	84084681	1	DIA KIT, HARVESTER, Perforated Floor; Includes: Instructions
10	87282454	2	BUSHING,
11	140046	10	WASHER, SPRING, Belleville, M12,
12	9706685	10	NUT, M12, CI 8,
13	86996082	1	COVER,
14	86995710	1	COVER,
15	87283554	1	SPROCKET,
16	140048	2	WASHER, SPRING, Belleville, M16,
17	140045	34	WASHER, SPRING, Belleville, M10,
18	43139	6	SCREW,
19	100016	24	NUT, M10, CI 8,
20	87283350	4	LINK, OFFSET,
21	86512446	17	BOLT, CARRIAGE, Short NK, M10 x 30, CI8.8, Full Thd,
22	87537644	1	CHANNEL,
23	87105603	1	SENSOR,
24	87397924	2	CHAIN, ELEVATOR,
25	87533206	1	FLOOR,
26	87283073	2	BOLT,
27	87384616	1	PLATE,
28	87281862	1	PLATE,
29	84007183	2	WASHER,
30	87537643	2	SHIM,
31	87044119	1	BRACKET,
32	300383	2	BOLT, Hex, M10 x 16, 8.8, Full Thd,
33	9706704	2	BOLT, Hex, M10 x 35, 8.8, Full Thd,
34	87533210	1	SEAL,
35	9804277	5	NUT, M8 x 1.25, Flg, CI 8,
36	86507486	5	BOLT, CARRIAGE, Short NK, M8 x 20, CI8.8, Full Thd,
37	322358	5	WASHER, SPRING, Belleville, M8,
38	87385034	8	SHIM,
39	374892	2	BOLT, CARRIAGE, Short NK, M10 x 40, CI8.8, Full Thd,
40	87384612	2	PLATE,
41	87384614	1	PLATE,

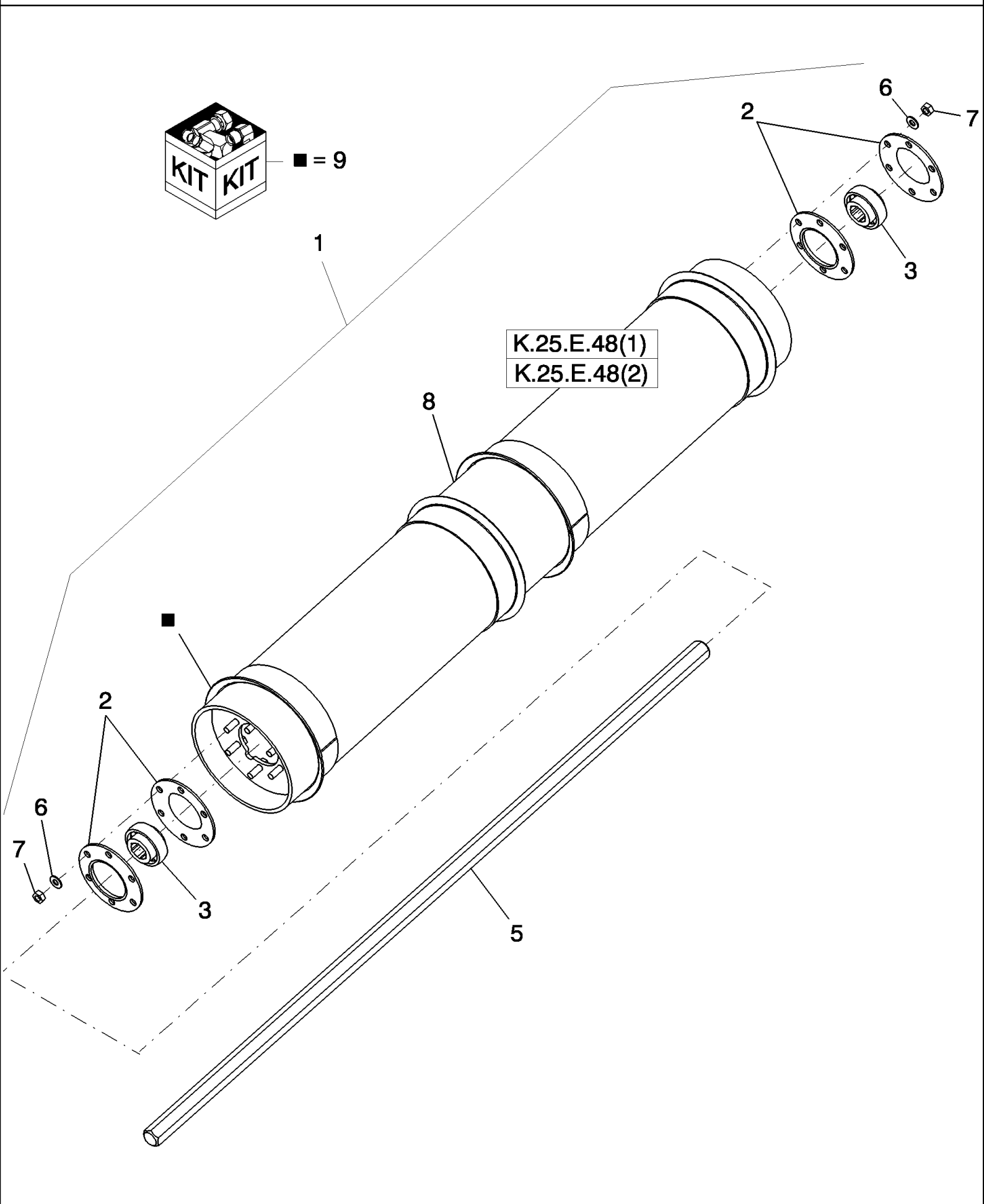


сылка	Номер детали	Кол-во	Описание
1	86995212	2	HOUSING, BEARING,
2	87385031	1	SUPPORT,
3	87393958	1	FLOOR,
4	87283914	1	GEARBOX,
5	86997123	2	WASHER,
6	86981357	2	BOLT,
7	86995139	1	SUMP,
8	87282537	1	FLOOR,
8	84084681	1	DIA KIT, HARVESTER, Perforated Floor; Includes: Instructions
9	87533212	1	FLOOR,
10	140046	12	WASHER, SPRING, Belleville, M12,
11	9706685	12	NUT, M12, CI 8,
12	86996082	2	COVER,
13	87282449	2	ARM,
14	86981181	1	ROLL, Front, Feed
15	87282454	2	BUSHING,
16	87283554	1	SPROCKET, Upper
17	140048	2	WASHER, SPRING, Belleville, M16,
18	140045	48	WASHER, SPRING, Belleville, M10,
19	43139	10	SCREW,
20	100016	34	NUT, M10, CI 8,
21	87283349	4	LINK, CONNECTING,
22	86633356	5	BOLT, CARRIAGE, Short NK, M10 x 25, CI8.8, Full Thd,
23	86512446	17	BOLT, CARRIAGE, Short NK, M10 x 30, CI8.8, Full Thd,
24	87537644	1	CHANNEL,
25	87105603	1	SENSOR,
26	87284912	1	BEATER, Stone Trap
27	87537638	1	FLOOR,
28	87546900	4	SHIM,
29	87397925	2	CHAIN, ELEVATOR,
30	87283073	2	BOLT,
31	84007183	2	WASHER,
32	87537643	8	SHIM,
33	87044119	1	BRACKET,
34	300383	2	BOLT, Hex, M10 x 16, 8.8, Full Thd,
35	9706704	2	BOLT, Hex, M10 x 35, 8.8, Full Thd,
36	87533210	1	SEAL,
37	9804277	5	NUT, M8 x 1.25, Flg, CI 8,
38	308761	5	BOLT, CARRIAGE, Short NK, M8 x 25, CI8.8, Full Thd,
39	322358	5	WASHER, SPRING, Belleville, M8,
40	87385034	8	SHIM,
41	374892	2	BOLT, CARRIAGE, Short NK, M10 x 40, CI8.8, Full Thd,
42	87384612	2	PLATE, Strip Off, Center
43	87384614	1	PLATE, Strip Off, LH
44	87384616	1	PLATE, Strip Off, RH



сылка	Номер детали	Кол-во	Описание
1	87397924	2	CHAIN, ELEVATOR, , Non Rock Trap
1	87397925	2	CHAIN, ELEVATOR, , With Rock Trap
2	87283354	4	CHAIN, ELEVATOR, , Non Rock Trap
2	87283355	4	CHAIN, , With Rock Trap
3	87395271	14	SLAT, , Non Rock Trap
3	87395271	12	SLAT, , With Rock Trap
4	9861444	56	BOLT, Hex, M10 x 20, 10.9, Full Thd, , Non Rock Trap
4	9861444	48	BOLT, Hex, M10 x 20, 10.9, Full Thd, , With Rock Trap
5	86512554	56	NUT, LOCK, M10 x 1.5, CI 10, , Non Rock Trap
5	86512554	48	NUT, LOCK, M10 x 1.5, CI 10, , With Rock Trap
6	87283349	1	LINK, CONNECTING,
7	87283350	1	LINK, OFFSET, Offset
8	87283351	AR	LINK, CHAIN,

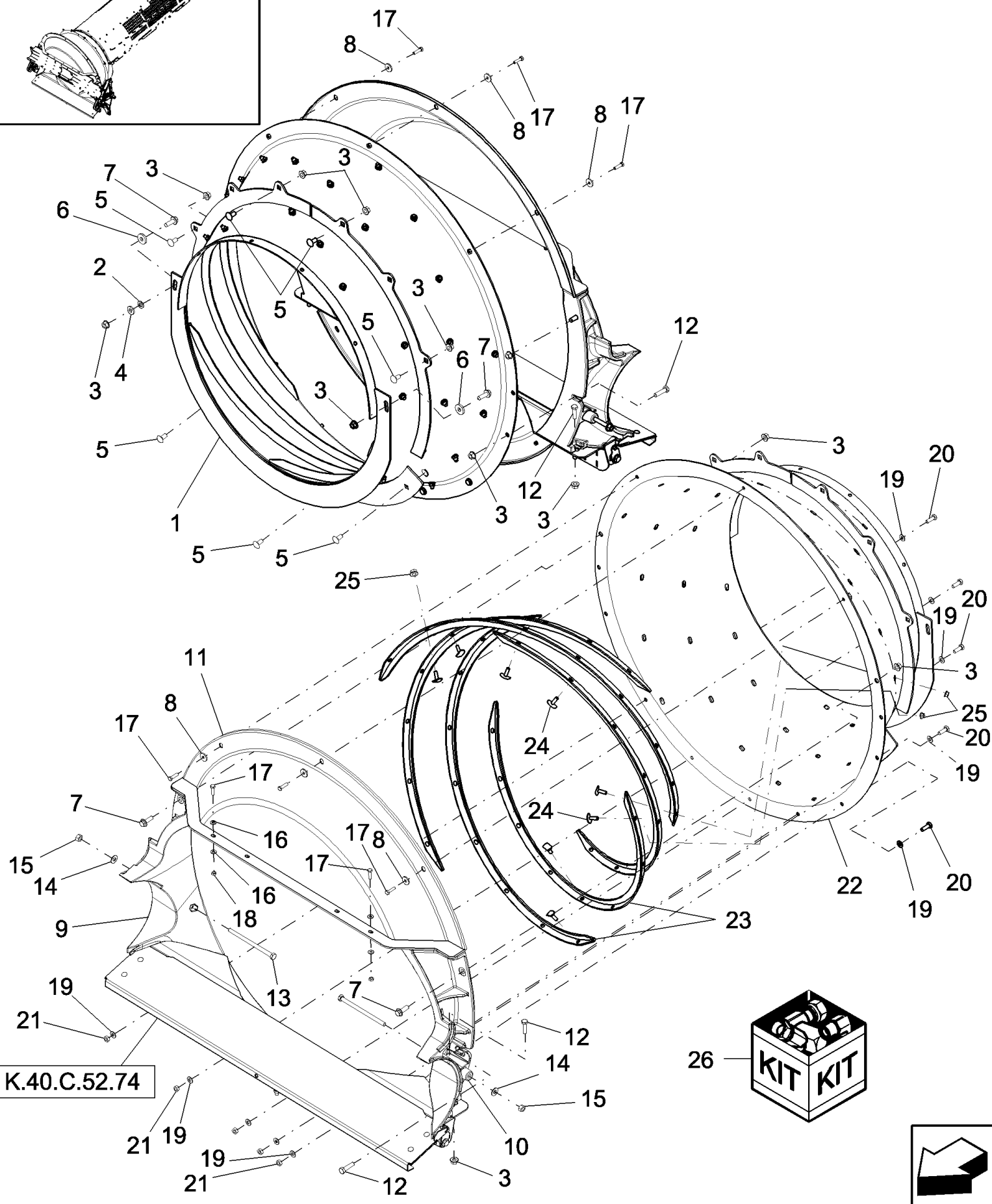
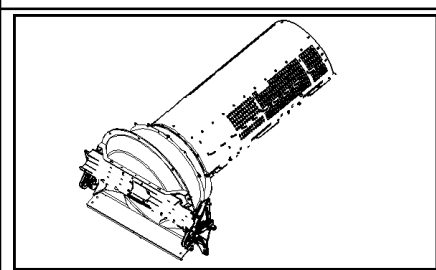
K.25.E.57 FEEDER IDLER ROLLER



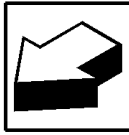
K.25.E.57 FEEDER IDLER ROLLER

сылка	Номер детали	Кол-во	Описание
1	86981181	1	ROLL, Front Feed, Includes: Ref. 2 - 8
2	87107282	4	FLANGE,
3	121602	2	BEARING, BALL,
5	86995658	1	SHAFT,
6	140045	12	WASHER, SPRING, Belleville, M10,
7	100016	12	NUT, M10, CI 8,
8	87529331	1	ROLL,
9	87635125	AR	KIT, SERVICE, Chain Guide; Includes: Rings (4) & Instructions, Welding Required

K.25.K TRANSITION CONE

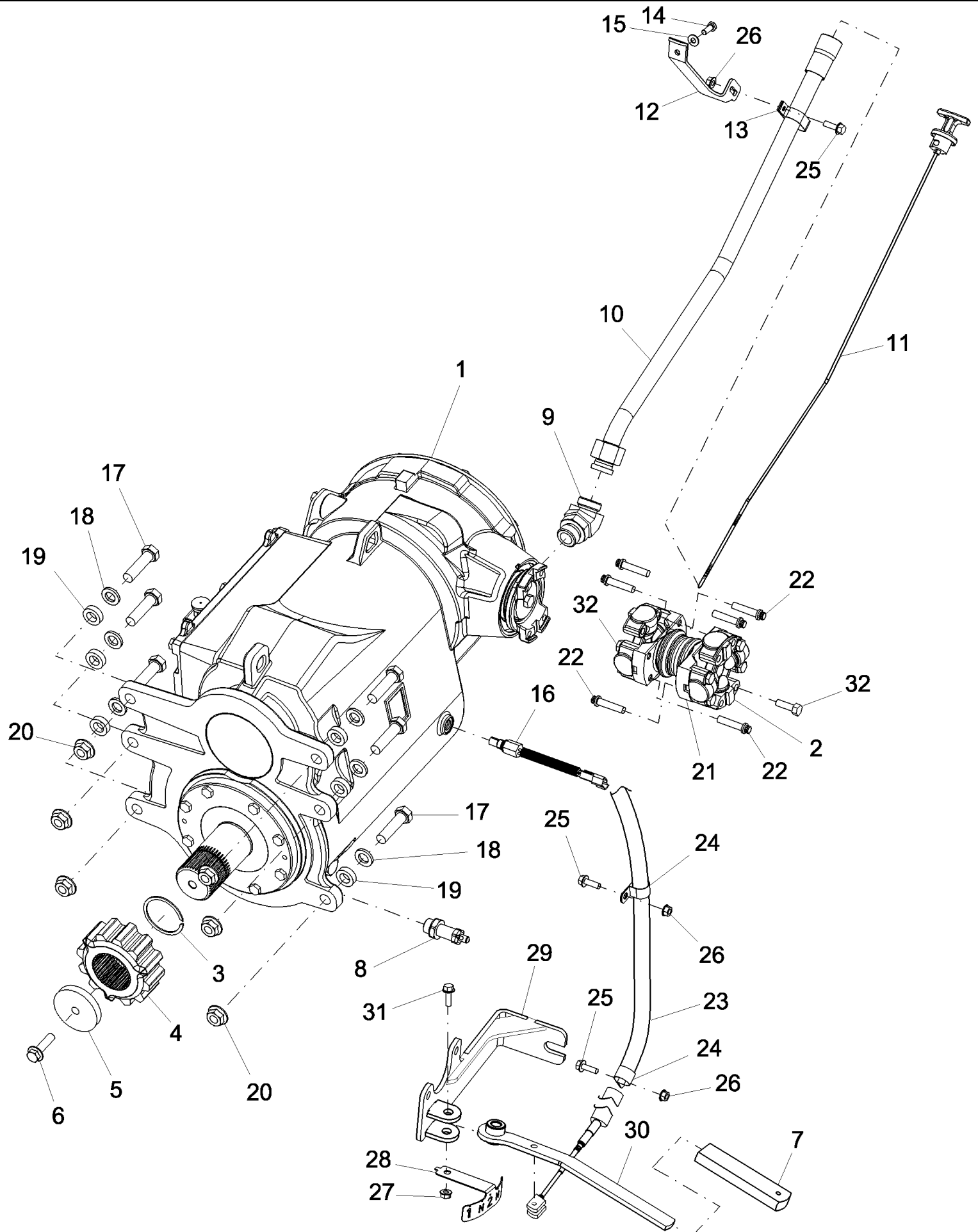


K.40.C.52.74

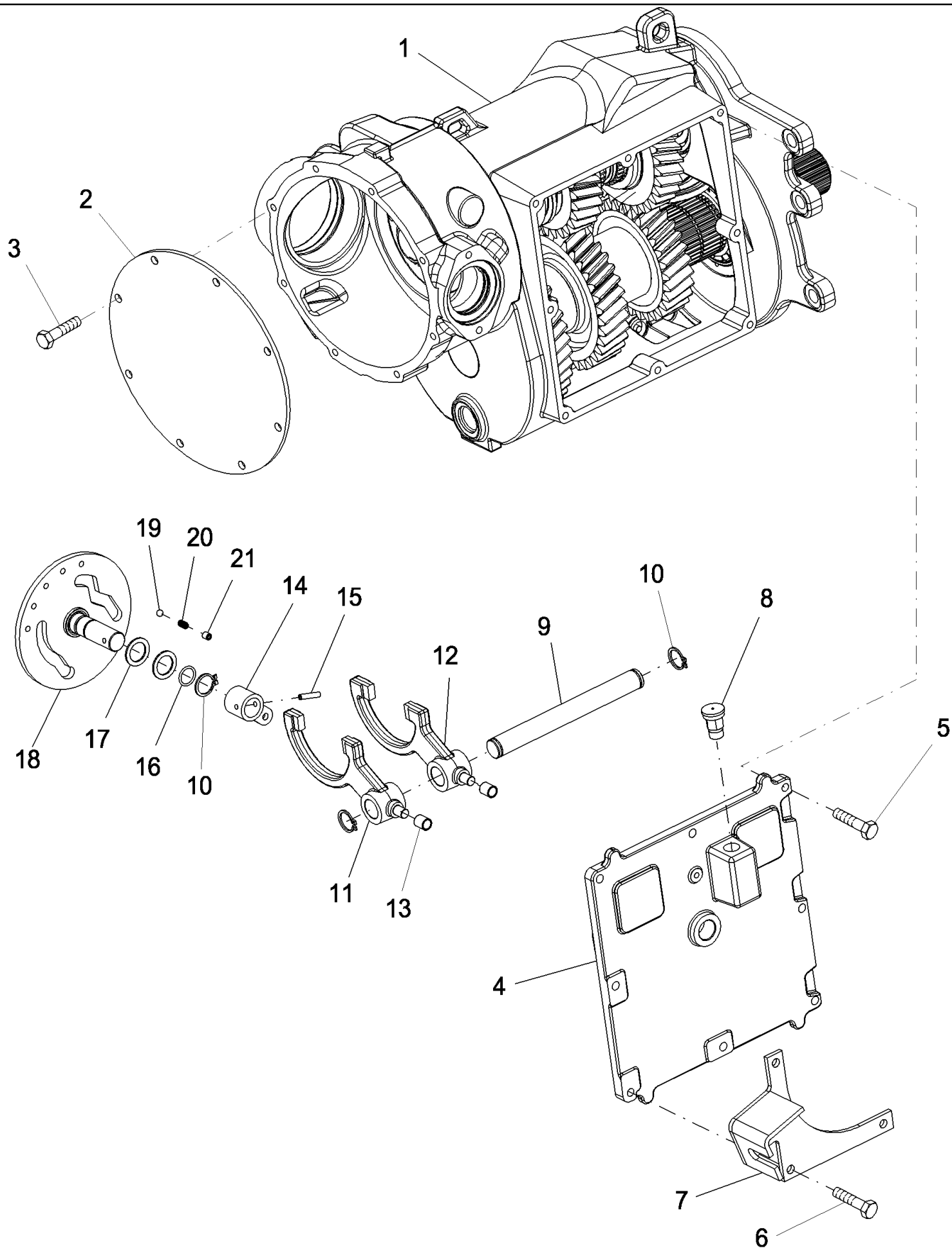


K.25.K TRANSITION CONE

сылка	Номер детали	Кол-во	Описание
1	87390937	1	CONE, Assy. Hd, HT Includes: P/N 87390936 and Refs. 23, 24, 25, Enhanced Cleaning
1	87369361	1	CONE, Assy. Hd, Includes: P/N 87369356 and Refs. 23, 24, 25
1	87318719	1	CONE, , Enhanced Cleaning
1	87382438	1	CONE, , Enhanced Cleaning
1	87382441	1	CONE, , BSN HAJ106401
1	87382439	1	CONE, Rotor Transition, Includes P/N 87382441 and Refs. 23, 24, 25, Enhanced Cleaning, ASN HAJ106401
2	86625255	1	WASHER, M13.5 x 24.5 x 3, HT,
3	43436	13	NUT, M12, Flg Ser,
4	394630	1	WASHER, M12
5	374895	7	BOLT, CARRIAGE, Short NK, M12 x 25, CI8.8, Full Thd,
6	86592701	2	WASHER, M12 x 35 x 5, HT,
7	86981487	4	BOLT, Hex Flg, M12 x 35, 10.9, Full Thd,
8	140041	3	WASHER, M8 x 28 x 3,
9	87517351	1	DEFLECTOR, RH - Machined, HIGH WEAR
9	87281152	1	DEFLECTOR, RH
9	87324947	1	DEFLECTOR, RH - Tungsten Carbide coated
10	87281151	1	DEFLECTOR, LH
10	87324946	1	DEFLECTOR, LH - Tungsten Carbide coated
10	87517350	1	DEFLECTOR, LH - Machined, HIGH WEAR
11	87106704	1	DOOR,
12	9628065	4	BOLT, Hex, M12 x 45, 8.8,
13	382181	2	BOLT, Hex, M12 x 190, 8.8,
14	140046	2	WASHER, SPRING, Belleville, M12,
15	9706685	2	NUT, M12, CI 8,
16	322358	4	WASHER, SPRING, Belleville, M8,
17	43128	5	BOLT, Hex, M8 x 30, 8.8,
18	9706690	2	NUT, M8, CI 8,
19	140045	10	WASHER, SPRING, Belleville, M10,
20	43140	5	BOLT, Hex, M10 x 30, 8.8, Full Thd,
21	100016	5	NUT, M10, CI 8,
22	87390936	1	Cone Hd, HT
22	87369356	1	Cone Hd
22	87350843	1	CONE,
22	87382441	1	CONE, Rotor Transition-Replaces 87350843, ASN HAJ106401
23	87053359	5	STIFFENER, Vane, ASN HAJ106401
24	433734A1	45	BOLT, , ASN HAJ106401
25	231-5346	45	NUT, LOCK, Flg, 3/8"-16, , ASN HAJ106401
27	87347276	AR	DIA KIT, HARVESTER, Vane, Cone

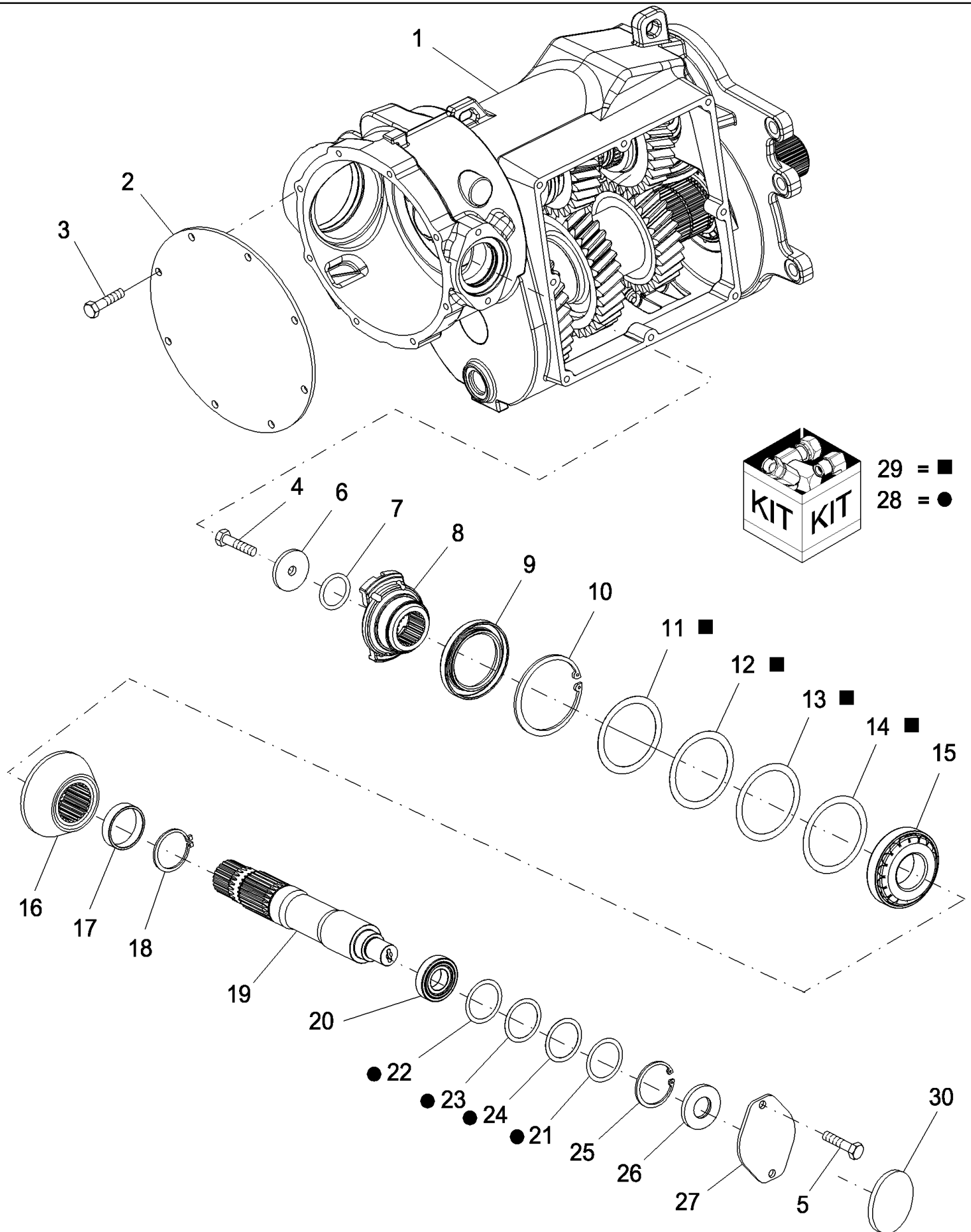


сылка	Номер детали	Кол-во	Описание
1	87108125	1	GEARBOX, Rotor, Three Speed
1	87282405	1	GEARBOX, Rotor, Three Speed - Replaces 87108125
2	258854A2	2	JOINT, UNIVERSAL,
3	87016255	1	RING, SNAP, #250, 2.356, Ext,
4	86980985	1	COUPLING, Center Rotor, Inner
5	87000091	1	WASHER,
6	87018388	1	BOLT, Hex Flg, M12 x 45, 10.9,
7	357545	1	HANDLE GRIP,
8	87105048	1	DRAINCOCK/TAP, SUPPLY,
9	86639054	1	ELBOW, 45e, 1 7/16"-12 ORFS x M33 x 2 ORB,
10	87106566	1	TUBE,
11	87106565	1	DIPSTICK,
12	87106209	1	BRACKET,
13	600427	1	CLAMP,
14	120104	1	BOLT, Hex, M8 x 20, 8.8,
15	322358	1	WASHER, SPRING, Belleville, M8,
16	87105603	1	SENSOR, Rotor RPM
17	87017895	6	BOLT, Hex, M16 x 60, 10.9, Full Thd,
18	86625266	6	WASHER, M17.5 x 30 x 4, HT,
19	87106105	6	SPACER,
20	86981464	6	NUT, M16 x 2, Flg, CI 10,
21	87109129	1	SHAFT, DRIVE, Includes Ref. 2 & 32
22	87017891	8	SCREW, 12 Pt Hd, M10 x 45, 12.9,
23	86998008	1	CABLE,
24	9827902	2	CLAMP, 1", Insul, 3/8" Bolt,
25	844-8025	3	BOLT, Hex Flg, M8 x 25, 8.8,
26	9804277	3	NUT, M8 x 1.25, Flg, CI 8,
27	412126	1	NUT, LOCK, M12 x 1.75, CI 8,
28	87106667	1	INDICATOR, Gear
29	87107830	1	BRACKET, Shift Cable
30	87107827	1	LEVER, Shift
31	9706693	1	BOLT, Hex, M12 x 60, 8.8,
32	828-10045	8	BOLT, Hex, M10 x 45, 10.9,



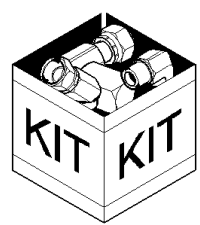
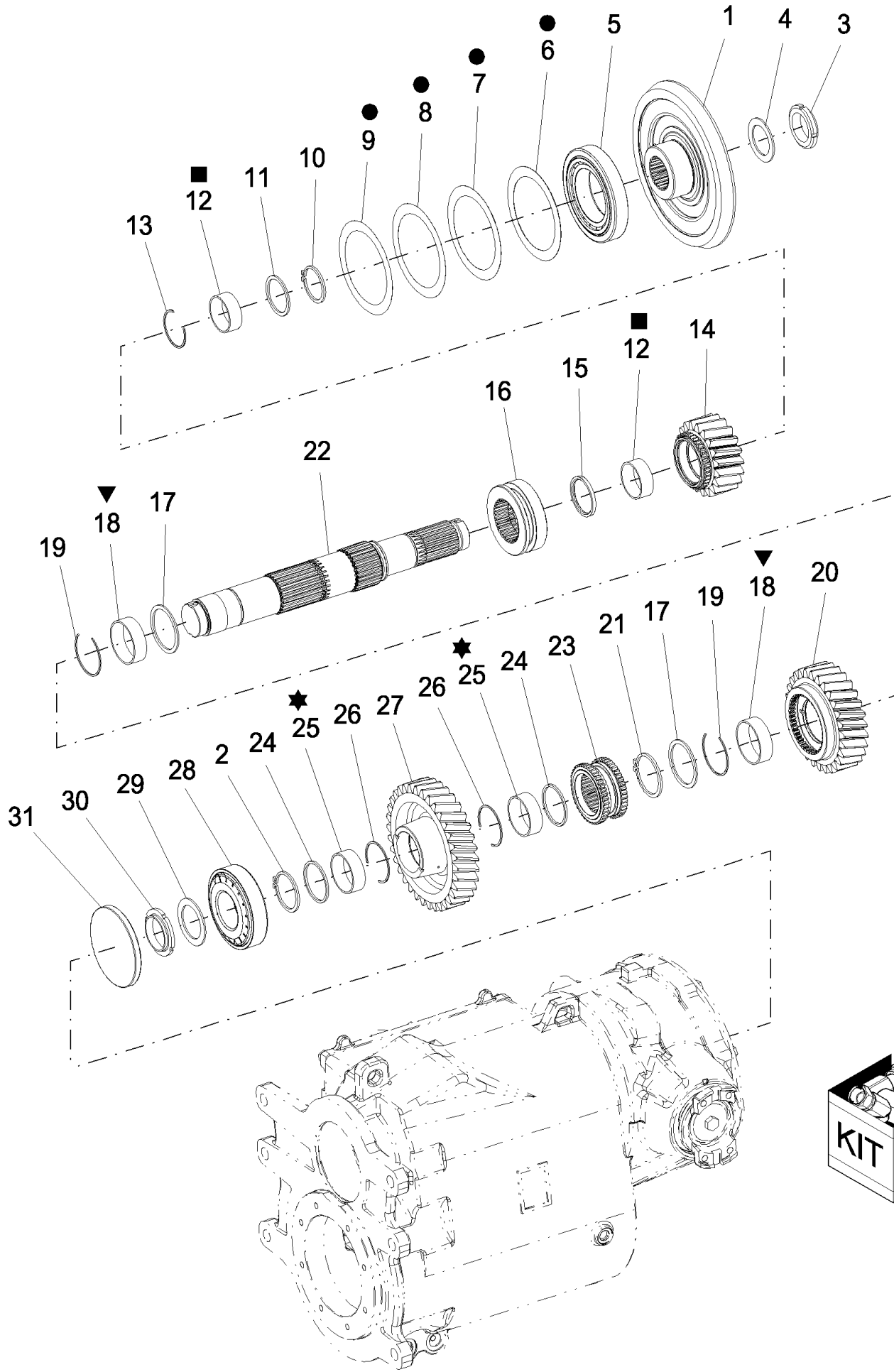
K.40.C.44(1) SHIFTING COMPONENTS, ROTOR GEARBOX

сылка	Номер детали	Кол-во	Описание
1	87280565	1	HOUSING, With Bolt On Input Shaft Cover
1	87282569	1	HOUSING,
2	87280569	1	COVER, Rear
3	628-10020	8	BOLT, Hex, M10 x 20, 10.9, Full Thd,
4	87280566	1	COVER, Side
5	628-10025	5	BOLT, Hex, M10 x 25, 10.9, Full Thd,
6	628-10030	3	BOLT, Hex, M10 x 30, 10.9, Full Thd,
7	87280961	1	BRACKET, Shift Cable
8	219-436	1	BREATHER, 3/8"-18 NPT, Short, w/washer,
9	87280505	1	SHIFT RAIL,
10	800-5125	3	CIRCLIP, M25, Ext,
11	87280503	1	FORK, SHIFTER,
12	87281245	1	FORK, SHIFTER, 2nd & 3rd Gear
13	87281117	2	BUSHING,
14	87280568	1	LEVER,
15	838-3630	1	PIN, M6 x 30, Coiled,
16	14457580	1	O-RING, -117, 70 Duro, .799" ID x .103" Thk,
17	87034239	2	WASHER,
18	87280506	1	CAM, Shift
19	211-1010	1	BALL, 5/16" Dia,
20	87281285	1	SPRING, Compression
21	878-10810	1	SET SCREW, Hex Soc, M8 x 10 Cup Pt,



K.40.C.44(2) INPUT SHAFT & GEARS, ROTOR GEARBOX

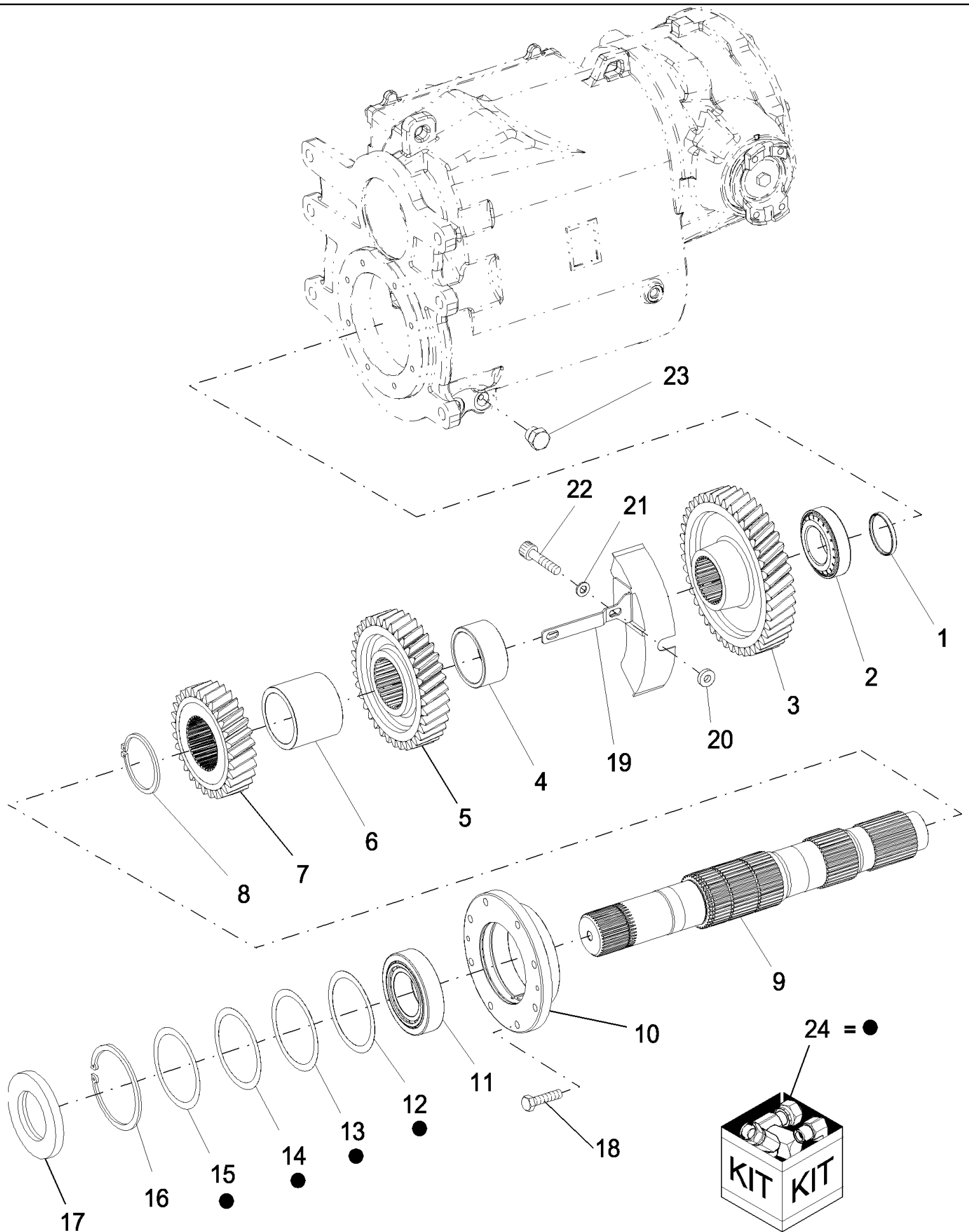
сылка	Номер детали	Кол-во	Описание
1	87280565	1	HOUSING, Housing, With Bolt On Input Shaft Cover, EndYear: 12/06/2003
1	87282569	1	HOUSING, , Start Year: 12/06/2003
2	87280569	1	COVER, Rear
3	628-10020	8	BOLT, Hex, M10 x 20, 10.9, Full Thd,
4	628-12030	1	BOLT, Hex, M12 x 30, 10.9, Full Thd,
5	614-10016	2	BOLT, Hex, M10 x 16, 8.8, Full Thd,
6	86975743	1	WASHER, Shaker Drive
7	104258	1	O-RING, -326, 70 Duro, 1.600" ID x .210" Thk,
8	87280573	1	YOKE, Input Shaft
9	87280576	1	SEAL, OIL, 75 x 110 x 13
10	800-21110	1	RING, SNAP, M110, Int,
11	87033537	1	SHIM, 0.5
12	87033536	1	SHIM, 0.3
13	87033535	1	SHIM, 0.15
14	87033534	1	SHIM, 0.10
15	87280574	1	BEARING, ROLLER, TAPERED,
16	87280570	1	GEAR SET, Bevel
17	87280577	1	SPACER,
18	800-5155	2	RING, SNAP, M55, Ext, Hvy,
19	87280578	1	SHAFT W/WORM SCREW, Input - With Bolt On Input Shaft Cover, EndYear: 12/06/2003
19	87282570	1	SHAFT, Input, Start Year: 12/06/2003
20	87280575	1	BEARING, ROLLER, TAPERED,
21	87025487	1	SHIM, M50 ID x 62 OD x .1 Thk,
22	87033533	1	SHIM, 0.15
23	87025488	1	SHIM, M50 ID x 62 OD x .3 Thk,
24	87025489	1	SHIM, M50 ID x 62 OD x .5 Thk,
25	87040216	1	RING, SNAP, M62, int,
26	87281001	1	Oil Seal
27	87280986	1	Cover, RH, Input Shaft
28	87281004	1	KIT, SHIM,
29	87281005	1	KIT, SHIM,
30	87280587	1	PLUG, Cover, Start Year: 12/06/2003



- 32 = ●
- 33 = ■
- 34 = ▼
- 35 = ★

сылка	Номер детали	Кол-во	Описание
1	87280570	1	GEAR SET, Bevel
2	800-5155	2	RING, SNAP, M55, Ext, Hvy, , EndYear: 12/06/2003, BSN BSN
3	87031062	1	NUT, LOCK, Stake
4	87281243	1	WASHER, THRUST,
5	87280579	1	BEARING, ROLLER, TAPERED,
6	87033548	1	SHIM, 0.50
7	87033546	1	SHIM, 0.30
8	87033545	1	SHIM, 0.15
9	87033544	1	SHIM, SHIM, 0.10
10	800-5150	1	RING, SNAP, M50, Ext,
11	87281242	1	Washer, Thrust, EndYear: 12/06/2003
11	87282464	1	WASHER, , Start Year: 12/06/2003, ASN ASN
12	87280990	2	BEARING, Needle, Roller
13	87280997	1	RING, SNAP,
14	87280580	1	GEAR, Driver
15	87280958	1	WASHER, THRUST,
16	87280581	1	COLLAR, Shift, 1st Gear, EndYear: 12/06/2003, BSN BSN
17	87281240	2	Washer, Thrust, EndYear: 12/06/2003
17	87282385	2	WASHER, , Start Year: 12/06/2003, ASN ASN
18	87280992	2	BEARING, NEEDLE, Needle, Roller
19	87280999	2	RING, SNAP,
20	87280582	1	GEAR, Driver, EndYear: 12/06/2003
20	87282386	1	GEAR, 2nd, 28T, Start Year: 12/06/2003, ASN ASN
21	800-5160	1	RING, SNAP, M60, Ext,
22	87280596	1	SHAFT, Intermediate, EndYear: 12/06/2003
22	87282387	1	SHAFT, Intermediate, Start Year: 12/06/2003, ASN ASN
23	87280583	1	COLLAR, Shift, 2nd & 3rd Gear
24	87281241	2	WASHER, THRUST, , EndYear: 12/06/2003
24	87282496	2	WASHER, THRUST, , Start Year: 12/06/2003, ASN ASN
25	87280994	2	BEARING, NEEDLE, Needle, Roller
26	87280998	2	RING, SNAP, Internal
27	87280584	1	GEAR, Driver, EndYear: 12/06/2003
27	87282497	1	GEAR, Driven, 3rd, 34T, Start Year: 12/06/2003, ASN ASN
28	86509784	1	BEARING, ROLLER,
29	87031063	1	WASHER, THRUST,
30	87020897	1	NUT, Stake
31	375413A1	1	CAP,
32	87281118	1	KIT, SHIM,
33	87282439	1	KIT, Needle Bearing
34	87282440	1	KIT, Needle Bearing
35	87282441	1	KIT, Needle Bearing

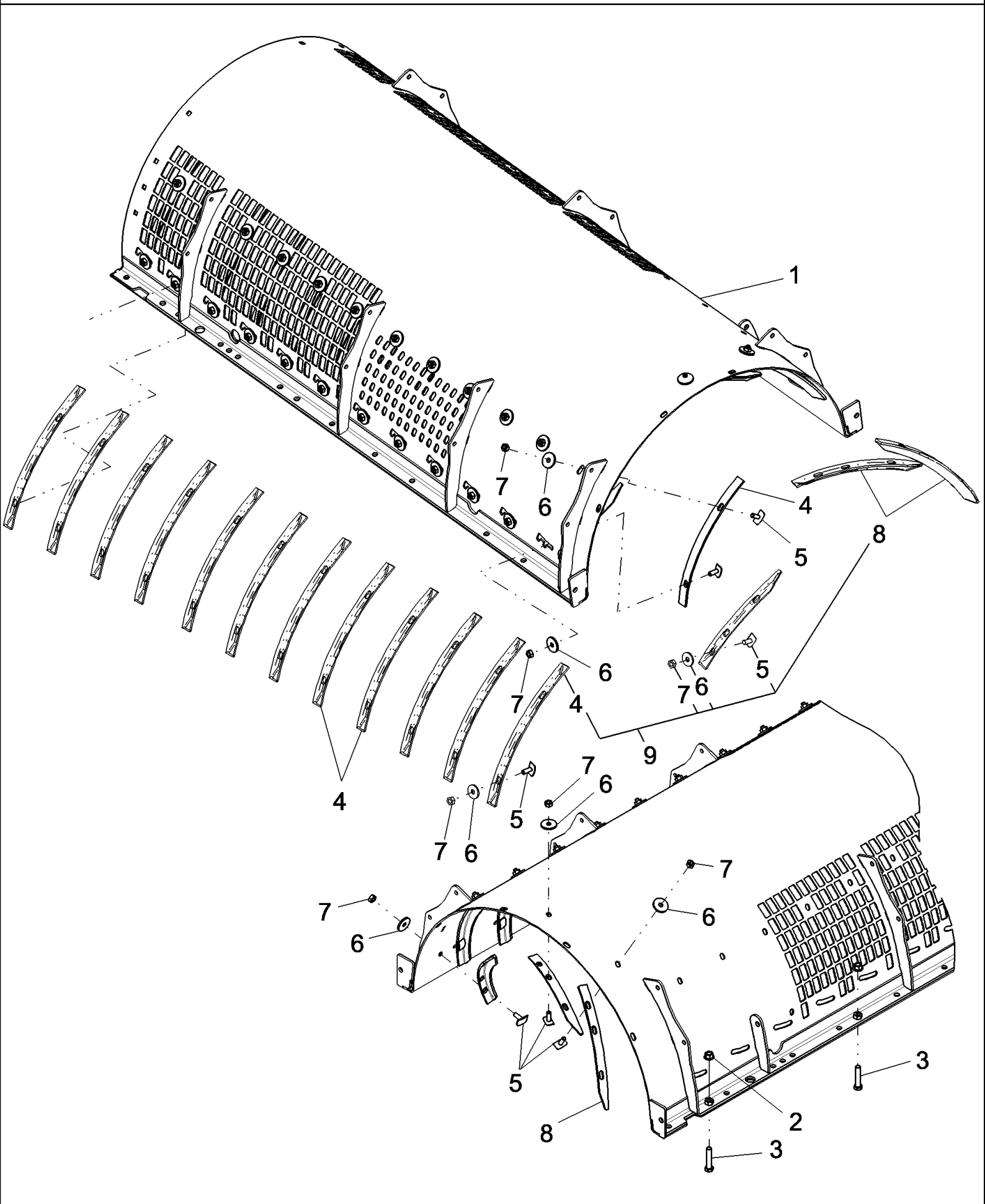
K.40.C.44(4) OUTPUT SHAFT & GEARS, ROTOR GEARBOX



K.40.C.44(4) OUTPUT SHAFT & GEARS, ROTOR GEARBOX

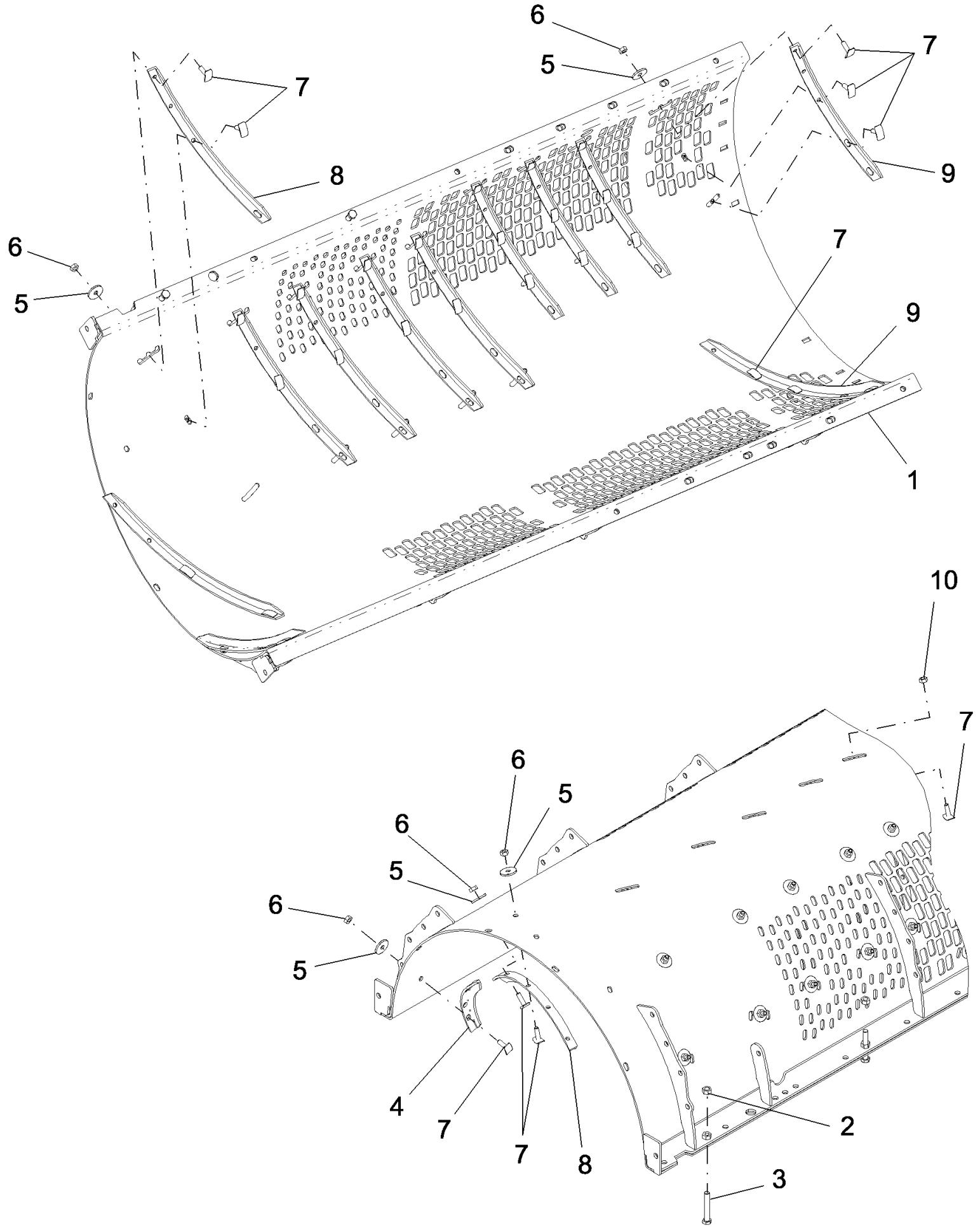
сылка	Номер детали	Кол-во	Описание
1	87280587	1	PLUG, Cover
2	87280588	1	BEARING, ROLLER, TAPERED,
3	87280589	1	GEAR, Driven
4	87280590	1	SPACER,
5	87280591	1	GEAR, Driven
6	87280592	1	SPACER,
7	87280593	1	GEAR, Driven
8	800-5180	1	RING, SNAP, M80, Ext, Hvy,
9	87280595	1	SHAFT, Output
10	87280597	1	PLATE ASSY., Plate, Bearing
11	87281035	1	BEARING, ROLLER, TAPERED, Roller
12	87033543	1	SHIM, 0.50
13	87033542	1	SHIM, 0.30
14	87033541	1	SHIM, 0.15
15	87033538	1	SHIM, 0.10
16	800-21120	1	RING, SNAP, M120, Int,
17	87020821	1	SEAL, OIL,
18	628-10035	8	BOLT, Hex, M10 x 35, 10.9, Full Thd,
19	87280599	1	SHIELD, Gear
20	87281116	1	SPACER,
21	896-11010	2	WASHER, M10 x 21.5 x 2.5, HT,
22	863-10025	2	SCREW, Hex Soc Hd, M10 x 25, 12.9,
23	87108781	1	PLUG, Plug, Magnetic, M22
24	87281006	1	KIT, SHIM,

K.40.C.52(1) ROTOR CAGE

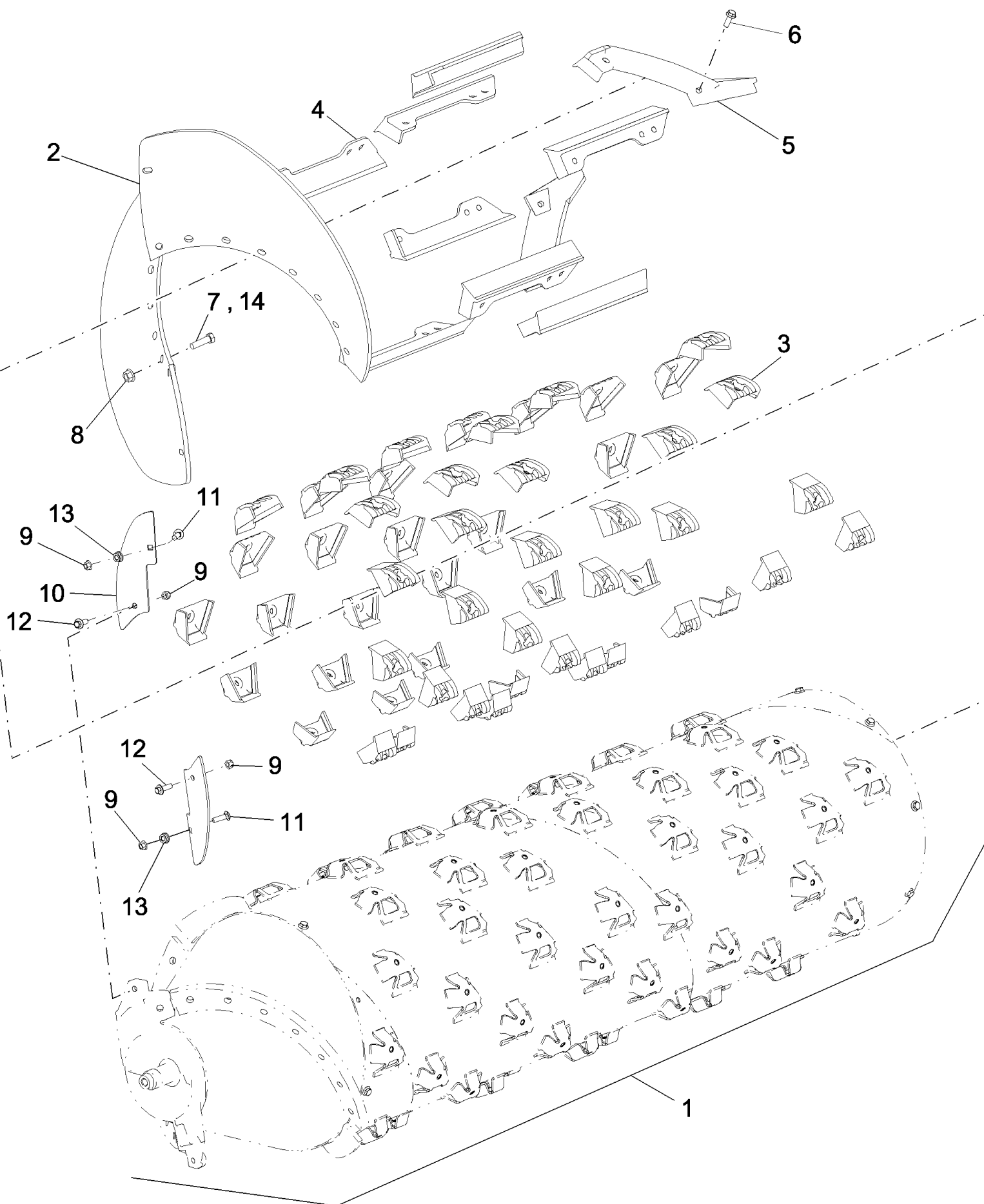


K.40.C.52(1) ROTOR CAGE

сылка	Номер детали	Кол-во	Описание
1	87313365	1	CAGE, Was 87108062
2	43436	2	NUT, M12, Flg Ser,
3	309086	2	BOLT, Hex, M12 x 60, 8.8, Full Thd,
4	86981000	12	ANGLE,
5	87106338	27	BOLT,
6	140219	27	WASHER,
7	100016	27	NUT, M10, CI 8,
8	87107892	3	ANGLE,
9	84084818		AR KIT, Cage Vane, Includes: Ref. 4 (12 pcs.), 8 (3 pcs.), 5, 6 & 7 (27 pcs.)

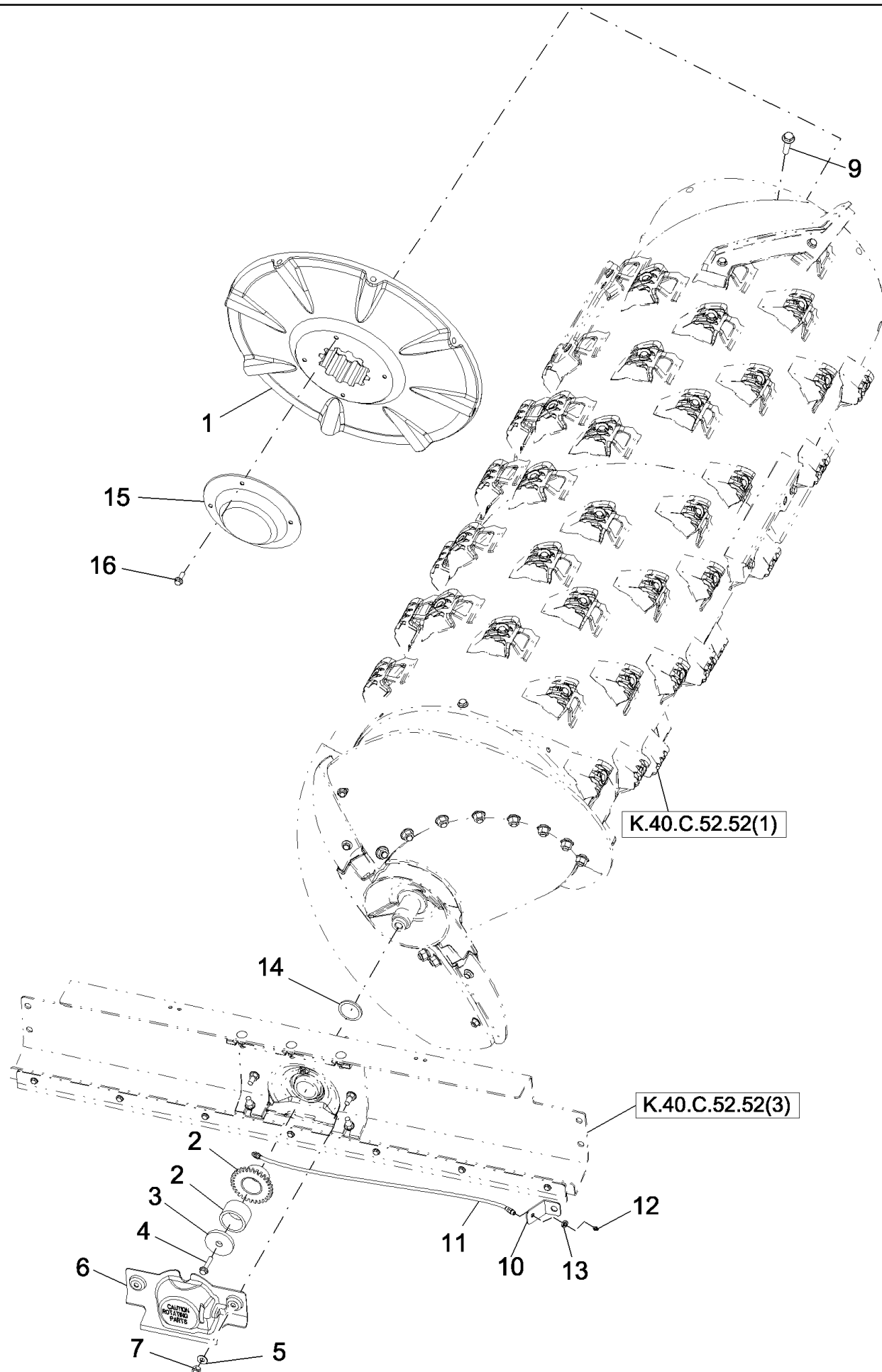


сылка	Номер детали	Кол-во	Описание
1	87391297	1	CAGE, Cage Assy
1	87339502	1	CAGE, Rotor Cage
1	87391296	1	Rotor Cage
2	9706685	2	NUT, M12, CI 8,
3	161441	2	BOLT, Hex, M12 x 80, 8.8, Full Thd,
4	87107892	1	ANGLE,
5	140219	28	WASHER,
6	100016	28	NUT, M10, CI 8,
7	87106338	33	BOLT,
8	87341038	5	STIFFENER, Vane
9	87560394	6	STIFFENER, Vane - Was 87393042
10	131-415	5	NUT, LOCK, Push, Bolt Retainer, 3/8" x 25/32",

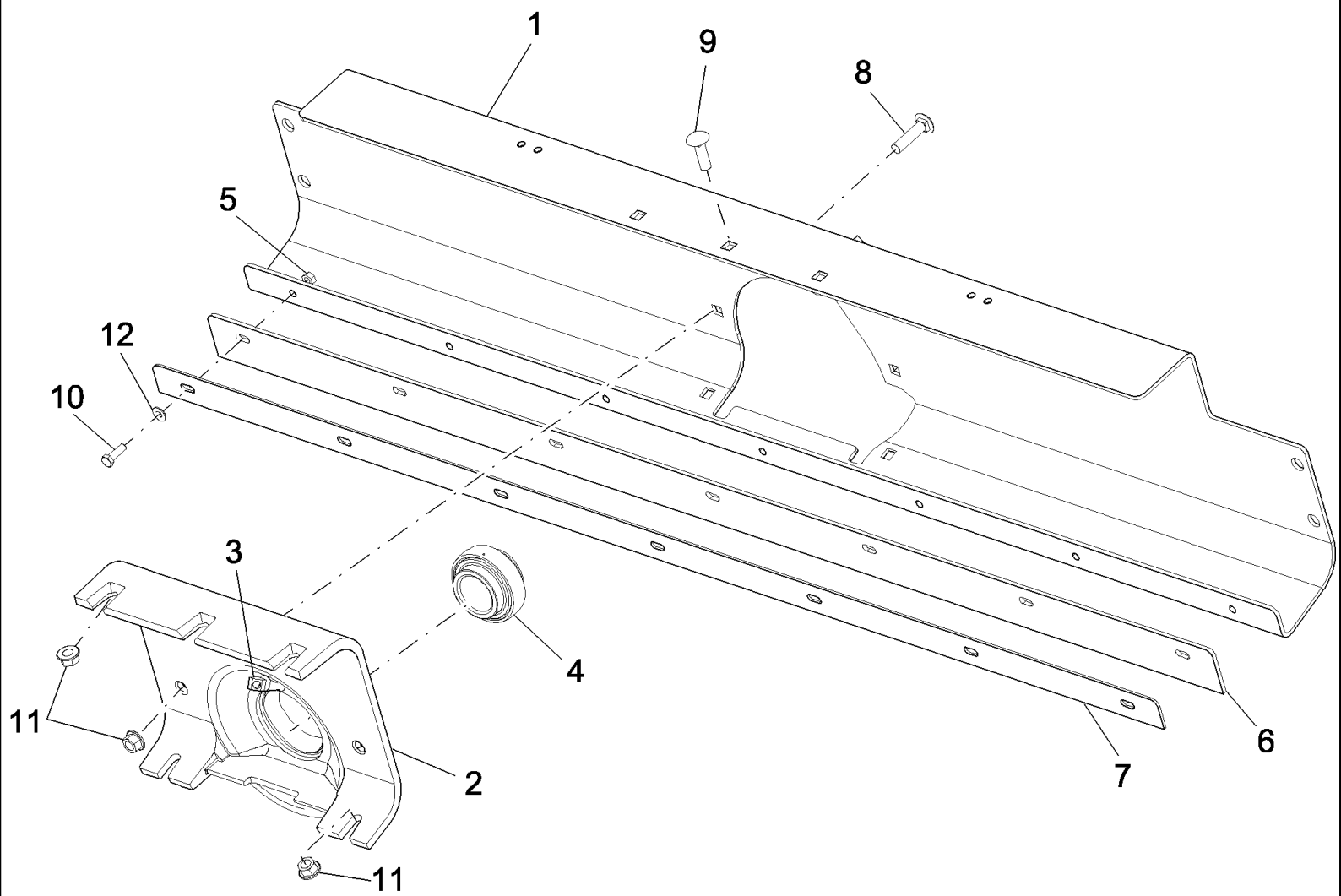


K.40.C.52.52(1) ROTORS

сылка	Номер детали	Кол-во	Описание
1	87376665	1	ROTOR ASSY., Special
1	87376667	1	ROTOR ASSY., Rice
1	87376443	1	ROTOR ASSY., Small Grain
2	87108907	2	AUGER FLIGHT, , Replace in Pairs to Maintain Rotor Balance
3	278821A2	64	RASP BAR, Chrome, without Spike - Special, Replace in Pairs to Maintain Rotor Balance
3	87105275	72	RASP BAR, With Spike - Rice, Replace in Pairs to Maintain Rotor Balance
3	1309336C2	64	RASP BAR, Without Rear Spike - Small Grain, Replace in Pairs to Maintain Rotor Balance
4	86992047	4	BAR, RFC - Special
4	86992047	4	BAR, RFC - Small Grain
5	86992048	2	BAR, RFC
5	1327676C1	2	BAR, Small Grain, Replaces 86992048
6	86981487	76	BOLT, Hex Flg, M12 x 35, 10.9, Full Thd,
7	9843611	16	BOLT, Hex, M16 x 55, 10.9, Full Thd, , EndYear: 12/06/2003
7	9843611	2	BOLT, Hex, M16 x 55, 10.9, Full Thd, , Start Year: 12/06/2003
8	86512380	16	NUT, M16, Flg Ser,
9	412672	4	NUT, LOCK, M12 x 1.75, Cl 10,
10	87108053	2	PLATE, Blade, Replace in Pairs to Maintain Rotor Balance, EndYear: 12/06/2003
10	87342923	2	BLADE, , Start Year: 12/06/2003
11	87036813	2	BOLT, PLOW, Plow, Rd Hd, CL 10.9, M12 x 35
12	86512259	2	BOLT, Hex Serr Flg, M12 x 35,
13	87315598	2	SHIELD,
14	811-12040	2	BOLT, CARRIAGE, Short NK, M12 x 40, Cl8.8, Full Thd, , EndYear: 12/06/2003
14	87281818	14	SCREW, Countersunk Special Hd, CL 10.9, M16 x 65, Start Year: 12/06/2003

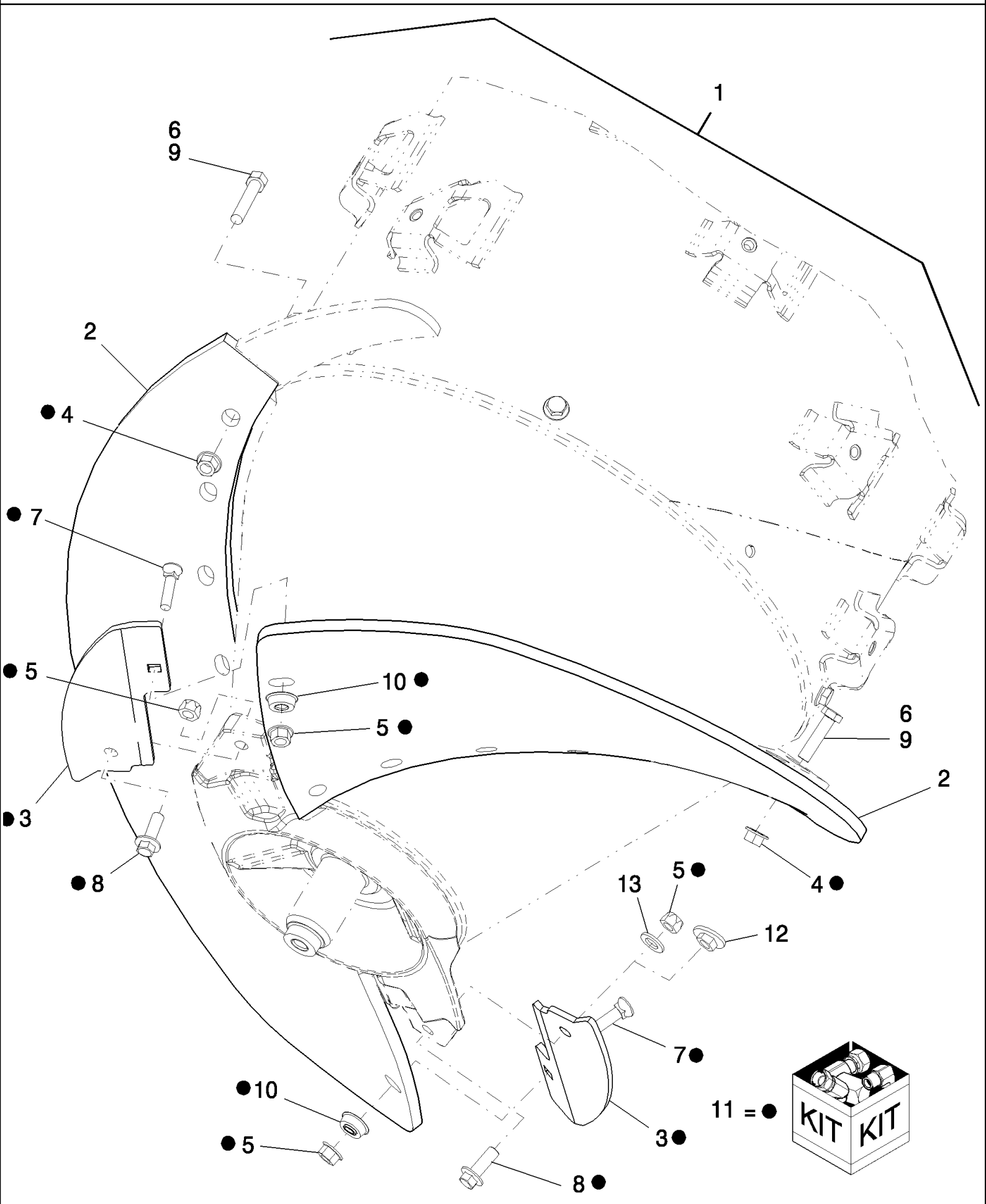


сылка	Номер детали	Кол-во	Описание
1	86981019	1	BULKHEAD, Rotor
1	87358533	1	BULKHEAD, Rotor
2	86996576	1	GEAR, , BSN HAJ105200
2	87281633	1	SPACER, , ASN HAJ105201
3	86998693	1	WASHER,
4	86981489	1	BOLT, Hex Flg, M16 x 70, 10.9,
5	140046	2	WASHER, SPRING, Belleville, M12,
6	86996599	1	COVER,
7	100038	2	NUT, LOCK, M12 x 1.75, Cl 8,
8	87105682	1	SENSOR, RPM
9	86981678	8	BOLT, Hex Flg, M12 x 50, 10.9,
10	87107260	1	SUPPORT,
11	87107259	1	TUBE,
12	219-87	1	NIPPLE, LUBE, 1/4"-28 x .56" lg, Self-Tap,
13	134814	1	NUT,
14	87284474	AR	SHIM,
15	87355404	1	COVER,
16	86511478	4	BOLT, Hex Serr Flg, M8 x 16,



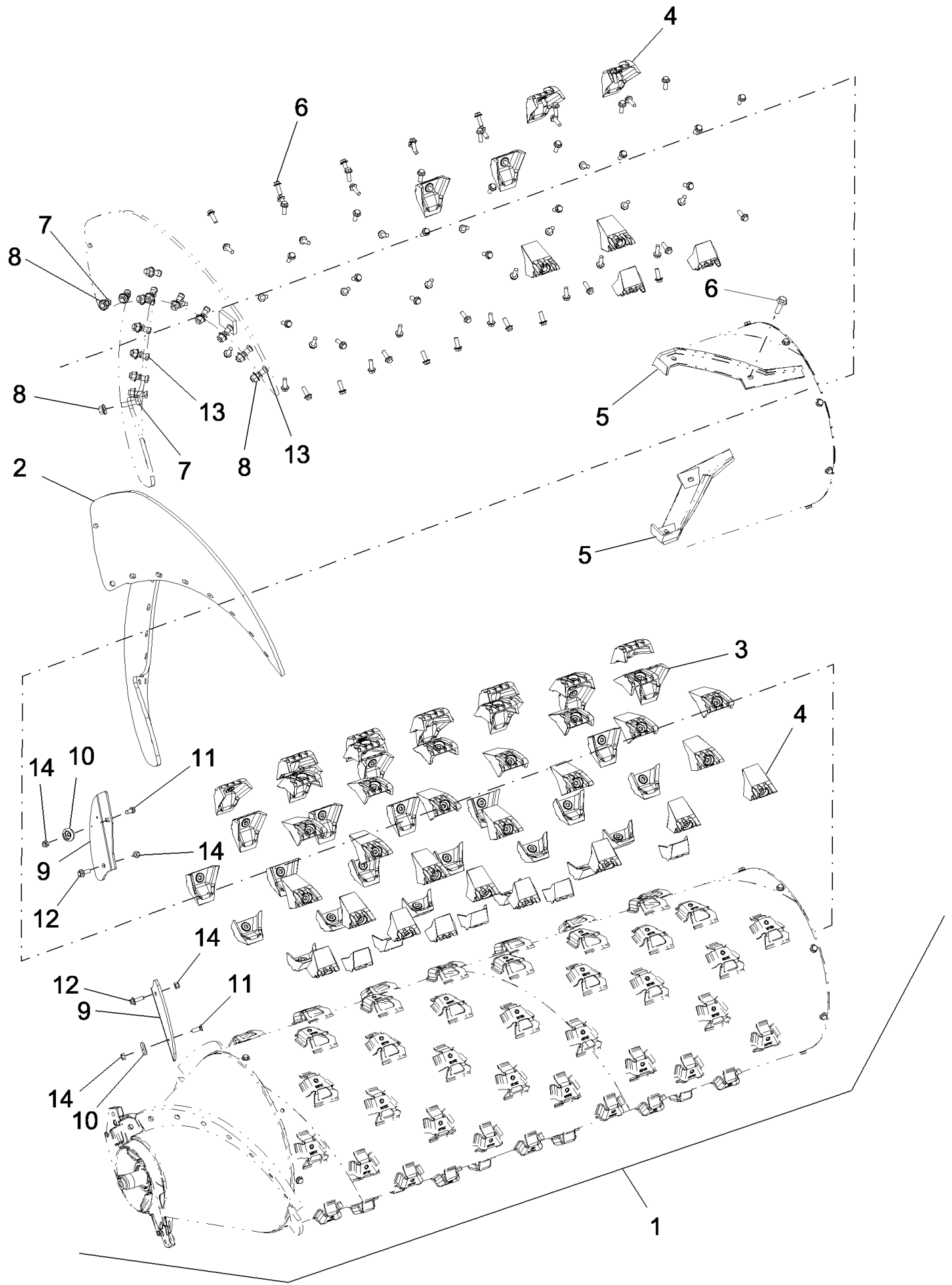
K.40.C.52.52(3) BEARING PLATE

сылка	Номер детали	Кол-во	Описание
1	87106336	1	CHANNEL,
2	86980887	1	HOUSING, BEARING,
2	87323548	1	Housing
3	87020437	1	ADAPTER, 45с, 1/4"-1/8 NPTF,
4	87324171	1	BEARING, BALL,
5	86629542	7	NUT, LOCK, M8 x 1.25, CI 8,
6	87283403	1	SEAL, RUBBER, Replaces 86981034
7	86998407	1	SEAL, RUBBER,
8	334682	2	BOLT, CARRIAGE, Short NK, M12 x 50, CI8.8, Full Thd,
9	811-12040	5	BOLT, CARRIAGE, Short NK, M12 x 40, CI8.8, Full Thd,
10	43127	7	BOLT, Hex, M8 x 25, 8.8,
11	43436	7	NUT, M12, Flg Ser,
12	322358	14	WASHER, SPRING, Belleville, M8,

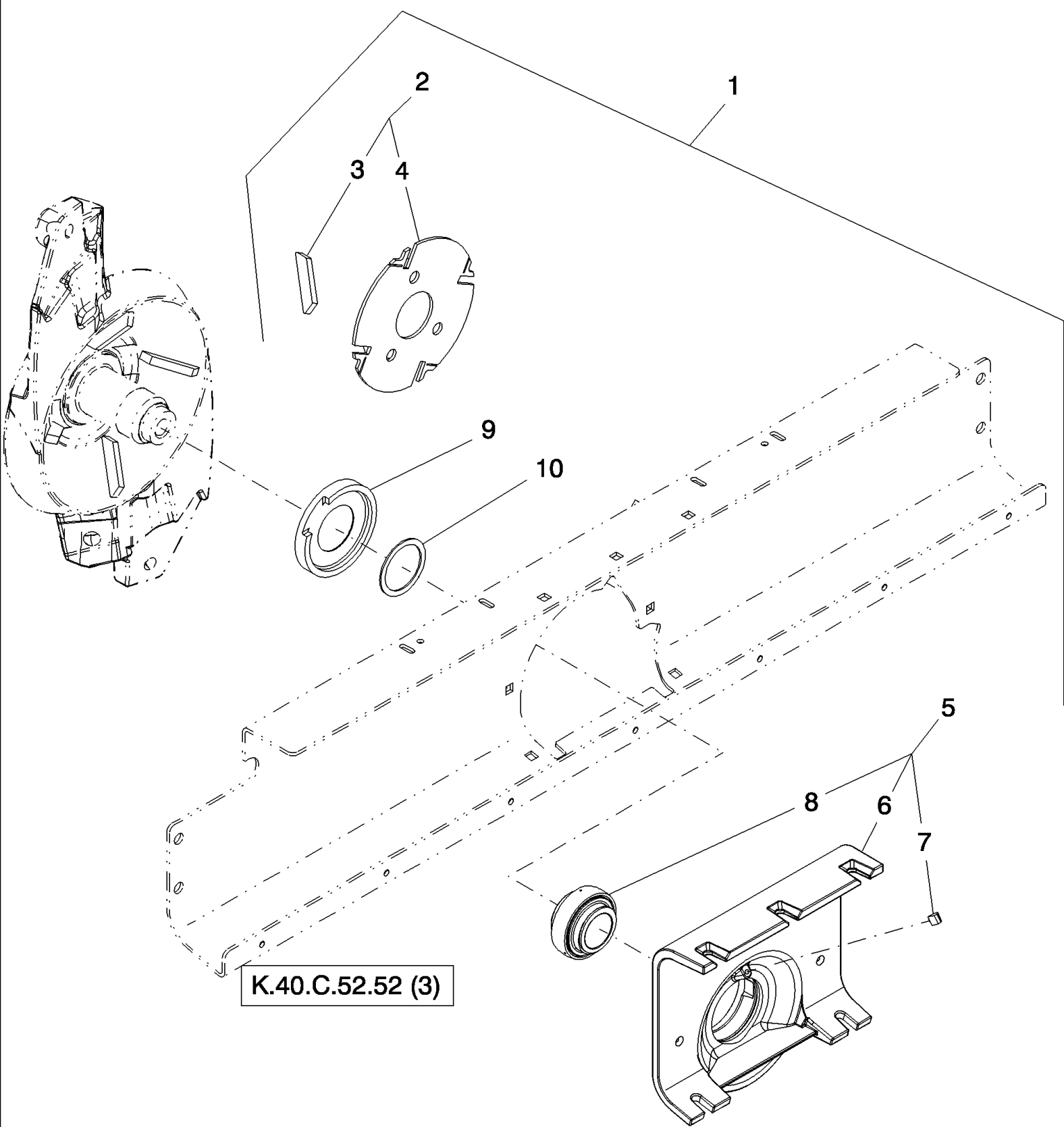


K.40.C.52.52(4) KIT, ROTOR IMPELLER

сылка	Номер детали	Кол-во	Описание
1	87376706	AR	KIT, SERVICE, Rotor Impeller, Includes Ref. 2, 4, 6, 9 & 11
2	NSS	2	NOT SERVICED SEPARATELY, Flighting, Auger
3	87376702	2	KIT, Blade
4	86512380	16	NUT, M16, Flg Ser,
5	412672	AR	NUT, LOCK, M12 x 1.75, Cl 10,
6	9843611	2	BOLT, Hex, M16 x 55, 10.9, Full Thd,
7	87036813	AR	BOLT, PLOW, CL 10.9, M12 x 1.75 x 35
7	87314103	AR	BOLT, PLOW, CL 10.9, M12 x 40
8	86512259	AR	BOLT, Hex Serr Flg, M12 x 35,
8	86981487	AR	BOLT, Hex Flg, M12 x 35, 10.9, Full Thd,
9	87281818	14	SCREW, Special Head, CL 10.9, M16 x 2 x 65
10	87315598	AR	SHIELD,
11	87376702	1	KIT, Wear Blade, Includes Ref. 3, 5, 7, 8, 10, 12 & 13
12	87376199	2	NUT, Flange, BSN HAJ106400
13	86625255	2	WASHER, M13.5 x 24.5 x 3, HT, , ASN HAJ106400

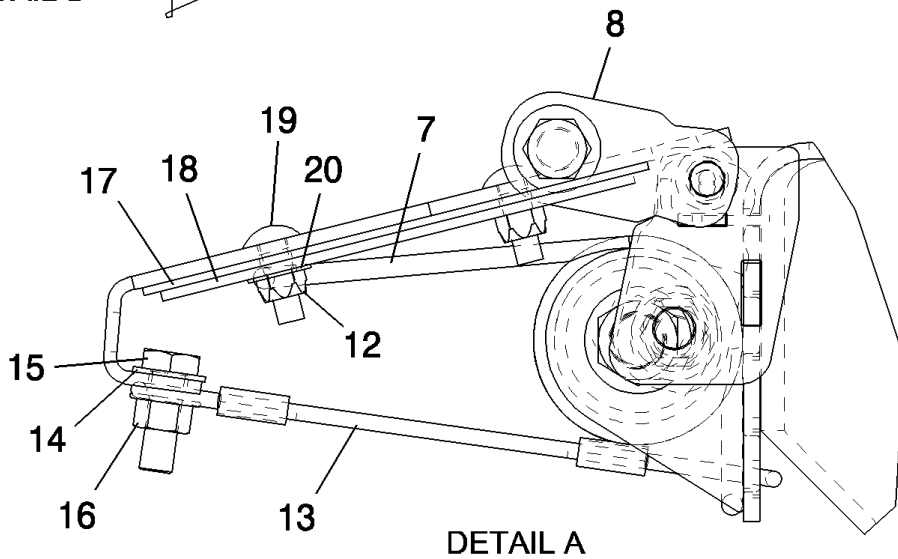
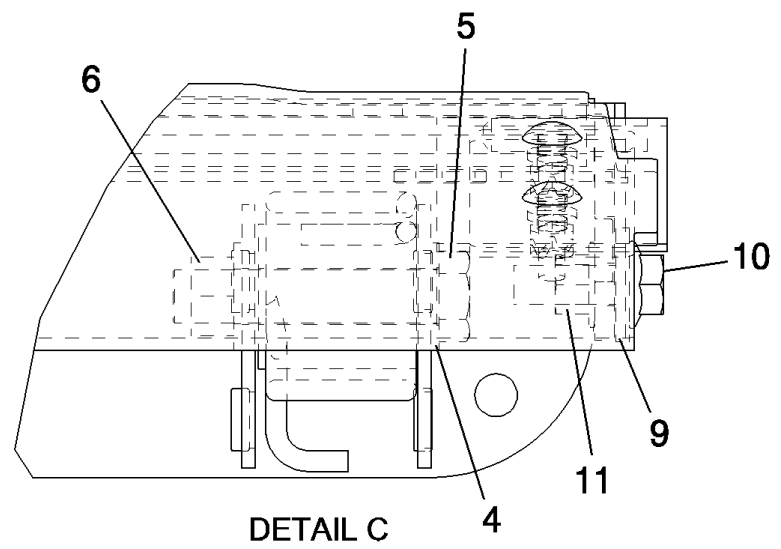
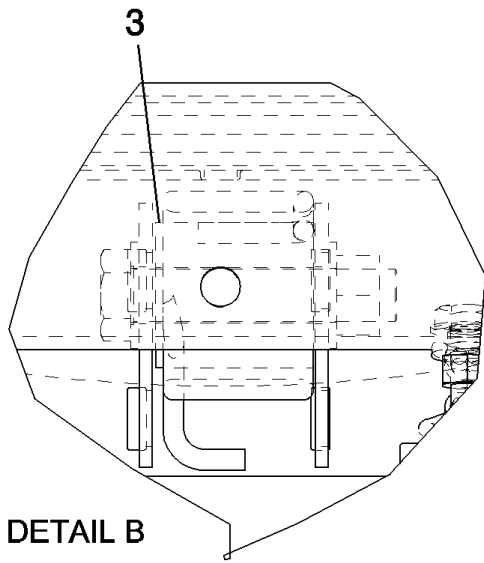
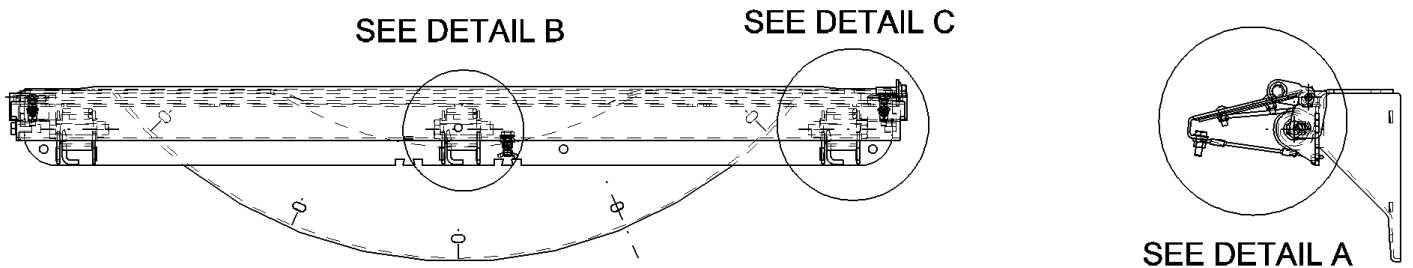
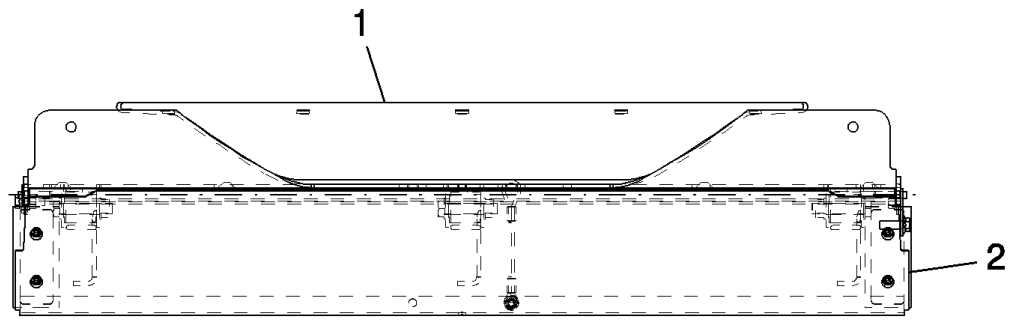
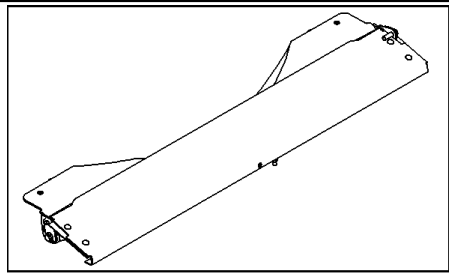


сылка	Номер детали	Кол-во	Описание
1	87376665	1	ROTOR ASSY., Special
1	87376667	1	ROTOR ASSY., Rice
1	87376443	1	ROTOR ASSY., Small Grain
2	NSS	2	NOT SERVICED SEPARATELY,
3	278821A2	64	RASP BAR, Chrome, Without Spike - Special, Replace in Pairs to Maintain Rotor Balance
3	278820A4	72	RASP BAR, With Spike - Rice, Replace in Pairs to Maintain Rotor Balance
3	1309336C2	64	RASP BAR, Without Rear Spike - Small Grain, Replace in Pairs to Maintain Rotor Balance
4	278820A4	8	RASP BAR, With Spike - Small Grain & Special
5	86992048	2	BAR, RFC - Rice & Special
5	1327676C1	2	BAR, Small Grain
6	86981487	76	BOLT, Hex Flg, M12 x 35, 10.9, Full Thd,
7	9843611	2	BOLT, Hex, M16 x 55, 10.9, Full Thd,
8	86512380	16	NUT, M16, Flg Ser,
9	87342923	2	BLADE, , Replace in Pairs to Maintain Rotor Balance
10	87315598	2	SHIELD, , Replace in Pairs to Maintain Rotor Balance
10	87342923	2	BLADE,
11	87036813	2	BOLT, PLOW, Plow, Rd Hd, CL 10.9, M12 x 35
12	86512259	2	BOLT, Hex Serr Flg, M12 x 35,
13	87281818	14	SCREW, Countersunk Special Hd, CL 10.9, M16 x 65
14	412672	4	NUT, LOCK, M12 x 1.75, Cl 10,



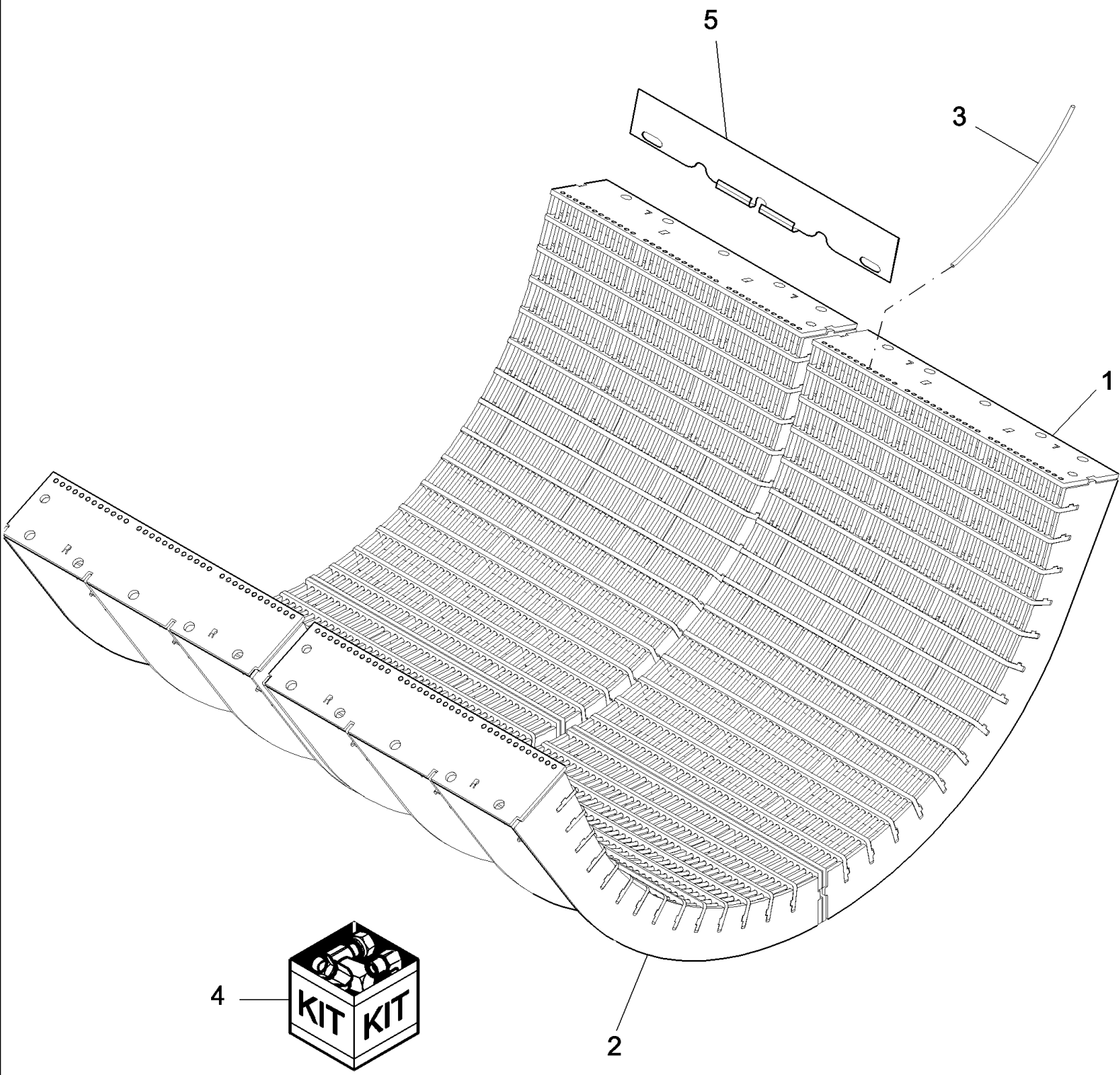
сылка	Номер детали	Кол-во	Описание
1	87319986	1	KIT, Anti-Wind Bearing
2	87317092	1	HUB, Rework
3	87337818	4	BAR, Inhibitor, Welded
3	87398771	4	BAR, Rotor, Antiwind
4	87316965	1	PLATE, Weld Fixture
5	87324051	1	HOUSING, BEARING, Assembly
6	NSS	1	NOT SERVICED SEPARATELY, Housing
7	87020437	1	ADAPTER, 45с, 1/4"-1/8 NPTF,
8	87324171	1	BEARING, BALL,
9	87323577	1	RING,
10	87284474	3	SHIM,

K.40.C.52.74 FEEDPLATE

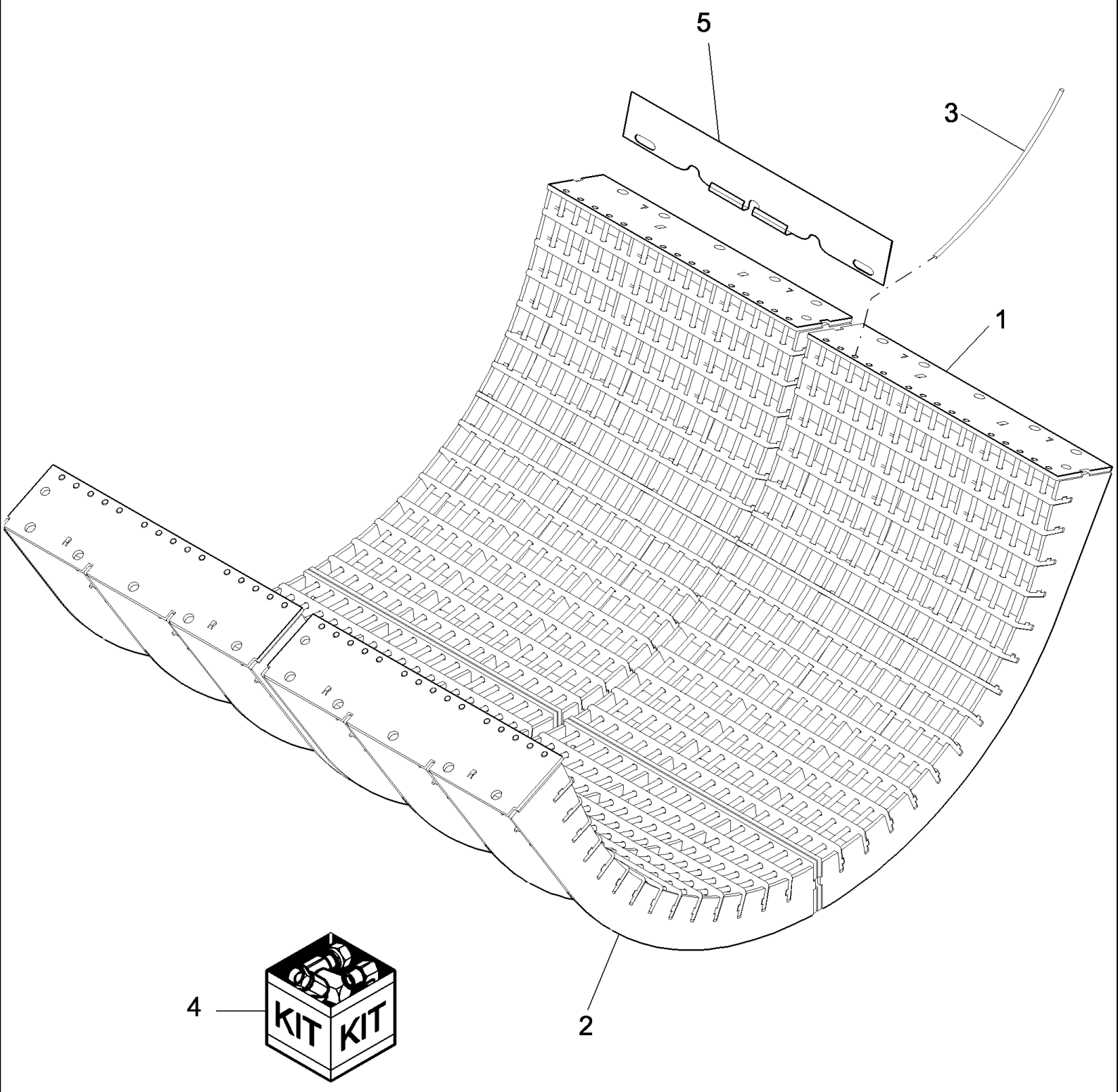


K.40.C.52.74 FEEDPLATE

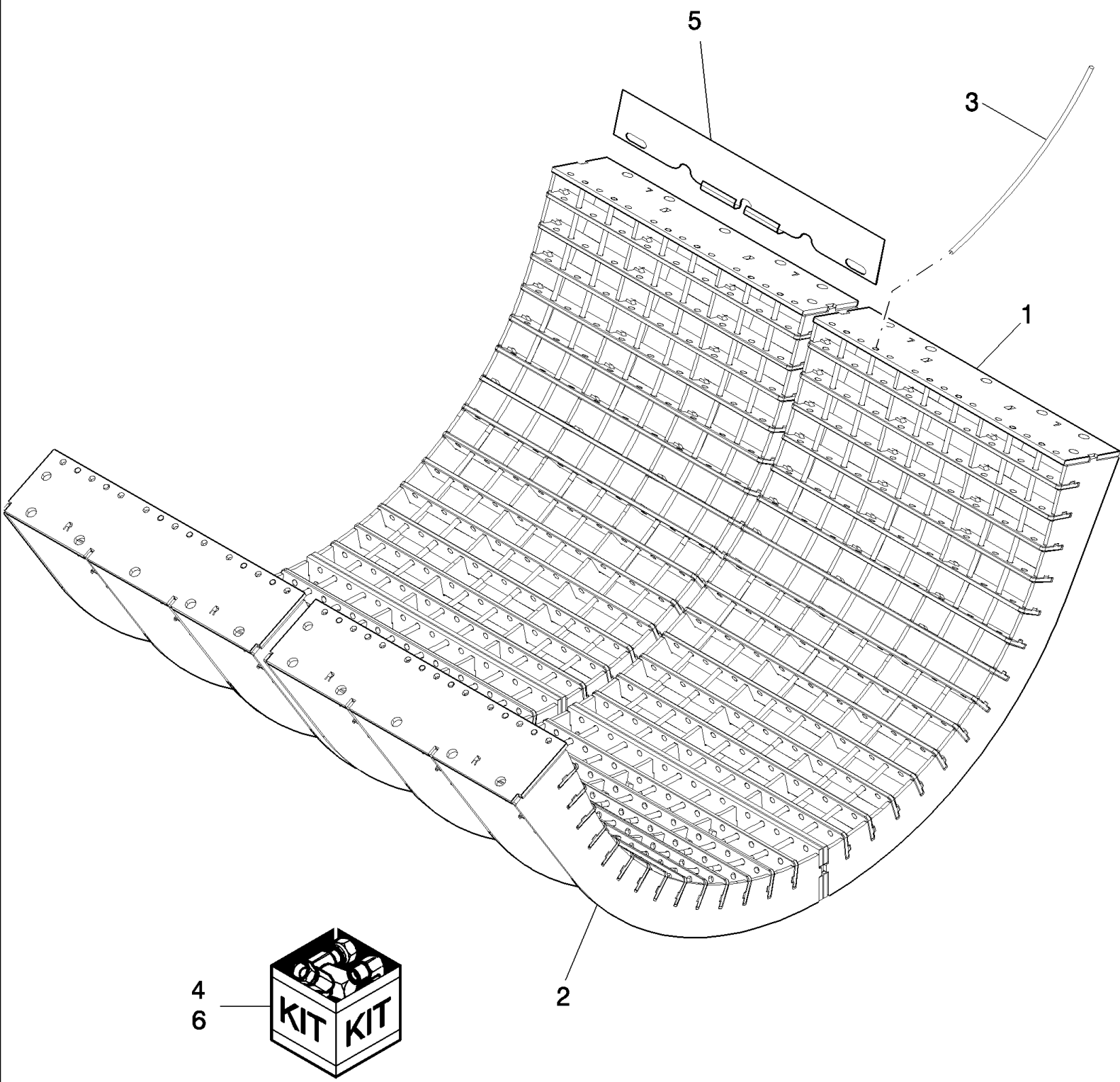
сылка	Номер детали	Кол-во	Описание
1	87281106	1	PLATE, , ASN HAJ105001
2	87280905	1	PLATE, , Prior To 8/06
2	87522176	1	PLATE, , From 8/06
3	86997911	3	BUSHING, Spring
4	140048	6	WASHER, SPRING, Belleville, M16,
5	120093	3	BOLT, Hex, M16 x 80, 8.8,
6	825-1416	3	NUT, M16, CI 8,
7	86997885	3	SPRING,
8	87108417	2	PIN,
8	87280909	2	PIN,
9	140046	AR	WASHER, SPRING, Belleville, M12,
10	9706687	2	BOLT, Hex, M12 x 30, 8.8,
11	9706685	2	NUT, M12, CI 8,
11	43436	2	NUT, M12, Flg Ser, , ASN HAJ105001
12	832-46408	AR	NUT, LOCK, M8 x 1.25, CI 8,
13	87106795	2	CABLE,
14	140045	1	WASHER, SPRING, Belleville, M10,
15	43139	1	SCREW, HH, CL 8.8, M10 x 25
15	43140	1	BOLT, Hex, M10 x 30, 8.8, Full Thd, , ASN HAJ105001
16	43435	2	NUT, M10, Flg Ser,
16	100016	1	NUT, M10, CI 8,
17	87106849	2	SEAL,
17	87280910	2	SEAL,
18	87106848	4	PLATE,
19	308761	4	BOLT, CARRIAGE, Short NK, M8 x 25, CI8.8, Full Thd,
19	412495	4	SCREW, Hex Soc Flat Hd, M8 x 20, 8.8,
20	322358	4	WASHER, SPRING, Belleville, M8,



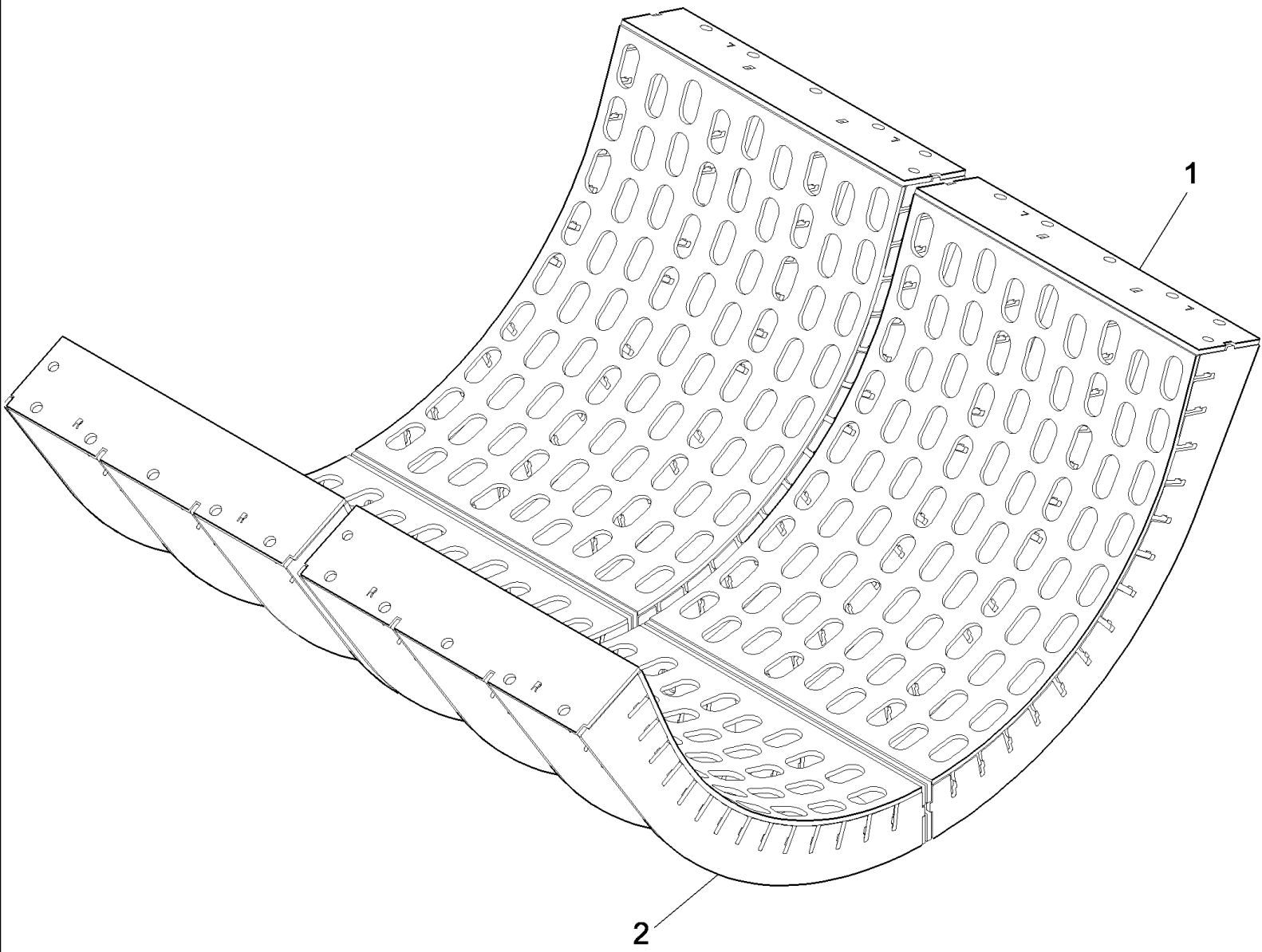
сылка	Номер детали	Кол-во	Описание
1	86999050	2	CONCAVE, LH
1	86976420	2	CONCAVE, LH, Hardened
2	86999057	2	CONCAVE, RH
2	86976418	2	CONCAVE, RH, Hardened
3	86999063	36	WIRE, LH, Small
3	86999062	36	WIRE, RH, Small
4	87326986	1	DIA KIT, HARVESTER, Includes: Ref. 5
5	87044542	4	RETAINER,



сылка	Номер детали	Кол-во	Описание
1	86999090	2	CONCAVE, LH
1	86976416	2	CONCAVE, LH, Hardened
2	86999097	2	CONCAVE, RH
2	86976414	2	CONCAVE, RH, Hardened
3	86999096	15	WIRE, LH, Large
3	86999101	15	WIRE, RH, Large
4	87326986	1	DIA KIT, HARVESTER, Includes: Ref. 5
5	87044542	4	RETAINER,



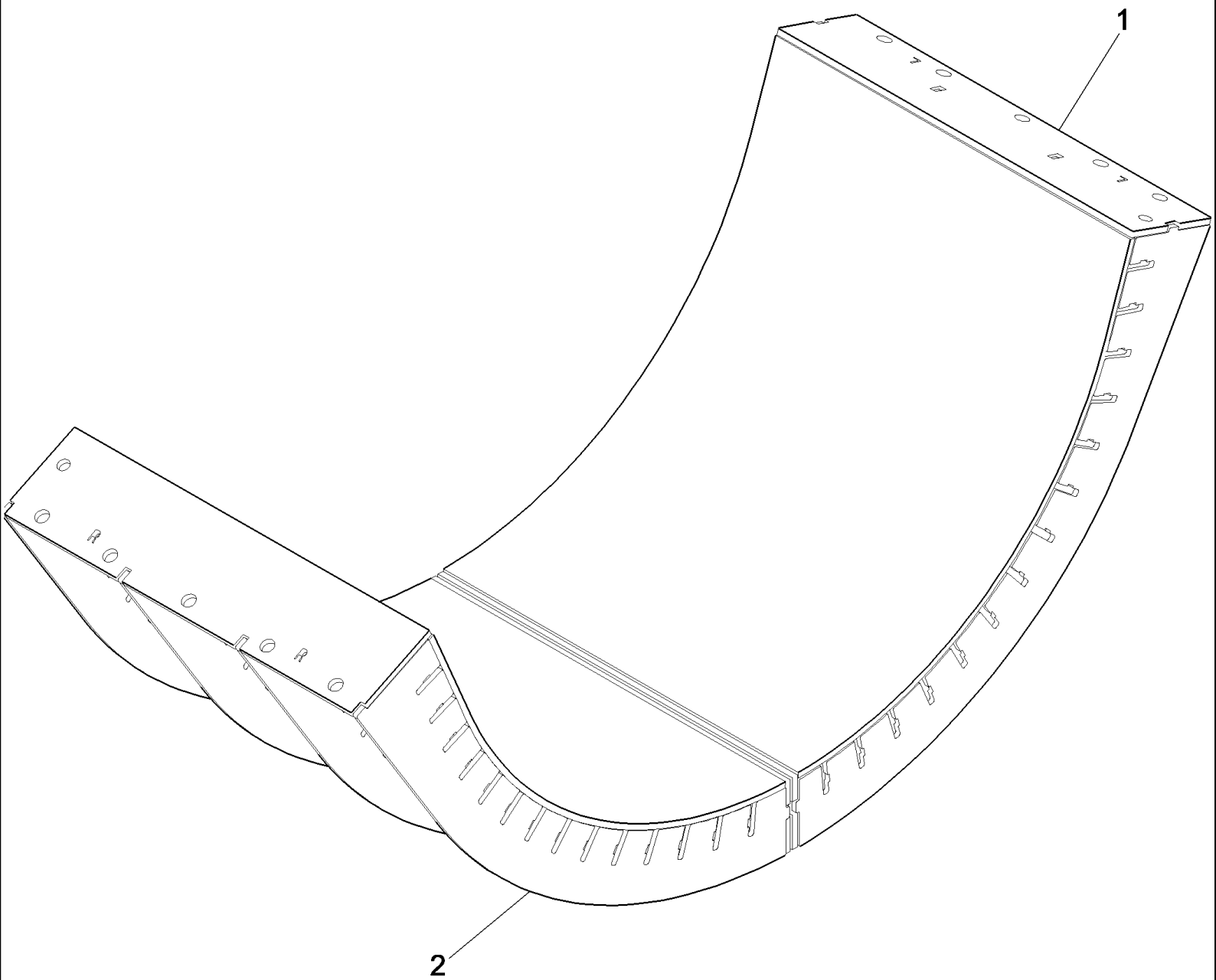
сылка	Номер детали	Кол-во	Описание
1	87109198	AR	CONCAVE, LH
2	87109201	AR	CONCAVE, RH
3	86999096	6	WIRE, LH, Large
3	86999101	6	WIRE, RH, Large
4	87326986	1	DIA KIT, HARVESTER, Includes: Ref. 5
5	87044542	4	RETAINER,
6	84084944	AR	CONCAVE, Includes: Ref. 1 (1) & Ref. 2 (1)
6	84084945	AR	CONCAVE, Includes: Ref. 1 (2) & Ref. 2 (2)



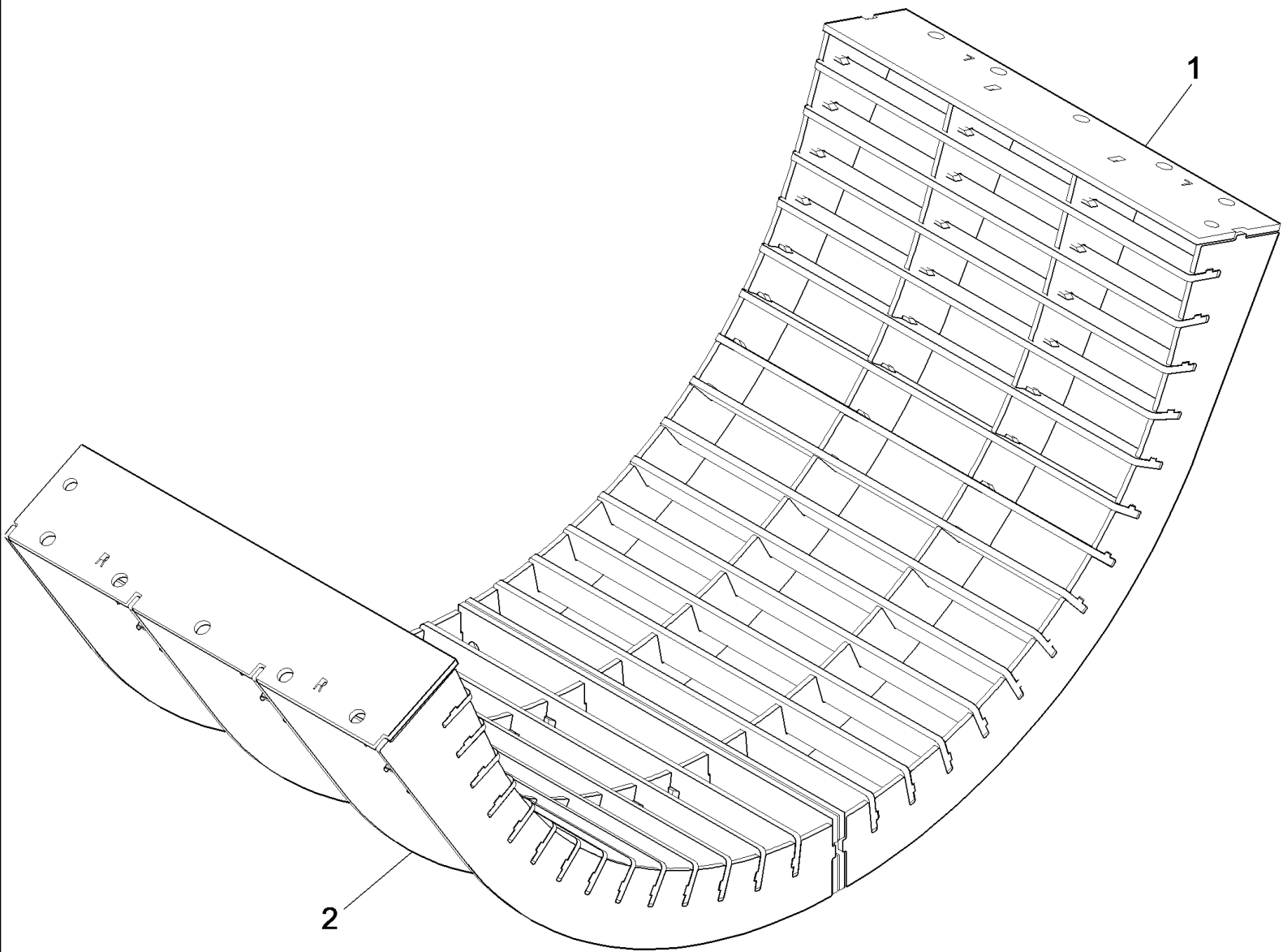
AFX8010 AXIAL-FLOW COMBINE (3/03-9/06)

K.40.C.58(4) CONCAVES, SLOTTED

сылка	Номер детали	Кол-во	Описание
1	87000774	2	CONCAVE, RH
2	87000772	2	CONCAVE, LH



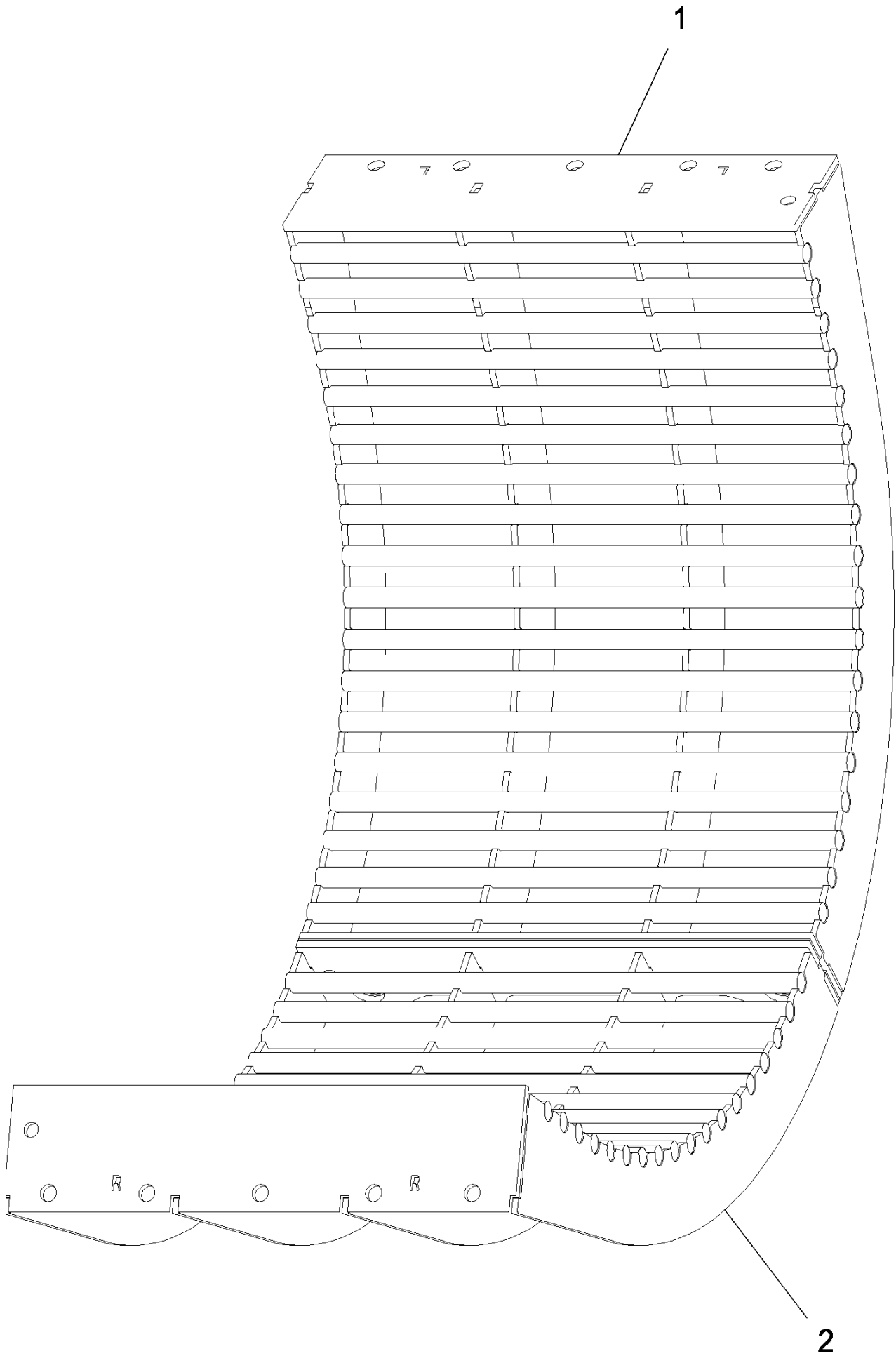
сылка	Номер детали	Кол-во	Описание
1	87106651	1	CONCAVE, LH
2	87106653	1	CONCAVE, RH



AFX8010 AXIAL-FLOW COMBINE (3/03-9/06)

K.40.C.58(6) CONCAVES, STANDARD BAR

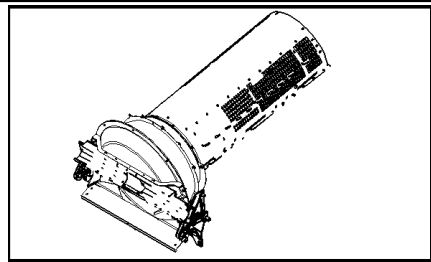
сылка	Номер детали	Кол-во	Описание
1	86999103	AR	CONCAVE, LH, Small Grain
2	86999108	AR	CONCAVE, RH, Standard



AFX8010 AXIAL-FLOW COMBINE (3/03-9/06)

K.40.C.58(7) CONCAVE WITH ROUND BARS

сылка	Номер детали	Кол-во	Описание
1	87282761	1	CONCAVE, LH
2	87282764	1	CONCAVE, RH



35

54

53

18

60

64

34

50

36

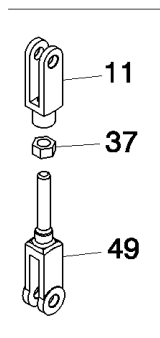
50

36

3

18

60



11

37

49

15
(REF.)

4

18

51

61

63

16

17

52

63

18

5

61

43

63

16

63

18

16

16

18

16

16

18

16

63

16

63

16

63

16

63

16

63

16

63

16

63

16

63

47

18

16

7

18

61

21

16

8

22

19

18

61

63

24

14

9

61

24

6

7

14

32

23

14

18

18

61

20

9

18

26

18

61

18

61

25

26

27

63

61

61

19

20

19

24

14

10

57

58

22

22

22

22

22

22

22

22

22

22

22

22

22

22

22

22

22

22

22

22

22

22

22

22

22

22

22

22

22

22

22

22

22

22

22

22

22

22

22

22

22

22

22

22

22

22

22

22

22

22

22

22

22

22

22

22

22

22

22

22

22

22

22

22

22

22

22

22

22

22

22

22

22

22

22

22

22

22

22

22

22

22

22

22

22

22

22

22

22

22

22

22

22

22

22

22

22

22

22

22

22

22

22

22

22

22

22

22

22

22

22

22

22

22

22

22

22

22

22

22

22

22

22

22

22

22

22

22

22

22

22

22

22

22

22

22

22

22

22

22

22

22

22

22

22

22

22

22

22

22

22

22

22

22

22

22

22

22

22

22

22

22

22

22

22

22

22

22

22

22

22

22

22

22

22

22

22

22

22

22

22

22

22

22

22

22

22

22

22

22

22

22

22

22

22

22

22

22

22

22

22

22

22

22

22

22

22

22

22

22

22

22

22

22

22

22

22

22

22

22

22

22

22

22

22

22

22

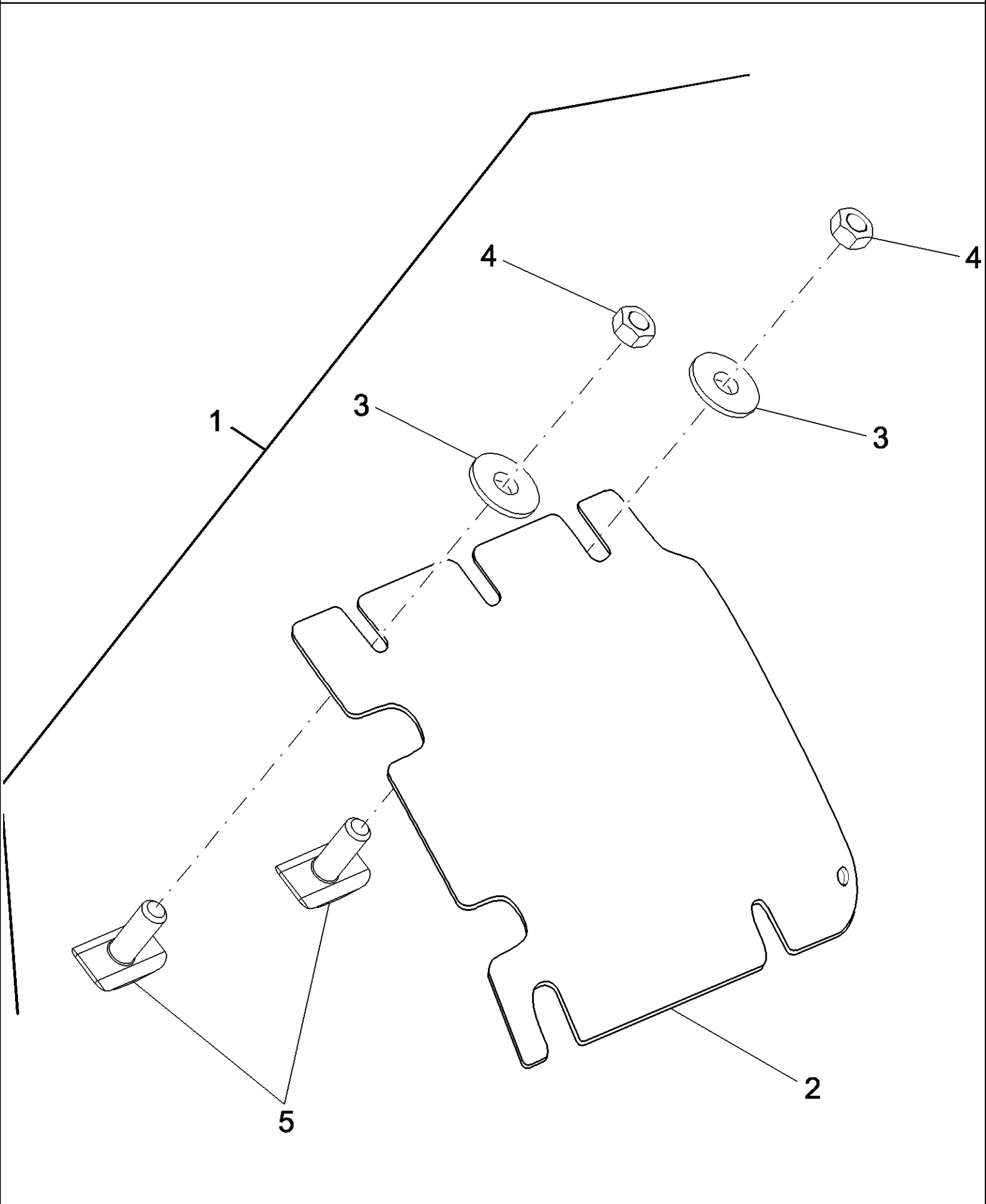
22

22

K.40.C.74(01) FRAME, SEPARATOR

сылка	Номер детали	Кол-во	Описание
1	87281152	1	DEFLECTOR, RH
1	87324947	1	DEFLECTOR, RH - Tungsten Carbide
2	87281151	1	DEFLECTOR, LH
2	87324946	1	DEFLECTOR, LH - Tungsten Carbide
3	393062	11	WASHER,
4	86980999	1	CAGE,
4	87393080	1	CAGE,
4	87339502	1	CAGE, , Enhanced Cleaning
5	87281789	2	ANGLE, LH
6	87281793	2	ANGLE, RH
7	86997520	2	ANGLE, RH
7	87281795	2	ANGLE, RH, Replaces 86997520
8	87108873	1	FRAME, Threshing, Rear
8	87325989	1	FRAME, Frame, Threshing, Rear, Replaces P/N 87108873, For Extended Wear
9	87281797	2	BAR, Plate
10	87108872	1	FRAME, Lower
10	87323531	1	FRAME, Lower, Start Year: 01/01/2006
10	87391299	1	FRAME, Lower
11	86633519	2	CLEVIS,
12	86997859	2	BRACKET, LH
13	86998439	4	BAR,
14	140046	36	WASHER, SPRING, Belleville, M12,
15	86980964	1	LINK, CONNECTING, Includes Ref. 11, 37 & 49
16	140045	33	WASHER, SPRING, Belleville, M10,
17	43140	6	BOLT, Hex, M10 x 30, 8.8, Full Thd,
18	100016	AR	NUT, M10, CI 8,
19	274255	24	BOLT, Hex Serr Flg, M12 x 30,
20	43436	30	NUT, M12, Flg Ser,
21	9804268	14	BOLT, Hex Flg, M12 x 40, 8.8,
22	100038	39	NUT, LOCK, M12 x 1.75, CI 8,
23	9837937	2	BOLT, Hex, M12 x 100, 8.8, Full Thd,
24	9706685	22	NUT, M12, CI 8,
25	86998150	2	BUSHING, RH
26	140042	4	WASHER, M10 x 34 x 3,
27	120068	2	BOLT, Hex, M10 x 40, 8.8, Full Thd,
28	87106338	AR	BOLT,
29	86629541	2	BOLT, Hex, M12 x 40, 8.8, Full Thd,
30	9706690	4	NUT, M8, CI 8,
31	43128	4	BOLT, Hex, M8 x 30, 8.8,
32	390040	4	PIN, CLEVIS, M10 x 35,
32	9507095	4	PIN, CLEVIS, M10 x 40,
33	130003	4	PIN, SPLIT (COTTER), M3.2 x 20,
34	87281760	1	ROOF, Front - No Center Slots
34	87341413	1	ROOF, Front - With (4) Center Slots
35	87281758	1	ROOF, Rear - No Center Slot

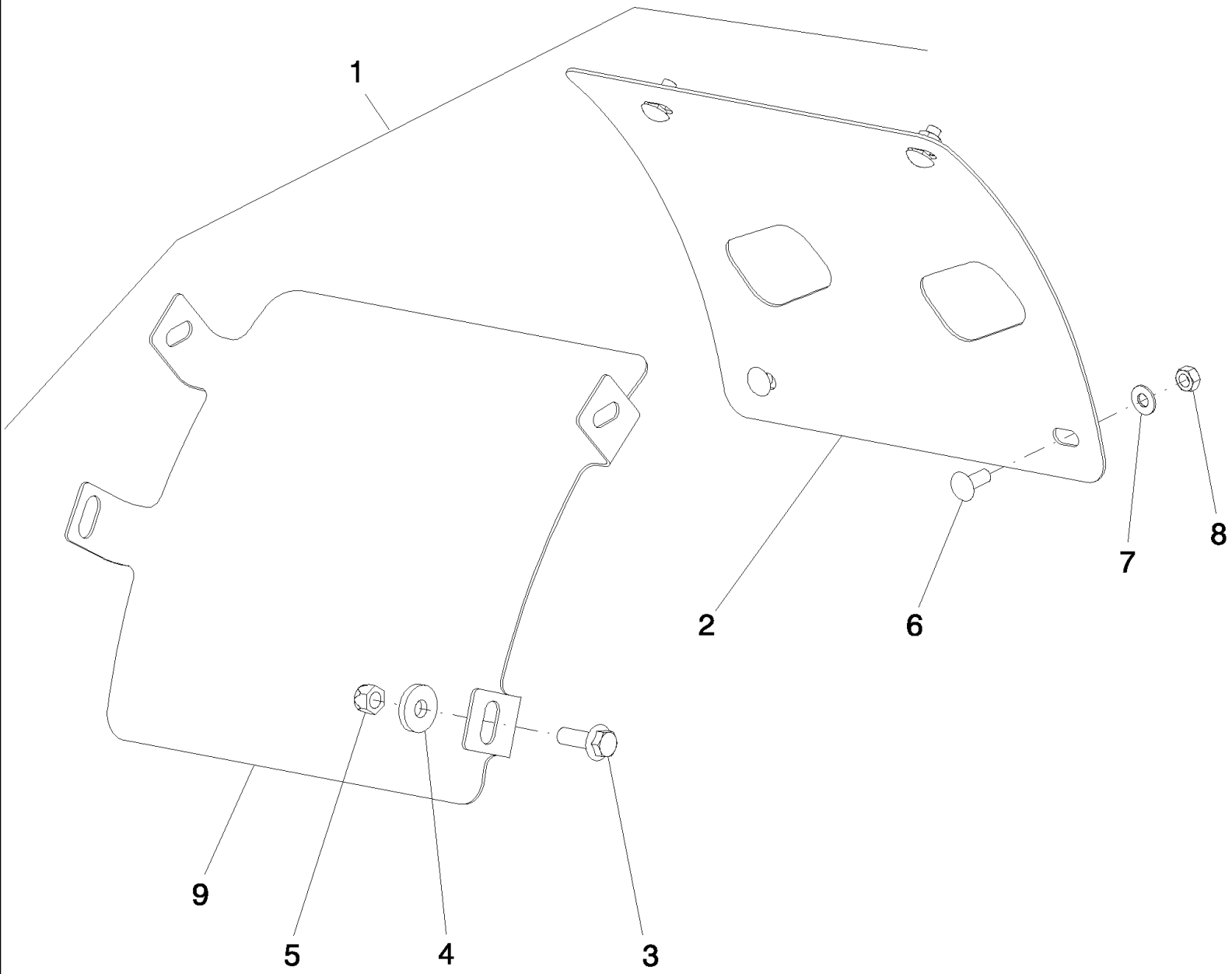
сылка	Номер детали	Кол-во	Описание
35	87341565	1	ROOF, Rear - With (1) Center Slot
36	322357	22	WASHER, SPRING, Belleville, M6,
37	9706685	2	NUT, M12, CI 8,
38	87106704	1	DOOR,
39	322358	7	WASHER, SPRING, Belleville, M8,
40	43127	5	BOLT, Hex, M8 x 25, 8.8,
41	86975991	1	BRACKET, Potentiometer
41	87282743	1	SUPPORT, Potentiometer - 186 mm long, Flat style - See Fig. K.25.K for mounting Hardware
43	86998035	1	POTENTIOMETER, Concave Position
44	86585707	2	SCREW, Cross Pan Hd, M4 x 35,
45	322355	4	WASHER, SPRING, Belleville, M4,
46	100012	2	NUT, M4, CI 8,
47	86633356	6	BOLT, CARRIAGE, Short NK, M10 x 25, CI8.8, Full Thd,
49	87000108	1	SHAFT,
50	412093	22	SCREW, SELF TAP, M6 x 1 x 12
51	87281791	1	ANGLE, LH
52	87361505	1	BAR, Torsion - Was 87108848
53	86508568	6	BOLT, Hex, M6 x 16, 8.8,
54	9706755	6	NUT, M6, CI 8,
55	9628065	6	BOLT, Hex, M12 x 45, 8.8,
56	300388	8	BOLT, Hex, M12 x 25, 8.8,
57	9706693	8	BOLT, Hex, M12 x 60, 8.8,
57	9706717	AR	BOLT, Hex, M12 x 70, 8.8, Full Thd,
58	86998116	16	PIN, BALL,
59	9507095	2	PIN, CLEVIS, M10 x 40,
60	140219	AR	WASHER,
61	86592701	47	WASHER, M12 x 35 x 5, HT,
62	382181	2	BOLT, Hex, M12 x 190, 8.8,
63	86981487	75	BOLT, Hex Flg, M12 x 35, 10.9, Full Thd,
64	87341291	5	COVER, , Enhanced Cleaning



AFX8010 AXIAL-FLOW COMBINE (3/03-9/06)

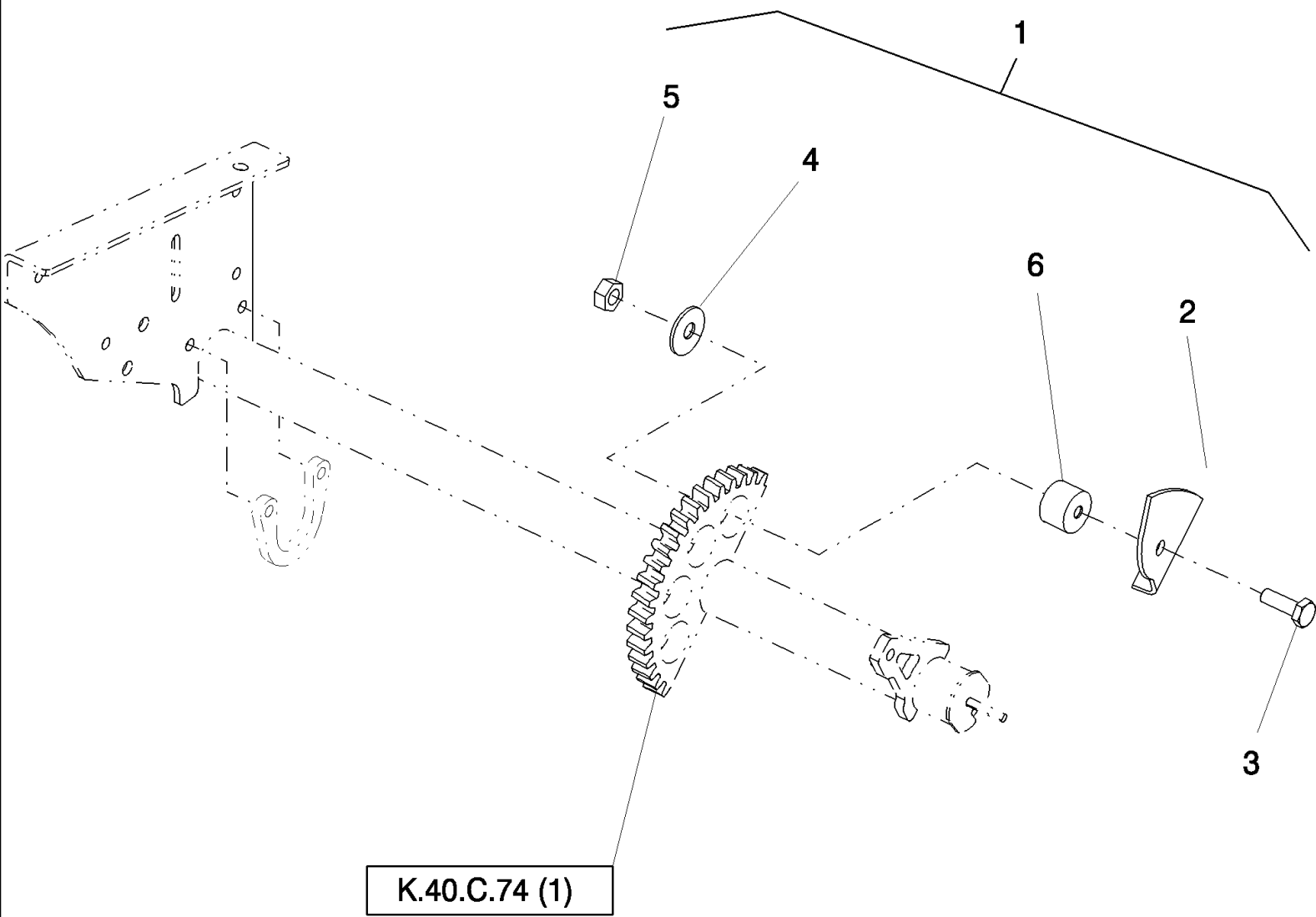
K.40.C.74(02) REAR FILLER PLATE KIT, ROTOR CAGE

сылка	Номер детали	Кол-во	Описание
1	84084762	AR	KIT, Includes Ref. 2 thru 5
2	87106382	4	COVER,
3	140042	4	WASHER, M10 x 34 x 3,
4	100016	4	NUT, M10, CI 8,
5	87106338	4	BOLT, Special



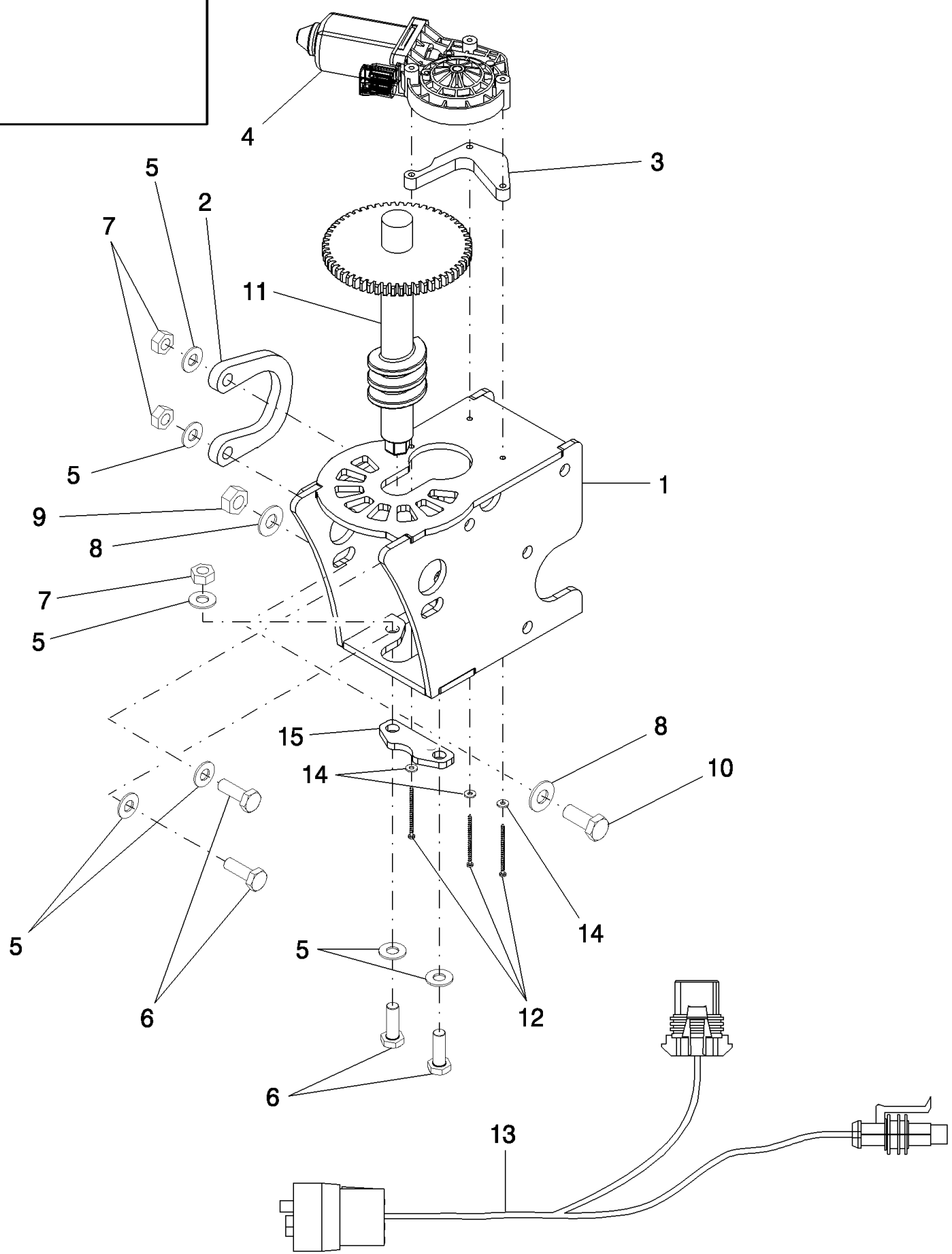
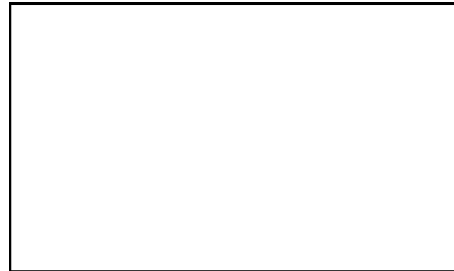
K.40.C.74(03) FRONT FILLER PLATE KIT, ROTOR CAGE

сылка	Номер детали	Кол-во	Описание
1	87584185	AR	KIT, SERVICE, Kit; Front Filler Plate; Includes: Ref.s 2 Thru 9
2	87584187	1	COVER, Cover, L.H.
3	86981487	1	BOLT, Hex Flg, M12 x 35, 10.9, Full Thd,
4	86592701	1	WASHER, M12 x 35 x 5, HT,
5	412672	1	NUT, LOCK, M12 x 1.75, CI 10,
6	86633356	4	BOLT, CARRIAGE, Short NK, M10 x 25, CI8.8, Full Thd,
7	140045	4	WASHER, SPRING, Belleville, M10,
8	86500689	4	NUT, M10, CI 10,
9	87584186	1	COVER, Cover, R.H.

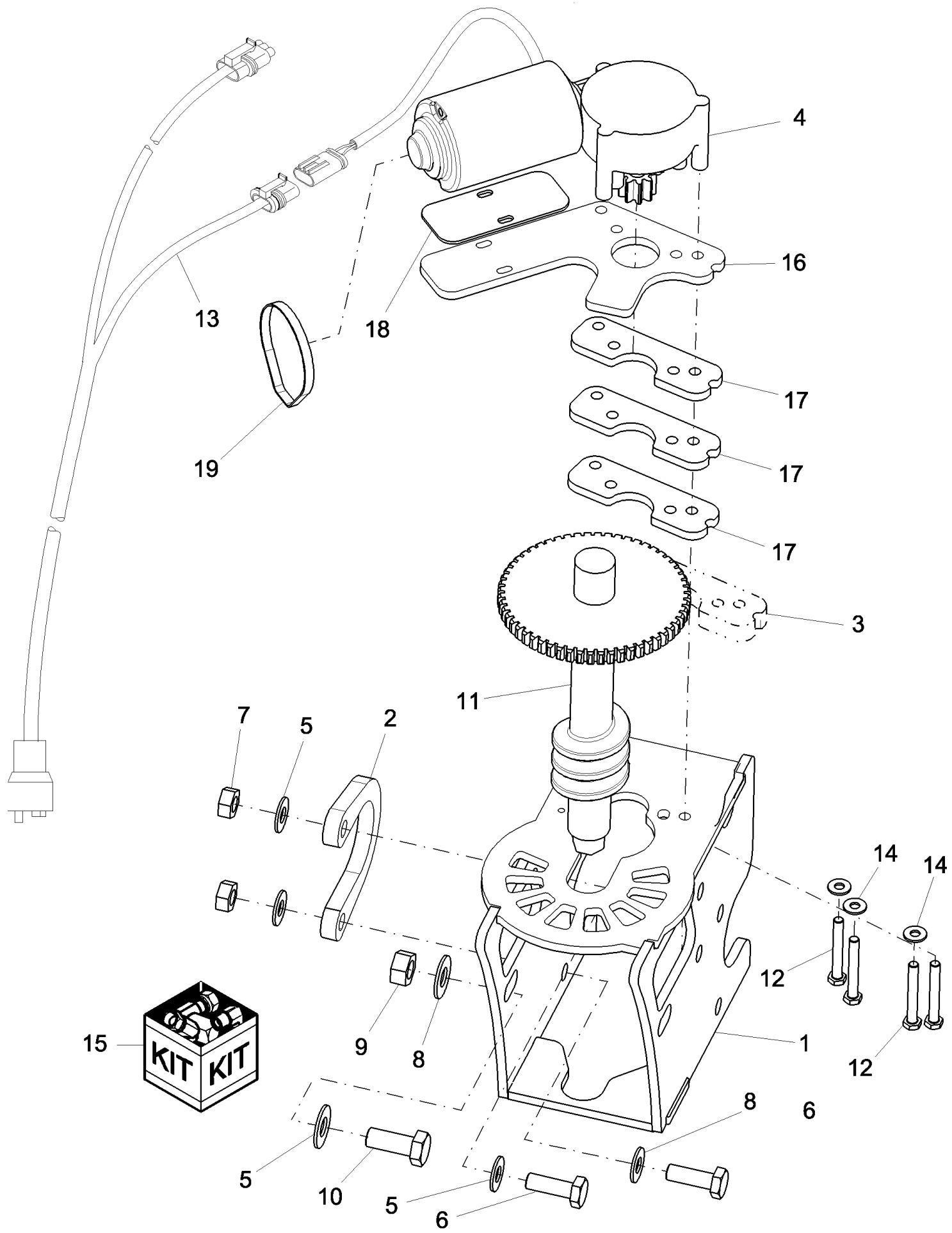


K.40.C.74(04) CONCAVE/GRAINPAN CLEARANCE KIT

сылка	Номер детали	Кол-во	Описание
1	87362670	1	KIT, SERVICE, Concave / Grainpan Clearance
2	87361953	1	PLATE,
3	300381	1	BOLT, Hex, M8 x 35, 8.8,
4	322	1	WASHER,
5	86629542	1	NUT, LOCK, M8 x 1.25, Cl 8,
6	87361950	1	SPACER,

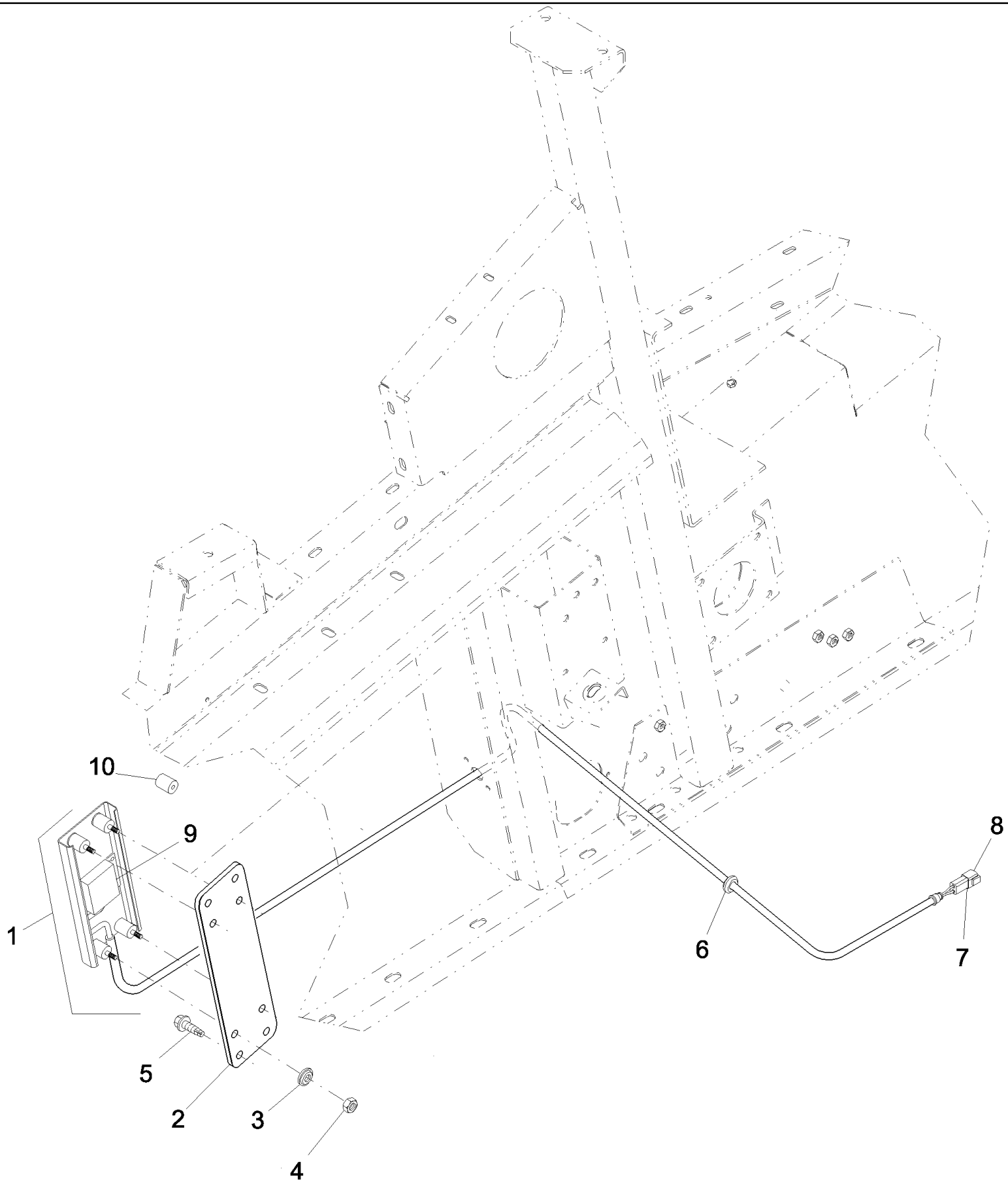


сылка	Номер детали	Кол-во	Описание
1	87106417	1	BRACKET,
1	87108797	1	BRACKET, , EndYear: 08/29/2003
1	87280691	1	BRACKET, , Start Year: 08/29/2003
2	86997859	1	BRACKET,
3	86998410	1	SPACER, Three Hole Design, EndYear: 08/29/2003
3	87280688	1	SUPPORT, Plate, Four Hole Design, Start Year: 08/29/2003
4	86998412	1	MOTOR, ELECTRIC, Gear, EndYear: 08/29/2003
4	87280687	1	MOTOR, ELECTRIC, , Start Year: 08/29/2003
5	140045	AR	WASHER, SPRING, Belleville, M10,
6	43140	AR	BOLT, Hex, M10 x 30, 8.8, Full Thd,
7	100016	AR	NUT, M10, CI 8,
8	140046	2	WASHER, SPRING, Belleville, M12,
9	9706685	1	NUT, M12, CI 8,
10	9706687	1	BOLT, Hex, M12 x 30, 8.8,
11	87106420	1	SHAFT,
11	87109016	1	SHAFT, , EndYear: 08/29/2003
11	87109757	1	SHAFT, , Start Year: 08/29/2003
12	86999677	3	SCREW, , EndYear: 08/29/2003
12	86977790	4	BOLT, Hex, M6 x 45, 8.8, , Start Year: 08/29/2003
13	87106325	1	HARNESS, WIRE, , EndYear: 08/29/2003
13	87280772	1	HARNESS, WIRE, , Start Year: 08/29/2003
14	86511189	3	WASHER, #6, 3/8", EndYear: 08/29/2003
14	322357	3	WASHER, SPRING, Belleville, M6, , Start Year: 08/29/2003
15	87106578	1	BRACKET,



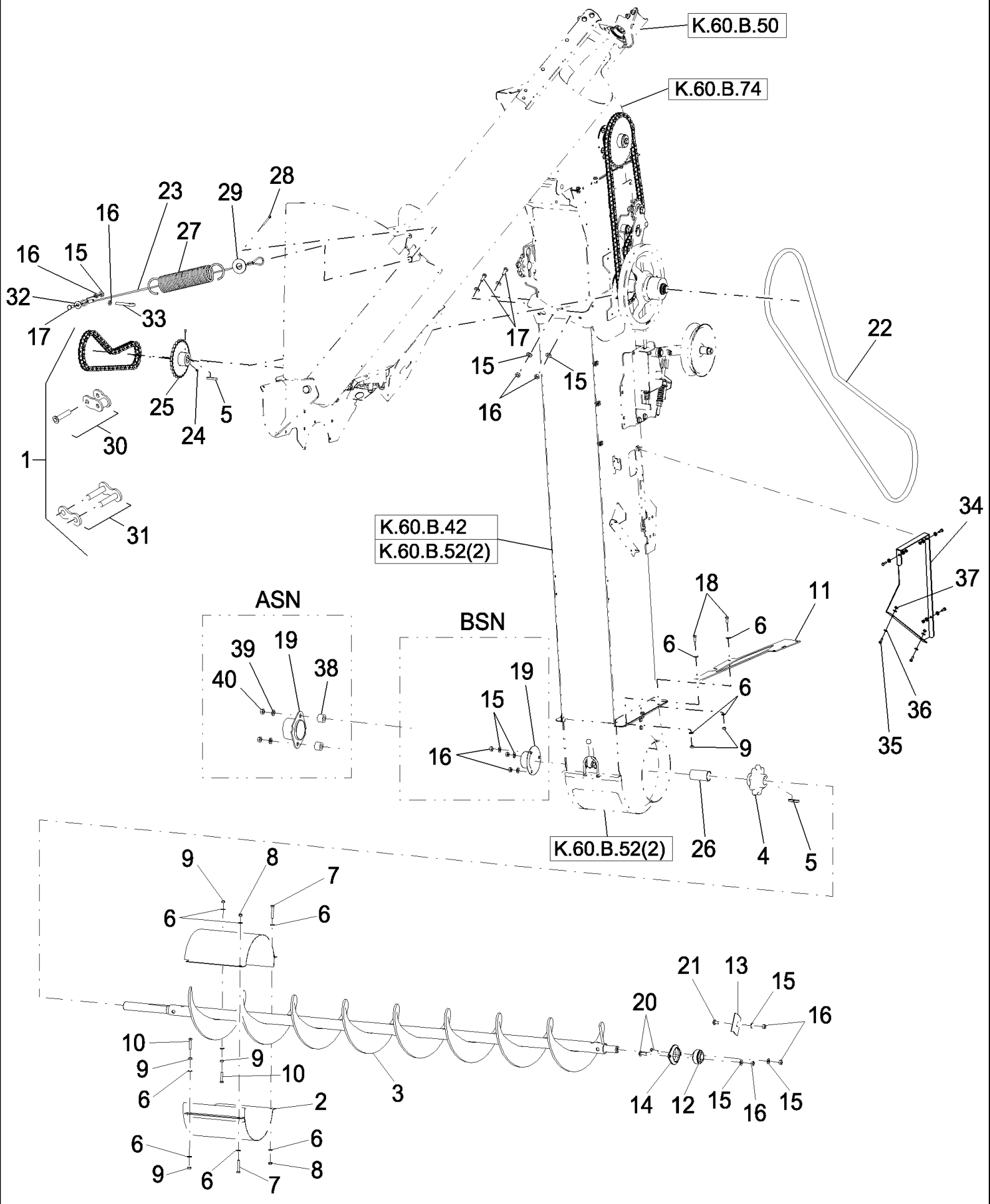
сылка	Номер детали	Кол-во	Описание
1	87342204	1	BRACKET, Was 87280691
2	86997859	1	BRACKET, LH
3	87280688	1	SUPPORT, Plate - Replaced by Ref. 16, 17, 18, 19
4	87352496	1	MOTOR, ELECTRIC, Was 87280687
5	140045	4	WASHER, SPRING, Belleville, M10,
6	43140	2	BOLT, Hex, M10 x 30, 8.8, Full Thd,
7	100016	2	NUT, M10, CI 8,
8	140046	2	WASHER, SPRING, Belleville, M12,
9	9706685	1	NUT, M12, CI 8,
10	9706687	1	BOLT, Hex, M12 x 30, 8.8,
11	87109757	1	SHAFT,
12	86977790	4	BOLT, Hex, M6 x 45, 8.8,
13	87280772	1	HARNESS, WIRE,
14	322357	3	WASHER, SPRING, Belleville, M6,
15	87352554	AR	KIT, SERVICE, Motor Support - Includes Ref. 16, 17, 18 & 19
16	87352933	1	BRACKET,
17	87052251	3	PLATE,
18	87352553	1	SHIM,
19	529070	1	STRAP, CABLE, .30" x 14.5",

K.40.C.95 ROTOR LOSS SENSOR



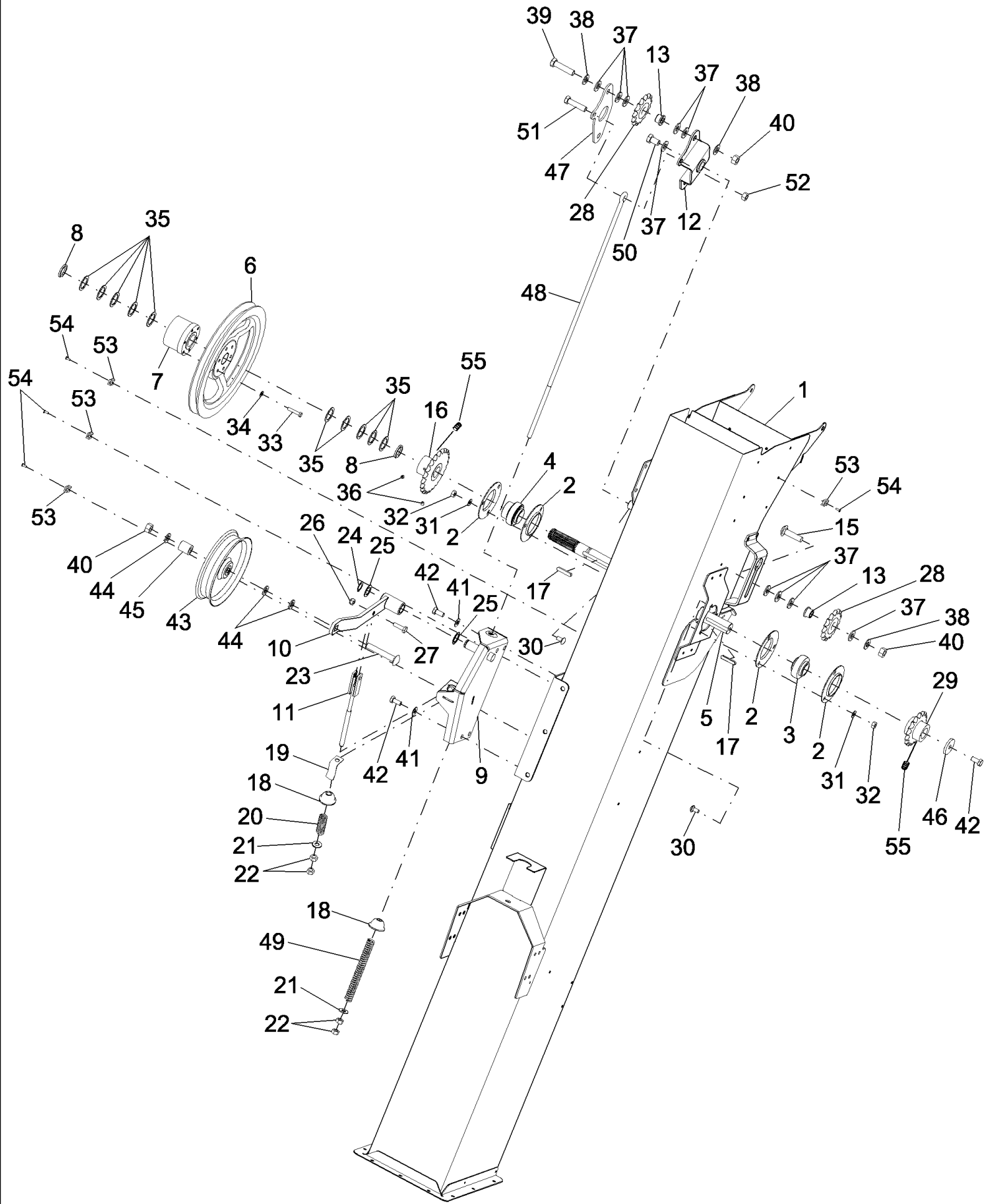
K.40.C.95 ROTOR LOSS SENSOR

сылка	Номер детали	Кол-во	Описание
1	87030724	2	SENSOR, Includes Ref. 6, 7 ,8 , 9 & 10
2	86997801	2	BRACKET,
3	322357	8	WASHER, SPRING, Belleville, M6,
4	9706755	8	NUT, M6, CI 8,
5	84733	8	SCREW, SELF TAP, Slotted Hex Wash Hd, 1/4" x 3/8",
6	86837476	2	GROMMET,
7	84074630	2	CONNECTOR, WIRE,
8	86575790	4	PIN, Cable Lug
9	84000257	2	SENSOR, Filter Kit
10	9513734	8	ISOLATOR,



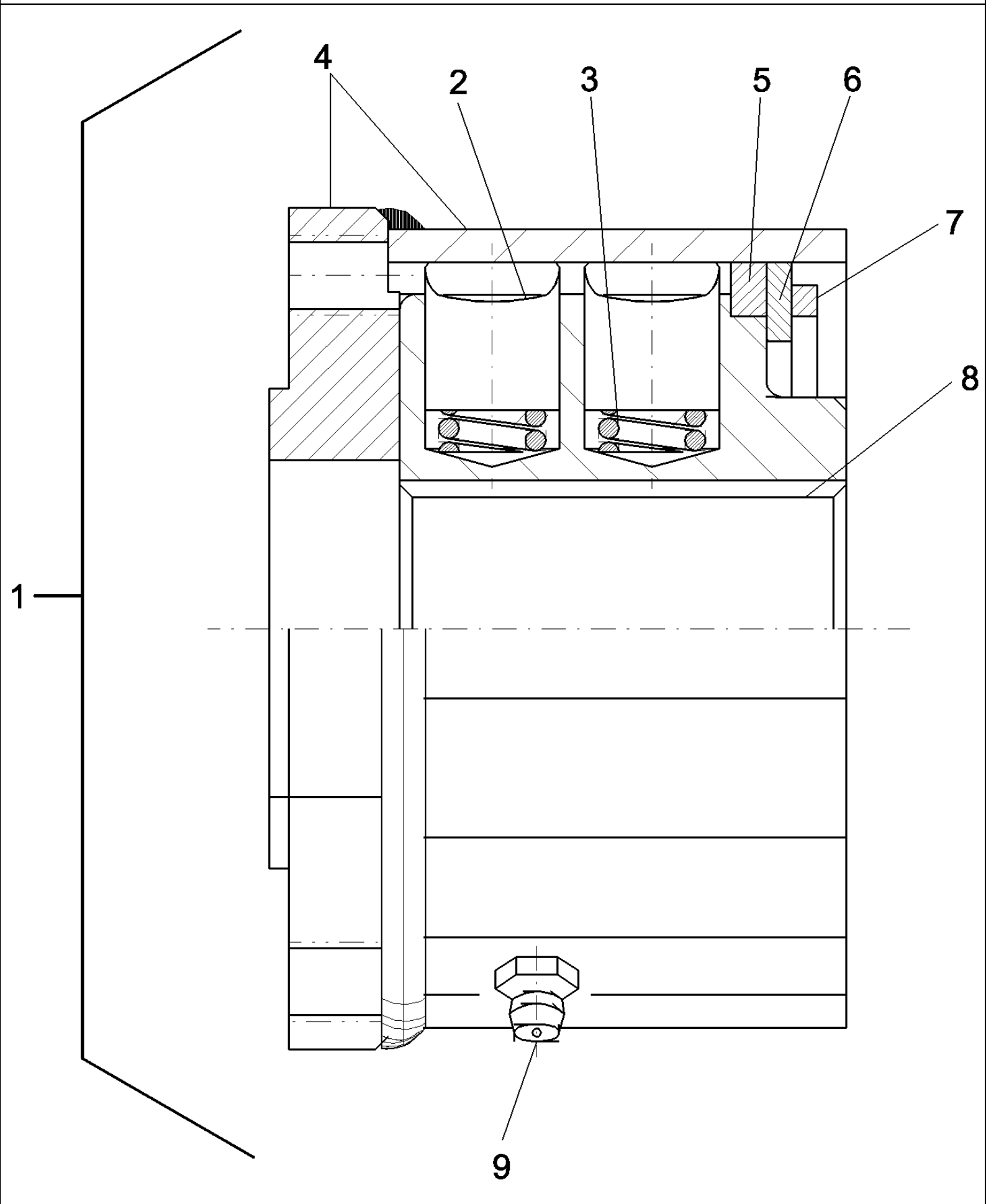
сылка	Номер детали	Кол-во	Описание
1	87105134	1	CHAIN, Roller
2	86999480	2	TROUGH,
3	86975021	1	AUGER,
3	86975024	1	AUGER, Extended Wear
3	87283266	1	AUGER, Std., Start Year: 02/09/2004
3	87283130	1	AUGER, Reinforced , Start Year: 02/09/2004
4	86998052	1	SPROCKET, 35 mm I.D.
4	87283436	1	SPROCKET, 45 mm I.D., Start Year: 02/09/2004
5	170012	2	KEY, Sq, 10 x 8 x 50 mm
5	87283201	1	KEY, 70 mm long, Start Year: 02/09/2004
6	322358	12	WASHER, SPRING, Belleville, M8,
7	43130	2	BOLT, Hex, M8 x 50, 8.8,
8	832-46408	2	NUT, LOCK, M8 x 1.25, CI 8,
9	9706690	6	NUT, M8, CI 8,
10	43129	2	BOLT, Hex, M8 x 40, 8.8, , EndYear: 02/09/2004
10	43128	2	BOLT, Hex, M8 x 30, 8.8, , Start Year: 02/09/2004
11	86999223	1	BRACKET,
12	84069440	1	BEARING, BALL,
13	86580877	1	COVER,
13	87313383	1	COVER,
14	87106572	2	FLANGE, , EndYear: 02/09/2004
14	84447186	1	FLANGE, Set, Start Year: 02/09/2004
14	86548970	2	FLANGE,
15	140045	AR	WASHER, SPRING, Belleville, M10,
16	100016	AR	NUT, M10, CI 8,
17	43140	3	BOLT, Hex, M10 x 30, 8.8, Full Thd,
18	120104	2	BOLT, Hex, M8 x 20, 8.8,
19	84334947	1	COVER, , EndYear: 02/09/2004
19	86996082	1	COVER, , Start Year: 02/09/2004
20	86512446	2	BOLT, CARRIAGE, Short NK, M10 x 30, CI8.8, Full Thd,
21	120041	AR	BOLT, CARRIAGE, Short NK, M10 x 20, CI8.8, Full Thd,
22	86975809	1	BELT,
23	87109486	1	CABLE, , EndYear: 02/09/2004
23	87281698	1	CABLE, , Start Year: 02/09/2004
23	87107054	1	CABLE, , For EU Only, Start Year: 02/09/2004
24	80428	2	SET SCREW, Hex Soc, 5/16"-18 x 3/8", Cup Point
25	86999492	1	SPROCKET, Driven
26	86998922	1	TUBE, , EndYear: 02/09/2004
26	87283950	1	TUBE, Replaces 87283081, Start Year: 02/09/2004
27	86975571	1	SPRING,
28	87399	1	PIN, SPLIT (COTTER), 3/16" x 1 3/4",
29	87374	1	WASHER, 1",
30	86595275	1	LINK, OFFSET,
31	25812	1	LINK, CONNECTING,
32	81541	1	WASHER, 7/16",

сылка	Номер детали	Кол-во	Описание
33	86599359	1	EYEBOLT,
34	84435183	1	COVER,
35	86508568	5	BOLT, Hex, M6 x 16, 8.8,
36	322357	10	WASHER, SPRING, Belleville, M6,
37	9706755	5	NUT, M6, CI 8,
38	168368	2	SPACER, , Start Year: 02/09/2004
39	378245	2	WASHER, M12, , Start Year: 02/09/2004
40	100038	2	NUT, LOCK, M12 x 1.75, CI 8, , Start Year: 02/09/2004



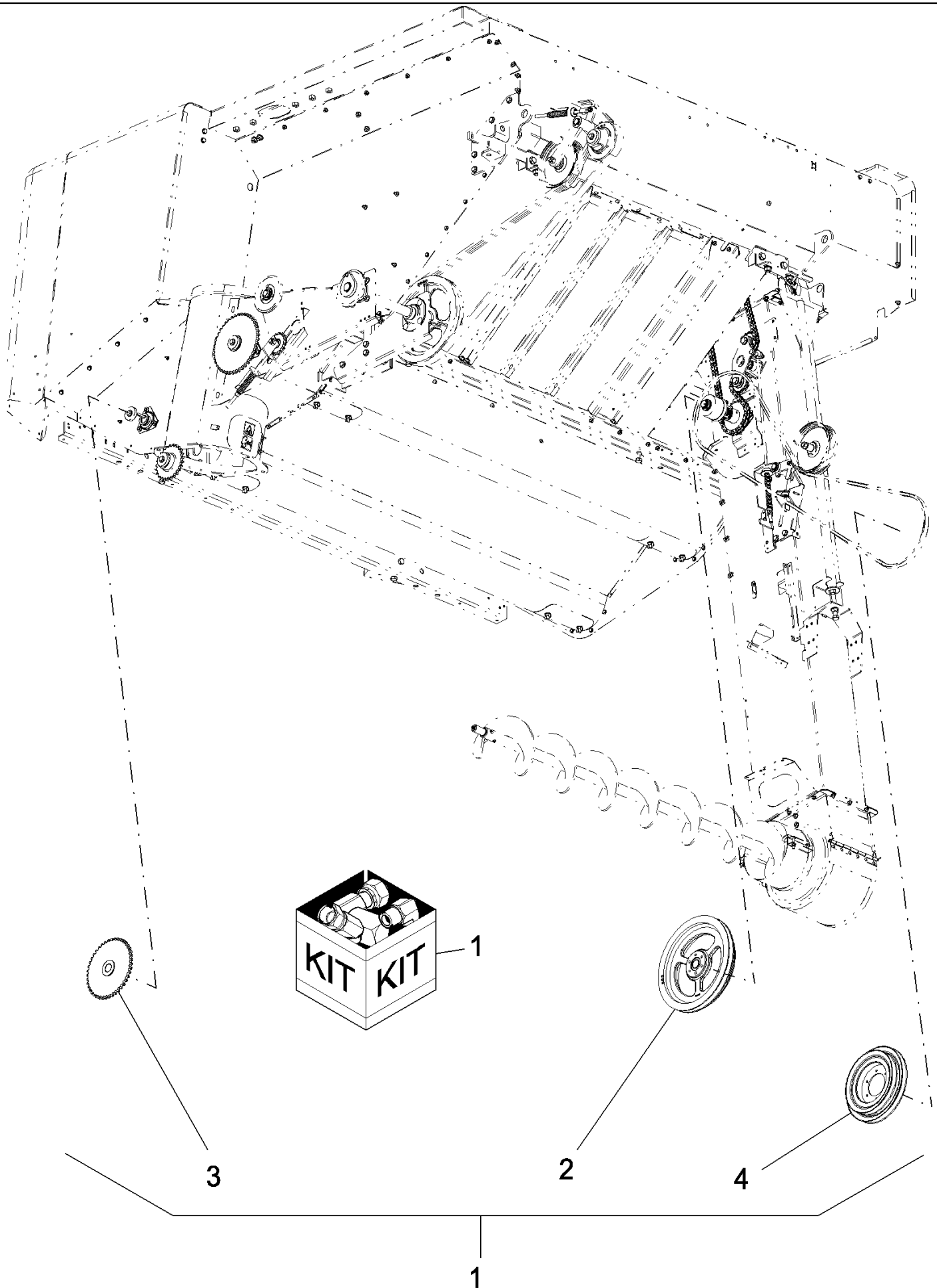
сылка	Номер детали	Кол-во	Описание
1	87282466	1	ELEVATOR, Housing - Replaces 87108811, ASN HAJ105101
1	87108809	1	ELEVATOR, Housing - Extended Wear, ASN HAJ105101
2	36403	4	FLANGE, Round
2	86620026	4	FLANGE, Triangular
3	87605592	1	BEARING,
4	87605590	1	BEARING, , ASN HAJ105101
4	877-3086	1	SET SCREW, Set Screw, Not Shown
5	86998117	1	SHAFT, , BSN HAJ105770
5	87283680	1	SHAFT, , ASN HAJ105771
6	87000270	1	PULLEY,
7	86975811	1	CLUTCH ASSEMBLY, , BSN HAJ106892
7	87527860	1	CLUTCH ASSEMBLY, , ASN HAJ106893
8	851000	2	RING, SNAP,
9	87108857	1	PLATE, MOUNTING, , ASN HAJ105101
10	86999187	1	ARM,
11	86999557	1	ROD, ADJUSTMENT,
12	87108820	1	ARM, , ASN HAJ105101
13	84334697	3	BUSHING, Hub
15	120046	1	BOLT, CARRIAGE, Short NK, M16 x 60, CI8.8, Full Thd,
16	87108702	1	SPROCKET, Drive, BTW HAJ105101 & HAJ105770
16	87283695	1	SPROCKET, , ASN HAJ105771
17	170012	2	KEY, Sq, 10 x 8 x 50 mm, BSN HAJ105770
17	87283679	2	KEY, 42 mm, ASN HAJ105771
18	86560521	2	PIVOT, Pivot
19	84073601	1	INDICATOR,
20	681902	1	SPRING, .80 ID x 3.49
21	378245	2	WASHER, M12,
22	9706685	4	NUT, M12, CI 8,
23	322362	1	BOLT, CARRIAGE, Short NK, M16 x 100, CI8.8,
24	370002	1	RING, SNAP, M25, Ext,
25	140103	2	WASHER,
26	100037	1	NUT, M10 x 1.5, CI 8,
27	9706704	1	BOLT, Hex, M10 x 35, 8.8, Full Thd,
28	84980926	3	SPROCKET, Driven, EndYear: 02/09/2004, ASN HAJ105101
28	87283101	3	SPROCKET, , Start Year: 02/09/2004
29	86999488	1	SPROCKET, Drive, BSN HAJ105770
29	87283677	1	SPROCKET, With Set Screw Hole, ASN HAJ105771
30	120041	6	BOLT, CARRIAGE, Short NK, M10 x 20, CI8.8, Full Thd,
31	140045	6	WASHER, SPRING, Belleville, M10,
32	100016	6	NUT, M10, CI 8,
33	43129	6	BOLT, Hex, M8 x 40, 8.8,
34	322358	6	WASHER, SPRING, Belleville, M8,
35	87280749	AR	WASHER, Flat
36	80428	2	SET SCREW, Hex Soc, 5/16"-18 x 3/8", Cup Pt, BSN
37	378246	AR	WASHER, Flat, M16

сылка	Номер детали	Кол-во	Описание
38	140048	5	WASHER, SPRING, Belleville, M16,
39	120092	2	BOLT, Hex, M16 x 70, 8.8,
40	825-1416	4	NUT, M16, CI 8,
41	140046	4	WASHER, SPRING, Belleville, M12,
42	300388	AR	BOLT, Hex, M12 x 25, 8.8,
42	86553833	1	SCREW, Hex Soc Flat Hd, M12 x 50, 10.9,
43	86588003	1	IDLER,
44	86511326	3	WASHER, M16 x 30 x 3,
45	86975913	1	SPACER,
46	87280750	1	WASHER, 13.49 mm ID x 50.8 mm OD
46	87284462	1	WASHER, THRUST, Countersunk, 50 mm OD
47	87108823	1	PLATE, , ASN HAJ105101
48	87108864	1	EYEBOLT, , ASN HAJ105101
49	87108903	1	SPRING, , ASN HAJ105101
50	374888	1	BOLT, Hex, M16 x 25, 8.8, Full Thd,
51	300809	1	BOLT, Hex, M12 x 65, 8.8, Replaces 87024342
52	100038	1	NUT, LOCK, M12 x 1.75, CI 8, Replaces 87397
53	86590413	4	CLAMP, Base, Wire Tie
54	445394	4	RIVET, Pop, M4.8 x 12.7,
55	380530	2	SET SCREW, Hex Soc, M8 x 10, Cup Pt,

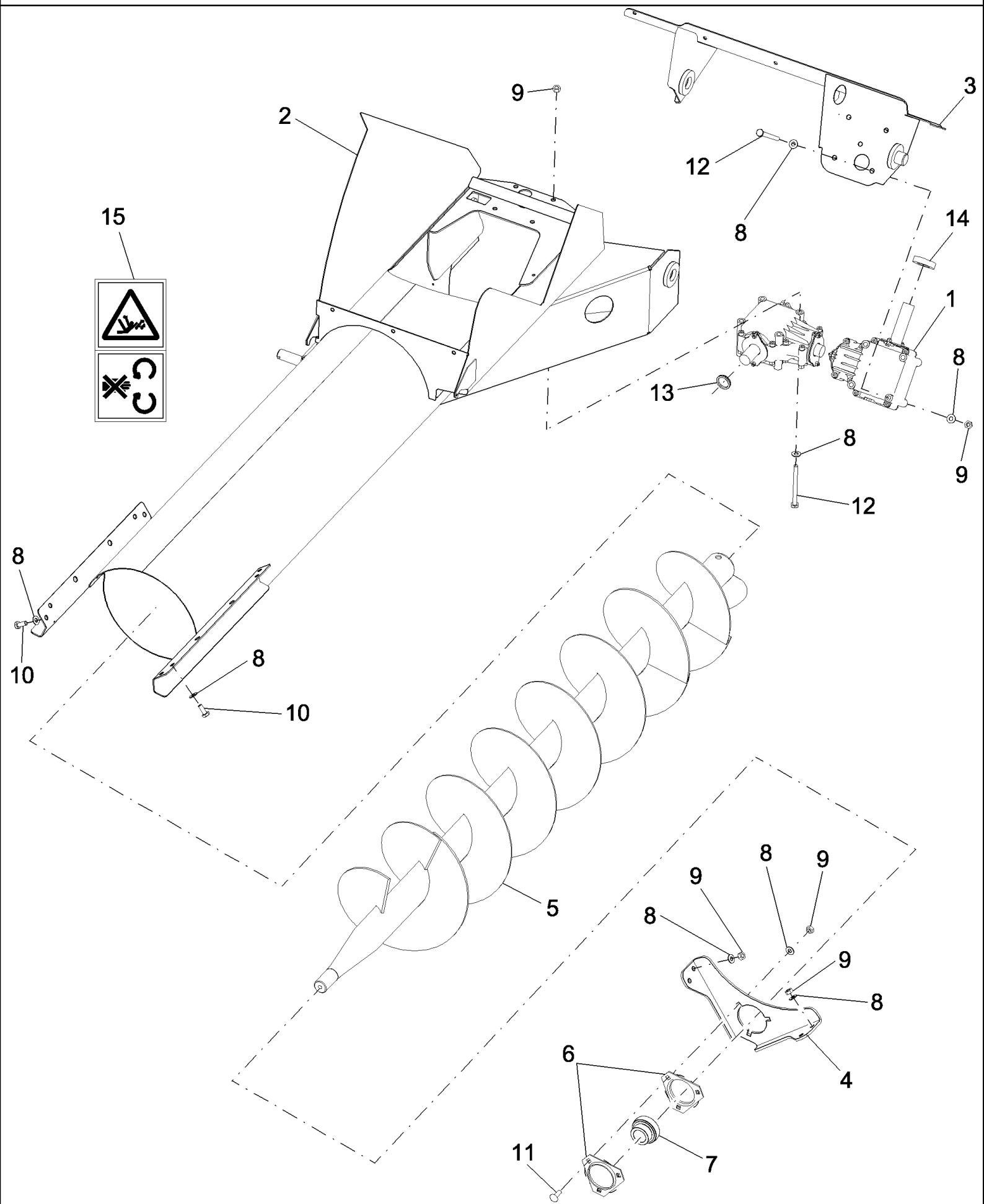


K.60.B.42(2) CLUTCH ASSEMBLY, ELEVATOR HOUSING

сылка	Номер детали	Кол-во	Описание
1	86975811	1	CLUTCH ASSEMBLY, Includes: Ref. 2 thru 9, BSN HAJ106892
1	87527860	1	CLUTCH ASSEMBLY, Includes: Ref. 2 thru 9, ASN HAJ106893
2	275246	16	CAM,
3	386510	16	SPRING, Outer
3	297908A1	14	SPRING, Inner, ASN HAJ106893
4	NSS	1	NOT SERVICED SEPARATELY, Housing, Clutch
5	428144	1	SEAL,
6	86636027	1	RING, Thrust
7	300633	1	RING, SNAP, M80, Int, Retainer
8	NSS	1	NOT SERVICED SEPARATELY, Hub, 1-3/8", 21 Spline
9	84447449	1	NIPPLE, LUBE,

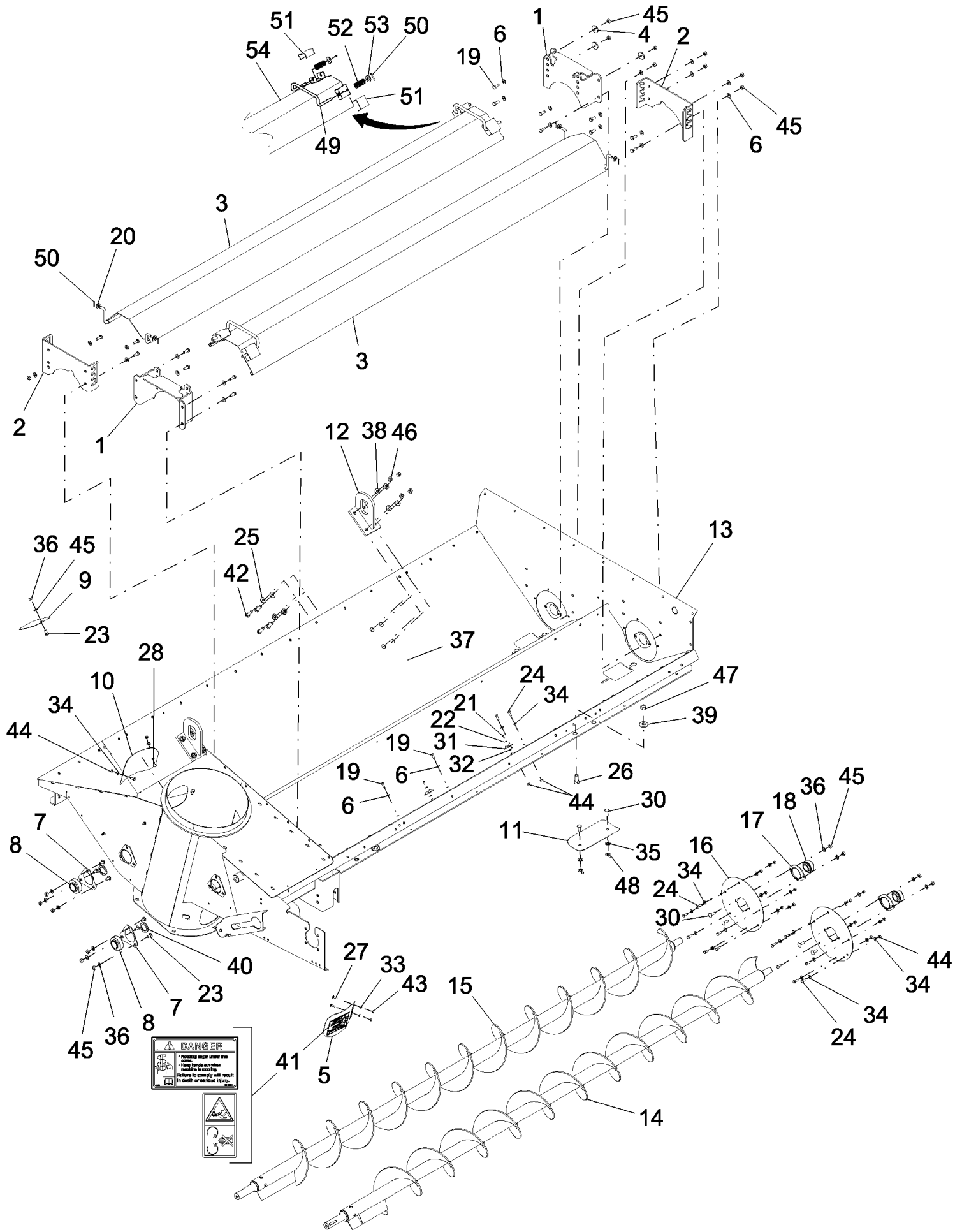


сылка	Номер детали	Кол-во	Описание
1	84084386	1	DIA KIT, HARVESTER, Kit, Slow Down - Elevator & Grain Tank, Includes Ref. 2, 3 & 4
2	86976480	1	PULLEY, Driven
3	84069677	1	SPROCKET,
4	86999007	1	SHEAVE,



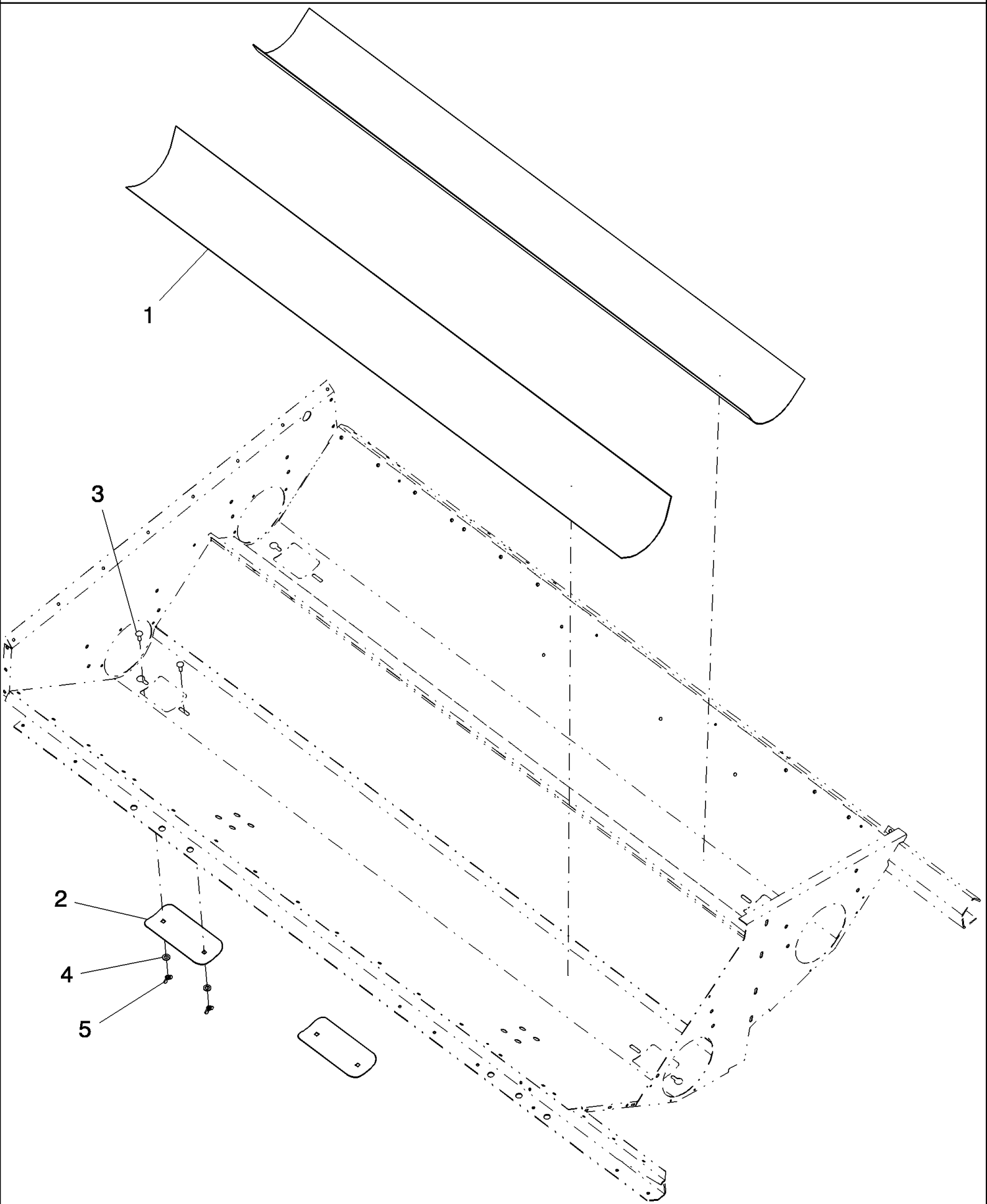
K.60.B.50 BUBBLE-UP AUGER

сылка	Номер детали	Кол-во	Описание
1	86638425	1	GEARBOX,
2	87600218	1	KIT, SERVICE, 2148 mm - Includes Ref. 16
2	87109440	1	TUBE, Extended Wear, 2148 mm
2	87105972	1	TUBE, 1918 mm
2	87105977	1	TUBE, Extended Wear, 1918 mm
2	87284083	1	TUBE, Includes Ref. 15, 1918 mm, For EU Only
2	87284084	1	TUBE, Extended Wear - Includes Ref. 15, 1918 mm , For EU Only
3	87107022	1	SUPPORT,
4	86998682	1	BRACKET,
5	87106613	1	AUGER, 2072 mm
5	87106615	1	AUGER, Extended Wear, 2072 mm
5	87106625	1	AUGER, Extended Wear, 1842 mm, For EU Only
6	86620026	2	FLANGE,
7	87605590	1	BEARING,
7	877-3086	1	SET SCREW, Set Screw, Not Shown
8	140045	23	WASHER, SPRING, Belleville, M10,
9	100016	15	NUT, M10, CI 8,
10	43139	4	SCREW, HH, CL 8.8, M10 x 25
11	86512446	3	BOLT, CARRIAGE, Short NK, M10 x 30, CI8.8, Full Thd,
12	86508574	8	BOLT, Hex, M10 x 120, 8.8,
13	87280933	AR	SEAL,
14	87282653	1	SEAL,
15	84004736	1	DECAL, Never Reach Into Rotating Auger
16	86640420	1	DECAL, Danger



сылка	Номер детали	Кол-во	Описание
1	86975993	2	BRACKET,
2	86975994	2	BRACKET,
3	86975412	2	COVER, Assy, Includes: Refs. 49-54
4	213404	3	SPACER,
5	87510557	1	DOOR, , For NA Only
5	87583788	1	DOOR, With Latch , For NA Only
5	87510556	1	DOOR, , For EU Only
5	87583787	1	DOOR, With Latch , For EU Only
6	140045	22	WASHER, SPRING, Belleville, M10,
7	86620026	4	FLANGE,
8	212607	2	BEARING, BALL,
9	86600691	1	COVER,
10	86597524	1	COVER,
11	84455919	4	COVER, 3.0 mm Thick; Was 87105680 1.5 mm Thick, Start Year: 05/05/2005, ASN HAJ106030
12	84438598	2	SUPPORT, Plate
13	86975234	1	TANK, Bottom
13	87284037	1	TANK, Bottom, For EU Only
14	84075320	1	AUGER, Rear
14	87280343	1	AUGER, Rear, Ext. Wear
15	84075319	1	AUGER, Front
15	87280345	1	AUGER, Front, Ext. Wear
16	84072842	2	PLATE, Bearing
17	87106572	4	FLANGE,
18	84069440	2	BEARING, BALL,
19	43139	17	SCREW, HH, CL 8.8, M10 x 25
20	86624146	4	WASHER, 17/32" x 1" x .120",
21	445394	2	RIVET, Pop, M4.8 x 12.7,
22	362785	2	WASHER, Spring
23	120041	7	BOLT, CARRIAGE, Short NK, M10 x 20, Cl8.8, Full Thd,
24	120104	AR	BOLT, Hex, M8 x 20, 8.8,
25	86629541	AR	BOLT, Hex, M12 x 40, 8.8, Full Thd,
26	86508583	6	BOLT, Hex, M16 x 35, 8.8,
27	9706703	2	BOLT, CARRIAGE, Short NK, M6 x 20, Cl8.8, Full Thd,
28	86507486	2	BOLT, CARRIAGE, Short NK, M8 x 20, Cl8.8, Full Thd,
29	86508568	2	BOLT, Hex, M6 x 16, 8.8,
30	86512446	AR	BOLT, CARRIAGE, Short NK, M10 x 30, Cl8.8, Full Thd,
31	362786	2	FASTENER,
32	140015	2	WASHER, M6
33	322357	4	WASHER, SPRING, Belleville, M6,
34	322358	AR	WASHER, SPRING, Belleville, M8,
35	140018	8	WASHER, M12 x 24 x 2.5,
36	412655	11	WASHER, SPRING, Belleville, M10,
37	449973	1	DECAL,
38	140046	8	WASHER, SPRING, Belleville, M12,
39	86589278	6	WASHER, SPRING,

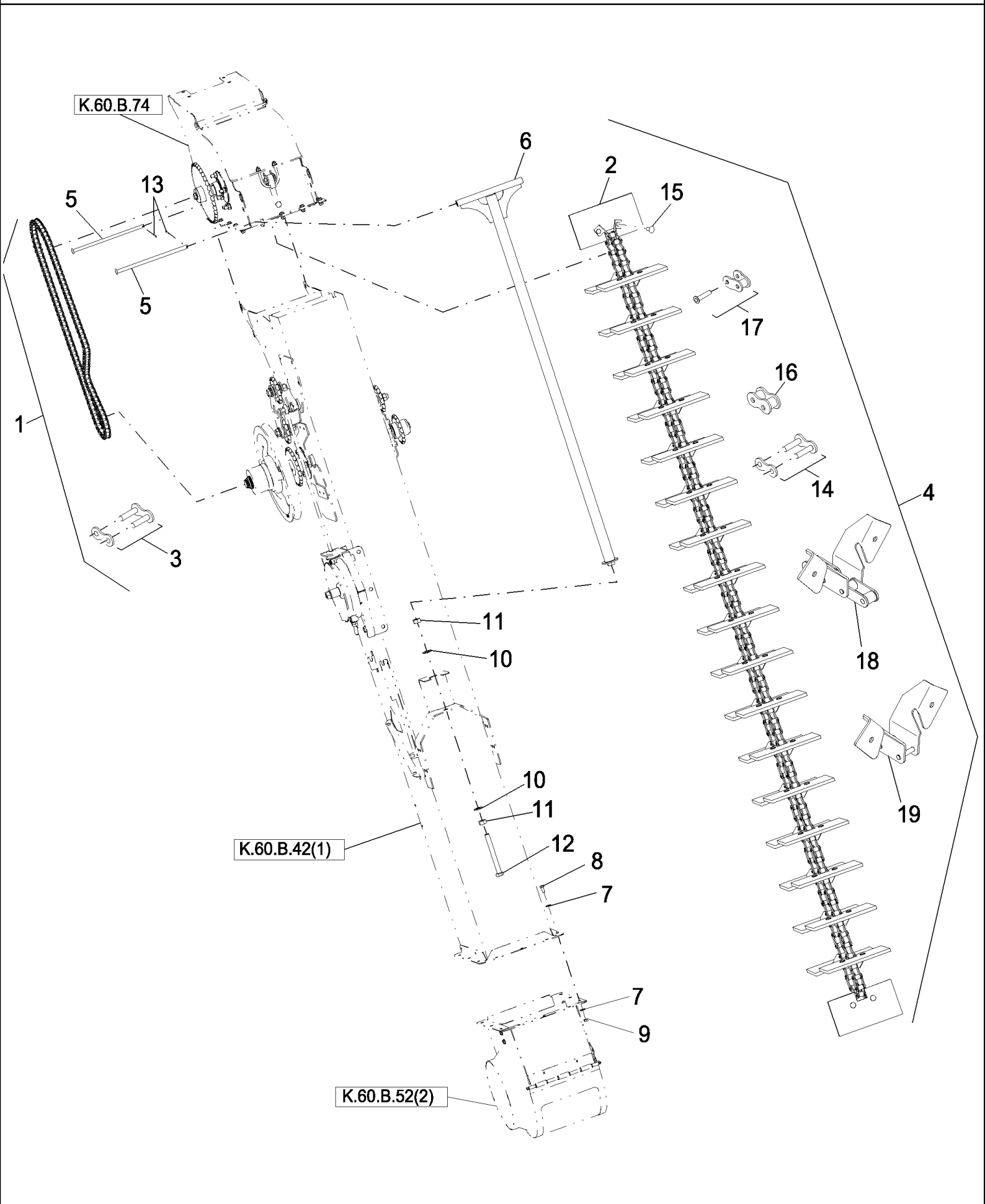
сылка	Номер детали	Кол-во	Описание
40	84075099	2	WASHER,
41	86640420	1	DECAL, , For NA Only
41	84004736	1	DECAL, , For EU Only
42	394630	8	WASHER, M16
43	9706755	AR	NUT, M6, CI 8,
44	9706690	16	NUT, M8, CI 8,
45	100016	AR	NUT, M10, CI 8,
46	9706685	8	NUT, M12, CI 8,
47	825-1416	6	NUT, M16, CI 8,
48	84814893	8	NUT, WING, M10 x 1.5,
49	86975418	2	HANDLE,
50	130004	8	PIN, SPLIT (COTTER), M3.2 x 25,
51	86976481	4	COVER,
52	80025823	4	SPRING, Guard and Lock
53	86624146	4	WASHER, 17/32" x 1" x .120",
54	87284631	2	COVER, Was 86975414



K.60.B.51(2) GRAIN TANK BOTTOM, EXTENDED WEAR KIT

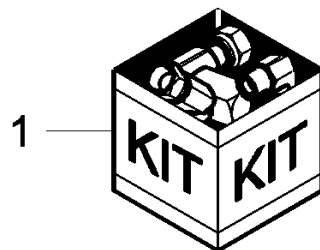
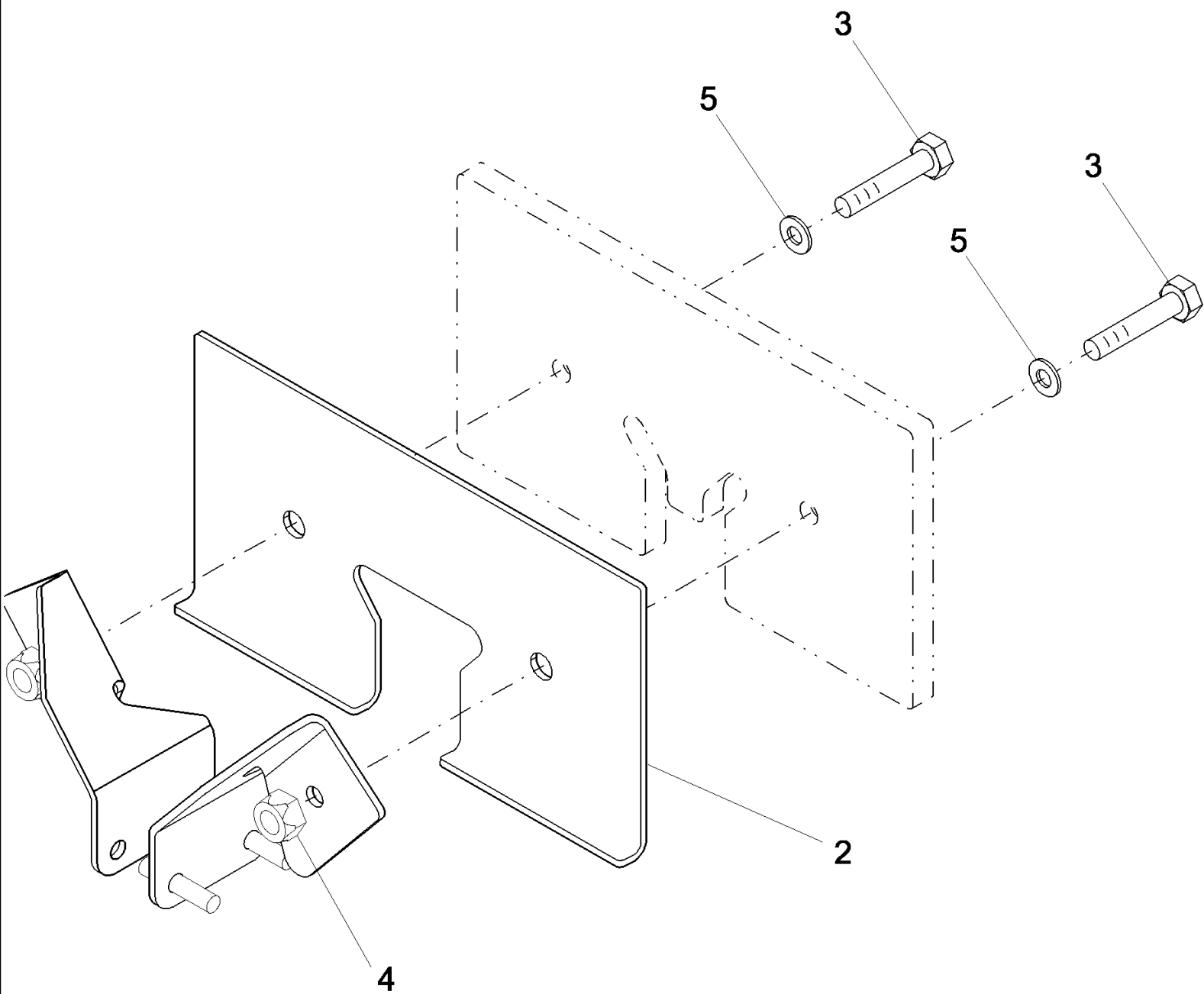
сылка	Номер детали	Кол-во	Описание
	87315135		AR DIA KIT, HARVESTER, Tank Bottom, Extended Wear, Includes Ref. 1 - 5
	87324911		AR KIT, SERVICE, Cleanout Doors, Includes Ref. 2 - 5
1	87315123	2	FLOOR, Weld in Part
2	84455919		2/4 COVER,
3	86512446		4/8 BOLT, CARRIAGE, Short NK, M10 x 30, C18.8, Full Thd,
4	140018		4/8 WASHER, M12 x 24 x 2.5,
5	84814893		4/8 NUT, WING, M10 x 1.5,

K.60.B.52(1) GRAIN ELEVATOR TENSIONER & CHAIN

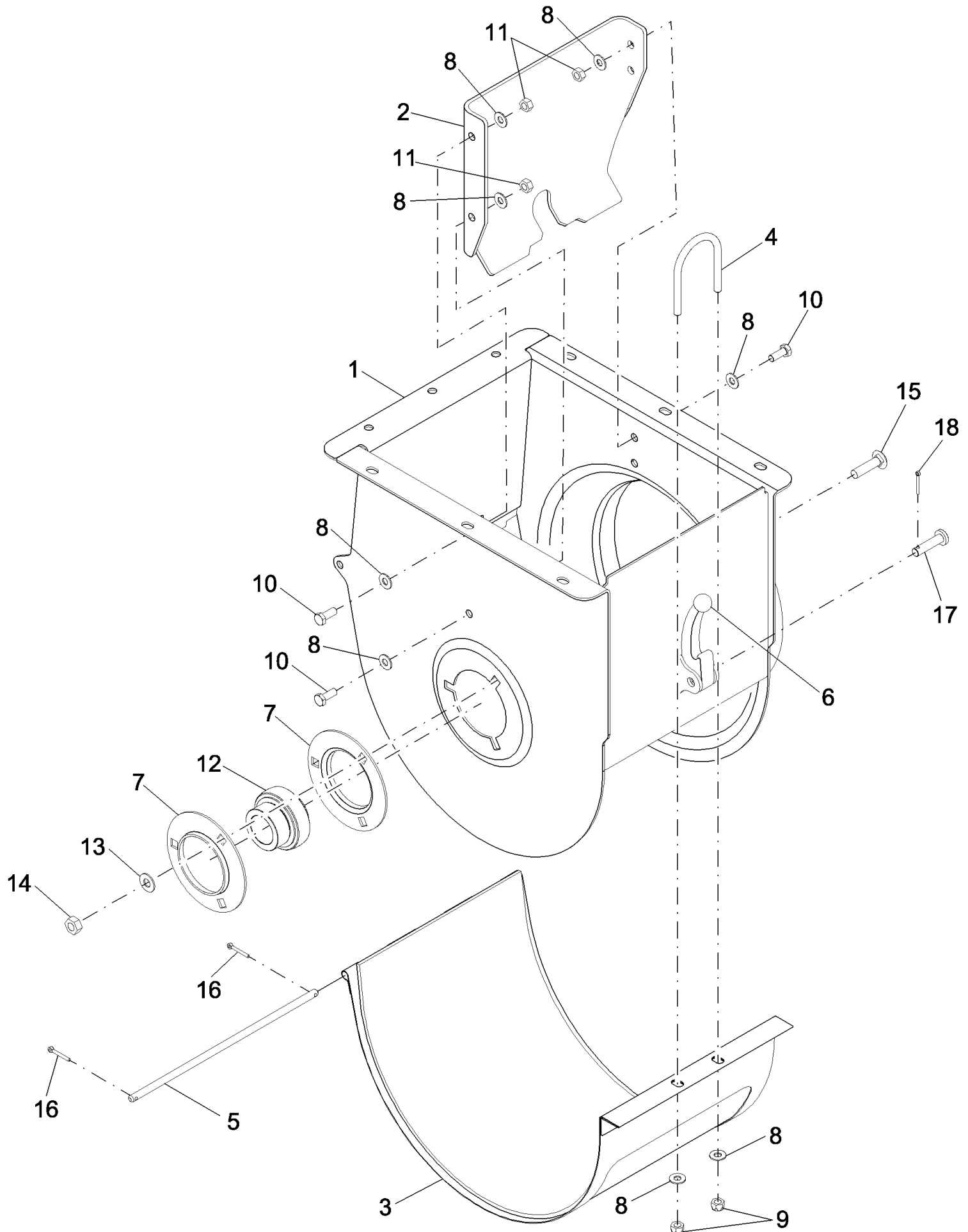


K.60.B.52(1) GRAIN ELEVATOR TENSIONER & CHAIN

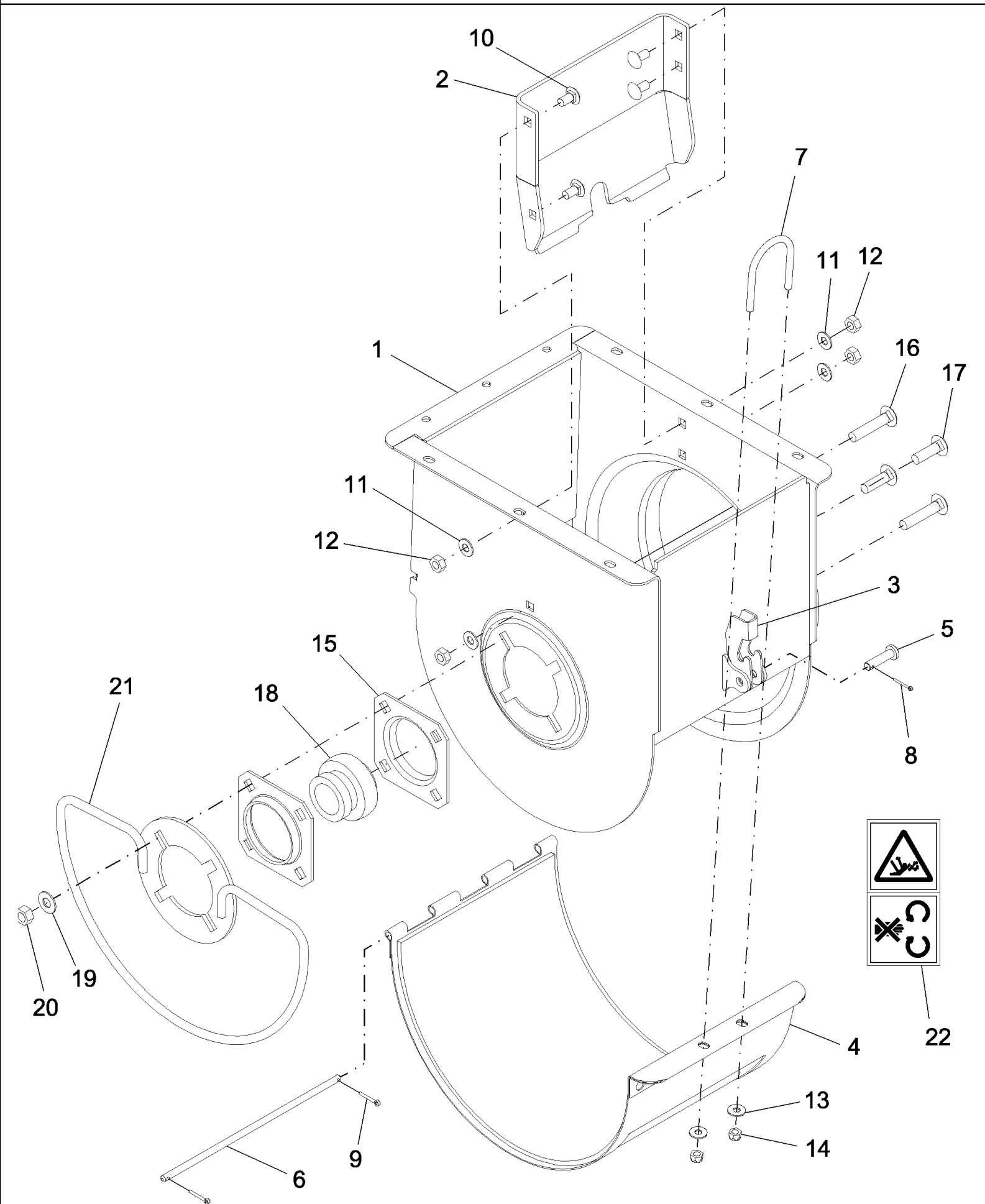
сылка	Номер детали	Кол-во	Описание
1	87108801	1	CHAIN, Roller - Replaced 9617352 (BSN), ASN HAJ105101
2	87282471	36	BLADE,
3	25812	1	LINK, CONNECTING,
4	87281911	1	CHAIN, ELEVATOR, Replaced 87281890, Replaced 87280487
5	86998942	2	PIN,
6	86998941	1	SUPPORT,
6	87283177	1	SUPPORT, , Start Year: 02/09/2004
7	322358	14	WASHER, SPRING, Belleville, M8,
8	120104	7	BOLT, Hex, M8 x 20, 8.8,
9	9706690	7	NUT, M8, CI 8,
10	140048	2	WASHER, SPRING, Belleville, M16,
11	825-1416	2	NUT, M16, CI 8,
12	359211	1	BOLT, Hex, M16 x 150, 8.8, Full Thd,
13	80755	2	PIN, SPLIT (COTTER), 1/8" x 1",
14	86574857	AR	LINK, CONNECTING, , EndYear: 02/09/2004
14	87282356	AR	LINK, CONNECTING, Includes: 87610182, Start Year: 02/09/2004
14	87610182	AR	PIN, S-Pin; Services 87282356
15	86999835	AR	RIVET,
16	86575773	AR	LINK, CHAIN, Roller
17	86995345	6	LINK, OFFSET,
18	87281918	AR	LINK, CHAIN, Blade Attachment
19	87281909	AR	LINK, CHAIN, Attachment
20	23442R1	AR	PIN, "S" - For Ref. 14 and 17 - Not Shown



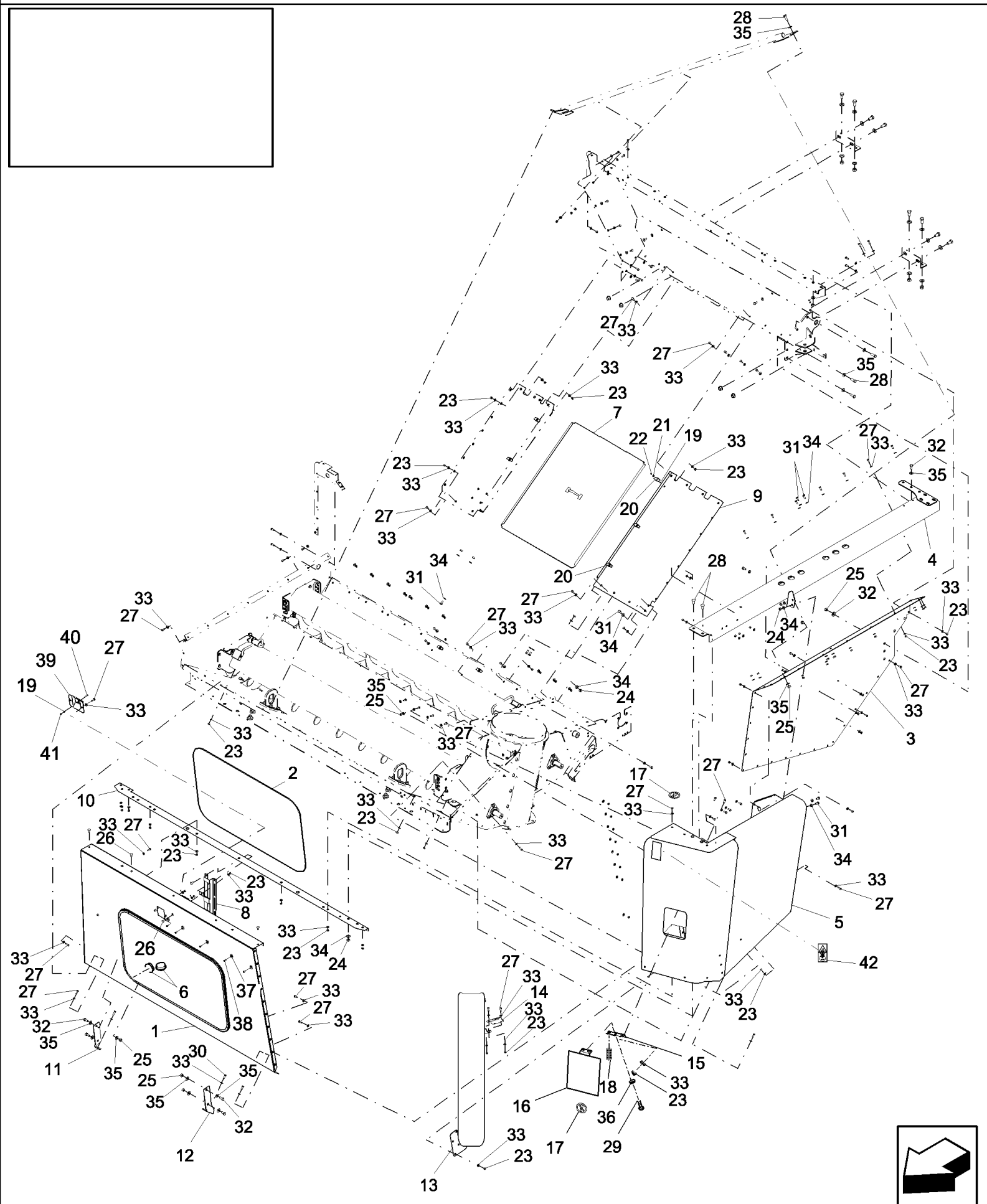
сылка	Номер детали	Кол-во	Описание
1	84083472	1	KIT, Scraper Blades
2	87283161	2	BLADE, Scraper
3	43128	4	BOLT, Hex, M8 x 30, 8.8,
4	86629542	4	NUT, LOCK, M8 x 1.25, Cl 8,
5	140041	4	WASHER, M8 x 28 x 3,



сылка	Номер детали	Кол-во	Описание
1	87108780	1	HOUSING, GRAIN ELEVATOR, Body
2	87108691	1	PLATE, Strip - Off
3	87108609	1	DOOR, Std.
3	87108771	1	DOOR, Round Holes, EndYear: 02/09/2004
3	87282576	1	DOOR, Round Holes, Start Year: 02/09/2004
3	87108774	1	DOOR, Slotted Holes
4	84989315	1	U-BOLT,
5	86998877	1	PIN,
6	86975722	1	LATCH,
7	36403	2	FLANGE,
8	322358	10	WASHER, SPRING, Belleville, M8,
9	832-46408	2	NUT, LOCK, M8 x 1.25, CI 8,
10	120104	4	BOLT, Hex, M8 x 20, 8.8,
11	9706690	4	NUT, M8, CI 8,
12	84814912	1	BEARING, BALL, & Locking Collar
12	877-3086	1	SET SCREW, Set Screw
13	140045	3	WASHER, SPRING, Belleville, M10,
14	100016	3	NUT, M10, CI 8,
15	86512446	3	BOLT, CARRIAGE, Short NK, M10 x 30, CI8.8, Full Thd,
16	80755	2	PIN, SPLIT (COTTER), 1/8" x 1",
17	9507095	1	PIN, CLEVIS, M10 x 40,
18	280251	1	PIN, SPLIT (COTTER), 3/32" x 1",



сылка	Номер детали	Кол-во	Описание
1	87282146	1	BOOT,
1	87284082	1	BOOT, , For EU Only
2	87282158	1	SUPPORT, Plate, Strip Off
3	86581559	1	HANDLE,
4	87282183	1	DOOR,
5	9507095	1	PIN, CLEVIS, M10 x 40,
6	86998877	1	PIN,
7	84989315	1	U-BOLT,
8	280251	1	PIN, SPLIT (COTTER), 3/32" x 1",
9	80755	2	PIN, SPLIT (COTTER), 1/8" x 1",
10	120041	4	BOLT, CARRIAGE, Short NK, M10 x 20, CI8.8, Full Thd,
11	140045	4	WASHER, SPRING, Belleville, M10,
12	100016	4	NUT, M10, CI 8,
13	378243	2	WASHER, M8,
14	832-46408	2	NUT, LOCK, M8 x 1.25, CI 8,
15	1307583C1	2	FLANGE, Bearing
16	412097	2	BOLT, CARRIAGE, Short NK, M12 x 60, CI8.8,
17	811-12040	2	BOLT, CARRIAGE, Short NK, M12 x 40, CI8.8, Full Thd,
18	87283097	1	BEARING, BALL,
19	140046	4	WASHER, SPRING, Belleville, M12,
20	9706685	4	NUT, M12, CI 8,
21	87283086	1	Guard - Germany Only
22	84004734	1	DECAL, Do Not Open or Remove Safety Shields while Engine is Running

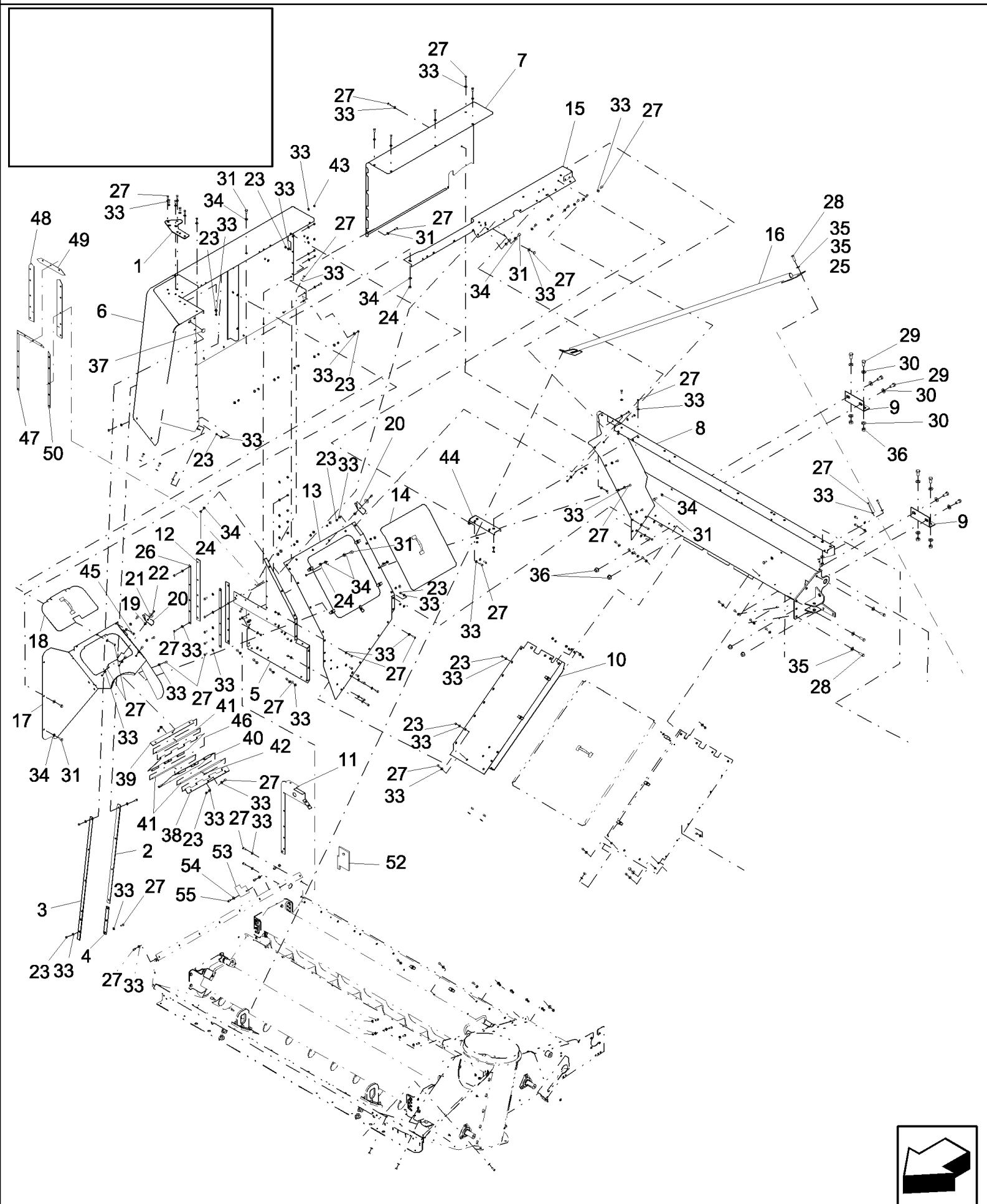


сылка	Номер детали	Кол-во	Описание
1	87107644	1	SHEET, FRONT, Frame, Window
1	87380540	1	Frame, Window, High Wear
2	86566851	1	GLASS,
3	86975458	1	PANEL, LH, BSN HAJ106401
3	87044294	1	PANEL, LH, ASN HAJ106401
3	87357067	1	SHEET ASSY., LH, High Wear
4	86998595	1	SUPPORT, , BSN HAJ106401
4	87284866	1	PROFILE, Profile, ASN HAJ106401
5	87284089	1	PANEL, Includes: Ref. 5, 17, 42
5	87107046	1	PANEL, Side
6	9992358	12	ELASTIC STOP,
7	86584544	1	DOOR,
8	86975493	1	EXTENSION,
9	86975460	1	FLOOR, LH
10	87105585	1	REINFORCEMENT,
11	86998708	1	BRACKET, RH
12	86998707	1	BRACKET, LH
13	87106204	1	CHUTE,
14	84077354	1	CLIP,
15	84077042	1	BRACKET,
16	84077041	1	DOOR,
16	87284038	1	DOOR, Includes Ref. 17
17	84432904	2	DECAL, Do Not Place Foot
18	66809	1	SPRING,
19	9824840	AR	WASHER, M4,
20	362786	AR	FASTENER, Fastener
21	362785	AR	WASHER, Spring, Diaphragm
22	446453	AR	RIVET, Pop
23	9706690	AR	NUT, M8, CI 8,
24	100016	AR	NUT, M10, CI 8,
25	9706685	AR	NUT, M12, CI 8,
26	86507486	8	BOLT, CARRIAGE, Short NK, M8 x 20, CI8.8, Full Thd,
27	120104	AR	BOLT, Hex, M8 x 20, 8.8,
28	120044	2	BOLT, CARRIAGE, Short NK, M12 x 30, CI8.8, Full Thd,
29	86508568	2	BOLT, Hex, M6 x 16, 8.8,
30	43127	2	BOLT, Hex, M8 x 25, 8.8,
31	43138	AR	BOLT, Hex, M10 x 20, 8.8, Full Thd,
32	300388	7	BOLT, Hex, M12 x 25, 8.8,
33	322358	AR	WASHER, SPRING, Belleville, M8,
34	140045	AR	WASHER, SPRING, Belleville, M10,
35	140046	AR	WASHER, SPRING, Belleville, M12,
36	322357	2	WASHER, SPRING, Belleville, M6,
37	86590413	AR	CLAMP, Base, Wire Tie
38	445394	AR	RIVET, Pop, M4.8 x 12.7,
39	87280121	1	COVER,

AFX8010 AXIAL-FLOW COMBINE (3/03-9/06)

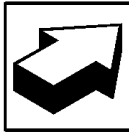
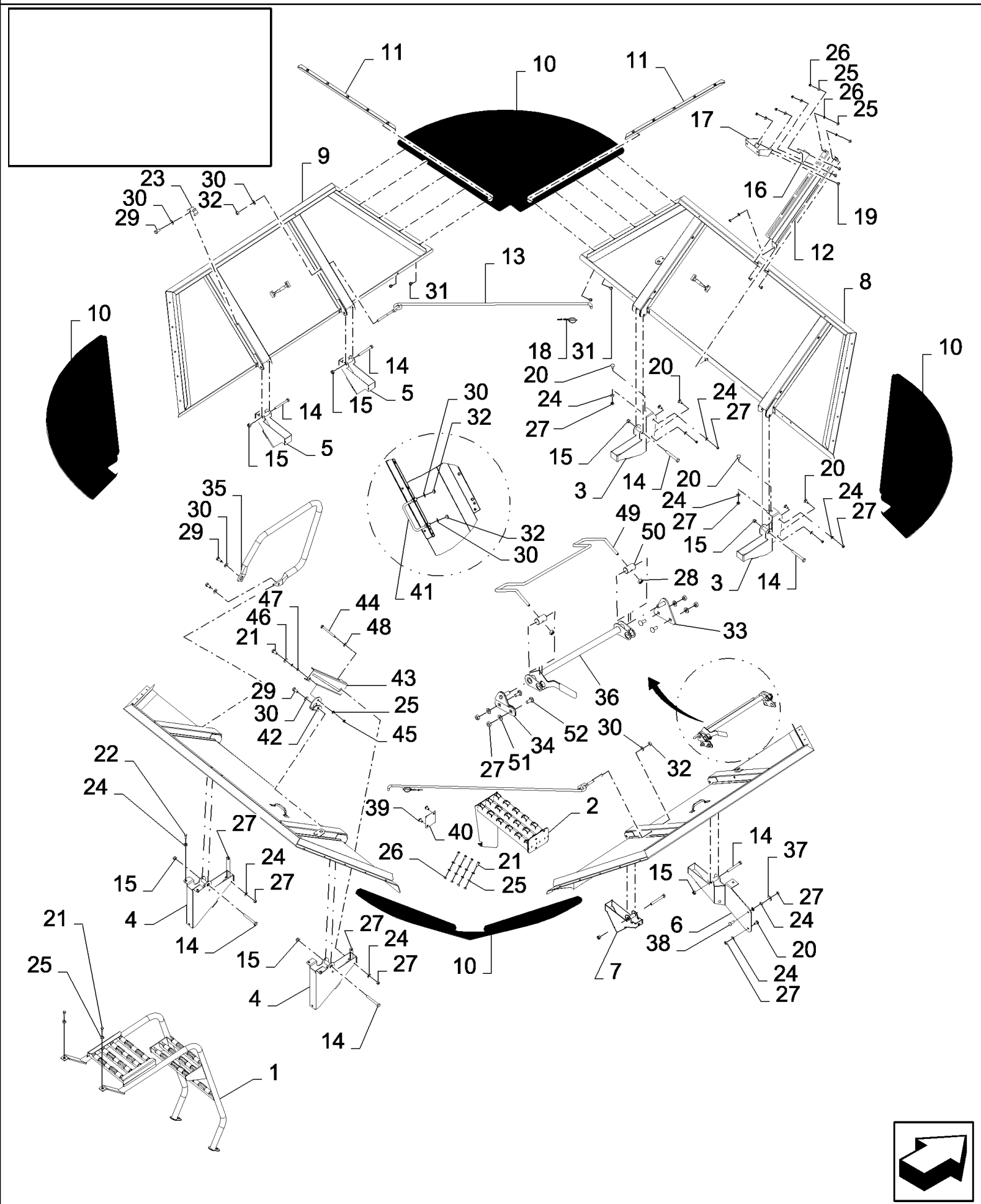
K.60.B.72(1) GRAIN TANK, L.H. & FRONT

сылка	Номер детали	Кол-во	Описание
40	412255	AR	BOLT, Hex, M4 x 20, 8.8, Full Thd,
41	385681	AR	NUT, LOCK, M4 x .7, Cl 8,
42	84004740	1	DECAL,



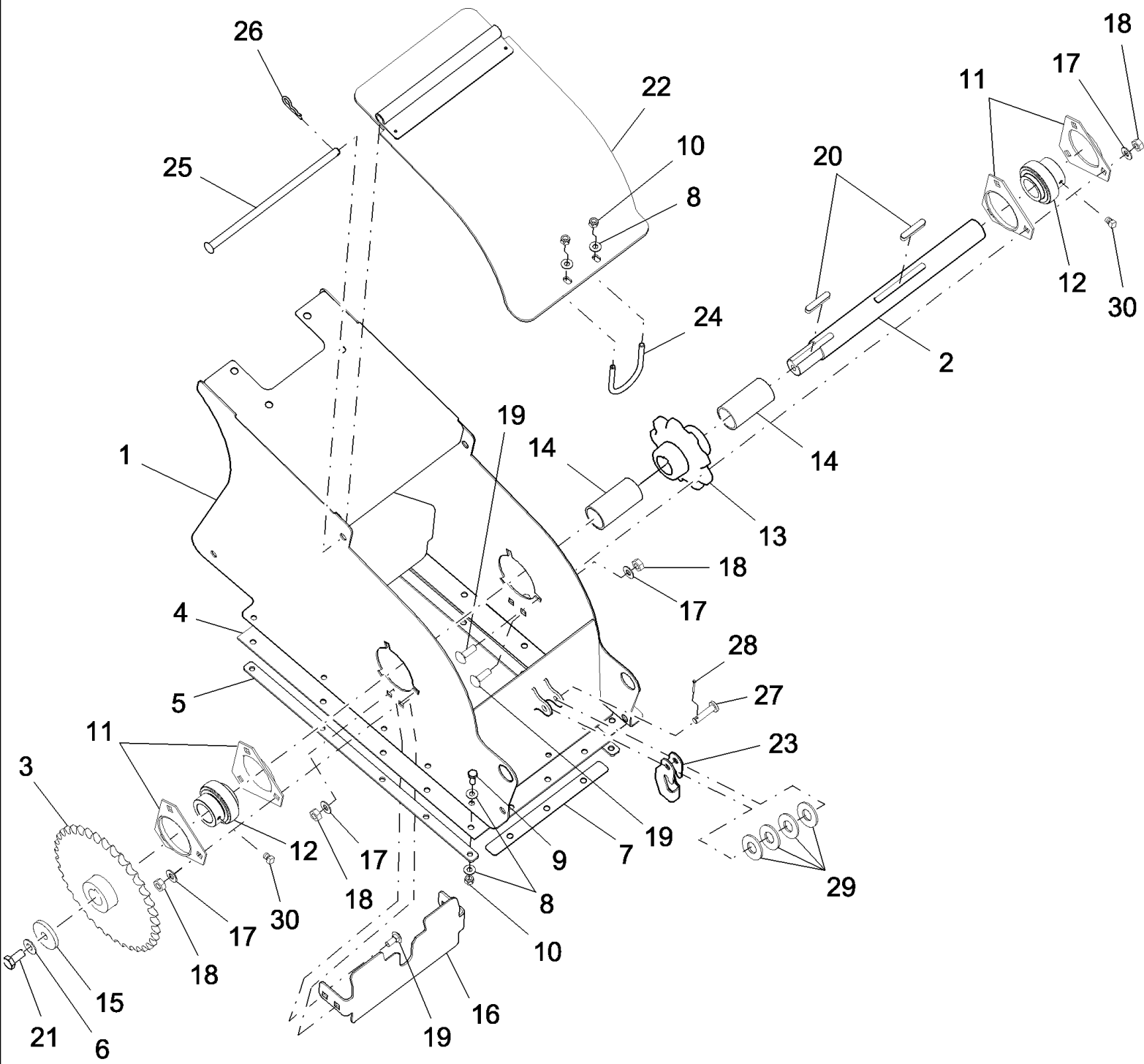
сылка	Номер детали	Кол-во	Описание
1	87106259	1	PLATE,
2	87109464	1	STRAP,
3	86999449	1	STRAP,
4	87109462	1	STRAP,
5	87282277	1	SHEET, Front, Side, RH, Replaced 87106278
6	87109455	1	PANEL, Side, RH, BSN HAJ106401
6	87044513	1	PANEL, Side, RH, ASN HAJ106401
6	87380530	1	PANEL, Side, RH, High Wear
7	87108089	1	COVER, Top, RH
8	87109772	1	PANEL, , BSN HAJ106401
8	87044302	1	PANEL, , ASN HAJ106401
9	86600174	2	BRACKET,
10	87105018	1	FLOOR, RH
10	87281474	1	RH, High Wear
11	87109322	1	SHEET, Front, Side, RH
11	87282280	1	Front, Side, RH, High Wear
12	86998903	2	SEAL,
13	87105020	1	SHEET, , BSN HAJ106401
13	87284608	1	SHEET, , ASN HAJ106401
14	87106508	1	COVER, RH
15	87105015	1	SUPPORT, , BSN HAJ106401
15	87284615	1	SUPPORT, , ASN HAJ106401
16	86999852	1	TUBE,
17	87105888	1	SHIELD, , BSN HAJ106401
17	87044509	1	SHIELD, , ASN HAJ106401
18	87105853	1	COVER,
19	9824840	AR	WASHER, M4,
20	362786	AR	FASTENER, Fastener
21	362785	AR	WASHER, Spring, Diaphragm
22	446453	AR	RIVET, Pop
23	9706690	AR	NUT, M8, CI 8,
24	100016	AR	NUT, M10, CI 8,
25	9706685	AR	NUT, M12, CI 8,
26	86998906	2	PLATE,
27	120104	AR	BOLT, Hex, M8 x 20, 8.8,
28	300389	7	BOLT, Hex, M12 x 35, 8.8, Full Thd,
29	43167	8	BOLT, Hex, M16 x 30, 8.8, Full Thd,
30	140048	16	WASHER, SPRING, Belleville, M16,
31	43138	AR	BOLT, Hex, M10 x 20, 8.8, Full Thd,
32	86585939	5	WASHER, SPRING,
33	322358	AR	WASHER, SPRING, Belleville, M8,
34	140045	AR	WASHER, SPRING, Belleville, M10,
35	140046	AR	WASHER, SPRING, Belleville, M12,
36	825-1416	8	NUT, M16, CI 8,
37	331231	1	GROMMET,

сылка	Номер детали	Кол-во	Описание
38	87105894	1	HINGE,
39	87105892	1	HINGE,
40	87105890	2	SHEET,
41	87106007	3	PIN,
42	88467	3	PIN, ROLL, 1/8" x 1/2", Slotted,
43	832-46408	AR	NUT, LOCK, M8 x 1.25, CI 8,
44	84434407	1	REINFORCEMENT,
45	43139	3	SCREW, HH, CL 8.8, M10 x 25
46	87282716	1	DOOR, Incline Auger
47	87282309	1	STRIP, Backing Elevator Head Seal
48	87282307	2	SEAL, Elevator Head
48	87524453	2	SEAL, Elevator Head, ASN HAJ106401
49	87282310	1	SEAL, Elevator Head
50	87282299	1	STRIP, Backing Elevator Head Seal
51	86625130	1	PLUG, Dome, 1.250" hole, Nylon, Not Shown
52	87283705	2	SEAL, Grain Tank
53	87363857	1	BRACKET, Panel Stop
54	140041	1	WASHER, M8 x 28 x 3,
55	43127	1	BOLT, Hex, M8 x 25, 8.8,



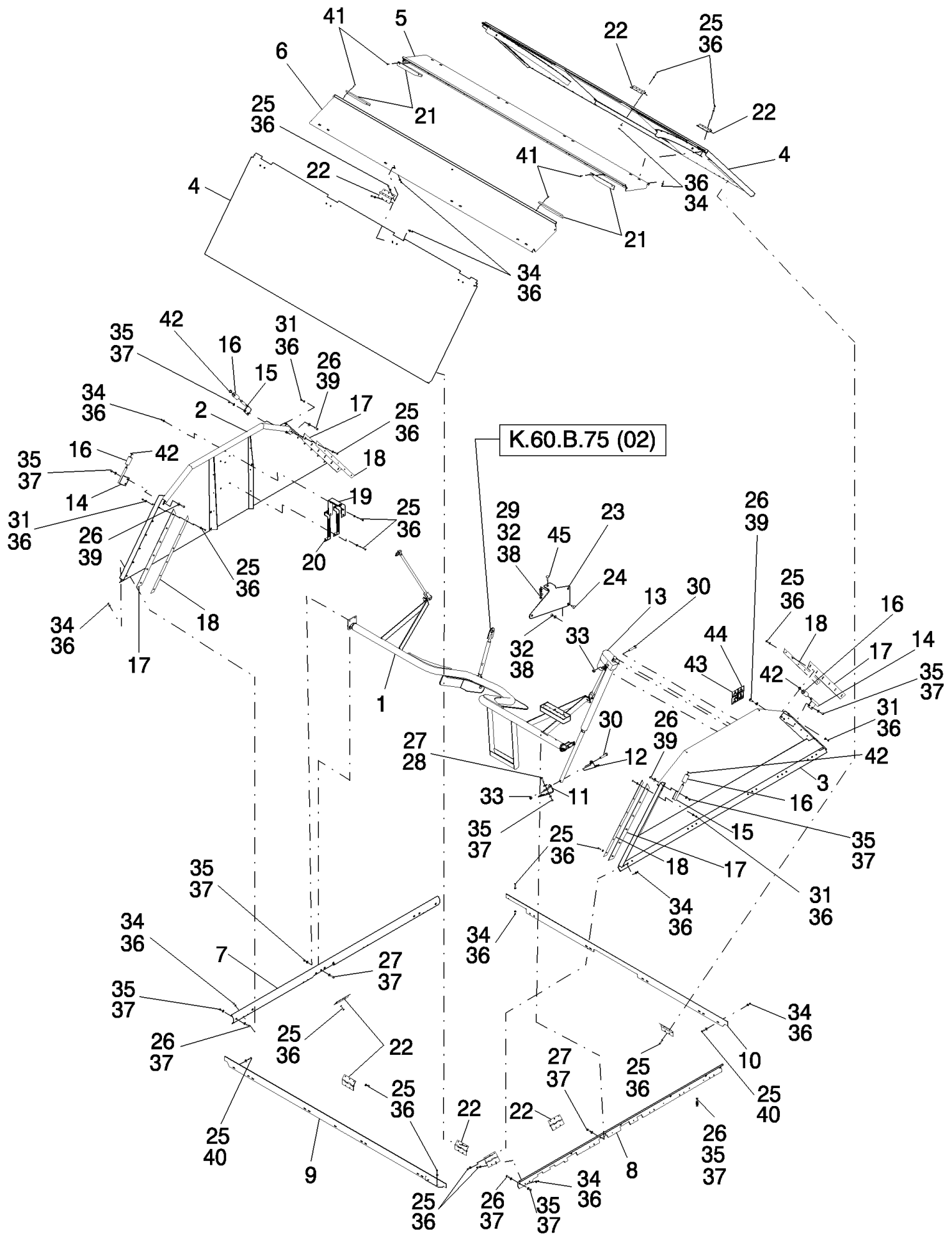
сылка	Номер детали	Кол-во	Описание
1	86976398	1	LADDER,
2	87107056	1	STEP,
3	86975333	2	BRACKET,
4	87107817	2	HINGE, Rear
5	86975500	2	HINGE, LH
6	86975677	1	HINGE, RH
7	86975502	1	HINGE, RH
8	87107058	2	EXTENSION, Front & Rear
9	86975277	2	EXTENSION, LH & RH
10	86975734	4	SHEET, RFC, 27"
11	86975514	8	ANGLE,
12	86975526	1	BRACKET,
13	86975790	2	ROD, Prop
14	374887	8	BOLT, Hex, M12 x 100, 8.8,
15	100038	8	NUT, LOCK, M12 x 1.75, CI 8,
16	86976139	1	BRACKET,
17	86975897	1	BRACKET,
18	87106279	2	PIN, Klik
19	86507486	7	BOLT, CARRIAGE, Short NK, M8 x 20, CI8.8, Full Thd,
20	120041	7	BOLT, CARRIAGE, Short NK, M10 x 20, CI8.8, Full Thd,
21	120104	7	BOLT, Hex, M8 x 20, 8.8,
22	43139	4	SCREW, HH, CL 8.8, M10 x 25
23	86976901	2	CLIP, Prop Rod
24	140045	13	WASHER, SPRING, Belleville, M10,
25	322358	18	WASHER, SPRING, Belleville, M8,
26	9706690	11	NUT, M8, CI 8,
27	100016	15	NUT, M10, CI 8,
28	100037	2	NUT, M10 x 1.5, CI 8,
29	300388	5	BOLT, Hex, M12 x 25, 8.8,
30	140046	11	WASHER, SPRING, Belleville, M12,
31	86975890	40	SCREW, Machine
32	9706685	6	NUT, M12, CI 8,
33	87105959	1	BRACKET,
34	87105961	1	BRACKET,
35	87105391	1	HANDLE,
36	87105953	1	LATCH,
37	81541	1	WASHER, 7/16",
38	86512446	1	BOLT, CARRIAGE, Short NK, M10 x 30, CI8.8, Full Thd,
39	325911	2	RIVET, Pop, M4.8 x 7.4,
40	87017441	1	COVER,
41	87105130	1	HANDLE,
42	87107781	1	BRACKET,
43	87107588	1	LATCH,
44	120117	1	BOLT, Hex, M10 x 110, 8.8, Full Thd,
45	832-46408	1	NUT, LOCK, M8 x 1.25, CI 8,

сылка	Номер детали	Кол-во	Описание
46	86511315	2	WASHER, M8 x 16 x 1.6,
47	378243	1	WASHER, M8,
48	378244	1	WASHER, M10,
49	87105947	1	ROD,
50	87105948	2	SUPPORT,
51	140045	4	WASHER, SPRING, Belleville, M10,
52	86633356	4	BOLT, CARRIAGE, Short NK, M10 x 25, C18.8, Full Thd,



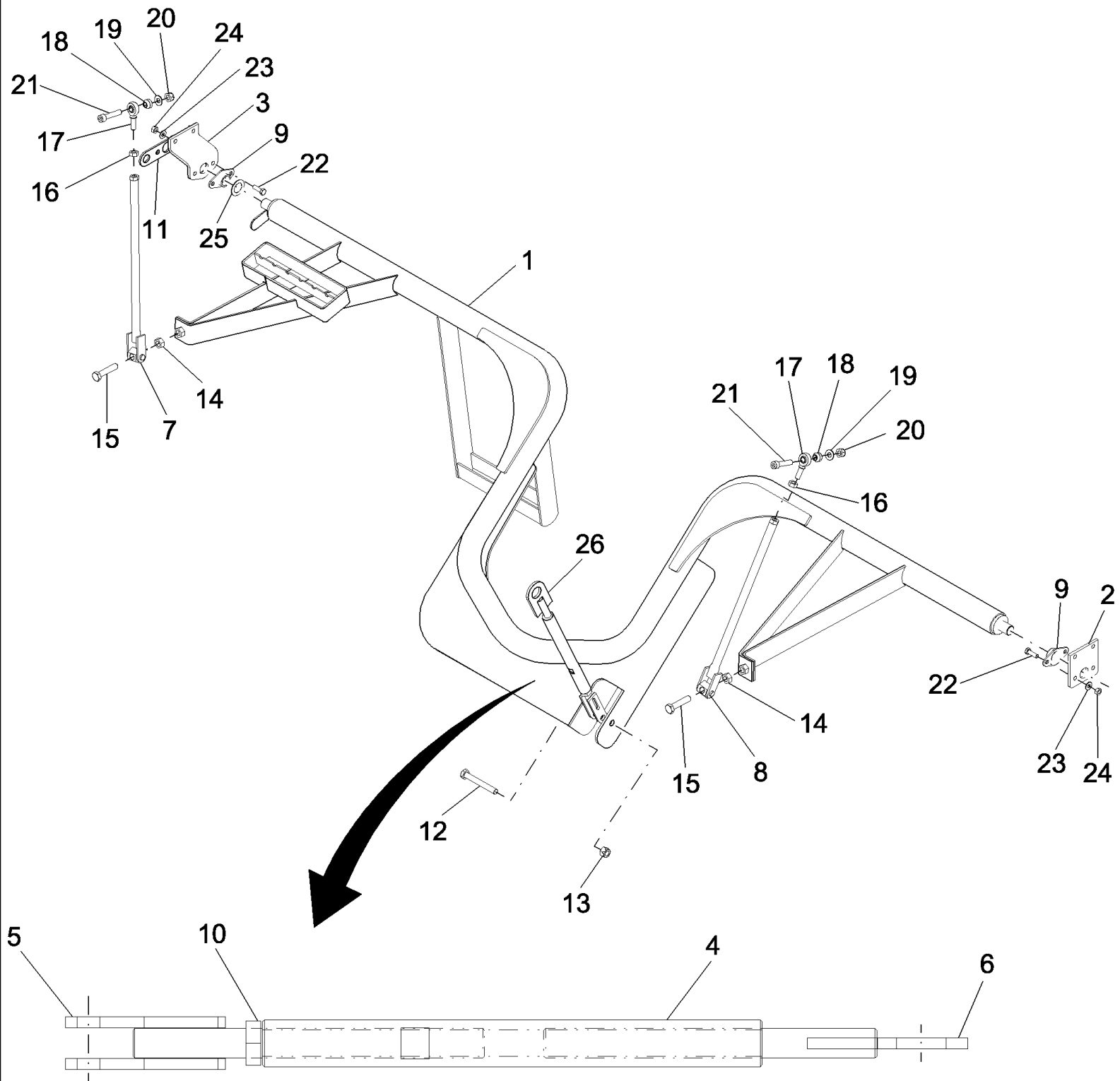
K.60.B.74 ELEVATOR HEAD

сылка	Номер детали	Кол-во	Описание
1	87282412	1	FRAME, Replaced 87109448, ASN HAJ105101
1	87282644	1	FRAME, Extended Wear, ASN HAJ105101
2	86998178	1	SHAFT,
3	87108698	1	SPROCKET, Driven, ASN HAJ105101
4	87283706	1	SEAL,
5	86998906	2	PLATE,
6	140046	1	WASHER, SPRING, Belleville, M12,
7	86998908	1	PLATE,
8	322358	28	WASHER, SPRING, Belleville, M8,
9	43127	13	BOLT, Hex, M8 x 25, 8.8,
10	832-46408	15	NUT, LOCK, M8 x 1.25, CI 8,
11	86620026	4	FLANGE,
12	84814912	2	BEARING, BALL, & Locking Collar
13	87283438	1	SPROCKET, Drive
14	86998922	2	TUBE,
15	87023036	1	WASHER, .531 x 2.00 x .25"
16	86998886	1	PLATE, Strip-Off
17	140045	10	WASHER, SPRING, Belleville, M10,
18	100016	10	NUT, M10, CI 8,
19	86512446	10	BOLT, CARRIAGE, Short NK, M10 x 30, CI8.8, Full Thd,
20	170012	2	KEY, Sq, 10 x 8 x 50 mm
21	300388	1	BOLT, Hex, M12 x 25, 8.8,
22	87109213	1	COVER, Top, ASN HAJ105101
23	86581559	1	HANDLE,
24	84989315	1	U-BOLT,
25	86998942	1	PIN,
26	216698	1	PIN, SPLIT (COTTER),
27	9507095	1	PIN, CLEVIS, M10 x 40,
28	280251	1	PIN, SPLIT (COTTER), 3/32" x 1",
29	140046	1	WASHER, SPRING, Belleville, M12,
30	877-3086	2	SET SCREW, Set Screw

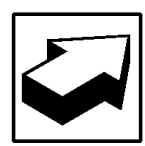
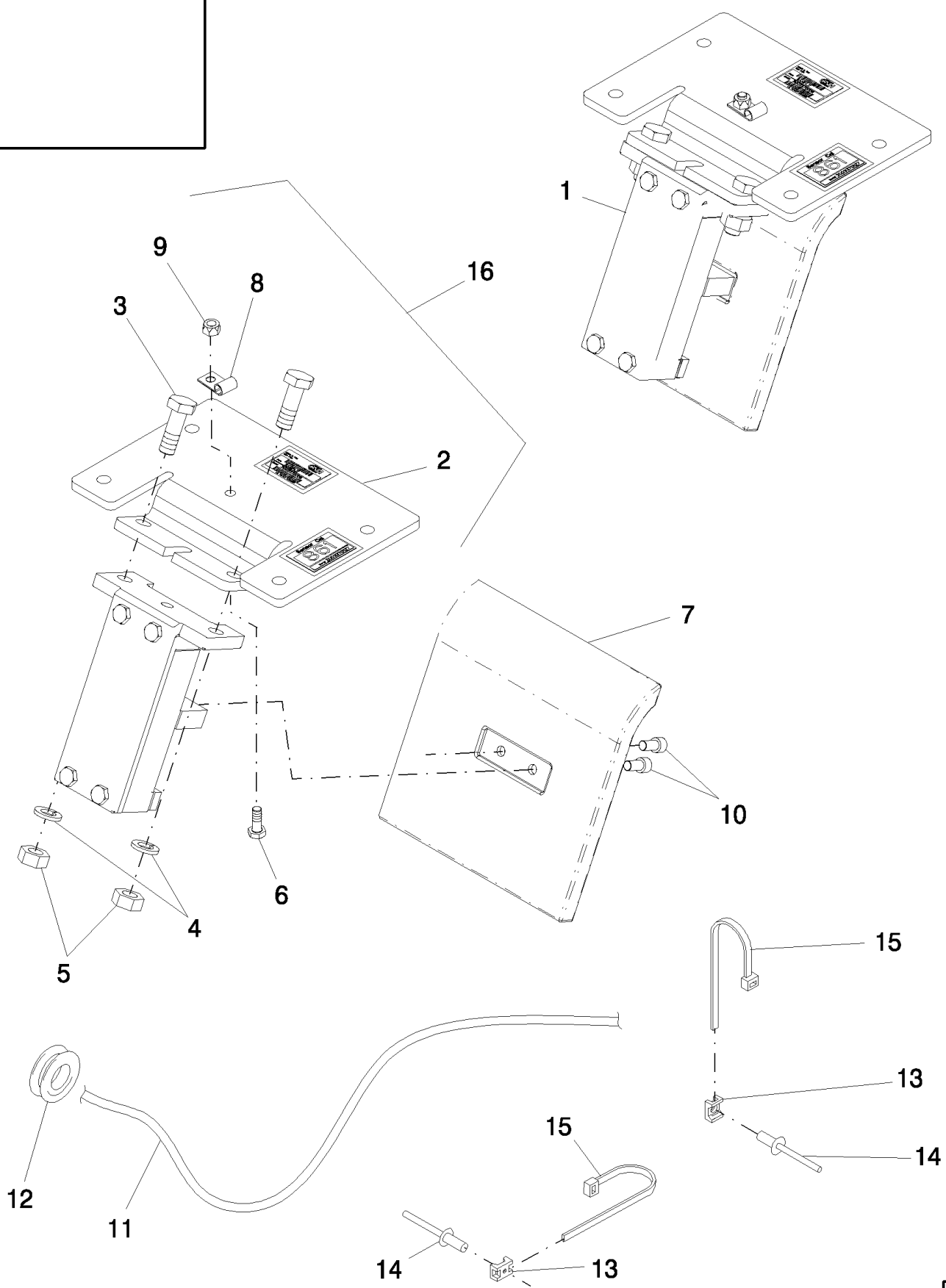


сылка	Номер детали	Кол-во	Описание
1	87108425	1	HINGE, Hinge System
2	84431104	1	PLATE, Sheet, Front
2	84334013	1	PLATE, Sheet, Front
3	84431136	1	PLATE, Base, Rear
3	84334035	1	PLATE, Base, Rear
3	87284087	1	EXTENSION, Includes: Ref. 43, 44
4	84334178	2	PANEL, SIDE, Lower
5	84431094	1	PANEL, SIDE, RH
5	84073058	1	PANEL, SIDE, RH
6	84431097	1	PANEL, SIDE,
6	84072922	1	PANEL, SIDE,
7	84989838	1	BRACKET,
7	84334664	1	BRACKET,
8	87109760	1	BRACKET,
8	87109762	1	BRACKET,
9	84076589	1	BRACKET,
10	86976342	1	SHEET,
11	84439916	1	SUPPORT,
11	84447603	1	SUPPORT,
12	84439892	1	SUPPORT,
12	84447602	1	SUPPORT,
13	84077849	1	ACTUATOR,
14	84334135	2	HINGE, Shaft, Articulated
15	84334139	2	HINGE, Shaft, Articulated
16	84076202	4	BUSHING, GUIDE,
17	84334436	4	SEAL, Seal, Protection
18	84334458	4	STRIP,
19	84989154	1	BRACKET,
20	84989183	2	BRACKET, Armature
21	84439453	4	GUIDE,
22	84071391	25	HINGE,
23	87107895	1	BRACKET,
24	120041	2	BOLT, CARRIAGE, Short NK, M10 x 20, CI8.8, Full Thd,
25	120100	153	BOLT, Hex, M6 x 20, 8.8,
26	120104	26	BOLT, Hex, M8 x 20, 8.8,
27	43128	8	BOLT, Hex, M8 x 30, 8.8,
28	140041	4	WASHER, M8 x 28 x 3,
29	81541	1	WASHER, 7/16",
30	9706693	2	BOLT, Hex, M12 x 60, 8.8,
31	353308	20	NUT, LOCK, M6 x 1, CI 8,
32	100016	4	NUT, M10, CI 8,
33	100038	2	NUT, LOCK, M12 x 1.75, CI 8,
34	9706755	85	NUT, M6, CI 8,
35	9706690	30	NUT, M8, CI 8,
36	322357	255	WASHER, SPRING, Belleville, M6,

сылка	Номер детали	Кол-во	Описание
37	322358	52	WASHER, SPRING, Belleville, M8,
38	140045	3	WASHER, SPRING, Belleville, M10,
39	412650	8	WASHER, SPRING, Belleville, M8,
40	412649	3	WASHER, SPRING, Belleville, M6,
41	445395	8	RIVET, Pop, M4.8 x 18.1,
42	300625	4	RING, SNAP, M16, Ext,
43	84004740	1	DECAL,
44	84004744	1	DECAL,
45	86512446	1	BOLT, CARRIAGE, Short NK, M10 x 30, Cl8.8, Full Thd,

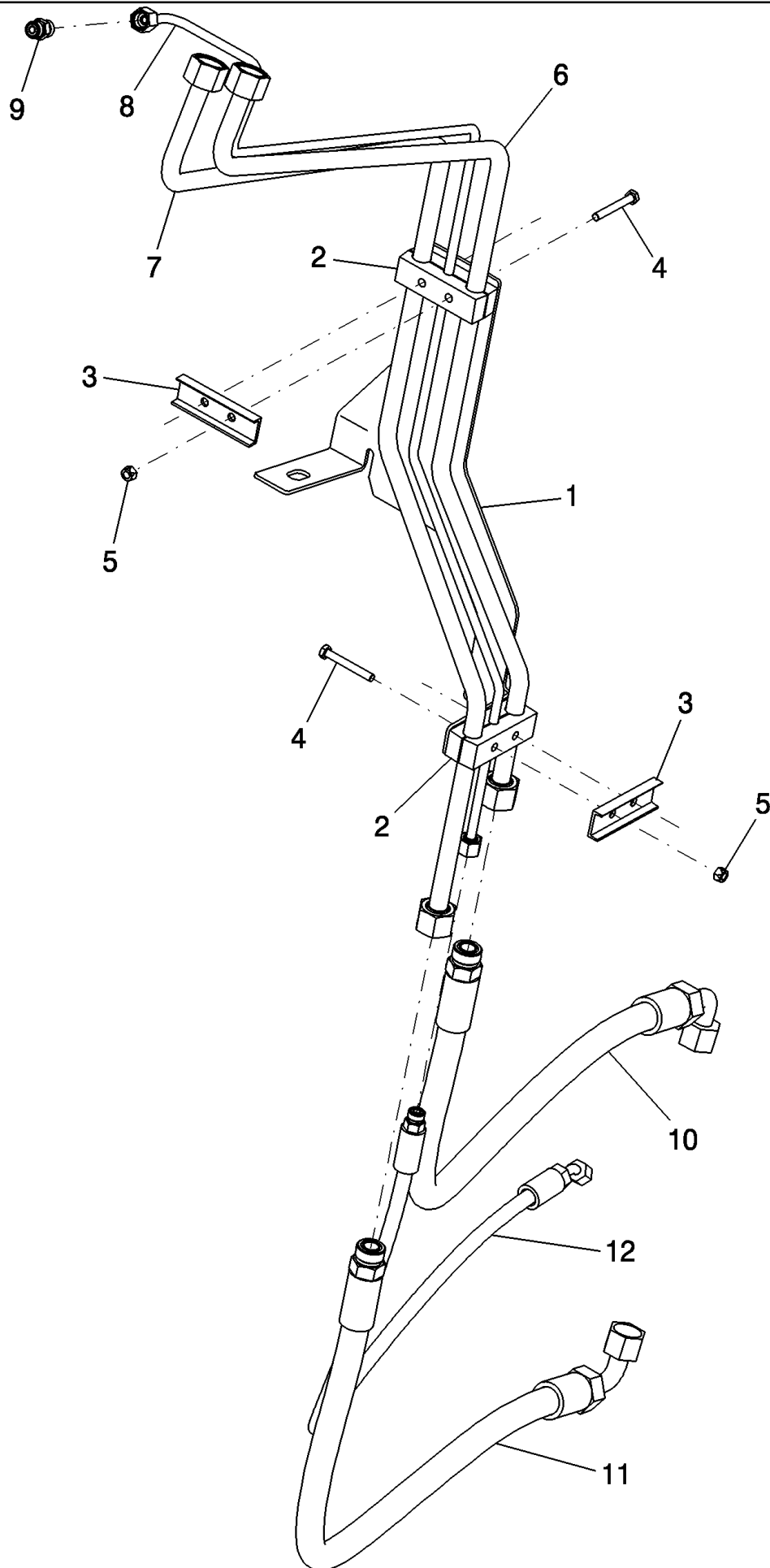


сылка	Номер детали	Кол-во	Описание
1	87108425	1	HINGE,
2	84076404	1	SUPPORT,
3	84076417	1	SUPPORT,
4	87108035	1	TUBE,
5	87108044	1	CLEVIS,
6	87108037	1	PLATE,
7	84076427	1	ROD, Swivel Connection
8	84076437	1	ROD, Swivel Connection
9	338712	2	FLANGE, Bearing
10	100095	2	NUT, Thin, M16 x 2, CI 04,
11	87281607	1	BRACKET, Sensor Tab
12	120124	1	BOLT, Hex, M12 x 90, 8.8,
13	100038	1	NUT, LOCK, M12 x 1.75, CI 8,
14	9706685	2	NUT, M12, CI 8,
15	814-12050	2	BOLT, Hex, M12 x 50, 8.8,
15	300512	2	BOLT, Hex, M12 x 55, 8.8,
16	100016	2	NUT, M10, CI 8,
17	84439533	2	CONNECTION, SWIVEL,
18	84076466	2	BUSHING,
19	140045	2	WASHER, SPRING, Belleville, M10,
20	100037	2	NUT, M10 x 1.5, CI 8,
21	84015950	2	SCREW, Pan Hd, M10 x 50
22	43127	4	BOLT, Hex, M8 x 25, 8.8,
23	322358	4	WASHER, SPRING, Belleville, M8,
24	9706690	4	NUT, M8, CI 8,
25	84434145	AR	WASHER,
26	87108033	1	CLEVIS, Includes: Ref. 4, 5, 6 & 10



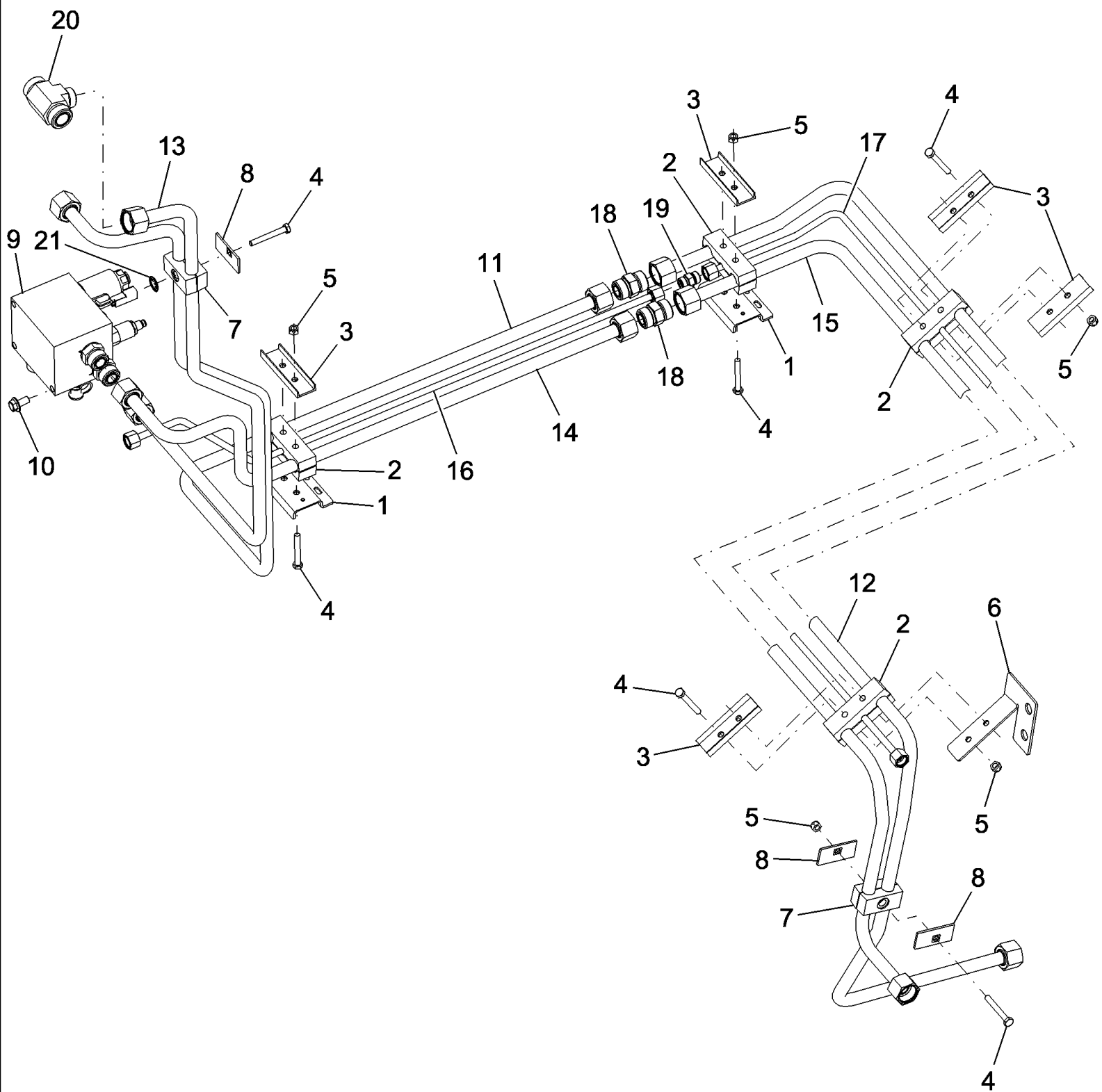
K.60.B.95 GRAIN FLOW SENSOR

сылка	Номер детали	Кол-во	Описание
1	86999635	1	SENSOR, Includes: Ref. 2 thru 10 or 16, 7, & 10 with Aluminum Plate
1	87282463	1	SENSOR, Includes: Ref. 2 thru 10 with Stainless Steel Plate
1	87283659	1	SENSOR, Includes: Ref. 2 thru 10 with Plastic Plate , ASN HAJ105342
2	87109288	1	SUPPORT, Plate
2	87283658	1	SUPPORT, Plate, ASN HAJ105342
3	9515003	2	BOLT, Hex, M10 x 30, 10.9, Full Thd,
4	892-11010	2	WASHER, LOCK, M10,
5	100016	2	NUT, M10, CI 8,
6	86508568	1	BOLT, Hex, M6 x 16, 8.8,
7	87280785	1	PLATE, Aluminum
7	87282433	1	PLATE, Stainless Steel
7	87283836	1	PLATE, Plastic, Includes (2) Ref. 10 , ASN HAJ105342
8	272535	1	CLAMP, 1/8", Insul, 1/4" Bolt,
9	353308	1	NUT, LOCK, M6 x 1, CI 8,
10	61-3258	2	SCREW, Hex Soc Hd, 1/4"-20 x 1/2",
11	87280760	1	HARNESS, WIRE, Flow and Moisture
12	87035867	1	GROMMET, 5/8" ID x 1 1/4" Groove Dia,
13	86590413	5	CLAMP, Base, Wire Tie
14	425521	5	RIVET,
15	86566989	5	STRAP, CABLE,
16	86999636	1	SENSOR, Flow - Includes Ref. 2, 3, 4, 5, 6, 8 & 9

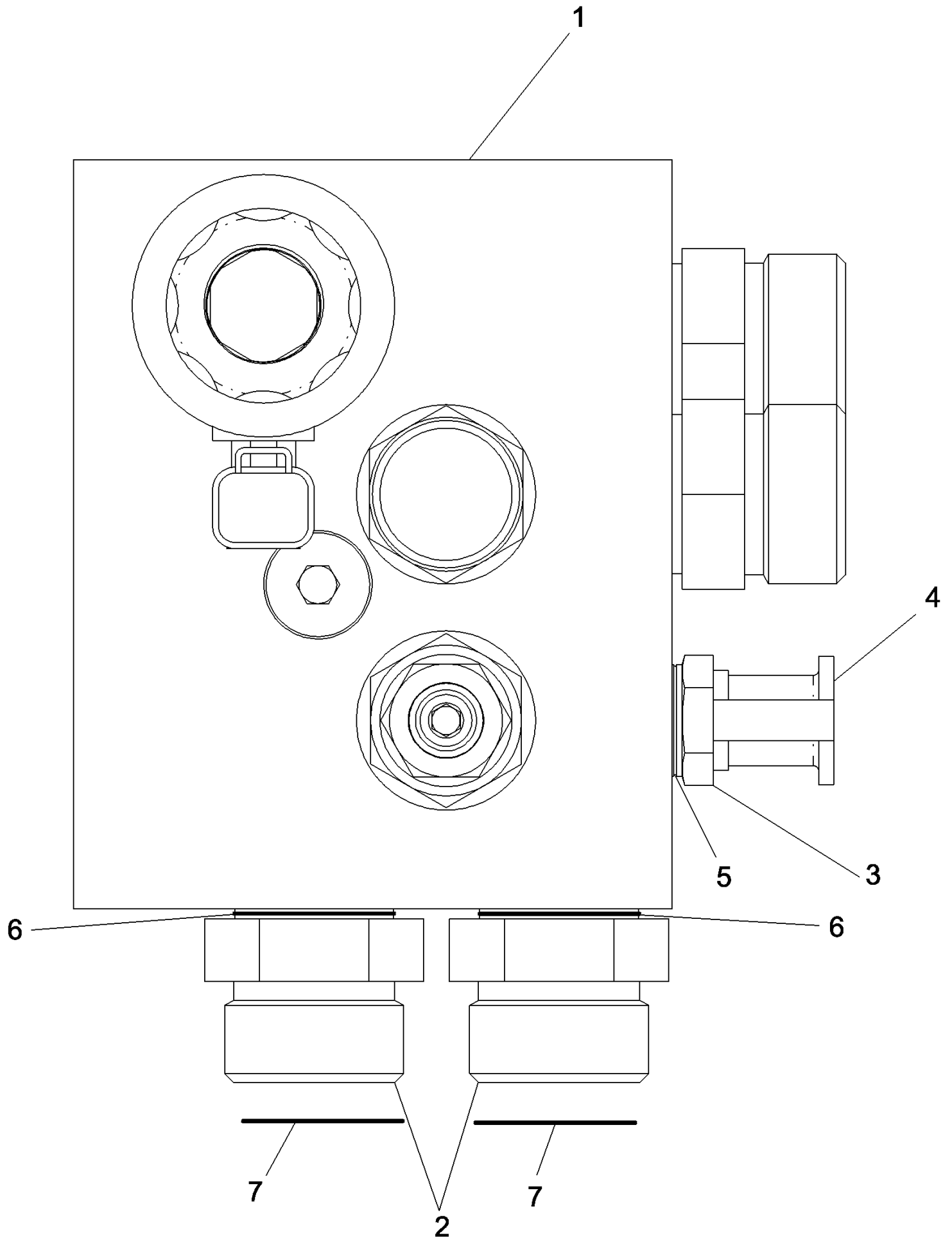


K.62.B.05(1) HYDRAULIC LINES - SYSTEM CLEANING FAN

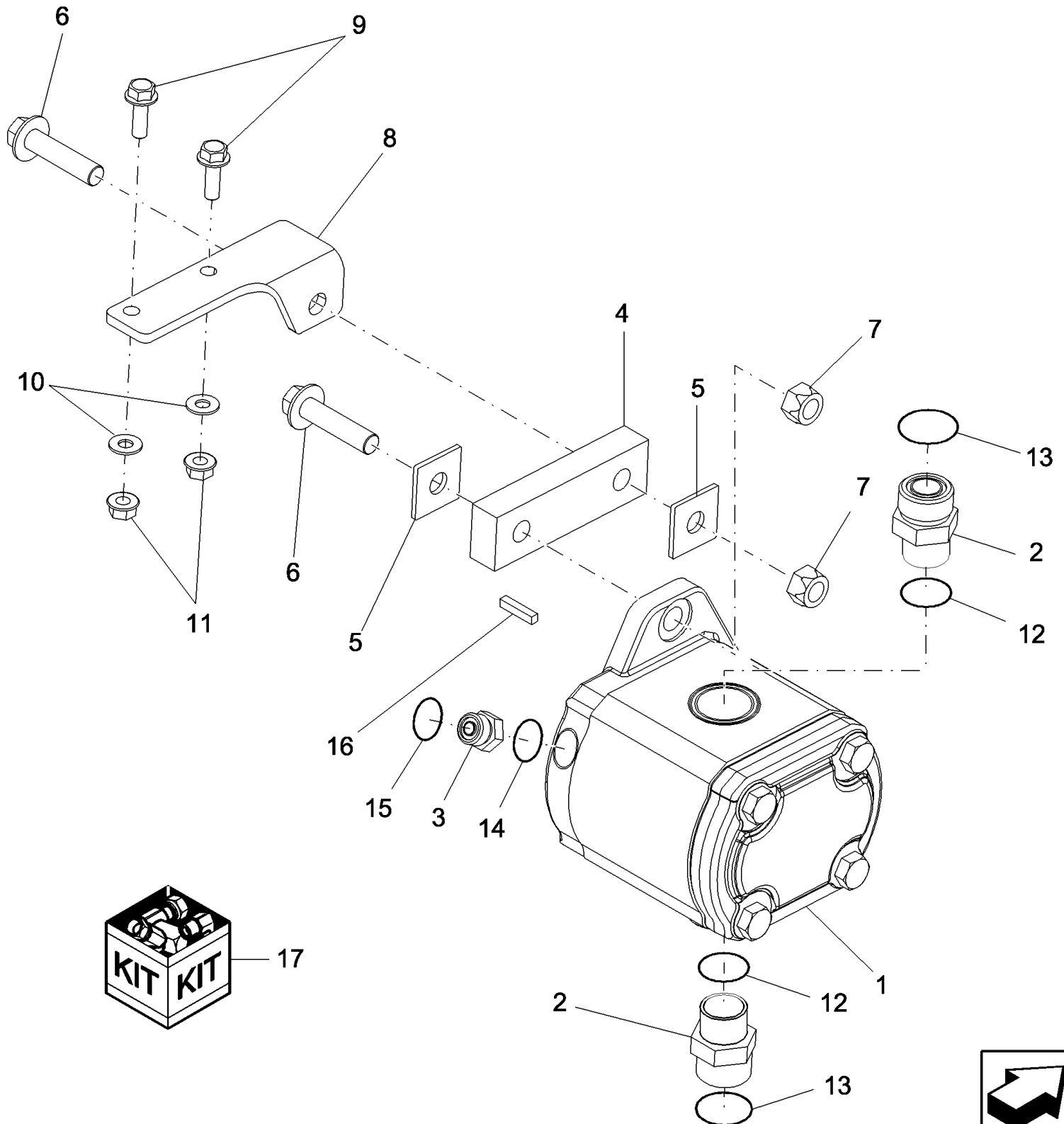
сылка	Номер детали	Кол-во	Описание
1	87108752	1	BRACKET,
2	86998883	2	CLAMP, Hydraulic Tube
3	87000242	2	CHANNEL, Clamp Back-Up
4	120061	4	BOLT, Hex, M8 x 60, 8.8,
5	832-46408	4	NUT, LOCK, M8 x 1.25, CI 8,
6	86996187	1	TUBE, HYD, Supply, Cleaning Fan
7	86998285	1	TUBE, HYD, Return, Cleaning Fan
8	87106611	1	TUBE, HYD, Drain, Cleaning Fan
9	84431546	1	UNION, 11/16"-16 ORFS,
10	87105727	1	HOSE, FLEXIBLE, Supply, Fan Motor
11	86998746	1	HOSE, FLEXIBLE, Return, Fan Motor
12	86998747	1	HOSE, FLEXIBLE, Drain, Fan Motor



сылка	Номер детали	Кол-во	Описание
1	87109755	2	BRACKET, Clamp, Tube
2	86998883	4	CLAMP, Hydraulic Tube
3	87000242	5	CHANNEL, Clamp Back-Up
4	120061	10	BOLT, Hex, M8 x 60, 8.8,
5	832-46408	9	NUT, LOCK, M8 x 1.25, CI 8,
6	87000942	1	BRACKET, Clamp
7	87000140	2	CLAMP, Hydraulic Tube
8	87000230	3	PLATE, Clamp, Hose
9	87107189	1	VALVE, HYDRAULIC, Cleaning Fan
10	274249	3	BOLT, Hex Serr Flg, M10 x 20,
11	87000680	1	TUBE, HYD, Rotary Air Screen Motor Pressure (B)
12	87000681	1	TUBE, HYD, Rotary Air Screen Motor Pressure (A), BSN HAJ105757
12	87284929	1	TUBE, HYD, Rotary Air Screen Motor Pressure (A), ASN HAJ105758
13	87000682	1	TUBE, HYD, Cleaning Fan Valve Return
14	87000683	1	TUBE, HYD, Cleaning Fan Valve Pressure (B)
15	87105711	1	TUBE, HYD, Cleaning Fan Valve Pressure (A)
16	87106690	1	TUBE, HYD, Cleaning Fan Drain (B)
17	87000880	1	TUBE, HYD, Cleaning Fan Drain (C)
18	84100407	2	UNION, 1 3/16"-12 ORFS,
19	84431546	1	UNION, 11/16"-16 ORFS,
20	87000837	1	TEE,
21	87012484	1	RING, SNAP, #31, Ext,



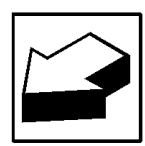
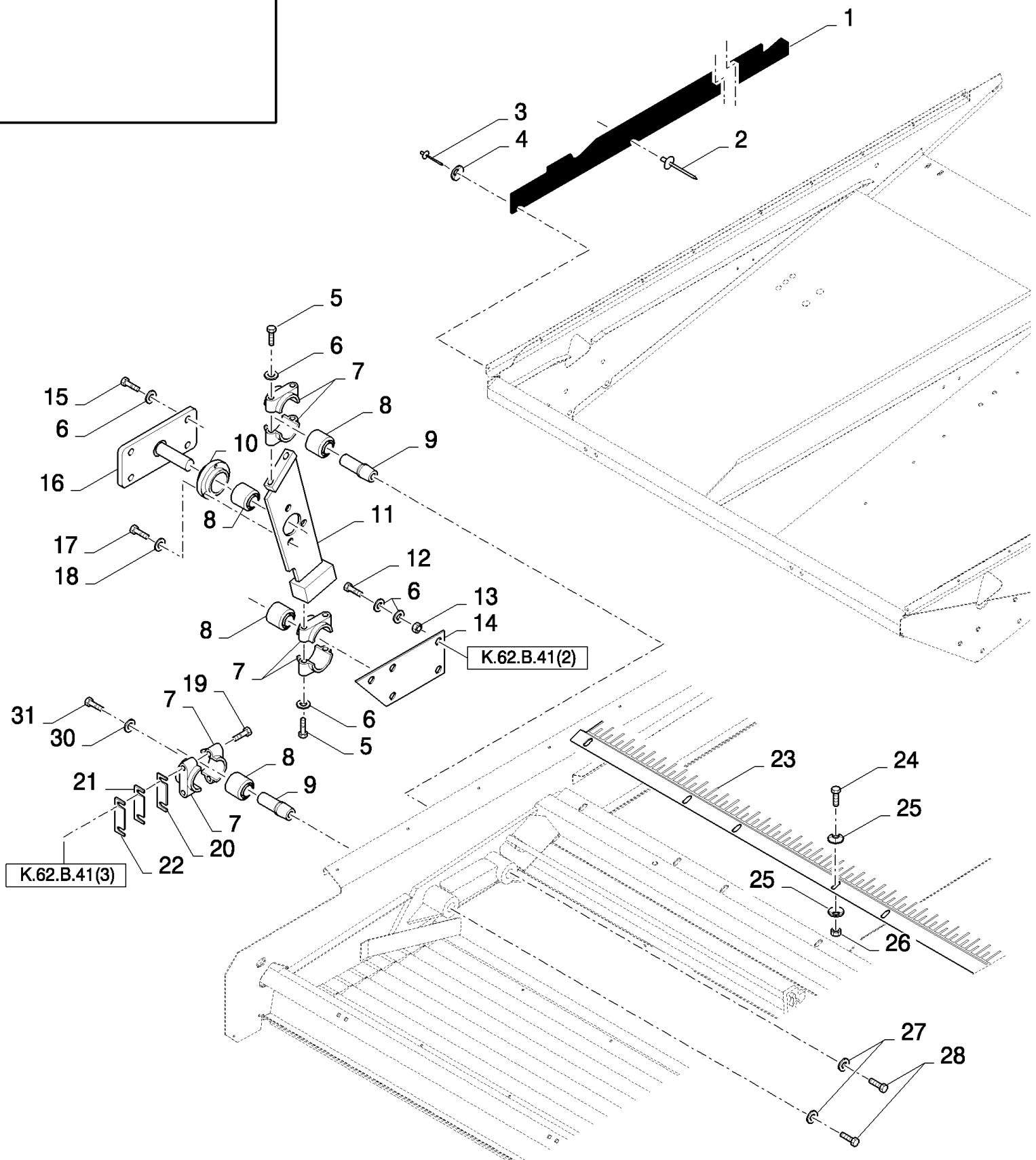
сылка	Номер детали	Кол-во	Описание
1	87107189	1	VALVE, HYDRAULIC,
2	86579681	4	CONNECTOR, HYD., 1 3/16"-12 ORFS x M22 x 1.5 ORB,
3	84320565	1	COUPLING, Fitting, Diagnostic
4	86502604	1	DUST CAP,
5	86598099	1	O-RING, CI 6, 11.3MM ID x 2.2 Thk,
6	86598102	2	O-RING, CI 6, 19.3MM ID x 2.2 Thk,
7	9991976	2	O-RING, -018, 90 Duro, .739" ID x .070" Thk,



K.62.B.40(1) CLEANING FAN, VARI-DRIVE

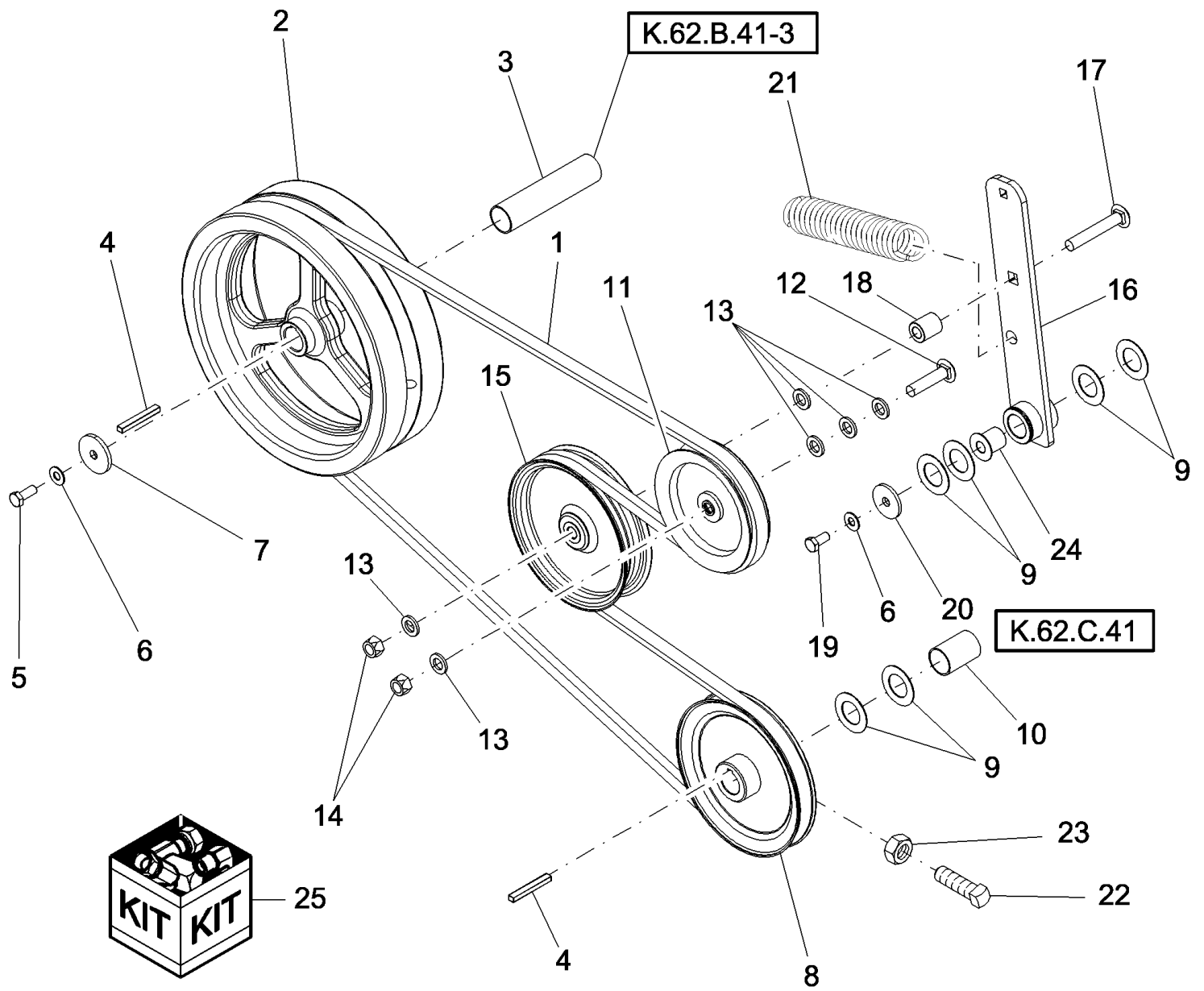
сылка	Номер детали	Кол-во	Описание
1	87105499	1	MOTOR, HYDRAULIC, Cleaning Fan; Includes: Ref. 16 - See Also, Ref. 17
2	86579682	2	CONNECTOR, HYD., 1 3/16"-12 ORFS x M27 x 2 ORB,
3	86580177	1	CONNECTOR, HYD., 11/16"-16 ORFS x M12 x 1.5 ORB,
4	87105907	1	BAR, Cleaning Fan Drive
5	87105920	2	PLATE, Cleaning Fan Drive
6	86512260	2	BOLT, Hex Serr Flg, M12 x 50,
7	100038	2	NUT, LOCK, M12 x 1.75, CI 8,
8	87105906	1	BRACKET,
9	86512253	2	BOLT, Hex Serr Flg, M8 x 25,
10	322358	2	WASHER, SPRING, Belleville, M8,
11	9804277	2	NUT, M8 x 1.25, Flg, CI 8,
12	86598103	2	O-RING, CI 6, 23.6MM ID x 2.9 Thk,
13	9991976	2	O-RING, -018, 90 Duro, .739" ID x .070" Thk,
14	86598098	1	O-RING, CI 6, 9.3MM ID x 2.2 Thk,
15	9993141	1	O-RING, -012, 90 Duro, .364" ID x .070" Thk,
16	87545936	1	KEY,
17	87010913	1	SEAL ASSY., Kit

K.62.B.40(2) GRAIN PAN DRIVE



K.62.B.40(2) GRAIN PAN DRIVE

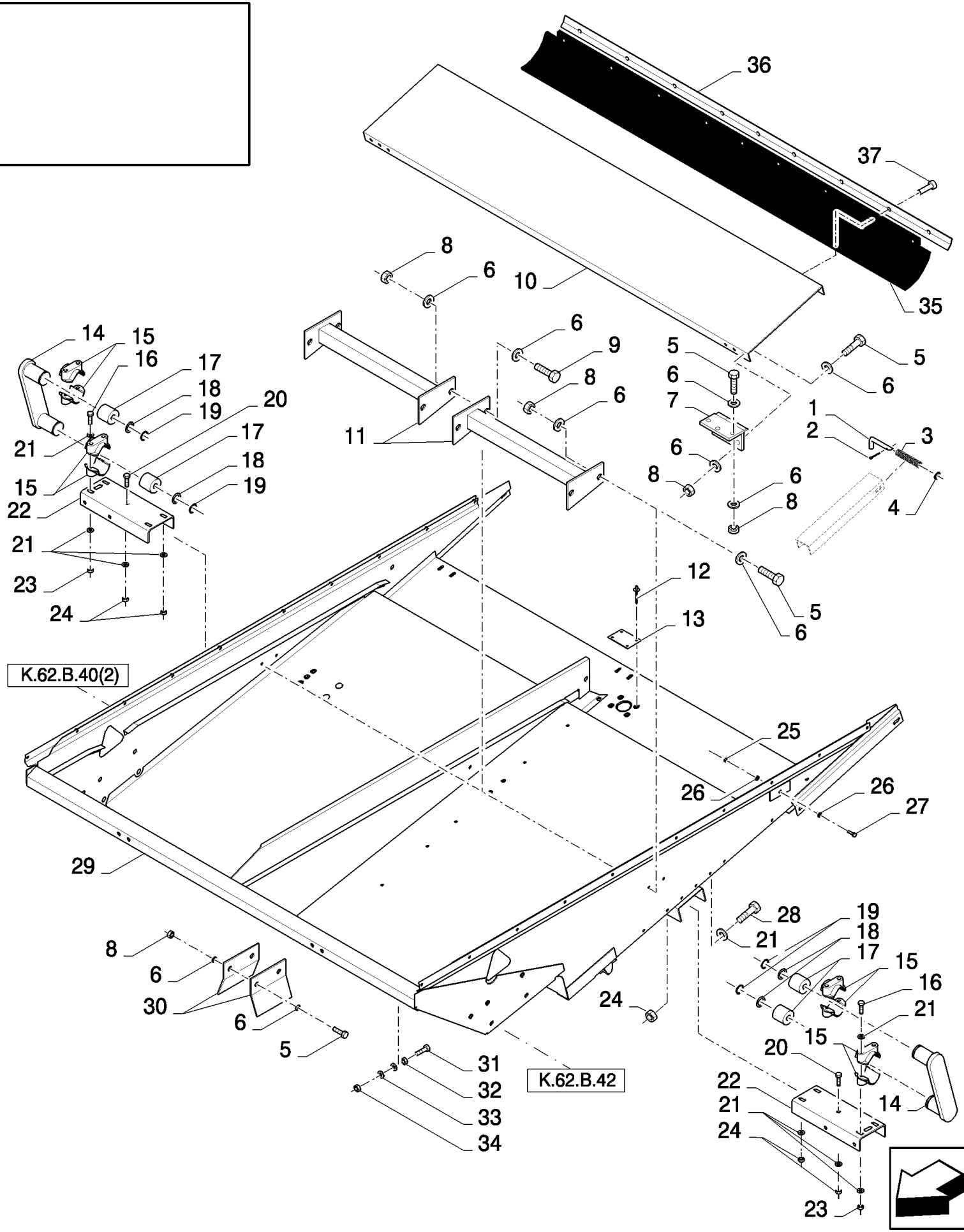
сылка	Номер детали	Кол-во	Описание
1	84441040	2	SEAL,
1	87363128	2	SEAL, , Enhanced Cleaning, Also Included In Enhanced Cleaning Kit; See Fig. K.62.B.63
2	84446204	18	RIVET,
3	NS	4	NOT SERVICED, Rivet
4	322356	4	WASHER, LOCK, M5 Belleville
5	80300810	4	SCREW, M12 x 85
6	140046	18	WASHER, SPRING, Belleville, M12,
7	84446877	6	HOUSING, BEARING,
8	442446	4	BUSHING, RUBBER,
9	84037184	4	SHAFT,
10	9811082	1	BUSHING,
11	84320468	1	ARM, RH
11	87314573	1	ARM, RH, Also Included In Enhanced Cleaning Kit; See Fig. K.62.B.63, Enhanced Cleaning
12	9706687	5	BOLT, Hex, M12 x 30, 8.8,
13	9706685	5	NUT, M12, CI 8,
14	84334453	1	SUPPORT, RH
15	43154	4	SEALRING, M12 x 40
16	84320472	1	SUPPORT, RH
17	9706704	3	BOLT, Hex, M10 x 35, 8.8, Full Thd,
18	140045	3	WASHER, SPRING, Belleville, M10,
19	9501756	2	BOLT, Hex, M12 x 110, 10.9,
20	445473	1	SHIM, Thk: 1 mm
21	445474	1	SHIM, Thk: 0.5 mm
22	445472	1	PLATE, ADJUSTING, Thk: 3 mm
23	84989436	1	RAKE, Wide
24	120104	AR	BOLT, Hex, M8 x 20, 8.8,
25	412650	AR	WASHER, SPRING, Belleville, M8,
26	9706690	AR	NUT, M8, CI 8,
27	86592702	2	WASHER, M16 x 45 x 6, HT,
28	120091	2	BOLT, Hex, M16 x 60, 8.8,
30	140045	1	WASHER, SPRING, Belleville, M10,
31	43138	1	BOLT, Hex, M10 x 20, 8.8, Full Thd,
	87323178	1	DIA KIT, HARVESTER, Includes: Ref. 1, 11



K.62.B.41(1) SHOE DRIVE

сылка	Номер детали	Кол-во	Описание
1	86980546	1	BELT, Drive - 3758 mm Effective Length
1	87317063	1	BELT, Drive - 3651 mm Effective Length , Enhanced Cleaning, Also Included In Enhanced Cleaning Kit See Fig. K.62.B.63
2	86996714	1	PULLEY, Shaker Flywheel
3	87545449	1	SPACER, Shaker Shaft - Was 86996475
4	86996914	2	KEY, M10 x 8 x 75
5	9706687	1	BOLT, Hex, M12 x 30, 8.8,
5	300389	1	BOLT, Hex, M12 x 35, 8.8, Full Thd, , Enhanced Cleaning
6	140046	2	WASHER, SPRING, Belleville, M12, , Enhanced Cleaning
7	86975743	1	WASHER, , EndYear: 02/09/2004
7	87280750	1	WASHER, , Start Year: 02/09/2004
7	87023036	1	WASHER, , Enhanced Cleaning
8	87282787	1	PULLEY, 233.4 mm OD, 1 HC, Inc. Ref. 22 & 23, Replaces 86998546
8	87313372	1	PULLEY, 205 mm OD, 1 HC, Inc. Ref. 22 & 23 , Also Included In Enhanced Cleaning Kit; See Fig. K.62.B.63, Enhanced Cleaning
9	130357	6	WASHER,
10	86996855	1	SPACER, Tailings Cross Auger - 37.06 mm x 41.275 x 59.5 mm long, EndYear: 02/09/2004
10	87283138	1	SPACER, Tailings Cross Auger - 37.06 mm x 41.275 x 47 mm long, Start Year: 02/09/2004
11	86996213	1	PULLEY,
12	80120047	1	BOLT, Carriage, Short Neck, CL 8.8, M16 x 2 x 70
13	140020	6	WASHER, M16 x 30 x 3,
14	86512555	2	NUT, LOCK, M16 x 2, CI 10,
15	86588003	1	IDLER,
16	87105089	1	ARM, Shaker Pivot Idler - Includes Ref. 24, EndYear: 02/09/2004
16	87283323	1	ARM, Shaker Pivot Idler - Includes Ref. 24, Start Year: 02/09/2004
17	322362	1	BOLT, CARRIAGE, Short NK, M16 x 100, CI8.8, , EndYear: 02/09/2004
17	120047	1	BOLT, CARRIAGE, Short NK, M16 x 70, CI8.8, , Start Year: 02/09/2004
18	86999741	1	SPACER, Shaker Pivot Idler
19	300388	1	BOLT, Hex, M12 x 25, 8.8,
20	29684	1	WASHER, 17/32" ID x 2" OD x 3/16" Thk
21	86980549	1	SPRING, Shaker Pivot Idler
22	300480	1	SET SCREW, Hex Soc, M10 x 12, Cup Pt,
22	393599	3	SCREW, Set, Enhanced Cleaning
23	100016	3	NUT, M10, CI 8,
24	86996520	1	BUSHING,
25	87352563	1	DIA KIT, HARVESTER, Enhanced Cleaning

K.62.B.41(2) LOWER SHOE DRIVE

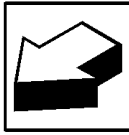
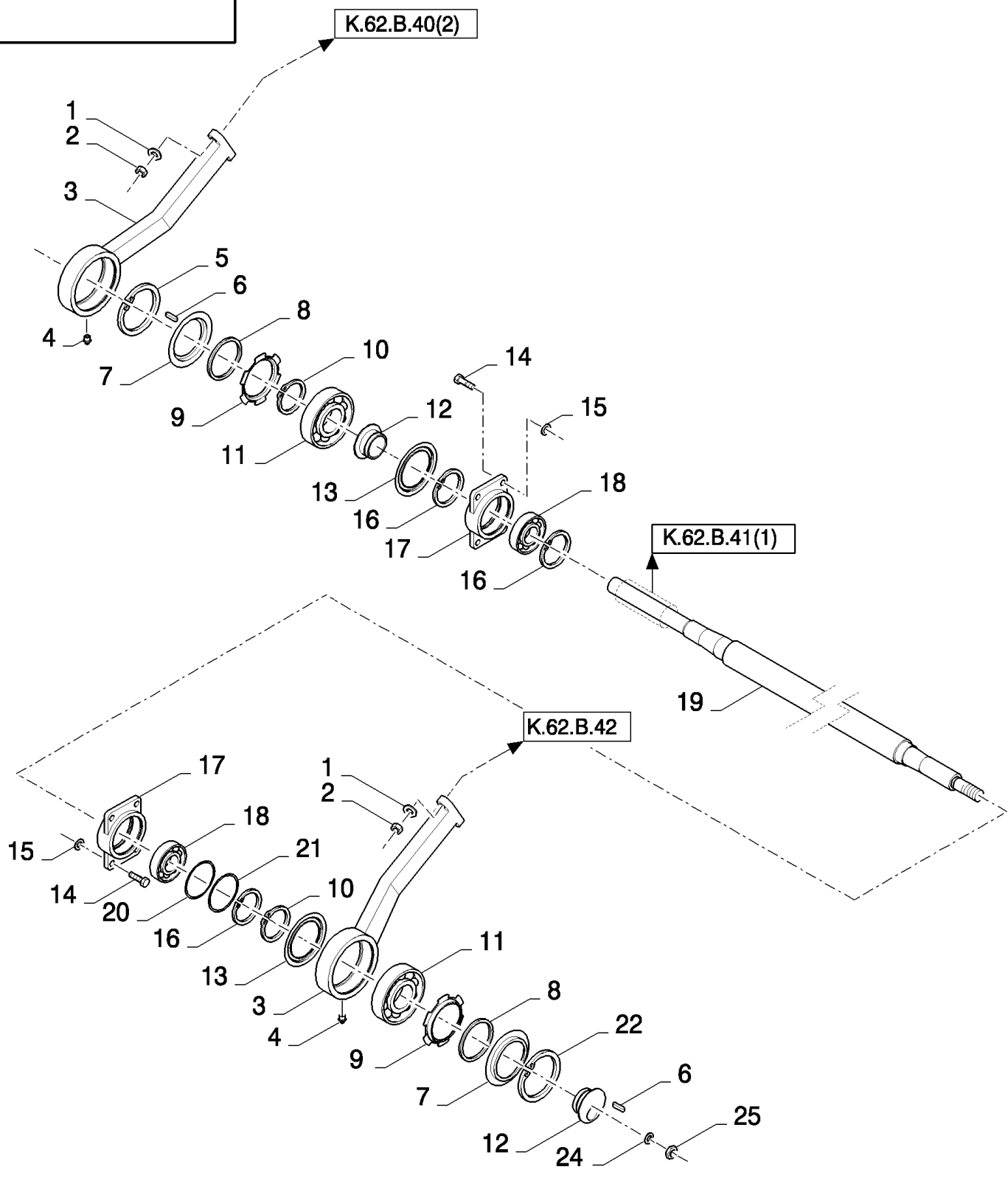


AFX8010 AXIAL-FLOW COMBINE (3/03-9/06)

K.62.B.41(2) LOWER SHOE DRIVE

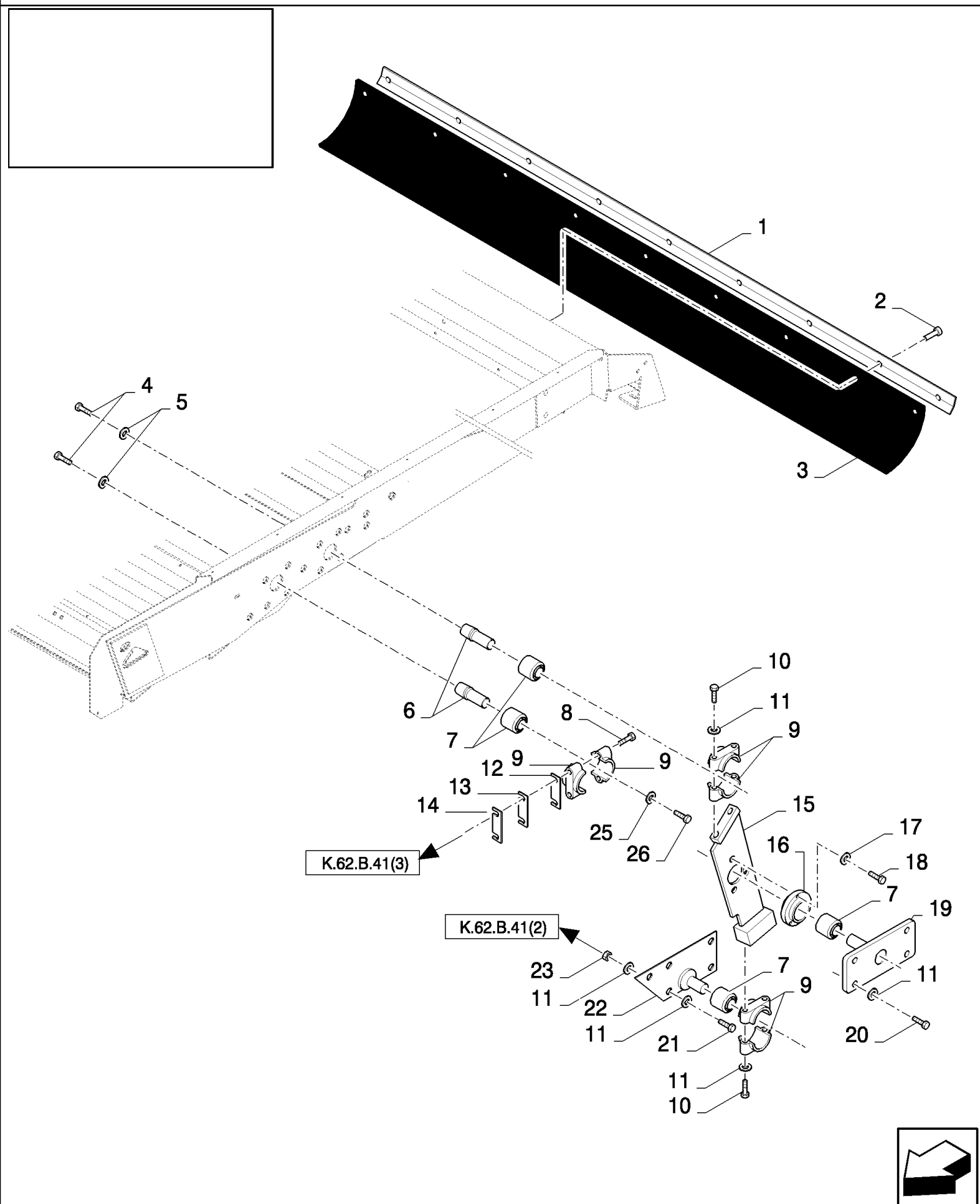
сылка	Номер детали	Кол-во	Описание
1	394549	2	HANDLE,
2	130003	2	PIN, SPLIT (COTTER), M3.2 x 20,
3	84814911	2	SPRING,
4	140223	2	WASHER,
5	86508568	8	BOLT, Hex, M6 x 16, 8.8,
6	412649	14	WASHER, SPRING, Belleville, M6,
7	9833212	3	HINGE,
8	9706755	14	NUT, M6, CI 8,
9	120100	2	BOLT, Hex, M6 x 20, 8.8,
10	84073622	1	COVER, Wide
10	84073389	1	COVER, Narrow
11	84320452	2	PROFILE, Wide
11	84320454	2	PROFILE, Narrow
12	NS	4	NOT SERVICED, Rivet
13	84056659	1	COVER,
14	84438529	2	ARM, 189 mm long
15	320033	8	HOUSING,
16	120062	4	BOLT, Hex, M8 x 70, 8.8,
17	84000052	4	BUSHING, RUBBER,
18	84032520	4	WASHER,
19	300627	4	RING, SNAP, M19, Ext,
20	412597	2	BOLT, CARRIAGE, Short NK, M8 x 25, CI8.8, Full Thd,
21	322358	18	WASHER, SPRING, Belleville, M8,
22	747826	2	SUPPORT,
23	86629542	12	NUT, LOCK, M8 x 1.25, CI 8,
24	9706690	6	NUT, M8, CI 8,
25	9706685	1	NUT, M12, CI 8,
26	140046	2	WASHER, SPRING, Belleville, M12,
27	43154	1	SEALRING, M12 x 40
28	120104	4	BOLT, Hex, M8 x 20, 8.8,
29	86975037	1	SHOE, SHAKER, Wide
29	87282098	1	SHOE, SHAKER, Wide
29	87314822	1	SHOE, SHAKER, Wide, Enhanced Cleaning
29	84442682	1	SHOE, SHAKER, Narrow
30	84012802	2	PLATE,
31	86977775	1	BOLT, Hex, M10 x 60, 8.8, Full Thd,
32	320648	1	NUT, M10, CI 8,
33	378244	2	WASHER, M10,
34	100016	1	NUT, M10, CI 8,
35	87105832	1	SEAL, Rubber, Enhanced Cleaning
35	87000266	1	SEAL, Rubber
36	87000280	1	STRIP, Fixing, Enhanced Cleaning
36	87000278	1	STRIP, Fixing
37	84446204	AR	RIVET, Pop

K.62.B.41(3) ECCENTRIC AND SHAKER SHOE DRIVE



K.62.B.41(3) ECCENTRIC AND SHAKER SHOE DRIVE

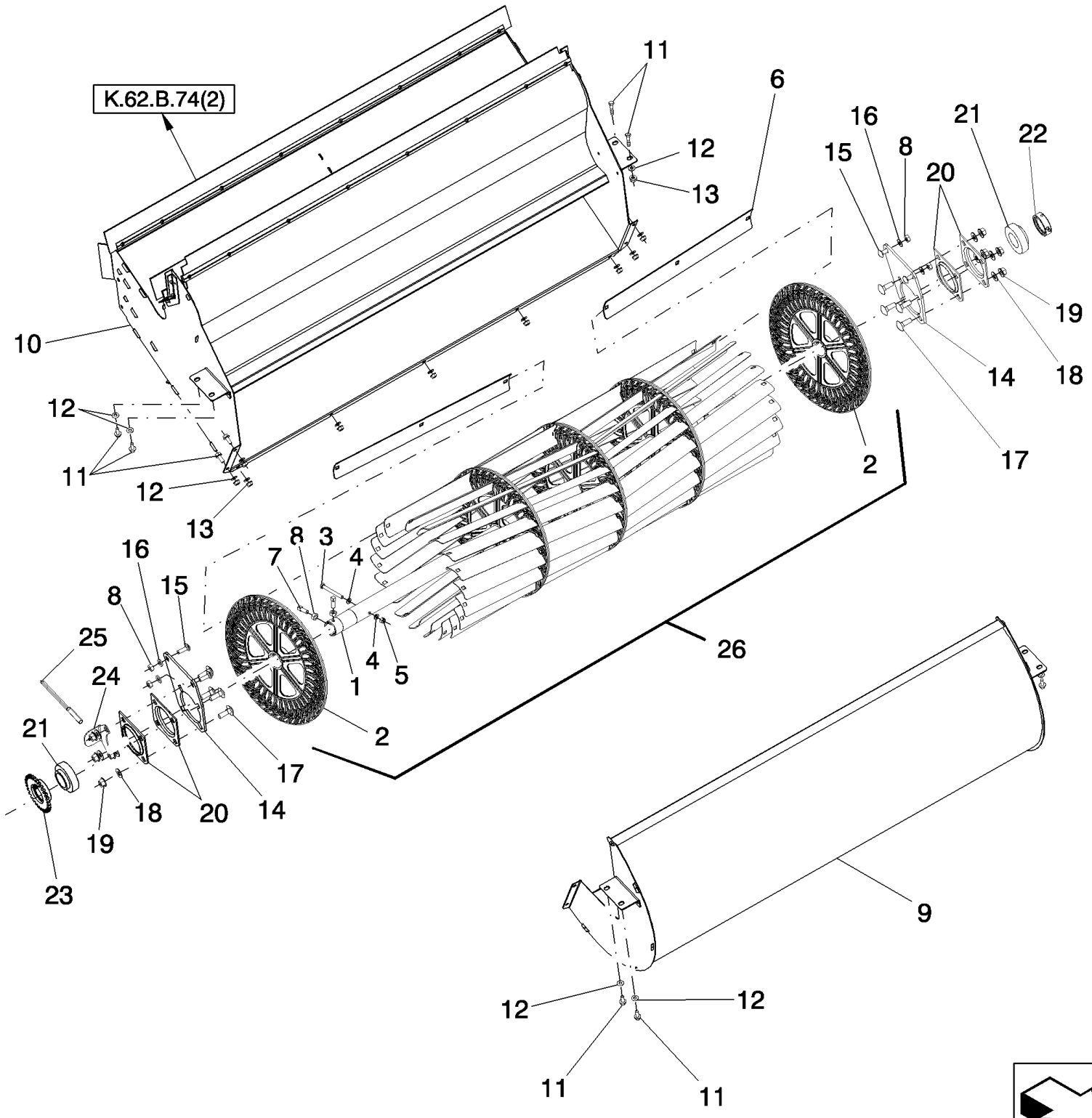
сылка	Номер детали	Кол-во	Описание
1	140018	4	WASHER, M12 x 24 x 2.5,
2	100038	4	NUT, LOCK, M12 x 1.75, CI 8,
3	84320634	2	ARM,
3	87317702	2	ARM, , Also Included In Enhanced Cleaning Kit; See Fig. K.62.B.63, Enhanced Cleaning
4	321204	2	NIPPLE, LUBE, M6 x 1, 16mm lg,
5	370014	2	RING, SNAP, M130, Int,
6	9817851	2	KEY,
7	9832769	2	FLANGE,
8	448736	2	RING, Seal
9	9831118	2	FLANGE, Bearing Cover
10	89832771	2	RING, LOCKING,
10	370010	2	RING, SNAP, M100, Ext, , Enhanced Cleaning, Also Included In Enhanced Cleaning Kit; See Fig. K.62.B.63
11	9833081	2	BEARING, BALL,
11	87315721	2	BEARING, BALL, , Also Included In Enhanced Cleaning Kit; See Fig. K.62.B.63, Enhanced Cleaning
12	9832765	2	ECCENTRIC,
12	87316081	2	ECCENTRIC, , Enhanced Cleaning, Also Included In Enhanced Cleaning Kit; See Fig. K.62.B.63
13	9832772	2	SEAL,
14	9706687	8	BOLT, Hex, M12 x 30, 8.8,
15	140046	8	WASHER, SPRING, Belleville, M12,
16	370013	3	RING, SNAP, M90, Int,
17	84320474	2	HOUSING, BEARING,
18	913716	2	BEARING, BALL,
19	86980613	1	SHAFT,
20	80435045	2	SHIM,
21	80448780	2	SHIM,
22	370014	2	RING, SNAP, M130, Int,
22	11077476	2	RING, SNAP, M150, Int, , Also Included In Enhanced Cleaning Kit; See Fig. K.62.B.63, Enhanced Cleaning
23			Reference Not Used
24	378247	1	WASHER,
25	320771	1	NUT, Thin, M20 x 1.5, CI 04,



K.62.B.42 UPPER SHOE DRIVE

сылка	Номер детали	Кол-во	Описание
1	84989486	1	STRIP, Wide, Also Included In Enhanced Cleaning Kit; See Fig. K.62.B.63, Enhanced Cleaning
1	84075413	1	STRIP, Narrow
2	80445395	AR	RIVET,
3	84064432	1	SEAL, Wide
3	87318656	1	SEAL, Wide, Also Included In Enhanced Cleaning Kit; See Fig. K.62.B.63, Enhanced Cleaning
3	84075387	1	SEAL, Narrow
4	120091	2	BOLT, Hex, M16 x 60, 8.8,
5	86592702	2	WASHER, M16 x 45 x 6, HT,
6	84037184	4	SHAFT,
7	442446	4	BUSHING, RUBBER,
8	9501756	2	BOLT, Hex, M12 x 110, 10.9,
9	84446877	6	HOUSING, BEARING,
10	80300810	4	SCREW, M12 x 85
11	140046	AR	WASHER, SPRING, Belleville, M12,
12	445474	1	SHIM, Thk: 0.5 mm
13	445473	1	SHIM, Thk: 1 mm
14	445472	1	PLATE, ADJUSTING, Thk: 3 mm
15	84320466	1	ARM, LH
15	87314571	1	ARM, LH, Enhanced Cleaning, Also Included In Enhanced Cleaning Kit; See Fig. K.62.B.63
16	9811082	1	BUSHING,
17	140045	3	WASHER, SPRING, Belleville, M10,
18	9706704	3	BOLT, Hex, M10 x 35, 8.8, Full Thd,
19	84320470	1	SUPPORT, LH
20	43154	4	SEALRING, M12 x 40, 8.8
21	9706687	5	BOLT, Hex, M12 x 30, 8.8,
22	84334452	1	SUPPORT,
23	9706685	5	NUT, M12, CI 8,
25	140045	1	WASHER, SPRING, Belleville, M10,
26	43138	1	BOLT, Hex, M10 x 20, 8.8, Full Thd,

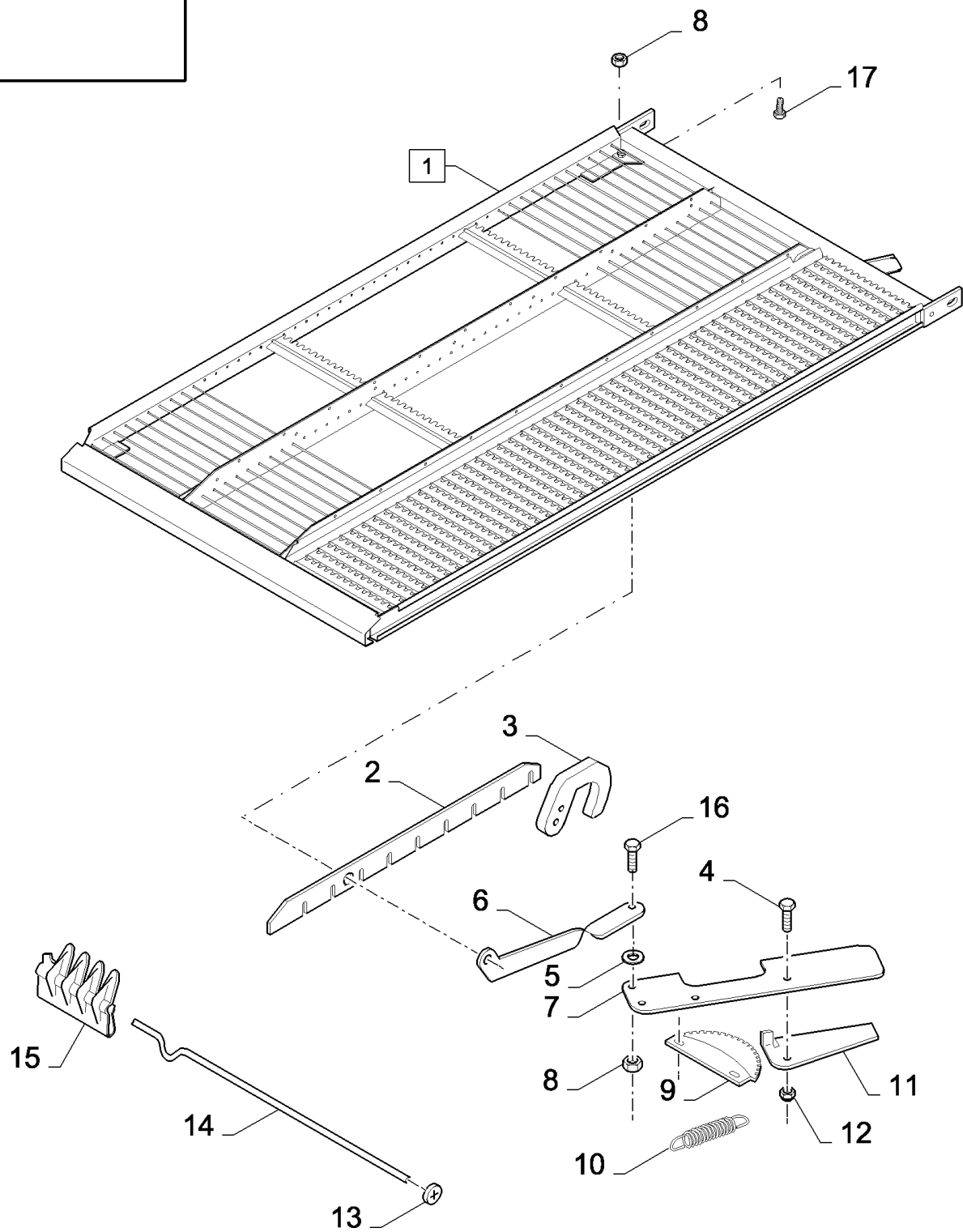
K.62.B.52 CLEANING FAN



K.62.B.52 CLEANING FAN

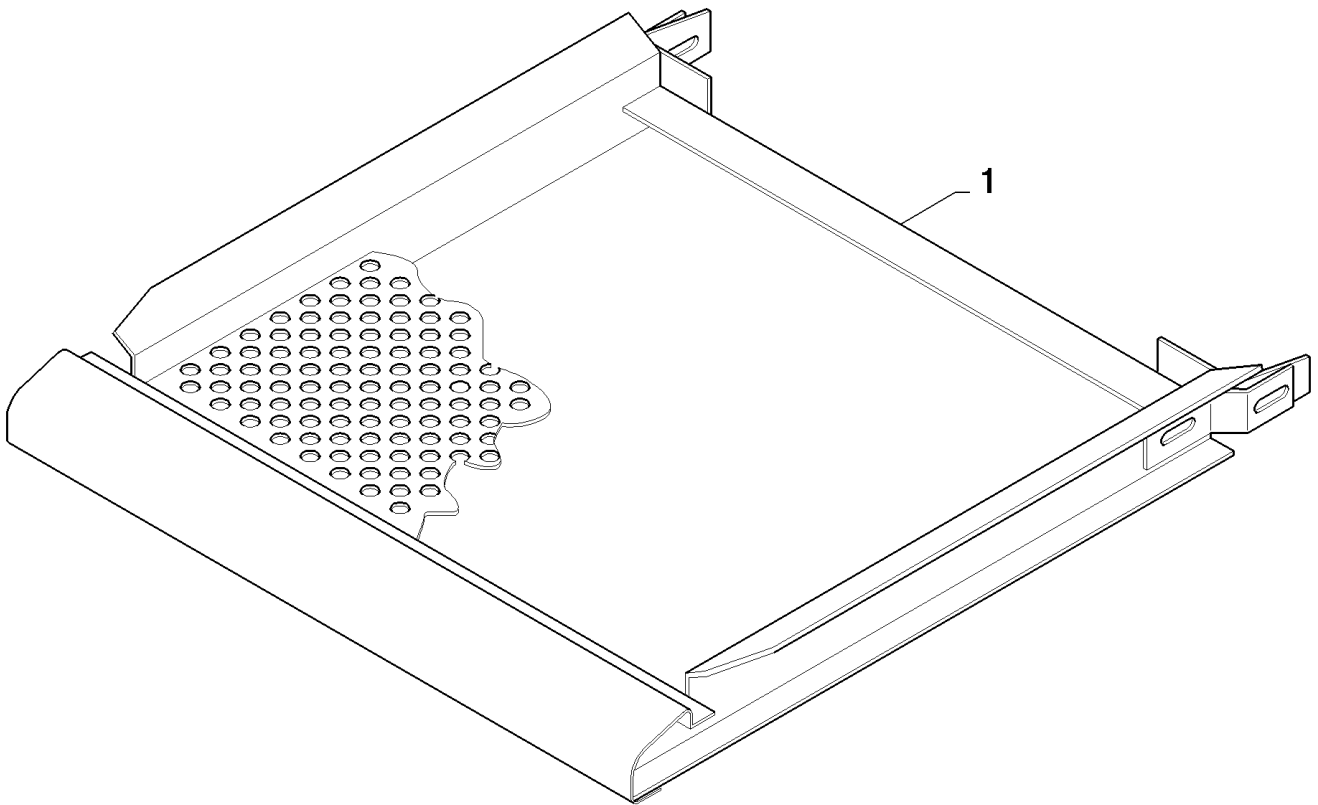
сылка	Номер детали	Кол-во	Описание
1	87107303	1	SHAFT, Cleaning Fan
2	86980769	5	DISC, Cleaning Fan
3	80331175	5	SCREW, Cap, HH, CL 8.8, M8 x 1.25 x 75
4	140016	10	WASHER, M8 x 16 x 1.6,
5	832-46408	5	NUT, LOCK, M8 x 1.25, Cl 8,
6	86997034	40	BLADE, Cleaning Fan
7	393599	2	SCREW, Set, Sq Hd, M10 x 1.5 x 25
8	100016	6	NUT, M10, Cl 8,
9	86996396	1	DOOR, Cleaning Fan
10	86981066	1	HOUSING, Fan
10	87318136	1	HOUSING, Fan, Enhanced Cleaning
11	9804258	17	BOLT, Hex Flg, M8 x 20, 8.8,
12	322358	17	WASHER, SPRING, Belleville, M8,
13	9804277	11	NUT, M8 x 1.25, Flg, Cl 8,
14	86997109	2	PLATE, Fan Bearing Support
15	86512446	4	BOLT, CARRIAGE, Short NK, M10 x 30, Cl8.8, Full Thd,
16	140045	4	WASHER, SPRING, Belleville, M10,
17	80328430	8	BOLT, Carriage, CL 8.8, M12 x 1.75 x 35
18	140046	8	WASHER, SPRING, Belleville, M12,
19	9804279	8	NUT, M12 x 1.75, Flg, Cl 8, Flg, CL 8, M12 x 1.25
20	716840	4	FLANGE,
21	133941	2	BEARING, BALL,
22	86999734	1	COLLAR, Locking
23	86996957	1	COLLAR, Cleaning Fan, Speed Pick-up
24	86999732	1	BRACKET, Cleaning Fan Speed Sensor
25	87105682	1	SENSOR, Cleaning Fan Speed
26	87107366	1	FAN, Assembly; Includes: Ref.s 1 Thru 7

K.62.B.56(1) LOWER SIEVES

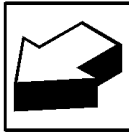
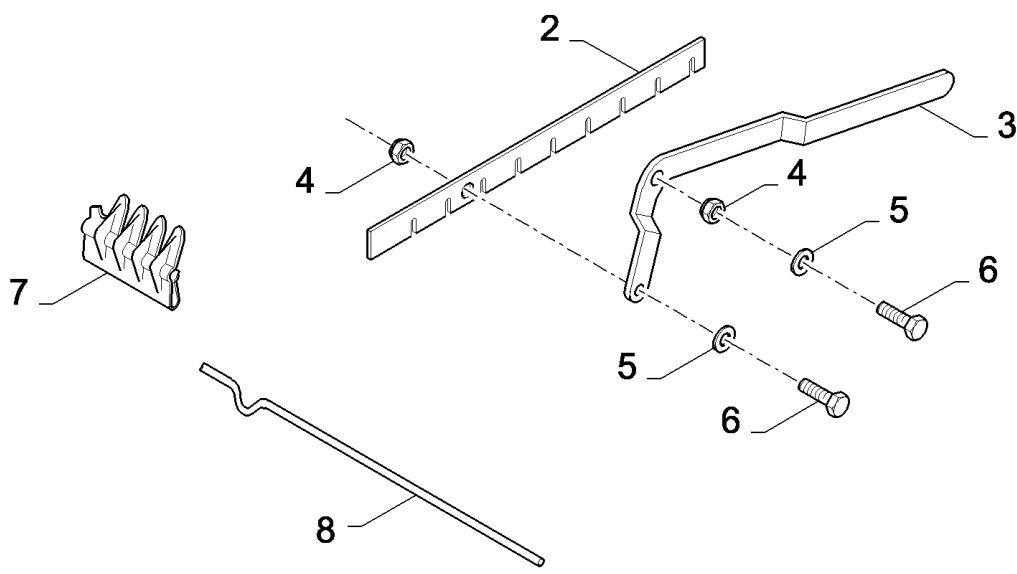
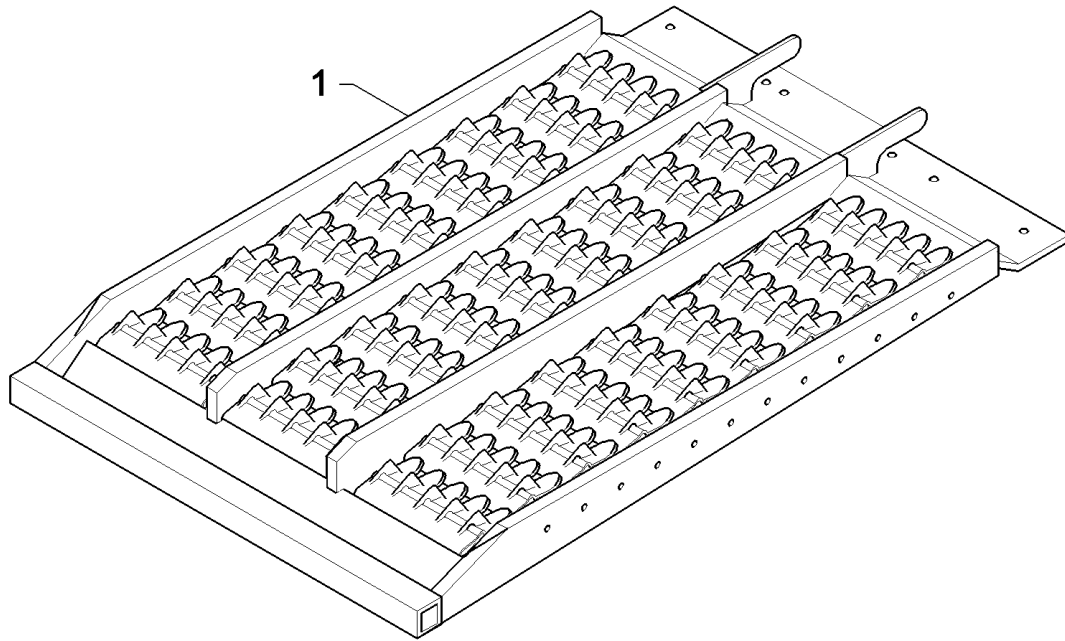


K.62.B.56(1) LOWER SIEVES

сылка	Номер детали	Кол-во	Описание
1	84320021	2	SIEVE, Closz Slat, 1 1/8" (3 to 15) - Painted
1	87109846	2	SIEVE, Closz Slat, 1 1/8" (3 to 15) - Galvanized
1	84400473	2	SIEVE, Closz Slat, 1 5/8" (3 to 15) - Painted
1	87109850	2	SIEVE, Closz Slat, 1 5/8" (3 to 15) - Galvanized
2	84056239	1	PLATE, ADJUSTING,
3	84056254	1	INDICATOR,
4	86508568	1	BOLT, Hex, M6 x 16, 8.8,
5	378243	1	WASHER, M8,
6	84056678	1	LEVER,
7	9817781	1	HANDLE,
8	43127	5	BOLT, Hex, M8 x 25, 8.8,
9	426565	1	QUADRANT,
10	449942	1	SPRING,
11	432187	1	HANDLE,
12	353308	1	NUT, LOCK, M6 x 1, CI 8,
13	398561	AR	CLIP,
14	453189	47	WIRE, RETAINING,
15	445571	47	BAR, CL 1 1/8"-240
15	481730	94	BAR, CL 1 1/8"-230
16	120104	1	BOLT, Hex, M8 x 20, 8.8,
17	86528579	5	NUT, LOCK, M8 x 1.25, CI 10,



сылка	Номер детали	Кол-во	Описание
1	740819	2	FRAME, Blank
1	9500737	2	SIEVE, Round Hole, D=16 mm
1	9500738	2	SIEVE, Round Hole, D=18 mm
1	86975821	2	SIEVE, Round Hole, D=2.5 mm
1	86975827	2	SIEVE, Round Hole, D=10 mm



K.62.B.57(1) PRESIEVE

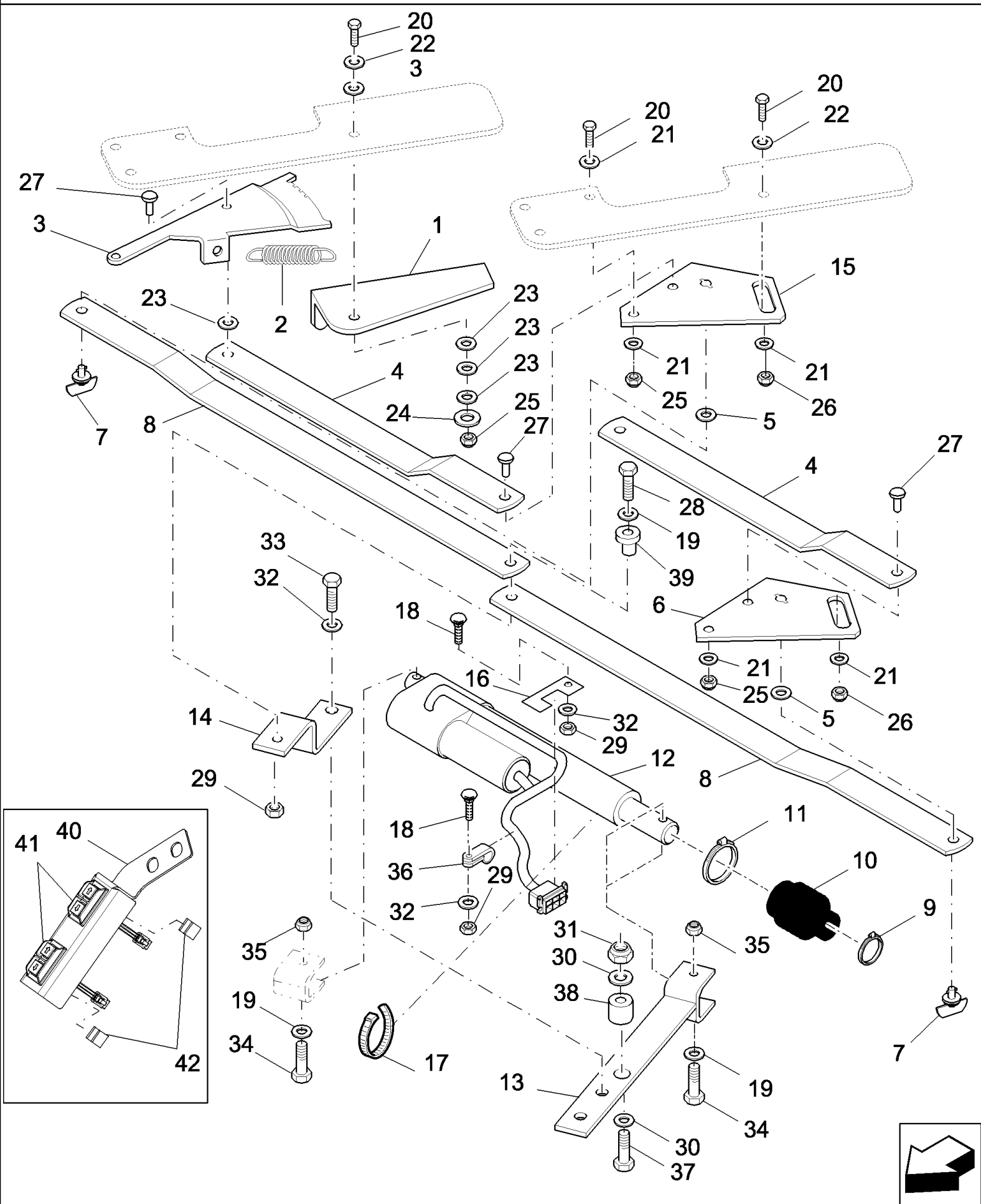
сылка	Номер детали	Кол-во	Описание
1	87284846	1	Assembly Presieve, 1-5/8" PET
1	84076561	1	SIEVE, 1-1/8" - Painted, BSN HAJ105126
1	87109817	1	SIEVE, GRAIN, 1-1/8" - Galvanized, ASN HAJ105126
1	87105820	1	SIEVE, 1-1/8" - Closz
1	87109826	1	SIEVE, Closz 1-5/8" - Galvanized, was 87105820 - Painted
1	87109821	1	SIEVE, Corn, Galvanized Slats
2	84434704	1	PLATE,
2	87109897	1	- Corn
3	84434245	1	LEVER,
3	84434245	1	LEVER, Corn, Galvanized Slats
4	353308	2	NUT, LOCK, M6 x 1, CI 8,
5	86588450	2	WASHER, M6,
6	86508568	2	BOLT, Hex, M6 x 16, 8.8,
7	481730	40	BAR, L=230 mm
7	445571	80	BAR, L=240 mm
7	87281019	28	BAR, Slat, Corn, Galvanized - L=233 mm
7	445569	56	BAR, Slat, Closz, L=239.75 mm
7	87281020	56	BAR, Slat, Corn, Galvanized - L=240.5 mm
8	452791	20	WIRE, RETAINING,
8	87109886	14	Corn, Galvanized Slats

K.62.B.57(2) UPPER SIEVES

сылка	Номер детали	Кол-во	Описание
1	87284846	1	Assembly Presieve, 1-5/8" PET
1	84100965	2	SIEVE, Closz Slat, 1 1/8" (7 to 24) - Painted
1	87109830	2	SIEVE, Closz Slat, 1 1/8" (7 to 24) - Galvanized
1	84320037	2	SIEVE, Closz Slat, 1 5/8" (7 to 17, 22 to 24) - Painted
1	87109834	2	SIEVE, Corn, 1 5/8" (7 to 24) - Galvanized
1	87109838	2	SIEVE, Closz Slat, 1 5/8" (7 to 24) - Galvanized - Was 84437315 - Painted
1	84100990	2	SIEVE, P 1 1/8" (7 to 24) - Painted
1	87109842	2	SIEVE, Peterson, 1 1/8" (7 to 24) - Galvanized
2	120100	AR	BOLT, Hex, M6 x 20, 8.8,
2	86508568	AR	BOLT, Hex, M6 x 16, 8.8,
3	412653	AR	WASHER, SPRING, Belleville, M6,
4	84320875	AR	SEAL, Seal
5	84100961	2	RAKE, Shown
5	453266	2	SIEVE EXTENSION, Optional Graepel - 784 mm long
5	430384	1	SIEVE EXTENSION, Optional Graepel - 1316 mm long
6	9706755	AR	NUT, M6, CI 8,
7	84056237	1	PLATE, ADJUSTING, , For 1 1/8" Sieve Only
7	84056235	1	PLATE, ADJUSTING, , For 1 5/8" Sieve Only
8	84056254	1	INDICATOR, , For 1 1/8" Sieve Only
8	84056253	1	INDICATOR, , For 1 5/8" Sieve Only
9	378243	2	WASHER, M8,
10	426565	2	QUADRANT,
11	84053320	1	LEVER, , For 1 1/8" Sieve Only
11	84056678	1	LEVER, , For 1 5/8" Sieve Only
12	86508568	2	BOLT, Hex, M6 x 16, 8.8,
13	9817781	2	HANDLE,
14	432187	2	HANDLE,
15	353308	2	NUT, LOCK, M6 x 1, CI 8,
16	86629542	2	NUT, LOCK, M8 x 1.25, CI 8,
17	449942	2	SPRING,
18	84056802	1	INDICATOR, , For 1 1/8" Sieve Only
19	84056247	1	ROD, , For 1 1/8" Sieve Only
20	84053321	1	LEVER, , For 1 1/8" Sieve Only
21	84056236	1	PLATE, ADJUSTING, , For 1 1/8" Sieve Only
22	398561	6	CLIP,
23	453189	AR	WIRE, RETAINING,
24	445569	47	BAR, HC 1 1/8"-240, For 1 1/8" Sieve Only
24	324715	94	BAR, HC 1 1/8"-230
24	445569	235	BAR, HC 1 1/8"-240
24	80445568	33	BAR, HC 1 5/8"-240
24	80396505	66	BAR, HC 1 5/8"-230
24	80445568	165	BAR, HC 1 5/8"-240
25	89832566	47	BAR, HC 1 1/8"-240
25	89832565	94	BAR, HC 1 1/8"-230
25	89832566	235	BAR, HC 1 1/8"-240

K.62.B.57(2) UPPER SIEVES

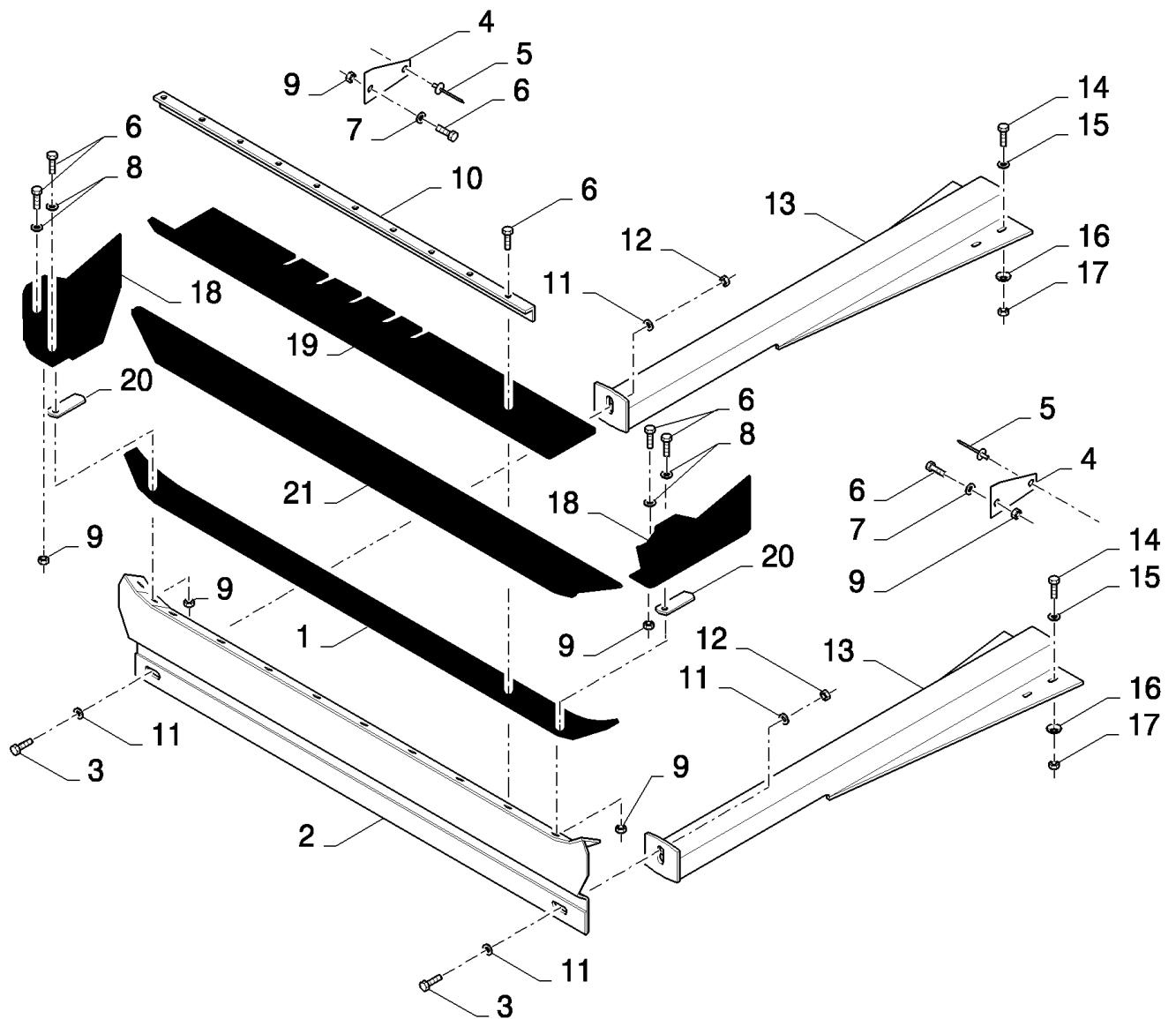
сылка	Номер детали	Кол-во	Описание
26	84100993	2	PLATE,



сылка	Номер детали	Кол-во	Описание
1	84053675	2	PLATE,
2	449942	2	SPRING, Extension
3	84053678	2	SECTOR, TOOTHED,
4	84053679	2	BRACKET, , Use W/Painted Sieves
4	87637643	2	BRACKET, Bracket, Use W/Galvanized Sieves
5	9514605	2	RING, LOCKING,
6	84062611	1	PLATE,
7	9831581	2	LOCK,
8	87011099	2	LEVER,
9	326082	1	CLAMP,
10	84053431	1	BELLOWS,
11	382527	1	CLAMP, HOSE,
12	84053684	1	ACTUATOR,
12	87347281	1	ACTUATOR, Replaces 84053684, ASN HAJ106101
13	87011097	1	LEVER,
14	84053313	1	BRACKET,
15	84053677	1	PLATE, Coupling
16	87013667	1	CLIP,
17	86566989	1	STRAP, CABLE,
18	86619060	2	BOLT, CARRIAGE, Short NK, M8 x 16, CI8.8, Full Thd,
19	378243	3	WASHER, M8,
20	120100	6	BOLT, Hex, M6 x 20, 8.8,
21	412649	6	WASHER, SPRING, Belleville, M6,
22	322357	2	WASHER, SPRING, Belleville, M6,
23	86588450	8	WASHER, M6,
24	140040	2	WASHER, M6 x 22 x 2,
25	353308	4	NUT, LOCK, M6 x 1, CI 8,
26	9706755	2	NUT, M6, CI 8,
27	281061	4	RIVET, Rd Hd, M6 x 12,
28	43128	1	BOLT, Hex, M8 x 30, 8.8,
29	9706690	3	NUT, M8, CI 8,
30	378244	2	WASHER, M10,
31	100037	1	NUT, M10 x 1.5, CI 8,
32	322358	4	WASHER, SPRING, Belleville, M8,
33	120104	2	BOLT, Hex, M8 x 20, 8.8,
34	87716	2	BOLT, Hex, 1/4"-20 x 1 1/4", G5,
35	280129	2	NUT, LOCK, 1/4"-20, GC,
36	86572009	1	CLAMP, 3/8", Insul, 3/8" Bolt,
37	43139	1	SCREW, Cap, HH, CL 8.8, M10 x 25
38	28384	1	SPACER,
39	87013640	1	BUSHING,
40	86999312	1	BRACKET,
41	86627351	2	SWITCH, Sieve Adjusting
42	86627352	2	CLAMP, Switch

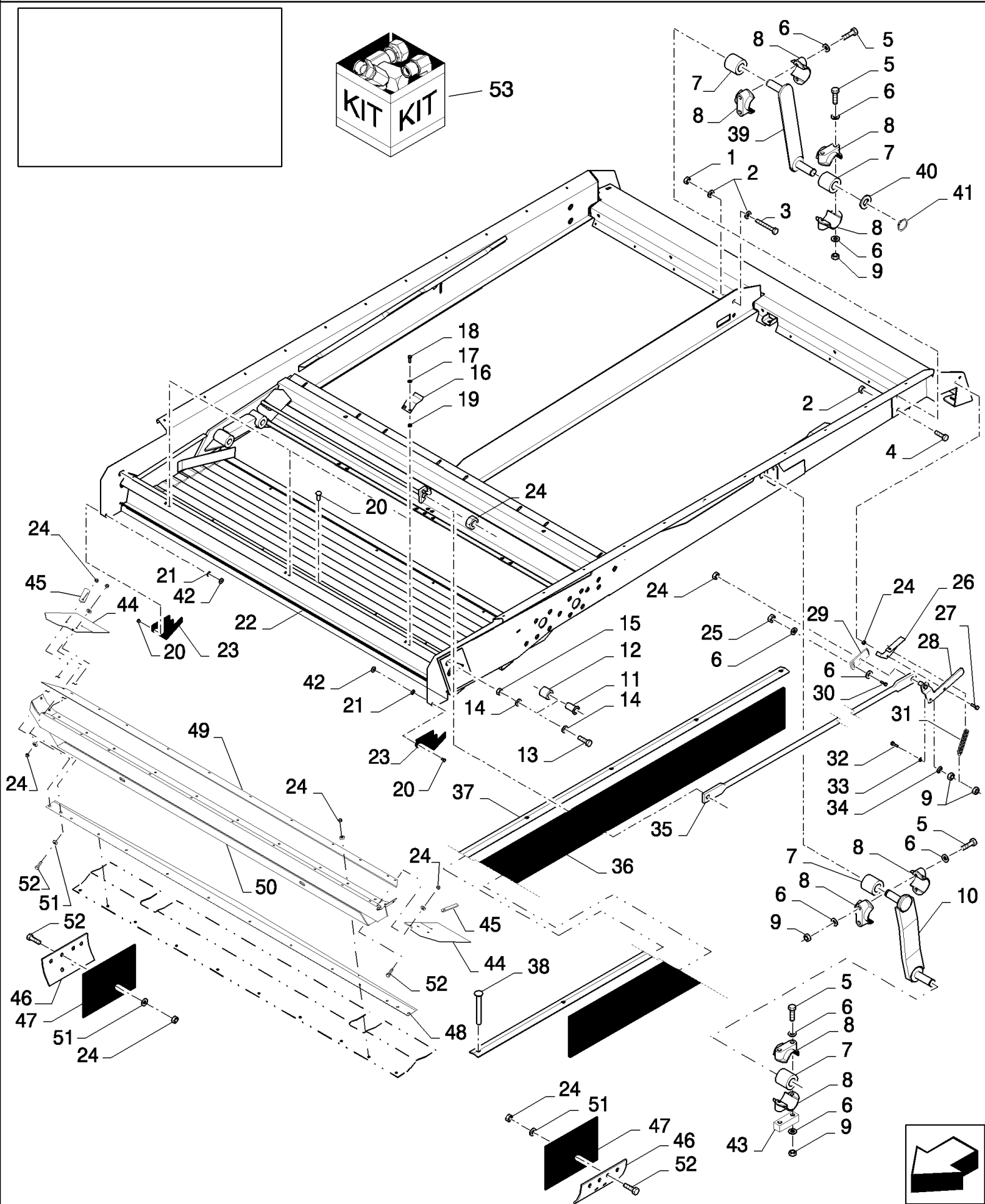
K.62.B.58(1) GRAIN PAN

сылка	Номер детали	Кол-во	Описание
1	86974863	1	GRAIN PAN,
1	84462405	1	GRAIN PAN, , Also Included In Enhanced Cleaning Kit; See Fig. K.62.B.63, Enhanced Cleaning, ASN HAJ106017
2	84433339	1	SEAL,
2	87318667	1	SEAL, , Enhanced Cleaning, ASN HAJ106017
3	429635	2	SUPPORT,
4	84433388	2	SUPPORT,
4	87318664	2	SUPPORT, , Enhanced Cleaning, Also Included In Enhanced Cleaning Kit; See Fig. K.62.B.63, ASN HAJ106017
5	120103	12	BOLT, Hex, M8 x 16, 8.8,
6	412650	20	WASHER, SPRING, Belleville, M8, Replaced 322358
7	86508568	2	BOLT, Hex, M6 x 16, 8.8,
8	322357	4	WASHER, SPRING, Belleville, M6,
9	9706755	2	NUT, M6, CI 8,
10	445395	16	RIVET, Pop, M4.8 x 18.1,
11	84433338	2	SEAL,
11	87318666	2	SEAL, , Also Included In Enhanced Cleaning Kit; See Fig. K.62.B.63, Enhanced Cleaning, ASN HAJ106017
12	84075413	2	STRIP,
12	87318665	2	STRIP, , Enhanced Cleaning, Also Included In Enhanced Cleaning Kit; See Fig. K.62.B.63, ASN HAJ106017
	87323178	1	DIA KIT, HARVESTER, Aggressive Shake Field Campaign Kit - Includes: Ref. 1-12 (Enhanced Cleaning)
13	86629542	4	NUT, LOCK, M8 x 1.25, CI 8,
14	84443725	2	ARM, 162.5 mm long
14	87314038	2	ARM, 234 mm long, Also Included In Enhanced Cleaning Kit; See Fig. K.62.B.63, Enhanced Cleaning
15	320033	4	HOUSING,
16	120062	4	BOLT, Hex, M8 x 70, 8.8,
17	84000052	2	BUSHING, RUBBER,
18	84032520	2	WASHER,
19	300627	2	RING, SNAP, M19, Ext,



сылка	Номер детали	Кол-во	Описание
1	84440822	1	SEAL,
1	84462460	1	SEAL, , Enhanced Cleaning, Also Included In Enhanced Cleaning Kit; See Fig. K.62.B.63
2	84320463	1	SUPPORT,
2	84462472	1	SUPPORT, , Also Included In Enhanced Cleaning Kit; See Fig. K.62.B.63, Enhanced Cleaning
3	43140	2	BOLT, Hex, M10 x 30, 8.8, Full Thd,
4	84989409	2	PLATE,
5	445394	AR	RIVET, Pop, M4.8 x 12.7,
6	86977786	AR	BOLT, Hex, M6 x 25, 8.8,
7	322357	AR	WASHER, SPRING, Belleville, M6,
8	140040	4	WASHER, M6 x 22 x 2,
9	353308	AR	NUT, LOCK, M6 x 1, CI 8,
10	84000704	1	STRIP, , Also Included In Enhanced Cleaning Kit; See Fig. K.62.B.63
11	140045	4	WASHER, SPRING, Belleville, M10,
12	100016	2	NUT, M10, CI 8,
13	84433388	2	SUPPORT,
14	43127	8	BOLT, Hex, M8 x 25, 8.8,
15	140041	8	WASHER, M8 x 28 x 3,
16	412650	16	WASHER, SPRING, Belleville, M8,
17	89706690	8	NUT, M8, CI 8,
18	84334904	2	SEAL,
18	87323001	2	SEAL, , Also Included In Enhanced Cleaning Kit; See Fig. K.62.B.63, Enhanced Cleaning
19	84005167	1	SEAL, , Also Included In Enhanced Cleaning Kit; See Fig. K.62.B.63
20	84007182	2	BRACKET, , Also Included In Enhanced Cleaning Kit; See Fig. K.62.B.63, Enhanced Cleaning
21	84447129	1	SEAL,
21	87333212	1	SEAL, , Enhanced Cleaning, Also Included In Enhanced Cleaning Kit; See Fig. K.62.B.63

K.62.B.63 UPPER SHAKER SHOE



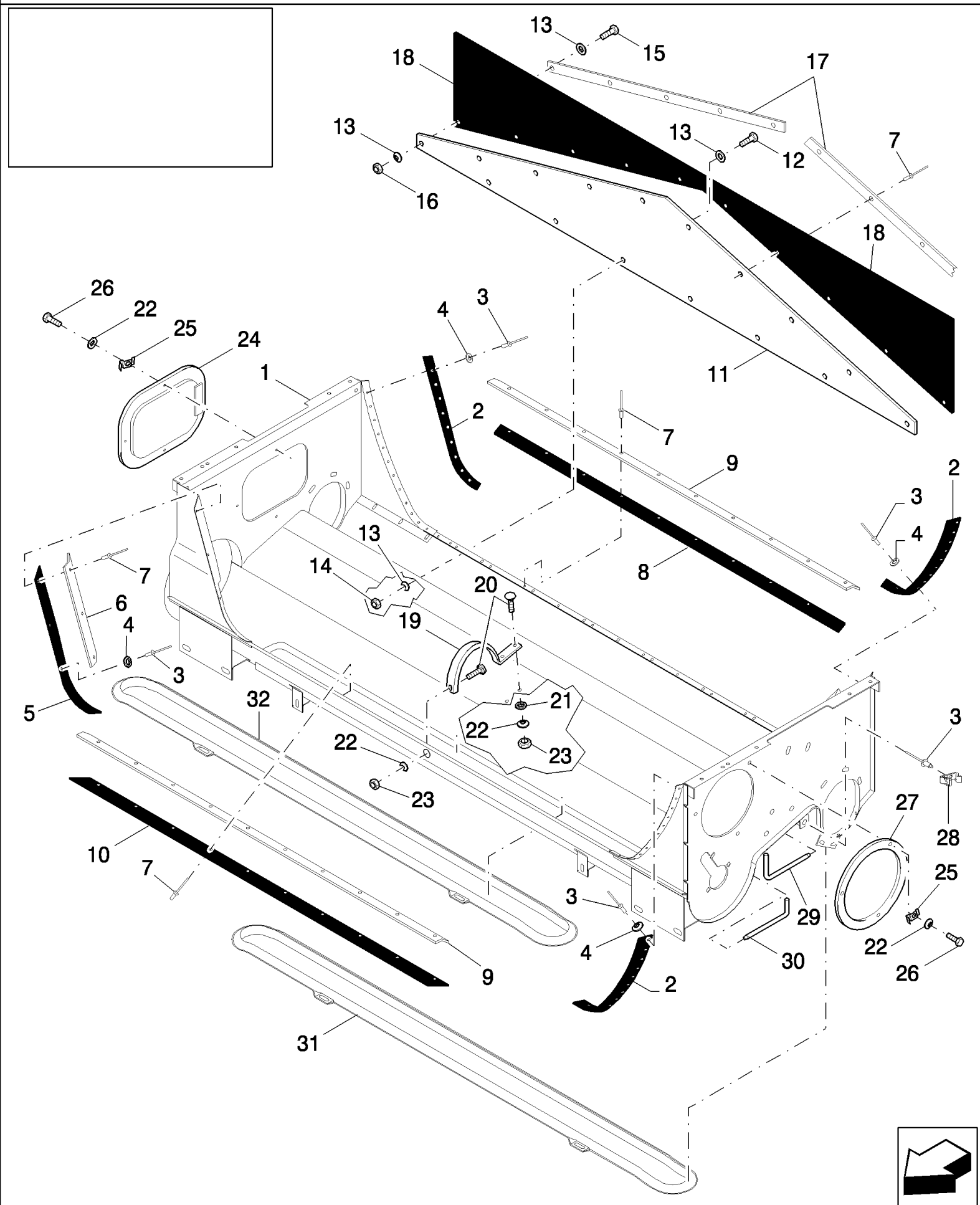
K.62.B.63 UPPER SHAKER SHOE

сылка	Номер детали	Кол-во	Описание
1	9706685	1	NUT, M12, CI 8,
2	140046	4	WASHER, SPRING, Belleville, M12,
3	86629541	10	BOLT, Hex, M12 x 40, 8.8, Full Thd,
4	9706687	2	BOLT, Hex, M12 x 30, 8.8,
6	322358	17	WASHER, SPRING, Belleville, M8,
7	84000052	4	BUSHING, RUBBER,
8	320033	8	HOUSING,
9	86629542	10	NUT, LOCK, M8 x 1.25, CI 8,
10	84075741	2	ARM, 253 mm long
10	87318338	2	Arm, 257 mm long, Start Year: 04/01/2005
10	87314041	2	ARM, 282 mm long, Enhanced Cleaning
11	84052651	2	BUSHING,
12	338222	2	BUSHING, RUBBER,
13	350616	2	BOLT, Hex, M16 x 90, 8.8,
14	378246	2	WASHER, 16 mm
15	86000441	2	NUT, LOCK, M16 x 2, CI 8,
16	84462716	3	SPRING, TAB, was 84989607
17	412649	6	WASHER, SPRING, Belleville, M6,
18	86512439	6	BOLT, CARRIAGE, Short NK, M6 x 16, CI8.8, Full Thd,
19	9706755	6	NUT, M6, CI 8,
20	445394	AR	RIVET, Pop, M4.8 x 12.7,
21	140182	4	WASHER, M5 x 18 x 2,
22	84071133	1	SHOE, SHAKER, Wide
22	84462369	1	SHOE, SHAKER, Wide, Enhanced Cleaning
23	84989167	2	SEAL,
23	87333110	2	SEAL, , Enhanced Cleaning
23	84989409	2	PLATE,
24	353308	3	NUT, LOCK, M6 x 1, CI 8,
25	9706690	1	NUT, M8, CI 8,
26	84434086	1	HANDLE,
27	86508568	1	BOLT, Hex, M6 x 16, 8.8,
28	84433811	1	HANDLE, , Prior To PIN HAJ106608
28	84457706	1	HANDLE, , From PIN HAJ106608
29	84433795	1	PLATE, Tappet
29	84457729	1	PLATE, Tappet
30	120104	1	BOLT, Hex, M8 x 20, 8.8,
31	9832711	1	SPRING,
32	300381	1	BOLT, Hex, M8 x 35, 8.8,
33	378243	1	WASHER, M8,
34	397881	1	WASHER, SPRING,
35	84073571	1	SUPPORT,
35	84457696	1	ROD,
36	84071063	2	SEAL,
37	84076111	2	STRIP,
38	80445395	22	RIVET,

K.62.B.63 UPPER SHAKER SHOE

сылка	Номер детали	Кол-во	Описание
39	84438529	2	ARM,
40	84032520	4	WASHER,
41	300627	4	RING, SNAP, M19, Ext,
42	86508813	4	NUT, M5, CI 8,
43	87314695	2	SPACER, , Enhanced Cleaning
44	84334904	2	SEAL,
44	87323001	2	SEAL, , Enhanced Cleaning
45	84007182	2	BRACKET,
46	84005240	2	PLATE,
46	84462477	2	PLATE, , Enhanced Cleaning
47	84005164	2	SEAL,
47	84462428	2	SEAL, , Enhanced Cleaning
48	84447129	1	SEAL,
48	84462460	1	SEAL, , Enhanced Cleaning
49	84440822	1	SEAL,
49	87333212	1	SEAL, , Enhanced Cleaning
50	84320463	1	SUPPORT,
50	84462472	1	SUPPORT, , Enhanced Cleaning
51	140040	AR	WASHER, M6 x 22 x 2,
52	86977786	AR	BOLT, Hex, M6 x 25, 8.8,
53	87525427	AR	DIA KIT, HARVESTER, Enhanced Cleaning; Includes: Items As Indicated, Plus Others As Indicated On Fig.s K62.D[1], K.62.B.58[1], K.62.B.42, K.62.B.40[2], K.62.B.41[1], K.62.B.41[3], K.62.B.58[2], K.62.B.74[4], E.10.B[1]

K.62.B.74(1) SELF-LEVELING AUGER HOUSING, MAIN BODY



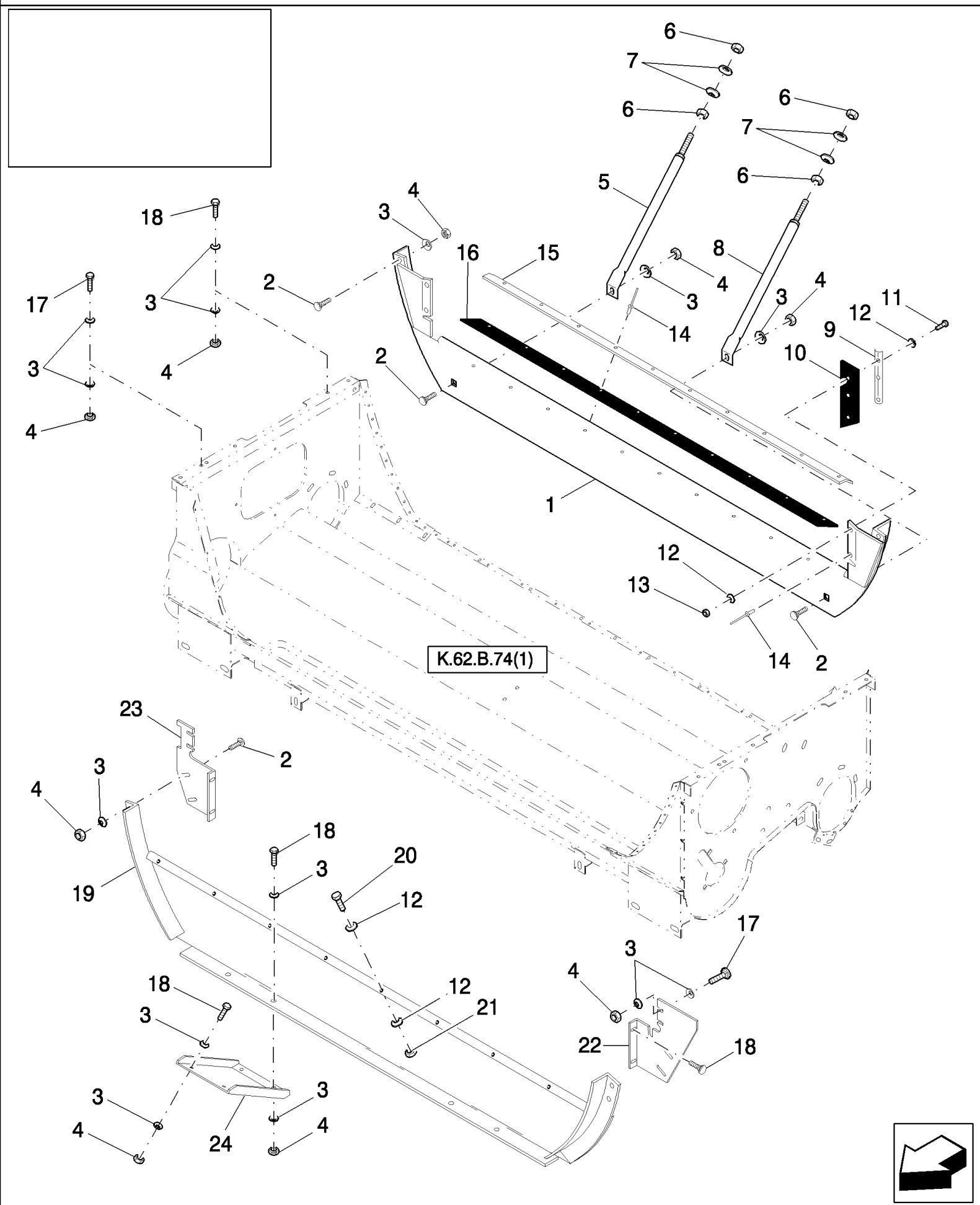
Quantities left of the slash are for AFX7010s; quantities right of the slash are for AFX8010s.

K.62.B.74(1) SELF-LEVELING AUGER HOUSING, MAIN BODY

сылка	Номер детали	Кол-во	Описание
1	87044524	1	HOUSING, Auger
2	80435601	3	SEAL,
2	87282881	3	SEAL,
3	80445394	52	RIVET, M5 x 15
4	80140182	48	WASHER, M5
5	84818418	1	SEAL, Replaced 9503113
5	87282880	1	SEAL,
6	84320082	1	STRIP,
7	80445395	AR	RIVET, M4.8 x 16
8	80451792	1	SEAL,
9	84320089	2	STRIP,
10	80451794	1	SEAL,
11	87696056	1	Plate, Seal-mounting
12	86508568	AR	BOLT, Hex, M6 x 16, 8.8,
13	80412649	AR	WASHER, LOCK, M6
14	9706755	AR	NUT, M6, CI 8,
15	120100	10	BOLT, Hex, M6 x 20, 8.8,
16	353308	12	NUT, LOCK, M6 x 1, CI 8,
17	84320079	2	STRIP,
18	87552399	2	Seal
19	84072271	1	SUPPORT,
20	86507486	3	BOLT, CARRIAGE, Short NK, M8 x 20, CI8.8, Full Thd,
21	80140041	2	WASHER, M8
22	80412650	9	WASHER, LOCK, M8
23	9706690	3	NUT, M8, CI 8,
24	84320078	1	COVER,
25	80425093	6	CLIP,
26	120104	6	BOLT, Hex, M8 x 20, 8.8,
27	84320087	1	COVER,
28	80323307	4	CLIP, SPRING,
29	89819720	2	PIN,
30	89819719	2	PIN,
31	84078027	1	COVER, Return Tailings, STD
31	84429238	1	COVER, Return Tailings, Round Holes
31	740667	1	COVER, Return Tailings, Slotted Holes
32	87693856	1	Cover, Clean Grain, Reinforced
32	84429240	1	COVER, Clean Grain, Round Holes
32	740666	1	COVER, Clean Grain, Slotted Holes
32	87283418	1	COVER, Hard Threshing - Included in 84083561 Kit
33	134577	3	CLIP, J Clamp

Quantities left of the slash are for AFX7010s; quantities right of the slash are for AFX8010s.

K.62.B.74(2) SELF-LEVELING AUGER HOUSING, FRONT & REAR SEALS

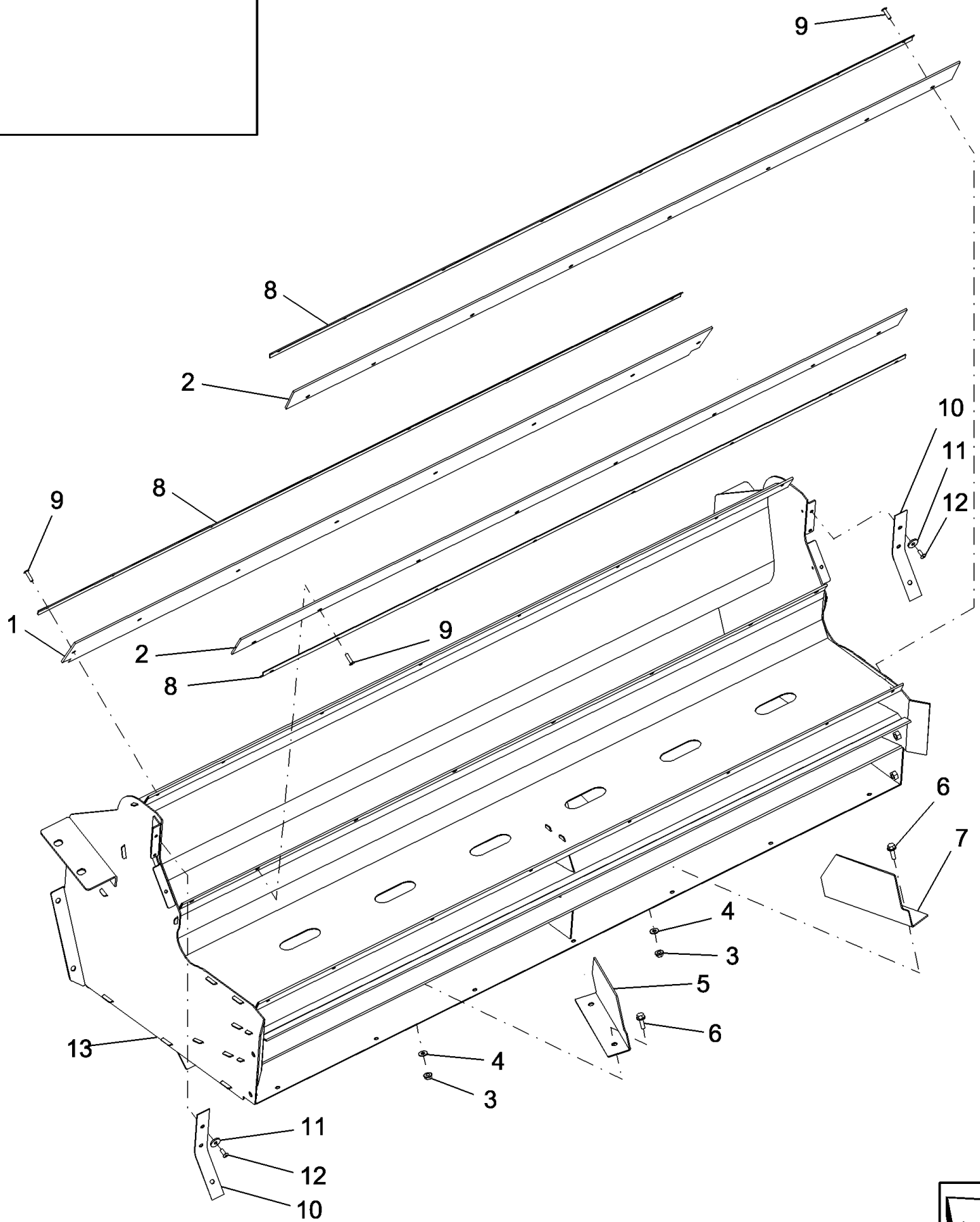


Quantities left of the slash are for AFX7010s; quantities right of the slash are for AFX8010s.

K.62.B.74(2) SELF-LEVELING AUGER HOUSING, FRONT & REAR SEALS

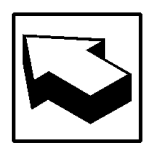
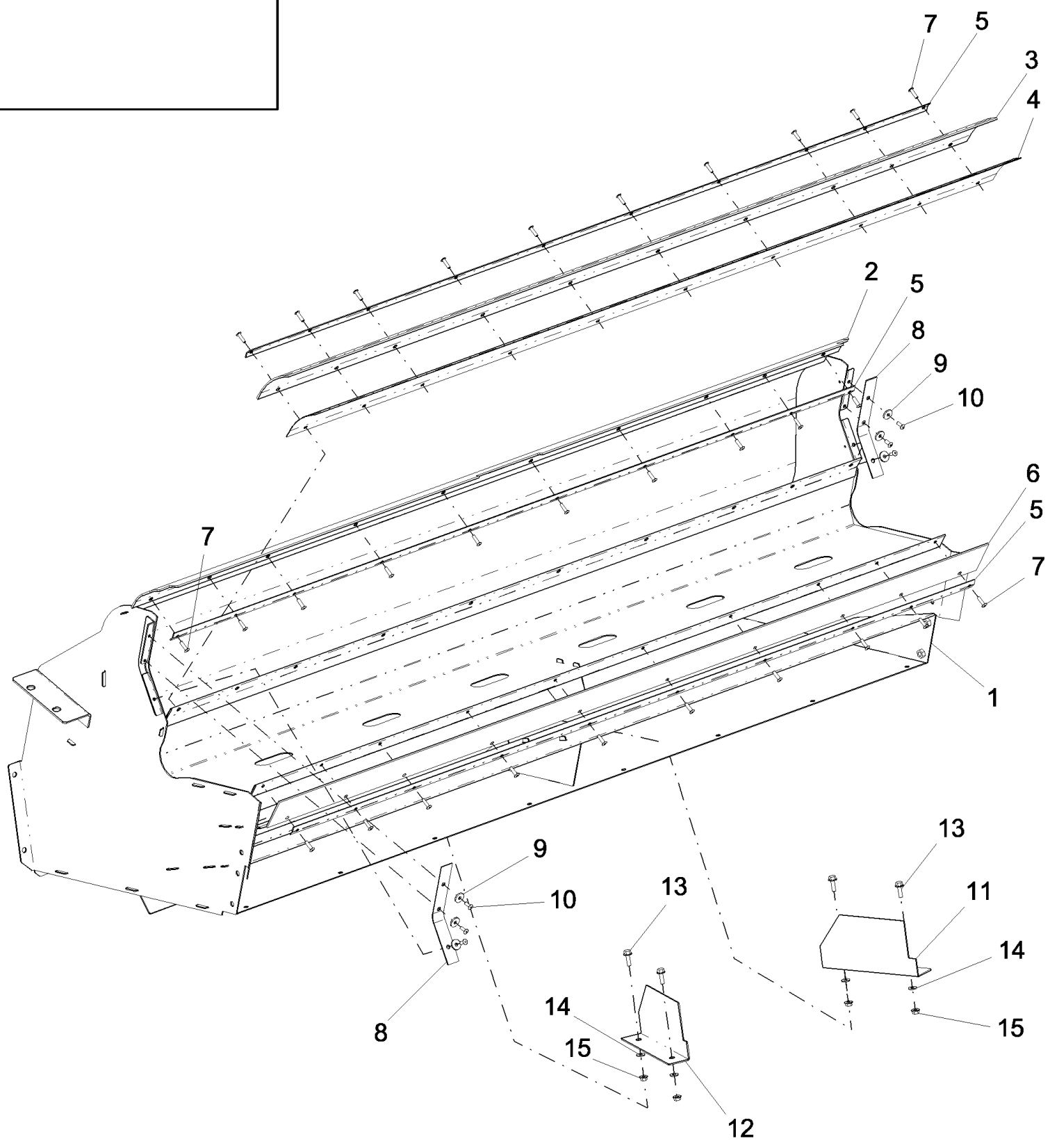
сылка	Номер детали	Кол-во	Описание
1	84320102	1	PLATE, Rear
2	86507486	8	BOLT, CARRIAGE, Short NK, M8 x 20, CI8.8, Full Thd,
3	80412650	52	WASHER, LOCK, M8
4	9706690	30	NUT, M8, CI 8,
5	80444439	1	SUPPORT,
6	9706685	4	NUT, M12, CI 8,
7	140046	4	WASHER, SPRING, Belleville, M12,
8	80444438	1	SUPPORT,
9	84320082	2	STRIP,
10	80922272	2	ELEMENT, SEALING,
11	86977786	2	BOLT, Hex, M6 x 25, 8.8,
12	80412649	AR	WASHER, LOCK, M6
13	353308	2	NUT, LOCK, M6 x 1, CI 8,
14	80445395	AR	RIVET, M4.8 x 16
15	84320105	1	STRIP,
16	89501640	1	SEAL,
17	308761	4	BOLT, CARRIAGE, Short NK, M8 x 25, CI8.8, Full Thd,
18	120104	20	BOLT, Hex, M8 x 20, 8.8,
19	84320100	1	PLATE, Front
20	86508568	AR	BOLT, Hex, M6 x 16, 8.8,
21	9706755	AR	NUT, M6, CI 8,
22	87377008	1	PLATE, LH, Enhanced Cleaning
22	86996345	1	PLATE, LH
23	87377010	1	PLATE, RH, Enhanced Cleaning
23	86996347	1	PLATE, RH
24	84320092	2	SUPPORT,

Quantities left of the slash are for AFX7010s; quantities right of the slash are for AFX8010s.



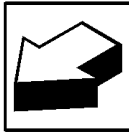
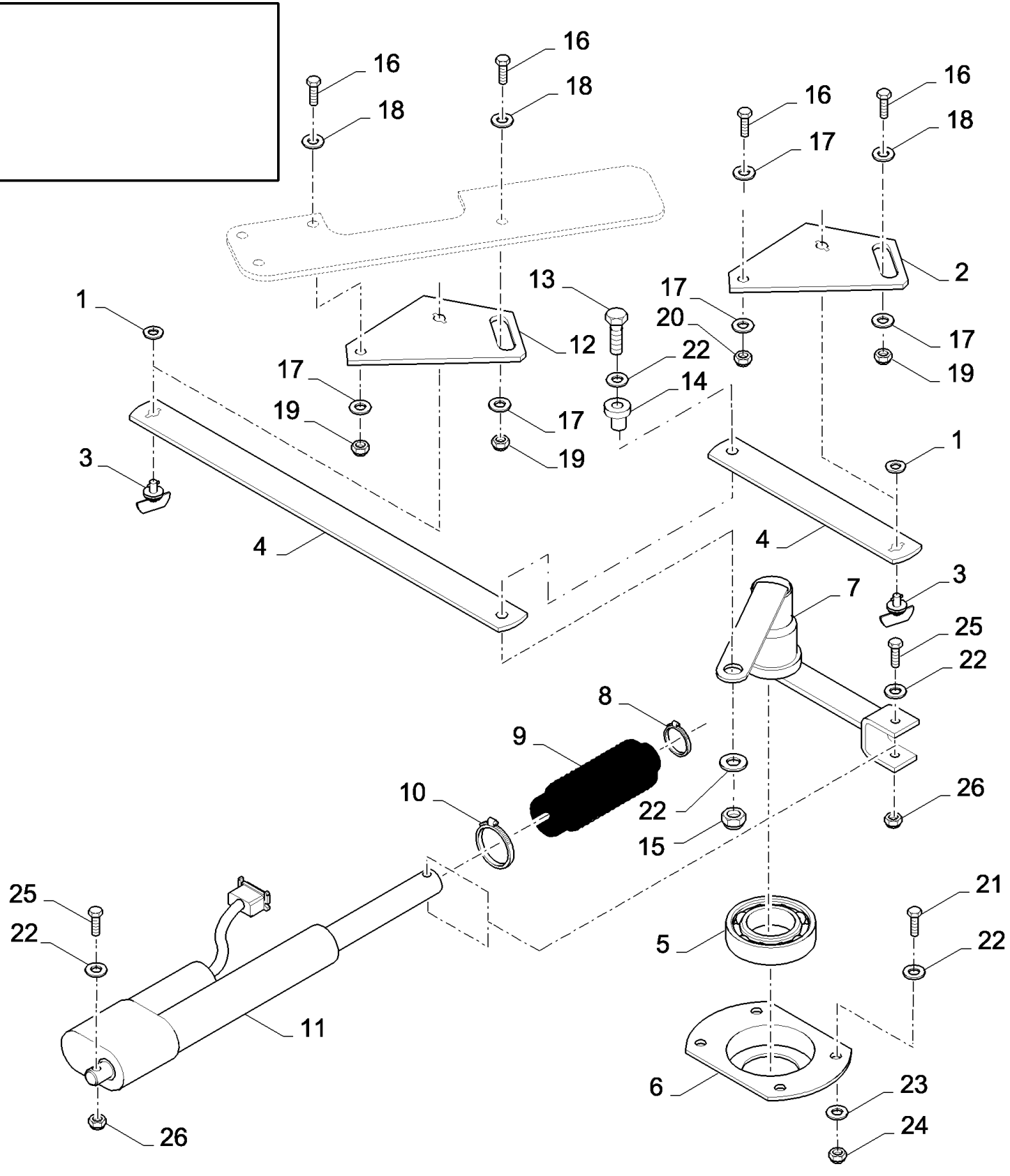
K.62.B.74(3) HOUSING, FAN

сылка	Номер детали	Кол-во	Описание
	86981066		HOUSING, Complete Assembly
1	84062522	1	SEAL,
1	87282879	1	SEAL, Same as 84062522, 1520 mm length, Start Year: 07/19/2004
2	84818312	2	SEAL, 1577 mm length
3	9804276	4	NUT, M6 x 1, Flg, Cl 8,
4	322357	4	WASHER, SPRING, Belleville, M6,
5	87109363	1	DEFLECTOR, LH Vertical
6	9804256	4	BOLT, Hex Flg, M6 x 20, 8.8,
7	87109364	1	DEFLECTOR, RH Vertical
8	747558	3	STRIP,
9	445395	30	RIVET, Pop, M4.8 x 18.1,
10	84071827	2	SEAL,
11	140182	6	WASHER, M5 x 18 x 2,
12	445394	6	RIVET, Pop, M4.8 x 12.7,
13	87109377	1	HOUSING, Fan, Cleaning



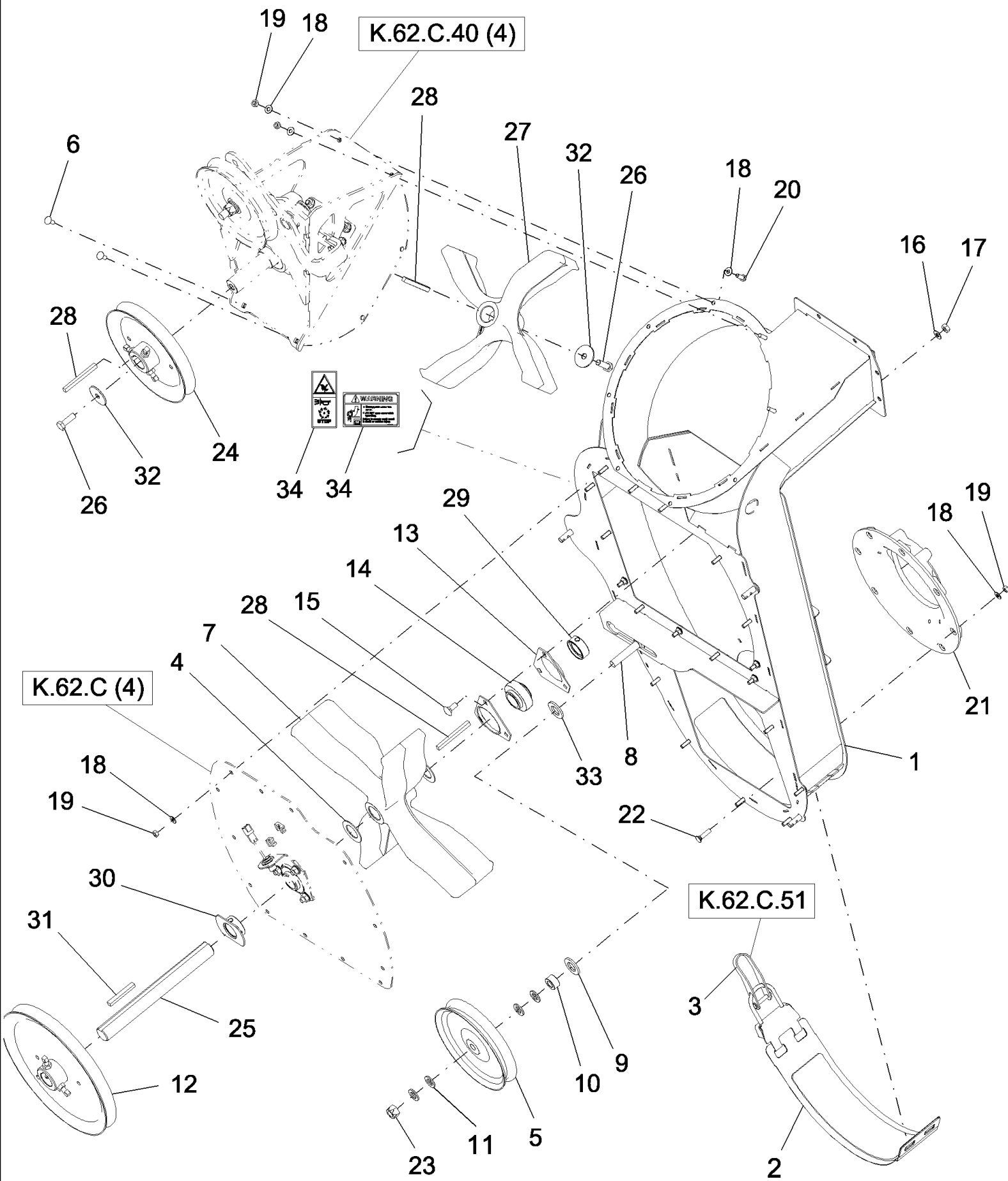
K.62.B.74(4) HOUSING, FAN - ENHANCED CLEANING

сылка	Номер детали	Кол-во	Описание
1	87109377	1	HOUSING,
2	84462410	1	SEAL,
2	87331177	1	SEAL,
2	87361668	1	SEAL, , Also Included In Enhanced Cleaning Kit; See Fig. K.62.B.63
3	84462407	1	SEAL, , Also Included In Enhanced Cleaning Kit; See Fig. K.62.B.63
4	84462409	1	SEAL, , Also Included In Enhanced Cleaning Kit; See Fig. K.62.B.63
5	747558	3	STRIP,
6	84818312	1	SEAL,
7	445395	30	RIVET, Pop, M4.8 x 18.1,
8	84071827	2	SEAL,
9	140182	6	WASHER, M5 x 18 x 2,
10	445394	6	RIVET, Pop, M4.8 x 12.7,
11	87109364	1	DEFLECTOR, RH
12	87109363	1	DEFLECTOR, LH
13	9804256	4	BOLT, Hex Flg, M6 x 20, 8.8,
14	322357	4	WASHER, SPRING, Belleville, M6,
15	9804276	4	NUT, M6 x 1, Flg, Cl 8,



сылка	Номер детали	Кол-во	Описание
1	9514605	2	RING, LOCKING,
2	84062611	1	PLATE, Coupling
3	9831581	2	LOCK,
4	87011102	2	LEVER, Plate
5	443898	1	BEARING, BALL,
6	310045	1	FLANGE, Bearing
7	87011804	1	LEVER, Arm
8	326082	1	CLAMP,
9	84053431	1	BELLOWS, Rubber
10	382527	1	CLAMP, HOSE,
11	84053684	1	ACTUATOR,
11	87347281	1	ACTUATOR, Replaces 84053684, ASN HAJ106101
12	84053677	1	PLATE, Coupling
13	43128	1	BOLT, Hex, M8 x 30, 8.8,
14	87013640	1	BUSHING,
15	832-46408	1	NUT, LOCK, M8 x 1.25, CI 8,
16	120100	4	BOLT, Hex, M6 x 20, 8.8,
17	412649	6	WASHER, SPRING, Belleville, M6,
18	322357	2	WASHER, SPRING, Belleville, M6,
19	9706755	2	NUT, M6, CI 8,
20	353308	2	NUT, LOCK, M6 x 1, CI 8,
21	120103	4	BOLT, Hex, M8 x 16, 8.8,
22	378243	8	WASHER, M8,
23	322358	4	WASHER, SPRING, Belleville, M8,
24	9706690	4	NUT, M8, CI 8,
25	87716	2	BOLT, Hex, 1/4"-20 x 1 1/4", G5,
26	280129	2	NUT, LOCK, 1/4"-20, GC,

K.62.C(2) TAILINGS PROCESSOR HOUSING ASSEMBLY

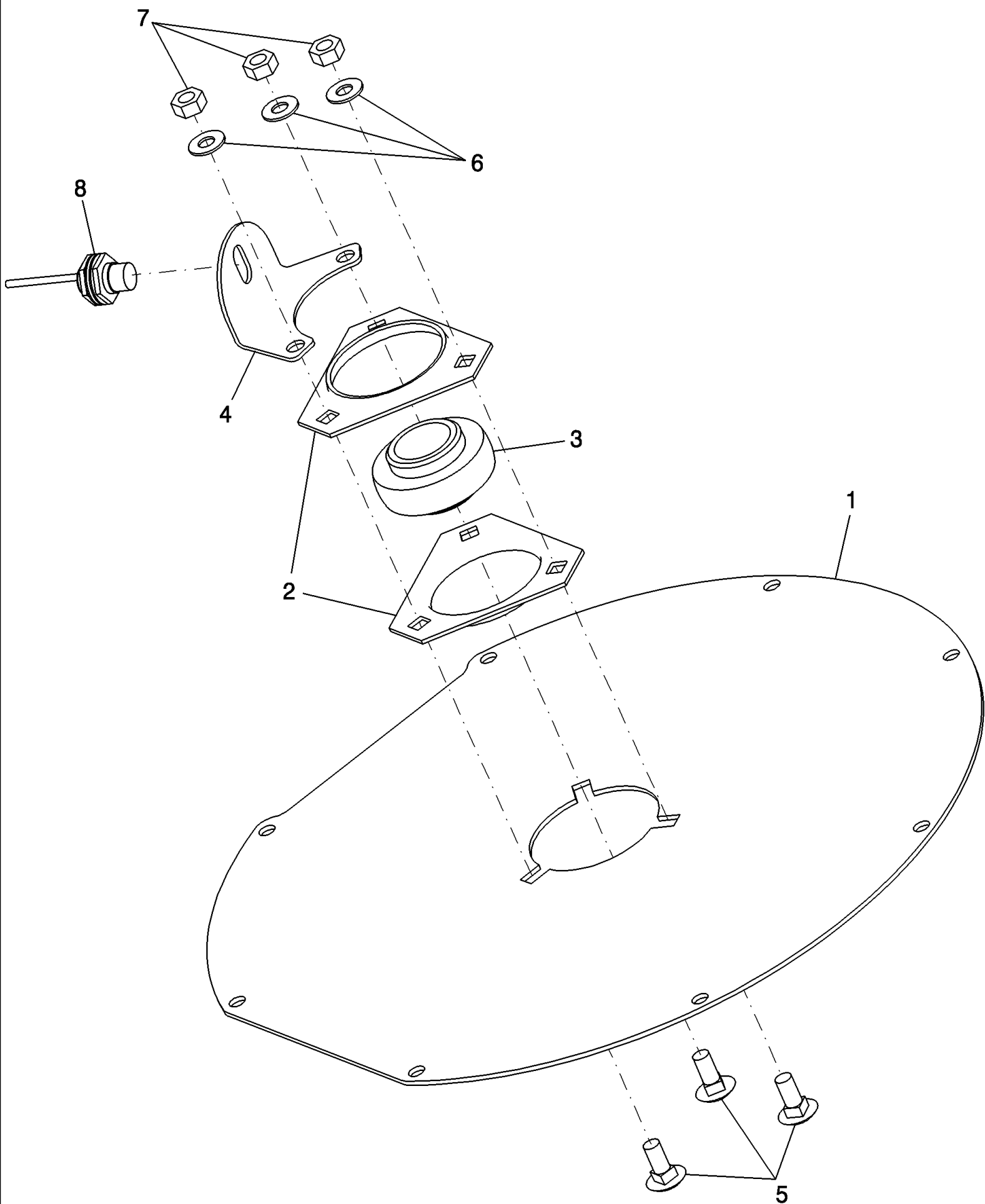


K.62.C(2) TAILINGS PROCESSOR HOUSING ASSEMBLY

сылка	Номер детали	Кол-во	Описание
1	87338741	1	HOUSING, Replaces 87282847
1	87342068	1	HOUSING, Tailings
1	87380068	1	HOUSING, Includes: P/N 87342068 and Ref. 34, High Wear
1	87380069	1	HOUSING, Includes: P/N 87342068 and Ref. 34, High Wear, Europe Only
2	87342662	1	DOOR, Cleanout
2	87283551	1	DOOR, Hard Threshing - Included in 84083561 Kit
3	87106882	1	LATCH, Door
4	87109160	1	SPACER,
5	86976165	1	PULLEY, Idler
6	86507486	2	BOLT, CARRIAGE, Short NK, M8 x 20, CI8.8, Full Thd,
7	87335467	1	IMPELLER, Machined
8	120048	1	BOLT, CARRIAGE, Short NK, M16 x 80, CI8.8,
9	86625256	1	WASHER, M12 x 28.5 x 4, HT, was 86511328
10	87108015	1	SPACER,
11	86511326	4	WASHER, M16 x 30 x 3,
12	87283318	1	PULLEY, Tailings
13	86620026	2	FLANGE,
14	212607	1	BEARING, BALL,
15	338949	3	BOLT, CARRIAGE, Short NK, M10 x 25, CI8.8, Full Thd,
16	140045	3	WASHER, SPRING, Belleville, M10,
17	100016	3	NUT, M10, CI 8,
18	322358	33	WASHER, SPRING, Belleville, M8,
19	9706690	27	NUT, M8, CI 8,
20	120104	4	BOLT, Hex, M8 x 20, 8.8,
21	86997060	1	HOUSING,
22	62196	8	BOLT, Plow, M8
23	86000441	1	NUT, LOCK, M16 x 2, CI 8,
24	87283292	1	PULLEY, Tailings
25	86997062	1	SHAFT, Upper Blower Drive
26	9824642	2	BOLT, Hex, M12 x 35, 10.9,
27	87335466	1	IMPELLER, Machined, was 87108642
27	87341817	1	IMPELLER, Highwear
28	86997578	3	KEY,
29	86997053	1	COLLAR,
30	87107362	1	ROTOR,
31	86996914	1	KEY,
32	87026355	2	WASHER, M12 x 50 x 3, HT,
33	498-81010	1	WASHER, 41/64" x 1 1/2" x .105", Sq Hole,
34	86626958	1	DECAL, Safety
34	84014117	1	DECAL, Safety, Europe Only

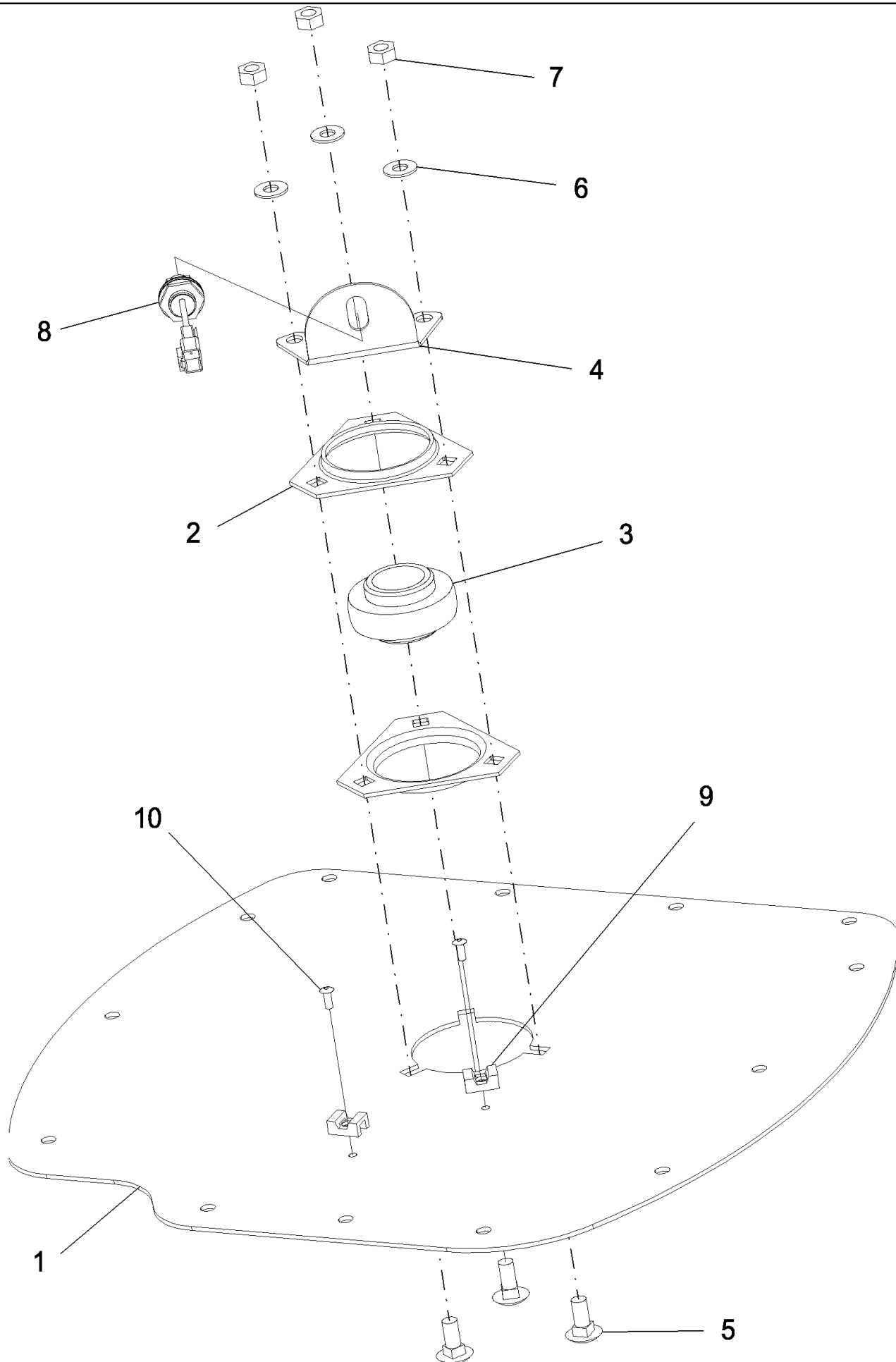
Beginning 2/9/2004

K.62.C(3) BEARING PLATE

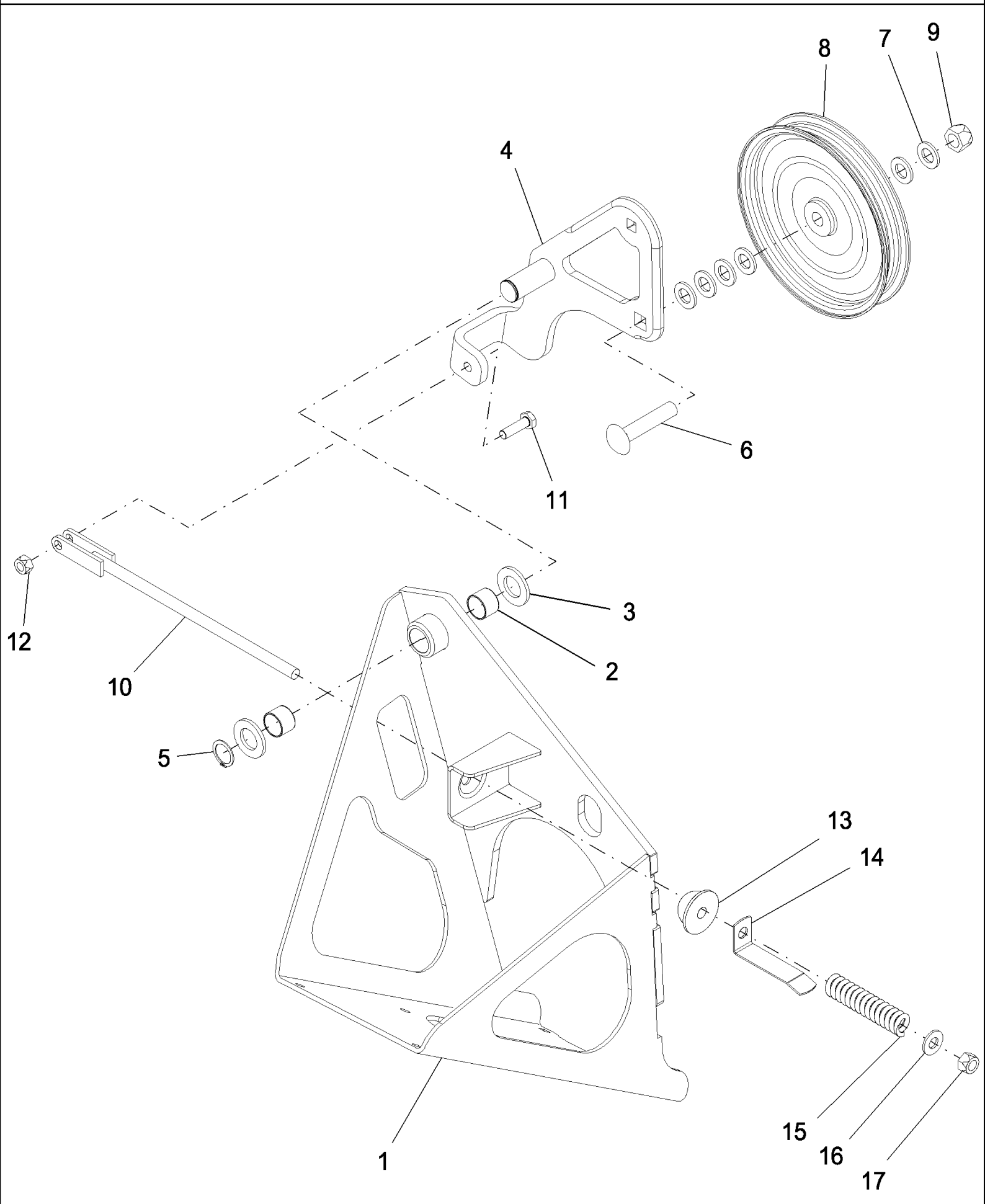


K.62.C(3) BEARING PLATE

сылка	Номер детали	Кол-во	Описание
1	87107707	1	PLATE,
2	86620026	2	FLANGE,
3	212607	1	BEARING, BALL,
4	86976452	1	BRACKET, Speed Sensor
5	338949	3	BOLT, CARRIAGE, Short NK, M10 x 25, CI8.8, Full Thd,
6	140045	3	WASHER, SPRING, Belleville, M10,
7	100016	3	NUT, M10, CI 8,
8	84058861	1	SENSOR, Tailing Speed

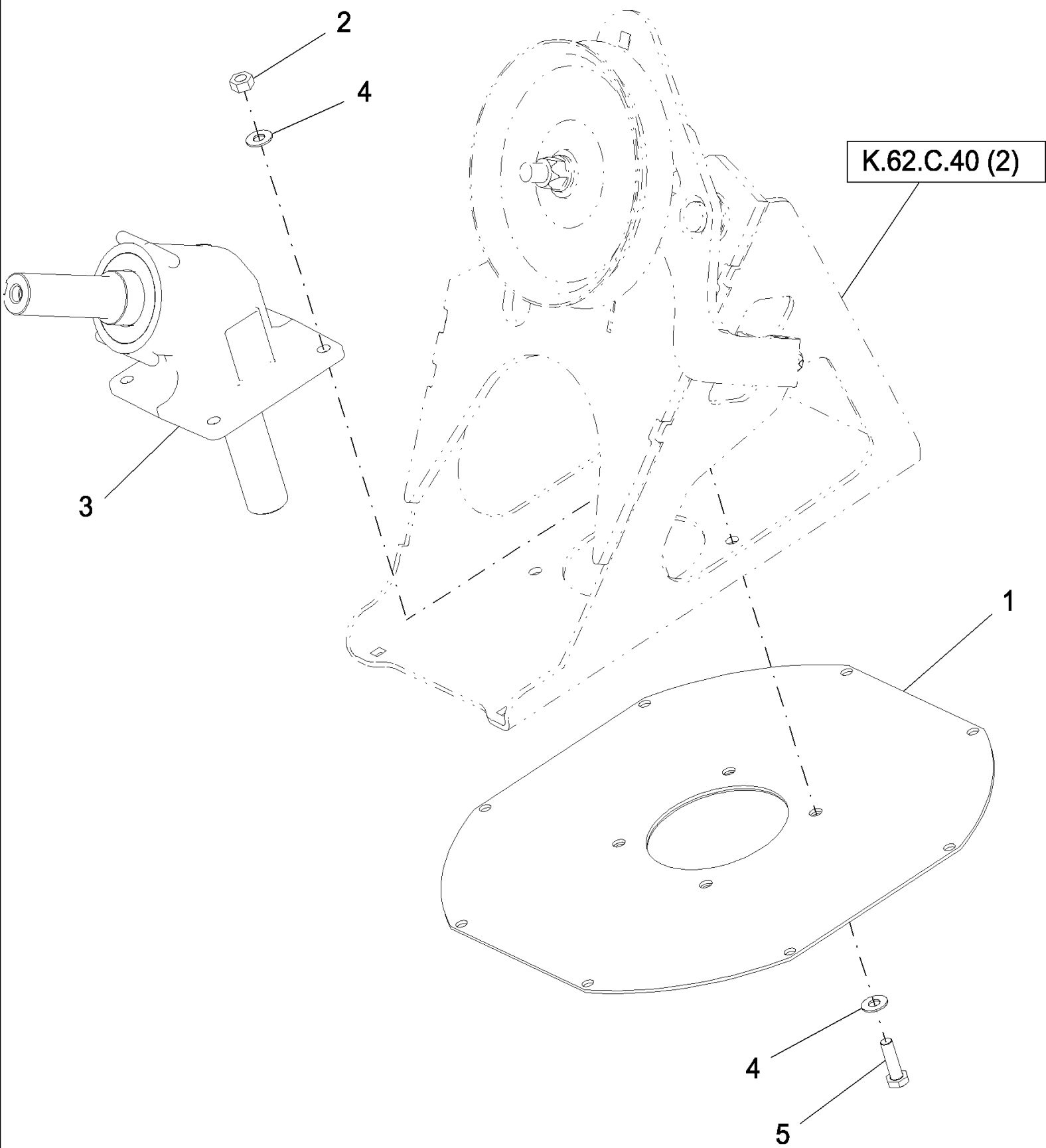


сылка	Номер детали	Кол-во	Описание
1	87282854	1	PLATE, DRIVE,
2	86620026	2	FLANGE,
3	212607	1	BEARING, BALL,
4	86976452	1	BRACKET, Speed Sensor
5	338949	3	BOLT, CARRIAGE, Short NK, M10 x 25, CI8.8, Full Thd,
6	140045	3	WASHER, SPRING, Belleville, M10,
7	100016	3	NUT, M10, CI 8,
8	84058861	1	SENSOR, Tailings Speed
9	86590413	2	CLAMP, Base, Wire Tie
10	445394	2	RIVET, Pop, M4.8 x 12.7,



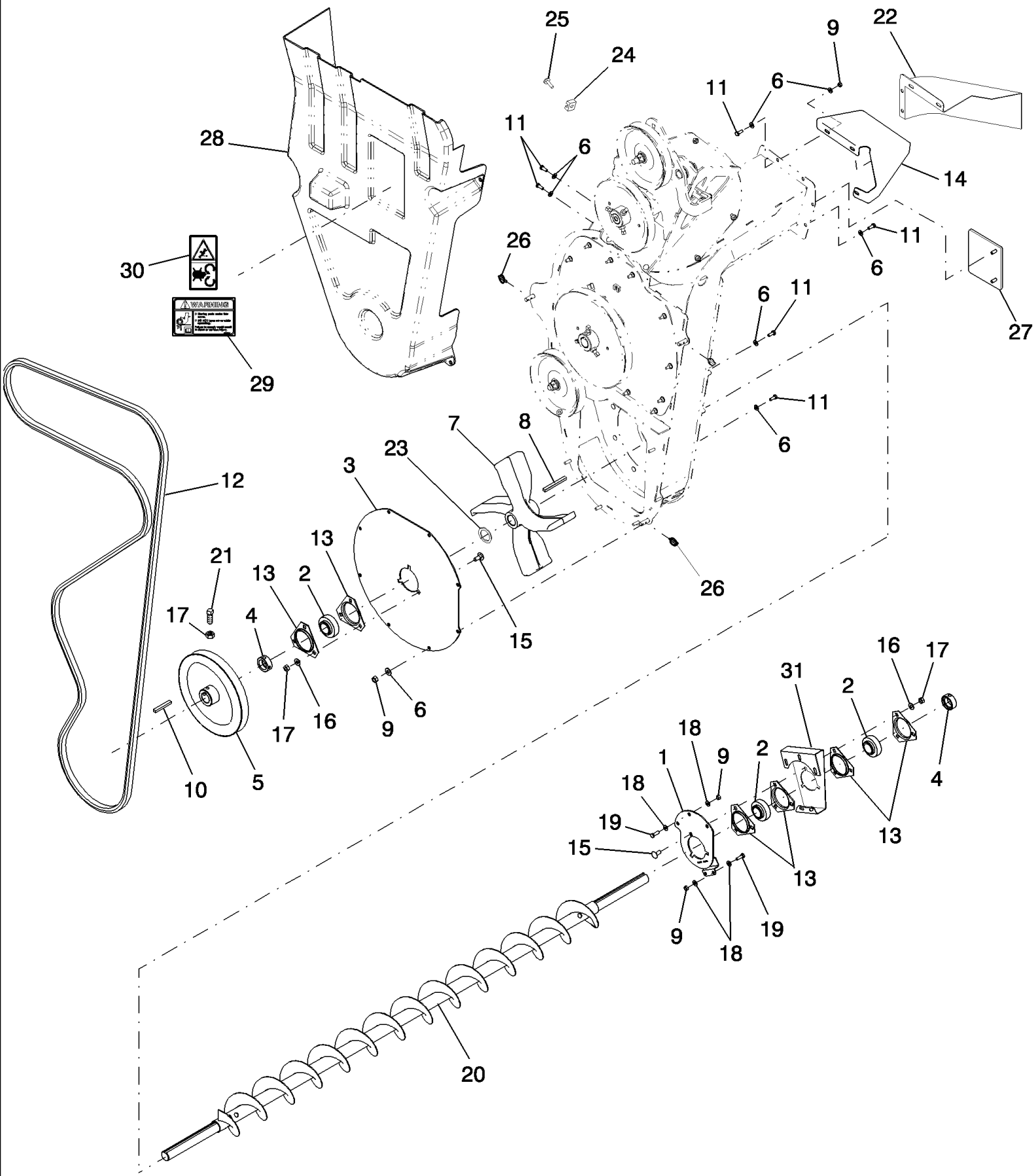
K.62.C.40(2) TENSIONER

сылка	Номер детали	Кол-во	Описание
1	87640473	1	BRACKET, Bracket; Hub Length (X) = 75.3MM, In Production Bracket, Hub Length (X) = 40.3MM; If Production Bracket Or Arm (Ref. 4) Is Replaced, Bracket, Arm, Sleeves, And Pulley Must Be Replaced As A Set
2	84057311	2	SLEEVE, , Used W/Production Bracket & Arm
2	395589	2	SLEEVE, , Used W/Bracket 87640473 & Arm 87640479
3	86511328	3	WASHER, M24 x 34 x 4,
4	87640479	1	LEVER, Arm, Idler, In Production Bracket, Hub Length (X) = 40.3MM; If Production Bracket Or Arm (Ref. 4) Is Replaced, Bracket, Arm, Sleeves, And Pulley Must Be Replaced As A Set
5	370002	1	RING, SNAP, M25, Ext,
6	120048	1	BOLT, CARRIAGE, Short NK, M16 x 80, CI8.8,
7	86511326	6	WASHER, M16 x 30 x 3,
8	86976165	1	PULLEY, Idler, Used W/Production Bracket & Arm
8	86588003	1	IDLER, , Used W/Bracket 87640473 & Arm 87640479
9	86000441	1	NUT, LOCK, M16 x 2, CI 8,
10	86587035	1	ROD, Tensioner
11	9706704	1	BOLT, Hex, M10 x 35, 8.8, Full Thd,
12	100037	1	NUT, M10 x 1.5, CI 8,
13	86560521	1	PIVOT,
14	84057943	1	INDICATOR,
15	413-412	1	BOLT, Hex, 1/4"-20 x 3/4", G5, Full Thd,
16	378245	1	WASHER, M12,
17	100038	1	NUT, LOCK, M12 x 1.75, CI 8,



K.62.C.40(4) ANGLE DRIVE

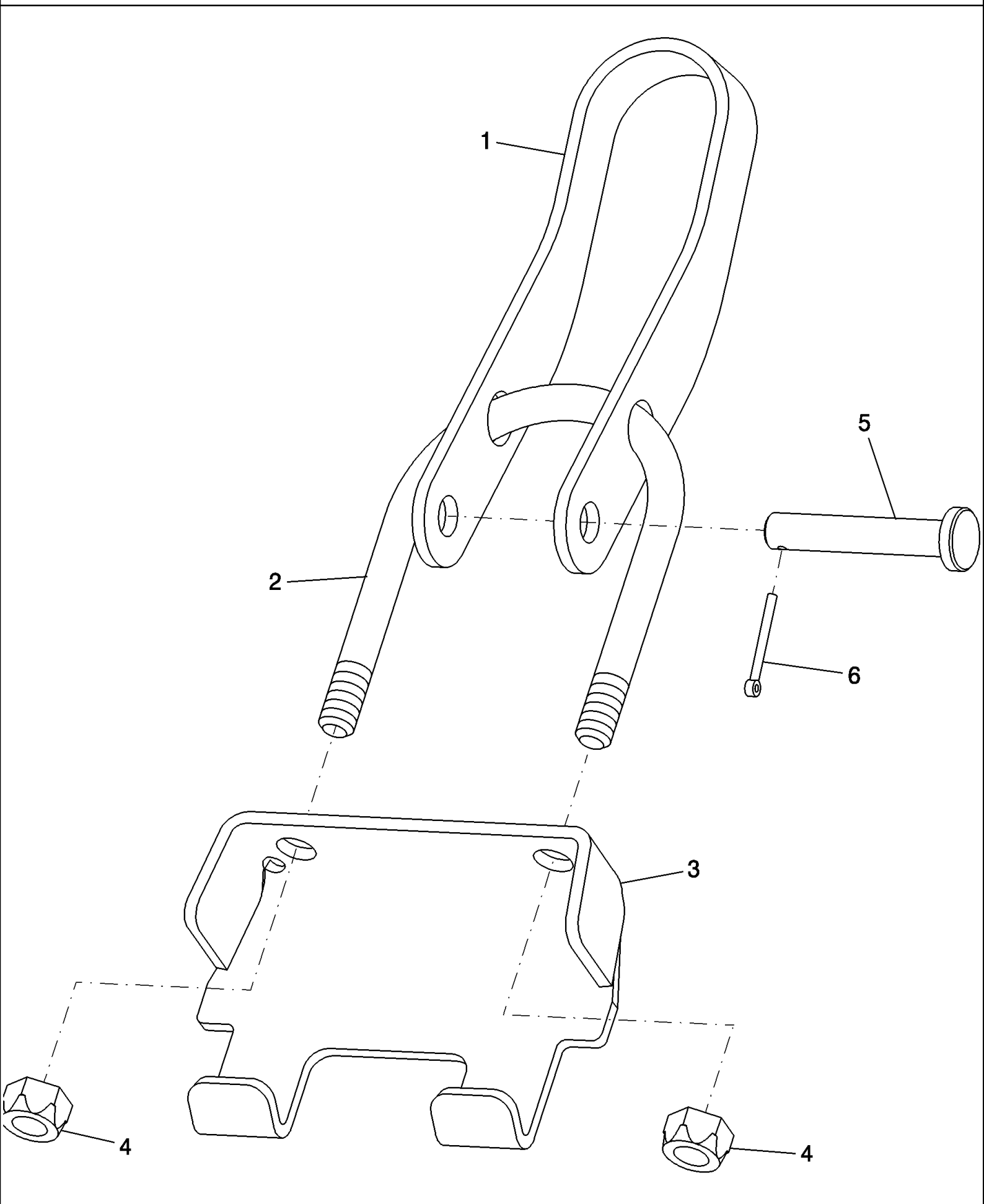
сылка	Номер детали	Кол-во	Описание
1	87342462	1	PLATE, Replaces 87107701
2	100016	4	NUT, M10, CI 8,
3	87107888	1	GEARBOX,
4	140045	8	WASHER, SPRING, Belleville, M10,
5	9706704	4	BOLT, Hex, M10 x 35, 8.8, Full Thd,



K.62.C.41 TAILINGS DRIVE AND AUGER

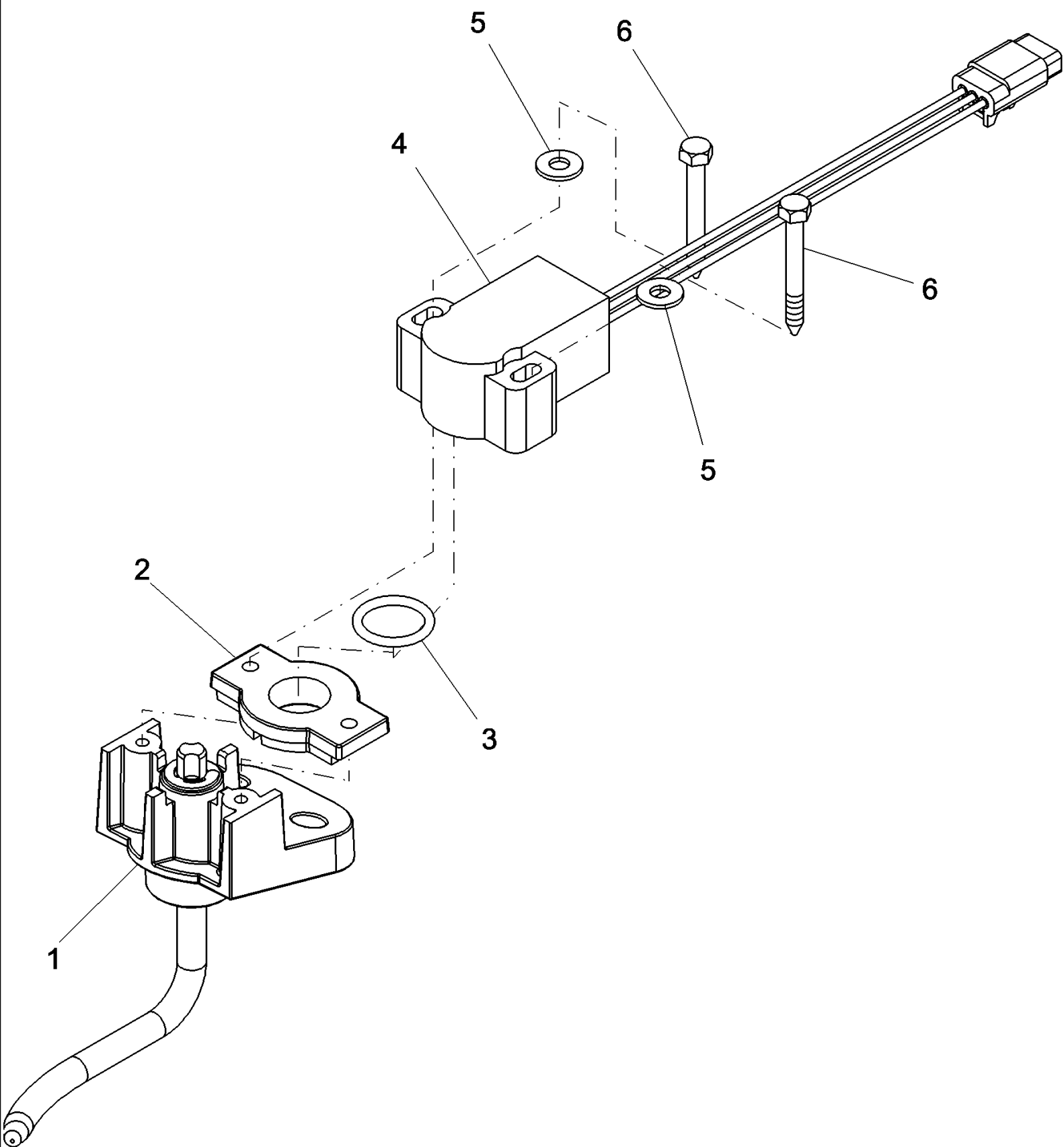
сылка	Номер детали	Кол-во	Описание
1	86975808	1	PLATE, Bracket, LH, Tailings Bearing Mount
2	212607	2	BEARING, BALL,
3	87107707	1	PLATE, Bearing Cover, Tailings Processor
4	86997053	2	COLLAR,
5	87107333	1	PULLEY, Tailings - Includes (1) Ref.17 & (1) Ref.21, Prior to PIN HAJ103201EU & HAJ105207NA
5	87282789	1	PULLEY, Driven, Tailings - Includes (3) Ref. 17 & (3) Ref. 21, PIN HAJ103201EU & HAJ105207NA and after
6	322358	27	WASHER, SPRING, Belleville, M8,
7	87335466	1	IMPELLER, Machined, was 87108642
7	87341817	1	IMPELLER, Coated, Replaces 87324966, High Wear
8	86997578	1	KEY, Retaining
9	9706690	17	NUT, M8, CI 8,
10	86996914	1	KEY, Retaining, M10 x 8 x 75
11	120104	15	BOLT, Hex, M8 x 20, 8.8,
12	87109130	1	BELT, Tailings Processor, HCC, 184.2", Prior to PIN HAJ103201EU & HAJ105207NA
12	87283139	1	BELT, Tailings Processor, HCC 182.0", PIN HAJ103201EU & HAJ105207NA and after
13	86620026	4	FLANGE,
14	87108689	1	DEFLECTOR, Tailings Processor Chute, Prior to PIN HAJ103201EU & HAJ105207NA
15	338949	6	BOLT, CARRIAGE, Short NK, M10 x 25, CI8.8, Full Thd,
16	140045	6	WASHER, SPRING, Belleville, M10,
17	100016	AR	NUT, M10, CI 8,
18	322358	10	WASHER, SPRING, Belleville, M8,
19	43127	5	BOLT, Hex, M8 x 25, 8.8,
20	87283631	1	AUGER,
21	393599	AR	SCREW, Set, Sq, M10 x 25
22	87339975	1	DEFLECTOR, , PIN HAJ103201EU & HAJ105207NA and after
23	87109160	AR	SPACER, , PIN HAJ103201EU & HAJ105207NA and after
25	445394	2	RIVET, Pop, M4.8 x 12.7, , PIN HAJ103201EU & HAJ105207NA and after
26	87109290	3	PIN, LOCK, , PIN HAJ103201EU & HAJ105207NA and after
27	87328376	1	PLATE,
28	87109865	1	SHIELD, Includes Ref. 29 & 30
29	86626958	1	DECAL, Warning
30	84004734	1	DECAL, Safety
31	87382515	1	SUPPORT,

K.62.C.51 LATCH ASSEMBLY - CLEANOUT DOOR



K.62.C.51 LATCH ASSEMBLY - CLEANOUT DOOR

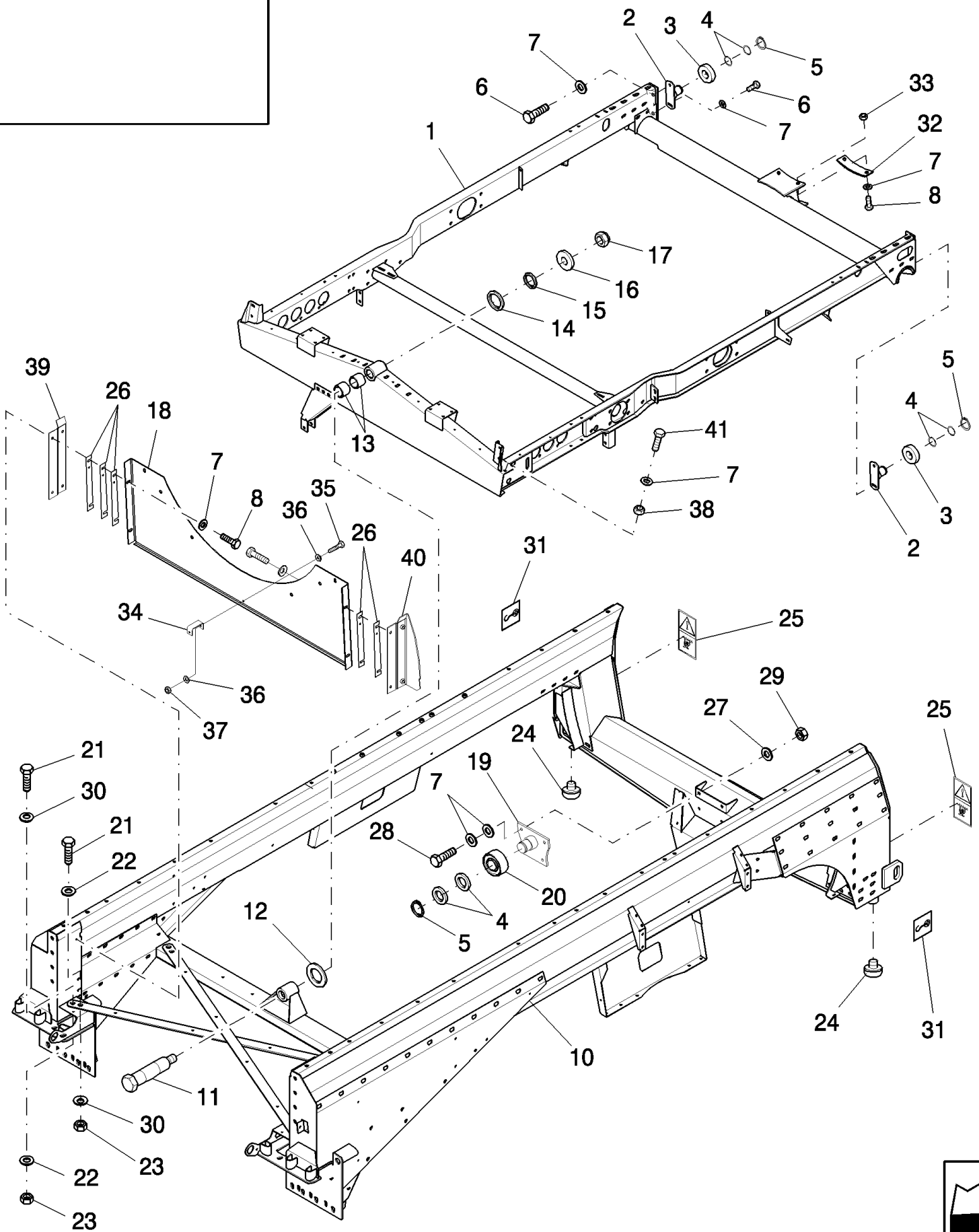
сылка	Номер детали	Кол-во	Описание
	87106882		LATCH, Door, Cleanout
1	87106881	1	HANDLE,
2	84989315	1	U-BOLT,
3	87106879	1	HOOK,
4	832-46408	2	NUT, LOCK, M8 x 1.25, Cl 8,
5	353216	1	PIN, CLEVIS, M8 x 45,
6	9512667	1	PIN, SPLIT (COTTER), M2 x 20,



K.62.C.95 SENSOR, TAILINGS VOLUME

сылка	Номер детали	Кол-во	Описание
1	86997876	1	HOUSING,
2	86975215	1	HOUSING, Top
3	129979	1	O-RING, -115, 70 Duro, .674" ID x .103" Thk,
4	86995594	1	SENSOR, Rotary Position
5	495-31022	2	WASHER, #10,
6	86837479	2	SCREW, SELF TAP, Hex Hd, M4.8 x 40,

K.62.D(1) FRAME, LOWER & PIVOT, CLEANING SHOE, SELF-LEVELING

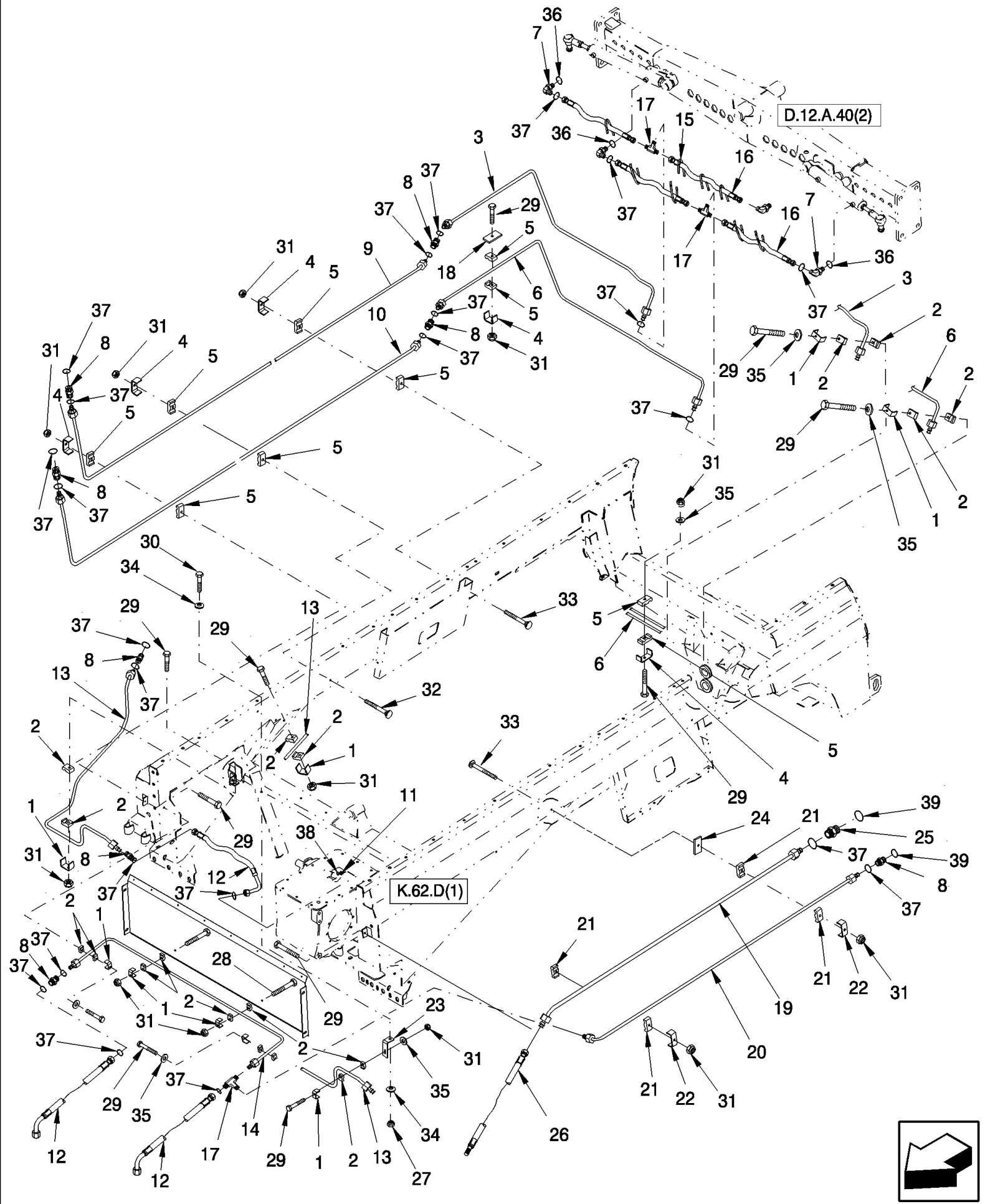


K.62.D(1) FRAME, LOWER & PIVOT, CLEANING SHOE, SELF-LEVELING

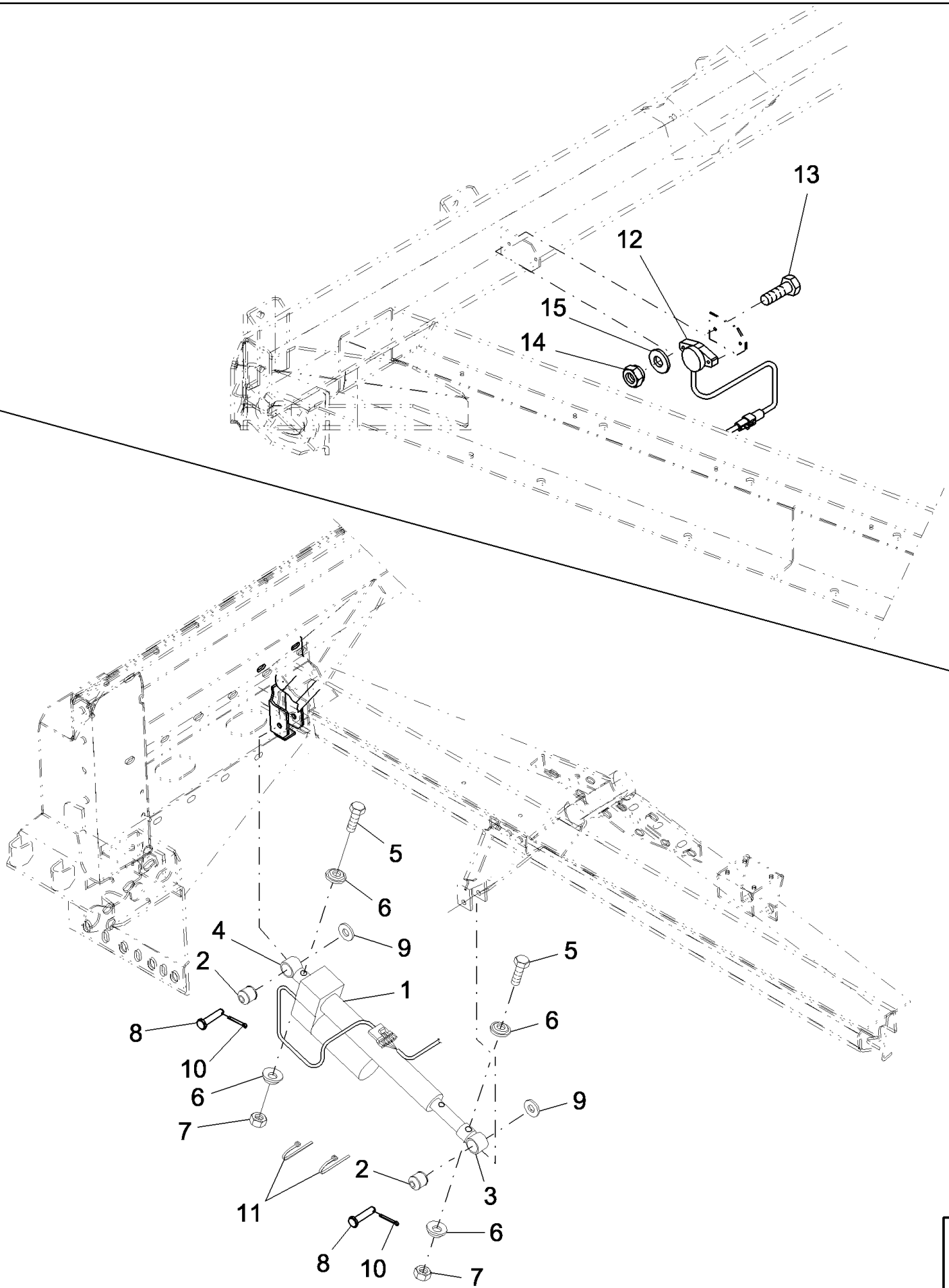
сылка	Номер детали	Кол-во	Описание
1	84071480	1	FRAME, Pivot
1	84453821	1	FRAME ASSY, , Start Year: 04/01/2005, BSN HAJ106076
1	87392884	1	FRAME, , Also Included In Enhanced Cleaning Kit; See Fig. K.62.B.63, Enhanced Cleaning, ASN HAJ106077
2	89504221	2	HINGE,
2	84818451	2	HINGE, , Start Year: 02/01/2003
3	80434817	2	ROLLER,
4	80442203	6	WASHER,
5	440442	3	RING, SNAP, M10, Ext,
5	370006	3	RING, SNAP,
6	43139	4	SCREW, HH, CL 8.8, M10 x 1.5 x 25
7	140045	AR	WASHER, SPRING, Belleville, M10,
8	43140	AR	BOLT, Hex, M10 x 30, 8.8, Full Thd,
9	825-1410	4	NUT, M10, CI 8,
10	87011343	1	FRAME, Lower, Main
10	87280671	1	FRAME, Lower, Main
10	87283693	1	FRAME, , Enhanced Cleaning, Start Year: 04/01/2005
11	89831928	1	SHAFT,
12	80140061	1	WASHER,
13	80429232	2	BUSHING,
14	89508900	1	WASHER,
15	89513615	1/AR	WASHER,
16	84007183	1	WASHER,
17	86000441	1	NUT, LOCK, M16 x 2, CI 8,
18	87109536	1	PLATE,
18	87318367	1	PLATE, , Start Year: 04/01/2005
18	87332485	1	PLATE, , Also Included In Enhanced Cleaning Kit; See Fig. K.62.B.63
19	87280355	1	SUPPORT, Hinge
20	210049	1	BEARING, BALL,
21	43168	4	BOLT, Hex, M16 x 40, 8.8,
22	394631	AR	WASHER, Hardened
23	825-1416	4	NUT, M16, CI 8,
24	80190029	2	BUMPER, RUBBER,
25	84100296	2	DECAL, Tie-down Point
26	84071503	AR	SHIM,
27	394629	6	WASHER, LOCK, M10
28	87032337	4	BOLT, Hex Flg, M10 x 40, 10.9,
29	86981462	2	NUT, M10 x 1.5, Flg, CI 10,
30	86589278	4	WASHER, SPRING,
31	449973	2	DECAL, , Start Year: 04/01/2005
32	84457842	1	PLATE, WEAR, , Also Included In Enhanced Cleaning Kit; See Fig. K.62.B.63, Start Year: 04/01/2005
33	100037	2	NUT, M10 x 1.5, CI 8, , Start Year: 04/01/2005
34	87318696	1	PLATE, Bracket
35	120100	1	BOLT, Hex, M6 x 20, 8.8,
36	322357	2	WASHER, SPRING, Belleville, M6,

K.62.D(1) FRAME, LOWER & PIVOT, CLEANING SHOE, SELF-LEVELING

сылка	Номер детали	Кол-во	Описание
37	9706755	1	NUT, M6, CI 8,
38	100016	2	NUT, M10, CI 8,
38	137938	2	SPACER,
39	87317610	1	PLATE,
39	87332489	1	ANGLE, RH, Also Included In Enhanced Cleaning Kit; See Fig. K.62.B.63
40	87317607	1	PLATE,
40	87332486	1	ANGLE, LH, Also Included In Enhanced Cleaning Kit; See Fig. K.62.B.63
41	120068	2	BOLT, Hex, M10 x 40, 8.8, Full Thd,



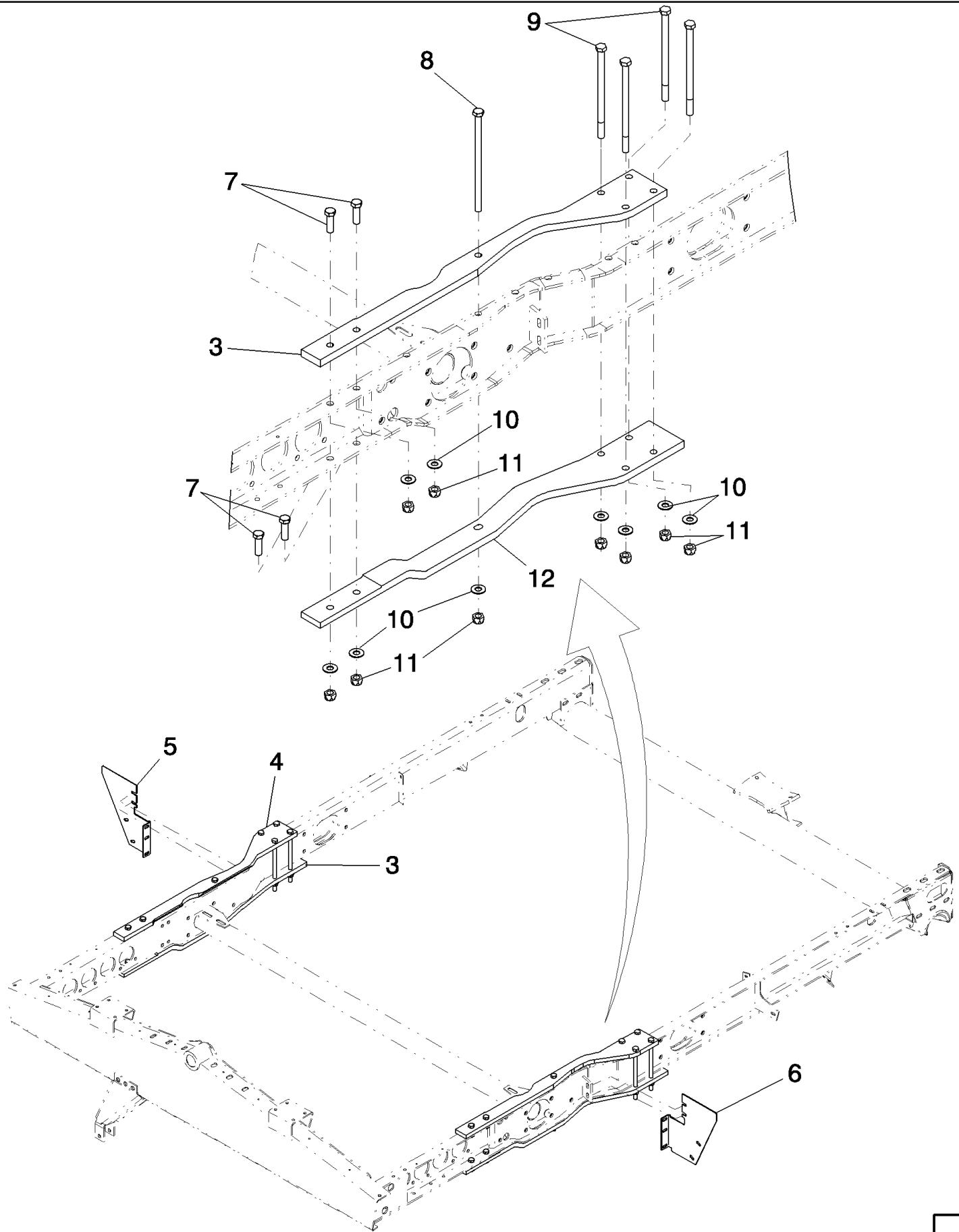
сылка	Номер детали	Кол-во	Описание
1	442340	9	SUPPORT,
2	433008	18	CLAMP,
3	86598056	1	TUBE, HYD,
4	431941	5	SUPPORT,
5	430357	10	CLAMP, Tube
6	87011295	1	TUBE, HYD,
7	86579691	4	ELBOW, 90°, 13/16"-18 ORFS x M18 x 1.5 ORB,
8	84431547	8	UNION, 13/16"-16 ORFS,
9	86574052	1	TUBE, HYD,
10	86574061	1	TUBE, HYD,
11	86579674	1	CONNECTOR, HYD., 13/16"-16 ORFS x M14 x 1.5 ORB,
12	84068062	3	HOSE, FLEXIBLE,
13	86638092	1	TUBE, HYD,
14	86575634	1	TUBE, HYD,
15	86566990	6	STRAP, CABLE, Hose
16	84068103	4	HOSE, FLEXIBLE,
17	86533127	3	TEE, 13/16"-16 ORFS, Fitting
18	434097	1	BRACKET,
19	86584710	1	TUBE, HYD,
20	86588844	1	TUBE, HYD,
21	430356	4	CLAMP,
22	84814948	2	SUPPORT,
23	86586810	1	SUPPORT,
24	434103	1	PLATE,
25	84431473	1	CONNECTOR, HYD., Fitting
26	86623270	1	HOSE,
27	9706690	1	NUT, M8, CI 8,
28	43118	2	BOLT, Hex, M6 x 40, 8.8,
29	120056	11	BOLT, Hex, M6 x 50, 8.8,
30	120104	1	BOLT, Hex, M8 x 20, 8.8,
31	353308	12	NUT, LOCK, M6 x 1, CI 8,
32	120034	1	BOLT, CARRIAGE, Short NK, M6 x 40, CI8.8,
33	412364	2	BOLT, CARRIAGE, Short NK, M6 x 50, CI8.8, Full Thd,
34	322358	2	WASHER, SPRING, Belleville, M8,
35	322357	6	WASHER, SPRING, Belleville, M6,
36	86598101	AR	O-RING, CI 6, 15.3MM ID x 2.2 Thk,
37	9992298	AR	O-RING, -014, 90 Duro, .489" ID x .070" Thk,
38	86598099	1	O-RING, CI 6, 11.3MM ID x 2.2 Thk,
39	9992069	2	O-RING, -016, 90 Duro, .614" ID x .070" Thk,



K.62.D(3) ACTUATOR, SELF LEVELING

сылка	Номер детали	Кол-во	Описание
1	84058067	1	ACTUATOR, Self Leveling
2	445913	2	BUSHING, RUBBER,
3	921250	1	CLAMP,
4	753565	1	CLAMP,
5	814-12050	2	BOLT, Hex, M12 x 50, 8.8,
6	140046	2	WASHER, SPRING, Belleville, M12,
7	100038	2	NUT, LOCK, M12 x 1.75, CI 8,
8	412118	2	PIN, CLEVIS, M12 x 65,
9	378245	4	WASHER, M12,
10	130004	2	PIN, SPLIT (COTTER), M3.2 x 25,
11	86566990	2	STRAP, CABLE,
12	86556530	1	SENSOR, Inclination
12	87026294	1	SENSOR, Inclination, ASN D-1336
13	385682	2	BOLT, Hex, M4 x 30, 8.8,
13	43117	2	BOLT, Hex, M6 x 30, 8.8, , ASN D-1336
14	385681	2	NUT, LOCK, M4 x .7, CI 8,
14	353308	2	NUT, LOCK, M6 x 1, CI 8, , ASN D-1336
15	9824840	2	WASHER, M4,
15	86588450	2	WASHER, M6, , ASN D-1336

K.62.D(4) KIT, SELF-LEVELING FRAME REINFORCEMENT



Service Campaign. Only Used On Enhanced Shake Cleaning System

K.62.D(4) KIT, SELF-LEVELING FRAME REINFORCEMENT

сылка	Номер детали	Кол-во	Описание
1	87610707	1	DIA KIT, HARVESTER, Self-Leveling Frame Reinforcement; Includes: Ref.s 2 Thru 12
2	87617153	1	SUPPORT, RH
3	87610581	1	SUPPORT, RH
4	87610764	1	SUPPORT, LH
5	87370003	1	PLATE,
6	87370005	1	PLATE,
7	86629541	8	BOLT, Hex, M12 x 40, 8.8, Full Thd,
8	364053	2	BOLT, Hex, M12 x 220, 8.8,
9	87560260	8	BOLT,
10	140046	18	WASHER, SPRING, Belleville, M12,
11	100038	18	NUT, LOCK, M12 x 1.75, Cl 8,
12	87617155	1	SUPPORT, LH

Service Campaign. Only Used On Enhanced Shake Cleaning System

ART

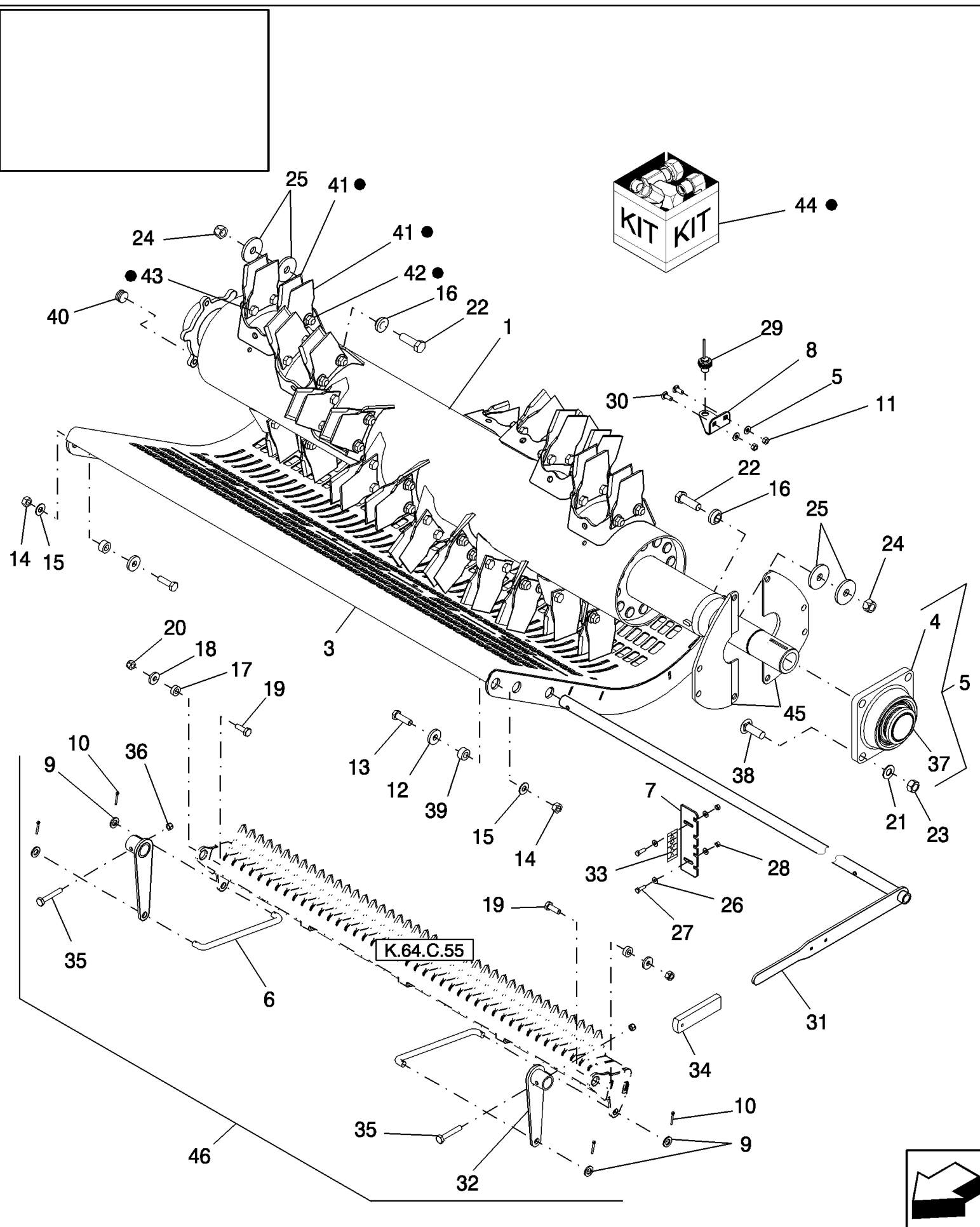
NOT

AVAILABLE

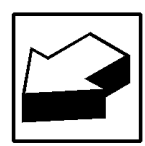
K.62.D.1 KIT, LOWER SHOE SUPPORT

сылка	Номер детали	Кол-во	Описание
1	87542883	1	KIT, SERVICE, Includes: Refs. 2 Thru 9
2	87519389	1	SUPPORT, LH
3	87519390	1	SUPPORT, RH
4	87519392	1	SUPPORT, LH
5	87520933	1	SUPPORT, RH
6	120104	8	BOLT, Hex, M8 x 20, 8.8,
7	322	2	WASHER,
8	322358	14	WASHER, SPRING, Belleville, M8,
9	86629542	8	NUT, LOCK, M8 x 1.25, Cl 8,

Kit is designed to strengthen the lower shoe frame



Ref 1 LH shaft key slot was lengthened from 52mm to 60mm and extended to the shaft end beginning Model Year 2006 production [HAJ106401]. Existing service parts modified accordingly for prior model usage.



K.64.C(1) STRAW CHOPPER, STANDARD AND FINE

сылка	Номер детали	Кол-во	Описание
1	87107128	1	ROTOR, STD Cut, with Blades, 1300 mm [51-1/4"] Tube, Prior to PIN HAJ103201EU & HAJ105207NA
1	87107129	1	ROTOR, FINE Cut, with Blades, 1300 mm [51-1/4"] Tube, Prior to PIN HAJ103201EU & HAJ105207NA
1	87282773	1	ROTOR, STD Cut, with Blades, 1276 mm [50-1/4"] Tube, HAJ103201EU & HAJ105207NA to HAJ106401EU & NA
1	87282772	1	ROTOR, FINE Cut, with Blades, 1276 mm [50-1/4"] Tube, HAJ103201EU & HAJ105207NA to HAJ106401EU & NA
1	87340544	1	CHOPPER, STRAW, STD Cut, with Blades, See Figure Note, PIN HAJ106401 and after
1	87340548	1	CHOPPER, STRAW, FINE Cut, with Blades, See Figure Note, PIN HAJ106401 and after
1	87340540	1	ROTOR, No Blades, Used With STD and FINE, See Figure Note, PIN HAJ106401 and after
2	322358	2	WASHER, SPRING, Belleville, M8,
3	87108192	1	PAN, , Prior to PIN HAJ103201EU & HAJ105207NA
3	87282893	1	PAN, , PIN HAJ103201EU & HAJ105207NA and after
4	NSS	1	NOT SERVICED SEPARATELY, Housing, Bearing
5	87109088	1	BEARING ASSY, Includes: Bearing and Housing Ref. # 4 & 37
6	87000450	2	LINK, , EndYear: 02/09/2004
6	87282824	2	LINK, , Start Year: 02/09/2004
7	87109324	1	PLATE,
8	87107532	1	BRACKET,
9	140018	4	WASHER, M12 x 24 x 2.5,
10	130004	4	PIN, SPLIT (COTTER), M3.2 x 25,
11	9706690	2	NUT, M8, CI 8,
12	86592701	2	WASHER, M12 x 35 x 5, HT,
13	337563	2	BOLT, Hex, M12 x 40, 10.9, Full Thd,
14	9706685	2	NUT, M12, CI 8,
15	140046	2	WASHER, SPRING, Belleville, M12,
16	87000251	2	BUSHING,
17	86997386	2	BUSHING,
18	86592700	2	WASHER, M10 x 28 x 4, HT,
19	43140	8	BOLT, Hex, M10 x 30, 8.8, Full Thd,
20	100037	2	NUT, M10 x 1.5, CI 8,
21	140048	8	WASHER, SPRING, Belleville, M16,
22	412398	6	BOLT, Hex, M16 x 50, 10.9,
23	392530	4	NUT, M16, CI 10,
24	86512555	2	NUT, LOCK, M16 x 2, CI 10,
25	84007183	4	WASHER,
26	322357	4	WASHER, SPRING, Belleville, M6,
27	120100	2	BOLT, Hex, M6 x 20, 8.8,
28	9706755	2	NUT, M6, CI 8,
29	84058861	1	SENSOR,
30	86507486	2	BOLT, CARRIAGE, Short NK, M8 x 20, CI8.8, Full Thd,
31	87281621	1	HANDLE,
32	87108765	2	ARM,
33	87280049	1	DECAL, Height of Knives
34	357545	1	HANDLE GRIP,
35	120070	2	BOLT, Hex, M10 x 60, 8.8,

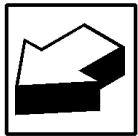
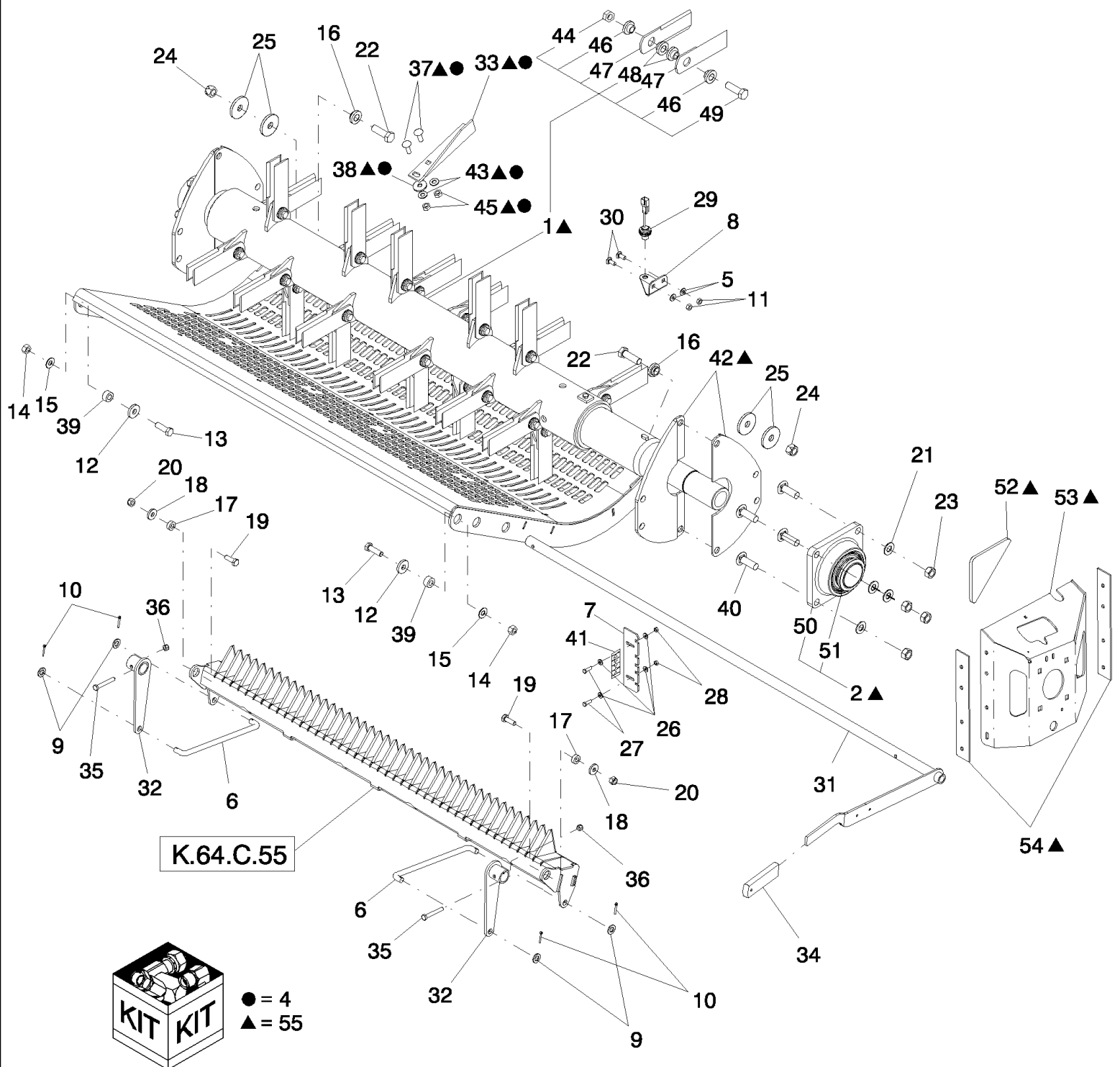
Ref 1 LH shaft key slot was lengthened from 52mm to 60mm and extended to the shaft end beginning Model Year 2006 production[HAJ106401]. Existing service parts modified accordingly for prior model usage.

K.64.C(1) STRAW CHOPPER, STANDARD AND FINE

сылка	Номер детали	Кол-во	Описание
36	832-46408	2	NUT, LOCK, M8 x 1.25, CI 8,
37	NSS	1	NOT SERVICED SEPARATELY, Bearing, Included with Ref. 5
38	9845488	4	BOLT, Rd Hd, Short Neck, CL 10.9, M16 x50
39	699963	2	SPACER,
40	87109745	24	PLUG, Plastic - 25.4 mm Dia.
40	87284568	24	PLUG, Plastic - 22.2 mm Dia.
41	86999627	28	BLADE, Cutting, STD Cut
41	86999627	56	BLADE, Cutting, FINE Cut
42	87030508	56	BOLT, Hex Flg, M12 x 30, 10.9, Full Thd, , STD Cut
43	86512497	56	NUT, M12 x 1.75, Flg, CI 10,
44	87280980	AR	KIT, SERVICE, Blades (2) & Bolts (4) & Nuts (4)
45	87282149	2	SEAL, Seal, Round, Three Bolt, I.D. Protruding Lip, Plastic, EndYear: 12/06/2003
45	87282577	2	SEAL, Round, Three Bolt, Flat, Plastic, Requires Steel Plate, Years: 12/06/2003-02/09/2004
45	87281986	2	PLATE, Steel, Used With Flat Round Seal, Years: 12/06/2003-02/09/2004
45	87282748	4	SEAL, Shown In Graphics, Start Year: 02/09/2004
46	87281465	1	CHOPPER, STRAW, Assembly, Standard, Less Ref 3, W/Fig K.64.C.55

Ref 1 LH shaft key slot was lengthened from 52mm to 60mm and extended to the shaft end beginning Model Year 2006 production[HAJ106401]. Existing service parts modified accordingly for prior model usage.

K.64.C(2) STRAW CHOPPER, FLAIL

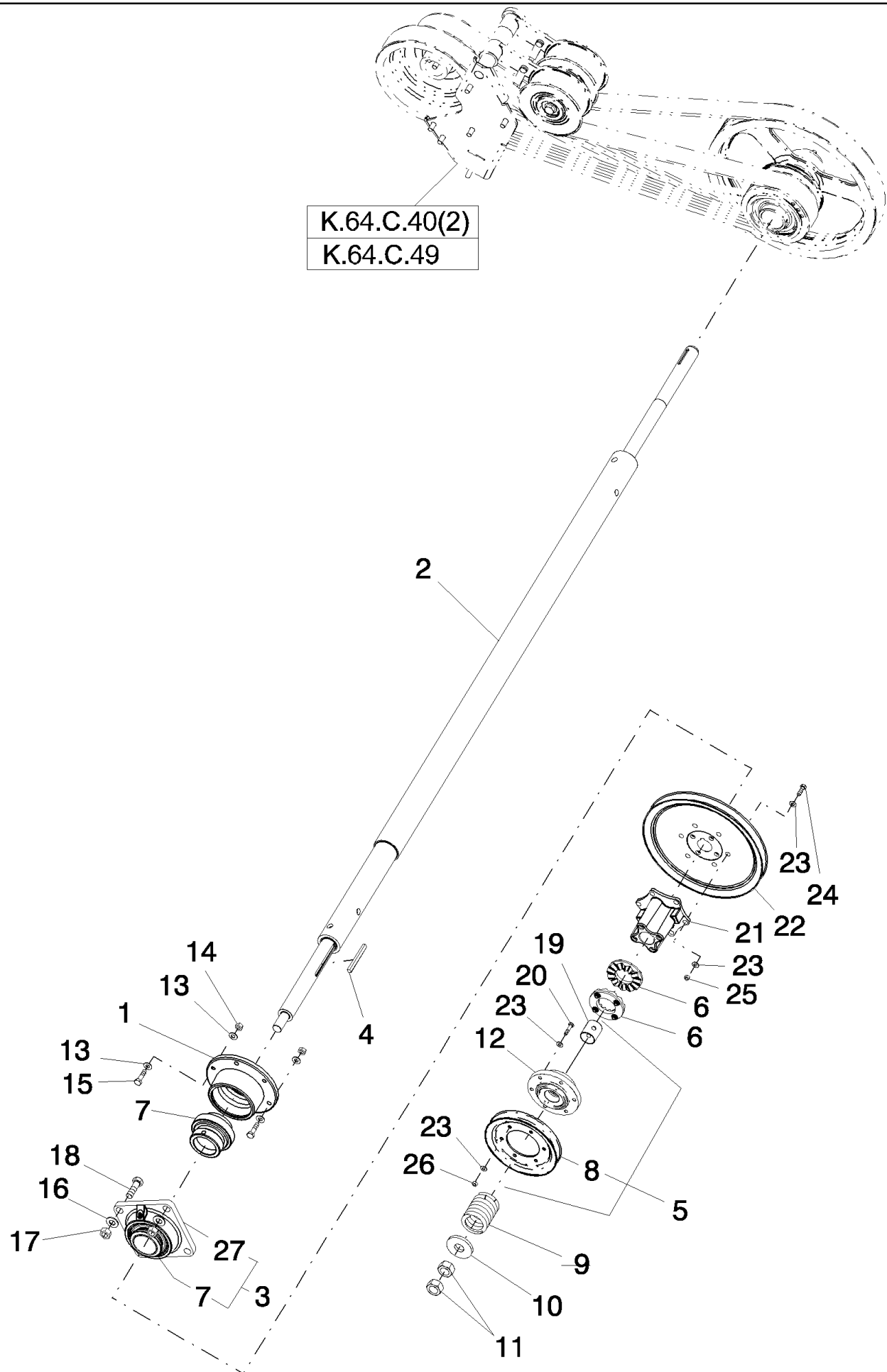


K.64.C(2) STRAW CHOPPER, FLAIL

сылка	Номер детали	Кол-во	Описание
1	87316357	1	ROTOR, Flail, W/Blades
2	87109088	1	BEARING ASSY,
3	87282893	1	PAN,
4	87317345	1	KIT, Vane, Discharge Pan
5	322358	2	WASHER, SPRING, Belleville, M8,
6	87282824	2	LINK,
7	87109324	1	PLATE,
8	87107532	1	BRACKET,
9	140018	4	WASHER, M12 x 24 x 2.5,
10	130004	4	PIN, SPLIT (COTTER), M3.2 x 25,
11	9706690	2	NUT, M8, CI 8,
12	86592701	2	WASHER, M12 x 35 x 5, HT,
13	337563	2	BOLT, Hex, M12 x 40, 10.9, Full Thd,
14	9706685	2	NUT, M12, CI 8,
15	140046	2	WASHER, SPRING, Belleville, M12,
16	87000251	2	BUSHING,
17	86997386	2	BUSHING,
18	86592700	2	WASHER, M10 x 28 x 4, HT,
19	43140	2	BOLT, Hex, M10 x 30, 8.8, Full Thd,
20	100037	2	NUT, M10 x 1.5, CI 8,
21	140048	4	WASHER, SPRING, Belleville, M16,
22	412398	2	BOLT, Hex, M16 x 50, 10.9,
23	392530	4	NUT, M16, CI 10,
24	86512555	2	NUT, LOCK, M16 x 2, CI 10,
25	84007183	4	WASHER, Hardened, 16.5 mm ID x 58 mm OD x 6 mm Thick
26	322357	4	WASHER, SPRING, Belleville, M6,
27	120100	2	BOLT, Hex, M6 x 20, 8.8,
28	9706755	2	NUT, M6, CI 8,
29	84058861	1	SENSOR,
30	86507486	2	BOLT, CARRIAGE, Short NK, M8 x 20, CI8.8, Full Thd,
31	87281621	1	HANDLE,
32	87108765	2	ARM,
33	87510546	1	ANGLE, Discharge Vane
34	357545	1	HANDLE GRIP,
35	120061	2	BOLT, Hex, M8 x 60, 8.8,
36	86629542	2	NUT, LOCK, M8 x 1.25, CI 8,
37	86512446	2	BOLT, CARRIAGE, Short NK, M10 x 30, CI8.8, Full Thd,
38	140042	1	WASHER, M10 x 34 x 3,
39	699963	2	SPACER,
40	9845488	4	BOLT, Carriage, Short Neck, CL 10.9, M16 x 2 x50
41	87280049	1	DECAL, Chopper Knives
42	87282748	2	SEAL,
43	140045	2	WASHER, SPRING, Belleville, M10,
44	87030549	22	NUT, LOCK, M10 x 1.5, CI 10,
45	100016	2	NUT, M10, CI 8,

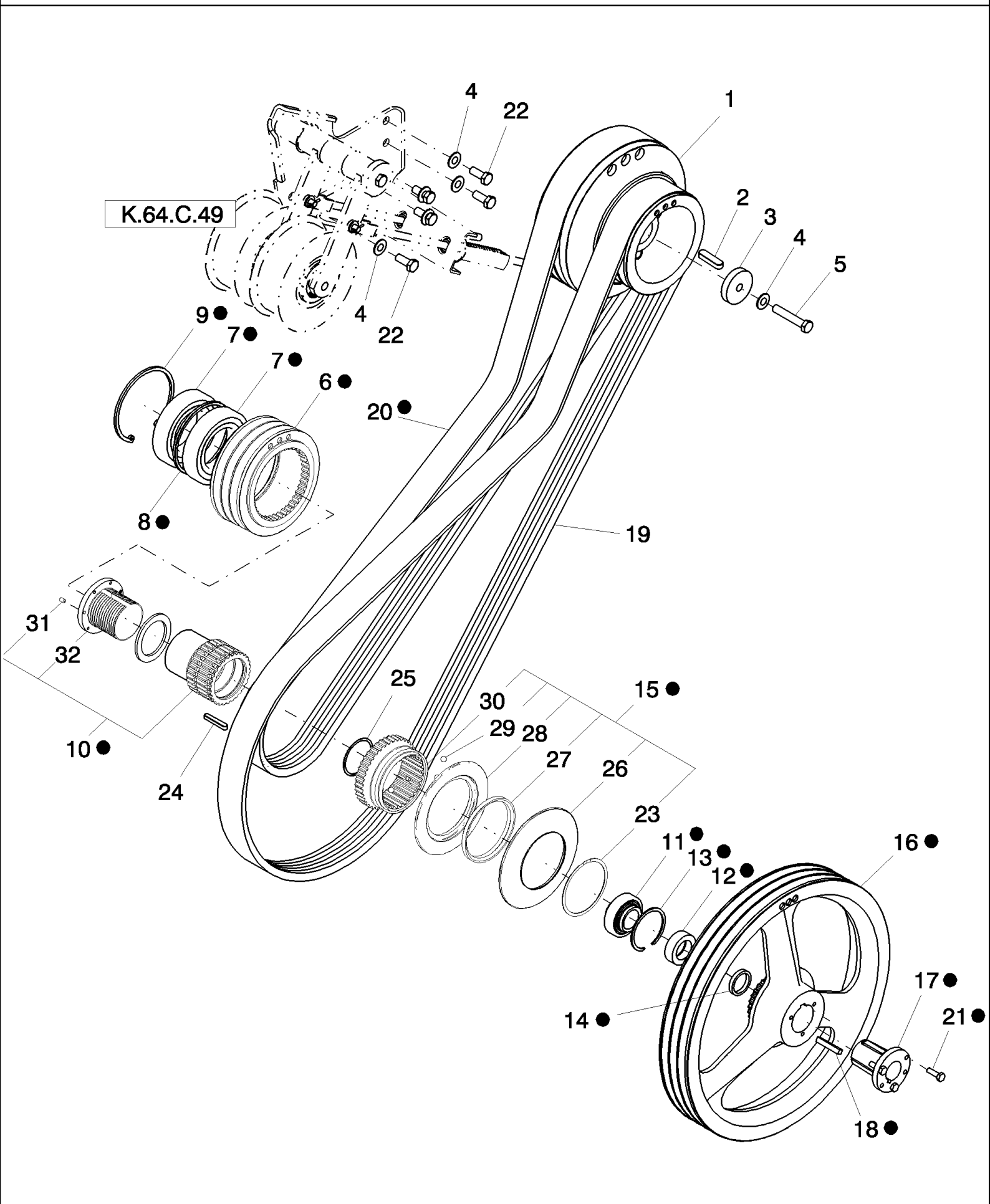
K.64.C(2) STRAW CHOPPER, FLAIL

сылка	Номер детали	Кол-во	Описание
46	1994758C2	44	CENTERING RING,
47	1994760C4	44	KNIFE,
48	1322242C1	44	BUSHING,
49	84437627	22	BOLT, Hex, M10 x 55, 10.9,
50	NSS	1	NOT SERVICED SEPARATELY, Flange Housing
51	NSS	1	NOT SERVICED SEPARATELY, Bearing
52	87323948	1	PLATE,
53	87316122	1	BRACKET, LH
54	87318855	2AR	PLATE,
55	87323956	1	KIT, SERVICE, Flail Chopper Assy



K.64.C.40(1) STRAWCHOPPER DRIVE

сылка	Номер детали	Кол-во	Описание
1	87109089	1	BEARING ASSY, Includes Ref. 7
2	87282228	1	SHAFT,
3	87109088	1	BEARING ASSY, Includes Ref. 7 & 27
4	86997578	1	KEY, Retaining
5	87011491	1	PULLEY,
6	168370C2	2	CLUTCH, PLATE,
7	NSS	2	NOT SERVICED SEPARATELY, Bearing
8	86999341	1	PULLEY, Driver, Tailings
9	420927	1	SPRING,
10	86997063	1	BUSHING, GROOVED,
11	9848973	2	NUT, M24, CI 10,
12	87011496	1	HUB,
13	140045	6	WASHER, SPRING, Belleville, M10,
14	100016	3	NUT, M10, CI 8,
15	120068	3	BOLT, Hex, M10 x 40, 8.8, Full Thd,
16	140048	8	WASHER, SPRING, Belleville, M16,
17	392530	4	NUT, M16, CI 10,
18	9845488	4	BOLT, Carriage, Short Neck, CL 10.9, M16 x 2 x 50
19	86997496	1	BUSHING,
20	412479	6	BOLT, Hex, M8 x 35, 8.8,
21	87011488	1	HUB,
22	86999005	1	PULLEY,
23	322358	24	WASHER, SPRING, Belleville, M8,
24	43235	6	BOLT, Hex, M8 x 30, 10.9,
25	829-1408	6	NUT, M8, CI 10,
26	825-1408	6	NUT, M8, CI 8,
27	NSS	1	NOT SERVICED SEPARATELY, Housing, Bearing - Included with Ref. 3

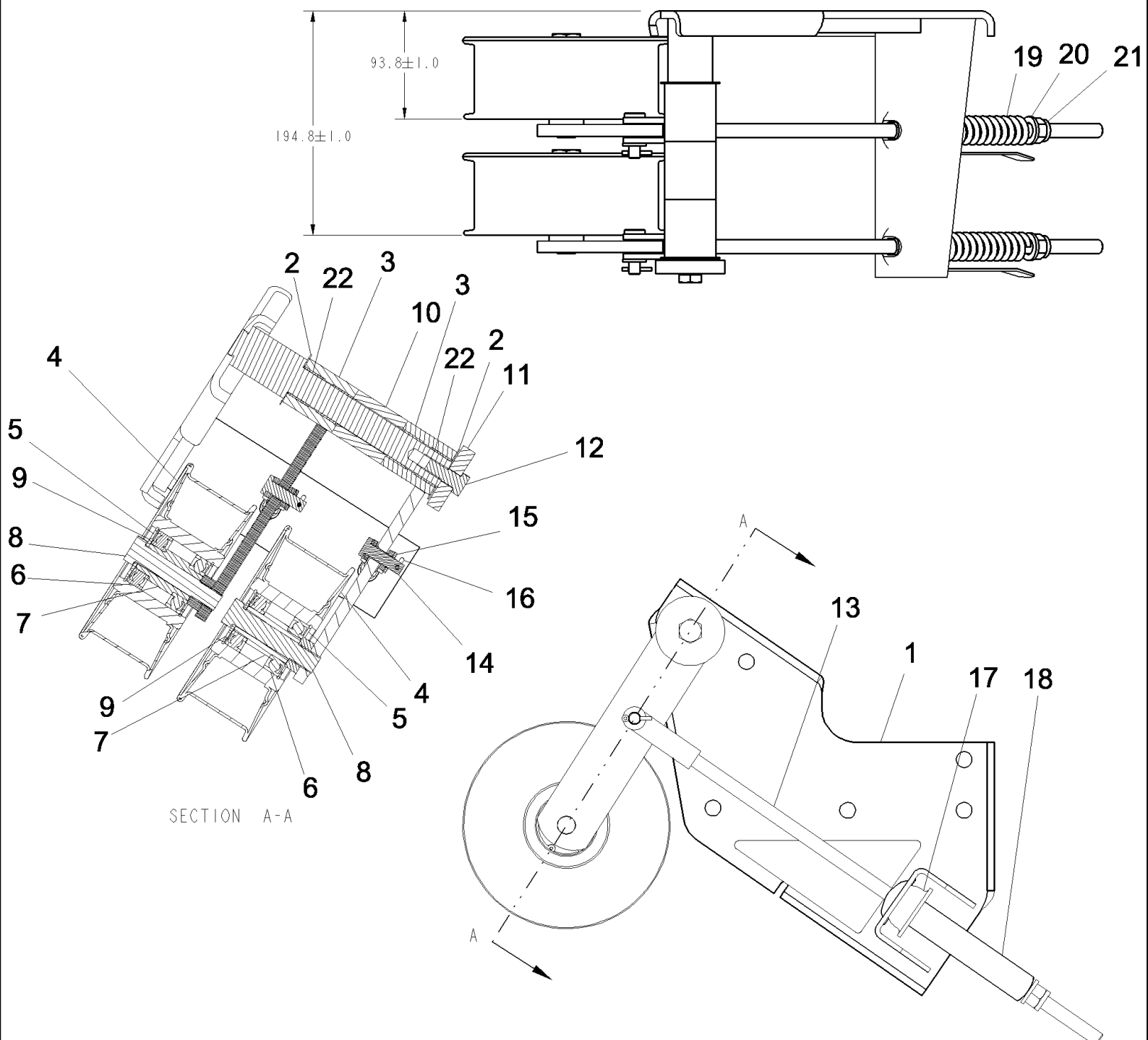


Note-- As of 5/17/2005, the material list has been revised to provide an updated hub & collar [Ref 10 & 15] along with other associated changes. The graphics will be updated to match the material list by September 2005.

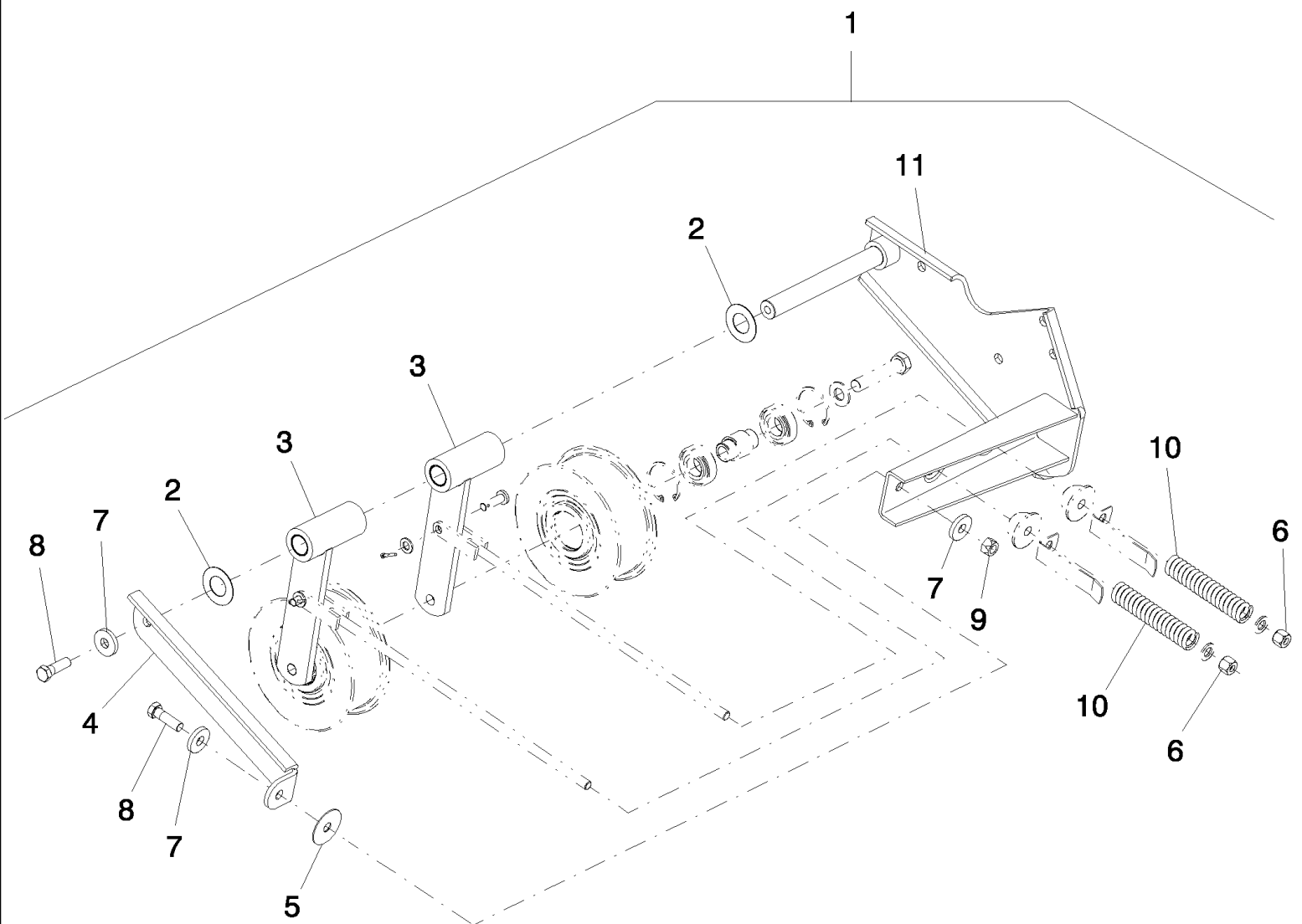
K.64.C.40(2) STRAWCHOPPER DRIVE - PULLEYS AND BELTS

сылка	Номер детали	Кол-во	Описание
1	87281239	1	PULLEY, Dual, Grooved, 3000 RPM, Europe Only
1	87283335	1	PULLEY, Dual, Grooved, 2800 RPM
2	170066	1	KEY, Sq, 14 x 9 x 50 mm
3	84073172	1	WASHER, 13 ID x 60 OD x 12 [mm]
4	140046	6	WASHER, SPRING, Belleville, M12,
5	9706717	1	BOLT, Hex, M12 x 70, 8.8, Full Thd,
6	86976201	1	PULLEY,
7	605899	2	BEARING, ROLLER,
8	86976202	1	SPACER,
9	370014	1	RING, SNAP, M130, Int,
10	87332634	1	HUB, Concentra
11	86976370	1	BEARING, BALL,
12	47067	1	COLLAR, RETAINER,
13	131692	1	RING, SNAP, 3" Free OD
14	87282629	1	SPACER,
15	86976204	1	COLLAR, Shifter
16	87282563	1	PULLEY,
17	87107341	1	BUSHING,
18	87485	1	KEY, Square, 5/16" x 2"
19	86517680	1	BELT, 3 HB, 119.9" [3045.5 mm]
20	86976208	1	BELT, 3 HB, 107.2" [2720 mm], Europe Only, 3000 RPM
20	87283315	1	BELT, 3 HB, 105.9" [2690 mm], 2800 RPM
21	9635884	3	BOLT, Hex, 5/16"-18 x 1", G5, Full Thd,
22	814-12030	5	BOLT, Hex, M12 x 30, 8.8,
23	86976550	1	RING, Retaining, 100.5 mm Free ID
24	170010	1	KEY, Square, 8 x 7 x 50 mm
25	87337454	1	RETAINER, Series RR, #256
26	86976468	1	PLATE, Washer, 105.2 ID x 180 OD x 4.08 [mm]
27	86976207	1	SPRING, Wave Type, SS
28	86976206	1	RING, Ball Retainer
29	87038215	3	BALL, 10 mm, GR 200, SS
30	86976205	1	COLLAR, Shifter
31	87019103	7	SET SCREW, HSH, M6 x 1 x 10
32	87510844	1	Assembly

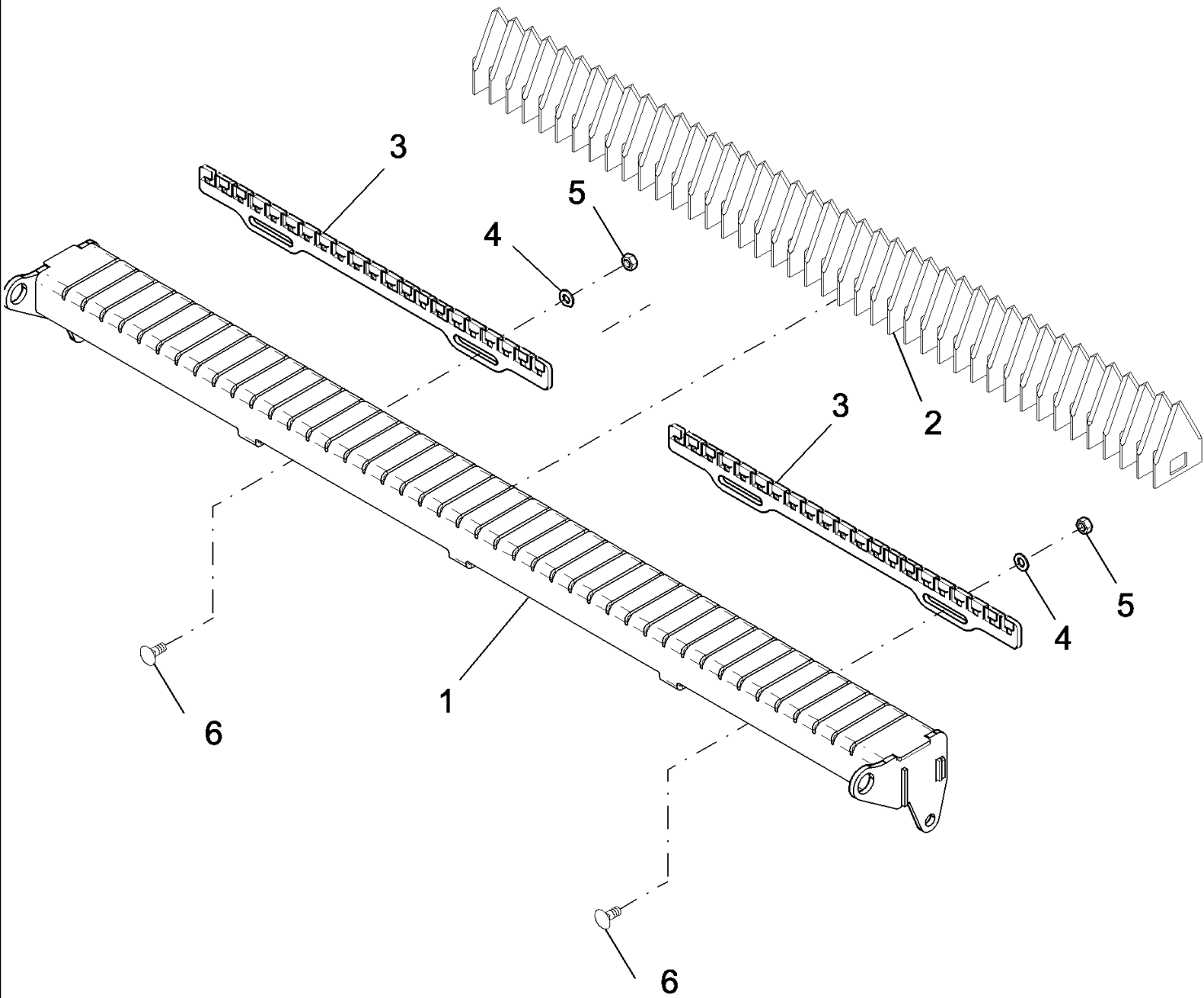
Note-- As of 5/17/2005, the material list has been revised to provide an updated hub & collar [Ref 10 & 15] along with other associated changes. The graphics will be updated to match the material list by September 2005.



сылка	Номер детали	Кол-во	Описание
1	87107122	1	BRACKET,
2	27317	AR	WASHER, Shim
3	86976291	2	DRAWBAR, SWINGING, Idler - Includes (2) Ref. 22
4	84072441	2	IDLER,
5	370011	4	RING, SNAP, M52, Int,
6	84057966	4	BEARING, BALL,
7	84057817	2	BUSHING,
8	120093	2	BOLT, Hex, M16 x 80, 8.8,
9	140048	2	WASHER, SPRING, Belleville, M16,
10	86976292	1	SPACER,
11	84073172	1	WASHER,
12	9706687	1	BOLT, Hex, M12 x 30, 8.8,
13	86975966	2	ROD,
14	390040	2	PIN, CLEVIS, M10 x 35,
15	9820489	2	WASHER, M10
16	130003	2	PIN, SPLIT (COTTER), M3.2 x 20,
17	86560521	2	PIVOT,
18	86596885	2	INDICATOR,
19	84814905	2	SPRING,
20	140018	2	WASHER, M12 x 24 x 2.5,
21	412126	2	NUT, LOCK, M12 x 1.75, CI 8,
22	84057311	4	SLEEVE,

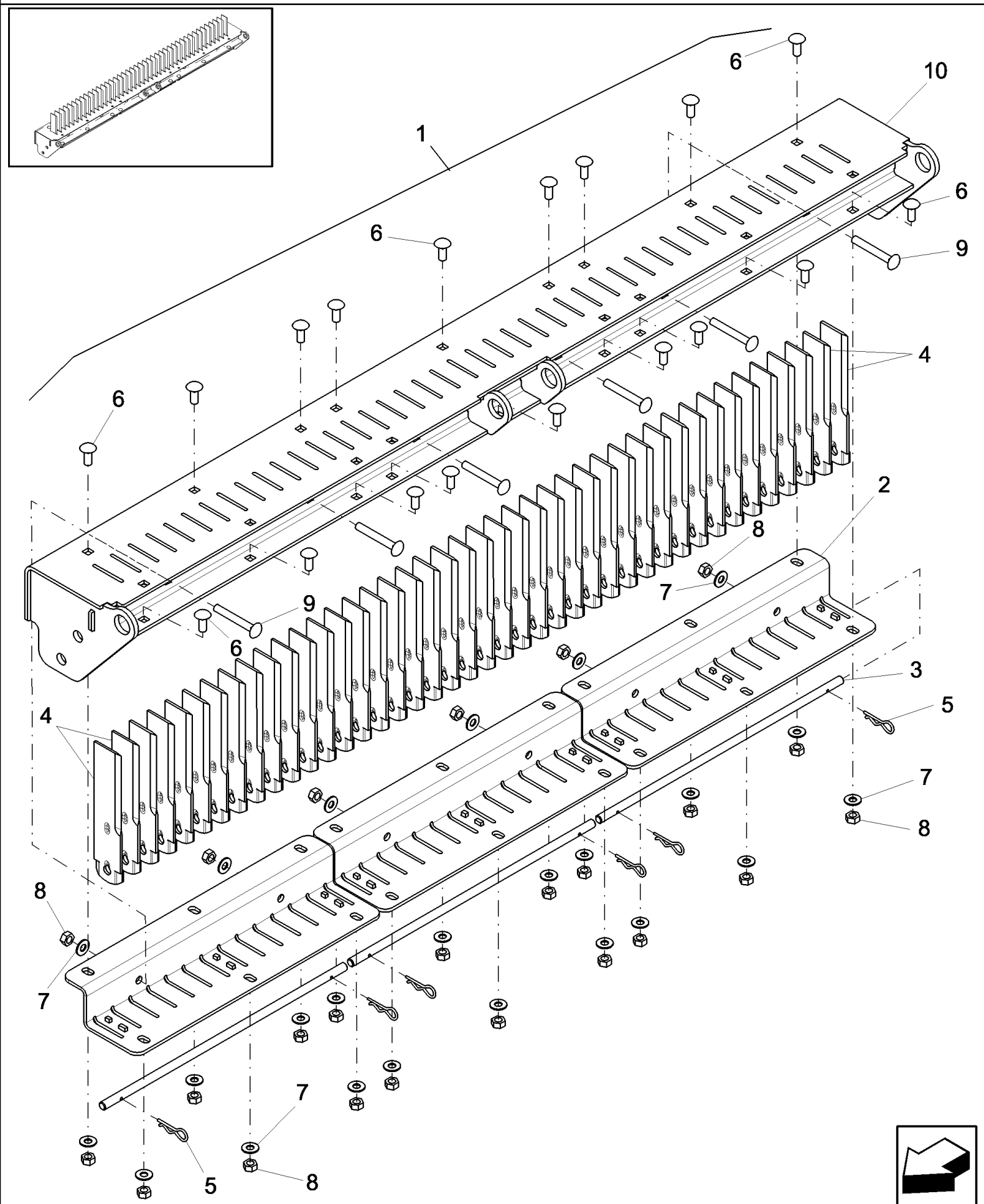


сылка	Номер детали	Кол-во	Описание
1	87619876	1	TENSIONER,
2	27317	2/AR	WASHER, Shim
3	87398361	2	LEVER ASSY.,
4	87397839	1	PLATE,
5	87397840	1/AR	SHIM,
6	412126	2	NUT, LOCK, M12 x 1.75, CI 8,
7	86592701	3	WASHER, M12 x 35 x 5, HT,
8	86629541	2	BOLT, Hex, M12 x 40, 8.8, Full Thd,
9	100038	1	NUT, LOCK, M12 x 1.75, CI 8,
10	87540186	2	SPRING,
11	87397837	1	BRACKET,

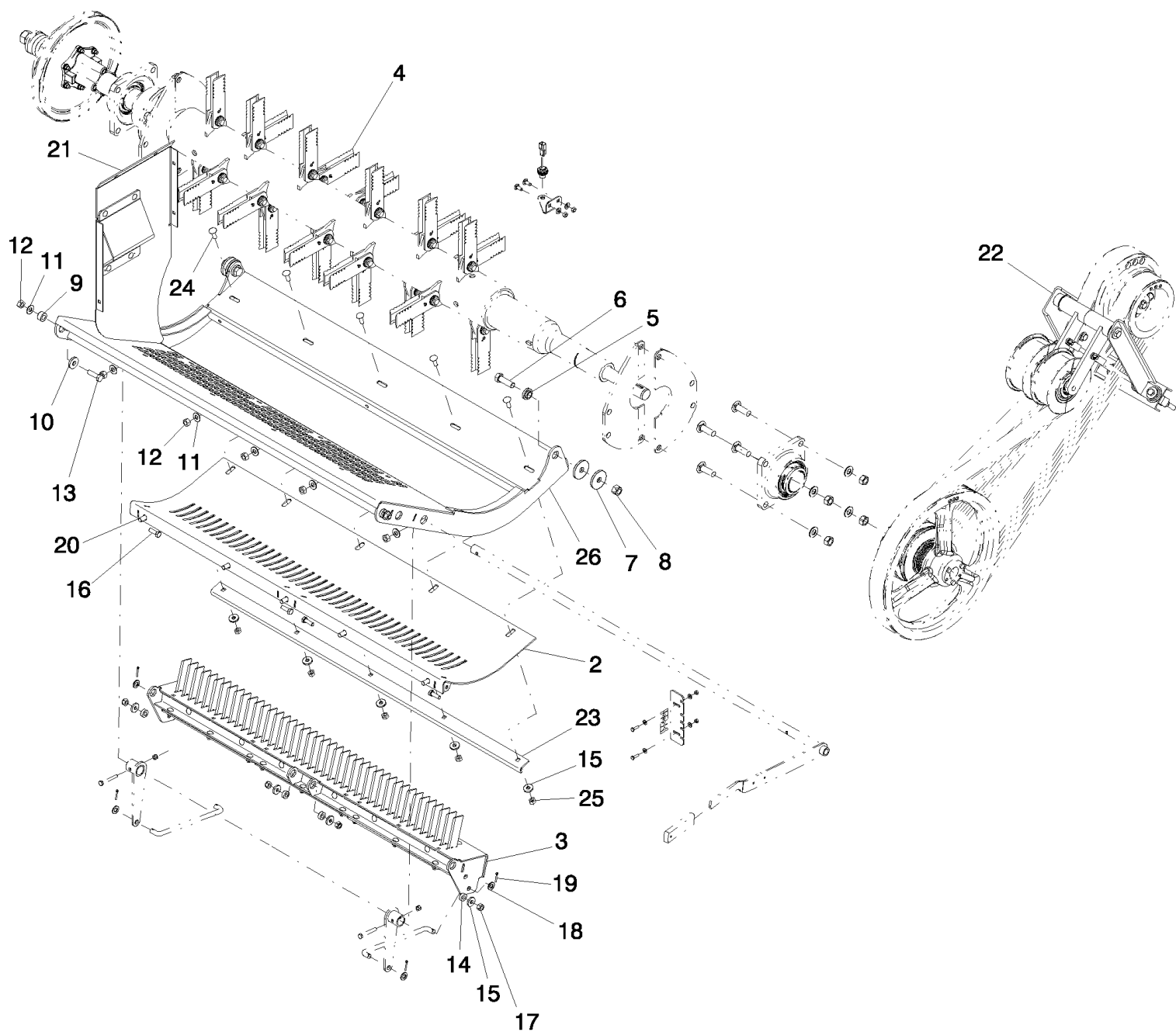
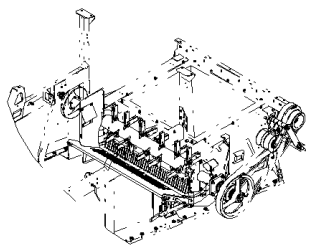


K.64.C.55 FRAME, KNIFE

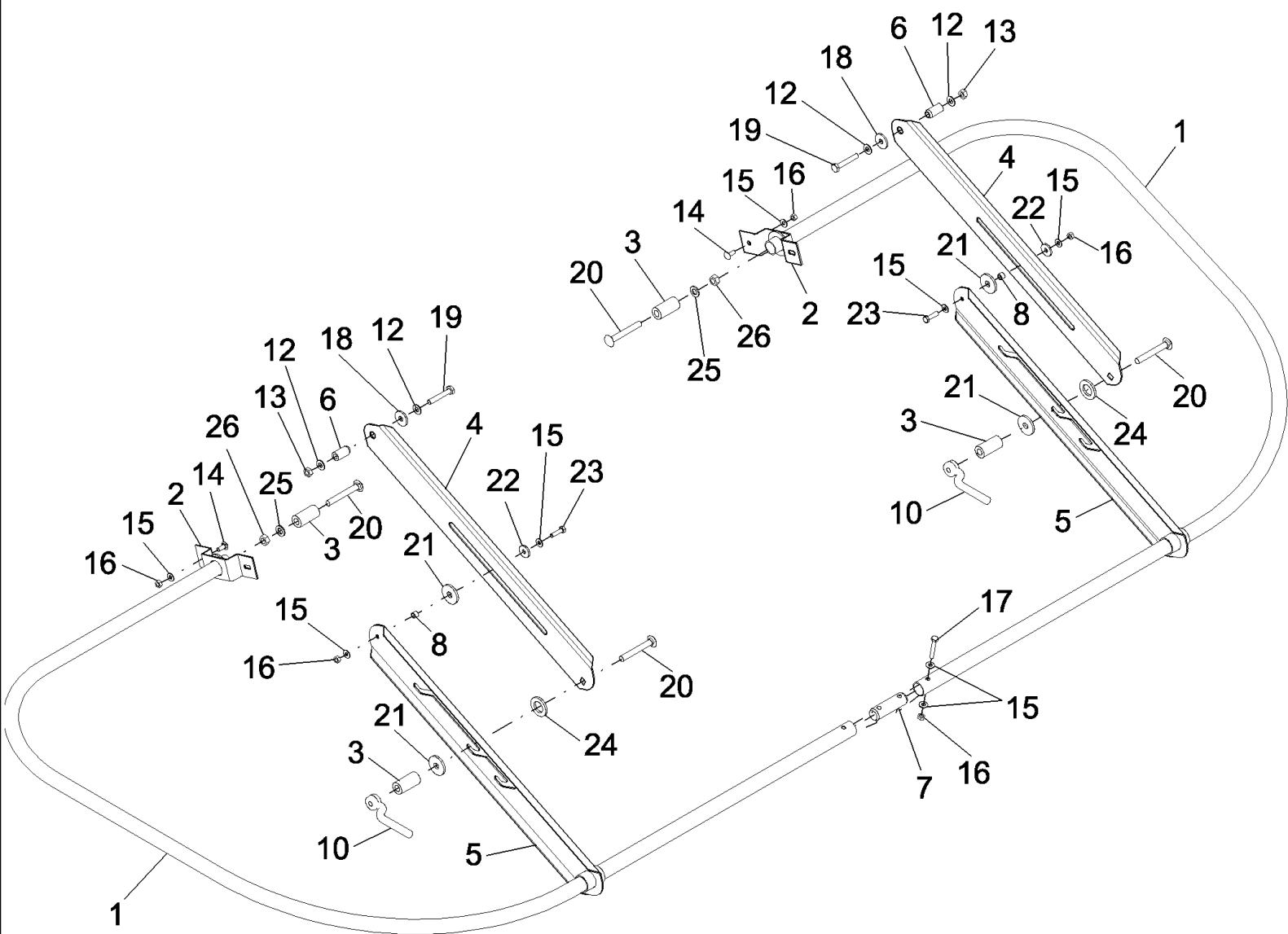
сылка	Номер детали	Кол-во	Описание
1	87109341	1	FRAME, Fixed Knife
2	87106692	21	KNIFE SECTION, Coarse Cut
2	87106692	42	KNIFE SECTION, Fine Cut
3	87109351	2	PLATE, LOCKING,
4	140045	4	WASHER, SPRING, Belleville, M10,
5	100016	4	NUT, M10, CI 8,
6	338949	4	BOLT, CARRIAGE, Short NK, M10 x 25, CI8.8, Full Thd,



сылка	Номер детали	Кол-во	Описание
1	87583544	1	BAR ASSY.,
2	87584441	3	PLATE, MOUNTING,
3	87584442	3	ROD,
4	1322233C2	42	KNIFE,
5	1322252C1	6	PIN,
6	86507486	18	BOLT, CARRIAGE, Short NK, M8 x 20, CI8.8, Full Thd,
7	322358	24	WASHER, SPRING, Belleville, M8,
8	9706690	24	NUT, M8, CI 8,
9	86512445	6	BOLT, CARRIAGE, Short NK, M8 x 60, CI8.8,
10	87584440	1	BAR ASSY., Bar, Knife

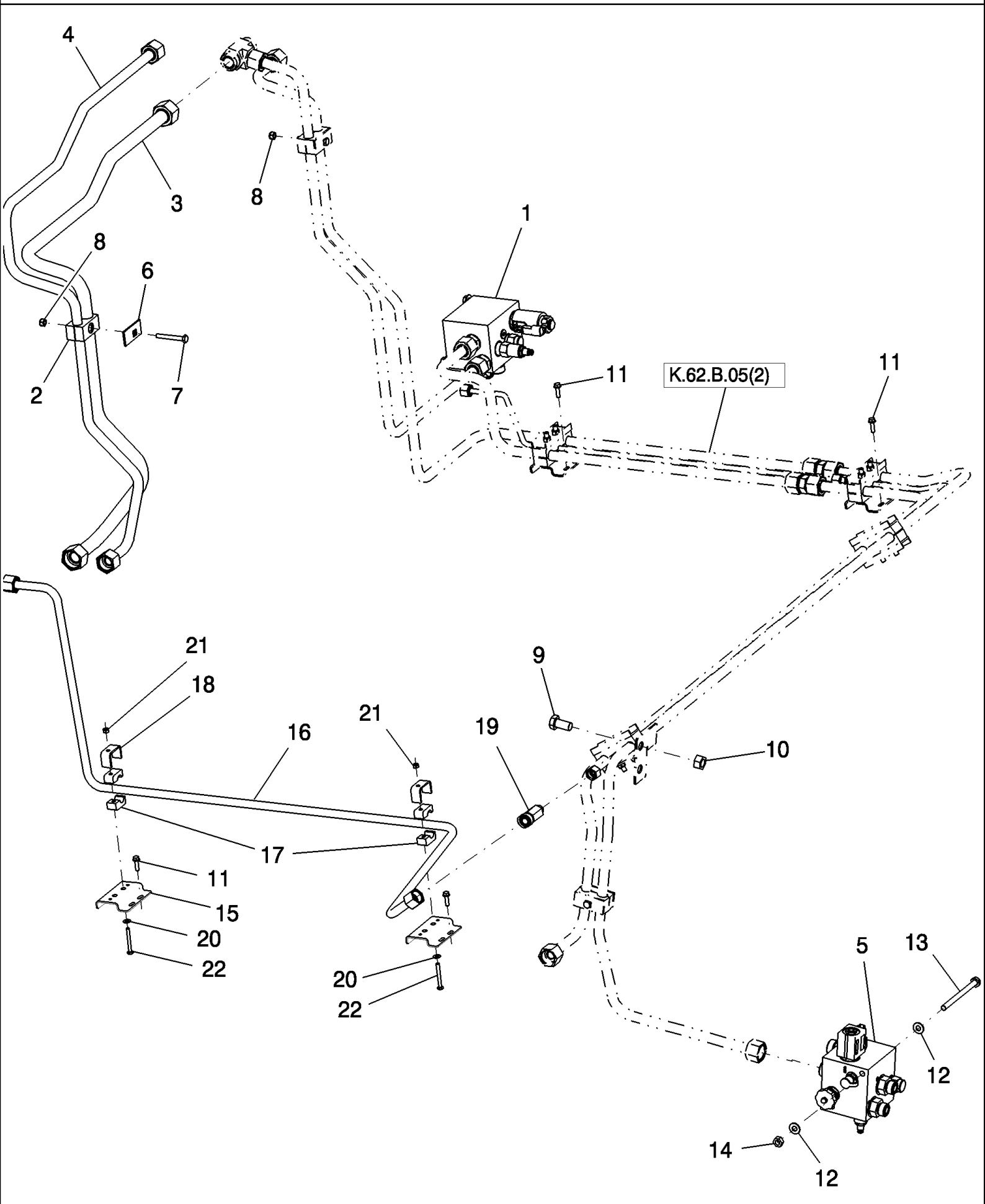


сылка	Номер детали	Кол-во	Описание
1	87610993	1	DIA KIT, HARVESTER, Flail Chopper, Campaign; Includes: Ref.s 2 Thru 26
2	87645540	1	SHIELD, SPLASH,
3	87583544	1	BAR ASSY., For Component Breakdown, Refer To Fig. K.64.C.56
4	87610906	1	CHOPPING UNIT,
5	87000251	2	BUSHING,
6	412398	2	BOLT, Hex, M16 x 50, 10.9,
7	84007183	4	WASHER,
8	86512555	2	NUT, LOCK, M16 x 2, CI 10,
9	699963	2	SPACER,
10	86592701	2	WASHER, M12 x 35 x 5, HT,
11	140046	2	WASHER, SPRING, Belleville, M12,
12	9706685	2	NUT, M12, CI 8,
13	337563	2	BOLT, Hex, M12 x 40, 10.9, Full Thd,
14	86997386	4	BUSHING,
15	86592700	14	WASHER, M10 x 28 x 4, HT,
16	43140	4	BOLT, Hex, M10 x 30, 8.8, Full Thd,
17	100037	4	NUT, M10 x 1.5, CI 8,
18	140018	2	WASHER, M12 x 24 x 2.5,
19	130004	2	PIN, SPLIT (COTTER), M3.2 x 25,
20	87563854	1	PAN ASSY.,
21	87530183	1	KIT,
22	87619876	1	TENSIONER, For Component Breakdown, Refer To Fig. K.64.C.49[2]
23	87653676	1	Slat
24	86512446	10	BOLT, CARRIAGE, Short NK, M10 x 30, CI8.8, Full Thd,
25	100016	10	NUT, M10, CI 8,
26	140045	10	WASHER, SPRING, Belleville, M10,

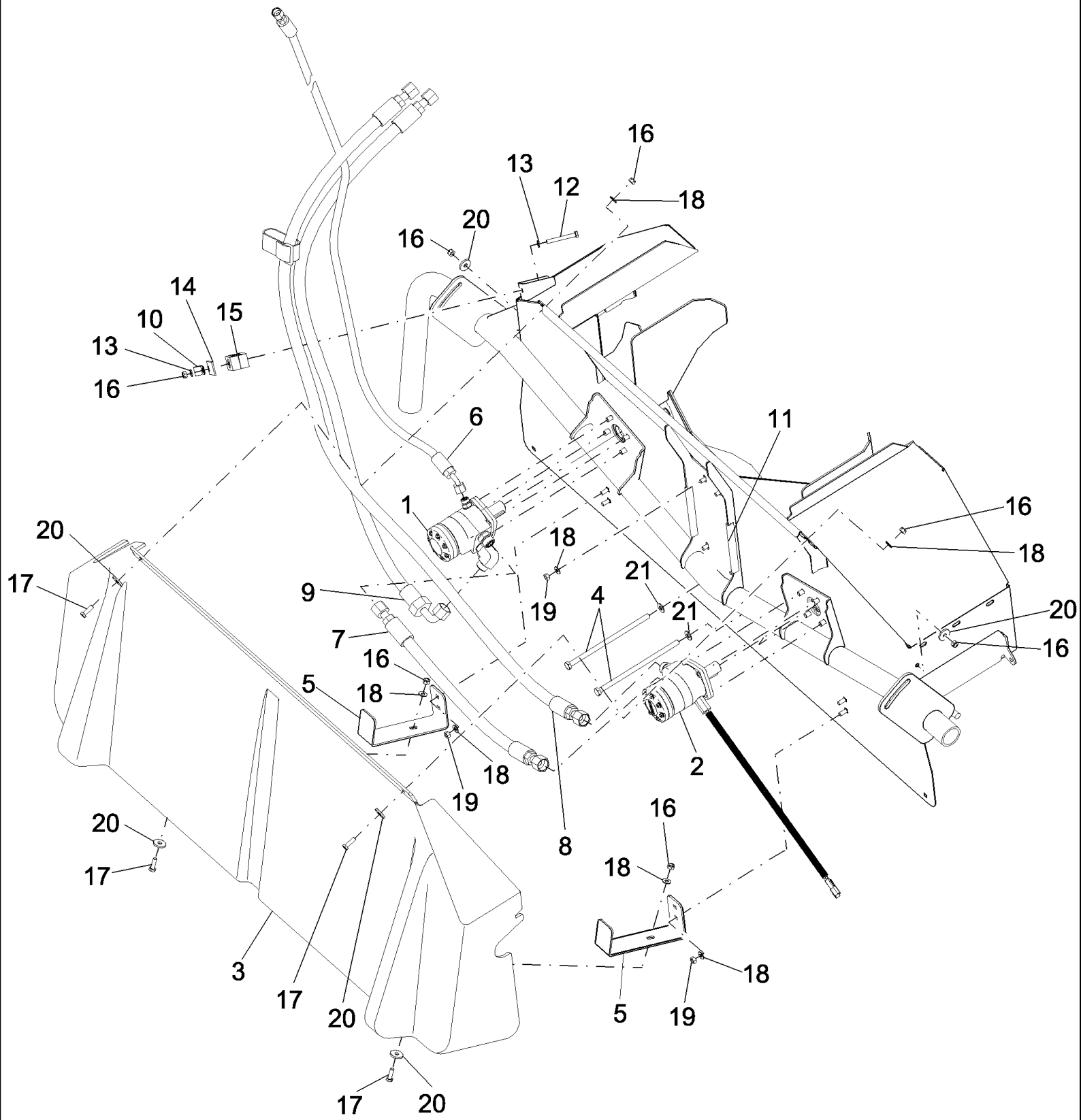


K.64.D(2) STRAW SPREADER GUARD, PIVOT & ARMS

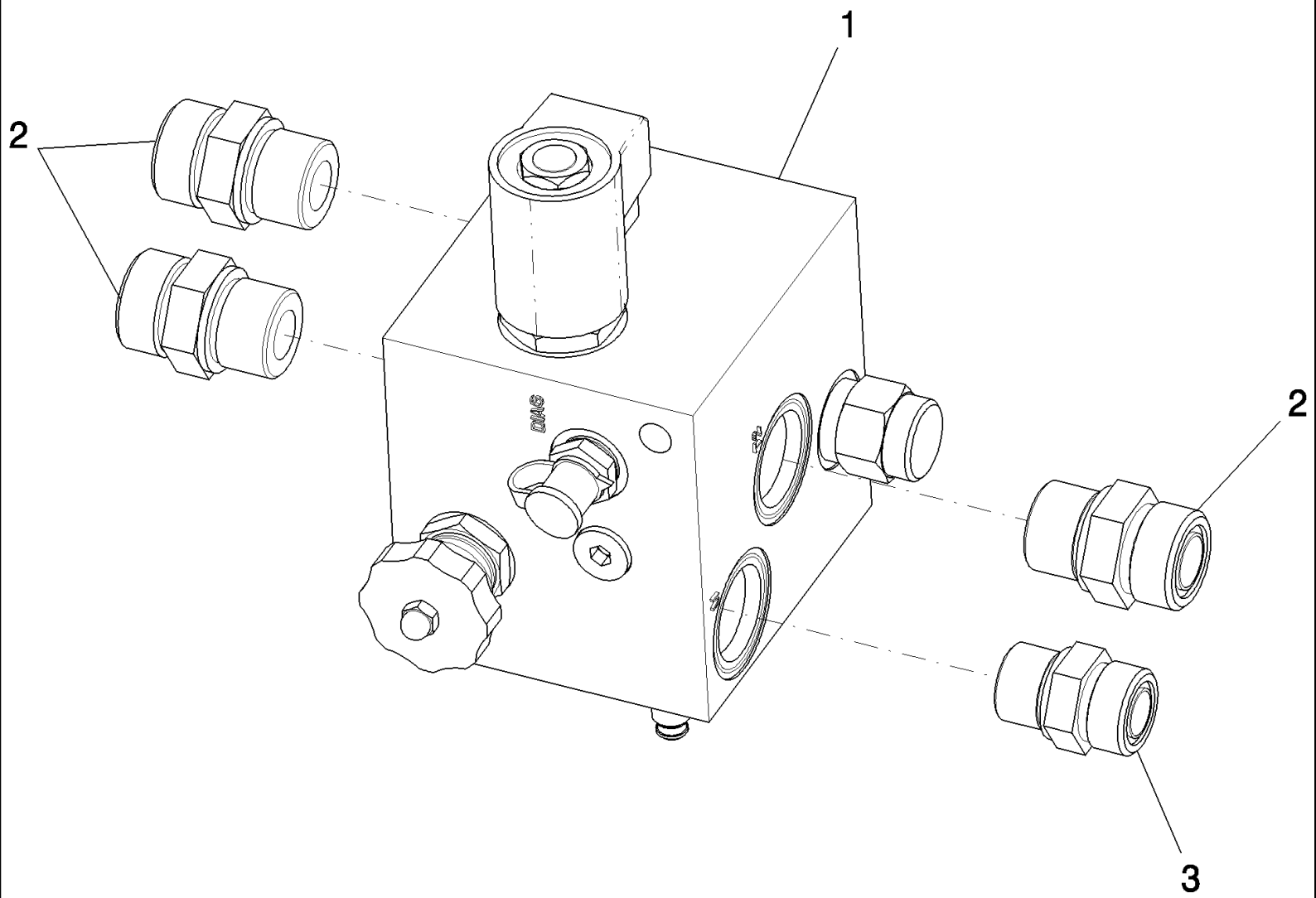
сылка	Номер детали	Кол-во	Описание
1	87109416	2	GUARD, Spreader
2	87109421	2	BRACKET, Pivot
3	87280367	4	BUSHING, Pivot
4	87109425	2	ARM, Upper
5	87109427	2	ARM, Lower
6	87109431	2	BUSHING, Stepped
7	87109433	1	ROD, Connector
8	87109435	2	BUSHING, M8
10	87108661	2	HANDLE,
12	140045	4	WASHER, SPRING, Belleville, M10,
13	100016	2	NUT, M10, CI 8,
14	86507486	4	BOLT, CARRIAGE, Short NK, M8 x 20, CI8.8, Full Thd,
15	322358	12	WASHER, SPRING, Belleville, M8,
16	9706690	8	NUT, M8, CI 8,
17	43130	2	BOLT, Hex, M8 x 50, 8.8,
18	140042	2	WASHER, M10 x 34 x 3,
19	120070	2	BOLT, Hex, M10 x 60, 8.8,
20	334070	4	BOLT, CARRIAGE, Short NK, M12 x 90, CI8.8,
21	9511052	4	WASHER, M12 x 44 x 4,
22	140041	2	WASHER, M8 x 28 x 3,
23	43128	2	BOLT, Hex, M8 x 30, 8.8,
24	140022	2	WASHER, M24 x 44 x 4,
25	140018	2	WASHER, M12 x 24 x 2.5,
26	9706685	2	NUT, M12, CI 8,



сылка	Номер детали	Кол-во	Описание
1	87107189	1	VALVE, HYDRAULIC, Cleaning Fan
2	87000146	1	CLAMP,
3	87000875	1	TUBE, Aux Cooler Return
4	87105710	1	TUBE, HYD, Hydro Cooler Outlet
5	86975667	1	VALVE, HYDRAULIC, Spreader
6	87000230	1	PLATE, Clamp, Hose
7	120061	1	BOLT, Hex, M8 x 60, 8.8,
8	832-46408	2	NUT, LOCK, M8 x 1.25, CI 8,
9	43167	2	BOLT, Hex, M16 x 30, 8.8, Full Thd,
10	825-1416	2	NUT, M16, CI 8,
11	87010469	8	SCREW, SELF TAP, Hex Wash Hd, M6.3 x 25,
12	140045	4	WASHER, SPRING, Belleville, M10,
13	86508575	2	BOLT, Hex, M10 x 130, 8.8,
14	100016	2	NUT, M10, CI 8,
15	87109755	2	BRACKET, Tube Clamp
16	87109924	1	TUBE, Drain - Bulkhead to Tee
17	433007	4	CLAMP,
18	433100	2	SUPPORT,
19	87109744	1	FITTING, Reducer Tee - LP Drain
20	322357	2	WASHER, SPRING, Belleville, M6,
21	353308	2	NUT, LOCK, M6 x 1, CI 8,
22	120056	2	BOLT, Hex, M6 x 50, 8.8,

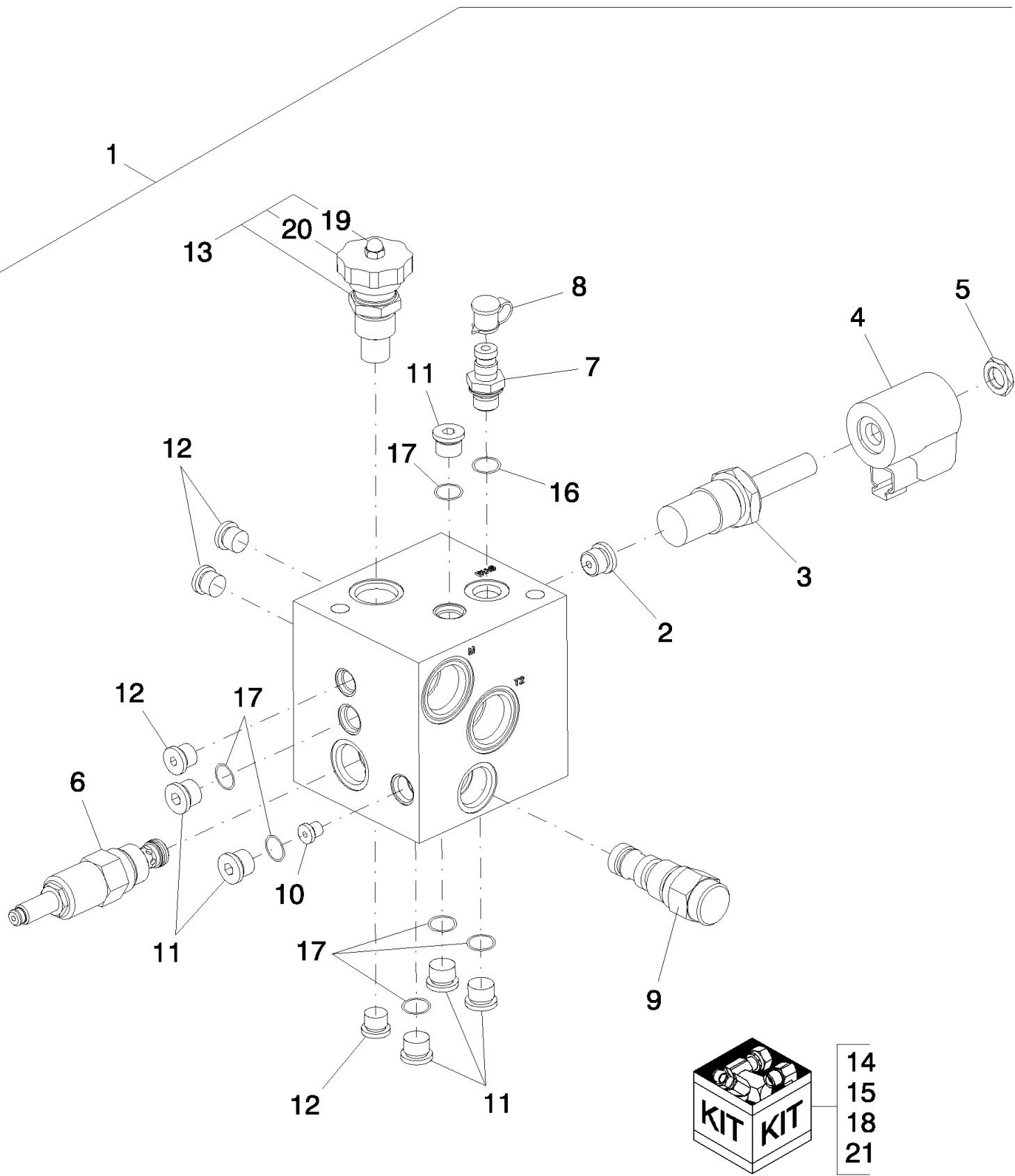


сылка	Номер детали	Кол-во	Описание
1	86996951	1	MOTOR, HYDRAULIC, With Return
2	86996952	1	MOTOR, HYDRAULIC, With Sensor
3	87510734	1	COVER, Was 87108653
4	412005	2	BOLT, Hex, M10 x 220, 8.8,
5	87108935	2	BRACKET, Cover
6	87106225	1	HOSE, FLEXIBLE, Motor, Drain
7	87105926	1	HOSE, FLEXIBLE, Motor, Jumper
8	87105925	1	HOSE, FLEXIBLE, Motor, Return
9	87105924	1	HOSE, FLEXIBLE, Motor, Pressure
10	86594406	1	CLAMP, 5/8", Insul, 3/8" Bolt,
11	87000945	2	STRIP, PROTECTION, Trim
12	300510	1	BOLT, Hex, M8 x 65, 8.8,
13	140016	2	WASHER, M8 x 16 x 1.6,
14	87000230	1	PLATE, Hose Clamp
15	87000924	1	CLAMP,
16	832-46408	7	NUT, LOCK, M8 x 1.25, CI 8,
17	43127	6	BOLT, Hex, M8 x 25, 8.8,
18	322358	16	WASHER, SPRING, Belleville, M8,
19	9706690	8	NUT, M8, CI 8,
20	80140041	8	WASHER, M8
21	140045	12	WASHER, SPRING, Belleville, M10,



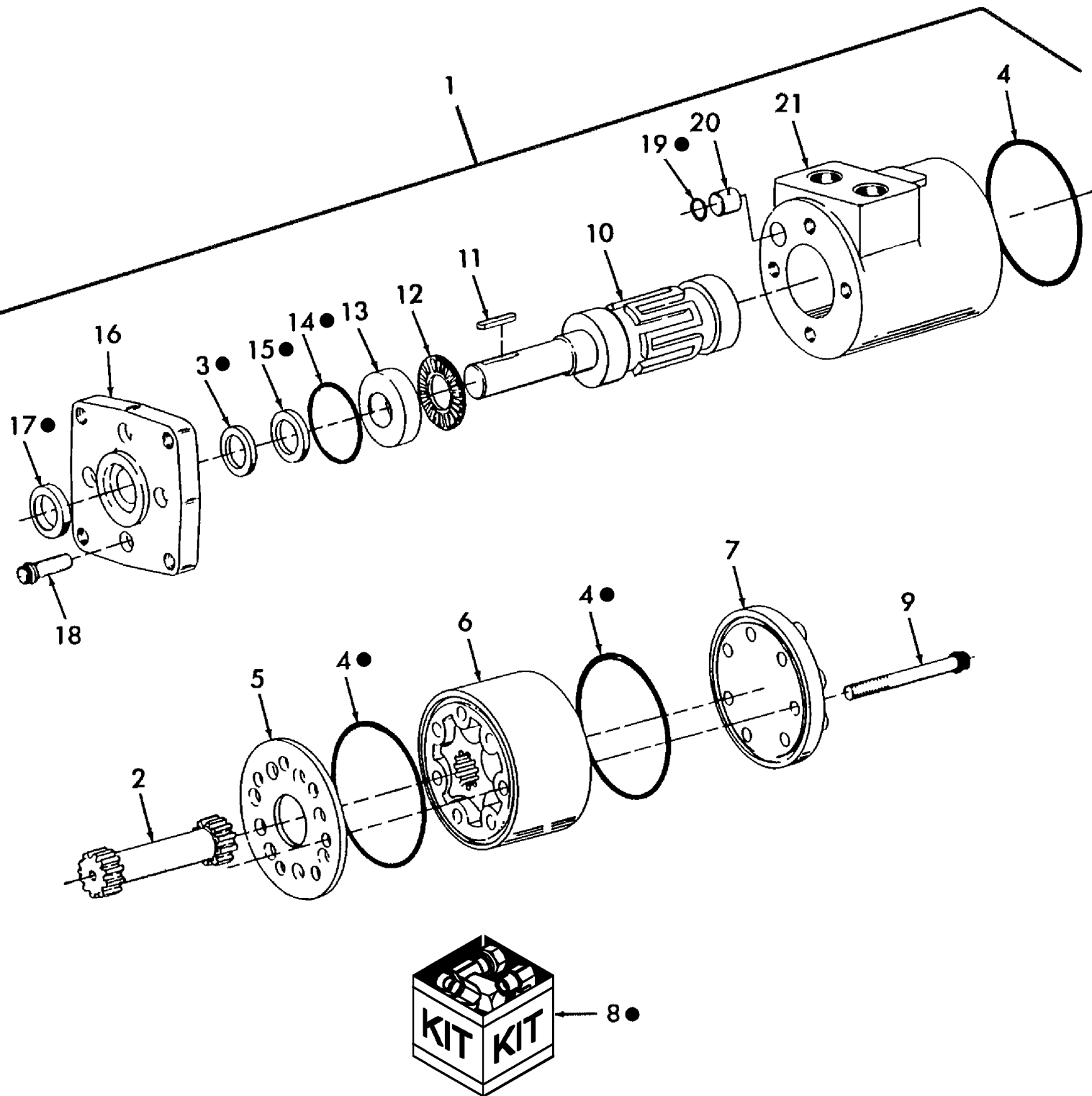
K.64.D.14(1) SPREADER CONTROL VALVE, CONNECTORS

сылка	Номер детали	Кол-во	Описание
1	86975667	1	VALVE, HYDRAULIC, Spreader
2	86579682	3	CONNECTOR, HYD., 1 3/16"-12 ORFS x M27 x 2 ORB,
3	86597760	1	CONNECTOR, HYD., 1"-14 ORFS x M27 x 2 ORB,



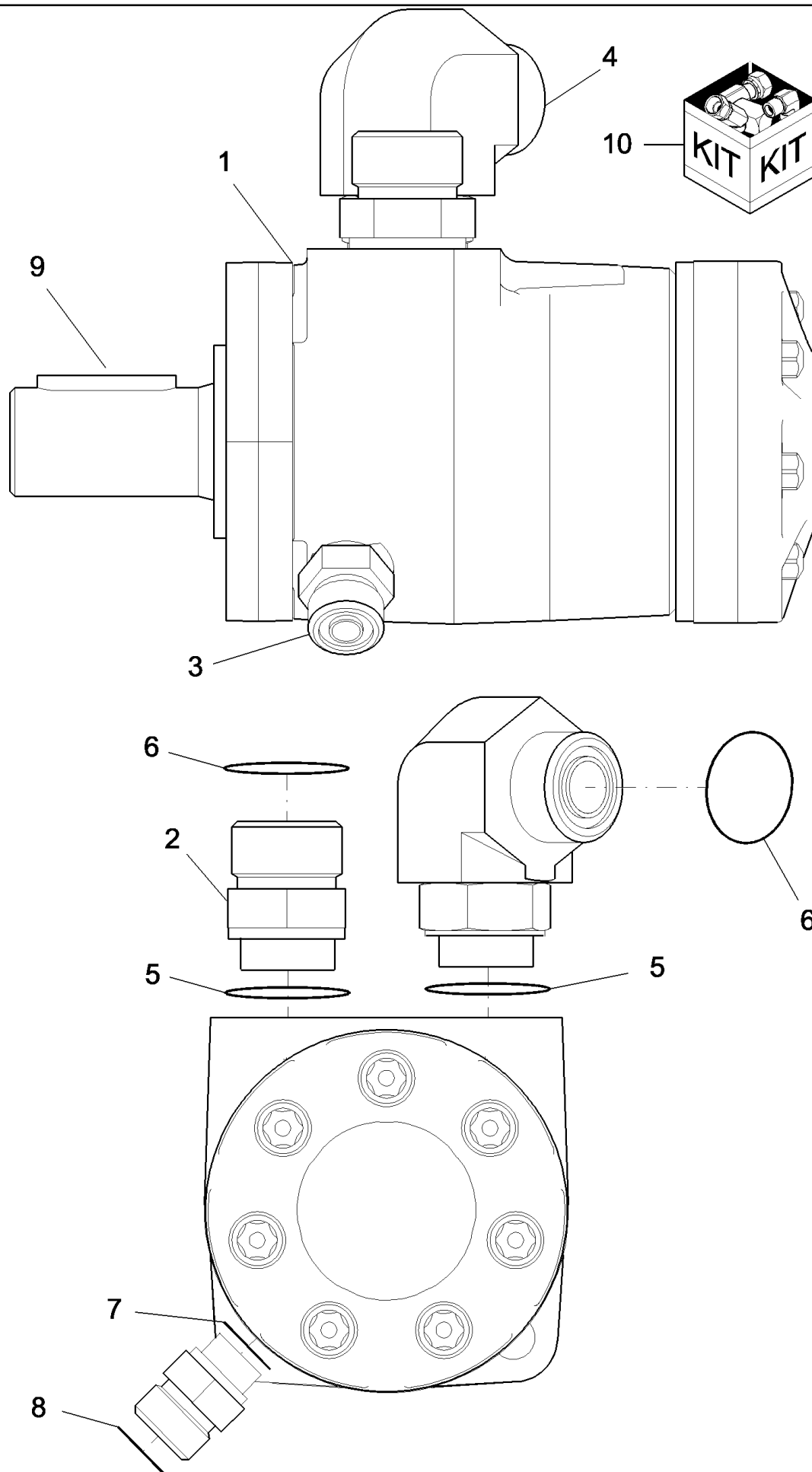
K.64.D.14(2) SPREADER CONTROL VALVE, COMPONENTS

сылка	Номер детали	Кол-во	Описание
1	86975667	1	VALVE, HYDRAULIC,
2	87434021	1	PLUG, Plug, Orificed
3	86514793	1	VALVE, SOLENOID, See Also: Ref. 15
4	87352779	1	SOLENOID, Was 86837739
5	195683A1	1	NUT, 1/2"-13, Thin,
6	299075A1	1	VALVE, PRESSURE RELIEF, See Also: Ref. 14
7	84320565	1	COUPLING, Includes: Ref. 16
8	H434163	1	DUST CAP,
9	87031239	1	VALVE, HYDRAULIC, See Also: Ref. 18
10	87026245	1	ORIFICE,
11	9625178	6	PLUG, Hex Soc, 9/16"-18 ORB, Includes: Ref. 17
12	87035062	4	PLUG, Hex Soc, 1/2"-20 ORB,
13	87031238	1	VALVE, CONTROL, Regulator, Flow; Includes: Ref. 19 & 20
14	G110098	1	KIT, Services Ref. 6
15	86514794	1	KIT, SEALS, Services Ref. 3
16	86598099	1	O-RING, CI 6, 11.3MM ID x 2.2 Thk,
17	237-6006	6	O-RING, 6-1, 90 Duro, .468" ID x .078" Thk,
18	87024936	1	KIT, SEALS, Services Ref. 9
19	86505844	1	NUT, Acorn
20	87447534	1	KNOB,
21	86508168	1	KIT, SEALS, Services Ref. 13

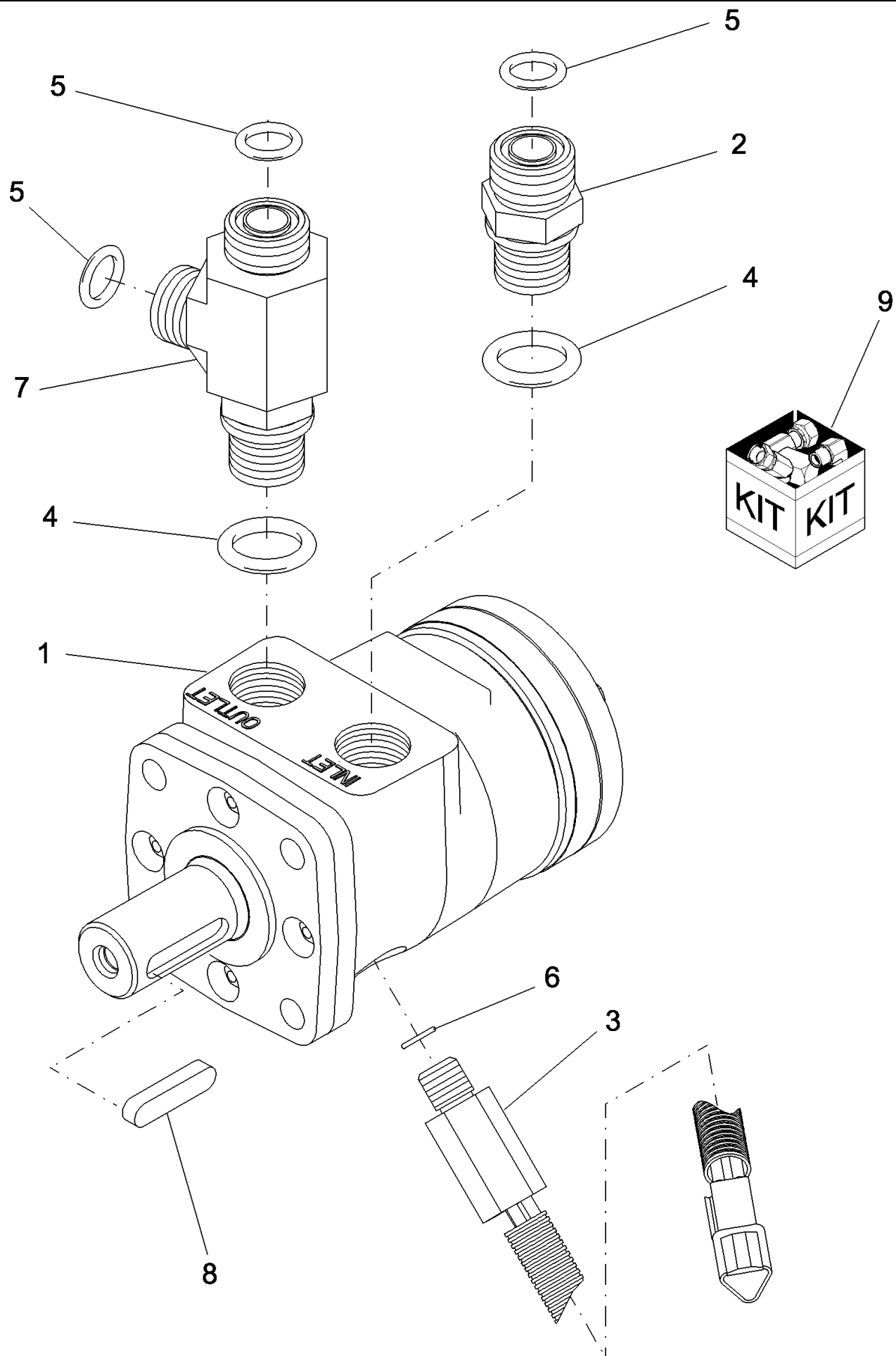


K.64.D.42 MOTOR, CHAFF SPREADER

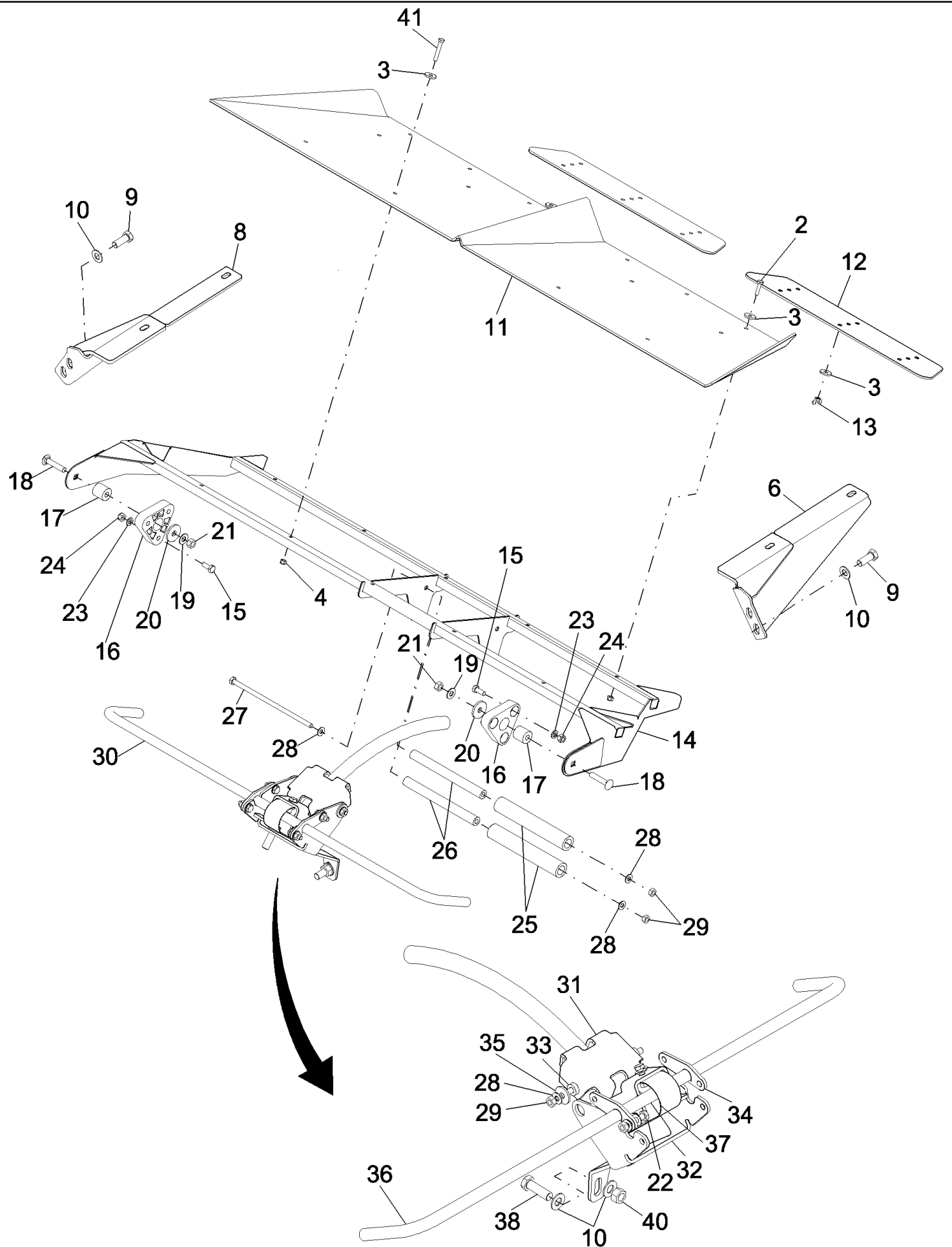
сылка	Номер детали	Кол-во	Описание
1	86999889	2	MOTOR, HYDRAULIC,
2	9807485	1	Drive
3	9620580	1	GASKET, Back-Up
4	277739	3	O-RING,
5	527746	1	
6	9807486	1	Set
7	527737	1	End
8	9807617	AR	KIT, SEALS,
9	512571	7	SCREW, Cap, 12 Point Drive Head, 5/16"-24 x 1-5/8"
10	NS	1	NOT SERVICED, Output
11	170030	1	KEY, M8 x 7 x 32, Par,
12	527739	1	BEARING, THRUST,
13	527745	1	RACE, Bearing
14	277738	1	O-RING,
15	9620579	1	SEAL, Oil, 1.042" ID x .126" Thk
16	NSS	1	NOT SERVICED SEPARATELY, Flange, Mounting
17	527741	1	SEAL, Dust
18	518979	4	SCREW, Cap, 12 Pt, 5/16"-24 x 7/8"
19	9620577	1	O-RING,
20	9620576	1	Housing
21	NSS	1	NOT SERVICED SEPARATELY, Housing



сылка	Номер детали	Кол-во	Описание
1	86996951	1	MOTOR, HYDRAULIC, With Fittings
1	86999889	1	MOTOR, HYDRAULIC, W/O Fittings
2	86579680	1	CONNECTOR, HYD., 1"-14 ORFS x M22 x 1.5 ORB,
3	86580177	1	CONNECTOR, HYD., 11/16"-16 ORFS x M12 x 1.5 ORB,
4	86579694	1	ELBOW, 90°, 1"-14 ORFS x M22 x 1.5 ORB,
5	86598102	2	O-RING, CI 6, 19.3MM ID x 2.2 Thk,
6	9992069	2	O-RING, -016, 90 Duro, .614" ID x .070" Thk,
7	86598098	1	O-RING, CI 6, 9.3MM ID x 2.2 Thk,
8	9993141	1	O-RING, -012, 90 Duro, .364" ID x .070" Thk,
9	170030	1	KEY, M8 x 7 x 32, Par,
10	9807617		AR KIT, SEALS,



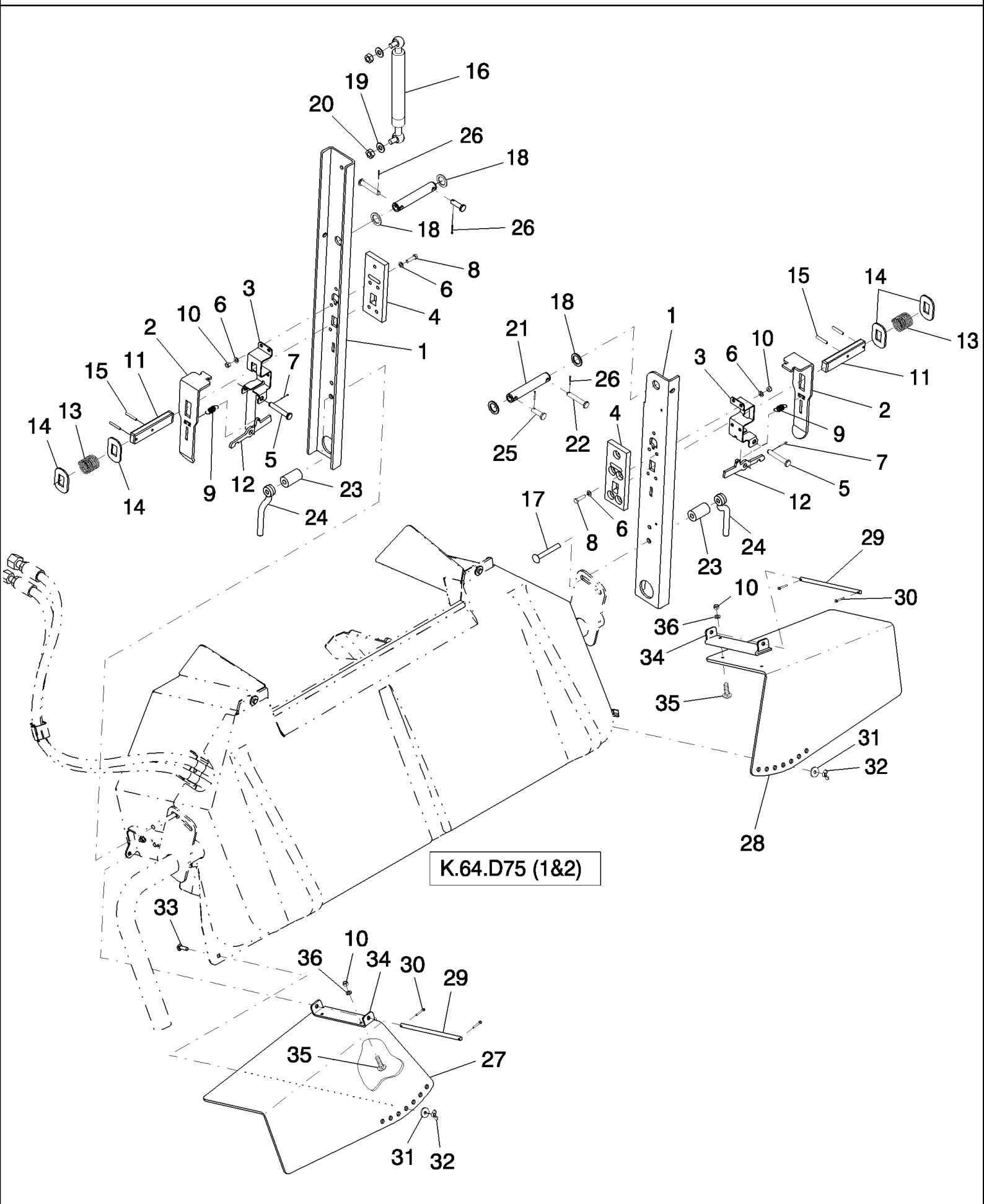
сылка	Номер детали	Кол-во	Описание
1	87282285	1	MOTOR, HYDRAULIC, W/Sensor & Hose Ftgs
1	86995016	1	MOTOR, HYDRAULIC, W/O Sensor & Ftgs
2	86579680	AR	CONNECTOR, HYD., 1"-14 ORFS x M22 x 1.5 ORB,
3	86976166	1	SENSOR, Spreader Speed
4	86598102	2	O-RING, CI 6, 19.3MM ID x 2.2 Thk,
5	9992069	AR	O-RING, -016, 90 Duro, .614" ID x .070" Thk,
6	9617873	1	O-RING, 6-1, 90 Duro, .468" ID x .078" Thk,
7	86579705	1	TEE, 1"-14 ORFS x M22 x 1.5 ORB Run, 16 mm x 22 mm x 16 mm, ASN HAJ8702873
8	170030	1	KEY, M8 x 7 x 32, Par,
9	9807617	1	KIT, SEALS,



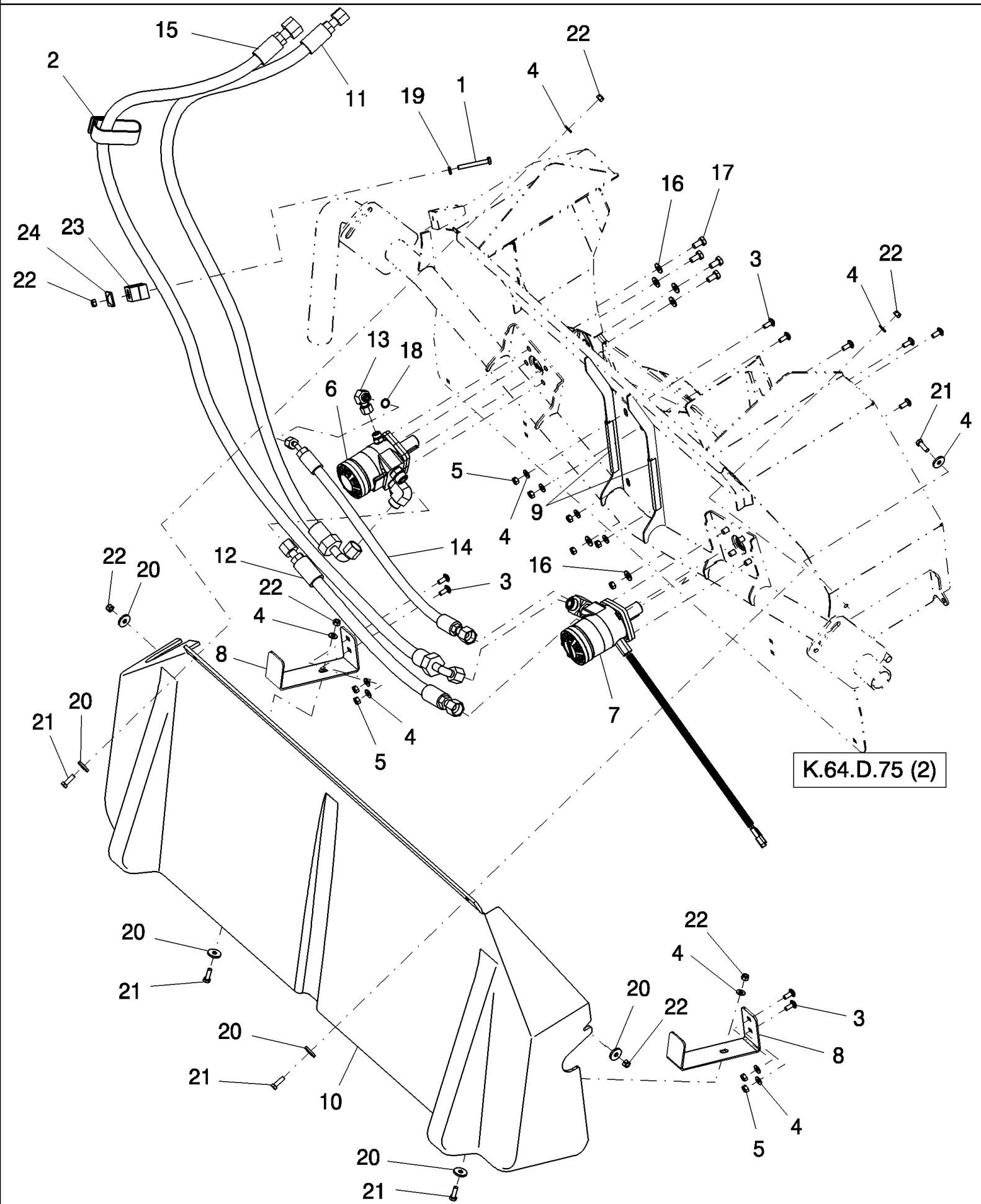
AFX8010 AXIAL-FLOW COMBINE (3/03-9/06)

K.64.D.62 OSCILLATING CHAFFER PAN

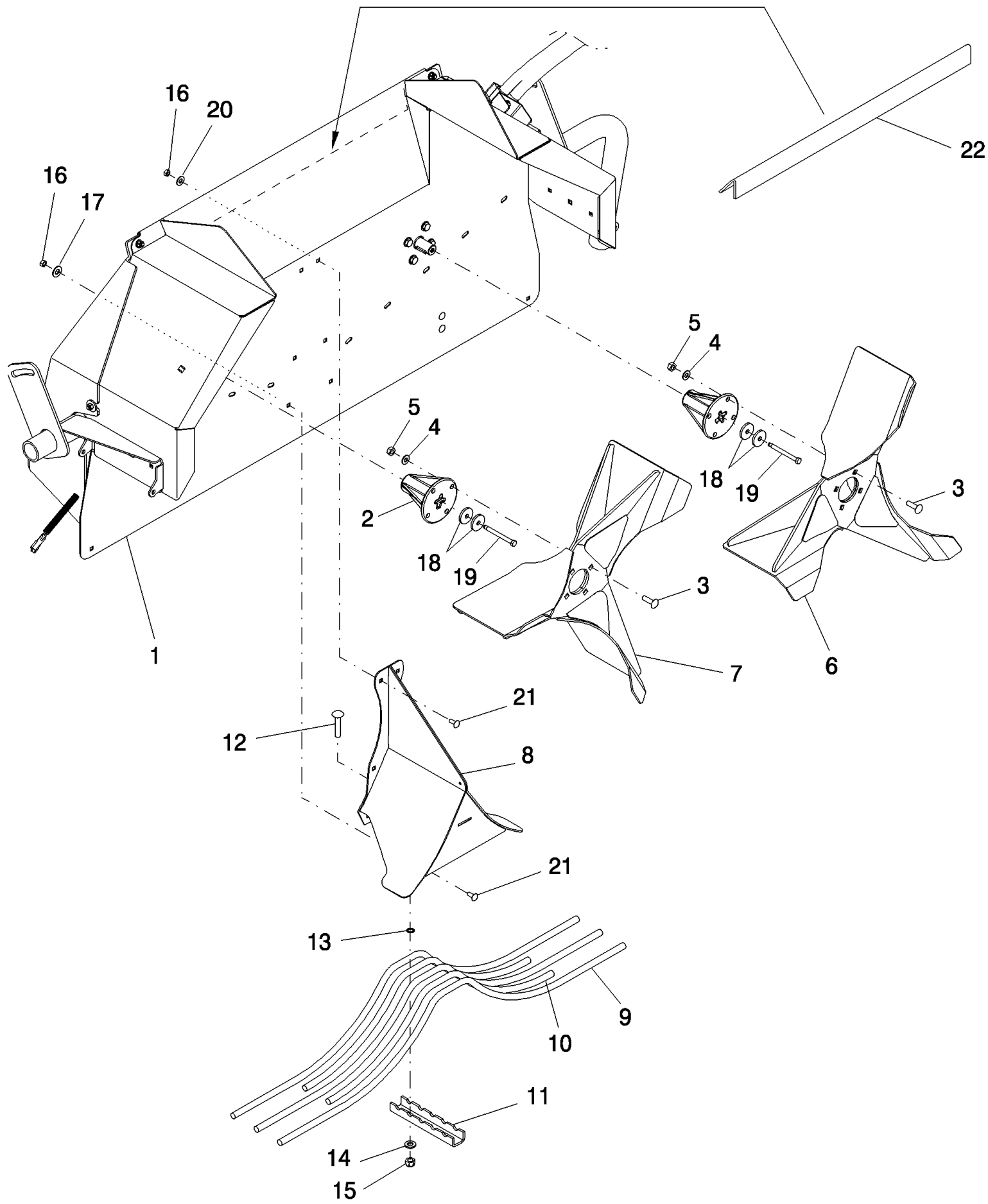
сылка	Номер детали	Кол-во	Описание
2	43128	6	BOLT, Hex, M8 x 30, 8.8,
3	80140041	20	WASHER, M8
4	9628098	8	NUT, LOCK, M8 x 1.25, CI 10,
6	87281225	1	BRACKET, LH
8	87281226	1	BRACKET, RH
9	43168	4	BOLT, Hex, M16 x 40, 8.8,
10	140048	8	WASHER, SPRING, Belleville, M16,
11	87000126	1	SHEET,
12	87000125	2	SHEET,
13	84807781	6	NUT, WING, M8,
14	87108990	1	FRAME,
15	43139	6	SCREW, Cap, HH, CL 8.8, M10 x 25
16	87105202	2	BUSHING,
17	87000413	2	BUSHING,
18	412097	2	BOLT, CARRIAGE, Short NK, M12 x 60, CI8.8,
19	140046	2	WASHER, SPRING, Belleville, M12,
20	9511052	2	WASHER, M12 x 44 x 4,
21	9706685	2	NUT, M12, CI 8,
22	43140	7	BOLT, Hex, M10 x 30, 8.8, Full Thd,
23	80140017	6	WASHER, LOCK, M10
24	86512554	6	NUT, LOCK, M10 x 1.5, CI 10,
25	86638210	2	ROLLER, Residue Pan Guide
26	86999501	2	BUSHING,
27	412004	2	BOLT, Hex, M10 x 260, 8.8,
28	140045	18	WASHER, SPRING, Belleville, M10,
29	100016	9	NUT, M10, CI 8,
30	86999517	1	SUPPORT,
31	86999510	1	BRACKET, Tube
32	86999506	1	BRACKET,
33	86997386	2	BUSHING,
34	86999529	2	PLATE,
35	80140042	2	WASHER, M10
36	86999516	1	LATCH,
37	86638213	1	SPRING,
38	614-16050	2	BOLT, Hex, M16 x 50, 8.8,
39	140048	6	WASHER, SPRING, Belleville, M16,
40	825-1416	1	NUT, M16, CI 8,
41	43130	8	BOLT, Hex, M8 x 50, 8.8,



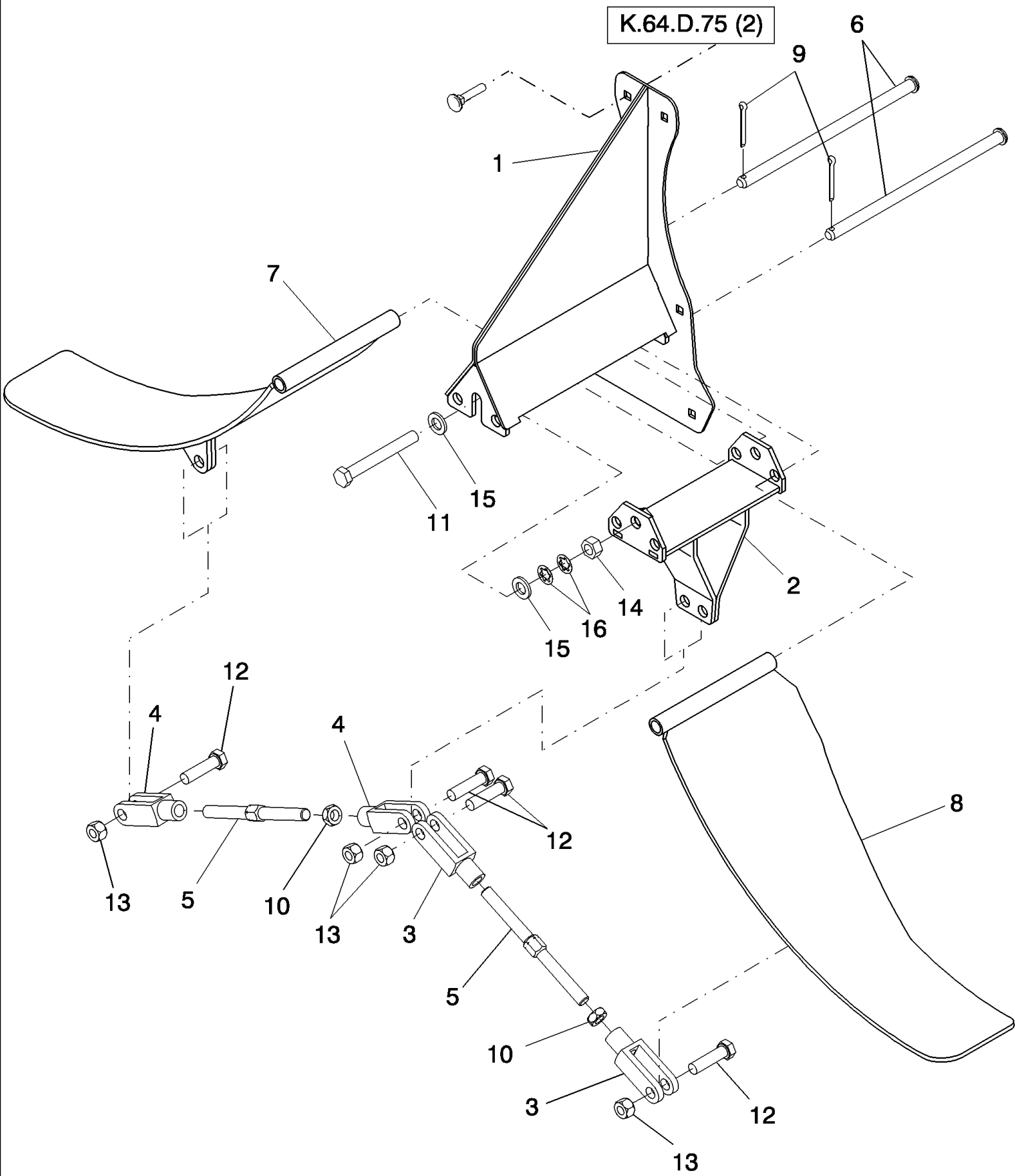
сылка	Номер детали	Кол-во	Описание
1	87283152	1	SUPPORT, RH
1	87283150	1	SUPPORT, LH
2	87283067	2	HANDLE,
3	87283065	2	BRACKET,
4	87283070	2	PAD, SLIDING,
5	87301316	2	PIN, CLEVIS, M12 x 75,
6	140016	20	WASHER, M8 x 16 x 1.6,
7	87016659	2	PIN, SPLIT (COTTER), M2.5 x 20,
8	43128	10	BOLT, Hex, M8 x 30, 8.8,
9	87283313	2	SPRING,
10	86629542	10	NUT, LOCK, M8 x 1.25, CI 8,
11	87283063	2	BOLT, Spreader Lock
12	87283062	2	TRIGGER,
13	87283233	2	SPRING, Compression
14	87283069	4	WASHER,
15	86625115	4	PIN, M6 x 40, Coiled,
16	87000505	1	CYLINDER ASSY.,
17	334070	2	BOLT, CARRIAGE, Short NK, M12 x 90, CI8.8,
18	86624170	4	WASHER, 1 1/32" x 1 1/2" x .120",
19	140045	2	WASHER, SPRING, Belleville, M10,
20	100016	2	NUT, M10, CI 8,
21	87283167	2	PIN, Spreader Pivot
22	87035064	2	PIN, CLEVIS, M12 x 70,
23	87108659	2	BUSHING,
24	87108661	2	HANDLE,
25	321018	2	PIN, CLEVIS, M12 x 40,
26	87016659	4	PIN, SPLIT (COTTER), M2.5 x 20,
27	87108654	1	DEFLECTOR, LH
28	87108656	1	DEFLECTOR, RH
29	86997515	2	ROD,
30	130007	4	PIN, SPLIT (COTTER), M4 x 25,
31	140041	2	WASHER, M8 x 28 x 3,
32	84807781	2	NUT, WING, M8,
33	43465	2	BOLT, CARRIAGE, Short NK, M8 x 30, CI8.8, Full Thd,
34	87000289	2	BRACKET,
35	86979019	8	RIVET, Pop, 1/4" x .625",



сылка	Номер детали	Кол-во	Описание
1	300510	1	BOLT, Hex, M8 x 65, 8.8,
2	87108048	1	STRAP, SECURING,
3	86507486	10	BOLT, CARRIAGE, Short NK, M8 x 20, CI8.8, Full Thd,
4	322358	16	WASHER, SPRING, Belleville, M8,
5	9706690	10	NUT, M8, CI 8,
6	86996951	1	MOTOR, HYDRAULIC, W/Drain & Ftgs, See Fig K.64.D.42 [1]
7	87282285	1	MOTOR, HYDRAULIC, W/Sensor & Ftgs, See Fig K.64.D.42 [2]
8	87108935	2	BRACKET, Cover Mounting
9	87000945	2	STRIP, PROTECTION,
10	87510734	1	COVER, PIN HAJ105701 [Has cutout between bolt holes on front edge] - Was 87108653
11	87105924	1	HOSE, FLEXIBLE, Pressure
12	87105926	1	HOSE, FLEXIBLE, Jumper, Motor to Motor
13	84989392	1	ELBOW, 90°, 1 1/16"-16 ORFS x 1 1/16"-16 Fem Sw,
14	87282287	1	HOSE, FLEXIBLE, Motor Drain
15	87282286	1	HOSE, FLEXIBLE, Motor Return
16	140045	10	WASHER, SPRING, Belleville, M10,
17	43138	8	BOLT, Hex, M10 x 20, 8.8, Full Thd,
18	9993141	1	O-RING, -012, 90 Duro, .364" ID x .070" Thk,
19	140016	1	WASHER, M8 x 16 x 1.6,
20	140041	6	WASHER, M8 x 28 x 3,
21	43127	6	BOLT, Hex, M8 x 25, 8.8,
22	86629542	7	NUT, LOCK, M8 x 1.25, CI 8,
23	87000924	1	CLAMP,
24	87000230	1	PLATE, Hose Clamp

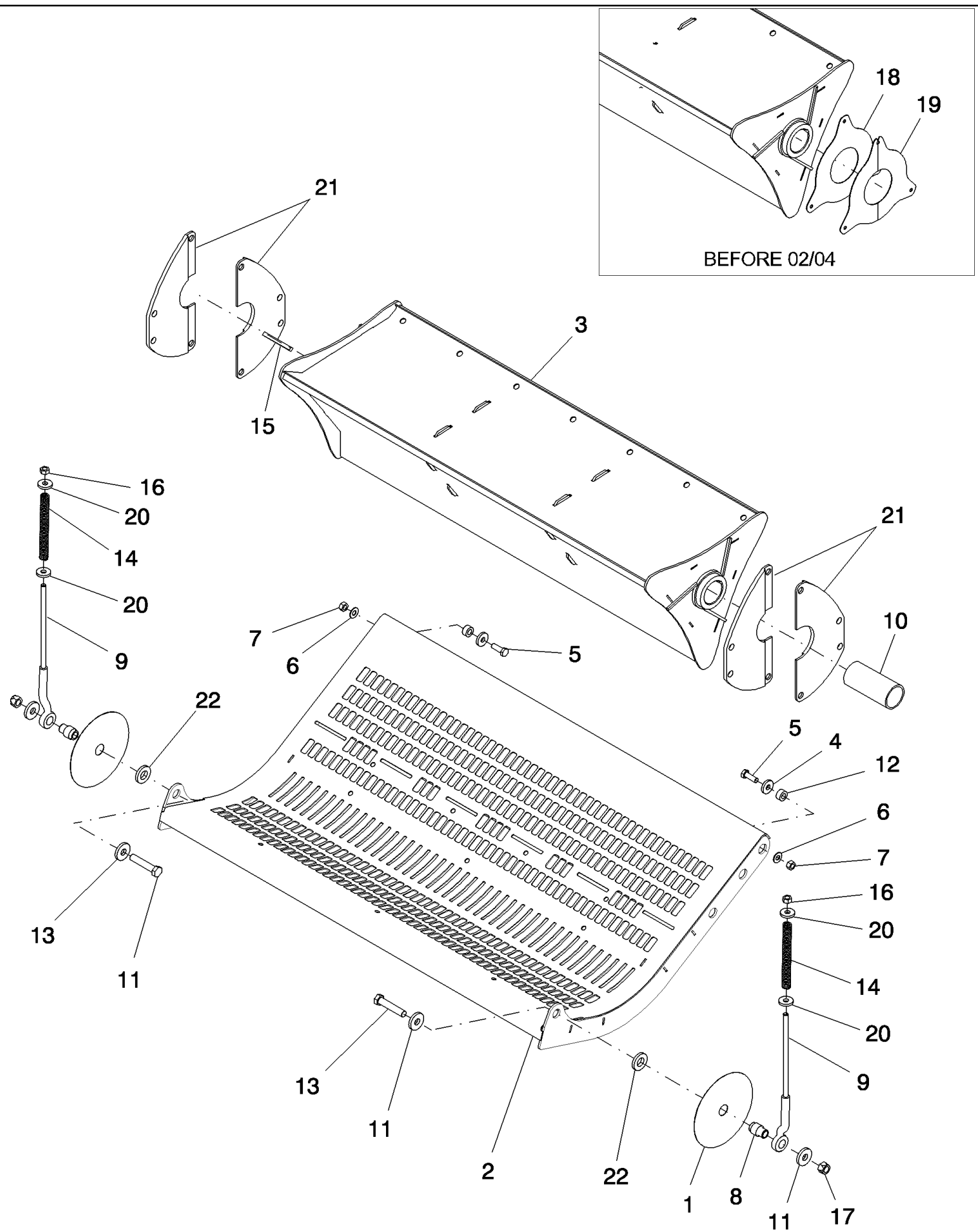


сылка	Номер детали	Кол-во	Описание
1	87284015	1	HOUSING, BPIN HAJ106401, Includes Ref. # 23 - Was 87283226, For EU Only
1	87510519	1	HOUSING, , For NA Only
1	87510729	1	HOUSING, PIN HAJ106401 and after [MY2006], Shape shown on K.64.D.64
2	87000192	2	HUB, BPIN HAJ106401
2	87314540	2	HUB, PIN HAJ106401 and after [MY2006]
3	412183	8	BOLT, CARRIAGE, Short NK, M10 x 35, CI8.8, Full Thd,
4	140045	10	WASHER, SPRING, Belleville, M10,
5	100016	8	NUT, M10, CI 8,
6	87284515	1	BLADE, LH
7	87284519	1	BLADE, RH
8	87283411	1	BAR, Support, Finger Bar
9	87282590	3	FINGER BAR, Long
10	87282592	2	FINGER BAR, Short
11	87282620	1	FINGER, Clamp
12	412097	2	BOLT, CARRIAGE, Short NK, M12 x 60, CI8.8,
13	82004639	2	NUT, Push On, 12 mm
14	86588502	2	WASHER, M12 x 25 x 3,
15	100038	2	NUT, LOCK, M12 x 1.75, CI 8,
16	9706690	6	NUT, M8, CI 8,
17	322358	4	WASHER, SPRING, Belleville, M8,
18	264198	4	WASHER,
19	87302583	2	BOLT, Hex, Lock, M8 x 90, CI 10.9,
20	140045	AR	WASHER, SPRING, Belleville, M10,
21	86507486	6	BOLT, CARRIAGE, Short NK, M8 x 20, CI8.8, Full Thd,
22	87314696	1	FLANGE, Welded Campaign Part, Final Shape as Shown on K.64.D.64
23	84004739	3	DECAL, Stand Clear, For EU Only
23	86640441	3	DECAL, Stand Clear, For NA Only
24	43138	8	BOLT, Hex, M10 x 20, 8.8, Full Thd,
25	87531172	2	PLATE, COVER,



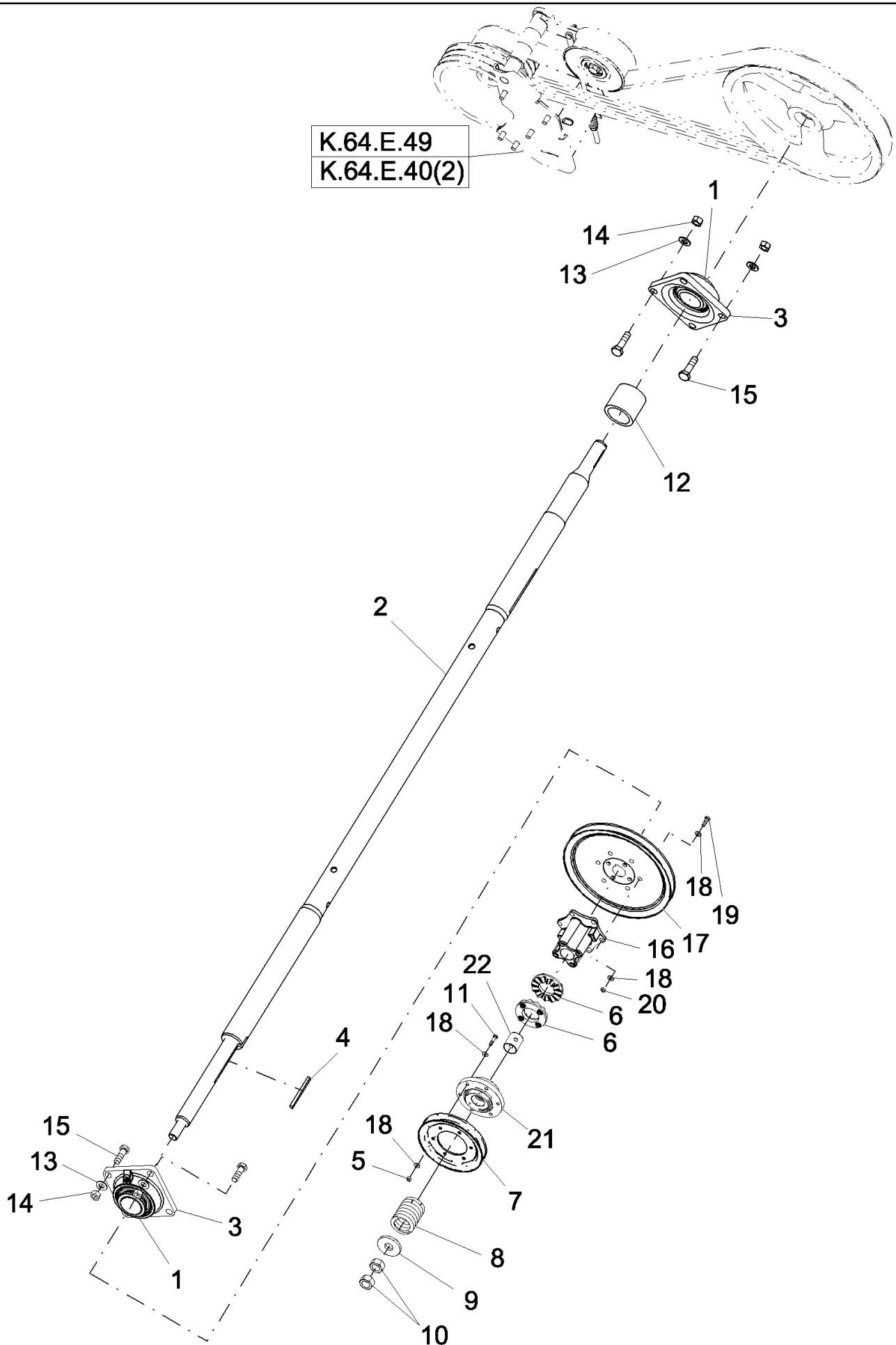
сылка	Номер детали	Кол-во	Описание
1	87510672	1	DIVIDER,
2	87317614	1	BRACKET,
3	87312625	2	CLEVIS, ADJUSTABLE, 1/2"-20, LH
4	87326432	2	CLEVIS, ADJUSTABLE, 1/2"-20
5	87510747	2	ROD, 1/2"-20
6	87312467	2	PIN, Headed, 1/2" x 9-7/8"
7	87318439	1	PLATE, Distributor
8	87318440	1	PLATE, Distributor
9	733-5040	2	PIN, SPLIT (COTTER), M5 x 40,
10	425-158	2	NUT, Jam, 1/2"-20, G5,
11	614-12100	1	BOLT, Hex, M12 x 100, 8.8, Full Thd,
12	614-12045	4	BOLT, Hex, M12 x 45, 8.8,
13	832-46412	4	NUT, LOCK, M12 x 1.75, CI 8,
14	9706685	1	NUT, M12, CI 8,
15	140018	2	WASHER, M12 x 24 x 2.5,
16	87347933	2	NUT, Push-On, M12

K.64.E BEATER, DISCHARGE



K.64.E BEATER, DISCHARGE

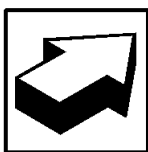
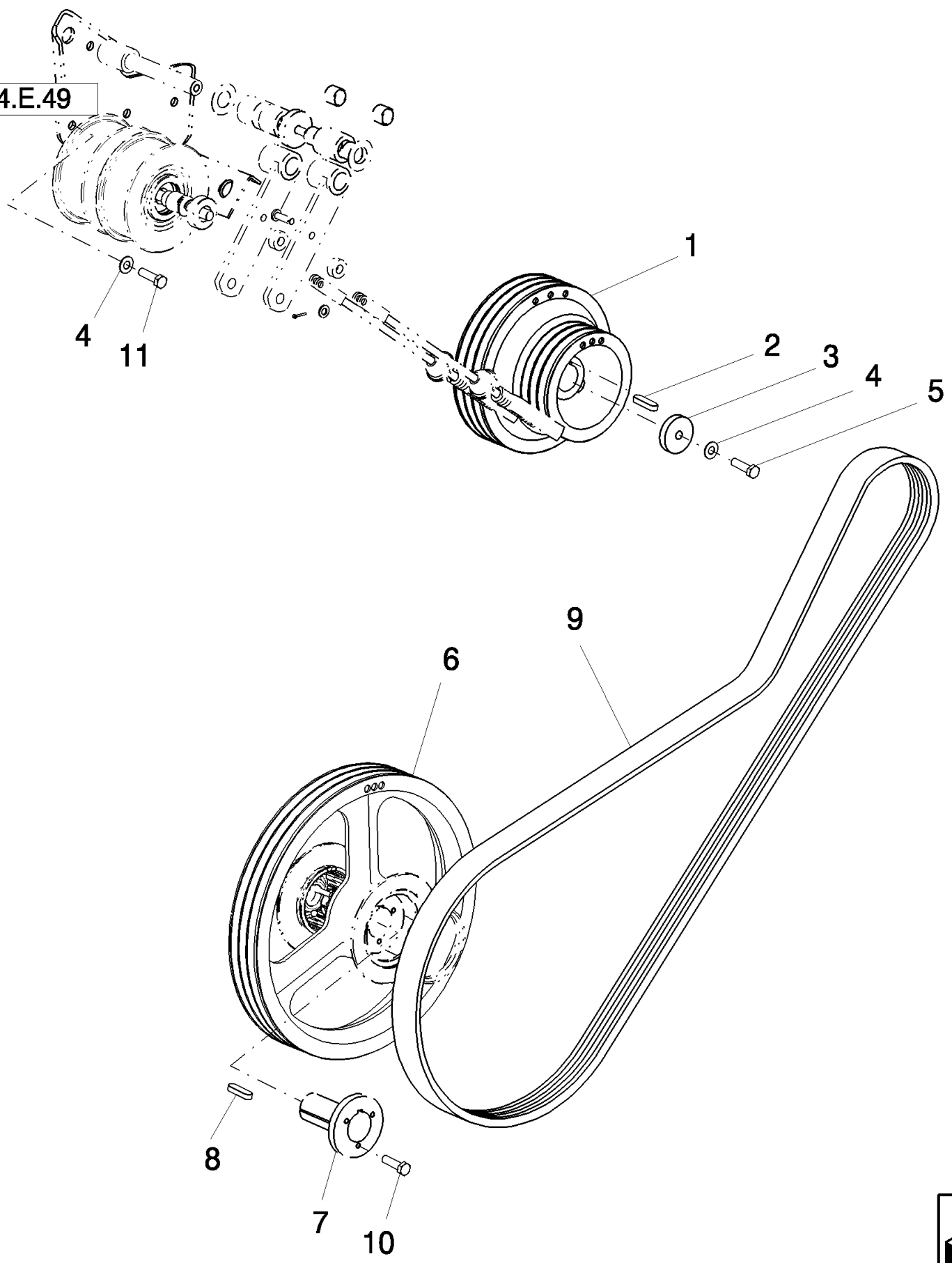
сылка	Номер детали	Кол-во	Описание
1	87105606	2	SHIELD,
2	87108192	1	PAN, , EndYear: 12/06/2003
2	87282893	1	PAN, , Start Year: 12/06/2003
3	87282088	1	BEATER, Was 87107313
4	86592701	2	WASHER, M12 x 35 x 5, HT,
5	337563	2	BOLT, Hex, M12 x 40, 10.9, Full Thd,
5	9824642	2	BOLT, Hex, M12 x 35, 10.9,
6	140046	2	WASHER, SPRING, Belleville, M12,
7	9706685	AR	NUT, M12, CI 8,
8	86997586	2	BUSHING,
9	87591008	2	EYEBOLT, Eyebolt, When Replacing Production Spring Or Eyebolt, Replace Both Springs & Both Eyebolts
10	87109549	1	BUSHING, Spacer - 178.10 mm long
10	87282091	1	BUSHING, Spacer - 183.60 mm long
11	86592702	4	WASHER, M16 x 45 x 6, HT,
12	699963	2	SPACER,
13	86577946	2	BOLT, Hex, M16 x 80, 10.9,
14	87656535	2	SPRING, COMPRESSION, Spring, Compression, When Replacing Production Spring Or Eyebolt, Replace Both Springs & Both Eyebolts
15	86997578	1	KEY,
16	412672	2	NUT, LOCK, M12 x 1.75, CI 10,
17	86512555	2	NUT, LOCK, M16 x 2, CI 10,
18	87282092	2	SEAL, , EndYear: 02/09/2004
19	87281986	2	PLATE, , EndYear: 02/09/2004
20	9838302	2	WASHER,
21	87283248	4	SEAL, , Start Year: 02/09/2004
22	86511328	AR	WASHER, M24 x 34 x 4,



K.64.E.40(1) BEATER DRIVES

сылка	Номер детали	Кол-во	Описание
1	NSS	2	NOT SERVICED SEPARATELY, Bearing
2	87107720	1	SHAFT, , EndYear: 03/01/2004
2	87282886	1	SHAFT, , Start Year: 03/01/2004
3	87109088	2	BEARING ASSY, Includes Ref. 1
4	86997578	1	KEY, Retaining
5	9706690	7	NUT, M8, CI 8,
6	168370C2	2	CLUTCH, PLATE,
7	86999341	1	PULLEY, Drive, Tailing, 218 mm Dia.
7	87283287	1	PULLEY, Drive, Tailing, 236.63 mm Dia., Years: 02/09/2004-03/01/2004
8	420927	1	SPRING,
9	86997063	1	BUSHING, GROOVED,
10	9848973	2	NUT, M24, CI 10,
11	412479	7	BOLT, Hex, M8 x 35, 8.8,
12	87109553	1	BUSHING, Spacer
13	140048	8	WASHER, SPRING, Belleville, M16,
14	392530	8	NUT, M16, CI 10,
15	9845488	8	BOLT, Rd Hd, Short Neck, CL 10.9, M16 x 50
16	87011488	1	HUB,
17	86999005	1	PULLEY,
18	322358	24	WASHER, SPRING, Belleville, M8,
19	43235	6	BOLT, Hex, M8 x 30, 10.9,
20	43362	6	NUT, M8, CI 10,
21	87011496	1	HUB,
21	87282507	1	HUB, Replaces 87011496, Start Year: 02/09/2004
22	86997496	1	BUSHING,

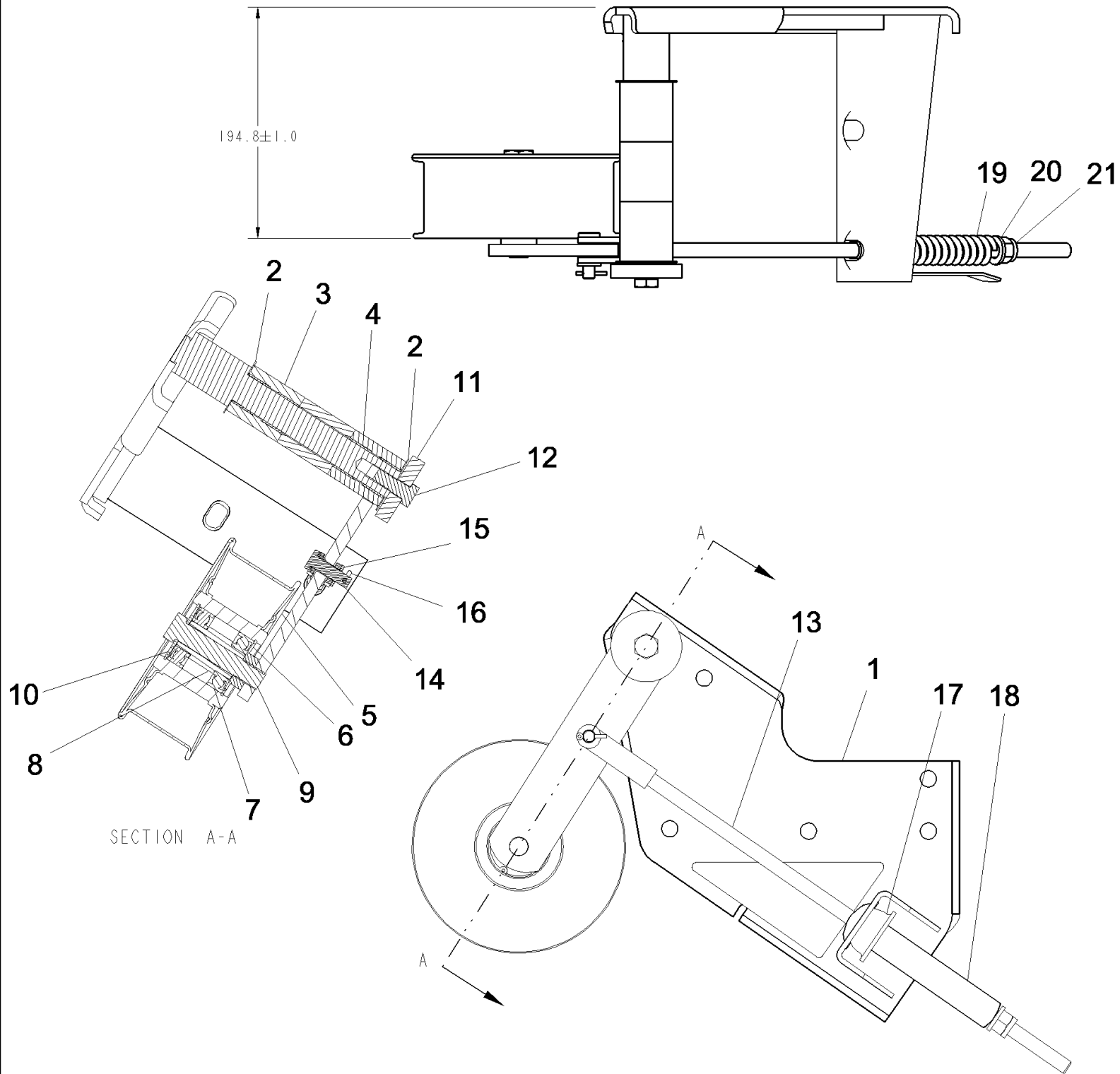
K.64.E.49



AFX8010 AXIAL-FLOW COMBINE (3/03-9/06)

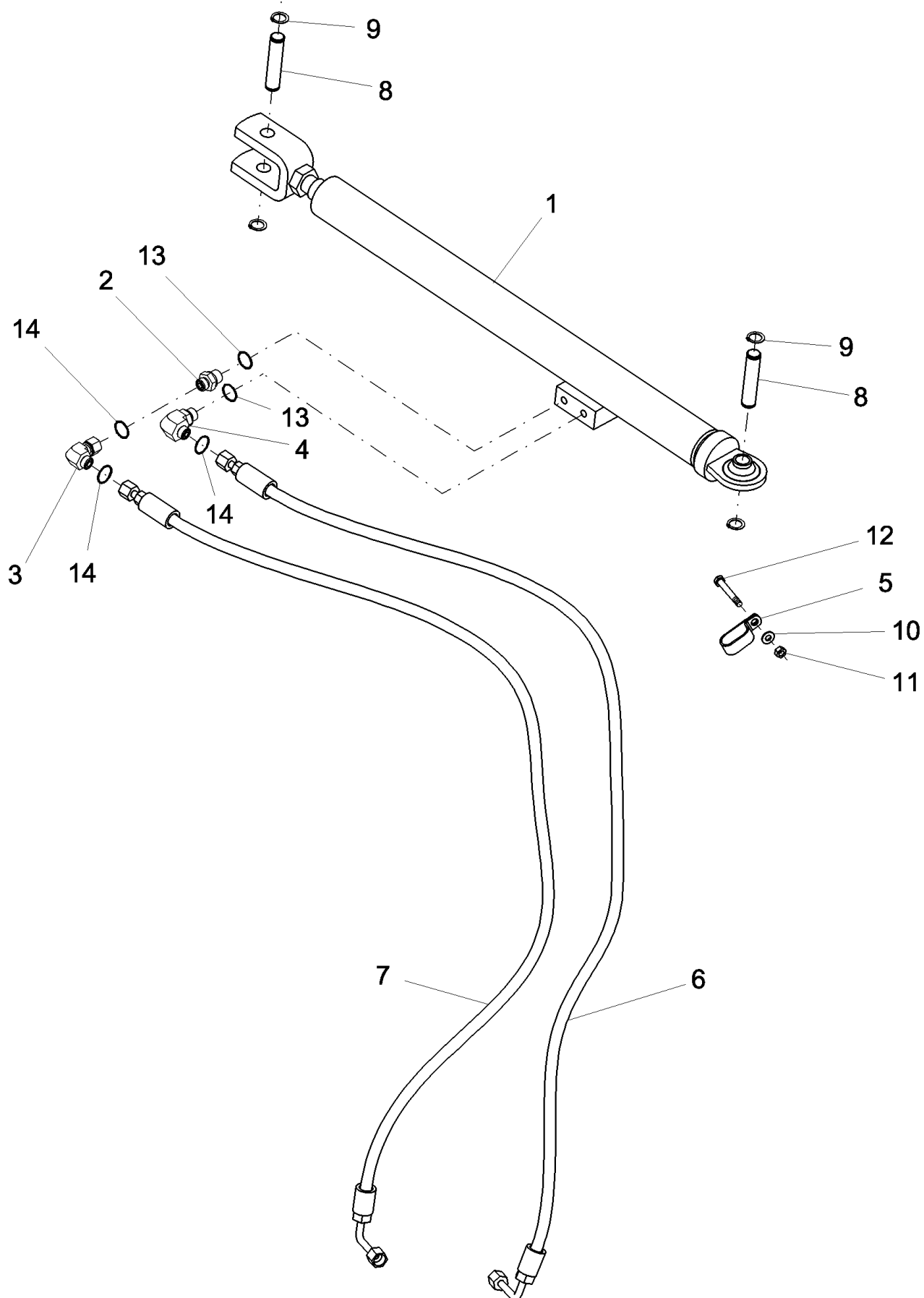
K.64.E.40(2) DRIVE, BEATER

сылка	Номер детали	Кол-во	Описание
1	86975937	1	PULLEY, Dual, Grooved, EndYear: 03/01/2004
1	87283335	1	PULLEY, Dual, Grooved, Start Year: 03/01/2004
2	170066	1	KEY, Sq, 14 x 9 x 50 mm
3	84073172	1	WASHER,
4	140046	6	WASHER, SPRING, Belleville, M12,
5	9706717	1	BOLT, Hex, M12 x 70, 8.8, Full Thd,
6	87108839	1	PULLEY, , EndYear: 03/01/2004
6	87282664	1	PULLEY, , Start Year: 03/01/2004
7	87107341	1	BUSHING, , EndYear: 03/01/2004
7	87282665	1	BUSHING, , Start Year: 03/01/2004
8	87485	1	KEY, Sq, 5/16 x 2"
9	86517680	1	BELT, 3HB, 119.90" Effective Length
10	9635884	3	BOLT, Hex, 5/16"-18 x 1", G5, Full Thd, , EndYear: 03/01/2004
10	88011	3	BOLT, Hex, 3/8"-16 x 1 1/4", G5, Full Thd, , Start Year: 03/01/2004
11	9706687	5	BOLT, Hex, M12 x 30, 8.8,



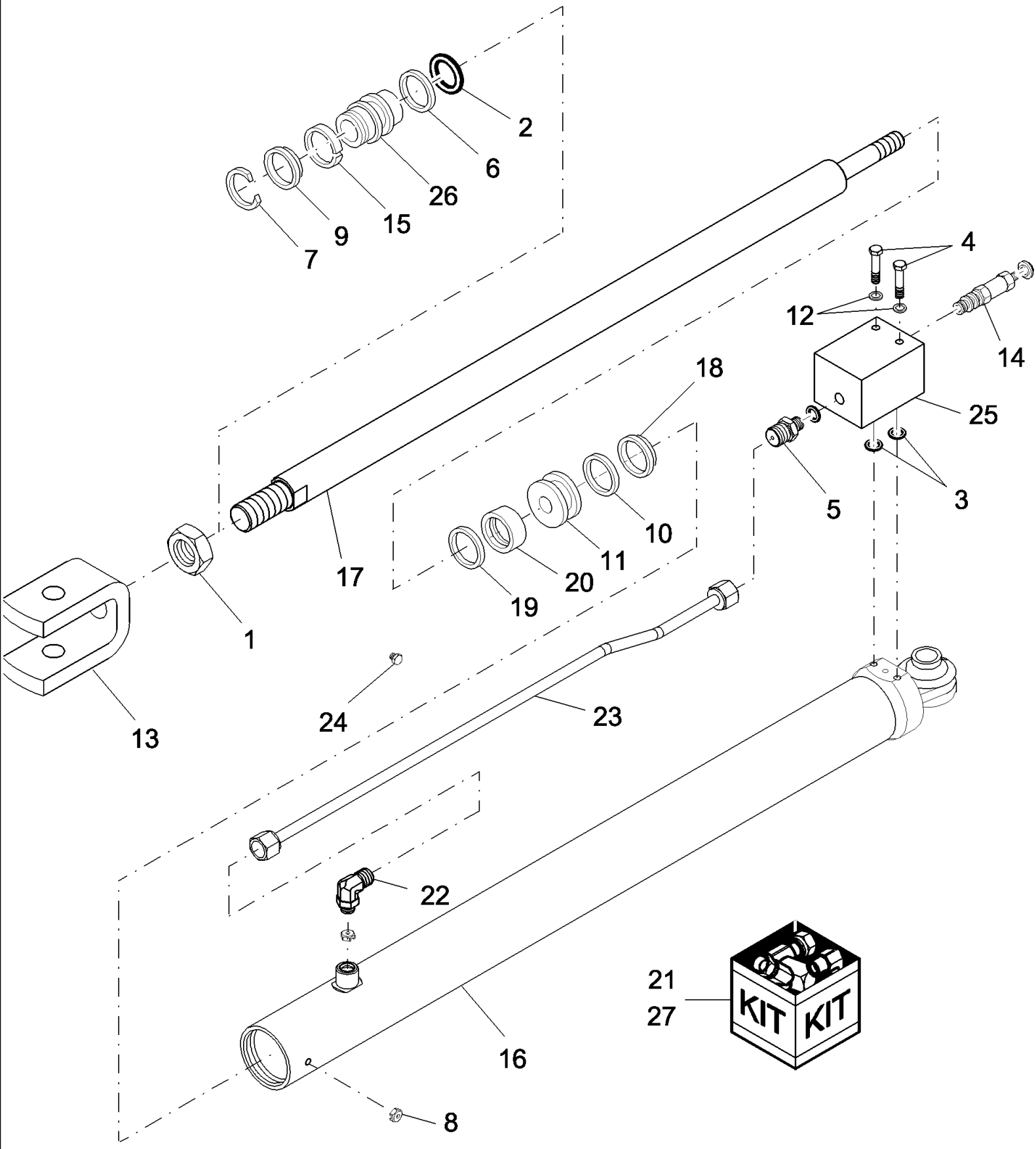
сылка	Номер детали	Кол-во	Описание
1	87107122	1	BRACKET,
2	27317	AR	WASHER, Shim
3	86976292	2	SPACER,
4	86976291	1	DRAWBAR, SWINGING, Idler
5	84072441	1	IDLER,
6	370011	2	RING, SNAP, M52, Int,
7	84057966	2	BEARING, BALL,
8	84057817	1	BUSHING,
9	120093	1	BOLT, Hex, M16 x 80, 8.8,
10	140048	1	WASHER, SPRING, Belleville, M16,
11	84073172	1	WASHER,
12	9706687	1	BOLT, Hex, M12 x 30, 8.8,
13	86975966	1	ROD,
14	390040	1	PIN, CLEVIS, M10 x 35,
15	9820489	1	WASHER, M10
16	130003	1	PIN, SPLIT (COTTER), M3.2 x 20,
17	86560521	1	PIVOT,
18	86596885	1	INDICATOR,
19	84814905	1	SPRING,
20	140018	1	WASHER, M12 x 24 x 2.5,
21	412126	1	NUT, LOCK, M12 x 1.75, CI 8,

K.72.B.26(1) UNLOADER SWING CYLINDER AND LINES

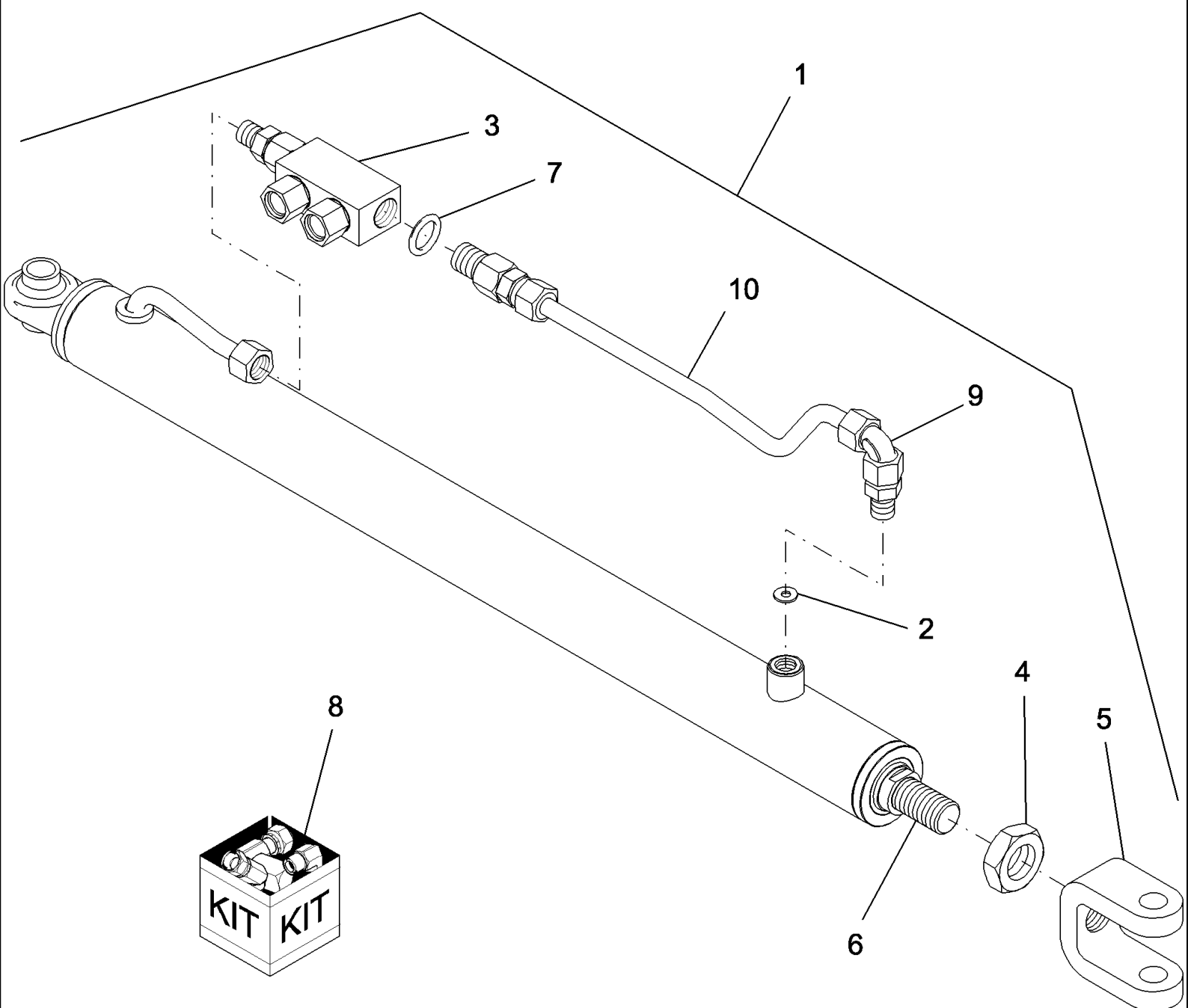


K.72.B.26(1) UNLOADER SWING CYLINDER AND LINES

сылка	Номер детали	Кол-во	Описание
1	86586808	1	HYDRAULIC CYLINDER, Stamped # 23284
1	84461647	1	HYDRAULIC CYLINDER, Stamped # 24215
2	86579673	1	CONNECTOR, HYD., 11/16"-16 ORFS x M18 x 1.5 ORB,
3	84989392	1	ELBOW, 90є, 11/16"-16 ORFS x 11/16"-16 Fem Sw,
4	86579688	1	ELBOW, 90є, 11/16"-18 ORFS x M18 x 1.5 ORB,
5	87107812	1	CLAMP,
6	87106483	1	HOSE, FLEXIBLE,
7	87106482	1	HOSE, FLEXIBLE,
8	84320612	2	PIN,
9	300627	4	RING, SNAP, M19, Ext,
10	322358	1	WASHER, SPRING, Belleville, M8,
11	9706690	1	NUT, M8, CI 8,
12	120061	1	BOLT, Hex, M8 x 60, 8.8,
13	86598101	2	O-RING, CI 6, 15.3MM ID x 2.2 Thk,
14	9993141	3	O-RING, -012, 90 Duro, .364" ID x .070" Thk,



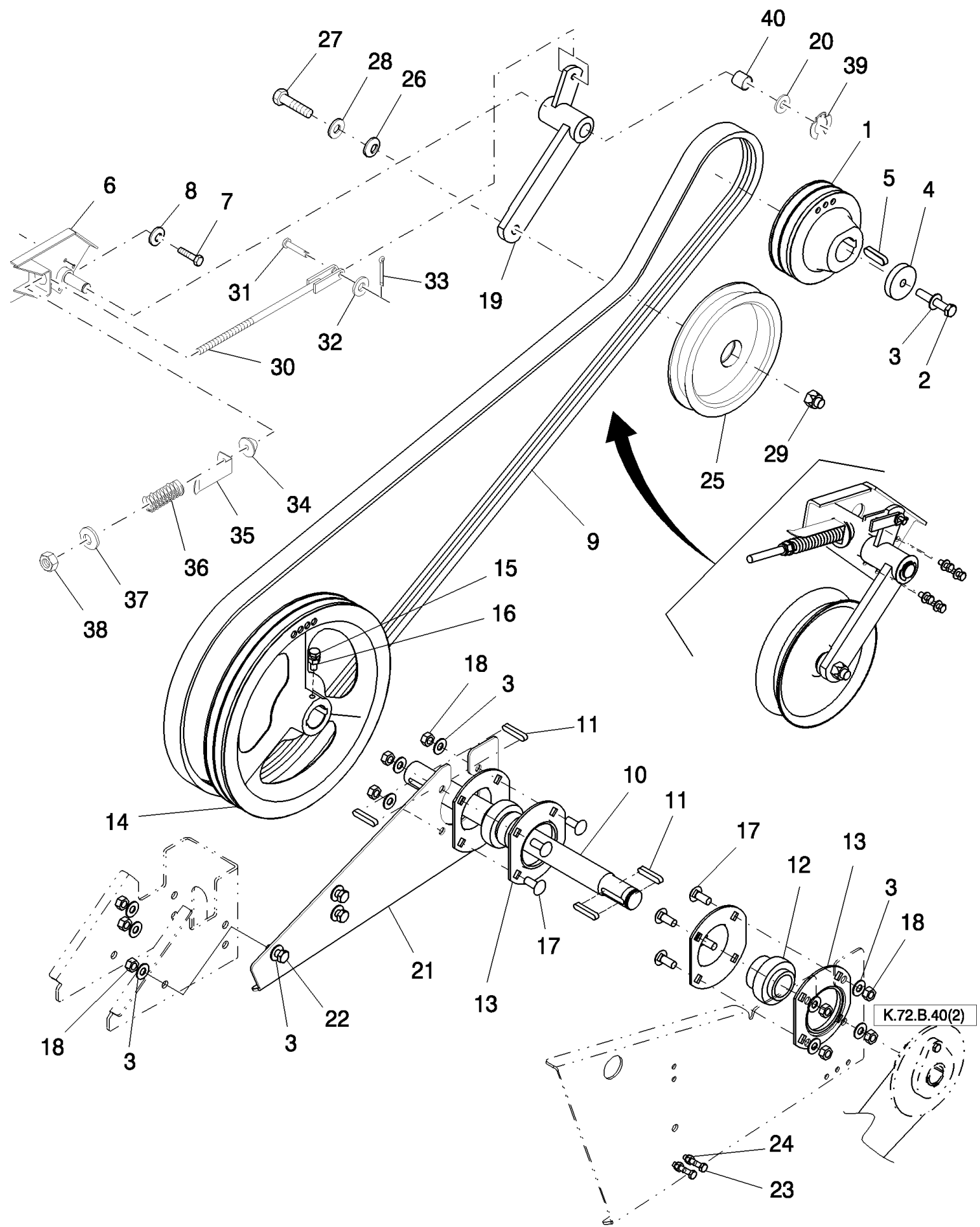
сылка	Номер детали	Кол-во	Описание
	86586808	1	HYDRAULIC CYLINDER, 86548346 or 23284 Stamped on Cylinder
1	84022122	1	NUT, Thin, M24 x 2, CI 05,
2	104258	1	O-RING, -326, 70 Duro, 1.600" ID x .210" Thk,
3	128359	1	O-RING, -016, 70 Duro, .614" ID x .070" Thk,
4	86837942	2	BOLT, Hex, 1/4"-28 X 2 3/4", G8,
5	9626421	1	CONNECTOR, HYD.,
6	511297	1	WASHER,
7	512016	1	RING, SNAP, Int, 2.125"
8	529034	1	SCREW, HS, Self-Locking, Cup Pt, 1/4"-20 x 1/4"
9	529340	1	SEAL, Rod Wiper
10	771705	1	RING, Wear
11	86548350	1	Piston
12	87361	2	WASHER, 1/4", SAE,
13	84064904	1	CLEVIS,
14	86580057	1	VALVE, CHECK,
15	86513307	1	SEAL, 1.250" ID x 1.500" OD
16	86548347	1	Cylinder
17	86548349	1	Piston Rod
18	86553483	1	SEAL, 3 Piece, Piston
19	86553484	1	RING, PISTON, Piston
20	86556531	1	Ring, Cushion
21	84989045	1	KIT, SEALS,
22	86579688	1	ELBOW, 90°, 11/16"-18 ORFS x M18 x 1.5 ORB,
23	86589755	1	TUBE,
24	86590045	1	Orifice - Set Screw
25	86607270	1	MANIFOLD VALVE,
26	9826325	1	CYLINDER HEAD,
27	86548352	1	KIT, SEALS,



K.72.B.26(3) HYDRAULIC CYLINDER, UNLOADING AUGER, SWING

сылка	Номер детали	Кол-во	Описание
1	86586808	1	HYDRAULIC CYLINDER, Unloading Auger, Swing - 86548346 or 23284 Stamped on Cylinder
1	84461647	1	HYDRAULIC CYLINDER, Unloading Auger, Swing - 24215 Stamped on Cylinder
2	87031319	1	ORIFICE, Flow Regulator
3	87031320	1	VALVE, CHECK, 86586808 Cylinder Only
3	84461693	1	VALVE, CHECK, 84461647 Cylinder - Includes Ref. 7, 9 & 10
4	84022122	1	NUT, Thin, M24 x 2, CI 05,
5	87031322	1	CLEVIS,
6	84462328	1	ROD,
7	722441	1	GASKET,
8	84989045	1	KIT, SEALS, Cylinder Repair
9	84462160	1	Elbow
10	NSS	1	NOT SERVICED SEPARATELY, Tube and Elbow

K.72.B.40(1) UNLOADING DRIVE

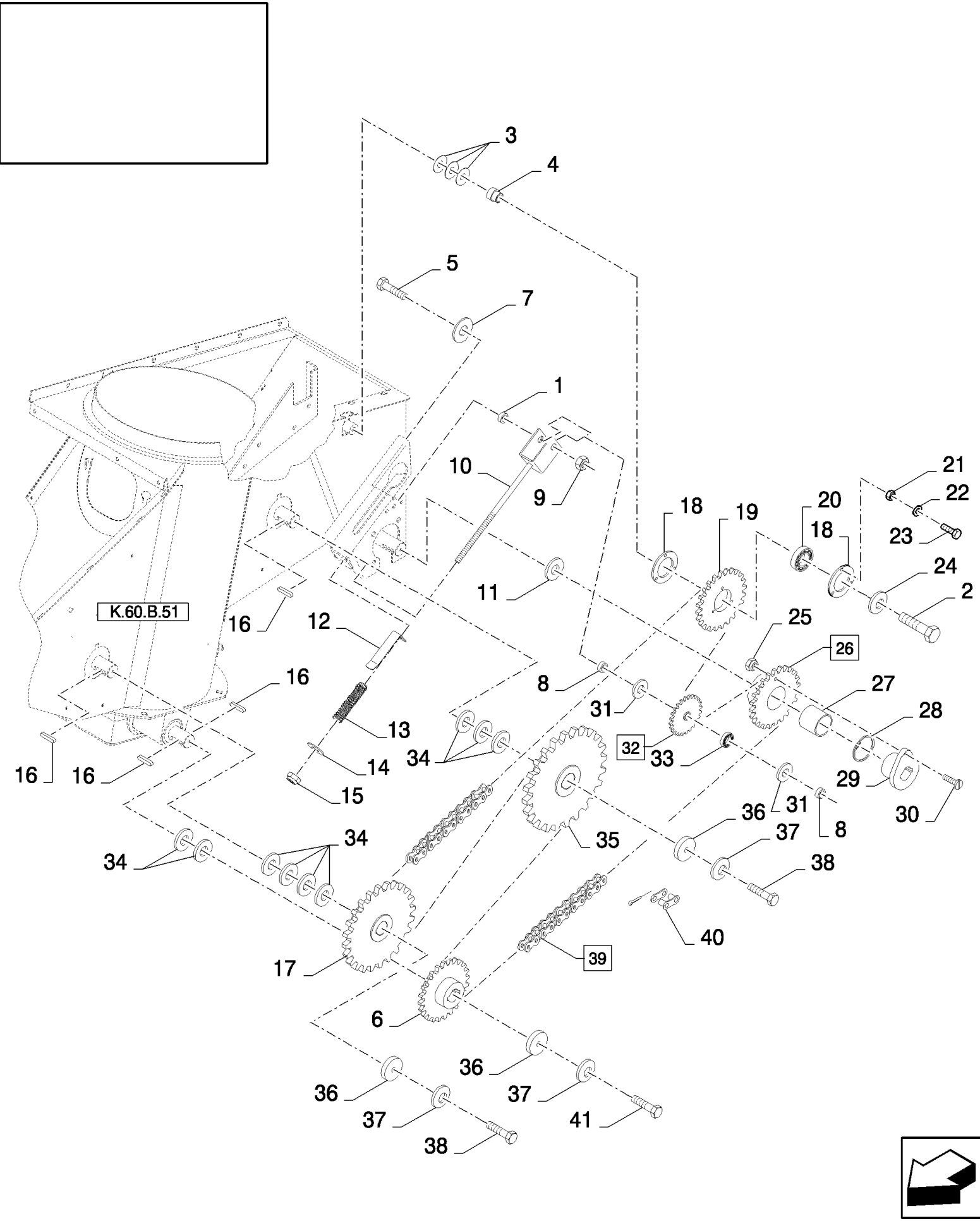


AFX8010 AXIAL-FLOW COMBINE (3/03-9/06)

K.72.B.40(1) UNLOADING DRIVE

сылка	Номер детали	Кол-во	Описание
1	86999121	1	PULLEY,
2	9706717	1	BOLT, Hex, M12 x 70, 8.8, Full Thd,
3	140046	15	WASHER, SPRING, Belleville, M12,
4	84073172	1	WASHER,
5	170066	1	KEY, SQ, 14 x 9 x 50
6	86997160	1	PLATE, Belt Tensioner
7	120104	4	BOLT, Hex, M8 x 20, 8.8,
8	322358	4	WASHER, SPRING, Belleville, M8,
9	87011585	1	BELT, Drive, 2HB
10	86995830	1	SHAFT, 515 mm long
11	170012	4	KEY, 10 x 8 x 50 mm
12	455805	2	BEARING, BALL, & Lock Collar
13	9837215	4	FLANGE,
14	86999122	1	PULLEY,
15	43140	1	BOLT, Hex, M10 x 30, 8.8, Full Thd,
16	100016	1	NUT, M10, CI 8,
17	120044	8	BOLT, CARRIAGE, Short NK, M12 x 30, CI8.8, Full Thd,
18	9706685	11	NUT, M12, CI 8,
19	86596879	1	TENSIONER, Idler Arm
20	27317	1	WASHER, Shim
21	86975573	1	SUPPORT,
22	9706687	3	BOLT, Hex, M12 x 30, 8.8,
23	43129	5	BOLT, Hex, M8 x 40, 8.8,
24	832-46408	5	NUT, LOCK, M8 x 1.25, CI 8,
25	86588003	1	IDLER,
26	86598190	1	BUSHING,
27	350616	1	BOLT, Hex, M16 x 90, 8.8,
28	140048	1	WASHER, SPRING, Belleville, M16,
29	86000441	1	NUT, LOCK, M16 x 2, CI 8,
30	86587035	1	ROD,
31	80390040	1	PIN, Clevis, M10 x 35
32	80140017	1	WASHER, LOCK, M10
33	80130003	1	PIN, SPLIT (COTTER), M3.2 x 20
34	86560521	1	PIVOT,
35	86596885	1	INDICATOR,
36	84814905	1	SPRING,
37	140018	1	WASHER, M12 x 24 x 2.5,
38	412126	1	NUT, LOCK, M12 x 1.75, CI 8,
39	579497	1	RING, SNAP,
40	84057311	2	SLEEVE,

K.72.B.40(2) UNLOADING CHAIN DRIVE

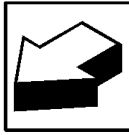
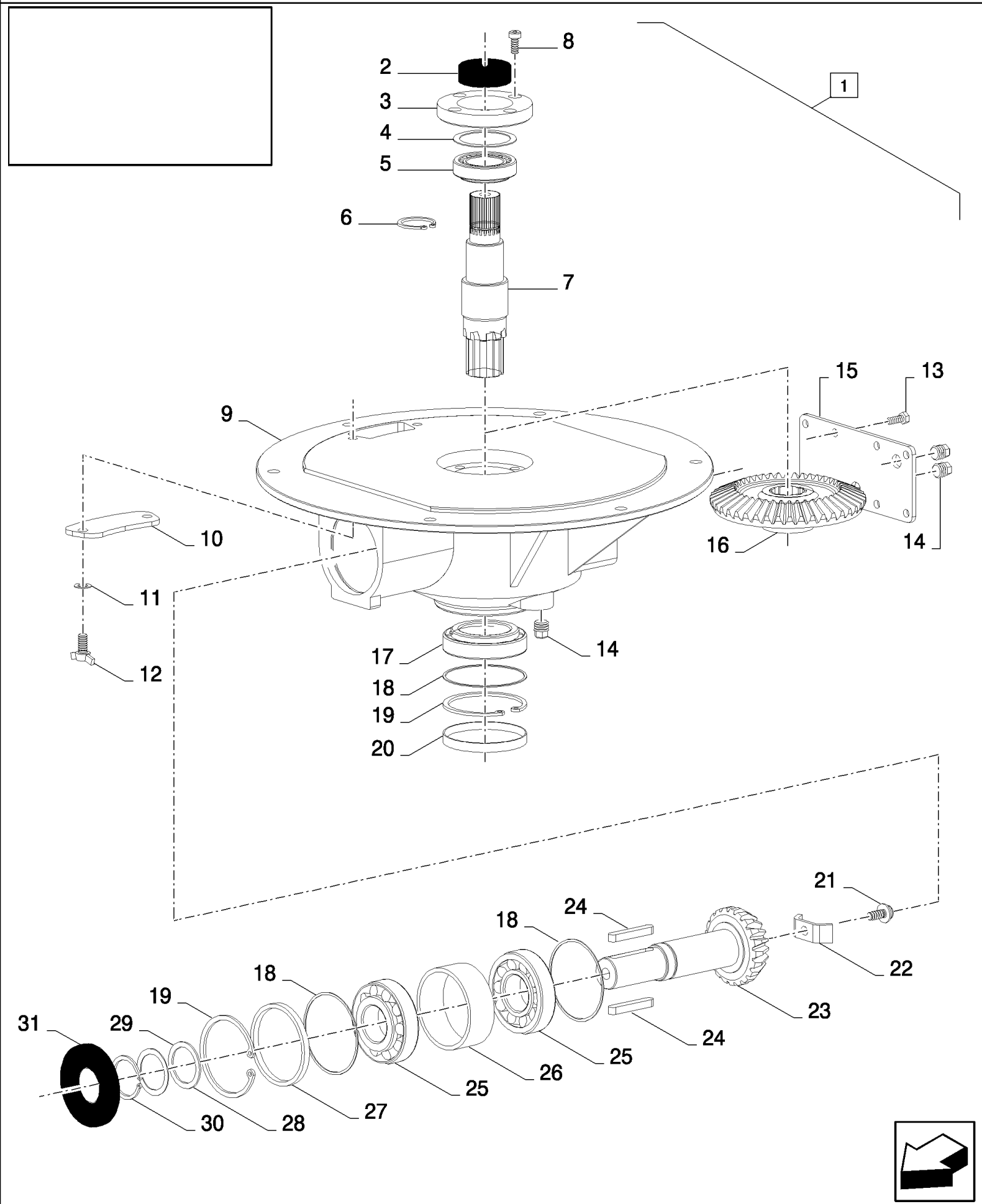


K.72.B.40(2) UNLOADING CHAIN DRIVE

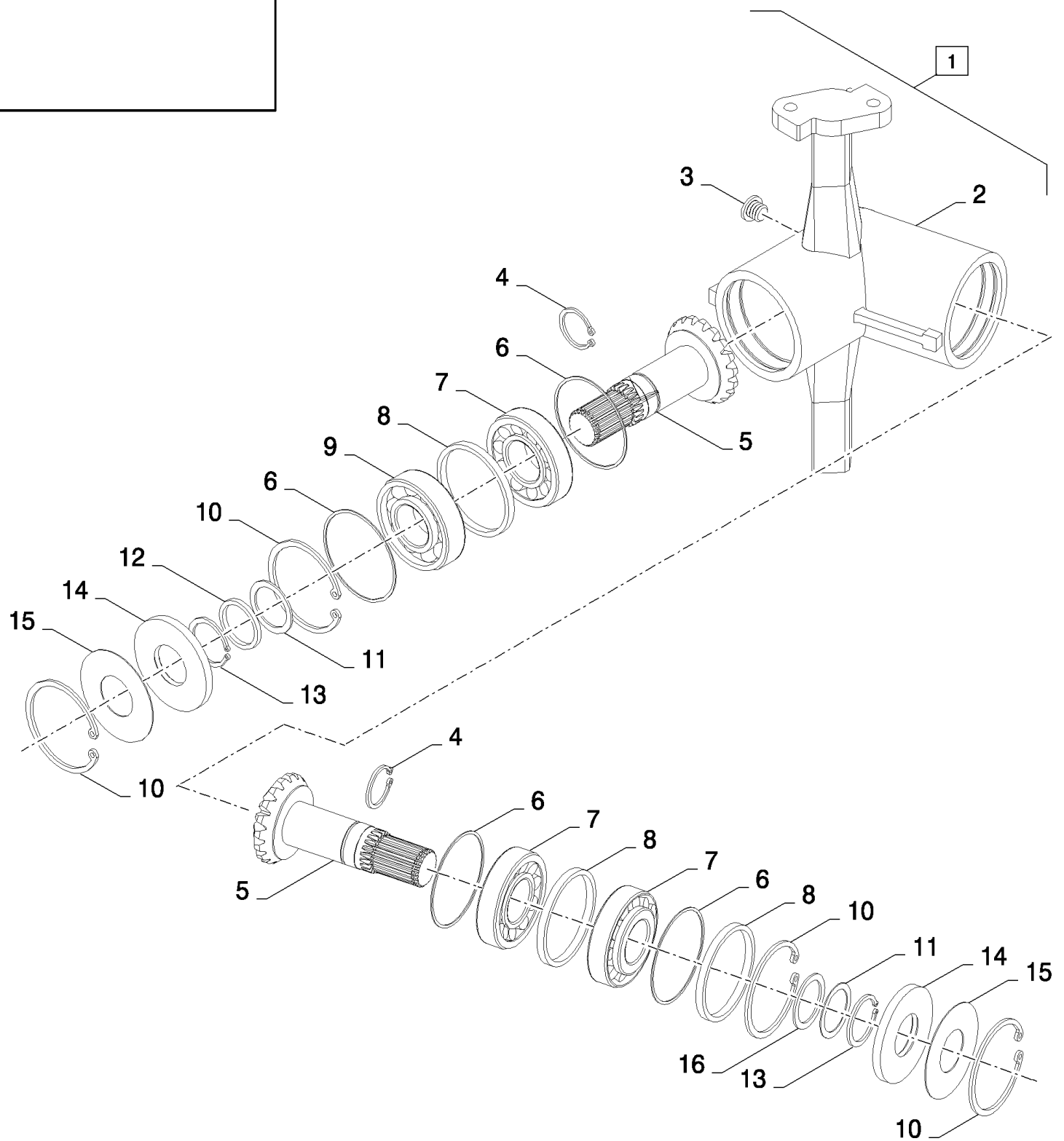
сылка	Номер детали	Кол-во	Описание
1	86623083	1	RING, Washer
2	614-16050	1	BOLT, Hex, M16 x 50, 8.8,
3	80393062	3	WASHER, M17
4	89515145	1	BUSHING,
5	120093	1	BOLT, Hex, M16 x 80, 8.8,
6	84069770	1	SPROCKET, 25T
7	86519909	1	WASHER, M17
8	86582836	2	BUSHING, Spacer
9	86000441	1	NUT, LOCK, M16 x 2, CI 8,
10	86588887	1	CLEVIS,
11	84073175	1	WASHER, M35
12	86601493	1	INDICATOR,
13	337829	1	SPRING, Compression
14	86511324	1	WASHER, M12 x 24 x 2.5,
15	80412126	1	NUT, LOCK, CL 8, M12 x 1.75
16	80170012	4	KEY, M10 x 8 x 50
17	84069777	1	SPROCKET, 38T
17	87710883	1	SPROCKET, Sprocket, 47T; See Also: Ref.s 35 & 39, Service Only: To Slow Down Drive For Rice Harvesting
18	80310146	2	FLANGE,
19	86594534	1	SPROCKET, Idler, 25T
20	80443898	1	BEARING, BALL,
21	9706755	3	NUT, M6, CI 8,
22	322357	3	WASHER, SPRING, Belleville, M6,
23	120100	3	BOLT, Hex, M6 x 20, 8.8,
24	140048	1	WASHER, SPRING, Belleville, M16,
25	832-46408	1	NUT, LOCK, M8 x 1.25, CI 8,
26	84069795	1	SPROCKET, 25T
27	89819016	1	SLEEVE,
28	370004	1	RING, SNAP, M35, Ext,
29	84073176	1	BUSHING, SHEAR BOLT,
30	43129	1	BOLT, Hex, M8 x 40, 8.8,
31	34821	2	WASHER,
32	86627639	1	SPROCKET, Idler, 15T
33	66553	1	BEARING, BALL,
34	9800957	11	ARWASHER, Hardened, M36
35	84069677	1	SPROCKET, 43T
35	87710883	1	SPROCKET, Sprocket, 47T; See Also: Ref.s 17 & 39, Service Only: To Slow Down Drive For Rice Harvesting
36	84073172	3	WASHER, M13
37	140046	3	WASHER, SPRING, Belleville, M12,
38	9706687	2	BOLT, Hex, M12 x 30, 8.8,
39	86998066	1	CHAIN, RC 60H, 3/4"-pitch, 284 Pitches
39	87680581	1	CHAIN, Chain 60H, 3/4" pitch, 288 Pitches; See Also: Ref.s 17 & 35, Service Only: To Slow Down Drive For Rice Harvesting

K.72.B.40(2) UNLOADING CHAIN DRIVE

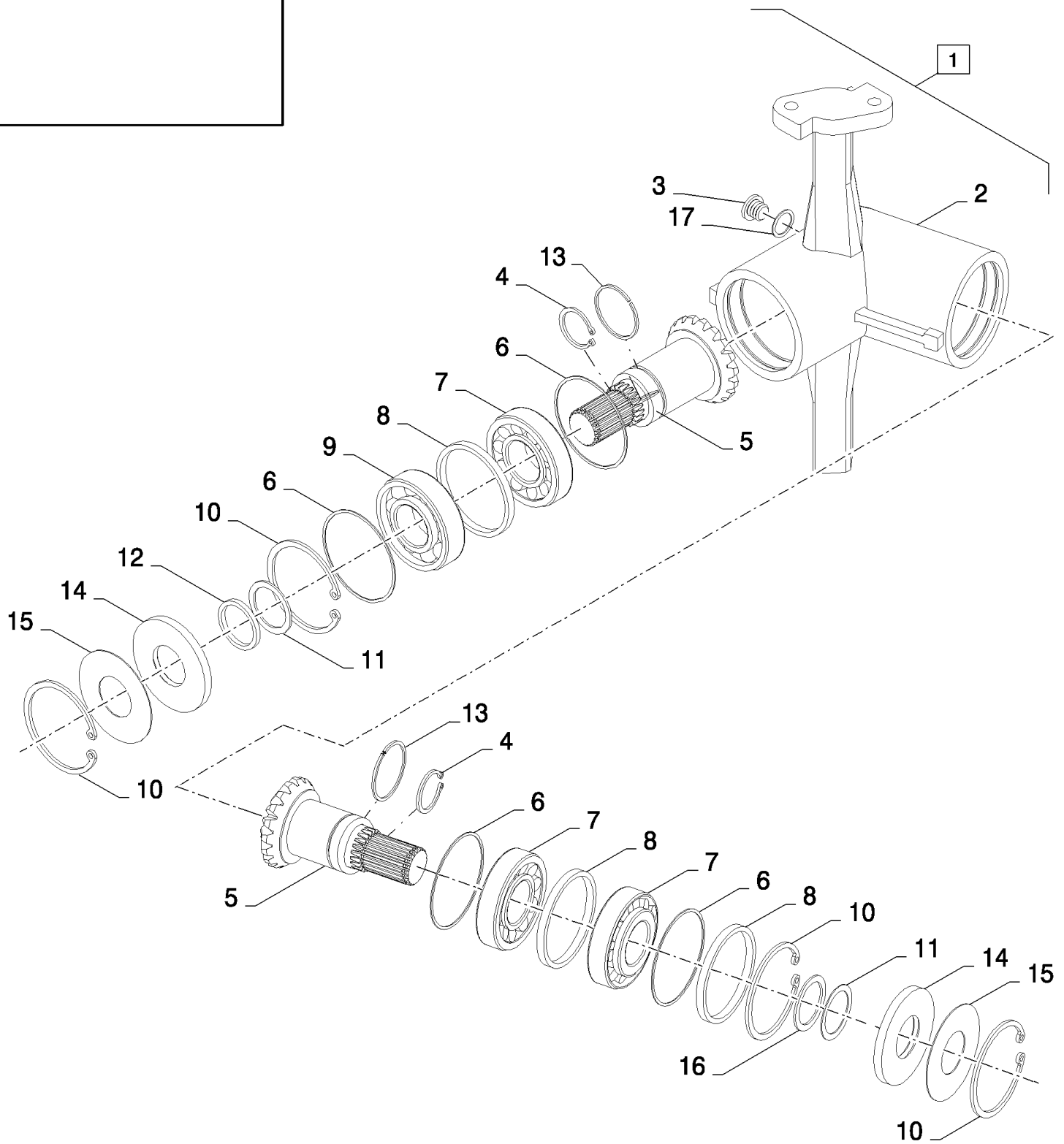
сылка	Номер детали	Кол-во	Описание
40	86595264	1	LINK, CHAIN, Connecting, RC 60 H, Cotter-pin-type
41	86629541	1	BOLT, Hex, M12 x 40, 8.8, Full Thd,



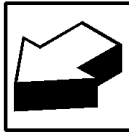
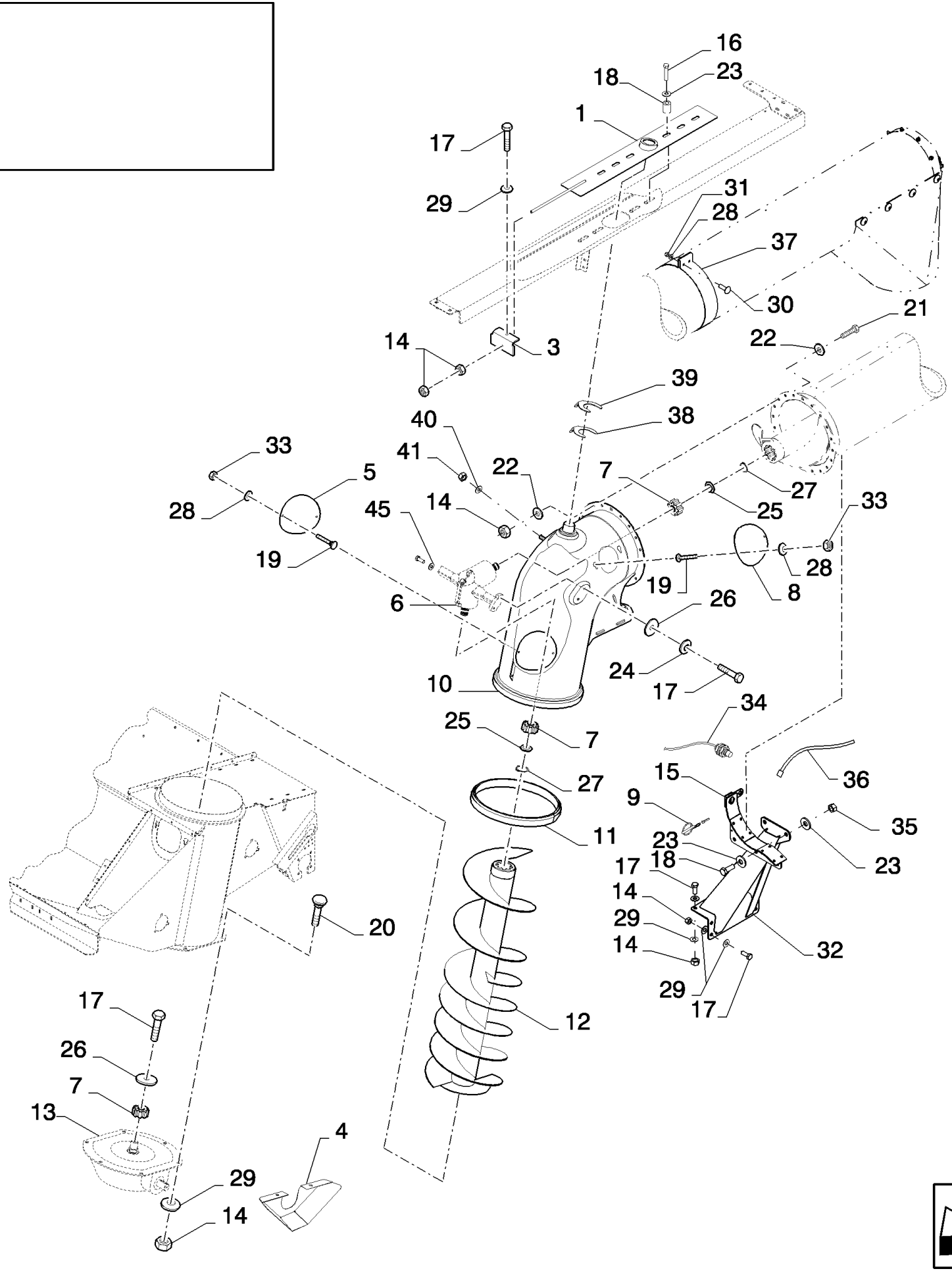
сылка	Номер детали	Кол-во	Описание
1	84320052	1	GEARBOX,
2	86623221	1	SEAL, RUBBER,
3	86623222	1	FLANGE, Cover
4	86623218	1	SHIM,
5	86626475	1	BEARING, ROLLER, TAPERED,
6	370004	1	RING, SNAP, M35, Ext,
7	86623219	1	SHAFT,
8	86566099	4	SCREW, Hex Soc Hd, M8 x 16, 12.9,
9	86623223	1	HOUSING,
10	86623226	1	COVER,
11	9511037	2	GASKET,
12	412049	2	SCREW,
13	120104	8	BOLT, Hex, M8 x 20, 8.8,
14	9837623	3	PLUG, Drain, Replaces 86557412
15	86623224	1	COVER,
16	86623225	1	GEAR, BEVEL,
17	853116	1	BEARING, ROLLER, TAPERED,
18	86623216	3	SHIM,
19	370013	2	RING, SNAP, M90, Int,
20	86623227	1	COVER,
21	9804262	1	BOLT, Hex Flg, M10 x 30, 8.8,
22	86623220	1	PLATE,
23	86623217	1	GEAR, Pinion
24	80170012	2	KEY, Replaced 170013
25	86613758	2	BEARING, ROLLER, TAPERED,
26	86623228	1	SPACER,
27	86623215	1	RING,
28	86623231	1	SHIM, 2 mm
29	86623229	1	SHIM, Also Includes (1) Ref. # 28
30	440442	1	RING, SNAP, M10, Ext, 2.5 x 40 mm
31	86623230	1	SEAL,



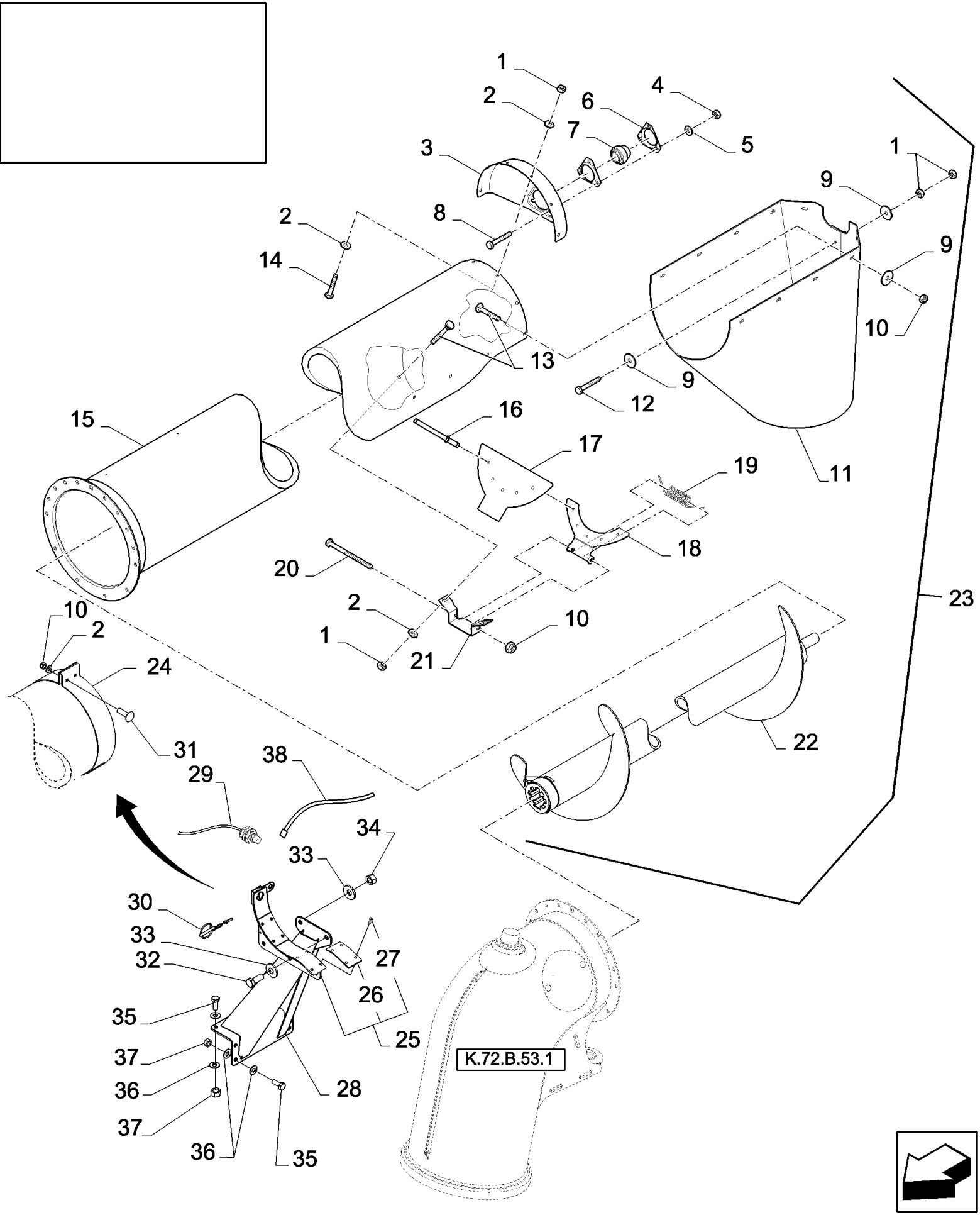
сылка	Номер детали	Кол-во	Описание
1	84320130	1	GEARBOX, Includes: 2 to 16
2	84437089	1	HOUSING, Casting # 1.175.0302.00
3	84437088	1	PLUG,
4	84025665	2	CIRCLIP,
5	84437076	2	GEAR, BEVEL,
6	84437081	4	KIT, SHIM,
7	86613758	3	BEARING, ROLLER, TAPERED,
8	86623215	3	RING,
9	80042543	1	BEARING, BALL,
10	370013	4	RING, SNAP, M90, Int,
11	86623229	2	SHIM,
12	84437080	1	RING,
13	440442	2	RING, SNAP, M10, Ext, 40 x 2.5 mm
14	86623230	2	SEAL,
15	84437077	2	COVER,
16	84437091	1	SHIM, .020"



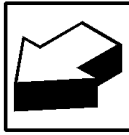
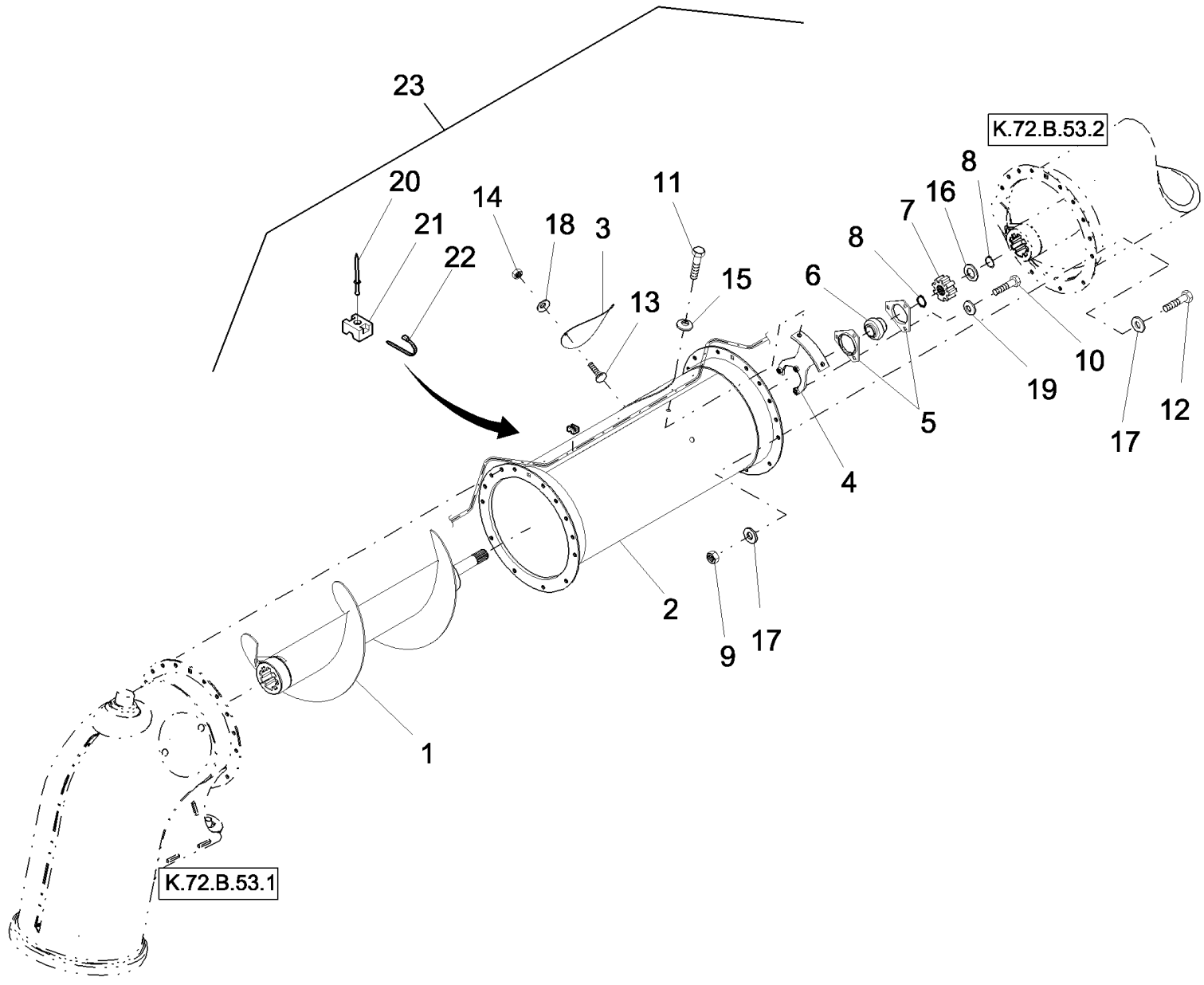
сылка	Номер детали	Кол-во	Описание
1	87331084	1	GEARBOX, Includes: 2 to 17
2	87331121	1	HOUSING, Casting # 1.175.030300
3	84437088	1	PLUG,
4	87349260	2	CIRCLIP, 34 mm
5	87331114	2	SHAFT,
6	87346736	4	KIT, SHIM,
7	26799990	3	BEARING ASSY,
8	87332420	3	SPACER, RING,
9	ST265	1	BEARING, BALL,
10	370026	4	RING, SNAP, Int, M100 x 3,
11	87332423	2	KIT, SHIM,
12	87345894	1	SHIM, 55 x 68 x 3
13	800-5155	2	RING, SNAP, M55, Ext, Hvy,
14	87331115	2	SEAL,
15	87332418	2	WASHER,
16	87345893	1	SHIM, 55 x 68 x 1
17	9511034	1	GASKET,



сылка	Номер детали	Кол-во	Описание
1	86998599	1	PLATE,
2	378245	AR	WASHER, M12,
3	84072832	1	BRACKET,
4	86976181	1	SHIELD,
5	84073388	1	COVER,
6	87331084	6	GEARBOX,
7	87011705	3	HUB,
8	84320188	1	COVER,
9	87106279	1	PIN,
10	87044522	1	ELBOW,
11	86558526	1	SLEEVE,
12	84447940	1	AUGER, Standard & Perforated
12	87280337	1	AUGER, Extended Wear
13	84320052	1	GEARBOX,
14	9706685	33	NUT, M12, CI 8,
15	87552526	1	SUPPORT ASSY.,
16	86577946	6	BOLT, Hex, M16 x 80, 10.9,
17	9706687	11	BOLT, Hex, M12 x 30, 8.8,
18	87284863	6	SPACER,
19	86507486	4	BOLT, CARRIAGE, Short NK, M8 x 20, CI8.8, Full Thd,
20	120044	6	BOLT, CARRIAGE, Short NK, M12 x 30, CI8.8, Full Thd,
21	86629541	19	BOLT, Hex, M12 x 40, 8.8, Full Thd,
22	394630	38	WASHER,
23	86589278	10	WASHER, SPRING,
24	86585939	3	WASHER, SPRING,
25	84072793	2	WASHER,
26	327084	3	WASHER,
27	11068376	2	RING, SNAP, M35, Ext,
28	322358	6	WASHER, SPRING, Belleville, M8,
29	140046	19	WASHER, SPRING, Belleville, M12,
30	86512443	2	BOLT, CARRIAGE, Short NK, M8 x 35, CI8.8, Full Thd,
31	86629542	2	NUT, LOCK, M8 x 1.25, CI 8,
32	87107155	1	SUPPORT,
33	9706690	4	NUT, M8, CI 8,
34	84058863	1	SENSOR,
35	100020	2	NUT, M16, CI 8,
36	86566989	AR	STRAP, CABLE,
37	87284878	1	SECURING BAND,
38	87627724	1	SHIM,
39	87620925	1	SHIM,
	140045	1	WASHER, SPRING, Belleville, M10,
	100016	1	NUT, M10, CI 8,

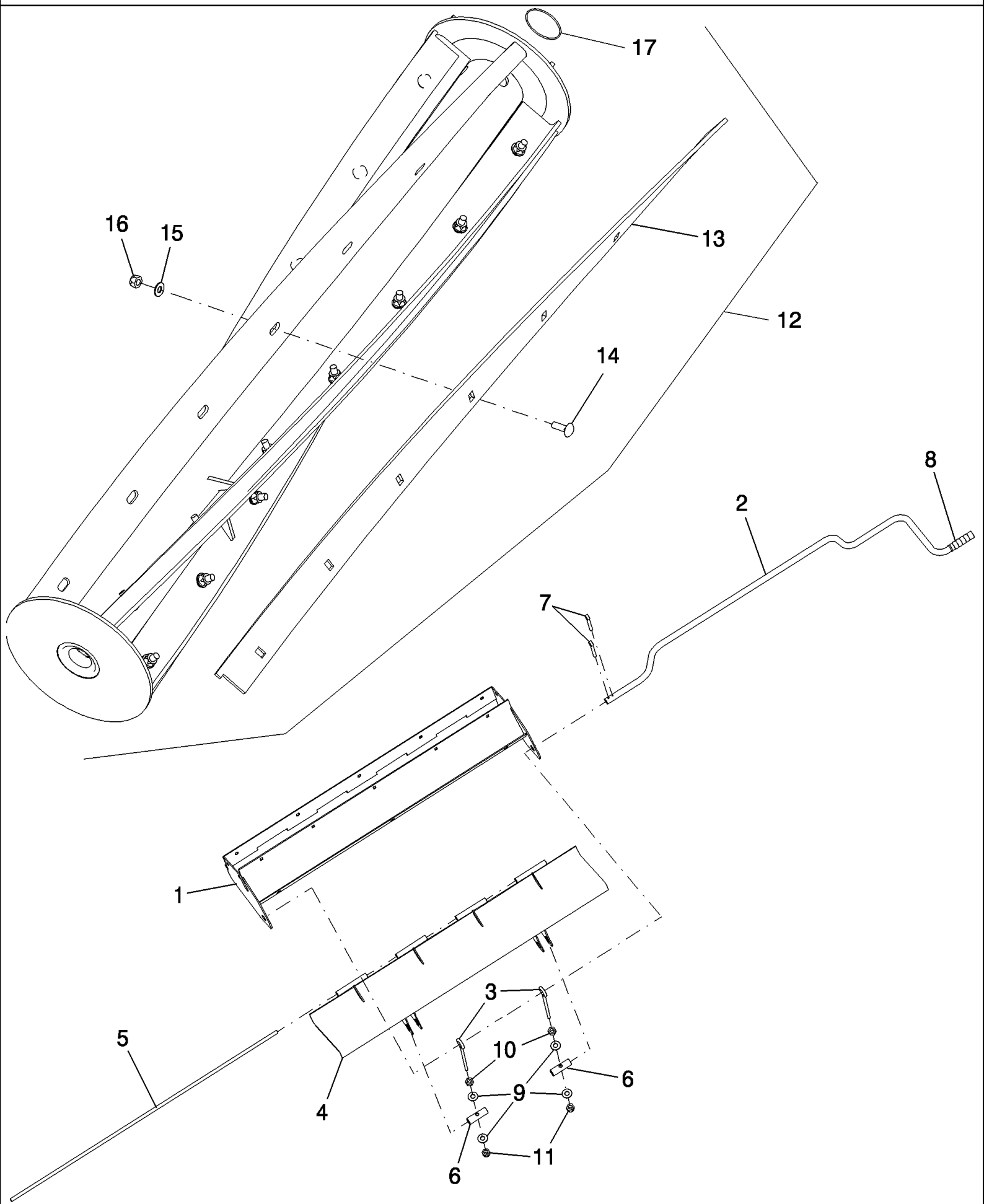


сылка	Номер детали	Кол-во	Описание
1	9706690	14	NUT, M8, CI 8,
2	322358	10	WASHER, SPRING, Belleville, M8,
3	84075462	1	COVER,
4	100016	3	NUT, M10, CI 8,
5	140045	3	WASHER, SPRING, Belleville, M10,
6	86548970	1	FLANGE,
6	84320112	1	SET, Flanges
7	84069440	1	BEARING, BALL,
8	338949	3	BOLT, CARRIAGE, Short NK, M10 x 25, CI8.8, Full Thd,
9	322	18	WASHER,
10	832-46408	11	NUT, LOCK, M8 x 1.25, CI 8,
11	84064911	1	SPOUT, DISCHARGE,
12	43128	4	BOLT, Hex, M8 x 30, 8.8,
13	86507486	12	BOLT, CARRIAGE, Short NK, M8 x 20, CI8.8, Full Thd,
14	120104	4	BOLT, Hex, M8 x 20, 8.8,
15	87284775	1	TUBE, Standard & Extended Wear
15	87284781	1	TUBE, Perforated
16	325911	5	RIVET, Pop, M4.8 x 7.4,
17	84434535	1	SEAL,
18	84069871	1	SUPPORT, Cover, Lid
19	84320110	1	SPRING,
20	86528166	1	BOLT, Hex, M8 x 120, 8.8,
21	84069872	1	SUPPORT,
22	84447941	1	AUGER, Standard & Perforated
22	87280339	1	AUGER, Extended Wear
23	NLS	1	NO LONGER SERVICED, Assembly, Standard; Includes: Ref.s 1 Thru 22
23	NLS	1	NO LONGER SERVICED, Assembly, Perforated; Includes: Ref.s 1 Thru 22
23	87280358	1	AUGER, Assembly, Extended Wear; Includes: Ref.s 1 Thru 22



сылка	Номер детали	Кол-во	Описание
1	84447939	1	AUGER, Standard & Perforated, BSN HAJ200028
1	87575223	1	AUGER, Standard & Perforated, ASN HAJ200029
1	87280341	1	AUGER, Extended Wear, BSN HAJ200028
1	87575225	1	AUGER, Extended Wear, ASN HAJ200029
2	87354454	1	TUBE ASSY., Black
3	87552541	1	COVER,
4	84072623	1	SUPPORT,
5	86620026	2	FLANGE,
6	87605590	1	BEARING,
6	877-3086	1	SET SCREW, Set Screw, Not Shown
7	87011705	1	HUB,
8	370004	2	RING, SNAP, M35, Ext,
9	9706685	19	NUT, M12, CI 8,
10	43140	3	BOLT, Hex, M10 x 30, 8.8, Full Thd,
11	300388	2	BOLT, Hex, M12 x 25, 8.8,
12	86629541	19	BOLT, Hex, M12 x 40, 8.8, Full Thd,
13	86507486	2	BOLT, CARRIAGE, Short NK, M8 x 20, CI8.8, Full Thd,
14	9706690	2	NUT, M8, CI 8,
15	140046	2	WASHER, SPRING, Belleville, M12,
16	84072793	1	WASHER,
17	394630	38	WASHER,
18	322358	2	WASHER, SPRING, Belleville, M8,
19	140045	3	WASHER, SPRING, Belleville, M10,
20	445394	3	RIVET, Pop, M4.8 x 12.7,
21	86590413	3	CLAMP,
22	86566989	3	STRAP, CABLE, 45 x 4.8
23	87280553	1	AUGER, Extension Assy, Standard & Perforated, BSN HAJ200028
23	87354622	1	EXTENSION, Assy, Standard & Perforated, ASN HAJ200029
23	84084285	1	Assy, Extended Wear, BSN HAJ200028
23	87354630	1	EXTENSION, Assy, Extended Wear, ASN HAJ200029

PIN HAJ200029 and after parts may be used on earlier units if BPIN stock depletes.



K.90.E.70 STONE TRAP AND ROLLER

сылка	Номер детали	Кол-во	Описание
1	86995743	1	SUMP,
2	86995744	1	HANDLE,
3	86999020	2	EYEBOLT,
4	86995745	1	DOOR,
5	86995746	1	ROD,
6	86995747	2	TUBE,
7	80754	2	PIN, SPLIT (COTTER), 3/16" x 1 1/2",
8	86995153	1	HANDLE, Grab
9	140046	4	WASHER, SPRING, Belleville, M12,
10	9706685	2	NUT, M12, CI 8,
11	100038	2	NUT, LOCK, M12 x 1.75, CI 8,
12	87284912	1	BEATER, Was 87108963 - Includes Ref. 17
13	87108966	4	Blade, Spiral - Beater
13	87360866	4	Blade, Serrated Spiral - Beater
14	86512446	28	BOLT, CARRIAGE, Short NK, M10 x 30, CI8.8, Full Thd,
15	140045	28	WASHER, SPRING, Belleville, M10,
16	100037	28	NUT, M10 x 1.5, CI 8,
17	87109491	1	SEAL,
18	87691657	AR	Kit, Serrated Spiral Blade; Includes: Ref. 13, 87360866 (4)

ART

NOT

AVAILABLE

M(1) DEALER INITIAL STOCKING LIST

сылка	Номер детали	Кол-во	Описание
	LIST A		
1	84036676	1	FILTER, AIR, Air
2	84817132	4	BRAKE, PAD,
3	84058793	1	FILTER, CAB,
4	84989840	1	FILTER, ELEMENT, Fuel
5	86517680	1	BELT, 3HB, 119.90" Effective Length
6	87011585	1	BELT, 2HB, 3254 mm Effective Length
7	87106692	20	KNIFE SECTION,
8	86975809	1	BELT, Drive
9	86976165	1	PULLEY,
10	86980546	1	BELT, Drive
11	86995574	3	SLAT, Chain
12	87109130	1	BELT, Drive
13	87108745	1	SENSOR, Bracket
14	86998332	1	FILTER, AIR,
15	86998333	2	FILTER, AIR,
16	504078066	1	BELT, Alternator, For EU Only
16	87282333	1	BELT, Alternator, For NA Only
17	504078068	1	BELT, Fan, For EU Only
17	87282305	1	BELT, Fan, For NA Only
18	84818745	2	FILTER, FUEL,
19	84818743	4	FILTER, ENGINE OIL,
20	277311A1	1	FILTER, HYDRAULIC OIL, Aux
21	254353A1	1	FILTER, HYDRAULIC OIL, Hydro
22	294721A1	1	FILTER, HYDRAULIC OIL, Lube
23	86502201	1	SET OF 2 KEYS,
	LIST B		
1	336945	5	NUT, M22 x 1.5, CI 10, Wheel
2	716840	2	FLANGE,
3	748961	5	NUT, Wheel
4	84058860	1	SENSOR,
5	84058861	1	SENSOR,
6	84058862	1	SENSOR,
7	84443588	5	BOLT, Bolt, Wheel
8	84062511	5	NUT, Wheel
9	86556530	1	SENSOR,
9	87026294	1	SENSOR, Inclination - Replaces 86556530
10	86975430	1	SENSOR, Feeder Lift
11	86976208	1	BELT,
12	86980769	5	DISC,
13	86981000	6	ANGLE,
14	86981467	56	NUT, LOCK, M10 x 1.5, Flg, CI 10,
15	86981484	56	BOLT, Hex Flg, M10 x 25, 10.9, Full Thd,
16	86992047	6	BAR, Rasp
17	86992048	2	BAR, Rasp

M(1) DEALER INITIAL STOCKING LIST

сылка	Номер детали	Кол-во	Описание
18	86995010	1	STRAINER, ELEMENT, Fuel
19	86995344	4	LINK, CONNECTING, , BSN HAJ105700
19	87283349	4	LINK, CONNECTING, , ASN HAJ105701
20	86995345	4	LINK, OFFSET, , BSN HAJ105700
20	87283350	4	LINK, OFFSET, , ASN HAJ105701
21	86995593	1	SENSOR,
22	1309336C2	25	RASP BAR,
23	86996914	1	KEY, Retaining
24	86997034	40	BLADE, Fan
25	86998452	5	BLADE,
26	86999627	8	BLADE, Cutting
27	86999734	1	COLLAR,
28	86509590	2	RELAY, 20 Amp
29	87106338	12	BOLT,
30	87105603	1	SENSOR,

ART

NOT

AVAILABLE

M(2) SWING AND SERVICE PARTS

сылка	Номер детали	Кол-во	Описание
1	86975430	1	SENSOR, Feeder Lift - 2500 PSIG Pressure
2	86975963	1	ENGINE, IVECO Engine, F3A275
3	86980270	1	ENGINE, CDC 9L Engine Assy
4	86981234	1	VALVE, HYDRAULIC, PTO 1
5	86981235	1	VALVE, CONTROL, PTO 2
6	87105126	1	PTO, With CDC 9L Engine
7	87105127	1	PTO, With Iveco Engine
8	86998844	1	GEARBOX, Variable Feeder Drive
9	86998846	1	GEARBOX, Rotor Variator
10	87105142	AR	LINK, CHAIN,
11	87281652	1	MOTOR, HYDRAULIC, LH, Wheel - Power Guide Axle, Replaced 87280431
12	87288653	1	RH, Wheel - Power Guide Axle, Replaced 87280432
13	87280433	1	VALVE, Power Guide Axle
14	84083561	AR	DIA KIT, HARVESTER, Tailings, Hard Threshing - Consists of 87283418 & 87283551

