

5140 Combine Tier 2

Parts Catalog

Print No. 47880299
Issued 05/2015



5140 Combine Tier 2

Parts Catalog

Print No. 47880299
Issued 05/2015

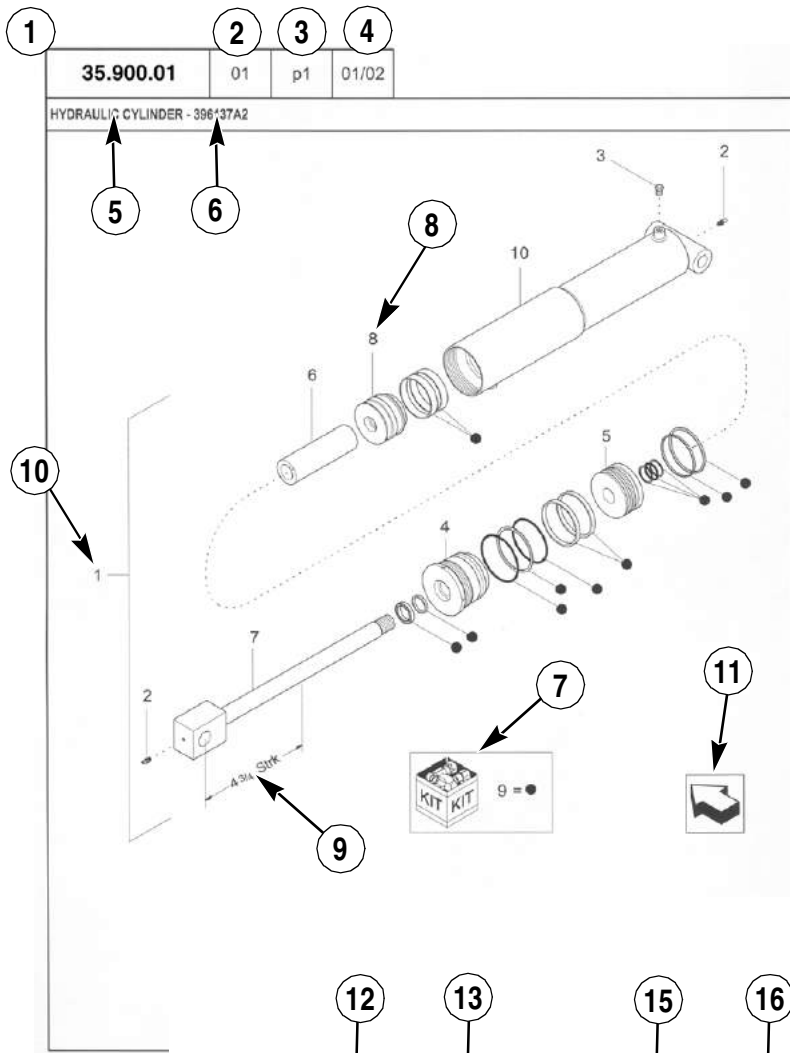


GENERAL INFORMATION

1. Whenever the terms left and right are used, it should be understood to mean from a position facing in direction of travel.
2. Throughout this manual you may find common hardware not illustrated, but listed in the description column. The service part immediately preceding a hardware listing is the part using these particular items for mounting purposes. This hardware is not included with the service part or assembly when ordered as a replacement.
3. The illustrations show typical assemblies plus individual parts but in all cases may not show the exact shape or detail of parts required. However, the purpose for the illustrations is to identify parts performing like functions. Whenever possible illustrations are located at the beginning of each section or immediately adjacent to the applicable text.
4. CNH America LLC is continually striving to improve its products. We must, therefore, reserve the right to make improvements or changes when it becomes practical and possible to do so, without incurring any obligation to make changes or additions to the equipment sold previously.

CNH America LLC, Racine, WI 53404 U.S.A.

How to Use Your Parts Catalog



<div style="display: flex; justify-content: space-between;"> 1 2 3 4 </div> <div style="display: flex; justify-content: space-between;"> 12 13 15 16 </div>					
35.900.01		01	p1	01/02	
HYDRAULIC CYLINDER - 396137A2					
REF	FN	PART NUMBER	YR/SN	QTY	DESCRIPTION
1	1	396137A2	BTW 01/85 & 02/02	1	CYLINDER ASSY. 4-3/4 in strk, Inc 2-10
2		31-95	Before 01/85	2	FITTING
2		219-8	From 01/85	2	NIPPLE, LUBE Grease, 1/4 tpr x 17/32
3		{402475A2}		1	BREATHER
4		402474A*		1	CAP CYLINDER END
5		402468A1	BSN JJC0189200	1	PISTON ROD/GLAND
5		145221C3	ASN JJC0189200	1	PISTON
6		402471A1		1	SPACER
7		402473A1		1	ROD, PISTON
8		402469A1		1	PISTON ROD/GLAND
9		402476A1		1	PACKAGE, SEALS
10		NSS		1	NOT SERVICED SEPARAT CASE ASSEMBLY
<div style="display: flex; justify-content: space-between;"> 1 2 3 4 </div> <div style="display: flex; justify-content: space-between;"> 12 13 15 16 </div>					
(1) 08-20					
STANDARD			MODELS		

How to Use Your Parts Catalog

1. Figure Number
2. Sequence code within the Figure Number
3. Page number within the Sequence Code
4. Date of Printing (month / year)
5. Figure Description
6. General information regarding the figure
7. Parts supplied in repair kits per symbol reference
8. Figure call-out of the part number (REF)
9. Technical Specifications relating to the part indicated
10. Figure call-out includes bracketed items, the included items may also be listed in the additional description area
11. Orientation - Arrow indicates front of the machine
12. Footnote - Additional information relating to the part number. In this example, 08-20 equals another figure that this part is shown on.
13. Part Number
 - NSS = Non-serviced parts
 - Bracketed numbers = not available as service parts in this market
14. Not Available as service part in this market
15. YR/SN
 - Year
 - Before 01/85 = Part valid for production January 1985 and before
 - From 01/85 = Part valid for production from January 1985 and after
 - BTW 01/85 & 02/02 = Part valid for machines produced between January 1985 and February 2002.
 - Serial Number (P.I.N.)
 - BSN JJC0268800 = Part valid for serial number JJC0268800 and below
 - ASN JJC0268800 = Part valid for serial number JJC0268800 and above
 - BTW JJC0178000 & JJC0179000 = Part valid for serial numbers between JJC0178000 & JJC0179000
16. Total Quantity of the Part referred to in the page. The quantity can be replaced by the following indications:
 - AR = quantity as required
 - X = as required
17. Part Description
18. Additional description of the part to help confirm identification
19. Figure Notes
20. Model Number(s)

Explanation of Abbreviations

Abbreviation	Meaning
adj	adjustable
amp	ampere
AR	As required
ASN	Serial number and after / P.I.N. and after
barb	barb
blkhd	bulkhead
boss	boss
BSN	before serial number / before P.I.N
BTW	between
cc	cubic centimetre
chain	chain
cl	class
cp pt	cup point
CRS	Chrome Alloy Steel
CST	Carbon Steel
cu yd	cubic yard
deg	degree
dia	diameter
dr type	drive type
dry	dry
fc	face
fc sl	face seal
fem	female
fem PT	female pipe thread
fl	flare
ft	feet (or foot)
gal	gallon(s)
gr	grade
hd	head
hp	horsepower
ID	inside diameter

Abbreviation	Meaning
in	inch(es)
Inc.	includes
inv fl	inverted flare
K	kilo
kg	kilogram
L	litre
lb	pound(s)
lg	long
LH	left hand
LH thd	left hand thread
links	links
M	(prefix) metric thread size
m	metre
male	male
mm	millimetre
NF	National Fine
No.	number
NS	National Super Fine
OD	outside diameter
ohm	electrical unit of resistance
Or	O-ring
orifice	orifice
P	pitch
piece	piece
psi	pounds per square inch
PT	pipe thread
rd	round
rd holes	round holes
RH	right hand
RH thd	right hand thread
rpm	revolutions per minute

Explanation of Abbreviations

Abbreviation	Meaning
sl	self locking
slat	slat
spool	spool
sq	square
SST	Stainless Steel
st	self tapping
stem	stem
strk	stroke
sw	swivel
T	teeth
Teflon	Teflon
thin	thin
thk	thick
tpr	taper

Abbreviation	Meaning
tube	tube
type	type
V	volt(s)
W	watt(s)
way	way
wide	wide
X	as required
yd	yard

Dimensions

Metric and U.S. hardware dimensions do not show the numeric designations of standard coarse threads. A number following a semi colon (;) is the class or grade of hardware. A comma (,) represents the decimal point (.) used in U.S. dimensions.



TABLE OF CONTENTS

05.100.01		INITIAL STOCKING LIST "A" (ISL)
05.100.02		INITIAL STOCKING LIST "B" (ISL)
05.100.03	01	FILTERS
05.100.03	02	CAPACITIES
05.102.AA	02	FIRE EXTINGUISHER
10.001.AD		ENGINE
10.001.AK	01	ENGINE MOUNT FRAME
10.102.AW	01	DRAIN LINE, OIL
10.202.AB		AIR CLEANER, AIR CLEANER KIT
10.202.BD	01	AIR CLEANER & INTAKE PARTS
10.206.AF		FILTER, FUEL WATER SEPARATOR
10.210.AF	01	FUEL LINE, ENGINE
10.210.AO		REAR HOOD FUEL LINE & INLINE FILTER
10.216.AI		FUEL TANK & ASSOCIATED PARTS
10.250.AJ	01	COOLING SYSTEM, CAC MR5
10.254.AI	01	EXHAUST SYSTEM W/ MUFFLER
10.310.AA		INTERCOOLER, COOLER ASSY.
10.400.BE		RADIATOR ASSEMBLY, ENGINE
10.400.BF	01	COOLER ASSY., BOX
10.400.BF	02	COOLER, RADIATOR & COOLER
10.400.BI	01	COOLING SYSTEM CIRCUIT
10.408.AO		CONDENSER, OIL COOLER
10.414.AC	01	ENGINE FAN DRIVE
10.419.AA	01	DOOR, FAN, SCREEN
10.419.AA	02	SCREEN, AIR INTAKE
10.419.AA	03	DOOR, AIR DUCT, PLUG
10.419.AE		MOTOR, FAN, SCREEN
10.500.AA		DEF TANK, DEF/ ADBLUE, FILLER, SENDER UNIT
14.100.AB		ARM, BELT TENSIONER, SEPARATOR
14.100.AR	01	PTO TRANSMISSION GEAR
14.100.AR	02	GEAR SET, PTO
14.100.BH		PTO ASSY, BELT
18.112.AC	01	DAMPER, FLYWHEEL, PTO ASSY, ENGINE
21.114.AL	01	TRANSMISSION, FRONT

TABLE OF CONTENTS

21.114.AL	02	VAR - 425296, 425297, 425300, 425301 - TRANSMISSION, REAR
21.126.AB		LEVER, GEARSHIFT
25.100.AA		VAR - 425296, 425297, 425300, 425301 - FRONT AXLE
25.100.AV		VAR - 425194, 425196, 425197 - AXLE EXTENSION
25.310.AB		FINAL DRIVE ASSY
27.106.AL		COVER ASSY, DIFFERENTIAL LOCK, PEDAL
27.450.AH	01	REAR AXLE ASSY, POWERED
27.450.AH	02	REAR AXLE ASSY, 2-SPEED
27.450.AJ	01	AXLE EXTENSION, LH, SINGLE SPEED
27.450.AJ	02	AXLE EXTENSION, RH, SINGLE SPEED
27.450.AJ	03	AXLE EXTENSION, LH, 2-SPEED
27.450.AJ	04	AXLE EXTENSION, RH, 2-SPEED
27.450.AL	01	MOTOR, REAR AXLE ASSY, SINGLE SPEED, LH
27.450.AL	02	MOTOR, REAR AXLE ASSY, SINGLE SPEED, RH
27.450.AL	03	MOTOR, REAR AXLE ASSY, 2-SPEED, LH
27.450.AL	04	MOTOR, REAR AXLE ASSY, 2-SPEED, RH
27.550.AJ	01	REAR AXLE ASSY, STANDARD
27.550.AM	01	AXLE EXTENSION, STANDARD , LH
27.550.AM	02	AXLE EXTENSION, STANDARD , RH
29.100.AB	01	HYDROSTATIC MOTOR, VARIABLE SPEED, (105.5-85.9CC/REV)
29.100.AB	02	HYDROSTATIC MOTOR, 105CC
29.218.AD		HYDROSTATIC PUMP, MOUNTING PARTS, 105CC
29.218.AO		HYDROSTATIC MOTOR
29.218.AS		HOSE ASSY., DRIVE, HYDROSTATIC MOTOR
29.300.AP	01	HYDRAULIC LINE, REAR AXLE ASSY, SINGLE SPEED, 2-SPEED
29.300.AP	02	HYDRAULIC LINE, REAR AXLE ASSY, STANDARD
29.300.AP	03	HYDRAULIC SYSTEM, REAR AXLE ASSY, SINGLE SPEED, 2-SPEED
33.110.AT	01	VALVE, PARKING BRAKE
33.110.AT	02	VALVE, PARKING BRAKE, COMPONENTS
33.202.AK		BRAKES - MASTER
33.202.AP	01	BRAKE LINE, SERVICE
33.202.AP	02	BRAKE LINE, SERVICE, ASN YEG012701
33.202.BN	01	PEDAL, BRAKE
33.202.BN	02	BRAKE, BRAKE LINES, PEDAL, BRAKE LINES

TABLE OF CONTENTS

33.202.BN	03	BRAKE VALVE
35.100.AZ		VALVE, FEEDER, LIFT CYLINDER
35.106.AD		DRIVE, TANDEM GEAR PUMP
35.300.AQ	01	HYDRAULIC SYSTEM, RESERVOIR
35.300.AQ	02	HYDRAULIC OIL RESERVOIR
35.300.BC	01	HYDRAULIC SYSTEM, ENGINE, COOLER, PTO
35.300.BC	02	HYDRAULIC SYSTEM, COOLER ASSY., TUBE
35.300.BQ		ACCUMULATOR
35.359.AB	01	HYDRAULIC SYSTEM, MAIN STACK VALVE
35.359.AB	02	VALVE, MAIN DISTRIBUTOR, FEEDER, REEL, REVERSER
35.359.AB	03	VALVE, MAIN DISTRIBUTOR
35.359.AB	04	HYDRAULIC VALVE, REAR AXLE ASSY, SINGLE SPEED, 2-SPEED
35.359.AC		SEPARATOR, UNLOADING TUBE, REGULATING SYSTEM, FITTING
35.359.AE	01	HYDRAULIC SYSTEM, FILTER & LINE, TUBE
35.359.AE	02	VALVE, SEPARATOR, UNLOADING TUBE, REGULATOR, FILTER
35.410.AH	01	VAR - 425193 - HYDRAULIC SYSTEM, FEEDER, HYDRAULIC LIFT
35.410.AH	03	VAR - 425536 - HYDRAULIC SYSTEM, FEEDER, HYDRAULIC LIFT
35.415.AA		VALVE, FEEDER
35.415.AC		CYLINDER, FEEDER FRAME
35.440.AB		HYDRAULIC SYSTEM, UNLOADING TUBE
35.440.AC		CYLINDER, UNLOADING TUBE
35.500.AH		MOTOR, SCREEN, AIR INTAKE
35.500.AJ		HYDRAULIC LINE, SCREEN, AIR
35.518.AC	01	HYDRAULIC SYSTEM, HEADER, FEEDER, COUPLING
35.518.AC	02	QUICK COUPLER, FEEDER
35.796.AC		CHAFF SPREADER HYDRAULIC SYSTEM
35.796.AD		BYPASS FILTER, SPREADER HOOD, STANDARD
35.796.AE		CHAFF SPREADER HYDRAULIC MOTOR
35.796.AF		CHAFF SPREADER HYDRAULIC VALVE
36.100.AA	01	PUMP, AIR COMPRESSOR
36.100.AC	01	RESERVOIR, AIR COMPRESSOR
36.100.AI		GOVERNOR, AIR COMPRESSOR
36.100.AK	01	AIR COMPRESSOR AND RESERVOIR
36.100.AL		QUICK COUPLER, AIR COMPRESSOR, AIR GUN

TABLE OF CONTENTS

37.100.AA	01	BALL MOUNT DRAWBAR
37.100.AA	03	AUTOMATIC HITCH, ROTATING
37.100.AF		HITCH ASSY, BASE
39.100.AS		FRAME, REAR AXLE, SUPPORT
41.101.AA		VAR - 425357, 425358 - STEERING WHEEL
41.101.AB		STEERING COLUMN
41.101.AC		STEERING COLUMN, COMPONENTS
41.106.AH		TIE-ROD ASSY, REAR AXLE
41.200.AO		HYDRAULIC LINE, STEERING
41.206.AA		PUMP, HYDRAULIC STEERING
41.216.AO		STEERING CYLINDER
41.432.AC		HYDRAULIC SYSTEM, STEERING VALVE
41.432.AE		VALVE, AUXILIARY STEERING
41.432.AG		AUXILIARY STEERING HYDRAULIC SYSTEM
44.511.AE		VAR - 810091, 810090, 817800, 817100, 810019 - WHEEL ASSY, STEERING
44.520.AB	01	VAR - 830079, 830004, 835500, 836700, 830030, 839800, 836800, 830031, 830029, 836500, 830607, 830037 - SINGLE DRIVE WHEEL ASSY
44.520.AB	02	VAR - 830019, 830008, 830007, 830002, 830120, 830009, 838403, 830052 - DUAL DRIVE WHEEL ASSY
50.100.AP		CAB, EVAPORATOR, HEATER COIL, FAN
50.200.AA	01	A/C COMPRESSOR, MOUNTING PARTS
50.200.AB	01	TUBE, HOSE, AIR CONDITIONER, ENGINE
50.200.AB	03	FRAME AIR CONDITIONING & HEATER HOSE
50.200.CZ		DRAIN LINE, ROOF
50.300.AB		AIR FILTER, CAB
55.015.AB	01	WIRING ASSY, ENGINE
55.101.AC	01	HARNESS, ROTOR LOSS SENSORS
55.101.AC	02	WIRE HARNESS, FRAME, RH
55.101.AC	03	WIRE HARNESS, FRAME, FRONT, LH
55.101.AC	04	WIRE HARNESS, FRAME, LH
55.101.AC	05	WIRE HARNESS, FRAME, FRONT AXLE, BRAKE VALVE
55.101.AC	06	WIRE HARNESS, WORK LIGHT & WIRING, FRONT
55.101.AC	07	WIRE HARNESS, STRAW HOOD, REAR
55.101.AC	08	WIRE HARNESS, FEEDER

TABLE OF CONTENTS

55.101.AC	16	VAR - 425467, 425472 - WIRE HARNESS, GRAIN BIN EXTENSION
55.130.AR	01	TRAILER HITCH HARNESS
55.201.AE		STARTER MOTOR
55.202.AE	01	ENGINE BLOCK HEATER
55.202.AE	02	ENGINE BLOCK HEATER
55.301.AD	01	ALTERNATOR ASSY, MOUNTING PARTS
55.302.AK	01	BATTERY BOX SUPPORT
55.404.AC		BEACON, ROTATING
55.404.AQ	01	VAR - 722811 - LIGHT, ROOF, STANDARD, HALOGEN
55.404.AQ	02	VAR - 722810 - WORKING LIGHT, HEADLIGHT
55.404.AQ	03	VAR - 425213 - WORKING LIGHT, HEADLIGHT
55.404.BB		VAR - 722098, 722602, 425405 - EXTREMITY LIGHTING
55.404.BM		TAIL LAMP
55.404.CU		WIRING ASSY, UNLOADING TUBE
55.426.AH		WIRING ASSY, GRAIN TANK
55.510.AF		HARNESS, CAB
55.510.AH		HARNESS, ROOF, CAB
55.512.AA	01	ANTENNA, BUSINESS BAND
55.512.AA	02	VAR - 722650 - RADIO
55.512.AA	03	VAR - 425377 - RADIO
55.512.AA	04	VAR - 425377 - ANTENNA, SATELLITE
55.512.BL	01	CONTROL PANEL, CONTROL LEVER, RH
55.512.BL	02	CONTROL PANEL, RH
55.518.AS		WINDSHIELD WASHER , RESERVOIR, PUMP, SWITCH
55.518.AW		WIPER
55.520.AX	01	MONITOR, CONSOLE, DISPLAY
55.520.AX	02	DISPLAY, CAB, POST
55.628.AP		MOTOR, CONCAVE
55.628.AT	01	ROTOR SPEED LIMITER SWITCH ASSY
55.640.AG	01	ELECTRIC SYSTEM CONTROL, CAB
55.640.AG	02	CONTROLLER, ICM
55.680.AA		AUTO GUIDANCE ELECTRIC SYSTEM CONTROL
55.785.AS	01	SENSOR, ELEVATOR, YIELD MONITOR
55.785.AS	02	MOISTURE SENSOR

TABLE OF CONTENTS

55.911.AB	01	VAR - 425510 - AFS 372 GPS RECEIVER W/E/V
55.911.AB	02	VAR - 425246 - AFS 162 GPS RECEIVER
55.911.AB	03	VAR - 425504 - AFS 372 GPS RECEIVER W/E/V/HP/XP
55.911.AB	04	GPS RECEIVER GRAIN TANK MOUNTING
55.991.AA	01	GSM TELEMATICS
55.991.AA	02	GSM TELEMATICS
55.991.AA	03	CDMA TELEMATICS
60.110.AA	01	ADAPTER, FEEDER
60.110.AA	02	ADAPTER, FEEDER, LATCH
60.110.AA	03	VAR - 425081, 425082, 425086, 425087 - ADAPTER, FEEDER, ASN YEG012701
60.110.AA	04	VAR - 425081, 425082, 425086, 425087, 425083, 425088 - ADAPTER, FEEDER, LATCH, ASN YEG012701
60.110.AD	01	FEEDER, STANDARD
60.110.AD	02	FEEDER, ROCK TRAP
60.110.AD	03	FEEDER, STANDARD, ASN YEG012701
60.110.AD	04	FEEDER, STONE TRAP
60.110.AT		IDLER, FEEDER
60.112.AA	01	ROCK GUARD
60.112.AA	02	ROCK TRAP ASSEMBLY
60.112.AA	03	IDLER ASSEMBLY, ROCK TRAP
60.112.AA	04	VAR - 425086, 425087, 425088, 425125, 425126 - STONE TRAP
60.112.AA	05	VAR - 425086, 425087, 425088, 425125, 425126 - ROCK GUARD, ASSY
60.120.AG	01	VAR - 425081, 425086, 425125 - HEADER DRIVE, SINGLE SPEED
60.120.AG	02	VAR - 425082, 425087, 425126 - HEADER DRIVE, TWO SPEED
60.120.AG	03	VAR - 425081, 425083, 425086, 425088 - DRIVE, HEADER, SINGLE SPEED
60.120.AI	01	VAR - 425081, 425083 - DRIVE, HEADER, SINGLE SPEED, STANDARD
60.120.AI	02	DRIVE, HEADER, NON ROCK TRAP, TWO SPEED
60.120.AI	03	VAR - 425086, 425088, 425125 - DRIVE, HEADER, ROCK TRAP, SINGLE SPEED
60.120.AI	04	VAR - 425087, 425126 - DRIVE, HEADER, ROCK TRAP, TWO SPEED
60.120.AI	05	VAR - 425086, 425087, 425081, 425082, 425088, 425083 - LATCH, PANEL, FEEDER
60.120.AR		GEARBOX, HEADER, 2-SPEED
60.130.AJ	01	DRIVER, FEEDER DRIVESHAFT, STANDARD
60.130.AJ	02	DRIVER, FEEDER DRIVESHAFT, HEAVY DUTY

TABLE OF CONTENTS

60.150.AD	01	CONVEYOR, FEEDER, STANDARD
60.150.AD	02	CONVEYOR, FEEDER, TRAP, ROCK GUARD
60.150.AD	03	CONVEYOR, FEEDER, STANDARD
60.150.AD	04	CONVEYOR, FEEDER, TRAP, ROCK GUARD
60.150.AE	01	GEARBOX, FEEDER, DRIVE UNIT
60.150.AE	02	GEARBOX, FEEDER, DRIVE UNIT
60.150.AQ	01	DRIVE, FEEDER, STANDARD
60.150.AQ	02	DRIVE, FEEDER, STONE PROTECTION
60.150.AQ	03	IDLER, DRIVE, FEEDER
60.150.AQ	04	VAR - 425081, 425082, 425083 - DRIVE, FEEDER, STANDARD, ASN YEG227001
60.150.AQ	05	VAR - 425081, 425082, 425083 - TENSIONER, FEEDER, STANDARD, ASN YEG227001
60.150.AQ	06	VAR - 425086, 425087, 425088, 425125, 425126 - DRIVE, FEEDER, STONE TRAP
60.150.AQ	07	VAR - 425086, 425087, 425088, 425125, 425126 - IDLER, DRIVE, FEEDER
60.150.AQ	08	VAR - 425086, 425087, 425088, 425125, 425126 - TENSIONER, DRIVE, FEEDER
60.150.AU	01	DRIVER, GEARBOX, FEEDER
60.150.AU	02	DRIVER, GEARBOX, FEEDER
60.150.AY	01	CLUTCH, FEEDER, ROCK GUARD
60.150.AY	02	CLUTCH, FEEDER, STANDARD
60.165.AM		REVERSER, FEEDER, MOTOR
60.165.AR		FEEDER, REVERSER
66.101.AP	02	VAR - 722889 - CONE, FEEDER
66.101.AP	03	KIT EXTENDED WEAR CONE VANES
66.105.AO		CONCAVE
66.110.AD		SUPPORT TUBE, CONCAVE
66.110.AF		CONTROL SHAFT, CONCAVE
66.260.AA	01	GEARBOX, ROTOR, MOUNTING PARTS
66.260.AA	02	BELT, DRIVE, SEPARATOR
66.260.AO	01	JACKSHAFT DRIVE AND BELT
66.260.AO	02	JACKSHAFT, UNLOADING & FLOW
66.260.AS	01	ROTOR, ADJUSTER, SPEED LIMITER
66.260.AS	02	SUPPORT, ROTOR, SPEED GOVERNOR
66.260.AU	01	GEARBOX, ROTOR, MOUNTING PARTS

TABLE OF CONTENTS

66.260.AU	02	GEARBOX, ROTOR, DRIVE
66.260.AV	01	PULLEY, TORQUE LIMITER
66.260.AV	03	TORQUE LIMITER, PLATE
66.331.AA		GRATE, CONCAVE
66.331.AB		LINKAGE, GEARBOX, ROTOR
66.331.AK	01	VAR - 722808 - THRESHING CYLINDER, ROTOR
66.331.AK	02	VAR - 722808 - THRESHING CYLINDER, ROTOR
66.331.AK	03	ROTOR - EXTENDED WEAR SMALL GRAIN, CORN, SOYBEAN W/ 4 STRAIGHT SEPARATOR BARS
66.331.AK	04	VAR - 722886 - THRESHING CYLINDER, ROTOR
66.331.AK	05	VAR - 425127 - THRESHING CYLINDER, ROTOR
66.331.AK	06	VAR - 425436 - THRESHING CYLINDER, ROTOR
66.331.AK	07	VAR - 425438 - THRESHING CYLINDER, ROTOR
66.331.AL	01	VAR - 425127, 425436, 425438 - SUPPORT, ROTOR, FRONT
66.331.AL	02	VAR 722808, 722885, 722886 - SUPPORT, ROTOR, FRONT
66.331.AM		CAGE, FRONT
66.360.AH	01	SEPARATOR SIDE PANEL, LH
66.360.AH	02	SEPARATOR SIDE PANEL, RH
66.360.AH	03	LOWER SIEVE DOOR
66.360.AH	04	SEPARATOR TOP SHEET
66.360.AH	05	SEPARATOR CROSS SUPPORT
66.360.AH	06	SEPARATOR SIDE PANEL, RH, ASN YEG012701
66.360.AH	07	DOOR, FRAME, SEPARATOR
72.220.AJ	01	DISCHARGE BEATER
72.220.AJ	02	BEATER ASSY
72.220.AJ	04	BEATER
72.220.AL		BEATER CONCAVE
72.220.AO		BEATER ROTOR
72.350.AI	01	SEPARATOR JACKSHAFT HOUSING W/ PULLEY
72.350.AJ	01	SEPARATOR JACKSHAFT SUPPORT
72.420.AM	01	SUPPORT ASSEMBLY, ROTOR CAGE REAR, SHIELDS FOR CHOPPER
72.420.AM	02	CAGE, ROTOR, SEPARATOR
73.210.AX	01	CHOPPING UNIT GEARBOX SUPPORT
73.210.AX	02	CHOPPING UNIT GEARBOX ASSY W/ PULLEY

TABLE OF CONTENTS

73.210.AX	03	CHOPPING UNIT GEARBOX
73.210.AX	07	FLAIL CHOPPING UNIT GEARBOX SUPPORT
73.210.AX	08	HIGH SPEED CHOPPING UNIT GEARBOX W/ PULLEY
73.210.AX	09	HIGH SPEED CHOPPING UNIT GEARBOX
73.230.AJ	01	STANDARD STRAW CHOPPER
73.230.AJ	02	STATIONARY BLADE CHOPPER BODY ASSY
73.230.AJ	04	6 ROW FLAIL STRAW CHOPPER
73.230.AJ	05	6 ROW FLAIL CHOPPER BODY ASSY
73.230.AP	01	STRAW CHOPPER CONCAVE
73.230.AP	02	FLAIL STRAW CHOPPER CONCAVE
73.230.AQ	01	REAR HOOD ASSY, TIER 2
73.230.AQ	02	REAR HOOD BOX ASSY, LH
73.230.AQ	03	REAR HOOD BOX ASSY, RH
73.230.AQ	04	ENGINE SERVICE SHEET ASSY
73.230.AQ	05	REAR LADDER ASSY
73.230.AQ	06	SERVICE PLATFORM LH HANDRAIL, TIER 2
73.335.AC	01	SPREADER DRIVE
73.335.AC	02	LH STRAW SPREADER DRIVE ASSY
73.335.AC	03	RH STRAW SPREADER DRIVE ASSY
73.335.AG	01	STRAW SPREADER HOOD IDLER ASSY
74.101.AC		CLEANING SYSTEM
74.101.AF	01	HANGER, ARM, RH, CLEANING SYSTEM DRIVE
74.101.AF	02	HANGER, ARM, LH, CLEANING SYSTEM DRIVE
74.101.AL		PULLEY DRIVE, SHAKER
74.101.AU		SHOE, TAILGATE, DOOR
74.101.BB		DRIVE SHAFT, CLEANING SYSTEM DRIVE
74.101.BF	01	ARM, PITMAN, RH, CLEANING SYSTEM
74.101.BF	02	ARM, PITMAN, LH, CLEANING SYSTEM
74.101.BF	03	SHIELD, DRIVE, SHAKER, LH
74.114.AU	01	EXTENSION, ADJUSTABLE SIEVE
74.114.AU	02	SIEVE ADJUSTMENT SWITCH, REMOTE CONTROL
74.114.AZ	01	FRAME, SIEVE, UPPER
74.114.AZ	02	UPPER SIEVE, STANDARD
74.114.AZ	03	UPPER SIEVE, REMOTE CONTROL

TABLE OF CONTENTS

74.114.AZ	04	UPPER SIEVE, MOUNTING PARTS
74.118.AD	01	SIEVE, LOWER, MECHANICAL
74.118.AD	02	SIEVE, LOWER, REMOTE CONTROL
74.118.AK		SUPPORT, SIEVE, LOWER
74.125.AL		TROUGH, AUGER, CLEAN GRAIN ELEVATOR
74.130.AF		FAN, CLEANER
74.130.AH		FAN, HOUSING, CLEANER
74.130.AJ	01	FAN SHIELD
74.130.AJ	02	SHIELD, DRIVE, FAN, RH
74.130.AJ	03	SHIELD, TAILINGS ELEVATOR, REAR, RH
74.134.AO		MOTOR, FAN, SPEED GOVERNOR
74.136.AA		PIVOT, FAN, SPEED GOVERNOR
74.136.AC	01	JACKSHAFT, FAN, DRIVE
74.136.AC	02	IDLER, DRIVE, FAN
74.136.AD	01	PULLEY, FAN, DRIVE
74.136.AD	02	PULLEY ASSEMBLY CLEANING FAN, CLEANING FAN DRIVE JACKSHAFT ASSEMBLY, IDLER ASSEMBLY FAN DRIVE WITH PULLEY
74.140.AK	01	TAILINGS ELEVATOR
74.140.AK	02	TAILINGS ELEVATOR, CHAIN
74.140.AK	03	BOOT, TAILINGS ELEVATOR
74.140.AK	04	HEAD, TAILINGS ELEVATOR
74.140.AM		JACKSHAFT, IDLER, TAILINGS ELEVATOR
74.140.AX		JACKSHAFT, TAILINGS ELEVATOR
74.140.BM		AUGER, UPPER, TAILINGS ELEVATOR
74.140.CM		AUGER BED
80.101.AE		GEARBOX, BUBBLE-UP AUGER
80.101.AP		TENSIONER, GRAIN ELEVATOR
80.101.AR	01	VAR 722630 - GRAIN ELEVATOR HOUSING, HEAD
80.101.AR	02	VAR 722632 - GRAIN ELEVATOR HOUSING, HEAD
80.101.AR	03	VAR 722630 - GRAIN ELEVATOR HOUSING
80.101.AR	04	VAR 722632 - GRAIN ELEVATOR HOUSING
80.101.BK	01	VAR 722630 - BUBBLE-UP AUGER, ASSY STANDARD
80.101.BK	02	VAR 722632 - BUBBLE-UP AUGER
80.101.CA	01	VAR - 722630 - GRAIN ELEVATOR

TABLE OF CONTENTS

80.101.CA	02	VAR - 722362 - GRAIN ELEVATOR
80.101.CA	03	BOOT, CLEAN GRAIN ELEVATOR
80.150.AI		BOTTOM, GRAIN TANK
80.150.AK	01	GRAIN TANK
80.150.AK	02	PANEL, GRAIN TANK, FRONT, RH
80.150.AK	03	PANEL, GRAIN TANK, FRONT, LH
80.150.AR		GRAIN TANK, SUPPORT, LH, RH
80.150.BF	01	VAR - 425472, 425467 - COVER, GRAIN TANK
80.150.BF	02	VAR - 425472, 425467 - DOOR COVER, GRAIN TANK
80.150.BG	01	VAR - 425470 - GRAIN BIN EXTENSION
80.150.BG	02	VAR - 425470 - GRAIN BIN EXTENSION, DOOR PANEL
80.150.BG	03	VAR - 425466 - GRAIN BIN EXTENSION
80.150.BG	04	VAR - 425466 - GRAIN BIN EXTENSION, DOOR
80.150.BG	05	VAR - 425471, 425494 - GRAIN BIN EXTENSION
80.150.BG	06	VAR - 425471, 425494 - GRAIN BIN EXTENSION, DOOR
80.150.BJ		COVER, AUGER, GRAIN TANK
80.175.AD	01	CHAIN, UNLOADING & FLOW, DRIVE
80.175.AD	02	TENSIONER, CHAIN, DRIVE, UNLOADING TUBE
80.175.AG	01	UNLOADER BELT DRIVE ASSY
80.175.AG	02	UNLOADER BELT DRIVE ASSY (CONT.)
80.180.AQ	01	VAR - 425312, 425314, 425313 - EXTENSION, UNLOADING TUBE
80.180.AQ	02	VAR - 722983, 425078, 425077 - EXTENSION, UNLOADING TUBE
80.180.AR	01	GEARBOX, UPPER UNLOADER
80.180.AR	02	GEARBOX, LOWER UNLOADER
80.180.AU	01	VAR - 425329, 722740, 425330, 425312, 425314, 425313, 722983, 425078, 425077 - UNLOADING TUBE, VERTICAL
80.180.AU	02	VAR - 425329, 722740, 425330, 425312, 425314, 425313, 722983, 425078, 425077 - UNLOADING TUBE, HORIZONTAL
88.100.10	01	DIA KIT, STATIONERY AIR CLEANER BRUSH
88.100.25	01	DIA KIT, AXLE EXTENSION
88.100.55	01	DIA KIT, AFS 372 GPS RECEIVER W/E/V/HP/XP
88.100.55	02	DIA KIT, AFS 372 GPS RECEIVER W/E/V
88.100.55	03	DIA KIT, AFS 162 GPS RECEIVER WAAS/EGNOS
88.100.55	04	DIA KIT, LED DISTANCE LIGHTING
88.100.55	05	DIA KIT, BLUETOOTH MICROPHONE AND SATELLITE RADIO

TABLE OF CONTENTS

88.100.55	06	DIA KIT, BEACON, LIGHT
88.100.66	01	DIA KIT, STANDARD FEEDER CONE
88.100.66	02	DIA KIT, HEAVY DUTY FEEDER CONE
88.100.73	01	DIA KIT, CHAFF SPREADER HYDRAULIC SYSTEM
88.100.73	02	DIA KIT, CHAFF SPREADER HYDRAULIC VALVE
88.100.73	03	DIA KIT, CHAFF SPREADER ASSY
88.100.73	04	DIA KIT, DISC, CHAFF SPREADER
88.100.74	01	DIA KIT, ELEVATOR DOOR
88.100.74	02	DIA KIT, TALL HILL SIDE DIVIDER
88.100.74	03	DIA KIT, SIEVE, DIVIDER
88.100.90	01	DIA KIT, RH SUNSHADE
90.100.AD		BAFFLE, COVER, ENGINE
90.100.BJ	01	COVER ASSY, ENGINE
90.100.BJ	02	COVER, RAIL ASSY, ENGINE SHIELD
90.102.AZ		SHIELD, DRIVE, CHAFF SPREADER
90.102.BC		LATCH, PANEL
90.105.BH	01	SIDE PANEL, BODY, LH
90.105.BH	02	PANEL, BODY, LH
90.105.BH	03	SIDE PANEL, BODY, RH
90.105.BH	04	PANEL, BODY, RH
90.105.BH	05	SUPPORT, PANEL, BODY, RH
90.105.CL		TRIM PANEL, REAR
90.108.AB	01	DECALS, MODEL AND BRAND
90.108.AB	02	FRAME, DECALS, WARNING
90.108.AB	03	DECALS, MODEL AND BRAND, ASN YEG227001
90.108.AC		DECALS, CAB
90.118.AC	01	OPERATOR'S LADDER, PLATFORM, LADDER, LH
90.118.AC	02	PLATFORM, FRONT, LH
90.118.AC	03	PLATFORM, FRONT, RH
90.118.AX	01	EXTENSION, OPERATOR'S LADDER, FRONT, LH, WIDE
90.118.AX	02	EXTENSION, OPERATOR'S LADDER, PLATFORM, FRONT, LH, NARROW
90.118.AX	03	RAIL ASSY, PLATFORM, REAR
90.118.BM	01	VAR - 425357 - MIRROR, STANDARD

TABLE OF CONTENTS

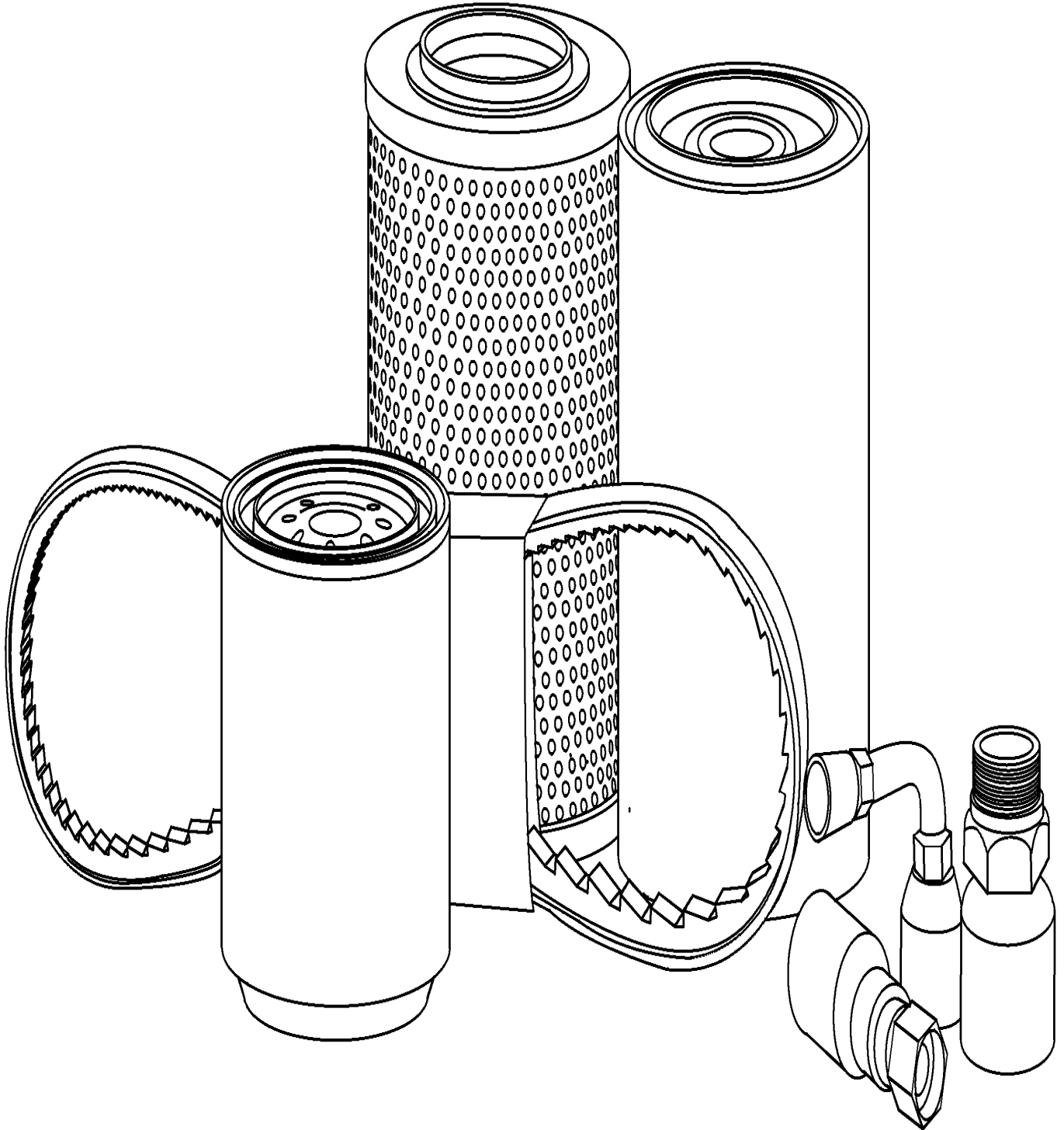
90.118.BM	02	VAR - 425358 - ELECTRIC MIRROR
90.120.AE		VAR - 425186, 425187 - SEAT, CAB
90.120.AI		VAR - 425186, 425187 - SEAT BACK
90.120.BA		VAR - 425186, 425187 - SEAT, SLIDE, BELLOWS
90.120.BC		VAR - 425186, 425187 - SEAT, SUSPENSION
90.124.AH		VAR - 425188, 425376 - SEAT CUSHION & ARMREST
90.124.AL		VAR - 425188, 425376 - SEAT BACK, SLIDE, BELLOWS
90.124.AN		VAR - 425188, 425376 - SEAT SUSPENSION
90.150.AB	01	HANDRAIL, CAB
90.150.AB	02	HANDRAIL, CAB, RH
90.150.AC		CAB FRAME, WINDSHIELD
90.150.AD		CAB, PLATE, ACCESS COVER
90.150.BG	01	ROOF, INSIDE CAB ROOF
90.150.BG	02	ROOF, TOP COVER
90.150.BI		MOUNT, CAB
90.150.BJ		COVER ASSY, CAB GUARD
90.151.AC		VAR - 425186, 425187, 425188, 425376 - SEAT ACCESSORY
90.151.AD		VAR - 425186, 425187, 425188, 425376 - SEAT BELT, INSTRUCTOR/OPERATOR
90.151.AE		SUNSHADE, LH, REAR
90.151.AO		VAR - 425358 - COVER ASSY
90.151.AP		VAR - 425186, 425187, 425188, 425376 - ARMREST, RH
90.154.AA	01	CAB DOOR, RH
90.154.AA	02	LH CAB DOOR
90.154.AC		VAR - 425358 - DOOR HANDLE
90.156.AB		WINDOW, REAR
90.160.AH	01	VAR - 425357 - PANEL, CAB, REAR
90.160.AH	02	VAR - 425358 - CAB STORAGE BOX, LUXURY CAB
90.160.AH	03	VAR - 425358 - PANEL, CAB, REAR
90.160.AX		HEADLINER
90.160.BI		MAT, FLOOR
90.160.BL		VAR 425357, 425358 - IGNITION SWITCH, DECALS, CONSOLE

SECTION INDEX

SERVICE & MAINTENANCE

05.100.01		INITIAL STOCKING LIST "A" (ISL)
05.100.02		INITIAL STOCKING LIST "B" (ISL)
05.100.03	01	FILTERS
05.100.03	02	CAPACITIES
05.102.AA	02	FIRE EXTINGUISHER

INITIAL STOCKING LIST "A" (ISL)

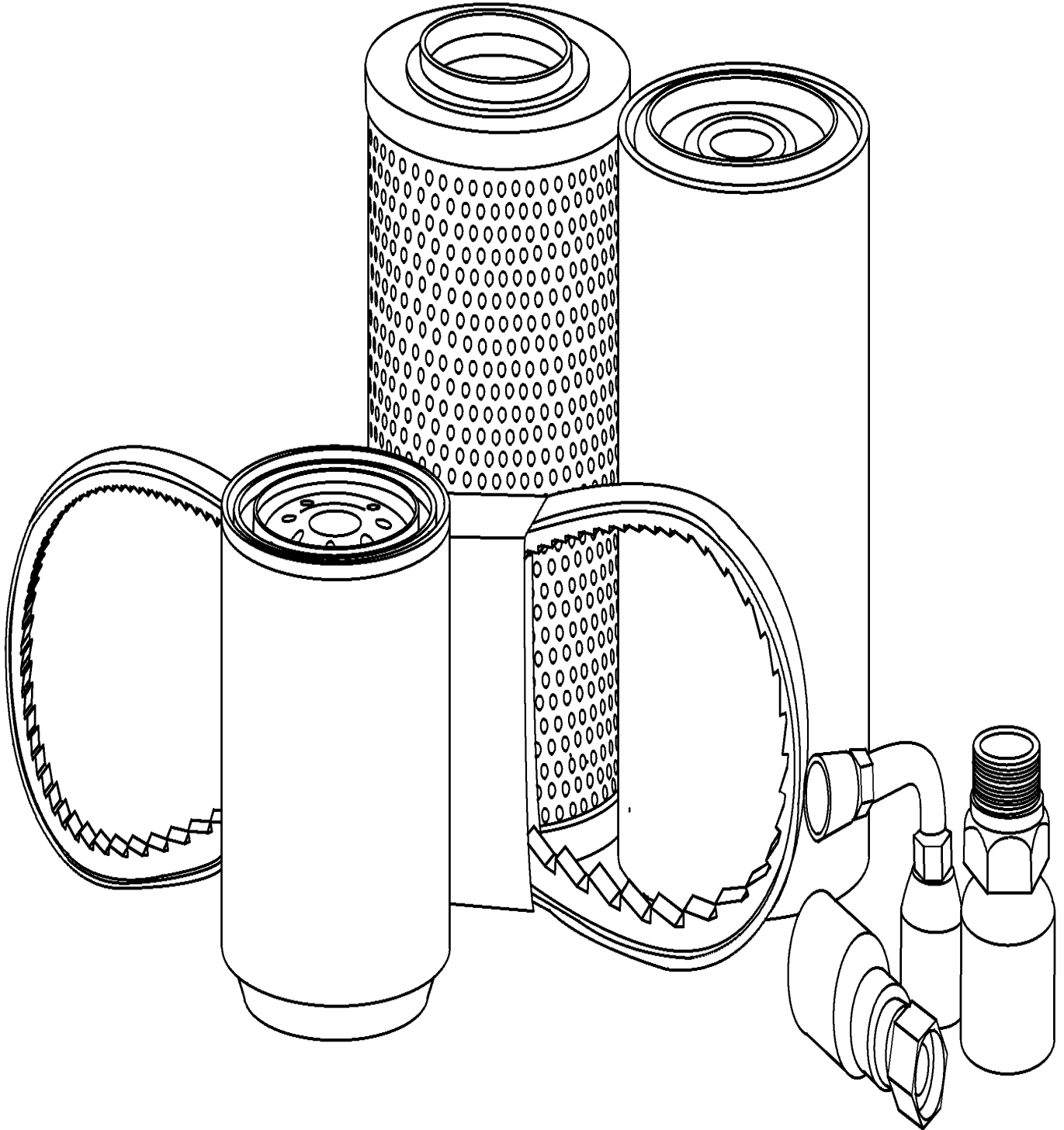


INITIAL STOCKING LIST "A" (ISL)

REF FN	PART NUMBER	YR/SN	QTY DESCRIPTION
1	84292913		1 BELT 2203.00 mm L Alternator/ A/C
2	84312027		1 BELT Alternator
3	87489502		1 V-BELT 12.70 mm W A/C
4	84150266		1 BELT Engine Fan Drive
5	84548651		1 BELT Unloader, Mid Jackshaft
6	84406044		1 BELT Separator Drive
7	87629601		1 V-BELT 22.23 mm W x 4118.00 mm L, 3 Ribs Feeder Drive W/ Rock Trap
8	87629602		1 V-BELT 22.23 mm W x 3722.60 mm L Feeder Drive W/O Rock Trap
9	47455617		1 V-BELT Header Drive W/ Rock Trap
10	47616842		1 BELT Header Drive W/O Rock Trap
11	87714971		1 BELT Rotor Gearbox
12	84194650		1 V-BELT 57.2mm W X 2802.57 mm L, HN section Rotor Gearbox
13	87642957		1 V-BELT 22.23 mm W x 3238.00 mm L Cleaning Fan Jackshaft
14	301146A1		1 V-BELT 31.80 mm W x 1847.25 mm L Cleaning Fan Drive
15	87549557		1 V-BELT 22.33 mm W x 3868.00 mm L Unloader Drive
16	87566055		1 V-BELT 22.33 mm W x 3864.00 mm L Unloader Drive
17	84163222		1 V-BELT 6367.00 mm L Spreader Drive
18	87476487		1 V-BELT 22.33 mm W x 6502.40 mm L Discharge Beater
19	87330903		1 V-BELT 16.00 mm W x 2748.00 mm L, 2 Ribs Straw Chopper Drive
20	87583785		1 V-BELT 12.70 mm W x 1638.00 mm L Stationary Air Screen Drive
21	87476486		2 V-BELT 22.33 mm W x 5105.40 mm L Straw Chopper
22	84412164		2 FUEL FILTER NEF Engine
23	84597064		1 FUEL FILTER Cursor Engine

5140-COMBINE - TIER 2

INITIAL STOCKING LIST "A" (ISL)

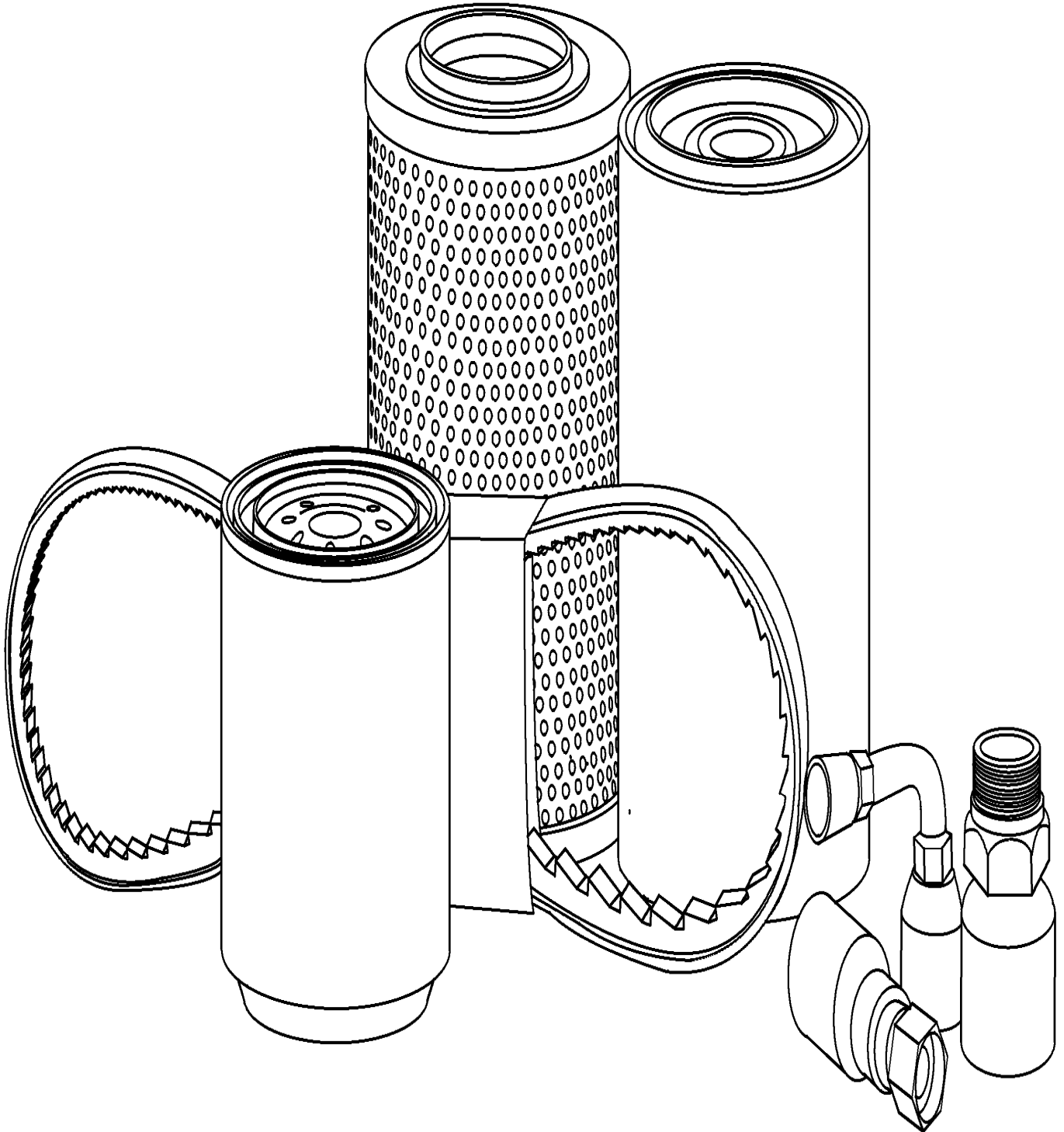


INITIAL STOCKING LIST "A" (ISL)

REF FN	PART NUMBER	YR/SN	QTY DESCRIPTION
24	84228488		2 ENGINE OIL FILTER Engine Oil, 5140
25	84346773		1 ENGINE OIL FILTER Engine Oil, 6140/7140
26	580165956		1 FILTER Crankcase Breather, 6140/7140
27	42568767		1 FILTER Crankcase Breather, 5140
28	84348882		2 FUEL FILTER Engine Pre-Filter
29	47680524		1 FILTER, DEF 100 Micron Def/ Adblue Filler Neck, 100 Micron
30	47651824		2 FILTER, DEF Screen, Inline
31	86999949		1 FUEL FILTER Fuel Tank Vent
32	47437399		1 FUEL FILTER Def/ Adblue Tank Vent
33	84477370		2 FUEL FILTER Separ Fuel/ Water Separator
34	360260A2		1 CAB FILTER Cab, Roof
35	84217229		1 AIR FILTER 91mm ID x 164.5mm OD x 347mm L Cab, Clean Air
36	86998333		1 AIR FILTER Outer
37	86998332		1 AIR FILTER Inner
38	84253774		1 FILTER STRAINER PTO
39	1329214C1		2 HYDRAULIC OIL FILTER Main Tube Bundle

5140-COMBINE - TIER 2

INITIAL STOCKING LIST "B" (ISL)

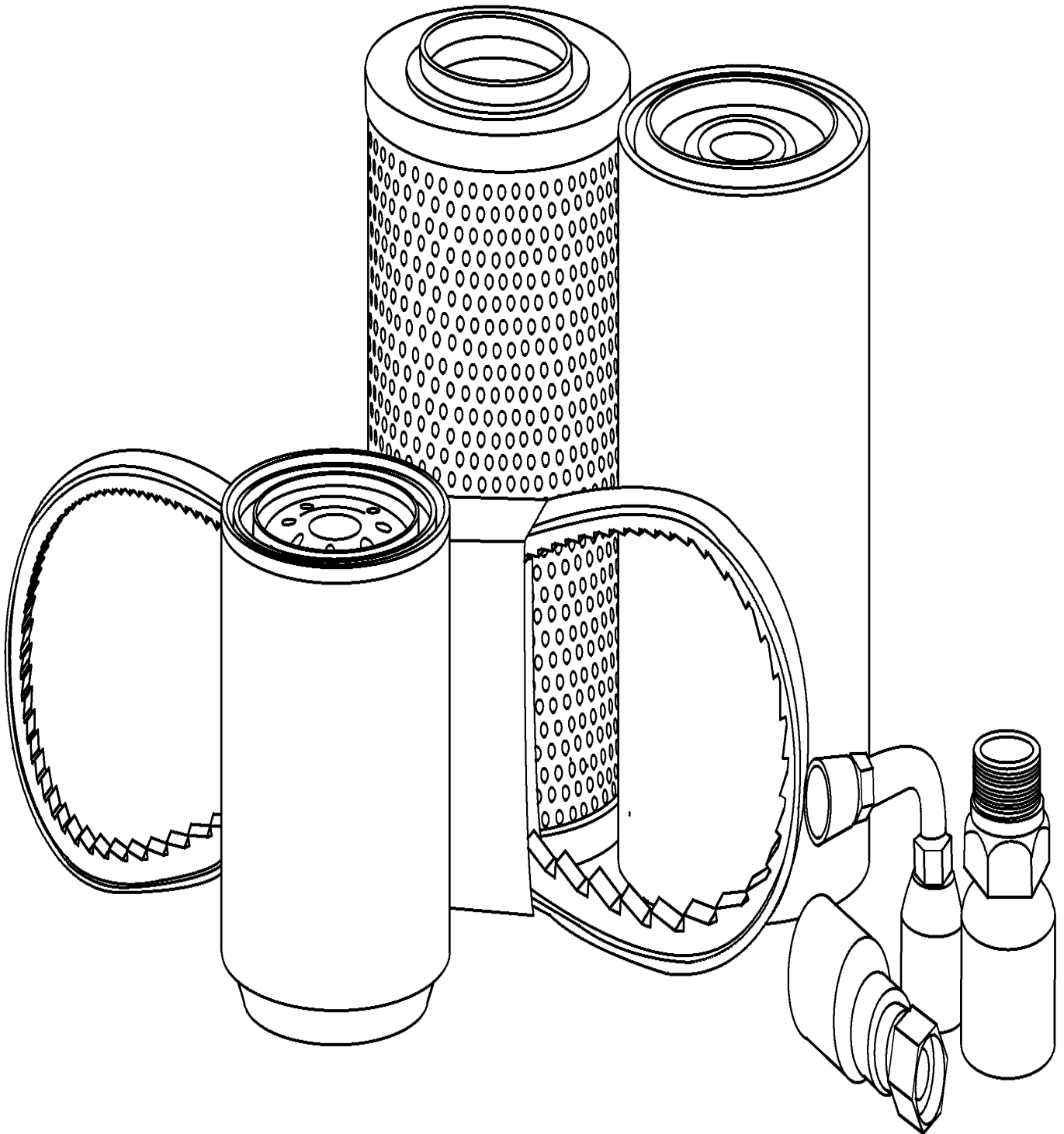


INITIAL STOCKING LIST "B" (ISL)

REF FN	PART NUMBER	YR/SN	QTY DESCRIPTION
1	84317777		AR RASP BAR Extended Wear
2	84317775		AR RASP BAR Extended Wear W/ Spike
3	84164207		1 CHAIN (AG) 60H, 134 Links x 19.05mm = 2552.7mm Tailing Elevator Drive
4	1303114C91		1 ELEVATOR CHAIN C550, 112 Links x 41.4mm = 4636.8mm Tailings Elevator
5	84250965		1 CHAIN LINK Unloader Drive
6	84163936		1 CHAIN (AG) 60H, 224 Links x 19.05mm = 4267.2mm Clean Grain Elevator Drive
7	118661A1		2 CHAIN A557, 75 Links x 41.4mm = 3105mm Outer Conveyor, W/ Rock Trap
8	84413157		2 CHAIN (AG) RC80, 54 Links x 25.4mm = 1371.6mm Rock Trap Drive
9	84360213		2 LINK 25.4mm Pitch Services 8
10	87365387		1 CONVEYOR ASSY. CA550, 154 Links x 41.4mm = 6375.6mm Clean Grain Elevator
11	84207192		1 CHAIN Feeder, 75 Links x 41.4mm = 3105mm Rock Trap
12	84361382		1 CHAIN Center Feeder, W/O Rock Trap
13	84361383		1 CHAIN Outer Feeder, W/O Rock Trap
14	84346485		1 CHAIN Feeder, 87 Links x 41.4mm = 3602mm Conveyor, W/O Rock Trap
15	87324981		1 SPROCKET Clean Grain Elevator, 9 Tooth
16	87283101		2 SPROCKET 15T Tailings/ Clean Grain Elevators, 15 Tooth
17	87740180		1 SPROCKET Tailings, 7 Tooth
18	84207203		AR PACKAGE,SERVICE Feeder Slat, RH
19	84207204		AR PACKAGE,SERVICE Feeder Slat, LH
20	87710708		1 SIEVE UPPER GRAIN Upper Closz, 1 1/8"

5140-COMBINE - TIER 2

INITIAL STOCKING LIST "B" (ISL)

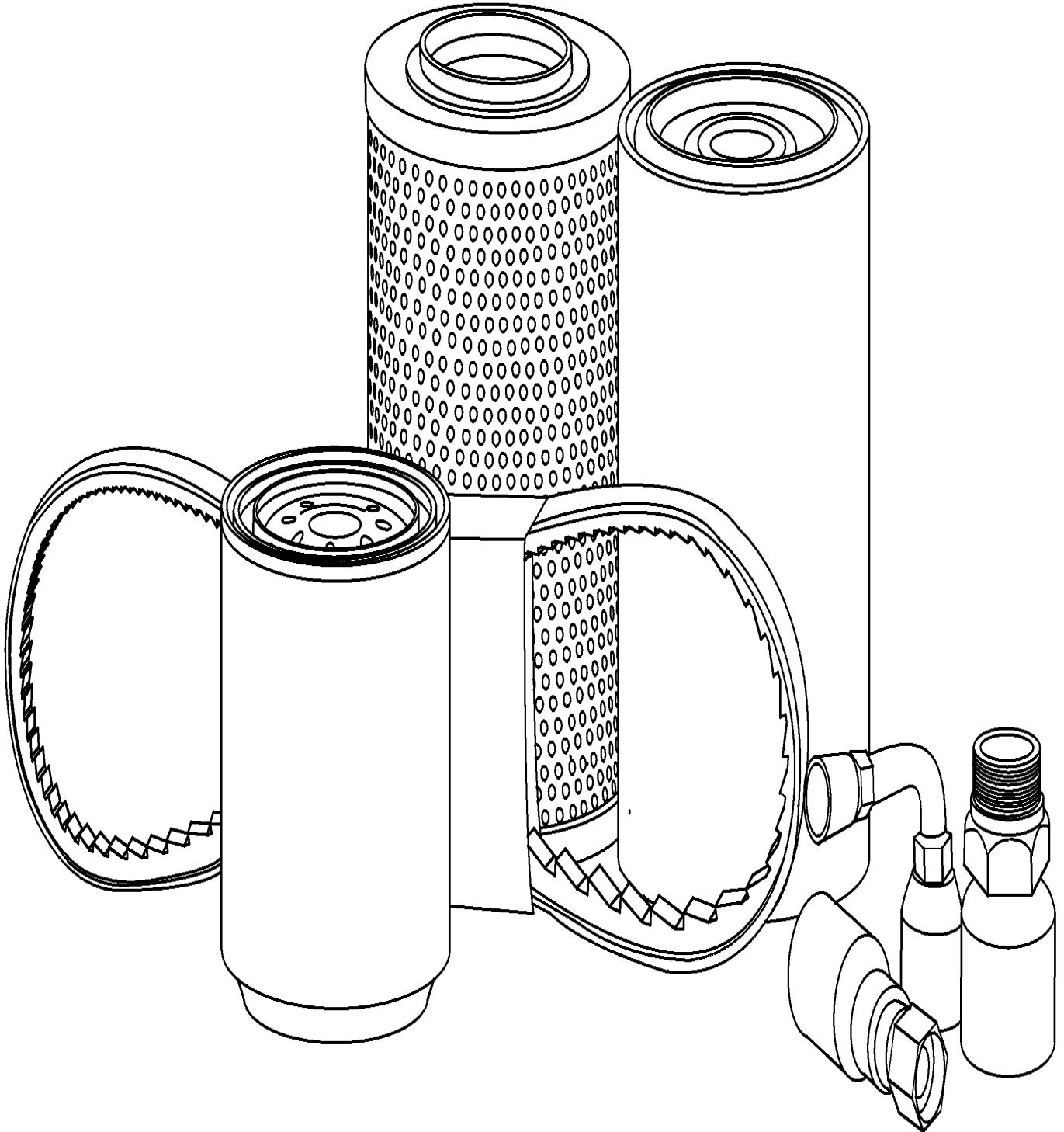


INITIAL STOCKING LIST "B" (ISL)

REF FN	PART NUMBER	YR/SN	QTY DESCRIPTION
21	87712275		1 SIEVE Lower Cloz 1-1/8", 60.20" x 65.96" Lower Cloz, 1 1/8"
22	84398840		1 MEMORY CARD 4GB USB
23	2859674		1 SENSOR Engine Control Module
24	4897224		1 SENSOR Engine Temperature
25	2854542		1 SENSOR Fuel Pressure
26	504372225		1 SENSOR Temperature / Pressure Intake Air Pressure/ Temperature
27	4890189		1 SENSOR Engine Speed
28	84322388		1 THERMOSTAT
29	504382791		1 SENSOR Fuel Pressure
30	82017881		2 SENSOR Engine Coolant Temperature
31	504364902		1 SENSOR Crankcase Pressure
32	5801376024		1 SENSOR Exhaust Pressure
33	504096645		2 TRANSMITTER Camshaft Position
34	5801567639		1 SENSOR Engine Oil Pressure
35	504096443		1 THERMOSTAT
36	47478880		1 TEMPERATURE SENDER Exhaust Temperature
37	84422747		1 SENSOR 5 Pin Exhaust, NOX
38	47520140		1 SENSOR 8 Pin Exhaust, NH3, Ammonia
39	47520143		1 SENSOR Def/ Adblue Quality
40	87482355		1 SENSOR Intake Pressure/ Temperature
41	122756A3		1 POTENTIOMETER 1000 Ohm, 8V Concave Position
42	87519307		1 SENSOR Water In Fuel
43	87330286		2 SENSOR lateral Tilt/ Throttle Position
44	87454442		1 SENSOR Temperature, Cab
45	87650675		1 SENSOR Chopper Speed
46	87428328		1 PRESSURE SWITCH Main Valve
47	1345482C3		1 TRANSMITTER Clean Grain Auger Speed
48	BMF31GW		2 WET BATTERY 950 CCA, BCI 31

5140-COMBINE - TIER 2

INITIAL STOCKING LIST "B" (ISL)

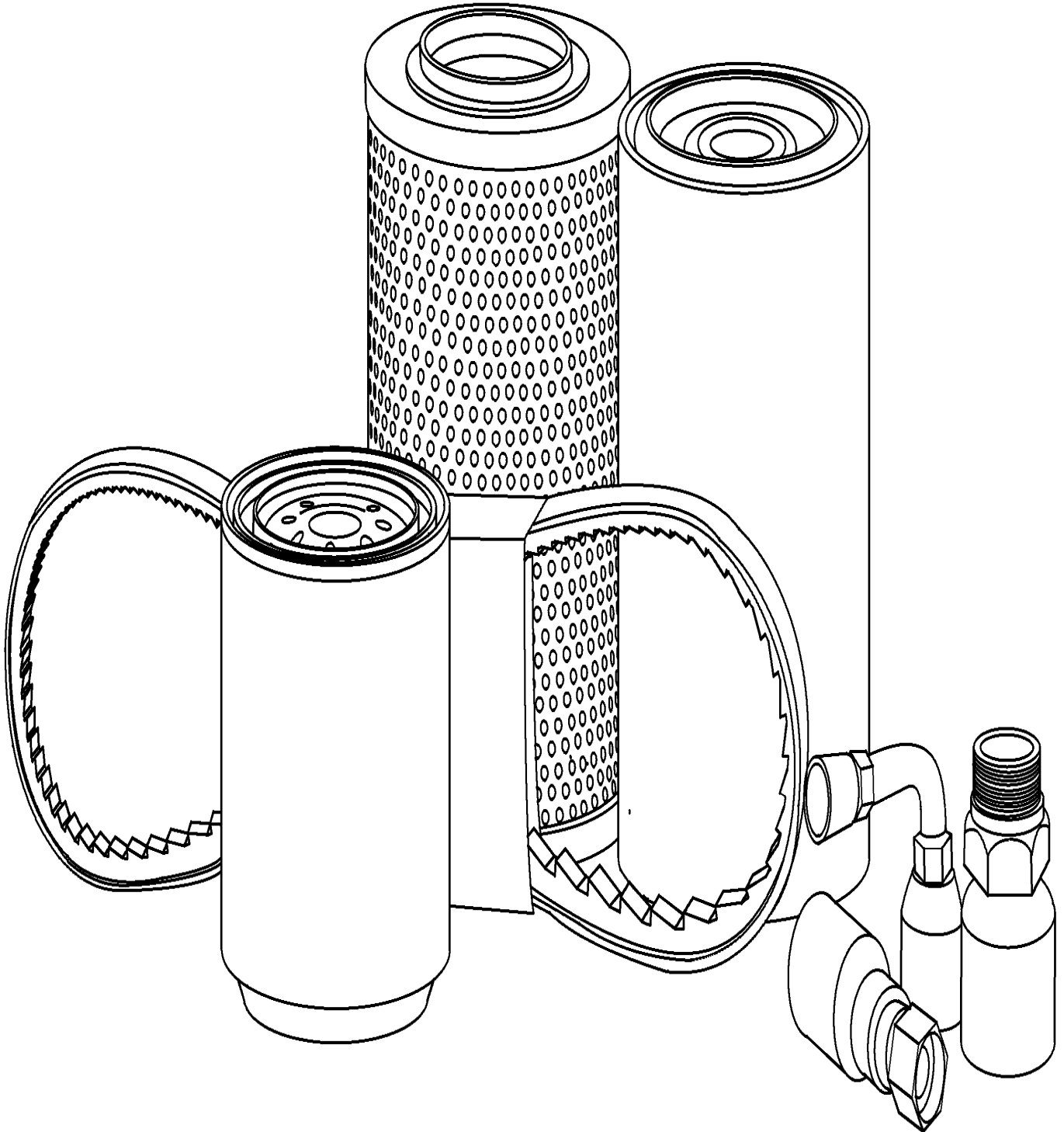


INITIAL STOCKING LIST "B" (ISL)

REF FN	PART NUMBER	YR/SN	QTY DESCRIPTION
49	86616248		3 BULB H1, 12V, 55W
50	87315088		AR BLADE Knife Bank, Center
51	87315089		AR BLADE Knife Bank, End
52	409731A1		AR BLADE Straw Chopper, Fixed
53	82022744		1 CAP Deaeration Tank
54	1971726C1		1 BREATHER PTO Gearbox
55	14149590		2 BULB R10W, 12V, 10W 12V, 10W
56	87107077		2 BULB Halogen, 12V, 37.5W
57	87642985		2 BULB 3157, 12V, 26.5W, Clear Clear, 12V
58	87324388		1 FILLER CAP Fuel Tank
59	84206552		1 FILLER CAP Def/ Adblue Tank
60	87000624		1 CAP Hydraulic Oil Reservoir
61	2856707		1 FILLER CAP Engine Oil Fill
62	504262827		1 CAP Engine Oil Fill
63	121850A1		5 FUSE 3A, Mini, Violet
64	10395890		5 FUSE 5 amp Mini 5 Amp
65	87522595		5 FUSE 7.5A, Mini, Brown 7.5 Amp
66	87522597		5 FUSE 10A, Mini, Red 10 Amp
67	87524877		5 FUSE 15A, Mini, Blue 15 Amp
68	10401190		5 FUSE 20A, Mini, Yellow 20 Amp
69	10401290		5 FUSE 25 amp Mini 25 Amp
70	10402190		5 FUSE 30 amp Mini 30 Amp
71	86508603		2 RELAY Rotor Speed
72	86619908		1 RELAY 12V, 150A Grid Heater
73	9807617		2 SEAL KIT Motor, Air Screen
74	87025441		1 SEAL KIT Sepatator Belt Tension Cylinder
75	188105A1		2 SOLENOID Feeder Lift Circuit
76	87000227		2 A/C HIGH PRESSURE SWITCH

5140-COMBINE - TIER 2

INITIAL STOCKING LIST "B" (ISL)



INITIAL STOCKING LIST "B" (ISL)

REF FN	PART NUMBER	YR/SN	QTY DESCRIPTION
77	84419250		1 PRESSURE SWITCH A/C Low Pressure
78	347917A1		AR VANE Rotor Cage
79	168370C2		1 RATCHET Clutch Slip, 50.04mm ID x 94.49mm OD Clean Grain Elevator jackshaft
80	73341634		AR OIL CAN 250ml
81	84309098		2 WINDSHIELD WIPER
82	86508168		2 SEAL KIT Chaff Spreader Valve
83	47457834		2 IGNITION KEY

5140-COMBINE - TIER 2

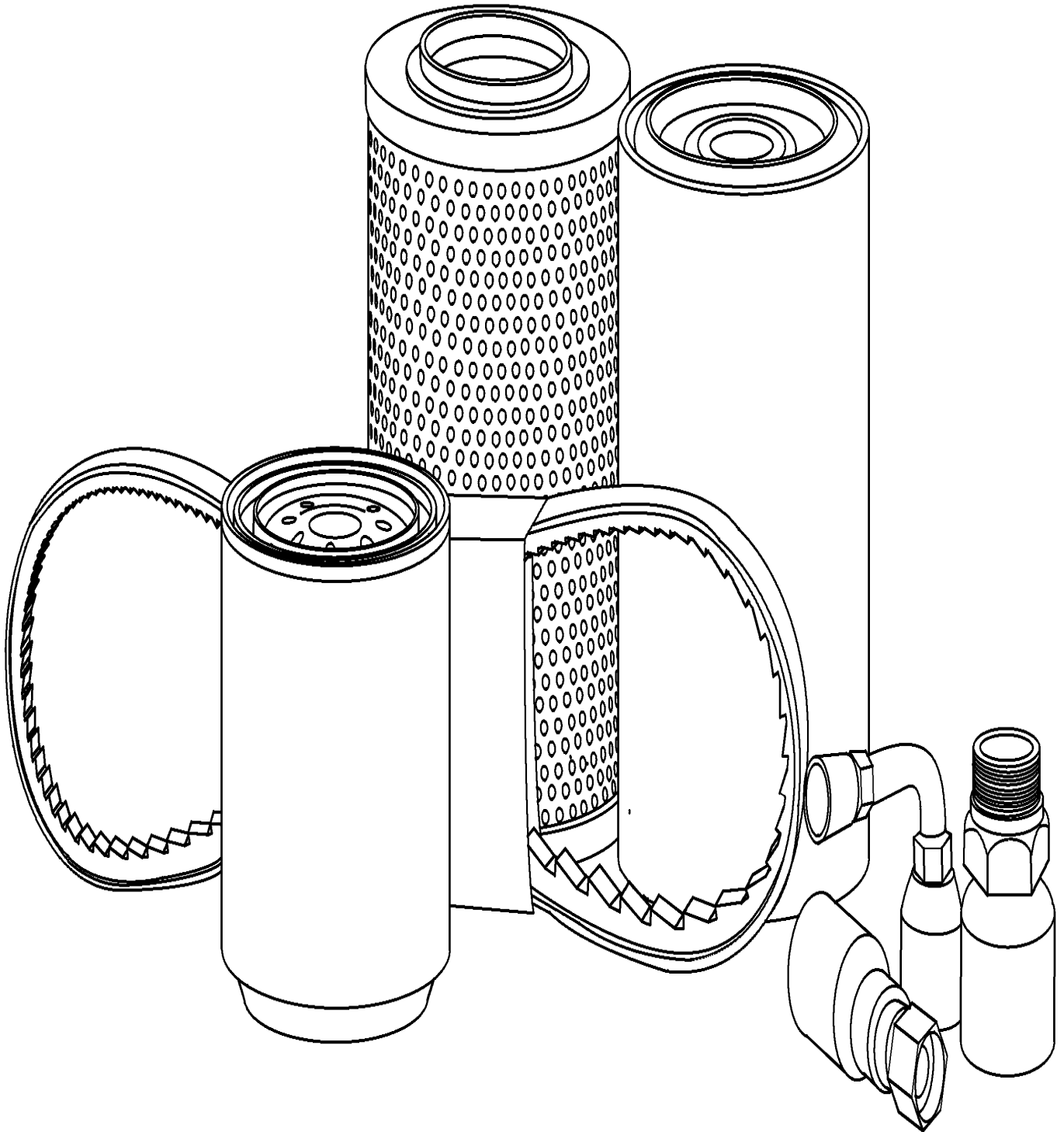
05.100.03

01

p1

7/2015

FILTERS

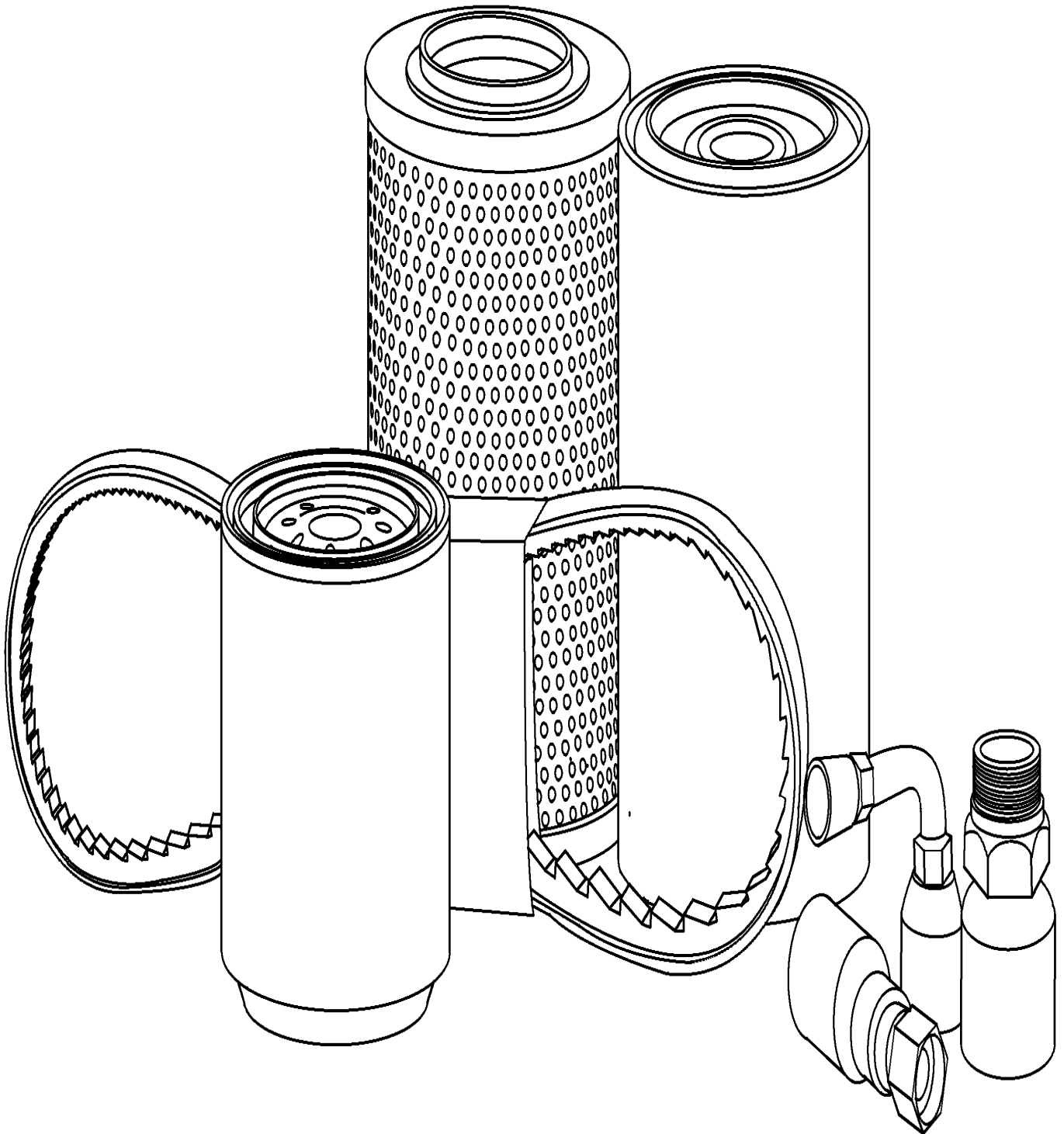


FILTERS

REF FN	PART NUMBER	YR/SN	QTY DESCRIPTION
1	84412164		2 FUEL FILTER NEF Engine
1	84597064		1 FUEL FILTER Cursor Engine
2	84228488		2 ENGINE OIL FILTER Engine Oil, 5140
2	84346773		1 ENGINE OIL FILTER Engine Oil, 6140/ 7140
3	42568767		1 FILTER Crankcase Breather, 5140
3	580165956		1 FILTER Crankcase Breather, 6140/ 7140
4	84348882		2 FUEL FILTER Engine Pre-Filter
5	47680524		1 FILTER, DEF 100 Micron Def/ Adblue Filler Neck, 100 Micron
6	47651824		2 FILTER, DEF Screen, Inline, 70 Micron
7	47364243		1 FILTER Def/ Adblue Main
8	86999949		1 FUEL FILTER Fuel Tank Vent
9	47437399		1 FUEL FILTER Def/ Adblue Tank Vent
10	84477370		2 FUEL FILTER Fuel/ Water Separator
11	87494272		1 FILTER Fuel Sender Sock
12	360260A2		1 CAB FILTER Cab, Roof
13	84217229		1 AIR FILTER 91mm ID x 164.5mm OD x 347mm L Cab, Clean Air
14	86998333		1 AIR FILTER Outer
15	86998332		1 AIR FILTER Inner
16	84253774		1 FILTER STRAINER PTO
17	1329214C1		3 HYDRAULIC OIL FILTER Main Tube Bundle/ Hydraulic Bypass/ Separator
18	104407A1		1 SCREEN Hydraulic Reservoir Filter
19	241892A1		1 FILTER SCREEN Unloading System Regulating Valve

5140-COMBINE - TIER 2

CAPACITIES

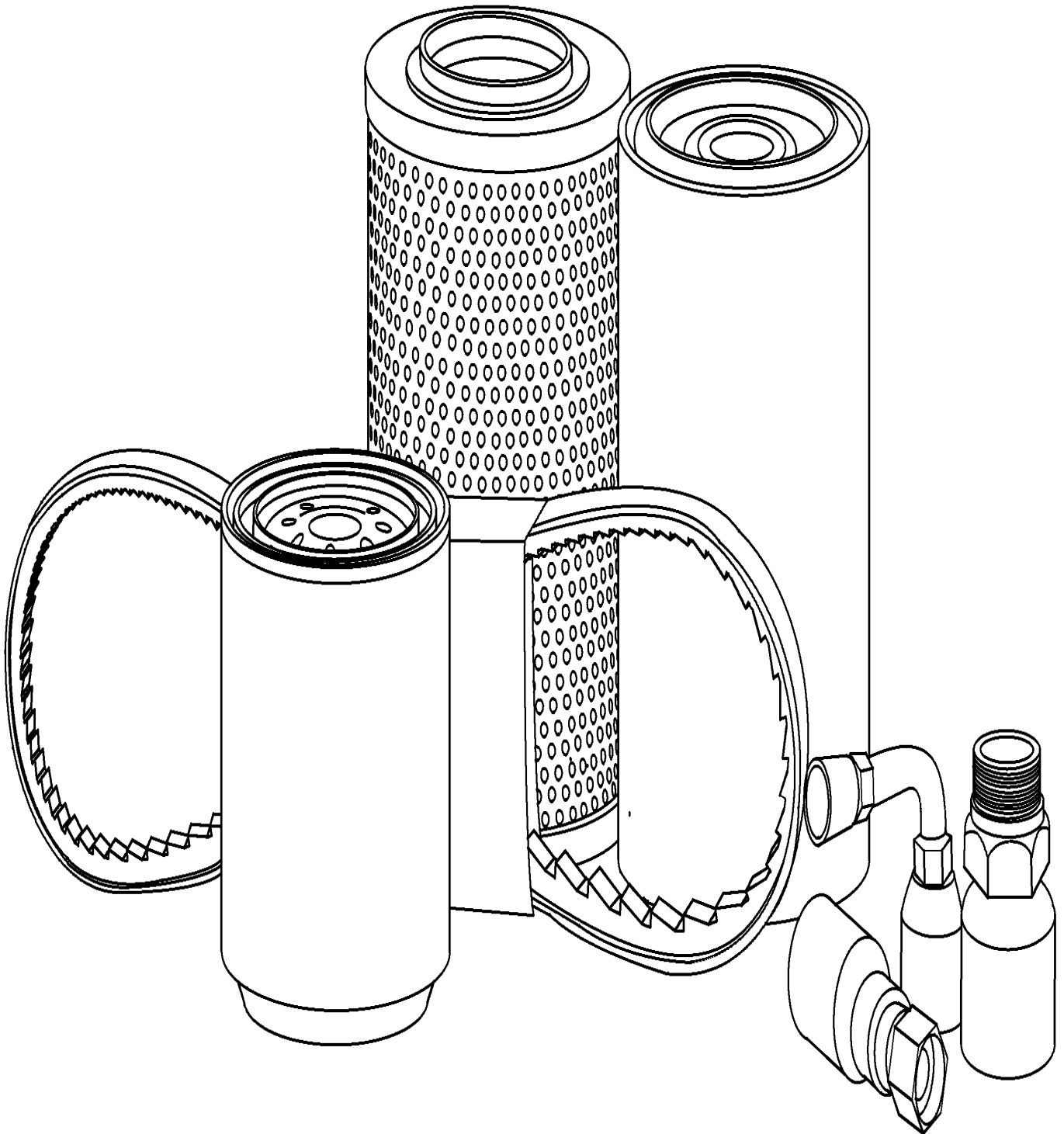


CAPACITIES

REF FN	PART NUMBER	YR/SN	QTY DESCRIPTION
1	{ }		Engine Oil
*	{ }		6.7 NEF, 15.5L (16 Quarts)
*	{ }		9L Cursor, 26.4L (27.9 Quarts)
*	{ }		Case IH 0W-40 CJ-4 Unitek, Effective Range -35C (-31F) To 50C (122F)
*	{ }		Case IH 0W-40 API CJ-4, Effective Range -35C (-31F) To 40C (104F)
*	{ }		Case IH 5W-30 Acea E6, Effective Range -30C (-22F) To 40C (104F)
*	{ }		Case IH 10W-40 CJ-4 Unitek, Effective Range -20C (-4F) To 50C (122F)
*	{ }		Case IH 10W-40 API CJ-4, Effective Range -20C (-4F) To 50C (122F)
*	{ }		Case IH 15W-40 CJ-4, Effective Range -10C (14F) To 40C (104F)
*	{ }		Case IH 15W-40 API CJ-4, Effective Range -10C (14F) To 40C (104F)
2	{ }		Fuel
*	{ }		946L (250 Gallons)
*	{ }		Number 2 Diesel Fuel
3	{ }		DEF/ ADBLUE
*	{ }		160L (42 Gallons)
4	{ }		Cooling System
*	{ }		32L (33.8 Quarts)
*	{ }		Case IH Akcela Actifull OT Extended Life Coolant
5	{ }		Transmission
*	{ }		20L (5.3 Gallons)
*	{ }		Case IH Akcela Hy-Tran Ultraction Hydraulic Transmission Oil
6	{ }		Final Drive
*	{ }		9L (9.5 Quarts) Each

5140-COMBINE - TIER 2

CAPACITIES

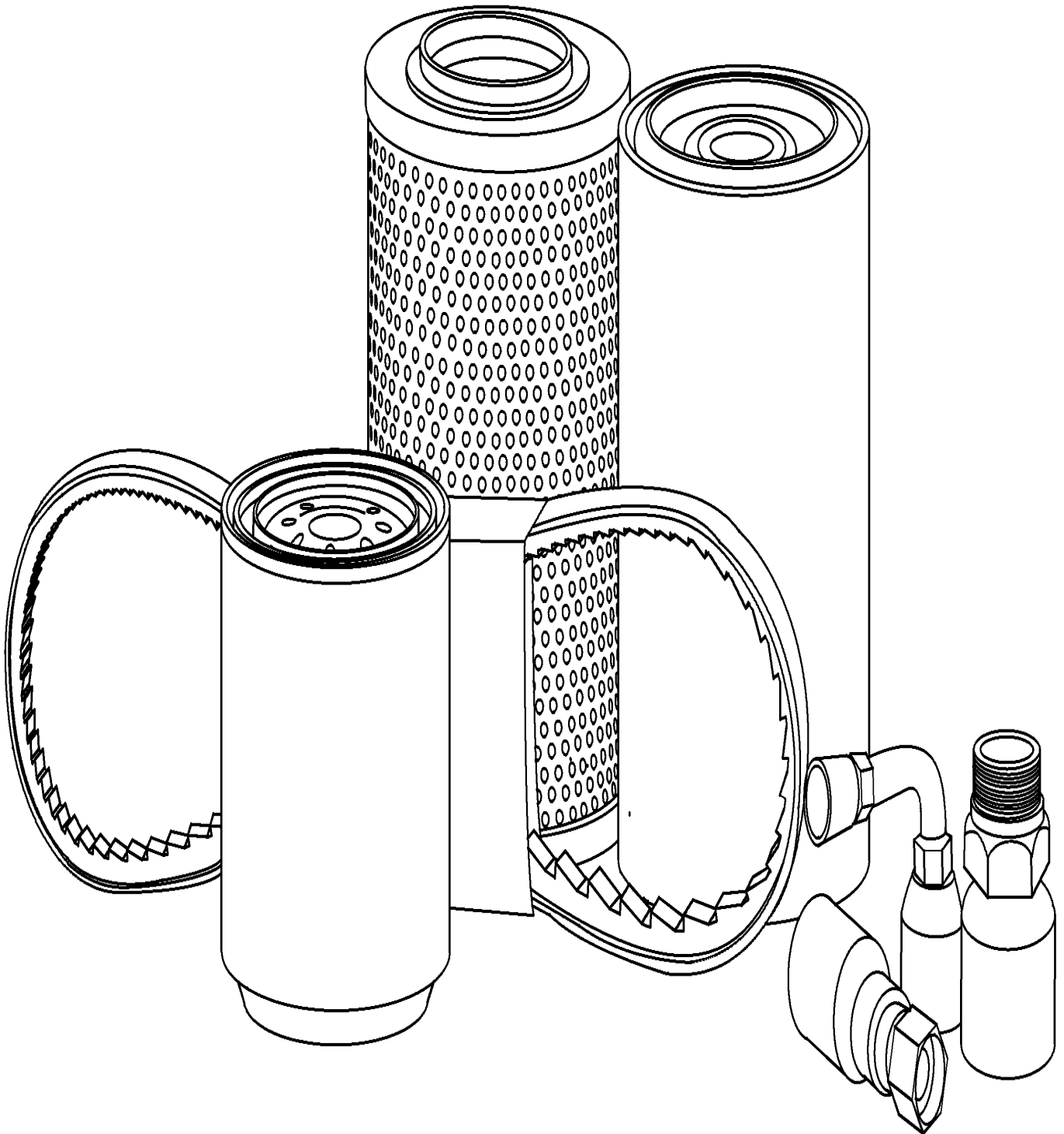


CAPACITIES

REF FN	PART NUMBER	YR/SN	QTY DESCRIPTION
*	{		Case IH Akcela Gear 135 H EP 85W-140
7	{		Hydraulic Oil Reservoir And Filters
*	{		57L (15 Gallons)
*	{		Case IH Akcela Hy-Tran Ultraction
8	{		PTO Housing
*	{		19L (20 Quarts)
*	{		Case IH Akcela Hy-Tran Ultraction
9	{		Feeder And Cleaning Fan Gear Case
*	{		Standard Duty, 6.4L (6.8 Quarts)
*	{		Heavy Duty, 8.2L (8.7 Quarts)
*	{		Case IH Akcela Gear Lube SSL 75W90
10	{		Lower Unloader Gear Case
*	{		0.6L (1.3 Pints)
*	{		Case IH Akcela Gear 135 H EP 80W-90 Or Case IH Akcela Gear 135 H EP 85W-140
11	{		Upper Unloader Gear Case
*	{		0.43L (.9 Pints)
*	{		Case IH Akcela Gear 135 H EP 80W-90 Or Case IH Akcela Gear 135 H EP 85W-140
12	{		Rotor Gear Case
*	{		7.5L (7.9 Quarts)
*	{		Case IH Akcela Gear 135 H EP 85W-140
13	{		Straw Chopper Gear Case
*	{		3.1L (3.3 Quarts)
*	{		Case IH Akcela Hy-Tran Ultraction
14	{		Two Speed Feeder Gear Case
*	{		4.3L (4.5 Quarts)
*	{		Case IH Akcela Hy-Tran Ultraction
15	{		Inclined Auger (Bubble Up) Gear Case

5140-COMBINE - TIER 2

CAPACITIES



05.100.03

02

p3

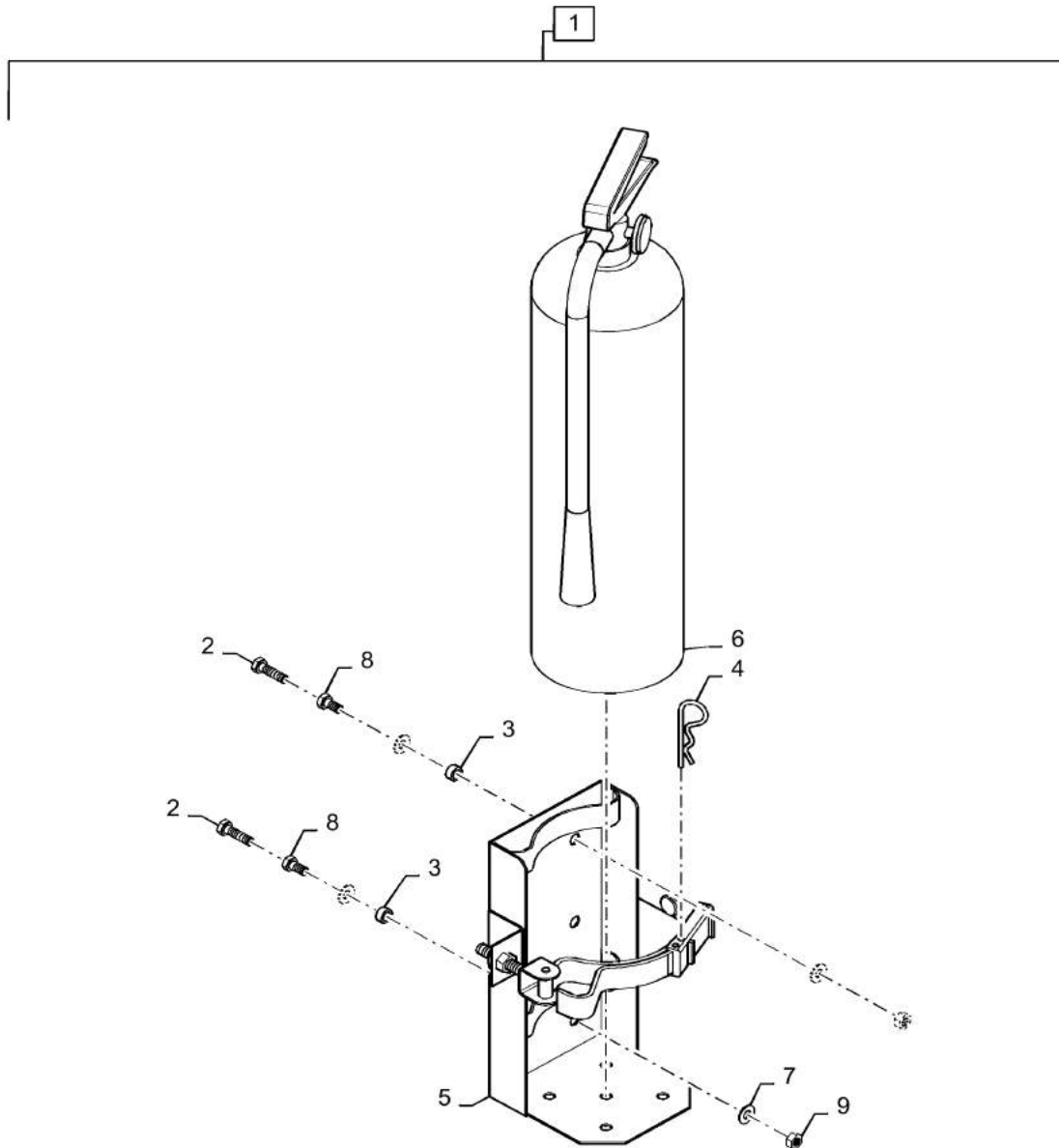
7/2015

CAPACITIES

REF FN	PART NUMBER	YR/SN	QTY DESCRIPTION
*	{		148 ml (5 Ounces)
*	{		Case IH Akcela Gear 135 H EP 85W-140 Or Case IH Akcela Gear 135H EP 80W-90

5140-COMBINE - TIER 2

FIRE EXTINGUISHER



FIRE EXTINGUISHER

REF FN	PART NUMBER	YR/SN	QTY DESCRIPTION
1	47613712		2 KIT Fire Extinguisher, Incl 4 - 9
2	43128		4 BOLT M8 x 1.25 x 30mm, CI 8.8
3	134084		4 SPACER .625" OD x .40625" ID x .375"
4	1980543C1		2 HAIR PIN COTTER 3/16"
5	87561730		2 BRACKET Fire Extinguisher Holder
6	87425179		2 FIRE EXTINGUISHER 10 Lb.
7	322358		16 BELLEVILLE WASHER M8 x 18mm OD x 1.4mm Thk
8	120103		8 BOLT M8 x 1.25 x 16mm, CI 8.8
9	9706690		8 NUT M8 x 1.25, CI 8

5140-COMBINE - TIER 2

SECTION INDEX

ENGINE

10.001.AD		ENGINE
10.001.AK	01	ENGINE MOUNT FRAME
10.102.AW	01	DRAIN LINE, OIL
10.202.AB		AIR CLEANER, AIR CLEANER KIT
10.202.BD	01	AIR CLEANER & INTAKE PARTS
10.206.AF		FILTER, FUEL WATER SEPARATOR
10.210.AF	01	FUEL LINE, ENGINE
10.210.AO		REAR HOOD FUEL LINE & INLINE FILTER
10.216.AI		FUEL TANK & ASSOCIATED PARTS
10.250.AJ	01	COOLING SYSTEM, CAC MR5
10.254.AI	01	EXHAUST SYSTEM W/ MUFFLER
10.310.AA		INTERCOOLER, COOLER ASSY.
10.400.BE		RADIATOR ASSEMBLY, ENGINE
10.400.BF	01	COOLER ASSY., BOX
10.400.BF	02	COOLER, RADIATOR & COOLER
10.400.BI	01	COOLING SYSTEM CIRCUIT
10.408.AO		CONDENSER, OIL COOLER
10.414.AC	01	ENGINE FAN DRIVE
10.419.AA	01	DOOR, FAN, SCREEN
10.419.AA	02	SCREEN, AIR INTAKE
10.419.AA	03	DOOR, AIR DUCT, PLUG
10.419.AE		MOTOR, FAN, SCREEN
10.500.AA		DEF TANK, DEF/ ADBLUE, FILLER, SENDER UNIT

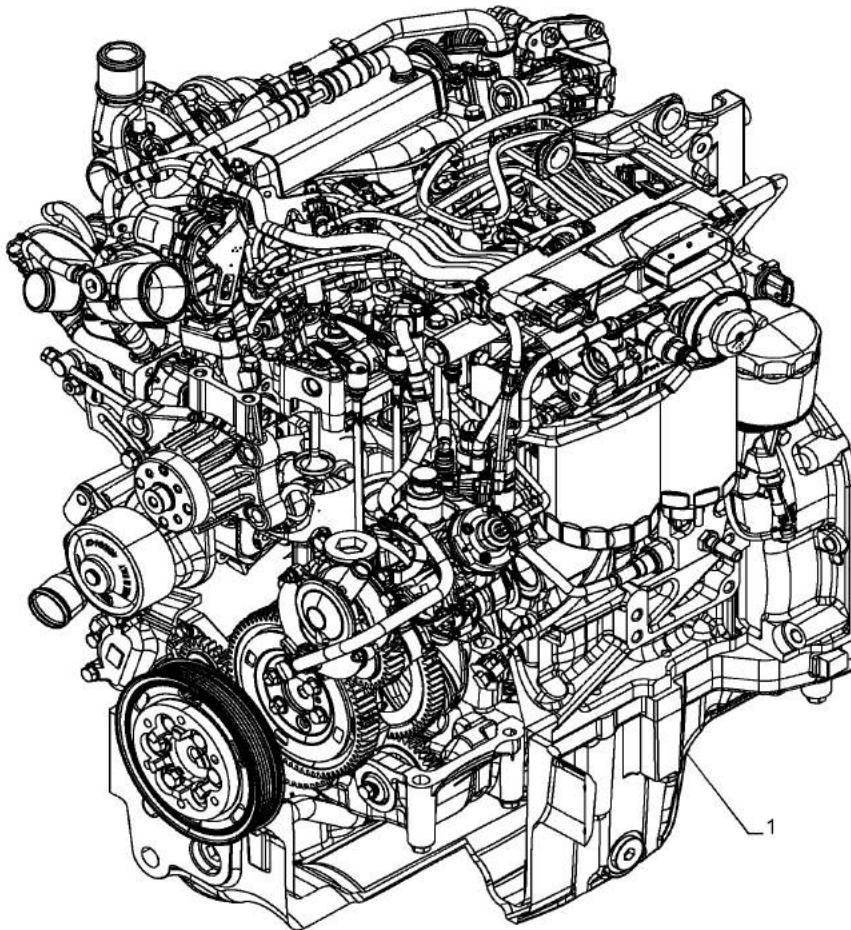
ENGINE

LOCATE ENGINE PARTS

Click Model Details icon on the right 

Click Related Models tab to find FPT Engine

Right Click Engine Model - Open New Job Tab



ENGINE

REF FN	PART NUMBER	YR/SN	QTY DESCRIPTION
1	47552528		1 ENGINE Tier 2, 5140
1	47552457		1 ENGINE Tier 4, 5140
1	47552602		1 ENGINE Tier 2, 6140/ 7140
1	47552603		1 ENGINE Tier 4, 6140/ 7140

5140-COMBINE - TIER 2

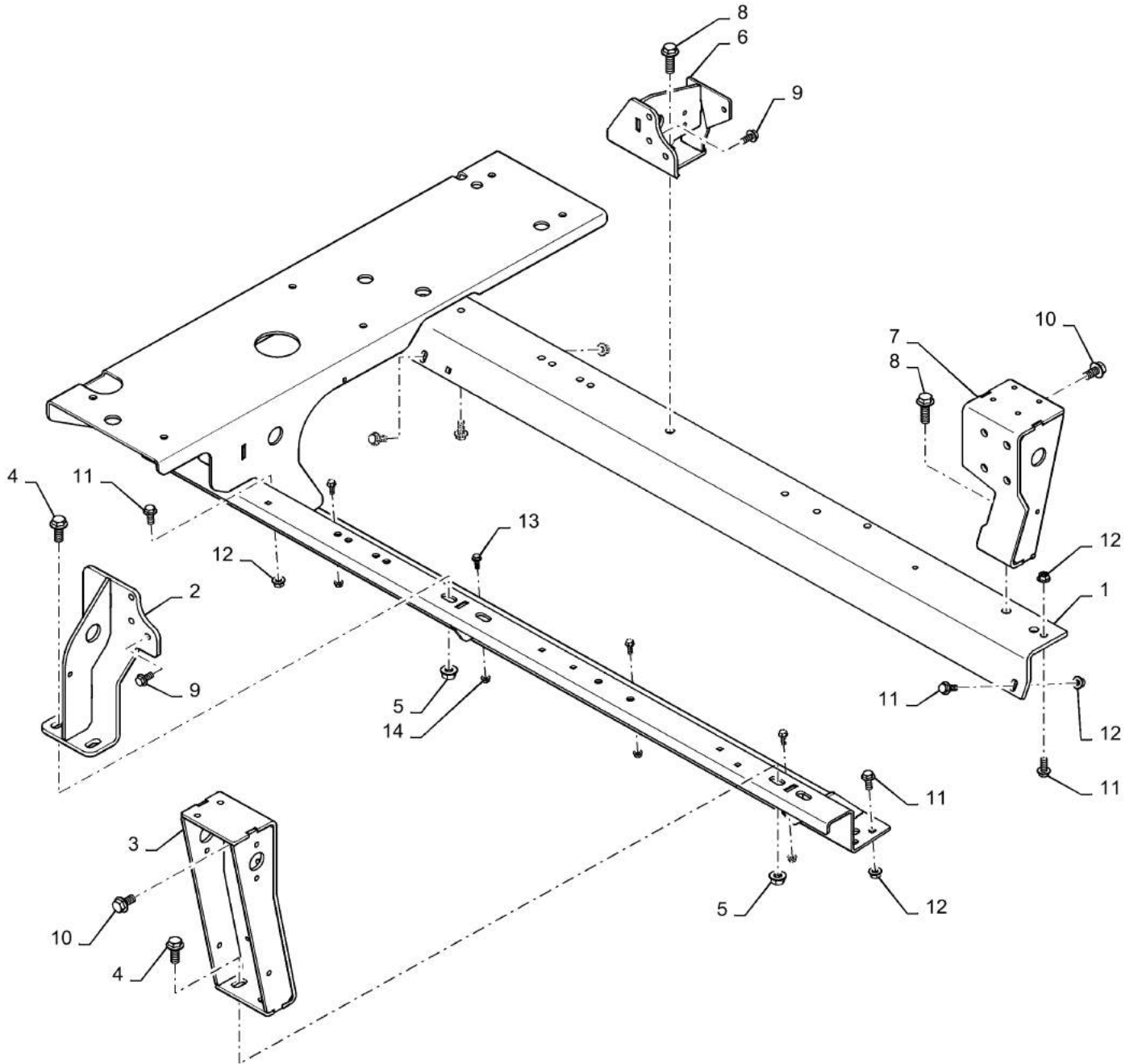
10.001.AK

01

p1

7/2015

ENGINE MOUNT FRAME

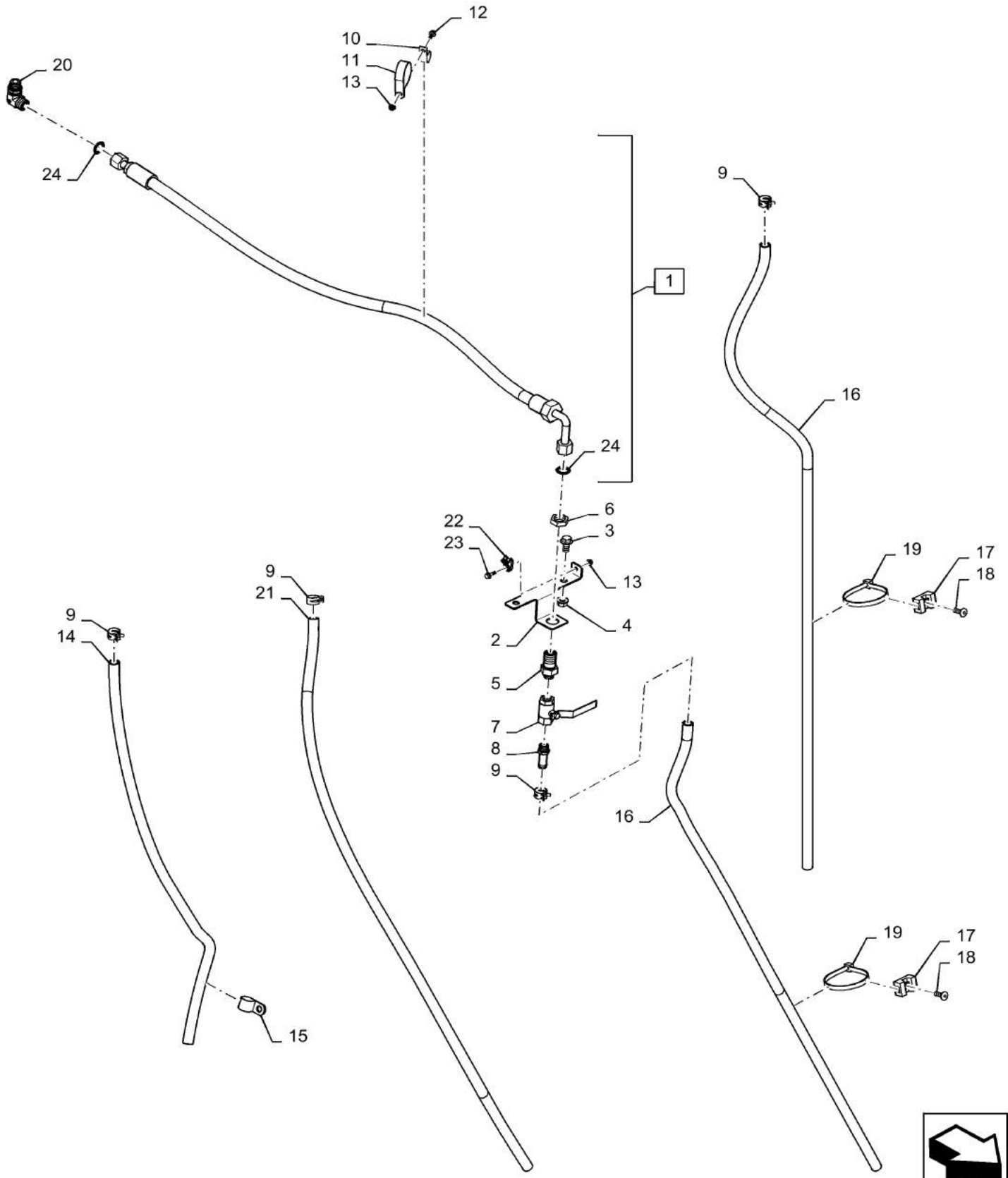


ENGINE MOUNT FRAME

REF FN	PART NUMBER	YR/SN	QTY DESCRIPTION
1	47608063		1 FRAME Engine Mount, Dark Gray
2	84255166		1 BRACKET Engine Support, Dark Gray
3	47375124		1 SUPPORT Engine, Dark Gray
4	87495304		4 FLANGE BOLT M6 x 55.4mm, CI 10.9
5	87016581		4 FLANGE NUT M16 x 2.0, CI 10
6	47375155		1 MOUNT Engine, Front, Dark Gray
7	47375165		1 MOUNT Engine, Rear, Dark Gray
8	87698849		2 BOLT M16 x 50mm, CI 10.9
9	87343550		6 FLANGE BOLT Hex HD M12x25 ZND
10	87698766		8 FLANGE BOLT M16 x 45.4mm, CI 10.9
11	87030508		8 BOLT M12 x 30 Full 10.9 ZND
12	86512497		7 FLANGE NUT M12 x 1.75, CI 10
13	87698833		4 BOLT M8 x 33.1mm, CI 10.9
14	86507066		4 FLANGE NUT M8 x 1.25, CI 10

5140-COMBINE - TIER 2

DRAIN LINE, OIL

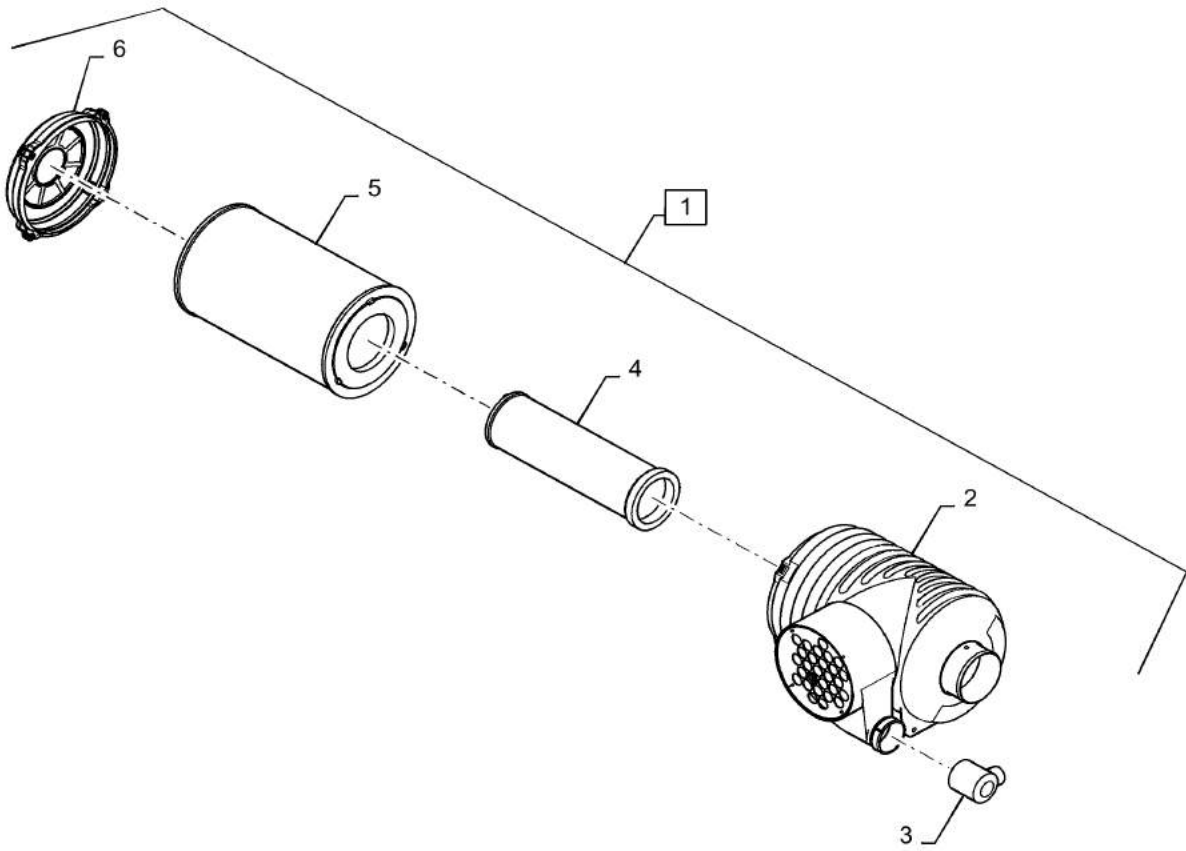


DRAIN LINE, OIL

REF FN	PART NUMBER	YR/SN	QTY DESCRIPTION
1	84311371		1 HOSE ASSY. 15.88mm ID x 1350mm L, SAE 100R17 Oil Drain, Incl 24
2	84579642		1 BRACKET Bulkhead Support
3	87343550		2 FLANGE BOLT Hex HD M12x25 ZND
4	86512497		2 FLANGE NUT M12 x 1.75, CI 10
5	84288936		1 FITTING Bulkhead Connector
6	201-919		1 BHD LOCK NUT Blkhd, 1"-14
7	84185100		1 SHUT-OFF VALVE 3/4" - 16 x 3/4" - 16
8	217-395		1 FITTING 5/8" Hose x 3/4"-16 ORB, Beaded
9	1954736C1		4 HOSE CLAMP #24
10	700514		1 CLAMP 23.8mm, Coat, 8.7mm Bolt Hole, P Type Closed 23.8mm Insulated 5/16" Bolt
11	515-23508		1 CLAMP 2", Insul, 3/8" Bolt
12	87695418		1 FLANGE BOLT M6 x 1.0 x 16mm, CI 10.9
13	86050300		2 FLANGE NUT M6 x 1.0, CI 10
14	293339A1		1 RADIATOR HOSE 22.35 mm ID x 1100.00 mm
15	86625038		1 CLAMP 25.4mm, Coat, 13.5mm Bolt Hole, P Type
16	1977293C3		2 HOSE Drain And Breather
17	86590413		9 BASE 15.87mm W x 22.22mm OAL x 9.9mm Thk Wire Tie
18	445394		9 RIVET Pop, 3/16" x 1/2" OAL
19	306132C1		13 CABLE TIE .30" x 14.5"
20	84562836		1 90 ELBOW M22 ORR x 5/8" ORFS
21	84364071		1 FLEXIBLE HOSE 15.75mm ID x 1900mm L Drain And Breather
22	84340333		1 SECURING STRAP Base, Wire Tie
23	87675531		1 FLANGE BOLT M6 x 26.6mm, CI 10.9
24	9992069		2 O-RING 0.07" Thk x 0.614" ID, -16, CI 6, 90 Duro

5140-COMBINE - TIER 2

AIR CLEANER, AIR CLEANER KIT



AIR CLEANER, AIR CLEANER KIT

REF FN	PART NUMBER	YR/SN	QTY DESCRIPTION
1	86998329		1 AIR CLEANER Incl 2 - 6
2	86998330		1 HOUSING Canister, Air Cleaner
3	86998331		1 CHECK VALVE Canister
4	86998332		1 AIR FILTER Secondary, Inner
5	86998333		1 AIR FILTER Primary, Outer
6	87414982		1 COVER Canister End

5140-COMBINE - TIER 2

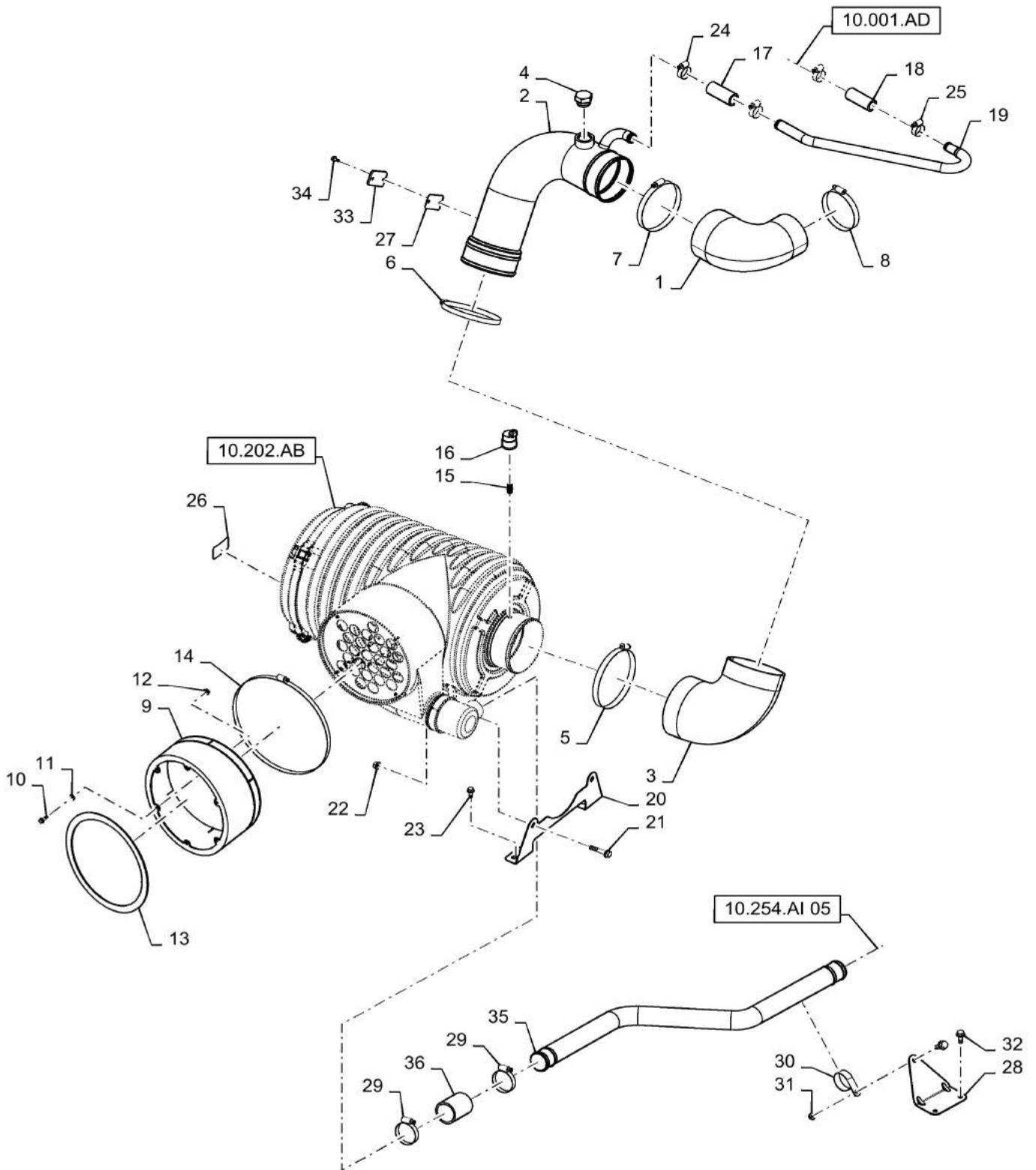
10.202.BD

01

p1

7/2015

AIR CLEANER & INTAKE PARTS



AIR CLEANER & INTAKE PARTS

REF FN	PART NUMBER	YR/SN	QTY DESCRIPTION
1	87313999		1 ELBOW Air Inlet
2	47373764		1 TUBE Air Intake
3	86995317		1 ELBOW Air Intake Mid
4	273916		1 PLUG Hex Hd, 1 5/16"-12 ORB
5	86633350		1 HOSE CLAMP 159mm - 181mm
6	214-14104		1 HOSE CLAMP 155.45mm - 177.8mm
7	86637712		1 HOSE CLAMP 133mm - 156mm
8	86637711		1 HOSE CLAMP 108mm - 130mm
9	451775A1		1 DUCT Air Intake
10	87675531		6 FLANGE BOLT M6 x 26.6mm, CI 10.9
11	495-11028		6 WASHER 1/4", SAE
12	87301498		6 FLANGE NUT Hex, M6 x 1.0, CI 10
13	87302039		1 SEAL Air Intake Duct
14	87012918		1 HOSE CLAMP 64mm - 317.5mm
15	86976679		1 ADAPTER To Restriction Switch
16	87013666		1 RESTRICTION SWITCH Filter Indicator
17	87637434		1 HYDRAULIC HOSE 24.50" mm ID x 362.00 mm
18	84296251		1 HOSE 22.23mm ID x 80mm L, SAE J30R7, Type 2
19	47389493		1 TUBE Crankcase Vent
20	84158622		2 BRACKET Air Cleaner Support
21	87698840		4 FLANGE BOLT M10 x 50mm, CI 10.9
22	87547587		4 LOCK NUT Hex, M10 x 1.5, CI 10
23	87656137		5 BOLT M8 x 28.1mm, CI 10.9
24	514920		2 HOSE CLAMP 20.6mm - 38.1mm, Worm Gear
25	86643166		2 HOSE CLAMP #16, .81/1.50 Type F Worm, W/liner
26	84215544		1 DECAL Air Filter Element ID
27	84485285		1 GASKET 0.8mm Thk Cover
28	47543824		1 SUPPORT Aspiration Tube

5140-COMBINE - TIER 2

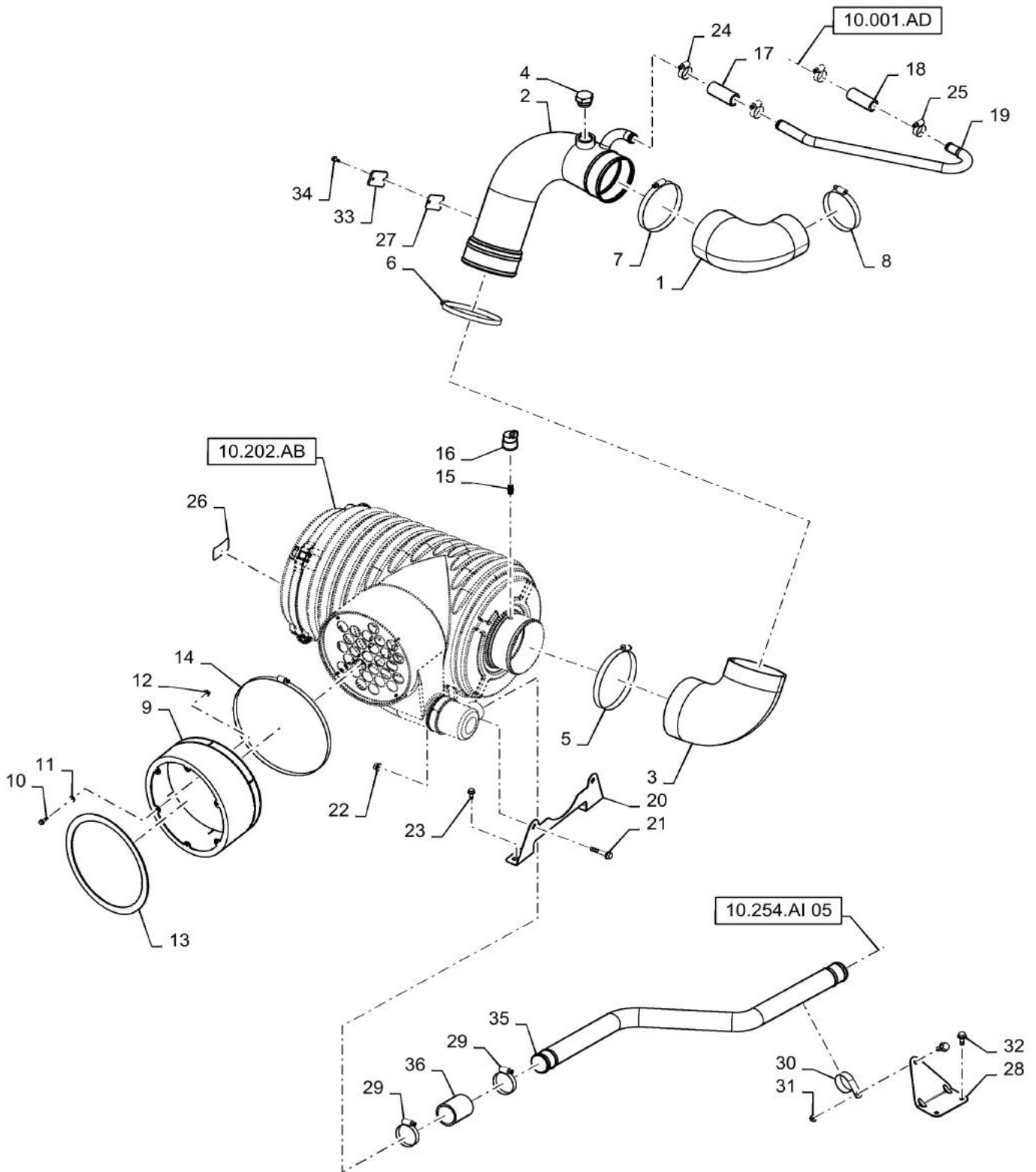
10.202.BD

01

p2

7/2015

AIR CLEANER & INTAKE PARTS

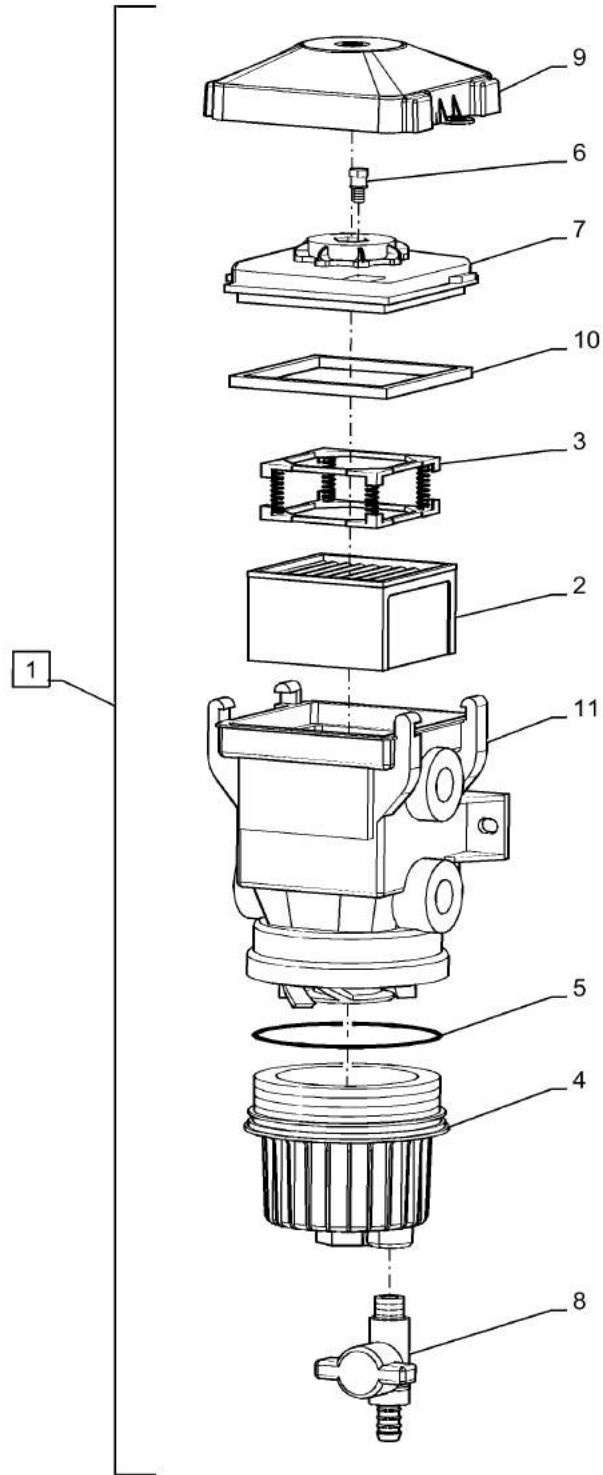


AIR CLEANER & INTAKE PARTS

REF FN	PART NUMBER	YR/SN	QTY DESCRIPTION
29	86625019		1 HOSE CLAMP 44mm - 67mm
30	87552805		1 CLAMP 50.8mm, Coat, 10.3mm Bolt Hole, P Type 50.8mm, Insulated
31	86507066		1 FLANGE NUT M8 x 1.25, CI 10
32	87698836		2 BOLT M10 x 25mm, Full Thd, CI 10.9
33	84485287		1 COVER Intake Tube
34	87695418		2 FLANGE BOLT M6 x 1.0 x 16mm, CI 10.9
35	47394886		1 TUBE Aspiration
36	87308234		1 HOSE 32mm ID - 66.67mm ID x 16mm W, Unlined

5140-COMBINE - TIER 2

FILTER, FUEL WATER SEPARATOR



FILTER, FUEL WATER SEPARATOR

REF FN	PART NUMBER	YR/SN	QTY DESCRIPTION
1	87734479		1 SEPARATOR Fuel Water, Incl 2 - 11
2	84477370		1 FUEL FILTER Fuel/Water Separator, 30 Micron
3	87333679		1 SPRING Frame Filter
4	87473304		1 BOWL Water Sensor
5	87473305		1 O-RING 0.07" Thk x 4.3" ID Bowl Gasket
6	87474698		1 BLEEDER VALVE EVO-10
7	87473306		1 LID Sub Assembly Filter
8	87473308		1 DRAIN VALVE EVO-10
9	87474697		1 COVER Dust
10	87333676		1 GASKET Top Lid Fuel Strainer
11	NSS		1 NOT SERVICED SEPARATELY Body, Fuel Water Separator, Incl In 1

5140-COMBINE - TIER 2

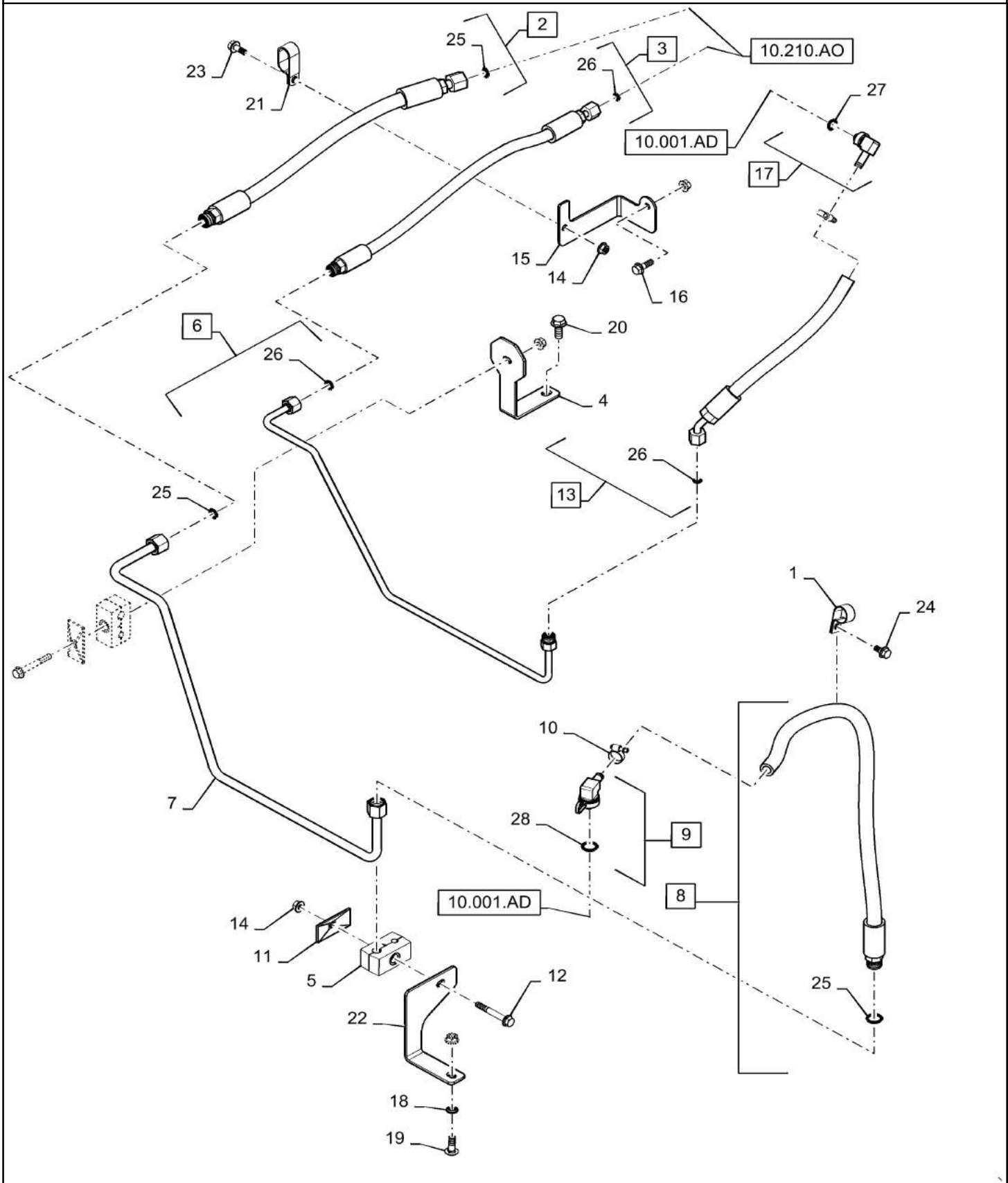
10.210.AF

01

p1

7/2015

FUEL LINE, ENGINE



FUEL LINE, ENGINE

REF FN	PART NUMBER	YR/SN	QTY DESCRIPTION
1	700514		1 CLAMP 23.8mm, Coat, 8.7mm Bolt Hole, P Type Cable
2	47381895		1 HYDRAULIC HOSE Fuel Supply, Rear Hood, Incl 25
3	84565334		1 FUEL HOSE 9.53mm ID x 530mm L, SAE 100R6 Return, Incl 26
4	84513921		1 BRACKET Tube Clamp
5	87105732		2 CLAMP Tube, 12.7mm x 9.52mm
6	84565331		1 FUEL TUBE Fuel Return, Incl 26
7	84565332		1 FUEL TUBE Fuel Supply
8	47379727		1 FUEL HOSE Supply, At Engine, Incl 25
9	87442270		1 FITTING 90 Degree Elbow, Incl 28
10	214-1708		2 HOSE CLAMP #08, 0.5" - 0.91", Type M Worm
11	87000230		2 PLATE Hose Clamp
12	87670761		2 FLANGE BOLT M8 x 68.1mm, CI 10.9
13	84498846		1 HOSE ASSY. 9.53mm ID x 405mm L, SAE 100R6 Fuel Return, Incl 26
14	86507066		5 FLANGE NUT M8 x 1.25, CI 10
15	84565367		1 SUPPORT Fuel Lines
16	87698833		1 BOLT M8 x 33.1mm, CI 10.9
17	87400460		1 90 ELBOW NG-8, Incl 27
18	131-440		1 PUSH-ON NUT 5/16"
19	87682384		1 CARRIAGE BOLT M8 x 1.25 x 25mm, CI 10.9
20	87698836		1 BOLT M10 x 25mm, Full Thd, CI 10.9
21	485093C1		1 CLAMP Fuel Lines
22	47407663		1 BRACKET Tube Clamp
23	87656137		1 BOLT M8 x 28.1mm, CI 10.9
24	87681207		1 BOLT M8 x 24.1mm, CI 10.9
25	9992298		3 O-RING 0.07" Thk x 0.489" ID, -14, CI 6, 90 Duro

5140-COMBINE - TIER 2

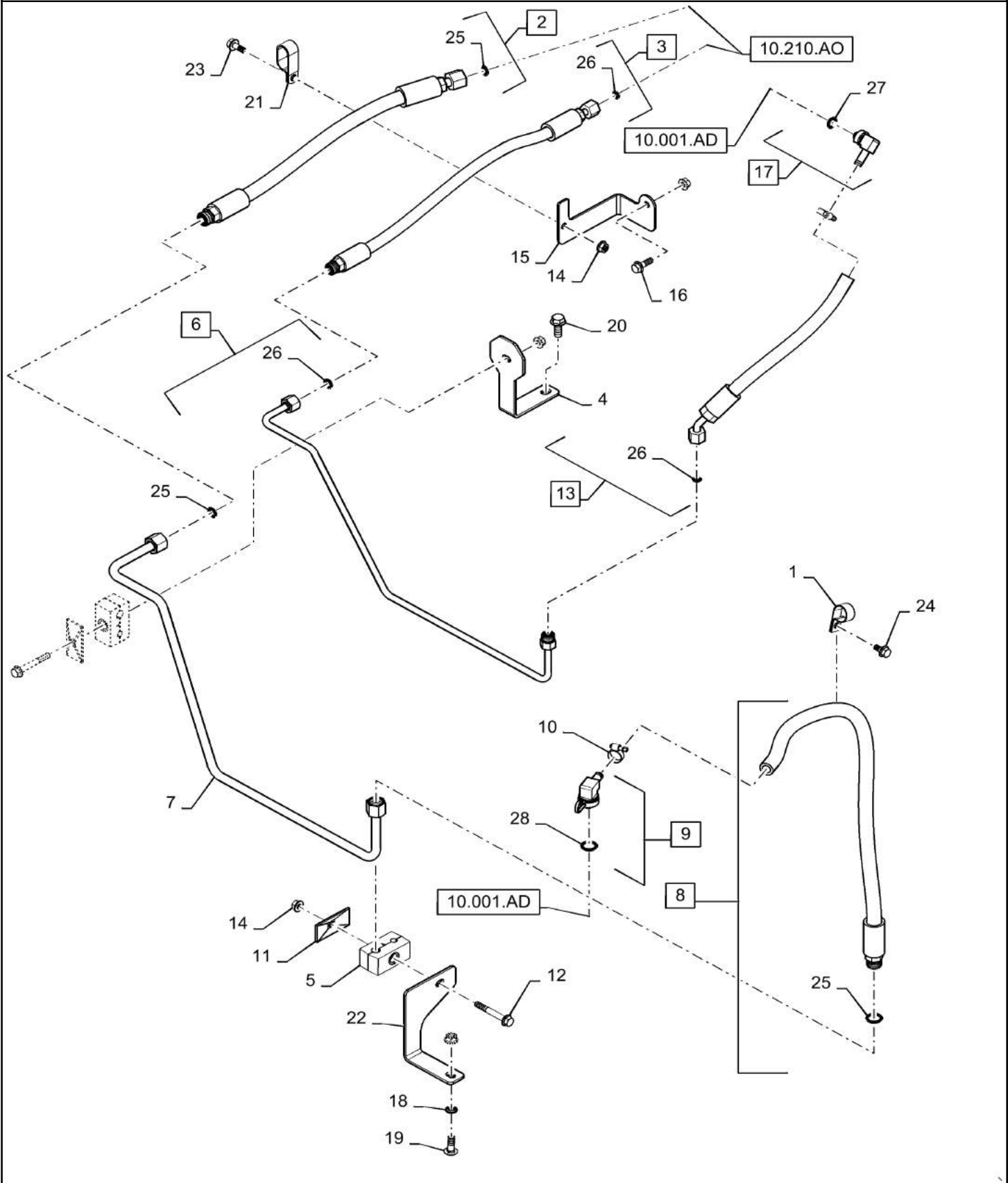
10.210.AF

01

p2

7/2015

FUEL LINE, ENGINE



10.210.AF

01

p2

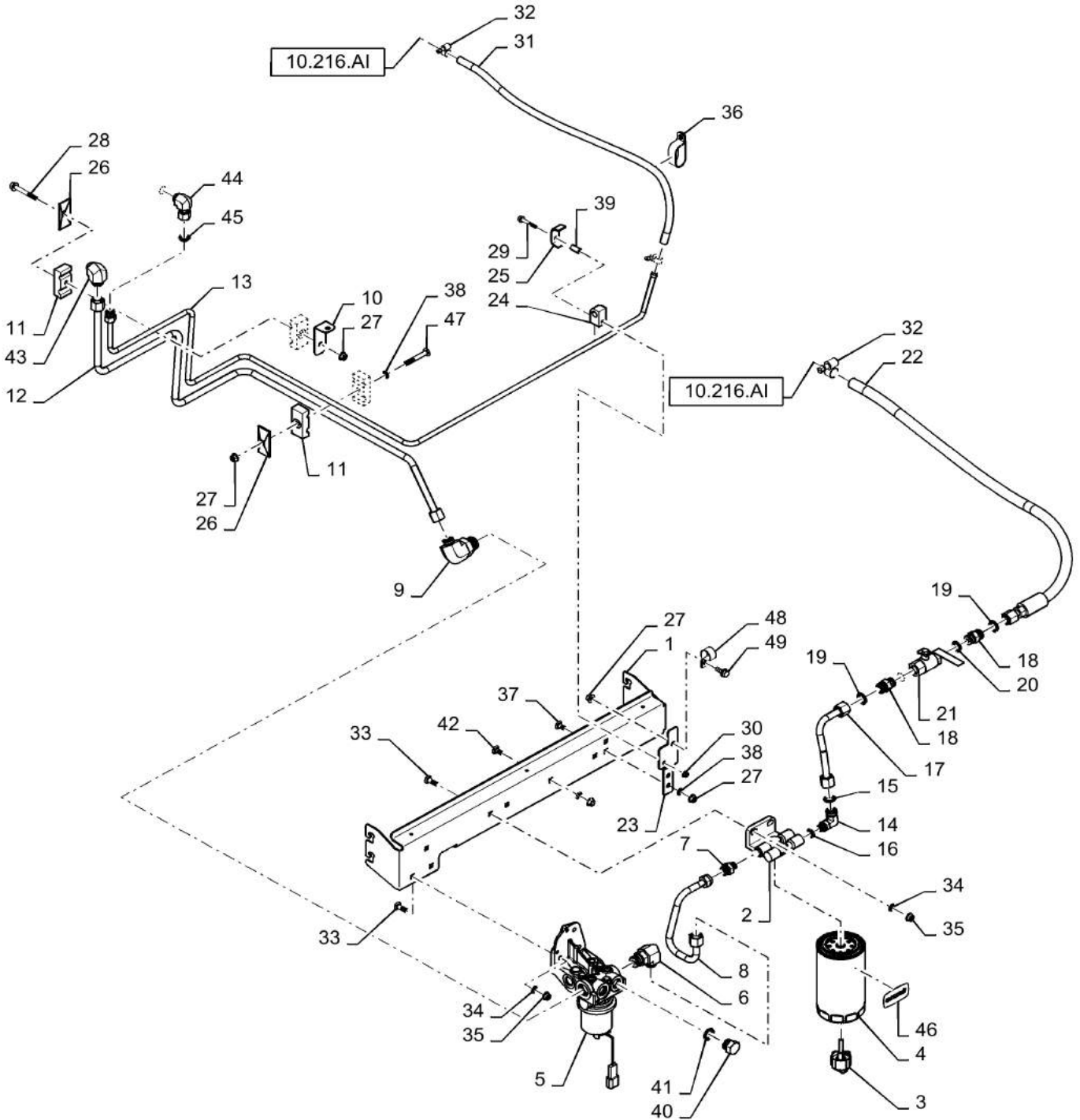
7/2015

FUEL LINE, ENGINE

REF FN	PART NUMBER	YR/SN	QTY DESCRIPTION
26	9993141		4 O-RING 0.07" Thk x 0.364" ID, -12, Cl 6, 90 Duro
27	87445404		1 O-RING 2.5mm Thk x 8mm ID, 60 Duro NG-8
28	87445405		1 O-RING NG-12

5140-COMBINE - TIER 2

REAR HOOD FUEL LINE & INLINE FILTER

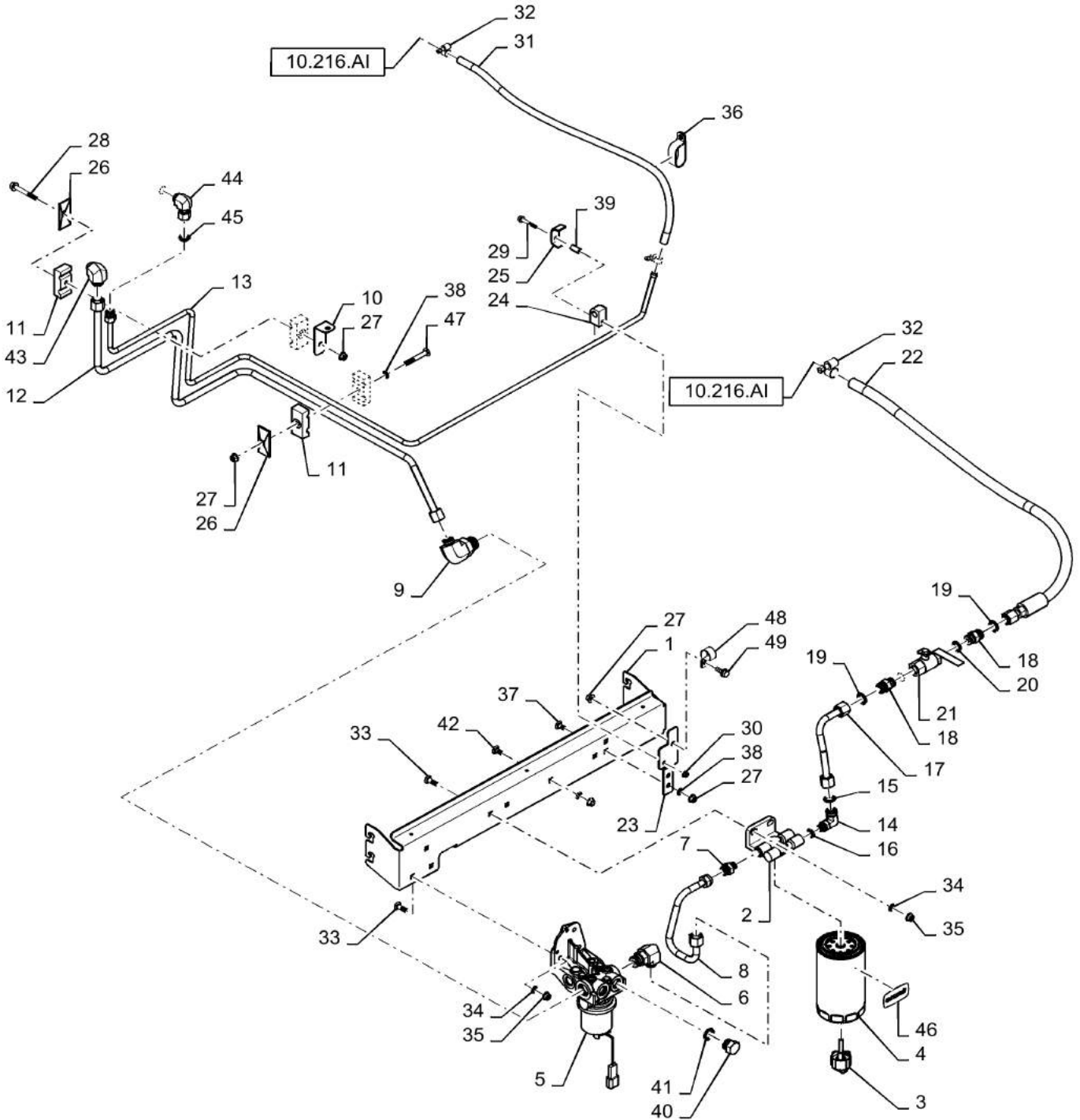


REAR HOOD FUEL LINE & INLINE FILTER

REF FN	PART NUMBER	YR/SN	QTY DESCRIPTION
1	47430975		1 SUPPORT DEF Tank Side, Dark Gray
2	87607877		1 HEAD Fuel Filter
3	87519307		4 SENSOR Water Sensor
4	84348882		1 FUEL FILTER Element
5	87676818		1 FUEL PUMP 12V, 4.5A Assembly
6	201-326		1 ELBOW 90°, 13/16"-16 x 7/8"-14, Adj, ORFS
7	84431916		1 FITTING Fuel Filter Outlet
8	87728316		1 FUEL TUBE .5" OD Filter to Pump
9	201-327		1 ELBOW 90°, 13/16"-16 x 1 1/16"-12, Adj, ORFS
10	84497413		1 CLAMP Tube Clamp, Dark Gray
11	87105732		2 CLAMP Hydraulic Tube
12	84497410		1 FUEL TUBE Supply
13	84497408		1 FUEL TUBE Return
14	5185548		1 ELBOW 13/16-16 ORFS x M14 x 1.5 ORB
15	5185511		1 O-RING 1.78mm Thk x 12.42mm ID, 85 Duro
16	14437785		1 O-RING 11.3mm ID x 2.4mm
17	84169781		1 TUBE Supply Tube
18	9992305		2 HYD CONNECTOR 13/16" - 16 ORFS x 3/4" - 16 ORB
19	9992298		2 O-RING 0.07" Thk x 0.489" ID, -14, CI 6, 90 Duro
20	128825		2 O-RING 0.087" Thk x 0.644" ID, -908, CI 6, 90 Duro
21	84185100		1 SHUT-OFF VALVE 3/4" - 16 x 3/4" - 16 Supply
22	84568100		1 FUEL HOSE 12.7mm ID x 850mm L, SAE 100R6 Supply
23	84569342		1 SUPPORT Fuel Lines, Dark Gray
24	449127A1		1 CLAMP Single Tube
25	449128A1		1 CLAMP 20mm ID Tube Clamp
26	87000230		2 PLATE Hose Clamp

5140-COMBINE - TIER 2

REAR HOOD FUEL LINE & INLINE FILTER

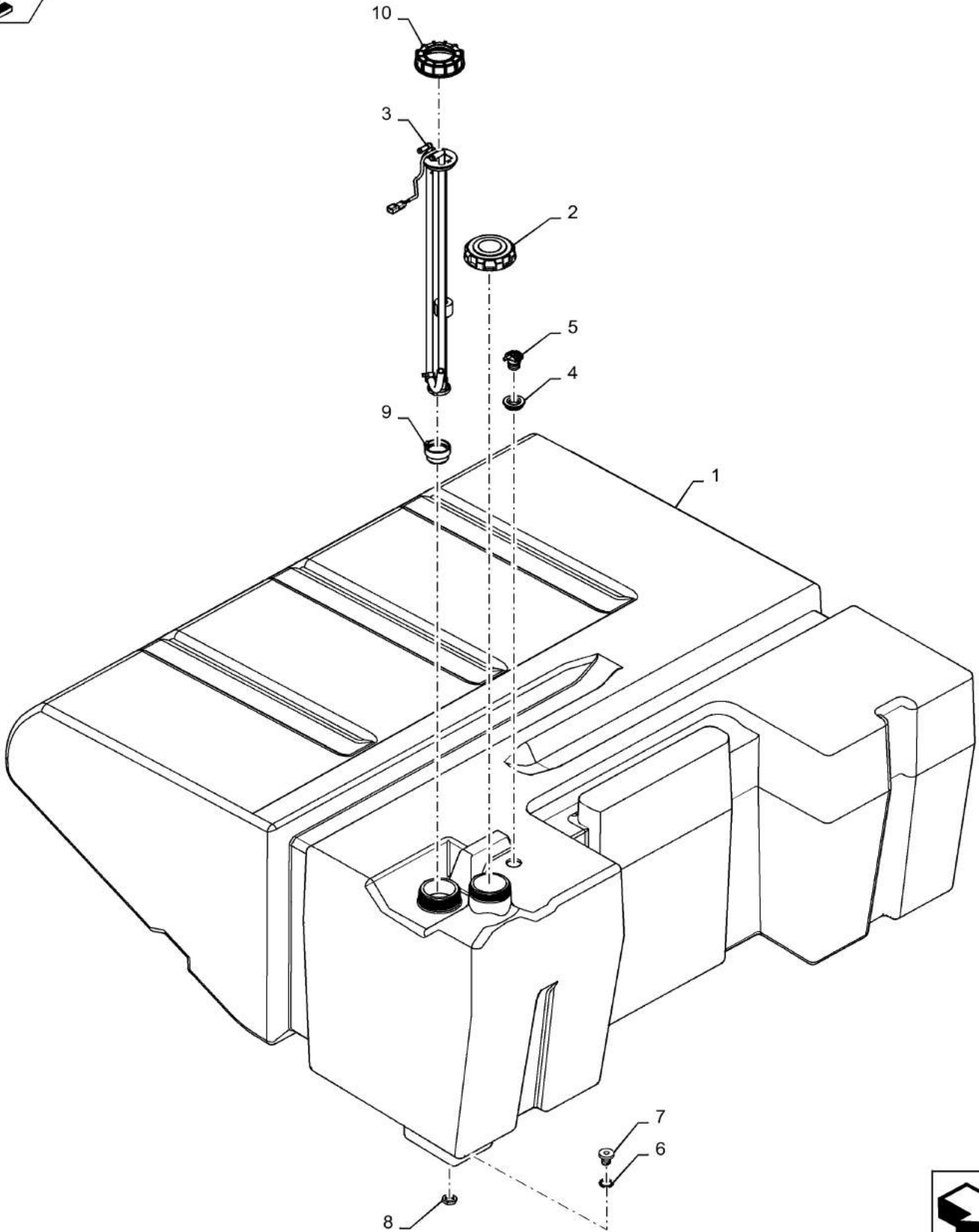


REAR HOOD FUEL LINE & INLINE FILTER

REF FN	PART NUMBER	YR/SN	QTY DESCRIPTION
27	86507066		7 FLANGE NUT M8 x 1.25, CI 10
28	87670761		2 FLANGE BOLT M8 x 68.1mm, CI 10.9
29	87670759		1 FLANGE BOLT M6 x 1.0 x 46.6mm, CI 10.9 M6X40
30	86050300		1 FLANGE NUT M6 x 1.0, CI 10
31	84563870		1 HOSE Hose, Fuel Return
32	214-1706		3 HOSE CLAMP #06, 0.44" - 0.78", Type M Worm
33	87682392		5 CARRIAGE BOLT M10 x 1.5 x 30mm, CI 10.9
34	87698854		5 NUT M10
35	86050279		5 FLANGE NUT M10 x 1.5, CI 10
36	470375C1		1 CLAMP Medium Duty
37	87020310		2 CARRIAGE BOLT M8 x 1.25 x 20.8mm, CI 10.9
38	131-440		5 PUSH-ON NUT 5/16 Retainer
39	418785A1		1 SPACER Tube Clamp
40	86512512		2 PLUG 7/8" ORB
41	167269		2 O-RING 0.097" Thk x 0.755" ID, -910, CI 6, 90 Duro
42	87682383		2 CARRIAGE BOLT M8 x 1.25 x 20mm, CI 10.9
43	201-334		1 ELBOW 90°, 13/16"-16, ORFS
44	84989392		1 ELBOW 90°, 11/16"-16 ORFS x 11/16"-16 Fem Sw
45	9993141		2 O-RING 0.07" Thk x 0.364" ID, -12, CI 6, 90 Duro
46	87679098		1 DECAL CIH Filter
47	84319915		1 CARRIAGE BOLT M8 x 1.25 x 64.8mm OAL, CI 10.9
48	700514		1 CLAMP 23.8mm, Coat, 8.7mm Bolt Hole, P Type Cable
49	87656137		1 BOLT M8 x 28.1mm, CI 10.9

5140-COMBINE - TIER 2

FUEL TANK & ASSOCIATED PARTS



FUEL TANK & ASSOCIATED PARTS

REF FN	PART NUMBER	YR/SN	QTY DESCRIPTION
1	87601309		1 TANK 250 Gallon Fuel
2	87324388		1 FILLER CAP With Gasket
3	87601306		1 SENDER UNIT Fuel Level
4	86999947		1 GROMMET 25mm ID x 33mm OD, 46mm Shoulder Vent
5	86999948		1 SAFETY VALVE Rollover
6	238-5210		1 O-RING 0.139" Thk x 0.734" ID, -210, CI 5, 75 Duro
7	87694594		1 BOLT 3/4" - 16 LH Thread External, 1/4" - 18 NPTF Internal Fuel Tank Drain Fitting
8	87694595		1 NUT Fuel Tank Drain Fitting
9	87494272		1 FILTER Fuel Sender
10	87601305		1 NUT Coupling

5140-COMBINE - TIER 2

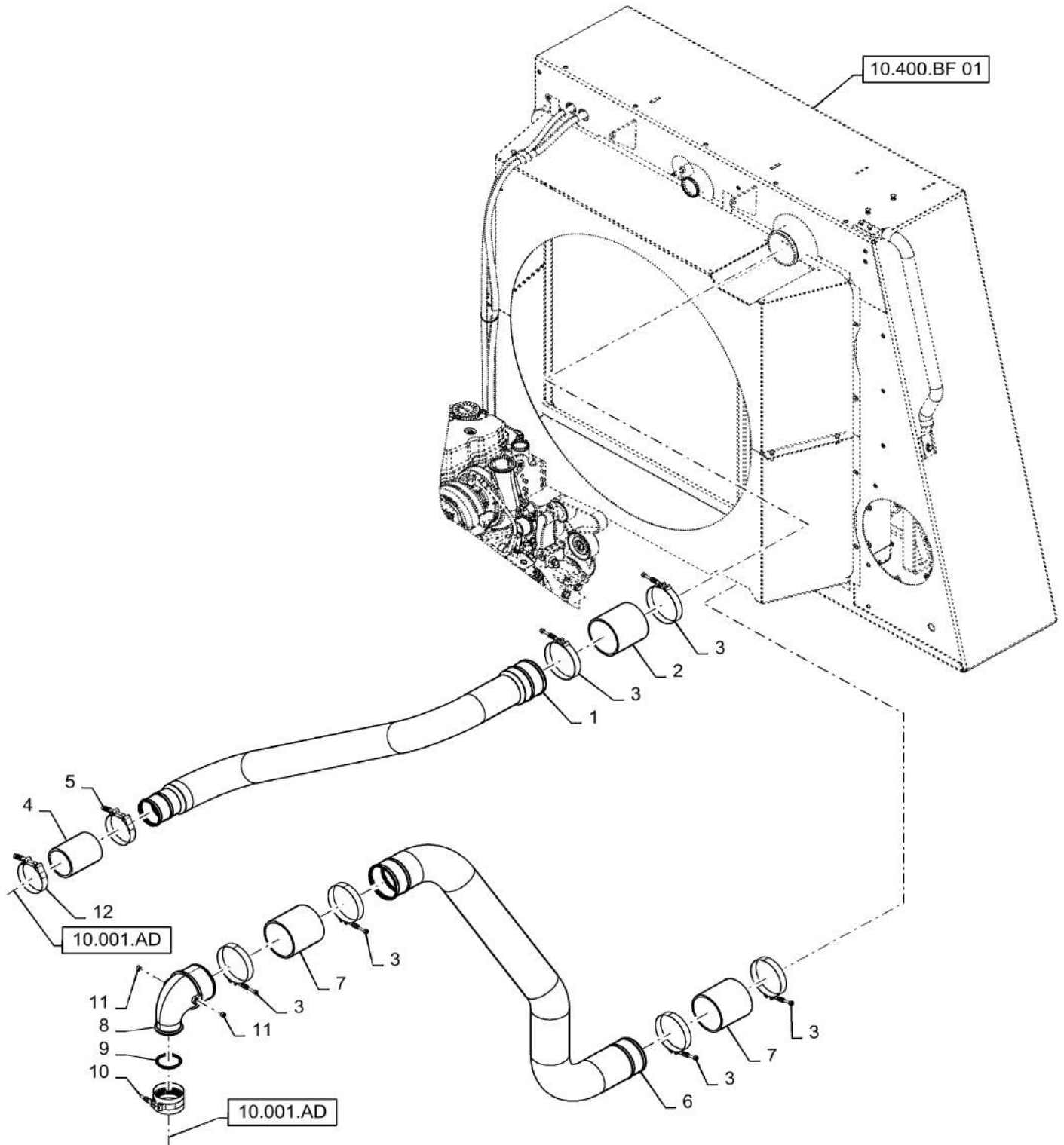
10.250.AJ

01

p1

7/2015

COOLING SYSTEM, CAC MR5



10.250.AJ

01

p1

7/2015

COOLING SYSTEM, CAC MR5

REF FN	PART NUMBER	YR/SN	QTY DESCRIPTION
1	84255119		1 AIR INTAKE TUBE CAC Cold Side
2	87732308		1 HOSE 101.00 mm ID x 110 mm CAC Cold
3	87420676		3 HOSE CLAMP 108mm - 115.8mm T-Bolt. Spring Loaded
4	84458881		1 HOSE 76.00 mm ID x 110.00 mm
5	352198A1		1 CLAMP 90mm Hose
6	47427189		1 AIR INTAKE TUBE CAC Hot Side
7	87732307		2 HOSE 101.60 mm ID x 110 mm CAC Hot
8	86998476		1 ELBOW Turbo Outlet
9	J883284		1 O-RING 0.07" Thk x 2.364" ID, -36
10	87524288		1 CLAMP 77mm Turbo Outlet V-Band
11	86998472		2 PLUG 1/8" -27
12	352198A1		1 CLAMP 90mm Hose

5140-COMBINE - TIER 2

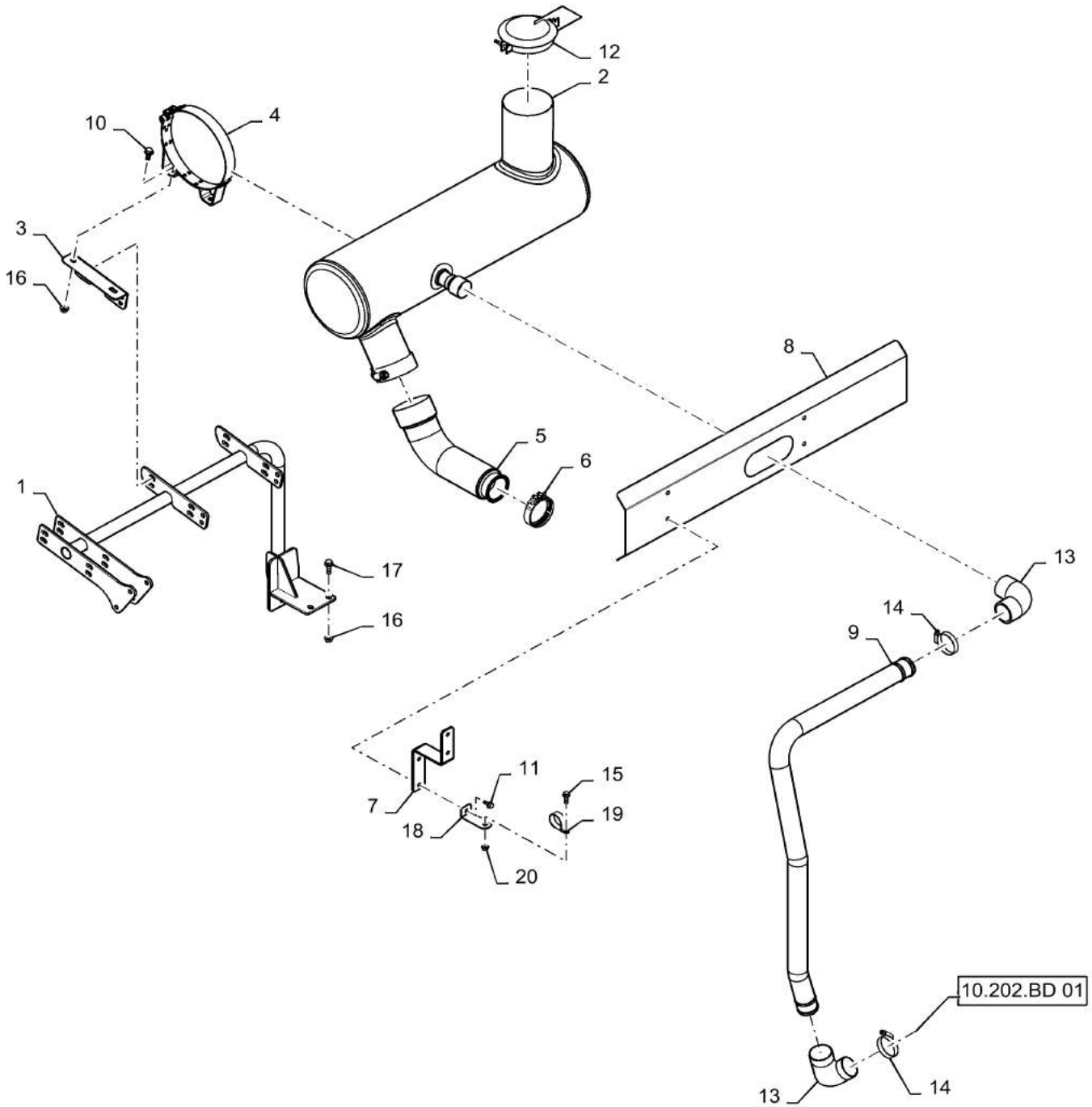
10.254.AI

01

p1

7/2015

EXHAUST SYSTEM W/ MUFFLER



EXHAUST SYSTEM W/ MUFFLER

REF FN	PART NUMBER	YR/SN	QTY DESCRIPTION
1	47503589		1 SUPPORT Muffler Rear, Dark Gray
2	87301603		1 MUFFLER Aspirated Engine Exhaust
3	47433817		2 BRACKET Muffler Support, Dark Gray
4	87301605		2 CLAMP Muffler Bracket
5	47474378		1 EXHAUST SYSTEM PIPE Turbo
6	84460193		1 CLAMP 81mm - 84mm Retaining Strap
7	47459262		2 BRACKET Muffler Shield, Red
8	47556713		1 SHIELD Muffler, Heat, Red
9	47436583		1 PIPE Tube, Aspiration
10	87698836		8 BOLT M10 x 25mm, Full Thd, CI 10.9
11	87698833		4 BOLT M8 x 33.1mm, CI 10.9
12	84594139		1 COVER Exhaust Cap
13	84378692		2 RADIATOR HOSE Aspiration Side
14	86625019		4 HOSE CLAMP 44mm - 67mm
15	87656137		9 BOLT M8 x 28.1mm, CI 10.9
16	86050279		11 FLANGE NUT M10 x 1.5, CI 10
17	87698837		3 FLANGE BOLT M10 x 30mm, Full Thd, CI 10.9
18	84394419		1 SUPPORT Shield Bracket
19	87552805		1 CLAMP 50.8mm, Coat, 10.3mm Bolt Hole, P Type Aspiration Tube Support
20	87681210		1 FLANGE NUT M8 x 1.25, CI 10

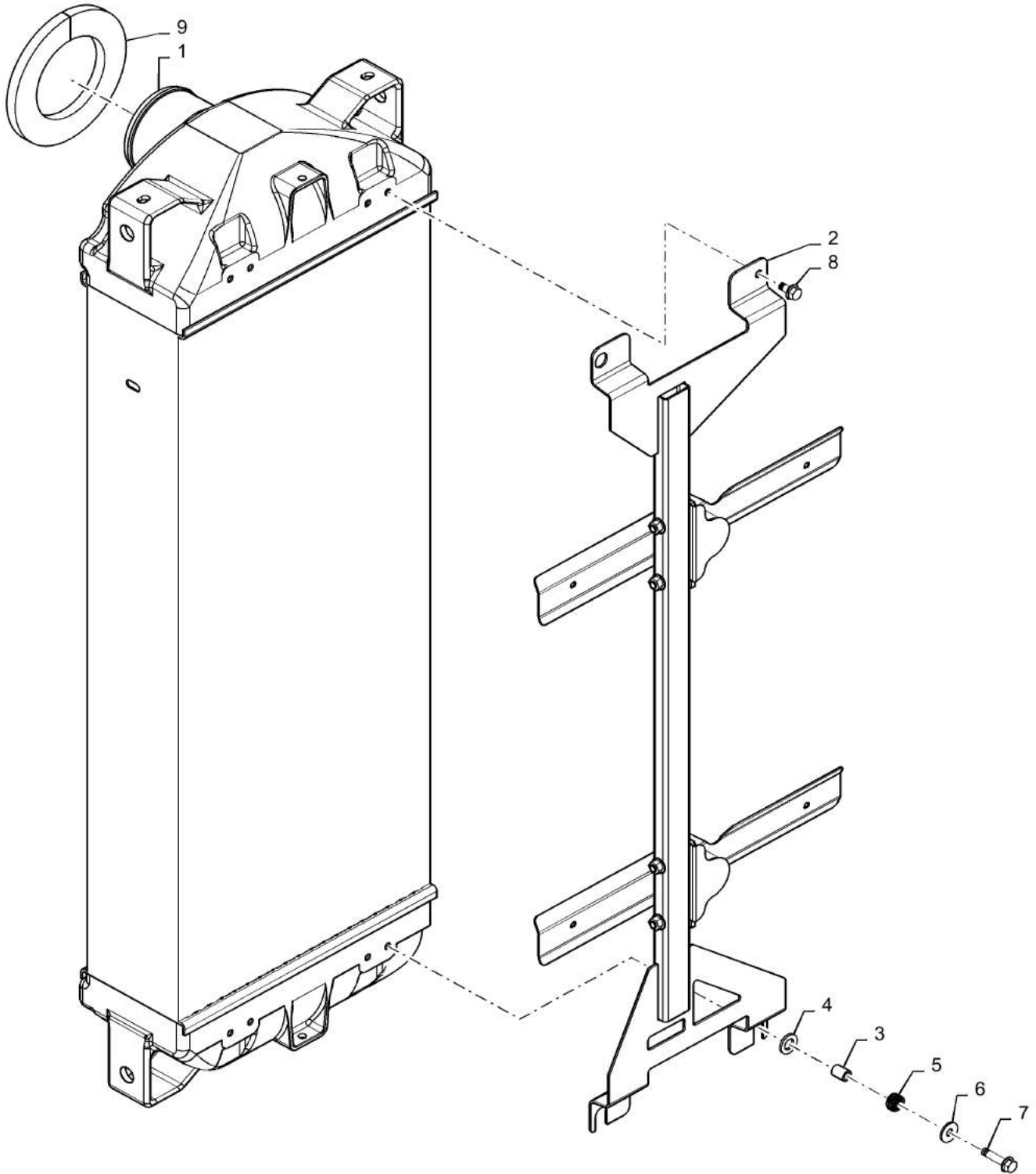
5140-COMBINE - TIER 2

10.310.AA

p1

7/2015

INTERCOOLER, COOLER ASSY.

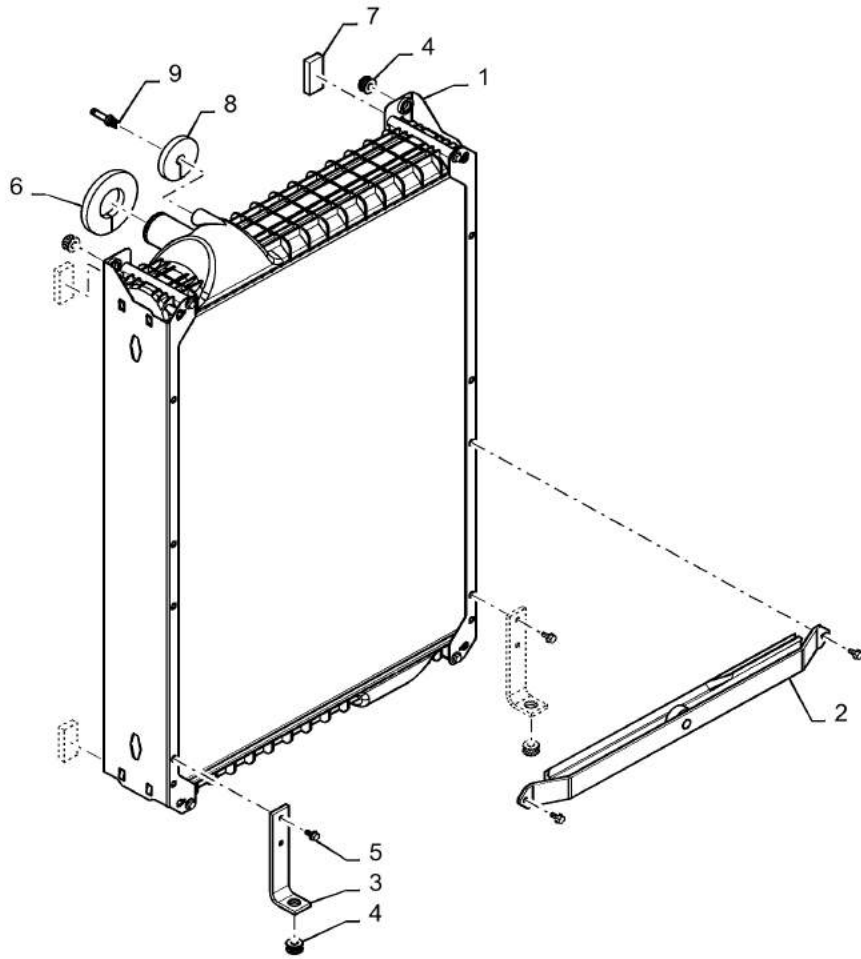


INTERCOOLER, COOLER ASSY.

REF FN	PART NUMBER	YR/SN	QTY DESCRIPTION
1	87325480		1 COOLER CAC, Intercooler, 6140/7140
1	438250A2		1 AFTERCOOLER CAC, Intercooler, 5140
1	438250A2R		1 REMAN-INTERCOOLER CAC, Intercooler
1	438250A2C		1 CORE-INTERCOOLER Return Part Number
2	87381181		1 ASSEMBLY CAC Wiper
3	87392240		3 SPACER 8.48mm ID x 12.7mm OD x 16.8mm L .66" x 1/2"
4	140018		3 WASHER 13.5mm ID x 24mm OD x 2.5mm Thk
5	87392233		3 COMPRESSION SPRING
6	86639313		3 WASHER 9mm ID x 24mm OD x 2mm Thk
7	87695419		3 FLANGE BOLT M8 x 43.1mm, CI 10.9
8	87681207		1 BOLT M8 x 24.1mm, CI 10.9
9	87419199		2 FOAM INSULATION 31.8mm W x 520mm L x 12.7mm Thk Fan Shroud

5140-COMBINE - TIER 2

RADIATOR ASSEMBLY, ENGINE



RADIATOR ASSEMBLY, ENGINE

REF FN	PART NUMBER	YR/SN	QTY DESCRIPTION
1	87302088		1 RADIATOR Engine
2	87432132		1 FAN Wiper, Radiator
3	411572A1		2 BRACKET Radiator Isomount
4	434177A1		4 ISOLATOR Rubber Mount
5	87681207		6 BOLT M8 x 24.1mm, Cl 10.9
6	NS		2 NOT SERVICED Seal, Radiator, 340 mm, Cut From 1319664C3
7	NS		4 NOT SERVICED Seal, Radiator, 70 mm, Cut From 1319664C3
8	NS		1 NOT SERVICED Seal, Radiator, 217 mm, Cut From 1319664C23
9	217-151		1 FITTING 3/8" Hose X 1/4" NPTF Beaded

5140-COMBINE - TIER 2

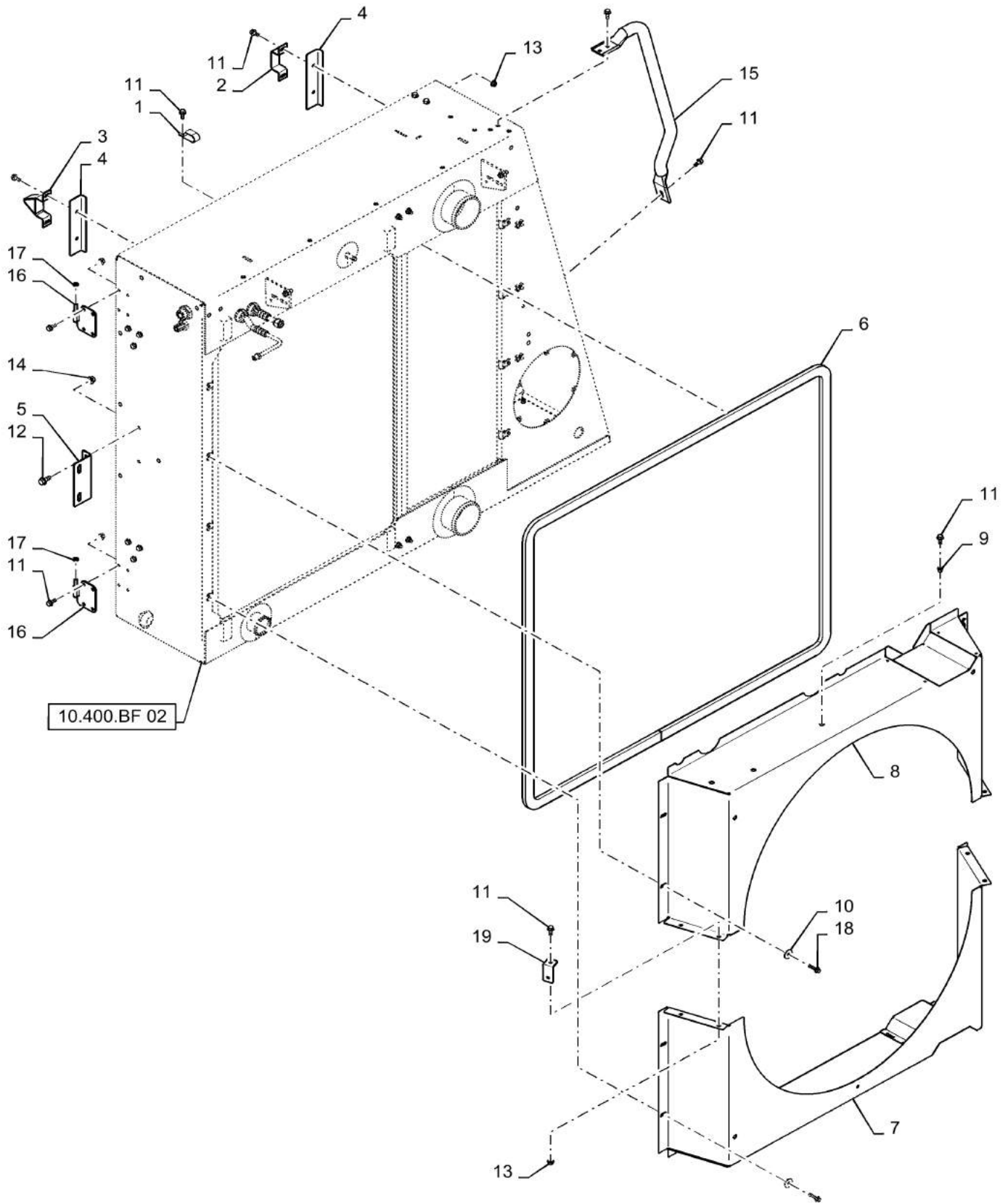
10.400.BF

01

p1

7/2015

COOLER ASSY., BOX

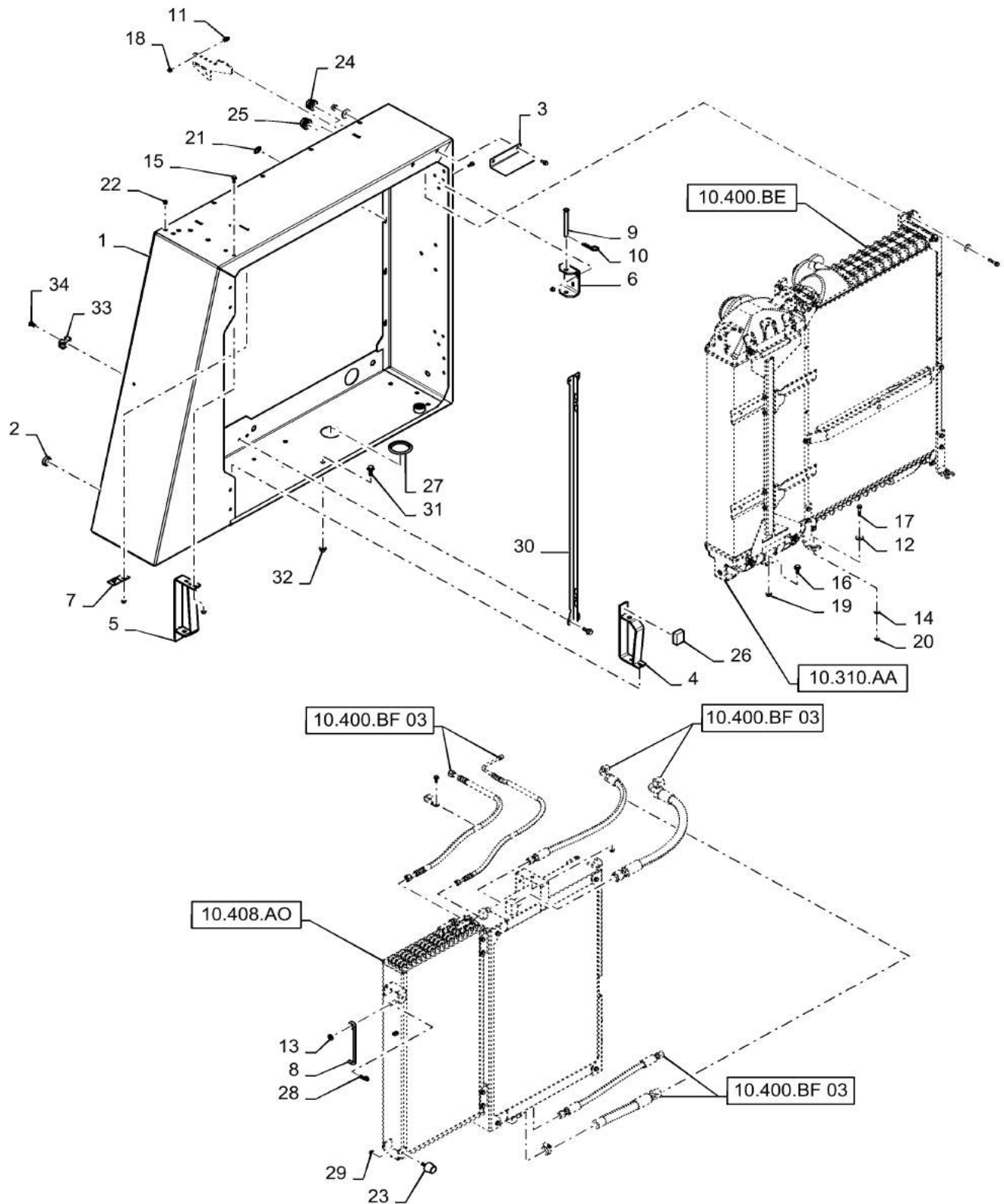


COOLER ASSY., BOX

REF FN	PART NUMBER	YR/SN	QTY DESCRIPTION
1	485093C1		1 CLAMP P-Style, Retaining
2	87684093		1 BRACKET Cooler Door Latch
3	84197269		1 BRACKET Cooler Door Latch
4	87589924		2 ANGLE Oil Cooler Latch
5	87595611		1 BRACKET Vertical Hinge Support
6	87415942		1 FOAM INSULATION Radiator
7	84576809		1 SHROUD Fan, Lower, 7140
7	84565825		1 SHROUD Fan, Lower, 6140
7	84565773		1 SHROUD Fan, Lower, 5140
8	84576796		1 SHROUD Fan, Upper, 7140
8	47437526		1 SHROUD Fan, Upper, 6140
8	47437510		1 SHROUD Fan, Upper, 5140
9	87284531		7 NUT Rivnut, M8 x 1.25, 0.5mm - 3mm Grip Range Rivnut, M8 x 1.25
10	87013865		8 WASHER 9mm ID x 28mm OD x 1.6mm Thk
11	87656137		25 BOLT M8 x 28.1mm, CI 10.9
12	87698835		2 FLANGE BOLT M10 x 20mm, Full Thd, CI 10.9
13	86507066		16 FLANGE NUT M8 x 1.25, CI 10
14	86050279		2 FLANGE NUT M10 x 1.5, CI 10
15	87671877		1 HANDRAIL Cooler Box
16	87654391		2 HINGE Cooler Box, Lower
17	86985597		2 WASHER 8.1mm ID x 13.5mm OD x 2mm Thk Hinge
18	86625201		8 SELF-TAP SCREW M8 x 1.25 x 40mm OAL
19	84279830		1 BRACKET Tube Support

5140-COMBINE - TIER 2

COOLER, RADIATOR & COOLER



10.400.BF

02

p1

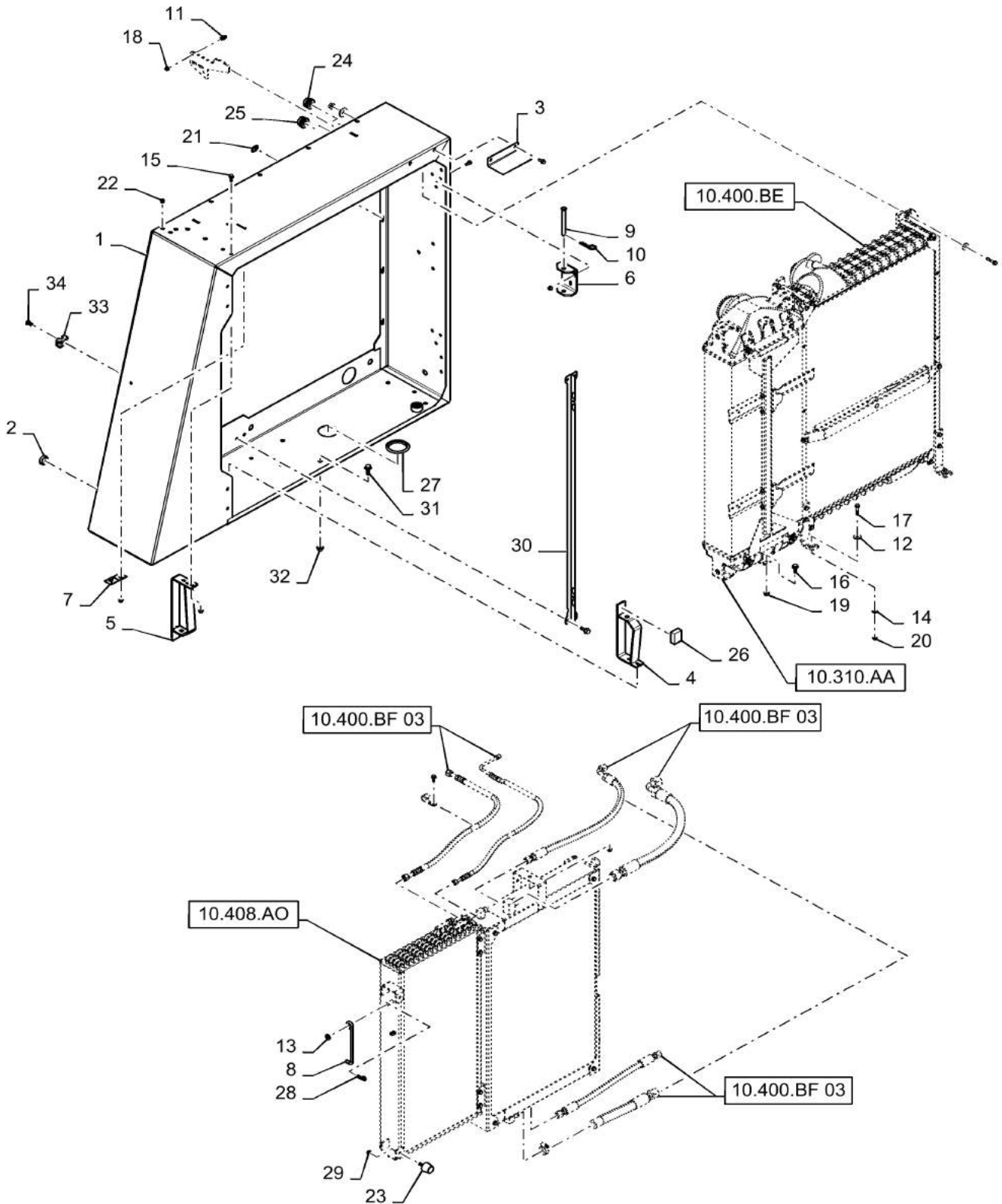
7/2015

COOLER, RADIATOR & COOLER

REF FN	PART NUMBER	YR/SN	QTY DESCRIPTION
1	84522968		1 COOLER Box
2	353-414		1 PLUG Dome, 1.375" hole, Nylon
3	47412741		1 BRACKET Door Stop
4	84522401		1 SUPPORT Oil Cooler, Lower
5	84518861		1 SUPPORT Oil Cooler, Upper
6	87429534		2 BRACKET Oil Cooler, Side
7	413012A1		1 BRACKET CAC Mount
8	87000227		1 A/C HIGH PRESSURE SWITCH
9	87575232		1 ROD Cooler Prop
10	87019656		2 HEADED PIN 1/2" x 5"
11	480523R1		2 HAIR PIN COTTER 2 9/16"
12	47372435		1 A/C HOSE Outlet To Cab
13	47372434		1 A/C HOSE 10.32mm ID x 940mm L Compressor To Condenser
13	84323355		1 HOSE ASSY. Compressor To Condenser
14	485093C1		1 CLAMP P-Style, Retaining
15	83952214		2 BALL STUD M8 x 29.5mm OAL Door Pivot
16	87033737		4 WASHER 9mm ID x 28mm OD x 3mm Thk
17	86511324		1 WASHER 13mm ID x 24mm OD x 2.5mm Thk
18	86625263		4 WASHER 9mm ID x 20mm OD x 1.6mm Thk
19	87656137		19 BOLT M8 x 28.1mm, CI 10.9
20	87698836		2 BOLT M10 x 25mm, Full Thd, CI 10.9
21	87698834		4 BOLT M8 x 48.1mm, CI 10.9 Flange, M8 x 40mm, 10.9
22	86507066		19 FLANGE NUT M8 x 1.25, CI 10
23	86050279		2 FLANGE NUT M10 x 1.5, CI 10
24	86619801		4 FLANGE NUT M8 x 1.25, CI 8
25	86508354		8 PUSH-ON NUT M8 x 1.25
26	87284531		28 NUT Rivnut, M8 x 1.25, 0.5mm - 3mm Grip Range Rivnut, M8 x 1.25
27	87109195		2 BUMPER 5/16" - 18, 38mm OD Rubber

5140-COMBINE - TIER 2

COOLER, RADIATOR & COOLER

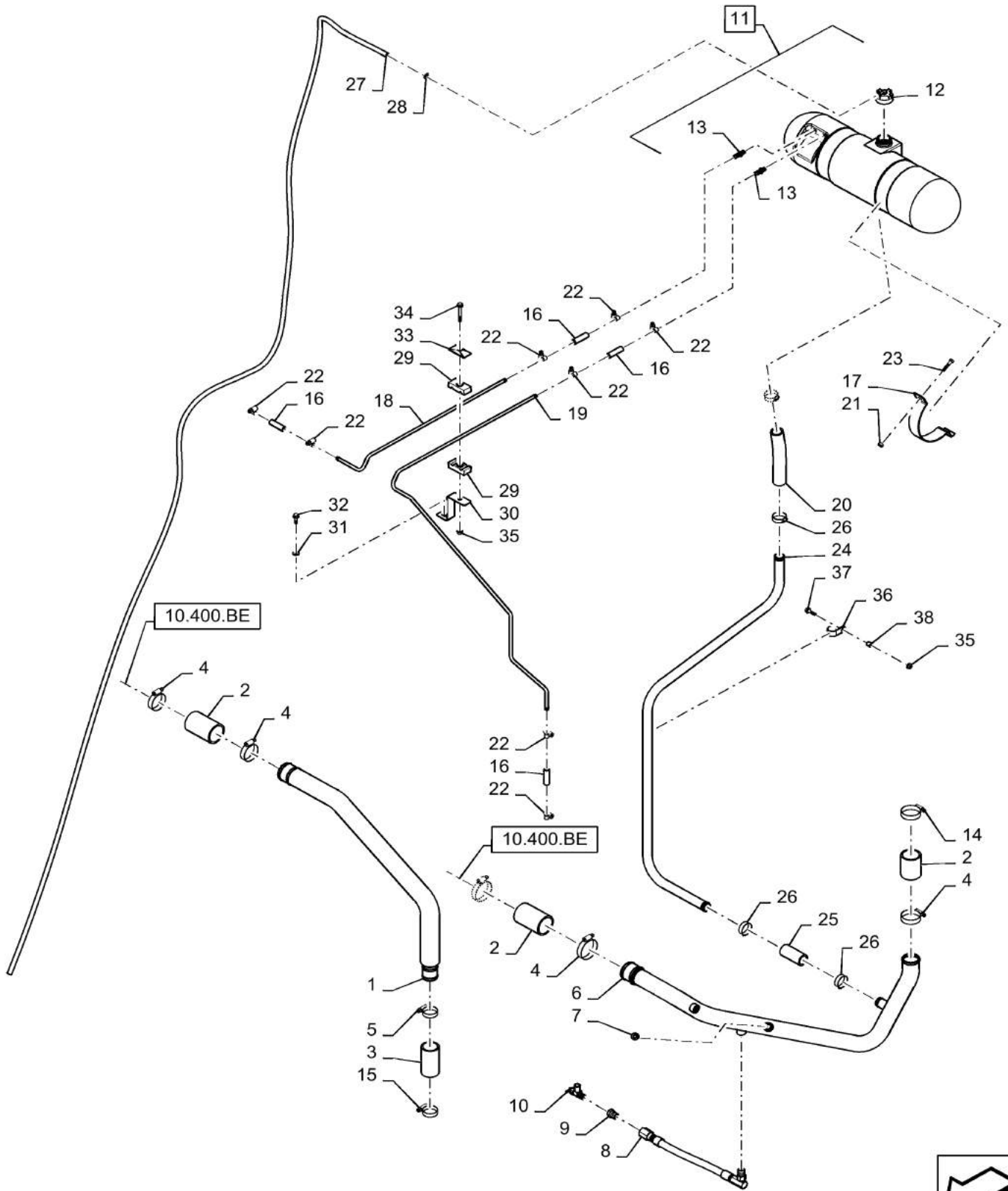


COOLER, RADIATOR & COOLER

REF FN	PART NUMBER	YR/SN	QTY DESCRIPTION
28	87107420		1 GROMMET 5/8" ID
29	86976974		1 GROMMET 3/4" ID
30	187884C1		2 SEALING STRIP Foam Seal
31	87000778		1 PLUG Clean Out
32	216698		1 COTTER PIN 0.125" OD x 1.75" OAL
33	86521605		2 FLANGE NUT 5/16"-18, CI 5
34	84197902		1 STRAP Cooler
35	87030508		6 BOLT M12 x 30 Full 10.9 ZND
36	86512497		6 FLANGE NUT M12 x 1.75, CI 10
37	201-140		1 HYD CONNECTOR 1 3/16"-12, Blkhd, ORFS
38	201-121		1 HYD CONNECTOR 13/16"-16, Blkhd, ORFS
39	218-1249		1 BHD LOCK NUT Blkhd, 1 3/16"-12
40	87381289		2 BHD LOCK NUT ORFS 1/2" Tube
41	140021		2 WASHER 22mm ID x 37mm OD x 3mm Thk
42	87319550		1 90 ELBOW ORFS Bulkhead, 1/2"
43	84258973		1 HYD CONNECTOR 1 3/16" -12 ORFS x 1 1/16" -12 ORB
44	84258366		1 A/C HOSE 19.05mm ID x 325mm L Oil Cooler Return
45	84258365		1 A/C HOSE 12.7mm ID x 610mm L, SAE 100R17 PTO Cooler Return
46	84258367		1 A/C HOSE 12.7mm ID x 700mm L, SAE 100R17 PTO Supply
47	84258368		1 A/C HOSE 19.05mm ID x 625mm L, SAE 100R4 Oil Cooler Supply
48	514920		1 HOSE CLAMP 20.6mm - 38.1mm, Worm Gear
49	86590413		3 BASE 15.87mm W x 22.22mm OAL x 9.9mm Thk Wire Tie
50	445394		3 RIVET Pop, 3/16" x 1/2" OAL

5140-COMBINE - TIER 2

COOLING SYSTEM CIRCUIT

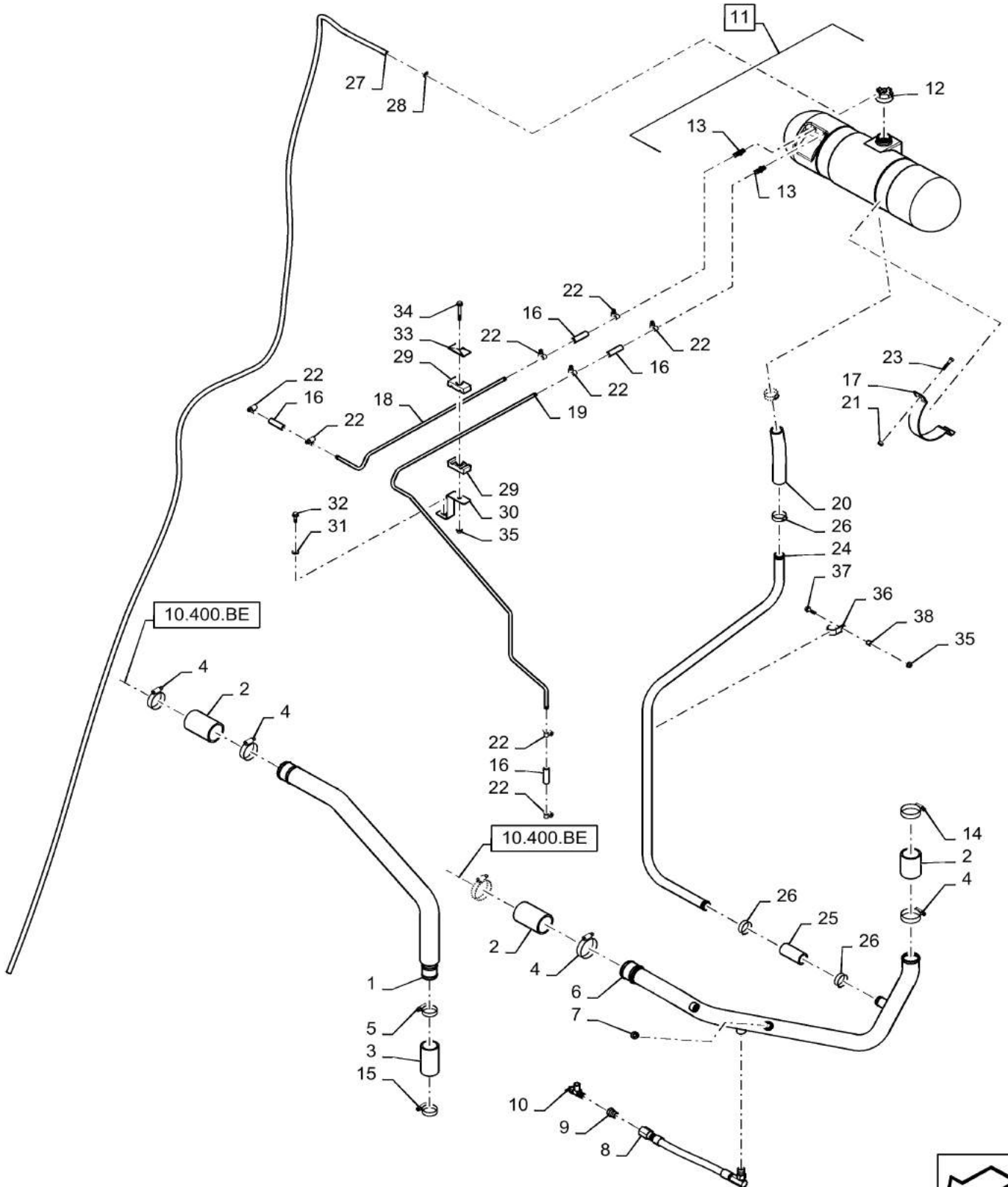


COOLING SYSTEM CIRCUIT

REF FN	PART NUMBER	YR/SN	QTY DESCRIPTION
1	84255125		1 TUBE Upper Radiator
2	87402765		2 HOSE 57.20 mm ID x 101.60 mm, SAE J20, SAE 20R4 CLASS D-1
3	87577140		2 RADIATOR HOSE 44.50 mm ID x 100.00 mm
4	214-3248		3 HOSE CLAMP 57mm - 79mm
5	214-3240		1 HOSE CLAMP 1-3/4" - 2-5/8", HD Worm, W/ Liner
6	47422212		1 TUBE Lower Radiator
7	217-438		1 PLUG Hex Soc, 1/2" - 14
8	84311373		1 HOSE ASSY. 12.7mm ID x 400mm L, SAE 100R1 Radiator Drain
9	217-1035		1 REDUCER FITTING 1/2" - 14 Male NPTF x 3/8" - 18 Female NPTF
10	301803R1		1 SHUT-OFF VALVE 90 Degree
11	87670349		1 COOLANT EXPANSION RESERVOIR Deaeration, Incl 12, 13
12	82022744		1 CAP Deaeration Tank
13	87742820		2 HOSE Barb to Male Pipe
14	87778863		3 CLAMP 57mm ID - 79mm ID x 16mm W, Lined
15	214-3240		1 HOSE CLAMP 1-3/4" - 2-5/8", HD Worm, W/ Liner
16	47548019		4 HOSE Deaeration Connection
17	84442536		2 CLAMP Red
18	47419355		1 TUBE Engine Vent, NEF and Cursor
19	47418653		1 TUBE Engine Vent, NEF
20	84271697		1 HOSE Deaeration Connection
21	86629542		4 NUT M8 x 1.25, CI 8
22	244358		8 HOSE CLIP 0.44" - 0.78"
23	43129		4 BOLT M8 x 1.25 x 45.45mm, CI 8.8
24	47427228		1 TUBE Deaeration
25	87551123		1 HOSE 28.6mm ID x 80mm OAL, SAE 20R4

5140-COMBINE - TIER 2

COOLING SYSTEM CIRCUIT

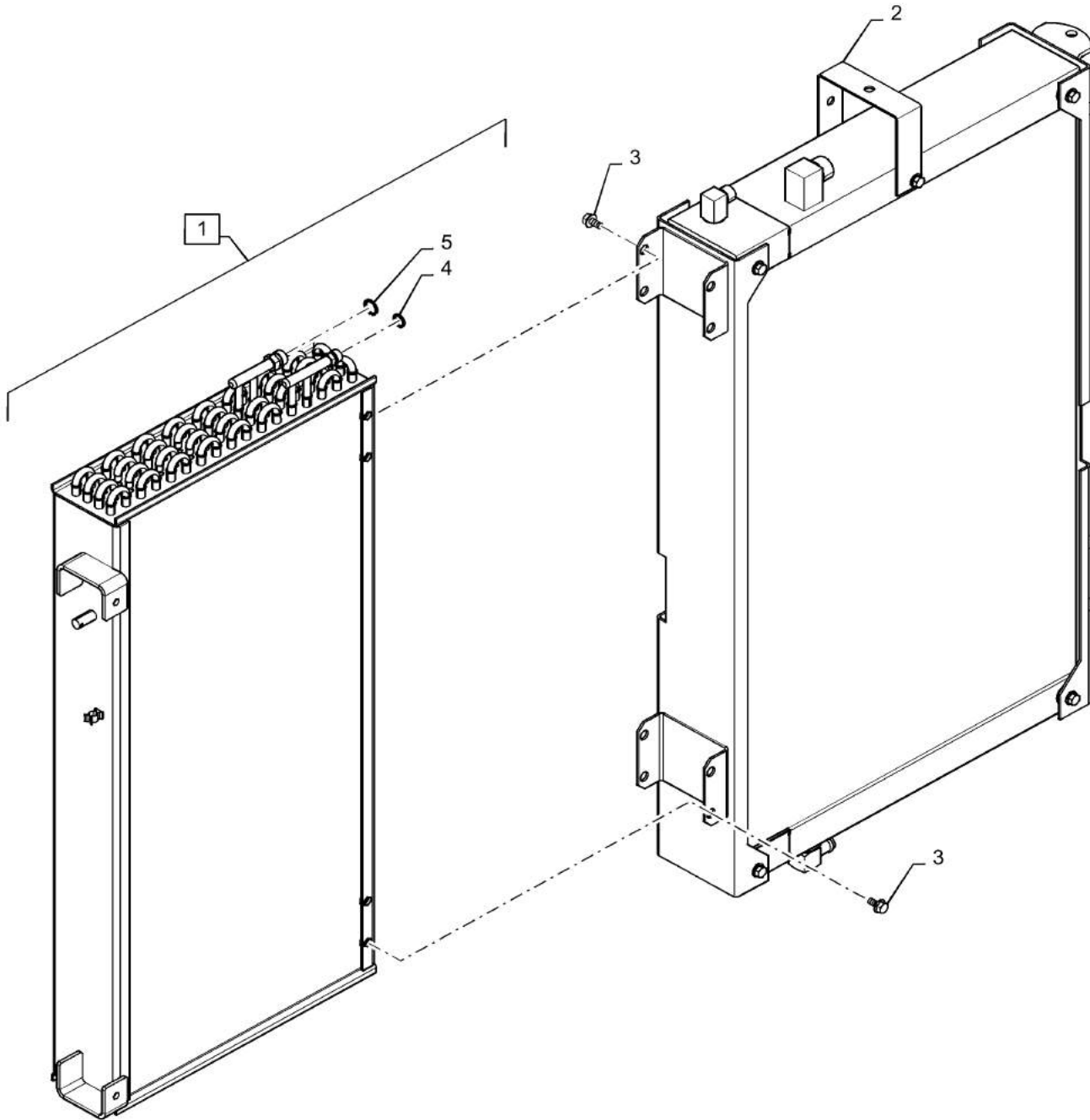


COOLING SYSTEM CIRCUIT

REF FN	PART NUMBER	YR/SN	QTY DESCRIPTION
26	382527		4 HOSE CLAMP 25mm ID - 40mm ID x 13mm W, Unlined
27	47720522		1 HOSE Deaeration Connection
28	86625022		1 HOSE CLAMP 6.3mm - 15.7mm
29	86988833		1 CLAMP Hydraulic Tube
30	47543817		1 BRACKET Deaeration Tube Support, Red
31	86625263		1 WASHER 9mm ID x 20mm OD x 1.6mm Thk
32	87698833		1 BOLT M8 x 33.1mm, CI 10.9
33	1347127C1		1 PLATE Hose Clamp
34	87670761		1 FLANGE BOLT M8 x 68.1mm, CI 10.9
35	86507066		2 FLANGE NUT M8 x 1.25, CI 10
36	515-23286		1 CLAMP 1 1/8", Insul, 3/8" Bolt
37	87030775		1 BOLT M8 x 38.1mm, CI 10.9
38	87035448		1 SPACER 8.48mm ID x 12.7mm OD x 12.7mm L

5140-COMBINE - TIER 2

CONDENSER, OIL COOLER

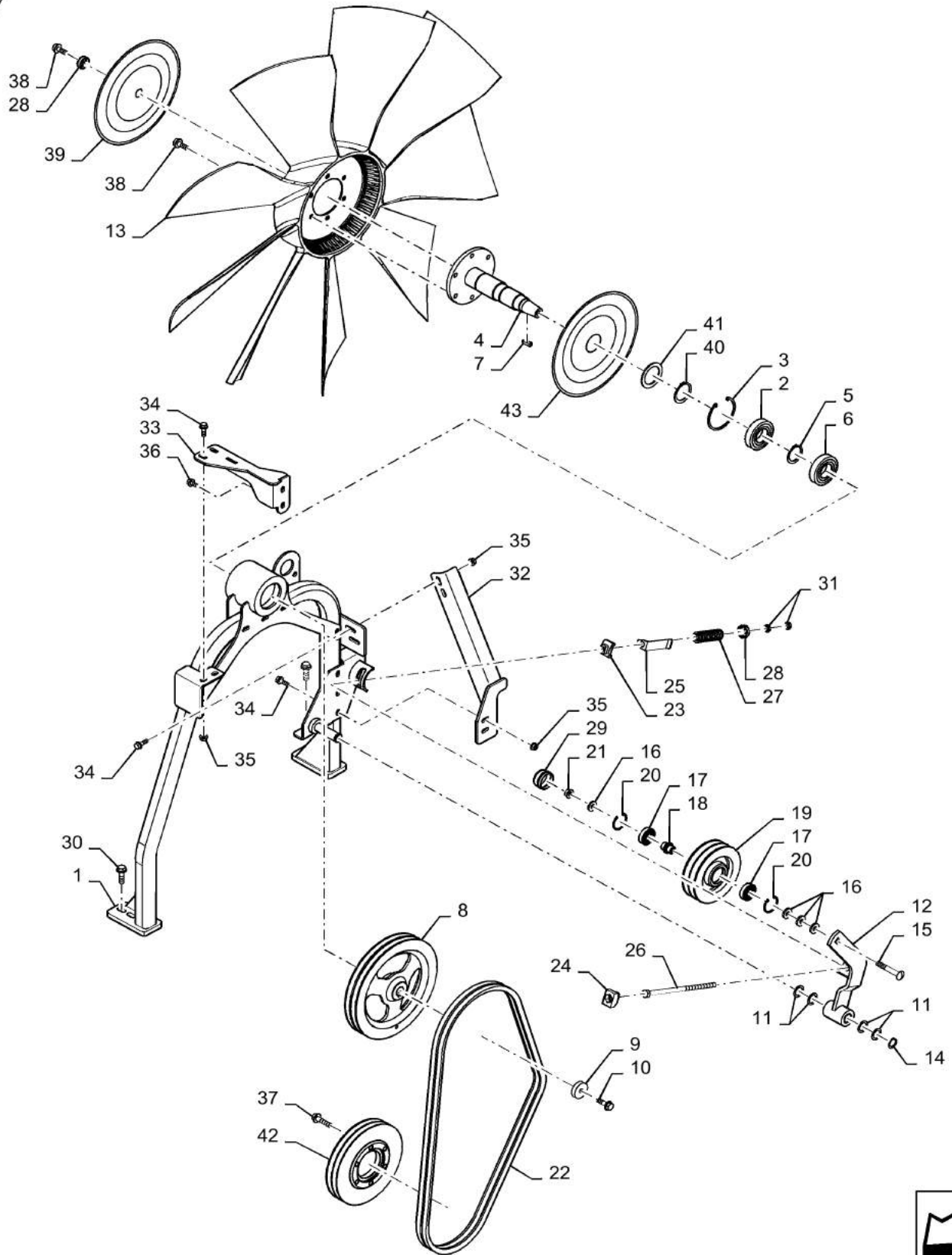


CONDENSER, OIL COOLER

REF FN	PART NUMBER	YR/SN	QTY DESCRIPTION
1	87559914		1 COOLER Condenser, Incl 4, 5
2	84349665		1 OIL COOLER
2	84349665R		1 REMAN-OIL COOLER
2	84349665C		1 CORE-OIL COOLER Return Part Number
3	87681207		8 BOLT M8 x 24.1mm, Cl 10.9
4	9992298		2 O-RING 0.07" Thk x 0.489" ID, -14, Cl 6, 90 Duro
5	9991976		1 O-RING 0.07" Thk x 0.739" ID, -18, Cl 6, 90 Duro

5140-COMBINE - TIER 2

ENGINE FAN DRIVE

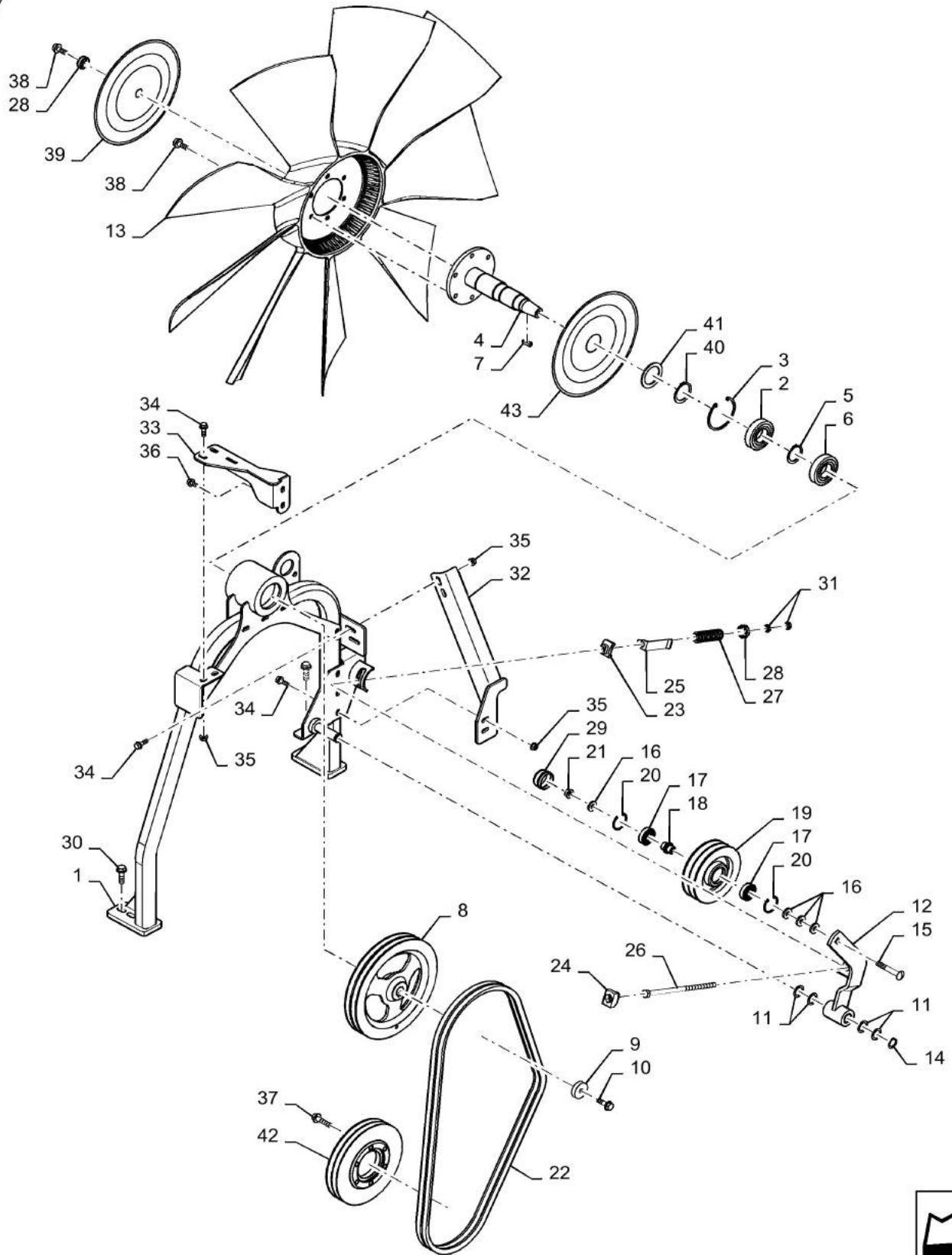


ENGINE FAN DRIVE

REF FN	PART NUMBER	YR/SN	QTY DESCRIPTION
1	47432136		1 SUPPORT Fan Drive, Dark Gray
2	450716		1 BALL BEARING 40mm ID x 80mm OD x 18mm Thk
3	300633		1 SNAP RING M80, Internal
4	84514654		1 SHAFT Dark Gray
5	370006		1 SNAP RING M40 x 1.75mm W, External
6	87621965		1 BALL BEARING 35mm ID x 72mm OD x 17mm W
7	170005		1 KEY M8 x 7mm W x 25mm OAL
8	84557659		1 PULLEY 253.9mm OD Engine Fan, Red
9	330083A1		1 SPACER 11mm ID x 40mm OD x 10mm Thk Boss
10	87698837		1 FLANGE BOLT M10 x 30mm, Full Thd, CI 10.9
11	443434		4 LOCK WASHER 20.5mm ID x 29mm OD x 1mm Thk
12	87540958		1 ARM ASSY. Tensioner
13	84457284		1 FAN
14	370024		1 CIRCLIP M20, External
15	87752069		1 CARRIAGE BOLT Sht Sq Nk, M10 x 70mm, CI 10.9
16	447336		4 WASHER 11mm ID x 25mm OD x 3.99mm Thk
17	362804		2 BALL BEARING 17mm ID x 40mm OD x 12mm W
18	87538002		1 BUSHING 10.2mm ID x 25mm OD x 29.4mm L Tensioner Pulley
19	87533880		1 PULLEY 144mm OD Belt Tensioner, Dark Gray
20	300644		2 SNAP RING M40, Internal
21	87547587		1 LOCK NUT Hex, M10 x 1.5, CI 10
22	84150266		1 BELT V, Set, Fan Drive
23	442398		1 GUIDE Tensioner
24	754131		1 GUIDE Tensioner

5140-COMBINE - TIER 2

ENGINE FAN DRIVE



ENGINE FAN DRIVE

REF FN	PART NUMBER	YR/SN	QTY DESCRIPTION
25	84188560		1 BRACKET Fan Drive, Spring, Indicator
26	9514334		1 ROD M10 x 225mm Tension
27	84069932		1 COMPRESSION SPRING Compression, 25mm OD x 100mm L Expander
28	356728		2 CUP Cup
29	87540959		1 CAP Dust
30	87698838		4 FLANGE BOLT M10 x 35mm, Full Thd, CI 10.9
31	829-4410		2 THIN NUT Thin, M10 x 1.5, CI 05
32	47376768		1 BRACKET Fan Drive, Dark Gray
33	84299967		1 BRACKET Fan Drive Support, Dark Gray
34	87698833		6 BOLT M8 x 33.1mm, CI 10.9
35	86507066		6 FLANGE NUT M8 x 1.25, CI 10
36	87656137		2 BOLT M8 x 28.1mm, CI 10.9
37	16288724		6 FLANGE BOLT Hex, M10 x 1.25 x 40mm, CI 8.8
38	87698836		7 BOLT M10 x 25mm, Full Thd, CI 10.9
39	84120744		1 DISC Cap
40	370007		1 SNAP RING M45, Ext
41	87613252		1 WASHER 1.81" ID x 2.5" OD x 0.11" Thk
42	84460795		1 PULLEY Dark Gray
43	84120743		1 DISC Rear Cover

5140-COMBINE - TIER 2

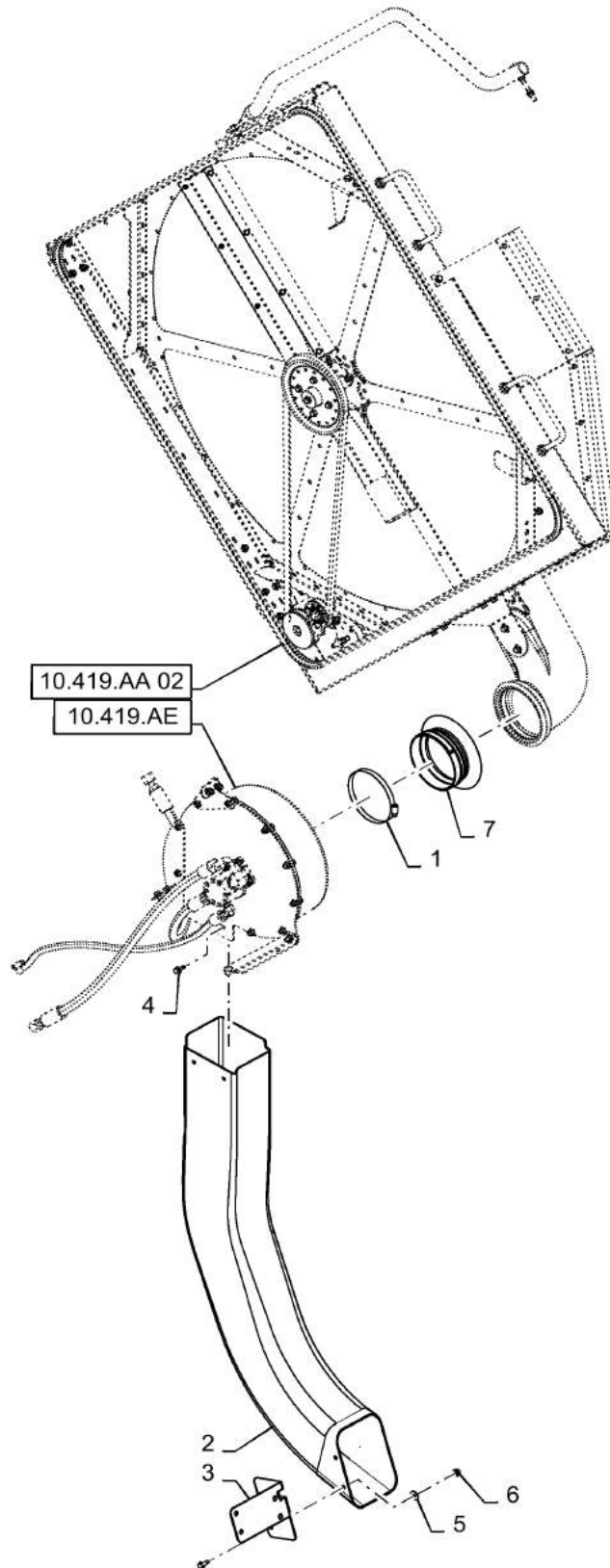
10.419.AA

01

p1

7/2015

DOOR, FAN, SCREEN



10.419.AA

01

p1

7/2015

DOOR, FAN, SCREEN

REF FN	PART NUMBER	YR/SN	QTY DESCRIPTION
1	214-1496		1 HOSE CLAMP #96, 5.56" - 6.5", Type F Worm
2	87596685		1 DUCT Discharge
3	87596688		1 BRACKET Discharge Duct
4	87656137		4 BOLT M8 x 28.1mm, CI 10.9
5	86639313		2 WASHER 9mm ID x 24mm OD x 2mm Thk
6	86507066		2 FLANGE NUT M8 x 1.25, CI 10
7	87479340		1 SPACER Flange, Air Inlet

5140-COMBINE - TIER 2

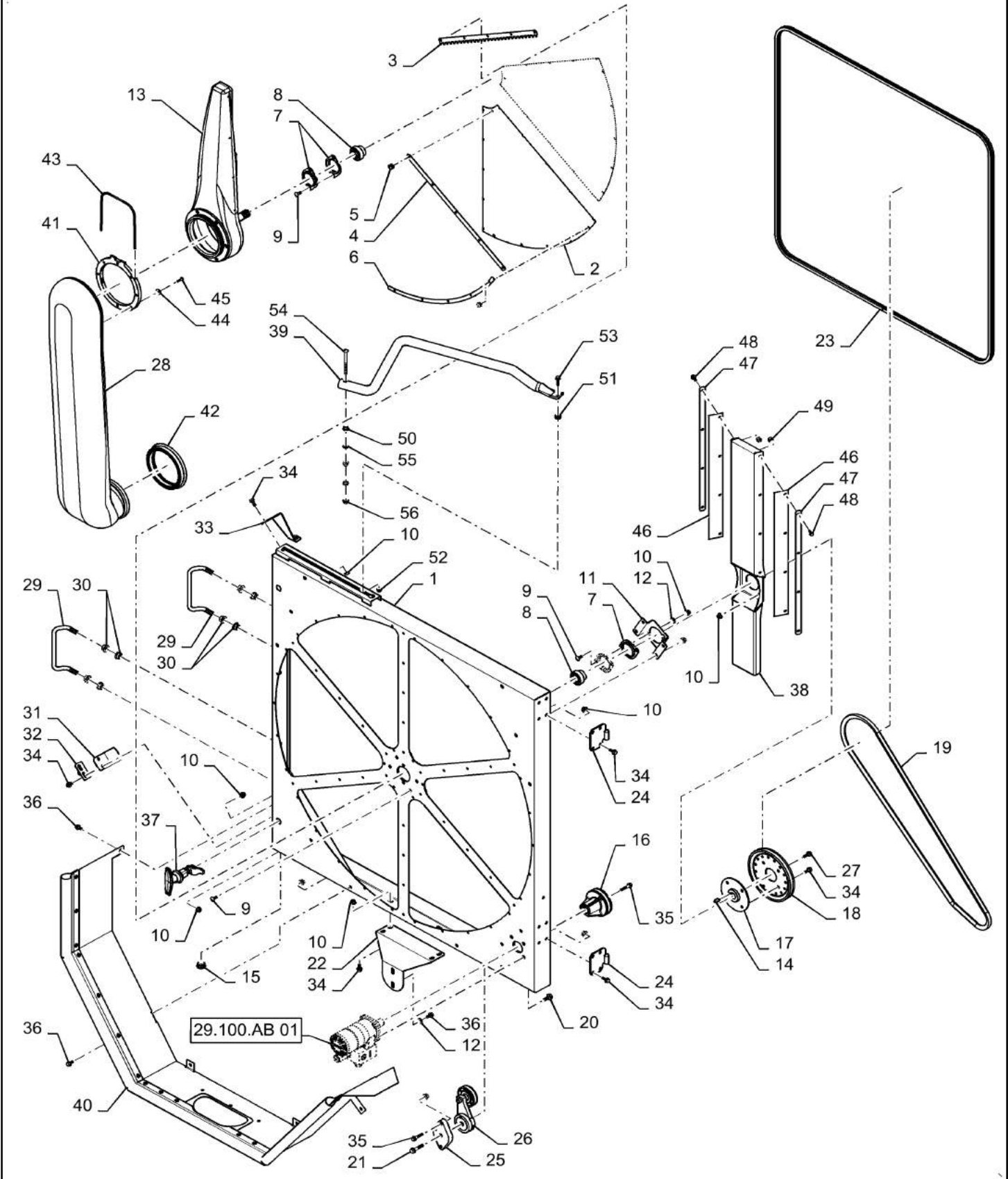
10.419.AA

02

p1

7/2015

SCREEN, AIR INTAKE



SCREEN, AIR INTAKE

REF FN	PART NUMBER	YR/SN	QTY DESCRIPTION
1	47577112		1 DOOR Fixed Air Screen
2	87644459		6 SCREEN Perforated
3	87646364		3 KNIFE Screen Support
4	87644454		3 ANGLE Strap
5	87644487		66 RIVET Pop, 4.76mm OD x 10.92mm L 3/16"
6	87693137		6 SUPPORT ASSY. Outer Retaining Ring
7	50591		4 FLANGE 52mm
8	325103		2 BALL BEARING 25mm ID x 52mm OD x 15mm W 52mm OD
9	87682383		8 CARRIAGE BOLT M8 x 1.25 x 20mm, CI 10.9
10	86507066		36 FLANGE NUT M8 x 1.25, CI 10
11	87682654		1 BRACKET Bearing Support
12	86625263		4 WASHER 9mm ID x 20mm OD x 1.6mm Thk
13	87609366		1 NOZZLE Air Screen
14	10619520		1 KEY 8mm x 7mm x 20mm
15	86625129		1 PLUG Dome, 1.000" hole, Nylon
16	87682772		1 PULLEY 25.05mm ID x 100mm OD x 79mm W Hub, Pulley, Stationary Air Screen Drive
17	87581597		1 RETAINING PLATE Blockoff
18	87585076		1 PULLEY 197.65mm OD Air Screen
19	87583785		1 V-BELT 12.70 mm W x 1638.00 mm L Wand Drive
20	87698836		4 BOLT M10 x 25mm, Full Thd, CI 10.9
21	86562215		1 FLANGE BOLT 3/8"-16 x 1.75", CI 5
22	87590718		1 SHEET ASSY. Suction Duct
23	87598111		1 DOOR SEAL Cooler Door
24	87654393		2 HINGE Cooler Door Upper
25	87663397		1 SPACER 19mm W, 100mm Centerline Length Belt Tensioner
26	87607602		1 PULLEY ASSY. Belt Idler
27	87698833		1 BOLT M8 x 33.1mm, CI 10.9

5140-COMBINE - TIER 2

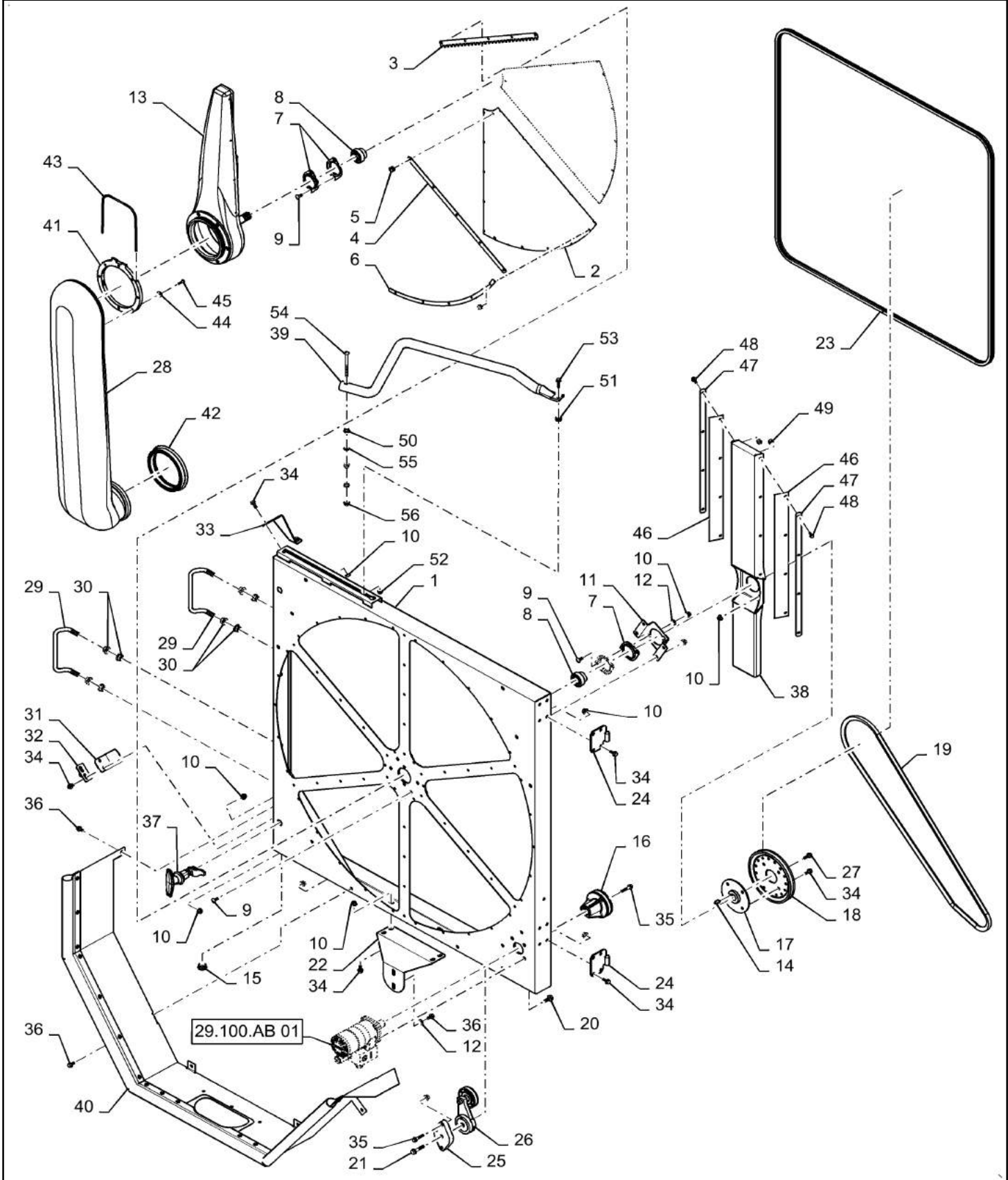
10.419.AA

02

p2

7/2015

SCREEN, AIR INTAKE



SCREEN, AIR INTAKE

REF FN	PART NUMBER	YR/SN	QTY DESCRIPTION
28	87692664		1 DUCT Outer Suction
29	1329715C1		2 HANDLE Outer Door
30	231-5148		8 FLANGE NUT Fig, USR, 1/2"-13
31	87632645		1 ANGLE Condenser Bumper, Bottom
32	87685964		1 BRACKET Door Ramp
33	87634114		1 ANGLE Condenser Bumper, Top
34	87656137		20 BOLT M8 x 28.1mm, CI 10.9
35	87698834		3 BOLT M8 x 48.1mm, CI 10.9 Flange, M8 x 40mm, 10.9
36	87681207		8 BOLT M8 x 24.1mm, CI 10.9
37	87283386		1 LATCH 1/4 Turn Compression
38	84123676		1 BRACKET Air Screen Blockoff
39	87755014		1 RAIL ASSY. Air Screen Door
40	87746049		1 BRACKET Cooler Door Blockoff, Incl 57 - 61
41	47514305		1 RING 165mm ID x 205mm OD x 12mm Thk Outside
42	87363448		1 SEAL Vacuum Duct
43	87717348		1 WIRE Hub Retaining
44	9824326		8 WASHER 5.3mm ID x 10mm OD x 1mm Thk
45	445395		8 RIVET Pop, 4.8mm OD x 18.1mm L
46	87687393		2 RUBBER SEAL Air Blockoff
47	87687575		2 STRAP Seal Retainer
48	87675531		8 FLANGE BOLT M6 x 26.6mm, CI 10.9
49	393392		8 LOCK NUT M6 x 1.0, CI 8
50	87674756		3 WASHER Shoulder, Nylon
51	87670013		1 SPACER Bushing
52	86619800		1 FLANGE NUT M6 x 1.0, CI 8
53	87670758		1 FLANGE BOLT M6 x 31.6mm, CI 10.9
54	9811147		1 CARRIAGE BOLT Sq Nk, M8 x 100mm, CI 8.8
55	86624184		1 WASHER 9mm ID x 16mm OD x 1.6mm Thk

5140-COMBINE - TIER 2

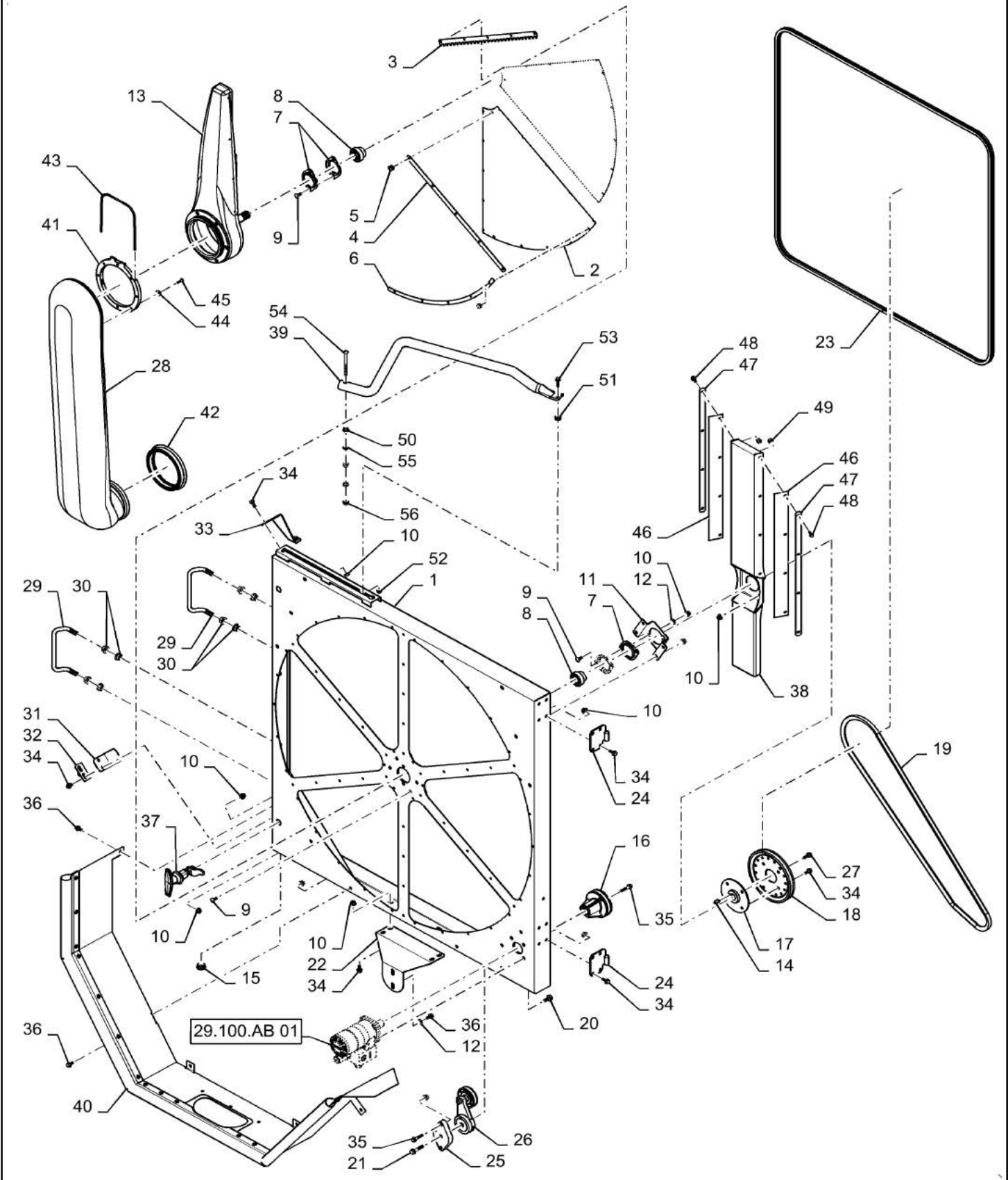
10.419.AA

02

p3

7/2015

SCREEN, AIR INTAKE



SCREEN, AIR INTAKE

REF FN	PART NUMBER	YR/SN	QTY DESCRIPTION
56	86619801		1 FLANGE NUT M8 x 1.25, CI 8
57	87746050		1 RUBBER SEAL Cooler Box Blockoff
58	87746051		1 RUBBER SEAL Cooler Box Blockoff
59	87746052		1 RUBBER SEAL Cooler Box Blockoff
60	87746053		1 RUBBER SEAL Cooler Box Blockoff
61	87746063		1 RUBBER SEAL Cooler Box Blockoff

5140-COMBINE - TIER 2

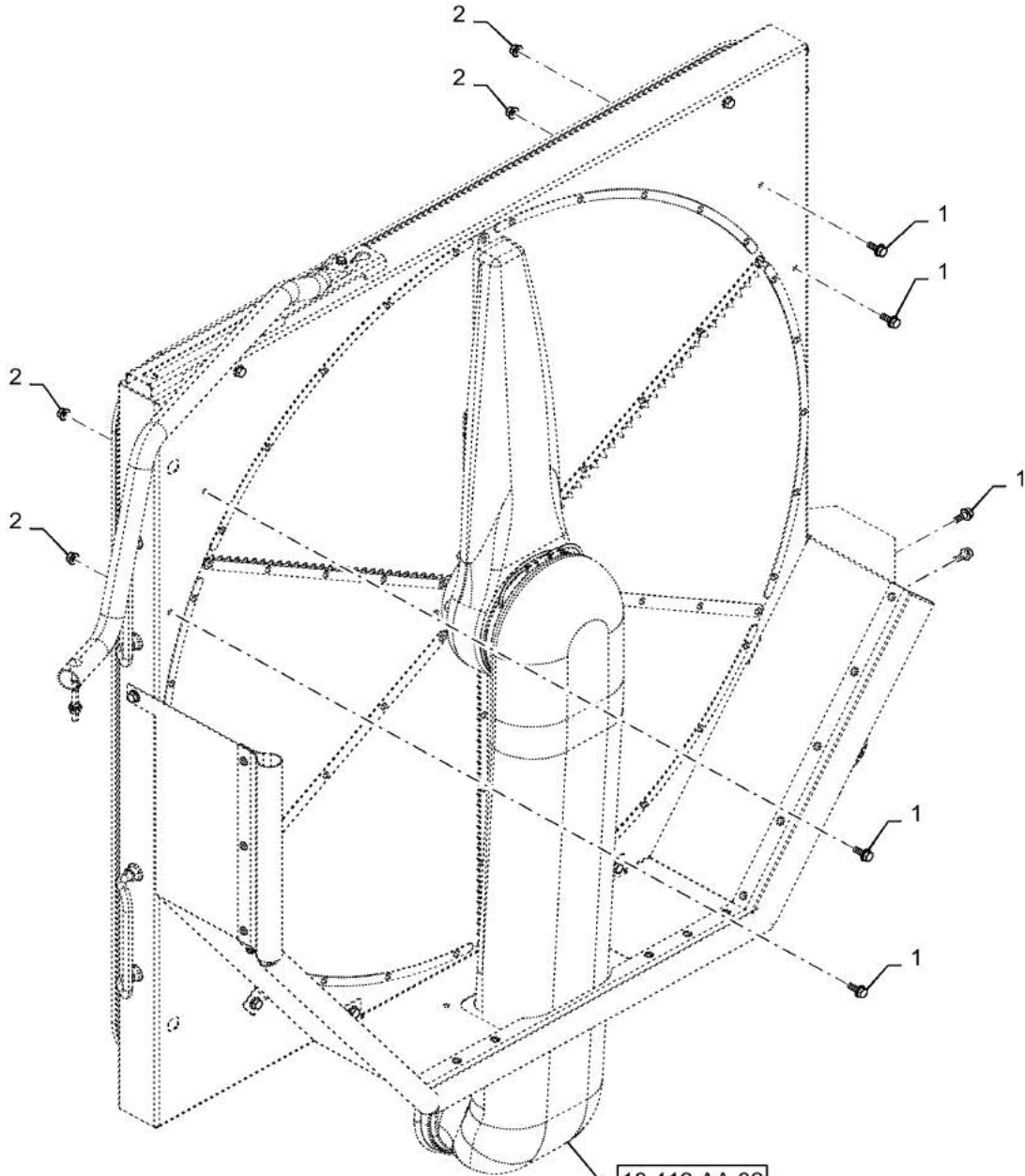
10.419.AA

03

p1

7/2015

DOOR, AIR DUCT, PLUG



10.419.AA

03

p1

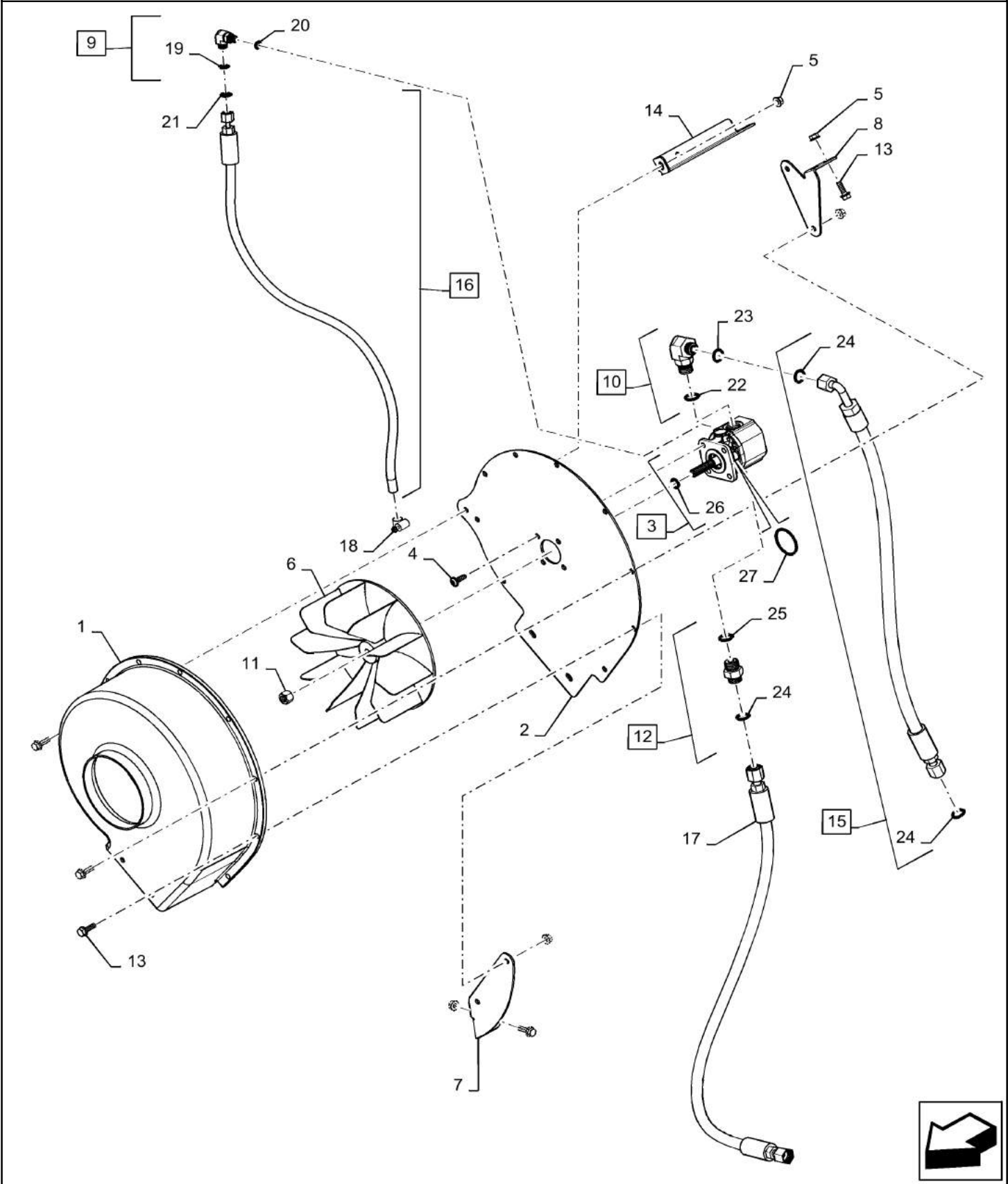
7/2015

DOOR, AIR DUCT, PLUG

REF FN	PART NUMBER	YR/SN	QTY DESCRIPTION
1	87656137		6 BOLT M8 x 28.1mm, CI 10.9
2	86507066		6 FLANGE NUT M8 x 1.25, CI 10

5140-COMBINE - TIER 2

MOTOR, FAN, SCREEN

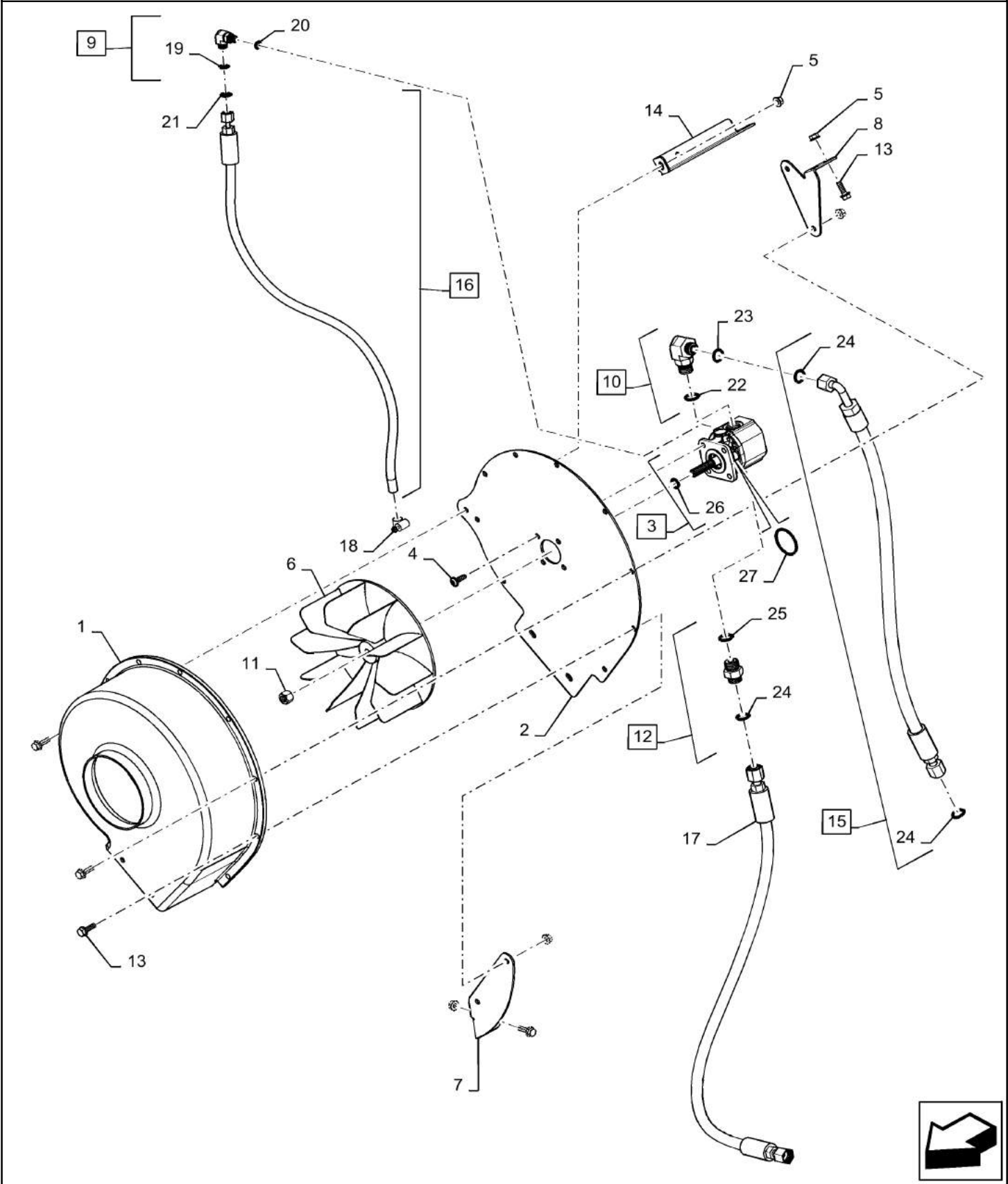


MOTOR, FAN, SCREEN

REF FN	PART NUMBER	YR/SN	QTY DESCRIPTION
1	87479341		1 HOUSING Fan, Vacuum
2	87596053		1 BRACKET Plate, Suction Fan
3	87359661		1 MOTOR, HYDRAULIC GEAR, 5.29 CC Suction Fan, Incl 26
4	87624708		4 STEP BOLT Torx, M8 x 1.25 x 25.4mm, CI 10.9
5	86507066		18 FLANGE NUT M8 x 1.25, CI 10
6	47371876		1 FAN Suction Fan
7	87596066		1 BRACKET Motor Plate, Lower
8	87596068		1 BRACKET Motor Plate, Upper
9	201-303		1 ELBOW 90°, 9/16"-18 x 7/16"-20 Adj, ORFS Incl 19 - 20
10	201-326		1 ELBOW 90°, 13/16"-16 x 7/8"-14, Adj, ORFS Incl 22 - 23
11	87366201		1 NUT 1/2"
12	201-112		1 HYD CONNECTOR 13/16"-16 ORFS x 7/8"-14 ORB Incl 24 - 25
13	87698833		14 BOLT M8 x 33.1mm, CI 10.9
14	84270855		1 BRACKET Suction Fan
15	84312933		1 HOSE ASSY. 12.7mm ID x 865mm L, SAE 100R17 Fan Motor To Signal, Incl 24
16	84472143		1 HYDRAULIC HOSE 9.53mm ID x 820mm L, SAE 30R2 Fan Motor Drain, Incl 21
17	87609428		1 HOSE ASSY. Fan Motor Supply
18	214-1408		1 HOSE CLAMP 11.2mm - 19.8mm
19	238-6011		1 O-RING 0.07" Thk x 0.301" ID, -11, CI 6, 90 Duro
20	237-6004		1 O-RING 0.072" Thk x 0.351" ID, -904, CI 6, 90 Duro
21	9825770		1 O-RING 0.07" Thk x 0.301" ID, -11, CI 6, 90 Duro
22	237-6010		1 O-RING 0.097" Thk x 0.755" ID, -910, CI 6, 90 Duro

5140-COMBINE - TIER 2

MOTOR, FAN, SCREEN



MOTOR, FAN, SCREEN

REF FN	PART NUMBER	YR/SN	QTY DESCRIPTION
23	238-6014		1 O-RING 0.07" Thk x 0.489" ID, -14, Cl 6, 90 Duro
24	9992298		3 O-RING 0.07" Thk x 0.489" ID, -14, Cl 6, 90 Duro
25	167269		1 O-RING 0.097" Thk x 0.755" ID, -910, Cl 6, 90 Duro
26	122067		1 KEY Motor Shaft
27	87341607		1 SEAL KIT Hydraulic Motor

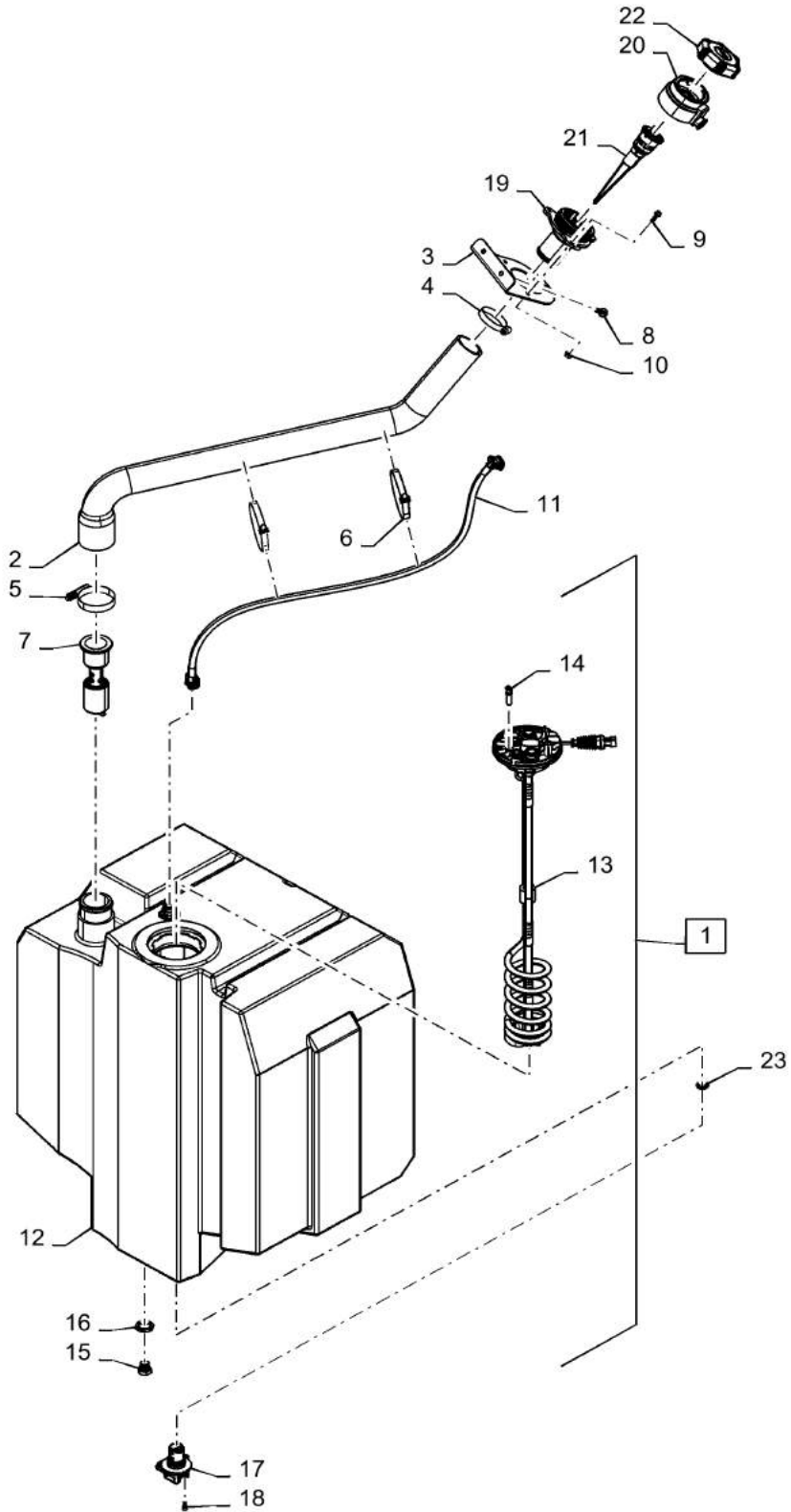
5140-COMBINE - TIER 2

10.500.AA

p1

7/2015

DEF TANK, DEF/ ADBLUE, FILLER, SENDER UNIT



DEF TANK, DEF/ ADBLUE, FILLER, SENDER UNIT

REF FN	PART NUMBER	YR/SN	QTY DESCRIPTION
1	47617518		1 TANK DEF/Adblue, Incl 12 - 18
2	47371008		1 HOSE Tank
3	47772661		1 BRACKET Remote Fill Hose
4	86624194		1 HOSE CLAMP 45.9mm - 69.8mm
5	86633353		1 HOSE CLAMP 70mm - 92mm
6	84266050		2 CABLE TIE 0.5" W x 15.1" OAL
7	84248007		1 NOZZLE Tank
8	87698833		2 BOLT M8 x 33.1mm, CI 10.9
9	87675531		3 FLANGE BOLT M6 x 26.6mm, CI 10.9
10	86050300		3 FLANGE NUT M6 x 1.0, CI 10
11	47691873		1 HOSE Vent
12	47371010		1 DIESEL EXHAUST FLUID TANK Black
13	47512674		1 SENSOR Level
14	84208502		1 PLUG Sending Unit
15	84234574		1 PLUG Drain
16	47371517		1 NUT Lock
17	47520143		1 SENSOR Urea Quality, 12V
18	47372452		3 HEX SOC SCREW M6 x 1.0 x 14mm
19	47381867		1 ADAPTER Filler Neck
20	47772156		1 NECK FILLER Tank
21	47657024		1 FILTER, DEF Filler, 100 Micron
22	84206552		1 FILLER CAP DEF/Adblue Tank
23	84595755		1 O-RING Quality Sensor

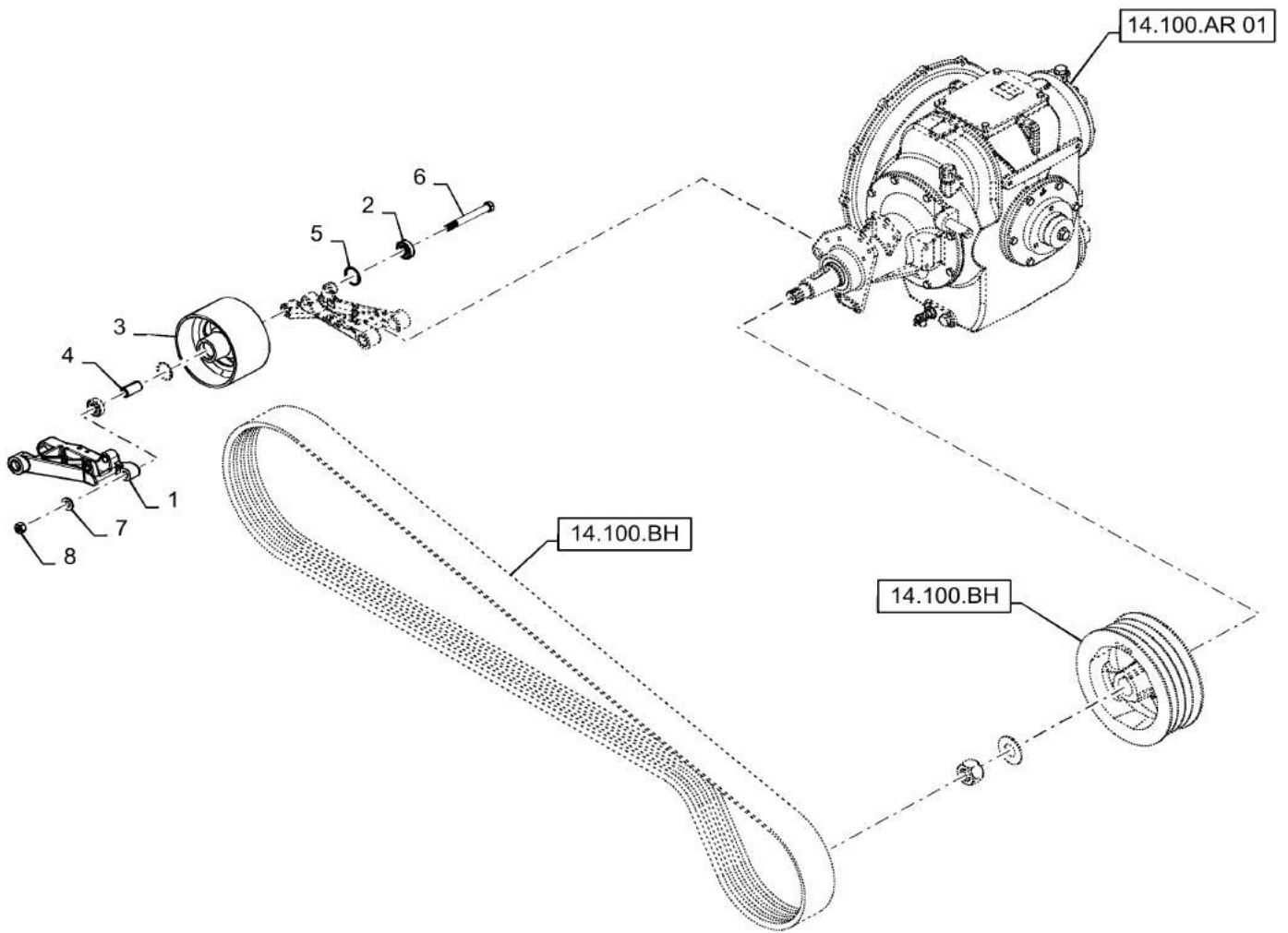
5140-COMBINE - TIER 2

SECTION INDEX

MAIN GEARBOX & DRIVE

14.100.AB		ARM, BELT TENSIONER, SEPARATOR
14.100.AR	01	PTO TRANSMISSION GEAR
14.100.AR	02	GEAR SET, PTO
14.100.BH		PTO ASSY, BELT

ARM, BELT TENSIONER, SEPARATOR



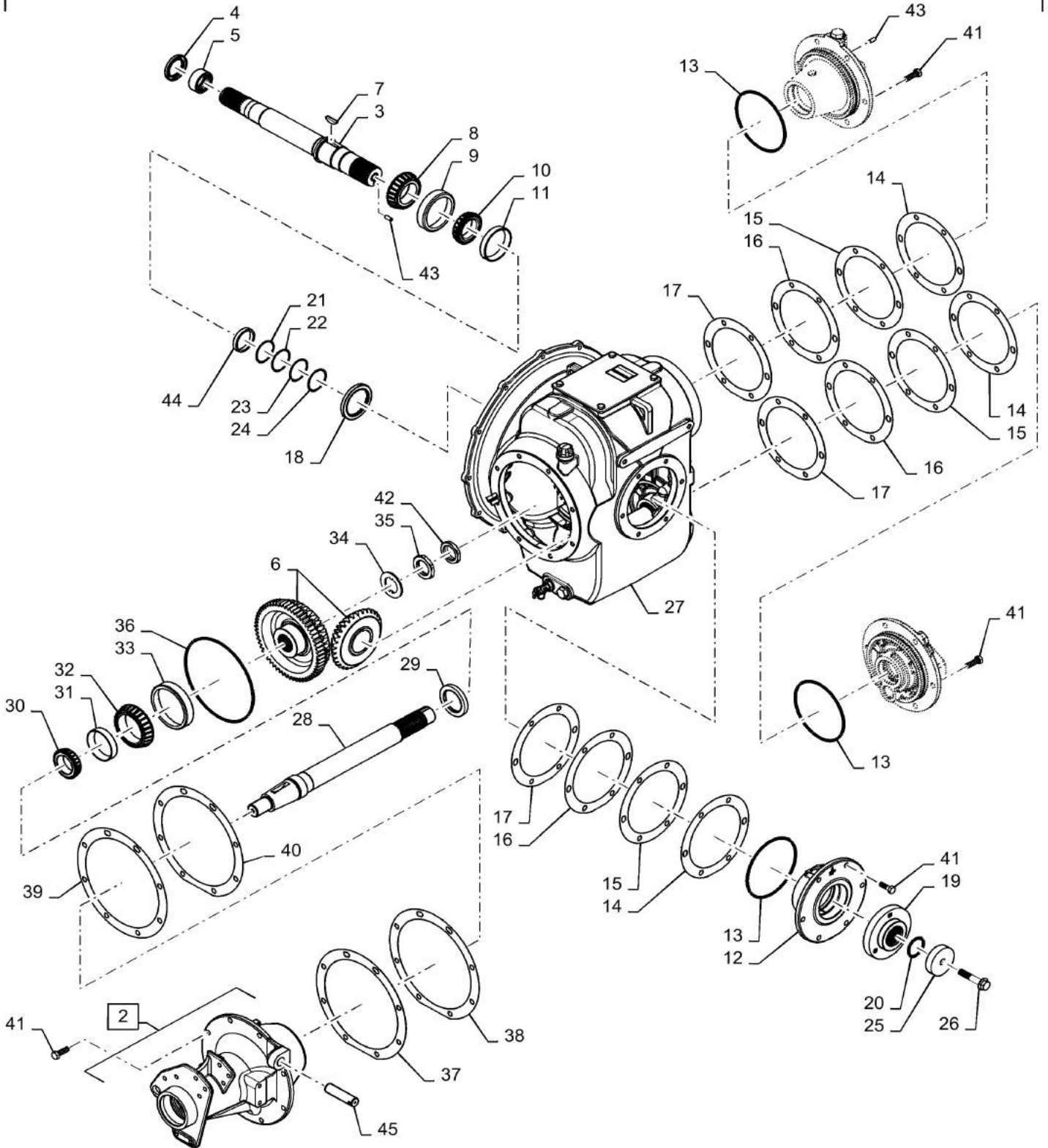
ARM, BELT TENSIONER, SEPARATOR

REF FN	PART NUMBER	YR/SN	QTY DESCRIPTION
1	84421043		1 ARM Separator Drive Idler, Incl 9
2	87306803		2 BALL BEARING 17mm ID x 47mm OD x 14mm W Separator Idler
3	84342816		1 PULLEY 203.2mm OD Separator Idler
4	87310758		1 BUSHING 17.48mm ID x 25.4mm OD x 53.33mm L Idler Bearing Separator Drive
5	800-2147		2 SNAP RING M47, Int
6	87708446		1 BOLT Idler Pulley Separator Drive
7	86624189		1 WASHER 0.66" ID x 1.31" OD x 0.15" Thk
8	125-10012		1 SPECIAL NUT 5/8"-11, G5, LH
9	87559340		1 SLEEVE Incl with 1, Not Illustrated

5140-COMBINE - TIER 2

PTO TRANSMISSION GEAR

1 14.100.AR 02



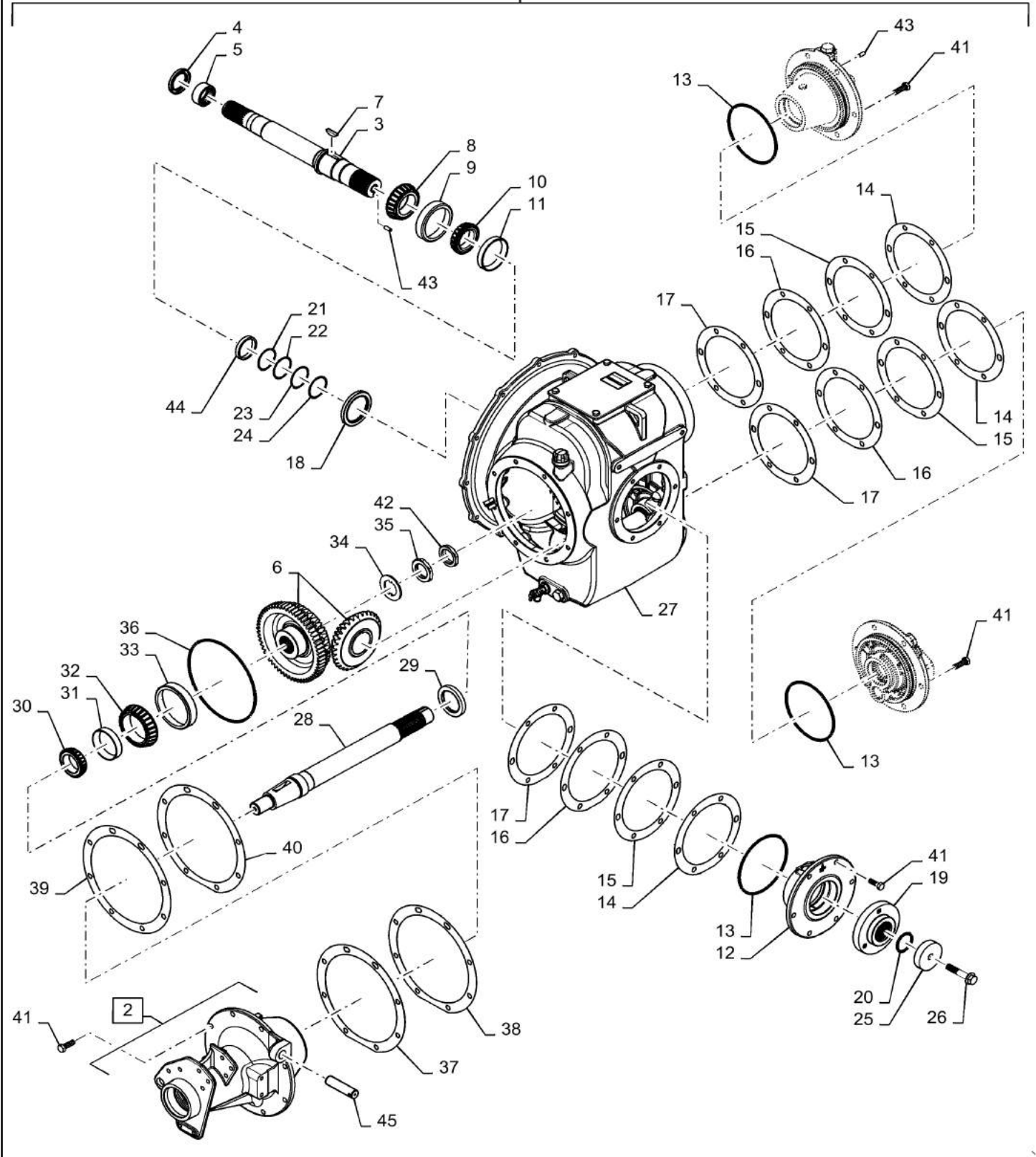
PTO TRANSMISSION GEAR

REF FN	PART NUMBER	YR/SN	QTY DESCRIPTION
1	84589400		1 GEARBOX PTO, Incl 2 - 45 And Figure 14.100.AR (02)
1	84359789R		1 REMAN-PTO GEARBOX ASSY. PTO, Incl 2 - 45 And Figure 14.100.AR (02)
1	84359789C		1 CORE-PTO GEARBOX ASSY. Return Part Number
2	84599119		1 HOUSING Separator Drive, Incl 2
3	84552838		1 SHAFT PTO Input
4	87618406		1 OIL SEAL 49.23mm ID x 73.14mm OD x 7.95mm Thk 73.025mm OD x 49.225mm ID x 7.95mm
5	A66476		1 NEEDLE BEARING 2" ID x 2.375" OD x 1"
6	84139333		1 GEAR SET PTO Bevel, 31 Tooth/ 37 Tooth
7	126-176		1 WOODRUFF KEY #128, 5/16" x 2 1/8", HT
8	ST216		1 BEARING Roller, 80mm OD x 40mm ID x 18mm
9	22396V		1 BEARING, CUP 112.739 mm OD x 30.37 mm
10	L33289		1 ROLLER BEARING 57.1565mm ID x 21.857mm Thk
11	105497H		1 BEARING CUP 96.85mm OD x 15.77mm W 96.850mm OD x 15.774mm
12	84589398		1 BEARING CARRIER PTO Input
13	14467980		3 O-RING 0.139" Thk x 6.734" ID, -261, CI 5, 75 Duro
14	84589384		3 SHIM 184mm ID x 240.5mm OD x 0.13mm Thk 243mm OD x 184mm ID x .127mm
15	84589385		3 SHIM 184mm ID x 240.5mm OD x 0.18mm Thk 243mm OD x 184mm ID x .178mm
16	84589386		3 SHIM 184mm ID x 240.5mm OD x 0.25mm Thk 243mm OD x 184mm ID x .254mm

5140-COMBINE - TIER 2

PTO TRANSMISSION GEAR

1 14.100.AR 02



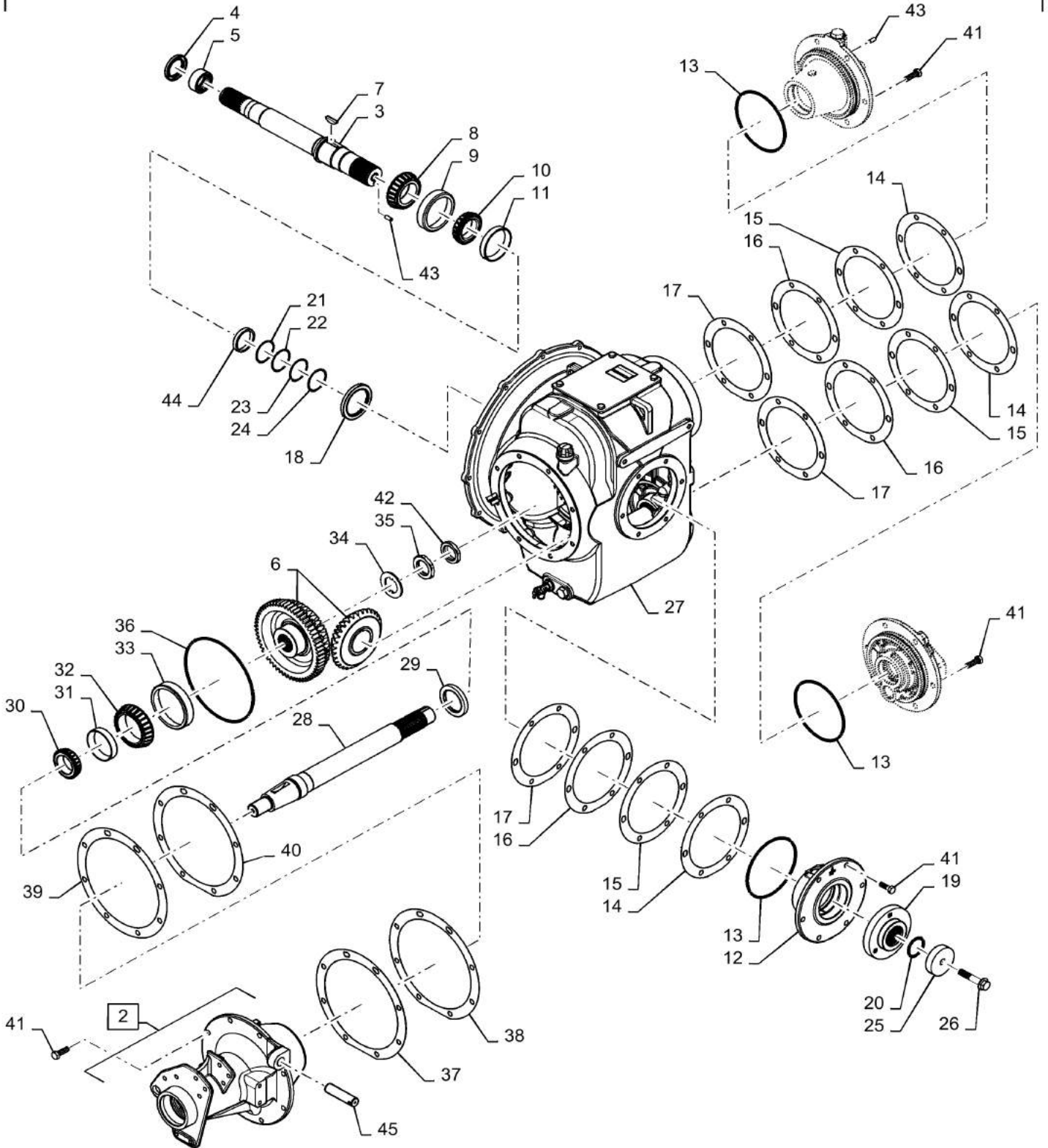
PTO TRANSMISSION GEAR

REF FN	PART NUMBER	YR/SN	QTY DESCRIPTION
17	84589387		3 SHIM 184mm ID x 240.5mm OD x 0.76mm Thk 243mm OD x 184mm ID x .762mm
18	87311003		1 SEAL 76.2mm ID x 101.8mm OD x 9.53mm Thk 101.7mm OD x 76.2mm ID x 9.5mm
19	84146049		1 HUB Unloader Pulley
20	217408		1 O-RING 0.139" Thk x 1.984" ID, -226, CI 5, 75 Duro
21	84552155		1 SHIM 58mm ID x 65mm OD x 0.08mm Thk 65.5mm OD x 58mm ID x .076mm
22	84552156		1 SHIM 58mm ID x 65.5mm OD x 0.13mm Thk 65.5mm OD x 58mm ID x .127mm
23	84552157		1 SHIM 58mm ID x 65.5mm OD x 0.18mm Thk 65.5mm OD x 58mm ID x .178mm
24	84552158		1 SHIM 58mm ID x 65.5mm OD x 0.5mm Thk 65.5mm OD x 58mm ID x .508mm
25	84552832		1 WASHER 17mm ID x 82.5mm OD x 20.05mm Thk 82.5mm OD x 17mm ID x 20mm
26	86981709		1 BOLT Hex, M16 x 80mm, CI 10.9 Flange, M16 x 80mm, 10.9
27	84589402		1 HOUSING PTO Gearbox
28	84534416		1 SHAFT Separator Drive
29	87603649		1 OIL SEAL 63.46mm ID x 90.14mm OD x 11mm Thk 90.14mm OD x 63.46mm ID x 11mm
30	625742C1		1 ROLLER BEARING 2.1654" ID x 3.5433" OD x 0.9055"
31	625743C1		1 BEARING CUP 90mm OD x 18.5mm W 90mm OD x 18.5mm
32	622336C1		1 ROLLER BEARING 84.99mm ID x 30mm
33	622337C1		1 BEARING CUP 129.99mm OD x 23.90mm Thk
34	84415953		1 WASHER 45.4mm ID x 75mm OD x 4mm Thk Locking, M45
35	84415955		1 SPECIAL NUT M45

5140-COMBINE - TIER 2

PTO TRANSMISSION GEAR

1 14.100.AR 02

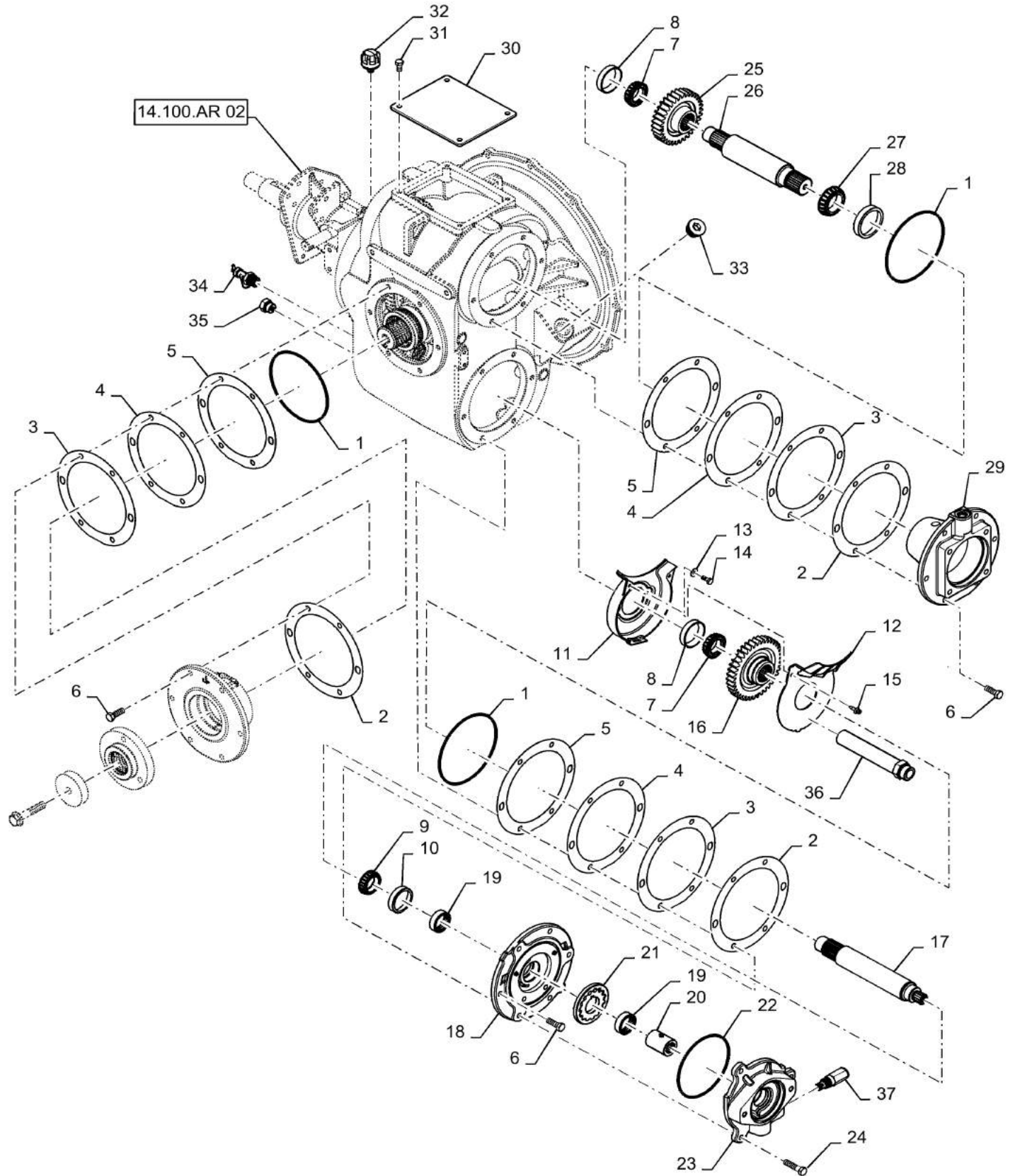


PTO TRANSMISSION GEAR

REF FN	PART NUMBER	YR/SN	QTY DESCRIPTION
36	9823349		1 O-RING 0.139" Thk x 9.484" ID, -272, CI 5, 75 Duro
37	84589389		1 SHIM 264mm ID x 313.5mm OD x 0.13mm Thk 323mm OD x 264mm ID x .127mm
38	84589391		1 SHIM 264mm ID x 313.5mm OD x 0.18mm Thk 323mm OD x 264mm ID x .178
39	84589392		1 SHIM 264mm ID x 313.5mm OD x 0.25mm Thk 323mm OD x 264mm ID x .254
40	84589393		1 SHIM 264mm ID x 313.5mm OD x 0.76mm Thk 323mm OD x 264mm ID x .762
41	84146883		23 BOLT Hex, M12 x 35mm, CI 10.9 M12 x 35mm, Full Thread, 10.9
42	84415954		1 SPECIAL NUT M45
43	87238		1 DOWEL 7.94mm OD x 19.05mm L
44	84552159		1 SPACER Bearing
45	195439C2		1 PIN 25.29mm OD x 101.6mm L 25.292mm OD x 101.6mm

5140-COMBINE - TIER 2

GEAR SET, PTO

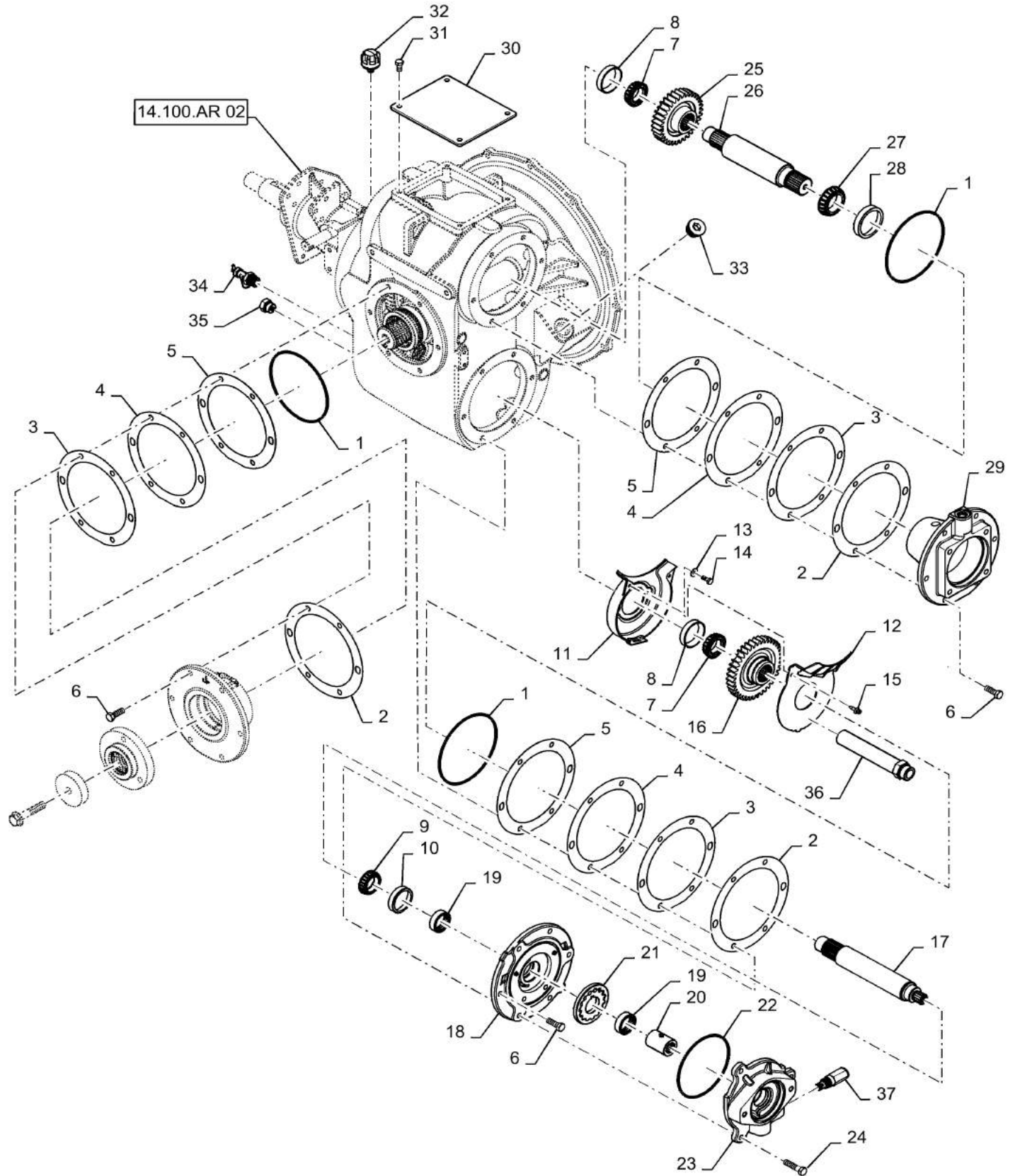


GEAR SET, PTO

REF FN	PART NUMBER	YR/SN	QTY DESCRIPTION
1	14467980		3 O-RING 0.139" Thk x 6.734" ID, -261, CI 5, 75 Duro
2	84589384		3 SHIM 184mm ID x 240.5mm OD x 0.13mm Thk 243mm OD x 184mm ID x .127mm
3	84589385		3 SHIM 184mm ID x 240.5mm OD x 0.18mm Thk 243mm OD x 184mm ID x .178mm
4	84589386		3 SHIM 184mm ID x 240.5mm OD x 0.25mm Thk 243mm OD x 184mm ID x .254mm
5	84589387		3 SHIM 184mm ID x 240.5mm OD x 0.76mm Thk 243mm OD x 184mm ID x .762mm
6	84146883		23 BOLT Hex, M12 x 35mm, CI 10.9 M12 x 35mm, Full Thread, 10.9
7	618023R91		2 BEARING ASSY 34.93mm ID x 18.2mm W
8	618024R1		2 BEARING CUP 65.113mm OD x 13.97mm
9	61802C91		1 ROLLER BEARING 38mm ID x 17mm Thk
10	61801C1		1 BEARING CUP 63mm OD x 13.5
11	84148216		1 PROTECTION PLATE PFC Gear, Front
12	84148217		1 PROTECTION PLATE PFC Gear, Rear
13	86625263		2 WASHER 9mm ID x 20mm OD x 1.6mm Thk
14	86639144		2 BOLT Hex, Lock, M8 x 20, CI 10.9
15	87348536		2 RIVET 6.4mm OD x 22.8mm L Plastic Screw, 6.4mm OD
16	84141963		1 GEAR PFC Pump, 39 Tooth
17	84145261		1 SHAFT PFC Pump Drive
18	84599117		1 CARRIER Bearing, PFC
19	205369R91		2 NEEDLE BEARING Needle, 41.26mm ID x 50.81mm OD x 15.88mm W
20	84218385		1 COUPLING 14T PFC Pump
21	84145259		1 GEAR SET Gerotor
22	272712		1 O-RING 0.139" Thk x 6.234" ID, -259, CI 5, 75 Duro
23	84148219		1 CARRIER PFC Pump
24	87015540		3 BOLT Hex, M12 x 50mm, CI 10.9

5140-COMBINE - TIER 2

GEAR SET, PTO

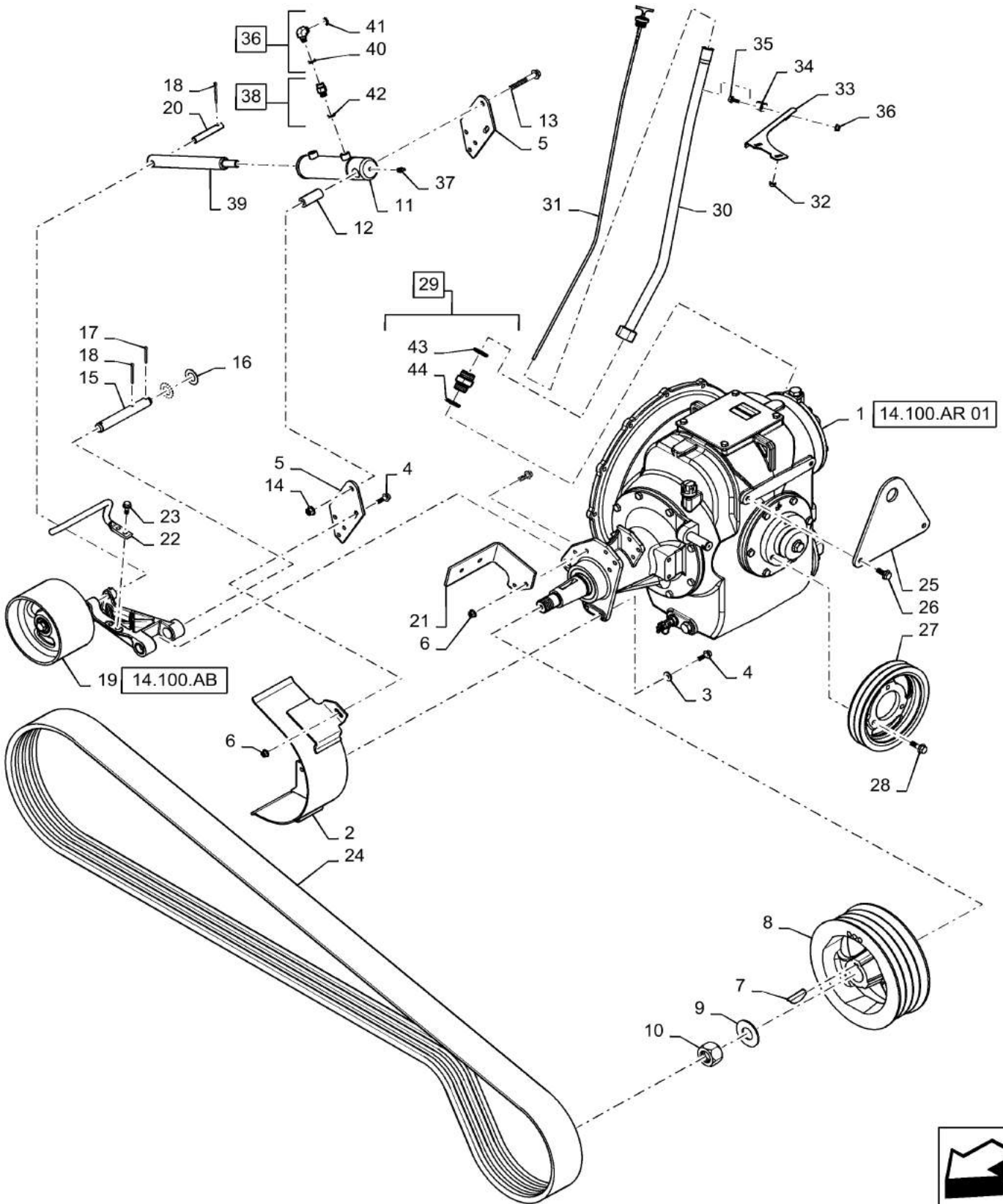


GEAR SET, PTO

REF FN	PART NUMBER	YR/SN	QTY DESCRIPTION
25	84141965		1 GEAR Hydro Pump, 33 Tooth
26	84142987		1 SHAFT Hydro Pump Drive
27	67527		1 ROLLER BEARING 45.26mm ID x 19.84mm W
28	67526		1 BEARING CUP 77.7mm OD x 15.08mm Thk 77.788mm OD x 15.08mm
29	84589396		1 BEARING CARRIER Hydro Pump
30	84146062		1 PLATE Top Cover
31	87015732		4 BOLT M10 x 1.5 x 26.58mm, CI 10.9
32	1971726C1		1 BREATHER
33	86583482		1 HEX SOCKET PLUG M33 x 2
34	87485712		1 DRAINCOCK/TAP SUPPLY
35	87108781		1 PLUG M22
36	84253774		1 FILTER STRAINER Suction
37	84266245		1 PRESSURE RELIEF VALVE 7/8"-14

5140-COMBINE - TIER 2

PTO ASSY, BELT

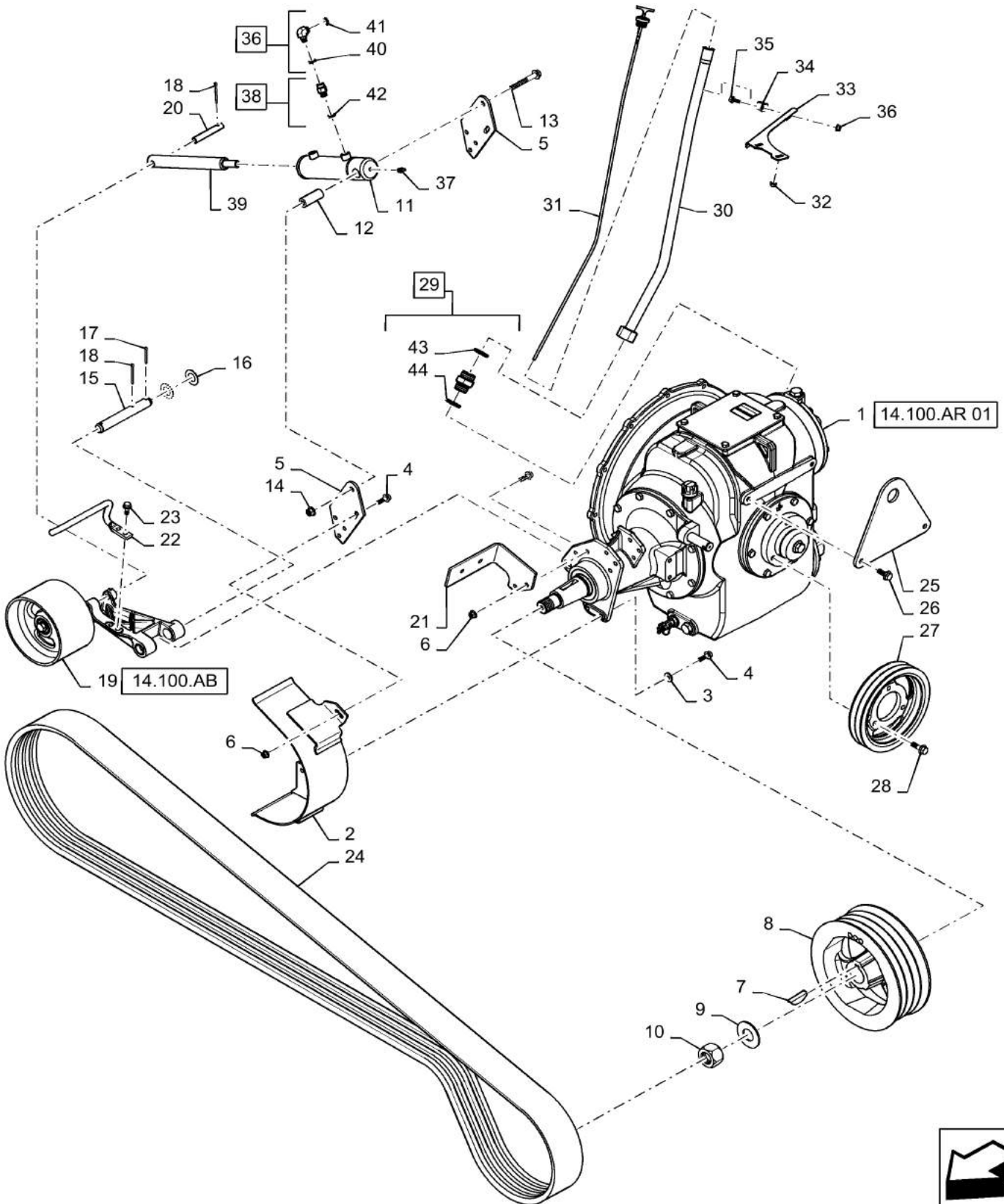


PTO ASSY, BELT

REF FN	PART NUMBER	YR/SN	QTY DESCRIPTION
1	84589400		1 GEARBOX PTO
1	84359789R		1 REMAN-PTO GEARBOX ASSY.
1	84359789C		1 CORE-PTO GEARBOX ASSY. Return Number
2	84407375		1 COVER ASSY Separator Drive
3	495-81135		2 WASHER 10.31mm ID x 25.4mm OD x 3.4mm Thk
4	87698837		11 FLANGE BOLT M10 x 30mm, Full Thd, CI 10.9
5	84182878		2 SUPPORT Cylinder Anchor
6	86050279		9 FLANGE NUT M10 x 1.5, CI 10
7	126-179		1 WOODRUFF KEY #V, 1/2" x 2 3/4", HT
8	84406548		1 PULLEY 325.2mm OD Separator Drive, 4HC
9	84559733		1 WASHER 37mm ID x 78mm OD x 4mm Thk 78mm OD x 37mm ID x 4mm
10	1148871		1 LOCK NUT M36 x 4, CI 5
11	84340469		1 HYDRAULIC CYLINDER Double Acting, 31.75mm Rod, 106.93mm Stroke Separator Clutch
12	84181445		1 SPACER Separator Clutch Cylinder
13	87698847		1 FLANGE BOLT M12 x 90mm, CI 10.9
14	86512497		1 FLANGE NUT M12 x 1.75, CI 10
15	362678A1		1 PIN 25.38mm OD x 186mm L Idler Arm Pivot Clutched Belt
16	495-81073		3 WASHER 1 1/32" x 1 3/4" x .060"
17	432-1224		2 COTTER PIN 3/16" x 1 1/2"
18	432-1232		2 COTTER PIN 3/16" x 2"
19	NSS		1 NOT SERVICED SEPARATELY Arm Assy, Separator Idler W/ Pulley
20	362679A1		1 PIN 15.88mm OD x 101.3mm L Cylinder Rod End
21	84243260		1 BRACKET Belt Guide Channel
22	84407378		1 GUIDE Separator Belt

5140-COMBINE - TIER 2

PTO ASSY, BELT



PTO ASSY, BELT

REF FN	PART NUMBER	YR/SN	QTY DESCRIPTION
23	87698836		2 BOLT M10 x 25mm, Full Thd, CI 10.9
24	84406044		1 BELT 4HC Belt, Separator Drive
25	84250212		1 BRACKET Lift Bracket
26	87030508		2 BOLT M12 x 30 Full 10.9 ZND
27	84146055		1 PULLEY 250.5mm OD Jackshaft Driver
28	87695414		3 BOLT M12 x 46.8mm, CI 10.9
29	86580179		1 HYD CONNECTOR 1-7/16" - 12 ORFS x M33 x 2 ORB Incl 43 - 44
30	47389368		1 TUBE Tube, PTO
31	84411114		1 DIPSTICK 1119.8mm L Blade, PTO
32	86507066		3 FLANGE NUT M8 x 1.25, CI 10
33	47389370		1 SUPPORT PTO Fill Tube
34	9827902		1 CLAMP 25.4mm, Coat, 10.3mm Bolt Hole, P Type
35	87656137		1 BOLT M8 x 28.1mm, CI 10.9
36	87016877		1 ELBOW 90°, 13/16"-16 x 9/16"-18, Adj, ORFS Incl 40 - 41
37	219-87		1 LUBE NIPPLE 1/4"-28 x .56" lg, Self-Tap
38	84989392		1 ELBOW 90°, 11/16"-16 ORFS x 11/16"-16 Fem Sw Incl 42
39	87025441		1 SEAL KIT Services 11
40	9992298		1 O-RING 0.07" Thk x 0.489" ID, -14, CI 6, 90 Duro
41	9617873		1 O-RING 0.078" Thk x 0.468" ID, -906, CI 6, 90 Duro
42	9993141		1 O-RING 0.07" Thk x 0.364" ID, -12, CI 6, 90 Duro
43	9824050		1 O-RING 0.07" Thk x 0.926" ID, -21, CI 6, 90 Duro
44	86598104		1 O-RING 2.9mm Thk x 29.6mm ID, CI 6, 90 Duro

5140-COMBINE - TIER 2

SECTION INDEX

CLUTCH

18.112.AC 01 DAMPER, FLYWHEEL, PTO ASSY, ENGINE

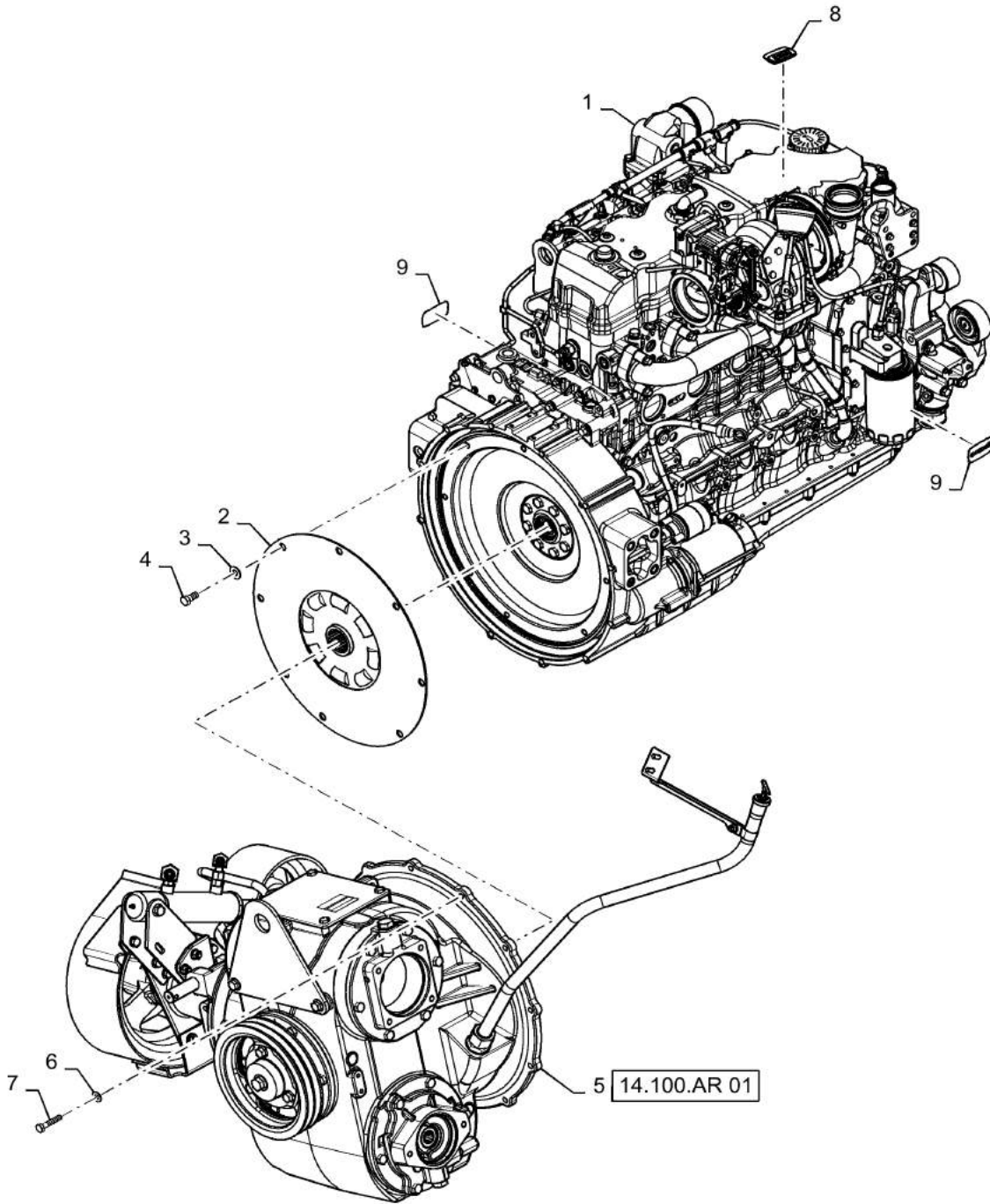
18.112.AC

01

p1

7/2015

DAMPER, FLYWHEEL, PTO ASSY, ENGINE



18.112.AC

01

p1

7/2015

DAMPER, FLYWHEEL, PTO ASSY, ENGINE

REF FN	PART NUMBER	YR/SN	QTY DESCRIPTION
1	47552528		1 ENGINE Tier 2
1	47552457		1 ENGINE Tier 4
2	87536815		1 SPLINED COUPLING 466.67mm OD Engine To PTO Damper
3	140046		8 BELLEVILLE WASHER M12 x 27mm OD x 1.8mm Thk
4	300388		8 BOLT Hex, M12 x 1.75 x 25mm, Cl 8.8
5	84589400		1 GEARBOX PTO
5	84359789R		1 REMAN-PTO GEARBOX ASSY.
5	84359789C		1 CORE-PTO GEARBOX ASSY. Return Number
6	140045		12 BELLEVILLE WASHER M10X22 ZNM
7	120069		12 BOLT M10 x 1.5 x 56.58mm OAL, Cl 8.8
8	84373430		1 EMBLEM Case IH - Engine
9	87679098		2 DECAL Case IH - Filter

5140-COMBINE - TIER 2

SECTION INDEX

TRANSMISSION

21.114.AL	01	TRANSMISSION, FRONT
21.114.AL	02	VAR - 425296, 425297, 425300, 425301 - TRANSMISSION, REAR
21.126.AB		LEVER, GEARSHIFT

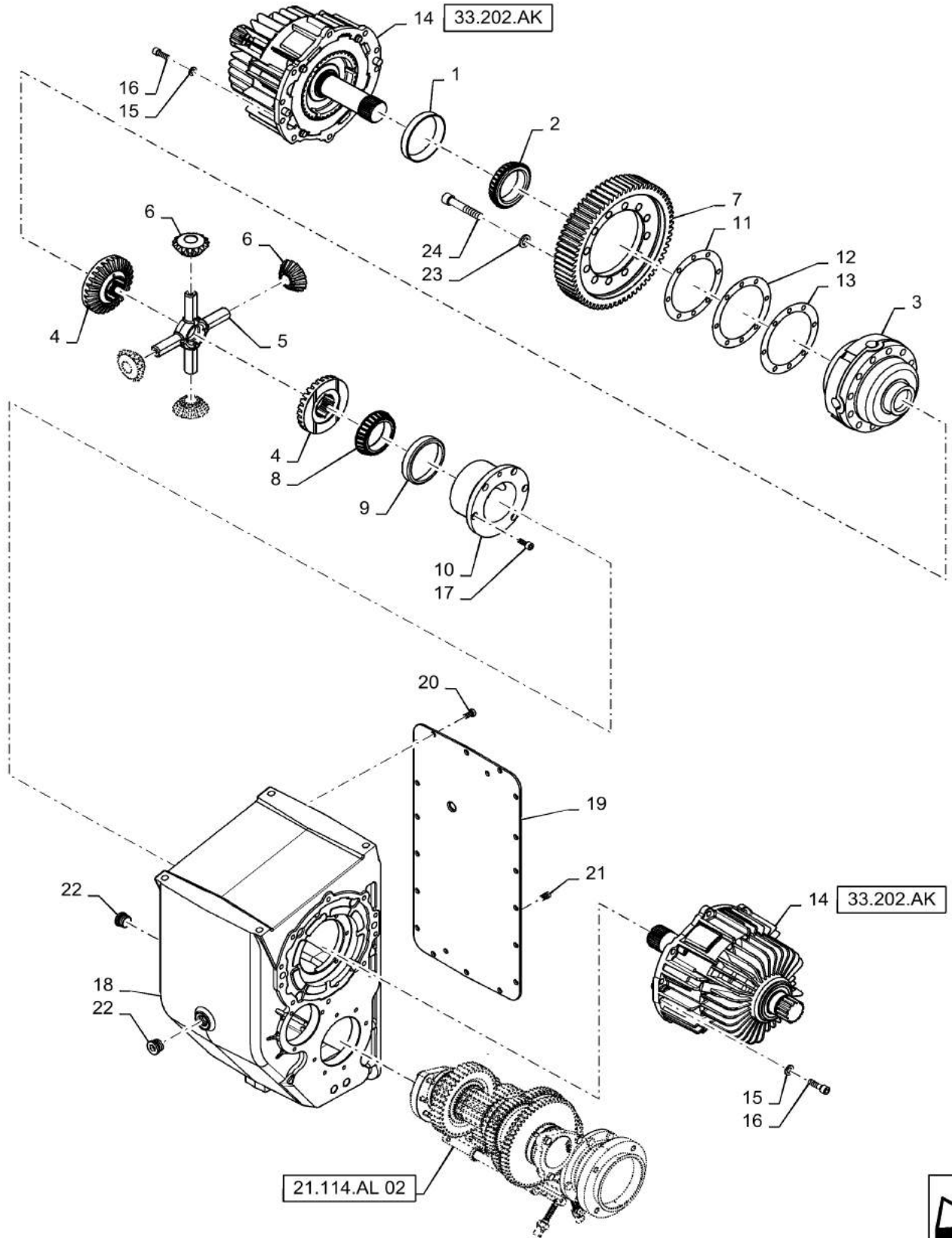
21.114.AL

01

p1

7/2015

TRANSMISSION, FRONT



TRANSMISSION, FRONT

REF FN	PART NUMBER	YR/SN	QTY DESCRIPTION
1	379858R1		1 BEARING CUP Differential, RH
2	81834054		1 BEARING ASSY 77.79mm ID x 25.4mm W Differential, RH
3	84387640		1 HOUSING Differential
4	236377A1		2 BEVEL GEAR 28 Tooth
5	393637R2		1 DIFF. SPIDER Cross
6	361061R3		2 PINION 15 Tooth
7	84300108		1 DRIVEN GEAR 66 Tooth
8	131475R91		1 TAPERED ROLLER BEARING 2.075" ID x 4.4375" OD
9	972466R1		1 BEARING CUP 112.7252 mm OD x 25.5016 mm
10	1997956C2		1 CAGE Differential Bearing
11	1997947C2		AR SHIM 134mm ID x 176mm OD x 0.08mm Thk
12	1997958C2		AR SHIM 134mm ID x 176mm OD x 0.13mm Thk
13	1997957C2		AR SHIM 134mm ID x 176mm OD x 0.81mm Thk
14	236388A1		2 BRAKE ASSY.
14	236388A1R		2 REMAN-BRAKE ASSY.
14	236388A1C		2 CORE-BRAKE ASSY. Return Number
15	896-11012		20 WASHER 13.5mm ID x 24mm OD x 3mm Thk
16	963-12040		20 HEX SOC SCREW M12 x 40mm, CI 10.9
17	863-10025		5 HEX SOC SCREW M10 x 25mm, CI 12.9
18	84602048		1 HOUSING Transmission Case
19	239456A1		1 COVER Transmission Case
20	613-10020		18 BOLT Hex, M10 x 1.5 x 20mm, CI 8.8, Full Thd
21	217-504		2 DRAIN PLUG Hex Hd, 1/4"-18, NPTF
22	9841223		2 PLUG 1-1/16" - 12 ORB
23	896-12016		12 WASHER 17.5mm ID x 30mm OD x 4mm Thk
24	863-16090		12 HEX SOC SCREW M16 x 90mm, CI 12.9

5140-COMBINE - TIER 2

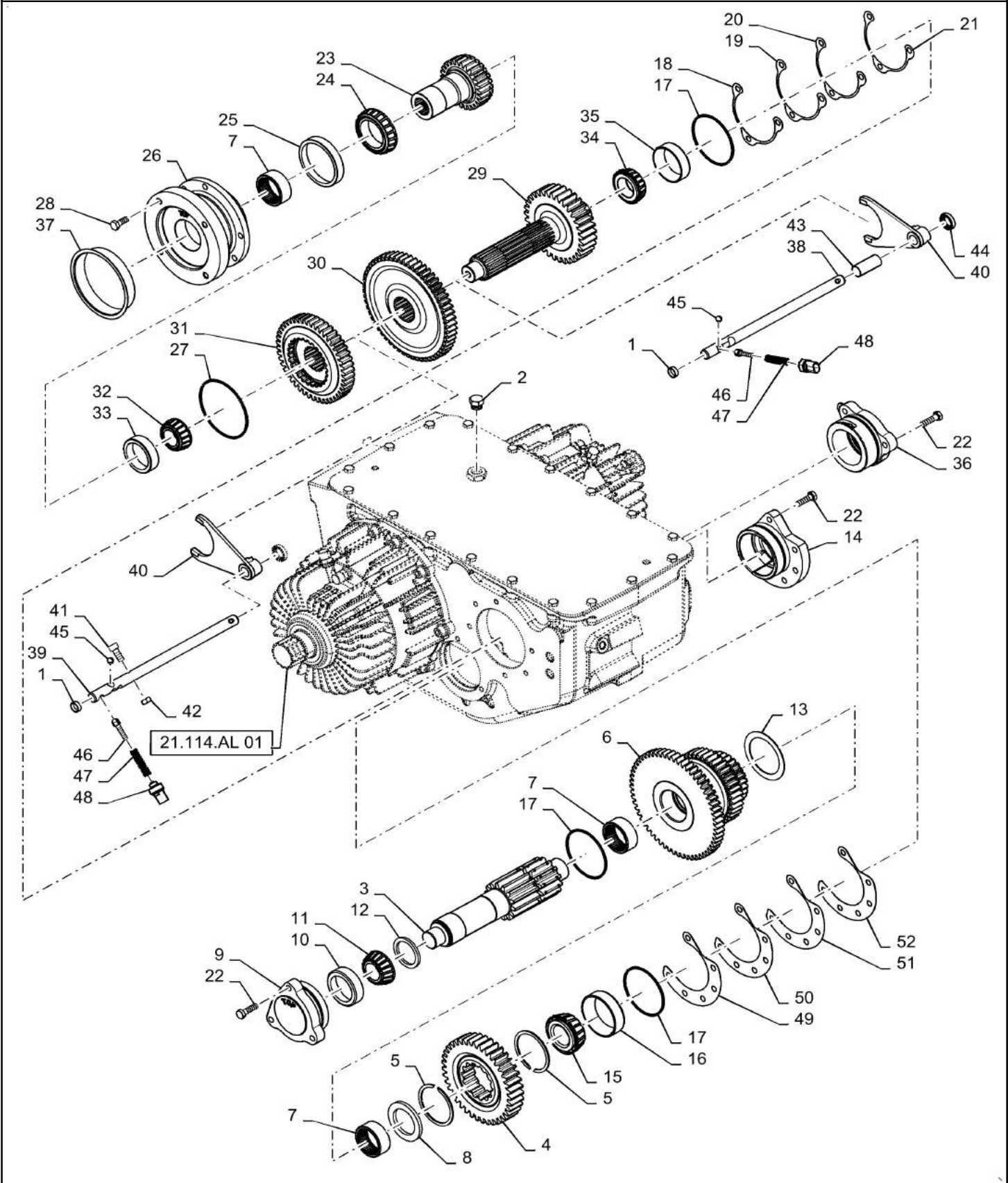
21.114.AL

02

p1

7/2015

VAR - 425296, 425297, 425300, 425301 - TRANSMISSION, REAR



21.114.AL

02

p1

7/2015

VAR - 425296, 425297, 425300, 425301 - TRANSMISSION, REAR

REF FN	PART NUMBER	YR/SN	QTY DESCRIPTION
1	41-1012		2 PLUG Cup, 3/4"
2	214389		1 PLUG 3/4" - 16 ORB
3	84147485		1 GEAR SHAFT Differential Pinion, 14 Tooth
4	1342935C1		1 GEAR Driven, 39 Tooth, Var - 425300, 425301
4	84283744		1 GEAR Driven, 37 Tooth, Var - 425296, 425297
5	196693H1		2 RING 85.15mm OD x 74.07mm ID x 3.180mm
6	87305298		1 GEAR 59T, 39T, 27T Shaft, Var - 425300, 425301
6	84283746		1 GEAR SHAFT 59 Tooth/ 40 Tooth/ 27 Tooth, Var - 425296, 425297
7	675708R91		3 NEEDLE BEARING 2.5" OD x 2.125" ID x 1.0"
8	401879R1		1 SPACER 54.1mm ID x 79.2mm OD x 6.28mm L Spool Gear
9	1997933C1		1 BEARING COVER 59.75mm ID x 101.51mm OD x 47.5mm
10	131312C1		1 BEARING CUP 2.8448" OD x .7812"
11	131311C91		1 ROLLER BEARING 1.3755" ID x 2.8448" OD x 1"
12	84147486		1 SPACER 47.95mm ID x 62mm OD x 4.5mm L Spool Gear
13	530704R2		1 THRUST WASHER 74.42mm ID x 99.06mm OD x 1.65mm Thk 3.880" OD, 3 Lug
14	84602046		1 CAGE Bearing Cover
15	57862H		1 BEARING CONE 1.625" ID x 3.375" OD x 1.1875"
16	57861H		1 BEARING CUP 3.375" OD x 1.1875"
17	238-7154		3 O-RING 0.103" Thk x 3.737" ID, -154, CI 7, 75 Duro

5140-COMBINE - TIER 2

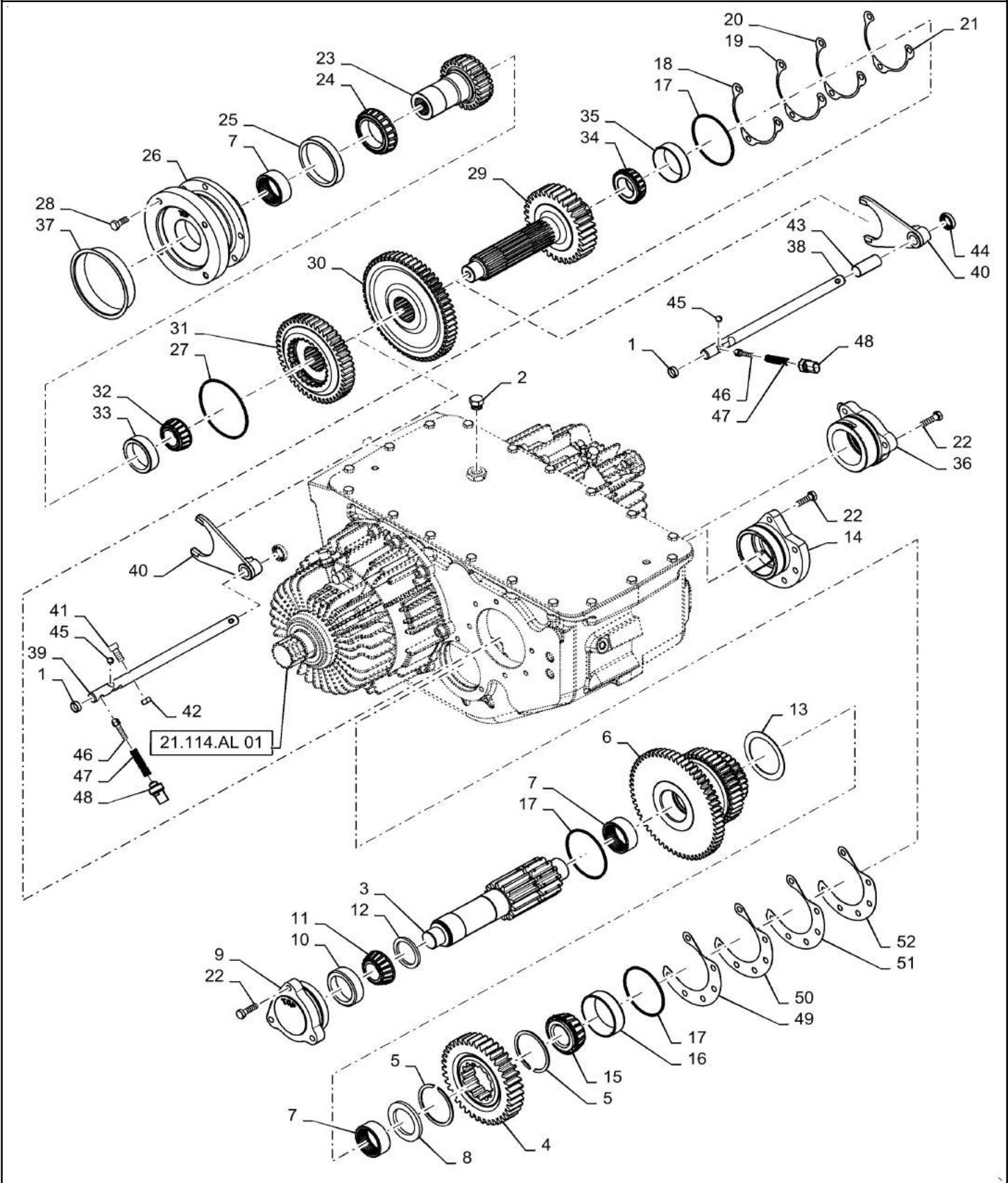
21.114.AL

02

p2

7/2015

VAR - 425296, 425297, 425300, 425301 - TRANSMISSION, REAR



VAR - 425296, 425297, 425300, 425301 - TRANSMISSION, REAR

REF FN	PART NUMBER	YR/SN	QTY DESCRIPTION
18	401883R2		AR SHIM 102mm ID x 126mm OD x 0.08mm Thk
19	401884R2		AR SHIM 102mm ID x 110mm OD x 0.13mm Thk
20	401885R2		AR SHIM 102mm ID x 110mm OD x 0.18mm Thk
21	184195C2		AR SHIM 102mm ID x 110mm OD x 0.76mm Thk
22	628-10035		12 BOLT Hex, M10 x 1.5 x 35mm, Cl 10.9, Full Thd
23	84160943		1 GEAR Input, Driver, 26 Tooth
24	L33289		1 ROLLER BEARING 57.1565mm ID x 21.857mm Thk
25	105497H		1 BEARING CUP 96.85mm OD x 15.77mm W 96.85mm OD x 15.775mm
26	84163252		1 HOUSING Input Shaft
27	86637742		1 O-RING 0.139" Thk x 4.484" ID, -246, Cl 5, 75 Duro
28	613-10025		6 BOLT Hex, M10 x 1.5 x 25mm, Cl 8.8, Full Thd
29	1342934C1		1 SHAFT Change Drive, 33 Tooth Spur/ 19 Tooth Spline, Var - 425300, 425301
29	84283745		1 GEAR SHAFT Change Drive, 35 Tooth Spur/ 19 Tooth Spline, Var - 425296, 425297
30	401889R1		1 GEAR Sliding, 58 Tooth
31	87305299		1 GEAR Sliding, 2nd And 3rd, 46 Tooth, Var - 425300, 425301
31	84283747		1 GEAR Sliding, 2nd And 3rd, 45 Tooth, Var - 425296, 425297
32	50212VA		1 ROLLER BEARING 33.35mm ID x 24.01mm W
33	51200379		1 BEARING CUP 69.9mm OD x 18.95mm W 69.9mm OD x 18.9485mm

5140-COMBINE - TIER 2

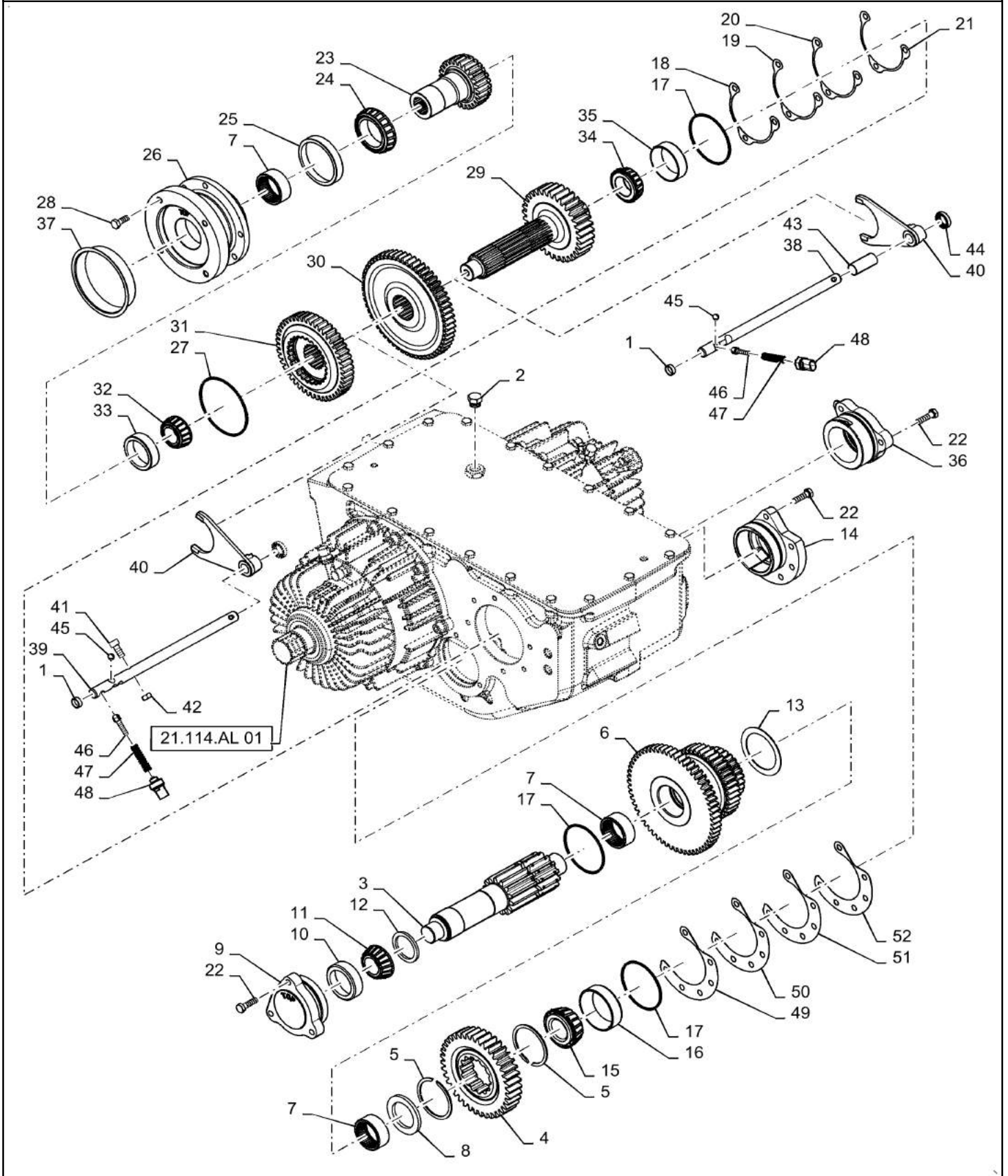
21.114.AL

02

p3

7/2015

VAR - 425296, 425297, 425300, 425301 - TRANSMISSION, REAR

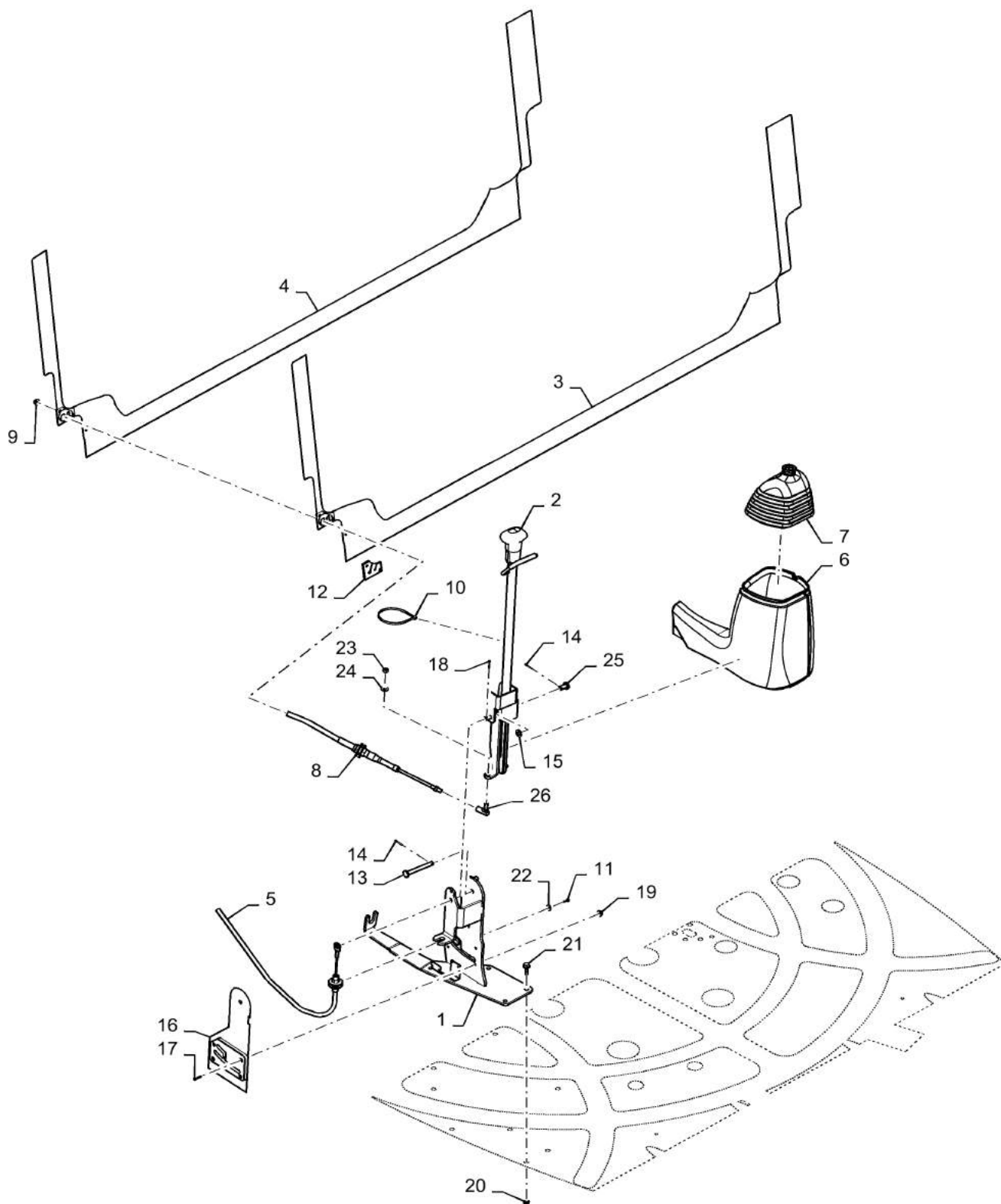


VAR - 425296, 425297, 425300, 425301 - TRANSMISSION, REAR

REF FN	PART NUMBER	YR/SN	QTY DESCRIPTION
34	290099C91		1 TAPERED ROLLER BEARING 39.69mm ID x 22.1mm W 1.5625" ID
35	290100C1		1 BEARING CUP 73.05mm OD x 17.78mm W 2.8750" OD
36	1997998C1		1 BEARING COVER 72.99 mm ID x 101.51 mm OD x 37.8 mm
37	353-75		1 PLUG Cap, 5.200" OD
38	84213134		1 SHIFT RAIL 1st Gear
39	84213133		1 SHIFT RAIL 2nd And 3rd Gear
40	1997656C1		2 SHIFTER FORK
41	1997657C1		2 SET SCREW Socket Head, M10 x 30mm, 12.9
42	829-1310		2 NUT M10, CI 10
43	189168A1		1 SPACER Shift Rail
44	1997906C1		2 OIL SEAL Shift Rails
45	86624945		2 BALL 11.11mm OD, Gr 24 Gear Position Check
46	47464221		2 PIN Spring Actuator, Gear Position
47	87670320		2 SPRING Ball Detent, Gear Position
48	84152678		2 SWITCH Gear Position, Normally Closed
49	84602040		AR SHIM Bearing Cap, -.030"
50	84602041		AR SHIM Bearing Cap, -.003"
51	84602042		AR SHIM Bearing Cap, -.005"
52	84602043		AR SHIM Bearing Cap, -.007"

5140-COMBINE - TIER 2

LEVER, GEARSHIFT

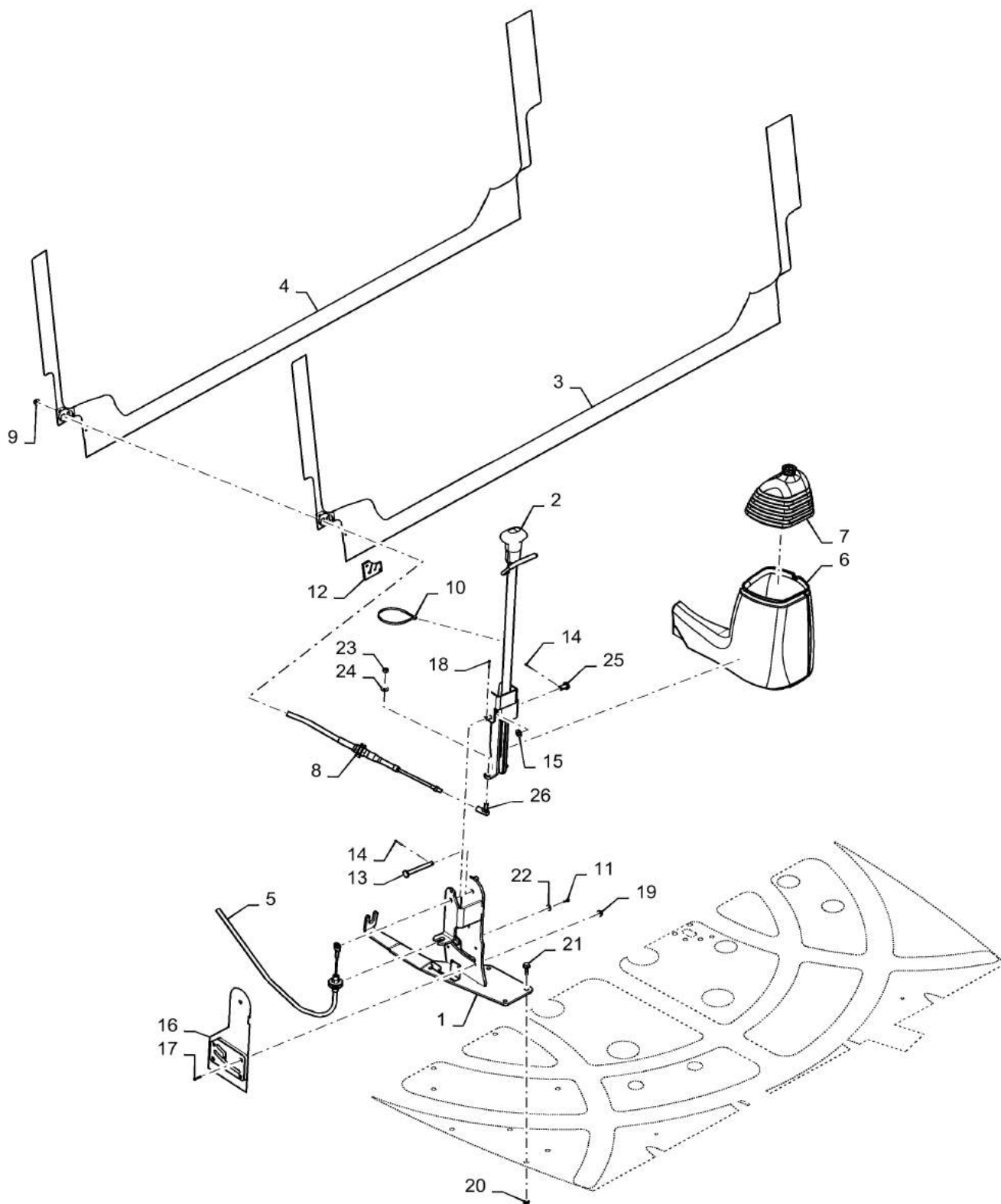


LEVER, GEARSHIFT

REF FN	PART NUMBER	YR/SN	QTY DESCRIPTION
1	47502627		1 SUPPORT Gearshift Lever
2	47502955		1 HANDLE Gearshift
3	84416701		1 PLATE Shift Cable Securing
4	84416703		1 PLATE Shift Cable Adjust
5	115398A1		1 CABLE 3209mm L Gear Selection, 3209mm
6	84482251		4 TRIM PANEL Boot, Gear Shifter, Lower
7	47480642		4 BOOT Boot, Gear Shifter, Upper
8	115397A1		1 CABLE 3571mm L Gear Selection, 3571mm
9	86507064		2 FLANGE NUT M5 x 0.8
10	86566990		1 CABLE TIE 292mm OAL x 4.8mm W
11	86511823		2 SCREW Phillips Drive, Pan HD, M4 x 8mm, CI 4.8
12	84544383		1 GASKET 5mm Thk Shifter Plate
13	86599794		1 CLEVIS PIN 10mm OD x 85mm L M10 x 85mm
14	10796401		3 COTTER PIN M3.2 x 18
15	84476156		2 WASHER 10.5mm ID x 20mm OD x 2mm Thk 20mm OD x 10.5mm ID x 2mm
16	47468700		1 PLATE Shift Selector
17	86511824		4 SCREW Phillips Drive, Pan HD, M4 x 0.7 x 20mm, CI 4.8
18	280250		1 COTTER PIN 3/32" x 3/4"
19	87301238		4 NUT M4, Serrated
20	87284531		4 NUT Rivnut, M8 x 1.25, 0.5mm - 3mm Grip Range
21	87698833		4 BOLT M8 x 33.1mm, CI 10.9
22	14496301		1 WASHER 5.3mm ID x 10mm OD x 1mm Thk
23	425-115		1 NUT 5/16"-24, G5
24	322358		1 BELLEVILLE WASHER M8 x 18mm OD x 1.4mm Thk
25	321637		2 CLEVIS PIN M10 x 20

5140-COMBINE - TIER 2

LEVER, GEARSHIFT



21.126.AB

p2

7/2015

LEVER, GEARSHIFT

REF FN	PART NUMBER	YR/SN	QTY DESCRIPTION
26	86548493		1 BALL 5/16" -24 x 1-2/5" Swivel Joint

5140-COMBINE - TIER 2

SECTION INDEX

FRONT AXLE SYSTEM

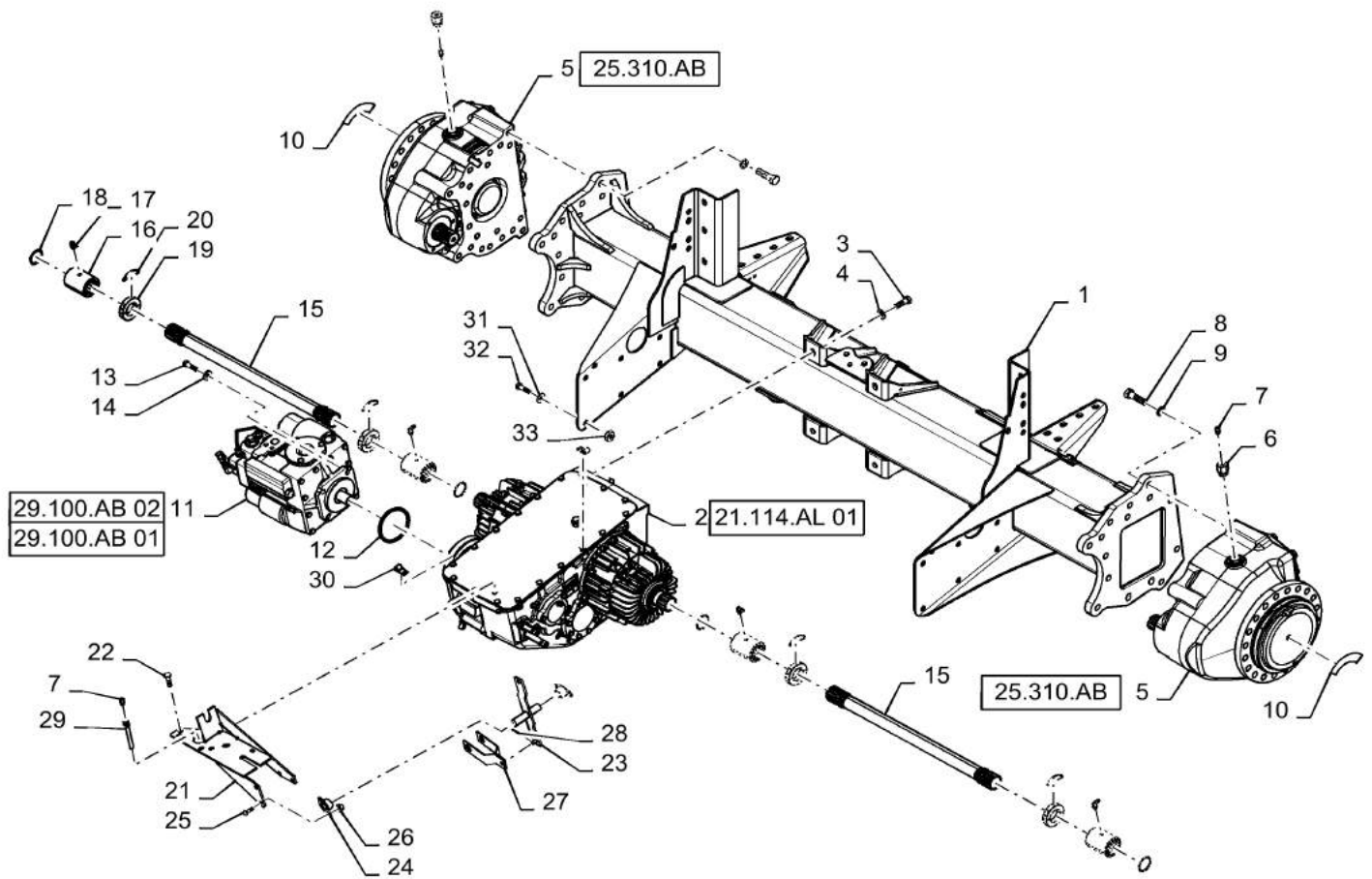
25.100.AA	VAR - 425296, 425297, 425300, 425301 - FRONT AXLE
25.100.AV	VAR - 425194, 425196, 425197 - AXLE EXTENSION
25.310.AB	FINAL DRIVE ASSY

25.100.AA

p1

7/2015

VAR - 425296, 425297, 425300, 425301 - FRONT AXLE



VAR - 425296, 425297, 425300, 425301 - FRONT AXLE

REF FN	PART NUMBER	YR/SN	QTY DESCRIPTION
1	87690614		1 DRIVE AXLE Beam - VAR - 425296, 425297
1	87633182		1 DRIVE AXLE Beam - VAR - 425300, 425301
2	84602052		1 TRANSMISSION Fast, 37/ 35
2	84602050		1 TRANSMISSION Slow, 34/ 38
3	627-16050		4 BOLT Hex, M16 x 2 x 50mm, CI 10.9, Full Thd
4	394631		4 WASHER M17 x 34mm OD x 4mm Thk
5	87695215		2 GEARBOX ASSY Final Drive
5	87695215R		2 REMAN-FINAL DRIVE Final Drive
5	87695215C		2 CORE- FINAL DRIVE Return Number
6	135950A1		2 ADAPTER Final Drive Vent
7	219-434		3 BREATHER 1/8" - 27 NPT, Short, W/Washer
8	827-20070		26 BOLT Hex, M20 x 2.5 x 70mm, CI 10.9
9	137339A2		26 WASHER 21mm ID x 33.5mm OD x 4mm Thk 33mm OD x 21mm ID x 3.4mm
10	84121811		2 DECAL Front Wheel Bolt Torque
11	87374885		1 HYDROSTATIC MOTOR 105.39CC Fixed, Single Speed, 105.4 CC/REV VAR - 425296, 425300
11	87374885R		1 REMAN-HYDROSTATIC MOTOR Fixed, Single Speed, 105.4 CC/REV VAR - 425296, 425300
11	87374885C		1 CORE-HYDROSTATIC MOTOR Return Number
11	84599273		1 HYDRAULIC MOTOR Variable, Two Speed, 105.5 - 85.9 CC/REV VAR - 425297, 425301
11	84599273R		1 REMAN-HYDROSTATIC MOTOR Variable, Two Speed, 105.5 - 85.9 CC/REV VAR - 425297, 425301

5140-COMBINE - TIER 2

VAR - 425296, 425297, 425300, 425301 - FRONT AXLE

REF FN	PART NUMBER	YR/SN	QTY DESCRIPTION
11	84599273C		1 CORE-HYDROSTATIC MOTOR Return Number
12	274336		1 O-RING 0.103" Thk x 4.737" ID, -158, CI 5, 75 Duro
13	628-12040		4 BOLT Hex, M12 x 1.75 x 40mm, CI 10.9, Full Thd Single Speed Motor VAR - 425296, 425300
13	828-12045		4 BOLT Hex, M12 x 1.75 x 45mm, CI 10.9, Full Thd Two Speed Motor VAR - 425297, 425301
14	896-11012		4 WASHER 13.5mm ID x 24mm OD x 3mm Thk Single Speed Motor VAR - 425296, 425300
14	396-41053		4 WASHER 13.49mm ID x 31.75mm OD x 5.05mm Thk Two Speed Motor VAR - 425297, 425301
15	87703493		2 SHAFT Final Drive, 764mm
16	84416329		4 SPLINED COUPLING 12T Transmission To Driveshaft
17	323713		4 LUBE NIPPLE M6 x1.0mm 90 Degree M6
18	123763A1		4 SNAP RING 47.7mm ID x 3.962mm Spring Wire
19	244549A1		4 COLLAR Two Piece Collar Shaft
20	245105A2		4 CLIP Retention Spring
21	181376A1		1 SUPPORT Transmission Shift Linkage
22	87698837		3 FLANGE BOLT M10 x 30mm, Full Thd, CI 10.9
23	84160202		1 LEVER Transmission Gear Shift, Lower
24	87364072		2 BEARING Pivot, Upper And Lower
25	87656137		4 BOLT M8 x 28.1mm, CI 10.9
26	86507066		4 FLANGE NUT M8 x 1.25, CI 10
27	194437C1		1 LINK Shift Rail Control
28	432-612		1 COTTER PIN 3/32" x 3/4"
29	84198534		1 NIPPLE Pipe

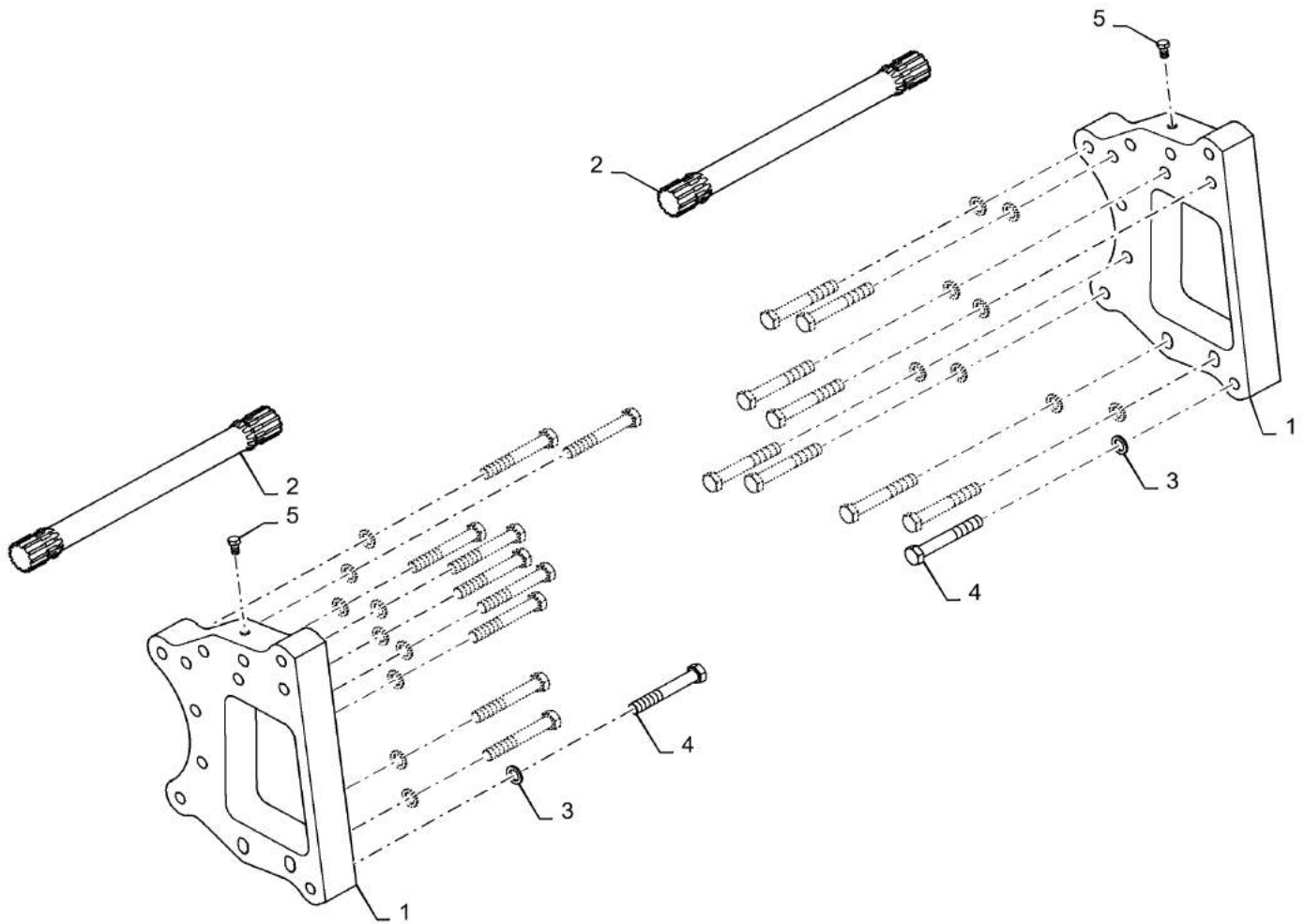
5140-COMBINE - TIER 2

VAR - 425296, 425297, 425300, 425301 - FRONT AXLE

REF FN	PART NUMBER	YR/SN	QTY DESCRIPTION
29	105420		1 REDUCER FITTING 1/4" To 1/8" Pipe
30	516-23127		3 CLAMP 9/16", Insul, 3/8" Bolt
31	86639326		AR WASHER 17.3mm ID x 34.5mm OD x 5mm Thk
32	86978772		AR FLANGE BOLT Hex, M16 x 40mm, CI 10.9, Full Thd
33	86512498		AR FLANGE NUT M16 x 2.0, CI 10

5140-COMBINE - TIER 2

VAR - 425194, 425196, 425197 - AXLE EXTENSION



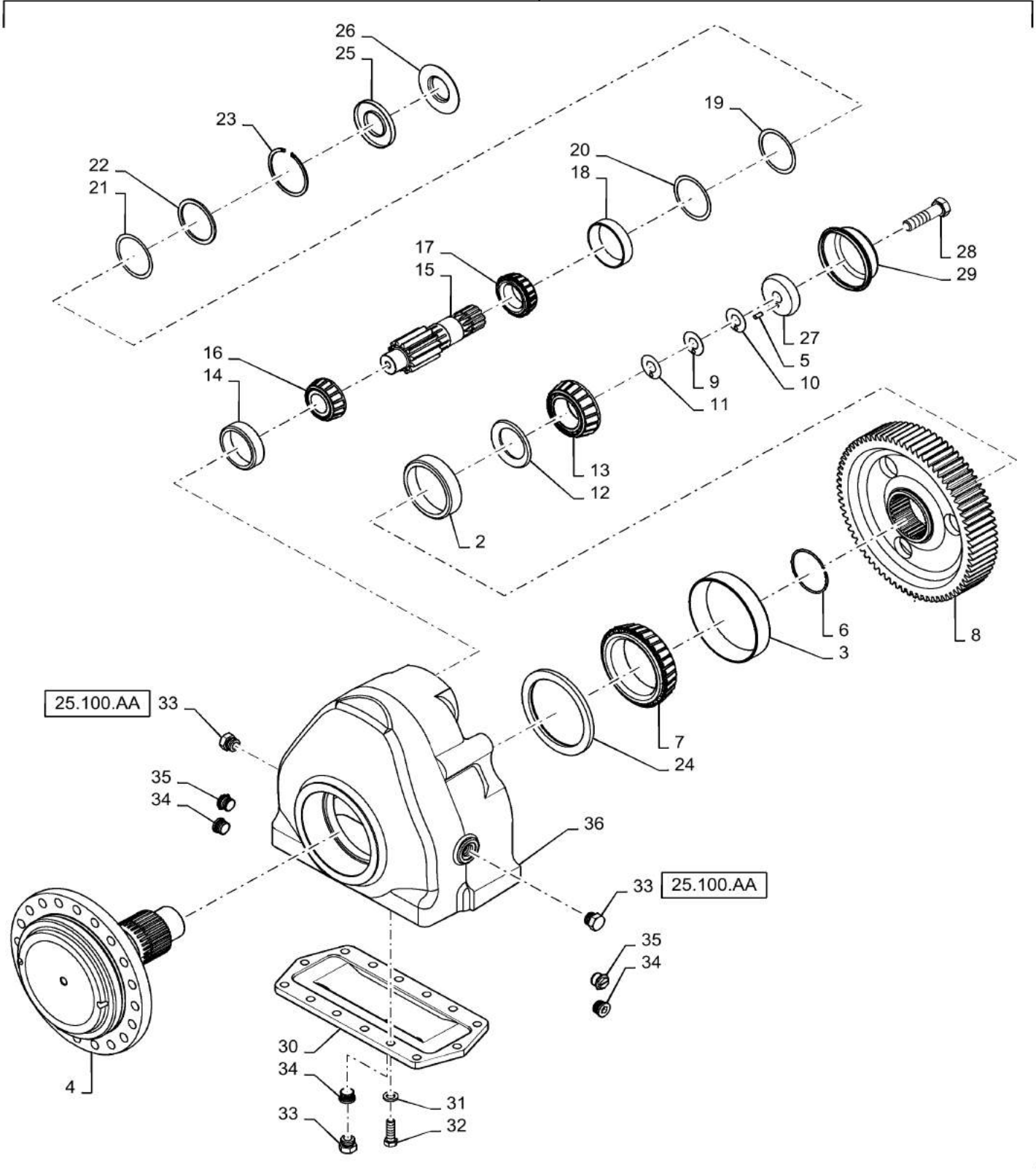
VAR - 425194, 425196, 425197 - AXLE EXTENSION

REF FN	PART NUMBER	YR/SN	QTY DESCRIPTION
1	87704454		AR EXTENSION Axle, 70mm OAL, - VAR - 425194, 425197
2	87703491		AR SHAFT Final Drive, 572mm OAL, - VAR - 425194, 425197
2	87638946		AR SHAFT Final Drive, 502mm OAL, - VAR - 425194, 425196
3	137339A2		26 WASHER 21mm ID x 33.5mm OD x 4mm Thk Final Drive, 33.5mm OD x 21.3mm ID x 4mm W
4	827-20140		AR BOLT Hex, M20 x 2.5 x 140mm, CI 10.9 VAR - 425194, 425197
4	827-20070		AR BOLT Hex, M20 x 2.5 x 70mm, CI 10.9 VAR - 425194, 425196
5	43151		AR BOLT Hex, M12 x 20mm, CI 8.8, Full Thd VAR - 425194, 425197

5140-COMBINE - TIER 2

FINAL DRIVE ASSY

1



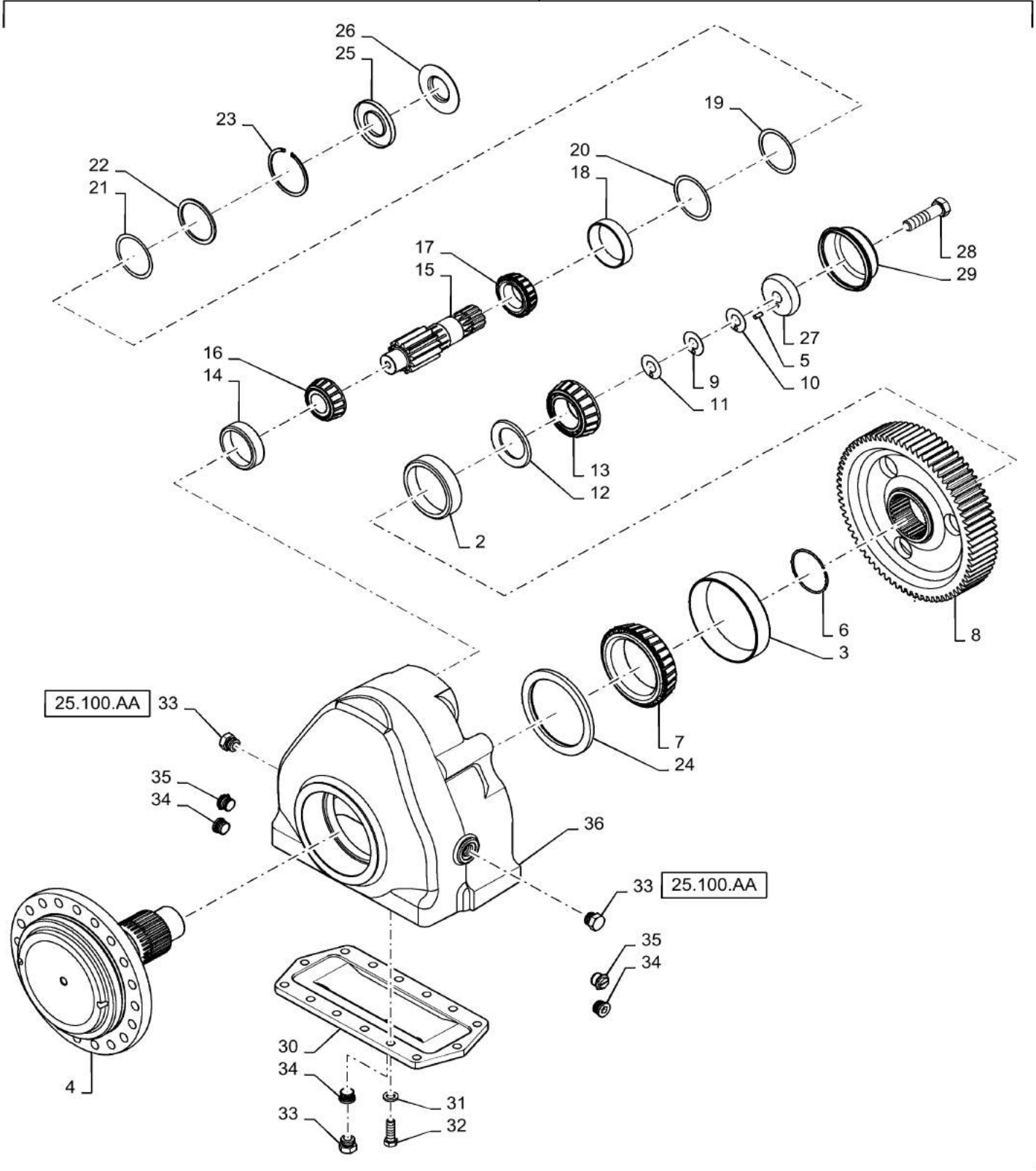
FINAL DRIVE ASSY

REF FN	PART NUMBER	YR/SN	QTY DESCRIPTION
1	87695215		2 GEARBOX ASSY Final Drive, Incl 2 - 36
1	87695215R		2 REMAN-FINAL DRIVE
1	87695215C		2 CORE- FINAL DRIVE
2	71455R1		1 BEARING ASSY 136.53mm OD x 31.75mm W
3	135649A1		1 BEARING CUP 196.85mm OD x 38.1mm W 196.85mm OD x 38.1mm
4	87338661		1 HUB Final Drive Axle
5	37-1512		1 DOWEL 5/16" x 3/4"
6	135297A1		1 CIRCLIP Final Drive Shaft
7	335947A1		1 ROLLER BEARING 133.35mm ID x 46.04mm W
8	87354349		1 GEAR Driven, 73 Tooth Final Drive
9	135301A1		1 SHIM 0.635mm Thk Final Drive Output
10	135300A1		1 SHIM 0.457mm Thk Final Drive Output
11	135299A1		1 SHIM 0.051mm Thk Final Drive Output
12	135307A1		1 SPACER Final Drive
13	135294A1		1 ROLLER BEARING 71.44mm ID x 41.19mm W
14	135650A1		1 BEARING CUP 101.6mm OD x 26.99mm W 101.6mm OD x 26.988mm
15	87354348		1 SHAFT Pinion, 12 Tooth Final Drive Input
16	135295A1		1 ROLLER BEARING 44.46mm ID x 35.98mm W
17	K4729		1 ROLLER BEARING 57.15mm ID x 30.96mm W 2.25" ID x 1.2188"
18	135651A1		1 BEARING CUP 104.78mm OD x 23.81mm W 104.775mm OD x 23.812mm
19	135305A1		1 SHIM 88mm ID x 104mm OD x 0.63mm Thk Final Drive Input
20	135303A1		1 SHIM 88mm ID x 104mm OD x 0.46mm Thk Final Drive Input

5140-COMBINE - TIER 2

FINAL DRIVE ASSY

1



FINAL DRIVE ASSY

REF FN	PART NUMBER	YR/SN	QTY DESCRIPTION
21	135302A1		1 SHIM 88mm ID x 104mm OD x 0.05mm Thk Final Drive Input
22	193652A1		1 WASHER 104mm OD x 88mm ID x 3.96mm
23	101-21412		1 SNAP RING #412, 4.430", Int
24	135293A1		1 OIL SEAL 158.75mm ID x 197mm OD x 12.7mm Thk 196.84mm OD x 158.75mm ID x 22mm
25	135292A1		1 OIL SEAL 55.6mm ID x 108.17mm OD x 12.7mm Thk 108mm OD x 55.6mm ID x 12.7mm
26	135291A1		1 GUARD Seal
27	135289A1		1 RETAINER Plate Bearing
28	828-24090		1 BOLT Hex, M24 x 3 x 90mm, CI 10.9
29	135296A1		1 BEARING COVER Cap
30	135286A1		1 COVER Main Final Drive
31	896-11016		14 WASHER 17.5mm ID x 30mm OD x 4mm Thk
32	628-16050		14 BOLT Hex, M16 x 2 x 50mm, CI 10.9, Full Thd
33	218-5158		3 PLUG Hex Hd, 1 1/16"-12 ORB
34	218-5212		3 PLUG 1-1/16" - 12 ORB
35	353-782		2 PLUG Slotted, 1 1/16"-12 Replaced W/ Vent During Installation
36	87695213		1 HOUSING Final Drive

5140-COMBINE - TIER 2

SECTION INDEX
REAR AXLE SYSTEM

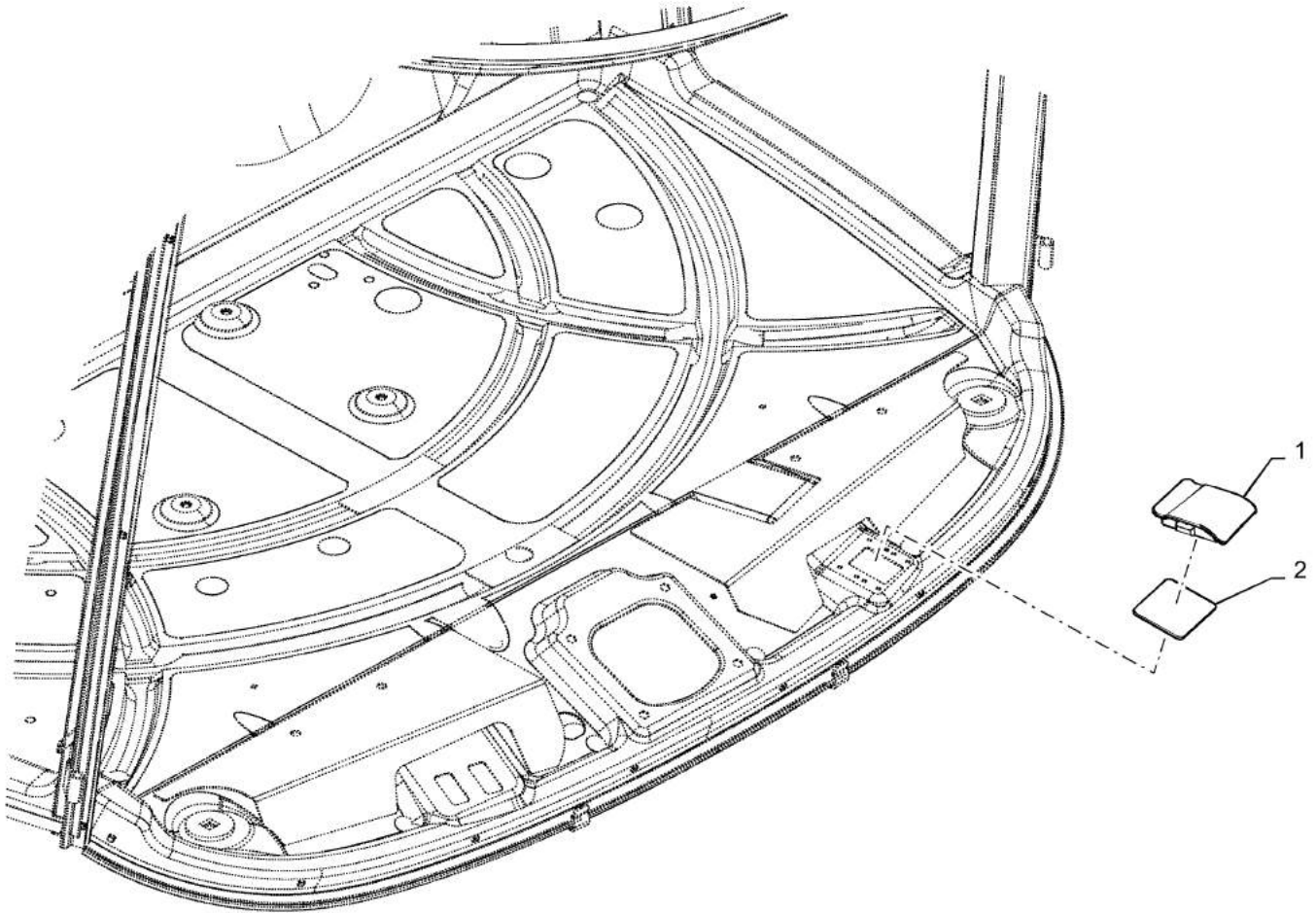
27.106.AL		COVER ASSY, DIFFERENTIAL LOCK, PEDAL
27.450.AH	01	REAR AXLE ASSY, POWERED
27.450.AH	02	REAR AXLE ASSY, 2-SPEED
27.450.AJ	01	AXLE EXTENSION, LH, SINGLE SPEED
27.450.AJ	02	AXLE EXTENSION, RH, SINGLE SPEED
27.450.AJ	03	AXLE EXTENSION, LH, 2-SPEED
27.450.AJ	04	AXLE EXTENSION, RH, 2-SPEED
27.450.AL	01	MOTOR, REAR AXLE ASSY, SINGLE SPEED, LH
27.450.AL	02	MOTOR, REAR AXLE ASSY, SINGLE SPEED, RH
27.450.AL	03	MOTOR, REAR AXLE ASSY, 2-SPEED, LH
27.450.AL	04	MOTOR, REAR AXLE ASSY, 2-SPEED, RH
27.550.AJ	01	REAR AXLE ASSY, STANDARD
27.550.AM	01	AXLE EXTENSION, STANDARD , LH
27.550.AM	02	AXLE EXTENSION, STANDARD , RH

27.106.AL

p1

7/2015

COVER ASSY, DIFFERENTIAL LOCK, PEDAL



27.106.AL

p1

7/2015

COVER ASSY, DIFFERENTIAL LOCK, PEDAL

REF FN	PART NUMBER	YR/SN	QTY DESCRIPTION
1	84531217		1 PLUG Plastic, Diff Lock
2	84543542		1 COVER W/ Seal, No Diff Lock Pedal

5140-COMBINE - TIER 2

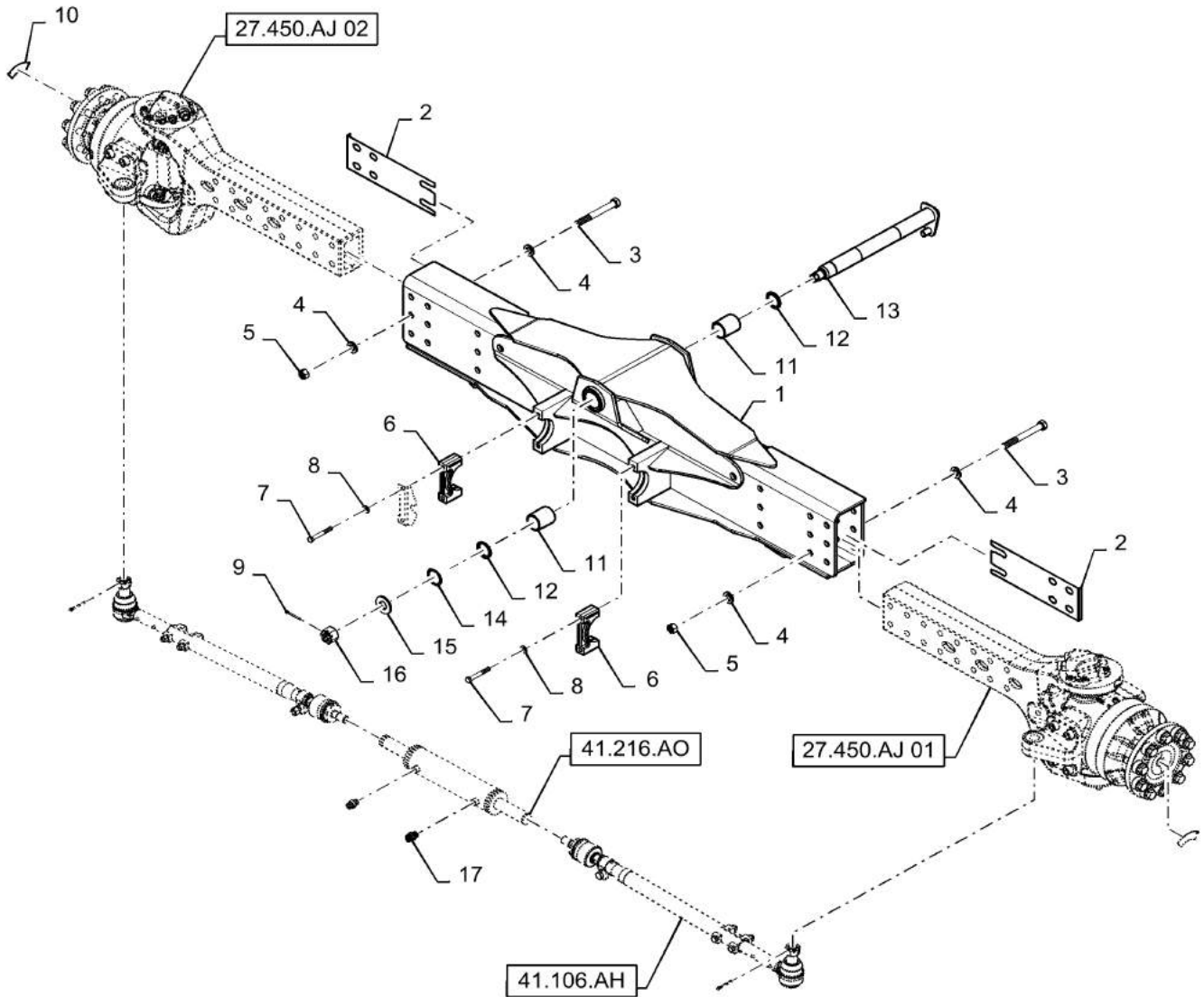
27.450.AH

01

p1

7/2015

REAR AXLE ASSY, POWERED



27.450.AH

01

p1

7/2015

REAR AXLE ASSY, POWERED

REF FN	PART NUMBER	YR/SN	QTY DESCRIPTION
1	87677485		1 AXLE Rear Center
2	87573934		2 SHIM Rear Axle Shim
3	84444625		12 BOLT Hex, M20 x 170mm, CI 8.8
4	9850384		24 WASHER 23mm ID x 40mm OD x 6mm Thk
5	84100564		12 LOCK NUT M20, GC
6	87582995		2 RETAINER Cylinder Retainer Cap
7	86508581		4 BOLT Hex, M12 x 90mm, CI 8.8
8	140046		4 BELLEVILLE WASHER M12 x 27mm OD x 1.8mm Thk
9	88182		3 COTTER PIN 1/4" x 2"
10	87108678		2 DECAL Wheel Bolt Torque
11	84334438		2 BUSHING Split, 60mm OD x 50mm ID x 70mm
12	84069736		2 SEALING RING 50mm ID x 60mm OD x 6mm Thk 60mm OD x 50mm ID x 6mm
13	84074397		1 AXLE Center Axle Pivot
14	539450		2 SHIM 50mm ID x 62mm OD x 0.5mm Thk
15	327802		1 WASHER M31 x 65 x 6
16	390822		1 SLOTTED NUT M30 x 1.5, CI 8
17	86579676		2 HYD CONNECTOR 13/16" - 16 ORFS x M18 x 1.5 ORB

5140-COMBINE - TIER 2

REAR AXLE ASSY, 2-SPEED

REF FN	PART NUMBER	YR/SN	QTY DESCRIPTION
1	87677485		1 AXLE Rear Center
2	87573934		2 SHIM
3	84444625		12 BOLT Hex, M20 x 170mm, CI 8.8
4	9850384		24 WASHER 23mm ID x 40mm OD x 6mm Thk
5	84100564		12 LOCK NUT M20, GC
6	87582995		2 RETAINER Cylinder Retainer Cap
7	86508581		4 BOLT Hex, M12 x 90mm, CI 8.8
8	140046		4 BELLEVILLE WASHER M12 x 27mm OD x 1.8mm Thk
9	88182		3 COTTER PIN 1/4" x 2"
10	87108678		2 DECAL Wheel Bolt Torque
11	84334438		2 BUSHING Split, 60mm OD x 50mm ID x 70mm
12	84069736		2 SEALING RING 50mm ID x 60mm OD x 6mm Thk 60mm OD x 50mm ID x 6mm
13	84074397		1 AXLE Center Axle Pivot
14	539450		2 SHIM 50mm ID x 62mm OD x 0.5mm Thk
15	327802		1 WASHER M31 x 65 x 6
16	390822		1 SLOTTED NUT M30 x 1.5, CI 8
17	86579676		2 HYD CONNECTOR 13/16" - 16 ORFS x M18 x 1.5 ORB
18	84280380		1 WIRE HARNESS PGA 2 Speed
19	86566989		2 CABLE TIE 208mm L

5140-COMBINE - TIER 2

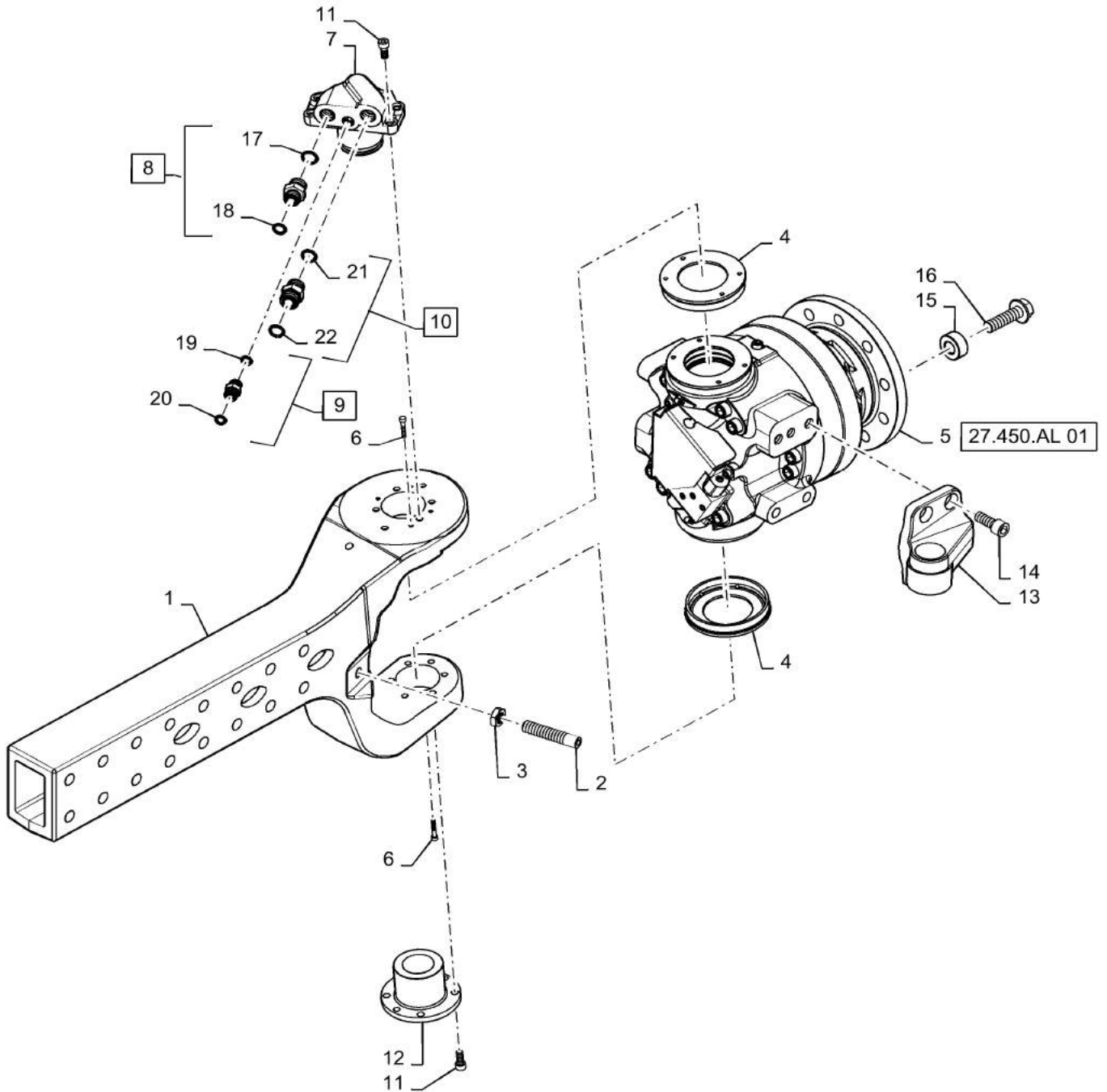
27.450.AJ

01

p1

7/2015

AXLE EXTENSION, LH, SINGLE SPEED



AXLE EXTENSION, LH, SINGLE SPEED

REF FN	PART NUMBER	YR/SN	QTY DESCRIPTION
1	87743249		1 AXLE LH
2	84326214		1 BOLT M20 x 100mm Hex Socket M20 x 100mm
3	829-4420		1 THIN NUT M20 x 2.5, CI 05
4	84817924		2 DUST CAP 137.92mm OD x 22.1mm W Seal, Kingpin
5	87648796		1 MOTOR, HYDRAULIC LH, Single Speed
6	9515561		8 HEX SOC SCREW M6 x 35mm, CI 12.9
7	432698A1		1 GUIDE Kingpin
8	83962539		1 HYD CONNECTOR Straight -10 ORFS x 1 1/16"-12 ORB, Incl 17 - 18
9	9992305		1 HYD CONNECTOR 13/16" - 16 ORFS x 3/4" - 16 ORB Incl 19 - 20
10	9840535		1 HYD CONNECTOR 1-3/16" - 12 ORFS x 1-1/16" - 12 ORB Incl 21 - 22
11	86508097		9 HEX SOC SCREW M10 x 25mm, CI 12.9, Full Thd
12	84800194		1 PIN Lower Pivot
13	87685408		1 STEERING ARM LH
14	87733367		4 HEX SOC SCREW M20 x 50mm, CI 12.9, Full Thd
15	87281709		10 SPACER Wheel Bolt
16	87035472		10 FLANGE BOLT Hex Flg, M20 x 1.5 x 70, CI 10.9
17	167266		1 O-RING 0.116" Thk x 0.924" ID, -912, CI 6, 90 Duro
18	9992069		1 O-RING 0.07" Thk x 0.614" ID, -16, CI 6, 90 Duro
19	128825		1 O-RING 0.087" Thk x 0.644" ID, -908, CI 6, 90 Duro
20	9992298		1 O-RING 0.07" Thk x 0.489" ID, -14, CI 6, 90 Duro
21	9991976		1 O-RING 0.07" Thk x 0.739" ID, -18, CI 6, 90 Duro

5140-COMBINE - TIER 2

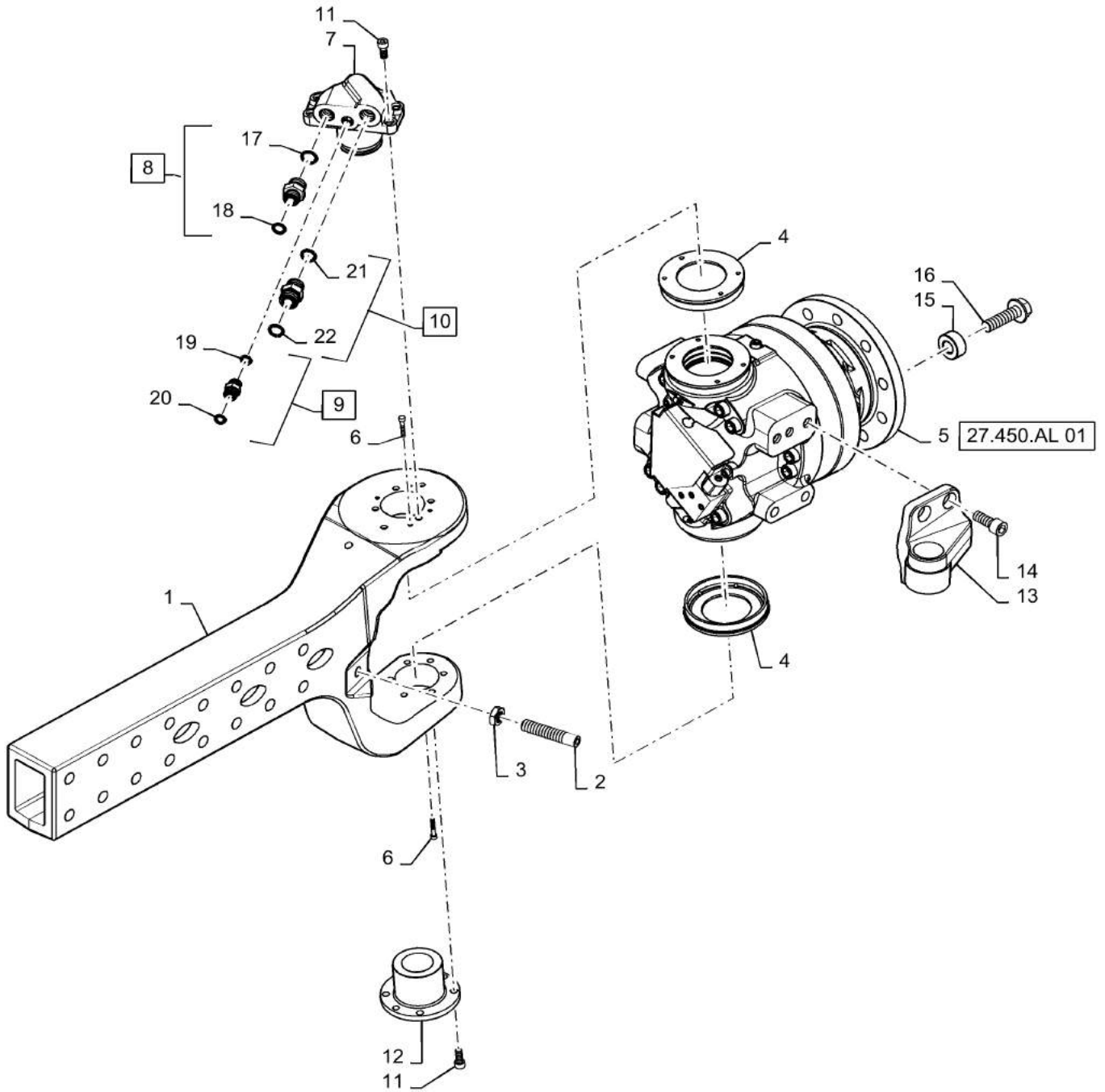
27.450.AJ

01

p2

7/2015

AXLE EXTENSION, LH, SINGLE SPEED



27.450.AJ

01

p2

7/2015

AXLE EXTENSION, LH, SINGLE SPEED

REF FN	PART NUMBER	YR/SN	QTY DESCRIPTION
22	167266		1 O-RING 0.116" Thk x 0.924" ID, -912, Cl 6, 90 Duro

5140-COMBINE - TIER 2

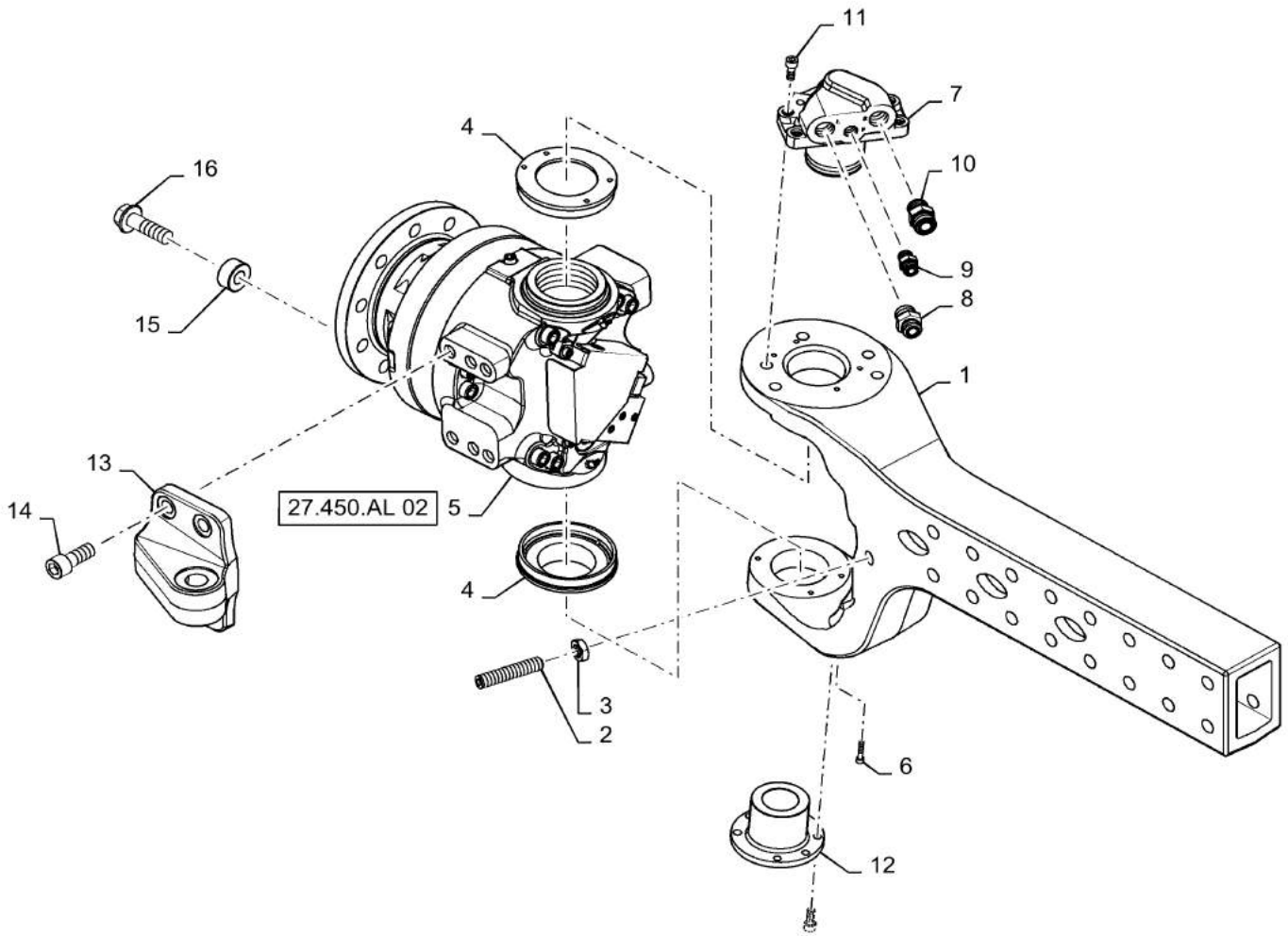
27.450.AJ

02

p1

7/2015

AXLE EXTENSION, RH, SINGLE SPEED



AXLE EXTENSION, RH, SINGLE SPEED

REF FN	PART NUMBER	YR/SN	QTY DESCRIPTION
1	87743252		1 EXTENSION RH
2	84326214		1 BOLT M20 x 100mm Hex Socket M20 x 100mm
3	829-4420		1 THIN NUT M20 x 2.5, CI 05
4	84817924		2 DUST CAP 137.92mm OD x 22.1mm W Seal, Kingpin
5	87726688		1 MOTOR, HYDRAULIC RH, Single Speed
5	87726688R		1 REMAN-HYD MOTOR RH, Single Speed
5	87726688C		1 CORE-MOTOR HYDRAULIC Return Number
6	9515561		8 HEX SOC SCREW M6 x 35mm, CI 12.9
7	432698A1		1 GUIDE Kingpin
8	83962539		1 HYD CONNECTOR Straight -10 ORFS x 1 1/16" -12 ORB
9	9992305		1 HYD CONNECTOR 13/16" - 16 ORFS x 3/4" - 16 ORB
10	9840535		1 HYD CONNECTOR 1-3/16" - 12 ORFS x 1-1/16" - 12 ORB
11	86508097		9 HEX SOC SCREW M10 x 25mm, CI 12.9, Full Thd
12	84800194		1 PIN Lower Pivot
13	87685406		1 STEERING ARM RH
14	87733367		4 HEX SOC SCREW M20 x 50mm, CI 12.9, Full Thd
15	87281709		10 SPACER Wheel Bolt
16	87035472		10 FLANGE BOLT Hex Flg, M20 x 1.5 x 70, CI 10.9

5140-COMBINE - TIER 2

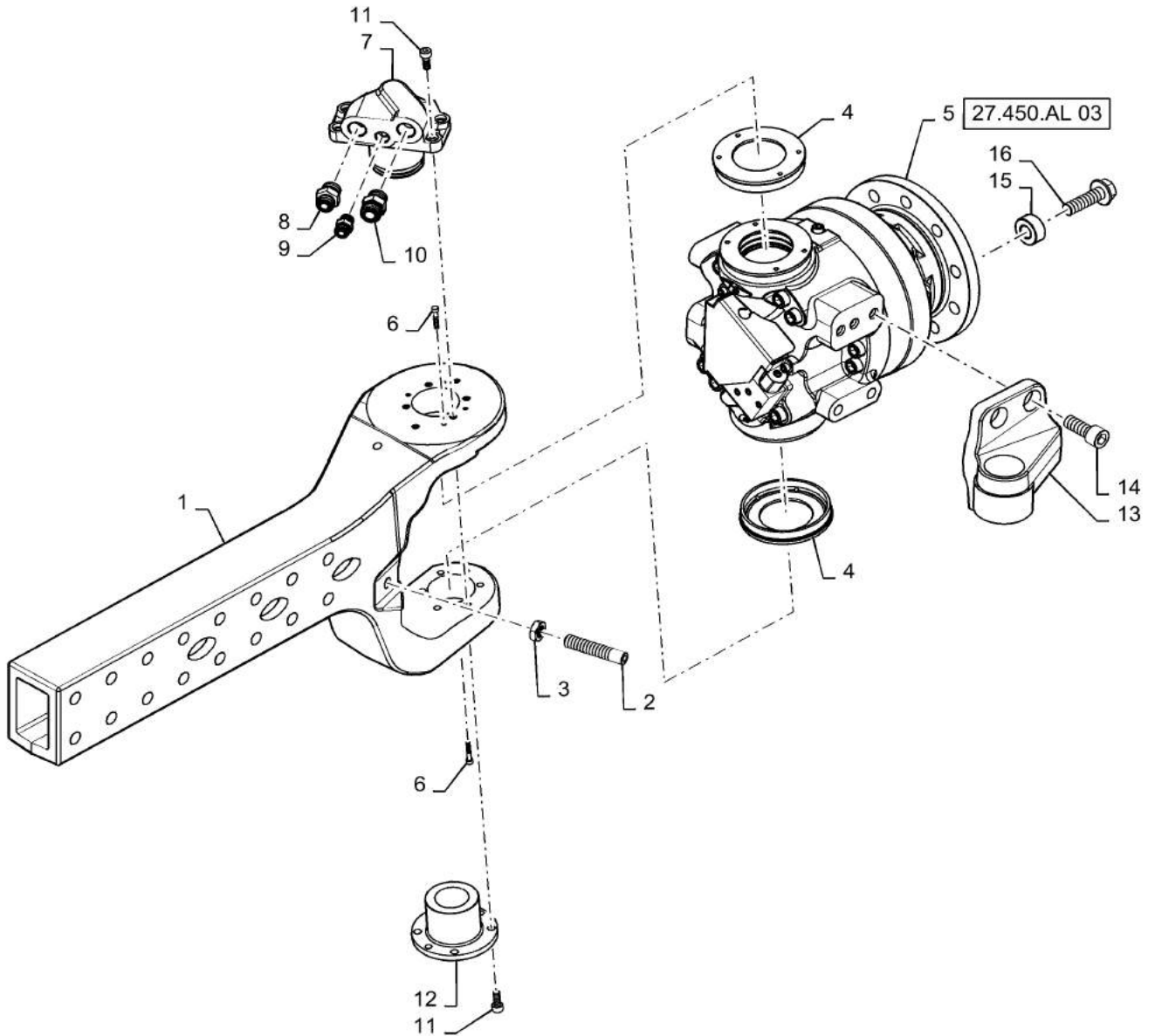
27.450.AJ

03

p1

7/2015

AXLE EXTENSION, LH, 2-SPEED



AXLE EXTENSION, LH, 2-SPEED

REF FN	PART NUMBER	YR/SN	QTY DESCRIPTION
1	87743249		1 AXLE LH
2	84326214		1 BOLT M20 x 100mm Hex Socket M20 x 100mm
3	829-4420		1 THIN NUT M20 x 2.5, CI 05
4	84817924		2 DUST CAP 137.92mm OD x 22.1mm W Seal, Kingpin
5	84280361		1 HYDRAULIC MOTOR 1259CC LH, 2 Speed
6	9515561		8 HEX SOC SCREW M6 x 35mm, CI 12.9
7	432698A1		1 GUIDE Kingpin
8	83962539		1 HYD CONNECTOR Straight -10 ORFS x 1 1/16" -12 ORB
9	9992305		1 HYD CONNECTOR 13/16" - 16 ORFS x 3/4" - 16 ORB
10	9840535		1 HYD CONNECTOR 1-3/16" - 12 ORFS x 1-1/16" - 12 ORB
11	86508097		9 HEX SOC SCREW M10 x 25mm, CI 12.9, Full Thd
12	84800194		1 PIN Lower Pivot
13	87685408		1 STEERING ARM LH
14	87733367		4 HEX SOC SCREW M20 x 50mm, CI 12.9, Full Thd
15	87281709		10 SPACER Wheel Bolt
16	87035472		10 FLANGE BOLT Hex Flg, M20 x 1.5 x 70, CI 10.9

5140-COMBINE - TIER 2

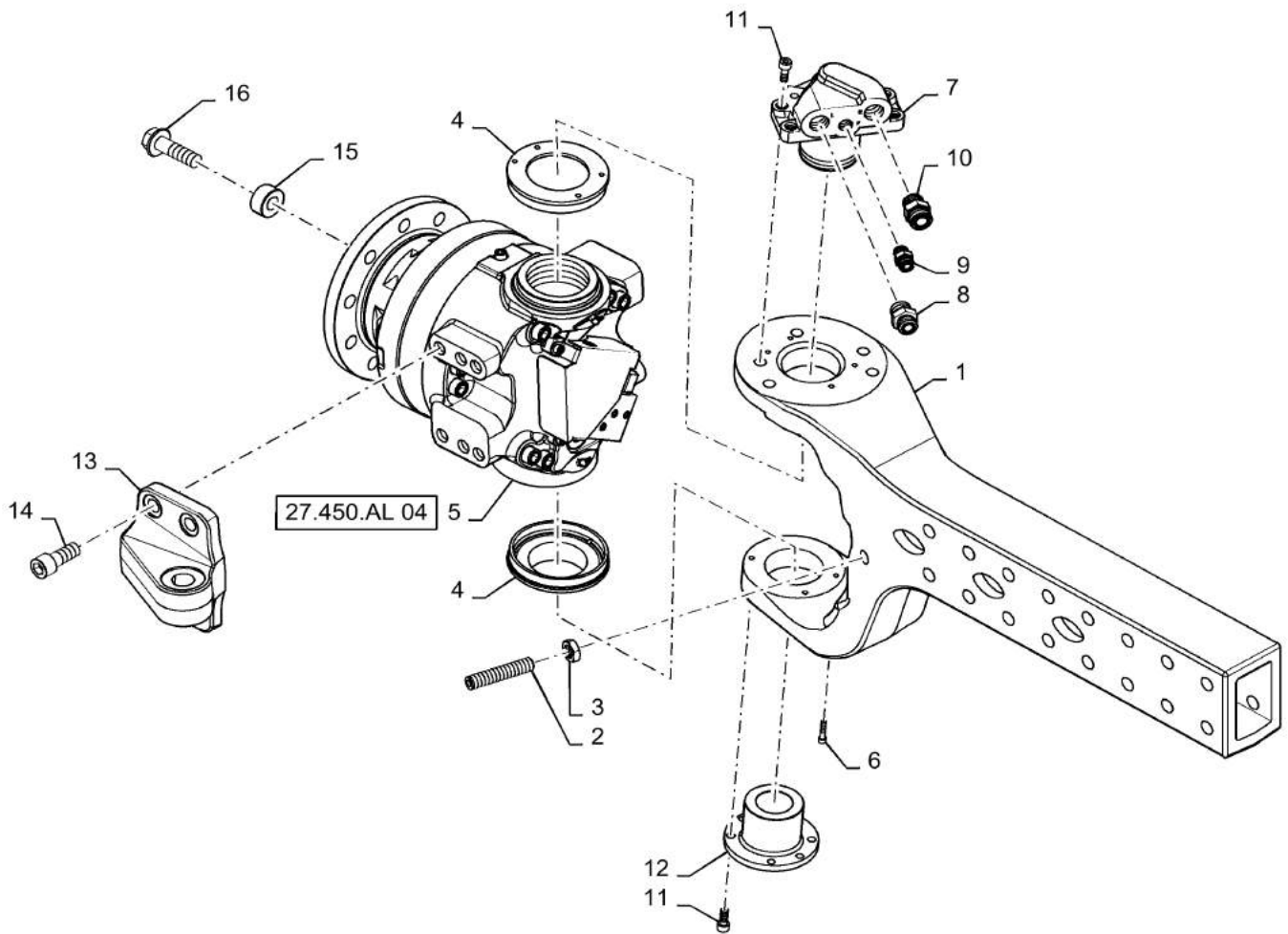
27.450.AJ

04

p1

7/2015

AXLE EXTENSION, RH, 2-SPEED



27.450.AJ

04

p1

7/2015

AXLE EXTENSION, RH, 2-SPEED

REF FN	PART NUMBER	YR/SN	QTY DESCRIPTION
1	87743252		1 EXTENSION RH
2	84326214		1 BOLT M20 x 100mm Hex Socket M20 x 100mm
3	829-4420		1 THIN NUT M20 x 2.5, CI 05
4	84817924		2 DUST CAP 137.92mm OD x 22.1mm W Seal, Kingpin
5	84280362		1 HYDRAULIC MOTOR 1259CC RH, 2 Speed
6	9515561		8 HEX SOC SCREW M6 x 35mm, CI 12.9
7	432698A1		1 GUIDE Kingpin
8	83962539		1 HYD CONNECTOR Straight -10 ORFS x 1 1/16" -12 ORB
9	9992305		1 HYD CONNECTOR 13/16" - 16 ORFS x 3/4" - 16 ORB
10	9840535		1 HYD CONNECTOR 1-3/16" - 12 ORFS x 1-1/16" - 12 ORB
11	86508097		9 HEX SOC SCREW M10 x 25mm, CI 12.9, Full Thd
12	84800194		1 PIN Lower Pivot
13	87685406		1 STEERING ARM RH
14	87733367		4 HEX SOC SCREW M20 x 50mm, CI 12.9, Full Thd
15	87281709		10 SPACER Wheel Bolt
16	87035472		10 FLANGE BOLT Hex Flg, M20 x 1.5 x 70, CI 10.9

5140-COMBINE - TIER 2

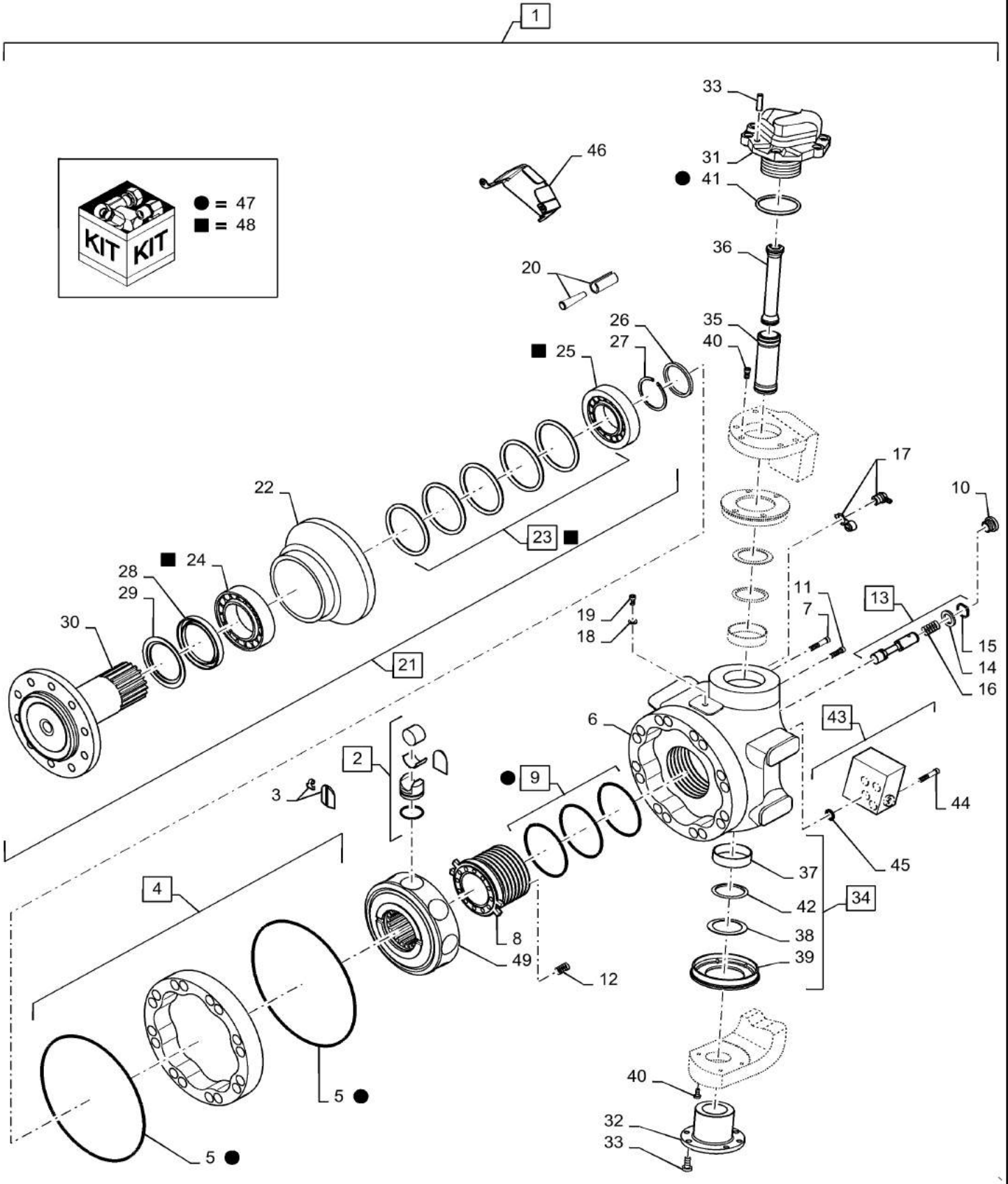
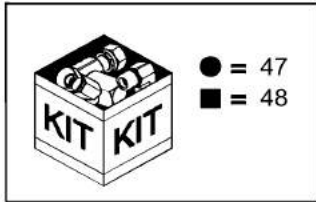
27.450.AL

01

p1

7/2015

MOTOR, REAR AXLE ASSY, SINGLE SPEED, LH



27.450.AL

01

p1

7/2015

MOTOR, REAR AXLE ASSY, SINGLE SPEED, LH

REF FN	PART NUMBER	YR/SN	QTY DESCRIPTION
1	87648796		1 MOTOR, HYDRAULIC Single Speed, LH, Incl 2 - 49
2	NSS		8 NOT SERVICED SEPARATELY Piston, Incl in 1
3	NSS		1 NOT SERVICED SEPARATELY Piston Retainer, Incl in 1
4	NSS		1 NOT SERVICED SEPARATELY Cam Ring, Incl in 1
5	87484762		2 O-RING Cam Ring
6	NSS		1 NOT SERVICED SEPARATELY Cover, Distributor, Incl in 1
7	NSS		6 NOT SERVICED SEPARATELY Screw, Socket Head Cap, Incl in 1
8	NSS		1 NOT SERVICED SEPARATELY Valve, Distributor, Incl in 1
9	87484763		1 SEAL KIT Distributor Seal
10	NSS		1 NOT SERVICED SEPARATELY Plug, Hex Socket, Incl in 1
11	NSS		4 NOT SERVICED SEPARATELY Screw, Socket Head Cap, Incl in 1
12	NSS		9 NOT SERVICED SEPARATELY Spring, Incl in 1
13	NSS		1 NOT SERVICED SEPARATELY Spool, Incl in 1
14	NSS		1 NOT SERVICED SEPARATELY Washer, Incl in 1
15	NSS		1 NOT SERVICED SEPARATELY Snap Ring, Incl in 1
16	NSS		1 NOT SERVICED SEPARATELY Spring, Incl in 1
17	87415		2 LUBE NIPPLE 90°, 1/4" NPT x .75" lg, Drive
18	NSS		1 NOT SERVICED SEPARATELY Washer, Bleed Screw, Incl in 1

5140-COMBINE - TIER 2

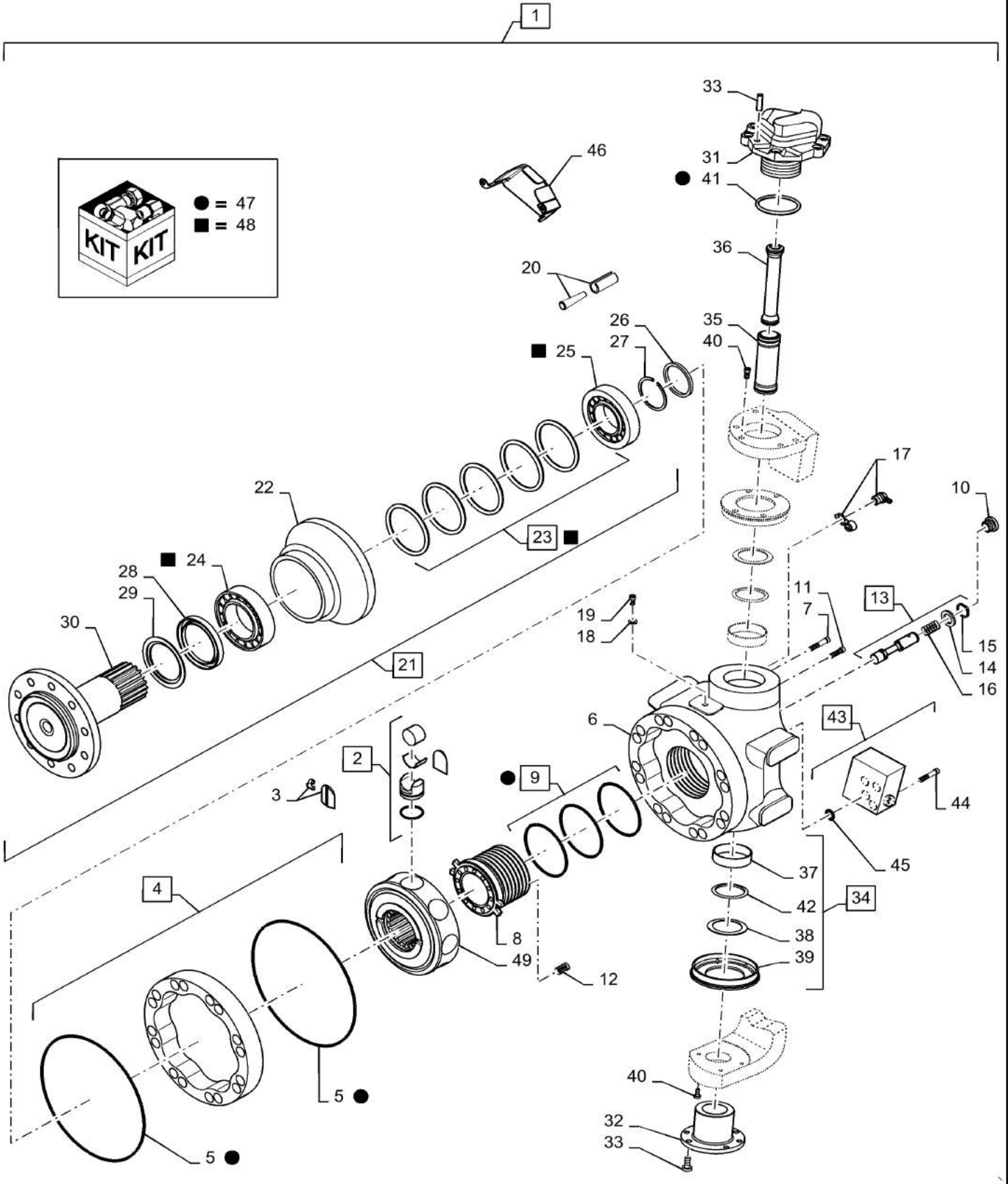
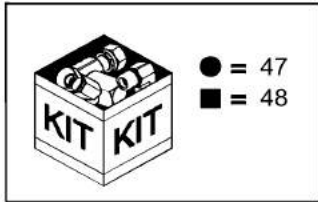
27.450.AL

01

p2

7/2015

MOTOR, REAR AXLE ASSY, SINGLE SPEED, LH



MOTOR, REAR AXLE ASSY, SINGLE SPEED, LH

REF FN	PART NUMBER	YR/SN	QTY DESCRIPTION
19	NSS		1 NOT SERVICED SEPARATELY Screw, Socket Head Cap, Incl in 1
20	NSS		2 NOT SERVICED SEPARATELY Safety Pin, Incl in 1
21	NSS		1 NOT SERVICED SEPARATELY Bearing Support, Incl in 1
22	NSS		1 NOT SERVICED SEPARATELY Bearing Support, Incl in 1
23	87485684		1 SEAL Inner Shaft
24	87485685		1 BEARING Outer
25	87485686		1 BEARING Inner
26	NSS		1 NOT SERVICED SEPARATELY Split Ring, Incl in 1
27	NSS		1 NOT SERVICED SEPARATELY Shim, Incl in 1
28	NSS		1 NOT SERVICED SEPARATELY Seal, Grease, Incl in 1
29	NSS		1 NOT SERVICED SEPARATELY Deflector, Incl in 1
30	NSS		1 NOT SERVICED SEPARATELY Shaft, Incl in 1
31	432698A1		1 GUIDE Pin, Top
32	84800194		1 PIN Pin, Bottom
33	86508097		9 HEX SOC SCREW M10 x 25mm, CI 12.9, Full Thd
34	NSS		2 NOT SERVICED SEPARATELY Kit, Pivot Seal, Incl in 1
35	84800212		1 TUBE 1.77" OD x 5.24" L Outer, With Seals
36	84800213		1 TUBE 1.25" DIA x 7.05" L Inner, With Seals
37	84817916		2 BUSHING 80.01mm ID x 89.15mm OD x 20.07mm L 3.51" OD x 3.15" ID x .79"
38	84817900		2 THRUST WASHER 82.04mm ID x 2.03mm Thk 3.23" ID x .08"

5140-COMBINE - TIER 2

27.450.AL

01

p3

7/2015

MOTOR, REAR AXLE ASSY, SINGLE SPEED, LH

REF FN	PART NUMBER	YR/SN	QTY DESCRIPTION
39	84817924		2 DUST CAP 137.92mm OD x 22.1mm W Protection
40	9515561		8 HEX SOC SCREW M6 x 35mm, CI 12.9
41	84817917		1 SEAL 66.04mm ID x 76.71mm OD x 5.33mm Thk Top Pin
42	84817926		2 SEAL 109.22mm ID x 127mm OD x 9.14mm Thk Trash
43	87281713		1 CONTROL VALVE Pilot, 1 Speed
44	NSS		4 NOT SERVICED SEPARATELY Screw, Socket Head Cap, Incl in 1
45	NSS		4 NOT SERVICED SEPARATELY O-Ring, Incl in 1
46	NSS		1 NOT SERVICED SEPARATELY Cover, Pilot Valve, Incl in 1
47	87360505		1 SEAL KIT Incl 5, 9, 41, Includes 7 Additional NSS Seals For Motor
48	87552816		1 BEARING ASSY Front Side Motor, Incl 23 - 25
48	87552816R		1 REMAN-WHEEL END ASSY
48	87552816C		1 CORE-WHEEL END ASSY
49	NSS		1 NOT SERVICED SEPARATELY Cylinder Block, Incl in 1

5140-COMBINE - TIER 2

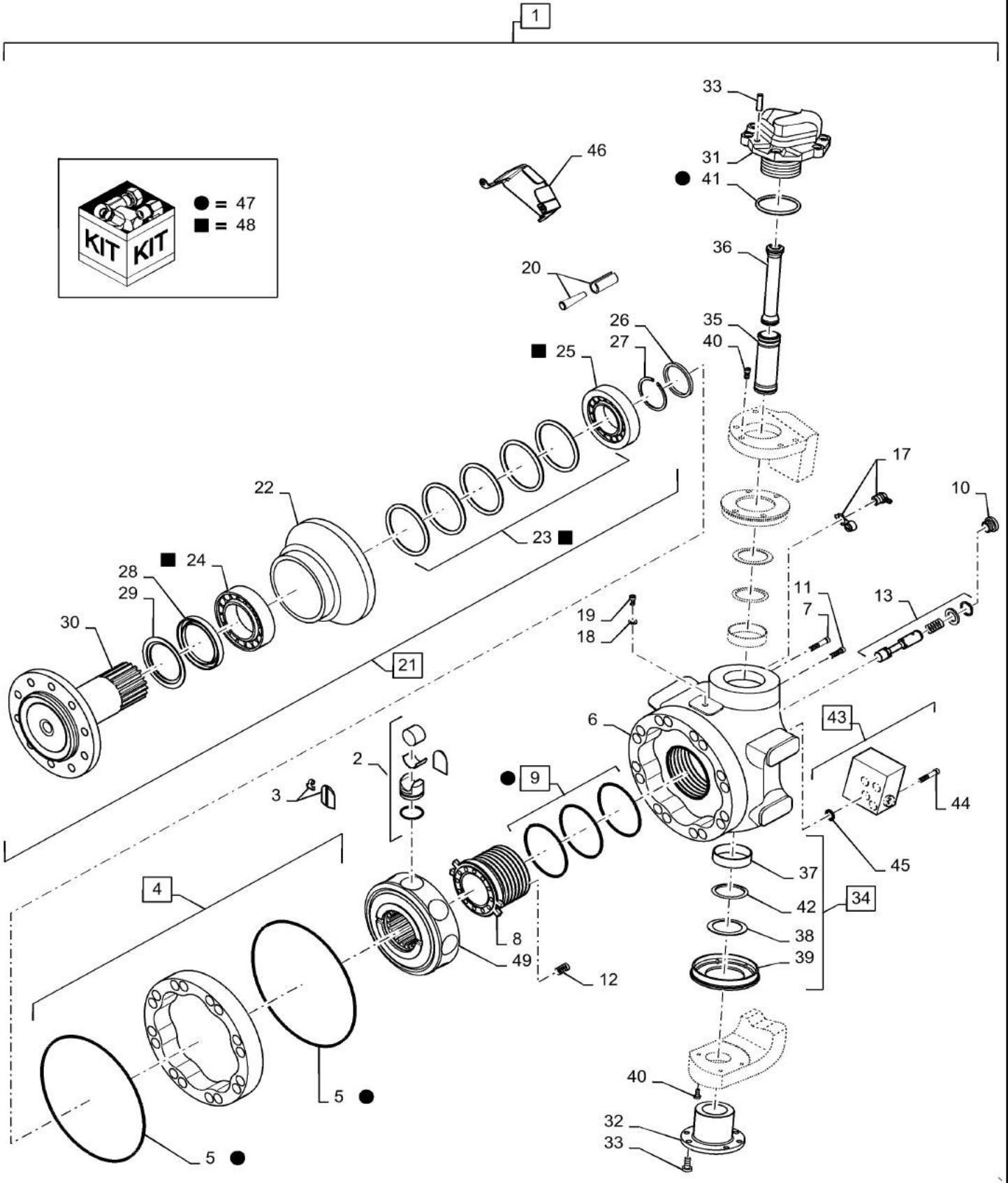
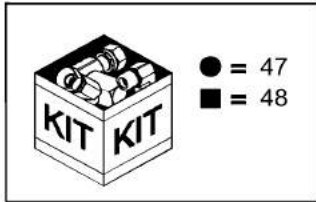
27.450.AL

02

p1

7/2015

MOTOR, REAR AXLE ASSY, SINGLE SPEED, RH



27.450.AL

02

p1

7/2015

MOTOR, REAR AXLE ASSY, SINGLE SPEED, RH

REF FN	PART NUMBER	YR/SN	QTY DESCRIPTION
1	87726688		1 MOTOR, HYDRAULIC Single Speed, RH, Incl 2 - 49
1	87726688R		1 REMAN-HYD MOTOR Single Speed, RH
1	87726688C		1 CORE-MOTOR HYDRAULIC Return Number
2	NSS		8 NOT SERVICED SEPARATELY Piston, Incl in 1
3	NSS		1 NOT SERVICED SEPARATELY Piston Retainer, Incl in 1
4	NSS		1 NOT SERVICED SEPARATELY Cam Ring, Incl in 1
5	87484762		2 O-RING Cam Ring
6	NSS		1 NOT SERVICED SEPARATELY Cover, Distributor, Incl in 1
7	NSS		6 NOT SERVICED SEPARATELY Screw, Socket Head Cap, Incl in 1
8	NSS		1 NOT SERVICED SEPARATELY Valve, Distributor, Incl in 1
9	87484763		1 SEAL KIT Distributor Seal
10	NSS		1 NOT SERVICED SEPARATELY Plug, Hex Socket, Incl in 1
11	NSS		4 NOT SERVICED SEPARATELY Screw, Socket Head Cap, Incl in 1
12	NSS		9 NOT SERVICED SEPARATELY Spring, Incl in 1
13	NSS		1 NOT SERVICED SEPARATELY Spool, Incl in 1
14	NSS		1 NOT SERVICED SEPARATELY Washer, Incl in 1
15	NSS		1 NOT SERVICED SEPARATELY Snap Ring, Incl in 1
16	NSS		1 NOT SERVICED SEPARATELY Spring, Incl in 1
17	87415		2 LUBE NIPPLE 90°, 1/4" NPT x .75" lg, Drive

5140-COMBINE - TIER 2

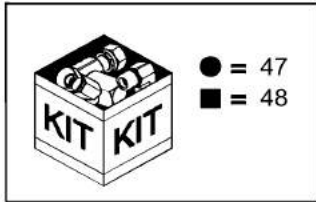
27.450.AL

02

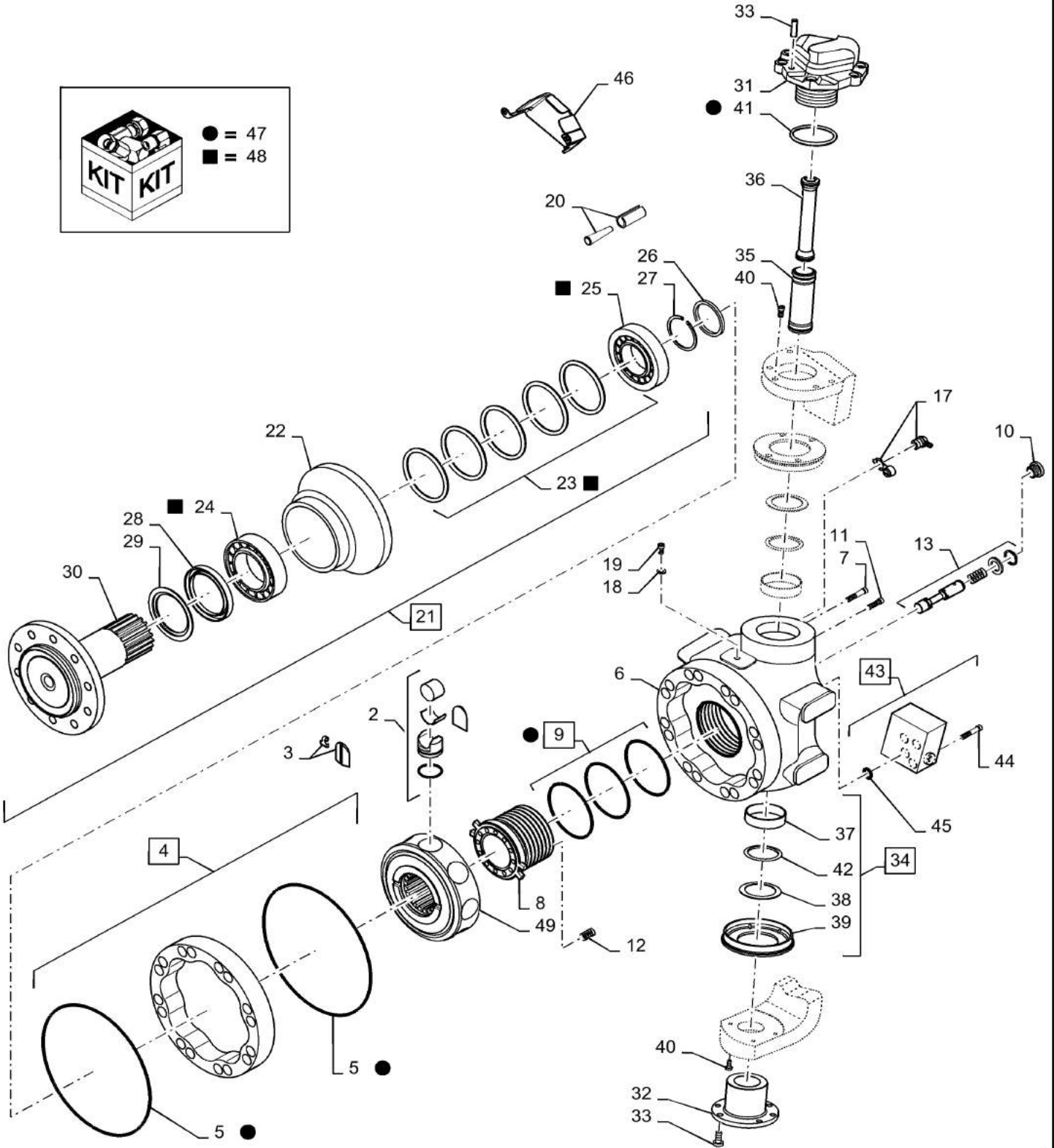
p2

7/2015

MOTOR, REAR AXLE ASSY, SINGLE SPEED, RH



1



MOTOR, REAR AXLE ASSY, SINGLE SPEED, RH

REF FN	PART NUMBER	YR/SN	QTY DESCRIPTION
18	NSS		1 NOT SERVICED SEPARATELY Washer, Bleed Screw, Incl in 1
19	NSS		1 NOT SERVICED SEPARATELY Screw, Socket Head Cap, Incl in 1
20	NSS		2 NOT SERVICED SEPARATELY Safety Pin, Incl in 1
21	NSS		1 NOT SERVICED SEPARATELY Bearing Support, Incl in 1
22	NSS		1 NOT SERVICED SEPARATELY Bearing Support, Incl in 1
23	87485684		1 SEAL Inner Shaft
24	87485685		1 BEARING Outer
25	87485686		1 BEARING Inner
26	NSS		1 NOT SERVICED SEPARATELY Split Ring, Incl in 1
27	NSS		1 NOT SERVICED SEPARATELY Shim, Incl in 1
28	NSS		1 NOT SERVICED SEPARATELY Seal, Grease, Incl in 1
29	NSS		1 NOT SERVICED SEPARATELY Deflector, Incl in 1
30	NSS		1 NOT SERVICED SEPARATELY Shaft, Incl in 1
31	432698A1		1 GUIDE Pin, Top
32	84800194		1 PIN Pin, Bottom
33	86508097		9 HEX SOC SCREW M10 x 25mm, CI 12.9, Full Thd
34	NSS		2 NOT SERVICED SEPARATELY Kit, Pivot Seal, Incl in 1
35	84800212		1 TUBE 1.77" OD x 5.24" L Outer, With Seals
36	84800213		1 TUBE 1.25" DIA x 7.05" L Inner, With Seals
37	84817916		2 BUSHING 80.01mm ID x 89.15mm OD x 20.07mm L 3.51" OD x 3.15" ID x .79"

5140-COMBINE - TIER 2

27.450.AL

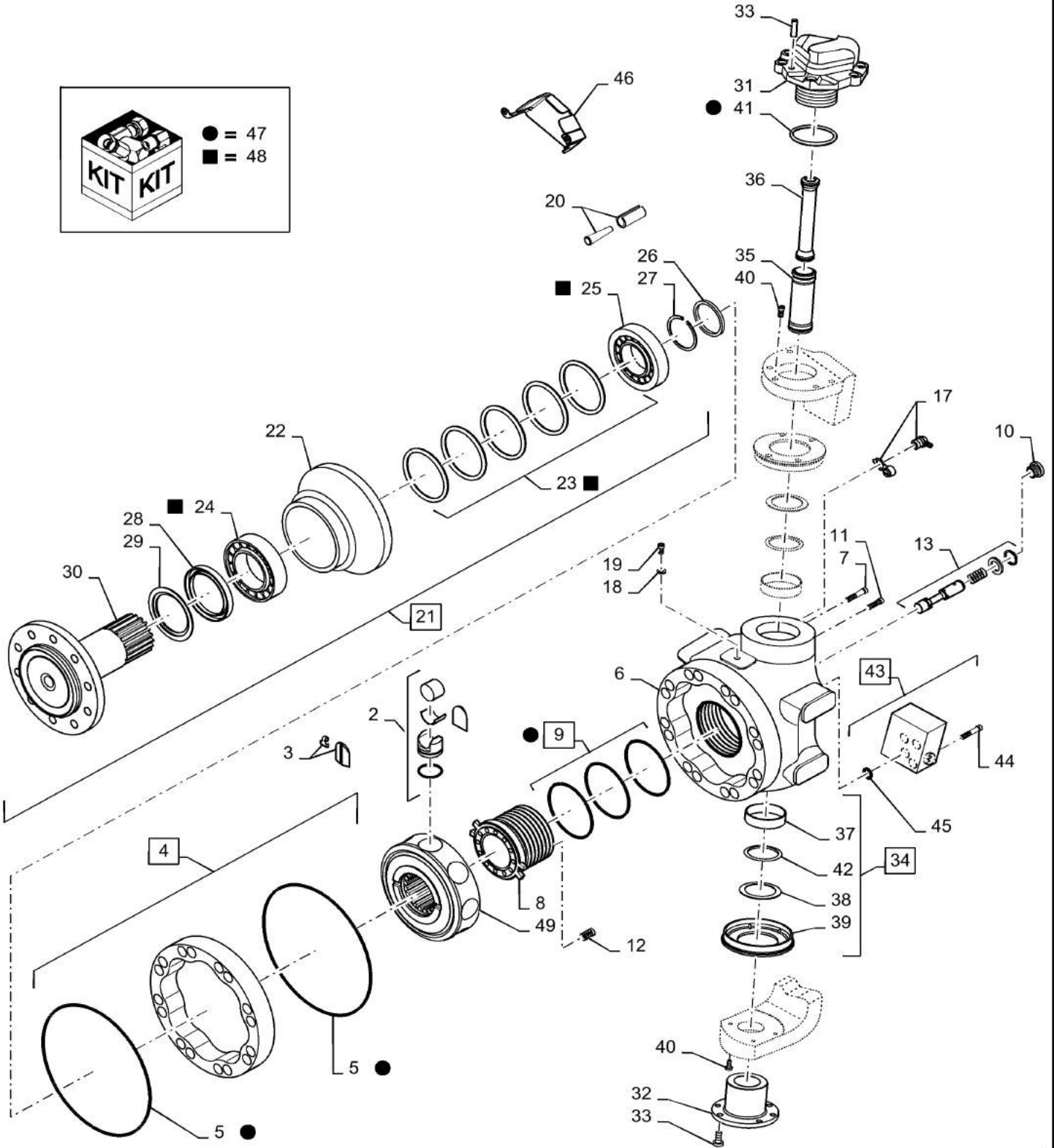
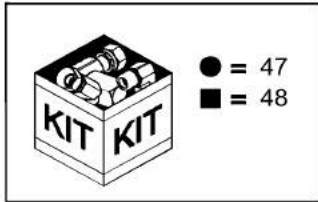
02

p3

7/2015

MOTOR, REAR AXLE ASSY, SINGLE SPEED, RH

1



27.450.AL

02

p3

7/2015

MOTOR, REAR AXLE ASSY, SINGLE SPEED, RH

REF FN	PART NUMBER	YR/SN	QTY DESCRIPTION
38	84817900		2 THRUST WASHER 82.04mm ID x 2.03mm Thk 3.23" ID x .08"
39	84817924		2 DUST CAP 137.92mm OD x 22.1mm W Protection
40	9515561		8 HEX SOC SCREW M6 x 35mm, CI 12.9
41	84817917		1 SEAL 66.04mm ID x 76.71mm OD x 5.33mm Thk Top Pin
42	84817926		2 SEAL 109.22mm ID x 127mm OD x 9.14mm Thk Trash
43	87281713		1 CONTROL VALVE Pilot, 1 Speed
44	NSS		4 NOT SERVICED SEPARATELY Screw, Socket Head Cap, Incl in 1
45	NSS		4 NOT SERVICED SEPARATELY O-Ring, Incl in 1
46	NSS		1 NOT SERVICED SEPARATELY Cover, Pilot Valve, Incl in 1
47	87360505		1 SEAL KIT Incl 5, 9, 41, Includes 7 Additional NSS Seals For Motor
48	87552816		1 BEARING ASSY Front Side Motor, Incl 23 - 25
48	87552816R		1 REMAN-WHEEL END ASSY
48	87552816C		1 CORE-WHEEL END ASSY
49	NSS		1 NOT SERVICED SEPARATELY Cylinder Block, Incl in 1

5140-COMBINE - TIER 2

27.450.AL

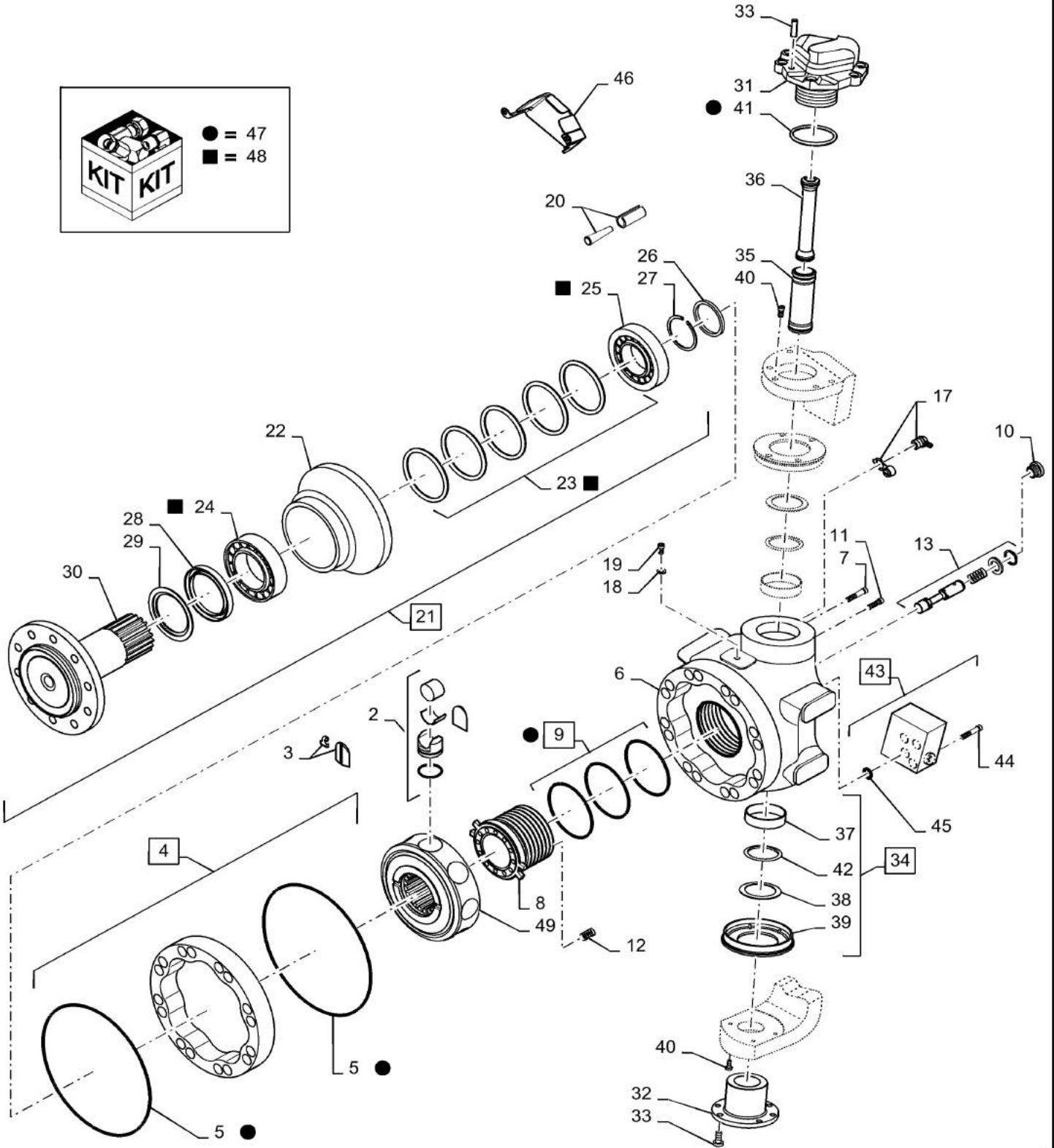
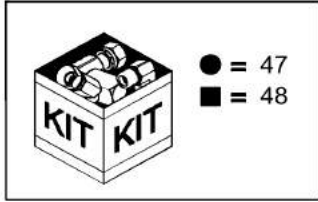
03

p1

7/2015

MOTOR, REAR AXLE ASSY, 2-SPEED, LH

1



27.450.AL

03

p1

7/2015

MOTOR, REAR AXLE ASSY, 2-SPEED, LH

REF FN	PART NUMBER	YR/SN	QTY DESCRIPTION
1	84280361		1 HYDRAULIC MOTOR 1259CC Two Speed, LH, Incl 2 - 49
2	NSS		8 NOT SERVICED SEPARATELY Piston, Incl in 1
3	NSS		1 NOT SERVICED SEPARATELY Piston Retainer, Incl in 1
4	NSS		1 NOT SERVICED SEPARATELY Cam Ring, Incl in 1
5	87484762		2 O-RING Cam Ring
6	NSS		1 NOT SERVICED SEPARATELY Cover, Distributor, Incl in 1
7	NSS		6 NOT SERVICED SEPARATELY Screw, Socket Head Cap, Incl in 1
8	NSS		1 NOT SERVICED SEPARATELY Valve, Distributor, Incl in 1
9	87484763		1 SEAL KIT Distributor Seal
10	NSS		1 NOT SERVICED SEPARATELY Plug, Hex Socket, Incl in 1
11	NSS		4 NOT SERVICED SEPARATELY Screw, Socket Head Cap, Incl in 1
12	NSS		9 NOT SERVICED SEPARATELY Spring, Incl in 1
13	NSS		1 NOT SERVICED SEPARATELY Spool, Incl in 1
14	NSS		1 NOT SERVICED SEPARATELY Washer, Incl in 1
15	NSS		1 NOT SERVICED SEPARATELY Snap Ring, Incl in 1
16	NSS		1 NOT SERVICED SEPARATELY Spring, Incl in 1
17	87415		2 LUBE NIPPLE 90°, 1/4" NPT x .75" lg, Drive
18	NSS		1 NOT SERVICED SEPARATELY Washer, Bleed Screw, Incl in 1

5140-COMBINE - TIER 2

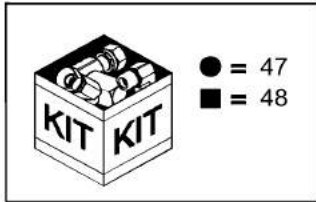
27.450.AL

03

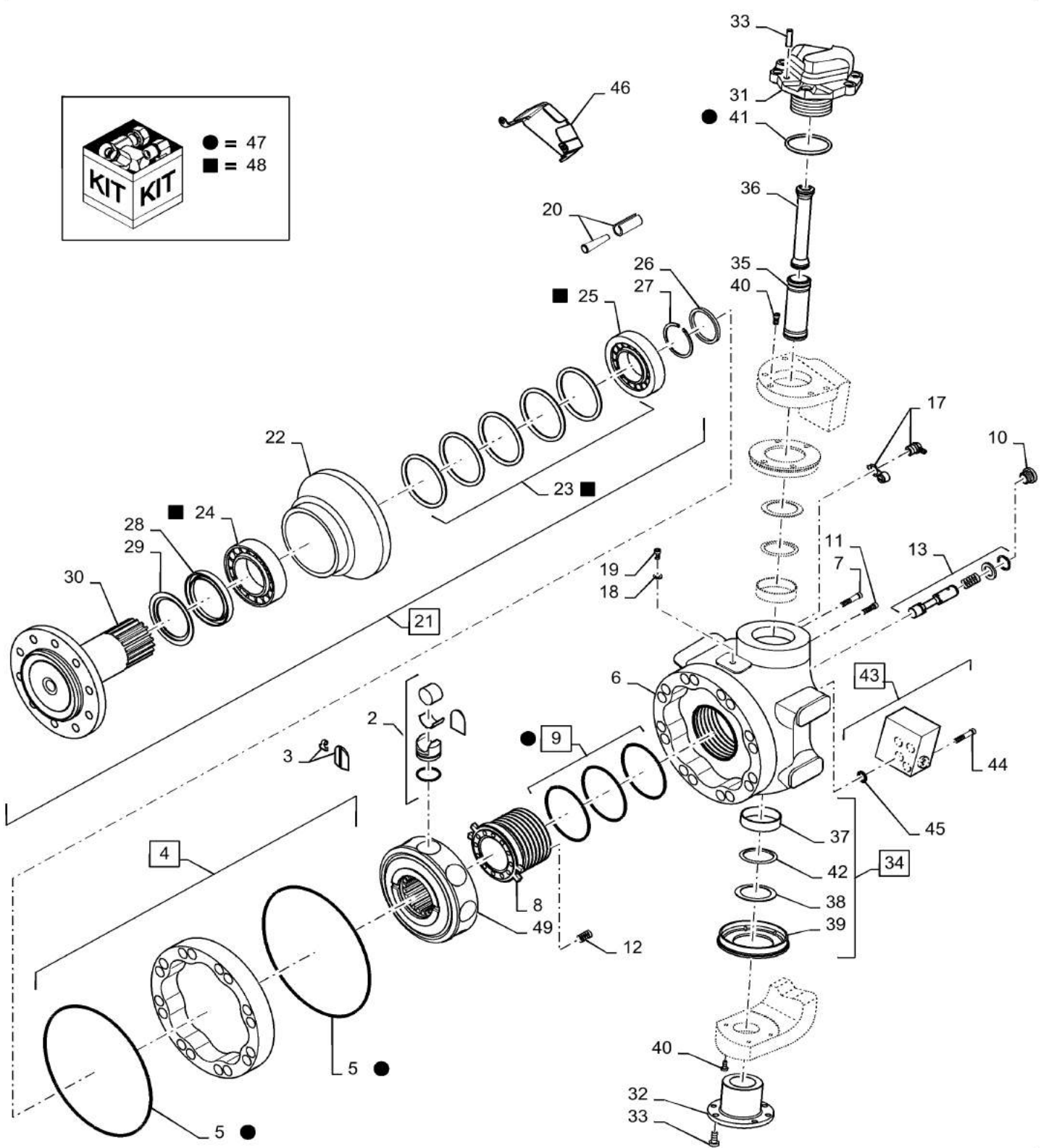
p2

7/2015

MOTOR, REAR AXLE ASSY, 2-SPEED, LH



1



MOTOR, REAR AXLE ASSY, 2-SPEED, LH

REF FN	PART NUMBER	YR/SN	QTY DESCRIPTION
19	NSS		1 NOT SERVICED SEPARATELY Screw, Socket Head Cap, Incl in 1
20	NSS		2 NOT SERVICED SEPARATELY Safety Pin, Incl in 1
21	NSS		1 NOT SERVICED SEPARATELY Bearing Support, Incl in 1
22	NSS		1 NOT SERVICED SEPARATELY Bearing Support, Incl in 1
23	87485684		1 SEAL Inner Shaft
24	87485685		1 BEARING Outer
25	87485686		1 BEARING Inner
26	NSS		1 NOT SERVICED SEPARATELY Split Ring, Incl in 1
27	NSS		1 NOT SERVICED SEPARATELY Shim, Incl in 1
28	NSS		1 NOT SERVICED SEPARATELY Seal, Grease, Incl in 1
29	NSS		1 NOT SERVICED SEPARATELY Deflector, Incl in 1
30	NSS		1 NOT SERVICED SEPARATELY Shaft, Incl in 1
31	432698A1		1 GUIDE Pin, Top
32	84800194		1 PIN Pin, Bottom
33	86508097		9 HEX SOC SCREW M10 x 25mm, CI 12.9, Full Thd
34	NSS		2 NOT SERVICED SEPARATELY Kit, Pivot Seal, Incl in 1
35	84800212		1 TUBE 1.77" OD x 5.24" L Outer, With Seals
36	84800213		1 TUBE 1.25" DIA x 7.05" L Inner, With Seals
37	84817916		2 BUSHING 80.01mm ID x 89.15mm OD x 20.07mm L 3.51" OD x 3.15" ID x .79"
38	84817900		2 THRUST WASHER 82.04mm ID x 2.03mm Thk 3.23" ID x .08"

5140-COMBINE - TIER 2

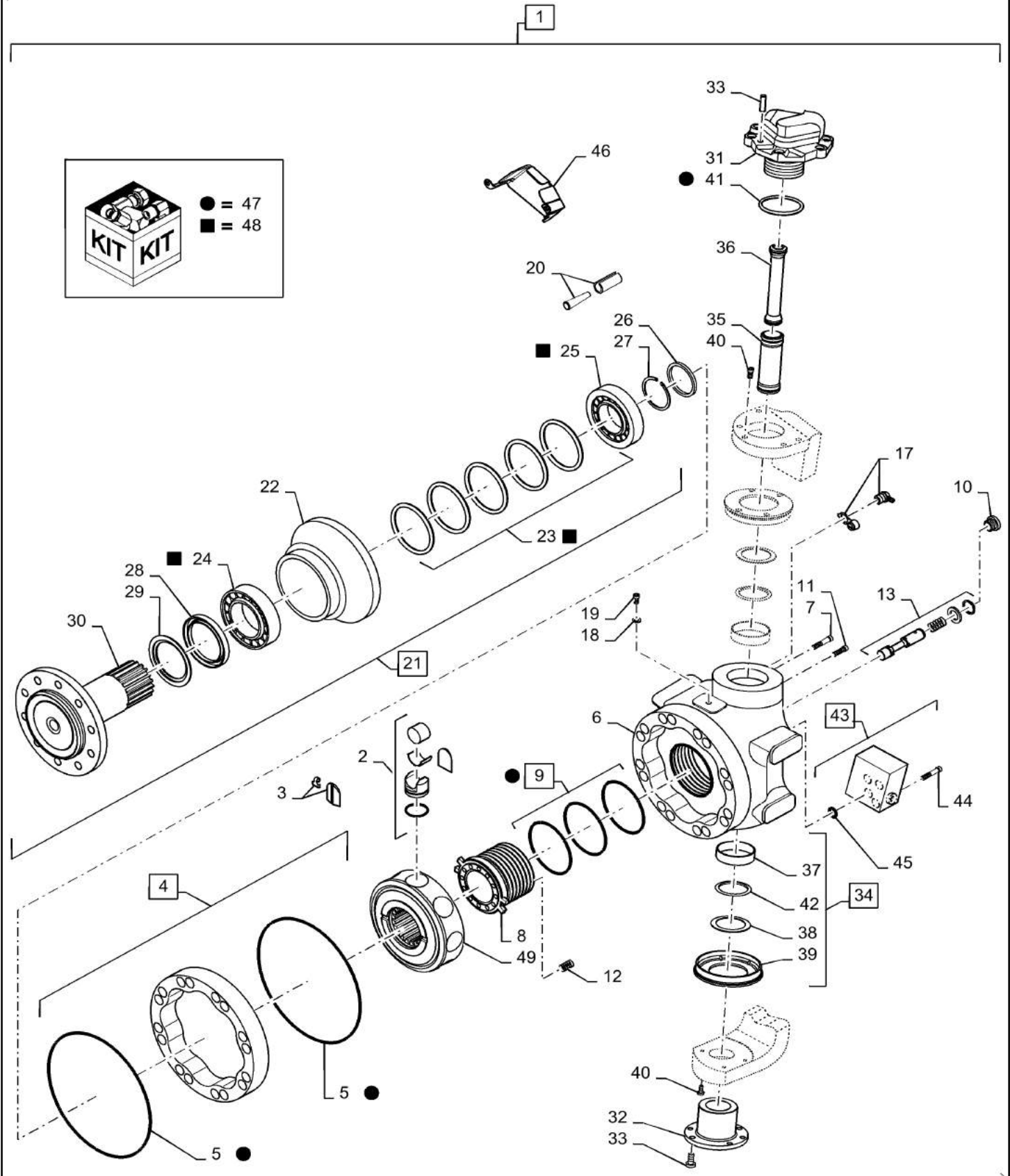
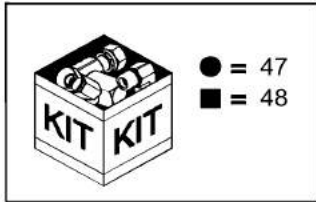
27.450.AL

03

p3

7/2015

MOTOR, REAR AXLE ASSY, 2-SPEED, LH



MOTOR, REAR AXLE ASSY, 2-SPEED, LH

REF FN	PART NUMBER	YR/SN	QTY DESCRIPTION
39	84817924		2 DUST CAP 137.92mm OD x 22.1mm W Protection
40	9515561		8 HEX SOC SCREW M6 x 35mm, CI 12.9
41	84817917		1 SEAL 66.04mm ID x 76.71mm OD x 5.33mm Thk Top Pin
42	84817926		2 SEAL 109.22mm ID x 127mm OD x 9.14mm Thk Trash
43	87283383		1 VALVE Pilot, 2 Speed
44	NSS		4 NOT SERVICED SEPARATELY Screw, Socket Head Cap, Incl in 1
45	NSS		4 NOT SERVICED SEPARATELY O-Ring, Incl in 1
46	NSS		1 NOT SERVICED SEPARATELY Cover, Pilot Valve, Incl in 1
47	87360505		1 SEAL KIT Incl 5, 9, 41, Includes 7 Additional NSS Seals For Motor
48	87552816		1 BEARING ASSY Front Side Motor, Incl 23 - 25
48	87552816R		1 REMAN-WHEEL END ASSY
48	87552816C		1 CORE-WHEEL END ASSY
49	NSS		1 NOT SERVICED SEPARATELY Cylinder Block, Incl in 1

5140-COMBINE - TIER 2

27.450.AL

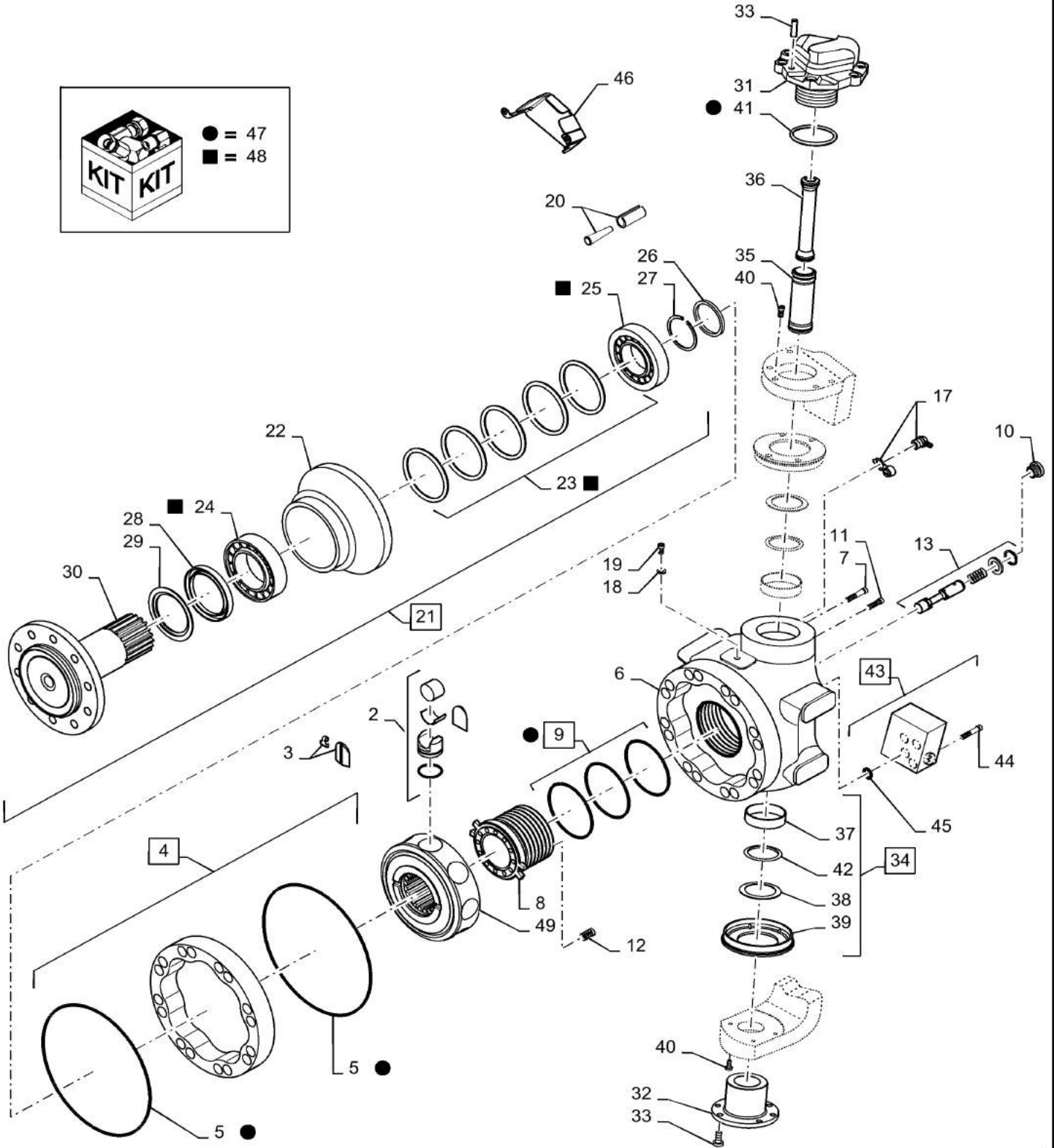
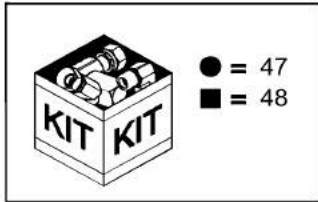
04

p1

7/2015

MOTOR, REAR AXLE ASSY, 2-SPEED, RH

1



27.450.AL

04

p1

7/2015

MOTOR, REAR AXLE ASSY, 2-SPEED, RH

REF FN	PART NUMBER	YR/SN	QTY DESCRIPTION
1	84280362		1 HYDRAULIC MOTOR 1259CC Two Speed, RH, Incl 2 - 49
2	NSS		8 NOT SERVICED SEPARATELY Piston, Incl In 1
3	NSS		1 NOT SERVICED SEPARATELY Piston Retainer, Incl In 1
4	NSS		1 NOT SERVICED SEPARATELY Cam Ring, Incl In 1
5	87484762		2 O-RING Cam Ring
6	NSS		1 NOT SERVICED SEPARATELY Cover, Distributor, Incl In 1
7	NSS		6 NOT SERVICED SEPARATELY Screw, Socket Head Cap, Incl In 1
8	NSS		1 NOT SERVICED SEPARATELY Valve, Distributor, Incl In 1
9	87484763		1 SEAL KIT Distributor Seal
10	NSS		1 NOT SERVICED SEPARATELY Plug, Hex Socket, Incl In 1
11	NSS		4 NOT SERVICED SEPARATELY Screw, Socket Head Cap, Incl In 1
12	NSS		9 NOT SERVICED SEPARATELY Spring, Incl In 1
13	NSS		1 NOT SERVICED SEPARATELY Spool, Incl In 1
14	NSS		1 NOT SERVICED SEPARATELY Washer, Not Illustrated, Incl In 1
15	NSS		1 NOT SERVICED SEPARATELY Snap Ring, Not Illustrated, Incl In 1
16	NSS		1 NOT SERVICED SEPARATELY Spring, Not Illustrated, Incl In 1
17	87415		2 LUBE NIPPLE 90°, 1/4" NPT x .75" lg, Drive
18	NSS		1 NOT SERVICED SEPARATELY Washer, Bleed Screw, Incl In 1

5140-COMBINE - TIER 2

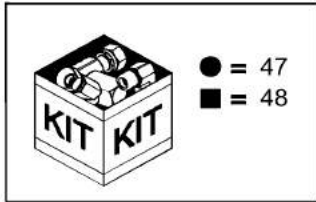
27.450.AL

04

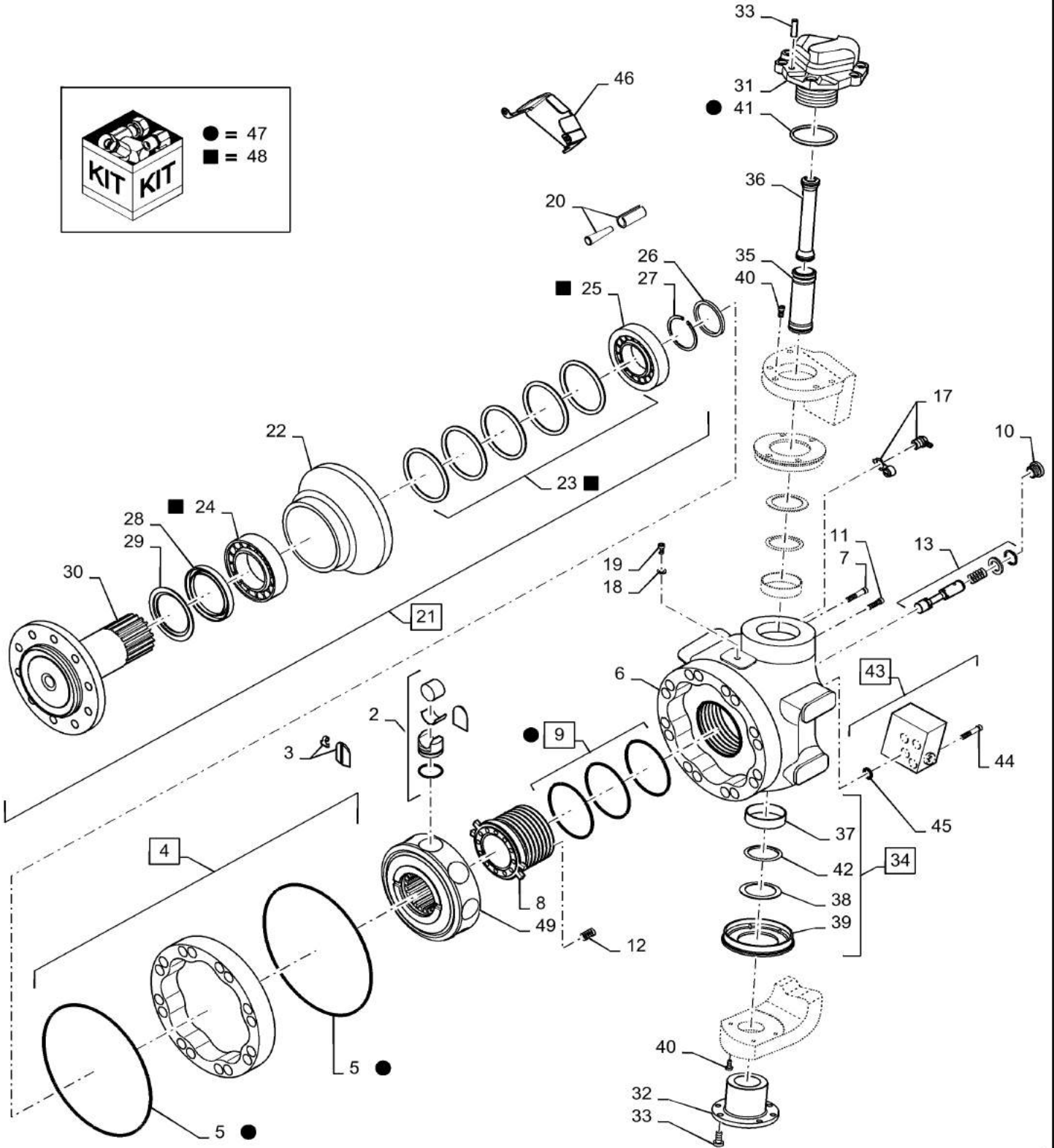
p2

7/2015

MOTOR, REAR AXLE ASSY, 2-SPEED, RH



1



MOTOR, REAR AXLE ASSY, 2-SPEED, RH

REF FN	PART NUMBER	YR/SN	QTY DESCRIPTION
19	NSS		1 NOT SERVICED SEPARATELY Screw, Socket Head Cap, Incl In 1
20	NSS		2 NOT SERVICED SEPARATELY Safety Pin, Incl In 1
21	NSS		1 NOT SERVICED SEPARATELY Bearing Support, Incl In 1
22	NSS		1 NOT SERVICED SEPARATELY Bearing Support, Incl In 1
23	87485684		1 SEAL Inner Shaft
24	87485685		1 BEARING Outer
25	87485686		1 BEARING Inner
26	NSS		1 NOT SERVICED SEPARATELY Split Ring, Incl In 1
27	NSS		1 NOT SERVICED SEPARATELY Shim, Incl In 1
28	NSS		1 NOT SERVICED SEPARATELY Seal, Grease, Incl In 1
29	NSS		1 NOT SERVICED SEPARATELY Deflector, Incl In 1
30	NSS		1 NOT SERVICED SEPARATELY Shaft, Incl In 1
31	432698A1		1 GUIDE Pin, Top
32	84800194		1 PIN Pin, Bottom
33	86508097		9 HEX SOC SCREW M10 x 25mm, CI 12.9, Full Thd
34	NSS		2 NOT SERVICED SEPARATELY Kit, Pivot Seal, Incl In 1
35	84800212		1 TUBE 1.77" OD x 5.24" L Outer, With Seals
36	84800213		1 TUBE 1.25" DIA x 7.05" L Inner, With Seals
37	84817916		2 BUSHING 80.01mm ID x 89.15mm OD x 20.07mm L 3.51" OD x 3.15" ID x .79"
38	84817900		2 THRUST WASHER 82.04mm ID x 2.03mm Thk 3.23" ID x .08"

5140-COMBINE - TIER 2

27.450.AL

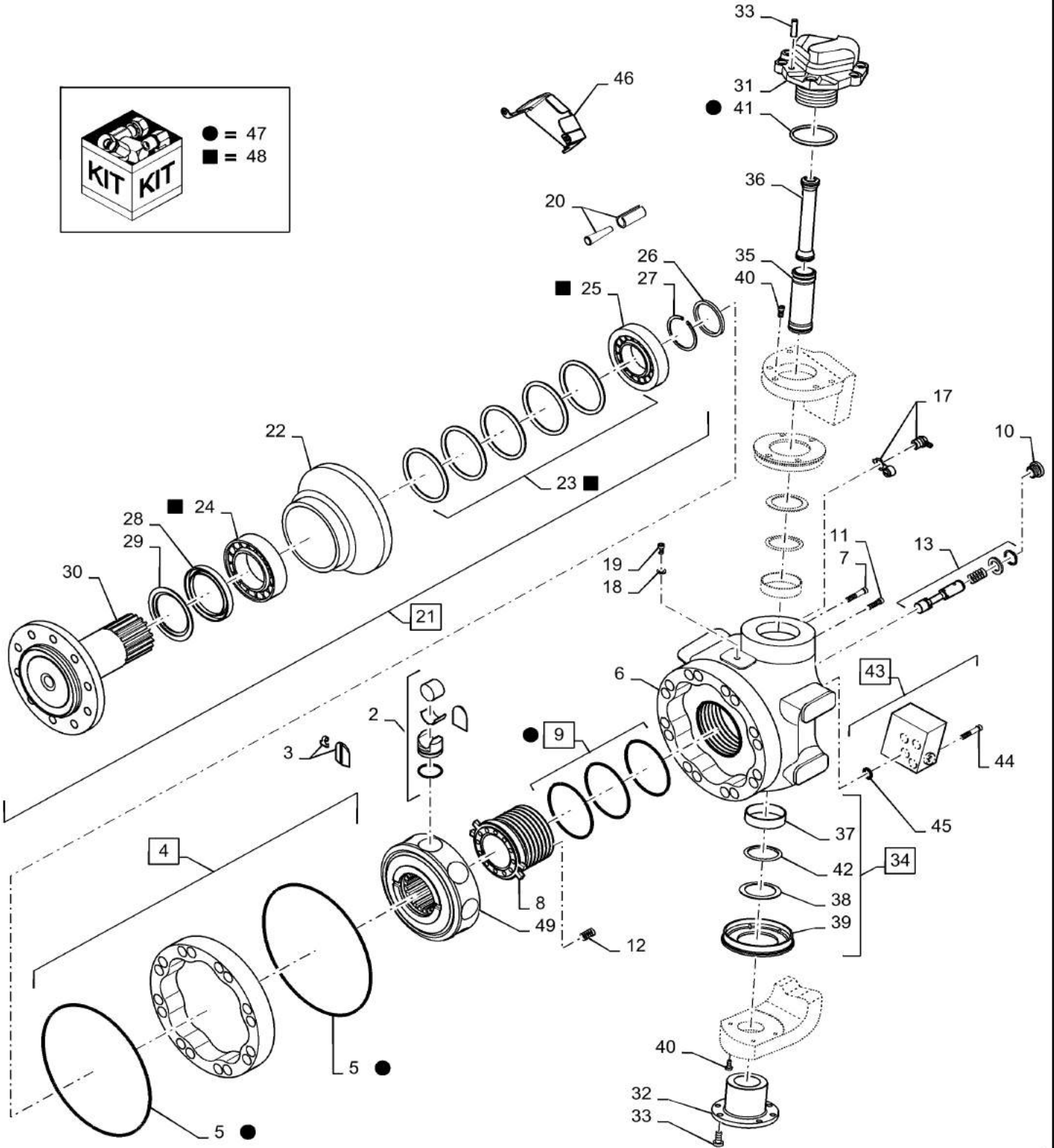
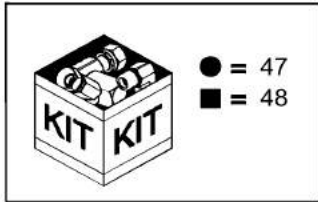
04

p3

7/2015

MOTOR, REAR AXLE ASSY, 2-SPEED, RH

1



27.450.AL

04

p3

7/2015

MOTOR, REAR AXLE ASSY, 2-SPEED, RH

REF FN	PART NUMBER	YR/SN	QTY DESCRIPTION
39	84817924		2 DUST CAP 137.92mm OD x 22.1mm W Protection
40	9515561		8 HEX SOC SCREW M6 x 35mm, CI 12.9
41	84817917		1 SEAL 66.04mm ID x 76.71mm OD x 5.33mm Thk Top Pin
42	84817926		2 SEAL 109.22mm ID x 127mm OD x 9.14mm Thk Trash
43	87283383		1 VALVE Pilot, 2 Speed
44	NSS		4 NOT SERVICED SEPARATELY Screw, Socket Head Cap, Incl In 1
45	NSS		4 NOT SERVICED SEPARATELY O-Ring, Incl In Ref 1
46	NSS		1 NOT SERVICED SEPARATELY Cover, Pilot Valve, Incl In 1
47	87360505		1 SEAL KIT Incl 5, 9, 41, Includes 7 Additional NSS Seals For Motor
48	87552816		1 BEARING ASSY Front Side Motor, Incl 23 - 25
48	87552816R		1 REMAN-WHEEL END ASSY
48	87552816C		1 CORE-WHEEL END ASSY
49	NSS		1 NOT SERVICED SEPARATELY Cylinder Block, Incl In 1

5140-COMBINE - TIER 2

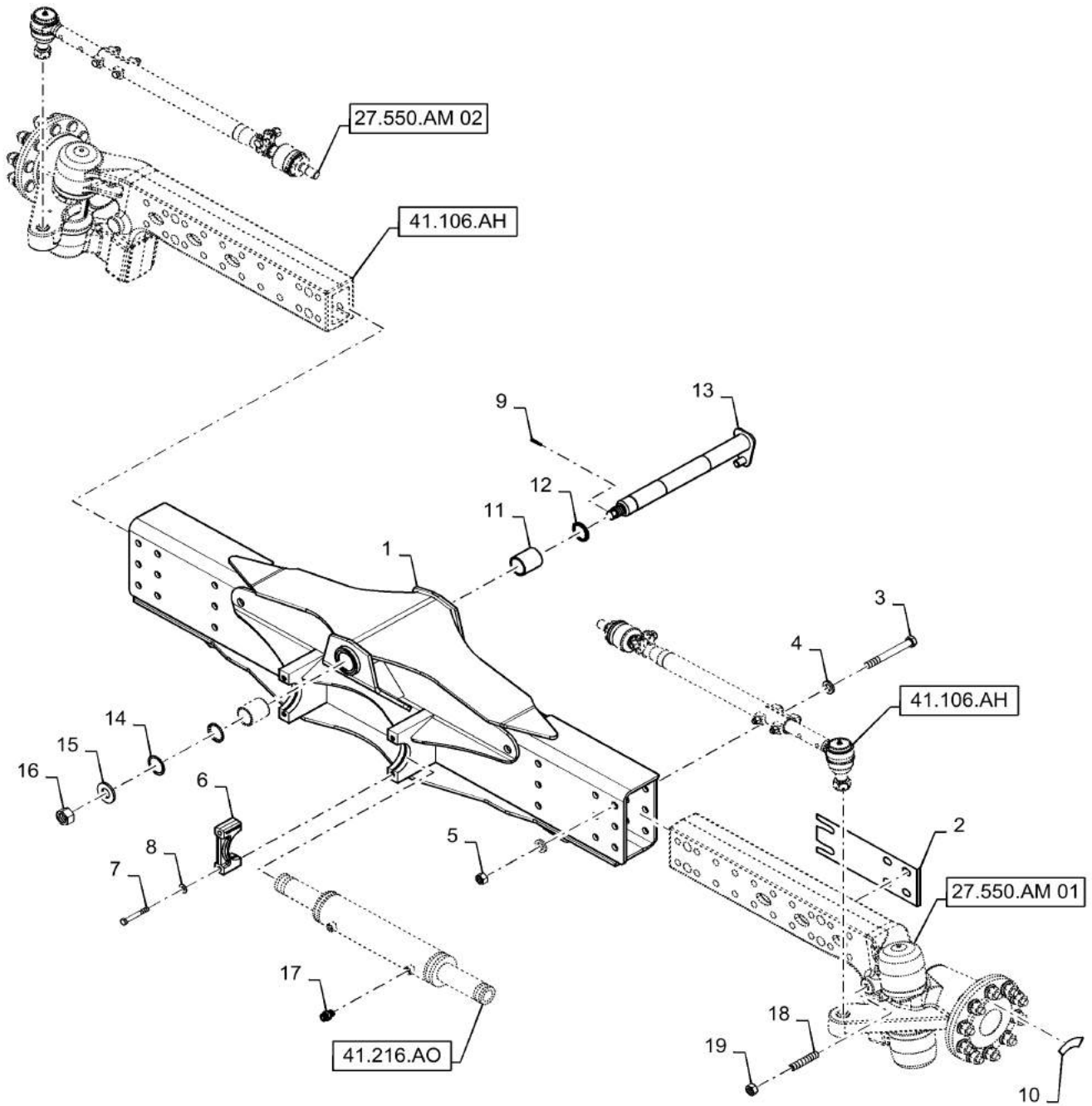
27.550.AJ

01

p1

7/2015

REAR AXLE ASSY, STANDARD

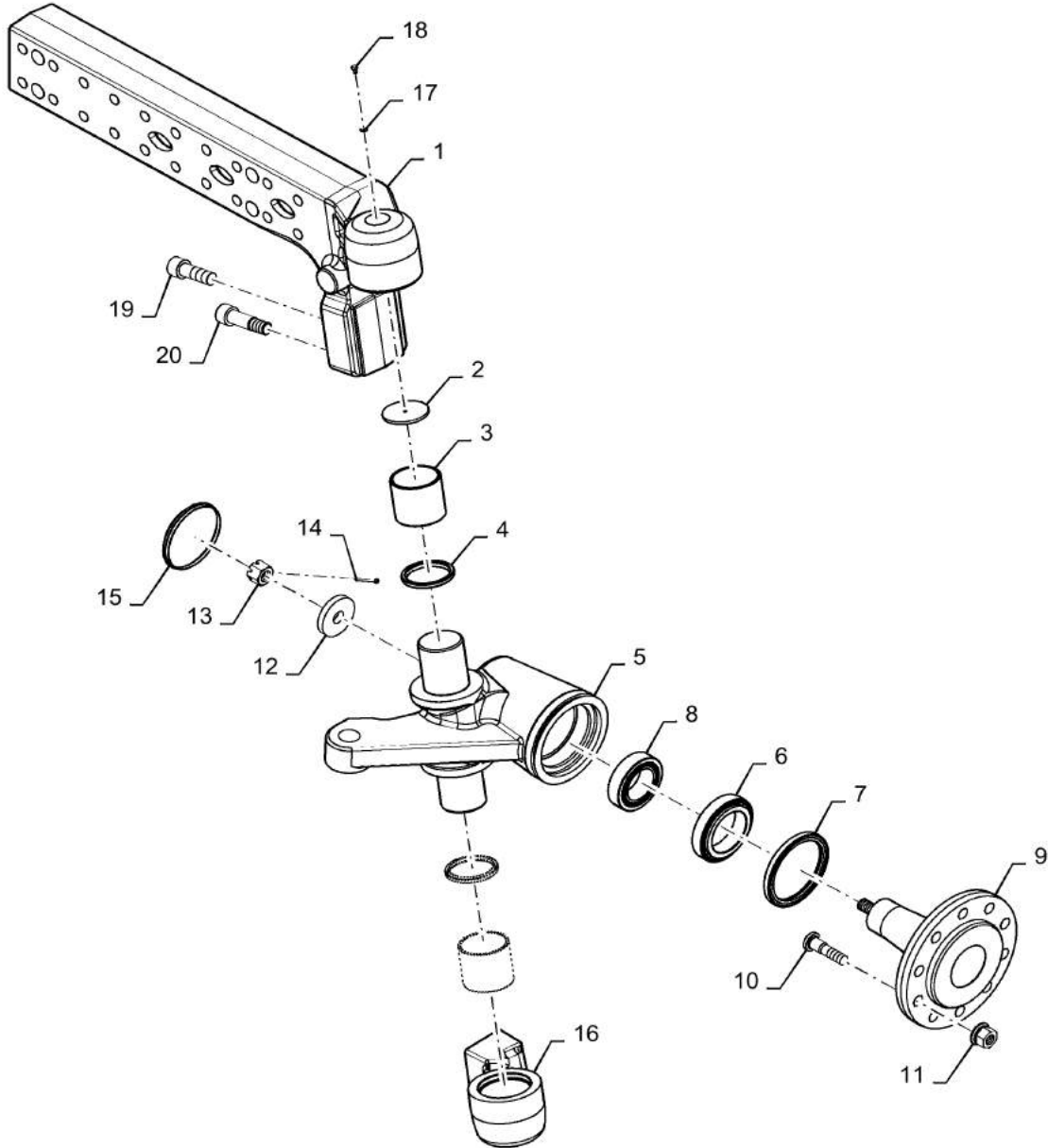


REAR AXLE ASSY, STANDARD

REF FN	PART NUMBER	YR/SN	QTY DESCRIPTION
1	87677485		1 AXLE Rear Center
2	87573934		2 SHIM Rear Axle Shim
3	84444625		12 BOLT Hex, M20 x 170mm, CI 8.8
4	9850384		24 WASHER 23mm ID x 40mm OD x 6mm Thk
5	84100564		12 LOCK NUT M20, GC
6	87582995		2 RETAINER Cylinder Retainer Cap
7	86508581		4 BOLT Hex, M12 x 90mm, CI 8.8
8	140046		4 BELLEVILLE WASHER M12 x 27mm OD x 1.8mm Thk
9	88182		3 COTTER PIN 1/4" x 2"
10	87108678		2 DECAL Wheel Bolt Torque
11	84334438		2 BUSHING Split, 60mm OD x 50mm ID x 70mm
12	84069736		2 SEALING RING 50mm ID x 60mm OD x 6mm Thk 60mm OD x 50mm ID x 6mm
13	84074397		1 AXLE Center Axle Pivot
14	539450		2 SHIM 50mm ID x 62mm OD x 0.5mm Thk
15	327802		1 WASHER M31 x 65 x 6
16	390822		1 SLOTTED NUT M30 x 1.5, CI 8
17	86579676		2 HYD CONNECTOR 13/16" - 16 ORFS x M18 x 1.5 ORB
18	84326214		2 BOLT M20 x 100mm Set Screw, M20 x 100mm
19	9847024		2 NUT M20, CI 10

5140-COMBINE - TIER 2

AXLE EXTENSION, STANDARD , LH



27.550.AM

01

p1

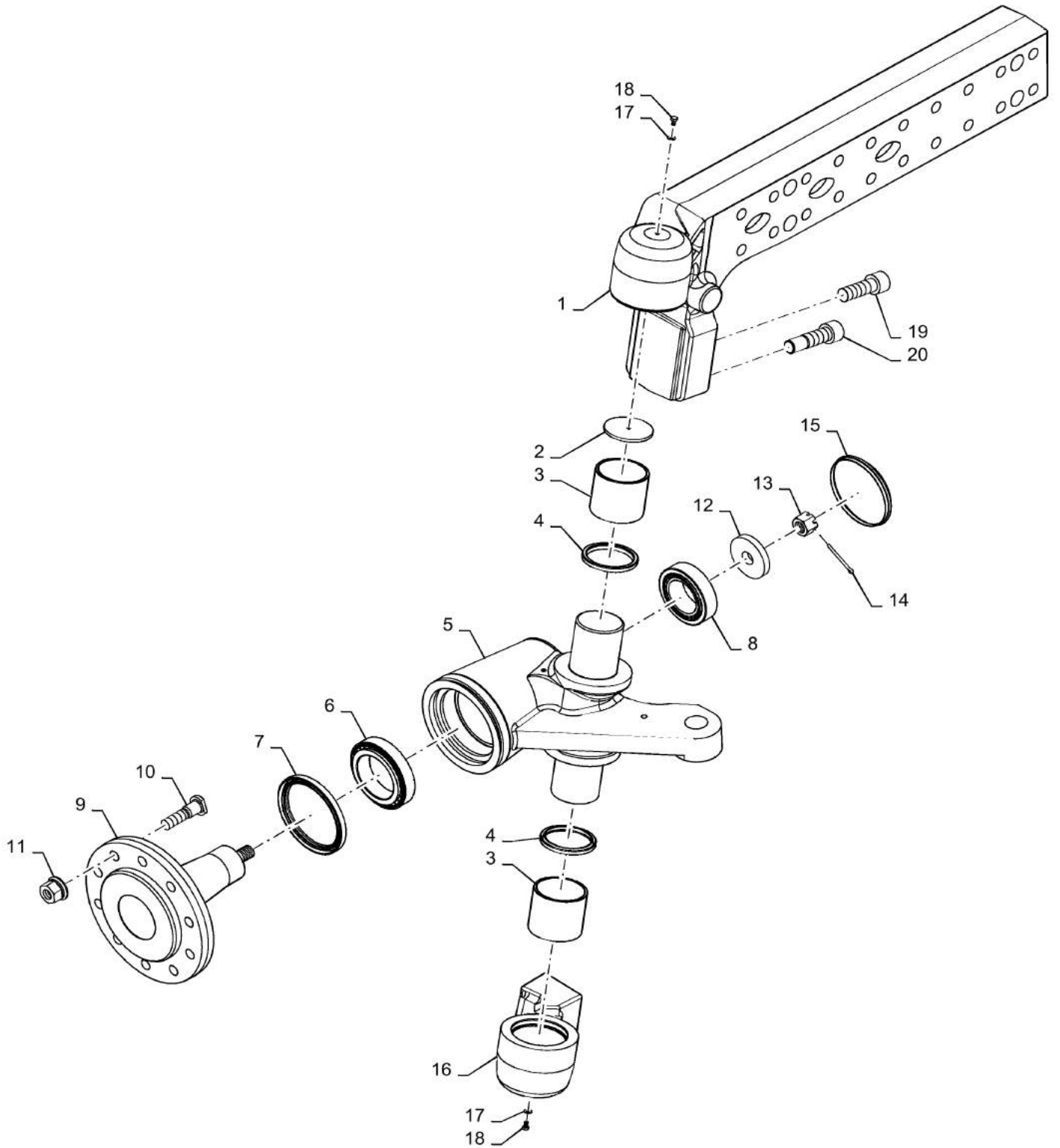
7/2015

AXLE EXTENSION, STANDARD , LH

REF FN	PART NUMBER	YR/SN	QTY DESCRIPTION
1	87702084		1 EXTENSION LH
2	84074068		1 DISC 5mm ID x 82mm OD x 5mm Thk Bearing Flange
3	84064163		2 BUSHING 80mm ID x 90mm OD x 80mm L 90mm OD x 80mm ID x 80mm
4	84069731		2 SEALING RING 80mm ID x 94mm OD x 9mm Thk 94mm OD x 80mm ID x 9mm
5	87660278		1 KNUCKLE JOINT LH
6	84068654		1 TAPERED ROLLER BEARING 130mm OD x 85mm ID x 29mm
7	84454949		1 SEALING RING 125mm ID x 150mm OD x 12mm Thk 52mm OD x 35mm ID x 7mm
8	84068653		1 TAPERED ROLLER BEARING 65mm ID x 110mm OD x 34mm W 11mm OD x 65mm ID x 34mm
9	84448564		1 FLANGE Axle
10	84443588		10 WHEEL BOLT M20 x 76mm, CI 10.9
11	84062511		10 WHEEL NUT M20
12	84064952		1 WASHER 25mm ID x 80mm OD x 12mm Thk
13	309090		1 SLOTTED NUT M24 x 1.5, CI 8
14	432-1232		1 COTTER PIN 3/16" x 2"
15	84429450		1 COVER Dust Cap
16	84446948		1 SUPPORT Bushing, LH
17	446307		2 SEALING RING 6.3mm ID x 13mm OD x 1.5mm Thk 13mm OD x 6.3mm ID x
18	378056		2 BOLT Hex, M6 x 10mm, CI 8.8
19	84069505		2 BOLT Hex Skt, Shldr, M24 x 2 x 70mm, CI 8.8
20	87618988		2 HEX SOC SCREW M24 x 2 x 90mm, CI 8.8

5140-COMBINE - TIER 2

AXLE EXTENSION, STANDARD , RH



27.550.AM

02

p1

7/2015

AXLE EXTENSION, STANDARD , RH

REF FN	PART NUMBER	YR/SN	QTY DESCRIPTION
1	87702086		1 EXTENSION RH
2	84074068		1 DISC 5mm ID x 82mm OD x 5mm Thk Bearing Flange
3	84064163		2 BUSHING 80mm ID x 90mm OD x 80mm L 90mm OD x 80mm ID x 80mm
4	84069731		2 SEALING RING 80mm ID x 94mm OD x 9mm Thk 94mm OD x 80mm ID x 9mm
5	87660281		1 KNUCKLE JOINT RH
6	84068654		1 TAPERED ROLLER BEARING 130mm OD x 85mm ID x 29mm
7	84454949		1 SEALING RING 125mm ID x 150mm OD x 12mm Thk 52mm OD x 35mm ID x 7mm
8	84068653		1 TAPERED ROLLER BEARING 65mm ID x 110mm OD x 34mm W 11mm OD x 65mm ID x 34mm
9	84448564		1 FLANGE Axle
10	84443588		10 WHEEL BOLT M20 x 76mm, CI 10.9
11	84064952		10 WASHER 25mm ID x 80mm OD x 12mm Thk
12	84064952		1 WASHER 25mm ID x 80mm OD x 12mm Thk
13	309090		1 SLOTTED NUT M24 x 1.5, CI 8
14	432-1232		1 COTTER PIN 3/16" x 2"
15	84429450		1 COVER Dust Cap
16	84446949		1 SUPPORT Bushing, RH
17	446307		2 SEALING RING 6.3mm ID x 13mm OD x 1.5mm Thk 13mm OD x 6.3mm ID
18	378056		2 BOLT Hex, M6 x 10mm, CI 8.8
19	84069505		2 BOLT Hex Skt, Shldr, M24 x 2 x 70mm, CI 8.8
20	87618988		2 HEX SOC SCREW M24 x 2 x 90mm, CI 8.8

5140-COMBINE - TIER 2

SECTION INDEX

HYDROSTATIC DRIVE

29.100.AB	01	HYDROSTATIC MOTOR, VARIABLE SPEED, (105.5-85.9CC/REV)
29.100.AB	02	HYDROSTATIC MOTOR, 105CC
29.218.AD		HYDROSTATIC PUMP, MOUNTING PARTS, 105CC
29.218.AO		HYDROSTATIC MOTOR
29.218.AS		HOSE ASSY., DRIVE, HYDROSTATIC MOTOR
29.300.AP	01	HYDRAULIC LINE, REAR AXLE ASSY, SINGLE SPEED, 2-SPEED
29.300.AP	02	HYDRAULIC LINE, REAR AXLE ASSY, STANDARD
29.300.AP	03	HYDRAULIC SYSTEM, REAR AXLE ASSY, SINGLE SPEED, 2-SPEED

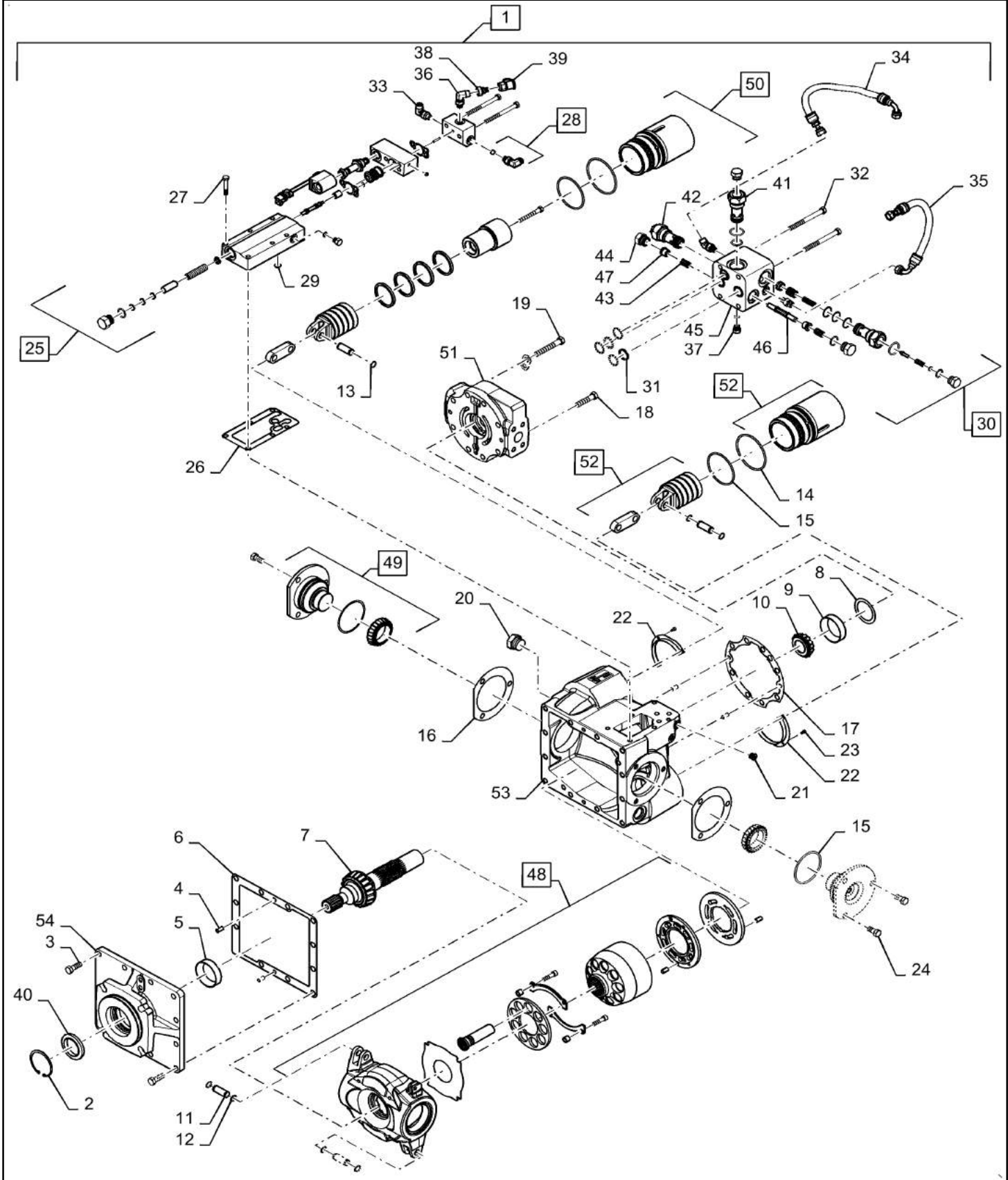
29.100.AB

01

p1

7/2015

HYDROSTATIC MOTOR, VARIABLE SPEED, (105.5-85.9CC/REV)



29.100.AB

01

p1

7/2015

HYDROSTATIC MOTOR, VARIABLE SPEED, (105.5-85.9CC/REV)

REF FN	PART NUMBER	YR/SN	QTY DESCRIPTION
1	84599273		1 HYDRAULIC MOTOR Variable, 2 Speed, Incl 2 - 47
1	84599273R		1 REMAN-HYDROSTATIC MOTOR Variable, 2 Speed, Incl 2 - 47
1	84599273C		1 CORE-HYDROSTATIC MOTOR Return Number
2	34039		1 SNAP RING 2.50", Int, #250
3	86505834		12 BOLT Hex, 7/16" - 14 x 1 1/4", Gr 8, Full Thd
4	280651		7 PIN 7.86mm OD x 15.88mm L
5	174125		1 BEARING CUP " ID x 93.264 mm OD x 23.813 mm
6	84250219		1 GASKET 0.43mm Thk Mounting Flange
7	403147A1		1 SHAFT Motor Drive
8	142398C91		1 SHIM KIT Incl .003", .005", .010", .015", .020", .030"
9	530741R1		1 BEARING CUP Output Shaft, RH
10	400983R91		1 ROLLER BEARING 1.18775" ID x 2.5317" OD x 0.8478" Output Shaft, RH
11	140766C1		2 PIN 14.22mm OD x 39.12mm L Servo Linkage
12	277043		4 SNAP RING #56, Ext
13	100-1375		4 SNAP RING #75, Ext
14	511526		2 O-RING 0.139" Thk x 3.359" ID, -237, CI 5, 75 Duro
15	9617975		4 O-RING 0.139" Thk x 2.984" ID, -234, CI 5, 75 Duro
16	142386C91		2 SHIM KIT Trunion, Incl .002", .005", .010", .015", .025"
17	92741C2		1 GASKET 0.38mm Thk Rear Cover
18	280541		2 BOLT Hex, 7/16" - 14 x 2", Gr 8
19	2652		6 BOLT 7/16"-14 x 2"
20	163410		1 PLUG 1 1/16"-12 ORB
21	278548		1 PLUG Hex, 7/16"-20 ORB

5140-COMBINE - TIER 2

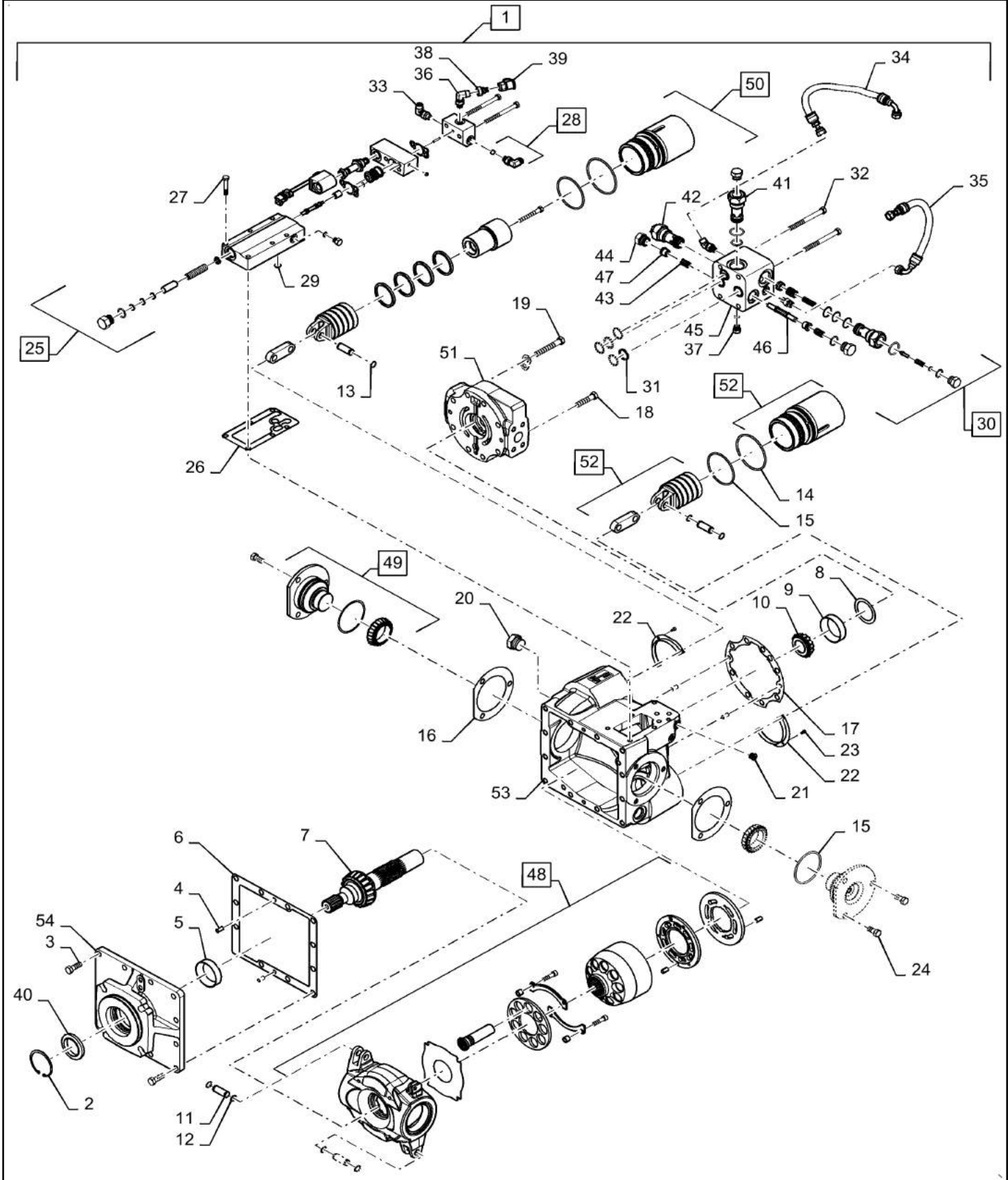
29.100.AB

01

p2

7/2015

HYDROSTATIC MOTOR, VARIABLE SPEED, (105.5-85.9CC/REV)



HYDROSTATIC MOTOR, VARIABLE SPEED, (105.5-85.9CC/REV)

REF FN	PART NUMBER	YR/SN	QTY DESCRIPTION
22	142408C1		2 RETAINER Servo
23	461-3086		6 HEX SOC SCREW #8 - 32 x 3/8"
24	50087		6 BOLT Hex, 7/16" - 14 x 7/8", Gr 5, Full Thd
25	255825A1		1 REPAIR KIT Motor Control Valve
26	145337C1		1 GASKET Pressure Control Valve
27	9707515		6 BOLT Hex, 5/16 - 18" x 1 3/4", Gr 5
28	413431A1		1 KIT 2 Speed Motor Control Fittings
29	255843A1		1 PORT Control Valve
30	87479010		1 VALVE Motor Relief Manifold, Incl 37, 41 - 47
31	140747C92		1 SEAL KIT Valve Block Seal
32	80012047		4 BOLT Hex, 3/8" - 16 x 4", Grade 5
33	87681202		1 HYD CONNECTOR 9/16" - 18 ORFS x 7/16" - 20 ORB Straight - 4 ORFS x 7/16"-20 ORB
34	201-331		1 ELBOW 45°, 9/16"-18 x 7/16"-20. Adj, ORFS
35	84600412		1 HYD. TUBE 2 Speed Response, Upper Tube
35	84600417		1 HYD. TUBE 2 Speed Response, Lower Tube
36	87681199		1 90 ELBOW 90 Degree -4 ORFS x 7/16" -20 ORB
37	9672438		2 PLUG 7/16" - 20 ORB Incl O-Ring
38	190117A1		1 COUPLING Diagnostic, 1/4"
39	H434163		1 DUST CAP
40	403145A1		1 SEAL Incl Shaft Seal, Spacer, And Retaining Ring
41	140761C1		1 PRESSURE RELIEF VALVE 160 PSI
42	84144765		2 PRESSURE RELIEF VALVE 7 KSI
43	145560C1		2 SPRING Shuttle Valve
44	86512512		2 PLUG 7/8" ORB

5140-COMBINE - TIER 2

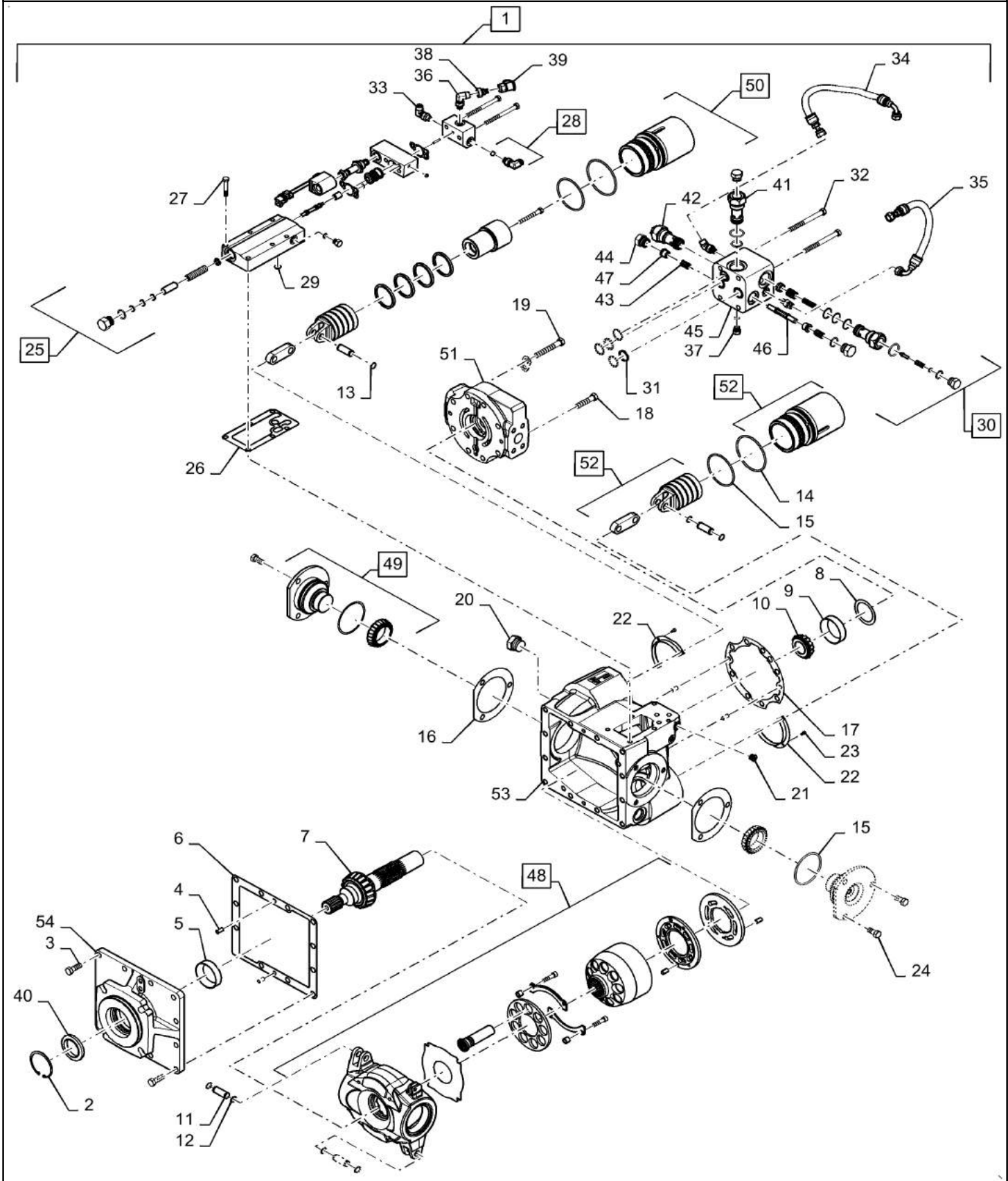
29.100.AB

01

p3

7/2015

HYDROSTATIC MOTOR, VARIABLE SPEED, (105.5-85.9CC/REV)



HYDROSTATIC MOTOR, VARIABLE SPEED, (105.5-85.9CC/REV)

REF FN	PART NUMBER	YR/SN	QTY DESCRIPTION
45	NSS		1 NOT SERVICED SEPARATELY Valve Block, Incl in 30
46	NSS		1 NOT SERVICED SEPARATELY Shuttle Valve, Incl in 30
47	NSS		2 NOT SERVICED SEPARATELY Bushing, Incl in 30
48	NSS		1 NOT SERVICED SEPARATELY Pistons/Swashplate, Incl in 1
49	NSS		1 NOT SERVICED SEPARATELY Hub, Incl in 1
50	NSS		1 NOT SERVICED SEPARATELY Servo, Incl in 1
51	NSS		1 NOT SERVICED SEPARATELY Rear Cover, Incl in 1
52	NSS		1 NOT SERVICED SEPARATELY Servo, Incl in 1
53	NSS		1 NOT SERVICED SEPARATELY Case, Incl in 1
54	NSS		1 NOT SERVICED SEPARATELY Front Cover, Incl in 1

5140-COMBINE - TIER 2

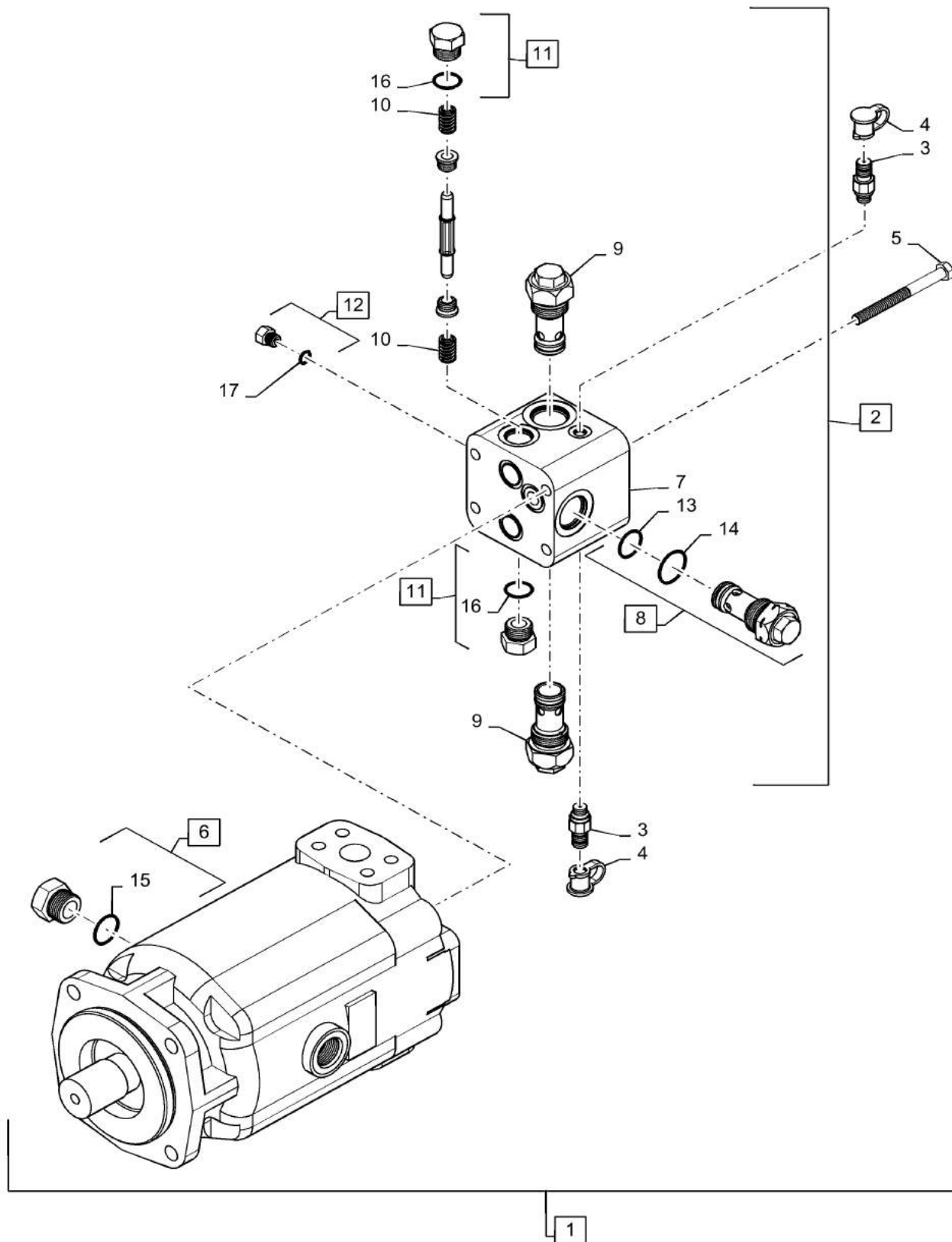
29.100.AB

02

p1

7/2015

HYDROSTATIC MOTOR, 105CC



HYDROSTATIC MOTOR, 105CC

REF FN	PART NUMBER	YR/SN	QTY DESCRIPTION
1	87374885		1 HYDROSTATIC MOTOR 105.39CC Fixed, 105cc, Incl 2 - 31
1	87374885R		1 REMAN-HYDROSTATIC MOTOR
1	87374885C		1 CORE-HYDROSTATIC MOTOR
2	87479010		1 VALVE Motor Relief Manifold, Incl 7 - 12
3	R55912		2 NIPPLE Diagnostic, 1/4" ORFS
4	H434163		2 DUST CAP Diagnostic
5	80012047		4 BOLT Hex, 3/8" - 16 x 4", Grade 5
6	163410		1 PLUG 1 1/16"-12 ORB Incl 15
7	NS		1 NOT SERVICED Valve Body, Incl In 2
8	140761C1		1 PRESSURE RELIEF VALVE Low Pressure, Incl 13 - 14
9	84144765		2 PRESSURE RELIEF VALVE 7 KSI
10	145560C1		2 SPRING Shuttle Valve
11	86512512		2 PLUG 7/8" ORB Incl 16
12	9672438		1 PLUG 7/16" - 20 ORB Incl 17
13	238-6117		1 O-RING 0.103" Thk x 0.799" ID, -117, Cl 6, 90 Duro
14	237-6014		1 O-RING 0.116" Thk x 1.048" ID, -914, Cl 6, 90 Duro
15	167266		1 O-RING 0.116" Thk x 0.924" ID, -912, Cl 6, 90 Duro
16	167269		2 O-RING 0.097" Thk x 0.755" ID, -910, Cl 6, 90 Duro
17	165202		1 O-RING 0.072" Thk x 0.351" ID, -904, Cl 6, 90 Duro
18	403145A1		1 SEAL Shaft, Not Shown
19	34039		2 SNAP RING 2.50", Int, #250 Front Cover, Not Shown
20	174125		1 BEARING CUP " ID x 93.264 mm OD x 23.813 mm Front Cover, Not Shown
21	403147A1		1 SHAFT Motor, Not Shown
22	142398C91		1 SHIM KIT Drive Shaft, Not Shown

5140-COMBINE - TIER 2

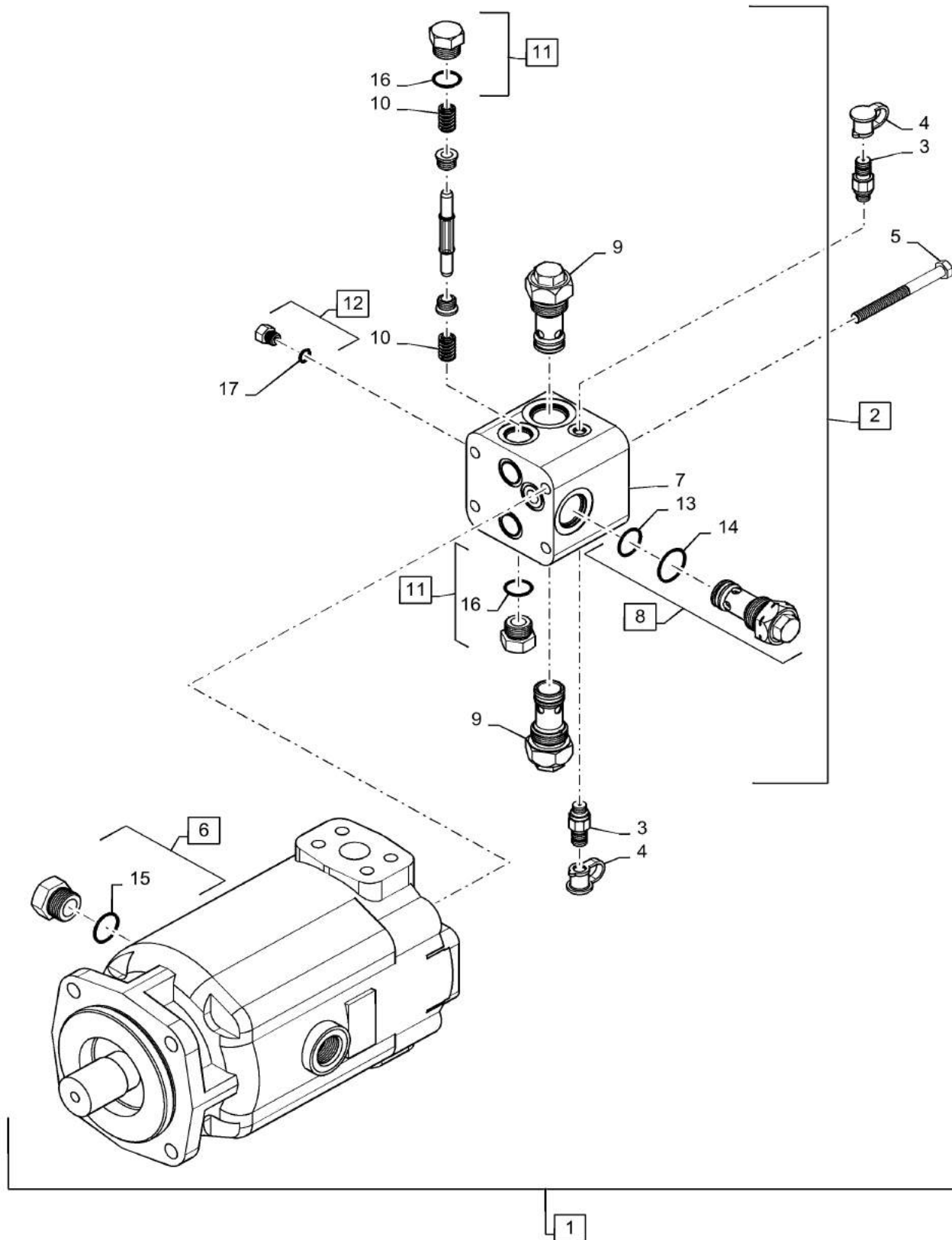
29.100.AB

02

p2

7/2015

HYDROSTATIC MOTOR, 105CC

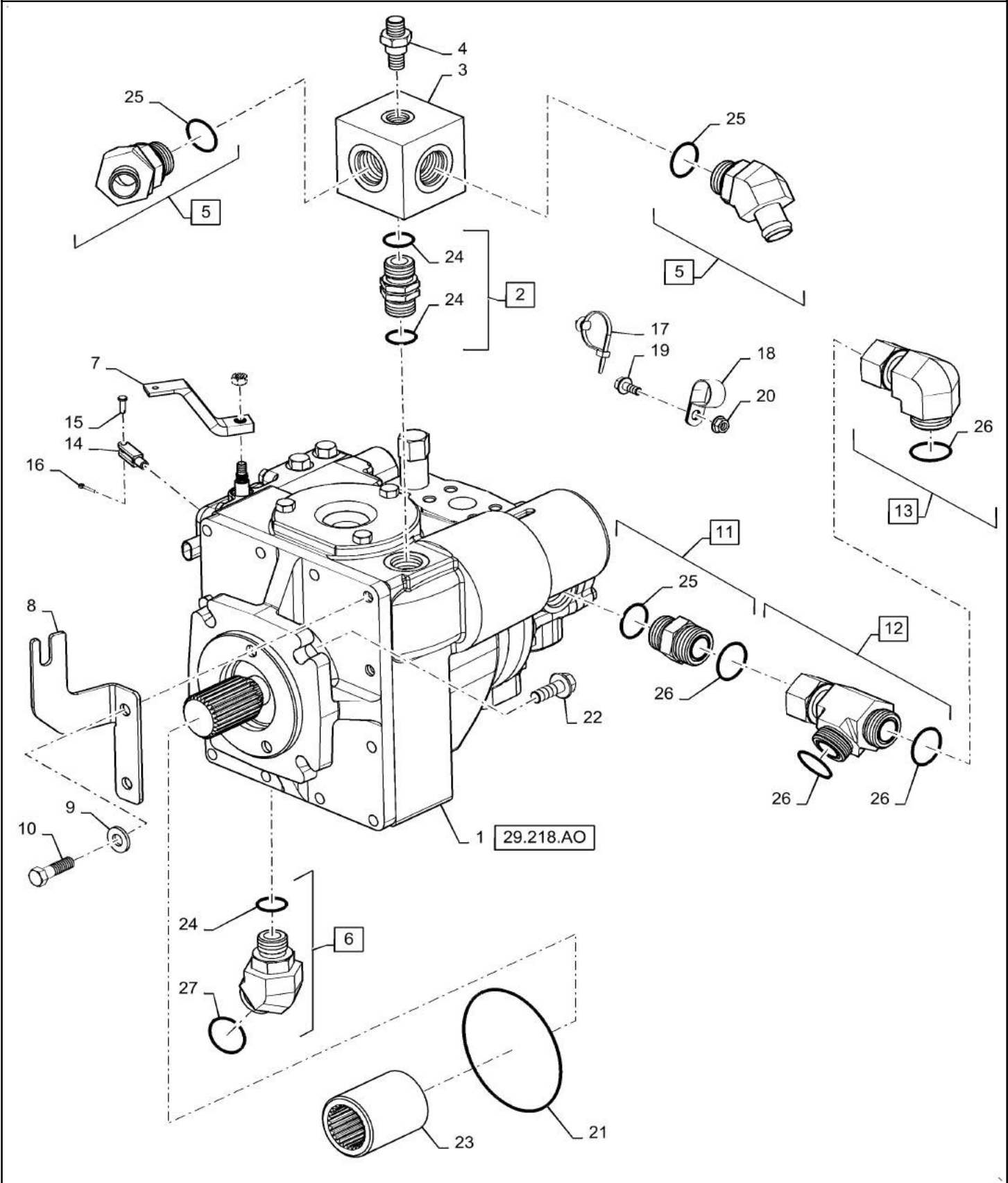


HYDROSTATIC MOTOR, 105CC

REF FN	PART NUMBER	YR/SN	QTY DESCRIPTION
23	530741R1		1 BEARING CUP RH, Output Shaft, Not Shown
24	400983R91		1 ROLLER BEARING 1.18775" ID x 2.5317" OD x 0.8478" RH, Output Shaft, Not Shown
25	280651		1 PIN 7.86mm OD x 15.88mm L Not Shown
26	1980140C1		1 GASKET 0.38mm Thk End Cover, Not Shown
27	280541		2 BOLT Hex, 7/16" - 14 x 2", Gr 8 Not Shown
28	280874		6 BOLT Hex, 7/16" - 14 x 3", Gr 8 Not Shown
29	37-1516		1 DOWEL 5/16" x 1" Not Shown
30	217-430		1 PLUG Hex Soc, 1/8" - 27 Not Shown
31	140747C92		1 SEAL KIT Valve Block, Not Shown

5140-COMBINE - TIER 2

HYDROSTATIC PUMP, MOUNTING PARTS, 105CC

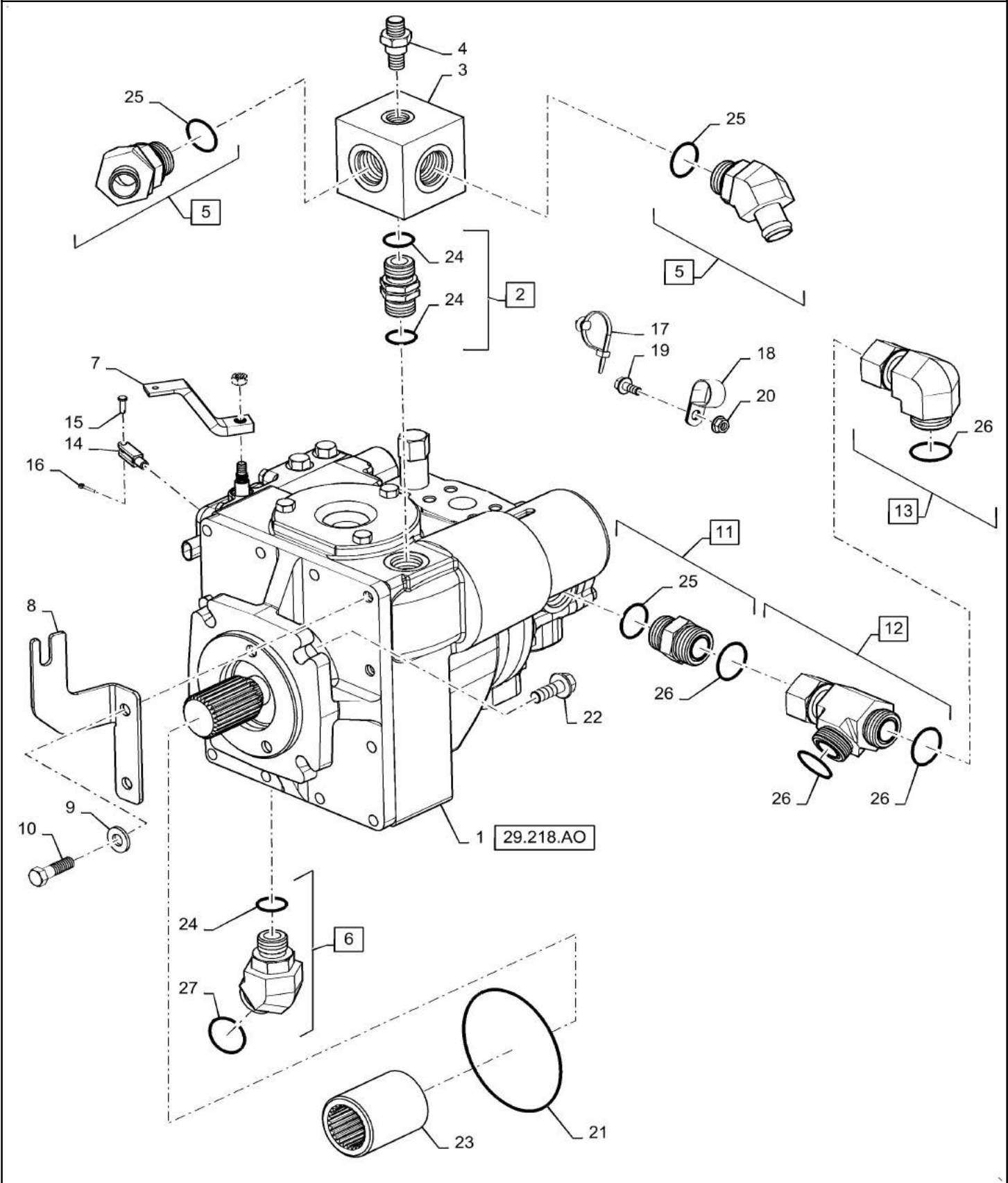


HYDROSTATIC PUMP, MOUNTING PARTS, 105CC

REF FN	PART NUMBER	YR/SN	QTY DESCRIPTION
1	84148069		1 HYDROSTATIC PUMP 105.4 CC 105CC
1	84148069R		1 REMAN-HYDROSTATIC PUMP
1	84148069C		1 CORE-HYDROSTATIC PUMP Return
2	86517116		1 HYD CONNECTOR Union, Incl 24
3	47388263		1 TEE Case Drain
4	177678A1		1 SWITCH Temperature
5	87029968		2 HYD CONNECTOR Stem, 45 Degree, 1" ID x 1 5/16" -12, Incl 25
6	87302733		1 HYD CONNECTOR Elbow, 45 Degree 1" ORFS - ORB 3/4", Incl 24, 27
7	47428202		1 LEVER Control, Hydrostat
8	47428203		1 BRACKET Hydro Control Cable
9	495-81009		2 WASHER .469" x 1" x .120"
10	9637916		2 BOLT Hex, 7/16" - 14 x 1 1/2", Gr 5
11	201-105		1 HYD CONNECTOR 1 7/16"-12 ORFS x 1 5/16"-12 ORB Incl 25 - 26
12	201-418		1 TEE 1-7/16" - 12 ORFS x 1-7/16" - 12 ORFS x 1-7/16" - 12 ORFS Incl 26
13	201-339		1 ELBOW 90°, 1 7/16"-12 x 1 7/16"-12 Fem Sw ORFS Incl 26
14	213-123		1 ADJUSTABLE CLEVIS #10-32 x 1 9/16"
15	86596057		1 CLEVIS PIN 7.92mm OD x 16.78mm L
16	280236		1 COTTER PIN 1/16" x 1/2"
17	84292754		3 CLIP Cable Tie W/ Fir Tree, 5mm OD x 203mm OAL Fir Tree
18	9827902		4 CLAMP 25.4mm, Coat, 10.3mm Bolt Hole, P Type
19	87656137		1 BOLT M8 x 28.1mm, CI 10.9
20	86507066		4 FLANGE NUT M8 x 1.25, CI 10
21	274336		1 O-RING 0.103" Thk x 4.737" ID, -158, CI 5, 75 Duro Hydrostatic Pump Mount
22	87695414		4 BOLT M12 x 46.8mm, CI 10.9
23	84292721		1 COUPLING Pump To PTO

5140-COMBINE - TIER 2

HYDROSTATIC PUMP, MOUNTING PARTS, 105CC

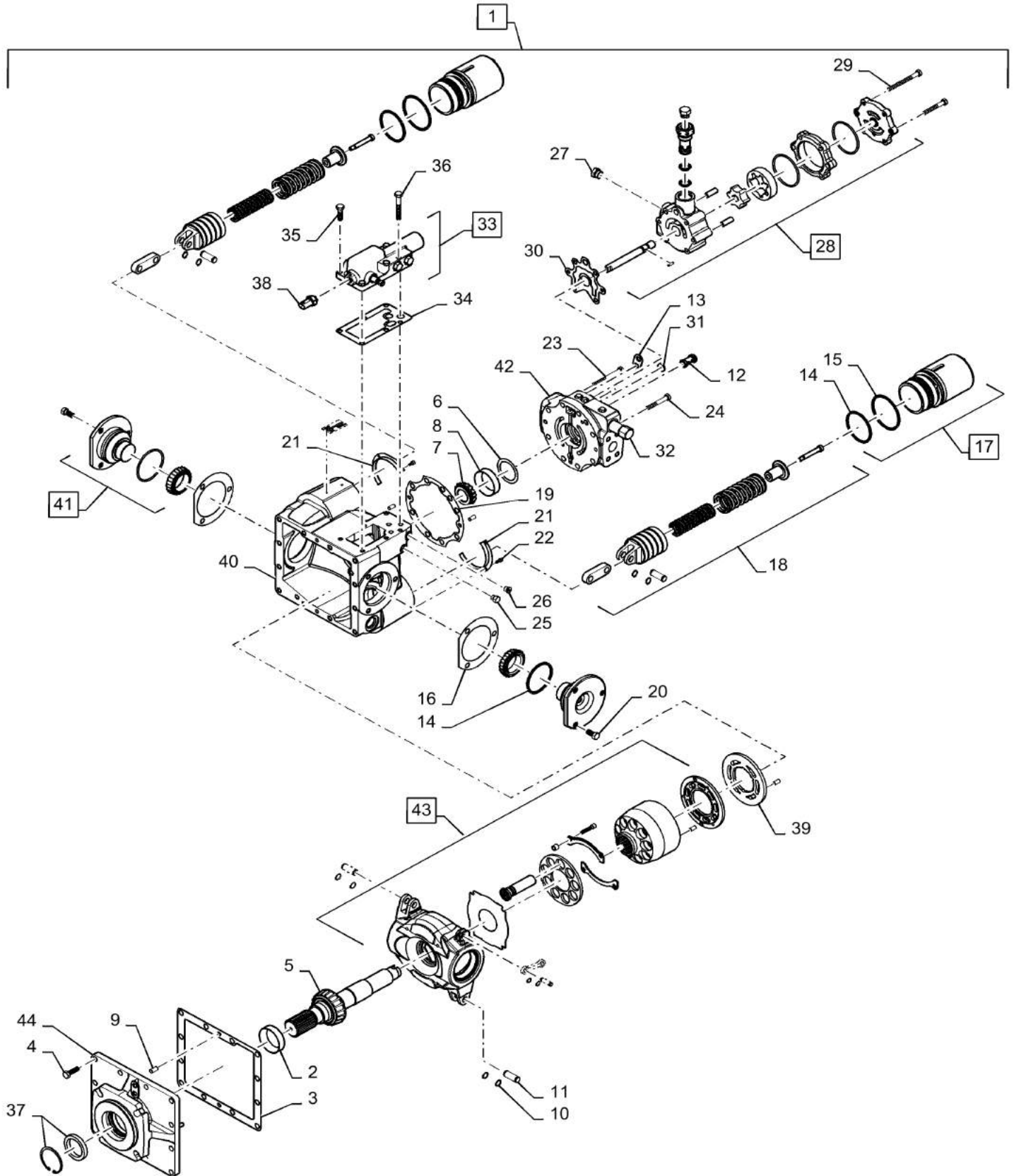


HYDROSTATIC PUMP, MOUNTING PARTS, 105CC

REF FN	PART NUMBER	YR/SN	QTY DESCRIPTION
24	167266		3 O-RING 0.116" Thk x 0.924" ID, -912, Cl 6, 90 Duro
25	237-6016		2 O-RING 0.116" Thk x 1.171" ID, -916, Cl 6, 90 Duro
26	238-6021		4 O-RING 0.07" Thk x 0.926" ID, -21, Cl 6, 90 Duro
27	9824051		1 O-RING 0.07" Thk x 1.176" ID, -25, Cl 6, 90 Duro

5140-COMBINE - TIER 2

HYDROSTATIC MOTOR

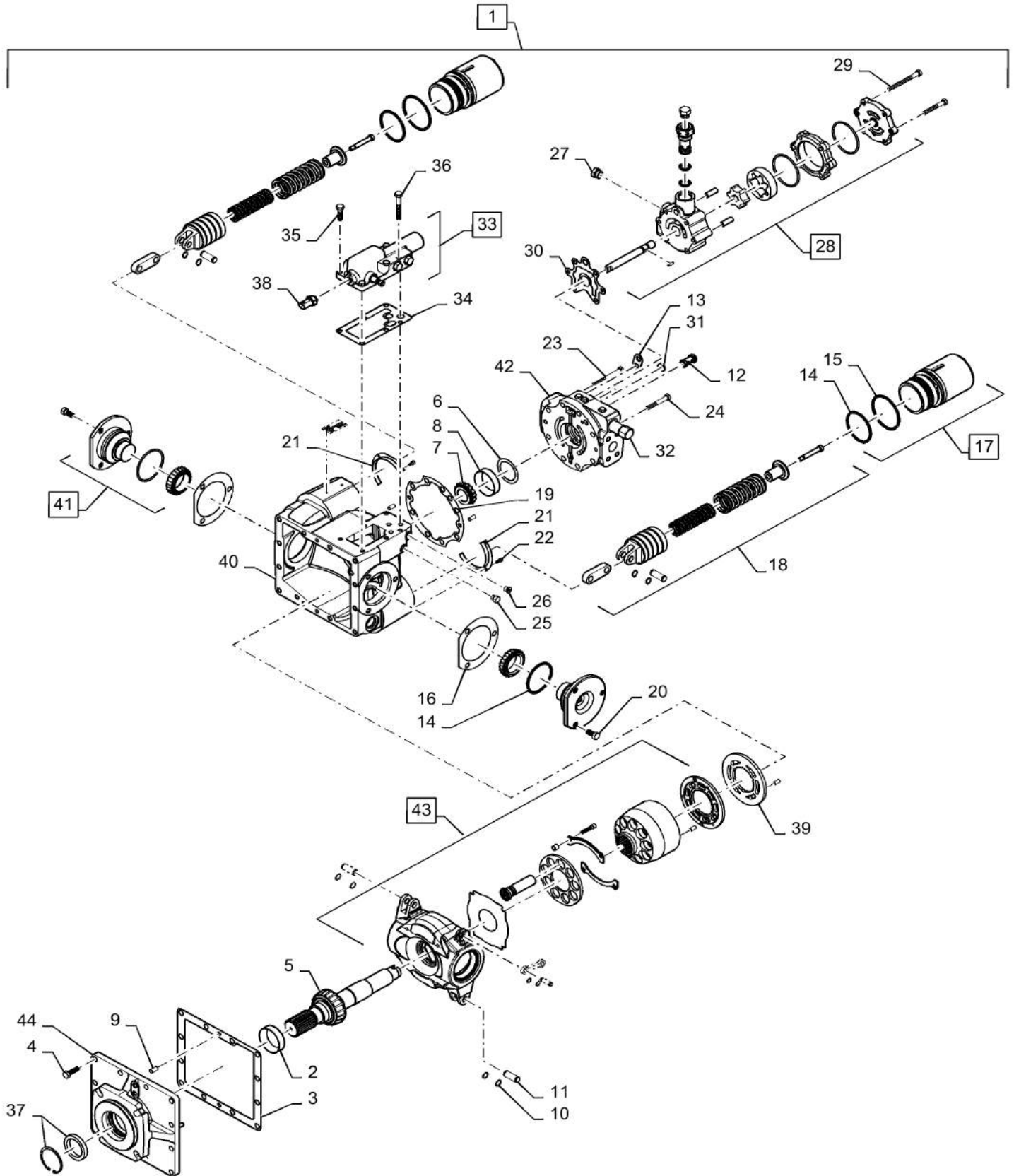


HYDROSTATIC MOTOR

REF FN	PART NUMBER	YR/SN	QTY DESCRIPTION
1	84148069		1 HYDROSTATIC PUMP 105.4 CC 105CC
1	84148069R		1 REMAN-HYDROSTATIC PUMP
1	84148069C		1 CORE-HYDROSTATIC PUMP Return Number
2	174125		1 BEARING CUP " ID x 93.264 mm OD x 23.813 mm
3	142399C1		1 GASKET Mounting Flange
4	9627887		12 BOLT Hex, 7/16" - 14 x 1 1/4", Gr 5, Full Thd
5	84360158		1 DRIVE SHAFT Bearing NSS, Incl In Shaft
6	142398C91		1 SHIM KIT Drive Shaft
7	400983R91		1 ROLLER BEARING 1.18775" ID x 2.5317" OD x 0.8478"
8	530741R1		1 BEARING CUP
9	280651		7 PIN 7.86mm OD x 15.88mm L
10	100-1356		4 SNAP RING #56, Ext
11	140766C1		2 PIN 14.22mm OD x 39.12mm L
12	140769C1		2 CHECK VALVE
13	NSS		1 NOT SERVICED SEPARATELY Tab, Incl In 1
14	9617975		4 O-RING 0.139" Thk x 2.984" ID, -234, CI 5, 75 Duro
15	511526		2 O-RING 0.139" Thk x 3.359" ID, -237, CI 5, 75 Duro
16	142386C91		1 SHIM KIT Trunion
17	142407C2		2 KIT Servo Sleeve, Incl 14 - 15
18	224669C91		2 PISTON Pump Servo
19	92741C2		1 GASKET 0.38mm Thk End Cover
20	50087		6 BOLT Hex, 7/16" - 14 x 7/8", Gr 5, Full Thd
21	142408C1		2 RETAINER
22	461-3086		6 HEX SOC SCREW #8 - 32 x 3/8"
23	280874		6 BOLT Hex, 7/16" - 14 x 3", Gr 8
24	280541		2 BOLT Hex, 7/16" - 14 x 2", Gr 8

5140-COMBINE - TIER 2

HYDROSTATIC MOTOR

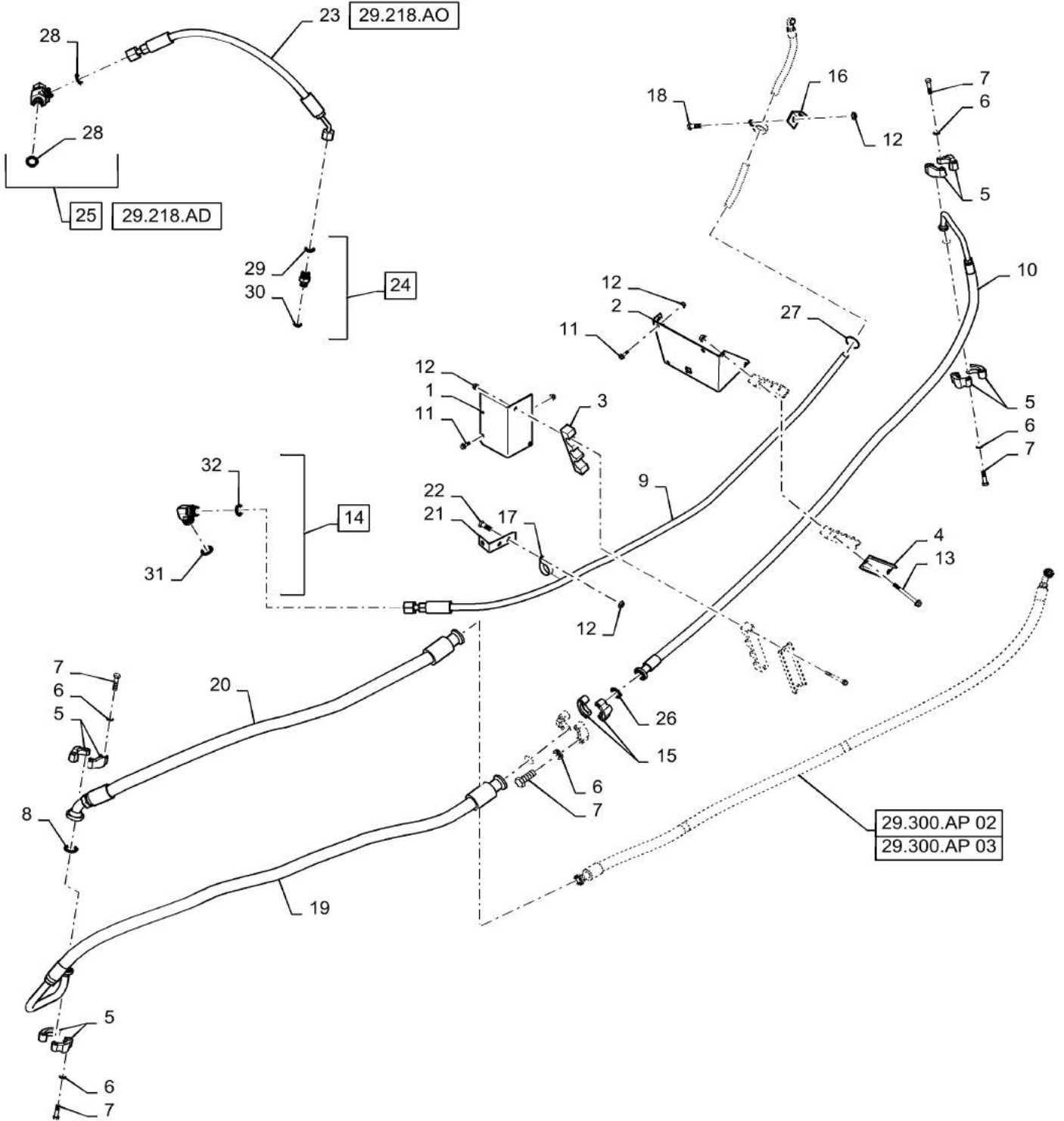


HYDROSTATIC MOTOR

REF FN	PART NUMBER	YR/SN	QTY DESCRIPTION
25	9672438		1 PLUG 7/16" - 20 ORB
26	278548		1 PLUG Hex, 7/16"-20 ORB
27	86512512		1 PLUG 7/8" ORB
28	84360167		1 PUMP Charge
29	84359106		4 BOLT 5/16"-18 x 3 3/4", 8.8
30	87699760		1 GASKET 1.02mm Thk Charge Pump
31	1272750C1		1 ORIFICE Control Valve
32	1986739C1		1 REPAIR KIT Internal Pressure Override
33	191065A1		1 CONTROL VALVE 46/64 Hydro, Incl 38
34	133756C1		1 GASKET Control Valve
35	9635884		4 BOLT Hex, 5/16" - 18 1", Full Thd, Gr 5
36	9707515		2 BOLT Hex, 5/16 - 18" x 1 3/4", Gr 5
37	445521A1		1 SEAL Snap Ring NSS, Incl In seal
38	197514A2		1 SWITCH Neutral Start Switch
39	NSS		1 NOT SERVICED SEPARATELY Plate, Incl In 1
40	NSS		1 NOT SERVICED SEPARATELY Housing, Incl In 1
41	NSS		1 NOT SERVICED SEPARATELY Flange, Incl In 1
42	NSS		1 NOT SERVICED SEPARATELY Housing, Incl In 1
43	NSS		1 NOT SERVICED SEPARATELY Pump, Incl In 1
44	NSS		1 NOT SERVICED SEPARATELY Front Cover, Incl In 1

5140-COMBINE - TIER 2

HOSE ASSY., DRIVE, HYDROSTATIC MOTOR

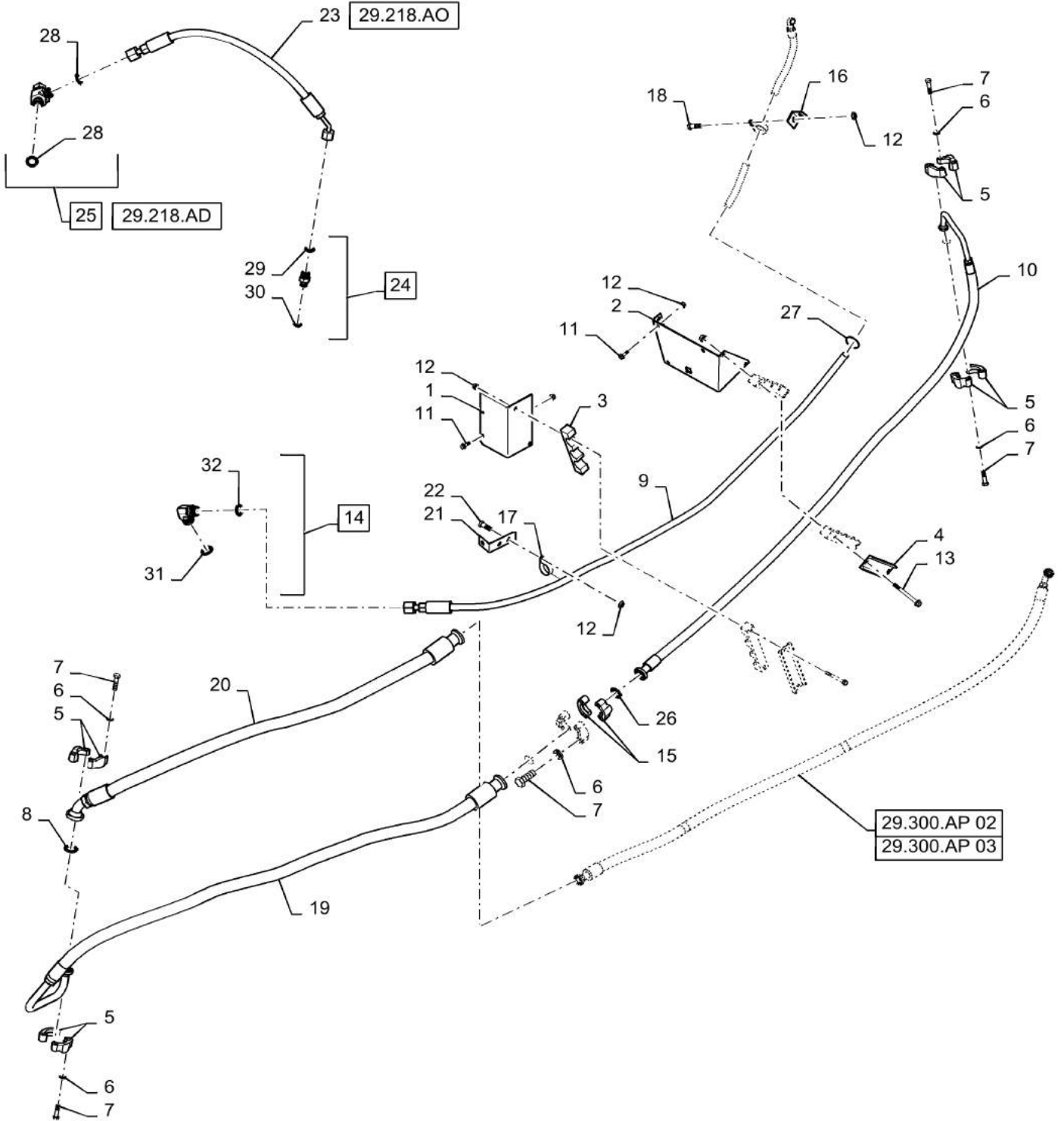


HOSE ASSY., DRIVE, HYDROSTATIC MOTOR

REF FN	PART NUMBER	YR/SN	QTY DESCRIPTION
1	87727971		1 BRACKET Hydro Clamp, Middle
2	87609162		1 BRACKET Rear Tube Support
3	47374382		4 HOSE CLAMP Half Clamp - Order 2 for Complete
4	87727969		1 BRACKET Channel, Clamp
5	S97224		8 CLAMP 1" Split Flange
6	87019792		16 WASHER 0.47" ID x 0.92" OD x 0.1" Thk
7	87019709		16 BOLT Hex, 7/16"-14 x 1 3/4", G8
8	238-6219		3 O-RING 0.139" Thk x 1.296" ID, -219, CI 6, 90 Duro
9	84156341		1 HOSE ASSY. 25.4mm ID x 4550mm L, SAE 100R1 Drain
10	84156344		1 HOSE ASSY. 31.75mm ID x 3165mm L, SAE 100R15 Reverse
11	87698833		4 BOLT M8 x 33.1mm, CI 10.9
12	86507066		10 FLANGE NUT M8 x 1.25, CI 10
13	87670762		2 BOLT Hex, M8 x 90mm, CI 10.9
14	9846956		1 90 ELBOW 90°, 1-7/16"-12 x 1-1/16"-12, Adj, ORFS Incl 31 - 32
15	86980733		8 CLAMP Split Flange, 32mm
16	84161205		1 BRACKET Clamp Support
17	86637998		2 CLAMP 38.1mm, Coat, 10.3mm Bolt Hole, P Type
18	87681207		1 BOLT M8 x 24.1mm, CI 10.9
19	84156345		1 HOSE ASSY. Reverse Hydrostatic
20	84156342		1 HOSE ASSY. 31.75mm ID x 1225mm L, SAE 100R15 Forward Hydrostatic
21	87549264		1 SUPPORT TUBE 112.4 mm L
22	87656137		2 BOLT M8 x 28.1mm, CI 10.9
23	87396619		1 HOSE ASSY. 2 Speed Motor Charge, Var - 425297, 425301

5140-COMBINE - TIER 2

HOSE ASSY., DRIVE, HYDROSTATIC MOTOR



HOSE ASSY., DRIVE, HYDROSTATIC MOTOR

REF FN	PART NUMBER	YR/SN	QTY DESCRIPTION
24	201-100		1 HYD CONNECTOR 9/16"-18 ORFS x 7/16"-20 ORB Var - 425297, 425301, Incl 29 - 30
25	86729454		1 TEE 1 1/16"-18, Var - 425297, 425301, Incl 28
26	235757		3 O-RING 0.139" Thk x 1.484" ID, -222, Cl 6, 90 Duro
27	87108048		1 SECURING STRAP Cinching, 330mm
28	5185510		2 O-RING 1.78mm Thk x 9.25mm ID, 85 Duro
29	237-6004		1 O-RING 0.072" Thk x 0.351" ID, -904, Cl 6, 90 Duro
30	238-6011		1 O-RING 0.07" Thk x 0.301" ID, -11, Cl 6, 90 Duro
31	9824050		1 O-RING 0.07" Thk x 0.926" ID, -21, Cl 6, 90 Duro
32	167266		1 O-RING 0.116" Thk x 0.924" ID, -912, Cl 6, 90 Duro

5140-COMBINE - TIER 2

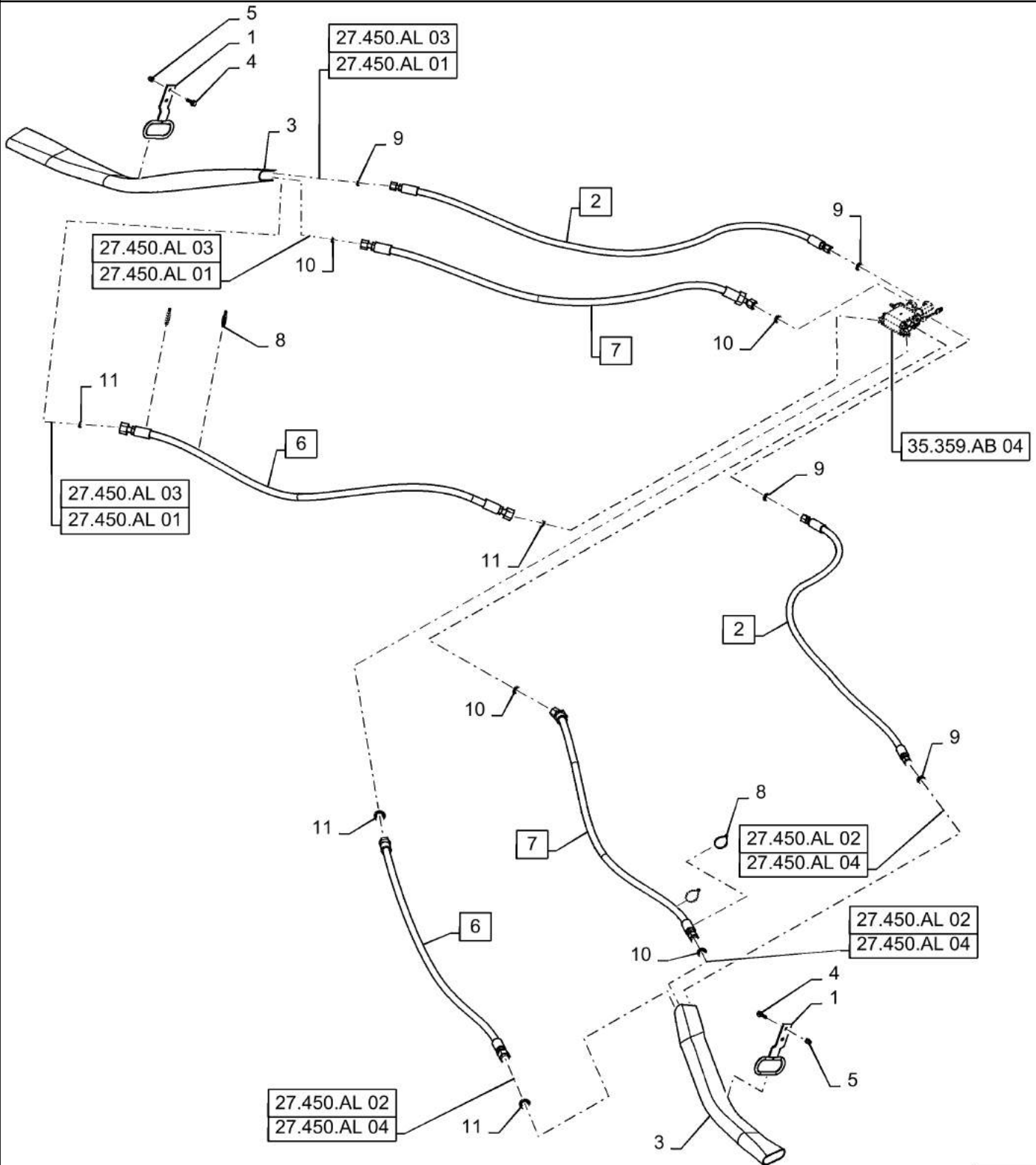
29.300.AP

01

p1

7/2015

HYDRAULIC LINE, REAR AXLE ASSY, SINGLE SPEED, 2-SPEED



29.300.AP

01

p1

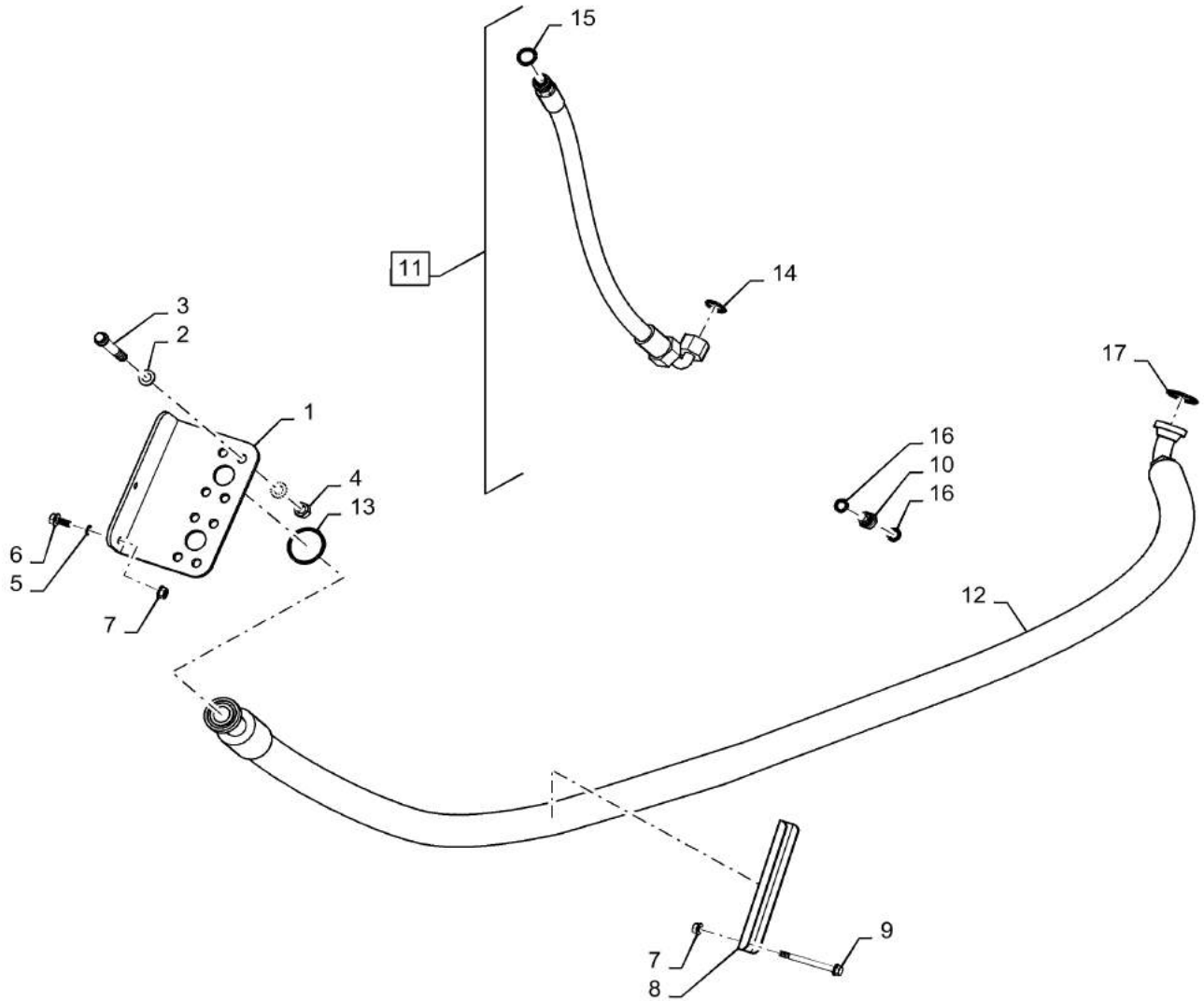
7/2015

HYDRAULIC LINE, REAR AXLE ASSY, SINGLE SPEED, 2-SPEED

REF FN	PART NUMBER	YR/SN	QTY DESCRIPTION
1	84414707		2 BRACKET Retaining Loop
2	84283896		2 HOSE ASSY. Motor Drain, Incl 9
3	87713439		2 SLEEVE PGA Hose Cover
4	87698833		4 BOLT M8 x 33.1mm, Cl 10.9
5	87697608		12 NUT Rivnut, M8 x 1.25
6	84143350		2 HOSE ASSY. Motor Forward, Incl 10
7	84143349		2 HOSE ASSY. Motor Reverse, Incl 11
8	86566989		4 CABLE TIE 208mm L
9	9992298		4 O-RING 0.07" Thk x 0.489" ID, -14, Cl 6, 90 Duro
10	9992069		4 O-RING 0.07" Thk x 0.614" ID, -16, Cl 6, 90 Duro
11	9991976		4 O-RING 0.07" Thk x 0.739" ID, -18, Cl 6, 90 Duro

5140-COMBINE - TIER 2

HYDRAULIC LINE, REAR AXLE ASSY, STANDARD



29.300.AP

02

p1

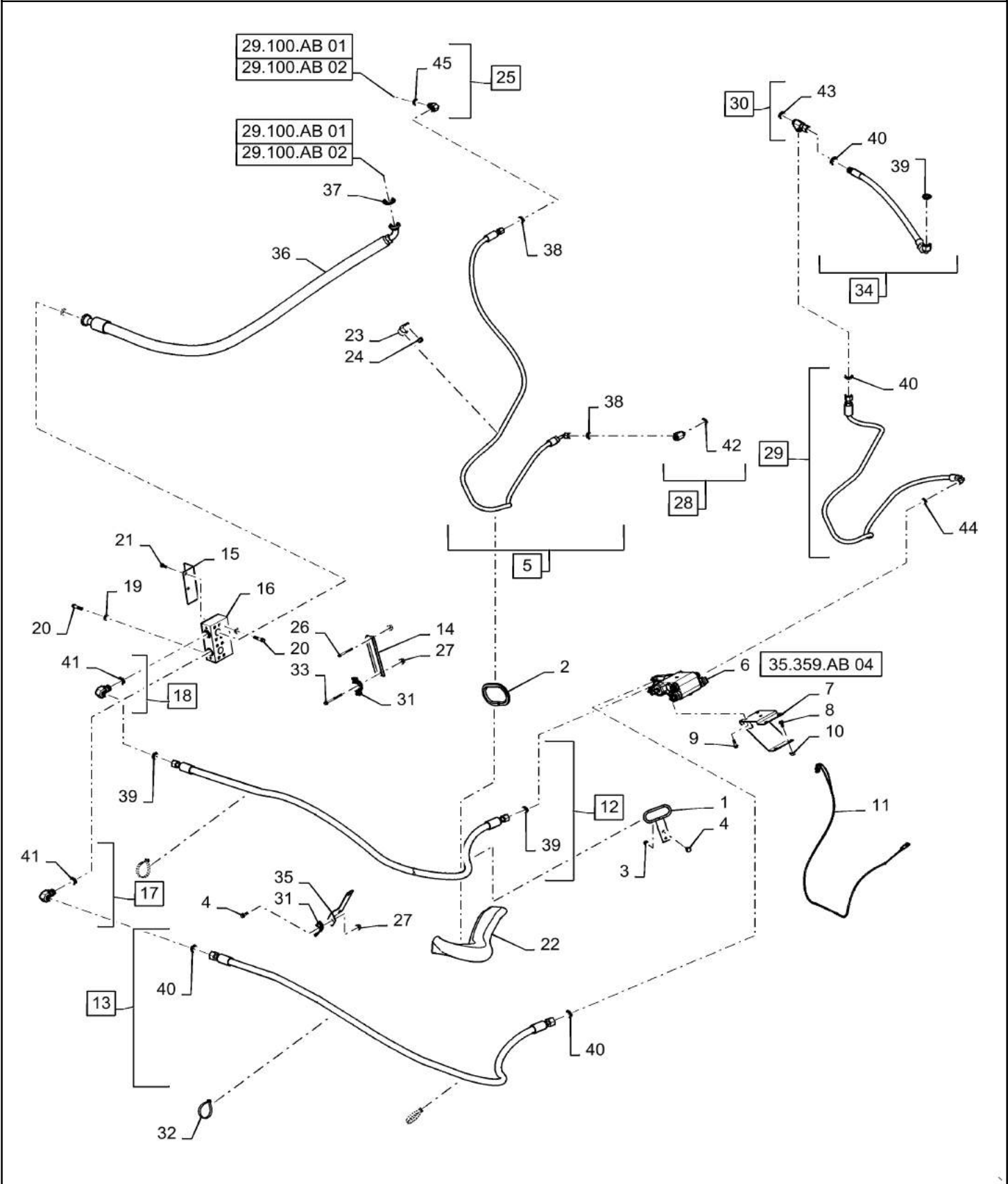
7/2015

HYDRAULIC LINE, REAR AXLE ASSY, STANDARD

REF FN	PART NUMBER	YR/SN	QTY DESCRIPTION
1	84197923		1 BRACKET Non Powered Flange Connection
2	86625255		16 WASHER 13.3mm ID x 24.5mm OD x 3mm Thk
3	87026653		8 SCREW 12 Pt Hd, M12 x 85, 12.9
4	337475		8 NUT M12, CI 10
5	131-440		2 PUSH-ON NUT 5/16"
6	87656137		2 BOLT M8 x 28.1mm, CI 10.9
7	86507066		4 FLANGE NUT M8 x 1.25, CI 10
8	87727969		1 BRACKET Channel, Clamp Backup
9	87670762		2 BOLT Hex, M8 x 90mm, CI 10.9 Flange, M8 x 90mm, 10.9
10	214389		1 PLUG 3/4" - 16 ORB Incl 16
11	84348781		1 HOSE ASSY. 15.88mm ID x 725mm L, SAE 100R17 Air Screen Return, Incl 14, 15
12	84557184		1 HOSE ASSY. 31.75mm ID x 2960mm L Forward Hydrostatic, Incl 13, 17
13	235757		2 O-RING 0.139" Thk x 1.484" ID, -222, CI 6, 90 Duro
14	9991976		1 O-RING 0.07" Thk x 0.739" ID, -18, CI 6, 90 Duro
15	9992069		1 O-RING 0.07" Thk x 0.614" ID, -16, CI 6, 90 Duro
16	128825		2 O-RING 0.087" Thk x 0.644" ID, -908, CI 6, 90 Duro
17	238-6219		1 O-RING 0.139" Thk x 1.296" ID, -219, CI 6, 90 Duro

5140-COMBINE - TIER 2

HYDRAULIC SYSTEM, REAR AXLE ASSY, SINGLE SPEED, 2-SPEED



29.300.AP

03

p1

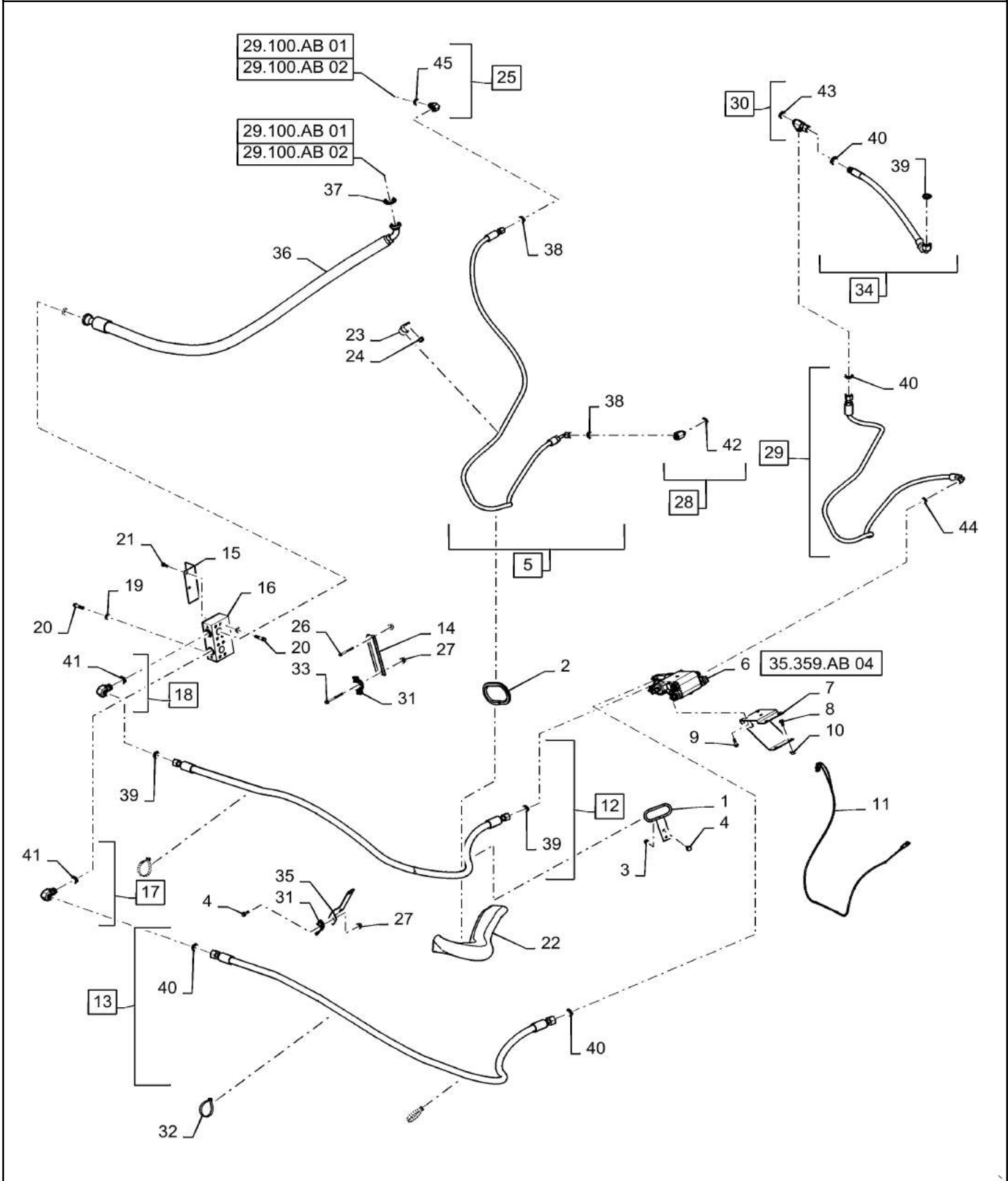
7/2015

HYDRAULIC SYSTEM, REAR AXLE ASSY, SINGLE SPEED, 2-SPEED

REF FN	PART NUMBER	YR/SN	QTY DESCRIPTION
1	87714707		1 BRACKET Hose Retention Loop
2	87063C3		1 SEAL Edge Guard
3	87697608		2 NUT Rivnut, M8 x 1.25
4	87698833		3 BOLT M8 x 33.1mm, CI 10.9
5	47427682		1 HYDRAULIC HOSE Valve Drain, Incl 38
6	84523955		1 VALVE PGA Selector
7	84128104		1 BRACKET PGA Valve
8	87698835		4 FLANGE BOLT M10 x 20mm, Full Thd, CI 10.9
9	409-7620		2 BOLT Hex Flg, 3/8" - 16 x 1 1/4", Spcl
10	87547587		4 LOCK NUT Hex, M10 x 1.5, CI 10
11	87306083		1 CABLE Power Guide Axle
12	84510048		1 HOSE ASSY. 15.88mm ID x 2620mm L, SAE 100R15 Valve Forward, Incl 39
13	84156326		1 HOSE ASSY. Valve Reverse, Incl 40
14	87727969		1 BRACKET Clamp, Backup
15	84197925		1 BRACKET PGA Manifold
16	86976663		1 CONNECTING BLOCK M27 x 2" Ports
17	84100209		1 90 ELBOW 1"-14 ORFS x M27 x 2 ORB Incl 41
18	86579697		1 ELBOW 90°, 1-3/16"-12 ORFS x M27 x 2.0 ORB Incl 41
19	86625255		16 WASHER 13.3mm ID x 24.5mm OD x 3mm Thk
20	87026652		16 12 PT SCREW Flg, M12 x 1.75 x 50mm, CI 12.9
21	43139		2 BOLT M10 x 1.5 x 25mm, CI 8.8
22	84171873		1 PROTECTIVE SLEEVE 90mm ID x 850mm L Hose Cover
23	515-25381		2 CLAMP 1 1/2", Insul, 1/2" Bolt
24	86512497		2 FLANGE NUT M12 x 1.75, CI 10
25	9992307		1 90 ELBOW 90°, 13/16"-16 x 3/4"-16 Adj, ORFS Incl 45

5140-COMBINE - TIER 2

HYDRAULIC SYSTEM, REAR AXLE ASSY, SINGLE SPEED, 2-SPEED



29.300.AP

03

p2

7/2015

HYDRAULIC SYSTEM, REAR AXLE ASSY, SINGLE SPEED, 2-SPEED

REF FN	PART NUMBER	YR/SN	QTY DESCRIPTION
26	87670762		1 BOLT Hex, M8 x 90mm, CI 10.9 Flange, M8 x 90mm, 10.9
27	86507066		3 FLANGE NUT M8 x 1.25, CI 10
28	201-409		1 TEE 13/16"-16 ORFS Incl 42
29	84523951		1 HOSE ASSY. 12.7mm ID x 2515mm L, SAE 100R17 Valve Drain, Incl 40, 44
30	201-433		1 TEE 1"-14 ORFS x 1"-14 Sw Run Incl 43
31	84360209		2 BASE Wire Tie
32	84360212		4 CABLE TIE 294.2mm L Strap
33	87301686		1 BOLT M8 x 108.1mm, CI 10.9
34	84517739		1 HOSE ASSY. Air Screen Return, Incl 39 - 40
35	84588535		1 BRACKET Hose Guide
36	84557185		1 HOSE ASSY. 31.75mm ID x 2905mm L, SAE 100R15 Forward Hydrostatic
37	235757		2 O-RING 0.139" Thk x 1.484" ID, -222, CI 6, 90 Duro
38	9992298		2 O-RING 0.07" Thk x 0.489" ID, -14, CI 6, 90 Duro
39	9991976		3 O-RING 0.07" Thk x 0.739" ID, -18, CI 6, 90 Duro
40	9992069		4 O-RING 0.07" Thk x 0.614" ID, -16, CI 6, 90 Duro
41	86598103		2 O-RING 2.9mm Thk x 23.6mm ID, CI 6, 90 Duro
42	238-6014		1 O-RING 0.07" Thk x 0.489" ID, -14, CI 6, 90 Duro
43	238-6016		1 O-RING 0.07" Thk x 0.614" ID, -16, CI 6, 90 Duro
44	9993141		1 O-RING 0.07" Thk x 0.364" ID, -12, CI 6, 90 Duro
45	128825		1 O-RING 0.087" Thk x 0.644" ID, -908, CI 6, 90 Duro

5140-COMBINE - TIER 2

SECTION INDEX

BRAKES & CONTROLS

33.110.AT	01	VALVE, PARKING BRAKE
33.110.AT	02	VALVE, PARKING BRAKE, COMPONENTS
33.202.AK		BRAKES - MASTER
33.202.AP	01	BRAKE LINE, SERVICE
33.202.AP	02	BRAKE LINE, SERVICE, ASN YEG012701
33.202.BN	01	PEDAL, BRAKE
33.202.BN	02	BRAKE, BRAKE LINES, PEDAL, BRAKE LINES
33.202.BN	03	BRAKE VALVE

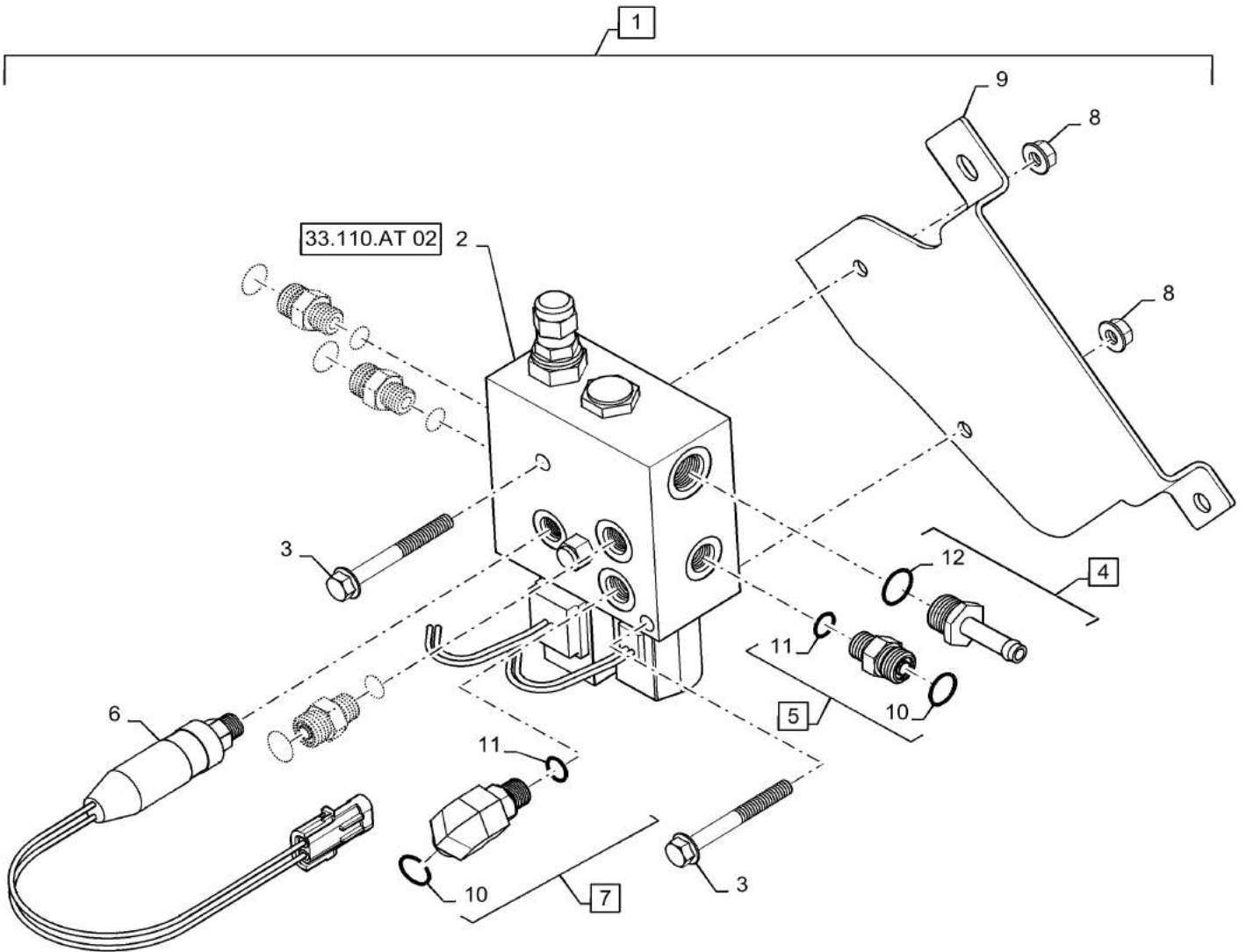
33.110.AT

01

p1

7/2015

VALVE, PARKING BRAKE



33.110.AT

01

p1

7/2015

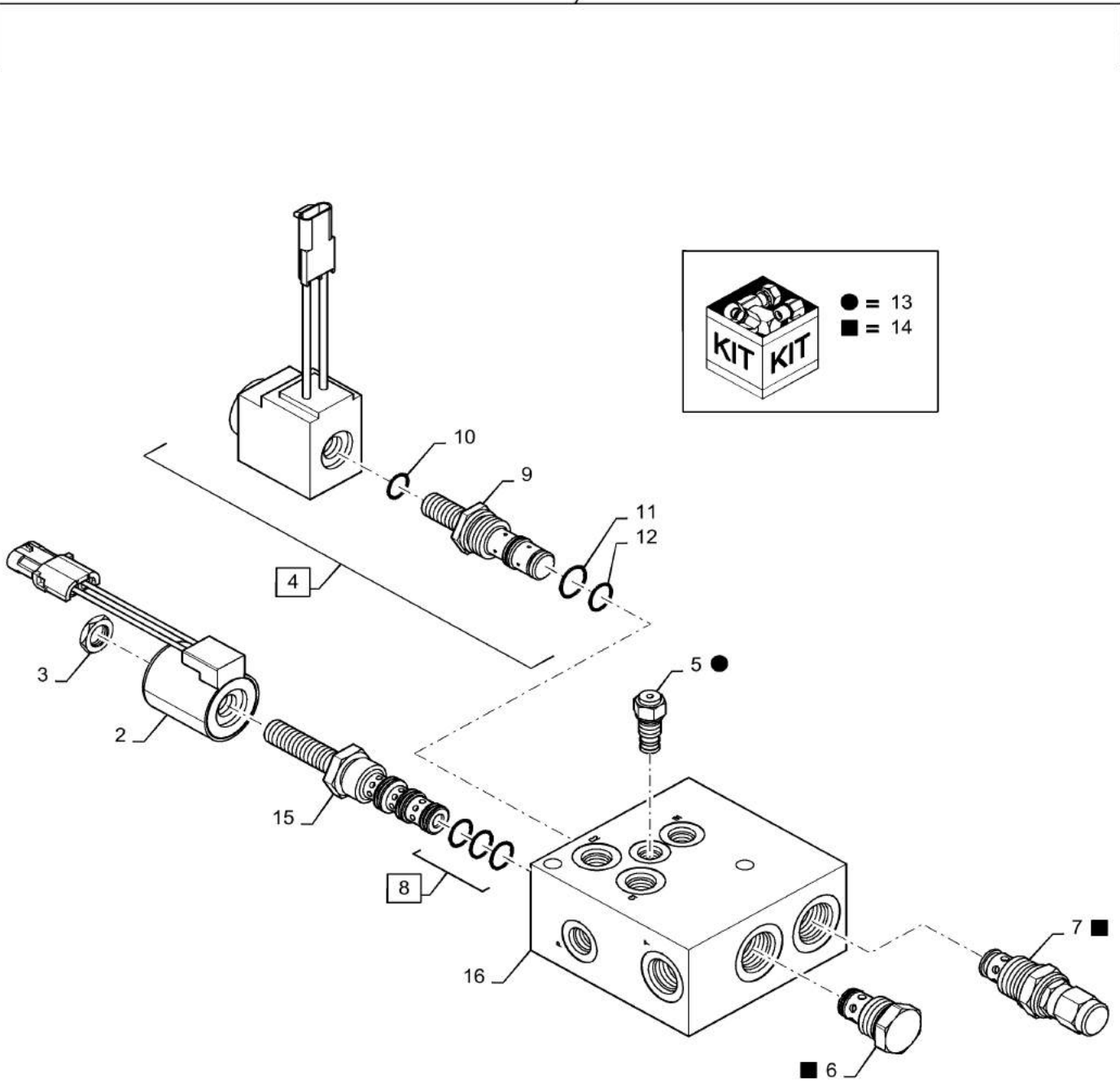
VALVE, PARKING BRAKE

REF FN	PART NUMBER	YR/SN	QTY DESCRIPTION
1	87388129		1 VALVE, BRAKE Parking Brake, Incl 2 - 9
2	129010A4		1 CONTROL VALVE Feeder And Parking Brake
3	87656138		2 BOLT M8 x 78.1mm, CI 10.9 Flange, M8 x 70mm, 10.9
4	217-386		1 FITTING 3/8" Hose x 3/4"-18 ORB, Beaded Incl 12
5	201-101		4 HYD CONNECTOR 11/16"-16 ORFS x 9/16"-18 ORB Incl 10, 11
6	47532787		1 PRESSURE SWITCH Low Pressure
7	201-304		1 ELBOW 90°, 11/16"-16 x 9/16"-18 Adj, ORFS Incl 10, 11
8	86507066		2 FLANGE NUT M8 x 1.25, CI 10
9	87678379		1 SUPPORT Parking Brake Valve
10	9617873		5 O-RING 0.078" Thk x 0.468" ID, -906, CI 6, 90 Duro
11	9993141		5 O-RING 0.07" Thk x 0.364" ID, -12, CI 6, 90 Duro
12	237-6008		1 O-RING 0.087" Thk x 0.644" ID, -908, CI 6, 90 Duro

5140-COMBINE - TIER 2

VALVE, PARKING BRAKE, COMPONENTS

1

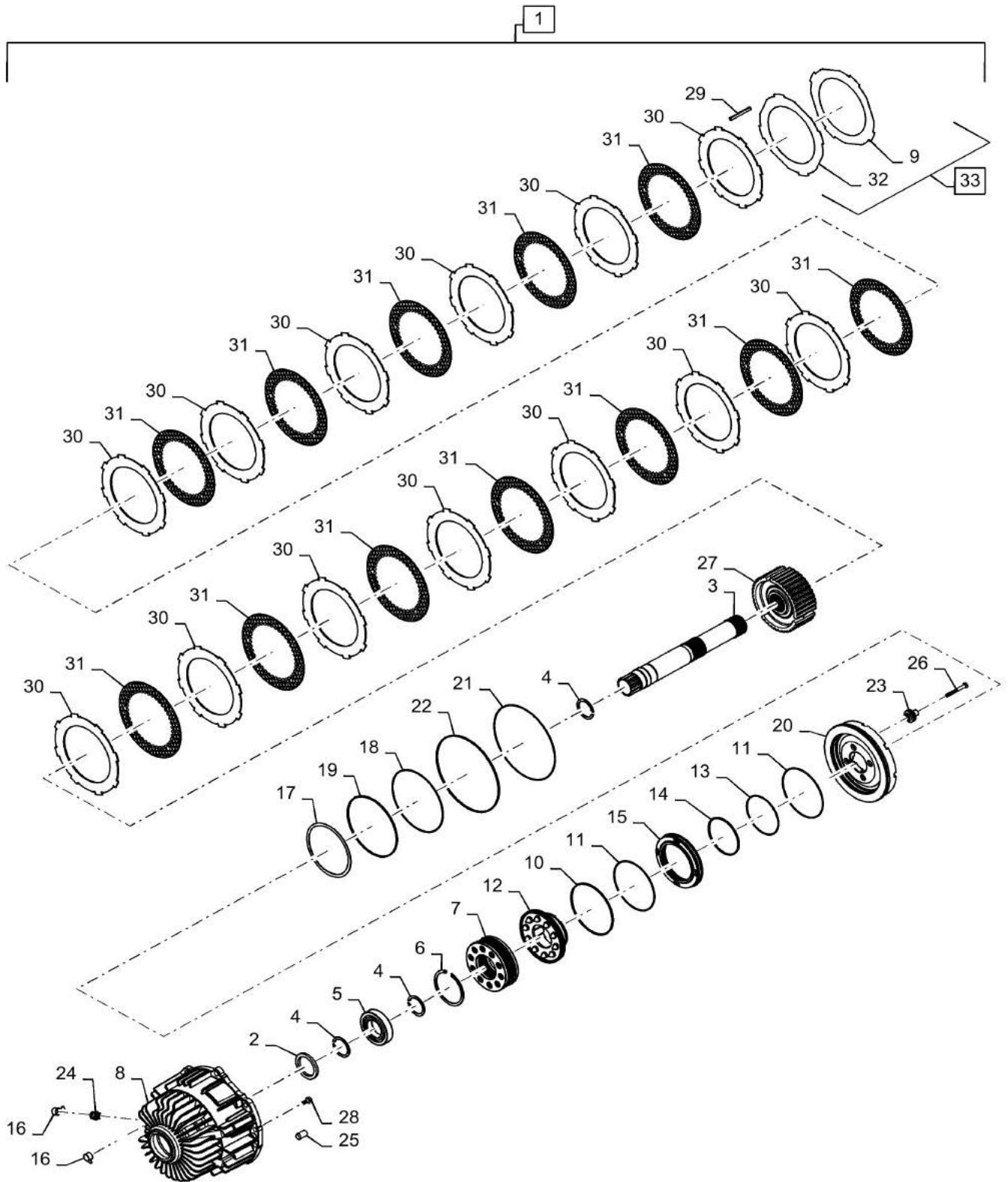


VALVE, PARKING BRAKE, COMPONENTS

REF FN	PART NUMBER	YR/SN	QTY DESCRIPTION
1	129010A4		1 CONTROL VALVE Parking Brake/ Feeder Clutch, Incl 2 - 16
2	1340843C1		1 SOLENOID 12V 12V
3	195683A1		1 JAM NUT 1/2"-20
4	1986618C1		1 SOLENOID Parking Brake, Incl 9 - 12
5	190704A1		1 CHECK VALVE
6	190705A1		1 VALVE POPPET
7	190706A2		1 CHECK VALVE
8	187850C1		1 SEAL KIT Services 15
9	190703A1		1 SOLENOID Parking Brake
10	237-6010		1 O-RING 0.097" Thk x 0.755" ID, -910, CI 6, 90 Duro
11	238-5015		1 O-RING 0.07" Thk x 0.551" ID, -15, CI 5, 75 Duro
12	238-5014		1 O-RING 0.07" Thk x 0.489" ID, -14, CI 5, 75 Duro
13	190707A1		1 SEAL KIT Services 5
14	149942C1		2 SEAL KIT Services 6, 7
15	187849C1		1 SOLENOID VALVE Feeder Clutch
16	NSS		1 NOT SERVICED SEPARATELY Valve Body, Incl In 1

5140-COMBINE - TIER 2

BRAKES - MASTER

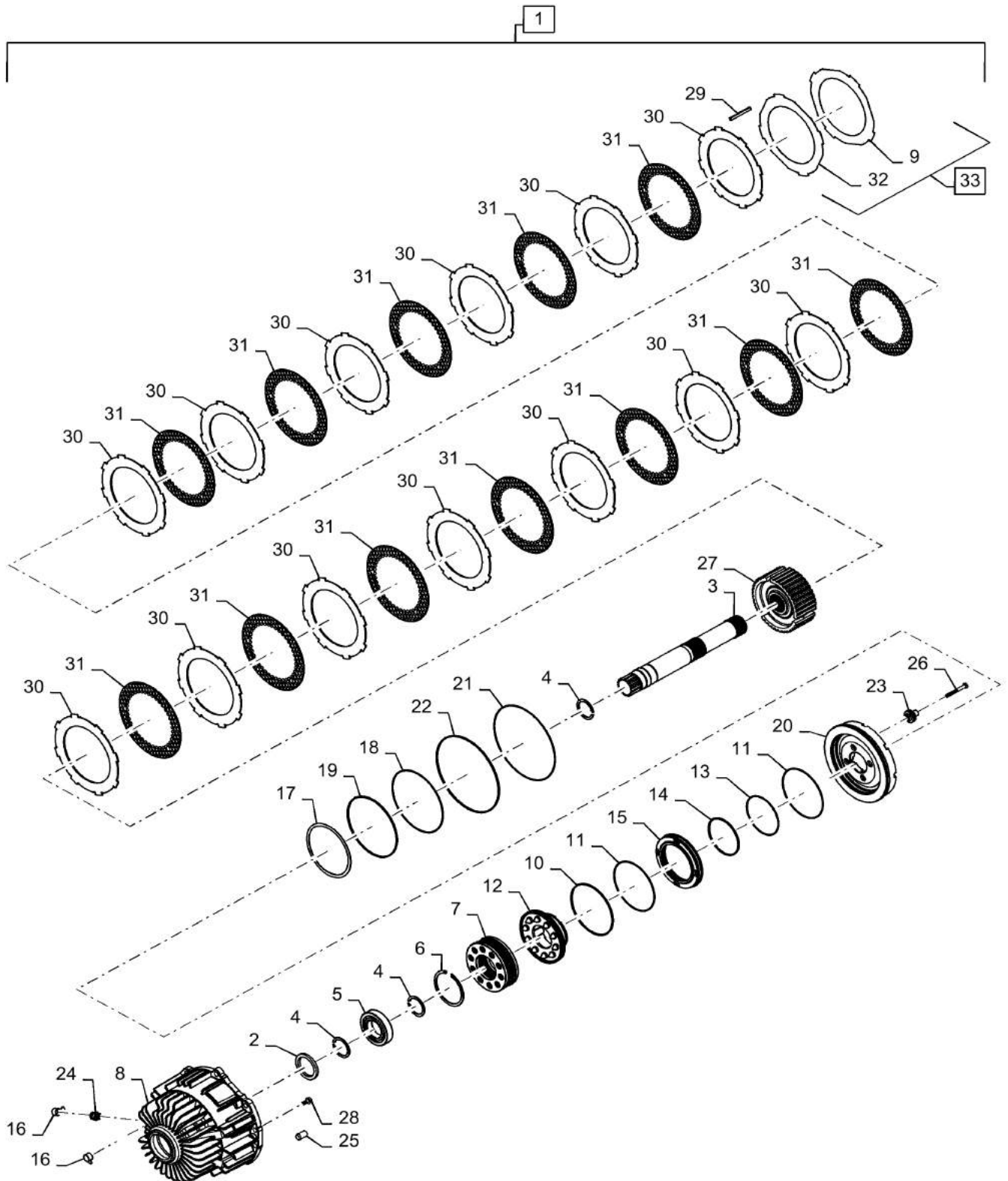


BRAKES - MASTER

REF FN	PART NUMBER	YR/SN	QTY DESCRIPTION
1	236388A1		2 BRAKE ASSY. Master, Incl 2 - 32
1	236388A1R		2 REMAN-BRAKE ASSY. Master, Incl 2 - 32
1	236388A1C		2 CORE-BRAKE ASSY. Return Number
2	184072C1		1 OIL SEAL 55.88mm ID x 76.2mm OD x 9.5mm Thk Output Shaft
3	236378A1		1 SHAFT Transmission Output
4	358059R1		3 SNAP RING External, #211, 1.95" ID
5	A21266		1 BALL BEARING 2.1654" ID x 3.937" OD x 0.8268"
6	101-21393		1 SNAP RING #393, 4.234", Int
7	1997999C2		1 SPRING Parking Brake
8	1997395C1		1 HOUSING Brake
9	193086A1		2 SHIM 1.062mm
10	1997618C4		1 SEAL 151.1mm ID x 155mm OD x 3.3mm Thk Parking Brake Piston, Outer
11	238-7162		2 O-RING 0.103" Thk x 5.737" ID, -162, CI 7, 75 Duro
12	1997400C1		1 PISTON Parking Brake
13	238-7157		1 O-RING 0.103" Thk x 4.487" ID, -157, CI 7, 75 Duro
14	1997619C4		1 RING 108.2mm ID x 112mm OD x 3.3mm Thk Parking Brake Piston, Inner
15	1997399C1		1 PISTON Reaction
16	189562A1		2 PLUG 5/8"-18
17	102-22625		1 SNAP RING #625, 6.474", Int, Spiral
18	238-7168		1 O-RING -168, CI 7, 7.237" ID x .103" Thk
19	1997617C4		1 SEAL 179.2mm ID x 183mm OD x 3.3mm Thk Service Piston, Inner
20	1997398C1		1 PISTON Service Brake
21	238-7174		1 O-RING -174, CI 7, 8.737" ID x .103" Thk

5140-COMBINE - TIER 2

BRAKES - MASTER

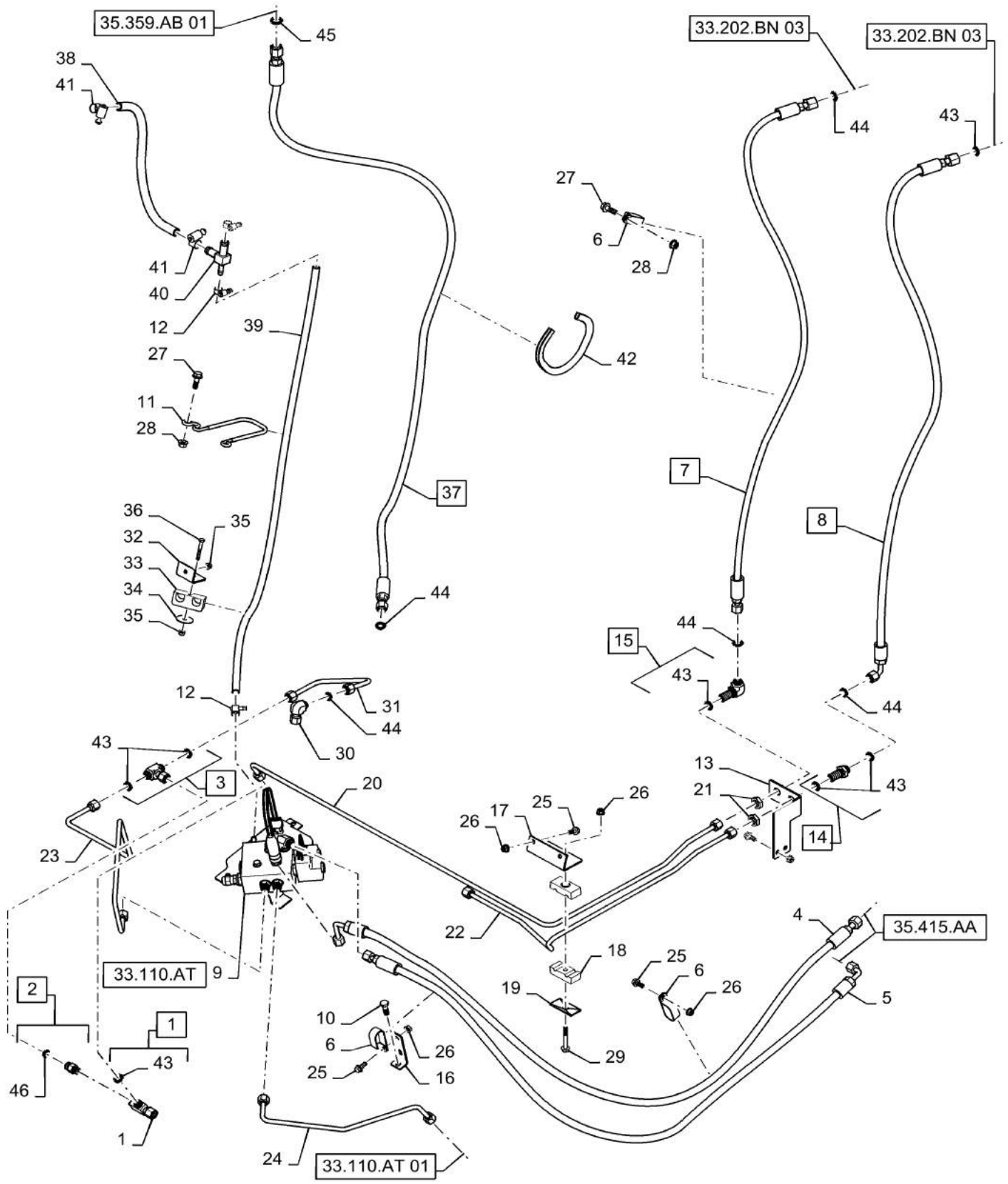


BRAKES - MASTER

REF FN	PART NUMBER	YR/SN	QTY DESCRIPTION
22	1997616C4		1 SEAL 227.1mm ID x 231mm OD x 3.3mm Thk Service Piston, Outer
23	1997900C1		4 SPRING Brake Return
24	201-101		2 HYD CONNECTOR 11/16"-16 ORFS x 9/16"-18 ORB
25	837-16030		2 DOWEL 16mm OD x 30mm L
26	828-8070		4 BOLT Hex, M8 x 1.25 x 70mm, CI 10.9
27	1997394C1		1 HUB Brake
28	845-8020		4 BOLT Hvy Hex, M8 x 20mm, CI 8.8
29	221254A1		8 SPACER Brake Separator
30	1285974C1		13 BRAKE PLATE Master Clutch Separator
31	84159174		12 CLUTCH PLATE 161.8mm ID x 228.5mm OD x 2.85mm Thk Friction
32	196186A1		3 SHIM 0.53mm
33	221598A1		AR SHIM KIT Incl 9, 29, 32

5140-COMBINE - TIER 2

BRAKE LINE, SERVICE

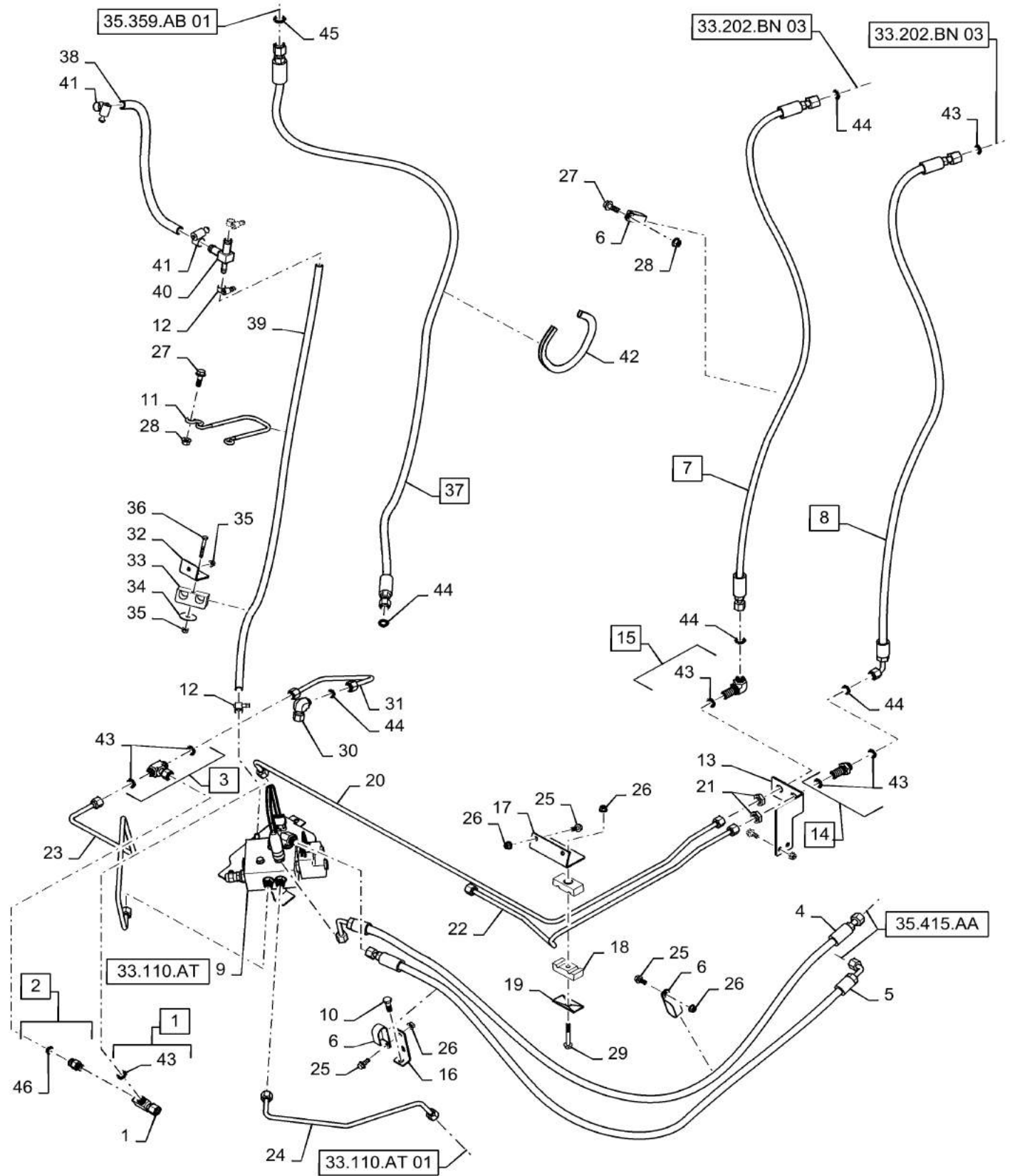


BRAKE LINE, SERVICE

REF FN	PART NUMBER	YR/SN	QTY DESCRIPTION
1	277963A1		1 FITTING Tee, Incl 43
2	277961A1		1 VALVE In-Line Check, Incl 46
3	201-434		1 TEE 11/16"-18 ORFS x 11/16"-18 Sw Br Incl 43
4	87678372		1 HOSE ASSY. Feeder Clutch Cylinder Retract
5	87678374		1 HOSE ASSY. Feeder Clutch Cylinder Extend
6	470375C1		3 CLAMP Retaining
7	84546427		1 HYDRAULIC HOSE 9.53mm ID x 1615mm L, SAE 100R17 Service Brake Left, Incl 44
8	84546428		1 HYDRAULIC HOSE 9.53mm ID x 1590mm L, SAE 100R17 Service Brake Right, Incl 44 - 45
9	87388129		1 VALVE, BRAKE Parking
10	43140		3 BOLT Hex, M10 x 1.5 x 30mm, Cl 8.8
11	232707A1		1 GUIDE Steering Hoses
12	86625041		2 HOSE CLAMP 11.2mm - 19.8mm
13	87544715		1 SUPPORT Brakeline Bulkhead
14	201-120		1 HYD CONNECTOR 11/16"-16, Blkhd, ORFS Incl 43
15	201-357		1 HYD CONNECTOR 90°, 11/16"-16, Blkhd, ORFS Incl 43
16	87385244		1 BRACKET Harness Tube
17	87389849		1 SUPPORT ASSY. Brake Line
18	86988833		1 CLAMP 9.52mm x 9.52mm
19	87000230		1 PLATE Hose Clamp
20	87388134		1 HYD. TUBE 7.747mm ID x 0.375mm OD x 940, 466mm L Service Brake Left
21	87381287		2 LOCK NUT ORFS, 3/8" Tube
22	87544714		1 HYD. TUBE 0.375" OD Service Brake Right
23	87678377		1 HYD. TUBE .375" OD Park Brake Left

5140-COMBINE - TIER 2

BRAKE LINE, SERVICE

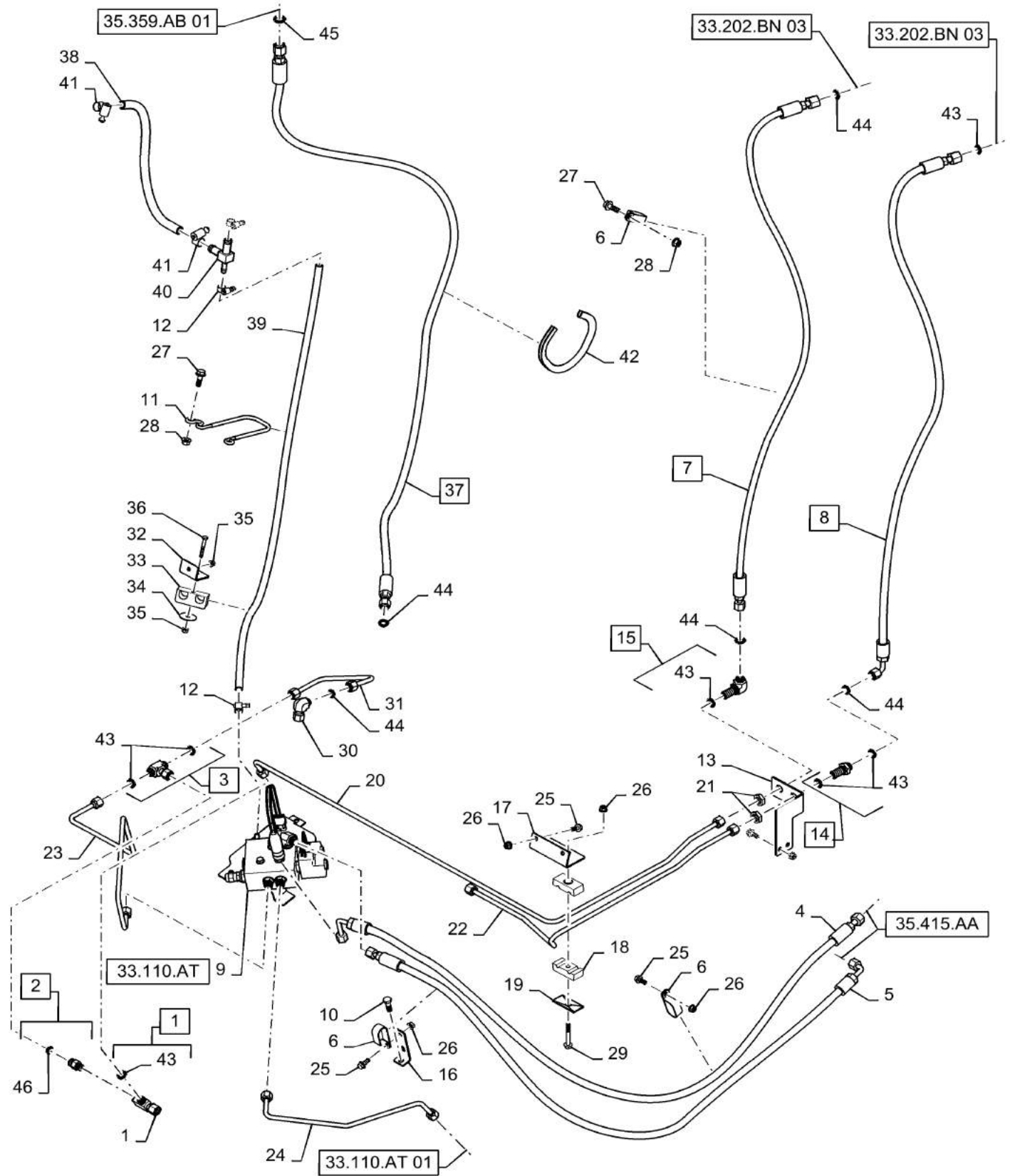


BRAKE LINE, SERVICE

REF FN	PART NUMBER	YR/SN	QTY DESCRIPTION
24	87678376		1 TUBE .375" OD Park Brake Right
25	87656137		6 BOLT M8 x 28.1mm, CI 10.9
26	86507066		7 FLANGE NUT M8 x 1.25, CI 10
27	87698837		3 FLANGE BOLT M10 x 30mm, Full Thd, CI 10.9
28	86050279		3 FLANGE NUT M10 x 1.5, CI 10
29	87670761		1 FLANGE BOLT M8 x 68.1mm, CI 10.9
30	84989392		1 ELBOW 90°, 11/16"-16 ORFS x 11/16"-16 Fem Sw
31	87726278		1 HYD. TUBE .375" OD Tow Check
32	84129335		1 BRACKET Clamp
33	183826C1		1 CLAMP Securing
34	86625239		1 WASHER 0.34" ID x 1.5" OD x 0.06" Thk
35	9626558		2 FLANGE NUT Flg, 1/4"-20
36	87404		1 BOLT Hex, 1/4" - 20 x 2", Gr 5
37	84359850		1 HOSE ASSY. Parking Brake/Feeder Clutch Supply, Incl 44 - 45
38	S118576X		1 LARGE HOSE 15.88mm ID x 7620mm L Drain, Sold By The Foot, Order 2 Feet and Cut To 14.5 In.
39	84260725		1 HOSE ASSY. 9.53mm ID x 1360mm L Return
40	84575664		1 TEE 5/8 In x 5/8 In x 3/8 In
41	87625624		3 HOSE CLAMP 14.2mm ID - 26.9mm ID, SAE #10 #10
42	87063C3		1 SEAL Edge Trim
43	238-6012		6 O-RING 0.07" Thk x 0.364" ID, -12, CI 6, 90 Duro
44	9993141		5 O-RING 0.07" Thk x 0.364" ID, -12, CI 6, 90 Duro
45	9992298		2 O-RING 0.07" Thk x 0.489" ID, -14, CI 6, 90 Duro

5140-COMBINE - TIER 2

BRAKE LINE, SERVICE



33.202.AP

01

p3

7/2015

BRAKE LINE, SERVICE

REF FN	PART NUMBER	YR/SN	QTY DESCRIPTION
46	237-6006		1 O-RING 0.078" Thk x 0.468" ID, -906, CI 6, 90 Duro

5140-COMBINE - TIER 2

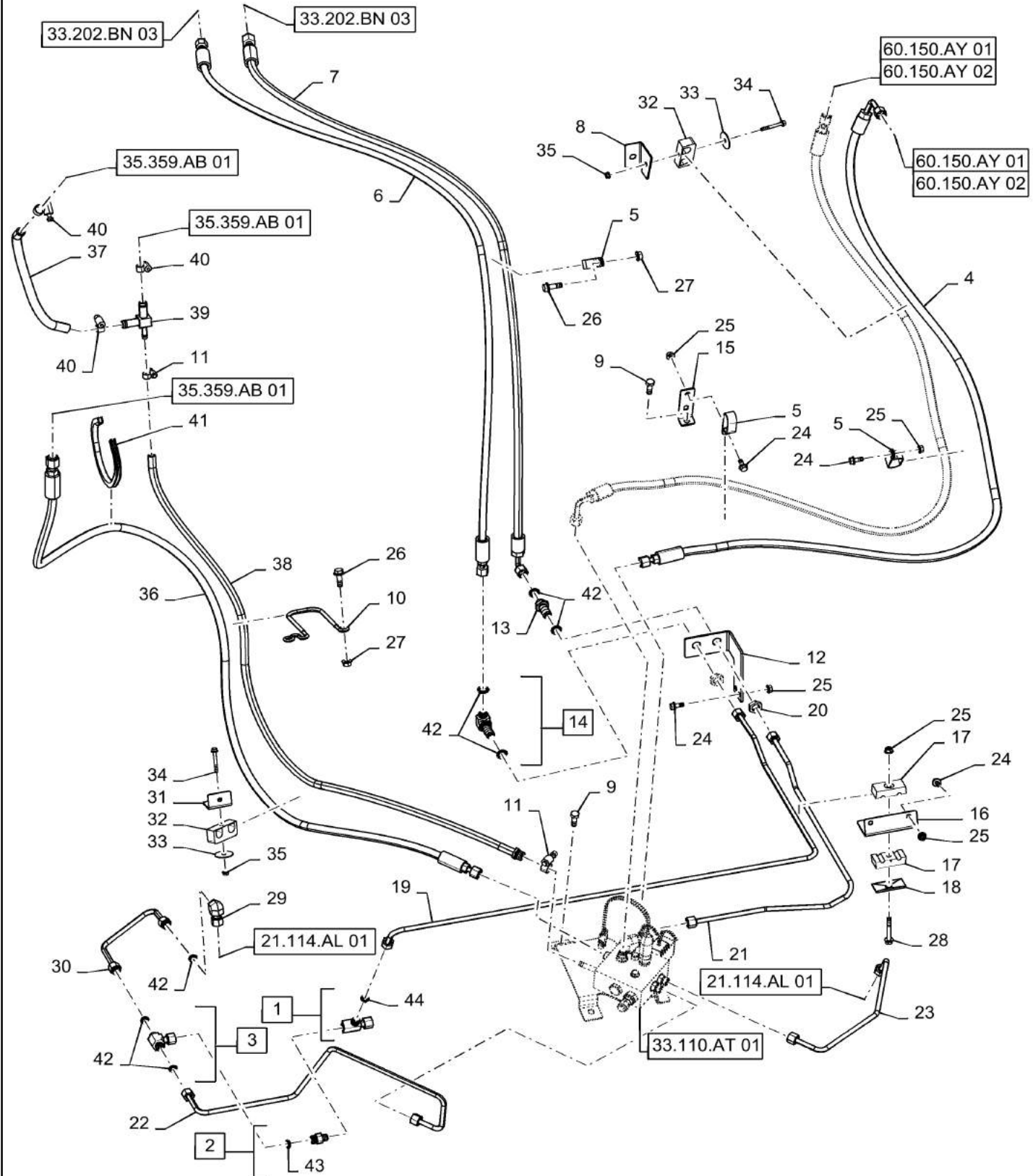
33.202.AP

02

p1

7/2015

BRAKE LINE, SERVICE, ASN YEG012701



BRAKE LINE, SERVICE, ASN YEG012701

REF FN	PART NUMBER	YR/SN	QTY DESCRIPTION
1	277963A1		1 FITTING Tee, Incl 44
2	277961A1		1 VALVE In - Line Check, Incl 43
3	201-434		1 TEE 11/16"-18 ORFS x 11/16"-18 Sw Br Incl 42
4	47493594		2 HOSE Feeder Clutch Cylinder
5	470375C1		3 CLAMP Hydraulic Hose, 1/16" Thk
6	84546427		1 HYDRAULIC HOSE 9.53mm ID x 1615mm L, SAE 100R17 Service Brake Left
7	84546428		1 HYDRAULIC HOSE 9.53mm ID x 1590mm L, SAE 100R17 Service Brake Right
8	47493785		1 BRACKET Hydraulic Hose, Mounting
9	43140		3 BOLT Hex, M10 x 1.5 x 30mm, CI 8.8
10	232707A1		1 GUIDE Steering Hose, 152mm OAL x 120.7mm W
11	86625041		2 HOSE CLAMP 11.2mm - 19.8mm
12	87544715		1 SUPPORT Brake Line Bulkhead, Bracket
13	201-120		1 HYD CONNECTOR 11/16"-16, Blkhd, ORFS
14	201-357		1 HYD CONNECTOR 90°, 11/16"-16, Blkhd, ORFS Incl 42
15	87385244		1 BRACKET Support, Harness Tube, 110mm OAL x 30mm W
16	87389849		1 SUPPORT ASSY. Brake Line To Bulkhead Bracket
17	86988833		1 CLAMP Hydraulic Tube, 67mm OAL x 30mm W
18	87000230		1 PLATE Hose Clamp, 65mm OAL x 30mm W
19	87388134		1 HYD. TUBE 7.747mm ID x 0.375mm OD x 940, 466mm L
20	87381287		2 LOCK NUT Bulkhead, 3/8" Tube
21	87544714		1 HYD. TUBE 0.375" OD
22	87678377		1 HYD. TUBE .375" OD
23	87678376		1 TUBE .375" OD
24	87656137		6 BOLT M8 x 28.1mm, CI 10.9

5140-COMBINE - TIER 2

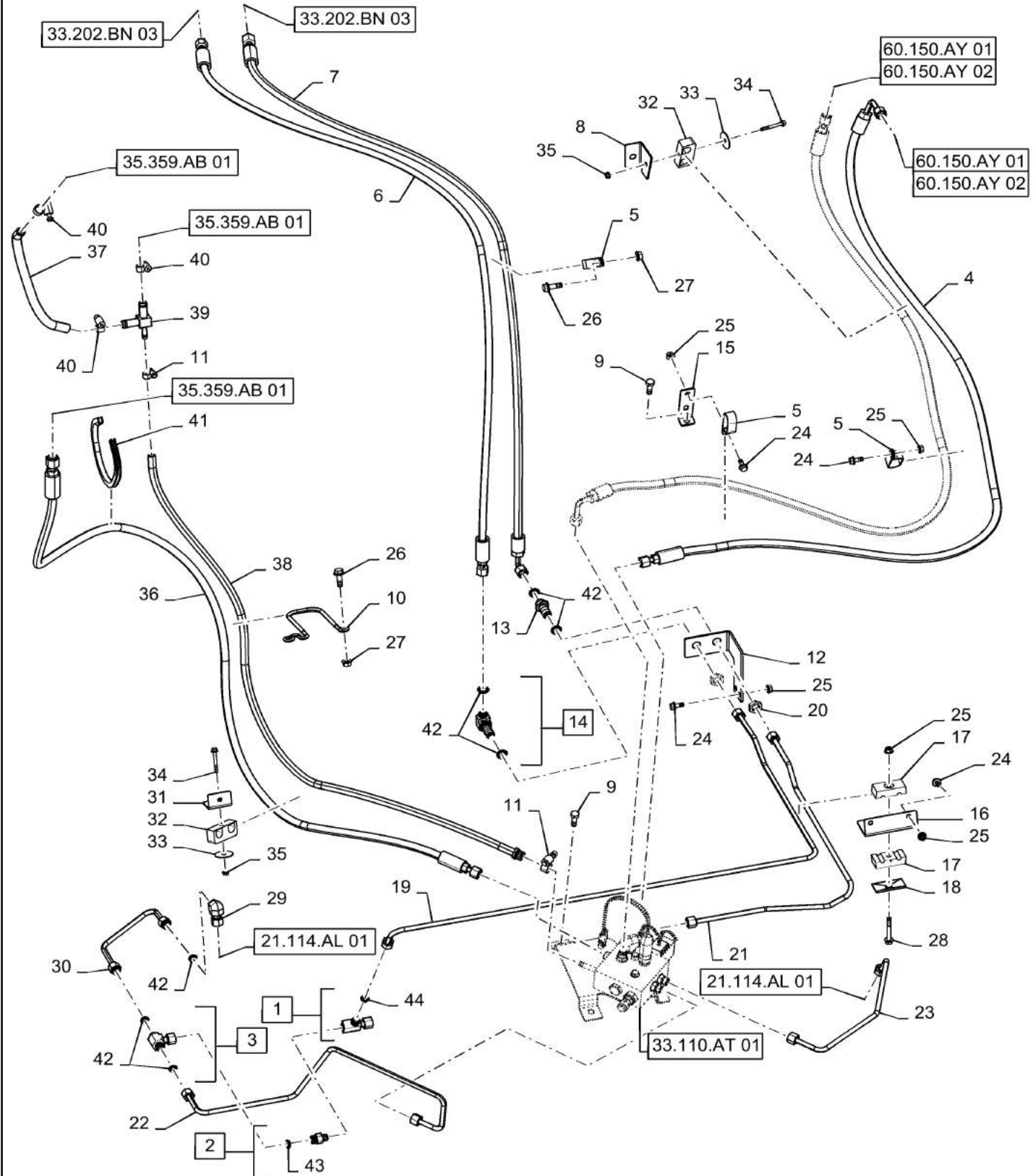
33.202.AP

02

p2

7/2015

BRAKE LINE, SERVICE, ASN YEG012701



BRAKE LINE, SERVICE, ASN YEG012701

REF FN	PART NUMBER	YR/SN	QTY DESCRIPTION
25	86507066		7 FLANGE NUT M8 x 1.25, CI 10
26	87698837		3 FLANGE BOLT M10 x 30mm, Full Thd, CI 10.9
27	86050279		3 FLANGE NUT M10 x 1.5, CI 10
28	87670761		1 FLANGE BOLT M8 x 68.1mm, CI 10.9
29	84989392		1 ELBOW 90°, 11/16"-16 ORFS x 11/16"-16 Fem Sw
30	87726278		1 HYD. TUBE .375" OD
31	84129335		1 BRACKET Hydraulic Hose, Mounting
32	183826C1		2 CLAMP Hydraulic Hose, 2.76" OAL
33	86625239		2 WASHER 0.34" ID x 1.5" OD x 0.06" Thk
34	87670760		2 FLANGE BOLT M6 x 56.6mm, CI 10.9
35	86050300		2 FLANGE NUT M6 x 1.0, CI 10
36	84359850		1 HOSE ASSY. Park Brake To Feeder Clutch Valve Supply
37	S118576X		AR LARGE HOSE 15.88mm ID x 7620mm L Cut From Bulk
38	84260725		1 HOSE ASSY. 9.53mm ID x 1360mm L Return, S.C.V To U.C.
39	84575664		1 TEE 5/8" Nipple, 3/8" Nipple, 100mm OAL
40	87625624		3 HOSE CLAMP 14.2mm ID - 26.9mm ID, SAE #10 Wormgear, Type F, 26.9mm Open, 14.2mm Closed
41	87063C3		1 SEAL 16" OAL
42	9993141		7 O-RING 0.07" Thk x 0.364" ID, -12, CI 6, 90 Duro
43	237-6006		1 O-RING 0.078" Thk x 0.468" ID, -906, CI 6, 90 Duro
44	238-6012		2 O-RING 0.07" Thk x 0.364" ID, -12, CI 6, 90 Duro

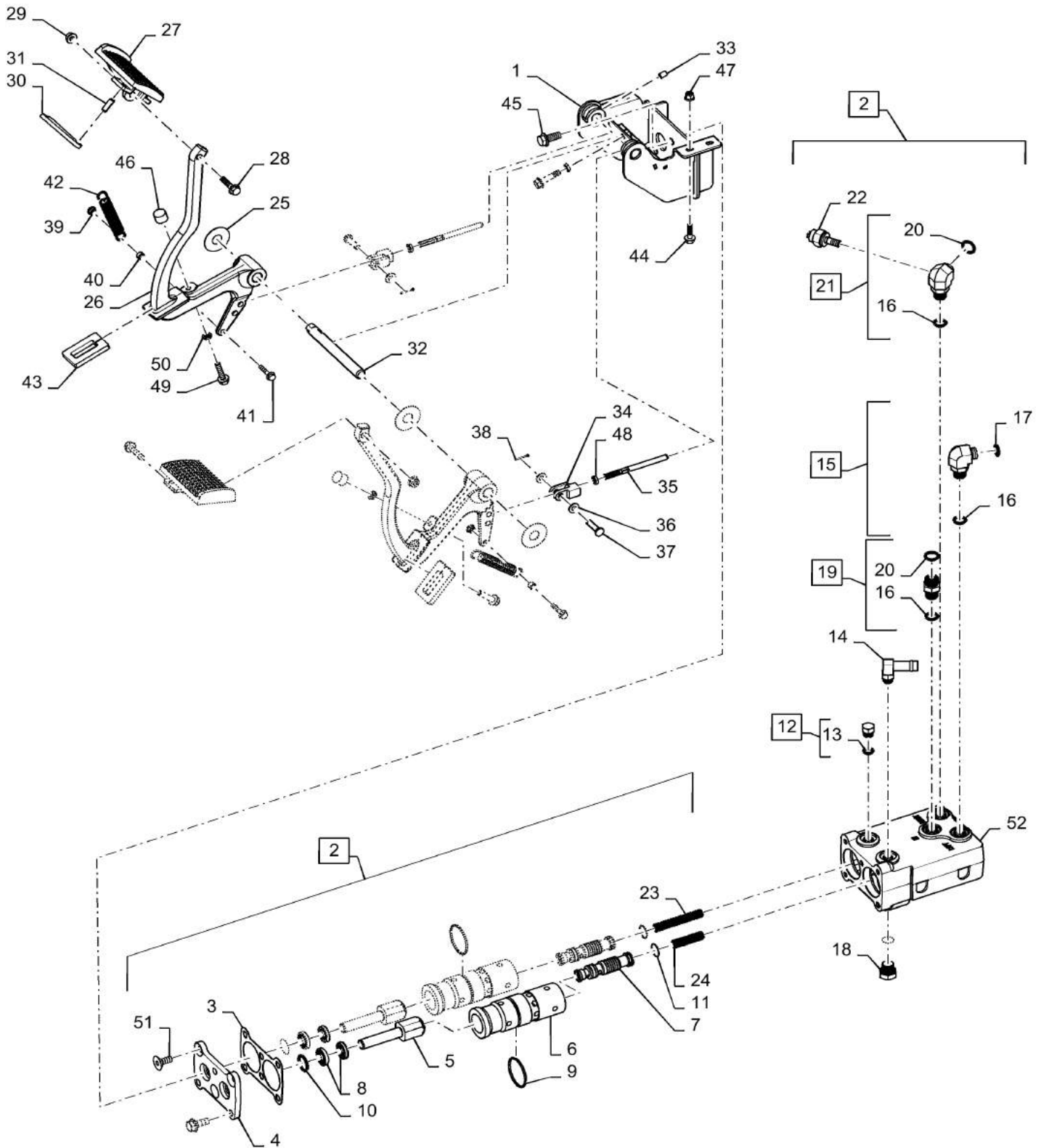
5140-COMBINE - TIER 2

PEDAL, BRAKE

REF FN	PART NUMBER	YR/SN	QTY DESCRIPTION
1	47423425		1 BRACKET Brake Valve Mount
2	47490840		1 VALVE Brake, Incl 3 - 24, 51, 52
3	403356A1		1 GASKET 0.92mm Thk Brake Valve
4	397111A1		1 PLATE Firewall Mount
5	433199A1		2 POPPET Brake
6	397105A5		2 SLEEVE 50.774mm OD
7	397106A5		2 SPOOL 21.986mm OD
8	A63399		2 OIL SEAL 15.87mm ID x 28.73mm OD x 6.35mm Thk Poppet
9	407387A1		2 SEAL 47.64mm ID x 50.8mm OD x 2.38mm Thk 50.8mm OD x 47.64 ID x 2.38
10	87016962		2 O-RING 0.103" Thk x 1.674" ID, -131, CI 7, 75 Duro
11	407282A1		2 SNAP RING 20.60mm ID x 1.30mm
12	76349		1 PLUG 9/16" - 18 ORB Incl 13
13	9617873		1 O-RING 0.078" Thk x 0.468" ID, -906, CI 6, 90 Duro
14	217-342		1 FITTING 90°, 5/8" Hose x 9/16"-18 ORB Beaded
15	86579688		1 ELBOW 90°, 11/16"-18 ORFS x M18 x 1.5 ORB Incl 16, 17
16	86598101		3 O-RING 2.2mm Thk x 15.3mm ID, CI 6, 90 Duro
17	9993141		1 O-RING 0.07" Thk x 0.364" ID, -12, CI 6, 90 Duro
18	87030025		1 PLUG Hex, M18 x 1.5 ORB
19	86579676		1 HYD CONNECTOR 13/16" - 16 ORFS x M18 x 1.5 ORB Incl 16, 20
20	9992298		1 O-RING 0.07" Thk x 0.489" ID, -14, CI 6, 90 Duro
21	47389513		1 TEE 13/16"-16 x M18, Incl 16, 20
22	47489262		1 LIMIT SWITCH Brake Pressure
23	397110A1		2 COMPRESSION SPRING Pedal Return
24	433196A2		2 SPRING Outer Return

5140-COMBINE - TIER 2

PEDAL, BRAKE

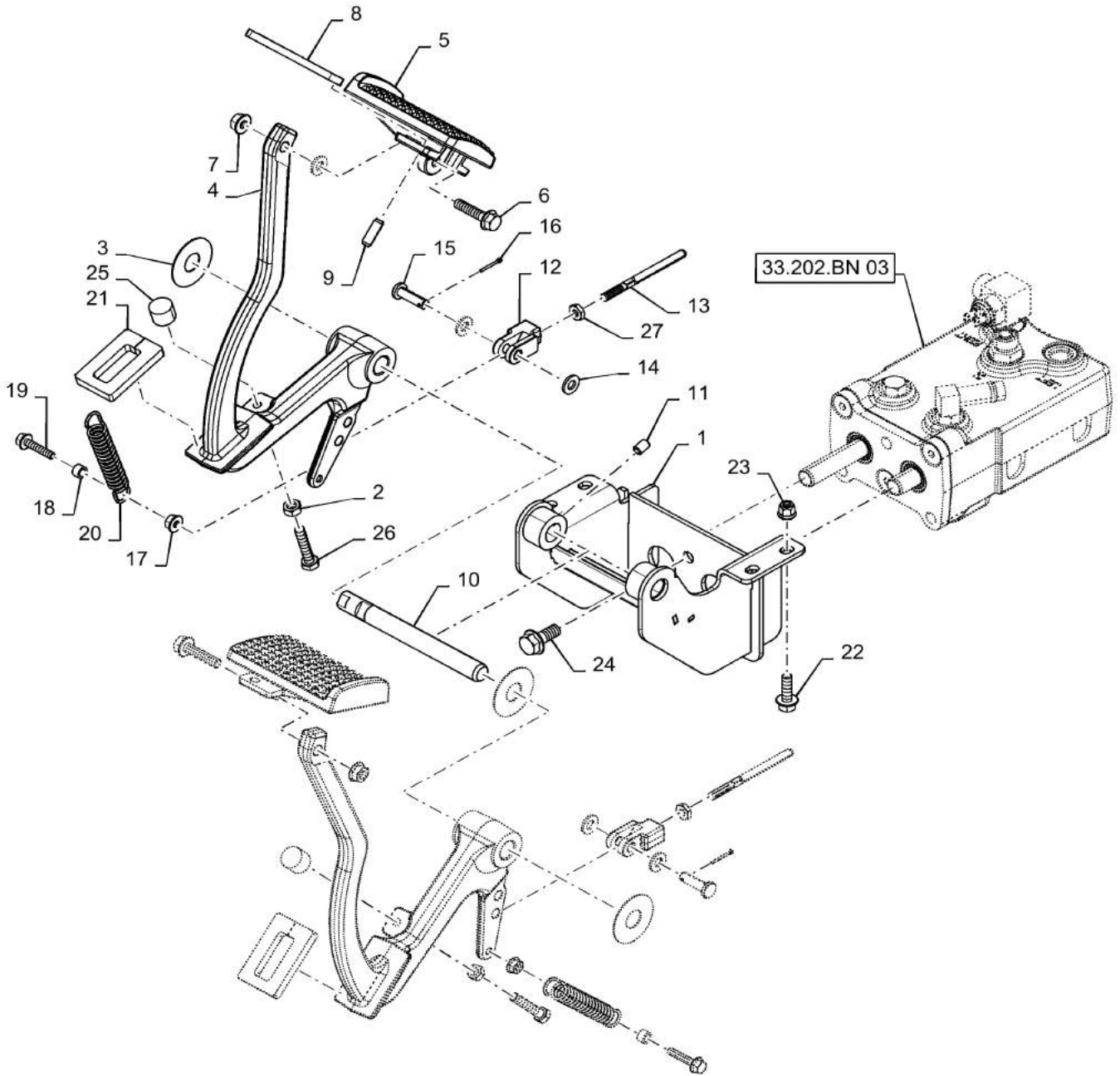


PEDAL, BRAKE

REF FN	PART NUMBER	YR/SN	QTY DESCRIPTION
25	393062		3 WASHER 17mm ID x 45mm OD x 1mm Thk
26	47536014		2 ARM Brake Pedal
27	84536915		2 PAD Brake Pedal
28	84465299		6 FLANGE BOLT M8 x 43.1mm, CI 10.9 Flange, M8 x 35mm, Full Thread, 10.9
29	87681210		2 FLANGE NUT M8 x 1.25, CI 10
30	47420664		1 ARM Brake Pedal Lock
31	87584294		1 PIN Spring, M8 x 24mm
32	47423468		1 SHAFT Brake Pedal Pivot
33	84814918		2 SET SCREW M8 x 12mm, CI 8.8
34	47404990		2 CLEVIS Brake Pedal
35	47400259		2 LINK Connecting Rod
36	83931520		4 WASHER 8.4mm ID x 17mm OD x 2mm Thk
37	335040		2 CLEVIS PIN M8 x 28mm OAL
38	9512667		2 COTTER PIN M2 x 20mm OAL
39	86050300		2 FLANGE NUT M6 x 1.0, CI 10
40	87605321		2 SPACER 6.8mm ID x 10.3mm OD x 6.4mm L 1/8" Pipe, 1/4"
41	87698760		2 FLANGE BOLT M6 x 36.6mm, CI 10.9
42	47394672		2 SPRING Extension
43	47536021		2 SEAL Cab Pedal
44	87698833		4 BOLT M8 x 33.1mm, CI 10.9
45	87698836		3 BOLT M10 x 25mm, Full Thd, CI 10.9
46	47408190		2 RUBBER BUMPER Pedal Stop
47	87284531		4 NUT Rivnut, M8 x 1.25, 0.5mm - 3mm Grip Range Rivet, M8
48	16102311		2 THIN NUT Thin, M8 x 1.25, CI 04
49	120106		4 BOLT M8 x 1.25 x 45.45mm, CI 8.8
50	43362		4 NUT M8 x 1.25, CI 10
51	725583		3 HEX SOC SCREW Flat, M10 x 1.5 x 20mm, CI 8.8
52	NSS		1 NOT SERVICED SEPARATELY Brake Valve Body, Incl In 1

5140-COMBINE - TIER 2

BRAKE, BRAKE LINES, PEDAL, BRAKE LINES

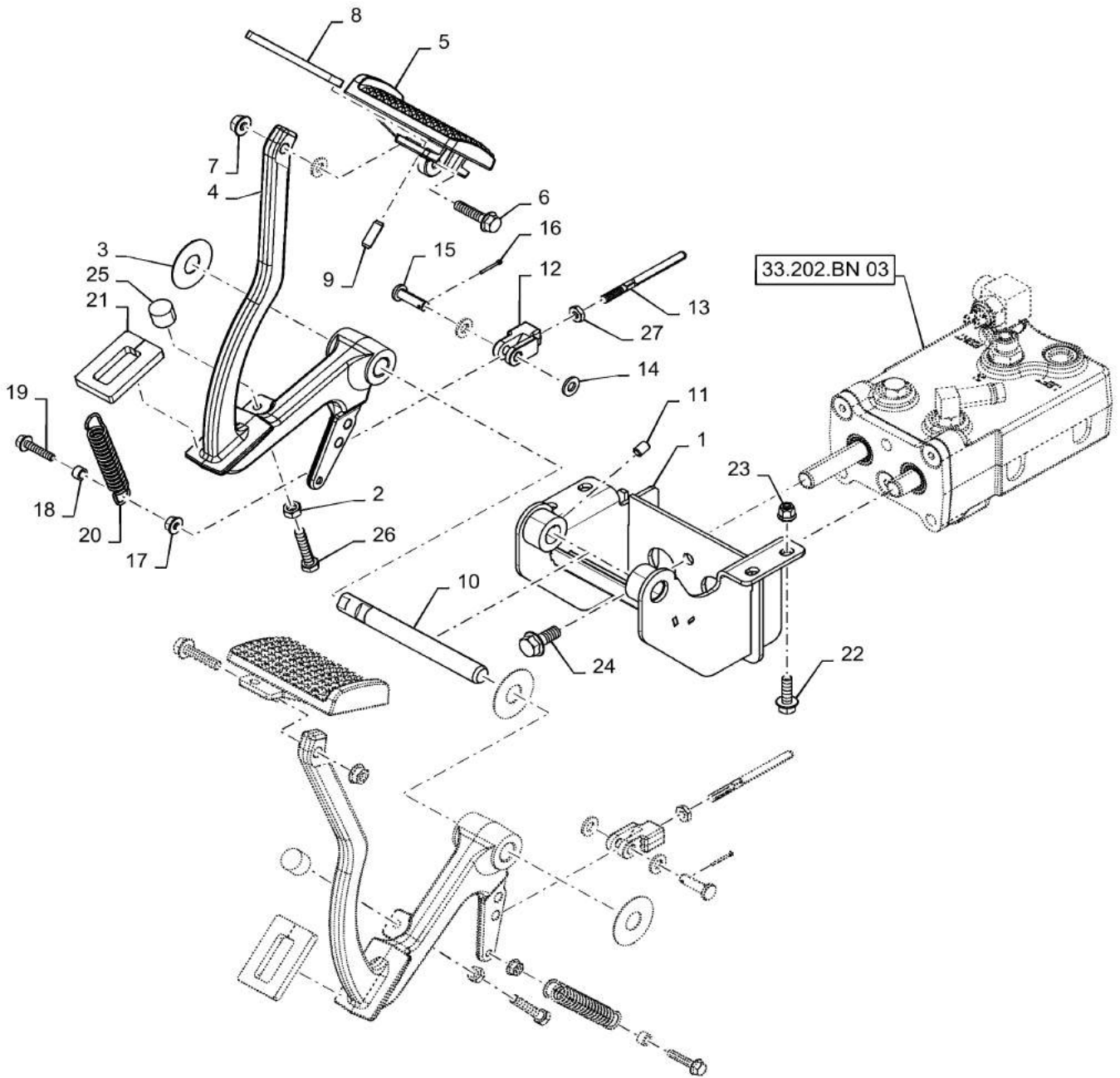


BRAKE, BRAKE LINES, PEDAL, BRAKE LINES

REF FN	PART NUMBER	YR/SN	QTY DESCRIPTION
1	47556682		1 BRACKET Brake Valve Mounting
2	43362		2 NUT M8 x 1.25, CI 10
3	393062		3 WASHER 17mm ID x 45mm OD x 1mm Thk
4	47536014		2 ARM Brake Pedal
5	47639011		2 PAD Brake Pedal
6	84465299		2 FLANGE BOLT M8 x 43.1mm, CI 10.9 M8 x 35mm OAL, CI 10.9
7	87681210		2 FLANGE NUT M8 x 1.25, CI 10
8	47629093		1 ARM Brake Pedal Locking
9	87584294		1 PIN Spring, 8mm OD x 24mm OAL
10	47423468		1 SHAFT Brake Pedal Pivot, 155.5mm OAL x 13mm W
11	84814918		2 SET SCREW M8 x 12mm, CI 8.8
12	47404990		2 CLEVIS Brake, 18.5mm W
13	47400259		2 LINK Connecting Rod, 114mm OAL
14	83931520		6 WASHER 8.4mm ID x 17mm OD x 2mm Thk
15	335040		2 CLEVIS PIN M8 x 28mm OAL
16	9512667		2 COTTER PIN M2 x 20mm OAL
17	86050300		2 FLANGE NUT M6 x 1.0, CI 10
18	87605321		2 SPACER 6.8mm ID x 10.3mm OD x 6.4mm L 10.29mm OD x 6.83mm ID x 6.4mm OAL
19	87698760		2 FLANGE BOLT M6 x 36.6mm, CI 10.9
20	47394672		2 SPRING Extension, 16.42mm OD x 91.7mm OAL Compressed x 384.3mm OAL Full Extension
21	47536021		2 SEAL Pedal, 64mm OAL x 41mm W x 8mm H x 42mm ID x 17mm ID
22	87698833		4 BOLT M8 x 33.1mm, CI 10.9
23	87284531		4 NUT Rivnut, M8 x 1.25, 0.5mm - 3mm Grip Range
24	87698836		3 BOLT M10 x 25mm, Full Thd, CI 10.9
25	47408190		2 RUBBER BUMPER Red, Polyurethane, M8 x 1.25mm Hole, 19mm W x 16mm H

5140-COMBINE - TIER 2

BRAKE, BRAKE LINES, PEDAL, BRAKE LINES



33.202.BN

02

p2

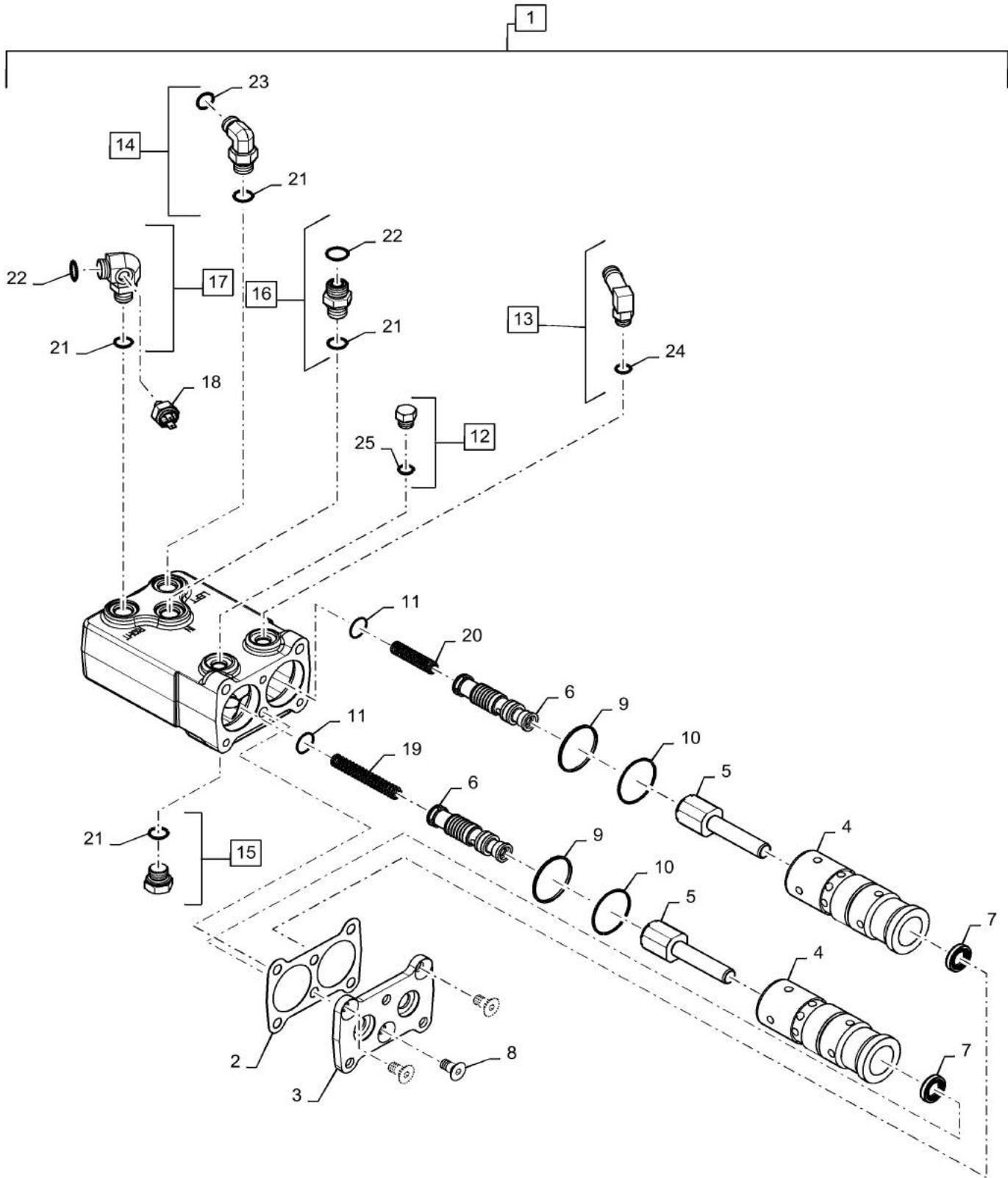
7/2015

BRAKE, BRAKE LINES, PEDAL, BRAKE LINES

REF FN	PART NUMBER	YR/SN	QTY DESCRIPTION
26	120106		2 BOLT M8 x 1.25 x 45.45mm, CI 8.8
27	16102311		2 THIN NUT Thin, M8 x 1.25, CI 04

5140-COMBINE - TIER 2

BRAKE VALVE

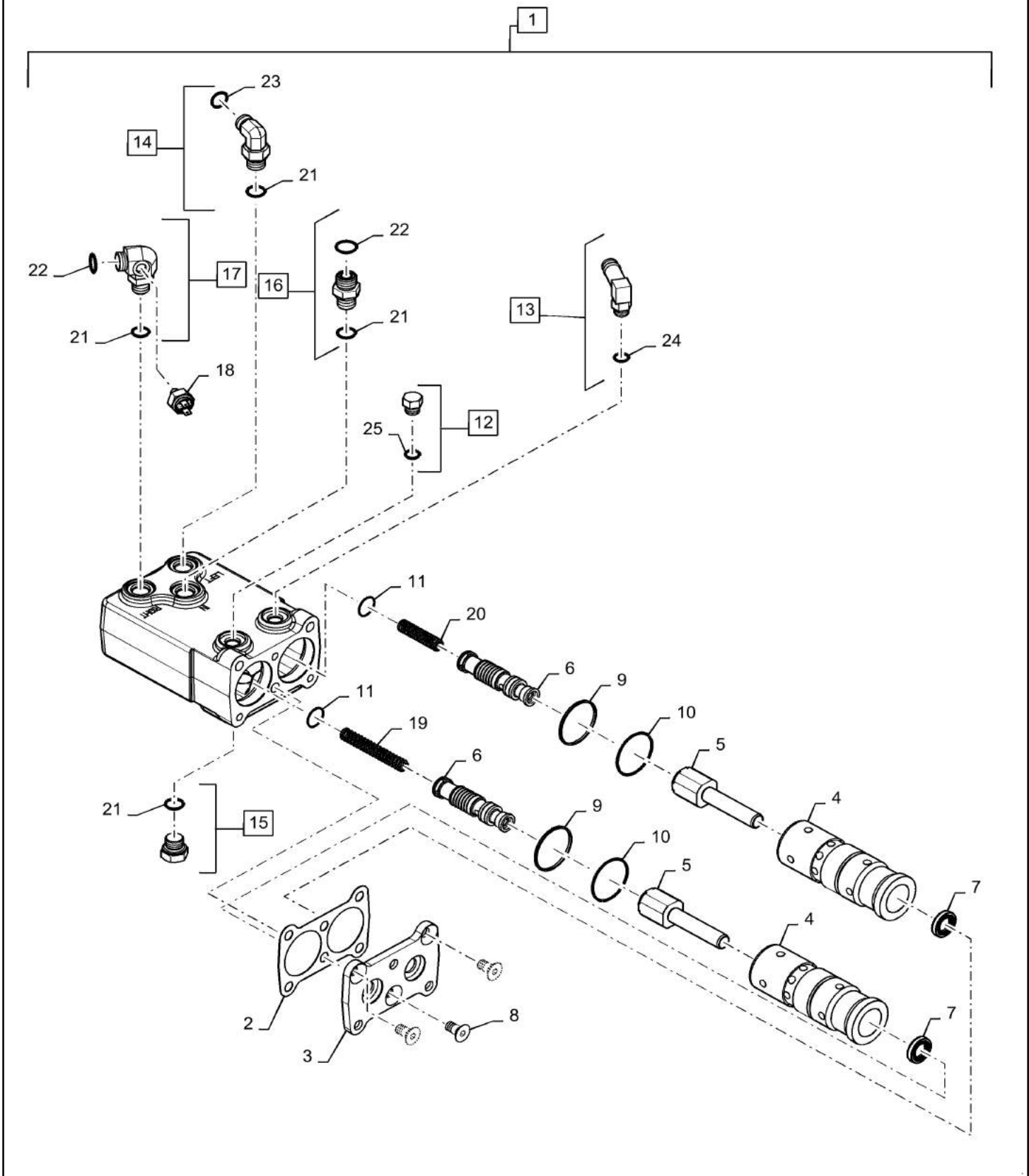


BRAKE VALVE

REF FN	PART NUMBER	YR/SN	QTY DESCRIPTION
1	47527272		1 HYDRAULIC VALVE Assy, Brake, Incl 2 - 25
2	403356A1		1 GASKET 0.92mm Thk Brake Valve, 52mm ID
3	397111A1		1 PLATE Brake Firewall
4	433199A1		2 POPPET Brake, 110.25mm OAL
5	397105A5		2 SLEEVE Brake, 50.77mm OD x 22.01mm ID x 145mm OAL
6	397106A5		2 SPOOL Brake, 19.5mm OD x 13.7mm ID x 92.20mm OAL
7	A63399		2 OIL SEAL 15.87mm ID x 28.73mm OD x 6.35mm Thk 28.727mm OD x 15.87mm ID x 6.35mm W
8	725583		3 HEX SOC SCREW Flat, M10 x 1.5 x 20mm, CI 8.8
9	407387A1		2 SEAL 47.64mm ID x 50.8mm OD x 2.38mm Thk Reciprocating, 50.7mm OD x 47.64mm ID x 2.38mm W
10	87016962		2 O-RING 0.103" Thk x 1.674" ID, -131, CI 7, 75 Duro
11	407282A1		2 SNAP RING Retaining, 20.6mm ID x 1.3mm W
12	76349		1 PLUG 9/16" - 18 ORB Incl 25
13	217-342		1 FITTING 90°, 5/8" Hose x 9/16"-18 ORB Beaded Incl 24
14	86579688		1 ELBOW 90°, 11/16"-18 ORFS x M18 x 1.5 ORB Incl 21
15	87030025		1 PLUG Hex, M18 x 1.5 ORB Incl 21
16	86579676		1 HYD CONNECTOR 13/16" - 16 ORFS x M18 x 1.5 ORB Incl 21
17	47527226		1 TEE Hydraulic, Incl 21 - 22
18	47527227		1 PRESSURE SWITCH Brake
19	433196A2		1 SPRING Feathering Outer, 47.63mm OAL

5140-COMBINE - TIER 2

BRAKE VALVE



BRAKE VALVE

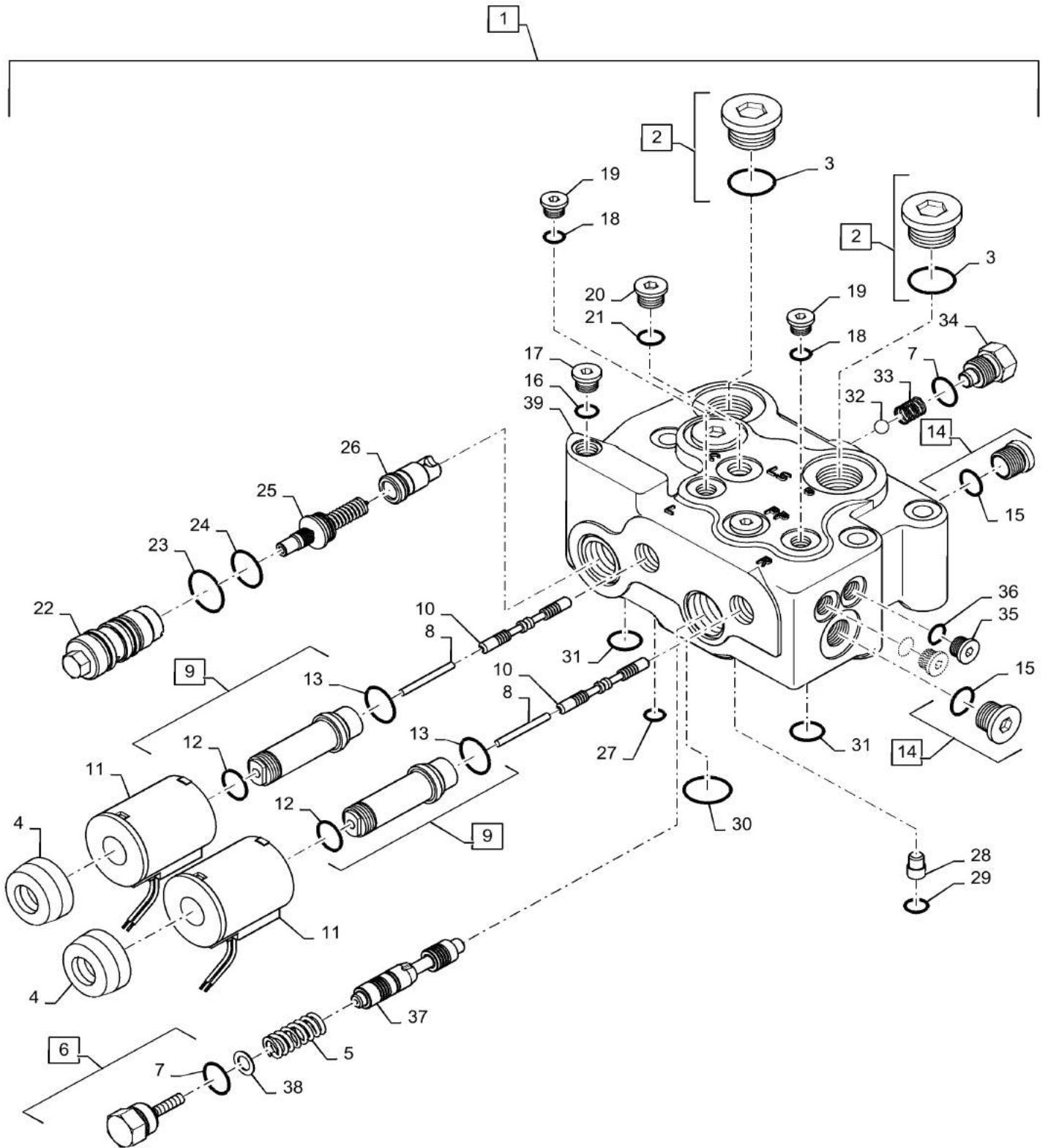
REF FN	PART NUMBER	YR/SN	QTY DESCRIPTION
20	397110A1		1 COMPRESSION SPRING Return, 12.7mm OD x 9.3mm ID x 105.21mm OAL
21	86598101		4 O-RING 2.2mm Thk x 15.3mm ID, CI 6, 90 Duro
22	9992298		2 O-RING 0.07" Thk x 0.489" ID, -14, CI 6, 90 Duro
23	9993141		1 O-RING 0.07" Thk x 0.364" ID, -12, CI 6, 90 Duro
24	9825770		1 O-RING 0.07" Thk x 0.301" ID, -11, CI 6, 90 Duro
25	9617873		1 O-RING 0.078" Thk x 0.468" ID, -906, CI 6, 90 Duro

5140-COMBINE - TIER 2

SECTION INDEX
HYDRAULIC SYSTEMS

35.100.AZ		VALVE, FEEDER, LIFT CYLINDER
35.106.AD		DRIVE, TANDEM GEAR PUMP
35.300.AQ	01	HYDRAULIC SYSTEM, RESERVOIR
35.300.AQ	02	HYDRAULIC OIL RESERVOIR
35.300.BC	01	HYDRAULIC SYSTEM, ENGINE, COOLER, PTO
35.300.BC	02	HYDRAULIC SYSTEM, COOLER ASSY., TUBE
35.300.BQ		ACCUMULATOR
35.359.AB	01	HYDRAULIC SYSTEM, MAIN STACK VALVE
35.359.AB	02	VALVE, MAIN DISTRIBUTOR, FEEDER, REEL, REVERSER
35.359.AB	03	VALVE, MAIN DISTRIBUTOR
35.359.AB	04	HYDRAULIC VALVE, REAR AXLE ASSY, SINGLE SPEED, 2-SPEED
35.359.AC		SEPARATOR, UNLOADING TUBE, REGULATING SYSTEM, FITTING
35.359.AE	01	HYDRAULIC SYSTEM, FILTER & LINE, TUBE
35.359.AE	02	VALVE, SEPARATOR, UNLOADING TUBE, REGULATOR, FILTER
35.410.AH	01	VAR - 425193 - HYDRAULIC SYSTEM, FEEDER, HYDRAULIC LIFT
35.410.AH	03	VAR - 425536 - HYDRAULIC SYSTEM, FEEDER, HYDRAULIC LIFT
35.415.AA		VALVE, FEEDER
35.415.AC		CYLINDER, FEEDER FRAME
35.440.AB		HYDRAULIC SYSTEM, UNLOADING TUBE
35.440.AC		CYLINDER, UNLOADING TUBE
35.500.AH		MOTOR, SCREEN, AIR INTAKE
35.500.AJ		HYDRAULIC LINE, SCREEN, AIR
35.518.AC	01	HYDRAULIC SYSTEM, HEADER, FEEDER, COUPLING
35.518.AC	02	QUICK COUPLER, FEEDER
35.796.AC		CHAFF SPREADER HYDRAULIC SYSTEM
35.796.AD		BYPASS FILTER, SPREADER HOOD, STANDARD
35.796.AE		CHAFF SPREADER HYDRAULIC MOTOR
35.796.AF		CHAFF SPREADER HYDRAULIC VALVE

VALVE, FEEDER, LIFT CYLINDER

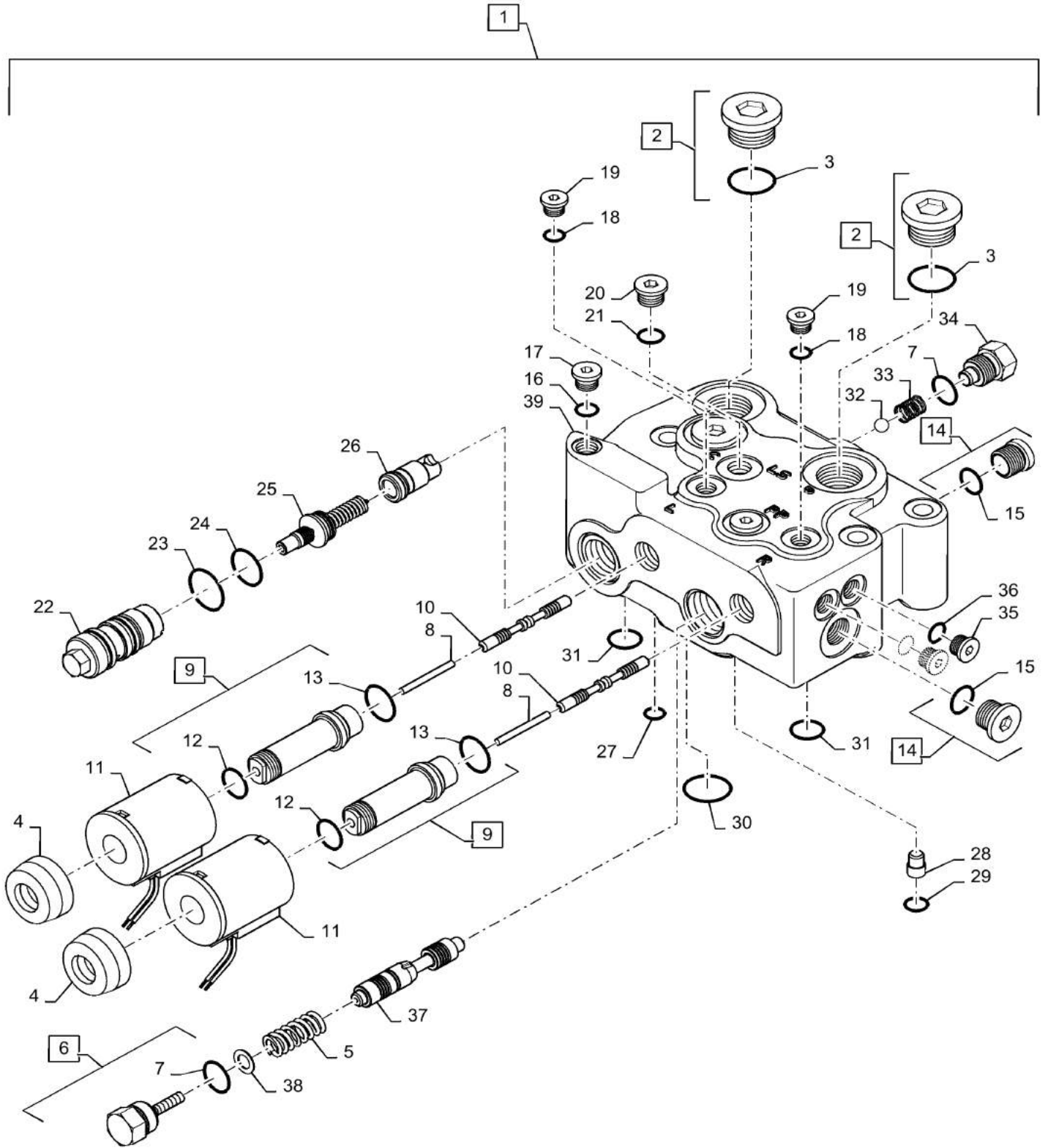


VALVE, FEEDER, LIFT CYLINDER

REF FN	PART NUMBER	YR/SN	QTY DESCRIPTION
1	87648197		1 CONTROL VALVE Feeder Lift, Incl 2 - 39
1	87648197R		1 REMAN-HYD VALVE Feeder Lift
1	87648197C		1 CORE-VALVE HYD Return Number
2	221579A1		2 PLUG M22 x 1.5 ORB Incl 3
3	NSS		2 NOT SERVICED SEPARATELY O - Ring, Incl in 2
4	188106A1		2 NUT Coil
5	188114A1		1 SPRING Check Header Lift
6	188107A1		1 PLUG Check Header Lift, Incl 7
7	237-6010		1 O-RING 0.097" Thk x 0.755" ID, -910, CI 6, 90 Duro
8	188116A1		2 PIN 3.25mm OD x 39.93mm L Actuating E.H. Servo
9	188117A1		2 CARTRIDGE 72.25mm OAL Core Single Acting E.H. Servo, Incl 12 - 13
10	188104A1		2 SPOOL Pilot Header Lift
11	188105A1		2 SOLENOID Coil, 12V
12	NSS		2 NOT SERVICED SEPARATELY Incl in 9
13	NSS		2 NOT SERVICED SEPARATELY Incl in 9
14	218-5206		2 PLUG Hex, 3/8"-24 ORB Incl 15
15	86513328		2 O-RING 0.064" Thk x 0.301" ID, -903, CI 6, 90 Duro Incl in 14
16	NSS		1 NOT SERVICED SEPARATELY O - Ring, Incl in 1
17	NSS		1 NOT SERVICED SEPARATELY Plug, Incl in 1
18	NSS		2 NOT SERVICED SEPARATELY O - Ring, Incl in 1
19	NSS		2 NOT SERVICED SEPARATELY Plug, Incl in 1
20	NSS		1 NOT SERVICED SEPARATELY Plug, Incl in 1

5140-COMBINE - TIER 2

VALVE, FEEDER, LIFT CYLINDER

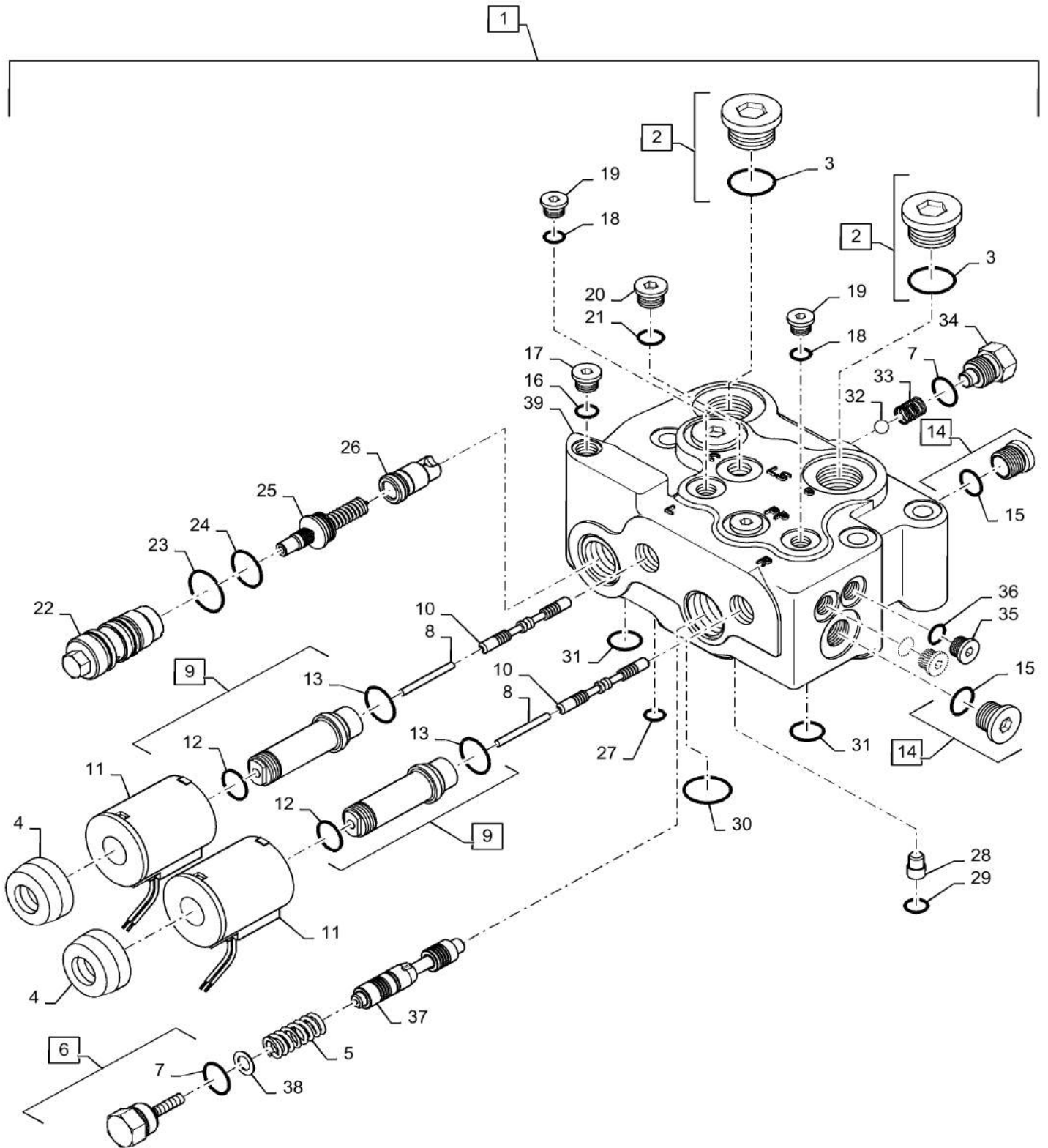


VALVE, FEEDER, LIFT CYLINDER

REF FN	PART NUMBER	YR/SN	QTY DESCRIPTION
21	NSS		1 NOT SERVICED SEPARATELY O - Ring, Incl in 1
22	NSS		1 NOT SERVICED SEPARATELY Plug M/O, Incl in 1
23	NSS		1 NOT SERVICED SEPARATELY O - Ring, Incl in 1
24	NSS		1 NOT SERVICED SEPARATELY O - Ring, Incl in 1
25	NSS		1 NOT SERVICED SEPARATELY Servo Stem, Incl in 1
26	NSS		1 NOT SERVICED SEPARATELY M/O Poppet, Incl in 1
27	NSS		1 NOT SERVICED SEPARATELY O - Ring, Incl in 1
28	NSS		1 NOT SERVICED SEPARATELY Insert, Incl in 1
29	NSS		1 NOT SERVICED SEPARATELY O - Ring, Incl in 1
30	NSS		1 NOT SERVICED SEPARATELY O - Ring, Incl in 1
31	NSS		2 NOT SERVICED SEPARATELY O - Ring, Incl in 1
32	NSS		1 NOT SERVICED SEPARATELY Ball, Incl in 1
33	NSS		1 NOT SERVICED SEPARATELY Spring, Incl in 1
34	NSS		1 NOT SERVICED SEPARATELY Plug, Incl in 1
35	NSS		2 NOT SERVICED SEPARATELY Plug, Incl in 1
36	NSS		2 NOT SERVICED SEPARATELY O - Ring, Incl in 1
37	NSS		1 NOT SERVICED SEPARATELY Meter, Incl in 1

5140-COMBINE - TIER 2

VALVE, FEEDER, LIFT CYLINDER

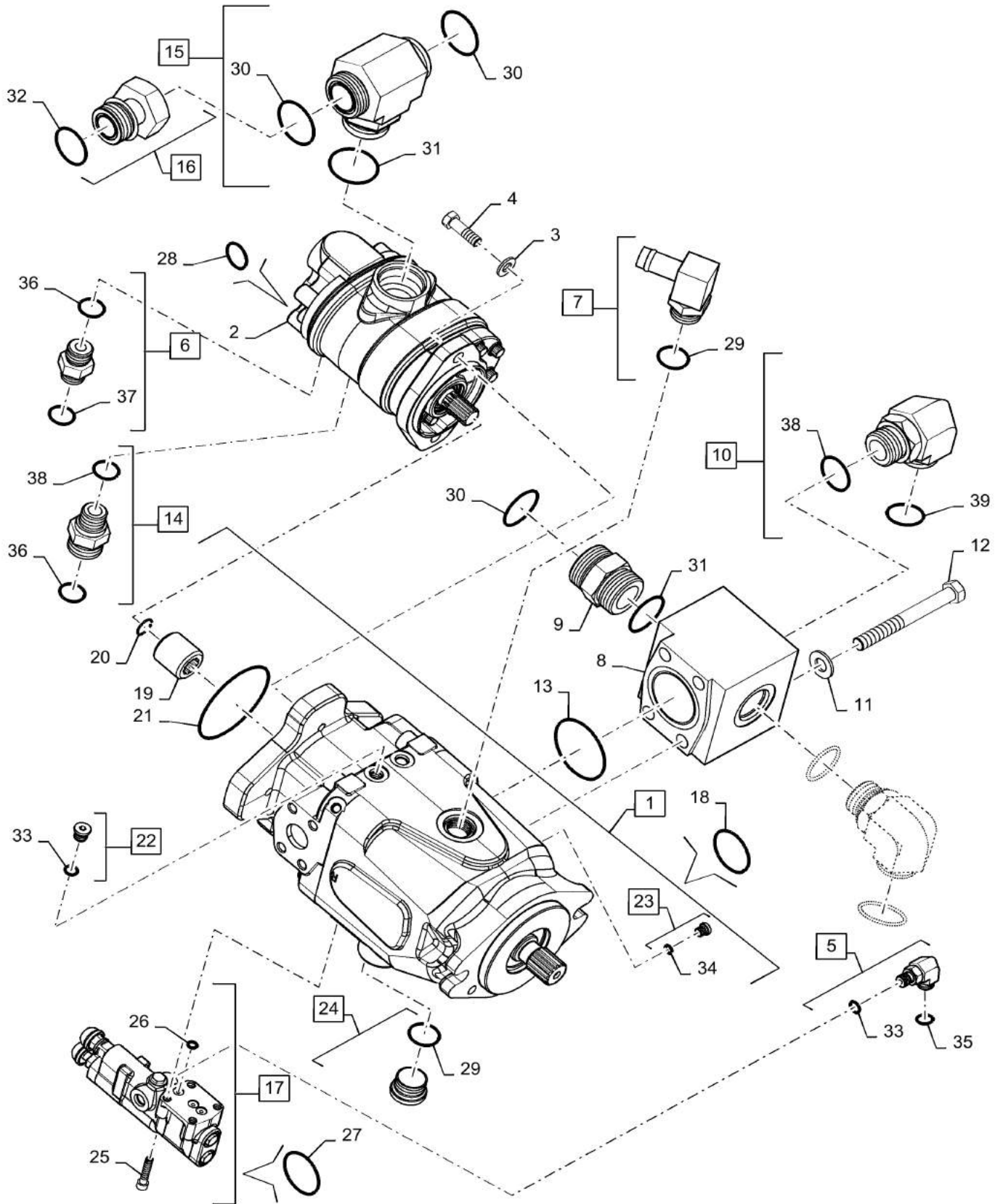


VALVE, FEEDER, LIFT CYLINDER

REF FN	PART NUMBER	YR/SN	QTY DESCRIPTION
38	NSS		1 NOT SERVICED SEPARATELY Washer, Incl in 1
39	NSS		1 NOT SERVICED SEPARATELY Body, Incl in 1

5140-COMBINE - TIER 2

DRIVE, TANDEM GEAR PUMP



DRIVE, TANDEM GEAR PUMP

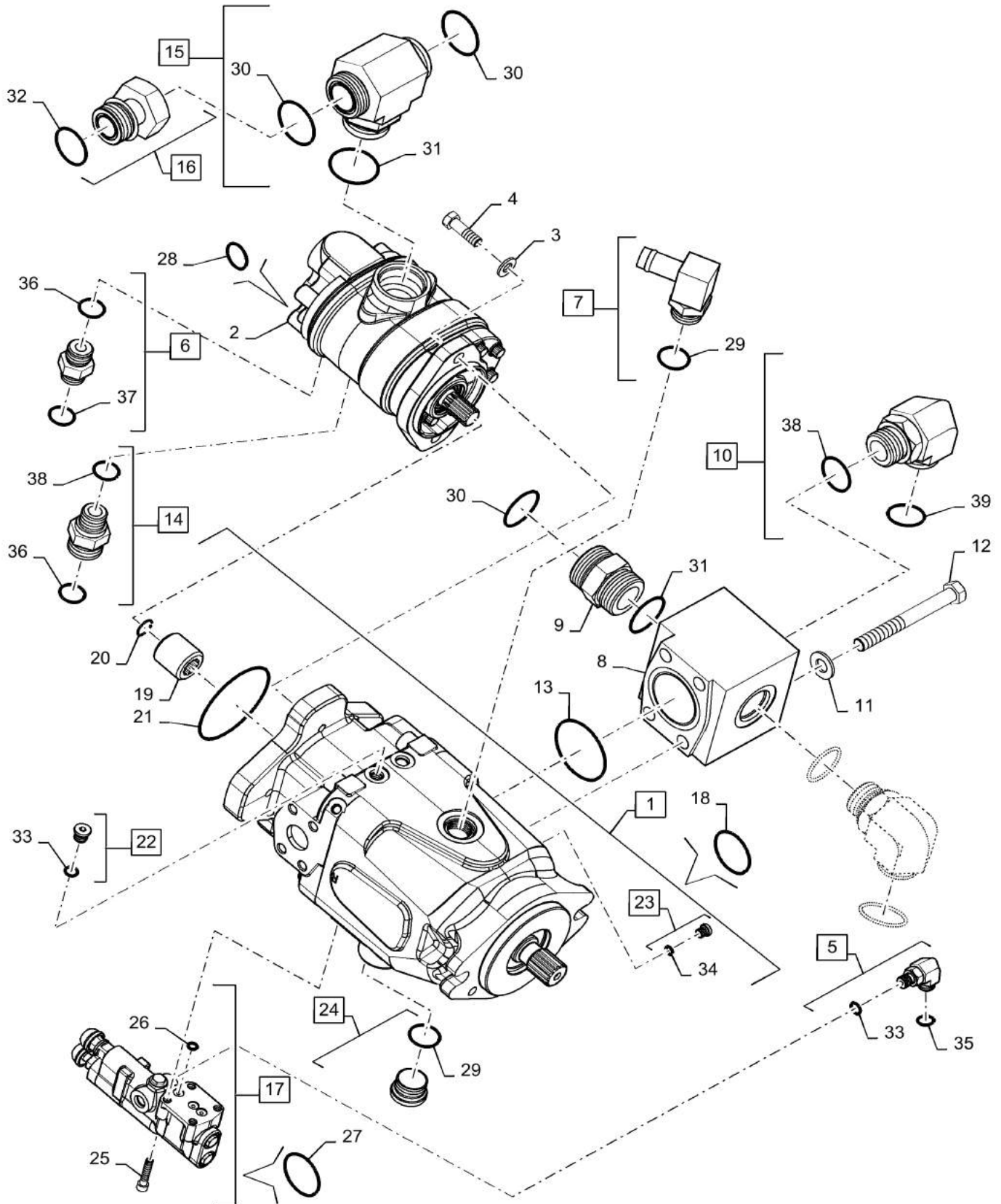
REF FN	PART NUMBER	YR/SN	QTY DESCRIPTION
1	84148055		1 HYDRAULIC PUMP 62.3 CC PFC W/ Thru Drive, Incl 17 - 27
2	84148068		1 HYDRAULIC PUMP 27.7 CC Tandem Gear
3	87016		2 WASHER 0.41" ID x 0.81" OD x 0.07" Thk
4	88011		2 BOLT Hex, 3/8" - 16 x 1 1/4", Gr 5
5	87681199		1 90 ELBOW 90°, 9/16-18 ORFS x 7/16-20 ORB, Incl 33, 35
6	87610720		1 HYD CONNECTOR 7/8" - 14 ORB x 13/16" - 16 ORFS 13/16-16 ORFS x 7/8-14 ORB, Incl 36, 37
7	217-351		1 FITTING 90°, 3/4" Hose x 1 1/16"-12 ORB Beaded Incl 29
8	84178552		1 MANIFOLD PFC
9	9840325		1 HYD CONNECTOR 1 11/16"-12 ORFS x 1 5/8"-12 ORB
10	9846955		2 90 ELBOW 90°, 1-7/16-12 ORFS x 1-5/16-12 ORB, Incl 38, 39
11	86632589		4 WASHER 0.53" ID x 1.06" OD x 0.1" Thk
12	87996		4 BOLT Hex, 1/2" - 13 x 4 1/2", Gr 5
13	86637769		1 O-RING 0.139" Thk x 2.234" ID, -228, Cl 6, 90 Duro
14	9840534		1 HYD CONNECTOR 1-3/16" - 12 ORFS x 7/8" - 14 ORB
15	1 84302526		1 HYD CONNECTOR 1-11/16-12 ORFS x 1-5/8-12 ORB, Incl 30 (2), 31 (1)
16	201-118		1 REDUCER 1 7/16"-12 Male x 1 11/16"-12 Fem, ORFS Incl 32
17	2 84193573		1 KIT PFC Pump, Incl 25 - 26
18	87585824		1 SEAL KIT Services 1
19	86566800		1 COUPLING 11 Tooth

(1) "T" Connector Requires (2) Ref 30 Orings

(2) Ref 5 90° HYD Connector Serviced Separately

5140-COMBINE - TIER 2

DRIVE, TANDEM GEAR PUMP



DRIVE, TANDEM GEAR PUMP

REF FN	PART NUMBER	YR/SN	QTY DESCRIPTION
20	87585828		1 SNAP RING Coupler
21	238-6042		1 O-RING 0.07" Thk x 3.239" ID, -42, CI 6, 90 Duro
22	278548		3 PLUG Hex, 7/16"-20 ORB Incl 33
23	86632547		3 PLUG Hex, 5/16"-24 ORB Incl 34
24	9841223		1 PLUG 1-1/16" - 12 ORB Incl 29
25	86512871		4 HEX SOC SCREW 1/4" - 28 x 1 1/4"
26	86512844		3 O-RING 0.07" Thk x 0.239" ID, -10, CI 6, 90 Duro
27	87585826		1 SEAL KIT Services 17
28	87025563		1 SEAL KIT Services 2
29	167266		2 O-RING 0.116" Thk x 0.924" ID, -912, CI 6, 90 Duro
30	570186		3 O-RING 0.118" Thk x 1.475" ID, -920, CI 6, 90 Duro
31	9824051		2 O-RING 0.07" Thk x 1.176" ID, -25, CI 6, 90 Duro
32	9824050		1 O-RING 0.07" Thk x 0.926" ID, -21, CI 6, 90 Duro
33	165202		4 O-RING 0.072" Thk x 0.351" ID, -904, CI 6, 90 Duro
34	86010510		3 O-RING 0.064" Thk x 0.239" ID, -902, CI 6, 90 Duro
35	9617873		1 O-RING 0.078" Thk x 0.468" ID, -906, CI 6, 90 Duro
36	167269		1 O-RING 0.097" Thk x 0.755" ID, -910, CI 6, 90 Duro
37	9992298		1 O-RING 0.07" Thk x 0.489" ID, -14, CI 6, 90 Duro
38	167268		2 O-RING 0.116" Thk x 1.171" ID, -916, CI 6, 90 Duro
39	9824050		2 O-RING 0.07" Thk x 0.926" ID, -21, CI 6, 90 Duro

5140-COMBINE - TIER 2

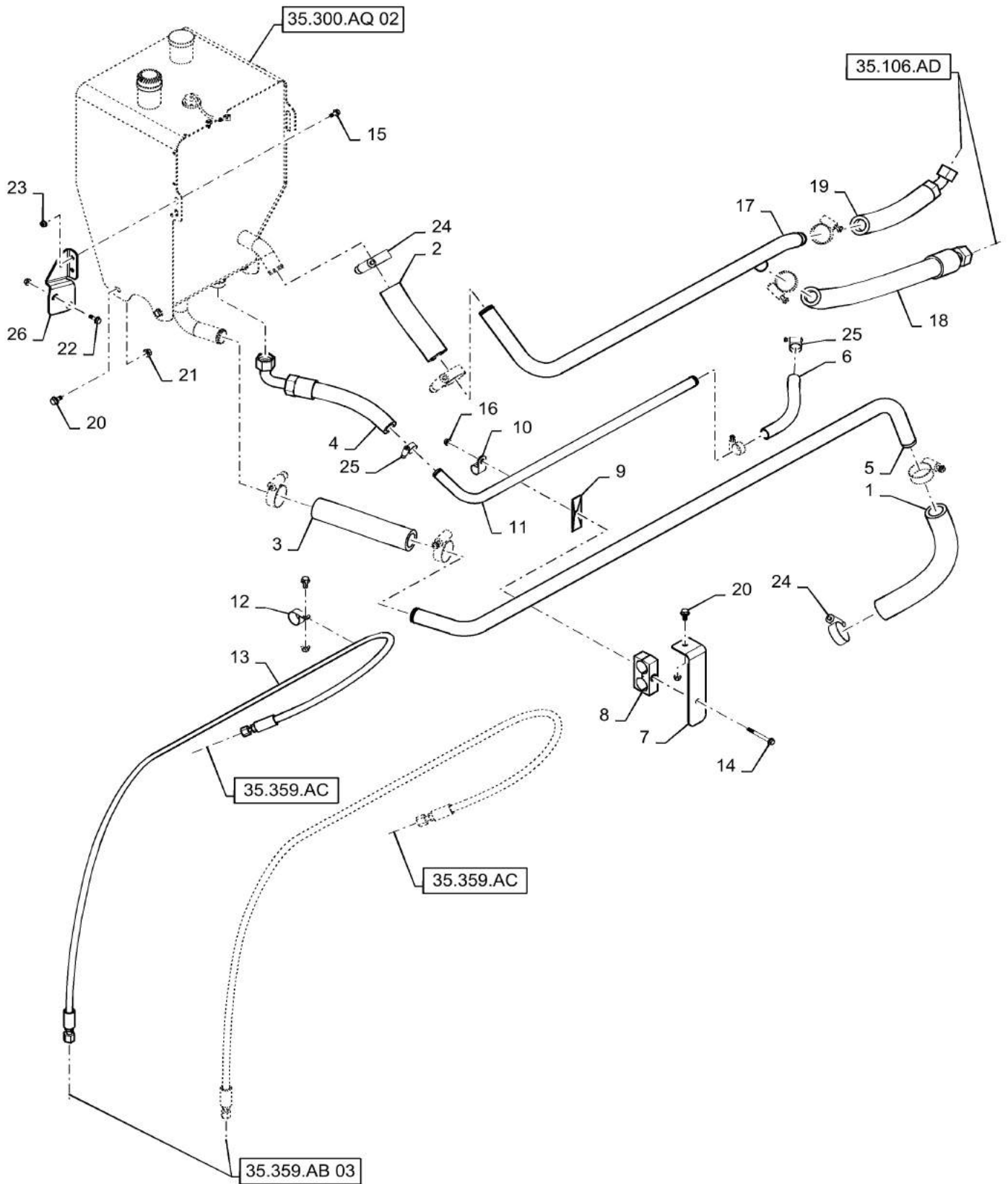
35.300.AQ

01

p1

7/2015

HYDRAULIC SYSTEM, RESERVOIR



HYDRAULIC SYSTEM, RESERVOIR

REF FN	PART NUMBER	YR/SN	QTY DESCRIPTION
1	47509956		1 HYDRAULIC HOSE PFC Suction
2	47373318		1 HYDRAULIC HOSE Charge Pump Suction, Reservoir
3	47373319		1 HYDRAULIC HOSE PFC Return, Reservoir
4	47462106		1 HYDRAULIC HOSE Charge Pump Bypass, Reservoir
5	47437183		1 TUBE Reservoir Return
6	84156333		1 HOSE ASSY. Cooler Return
7	47375849		2 BRACKET Tube Bundle Mount
8	87000145		2 CLAMP Tube
9	1324469C1		2 PLATE Hose Clamp
10	86625038		2 CLAMP 25.4mm, Coat, 13.5mm Bolt Hole, P Type
11	47434263		1 TUBE Bypass, Hydro To Reservoir
12	87024765		2 CLAMP 36.5mm, Coat, 10.3mm Bolt Hole, P Type
13	84564721		2 HOSE ASSY. 9.53mm ID x 2460mm L, SAE 100R17 Separator Clutch Cylinder
14	87695420		2 BOLT Hex, M8 x 80mm, CI 10.9 Flange, M8 x 80mm, 10.9
15	87656137		2 BOLT M8 x 28.1mm, CI 10.9
16	87681210		2 FLANGE NUT M8 x 1.25, CI 10
17	47433724		1 TUBE Reservoir Suction
18	47433726		1 HYDRAULIC HOSE Suction, PFC Gear Pump
19	47433727		1 HYDRAULIC HOSE Suction, Charge Pump
20	87698835		8 FLANGE BOLT M10 x 20mm, Full Thd, CI 10.9
21	86050279		6 FLANGE NUT M10 x 1.5, CI 10
22	87698833		2 BOLT M8 x 33.1mm, CI 10.9
23	86507066		6 FLANGE NUT M8 x 1.25, CI 10
24	214-3232		8 HOSE CLAMP 1-1/4" - 2-1/8", HD Worm, W/ Liner

5140-COMBINE - TIER 2

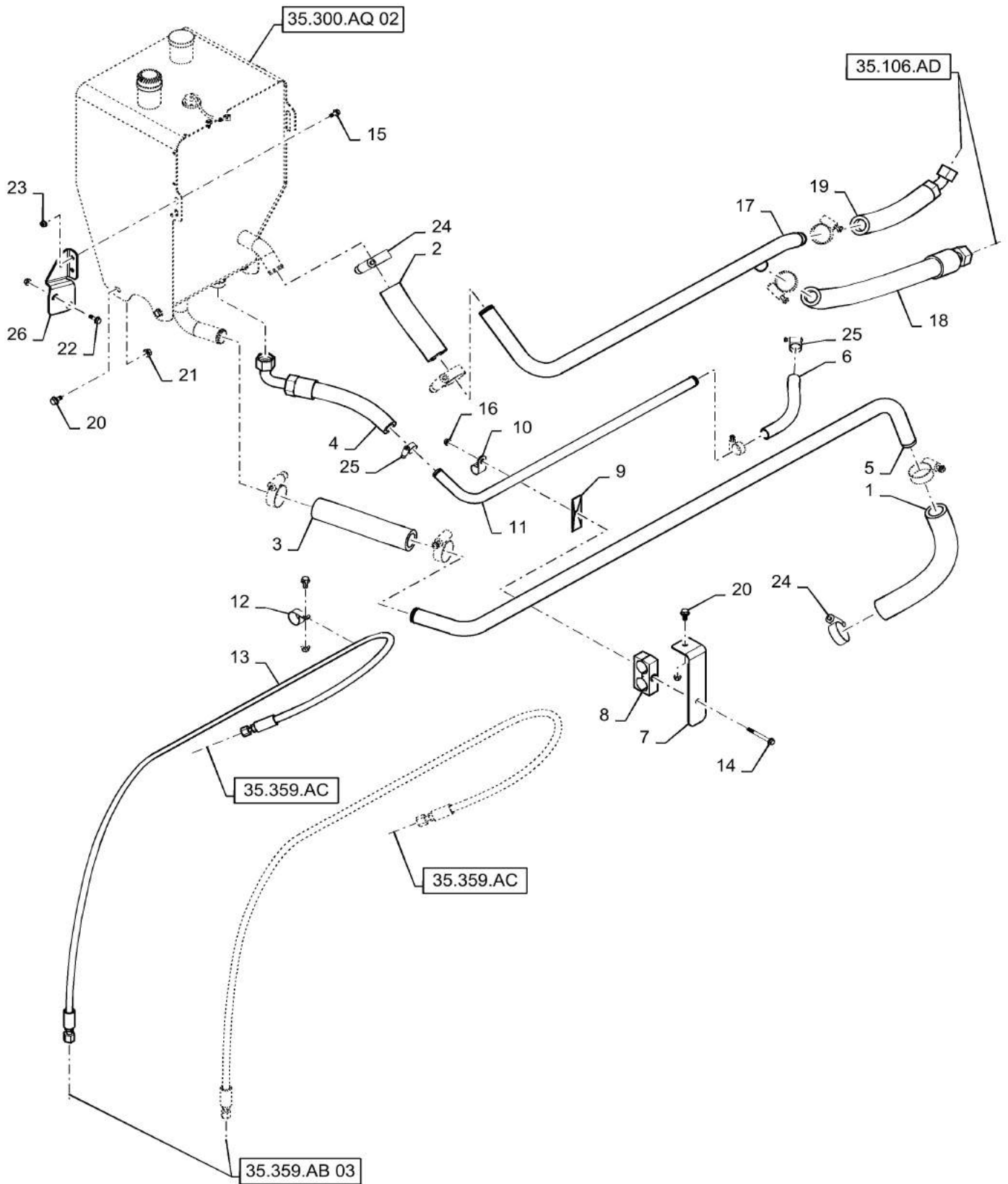
35.300.AQ

01

p2

7/2015

HYDRAULIC SYSTEM, RESERVOIR



35.300.AQ

01

p2

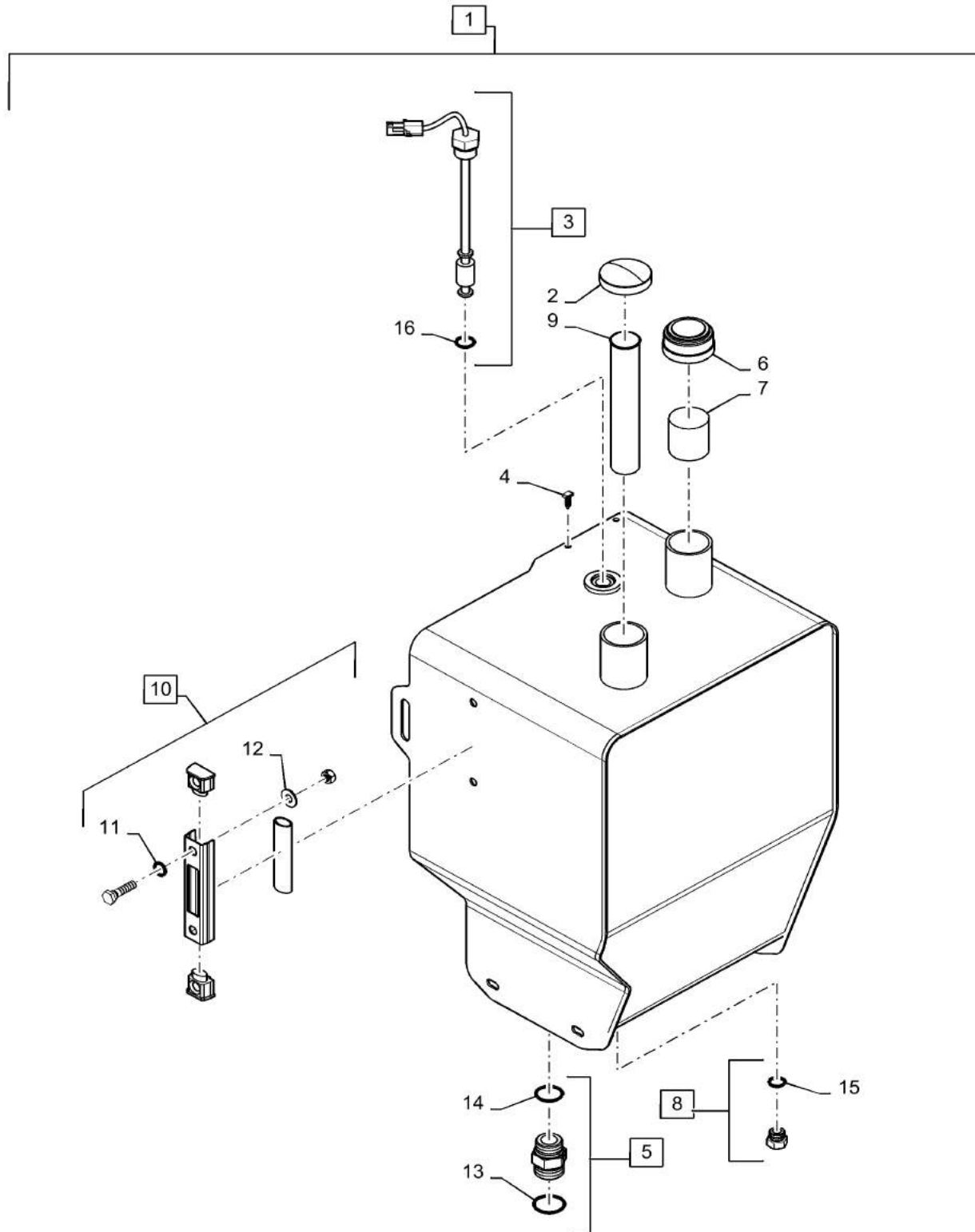
7/2015

HYDRAULIC SYSTEM, RESERVOIR

REF FN	PART NUMBER	YR/SN	QTY DESCRIPTION
25	214-3228		3 HOSE CLAMP 1" - 1-7/8", HD Worm, W/ Liner
26	47420650		1 BRACKET Hydraulic Tank Reinforcement

5140-COMBINE - TIER 2

HYDRAULIC OIL RESERVOIR

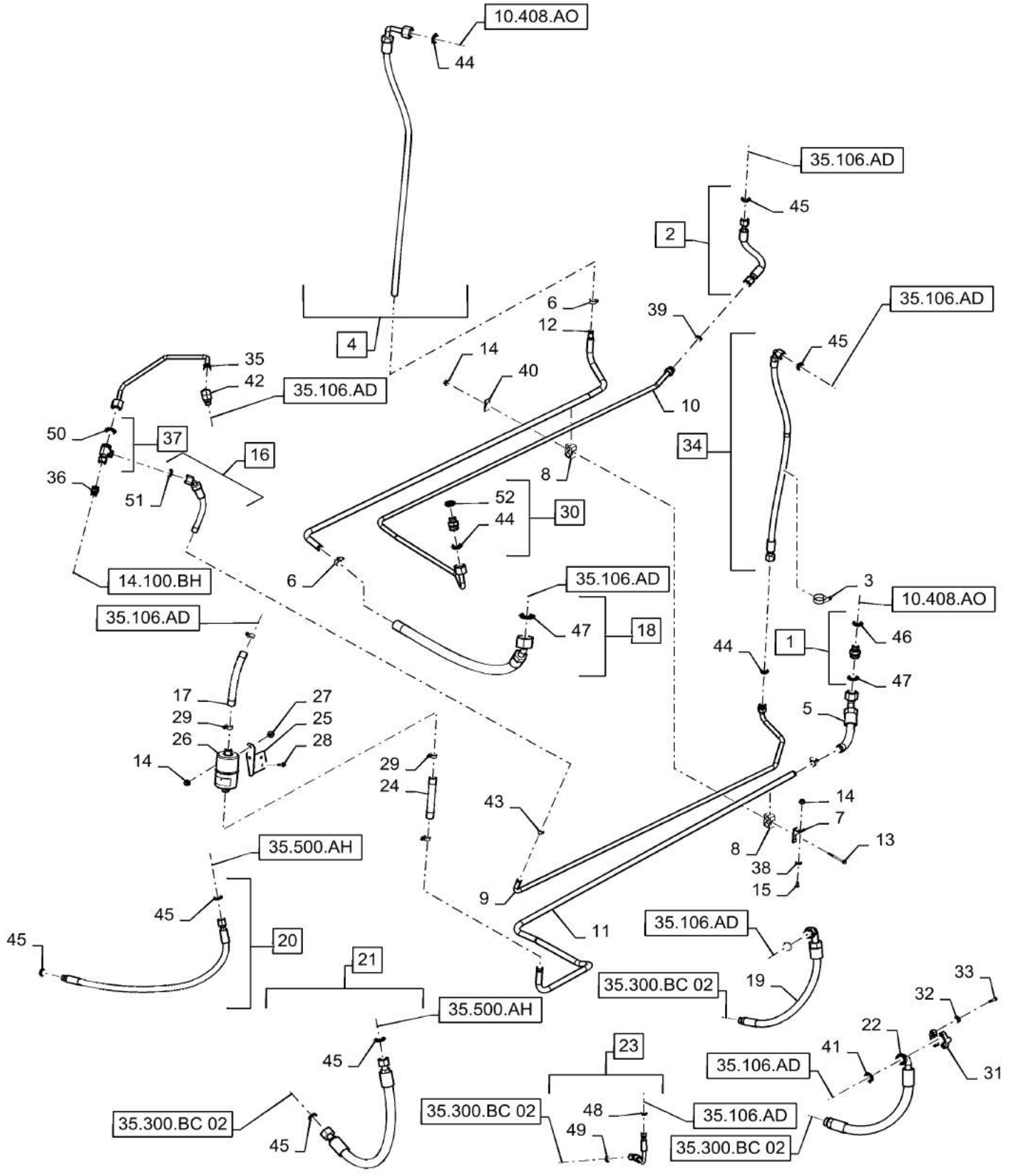


HYDRAULIC OIL RESERVOIR

REF FN	PART NUMBER	YR/SN	QTY DESCRIPTION
1	47461992		1 HYDRAULIC OIL RESERVOIR Incl 2 - 12
2	87000624		1 CAP Reservoir Fill
3	87644162		1 SENSOR Oil Level, Incl 16
4	86017581		1 FASTENER Fir Clip
5	84190633		1 CHECK VALVE In Line Check, Incl 13 - 14
6	87000625		1 COVER Reservoir W/ Breather Filter
7	191116A1		1 BAFFLE Fillneck
8	214389		1 PLUG 3/4" - 16 ORB Incl 15
9	104407A1		1 SCREEN Filter
10	47434248		1 GAUGE Level Glass, Incl 11, 12
11	86598100		2 O-RING 2.2mm Thk x 13.3mm ID, Cl 6, 90 Duro
12	720060		2 RUBBER WASHER 13.3mm ID
13	237-6016		1 O-RING 0.116" Thk x 1.171" ID, -916, Cl 6, 90 Duro
14	238-6021		1 O-RING 0.07" Thk x 0.926" ID, -21, Cl 6, 90 Duro
15	128825		1 O-RING 0.087" Thk x 0.644" ID, -908, Cl 6, 90 Duro
16	167266		1 O-RING 0.116" Thk x 0.924" ID, -912, Cl 6, 90 Duro

5140-COMBINE - TIER 2

HYDRAULIC SYSTEM, ENGINE, COOLER, PTO



35.300.BC

01

p1

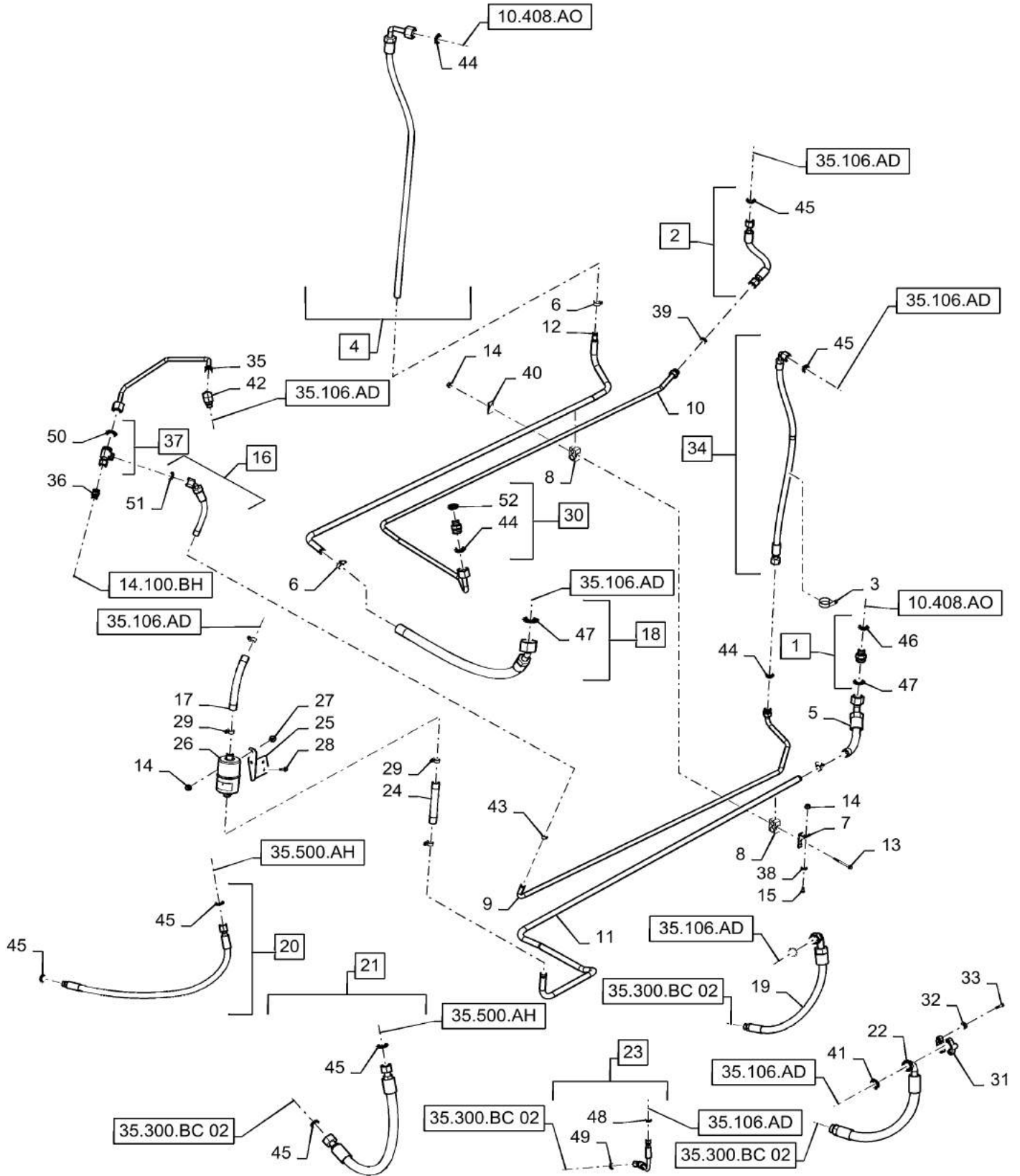
7/2015

HYDRAULIC SYSTEM, ENGINE, COOLER, PTO

REF FN	PART NUMBER	YR/SN	QTY DESCRIPTION
1	87303844		1 HYD CONNECTOR 1-7/16" - 12 ORFS x 1-1/16" - 12 ORB Incl 46 - 47
2	84355977		1 HOSE ASSY. 15.88mm ID x 375mm L, SAE 100R6 Hydraulic Supply, Incl 45
3	515-23508		1 CLAMP 2", Insul, 3/8" Bolt
4	84556774		1 HYDRAULIC HOSE 19.05mm ID x 1330mm L, SAE 100R4 Cooler Return, Incl 44
5	84317535		1 HOSE ASSY. 25.4mm ID x 325mm L Cooler
6	214-3228		3 HOSE CLAMP 1" - 1-7/8", HD Worm, W/ Liner
7	87549264		2 SUPPORT TUBE 112.4 mm L Tube Bundle Center
8	87000146		4 CLAMP Tube
9	84570331		1 HYD. TUBE PTO Cooler Return
10	84347786		1 HYD. TUBE PTO Cooler Supply
11	47419567		1 HYD. TUBE Hydraulic Cooler Supply
12	84556772		1 HYD. TUBE Hydraulic Cooler Return
13	87301686		2 BOLT M8 x 108.1mm, CI 10.9 Flange, M8 x 100mm, 10.9
14	86507066		6 FLANGE NUT M8 x 1.25, CI 10
15	87682384		2 CARRIAGE BOLT M8 x 1.25 x 25mm, CI 10.9
16	84570336		1 HOSE ASSY. 19.05mm ID x 320mm L, SAE 100R6 PTO Cooler Return, Incl 51
17	84156333		1 HOSE ASSY. Cooler
18	84556773		1 HYDRAULIC HOSE Cooler Return, Incl 47
19	84304550		1 HOSE ASSY. 19.05mm ID x 725mm L, SAE 100R6 Low Pressure Return
20	84347774		1 HOSE ASSY. 12.7mm ID x 1090mm L, SAE 100R17 Air Screen Supply, Incl 45
21	84347775		1 HOSE ASSY. 25.4mm ID x 1025mm L, SAE 100R17 Rear Return, Incl 45

5140-COMBINE - TIER 2

HYDRAULIC SYSTEM, ENGINE, COOLER, PTO

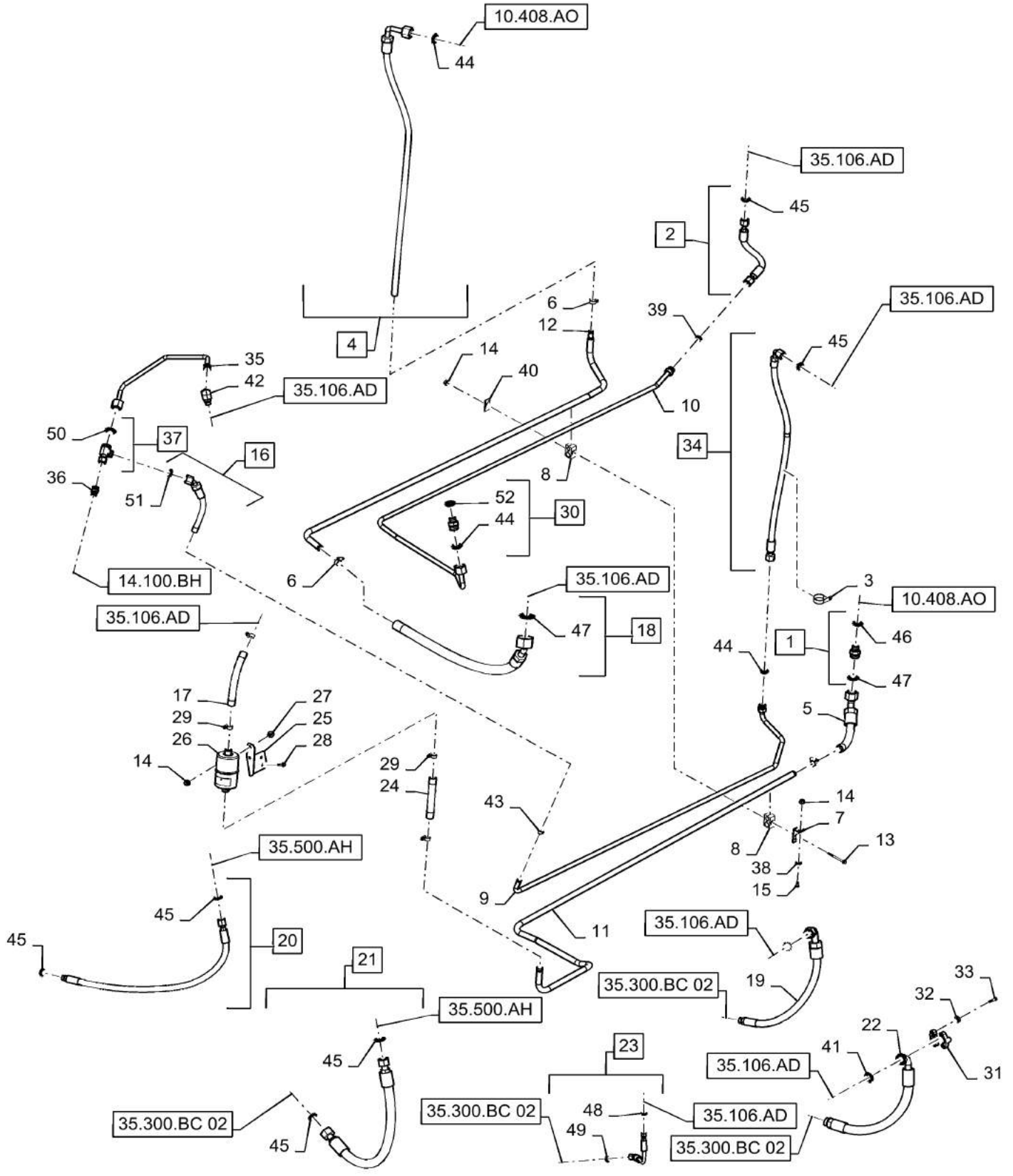


HYDRAULIC SYSTEM, ENGINE, COOLER, PTO

REF FN	PART NUMBER	YR/SN	QTY DESCRIPTION
22	84355975		1 HOSE ASSY. 25.4mm ID x 685mm L, SAE 100R17 Main Supply
23	84156311		1 HOSE ASSY. 6.35mm ID x 365mm L, SAE 100R17 Signal Pump To Tube, Incl 48 - 49
24	84156334		1 HOSE ASSY. Cooler Return
25	47433809		1 BRACKET Screen
26	87684758		1 SCREEN Return
27	87681207		2 BOLT M8 x 24.1mm, CI 10.9
28	87698833		2 BOLT M8 x 33.1mm, CI 10.9
29	214-1420		4 HOSE CLAMP #20, 0.81" - 1.75", Type F Worm
30	86579681		1 HYD CONNECTOR 1-3/16"-12 ORFS x M22 x 1.5 ORB Incl 44, 52
31	86980728		2 COLLAR CLAMP Split Flange
32	9618968		4 WASHER 0.41" ID x 0.78" OD x 0.1" Thk 3/8"
33	87564748		4 BOLT 3/8" x 1 1/2" Full Thread
34	84356578		1 HOSE ASSY. 12.7mm ID x 1225mm L, SAE 100R6 Supply, Incl 45
35	84425180		1 TUBE PTO Cooler Return
36	84420304		1 HYD CONNECTOR 16mm ORFS x 22mm ORB
37	201-433		1 TEE 1"-14 ORFS x 1"-14 Sw Run Incl 50 - 51
38	131-440		2 PUSH-ON NUT 5/16"
39	238-6018		2 O-RING 0.07" Thk x 0.739" ID, -18, CI 6, 90 Duro
40	87000230		2 PLATE Hose Clamp
41	238-6219		1 O-RING 0.139" Thk x 1.296" ID, -219, CI 6, 90 Duro
42	86579694		1 ELBOW 90°, 1"-14 ORFS x M22 x 1.5 ORB
43	87016721		1 HOSE CLAMP 17.5mm - 31.7mm
44	9991976		3 O-RING 0.07" Thk x 0.739" ID, -18, CI 6, 90 Duro

5140-COMBINE - TIER 2

HYDRAULIC SYSTEM, ENGINE, COOLER, PTO

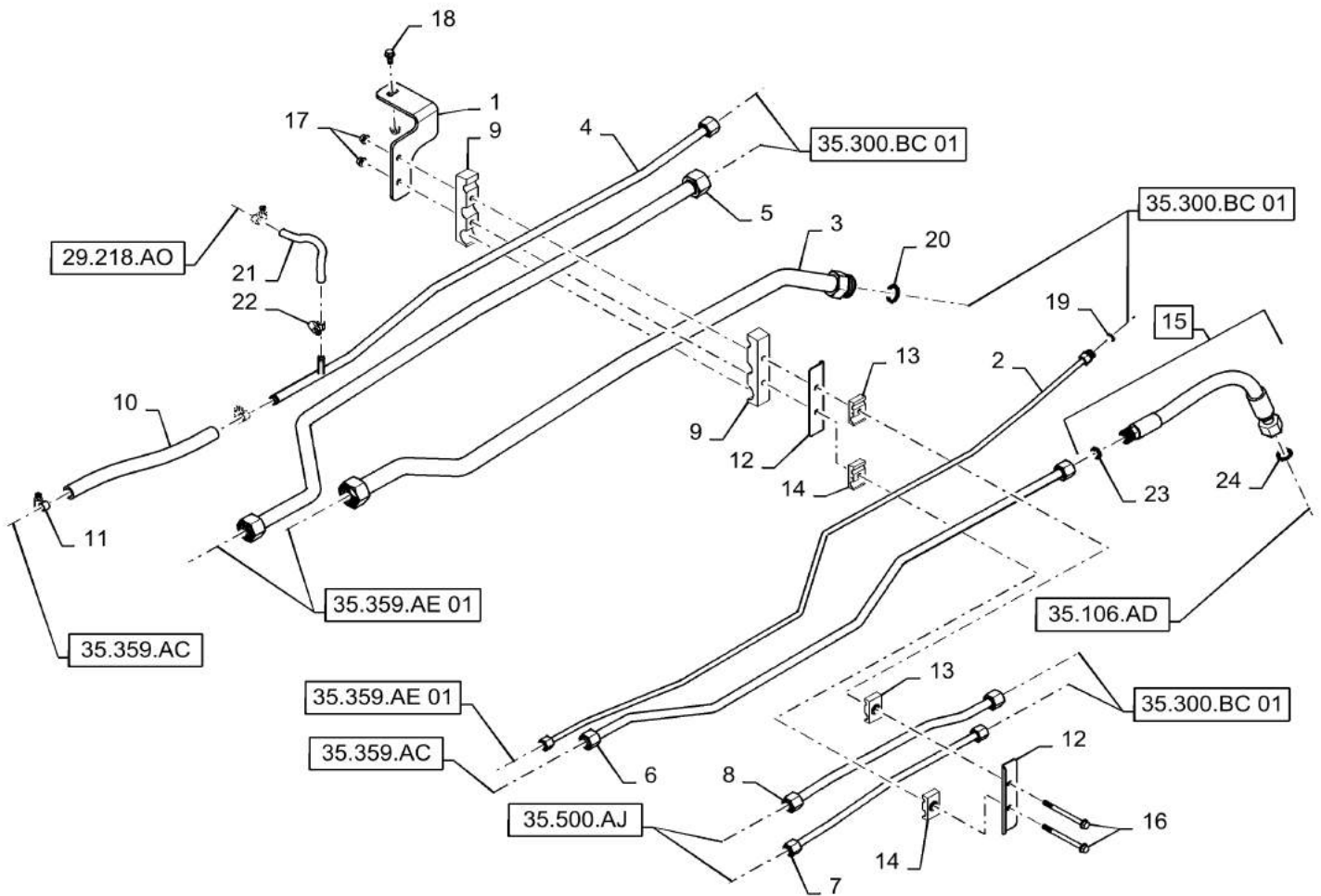


HYDRAULIC SYSTEM, ENGINE, COOLER, PTO

REF FN	PART NUMBER	YR/SN	QTY DESCRIPTION
45	9992298		6 O-RING 0.07" Thk x 0.489" ID, -14, Cl 6, 90 Duro
46	167266		1 O-RING 0.116" Thk x 0.924" ID, -912, Cl 6, 90 Duro
47	9824050		2 O-RING 0.07" Thk x 0.926" ID, -21, Cl 6, 90 Duro
48	9825770		1 O-RING 0.07" Thk x 0.301" ID, -11, Cl 6, 90 Duro
49	9993141		1 O-RING 0.07" Thk x 0.364" ID, -12, Cl 6, 90 Duro
50	238-6016		1 O-RING 0.07" Thk x 0.614" ID, -16, Cl 6, 90 Duro
51	9992069		1 O-RING 0.07" Thk x 0.614" ID, -16, Cl 6, 90 Duro
52	86598102		1 O-RING 2.2mm Thk x 19.3mm ID, Cl 6, 90 Duro

5140-COMBINE - TIER 2

HYDRAULIC SYSTEM, COOLER ASSY., TUBE



35.300.BC

02

p1

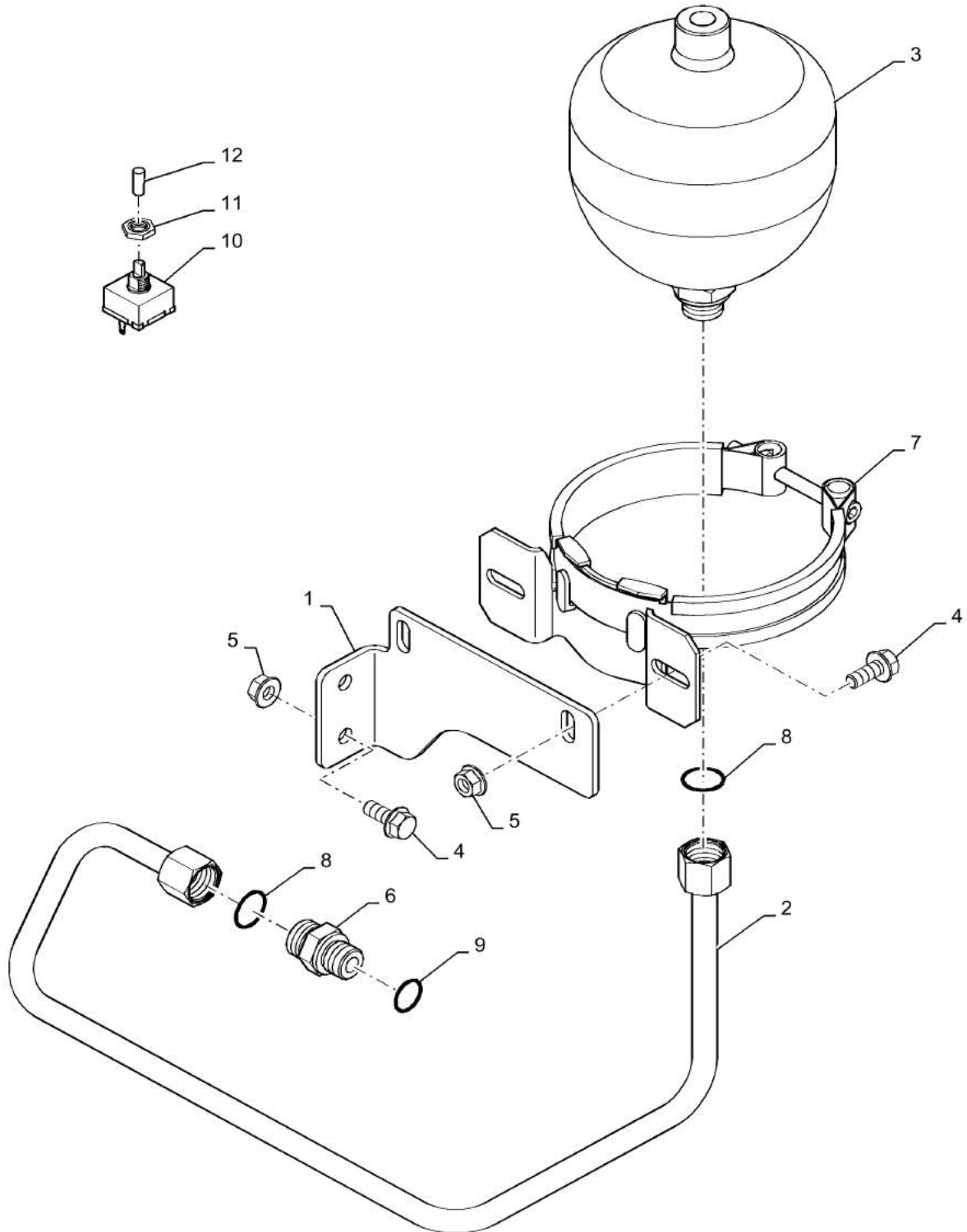
7/2015

HYDRAULIC SYSTEM, COOLER ASSY., TUBE

REF FN	PART NUMBER	YR/SN	QTY DESCRIPTION
1	84515546		1 BRACKET Clamp Support
2	84347788		1 HYD. TUBE Signal Rear
3	84260097		1 HYD. TUBE Rear Return
4	84472142		1 HYD. TUBE Low Pressure Return
5	84348525		1 HYD. TUBE Main Supply Rear
6	84347791		1 HYD. TUBE Reg Pressure Supply
7	84347789		1 HYD. TUBE Air Screen Supply
8	84347790		1 HYD. TUBE Air Screen Return
9	84190103		1 CLAMP Tube
10	84194259		1 HOSE ASSY. 15.88mm ID x 480mm L Drain
11	214-1410		2 HOSE CLAMP #10, 0.56" - 1.06", Type F Worm
12	84350123		2 BRACKET Clamp Backup
13	87000159		1 CLAMP Tube
14	87451102		1 CLAMP Tube
15	84375781		1 HOSE ASSY. 15.88mm ID x 510mm L, SAE 100R17 Reg Pressure Supply, Incl 23 - 24
16	87301686		2 BOLT M8 x 108.1mm, CI 10.9 Flange, M8 x 100mm, 10.9
17	86507066		3 FLANGE NUT M8 x 1.25, CI 10
18	87656137		1 BOLT M8 x 28.1mm, CI 10.9
19	238-6012		1 O-RING 0.07" Thk x 0.364" ID, -12, CI 6, 90 Duro
20	238-6025		1 O-RING 0.07" Thk x 1.176" ID, -25, CI 6, 90 Duro
21	390653A1		1 FUEL HOSE 9.53 mm ID x 191.00 mm Return
22	214-1408		2 HOSE CLAMP 11.2mm - 19.8mm
23	9992069		1 O-RING 0.07" Thk x 0.614" ID, -16, CI 6, 90 Duro
24	9991976		1 O-RING 0.07" Thk x 0.739" ID, -18, CI 6, 90 Duro

5140-COMBINE - TIER 2

ACCUMULATOR



ACCUMULATOR

REF FN	PART NUMBER	YR/SN	QTY DESCRIPTION
1	84590411		1 BRACKET Accumulator
2	84196062		1 HYD. TUBE Accumulator
3	84225496		1 ACCUMULATOR Hydraulic
4	87656137		4 BOLT M8 x 28.1mm, CI 10.9
5	86507066		4 FLANGE NUT M8 x 1.25, CI 10
6	86579676		1 HYD CONNECTOR 13/16" - 16 ORFS x M18 x 1.5 ORB
7	84133868		1 CLAMP Accumulator Mounting
8	9992298		2 O-RING 0.07" Thk x 0.489" ID, -14, CI 6, 90 Duro
9	86598101		1 O-RING 2.2mm Thk x 15.3mm ID, CI 6, 90 Duro
10	L70872		1 SWITCH Accumulator
11	A42561		1 JAM NUT Electrical Switch
12	280673A1		1 KNOB Accumulator Switch

5140-COMBINE - TIER 2

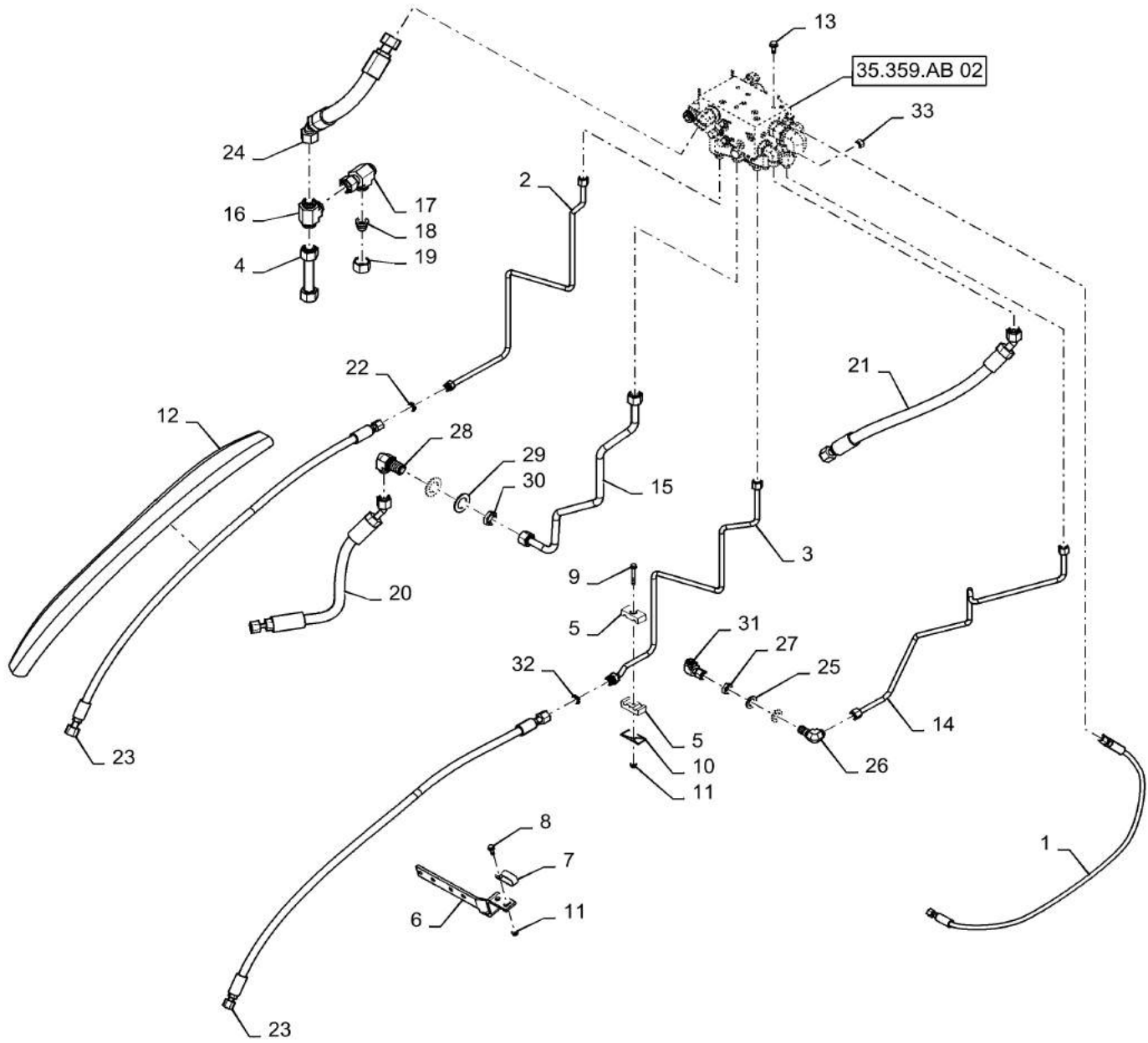
35.359.AB

01

p1

7/2015

HYDRAULIC SYSTEM, MAIN STACK VALVE



35.359.AB

01

p1

7/2015

HYDRAULIC SYSTEM, MAIN STACK VALVE

REF FN	PART NUMBER	YR/SN	QTY DESCRIPTION
1	84260471		1 HOSE ASSY. Pump Signal
2	84518532		1 HYD. TUBE Reverser Return
3	84350040		1 HYD. TUBE Reverser Supply
4	84260113		1 HYD. TUBE Reel Return
5	87000149		1 CLAMP Tube
6	87605327		1 BRACKET Feeder Hoses
7	470375C1		1 CLAMP Medium Duty
8	87698833		1 BOLT M8 x 33.1mm, CI 10.9
9	87670761		1 FLANGE BOLT M8 x 68.1mm, CI 10.9
10	87000230		1 PLATE Hose Clamp
11	86507066		2 FLANGE NUT M8 x 1.25, CI 10
12	1324451C1		1 PROTECTIVE SLEEVE 40.4 mm ID x 914.50 mm
13	87698836		3 BOLT M10 x 25mm, Full Thd, CI 10.9
14	84359760		1 HYD. TUBE Steer Supply
15	84518535		1 HYD. TUBE Feeder Lift
16	201-410		1 TEE 1 7/16"-12 ORFS
17	201-418		1 TEE 1-7/16" - 12 ORFS x 1-7/16" - 12 ORFS x 1-7/16" - 12 ORFS
18	201-149		1 REDUCER 13/16"-16 Male x 1 7/16"-12 Fem, ORFS
19	203-905		1 TUBE NUT 1 7/16"-12 ORFS
20	84304076		1 HYDRAULIC HOSE 6.35mm ID x 410mm L, SAE 100R17 Load Sense
21	84565377		1 HYDRAULIC HOSE 19.05mm ID x 690mm L, SAE 100R17 Reel Function Supply
22	238-6014		1 O-RING 0.07" Thk x 0.489" ID, -14, CI 6, 90 Duro
23	84324767		2 HOSE ASSY. 12.7mm ID x 1560mm L, SAE 100R17 Reverser Supply/Return
24	84536111		1 HYDRAULIC HOSE 25.4mm ID x 455mm L, SAE 100R1 Valve Stack Return
25	140021		2 WASHER 22mm ID x 37mm OD x 3mm Thk

5140-COMBINE - TIER 2

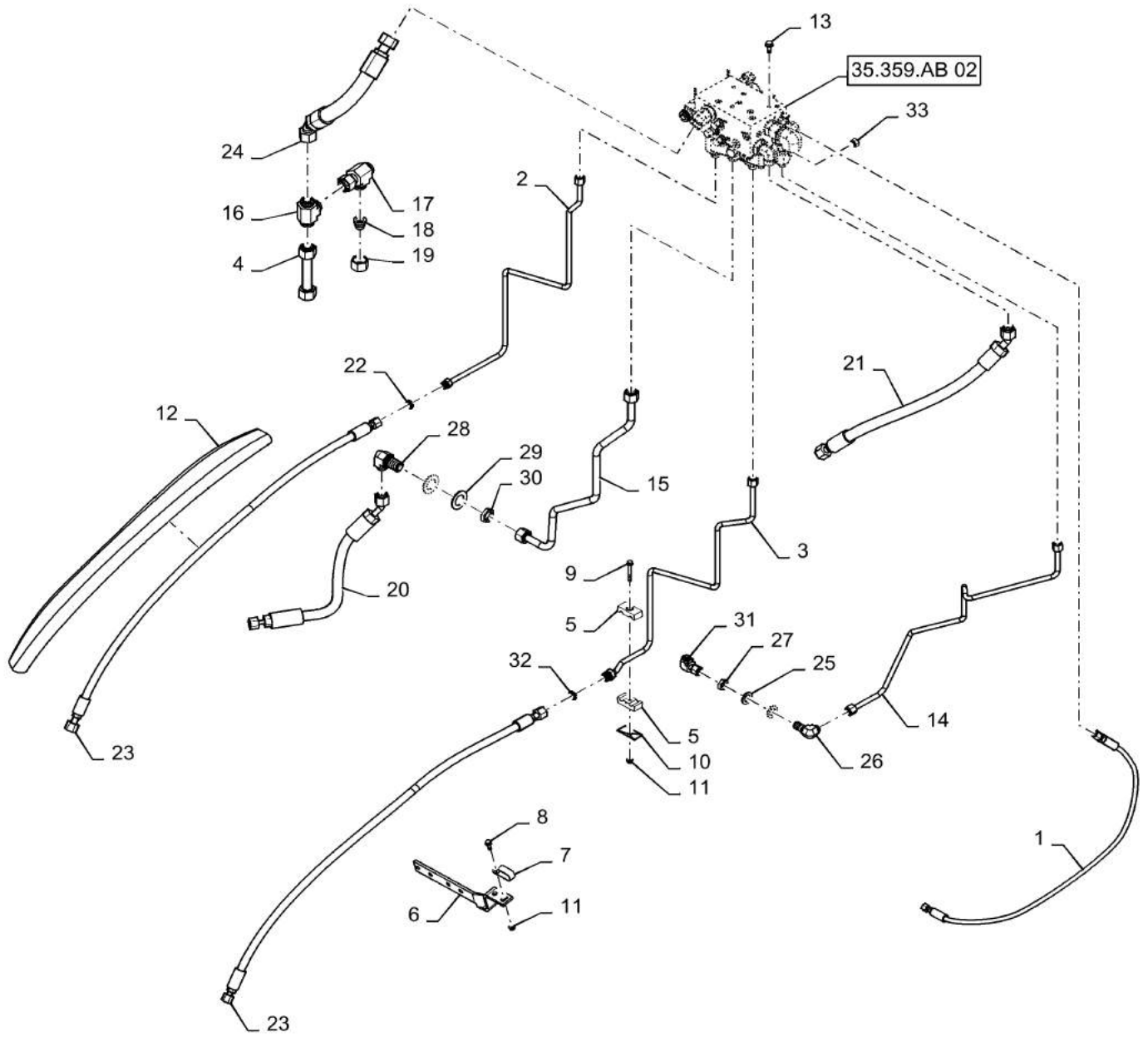
35.359.AB

01

p2

7/2015

HYDRAULIC SYSTEM, MAIN STACK VALVE



HYDRAULIC SYSTEM, MAIN STACK VALVE

REF FN	PART NUMBER	YR/SN	QTY DESCRIPTION
26	87319550		1 90 ELBOW 1/2" ORFS
27	87381289		1 BHD LOCK NUT 1/2" Tube
28	201-323		1 ELBOW 90°, 1 11/16"-12, Blkhd, ORFS
29	87020814		2 WASHER 33mm ID x 56mm OD x 4mm Thk
30	218-1249		1 BHD LOCK NUT Blkhd, 1 3/16"-12
31	201-320		1 ELBOW 90°, 13/16"-16 x 13/16"-16 Fem Sw ORFS
32	238-6016		1 O-RING 0.07" Thk x 0.614" ID, -16, Cl 6, 90 Duro
33	87331951		1 ORIFICE Cap, 1/2" ORFS

5140-COMBINE - TIER 2

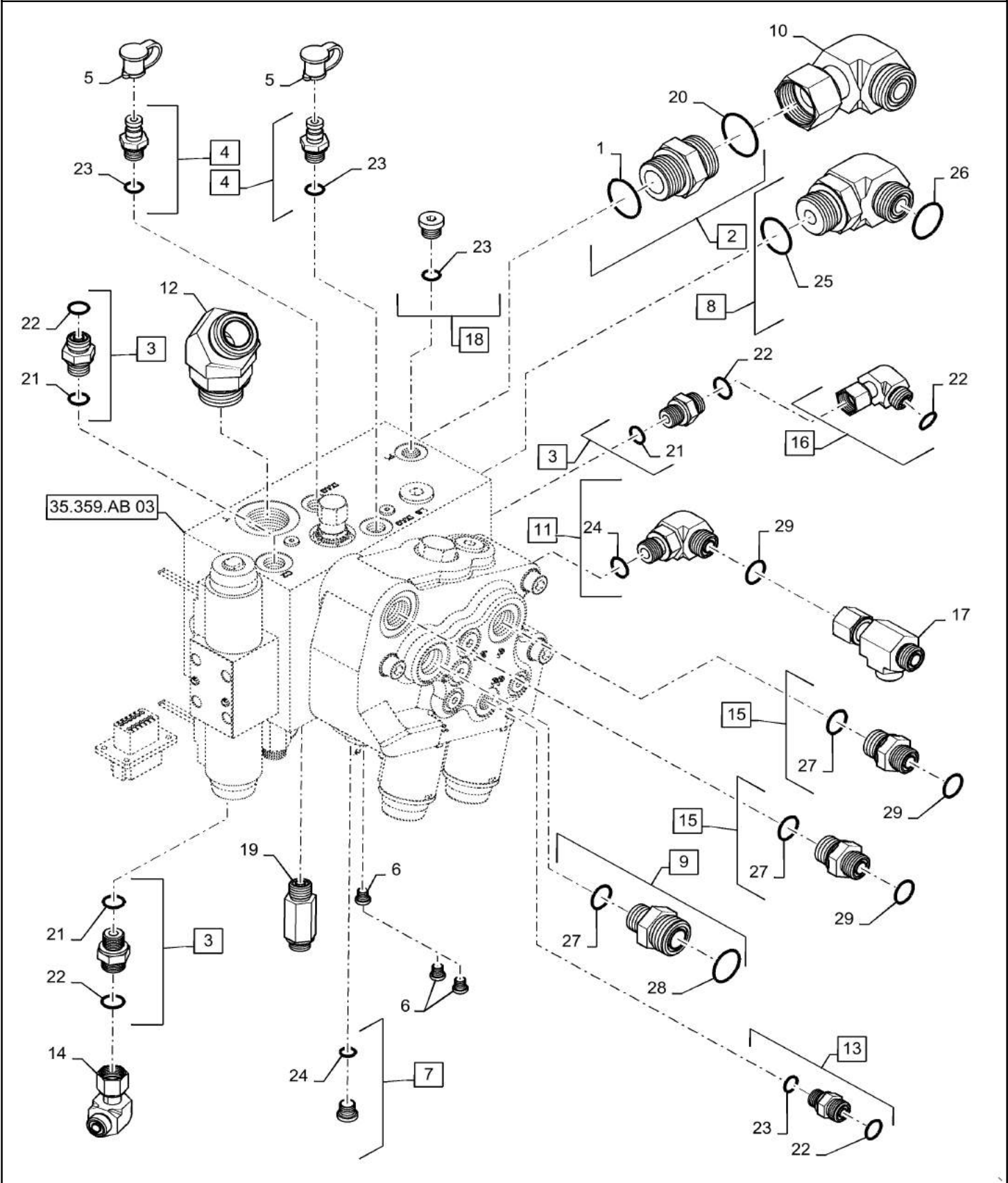
35.359.AB

02

p1

7/2015

VALVE, MAIN DISTRIBUTOR, FEEDER, REEL, REVERSER



35.359.AB

02

p1

7/2015

VALVE, MAIN DISTRIBUTOR, FEEDER, REEL, REVERSER

REF FN	PART NUMBER	YR/SN	QTY DESCRIPTION
1	86598104		1 O-RING 2.9mm Thk x 29.6mm ID, CI 6, 90 Duro
2	86580179		1 HYD CONNECTOR 1-7/16" - 12 ORFS x M33 x 2 ORB Incl 1, 20
3	86579672		3 HYD CONNECTOR 11/16"-16 ORFS x M16 x 1.5 ORB Incl 21 - 22
4	84320565		2 COUPLING M14 x 1.5 Incl 23
5	86502604		2 DUST CAP 1/8"
6	86529630		1 PLUG Hex Soc, 3/8"-24 ORB
6	87428328		1 PRESSURE SWITCH Float Option, Replaces 6 Plug
6	84377662		1 REDUCER FITTING Float Option, Replaces 6 Plug
7	86598046		1 PLUG M18 x 1.5 ORB Incl 24
8	86579698		1 90 ELBOW 1 3/16"-12 ORFS x M33 x 2 ORB Incl 25 - 26
9	86579681		1 HYD CONNECTOR 1-3/16"-12 ORFS x M22 x 1.5 ORB Incl 27 - 28
10	201-339		1 ELBOW 90°, 1 7/16"-12 x 1 7/16"-12 Fem Sw ORFS
11	86579691		1 90 ELBOW 90°, 13/16"-18 ORFS x M18 x 1.5 ORB Incl 24, 29
12	86639054		1 45 ELBOW 45°, 1-7/16"-12 ORFS x M33 x 2.0 ORB
13	86579671		1 HYD CONNECTOR 11/16" - 16 ORFS x M14 x 1.5 ORB Incl 22 - 23
14	201-319		1 ELBOW 90°, 11/16"-16 x 1/16"-16 Fem Sw ORFS
15	86579678		2 HYD CONNECTOR 13/16"-16 ORFS x M22 x 1.5 ORB Incl 27, 29
16	84989392		1 ELBOW 90°, 11/16"-16 ORFS x 11/16"-16 Fem Sw Incl 22
17	86624132		1 TEE 13/16" - 16 JIC x 13/16" - 16 ORFS x 13/16" - 16 ORFS

5140-COMBINE - TIER 2

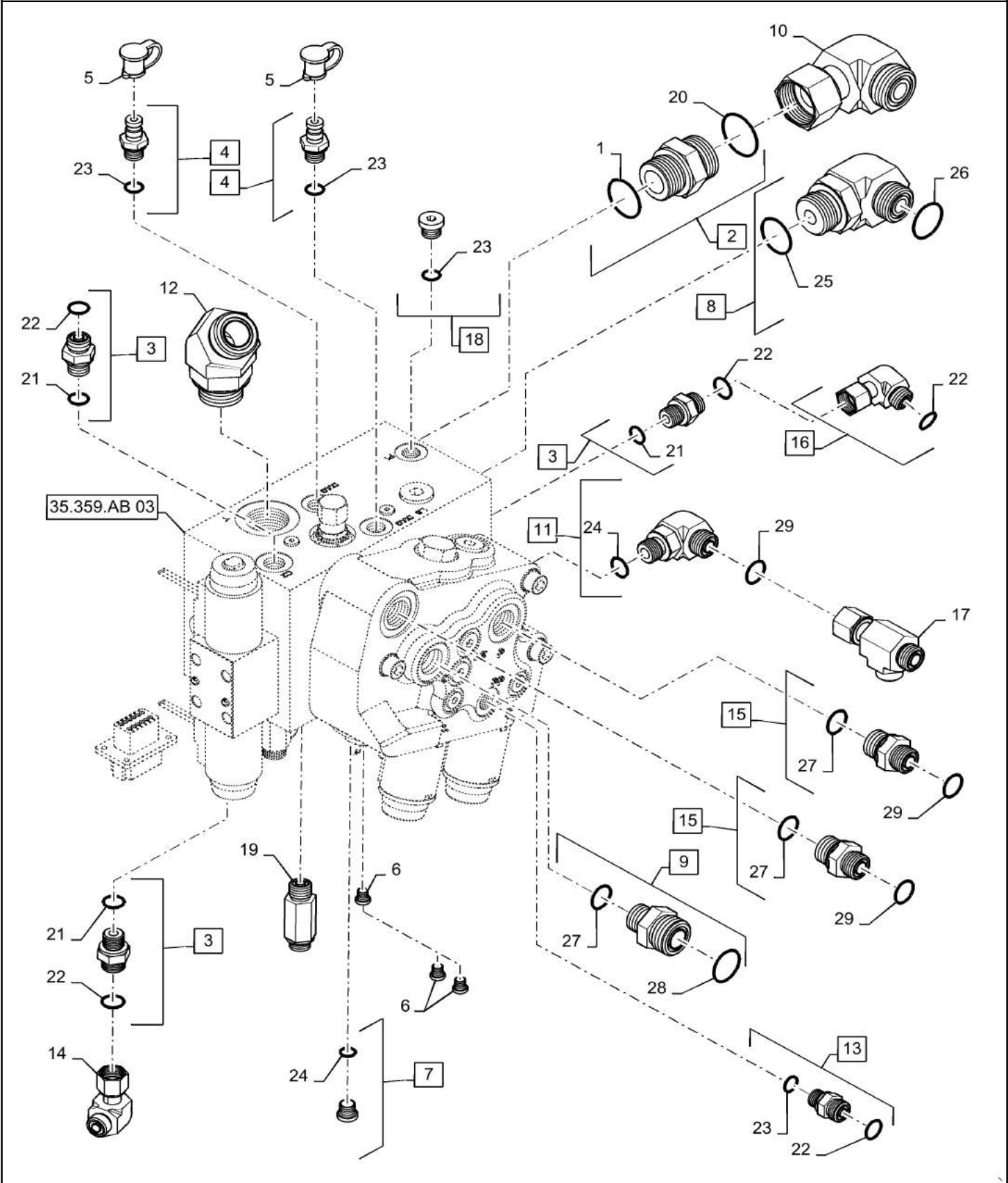
35.359.AB

02

p2

7/2015

VALVE, MAIN DISTRIBUTOR, FEEDER, REEL, REVERSER



35.359.AB

02

p2

7/2015

VALVE, MAIN DISTRIBUTOR, FEEDER, REEL, REVERSER

REF FN	PART NUMBER	YR/SN	QTY DESCRIPTION
18	10118711		1 PLUG M14 x 1.5 x 12, CI5.8 Incl 23
19	84384048		1 HYD CONNECTOR 10mm ORFS x 16mm ORB
20	9824050		1 O-RING 0.07" Thk x 0.926" ID, -21, CI 6, 90 Duro
21	86598100		3 O-RING 2.2mm Thk x 13.3mm ID, CI 6, 90 Duro
22	9993141		5 O-RING 0.07" Thk x 0.364" ID, -12, CI 6, 90 Duro
23	86598099		4 O-RING 2.2mm Thk x 11.3mm ID, CI 6
24	86598101		2 O-RING 2.2mm Thk x 15.3mm ID, CI 6, 90 Duro
25	86598104		1 O-RING 2.9mm Thk x 29.6mm ID, CI 6, 90 Duro
26	9991976		1 O-RING 0.07" Thk x 0.739" ID, -18, CI 6, 90 Duro
27	86598102		3 O-RING 2.2mm Thk x 19.3mm ID, CI 6, 90 Duro
28	9991976		1 O-RING 0.07" Thk x 0.739" ID, -18, CI 6, 90 Duro
29	9992298		3 O-RING 0.07" Thk x 0.489" ID, -14, CI 6, 90 Duro

5140-COMBINE - TIER 2

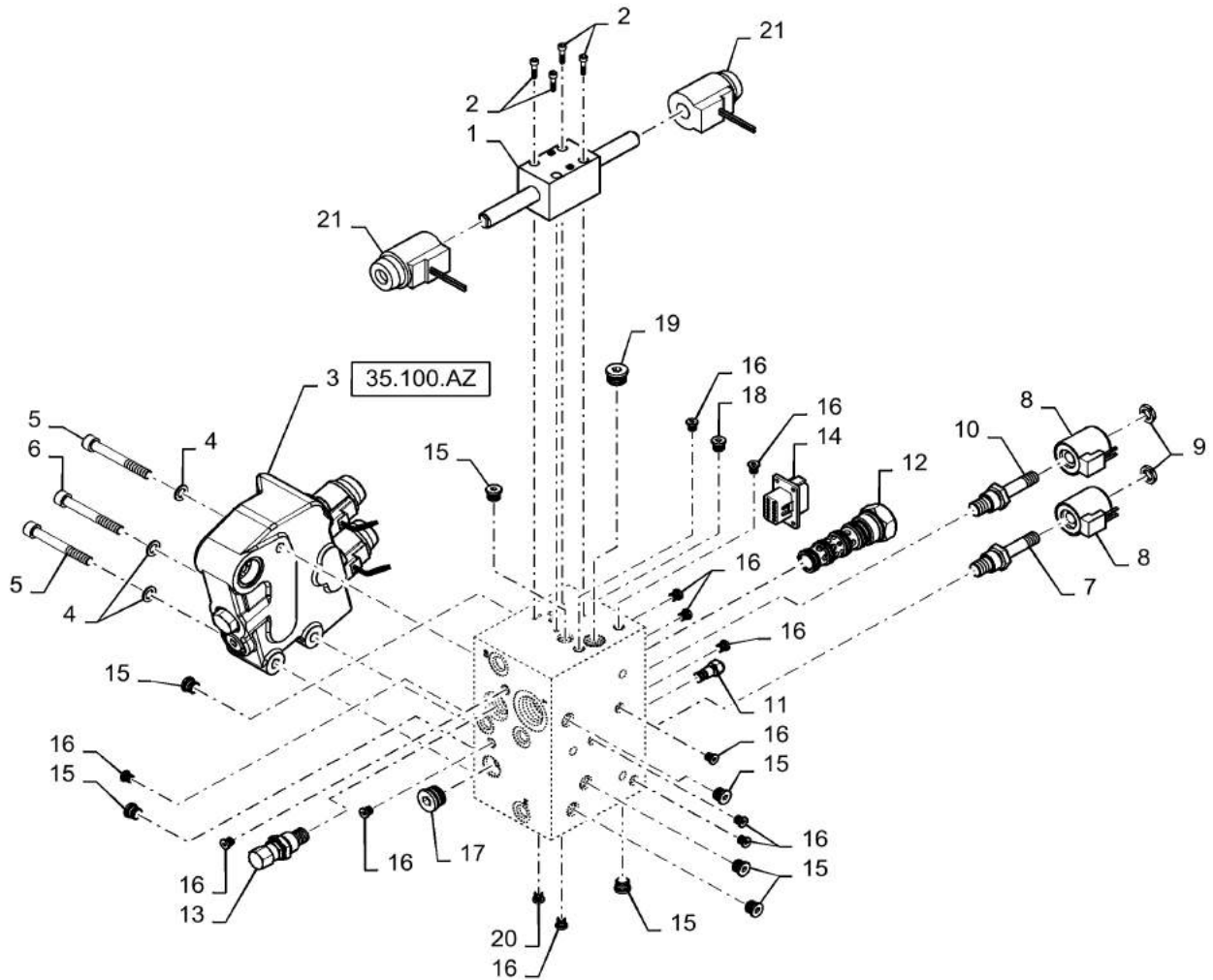
35.359.AB

03

p1

7/2015

VALVE, MAIN DISTRIBUTOR



VALVE, MAIN DISTRIBUTOR

REF FN	PART NUMBER	YR/SN	QTY DESCRIPTION
1	87434014		1 CONTROL VALVE 3 Position, 4 Way
2	280160		4 HEX SOC SCREW #10 - 32 x 3/4"
3	87648197		1 CONTROL VALVE Feeder Lift
3	87648197R		1 REMAN-HYD VALVE
3	87648197C		1 CORE-VALVE HYD Return Number
4	86625251		3 WASHER 10.5mm ID x 18mm OD x 1.6mm Thk
5	84549789		2 BOLT M10 x 1.5 x 80mm, CI 12.9 Hex Socket, M10 x 80mm, 12.9
6	84557167		1 SCREW Hex Socket, M10 x 100mm, 12.9
7	191121A1		1 VALVE 2 Way, 2 Position, Normally Closed
8	86995302		2 SOLENOID Coil
9	195683A1		2 JAM NUT 1/2"-20
10	87281256		1 CARTRIDGE 2 Way, 2 Position W/Orifice
11	190704A1		1 CHECK VALVE
12	84569276		1 FLOW CONTROL VALVE Priority
13	87434000		1 PRESSURE RELIEF VALVE
14	323464A1		1 CONNECTOR, ELEC 12 Cavity Deutsch
15	87035062		7 PLUG Hex, 1/2"-20 ORB
16	86632547		12 PLUG Hex, 5/16"-24 ORB
17	86625138		1 PLUG 7/18" - 14
18	87434016		1 PLUG Orificed W/Screen
19	86590562		1 PLUG Hex Soc, 3/4"-16 ORB
20	87434017		1 PLUG Orificed, .030"
21	188105A1		2 SOLENOID Control Valve

5140-COMBINE - TIER 2

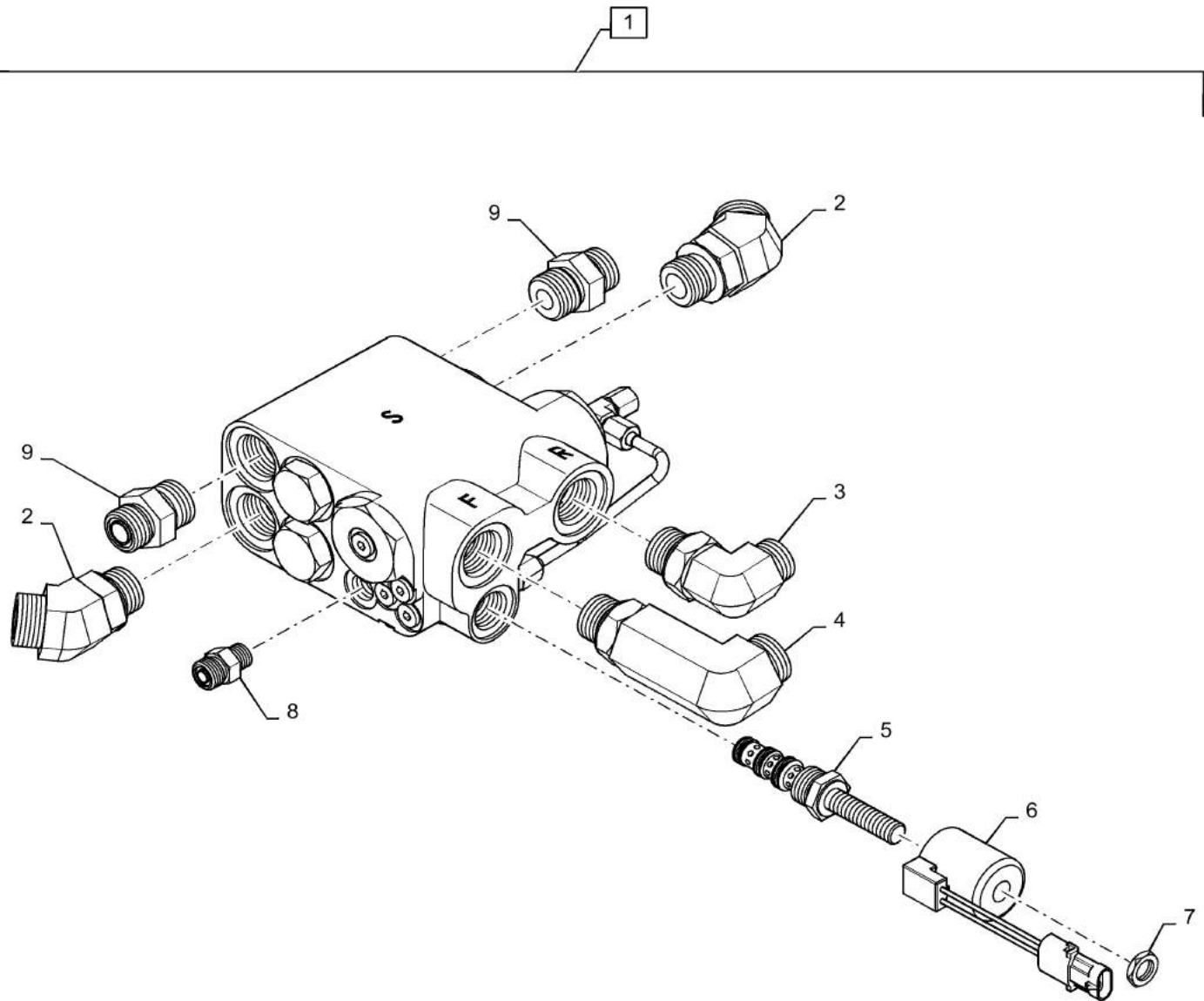
35.359.AB

04

p1

7/2015

HYDRAULIC VALVE, REAR AXLE ASSY, SINGLE SPEED, 2-SPEED



35.359.AB

04

p1

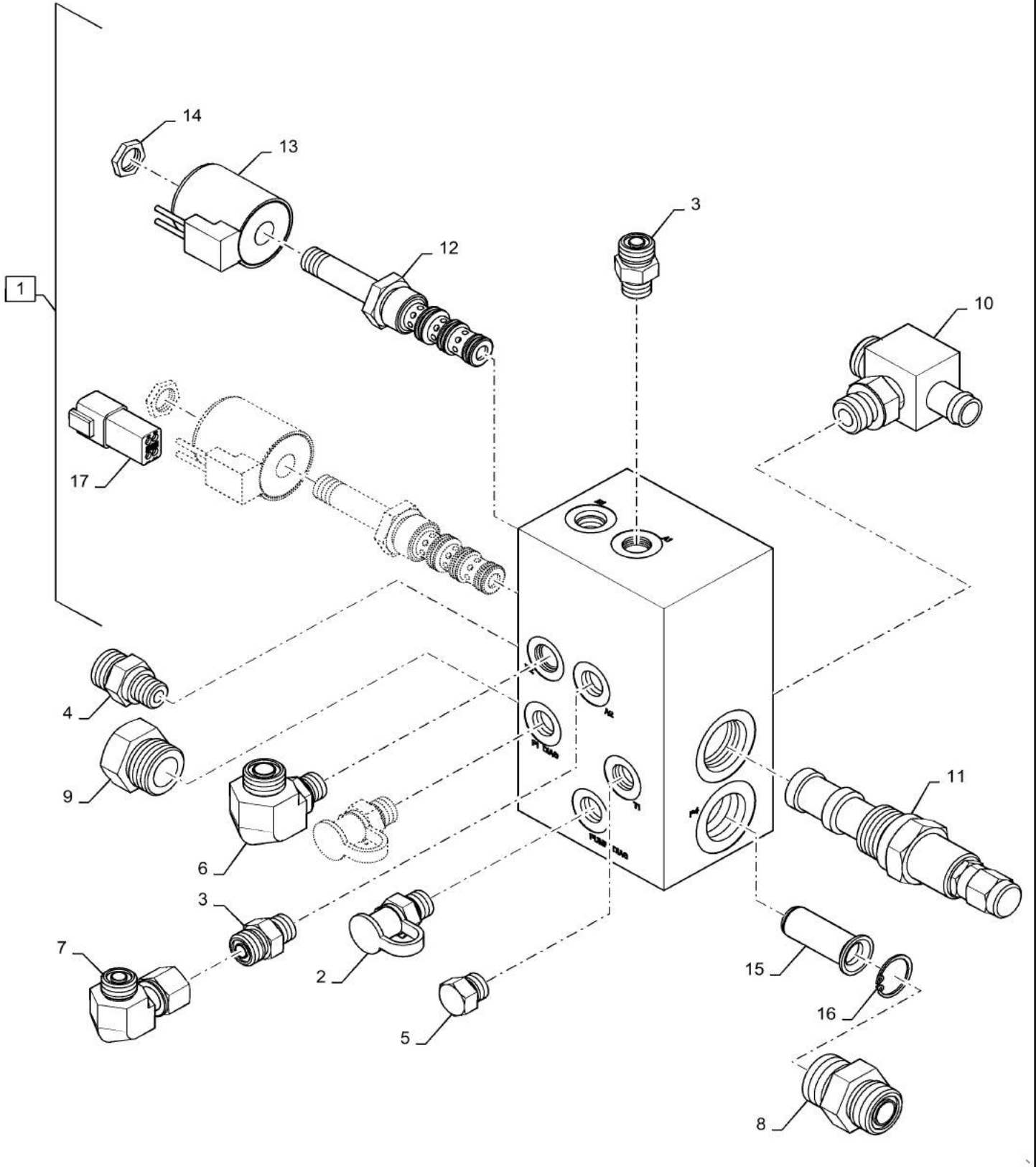
7/2015

HYDRAULIC VALVE, REAR AXLE ASSY, SINGLE SPEED, 2-SPEED

REF FN	PART NUMBER	YR/SN	QTY DESCRIPTION
1	84523955		1 VALVE PGA Selector, Incl 2 - 9
2	87757834		2 HYD CONNECTOR Elbow, 3/4" ORFS x 3/4" ORB
3	9991973		1 ELBOW Elbow, 5/8" ORFS x 3/4" ORB
4	87661865		1 HYD CONNECTOR Elbow, 3/4" ORFS x 3/4" ORB
5	187849C1		1 SOLENOID VALVE 12V, PGA Selector
6	1340843C1		1 SOLENOID 12V 12V, PGA Selector
7	195683A1		1 JAM NUT 1/2"-20
8	9993143		1 HYD CONNECTOR 11/16" - 16 ORFS x 9/16" - 18 ORB
9	87757824		2 HYD CONNECTOR Straight, 5/8" ORFS x 3/4" ORB

5140-COMBINE - TIER 2

SEPARATOR, UNLOADING TUBE, REGULATING SYSTEM, FITTING

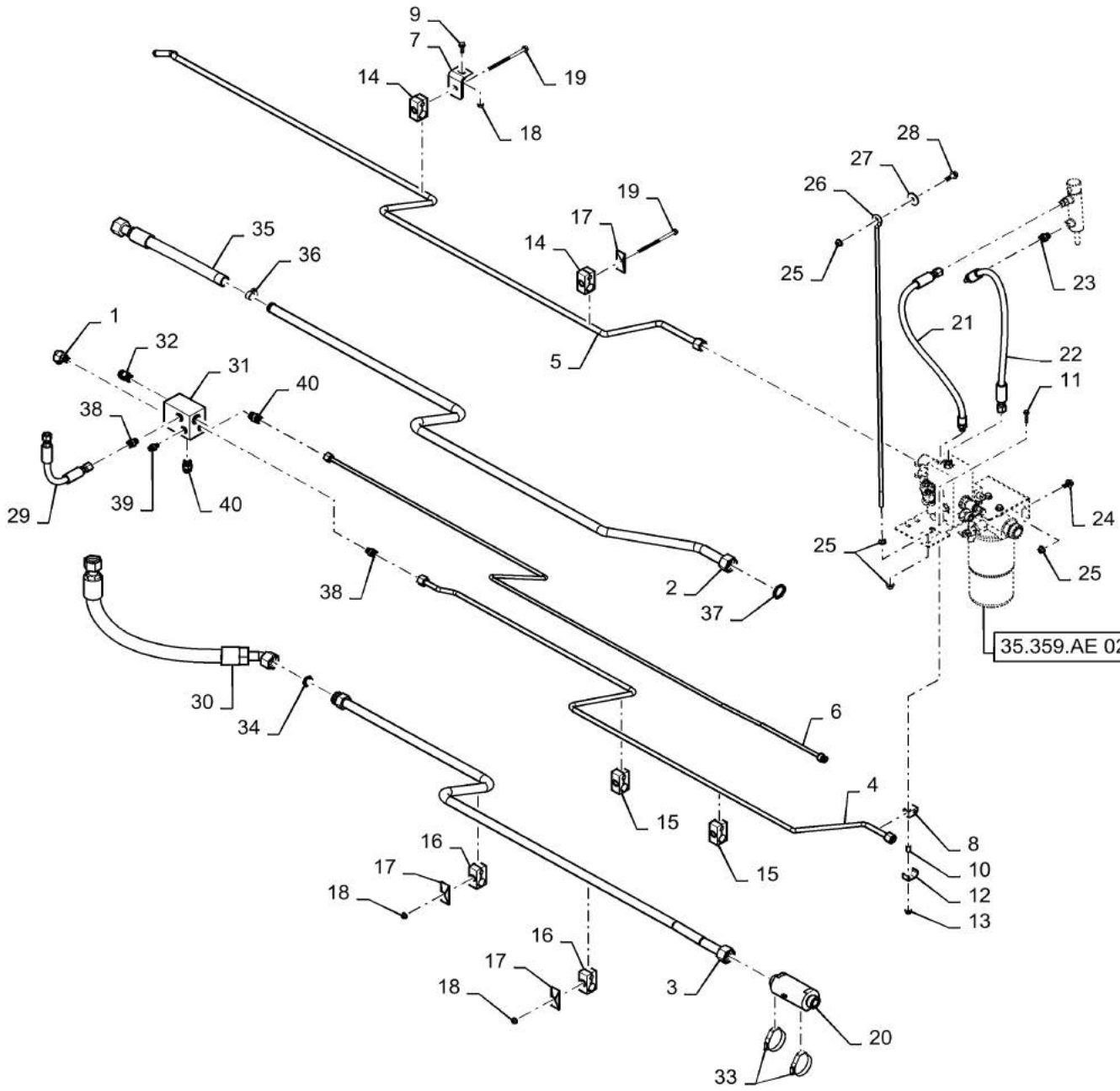


SEPARATOR, UNLOADING TUBE, REGULATING SYSTEM, FITTING

REF FN	PART NUMBER	YR/SN	QTY DESCRIPTION
1	84129051		1 VALVE Separator/Unload/Regulator Valve, Incl 11 - 17
2	1541849C1		2 COUPLING Diagnostic
3	9993143		2 HYD CONNECTOR 11/16" - 16 ORFS x 9/16" - 18 ORB
4	9992342		1 HYD CONNECTOR 13/16" - 16 ORFS x 9/16" - 18 ORB
5	76349		1 PLUG 9/16" - 18 ORB
6	87016877		1 ELBOW 90°, 13/16"-16 x 9/16"-18, Adj, ORFS
7	84989392		1 ELBOW 90°, 11/16"-16 ORFS x 11/16"-16 Fem Sw
8	83962539		1 HYD CONNECTOR 1" - 14 ORFS x 1 1/16" - 12 ORB
9	163410		1 PLUG 1 1/16"-12 ORB
10	141657A1		1 TEE 3/8" ORB x 5/8" ORFS x 5/8" Beaded
11	377593A1		1 PRESSURE RELIEF VALVE
12	187849C1		2 SOLENOID VALVE 4 Way
13	190715A1		2 SOLENOID Coil
14	195683A1		2 JAM NUT 1/2"-20
15	241892A1		1 FILTER SCREEN Backup
16	100-2187		1 SNAP RING 0.875", Int, #87
17	225326C1		1 ELEC CONNECTOR Male, 4 Pin

5140-COMBINE - TIER 2

HYDRAULIC SYSTEM, FILTER & LINE, TUBE



35.359.AE

01

p1

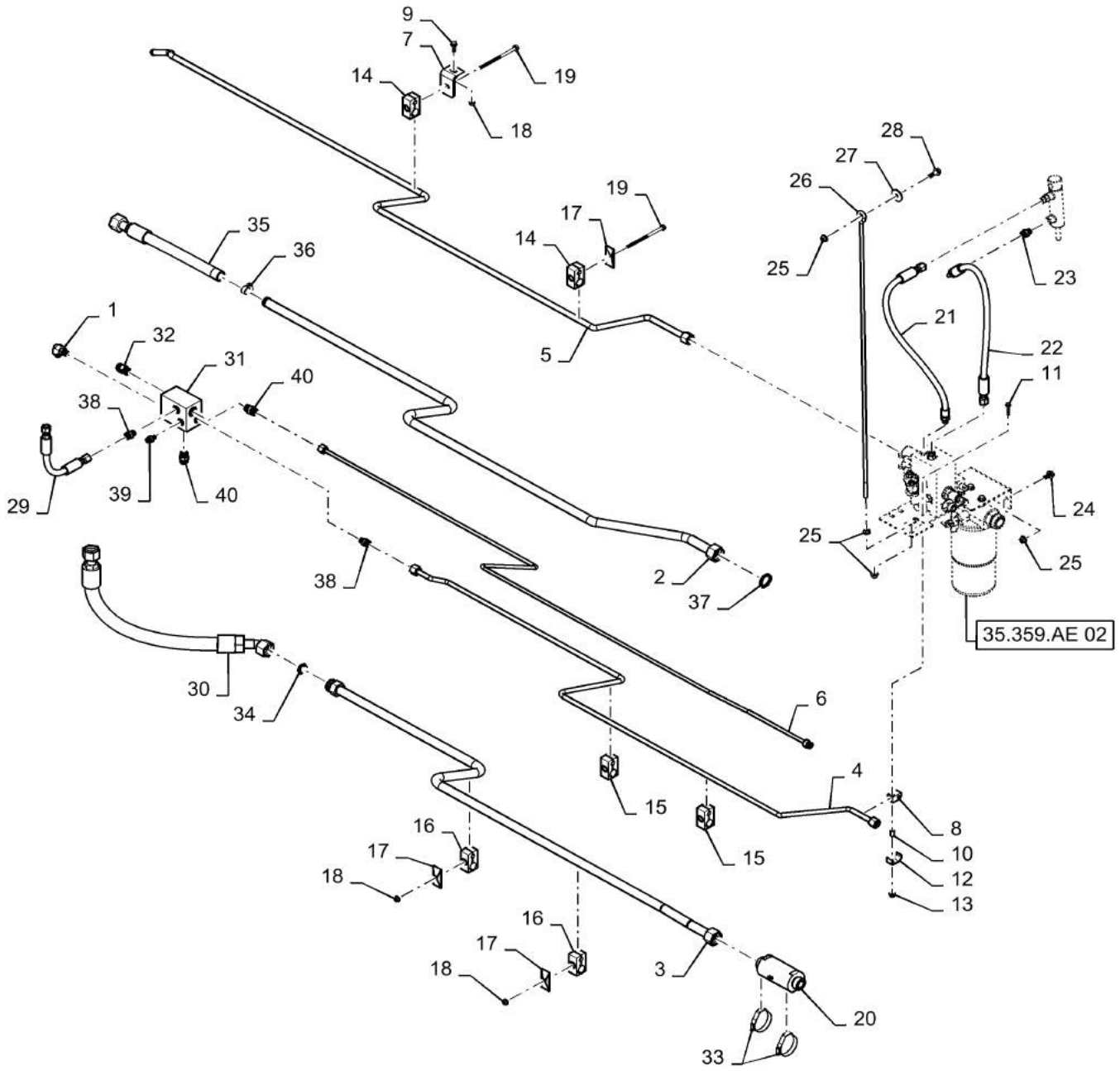
7/2015

HYDRAULIC SYSTEM, FILTER & LINE, TUBE

REF FN	PART NUMBER	YR/SN	QTY DESCRIPTION
1	9840543		1 90 ELBOW 90°, 11/16"-16 x 9/16"-18 Adj, ORFS
2	84282060		1 HYD. TUBE System Return
3	84156258		1 HYD. TUBE Main Supply
4	84260466		1 HYD. TUBE Pump Signal
5	84156271		1 HYD. TUBE Low Pressure Return
6	84260467		1 HYD. TUBE Regulated Pressure
7	84514679		2 SUPPORT Tube Bundle
8	449127A1		1 CLAMP Tube Single
9	87698833		2 BOLT M8 x 33.1mm, CI 10.9
10	418785A1		1 SPACER Tube Clamp
11	87698832		1 FLANGE BOLT Hex, M6 x 35mm, CI 10.9
12	449128A1		1 CLAMP 20mm ID Tube Clamp
13	86050300		1 FLANGE NUT M6 x 1.0, CI 10
14	87000138		3 CLAMP 25.4mm x 15.87mm
15	87105732		3 CLAMP 12.7mm x 9.52mm
16	87000141		3 CLAMP 25.4mm x 12.7mm
17	87000230		4 PLATE Hose Clamp
18	86507066		5 FLANGE NUT M8 x 1.25, CI 10
19	84292045		3 BOLT Hex, M8 x 140mm, CI 8.8 Flange, M8 x 140mm, 8.8
20	84181465		1 HYDRAULIC OIL FILTER Screen
21	128068A2		1 FLEXIBLE HOSE Unloader Clutch Valve
22	87558237		1 HOSE ASSY. Unloader Clutch Valve
23	9993143		1 HYD CONNECTOR 11/16" - 16 ORFS x 9/16" - 18 ORB
24	87698835		2 FLANGE BOLT M10 x 20mm, Full Thd, CI 10.9
25	86050279		5 FLANGE NUT M10 x 1.5, CI 10
26	84160822		1 ROD Return Filter Bracket
27	495-81143		1 WASHER 13/32" x 1 1/2" x .120"
28	87698837		1 FLANGE BOLT M10 x 30mm, Full Thd, CI 10.9

5140-COMBINE - TIER 2

HYDRAULIC SYSTEM, FILTER & LINE, TUBE



35.359.AE

01

p2

7/2015

HYDRAULIC SYSTEM, FILTER & LINE, TUBE

REF FN	PART NUMBER	YR/SN	QTY DESCRIPTION
29	84347770		1 HOSE ASSY. Pilot Pressure
30	84193638		1 HOSE ASSY. Valve Supply
31	84188950		1 MANIFOLD Distribution Block
32	84194177		1 CHECK VALVE
33	82012728		2 COLLAR 50mm - 65mm, Worm Gear
34	238-6020		1 O-RING 0.07" Thk x 0.864" ID, -20, CI 6, 90 Duro
35	84282059		1 HOSE ASSY. Valve Stack Return
36	214-1416		1 HOSE CLAMP #16, 0.81" - 1.5", Type F Worm
37	238-6012		1 O-RING 0.07" Thk x 0.364" ID, -12, CI 6, 90 Duro
38	9993143		2 HYD CONNECTOR 11/16" - 16 ORFS x 9/16" - 18 ORB
39	87681202		1 HYD CONNECTOR 9/16" - 18 ORFS x 7/16" - 20 ORB 9/16" - 18 ORFS x 7/16" - 20 ORB
40	9992305		2 HYD CONNECTOR 13/16" - 16 ORFS x 3/4" - 16 ORB

5140-COMBINE - TIER 2

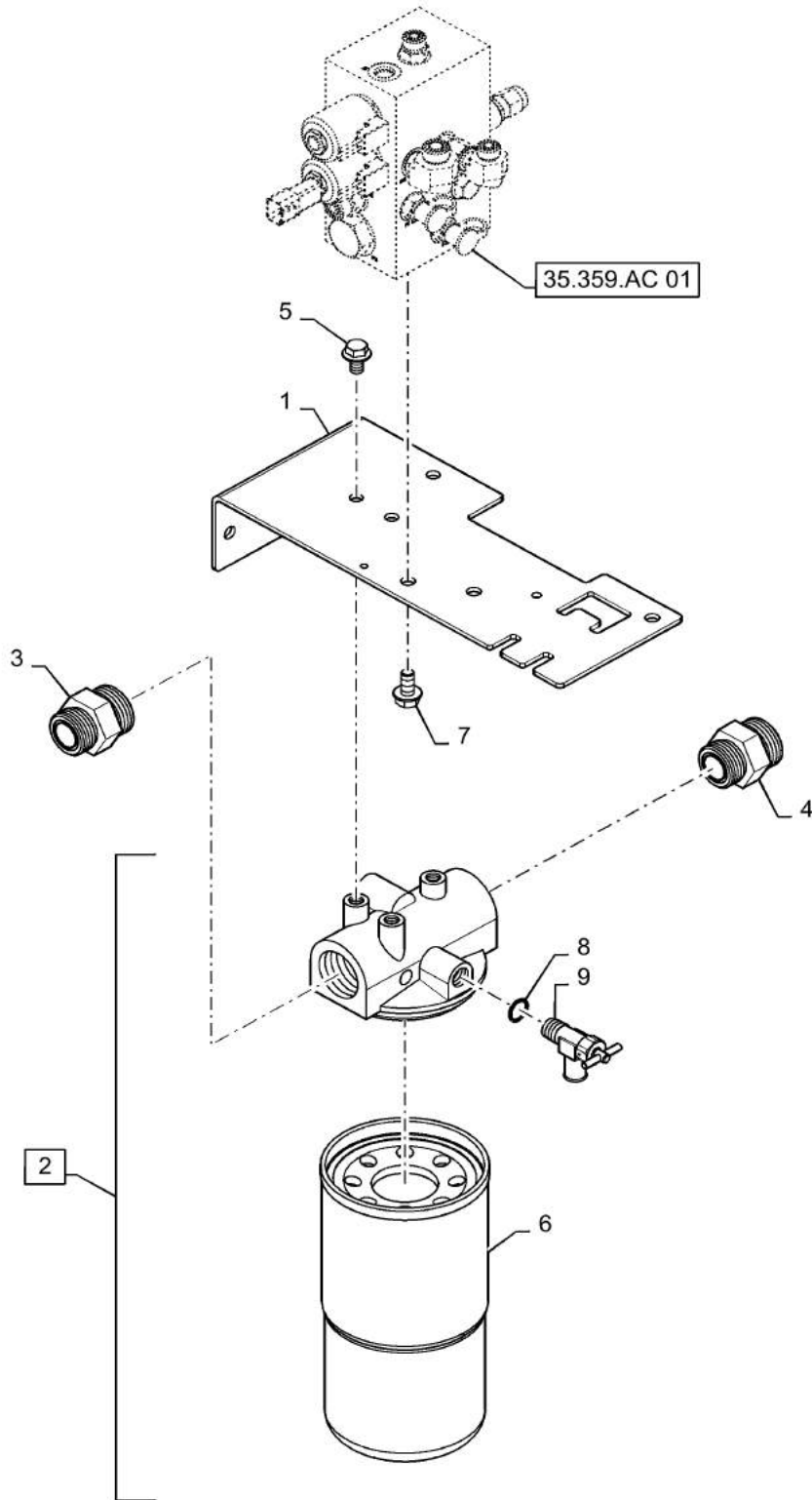
35.359.AE

02

p1

7/2015

VALVE, SEPARATOR, UNLOADING TUBE, REGULATOR, FILTER



35.359.AE

02

p1

7/2015

VALVE, SEPARATOR, UNLOADING TUBE, REGULATOR, FILTER

REF FN	PART NUMBER	YR/SN	QTY DESCRIPTION
1	84160487		1 BRACKET Return Filter
2	87689482		1 FILTER ASSY Hydraulic Return, Incl 6, 8, 9
3	9847247		1 HYD CONNECTOR 1 7/16"-12 ORFS x 1 5/8"-12 ORB
4	9840325		1 HYD CONNECTOR 1 11/16"-12 ORFS x 1 5/8"-12 ORB
5	87021006		3 BOLT M10 x 26.4mm, CI 10.9
6	1329214C1		1 HYDRAULIC OIL FILTER Hydraulic Return
7	87698835		2 FLANGE BOLT M10 x 20mm, Full Thd, CI 10.9
8	93196C1		1 O-RING 0.139" Thk x 4.484" ID, -246, 75 Duro
9	301803R1		1 SHUT-OFF VALVE

5140-COMBINE - TIER 2

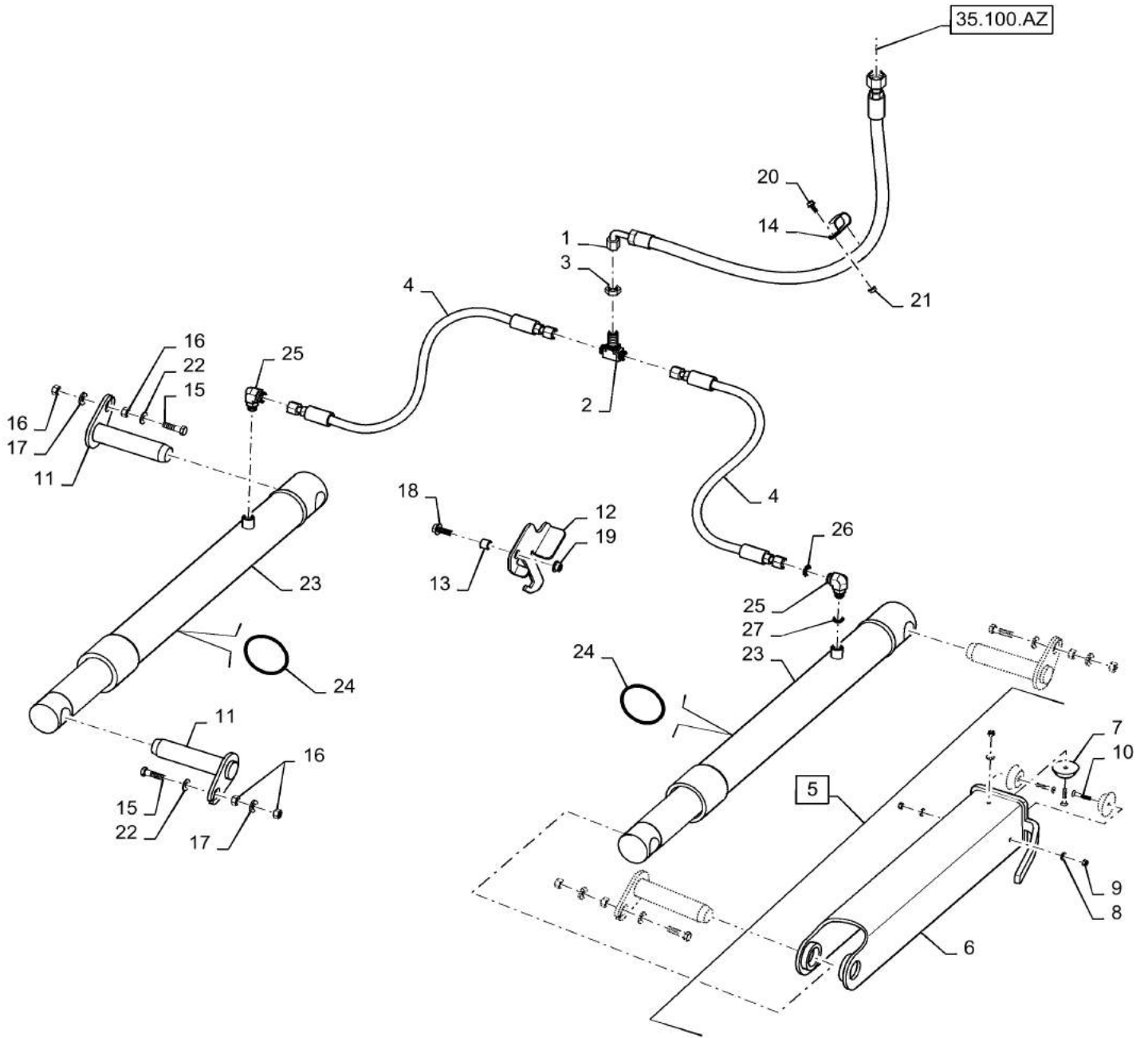
35.410.AH

01

p1

7/2015

VAR - 425193 - HYDRAULIC SYSTEM, FEEDER, HYDRAULIC LIFT



35.410.AH

01

p1

7/2015

VAR - 425193 - HYDRAULIC SYSTEM, FEEDER, HYDRAULIC LIFT

REF FN	PART NUMBER	YR/SN	QTY DESCRIPTION
1	84490696		1 HOSE ASSY. 15.88mm ID x 1170mm L, SAE 100R17 Feeder Lift
2	201-452		1 TEE 13/16"-16, Blkhd Br
3	87381289		1 BHD LOCK NUT 13/16" - 16
4	87673511		2 HOSE ASSY. To Lift Cylinder
5	84411618		1 STAND 75mm, Incl 6 - 10
6	84411619		1 CHANNEL 75mm
7	87499125		3 LINER Poly
8	322357		3 BELLEVILLE WASHER M6 x 14mm OD x 1.3mm Thk
9	353308		3 NUT M6 x 1.0, CI 8
10	1589127		3 SCREW Flat Csk Hd, M6 x 35mm, CI 8.8
11	87332721		4 PIN ASSY. 41.27mm OD x 202mm L 41.275mm OD x 117.8mm
12	84402613		1 HANGER Safety Stand
13	87387107		1 BUSHING Hanger Pivot
14	470375C1		1 CLAMP P-Style
15	120080		4 BOLT Hex, M12 x 45, 8.8
16	9706685		8 NUT M12 x 1.75, CI 8
17	86625256		4 WASHER 13.3mm ID x 28.5mm OD x 4mm Thk
18	87030508		1 BOLT M12 x 30 Full 10.9 ZND
19	86512497		1 FLANGE NUT M12 x 1.75, CI 10
20	87656137		1 BOLT M8 x 28.1mm, CI 10.9
21	86507066		1 FLANGE NUT M8 x 1.25, CI 10
22	140046		4 BELLEVILLE WASHER M12 x 27mm OD x 1.8mm Thk
23	84365099		2 CYLINDER 60mm Rod, 654mm Stroke Feeder Lift, 75mm
24	84274488		1 SEAL KIT Lift Cylinder, Services 23
25	86579691		2 90 ELBOW 90°, 13/16"-18 ORFS x M18 x 1.5 ORB Incl 26, 27
26	86598101		2 O-RING 2.2mm Thk x 15.3mm ID, CI 6, 90 Duro

5140-COMBINE - TIER 2

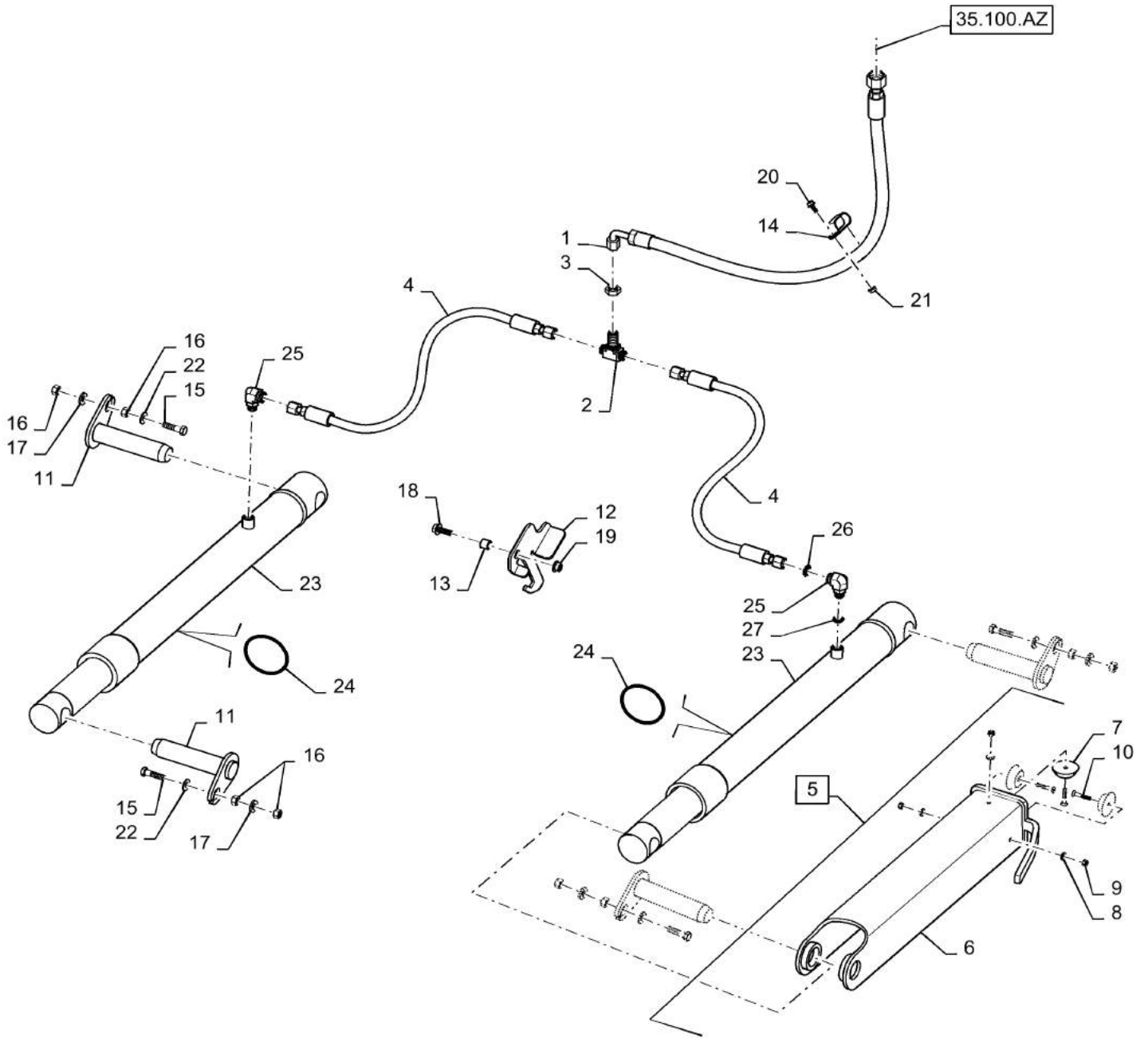
35.410.AH

01

p2

7/2015

VAR - 425193 - HYDRAULIC SYSTEM, FEEDER, HYDRAULIC LIFT



35.410.AH

01

p2

7/2015

VAR - 425193 - HYDRAULIC SYSTEM, FEEDER, HYDRAULIC LIFT

REF FN	PART NUMBER	YR/SN	QTY DESCRIPTION
27	9992298		2 O-RING 0.07" Thk x 0.489" ID, -14, Cl 6, 90 Duro

5140-COMBINE - TIER 2

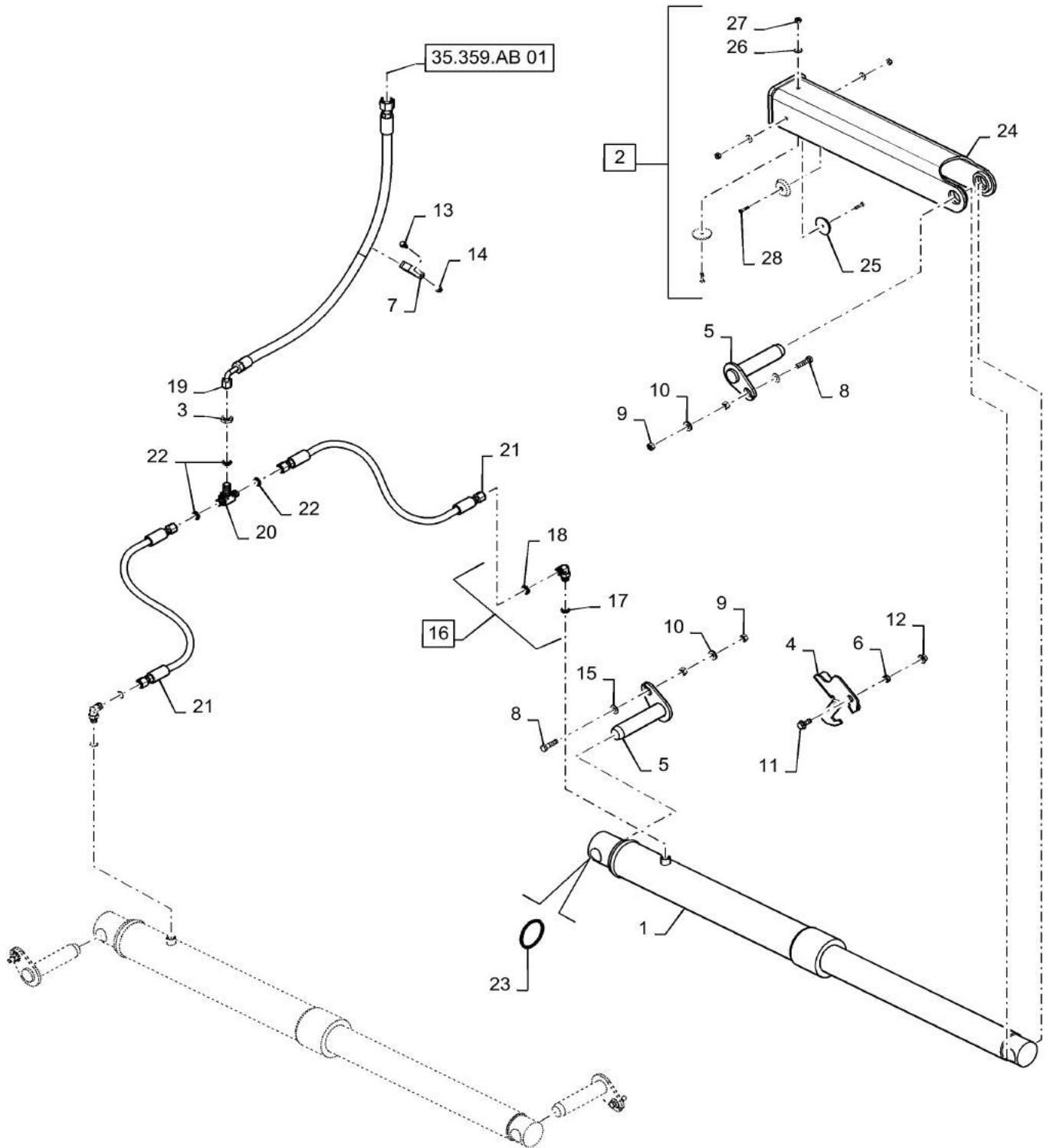
35.410.AH

03

p1

7/2015

VAR - 425536 - HYDRAULIC SYSTEM, FEEDER, HYDRAULIC LIFT



VAR - 425536 - HYDRAULIC SYSTEM, FEEDER, HYDRAULIC LIFT

REF FN	PART NUMBER	YR/SN	QTY DESCRIPTION
1	47463175		2 HYDRAULIC CYLINDER Feeder Lift 85MM
2	47605357		1 STAND Cylinder Lock, Incl 24 - 28
3	87381289		1 BHD LOCK NUT 1/2" Tube
4	84402613		1 HANGER Cylinder Lock
5	87332721		4 PIN ASSY. 41.27mm OD x 202mm L Lift Cylinder
6	87387107		1 BUSHING 19.05mm OD x 12.95mm ID x 8mm OAL
7	470375C1		1 CLAMP 1" ID
8	120080		4 BOLT Hex, M12 x 45, 8.8
9	9706685		8 NUT M12 x 1.75, CI 8
10	86625256		4 WASHER 13.3mm ID x 28.5mm OD x 4mm Thk
11	87030508		1 BOLT M12 x 30 Full 10.9 ZND
12	86512497		1 FLANGE NUT M12 x 1.75, CI 10
13	87656137		1 BOLT M8 x 28.1mm, CI 10.9
14	86507066		1 FLANGE NUT M8 x 1.25, CI 10
15	140046		4 BELLEVILLE WASHER M12 x 27mm OD x 1.8mm Thk
16	86579691		2 90 ELBOW 90°, 13/16"-18 ORFS x M18 x 1.5 ORB Incl 17, 18
17	86598101		2 O-RING 2.2mm Thk x 15.3mm ID, CI 6, 90 Duro
18	9992298		2 O-RING 0.07" Thk x 0.489" ID, -14, CI 6, 90 Duro
19	84490696		1 HOSE ASSY. 15.88mm ID x 1170mm L, SAE 100R17 Feeder Lift Main Supply
20	201-452		1 TEE 13/16"-16, Blkhd Br
21	87673511		2 HOSE ASSY. Feeder Lift Secondary Supply
22	238-6014		3 O-RING 0.07" Thk x 0.489" ID, -14, CI 6, 90 Duro
23	47464191		2 SEAL KIT Services 1
24	47605347		1 CHANNEL Cylinder Lock

5140-COMBINE - TIER 2

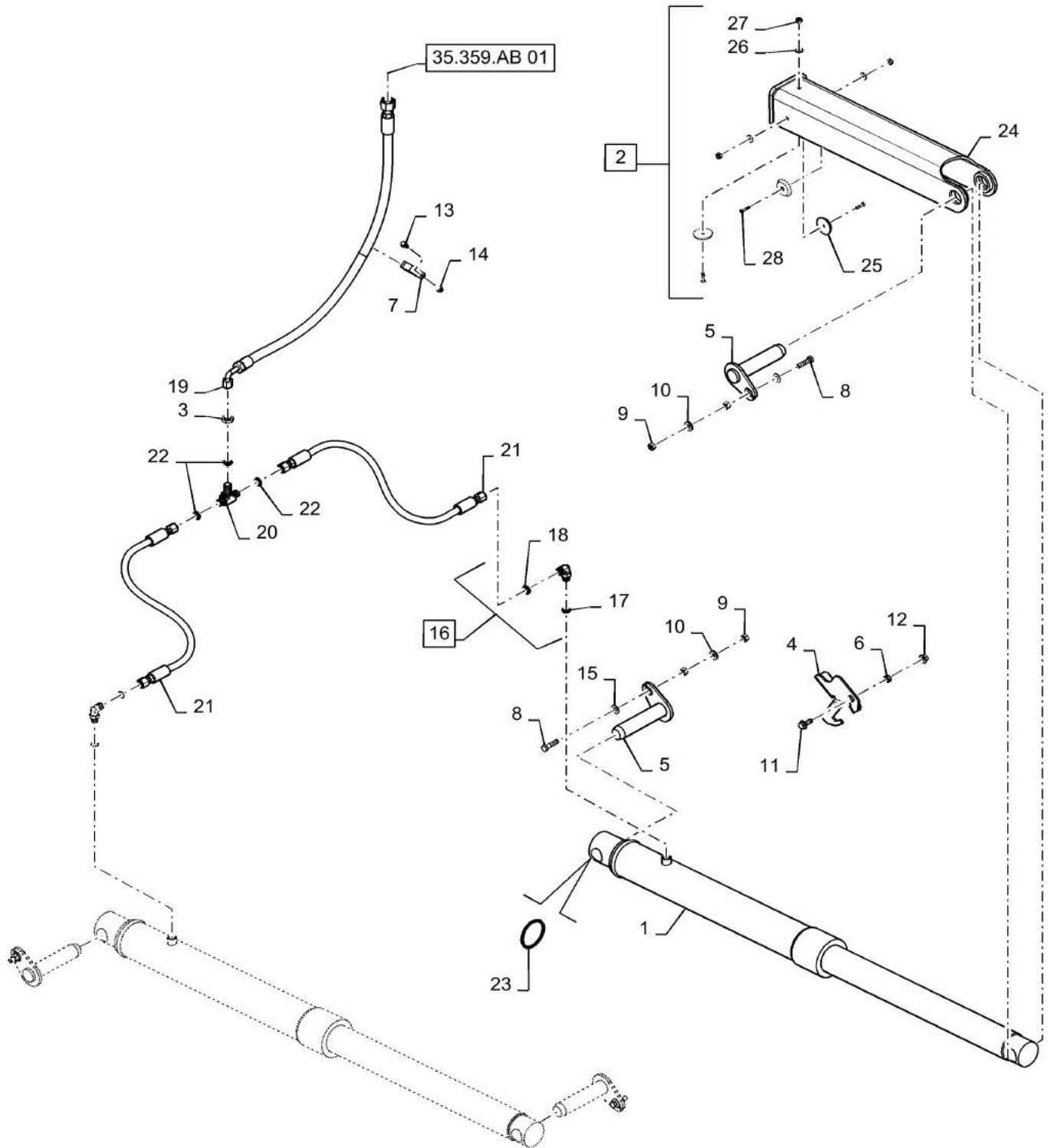
35.410.AH

03

p2

7/2015

VAR - 425536 - HYDRAULIC SYSTEM, FEEDER, HYDRAULIC LIFT



35.410.AH

03

p2

7/2015

VAR - 425536 - HYDRAULIC SYSTEM, FEEDER, HYDRAULIC LIFT

REF FN	PART NUMBER	YR/SN	QTY DESCRIPTION
25	47483610		3 LINER Poly, Cylinder Protection
26	322357		3 BELLEVILLE WASHER M6 x 14mm OD x 1.3mm Thk
27	353308		3 NUT M6 x 1.0, Cl 8
28	1520828		3 SCREW Flat Hd, Csk, M6 x 30mm, Cl 8.8

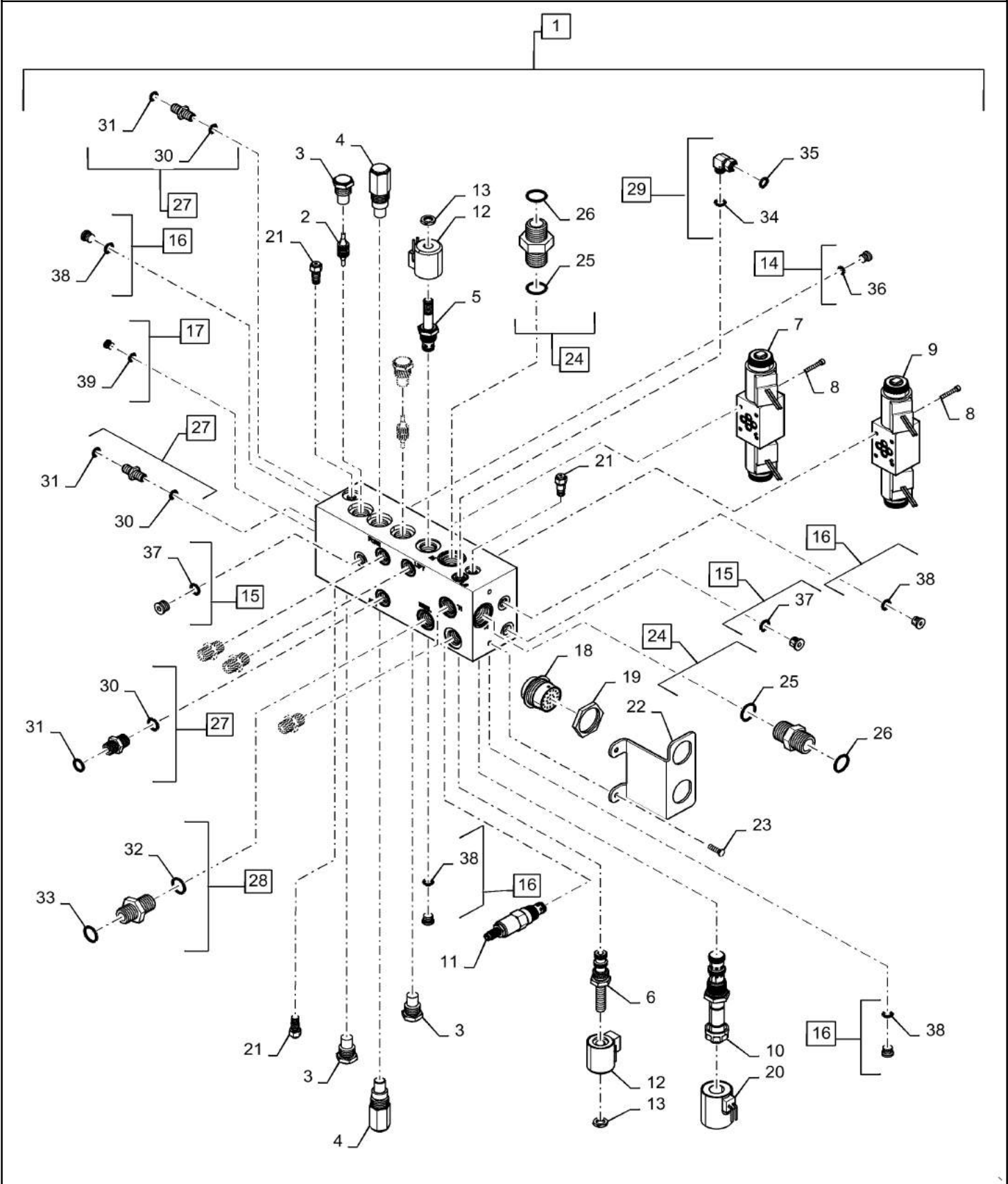
5140-COMBINE - TIER 2

35.415.AA

p1

7/2015

VALVE, FEEDER



VALVE, FEEDER

REF FN	PART NUMBER	YR/SN	QTY DESCRIPTION
1	84300160		1 VALVE Complete, Incl 2 - 39
2	149940C1		2 PISTON 2.25" OAL
3	87433998		4 CHECK VALVE 25.4mm Hex
4	190986A1		2 PRESSURE RELIEF VALVE 85.6mm OAL
5	87436627		1 VALVE Eaton 565536
6	190711A1		1 VALVE 3 Way/ 2 Position
7	87434014		1 CONTROL VALVE Directional
8	281060		8 HEX SOC SCREW 1-1/4"-24
9	86995306		1 VALVE EN596
10	87757015		1 VALVE Flow Control
11	84303615		1 VALVE Pressure Relief
12	86995302		2 SOLENOID Coil
13	195683A1		2 JAM NUT 1/2"-20
14	278548		1 PLUG Hex, 7/16"-20 ORB Incl 36
15	9625178		2 PLUG 9/16" - 18 ORB Incl 37
16	87035062		4 PLUG Hex, 1/2"-20 ORB Incl 38
17	86632547		1 PLUG Hex, 5/16"-24 ORB Incl 39
18	319151A1		1 CONNECTOR, ELEC 23 Pin
19	86619907		1 NUT 1.6875"-18
20	84304075		1 COIL Solenoid
21	190704A1		3 CHECK VALVE Park Brake
22	84533184		1 BRACKET Valve
23	120104		2 BOLT Hex, M8 x 1.25 x 20mm, Cl 8.8
24	86597760		2 HYD CONNECTOR 1"-14 ORFS x M2 x 2.0 ORB Incl 25 - 26
25	86598103		2 O-RING 2.9mm Thk x 23.6mm ID, Cl 6, 90 Duro
26	9992069		2 O-RING 0.07" Thk x 0.614" ID, -16, Cl 6, 90 Duro
27	86579672		5 HYD CONNECTOR 11/16"-16 ORFS x M16 x 1.5 ORB Incl 30 - 31
28	86579678		2 HYD CONNECTOR 13/16"-16 ORFS x M22 x 1.5 ORB Incl 32 - 33

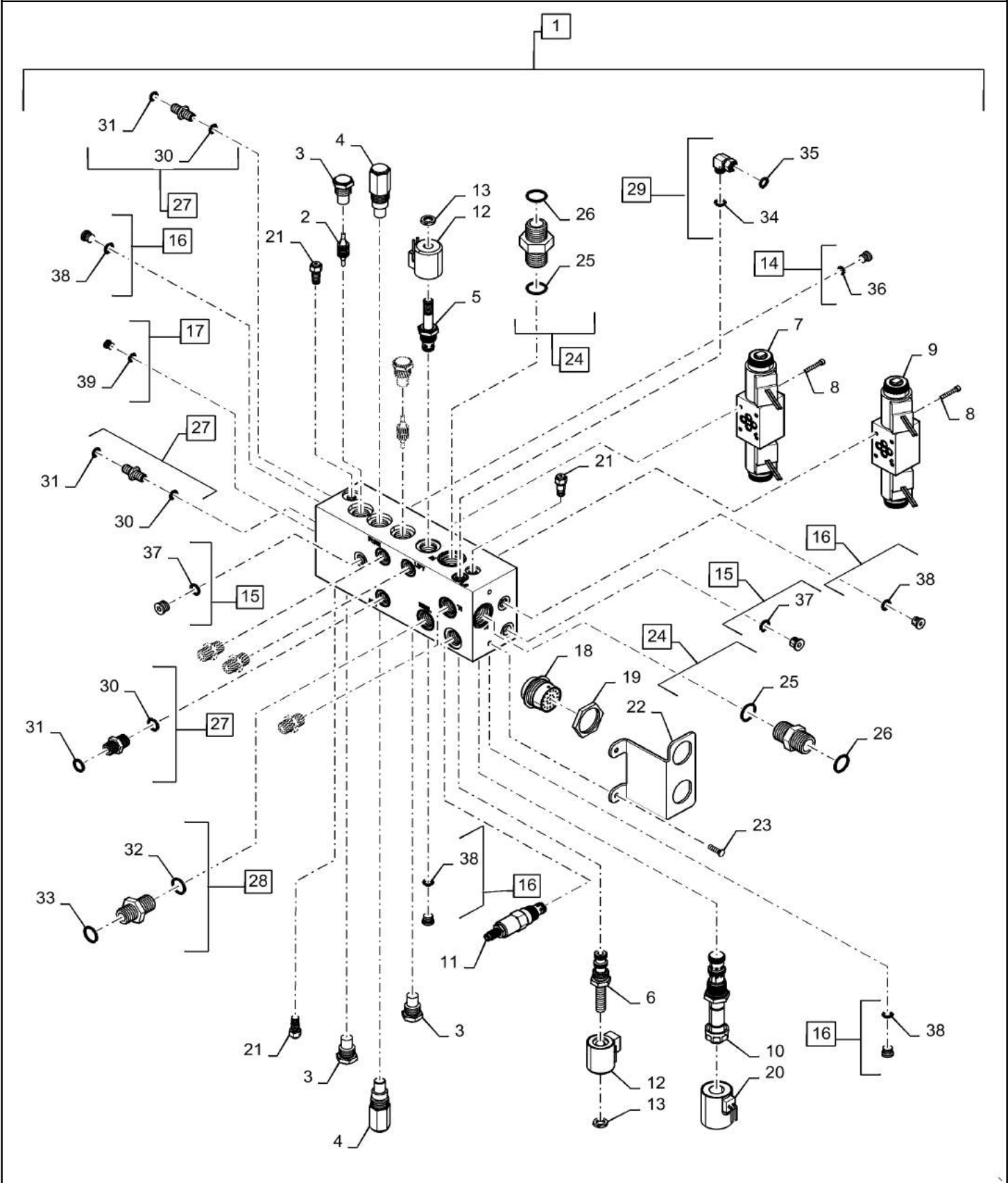
5140-COMBINE - TIER 2

35.415.AA

p2

7/2015

VALVE, FEEDER

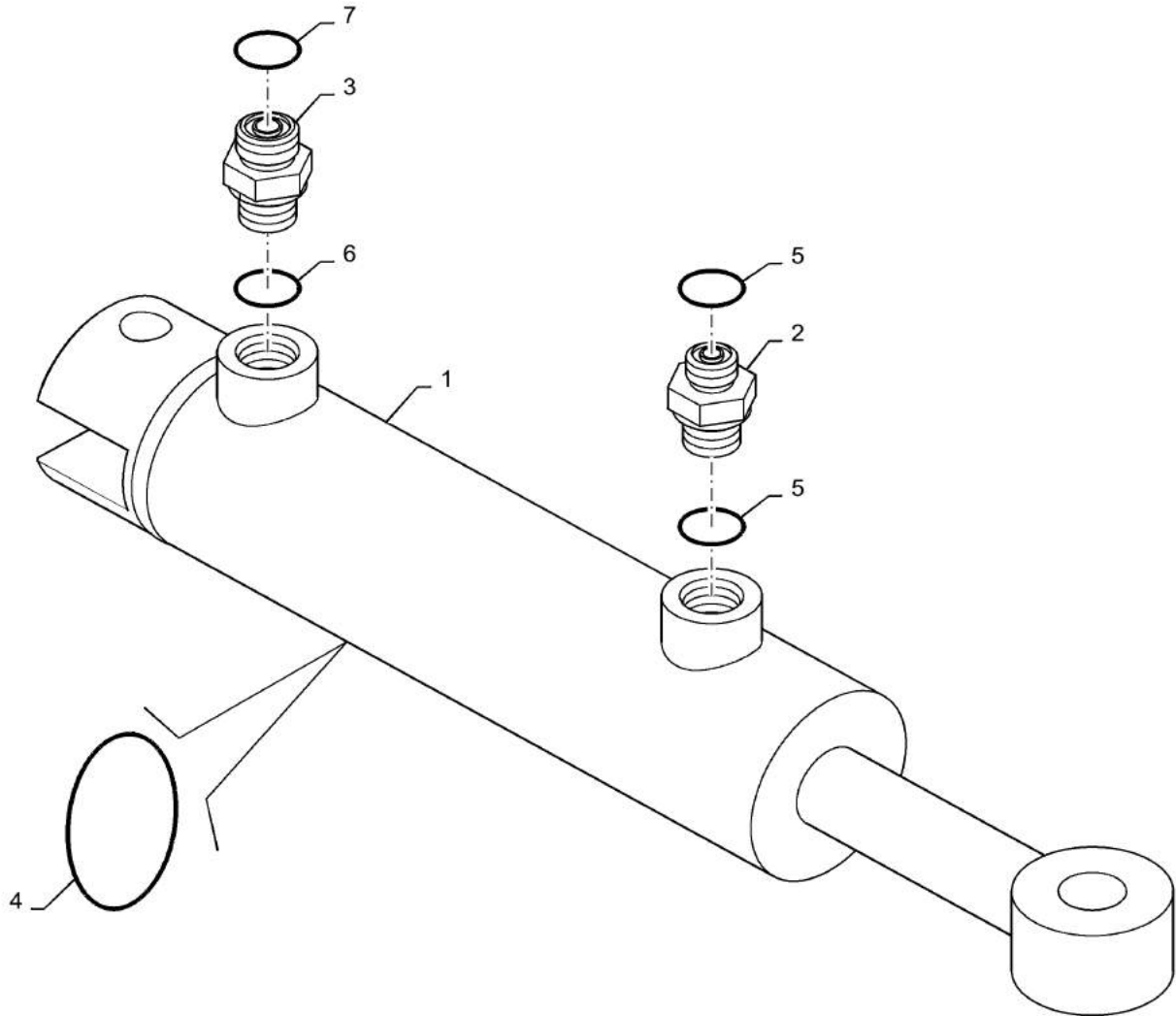


VALVE, FEEDER

REF FN	PART NUMBER	YR/SN	QTY DESCRIPTION
29	84431522		1 ELBOW 90°, 9/16"-18 ORFS x M12 x 1.5 ORB Incl 34 - 35
30	86598100		5 O-RING 2.2mm Thk x 13.3mm ID, CI 6, 90 Duro
31	9993141		5 O-RING 0.07" Thk x 0.364" ID, -12, CI 6, 90 Duro
32	86598102		2 O-RING 2.2mm Thk x 19.3mm ID, CI 6, 90 Duro
33	9992298		2 O-RING 0.07" Thk x 0.489" ID, -14, CI 6, 90 Duro
34	86598098		1 O-RING 2.2mm Thk x 9.3mm ID, CI 6, 90 Duro
35	9825770		1 O-RING 0.07" Thk x 0.301" ID, -11, CI 6, 90 Duro
36	165202		1 O-RING 0.072" Thk x 0.351" ID, -904, CI 6, 90 Duro
37	9617873		2 O-RING 0.078" Thk x 0.468" ID, -906, CI 6, 90 Duro
38	129270		4 O-RING 0.072" Thk x 0.414" ID, -905, CI 6, 90 Duro
39	86010510		1 O-RING 0.064" Thk x 0.239" ID, -902, CI 6, 90 Duro

5140-COMBINE - TIER 2

CYLINDER, FEEDER FRAME

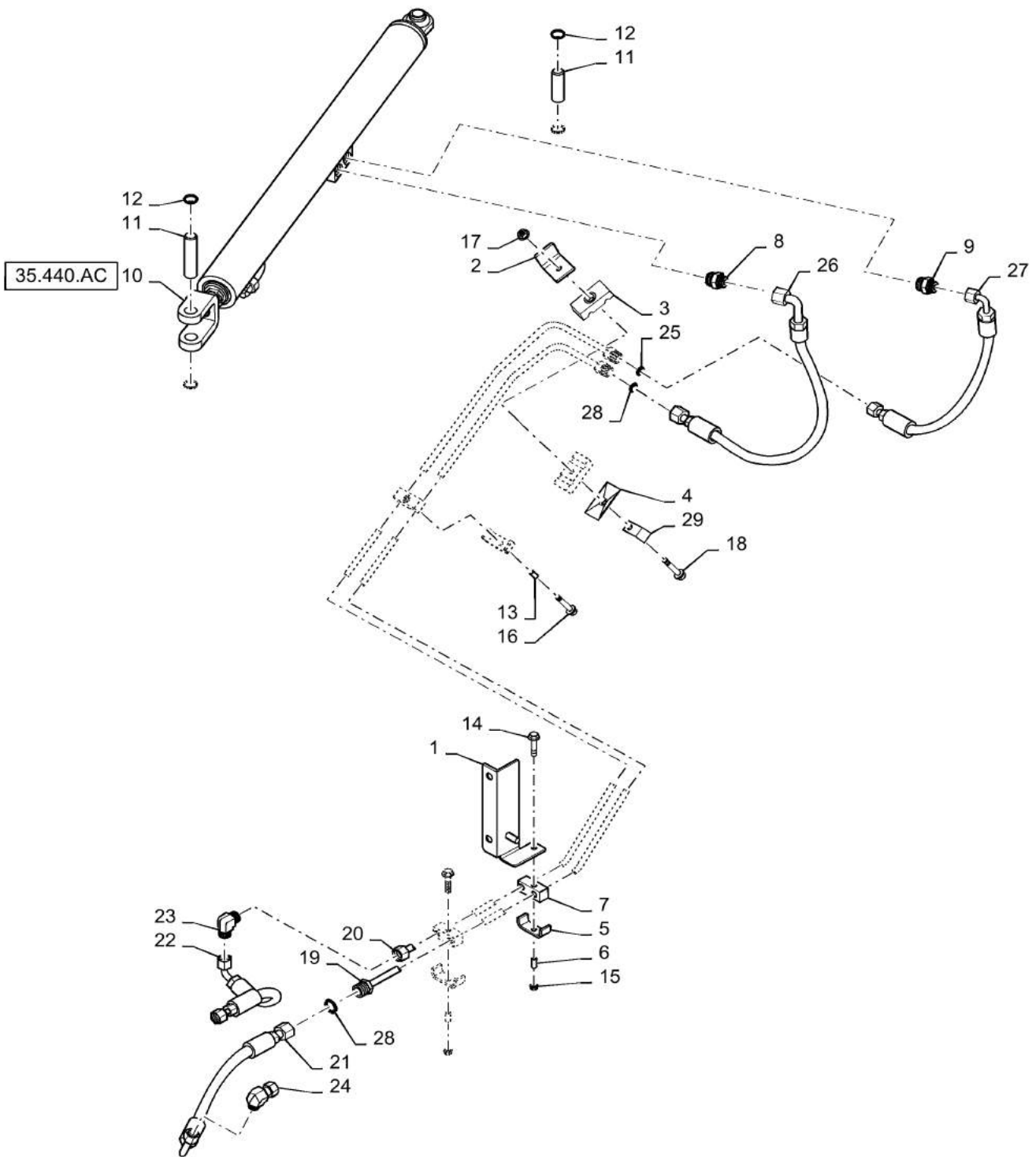


CYLINDER, FEEDER FRAME

REF FN	PART NUMBER	YR/SN	QTY DESCRIPTION
1	47607635		1 HYDRAULIC CYLINDER Lateral Tilt
1	47607632		1 HYDRAULIC CYLINDER Lateral Tilt
2	84294527		1 HYD CONNECTOR M16 x 1.5 ORB x 9/16" - 18 ORFS 6mm ORFS x M16 ORB
3	86579672		1 HYD CONNECTOR 11/16"-16 ORFS x M16 x 1.5 ORB
4	87105744		1 SEAL KIT Services 1
5	86598100		2 O-RING 2.2mm Thk x 13.3mm ID, CI 6, 90 Duro
6	86579672		1 HYD CONNECTOR 11/16"-16 ORFS x M16 x 1.5 ORB
7	9993141		1 O-RING 0.07" Thk x 0.364" ID, -12, CI 6, 90 Duro

5140-COMBINE - TIER 2

HYDRAULIC SYSTEM, UNLOADING TUBE

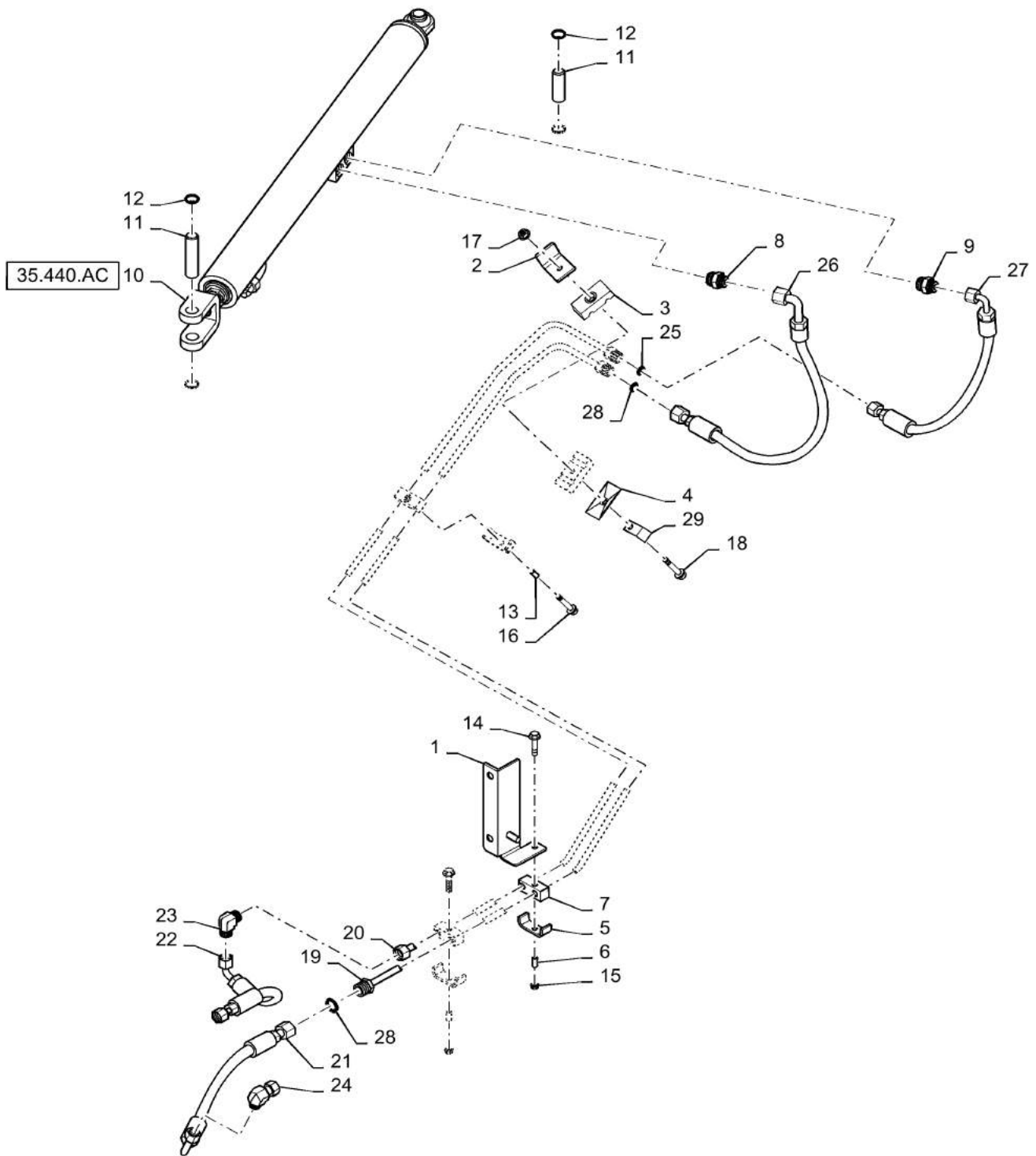


HYDRAULIC SYSTEM, UNLOADING TUBE

REF FN	PART NUMBER	YR/SN	QTY DESCRIPTION
1	84129177		1 BRACKET Unload Tube
2	87560423		1 BRACKET Line Supprot
3	86988833		1 CLAMP 9.52mm x 9.52mm
4	87000230		1 PLATE Hose Clamp
5	364170A1		3 INSERT Tube Clamp
6	418785A1		2 SPACER Tube Clamp
7	418784A1		3 PLATE Tube Clamp
8	86579676		1 HYD CONNECTOR 13/16" - 16 ORFS x M18 x 1.5 ORB
9	86579673		1 HYD CONNECTOR 11/16" - 16 ORFS x M18 x 1.5 ORB
10	84126280		1 HYDRAULIC CYLINDER Double Acting, 40mm Rod, 591mm Stroke Unload Tube Swing
10	84126280R		1 REMAN-HYD CYLINDER Unload Tube Swing
10	84126280C		1 CORE-HYD CYLINDER Return Number
11	84254243		2 PIN 19.05mm OD x 89mm L Unload Cylinder Pivot
12	300627		4 SNAP RING M19, External
13	87560349		1 SLEEVE
14	87698832		2 FLANGE BOLT Hex, M6 x 35mm, CI 10.9 Spacer, Tube Clamp
15	86050300		2 FLANGE NUT M6 x 1.0, CI 10
16	87670758		1 FLANGE BOLT M6 x 31.6mm, CI 10.9
17	86507066		1 FLANGE NUT M8 x 1.25, CI 10
18	87670761		1 FLANGE BOLT M8 x 68.1mm, CI 10.9
19	84249370		1 HYD. TUBE Unload Rod End
20	84249371		1 HYD. TUBE Unload Piston End
21	84249536		1 HOSE ASSY. 9.53mm ID x 378mm L, SAE 100R17 Unload Rod End
22	84249537		1 HOSE ASSY. 9.53mm ID x 292mm L, SAE 100R17 Unload Gland End
23	87564749		1 ELBOW 90°, 11/16"-16, ORFS

5140-COMBINE - TIER 2

HYDRAULIC SYSTEM, UNLOADING TUBE

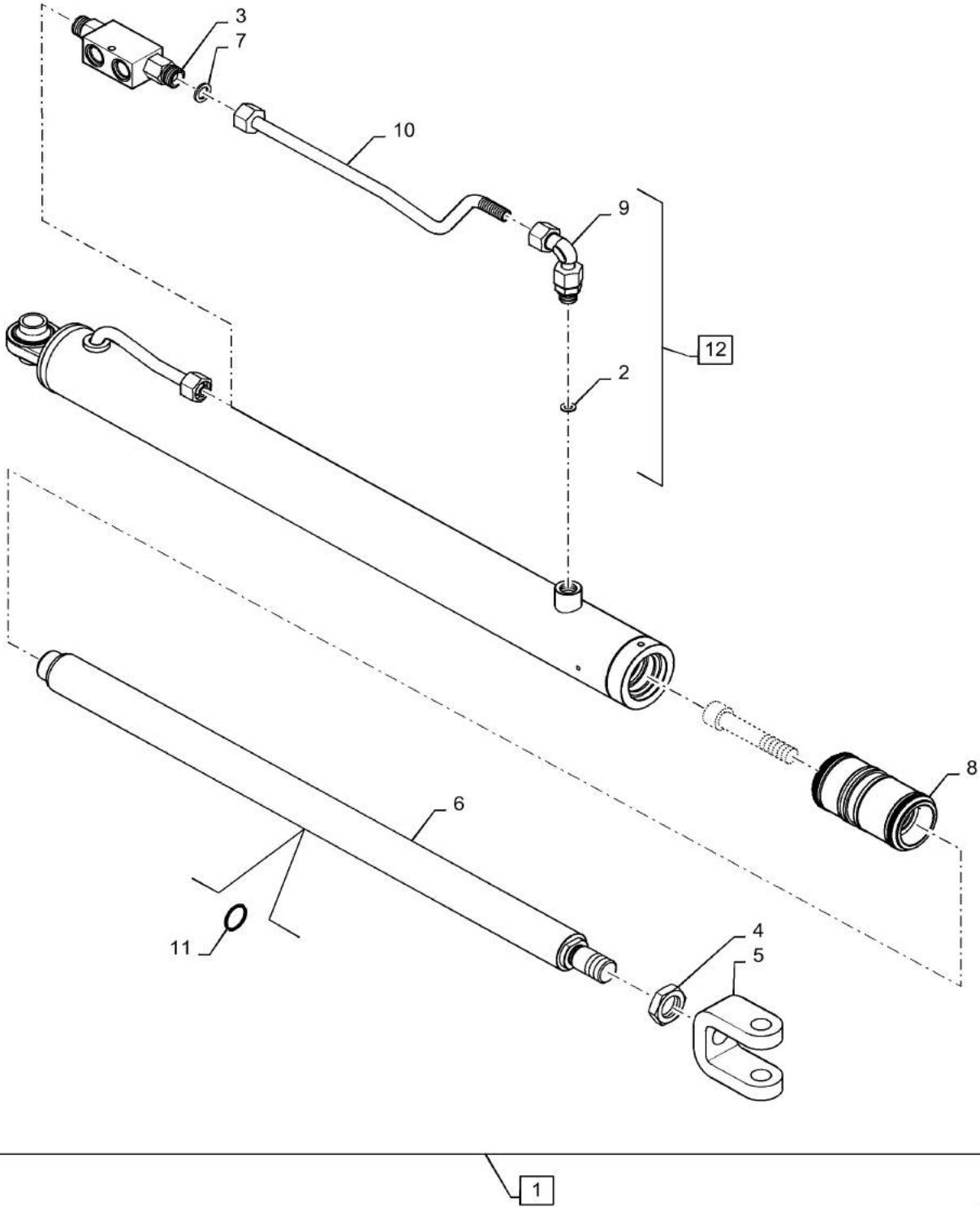


HYDRAULIC SYSTEM, UNLOADING TUBE

REF FN	PART NUMBER	YR/SN	QTY DESCRIPTION
24	84989392		1 ELBOW 90°, 11/16"-16 ORFS x 11/16"-16 Fem Sw
25	9993141		1 O-RING 0.07" Thk x 0.364" ID, -12, Cl 6, 90 Duro
26	87536687		1 HOSE ASSY. Unload Rod End
27	87536688		1 HOSE ASSY. Unload Piston End
28	9992298		2 O-RING 0.07" Thk x 0.489" ID, -14, Cl 6, 90 Duro
29	516-23127		1 CLAMP 9/16", Insul, 3/8" Bolt

5140-COMBINE - TIER 2

CYLINDER, UNLOADING TUBE

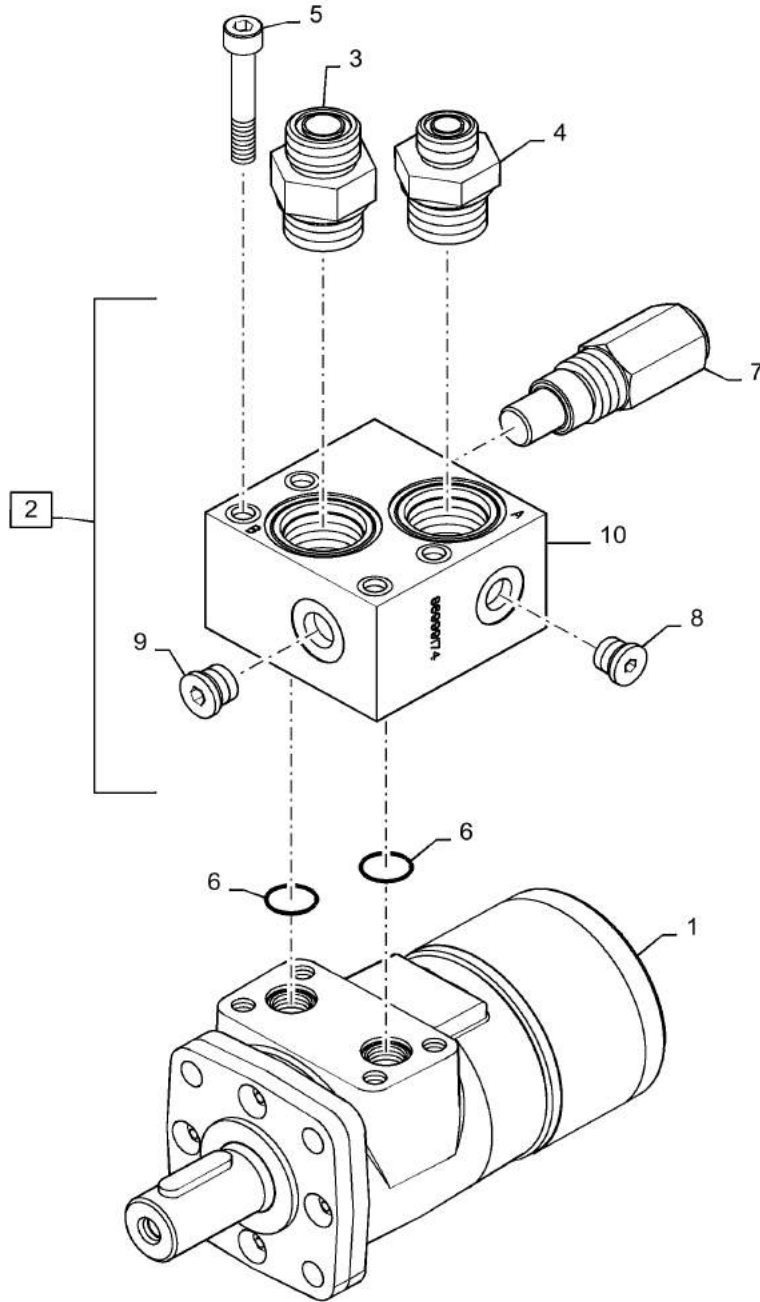


CYLINDER, UNLOADING TUBE

REF FN	PART NUMBER	YR/SN	QTY DESCRIPTION
1	84126280		1 HYDRAULIC CYLINDER Double Acting, 40mm Rod, 591mm Stroke Unloader Swing, Incl 2 - 12
1	84126280R		1 REMAN-HYD CYLINDER Unloader Swing
1	84126280C		1 CORE-HYD CYLINDER Return Number
2	NSS		1 NOT SERVICED SEPARATELY Seal, Incl in 12
3	84220776		1 CONTROL VALVE M20 x 1.5 x M20 x 1.5 x M18 x 1.5 x M18 x 1.5 Fluid Distribution
4	84022122		1 THIN NUT M24 x 2.0, CI 05
5	87031322		1 YOKE Cylinder
6	NSS		1 NOT SERVICED SEPARATELY Rod, Incl in 1
7	NSS		1 NOT SERVICED SEPARATELY Seal, Incl in 12
8	NSS		1 NOT SERVICED SEPARATELY Piston, Incl in 1
9	87719937		1 ADAPTER Incl Seal
10	87735679		1 TUBE Cylinder
11	84218981		1 SEAL KIT Unloader Cylinder, Services 1
12	84219274		1 CONTROL VALVE Incl 2, 3, 7, 9, 10

5140-COMBINE - TIER 2

MOTOR, SCREEN, AIR INTAKE

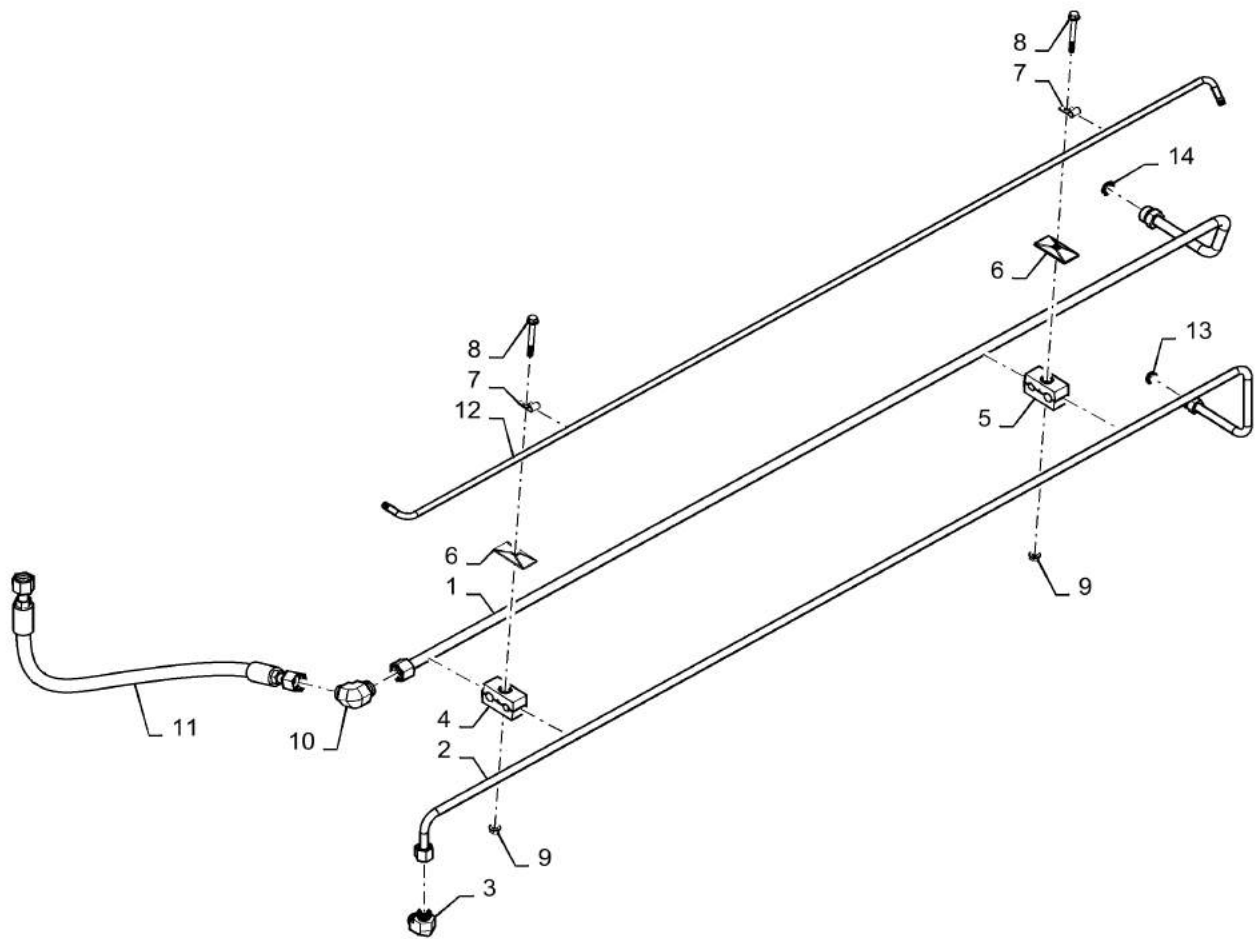


MOTOR, SCREEN, AIR INTAKE

REF FN	PART NUMBER	YR/SN	QTY DESCRIPTION
1	86995688		1 MOTOR, HYDRAULIC 293CC Stationary Air Screen Drive
2	86999174		1 PRESSURE RELIEF VALVE Hydraulic Bypass, Incl 7 - 10
3	86597760		1 HYD CONNECTOR 1"-14 ORFS x M2 x 2.0 ORB
4	86597761		1 HYD CONNECTOR 13/16"-16 ORFS x M27 x 2.0 ORB
5	73170457		4 HEX SOC SCREW M8 x 50mm, CI 8.8
6	272344		2 O-RING 0.103" Thk x 0.487" ID, -112, CI 6, 90 Duro
7	86987869		1 PRESSURE RELIEF VALVE 280 psi, Preset
8	218-5208		1 PLUG Hex, 1/2"-20 ORB
9	218-5209		1 PLUG Hex, 9/16"-18 ORB
10	NSS		1 NOT SERVICED SEPARATELY Bypass Valve Body, Incl In 2

5140-COMBINE - TIER 2

HYDRAULIC LINE, SCREEN, AIR



HYDRAULIC LINE, SCREEN, AIR

REF FN	PART NUMBER	YR/SN	QTY DESCRIPTION
1	84347782		1 HYD. TUBE Air Screen Return
2	84347781		1 HYD. TUBE Air Screen Supply
3	201-334		1 ELBOW 90°, 13/16"-16, ORFS
4	87000139		1 CLAMP 15.87mm x 12.7mm
5	109619A1		1 CLAMP 15.87mm x 12.7mm
6	87000230		2 PLATE Hose Clamp
7	853764		2 CLAMP 7.9mm, Coat, 8.7mm Bolt Hole, P Type
8	87656138		2 BOLT M8 x 78.1mm, CI 10.9 Flange, M8 x 70mm, 10.9
9	86507066		2 FLANGE NUT M8 x 1.25, CI 10
10	201-340		1 ELBOW 90°, 1"-14, ORFS
11	84428411		1 HYDRAULIC HOSE 12.7mm ID x 870mm L, SAE 30R2 Vacuum Motor Return
12	47418272		1 HYD. TUBE Vacuum System
13	238-6014		1 O-RING 0.07" Thk x 0.489" ID, -14, CI 6, 90 Duro
14	238-6016		1 O-RING 0.07" Thk x 0.614" ID, -16, CI 6, 90 Duro

5140-COMBINE - TIER 2

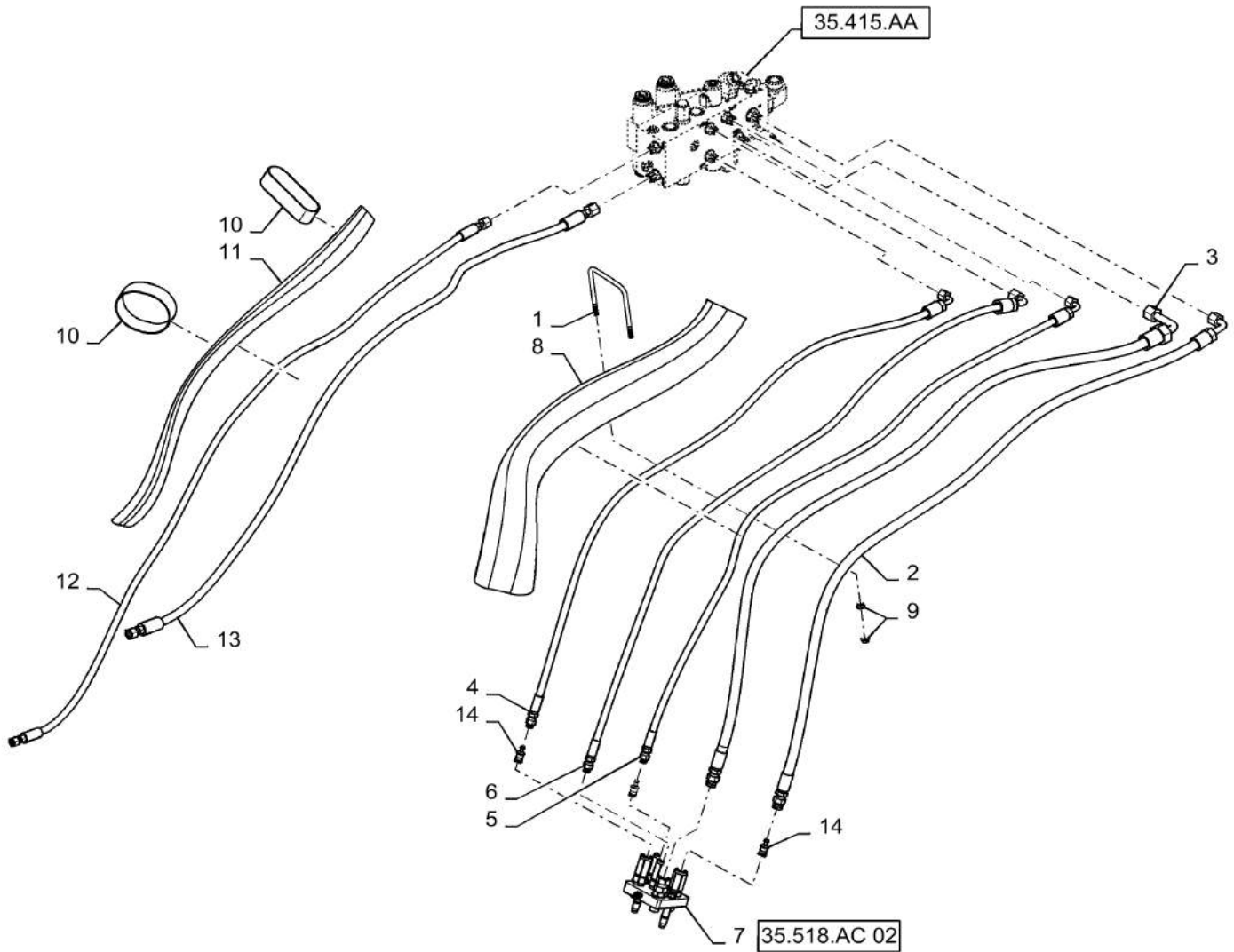
35.518.AC

01

p1

7/2015

HYDRAULIC SYSTEM, HEADER, FEEDER, COUPLING

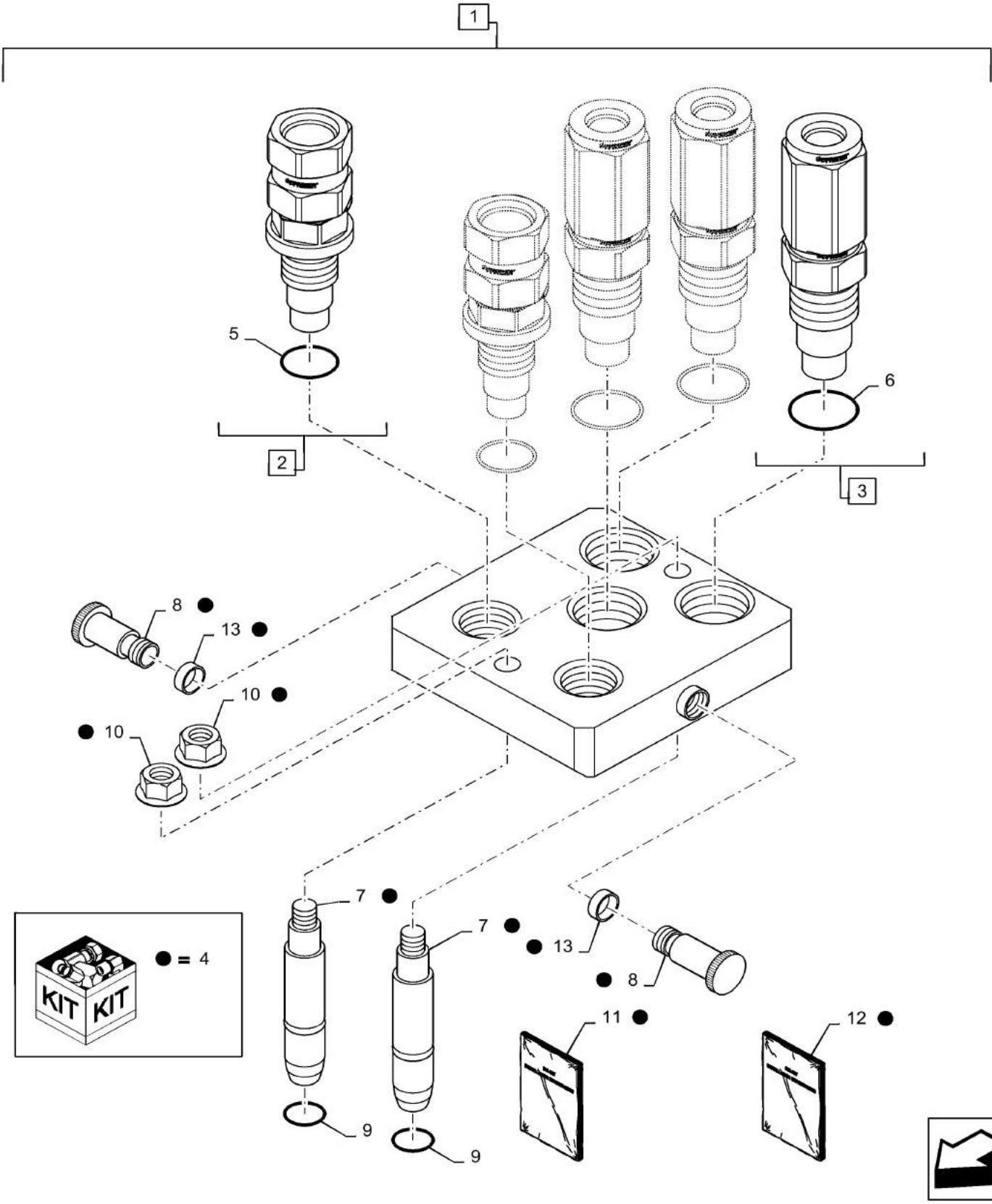


HYDRAULIC SYSTEM, HEADER, FEEDER, COUPLING

REF FN	PART NUMBER	YR/SN	QTY DESCRIPTION
1	84372493		1 SUPPORT Hose Bundle
2	84324768		1 HOSE ASSY. 12.7mm ID x 2320mm L, SAE 100R17 Reel Return
3	84324771		1 HOSE ASSY. 12.7mm ID x 2320mm L, SAE 100R17 Reel Supply
4	84324772		1 HOSE ASSY. 9.53mm ID x 2220mm L, SAE 100R17 Reel Fore
5	84324773		1 HOSE ASSY. 9.53mm ID x 2320mm L, SAE 100R17 Reel Aft
6	84324781		1 HOSE ASSY. Reel Lift
7	84580530		1 QUICK MALE COUPLING Header Hydraulics
8	84273275		1 PROTECTIVE SLEEVE 115mm ID x 1050mm L Hose Cover
9	86507066		4 FLANGE NUT M8 x 1.25, CI 10
10	87108048		2 SECURING STRAP Velcro
11	84202851		1 SLEEVE 25mm ID x 1000mm L Hose Cover
12	84324783		1 HOSE ASSY. 6.35mm ID x 1900mm L, SAE 100R17 Lateral Tilt Rod
13	84324784		1 HOSE ASSY. 9.53mm ID x 1920mm L, SAE 100R17 Lateral Tilt Piston
14	87698835		3 FLANGE BOLT M10 x 20mm, Full Thd, CI 10.9

5140-COMBINE - TIER 2

QUICK COUPLER, FEEDER

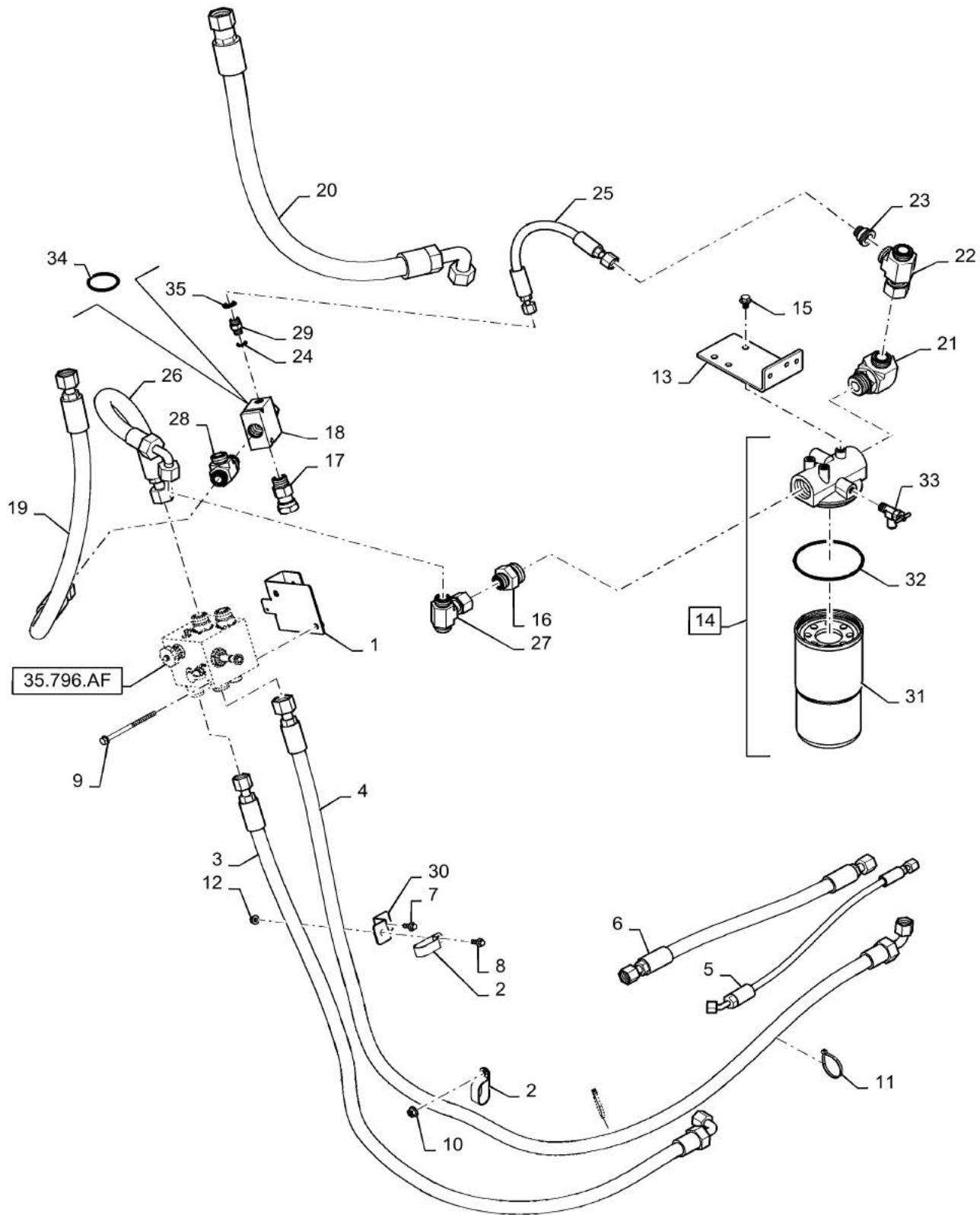


QUICK COUPLER, FEEDER

REF FN	PART NUMBER	YR/SN	QTY DESCRIPTION
1	84580530		1 QUICK MALE COUPLING Header Coupler, Incl 2 - 13
2	47360258		2 QUICK MALE COUPLING Reel Drive, Incl 5
3	84580534		3 QUICK MALE COUPLING Reel Lift, Incl 6
4	86623900		1 REPAIR KIT Coupler, Incl 7 - 13
5	86623898		2 SEAL KIT 1mm OD x 3.2mm Thk Services 2, Contains O - Ring, Installation Instructions
6	86623899		3 SEAL KIT 13mm OD x 2.5mm Thk Services 3, Contains O - Ring, Installation Instructions
7	NSS		2 NOT SERVICED SEPARATELY Alignment Pin, Incl in 4
8	NSS		2 NOT SERVICED SEPARATELY Knurled Pin, Incl in 4
9	NSS		2 NOT SERVICED SEPARATELY O - Ring, Incl in 4
10	NSS		2 NOT SERVICED SEPARATELY Lock Nut, Incl in 4
11	NSS		1 NOT SERVICED SEPARATELY Instructions, No. 35, Incl in 4
12	NSS		1 NOT SERVICED SEPARATELY Instructions, No. 38, Incl in 4
13	NSS		2 NOT SERVICED SEPARATELY Roller, Incl in 4

5140-COMBINE - TIER 2

CHAFF SPREADER HYDRAULIC SYSTEM

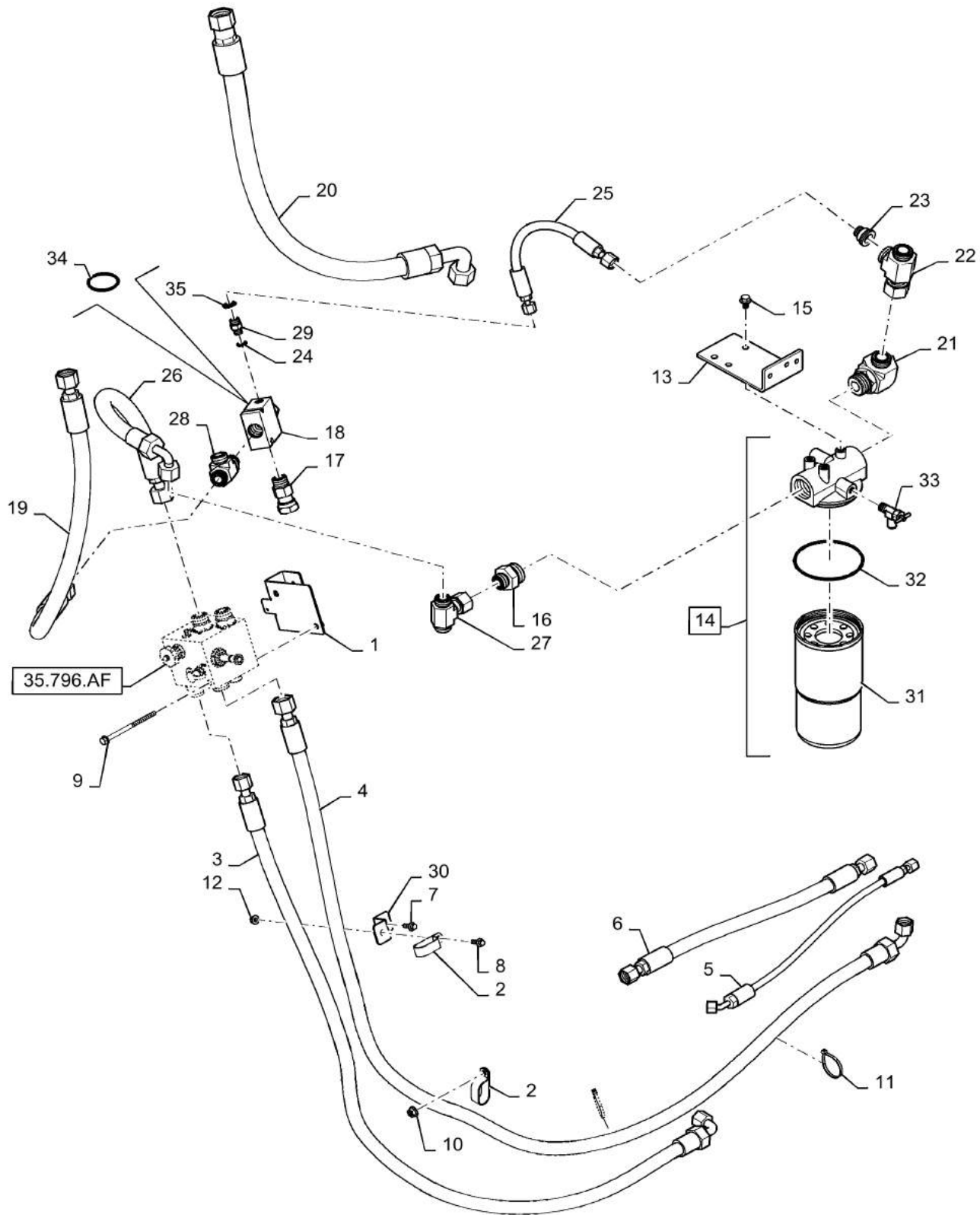


CHAFF SPREADER HYDRAULIC SYSTEM

REF FN	PART NUMBER	YR/SN	QTY DESCRIPTION
1	84197992		1 BRACKET Manifold
2	470375C1		2 CLAMP Medium Duty
3	87631078		1 HOSE ASSY. Spreader Supply
4	87709638		1 HOSE ASSY. Spreader Return
5	84130573		1 HOSE ASSY. Motor Drain
6	87709636		1 HOSE ASSY. Motor Supply
7	86625200		1 SELF-TAP SCREW Hex Flng, M8 x 1.25 x 20mm
8	87656137		1 BOLT M8 x 28.1mm, CI 10.9
9	87681208		2 BOLT Hex, M8 X 130, Class 10.9
10	86050279		1 FLANGE NUT M10 x 1.5, CI 10
11	86566989		2 CABLE TIE 208mm L Strap
12	86507066		1 FLANGE NUT M8 x 1.25, CI 10
13	84159358		1 BRACKET Spreader Filter
14	87689482		1 FILTER ASSY Return With Drain Valve, Incl 33 - 35
15	87021006		3 BOLT M10 x 26.4mm, CI 10.9
16	87350546		1 HYD CONNECTOR 1 3/16"-12 ORFS x 1 5/8"-12 ORB
17	87485024		1 HYD CONNECTOR 12 SAE
18	84280236		1 VALVE Piloted Logic Element
19	84259085		1 HOSE ASSY. 19.05mm ID x 875mm L, SAE 100R17 Regulated Pressure Supply
20	84259104		1 HOSE ASSY. 25.4mm ID x 960mm L, SAE 100R4 Regulated Pressure Return
21	86511661		1 90 ELBOW Adj, 1 7/16"-12 ORFS x 1 5/8"-12" ORB
22	201-418		1 TEE 1-7/16" - 12 ORFS x 1-7/16" - 12 ORFS x 1-7/16" - 12 ORFS
23	87016874		1 REDUCER 11/16"-16 Male x 1 3/16"-16 Fem, ORFS
24	9993141		1 O-RING 0.07" Thk x 0.364" ID, -12, CI 6, 90 Duro

5140-COMBINE - TIER 2

CHAFF SPREADER HYDRAULIC SYSTEM

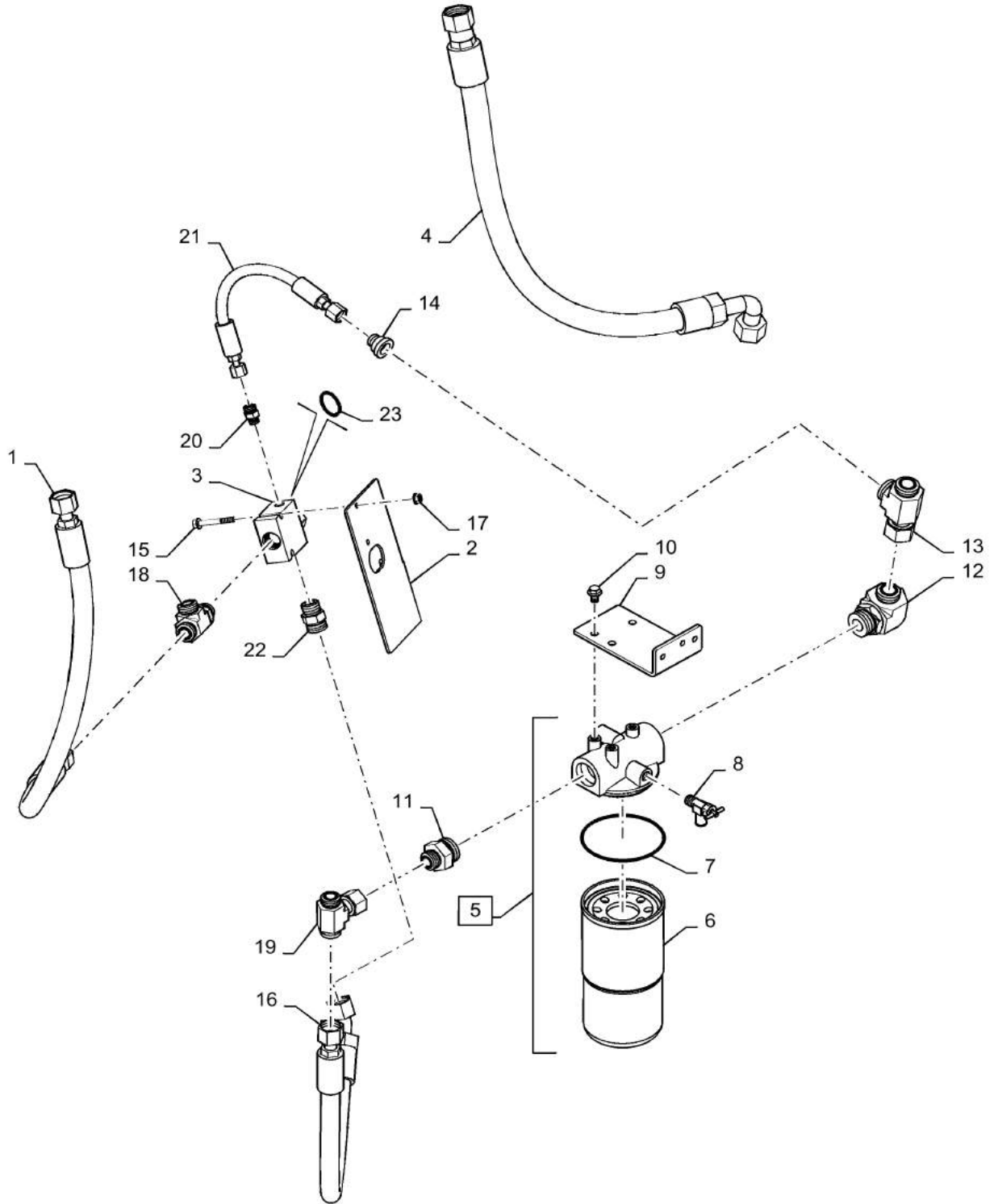


CHAFF SPREADER HYDRAULIC SYSTEM

REF FN	PART NUMBER	YR/SN	QTY DESCRIPTION
25	84375783		1 HOSE ASSY. Back Pressure Valve Drain
26	84347764		1 HOSE ASSY. 19.05mm ID x 655mm L, SAE 100R17 Spreader Return
27	201-419		1 TEE 1 3/16"-12 ORFS x 1 3/16"-18 Sw Br
28	201-428		1 TEE 1-3/16" - 12 ORFS x 1-3/16" - 12 ORFS x 1-1/16" - 12 ORB
29	9993143		1 HYD CONNECTOR 11/16" - 16 ORFS x 9/16" - 18 ORB
30	47441468		1 BRACKET Spreader Hydraulic
31	1329214C1		1 HYDRAULIC OIL FILTER Return
32	93196C1		1 O-RING 0.139" Thk x 4.484" ID, -246, 75 Duro
33	301803R1		1 SHUT-OFF VALVE PTO Drain
34	84283524		1 SEAL KIT Services 18
35	9617873		1 O-RING 0.078" Thk x 0.468" ID, -906, CI 6, 90 Duro

5140-COMBINE - TIER 2

BYPASS FILTER, SPREADER HOOD, STANDARD

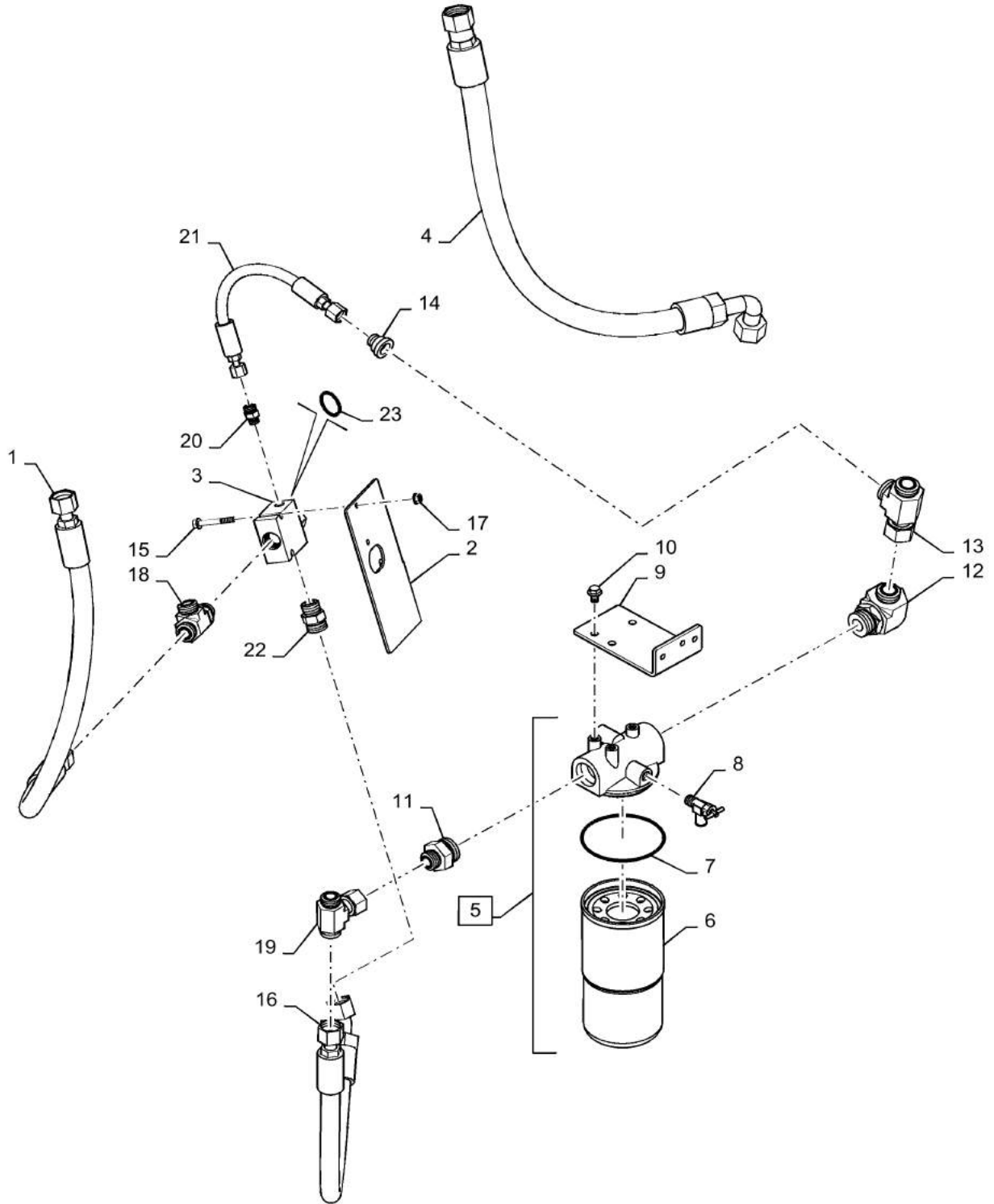


BYPASS FILTER, SPREADER HOOD, STANDARD

REF FN	PART NUMBER	YR/SN	QTY DESCRIPTION
1	84259085		1 HOSE ASSY. 19.05mm ID x 875mm L, SAE 100R17 Regulated Pressure Supply
2	84260454		1 BRACKET Back Pressure Valve
3	84280236		1 VALVE Bypass
4	84259104		1 HOSE ASSY. 25.4mm ID x 960mm L, SAE 100R4 Regulated Pressure Return
5	87689482		1 FILTER ASSY Return W/ Drain Valve, Incl 6 - 8
6	1329214C1		1 HYDRAULIC OIL FILTER Spin On, Return
7	93196C1		1 O-RING 0.139" Thk x 4.484" ID, -246, 75 Duro
8	301803R1		1 SHUT-OFF VALVE Drain
9	84159358		1 BRACKET Spreader Filter
10	87021006		3 BOLT M10 x 26.4mm, CI 10.9
11	87350546		1 HYD CONNECTOR 1 3/16"-12 ORFS x 1 5/8"-12 ORB
12	86511661		1 90 ELBOW Adj, 1 7/16"-12 ORFS x 1 5/8"-12" ORB
13	201-418		1 TEE 1-7/16" - 12 ORFS x 1-7/16" - 12 ORFS x 1-7/16" - 12 ORFS
14	87016874		1 REDUCER 11/16"-16 Male x 1 3/16"-16 Fem, ORFS
15	87670761		2 FLANGE BOLT M8 x 68.1mm, CI 10.9
16	84351581		1 HOSE ASSY. 19.05mm ID x 735mm L, SAE 100R17 Bypass Valve Return
17	86507066		2 FLANGE NUT M8 x 1.25, CI 10
18	201-428		1 TEE 1-3/16" - 12 ORFS x 1-3/16" - 12 ORFS x 1-1/16" - 12 ORB
19	201-419		1 TEE 1 3/16"-12 ORFS x 1 3/16"-18 Sw Br
20	9993143		1 HYD CONNECTOR 11/16" - 16 ORFS x 9/16" - 18 ORB

5140-COMBINE - TIER 2

BYPASS FILTER, SPREADER HOOD, STANDARD



35.796.AD

p2

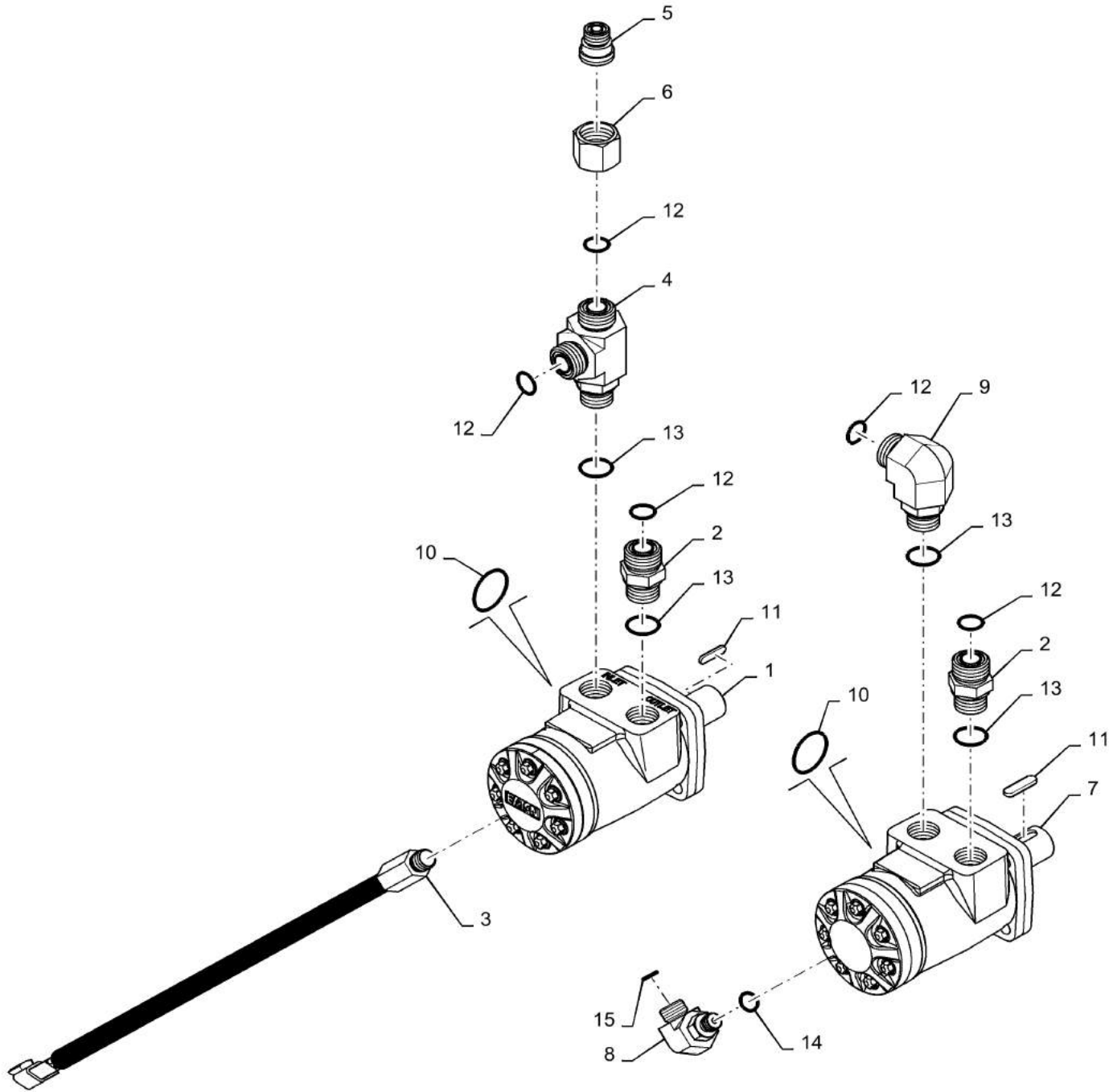
7/2015

BYPASS FILTER, SPREADER HOOD, STANDARD

REF FN	PART NUMBER	YR/SN	QTY DESCRIPTION
21	84375783		1 HOSE ASSY. Back Pressure Valve Drain
22	201-104		1 HYD CONNECTOR 1-3/16" - 12 ORFS x 1-1/16" - 12 ORB
23	84283524		1 SEAL KIT Services 3

5140-COMBINE - TIER 2

CHAFF SPREADER HYDRAULIC MOTOR

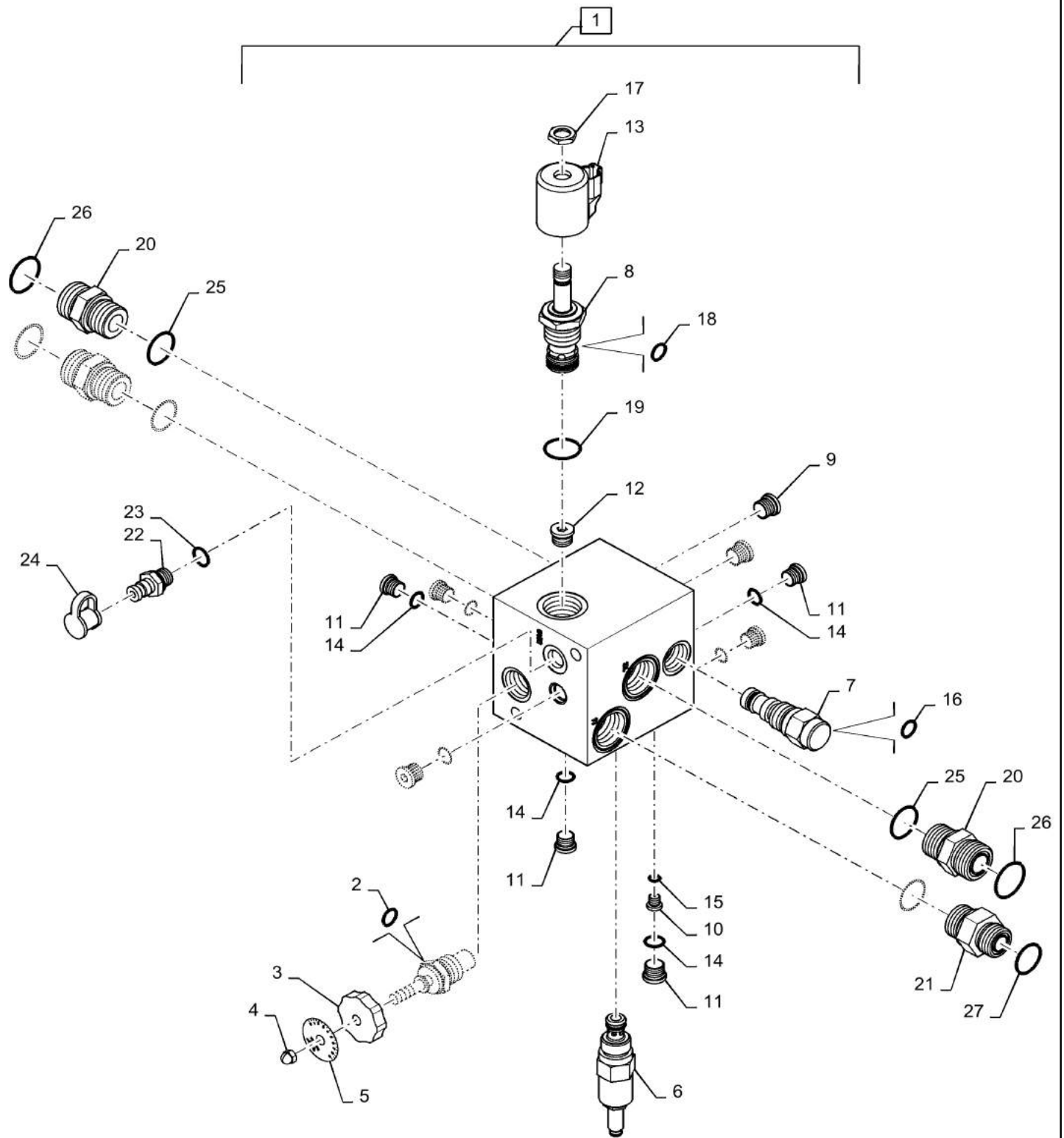


CHAFF SPREADER HYDRAULIC MOTOR

REF FN	PART NUMBER	YR/SN	QTY DESCRIPTION
1	87519076		1 HYDRAULIC MOTOR 74CC Chaff Spreader, LH
1	87519076R		1 REMAN-HYD MOTOR Chaff Spreader, LH
1	87519076C		1 CORE-MOTOR HYDRAULIC Return Number
2	86579680		2 HYD CONNECTOR 1"-14 ORFS x M22 x 1.5mm ORB
3	87662556		1 SENSOR Spreader Speed
4	86579705		1 TEE 1"-14 ORFS x M22 x 1.5 ORB Run
5	201-161		1 UNION 5/8" x 3/8"
6	203-903		1 TUBE NUT 1"-14 ORFS
7	87519075		1 HYDRAULIC MOTOR 74CC Chaff Spreader, RH
7	87519075R		1 REMAN-HYD MOTOR Chaff Spreader, RH
7	87519075C		1 CORE-MOTOR HYDRAULIC Return Number
8	86580178		1 ELBOW 90°, 1 1/16"-16 ORFS x M12 x 1.5 ORB
9	86579694		1 ELBOW 90°, 1"-14 ORFS x M22 x 1.5 ORB
10	9807617		2 SEAL KIT Services 1, 7
11	170030		2 KEY 8mm x 7mm x 32mm Motor Shaft
12	9992069		5 O-RING 0.07" Thk x 0.614" ID, -16, CI 6, 90 Duro
13	86598102		4 O-RING 2.2mm Thk x 19.3mm ID, CI 6, 90 Duro
14	86598098		1 O-RING 2.2mm Thk x 9.3mm ID, CI 6, 90 Duro
15	9993141		1 O-RING 0.07" Thk x 0.364" ID, -12, CI 6, 90 Duro

5140-COMBINE - TIER 2

CHAFF SPREADER HYDRAULIC VALVE

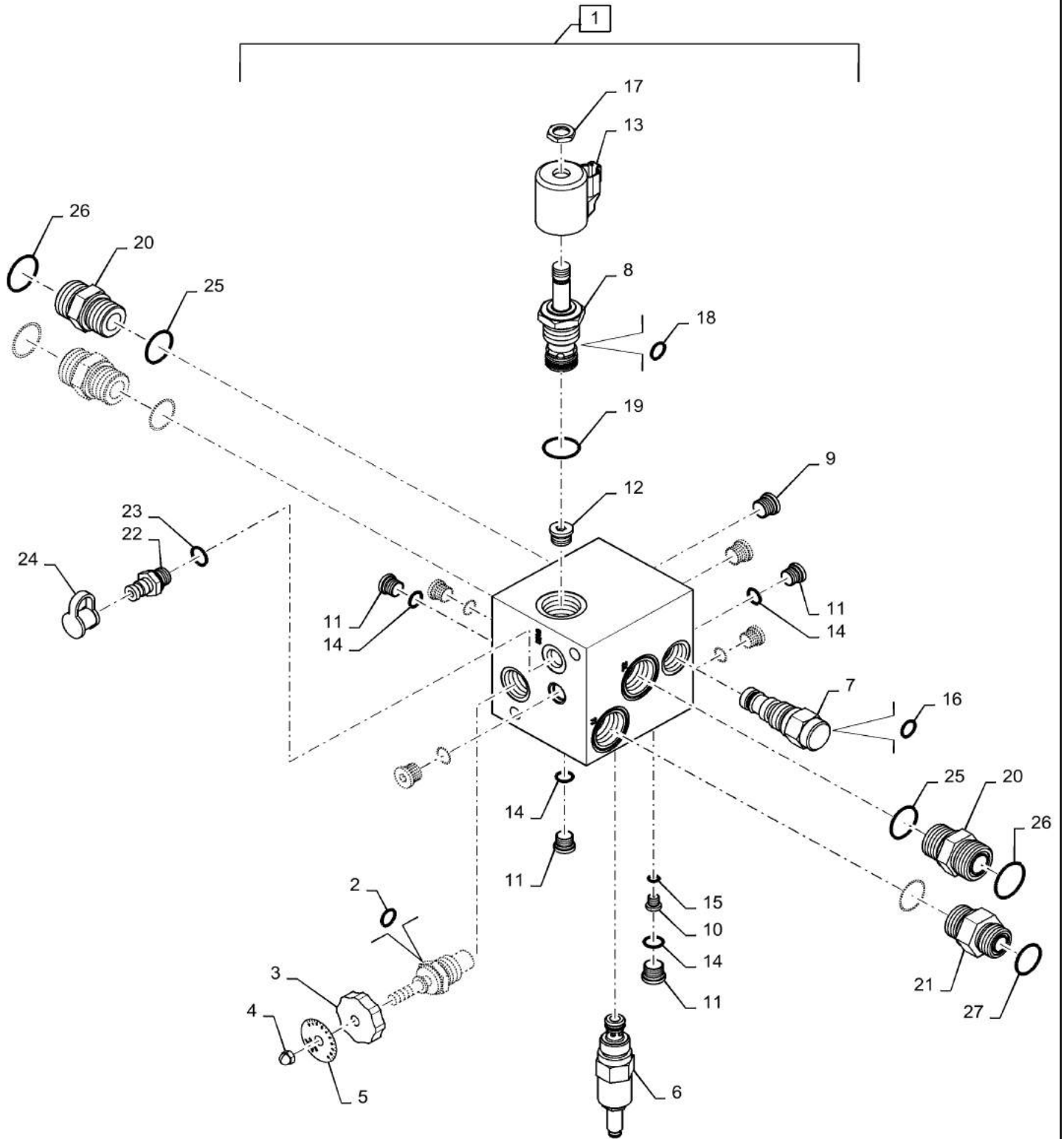


CHAFF SPREADER HYDRAULIC VALVE

REF FN	PART NUMBER	YR/SN	QTY DESCRIPTION
1	87619388		1 HYDRAULIC VALVE Spreader, Incl 2 - 19
2	86508168		1 SEAL KIT Flow Regulator
3	87447534		1 KNOB Rotary
4	86505844		1 NUT Acorn, #10-32
5	87319002		1 DECAL Knob
6	299075A1		1 VALVE, PRESSURE RELI Control Valve
7	87031239		1 HYDRAULIC VALVE Pressure Sensing
8	86514793		1 SOLENOID VALVE Control Valve
9	87035062		4 PLUG Hex, 1/2"-20 ORB
10	87026245		1 ORIFICE Plug
11	9625178		6 PLUG 9/16" - 18 ORB
12	87434021		1 PLUG Orifice
13	87623908		1 COIL ASSY. Solenoid
14	9617873		6 O-RING 0.078" Thk x 0.468" ID, -906, CI 6, 90 Duro
15	237-6002		1 O-RING 0.064" Thk x 0.239" ID, -902, CI 6, 90 Duro
16	87024936		1 SEAL KIT Pressure Sensing Valve
17	195683A1		1 JAM NUT 1/2"-20
18	86514794		1 SEAL KIT Solenoid
19	87434021		1 PLUG O-Ring
20	86579682		3 HYD CONNECTOR 1-3/16" - 12 ORFS x M27 x 2 ORB
21	86597760		1 HYD CONNECTOR 1"-14 ORFS x M2 x 2.0 ORB
22	178889A1		1 DIAGNOSTIC COUPLER Diagnostic Coupler
23	86598099		1 O-RING 2.2mm Thk x 11.3mm ID, CI 6
24	H434163		1 DUST CAP Diagnostic Coupler
25	86598103		4 O-RING 2.9mm Thk x 23.6mm ID, CI 6, 90 Duro
26	9991976		3 O-RING 0.07" Thk x 0.739" ID, -18, CI 6, 90 Duro

5140-COMBINE - TIER 2

CHAFF SPREADER HYDRAULIC VALVE



35.796.AF

p2

7/2015

CHAFF SPREADER HYDRAULIC VALVE

REF FN	PART NUMBER	YR/SN	QTY DESCRIPTION
27	9992069		1 O-RING 0.07" Thk x 0.614" ID, -16, Cl 6, 90 Duro

5140-COMBINE - TIER 2

SECTION INDEX

PNEUMATIC SYSTEM

36.100.AA	01	PUMP, AIR COMPRESSOR
36.100.AC	01	RESERVOIR, AIR COMPRESSOR
36.100.AI		GOVERNOR, AIR COMPRESSOR
36.100.AK	01	AIR COMPRESSOR AND RESERVOIR
36.100.AL		QUICK COUPLER, AIR COMPRESSOR, AIR GUN

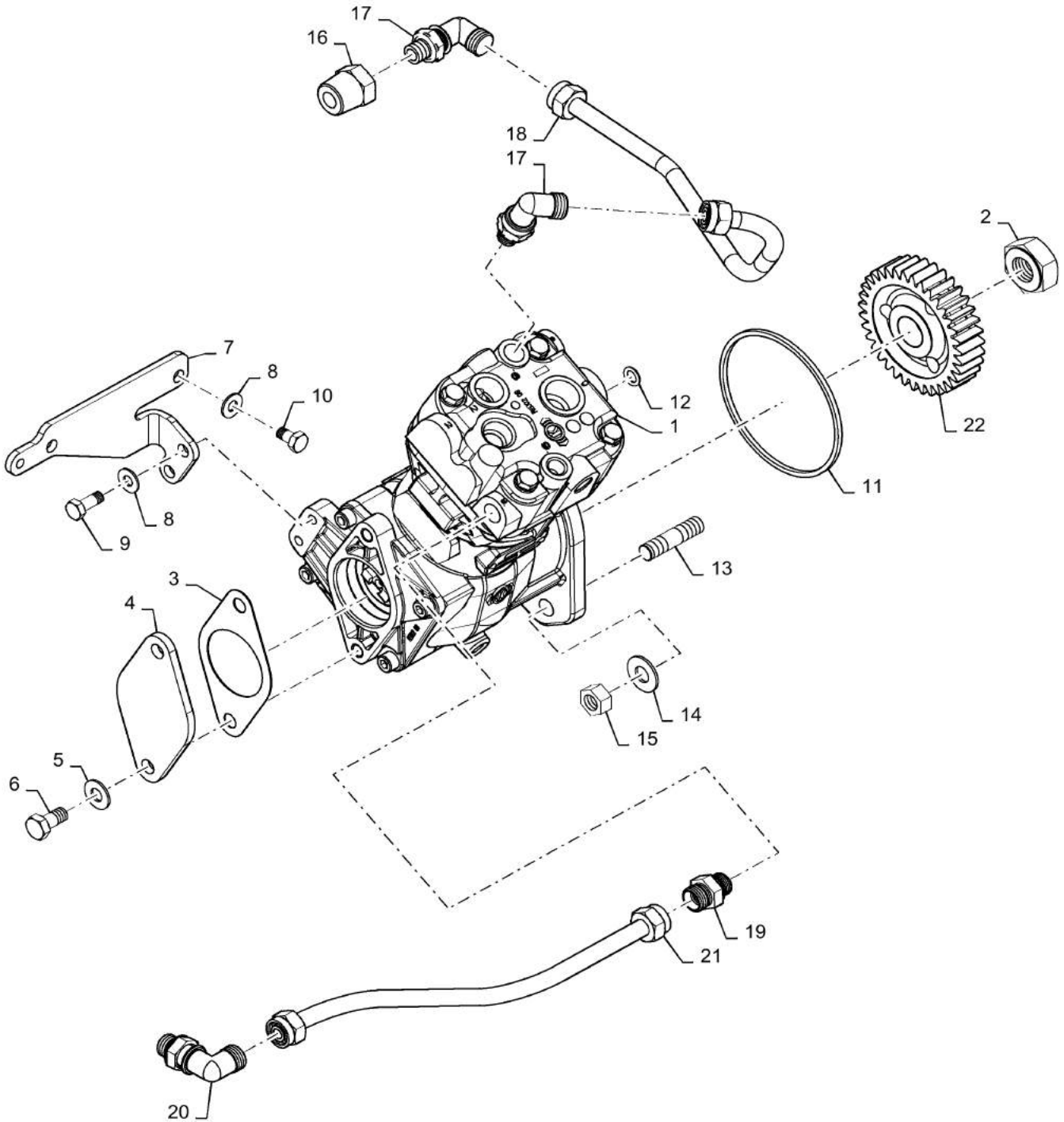
36.100.AA

01

p1

7/2015

PUMP, AIR COMPRESSOR

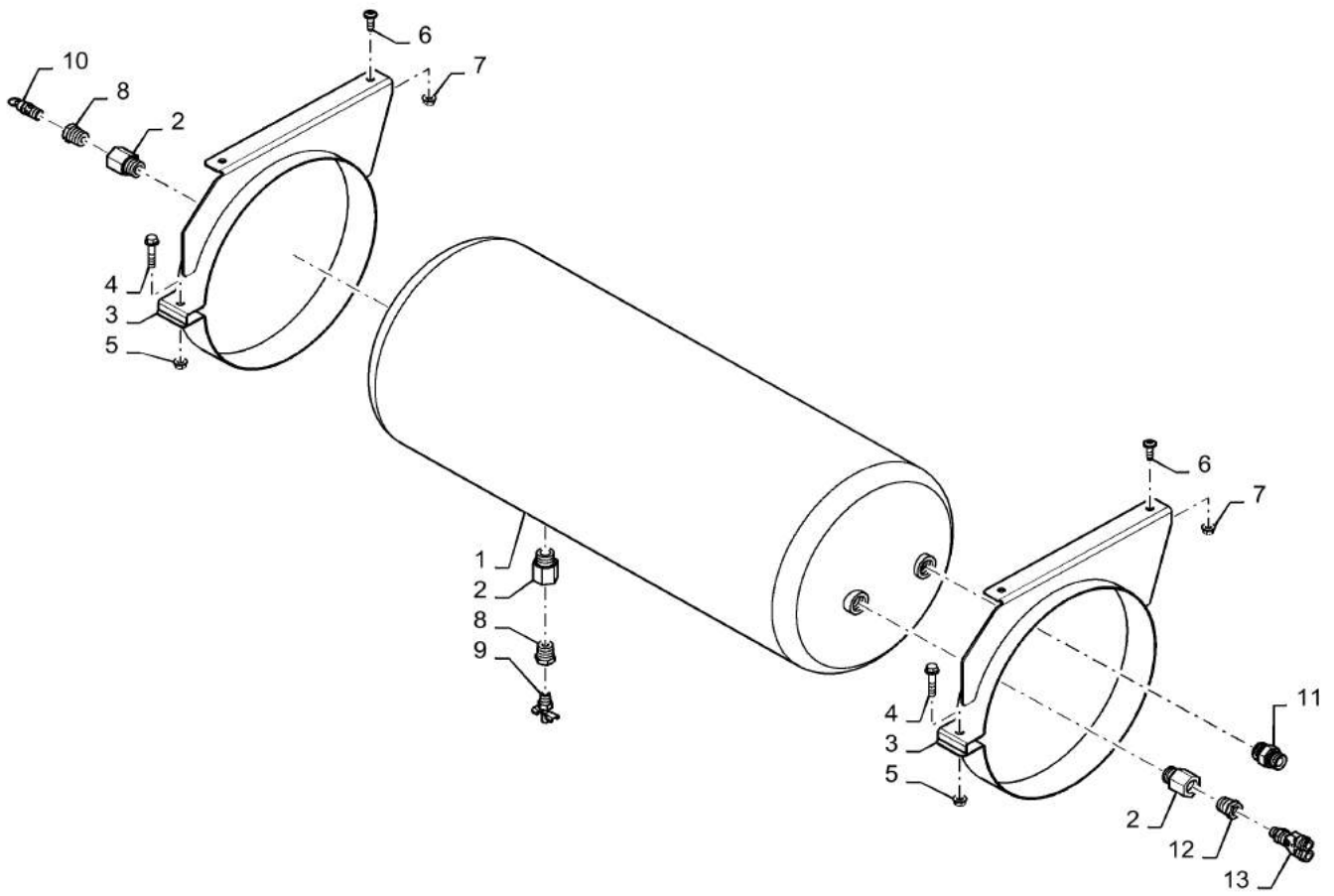


PUMP, AIR COMPRESSOR

REF FN	PART NUMBER	YR/SN	QTY DESCRIPTION
1	87524759		1 AIR COMPRESSOR Blow Off
2	87524831		1 NUT Special, M18
3	84441023		1 GASKET Compressor End Cap
4	87525174		1 COVER Compressor End Cap
5	140045		2 BELLEVILLE WASHER M10X22 ZNM
6	43138		2 BOLT Hex, M10 x 1.5 x 20mm, CI 8.8
7	87525336		1 SUPPORT Compressor Mount
8	322358		3 BELLEVILLE WASHER M8 x 18mm OD x 1.4mm Thk
9	120104		2 BOLT Hex, M8 x 1.25 x 20mm, CI 8.8
10	86624003		1 BOLT Hex, M8 x 14mm, CI 8.8, Full Thd
11	87525489		1 SEALING RING Compressor To Engine
12	84441024		1 O-RING 9.19mm ID x 2.62mm Thk
13	87525507		2 STUD M12 x 50mm
14	140046		2 BELLEVILLE WASHER M12 x 27mm OD x 1.8mm Thk
15	9706685		2 NUT M12 x 1.75, CI 8
16	87526110		1 PIPE FITTING M16
17	87525736		2 ELBOW M18 x M16
18	84301067		1 TUBE Engine Oil Supply
19	87526205		1 PIPE FITTING Straight, M18 x M16
20	87525773		1 ELBOW M18 x M16
21	84301065		1 TUBE Engine Oil Supply
22	87524815		1 GEAR Air Compressor Drive, 35 Tooth

5140-COMBINE - TIER 2

RESERVOIR, AIR COMPRESSOR

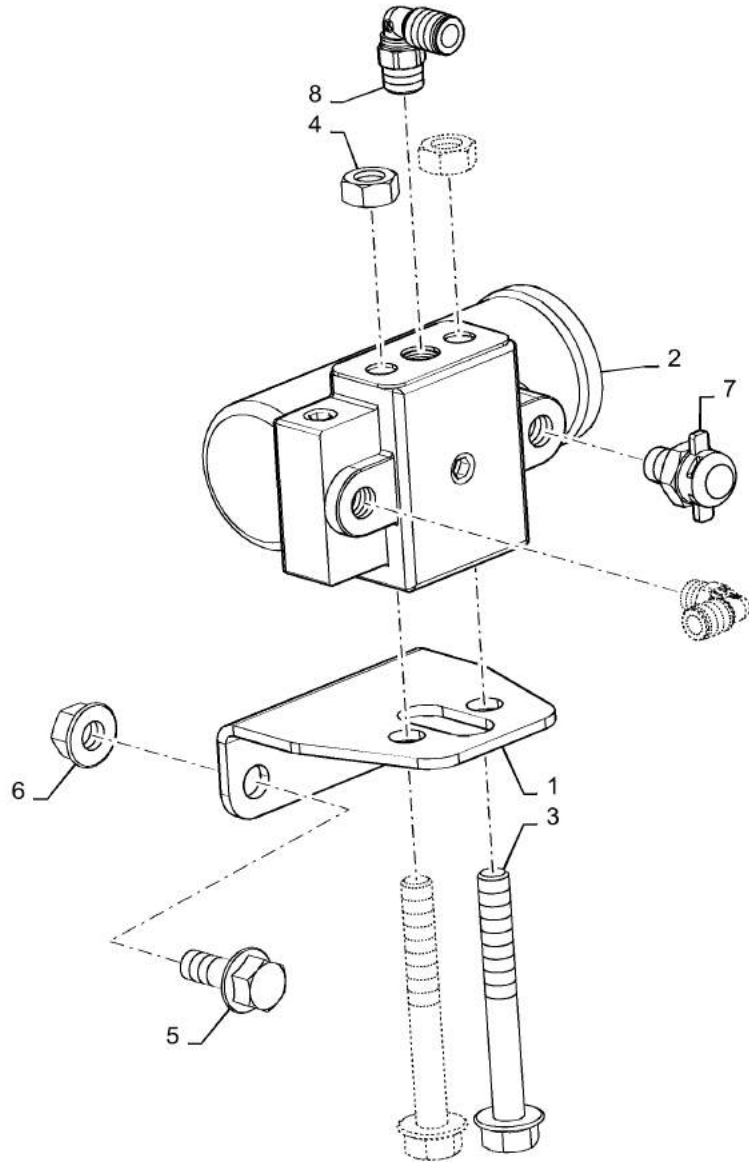


RESERVOIR, AIR COMPRESSOR

REF FN	PART NUMBER	YR/SN	QTY DESCRIPTION
1	84036945		1 AIR RESERVOIR 60L
2	84171940		3 HYD CONNECTOR M22 x1/2" NPTF
3	84144718		2 BRACKET Reservoir Mount
4	87698834		2 BOLT M8 x 48.1mm, CI 10.9 Flange, M8 x 40mm, 10.9
5	87681210		2 FLANGE NUT M8 x 1.25, CI 10
6	87624708		4 STEP BOLT Torx, M8 x 1.25 x 25.4mm, CI 10.9
7	86507066		4 FLANGE NUT M8 x 1.25, CI 10
8	217-43		2 REDUCER 1/2" - 14 NPTF x 1/4" - 18 Fem NPTF
9	86625234		1 DRAINCOCK/TAP SUPPLY 1/4" NPTF
10	84994447		1 VALVE SECTION Pop-Off
11	9516263		1 FITTING M24 Male Quick Connect
12	217-43		1 REDUCER 1/2" - 14 NPTF x 1/4" - 18 Fem NPTF
13	84249467		1 FITTING 3/8" Swivel Y

5140-COMBINE - TIER 2

GOVERNOR, AIR COMPRESSOR

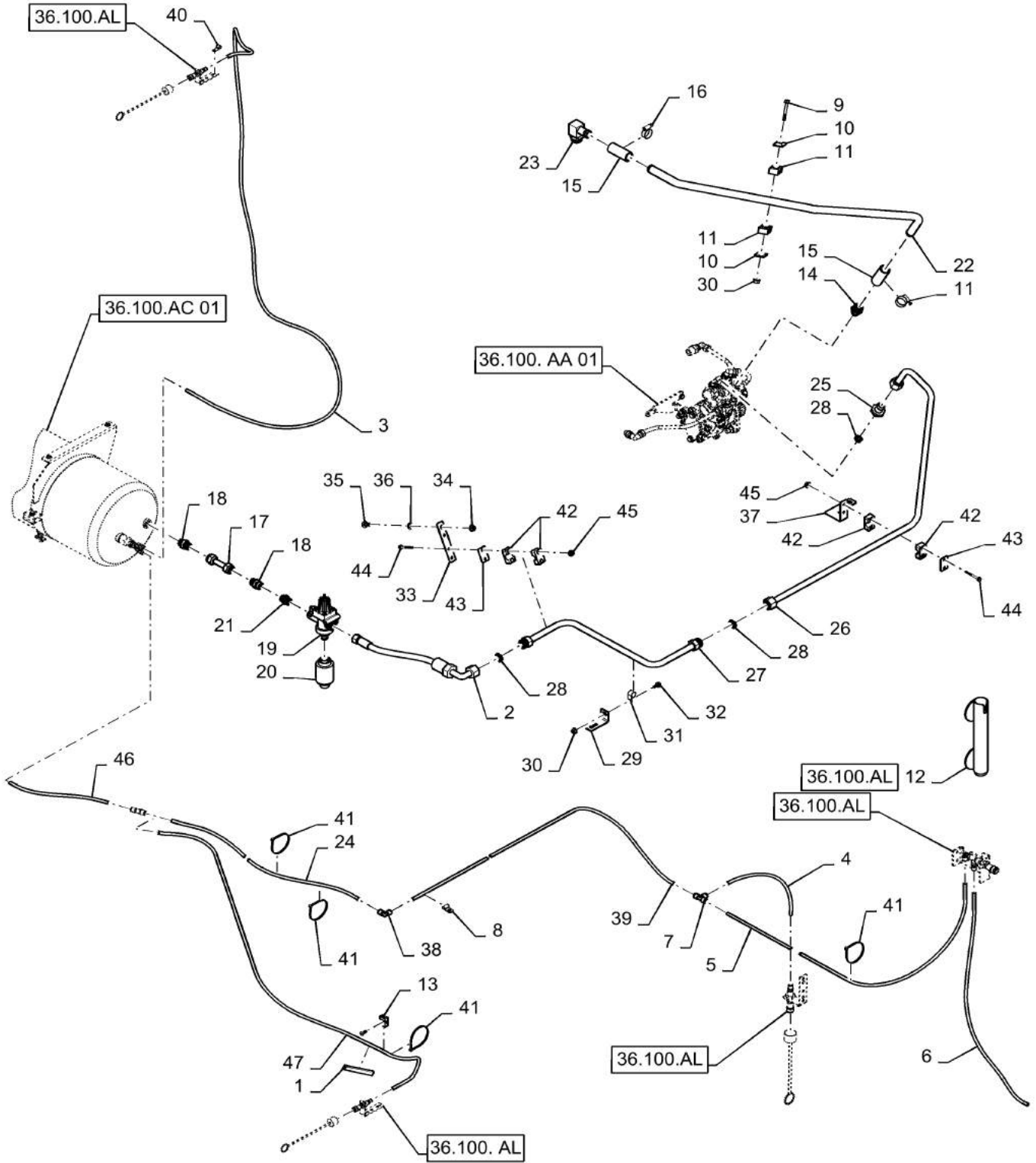


GOVERNOR, AIR COMPRESSOR

REF FN	PART NUMBER	YR/SN	QTY DESCRIPTION
1	84175791		1 BRACKET Governor Mount
2	87543712		1 PRESSURE RELIEF VALVE Governor
3	87656138		2 BOLT M8 x 78.1mm, CI 10.9 Flange, M8 x 70mm, 10.9
4	43362		2 NUT M8 x 1.25, CI 10
5	87656137		2 BOLT M8 x 28.1mm, CI 10.9
6	86507066		2 FLANGE NUT M8 x 1.25, CI 10
7	84159148		1 BREATHER Breather
8	84162974		2 HYD CONNECTOR Elbow, Push Connect, 1/4"

5140-COMBINE - TIER 2

AIR COMPRESSOR AND RESERVOIR

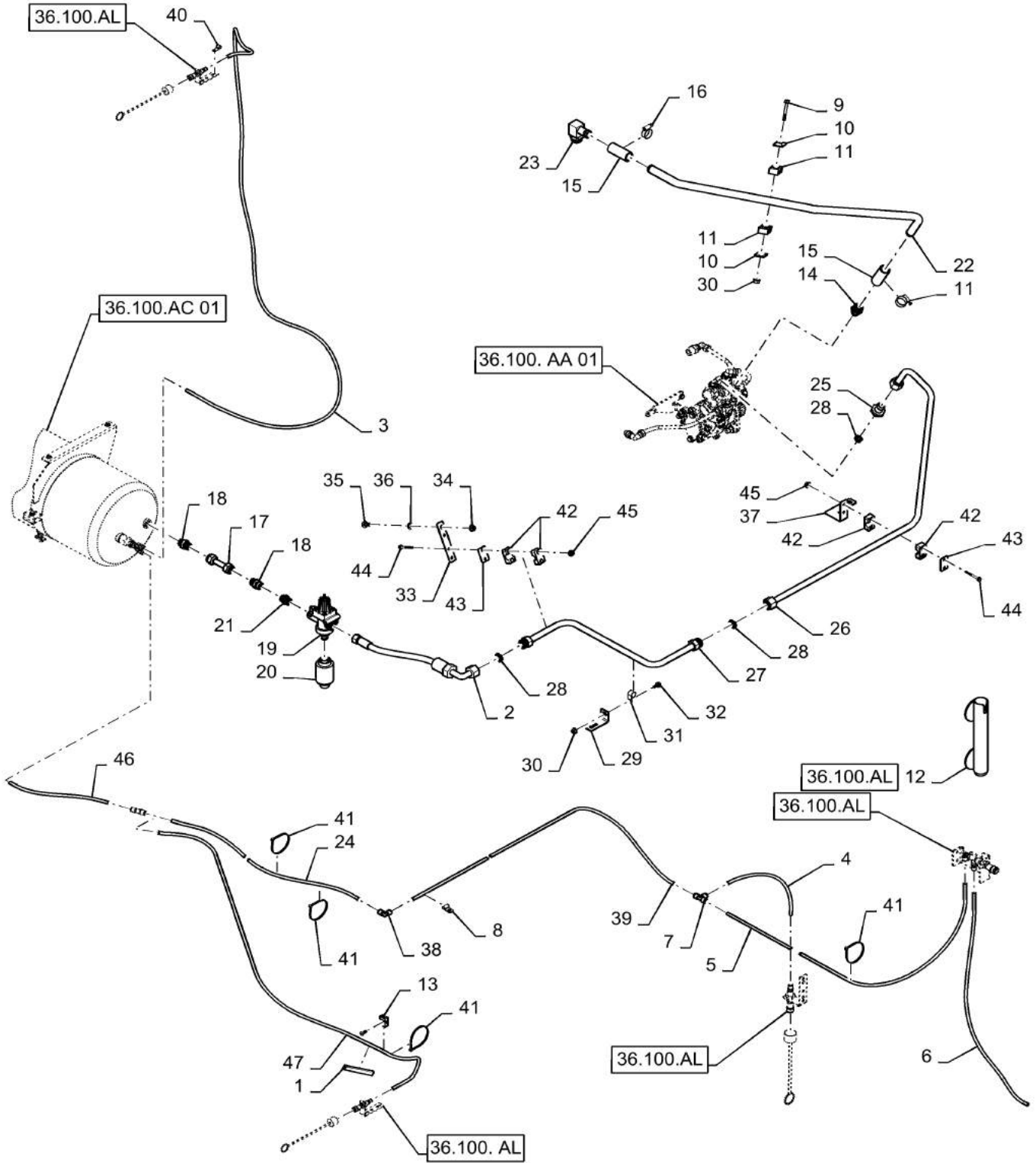


AIR COMPRESSOR AND RESERVOIR

REF FN	PART NUMBER	YR/SN	QTY DESCRIPTION
1	1327979C1		1 MOLDING Trim Edging, Black
2	84342714		1 AIR HOSE Tube To Reservoir
3	84372640		1 AIR HOSE Reservoir To Beacon Quick Disconnect
4	84176521		1 HOSE Midship Tee To Midship Quick Disconnect
5	84176522		1 TUBE 7.11 mm ID x 3220.00 mm Midship Tee To Operators Platform Quick Disconnect
6	84172815		1 AIR HOSE 7.11mm ID x 1150mm OAL Operators Platform To Under Cab Quick Disconnect
7	84175931		2 HYD CONNECTOR Tee, Push Connect, 3/8"
8	515-2395		2 CLAMP 3/8", Insul, 3/8" Bolt
9	87670761		1 FLANGE BOLT M8 x 68.1mm, CI 10.9
10	87000230		2 PLATE Hose Clamp
11	87000147		1 CLAMP 1"
12	445394		1 RIVET Pop, 3/16" x 1/2" OAL
13	86590413		1 BASE 15.87mm W x 22.22mm OAL x 9.9mm Thk Wire Tie
14	84036669		1 FITTING M26
15	87637434		2 HYDRAULIC HOSE 24.50" mm ID x 362.00 mm
16	87485014		4 CLAMP 1.25" - 2.12", Worm Gear Hose, 2"
17	87751400		1 TUBE Tube Connector
18	9516263		1 FITTING M24
19	466053		1 PRESSURE RELIEF VALVE Governor
20	87590733		1 MUFFLER Air Unload Valve
21	87538605		1 HYD CONNECTOR Straight, L15 x M22
22	47390996		1 TUBE CCV Line
23	217-352		1 FITTING 90°, 1" Hose x 1-5/16"-2 ORB, Beaded

5140-COMBINE - TIER 2

AIR COMPRESSOR AND RESERVOIR

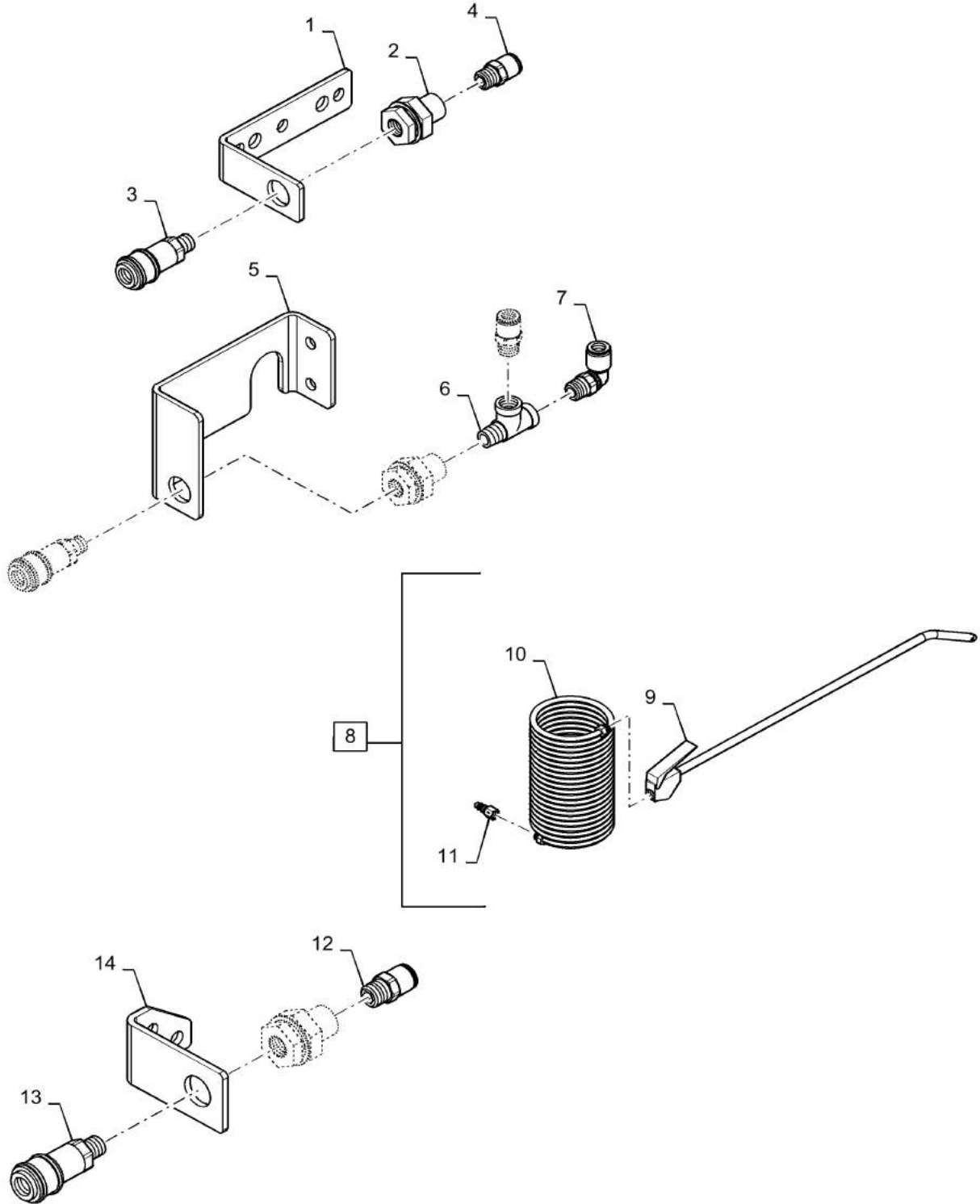


AIR COMPRESSOR AND RESERVOIR

REF FN	PART NUMBER	YR/SN	QTY DESCRIPTION
24	47369205		1 HYDRAULIC HOSE Reservoir To Midship Tee
25	5185525		1 HYD CONNECTOR Straight, 1 3/16"-12 ORFS x M22
26	84342704		1 RIGID TUBE Compressor To Union
27	84342705		1 RIGID TUBE Union To Hose
28	86625099		3 O-RING 0.07" Thk x 0.739" ID, -18, CI 7, 75 Duro
29	87549264		1 SUPPORT TUBE 112.4 mm L
30	86507066		5 FLANGE NUT M8 x 1.25, CI 10
31	86637976		1 CLAMP 19mm, Coat, 8.7mm Bolt Hole, P Type
32	87656137		3 BOLT M8 x 28.1mm, CI 10.9
33	84527246		1 BRACKET Tube Support, Engine
34	86050279		1 FLANGE NUT M10 x 1.5, CI 10
35	87682391		1 CARRIAGE BOLT M10 x 1.5 x 25mm, CI 10.9
36	131-415		1 JAM NUT Push, Bolt Retainer, 3/8" x 25/32"
37	84527251		1 BRACKET Tube And Hose Support
38	84372662		1 FITTING Elbow Union, 3/8"
39	84372644		1 AIR HOSE Reservoir To Midship
40	516-22127		1 CLAMP 12.7mm ID, 8.7mm Bolt Hole, J Type
41	86566990		9 CABLE TIE 292mm OAL x 4.8mm W
42	86900723		2 CLAMP Tube, 19.1mm
43	86900727		2 COVER Plate, Single
44	87698761		4 BOLT Hex, M6 x 60mm, CI 10.9 Flange, M6 x 60mm, 10.9
45	86050300		4 FLANGE NUT M6 x 1.0, CI 10
46	47369196		1 HYDRAULIC HOSE Reservoir To Midship Tee
47	47364924		1 HYDRAULIC HOSE Midship Tee To Quick Connect

5140-COMBINE - TIER 2

QUICK COUPLER, AIR COMPRESSOR, AIR GUN



QUICK COUPLER, AIR COMPRESSOR, AIR GUN

REF FN	PART NUMBER	YR/SN	QTY DESCRIPTION
1	84154228		1 BRACKET Quick Disconnect
2	84171982		1 HYD CONNECTOR Bulkhead, 1/4" NPTF
3	84172049		1 HYD CONNECTOR Socket, 1/4" Quick Connect
4	84162977		1 HYD CONNECTOR Adapter, 3/8" Push Connect
5	84564803		1 BRACKET Quick Disconnect, Operators Platform
6	217-51		1 TEE 1/4"-18 NPTF Fem x 1/4"-18 NPTF Male Run
7	84162975		1 HYD CONNECTOR Elbow, 3/8" Push Connect
8	84182443		1 AIR GUN Blowoff, Incl 9 - 11
9	84181953		1 AIR GUN Blowoff Wand
10	84181958		1 TUBE 25mm ID x 69mm OAL Self Coiling, 25'
11	84172050		1 HYD CONNECTOR Quick Disconnect, 1/4"
12	87036367		AR DUST CAP Quick Disconnect Cover
13	84190520		1 NOZZLE HOLDER Air Gun
14	47367914		1 BRACKET Quick Disconnect

5140-COMBINE - TIER 2

SECTION INDEX

HITCHES, DRAWBARS & IMPLEMENT COUPLINGS

37.100.AA	01	BALL MOUNT DRAWBAR
37.100.AA	03	AUTOMATIC HITCH, ROTATING
37.100.AF		HITCH ASSY, BASE

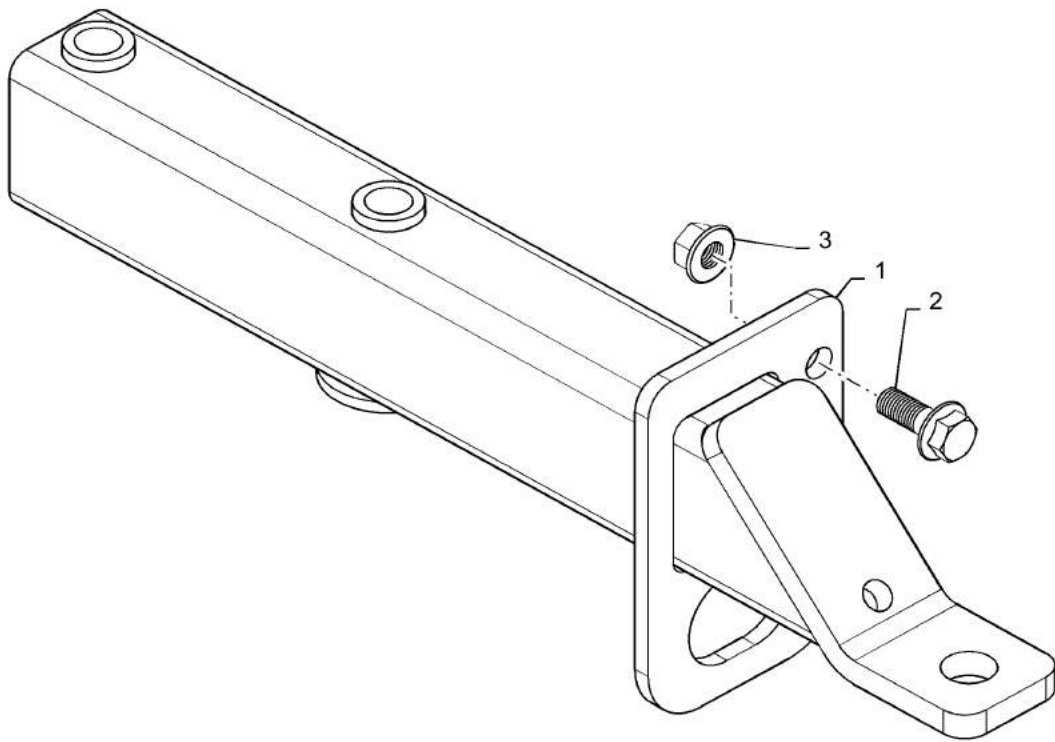
37.100.AA

01

p1

7/2015

BALL MOUNT DRAWBAR



37.100.AA

01

p1

7/2015

BALL MOUNT DRAWBAR

REF FN	PART NUMBER	YR/SN	QTY DESCRIPTION
1	84299666		1 HITCH Straight Extension
2	87495304		2 FLANGE BOLT M6 x 55.4mm, CI 10.9
3	86512498		2 FLANGE NUT M16 x 2.0, CI 10

5140-COMBINE - TIER 2

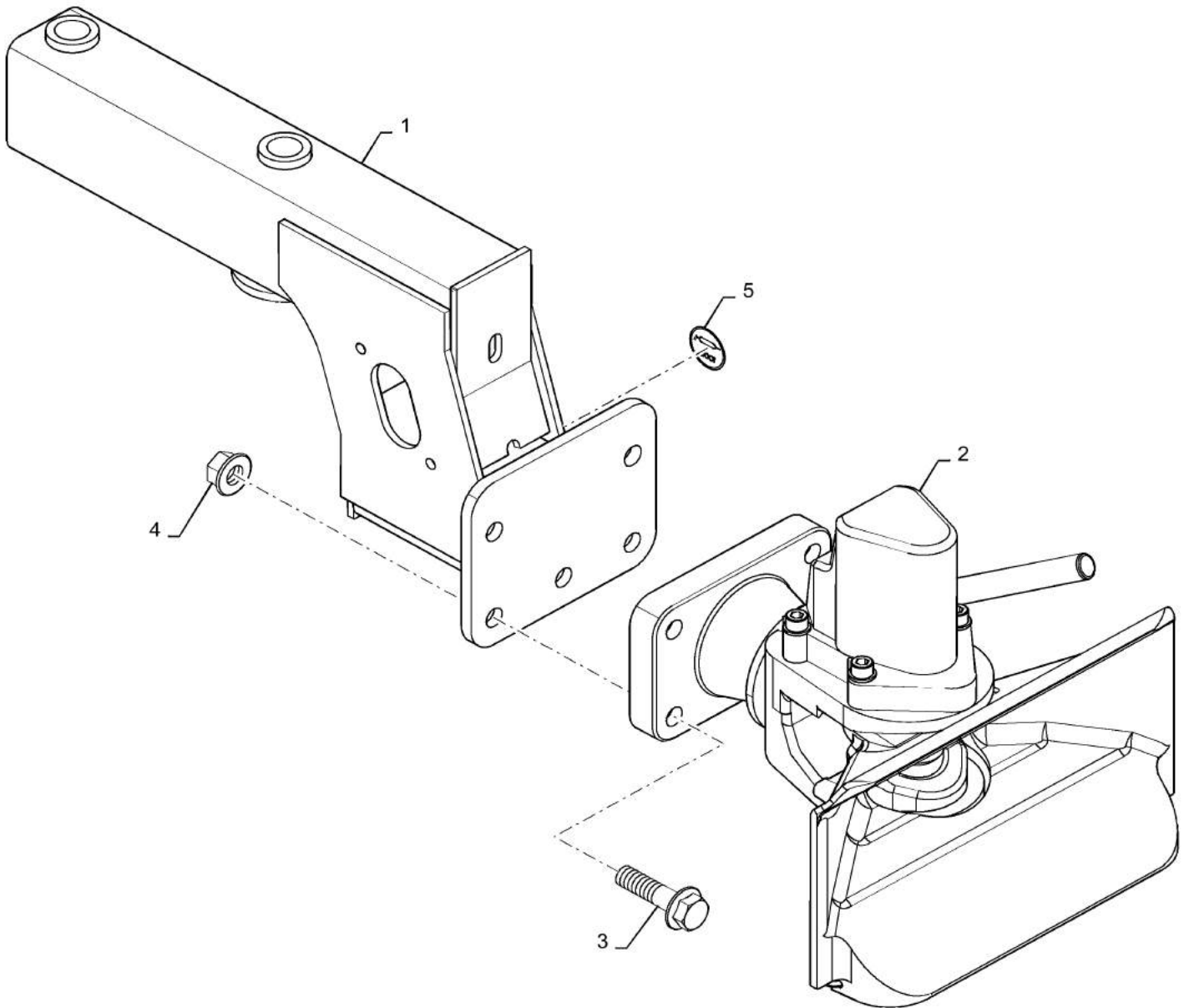
37.100.AA

03

p1

7/2015

AUTOMATIC HITCH, ROTATING



37.100.AA

03

p1

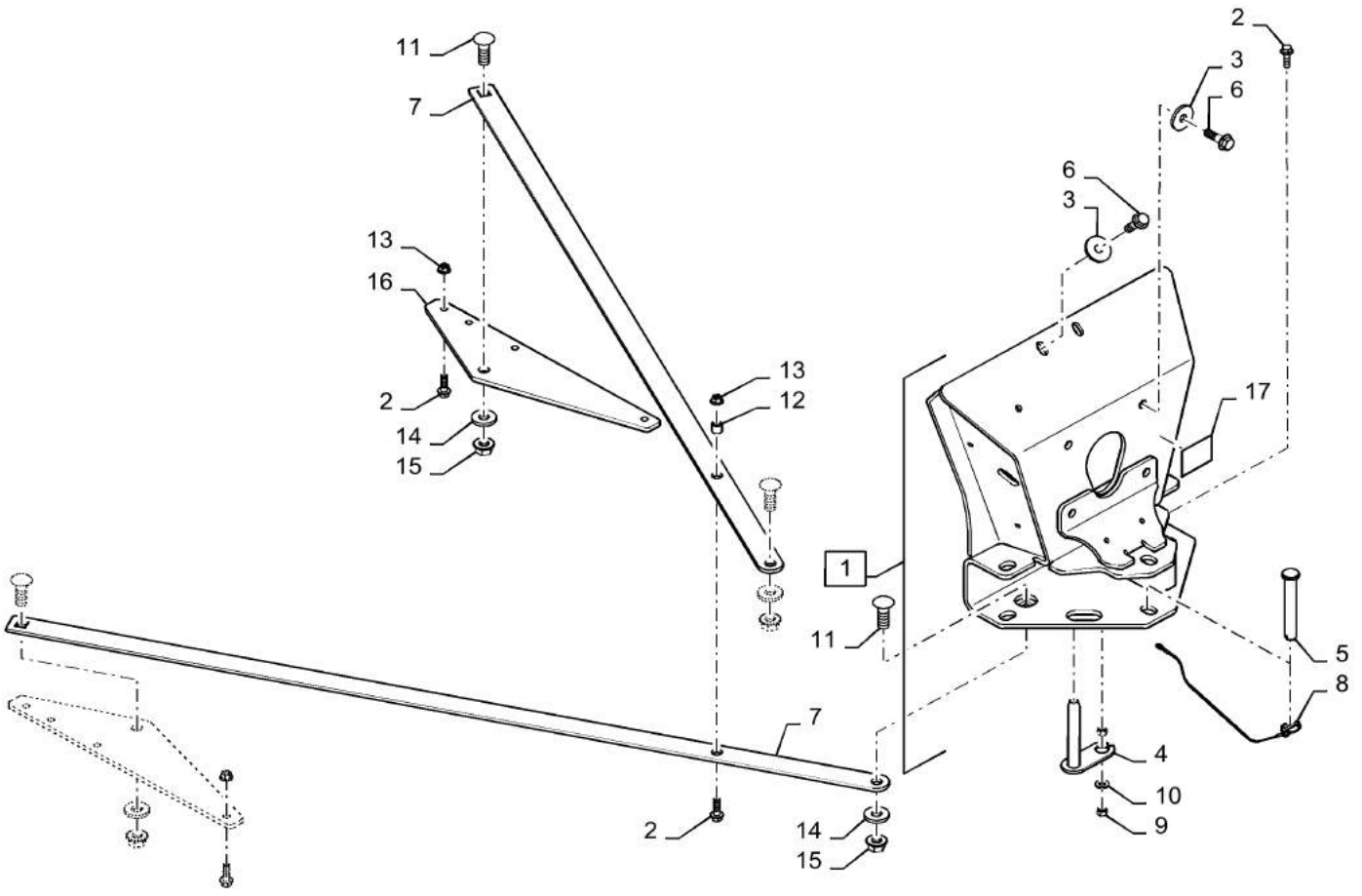
7/2015

AUTOMATIC HITCH, ROTATING

REF FN	PART NUMBER	YR/SN	QTY DESCRIPTION
1	84298453		1 ARM ASSY. Hitch
2	84499135		1 HITCH Rear Coupling
3	87675533		4 BOLT M16 x 75.4mm, CI 10.9
4	86512498		4 FLANGE NUT M16 x 2.0, CI 10
5	84334828		1 DECAL Service Interval

5140-COMBINE - TIER 2

HITCH ASSY, BASE



HITCH ASSY, BASE

REF FN	PART NUMBER	YR/SN	QTY DESCRIPTION
1	84499134		1 HITCH Support, Incl 17
2	87695413		8 BOLT M12 x 51.8mm, CI 10.9
3	337522		4 WASHER 17.5mm ID x 56mm OD x 5mm Thk
4	84298523		1 CLEVIS PIN Hitch
5	84294531		1 CLEVIS PIN 24mm x 160mm
6	87698849		6 BOLT M16 x 50mm, CI 10.9
7	84426478		2 STRIP Trailer Hitch
8	87668116		1 LOCK PIN 6mm OD W/ Lanyard
9	9706685		2 NUT M12 x 1.75, CI 8
10	86625256		1 WASHER 13.3mm ID x 28.5mm OD x 4mm Thk
11	86981478		4 CARRIAGE BOLT M20 x 70.9mm, CI 10.9
12	84428369		1 SPACER 13mm ID x 20.6mm OD x 18.5mm L Trailer Hitch
13	86512497		7 FLANGE NUT M12 x 1.75, CI 10
14	86592703		4 WASHER 21mm ID x 50mm OD x 6mm Thk
15	86512499		4 FLANGE NUT M20 x 2.5, CI 10
16	84332167		2 BRACKET Trailer Hitch Plate
17	84446050		1 DECAL Weight Limit

5140-COMBINE - TIER 2

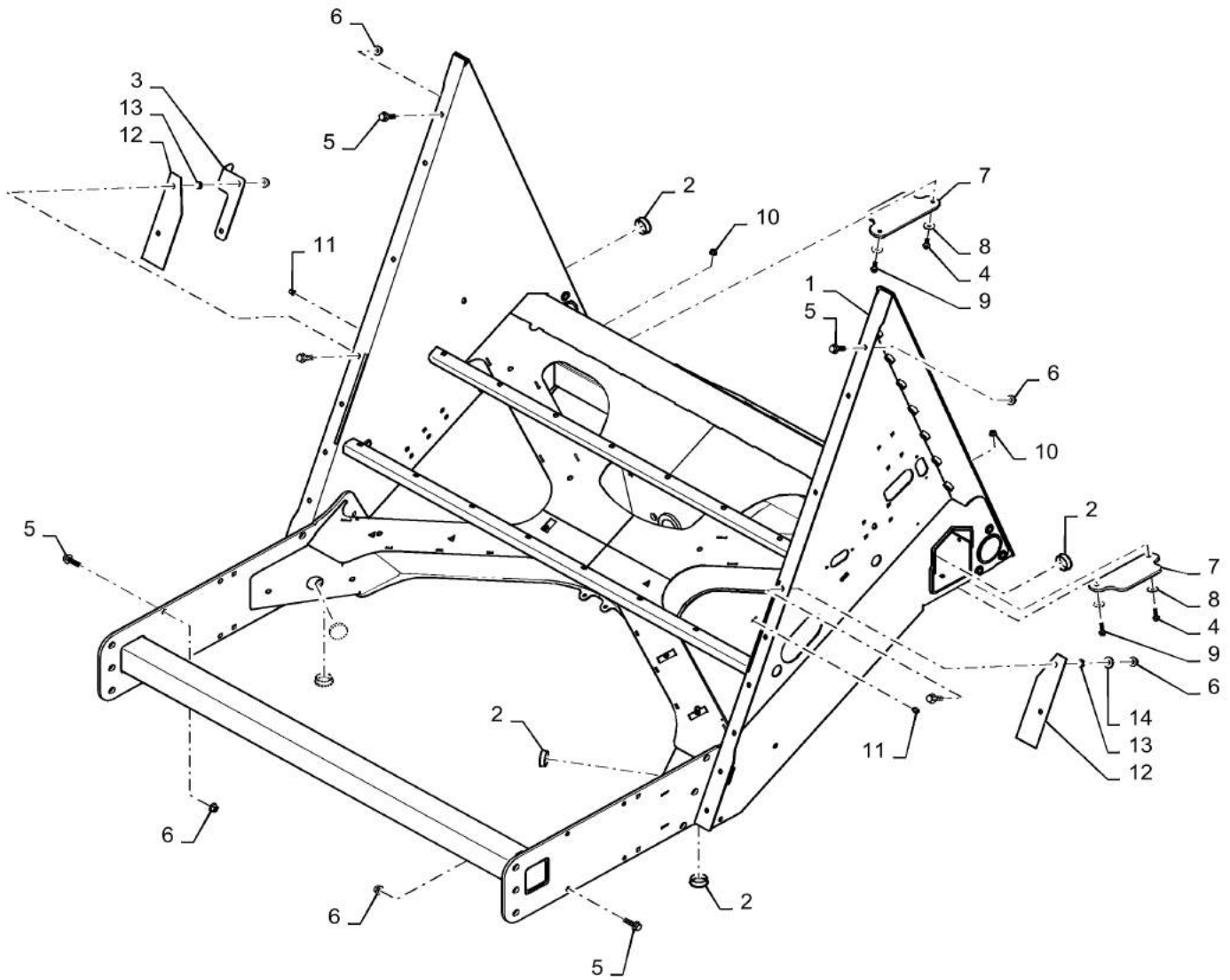
SECTION INDEX

Frames and ballasting

39.100.AS

FRAME, REAR AXLE, SUPPORT

FRAME, REAR AXLE, SUPPORT



FRAME, REAR AXLE, SUPPORT

REF FN	PART NUMBER	YR/SN	QTY DESCRIPTION
1	87687790		1 SUPPORT ASSY. Rear Axle
2	87612755		6 PLUG Dome, 1 3/4"
3	84136324		1 BRACKET Fixed Spreader Drive Shield
4	87030775		2 BOLT M8 x 38.1mm, CI 10.9
5	87695413		24 BOLT M12 x 51.8mm, CI 10.9
6	86512497		24 FLANGE NUT M12 x 1.75, CI 10
7	87687616		2 PAD Oscillation Stop
8	9846522		4 WASHER M8
9	87698833		2 BOLT M8 x 33.1mm, CI 10.9
10	87681210		4 FLANGE NUT M8 x 1.25, CI 10
11	87697608		4 NUT M8 x 1.25
12	87615678		2 CANVAS Hood Extension Seal
13	86625255		4 WASHER 13.3mm ID x 24.5mm OD x 3mm Thk
14	9511052		2 WASHER 13.5mm ID x 44mm OD x 4mm Thk

5140-COMBINE - TIER 2

SECTION INDEX

STEERING

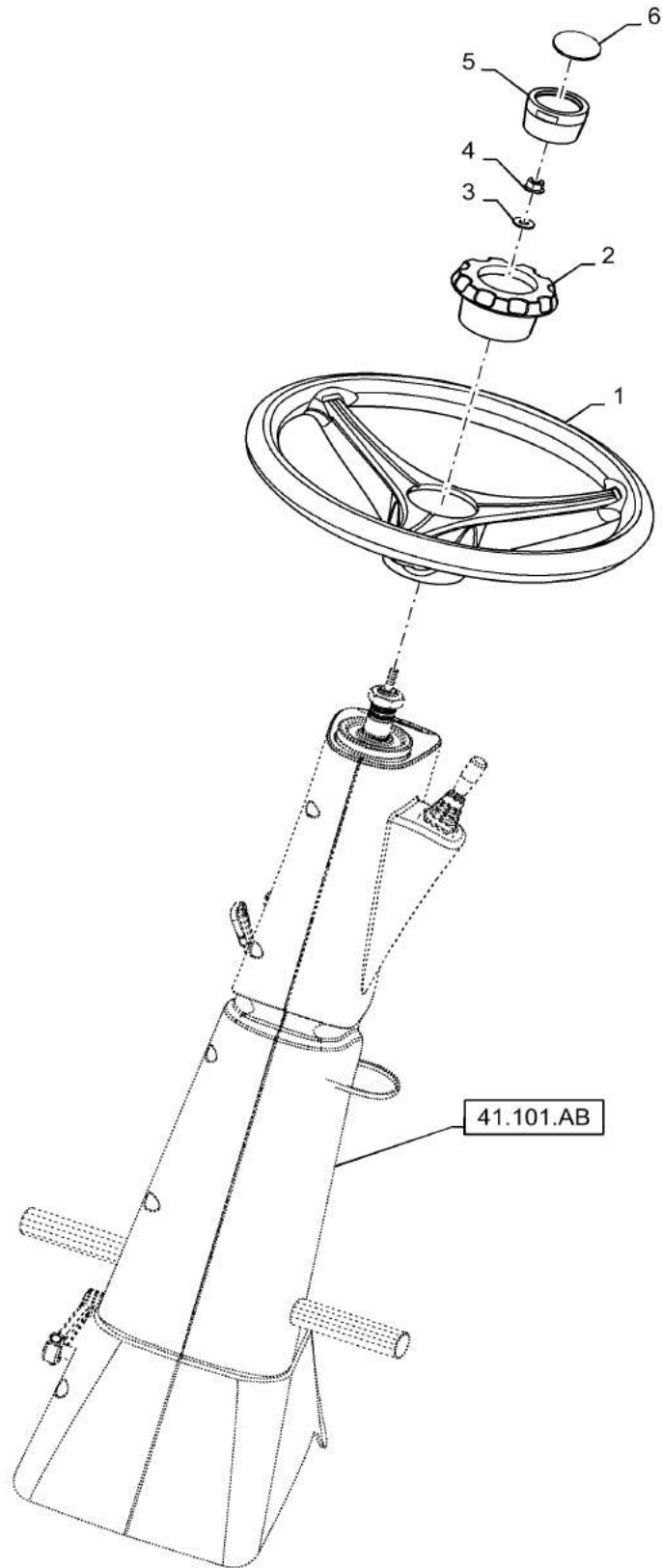
41.101.AA	VAR - 425357, 425358 - STEERING WHEEL
41.101.AB	STEERING COLUMN
41.101.AC	STEERING COLUMN, COMPONENTS
41.106.AH	TIE-ROD ASSY, REAR AXLE
41.200.AO	HYDRAULIC LINE, STEERING
41.206.AA	PUMP, HYDRAULIC STEERING
41.216.AO	STEERING CYLINDER
41.432.AC	HYDRAULIC SYSTEM, STEERING VALVE
41.432.AE	VALVE, AUXILIARY STEERING
41.432.AG	AUXILIARY STEERING HYDRAULIC SYSTEM

41.101.AA

p1

7/2015

VAR - 425357, 425358 - STEERING WHEEL



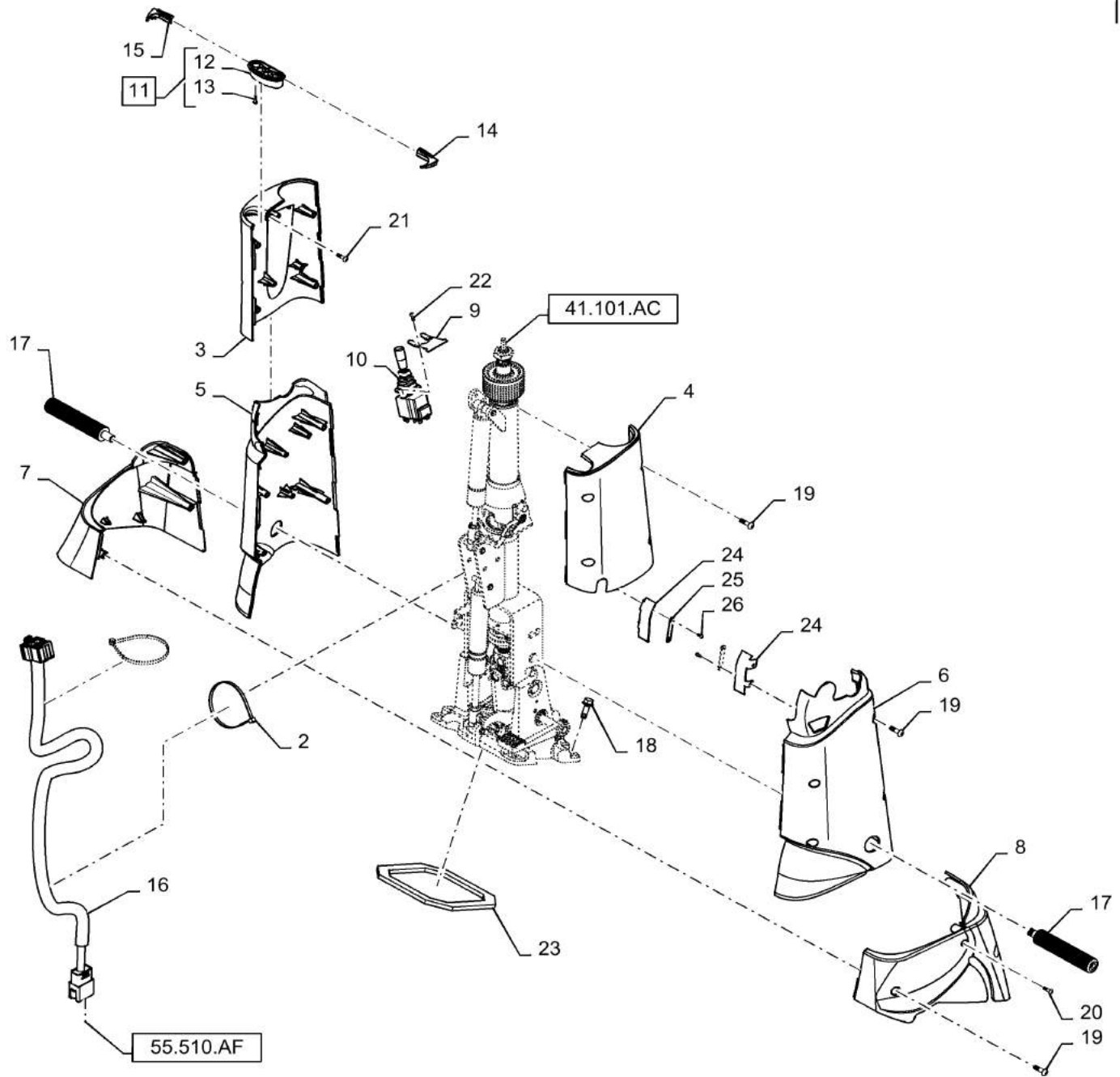
VAR - 425357, 425358 - STEERING WHEEL

REF FN	PART NUMBER	YR/SN	QTY DESCRIPTION
1	47419689		1 STEERING WHEEL Black, Poly, - VAR - 425357
1	47419693		1 STEERING WHEEL Black, Leather, - VAR - 425358
2	84283207		1 PLUG Black, Poly
3	322358		1 BELLEVILLE WASHER M8 x 18mm OD x 1.4mm Thk
4	86507066		1 FLANGE NUT M8 x 1.25, CI 10
5	84283206		1 PLUG Black Poly Center
6	87613502		1 INSERT Case - IH Logo

5140-COMBINE - TIER 2

STEERING COLUMN

1

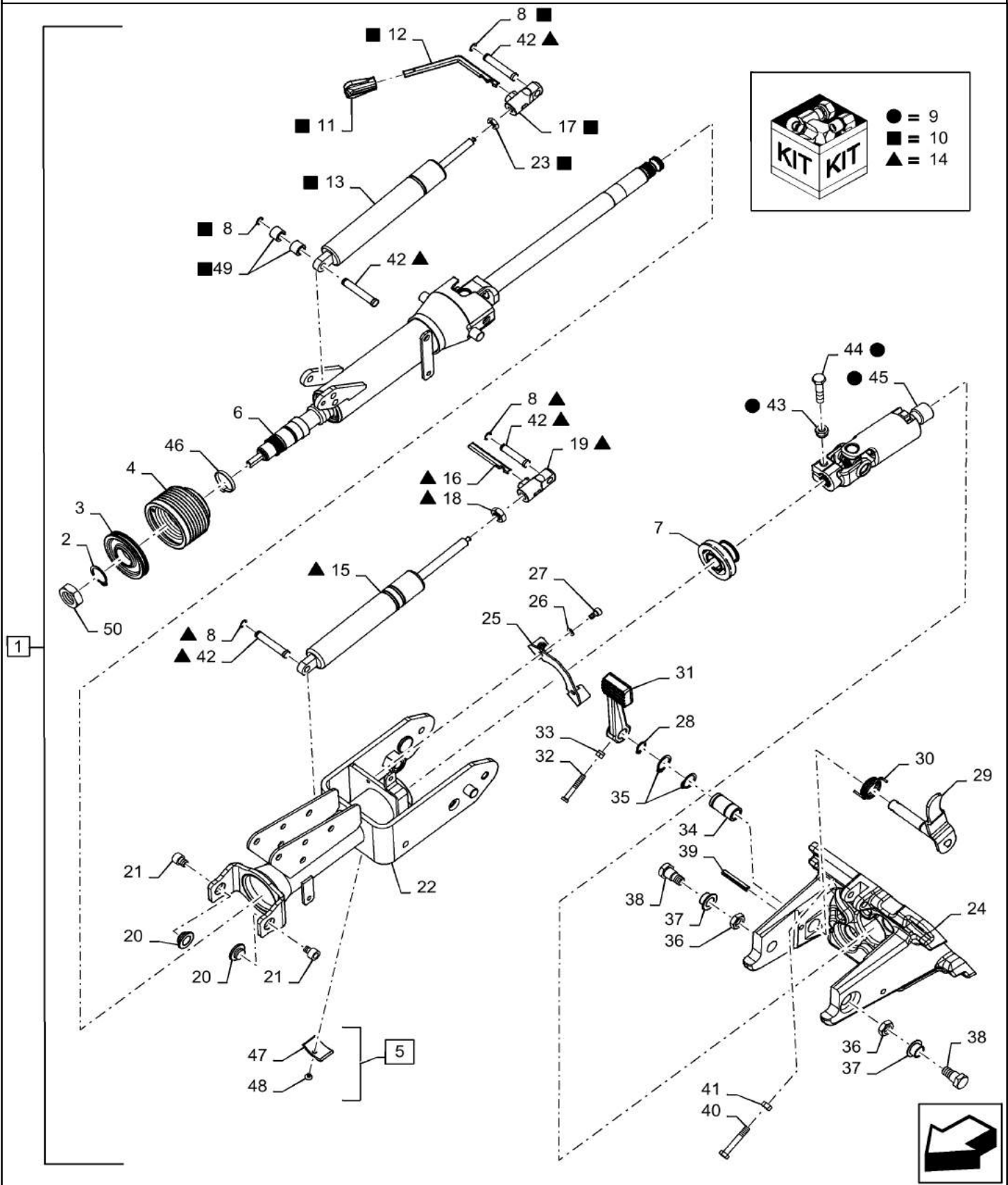


STEERING COLUMN

REF FN	PART NUMBER	YR/SN	QTY DESCRIPTION
1	84331727		1 STEERING COLUMN Incl 2 - 26
2	86566990		3 CABLE TIE 292mm OAL x 4.8mm W
3	47422975		1 COVER LH, Upper
4	47422974		1 COVER RH, Upper
5	47422986		1 COVER LH, Middle
6	47422982		1 COVER RH, Middle
7	84323821		1 COVER LH, Lower
8	84323822		1 COVER RH, Lower
9	84539487		1 BRACKET Turn Signal Switch Mounting
10	84360909		1 TOGGLE SWITCH Turn Signal
11	84344312		1 INSTRUMENT PANEL Lamp Indicator, Incl 12 - 13
12	84469094		1 INSTRUMENT PANEL Lamp Indicator
13	280154		2 SELF-TAP SCREW Cross Rd Hd, #6 x 1/2"
14	47392759		1 MOUNT RH, Indicator Display
15	47392763		1 MOUNT LH, Indicator Display
16	84524006		1 HARNESS Steering Column to Cab Harness
17	47424855		2 FOOTREST
18	87698833		4 BOLT M8 x 33.1mm, CI 10.9
19	86511042		15 SCREW Pan, M4 x 0.7 x 19.25mm OAL
20	80043982		1 SCREW Phillips Drive, Pan HD, M5 x 12mm, CI 4.8
21	86900238		1 SELF-TAP SCREW Phillips Drive, Pan HD, #10 - 16 x 3/4"
22	86511823		2 SCREW Phillips Drive, Pan HD, M4 x 8mm, CI 4.8
23	84582200		1 GASKET 6.35mm Thk Cab Floor
24	47392741		2 COVER Rubber, Middle
25	84545277		2 PLATE Rubber, Cover Retainer
26	15901470		4 SELF-TAP SCREW Cross Pan Hd, M2.90 x 1.1 x 9.50mm

5140-COMBINE - TIER 2

STEERING COLUMN, COMPONENTS

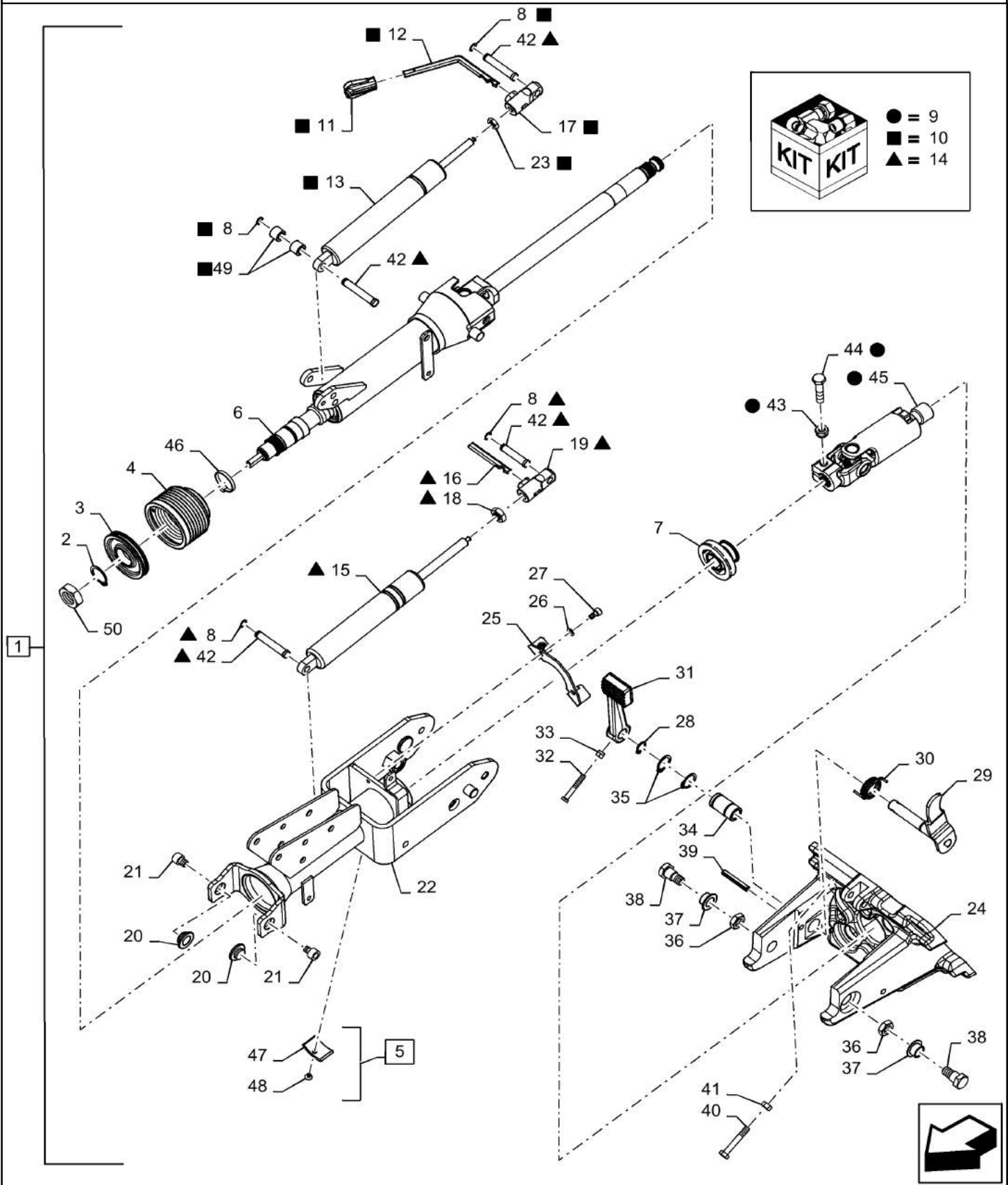


STEERING COLUMN, COMPONENTS

REF FN	PART NUMBER	YR/SN	QTY DESCRIPTION
1	47433417		1 STEERING COLUMN Tilting, Telescoping Assy, Incl 2 - 50
2	370001		1 SNAP RING M22, External
3	47667007		1 BOOT Stop
4	47667012		1 BOOT Cover, Dust, Incl 46
5	47667080		1 KIT Sensor Spacer, Incl 47 - 48
6	47667018		1 SHAFT Steering, Telescopic
7	84380257		1 MAGNET 30 Pole Ring
8	11065671		4 CIRCLIP 8mm
9	47667145		1 KIT U - Joint and Shaft, Incl 43 - 45
10	47667171		1 SHOCK ABSORBER Upper, Gas Strut, Incl 8, 11 - 13, 17, 23, 42, 49
11	47667020		1 KNOB Release Lever
12	47667023		1 LEVER Release
13	47667030		1 STRUT Upper, Gas Strut
14	47667152		1 KIT Lower, Gas Strut, Incl 8, 15 - 16, 18 - 19, 42
15	87607304		1 CYLINDER Lower, Gas Strut
16	47667032		1 LEVER Release
17	87607297		1 GAS STRUT Head
18	87607305		1 NUT Jam, M10 x 1.0
19	87607308		1 GAS STRUT Head
20	87607288		2 BUSHING Support
21	87607289		2 SCREW M8 x 9mm
22	47667035		1 SUPPORT Assy, Steering Shaft
23	87607298		1 NUT Jam, M8
24	47667185		1 BASE PLATE Steering Column
25	47667085		1 SUPPORT Sensor
26	322356		2 BELLEVILLE WASHER M5 x 12mm OD x 1.85mm Thk
27	14304021		2 HEX SOC SCREW M5 x 10mm, Cl 8.8
28	11066071		1 CIRCLIP M12

5140-COMBINE - TIER 2

STEERING COLUMN, COMPONENTS

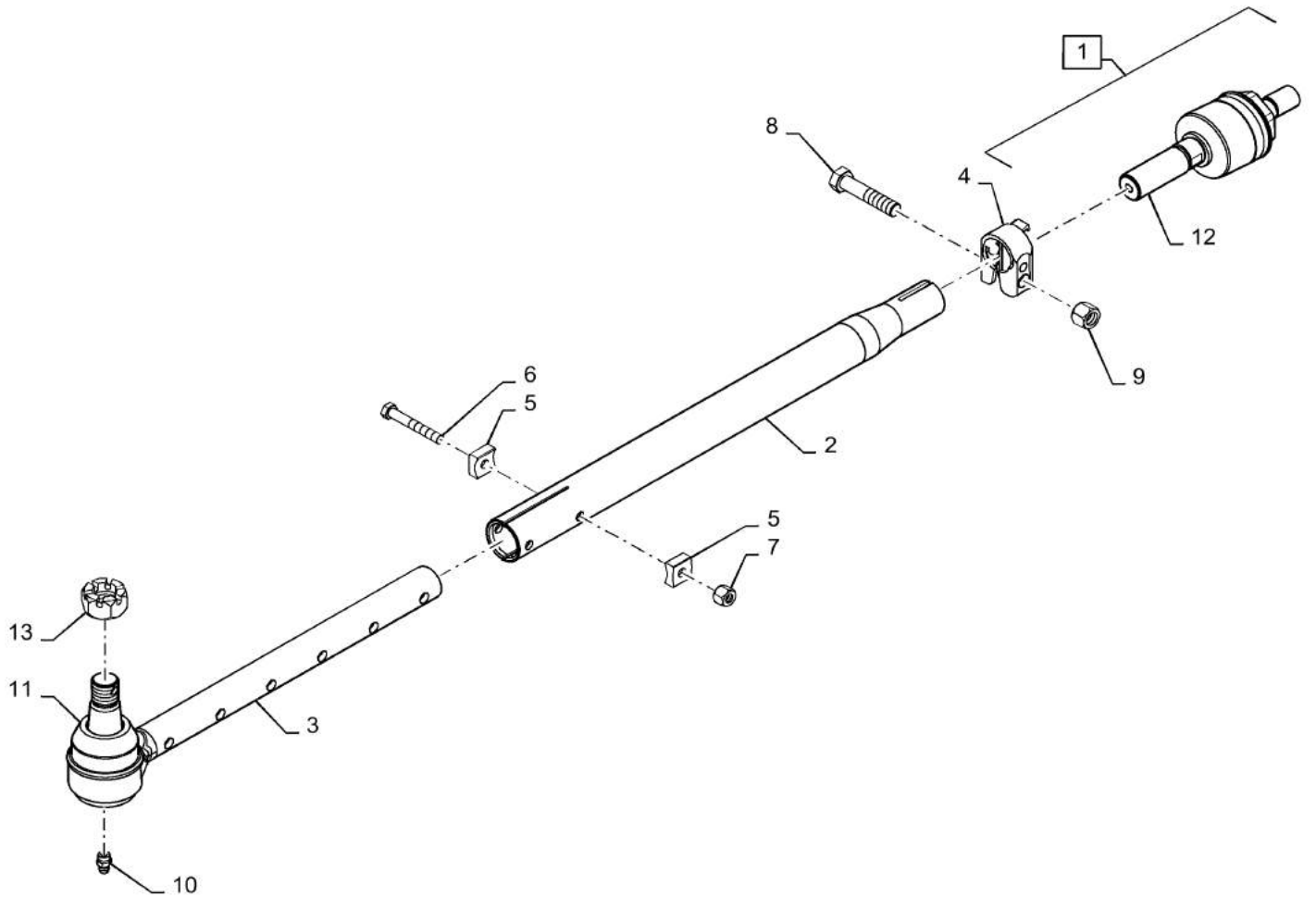


STEERING COLUMN, COMPONENTS

REF FN	PART NUMBER	YR/SN	QTY DESCRIPTION
29	47667093		1 LEVER Release
30	87607317		1 SPRING Torsion
31	47667099		1 PEDAL Steering Tilt
32	86544168		1 BOLT Hex, M5 x 35mm, CI 8.8
33	2977215		1 NUT M5 x 0.8, CI 8
34	47667113		1 BUSHING Steering Tilt
35	11066674		2 CIRCLIP 18mm
36	87607334		2 NUT Jam, M10
37	87610811		2 BUSHING Steering Column Base
38	87607326		2 BOLT Shoulder
39	13910670		1 ROLL PIN M6 x 40mm OAL, Coiled
40	43118		1 BOLT Hex, M6 x 1.0 x 40mm, CI 8.8
41	86500688		1 NUT Hex, M6 x 1.0, CI 10.9
42	NSS		4 NOT SERVICED SEPARATELY Pin, Incl in 9, 14
43	NSS		1 NOT SERVICED SEPARATELY Nut, M8, Incl in 9
44	NSS		1 NOT SERVICED SEPARATELY Bolt, M8 x 37mm L, Incl in 9
45	NSS		1 NOT SERVICED SEPARATELY Intermediate Shaft, Incl in 9
46	NSS		1 NOT SERVICED SEPARATELY Steering Shaft Dust Boot Clamp, Incl in 4
47	NSS		1 NOT SERVICED SEPARATELY Sensor Spacer, Incl in 5
48	NSS		1 NOT SERVICED SEPARATELY Bolt, Incl in 5
49	NSS		2 NOT SERVICED SEPARATELY Spacer, Incl in 10
50	87607276		1 NUT Jam, M18 x 1.5

5140-COMBINE - TIER 2

TIE-ROD ASSY, REAR AXLE

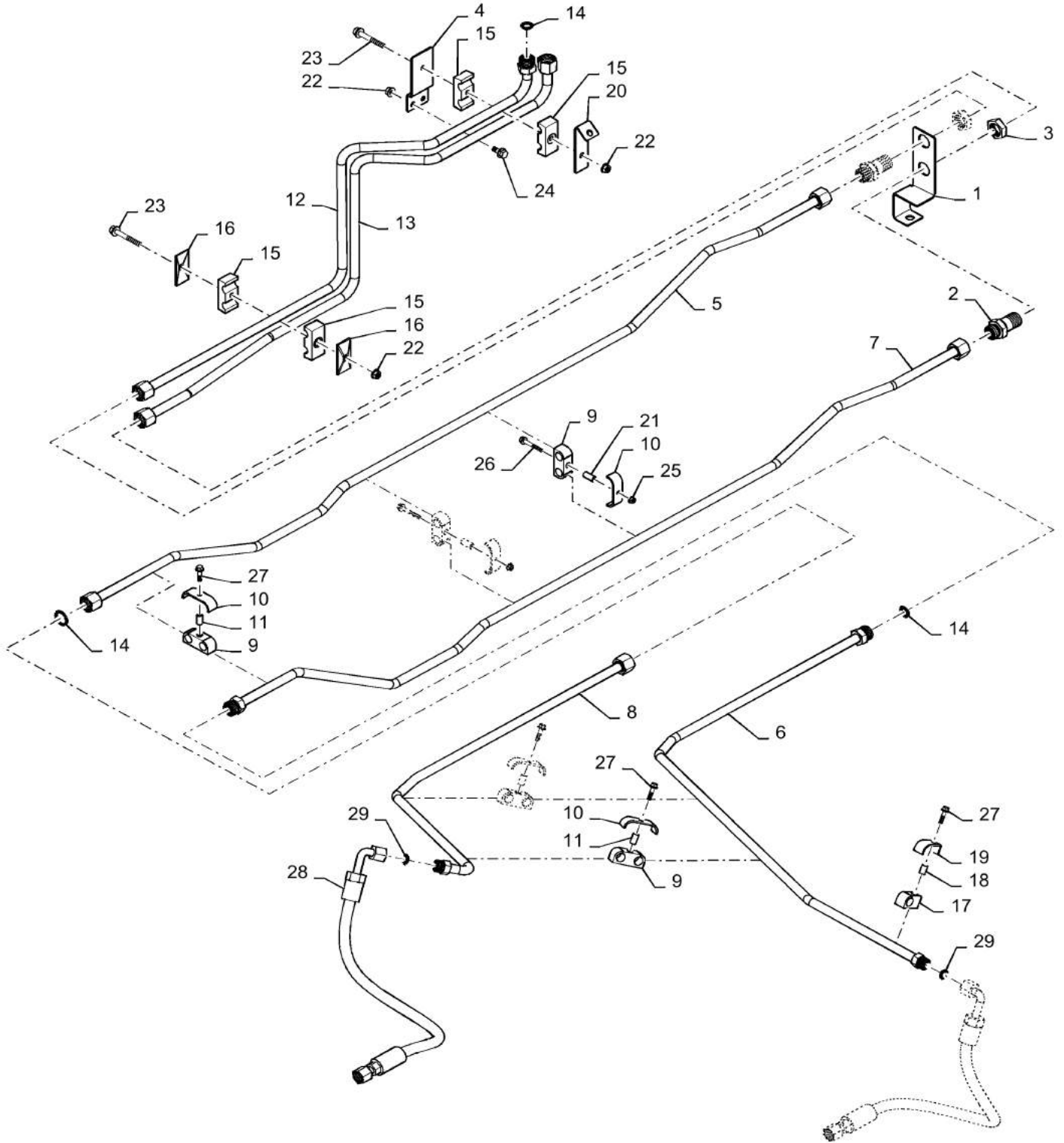


TIE-ROD ASSY, REAR AXLE

REF FN	PART NUMBER	YR/SN	QTY DESCRIPTION
1	87585371		1 TIE-ROD Link Horizontal Socket, Incl 12
2	87662350		1 TIE-ROD Tube, Standard/ PGA/ 2-Speed PGA
2	87689378		1 TIE-ROD Tube, Standard/ PGA/ 2-Speed PGA
2	87694590		1 TIE-ROD Tube, Non-PGA, 3.3M
3	87697371		1 TIE-ROD Vertical Socket, Standard/ PGA/ 2-Speed PGA
3	87689624		1 TIE-ROD Vertical Socket, Standard/ PGA/ 2-Speed PGA
3	87689622		1 TIE-ROD Vertical Socket, Non-PGA, 3.3M
4	87585377		1 CLAMP Tie Rod
5	87754966		4 SPACER Tie Rod
6	87495301		2 BOLT 1/2" - 20 x 3 3/4" Long Grade 8
7	87333768		2 NUT 1/2" - 20 1/2" - 20 Grade C
8	326-1048		1 BOLT Hex, 5/8" - 11 x 3", Gr 8
9	231-41310		1 LOCK NUT 5/8"-11, GB
10	219-8		1 LUBE NIPPLE 1/4"-28 x 1/2"
11	87585378		1 COVER Vertical Socket
12	87585379		1 BOOT In Line Socket
13	425-1318		1 SLOTTED NUT 1 1/8"-12, G5

5140-COMBINE - TIER 2

HYDRAULIC LINE, STEERING

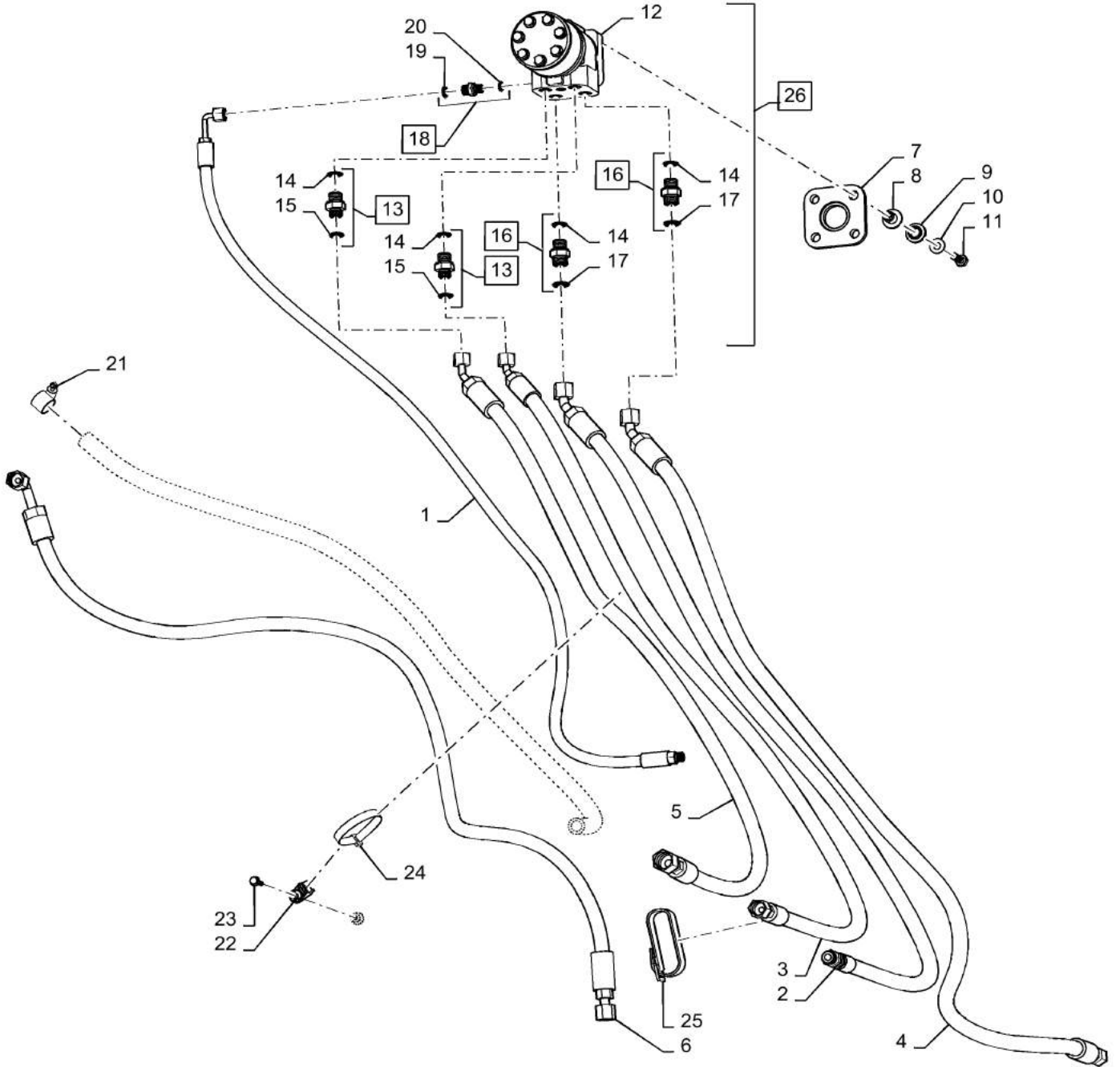


HYDRAULIC LINE, STEERING

REF FN	PART NUMBER	YR/SN	QTY DESCRIPTION
1	84538152		1 SUPPORT Steering Line Bulkhead
2	201-123		2 HYD CONNECTOR 1"-14, Bikhhd, ORFS
3	87381294		2 LOCK NUT 1" - 14, 10.5
4	87389212		1 SUPPORT TUBE 130.99 mm L
5	84537722		1 HYD. TUBE Steering, Middle Right
6	84537718		1 HYD. TUBE Steering, Rear Right
7	84537723		1 HYD. TUBE Steering, Middle Left
8	84537720		1 HYD. TUBE Steering, Rear Left
9	84586492		5 CLAMP Twin Tube
10	301688A1		5 ANCHOR Rubber Body Stirrup
11	418785A1		3 SPACER Tube Clamp
12	84537725		1 HYD. TUBE Steering, Right
13	84537726		1 HYD. TUBE Steering, Left
14	9992069		3 O-RING 0.07" Thk x 0.614" ID, -16, CI 6, 90 Duro
15	87000150		2 CLAMP 15.869mm ID Hydraulic Tube
16	87000230		2 PLATE Hose Clamp
17	84172525		1 CLAMP Tube Single
18	87644729		1 SPACER Tube Clamp
19	87644667		1 PLATE Tube Clamp
20	87673666		1 BRACKET Feeder Lift Hose
21	303793A1		2 SLEEVE Tube Clamp
22	86507066		4 FLANGE NUT M8 x 1.25, CI 10
23	87670761		2 FLANGE BOLT M8 x 68.1mm, CI 10.9
24	87656137		2 BOLT M8 x 28.1mm, CI 10.9
25	86050300		2 FLANGE NUT M6 x 1.0, CI 10
26	87670759		2 FLANGE BOLT M6 x 1.0 x 46.6mm, CI 10.9
27	87670758		4 FLANGE BOLT M6 x 31.6mm, CI 10.9
28	87644620		2 HOSE ASSY. Steering
29	9992298		2 O-RING 0.07" Thk x 0.489" ID, -14, CI 6, 90 Duro

5140-COMBINE - TIER 2

PUMP, HYDRAULIC STEERING

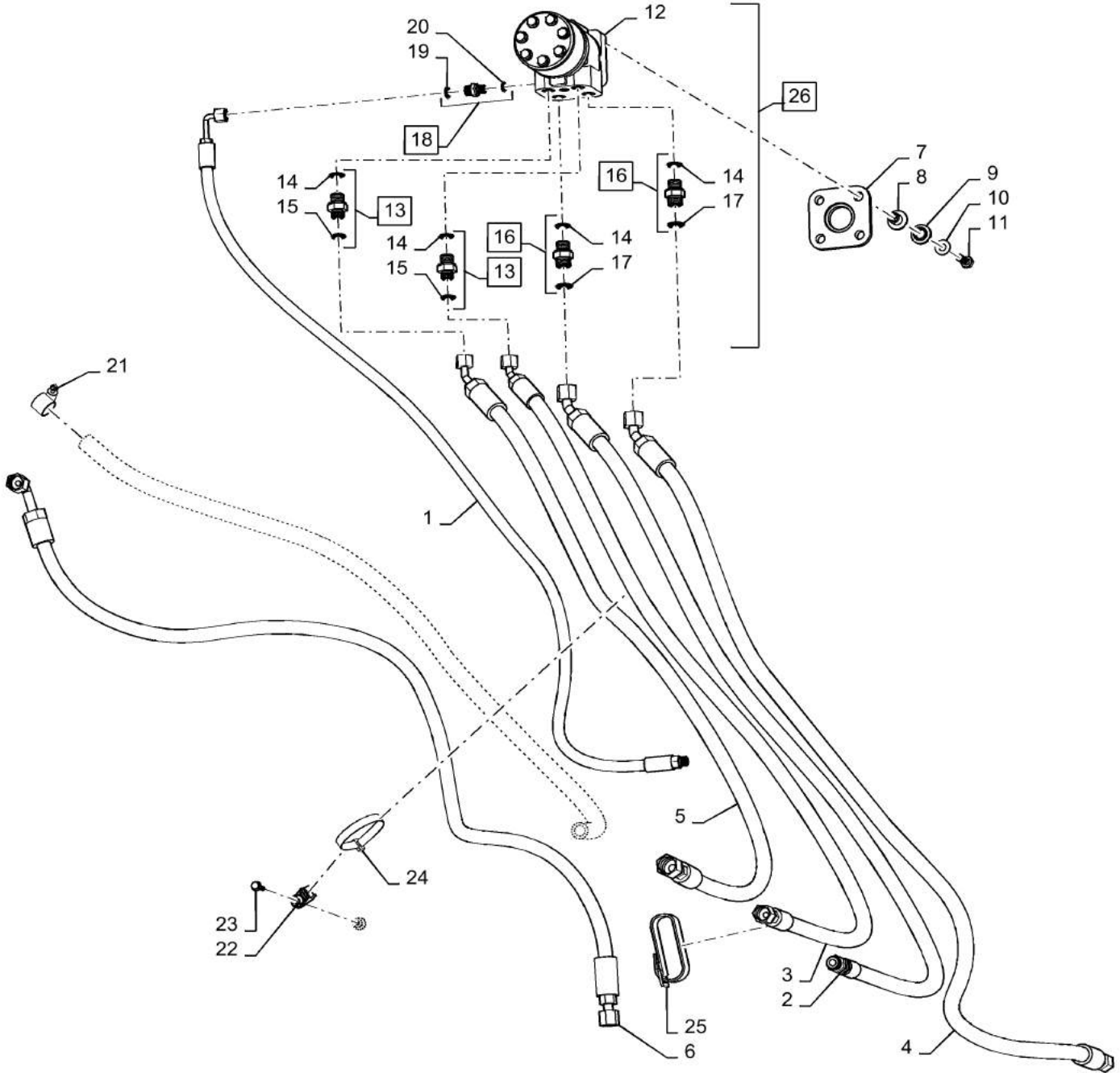


PUMP, HYDRAULIC STEERING

REF FN	PART NUMBER	YR/SN	QTY DESCRIPTION
1	84574648		1 HYDRAULIC HOSE 6.35mm ID x 1600mm L, SAE 100R17 Steering High Pressure Signal
2	84574650		1 HYDRAULIC HOSE 12.7mm ID x 2010mm L, SAE 100R17 LF Pressure
3	84574652		1 HYDRAULIC HOSE 12.7mm ID x 1460mm L, SAE 100R17 High Pressure Supply
4	84574654		1 HYDRAULIC HOSE 12.7mm ID x 1955mm L, SAE 100R17 Steering Return
5	84574655		1 HYDRAULIC HOSE 12.7mm ID x 2000mm L, SAE 100R17 RF Pressure
6	84546429		1 HYDRAULIC HOSE 12.7mm ID x 2070mm L, SAE 100R17 Brake Return
7	84553550		1 ISOLATOR Steering Pump
8	84328904		4 GUIDE BUSHING 10mm ID x 26mm OD x 18.5mm L Steel Mount
9	84328905		4 RUBBER BUSHING 15mm ID x 19.5mm OD x 7.5mm L Isolator Mount
10	140045		4 BELLEVILLE WASHER M10X22 ZNM
11	43140		4 BOLT Hex, M10 x 1.5 x 30mm, CI 8.8
12	87749828		1 VALVE Steering
13	86579676		2 HYD CONNECTOR 13/16" - 16 ORFS x M18 x 1.5 ORB Incl 14 - 15
14	86598101		2 O-RING 2.2mm Thk x 15.3mm ID, CI 6, 90 Duro
15	9992298		1 O-RING 0.07" Thk x 0.489" ID, -14, CI 6, 90 Duro
16	86579673		2 HYD CONNECTOR 11/16" - 16 ORFS x M18 x 1.5 ORB Incl 14, 17
17	9993141		1 O-RING 0.07" Thk x 0.364" ID, -12, CI 6, 90 Duro
18	86593173		1 HYD CONNECTOR 9/16"-18 ORFS x M12 x 1.5 ORB Incl 19 - 20

5140-COMBINE - TIER 2

PUMP, HYDRAULIC STEERING

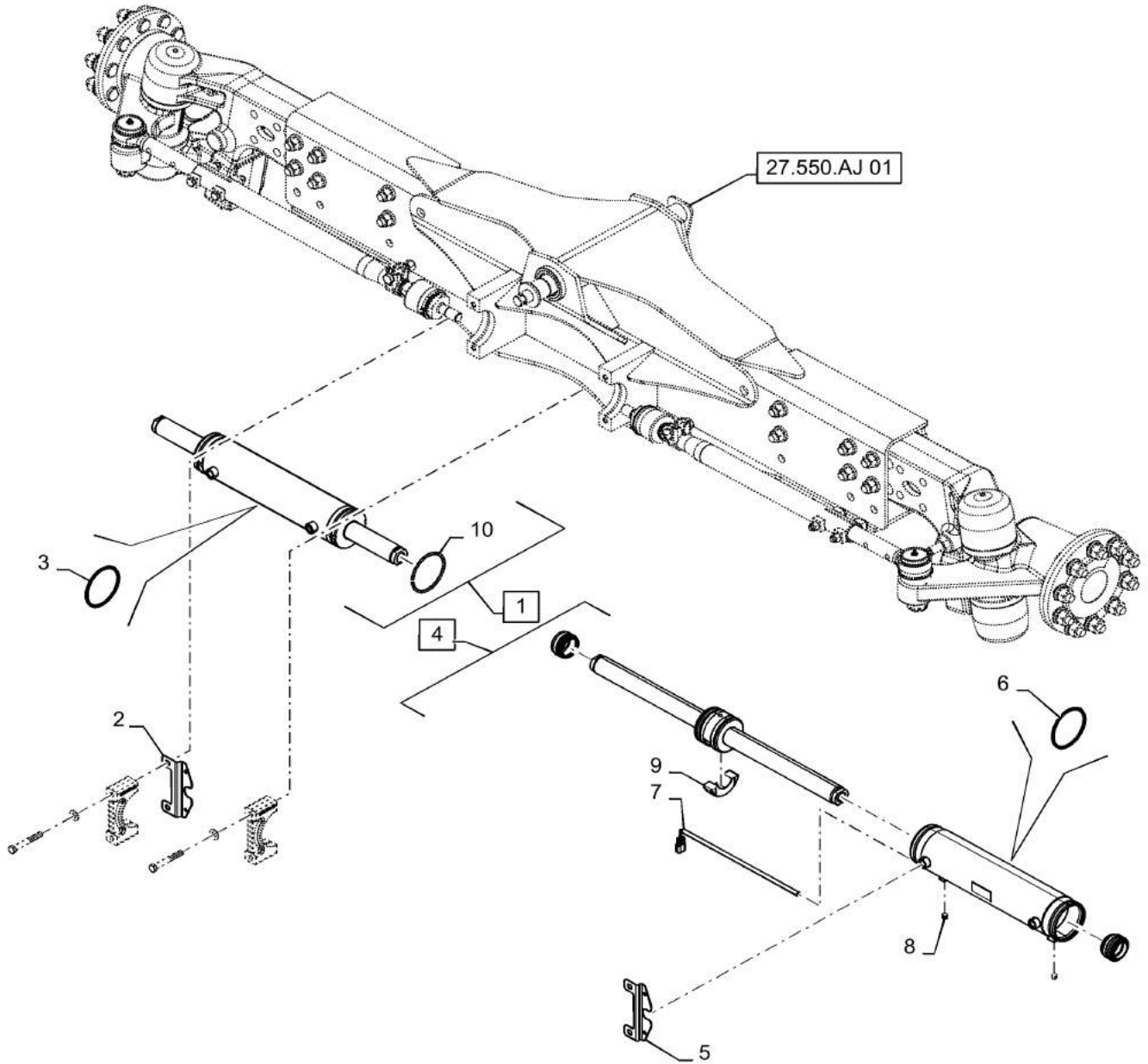


PUMP, HYDRAULIC STEERING

REF FN	PART NUMBER	YR/SN	QTY DESCRIPTION
19	86598098		1 O-RING 2.2mm Thk x 9.3mm ID, CI 6, 90 Duro
20	9825770		1 O-RING 0.07" Thk x 0.301" ID, -11, CI 6, 90 Duro
21	214-1410		1 HOSE CLAMP #10, 0.56" - 1.06", Type F Worm
22	84340333		1 SECURING STRAP WireTie
23	87698760		1 FLANGE BOLT M6 x 36.6mm, CI 10.9
24	84266050		1 CABLE TIE 0.5" W x 15.1" OAL Plastic Strap
25	87108048		1 SECURING STRAP Hose Band
26	84157594		1 VALVE Steering, Incl 12 - 20

5140-COMBINE - TIER 2

STEERING CYLINDER

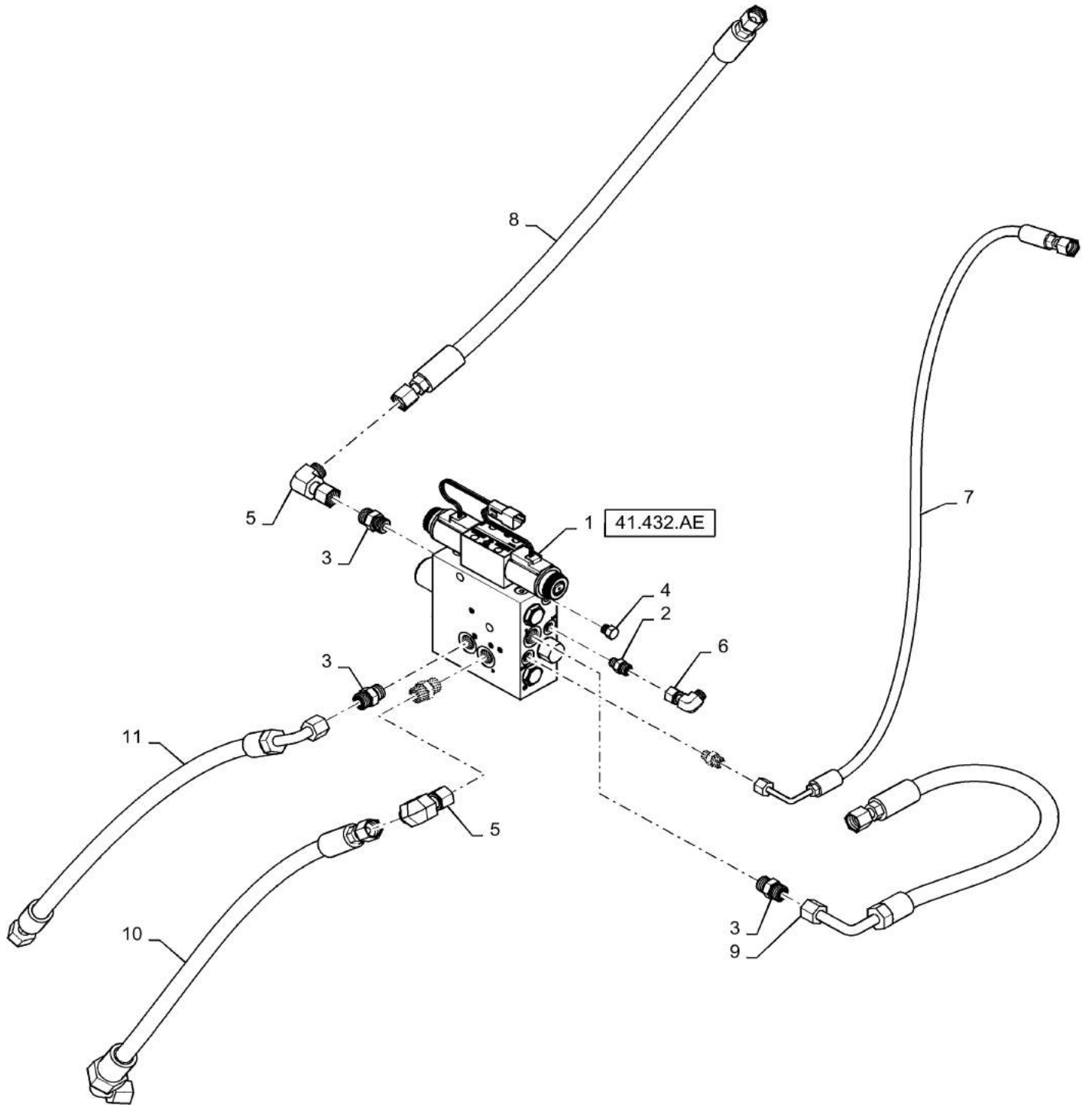


STEERING CYLINDER

REF FN	PART NUMBER	YR/SN	QTY DESCRIPTION
1	87674051		1 STEERING CYLINDER 45mm Rod, 284mm Stroke Standard Steering
2	87753056		2 BRACKET Steering Cylinder Mount
3	87597609		2 SEAL PACKAGE Services 1
4	84385653		1 STEERING CYLINDER Steering W/ Auto Guidance, Incl 7 - 9
5	84428963		2 BRACKET Steering Cylinder Mount
6	47411041		1 SEAL KIT Services 4
7	84567630		1 SENSOR Steering Position, Auto Guidance
8	13797721		2 SET SCREW Hex Skt, M6 x 8mm, Cone Pt
9	84567649		1 MAGNET Steering Position
10	47870722		1 SNAP RING Cylinder Retention, Incl in 1

5140-COMBINE - TIER 2

HYDRAULIC SYSTEM, STEERING VALVE

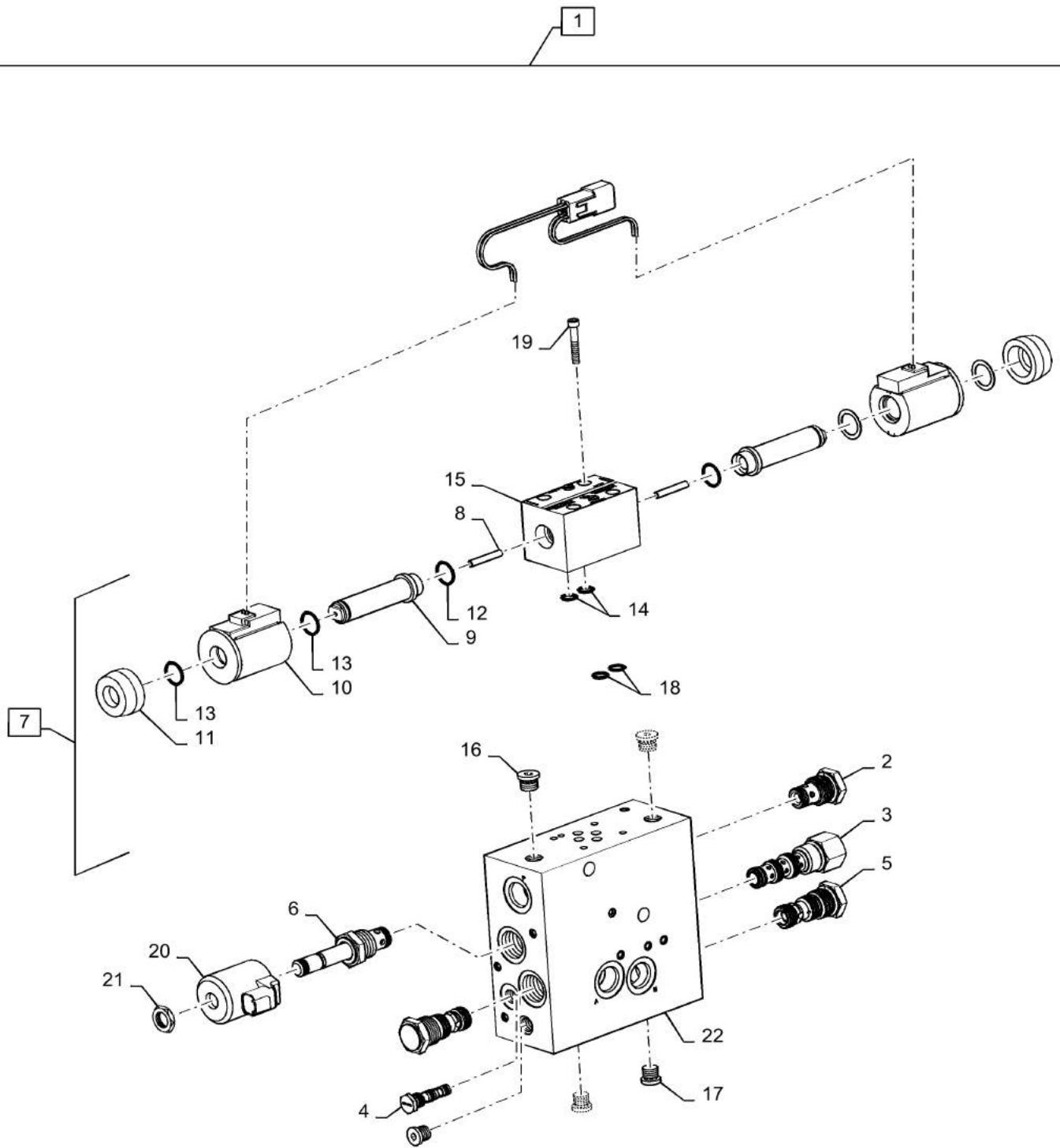


HYDRAULIC SYSTEM, STEERING VALVE

REF FN	PART NUMBER	YR/SN	QTY DESCRIPTION
1	87673657		1 VALVE Auto Guidance With Steer Enable
2	87681202		2 HYD CONNECTOR 9/16" - 18 ORFS x 7/16" - 20 ORB 1/4" ORFS x 1/4" ORB
3	9992305		4 HYD CONNECTOR 13/16" - 16 ORFS x 3/4" - 16 ORB
4	9672438		1 PLUG 7/16" - 20 ORB
5	201-320		2 ELBOW 90°, 13/16"-16 x 13/16"-16 Fem Sw ORFS
6	87017578		1 ELBOW 90°, 9/16"-18 x 9/16"-18 Fem Sw ORFS
7	84156349		1 HOSE ASSY. 6.35mm ID x 1025mm L, SAE 100R17 Auto Guidance LS2
8	84347763		1 HOSE ASSY. 12.7mm ID x 715mm L, SAE 100R17 Auto Guidance Inlet
9	84156348		1 HOSE ASSY. 12.7mm ID x 680mm L, SAE 100R17 Auto Guidance Tank
10	87750011		1 HOSE ASSY. Auto Guidance Work Port
11	84584187		1 HYDRAULIC HOSE 12.7mm ID x 735mm L, SAE 100R17 Auto Guidance Work Port

5140-COMBINE - TIER 2

VALVE, AUXILIARY STEERING

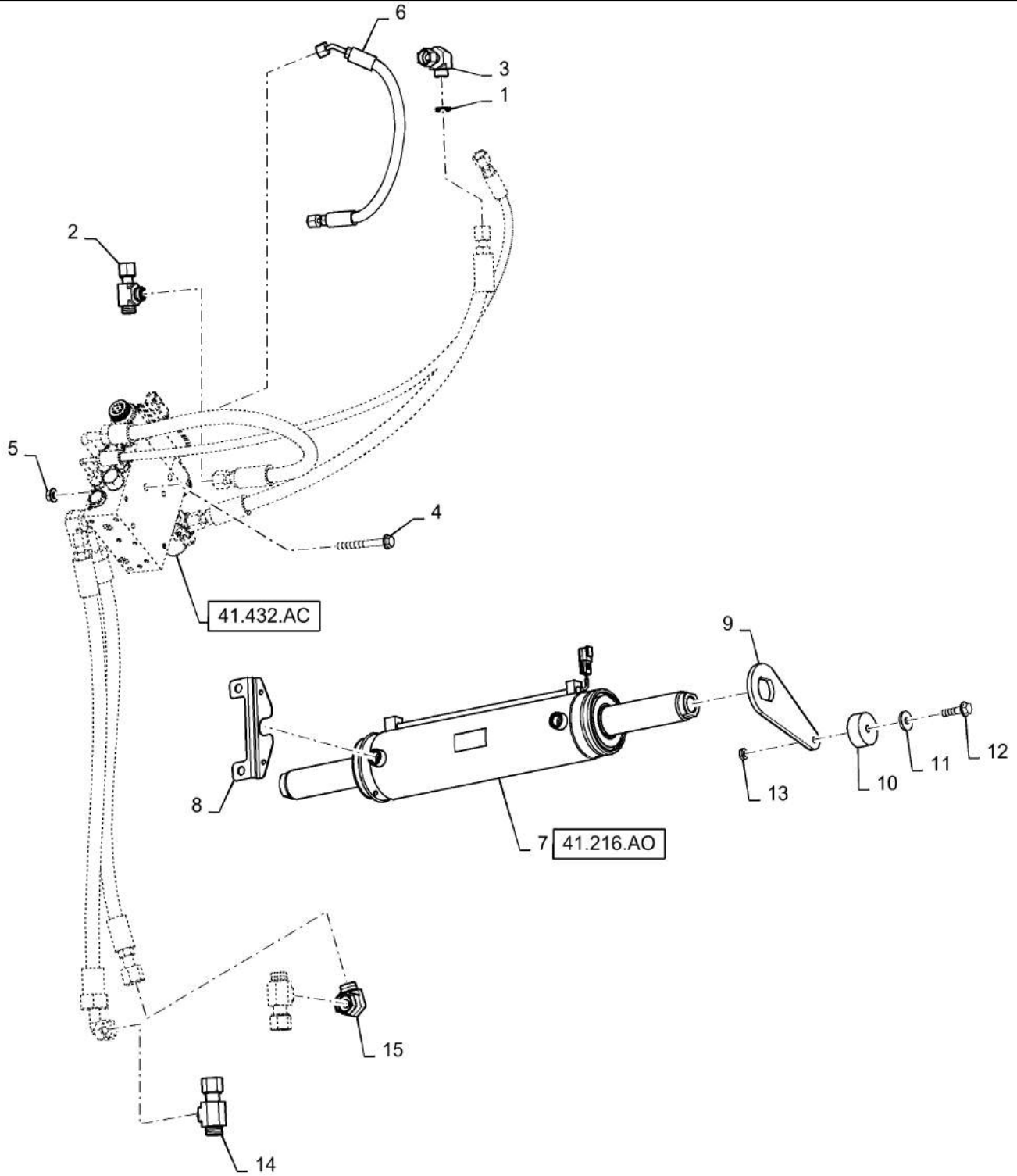


VALVE, AUXILIARY STEERING

REF FN	PART NUMBER	YR/SN	QTY DESCRIPTION
1	87673657		1 VALVE Auto Guidance With Steer Enable, Incl 2 - 22
2	87591594		1 VALVE Check Cartridge
3	87590351		1 VALVE Pilot To Shift Cartridge
4	87591593		1 VALVE Shuttle Cartridge
5	87591596		2 VALVE Check Cartridge
6	87026232		1 VALVE 2W2P Solenoid Cartridge
7	87673659		1 VALVE Proportional, Incl 8 - 15
8	196737A1		2 SPLIT PIN/SAFETY PIN Proportional Valve
9	87439633		2 TUBE 17.5mm OD x 72.81mm OAL Proportional Valve
10	87662365		2 COIL 12 VDC, Proportional Valve
11	188106A1		2 NUT Retaining, Proportional Valve
12	14457280		2 O-RING 0.103" Thk x 0.612" ID, -114, CI 5, 75 Duro Proportional Valve
13	122056		4 O-RING 0.07" Thk x 0.676" ID, -17, CI 5, 75 Duro Proportional Valve
14	86629543		4 O-RING 0.07" Thk x 0.364" ID, -12, CI 5, 75 Duro Proportional Valve
15	NSS		1 NOT SERVICED SEPARATELY Body, Proportional Valve, Incl In 7
16	87035062		2 PLUG Hex, 1/2"-20 ORB
17	278548		3 PLUG Hex, 7/16"-20 ORB
18	238-6012		4 O-RING 0.07" Thk x 0.364" ID, -12, CI 6, 90 Duro
19	281060		4 HEX SOC SCREW 1-1/4"-24
20	87623908		1 COIL ASSY. Solenoid
21	195683A1		1 JAM NUT 1/2"-20
22	NSS		1 NOT SERVICED SEPARATELY Body, Auto Guidance Valve, Incl In 1

5140-COMBINE - TIER 2

AUXILIARY STEERING HYDRAULIC SYSTEM



AUXILIARY STEERING HYDRAULIC SYSTEM

REF FN	PART NUMBER	YR/SN	QTY DESCRIPTION
1	238-6014		1 O-RING 0.07" Thk x 0.489" ID, -14, CI 6, 90 Duro
2	86624132		1 TEE 13/16" - 16 JIC x 13/16" - 16 ORFS x 13/16" - 16 ORFS
3	201-320		1 ELBOW 90°, 13/16"-16 x 13/16"-16 Fem Sw ORFS
4	87695408		2 BOLT M10 x 1.5 x 100.4mm OAL, CI 10.9 M10 x 90mm
5	86050279		2 FLANGE NUT M10 x 1.5, CI 10
6	84260470		1 HOSE ASSY. 6.35mm ID x 450mm L, SAE 100R17 High Pressure Signal
7	84385653		1 STEERING CYLINDER W/ Sensor
8	84428963		1 BRACKET Steering Cylinder
9	84573689		1 PLATE Autoguide Cylinder
10	84573674		1 SLIDER Cylinder Plate
11	83904166		1 WASHER 10.5mm ID x 30mm OD x 4mm Thk
12	9804263		1 BOLT M10 x 49.2mm, CI 8.8
13	84807411		1 THIN NUT Thin, M10 x 1.5, CI 04
14	86624133		2 TEE 1"-14 ORFS x 1"-14 Sw Run
15	201-361		1 ELBOW 90°, 1"-14 x 1"-14 Fem Sw ORFS

5140-COMBINE - TIER 2

SECTION INDEX

WHEELS

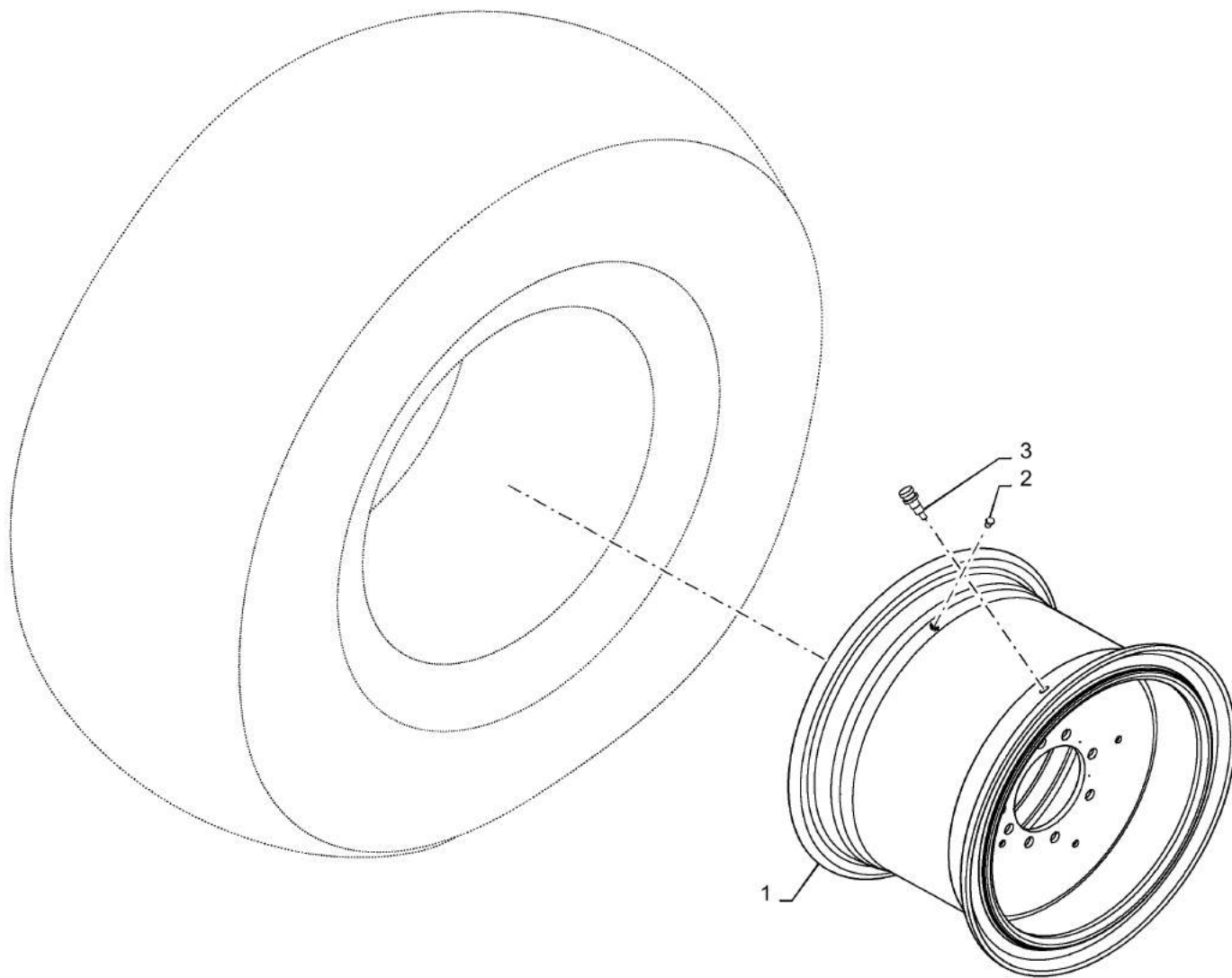
44.511.AE		VAR - 810091, 810090, 817800, 817100, 810019 - WHEEL ASSY, STEERING
44.520.AB	01	VAR - 830079, 830004, 835500, 836700, 830030, 839800, 836800, 830031, 830029, 836500, 830607, 830037 - SINGLE DRIVE WHEEL ASSY
44.520.AB	02	VAR - 830019, 830008, 830007, 830002, 830120, 830009, 838403, 830052 - DUAL DRIVE WHEEL ASSY

44.511.AE

p1

7/2015

VAR - 810091, 810090, 817800, 817100, 810019 - WHEEL ASSY, STEERING



VAR - 810091, 810090, 817800, 817100, 810019 - WHEEL ASSY, STEERING

REF FN	PART NUMBER	YR/SN	QTY DESCRIPTION
1	47358408		2 WHEEL ASSY 26 x DW20B, Silver, VAR - 810091
1	47358412		2 WHEEL 26 x DW16A, Silver, VAR - 810090
1	86996753		2 WHEEL 24 x W15L, Silver, VAR - 810018
1	84229720		2 WHEEL ASSY 24 x WH15L, Silver, VAR - 810101
1	86996749		2 WHEEL 26 x DW25A, Silver, VAR - 817800, 817100
1	86996737		2 WHEEL 30 x DW15A, Silver - VAR. 816400
1	86996745		2 WHEEL 28 x W18L, Silver, VAR - 810019
2	395448		2 VALVE STEM Steering Wheel
3	86997821		2 PLUG Valve Hole, VAR - 810091, 810090, 817800, 817100, 810019

5140-COMBINE - TIER 2

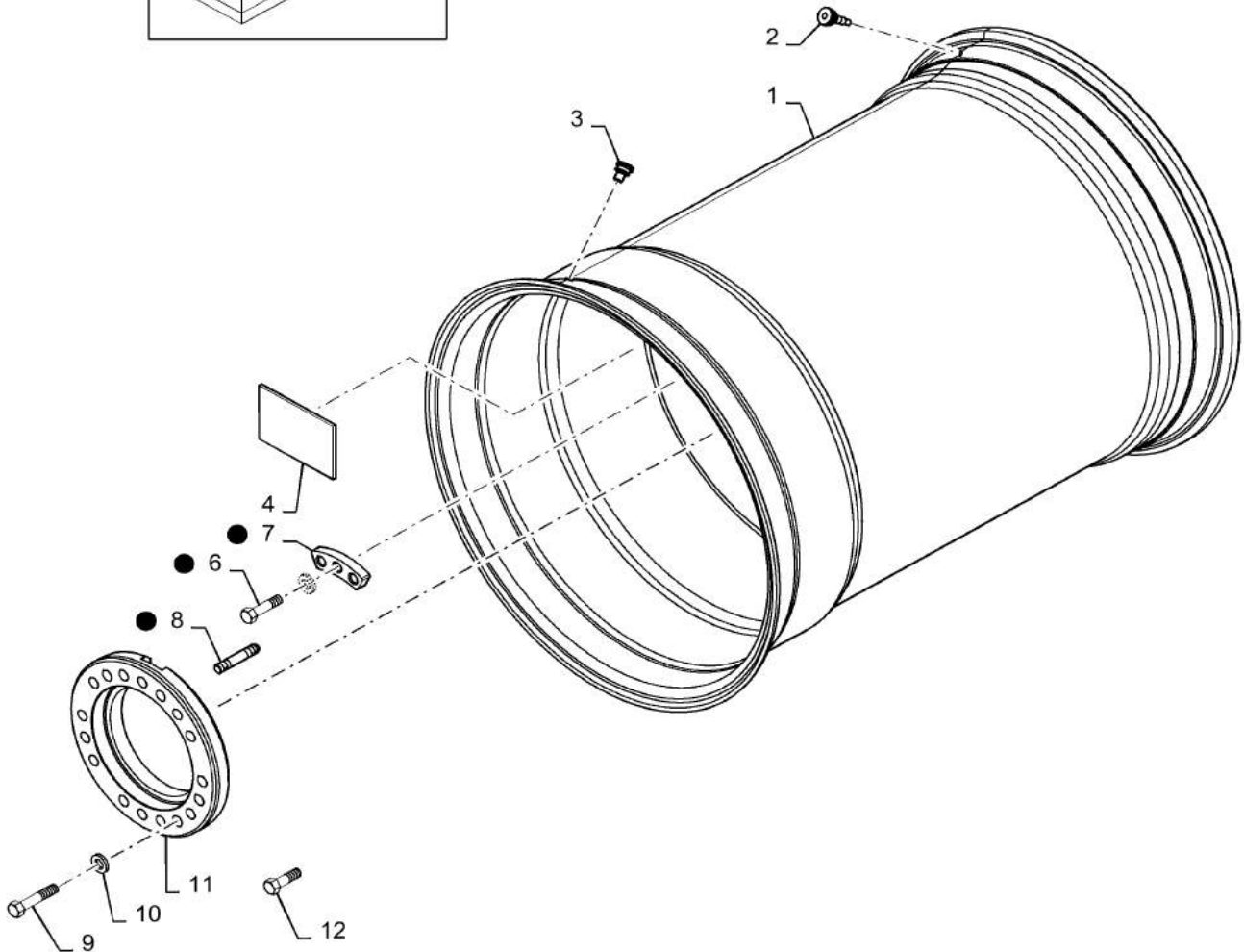
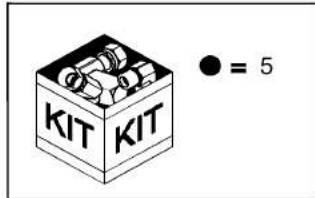
44.520.AB

01

p1

7/2015

VAR - 830079, 830004, 835500, 836700, 830030, 839800, 836800, 830031, 830029, 836500, 830607, 830037 - SINGLE DRIVE WHEEL ASSY



44.520.AB

01

p1

7/2015

VAR - 830079, 830004, 835500, 836700, 830030, 839800, 836800, 830031, 830029, 836500, 830607, 830037 - SINGLE DRIVE WHEEL ASSY

REF FN	PART NUMBER	YR/SN	QTY DESCRIPTION
1	84229717		2 WHEEL ASSY 32 x DWM44, Silver, VAR - 830021, 837210
1	84216133		2 WHEEL ASSY 32 x DW30B, Silver, VAR - 836800, 835300, 836500, 830029, 830031
1	84240261		2 WHEEL ASSY. 32 x DW27B, Silver, VAR - 830030, 836700, 830607, 830004
1	84242005		2 WHEEL ASSY. 32 x DW21A, Silver, VAR - 839800
1	84303080		2 WHEEL ASSY 38 x F-DW27B, Silver, VAR - 830079, 830037
2	86997685		2 TIRE TUBE Valve, VAR - 837210, 830021
2	87106339		2 VALVE STEM VAR - 836800, 835300, 836500, 830029, 830031, 830030, 836700, 839800, 830607, 830004, 830079, 830037
3	87106340		2 PLUG Valve Hole, VAR - 830079, 830004, 835500, 836700, 830030, 839800, 836800, 830031, 830029, 836500, 830607, 830037
4	87570139		2 DECAL Single Wheel Torque
5	87327483		2 SERVICE KIT Wheel Fixation, Incl 6 - 8
6	87327478		30 BOLT Flange, M22 x 75mm, CI 12.9 M22 x 1.5mm x 75mm
7	87598803		10 PLATE Single Wheel Mounting Spacer
8	84349242		2 STUD Drive Wheel Starter
9	87340028		10 BOLT Hex, M22 x 1.5 x 55mm, CI 10.9 M22 x 1.5mm x 55mm, VAR - 830021, 839800
10	87327481		10 WASHER 23mm ID x 37mm OD x 5mm Thk Wheel Mounting, VAR - 830021, 839800
11	87708102		2 SPACER Wheel, VAR - 839800

5140-COMBINE - TIER 2

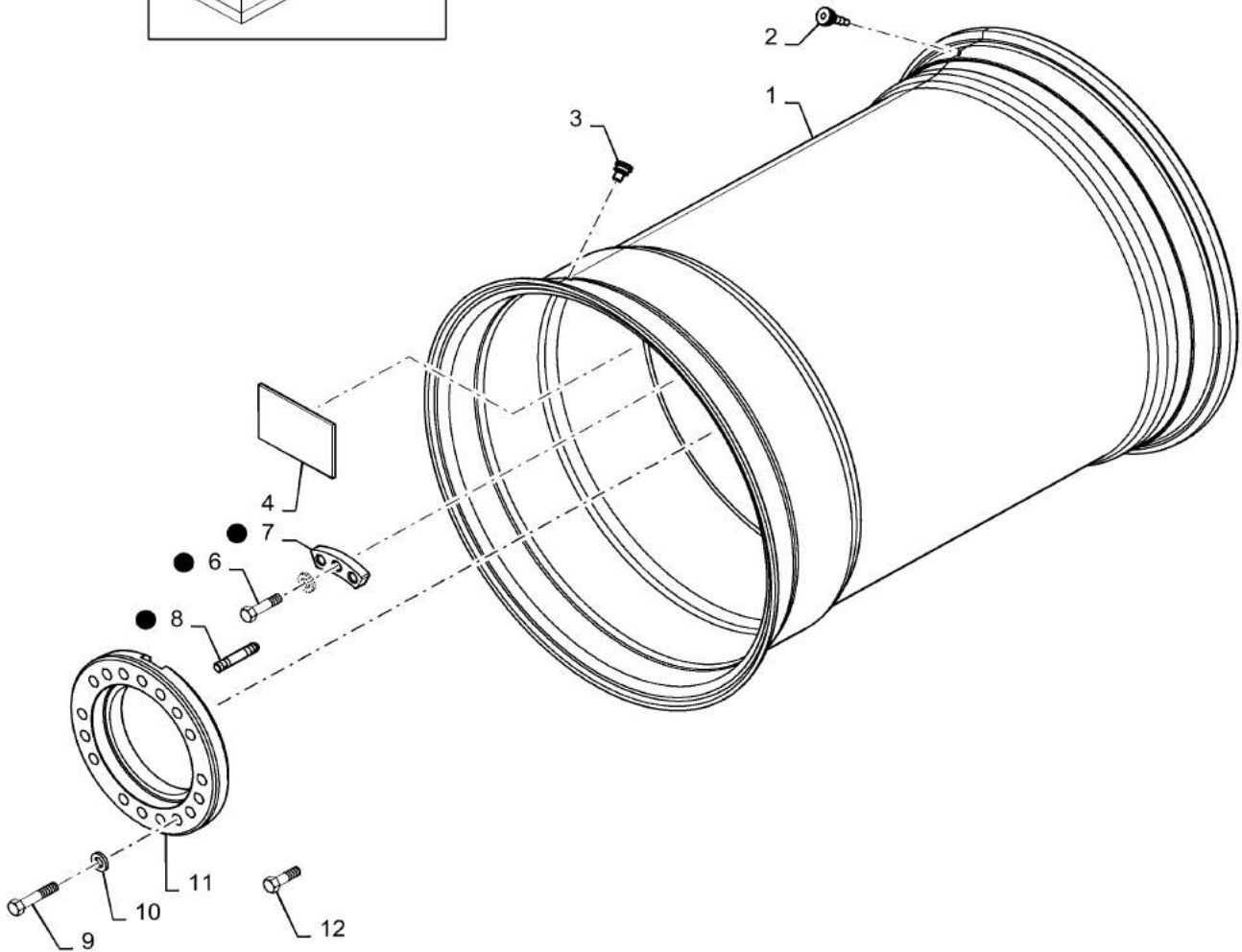
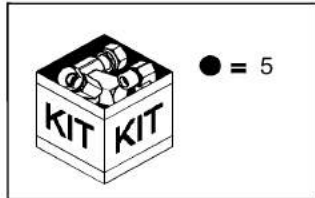
44.520.AB

01

p2

7/2015

VAR - 830079, 830004, 835500, 836700, 830030, 839800, 836800, 830031, 830029, 836500, 830607, 830037 - SINGLE DRIVE WHEEL ASSY



44.520.AB

01

p2

7/2015

VAR - 830079, 830004, 835500, 836700, 830030, 839800, 836800, 830031, 830029, 836500, 830607, 830037 - SINGLE DRIVE WHEEL ASSY

REF FN	PART NUMBER	YR/SN	QTY DESCRIPTION
12	87367550		20 FLANGE BOLT Hex, M22 x 1.5 x 95mm, CI 12.9 VAR - 839800

5140-COMBINE - TIER 2

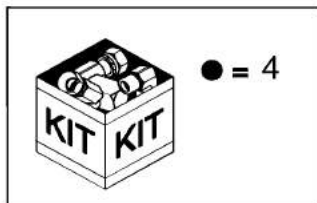
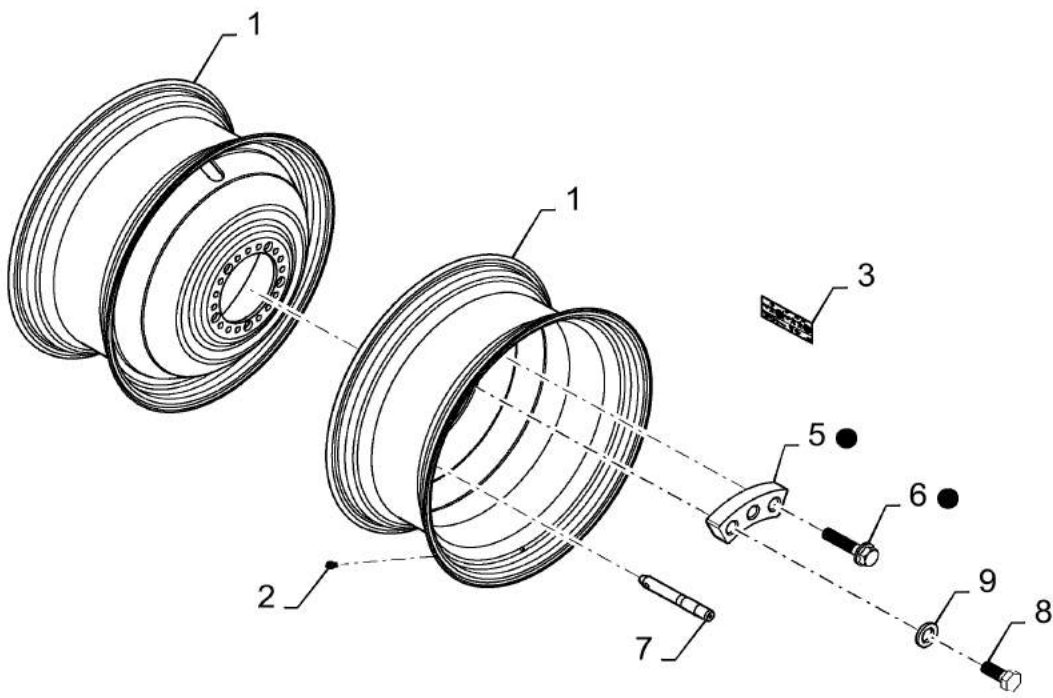
44.520.AB

02

p1

7/2015

VAR - 830019, 830008, 830007, 830002, 830120, 830009, 838403, 830052 - DUAL DRIVE WHEEL ASSY



44.520.AB

02

p1

7/2015

VAR - 830019, 830008, 830007, 830002, 830120, 830009, 838403, 830052 - DUAL DRIVE WHEEL ASSY

REF FN	PART NUMBER	YR/SN	QTY DESCRIPTION
1	87386313		4 RIM 42 x DD18, Silver, VAR - 830008, 830007, 830019, 830009, 838403, 830052
1	87386310		4 WHEEL ASSY 38 x W18A, Silver, VAR - 830002
1	87386315		4 WHEEL ASSY. 42 x DD16, Silver, VAR - 830120, 830121
2	395448		4 VALVE STEM Drive Wheel
3	47448362		8 WARNING DECAL Dual Wheel Torque
4	87342970		1 SERVICE KIT Wheel Fixation, VAR - 830052, 838403, 830009, 830121, 830120, 830002, 830007, 830008, Incl 5 - 6
5	87327940		20 PLATE Wheel Mounting Spacer
6	87367550		60 FLANGE BOLT Hex, M22 x 1.5 x 95mm, CI 12.9
7	84349242		2 STUD Drive Wheel Starter, VAR - 830019, 830008, 830007, 830002, 830120, 830009, 838403, 830052
8	87340028		10 BOLT Hex, M22 x 1.5 x 55mm, CI 10.9 M22 x 1.5mm x 55mm
9	87327481		10 WASHER 23mm ID x 37mm OD x 5mm Thk Dual Mounting

5140-COMBINE - TIER 2

SECTION INDEX

CAB CLIMATE CONTROL

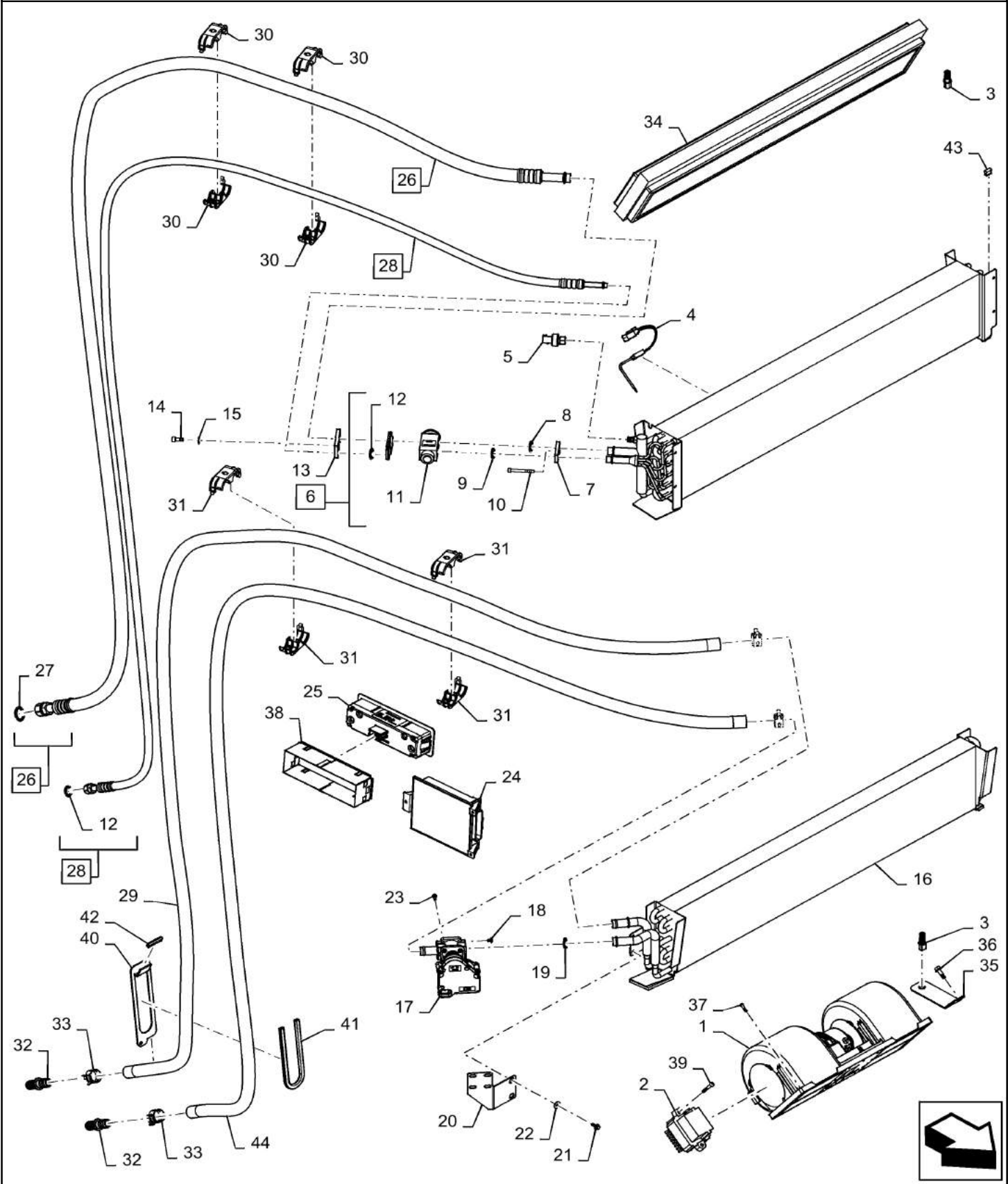
50.100.AP		CAB, EVAPORATOR, HEATER COIL, FAN
50.200.AA	01	A/C COMPRESSOR, MOUNTING PARTS
50.200.AB	01	TUBE, HOSE, AIR CONDITIONER, ENGINE
50.200.AB	03	FRAME AIR CONDITIONING & HEATER HOSE
50.200.CZ		DRAIN LINE, ROOF
50.300.AB		AIR FILTER, CAB

CAB, EVAPORATOR, HEATER COIL, FAN

REF FN	PART NUMBER	YR/SN	QTY DESCRIPTION
1	84580265		1 BLOWER Motor
2	84342778		1 DRIVER Motor Resistor
3	87454442		3 SENSOR Thermister
4	87754238		1 SENSOR Evaporator Temperature
5	84419250		1 PRESSURE SWITCH Low Pressure
6	84542602		1 EVAPORATOR Incl 7 - 12
7	84144154		1 MOUNTING PLATE Expansion Valve Retainer
8	9827058		1 O-RING 0.07" Thk x 0.426" ID, -13, CI 5, 70 Duro
9	9827059		1 O-RING 1.78mm Thk x 14mm ID, 70 Duro
10	14358921		2 HEX SOC SCREW M5 x 50mm, CI 8.8
11	82023542		1 THERMAL EXPANSION VALVE
12	128483A1		2 O-RING 1.78mm Thk x 7.65mm ID, -11, 70 Duro
13	87754245		1 MOUNTING PLATE A/C Line Clamp
14	14305221		1 HEX SOC SCREW M6 x 16mm, CI 12.9
15	322357		1 BELLEVILLE WASHER M6 x 14mm OD x 1.3mm Thk
16	47613266		1 COIL Heater Core
17	84542607		1 HEATER VALVE Water Shut-Off
18	87355939		4 SCREW #8 - 16 x 0.28"
19	128359		1 O-RING 0.07" Thk x 0.614" ID, -16, CI 5, 75 Duro
20	84542606		1 BRACKET Heater Core Support
21	86507068		2 BOLT M5 x 0.8 x 17.4mm
22	87013357		2 WASHER 5.5mm ID x 15mm OD x 1.6mm Thk
23	47364405		4 SCREW Torx, M8 x 12.699mm, SST
24	84268957		1 MODULE ATC Controller
24	84268957R		1 REMAN-ELECTRONIC CONTROL UNIT ATC Controller
24	84268957C		1 CORE-ELECTRONIC CONTROL UNIT Return Number

5140-COMBINE - TIER 2

CAB, EVAPORATOR, HEATER COIL, FAN



CAB, EVAPORATOR, HEATER COIL, FAN

REF FN	PART NUMBER	YR/SN	QTY DESCRIPTION
25	84316356		1 CONTROL UNIT AC/ Fan Speed
26	47405767		1 A/C HOSE 15.88mm ID x 2600mm L Incl 27
27	87533612		1 O-RING 1.93mm Thk x 15.67mm ID, CI 5, 75 Duro
28	47405809		1 A/C HOSE Incl 12
29	84607280		1 HEATER HOSE 15.9mm ID x 23.9mm OD x 2.71M Return
30	47621955		4 CLAMP 25.4mm ID x 78.94mm OAL x 27.94mm Thk
31	47621906		4 CLAMP 25.4mm ID x 78.94mm OAL x 27.94mm Thk
32	44995013		2 FITTING 5/8"
33	87000223		4 HOSE CLAMP 22mm ID Static x 15mm W, Spring Type
34	360260A2		1 CAB FILTER Cab Air Recirculation
35	84350681		1 BRACKET Blower Mounting
36	9804256		3 BOLT Hex, M6 x 1 x 20mm, Full Thd, CI 8.8
37	86511042		9 SCREW Pan, M4 x 0.7 x 19.25mm OAL
38	87281122		1 SLEEVE HVAC Control Unit Insert
39	86625169		2 SCREW Pan, 1-1/2" OAL
40	84419756		1 BRACKET Hose Routing
41	84478836		1 TRIM 298mm L Bracket Edging
42	84544528		1 TRIM Top Bracket Edging
43	47395715		2 CLIP U-Type Panel Fastener
44	84607279		1 HEATER HOSE 15.9mm ID x 150mm L, SAE 20R3 Supply

5140-COMBINE - TIER 2

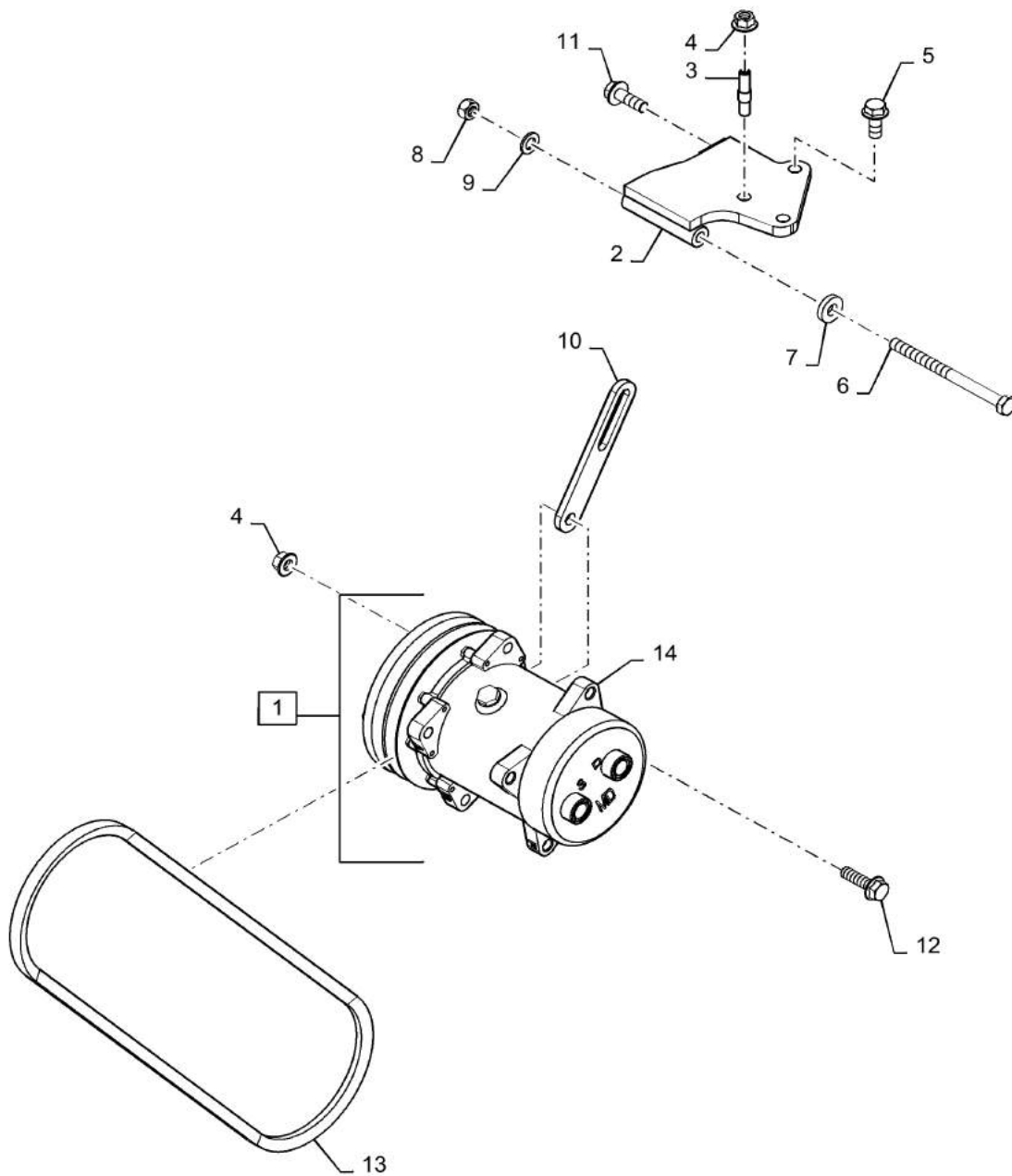
50.200.AA

01

p1

7/2015

A/C COMPRESSOR, MOUNTING PARTS



50.200.AA

01

p1

7/2015

A/C COMPRESSOR, MOUNTING PARTS

REF FN	PART NUMBER	YR/SN	QTY DESCRIPTION
1	86993462		1 AIRCOND. COMPRESSOR Incl 14
2	84170869		1 BRACKET Upper Mounting
3	84196964		2 STUD M10 x 45mm
4	86050279		3 FLANGE NUT M10 x 1.5, CI 10
5	87698836		1 BOLT M10 x 25mm, Full Thd, CI 10.9
6	86508575		1 BOLT Hex, M10 x 130mm, CI 8.8
7	86624176		1 WASHER 11mm ID x 20mm OD x 2mm Thk
8	832-41410		1 NUT M10 x 1.5, CI 10
9	3120737R1		1 WASHER 10.8mm ID x 25mm OD x 5mm Thk 10mm
10	84162196		1 BRACKET Lower, Adjusting
11	9840672		1 BOLT Hex Serr Flg, M10 x 30mm
12	87698838		1 FLANGE BOLT M10 x 35mm, Full Thd, CI 10.9
13	87489502		1 V-BELT 12.70 mm W A/C Compressor Drive
14	135324A2		1 CLUTCH 12V

5140-COMBINE - TIER 2

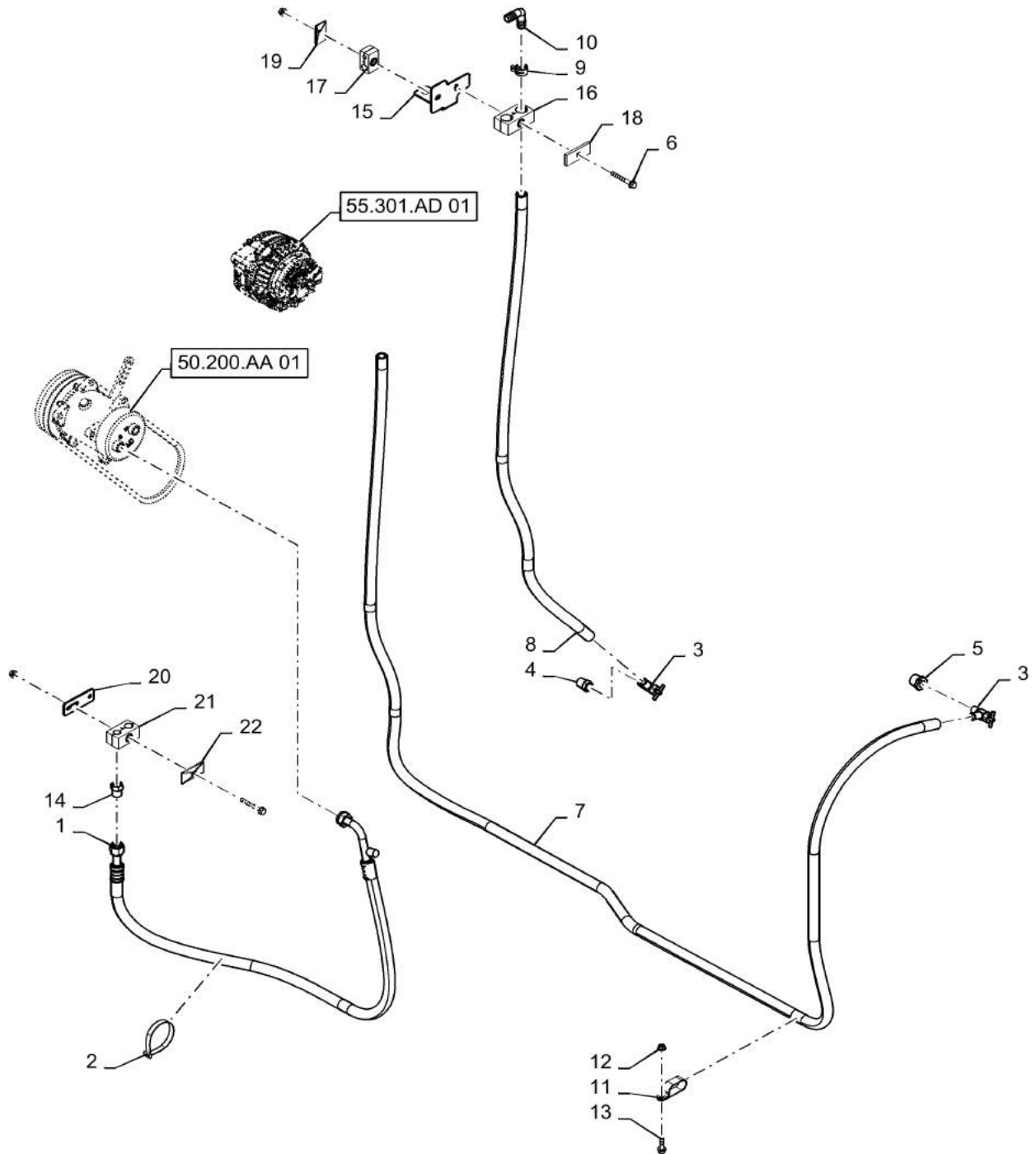
50.200.AB

01

p1

7/2015

TUBE, HOSE, AIR CONDITIONER, ENGINE

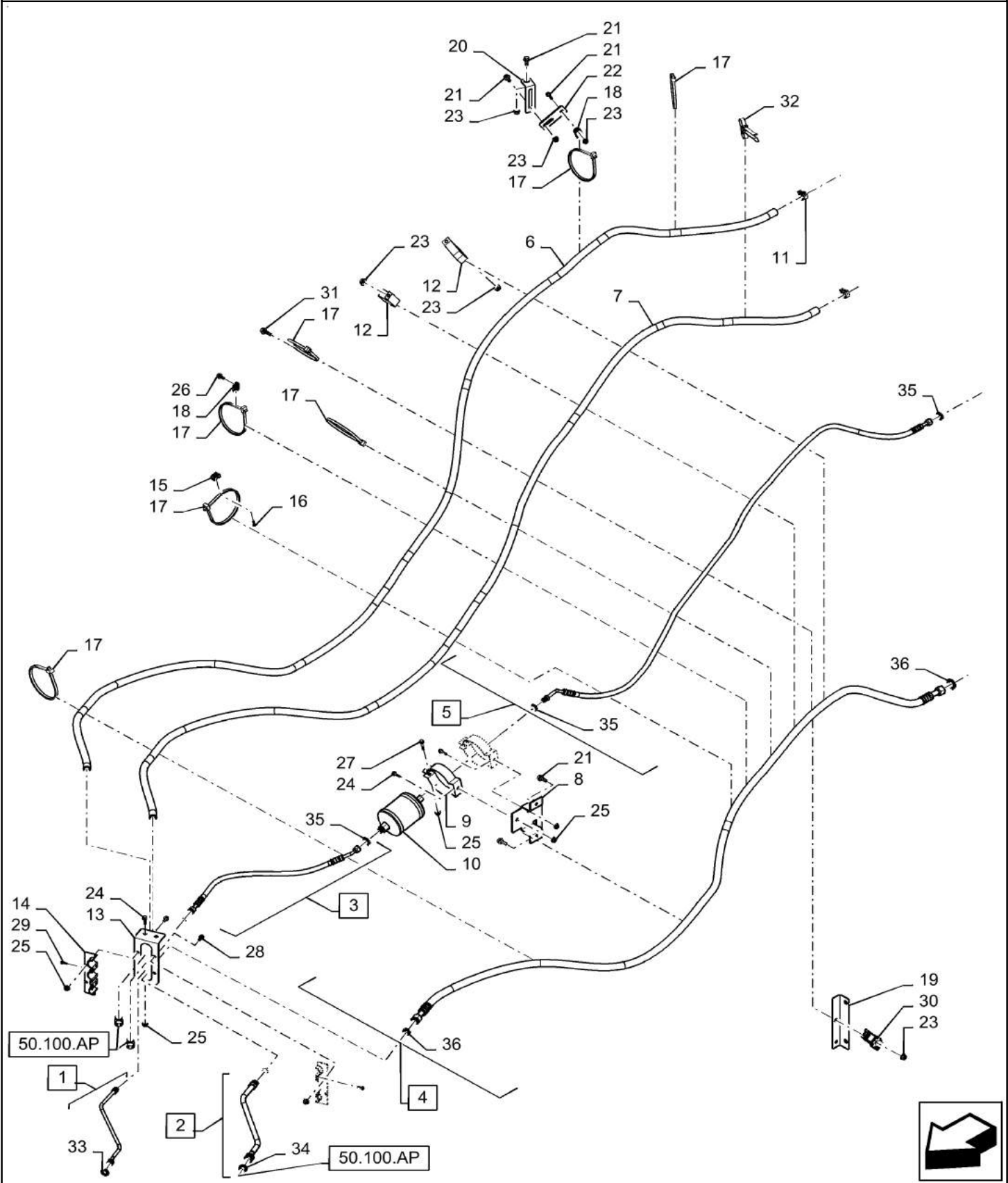


TUBE, HOSE, AIR CONDITIONER, ENGINE

REF FN	PART NUMBER	YR/SN	QTY DESCRIPTION
1	47467583		1 A/C HOSE Suction
2	84266050		1 CABLE TIE 0.5" W x 15.1" OAL Strap
3	301803R1		2 SHUT-OFF VALVE 90 Degree
4	217-1035		1 REDUCER FITTING 1/2" - 14 Male NPTF x 3/8" - 18 Female NPTF
5	87015348		1 REDUCER 3/4"-14 NPTF x 3/8"-18 Fem NPTF
6	87670761		4 FLANGE BOLT M8 x 68.1mm, CI 10.9
7	87567192		AR HEATER HOSE Heater Hose Supply, 143.7", Cut From Bulk
8	47426827		1 HEATER HOSE Heater Hose Return
9	1954736C1		4 HOSE CLAMP #24
10	127083A1		2 ELBOW Heater Hose
11	470375C1		4 CLAMP Tube
12	86507066		8 FLANGE NUT M8 x 1.25, CI 10
13	87030775		5 BOLT M8 x 38.1mm, CI 10.9
14	47405998		1 TUBE A/C Suction
15	47408802		1 BRACKET Tube Clamp
16	87000152		1 CLAMP Tube, 25.4mm x 25.4mm
17	87000159		1 CLAMP Tube, 15.87mm x 9.52mm
18	84283495		1 SECURING STRAP Hydraulic Clamp Mounting
19	72180326		1 PLATE Clamp Support
20	84551627		1 BRACKET Adjustment
21	87000144		2 CLAMP Tube, 19.05mm x 15.87mm
22	87000230		2 PLATE Hose Clamp

5140-COMBINE - TIER 2

FRAME AIR CONDITIONING & HEATER HOSE

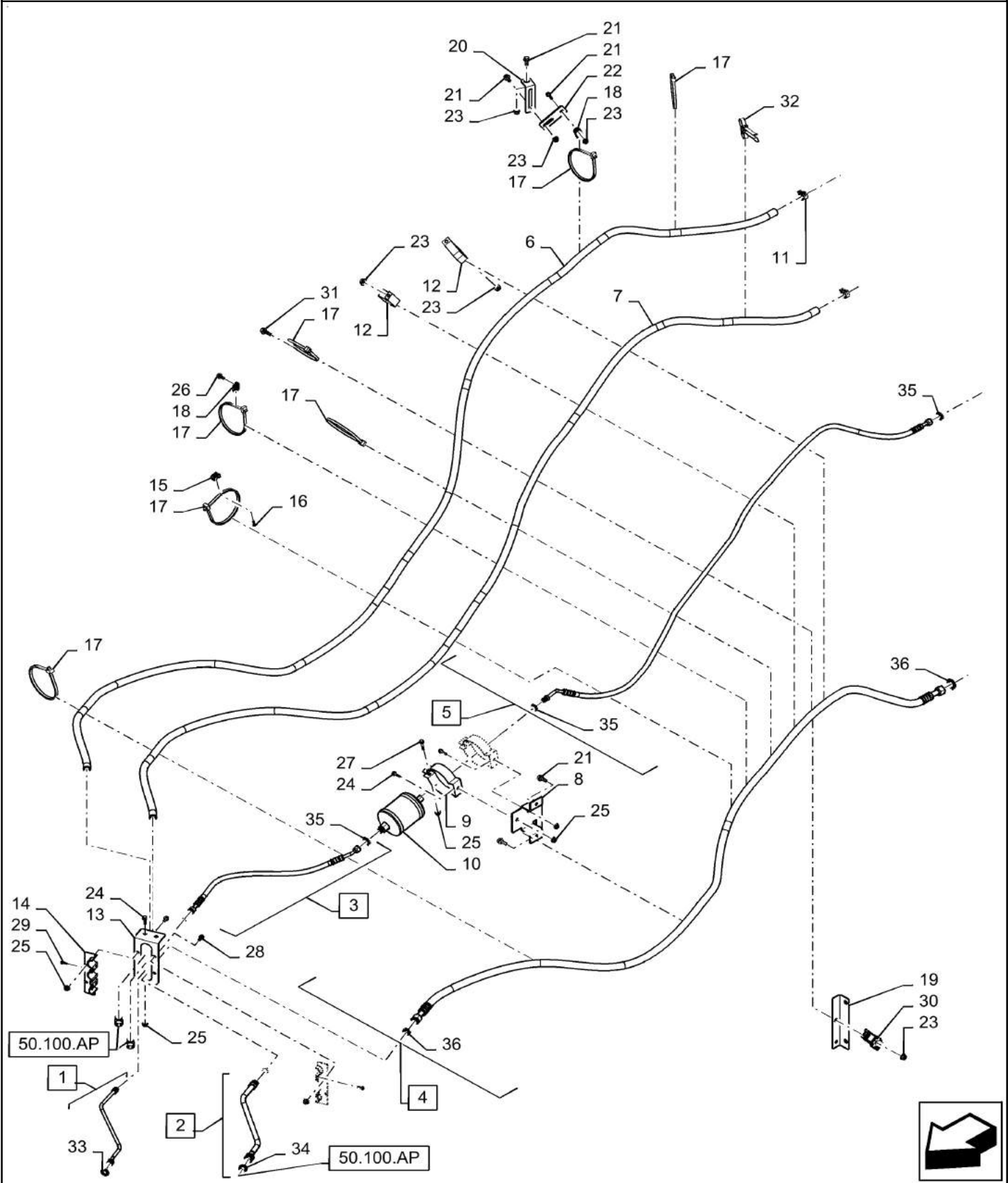


FRAME AIR CONDITIONING & HEATER HOSE

REF FN	PART NUMBER	YR/SN	QTY DESCRIPTION
1	47406002		1 TUBE A/C Compressor, Incl 33
2	47406001		1 TUBE A/C Compressor, Suction, Incl 34
3	84548713		1 A/C HOSE 7.9mm ID x 690mm L Dryer to Cab, Incl 35
4	47406004		1 HOSE 15.88mm ID x 3630mm L A/C Suction, Incl 36
5	84601219		1 TUBE A/C Union to Dryer, Incl 35
6	86997298		1 HEATER HOSE 15.5mm ID x 6200mm OAL Supply, Bulk, Cut To 4186mm
7	97252C1		1 HOSE 15.875 mm ID x 15240 mm Bulk Heater Return, Bulk, Cut To 4150mm
8	84598218		1 BRACKET Dryer Mount
9	87105841		2 BRACKET Dryer Clamp
10	87105840		1 RECEIVER-DRIER A/C
11	1954736C1		4 HOSE CLAMP #24
12	1301387C2		3 CLIP Hose
13	84593658		1 BRACKET A/C - Heater Bulkhead
14	125264A2		2 CLAMP Hose Bulkhead
15	86590413		1 BASE 15.87mm W x 22.22mm OAL x 9.9mm Thk Wire Tie
16	445394		1 RIVET Pop, 3/16" x 1/2" OAL
17	529070		10 CABLE TIE 368.3mm L
18	84340333		2 SECURING STRAP Base
19	47406003		1 BRACKET Tube Clamp
20	84551621		1 BRACKET Adjustment
21	87656137		4 BOLT M8 x 28.1mm, CI 10.9
22	84551627		1 BRACKET Adjustment
23	86507066		6 FLANGE NUT M8 x 1.25, CI 10
24	87670758		3 FLANGE BOLT M6 x 31.6mm, CI 10.9
25	86050300		12 FLANGE NUT M6 x 1.0, CI 10
26	87675531		3 FLANGE BOLT M6 x 26.6mm, CI 10.9
27	87698832		2 FLANGE BOLT Hex, M6 x 35mm, CI 10.9

5140-COMBINE - TIER 2

FRAME AIR CONDITIONING & HEATER HOSE

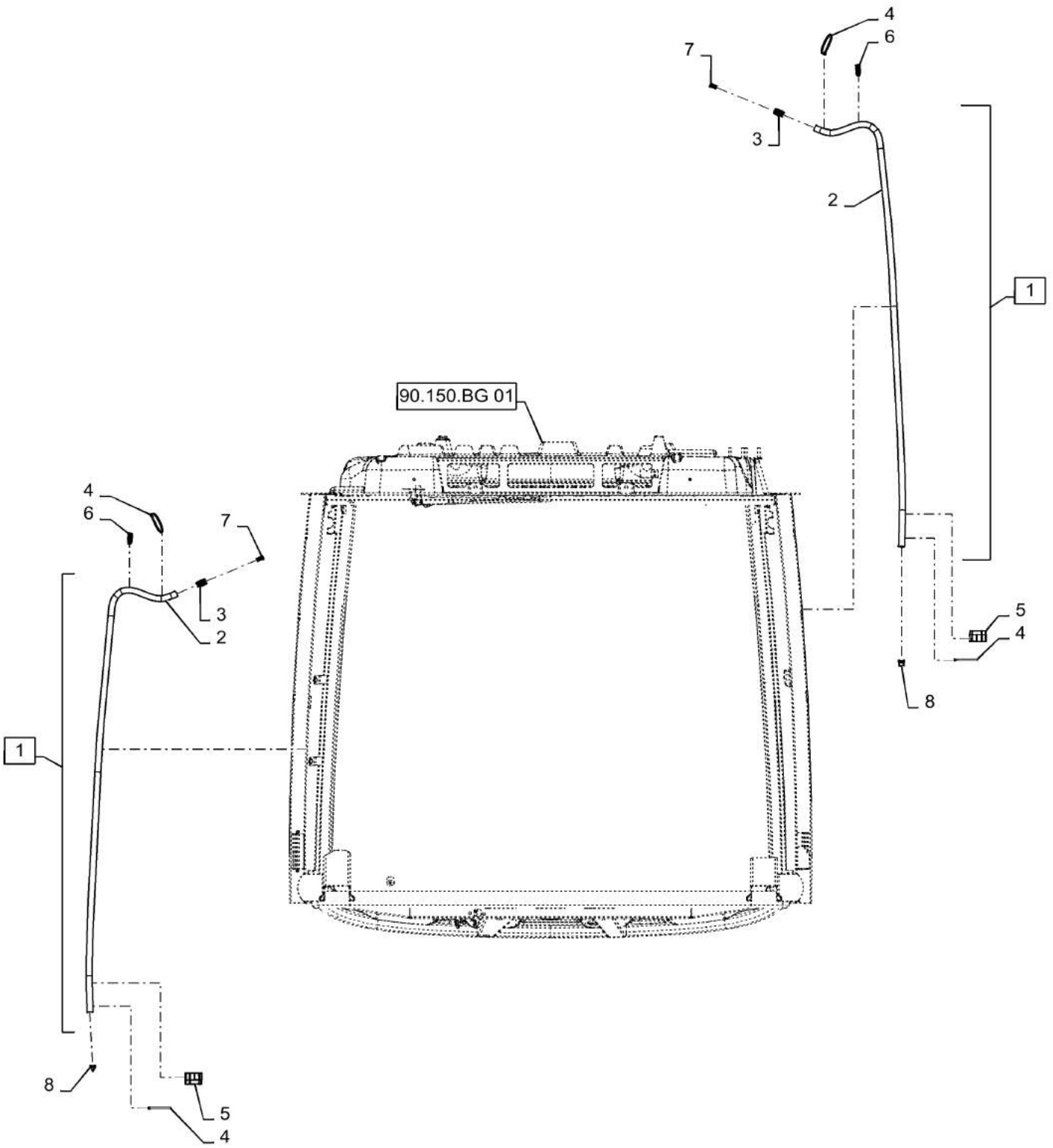


FRAME AIR CONDITIONING & HEATER HOSE

REF FN	PART NUMBER	YR/SN	QTY DESCRIPTION
28	87695418		4 FLANGE BOLT M6 x 1.0 x 16mm, CI 10.9
29	191216A1		4 SELF-TAP SCREW Hex Wash Hd, #10-24 x 5/8"
30	84360209		1 BASE Tie
31	87698833		1 BOLT M8 x 33.1mm, CI 10.9
32	84386243		1 CLAMP 489mm L Dual Tie
33	9827060		1 O-RING 1.78mm Thk x 7.65mm ID, -11, 70 Duro
34	9827059		1 O-RING 1.78mm Thk x 14mm ID, 70 Duro
35	128483A1		4 O-RING 1.78mm Thk x 7.65mm ID, -11, 70 Duro
36	128485A1		2 O-RING 1.78mm Thk x 14mm ID, 70 Duro

5140-COMBINE - TIER 2

DRAIN LINE, ROOF

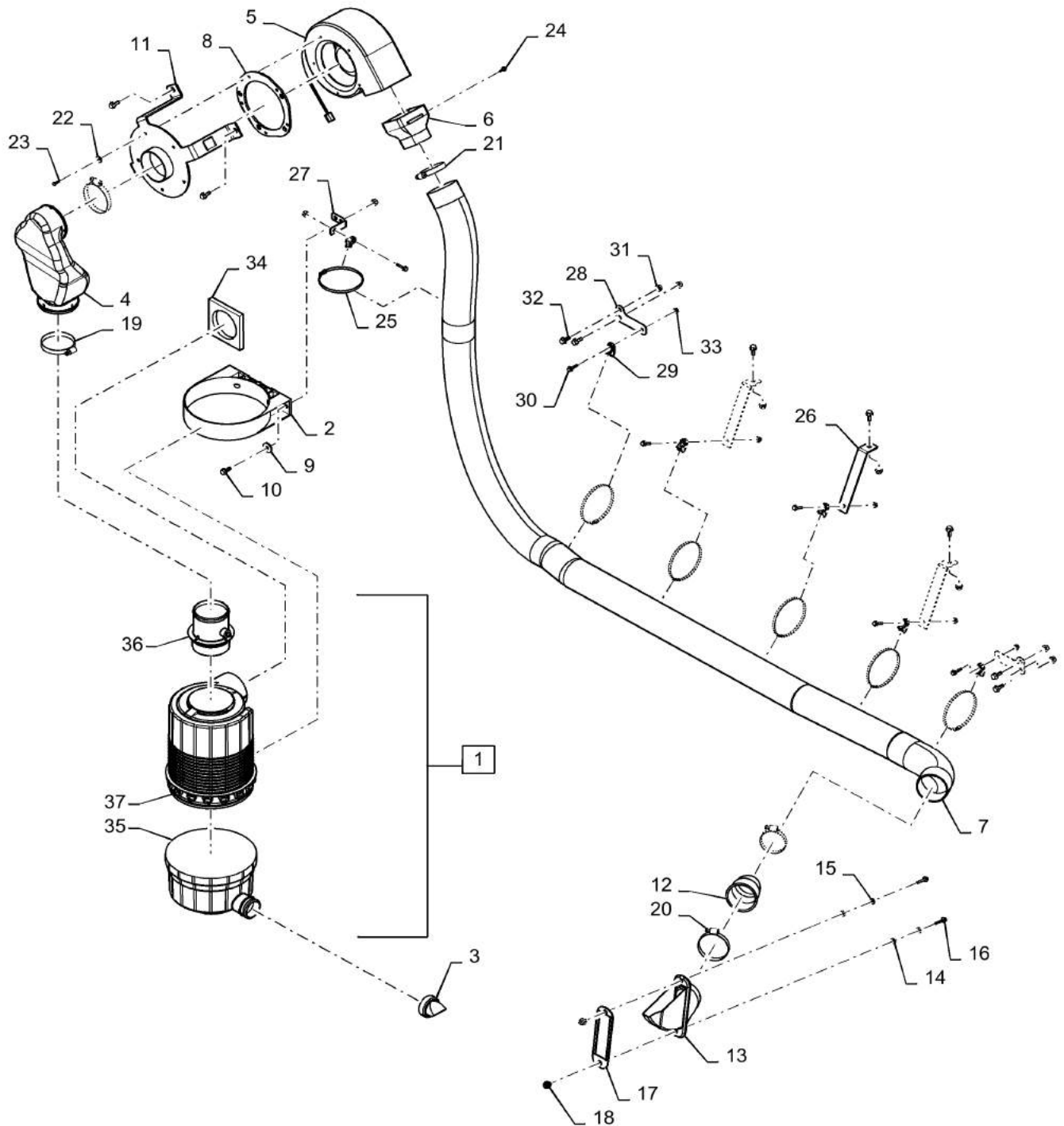


DRAIN LINE, ROOF

REF FN	PART NUMBER	YR/SN	QTY DESCRIPTION
1	47523670		2 CONDUIT Drain Line, Incl 2 - 3
2	47395194		1 TUBE Condensate Drain, 16.89mm ID x 21.49mm OD x 4000mm OAL
3	84385245		1 FITTING Drain, 16mm ID x 20mm OD x 35mm OAL
4	86566990		4 CABLE TIE 292mm OAL x 4.8mm W
5	84421419		2 GROMMET A - Post, 20mm ID
6	84544529		2 TRIM 80mm L Edge, Black, 80mm OAL
7	47428356		2 BUSHING 9.55mm ID x 12.78mm OD x 25.4mm L
8	365789A1		2 DRAIN VALVE Evap Check

5140-COMBINE - TIER 2

AIR FILTER, CAB

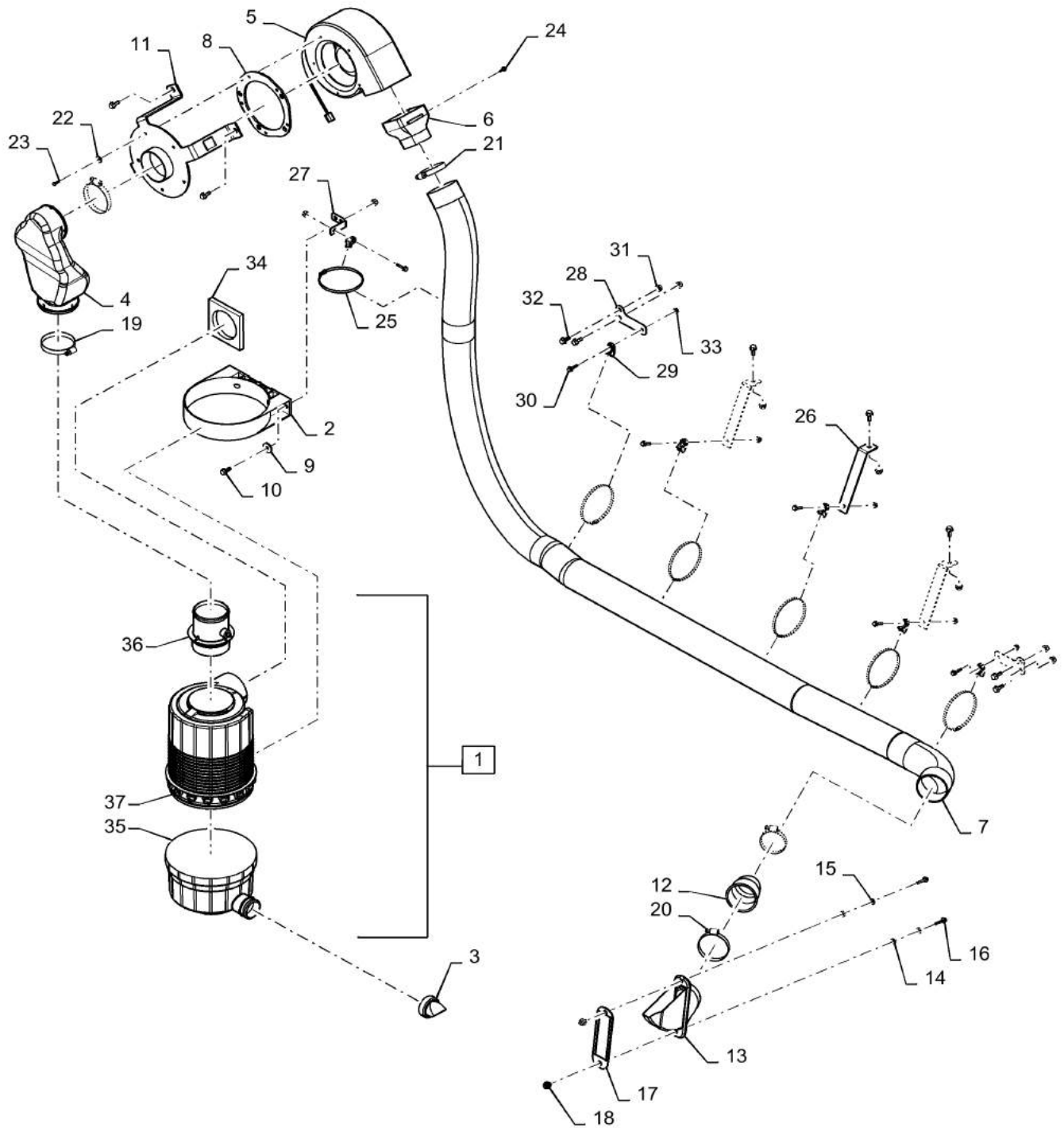


AIR FILTER, CAB

REF FN	PART NUMBER	YR/SN	QTY DESCRIPTION
1	84334657		1 AIR CLEANER Cab, Incl 35 - 37
2	84057675		1 CLAMP BRACKET Air Cleaner Support
3	9809800		1 DUST VALVE
4	84582896		1 AIR HOSE Cab Filter To Blower
5	87107380		1 BLOWER Cab Pressurizer
6	84591724		1 ADAPTER Blower To Intake
7	84590415		1 AIR HOSE 76.2mm ID x 2648mm L Cab Pressure
8	87107381		1 GASKET Bracket To Blower
9	140041		2 WASHER M8 x 28mm OD x 3mm Thk
10	87030775		2 BOLT M8 x 38.1mm, CI 10.9
11	47376419		1 BRACKET Blower Support
12	84591621		1 TUBE Cab Pressure
13	47463668		1 AIR DUCT Tube Transition
14	12646601		2 WASHER 6.15mm ID x 15mm OD x 1.5mm Thk
15	322357		2 BELLEVILLE WASHER M6 x 14mm OD x 1.3mm Thk
16	87698760		2 FLANGE BOLT M6 x 36.6mm, CI 10.9
17	84373406		1 FOAM INSULATION Intake Pipe Transition
18	86610198		2 INSERT M6 x 1 Nutsert, M6
19	381144		2 HOSE CLAMP 84.1mm - 107.9mm, Worm Gear
20	86625033		1 HOSE CLAMP 77.7mm - 101.6mm
21	86625032		2 HOSE CLAMP 88.9mm ID - 65mm ID, Unlined
22	9824326		5 WASHER 5.3mm ID x 10mm OD x 1mm Thk
23	86050276		5 BOLT Hex, M5 x 16mm, CI 8.8, Full Thd
24	86639138		2 SELF-TAP SCREW HWH, M4.8 x 1.6 x 13mm
25	306132C1		6 CABLE TIE .30" x 14.5"
26	84549933		3 BRACKET Clamp Mount

5140-COMBINE - TIER 2

AIR FILTER, CAB



AIR FILTER, CAB

REF FN	PART NUMBER	YR/SN	QTY DESCRIPTION
27	84549937		1 BRACKET Upper Clamp Mount
28	84549935		2 BRACKET Lower Clamp Mount
29	84340333		6 SECURING STRAP Zip Tie
30	87670758		6 FLANGE BOLT M6 x 31.6mm, CI 10.9
31	86507066		9 FLANGE NUT M8 x 1.25, CI 10
32	87656137		12 BOLT M8 x 28.1mm, CI 10.9
33	86050300		6 FLANGE NUT M6 x 1.0, CI 10
34	87651811		1 GASKET Air Filter Gasket
35	86643151		1 PLUG Hex Hd, 1/8"-27 NPTF
36	84217229		1 AIR FILTER 91mm ID x 164.5mm OD x 347mm L Cab, Fresh Air
37	47132327		1 COVER Cab Air Filter

5140-COMBINE - TIER 2

SECTION INDEX
ELECTRICAL SYSTEMS

55.015.AB	01	WIRING ASSY, ENGINE
55.101.AC	01	HARNESS, ROTOR LOSS SENSORS
55.101.AC	02	WIRE HARNESS, FRAME, RH
55.101.AC	03	WIRE HARNESS, FRAME, FRONT, LH
55.101.AC	04	WIRE HARNESS, FRAME, LH
55.101.AC	05	WIRE HARNESS, FRAME, FRONT AXLE, BRAKE VALVE
55.101.AC	06	WIRE HARNESS, WORK LIGHT & WIRING, FRONT
55.101.AC	07	WIRE HARNESS, STRAW HOOD, REAR
55.101.AC	08	WIRE HARNESS, FEEDER
55.101.AC	16	VAR - 425467, 425472 - WIRE HARNESS, GRAIN BIN EXTENSION
55.130.AR	01	TRAILER HITCH HARNESS
55.201.AE		STARTER MOTOR
55.202.AE	01	ENGINE BLOCK HEATER
55.202.AE	02	ENGINE BLOCK HEATER
55.301.AD	01	ALTERNATOR ASSY, MOUNTING PARTS
55.302.AK	01	BATTERY BOX SUPPORT
55.404.AC		BEACON, ROTATING
55.404.AQ	01	VAR - 722811 - LIGHT, ROOF, STANDARD, HALOGEN
55.404.AQ	02	VAR - 722810 - WORKING LIGHT, HEADLIGHT
55.404.AQ	03	VAR - 425213 - WORKING LIGHT, HEADLIGHT
55.404.BB		VAR - 722098, 722602, 425405 - EXTREMITY LIGHTING
55.404.BM		TAIL LAMP
55.404.CU		WIRING ASSY, UNLOADING TUBE
55.426.AH		WIRING ASSY, GRAIN TANK
55.510.AF		HARNESS, CAB
55.510.AH		HARNESS, ROOF, CAB
55.512.AA	01	ANTENNA, BUSINESS BAND
55.512.AA	02	VAR - 722650 - RADIO
55.512.AA	03	VAR - 425377 - RADIO
55.512.AA	04	VAR - 425377 - ANTENNA, SATELLITE
55.512.BL	01	CONTROL PANEL, CONTROL LEVER, RH
55.512.BL	02	CONTROL PANEL, RH
55.518.AS		WINDSHIELD WASHER , RESERVOIR, PUMP, SWITCH

SECTION INDEX
ELECTRICAL SYSTEMS

55.518.AW		WIPER
55.520.AX	01	MONITOR, CONSOLE, DISPLAY
55.520.AX	02	DISPLAY, CAB, POST
55.628.AP		MOTOR, CONCAVE
55.628.AT	01	ROTOR SPEED LIMITER SWITCH ASSY
55.640.AG	01	ELECTRIC SYSTEM CONTROL, CAB
55.640.AG	02	CONTROLLER, ICM
55.680.AA		AUTO GUIDANCE ELECTRIC SYSTEM CONTROL
55.785.AS	01	SENSOR, ELEVATOR, YIELD MONITOR
55.785.AS	02	MOISTURE SENSOR
55.911.AB	01	VAR - 425510 - AFS 372 GPS RECEIVER W/E/V
55.911.AB	02	VAR - 425246 - AFS 162 GPS RECEIVER
55.911.AB	03	VAR - 425504 - AFS 372 GPS RECEIVER W/E/V/HP/XP
55.911.AB	04	GPS RECEIVER GRAIN TANK MOUNTING
55.991.AA	01	GSM TELEMATICS
55.991.AA	02	GSM TELEMATICS
55.991.AA	03	CDMA TELEMATICS

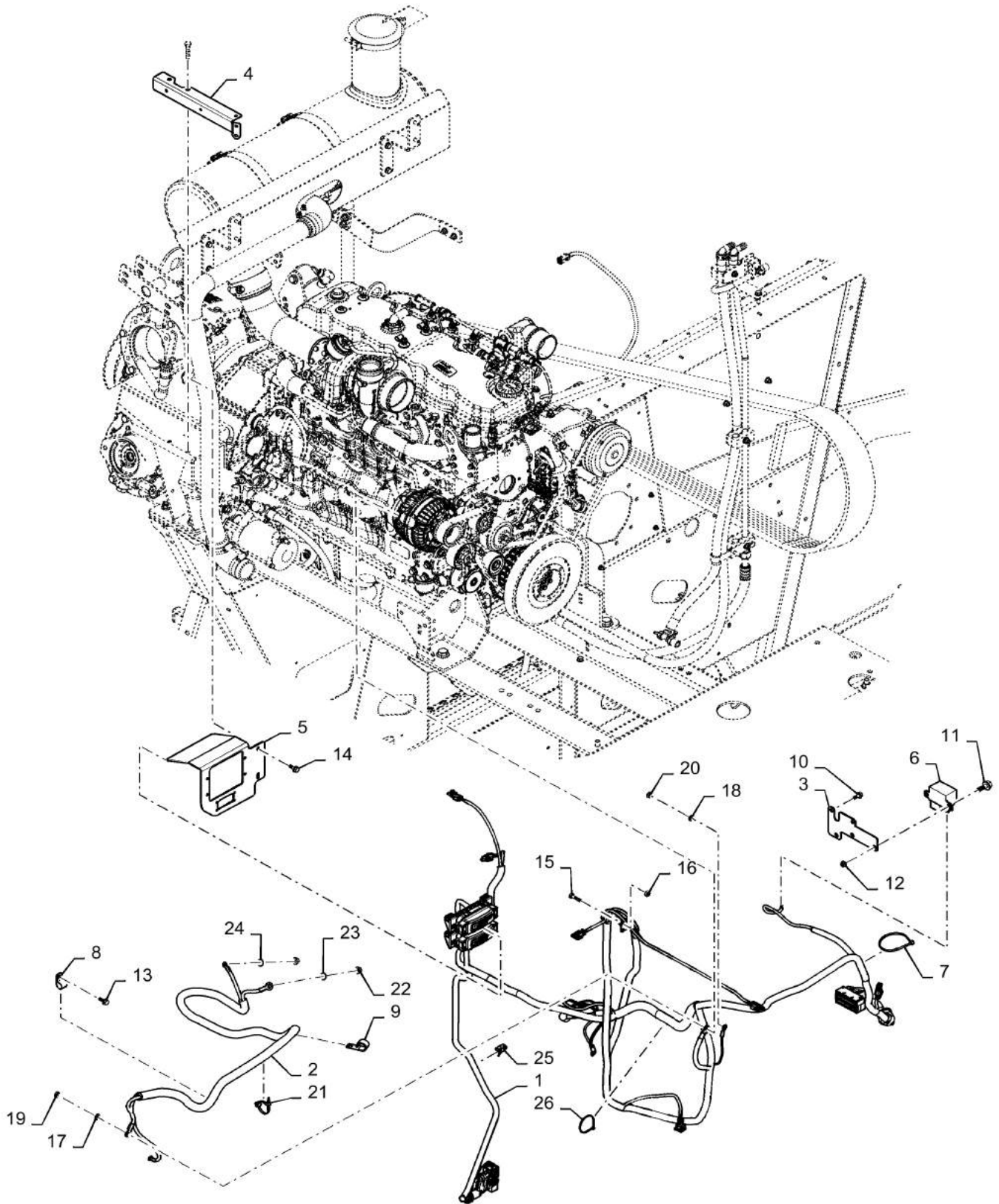
55.015.AB

01

p1

7/2015

WIRING ASSY, ENGINE

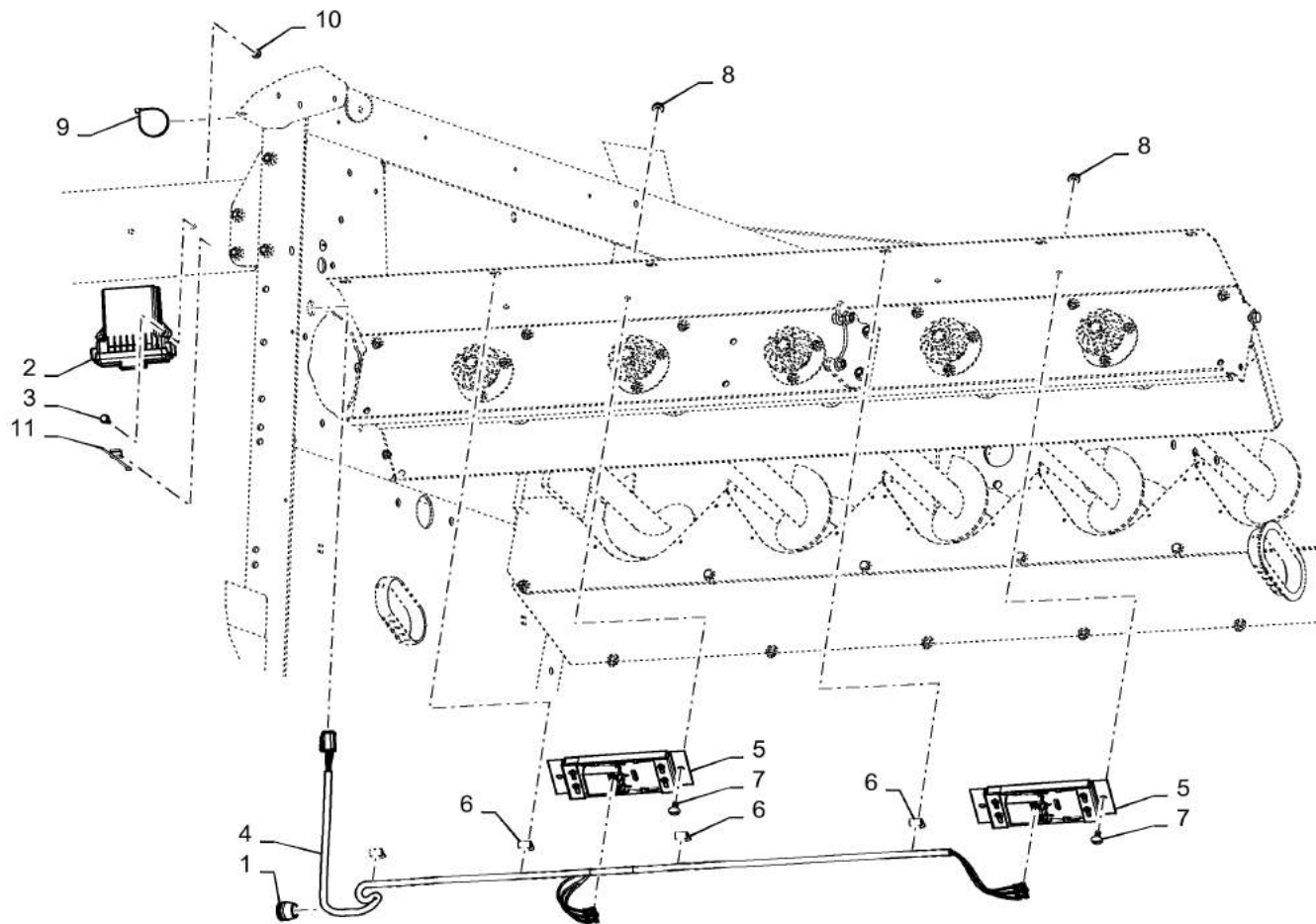


WIRING ASSY, ENGINE

REF FN	PART NUMBER	YR/SN	QTY DESCRIPTION
1	47537142		1 WIRE HARNESS Engine
2	87391332		1 WIRE HARNESS Grid Heater
3	84312225		1 SUPPORT Relay
4	47406561		1 BRACKET Wiring Harness Support
5	47683161		1 BULKHEAD Bracket
6	86619908		1 RELAY 12V, 150A Grid Heater
7	86566990		8 CABLE TIE 292mm OAL x 4.8mm W
8	86624005		1 CLAMP 19mm, Coat, 10.3mm Bolt Hole, P Type
9	87032428		1 CLAMP 22.2mm, Coat, 10.3mm Bolt Hole, J Type
10	87656137		4 BOLT M8 x 28.1mm, CI 10.9
11	87695418		2 FLANGE BOLT M6 x 1.0 x 16mm, CI 10.9
12	86050300		5 FLANGE NUT M6 x 1.0, CI 10
13	87021006		1 BOLT M10 x 26.4mm, CI 10.9
14	87675531		2 FLANGE BOLT M6 x 26.6mm, CI 10.9
15	412064		4 BOLT Hex, M4 x 16mm, CI 8.8, Full Thd
16	100012		4 NUT M4 x 0.7, CI 8
17	80681		1 BEARING WASHER 5/16"
18	892-11005		1 LOCK WASHER M5
19	16102311		1 THIN NUT Thin, M8 x 1.25, CI 04
20	84139322		1 NUT M5
21	84292754		1 CLIP Cable Tie W/ Fir Tree, 5mm OD x 203mm OAL Fir Tree, Mount And Tie
22	86507066		1 FLANGE NUT M8 x 1.25, CI 10
23	322358		2 BELLEVILLE WASHER M8 x 18mm OD x 1.4mm Thk
24	322357		4 BELLEVILLE WASHER M6 x 14mm OD x 1.3mm Thk
25	84474186		1 BASE Wire Tie
26	529070		2 CABLE TIE 368.3mm L

5140-COMBINE - TIER 2

HARNESS, ROTOR LOSS SENSORS

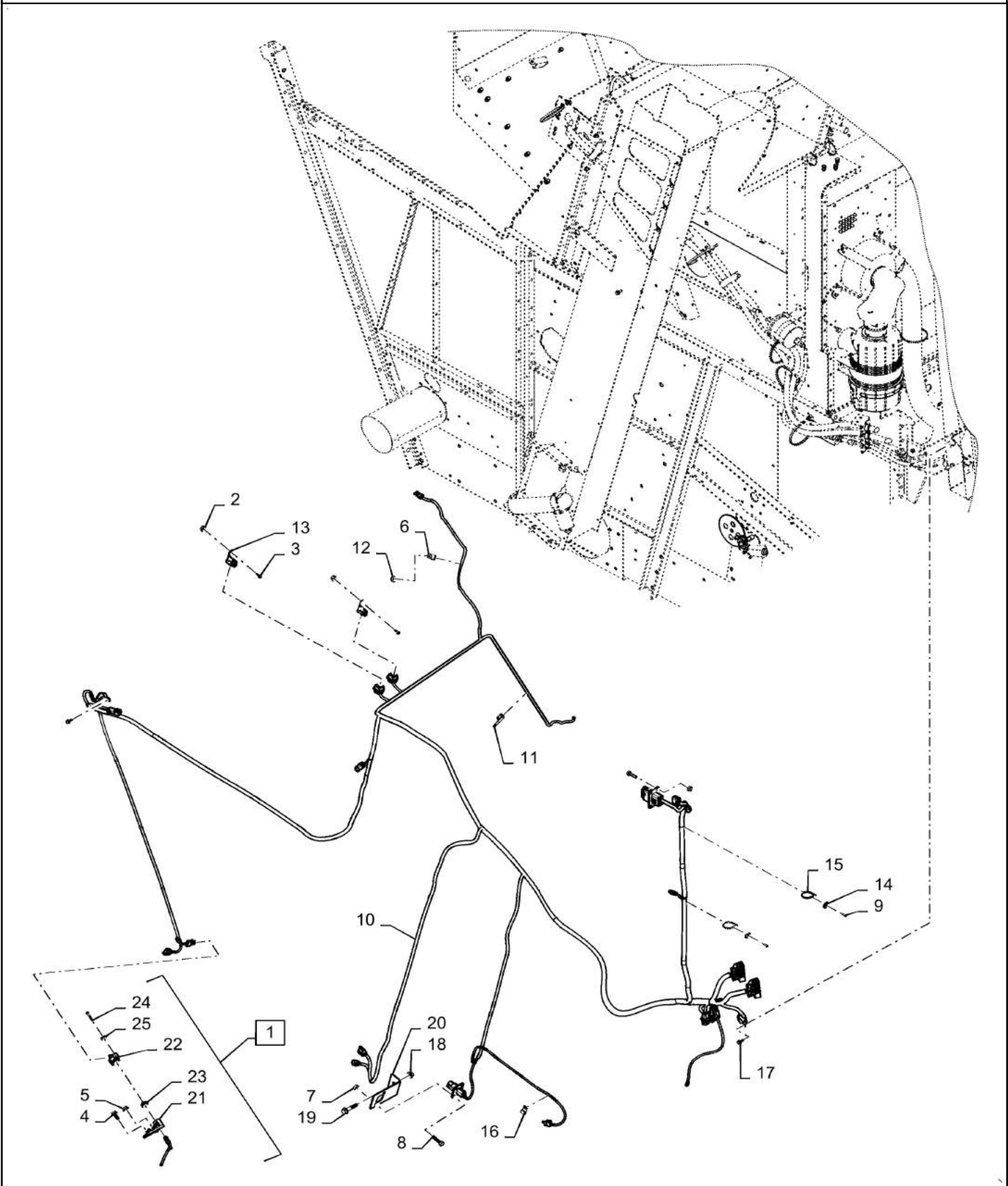


HARNES, ROTOR LOSS SENSORS

REF FN	PART NUMBER	YR/SN	QTY DESCRIPTION
1	195806C1		1 GROMMET 3/4"
2	84425149		1 MODULE Grain Loss Interface
3	87698760		2 FLANGE BOLT M6 x 36.6mm, CI 10.9
4	87603654		1 WIRE HARNESS Rotor Loss Sensors
5	245362C1		2 TRANSMITTER Rotor Loss Sensor
6	86572009		4 CLAMP 9.5mm, Coat, 10.3mm Bolt Hole, P Type
7	477-73112		4 SERRATED SCREW SI Truss Hd, 5/16" - 18 x 3/4"
8	145458		4 SERRATED NUT SERRATED NUT 5/16"-18 GR 5 ZND
9	86566989		1 CABLE TIE 208mm L
10	87301498		2 FLANGE NUT Hex, M6 x 1.0, CI 10
11	87694057		1 CABLE TIE 200mm L Edge W/ Cable Tie

5140-COMBINE - TIER 2

WIRE HARNESS, FRAME, RH



WIRE HARNESS, FRAME, RH

REF FN	PART NUMBER	YR/SN	QTY DESCRIPTION
1	87368474		1 SENSOR Tailings Speed, Incl 21 - 25
2	231-5144		2 SERRATED NUT Flg, USR, 1/4"-20
3	409-7412		2 BOLT Hex Flg, 1/4" - 20 x 3/4", Spcl
4	409-7512		1 BOLT Hex Flg, 5/16" - 18 x 3/4", Spcl
5	425-285		1 FLANGE NUT Flg, 5/16"-18, G5
6	858956		1 CLAMP 11.1mm, Coat, 8.7mm Bolt Hole, P Type
7	100012		6 NUT M4 x 0.7, CI 8
8	412064		6 BOLT Hex, M4 x 16mm, CI 8.8, Full Thd
9	445395		25 RIVET Pop, 4.8mm OD x 18.1mm L
10	47548181		1 WIRE HARNESS Chassis, RH
11	362666R1		2 CLIP Harness Retainer
12	86507066		2 FLANGE NUT M8 x 1.25, CI 10
13	86508603		2 RELAY Sealed Skirt, 12V
14	86566989		42 CABLE TIE 208mm L
15	86590413		25 BASE 15.87mm W x 22.22mm OAL x 9.9mm Thk Wire Tie
16	87016871		1 CLAMP 9.5mm, Coat, 10.3mm Bolt Hole, J Type
17	87656137		2 BOLT M8 x 28.1mm, CI 10.9
18	87694057		1 CABLE TIE 200mm L Edge W/ Cable Tie
19	87698834		1 BOLT M8 x 48.1mm, CI 10.9 Flange, M8 x 40mm, 10.9
20	87752142		1 BRACKET Connector Mounting
21	225762A6		1 HOUSING Tailings Speed
22	87368468		1 SENSOR Rotary Position, Tailings Speed
23	238-5115		1 O-RING 0.103" Thk x 0.674" ID, -115, CI 5, 75 Duro
24	463-11024		2 SCREW Hex Hd, #10-24 x 1 1/2"
25	239809A1		1 WASHER 8mm ID x 14mm OD x 1.2mm Thk 14mm OD x 8mm ID x 1.2mm

5140-COMBINE - TIER 2

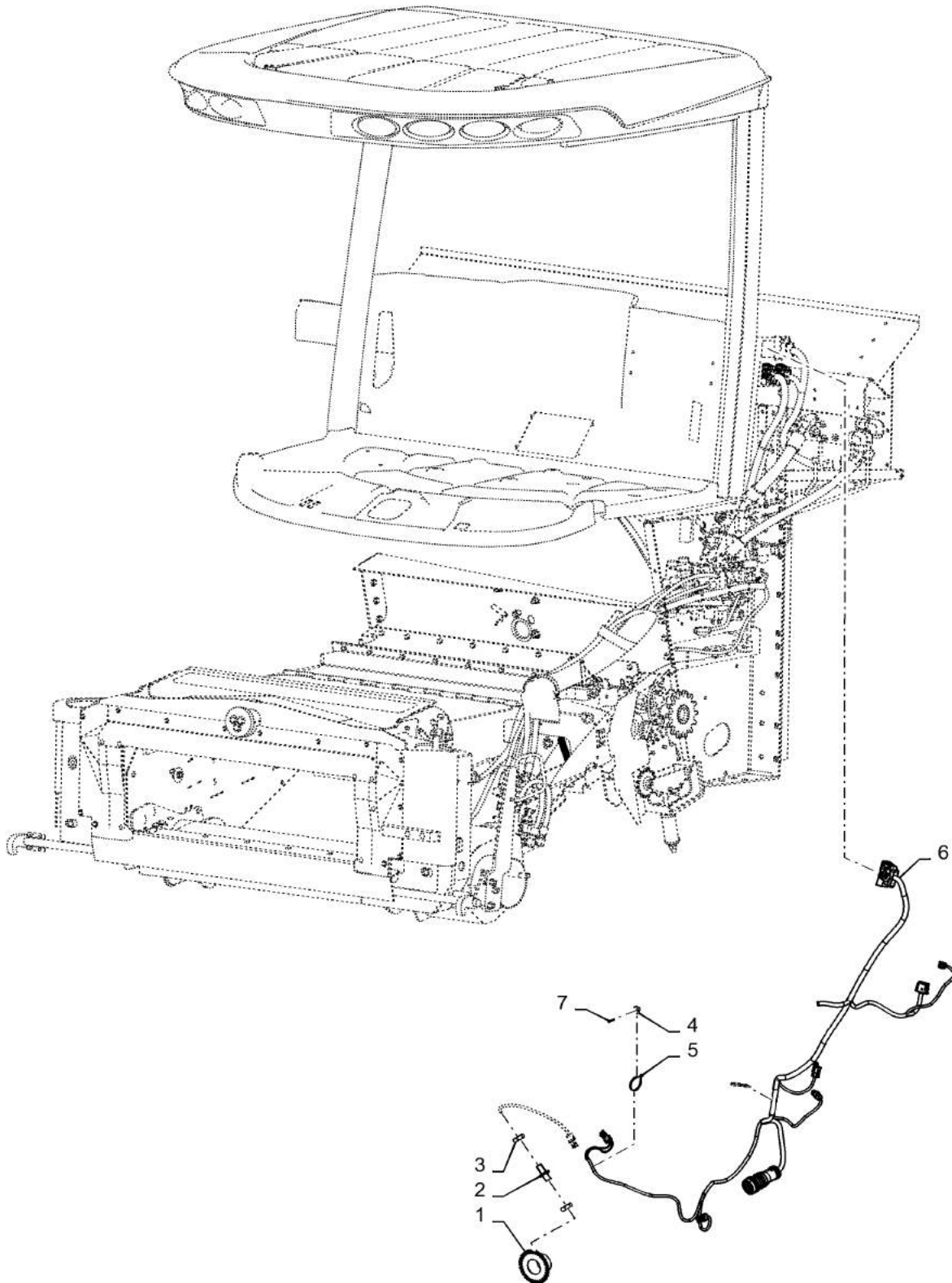
55.101.AC

03

p1

7/2015

WIRE HARNESS, FRAME, FRONT, LH



55.101.AC

03

p1

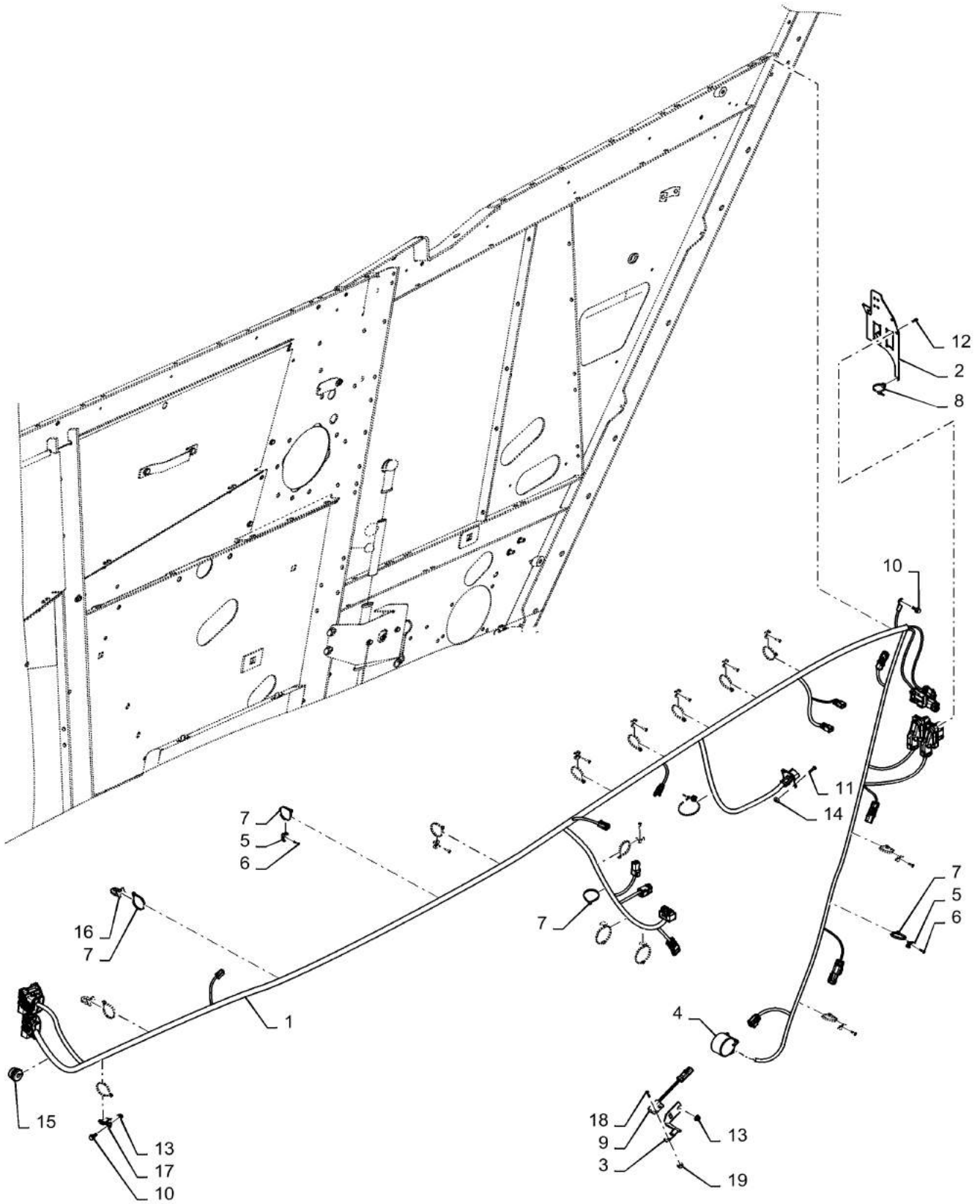
7/2015

WIRE HARNESS, FRAME, FRONT, LH

REF FN	PART NUMBER	YR/SN	QTY DESCRIPTION
1	1979965C1		1 ROTOR Rotor Speed
2	245193C2		1 SENSOR Rotor Speed Pickup
3	425-1512		2 JAM NUT Jam, 3/4"-10, G5
4	86590413		3 BASE 15.87mm W x 22.22mm OAL x 9.9mm Thk Wire Tie
5	86566989		3 CABLE TIE 208mm L
6	47403812		1 WIRE HARNESS Header/ Feeder Valve, Rotor/ Feeder Speed
7	445395		3 RIVET Pop, 4.8mm OD x 18.1mm L

5140-COMBINE - TIER 2

WIRE HARNESS, FRAME, LH



WIRE HARNESS, FRAME, LH

REF FN	PART NUMBER	YR/SN	QTY DESCRIPTION
1	47537152		1 WIRE HARNESS Main, LH
2	47537161		1 BULKHEAD Strawhood
3	87738355		1 BRACKET Shoe Speed Sensor
4	47617587		1 SENSOR Tailings Auger Speed
5	86590413		18 BASE 15.87mm W x 22.22mm OAL x 9.9mm Thk Wire Tie
6	445395		18 RIVET Pop, 4.8mm OD x 18.1mm L
7	86566989		24 CABLE TIE 208mm L
8	84292754		2 CLIP Cable Tie W/ Fir Tree, 5mm OD x 203mm OAL Fir Tree Mount
9	87392235		1 SENSOR Shoe Speed
10	87656137		3 BOLT M8 x 28.1mm, CI 10.9
11	412064		2 BOLT Hex, M4 x 16mm, CI 8.8, Full Thd
12	86625213		8 HEX SOC SCREW M5 x 12mm, CI 8.8
13	86507066		3 FLANGE NUT M8 x 1.25, CI 10
14	100012		2 NUT M4 x 0.7, CI 8
15	198824C1		1 GROMMET 12.7mm ID x 41.1mm OD x 26.9mm Thk 41.1mm OD x 12.7mm ID x 26.9mm
16	84474186		2 BASE Wire Tie
17	84360210		1 BASE Wire Tie
18	440-1108		2 SCREW Cross Pan Hd, #10-24 x 1/2"
19	231-14109		2 LOCK NUT #10-24, GB

5140-COMBINE - TIER 2

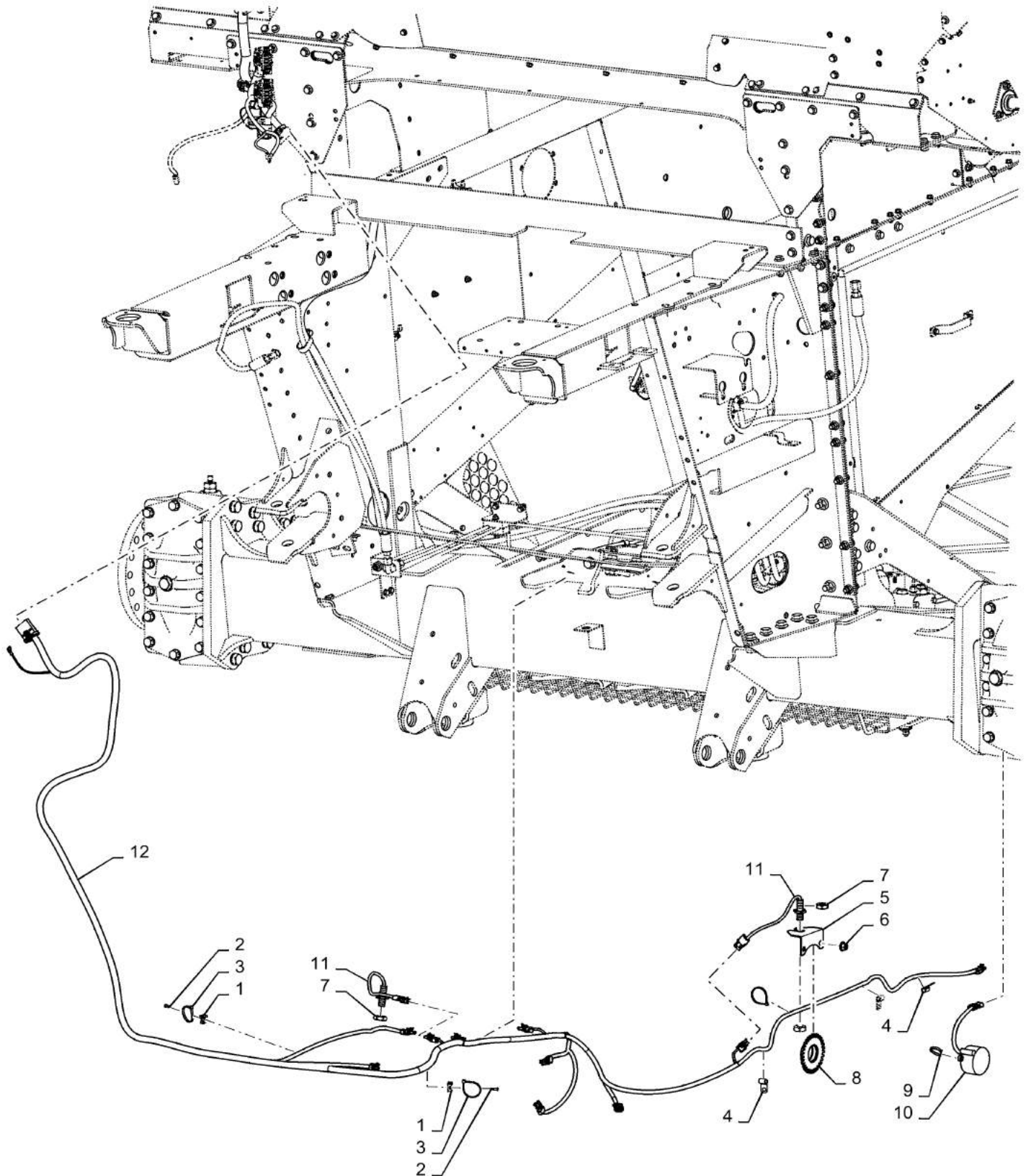
55.101.AC

05

p1

7/2015

WIRE HARNESS, FRAME, FRONT AXLE, BRAKE VALVE

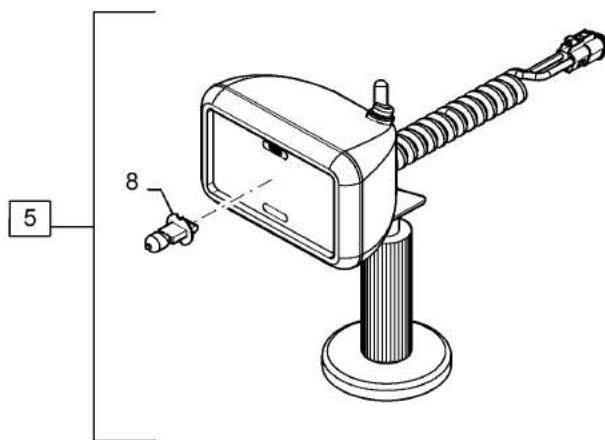
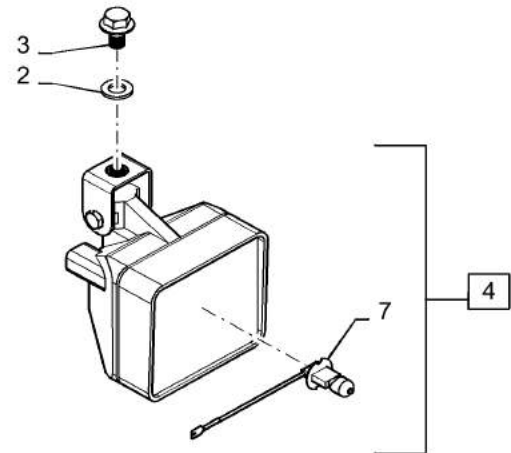
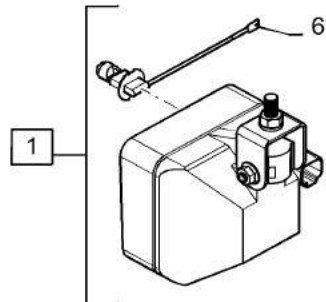


WIRE HARNESS, FRAME, FRONT AXLE, BRAKE VALVE

REF FN	PART NUMBER	YR/SN	QTY DESCRIPTION
1	86590413		2 BASE 15.87mm W x 22.22mm OAL x 9.9mm Thk Wire Tie
2	445395		2 RIVET Pop, 4.8mm OD x 18.1mm L
3	86566989		3 CABLE TIE 208mm L
4	87016871		3 CLAMP 9.5mm, Coat, 10.3mm Bolt Hole, J Type
5	1541554C1		1 SUPPORT Fan Speed Sensor
6	86512497		2 FLANGE NUT M12 x 1.75, CI 10
7	425-1512		3 JAM NUT Jam, 3/4"-10, G5
8	1541555C1		1 SPROCKET Fan Speed Rotor
9	473321C1		1 CABLE TIE 8" OAL x 0.098" W
10	47617588		1 SENSOR Clean Grain Auger Speed
11	245193C2		2 SENSOR Cleaning Fan Speed
12	47403813		1 WIRE HARNESS Front, Lower, Transmission/ Brake

5140-COMBINE - TIER 2

WIRE HARNESS, WORK LIGHT & WIRING, FRONT



WIRE HARNESS, WORK LIGHT & WIRING, FRONT

REF FN	PART NUMBER	YR/SN	QTY DESCRIPTION
1	84479126		1 LAMP Halogen, 12V, 35W, Clear Work, Flood, 12V, 35W, H3, Incl 6
2	86624176		2 WASHER 11mm ID x 20mm OD x 2mm Thk
3	87021006		2 BOLT M10 x 26.4mm, Cl 10.9
4	87584890		2 LIGHT ASSY. Halogen, 12V, 55W, Clear Flood, 12V, 55W, H3, Incl 7
5	87390458		1 LIGHT ASSY. Halogen, 12V, 37W, Clear Work Lamp, Magnetic Base, Incl 8
6	92242C2		1 BULB 12V, 35W, H3
7	1312210C2		2 BULB 12V, 55W, H3
8	87107077		1 BULB Halogen, 12V, 37.5W

5140-COMBINE - TIER 2

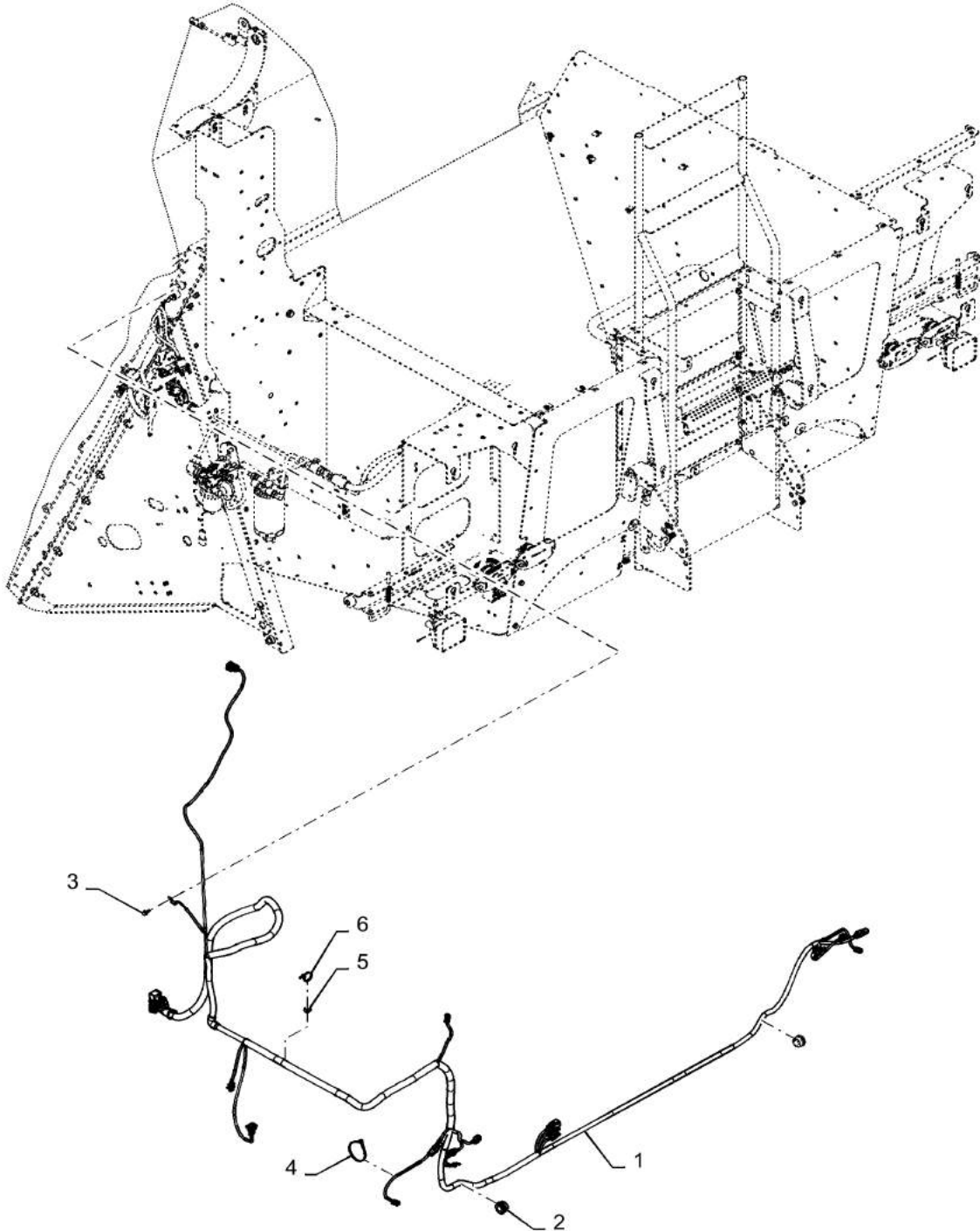
55.101.AC

07

p1

7/2015

WIRE HARNESS, STRAW HOOD, REAR



55.101.AC

07

p1

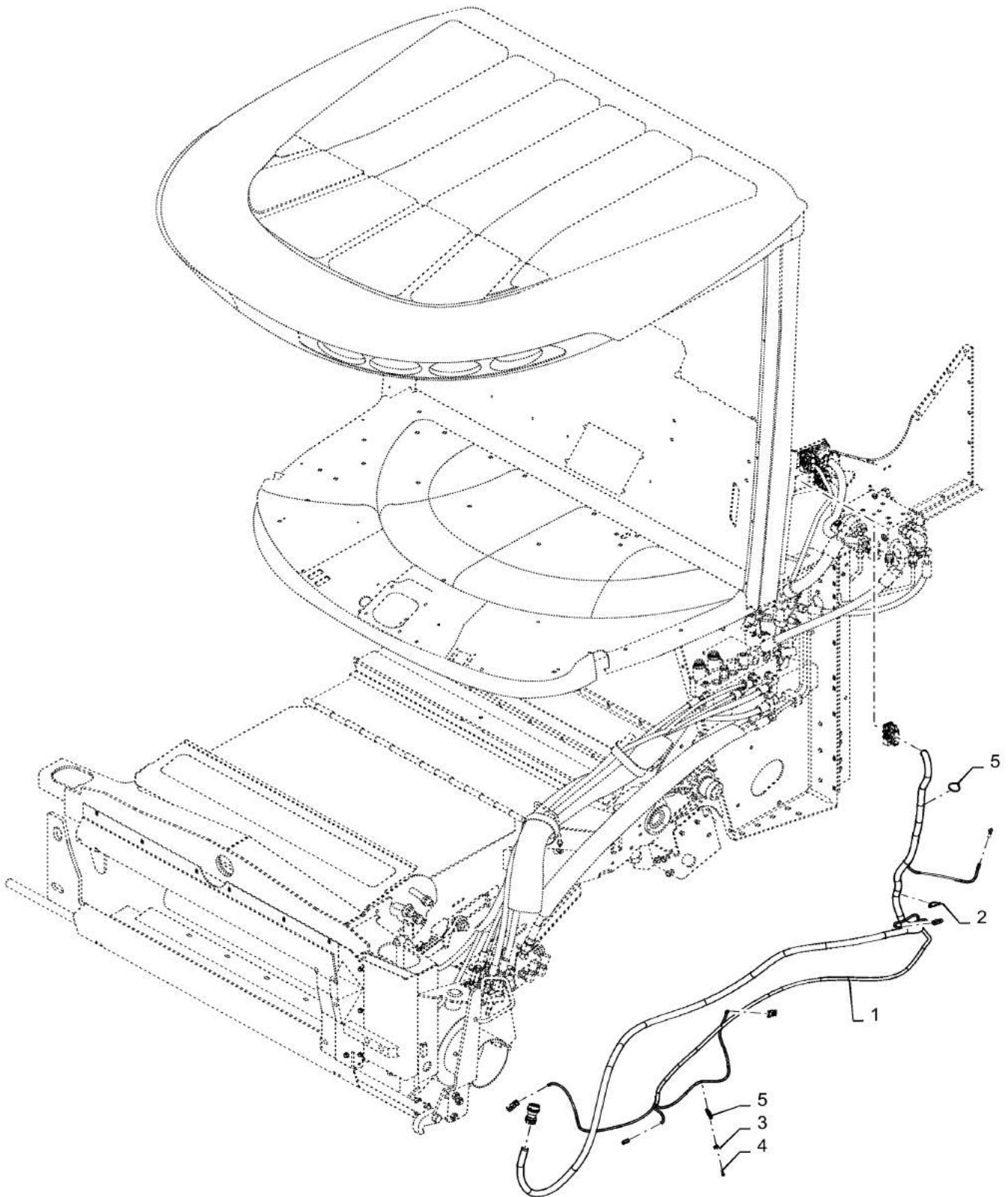
7/2015

WIRE HARNESS, STRAW HOOD, REAR

REF FN	PART NUMBER	YR/SN	QTY DESCRIPTION
1	47537155		1 WIRE HARNESS Strawhood, Rear
2	86976974		2 GROMMET 41.1mm OD x 19.05mm ID x 26.9mm
3	87656137		1 BOLT M8 x 28.1mm, CI 10.9
4	86566990		2 CABLE TIE 292mm OAL x 4.8mm W
5	84474186		1 BASE Wire Tie
6	529070		1 CABLE TIE 368.3mm L

5140-COMBINE - TIER 2

WIRE HARNESS, FEEDER



55.101.AC

08

p1

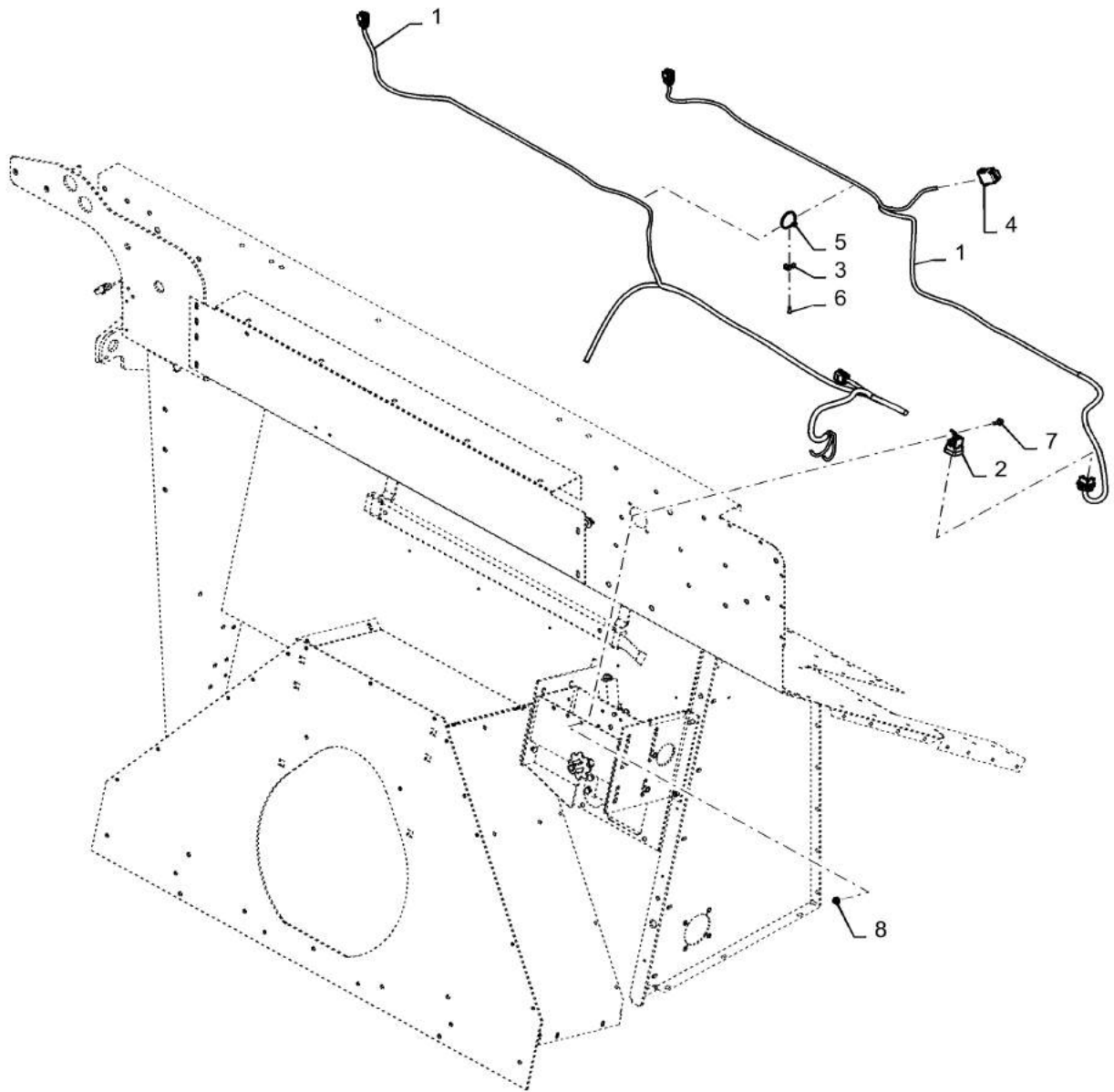
7/2015

WIRE HARNESS, FEEDER

REF FN	PART NUMBER	YR/SN	QTY DESCRIPTION
1	47438158		1 WIRE HARNESS Feeder
2	84292754		1 CLIP Cable Tie W/ Fir Tree, 5mm OD x 203mm OAL Fir Tree
3	86590413		1 BASE 15.87mm W x 22.22mm OAL x 9.9mm Thk Wire Tie
4	445395		1 RIVET Pop, 4.8mm OD x 18.1mm L
5	86566989		17 CABLE TIE 208mm L

5140-COMBINE - TIER 2

VAR - 425467, 425472 - WIRE HARNESS, GRAIN BIN EXTENSION



VAR - 425467, 425472 - WIRE HARNESS, GRAIN BIN EXTENSION

REF FN	PART NUMBER	YR/SN	QTY DESCRIPTION
1	84373207		1 WIRE HARNESS Grain Tank Covers
2	86508603		1 RELAY Sealed Skirt
3	86590413		4 BASE 15.87mm W x 22.22mm OAL x 9.9mm Thk Wire Tie
4	84370691		1 SWITCH ASSY Rocker, Cover Actuation
5	86566989		10 CABLE TIE 208mm L
6	445395		4 RIVET Pop, 4.8mm OD x 18.1mm L
7	409-7412		1 BOLT Hex Flg, 1/4" - 20 x 3/4", Spcl
8	523282		1 SERRATED NUT Flg, USR, 1/4"-20

5140-COMBINE - TIER 2

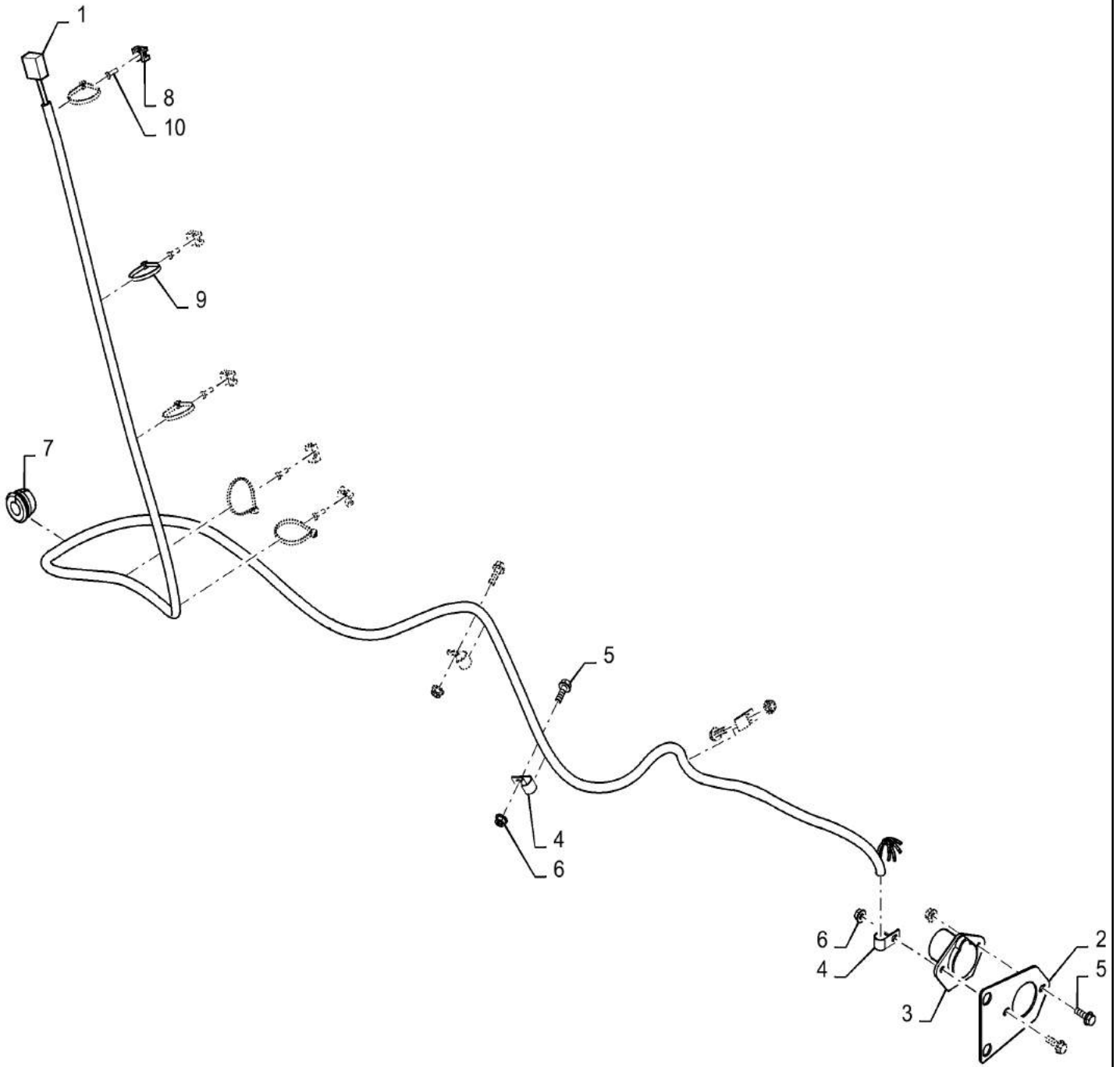
55.130.AR

01

p1

7/2015

TRAILER HITCH HARNESS



55.130.AR

01

p1

7/2015

TRAILER HITCH HARNESS

REF FN	PART NUMBER	YR/SN	QTY DESCRIPTION
1	86604178		1 WIRE HARNESS Trailer Hitch
2	87499555		1 BRACKET Connector Plate
3	265927		1 POWER SOCKET Trailer
4	9706748		4 CLAMP 15.9mm, Coat, 8.7mm Bolt Hole, P Type
5	87698833		5 BOLT M8 x 33.1mm, CI 10.9
6	86507066		5 FLANGE NUT M8 x 1.25, CI 10
7	86976974		1 GROMMET Wire Protection
8	86590413		5 BASE 15.87mm W x 22.22mm OAL x 9.9mm Thk Wire Tie
9	86566989		5 CABLE TIE 208mm L
10	445395		5 RIVET Pop, 4.8mm OD x 18.1mm L

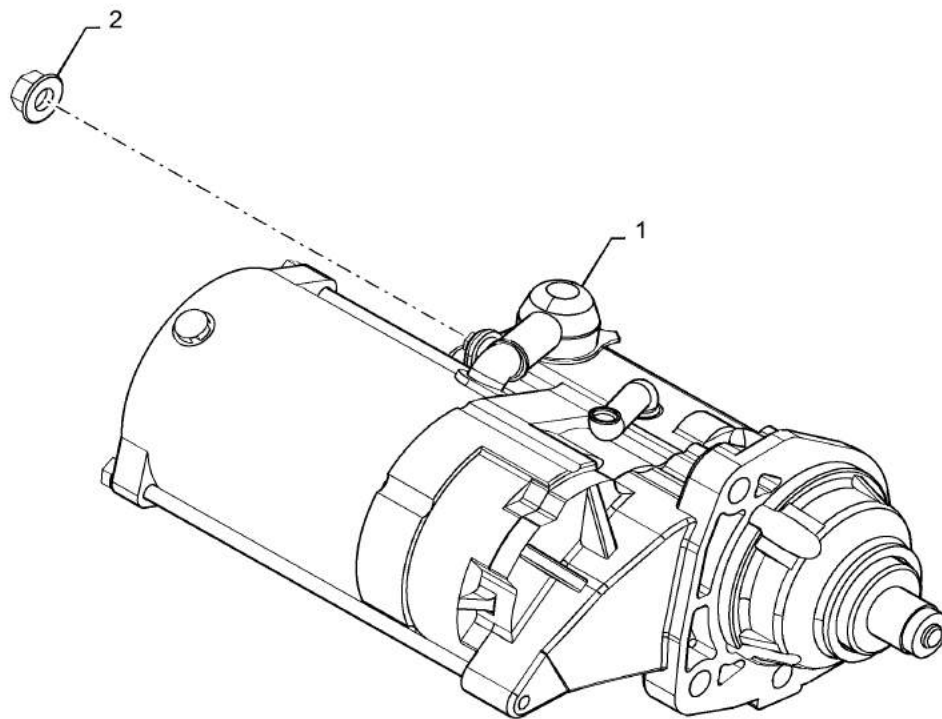
5140-COMBINE - TIER 2

55.201.AE

p1

7/2015

STARTER MOTOR



STARTER MOTOR

REF FN	PART NUMBER	YR/SN	QTY DESCRIPTION
1	84423660		1 STARTER MOTOR 12V, 5kW 12V, 5140
1	84423660R		1 REMAN-STARTER 12V, 5kW 12V, 5140
1	84423660C		1 CORE-STARTER 12V, 5kW Return Number
1	84150030		1 STARTER MOTOR 12V, 5kW 12V, 6140/7140
1	84150030R		1 REMAN-STARTER 12V, 5kW 12V, 6140/7140
1	84150030C		1 CORE-STARTER 12V, 5kW Return Number
2	86050279		3 FLANGE NUT M10 x 1.5, CI 10

5140-COMBINE - TIER 2

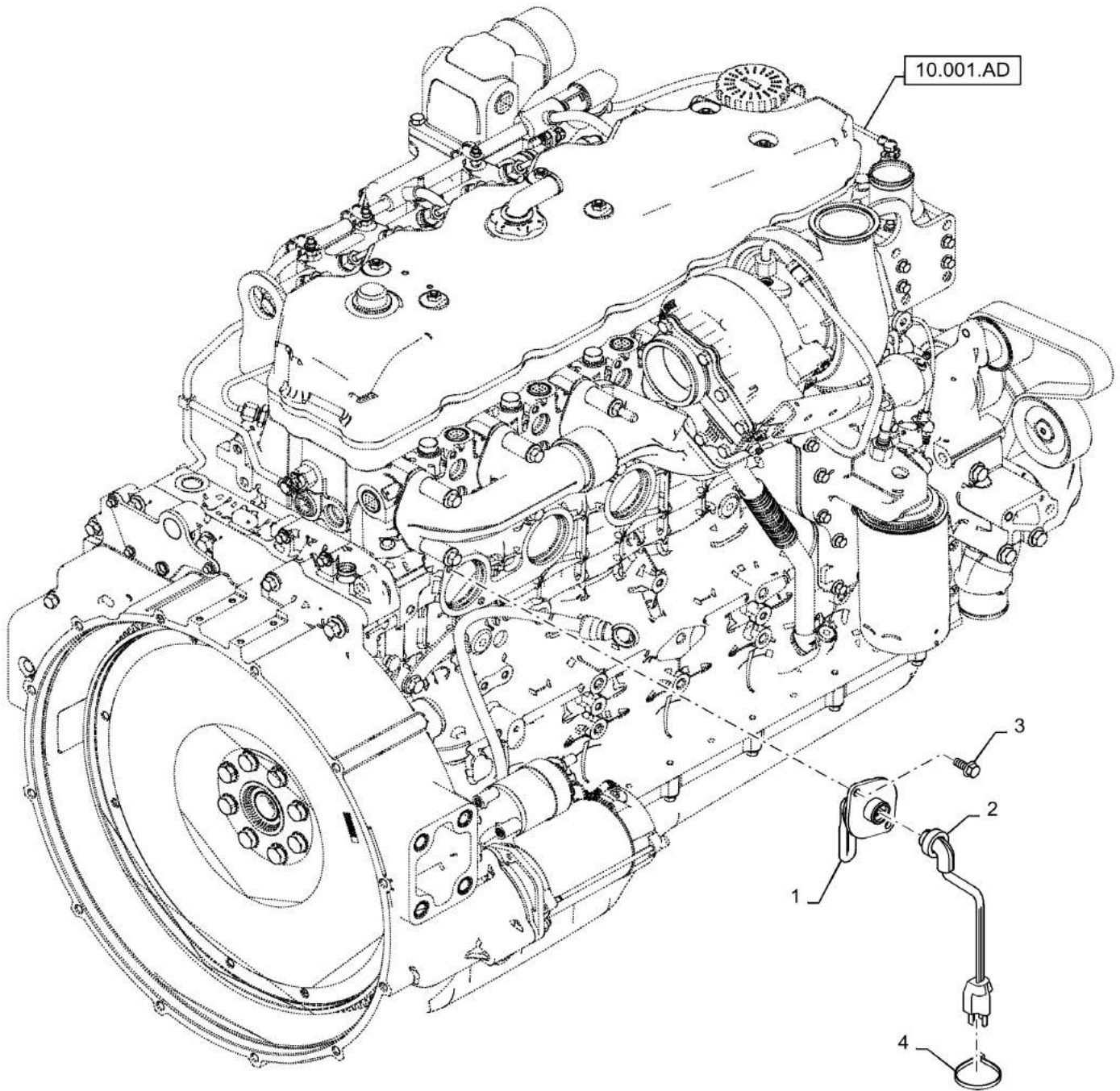
55.202.AE

01

p1

7/2015

ENGINE BLOCK HEATER



55.202.AE

01

p1

7/2015

ENGINE BLOCK HEATER

REF FN	PART NUMBER	YR/SN	QTY DESCRIPTION
1	8602005		1 HEATER Coolant
2	87105748		1 ELECTRIC CABLE 120V, 15A Heater Connection
3	87656137		2 BOLT M8 x 28.1mm, CI 10.9
4	86977871		1 ELASTIC STRAP

5140-COMBINE - TIER 2

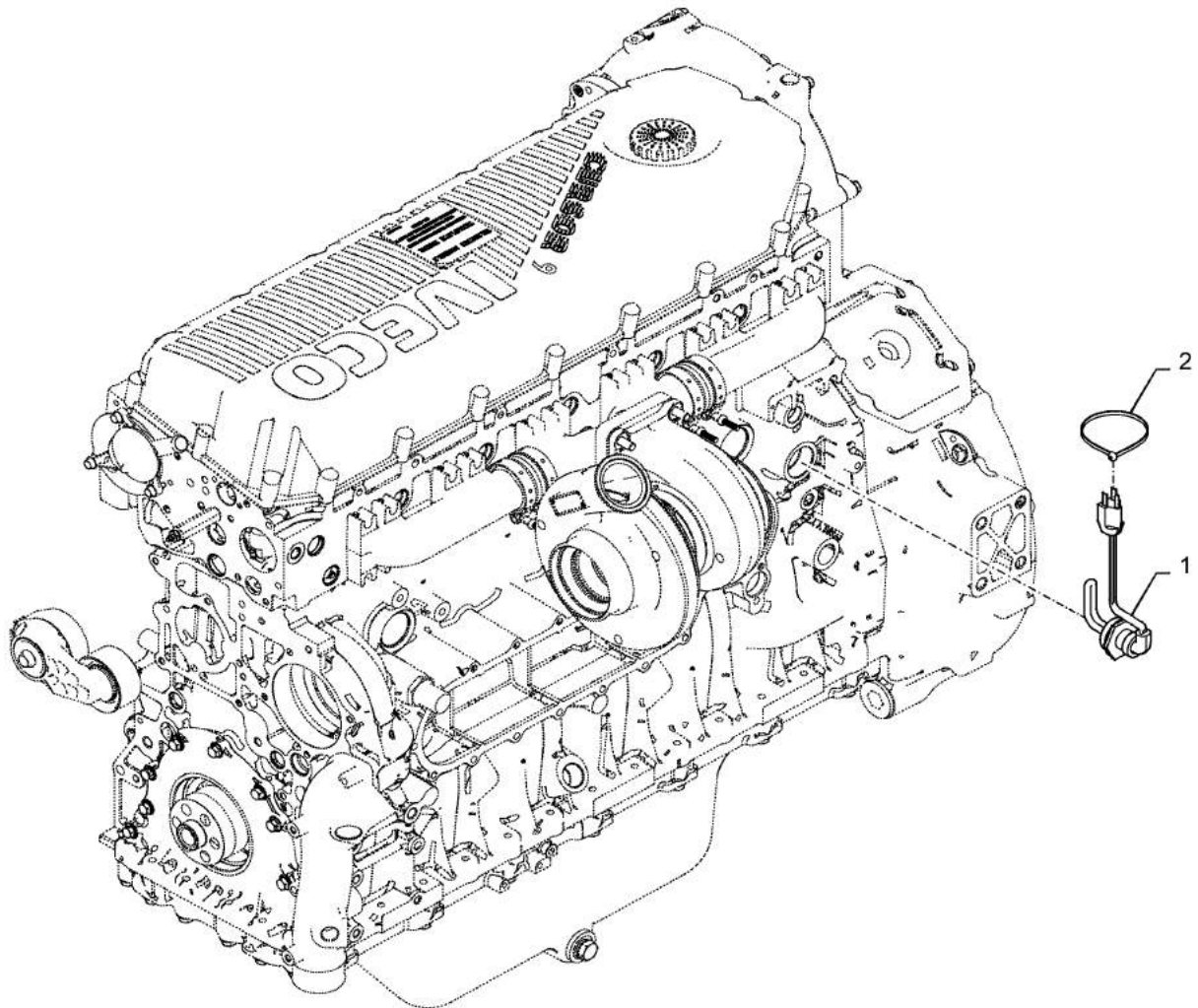
55.202.AE

02

p1

7/2015

ENGINE BLOCK HEATER



55.202.AE

02

p1

7/2015

ENGINE BLOCK HEATER

REF FN	PART NUMBER	YR/SN	QTY DESCRIPTION
1	84438887		1 HEATER Coolant
2	86977871		1 ELASTIC STRAP

5140-COMBINE - TIER 2

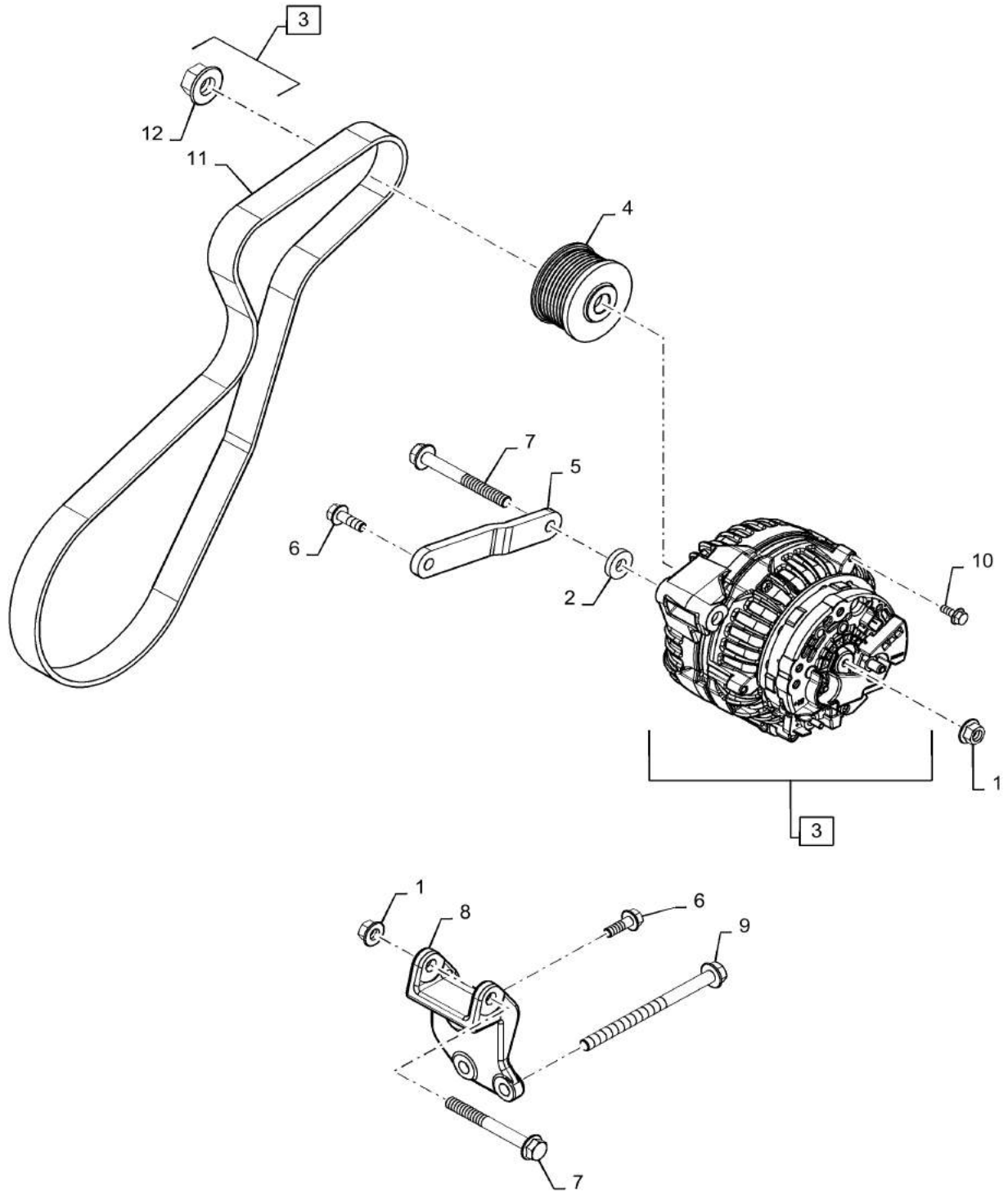
55.301.AD

01

p1

7/2015

ALTERNATOR ASSY, MOUNTING PARTS



55.301.AD

01

p1

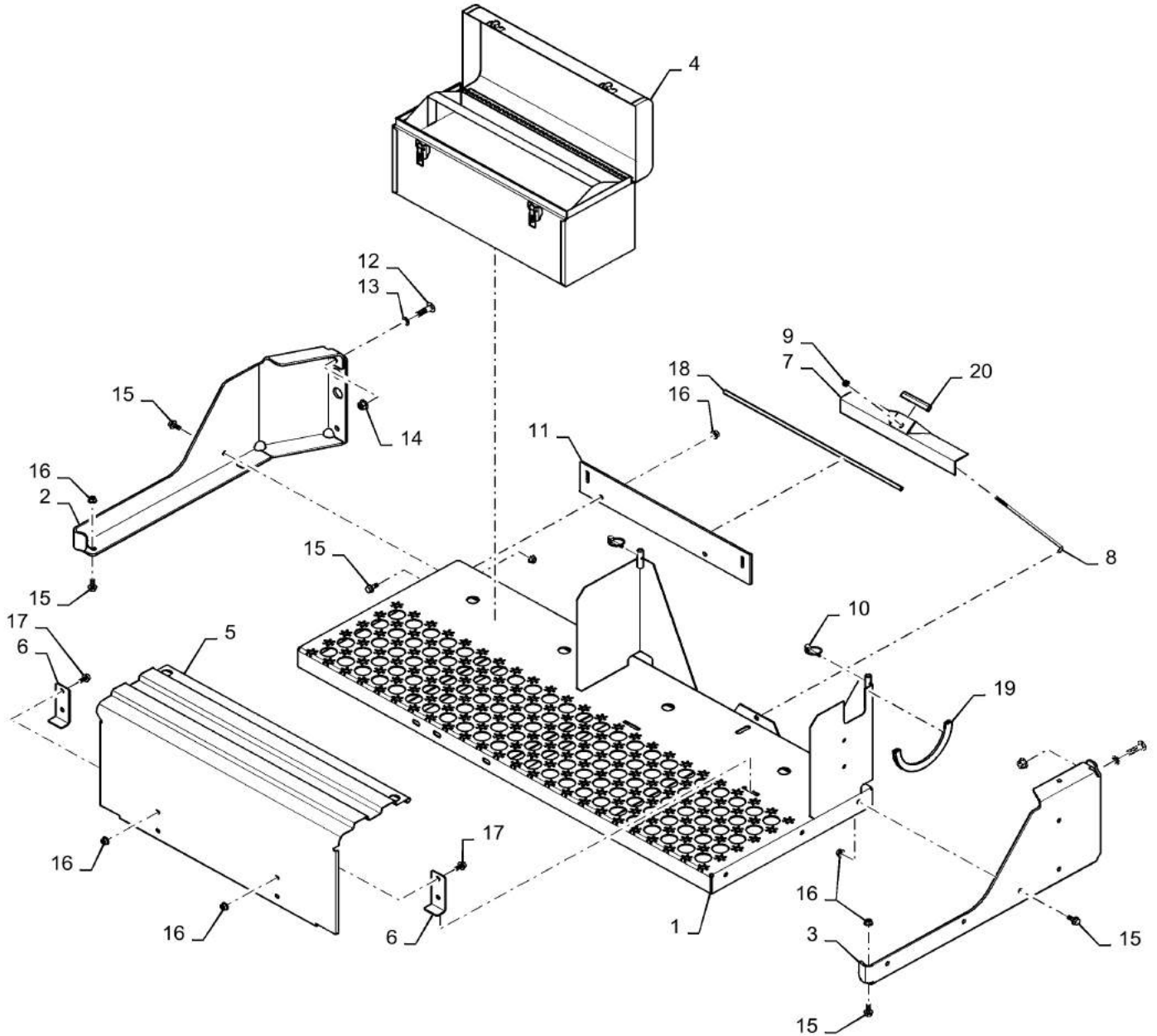
7/2015

ALTERNATOR ASSY, MOUNTING PARTS

REF FN	PART NUMBER	YR/SN	QTY DESCRIPTION
1	86050279		2 FLANGE NUT M10 x 1.5, CI 10
2	3120737R1		1 WASHER 10.8mm ID x 25mm OD x 5mm Thk 10mm
3	84474354		1 ALTERNATOR 12V, 200A 200A, Incl 12
3	84474354R		1 REMAN-ALTERNATOR 12V, 200A
3	84474354C		1 CORE-ALTERNATOR Return Number
4	84174273		1 PULLEY Alternator
5	84530585		1 BRACKET Alternator Mount, Upper
6	87698833		2 BOLT M8 x 33.1mm, CI 10.9
7	87695408		2 BOLT M10 x 1.5 x 100.4mm OAL, CI 10.9 Flange, M10 x 90mm, 10.9
8	84305176		1 MOUNT Alternator, Lower
9	87681213		2 BOLT Hex, M10 x 140mm, CI 10.9
10	87695418		1 FLANGE BOLT M6 x 1.0 x 16mm, CI 10.9
11	84312027		1 BELT Alternator Drive
12	NSS		1 NOT SERVICED SEPARATELY Nut, Incl In 3

5140-COMBINE - TIER 2

BATTERY BOX SUPPORT

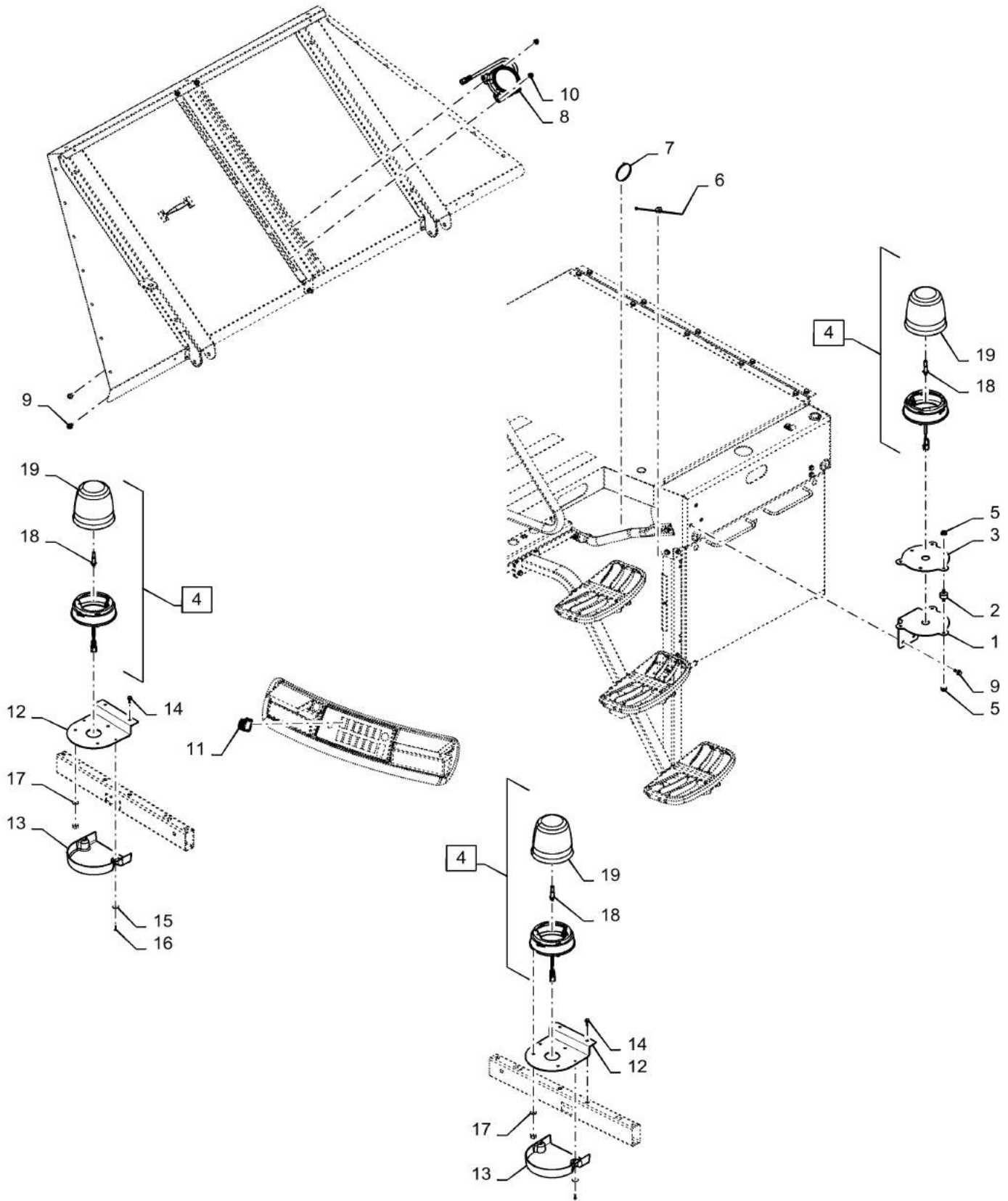


BATTERY BOX SUPPORT

REF FN	PART NUMBER	YR/SN	QTY DESCRIPTION
1	87726742		1 BRACKET Battery Box Platform Support
2	84161638		1 BRACKET Battery Platform, Front
3	84161640		1 BRACKET Battery Platform, Rear
4	87613832		1 TOOL BOX Dark Gray
5	87613823		1 COVER ASSY Battery Box
6	87608663		2 SECURING STRAP Battery Box Cover
7	84207413		1 CLAMP Battery Hold Down
8	A147915		1 BOLT Battery Hold Down
9	425-104		1 NUT 1/4"-20, CI 5
10	A33497		2 LINCH PIN 4.76mm OD Pin Klik
11	87608675		1 PLATE ASSY. Battery and Tool Box
12	87682394		4 CARRIAGE BOLT M10 x 1.5 x 40mm, CI 10.9
13	87698854		4 NUT M10
14	86050279		4 FLANGE NUT M10 x 1.5, CI 10
15	87656137		10 BOLT M8 x 28.1mm, CI 10.9
16	86507066		14 FLANGE NUT M8 x 1.25, CI 10
17	87681207		4 BOLT M8 x 24.1mm, CI 10.9
18	397115A2		1 TUBE 7.94mm OD x 520mm OAL Tool Box Retainer
19	135370A1		1 PROTECTION STRIP Trim
20	291186		AR PROTECTION STRIP Edge Channel

5140-COMBINE - TIER 2

BEACON, ROTATING

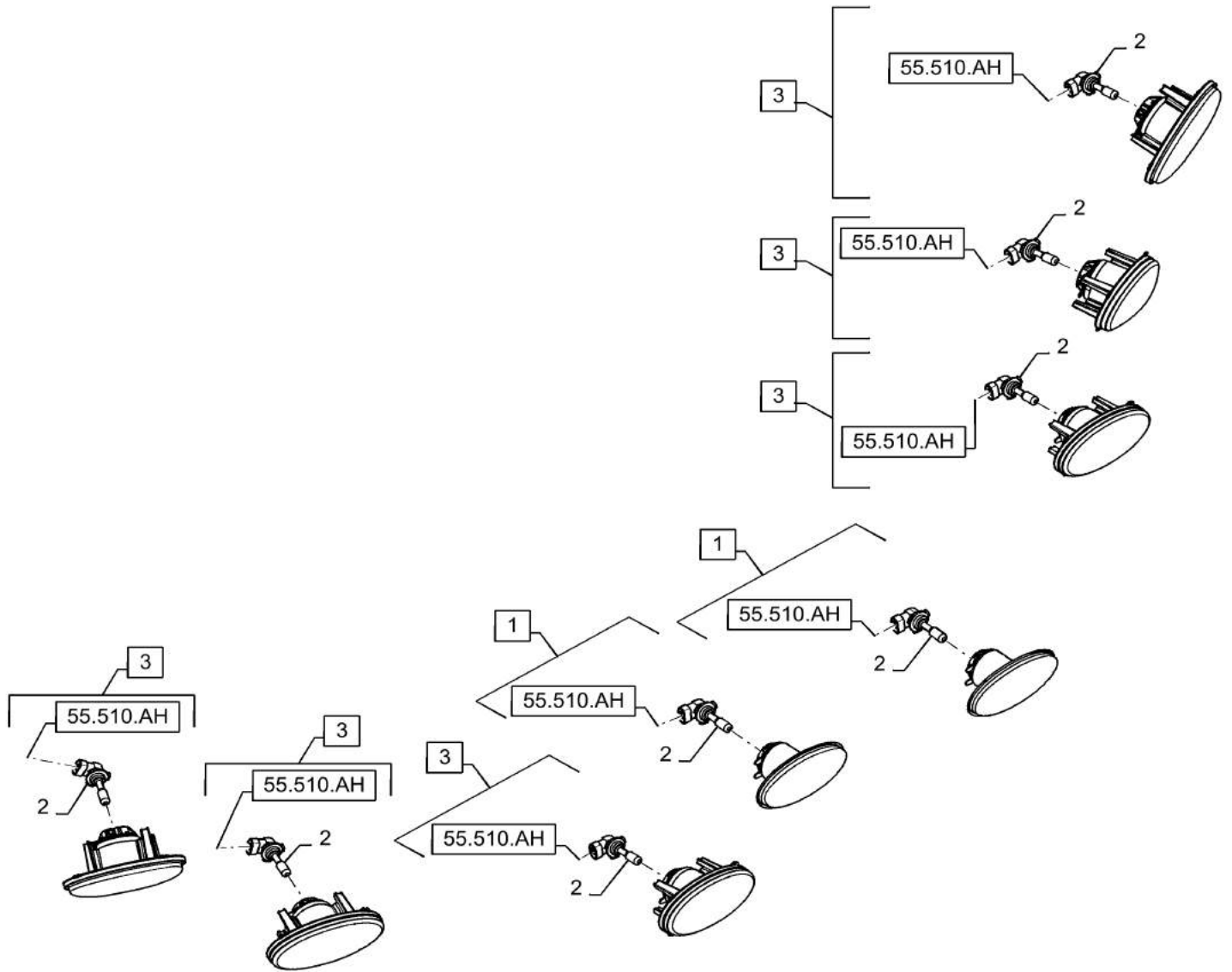


BEACON, ROTATING

REF FN	PART NUMBER	YR/SN	QTY DESCRIPTION
1	84571030		1 MOUNT Rear Beacon
2	47673402		3 DAMPER Rubber Mount
3	84571032		1 MOUNT Rear Beacon
4	47670938		3 BEACON 12V, Incl 18, 19
5	86050300		6 FLANGE NUT M6 x 1.0, CI 10
6	87694057		1 CABLE TIE 200mm L Edge W/ Tie Cable
7	289862C1		1 CABLE TIE 3/16" x 7"
8	84545938		1 SENSOR Grain Bin 3/4 Full
9	87656137		7 BOLT M8 x 28.1mm, CI 10.9
10	86507066		4 FLANGE NUT M8 x 1.25, CI 10
11	84480525		1 SWITCH Beacons
12	84546855		2 MOUNT Front Beacon
13	84559032		2 COVER Front Beacon
14	87675531		4 FLANGE BOLT M6 x 26.6mm, CI 10.9
15	9824840		4 WASHER 4.3mm ID x 9mm OD x 0.8mm Thk
16	87367495		4 SCREW Pozidrive, Pan HD, M4 x 0.7 x 8mm
17	322357		6 BELLEVILLE WASHER M6 x 14mm OD x 1.3mm Thk
18	47691331		3 BULB H1, 12V, 55W
19	84344644		3 LENS Amber

5140-COMBINE - TIER 2

VAR - 722811 - LIGHT, ROOF, STANDARD, HALOGEN



55.404.AQ

01

p1

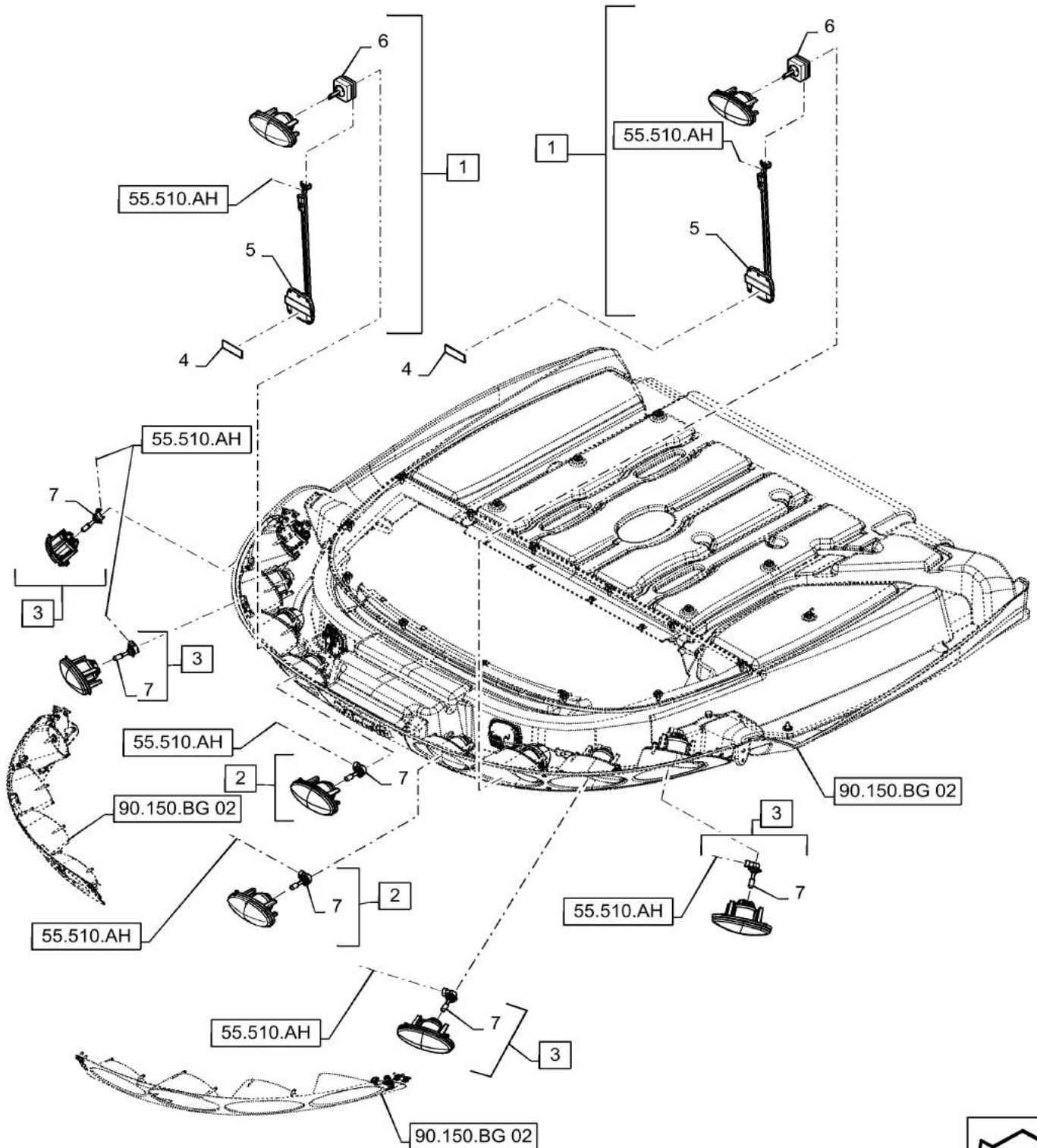
7/2015

VAR - 722811 - LIGHT, ROOF, STANDARD, HALOGEN

REF FN	PART NUMBER	YR/SN	QTY DESCRIPTION
1	47430979		2 HEADLAMP Halogen, 12V, 65W, Clear Integrated Oval, Incl 2
2	87316352		8 BULB HB3, 9005, 60W Halogen
3	47430977		6 WORK LAMP Integrated Oval, Flood, Incl 2

5140-COMBINE - TIER 2

VAR - 722810 - WORKING LIGHT, HEADLIGHT



55.404.AQ

02

p1

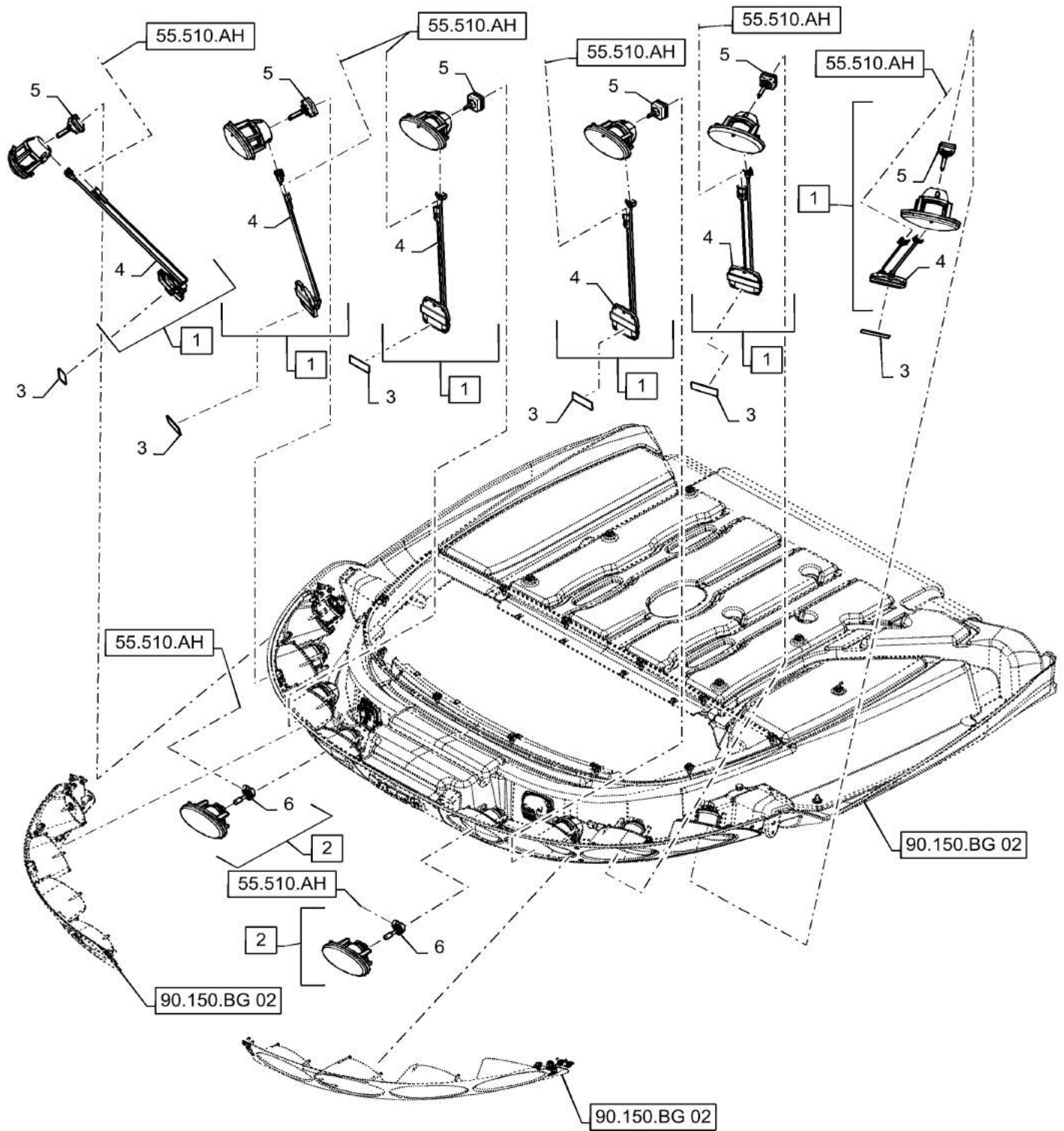
7/2015

VAR - 722810 - WORKING LIGHT, HEADLIGHT

REF FN	PART NUMBER	YR/SN	QTY DESCRIPTION
1	47426256		2 WORK LAMP HID, 12V, 35W, Clear Integrated HID Oval Flood, Incl 5 - 6
2	47430979		2 HEADLAMP Halogen, 12V, 65W, Clear Integrated Oval, Incl 7
3	47430977		4 WORK LAMP Integrated Oval Flood, Incl 7
4	87284035		2 FASTENER 25.4mm W x 76mm OAL Dual Locking Strip
5	84579603		2 LAMP 12V, HID Ballast
6	87722023		2 BULB HID, 85V, 35W
7	87316352		6 BULB HB3, 9005, 60W Halogen

5140-COMBINE - TIER 2

VAR - 425213 - WORKING LIGHT, HEADLIGHT



55.404.AQ

03

p1

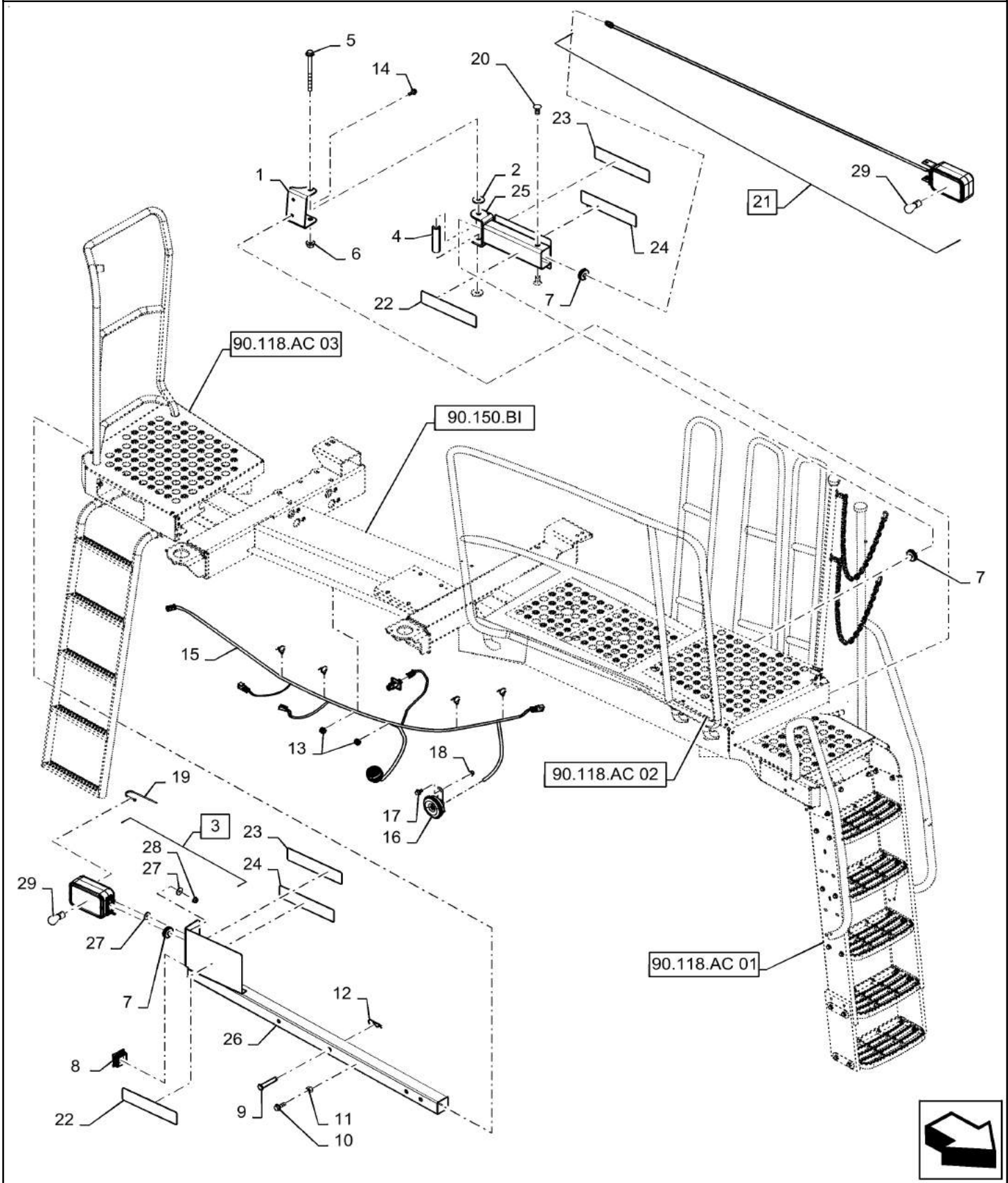
7/2015

VAR - 425213 - WORKING LIGHT, HEADLIGHT

REF FN	PART NUMBER	YR/SN	QTY DESCRIPTION
1	47426256		6 WORK LAMP HID, 12V, 35W, Clear Integrated Oval HID Flood, Incl 4 - 5
2	47430979		2 HEADLAMP Halogen, 12V, 65W, Clear Integrated Oval, Incl 6
3	87284035		6 FASTENER 25.4mm W x 76mm OAL Dual Locking Strip
4	84579603		6 LAMP 12V, HID Ballast
5	87722023		6 BULB HID, 85V, 35W
6	87316352		2 BULB HB3, 9005, 60W Halogen

5140-COMBINE - TIER 2

VAR - 722098, 722602, 425405 - EXTREMITY LIGHTING

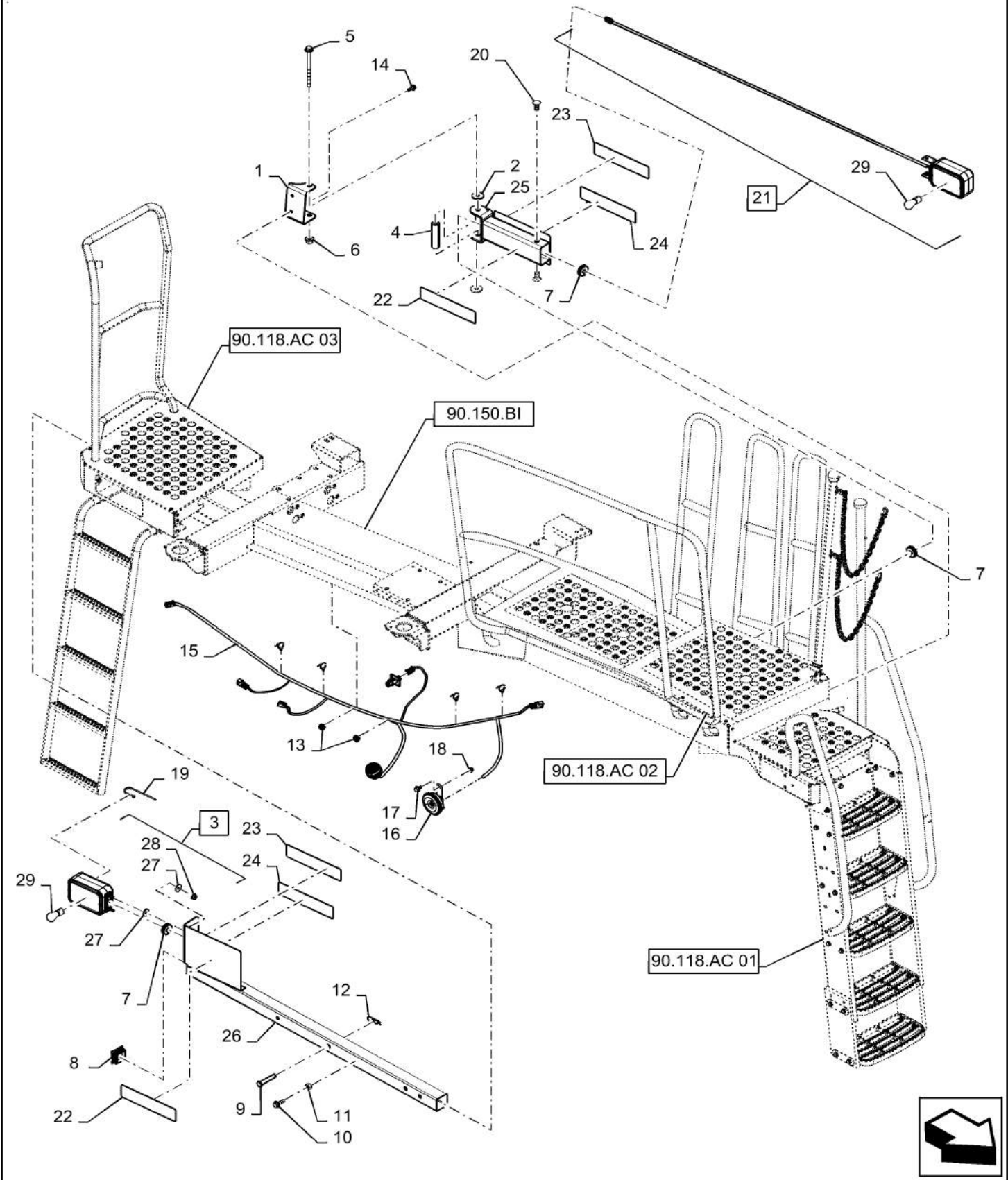


VAR - 722098, 722602, 425405 - EXTREMITY LIGHTING

REF FN	PART NUMBER	YR/SN	QTY DESCRIPTION
1	84422216		1 BRACKET Warning Light, LH
2	86997936		2 WASHER 12.7mm ID x 38.1mm OD x 3.18mm Thk 38.1mm OD x 12.7mm ID x 3.18mm W
3	87735063		1 LIGHT ASSY. 12V, Amber Warning, Amber, Incl 27 - 29
4	87105383		1 SPACER 12.7mm ID x 25.4mm OD x 96.4mm L 25.4mm OD x 19.05mm ID x 96.40mm OAL
5	87030021		1 BOLT Hex, M12 x 150mm, CI 10.9
6	86512497		1 FLANGE NUT M12 x 1.75, CI 10
7	87015294		3 GROMMET 1/2" ID x 1-1/2" OD x 0.438" Thk
8	87518247		1 PLUG 50mm W x 50mm H
9	87035064		1 CLEVIS PIN 12mm OD x 70mm L
10	87698837		1 FLANGE BOLT M10 x 30mm, Full Thd, CI 10.9
11	86500689		1 NUT M10, CI 10
12	610784R1		1 SPLIT PIN/SAFETY PIN 2.4mm OD x 60.345mm OAL Cotter, 19.05mm ID x 2.4mm W
13	86976974		2 GROMMET 41.1mm OD x 19.05mm ID x 26.9mm W
14	87698833		2 BOLT M8 x 33.1mm, CI 10.9
15	47403808		1 WIRE HARNESS Platform
16	87714969		1 HORN W/ Breather
17	87681207		1 BOLT M8 x 24.1mm, CI 10.9
18	87681210		1 FLANGE NUT M8 x 1.25, CI 10
19	86566989		2 CABLE TIE 208mm L
20	86511855		2 SCREW Flat, M6 x 1.0 x 12mm OAL, CI 4.8
21	87735064		1 LIGHT ASSY. 12V, Amber Flasher, Amber, Incl 29

5140-COMBINE - TIER 2

VAR - 722098, 722602, 425405 - EXTREMITY LIGHTING

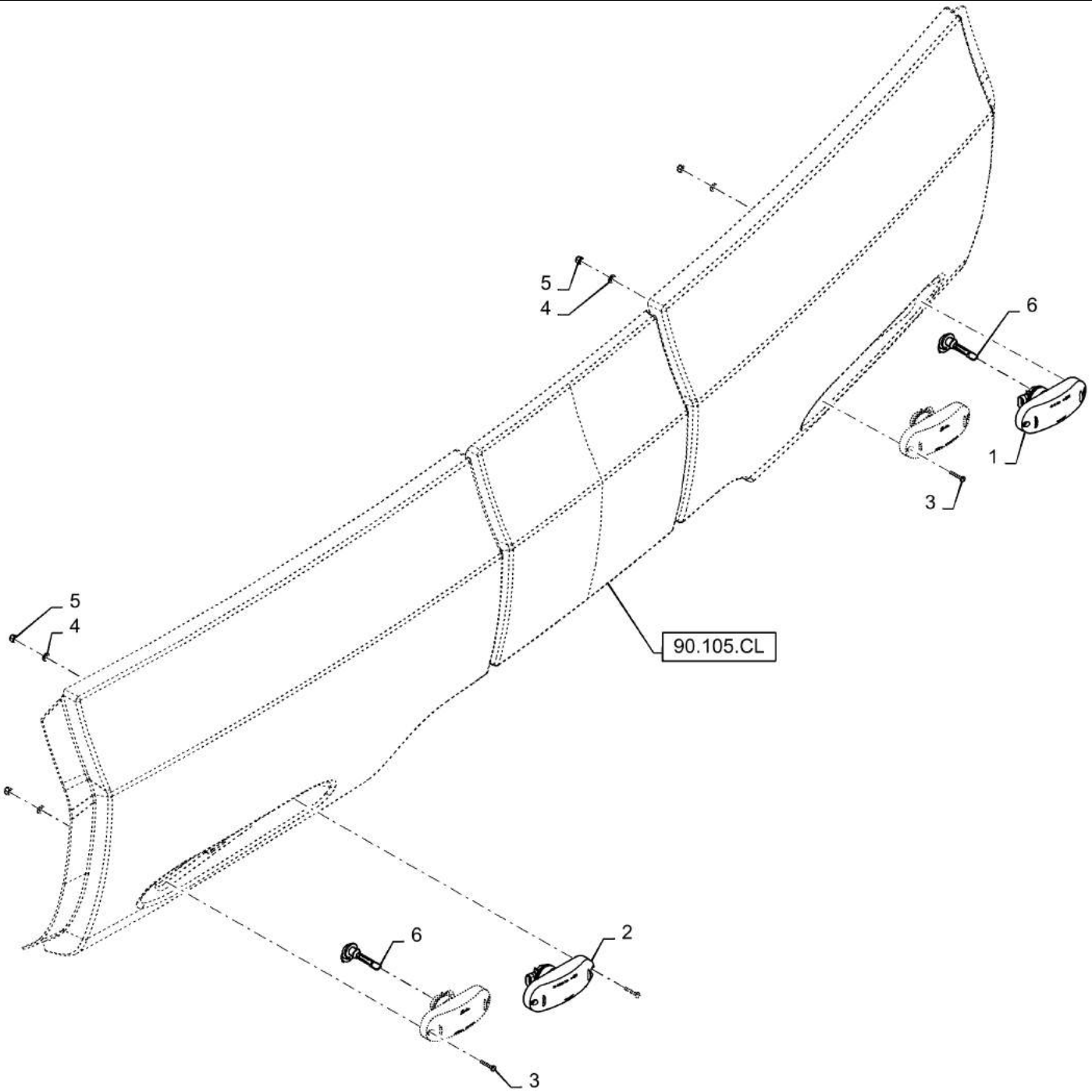


VAR - 722098, 722602, 425405 - EXTREMITY LIGHTING

REF FN	PART NUMBER	YR/SN	QTY DESCRIPTION
22	87105392		2 REFLECTOR Yellow, 230mm OAL x 50mm W
23	87105393		2 REFLECTOR Red, 230mm OAL x 50mm W
24	87105394		2 REFLECTOR Orange, 230mm OAL x 50mm W
25	87109527		1 ARM Mounting, Warning Light, LH
26	87470725		1 SUPPORTING ARM Warning Light, RH
27	NSS		4 NOT SERVICED SEPARATELY Washer, Incl In 3
28	NSS		2 NOT SERVICED SEPARATELY Nut, Incl In 3
29	SP4802591DS		2 BULB Incl In 3, 21

5140-COMBINE - TIER 2

TAIL LAMP

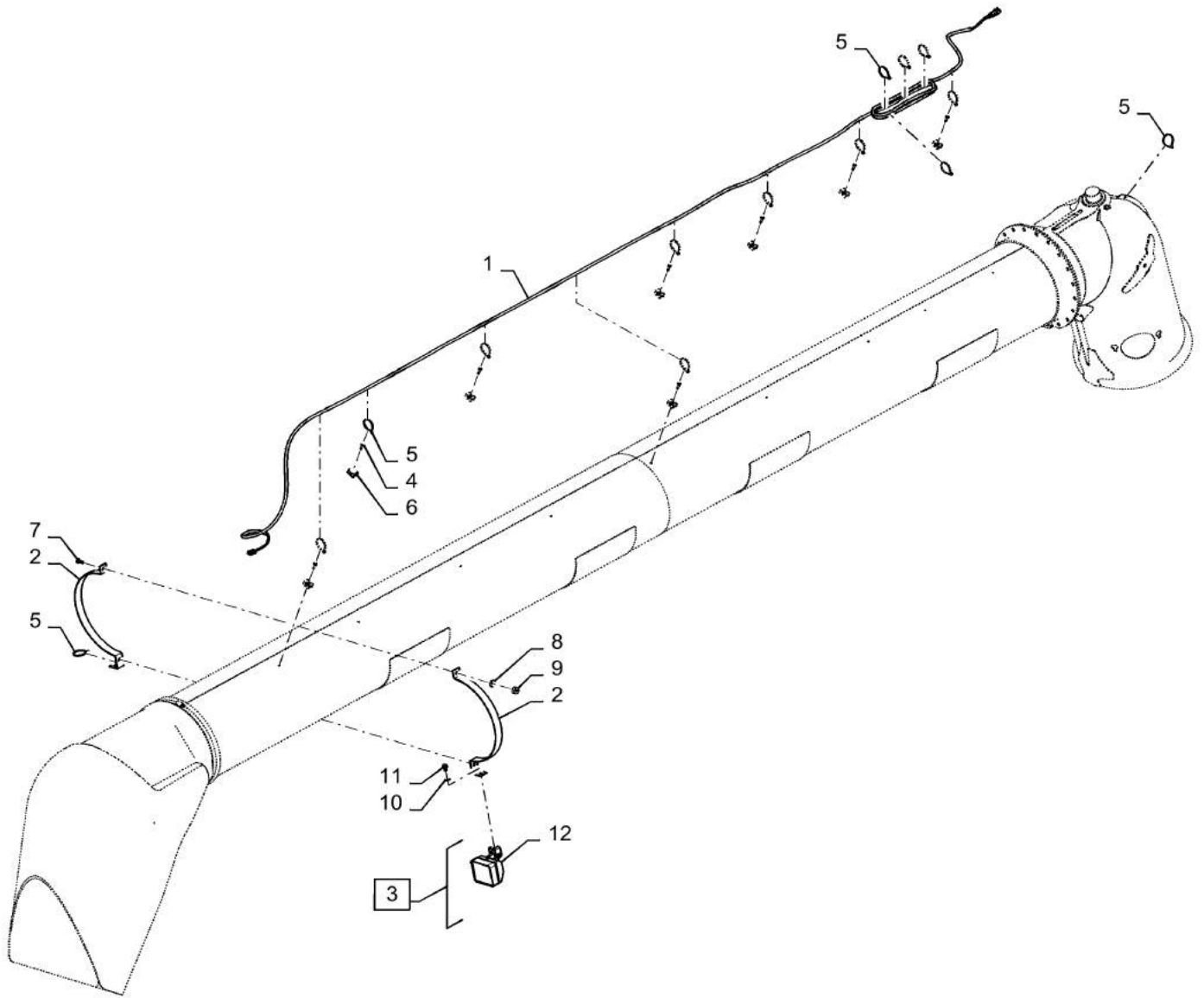


TAIL LAMP

REF FN	PART NUMBER	YR/SN	QTY DESCRIPTION
1	87629587		2 LIGHT ASSY. 12V, 27W, Red Turn Lamp, Incandescent, Amber
2	87627854		2 LIGHT ASSY. 12V, 27W, Red Tail/Stop Lamp, Incandescent, Red
3	86502967		8 SCREW Phillips Drive, Pan HD, M5 x 30mm, Cl 4.8
4	9824326		8 WASHER 5.3mm ID x 10mm OD x 1mm Thk
5	43440		8 LOCK NUT M5 x .8, Cl 8
6	87642985		4 BULB 3157, 12V, 26.5W, Clear Clear, 3157

5140-COMBINE - TIER 2

WIRING ASSY, UNLOADING TUBE

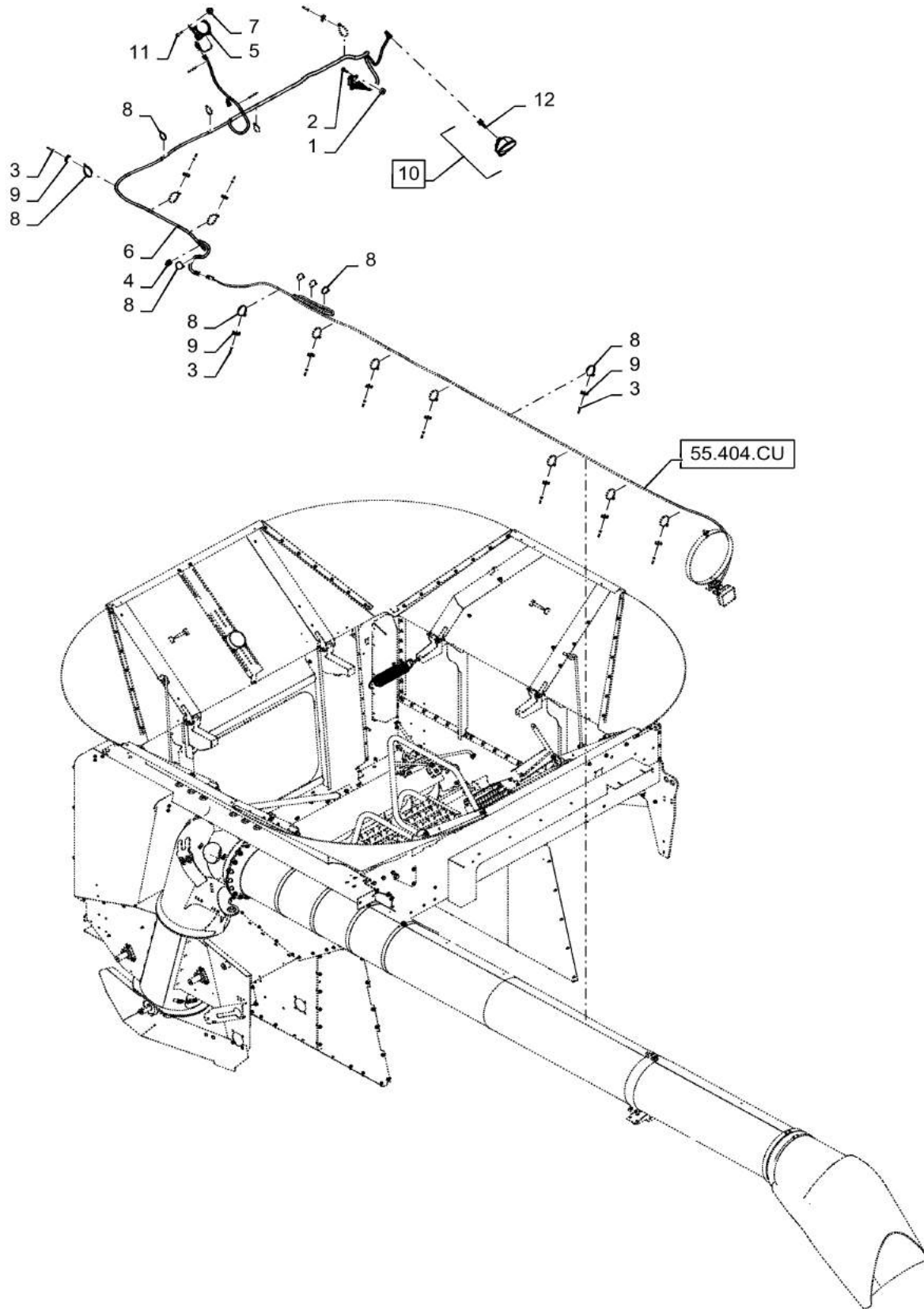


WIRING ASSY, UNLOADING TUBE

REF FN	PART NUMBER	YR/SN	QTY DESCRIPTION
1	84371206		1 WIRE HARNESS Unload Tube Work Light
2	84479806		2 BRACKET Unload Light
3	87584890		1 LIGHT ASSY. Halogen, 12V, 55W, Clear 12V, 55W, H3, Incl 12
4	445394		8 RIVET Pop, 3/16" x 1/2" OAL
5	86566989		13 CABLE TIE 208mm L
6	86590413		8 BASE 15.87mm W x 22.22mm OAL x 9.9mm Thk Wire Tie
7	43139		2 BOLT M10 x 1.5 x 25mm, CI 8.8
8	140045		2 BELLEVILLE WASHER M10X22 ZNM
9	100016		2 NUT M10 x 1.5, CI 8
10	86624176		1 WASHER 11mm ID x 20mm OD x 2mm Thk
11	87021006		1 BOLT M10 x 26.4mm, CI 10.9
12	1312210C2		1 BULB 12V, 55W, H3

5140-COMBINE - TIER 2

WIRING ASSY, GRAIN TANK

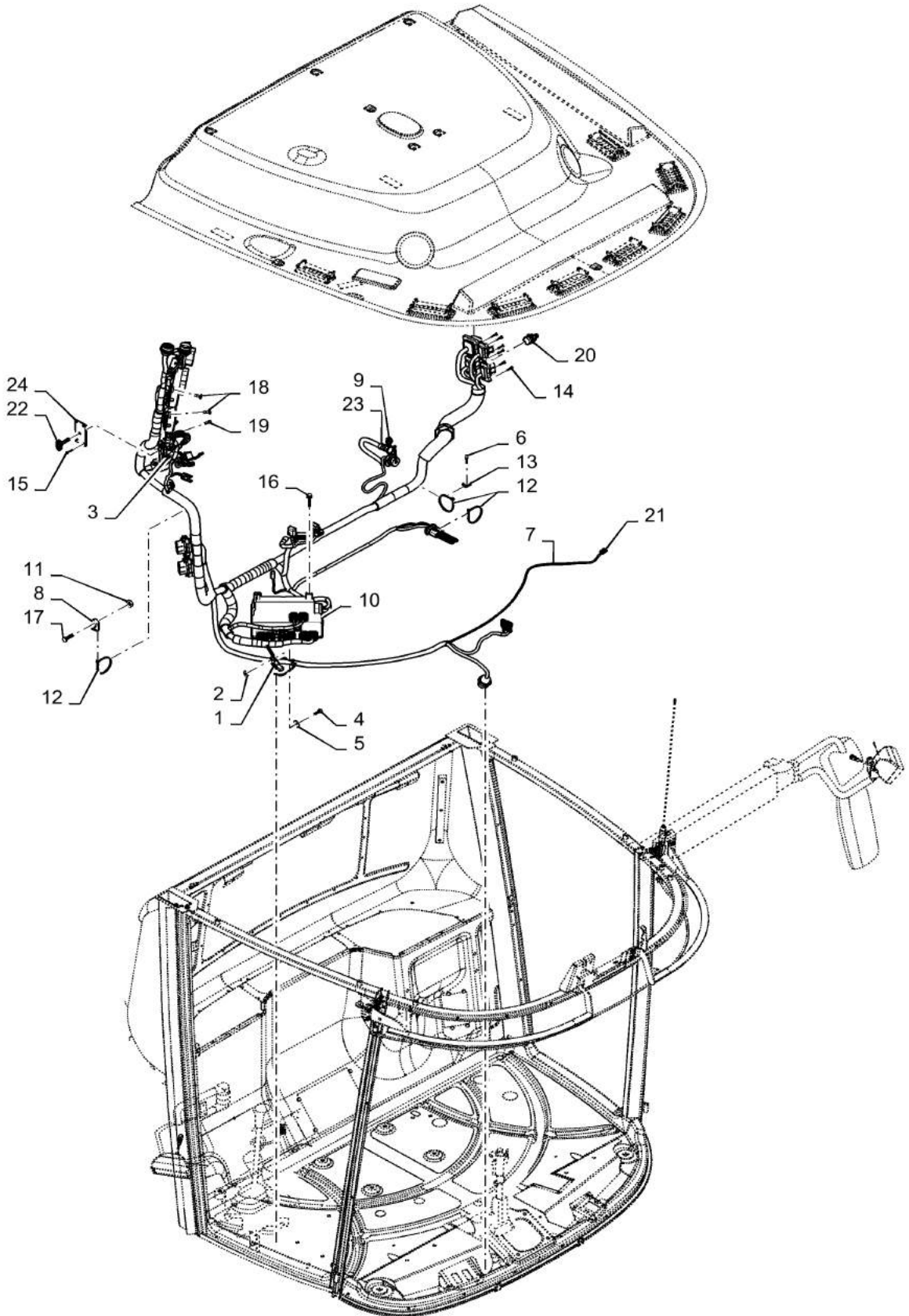


WIRING ASSY, GRAIN TANK

REF FN	PART NUMBER	YR/SN	QTY DESCRIPTION
1	100012		4 NUT M4 x 0.7, CI 8
2	412064		4 BOLT Hex, M4 x 16mm, CI 8.8, Full Thd
3	445395		4 RIVET Pop, 4.8mm OD x 18.1mm L
4	86637780		1 GROMMET 5/8" ID x 1 1/4" Groove Dia, Str Cut
5	84545938		1 SENSOR Grain Bin Level
6	84524019		1 WIRE HARNESS Grain Tank
7	86507066		4 FLANGE NUT M8 x 1.25, CI 10
8	86566989		11 CABLE TIE 208mm L
9	86590413		4 BASE 15.87mm W x 22.22mm OAL x 9.9mm Thk Wire Tie
10	87329757		1 LAMP Halogen, 12V, 16W, Clear 12 V, 16W, Incl 12
11	87656137		4 BOLT M8 x 28.1mm, CI 10.9
12	87329813		1 BULB 12 V, 16W #892

5140-COMBINE - TIER 2

HARNESS, CAB

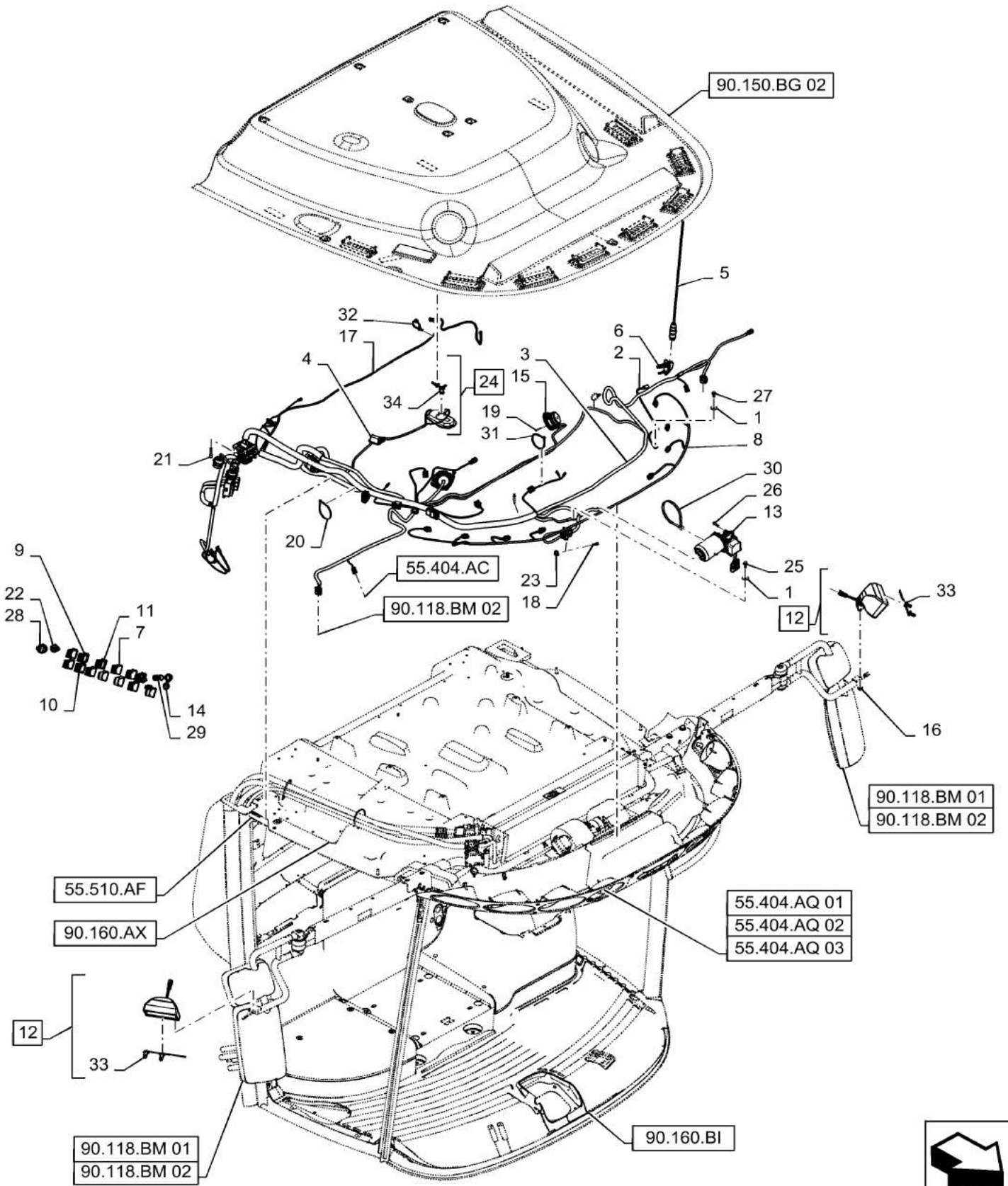


HARNESS, CAB

REF FN	PART NUMBER	YR/SN	QTY DESCRIPTION
1	60-6515T1		1 SWITCH Micro, 3rd Gear Lockout
2	225-14104		2 NUT #4-40
3	425-106		2 NUT 3/8"-16, CI 5
4	463-10416		1 SCREW Hex Hd, #4-40 x 1"
5	495-31012		2 WASHER #4
6	445395		6 RIVET Pop, 4.8mm OD x 18.1mm L
7	47428822		1 WIRE HARNESS Cab Main
8	84340333		2 SECURING STRAP Wire Tie
9	84556691		1 COVER DC Outlet Dust Cover
10	84589142		1 MODULE ECU/ UCM 12V
11	86050300		6 FLANGE NUT M6 x 1.0, CI 10
12	86566990		10 CABLE TIE 292mm OAL x 4.8mm W
13	86590413		6 BASE 15.87mm W x 22.22mm OAL x 9.9mm Thk Wire Tie
14	86625213		24 HEX SOC SCREW M5 x 12mm, CI 8.8
15	117067A1		4 SELF-TAP SCREW Pan Hd, #10-24 x 3/4"
16	87670758		4 FLANGE BOLT M6 x 31.6mm, CI 10.9
17	87675531		2 FLANGE BOLT M6 x 26.6mm, CI 10.9
18	87695418		12 FLANGE BOLT M6 x 1.0 x 16mm, CI 10.9
19	87698833		1 BOLT M8 x 33.1mm, CI 10.9
20	190158A1		1 BLOCK Junction
21	1983341C1		1 SWITCH Differential Lock/ Brake
22	303717A1		2 JUNCTION BLOCK
23	388812A1		1 OUTLET 10A, 12V DC
24	83822C1		3 TAPE Rubber Insulating

5140-COMBINE - TIER 2

HARNESS, ROOF, CAB

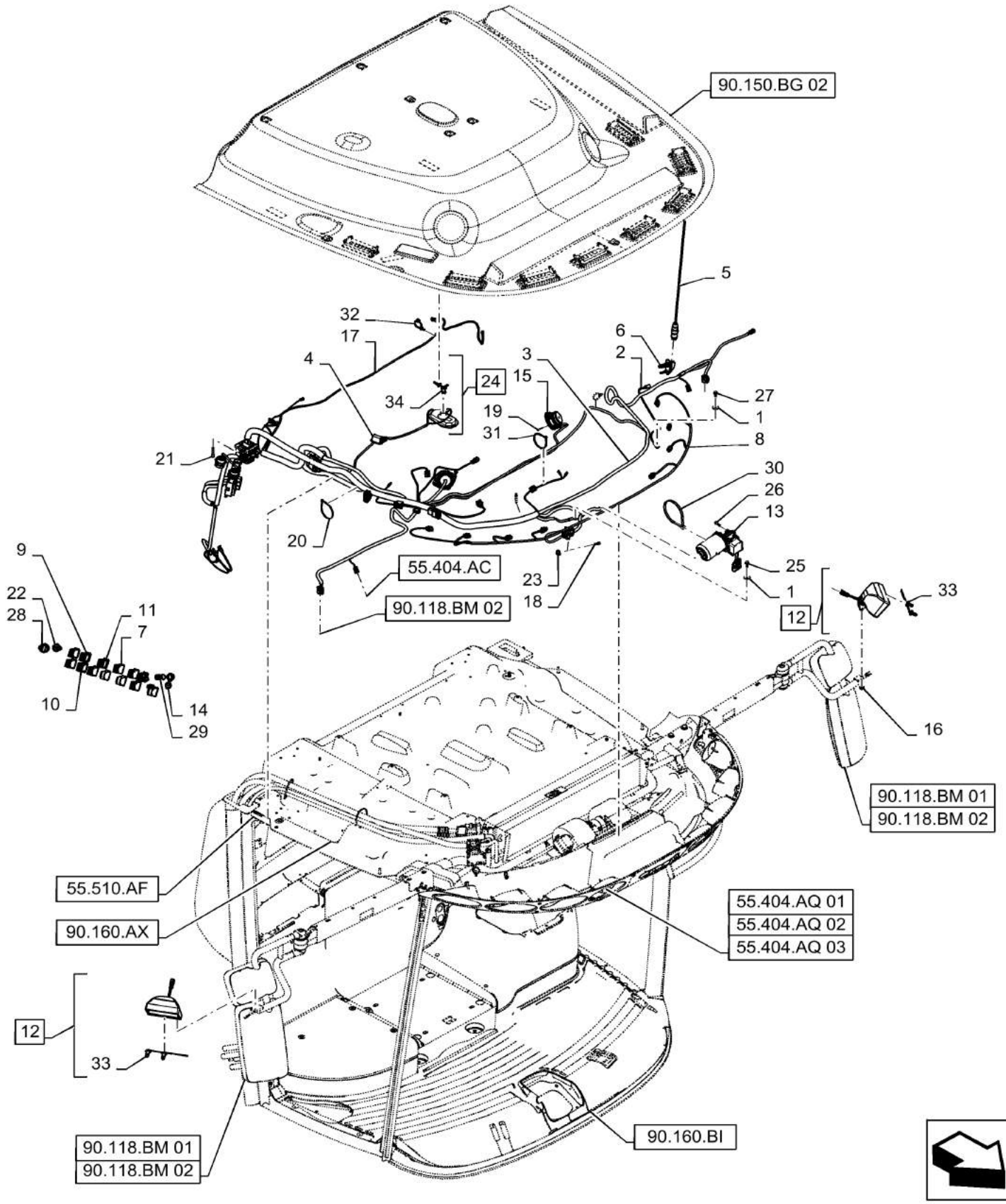


HARNES, ROOF, CAB

REF FN	PART NUMBER	YR/SN	QTY DESCRIPTION
1	140041		2 WASHER M8 x 28mm OD x 3mm Thk
2	47384533		1 WIRE HARNESS Radio Antenna, 2310mm OAL W/ Ground Strap
3	47497190		1 WIRE HARNESS Upper Roof
4	84067961		1 CEILING LAMP 12V, RH Rear, LED
5	84143970		1 ANTENNA Mast, 760mm OAL, M8 Female Thread
6	84143971		1 SUPPORT Antenna Base
7	84320263		10 BLANK-OFF PLUG Switch Covers
8	84344572		1 WIRE HARNESS Roof, Headlights Only
9	84370689		1 SWITCH Rocker, Hazards
10	84380249		1 SWITCH Rocker, Wiper Speed
11	84380254		1 SWITCH Rocker, Road Mode
12	84380267		2 LAMP Halogen, 12V, 55W, Clear Work, Twin Beam Flood, Incl 33
13	84398515		1 ELECTRIC MOTOR Wiper Motor, 12V
14	84556691		1 COVER Dust, 10A
15	84594043		2 SPEAKER Front, 113.9mm OD
16	86050279		2 FLANGE NUT M10 x 1.5, CI 10
17	47497195		1 WIRE HARNESS Lower Roof
18	86511042		4 SCREW Pan, M4 x 0.7 x 19.25mm OAL
19	86511824		4 SCREW Phillips Drive, Pan HD, M4 x 0.7 x 20mm, CI 4.8
20	86566990		6 CABLE TIE 292mm OAL x 4.8mm W
21	86625213		4 HEX SOC SCREW M5 x 12mm, CI 8.8
22	86729670		1 KNOB Blower Speed
23	87301238		4 NUT Flange, M4
24	87301983		1 INTERIOR LIGHT 12V, 10W Courtesy Lamp, Incl 34
25	87656137		1 BOLT M8 x 28.1mm, CI 10.9
26	87670758		3 FLANGE BOLT M6 x 31.6mm, CI 10.9
27	87681207		1 BOLT M8 x 24.1mm, CI 10.9

5140-COMBINE - TIER 2

HARNESS, ROOF, CAB



HARNESS, ROOF, CAB

REF FN	PART NUMBER	YR/SN	QTY DESCRIPTION
28	177249A1		1 ASSEMBLY 4 Position Rotary Switch, Blower
29	388812A1		1 OUTLET 12V, 10A
30	529070		1 CABLE TIE 368.3mm L
31	473321C1		4 CABLE TIE 8" OAL x 0.098" W
32	84292754		1 CLIP Cable Tie W/ Fir Tree, 5mm OD x 203mm OAL
33	1312210C2		2 BULB Halogen H3, 12V, 55W, Incl in 12
34	14149590		1 BULB R10W, 12V, 10W 10W, Incl in 24

5140-COMBINE - TIER 2

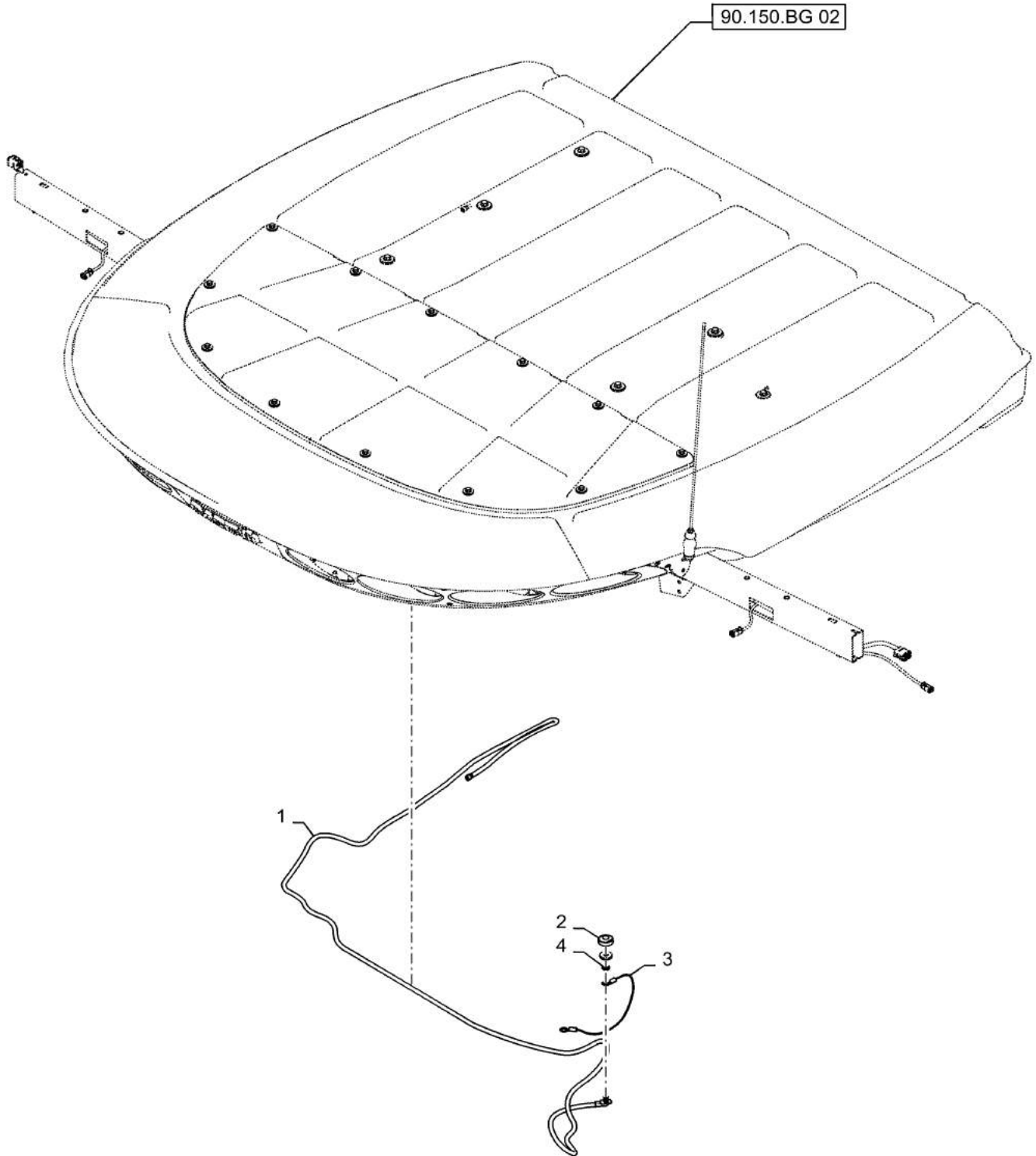
55.512.AA

01

p1

7/2015

ANTENNA, BUSINESS BAND



55.512.AA

01

p1

7/2015

ANTENNA, BUSINESS BAND

REF FN	PART NUMBER	YR/SN	QTY DESCRIPTION
1	47384536		1 ANTENNA Business Band
2	86591730		1 DUST CAP Protection, 1-1/8"-18
3	47384748		1 GROUND STRAP Business Band Radio
4	84076700		1 BUSHING Rubber, 10mm ID x 16mm OD x 3mm Thk

5140-COMBINE - TIER 2

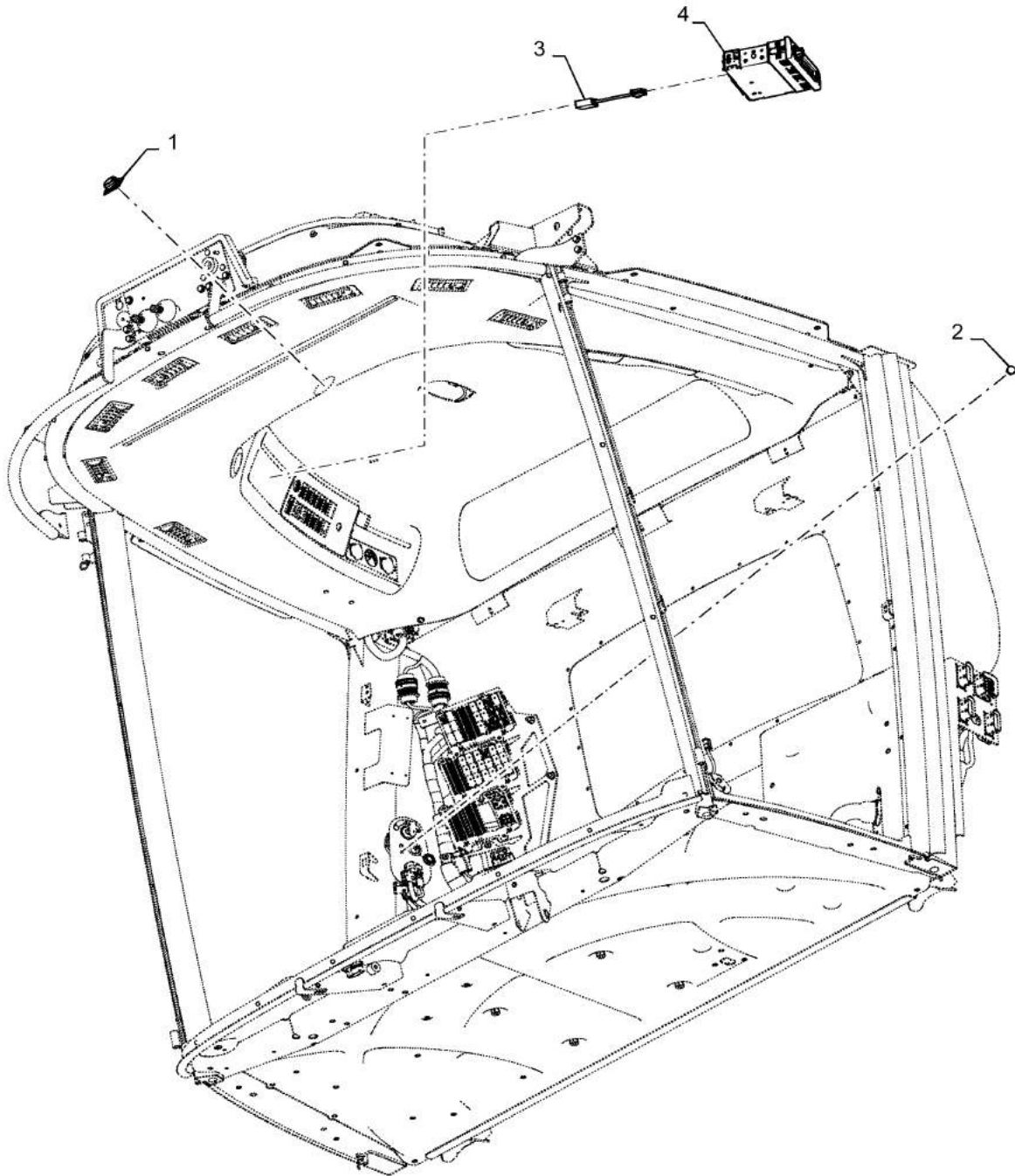
55.512.AA

02

p1

7/2015

VAR - 722650 - RADIO



55.512.AA

02

p1

7/2015

VAR - 722650 - RADIO

REF FN	PART NUMBER	YR/SN	QTY DESCRIPTION
1	84589582		1 COVER Microphone, Wheat
2	84589785		1 PLUG Wheat
3	47400807		1 WIRE HARNESS Radio Adapter
4	87714993		1 RADIO AM/FM/WB W/ Aux Input
5	84399760		1 DECAL Edge Guidance, Not Illustrated, Behind Radio In Headliner

5140-COMBINE - TIER 2

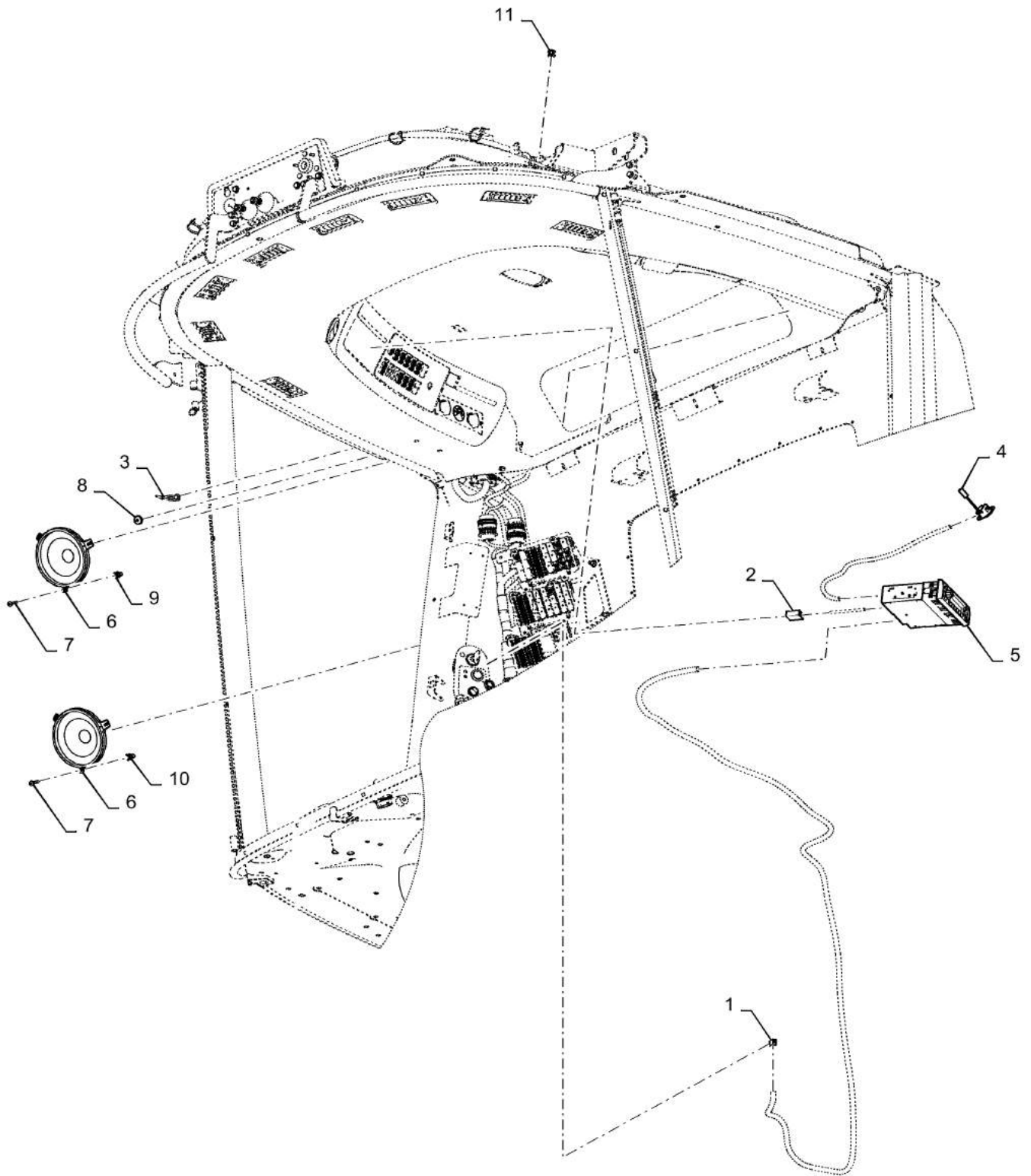
55.512.AA

03

p1

7/2015

VAR - 425377 - RADIO



VAR - 425377 - RADIO

REF FN	PART NUMBER	YR/SN	QTY DESCRIPTION
1	47390902		1 WIRE HARNESS Bluetooth/ Microphone/ Aux
2	47400807		1 WIRE HARNESS Radio Adapter
3	84292754		1 CLIP Cable Tie W/ Fir Tree, 5mm OD x 203mm OAL Fir Tree Mount
4	84367388		1 MODULE Bluetooth Microphone
5	47474396		1 RADIO AM/ FM/ WB/ AUX/ CD/ Bluetooth/ XM
6	84602171		2 SPEAKER Rear
7	86511042		6 SCREW Pan, M4 x 0.7 x 19.25mm OAL
8	87373039		2 GROMMET Rubber, .188" ID
9	84601477		1 HOUSING Speaker, Rear, RH
10	84601476		1 HOUSING Speaker, Rear, LH
11	84407903		8 RIVET Pop, 6mm OD x 9.5mm L Speaker Housing

5140-COMBINE - TIER 2

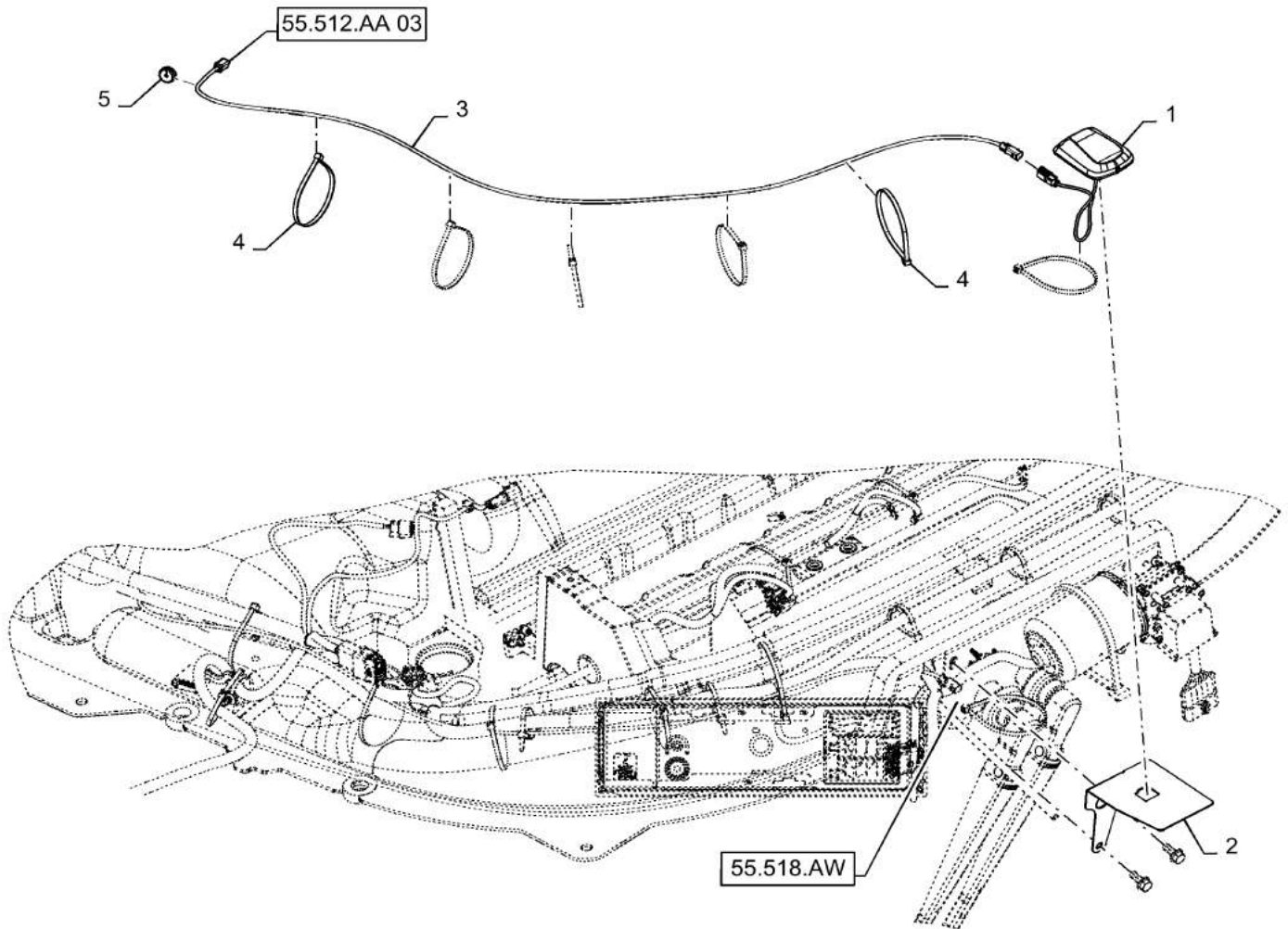
55.512.AA

04

p1

7/2015

VAR - 425377 - ANTENNA, SATELLITE



55.512.AA

04

p1

7/2015

VAR - 425377 - ANTENNA, SATELLITE

REF FN	PART NUMBER	YR/SN	QTY DESCRIPTION
1	47431090		1 ANTENNA Satellite Radio
2	47687085		1 BRACKET Antenna
3	47690872		1 WIRE HARNESS Satellite Radio Antenna
4	86566990		6 CABLE TIE 292mm OAL x 4.8mm W
5	87036285		1 GROMMET 0.125" ID x 0.750" OD x 0.312" Thk

5140-COMBINE - TIER 2

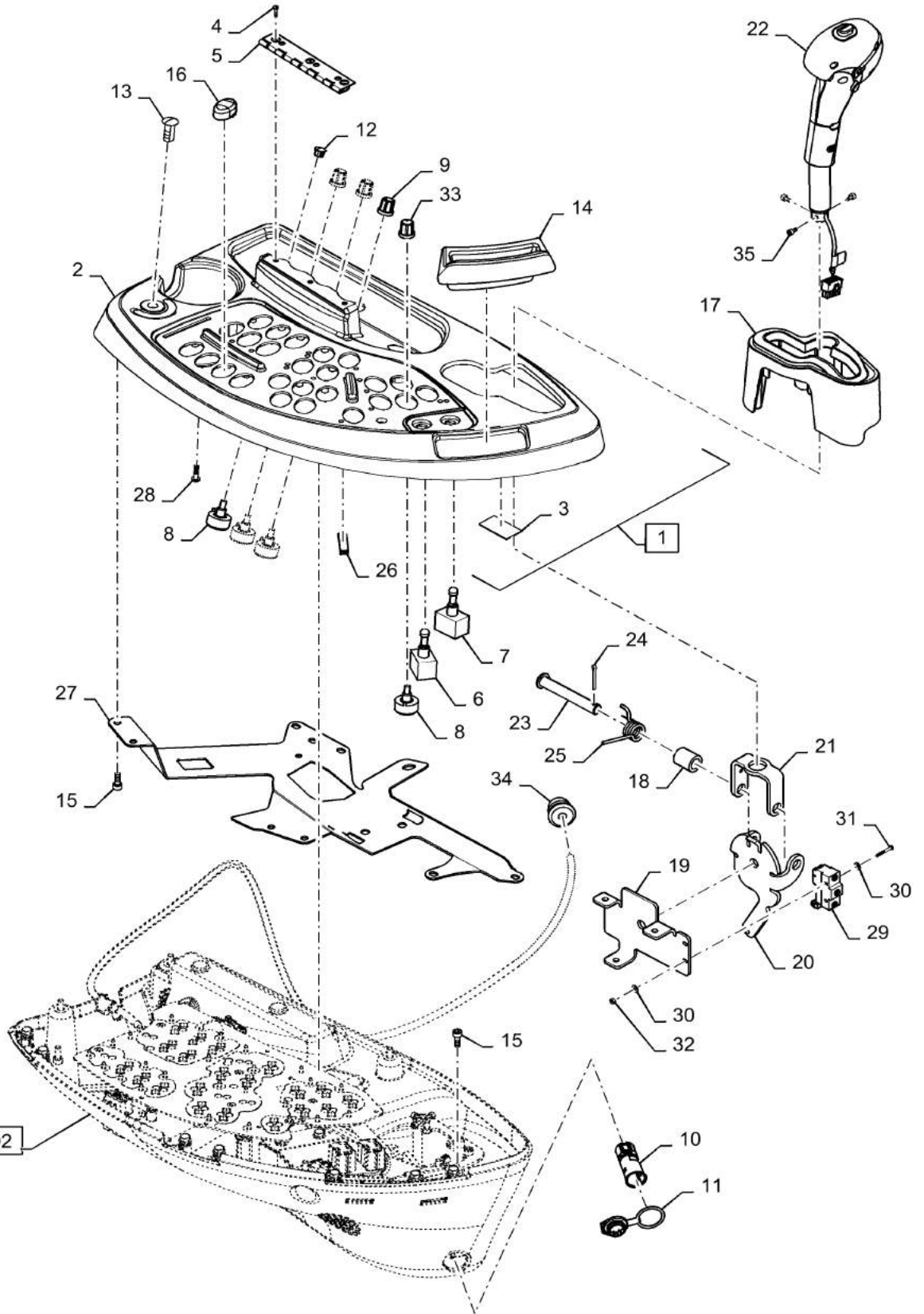
55.512.BL

01

p1

7/2015

CONTROL PANEL, CONTROL LEVER, RH



55.512.BL 02

CONTROL PANEL, CONTROL LEVER, RH

REF FN	PART NUMBER	YR/SN	QTY DESCRIPTION
1	47432029		1 SHELL Upper Right Hande Console, Incl 2 - 3
2	47409205		1 SHELL Upper Console
3	84592867		1 FOAM INSULATION Sound Damper
4	86599775		7 SCREW M3 x 0.5 x 14.4mm OAL, CI 4.8
5	84525530		1 HINGE Armrest Pad
6	245634C3		1 SWITCH Feeder/Header Engagement
7	245632C2		1 SWITCH Separator Engagement
8	114551A1		4 POTENTIOMETER 2500 Ohm, 500V Reel Speed, Header Raise Rate, Header Lower Rate, Accumulator Pressure
9	118780A1		3 KNOB Black
10	388812A1		1 OUTLET 10A
11	84556691		1 COVER Outlet
12	282056A1		1 PLUG Black Dome
13	87570112		1 PLUG Fir Tree
14	47404253		1 PROTECTIVE SLEEVE Holder
15	14305221		14 HEX SOC SCREW M6 x 16mm, CI 12.9
16	84405101		6 BUTTON Button Cover/ Blank
17	47409202		1 BEZEL Multi Function Handle Cover
18	224368A1		1 SPACER 0.546" ID x 0.840" OD x 0.984" OAL Handle Linkage
19	84396784		1 BRACKET Inner Handle Mount
20	84547423		1 BRACKET Lower Handle Mount
21	84547431		1 BRACKET Upper Handle Mount
22	84574524		1 CONTROL LEVER Multi Function Handle
23	27-8343		1 CLEVIS PIN 12.7mm OD x 87.33mm L
24	432-816		1 COTTER PIN 1/8" x 1"
25	128593A1		1 SPRING Handle Return
26	84544528		1 TRIM Edging
27	47391901		1 BRACKET Upper Bezel Support
28	117067A1		1 SELF-TAP SCREW Pan Hd, #10-24 x 3/4"

5140-COMBINE - TIER 2

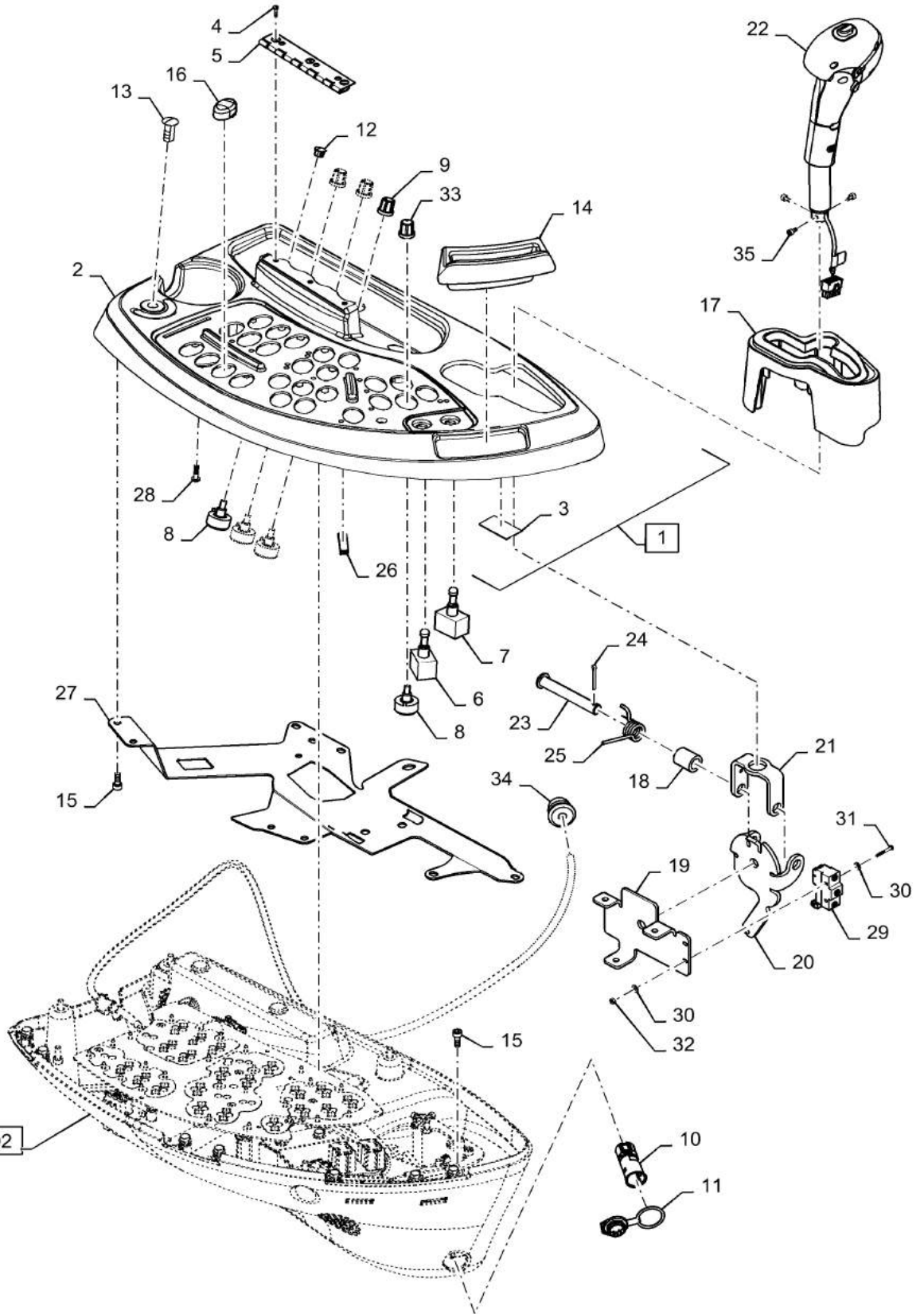
55.512.BL

01

p2

7/2015

CONTROL PANEL, CONTROL LEVER, RH



55.512.BL 02

55.512.BL

01

p2

7/2015

CONTROL PANEL, CONTROL LEVER, RH

REF FN	PART NUMBER	YR/SN	QTY DESCRIPTION
29	141655A1		1 SWITCH Neutral Safety
30	9824840		4 WASHER 4.3mm ID x 9mm OD x 0.8mm Thk
31	463-10416		2 SCREW Hex Hd, #4-40 x 1"
32	225-14104		2 NUT #4-40
33	84514485		1 KNOB Black Matte
34	195803C1		1 GROMMET Propulsion Cable
35	14418924		3 SCREW M4 x 8mm, Cl 8.8, Full Thd

5140-COMBINE - TIER 2

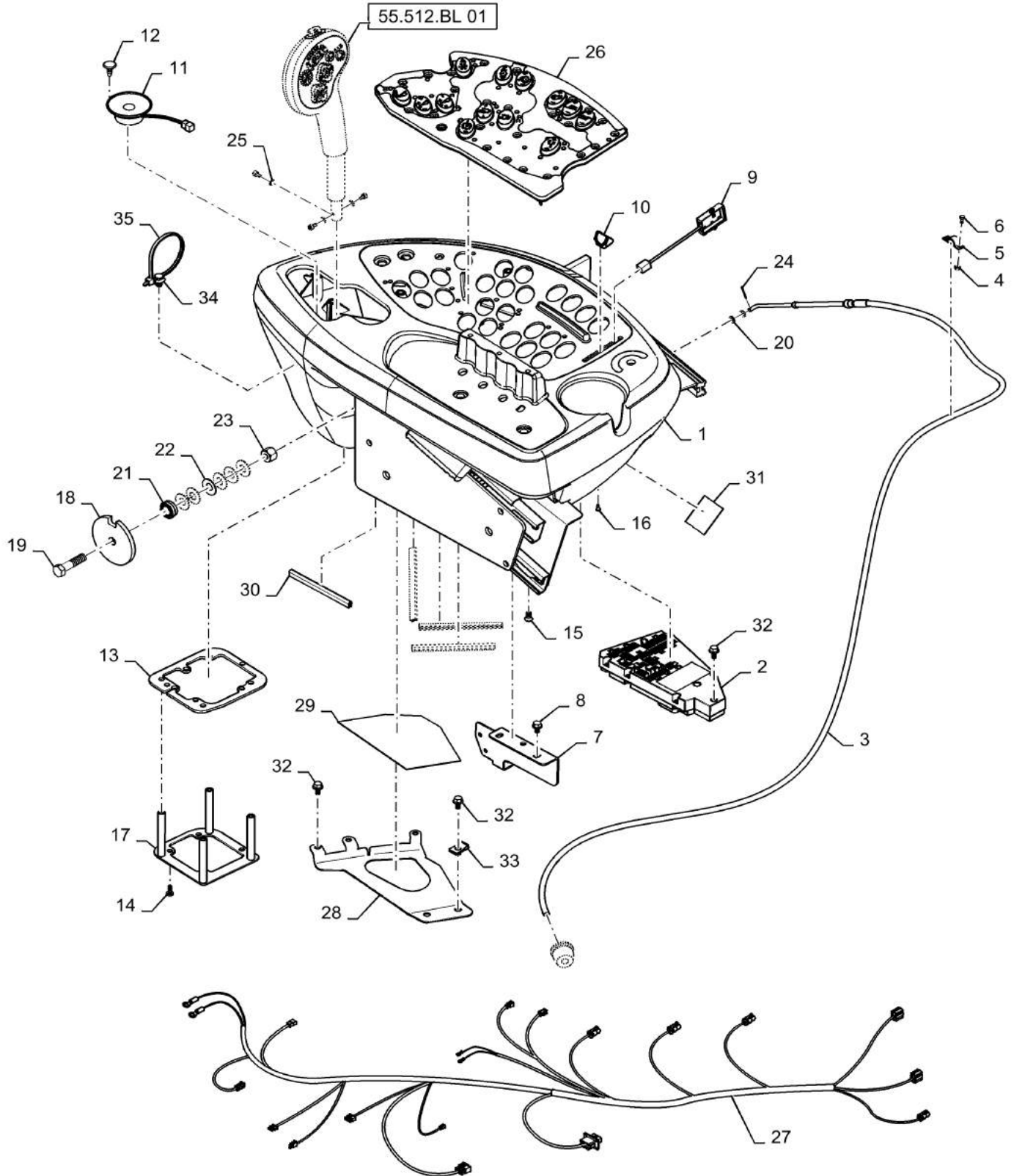
55.512.BL

02

p1

7/2015

CONTROL PANEL, RH



55.512.BL

02

p1

7/2015

CONTROL PANEL, RH

REF FN	PART NUMBER	YR/SN	QTY DESCRIPTION
1	47409212		1 SHELL Lower Console
2	84286694		1 MODULE Console ECU
3	84203945		1 CABLE 6957mm L Propulsion Control
4	87301238		2 NUT M4, Serrated
5	A75815		1 CLAMP Cable Retention
6	841-4410		2 SCREW HWH, M4 x 10mm, CI 4.8
7	84547455		1 BRACKET Lower Console Support
8	941-4610		3 FLANGE BOLT Hex Wshr Hd, M6 x 10mm, CI 4.8
9	84218029		1 POTENTIOMETER Throttle Position
10	84393337		1 KNOB Throttle
11	86998255		1 SPEAKER Warning Tone
12	10589928		3 SCREW Flat Hd, M6 x 20.2mm OAL 10mm Collar
13	84547412		1 BEZEL Propulsion Handle Spacer
14	80043982		4 SCREW Phillips Drive, Pan HD, M5 x 12mm, CI 4.8
15	44669		3 SCREW Pan Head, M6 x 8mm, 4.8
16	50631		25 SCREW Self Tapping, M6 x 0.5" OAL #6 Self Tapping
17	84547427		1 SPACER Propulsion Handle
18	251090A1		1 THRUST WASHER 76mm OD, Wearing
19	280747		1 BOLT Hex, 7/16" - 14 x 1 3/4", Gr 5
20	14496301		2 WASHER 5.3mm ID x 10mm OD x 1mm Thk
21	159688R91		1 THRUST BEARING .927" OD x .502" ID x .0781"
22	1994980C1		6 BELLEVILLE WASHER 25.4mm OD x 11.3mm ID x 1.9mm
23	231-1447		1 NUT 7/16"-14, GB
24	432-48		1 COTTER PIN 1/16" x 1/2"
25	322355		3 BELLEVILLE WASHER M4 x 10mm OD x 0.9mm Thk
26	47466135		1 PANEL RH Console Switch Pad
27	84524018		1 HARNESS RH Console

5140-COMBINE - TIER 2

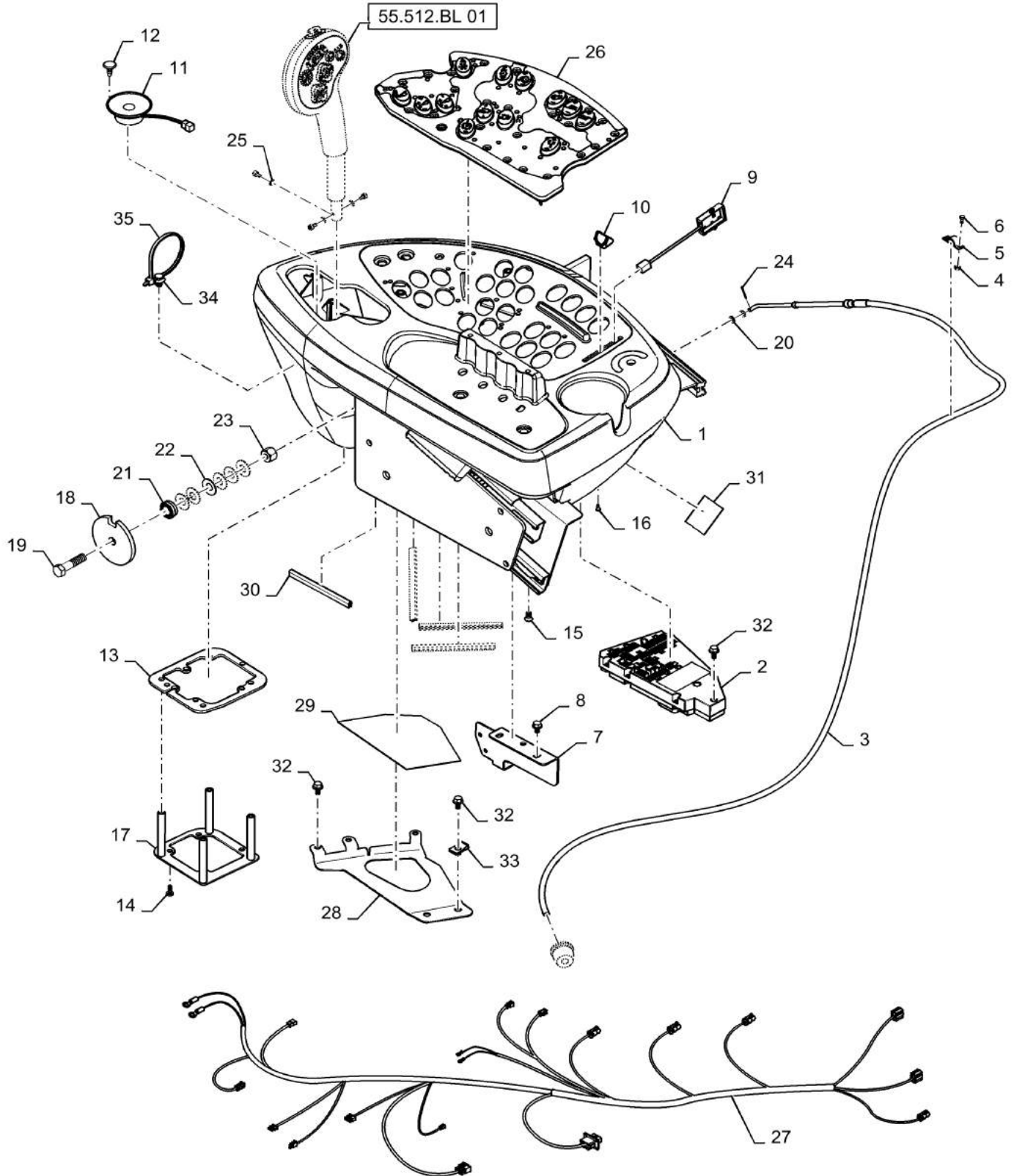
55.512.BL

02

p2

7/2015

CONTROL PANEL, RH



55.512.BL

02

p2

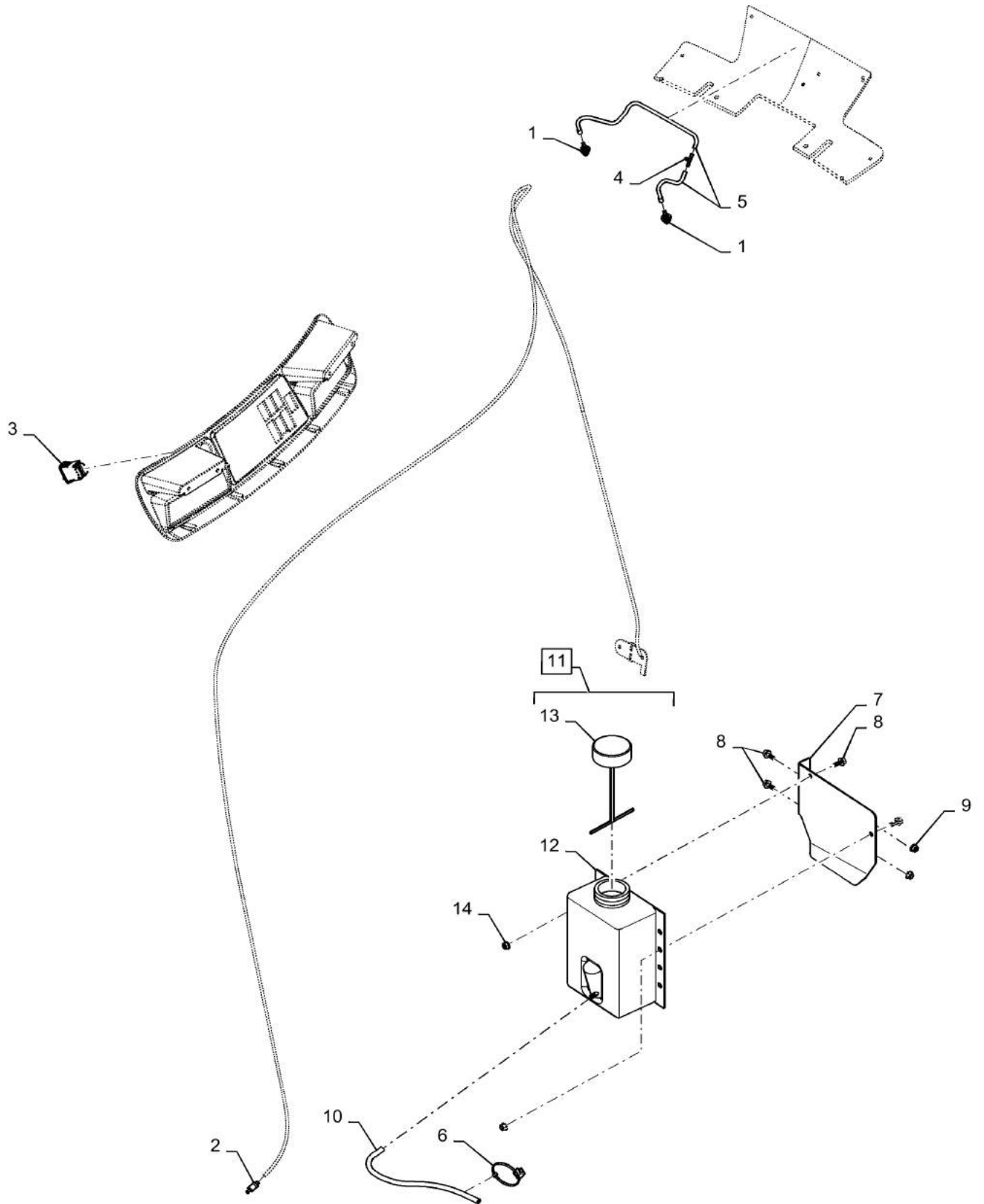
7/2015

CONTROL PANEL, RH

REF FN	PART NUMBER	YR/SN	QTY DESCRIPTION
28	47391903		1 BRACKET ECU Support
29	47416206		1 PADDING Sound Damping
30	47416208		4 TRIM 115mm L Edge
31	47416411		1 DECAL Fuse Location
32	87698753		11 FLANGE BOLT M6 x 12mm, Cl 10.9, Full Thd
33	87016585		2 NUT Spring, M6 M6
34	84292754		1 CLIP Cable Tie W/ Fir Tree, 5mm OD x 203mm OAL Cable Tie Mount
35	86566990		1 CABLE TIE 292mm OAL x 4.8mm W

5140-COMBINE - TIER 2

WINDSHIELD WASHER , RESERVOIR, PUMP, SWITCH

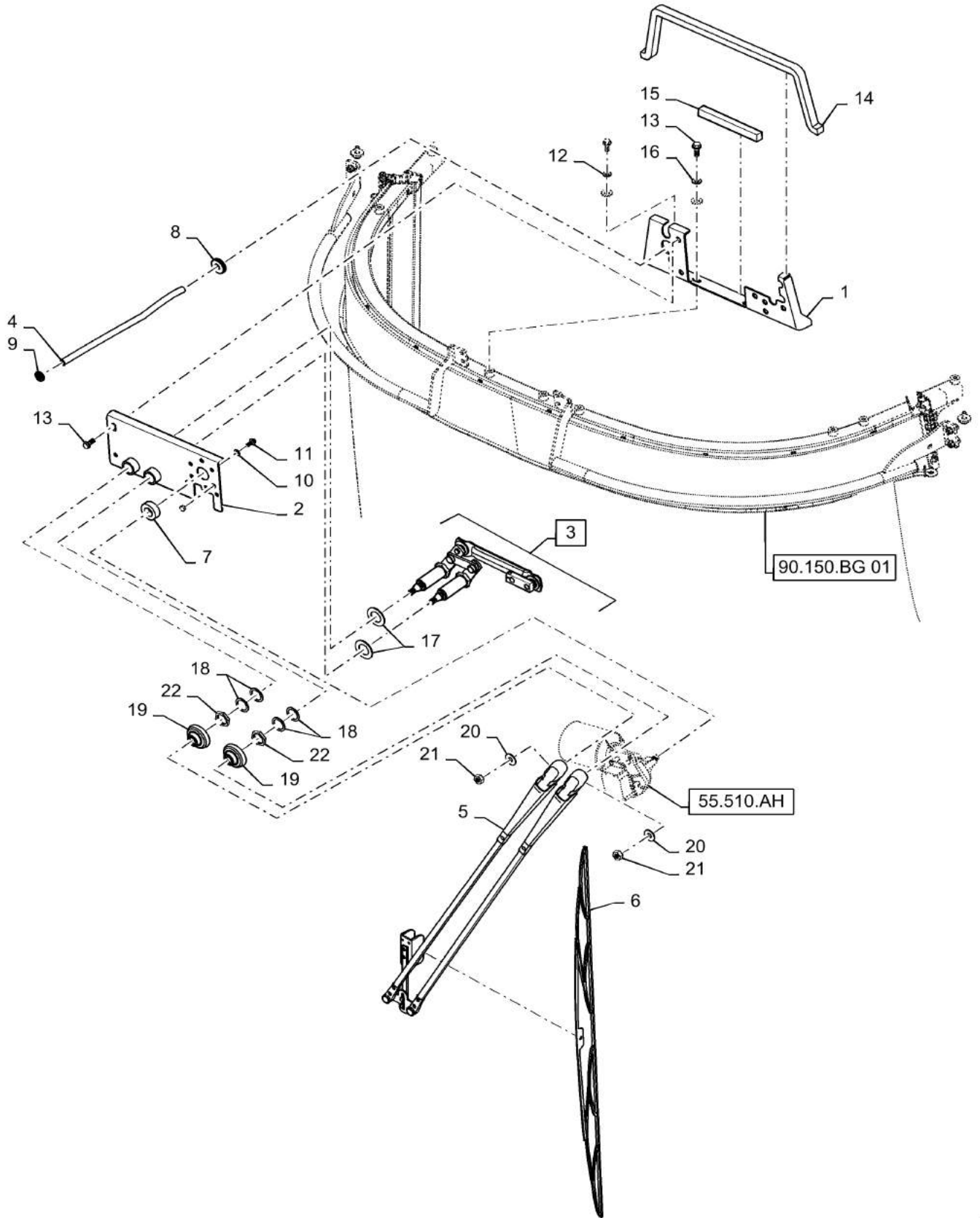


WINDSHIELD WASHER , RESERVOIR, PUMP, SWITCH

REF FN	PART NUMBER	YR/SN	QTY DESCRIPTION
1	84037532		1 NOZZLE Washer
2	84037530		1 VALVE
3	84380250		1 SWITCH Windshield Washer
4	84037529		1 3 WAY CONNECTION Hose Tee
5	84037518		1 HOSE 3.5mm ID x 530mm
6	86566989		1 CABLE TIE 208mm L
7	87447938		1 SUPPORT Washer Tank
8	87656137		4 BOLT M8 x 28.1mm, CI 10.9
9	86507066		2 FLANGE NUT M8 x 1.25, CI 10
10	31-2423		1 HOSE 0.19" ID x 15.00"
11	87014923		1 WINDSHIELD WASH RESERVOIR Incl 12, 13
12	BN98901		1 PUMP Washer
13	87439461		1 CAP Washer Reservoir Cap W/ Tether
14	86619801		2 FLANGE NUT M8 x 1.25, CI 8

5140-COMBINE - TIER 2

WIPER

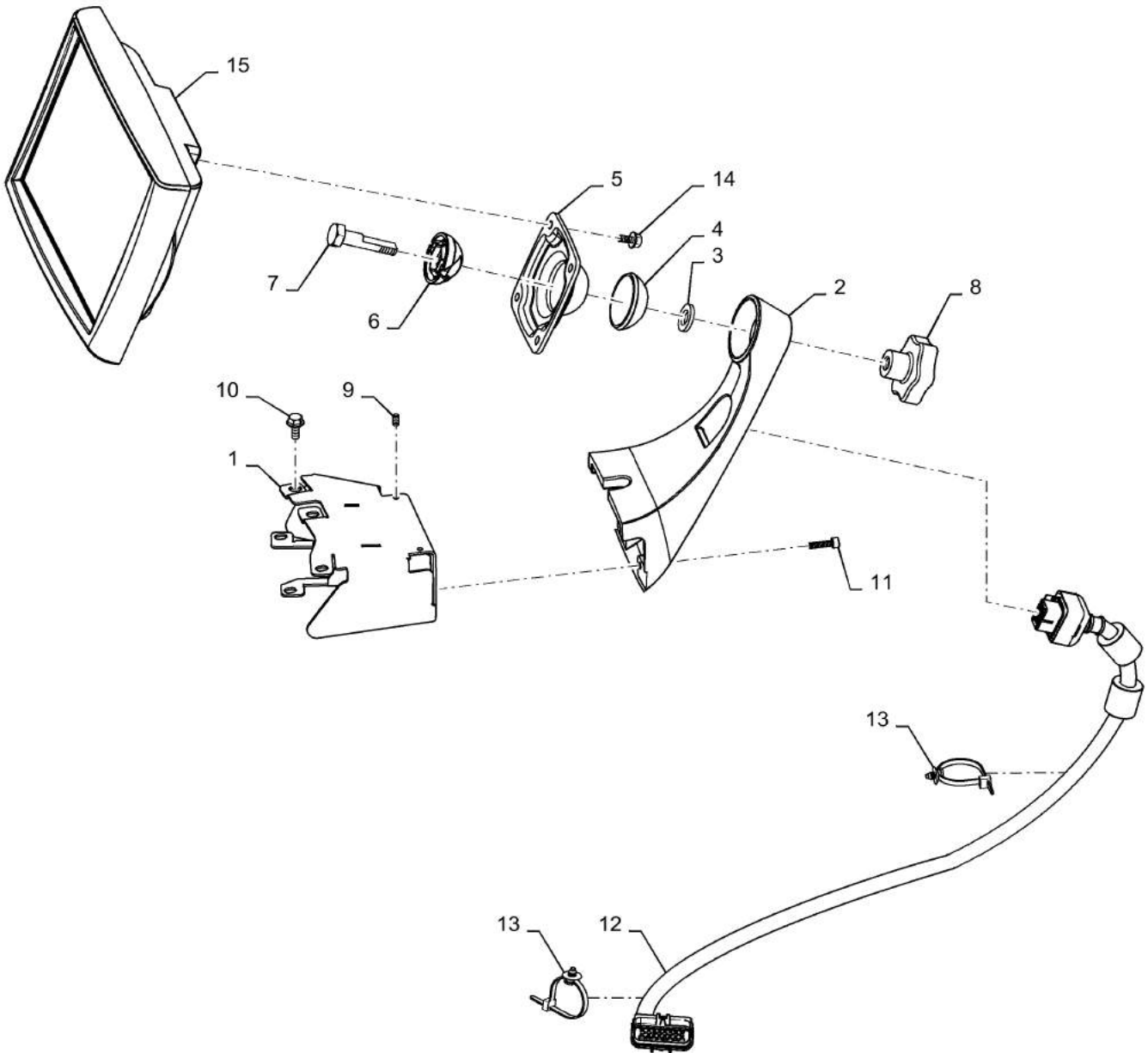


WIPER

REF FN	PART NUMBER	YR/SN	QTY DESCRIPTION
1	84552737		1 BRACKET Wiper Motor/ Linkage Support
2	84552753		1 BRACKET Front Linkage Supprot
3	84309096		1 LINKAGE Wiper, Incl 17 - 22
4	84037518		AR HOSE Washer, 3.6M
5	84309101		1 WIPER ARM Dual Windshield, 1055mm OAL
6	84309098		1 WINDSHIELD WIPER Blade, 1380mm OAL
7	87019751		1 WIPER SEAL M20 x 39mm OD x 12.7mm Thk
8	84607475		1 GROMMET M6 x 36.5mm OD x 25mm Thk
9	248-1370		1 GROMMET Rubber, 0.375" ID x 1" OD
10	322357		3 BELLEVILLE WASHER M6 x 14mm OD x 1.3mm Thk
11	87695418		3 FLANGE BOLT M6 x 1.0 x 16mm, CI 10.9
12	83931520		1 WASHER 8.4mm ID x 17mm OD x 2mm Thk
13	87656137		8 BOLT M8 x 28.1mm, CI 10.9
14	47401286		1 FOAM 16mm W x 720mm L x 19mm Thk Top, Seals to Roof
15	47401290		1 FOAM 16mm W x 160mm L x 19mm Thk Bottom Bracket
16	140041		7 WASHER M8 x 28mm OD x 3mm Thk
17	NSS		2 NOT SERVICED SEPARATELY Washer, Incl in 3
18	NSS		4 NOT SERVICED SEPARATELY Washer, Incl in 3
19	NSS		2 NOT SERVICED SEPARATELY Grommet, Incl in 3
20	NSS		2 NOT SERVICED SEPARATELY Washer, Incl in 3
21	NSS		2 NOT SERVICED SEPARATELY Nut, Incl in 3
22	NSS		2 NOT SERVICED SEPARATELY Nut, Incl in 3

5140-COMBINE - TIER 2

MONITOR, CONSOLE, DISPLAY



MONITOR, CONSOLE, DISPLAY

REF FN	PART NUMBER	YR/SN	QTY DESCRIPTION
1	84539038		1 BRACKET Monitor Mount
2	47405243		1 MOUNT Upper Monitor Mount
3	896-11012		1 WASHER 13.5mm ID x 24mm OD x 3mm Thk
4	82039389		1 CUP WASHER Ball Joint
5	87583911		1 BASE PLATE Monitor Mount
6	82038414		1 HALF BALL Ball Joint
7	87568603		1 SPECIAL BOLT Center Monitor Mount
8	87353504		1 KNOB M12 x 1.75 Internal Thread
9	84139323		2 SET SCREW M5 x 0.8 x 10mm M5 x 10mm
10	87695418		5 FLANGE BOLT M6 x 1.0 x 16mm, CI 10.9
11	14304321		2 HEX SOC SCREW M5 x 20mm, CI 8.8, Full Thd
12	47428825		1 WIRE HARNESS Monitor To Cab Harness
13	84292754		2 CLIP Cable Tie W/ Fir Tree, 5mm OD x 203mm OAL Fir Tree W Tie Strap
14	87698753		4 FLANGE BOLT M6 x 12mm, CI 10.9, Full Thd
15	47514034		1 DISPLAY Fred II W/ Protective Box

5140-COMBINE - TIER 2

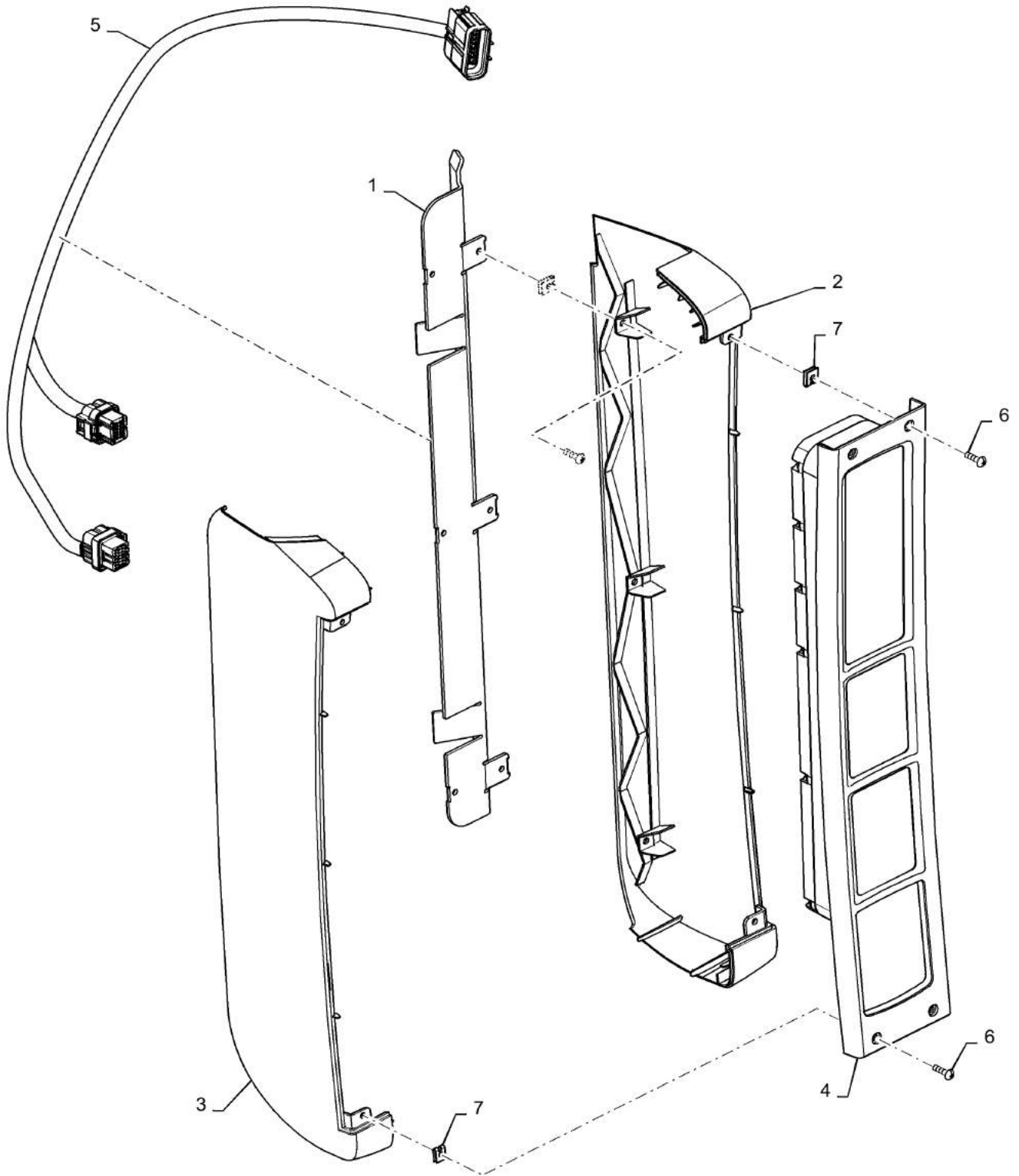
55.520.AX

02

p1

7/2015

DISPLAY, CAB, POST



55.520.AX

02

p1

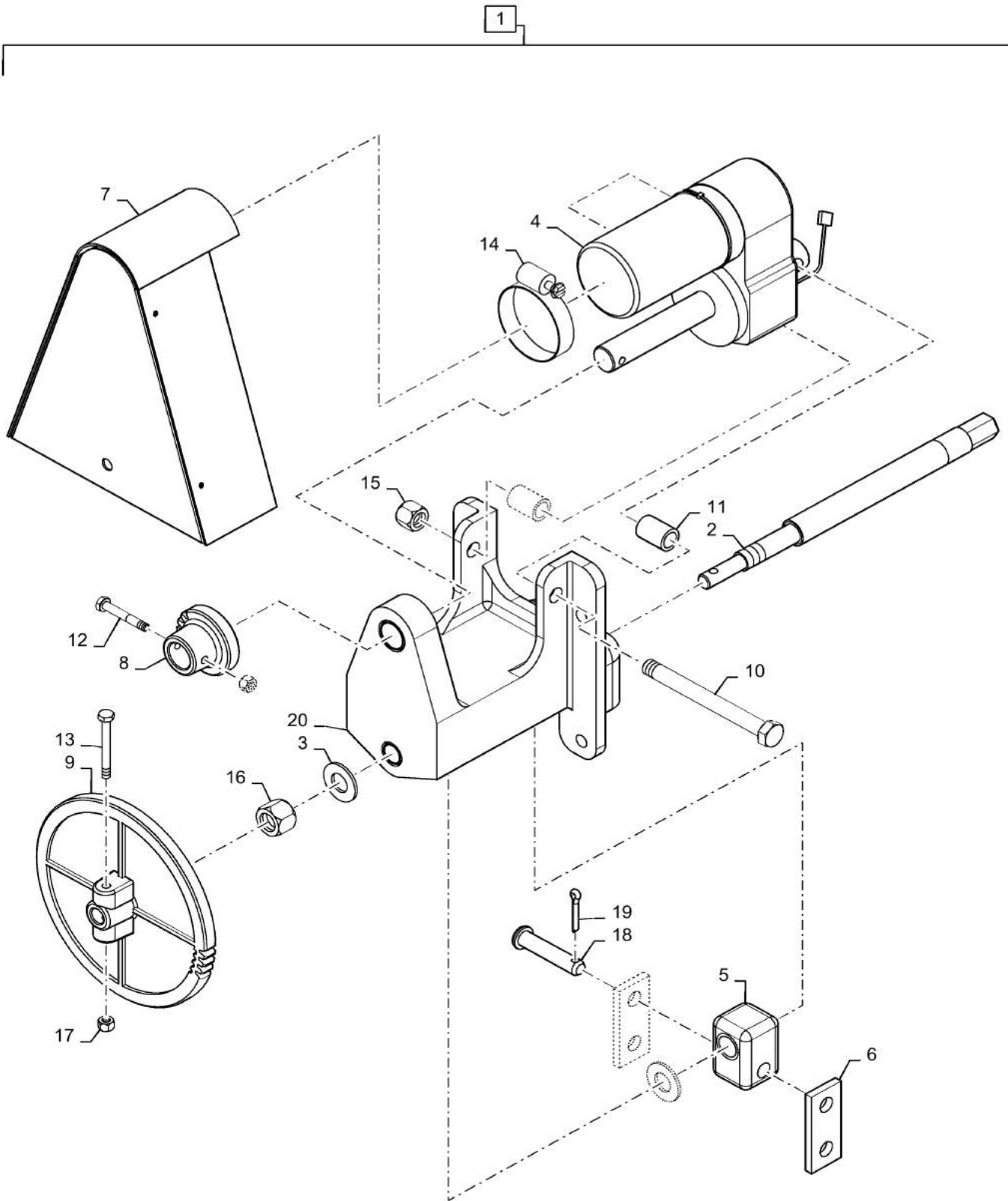
7/2015

DISPLAY, CAB, POST

REF FN	PART NUMBER	YR/SN	QTY DESCRIPTION
1	47412770		1 BRACKET Module Mounting
2	84530698		1 COVER RH Side
3	84530695		1 COVER LH Side
4	47609070		1 DISPLAY A-Post
5	47428826		1 WIRE HARNESS To A-Post And Roof Harness
6	86900238		10 SELF-TAP SCREW Phillips Drive, Pan HD, #10 - 16 x 3/4"
7	14369071		10 SPRING NUT 14.6mm x 4.8mm x 12mm

5140-COMBINE - TIER 2

MOTOR, CONCAVE



MOTOR, CONCAVE

REF FN	PART NUMBER	YR/SN	QTY DESCRIPTION
1	195035A1		1 HOUSING Concave Adjust, Incl 2 - 20
2	131436A2		1 SHAFT Concave Adjust
3	496-11066		2 WASHER 21/32" x 1 5/16" x .095", HDN
4	143239A2		1 MOTOR, ELECTRIC Concave Control
4	143239A2R		1 REMAN-ELECTRIC MOTOR Concave Control
4	143239A2C		1 CORE-ELECTRIC MOTOR Return Number
5	192886C1		1 NUT 7/8" Acme
6	192888C1		2 PLATE Upper Link
7	144528A1		1 SHIELD Concave Motor
8	135406A2		1 GEAR Drive, 20 Tooth
9	135410A2		1 GEAR Driven, 70 Tooth
10	413-880		1 BOLT Hex, 1/2" - 13 x 5", Gr 5
11	87036416		2 SPACER 13.51mm ID x 19.05mm OD x 26.97mm L
12	413-428		1 BOLT Hex, 1/4" - 20 x 1-3/4", Gr 5
13	413-436		1 BOLT Hex, 1/4" - 20 x 2-1/4", Gr 5
14	214-1540		1 HOSE CLAMP #40, 2.06" - 3", Type F Worm, W/ Liner
15	231-1448		1 NUT 1/2"-13, GB
16	232-41110		1 NUT 5/8"-11, GC
17	230-4214		2 LOCK NUT 1/4"-20, GA
18	439-1838		1 HEADED PIN 1/2" x 2 3/8"
19	432-1216		1 COTTER PIN 3/16" x 1"
20	142607A2		1 HOUSING Concave Control

5140-COMBINE - TIER 2

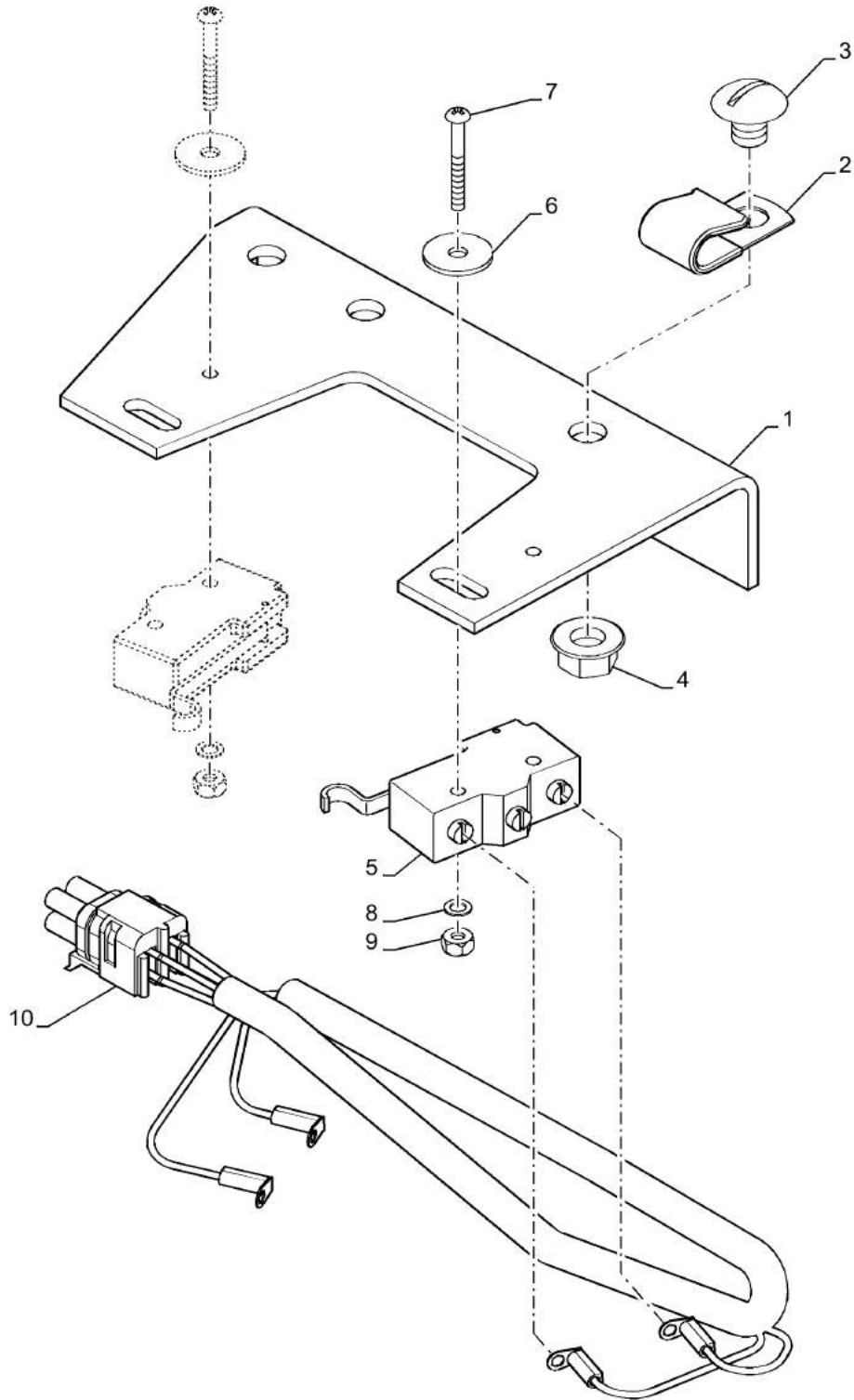
55.628.AT

01

p1

7/2015

ROTOR SPEED LIMITER SWITCH ASSY



55.628.AT

01

p1

7/2015

ROTOR SPEED LIMITER SWITCH ASSY

REF FN	PART NUMBER	YR/SN	QTY DESCRIPTION
1	47664256		1 SUPPORT Limit Switch
2	362120R1		1 CLAMP 9.53mm ID, 10.32mm Bolt Hole, P Type Head Lamp Harness
3	477-73808		1 SERRATED SCREW SI Truss Hd, 3/8" - 16 x 1/2"
4	231-5146		1 FLANGE NUT 3/8"-16
5	128298A2		2 SWITCH Simulated Roller
6	495-61020		4 WASHER 0.203" ID x 0.75" OD x 0.067" Thk
7	440-10620		4 SCREW Phillips Drive, Pan HD, #6 - 32 x 1-1/4"
8	280384		4 LOCK WASHER Int Tooth, #6
9	230-42406		4 LOCK NUT #6-32, GA
10	245240C1		1 WIRE HARNESS Rotor Limit Switch

5140-COMBINE - TIER 2

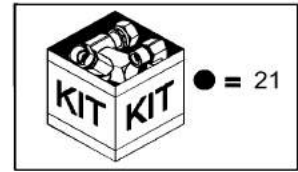
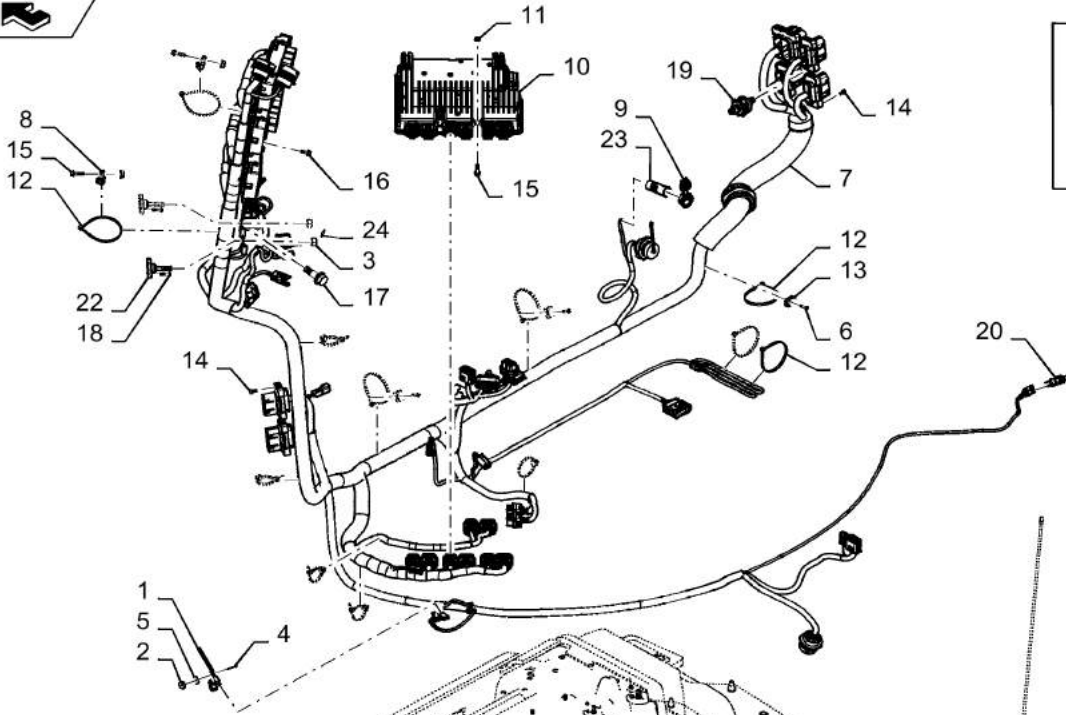
55.640.AG

01

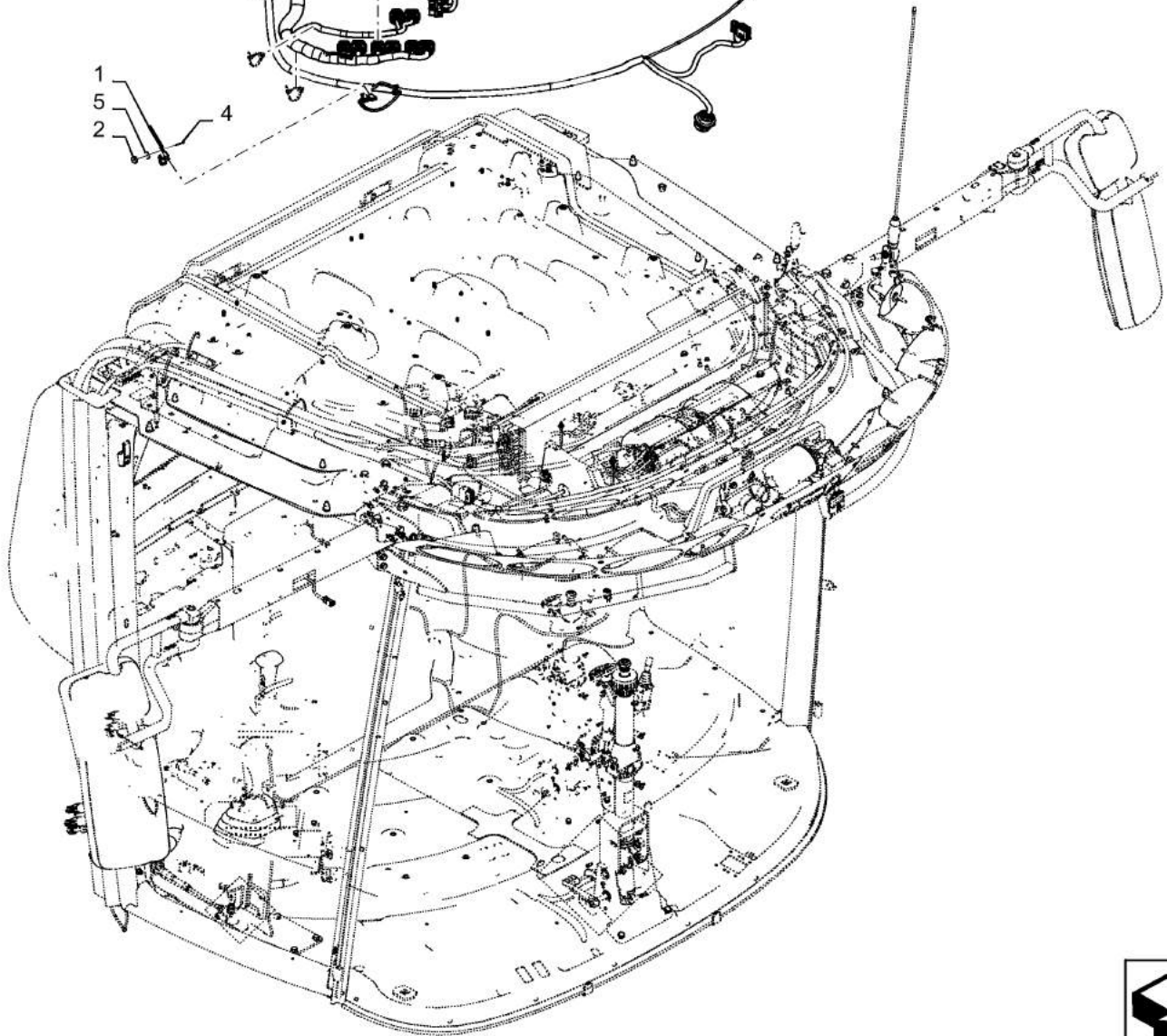
p1

7/2015

ELECTRIC SYSTEM CONTROL, CAB



- 25 ●
- 26 ●
- 27 ●
- 28 ●
- 29 ●
- 30 ●
- 31 ●

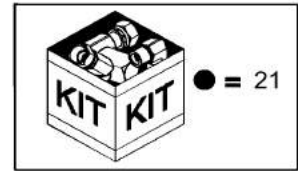
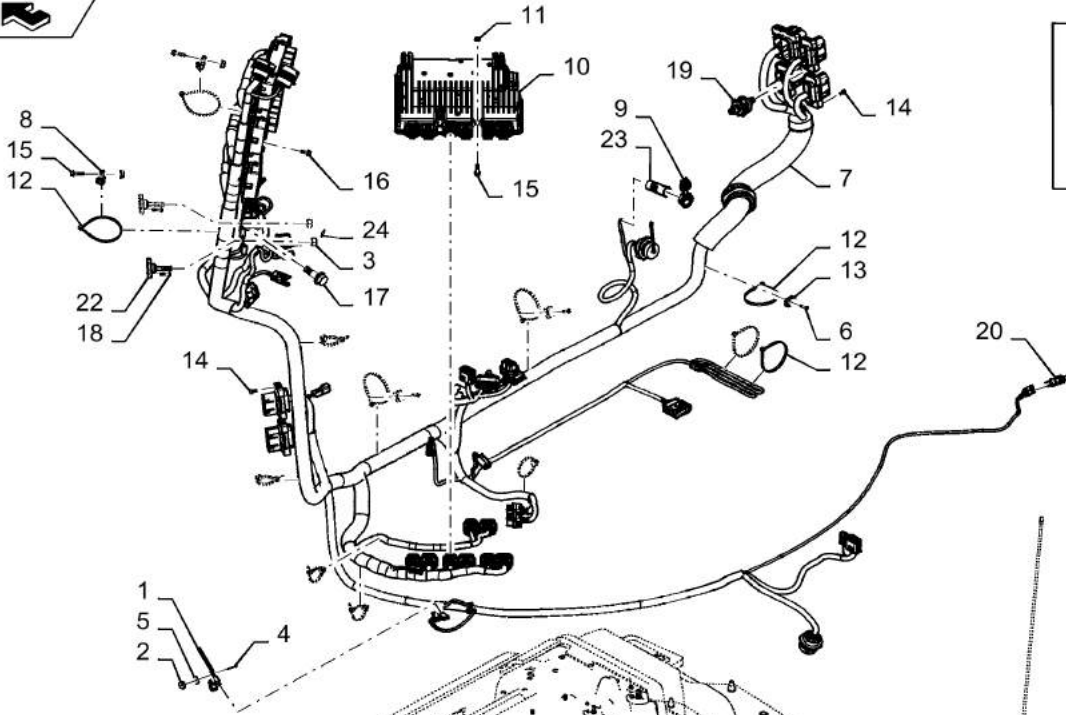


ELECTRIC SYSTEM CONTROL, CAB

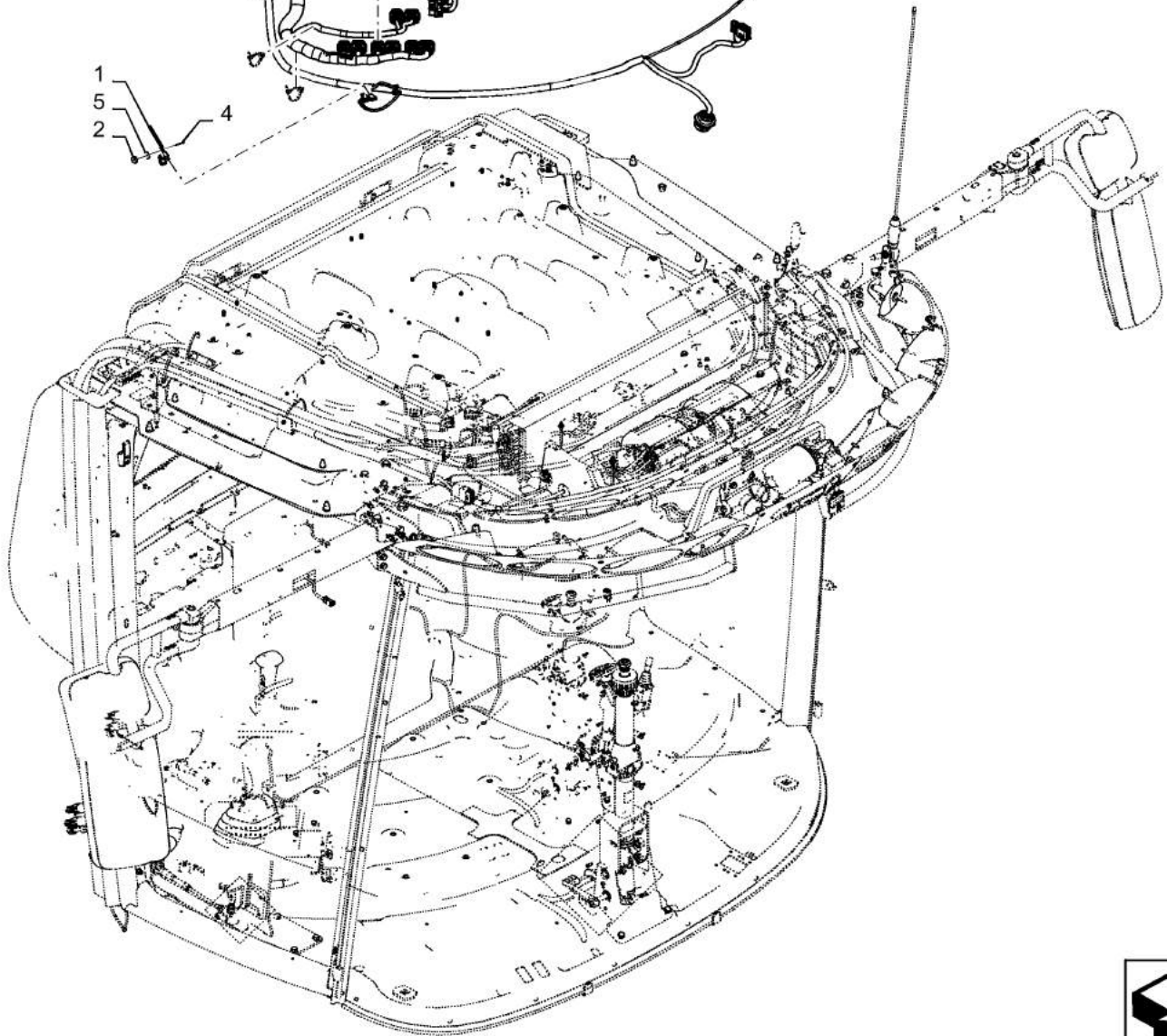
REF FN	PART NUMBER	YR/SN	QTY DESCRIPTION
1	60-6515T1		1 SWITCH 3rd Gear Lockout
2	225-14104		2 NUT #4-40
3	425-106		2 NUT 3/8"-16, CI 5
4	463-10416		2 SCREW Hex Hd, #4-40 x 1"
5	495-31012		2 WASHER #4
6	445394		5 RIVET Pop, 3/16" x 1/2" OAL
7	47651567		1 WIRE HARNESS Cab Main
8	84340333		2 SECURING STRAP Base Tie
9	84556691		1 COVER Dust, 10A DC Outlet
10	84589142		1 MODULE ECU UCM
11	86050300		6 FLANGE NUT M6 x 1.0, CI 10
12	86566990		13 CABLE TIE 292mm OAL x 4.8mm W
13	86590413		5 BASE 15.87mm W x 22.22mm OAL x 9.9mm Thk Wire Tie
14	86625213		24 HEX SOC SCREW M5 x 12mm, CI 8.8
15	87670758		6 FLANGE BOLT M6 x 31.6mm, CI 10.9
16	87695418		16 FLANGE BOLT M6 x 1.0 x 16mm, CI 10.9
17	87698833		1 BOLT M8 x 33.1mm, CI 10.9
18	117067A1		4 SELF-TAP SCREW Pan Hd, #10-24 x 3/4"
19	190158A1		1 BLOCK Junction Box
20	1983341C1		1 SWITCH Diff Lock Brake
21	222699A1		1 FUSE KIT Mini, Incl 25 - 31
22	303717A1		2 JUNCTION BLOCK
23	388812A1		1 OUTLET 10A, 12V DC
24	83822C1		5 TAPE Rubber Insulation
25	121850A1		1 FUSE 3A, Mini, Violet
26	121410A1		1 FUSE 5A, Mini, Tan
26	121411A1		1 FUSE 7.5A, Mini, Brown
27	121412A1		1 FUSE 10A, Mini, Red

5140-COMBINE - TIER 2

ELECTRIC SYSTEM CONTROL, CAB



- 25 ●
- 26 ●
- 27 ●
- 28 ●
- 29 ●
- 30 ●
- 31 ●



55.640.AG

01

p2

7/2015

ELECTRIC SYSTEM CONTROL, CAB

REF FN	PART NUMBER	YR/SN	QTY DESCRIPTION
28	121413A1		1 FUSE 15A, Mini, Blue
29	121414A1		1 FUSE 20A, Mini, Yellow
30	121415A1		1 FUSE 25A, Mini, Clear
31	121416A1		1 FUSE 30A, Mini, Green

5140-COMBINE - TIER 2

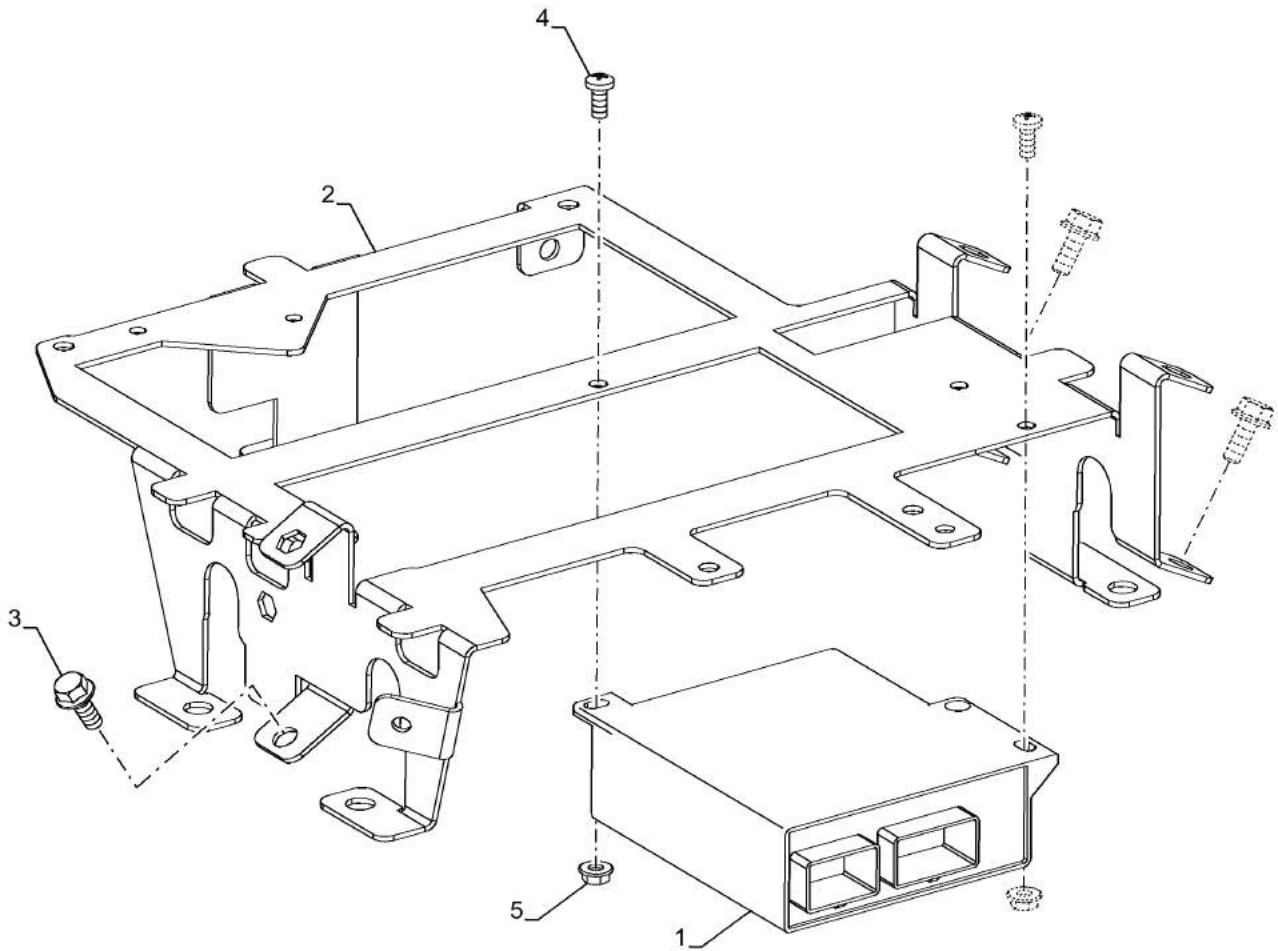
55.640.AG

02

p1

7/2015

CONTROLLER, ICM



55.640.AG

02

p1

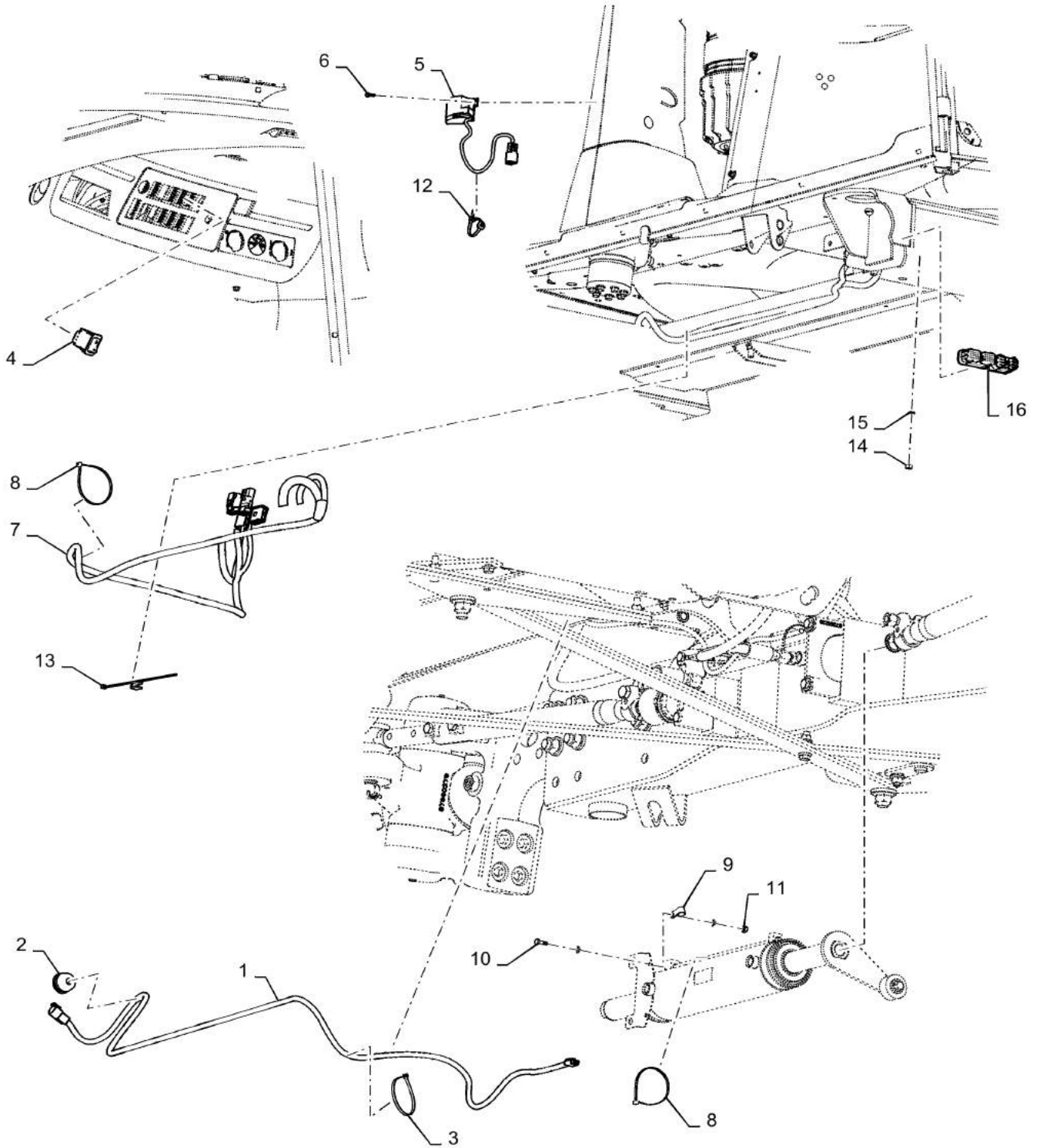
7/2015

CONTROLLER, ICM

REF FN	PART NUMBER	YR/SN	QTY DESCRIPTION
1	47408829		1 ECU ICM
2	84544095		1 SUPPORT ECU/UCM Bridge
3	87695418		3 FLANGE BOLT M6 x 1.0 x 16mm, CI 10.9
4	80043982		2 SCREW Phillips Drive, Pan HD, M5 x 12mm, CI 4.8
5	86507064		2 FLANGE NUT M5 x 0.8 M5

5140-COMBINE - TIER 2

AUTO GUIDANCE ELECTRIC SYSTEM CONTROL



AUTO GUIDANCE ELECTRIC SYSTEM CONTROL

REF FN	PART NUMBER	YR/SN	QTY DESCRIPTION
1	84567144		1 WIRE HARNESS Steering Cylinder
2	198824C1		1 GROMMET 12.7mm ID x 41.1mm OD x 26.9mm Thk Wire Protection
3	529070		1 CABLE TIE 368.3mm L
4	84370690		1 SWITCH Auto Guidance Enable
5	47406520		1 SENSOR Motion, Auto Guidance Override
6	86625213		1 HEX SOC SCREW M5 x 12mm, CI 8.8
7	84524484		1 WIRE HARNESS Nav II
8	86566990		9 CABLE TIE 292mm OAL x 4.8mm W
9	515-2395		1 CLAMP 3/8", Insul, 3/8" Bolt
10	87698753		1 FLANGE BOLT M6 x 12mm, CI 10.9, Full Thd
11	87301498		1 FLANGE NUT Hex, M6 x 1.0, CI 10
12	84292754		1 CLIP Cable Tie W/ Fir Tree, 5mm OD x 203mm OAL Fir Tree Mount
13	87694057		2 CABLE TIE 200mm L Edge W/ Cable Tie
14	9706755		4 NUT M6, CI 8
15	9824259		4 WASHER 6.4mm ID x 12mm OD x 1.6mm Thk
16	87518983		1 CONTROLLER NAV II
16	87518983R		1 REMAN-ELECTRONIC CONTROL UNIT Nav II
16	87518983C		1 CORE-ELECTRONIC CONTROL UNIT Return Number

5140-COMBINE - TIER 2

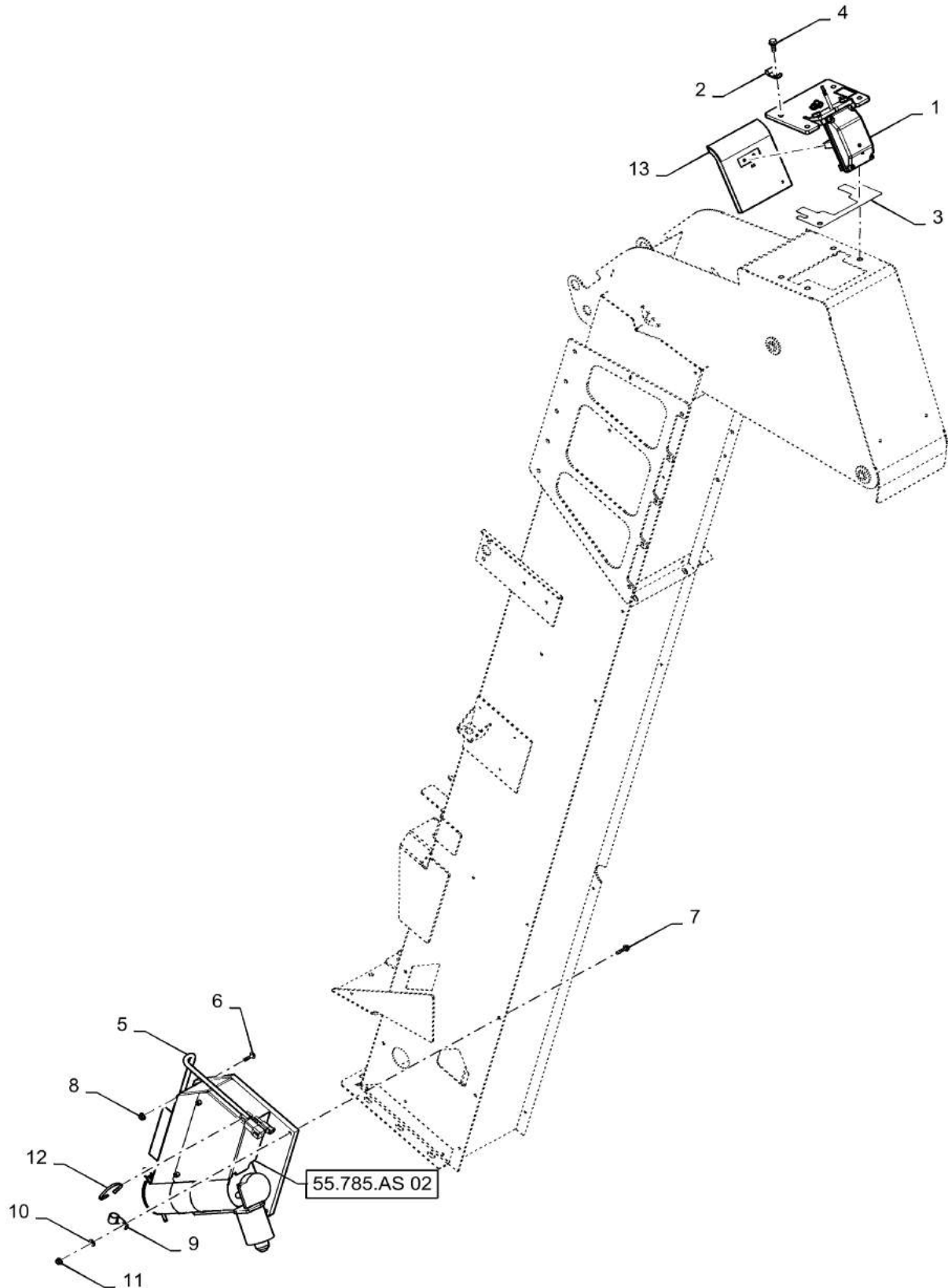
55.785.AS

01

p1

7/2015

SENSOR, ELEVATOR, YIELD MONITOR



55.785.AS

01

p1

7/2015

SENSOR, ELEVATOR, YIELD MONITOR

REF FN	PART NUMBER	YR/SN	QTY DESCRIPTION
1	47552013		1 SENSOR Grain Flow/ Yield Monitor, Incl 13
2	86572009		1 CLAMP 9.5mm, Coat, 10.3mm Bolt Hole, P Type
3	87612334		1 RUBBER SEAL Flow Sensor
4	87656137		4 BOLT M8 x 28.1mm, CI 10.9
5	84295601		1 SENSOR Moisture Bypass
6	368798A1		2 SCREW Truss HD, 1/4" - 20 x 1", Gr 8 1/4" x 1"
7	409-7416		2 BOLT Hex Flg, 1/4" - 20 x 1", Spcl
8	425-144		4 JAM NUT Jam, 1/4"-20, G5
9	516-23127		1 CLAMP 9/16", Insul, 3/8" Bolt
10	495-11028		1 WASHER 1/4", SAE
11	231-5144		4 SERRATED NUT Flg, USR, 1/4"-20
12	473321C1		1 CABLE TIE 8" OAL x 0.098" W
13	47592682		1 PLATE Impact

5140-COMBINE - TIER 2

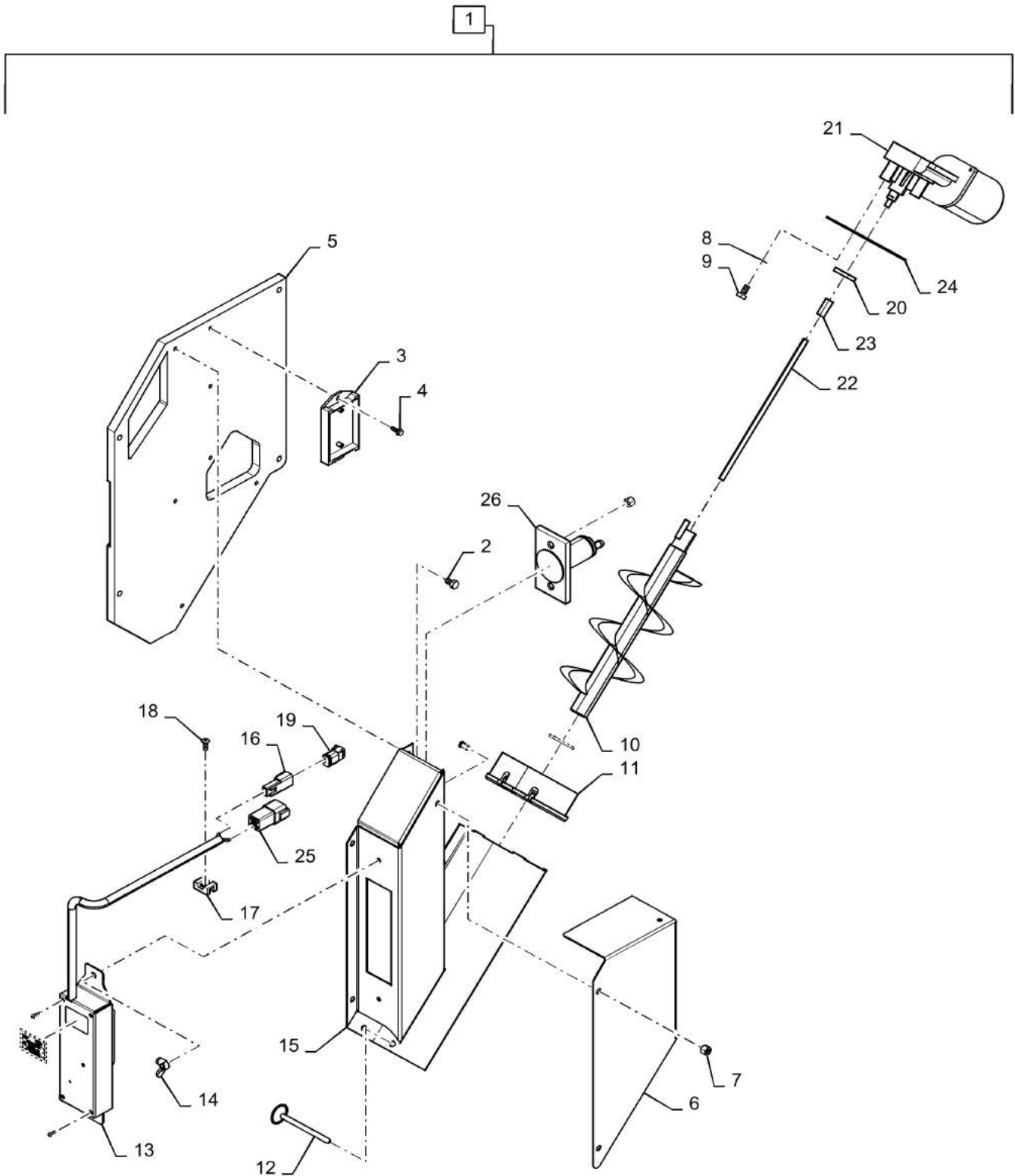
55.785.AS

02

p1

7/2015

MOISTURE SENSOR



MOISTURE SENSOR

REF FN	PART NUMBER	YR/SN	QTY DESCRIPTION
1	84295601		1 SENSOR Moisture Bypass, Incl 2 - 26
2	86625162		5 SELF-TAP SCREW HWH, 1/4" - 14 x 1/2" 1/4" - 14 x 1/2"
3	84435831		1 PRINTED CIRCUIT BOARD Moisture Sensor
4	280-2448		2 SELF-TAP SCREW Hex Wash Hd, #8 x 1/2"
5	363860A1		1 SUPPORT Spacer, 1/2"
6	84235762		1 COVER Moisture Bypass
7	393392		4 LOCK NUT M6 x 1.0, CI 8
8	493-41026		3 LOCK WASHER Ext Tooth, 1/4"
9	88542		3 BOLT Hex, 1/4"-20 x 1/2", Gr 5
10	364194A1		1 AUGER Metering
11	84435830		1 BLOCK Retaining
12	84435829		2 PIN 6.35mm OD x 114.3mm L Detent
13	84231452		1 MOISTURE METER
14	84814892		2 WING NUT M6 x 1.0
15	84235763		1 HOUSING Moisture Bypass
16	225123C1		3 TERMINAL CONNECTOR Tin, 0.8mm ²
17	86590413		1 BASE 15.87mm W x 22.22mm OAL x 9.9mm Thk Cable Tie
18	445394		1 RIVET Pop, 3/16" x 1/2" OAL
19	245484C1		1 ELEC CONNECTOR 3 Pin
20	364845A1		1 GUIDE Drive, Metering Auger
21	364837A1		1 MOTOR, ELECTRIC Auger Drive
21	364837A1R		1 REMAN-ELECTRIC MOTOR Auger Drive
21	364837A1C		1 CORE-ELECTRIC MOTOR Return Number
22	364843A1		1 MOUNTING ROD Threaded, 1/4" x 9"
23	368947A1		1 COUPLING 1/4" - 20 Spacer, 1/4" -20 x .875"
24	87418312		3 SEAL Purple
25	225120C1		2 TERMINAL CONNECTOR Tin, 0.8mm ²
26	84435833		1 SWITCH ASSY Proximity

5140-COMBINE - TIER 2

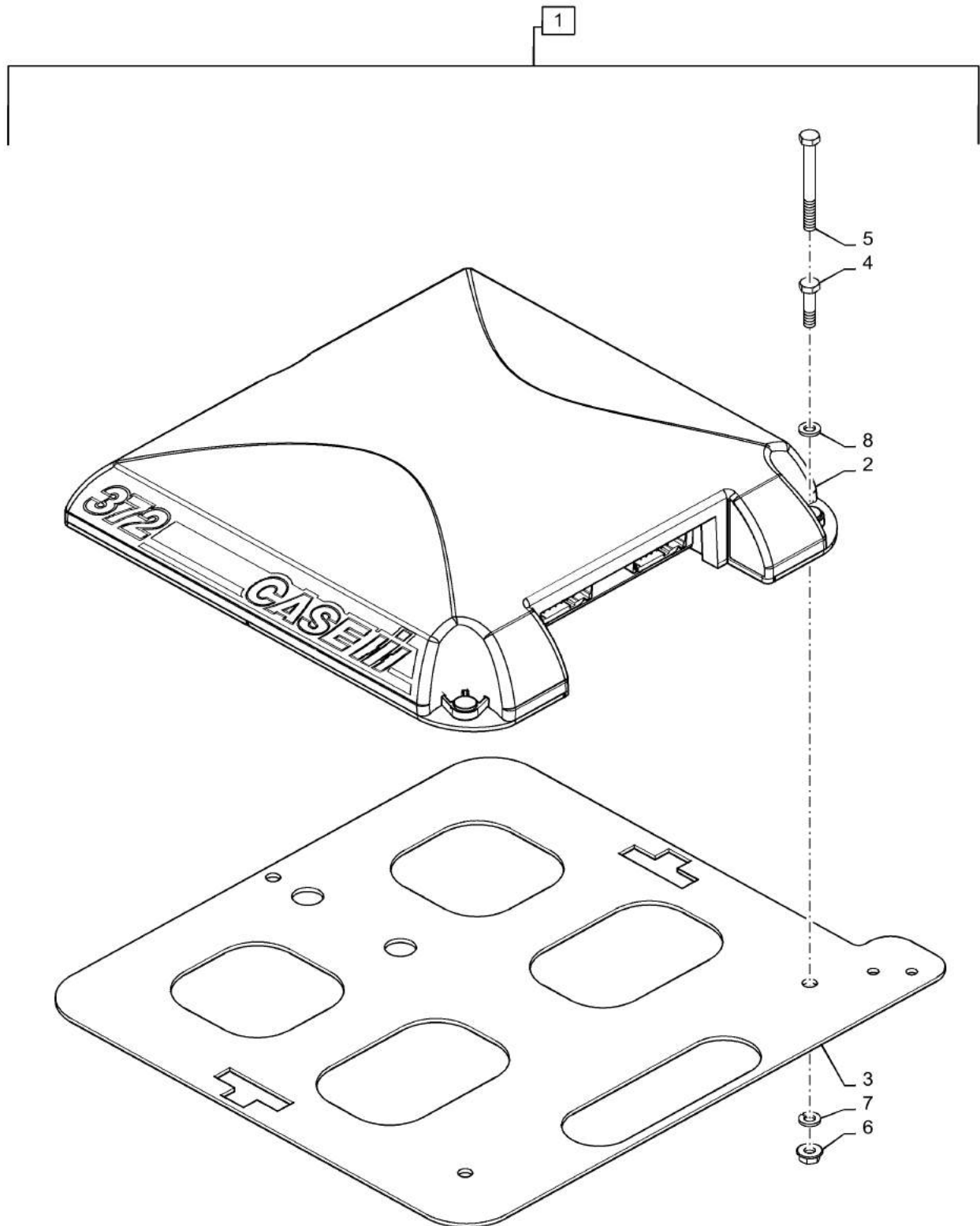
55.911.AB

01

p1

7/2015

VAR - 425510 - AFS 372 GPS RECEIVER W/EN

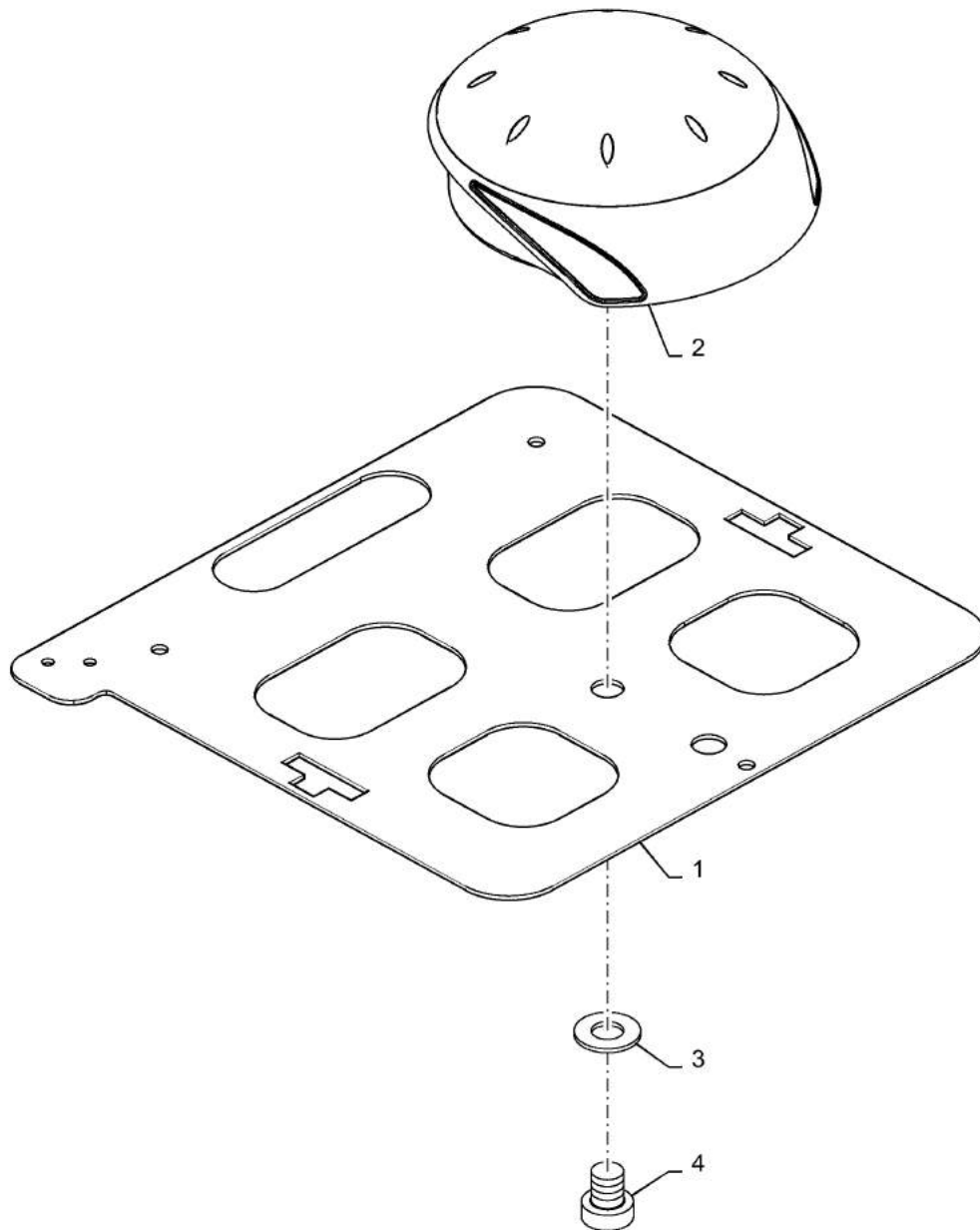


VAR - 425510 - AFS 372 GPS RECEIVER W/E/V

REF FN	PART NUMBER	YR/SN	QTY DESCRIPTION
1	84588266		1 AFS PARTS & PACKAGES AFS 372 Receiver, Incl 2 - 8
1	84588266R		1 REMAN-ELECTRONIC CONTROL UNIT AFS 372 Receiver, Incl 2 - 8
1	84588266C		1 CORE-ELECTRONIC CONTROL UNIT Return Number
2	84574271		1 GPS RECEIVER AFS 372
2	84574271R		1 REMAN-ELECTRONIC CONTROL UNIT AFS 372
2	84574271C		1 CORE-ELECTRONIC CONTROL UNIT Return Number
3	87496985		1 MOUNTING PLATE GPS
4	1 86977786		3 BOLT Hex, M6 x 1.0 x 25mm, Cl 8.8
5	2 338413		3 BOLT Hex, M6 x 60mm, Cl 8.8
6	86511444		3 FLANGE NUT M6
7	86517328		3 LOCK WASHER 6.1mm ID x 11.8mm OD x 1.7mm Thk
8	86588450		3 WASHER 6.6mm ID x 12mm OD x 1.6mm Thk
(1)	Used W/ 252 Antenna/Receiver Only		
(2)	Used W/ 252 Antenna/Receiver and RTK Radio Receiver		

5140-COMBINE - TIER 2

VAR - 425246 - AFS 162 GPS RECEIVER



55.911.AB

02

p1

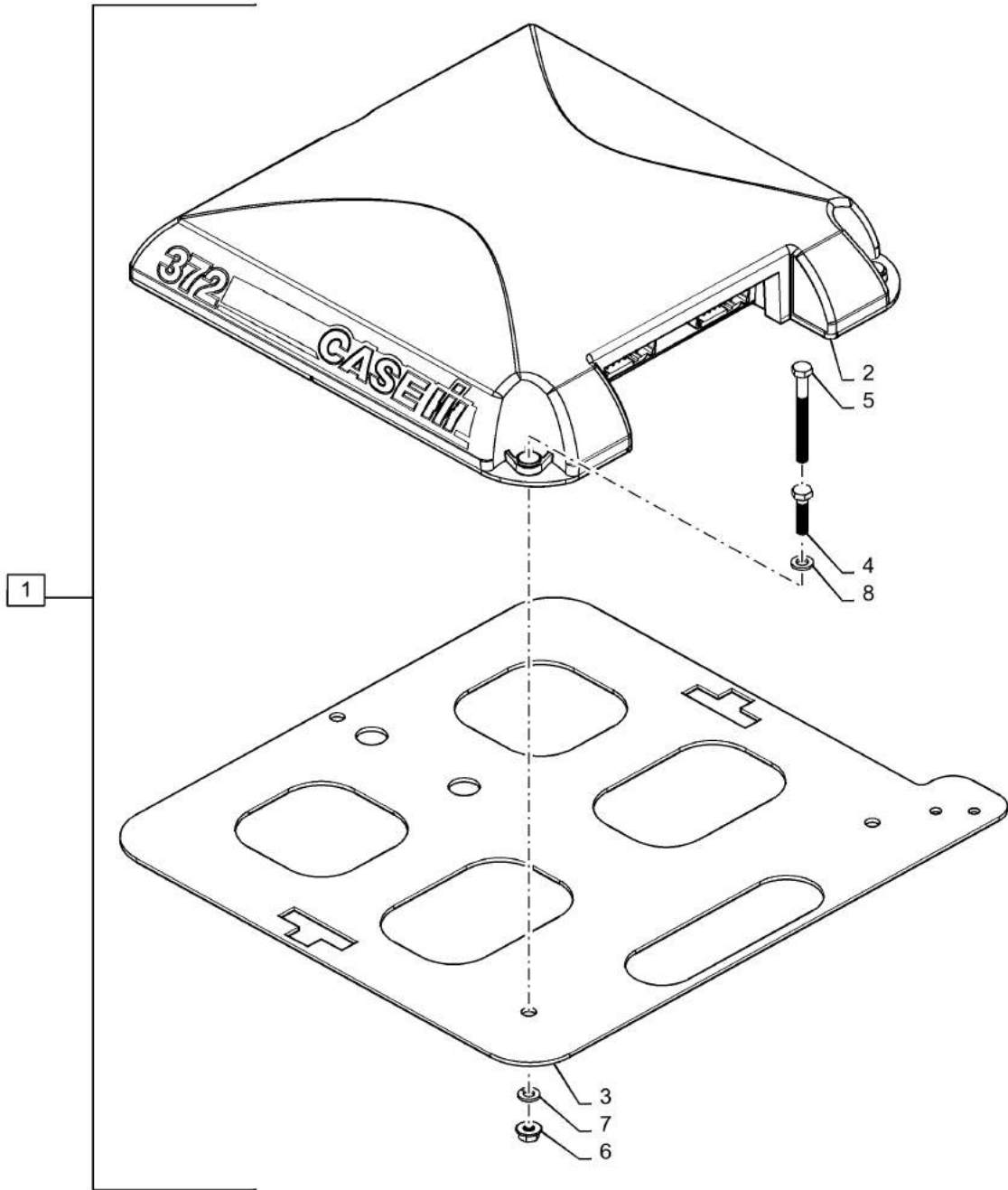
7/2015

VAR - 425246 - AFS 162 GPS RECEIVER

REF FN	PART NUMBER	YR/SN	QTY DESCRIPTION
1	87496985		1 MOUNTING PLATE GPS Receiver
2	87491749		1 ANTENNA WAAS/EGNOS GPS
2	87491749R		1 REMAN-ELECTRONIC CONTROL UNIT WAAS/EGNOS GPS
2	87491749C		1 CORE-ELECTRONIC CONTROL UNIT Return Number
3	140048		1 BELLEVILLE WASHER M16 x 32mm OD x 2.8mm Thk
4	87106351		1 HEX SOC SCREW BTN HD, 5/8" - 11 x 3/4"

5140-COMBINE - TIER 2

VAR - 425504 - AFS 372 GPS RECEIVER W/EN/HP/XP

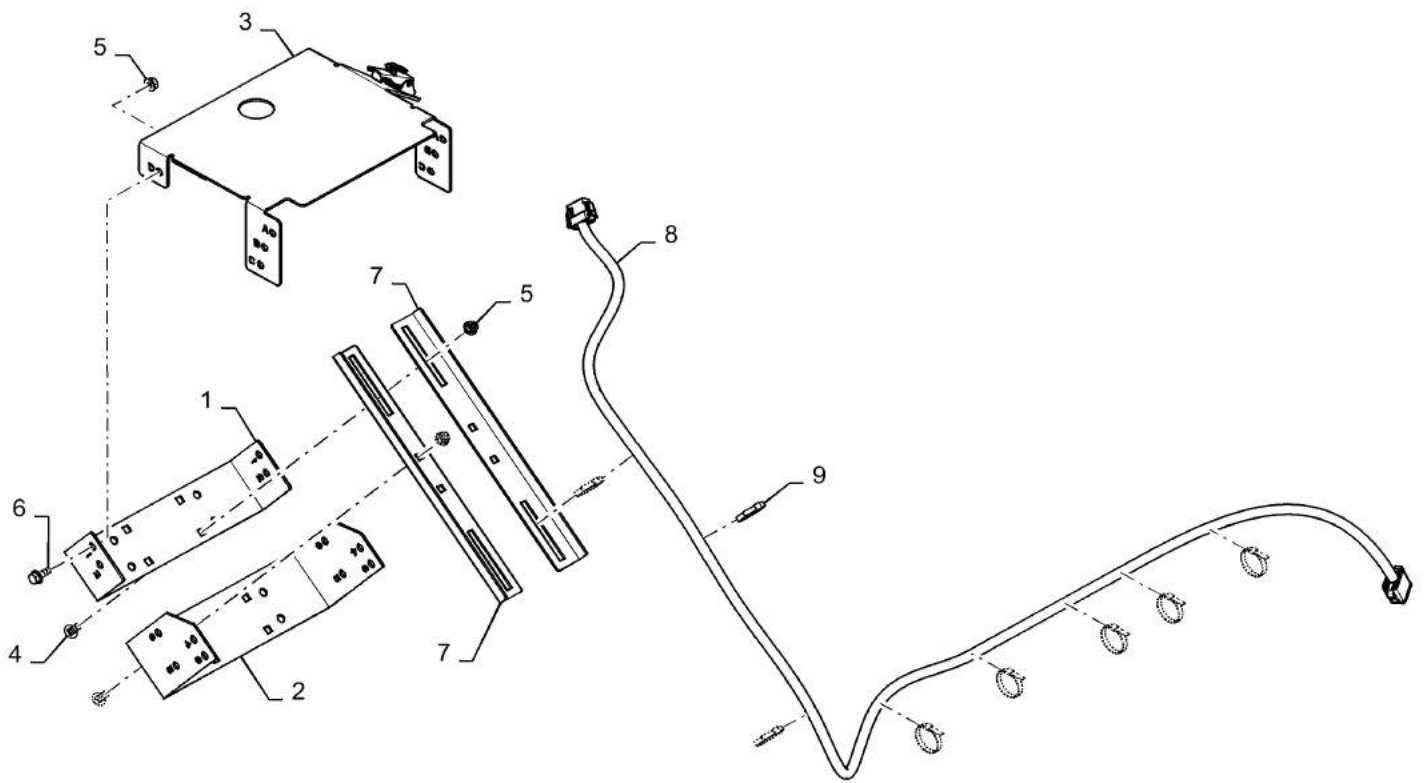


VAR - 425504 - AFS 372 GPS RECEIVER W/E/V/HP/XP

REF FN	PART NUMBER	YR/SN	QTY DESCRIPTION
1	84588269		1 AFS PARTS & PACKAGES AFS 372 GPS Receiver, Incl 2 - 8
1	84588269R		1 REMAN-ELECTRONIC CONTROL UNIT AFS 372 GPS Receiver
1	84588269C		1 CORE-ELECTRONIC CONTROL UNIT Return Number
2	84574273		1 GPS RECEIVER AFS 372
2	84574273R		1 REMAN-ELECTRONIC CONTROL UNIT AFS 372
2	84574273C		1 CORE-ELECTRONIC CONTROL UNIT Return Number
3	87496985		1 MOUNTING PLATE GPS Receiver
4	1 86977786		3 BOLT Hex, M6 x 1.0 x 25mm, Cl 8.8
5	2 338413		3 BOLT Hex, M6 x 60mm, Cl 8.8
6	86511444		3 FLANGE NUT M6
7	86517328		3 LOCK WASHER 6.1mm ID x 11.8mm OD x 1.7mm Thk
8	86588450		3 WASHER 6.6mm ID x 12mm OD x 1.6mm Thk
(1)	Used W/ 252 Antenna/Receiver Only		
(2)	Used W/ 252 Antenna/Receiver and RTK Radio Receiver		

5140-COMBINE - TIER 2

GPS RECEIVER GRAIN TANK MOUNTING



55.911.AB

04

p1

7/2015

GPS RECEIVER GRAIN TANK MOUNTING

REF FN	PART NUMBER	YR/SN	QTY DESCRIPTION
1	87335635		1 BRACKET Lower Base
2	87335677		1 BRACKET Upper Base
3	87488331		1 BRACKET Mounting Plate
4	86507486		4 CARRIAGE BOLT M8 x 1.25 x 20mm, CI 8.8
5	86507066		8 FLANGE NUT M8 x 1.25, CI 10
6	87656137		4 BOLT M8 x 28.1mm, CI 10.9
7	87623906		2 BRACKET GPS Extension
8	87550514		1 WIRE HARNESS AFS252 To Combine
9	306132C1		8 CABLE TIE .30" x 14.5"

5140-COMBINE - TIER 2

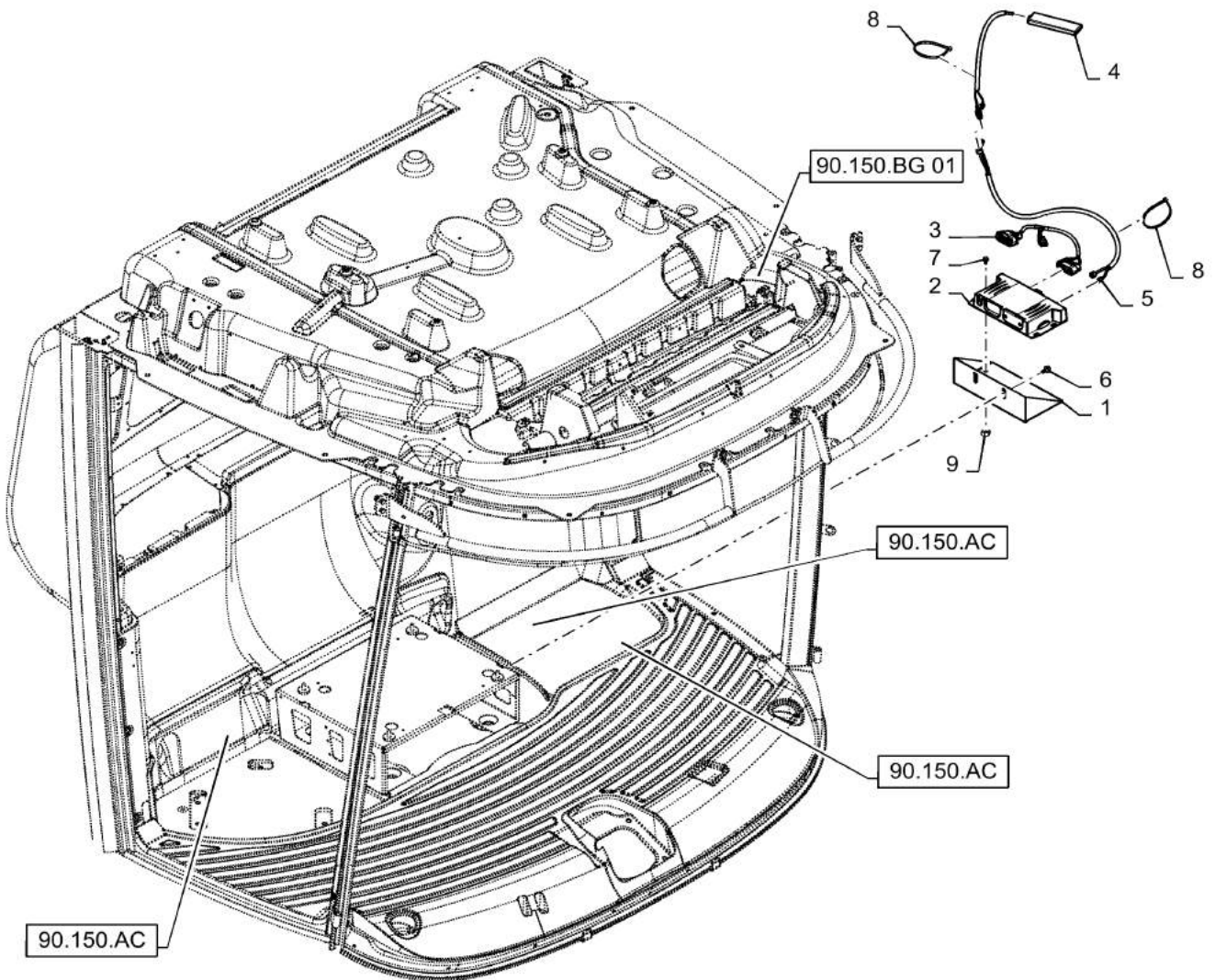
55.991.AA

01

p1

7/2015

GSM TELEMATICS



55.991.AA

01

p1

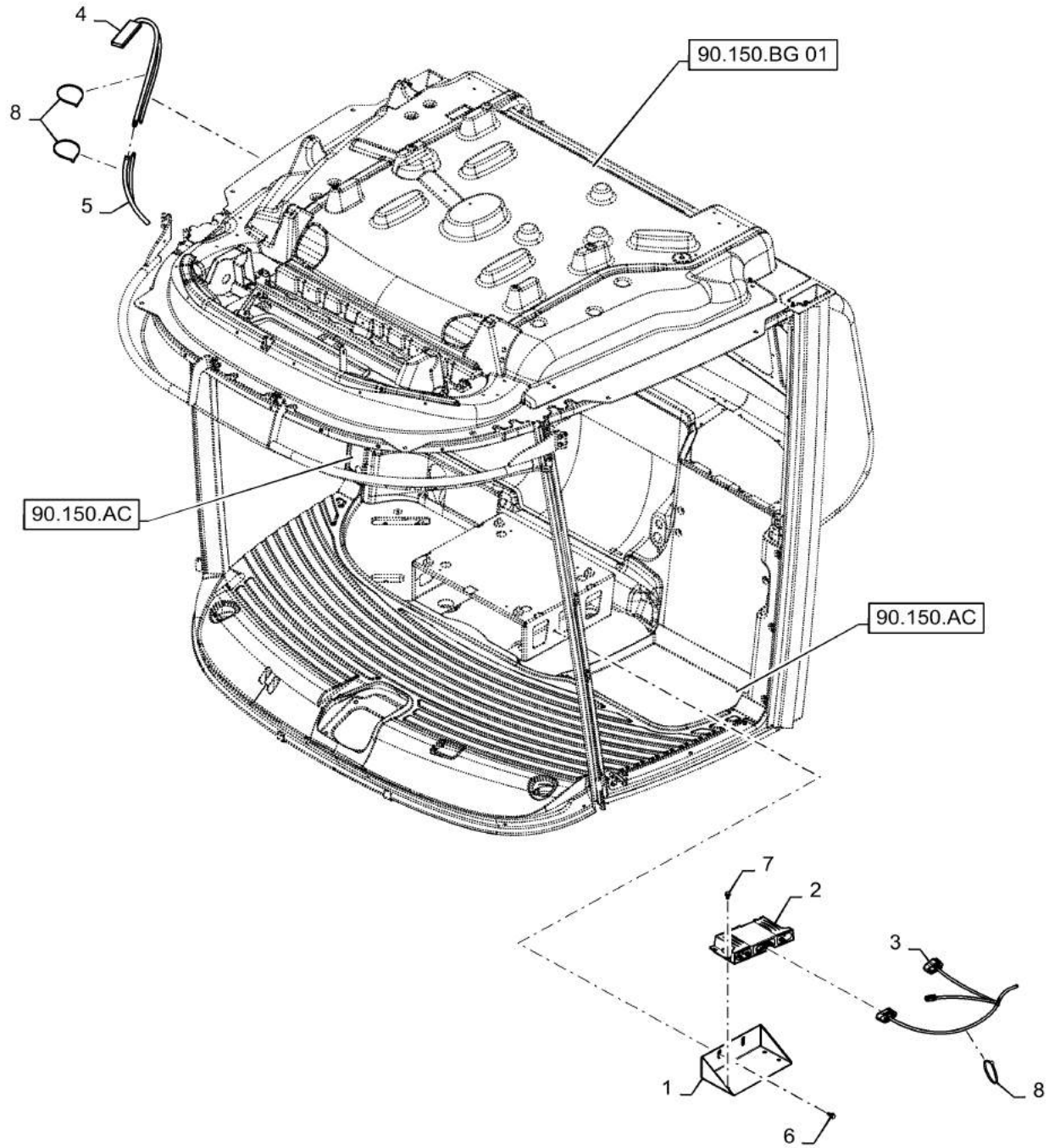
7/2015

GSM TELEMATICS

REF FN	PART NUMBER	YR/SN	QTY DESCRIPTION
1	47377908		1 BRACKET Telematics
2	84570436		1 ECU NA ATT
3	47428827		1 WIRE HARNESS Telematics
4	47558660		1 ANTENNA 700mm
5	47558670		1 ELECTRIC CABLE Extension
6	87681207		2 BOLT M8 x 24.1mm, CI 10.9
7	87698753		4 FLANGE BOLT M6 x 12mm, CI 10.9, Full Thd
8	86566990		6 CABLE TIE 292mm OAL x 4.8mm W
9	336266		4 NUT M6, CI 8

5140-COMBINE - TIER 2

GSM TELEMATICS



55.991.AA

02

p1

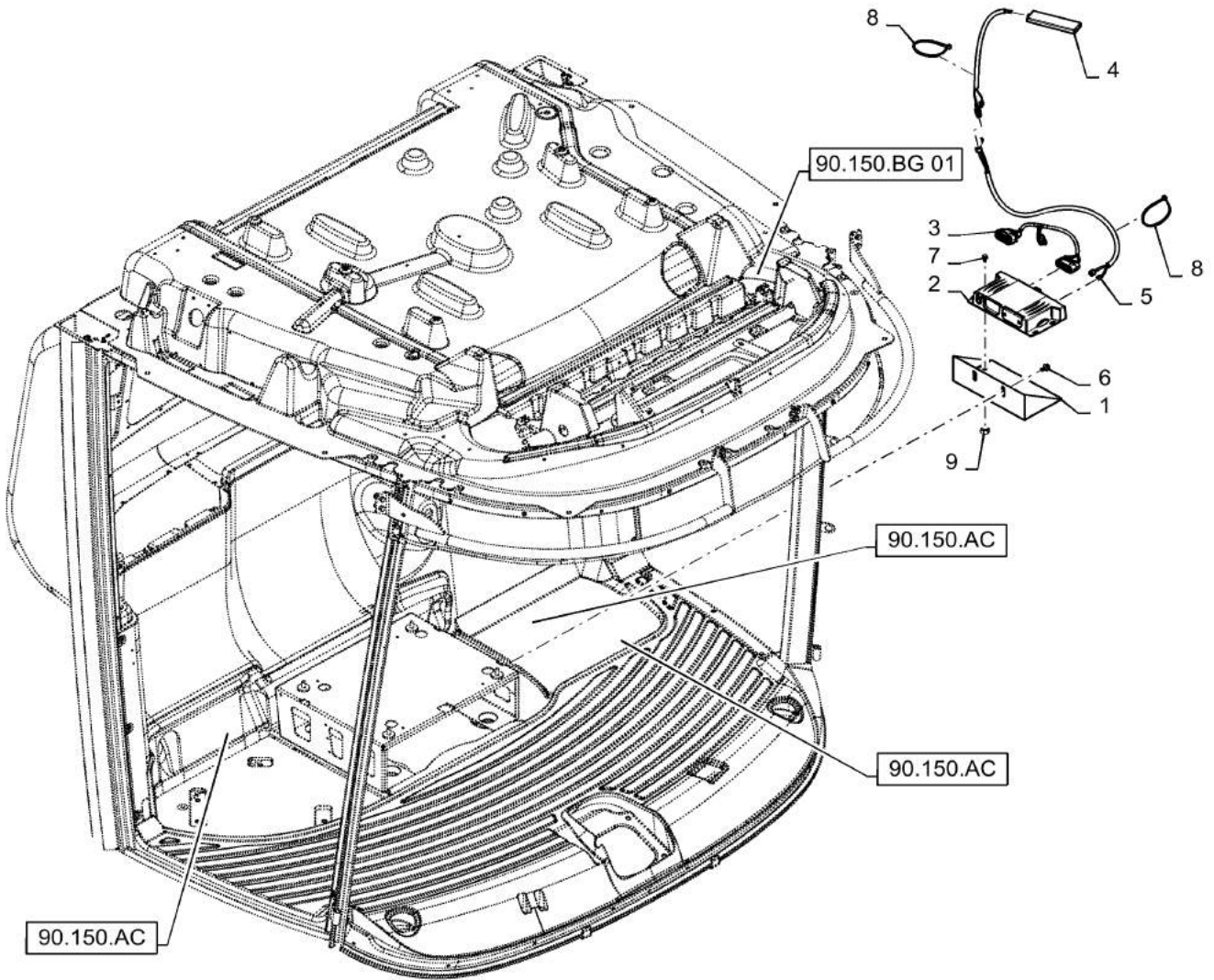
7/2015

GSM TELEMATICS

REF FN	PART NUMBER	YR/SN	QTY DESCRIPTION
1	47377908		1 BRACKET Telematics
2	84570435		1 ECU EU ATT
3	47428827		1 WIRE HARNESS Telematics
4	47558660		1 ANTENNA 700mm
5	47558670		1 ELECTRIC CABLE Extension
6	87681207		2 BOLT M8 x 24.1mm, CI 10.9
7	87698753		4 FLANGE BOLT M6 x 12mm, CI 10.9, Full Thd
8	86566990		6 CABLE TIE 292mm OAL x 4.8mm W

5140-COMBINE - TIER 2

CDMA TELEMATICS



CDMA TELEMATICS

REF FN	PART NUMBER	YR/SN	QTY DESCRIPTION
1	47377908		1 BRACKET Telematics
2	84563952		1 ECU NA Verizon
3	47428827		1 WIRE HARNESS Telematics
4	47558660		1 ANTENNA 700mm
5	47558670		1 ELECTRIC CABLE Extension
6	87681207		2 BOLT M8 x 24.1mm, CI 10.9
7	87698753		4 FLANGE BOLT M6 x 12mm, CI 10.9, Full Thd
8	86566990		6 CABLE TIE 292mm OAL x 4.8mm W
9	336266		4 NUT M6, CI 8

5140-COMBINE - TIER 2

SECTION INDEX
PRODUCT FEEDING

60.110.AA	01	ADAPTER, FEEDER
60.110.AA	02	ADAPTER, FEEDER, LATCH
60.110.AA	03	VAR - 425081, 425082, 425086, 425087 - ADAPTER, FEEDER, ASN YEG012701
60.110.AA	04	VAR - 425081, 425082, 425086, 425087, 425083, 425088 - ADAPTER, FEEDER, LATCH, ASN YEG012701
60.110.AD	01	FEEDER, STANDARD
60.110.AD	02	FEEDER, ROCK TRAP
60.110.AD	03	FEEDER, STANDARD, ASN YEG012701
60.110.AD	04	FEEDER, STONE TRAP
60.110.AT		IDLER, FEEDER
60.112.AA	01	ROCK GUARD
60.112.AA	02	ROCK TRAP ASSEMBLY
60.112.AA	03	IDLER ASSEMBLY, ROCK TRAP
60.112.AA	04	VAR - 425086, 425087, 425088, 425125, 425126 - STONE TRAP
60.112.AA	05	VAR - 425086, 425087, 425088, 425125, 425126 - ROCK GUARD, ASSY
60.120.AG	01	VAR - 425081, 425086, 425125 - HEADER DRIVE, SINGLE SPEED
60.120.AG	02	VAR - 425082, 425087, 425126 - HEADER DRIVE, TWO SPEED
60.120.AG	03	VAR - 425081, 425083, 425086, 425088 - DRIVE, HEADER, SINGLE SPEED
60.120.AI	01	VAR - 425081, 425083 - DRIVE, HEADER, SINGLE SPEED, STANDARD
60.120.AI	02	DRIVE, HEADER, NON ROCK TRAP, TWO SPEED
60.120.AI	03	VAR - 425086, 425088, 425125 - DRIVE, HEADER, ROCK TRAP, SINGLE SPEED
60.120.AI	04	VAR - 425087, 425126 - DRIVE, HEADER, ROCK TRAP, TWO SPEED
60.120.AI	05	VAR - 425086, 425087, 425081, 425082, 425088, 425083 - LATCH, PANEL, FEEDER
60.120.AR		GEARBOX, HEADER, 2-SPEED
60.130.AJ	01	DRIVER, FEEDER DRIVESHAFT, STANDARD
60.130.AJ	02	DRIVER, FEEDER DRIVESHAFT, HEAVY DUTY
60.150.AD	01	CONVEYOR, FEEDER, STANDARD
60.150.AD	02	CONVEYOR, FEEDER, TRAP, ROCK GUARD
60.150.AD	03	CONVEYOR, FEEDER, STANDARD
60.150.AD	04	CONVEYOR, FEEDER, TRAP, ROCK GUARD
60.150.AE	01	GEARBOX, FEEDER, DRIVE UNIT

SECTION INDEX
PRODUCT FEEDING

60.150.AE	02	GEARBOX, FEEDER, DRIVE UNIT
60.150.AQ	01	DRIVE, FEEDER, STANDARD
60.150.AQ	02	DRIVE, FEEDER, STONE PROTECTION
60.150.AQ	03	IDLER, DRIVE, FEEDER
60.150.AQ	04	VAR - 425081, 425082, 425083 - DRIVE, FEEDER, STANDARD, ASN YEG227001
60.150.AQ	05	VAR - 425081, 425082, 425083 - TENSIONER, FEEDER, STANDARD, ASN YEG227001
60.150.AQ	06	VAR - 425086, 425087, 425088, 425125, 425126 - DRIVE, FEEDER, STONE TRAP
60.150.AQ	07	VAR - 425086, 425087, 425088, 425125, 425126 - IDLER, DRIVE, FEEDER
60.150.AQ	08	VAR - 425086, 425087, 425088, 425125, 425126 - TENSIONER, DRIVE, FEEDER
60.150.AU	01	DRIVER, GEARBOX, FEEDER
60.150.AU	02	DRIVER, GEARBOX, FEEDER
60.150.AY	01	CLUTCH, FEEDER, ROCK GUARD
60.150.AY	02	CLUTCH, FEEDER, STANDARD
60.165.AM		REVERSER, FEEDER, MOTOR
60.165.AR		FEEDER, REVERSER

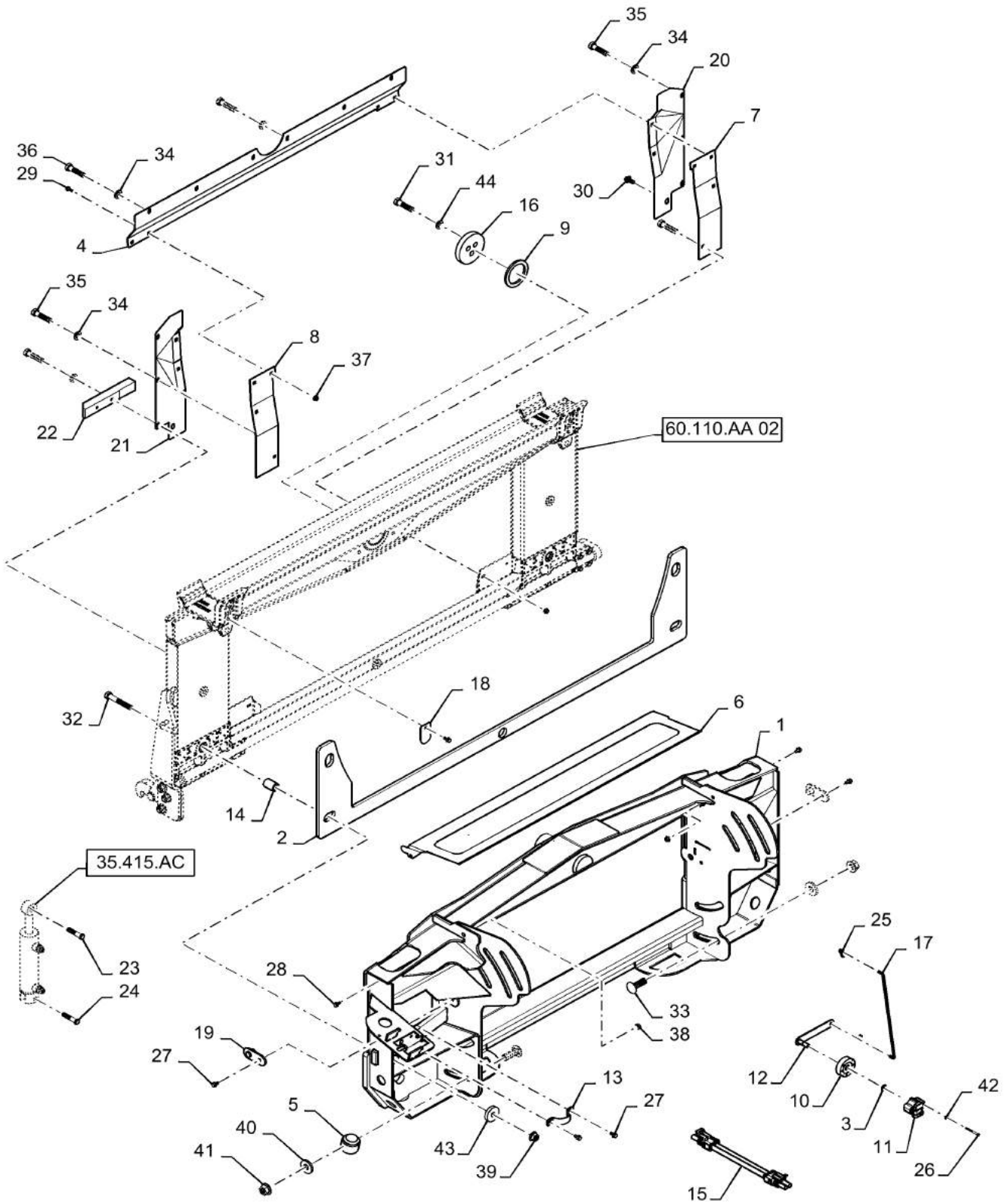
60.110.AA

01

p1

7/2015

ADAPTER, FEEDER



ADAPTER, FEEDER

REF FN	PART NUMBER	YR/SN	QTY DESCRIPTION
1	47386238		1 FRAME Lateral Tilt, Feeder Half
2	84392517		1 WEAR STRIP Poly
3	86000439		1 SNAP RING 0.288" ID x 0.66" OD x 0.037" Thk, External
4	87658628		1 DEFLECTOR Front Face, Top
5	87105683		1 CAP Header Harness Storage
6	87312135		1 SHEET ASSY. Adapter, Top
7	84158878		1 DEFLECTOR Front Face, RH, Inner
8	84158872		1 DEFLECTOR Front Face, LH, Inner
9	86995542		1 THRUST WASHER 77.5mm ID x 101.6mm OD x 7.8mm Thk Center Pivot
10	87362420		1 MOUNT Feeder Tilt Angle Sensor
11	87330286		1 SENSOR Feeder Tilt Angle Sensor
12	87643243		1 SHAFT Feeder Tilt Angle Linkage
13	87107105		1 U-BRACKET 95.3mm ID
14	87107672		2 SPACER 20.64mm ID x 30.16mm OD x 42mm L 30.163mm OD x 42mm L
15	87742285		1 WIRE HARNESS Feeder Tilt Adapter
16	87283209		1 RETAINING PLATE Center Pivot Bearing
17	87643245		1 LINK Feeder Lateral Tilt
18	87312141		1 PLATE Bump Stop
19	87106719		2 BRACKET Feeder Lateral Tilt Indicator
20	87658627		1 DEFLECTOR Front Face, RH, Outer
21	87658626		1 DEFLECTOR Front Face, LH, Outer
22	87693080		2 PLATE Strip Off
23	47600811		1 PIN 19mm OD x 64mm L
24	87312143		1 PIN 14mm OD x 68.5mm L 14mm OD x 64mm L
25	9821714		2 CLIP Rod Retaining
26	87384106		2 BOLT M4 x 42.92mm, CI 8.8
27	87681207		5 BOLT M8 x 24.1mm, CI 10.9

5140-COMBINE - TIER 2

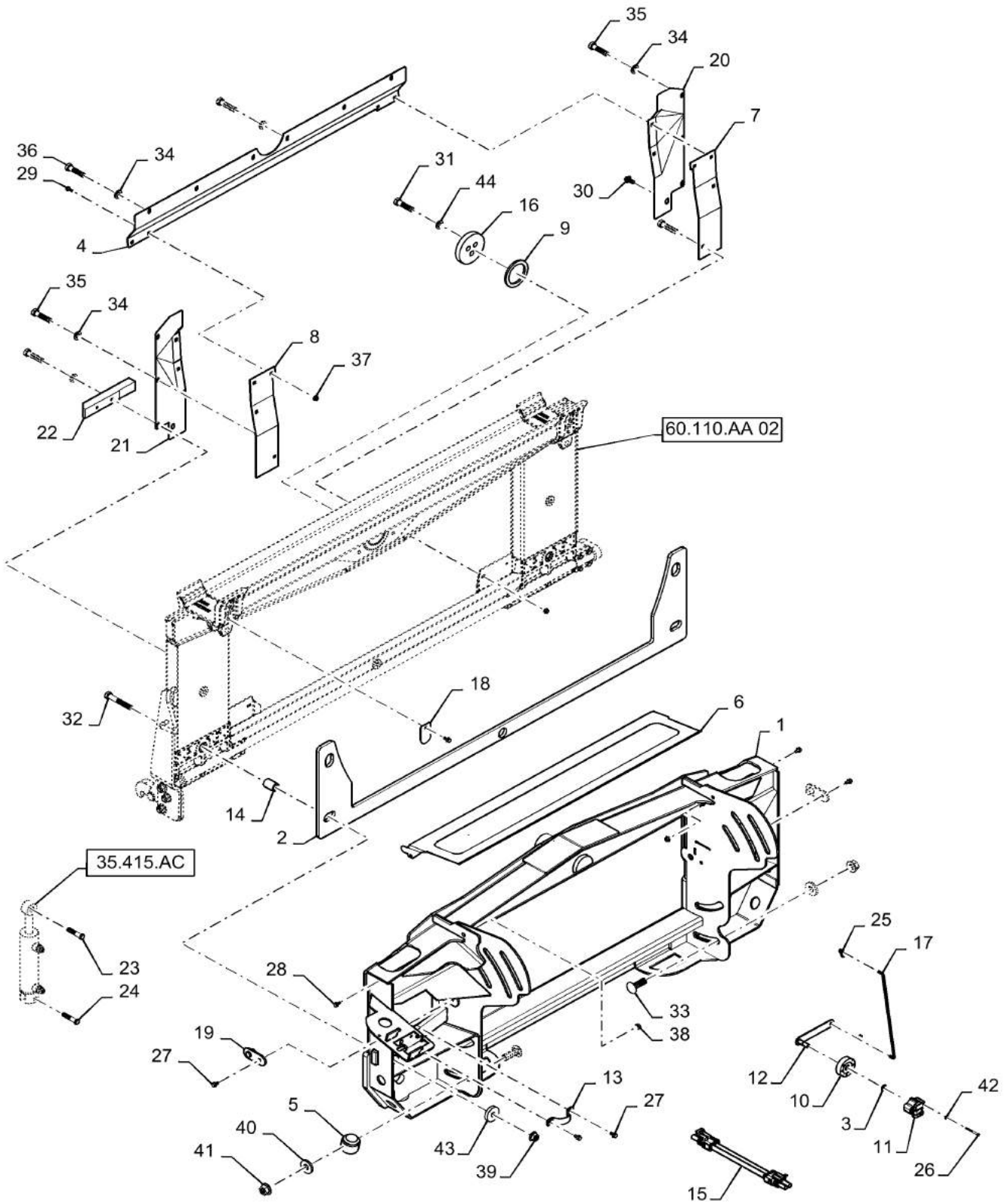
60.110.AA

01

p2

7/2015

ADAPTER, FEEDER

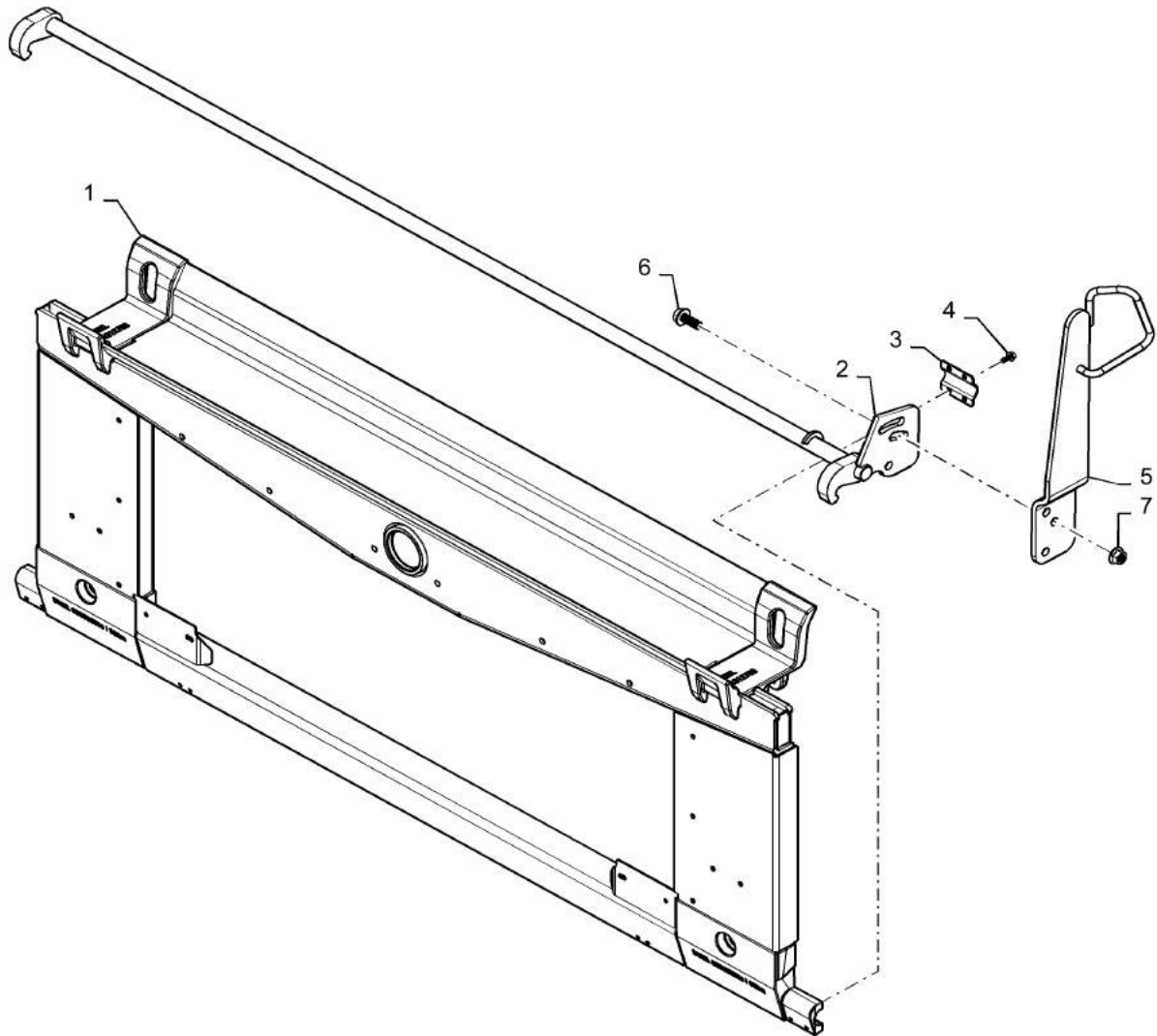


ADAPTER, FEEDER

REF FN	PART NUMBER	YR/SN	QTY DESCRIPTION
28	87030775		2 BOLT M8 x 38.1mm, CI 10.9
29	86507486		8 CARRIAGE BOLT M8 x 1.25 x 20mm, CI 8.8
30	87673844		2 SELF-TAP SCREW M8 x 1.25 x 20mm
31	11119231		3 BOLT M16 x 75mm, CI 10.9
32	86541970		2 BOLT Hex, M16 x 100mm, CI 10.9
33	86981478		14 CARRIAGE BOLT M20 x 70.9mm, CI 10.9
34	322358		16 BELLEVILLE WASHER M8 x 18mm OD x 1.4mm Thk
35	43127		10 BOLT Hex, M8 x 1.25 x 25mm, CI 8.8
36	43128		6 BOLT M8 x 1.25 x 30mm, CI 8.8
37	86507066		8 FLANGE NUT M8 x 1.25, CI 10
38	87681210		2 FLANGE NUT M8 x 1.25, CI 10
39	87016581		2 FLANGE NUT M16 x 2.0, CI 10
40	86592703		14 WASHER 21mm ID x 50mm OD x 6mm Thk
41	86512499		14 FLANGE NUT M20 x 2.5, CI 10
42	322355		2 BELLEVILLE WASHER M4 x 10mm OD x 0.9mm Thk
43	913347		2 WASHER M17 x 56mm OD x 11mm Thk
44	86625266		3 WASHER 17.5mm ID x 30mm OD x 4mm Thk

5140-COMBINE - TIER 2

ADAPTER, FEEDER, LATCH



60.110.AA

02

p1

7/2015

ADAPTER, FEEDER, LATCH

REF FN	PART NUMBER	YR/SN	QTY DESCRIPTION
1	84329849		1 FRAME Adapter, Front Face
2	84587081		1 LATCH Header Retention
3	87107674		2 CLAMP Header Latch
4	87656137		8 BOLT M8 x 28.1mm, CI 10.9
5	84314118		1 LEVER Header Latch
6	87495304		3 FLANGE BOLT M6 x 55.4mm, CI 10.9
7	87016581		3 FLANGE NUT M16 x 2.0, CI 10

5140-COMBINE - TIER 2

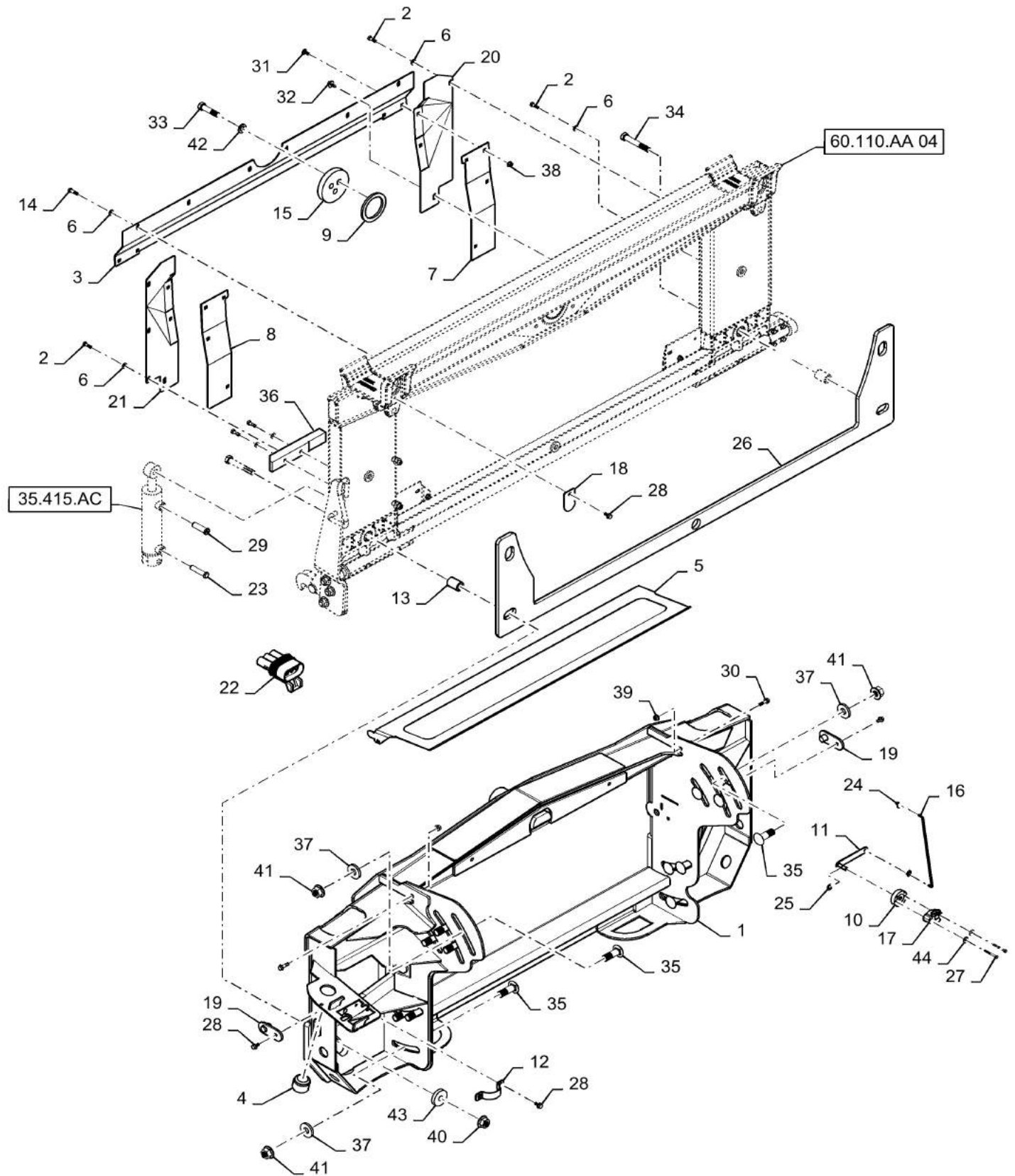
60.110.AA

03

p1

7/2015

VAR - 425081, 425082, 425086, 425087 - ADAPTER, FEEDER, ASN YEG012701



VAR - 425081, 425082, 425086, 425087 - ADAPTER, FEEDER, ASN YEG012701

REF FN	PART NUMBER	YR/SN	QTY DESCRIPTION
1	47473655		1 FRAME Feeder Adjustment, Rear
2	43127		10 BOLT Hex, M8 x 1.25 x 25mm, CI 8.8
3	87658628		1 DEFLECTOR Crop, Upper
4	87105683		1 CAP Header Harness Protection
5	87312135		1 SHEET ASSY. Cleanout
6	322358		16 BELLEVILLE WASHER M8 x 18mm OD x 1.4mm Thk
7	84158878		1 DEFLECTOR Crop, RH
8	84158872		1 DEFLECTOR Crop, LH
9	86995542		1 THRUST WASHER 77.5mm ID x 101.6mm OD x 7.8mm Thk Feeder Frame, Center
10	87362420		1 MOUNT Lateral Tilt Position
11	87643243		1 SHAFT Position Sensor Linkage
12	87107105		1 U-BRACKET Retainer
13	87107672		2 SPACER 20.64mm ID x 30.16mm OD x 42mm L Feeder Face
14	43128		6 BOLT M8 x 1.25 x 30mm, CI 8.8
15	87283209		1 RETAINING PLATE Center Pivot
16	87643245		1 LINK Later Tilt Linkage
17	87330286		1 SENSOR Lateral Tilt Position
18	87312141		1 PLATE Retaining Tab
19	87106719		2 BRACKET Adjustment Lock
20	87658627		1 DEFLECTOR Crop, RH
21	87658626		1 DEFLECTOR Crop, LH
22	87742285		1 WIRE HARNESS Feeder Tilt Adapter
23	87312143		1 PIN 14mm OD x 68.5mm L 14mm OD x 64mm L
24	9821714		2 CLIP Retainer
25	86000439		1 SNAP RING 0.288" ID x 0.66" OD x 0.037" Thk, External
26	84392517		1 WEAR STRIP Poly
27	87384106		2 BOLT M4 x 42.92mm, CI 8.8
28	87681207		5 BOLT M8 x 24.1mm, CI 10.9

5140-COMBINE - TIER 2

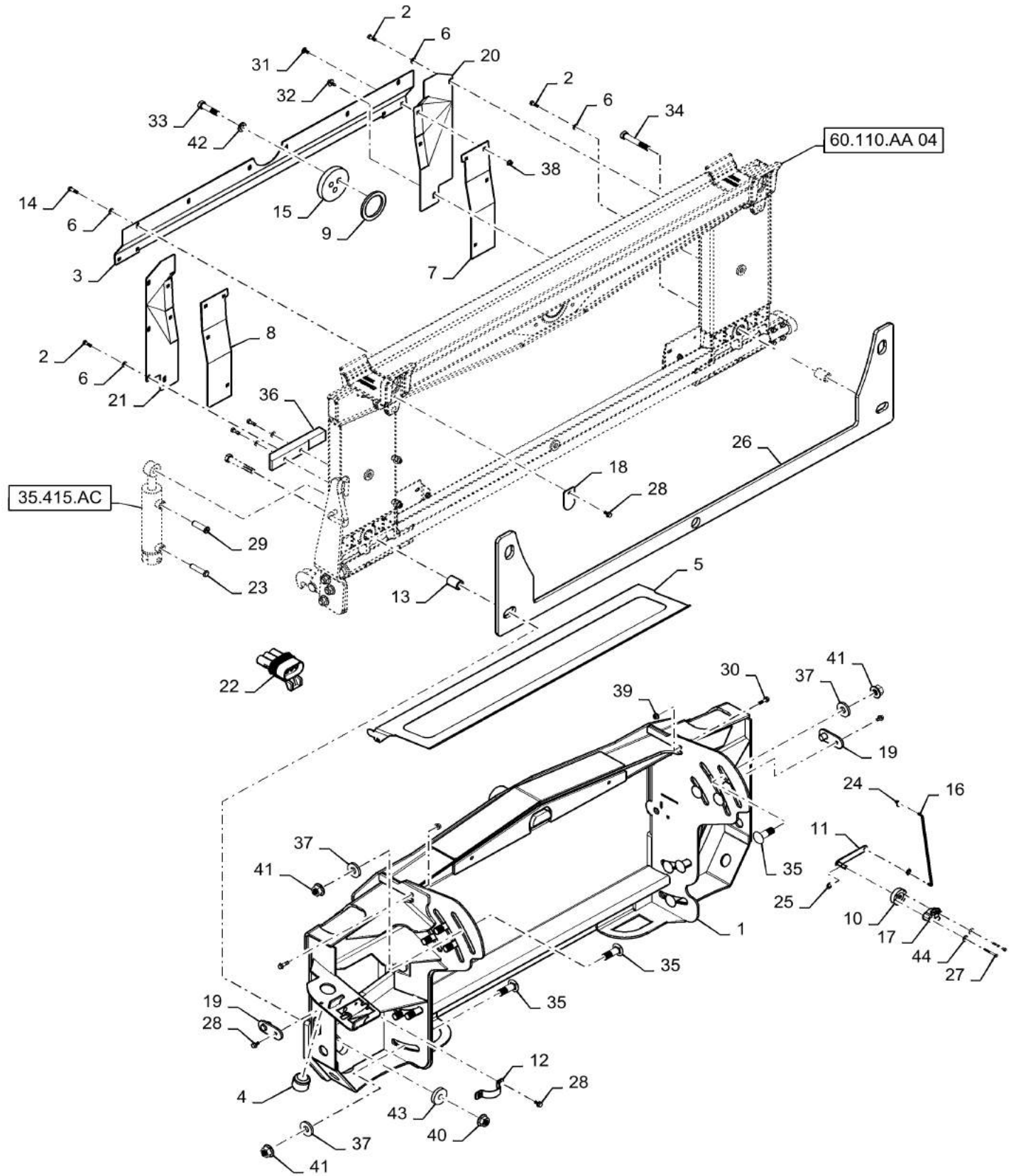
60.110.AA

03

p2

7/2015

VAR - 425081, 425082, 425086, 425087 - ADAPTER, FEEDER, ASN YEG012701



VAR - 425081, 425082, 425086, 425087 - ADAPTER, FEEDER, ASN YEG012701

REF FN	PART NUMBER	YR/SN	QTY DESCRIPTION
29	47600811		1 PIN 19mm OD x 64mm L
30	87030775		2 BOLT M8 x 38.1mm, CI 10.9
31	86507486		8 CARRIAGE BOLT M8 x 1.25 x 20mm, CI 8.8
32	87673844		2 SELF-TAP SCREW M8 x 1.25 x 20mm
33	11119231		3 BOLT M16 x 75mm, CI 10.9
34	86541970		2 BOLT Hex, M16 x 100mm, CI 10.9
35	86981478		14 CARRIAGE BOLT M20 x 70.9mm, CI 10.9
36	87693080		2 PLATE Stripper
37	86592703		14 WASHER 21mm ID x 50mm OD x 6mm Thk
38	86507066		8 FLANGE NUT M8 x 1.25, CI 10
39	87681210		2 FLANGE NUT M8 x 1.25, CI 10
40	87016581		2 FLANGE NUT M16 x 2.0, CI 10
41	86512499		14 FLANGE NUT M20 x 2.5, CI 10
42	86625266		3 WASHER 17.5mm ID x 30mm OD x 4mm Thk
43	913347		2 WASHER M17 x 56mm OD x 11mm Thk
44	322355		2 BELLEVILLE WASHER M4 x 10mm OD x 0.9mm Thk

5140-COMBINE - TIER 2

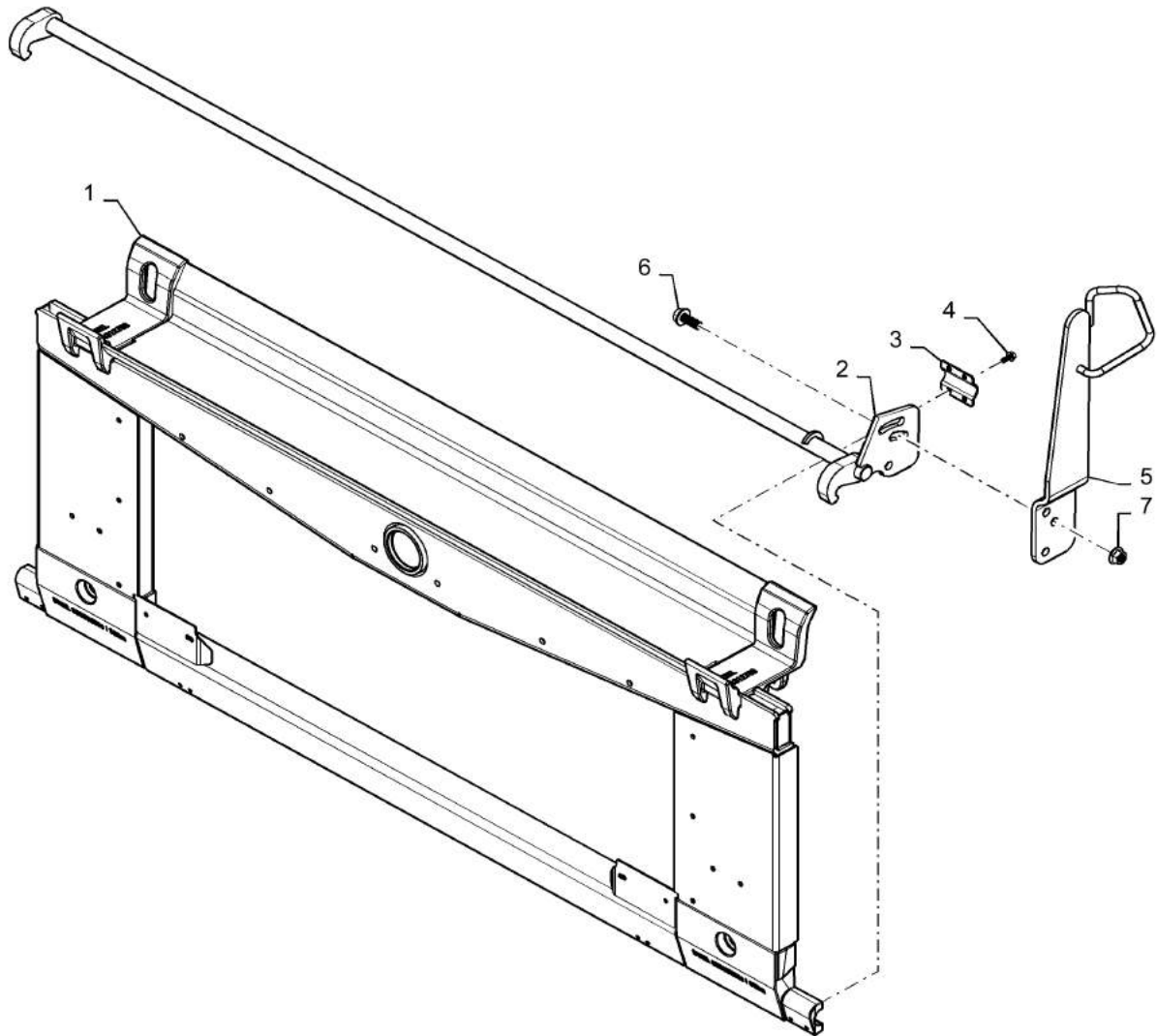
60.110.AA

04

p1

7/2015

VAR - 425081, 425082, 425086, 425087, 425083, 425088 - ADAPTER, FEEDER, LATCH, ASN YEG012701



60.110.AA

04

p1

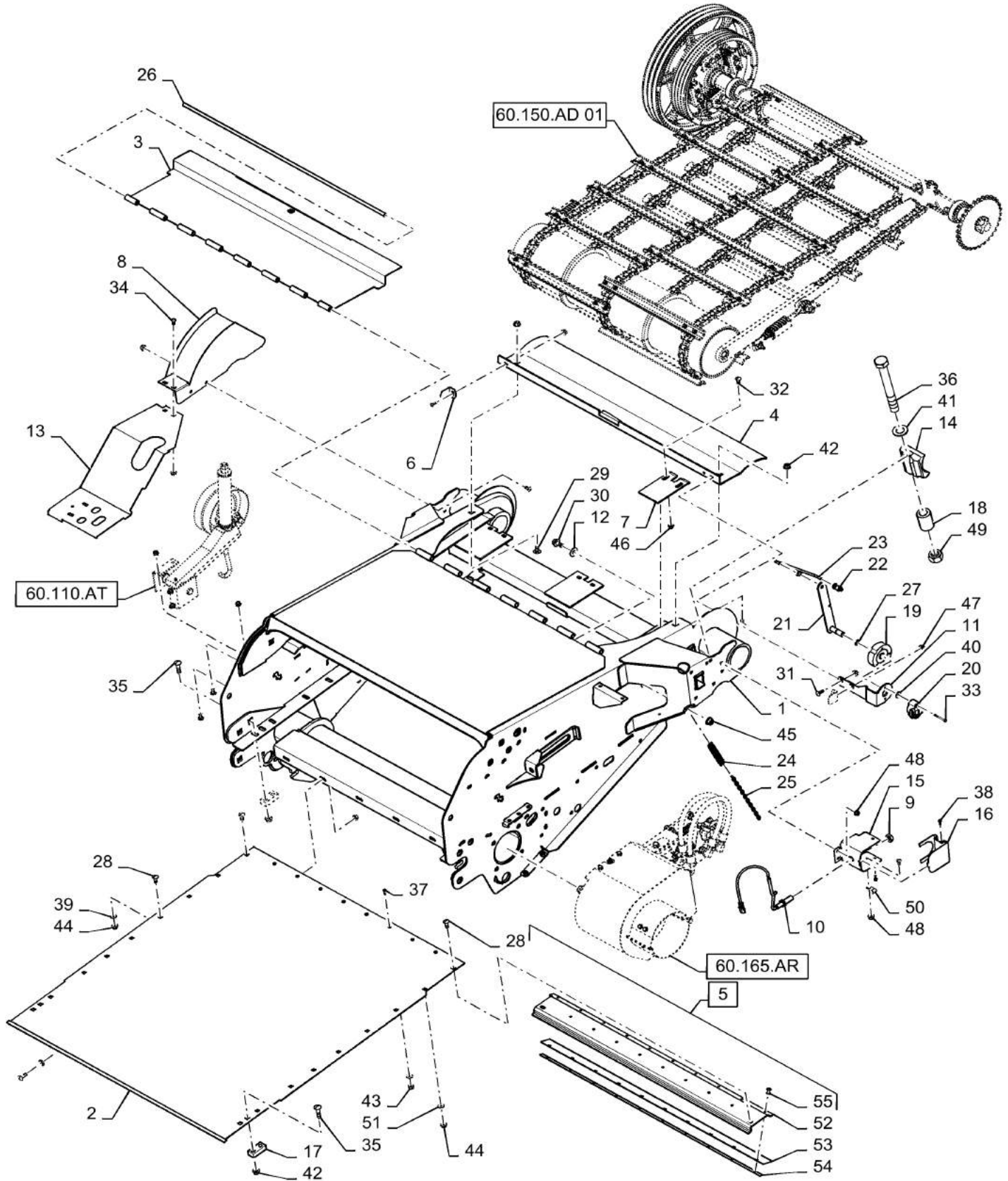
7/2015

VAR - 425081, 425082, 425086, 425087, 425083, 425088 - ADAPTER, FEEDER, LATCH, ASN YEG012701

REF FN	PART NUMBER	YR/SN	QTY DESCRIPTION
1	47473670		1 FRAME Adapter, Front Face
2	84587081		1 LATCH Header Retention
3	87107674		2 CLAMP Header Latch
4	87656137		8 BOLT M8 x 28.1mm, CI 10.9
5	84314118		1 LEVER Header Latch
6	87495304		3 FLANGE BOLT M6 x 55.4mm, CI 10.9
7	87016581		3 FLANGE NUT M16 x 2.0, CI 10

5140-COMBINE - TIER 2

FEEDER, STANDARD

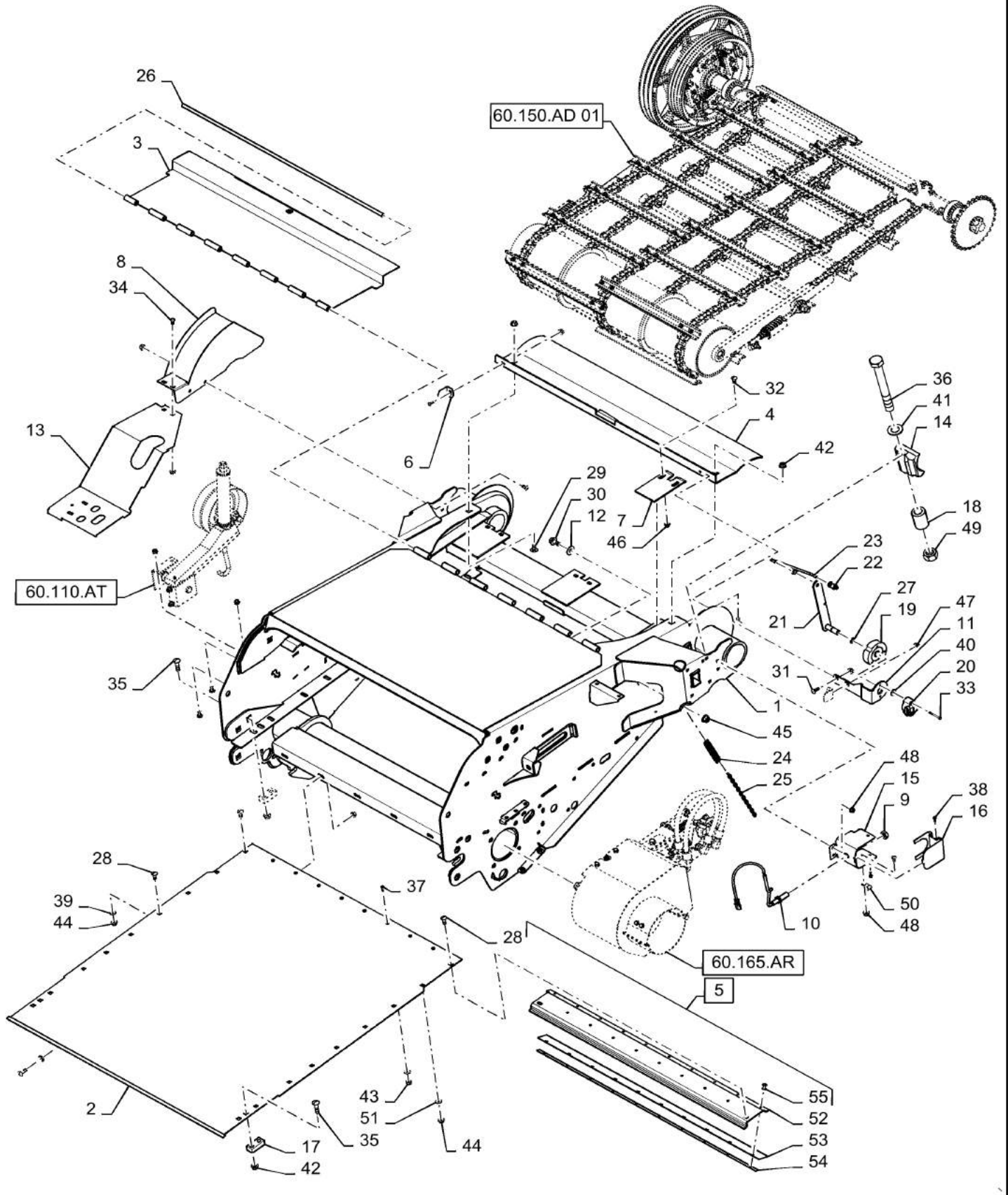


FEEDER, STANDARD

REF FN	PART NUMBER	YR/SN	QTY DESCRIPTION
1	84346464		1 GRAIN ELEVATOR HOUSING Non Rock Trap
2	84346486		1 SHEET ASSY. Feeder Floor
3	84215091		1 DOOR Feeder, Top
4	84261477		1 COVER ASSY Stripper Plate Access
5	84310769		1 SEAL Feeder, Rear, Incl 52 - 55
6	84215095		2 ANGLE Feeder Door Stop
7	87748011		3 STRIPPER Stripper Plate
8	87712040		1 COVER ASSY Feeder Drive
9	425-1512		1 JAM NUT Jam, 3/4"-10, G5
10	245193C2		1 SENSOR Feeder Speed
11	84127177		1 BRACKET Feeder Height/Position Sensor Mount
12	87639783		2 WASHER 0.69" ID x 1.75" OD x 0.12" Thk
13	84375995		1 SHIELD Feeder Drive
14	87489758		2 RETAINER Feeder Pivot
15	87754319		1 BRACKET Feeder Speed Sensor
16	87618166		1 SHIELD Feeder Speed Sensor
17	87709918		2 SPACER Feeder Floor
18	87499320		2 SPACER 31.8mm ID x 50.8mm OD x 75mm L Feeder Retainer Bolt
19	87362420		1 MOUNT Feeder Height Sensor
20	87330286		1 SENSOR Feeder Height/ Position
21	84538095		1 SHAFT Feeder Height/ Position
22	9821714		2 CLIP Rod End, Feeder Height/ Position
23	87720415		1 CONNECTING LINK Secondary, Feeder Height/ Position
24	635503R1		2 SPRING 148.8mm Free Length Chain Tension
25	167570C1		2 CHAIN 203.2mm L 14 Links
26	87666924		1 ROD Door Hinge

5140-COMBINE - TIER 2

FEEDER, STANDARD

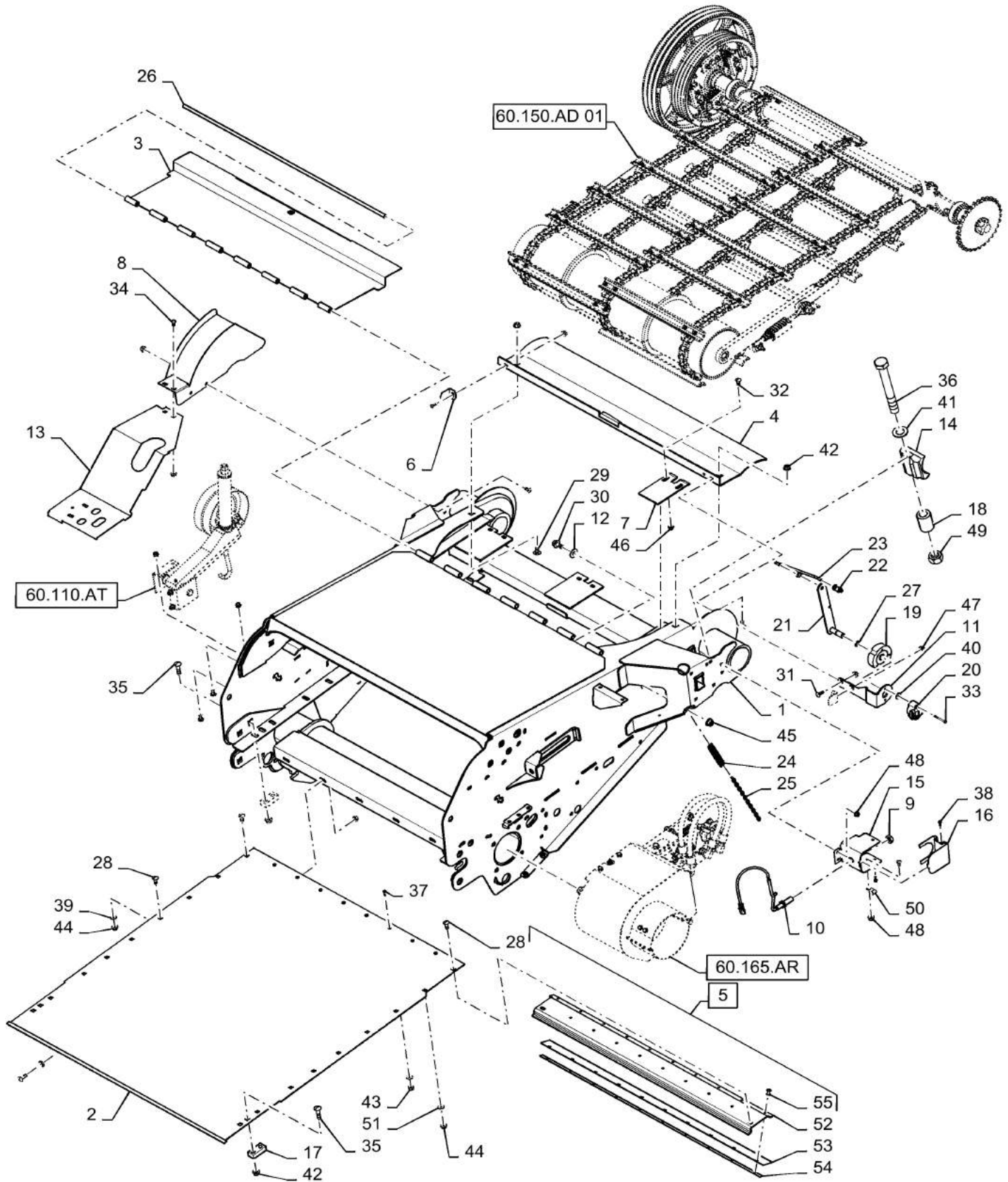


FEEDER, STANDARD

REF FN	PART NUMBER	YR/SN	QTY DESCRIPTION
27	86000439		1 SNAP RING 0.288" ID x 0.66" OD x 0.037" Thk, External
28	87682392		25 CARRIAGE BOLT M10 x 1.5 x 30mm, CI 10.9
29	9503839		2 CARRIAGE BOLT Short NK, M12 x 25, CI8.8, Full Thd
30	87698766		2 FLANGE BOLT M16 x 45.4mm, CI 10.9
31	87752072		3 CARRIAGE BOLT M6 x 1.0 x 26.6mm, CI 10.9 Carriage, M6 x 20mm, 10.9
32	87682391		6 CARRIAGE BOLT M10 x 1.5 x 25mm, CI 10.9
33	87384106		2 BOLT M4 x 42.92mm, CI 8.8
34	87682383		9 CARRIAGE BOLT M8 x 1.25 x 20mm, CI 10.9
35	87698853		4 CARRIAGE BOLT Sht Sq Nk, M12 x 50mm, CI 10.9, Full Thd
36	87497922		2 BOLT Hex, M30 x 260mm, CI 10.9 Hex, M30 x 260mm, 10.9
37	87015849		8 SCREW Phillips Drive, Flat HD, M6 x 20mm, CI 5.8
38	87010469		2 SELF-TAP SCREW Hex, M6.3 x 25mm
39	86625253		23 WASHER 11mm ID x 24mm OD x 2mm Thk
40	322355		2 BELLEVILLE WASHER M4 x 10mm OD x 0.9mm Thk
41	86511329		2 WASHER 31mm ID x 56mm OD x 4mm Thk
42	86512497		6 FLANGE NUT M12 x 1.75, CI 10
43	353308		8 NUT M6 x 1.0, CI 8
44	86050279		25 FLANGE NUT M10 x 1.5, CI 10
45	86512498		20 FLANGE NUT M16 x 2.0, CI 10
46	43435		6 FLANGE NUT M10 x 1.5, Serrated
47	86050300		3 FLANGE NUT M6 x 1.0, CI 10
48	86507066		9 FLANGE NUT M8 x 1.25, CI 10
49	87752066		2 NUT M30
50	87016871		1 CLAMP 9.5mm, Coat, 10.3mm Bolt Hole, J Type

5140-COMBINE - TIER 2

FEEDER, STANDARD



60.110.AD

01

p3

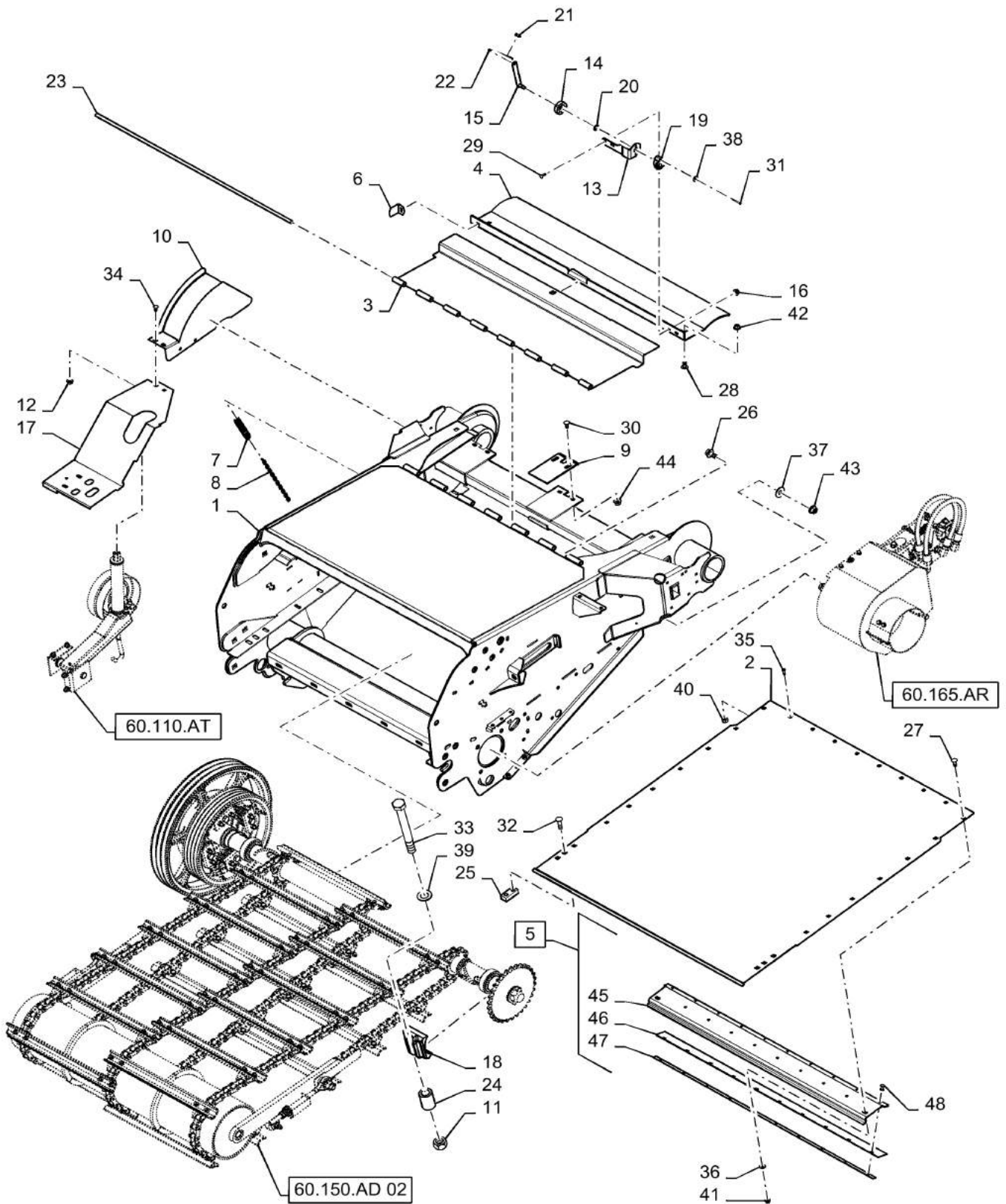
7/2015

FEEDER, STANDARD

REF FN	PART NUMBER	YR/SN	QTY DESCRIPTION
51	140042		2 WASHER 11mm ID x 34mm OD x 3mm Thk
52	84310770		1 SUPPORT Feeder Bottom, Rear
53	47590604		1 SEAL Feeder, Rear
54	197526C1		1 SEALING STRIP Foam
55	151-559		10 RIVET Pop, 4.75mm OD x 12.7mm L

5140-COMBINE - TIER 2

FEEDER, ROCK TRAP

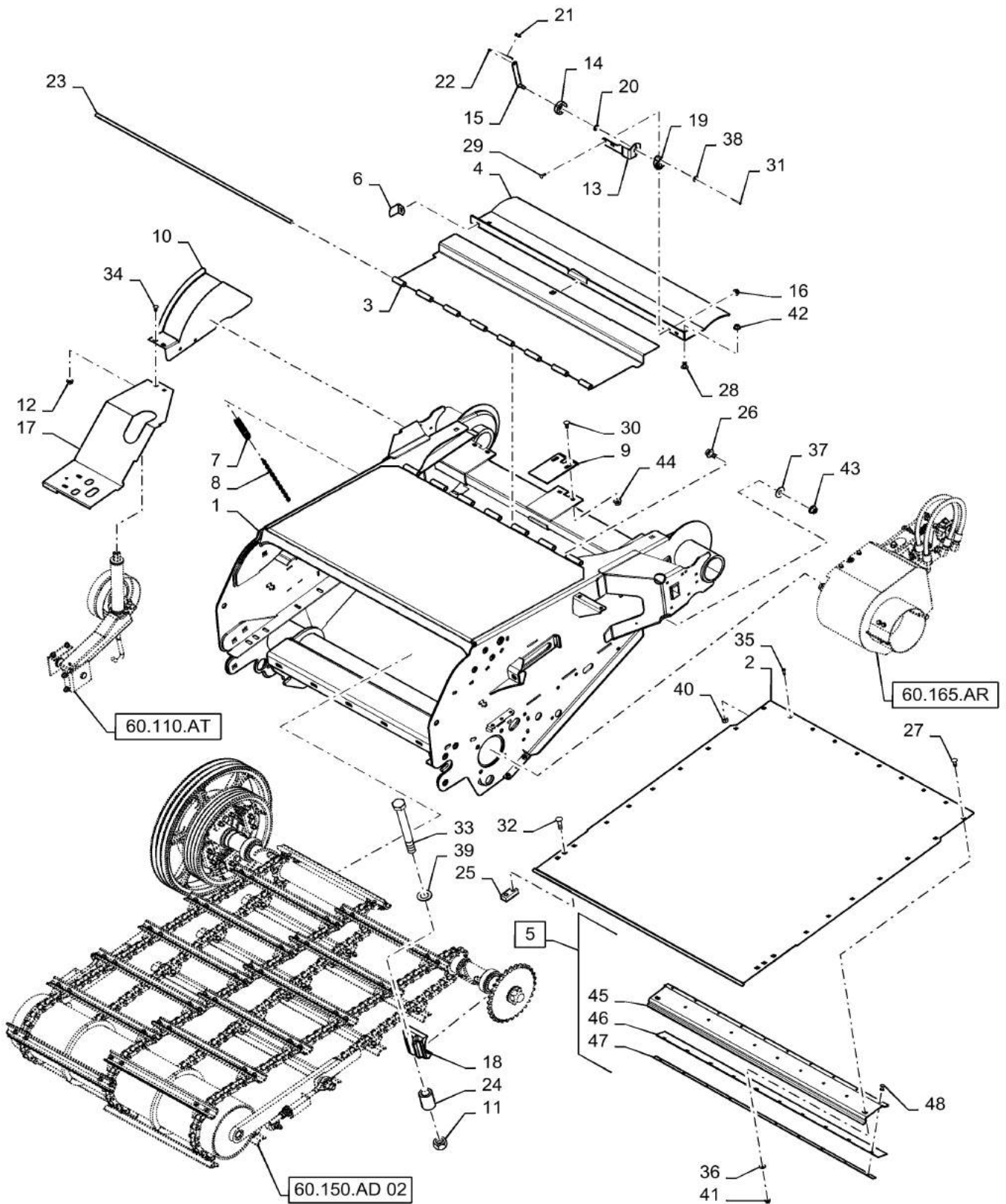


FEEDER, ROCK TRAP

REF FN	PART NUMBER	YR/SN	QTY DESCRIPTION
1	84310734		1 HOUSING Feeder, Rock Trap
2	87727365		1 SHEET ASSY. Feeder Floor
3	84215091		1 DOOR Feeder Top
4	84261477		1 COVER ASSY Feeder Top
5	84310769		1 SEAL Feeder Rear, Incl 45 - 48
6	84215095		2 ANGLE Feeder Door Stop
7	635503R1		2 SPRING 148.8mm Free Length Conveyor Tension
8	167570C1		2 CHAIN 203.2mm L Adjustment
9	87748011		3 STRIPPER Stripper Plate
10	87712040		1 COVER ASSY Feeder Drive
11	87752066		2 NUT M30
12	86507066		6 FLANGE NUT M8 x 1.25, CI 10
13	84127177		1 BRACKET Feeder Height/ Position Sensor Mount
14	87362420		1 MOUNT Feeder Height Sensor
15	84538095		1 SHAFT Feeder Height/ Position
16	86050300		3 FLANGE NUT M6 x 1.0, CI 10
17	87474735		1 SHIELD Feeder Drive
18	87489758		2 RETAINER Feeder Pivot
19	87330286		1 SENSOR Feeder Height/ Position
20	86000439		1 SNAP RING 0.288" ID x 0.66" OD x 0.037" Thk, External
21	9821714		2 CLIP Rod End, Feeder Height/ Position
22	87720415		1 CONNECTING LINK Secondary, Feeder Height/ Position
23	87666924		1 ROD Door Hinge
24	87499320		2 SPACER 31.8mm ID x 50.8mm OD x 75mm L Feeder Retainer Bolt
25	87709918		2 SPACER Feeder Floor
26	87698766		2 FLANGE BOLT M16 x 45.4mm, CI 10.9
27	87682392		21 CARRIAGE BOLT M10 x 1.5 x 30mm, CI 10.9

5140-COMBINE - TIER 2

FEEDER, ROCK TRAP



FEEDER, ROCK TRAP

REF FN	PART NUMBER	YR/SN	QTY DESCRIPTION
28	9503839		2 CARRIAGE BOLT Short NK, M12 x 25, CI8.8, Full Thd
29	87752072		3 CARRIAGE BOLT M6 x 1.0 x 26.6mm, CI 10.9 M6 x 20mm, 10.9
30	87682391		6 CARRIAGE BOLT M10 x 1.5 x 25mm, CI 10.9
31	87384106		2 BOLT M4 x 42.92mm, CI 8.8
32	87698853		4 CARRIAGE BOLT Sht Sq Nk, M12 x 50mm, CI 10.9, Full Thd
33	87497922		2 BOLT Hex, M30 x 260mm, CI 10.9 M30 x 260mm, 10.9
34	87682383		6 CARRIAGE BOLT M8 x 1.25 x 20mm, CI 10.9
35	87015849		8 SCREW Phillips Drive, Flat HD, M6 x 20mm, CI 5.8
36	86625253		21 WASHER 11mm ID x 24mm OD x 2mm Thk
37	87639783		2 WASHER 0.69" ID x 1.75" OD x 0.12" Thk .75" OD x .687" ID x .119"
38	322355		2 BELLEVILLE WASHER M4 x 10mm OD x 0.9mm Thk
39	86511329		2 WASHER 31mm ID x 56mm OD x 4mm Thk
40	353308		8 NUT M6 x 1.0, CI 8
41	86050279		21 FLANGE NUT M10 x 1.5, CI 10
42	86512497		6 FLANGE NUT M12 x 1.75, CI 10
43	86512498		2 FLANGE NUT M16 x 2.0, CI 10
44	43435		6 FLANGE NUT M10 x 1.5, Serrated
45	84310770		1 SUPPORT Feeder Bottom, Rear
46	47590604		1 SEAL Feeder Rear
47	197526C1		1 SEALING STRIP Backing
48	151-559		10 RIVET Pop, 4.75mm OD x 12.7mm L

5140-COMBINE - TIER 2

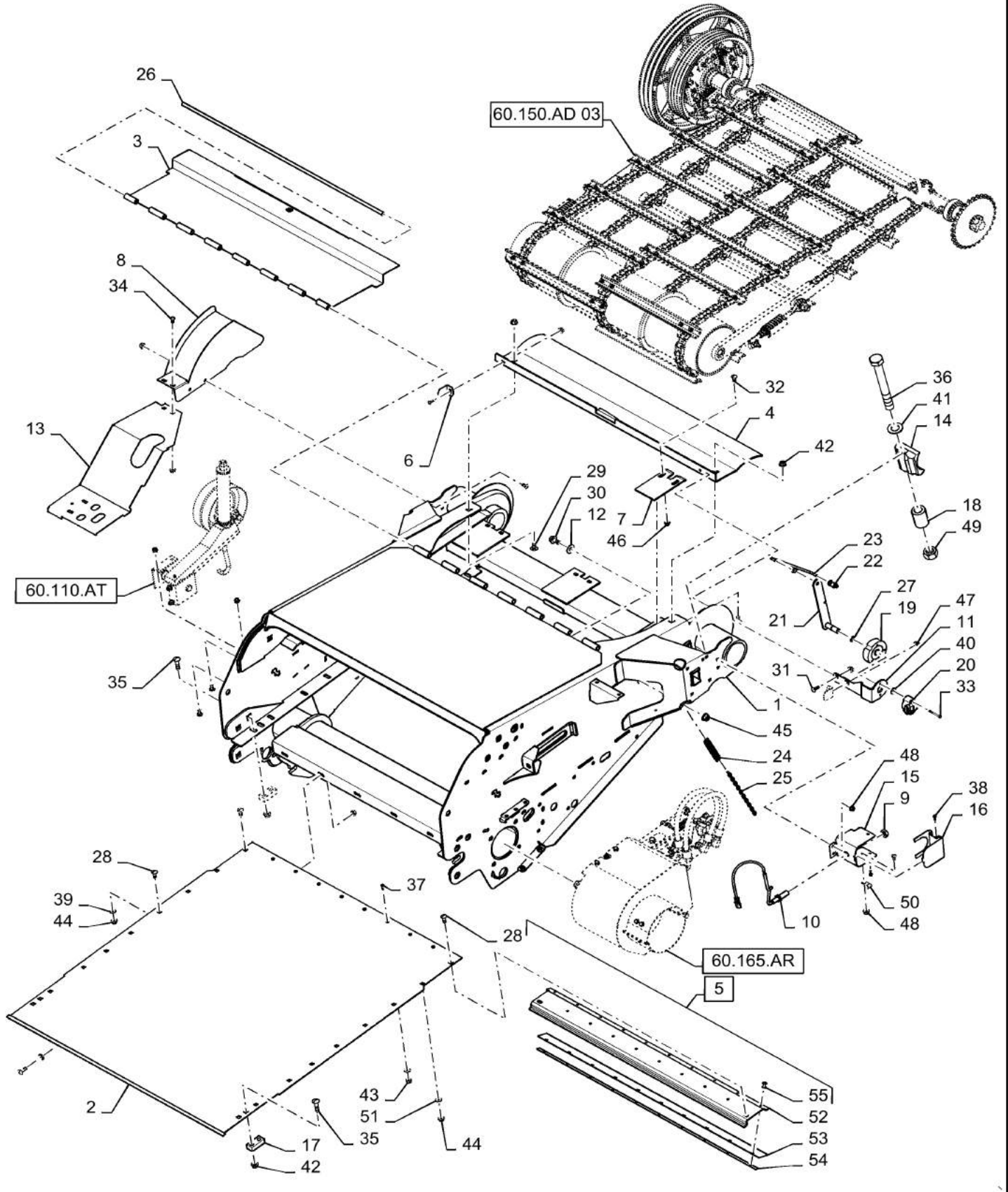
60.110.AD

03

p1

7/2015

FEEDER, STANDARD, ASN YEG012701

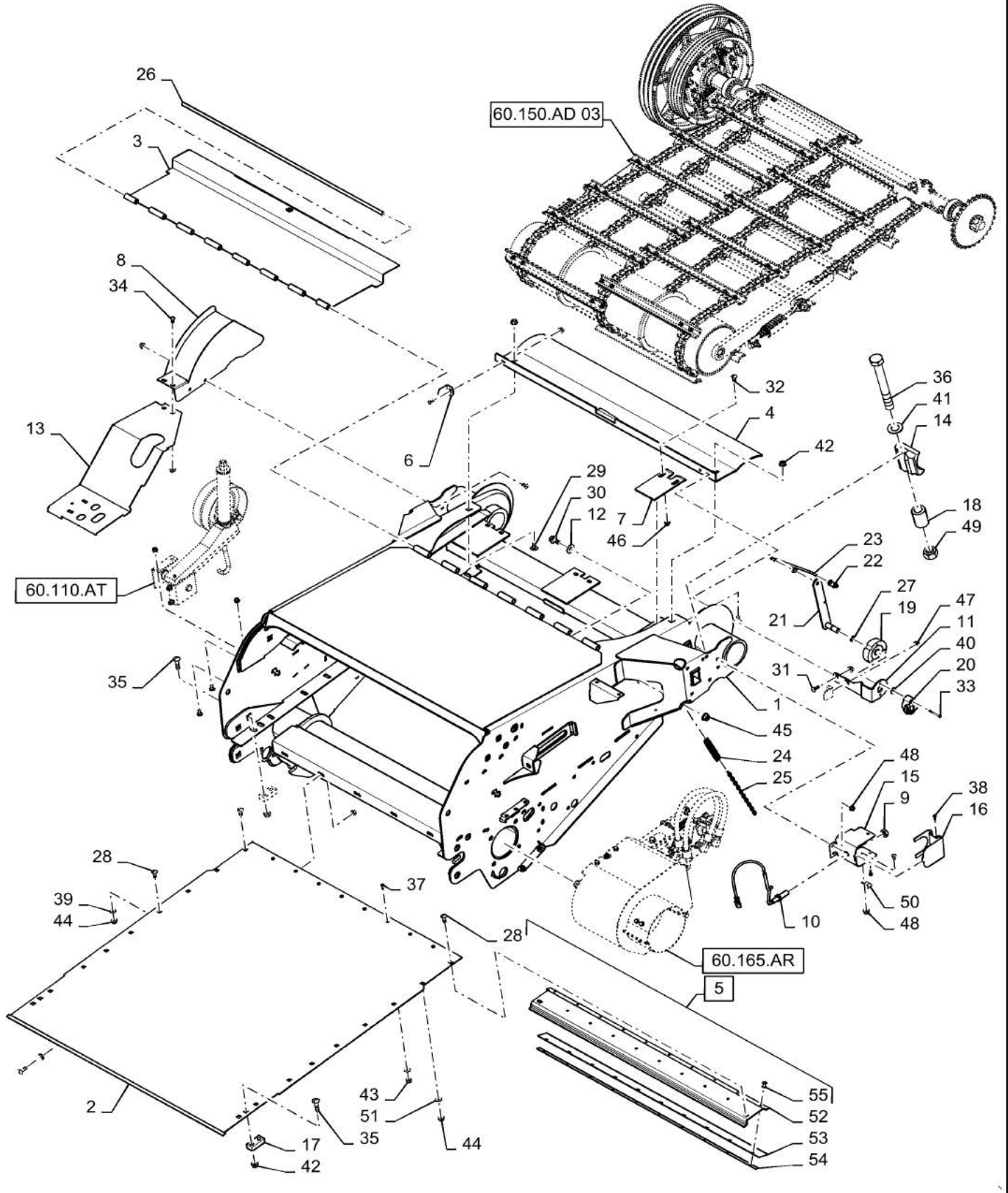


FEEDER, STANDARD, ASN YEG012701

REF FN	PART NUMBER	YR/SN	QTY DESCRIPTION
1	47478912		1 FEEDER Non Rock Trap
2	84346486		1 SHEET ASSY. Feeder Floor
3	84215091		1 DOOR Feeder, Top
4	84261477		1 COVER ASSY Stripper Plate Access
5	84310769		1 SEAL Feeder, Rear, Incl 51 - 54
6	84215095		2 ANGLE Feeder Door Stop
7	87748011		3 STRIPPER Stripper Plate
8	87712040		1 COVER ASSY Feeder Drive
9	425-1512		1 JAM NUT Jam, 3/4"-10, G5
10	245193C2		1 SENSOR Feeder Speed
11	84127177		1 BRACKET Feeder Height/ Position Sensor Mount
12	87639783		2 WASHER 0.69" ID x 1.75" OD x 0.12" Thk
13	84375995		1 SHIELD Feeder Drive
14	47491856		2 RETAINER Feeder Pivot
15	87754319		1 BRACKET Feeder Speed Sensor
16	87618166		1 SHIELD Feeder Speed Sensor
17	87709918		2 SPACER Feeder Floor
18	87499320		2 SPACER 31.8mm ID x 50.8mm OD x 75mm L Feeder Retainer Bolt
19	87362420		1 MOUNT Feeder Height Sensor
20	87330286		1 SENSOR Feeder Height/ Position
21	84538095		1 SHAFT Feeder Height/ Position
22	9821714		2 CLIP Rod End, Feeder Height/ Position
23	87720415		1 CONNECTING LINK Secondary, Feeder Height/ Position
24	635503R1		2 SPRING 148.8mm Free Length Chain Tension
25	167570C1		2 CHAIN 203.2mm L 14 Links
26	87666924		1 ROD Door Hinge
27	86000439		1 SNAP RING 0.288" ID x 0.66" OD x 0.037" Thk, External

5140-COMBINE - TIER 2

FEEDER, STANDARD, ASN YEG012701



FEEDER, STANDARD, ASN YEG012701

REF FN	PART NUMBER	YR/SN	QTY DESCRIPTION
28	87682392		25 CARRIAGE BOLT M10 x 1.5 x 30mm, CI 10.9
29	9503839		2 CARRIAGE BOLT Short NK, M12 x 25, CI 8.8, Full Thd
30	87698766		2 FLANGE BOLT M16 x 45.4mm, CI 10.9
31	87752072		3 CARRIAGE BOLT M6 x 1.0 x 26.6mm, CI 10.9 Carriage, M6 x 20mm, 10.9
32	87682391		6 CARRIAGE BOLT M10 x 1.5 x 25mm, CI 10.9
33	87384106		2 BOLT M4 x 42.92mm, CI 8.8
34	87682383		9 CARRIAGE BOLT M8 x 1.25 x 20mm, CI 10.9
35	87698853		4 CARRIAGE BOLT Sht Sq Nk, M12 x 50mm, CI 10.9, Full Thd
36	47677236		2 BOLT Hex, M30 x 260mm, CI 12.9 Hex, M30 x 260mm, 10.9
37	87015849		8 SCREW Phillips Drive, Flat HD, M6 x 20mm, CI 5.8
38	87010469		2 SELF-TAP SCREW Hex, M6.3 x 25mm
39	86625253		23 WASHER 11mm ID x 24mm OD x 2mm Thk
40	322355		2 BELLEVILLE WASHER M4 x 10mm OD x 0.9mm Thk
41	86511329		2 WASHER 31mm ID x 56mm OD x 4mm Thk
42	86512497		6 FLANGE NUT M12 x 1.75, CI 10
43	353308		8 NUT M6 x 1.0, CI 8
44	86050279		25 FLANGE NUT M10 x 1.5, CI 10
45	86512498		20 FLANGE NUT M16 x 2.0, CI 10
46	43435		6 FLANGE NUT M10 x 1.5, Serrated
47	86050300		3 FLANGE NUT M6 x 1.0, CI 10
48	86507066		9 FLANGE NUT M8 x 1.25, CI 10
49	87752066		2 NUT M30
50	87016871		1 CLAMP 9.5mm, Coat, 10.3mm Bolt Hole, J Type
51	140042		2 WASHER 11mm ID x 34mm OD x 3mm Thk
52	84310770		1 SUPPORT Feeder Bottom, Rear

5140-COMBINE - TIER 2

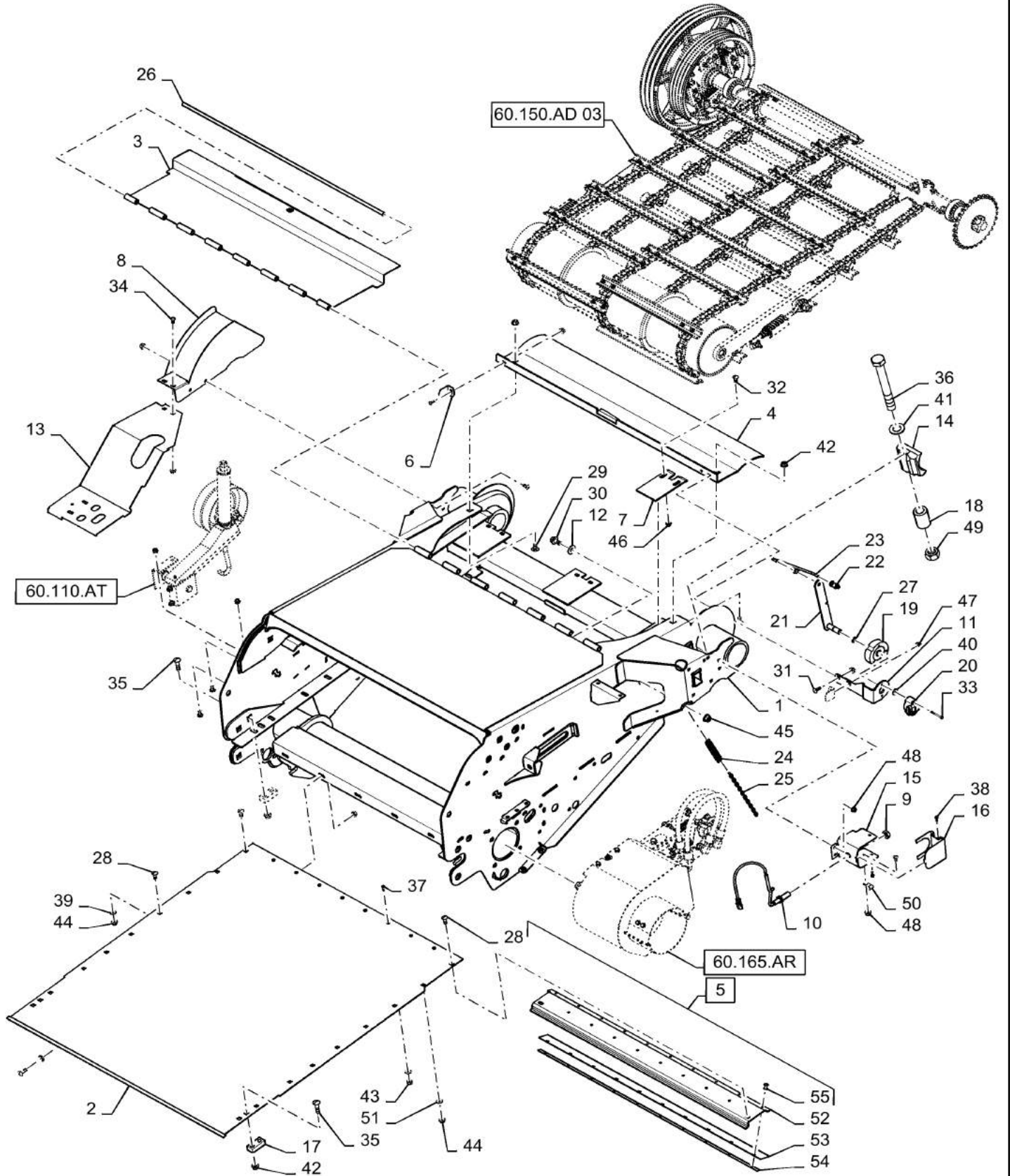
60.110.AD

03

p3

7/2015

FEEDER, STANDARD, ASN YEG012701



60.110.AD

03

p3

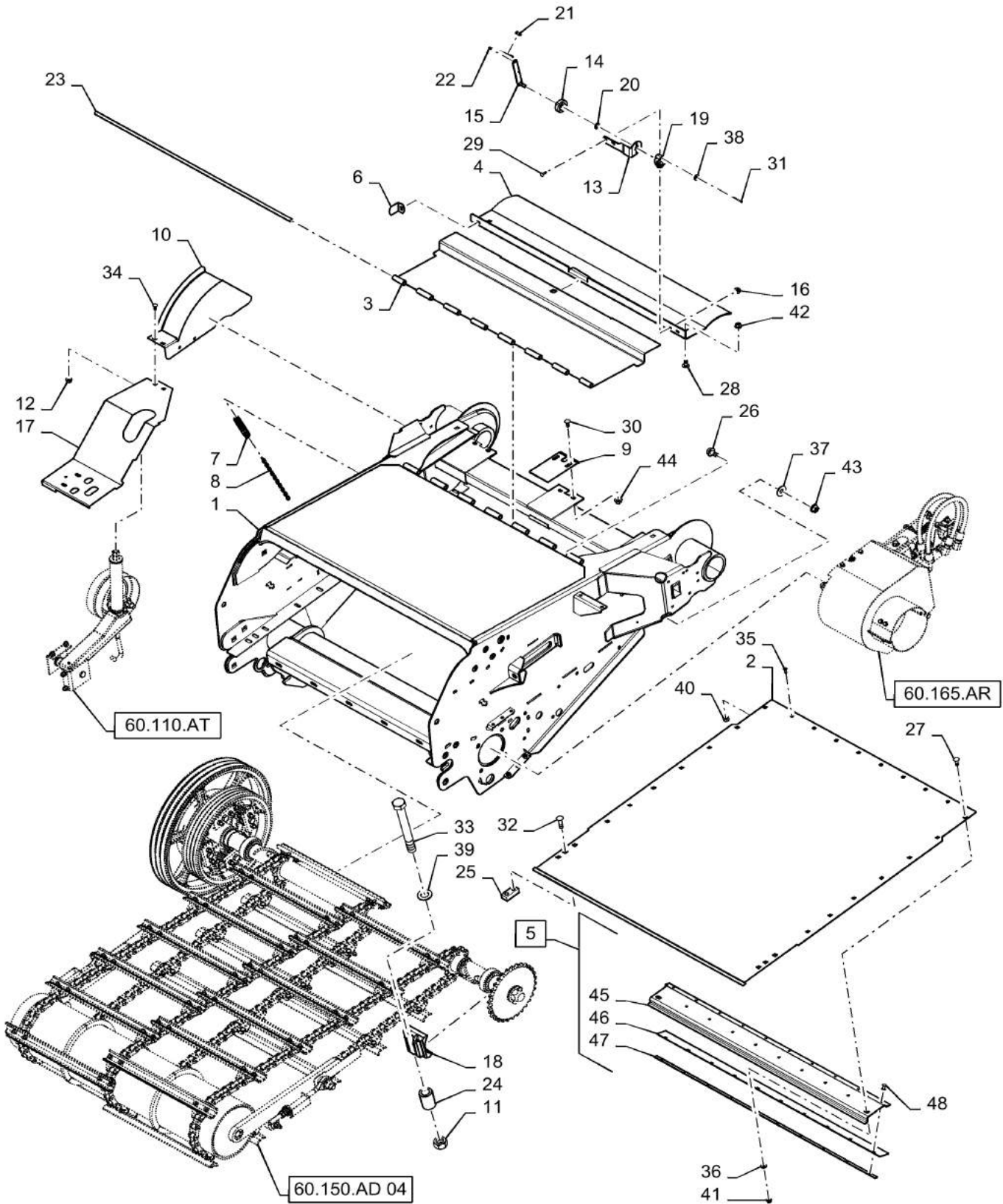
7/2015

FEEDER, STANDARD, ASN YEG012701

REF FN	PART NUMBER	YR/SN	QTY DESCRIPTION
53	47590604		1 SEAL Feeder, Rear
54	197526C1		1 SEALING STRIP Foam
55	151-559		10 RIVET Pop, 4.75mm OD x 12.7mm L

5140-COMBINE - TIER 2

FEEDER, STONE TRAP

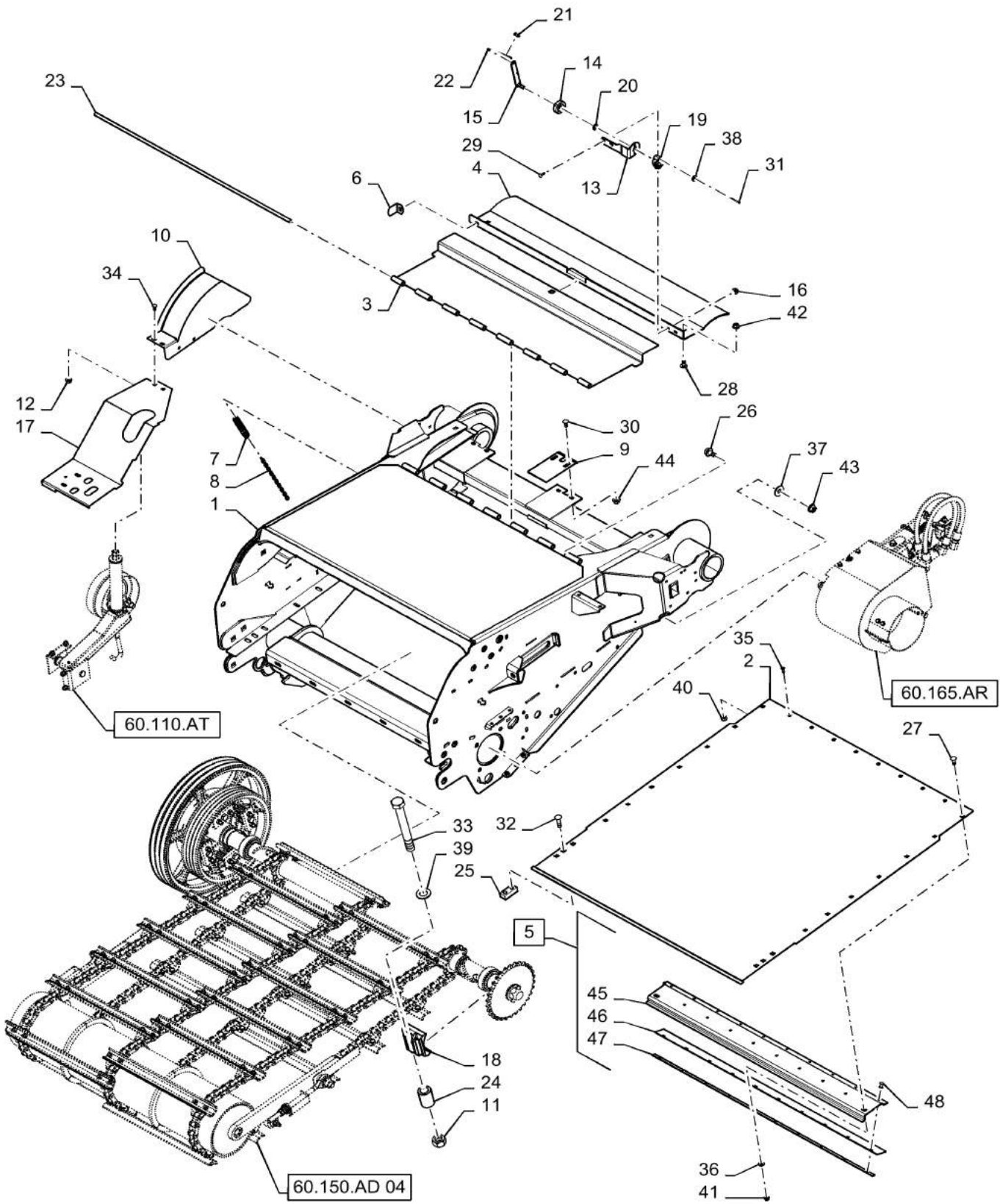


FEEDER, STONE TRAP

REF FN	PART NUMBER	YR/SN	QTY DESCRIPTION
1	47473780		1 FEEDER Feeder, Rock Trap
2	87727365		1 SHEET ASSY. Feeder Floor
3	84215091		1 DOOR Feeder Top
4	84261477		1 COVER ASSY Feeder Top
5	84310769		1 SEAL Feeder Rear, Incl 45 - 48
6	84215095		2 ANGLE Feeder Door Stop
7	635503R1		2 SPRING 148.8mm Free Length Conveyor Tension
8	167570C1		2 CHAIN 203.2mm L Adjustment
9	87748011		3 STRIPPER Stripper Plate
10	87712040		1 COVER ASSY Feeder Drive
11	87752066		2 NUT M30
12	86507066		6 FLANGE NUT M8 x 1.25, CI 10
13	84127177		1 BRACKET Feeder Height/ Position Sensor Mount
14	87362420		1 MOUNT Feeder Height Sensor
15	84538095		1 SHAFT Feeder Height/ Position
16	86050300		3 FLANGE NUT M6 x 1.0, CI 10
17	87474735		1 SHIELD Feeder Drive
18	47491856		2 RETAINER Feeder Pivot
19	87330286		1 SENSOR Feeder Height/ Position
20	86000439		1 SNAP RING 0.288" ID x 0.66" OD x 0.037" Thk, External
21	9821714		2 CLIP Rod End, Feeder Height/ Position
22	87720415		1 CONNECTING LINK Secondary, Feeder Height/ Position
23	87666924		1 ROD Door Hinge
24	87499320		2 SPACER 31.8mm ID x 50.8mm OD x 75mm L Feeder Retainer Bolt
25	87709918		2 SPACER Feeder Floor
26	87698766		2 FLANGE BOLT M16 x 45.4mm, CI 10.9
27	87682392		21 CARRIAGE BOLT M10 x 1.5 x 30mm, CI 10.9

5140-COMBINE - TIER 2

FEEDER, STONE TRAP

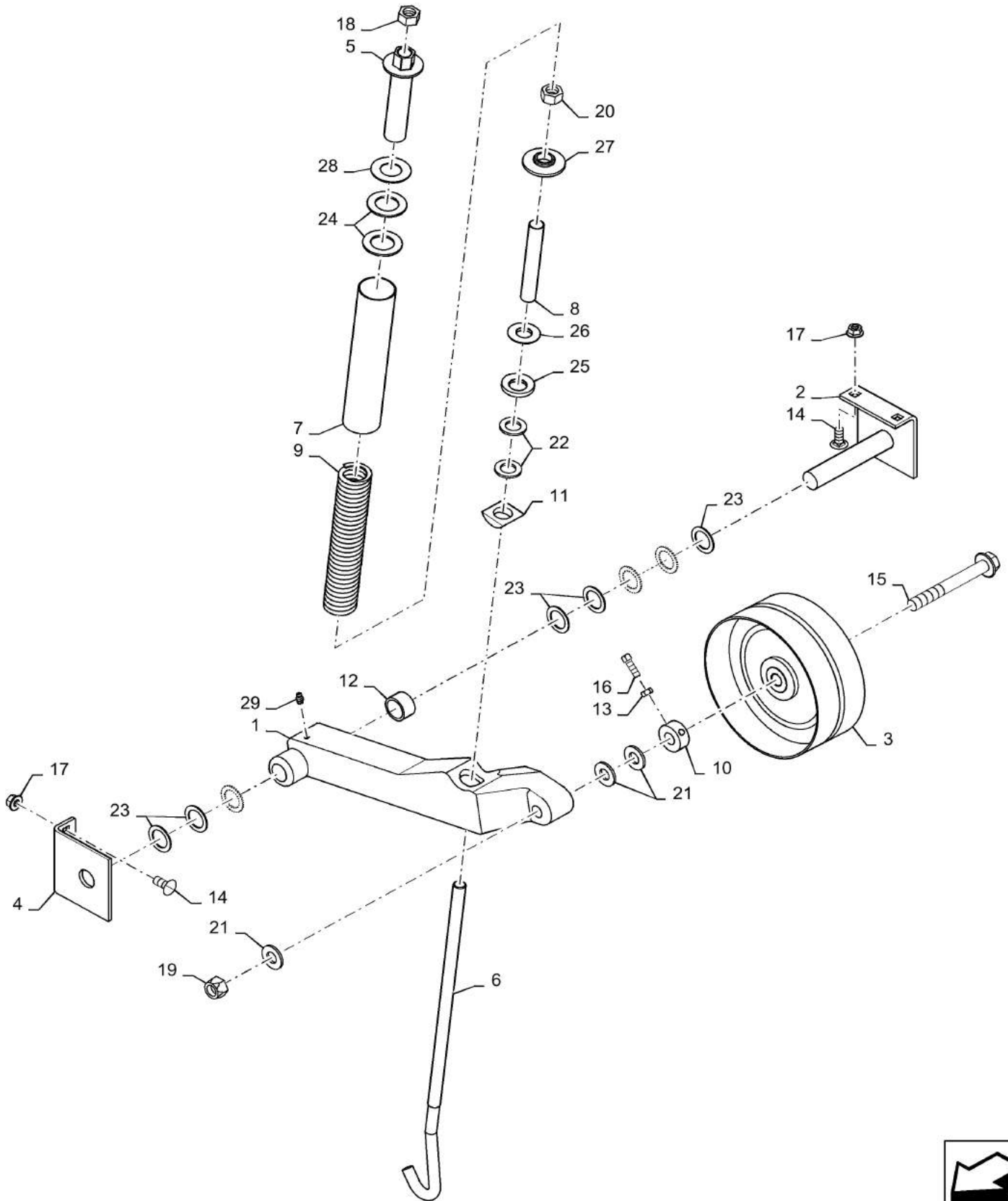


FEEDER, STONE TRAP

REF FN	PART NUMBER	YR/SN	QTY DESCRIPTION
28	9503839		2 CARRIAGE BOLT Short NK, M12 x 25, CI8.8, Full Thd
29	87752072		3 CARRIAGE BOLT M6 x 1.0 x 26.6mm, CI 10.9 M6 x 20mm, 10.9
30	87682391		6 CARRIAGE BOLT M10 x 1.5 x 25mm, CI 10.9
31	87384106		2 BOLT M4 x 42.92mm, CI 8.8
32	87698853		4 CARRIAGE BOLT Sht Sq Nk, M12 x 50mm, CI 10.9, Full Thd
33	47677236		2 BOLT Hex, M30 x 260mm, CI 12.9 M30 x 260mm, 12.9
34	87682383		6 CARRIAGE BOLT M8 x 1.25 x 20mm, CI 10.9
35	87015849		8 SCREW Phillips Drive, Flat HD, M6 x 20mm, CI 5.8
36	86625253		21 WASHER 11mm ID x 24mm OD x 2mm Thk
37	87639783		2 WASHER 0.69" ID x 1.75" OD x 0.12" Thk .75" OD x .687" ID x .119"
38	322355		2 BELLEVILLE WASHER M4 x 10mm OD x 0.9mm Thk
39	86511329		2 WASHER 31mm ID x 56mm OD x 4mm Thk
40	353308		8 NUT M6 x 1.0, CI 8
41	86050279		21 FLANGE NUT M10 x 1.5, CI 10
42	86512497		6 FLANGE NUT M12 x 1.75, CI 10
43	86512498		2 FLANGE NUT M16 x 2.0, CI 10
44	43435		6 FLANGE NUT M10 x 1.5, Serrated
45	84310770		1 SUPPORT Feeder Bottom, Rear
46	47590604		1 SEAL Feeder Rear
47	197526C1		1 SEALING STRIP Backing
48	151-559		10 RIVET Pop, 4.75mm OD x 12.7mm L

5140-COMBINE - TIER 2

IDLER, FEEDER

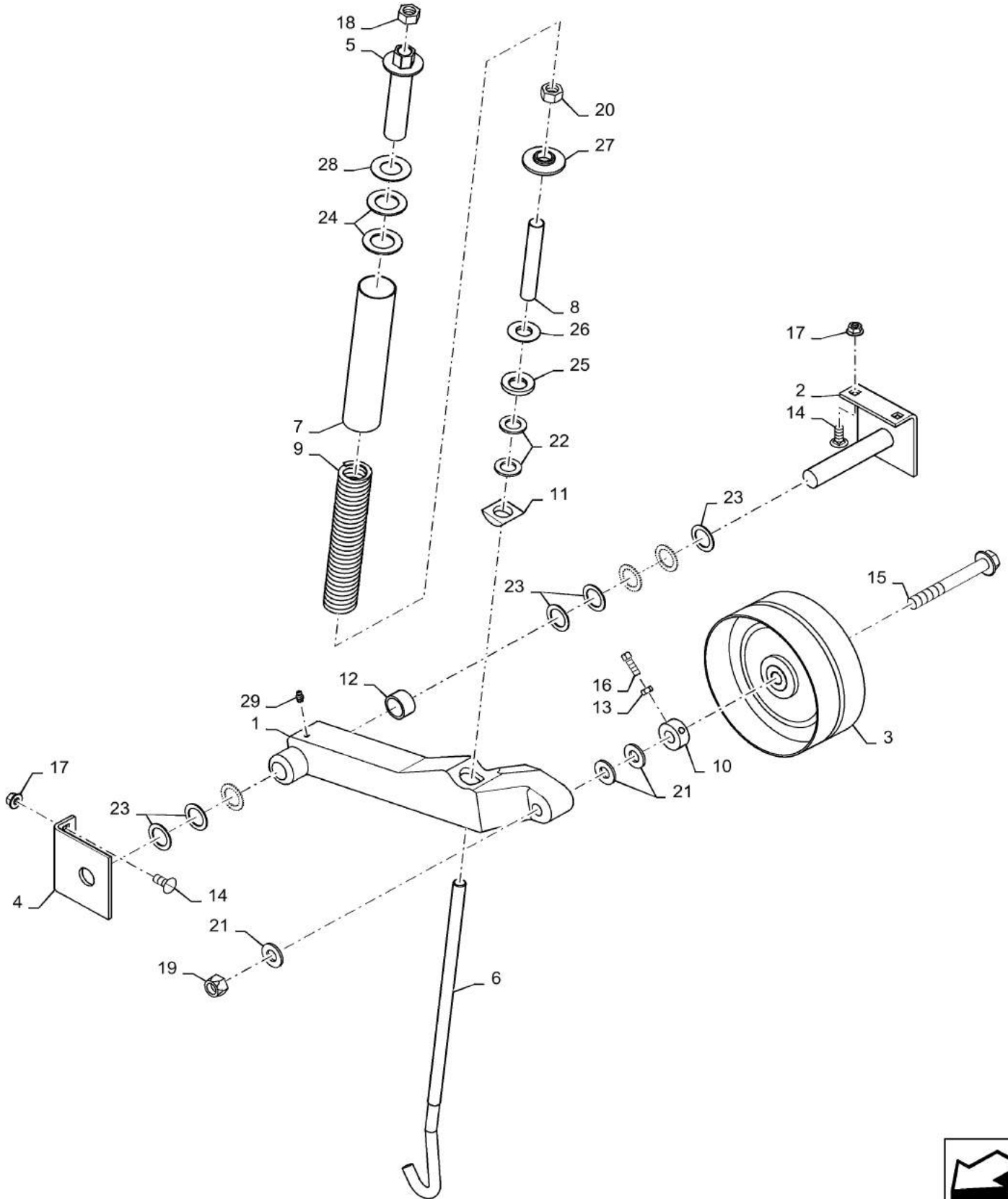


IDLER, FEEDER

REF FN	PART NUMBER	YR/SN	QTY DESCRIPTION
1	87653936		1 ARM Header Drive Idler
2	87653934		1 SHAFT ASSY. 25.4mm OD x 147mm L Idler Pivot
3	176579C1		1 PULLEY 8" OD
4	87653932		1 SUPPORT Idler Pivot
5	87653940		1 HOUSING ASSY. Tensioner, Feeder Drive
6	87653938		1 LATCH HOOK Pulley Idler Tensioner
7	389973A2		1 TUBE 44.32 mm ID, 47.63 mm OD, 232 mm Length Pulley Idler
8	87706764		1 SLEEVE Jackshaft Tensioner
9	389972A2		1 SPRING Compression, Idler Pulley
10	87653930		1 DRIVE BUSHING 38mm OD x 17mm ID x 15mm
11	413984A1		1 PIVOT Tensioner, Feeder Drive
12	87036419		1 SPACER 26.64mm ID x 33.4mm OD x 19.05mm L
13	87656135		2 SET SCREW Sq Hd, M8 x 25mm, Cup Pt
14	87682391		4 CARRIAGE BOLT M10 x 1.5 x 25mm, CI 10.9
15	87028051		1 BOLT Hex Flg, M16 x 130, 10.9
16	824-1408		2 NUT M8 x 1.25, CI 10
17	86050279		4 FLANGE NUT M10 x 1.5, CI 10
18	100020		1 NUT M16 x 2.0, CI 8
19	86512555		1 NUT M16 x 2.0, CI 10
20	87653929		1 NUT M16
21	87365		3 WASHER 0.66" ID x 1.31" OD x 0.1" Thk
22	87016606		2 WASHER 20mm ID x 34mm OD x 3mm Thk
23	495-81069		AR WASHER 1-1/32" ID x 1-1/2" OD x 3/50" Thk
24	895-30105		2 WASHER 30mm ID x 50mm OD x 2.5mm Thk
25	416749A1		1 WASHER Spherical, 41mm OD x 22.23mm ID x 7mm

5140-COMBINE - TIER 2

IDLER, FEEDER



IDLER, FEEDER

REF FN	PART NUMBER	YR/SN	QTY DESCRIPTION
26	416747A1		1 WASHER Spherical, 41mm OD x 19.84mm ID x 5mm
27	389974A1		1 SPRING WASHER Guide, 54mm OD x 19.43mm ID x 10mm
28	413528A1		1 WASHER 26.98mm ID x 50.8mm OD x 1.58mm Thk 50.8mm OD x 29.98mm ID x 1.58mm
29	219-87		1 LUBE NIPPLE 1/4"-28 x .56" lg, Self-Tap

5140-COMBINE - TIER 2

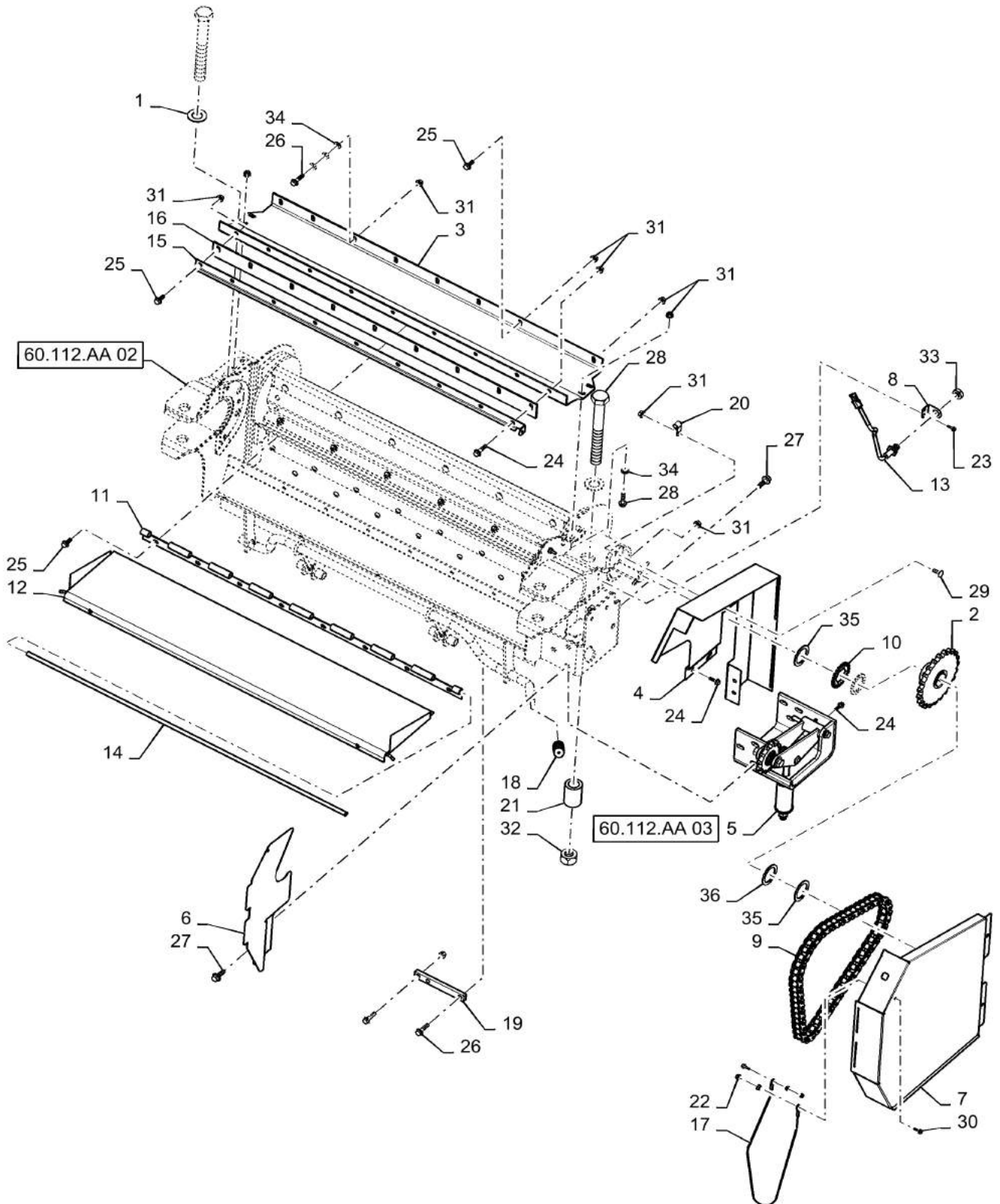
60.112.AA

01

p1

7/2015

ROCK GUARD



ROCK GUARD

REF FN	PART NUMBER	YR/SN	QTY DESCRIPTION
1	86511329		2 WASHER 31mm ID x 56mm OD x 4mm Thk
2	87674272		1 SPROCKET ASSY. Beater, 23 Tooth
3	87577310		1 COVER Beater Housing
4	84128119		1 SHEET METAL Backing, Beater
5	87755505		1 SERVICE KIT Beater Tensioner
6	87755523		1 SHEET METAL Inner Side, Left
7	84128122		1 SHEET METAL Outer Shield
8	87674299		1 BRACKET Feeder Speed Sensor Mount
9	84413157		1 CHAIN (AG) RC80, 54 Links x 25.4mm = 1371.6mm Beater Drive, RC80, 54 Pitch, O-Ring
10	87557056		1 NOTCHED DISK Feeder Speed Reluctor Wheel
11	193611C2		1 HINGE Feed Plate
12	87602131		1 DOOR Feeder, Rock Trap Dump
13	245193C2		1 SENSOR Feeder Speed
14	175931C1		1 ROD Hinge
15	87720413		1 SUPPORT Feeder Top Seal Support
16	634248R2		1 SEAL 55mm W x 1175.96mm L Upper Feeder, Rear
17	132657A2		1 CABLE Reverser Shield Tether
18	86995153		1 HANDLE Rubber Grip
19	87709107		2 SPACER Tensioner Mount
20	516-23127		1 CLAMP 9/16", Insul, 3/8" Bolt
21	87499320		2 SPACER 31.8mm ID x 50.8mm OD x 75mm L Feeder Retainer
22	87675531		2 FLANGE BOLT M6 x 26.6mm, CI 10.9
23	87017606		2 SELF-TAP SCREW Hex Flng, M6 x 1 x 20mm
24	87698833		4 BOLT M8 x 33.1mm, CI 10.9
25	87698836		24 BOLT M10 x 25mm, Full Thd, CI 10.9
26	87698839		14 FLANGE BOLT M10 x 40mm, CI 10.9
27	87695414		6 BOLT M12 x 46.8mm, CI 10.9

5140-COMBINE - TIER 2

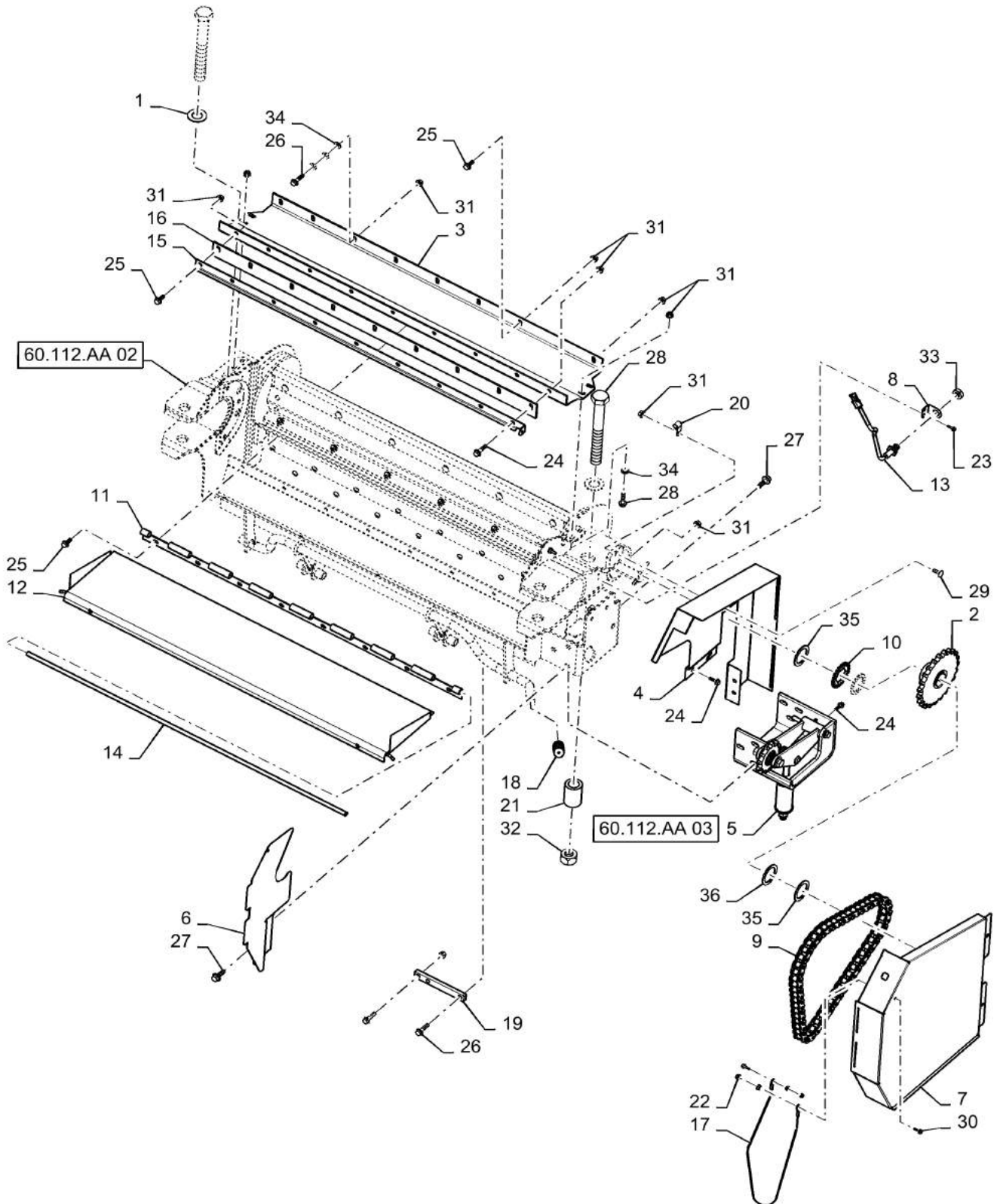
60.112.AA

01

p2

7/2015

ROCK GUARD

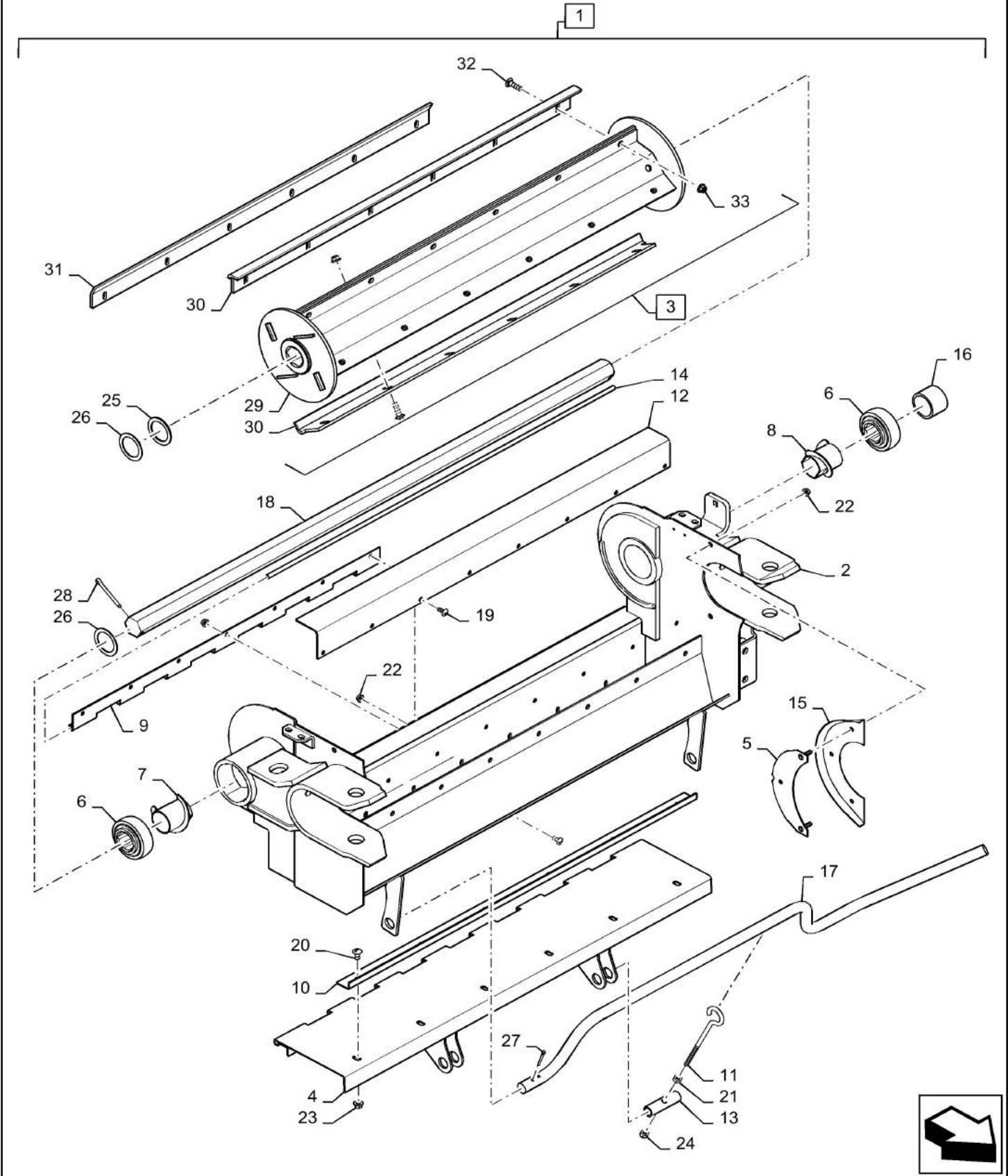


ROCK GUARD

REF FN	PART NUMBER	YR/SN	QTY DESCRIPTION
28	87497922		2 BOLT Hex, M30 x 260mm, CI 10.9 M30 x 260mm, 10.9
29	86633356		1 CARRIAGE BOLT M10 x 34.8mm, CI 8.8
30	86050300		4 FLANGE NUT M6 x 1.0, CI 10
31	86050279		36 FLANGE NUT M10 x 1.5, CI 10
32	87752066		2 NUT M30
33	425-1512		1 JAM NUT Jam, 3/4"-10, G5
34	140045		24 BELLEVILLE WASHER M10X22 ZNM
35	87690483		AR WASHER 2.03" ID x 2.75" OD x 0.12" Thk 2.75" OD x 2.031" ID x .12"
36	87690482		AR WASHER 2.03" ID x 2.75" OD x 0.07" Thk 2.75" OD x 2.031" ID x .075"

5140-COMBINE - TIER 2

ROCK TRAP ASSEMBLY

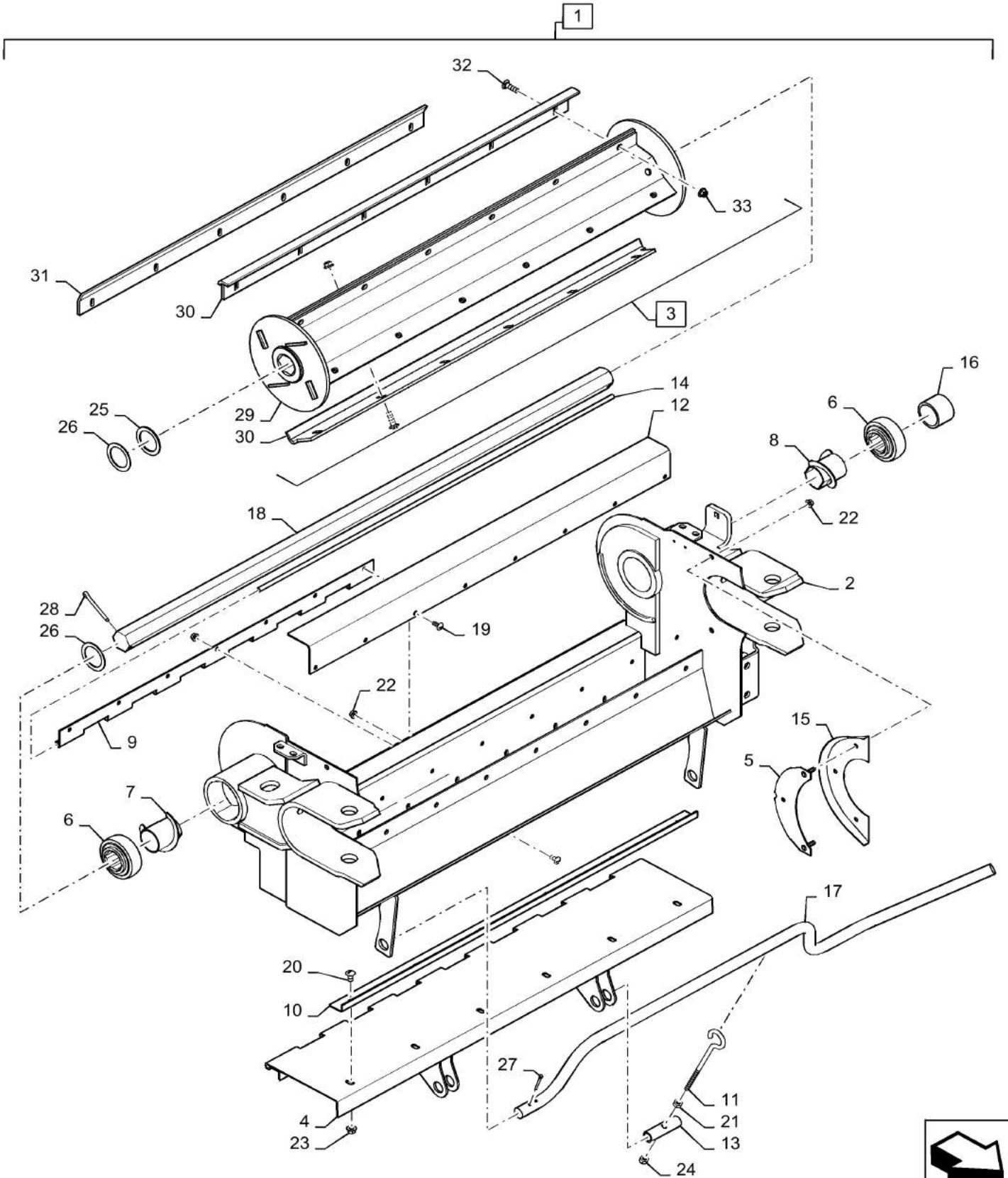


ROCK TRAP ASSEMBLY

REF FN	PART NUMBER	YR/SN	QTY DESCRIPTION
1	84289579		1 FEEDER Rock Trap, Incl 2 - 28
2	84289581		1 HOUSING Rock Trap
3	87644726		1 BEATER Rock Trap, Incl 29 - 30, 32, 33
4	87597579		1 STONE DOOR Rock Trap
5	87573705		2 SUPPORT ASSY. Seal, Back Up Plate
6	87620467		2 BALL BEARING 44.48mm Hex x 100mm OD x 42.86mm W
7	87599206		1 SPACER Rock Trap, Right Hand
8	87599214		1 SPACER Rock Trap, Left Hand
9	87612181		1 HINGE Rock Trap Door
10	87599255		1 ANGLE Door Seal, Rock Trap
11	87573700		2 EYEBOLT Rock Trap
12	87612310		1 BRACKET Rock Trap Wear
13	87612311		2 TUBE 12.7-19.05 mm ID x 25.4 mm OD x 90 mm L Sump Latch Pivot
14	84256524		1 ROD Trap Door, Hinge
15	195202C1		2 SEAL Feeder
16	87740715		1 SPACER Sprocket
17	84353399		1 ROD Door Latch Crank, Rock Trap
18	87755517		1 SHAFT Stone Trap
19	847-3820		15 SERRATED SCREW M8 x 20mm, CI 10.9
20	87573369		6 SERRATED SCREW SI Truss, M10 x 20mm, CI 10.9
21	100016		2 NUT M10 x 1.5, CI 8
22	825-5148		19 SERRATED NUT M8, Flg Ser
23	825-51410		6 FLANGE NUT M10, Flg Ser
24	100037		2 NUT M0 x 1.5, CI 8
25	87690483		AR WASHER 2.03" ID x 2.75" OD x 0.12" Thk 2.75" OD x 2.03" ID x .12"
26	87690482		AR WASHER 2.03" ID x 2.75" OD x 0.07" Thk 2.75" OD x 2.03" ID x .075"

5140-COMBINE - TIER 2

ROCK TRAP ASSEMBLY

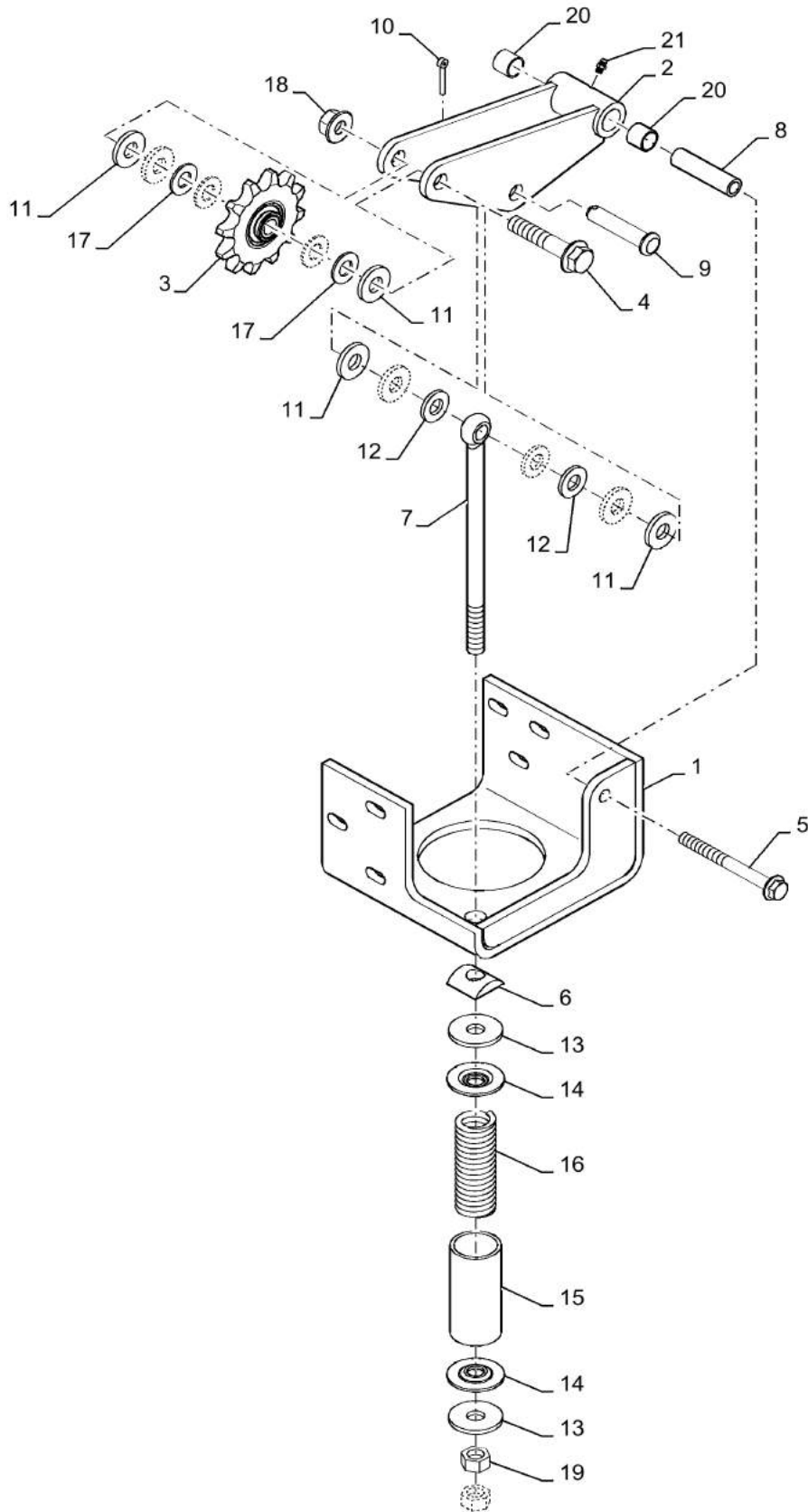


ROCK TRAP ASSEMBLY

REF FN	PART NUMBER	YR/SN	QTY DESCRIPTION
27	432-1224		2 COTTER PIN 3/16" x 1 1/2"
28	432-2040		2 COTTER PIN 5/16" x 2 1/2"
29	87644725		1 BEATER
30	1324437C1		3 EXTENSION Blade, Smooth
31	1320922C2		3 BLADE Blade, Serrated, Replaces 30
32	87682393		18 CARRIAGE BOLT M10 x 1.5 x 35mm, CI 10.9 Carriage, M10 x 35mm, 10.9
33	87547587		18 LOCK NUT Hex, M10 x 1.5, CI 10 Flange

5140-COMBINE - TIER 2

IDLER ASSEMBLY, ROCK TRAP



IDLER ASSEMBLY, ROCK TRAP

REF FN	PART NUMBER	YR/SN	QTY DESCRIPTION
1	87755510		1 SUPPORT ASSY. Idler Arm
2	87755503		1 ARM ASSY. Idler Arm, Incl 20, 21
3	87477658		1 SPROCKET 12 Tooth, 16mm Bore
4	87646188		1 FLANGE BOLT M16 x 95.4mm, CI 10.9
5	87698848		1 FLANGE BOLT M12 x 120mm, CI 10.9
6	390870A1		1 PIVOT Rock Trap Idler
7	87578627		1 EYEBOLT Idler Adjust
8	87755999		1 BUSHING Idler Pivot
9	439-11048		1 HEADED PIN 5/8" x 3"
10	87398		1 COTTER PIN 3/16" OD x 1-1/4" OAL
11	496-41066		7 WASHER 5/8" ID x 1-1/2" OD x 3/16" Thk
12	496-21066		3 WASHER 16.6mm ID x 33.5mm OD x 3.8mm Thk
13	495-81030		2 WASHER 21/32" x 2" x .179"
14	394120A1		2 SPRING WASHER Feeder Idler Adjust
15	390869A1		1 SPACER 40.96mm ID x 48.3mm OD x 105mm L Adjusting Spring
16	390872A1		1 SPRING Compression
17	496-11066		4 WASHER 21/32" x 1 5/16" x .095", HDN
18	87016581		1 FLANGE NUT M16 x 2.0, CI 10
19	100020		2 NUT M16 x 2.0, CI 8
20	1280291C1		2 BUSHING 19.13mm ID x 22.3mm OD x 19.05mm L Idler Arm
21	219-87		1 LUBE NIPPLE 1/4"-28 x .56" lg, Self-Tap

5140-COMBINE - TIER 2

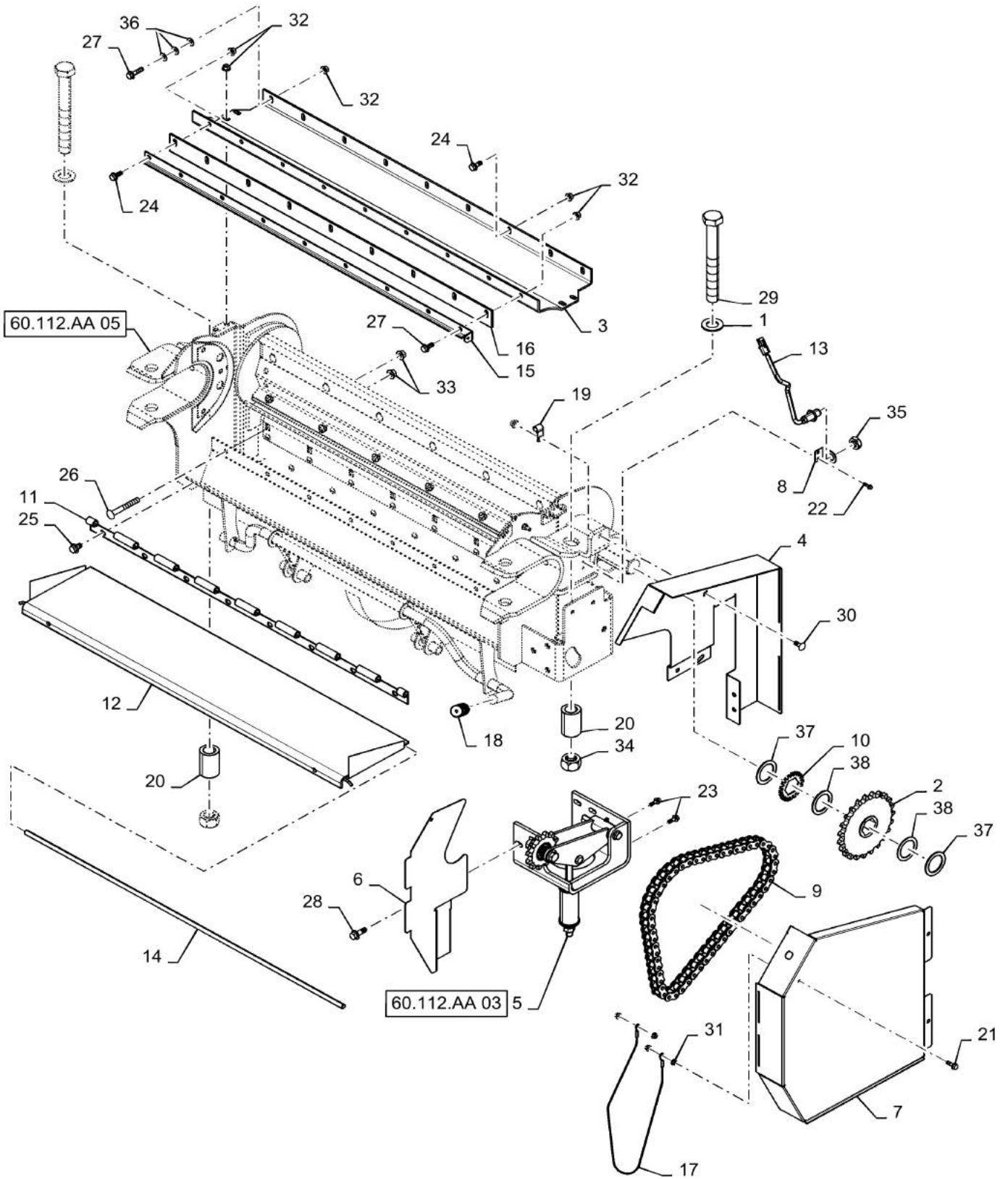
60.112.AA

04

p1

7/2015

VAR - 425086, 425087, 425088, 425125, 425126 - STONE TRAP



VAR - 425086, 425087, 425088, 425125, 425126 - STONE TRAP

REF FN	PART NUMBER	YR/SN	QTY DESCRIPTION
1	86511329		2 WASHER 31mm ID x 56mm OD x 4mm Thk
2	87674272		1 SPROCKET ASSY. Beater, 23 Tooth
3	87577310		1 COVER Beater Housing
4	84128119		1 SHEET METAL Backing, Beater
5	87755505		1 SERVICE KIT Beater Tensioner
6	87755523		1 SHEET METAL Inner Side, Left
7	84128122		1 SHEET METAL Outer Shield
8	87674299		1 BRACKET Feeder Speed Sensor Mount
9	47667739		1 CHAIN Beater Drive, RC80, 54 Pitch, O-Ring, Endless
10	87557056		1 NOTCHED DISK Feeder Speed Reluctor Wheel
11	47473789		1 HINGE Feed Plate
12	87602131		1 DOOR Feeder, Rock Trap Dump
13	245193C2		1 SENSOR Feeder Speed
14	175931C1		1 ROD Hinge
15	87720413		1 SUPPORT Feeder Top Seal Support
16	634248R2		1 SEAL 55mm W x 1175.96mm L Upper Feeder, Rear
17	132657A2		1 CABLE Reverser Shield Tether
18	86995153		1 HANDLE Rubber Grip
19	516-23127		1 CLAMP 9/16", Insul, 3/8" Bolt
20	87499320		2 SPACER 31.8mm ID x 50.8mm OD x 75mm L Feeder Retainer
21	87675531		2 FLANGE BOLT M6 x 26.6mm, CI 10.9
22	87017606		2 SELF-TAP SCREW Hex Flng, M6 x 1 x 20mm
23	87698833		4 BOLT M8 x 33.1mm, CI 10.9
24	87698836		12 BOLT M10 x 25mm, Full Thd, CI 10.9
25	87698844		8 BOLT Hex, M12 x 1.75 x 20mm, Full Thd, CI 10.9
26	87497917		8 CARRIAGE BOLT Short Sq Nk, M12 x 1.75 x 100mm, CI 10.9 M12 x 100mm OAL, CI 10.9

5140-COMBINE - TIER 2

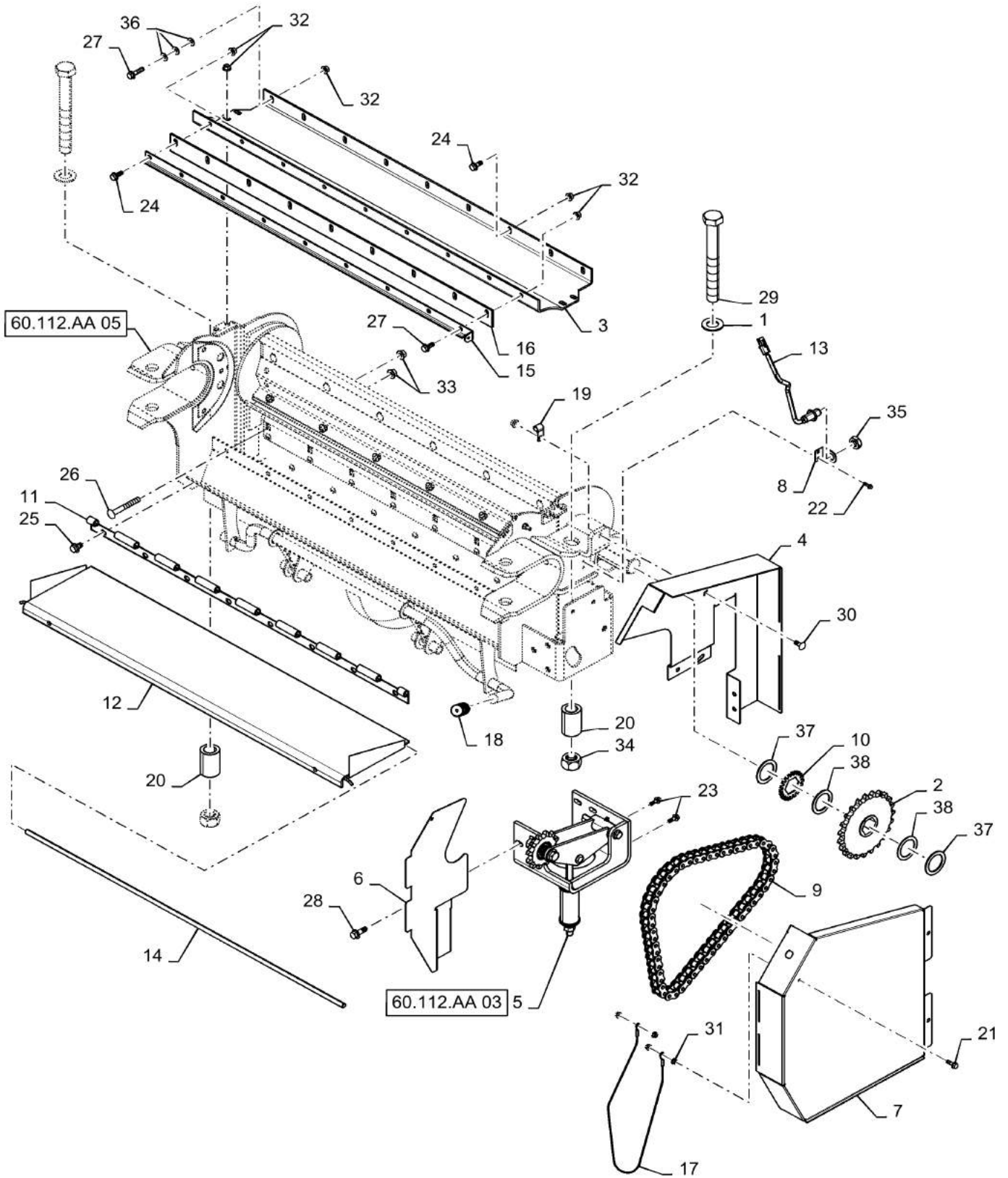
60.112.AA

04

p2

7/2015

VAR - 425086, 425087, 425088, 425125, 425126 - STONE TRAP



VAR - 425086, 425087, 425088, 425125, 425126 - STONE TRAP

REF FN	PART NUMBER	YR/SN	QTY DESCRIPTION
27	87698839		10 FLANGE BOLT M10 x 40mm, CI 10.9
28	87695414		6 BOLT M12 x 46.8mm, CI 10.9
29	47677236		2 BOLT Hex, M30 x 260mm, CI 12.9 M30 x 260mm OAL, CI 12.9
30	86633356		1 CARRIAGE BOLT M10 x 34.8mm, CI 8.8
31	86050300		4 FLANGE NUT M6 x 1.0, CI 10
32	86050279		20 FLANGE NUT M10 x 1.5, CI 10
33	86512497		16 FLANGE NUT M12 x 1.75, CI 10
34	87752066		2 NUT M30, CI 10
35	425-1512		1 JAM NUT Jam, 3/4"-10, G5
36	140045		24 BELLEVILLE WASHER M10X22 ZNM
37	87690483		UAR WASHER 2.03" ID x 2.75" OD x 0.12" Thk 70mm OD x 51.5mm ID x 3mm W, Shim
38	87690482		UAR WASHER 2.03" ID x 2.75" OD x 0.07" Thk 70mm OX x 51.5mm ID x 2mm W, Shim

5140-COMBINE - TIER 2

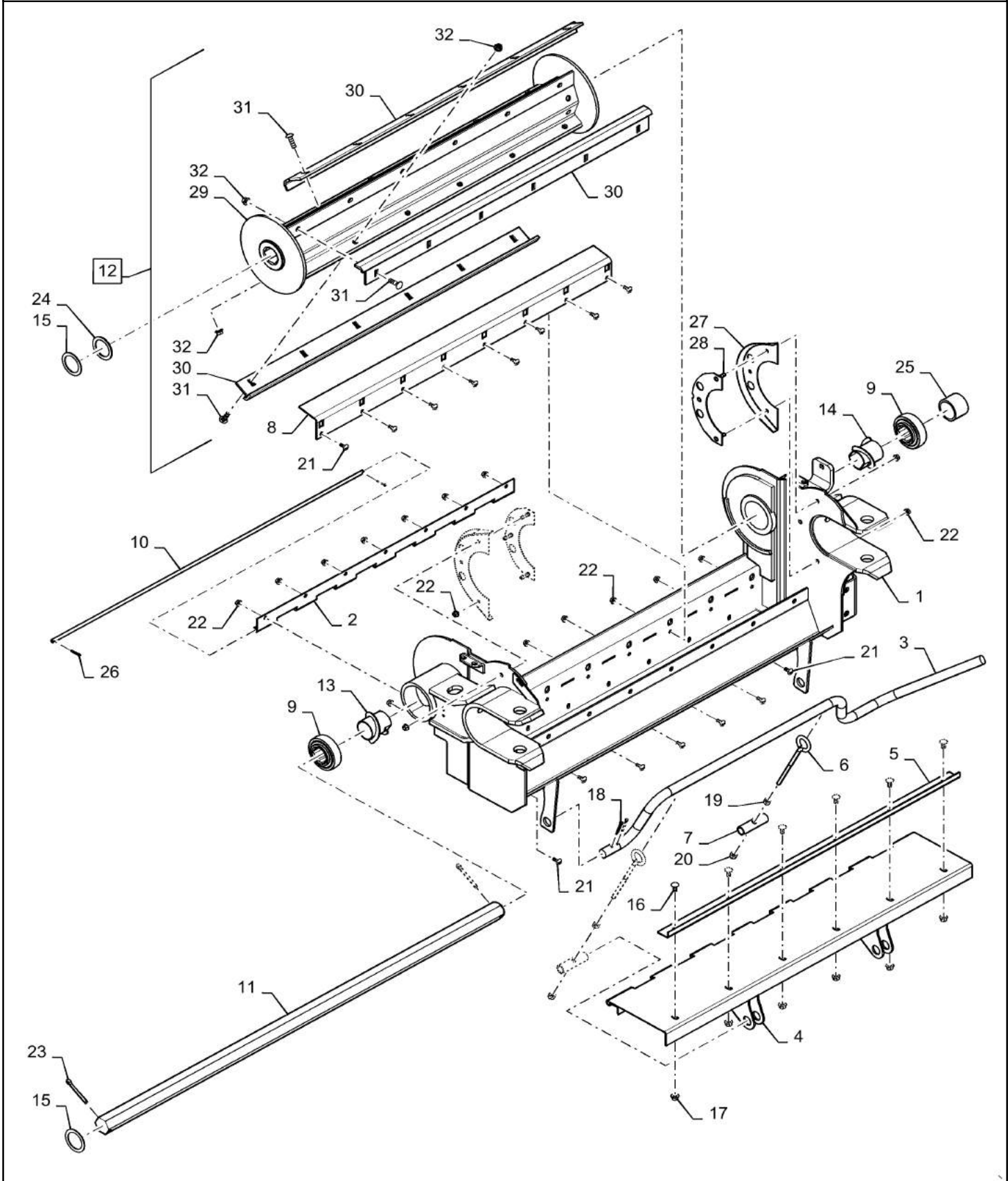
60.112.AA

05

p1

7/2015

VAR - 425086, 425087, 425088, 425125, 425126 - ROCK GUARD, ASSY



VAR - 425086, 425087, 425088, 425125, 425126 - ROCK GUARD, ASSY

REF FN	PART NUMBER	YR/SN	QTY DESCRIPTION
1	47473797		1 STONE TRAP Housing
2	87612181		1 HINGE Rock Trap Door
3	84353399		1 ROD Door Latch
4	47473821		1 DOOR Rock Trap Sump
5	87599255		1 ANGLE Door Seal
6	87573700		2 EYEBOLT Handle Swivel
7	87612311		2 TUBE 12.7-19.05 mm ID x 25.4 mm OD x 90 mm L Sump Latch Pivot
8	47473827		1 ANGLE Wear Plate
9	87620467		2 BALL BEARING 44.48mm Hex x 100mm OD x 42.86mm W
10	84256524		1 ROD Trap Door
11	87755517		1 SHAFT Hex, Rock Trap
12	87644726		1 BEATER Rock Trap, Incl 29 - 32
13	87599206		1 SPACER Spiral, RH
14	87599214		1 SPACER Spiral, LH
15	87690482		UAR WASHER 2.03" ID x 2.75" OD x 0.07" Thk 70mm OD x 51.6mm ID x 2mm L
16	87573369		6 SERRATED SCREW SI Truss, M10 x 20mm, CI 10.9
17	825-51410		6 FLANGE NUT M10, Flg Ser
18	432-1224		2 COTTER PIN 3/16" x 1 1/2"
19	100016		2 NUT M10 x 1.5, CI 8
20	100037		2 NUT M0 x 1.5, CI 8
21	847-3820		15 SERRATED SCREW M8 x 20mm, CI 10.9
22	825-5148		19 SERRATED NUT M8, Flg Ser
23	432-2040		2 COTTER PIN 5/16" x 2 1/2"
24	87690483		UAR WASHER 2.03" ID x 2.75" OD x 0.12" Thk 70mm OD x 51.6mm ID x 3mm L
25	87740715		1 SPACER Sprocket, 63.5mm OD x 52.39mm ID x 45.3mm L
26	80755		2 COTTER PIN 1/8" OD x 1" OAL

5140-COMBINE - TIER 2

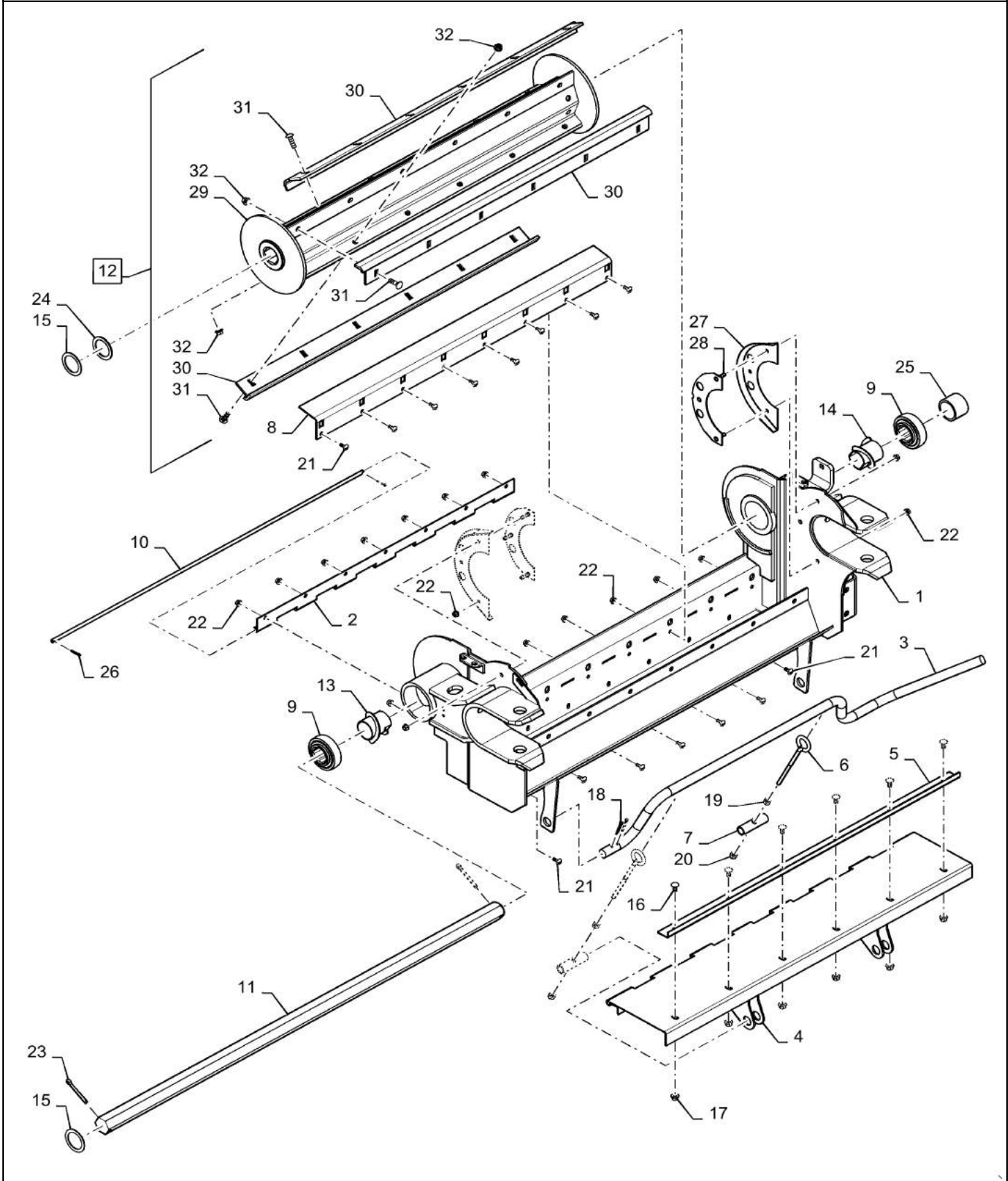
60.112.AA

05

p2

7/2015

VAR - 425086, 425087, 425088, 425125, 425126 - ROCK GUARD, ASSY



60.112.AA

05

p2

7/2015

VAR - 425086, 425087, 425088, 425125, 425126 - ROCK GUARD, ASSY

REF FN	PART NUMBER	YR/SN	QTY DESCRIPTION
27	84580668		2 SEAL Feeder Pivot Mount
28	84580662		2 PLATE Seal Retainer
29	87644725		1 BEATER Rock Trap Without Blades
30	1324437C1		3 EXTENSION Blade
31	87682393		18 CARRIAGE BOLT M10 x 1.5 x 35mm, CI 10.9 Carriage, M10 x 35mm OAL, CI 10.9
32	87547587		18 LOCK NUT Hex, M10 x 1.5, CI 10

5140-COMBINE - TIER 2

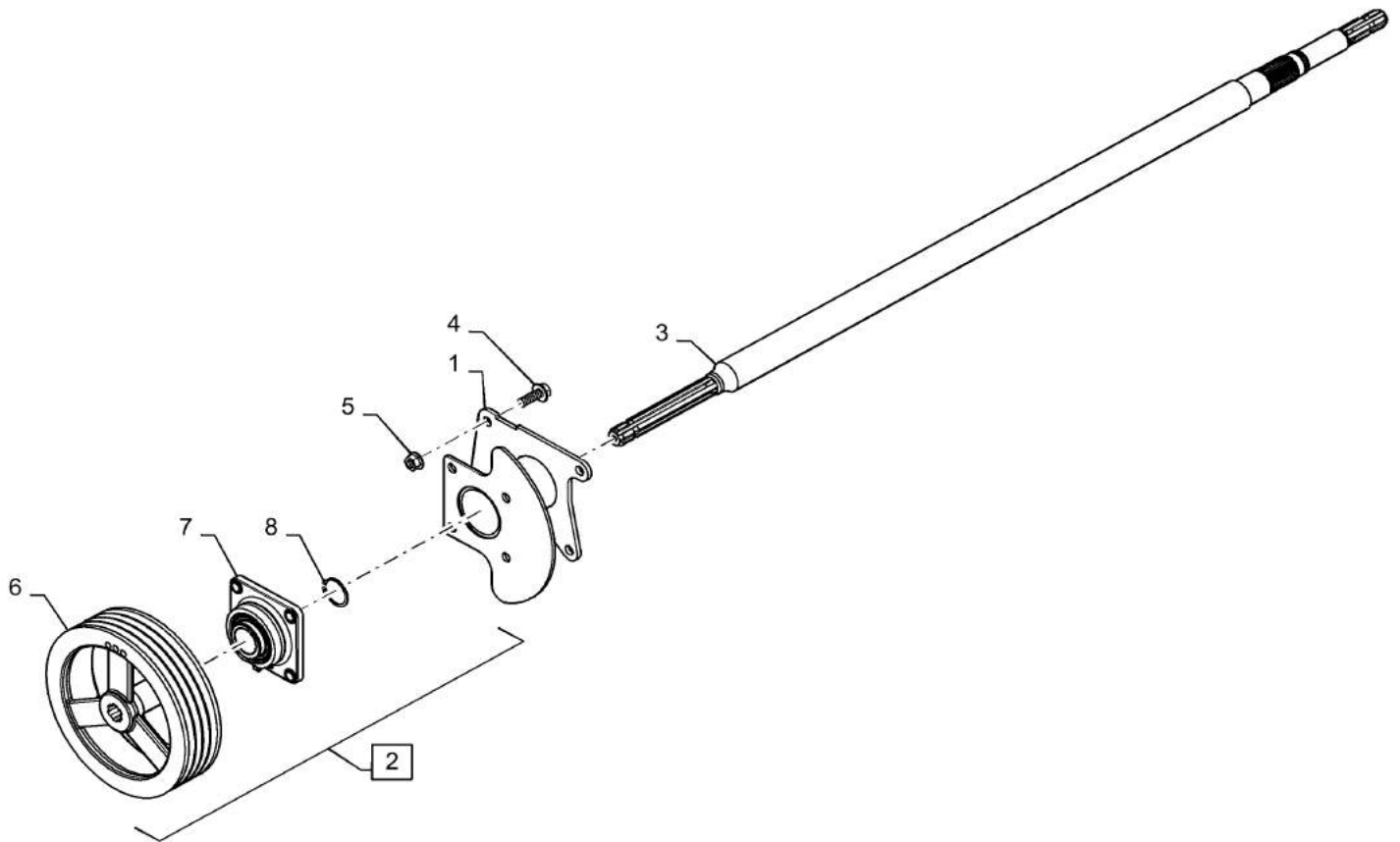
60.120.AG

01

p1

7/2015

VAR - 425081, 425086, 425125 - HEADER DRIVE, SINGLE SPEED



60.120.AG

01

p1

7/2015

VAR - 425081, 425086, 425125 - HEADER DRIVE, SINGLE SPEED

REF FN	PART NUMBER	YR/SN	QTY DESCRIPTION
1	84511542		1 BRACKET Bearing Support
2	391085A1		1 PULLEY 335.5mm OD Header Drive, Incl 6 - 8
3	87354317		1 SHAFT Header Drive
4	87698746		8 BOLT Hex, M16 x 45mm, CI 10.9 Flange, M16 x 45mm, 10.9
5	86512498		8 FLANGE NUT M16 x 2.0, CI 10
6	388396A1		1 PULLEY 335.5mm OD Header Drive
7	241929A2		1 BEARING ASSY 6.38" OD
8	100-11200		1 SNAP RING #200, Ext

5140-COMBINE - TIER 2

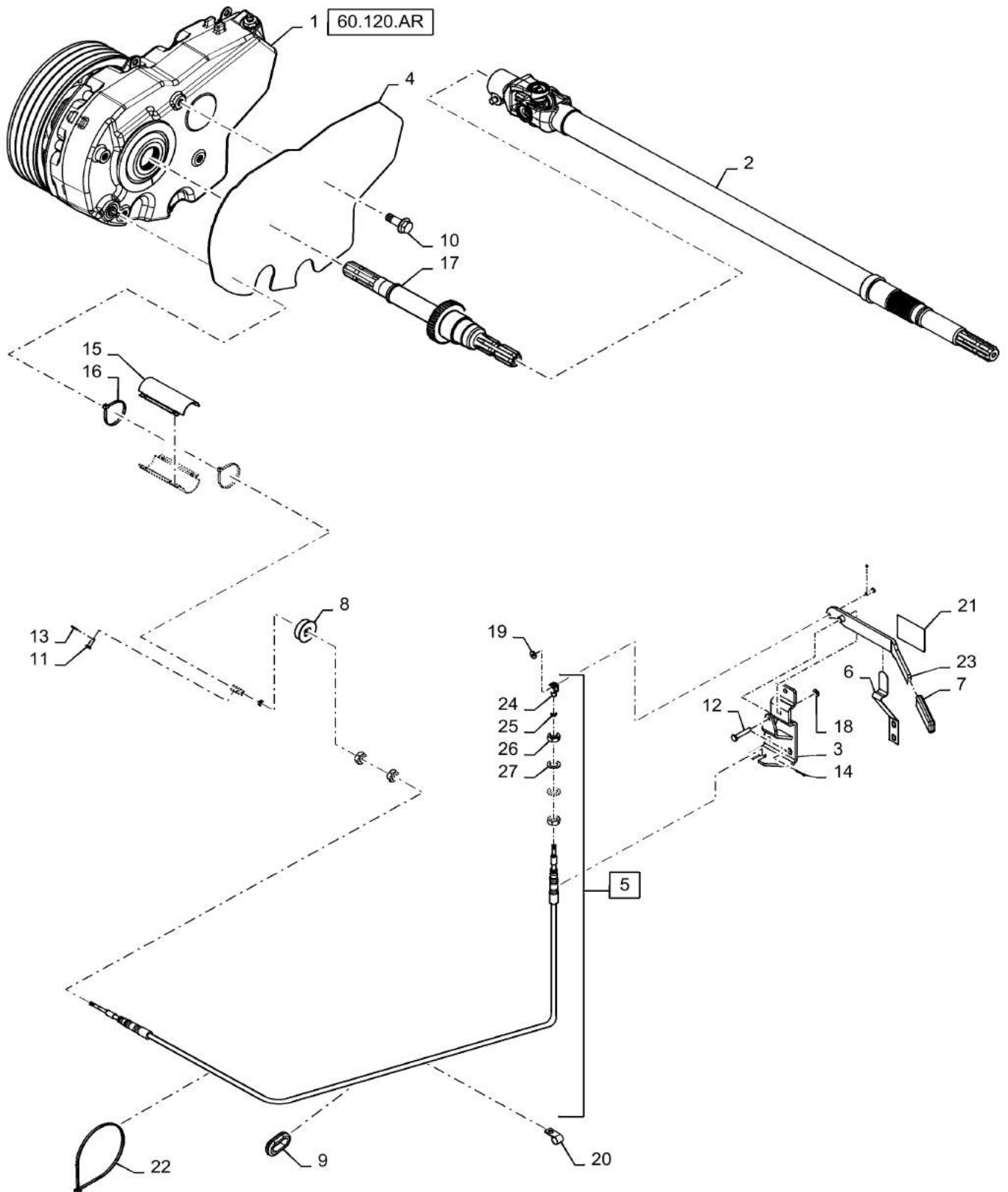
60.120.AG

02

p1

7/2015

VAR - 425082, 425087, 425126 - HEADER DRIVE, TWO SPEED



VAR - 425082, 425087, 425126 - HEADER DRIVE, TWO SPEED

REF FN	PART NUMBER	YR/SN	QTY DESCRIPTION
1	87751887		1 GEARBOX ASSY Two Speed Header Drive
1	87751887R		1 REMAN-GEARBOX Two Speed Header Drive
1	87751887C		1 CORE-GEARBOX Return Number
2	87719075		1 SHAFT Feeder Jackshaft
3	87695414		6 BOLT M12 x 46.8mm, CI 10.9
4	NS		1 NOT SERVICED Gasket, Foam Strip, Cut 480mm From 1340329C1 Bulk
5	87494244		1 CABLE 2 Speed Header Drive Control, Incl 24 - 27
6	84130460		1 BRACKET Shift Lever Stop
7	433741A1		1 GRIP Shift Lever
8	84133775		1 SHIELD Plug, Debris
9	248-1185		1 GROMMET 1 1/2" ID x 1 3/4" Groove Dia
10	87698746		4 BOLT Hex, M16 x 45mm, CI 10.9
11	87597960		2 CLEVIS PIN 6.35mm OD x 19.56mm L .77" x .25"
12	353216		1 CLEVIS PIN 8mm OD x 45mm L
13	280236		1 COTTER PIN 1/16" x 1/2"
14	9512667		1 COTTER PIN M2 x 20mm OAL
15	87381623		2 SHIELD Cable Protection
16	L11541		2 CABLE TIE 203.2mm L, Nylon
17	87719076		1 SHAFT ASSY. Support, Shift Lever
18	86511315		1 WASHER 8.4mm ID x 16mm OD x 1.8mm Thk
19	87361		1 WASHER 0.28" ID x 0.62" OD x 0.07" Thk
20	9706748		1 CLAMP 15.9mm, Coat, 8.7mm Bolt Hole, P Type
21	84123053		1 DECAL 2 Speed Feed Control
22	801895		1 CABLE TIE 30.63"
23	84130457		1 HANDLE 2 Speed Header Drive
24	131703A1		2 CLEVIS .5" x .25"

5140-COMBINE - TIER 2

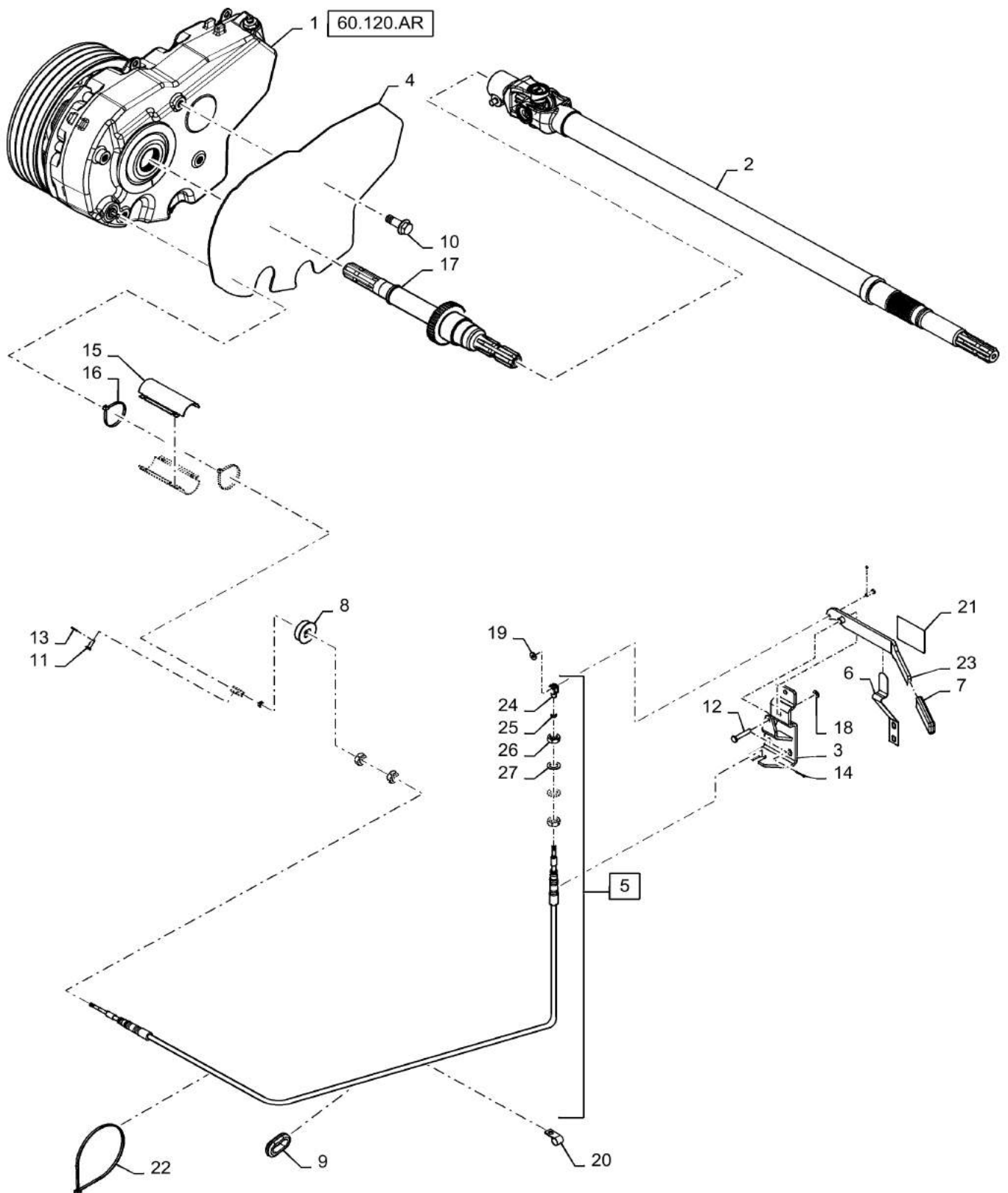
60.120.AG

02

p2

7/2015

VAR - 425082, 425087, 425126 - HEADER DRIVE, TWO SPEED



60.120.AG

02

p2

7/2015

VAR - 425082, 425087, 425126 - HEADER DRIVE, TWO SPEED

REF FN	PART NUMBER	YR/SN	QTY DESCRIPTION
25	86976064		2 JAM NUT Jam, 1/4"-28, G5
26	86637932		4 JAM NUT Jam, 5/8"-18, G5
27	13507701		2 WASHER 16.4mm ID x 27mm OD x 2mm Thk

5140-COMBINE - TIER 2

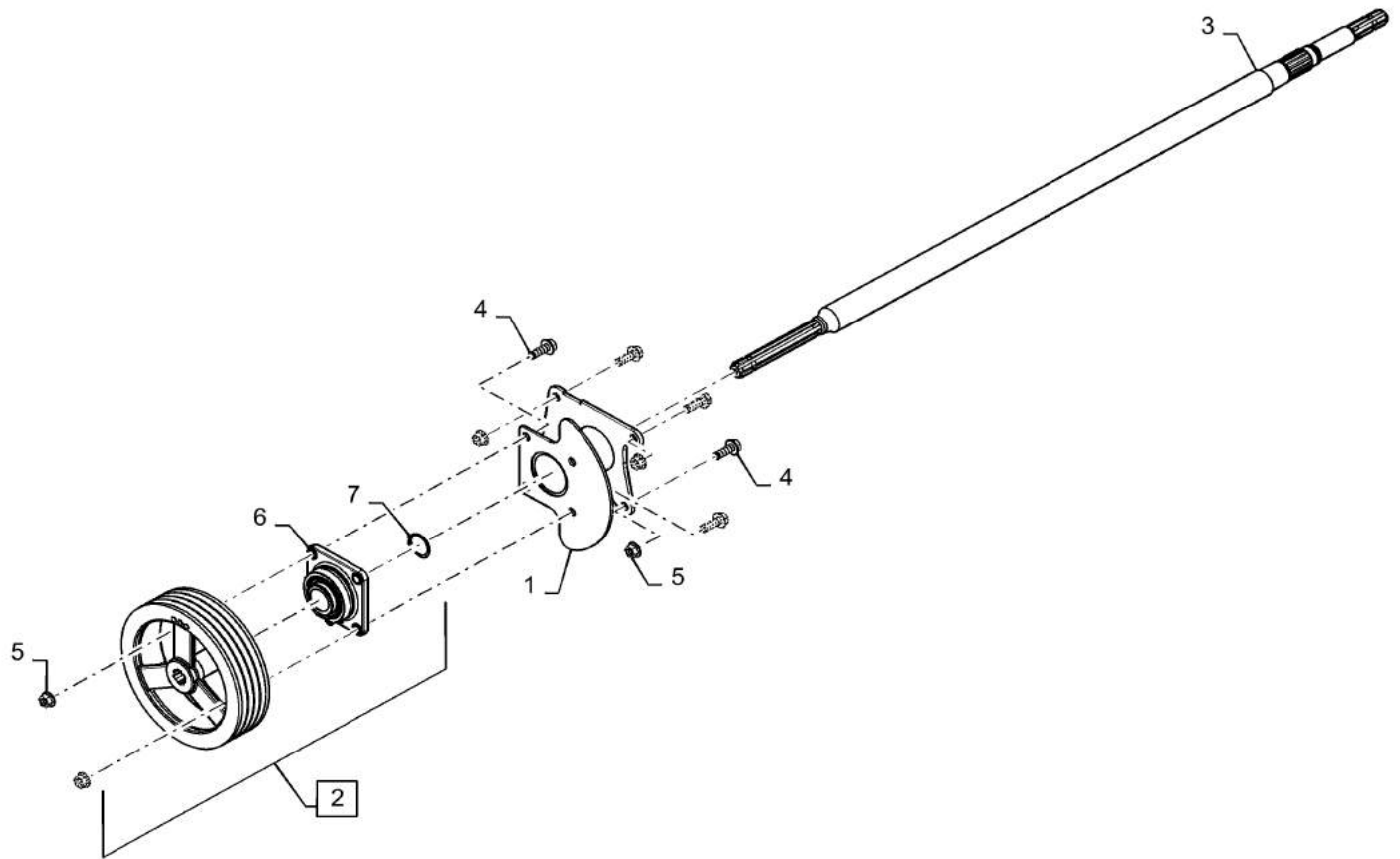
60.120.AG

03

p1

7/2015

VAR - 425081, 425083, 425086, 425088 - DRIVE, HEADER, SINGLE SPEED



60.120.AG

03

p1

7/2015

VAR - 425081, 425083, 425086, 425088 - DRIVE, HEADER, SINGLE SPEED

REF FN	PART NUMBER	YR/SN	QTY DESCRIPTION
1	84511542		1 BRACKET Drive Support
2	84554766		1 PULLEY Feeder Drive Jackshaft, Incl 6, 7
3	87354317		1 SHAFT Feeder Drive Jackshaft
4	87698746		8 BOLT Hex, M16 x 45mm, CI 10.9 Flange, M16 x 45mm L, CI 10.9
5	86512498		8 FLANGE NUT M16 x 2.0, CI 10
6	241929A2		1 BEARING ASSY 2" ID, 4 Bolt
7	100-11200		1 SNAP RING #200, Ext

5140-COMBINE - TIER 2

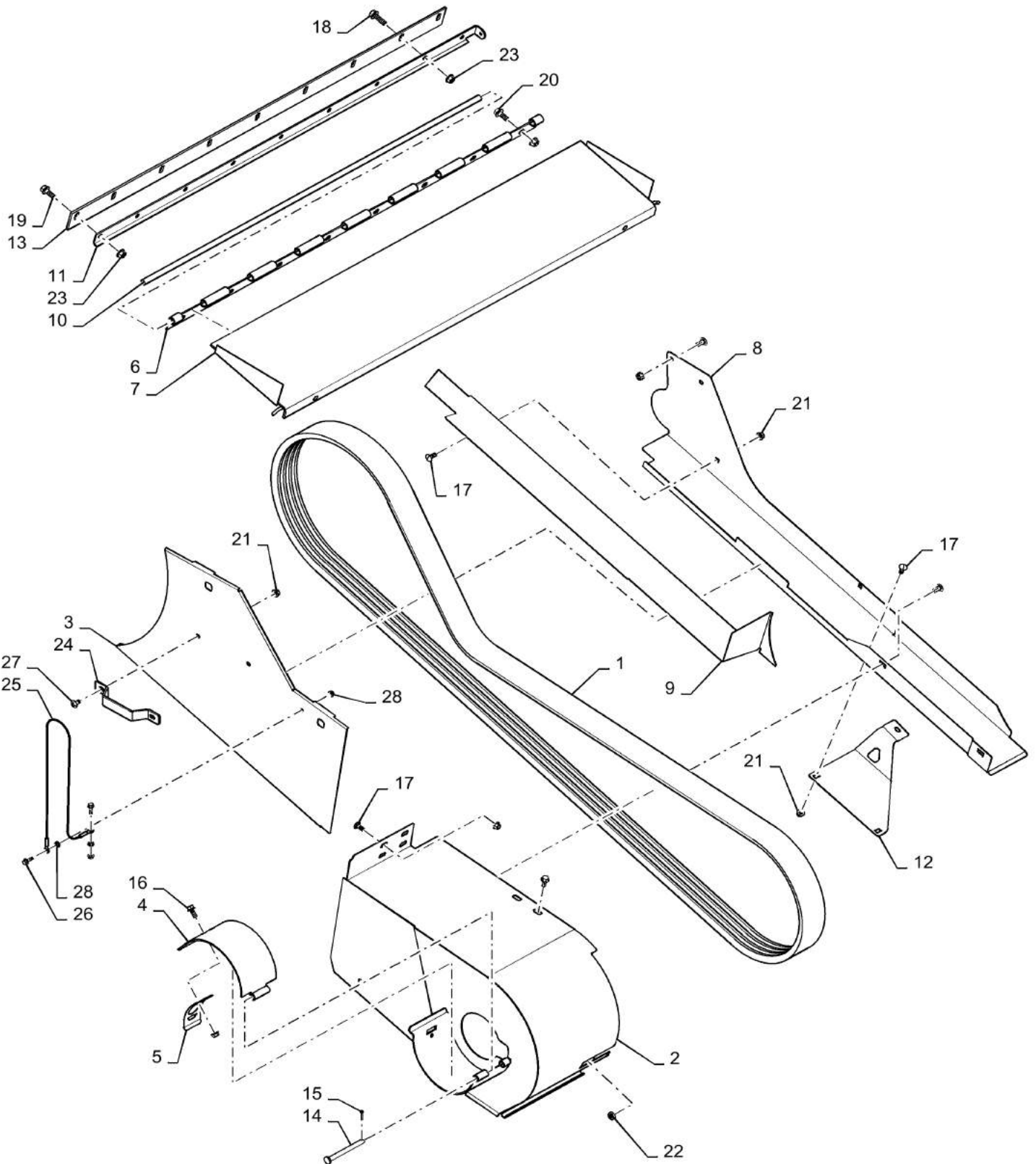
60.120.AI

01

p1

7/2015

VAR - 425081, 425083 - DRIVE, HEADER, SINGLE SPEED, STANDARD

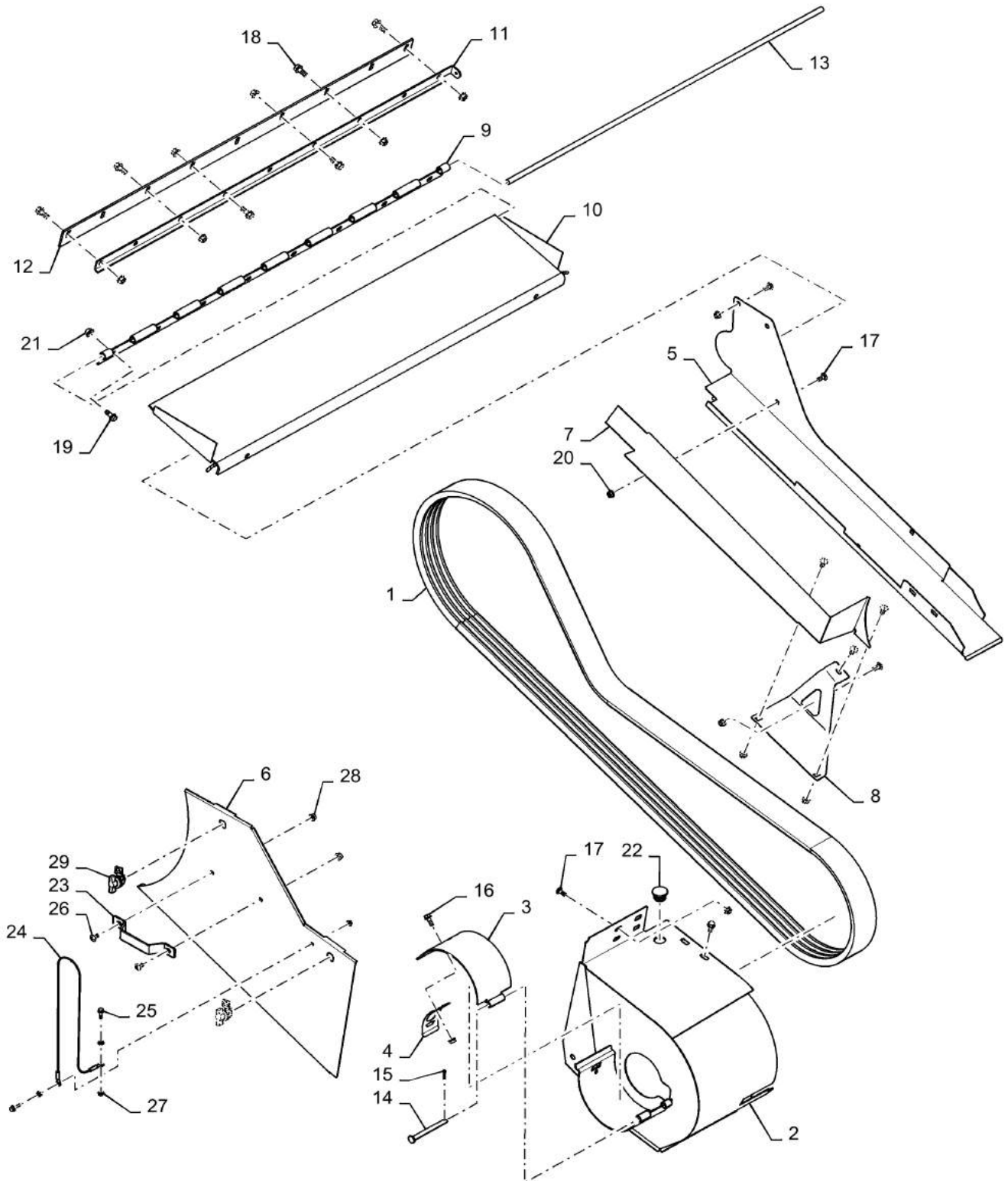


VAR - 425081, 425083 - DRIVE, HEADER, SINGLE SPEED, STANDARD

REF FN	PART NUMBER	YR/SN	QTY DESCRIPTION
1	47616842		1 BELT Header Drive
2	84511581		1 SHIELD Front, RH
3	84511578		1 COVER Feeder Drive
4	87753756		1 SHIELD Jackshaft, Upper, RH
5	86638316		1 LATCH PTO Cover
6	193611C2		1 HINGE Feed Plate
6	47473789		1 HINGE Feed Plate
7	87602131		1 DOOR Feeder Cover
8	84511574		1 SHIELD Lower Belt Guide
9	84355826		1 SHIELD Side Belt Guide
10	87666924		1 ROD Door Hinge
11	87720413		1 SUPPORT Feeder Top Seal
12	84355817		1 BRACKET Guard Support
13	634248R2		1 SEAL 55mm W x 1175.96mm L Feeder, Top
14	86605625		1 CLEVIS PIN M10 x 110
15	130003		1 COTTER PIN 3mm OD x 30mm OAL
16	87656137		4 BOLT M8 x 28.1mm, CI 10.9
17	87682383		11 CARRIAGE BOLT M8 x 1.25 x 20mm, CI 10.9
18	87698837		2 FLANGE BOLT M10 x 30mm, Full Thd, CI 10.9
19	905-10025		7 BOLT Hex Flg, M10 x 25mm
20	274249		8 BOLT Hex, M10 x 20mm
21	86507066		15 FLANGE NUT M8 x 1.25, CI 10
22	10717511		1 THIN NUT Thin, M16 x 2, CI 04
23	43435		17 FLANGE NUT M10 x 1.5, Serrated
24	87686906		1 LATCH Handle, Side Shield
25	132657A2		1 CABLE Panel Retention
26	87675531		2 FLANGE BOLT M6 x 26.6mm, CI 10.9
27	847-3816		2 SERRATED SCREW SI Truss, M8 x 16mm, CI 10.9
28	86050300		4 FLANGE NUT M6 x 1.0, CI 10

5140-COMBINE - TIER 2

DRIVE, HEADER, NON ROCK TRAP, TWO SPEED

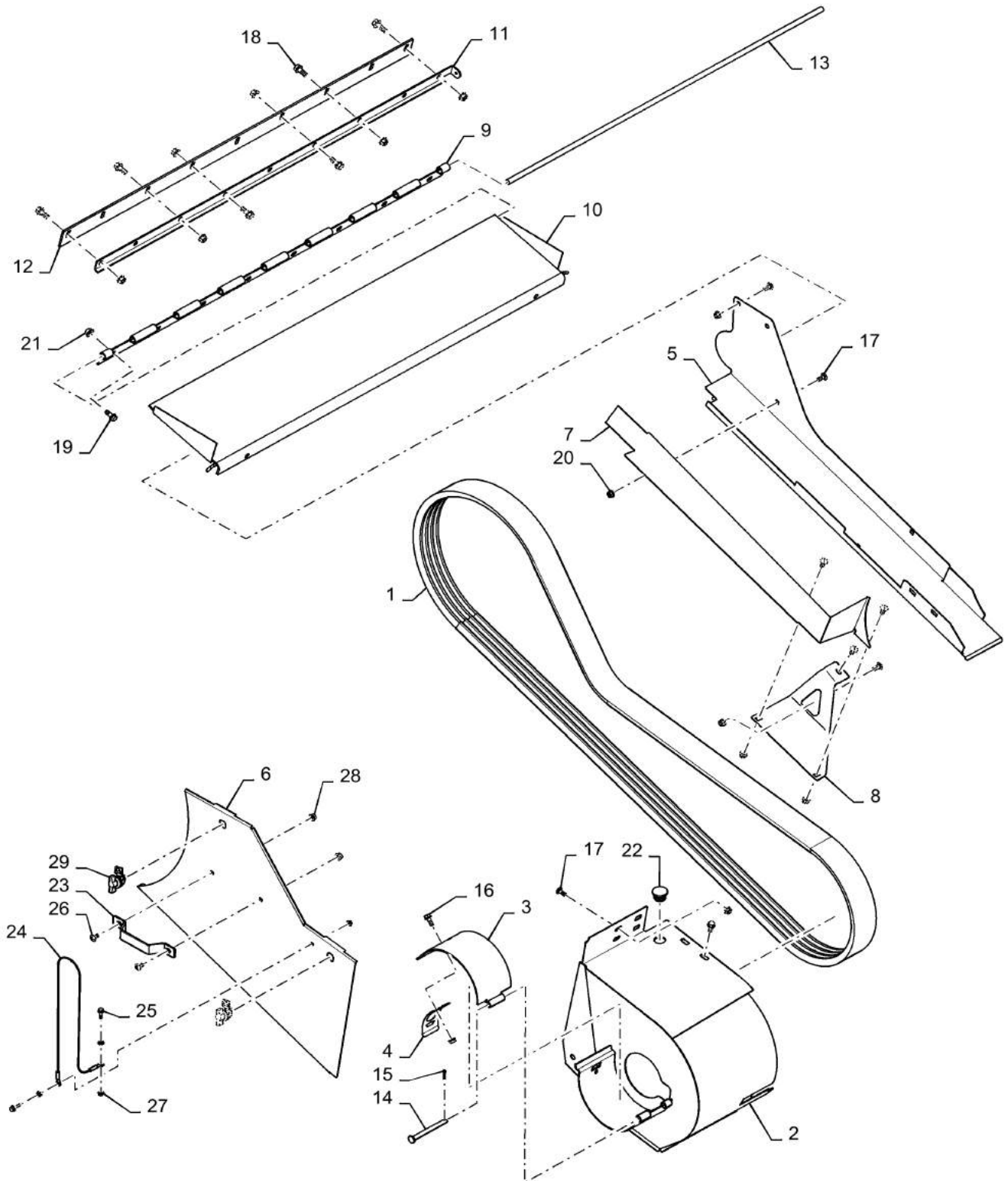


DRIVE, HEADER, NON ROCK TRAP, TWO SPEED

REF FN	PART NUMBER	YR/SN	QTY DESCRIPTION
1	47616842		1 BELT Header Drive W/O Rock Trap
2	84563062		1 SHIELD Header Drive
3	87753756		1 SHIELD PTO Cover
4	86638316		1 LATCH PTO Cover
5	84511574		1 SHIELD Feeder Drive
6	84511578		1 COVER Access, Feeder Drive
7	84374745		1 SHIELD Drive Belt
8	84355817		1 BRACKET Header Drive
9	193611C2		1 HINGE Feed Plate
9	47473789		1 HINGE Feed Plate
10	87602131		1 DOOR Feeder Access
11	87720413		1 SUPPORT Top Seal Support
12	634248R2		1 SEAL 55mm W x 1175.96mm L Feeder
13	87666924		1 ROD Hinge
14	86605625		1 CLEVIS PIN M10 x 110
15	130003		1 COTTER PIN 3mm OD x 30mm OAL
16	87656137		4 BOLT M8 x 28.1mm, CI 10.9
17	87682383		11 CARRIAGE BOLT M8 x 1.25 x 20mm, CI 10.9
18	905-10025		9 BOLT Hex Flg, M10 x 25mm
19	274249		8 BOLT Hex, M10 x 20mm
20	86507066		13 FLANGE NUT M8 x 1.25, CI 10
21	43435		17 FLANGE NUT M10 x 1.5, Serrated
22	87690471		1 PLUG Dome, 2 In.
23	87686906		1 LATCH Cover Handle
24	132657A2		1 CABLE Panel Retention
25	87675531		2 FLANGE BOLT M6 x 26.6mm, CI 10.9
26	847-3816		2 SERRATED SCREW SI Truss, M8 x 16mm, CI 10.9
27	86050300		4 FLANGE NUT M6 x 1.0, CI 10

5140-COMBINE - TIER 2

DRIVE, HEADER, NON ROCK TRAP, TWO SPEED



60.120.AI

02

p2

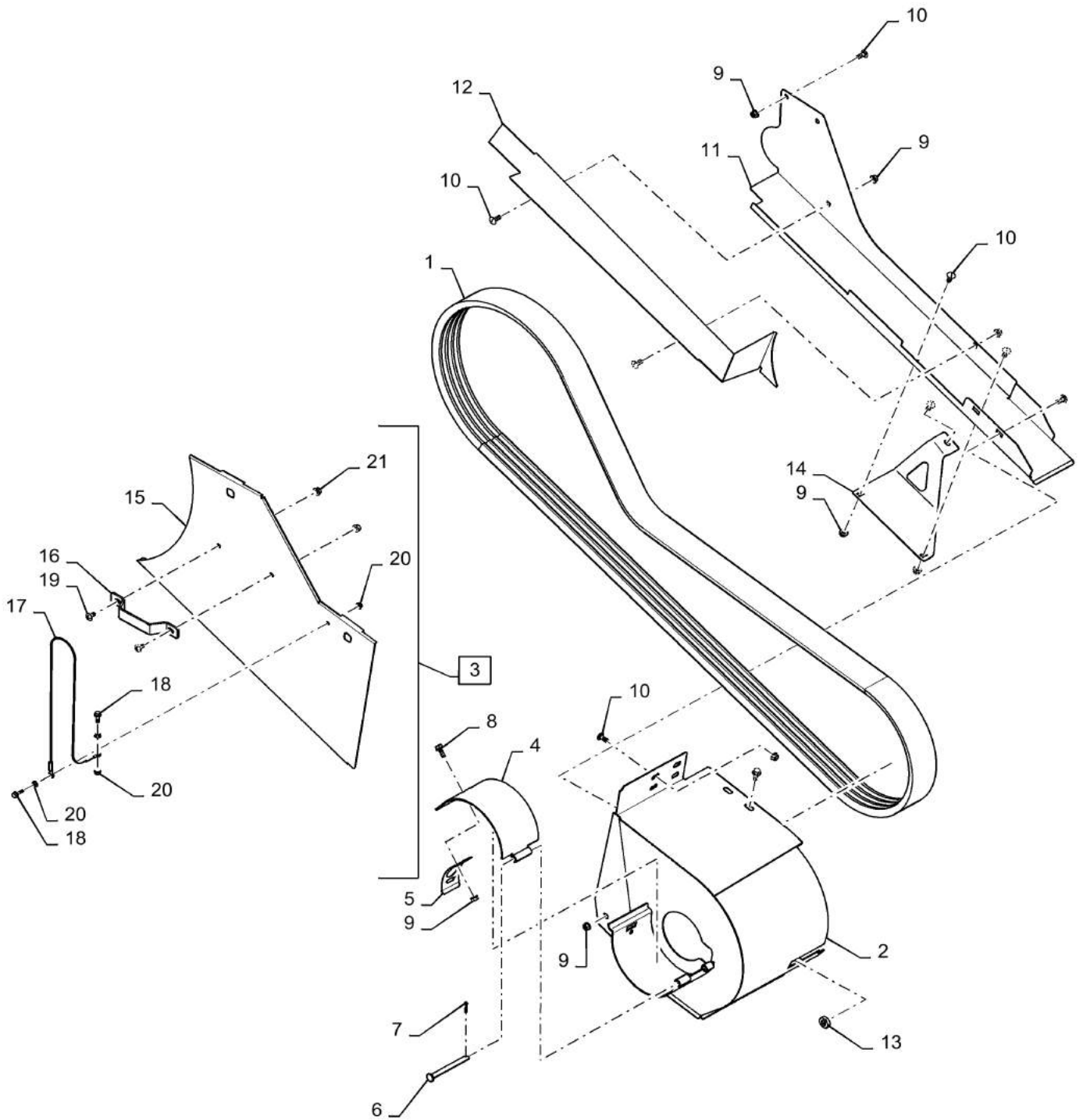
7/2015

DRIVE, HEADER, NON ROCK TRAP, TWO SPEED

REF FN	PART NUMBER	YR/SN	QTY DESCRIPTION
28	86507066		2 FLANGE NUT M8 x 1.25, CI 10
29	138699A2		2 LOCK Latch, Shield, Used On Side Shield
29	135476A1		2 LOCK Latch, Shield, Used On Side Shield

5140-COMBINE - TIER 2

VAR - 425086, 425088, 425125 - DRIVE, HEADER, ROCK TRAP, SINGLE SPEED

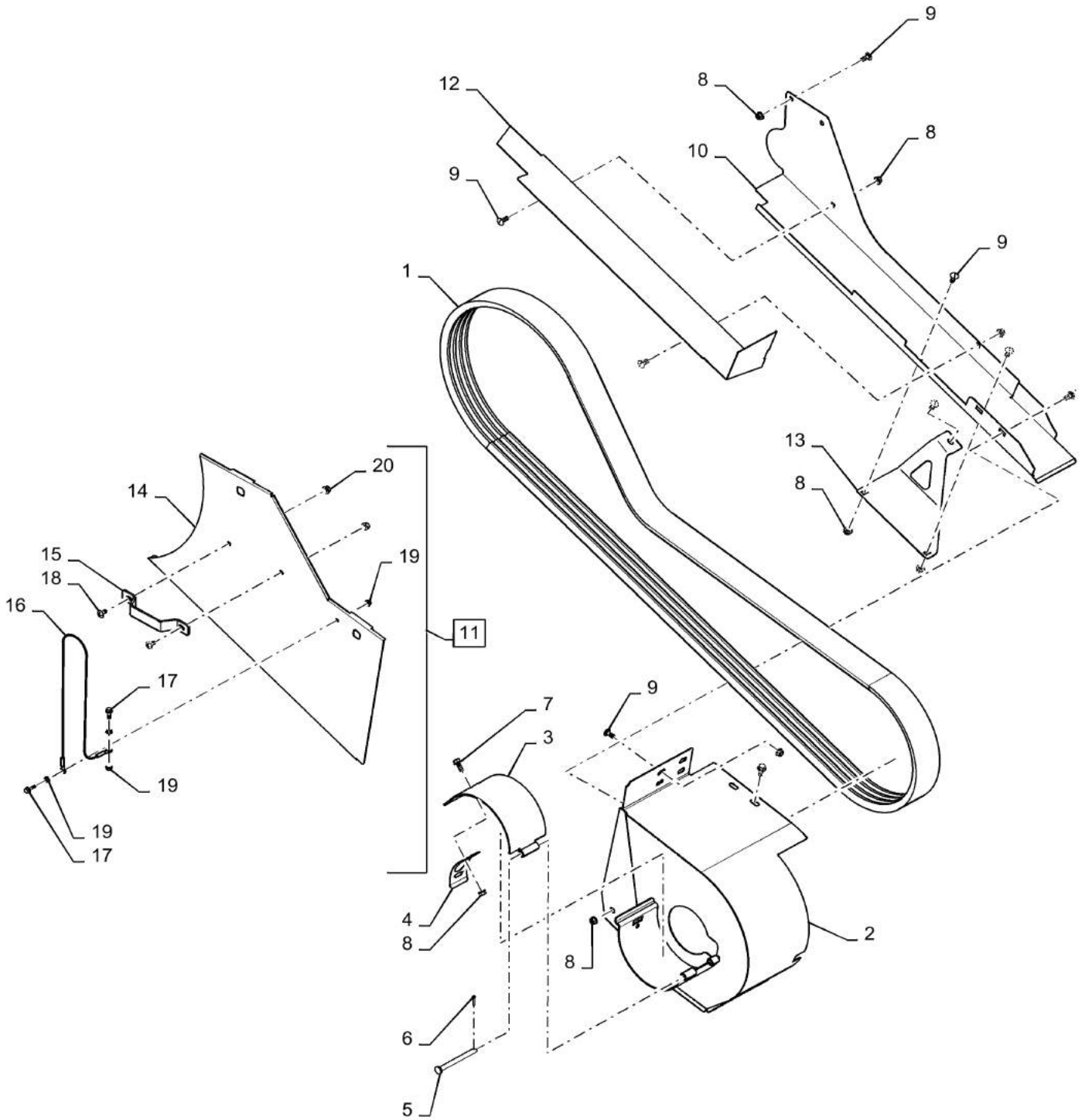


VAR - 425086, 425088, 425125 - DRIVE, HEADER, ROCK TRAP, SINGLE SPEED

REF FN	PART NUMBER	YR/SN	QTY DESCRIPTION
1	47455617		1 V-BELT Header Drive W/ Rock Trap
2	84378114		1 SHIELD PTO Cover
3	NLS		1 NO LONGER SERVICED Feeder Drive Cover, Order 15 - 21
4	87753756		1 SHIELD PTO Shaft Cover
5	86638316		1 LATCH PTO Cover
6	86605625		1 CLEVIS PIN M10 x 110
7	130003		1 COTTER PIN 3mm OD x 30mm OAL
8	87656137		4 BOLT M8 x 28.1mm, CI 10.9
9	86507066		12 FLANGE NUT M8 x 1.25, CI 10
10	87682383		10 CARRIAGE BOLT M8 x 1.25 x 20mm, CI 10.9
11	84378104		1 SHIELD Belt Guide
12	87720948		1 COVER ASSY Belt Guide
13	10717511		1 THIN NUT Thin, M16 x 2, CI 04
14	84154101		1 BRACKET Belt Guide Support
15	87754566		1 COVER ASSY Feeder Access
16	87686906		1 LATCH Cover Handle
17	132657A2		1 CABLE Panel Retention
18	87675531		2 FLANGE BOLT M6 x 26.6mm, CI 10.9
19	847-3816		2 SERRATED SCREW SI Truss, M8 x 16mm, CI 10.9
20	86050300		4 FLANGE NUT M6 x 1.0, CI 10
21	86507066		2 FLANGE NUT M8 x 1.25, CI 10

5140-COMBINE - TIER 2

VAR - 425087, 425126 - DRIVE, HEADER, ROCK TRAP, TWO SPEED



VAR - 425087, 425126 - DRIVE, HEADER, ROCK TRAP, TWO SPEED

REF FN	PART NUMBER	YR/SN	QTY DESCRIPTION
1	87332161		1 V-BELT Header Drive W/ Rock Trap
1	47455617		1 V-BELT Header Drive W/ Rock Trap
2	84378109		1 SHIELD PTO Cover
3	87753756		1 SHIELD PTO Shaft Cover
4	86638316		1 LATCH PTO Shaft Cover
5	86605625		1 CLEVIS PIN M10 x 110
6	130003		1 COTTER PIN 3mm OD x 30mm OAL
7	87656137		4 BOLT M8 x 28.1mm, CI 10.9
8	86507066		12 FLANGE NUT M8 x 1.25, CI 10
9	87682383		10 CARRIAGE BOLT M8 x 1.25 x 20mm, CI 10.9
10	84378104		1 SHIELD Belt Guide
11	NLS		1 NO LONGER SERVICED Feeder Access, Order 14 - 20
12	87720940		1 COVER ASSY Belt Guide
13	84154101		1 BRACKET Belt Guide Support
14	87754566		1 COVER ASSY Feeder Access
15	87686906		1 LATCH Door Handle
16	132657A2		1 CABLE Panel Retention
17	87675531		2 FLANGE BOLT M6 x 26.6mm, CI 10.9
18	847-3816		2 SERRATED SCREW SI Truss, M8 x 16mm, CI 10.9
19	86050300		4 FLANGE NUT M6 x 1.0, CI 10
20	86507066		2 FLANGE NUT M8 x 1.25, CI 10

5140-COMBINE - TIER 2

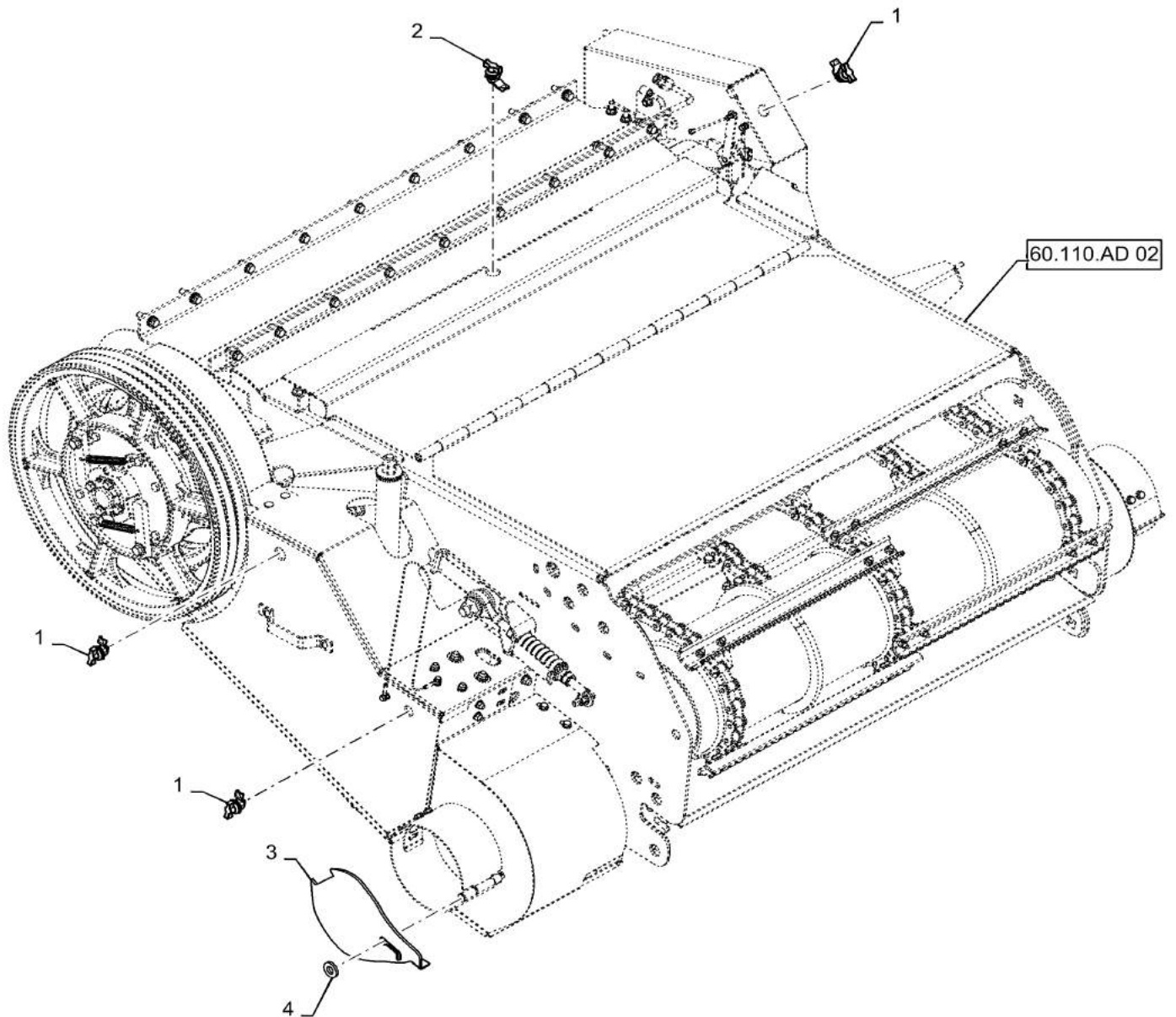
60.120.AI

05

p1

7/2015

VAR - 425086, 425087, 425081, 425082, 425088, 425083 - LATCH, PANEL, FEEDER

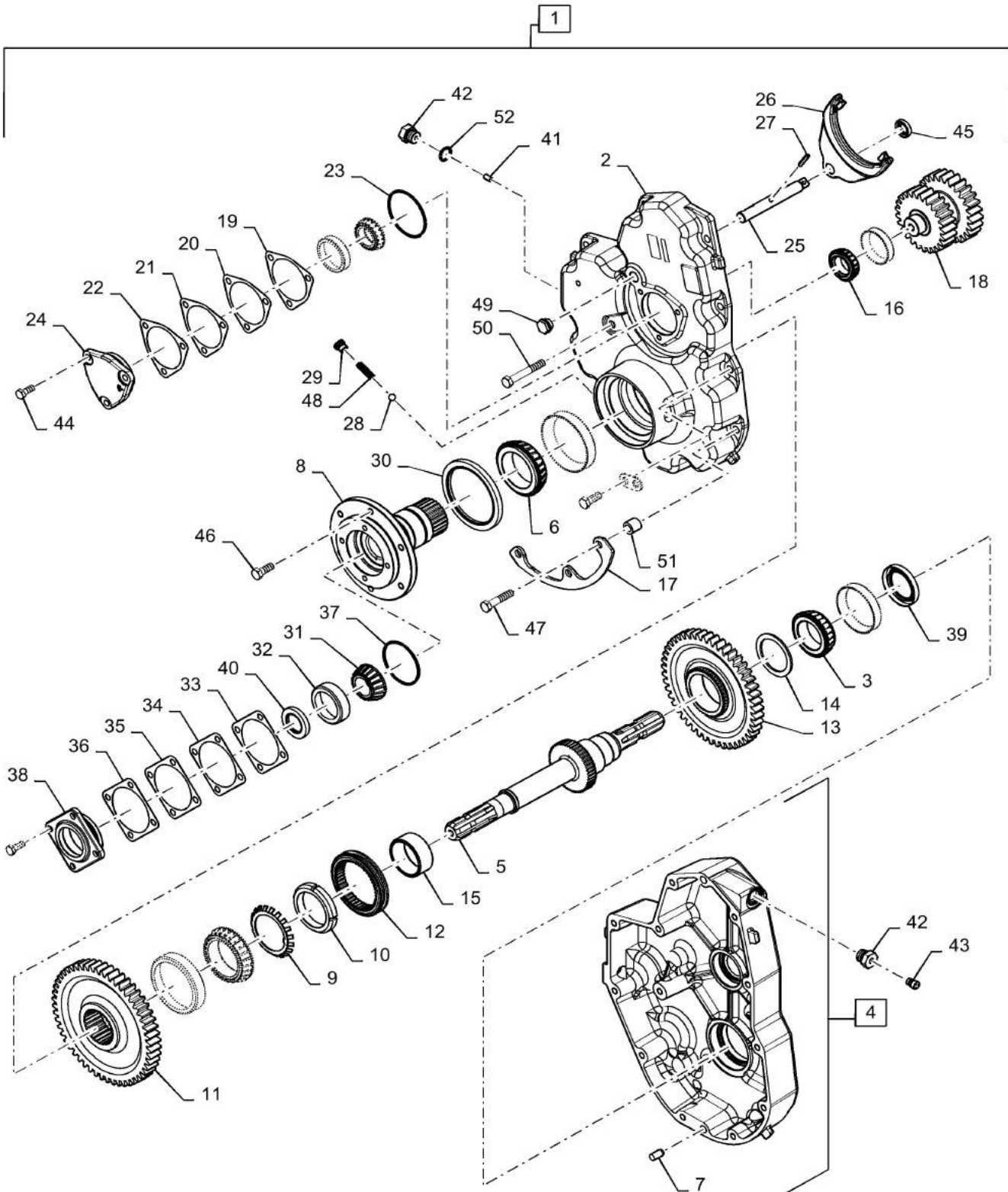


VAR - 425086, 425087, 425081, 425082, 425088, 425083 - LATCH, PANEL, FEEDER

REF FN	PART NUMBER	YR/SN	QTY DESCRIPTION
1	138699A2		3 LOCK Feeder Latch Shield, - VAR - 425086, 425087, 425081, 425082
1	135476A1		3 LOCK Feeder Latch, - VAR - 425088, 425083
2	182925A1		1 LOCK Feeder Latch Shield, - VAR - 425086, 425087, 425081, 425082
2	143347A1		1 LATCH Feeder, Shield, - VAR - 425088, 425083
3	84159143		1 COVER ASSY Protection, - VAR - 425088, 425083
4	86625253		1 WASHER 11mm ID x 24mm OD x 2mm Thk

5140-COMBINE - TIER 2

GEARBOX, HEADER, 2-SPEED

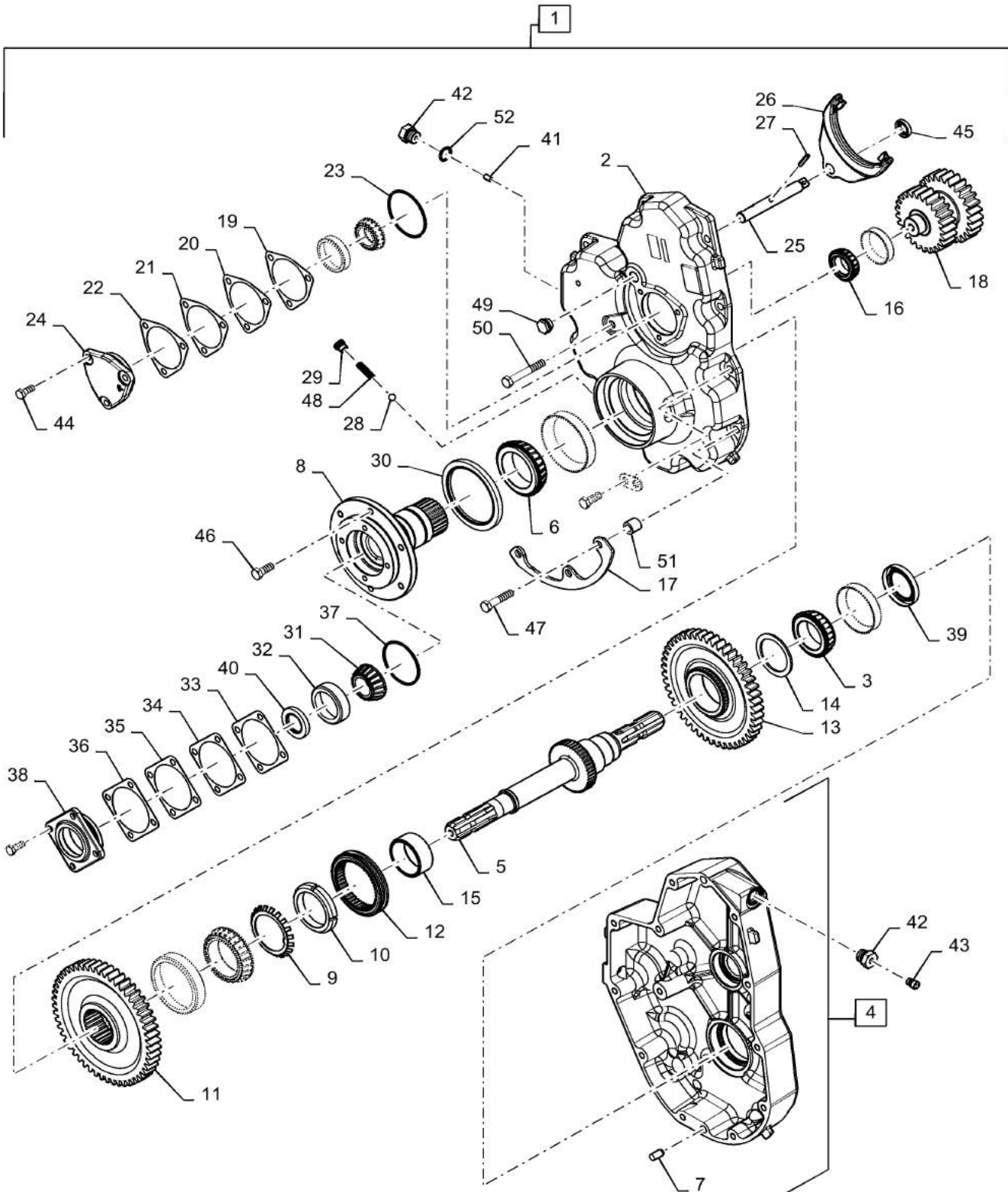


GEARBOX, HEADER, 2-SPEED

REF FN	PART NUMBER	YR/SN	QTY DESCRIPTION
1	87751887		1 GEARBOX ASSY Two Speed Header Drive, Incl 2 - 52
1	87751887C		1 CORE-GEARBOX
1	87751887R		1 REMAN-GEARBOX
2	87569765		1 COVER Two Speed Header Drive
3	87555831		2 BEARING ASSY 55mm ID x 90mm OD x 23mm W
4	87569766		1 COVER Housing, Incl 7
5	87719076		1 SHAFT ASSY. Output
6	87525945		4 BEARING ASSY 70mm ID x 110mm OD x 26mm W
7	837-12025		2 DOWEL M12 x 25
8	87629126		1 SHAFT Input
9	55-2014		1 LOCK WASHER
10	54-2014		1 BEARING LOCK NUT 2.7559" ID
11	87568819		1 GEAR 52 Tooth
12	87319310		1 COLLAR Hi-Low Shift
13	87568821		1 GEAR 47 Tooth, Driven
14	H144527		1 WASHER 63.55mm ID x 82.3mm OD x 3.2mm Thk 82.3mm OD x 63.5mm ID x 3.16mm
15	1286016C1		1 NEEDLE BEARING Needle, 63.49mm ID x 73.05mm OD x 31.75mm W
16	87354344		4 BEARING ASSY 34.925 mm ID x 65.088 mm OD x 18.034 mm
17	84195725		1 PLATE Support
18	87319330		1 SHAFT Counter, 25 Tooth/ 26 Tooth
19	87319333		1 SHIM Bearing Case, 0.0765mm
20	87319334		1 SHIM Bearing Case, 0.127mm
21	87319335		1 SHIM Bearing Case, 0.178mm
22	87319338		1 SHIM Bearing Case, 0.762mm
23	18438		1 O-RING 0.103" Thk x 2.987" ID, -151, CI 5, 75 Duro

5140-COMBINE - TIER 2

GEARBOX, HEADER, 2-SPEED

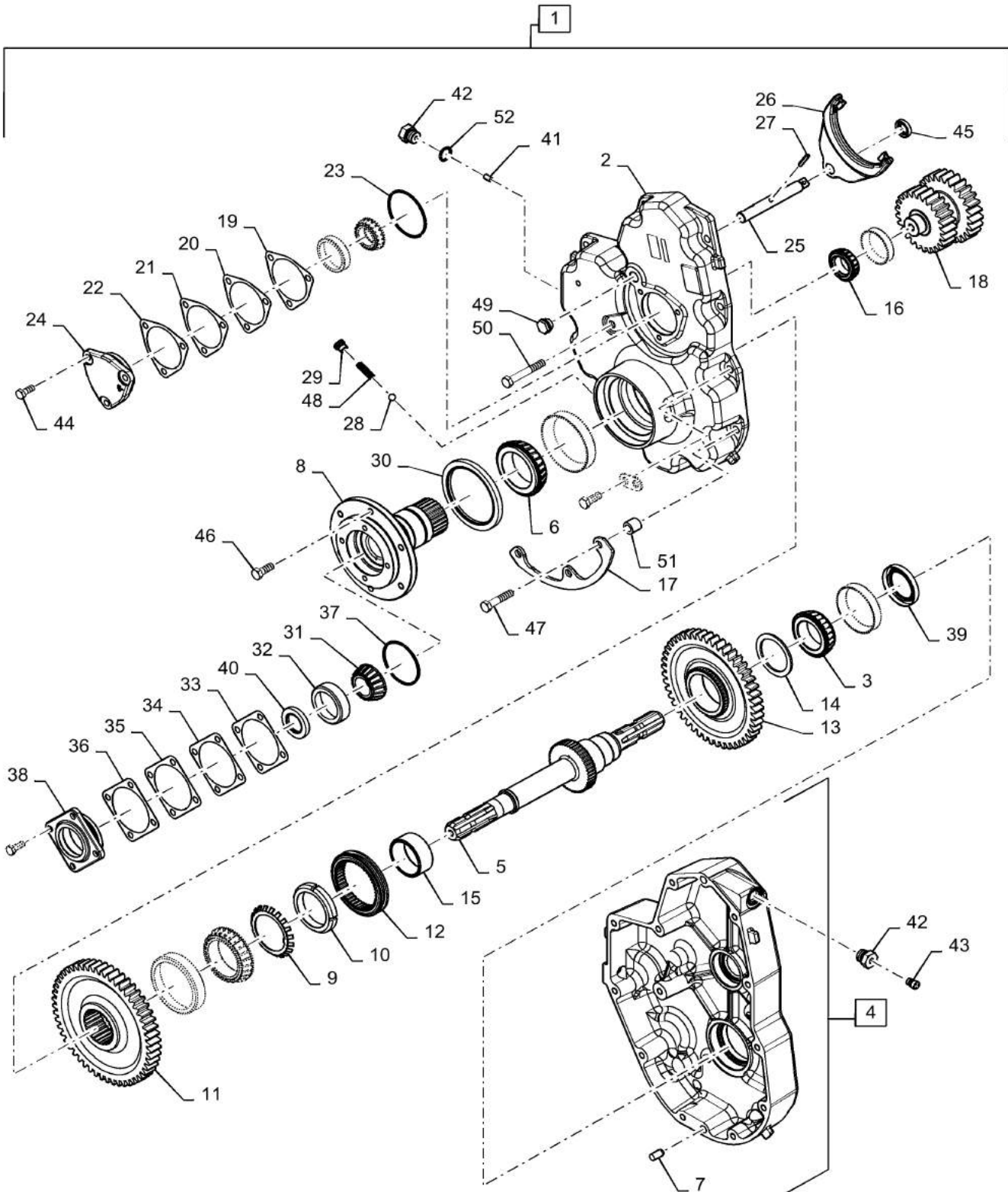


GEARBOX, HEADER, 2-SPEED

REF FN	PART NUMBER	YR/SN	QTY DESCRIPTION
24	84230061		1 COVER 51.8 mm ID x 80.67 mm OD x 17, 12 mm Countershaft Bearing
25	87319340		1 SHIFT RAIL Hi-Low
26	87708105		1 SHIFTER FORK Fork, Hi-Low
27	38-21622		1 PIN 6.35mm OD x 34.92mm L, Coiled
28	211-1014		1 BALL 7/16" Dia
29	86598044		1 PLUG Hex, M14 x 1.5 ORB
30	87319308		1 OIL SEAL 133.4mm OD x 19.05mm ID x 9.5mm
31	131311C91		1 ROLLER BEARING 1.3755" ID x 2.8448" OD x 1"
32	131312C1		1 BEARING CUP 72.258mm OD x 19.84mm
33	87319317		1 SHIM Bearing Cage, 0.0765mm
34	87319318		1 SHIM Bearing Cage, 0.127mm
35	87319319		1 SHIM Bearing Cage, 0.178mm
36	87319322		1 SHIM Bearing Cage, 0.762mm
37	14461080		1 O-RING 0.103" Thk x 3.237" ID, -152, CI 5, 75 Duro
38	87319316		1 CAGE Output Shaft Bearing
39	87319314		1 OIL SEAL 76.3mm OD x 52.4mm ID x 9.5mm
40	1990325C1		1 SEAL 34.85mm ID x 57.25mm OD x 8mm Thk Cross Shaft, 57.150mm OD x 34.85mm ID x 8mm
41	87108781		1 PLUG Magnetic, M22
42	87520834		1 PLUG Fill, Hex Head ORB M22 x 1.5 -6H Thread, Incl 52
43	219-433		1 BREATHER 1/8"-27, Short
44	87015733		7 BOLT M10 x 1.5 x 31.58mm, CI 10.9 M10 x 25mm, 10.9
45	87319344		1 OIL SEAL 19.05mm ID x 31.85mm OD x 6.35mm Thk 31.85mm OD x 19.05mm ID x 6.35mm
46	87015736		8 BOLT M12 x 1.75 x 37.68mm, CI 10.9

5140-COMBINE - TIER 2

GEARBOX, HEADER, 2-SPEED



GEARBOX, HEADER, 2-SPEED

REF FN	PART NUMBER	YR/SN	QTY DESCRIPTION
47	87015724		3 BOLT M12 x 1.75 x 62.68mm OAL, CI 10.9
48	295537A1		1 SPRING Detent Ball
49	87524452		4 SIGHTGLASS M20 x 1.5
50	86634393		1 BOLT Hex, M12 x 80mm, CI 10.9
51	84183365		2 SPACER Spring Tensioner
52	637-63193		1 O-RING 2.2mm Thk x 19.3mm ID, CI 6, 90 Duro

5140-COMBINE - TIER 2

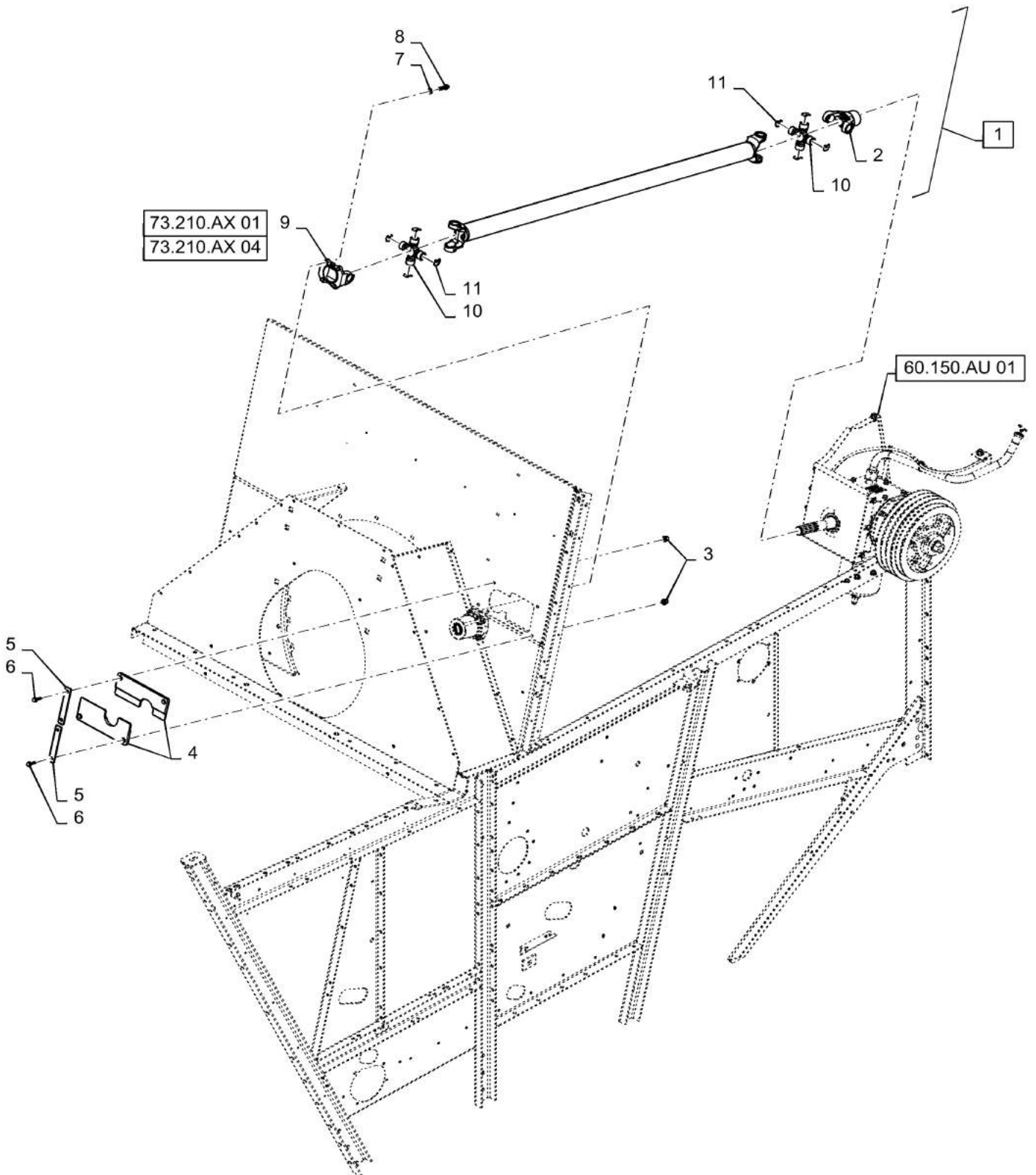
60.130.AJ

01

p1

7/2015

DRIVER, FEEDER DRIVESHAFT, STANDARD



60.130.AJ

01

p1

7/2015

DRIVER, FEEDER DRIVESHAFT, STANDARD

REF FN	PART NUMBER	YR/SN	QTY DESCRIPTION
1	87330901		1 DRIVE SHAFT Feeder, Incl 2, 9 - 11
2	87600701		1 YOKE 1 3/8" 10 Spline
3	87284531		4 NUT Rivnut, M8 x 1.25, 0.5mm - 3mm Grip Range Rivnut, M8
4	87584502		2 SEAL Feeder Driveshaft
5	87624399		2 STRAP Driveshaft Seal Retainer
6	87030775		4 BOLT M8 x 38.1mm, CI 10.9
7	412123		4 LOCK WASHER 13.1mm ID x 21.1mm OD x 2.55mm Thk
8	87035075		4 12 PT SCREW M12 x 35mm, CI 12.9
9	87600700		1 FLANGE To Seperator Jackshaft
10	87597409		2 BEARING ASSY U-Joint
11	87600698		8 SNAP RING U-Joint Retainer

5140-COMBINE - TIER 2

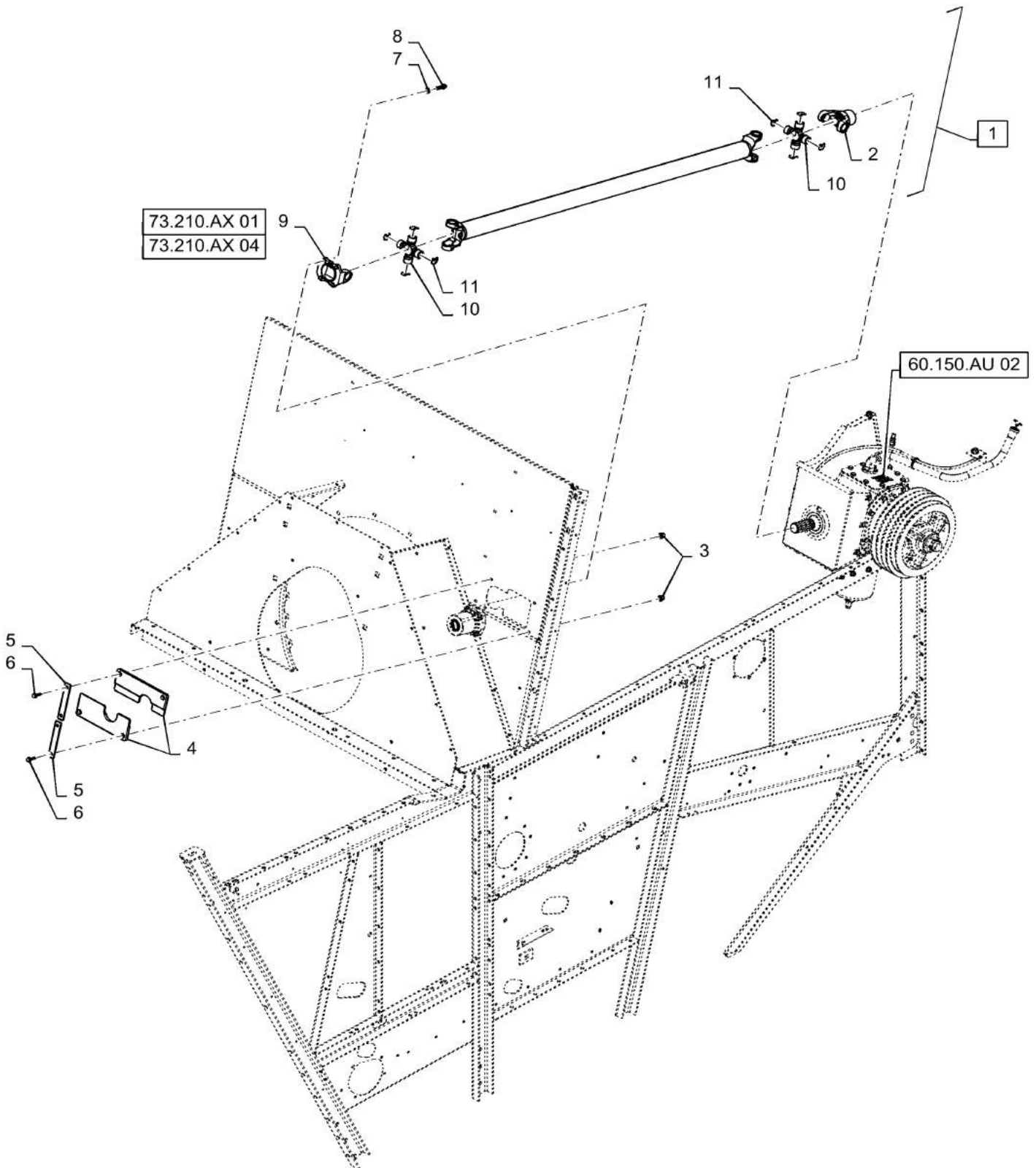
60.130.AJ

02

p1

7/2015

DRIVER, FEEDER DRIVESHAFT, HEAVY DUTY



60.130.AJ

02

p1

7/2015

DRIVER, FEEDER DRIVESHAFT, HEAVY DUTY

REF FN	PART NUMBER	YR/SN	QTY DESCRIPTION
1	87597406		1 DRIVE SHAFT Feeder, Incl 2, 9 - 11
2	87600699		1 YOKE 1 9/16", 16 Tooth Spline
3	87284531		4 NUT Rivnut, M8 x 1.25, 0.5mm - 3mm Grip Range Rivnut, M8
4	87584502		2 SEAL Feeder Driveshaft
5	87624399		2 STRAP Driveshaft Seal Retainer
6	87030775		4 BOLT M8 x 38.1mm, CI 10.9
7	412123		4 LOCK WASHER 13.1mm ID x 21.1mm OD x 2.55mm Thk
8	87035075		4 12 PT SCREW M12 x 35mm, CI 12.9
9	87600700		1 FLANGE To Separator Jackshaft
10	87597409		3 BEARING ASSY U-Joint
11	87600698		8 SNAP RING Retainer

5140-COMBINE - TIER 2

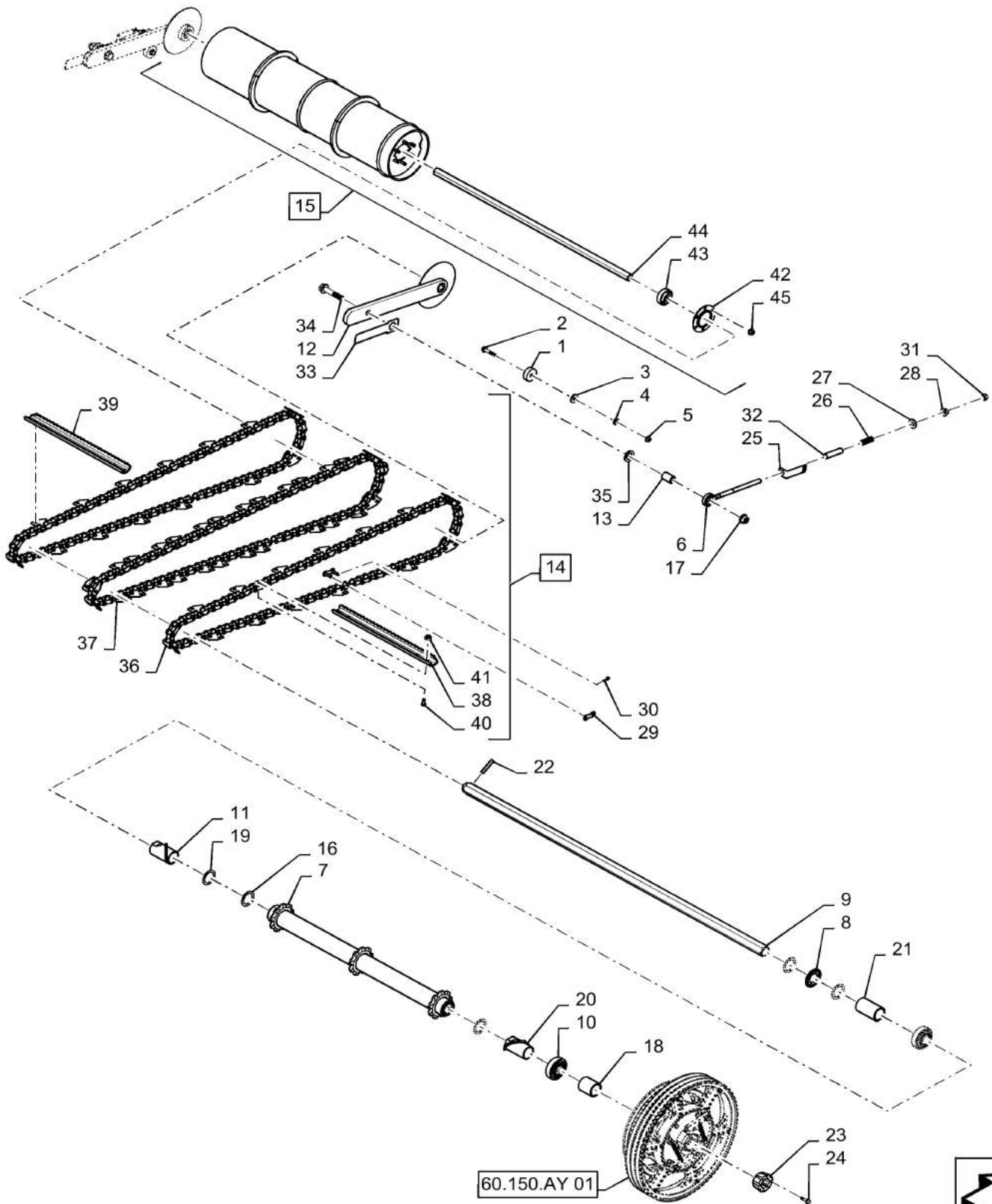
60.150.AD

01

p1

7/2015

CONVEYOR, FEEDER, STANDARD



CONVEYOR, FEEDER, STANDARD

REF FN	PART NUMBER	YR/SN	QTY DESCRIPTION
1	87389815		2 SPACER 13.5mm ID x 57.2mm OD x 20mm L Feeder Drum Stop
2	84148135		2 BOLT Flange, M12 x 60mm, 10.9
3	495-81162		2 WASHER 17/32" x 1 1/2" x .179"
4	492-11050		2 LOCK WASHER 1/2"
5	86512497		2 FLANGE NUT M12 x 1.75, CI 10
6	84158123		2 EYEBOLT 305mm, M16
7	84122242		1 SPROCKET ASSY. 9T 3 Strand Shaft, 9 Tooth
8	87557056		1 NOTCHED DISK Feeder Speed Pickup
9	84174008		1 SHAFT Conveyor Drive
10	87620467		2 BALL BEARING 44.48mm Hex x 100mm OD x 42.86mm W
11	87751611		1 SPACER Sprocket Cleanout, LH
12	87687030		2 ARM ASSY. Front Drum Adjustment
13	87688473		2 SPACER 21mm ID x 31.75mm OD x 47.7mm L 31.75mm OD x 21mm ID x 47.7mm
14	84346485		1 CHAIN Feeder, 87 Links x 41.4mm = 3602mm Conveyor Chain, Incl 36 - 41
15	84299758		1 DRUM 241.3mm OD x 1091.6mm L Feeder, Front
16	87690483		AR WASHER 2.03" ID x 2.75" OD x 0.12" Thk 2.75" OD x 2.031" ID x .12", Shim
17	86512499		2 FLANGE NUT M20 x 2.5, CI 10
18	87740697		1 SPACER 52.39mm ID x 63.5mm OD x 68.8mm L Clutch Hub
19	87690482		AR WASHER 2.03" ID x 2.75" OD x 0.07" Thk 2.75" OD x 2.031" ID x .075", Shim
20	87751613		1 SPACER Sprocket Cleanout, RH
21	87751610		1 SPACER 52.39mm ID x 63.5mm OD x 106.7mm L Sprocket End
22	87016664		1 PIN 12mm OD x 70mm L, Coiled

5140-COMBINE - TIER 2

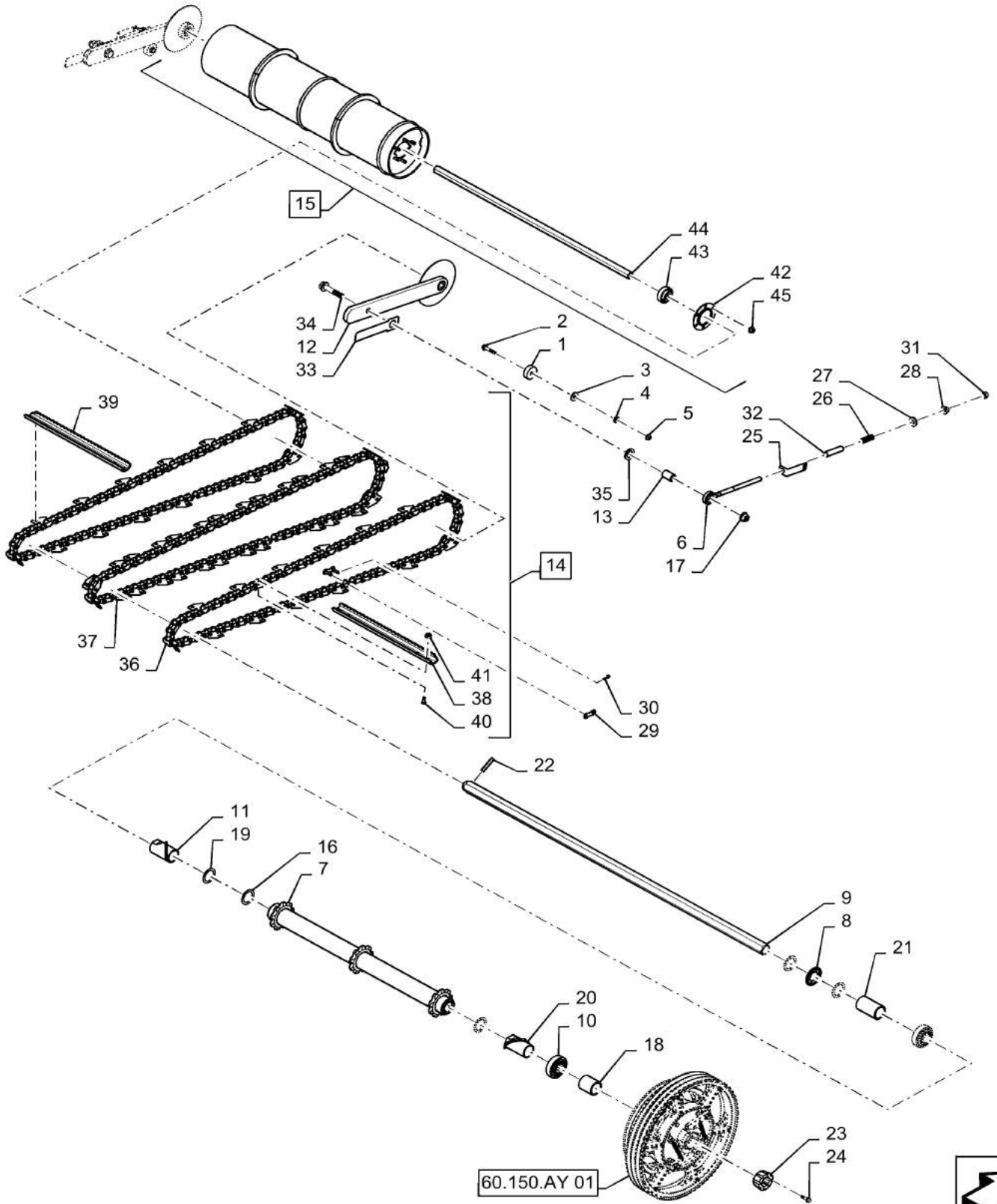
60.150.AD

01

p2

7/2015

CONVEYOR, FEEDER, STANDARD

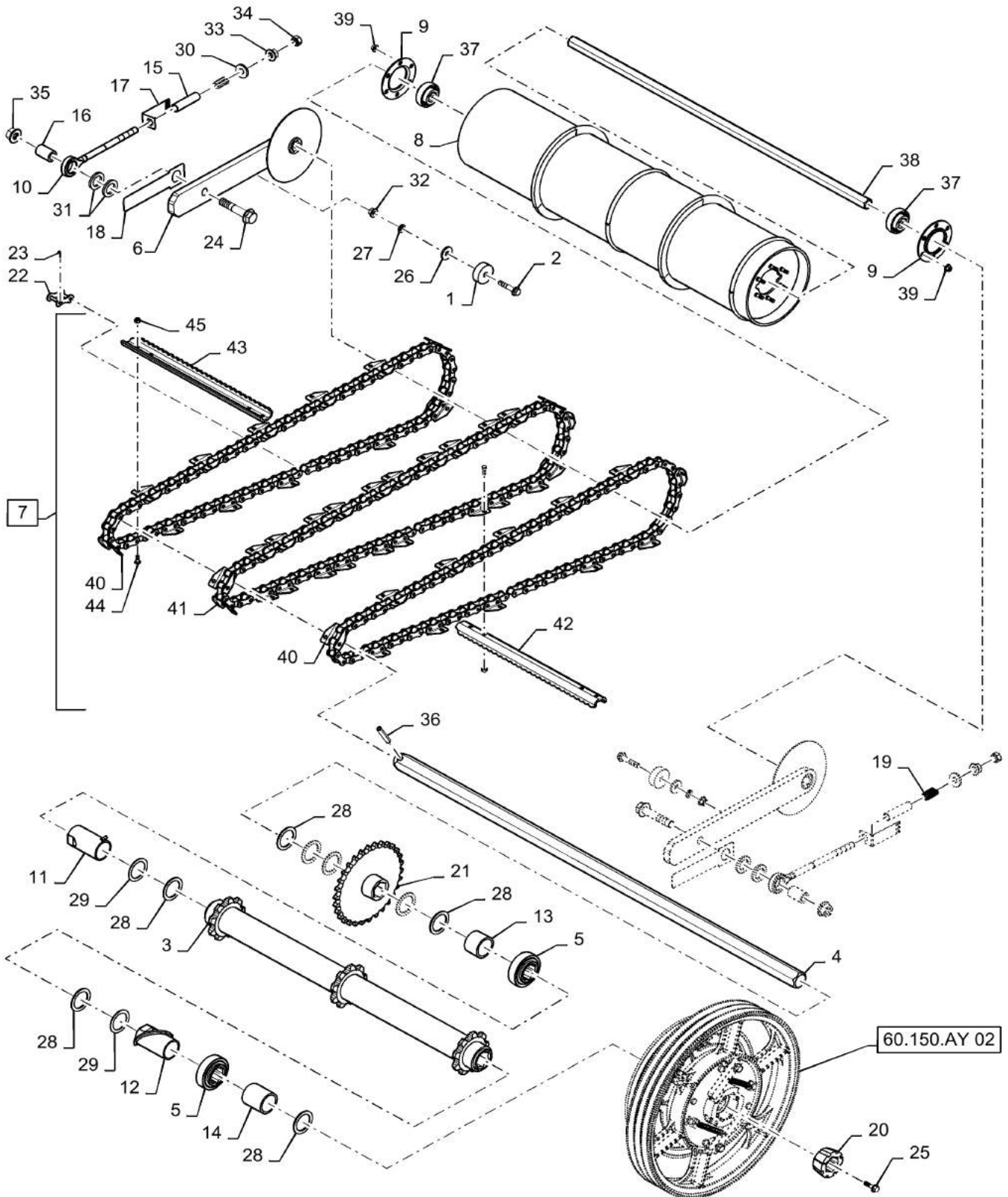


CONVEYOR, FEEDER, STANDARD

REF FN	PART NUMBER	YR/SN	QTY DESCRIPTION
23	87728796		1 HOUSING Hub, Shaft, Locking
24	86511845		4 BOLT M10 x 44.2mm OAL, CI 8.8, Full Thd
25	84128484		2 BRACKET Wear Indicator
26	84272052		2 SPRING Compression
27	325594		2 WASHER M17 x 40mm OD x 5mm Thk
28	86512498		2 FLANGE NUT M16 x 2.0, CI 10
29	1324294C1		3 LINK 40.893mm Pitch Conveyor
30	1329837C2		6 PIN 2.63mm OD 18.64mm, Fold Over
31	392530		2 NUT M16, CI 10
32	84147444		2 SPACER 17.4mm ID x 22.23mm OD x 91mm L Spring Tensioner
33	84359856		2 STRAP Position Indicator
34	84163827		2 BOLT M20 x 118.9mm OAL, CI 10.9 Flange, M20 x 100mm, 10.9
35	495-82234		4 WASHER 32.54mm ID x 50.8mm OD x 6.1mm Thk
36	84361383		2 CHAIN Outer
37	84361382		1 CHAIN Center
38	84148076		14 SLAT RH, Serrated
39	84148074		14 SLAT LH, Serrated
40	9846677		112 BOLT M10 x 1.5 x 25mm, CI 10.9
41	84207195		112 NUT M10 x 1.5 M10
42	87667404		4 FLANGED BEARING 4 13/16" OD, 6 Hole
43	121602		2 BALL BEARING 28.6mm Hex x 72mm OD x 37.7mm W
44	87323562		1 SHAFT Front Conveyor Drum
45	86050279		12 FLANGE NUT M10 x 1.5, CI 10

5140-COMBINE - TIER 2

CONVEYOR, FEEDER, TRAP, ROCK GUARD

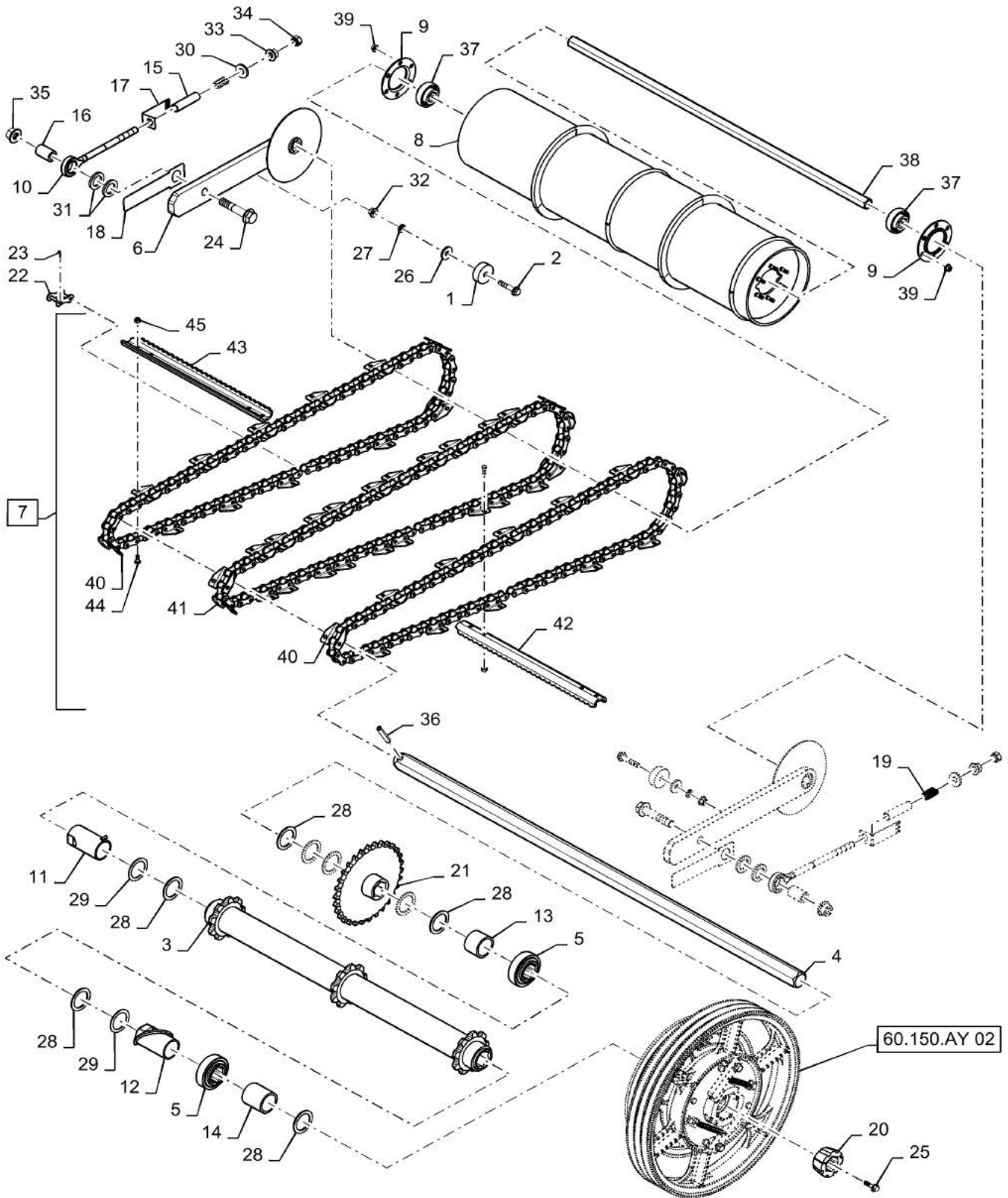


CONVEYOR, FEEDER, TRAP, ROCK GUARD

REF FN	PART NUMBER	YR/SN	QTY DESCRIPTION
1	87389815		2 SPACER 13.5mm ID x 57.2mm OD x 20mm L Drum Stop
2	84148135		2 BOLT Flange, M12 x 60mm, Special
3	84122242		1 SPROCKET ASSY. 9T Upper Feeder
4	84174008		1 SHAFT Feeder Drive
5	87620467		2 BALL BEARING 44.48mm Hex x 100mm OD x 42.86mm W
6	87687030		2 ARM ASSY. Drum Adjustment
7	84207192		1 CHAIN Feeder, 75 Links x 41.4mm = 3105mm Rock Trap, Incl 40 - 45
8	84299758		1 DRUM 241.3mm OD x 1091.6mm L Lower Feeder, Infeed
9	87667404		4 FLANGED BEARING Feeder Drum
10	84158123		2 EYEBOLT Drum Adjustment
11	87751611		1 SPACER Cleanout, LH
12	87751613		1 SPACER Cleanout, RH
13	87740715		1 SPACER Sprocket
14	87740697		1 SPACER 52.39mm ID x 63.5mm OD x 68.8mm L Clutch Hub
15	84147444		2 SPACER 17.4mm ID x 22.23mm OD x 91mm L Spring Tensioner
16	87688473		2 SPACER 21mm ID x 31.75mm OD x 47.7mm L Conveyor Adjustment
17	84128484		2 BRACKET Conveyor Indicator
18	84359856		2 STRAP Adjustment Shield
19	84272052		2 SPRING Conveyor Tension
20	87728796		1 HOUSING Hub, Locking
21	87674273		1 SPROCKET ASSY. Beater Drive, 30 Tooth
22	1324294C1		3 LINK 40.893mm Pitch Conveyor Chain
23	1329837C2		6 PIN 2.63mm OD Master Link Locking
24	84163827		2 BOLT M20 x 118.9mm OAL, CI 10.9 Flange, M20 x100mm, 10.9

5140-COMBINE - TIER 2

CONVEYOR, FEEDER, TRAP, ROCK GUARD



CONVEYOR, FEEDER, TRAP, ROCK GUARD

REF FN	PART NUMBER	YR/SN	QTY DESCRIPTION
25	86511845		4 BOLT M10 x 44.2mm OAL, CI 8.8, Full Thd
26	495-81162		2 WASHER 17/32" x 1 1/2" x .179"
27	492-11050		2 LOCK WASHER 1/2"
28	87690483		AR WASHER 2.03" ID x 2.75" OD x 0.12" Thk 2.75" OD x 2.031" ID x .12"
29	87690482		AR WASHER 2.03" ID x 2.75" OD x 0.07" Thk 2.75" OD x 2.031" ID x .075"
30	325594		2 WASHER M17 x 40mm OD x 5mm Thk
31	495-82234		4 WASHER 32.54mm ID x 50.8mm OD x 6.1mm Thk
32	86512497		2 FLANGE NUT M12 x 1.75, CI 10
33	86512498		2 FLANGE NUT M16 x 2.0, CI 10
34	392530		2 NUT M16, CI 10
35	86512499		2 FLANGE NUT M20 x 2.5, CI 10
36	87016664		1 PIN 12mm OD x 70mm L, Coiled
37	121602		2 BALL BEARING 28.6mm Hex x 72mm OD x 37.7mm W
38	87323562		1 SHAFT Lower Feeder Drum
39	86050279		12 FLANGE NUT M10 x 1.5, CI 10
40	118661A1		2 CHAIN A557, 75 Links x 41.4mm = 3105mm Outside Conveyor
41	1989529C1		1 CHAIN A557, 75 Links x 41.4mm = 3105mm Inside Conveyor
42	84148076		12 SLAT Conveyor, Serrated, RH
43	84148074		12 SLAT Conveyor, Serrated, LH
44	9846677		96 BOLT M10 x 1.5 x 25mm, CI 10.9
45	84207195		96 NUT M10 x 1.5 M10 x 1.5

5140-COMBINE - TIER 2

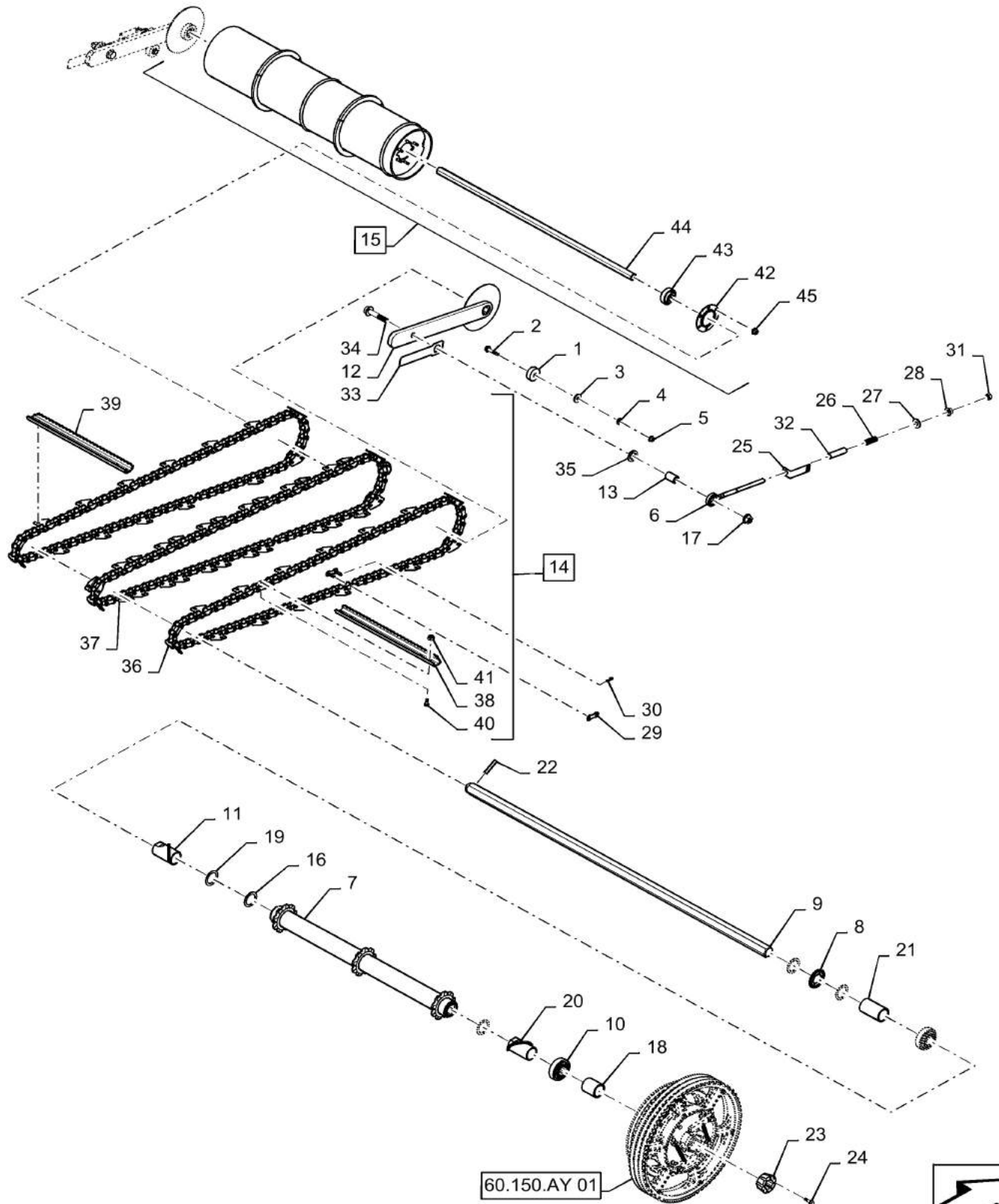
60.150.AD

03

p1

7/2015

CONVEYOR, FEEDER, STANDARD



60.150.AY 01

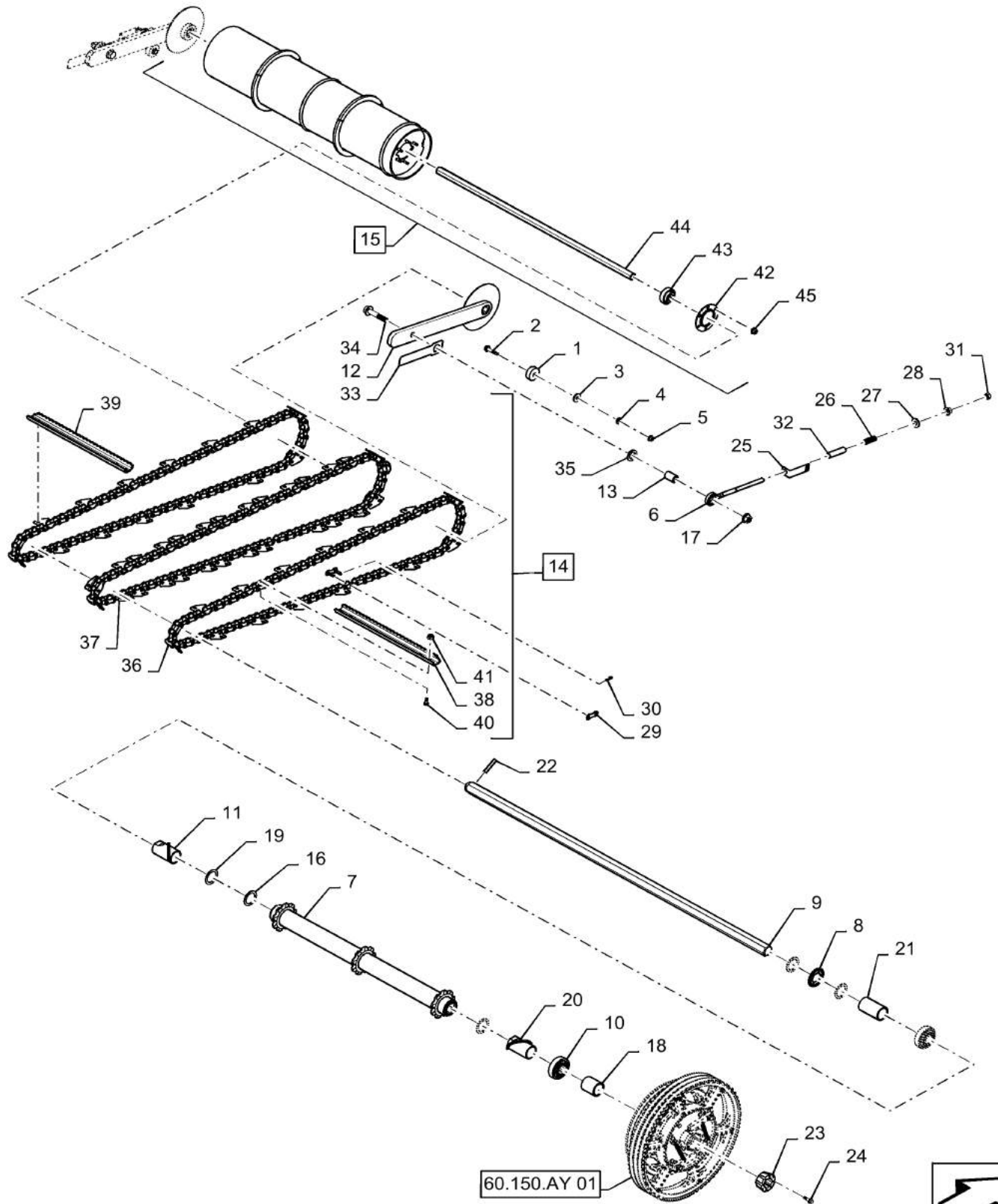


CONVEYOR, FEEDER, STANDARD

REF FN	PART NUMBER	YR/SN	QTY DESCRIPTION
1	87389815		2 SPACER 13.5mm ID x 57.2mm OD x 20mm L Feeder Drum Stop
2	84148135		2 BOLT Flange, M12 x 60mm, 10.9
3	495-81162		2 WASHER 17/32" x 1 1/2" x .179"
4	492-11050		2 LOCK WASHER 1/2"
5	86512497		2 FLANGE NUT M12 x 1.75, CI 10
6	84158123		2 EYEBOLT 305mm, M16
7	84122242		1 SPROCKET ASSY. 9T 3 Strand Shaft, 9 Tooth
8	87557056		1 NOTCHED DISK Feeder Speed Pickup
9	84174008		1 SHAFT Conveyor Drive
10	87620467		2 BALL BEARING 44.48mm Hex x 100mm OD x 42.86mm W
11	87751611		1 SPACER Sprocket Cleanout, LH
12	87687030		2 ARM ASSY. Front Drum Adjustment
13	87688473		2 SPACER 21mm ID x 31.75mm OD x 47.7mm L 31.75mm OD x 21mm ID x 47.7mm
14	84346485		1 CHAIN Feeder, 87 Links x 41.4mm = 3602mm Conveyor Chain, Incl 36 - 41
15	84299758		1 DRUM 241.3mm OD x 1091.6mm L Feeder, Front
16	87690483		AR WASHER 2.03" ID x 2.75" OD x 0.12" Thk 2.75" OD x 2.031" ID x .12"
17	86512499		2 FLANGE NUT M20 x 2.5, CI 10
18	87740697		1 SPACER 52.39mm ID x 63.5mm OD x 68.8mm L Clutch Hub
19	87690482		AR WASHER 2.03" ID x 2.75" OD x 0.07" Thk 2.75" OD x 2.031" ID x .075"
20	87751613		1 SPACER Sprocket Cleanout, RH
21	87751610		1 SPACER 52.39mm ID x 63.5mm OD x 106.7mm L Sprocket End
22	87016664		1 PIN 12mm OD x 70mm L, Coiled
23	87728796		1 HOUSING Hub, Shaft, Locking

5140-COMBINE - TIER 2

CONVEYOR, FEEDER, STANDARD



60.150.AY 01

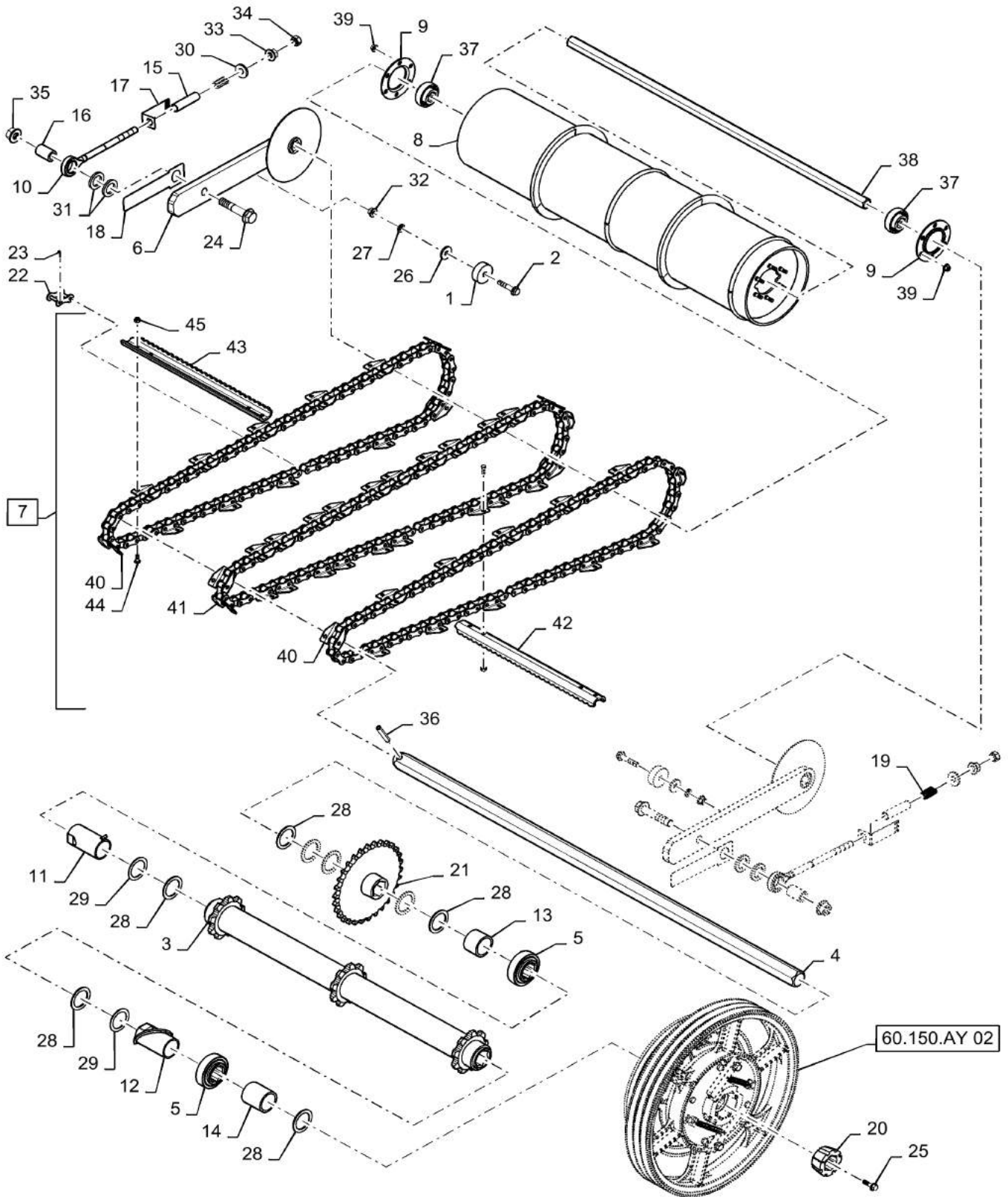


CONVEYOR, FEEDER, STANDARD

REF FN	PART NUMBER	YR/SN	QTY DESCRIPTION
24	86511845		4 BOLT M10 x 44.2mm OAL, CI 8.8, Full Thd
25	84128484		2 BRACKET Wear Indicator
26	84272052		2 SPRING Compression
27	325594		2 WASHER M17 x 40mm OD x 5mm Thk
28	86512498		2 FLANGE NUT M16 x 2.0, CI 10
29	1324294C1		3 LINK 40.893mm Pitch Conveyor
30	1329837C2		6 PIN 2.63mm OD 18.64mm, Fold Over
31	392530		2 NUT M16, CI 10
32	84147444		2 SPACER 17.4mm ID x 22.23mm OD x 91mm L Spring Tensioner
33	84359856		2 STRAP Position Indicator
34	84163827		2 BOLT M20 x 118.9mm OAL, CI 10.9 Flange, M20 x 100mm, 10.9
35	495-82234		4 WASHER 32.54mm ID x 50.8mm OD x 6.1mm Thk
36	84361383		2 CHAIN Outer
37	84361382		1 CHAIN Center
38	84148076		14 SLAT RH, Serrated
39	84148074		14 SLAT LH, Serrated
40	9846677		112 BOLT M10 x 1.5 x 25mm, CI 10.9
41	84207195		112 NUT M10 x 1.5 M10
42	87667404		4 FLANGED BEARING 4 13/16" OD, 6 Hole
43	121602		2 BALL BEARING 28.6mm Hex x 72mm OD x 37.7mm W
44	87323562		1 SHAFT Front Conveyor Drum
45	86050279		12 FLANGE NUT M10 x 1.5, CI 10

5140-COMBINE - TIER 2

CONVEYOR, FEEDER, TRAP, ROCK GUARD

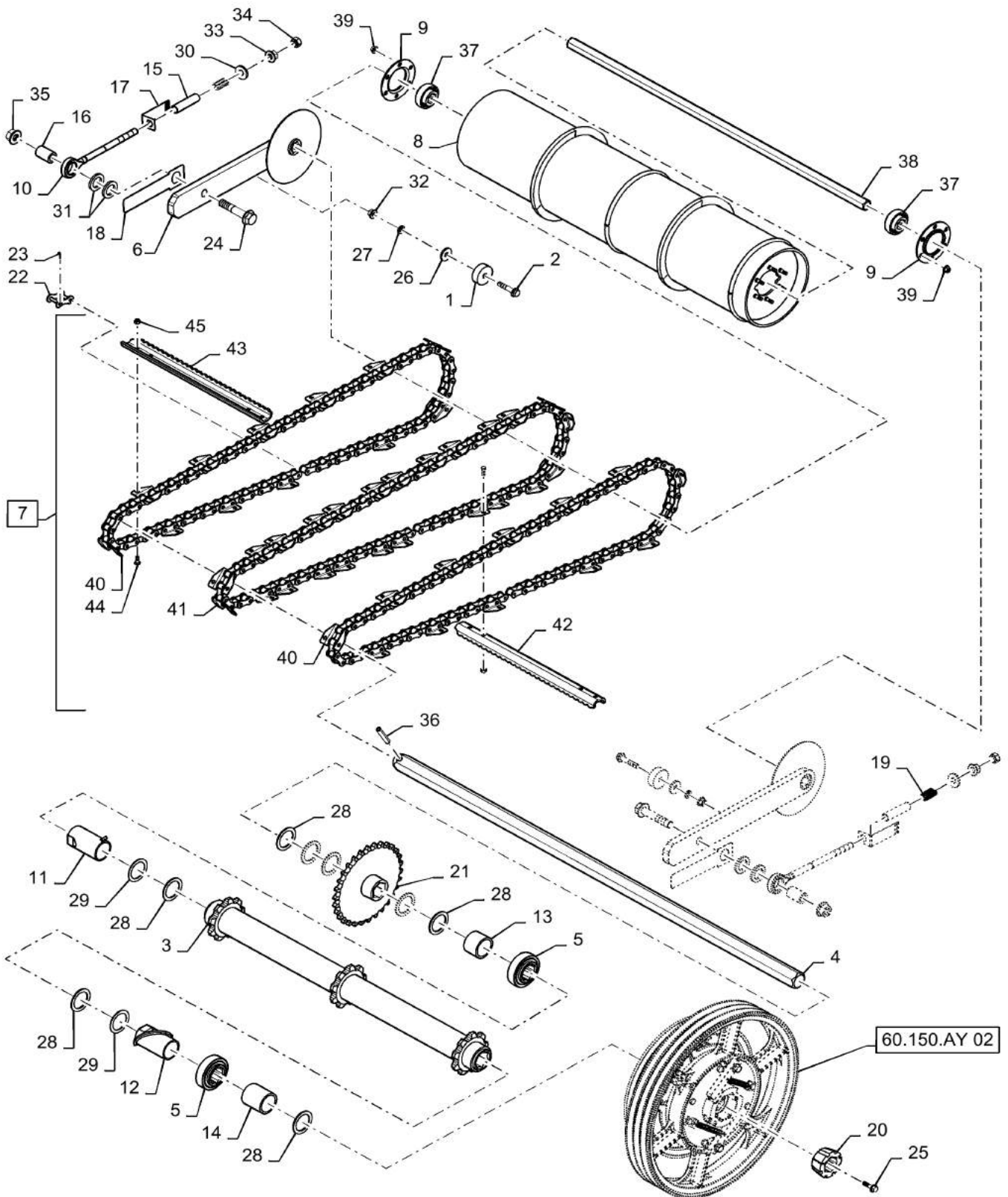


CONVEYOR, FEEDER, TRAP, ROCK GUARD

REF FN	PART NUMBER	YR/SN	QTY DESCRIPTION
1	87389815		2 SPACER 13.5mm ID x 57.2mm OD x 20mm L Drum Stop
2	84148135		2 BOLT Flange, M12 x 60mm, Special
3	84122242		1 SPROCKET ASSY. 9T Upper Feeder
4	84174008		1 SHAFT Feeder Drive
5	87620467		2 BALL BEARING 44.48mm Hex x 100mm OD x 42.86mm W
6	87687030		2 ARM ASSY. Drum Adjustment
7	84207192		1 CHAIN Feeder, 75 Links x 41.4mm = 3105mm Rock Trap, Incl 40 - 45
8	84299758		1 DRUM 241.3mm OD x 1091.6mm L Lower Feeder, Infeed
9	87667404		4 FLANGED BEARING Feeder Drum
10	84158123		2 EYEBOLT Drum Adjustment
11	87751611		1 SPACER Cleanout, LH
12	87751613		1 SPACER Cleanout, RH
13	87740715		1 SPACER Sprocket
14	87740697		1 SPACER 52.39mm ID x 63.5mm OD x 68.8mm L Clutch Hub
15	84147444		2 SPACER 17.4mm ID x 22.23mm OD x 91mm L Spring Tensioner
16	87688473		2 SPACER 21mm ID x 31.75mm OD x 47.7mm L Conveyor Adjustment
17	84128484		2 BRACKET Conveyor Indicator
18	84359856		2 STRAP Adjustment Shield
19	84272052		2 SPRING Conveyor Tension
20	87728796		1 HOUSING Hub, Locking
21	87674273		1 SPROCKET ASSY. Beater Drive, 30 Tooth
22	1324294C1		3 LINK 40.893mm Pitch Conveyor Chain
23	1329837C2		6 PIN 2.63mm OD Master Link Locking
24	84163827		2 BOLT M20 x 118.9mm OAL, CI 10.9 Flange, M20 x100mm, 10.9

5140-COMBINE - TIER 2

CONVEYOR, FEEDER, TRAP, ROCK GUARD

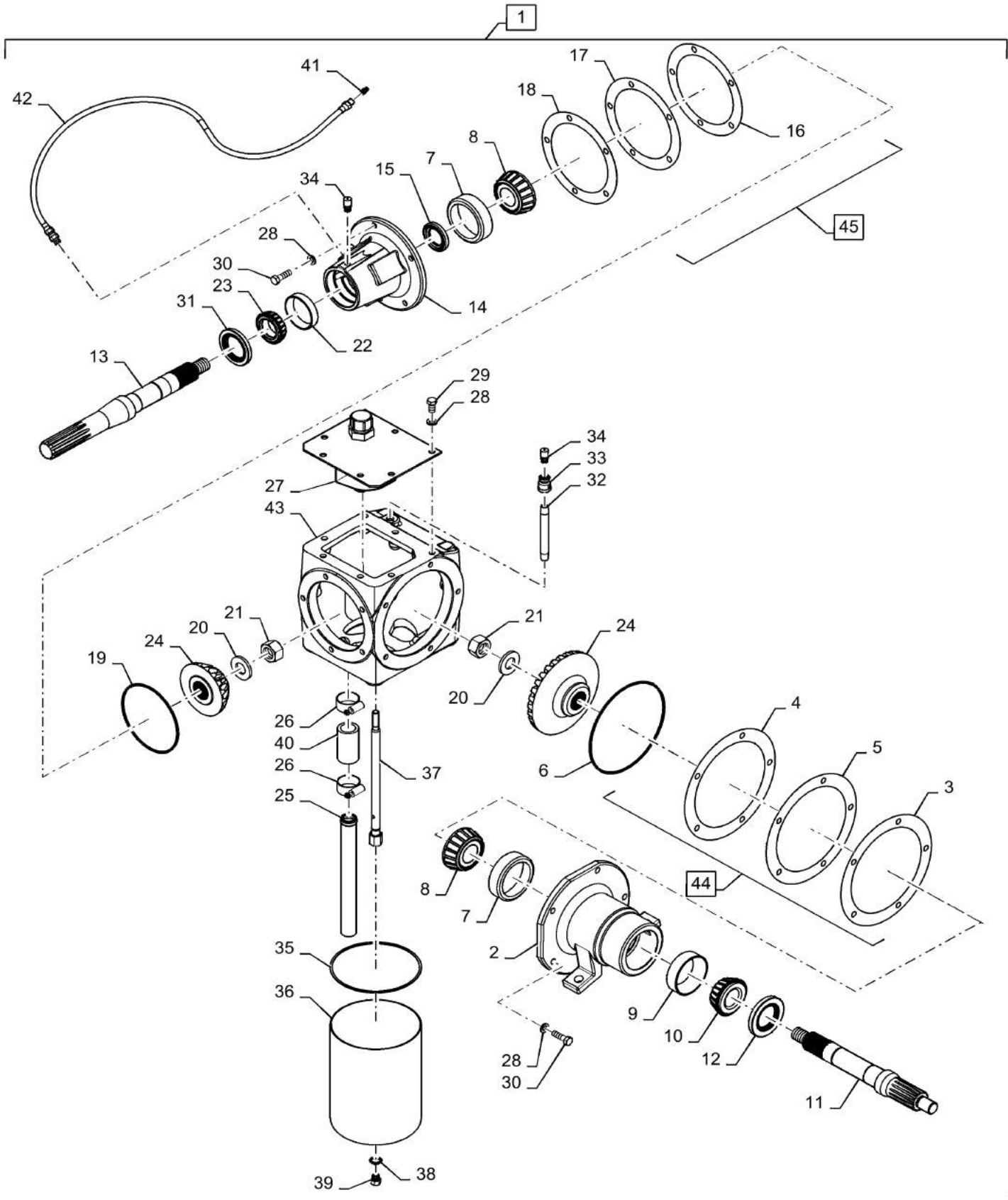


CONVEYOR, FEEDER, TRAP, ROCK GUARD

REF FN	PART NUMBER	YR/SN	QTY DESCRIPTION
25	86511845		4 BOLT M10 x 44.2mm OAL, CI 8.8, Full Thd
26	495-81162		2 WASHER 17/32" x 1 1/2" x .179"
27	492-11050		2 LOCK WASHER 1/2"
28	87690483		AR WASHER 2.03" ID x 2.75" OD x 0.12" Thk 2.75" OD x 2.031" ID x .12"
29	87690482		AR WASHER 2.03" ID x 2.75" OD x 0.07" Thk 2.75" OD x 2.031" ID x .075"
30	325594		2 WASHER M17 x 40mm OD x 5mm Thk
31	495-82234		4 WASHER 32.54mm ID x 50.8mm OD x 6.1mm Thk
32	86512497		2 FLANGE NUT M12 x 1.75, CI 10
33	86512498		2 FLANGE NUT M16 x 2.0, CI 10
34	392530		2 NUT M16, CI 10
35	86512499		2 FLANGE NUT M20 x 2.5, CI 10
36	87016664		1 PIN 12mm OD x 70mm L, Coiled
37	121602		2 BALL BEARING 28.6mm Hex x 72mm OD x 37.7mm W
38	87323562		1 SHAFT Lower Feeder Drum
39	86050279		12 FLANGE NUT M10 x 1.5, CI 10
40	118661A1		2 CHAIN A557, 75 Links x 41.4mm = 3105mm Outside Conveyor
41	1989529C1		1 CHAIN A557, 75 Links x 41.4mm = 3105mm Inside Conveyor
42	84148076		12 SLAT Conveyor, Serrated, RH
43	84148074		12 SLAT Conveyor, Serrated, LH
44	9846677		96 BOLT M10 x 1.5 x 25mm, CI 10.9
45	84207195		96 NUT M10 x 1.5 M10 x 1.5

5140-COMBINE - TIER 2

GEARBOX, FEEDER, DRIVE UNIT

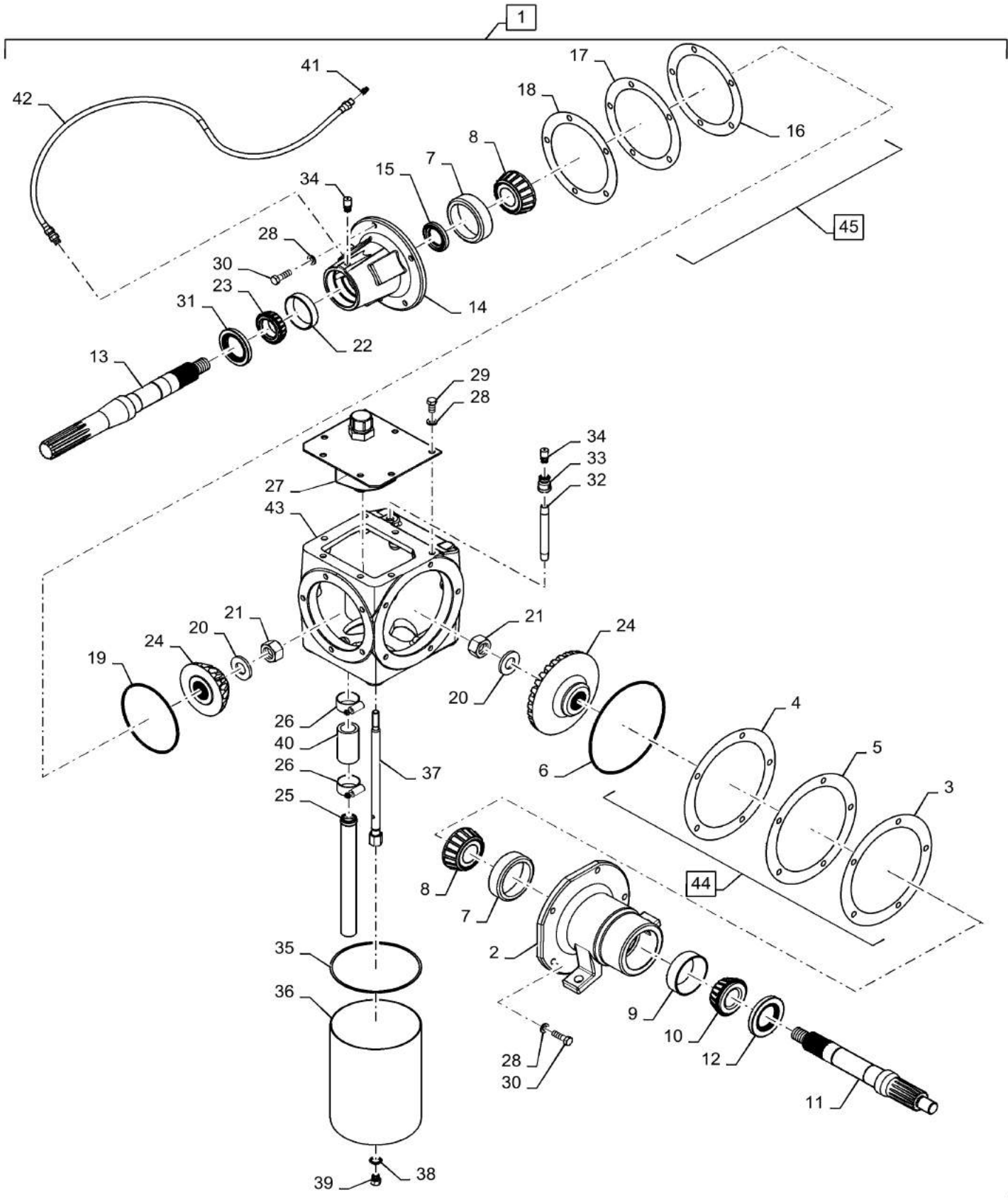


GEARBOX, FEEDER, DRIVE UNIT

REF FN	PART NUMBER	YR/SN	QTY DESCRIPTION
1	87642683		1 GEARBOX Feeder Drive, Incl 2 - 45
2	390549A1		1 HOUSING Feeder Drive Gearbox, RH
3	191366C1		AR SHIM 166.88mm ID x 215.9mm OD x 0.13mm Thk .127mm
4	191367C1		AR SHIM 166.88mm ID x 215.9mm OD x 0.18mm Thk .1778mm
5	191368C1		AR SHIM 166.88mm ID x 215.9mm OD x 0.5mm Thk .508mm
6	272712		1 O-RING 0.139" Thk x 6.234" ID, -259, CI 5, 75 Duro
7	57861H		2 BEARING CUP 85.275mm OD x 30.1625mm
8	390952A1		2 BEARING ASSY 34.92mm ID x 30.16mm W
9	197608R1		1 BEARING ASSY 1.375" ID x 3" OD x 1.1562"
10	197609R91		1 BEARING ASSY 1.375" ID x 3" OD x 1.125"
11	191384C2		1 SHAFT Output
12	192528C1		1 OIL SEAL 42.85mm ID x 76.33mm OD x 8mm Thk 76.2mm OD x 44.45mm ID x 8mm
13	191396C1		1 SHAFT Input
14	390547A1		1 HOUSING Rear
15	938294R91		1 OIL SEAL 32.89mm ID x 54.08mm OD x 8mm Thk 76.2mm OD x 44.45mm ID x 8mm
16	194548C1		AR SHIM 135.1mm ID x 177.8mm OD x 0.13mm Thk .127mm
17	194549C1		AR SHIM 135.1mm ID x 177.8mm OD x 0.18mm Thk .17778mm
18	194550C1		AR SHIM 135.1mm ID x 177.8mm OD x 0.5mm Thk .508mm
19	510828		1 O-RING 0.139" Thk x 4.984" ID, -250, CI 5, 75 Duro
20	87613300		2 WASHER 0.94" ID x 1.75" OD x 0.18" Thk
21	185413C1		2 LOCK NUT 7/8"-14

5140-COMBINE - TIER 2

GEARBOX, FEEDER, DRIVE UNIT

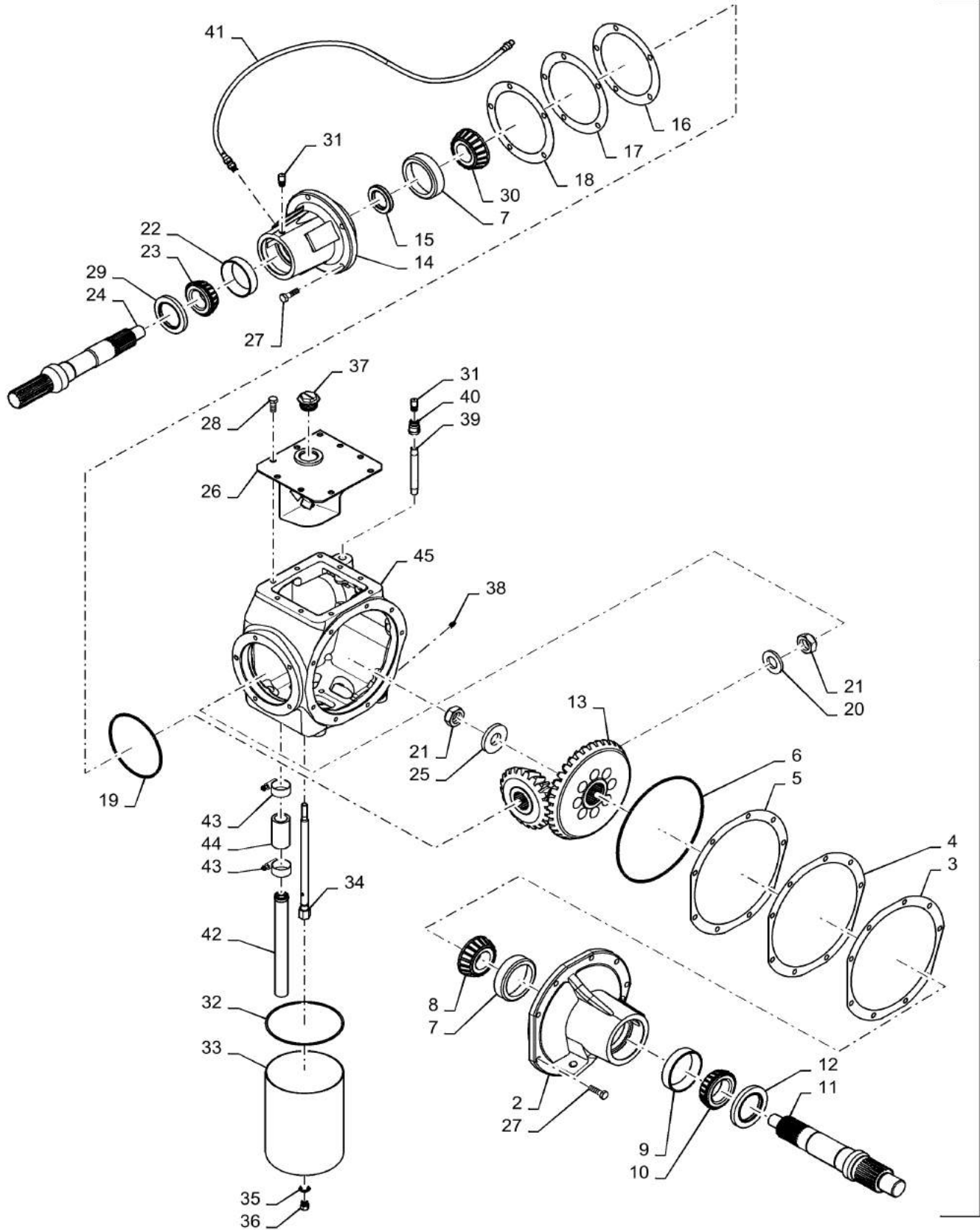


GEARBOX, FEEDER, DRIVE UNIT

REF FN	PART NUMBER	YR/SN	QTY DESCRIPTION
22	618024R1		1 BEARING CUP 61.113mm OD x 13.97mm
23	618023R91		1 BEARING ASSY 34.93mm ID x 18.2mm W
24	1315597C1		1 GEAR SET 31 Tooth Driven/ 18 Tooth Driver
25	426552A1		1 TUBE Gearcase Lube
26	214-3228		2 HOSE CLAMP 1" - 1-7/8", HD Worm, W/ Liner
27	416615A1		1 COVER Collector, Oil Circulation
28	80680		17 LOCK WASHER 3/8 0.381 CST ZND
29	88434		7 BOLT Hex, 3/8" - 16 x 3/4", Gr 5
30	88011		10 BOLT Hex, 3/8" - 16 x 1 1/4", Gr 5
31	192527C1		1 OIL SEAL 44.45mm ID x 69.95mm OD x 7.92mm Thk 69.85mm OD x 44.45mm ID x 8mm
32	221-1142		1 PIPE Nipple, 1/4" NPT x 4 1/2"
33	221-1344		1 COUPLING Reducer, 1/4" NPTF x 4.5"
34	219-434		2 BREATHER 1/8" - 27 NPT, Short, W/Washer
35	405462R1		1 GASKET 147.4mm ID x 154.51mm OD x 2.36mm Thk Lower Cover Seal
36	242234A1		1 HOUSING Lower Cover
37	398059A1		1 SPECIAL BOLT Center Drain
38	14453080		1 O-RING 0.426" ID x 0.07"
39	9672438		1 PLUG 7/16" - 20 ORB
40	426559A1		1 HOSE Oil Circulation
41	80714		1 LUBE NIPPLE 1/4"-28 NPT x .54" lg
42	1339006C1		1 TUBE 914 mm L Grease Line
43	397128A1		1 HOUSING Feeder Drive Gearbox
44	195485C1		1 SHIM KIT Incl 3 - 5
45	195484C2		1 SHIM KIT Incl 16 - 18

5140-COMBINE - TIER 2

GEARBOX, FEEDER, DRIVE UNIT

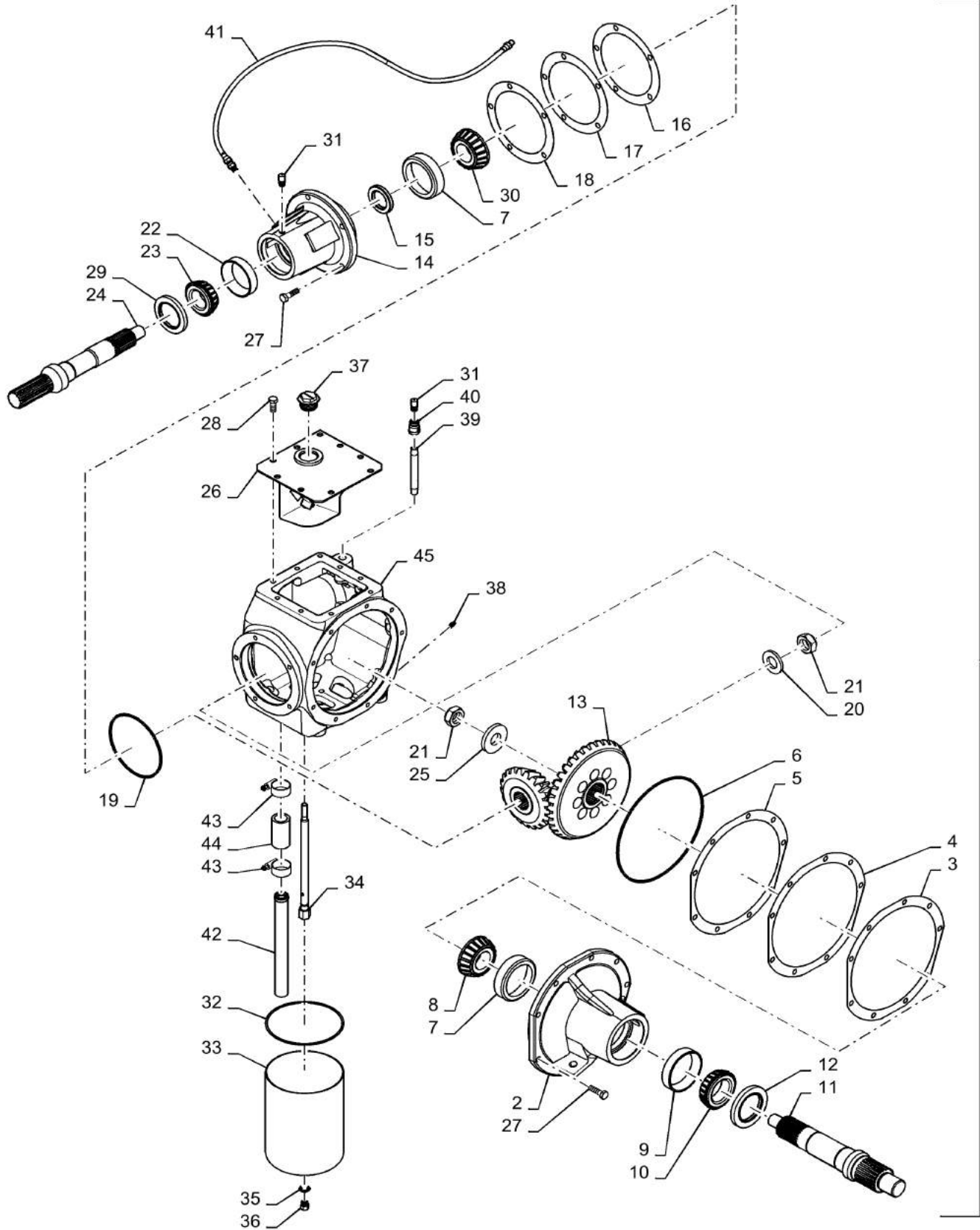


GEARBOX, FEEDER, DRIVE UNIT

REF FN	PART NUMBER	YR/SN	QTY DESCRIPTION
1	87690674		1 GEARBOX Feeder Drive, Heavy Duty, Incl 2 - 44
2	87571128		1 HOUSING Output Shaft
3	87571135		AR SHIM .127mm
4	87571136		AR SHIM .178mm
5	87571137		AR SHIM .508mm
6	14468780		1 O-RING 0.139" Thk x 8.73" ID, -269, CI 5, 75 Duro
7	170234R1		2 BEARING ASSY 1.75" ID x 3.75" OD x 1.1875"
8	392679R91		1 BEARING CUP 47.63mm ID x 29.37mm W
9	614052		1 BEARING CUP 92.075mm OD x 19.85mm
10	614051		1 ROLLER BEARING 2.005" ID x 1"
11	87571130		1 SHAFT Output
12	87571139		1 OIL SEAL 95.1mm OD x 63.5mm ID x 9.5mm
13	87589850		1 GEAR SET 21 Tooth Driver/ 36 Tooth Driven
14	87571144		1 HOUSING Gearbox, Rear
15	87485525		1 OIL SEAL 61.90mm OD x 41.275mm ID x 8mm
16	87571153		AR SHIM .127mm
17	87571154		AR SHIM .178mm
18	87571155		AR SHIM .508mm
19	14467080		1 O-RING 0.139" Thk x 5.234" ID, -252, CI 5, 75 Duro
20	86637954		1 WASHER 1.06" ID x 2" OD x 0.21" Thk
21	194737C1		2 LOCK NUT 1"-14
22	455386C1		1 BEARING, CUP 82.575mm OD x 20.244mm
23	455387C91		1 BEARING ASSY 41.288 mm ID x 26.743 mm
24	87571156		1 SHAFT Input
25	87571140		1 WASHER 1.06" ID x 2.5" OD x 0.31" Thk 2.5" OD x 1.062" ID x .312"

5140-COMBINE - TIER 2

GEARBOX, FEEDER, DRIVE UNIT



GEARBOX, FEEDER, DRIVE UNIT

REF FN	PART NUMBER	YR/SN	QTY DESCRIPTION
26	84191585		1 COVER ASSY Gearbox Top
27	86625011		14 BOLT Hex, M10 x 35mm, CI 10.9, Full Thd
28	87015733		9 BOLT M10 x 1.5 x 31.58mm, CI 10.9 M10 x 25mm, Full Thread, 10.9
29	169948C91		1 SEAL 82.6mm OD x 57.5mm ID x 9.5mm
30	219690R91		1 ROLLER BEARING 41.27mm ID x 29.37mm W
31	219-434		2 BREATHER 1/8" - 27 NPT, Short, W/Washer
32	405462R1		1 GASKET 147.4mm ID x 154.51mm OD x 2.36mm Thk Lower Housing
33	242234A1		1 HOUSING Lower Casing
34	398059A1		1 SPECIAL BOLT Center Drain
35	14453080		1 O-RING 0.426" ID x 0.07"
36	9672438		1 PLUG 7/16" - 20 ORB
37	86625119		1 PLUG 1 5/16" -12
38	80714		1 LUBE NIPPLE 1/4"-28 NPT x .54" lg
39	221-1142		1 PIPE Nipple, 1/4" NPT x 4 1/2"
40	221-1344		1 COUPLING Reducer, 1/4" To 1/8" NPT
41	1339006C1		1 TUBE 914 mm L Grease Line
42	87571146		1 HYD. TUBE 25.4 mm OD x 325 mm L Forward Gearcase Circulation
43	214-3228		2 HOSE CLAMP 1" - 1-7/8", HD Worm, W/ Liner
44	426559A1		1 HOSE Oil Circulation
45	87571158		1 HOUSING Feeder Gearbox Main

5140-COMBINE - TIER 2

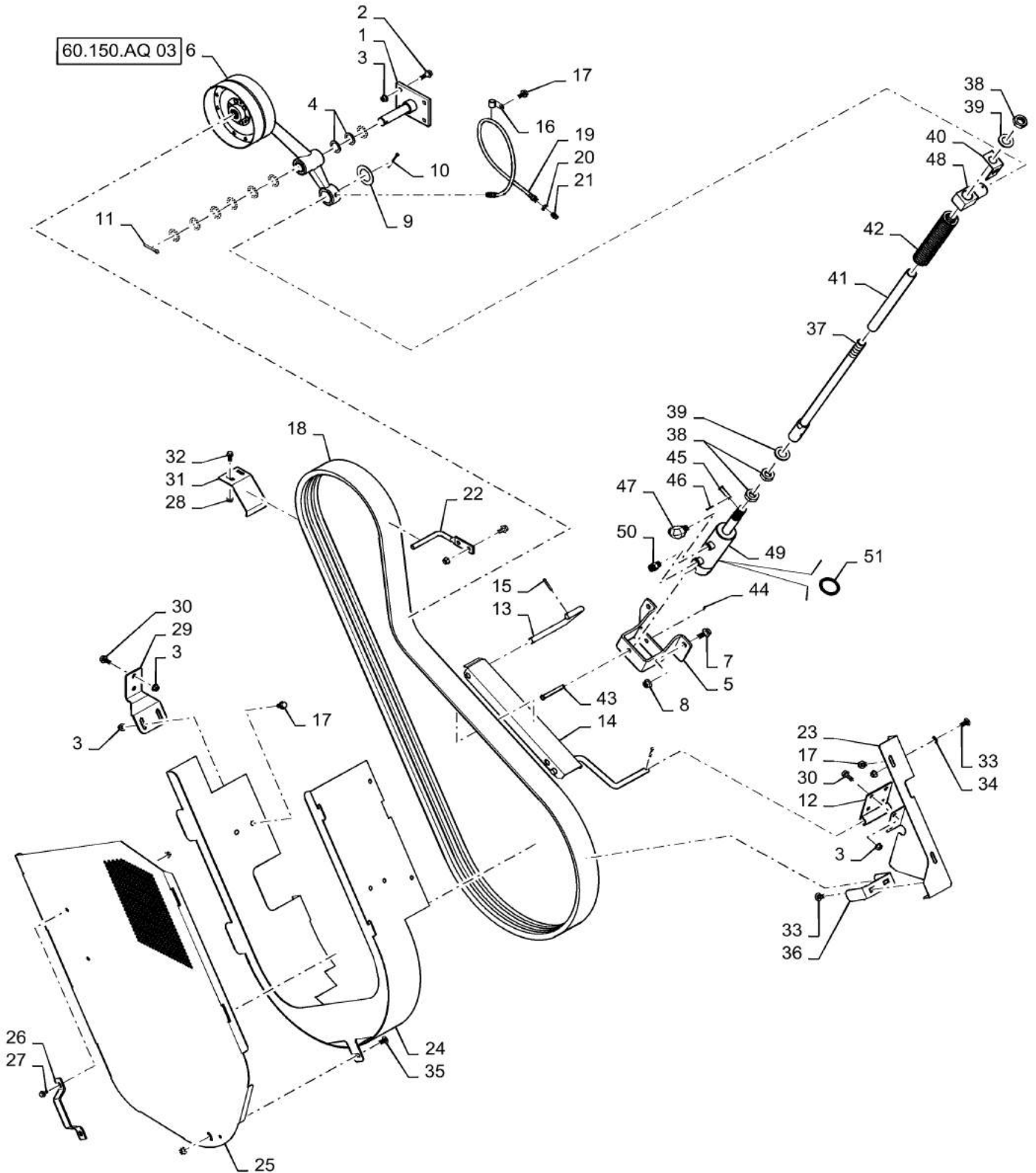
60.150.AQ

01

p1

7/2015

DRIVE, FEEDER, STANDARD



DRIVE, FEEDER, STANDARD

REF FN	PART NUMBER	YR/SN	QTY DESCRIPTION
1	87395750		1 SHAFT ASSY. Feeder Drive Idler Pivot
2	87698837		4 FLANGE BOLT M10 x 30mm, Full Thd, CI 10.9
3	86050279		23 FLANGE NUT M10 x 1.5, CI 10
4	495-81069		9 WASHER 1-1/32" ID x 1-1/2" OD x 3/50" Thk
5	84170096		1 SUPPORT Cylinder Anchor
6	87519419		1 ARM Feeder Drive Idler
7	87030508		2 BOLT M12 x 30 Full 10.9 ZND
8	86512497		2 FLANGE NUT M12 x 1.75, CI 10
9	495-81225		1 WASHER 1 17/32" x 2 1/2" x .060"
10	432-1240		1 COTTER PIN 3/16" x 2 1/2"
11	432-1624		1 COTTER PIN 1/4" x 1 1/2"
12	87712042		1 BRACKET Belt Guide Pivot
13	116032A1		1 HOOK Belt Retainer
14	87377051		1 BRACKET Feeder Belt Without Rock Trap
15	432-1216		4 COTTER PIN 3/16" x 1"
16	516-23127		1 CLAMP 9/16", Insul, 3/8" Bolt
17	87698835		9 FLANGE BOLT M10 x 20mm, Full Thd, CI 10.9
18	87629602		1 V-BELT 22.23 mm W x 3722.60 mm L Feeder Drive Without Rock Trap
19	937781R92		1 HOSE 3.02mm ID x 686mm L Grease Line
20	F53473		1 LOCK NUT 1/8-27 NPSM 1/8" -27
21	219-8		1 LUBE NIPPLE 1/4"-28 x 1/2"
22	87373945		1 ROD Feeder Drive Belt
23	87712046		1 BRACKET Feeder Belt Guide
24	84481535		1 GUIDE Feeder Drive Belt
25	84133930		1 COVER ASSY Feeder Drive Belt
26	87735697		1 LATCH Door
27	87681207		2 BOLT M8 x 24.1mm, CI 10.9
28	86507066		4 FLANGE NUT M8 x 1.25, CI 10

5140-COMBINE - TIER 2

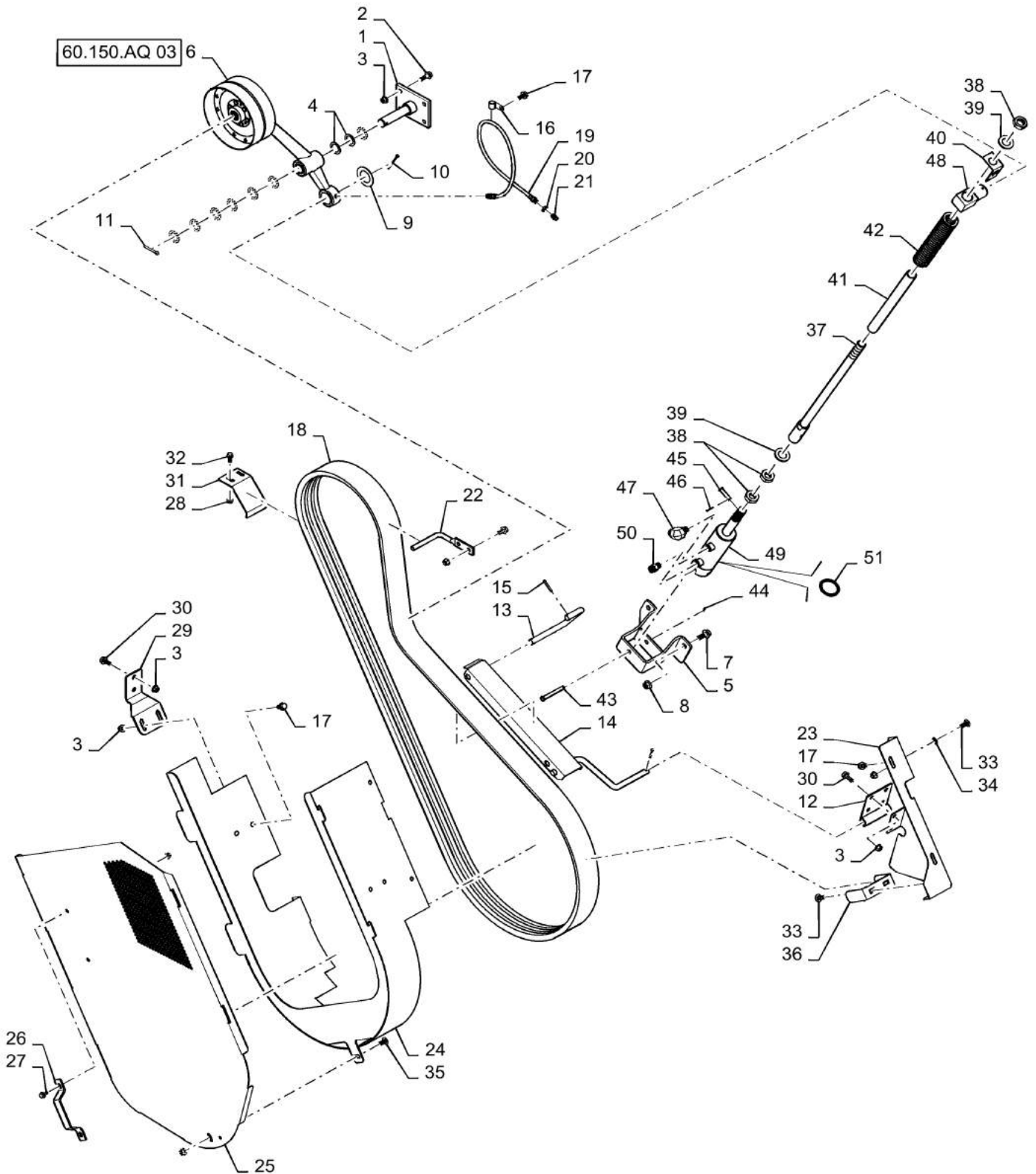
60.150.AQ

01

p2

7/2015

DRIVE, FEEDER, STANDARD

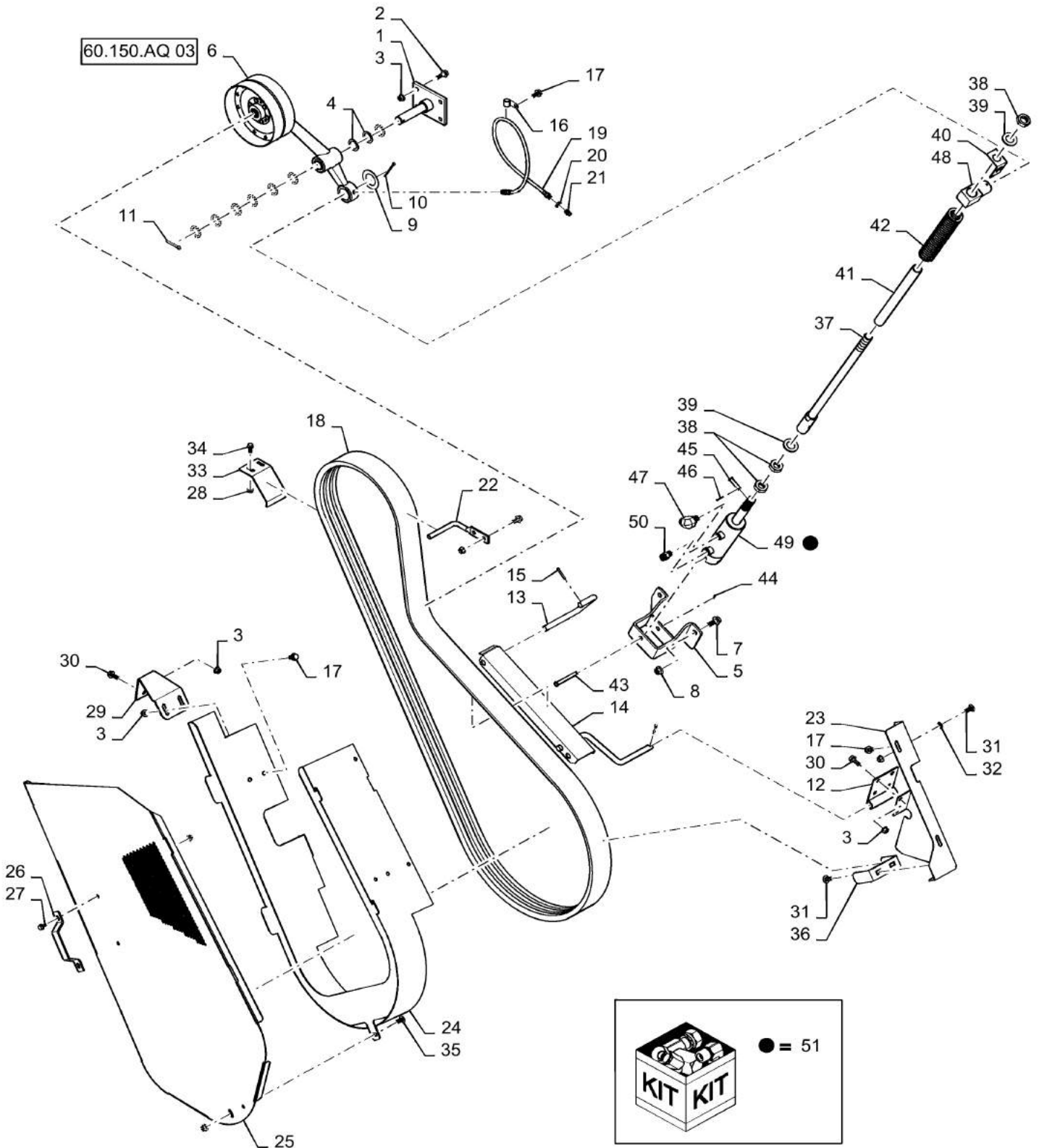


DRIVE, FEEDER, STANDARD

REF FN	PART NUMBER	YR/SN	QTY DESCRIPTION
29	87712058		1 BRACKET Feeder Belt Guide, Rear, 60 Inch
30	87698836		4 BOLT M10 x 25mm, Full Thd, CI 10.9
31	87742029		1 SUPPORT Upper, Belt Guide
32	87656137		2 BOLT M8 x 28.1mm, CI 10.9
33	87682391		5 CARRIAGE BOLT M10 x 1.5 x 25mm, CI 10.9
34	87698854		3 NUT M10
35	87682390		1 CARRIAGE BOLT M10 x 1.5 x 20mm, CI 10.9 Carriage, M10 x 20mm, 10.9
36	84481537		1 GUIDE Feeder Drive Belt
37	87737845		1 ROD ASSY. Feeder Drive Tightener
38	87034489		2 THIN NUT Hex, M24, 3mm Pitch, CI 05
39	86511328		2 WASHER 25mm ID x 44mm OD x 4mm Thk
40	87758240		1 BRACKET Feeder Drive Tension Indicator
41	84122776		1 TUBE 24.36 mm ID, 28.58 mm OD, 317.5 mm Length Feeder Drive Tension Rod
42	87739619		1 COIL SPRING Feeder Belt Clutch
43	439-1652		1 HEADED PIN 9.53mm OD x 82.55mm L
44	432-812		1 COTTER PIN 3/4" OAL x 1/8" W
45	427-6156		1 CLEVIS PIN 9.53mm OD x 39.67mm L
46	432-612		1 COTTER PIN 3/32" x 3/4"
47	87016877		1 ELBOW 90°, 13/16"-16 x 9/16"-18, Adj, ORFS
48	84121816		1 PIVOT Feeder Drive Arm
49	87710335		1 CYLINDER Double Acting, 25.4mm Rod, 63.5mm Stroke Feeder Clutch
50	134713A1		1 CHECK VALVE 11/16" - 16 ORFS x 9/16" - 18 ORB Orifice
51	87364303		1 SEAL KIT Services 49

5140-COMBINE - TIER 2

DRIVE, FEEDER, STONE PROTECTION



DRIVE, FEEDER, STONE PROTECTION

REF FN	PART NUMBER	YR/SN	QTY DESCRIPTION
1	87395750		1 SHAFT ASSY. Feeder Drive Idler Pivot
2	87698837		4 FLANGE BOLT M10 x 30mm, Full Thd, CI 10.9
3	86050279		23 FLANGE NUT M10 x 1.5, CI 10
4	495-81069		9 WASHER 1-1/32" ID x 1-1/2" OD x 3/50" Thk
5	84170096		1 SUPPORT Cylinder Anchor
6	87519419		1 ARM Feeder Drive Idler
7	87030508		2 BOLT M12 x 30 Full 10.9 ZND
8	86512497		2 FLANGE NUT M12 x 1.75, CI 10
9	495-81225		1 WASHER 1 17/32" x 2 1/2" x .060"
10	432-1240		1 COTTER PIN 3/16" x 2 1/2"
11	432-1624		1 COTTER PIN 1/4" x 1 1/2"
12	87712042		1 BRACKET Belt Guide Pivot
13	116032A1		1 HOOK Belt Retainer
14	87377053		1 BRACKET Feeder Belt
15	432-1216		4 COTTER PIN 3/16" x 1"
16	516-23127		1 CLAMP 9/16", Insul, 3/8" Bolt
17	87698835		9 FLANGE BOLT M10 x 20mm, Full Thd, CI 10.9
18	87629601		1 V-BELT 22.23 mm W x 4118.00 mm L, 3 Ribs Feeder Drive
19	937781R92		1 HOSE 3.02mm ID x 686mm L Grease Line
20	F53473		1 LOCK NUT 1/8-27 NPSM 1/8" -27
21	219-8		1 LUBE NIPPLE 1/4"-28 x 1/2"
22	87373945		1 ROD Feeder Drive Belt
23	87712044		1 BRACKET Feeder Belt Guide
24	84481532		1 GUIDE Feeder Drive Belt
25	84133932		1 COVER ASSY Feeder Drive Belt
26	87735697		1 LATCH Door
27	87681207		2 BOLT M8 x 24.1mm, CI 10.9
28	86507066		4 FLANGE NUT M8 x 1.25, CI 10

5140-COMBINE - TIER 2

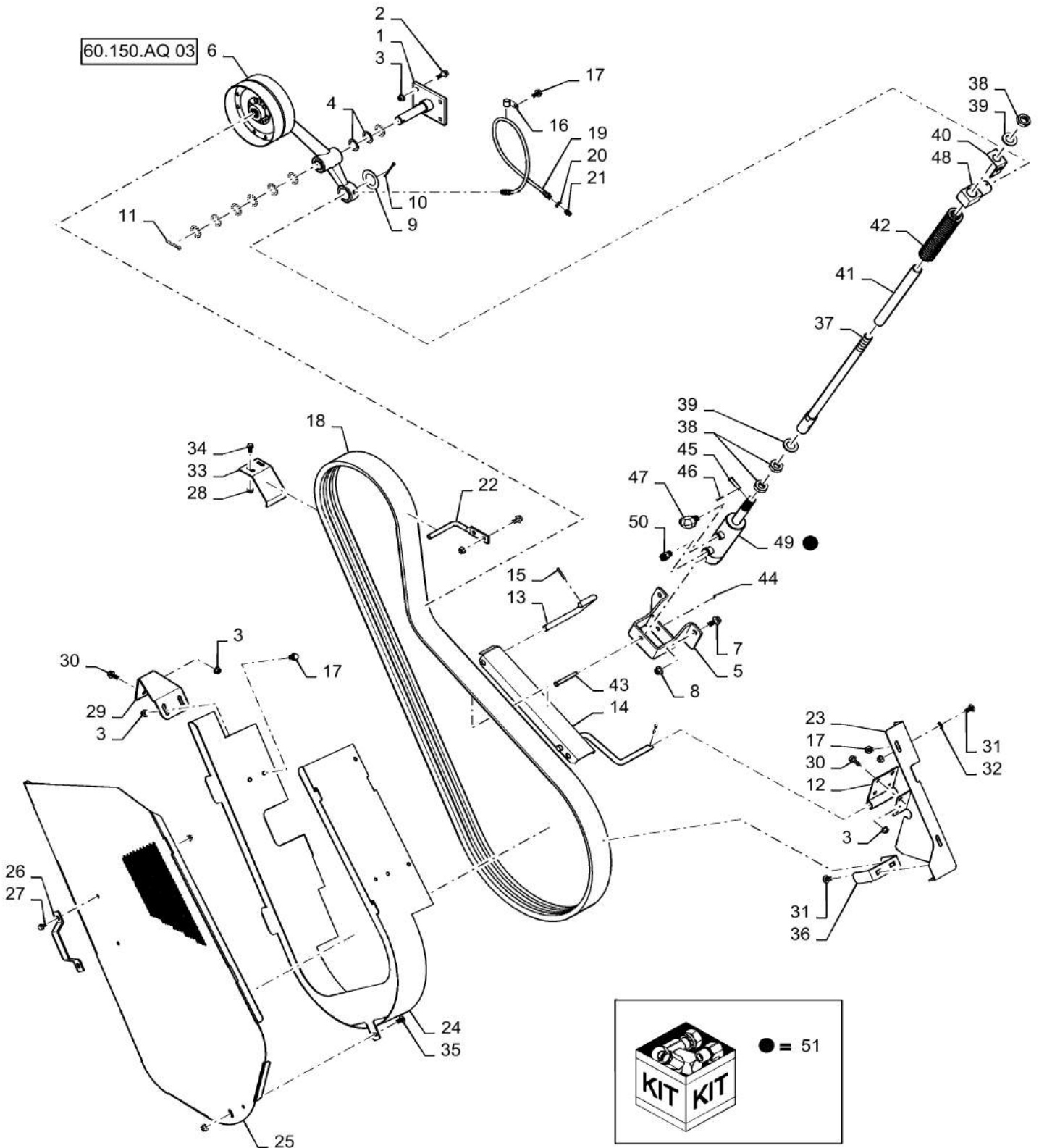
60.150.AQ

02

p2

7/2015

DRIVE, FEEDER, STONE PROTECTION



DRIVE, FEEDER, STONE PROTECTION

REF FN	PART NUMBER	YR/SN	QTY DESCRIPTION
29	87712056		1 BRACKET Feeder Belt Guide, Rear
30	87698836		4 BOLT M10 x 25mm, Full Thd, CI 10.9
31	87682391		5 CARRIAGE BOLT M10 x 1.5 x 25mm, CI 10.9
32	87698854		3 NUT M10
33	87742029		1 SUPPORT
34	87656137		2 BOLT M8 x 28.1mm, CI 10.9
35	87682390		1 CARRIAGE BOLT M10 x 1.5 x 20mm, CI 10.9 Carriage, M10 x 20mm, 10.9
36	84481537		1 GUIDE Feeder Drive Belt
37	87737845		1 ROD ASSY. Feeder Drive Tightener
38	87034489		2 THIN NUT Hex, M24, 3mm Pitch, CI 05
39	86511328		2 WASHER 25mm ID x 44mm OD x 4mm Thk
40	87758240		1 BRACKET Feeder Drive Tension Indicator
41	84122776		1 TUBE 24.36 mm ID, 28.58 mm OD, 317.5 mm Length Feeder Drive Tension Rod
42	87739619		1 COIL SPRING Feeder Belt Clutch
43	439-1652		1 HEADED PIN 9.53mm OD x 82.55mm L
44	432-812		1 COTTER PIN 3/4" OAL x 1/8" W
45	427-6156		1 CLEVIS PIN 9.53mm OD x 39.67mm L
46	432-612		1 COTTER PIN 3/32" x 3/4"
47	87016877		1 ELBOW 90°, 13/16"-16 x 9/16"-18, Adj, ORFS
48	84121816		1 PIVOT Feeder Drive Arm
49	87710335		1 CYLINDER Double Acting, 25.4mm Rod, 63.5mm Stroke Feeder Clutch
50	134713A1		1 CHECK VALVE 11/16" - 16 ORFS x 9/16" - 18 ORB Orifice
51	87364303		1 SEAL KIT Services 49

5140-COMBINE - TIER 2

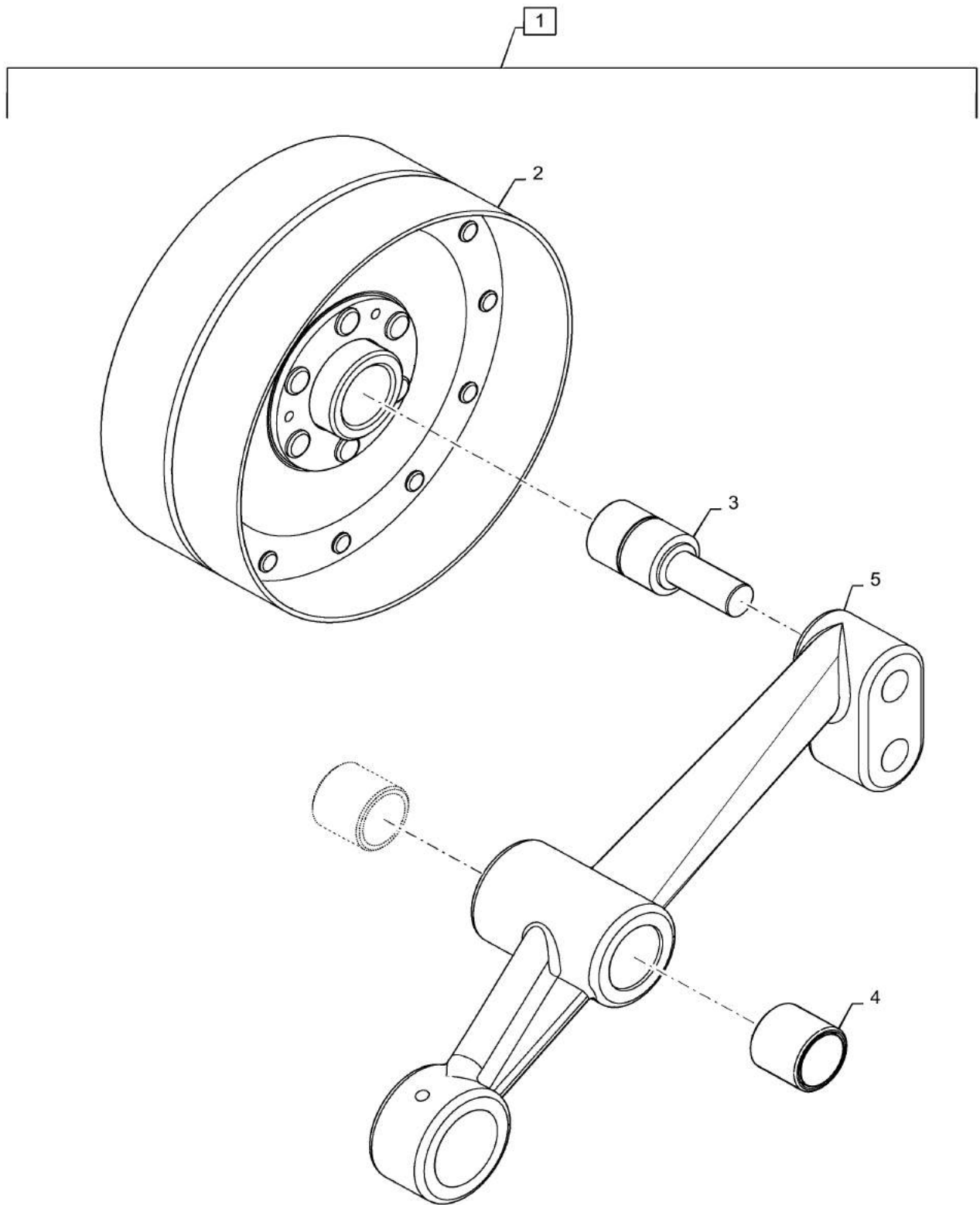
60.150.AQ

03

p1

7/2015

IDLER, DRIVE, FEEDER



60.150.AQ

03

p1

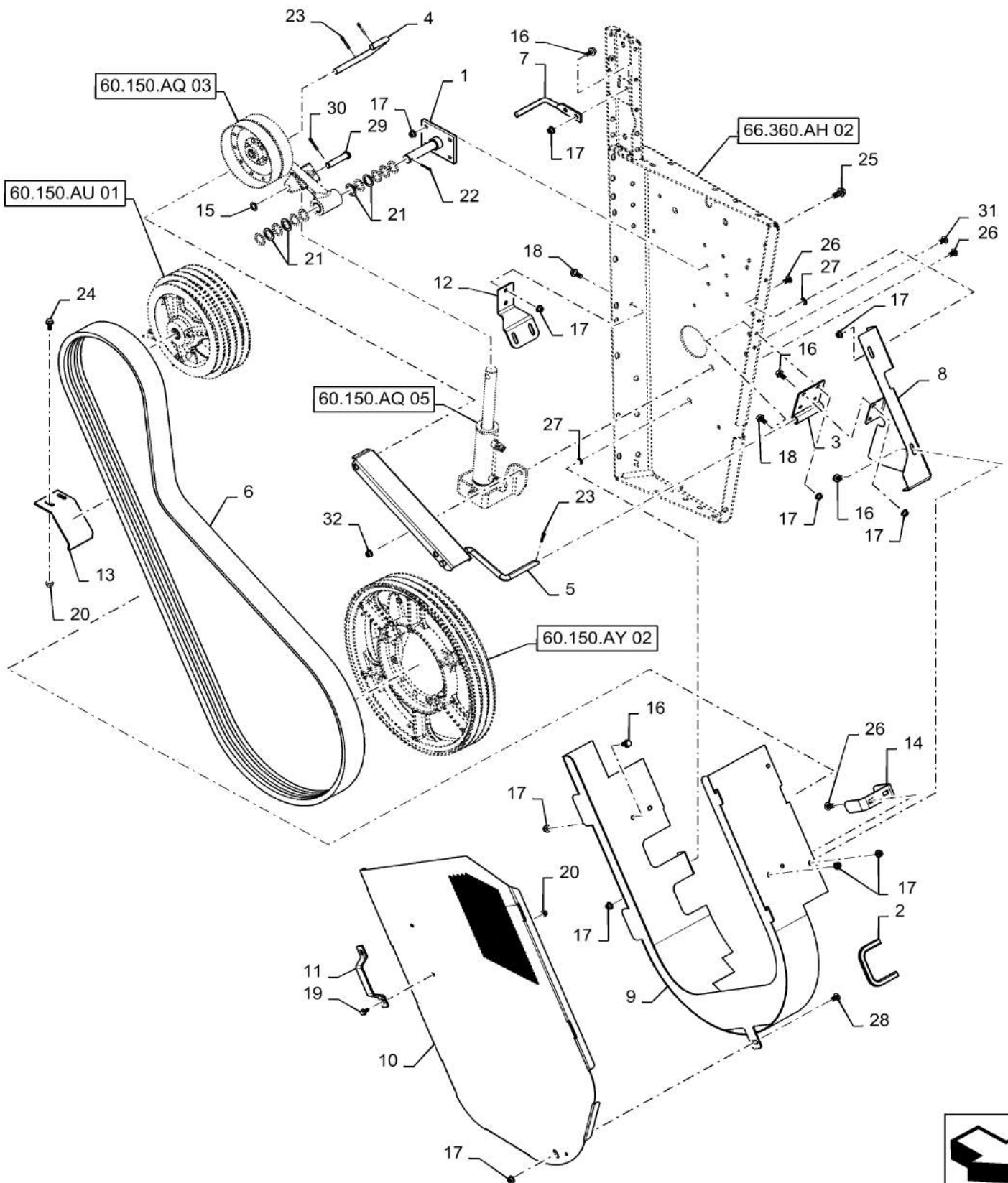
7/2015

IDLER, DRIVE, FEEDER

REF FN	PART NUMBER	YR/SN	QTY DESCRIPTION
1	87519419		1 ARM Feeder Drive Idler, Incl 2 - 5
2	84258238		1 PULLEY 203.2mm OD Feeder Drive
3	86976596		1 BEARING 30mm OD x 82.55mm L
4	1302308C1		2 BUSHING 25.65mm ID x 31.85mm OD x 28.57mm L 31.852mm OD x 25.654mm ID x 28.575mm
5	87519418		1 ARM ASSY. Feeder Drive Idler

5140-COMBINE - TIER 2

VAR - 425081, 425082, 425083 - DRIVE, FEEDER, STANDARD, ASN YEG227001



VAR - 425081, 425082, 425083 - DRIVE, FEEDER, STANDARD, ASN YEG227001

REF FN	PART NUMBER	YR/SN	QTY DESCRIPTION
1	84131413		1 SHAFT Idler Pivot
2	123565A1		1 SEAL ASSY. Edge Trim
3	87712042		1 BRACKET Belt Guide
4	116032A1		1 HOOK Belt Retainer
5	87377051		1 BRACKET Retainer, Drive Belt
6	87629602		1 V-BELT 22.23 mm W x 3722.60 mm L Feeder Drive, Without Rock Trap
7	87373945		1 ROD Feeder Drive Guide
8	87712046		1 BRACKET Support, Belt Guide
9	47483751		1 GUIDE Feeder Drive Belt
10	84133930		1 COVER ASSY Feeder Drive Belt
11	87735697		1 LATCH Door
12	87712058		1 BRACKET Support, Feeder Drive Belt
13	87742029		1 SUPPORT Upper Belt Guide
14	84481537		1 GUIDE Feeder Drive Belt
15	87613216		1 WASHER 0.66" ID x 1" OD x 0.06" Thk 25.4mm OD x 16.67mm ID x 1.52mm W
16	87698835		8 FLANGE BOLT M10 x 20mm, Full Thd, CI 10.9
17	86050279		22 FLANGE NUT M10 x 1.5, CI 10
18	87698836		4 BOLT M10 x 25mm, Full Thd, CI 10.9
19	87681207		2 BOLT M8 x 24.1mm, CI 10.9
20	86507066		4 FLANGE NUT M8 x 1.25, CI 10
21	86624169		12 WASHER 1.03" ID x 1.5" OD x 0.06" Thk
22	432-1624		1 COTTER PIN 1/4" x 1 1/2"
23	432-1216		4 COTTER PIN 3/16" x 1"
24	87656137		2 BOLT M8 x 28.1mm, CI 10.9
25	87698837		4 FLANGE BOLT M10 x 30mm, Full Thd, CI 10.9
26	87682391		5 CARRIAGE BOLT M10 x 1.5 x 25mm, CI 10.9
27	87698854		3 NUT M10

5140-COMBINE - TIER 2

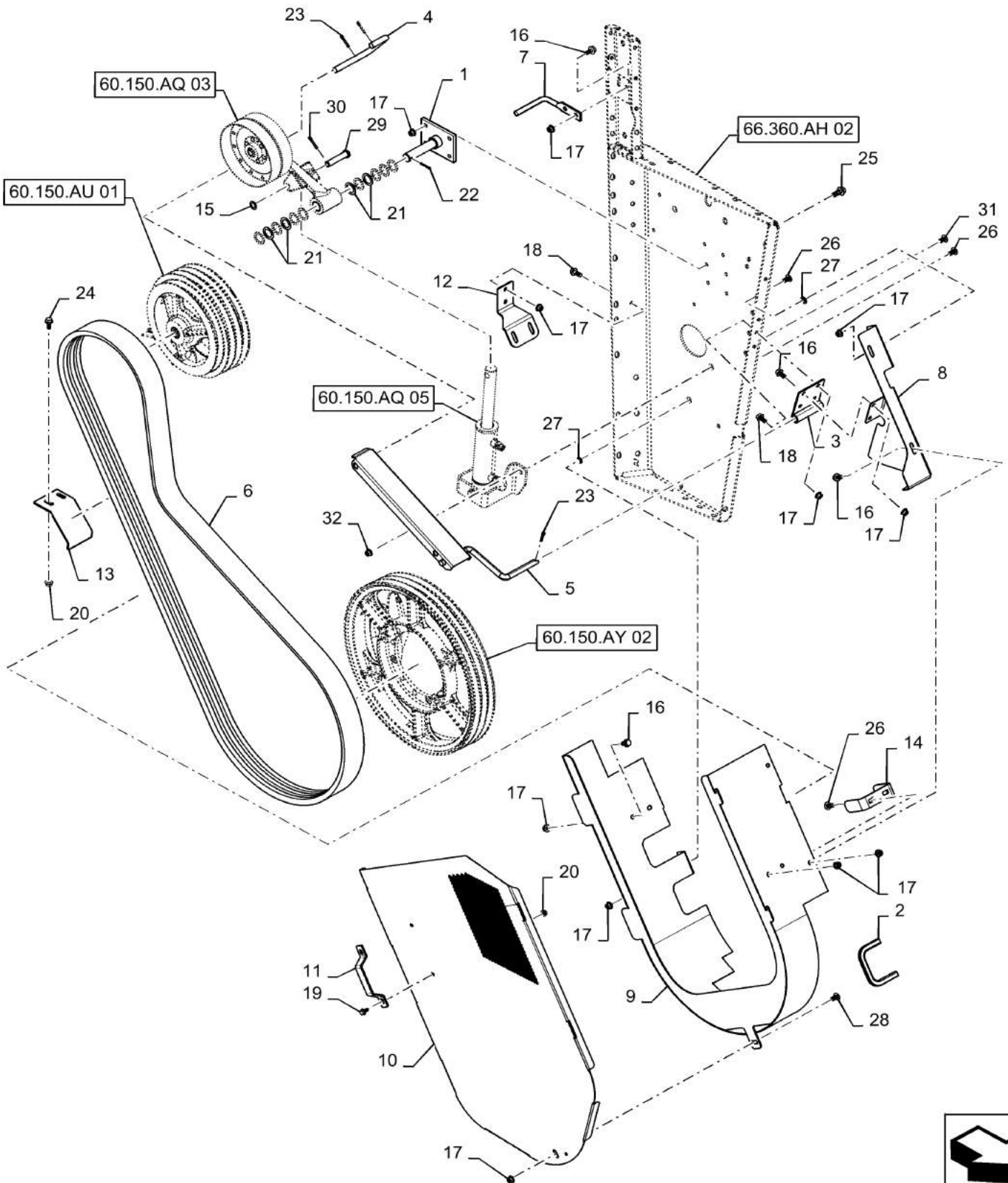
60.150.AQ

04

p2

7/2015

VAR - 425081, 425082, 425083 - DRIVE, FEEDER, STANDARD, ASN YEG227001



60.150.AQ

04

p2

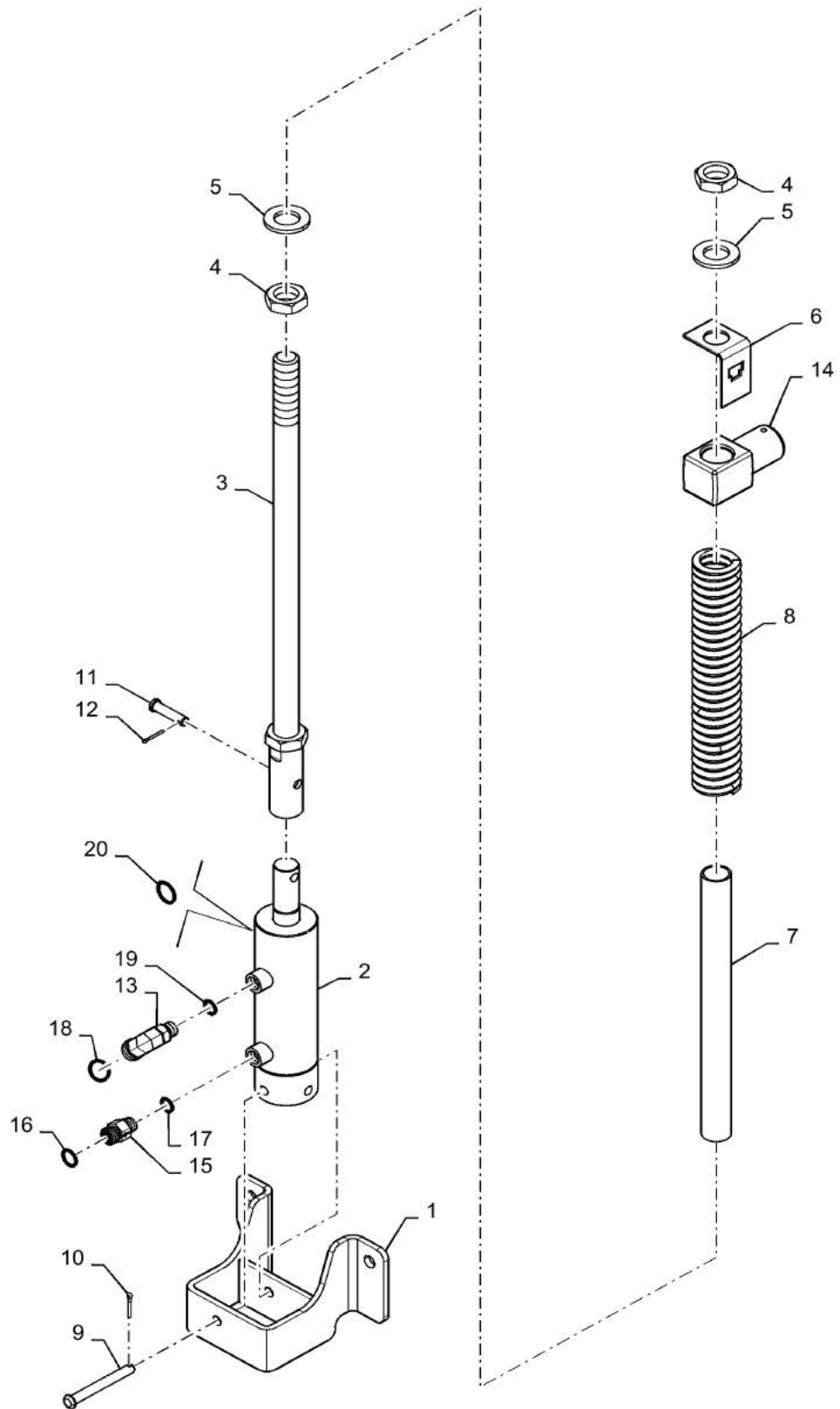
7/2015

VAR - 425081, 425082, 425083 - DRIVE, FEEDER, STANDARD, ASN YEG227001

REF FN	PART NUMBER	YR/SN	QTY DESCRIPTION
28	87682390		1 CARRIAGE BOLT M10 x 1.5 x 20mm, CI 10.9 Carriage, M10 x 20mm, 10.9
29	439-11048		1 HEADED PIN 5/8" x 3"
30	87398		1 COTTER PIN 3/16" OD x 1-1/4" OAL
31	87030508		2 BOLT M12 x 30 Full 10.9 ZND
32	86512497		2 FLANGE NUT M12 x 1.75, CI 10

5140-COMBINE - TIER 2

VAR - 425081, 425082, 425083 - TENSIONER, FEEDER, STANDARD, ASN YEG227001

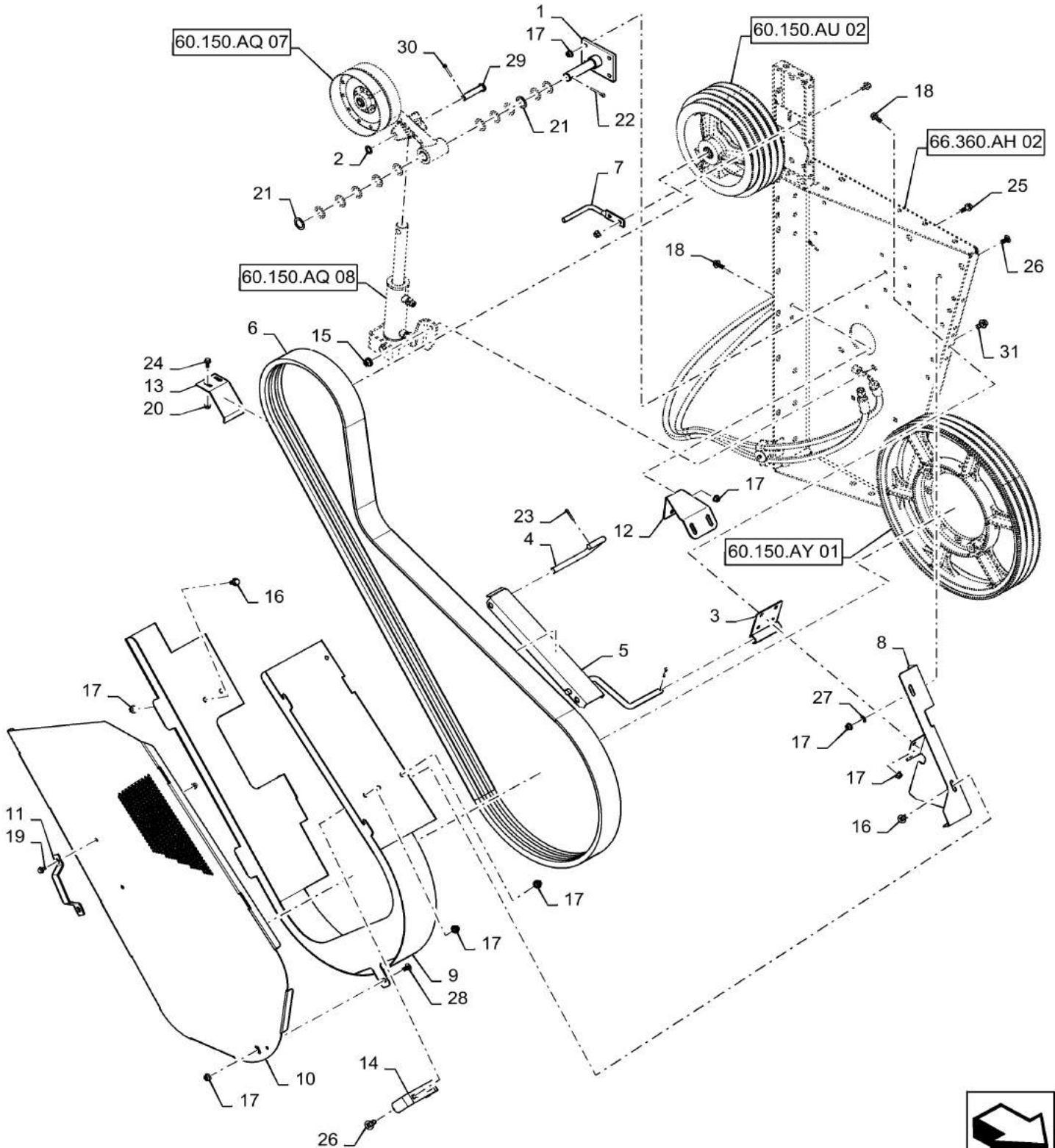


VAR - 425081, 425082, 425083 - TENSIONER, FEEDER, STANDARD, ASN YEG227001

REF FN	PART NUMBER	YR/SN	QTY DESCRIPTION
1	84170096		1 SUPPORT Cylinder Anchor
2	87710335		1 CYLINDER Double Acting, 25.4mm Rod, 63.5mm Stroke Feeder Drive Belt Tensioner
3	87737845		1 ROD ASSY. Feeder Drive Tension
4	87034489		2 THIN NUT Hex, M24, 3mm Pitch, CI 05
5	86511328		2 WASHER 25mm ID x 44mm OD x 4mm Thk
6	87758240		1 BRACKET Belt Tension Guide
7	84122776		1 TUBE 24.36 mm ID, 28.58 mm OD, 317.5 mm Length Feeder Drive Tension Rod
8	87739619		1 COIL SPRING Tensioner
9	439-1652		1 HEADED PIN 9.53mm OD x 82.55mm L
10	432-812		1 COTTER PIN 3/4" OAL x 1/8" W
11	427-6156		1 CLEVIS PIN 9.53mm OD x 39.67mm L
12	432-612		1 COTTER PIN 3/32" x 3/4"
13	87016877		1 ELBOW 90°, 13/16"-16 x 9/16"-18, Adj, ORFS
14	84121816		1 PIVOT Feeder Drive Arm
15	134713A1		1 CHECK VALVE 11/16" - 16 ORFS x 9/16" - 18 ORB 1.32mm Orifice
16	238-6012		1 O-RING 0.07" Thk x 0.364" ID, -12, CI 6, 90 Duro
17	237-6006		1 O-RING 0.078" Thk x 0.468" ID, -906, CI 6, 90 Duro
18	9992298		1 O-RING 0.07" Thk x 0.489" ID, -14, CI 6, 90 Duro
19	9617873		1 O-RING 0.078" Thk x 0.468" ID, -906, CI 6, 90 Duro
20	87364303		1 SEAL KIT Services 2

5140-COMBINE - TIER 2

VAR - 425086, 425087, 425088, 425125, 425126 - DRIVE, FEEDER, STONE TRAP

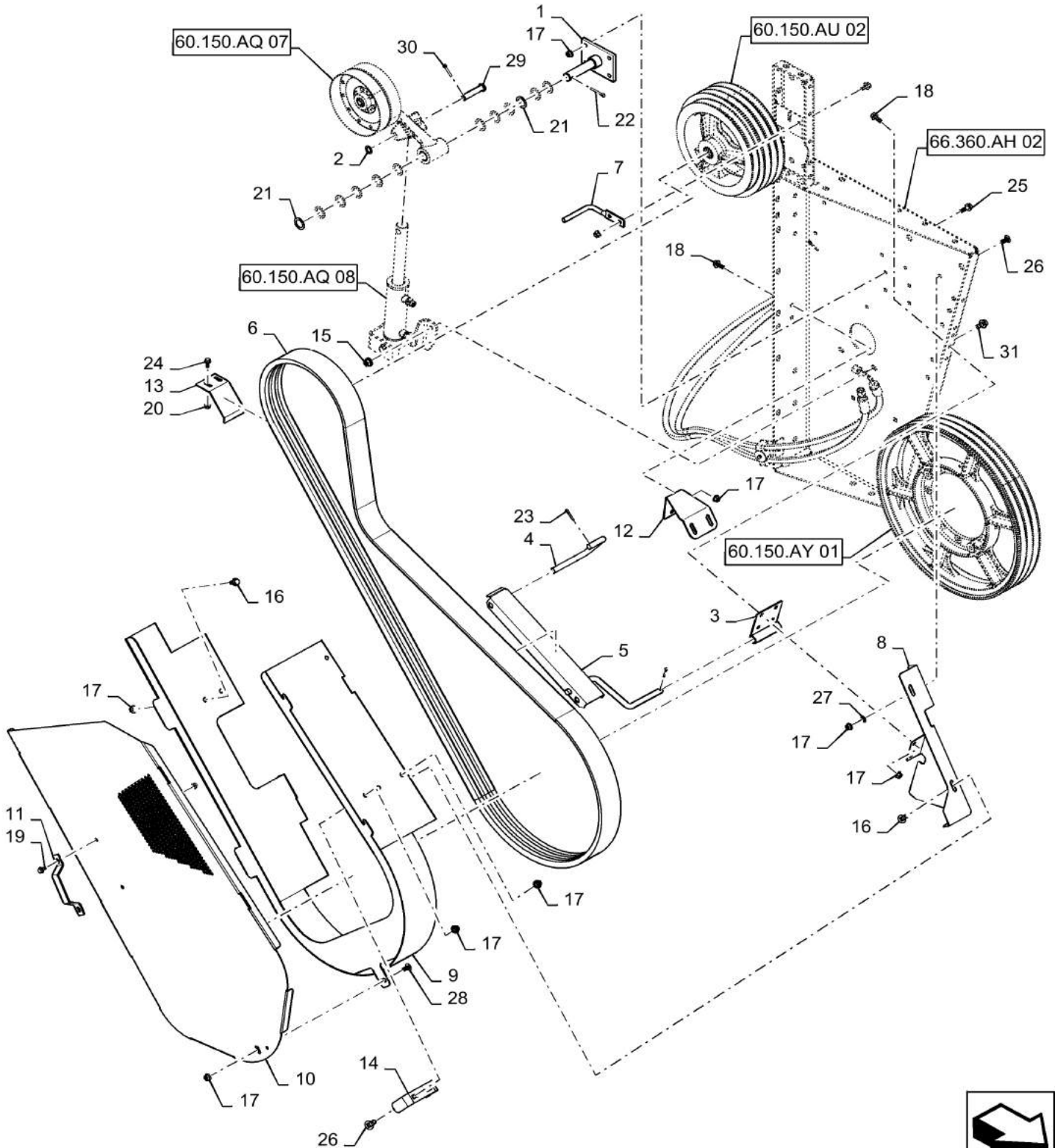


VAR - 425086, 425087, 425088, 425125, 425126 - DRIVE, FEEDER, STONE TRAP

REF FN	PART NUMBER	YR/SN	QTY DESCRIPTION
1	84131413		1 SHAFT Idler Pivot
2	87613216		1 WASHER 0.66" ID x 1" OD x 0.06" Thk 25.4mm OD x 16.66mm ID x 1.54mm W
3	87712042		1 BRACKET Belt Guide Pivot
4	116032A1		1 HOOK Hanger, Belt Retainer
5	87377053		1 BRACKET Feeder Belt Retainer
6	87629601		1 V-BELT 22.23 mm W x 4118.00 mm L, 3 Ribs Feeder Drive W/ Rock Trap
7	87373945		1 ROD Belt Guide
8	87712044		1 BRACKET Support, Feeder Belt Guide
9	47483741		1 GUIDE Feeder Belt
10	84133932		1 COVER ASSY Feeder Drive
11	87735697		1 LATCH Door Handle
12	87712056		1 BRACKET Feeder Belt Guide, Rear
13	87742029		1 SUPPORT Upper Belt Guide
14	84481537		1 GUIDE Feeder Belt Drive
15	86512497		2 FLANGE NUT M12 x 1.75, CI 10
16	87698835		8 FLANGE BOLT M10 x 20mm, Full Thd, CI 10.9
17	86050279		22 FLANGE NUT M10 x 1.5, CI 10
18	87698836		4 BOLT M10 x 25mm, Full Thd, CI 10.9
19	87681207		2 BOLT M8 x 24.1mm, CI 10.9
20	86507066		4 FLANGE NUT M8 x 1.25, CI 10
21	86624169		12 WASHER 1.03" ID x 1.5" OD x 0.06" Thk
22	432-1624		1 COTTER PIN 1/4" x 1 1/2"
23	432-1216		4 COTTER PIN 3/16" x 1"
24	87656137		2 BOLT M8 x 28.1mm, CI 10.9
25	87698837		4 FLANGE BOLT M10 x 30mm, Full Thd, CI 10.9
26	87682391		5 CARRIAGE BOLT M10 x 1.5 x 25mm, CI 10.9
27	87698854		3 NUT M10

5140-COMBINE - TIER 2

VAR - 425086, 425087, 425088, 425125, 425126 - DRIVE, FEEDER, STONE TRAP



60.150.AQ

06

p2

7/2015

VAR - 425086, 425087, 425088, 425125, 425126 - DRIVE, FEEDER, STONE TRAP

REF FN	PART NUMBER	YR/SN	QTY DESCRIPTION
28	87682390		1 CARRIAGE BOLT M10 x 1.5 x 20mm, CI 10.9 Carriage, M10 x 20mm, CI 10.9
29	439-11048		1 HEADED PIN 5/8" x 3"
30	87398		1 COTTER PIN 3/16" OD x 1-1/4" OAL
31	87030508		2 BOLT M12 x 30 Full 10.9 ZND

5140-COMBINE - TIER 2

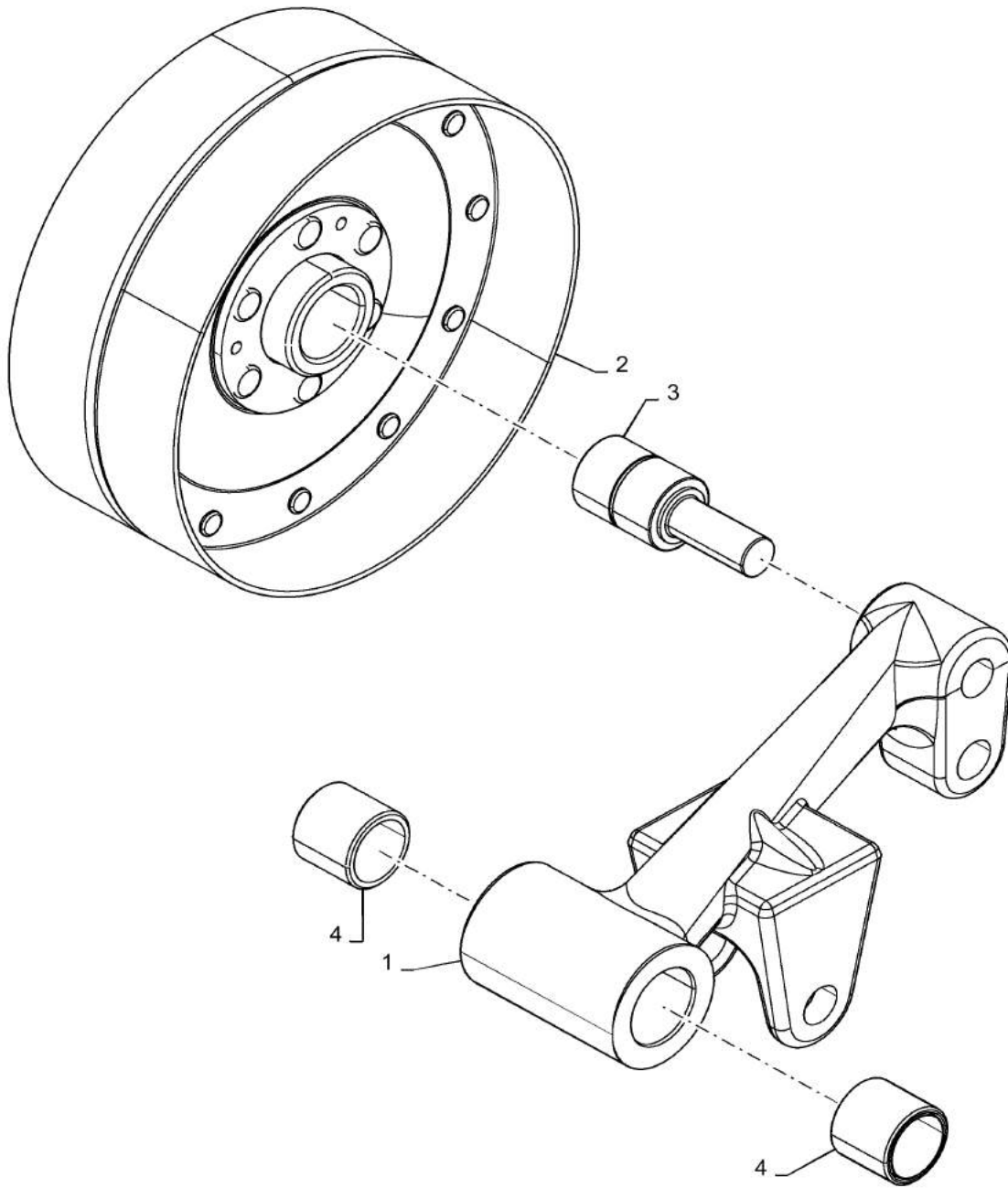
60.150.AQ

07

p1

7/2015

VAR - 425086, 425087, 425088, 425125, 425126 - IDLER, DRIVE, FEEDER



60.150.AQ

07

p1

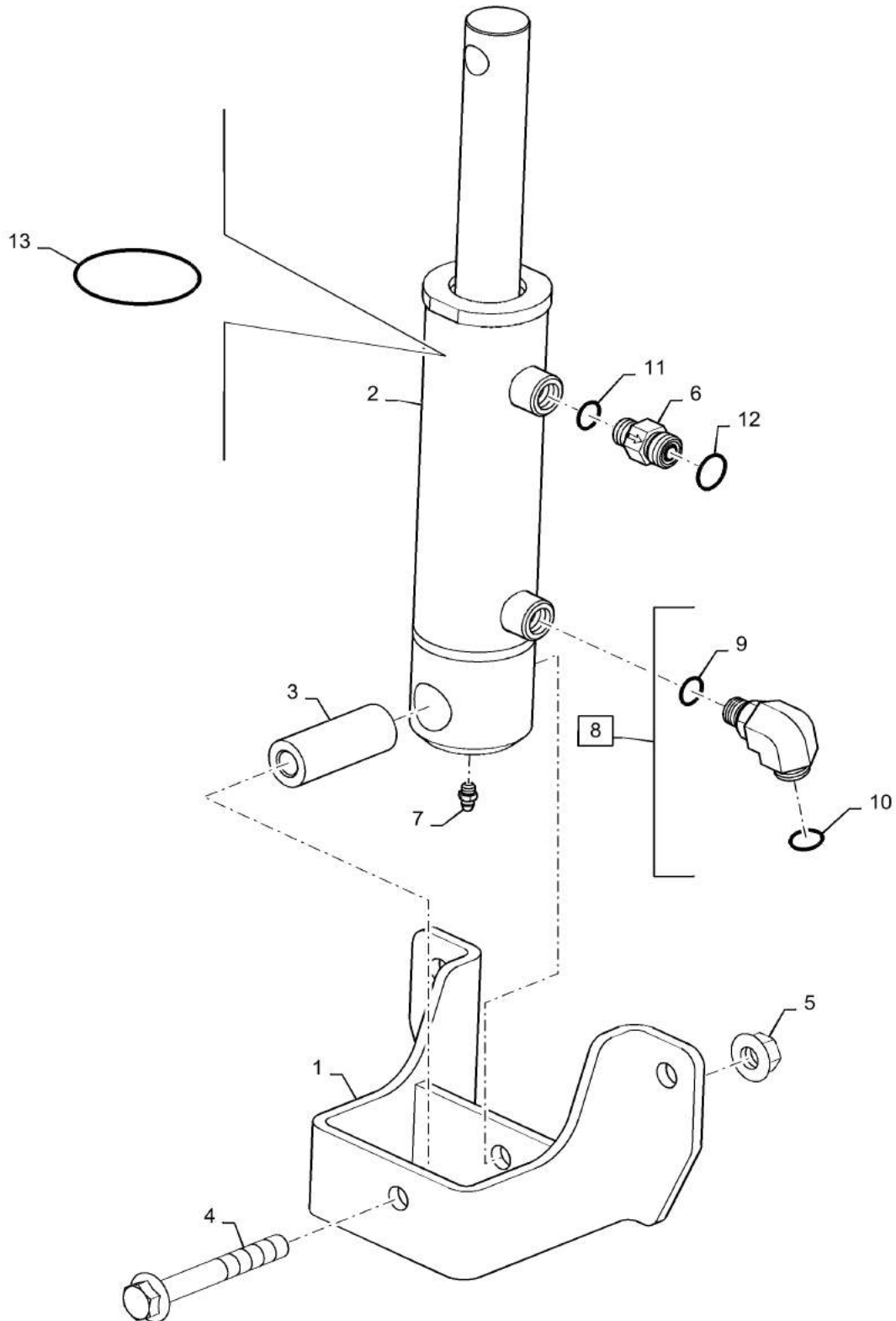
7/2015

VAR - 425086, 425087, 425088, 425125, 425126 - IDLER, DRIVE, FEEDER

REF FN	PART NUMBER	YR/SN	QTY DESCRIPTION
1	47525766		1 ARM Feeder Drive Idler
2	84258238		1 PULLEY 203.2mm OD Feeder Drive Idler
3	86976596		1 BEARING 30mm OD x 82.55mm L
4	1302308C1		2 BUSHING 25.65mm ID x 31.85mm OD x 28.57mm L 31.852mm OD x 25.527mm ID x 28.194mm L

5140-COMBINE - TIER 2

VAR - 425086, 425087, 425088, 425125, 425126 - TENSIONER, DRIVE, FEEDER



VAR - 425086, 425087, 425088, 425125, 425126 - TENSIONER, DRIVE, FEEDER

REF FN	PART NUMBER	YR/SN	QTY DESCRIPTION
1	47483761		1 SUPPORT Cylinder Anchor
2	84340469		1 HYDRAULIC CYLINDER Double Acting, 31.75mm Rod, 106.93mm Stroke Feeder Drive
3	84181445		1 SPACER 25.4mm OD x 12.7mm ID x 63.5mm L
4	87698847		1 FLANGE BOLT M12 x 90mm, CI 10.9
5	86512497		1 FLANGE NUT M12 x 1.75, CI 10
6	134713A1		1 CHECK VALVE 11/16" - 16 ORFS x 9/16" - 18 ORB Orifice 1.32mm
7	87414		1 LUBE NIPPLE 1/4" - 28
8	9840543		1 90 ELBOW 90°, 11/16"-16 x 9/16"-18 Adj, ORFS Incl 9, 10
9	9617873		2 O-RING 0.078" Thk x 0.468" ID, -906, CI 6, 90 Duro
10	9993141		1 O-RING 0.07" Thk x 0.364" ID, -12, CI 6, 90 Duro
11	9617873		1 O-RING 0.078" Thk x 0.468" ID, -906, CI 6, 90 Duro
12	238-6012		1 O-RING 0.07" Thk x 0.364" ID, -12, CI 6, 90 Duro
13	87025441		1 SEAL KIT Services 2

5140-COMBINE - TIER 2

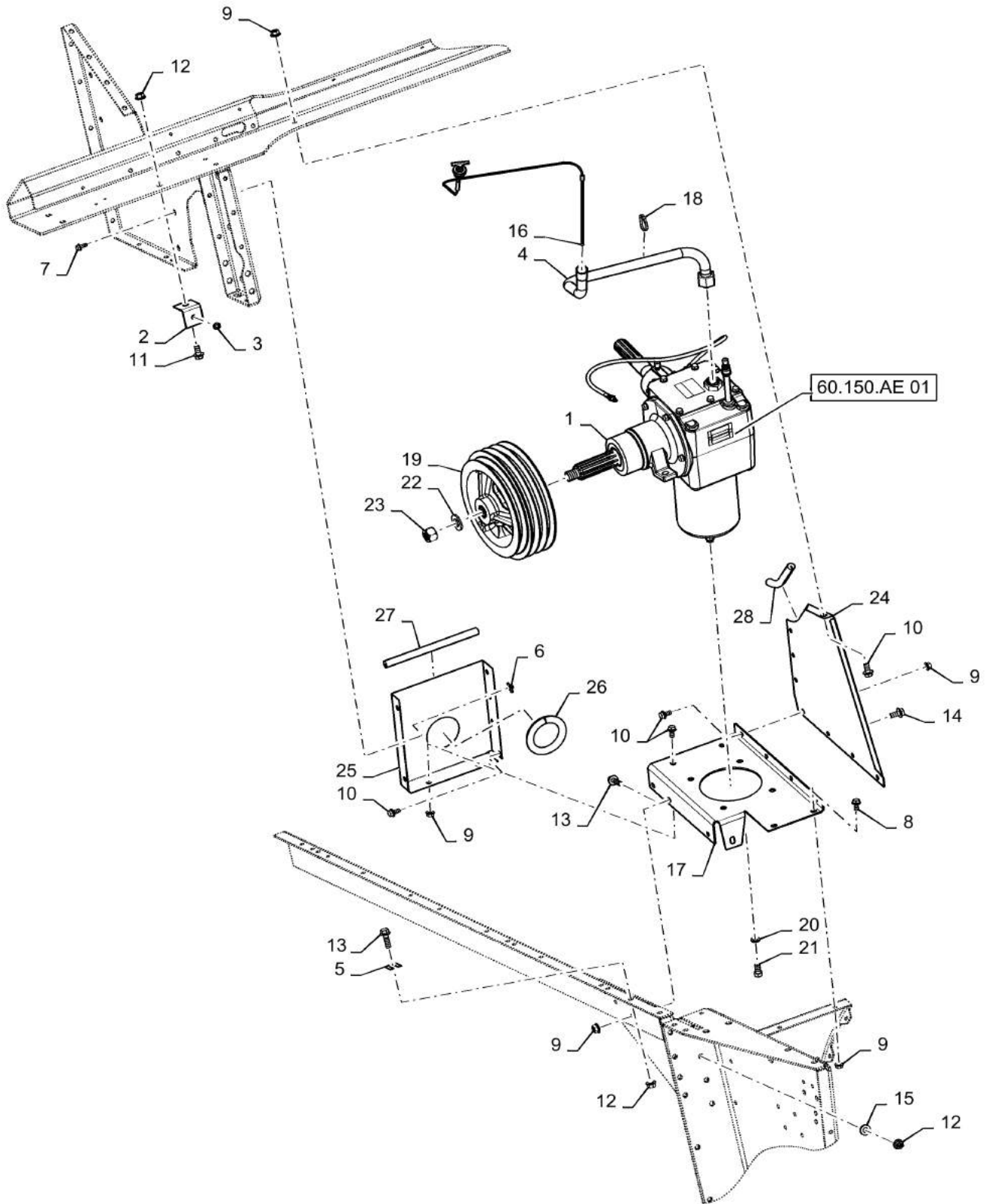
60.150.AU

01

p1

7/2015

DRIVER, GEARBOX, FEEDER

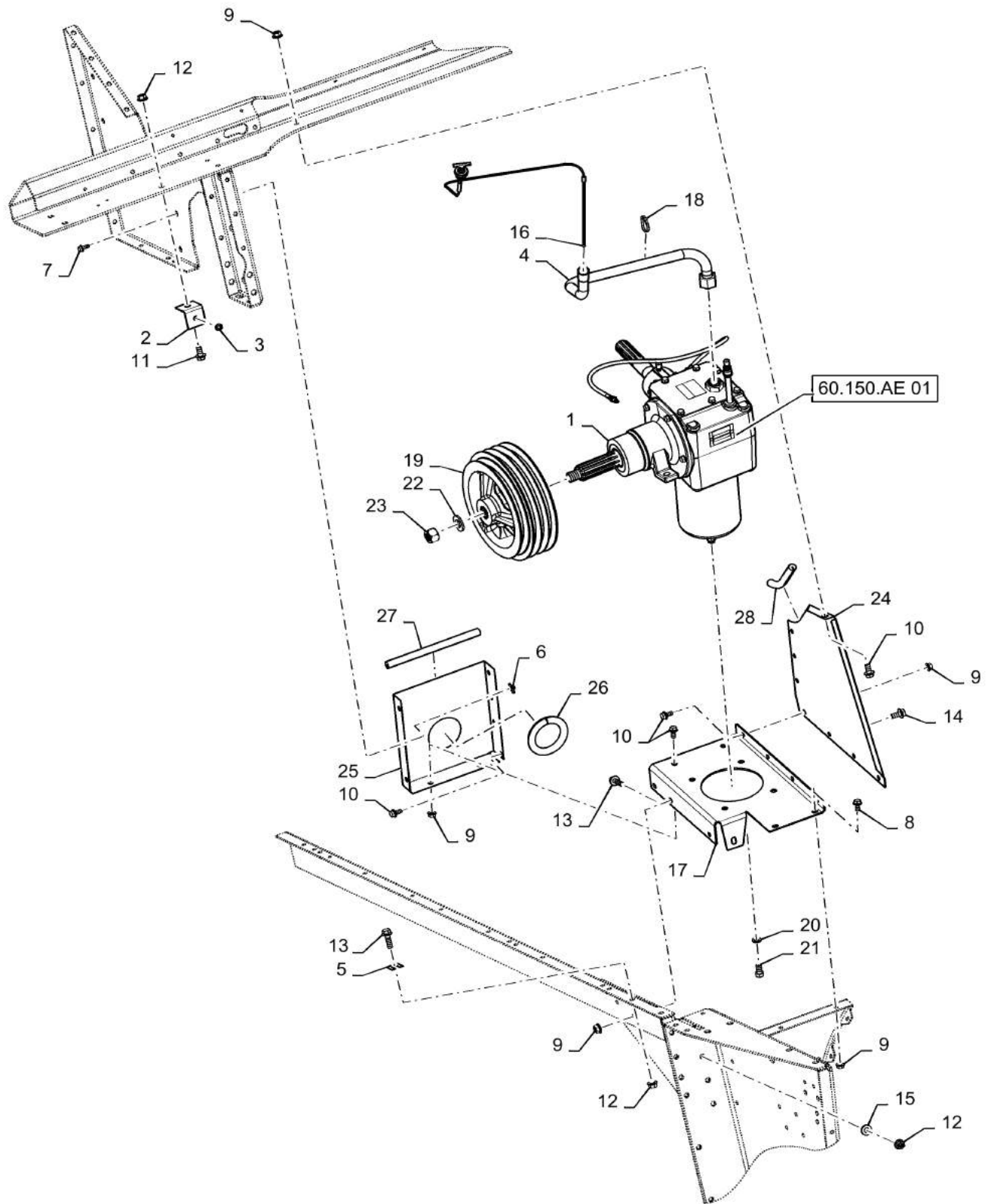


DRIVER, GEARBOX, FEEDER

REF FN	PART NUMBER	YR/SN	QTY DESCRIPTION
1	87642683		1 GEARBOX Feeder Drive
2	87742027		1 BRACKET Lube Hose
3	F53473		1 LOCK NUT 1/8-27 NPSM 1/8"-27
4	87579601		1 HYD. TUBE 1" OD Feeder Gearbox Oil Fill
5	935915R1		AR SHIM 33.02mm OD x 0.38mm Thk Housing Support
6	86625074		3 SPRING NUT M8, U
7	87656137		2 BOLT M8 x 28.1mm, CI 10.9
8	87698836		2 BOLT M10 x 25mm, Full Thd, CI 10.9
9	86050279		16 FLANGE NUT M10 x 1.5, CI 10
10	87698835		10 FLANGE BOLT M10 x 20mm, Full Thd, CI 10.9
11	87343550		1 FLANGE BOLT Hex HD M12x25 ZND
12	86512497		4 FLANGE NUT M12 x 1.75, CI 10
13	87695413		3 BOLT M12 x 51.8mm, CI 10.9
14	87698837		4 FLANGE BOLT M10 x 30mm, Full Thd, CI 10.9
15	86625256		1 WASHER 13.3mm ID x 28.5mm OD x 4mm Thk
16	87632904		1 GAUGE ASSY. Oil Level
17	87652873		1 SUPPORT ASSY. Forward Gearcase, Lower
18	86566989		1 CABLE TIE 208mm L
19	87624862		1 PULLEY 340.4mm OD Forward Drive, 14 Tooth
20	80679		4 LOCK WASHER 1/20.507 CST ZND
21	87909		4 BOLT Hex, 1/2" - 13 x 1", Gr 5
22	87613300		1 WASHER 0.94" ID x 1.75" OD x 0.18" Thk
23	87301257		1 NUT 7/8"-14, GC
24	84580314		1 PANEL Forward Gearcase, Inner
25	87575615		1 SUPPORT ASSY. Forward Gearcase, Rear

5140-COMBINE - TIER 2

DRIVER, GEARBOX, FEEDER



60.150.AU

01

p2

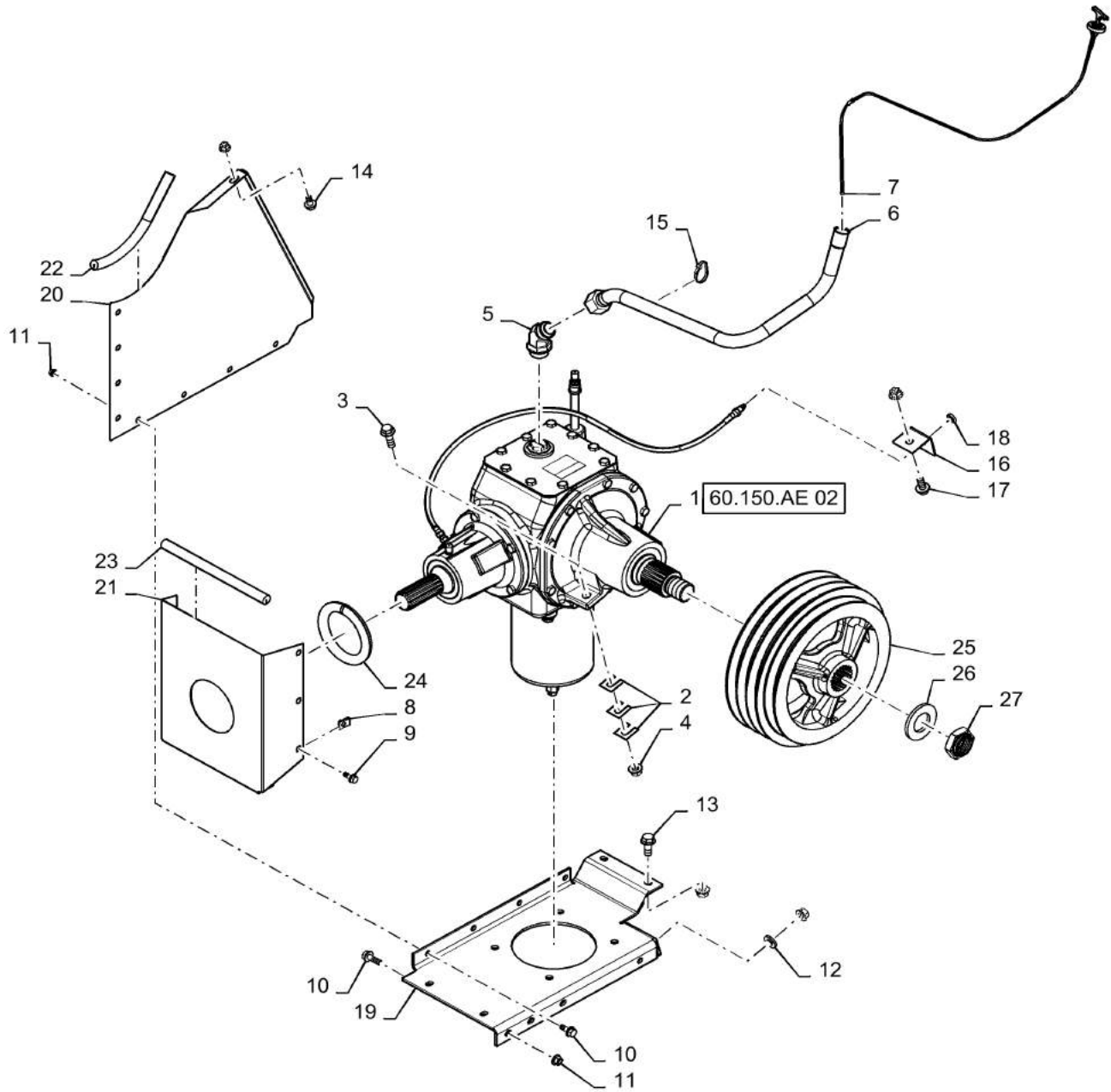
7/2015

DRIVER, GEARBOX, FEEDER

REF FN	PART NUMBER	YR/SN	QTY DESCRIPTION
26	191496C1		1 SEALING STRIP 300mm
27	191497C1		1 SEALING STRIP 270mm
28	87579999		1 SEAL 190mm

5140-COMBINE - TIER 2

DRIVER, GEARBOX, FEEDER



DRIVER, GEARBOX, FEEDER

REF FN	PART NUMBER	YR/SN	QTY DESCRIPTION
1	87690674		1 GEARBOX Feeder Drive, Heavy Duty
2	935915R1		AR SHIM 33.02mm OD x 0.38mm Thk Fender, 1 1/4"
3	87695413		3 BOLT M12 x 51.8mm, CI 10.9
4	86512497		4 FLANGE NUT M12 x 1.75, CI 10
5	86977688		1 45 ELBOW 45°, 1 5/16"-12 x 1 5/16"-12, O-Ring
6	87701237		1 TUBE ASSY. Fill Tube
7	87632904		1 GAUGE ASSY. Dipstick
8	86625074		3 SPRING NUT M8, U
9	87656137		2 BOLT M8 x 28.1mm, CI 10.9
10	87698837		4 FLANGE BOLT M10 x 30mm, Full Thd, CI 10.9
11	86050279		17 FLANGE NUT M10 x 1.5, CI 10
12	86625256		1 WASHER 13.3mm ID x 28.5mm OD x 4mm Thk
13	87698836		2 BOLT M10 x 25mm, Full Thd, CI 10.9
14	87698835		11 FLANGE BOLT M10 x 20mm, Full Thd, CI 10.9
15	86566989		1 CABLE TIE 208mm L
16	87742027		1 BRACKET Lube Hose Support
17	87343550		5 FLANGE BOLT Hex HD M12x25 ZND
18	F53473		1 LOCK NUT 1/8-27 NPSM 1/8" -27
19	87692779		1 PLATE, SUPPORT Gearbox, Bottom
20	84580309		1 PANEL Gearbox, Inner
21	87692783		1 PLATE, SUPPORT Gearbox, Rear
22	87692785		1 SEAL 255mm
23	191497C1		1 SEALING STRIP 270mm
24	87692786		1 SEAL 354mm
25	87608548		1 PULLEY Feeder Drive, 21 Tooth
26	87571141		1 WASHER 1.62" ID x 3" OD x 0.25" Thk 3" OD x 1.62" ID x .25"
27	84352406		1 NUT 1 1/2" - 12

5140-COMBINE - TIER 2

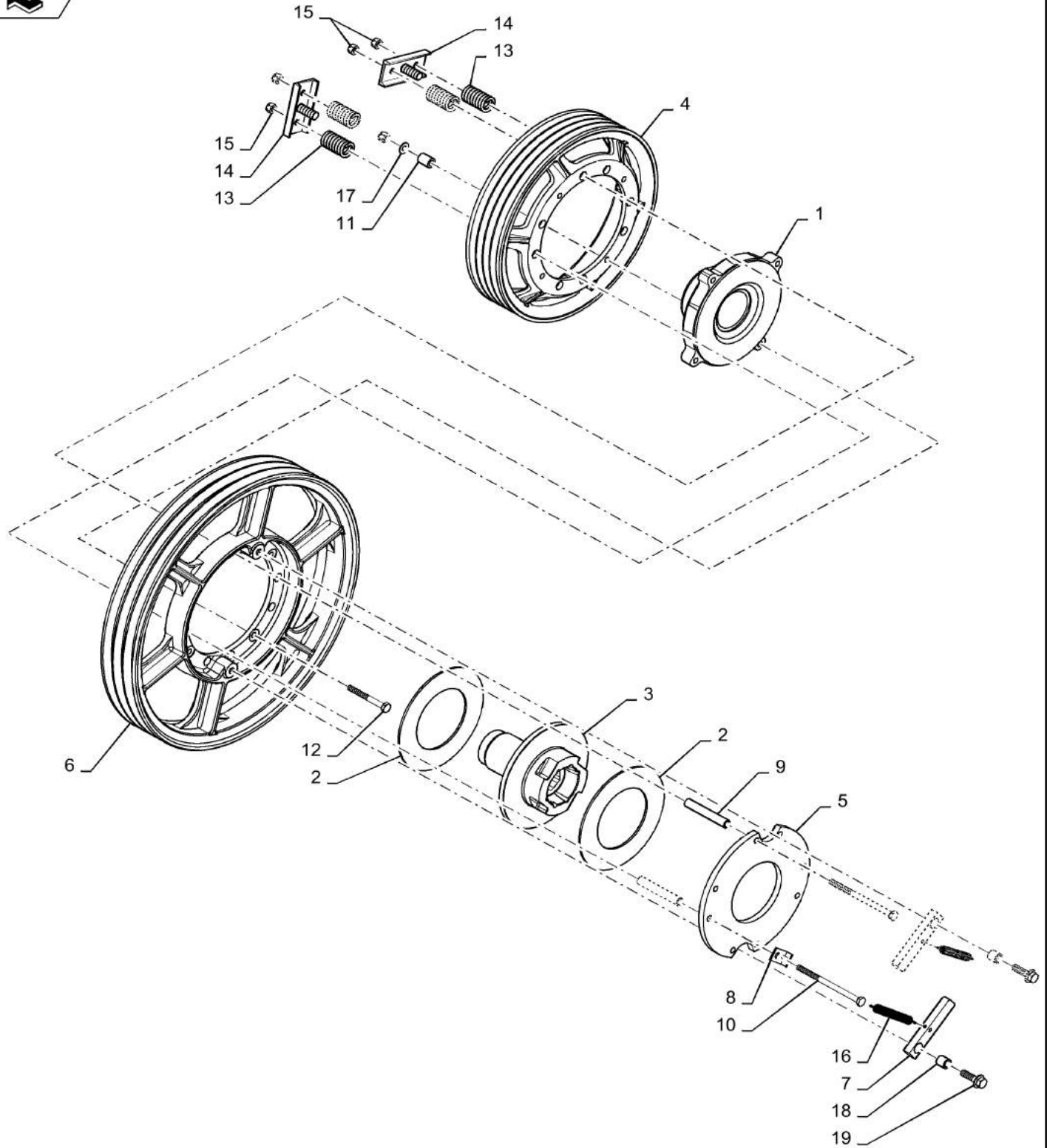
60.150.AY

01

p1

7/2015

CLUTCH, FEEDER, ROCK GUARD



CLUTCH, FEEDER, ROCK GUARD

REF FN	PART NUMBER	YR/SN	QTY DESCRIPTION
1	87543658		1 HOUSING ASSY. Friction Clutch, Outer
2	84151259		2 LINING Friction Disc
3	84124122		1 HUB Clutch, Feeder Conveyor, Inner
4	87665206		1 PULLEY Feeder Friction Clutch
5	87726043		1 PLATE ASSY. Outer, Feeder Reverser Clutch
6	87729260		1 PULLEY 573mm OD Feeder Clutch Outer
7	87730813		2 BAR Ratchet, Feeder Reverser Clutch
8	86988966		2 MOUNTING PLATE Spring Mounting
9	87386411		8 SPACER Feeder Friction Clutch
10	87665088		8 BOLT Drive Lug
11	87374324		4 SPACER 11.1mm ID x 19.05mm OD x 25mm L Slip Clutch Spring Retainer
12	86508620		4 BOLT Hex, M10 x 1.5 x 90mm, CI 10.9 Reverser Ratchet
13	84146255		12 SPRING
14	1315316C1		4 SUPPORT Feeder Clutch
15	86512554		12 NUT M10 x 1.5, CI 10 M10 x 155mm, 8.8
16	86989592		2 SPRING
17	140045		4 BELLEVILLE WASHER M10X22 ZNM
18	87752993		2 DRIVE BUSHING
19	87695413		2 BOLT M12 x 51.8mm, CI 10.9

5140-COMBINE - TIER 2

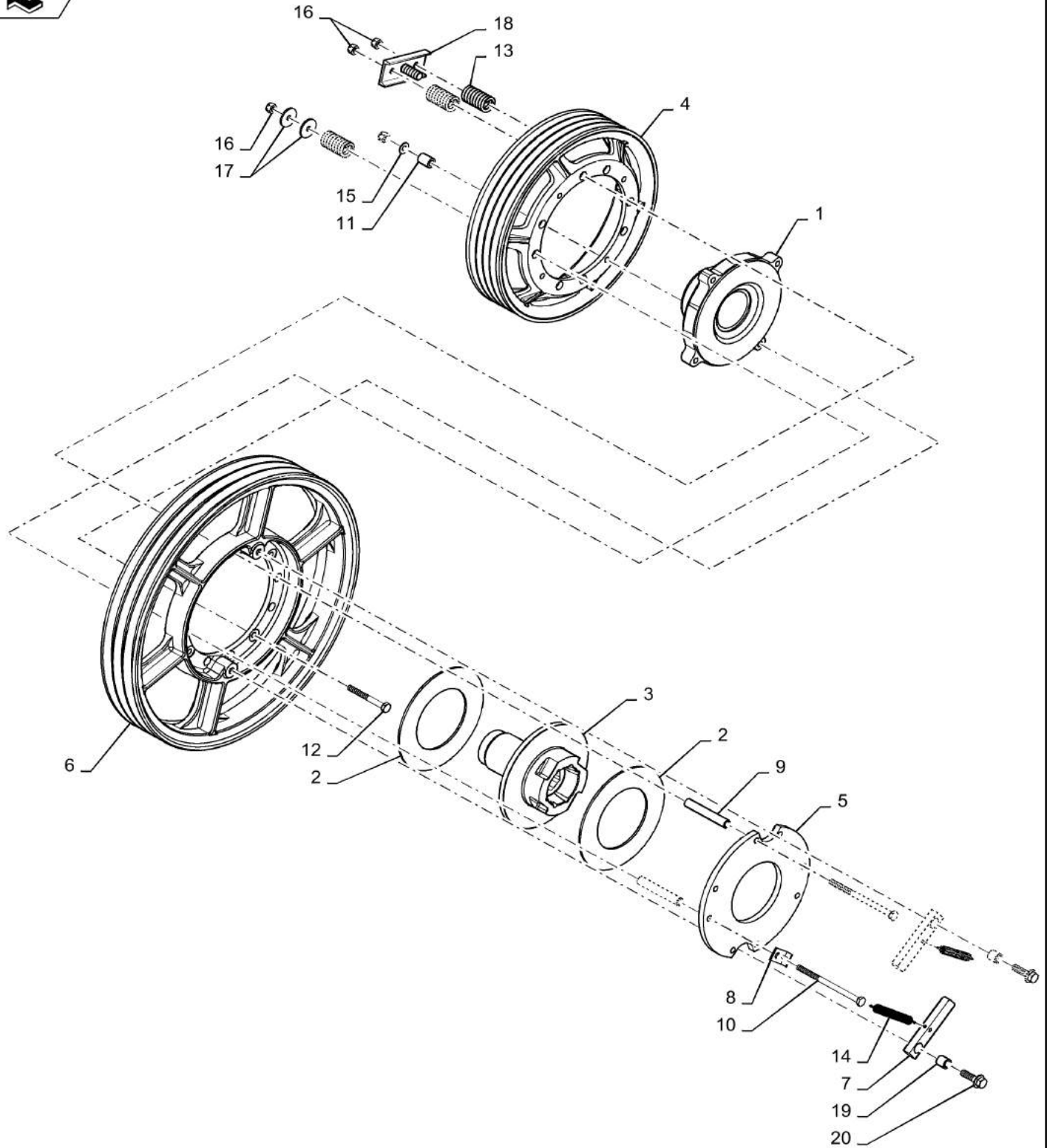
60.150.AY

02

p1

7/2015

CLUTCH, FEEDER, STANDARD

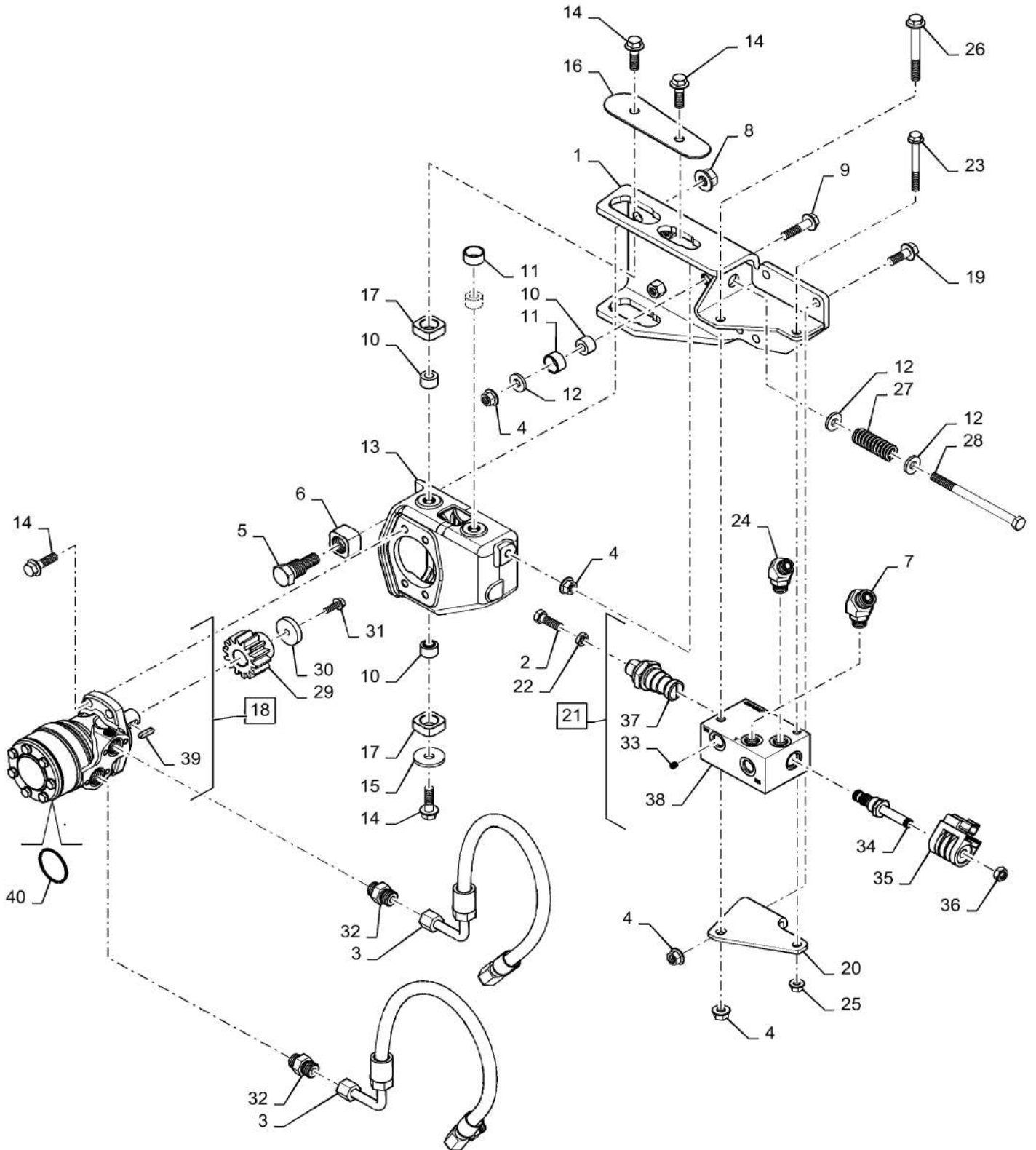


CLUTCH, FEEDER, STANDARD

REF FN	PART NUMBER	YR/SN	QTY DESCRIPTION
1	87543658		1 HOUSING ASSY. Friction Clutch, Outer
2	84151259		2 LINING Friction Clutch Disc
3	84124122		1 HUB Clutch, Feeder Conveyor, Inner
4	87665206		1 PULLEY Feeder Friction Clutch
5	87726043		1 PLATE ASSY. Outer, Feeder Reverser Clutch
6	87729260		1 PULLEY 573mm OD Feeder Clutch Outer
7	87730813		2 BAR Ratchet, Feeder Reverser Clutch
8	86988966		2 MOUNTING PLATE Spring Mounting
9	87386411		8 SPACER Feeder Friction Clutch
10	87665088		8 BOLT Drive Lug
11	87374324		2 SPACER 11.1mm ID x 19.05mm OD x 25mm L Slip Clutch Spring Retainer
12	86508620		2 BOLT Hex, M10 x 1.5 x 90mm, CI 10.9 Reverser Ratchet
13	84146255		2 SPRING
14	86989592		10 SPRING Feeder Clutch
15	140045		8 BELLEVILLE WASHER M10X22 ZNM
16	86512554		4 NUT M10 x 1.5, CI 10
17	495-81143		2 WASHER 13/32" x 1 1/2" x .120"
18	1315316C1		12 SUPPORT
19	87730813		4 BAR
20	87695413		8 BOLT M12 x 51.8mm, CI 10.9

5140-COMBINE - TIER 2

REVERSER, FEEDER, MOTOR

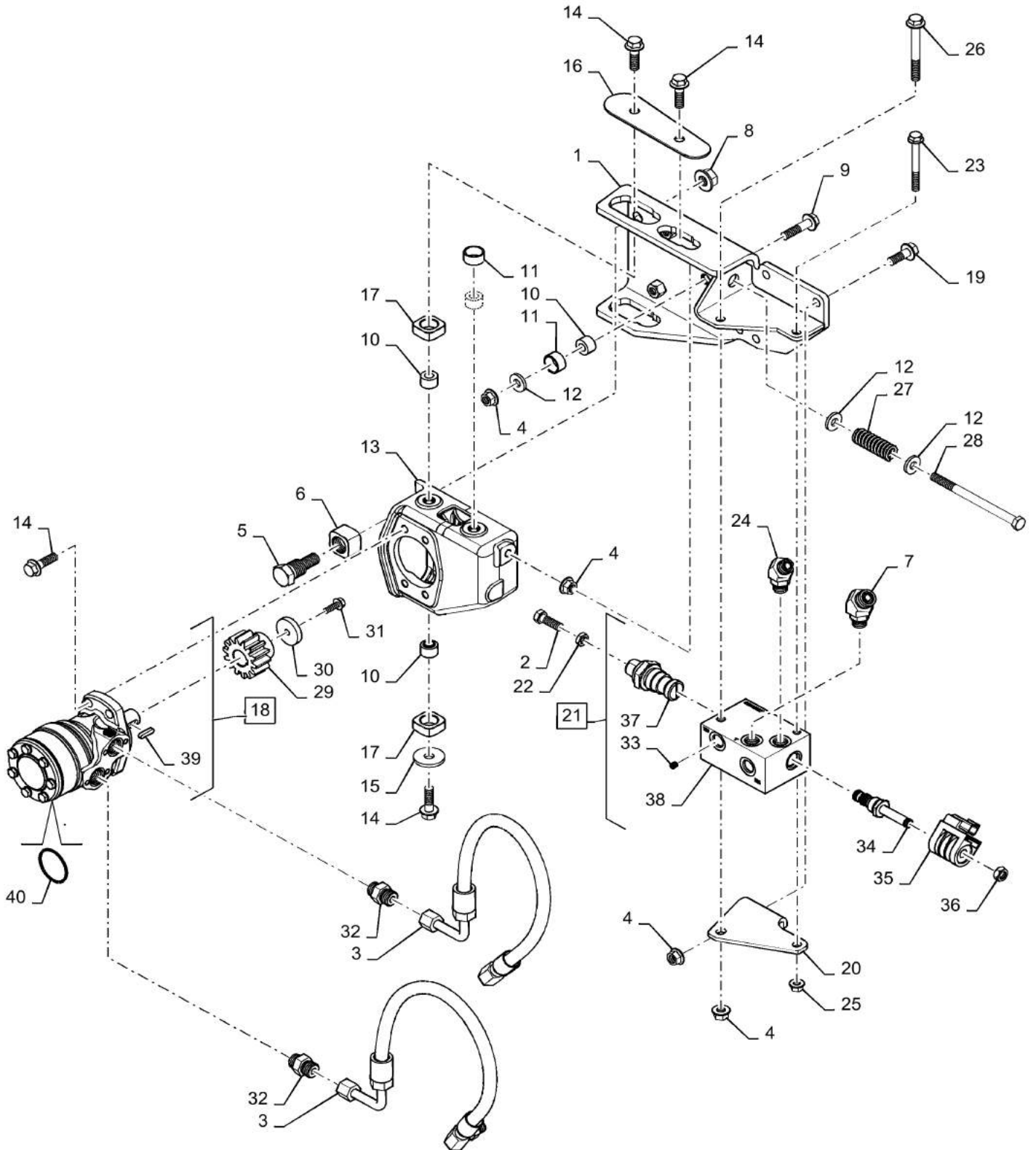


REVERSER, FEEDER, MOTOR

REF FN	PART NUMBER	YR/SN	QTY DESCRIPTION
1	87654414		1 FRAME Reverser Guide
2	300389		1 BOLT M12 x 1.75 x 35mm
3	87372895		2 HOSE ASSY. Reverser Feed/Return
4	86512497		4 FLANGE NUT M12 x 1.75, CI 10
5	87654418		1 BOLT Shoulder, M48 x 58mm
6	87602198		1 BLOCK Guide
7	87530403		1 ELBOW 5/8" ORFS x 1/2" ORB
8	86512498		1 FLANGE NUT M16 x 2.0, CI 10
9	87670764		1 BOLT M12 x 61.8mm, CI 10.9
10	87602190		4 SPACER Inner, Guide Support
11	87602186		2 GUIDE BUSHING Guide
12	12648501		3 WASHER 12.2mm ID x 28mm OD x 4mm Thk
13	87654417		1 CARRIER Reverser Motor
14	87695413		7 BOLT M12 x 51.8mm, CI 10.9
15	9511052		1 WASHER 13.5mm ID x 44mm OD x 4mm Thk
16	87611718		1 PLATE Outer Guide Cover Upper
17	87602200		2 BLOCK
18	87732233		1 MOTOR, HYDRAULIC GEAR, 159.6 CC Feeder Reverser, Incl 39
19	87695414		1 BOLT M12 x 46.8mm, CI 10.9
20	87657886		1 BRACKET Cylinder Mounting, Lower
21	87671107		1 VALVE Feeder Reverser, Incl 33 - 38
22	323238		1 THIN NUT Hex, M12, 1.75mm Pitch, CI 05
23	87695408		1 BOLT M10 x 1.5 x 100.4mm OAL, CI 10.9 Flange, M10 x 90mm, 10.9
24	201-348		1 ELBOW 45°, 13/16"-16 x 3/4"-16. Adj, ORFS
25	86050279		1 FLANGE NUT M10 x 1.5, CI 10
26	87032825		1 BOLT Hvy Hex, M12 x 100mm, CI 10.9
27	87602201		1 COIL SPRING Return, Inner Frame

5140-COMBINE - TIER 2

REVERSER, FEEDER, MOTOR

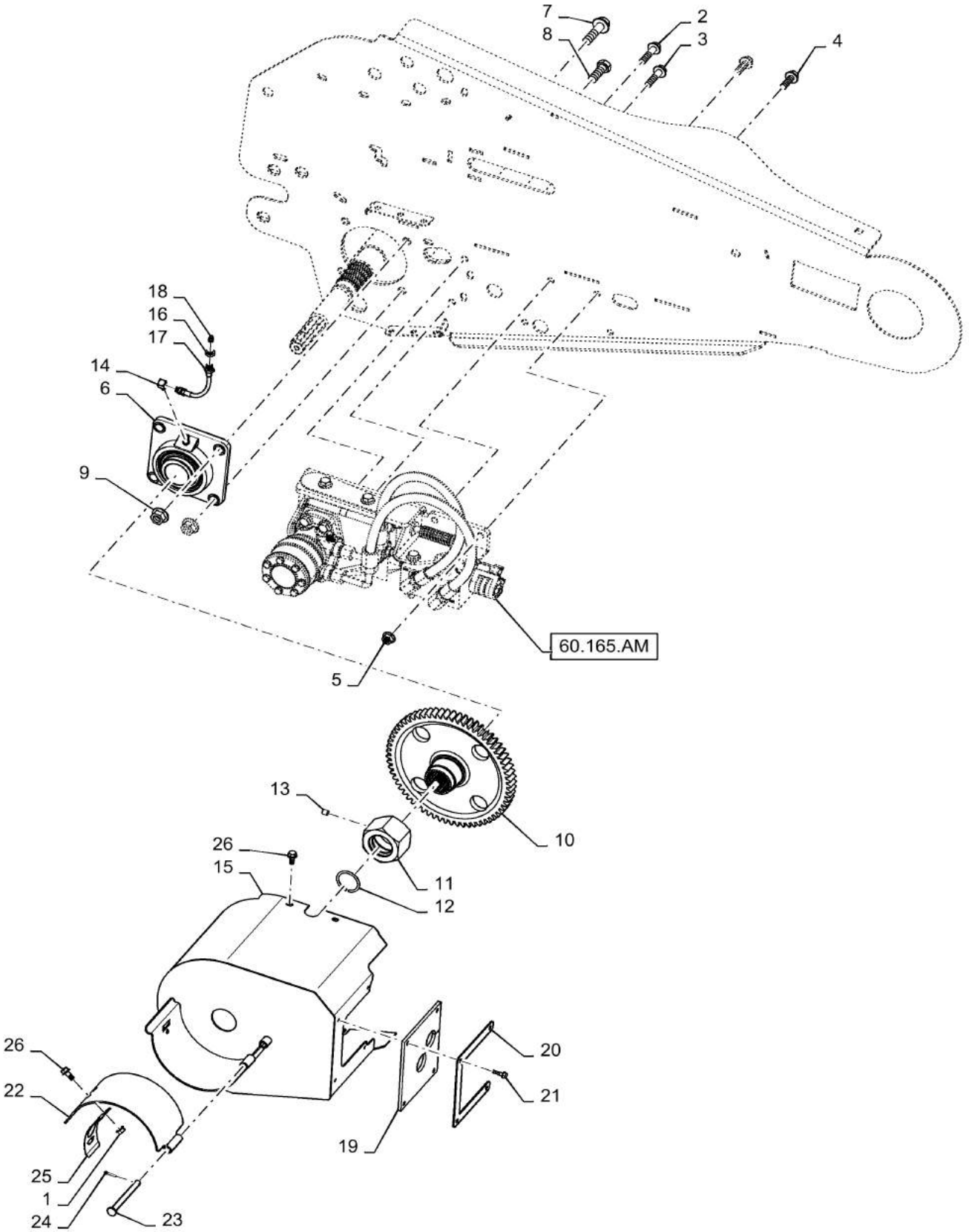


REVERSER, FEEDER, MOTOR

REF FN	PART NUMBER	YR/SN	QTY DESCRIPTION
28	87354302		1 BOLT Flange, M12 x 165mm
29	87599770		1 GEAR Reverser Driver, 14 Tooth
30	9507949		1 WASHER 9mm ID x 42mm OD x 8mm Thk
31	857-8025		1 BOLT Hvy Hex, M8 x 25mm, CI 10.9
32	201-112		2 HYD CONNECTOR 13/16"-16 ORFS x 7/8"-14 ORB
33	87604638		1 PLUG .096" Orifice
34	1 87348628		1 CARTRIDGE 12V, 3 Way, 2 Position
35	87625444		1 COIL 12V, Feeder Reverser
36	131-58		1 LOCK NUT 1/2"-20, G5
37	87674267		1 SPOOL Feeder Reverser
38	NSS		1 NOT SERVICED SEPARATELY Valve Block, Incl In 21
39	170030		1 KEY 8mm x 7mm x 32mm
40	87640692		1 SEAL KIT Services 18
(1)	Seal Kit 21191210		

5140-COMBINE - TIER 2

FEEDER, REVERSER



FEEDER, REVERSER

REF FN	PART NUMBER	YR/SN	QTY DESCRIPTION
1	86507066		2 FLANGE NUT M8 x 1.25, CI 10
2	87670764		1 BOLT M12 x 61.8mm, CI 10.9
3	87695413		1 BOLT M12 x 51.8mm, CI 10.9
4	87695414		3 BOLT M12 x 46.8mm, CI 10.9
5	86512497		3 FLANGE NUT M12 x 1.75, CI 10
6	241929A2		1 BEARING ASSY Flange, 6.38" OD
7	87675533		3 BOLT M16 x 75.4mm, CI 10.9
8	86508624		1 BOLT Hex, M16 x 45mm, CI 10.9, Full Thd
9	86512498		4 FLANGE NUT M16 x 2.0, CI 10
10	87354295		1 GEAR Reverser, 65 Tooth
11	87354318		1 NUT 2.5" - 20
12	87354319		1 RING Retaining, 41.3mm ID, Round
13	300480		1 SET SCREW M10 x 12mm
14	219-82		1 ELBOW 90°, 1/8"-27
15	87647057		1 SHIELD Reverser Cover
16	F53473		1 LOCK NUT 1/8-27 NPSM 1/8" NPT
17	87358704		1 HOSE 3.56 mm ID x 130.00 mm Grease Line
18	219-8		1 LUBE NIPPLE 1/4"-28 x 1/2"
19	87646191		1 CANVAS Seal, Reverser Shield
20	87357510		1 BRACKET Reverser Shield
21	87010469		4 SELF-TAP SCREW Hex, M6.3 x 25mm
22	87753756		1 SHIELD PTO Shaft Cover
23	86605625		1 CLEVIS PIN M10 x 110
24	130003		1 COTTER PIN 3mm OD x 30mm OAL
25	86638316		1 LATCH PTO Cover
26	87656137		6 BOLT M8 x 28.1mm, CI 10.9

5140-COMBINE - TIER 2

SECTION INDEX

THRESHING

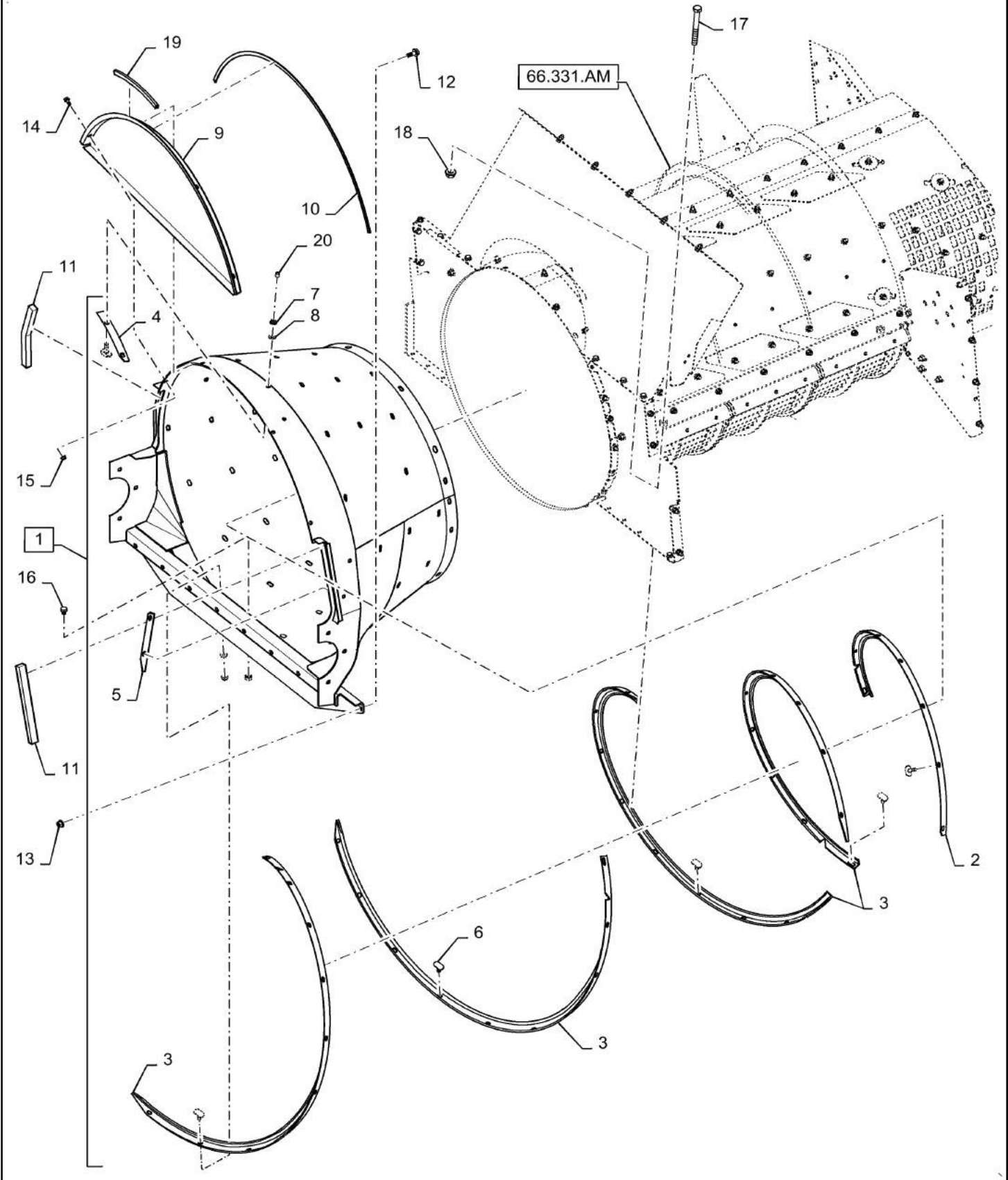
66.101.AP	02	VAR - 722889 - CONE, FEEDER
66.101.AP	03	KIT EXTENDED WEAR CONE VANES
66.105.AO		CONCAVE
66.110.AD		SUPPORT TUBE, CONCAVE
66.110.AF		CONTROL SHAFT, CONCAVE
66.260.AA	01	GEARBOX, ROTOR, MOUNTING PARTS
66.260.AA	02	BELT, DRIVE, SEPARATOR
66.260.AO	01	JACKSHAFT DRIVE AND BELT
66.260.AO	02	JACKSHAFT, UNLOADING & FLOW
66.260.AS	01	ROTOR, ADJUSTER, SPEED LIMITER
66.260.AS	02	SUPPORT, ROTOR, SPEED GOVERNOR
66.260.AU	01	GEARBOX, ROTOR, MOUNTING PARTS
66.260.AU	02	GEARBOX, ROTOR, DRIVE
66.260.AV	01	PULLEY, TORQUE LIMITER
66.260.AV	03	TORQUE LIMITER, PLATE
66.331.AA		GRATE, CONCAVE
66.331.AB		LINKAGE, GEARBOX, ROTOR
66.331.AK	01	VAR - 722808 - THRESHING CYLINDER, ROTOR
66.331.AK	02	VAR - 722808 - THRESHING CYLINDER, ROTOR
66.331.AK	03	ROTOR - EXTENDED WEAR SMALL GRAIN, CORN, SOYBEAN W/ 4 STRAIGHT SEPARATOR BARS
66.331.AK	04	VAR - 722886 - THRESHING CYLINDER, ROTOR
66.331.AK	05	VAR - 425127 - THRESHING CYLINDER, ROTOR
66.331.AK	06	VAR - 425436 - THRESHING CYLINDER, ROTOR
66.331.AK	07	VAR - 425438 - THRESHING CYLINDER, ROTOR
66.331.AL	01	VAR - 425127, 425436, 425438 - SUPPORT, ROTOR, FRONT
66.331.AL	02	VAR 722808, 722885, 722886 - SUPPORT, ROTOR, FRONT
66.331.AM		CAGE, FRONT
66.360.AH	01	SEPARATOR SIDE PANEL, LH
66.360.AH	02	SEPARATOR SIDE PANEL, RH
66.360.AH	03	LOWER SIEVE DOOR
66.360.AH	04	SEPARATOR TOP SHEET
66.360.AH	05	SEPARATOR CROSS SUPPORT

SECTION INDEX

THRESHING

66.360.AH	06	SEPARATOR SIDE PANEL, RH, ASN YEG012701
66.360.AH	07	DOOR, FRAME, SEPARATOR

VAR - 722889 - CONE, FEEDER

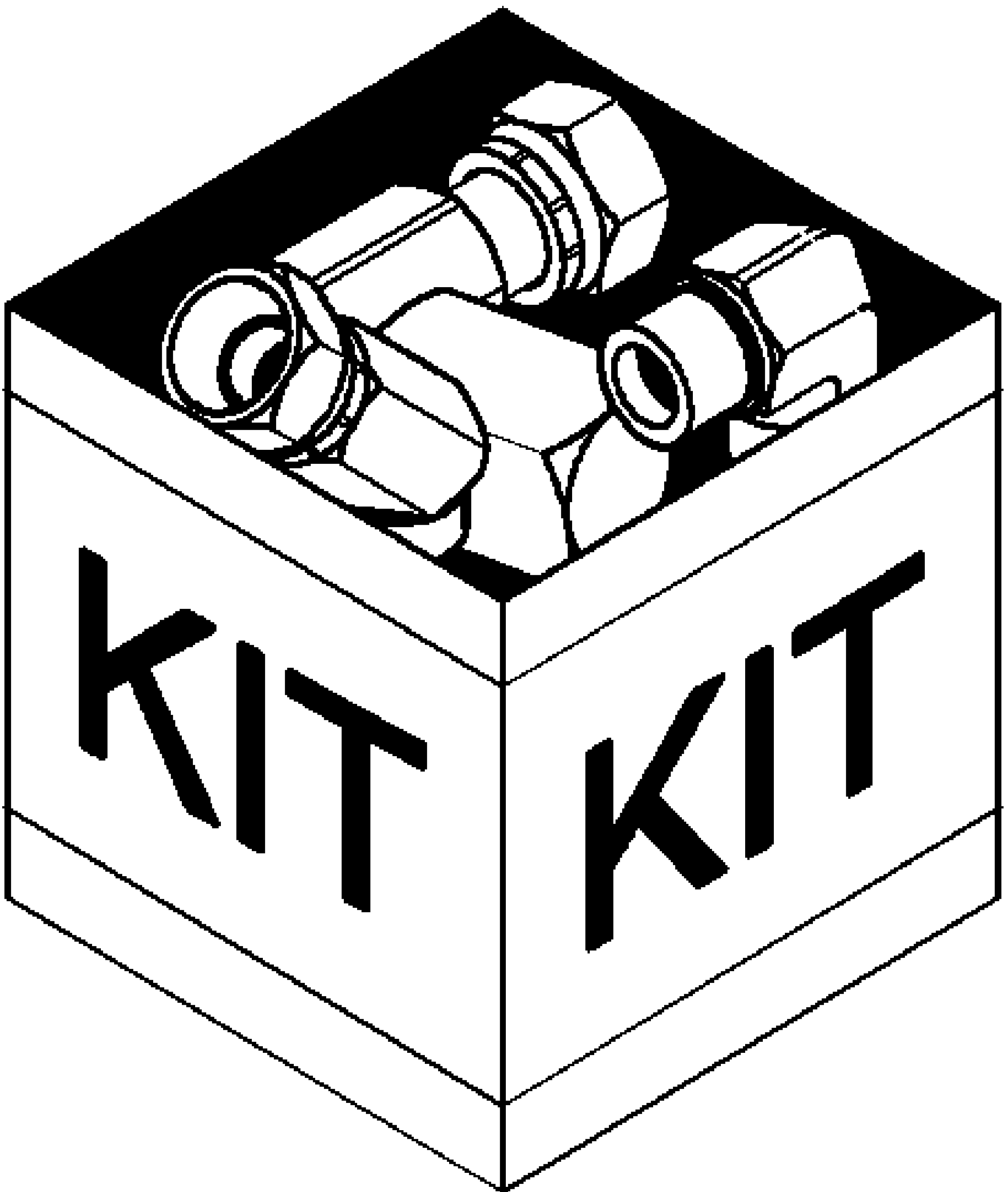


VAR - 722889 - CONE, FEEDER

REF FN	PART NUMBER	YR/SN	QTY DESCRIPTION
1	47502133		1 CONE Standard HD Assembly Incl 2 - 8
2	418655A2		1 STIFFENER Vane, Short, Extended Wear
3	418654A2		4 VANE Vane, Long, Extended Wear
4	347913A1		1 VANE Vane, Cone Extension, Extended Wear
5	347918A1		1 STIFFENER Vane, Cone Pocket, Extended Wear
6	87106338		47 BOLT Tee, M10 x 30mm, 8.8
7	87547587		47 LOCK NUT Hex, M10 x 1.5, CI 10
8	140045		47 BELLEVILLE WASHER M10X22 ZNM
9	193607C3		1 SUPPORT Door, Rotor Front
10	419957A1		1 SEAL Rear Section
11	233482A1		2 DOOR SEAL 380mm L Transition Cone Sides
12	87030508		4 BOLT M12 x 30 Full 10.9 ZND
13	86512497		4 FLANGE NUT M12 x 1.75, CI 10
14	87656137		4 BOLT M8 x 28.1mm, CI 10.9
15	86507066		4 FLANGE NUT M8 x 1.25, CI 10
16	413-88		1 BOLT Hex, 1/2" - 13 x 1/2", Gr 5
17	120248		2 BOLT Hex, M16 x 100, 8.8, Full Thd
18	86512498		2 FLANGE NUT M16 x 2.0, CI 10
19	87029779		1 SEAL Trim Edge, Black
20	9835349		6 CAP Guard

5140-COMBINE - TIER 2

KIT EXTENDED WEAR CONE VANES

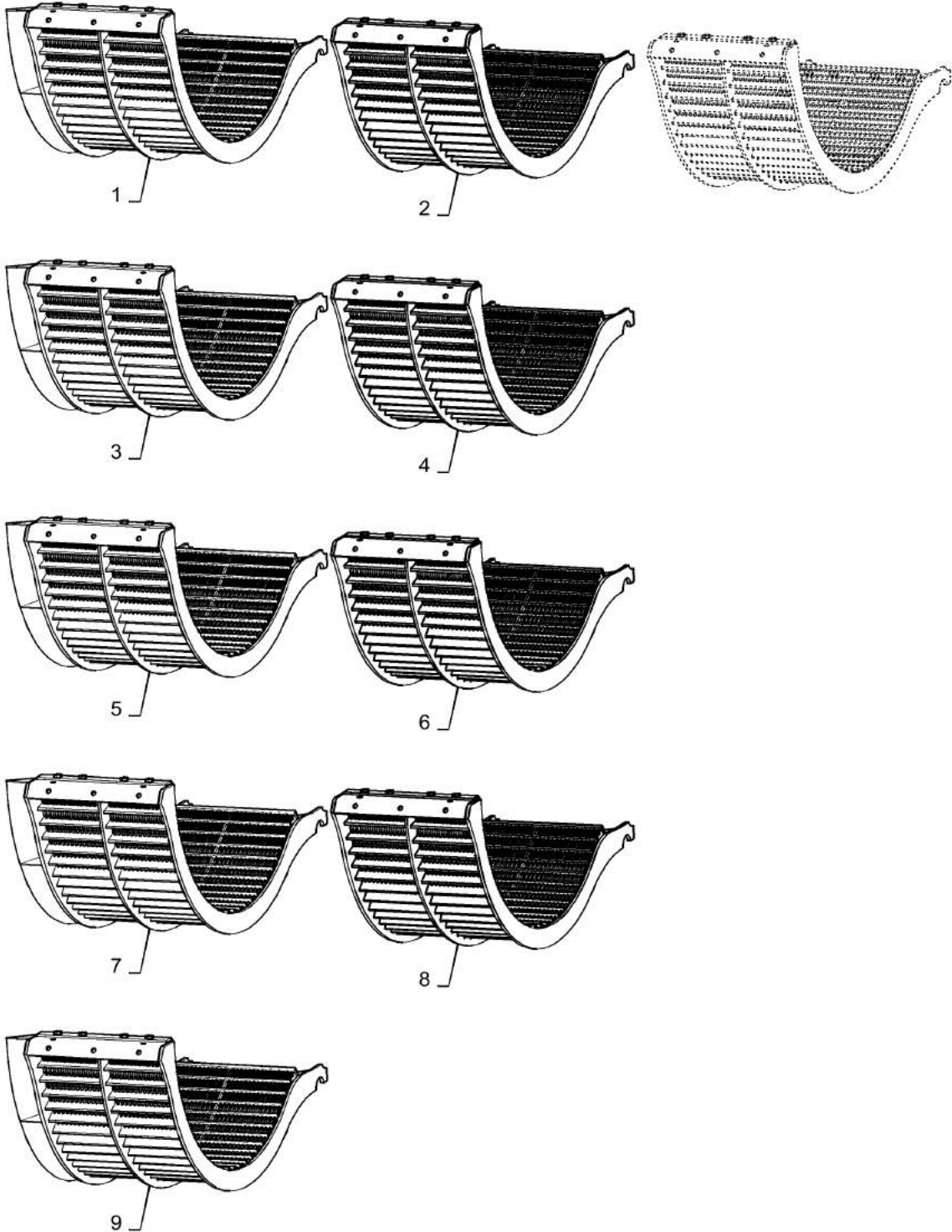


KIT EXTENDED WEAR CONE VANES

REF FN	PART NUMBER	YR/SN	QTY DESCRIPTION
1	47827303		1 KIT Incl 2 - 8
2	418655A2		1 STIFFENER Short Extended Wear
3	418654A2		4 VANE Long Extended Wear
4	347913A1		1 VANE Extension HD Extended Wear
5	347918A1		1 STIFFENER Pocket Extended Wear
6	87106338		47 BOLT
7	87547587		47 LOCK NUT Hex, M10 x 1.5, Cl 10
8	140045		47 BELLEVILLE WASHER M10X22 ZNM

5140-COMBINE - TIER 2

CONCAVE

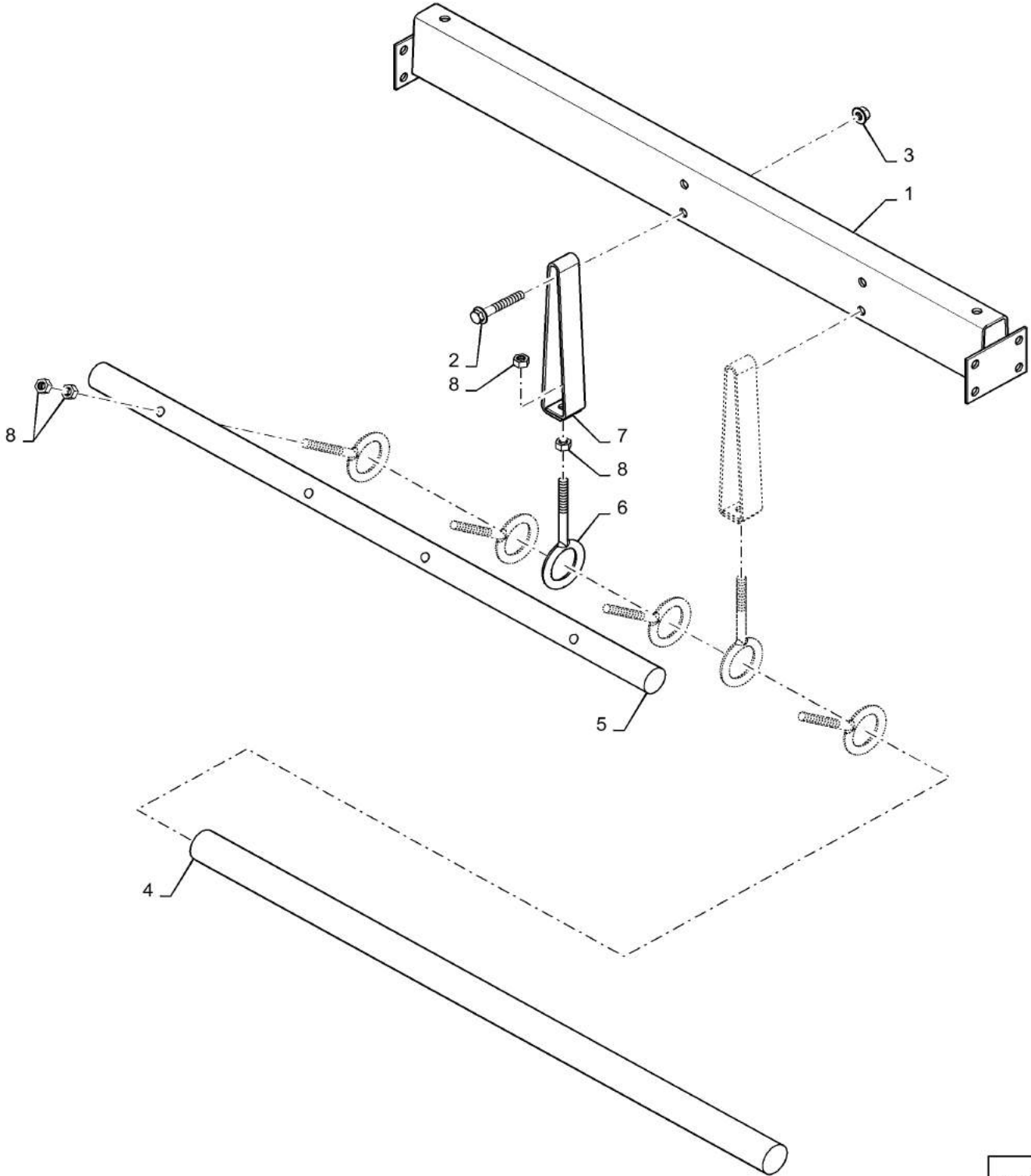


CONCAVE

REF FN	PART NUMBER	YR/SN	QTY DESCRIPTION
1	418647A1		AR CONCAVE Small Wire, Heat Treated, Front
2	418648A1		AR CONCAVE Small Wire, Heat Treated, Rear
3	386188A1		AR CONCAVE Large Wire, Front
4	386189A1		AR CONCAVE Large Wire, Rear
5	418645A1		AR CONCAVE Large Wire, Heat Treated, Front
6	418646A1		AR CONCAVE Large Wire, Heat Treated, Rear
7	427267A1		AR CONCAVE Small Wire, Heat Treated W/ Interrupters, Front
8	84600010		AR CONCAVE Round Bar, Rear
9	84600009		AR CONCAVE Round Bar, Front

5140-COMBINE - TIER 2

SUPPORT TUBE, CONCAVE

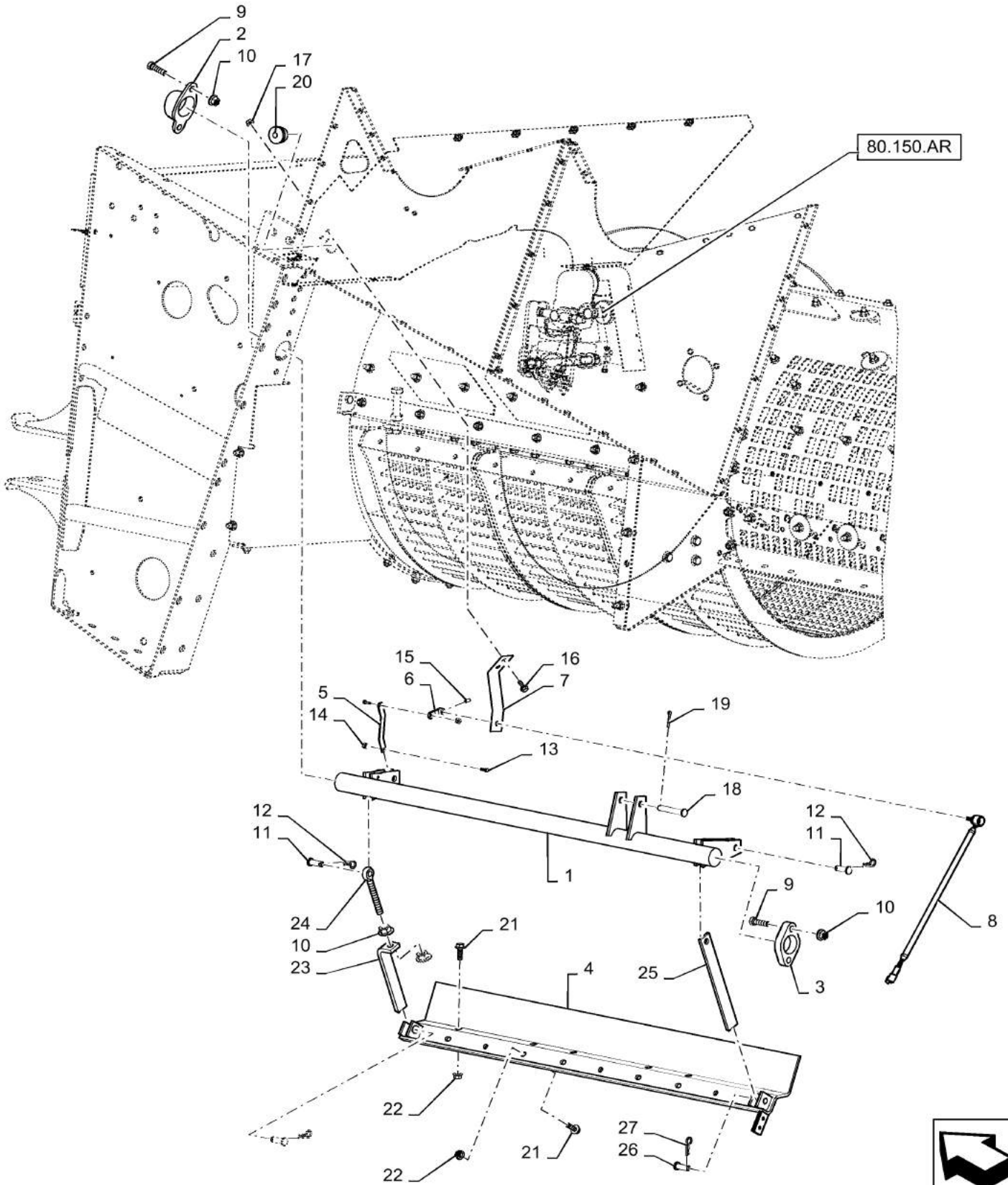


SUPPORT TUBE, CONCAVE

REF FN	PART NUMBER	YR/SN	QTY DESCRIPTION
1	1317229C1		1 SUPPORT Concave RH
2	87698846		2 BOLT Hvy Hex Flg, M12 x 80mm, CI 10.9
3	87681209		2 FLANGE NUT Hex, M12 x 1.75, CI 10
4	282766A1		1 SHAFT Concave Anchor Shaft
5	279086A1		1 SHAFT Concave Clamp
6	87691372		6 EYEBOLT M12 x 1.75
7	1317233C1		2 SUPPORT Strap, Concave Support
8	9706685		12 NUT M12 x 1.75, CI 8

5140-COMBINE - TIER 2

CONTROL SHAFT, CONCAVE



CONTROL SHAFT, CONCAVE

REF FN	PART NUMBER	YR/SN	QTY DESCRIPTION
1	191422C2		1 LEVER Concave Adjustment Control
2	188351C1		1 HUB Control Shaft, Front
3	192890C2		1 HUB Control Shaft, Rear
4	87627461		1 SUPPORT ASSY. Concave Adjustment
5	181760A2		1 LEVER Concave Adjustment Position
6	131175A1		1 ARM Concave Position
7	87685419		1 BRACKET Concave Control
8	122756A3		1 POTENTIOMETER 1000 Ohm, 8V Concave Position
9	86629541		4 BOLT Hex, M12 x 1.75 x 40mm, CI 8.8
10	86512497		6 FLANGE NUT M12 x 1.75, CI 10
11	439-1823		2 HEADED PIN 12.7mm OD x 22.23mm L
12	216698		2 COTTER PIN 0.125" OD x 1.75" OAL
13	86050276		2 BOLT Hex, M5 x 16mm, CI 8.8, Full Thd
14	43440		2 LOCK NUT M5 x .8, CI 8
15	483-1084		1 SET SCREW Hex Soc, #8-32 x 1/4"
16	87656137		2 BOLT M8 x 28.1mm, CI 10.9
17	86507066		2 FLANGE NUT M8 x 1.25, CI 10
18	439-1848		1 HEADED PIN 1/2" x 3"
19	432-1216		1 COTTER PIN 3/16" x 1"
20	198824C1		1 GROMMET 12.7mm ID x 41.1mm OD x 26.9mm Thk 12.7mm ID
21	87698837		15 FLANGE BOLT M10 x 30mm, Full Thd, CI 10.9
22	86050279		15 FLANGE NUT M10 x 1.5, CI 10
23	84561137		1 ANGLE Concave Adjusting
24	84156112		1 EYEBOLT Concave Adjusting
25	1318893C2		1 BAR Strap, Concave Control
26	439-1823		2 HEADED PIN 12.7mm OD x 22.23mm L
27	216698		2 COTTER PIN 0.125" OD x 1.75" OAL

5140-COMBINE - TIER 2

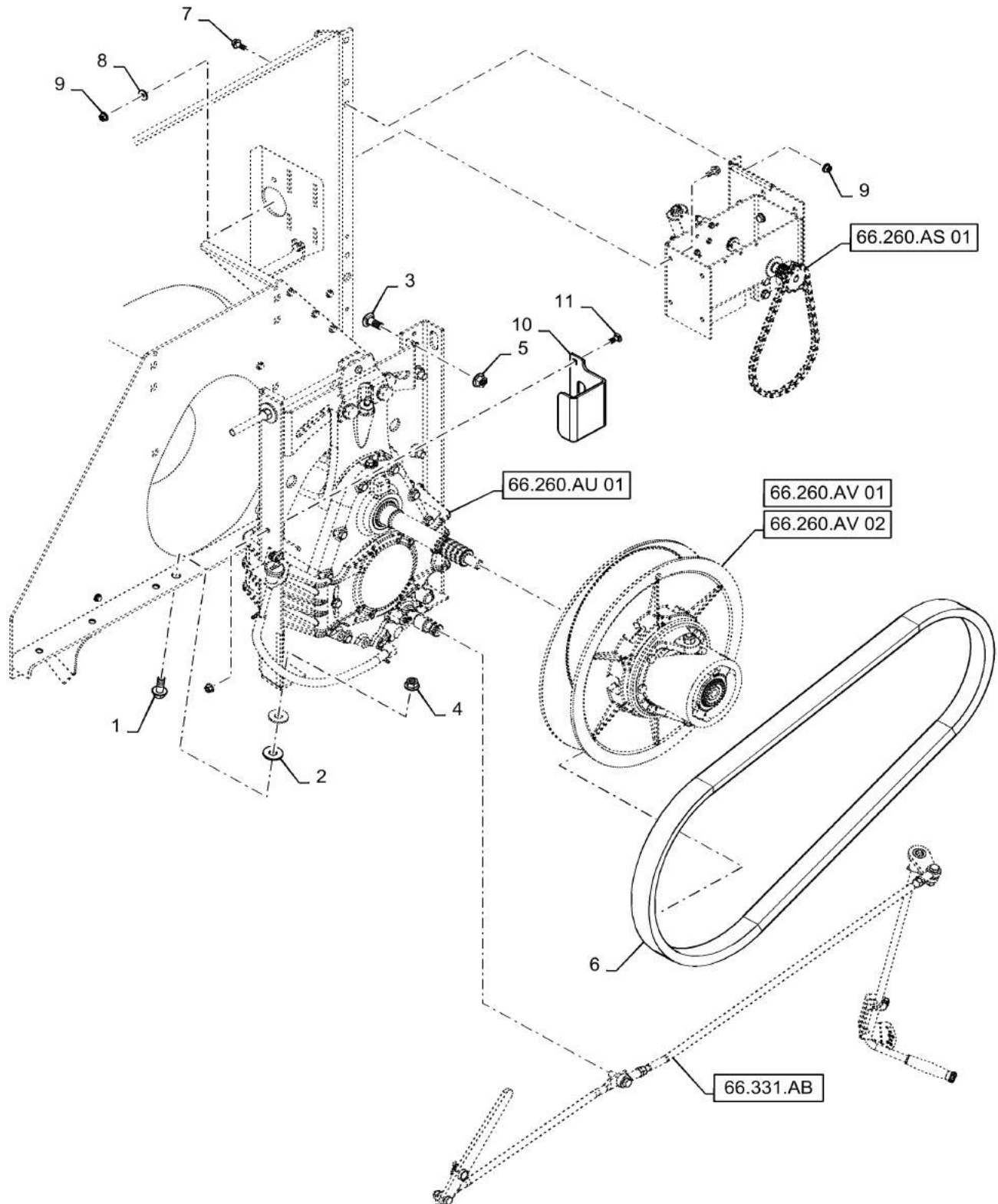
66.260.AA

01

p1

7/2015

GEARBOX, ROTOR, MOUNTING PARTS



GEARBOX, ROTOR, MOUNTING PARTS

REF FN	PART NUMBER	YR/SN	QTY DESCRIPTION
1	86978772		2 FLANGE BOLT Hex, M16 x 40mm, CI 10.9, Full Thd
2	87317689		4 WASHER 18mm ID x 45mm OD x 4mm Thk 45mm OD x 18mm ID x 4mm
3	86595832		6 CARRIAGE BOLT Sht Sq Nk, M16 x 40mm, CI 8.8, Full Thd
4	87016581		2 FLANGE NUT M16 x 2.0, CI 10
5	86512498		6 FLANGE NUT M16 x 2.0, CI 10
6 1	84194650		1 V-BELT 57.2mm W X 2802.57 mm L, HN section Rotor Drive HN
6 2	87714971		1 BELT V-Belt Rotor Drive HQ Inverted 2790mm
7	87698836		6 BOLT M10 x 25mm, Full Thd, CI 10.9
8	495-81135		4 WASHER 10.31mm ID x 25.4mm OD x 3.4mm Thk
9	86050279		8 FLANGE NUT M10 x 1.5, CI 10
10	84545630		1 BRACKET Dipstick Cover
11	87682391		2 CARRIAGE BOLT M10 x 1.5 x 25mm, CI 10.9
(1)	Class 5		
(2)	Class 6/ Class 7 Only		

5140-COMBINE - TIER 2

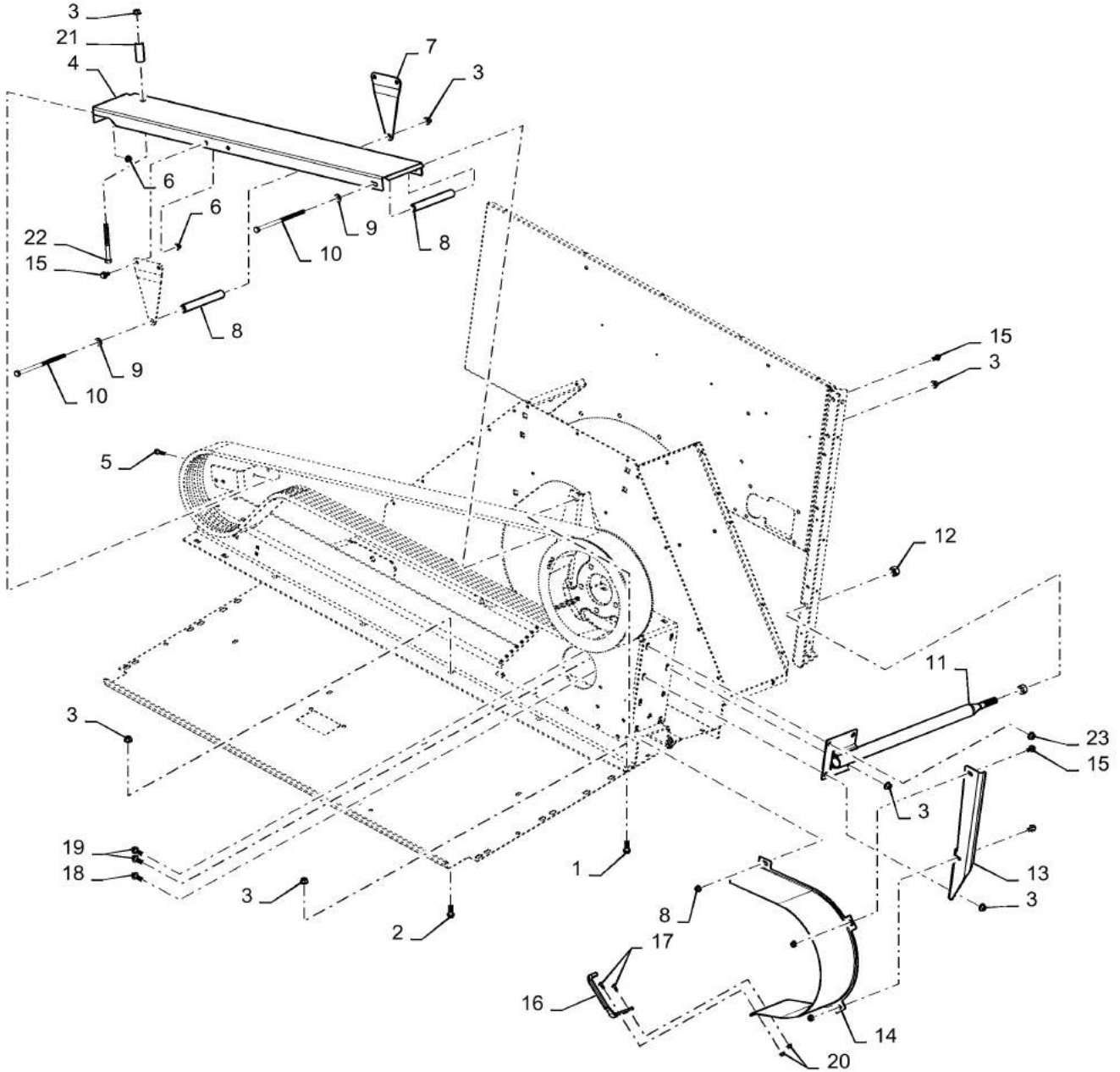
66.260.AA

02

p1

7/2015

BELT, DRIVE, SEPARATOR



BELT, DRIVE, SEPARATOR

REF FN	PART NUMBER	YR/SN	QTY DESCRIPTION
1	87030508		4 BOLT M12 x 30 Full 10.9 ZND
2	87343550		6 FLANGE BOLT Hex HD M12x25 ZND
3	86512497		17 FLANGE NUT M12 x 1.75, CI 10
4	84407377		1 CHANNEL Separator Belt Support
5	87698836		2 BOLT M10 x 25mm, Full Thd, CI 10.9
6	86050279		10 FLANGE NUT M10 x 1.5, CI 10
7	84193662		2 BRACKET Separator Belt Support
8	84186708		2 TUBE SPACER Separator Belt Channel
9	495-11053		2 WASHER 1/2", SAE
10	364053		2 BOLT Hex, M12 x 1.75 x 220mm, CI 8.8
11	87395015		1 TUBE 675 mm L
12	425-1112		2 NUT 3/4"-16, G5
13	84129118		1 SUPPORT Separator Belt Trap
14	87393441		1 SHIELD Separator Belt Trap
15	87698835		7 FLANGE BOLT M10 x 20mm, Full Thd, CI 10.9
16	293817A1		1 GUIDE Separator Belt
17	847-3820		2 SERRATED SCREW M8 x 20mm, CI 10.9
18	87695426		2 CARRIAGE BOLT M12 x 30mm, CI 0.9
19	87695427		2 CARRIAGE BOLT M12 x 35mm, CI 10.9
20	86507066		2 FLANGE NUT M8 x 1.25, CI 10
21	84181445		1 SPACER Separator Clutch Cylinder
22	87698846		1 BOLT Hvy Hex Flg, M12 x 80mm, CI 10.9
23	87698855		1 PUSH-ON NUT M12

5140-COMBINE - TIER 2

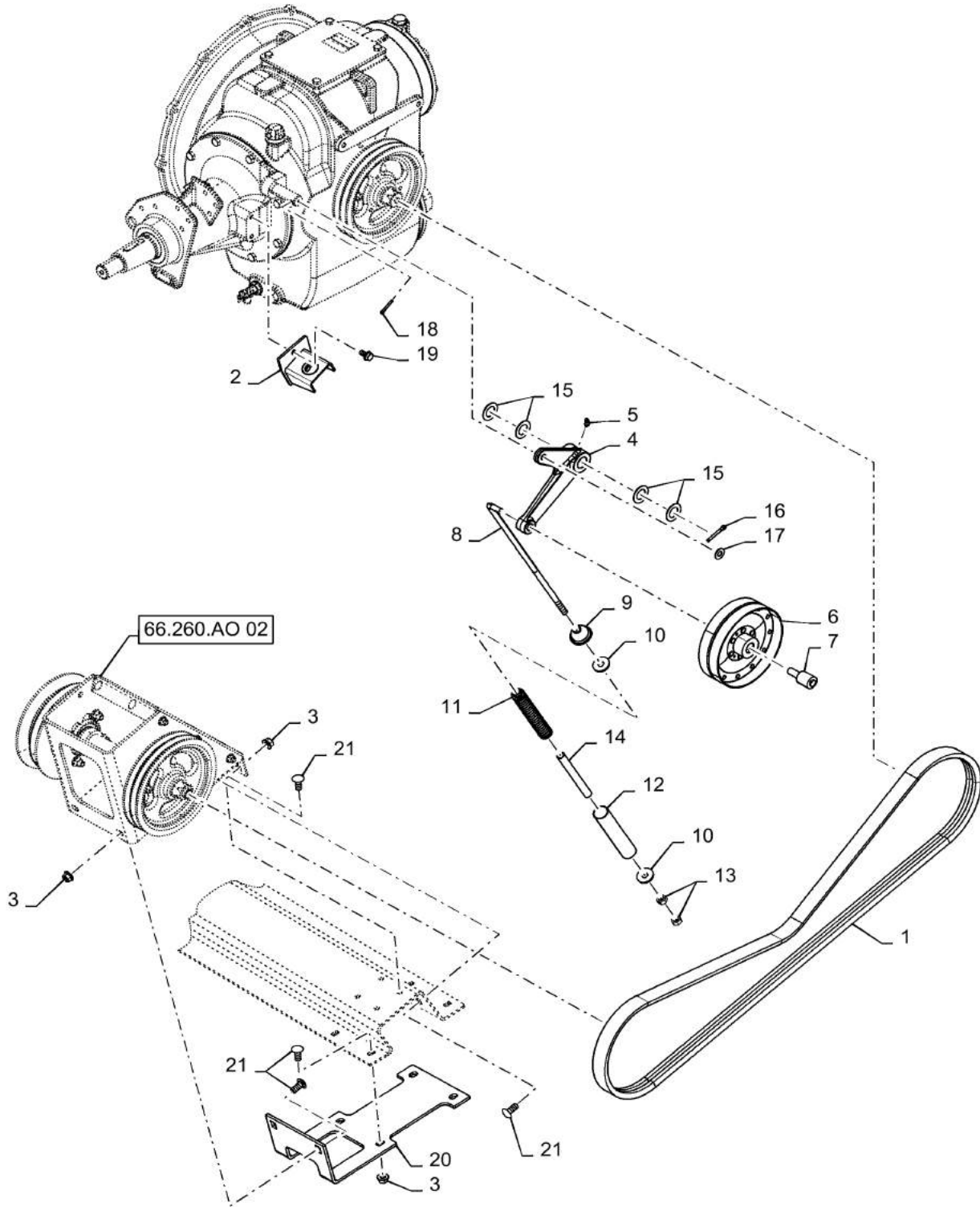
66.260.AO

01

p1

7/2015

JACKSHAFT DRIVE AND BELT



JACKSHAFT DRIVE AND BELT

REF FN	PART NUMBER	YR/SN	QTY DESCRIPTION
1	84548651		1 BELT Unload Mid Jackshaft, 2HB
2	84255718		1 SUPPORT Belt Tensioner
3	86512497		12 FLANGE NUT M12 x 1.75, CI 10
4	84342822		1 LEVER Aux Pump Drive Idler
5	219-90		1 LUBE NIPPLE 45°, 1/4" NPT x .80" lg, Drive
6	192865C2		1 PULLEY Aux Drive Idler
7	274844R91		1 BEARING ASSY 30mm OD x 73.66mm L
8	84233788		1 ROD Belt Idler Tension
9	86560521		1 PIVOT 13mm ID x 50mm OD x 25.4mm Thk Tensioner
10	86624148		2 WASHER 0.53" ID x 1.5" OD x 0.18" Thk
11	84375295		1 TENSION SPRING Belt Tension
12	84375294		1 SPACER Outer Jackshaft
13	9706685		2 NUT M12 x 1.75, CI 8
14	84375293		1 SPACER Inner Jackshaft
15	86624171		4 WASHER 1.03" ID x 1.75" OD x 0.06" Thk
16	432-1624		1 COTTER PIN 1/4" x 1 1/2"
17	87364		1 WASHER 0.53" ID x 1.06" OD x 0.1" Thk
18	432-1216		1 COTTER PIN 3/16" x 1"
19	87698835		2 FLANGE BOLT M10 x 20mm, Full Thd, CI 10.9
20	84154327		1 SUPPORT Lower Jackshaft
21	87695426		12 CARRIAGE BOLT M12 x 30mm, CI 0.9

5140-COMBINE - TIER 2

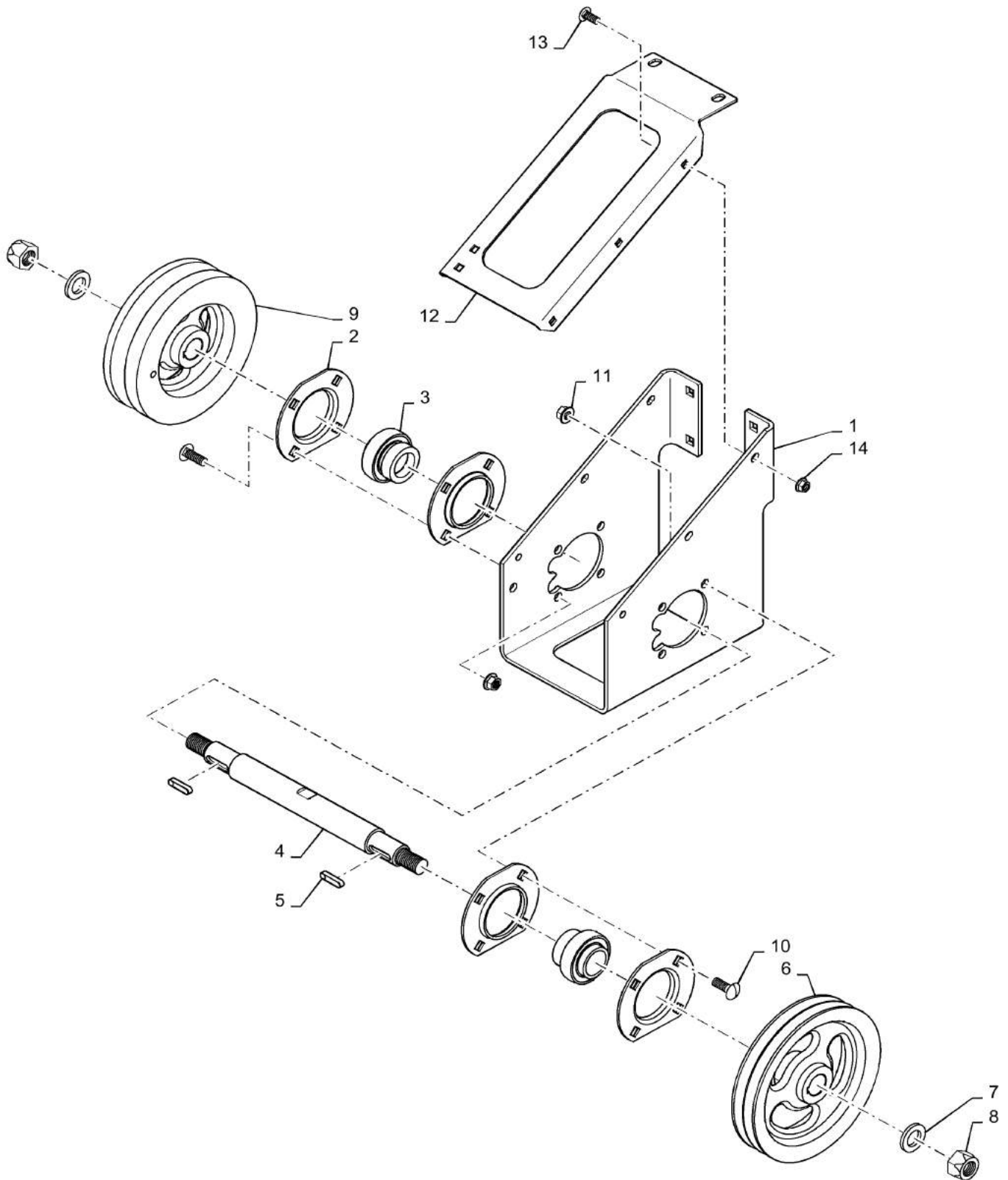
66.260.AO

02

p1

7/2015

JACKSHAFT, UNLOADING & FLOW



JACKSHAFT, UNLOADING & FLOW

REF FN	PART NUMBER	YR/SN	QTY DESCRIPTION
1	84153804		1 SUPPORT Main Unload Jackshaft
2	86620027		4 FLANGED BEARING 80.02mm ID x 147.6mm OD x 4mm Thk 4 Hole
3	455805		2 BALL BEARING 40mm ID x 80mm OD x 42.9mm Thk
4	84152427		1 HALF SHAFT Unloader Mid Jackshaft
5	354775		2 KEY 10mm x 8mm x 40mm
6	84152415		1 PULLEY Mid Jackshaft, Driven
7	87016608		2 WASHER 25.8mm ID x 44.5mm OD x 5mm Thk
8	86536986		2 NUT M24 x 3, CI 10
9	1 84194297		1 PULLEY Mid Jackshaft, Driven
9	2 84152654		1 PULLEY 240mm OD Mid Jackshaft, Driven
10	87695427		8 CARRIAGE BOLT M12 x 35mm, CI 10.9
11	86512497		8 FLANGE NUT M12 x 1.75, CI 10
12	84154356		1 SUPPORT Rear, Unload Mid Jackshaft
13	87682391		6 CARRIAGE BOLT M10 x 1.5 x 25mm, CI 10.9
14	86050279		6 FLANGE NUT M10 x 1.5, CI 10
(1)	5140 Only		
(2)	6140/ 7140 Only		

5140-COMBINE - TIER 2

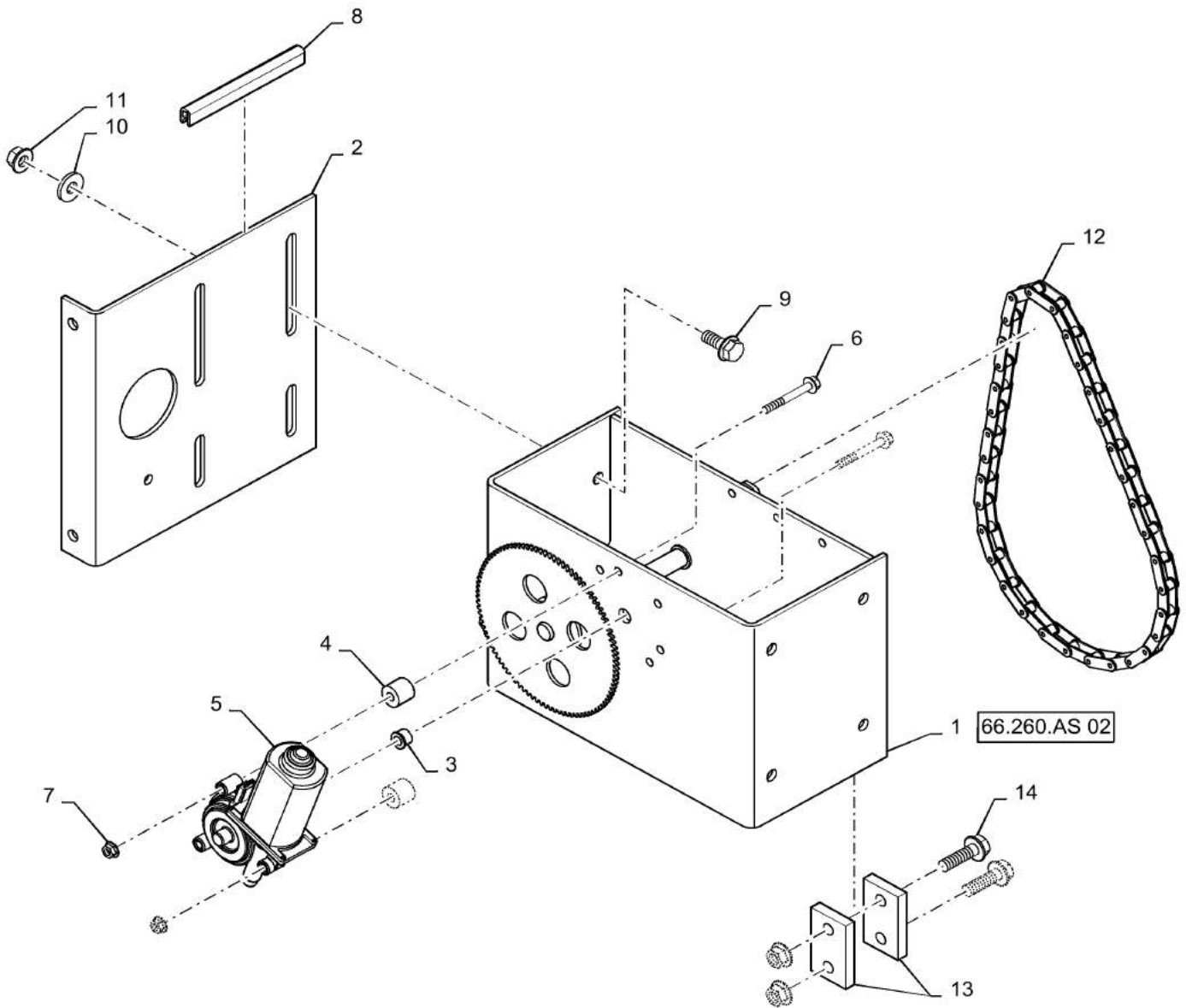
66.260.AS

01

p1

7/2015

ROTOR, ADJUSTER, SPEED LIMITER



66.260.AS

01

p1

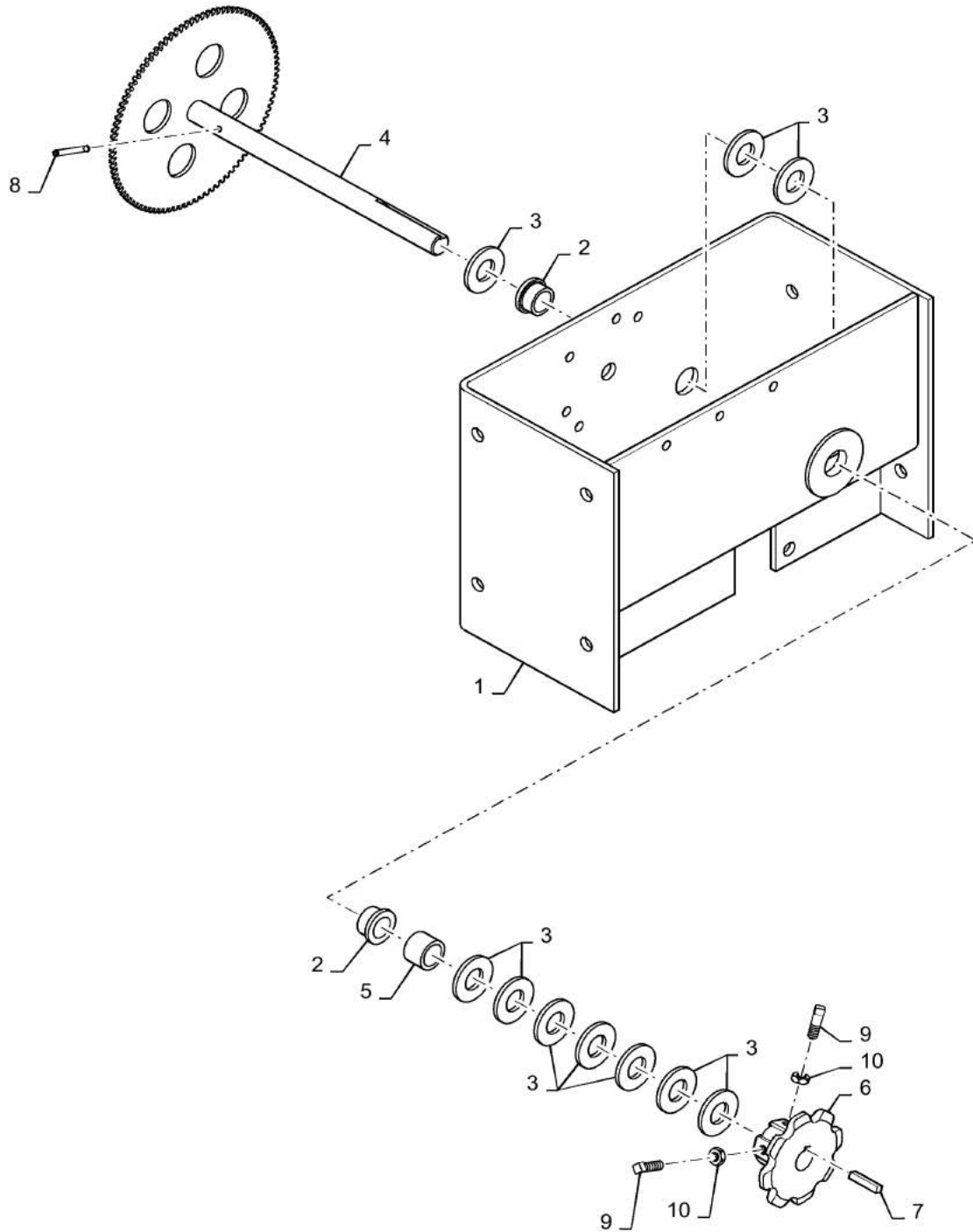
7/2015

ROTOR, ADJUSTER, SPEED LIMITER

REF FN	PART NUMBER	YR/SN	QTY DESCRIPTION
1	87547587		1 LOCK NUT Hex, M10 x 1.5, CI 10
2	194336C2		1 SUPPORT Rotor Adjust
3	55825C1		1 BUSHING 8.03mm ID x 12.74mm OD x 9.65mm L Flange
4	113485A1		2 SPACER Motor
5	87693674		1 ELECTRIC MOTOR Fan And Rotor Speed
6	87670760		2 FLANGE BOLT M6 x 56.6mm, CI 10.9
7	87301498		2 FLANGE NUT Hex, M6 x 1.0, CI 10
8	1545944C1		1 SEAL Trim Edging
9	87698836		4 BOLT M10 x 25mm, Full Thd, CI 10.9
10	495-81135		4 WASHER 10.31mm ID x 25.4mm OD x 3.4mm Thk
11	86050279		4 FLANGE NUT M10 x 1.5, CI 10
12	617107R91		1 CHAIN 34 Links x 25.4mm = 863.6mm Rotor Drive Variator
13	1302173C1		2 PAD Motor Cushion
14	87698838		2 FLANGE BOLT M10 x 35mm, Full Thd, CI 10.9

5140-COMBINE - TIER 2

SUPPORT, ROTOR, SPEED GOVERNOR



66.260.AS

02

p1

7/2015

SUPPORT, ROTOR, SPEED GOVERNOR

REF FN	PART NUMBER	YR/SN	QTY DESCRIPTION
1	84415827		1 SUPPORT Rotor Speed Adj Motor
2	55826C1		2 BUSHING 15.9mm ID x 20.7mm OD x 12.7mm L Flange
3	87365		10 WASHER 0.66" ID x 1.31" OD x 0.1" Thk
4	87364294		1 GEAR Rotor Speed Adjust, 96 Tooth
5	575098R1		1 SPACER 16.7mm ID x 22.23mm OD x 15.9mm L
6	194337C1		1 SPROCKET 8 Tooth
7	Q5024		1 KEY 3/16" Sq x 1", Par
8	86544803		1 PIN .156" x 1.25"
9	485-12512		2 SET SCREW Sq Hd, 1/4"-20 x 3/4"
10	87317425		2 JAM NUT 1/4" - 20

5140-COMBINE - TIER 2

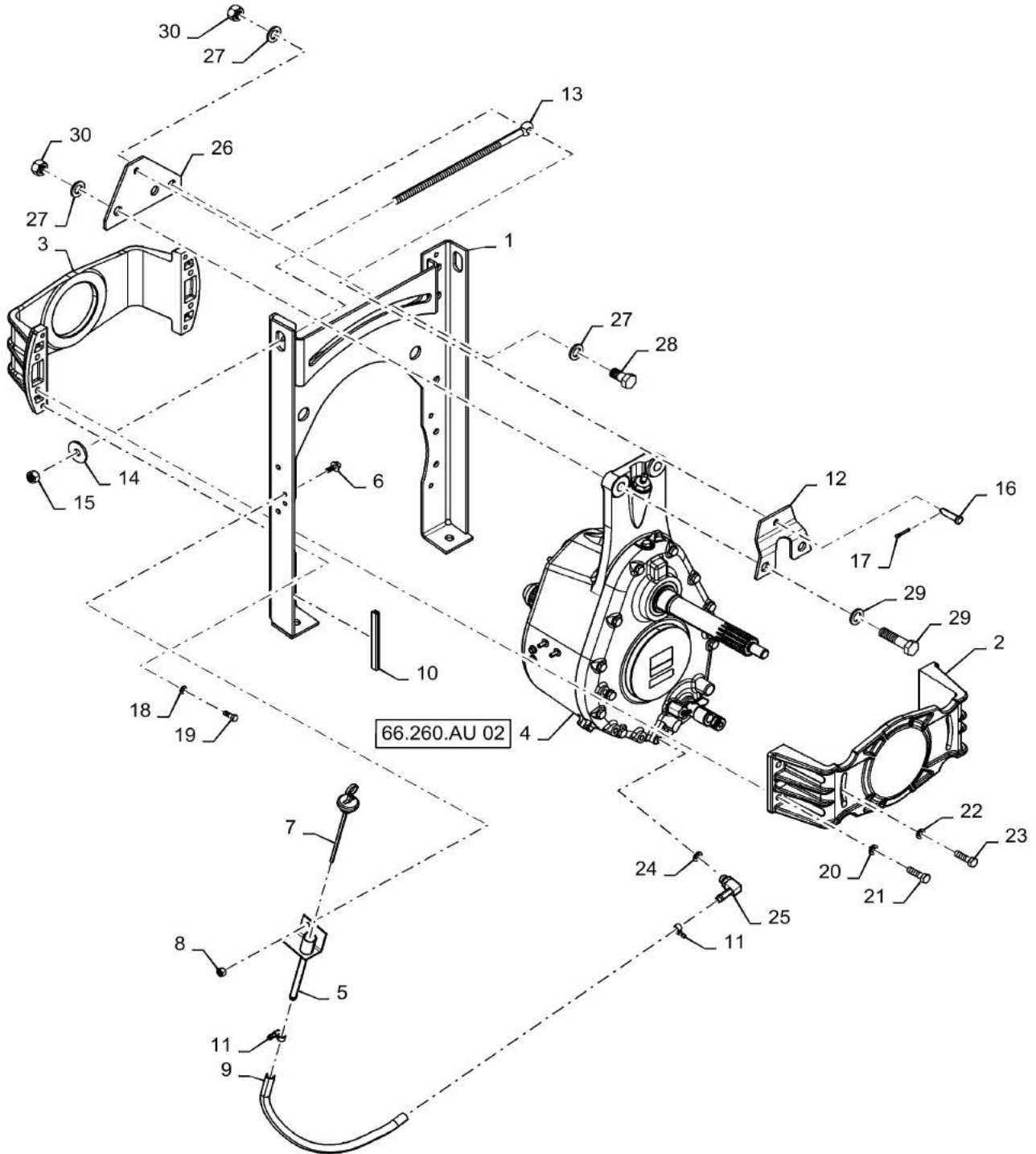
66.260.AU

01

p1

7/2015

GEARBOX, ROTOR, MOUNTING PARTS



GEARBOX, ROTOR, MOUNTING PARTS

REF FN	PART NUMBER	YR/SN	QTY DESCRIPTION
1	84549785		1 SUPPORT Rotor Gearbox
2	87475753		1 SUPPORT Rear
3	87406699		1 SUPPORT Front
4	84171992		1 GEARBOX 3 Speed
5	193946C1		1 TUBE 12.7 mm OD Gear Case Oil Gauge
6	477-73112		2 SERRATED SCREW SI Truss Hd, 5/16" - 18 x 3/4"
7	194066C91		1 DIPSTICK Oil Rotor Drive
8	231-5145		2 SERRATED NUT Flg, USR, 5/16"-18
9	194043C1		1 HYDRAULIC HOSE 12.70 mm ID x 483.00 mm Fill And Drain
10	1327979C1		1 MOLDING Edge Trim
11	214-1706		2 HOSE CLAMP #06, 0.44" - 0.78", Type M Worm
12	87406696		1 BRACKET Gearbox Support
13	188143C1		1 EYEBOLT Gear Housing
14	495-81030		2 WASHER 21/32" x 2" x .179"
15	425-1010		2 NUT 5/8"-11, G5
16	439-5832		1 HEADED PIN 12.7mm OD x 50.8mm L
17	432-1216		1 COTTER PIN 3/16" x 1"
18	492-11038		4 LOCK WASHER 3/8"
19	413-616		4 BOLT Hex, 3/8" - 16 x 1", Gr 5
20	492-11050		4 LOCK WASHER 1/2"
21	413-828		4 BOLT Hex, 1/2" - 13 x 1-3/4", Gr 5
22	896-11012		2 WASHER 13.5mm ID x 24mm OD x 3mm Thk
23	614-12040		2 BOLT Hex, M12 x 1.75 x 40mm, CI 8.8, Full Thd
24	237-6008		1 O-RING 0.087" Thk x 0.644" ID, -908, CI 6, 90 Duro
25	217-348		1 FITTING 90°, 1/2" Hose x 3/4"-16 ORB Beaded
26	87406697		1 PLATE Gearbox Support
27	87529307		6 WASHER 22mm ID x 37mm OD x 4mm Thk 37mm OD x 22mm ID x 4mm

5140-COMBINE - TIER 2

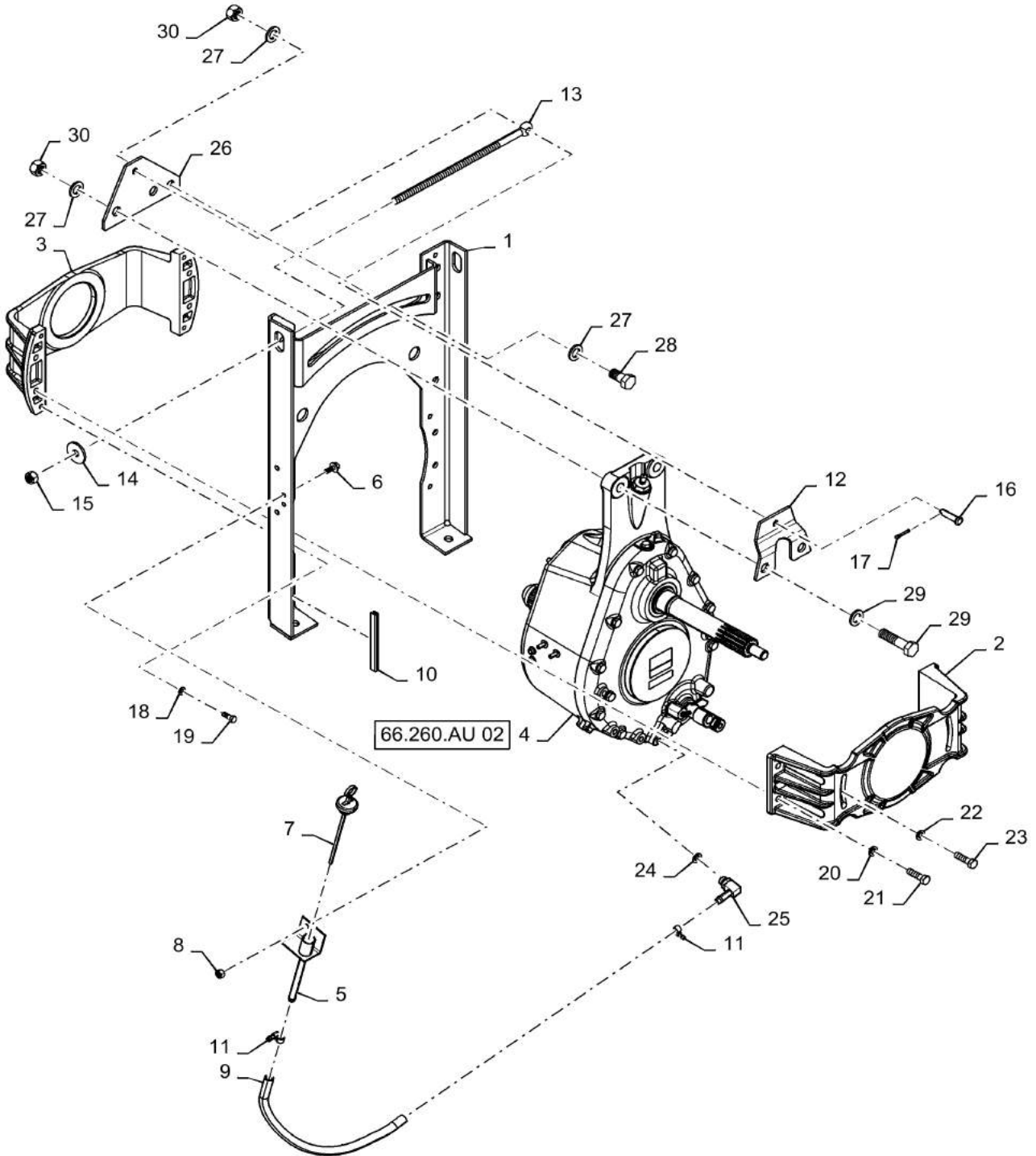
66.260.AU

01

p2

7/2015

GEARBOX, ROTOR, MOUNTING PARTS



66.260.AU

01

p2

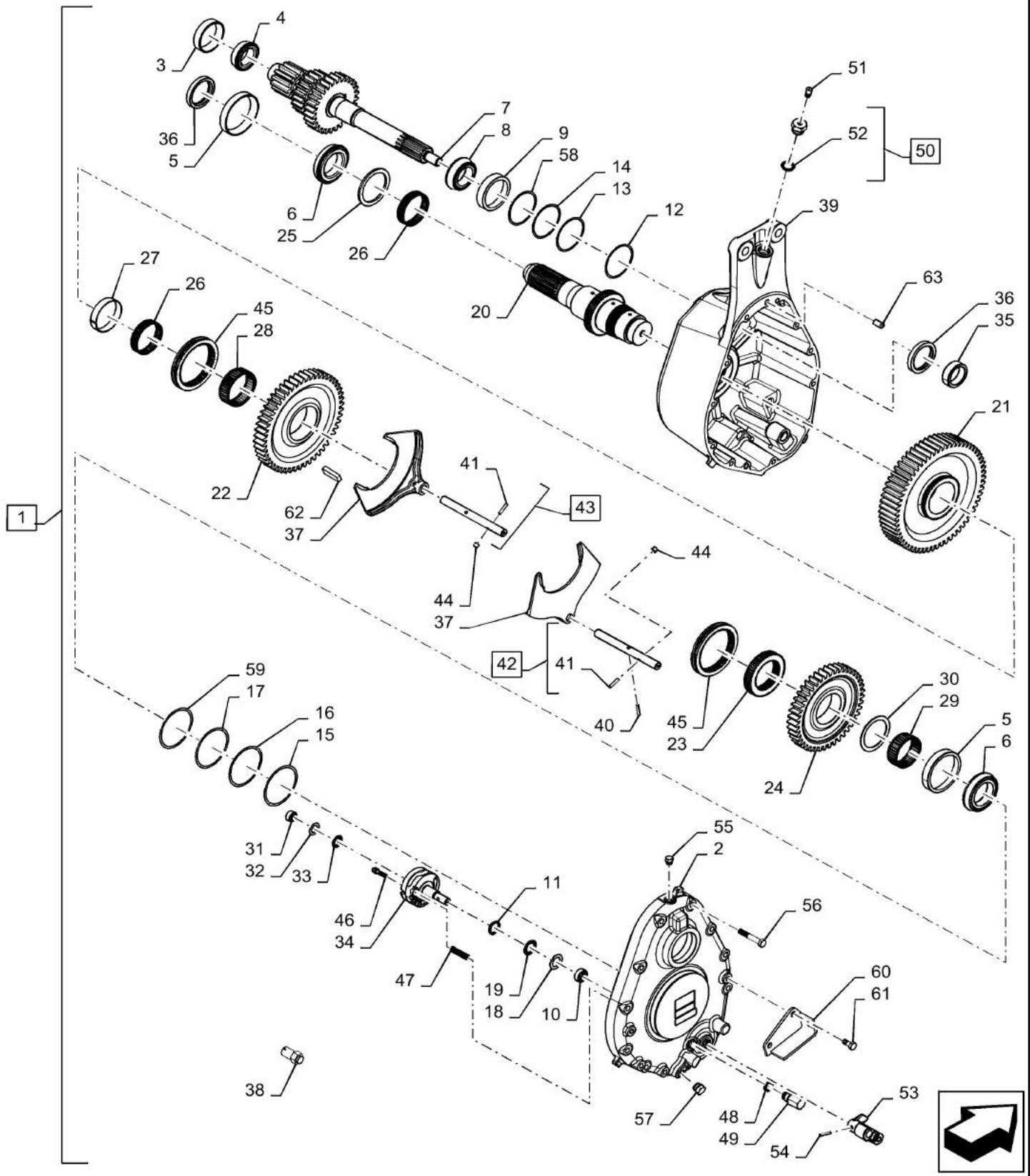
7/2015

GEARBOX, ROTOR, MOUNTING PARTS

REF FN	PART NUMBER	YR/SN	QTY DESCRIPTION
28	87342019		1 BOLT Hex, M20 x 2.5 x 40mm, Class 10.9, Full Thd, DOR
29	87024335		2 BOLT Hex, M20 x 80mm, Cl 10.9
30	87619751		3 NUT M20

5140-COMBINE - TIER 2

GEARBOX, ROTOR, DRIVE

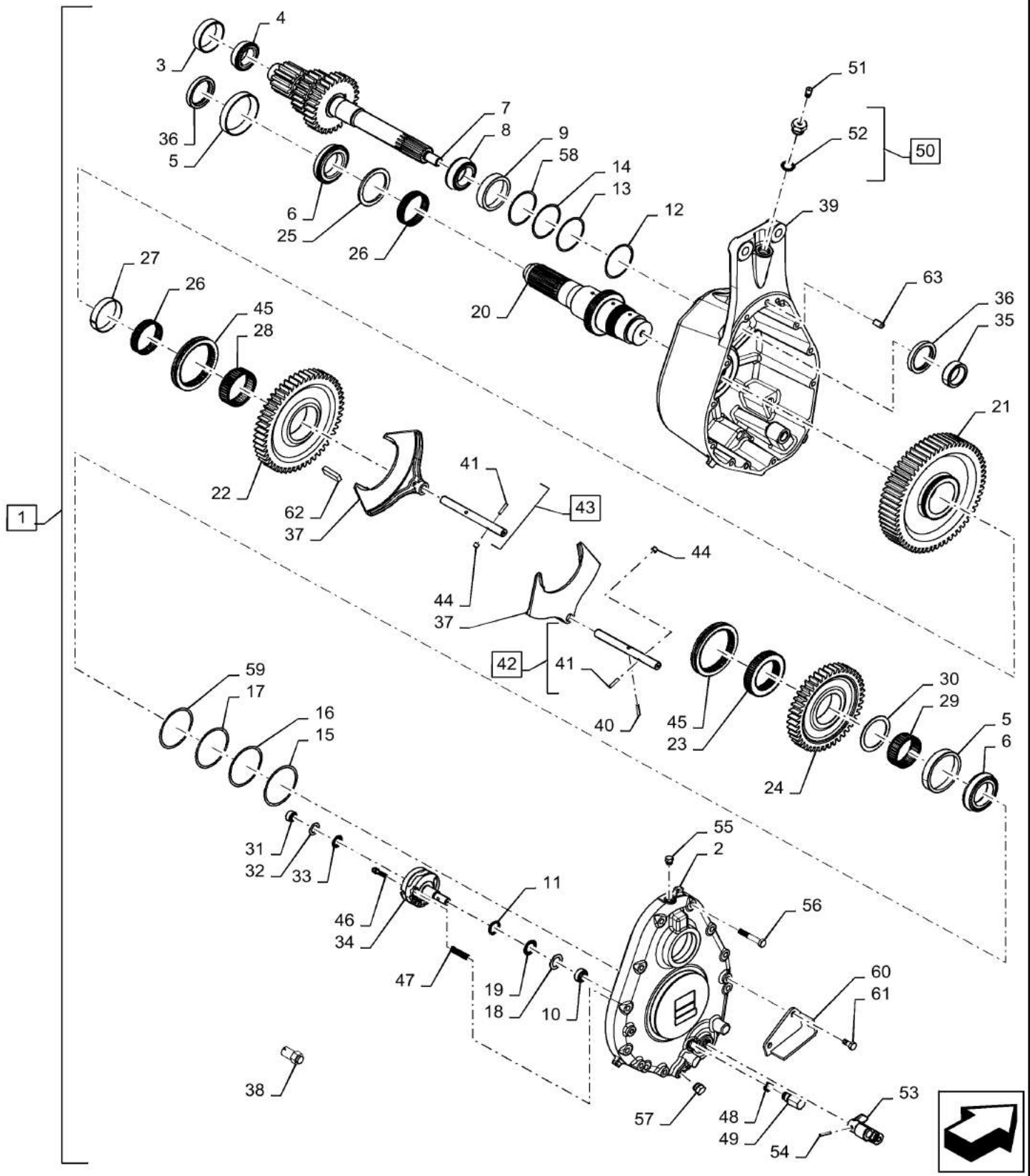


GEARBOX, ROTOR, DRIVE

REF FN	PART NUMBER	YR/SN	QTY DESCRIPTION
1	84171992		1 GEARBOX Rotor Drive, Incl 2 - 63
1	84171991R		1 REMAN-ROTOR DRIVE Rotor Drive, Incl 2 - 63
1	84171991C		1 CORE-HOUSING Return Number
2	84166878		1 COVER Rotor Drive Gear Case
3	130503H		1 BEARING CUP 77mm ID x 83mm OD
4	300426R91		1 BEARING ASSY 45.618 mm ID x 25.4 mm
5	29214H		2 BEARING CUP 110mm OD x 18.82mm W
6	80572270		2 BEARING ASSY 63.5mm ID x 22mm W Cone, 65mm ID
7	451231A2		1 SHAFT Rotor Drive Input
8	87326176		1 BEARING ASSY 50.8 mm ID x 63 mm OD x 25.4 mm
9	114979H		1 BEARING CUP 92mm OD x 19.845mm W
10	96423C1		1 NEEDLE BEARING 1" ID x 1.2505" OD x 0.5"
11	238-5214		1 O-RING 0.139" Thk x 0.984" ID, -214, CI 5, 75 Duro
12	253178A1		AR SHIM 83mm ID x 91.5mm OD x 0.38mm Thk Input Shaft, 0.381mm
13	253177A1		AR SHIM 83mm ID x 91.5mm OD x 0.25mm Thk Input Shaft, 0.254mm
14	337374A1		AR SHIM 83mm ID x 91.5mm OD x 0.2mm Thk Input Shaft, 0.203mm
15	258819A1		AR SHIM 98.5mm ID x 109mm OD x 0.38mm Thk Output Shaft, 0.381mm
16	258818A1		AR SHIM 98.5mm ID x 109mm OD x 0.25mm Thk Output Shaft, 0.254mm
17	337375A1		AR SHIM Output Shaft, 0.203mm
18	T40066		1 WASHER 25.58mm ID x 39.17mm OD x 1.56mm Thk Thrust
19	G13609		1 THRUST BEARING 25.4mm ID x 39.67mm OD x 1.98mm W Needle
20	87367599		1 SHAFT Rotor Drive Output

5140-COMBINE - TIER 2

GEARBOX, ROTOR, DRIVE



66.260.AU

02

p2

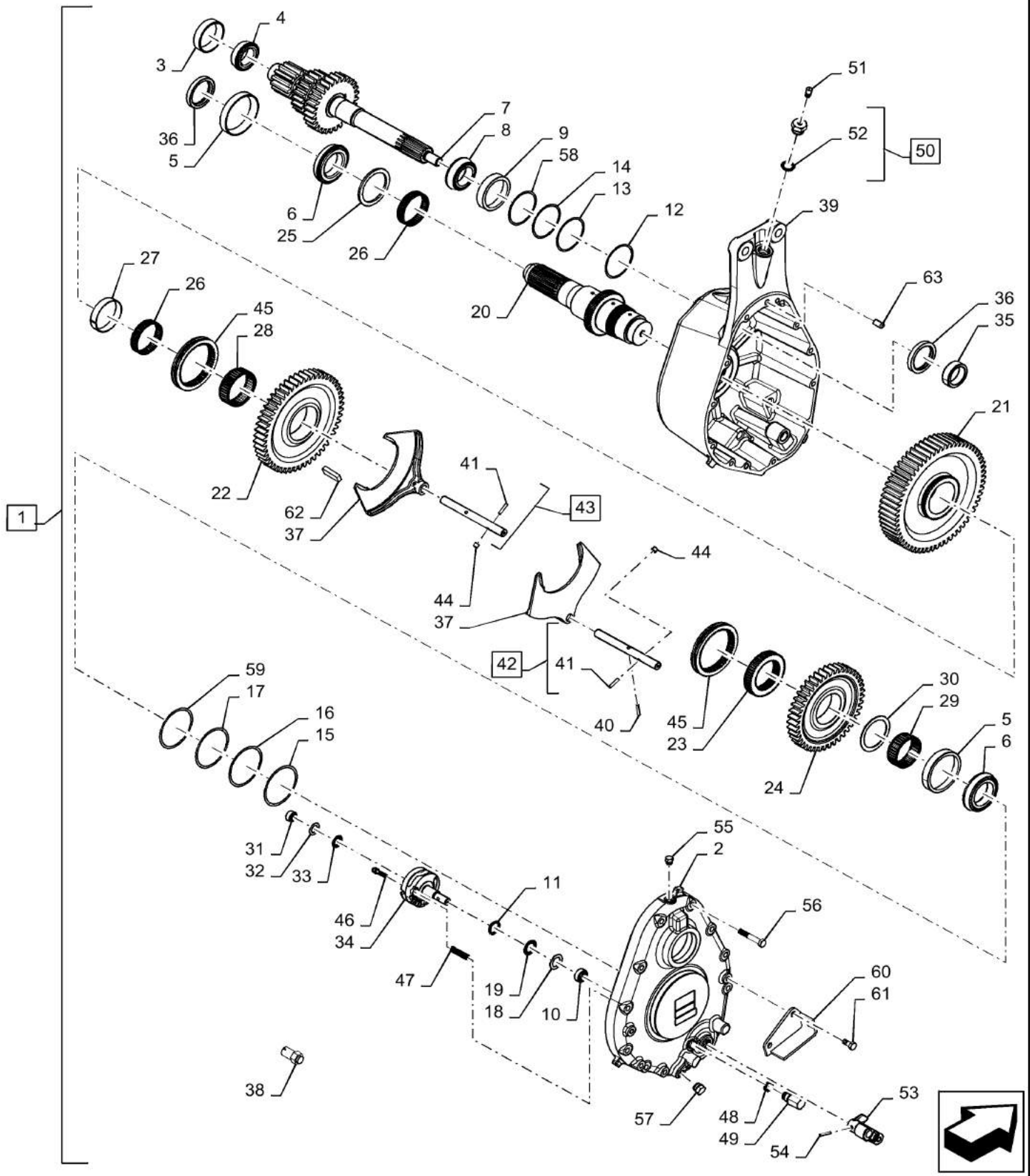
7/2015

GEARBOX, ROTOR, DRIVE

REF FN	PART NUMBER	YR/SN	QTY DESCRIPTION
21	87330133		1 GEAR Low Driven, 61T
22	87326186		1 GEAR Mid Driven, 51T
23	451244A1		1 SPLINED RING 50T Internal / 54T External Collar
24	87326187		1 GEAR High Driven, 43T
25	451245A2		1 THRUST WASHER 80.3mm ID x 100mm OD x 5mm Thk 80.3mm x 100mm x 5mm
26	235584A1		2 BEARING, NEEDLE 79.99mm ID x 86.02mm OD x 19.63mm W
27	451255A1		1 SPACER 81.93mm ID x 85.85mm OD x 17.5mm L Low Driven Gear Bearing
28	235591A1		1 BEARING, NEEDLE 84.98mm ID x 93.02mm OD x 29.63mm W
29	235594A1		1 BEARING, NEEDLE 74.99mm ID x 83.02mm OD x 29.63mm W
30	235595A2		1 THRUST WASHER 75.25mm ID x 95mm OD x 2.28mm Thk 95mm x 75.25mm x 2.28mm
31	A27999		1 NEEDLE BEARING Needle, 19.05mm ID x 25.41mm OD x 12.7mm W
32	396795R1		1 THRUST WASHER 31.24mm x 19.228mm x .787mm
33	324105R91		1 THRUST BEARING 19.1mm ID x 31.5mm OD x 1.98mm W 1.24" x .752"
34	84173593		1 CAM Gear Shift, Rotor Gearbox
35	194047C2		1 BUSHING 49.16mm ID x 63.5mm OD x 21.02mm L Input Shaft
36	194051C1		2 SEAL 63.42mm ID x 82.8mm OD x 11mm Thk Rotor Gear Case
37	451251A1		2 SHIFTER FORK
38	84152678		2 SWITCH Normally Closed, Detent
39	84171994		1 HOUSING ASSY. Rotor Drive Gearbox
40	38-21622		2 PIN 6.35mm OD x 34.92mm L, Coiled
41	37-1420		2 DOWEL 1/4" x 1 1/4"
42	84178858		1 RAIL ASSY. Low/Mid Gear, Incl 41

5140-COMBINE - TIER 2

GEARBOX, ROTOR, DRIVE



GEARBOX, ROTOR, DRIVE

REF FN	PART NUMBER	YR/SN	QTY DESCRIPTION
43	84178859		1 RAIL ASSY. Hi Gear, Incl 41
44	236851A1		2 ROLLER 12mm OD x 9.5mm L Cam Rotor Drive
45	87491816		2 COLLAR Shift
46	84193697		1 PIN 7.75mm OD x 43.84mm L Switch Actuator
47	87670320		1 SPRING Shift Detent
48	167269		1 O-RING 0.097" Thk x 0.755" ID, -910, CI 6, 90 Duro
49	84173594		1 PLUG Shift Pin
50	87326175		1 PLUG 1-1/16" - 12 Vent, Incl 52
51	219-434		1 BREATHER 1/8" - 27 NPT, Short, W/Washer Vent
52	237-6012		1 O-RING 0.116" Thk x 0.924" ID, -912, CI 6, 90 Duro
53	87402650		1 ARM Cam Shift Rotor Gearbox
54	38-21622		1 PIN 6.35mm OD x 34.92mm L, Coiled
55	129998		1 PLUG 1/2" - 20 ORB
56	828-12070		11 BOLT Hex, M12 x 1.75 x 70mm, CI 10.9
57	214389		1 PLUG 3/4" - 16 ORB
58	87525964		AR SHIM 83mm ID x 91.5mm OD x 0.08mm Thk 0.076mm
59	87525965		AR SHIM 0.076mm
60	451241A2		1 BRACKET Shift Cable
61	628-12025		2 BOLT Hex, M12 x 1.75 x 25mm, CI 10.9, Full Thd
62	9840491		1 MAGNET
63	37-1816		2 DOWEL 1/2" x 1"

5140-COMBINE - TIER 2

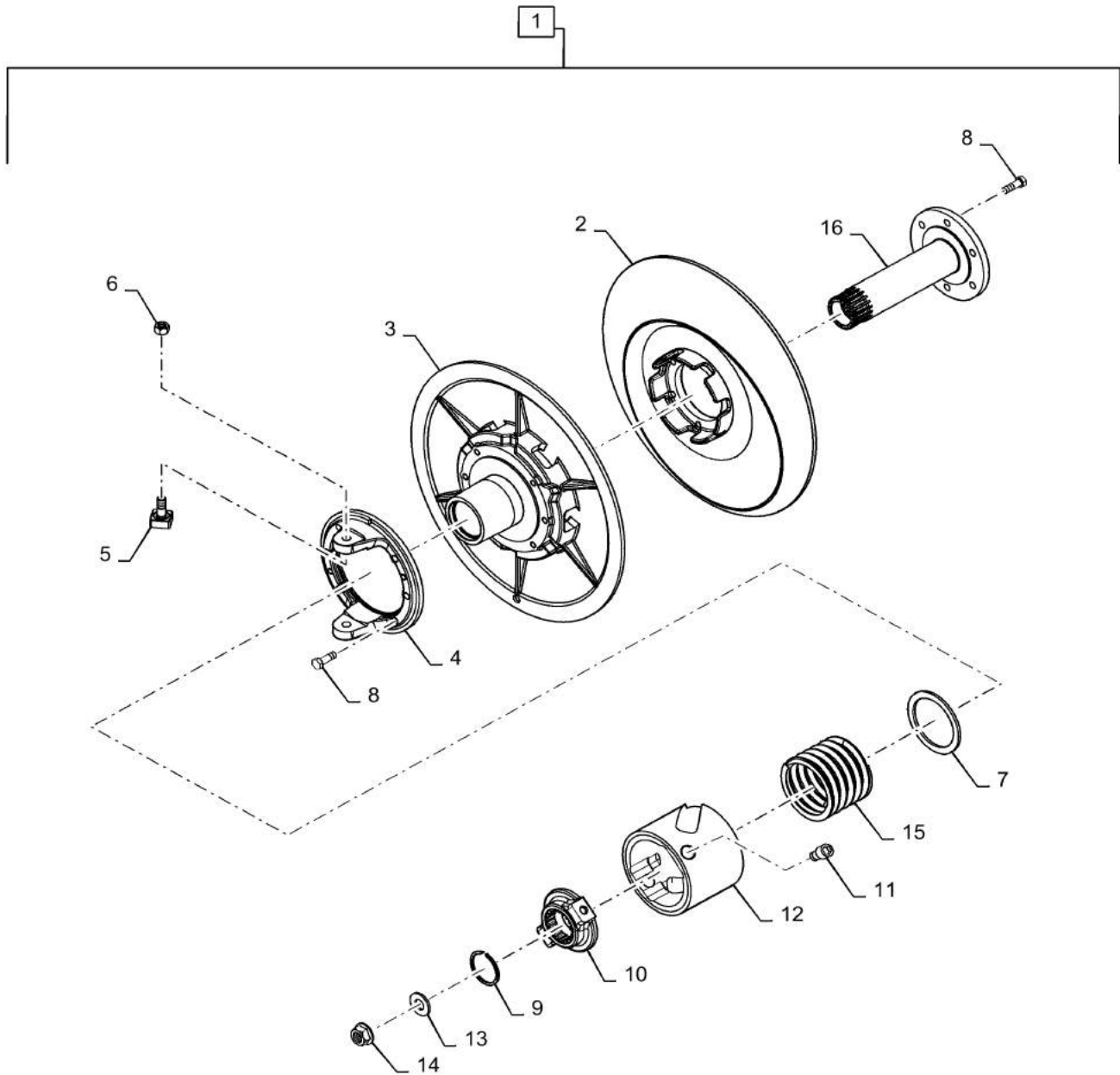
66.260.AV

01

p1

7/2015

PULLEY, TORQUE LIMITER



PULLEY, TORQUE LIMITER

REF FN	PART NUMBER	YR/SN	QTY DESCRIPTION
1	84188228		1 PULLEY Torque Sensing Unit, Incl 2 - 16
2	87369115		1 PULLEY Rotor Driven, Fixed
3	413163A1		1 PULLEY 546.1mm OD Rotor Driven, Variable
4	411411A1		1 CAM FOLLOWER Cam Follower
5	87554227		2 CAMSHAFT BEARING 1-1/2" OD x 2-3/8" OAL, 5/8" - 18
6	425-1110		2 NUT 5/8"-18, G5
7	188210C91		1 CAM FOLLOWER Thrust Bearing
8	310-1824		12 BOLT Hex, 1/2" - 13 x 1-1/2", Gr 8
9	360171R1		1 SNAP RING M66.67 x 3.23mm Thk, Ext Hub Cam Follower Retainer
10	411410A1		1 HUB 60.58mm ID x 137.4mm OD x 42mm L Sensing Torque Cam
11	194167C1		2 SCREW 5/8 - 11" x 1" Spcket head .625"-11 x 1"
12	413165A1		1 HUB Cam Assembly, Torque Sensing
13	370255R2		1 WASHER 22.63mm ID x 47.75mm OD x 4.18mm Thk Outer Bearing Retainer
14	1315288C1		1 FLANGE NUT Special
15	413160A1		1 SPRING Rotor Drive
16	184489C1		1 HUB Fixed Half Pulley

5140-COMBINE - TIER 2

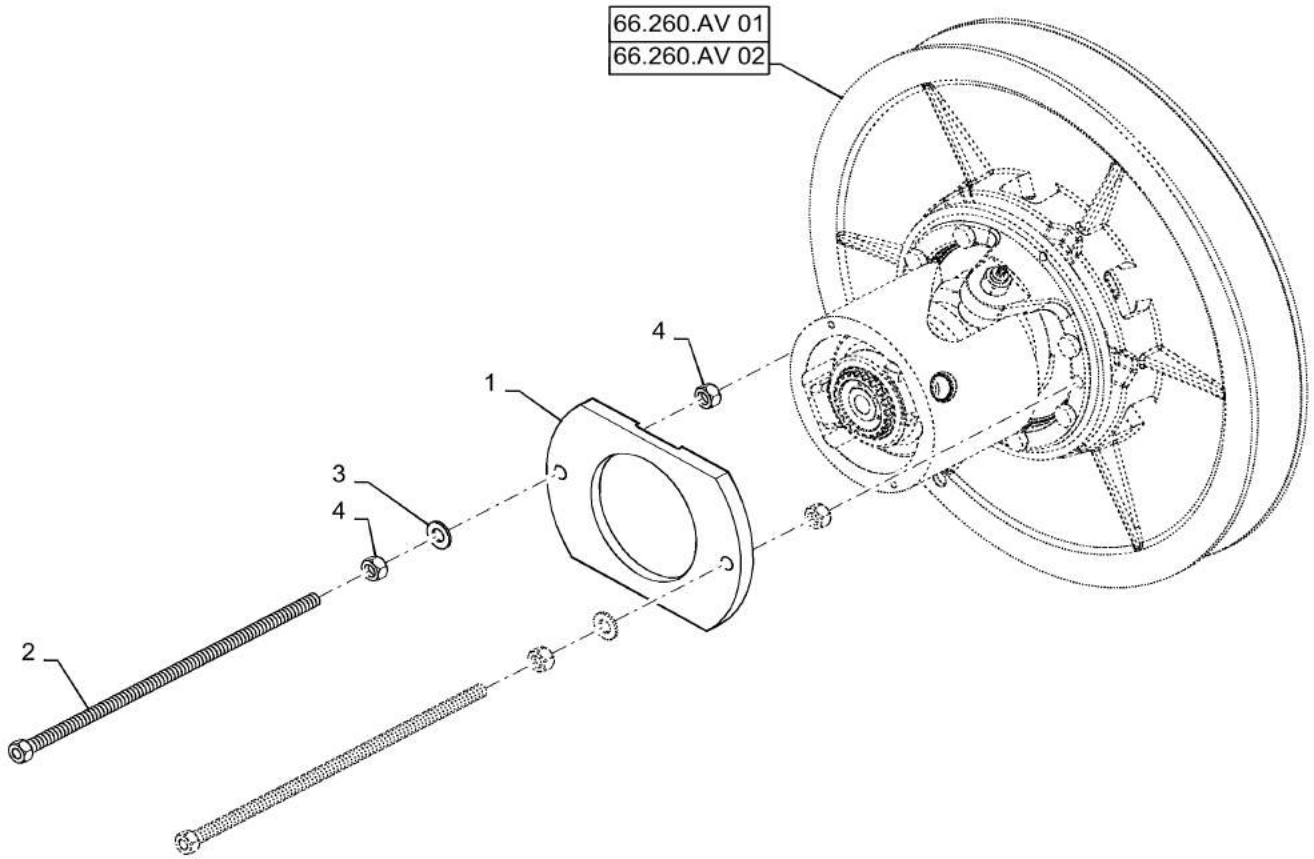
66.260.AV

03

p1

7/2015

TORQUE LIMITER, PLATE



66.260.AV

03

p1

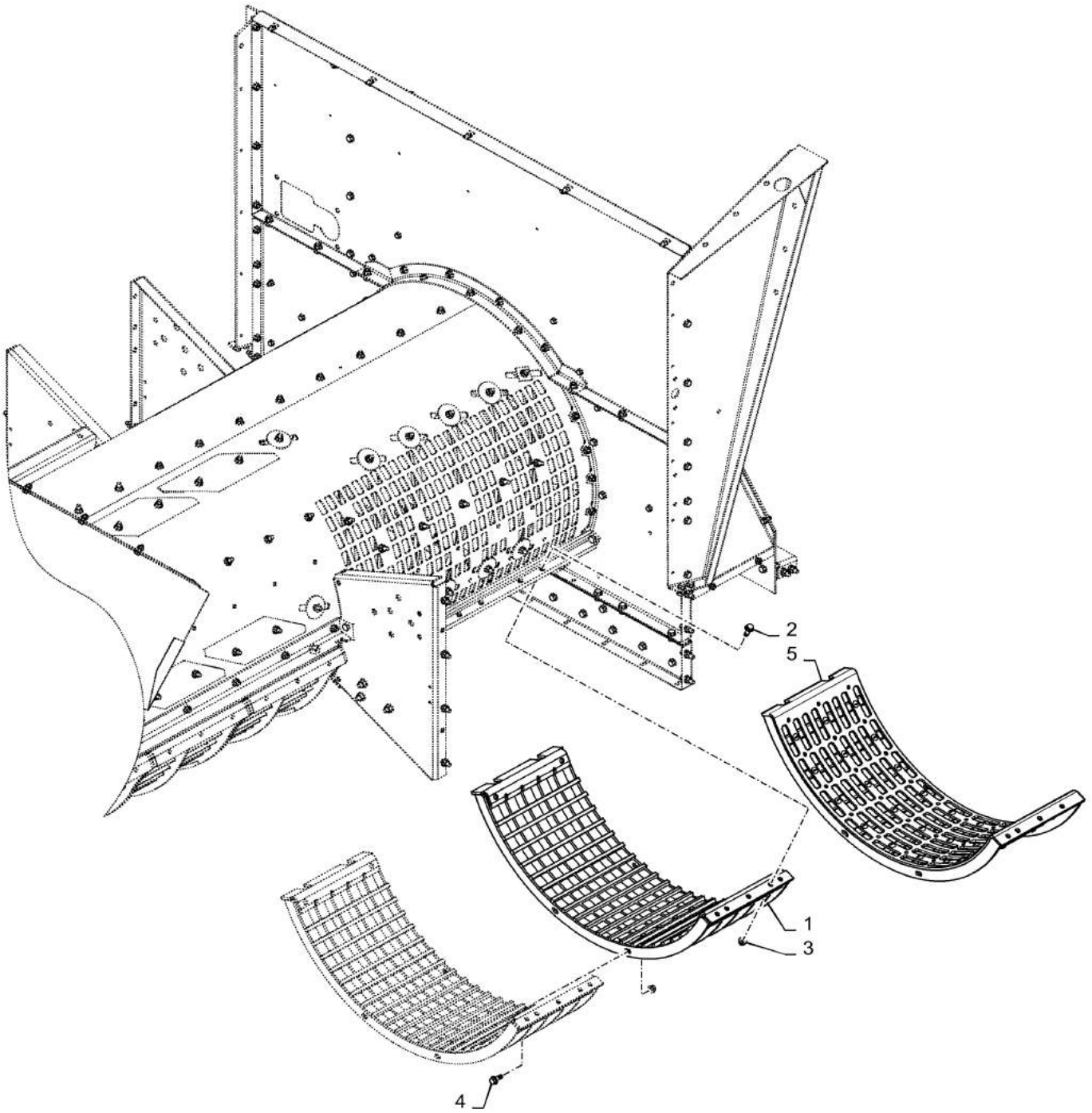
7/2015

TORQUE LIMITER, PLATE

REF FN	PART NUMBER	YR/SN	QTY DESCRIPTION
1	86992943		1 PLATE Spring Compressor
1	84128607		1 PLATE Spring Compressor
2	86992947		2 ROD Torque Sensing Spring
3	495-11053		2 WASHER 1/2", SAE
4	429-108		4 NUT 1/2"-13, G8

5140-COMBINE - TIER 2

GRATE, CONCAVE

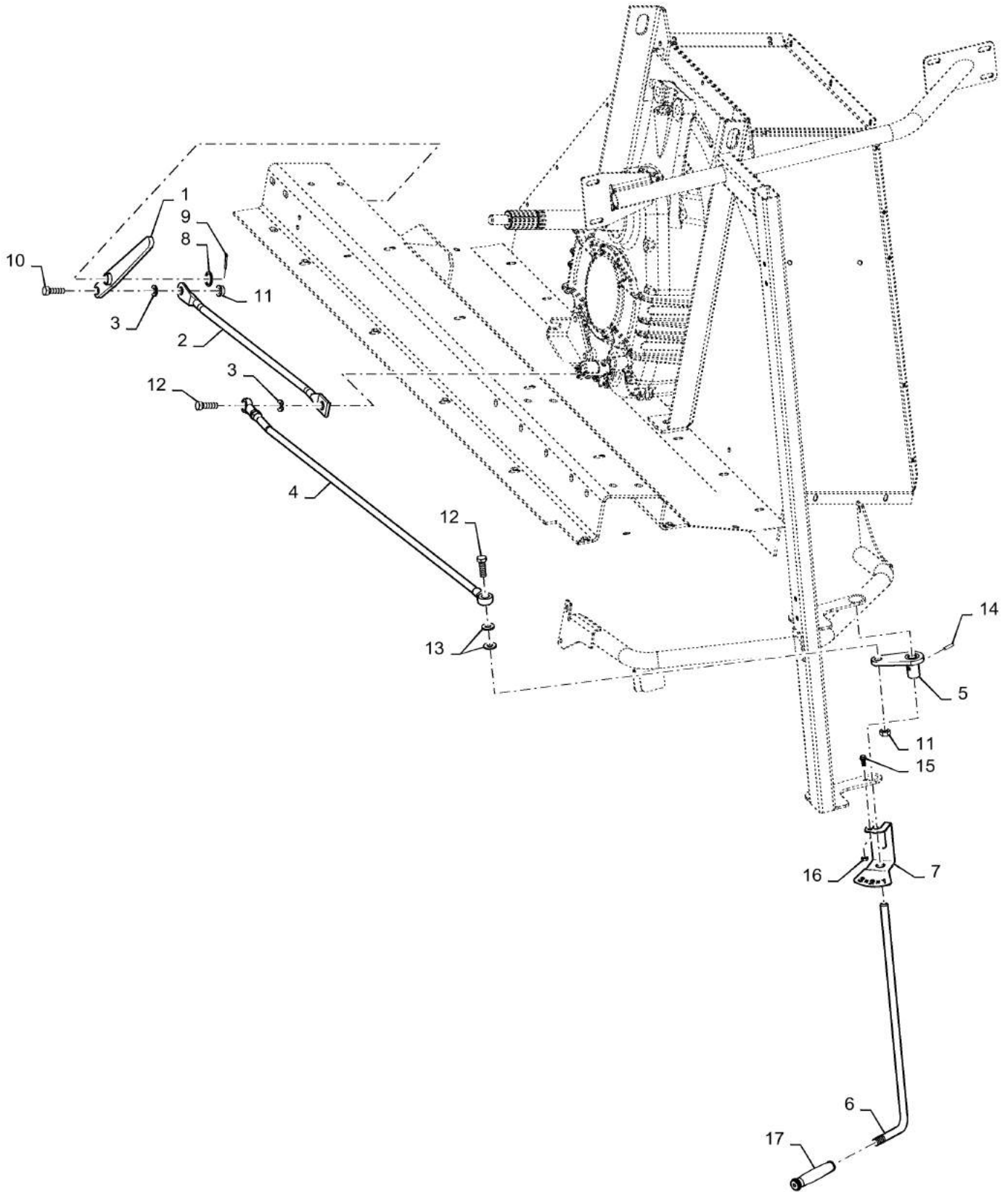


GRATE, CONCAVE

REF FN	PART NUMBER	YR/SN	QTY DESCRIPTION
1	1302563C1		AR CONCAVE Keystock
2	87698837		10 FLANGE BOLT M10 x 30mm, Full Thd, CI 10.9
3	86050279		12 FLANGE NUT M10 x 1.5, CI 10
4	87698836		2 BOLT M10 x 25mm, Full Thd, CI 10.9
5	442714A1		AR GRILLE Grate, Slotted

5140-COMBINE - TIER 2

LINKAGE, GEARBOX, ROTOR



LINKAGE, GEARBOX, ROTOR

REF FN	PART NUMBER	YR/SN	QTY DESCRIPTION
1	87528912		1 HANDLE Aux 3 Speed Rotor Shift
2	84134672		1 ROD ASSY. Rotor Shift
3	87387107		2 BUSHING Hanger Pivot
4	84135525		1 ROD ASSY. Actuating Lever
5	84134693		1 PLATE ASSY. Rotor Shift
6	84134547		1 ROD Handle
7	84135556		1 BRACKET Indicator, 3 Speed/ Neutral
8	495-81037		1 WASHER 25/32" x 1 1/4" x .060"
9	432-1620		1 COTTER PIN 1/4" x 1 1/4"
10	413-824		1 BOLT Hex, 1/2" - 13 x 1-1/2", Gr 5
11	86521610		2 FLANGE NUT Flg, 1/2"-13
12	413-832		2 BOLT Hex, 1/2" - 13 x 2", Gr 5
13	495-11053		2 WASHER 1/2", SAE
14	838-3636		2 PIN M6 x 36, Coiled
15	87695418		1 FLANGE BOLT M6 x 1.0 x 16mm, CI 10.9
16	86050300		1 FLANGE NUT M6 x 1.0, CI 10
17	283524A1		1 GRIP Rubber Handle

5140-COMBINE - TIER 2

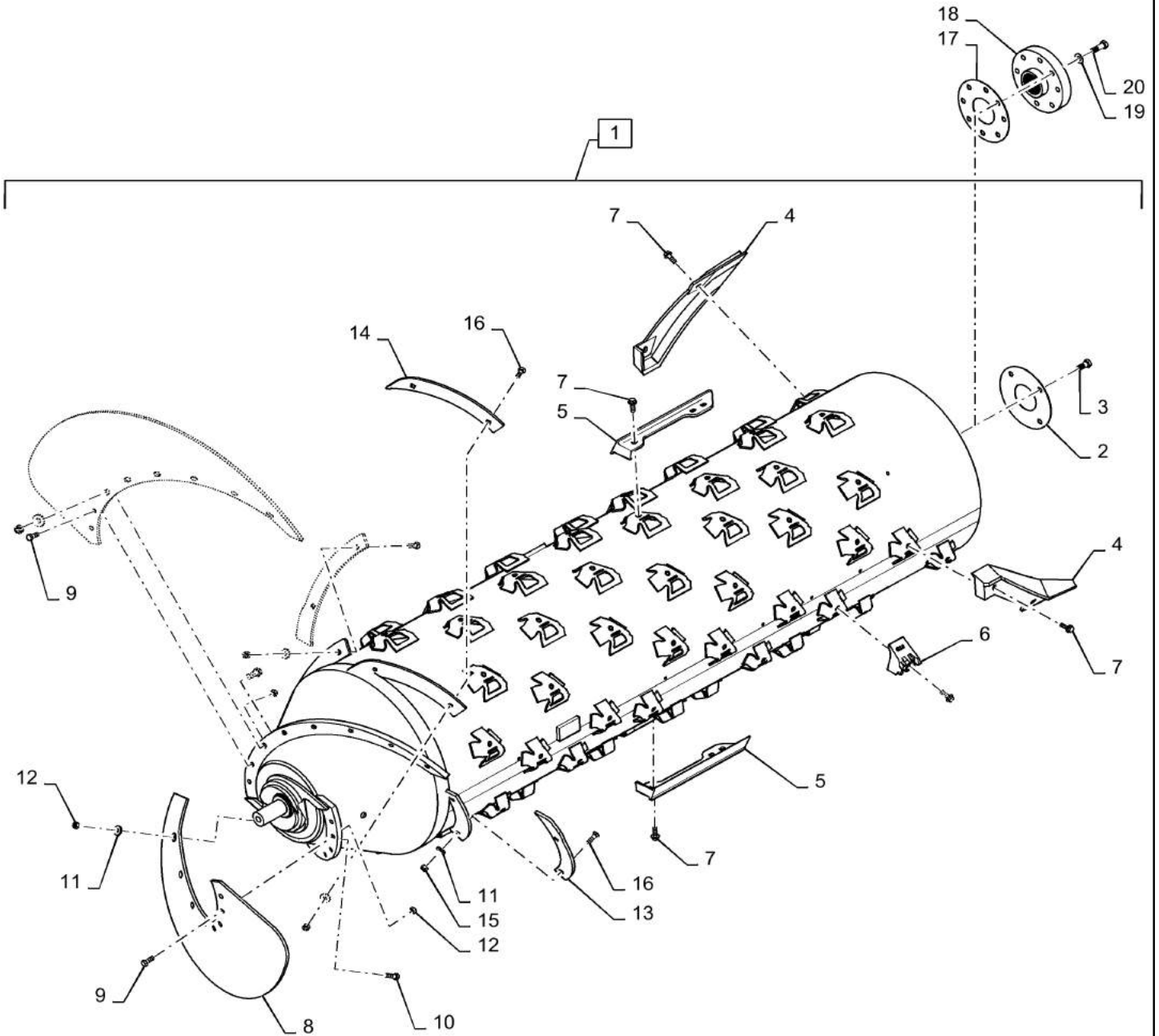
66.331.AK

01

p1

7/2015

VAR - 722808 - THRESHING CYLINDER, ROTOR



66.331.AK

01

p1

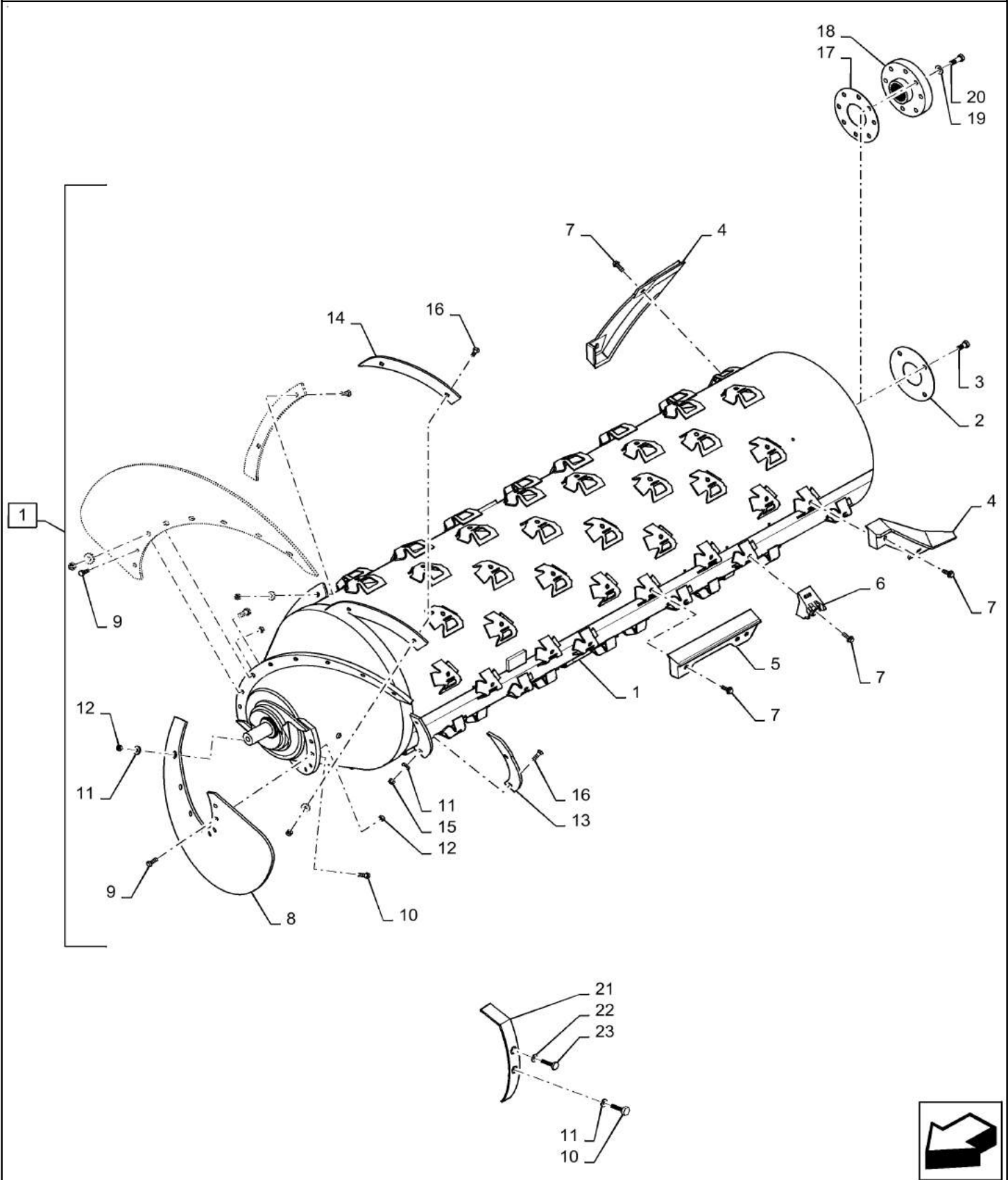
7/2015

VAR - 722808 - THRESHING CYLINDER, ROTOR

REF FN	PART NUMBER	YR/SN	QTY DESCRIPTION
1	87636590		1 ROTOR ASSY. Large Tube, Incl 2 - 16
2	NSS		1 NOT SERVICED SEPARATELY Rotor Plate, Incl In 1
3	86508583		4 BOLT Hex, M16 x 35mm, CI 8.8, Full Thd
4	1327676C1		2 BAR Helical Kicker
5	1318976C2		4 BAR Straight Seperator Straight Separator
6	84164540		66 RASP BAR W/O Spike, Modular Iron
7	86981487		78 BOLT Bolt, Flange M12X35 Full 10.9 DOR
8	410668A3		2 IMPELLER AFX Rotor Inlet
9	326-820		4 BOLT Hex, 1/2" - 13 x 1-1/4", Gr 8
10	326-824		12 BOLT Hex, 1/2" - 13 x 1-1/2", Gr 8
11	396-41053		20 WASHER 13.49mm ID x 31.75mm OD x 5.05mm Thk
12	199528A1		16 NUT 1/2" -13
13	84162517		2 EXTENSION Inlet Flight
14	84162516		2 EXTENSION Intermediate
15	412672		8 NUT Hex, M12 x 1.75, CI 10
16	87314103		8 PLOW BOLT M12 x 1.75 x 40mm, CI 10.9 M12 x 40mm, 10.9
17	87619363		1 PLATE Rotor Load Ring, 8 Bolt
18	87619364		1 COUPLING HD Rotor Drive, 23 Tooth
19	86639326		16 WASHER 17.3mm ID x 34.5mm OD x 5mm Thk
20	87550181		8 BOLT Hex, M16 x 95mm, CI 10.9 Hex, M16 x 95mm, 10.9

5140-COMBINE - TIER 2

VAR - 722808 - THRESHING CYLINDER, ROTOR



66.331.AK

02

p1

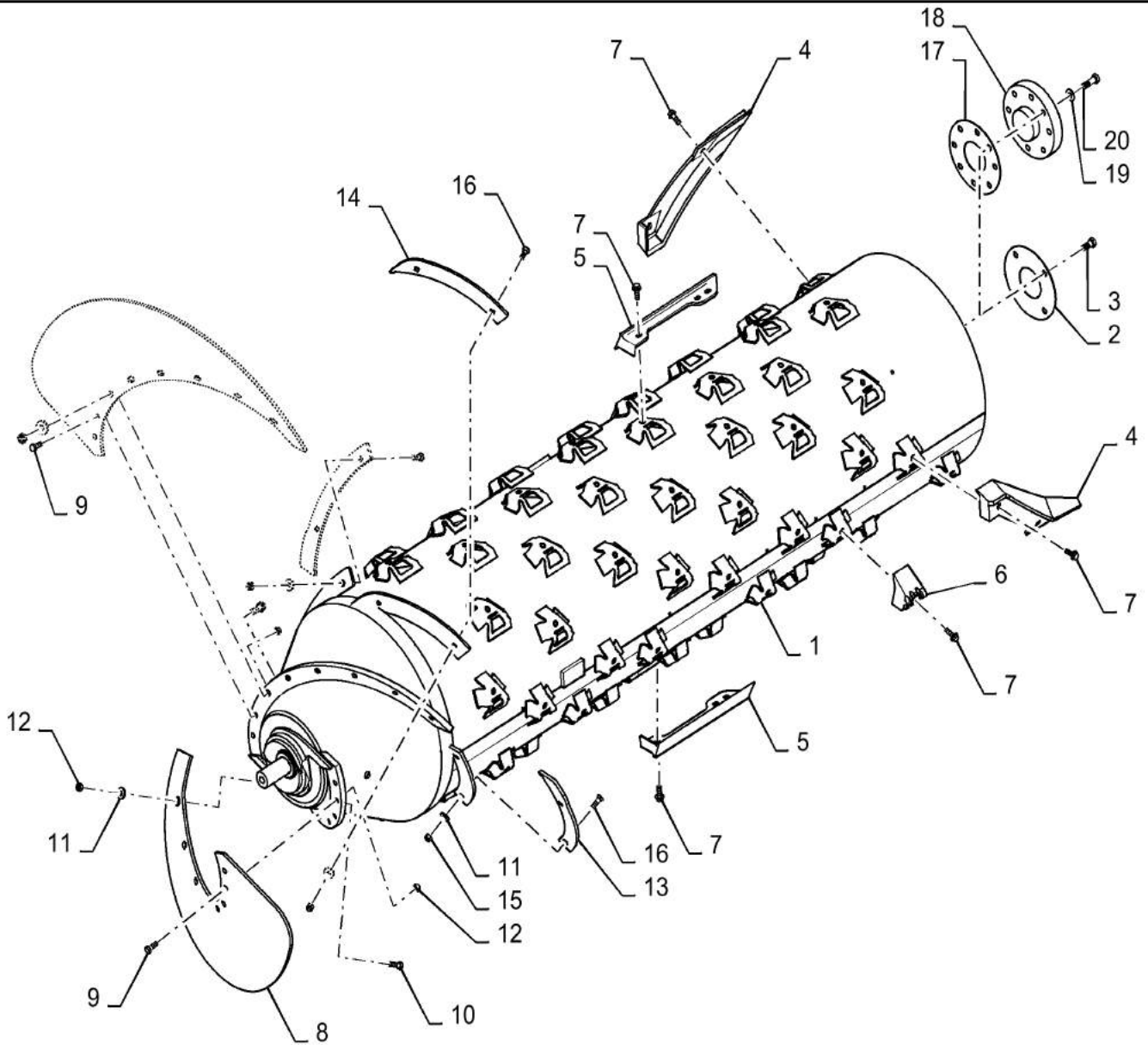
7/2015

VAR - 722808 - THRESHING CYLINDER, ROTOR

REF FN	PART NUMBER	YR/SN	QTY DESCRIPTION
1	87636590		1 ROTOR ASSY. Large Tube W/ Anti-Wind, Incl 2 - 16, 21 - 23
2	NSS		1 NOT SERVICED SEPARATELY Rotor Plate, Incl In 1
3	86508583		4 BOLT Hex, M16 x 35mm, CI 8.8, Full Thd
4	1327676C1		2 BAR Helical Kicker
5	1318976C2		4 BAR Straight Seperator Straight Separator
6	84164540		66 RASP BAR W/O Spike, Modular Iron
7	86981487		78 BOLT Bolt, Flange M12X35 Full 10.9 DOR
8	410668A3		2 IMPELLER AFX Rotor Inlet
9	326-820		4 BOLT Hex, 1/2" - 13 x 1-1/4", Gr 8
10	326-824		12 BOLT Hex, 1/2" - 13 x 1-1/2", Gr 8
11	396-41053		20 WASHER 13.49mm ID x 31.75mm OD x 5.05mm Thk
12	199528A1		16 NUT 1/2"-13
13	84162517		2 EXTENSION Inlet Flight
14	84162516		2 EXTENSION Intermediate
15	412672		8 NUT Hex, M12 x 1.75, CI 10
16	87314103		8 PLOW BOLT M12 x 1.75 x 40mm, CI 10.9 M12 x 40mm, 10.9
17	87619363		1 PLATE Rotor Load Ring, 8 Bolt
18	87619364		1 COUPLING HD Rotor Drive, 23 Tooth
19	86639326		16 WASHER 17.3mm ID x 34.5mm OD x 5mm Thk
20	87550181		8 BOLT Hex, M16 x 95mm, CI 10.9 Hex, M16 x 95mm, 10.9
21	87416663		1 PLATE Anti-Wind Extension, AFX Rotor
22	396-41053		2 WASHER 13.49mm ID x 31.75mm OD x 5.05mm Thk
23	337563		2 SCREW M12 x 1.75 x 47.68mm, CI 10.9

5140-COMBINE - TIER 2

ROTOR - EXTENDED WEAR SMALL GRAIN, CORN, SOYBEAN W/ 4 STRAIGHT SEPARATOR BARS



66.331.AK

03

p1

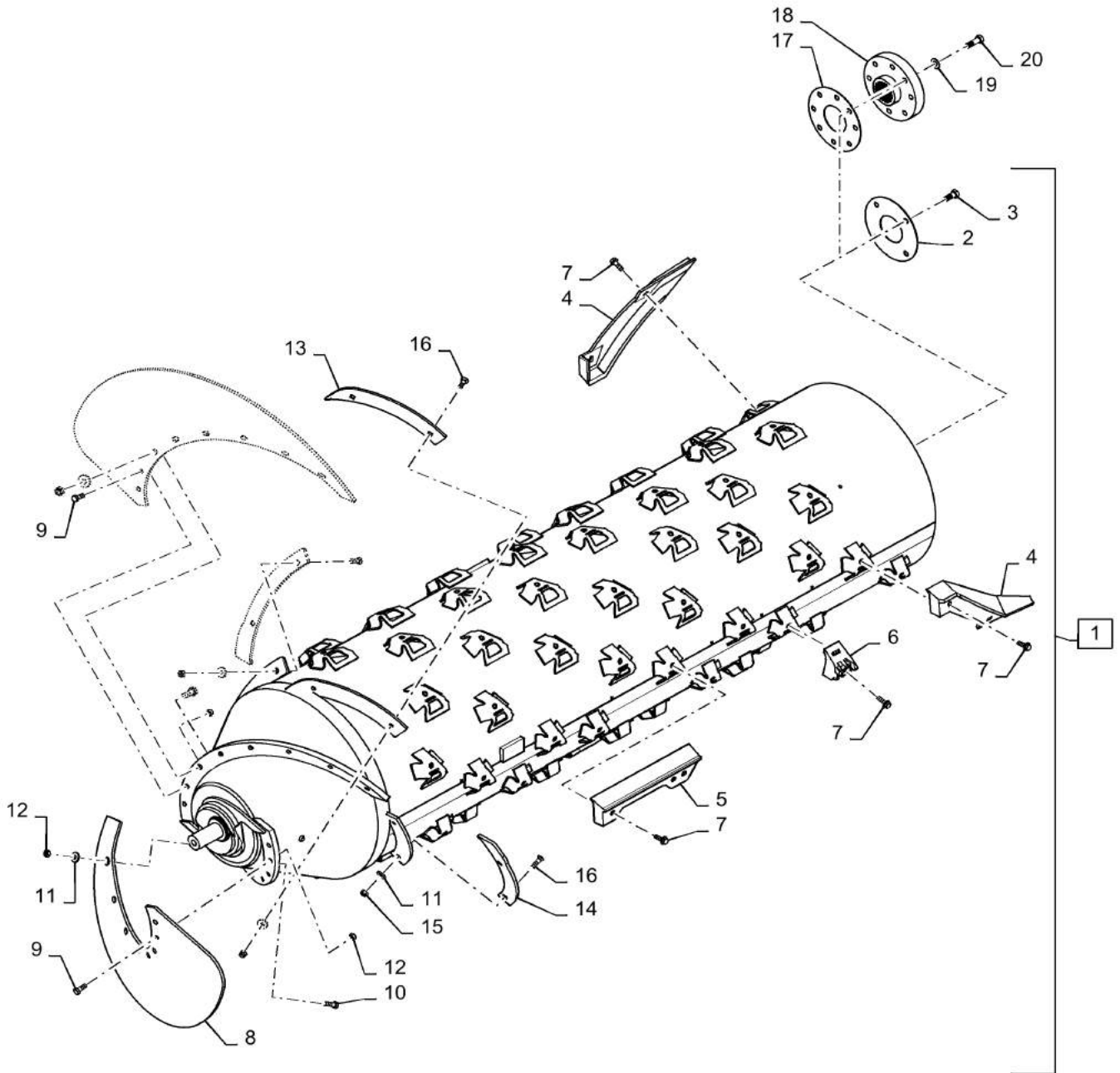
7/2015

ROTOR - EXTENDED WEAR SMALL GRAIN, CORN, SOYBEAN W/ 4 STRAIGHT SEPARATOR BARS

REF FN	PART NUMBER	YR/SN	QTY DESCRIPTION
1	87636602		1 ROTOR ASSY. Complete, Incl 2 - 16
2	NS		1 NOT SERVICED Cover Plate, Incl In 1
3	86508583		4 BOLT Hex, M16 x 35mm, CI 8.8, Full Thd
4	86992048		2 BAR RFC, Helical Kicker, Carbide Iron
5	86992047		4 BAR Straight Separator Bar, Carbide Iron
6	278821A3		66 RASP BAR W/O Spike, Extended Wear
7	86981487		78 BOLT Bolt, Flange M12X35 Full 10.9 DOR
8	410668A3		2 IMPELLER Flighting, Rotor Inlet
9	326-820		4 BOLT Hex, 1/2" - 13 x 1-1/4", Gr 8
10	326-824		12 BOLT Hex, 1/2" - 13 x 1-1/2", Gr 8
11	396-41053		20 WASHER 13.49mm ID x 31.75mm OD x 5.05mm Thk
12	199528A1		16 NUT 1/2"-13, Top Lock
13	84162517		2 EXTENSION Plate, Inlet Flighting
14	84162516		2 EXTENSION Plate, Intermediate
15	412672		8 NUT Hex, M12 x 1.75, CI 10
16	87314103		8 PLOW BOLT M12 x 1.75 x 40mm, CI 10.9 M12 x 40mm, Full Thread, 10.9
17	87619363		1 PLATE Rotor Load Ring, 8 Bolt
18	87619364		1 COUPLING HD Rotor Drive 23 Tooth
19	86639326		16 WASHER 17.3mm ID x 34.5mm OD x 5mm Thk
20	87550181		8 BOLT Hex, M16 x 95mm, CI 10.9 M16 x 95mm

5140-COMBINE - TIER 2

VAR - 722886 - THRESHING CYLINDER, ROTOR



66.331.AK

04

p1

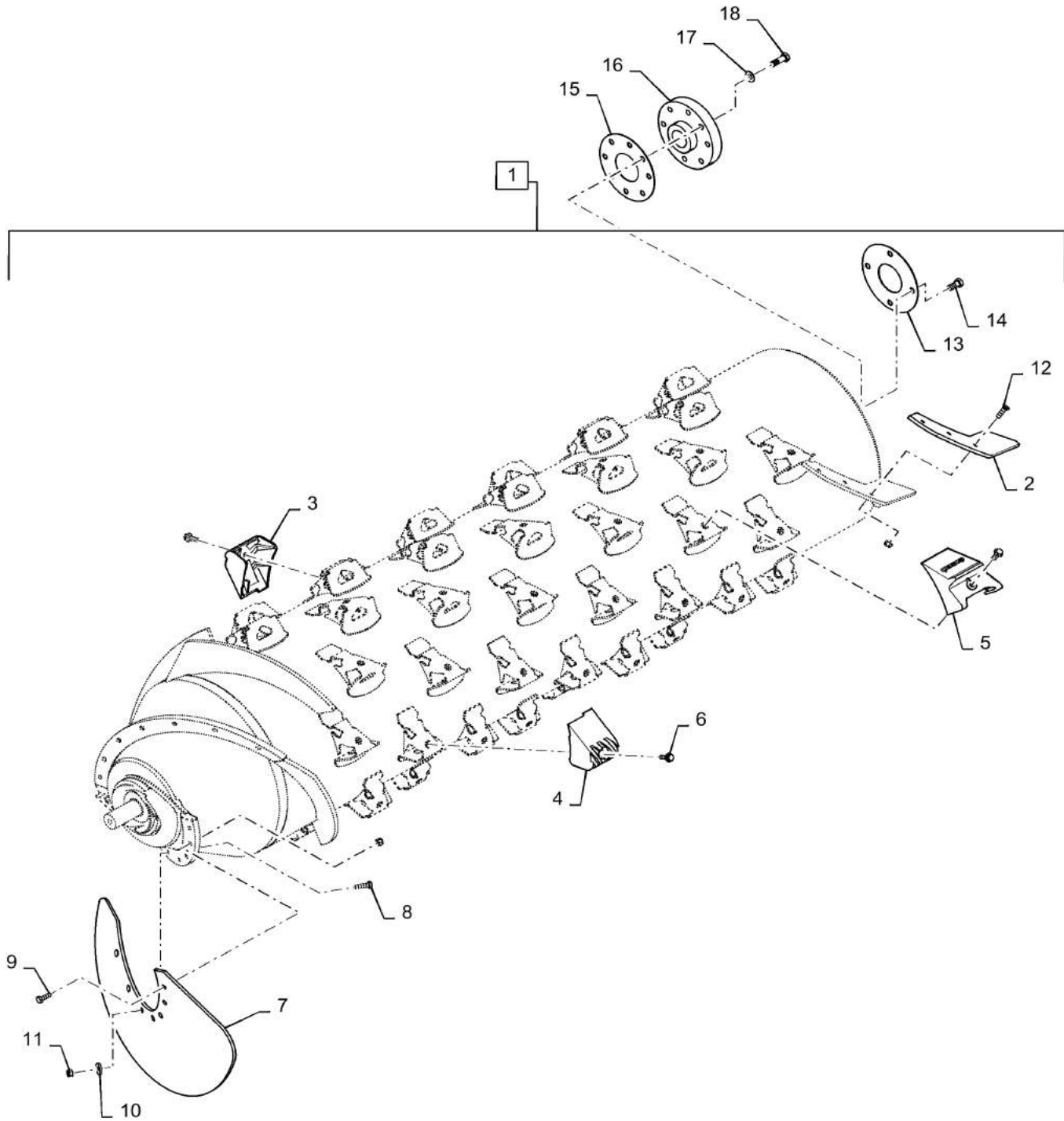
7/2015

VAR - 722886 - THRESHING CYLINDER, ROTOR

REF FN	PART NUMBER	YR/SN	QTY DESCRIPTION
1	87636594		1 ROTOR ASSY. Large Tube, Incl 2 - 16
2	NSS		1 NOT SERVICED SEPARATELY Rotor Cover, Incl In 1
3	86508583		4 BOLT Hex, M16 x 35mm, CI 8.8, Full Thd
4	1327676C1		2 BAR Helical Kicker
5	1318976C2		8 BAR Straight Seperator Straight bar Separator
6	84164540		58 RASP BAR W/O Spike, Nodular Iron
7	86981487		78 BOLT Bolt, Flange M12X35 Full 10.9 DOR
8	410668A3		2 IMPELLER Inlet Flighting
9	326-820		4 BOLT Hex, 1/2" - 13 x 1-1/4", Gr 8
10	326-824		12 BOLT Hex, 1/2" - 13 x 1-1/2", Gr 8
11	396-41053		20 WASHER 13.49mm ID x 31.75mm OD x 5.05mm Thk
12	199528A1		16 NUT 1/2"-13, Top Lock
13	84162516		2 EXTENSION Intermediate
14	84162517		2 EXTENSION Inlet Flighting
15	412672		8 NUT Hex, M12 x 1.75, CI 10
16	87314103		8 PLOW BOLT M12 x 1.75 x 40mm, CI 10.9
17	87619363		1 PLATE Rotor Load Ring, 8 Bolt
18	87619364		1 COUPLING HD Rotor Drive 23 Tooth
19	86639326		16 WASHER 17.3mm ID x 34.5mm OD x 5mm Thk
20	87550181		8 BOLT Hex, M16 x 95mm, CI 10.9 M16 x 95mm

5140-COMBINE - TIER 2

VAR - 425127 - THRESHING CYLINDER, ROTOR



66.331.AK

05

p1

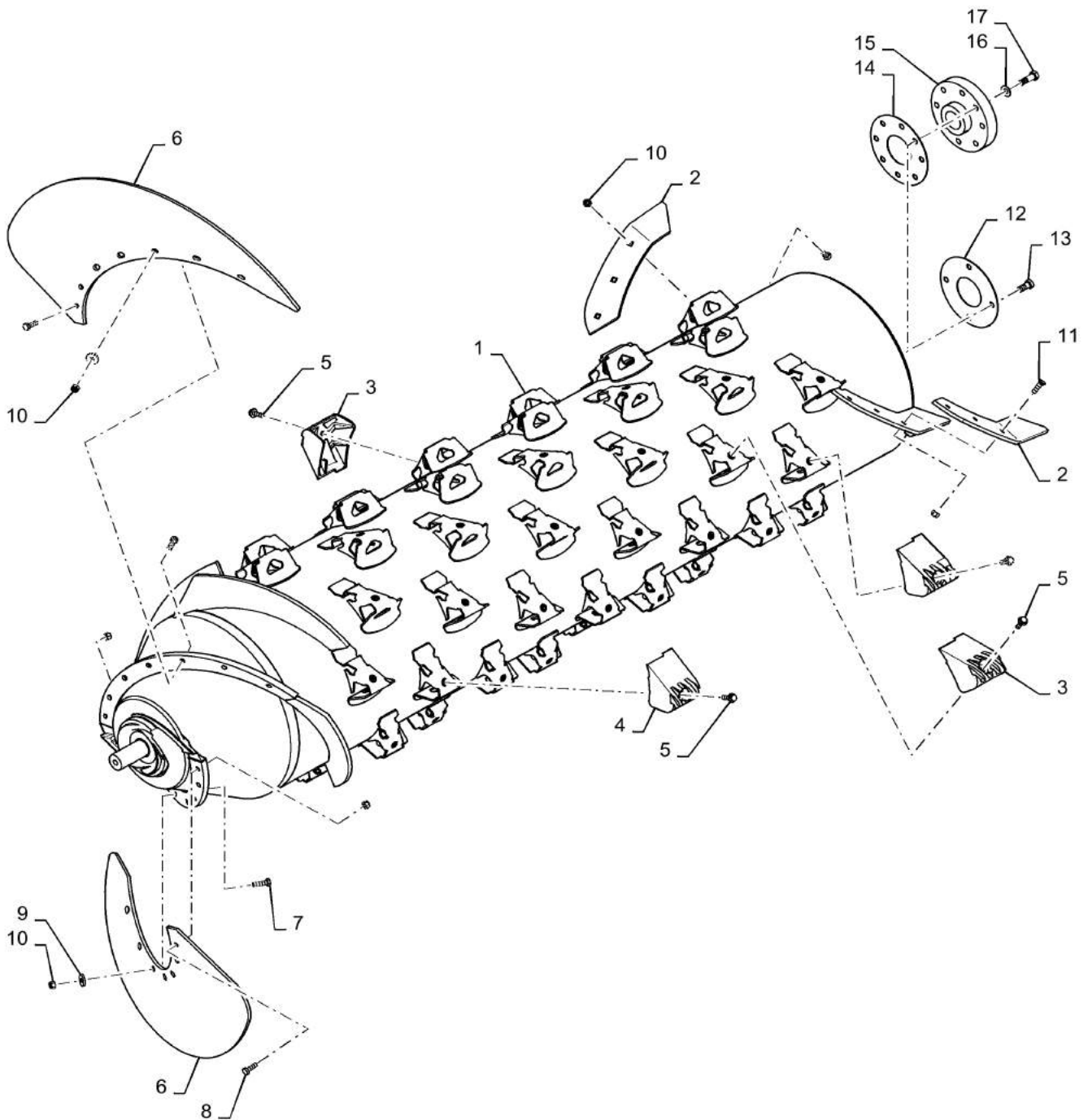
7/2015

VAR - 425127 - THRESHING CYLINDER, ROTOR

REF FN	PART NUMBER	YR/SN	QTY DESCRIPTION
1	87723447		1 ROTOR Small Tube, Corn, Incl 2 - 14
2	87544176		2 STEEL FLIGHT Rear Kicker
3	84317777		40 RASP BAR Small Tube, Extended Wear, 10 Degree Non- Spike
4	84317775		10 RASP BAR Extended Wear W/Spike, 10 Degree
5	87602594		10 RASP BAR Straight Bar
6	86981487		60 BOLT Bolt, Flange M12X35 Full 10.9 DOR
7	87532511		2 IMPELLER Rotor Inlet
8	337563		10 SCREW M12 x 1.75 x 47.68mm, CI 10.9
9	9824642		4 BOLT M12 x 1.75 x 42.68mm, CI 10.9
10	86592701		10 WASHER 13mm ID x 35mm OD x 5mm Thk
11	412672		20 NUT Hex, M12 x 1.75, CI 10
12	87314103		6 PLOW BOLT M12 x 1.75 x 40mm, CI 10.9
13	NSS		1 NOT SERVICED SEPARATELY Rear Plate, Incl In 1
14	86508583		4 BOLT Hex, M16 x 35mm, CI 8.8, Full Thd
15	87619363		1 PLATE Rotor Load Ring, 8 Bolt
16	87619364		1 COUPLING HD Rotor Drive, 23 Tooth
17	86639326		16 WASHER 17.3mm ID x 34.5mm OD x 5mm Thk
18	87550181		8 BOLT Hex, M16 x 95mm, CI 10.9 Locking, M16 x 95mm, 10.9

5140-COMBINE - TIER 2

VAR - 425436 - THRESHING CYLINDER, ROTOR



66.331.AK

06

p1

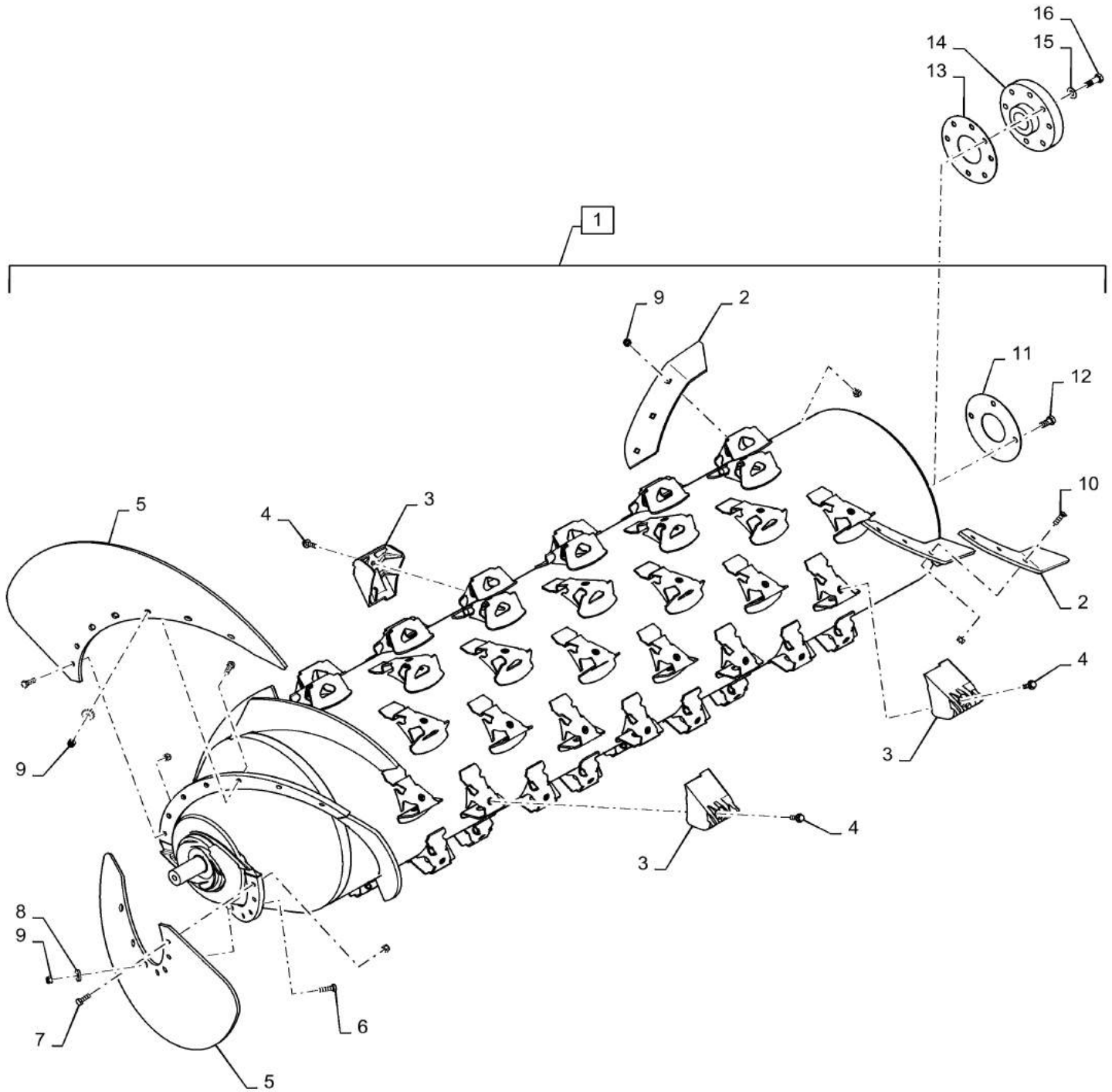
7/2015

VAR - 425436 - THRESHING CYLINDER, ROTOR

REF FN	PART NUMBER	YR/SN	QTY DESCRIPTION
1	87723449		1 ROTOR Small Tube, Grain, Incl 2 - 13
2	87544176		2 STEEL FLIGHT Rear Kicker
3	84317777		50 RASP BAR Small Tube, Extended Wear, 10 Degree Non- Spike
4	84317775		10 RASP BAR Extended Wear W/ Spike, 10 Degree
5	86981487		60 BOLT Bolt, Flange M12X35 Full 10.9 DOR
6	87532511		2 IMPELLER Rotor Inlet
7	337563		10 SCREW M12 x 1.75 x 47.68mm, CI 10.9
8	9824642		4 BOLT M12 x 1.75 x 42.68mm, CI 10.9
9	86592701		10 WASHER 13mm ID x 35mm OD x 5mm Thk
10	412672		20 NUT Hex, M12 x 1.75, CI 10
11	87314103		6 PLOW BOLT M12 x 1.75 x 40mm, CI 10.9 M12 x 40mm, 10.9
12	NSS		1 NOT SERVICED SEPARATELY Rear Plate, Incl In 1
13	86508583		4 BOLT Hex, M16 x 35mm, CI 8.8, Full Thd
14	87619363		1 PLATE Rotor Load Ring, 8 Bolt
15	87619364		1 COUPLING HD Rotor Drive 23 Tooth
16	86639326		16 WASHER 17.3mm ID x 34.5mm OD x 5mm Thk
17	87550181		8 BOLT Hex, M16 x 95mm, CI 10.9 Locking, M16 x 95mm, 10.9

5140-COMBINE - TIER 2

VAR - 425438 - THRESHING CYLINDER, ROTOR



66.331.AK

07

p1

7/2015

VAR - 425438 - THRESHING CYLINDER, ROTOR

REF FN	PART NUMBER	YR/SN	QTY DESCRIPTION
1	87723448		1 ROTOR Small Tube, Rice, Incl 2 - 12
2	87544176		2 STEEL FLIGHT Rear Kicker
3	84317775		60 RASP BAR Extended Ear, W/ Spike, 10 Degree
4	86981487		60 BOLT Bolt, Flange M12X35 Full 10.9 DOR
5	87532511		2 IMPELLER Rotor Inlet
6	337563		10 SCREW M12 x 1.75 x 47.68mm, CI 10.9
7	9824642		4 BOLT M12 x 1.75 x 42.68mm, CI 10.9
8	86592701		10 WASHER 13mm ID x 35mm OD x 5mm Thk
9	412672		20 NUT Hex, M12 x 1.75, CI 10
10	87314103		6 PLOW BOLT M12 x 1.75 x 40mm, CI 10.9 M12 x 40mm, 10.9
11	NSS		1 NOT SERVICED SEPARATELY Rear Plate, Incl In 1
12	86508583		4 BOLT Hex, M16 x 35mm, CI 8.8, Full Thd
13	87619363		1 PLATE Rotor Load Ring 8 Bolt
14	87619364		1 COUPLING HD Rotor Drive 23 Tooth
15	86639326		16 WASHER 17.3mm ID x 34.5mm OD x 5mm Thk
16	87550181		8 BOLT Hex, M16 x 95mm, CI 10.9 Locking, M16 x 95mm, 10.9

5140-COMBINE - TIER 2

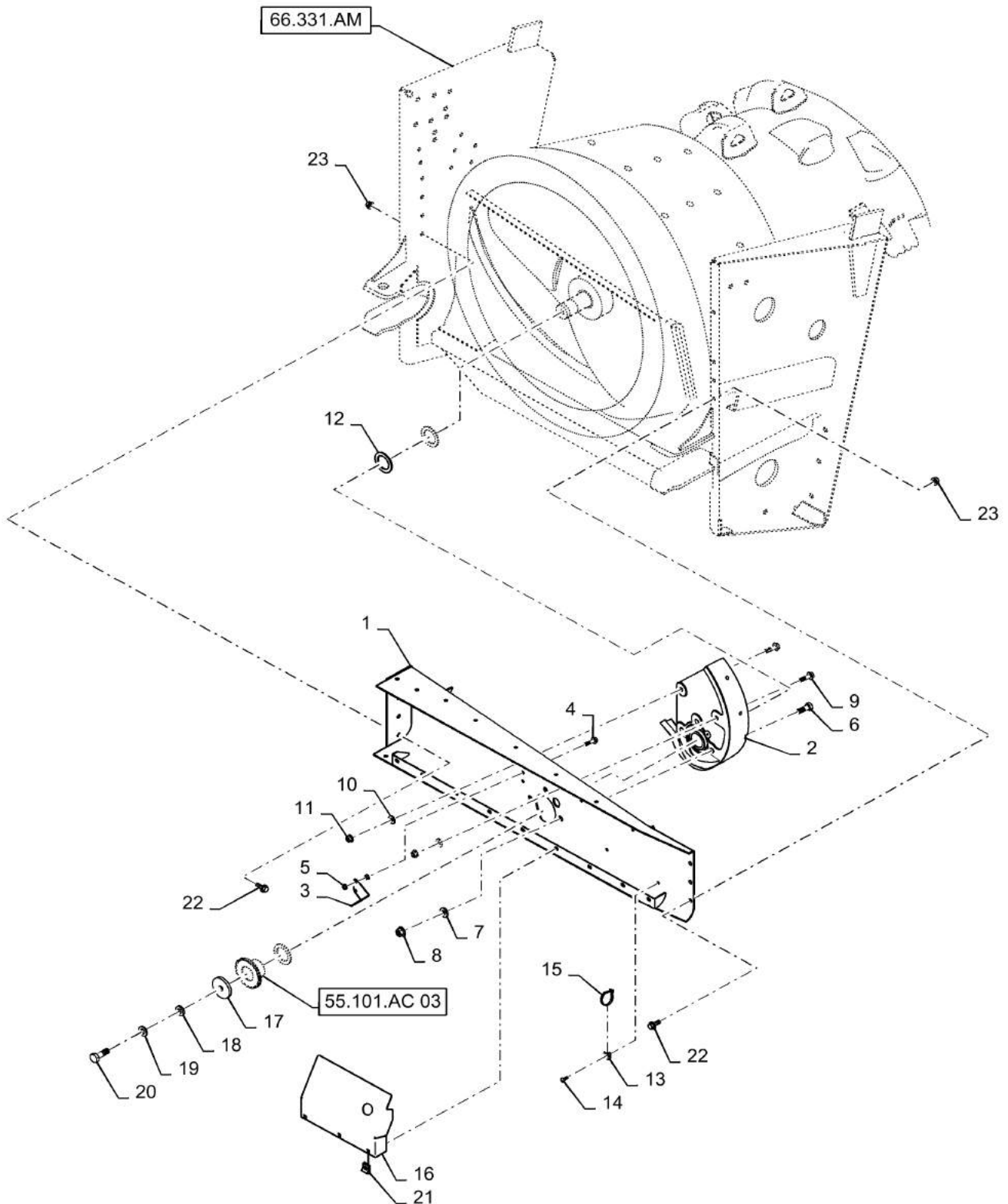
66.331.AL

01

p1

7/2015

VAR - 425127, 425436, 425438 - SUPPORT, ROTOR, FRONT



66.331.AL

01

p1

7/2015

VAR - 425127, 425436, 425438 - SUPPORT, ROTOR, FRONT

REF FN	PART NUMBER	YR/SN	QTY DESCRIPTION
1	87613390		1 SUPPORT ASSY. Rotor, Front
2	87680031		1 THRUST BEARING Rotor, Front Support
3	87648025		1 SUPPORT Rotor Speed Sensor Mount
4	87698833		2 BOLT M8 x 33.1mm, CI 10.9
5	86507066		4 FLANGE NUT M8 x 1.25, CI 10
6	374835		3 BOLT Hex, M16 x 2 x 40mm, CI 10.9, Full Thd
7	86639326		3 WASHER 17.3mm ID x 34.5mm OD x 5mm Thk
8	86512498		3 FLANGE NUT M16 x 2.0, CI 10
9	86705431		2 BOLT Hex, M12 x 40mm, CI 10.9 Flange, M12 x 40mm, 10.9
10	86625256		2 WASHER 13.3mm ID x 28.5mm OD x 4mm Thk
11	86512497		11 FLANGE NUT M12 x 1.75, CI 10
12	495-81097		AR WASHER 51.59mm ID x 69.85mm OD x 2.29mm Thk
13	86590413		4 BASE 15.87mm W x 22.22mm OAL x 9.9mm Thk Wire Tie
14	445395		4 RIVET Pop, 4.8mm OD x 18.1mm L
15	86566989		4 CABLE TIE 208mm L
16	87681895		1 BRACKET, SUPPORTING RPM Sensor
17	86998693		1 WASHER 17.8mm ID x 76.2mm OD x 9.5mm Thk 76.2mm OD x 17.8mm ID x 9.5mm
18	86639326		1 WASHER 17.3mm ID x 34.5mm OD x 5mm Thk
19	140048		1 BELLEVILLE WASHER M16 x 32mm OD x 2.8mm Thk
20	412398		1 BOLT Hex, M16 x 2 x 50mm, CI 10.9, Full Thd
21	833-40310		3 NUT M10, U
22	87030508		7 BOLT M12 x 30 Full 10.9 ZND
23	86512497		7 FLANGE NUT M12 x 1.75, CI 10

5140-COMBINE - TIER 2

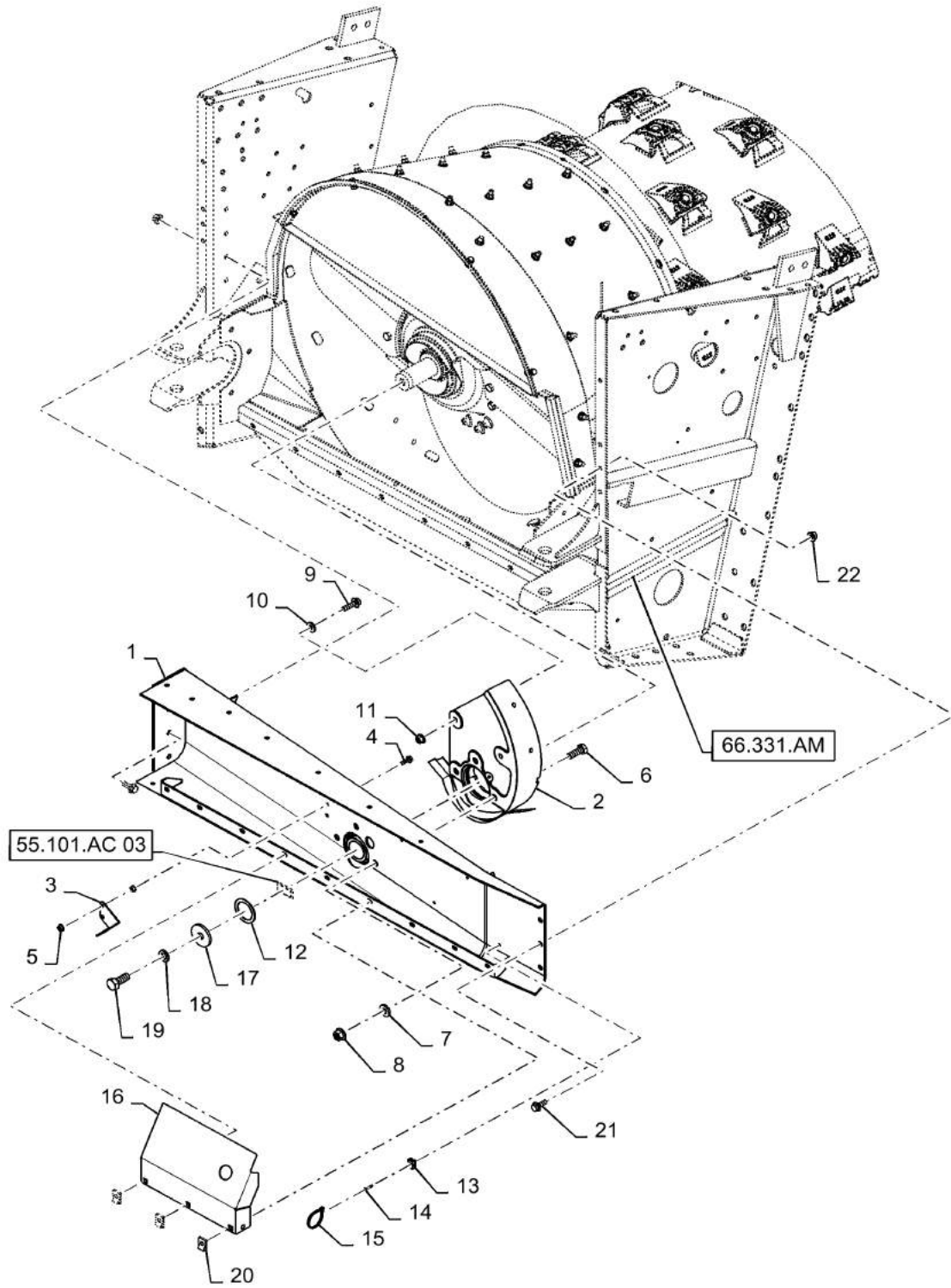
66.331.AL

02

p1

7/2015

VAR 722808, 722885, 722886 - SUPPORT, ROTOR, FRONT



66.331.AL

02

p1

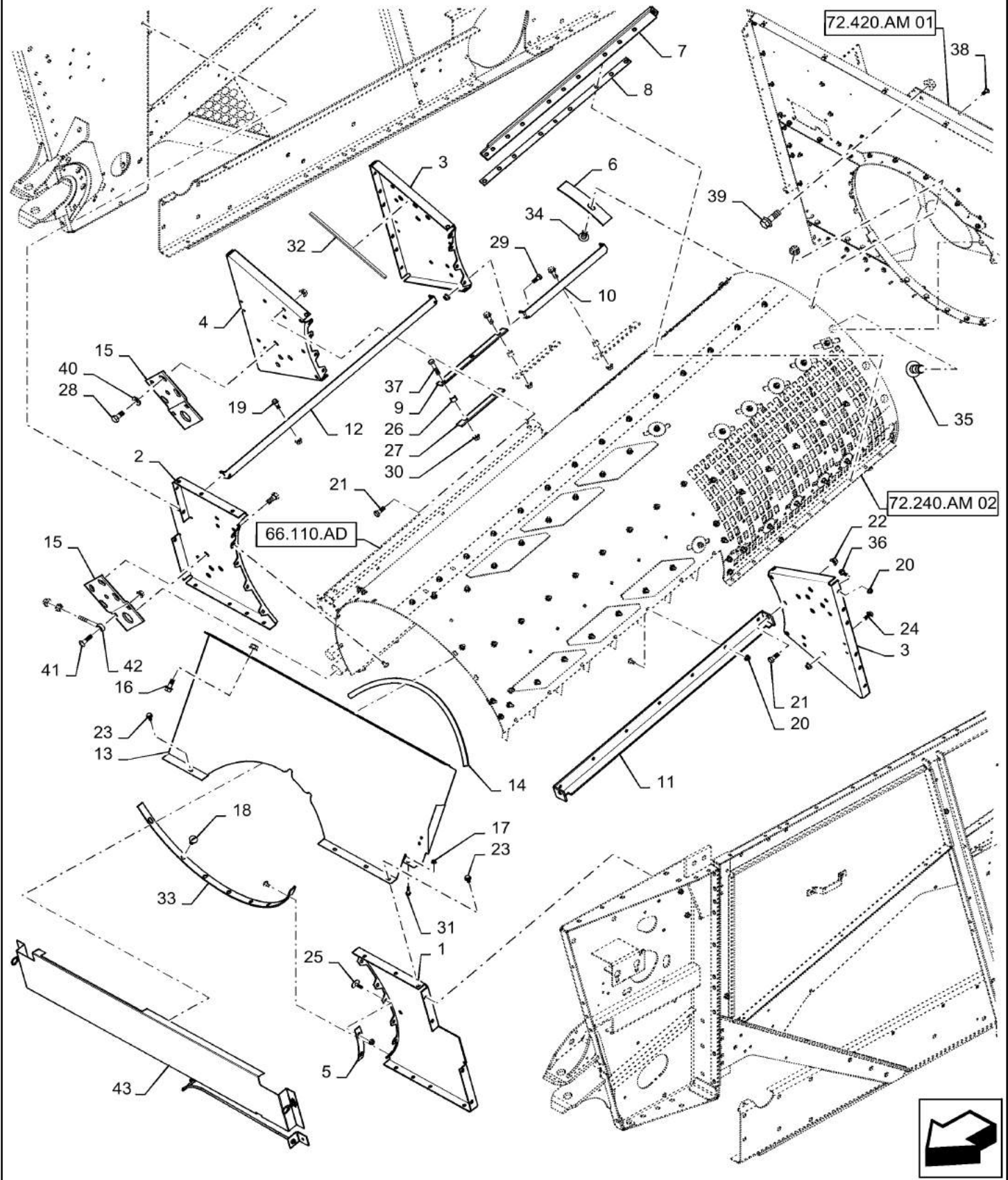
7/2015

VAR 722808, 722885, 722886 - SUPPORT, ROTOR, FRONT

REF FN	PART NUMBER	YR/SN	QTY DESCRIPTION
1	87613390		1 SUPPORT ASSY. Rotor, Front
2	87680031		1 THRUST BEARING Rotor Support, Front
3	87648025		1 SUPPORT Rotor Speed Sensor Mount
4	87698833		2 BOLT M8 x 33.1mm, CI 10.9
5	86507066		4 FLANGE NUT M8 x 1.25, CI 10
6	374835		3 BOLT Hex, M16 x 2 x 40mm, CI 10.9, Full Thd
7	86639326		3 WASHER 17.3mm ID x 34.5mm OD x 5mm Thk
8	86512498		3 FLANGE NUT M16 x 2.0, CI 10
9	86705431		2 BOLT Hex, M12 x 40mm, CI 10.9 Flange, M12 x 40mm, 10.9
10	86625256		2 WASHER 13.3mm ID x 28.5mm OD x 4mm Thk
11	86512497		2 FLANGE NUT M12 x 1.75, CI 10
12	495-81097		AR WASHER 51.59mm ID x 69.85mm OD x 2.29mm Thk
13	86590413		4 BASE 15.87mm W x 22.22mm OAL x 9.9mm Thk Wire Tie
14	445395		4 RIVET Pop, 4.8mm OD x 18.1mm L
15	86566989		4 CABLE TIE 208mm L
16	87681895		1 BRACKET, SUPPORTING Rotor RPM Sensor
17	70330C1		1 WASHER 19.84mm ID x 63.5mm OD x 6.35mm Thk 63.5mm OD x 19.84mm ID x 6.35mm
18	492-11075		1 LOCK WASHER 3/4"
19	424-1228		1 BOLT Hex, 3/4" - 10 x 1-3/4", Gr 2
20	833-40310		3 NUT M10, U
21	87030508		7 BOLT M12 x 30 Full 10.9 ZND
22	86512497		7 FLANGE NUT M12 x 1.75, CI 10

5140-COMBINE - TIER 2

CAGE, FRONT

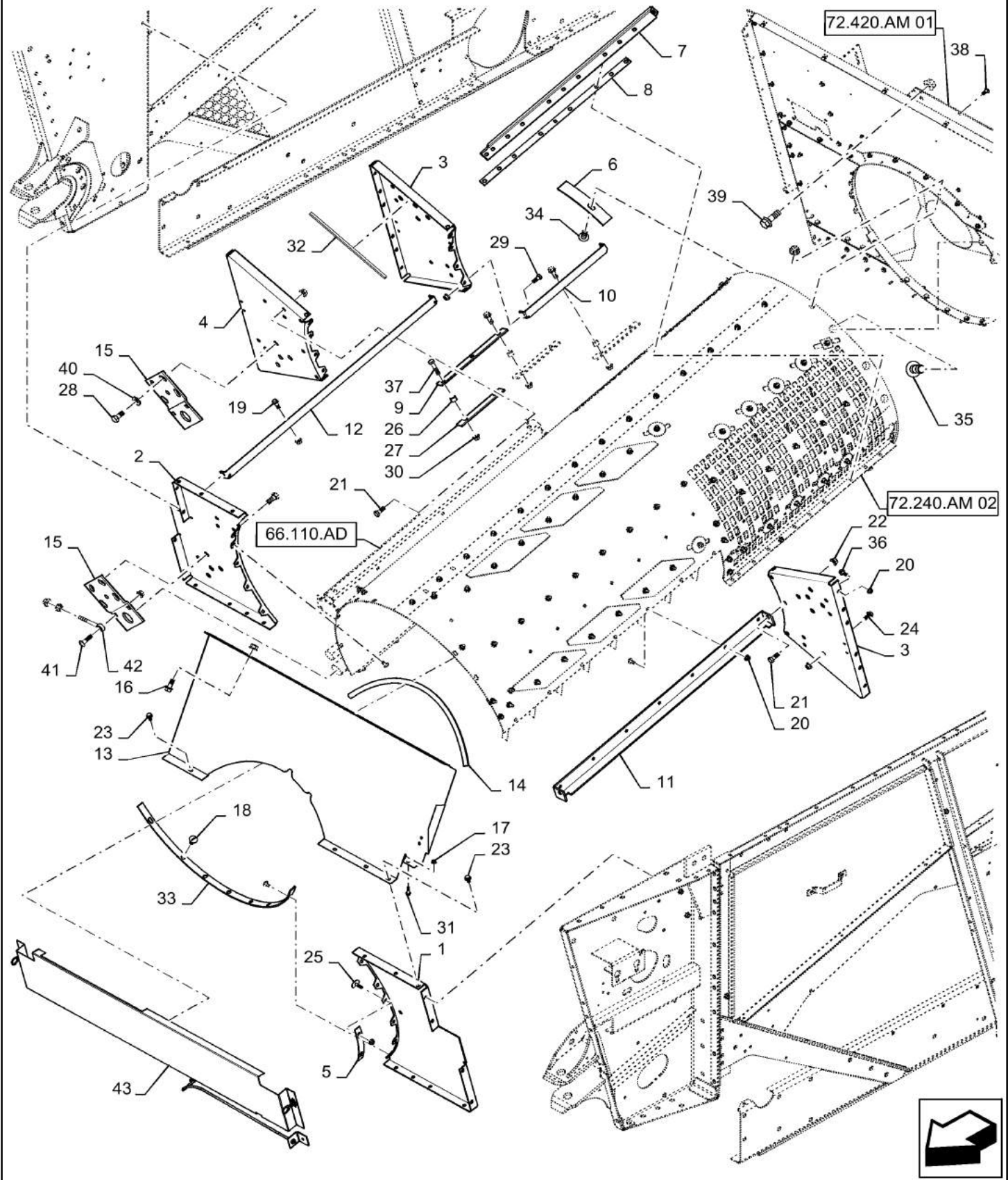


CAGE, FRONT

REF FN	PART NUMBER	YR/SN	QTY DESCRIPTION
1	84180972		1 SUPPORT Rotor Cage Front, LH
2	87301087		1 BRACKET Rotor Cage Front, RH
3	84180970		2 SUPPORT Rotor Cage Mid, RH
4	84136824		1 BRACKET Rotor Cage Mid, RH
5	1318900C1		1 SUPPORT Filler, Cage, LH Rear
6	186797C2		1 SUPPORT Cage Filler Strip
7	185386C1		1 SUPPORT LH Cage Gate
8	183323C1		1 STRAP Gate Support
9	186785C2		1 REINFORCEMENT Cage Reinforcement, RH
10	182634C3		1 SUPPORT Cage Gate Stiffener, RH
11	84161945		1 STIFFENER Rotor Cage, LH
12	1324190C1		1 REINFORCEMENT Support, Cage Stiffener
13	87685417		1 SHEET Filler, Grain Tank To Cage Top
14	1309111C1		1 SEAL 19mm W x 725mm L Rubber
15	1338041C2		2 SUPPORT Concave Anchor
16	87656137		7 BOLT M8 x 28.1mm, CI 10.9
17	86507066		21 FLANGE NUT M8 x 1.25, CI 10
18	87487071		8 SERRATED SCREW M10 x 1.5 x 25mm
19	87487059		7 BOLT
20	86050279		104 FLANGE NUT M10 x 1.5, CI 10
21	805-12030		10 BOLT Hex, M12 x 30mm, CI 10.9
22	86512497		22 FLANGE NUT M12 x 1.75, CI 10
23	87698835		22 FLANGE BOLT M10 x 20mm, Full Thd, CI 10.9
24	87343550		3 FLANGE BOLT Hex HD M12x25 ZND
25	87106338		2 BOLT Tee, M10 x 30mm, 8.8
26	600179R1		6 SPACER 13.9mm ID x 21.34mm OD x 14.3mm L
27	186784C2		3 BAR Gate Hanger
28	87036180		10 BOLT Hex, M16 x 35mm, CI 10.9, Full Thd

5140-COMBINE - TIER 2

CAGE, FRONT



CAGE, FRONT

REF FN	PART NUMBER	YR/SN	QTY DESCRIPTION
29	43260		3 BOLT Hex, M12 x 1.75 x 30mm, CI 10.9, Full Thd
30	87681209		6 FLANGE NUT Hex, M12 x 1.75, CI 10
31	87030775		1 BOLT M8 x 38.1mm, CI 10.9
32	1330108C2		AR SEAL ASSY. Cut From Bulk, 7.6"
33	186750C1		1 SUPPORT Cage Filler
34	87487044		2 SCREW Truss Slotted, M10 x 25mm, CI 10.9
35	87487056		9 SERRATED SCREW M10 x 1.5 x 20mm, CI 10.9
36	87698836		25 BOLT M10 x 25mm, Full Thd, CI 10.9
37	337476		6 BOLT Hex, M12 x 1.75 x 50mm, CI 10.9
38	847-3820		1 SERRATED SCREW M8 x 20mm, CI 10.9
39	87698833		2 BOLT M8 x 33.1mm, CI 10.9
40	496-41066		10 WASHER 5/8" ID x 1-1/2" OD x 3/16" Thk
41	87698853		2 CARRIAGE BOLT Sht Sq Nk, M12 x 50mm, CI 10.9, Full Thd
42	84156112		2 EYEBOLT Adjusting
43	84473715		1 COVER Rotor, Front

5140-COMBINE - TIER 2

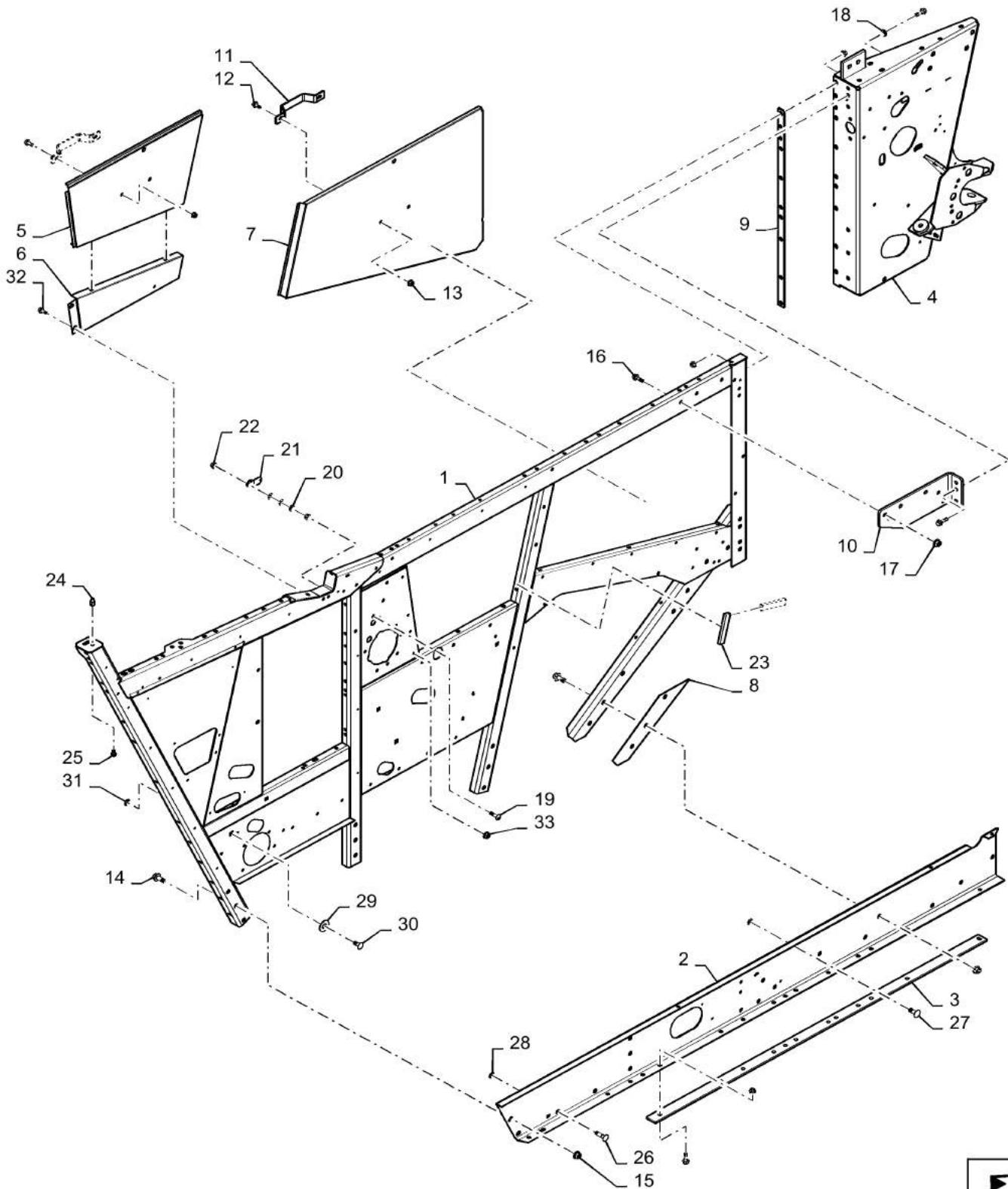
66.360.AH

01

p1

7/2015

SEPARATOR SIDE PANEL, LH



SEPARATOR SIDE PANEL, LH

REF FN	PART NUMBER	YR/SN	QTY DESCRIPTION
1	84534849		1 SIDE PANEL Separator, LH, Dark Grey
2	84332194		1 BRACKET LH Sill Main Channel, Dark Grey
3	87545055		1 STRAP Main Sill Flange, Dark Grey
4	47502271		1 POST Front LH, Dark Grey
5	84201886		1 DOOR Separator Side, LH, Dark Grey
6	84201873		1 SUPPORT Mid Center Left, Dark Grey
7	87745644		1 DOOR Front Left, Dark Grey
8	87357472		1 PLATE Spacer, Dark Grey
9	87478648		1 STRAP Front Post, Dark Grey
10	84589086		1 PLATE Post to Separator, Dark Grey
11	87735697		2 LATCH Handle, Dark Grey
12	87656137		5 BOLT M8 x 28.1mm, CI 10.9
13	86507066		6 FLANGE NUT M8 x 1.25, CI 10
14	86978772		12 FLANGE BOLT Hex, M16 x 40mm, CI 10.9, Full Thd
15	86512498		12 FLANGE NUT M16 x 2.0, CI 10
16	87695413		24 BOLT M12 x 51.8mm, CI 10.9
17	86512497		24 FLANGE NUT M12 x 1.75, CI 10
18	86625256		10 WASHER 13.3mm ID x 28.5mm OD x 4mm Thk
19	847-3830		1 SERRATED SCREW SI Truss, M8 x 30mm, CI 10.9
20	83918746		3 WASHER 0.34" ID x 0.69" OD x 0.07" Thk
21	431114A1		1 BRACKET Cleanout Access Door
22	87681210		1 FLANGE NUT M8 x 1.25, CI 10
23	188062C2		2 DOOR SEAL Foam
24	84343148		2 PIN 17.32mm OD x 33mm L Engine Skid Guide
25	87698835		2 FLANGE BOLT M10 x 20mm, Full Thd, CI 10.9
26	87682394		6 CARRIAGE BOLT M10 x 1.5 x 40mm, CI 10.9

5140-COMBINE - TIER 2

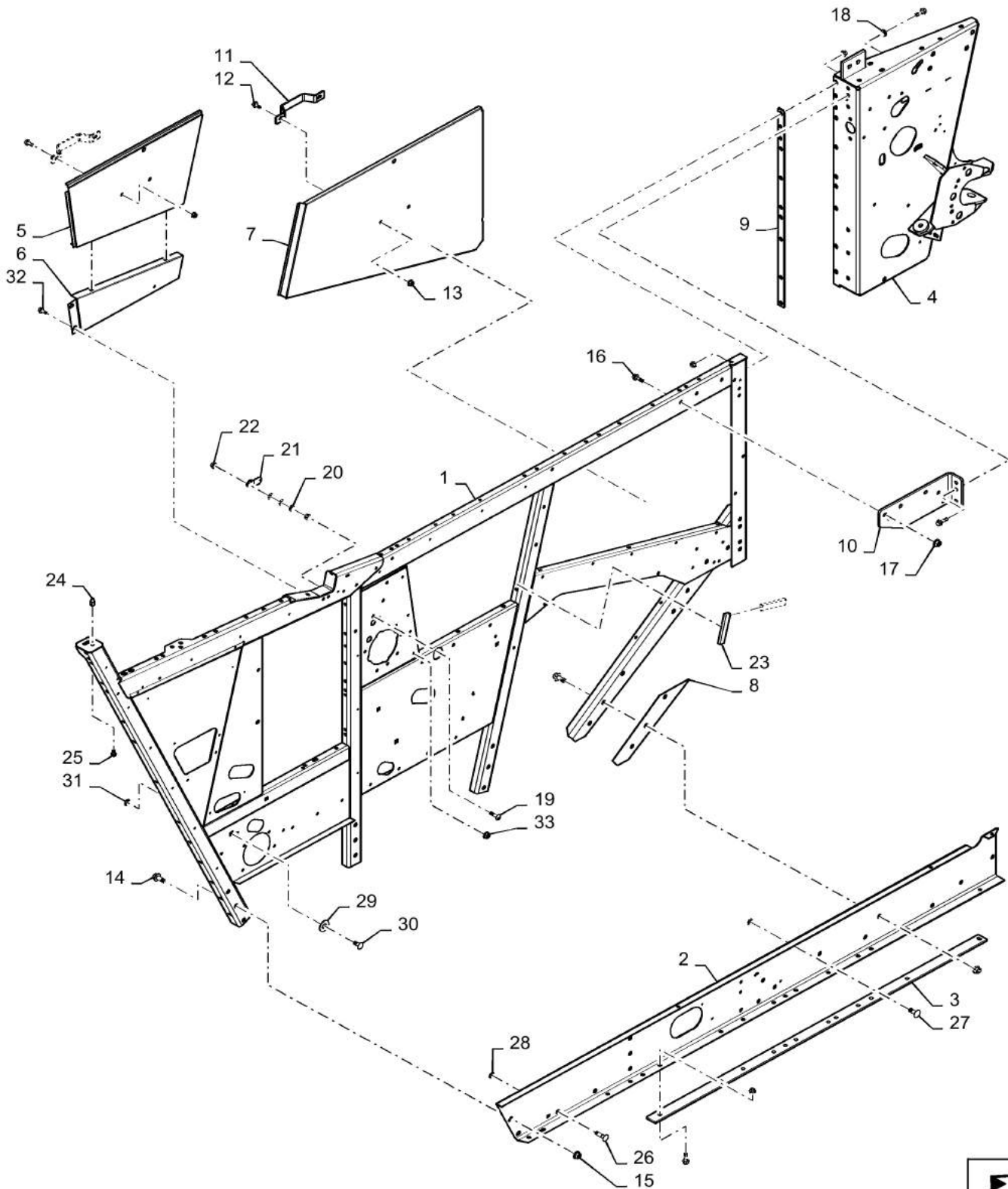
66.360.AH

01

p2

7/2015

SEPARATOR SIDE PANEL, LH



SEPARATOR SIDE PANEL, LH

REF FN	PART NUMBER	YR/SN	QTY DESCRIPTION
27	87682391		1 CARRIAGE BOLT M10 x 1.5 x 25mm, CI 10.9
28	87698854		7 NUT M10 Push On, Crest Bolt Retainer
29	87613189		2 WASHER 0.53" ID x 1.25" OD x 0.06" Thk
30	87682383		2 CARRIAGE BOLT M8 x 1.25 x 20mm, CI 10.9
31	131-440		2 PUSH-ON NUT Retainer
32	87695418		2 FLANGE BOLT M6 x 1.0 x 16mm, CI 10.9
33	86050300		2 FLANGE NUT M6 x 1.0, CI 10

5140-COMBINE - TIER 2

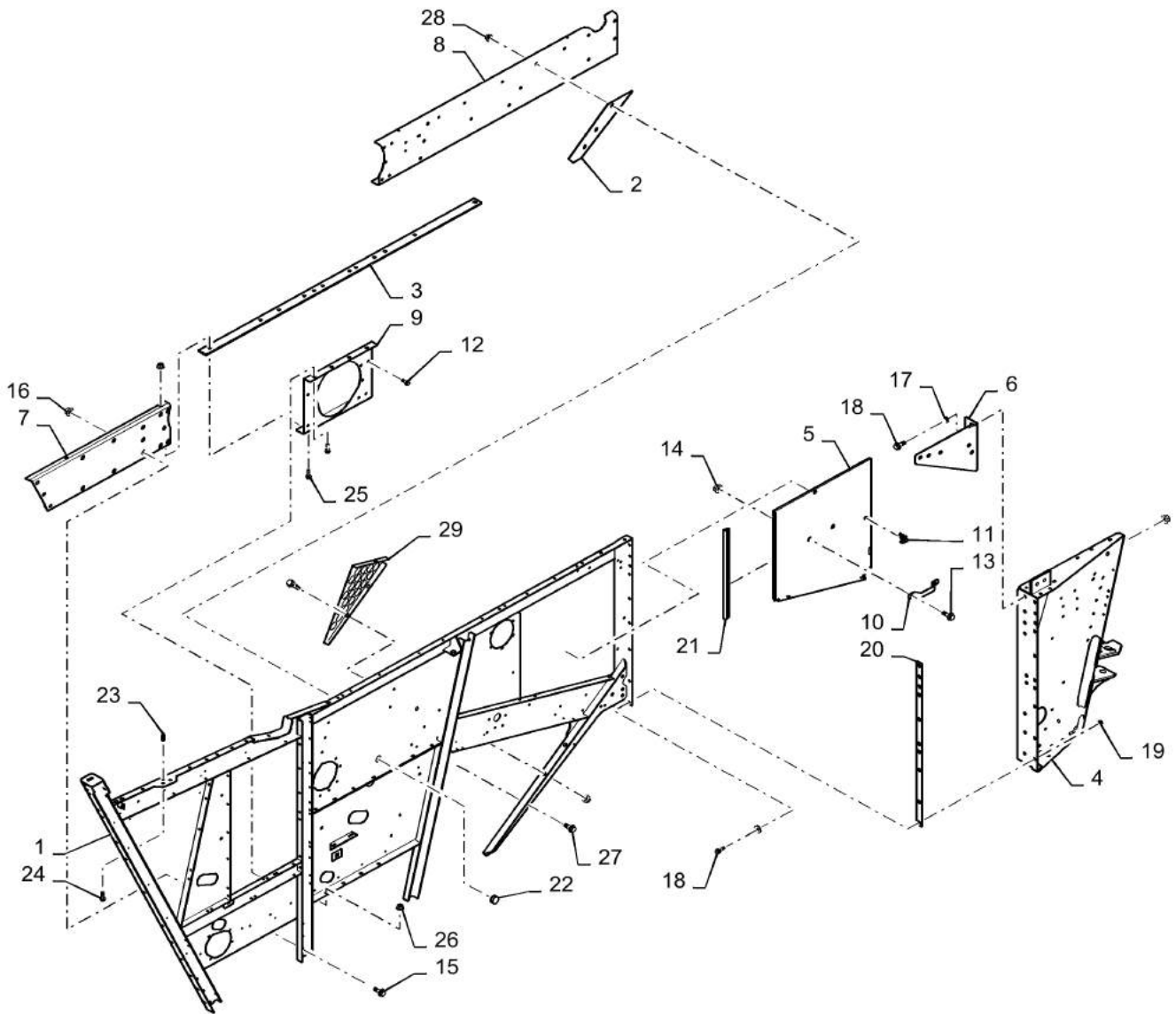
66.360.AH

02

p1

7/2015

SEPARATOR SIDE PANEL, RH



SEPARATOR SIDE PANEL, RH

REF FN	PART NUMBER	YR/SN	QTY DESCRIPTION
1	84343144		1 SEPARATOR HOOD Side Assembly, RH
2	87357472		1 PLATE Spacer
3	87545055		1 STRAP Main Sill Flange
4	47596609		1 POST Front RH
5	84555558		1 DOOR Front RH
6	84126991		1 BRACKET Front Post to Side Sheet, RH
7	84332197		1 BRACKET Sill Rear Main Plate, RH
8	87499098		1 CHANNEL Main Sill, RH
9	87679652		1 BRACKET Sill Support, RH
10	87735697		1 LATCH Door Handle
11	86991204		2 LATCH Rotor Access Door
12	87030508		10 BOLT M12 x 30 Full 10.9 ZND
13	87656137		5 BOLT M8 x 28.1mm, CI 10.9
14	86507066		5 FLANGE NUT M8 x 1.25, CI 10
15	86978772		12 FLANGE BOLT Hex, M16 x 40mm, CI 10.9, Full Thd
16	86512498		12 FLANGE NUT M16 x 2.0, CI 10
17	86625256		11 WASHER 13.3mm ID x 28.5mm OD x 4mm Thk
18	87695413		21 BOLT M12 x 51.8mm, CI 10.9
19	86512497		31 FLANGE NUT M12 x 1.75, CI 10
20	87478648		1 STRAP Front Post
21	84569631		1 SEAL Bulb
22	353-414		1 PLUG Dome, 1.375" hole, Nylon
23	84343148		1 PIN 17.32mm OD x 33mm L Engine Skid Guide
24	87698835		1 FLANGE BOLT M10 x 20mm, Full Thd, CI 10.9
25	87698836		4 BOLT M10 x 25mm, Full Thd, CI 10.9
26	86050279		4 FLANGE NUT M10 x 1.5, CI 10
27	87682391		3 CARRIAGE BOLT M10 x 1.5 x 25mm, CI 10.9
28	87698854		3 NUT M10 Crest Bolt Retainer

5140-COMBINE - TIER 2

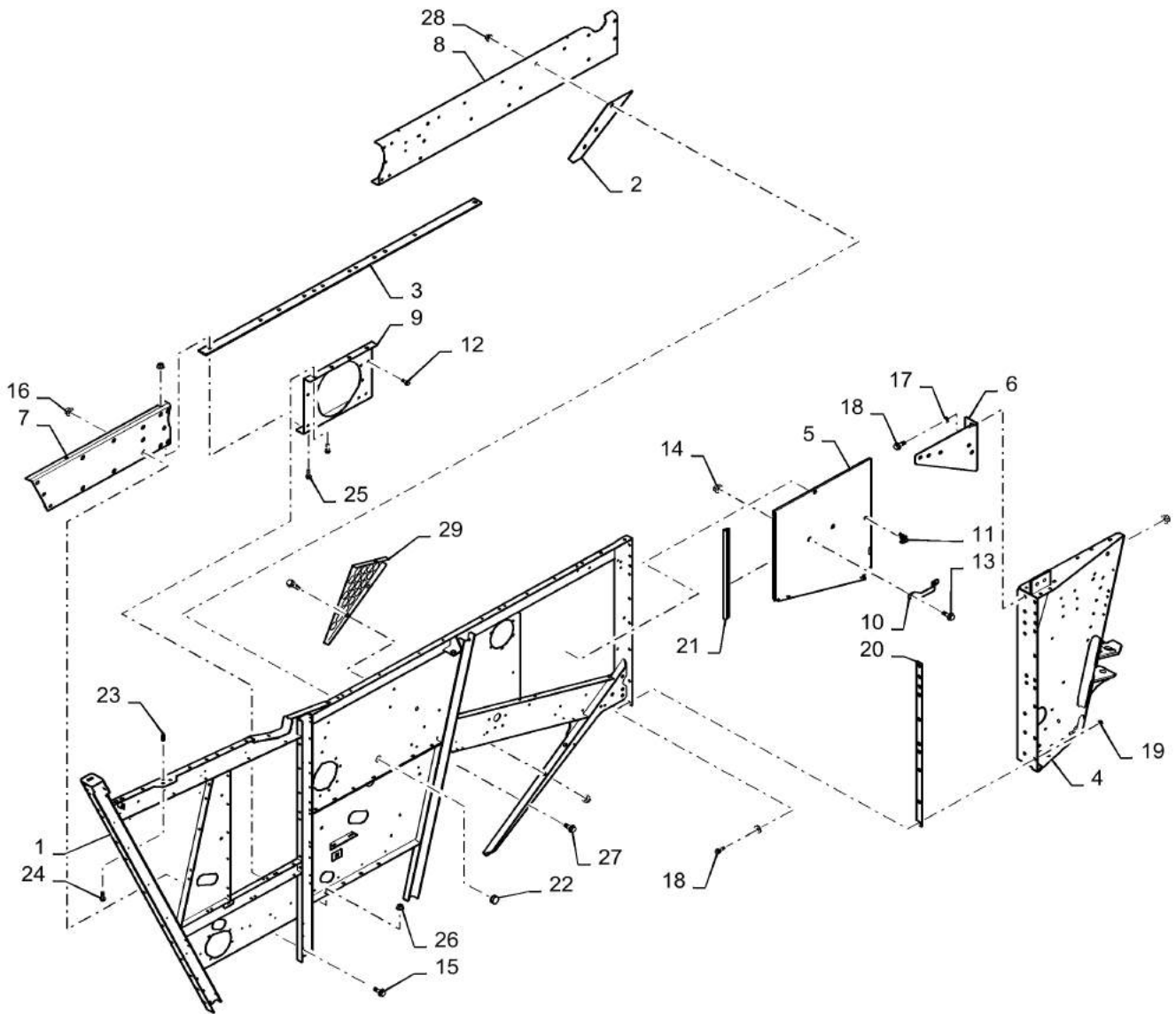
66.360.AH

02

p2

7/2015

SEPARATOR SIDE PANEL, RH



66.360.AH

02

p2

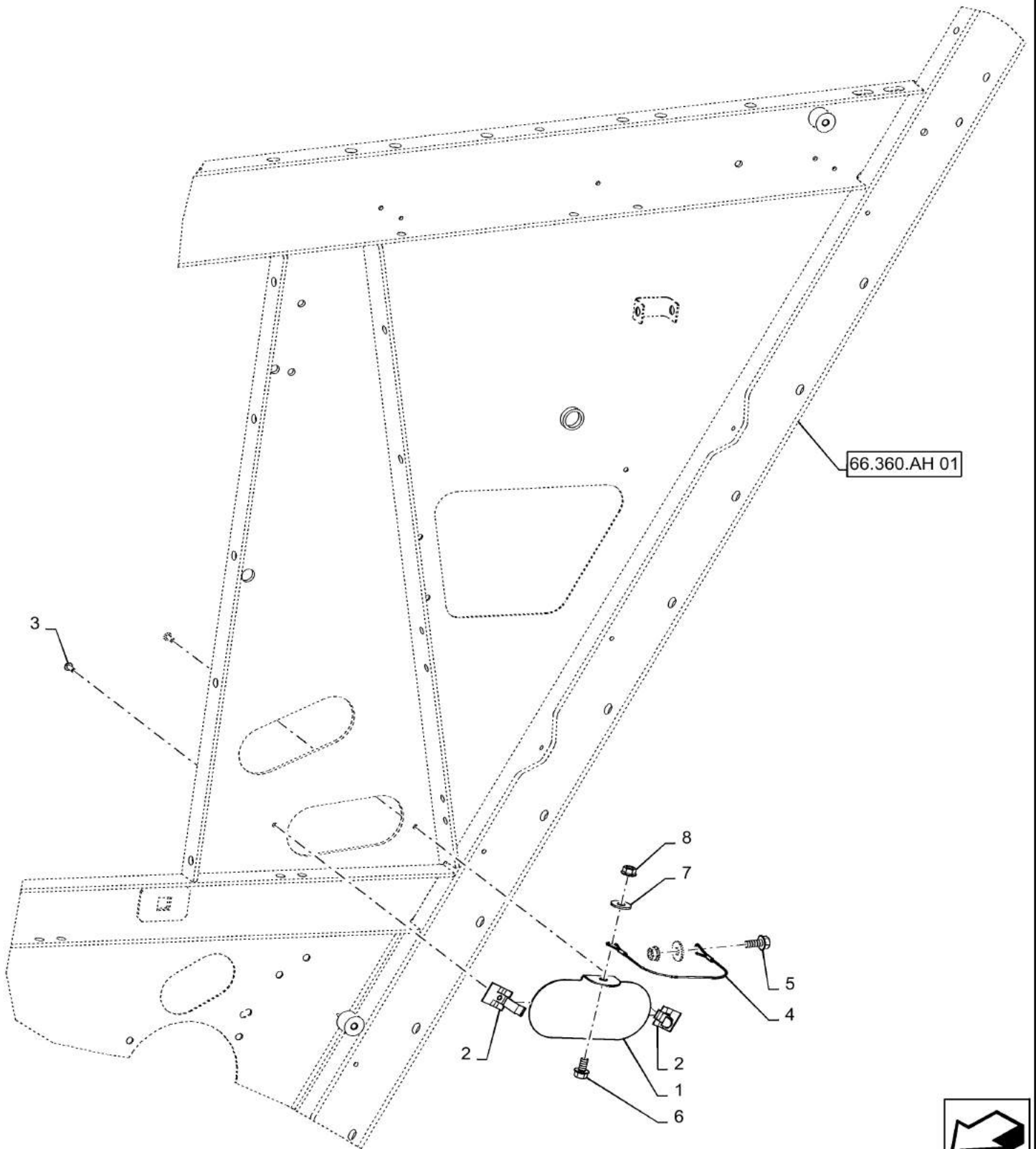
7/2015

SEPARATOR SIDE PANEL, RH

REF FN	PART NUMBER	YR/SN	QTY DESCRIPTION
29	87473326		1 SPLASH SHIELD Cleaning, RH

5140-COMBINE - TIER 2

LOWER SIEVE DOOR



66.360.AH 01



66.360.AH

03

p1

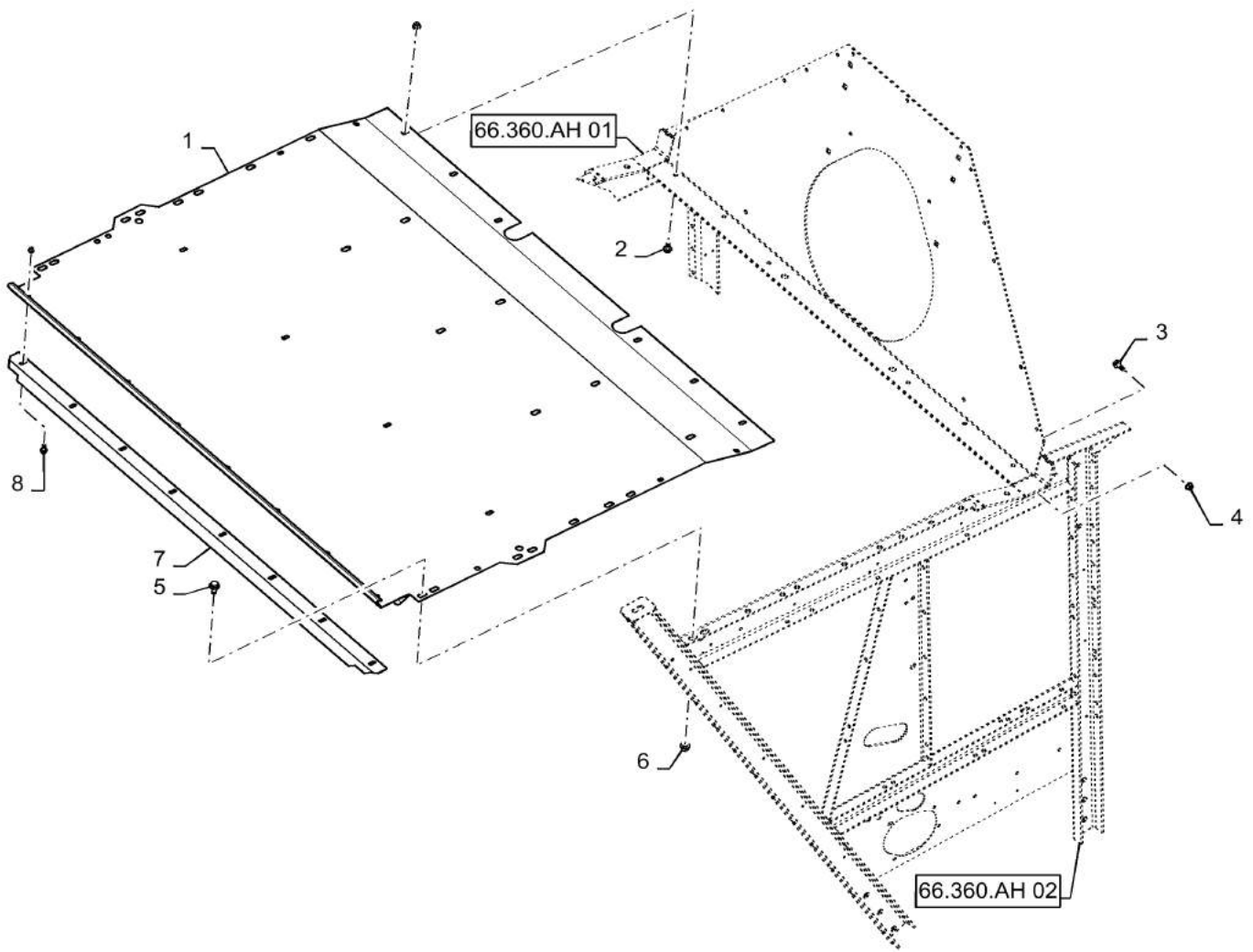
7/2015

LOWER SIEVE DOOR

REF FN	PART NUMBER	YR/SN	QTY DESCRIPTION
1	87721681		1 DOOR ASSY. Lower Sieve, Dark Grey
2	167800C1		2 CLIP Door Retainer
3	445394		2 RIVET Pop, 3/16" x 1/2" OAL
4	427336A1		1 CABLE 457.2mm L Door
5	87656137		1 BOLT M8 x 28.1mm, CI 10.9
6	87681207		1 BOLT M8 x 24.1mm, CI 10.9
7	86639313		2 WASHER 9mm ID x 24mm OD x 2mm Thk
8	87681210		2 FLANGE NUT M8 x 1.25, CI 10

5140-COMBINE - TIER 2

SEPARATOR TOP SHEET



66.360.AH

04

p1

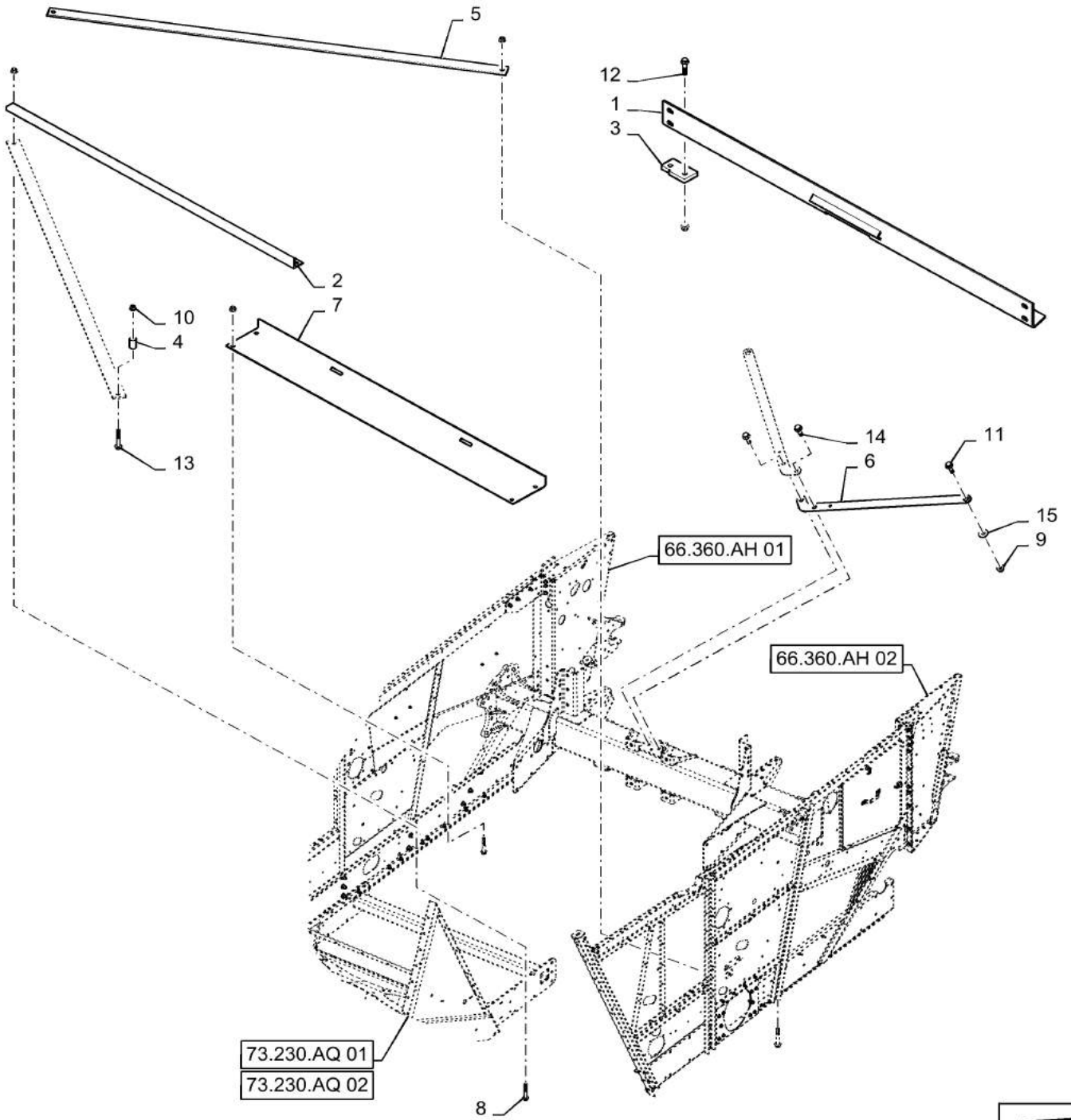
7/2015

SEPARATOR TOP SHEET

REF FN	PART NUMBER	YR/SN	QTY DESCRIPTION
1	84420989		1 SHEET Engine Deck, Dark Grey
2	87698835		6 FLANGE BOLT M10 x 20mm, Full Thd, CI 10.9
3	87698836		4 BOLT M10 x 25mm, Full Thd, CI 10.9
4	86050279		10 FLANGE NUT M10 x 1.5, CI 10
5	87343550		6 FLANGE BOLT Hex HD M12x25 ZND
6	86512497		6 FLANGE NUT M12 x 1.75, CI 10
7	84276168		1 ANGLE Filler, Dark Grey
8	87656137		8 BOLT M8 x 28.1mm, CI 10.9

5140-COMBINE - TIER 2

SEPARATOR CROSS SUPPORT



SEPARATOR CROSS SUPPORT

REF FN	PART NUMBER	YR/SN	QTY DESCRIPTION
1	87701168		1 SUPPORT ASSY. Front Post, Dark Grey
2	87701106		1 ANGLE Main Sill Center, Dark Grey
3	87649381		2 SPACER Angle Support Front Post, Dark Grey
4	87580180		2 TUBE SPACER Frame Cross Brace, Dark Grey
5	87578073		2 STRAP Bar Separator, Dark Grey
6	87499095		2 SECURING STRAP Axle to Feeder Pivot, LH, Dark Grey
7	87382748		1 BRACE Angle Sill, Dark Grey
8	87695413		2 BOLT M12 x 51.8mm, CI 10.9
9	86512498		2 FLANGE NUT M16 x 2.0, CI 10
10	86512497		12 FLANGE NUT M12 x 1.75, CI 10
11	87675533		2 BOLT M16 x 75.4mm, CI 10.9
12	87670764		8 BOLT M12 x 61.8mm, CI 10.9
13	87698846		2 BOLT Hvy Hex Flg, M12 x 80mm, CI 10.9
14	87698849		2 BOLT M16 x 50mm, CI 10.9
15	87317689		2 WASHER 18mm ID x 45mm OD x 4mm Thk 18mm ID x 45mm OD x 4mm Thick

5140-COMBINE - TIER 2

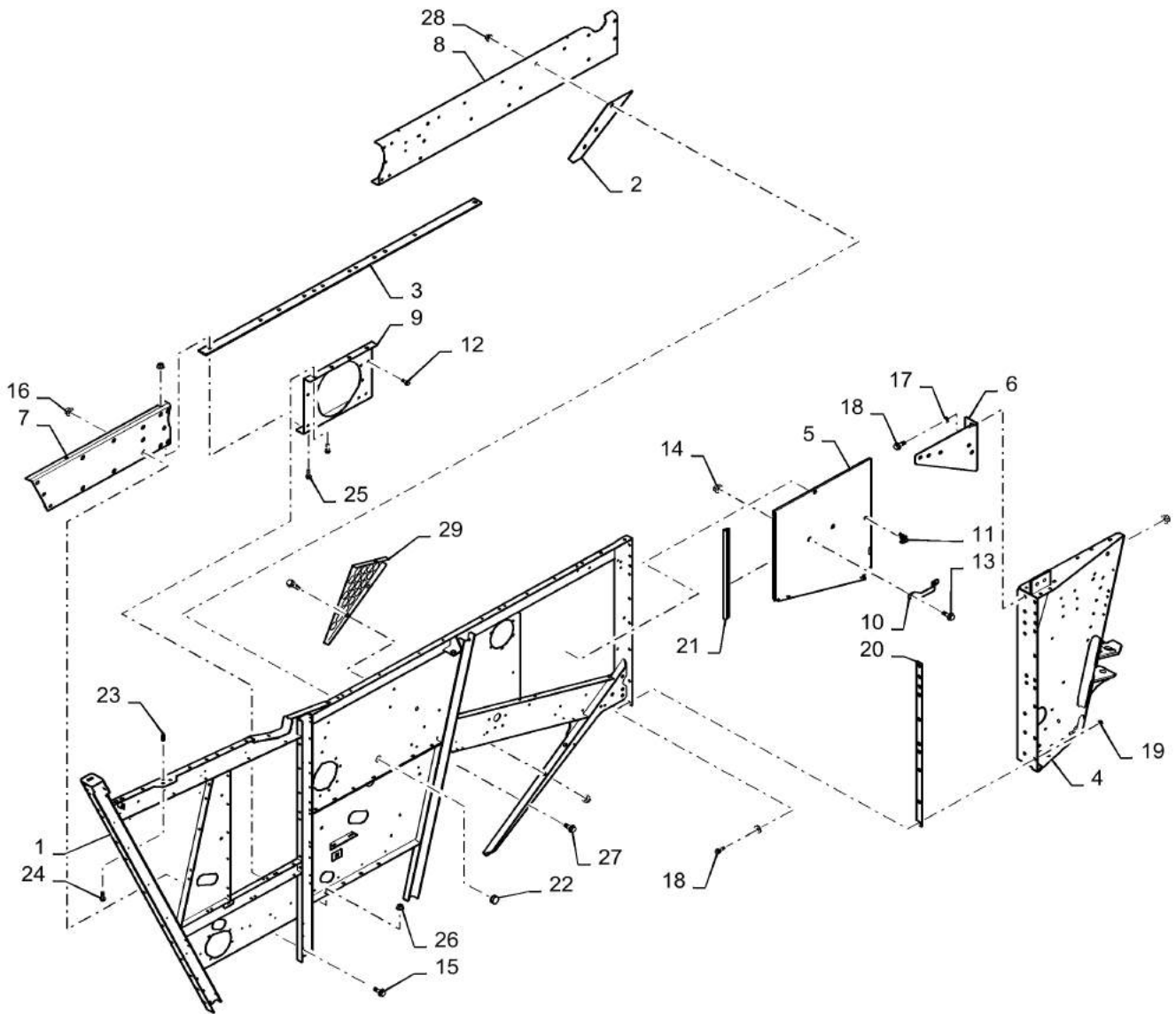
66.360.AH

06

p1

7/2015

SEPARATOR SIDE PANEL, RH, ASN YEG012701



SEPARATOR SIDE PANEL, RH, ASN YEG012701

REF FN	PART NUMBER	YR/SN	QTY DESCRIPTION
1	84343144		1 SEPARATOR HOOD Side Assembly, RH
2	87357472		1 PLATE Spacer
3	87545055		1 STRAP Main Sill Flange
4	47596609		1 POST Front RH
5	84555558		1 DOOR Front RH
6	84126991		1 BRACKET Front Post to Side Sheet, RH
7	84332197		1 BRACKET Sill Rear Main Plate, RH
8	87499098		1 CHANNEL Main Sill, RH
9	87679652		1 BRACKET Sill Support, RH
10	87735697		1 LATCH Door Handle
11	86991204		2 LATCH Rotor Access Door
12	87030508		10 BOLT M12 x 30 Full 10.9 ZND
13	87656137		5 BOLT M8 x 28.1mm, CI 10.9
14	86507066		5 FLANGE NUT M8 x 1.25, CI 10
15	86978772		12 FLANGE BOLT Hex, M16 x 40mm, CI 10.9, Full Thd
16	86512498		12 FLANGE NUT M16 x 2.0, CI 10
17	86625256		11 WASHER 13.3mm ID x 28.5mm OD x 4mm Thk
18	87695413		21 BOLT M12 x 51.8mm, CI 10.9
19	86512497		31 FLANGE NUT M12 x 1.75, CI 10
20	87478648		1 STRAP Front Post
21	84569631		1 SEAL Bulb
22	353-414		1 PLUG Dome, 1.375" hole, Nylon
23	84343148		1 PIN 17.32mm OD x 33mm L Engine Skid Guide
24	87698835		1 FLANGE BOLT M10 x 20mm, Full Thd, CI 10.9
25	87698836		4 BOLT M10 x 25mm, Full Thd, CI 10.9
26	86050279		4 FLANGE NUT M10 x 1.5, CI 10
27	87682391		3 CARRIAGE BOLT M10 x 1.5 x 25mm, CI 10.9
28	87698854		3 NUT M10 Crest Bolt Retainer

5140-COMBINE - TIER 2

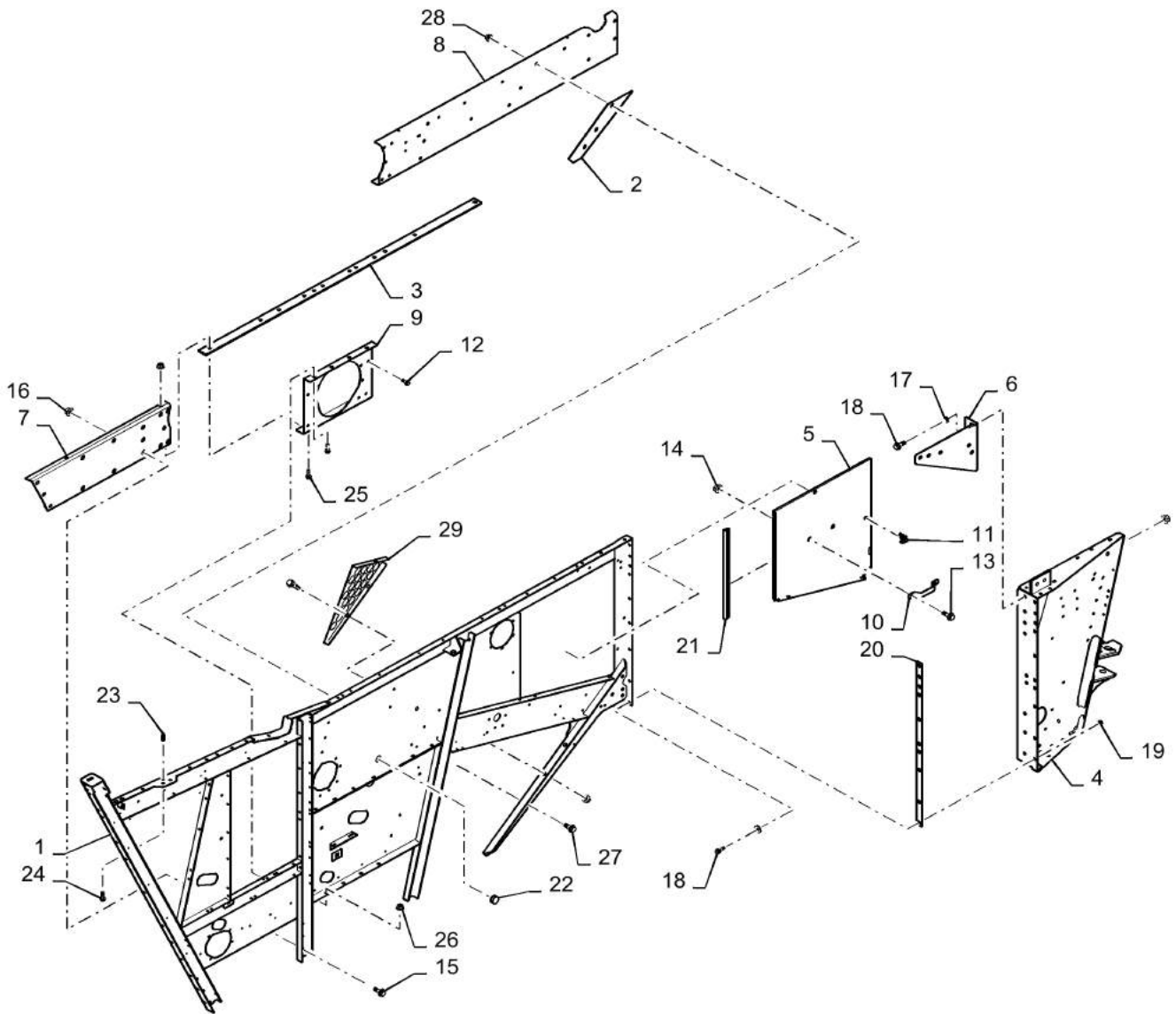
66.360.AH

06

p2

7/2015

SEPARATOR SIDE PANEL, RH, ASN YEG012701



66.360.AH

06

p2

7/2015

SEPARATOR SIDE PANEL, RH, ASN YEG012701

REF FN	PART NUMBER	YR/SN	QTY DESCRIPTION
29	87473326		1 SPLASH SHIELD Cleaning, RH

5140-COMBINE - TIER 2

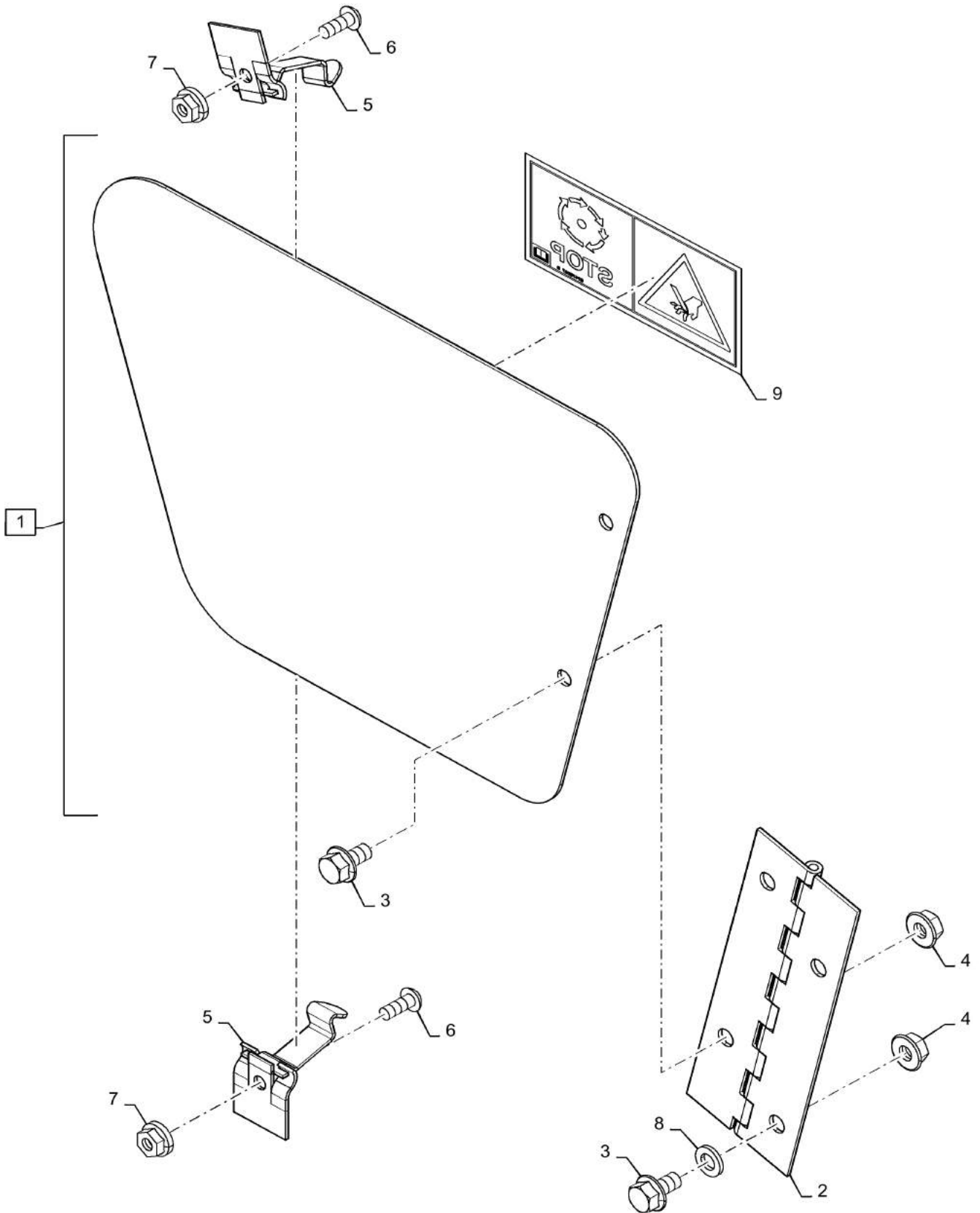
66.360.AH

07

p1

7/2015

DOOR, FRAME, SEPARATOR



DOOR, FRAME, SEPARATOR

REF FN	PART NUMBER	YR/SN	QTY DESCRIPTION
1	84199195		1 DOOR Separator, Incl 9
2	397586A1		1 HINGE Separator Door
3	87698753		4 FLANGE BOLT M6 x 12mm, Cl 10.9, Full Thd
4	86050300		4 FLANGE NUT M6 x 1.0, Cl 10
5	167800C1		2 CLIP Separator Door Retainer
6	86511920		2 SCREW Phillips Drive, Pan HD, #10 - 24 x 1/2"
7	523310		2 SERRATED NUT Flng, #10 - 24, Gr 5
8	86588450		2 WASHER 6.6mm ID x 12mm OD x 1.6mm Thk
9	87479097		1 DECAL Rotating Parts

5140-COMBINE - TIER 2

SECTION INDEX

SEPARATION

72.220.AJ	01	DISCHARGE BEATER
72.220.AJ	02	BEATER ASSY
72.220.AJ	04	BEATER
72.220.AL		BEATER CONCAVE
72.220.AO		BEATER ROTOR
72.350.AI	01	SEPARATOR JACKSHAFT HOUSING W/ PULLEY
72.350.AJ	01	SEPARATOR JACKSHAFT SUPPORT
72.420.AM	01	SUPPORT ASSEMBLY, ROTOR CAGE REAR, SHIELDS FOR CHOPPER
72.420.AM	02	CAGE, ROTOR, SEPARATOR

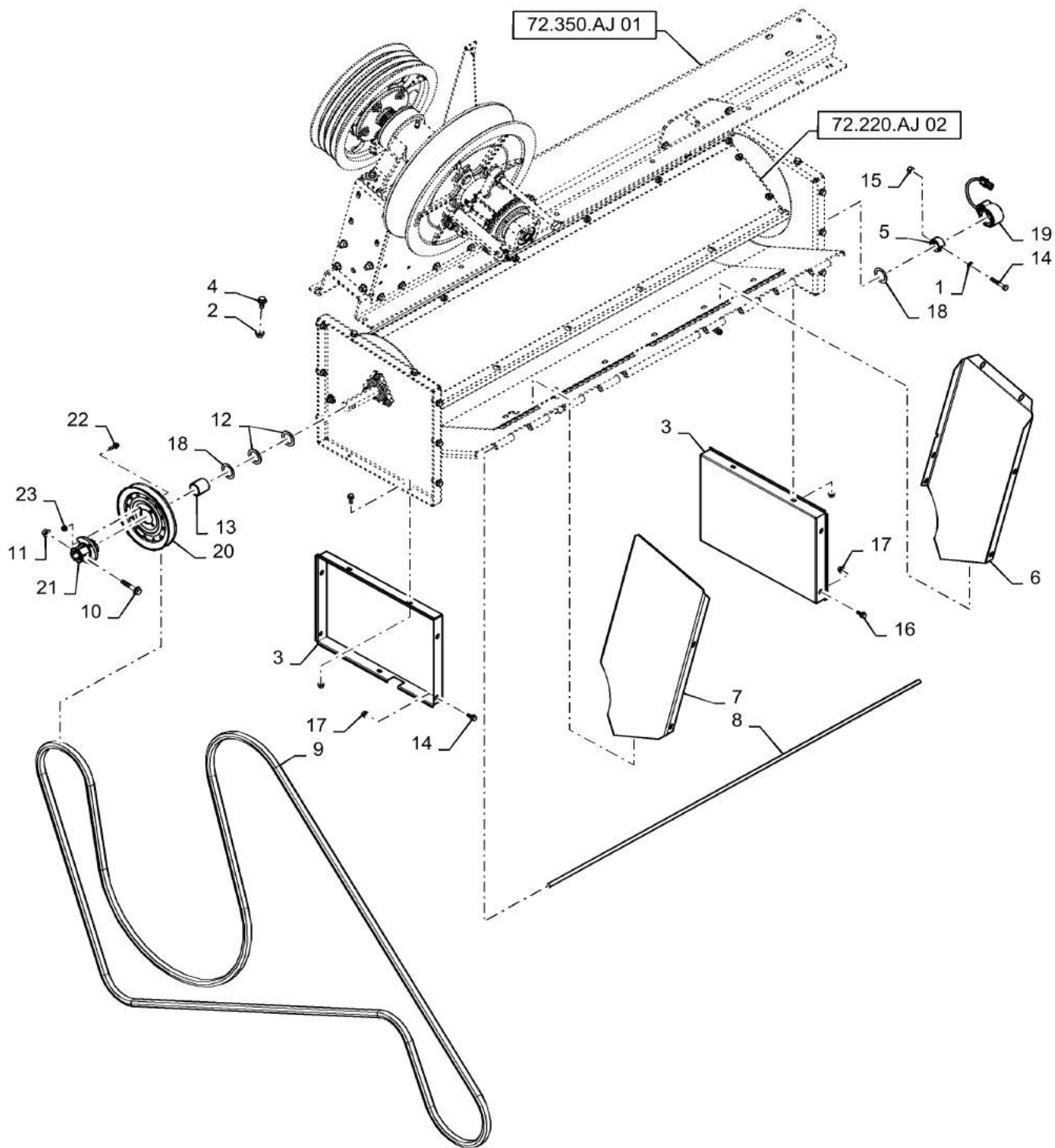
72.220.AJ

01

p1

7/2015

DISCHARGE BEATER



DISCHARGE BEATER

REF FN	PART NUMBER	YR/SN	QTY DESCRIPTION
1	85700654		1 WASHER 10.5mm ID x 20mm OD x 2.5mm Thk
2	86512497		2 FLANGE NUT M12 x 1.75, CI 10
3	87753814		2 SHEET Chopper Beater Filler
4	87343550		2 FLANGE BOLT Hex HD M12x25 ZND
5	117051A1		1 HUB Beater, Fixed
6	182948C2		1 DEFLECTOR Discharge, LH
7	182949C2		1 DEFLECTOR Discharge, RH
8	182980C1		1 ROD 11.11mm OD x 1556mm L Hinge
9	87476487		1 V-BELT 22.33 mm W x 6502.40 mm L Cleaning System Drive
10	87301277		1 BOLT M12 x 71.8mm, CI 10.9
11	87681209		1 FLANGE NUT Hex, M12 x 1.75, CI 10
12	495-81211		2 WASHER 34.14mm ID x 50.8mm OD x 3.4mm Thk
13	632147R1		1 SPACER Auger Drive
14	412151		1 BOLT M10 x 1.5 x 61.58mm, CI 8.8
15	100037		1 NUT M0 x 1.5, CI 8
16	87656137		10 BOLT M8 x 28.1mm, CI 10.9
17	86507066		10 FLANGE NUT M8 x 1.25, CI 10
18	495-81213		2 WASHER 35.71mm ID x 50.8mm OD x 1.7mm Thk
19	87397583		1 SENSOR Low Speed Shaft
20	87752814		1 PULLEY Beater
21	1319402C1		1 HUB Beater
22	87698833		4 BOLT M8 x 33.1mm, CI 10.9
23	87681210		4 FLANGE NUT M8 x 1.25, CI 10

5140-COMBINE - TIER 2

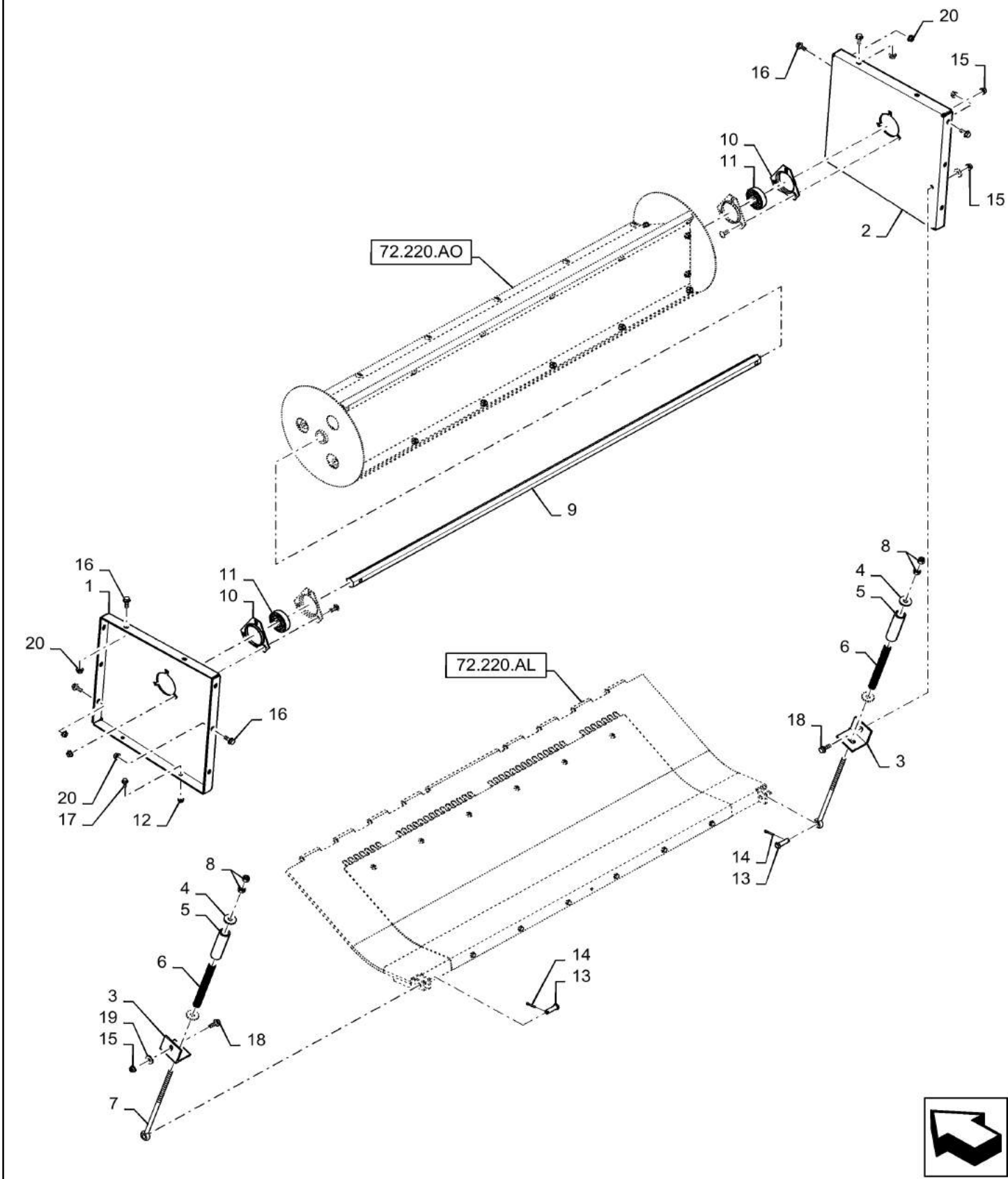
72.220.AJ

02

p1

7/2015

BEATER ASSY

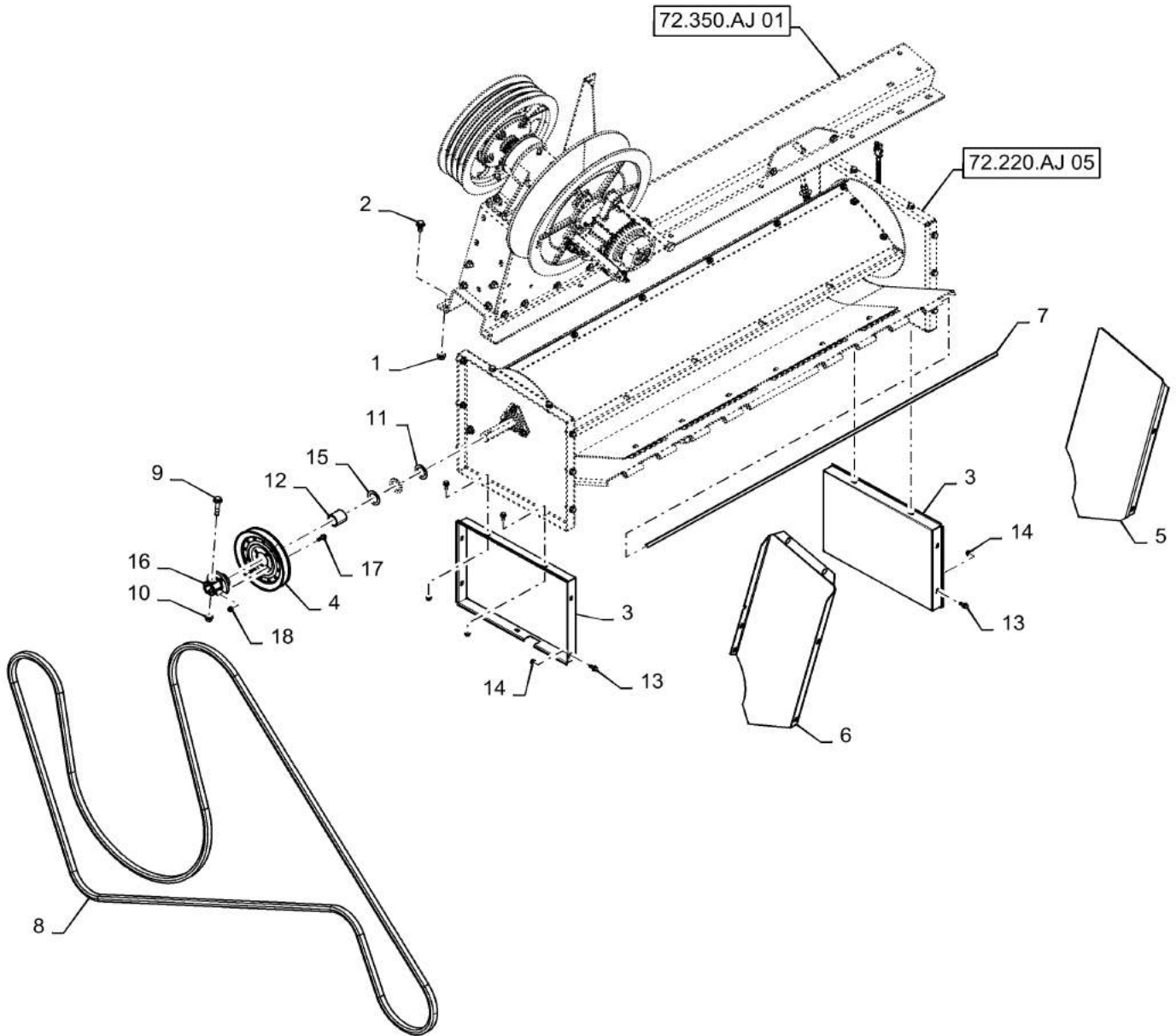


BEATER ASSY

REF FN	PART NUMBER	YR/SN	QTY DESCRIPTION
1	87752640		1 SUPPORT ASSY. LH Beater
2	87752641		1 SUPPORT ASSY. RH Beater
3	182896C2		2 SUPPORT Beater Bottom
4	495-81162		4 WASHER 17/32" x 1 1/2" x .179"
5	182981C1		2 SPACER Spring
6	391745R1		2 SPRING Beater Bottom
7	182892C2		2 BOLT 1/2" - 13 x 330mm Tension Rod
8	425-108		4 NUT 1/2"-13, G5
9	1302176C2		1 SHAFT Discharge Beater
10	84414985		4 FLANGED BEARING Rotor
11	87376564		2 BALL BEARING 28.47mm Hex x 72mm OD x 25mm W Shaker Shaft
12	86507066		4 FLANGE NUT M8 x 1.25, CI 10
13	439-1828		2 HEADED PIN 1/2" x 1 3/4"
14	432-1216		2 COTTER PIN 3/16" x 1"
15	87547587		8 LOCK NUT Hex, M10 x 1.5, CI 10
16	87698836		16 BOLT M10 x 25mm, Full Thd, CI 10.9
17	87656137		4 BOLT M8 x 28.1mm, CI 10.9
18	87698837		2 FLANGE BOLT M10 x 30mm, Full Thd, CI 10.9
19	496-41041		2 WASHER 13/32" x 1 1/8" x .134"
20	86050279		16 FLANGE NUT M10 x 1.5, CI 10

5140-COMBINE - TIER 2

BEATER

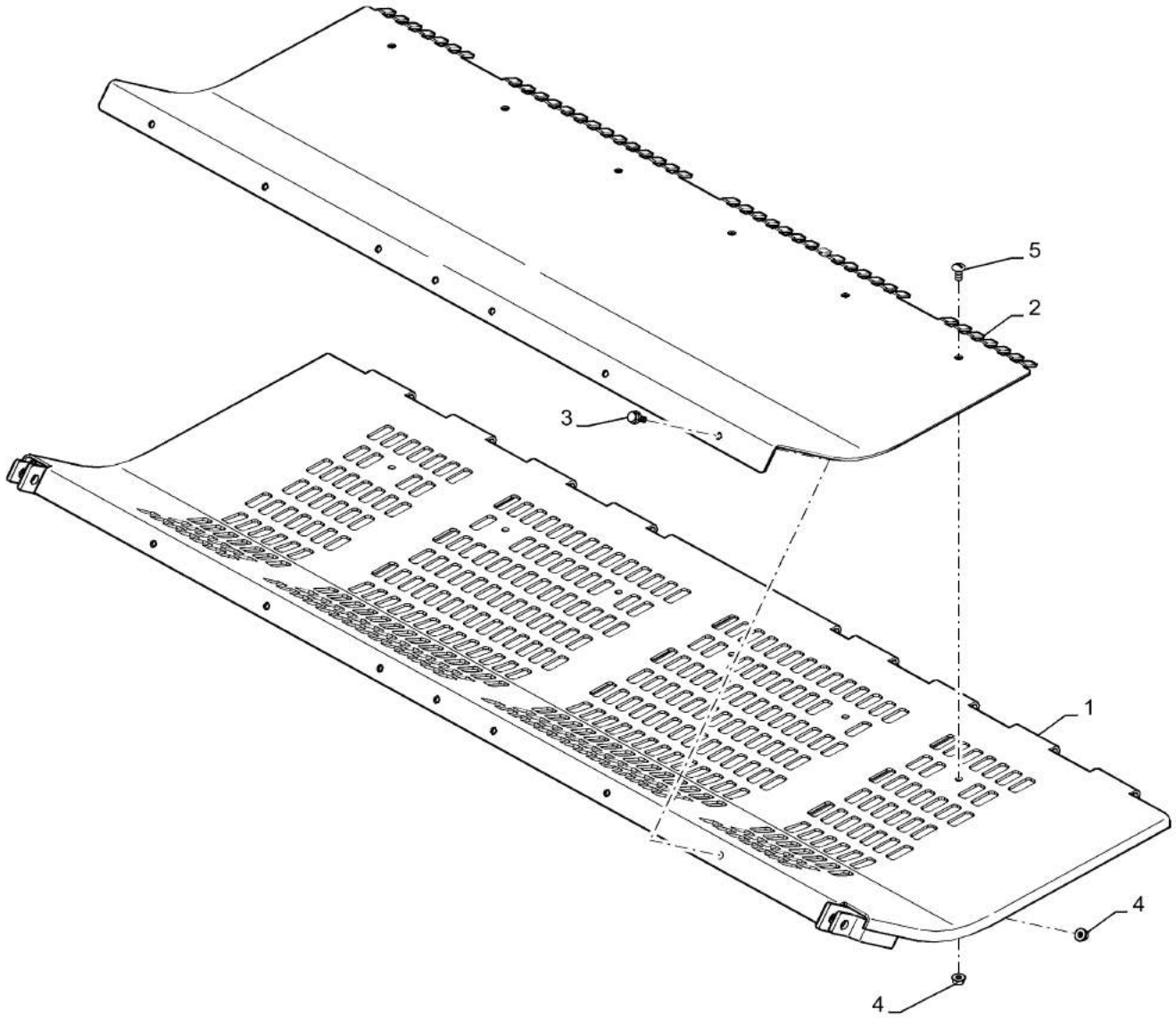


BEATER

REF FN	PART NUMBER	YR/SN	QTY DESCRIPTION
1	86512497		2 FLANGE NUT M12 x 1.75, CI 10
2	87343550		2 FLANGE BOLT Hex HD M12x25 ZND
3	87753814		2 SHEET Chopper Beater, Filler, 563.9mm OAL x 413.5mm W
4	87752814		1 PULLEY Beater, 50.96mm ID x 215.9mm OD
5	182948C2		1 DEFLECTOR LH, 846.1mm OAL x 354.6mm W
6	182949C2		1 DEFLECTOR RH, 846.1mm OAL x 354.6mm W
7	182980C1		1 ROD 11.11mm OD x 1556mm L Hinge, 11.113mm OD x 1556mm OAL
8	87476487		1 V-BELT 22.33 mm W x 6502.40 mm L
9	87301277		1 BOLT M12 x 71.8mm, CI 10.9
10	87681209		1 FLANGE NUT Hex, M12 x 1.75, CI 10
11	495-81211		2 WASHER 34.14mm ID x 50.8mm OD x 3.4mm Thk
12	632147R1		1 SPACER Auger Drive, 33.3mm ID x 41.3mm OD x 41.1mm OAL
13	87656137		10 BOLT M8 x 28.1mm, CI 10.9
14	86507066		10 FLANGE NUT M8 x 1.25, CI 10
15	495-81213		1 WASHER 35.71mm ID x 50.8mm OD x 1.7mm Thk
16	1319402C1		1 HUB Beater, 33mm ID x 86.5mm OD x 68.5mm W
17	87698833		4 BOLT M8 x 33.1mm, CI 10.9
18	87681210		4 FLANGE NUT M8 x 1.25, CI 10

5140-COMBINE - TIER 2

BEATER CONCAVE



72.220.AL

p1

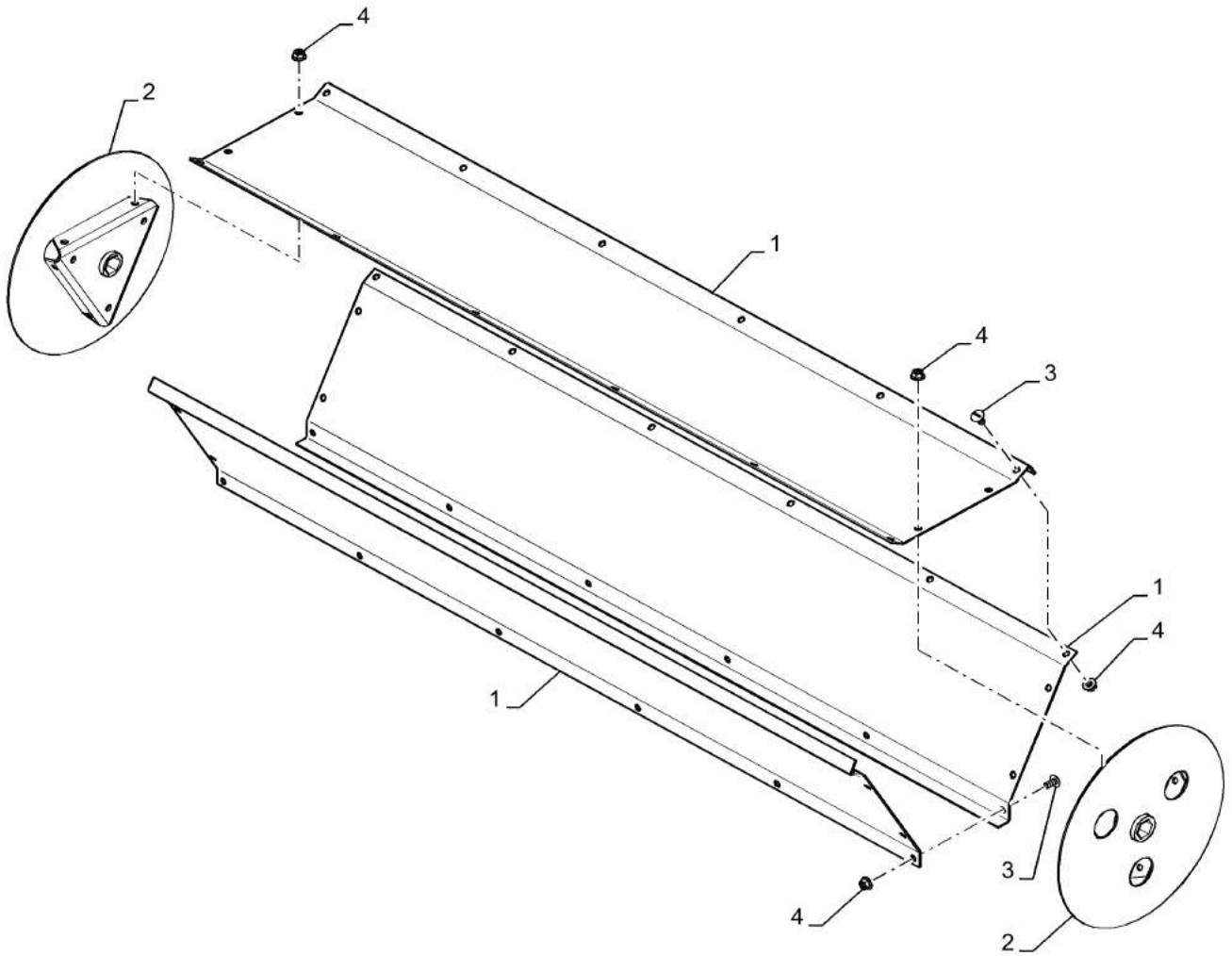
7/2015

BEATER CONCAVE

REF FN	PART NUMBER	YR/SN	QTY DESCRIPTION
1	87746097		1 CONCAVE Spring Loaded Beater
2	84581204		1 COVER Concave
3	87656137		6 BOLT M8 x 28.1mm, CI 10.9
4	825-5148		12 SERRATED NUT M8, Flg Ser
5	847-3820		6 SERRATED SCREW M8 x 20mm, CI 10.9

5140-COMBINE - TIER 2

BEATER ROTOR

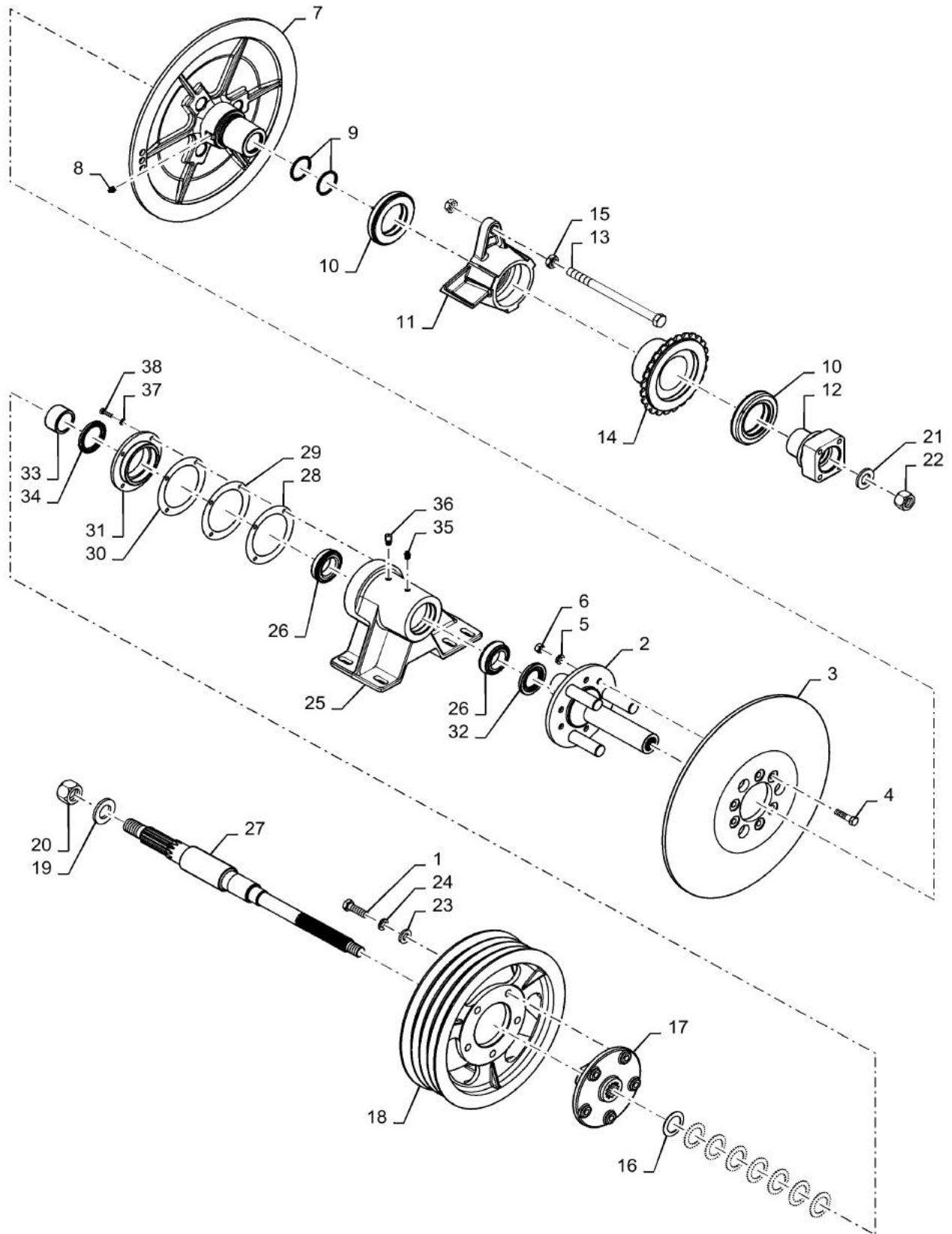


BEATER ROTOR

REF FN	PART NUMBER	YR/SN	QTY DESCRIPTION
1	1319270C1		3 BLADE Beater Rotor
2	1319266C1		2 HUB Beater Rotor
3	87573369		30 SERRATED SCREW SI Truss, M10 x 20mm, CI 10.9
4	86050279		30 FLANGE NUT M10 x 1.5, CI 10

5140-COMBINE - TIER 2

SEPARATOR JACKSHAFT HOUSING W/ PULLEY

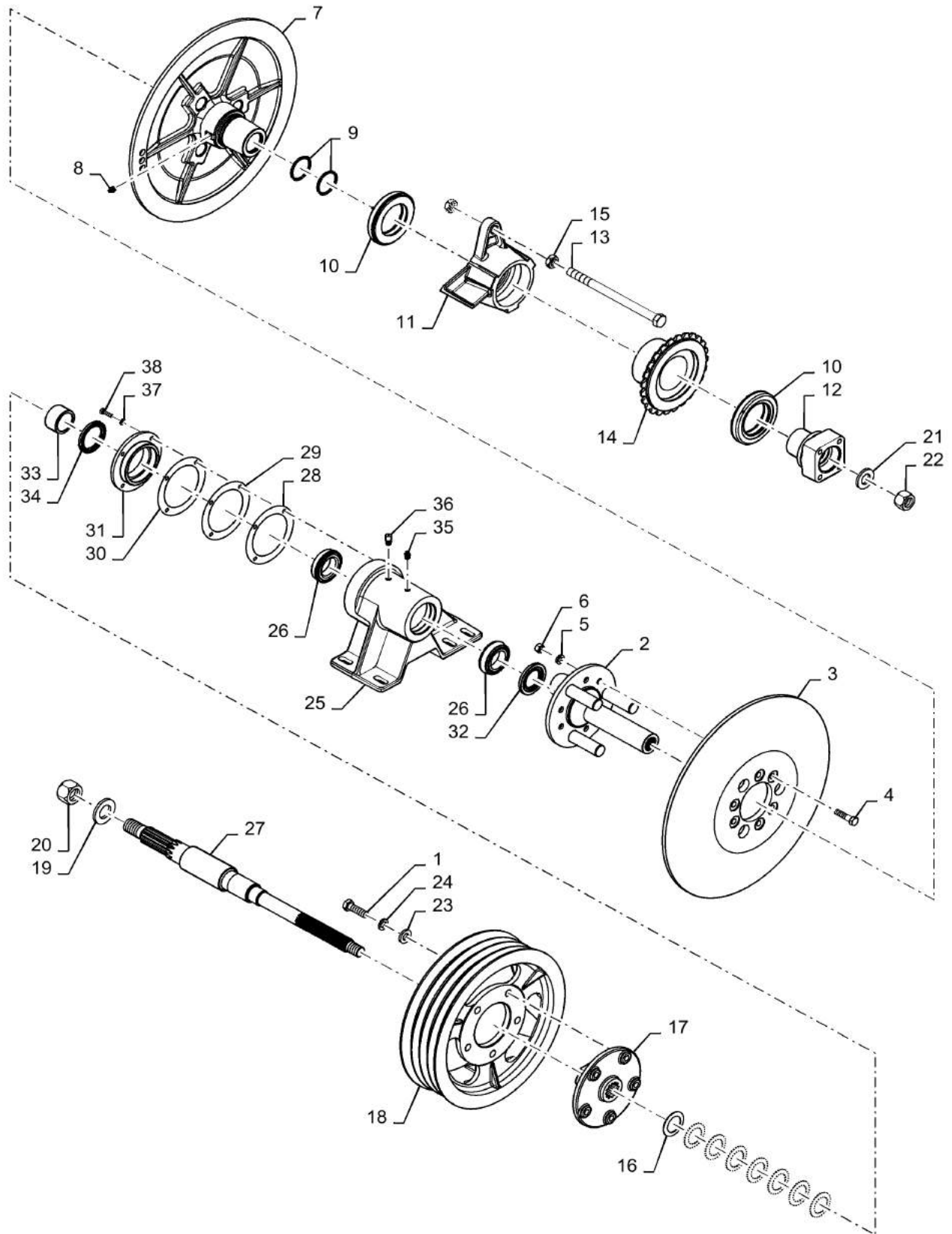


SEPARATOR JACKSHAFT HOUSING W/ PULLEY

REF FN	PART NUMBER	YR/SN	QTY DESCRIPTION
1	412398		5 BOLT Hex, M16 x 2 x 50mm, CI 10.9, Full Thd
2	47462117		1 HUB Rotor Drive Variator
3	87529708		1 PULLEY ASSY. Rotor Drive, Fixed
4	426-832		6 BOLT Hex, 1/2" - 13 x 2", Gr 8
5	492-21050		6 LOCK WASHER 1/2"
6	429-108		6 NUT 1/2"-13, G8
7	47452377		1 PULLEY Rotor Drive, Variable
8	219-86		1 LUBE NIPPLE 1/8" x .62" lg, Drive
9	238-5226		2 O-RING 0.139" Thk x 1.984" ID, -226, CI 5, 75 Duro
10	87307506		2 BALL BEARING 82.54mm ID x 132.06mm OD x 22.86mm W
11	47444104		1 SLEEVE Variable Pulley
12	47452379		1 COUPLING Universal Joint
13	413-12176		1 BOLT Hex, 3/4" - 10 x 11", Gr 5
14	47438886		1 SLEEVE Jackshaft
15	425-1412		2 JAM NUT Jam, 3/4"-10, G5
16	87313981		AR WASHER 1.66" ID x 2.5" OD x 0.06" Thk
17	87677098		1 PULLEY ASSY. Hub, Separator, Driven
18	87677105		1 PULLEY ASSY. Separator, Driven
19	87301675		1 WASHER 1.38" ID x 2.5" OD x 0.25" Thk
20	231-41120		1 NUT 1 1/4"-7, GB
21	496-21106		1 WASHER 1 1/16" x 2" x .209", HDN
22	232-41316		1 NUT 1"-8, GC
23	86639326		5 WASHER 17.3mm ID x 34.5mm OD x 5mm Thk
24	87016618		5 LOCK WASHER M16
25	87343282		1 HOUSING Separator Jackshaft Bearing
26	87341589		2 BEARING ASSY 47.63mm ID x 90mm OD x 20mm W
27	87744723		1 SHAFT Separator Jackshaft

5140-COMBINE - TIER 2

SEPARATOR JACKSHAFT HOUSING W/ PULLEY

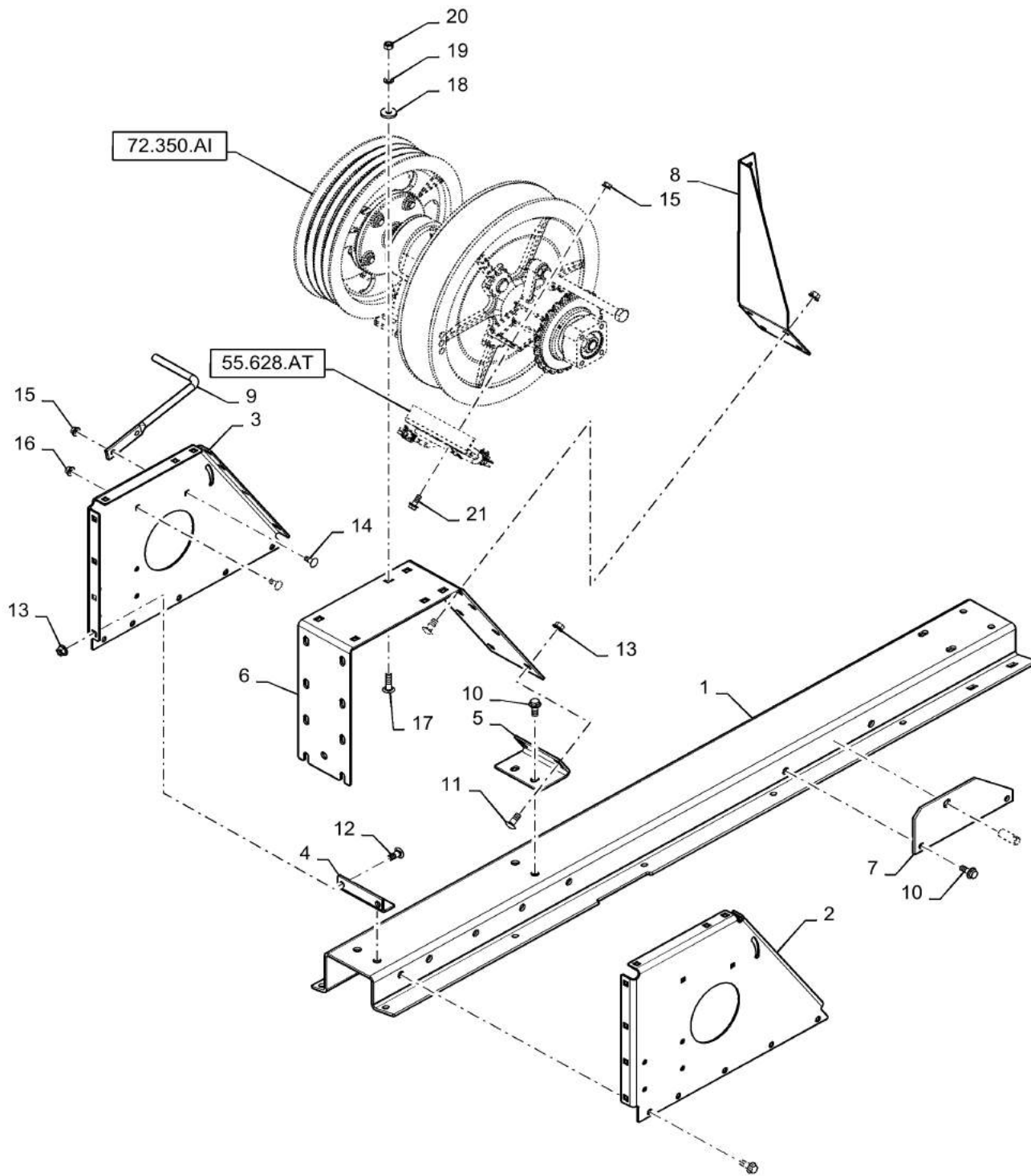


SEPARATOR JACKSHAFT HOUSING W/ PULLEY

REF FN	PART NUMBER	YR/SN	QTY DESCRIPTION
28	87343289		AR SHIM Jackshaft Bearing (.005")
29	87343290		AR SHIM Jackshaft Bearing (.007")
30	87343291		AR SHIM Jackshaft Bearing (.010")
31	87343285		1 SEPARATOR Rear Bearing Hub
32	181287C1		1 SEAL 47.65mm ID x 79.5mm OD x 9.53mm Thk Jackshaft Hub, Forward
33	181269C1		1 SPACER Jackshaft, Rear
34	181288C1		1 SEAL 60.33mm ID x 79.5mm OD x 9.53mm Thk Jackshaft Hub, Rear
35	219-1		1 LUBE NIPPLE 1/8"-27 x .66 lg
36	219-434		1 BREATHER 1/8" - 27 NPT, Short, W/Washer
37	492-11031		4 LOCK WASHER 5/16"
38	426-516		4 BOLT Hex, 5/16" - 18 x 1", Gr 8

5140-COMBINE - TIER 2

SEPARATOR JACKSHAFT SUPPORT



SEPARATOR JACKSHAFT SUPPORT

REF FN	PART NUMBER	YR/SN	QTY DESCRIPTION
1	84153801		1 CHANNEL Separator Jackshaft Support
2	87393437		1 SUPPORT RH
3	87393438		1 SUPPORT LH
4	87757057		1 SUPPORT Jackshaft, Angle
5	87757061		1 SUPPORT Jackshaft, Angle
6	87393439		1 SUPPORT Top, Jackshaft
7	87757085		1 GUIDE Auxiliary Shift Handle Support
8	84185358		1 BODY Belt Guide Channel Support
9	87331545		1 ROD Separator Belt Guide
10	87030508		16 BOLT M12 x 30 Full 10.9 ZND
11	87695426		10 CARRIAGE BOLT M12 x 30mm, CI 0.9
12	43260		2 BOLT Hex, M12 x 1.75 x 30mm, CI 10.9, Full Thd
13	86512497		12 FLANGE NUT M12 x 1.75, CI 10
14	87682391		3 CARRIAGE BOLT M10 x 1.5 x 25mm, CI 10.9
15	86050279		4 FLANGE NUT M10 x 1.5, CI 10
16	87698854		1 NUT M10
17	87495307		6 CARRIAGE BOLT M12 x 45mm, CI 10.9
18	86592701		6 WASHER 13mm ID x 35mm OD x 5mm Thk
19	412123		6 LOCK WASHER 13.1mm ID x 21.1mm OD x 2.55mm Thk
20	337475		6 NUT M12, CI 10
21	87698836		2 BOLT M10 x 25mm, Full Thd, CI 10.9

5140-COMBINE - TIER 2

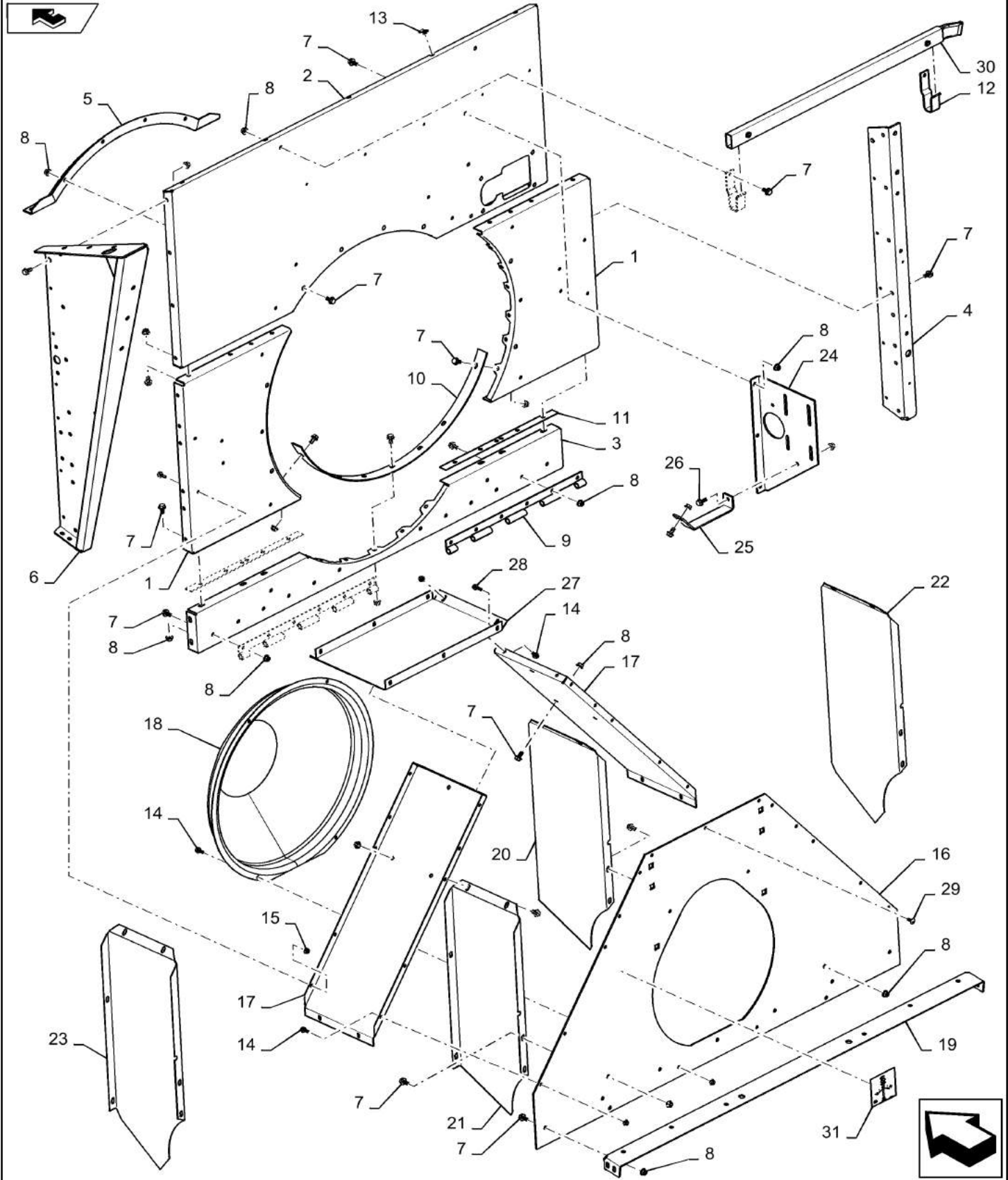
72.420.AM

01

p1

7/2015

SUPPORT ASSEMBLY, ROTOR CAGE REAR, SHIELDS FOR CHOPPER

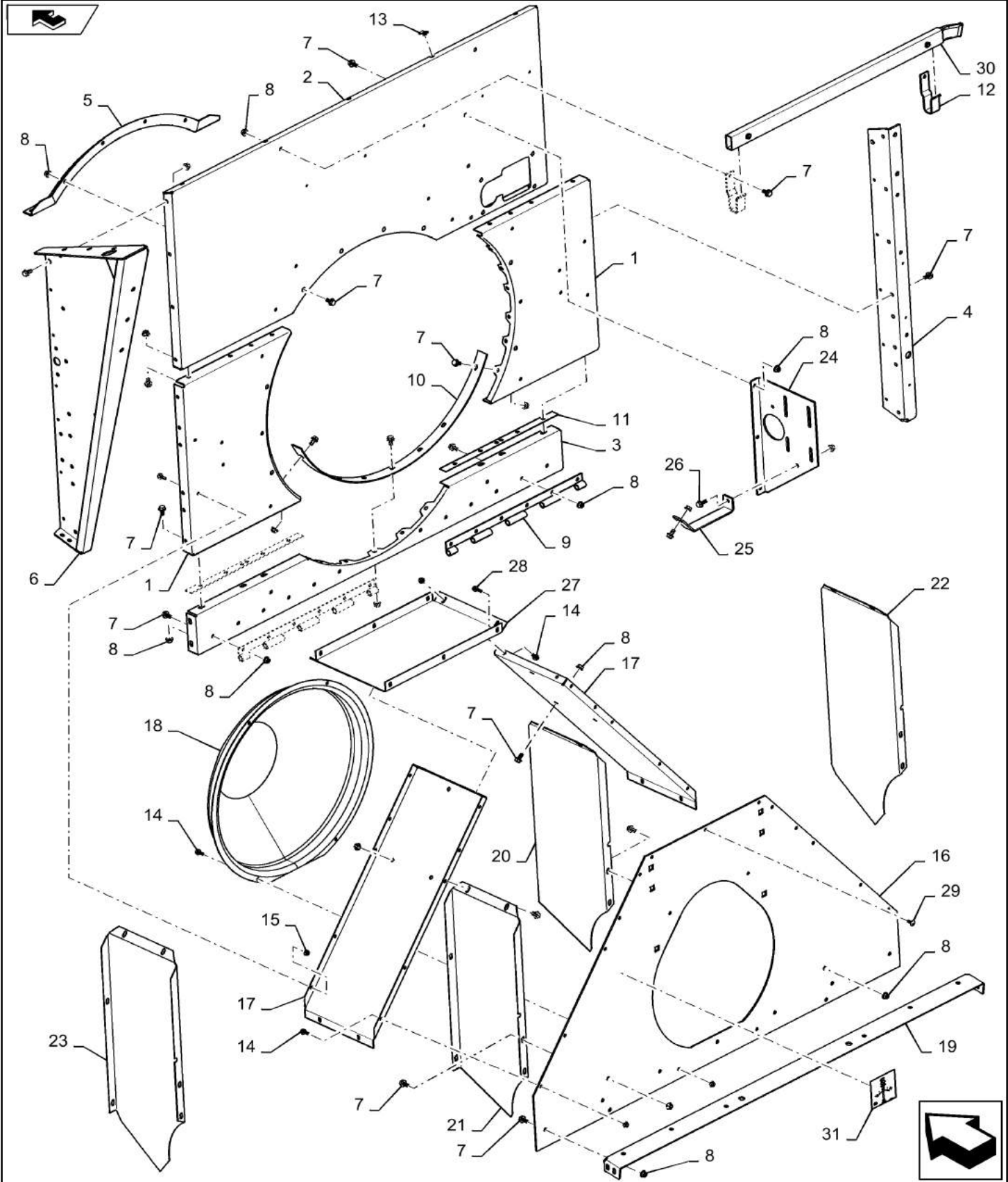


SUPPORT ASSEMBLY, ROTOR CAGE REAR, SHIELDS FOR CHOPPER

REF FN	PART NUMBER	YR/SN	QTY DESCRIPTION
1	191269C4		2 SUPPORT Rotor Cage Rear
2	87704305		1 PANEL Rotor Rear Upper
3	182931C1		1 SUPPORT Lower Rear Cage
4	84128710		1 BRACKET Rear Vertical Grain Tank, RH
5	1308696C1		1 SUPPORT Rear Upper Cage
6	47548986		1 SUPPORT Rear Vertical Grain Tank, LH
7	87698835		77 FLANGE BOLT M10 x 20mm, Full Thd, CI 10.9
8	86050279		78 FLANGE NUT M10 x 1.5, CI 10
9	182893C1		2 HINGE Bottom Panel
10	182950C1		1 SUPPORT Cage Filler
11	182895C1		2 FILLER Bulkhead Rear
12	84138793		2 CLIP Locking Wrench
13	86625074		5 SPRING NUT M8, U
14	87656137		30 BOLT M8 x 28.1mm, CI 10.9
15	86507066		33 FLANGE NUT M8 x 1.25, CI 10
16	87704303		1 PLATE Rear Rotor Discharge
17	193393C1		2 COVER Discharge, Side
18	87619898		1 COVER Rotor Gear Case, 8 Bolt Coupler
19	87757151		1 ANGLE Engine Deck Support
20	1347215C1		1 SUPPORT Discharge Deflector, RH, EU Chopper
21	1347214C1		1 SUPPORT Discharge Deflector, LH, EU Chopper
22	182949C2		1 DEFLECTOR Discharge Deflector, RH, Standard Chopper or Beater
23	182948C2		1 DEFLECTOR Discharge Deflector, LH, Standard Chopper or Beater
24	87393443		1 SUPPORT ASSY. Speed Adjust Rotor Drive, LH

5140-COMBINE - TIER 2

SUPPORT ASSEMBLY, ROTOR CAGE REAR, SHIELDS FOR CHOPPER

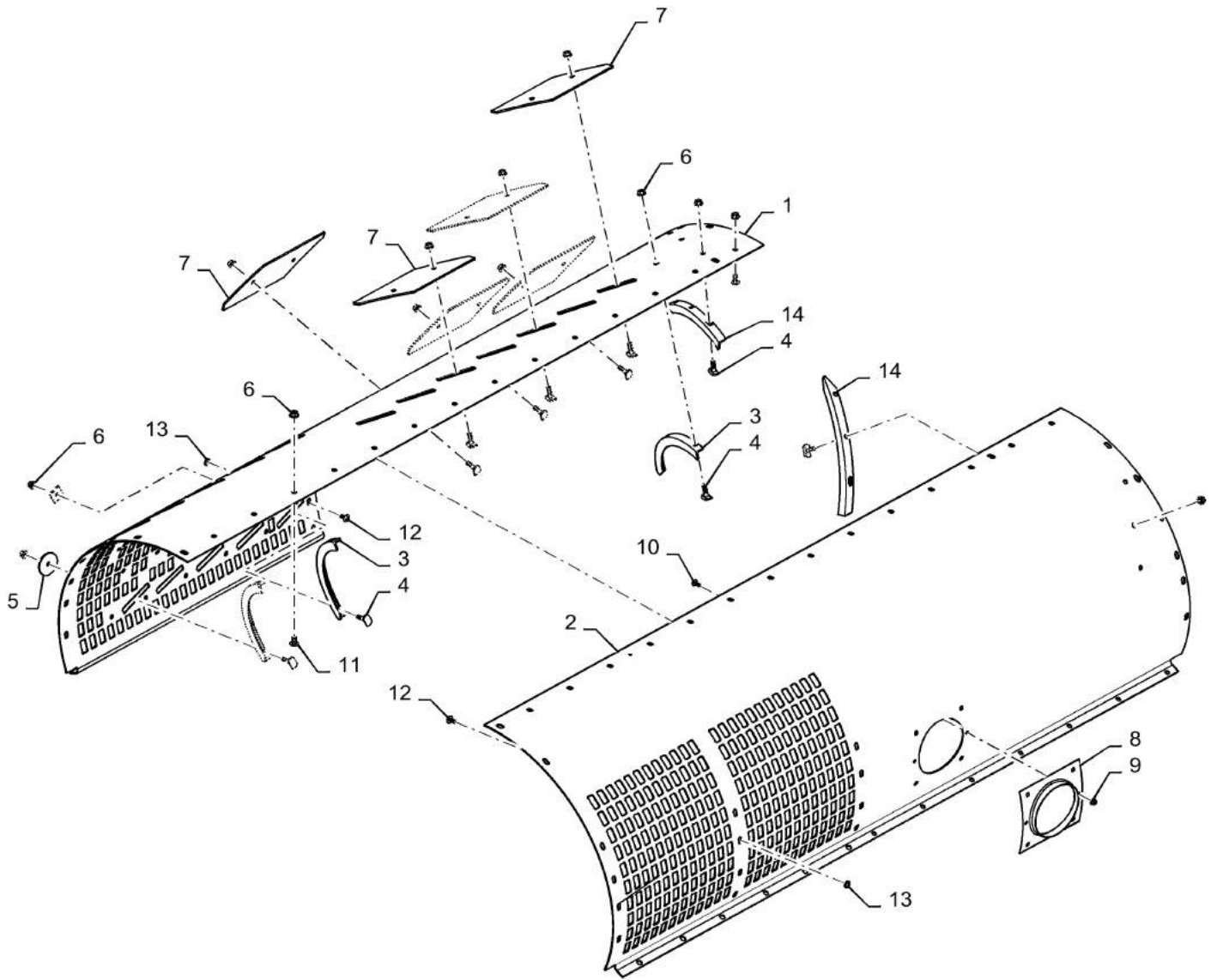


SUPPORT ASSEMBLY, ROTOR CAGE REAR, SHIELDS FOR CHOPPER

REF FN	PART NUMBER	YR/SN	QTY DESCRIPTION
25	87393444		1 SUPPORT ASSY. Strap, Rotor Speed Adjustment Motor, LH
26	87698836		1 BOLT M10 x 25mm, Full Thd, CI 10.9
27	193170C1		1 COVER Discharge Top Cover
28	87698833		2 BOLT M8 x 33.1mm, CI 10.9
29	847-3820		1 SERRATED SCREW M8 x 20mm, CI 10.9
30	87697517		1 WRENCH De-Slug
31	293460A1		1 DECAL 3 Speed Rotor Aux Shift

5140-COMBINE - TIER 2

CAGE, ROTOR, SEPARATOR



CAGE, ROTOR, SEPARATOR

REF FN	PART NUMBER	YR/SN	QTY DESCRIPTION
1	1318729C5		1 CAGE Rotor, Threshing, LH
2	1321661C3		1 CAGE Rotor, Threshing, RH
3	347917A1		13 VANE Vane
4	87106338		46 BOLT Tee, M10 x 30mm OAL, CI 8.8
5	140219		12 WASHER 11mm ID x 40mm OD x 4mm Thk 11mm ID x 40mm OD x 4mm W
6	86050279		59 FLANGE NUT M10 x 1.5, CI 10
7	1318581C1		6 PLATE Vane Tie
8	186700C1		1 COVER Tailings Delivery Tube
9	86507066		6 FLANGE NUT M8 x 1.25, CI 10
10	847-3820		6 SERRATED SCREW M8 x 20mm, CI 10.9
11	87487071		14 SERRATED SCREW M10 x 1.5 x 25mm Truss Head Slotted
12	87487056		11 SERRATED SCREW M10 x 1.5 x 20mm, CI 10.9 Truss Head Slotted, Locking Thread
13	87698854		12 NUT M10 Push On
14	411518A2		3 VANE Vane Extension, Ext. Wear

5140-COMBINE - TIER 2

SECTION INDEX
RESIDUE HANDLING

73.210.AX	01	CHOPPING UNIT GEARBOX SUPPORT
73.210.AX	02	CHOPPING UNIT GEARBOX ASSY W/ PULLEY
73.210.AX	03	CHOPPING UNIT GEARBOX
73.210.AX	07	FLAIL CHOPPING UNIT GEARBOX SUPPORT
73.210.AX	08	HIGH SPEED CHOPPING UNIT GEARBOX W/ PULLEY
73.210.AX	09	HIGH SPEED CHOPPING UNIT GEARBOX
73.230.AJ	01	STANDARD STRAW CHOPPER
73.230.AJ	02	STATIONARY BLADE CHOPPER BODY ASSY
73.230.AJ	04	6 ROW FLAIL STRAW CHOPPER
73.230.AJ	05	6 ROW FLAIL CHOPPER BODY ASSY
73.230.AP	01	STRAW CHOPPER CONCAVE
73.230.AP	02	FLAIL STRAW CHOPPER CONCAVE
73.230.AQ	01	REAR HOOD ASSY, TIER 2
73.230.AQ	02	REAR HOOD BOX ASSY, LH
73.230.AQ	03	REAR HOOD BOX ASSY, RH
73.230.AQ	04	ENGINE SERVICE SHEET ASSY
73.230.AQ	05	REAR LADDER ASSY
73.230.AQ	06	SERVICE PLATFORM LH HANDRAIL, TIER 2
73.335.AC	01	SPREADER DRIVE
73.335.AC	02	LH STRAW SPREADER DRIVE ASSY
73.335.AC	03	RH STRAW SPREADER DRIVE ASSY
73.335.AG	01	STRAW SPREADER HOOD IDLER ASSY

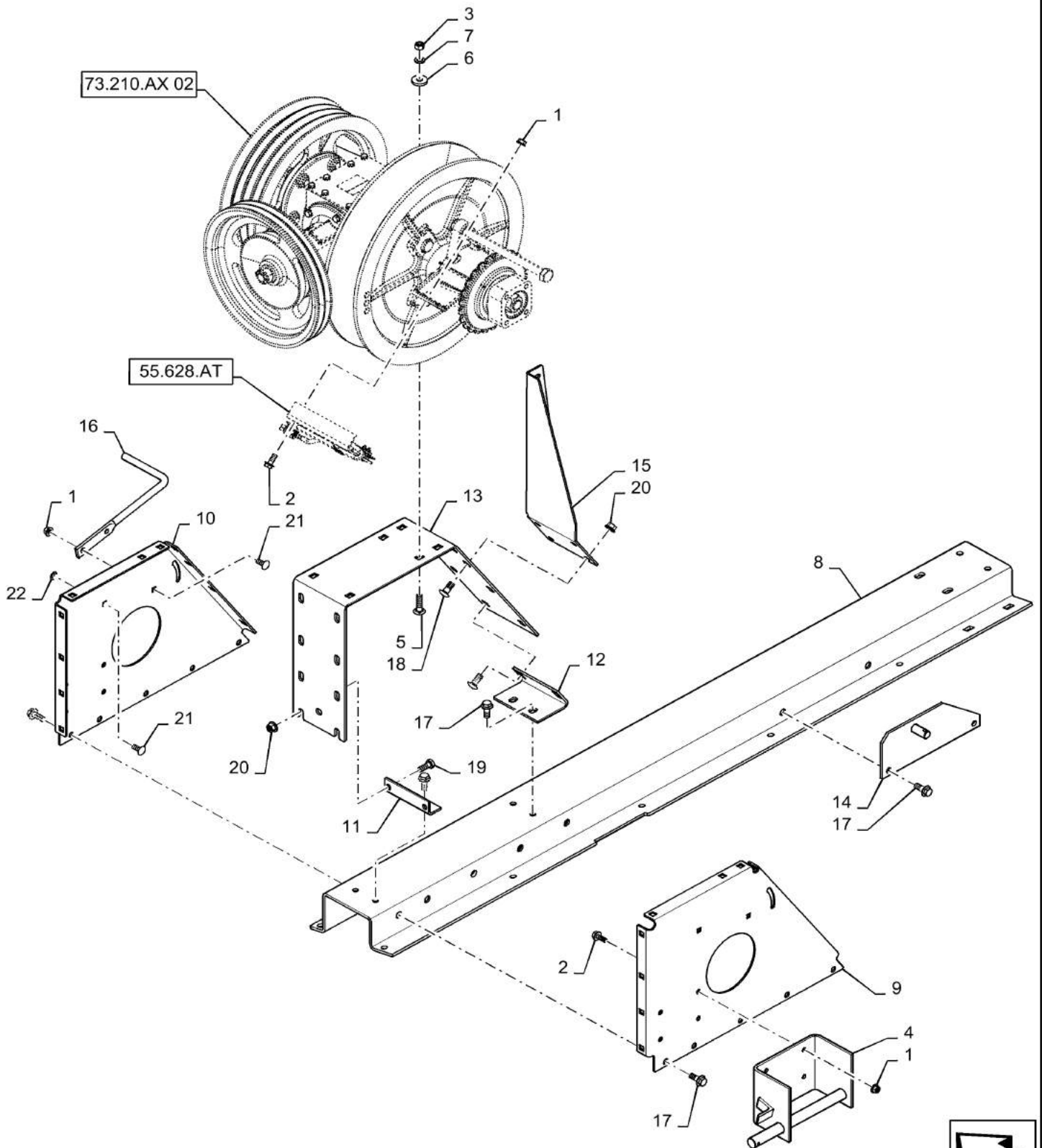
73.210.AX

01

p1

7/2015

CHOPPING UNIT GEARBOX SUPPORT



CHOPPING UNIT GEARBOX SUPPORT

REF FN	PART NUMBER	YR/SN	QTY DESCRIPTION
1	86050279		8 FLANGE NUT M10 x 1.5, CI 10
2	87698836		6 BOLT M10 x 25mm, Full Thd, CI 10.9
3	337475		6 NUT M12, CI 10
4	1315251C1		1 SUPPORT Idler Pivot
5	87495307		6 CARRIAGE BOLT M12 x 45mm, CI 10.9
6	86592701		6 WASHER 13mm ID x 35mm OD x 5mm Thk
7	412123		6 LOCK WASHER 13.1mm ID x 21.1mm OD x 2.55mm Thk
8	84153801		1 CHANNEL Jackshaft Support
9	87393437		1 SUPPORT RH, Jackshaft
10	87393438		1 SUPPORT LH, Jackshaft
11	87757057		1 SUPPORT Jackshaft Support Angle
12	87757061		1 SUPPORT Jackshaft Support Angle
13	87393439		1 SUPPORT Top, Jackshaft
14	87757085		1 GUIDE Auxiliary Shift Handle Support
15	84185358		1 BODY Belt Guide Channel Support
16	87331545		1 ROD Separator Belt Guide
17	87030508		16 BOLT M12 x 30 Full 10.9 ZND
18	87695426		10 CARRIAGE BOLT M12 x 30mm, CI 0.9
19	43260		2 BOLT Hex, M12 x 1.75 x 30mm, CI 10.9, Full Thd
20	86512497		12 FLANGE NUT M12 x 1.75, CI 10
21	87682391		3 CARRIAGE BOLT M10 x 1.5 x 25mm, CI 10.9
22	87698854		1 NUT M10

5140-COMBINE - TIER 2

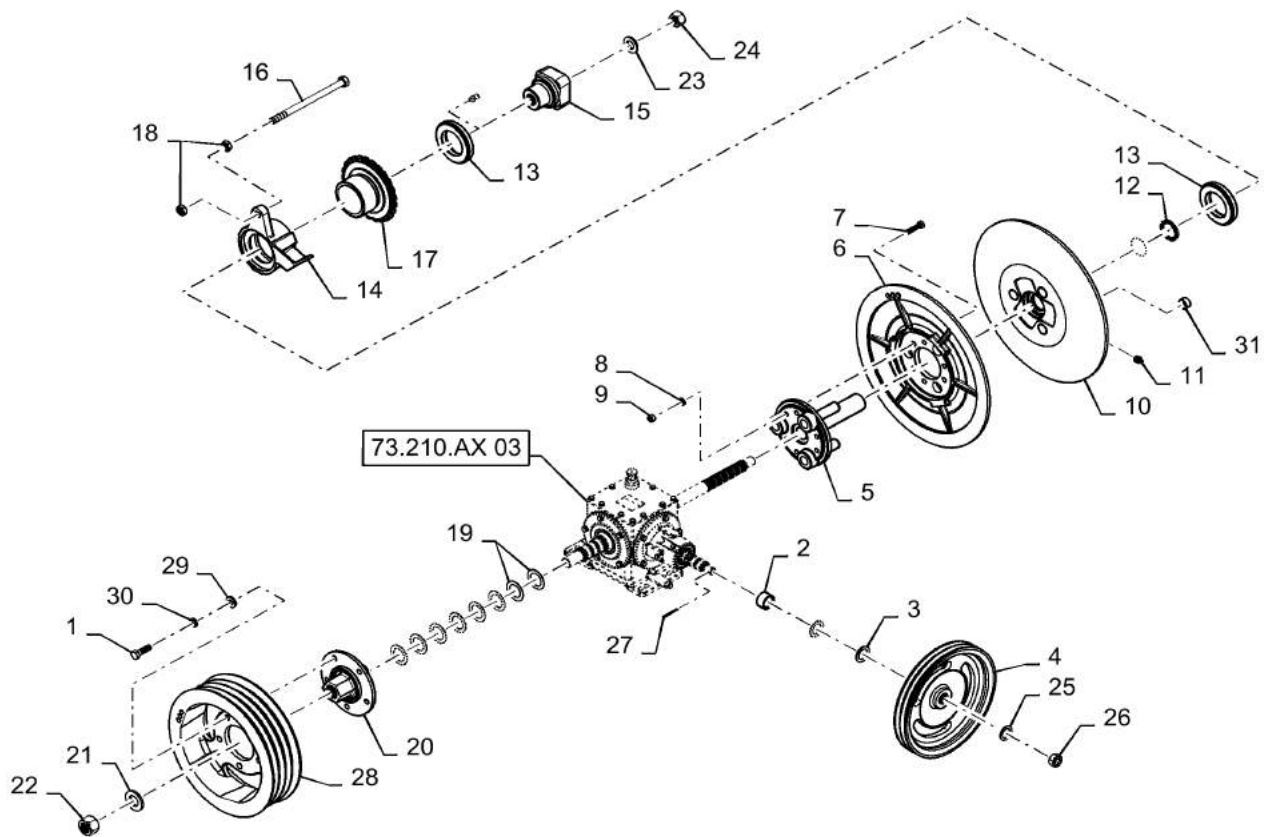
73.210.AX

02

p1

7/2015

CHOPPING UNIT GEARBOX ASSY W/ PULLEY



CHOPPING UNIT GEARBOX ASSY W/ PULLEY

REF FN	PART NUMBER	YR/SN	QTY DESCRIPTION
1	412398		5 BOLT Hex, M16 x 2 x 50mm, CI 10.9, Full Thd
2	87745589		1 SPACER Chopper Drive Pulley
3	87629040		2 WASHER 1.34" ID x 2" OD x 0.12" Thk
4	87735266		1 PULLEY 356mm OD Chopper Drive
5	47462117		1 HUB Variator, Rotor Drive
6	87529708		1 PULLEY ASSY. Fixed, Rotor Drive
7	426-832		6 BOLT Hex, 1/2" - 13 x 2", Gr 8
8	492-21050		6 LOCK WASHER 1/2"
9	429-108		6 NUT 1/2"-13, G8
10	47452377		1 PULLEY Variable, Rotor Drive
11	219-86		1 LUBE NIPPLE 1/8" x .62" lg, Drive
12	238-5226		2 O-RING 0.139" Thk x 1.984" ID, -226, CI 5, 75 Duro
13	87307506		2 BALL BEARING 82.54mm ID x 132.06mm OD x 22.86mm W
14	47444104		1 SLEEVE Female, Variator Pulley
15	47452379		1 COUPLING Universal Joint
16	413-12176		1 BOLT Hex, 3/4" - 10 x 11", Gr 5
17	47438886		1 SLEEVE Male, Variator Pulley
18	425-1412		2 JAM NUT Jam, 3/4"-10, G5
19	87313981		AR WASHER 1.66" ID x 2.5" OD x 0.06" Thk Shim
20	87677098		1 PULLEY ASSY. Hub, Driven
21	87301675		1 WASHER 1.38" ID x 2.5" OD x 0.25" Thk
22	231-41120		1 NUT 1 1/4"-7, GB
23	496-21106		1 WASHER 1 1/16" x 2" x .209", HDN
24	232-41316		1 NUT 1"-8, GC
25	87613300		1 WASHER 0.94" ID x 1.75" OD x 0.18" Thk
26	425-1314		1 SLOTTED NUT 7/8"-14, G5
27	432-828		1 COTTER PIN 1/8" x 1 3/4"
28	87677105		1 PULLEY ASSY. Driven

5140-COMBINE - TIER 2

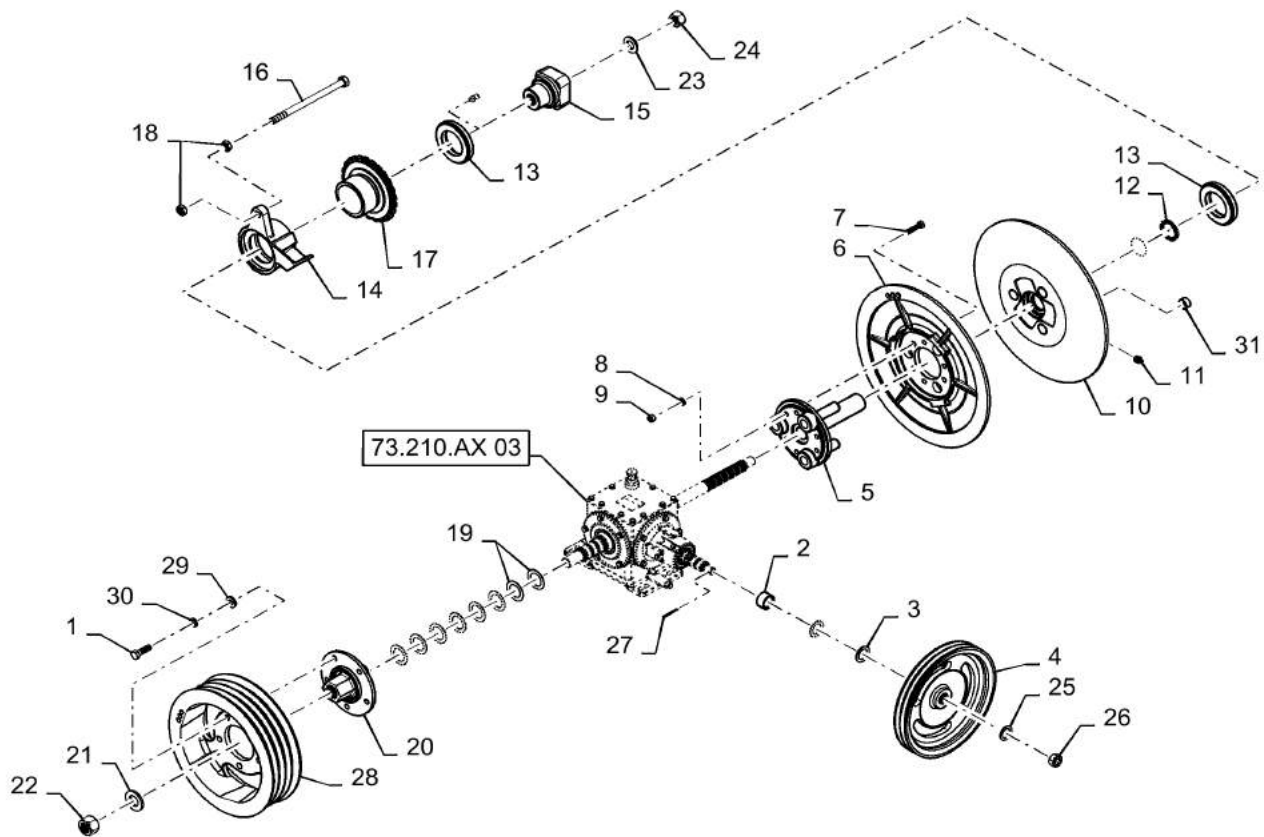
73.210.AX

02

p2

7/2015

CHOPPING UNIT GEARBOX ASSY W/ PULLEY



73.210.AX

02

p2

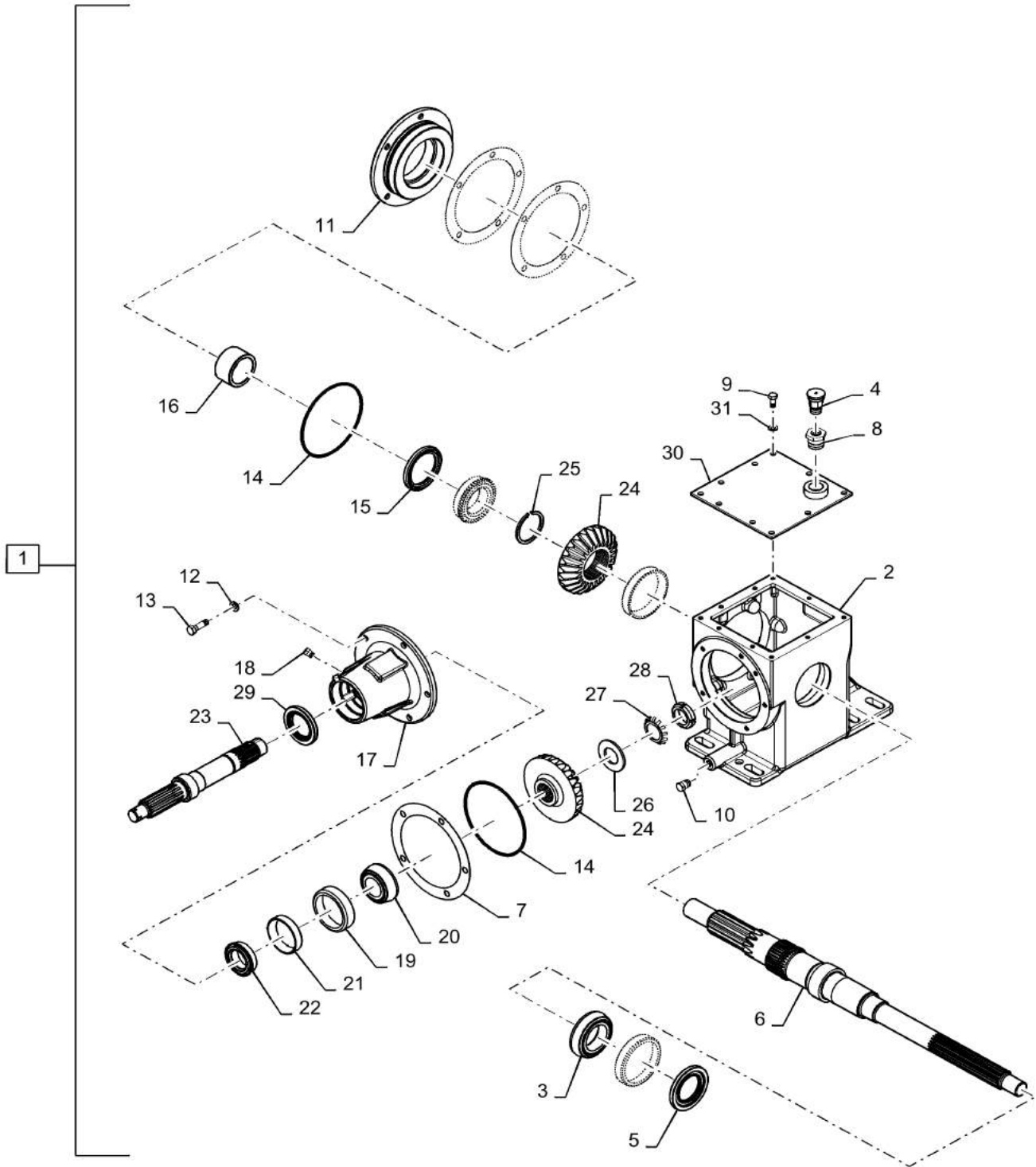
7/2015

CHOPPING UNIT GEARBOX ASSY W/ PULLEY

REF FN	PART NUMBER	YR/SN	QTY DESCRIPTION
29	86639326		5 WASHER 17.3mm ID x 34.5mm OD x 5mm Thk
30	87016618		5 LOCK WASHER M16
31	87307839		3 BUSHING 30.2mm ID x 35.03mm OD x 31.75mm L Variable Drive Pulley

5140-COMBINE - TIER 2

CHOPPING UNIT GEARBOX

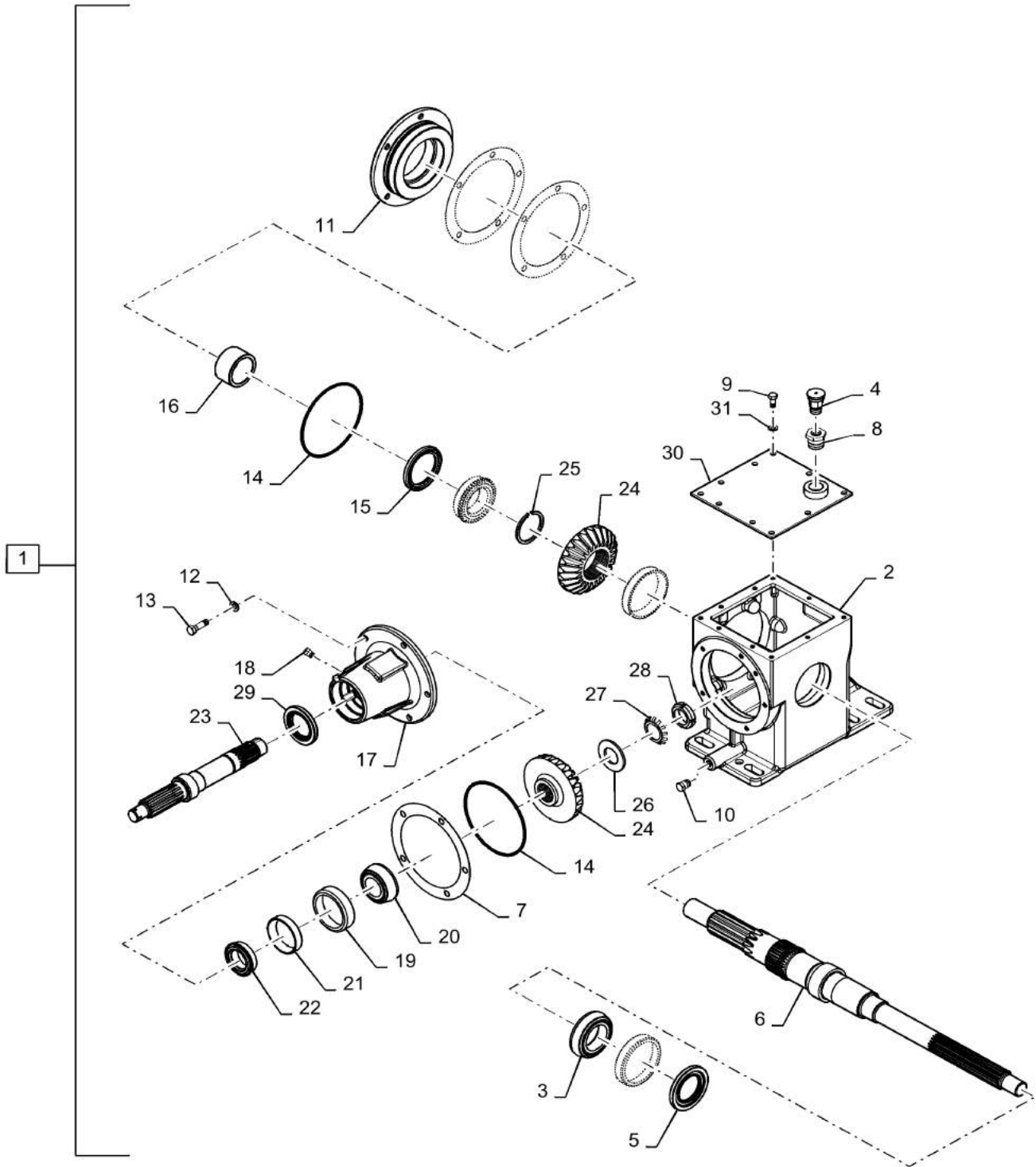


CHOPPING UNIT GEARBOX

REF FN	PART NUMBER	YR/SN	QTY DESCRIPTION
1	87744660		1 GEARBOX Chopper Drive, Incl 2 - 31
2	181278C1		1 BEARING HOUSING Separator Jackshaft Case
3	87341589		2 BEARING ASSY 47.63mm ID x 90mm OD x 20mm W
4	219-436		1 BREATHER 3/8" - 18 NPT, Short, W/ Washer
5	181287C1		1 SEAL 47.65mm ID x 79.5mm OD x 9.53mm Thk Drive Shaft, Forward
6	87736433		1 SHAFT Jackshaft
7	195484C2		1 SHIM KIT Bell Housing, Rear
8	217-46		1 REDUCER 3/4" - 14 NPTF x 3/8" - 18 Fem NPTF
9	413-512		10 BOLT Hex, 5/16" - 18 x 3/4", Gr 5
10	217-405		2 PLUG Hex Hd, 1/4" - 18 NPTF
11	181274C1		1 BEARING HOUSING 79.375 mm ID x 177.8 mm OD x 38.1 mm
12	492-11038		10 LOCK WASHER 3/8"
13	413-620		10 BOLT Hex, 3/8" - 16 x 1-1/4", Gr 5
14	238-5250		2 O-RING 0.139" Thk x 4.984" ID, -250, CI 5, 75 Duro
15	181288C1		1 SEAL 60.33mm ID x 79.5mm OD x 9.53mm Thk Drive Shaft, Rear
16	181269C1		1 SPACER Jackshaft, Rear
17	191245C2		1 HUB Bell Housing, Rear
18	217-84		2 PLUG Hex Hd, 1/8"-27, Brass
19	17498D		1 TAPERED ROLLER BEARING " ID x 76.2125 mm OD x 23.9135 mm
20	1345296C1		1 ROLLER BEARING 1.3755" ID x 3" OD x 0.9375"
21	618024R1		1 BEARING CUP Chopper Drive Shaft
22	618023R91		1 BEARING ASSY 34.93mm ID x 18.2mm W
23	181195C1		1 SHAFT Chopper Drive
24	243333A1		1 BEVEL GEAR Chopper Drive

5140-COMBINE - TIER 2

CHOPPING UNIT GEARBOX



CHOPPING UNIT GEARBOX

REF FN	PART NUMBER	YR/SN	QTY DESCRIPTION
25	1315284C1		1 PACKAGE Shim Kit
26	396-11119		1 WASHER 30.18mm ID x 57.15mm OD x 3.4mm Thk
27	55-2006		1 BEARING WASHER Type TW-106
28	54-2006		1 BEARING LOCK NUT Bearing, 1.1811" Bore
29	192527C1		1 OIL SEAL 44.45mm ID x 69.95mm OD x 7.92mm Thk Gear Case Input, Forward
30	181281C1		1 COVER Chopper Drive
31	492-11031		10 LOCK WASHER 5/16"

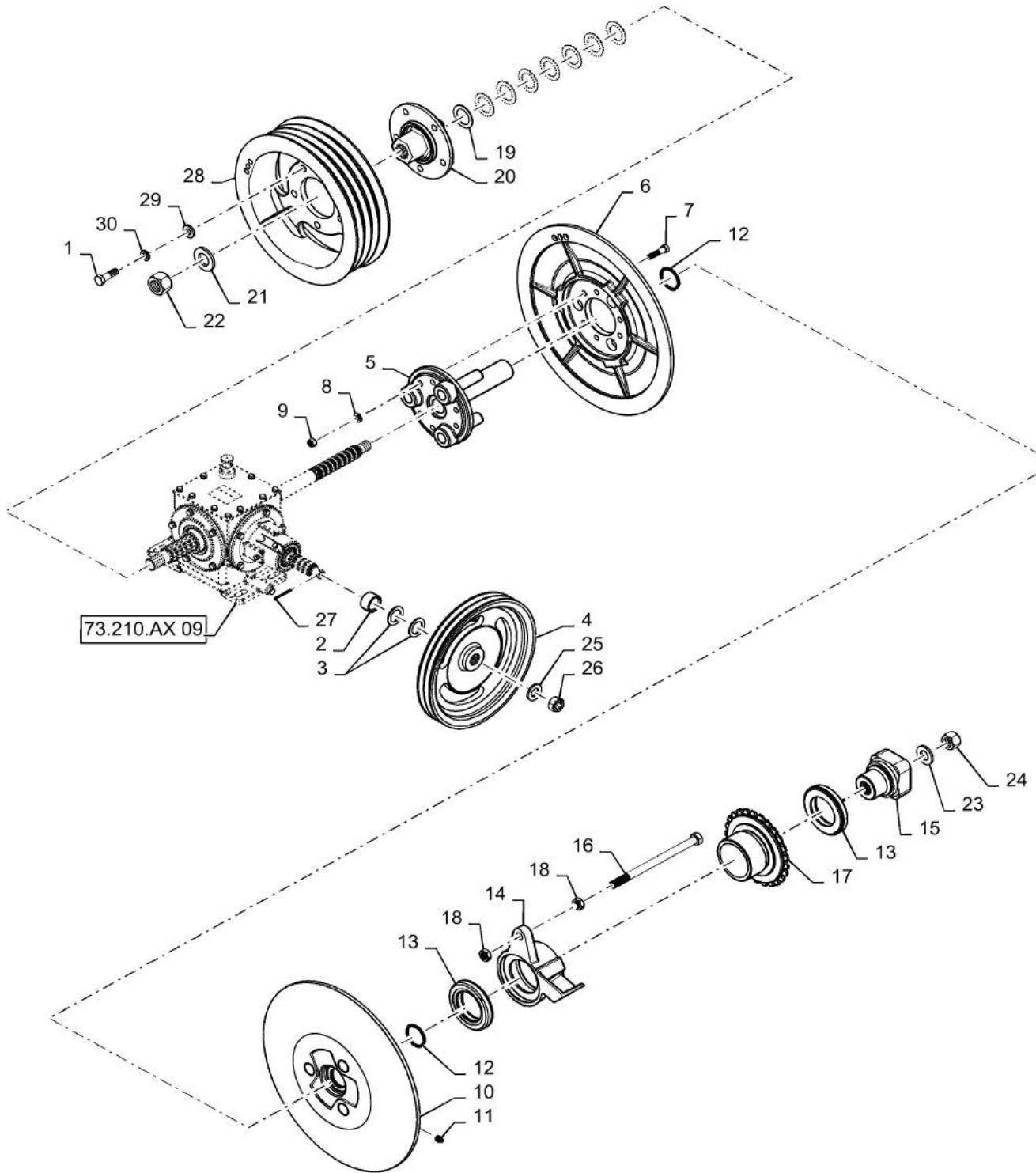
5140-COMBINE - TIER 2

FLAIL CHOPPING UNIT GEARBOX SUPPORT

REF FN	PART NUMBER	YR/SN	QTY DESCRIPTION
1	84153801		1 CHANNEL Jackshaft Support
2	87393437		1 SUPPORT Jackshaft, RH
3	87393438		1 SUPPORT Jackshaft, LH
4	87757057		1 SUPPORT Angle, Jackshaft
5	87757061		1 SUPPORT Angle, Jackshaft
6	87393439		1 SUPPORT Jackshaft, Top
7	87757085		1 GUIDE Auxillary Shift Handle
8	84185358		1 BODY Belt Guide Channel
9	87331545		1 ROD Belt Guide
10	87030508		16 BOLT M12 x 30 Full 10.9 ZND
11	87695426		10 CARRIAGE BOLT M12 x 30mm, CI 0.9
12	43260		2 BOLT Hex, M12 x 1.75 x 30mm, CI 10.9, Full Thd
13	86512497		2 FLANGE NUT M12 x 1.75, CI 10
14	87682391		3 CARRIAGE BOLT M10 x 1.5 x 25mm, CI 10.9
15	86050279		8 FLANGE NUT M10 x 1.5, CI 10
16	87698854		1 NUT M10
17	1315251C1		1 SUPPORT Idler Pivot
18	87495307		6 CARRIAGE BOLT M12 x 45mm, CI 10.9
19	86592701		6 WASHER 13mm ID x 35mm OD x 5mm Thk
20	412123		6 LOCK WASHER 13.1mm ID x 21.1mm OD x 2.55mm Thk
21	337475		6 NUT M12, CI 10
22	87698836		6 BOLT M10 x 25mm, Full Thd, CI 10.9

5140-COMBINE - TIER 2

HIGH SPEED CHOPPING UNIT GEARBOX W/ PULLEY

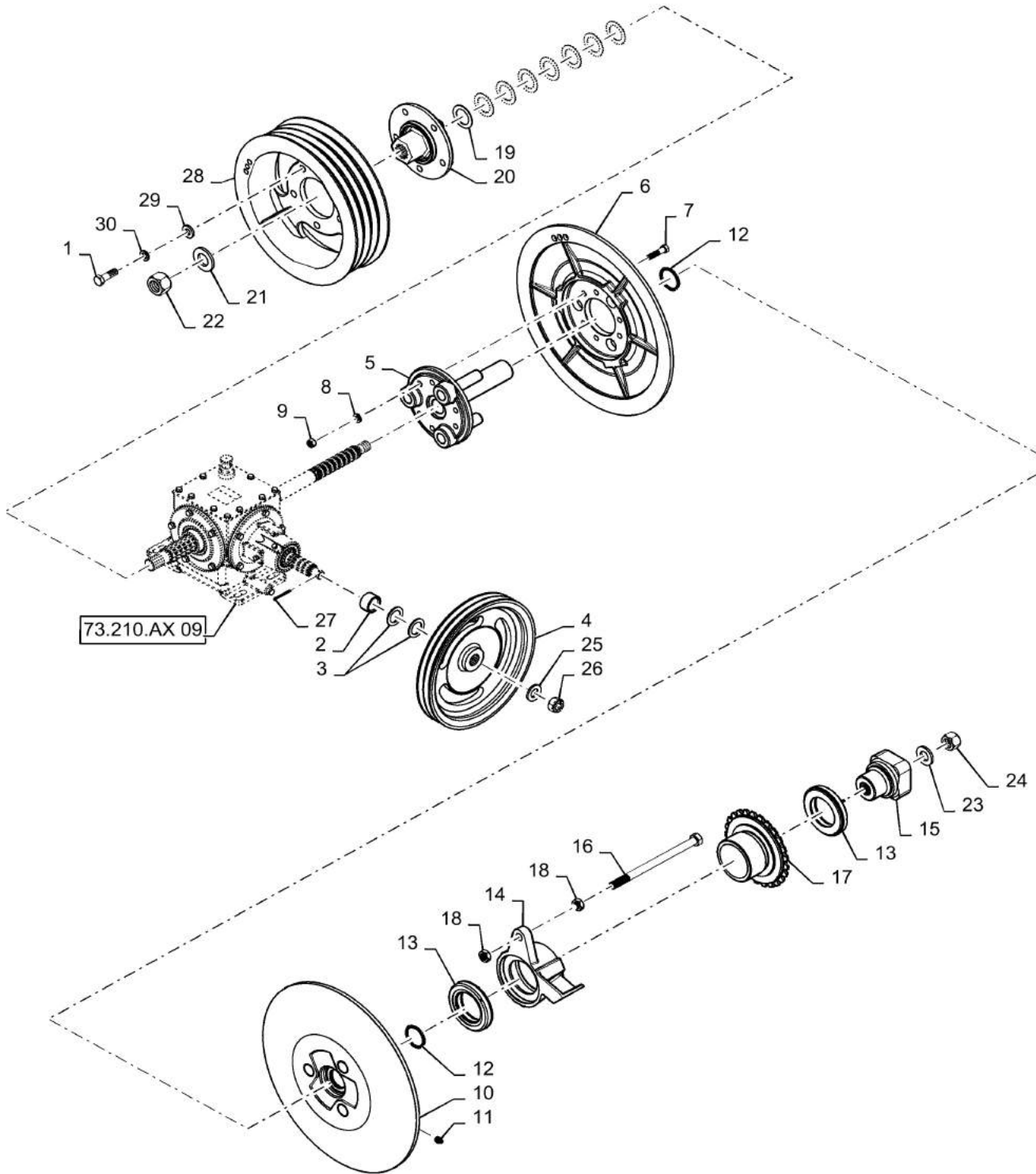


HIGH SPEED CHOPPING UNIT GEARBOX W/ PULLEY

REF FN	PART NUMBER	YR/SN	QTY DESCRIPTION
1	412398		5 BOLT Hex, M16 x 2 x 50mm, CI 10.9, Full Thd
2	87745589		1 SPACER Chopper Drive Pulley
3	87629040		2 WASHER 1.34" ID x 2" OD x 0.12" Thk
4	87735266		1 PULLEY 356mm OD Chopper Drive
5	47462117		1 HUB Rotor Drive, Variator
6	87529708		1 PULLEY ASSY. Rotor Drive, Fixed
7	426-832		6 BOLT Hex, 1/2" - 13 x 2", Gr 8
8	492-21050		6 LOCK WASHER 1/2"
9	429-108		6 NUT 1/2"-13, G8
10	47452377		1 PULLEY Rotor Drive, Variable
11	219-86		1 LUBE NIPPLE 1/8" x .62" lg, Drive
12	238-5226		2 O-RING 0.139" Thk x 1.984" ID, -226, CI 5, 75 Duro
13	87307506		2 BALL BEARING 82.54mm ID x 132.06mm OD x 22.86mm W
14	47444104		1 SLEEVE Variable Pulley
15	47452379		1 COUPLING Universal Joint
16	413-12176		1 BOLT Hex, 3/4" - 10 x 11", Gr 5
17	47438886		1 SLEEVE Speed Sensor
18	425-1412		2 JAM NUT Jam, 3/4"-10, G5
19	87313981		AR WASHER 1.66" ID x 2.5" OD x 0.06" Thk
20	87677098		1 PULLEY ASSY. Hub, Driven
21	87301675		1 WASHER 1.38" ID x 2.5" OD x 0.25" Thk
22	231-41120		1 NUT 1 1/4"-7, GB
23	496-21106		1 WASHER 1 1/16" x 2" x .209", HDN
24	232-41316		1 NUT 1"-8, GC
25	87613300		1 WASHER 0.94" ID x 1.75" OD x 0.18" Thk
26	425-1314		1 SLOTTED NUT 7/8"-14, G5
27	432-828		1 COTTER PIN 1/8" x 1 3/4"
28	87677105		1 PULLEY ASSY. 4HC, Driven

5140-COMBINE - TIER 2

HIGH SPEED CHOPPING UNIT GEARBOX W/ PULLEY



73.210.AX

08

p2

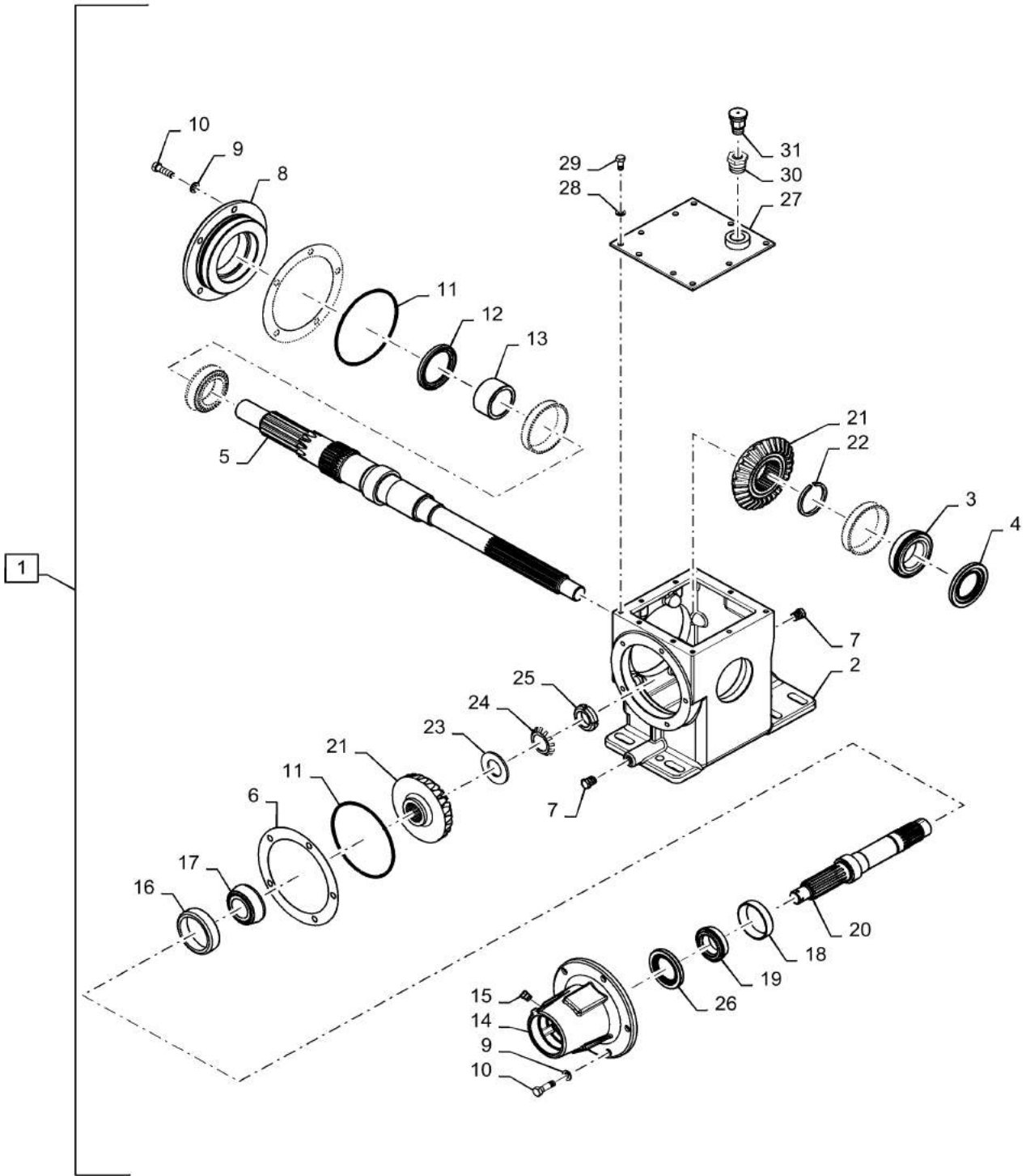
7/2015

HIGH SPEED CHOPPING UNIT GEARBOX W/ PULLEY

REF FN	PART NUMBER	YR/SN	QTY DESCRIPTION
29	86639326		5 WASHER 17.3mm ID x 34.5mm OD x 5mm Thk
30	87016618		5 LOCK WASHER M16

5140-COMBINE - TIER 2

HIGH SPEED CHOPPING UNIT GEARBOX



HIGH SPEED CHOPPING UNIT GEARBOX

REF FN	PART NUMBER	YR/SN	QTY DESCRIPTION
1	87744667		1 GEARBOX High Speed Chopper Drive, Incl 2 - 31
2	181278C1		1 BEARING HOUSING Jackshaft Case
3	87341589		2 BEARING ASSY 47.63mm ID x 90mm OD x 20mm W
4	181287C1		1 SEAL 47.65mm ID x 79.5mm OD x 9.53mm Thk Drive Shaft, Forward
5	87736433		1 SHAFT Chopper Jackshaft
6	195484C2		1 SHIM KIT Bell Housing, Rear
7	217-405		2 PLUG Hex Hd, 1/4" - 18 NPTF
8	181274C1		1 BEARING HOUSING 79.375 mm ID x 177.8 mm OD x 38.1 mm
9	492-11038		10 LOCK WASHER 3/8"
10	413-620		10 BOLT Hex, 3/8" - 16 x 1-1/4", Gr 5
11	238-5250		2 O-RING 0.139" Thk x 4.984" ID, -250, CI 5, 75 Duro
12	181288C1		1 SEAL 60.33mm ID x 79.5mm OD x 9.53mm Thk Drive Shaft, Rear
13	181269C1		1 SPACER Jackshaft, Rear
14	191245C2		1 HUB Bell Housing, Rear
15	217-84		2 PLUG Hex Hd, 1/8"-27, Brass
16	17498D		1 TAPERED ROLLER BEARING " ID x 76.2125 mm OD x 23.9135 mm
17	1345296C1		1 ROLLER BEARING 1.3755" ID x 3" OD x 0.9375"
18	618024R1		1 BEARING CUP Drive Shaft
19	618023R91		1 BEARING ASSY 34.93mm ID x 18.2mm W
20	181195C1		1 SHAFT Chopper Drive
21	87608658		1 GEAR SET Chopper Drive
22	1315284C1		1 PACKAGE Shim Kit
23	396-11119		1 WASHER 30.18mm ID x 57.15mm OD x 3.4mm Thk
24	55-2006		1 BEARING WASHER Type TW-106

5140-COMBINE - TIER 2

HIGH SPEED CHOPPING UNIT GEARBOX

REF FN	PART NUMBER	YR/SN	QTY DESCRIPTION
25	54-2006		1 BEARING LOCK NUT Bearing, 1.1811" Bore
26	192527C1		1 OIL SEAL 44.45mm ID x 69.95mm OD x 7.92mm Thk Gear Case Input, Forward
27	181281C1		1 COVER Chopper Drive
28	492-11031		10 LOCK WASHER 5/16"
29	413-512		10 BOLT Hex, 5/16" - 18 x 3/4", Gr 5
30	144041		1 TUBE NUT 3/4" NPT Male x 3/8" NPT Fem
31	219-436		1 BREATHER 3/8" - 18 NPT, Short, W/ Washer

5140-COMBINE - TIER 2

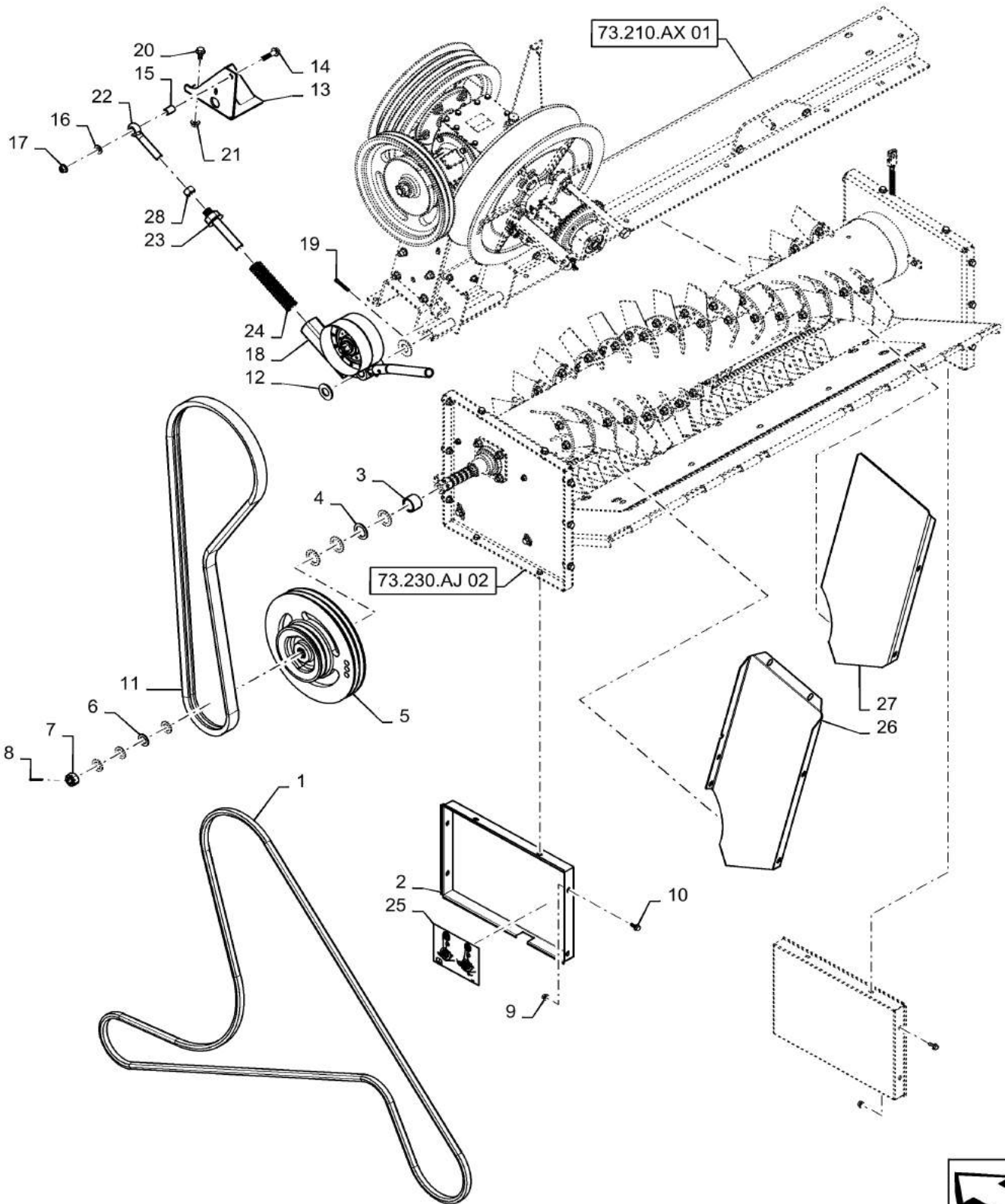
73.230.AJ

01

p1

7/2015

STANDARD STRAW CHOPPER



STANDARD STRAW CHOPPER

REF FN	PART NUMBER	YR/SN	QTY DESCRIPTION
1	87476486		1 V-BELT 22.33 mm W x 5105.40 mm L Cleaning System Drive W/ Chopper
2	87753814		2 SHEET Chopper Beater Filler
3	87614520		1 SPACER Chopper Driven Pulley
4	87629040		5 WASHER 1.34" ID x 2" OD x 0.12" Thk
5	87735266		1 PULLEY 356mm OD Chopper Drive
6	87629039		4 WASHER 0.91" ID x 1.5" OD x 0.12" Thk
7	425-1314		1 SLOTTED NUT 7/8"-14, G5
8	432-828		1 COTTER PIN 1/8" x 1 3/4"
9	86507066		10 FLANGE NUT M8 x 1.25, CI 10
10	87656137		10 BOLT M8 x 28.1mm, CI 10.9
11	87330903		1 V-BELT 16.00 mm W x 2748.00 mm L, 2 Ribs Chopper Drive
12	87367		2 WASHER 1.06" ID x 2" OD x 0.13" Thk
13	84389239		1 SUPPORT Idler Spring
14	87670764		1 BOLT M12 x 61.8mm, CI 10.9
15	87036416		1 SPACER 13.51mm ID x 19.05mm OD x 26.97mm L
16	496-21053		1 WASHER 17/32" x 1 1/16" x .134"
17	87681209		1 FLANGE NUT Hex, M12 x 1.75, CI 10
18	84146274		1 PACKAGE,SERVICE Chopper Drive Idler Lever
19	432-1624		1 COTTER PIN 1/4" x 1 1/2"
20	87343550		2 FLANGE BOLT Hex HD M12x25 ZND
21	86512497		2 FLANGE NUT M12 x 1.75, CI 10
22	1315259C1		1 BOLT 3/4" - 10 x 113mm
23	87566525		1 PIN ASSY. Tension Rod Connector
24	87564865		1 SPRING Idler Tension
25	175788A1		1 DECAL Straw Chopper Drive
26	182949C2		1 DEFLECTOR RH, Discharge
27	182948C2		1 DEFLECTOR LH, Discharge
28	425-1012		1 NUT 3/4"-10, G5

5140-COMBINE - TIER 2

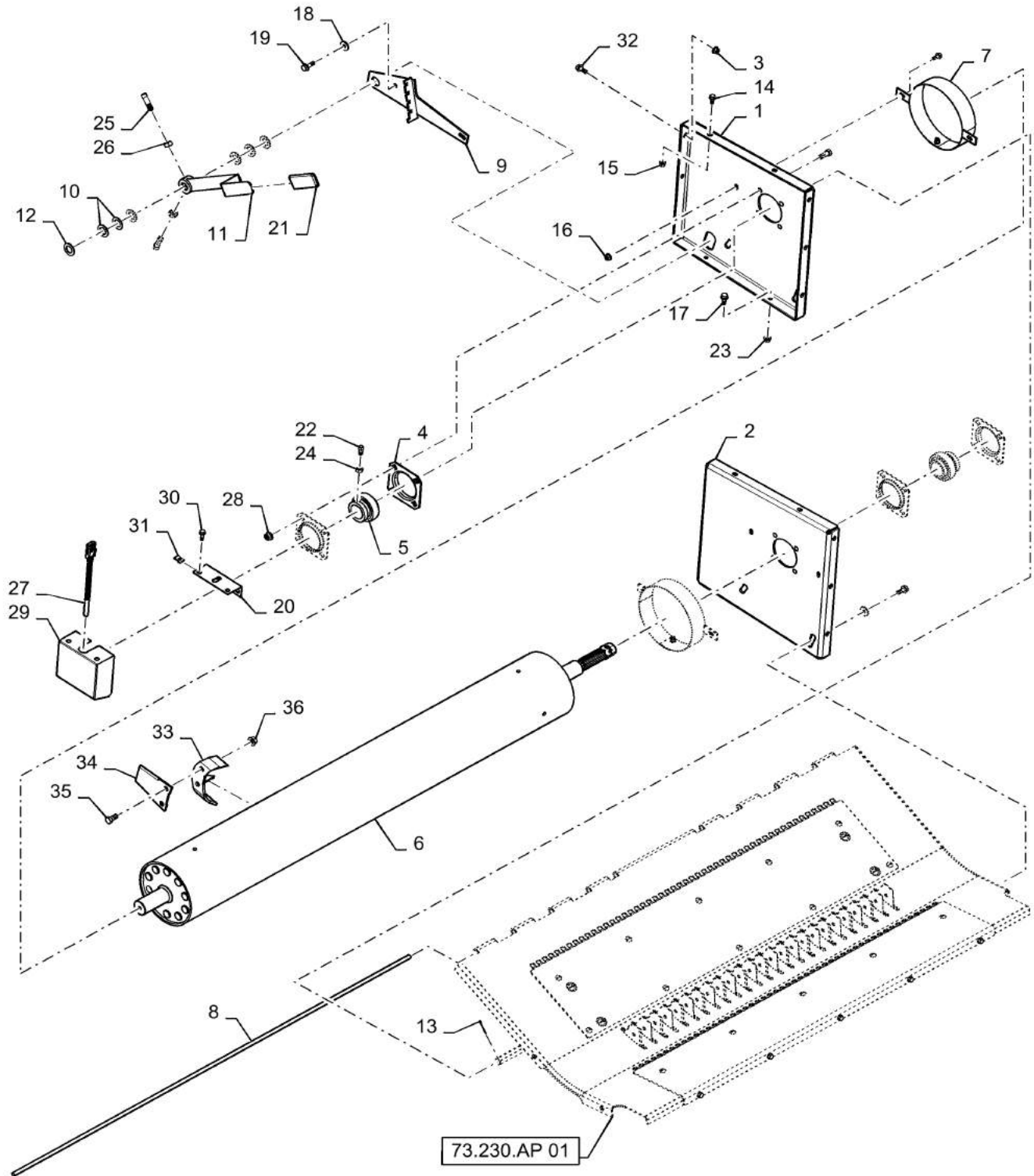
73.230.AJ

02

p1

7/2015

STATIONARY BLADE CHOPPER BODY ASSY



73.230.AP 01

STATIONARY BLADE CHOPPER BODY ASSY

REF FN	PART NUMBER	YR/SN	QTY DESCRIPTION
1	87649793		1 SUPPORT ASSY. LH, Chopper
2	87649796		1 SUPPORT ASSY. RH, Chopper
3	825-51410		2 FLANGE NUT M10, Flg Ser
4	86979948		4 FLANGE Bearing
5	47415231		2 BALL BEARING 45mm ID x 85mm OD x 22mm W Rotor
6	84137786		1 ROLLER 203.2mm OD x 1849.1mm L Rotor
7	87693310		2 SUPPORT ASSY. Chopper Drum Wrap
8	182980C1		1 ROD 11.11mm OD x 1556mm L Hinge
9	87735186		1 PLATE Chopper Adjustment Detent
10	495-81057		6 WASHER 23.01mm ID x 38.1mm OD x 3.4mm Thk
11	87735079		1 SHAFT Chopper Adjustment Control
12	495-81056		1 WASHER 29/32" x 1 1/2" x 3/64
13	432-820		1 COTTER PIN 1/8" x 1 1/4"
14	87698836		16 BOLT M10 x 25mm, Full Thd, CI 10.9
15	86050279		14 FLANGE NUT M10 x 1.5, CI 10
16	87681209		8 FLANGE NUT Hex, M12 x 1.75, CI 10
17	87656137		8 BOLT M8 x 28.1mm, CI 10.9
18	496-41041		4 WASHER 13/32" x 1 1/8" x .134"
19	87698837		2 FLANGE BOLT M10 x 30mm, Full Thd, CI 10.9
20	87703786		1 BRACKET Chopper Sensor
21	402987A1		1 GRIP Chopper Adjust
22	393598		1 SET SCREW M10 x 20mm, CI 12.9
23	86507066		4 FLANGE NUT M8 x 1.25, CI 10
24	100016		1 NUT M10 x 1.5, CI 8
25	485-13116		2 SET SCREW Sq Hd, 5/16"-18 x 1", Cup pt
26	425-105		2 NUT 5/16"-18, G5
27	87650675		1 SENSOR RPM
28	87681210		4 FLANGE NUT M8 x 1.25, CI 10

5140-COMBINE - TIER 2

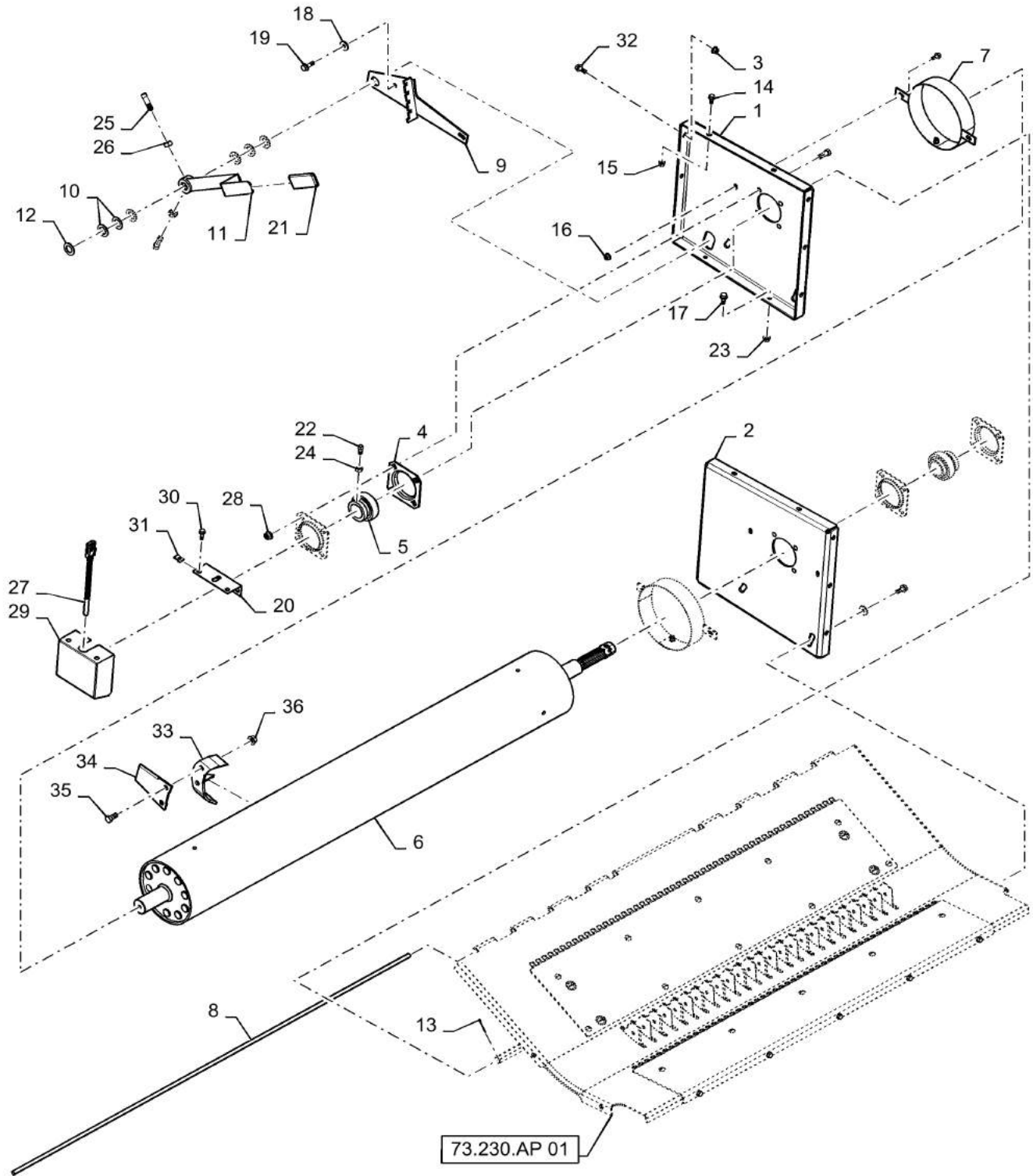
73.230.AJ

02

p2

7/2015

STATIONARY BLADE CHOPPER BODY ASSY



73.230.AP 01

73.230.AJ

02

p2

7/2015

STATIONARY BLADE CHOPPER BODY ASSY

REF FN	PART NUMBER	YR/SN	QTY DESCRIPTION
29	87473361		1 COVER ASSY LH, Chopper Shaft
30	87698833		2 BOLT M8 x 33.1mm, CI 10.9
31	86625074		2 SPRING NUT M8, U
32	87698838		2 FLANGE BOLT M10 x 35mm, Full Thd, CI 10.9
33	NSS		32 NOT SERVICED SEPARATELY Support, Rotor Blade, Incl In 6
34	409731A1		32 BLADE Straw Chopper Rotor
35	413-816		64 BOLT Hex, 1/2" - 13 x 1", Gr 5
36	231-5148		64 FLANGE NUT Fig, USR, 1/2"-13

5140-COMBINE - TIER 2

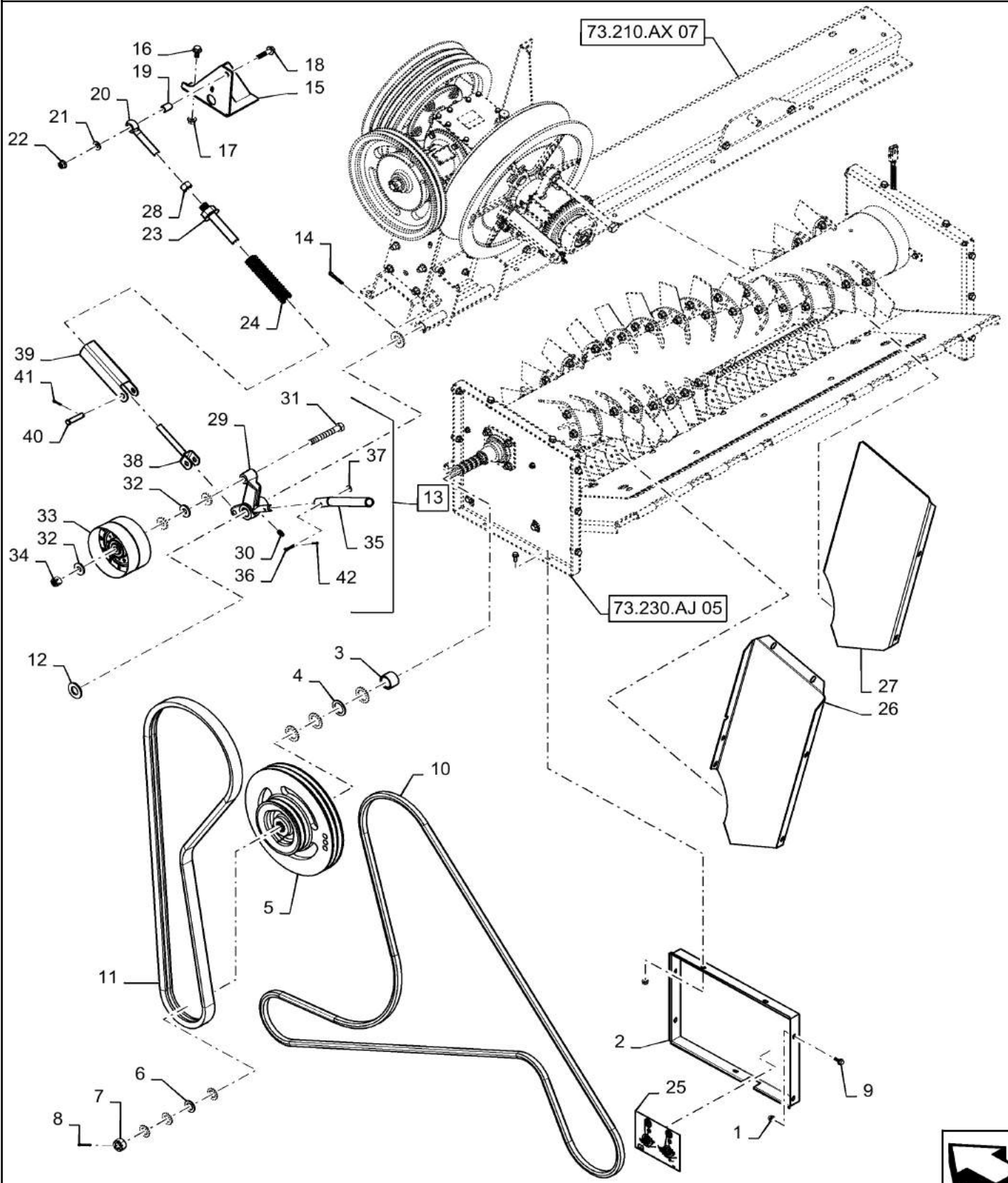
73.230.AJ

04

p1

7/2015

6 ROW FLAIL STRAW CHOPPER



6 ROW FLAIL STRAW CHOPPER

REF FN	PART NUMBER	YR/SN	QTY DESCRIPTION
1	86507066		6 FLANGE NUT M8 x 1.25, CI 10
2	87757116		2 SUPPORT Chopper - Beater Filler Panel
3	87614520		1 SPACER Chopper Driven Pulley
4	87629040		5 WASHER 1.34" ID x 2" OD x 0.12" Thk
5	87735266		1 PULLEY 356mm OD Chopper Drive
6	87629039		4 WASHER 0.91" ID x 1.5" OD x 0.12" Thk
7	425-1314		1 SLOTTED NUT 7/8"-14, G5
8	432-828		1 COTTER PIN 1/8" x 1 3/4"
9	87656137		6 BOLT M8 x 28.1mm, CI 10.9
10	87476486		1 V-BELT 22.33 mm W x 5105.40 mm L Cleaning System Drive
11	87330903		1 V-BELT 16.00 mm W x 2748.00 mm L, 2 Ribs Chopper Drive
12	87367		2 WASHER 1.06" ID x 2" OD x 0.13" Thk
13	84146274		1 PACKAGE,SERVICE Chopper Drive Idler Lever, Incl 29 - 42
14	432-1624		1 COTTER PIN 1/4" x 1 1/2"
15	84389239		1 SUPPORT Idler Spring
16	87343550		2 FLANGE BOLT Hex HD M12x25 ZND
17	86512497		2 FLANGE NUT M12 x 1.75, CI 10
18	87670764		1 BOLT M12 x 61.8mm, CI 10.9
19	87036416		1 SPACER 13.51mm ID x 19.05mm OD x 26.97mm L
20	1315259C1		1 BOLT 3/4" - 10 x 113mm
21	496-21053		1 WASHER 17/32" x 1 1/16" x .134"
22	87681209		1 FLANGE NUT Hex, M12 x 1.75, CI 10
23	87566525		1 PIN ASSY. Tension Rod Connector
24	87564865		1 SPRING Idler Tension
25	175788A1		1 DECAL Straw Chopper Drive
26	1347215C1		1 SUPPORT RH, Deflector
27	1347214C1		1 SUPPORT LH, Deflector
28	425-1012		1 NUT 3/4"-10, G5

5140-COMBINE - TIER 2

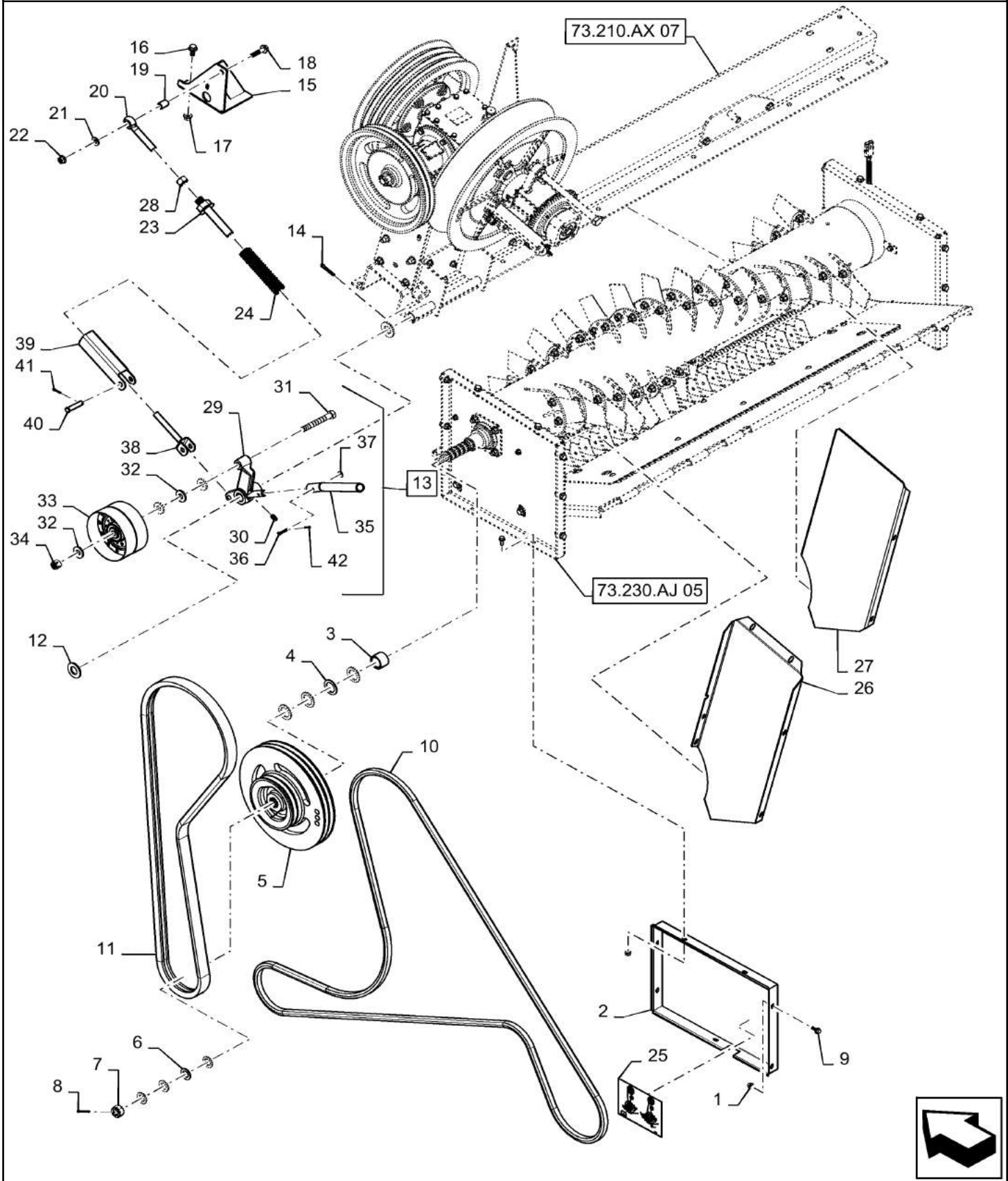
73.230.AJ

04

p2

7/2015

6 ROW FLAIL STRAW CHOPPER



6 ROW FLAIL STRAW CHOPPER

REF FN	PART NUMBER	YR/SN	QTY DESCRIPTION
29	84146254		1 LEVER ASSY. Chopper Drive Idler
30	87414		1 LUBE NIPPLE 1/4" - 28
31	280183		1 BOLT Hex, 5/8" - 11 x 4 1/2", Gr 5
32	496-41066		4 WASHER 5/8" ID x 1-1/2" OD x 3/16" Thk
33	84146249		1 PULLEY Idler
34	85700693		1 NUT 5/8"-11, GC
35	84146241		1 TUBE 20.90 mm ID x 26.97 mm OD x 300, 50 mm L Idler Arm Lever
36	127-218		1 CLEVIS PIN 4.78mm OD x 30.94mm L
37	495-61020		1 WASHER 0.203" ID x 0.75" OD x 0.067" Thk
38	1315256C1		1 ROD Tension Slider
39	84146244		1 CHANNEL Idler Arm Lock
40	86837477		1 CLEVIS PIN 12.7mm OD x 57.15mm L
41	80755		1 COTTER PIN 1/8" OD x 1" OAL
42	9512667		1 COTTER PIN M2 x 20mm OAL

5140-COMBINE - TIER 2

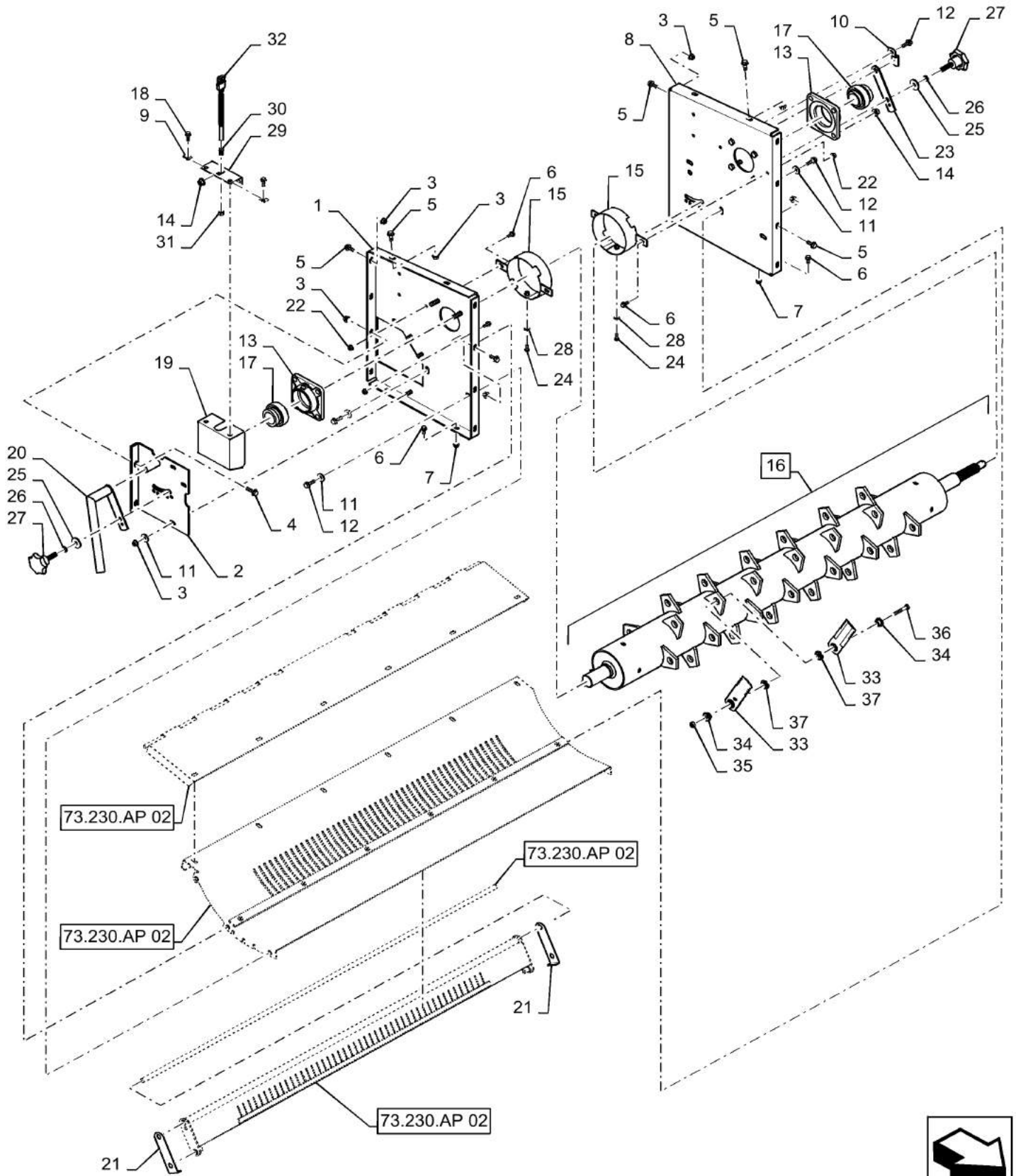
73.230.AJ

05

p1

7/2015

6 ROW FLAIL CHOPPER BODY ASSY



6 ROW FLAIL CHOPPER BODY ASSY

REF FN	PART NUMBER	YR/SN	QTY DESCRIPTION
1	87589802		1 SUPPORT ASSY. Side Plate, LH
2	87585119		1 PLATE ASSY. Access Cover
3	86050279		23 FLANGE NUT M10 x 1.5, CI 10
4	87698838		2 FLANGE BOLT M10 x 35mm, Full Thd, CI 10.9
5	87698836		18 BOLT M10 x 25mm, Full Thd, CI 10.9
6	87656137		8 BOLT M8 x 28.1mm, CI 10.9
7	86507066		4 FLANGE NUT M8 x 1.25, CI 10
8	87589800		1 SUPPORT ASSY. Side Plate, RH
9	86625074		2 SPRING NUT M8, U
10	140527A1		1 LATCH ASSY. Support, RH
11	496-41041		8 WASHER 13/32" x 1 1/8" x .134"
12	87698837		6 FLANGE BOLT M10 x 30mm, Full Thd, CI 10.9
13	47422280		2 BEARING HOUSING Rotor
14	86512497		8 FLANGE NUT M12 x 1.75, CI 10
15	87681530		2 SUPPORT ASSY. Winding Guard
16	87585115		1 STRAW CHOPPER Rotor, Incl 33 - 37
17	47415231		2 BALL BEARING 45mm ID x 85mm OD x 22mm W Rotor
18	87698833		2 BOLT M8 x 33.1mm, CI 10.9
19	87473361		1 COVER ASSY Chopper Shaft, LH
20	140525A1		1 HANDLE Chopper
21	1322248C2		2 BLOCK Support, RH
22	87681210		4 FLANGE NUT M8 x 1.25, CI 10
23	140760A1		1 LEVER Stay Bar, RH
24	120104		2 BOLT Hex, M8 x 1.25 x 20mm, CI 8.8
25	495-81162		2 WASHER 17/32" x 1 1/2" x .179"
26	892-11012		2 LOCK WASHER M12
27	1322232C2		2 HANDLE Knob
28	322358		2 BELLEVILLE WASHER M8 x 18mm OD x 1.4mm Thk

5140-COMBINE - TIER 2

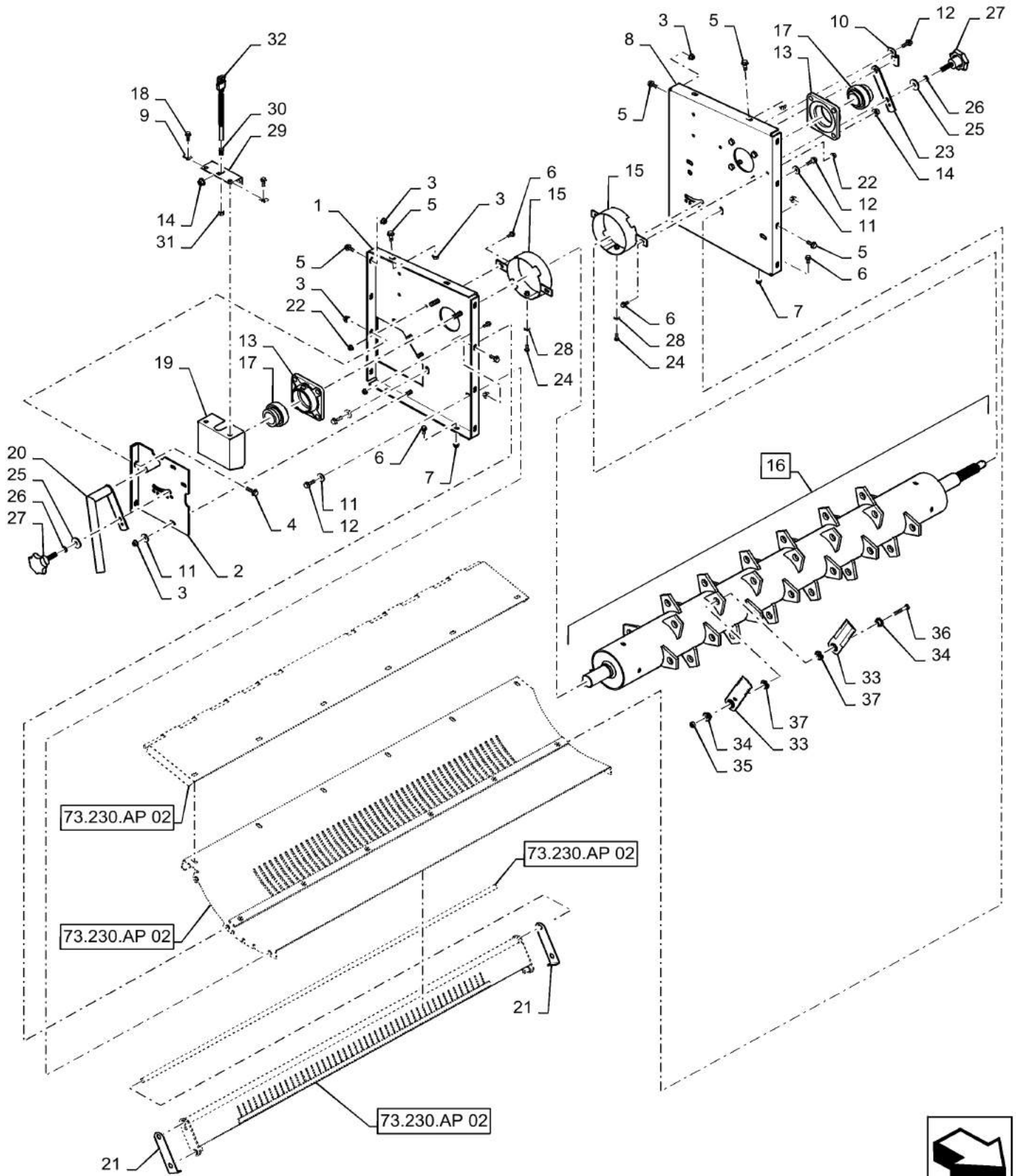
73.230.AJ

05

p2

7/2015

6 ROW FLAIL CHOPPER BODY ASSY



73.230.AJ

05

p2

7/2015

6 ROW FLAIL CHOPPER BODY ASSY

REF FN	PART NUMBER	YR/SN	QTY DESCRIPTION
29	87703786		1 BRACKET Chopper Sensor
30	393598		1 SET SCREW M10 x 20mm, CI 12.9
31	100016		1 NUT M10 x 1.5, CI 8
32	87650675		1 SENSOR RPM
33	87593795		76 KNIFE BLADE Flail
34	1994758C2		76 BUSHING 10.5mm ID x 30mm OD x 15mm L Flail Blade
35	832-41310		38 NUT M10 x 1.5, CI 10
36	828-10055		38 BOLT Hex, M10 x 1.5 x 55mm, CI 10.9
37	1322242C1		76 SPACER Flail Blade

5140-COMBINE - TIER 2

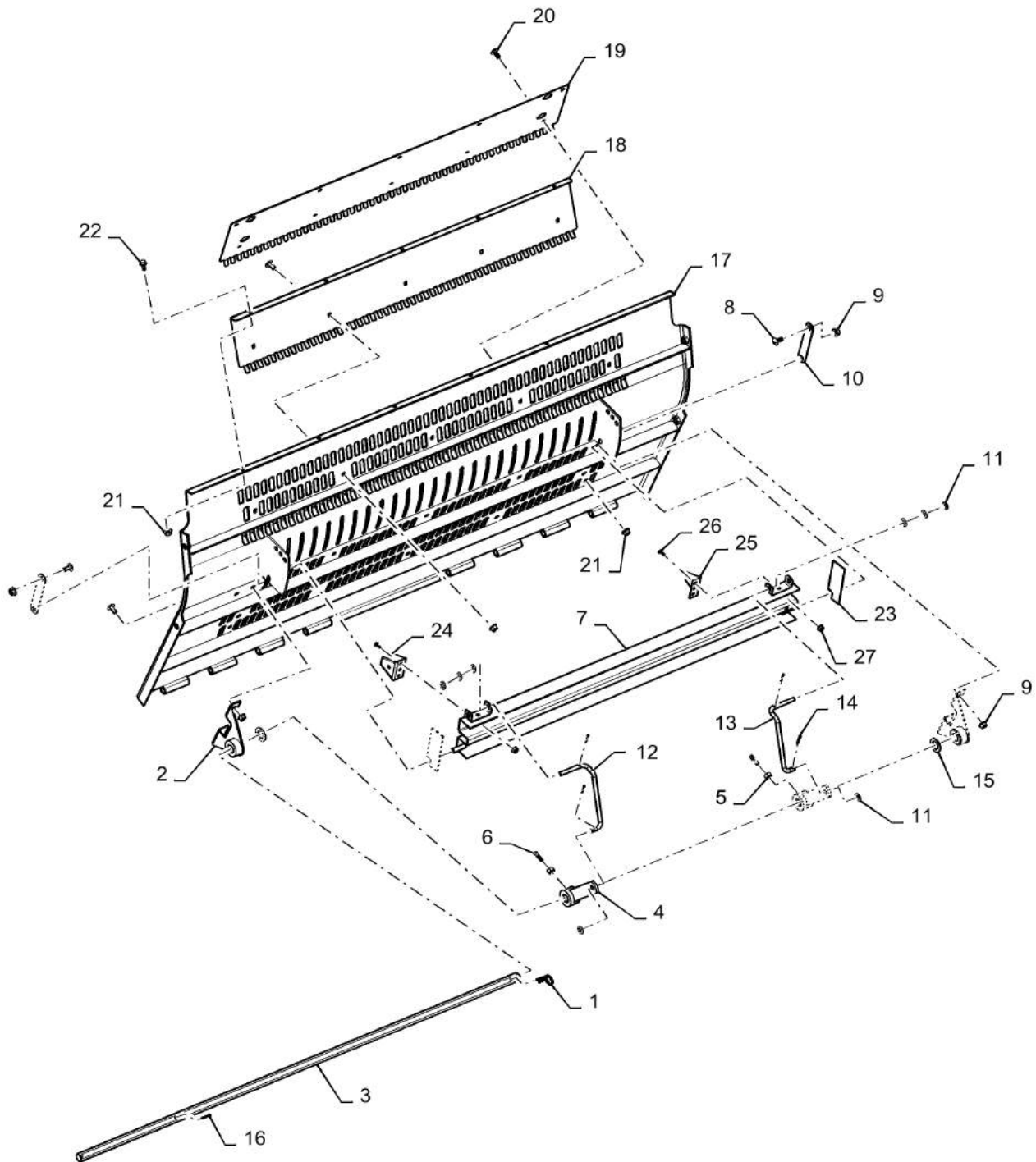
73.230.AP

01

p1

7/2015

STRAW CHOPPER CONCAVE

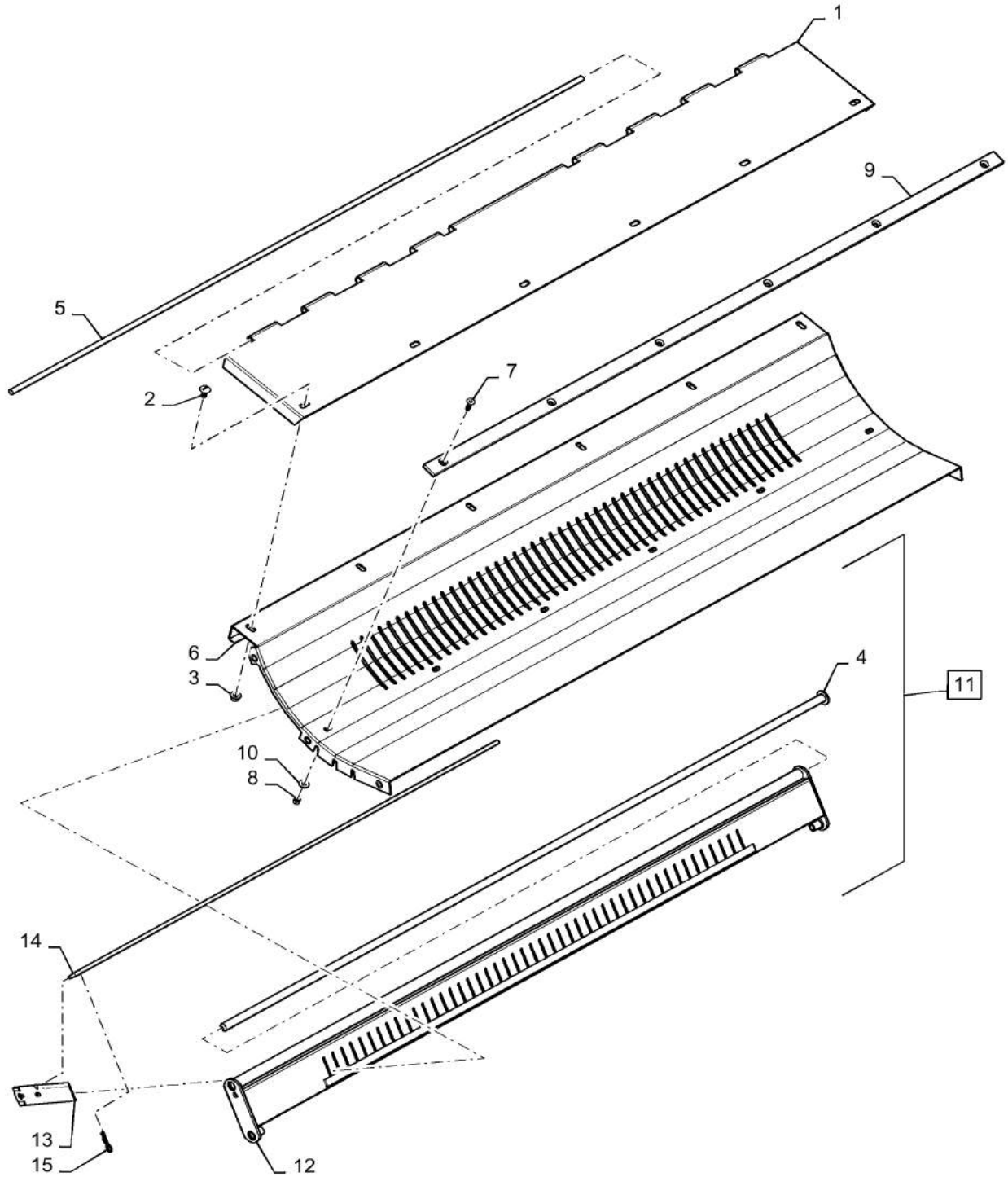


STRAW CHOPPER CONCAVE

REF FN	PART NUMBER	YR/SN	QTY DESCRIPTION
1	480523R1		1 HAIR PIN COTTER Quick Attach
2	87379134		2 SUPPORT ASSY. Chopper Adjustment
3	391221A1		1 SHAFT Chopper Adjustment
4	391230A1		2 PIVOT Arm, Adjustment
5	425-105		4 NUT 5/16"-18, G5
6	485-13116		4 SET SCREW Sq Hd, 5/16"-18 x 1", Cup pt
7	87323280		1 PACKAGE Chopper Concave Bar, Incl 23 - 27
8	87573369		6 SERRATED SCREW SI Truss, M10 x 20mm, CI 10.9
9	825-51410		6 FLANGE NUT M10, Flg Ser
10	391218A1		2 STRAP Retainer
11	495-11041		8 WASHER 0.406" ID x 0.812" OD x 0.065" W
12	391222A1		1 ROD Adjustment
13	395513A1		1 ROD RH, Adjustment
14	432-812		4 COTTER PIN 3/4" OAL x 1/8" W
15	495-81057		2 WASHER 23.01mm ID x 38.1mm OD x 3.4mm Thk
16	432-820		1 COTTER PIN 1/8" x 1 1/4"
17	87746115		1 BOTTOM Chopper Concave
18	84551013		1 COVER Chopper Concave
19	84581120		1 COVER Chopper Concave
20	847-3820		15 SERRATED SCREW M8 x 20mm, CI 10.9
21	825-5148		20 SERRATED NUT M8, Flg Ser
22	87656137		5 BOLT M8 x 28.1mm, CI 10.9
23	87315090		1 BAR Chopper Knife Bank
24	87315088		12 BLADE Dual, Center
25	87315089		1 BLADE Single, End
26	280638		26 CARRIAGE BOLT Short NK, 1/4"-20 x 3/4", G5, Full Thd
27	231-5344		26 FLANGE NUT Flg, 1/4"-20

5140-COMBINE - TIER 2

FLAIL STRAW CHOPPER CONCAVE



FLAIL STRAW CHOPPER CONCAVE

REF FN	PART NUMBER	YR/SN	QTY DESCRIPTION
1	1347207C1		1 DOOR Chopper Bottom Top Plate
2	87573369		6 SERRATED SCREW SI Truss, M10 x 20mm, CI 10.9
3	825-51410		6 FLANGE NUT M10, Flg Ser
4	140521A1		1 ROD Fixed Knife Bar
5	182980C1		1 ROD 11.11mm OD x 1556mm L Top Plate Hinge
6	87585116		1 CONCAVE Chopper Bottom
7	906035R1		6 HEX SOC SCREW Flat Hd, CSK, M8 x 25mm, CI 10.9
8	86629542		6 NUT M8 x 1.25, CI 8
9	87585123		1 STRIPPER Shread Bar
10	86639316		6 WASHER 8.4mm ID x 20mm OD x 2mm Thk
11	140961A1		1 SUPPORT Fixed Knife Bar, Incl 12 - 15
12	140975A1		1 BAR ASSY. Knife
13	1322233C2		47 KNIFE 168.5mm L x 40mm W x 3mm Thk Counter, Fixed
14	1311905C1		1 ROD Knife Lock
15	1322252C1		1 HAIR PIN COTTER Knife Bar

5140-COMBINE - TIER 2

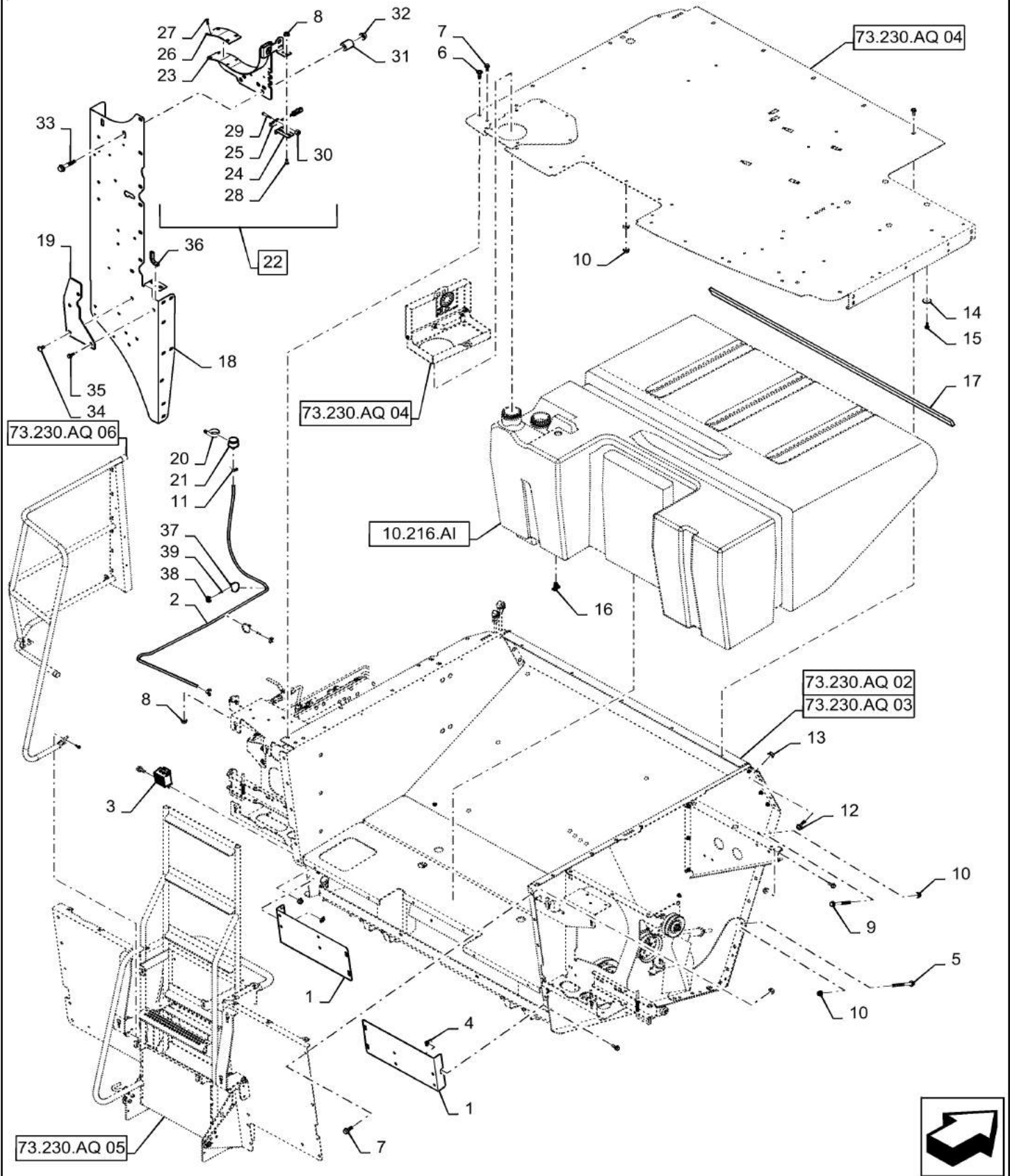
73.230.AQ

01

p1

7/2015

REAR HOOD ASSY, TIER 2



REAR HOOD ASSY, TIER 2

REF FN	PART NUMBER	YR/SN	QTY DESCRIPTION
1	87593881		2 RUNNER Rear Hood Access Sheet, Dark Grey
2	87713111		1 TUBE Fuel Tank Vent Tube
3	L112318		1 ALARM Backup
4	86508354		6 PUSH-ON NUT M8 x 1.25
5	87742362		4 BOLT M12 x 130mm, CI 10.9
6	87624708		28 STEP BOLT Torx, M8 x 1.25 x 25.4mm, CI 10.9
7	87656137		33 BOLT M8 x 28.1mm, CI 10.9
8	86507066		43 FLANGE NUT M8 x 1.25, CI 10
9	87698848		10 FLANGE BOLT M12 x 120mm, CI 10.9
10	86512497		16 FLANGE NUT M12 x 1.75, CI 10
11	214-1704		2 HOSE CLAMP #04, 0.25" - 0.62", Type M Worm
12	87698836		10 BOLT M10 x 25mm, Full Thd, CI 10.9
13	86050279		10 FLANGE NUT M10 x 1.5, CI 10
14	495-81122		4 WASHER .344" x 1 1/2" x .120"
15	87698833		4 BOLT M8 x 33.1mm, CI 10.9
16	86625234		1 DRAINCOCK/TAP SUPPLY 1/4" NPTF Fuel Tank
17	87727299		1 FOAM Seal
18	47439854		1 SUPPORT Unloader Saddle, Dark Grey
19	84179332		1 PLATE Saddle Support, Dark Grey
20	515-23412		1 CLAMP 1 5/8", Insul, 3/8" Bolt
21	86999949		1 FUEL FILTER Vent
22	47382453		1 SUPPORT Unloader Tube, Dark Grey, Incl 8, 23 - 30
23	47382452		1 SUPPORT Unloader, Dark Grey
24	47535264		1 BRACKET Sensor, Dark Grey
25	87392235		1 SENSOR Reed, Non-Contact, Normally Open
26	84402542		1 WEAR STRIP 76mm W x 155mm OAL x 1.7mm Thk Unloader Support
27	445394		4 RIVET Pop, 3/16" x 1/2" OAL

5140-COMBINE - TIER 2

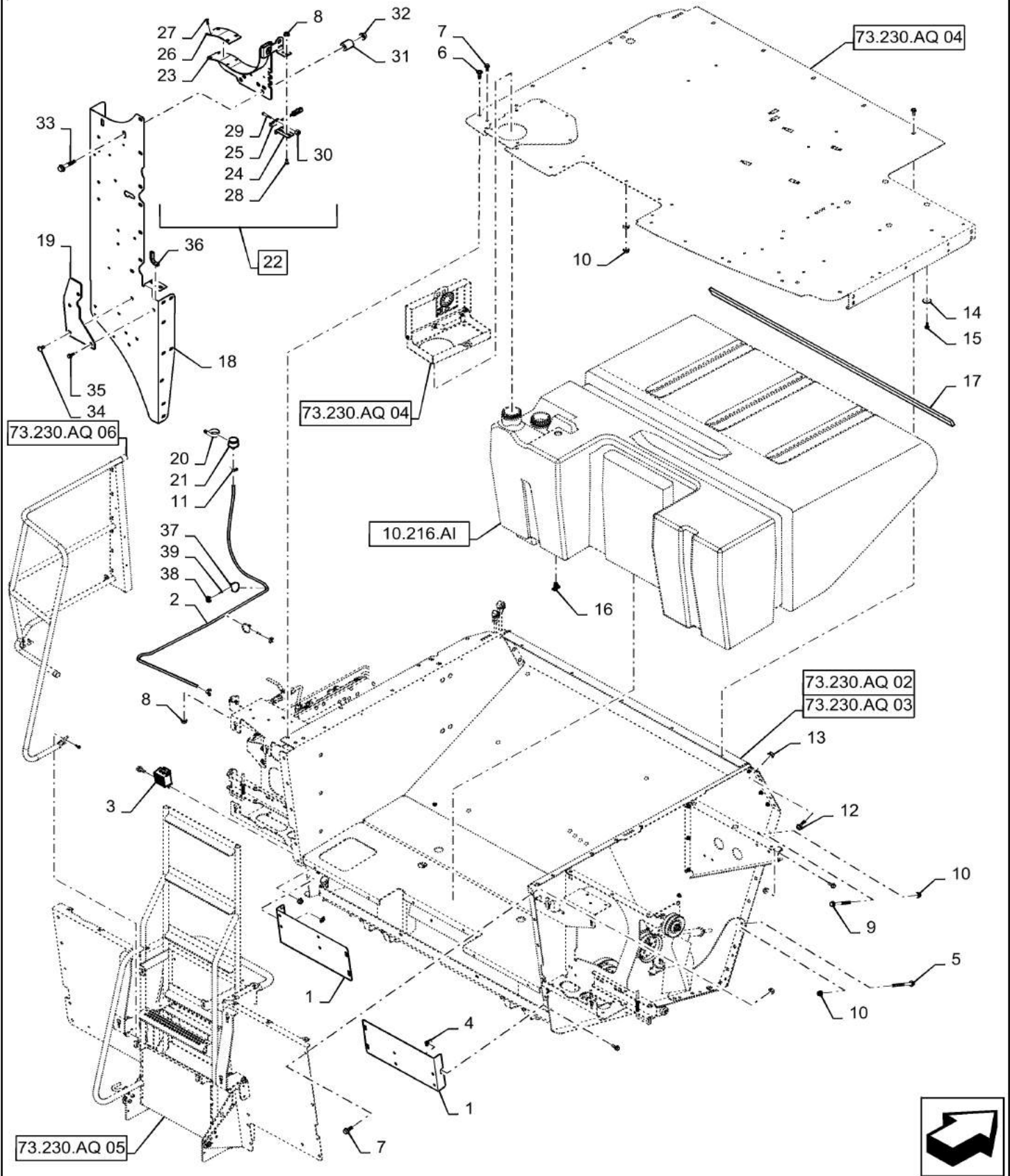
73.230.AQ

01

p2

7/2015

REAR HOOD ASSY, TIER 2



REAR HOOD ASSY, TIER 2

REF FN	PART NUMBER	YR/SN	QTY DESCRIPTION
28	87020310		2 CARRIAGE BOLT M8 x 1.25 x 20.8mm, CI 10.9
29	86511920		2 SCREW Phillips Drive, Pan HD, #10 - 24 x 1/2"
30	86632551		2 NUT #10-24, GB
31	87284863		2 SPACER 38mm OD x 46mm OAL Unloader Saddle Support
32	86512498		2 FLANGE NUT M16 x 2.0, CI 10
33	87646188		2 FLANGE BOLT M16 x 95.4mm, CI 10.9
34	9503839		1 CARRIAGE BOLT Short NK, M12 x 25, CI8.8, Full Thd
35	87343550		1 FLANGE BOLT Hex HD M12x25 ZND
36	291186		AR PROTECTION STRIP Edge Channel
37	86566989		1 CABLE TIE 208mm L
38	86590413		1 BASE 15.87mm W x 22.22mm OAL x 9.9mm Thk Wire Tie
39	445395		1 RIVET Pop, 4.8mm OD x 18.1mm L

5140-COMBINE - TIER 2

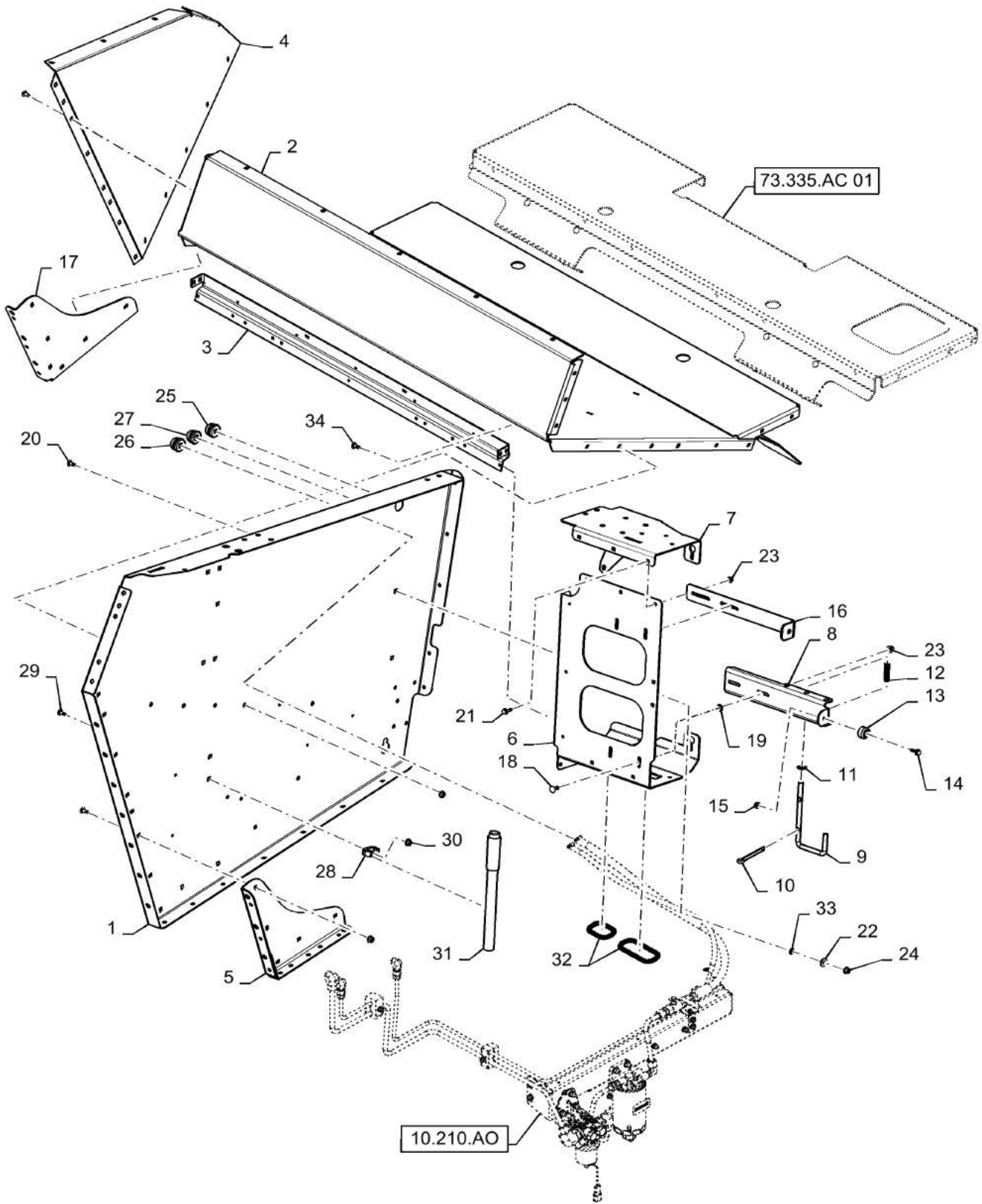
73.230.AQ

02

p1

7/2015

REAR HOOD BOX ASSY, LH



REAR HOOD BOX ASSY, LH

REF FN	PART NUMBER	YR/SN	QTY DESCRIPTION
1	47385459		1 SHEET Rear Hood, LH Side, Dark Grey
2	84180364		1 PLATE Fuel Tank Support Sheet, Dark Grey
3	47430122		1 HANDRAIL Rear Hood Support, Dark Grey
4	87682346		1 DEFLECTOR LH, Hood, Dark Grey
5	87602902		1 GUSSET Corner Reinforcement, Dark Grey
6	47430120		1 SUPPORT Rear Hood, LH, Dark Grey
7	47400368		1 BRACKET LH, Dark Grey
8	87497819		1 BRACKET Dark Grey
9	87728300		1 PIN Panel Lock
10	432-812		2 COTTER PIN 3/4" OAL x 1/8" W
11	495-11041		2 WASHER 0.406" ID x 0.812" OD x 0.065" W
12	192216A1		1 SPRING Safety Stand Rod
13	87602893		1 BUMPER 6.4mm ID x 38mm OD x 19mm Thk Recessed With Washer Insert
14	87675531		1 FLANGE BOLT M6 x 26.6mm, CI 10.9
15	86619800		1 FLANGE NUT M6 x 1.0, CI 8
16	87651938		1 SUPPORT Bumper, Rear LH Door, Dark Grey
17	115497A1		1 DEFLECTOR Rotor Discharge, Dark Grey
18	87682383		58 CARRIAGE BOLT M8 x 1.25 x 20mm, CI 10.9
19	131-440		17 PUSH-ON NUT 5/16", Retainer
20	87682391		8 CARRIAGE BOLT M10 x 1.5 x 25mm, CI 10.9
21	87698833		11 BOLT M8 x 33.1mm, CI 10.9
22	496-81010		8 WASHER .469" ID x 1" OD x .105" Thick
23	86507066		66 FLANGE NUT M8 x 1.25, CI 10
24	86050279		8 FLANGE NUT M10 x 1.5, CI 10

5140-COMBINE - TIER 2

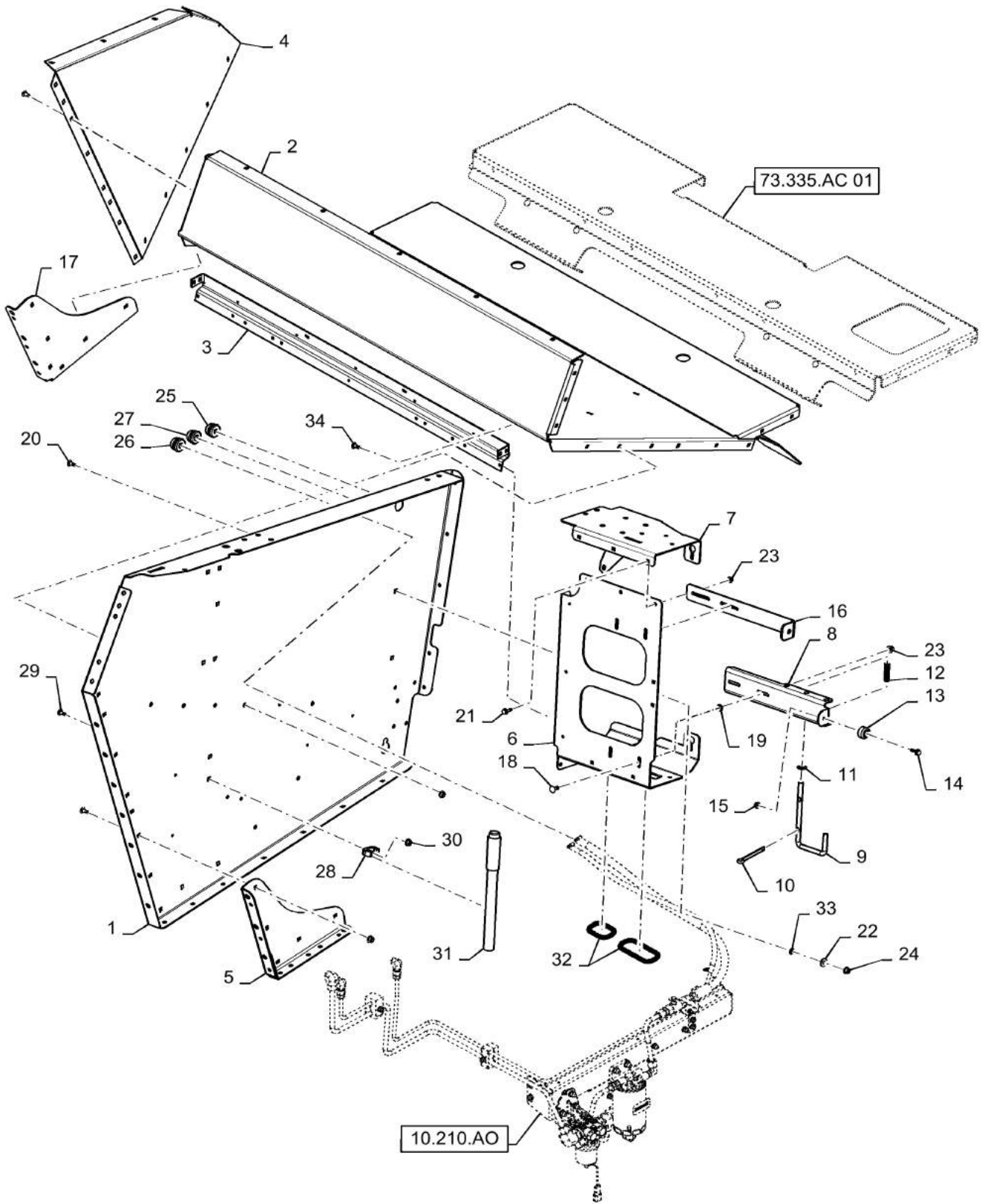
73.230.AQ

02

p2

7/2015

REAR HOOD BOX ASSY, LH



REAR HOOD BOX ASSY, LH

REF FN	PART NUMBER	YR/SN	QTY DESCRIPTION
25	198824C1		3 GROMMET 12.7mm ID x 41.1mm OD x 26.9mm Thk 41.1mm OD x 12.7mm ID x 29.9mm
26	87107420		1 GROMMET 41.1mm OD x 15.88mm ID x 29.9mm
27	86976974		1 GROMMET 41.1mm OD x 19.05mm ID x 29.9mm
28	106744A1		2 CLIP Sieve Handle
29	44334		2 SCREW Cross Pan Hd, M4 x 12
30	87301238		2 NUT M4
31	106743A1		1 HANDLE Sieve Extension, Red
32	87283963		AR INSULATOR Conduit
33	87698854		8 NUT M10
34	87682384		1 CARRIAGE BOLT M8 x 1.25 x 25mm, CI 10.9

5140-COMBINE - TIER 2

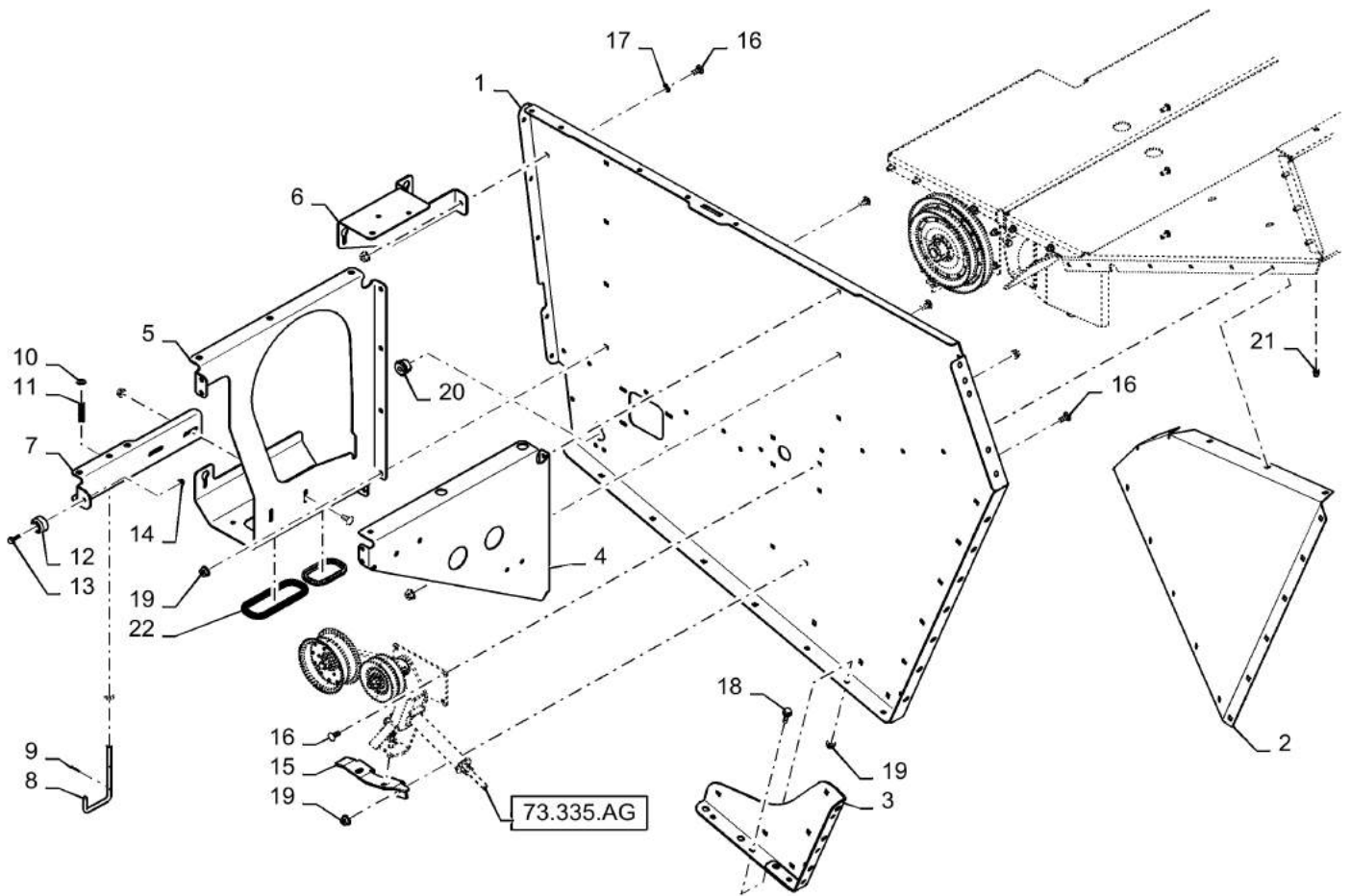
73.230.AQ

03

p1

7/2015

REAR HOOD BOX ASSY, RH

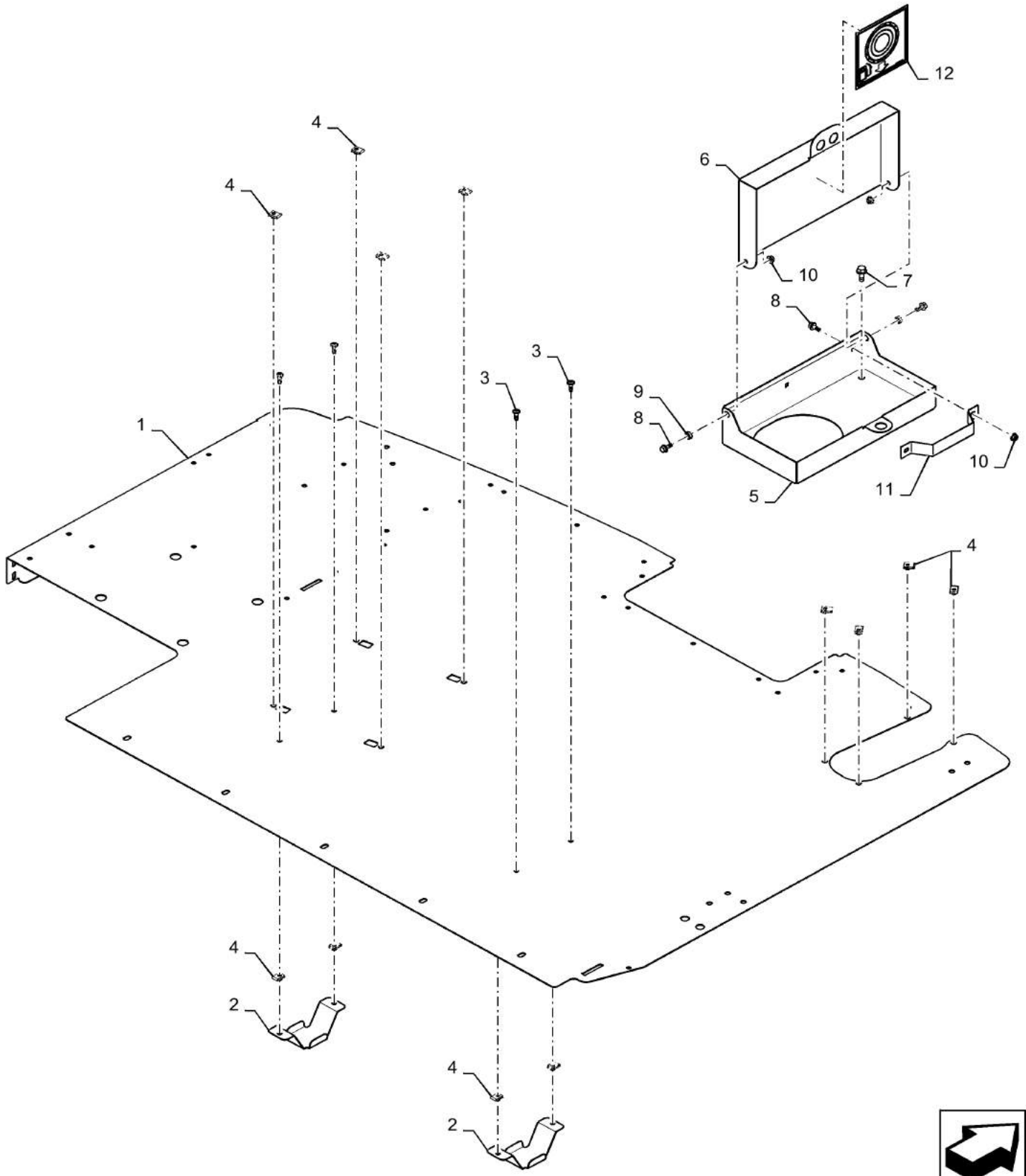


REAR HOOD BOX ASSY, RH

REF FN	PART NUMBER	YR/SN	QTY DESCRIPTION
1	47443461		1 SHEET Rear Hood, RH, Dark Grey
2	87682344		1 DEFLECTOR Hood, RH, Dark Grey
3	87602902		2 GUSSET Corner Reinforcement, Dark Grey
4	84143017		1 SUPPORT Deck Rear Hood, RH, Dark Grey
5	47430118		1 BRACKET Rear Hood, RH, Dark Grey
6	87756392		1 BRACKET RH Corner Panel, Dark Grey
7	87497819		1 BRACKET Dark Grey
8	87728300		1 PIN Panel Lock
9	432-812		2 COTTER PIN 3/4" OAL x 1/8" W
10	495-11041		2 WASHER 0.406" ID x 0.812" OD x 0.065" W
11	192216A1		1 SPRING Safety Stand Rod
12	87602893		1 BUMPER 6.4mm ID x 38mm OD x 19mm Thk Recessed With Washer Insert
13	87675531		1 FLANGE BOLT M6 x 26.6mm, CI 10.9
14	86619800		1 FLANGE NUT M6 x 1.0, CI 8
15	87751534		1 BRACKET Spreader Lever Stop
16	87682383		48 CARRIAGE BOLT M8 x 1.25 x 20mm, CI 10.9
17	131-440		2 PUSH-ON NUT 5/16", Retainer
18	87698833		2 BOLT M8 x 33.1mm, CI 10.9
19	86507066		50 FLANGE NUT M8 x 1.25, CI 10
20	198824C1		1 GROMMET 12.7mm ID x 41.1mm OD x 26.9mm Thk
21	87697608		5 NUT M8 x 1.25"
22	87283963		3 INSULATOR Conduit

5140-COMBINE - TIER 2

ENGINE SERVICE SHEET ASSY

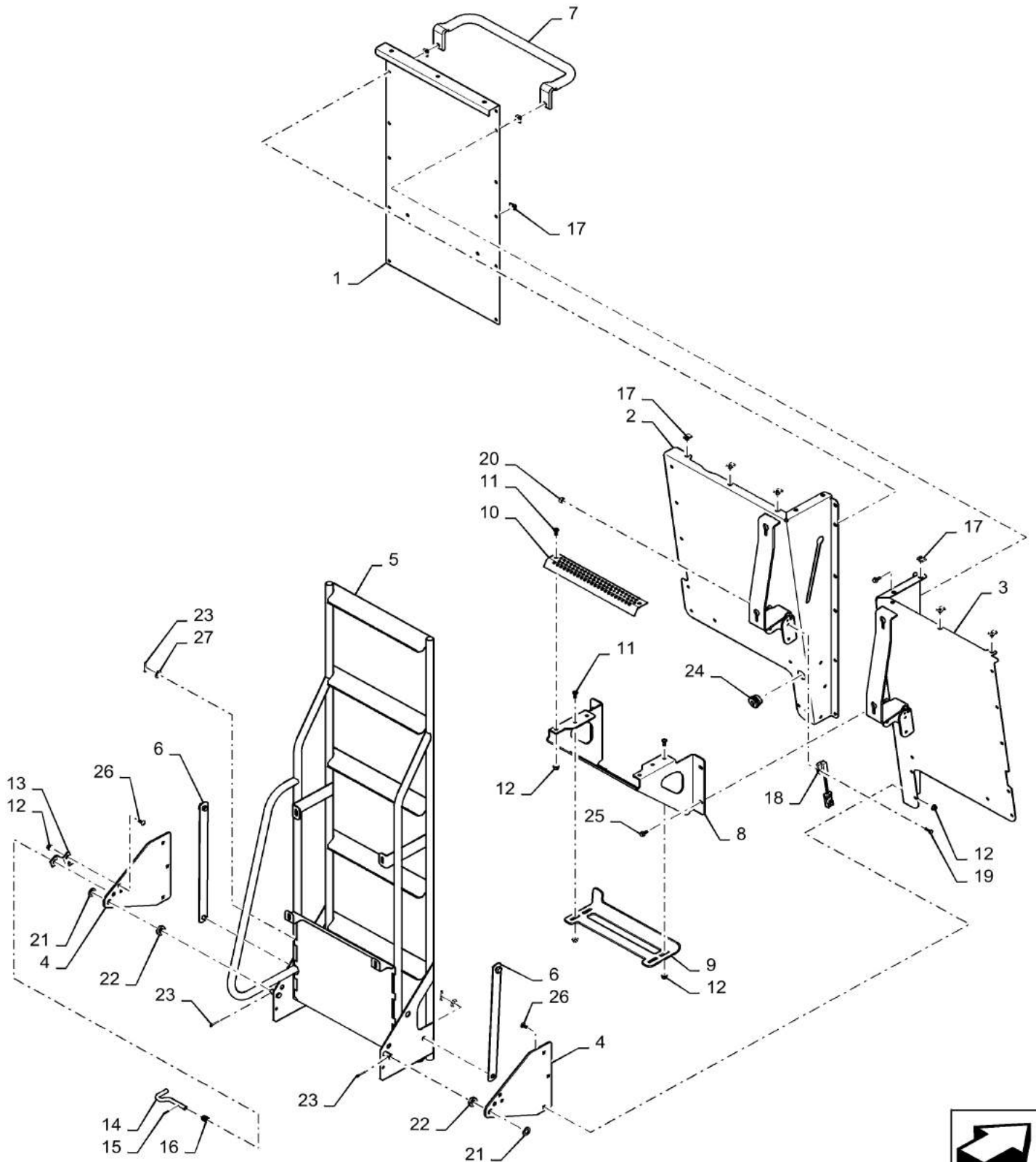


ENGINE SERVICE SHEET ASSY

REF FN	PART NUMBER	YR/SN	QTY DESCRIPTION
1	47551651		1 SHEET Engine Service Deck, Red
2	87599485		2 BRACKET Fuel Tank Hold Down, Dark Grey
3	87624708		4 STEP BOLT Torx, M8 x 1.25 x 25.4mm, CI 10.9
4	86508354		12 PUSH-ON NUT M8 x 1.25
5	47551649		1 COVER ASSY Base Fuel Fill, Red
6	47418860		1 COVER Fuel Fill, Red
7	87656137		4 BOLT M8 x 28.1mm, CI 10.9
8	87695418		4 FLANGE BOLT M6 x 1.0 x 16mm, CI 10.9
9	84543947		2 SPACER 6.83mm ID x 10.29mm OD x 4mm L 1/8" x 4mm
10	86050300		4 FLANGE NUT M6 x 1.0, CI 10
11	47391020		1 RETAINER Fuel Cap Bracket
12	47437717		1 DECAL Fuel Cap

5140-COMBINE - TIER 2

REAR LADDER ASSY

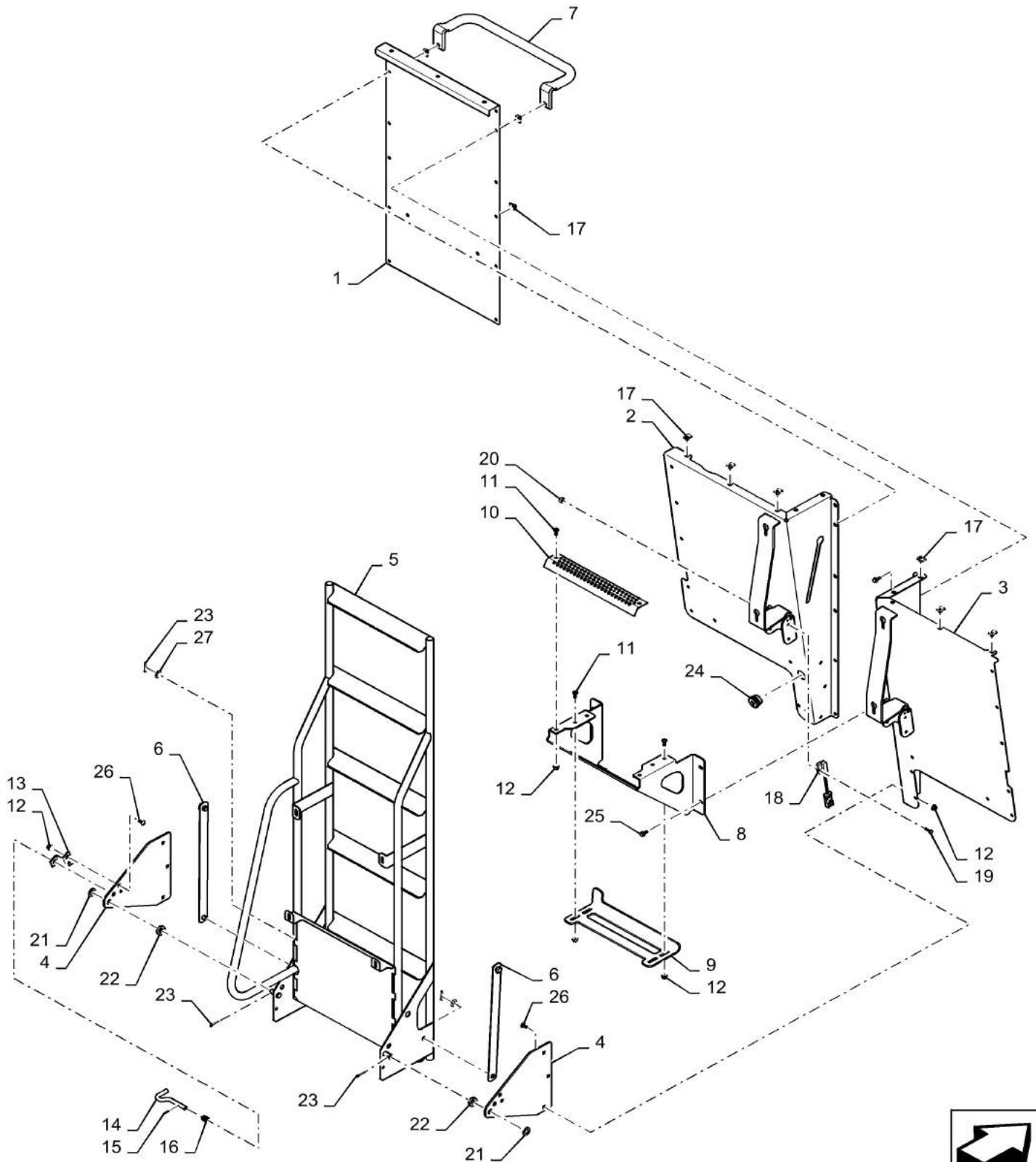


REAR LADDER ASSY

REF FN	PART NUMBER	YR/SN	QTY DESCRIPTION
1	87593899		1 BRACKET Rear Ladder Sheet, Dark Gray
2	87735830		1 BRACKET Rear Ladder Brace, RH, Dark Gray
3	87735827		1 BRACKET Rear Ladder Brace, LH, Dark Gray
4	84137599		2 PLATE Ladder Pivot, Dark Gray
5	87650811		1 LADDER Rear Service, Dark Gray
6	87599478		2 SUPPORT ASSY. Ladder Slip Link, Dark Gray
7	87593888		1 TUBE 31.75 mm OD x 495.4, 147 mm L Tank Hood, Dark Gray
8	87593885		1 BRACKET Ladder Support, Dark Gray
9	87593883		1 BRACKET Ladder Stop, Dark Gray
10	87595454		1 BRACKET Service Ladder Upper Step, Dark Gray
11	87624708		6 STEP BOLT Torx, M8 x 1.25 x 25.4mm, CI 10.9
12	86507066		14 FLANGE NUT M8 x 1.25, CI 10
13	87599486		1 BRACKET Ladder Pin Support, Dark Gray
14	87755002		1 PIN Ladder Support
15	38-1813		1 LOCK PIN 1/8" x 13/16", Slotted
16	540815R2		1 SPRING Compression Ratchet Hub Pawl
17	86508354		18 PUSH-ON NUT M8 x 1.25
18	87592843		1 SENSOR Ladder With Reed Switch
19	463-11010		1 SCREW Hex Hd, #10-24 x 5/8"
20	231-14109		1 LOCK NUT #10-24, GB
21	140020		2 WASHER 17.5mm ID x 30mm OD x 3mm Thk
22	1316828C1		2 SPACER LH Runner Pivot
23	432-1216		4 COTTER PIN 3/16" x 1"
24	198824C1		1 GROMMET 12.7mm ID x 41.1mm OD x 26.9mm Thk 41.1mm OD x 12.7mm ID x 26.9mm

5140-COMBINE - TIER 2

REAR LADDER ASSY



73.230.AQ

05

p2

7/2015

REAR LADDER ASSY

REF FN	PART NUMBER	YR/SN	QTY DESCRIPTION
25	87656137		8 BOLT M8 x 28.1mm, CI 10.9
26	87682383		8 CARRIAGE BOLT M8 x 1.25 x 20mm, CI 10.9
27	495-51053		2 WASHER 13.49mm ID x 25.4mm OD x 1.6mm Thk

5140-COMBINE - TIER 2

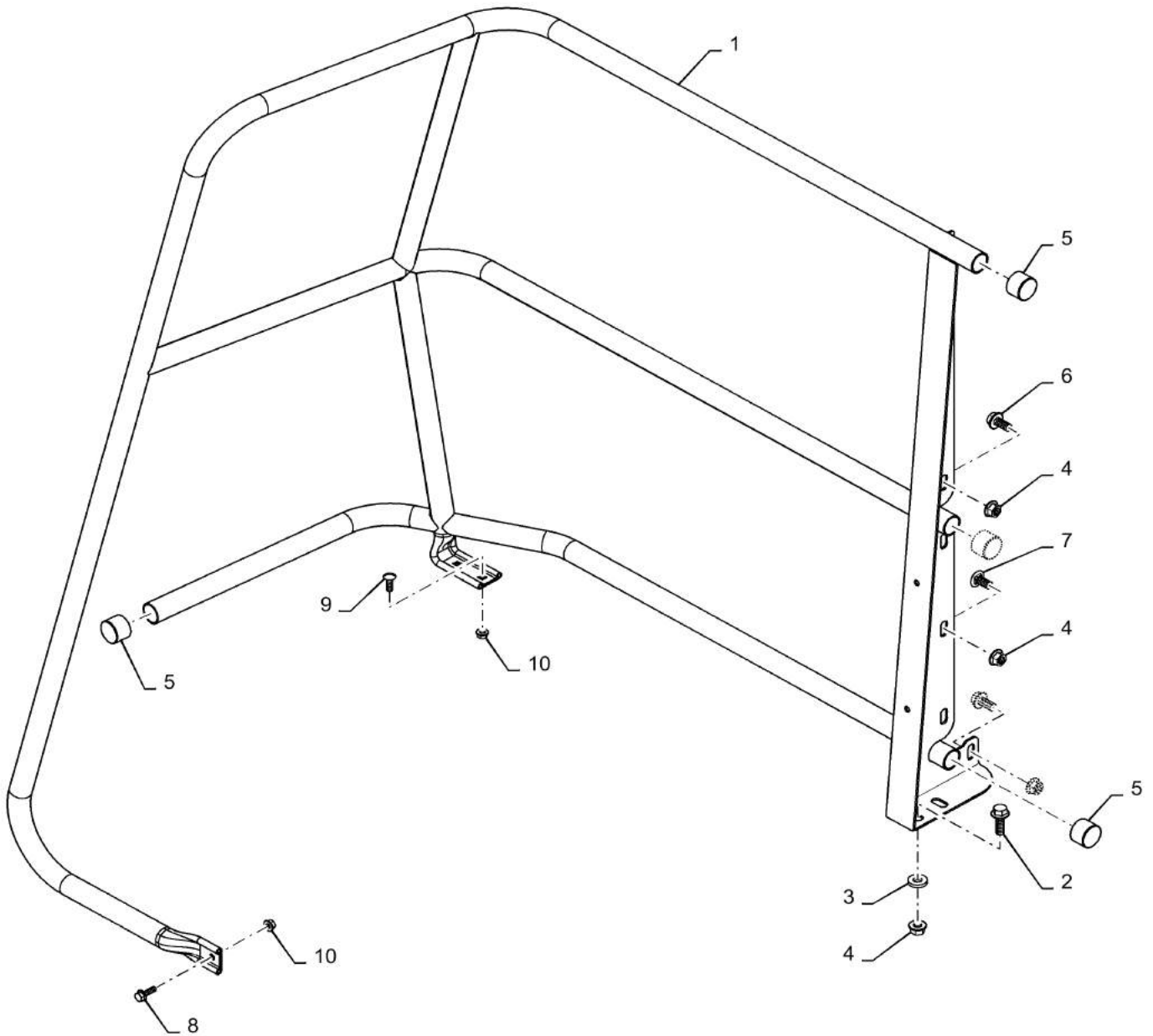
73.230.AQ

06

p1

7/2015

SERVICE PLATFORM LH HANDRAIL, TIER 2

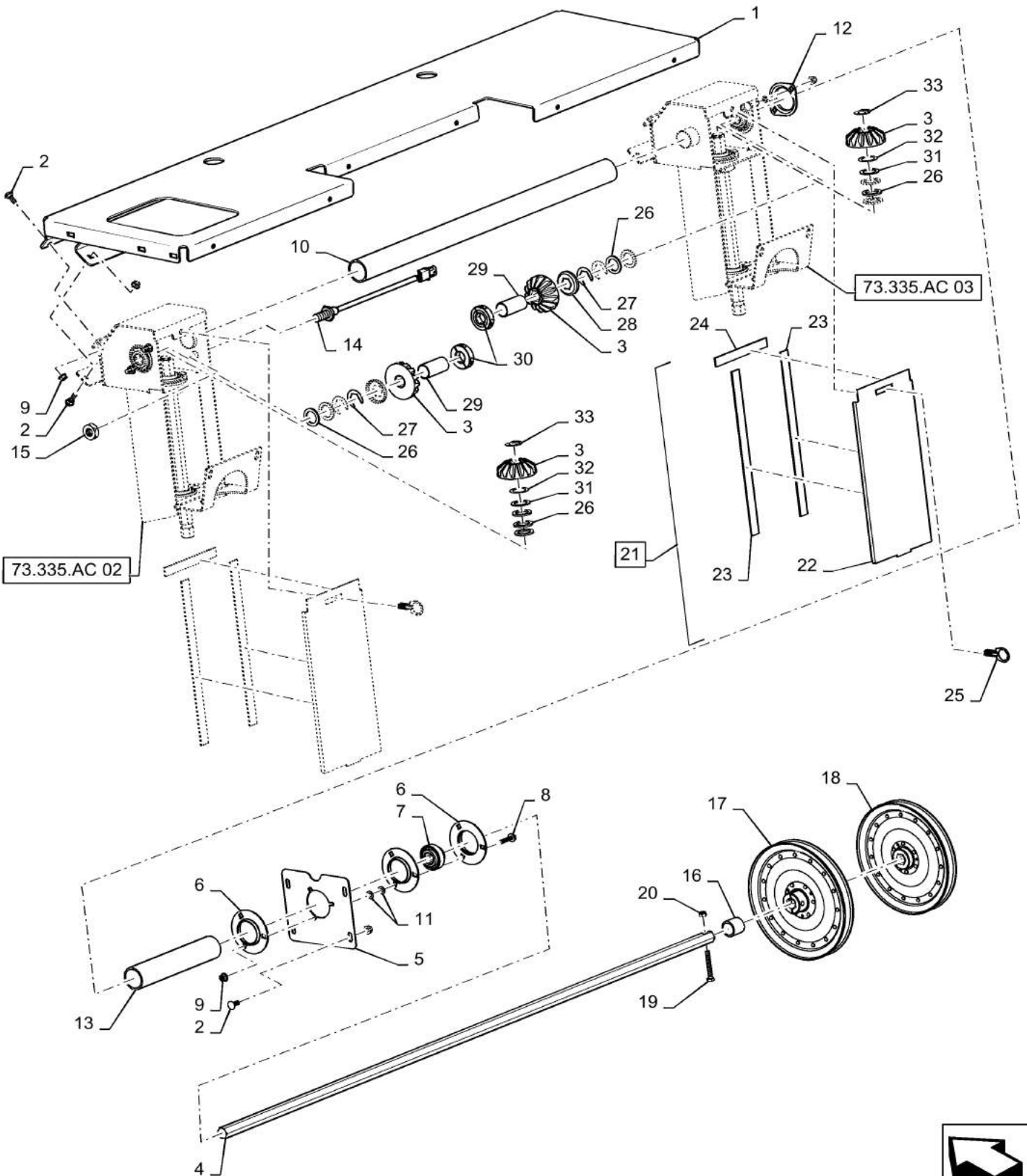


SERVICE PLATFORM LH HANDRAIL, TIER 2

REF FN	PART NUMBER	YR/SN	QTY DESCRIPTION
1	47412768		1 HANDRAIL Service Deck, LH, Dark Gray
2	87695414		2 BOLT M12 x 46.8mm, CI 10.9
3	87376144		2 WASHER 13mm ID x 28mm OD x 5mm Thk 13mm ID x 28mm OD x 5mm Thick
4	86512497		9 FLANGE NUT M12 x 1.75, CI 10
5	87638219		4 CAP Vinyl
6	87343550		6 FLANGE BOLT Hex HD M12x25 ZND
7	9503839		1 CARRIAGE BOLT Short NK, M12 x 25, CI8.8, Full Thd
8	87698833		1 BOLT M8 x 33.1mm, CI 10.9
9	87682384		2 CARRIAGE BOLT M8 x 1.25 x 25mm, CI 10.9
10	86507066		3 FLANGE NUT M8 x 1.25, CI 10

5140-COMBINE - TIER 2

SPREADER DRIVE

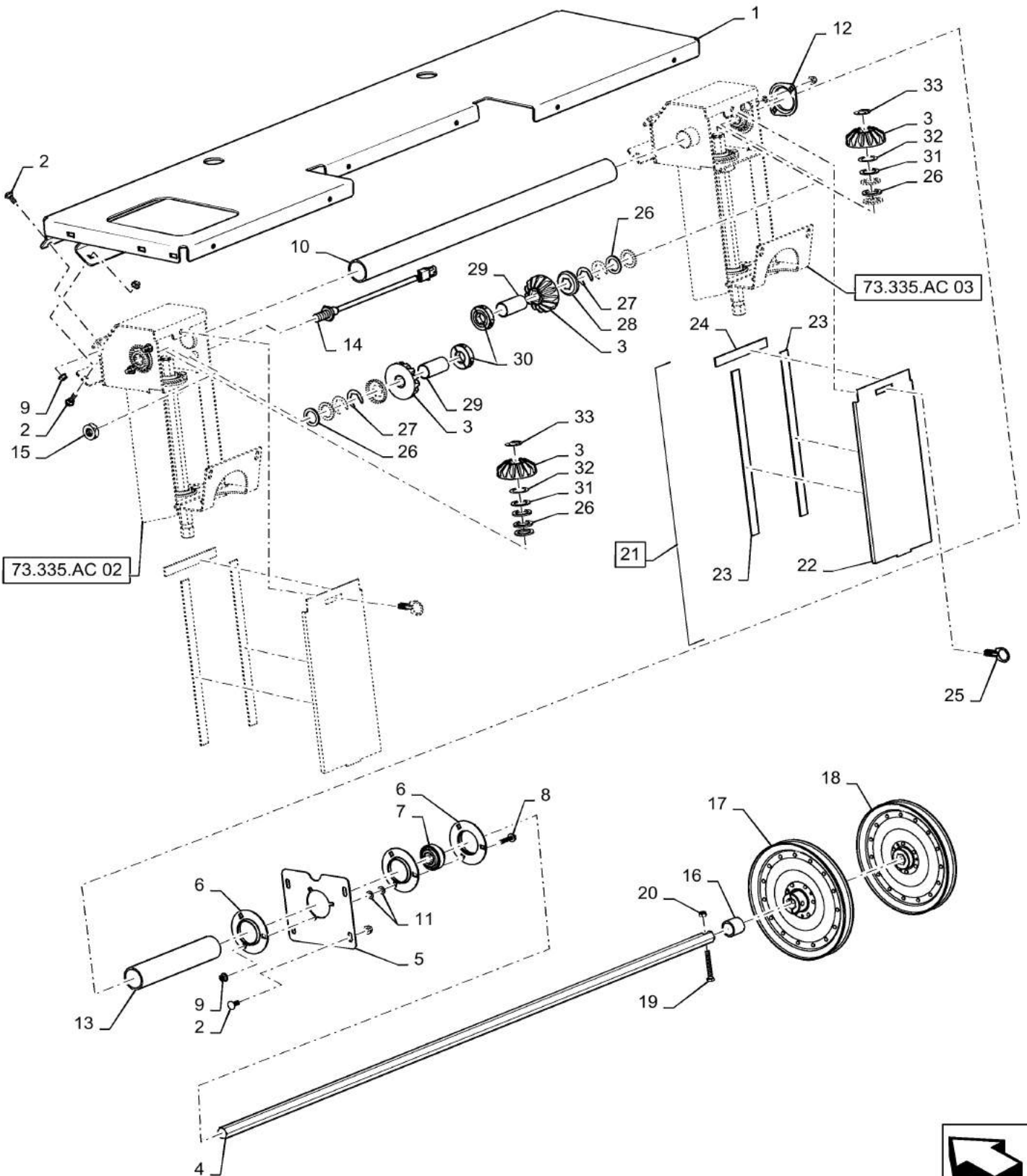


SPREADER DRIVE

REF FN	PART NUMBER	YR/SN	QTY DESCRIPTION
1	87678466		1 SUPPORT Fuel Tank Bottom, Dark Gray
2	87682383		12 CARRIAGE BOLT M8 x 1.25 x 20mm, CI 10.9
3	84467465		4 GEAR Bevel, Spreader Drive
4	84426637		1 SHAFT Straw Spreader Cross
5	87596824		1 PLATE Straw Spring Bearing, Dark Gray
6	86603075		3 FLANGE Bearing, 52.01 mm ID x 95.3 mm OD x 8.7 mm
7	87650438		1 BALL BEARING 22.25mm Hex x 52mm OD x 25.4mm W
8	87030775		3 BOLT M8 x 38.1mm, CI 10.9
9	86507066		19 FLANGE NUT M8 x 1.25, CI 10
10	87363874		1 TUBE 40.9 mm ID x 48.3 mm OD x 754.7 mm L Shaft Cover
11	895-15008		8 WASHER 9mm ID x 20mm OD x 1.6mm Thk
12	50591		1 FLANGE 52mm
13	87573762		1 TUBE 40.9 mm ID x 48.3 mm OD x 235 mm L Shaft Cover
14	245193C2		1 SENSOR MPH and RPM Transmitter
15	425-1512		1 JAM NUT Jam, 3/4"-10, G5
16	87034740		1 SPACER 26.64mm ID x 33.40mm OD x 30mm W
17	87757148		1 PULLEY Straw Spreader, 10", Dark Gray
18	87757146		1 PULLEY Straw Spreader, 8", Dark Gray
19	120061		1 BOLT M8 x 1.25 x 65.3mm, CI 8.8
20	9628098		1 NUT M8 x 1.25, CI 10
21	84513521		2 SHIELD Spreader Drive, Incl 22 - 24
22	87649537		1 BRACKET Spreader Drive Shield, Dark Gray
23	87496197		AR SEAL, GLASS Rear Screen
24	278842A1		AR SEAL Condenser/Fuel Cooler

5140-COMBINE - TIER 2

SPREADER DRIVE



SPREADER DRIVE

REF FN	PART NUMBER	YR/SN	QTY DESCRIPTION
25	188029C1		2 LATCH Main Drive Shield
26	86624170		10 WASHER 1.03" ID x 1.5" OD x 0.12" Thk
27	84426641		4 SHIM Hex Shaft
28	84426643		2 RETAINER Hex Shaft Shims
29	84427917		2 SPACER Spreader Gears
30	84426645		2 CLAMP Hex Shaft, 22.23mm ID Hex Shaft
31	86624169		2 WASHER 1.03" ID x 1.5" OD x 0.06" Thk
32	84426640		2 SHIM Hex Shaft
33	86505430		2 CIRCLIP #87, .668" Dia, E-Type

5140-COMBINE - TIER 2

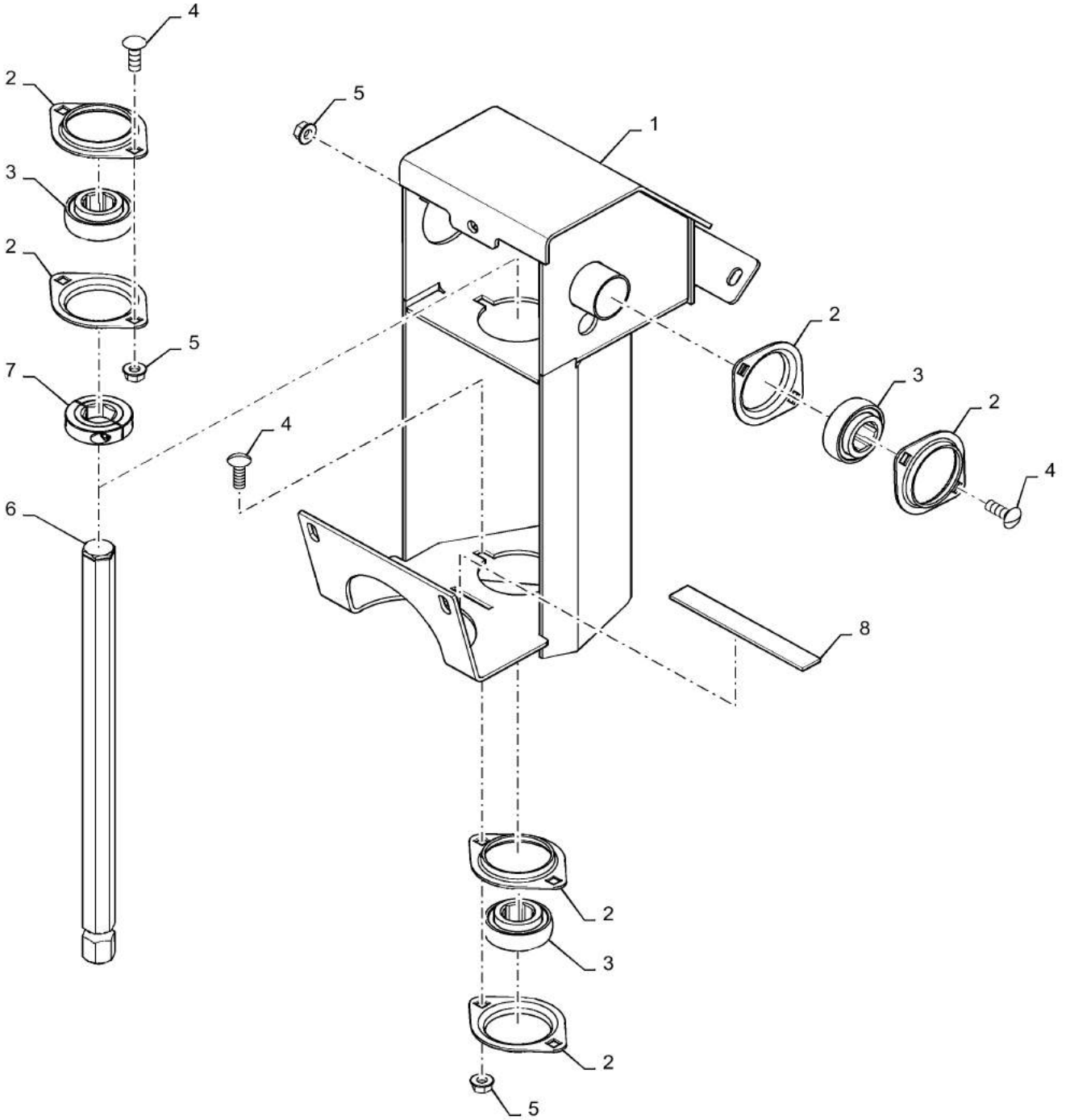
73.335.AC

02

p1

7/2015

LH STRAW SPREADER DRIVE ASSY



73.335.AC

02

p1

7/2015

LH STRAW SPREADER DRIVE ASSY

REF FN	PART NUMBER	YR/SN	QTY DESCRIPTION
1	87649413		1 BRACKET Spreader Drive, LH, Dark Gray
2	50591		6 FLANGE 52mm Housing
3	87650438		3 BALL BEARING 22.25mm Hex x 52mm OD x 25.4mm W
4	87682384		6 CARRIAGE BOLT M8 x 1.25 x 25mm, CI 10.9
5	86507066		6 FLANGE NUT M8 x 1.25, CI 10
6	84426633		1 SHAFT Straw Spreader
7	84426645		1 CLAMP Hex Shaft, 22.23mm ID Hex Shaft
8	278842A1		AR SEAL Foam Tape

5140-COMBINE - TIER 2

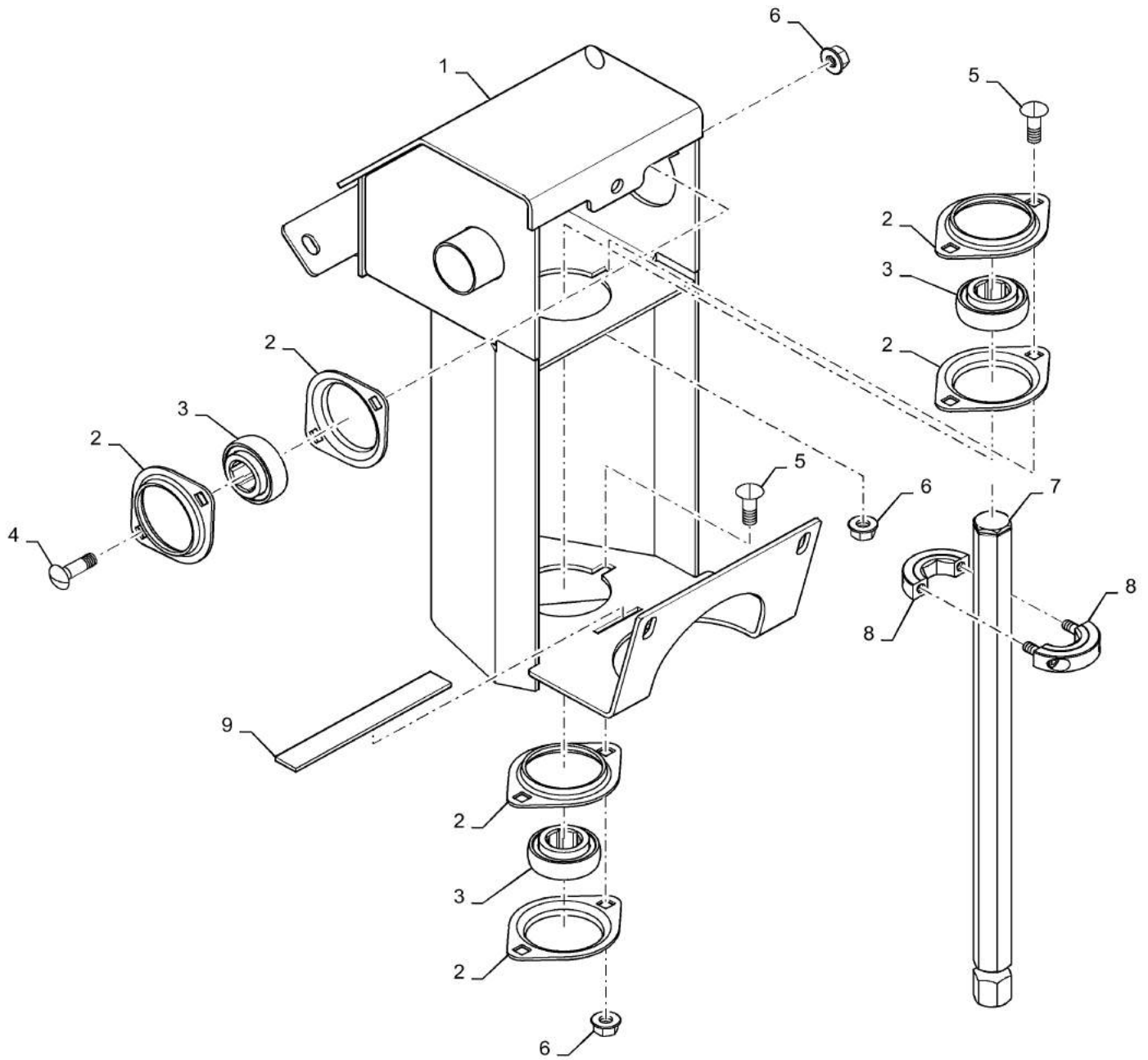
73.335.AC

03

p1

7/2015

RH STRAW SPREADER DRIVE ASSY



73.335.AC

03

p1

7/2015

RH STRAW SPREADER DRIVE ASSY

REF FN	PART NUMBER	YR/SN	QTY DESCRIPTION
1	87649415		1 BRACKET Spreader Drive, RH, Dark Gray
2	50591		6 FLANGE 52mm Housing
3	87650438		3 BALL BEARING 22.25mm Hex x 52mm OD x 25.4mm W
4	87682385		2 CARRIAGE BOLT Sht Sq Nk, M8 x 30mm, CI 10.9
5	87682384		4 CARRIAGE BOLT M8 x 1.25 x 25mm, CI 10.9
6	86507066		6 FLANGE NUT M8 x 1.25, CI 10
7	84426633		1 SHAFT Straw Spreader
8	84426645		1 CLAMP Hex Shaft, 22.23mm ID Hex Shaft
9	278842A1		AR SEAL Foam Tape

5140-COMBINE - TIER 2

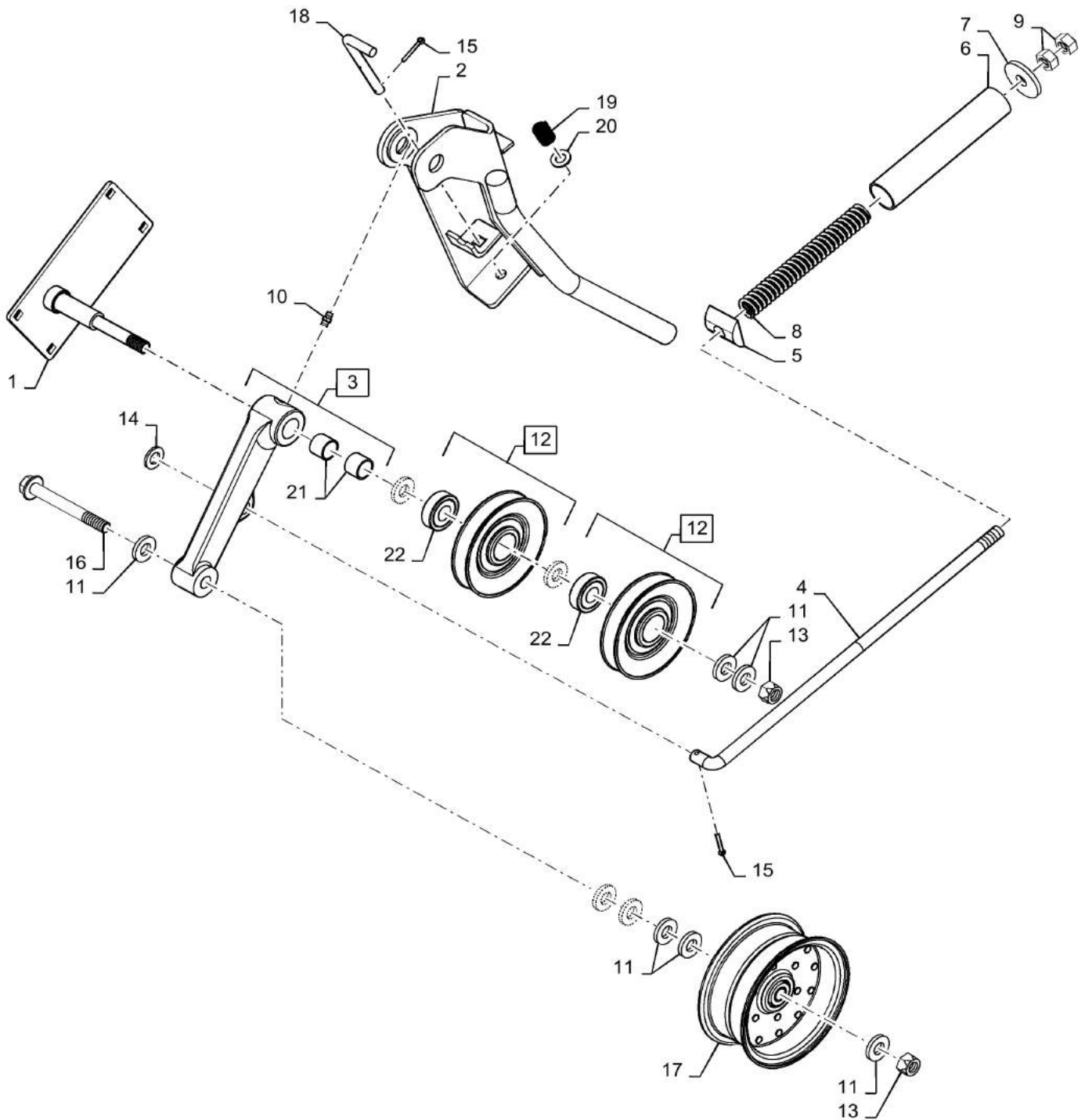
73.335.AG

01

p1

7/2015

STRAW SPREADER HOOD IDLER ASSY



STRAW SPREADER HOOD IDLER ASSY

REF FN	PART NUMBER	YR/SN	QTY DESCRIPTION
1	87559875		1 TIGHTENER Idler Pulley Mount
2	87639306		1 LEVER ASSY. Spreader Drive, Dark Gray
3	87668016		1 ARM ASSY. Idler, Incl 21
4	87647641		1 ROD Belt Tensioner Spreader
5	194652C1		1 PIVOT Primary
6	1315197C1		1 SPACER Spreader Drive
7	9511052		1 WASHER 13.5mm ID x 44mm OD x 4mm Thk
8	1315223C1		1 SPRING Spreader Drive
9	9706685		2 NUT M12 x 1.75, CI 8
10	219-87		1 LUBE NIPPLE 1/4"-28 x .56" lg, Self-Tap
11	86625256		10 WASHER 13.3mm ID x 28.5mm OD x 4mm Thk
12	87668029		2 PULLEY 73.64mm Idler Dia x 110.59mm OD x 20.78mm W Flanged Idler, Dark Gray, Incl 22
13	100038		2 NUT M12 x 1.75, CI 8
14	86511324		1 WASHER 13mm ID x 24mm OD x 2.5mm Thk
15	130004		2 COTTER PIN 2.9mm OD x 31.4mm OAL
16	87032825		1 BOLT Hvy Hex, M12 x 100mm, CI 10.9
17	87559515		1 PULLEY Idler, Dark Gray
18	186736C3		1 ROD Tailgate Lock Pin
19	540815R2		1 SPRING Compressing Ratchet Hub Pawl
20	86511323		1 WASHER 10.5mm ID x 20mm OD x 2mm Thk
21	1979989C1		2 BUSHING 19.13mm ID x 22.3mm OD x 15.7mm L Idler Arm
22	465004R91		1 BEARING ASSY 0.6693" ID x 1.5748" OD x 0.4724" Idler Pulley

5140-COMBINE - TIER 2

SECTION INDEX

CLEANING

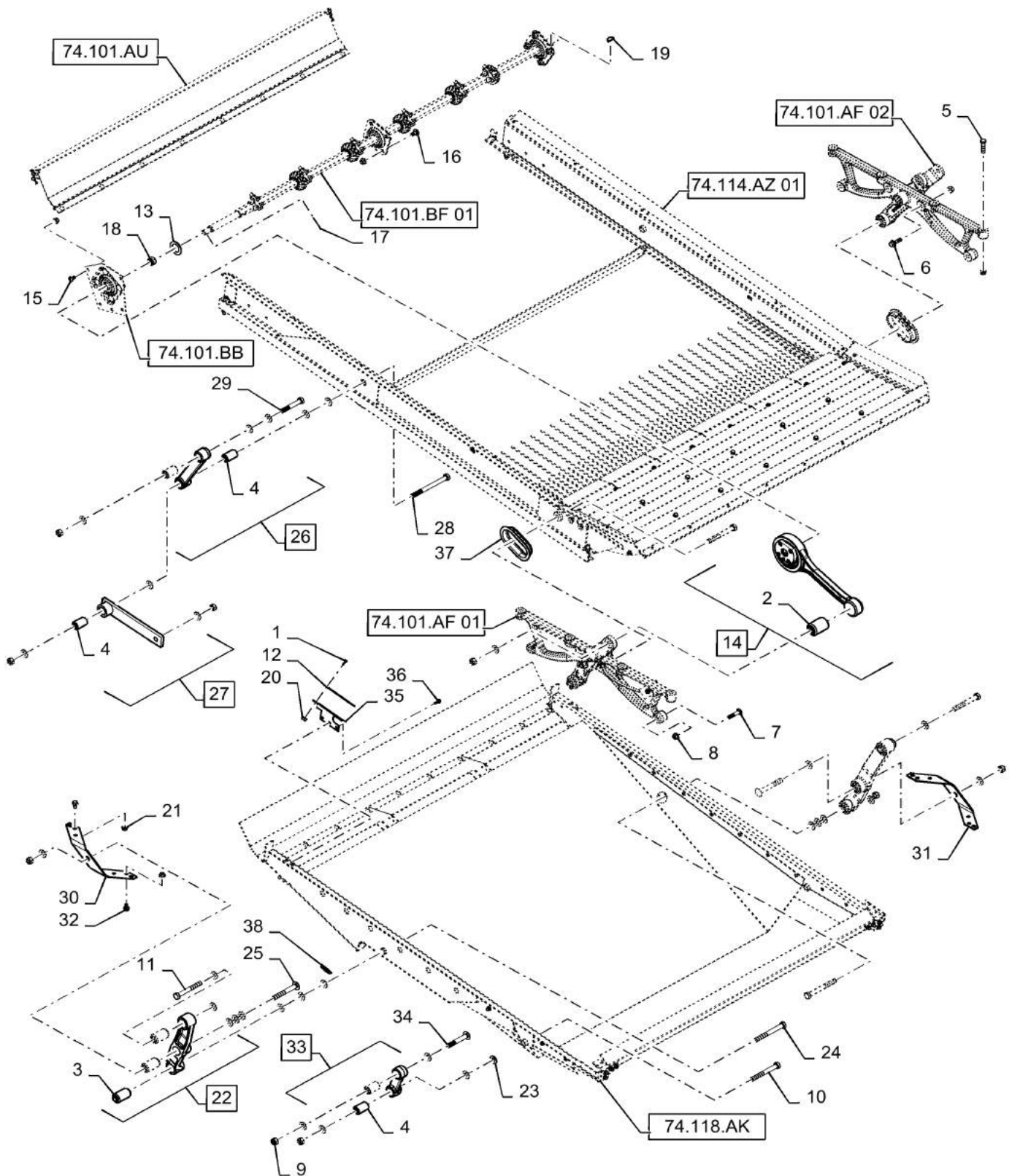
74.101.AC		CLEANING SYSTEM
74.101.AF	01	HANGER, ARM, RH, CLEANING SYSTEM DRIVE
74.101.AF	02	HANGER, ARM, LH, CLEANING SYSTEM DRIVE
74.101.AL		PULLEY DRIVE, SHAKER
74.101.AU		SHOE, TAILGATE, DOOR
74.101.BB		DRIVE SHAFT, CLEANING SYSTEM DRIVE
74.101.BF	01	ARM, PITMAN, RH, CLEANING SYSTEM
74.101.BF	02	ARM, PITMAN, LH, CLEANING SYSTEM
74.101.BF	03	SHIELD, DRIVE, SHAKER, LH
74.114.AU	01	EXTENSION, ADJUSTABLE SIEVE
74.114.AU	02	SIEVE ADJUSTMENT SWITCH, REMOTE CONTROL
74.114.AZ	01	FRAME, SIEVE, UPPER
74.114.AZ	02	UPPER SIEVE, STANDARD
74.114.AZ	03	UPPER SIEVE, REMOTE CONTROL
74.114.AZ	04	UPPER SIEVE, MOUNTING PARTS
74.118.AD	01	SIEVE, LOWER, MECHANICAL
74.118.AD	02	SIEVE, LOWER, REMOTE CONTROL
74.118.AK		SUPPORT, SIEVE, LOWER
74.125.AL		TROUGH, AUGER, CLEAN GRAIN ELEVATOR
74.130.AF		FAN, CLEANER
74.130.AH		FAN, HOUSING, CLEANER
74.130.AJ	01	FAN SHIELD
74.130.AJ	02	SHIELD, DRIVE, FAN, RH
74.130.AJ	03	SHIELD, TAILINGS ELEVATOR, REAR, RH
74.134.AO		MOTOR, FAN, SPEED GOVERNOR
74.136.AA		PIVOT, FAN, SPEED GOVERNOR
74.136.AC	01	JACKSHAFT, FAN, DRIVE
74.136.AC	02	IDLER, DRIVE, FAN
74.136.AD	01	PULLEY, FAN, DRIVE
74.136.AD	02	PULLEY ASSEMBLY CLEANING FAN, CLEANING FAN DRIVE JACKSHAFT ASSEMBLY, IDLER ASSEMBLY FAN DRIVE WITH PULLEY
74.140.AK	01	TAILINGS ELEVATOR
74.140.AK	02	TAILINGS ELEVATOR, CHAIN

SECTION INDEX

CLEANING

74.140.AK	03	BOOT, TAILINGS ELEVATOR
74.140.AK	04	HEAD, TAILINGS ELEVATOR
74.140.AM		JACKSHAFT, IDLER, TAILINGS ELEVATOR
74.140.AX		JACKSHAFT, TAILINGS ELEVATOR
74.140.BM		AUGER, UPPER, TAILINGS ELEVATOR
74.140.CM		AUGER BED

CLEANING SYSTEM

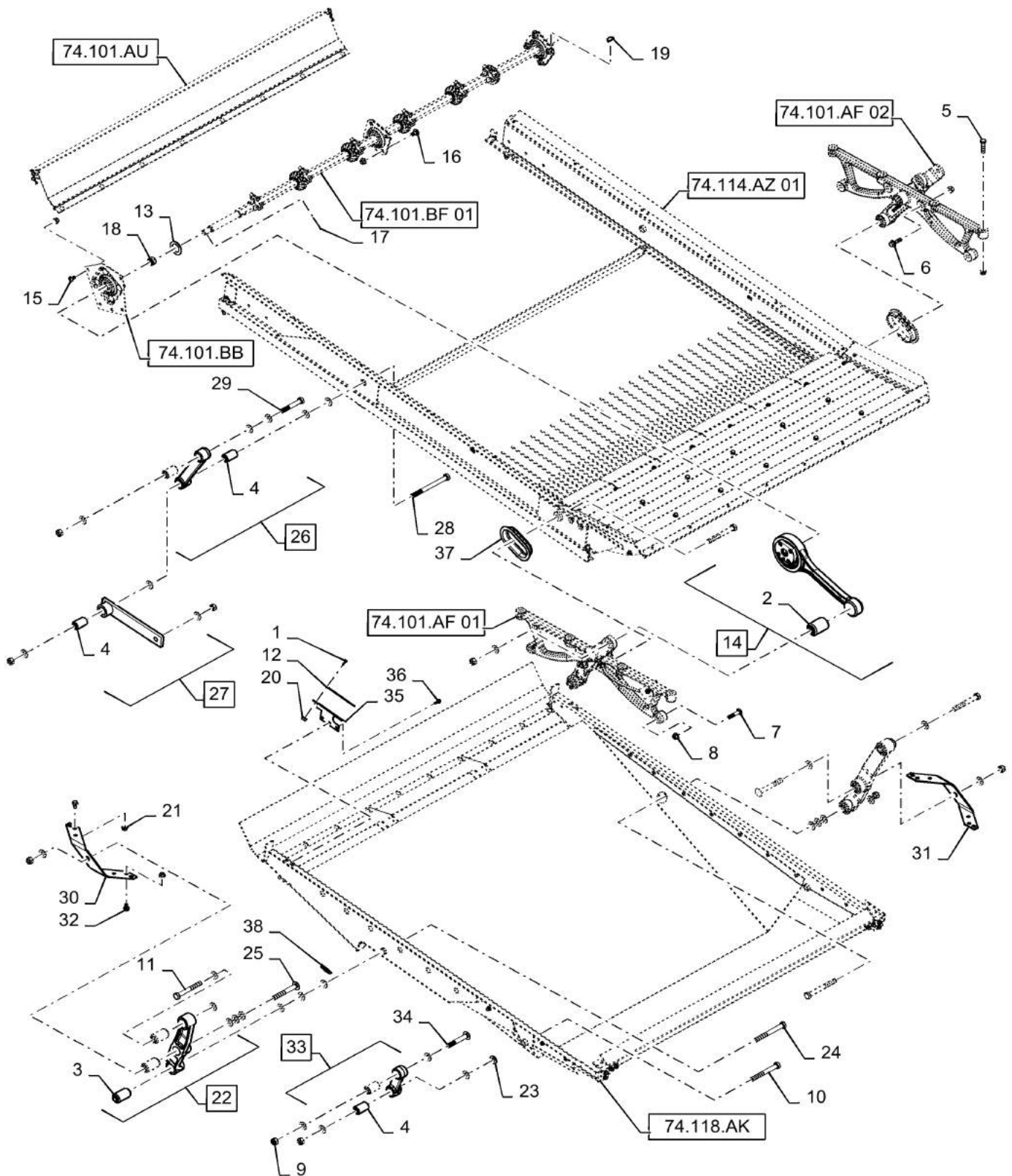


CLEANING SYSTEM

REF FN	PART NUMBER	YR/SN	QTY DESCRIPTION
1	87695418		4 FLANGE BOLT M6 x 1.0 x 16mm, CI 10.9
2	87376924		1 BUSHING 16mm ID x 50.8mm OD x 76.2mm L Right Hand Pitman Arm
3	87538599		3 BUSHING 16mm ID x 38.2mm OD x 73mm L Shoe Arm
4	87538600		10 RUBBER BUSHING 16mm ID x 32.6mm OD x 58.9mm L Rear Chaffer Hanger Arm, Connector Bar Arm, Front Shoe Hanger Arm
5	337476		8 BOLT Hex, M12 x 1.75 x 50mm, CI 10.9
6	87695413		4 BOLT M12 x 51.8mm, CI 10.9
7	87495309		4 CARRIAGE BOLT M12 x 1.75 x 66.8mm, CI 10.9 Carriage, M12 x 60mm, 10.9
8	86512497		10 FLANGE NUT M12 x 1.75, CI 10
9	84194234		18 NUT
10	392531		5 BOLT Hex, M16 x 2 x 130mm, CI 10.9
11	43281		3 BOLT Hex, M16 x 2 x 120mm, CI 10.9
12	187204A1		2 BAR Shoe Sieve Seal Extension
13	188354C1		2 WASHER 35.71mm ID x 57.15mm OD x 3.05mm Thk Unload Wear
14	87672051		1 ARM ASSY. Right Hand, Incl 2
15	87573369		8 SERRATED SCREW SI Truss, M10 x 20mm, CI 10.9
16	9503839		2 CARRIAGE BOLT Short NK, M12 x 25, CI8.8, Full Thd
17	432-828		1 COTTER PIN 1/8" x 1 3/4"
18	425-1212		1 SLOTTED NUT 3/4"-10, G5
19	126-124		1 WOODRUFF KEY #15, 1/4" x 1", HT
20	86050300		4 FLANGE NUT M6 x 1.0, CI 10
21	86050279		18 FLANGE NUT M10 x 1.5, CI 10
22	87672100		2 ARM ASSY. Shoe, Incl 3
23	496-11066		58 WASHER 21/32" x 1 5/16" x .095", HDN
24	1791248		2 BOLT Hex, M16 x 140mm, CI 10.9 M16 x 140mm ZND10.9

5140-COMBINE - TIER 2

CLEANING SYSTEM

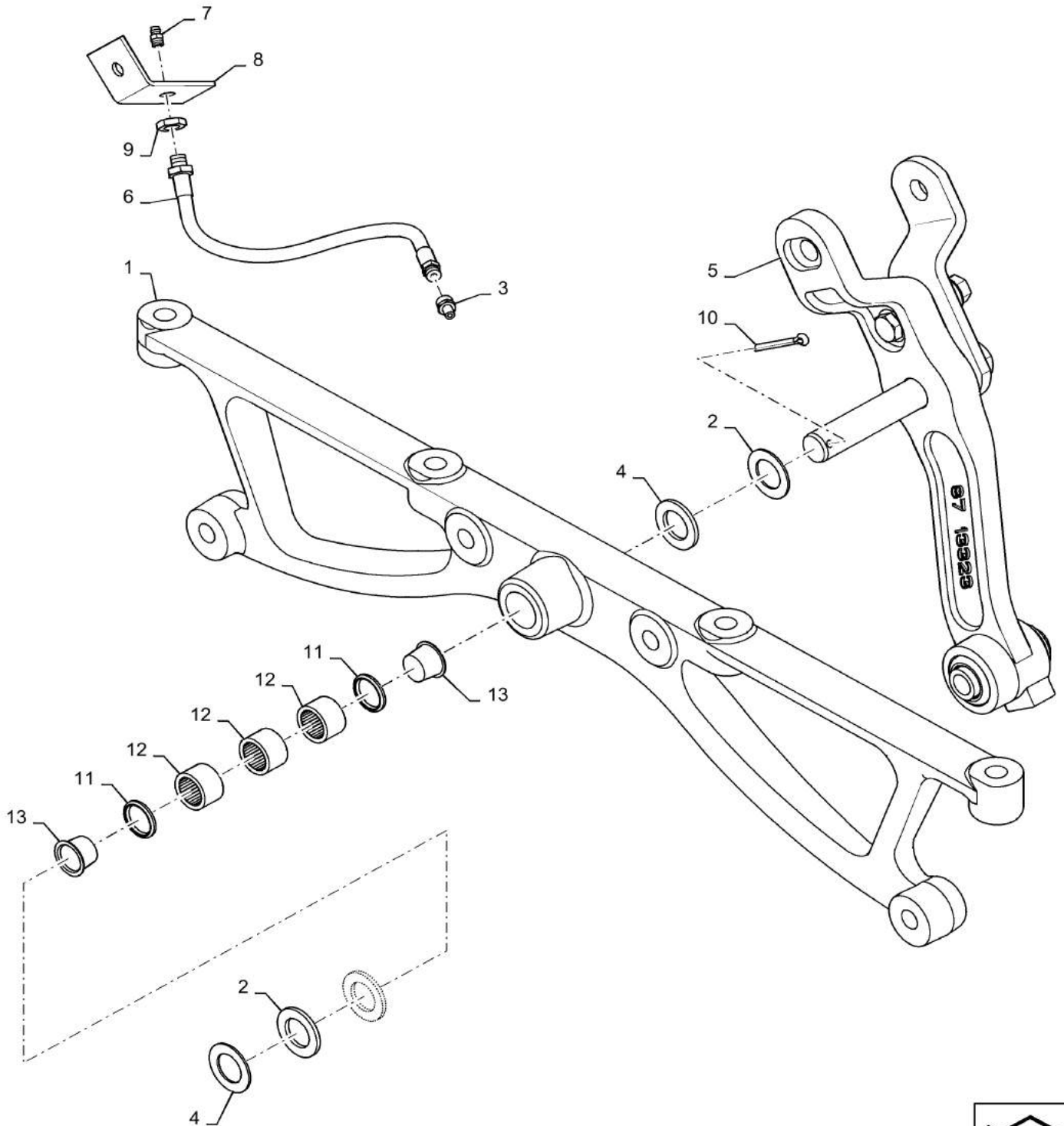


CLEANING SYSTEM

REF FN	PART NUMBER	YR/SN	QTY DESCRIPTION
25	84129686		2 CARRIAGE BOLT Short Sq Nk, M16 x 2 x 120mm, CI 10.9 Carriage, M16 x 120mm, 10.9
26	87671724		2 ARM ASSY. Rear Chaffer Hanger, Incl 4
27	87671722		2 ARM ASSY. Connector Bar, Incl 4
28	9840670		2 BOLT Hex, M16 x 2 x 180mm, CI 10.9
29	86541970		2 BOLT Hex, M16 x 100mm, CI 10.9
30	87735883		1 SUPPORT Shoe Lever, Right Hand
31	87735869		1 SUPPORT Shoe Lever, Left Hand
32	87698835		10 FLANGE BOLT M10 x 20mm, Full Thd, CI 10.9
33	87671723		2 ARM ASSY. Front Shoe Hanger, Incl 4
34	84129685		2 CARRIAGE BOLT Short Sq Nk, M16 x 2 x 100mm, CI 10.9 Carriage, M16 x 100mm, 10.9
35	187187A2		2 PLATE Shoe Rail Seal Extension
36	86625200		4 SELF-TAP SCREW Hex Flng, M8 x 1.25 x 20mm
37	1302644C2		2 SEAL Chaffer Lever
38	205-126		2 HOLE PLUG BUTTON 1 3/4"

5140-COMBINE - TIER 2

HANGER, ARM, RH, CLEANING SYSTEM DRIVE



74.101.AF

01

p1

7/2015

HANGER, ARM, RH, CLEANING SYSTEM DRIVE

REF FN	PART NUMBER	YR/SN	QTY DESCRIPTION
1	84128519		1 PIVOT ASSY. RH
2	495-81057		3 WASHER 23.01mm ID x 38.1mm OD x 3.4mm Thk
3	219-418		1 ADAPTER 1/4"-1/8 NPTF
4	495-81056		2 WASHER 29/32" x 1 1/2" x 3/64
5	84128533		1 LEVER RH
6	937773R91		1 HOSE 3.56 mm ID x 304.80 mm,
7	219-8		1 LUBE NIPPLE 1/4"-28 x 1/2"
8	178960C1		1 BRACKET Steering, Rear
9	F53473		1 LOCK NUT 1/8-27 NPSM 1/8" - 27
10	432-1228		1 COTTER PIN 3/16" x 1 3/4"
11	372756R91		2 OIL SEAL 20.45mm ID x 28.68mm OD x 3.17mm Thk Front Hanger
12	551139R91		3 BEARING, NEEDLE 28.5mm OD
13	353-79		2 PLUG .930" Tapered

5140-COMBINE - TIER 2

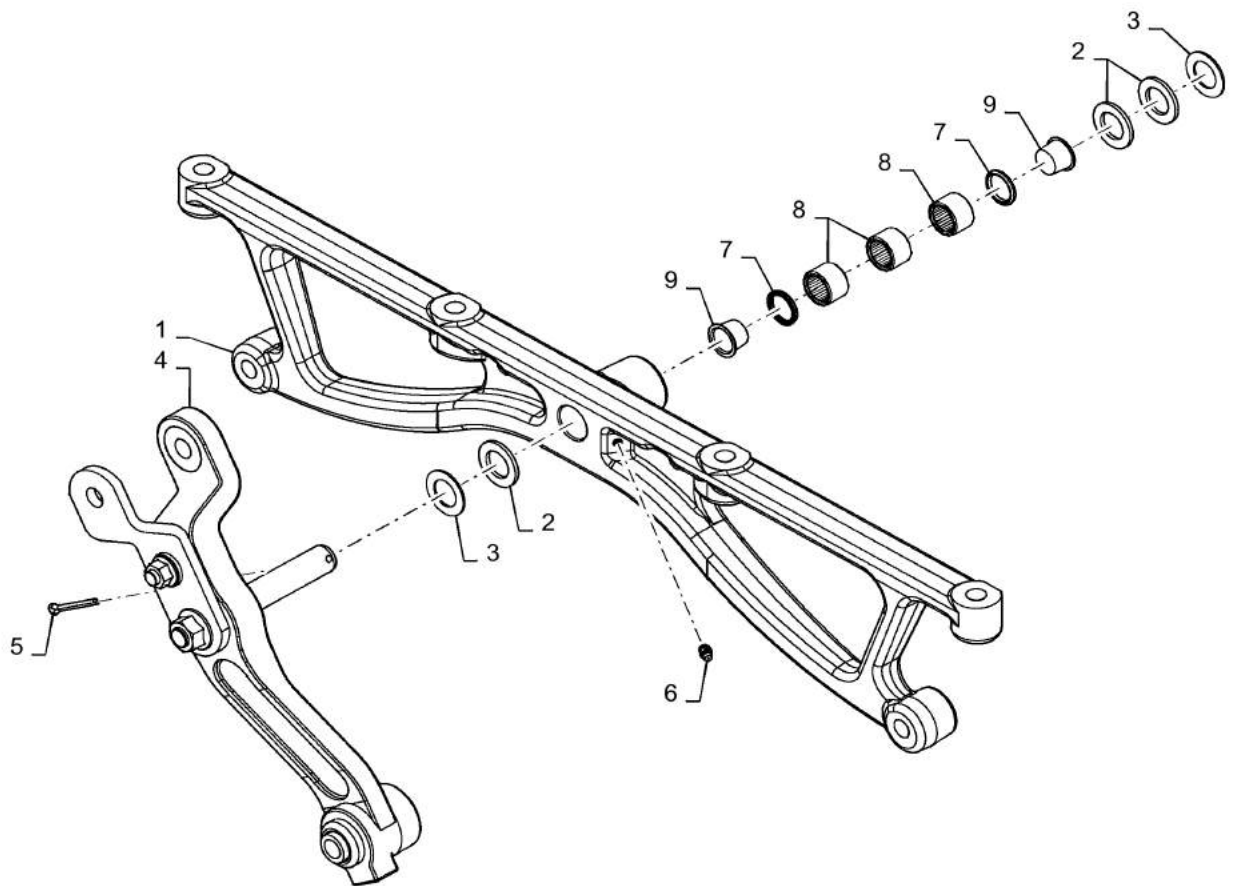
74.101.AF

02

p1

7/2015

HANGER, ARM, LH, CLEANING SYSTEM DRIVE



74.101.AF

02

p1

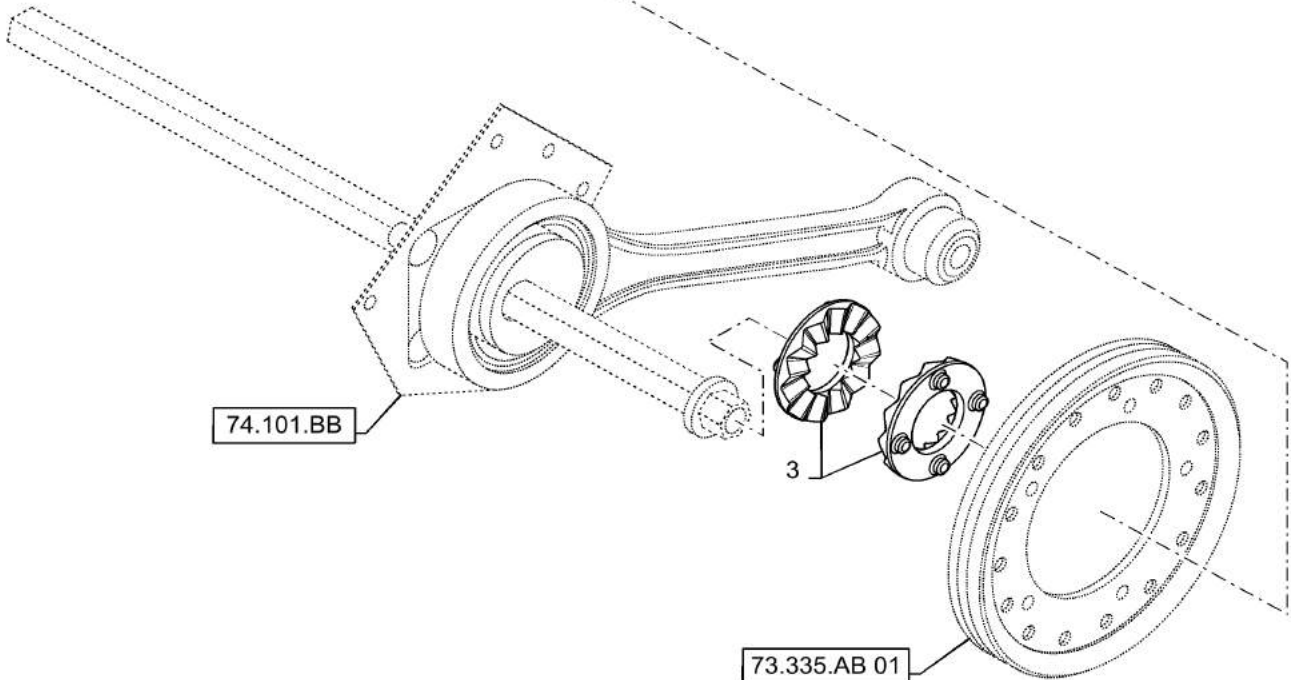
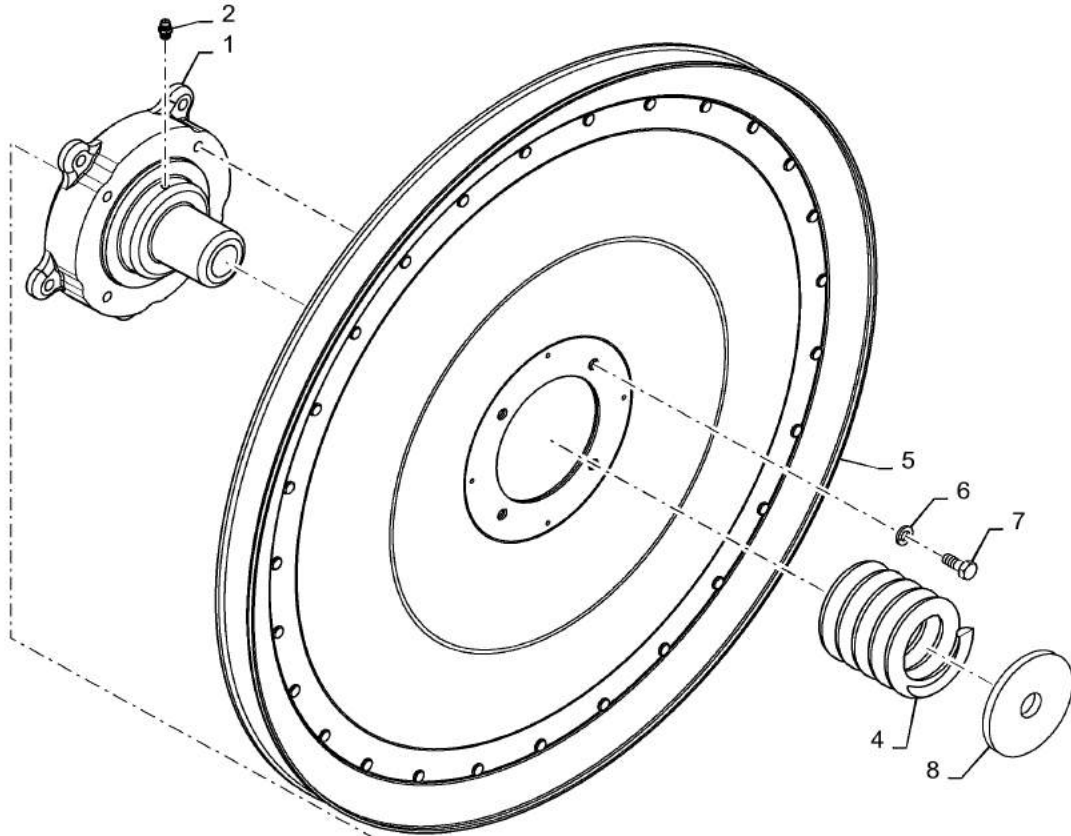
7/2015

HANGER, ARM, LH, CLEANING SYSTEM DRIVE

REF FN	PART NUMBER	YR/SN	QTY DESCRIPTION
1	84128519		1 PIVOT ASSY. LH
2	495-81057		3 WASHER 23.01mm ID x 38.1mm OD x 3.4mm Thk
3	495-81056		2 WASHER 29/32" x 1 1/2" x 3/64
4	84128533		1 LEVER Shaker Shoe
5	432-1228		1 COTTER PIN 3/16" x 1 3/4"
6	219-8		1 LUBE NIPPLE 1/4"-28 x 1/2"
7	372756R91		2 OIL SEAL 20.45mm ID x 28.68mm OD x 3.17mm Thk Front Hanger
8	551139R91		3 BEARING, NEEDLE 28.5mm OD
9	353-79		2 PLUG .930" Tapered

5140-COMBINE - TIER 2

PULLEY DRIVE, SHAKER



74.101.BB

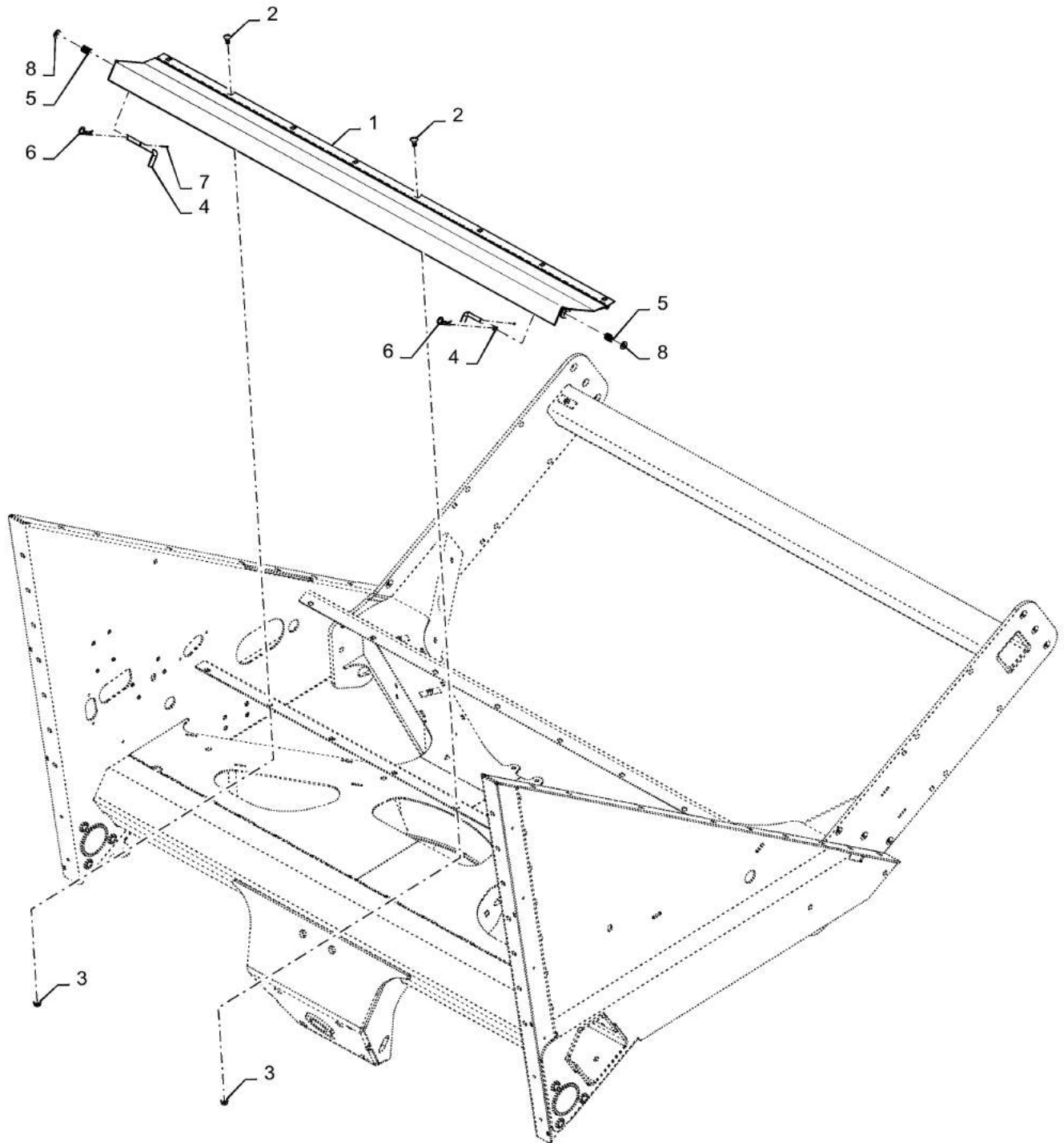
73.335.AB 01

PULLEY DRIVE, SHAKER

REF FN	PART NUMBER	YR/SN	QTY DESCRIPTION
1	1303136C2		1 HUB Shaker Drive
2	219-87		1 LUBE NIPPLE 1/4"-28 x .56" lg, Self-Tap
3	B12170		2 RATCHET Clutch Slip, 94.49mm Slip Clutch
4	19302K		1 SPRING Tension, Shaker Shaft Drive
5	87735279		1 PULLEY 616.52mm OD Shaker Shaft Drive
6	492-11031		4 LOCK WASHER 5/16"
7	413-512		4 BOLT Hex, 5/16" - 18 x 3/4", Gr 5
8	167521H1		1 SPRING WASHER Retainer

5140-COMBINE - TIER 2

SHOE, TAILGATE, DOOR



SHOE, TAILGATE, DOOR

REF FN	PART NUMBER	YR/SN	QTY DESCRIPTION
1	87598213		1 TAILGATE Shoe Door
2	87682383		8 CARRIAGE BOLT M8 x 1.25 x 20mm, CI 10.9
3	86507066		8 FLANGE NUT M8 x 1.25, CI 10
4	186736C3		2 ROD Pin, Tailgate Lock
5	540815R2		2 SPRING Compression, Hub Pawl
6	586591R1		2 COTTER PIN .125 In x 2.563 In
7	432-612		2 COTTER PIN 3/32" x 3/4"
8	495-11041		2 WASHER 0.406" ID x 0.812" OD x 0.065" W

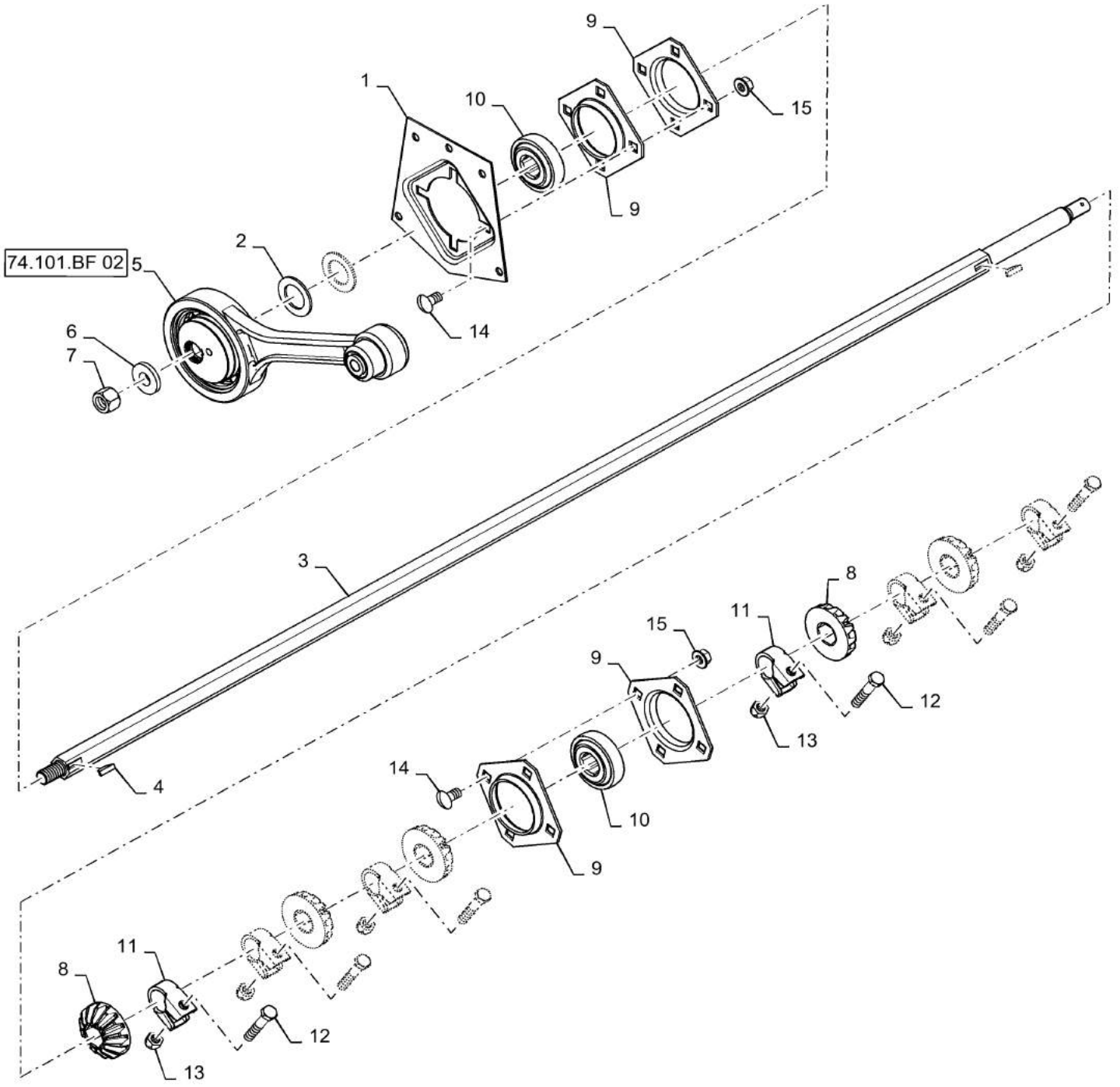
5140-COMBINE - TIER 2

74.101.BB

p1

7/2015

DRIVE SHAFT, CLEANING SYSTEM DRIVE



DRIVE SHAFT, CLEANING SYSTEM DRIVE

REF FN	PART NUMBER	YR/SN	QTY DESCRIPTION
1	87491853		1 PLATE Flange Bearing
2	188354C1		2 WASHER 35.71mm ID x 57.15mm OD x 3.05mm Thk Unloader Wear
3	1322616C2		1 SHAFT Auger Bed And Shaker Drive
4	126-124		1 WOODRUFF KEY #15, 1/4" x 1", HT
5	87672050		1 ARM ASSY. LH Assy
6	1979580C1		1 WASHER 19.05mm ID x 44.5mm OD x 11mm L Shaker Cam
7	231-41112		1 LOCK NUT 3/4"-10, GB
8	87375654		5 GEAR Bevel, Auger Bed Drive
9	1307583C1		2 FLANGED BEARING 80mm
10	87491115		1 BEARING ASSY 28.6mm Hex x 80mm OD x 28mm W 1.125" Hex
11	225265R1		6 CLAMP Auger Driveshaft, Locking
12	300809		6 BOLT Hex, M12 x 1.75 x 65mm, CI 8.8
13	100038		6 NUT M12 x 1.75, CI 8
14	9503839		2 CARRIAGE BOLT Short NK, M12 x 25, CI8.8, Full Thd
15	86512497		2 FLANGE NUT M12 x 1.75, CI 10

5140-COMBINE - TIER 2

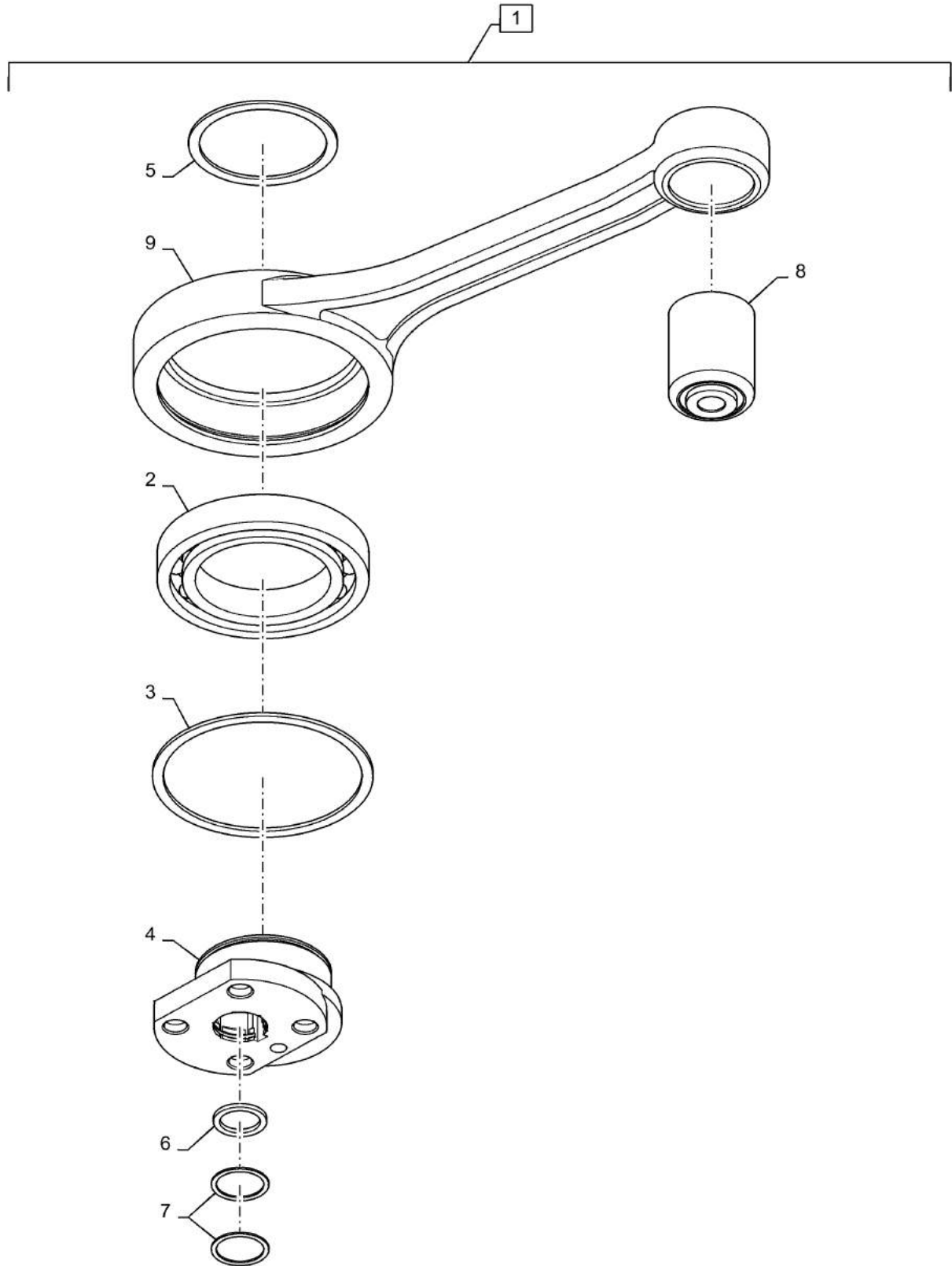
74.101.BF

01

p1

7/2015

ARM, PITMAN, RH, CLEANING SYSTEM



74.101.BF

01

p1

7/2015

ARM, PITMAN, RH, CLEANING SYSTEM

REF FN	PART NUMBER	YR/SN	QTY DESCRIPTION
1	87672051		1 ARM ASSY. RH, Incl 2 - 9
2	1345226C1		1 BALL BEARING 80mm ID x 125mm OD x 22mm W
3	1322624C1		1 SNAP RING 5.125" Internal
4	87318100		1 CAM Shaker Shaft Pitman Drive, RH Plated Shaker Shaft
5	1979190C1		1 RETAINER 2.661" External
6	1979191C1		1 WASHER 27mm ID x 31.65mm OD x 3mm Thk 31.65mm OD x 27mm ID x 3mm L
7	1322623C1		2 RETAINER 1.202" Internal
8	87376924		1 BUSHING 16mm ID x 50.8mm OD x 76.2mm L 50.8mm OD x 16mm ID x 76.2mm L
9	1979369C2		1 ARM Pitman

5140-COMBINE - TIER 2

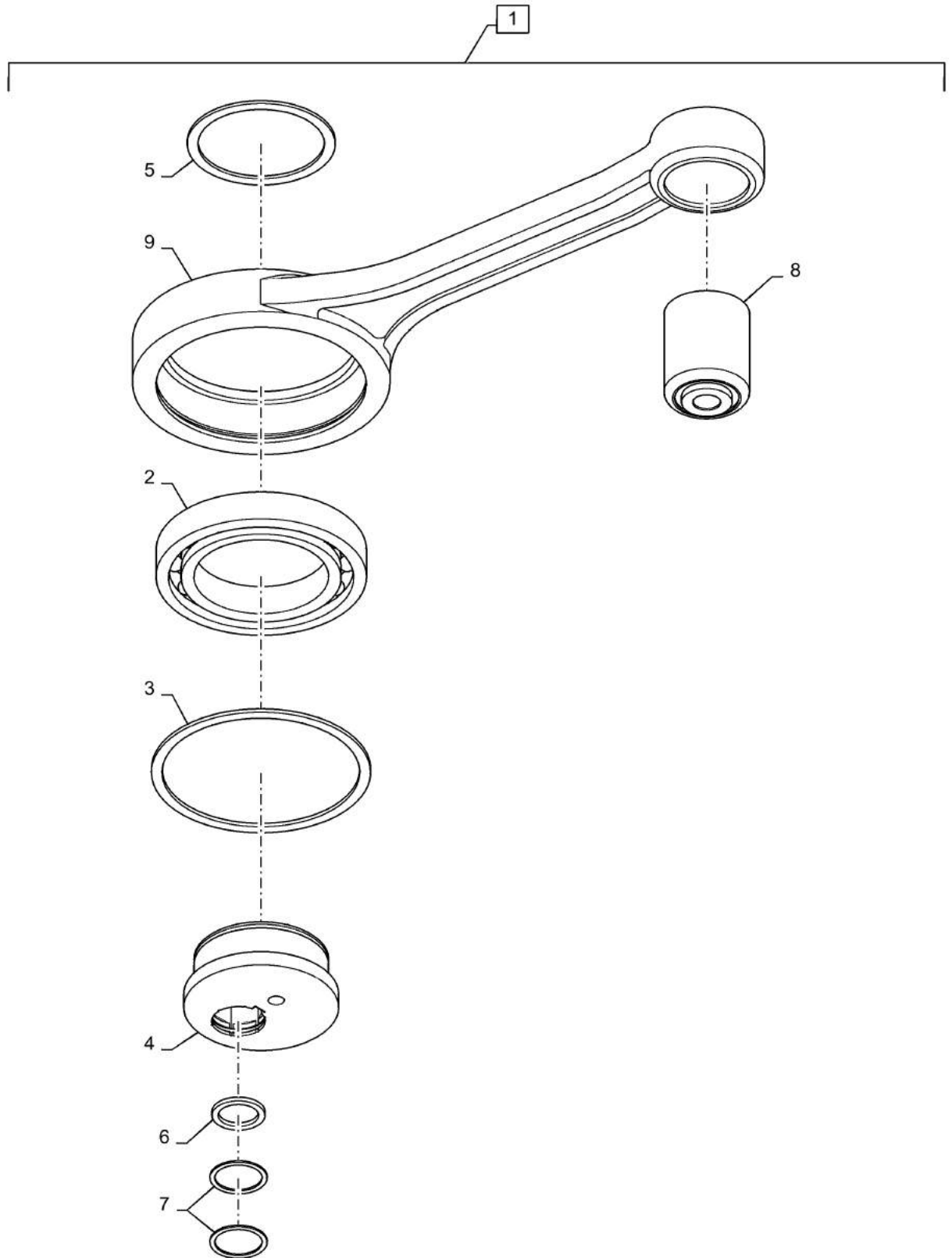
74.101.BF

02

p1

7/2015

ARM, PITMAN, LH, CLEANING SYSTEM



74.101.BF

02

p1

7/2015

ARM, PITMAN, LH, CLEANING SYSTEM

REF FN	PART NUMBER	YR/SN	QTY DESCRIPTION
1	87672050		1 ARM ASSY. LH, Incl 2 - 9
2	1345226C1		1 BALL BEARING 80mm ID x 125mm OD x 22mm W
3	1322624C1		1 SNAP RING 5.125" Internal
4	1322573C1		1 CAM Shaker Shaft
5	1979190C1		1 RETAINER 2.661" External
6	1330336C1		1 WASHER 24mm ID x 31.65mm OD x 3mm Thk 31.65mm OD x 27mm ID x 3mm L
7	1322623C1		2 RETAINER 1.202" Internal
8	87376924		1 BUSHING 16mm ID x 50.8mm OD x 76.2mm L 50.8mm OD x 16mm ID x 76.2mm L
9	1979369C2		1 ARM LH Pitman

5140-COMBINE - TIER 2

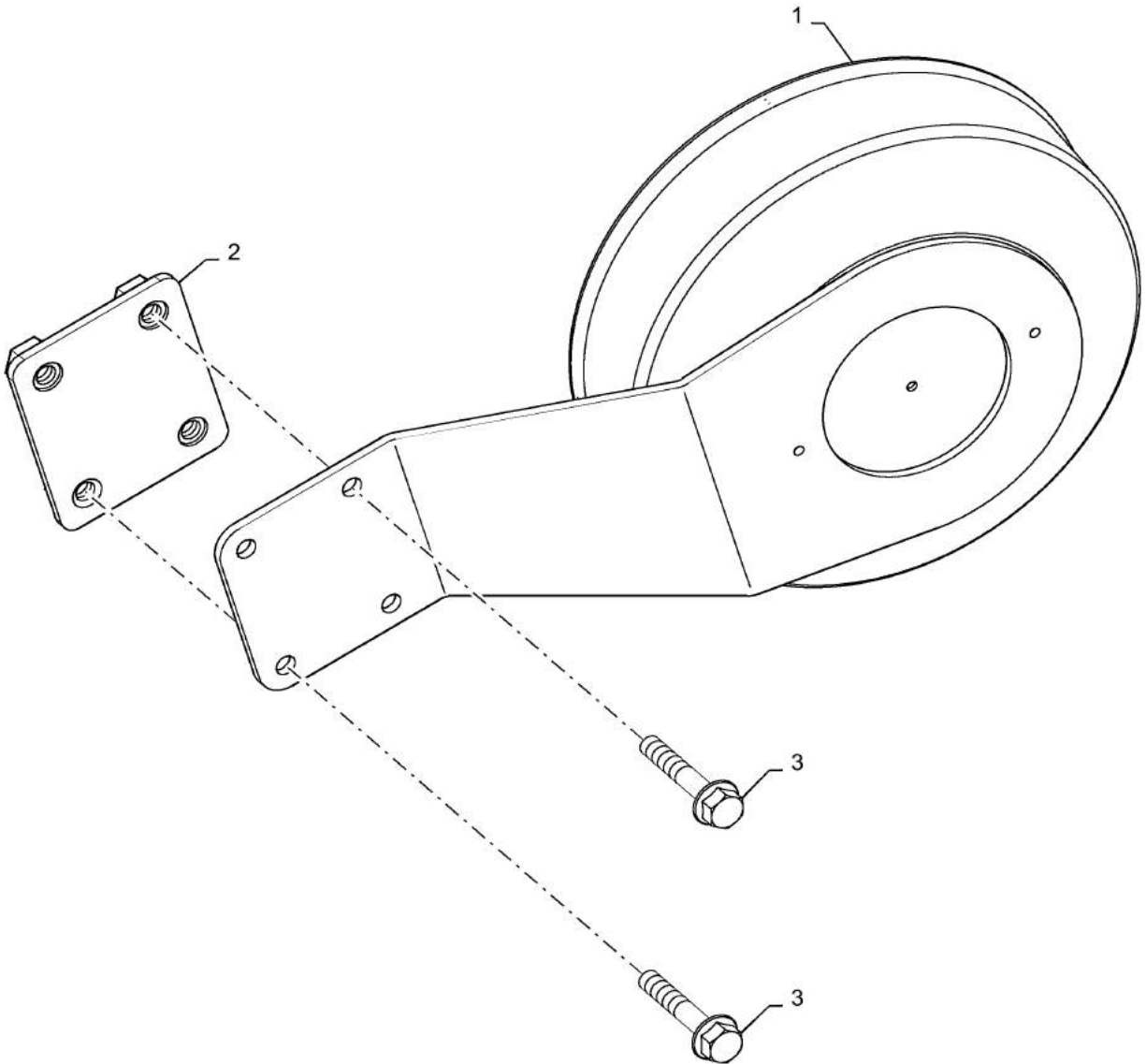
74.101.BF

03

p1

7/2015

SHIELD, DRIVE, SHAKER, LH



74.101.BF

03

p1

7/2015

SHIELD, DRIVE, SHAKER, LH

REF FN	PART NUMBER	YR/SN	QTY DESCRIPTION
1	84171364		1 COVER ASSY Shaker Arm
2	84171360		1 BRACKET Shaker Arm Cover
3	87698832		4 FLANGE BOLT Hex, M6 x 35mm, CI 10.9

5140-COMBINE - TIER 2

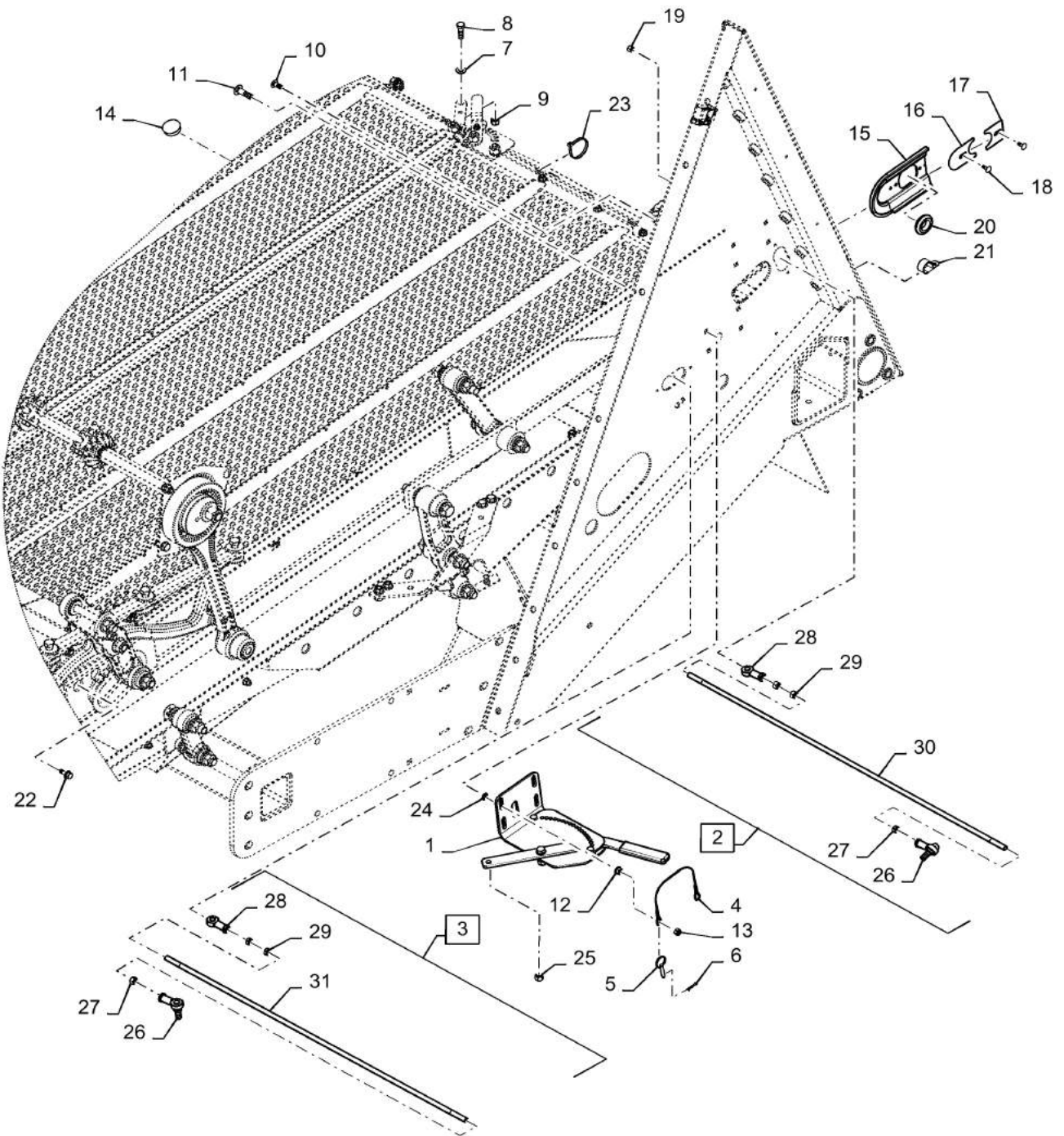
74.114.AU

01

p1

7/2015

EXTENSION, ADJUSTABLE SIEVE



74.114.AU

01

p1

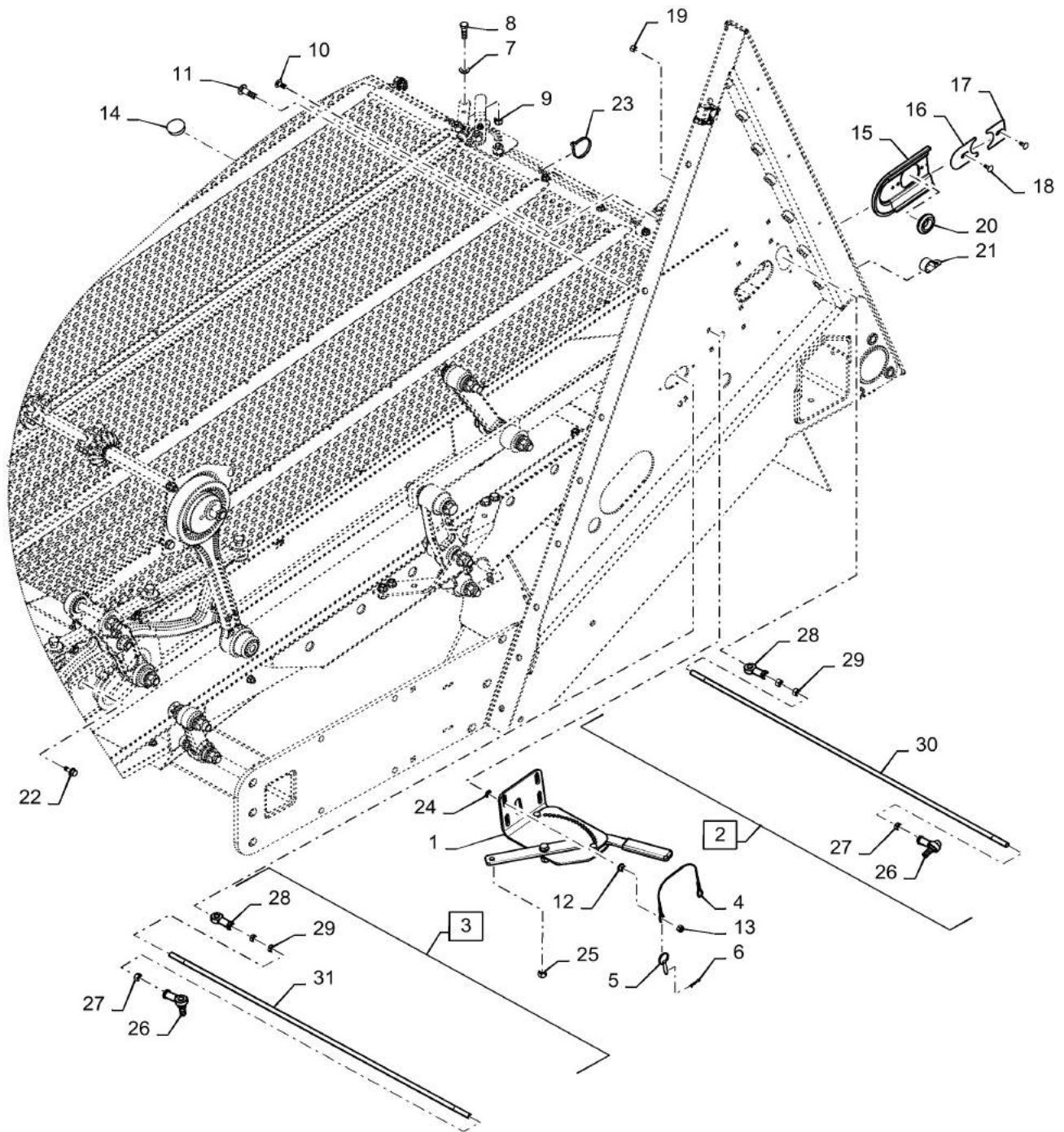
7/2015

EXTENSION, ADJUSTABLE SIEVE

REF FN	PART NUMBER	YR/SN	QTY DESCRIPTION
1	87605671		2 ADJUSTER Upper/ Lower Sieve
2	442374A1		1 TIE-ROD Chaffer Sieve Adjustment, Incl 26 - 30
3	84129225		1 ROD Lower Sieve Adjustment, Incl 26 - 29, 31
4	427336A1		2 CABLE 457.2mm L Handle Retention
5	87453256		2 PIN 6.35mm OD Quick Release
6	136-154		2 HAIR PIN COTTER Int, 7/64" x .072"
7	495-11041		2 WASHER 0.406" ID x 0.812" OD x 0.065" W
8	413-620		2 BOLT Hex, 3/8" - 16 x 1-1/4", Gr 5
9	9637692		2 NUT 3/8"-16, GB
10	87682383		6 CARRIAGE BOLT M8 x 1.25 x 20mm, CI 10.9
11	87682385		2 CARRIAGE BOLT Sht Sq Nk, M8 x 30mm, CI 10.9
12	86507066		9 FLANGE NUT M8 x 1.25, CI 10
13	86629542		2 NUT M8 x 1.25, CI 8
14	353-414		1 PLUG Dome, 1.375" hole, Nylon
15	84127513		1 SEAL Frame
16	87495389		1 COVER ASSY Outer Seal Retainer, Front
17	84127574		1 PLATE Outer Seal Retainer, Rear
18	86512439		2 CARRIAGE BOLT M6 x 16mm, CI 8.8
19	832-10406		2 NUT M6 x 1, CI 8
20	248-1123		1 GROMMET 1" ID x 1 3/4" x .062"
21	86637977		1 CLAMP 25.4mm, Coat, 8.7mm Bolt Hole, P Type
22	87656137		1 BOLT M8 x 28.1mm, CI 10.9
23	86566989		1 CABLE TIE 208mm L
24	131-440		8 PUSH-ON NUT 5/16"
25	80855		2 NUT Hex, 3/8" - 24
26	403123A1		2 BALL JOINT 3/8" - 24 Studded, 3/8"-24 LH Thread

5140-COMBINE - TIER 2

EXTENSION, ADJUSTABLE SIEVE



74.114.AU

01

p2

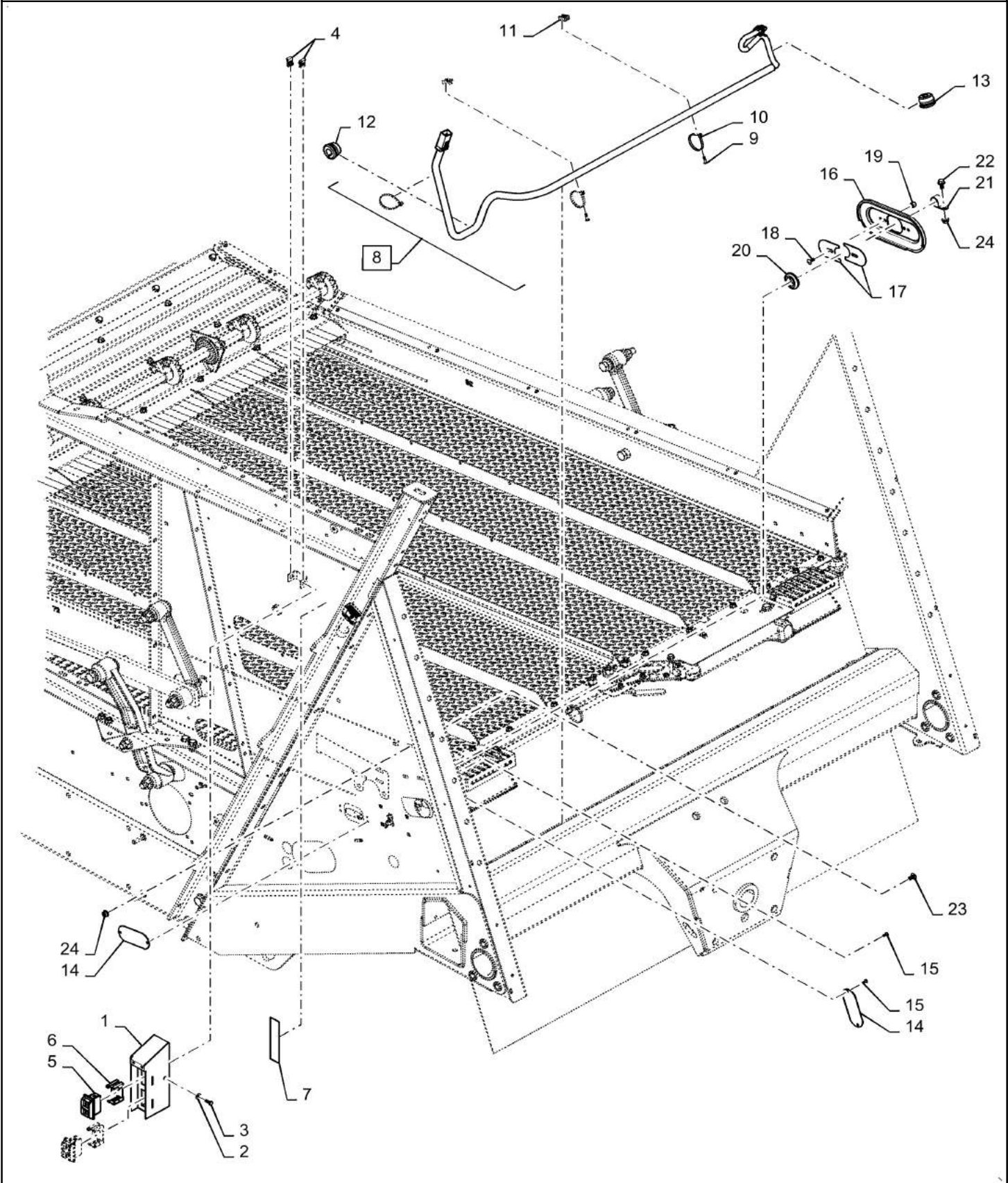
7/2015

EXTENSION, ADJUSTABLE SIEVE

REF FN	PART NUMBER	YR/SN	QTY DESCRIPTION
27	129-289		2 JAM NUT Jam, 3/8"-24, G5, LH
28	427179A1		2 BALL JOINT HEAD 3/8" - 24 Spherical, 3/8"-24 RH Thread
29	425-156		2 JAM NUT Jam, 3/8"-24, G5
30	407139A2		1 ADJUSTMENT ROD Upper Sieve
31	407140A2		1 ADJUSTMENT ROD Lower Sieve

5140-COMBINE - TIER 2

SIEVE ADJUSTMENT SWITCH, REMOTE CONTROL

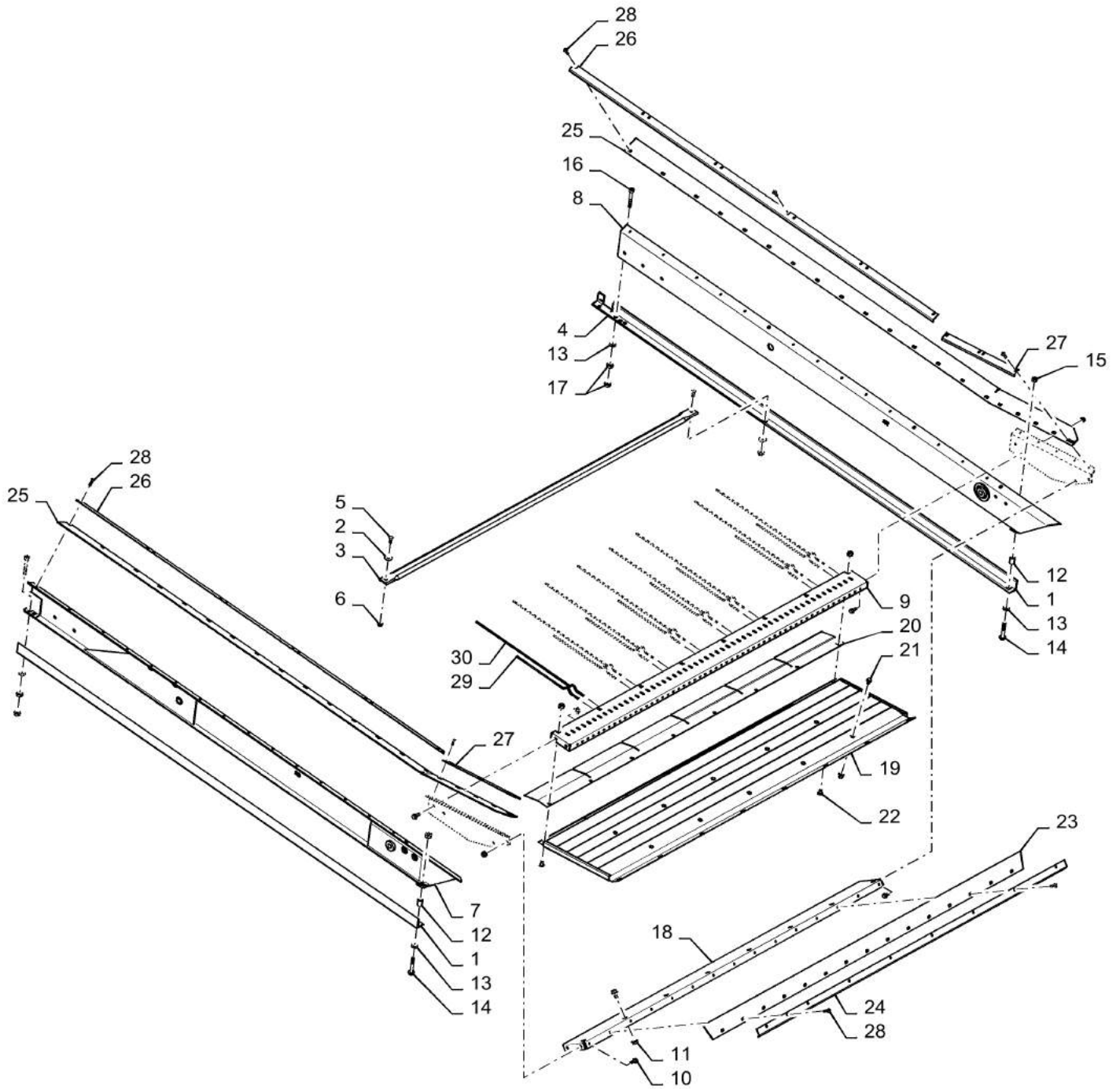


SIEVE ADJUSTMENT SWITCH, REMOTE CONTROL

REF FN	PART NUMBER	YR/SN	QTY DESCRIPTION
1	87011997		1 HOUSING Upper/Lower Sieve Adjustment
2	322357		2 BELLEVILLE WASHER M6 x 14mm OD x 1.3mm Thk
3	86508568		2 BOLT Hex, M6 x 1 x 16mm, CI 8.8
4	86014250		2 SPRING NUT M6 x 1.0
5	86627351		2 SIEVE ADJUSTMENT SWITCH Remote Adjust
6	86627352		2 CLAMP Switch Retainer
7	87036589		1 DECAL Remote Adjustment Switch
8	87580679		1 WIRE HARNESS Shoe Sieve Control, Incl 9, 10
9	445395		4 RIVET Pop, 4.8mm OD x 18.1mm L
10	86566989		5 CABLE TIE 208mm L
11	86590413		4 BASE 15.87mm W x 22.22mm OAL x 9.9mm Thk Wire Tie
12	86976974		1 GROMMET 41.1mm OD x 19.05mm ID x 26.9mm
13	198824C1		1 GROMMET 12.7mm ID x 41.1mm OD x 26.9mm Thk 41.1mm OD x 127mm ID x 26.9mm
14	87389797		2 COVER Threshing Frame
15	445394		4 RIVET Pop, 3/16" x 1/2" OAL
16	84127513		1 SEAL Upper Sieve Access
17	87495389		2 COVER ASSY Seal Retainer
18	86512439		2 CARRIAGE BOLT M6 x 16mm, CI 8.8
19	832-10406		2 NUT M6 x 1, CI 8
20	248-1123		1 GROMMET 1" ID x 1 3/4" x .062"
21	86637977		1 CLAMP 25.4mm, Coat, 8.7mm Bolt Hole, P Type
22	87656137		1 BOLT M8 x 28.1mm, CI 10.9
23	87020310		7 CARRIAGE BOLT M8 x 1.25 x 20.8mm, CI 10.9
24	86507066		8 FLANGE NUT M8 x 1.25, CI 10

5140-COMBINE - TIER 2

FRAME, SIEVE, UPPER

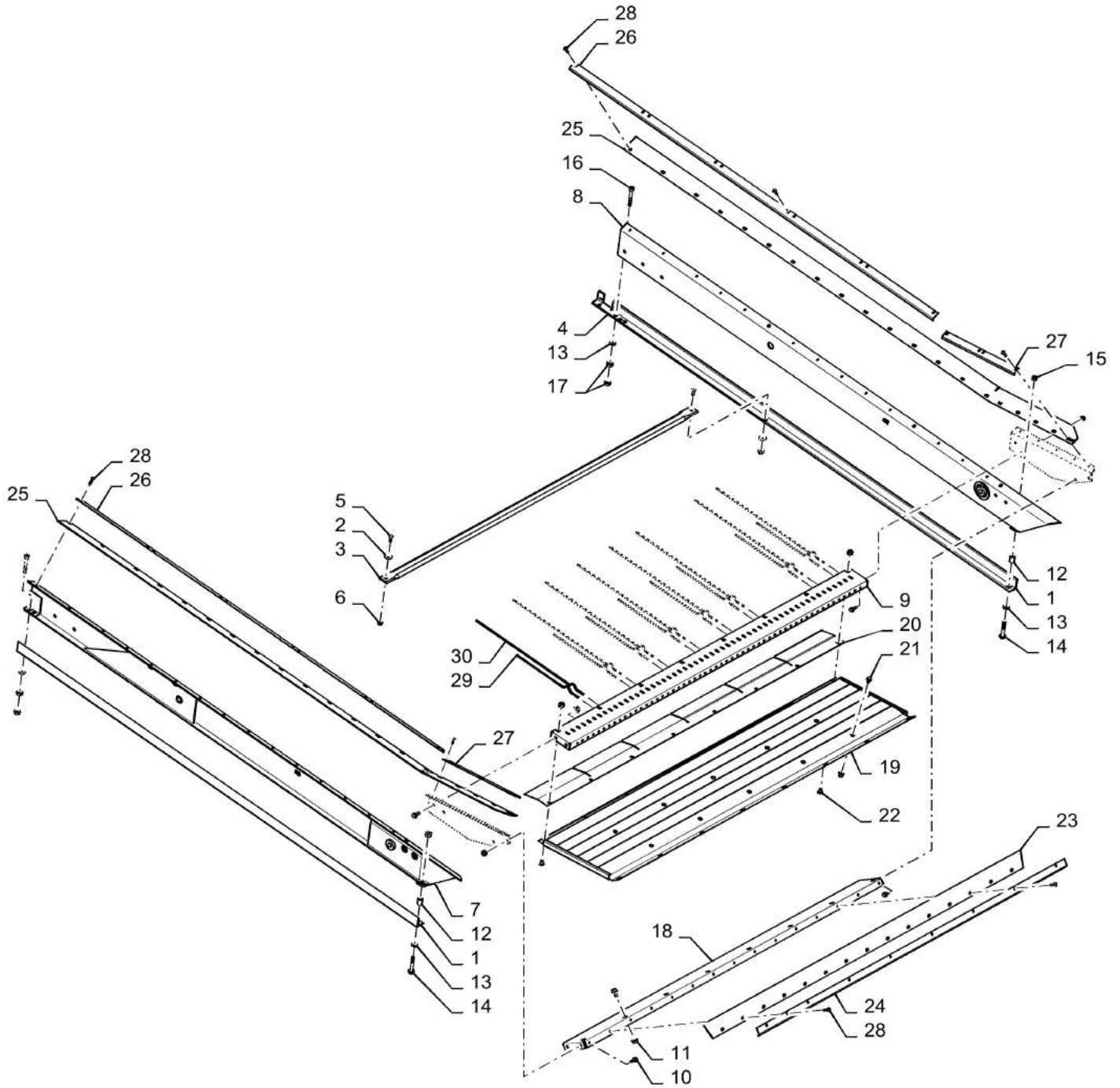


FRAME, SIEVE, UPPER

REF FN	PART NUMBER	YR/SN	QTY DESCRIPTION
1	84127486		1 ANGLE Upper Sieve, Right Hand
2	495-81116		2 WASHER 8.74mm ID x 25.4mm OD x 1.7mm Thk
3	87379127		1 ANGLE BAR Chaffer Spacer
4	84127484		1 ANGLE Upper Sieve, Left Hand
5	374897		2 SCREW Phil Flat Hd, M8 x 1.25 x 25mm, CI 4.8
6	825-5148		2 SERRATED NUT M8, Flg Ser
7	84169439		1 RAIL Chaffer, Right Hand
8	84169374		1 RAIL Chaffer, Left Hand
9	87725972		1 CHANNEL Grain Pan
10	87656137		8 BOLT M8 x 28.1mm, CI 10.9
11	86507066		24 FLANGE NUT M8 x 1.25, CI 10
12	645342C1		2 SPACER 10.34mm ID x 15.87mm OD x 25.4mm L
13	85700654		4 WASHER 10.5mm ID x 20mm OD x 2.5mm Thk
14	857-10070		2 BOLT Hvy Hex, M10 x 70mm, CI 10.9
15	86512554		2 NUT M10 x 1.5, CI 10
16	863-10075		2 HEX SOC SCREW M10 x 75mm, 12.9
17	87564742		4 NUT M8
18	87379129		1 SUPPORT Chaffer Frame
19	87745690		1 PAN Assembly, Grain Grain
19	87473364		1 PAN ASSY. W/Crop Dividers
20	1994858C1		1 COVER Sieve Finger
21	87681207		8 BOLT M8 x 24.1mm, CI 10.9
22	87020310		4 CARRIAGE BOLT M8 x 1.25 x 20.8mm, CI 10.9
23	192049C1		1 SEALING STRIP Chaffer Front
24	87387066		1 CLAMP Front Chaffer Seal
25	1325331C1		2 SEALING STRIP Chaffer Frame
26	87379123		2 CLAMP Chaffer Rail Seal
27	87387119		2 CLAMP Chaffer Extension Seal

5140-COMBINE - TIER 2

FRAME, SIEVE, UPPER



74.114.AZ

01

p2

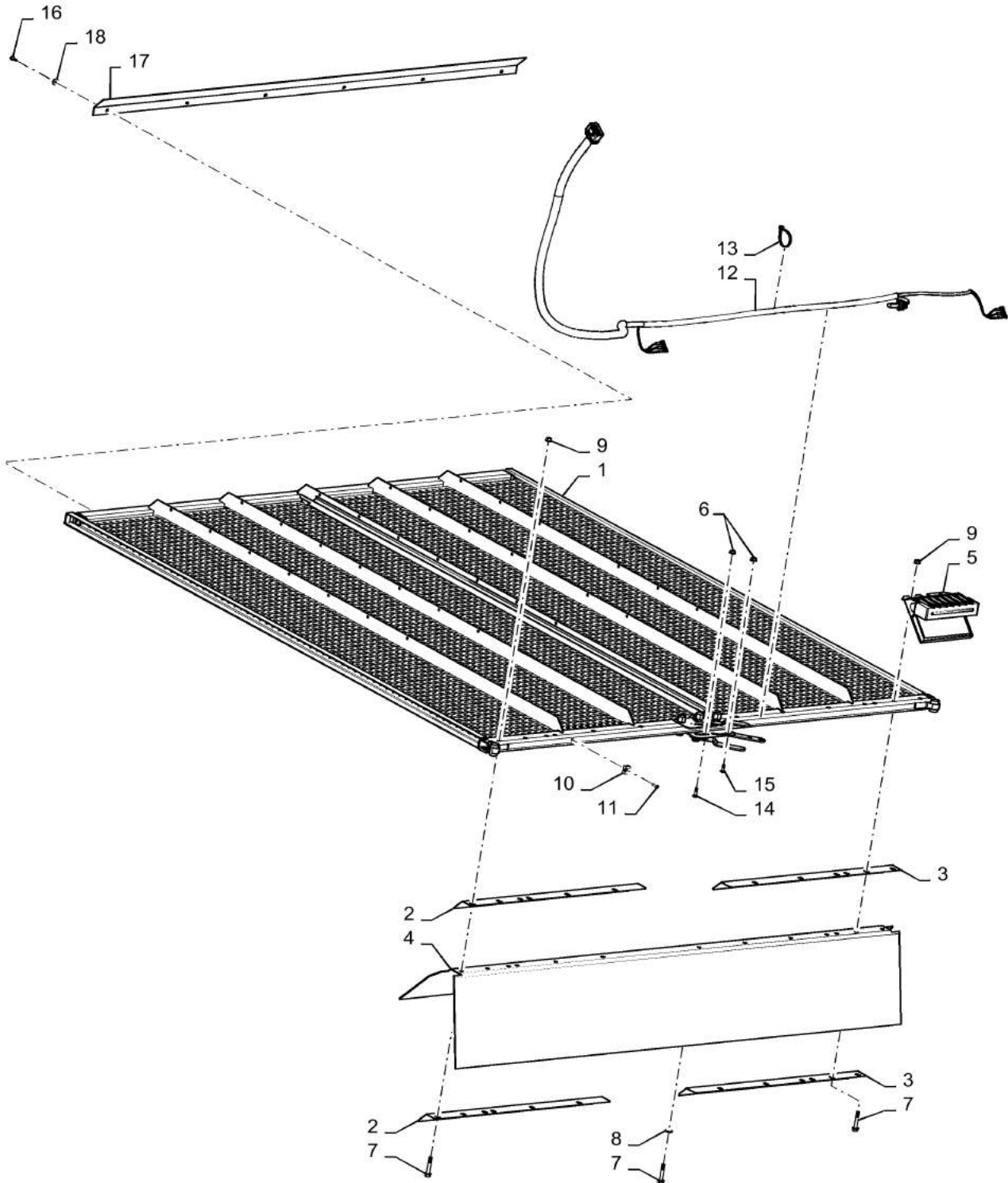
7/2015

FRAME, SIEVE, UPPER

REF FN	PART NUMBER	YR/SN	QTY DESCRIPTION
28	445395		26 RIVET Pop, 4.8mm OD x 18.1mm L
29	175114C1		27 FINGER Formed, 1 Prong, 264mm L Short Fingers
30	1312476C1		27 FINGER Formed, 1 Prong, 495.5mm L Long Fingers

5140-COMBINE - TIER 2

UPPER SIEVE, STANDARD

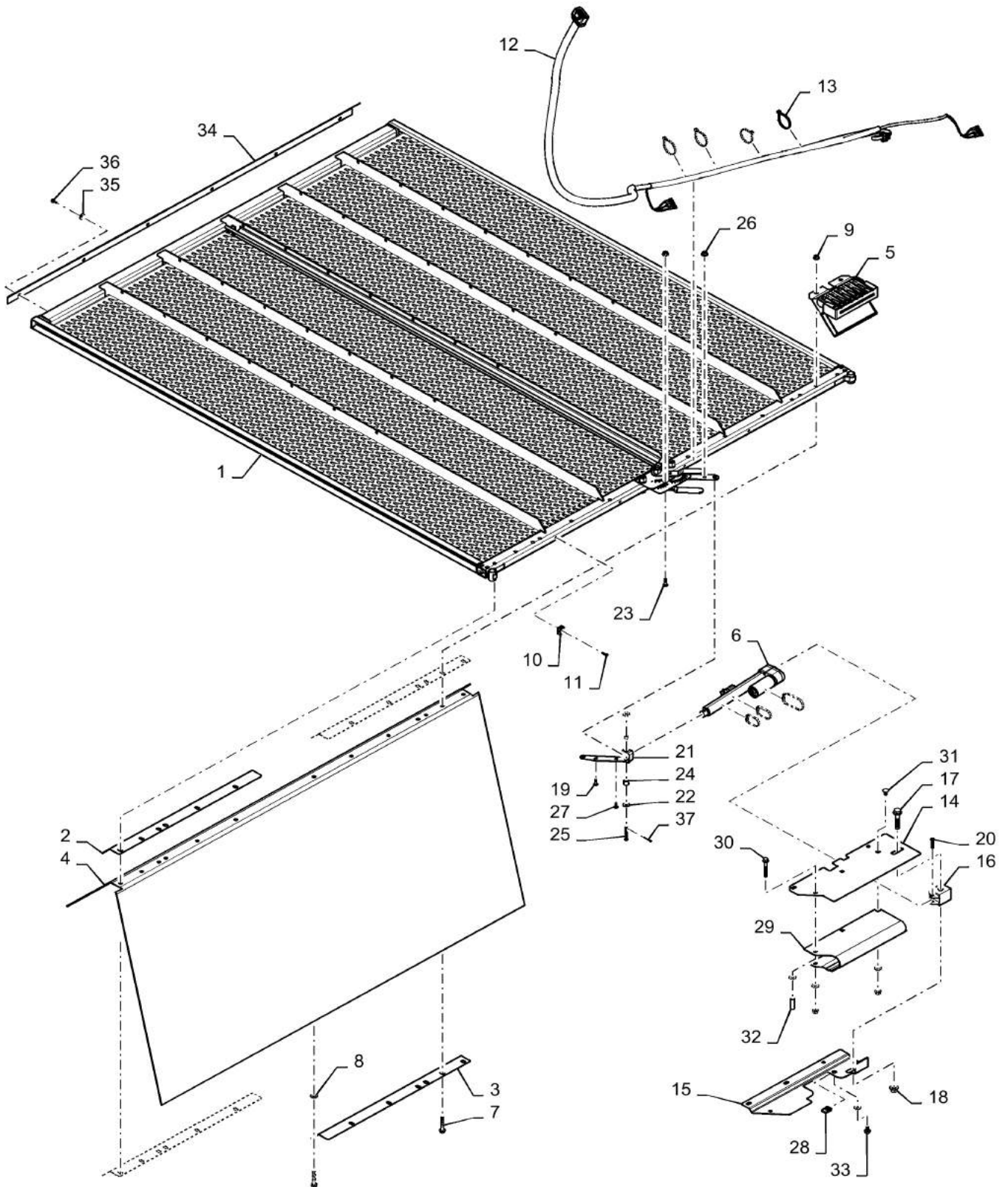


UPPER SIEVE, STANDARD

REF FN	PART NUMBER	YR/SN	QTY DESCRIPTION
1	87710707		1 SIEVE Upper Peterson 1-1/8" Upper, Peterson
1	87710709		1 SIEVE Upper Closz 1 - 5/8, 60" x 75.24" Upper, 1 5/8" Closz
1	87710706		1 SIEVE UPPER CORN 1-5/8" Upper, 1 5/8" Corn
1	87710708		1 SIEVE UPPER GRAIN Upper, 1 1/8" Closz
2	87711031		2 ANGLE Chaffer Seal, LH
3	87711033		2 ANGLE Chaffer Seal, RH
4	87732448		1 CANVAS 1565mm L Chaffer, Rear
5	245361C2		2 TRANSMITTER Grain Loss
6	87301498		3 FLANGE NUT Hex, M6 x 1.0, CI 10
7	87698763		11 FLANGE BOLT Hex, M8 x 50mm, CI 0.9
8	378243		1 WASHER 8.4mm ID x 21mm OD x 1.6mm Thk
9	87681210		11 FLANGE NUT M8 x 1.25, CI 10
10	86590413		6 BASE 15.87mm W x 22.22mm OAL x 9.9mm Thk Wire Tie
11	445395		4 RIVET Pop, 4.8mm OD x 18.1mm L
12	87489861		1 WIRE HARNESS Grain Loss
13	86566989		9 CABLE TIE 208mm L
14	374891		1 CARRIAGE BOLT Short Sq Nk, M6 x 25mm, CI 8.8, Full Thd
15	86512439		2 CARRIAGE BOLT M6 x 16mm, CI 8.8
16	281-5458		6 SELF-TAP SCREW Hex Washer, 0.19" - 24 x 1/2" Peterson Only
17	120001A1		1 DEFLECTOR Sieve, Front, Peterson Only
18	495-31022		6 WASHER #10 Peterson Only

5140-COMBINE - TIER 2

UPPER SIEVE, REMOTE CONTROL

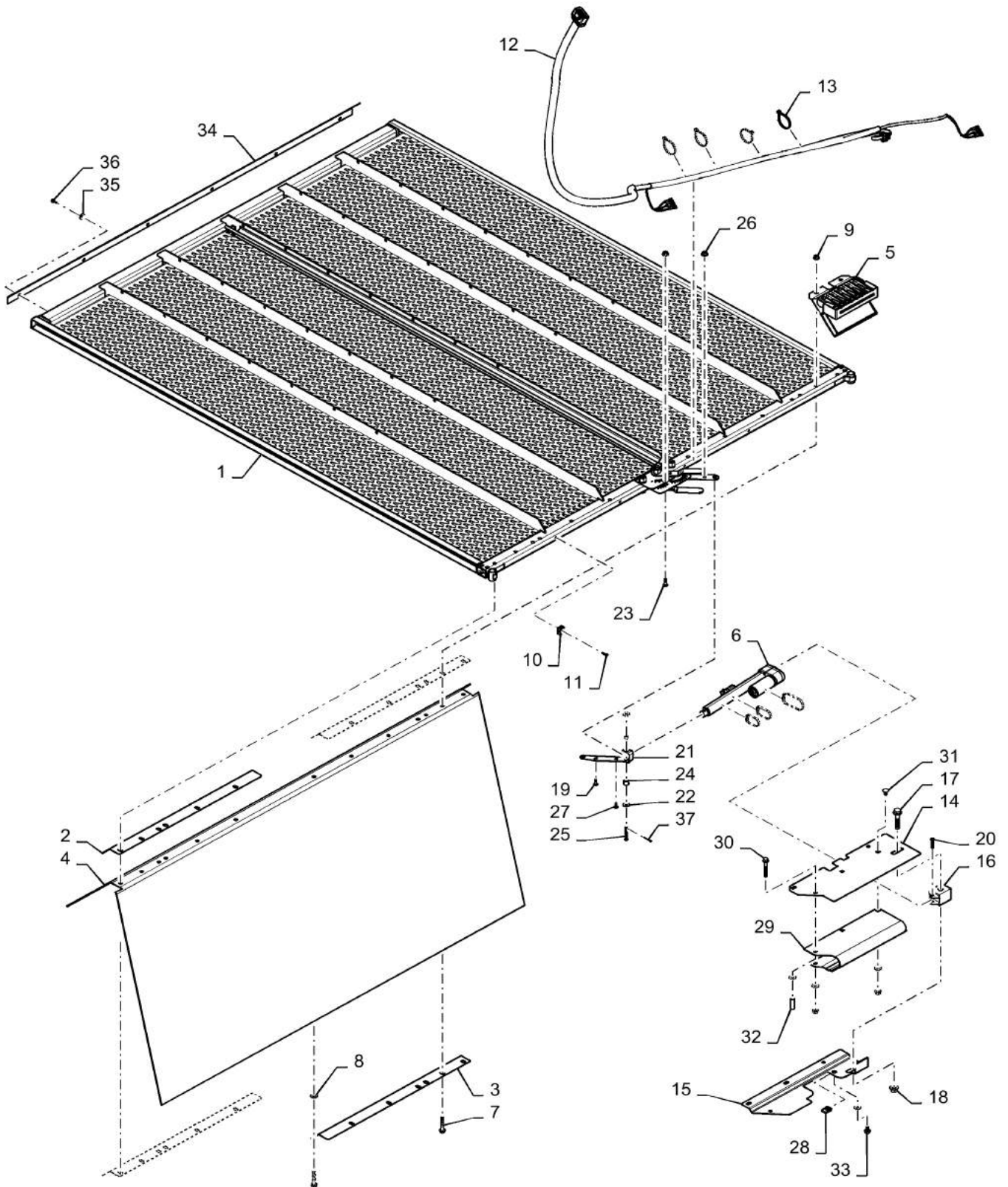


UPPER SIEVE, REMOTE CONTROL

REF FN	PART NUMBER	YR/SN	QTY DESCRIPTION
1	87710707		1 SIEVE Upper Peterson 1-1/8" Upper, Petersen
1	87710709		1 SIEVE Upper Cloz 1 - 5/8, 60" x 75.24" Upper, 1 5/8" Cloz
1	87710706		1 SIEVE UPPER CORN 1-5/8" Upper, 1 5/8" Corn
1	87710708		1 SIEVE UPPER GRAIN Upper, 1 1/8" Cloz
2	87711031		2 ANGLE Seal, LH
3	87711033		2 ANGLE Seal, RH
4	87732448		1 CANVAS 1565mm L Rear Sieve
5	245361C2		2 TRANSMITTER Grain Loss
6	87347281		1 ACTUATOR Remote Sieve Adjutment
6	84335407R		1 REMAN-ELECTRIC MOTOR Remote Sieve Adjutment
6	84335407C		1 CORE-ELECTRIC MOTOR Return Number
7	87698763		11 FLANGE BOLT Hex, M8 x 50mm, CI 0.9
8	378243		6 WASHER 8.4mm ID x 21mm OD x 1.6mm Thk
9	87681210		14 FLANGE NUT M8 x 1.25, CI 10
10	86590413		6 BASE 15.87mm W x 22.22mm OAL x 9.9mm Thk Wire Tie
11	445395		4 RIVET Pop, 4.8mm OD x 18.1mm L
12	87489861		1 WIRE HARNESS Grain Loss/ Remote Actuation
13	86566989		11 CABLE TIE 208mm L
14	84130561		1 SHIELD Actuator Mount, Top
15	84130550		1 SHIELD Actuator Mount, Bottom
16	87705852		1 BLOCK Actuator Control
17	87301277		1 BOLT M12 x 71.8mm, CI 10.9
18	86512497		1 FLANGE NUT M12 x 1.75, CI 10
19	9706703		1 CARRIAGE BOLT Sht Sq Nk, M6 x 1 x 20mm, CI 8.8, Full Thd
20	47479764		1 CLEVIS PIN 1/4" x 1.219"

5140-COMBINE - TIER 2

UPPER SIEVE, REMOTE CONTROL

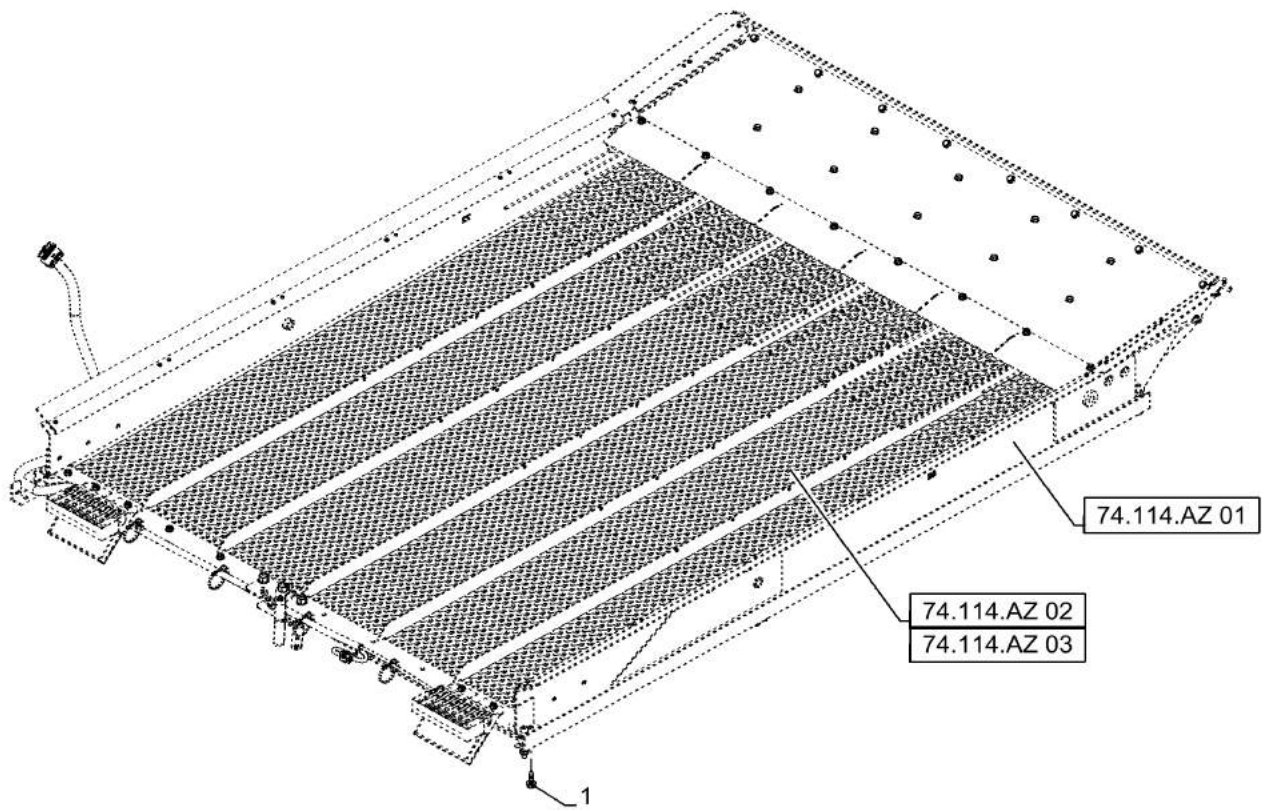


UPPER SIEVE, REMOTE CONTROL

REF FN	PART NUMBER	YR/SN	QTY DESCRIPTION
21	87705855		1 STRAP Sieve Actuator
22	86624138		2 WASHER 0.28" ID x 0.75" OD x 0.12" Thk
23	374891		1 CARRIAGE BOLT Short Sq Nk, M6 x 25mm, CI 8.8, Full Thd
24	87682401		2 SPACER 6.83mm ID x 10.29mm OD x 9mm L 1/8" Pipe, 9mm
25	86624059		1 HEADED PIN 1/4" x 1 7/8"
26	87301498		4 FLANGE NUT Hex, M6 x 1.0, CI 10 M6
27	86512439		2 CARRIAGE BOLT M6 x 16mm, CI 8.8
28	86508354		1 PUSH-ON NUT M8 x 1.25
29	87705853		1 COVER Sieve Actuator
30	87670761		1 FLANGE BOLT M8 x 68.1mm, CI 10.9
31	87020310		2 CARRIAGE BOLT M8 x 1.25 x 20.8mm, CI 10.9
32	87698776		1 SPACER 8.48mm ID x 12.7mm OD x 36.5mm L
33	87681207		1 BOLT M8 x 24.1mm, CI 10.9
34	120001A1		1 DEFLECTOR Angle, Chaffer Seal, Peterson Only
35	495-31022		6 WASHER #10 Peterson Only
36	281-5458		6 SELF-TAP SCREW Hex Washer, 0.19" - 24 x 1/2" Peterson Only
37	432-812		1 COTTER PIN 3/4" OAL x 1/8" W

5140-COMBINE - TIER 2

UPPER SIEVE, MOUNTING PARTS



74.114.AZ

04

p1

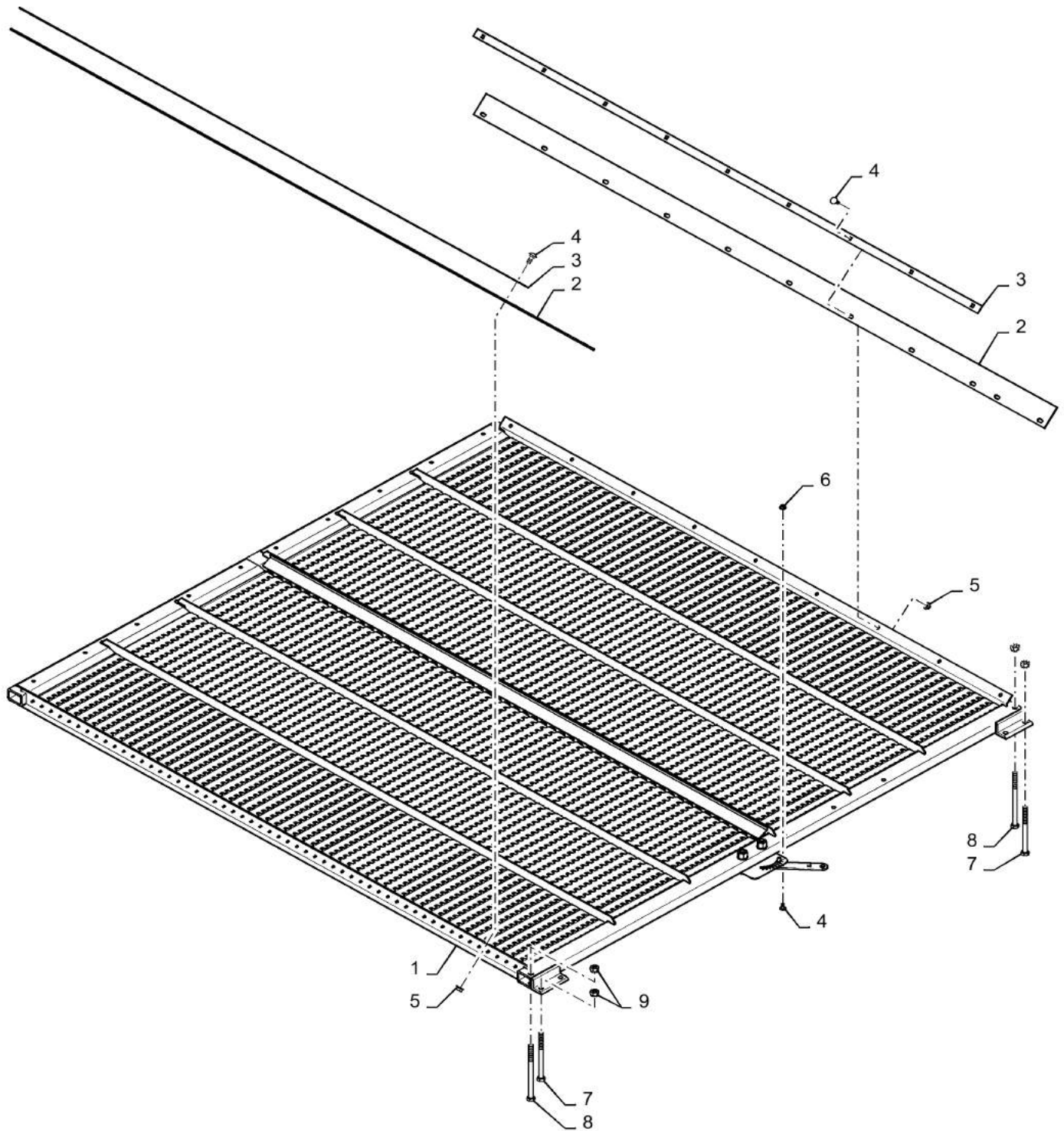
7/2015

UPPER SIEVE, MOUNTING PARTS

REF FN	PART NUMBER	YR/SN	QTY DESCRIPTION
1	1327799C2		2 FLANGE BOLT Hex, 3/8" - 16 x 1.25", Gr 5, Coated

5140-COMBINE - TIER 2

SIEVE, LOWER, MECHANICAL

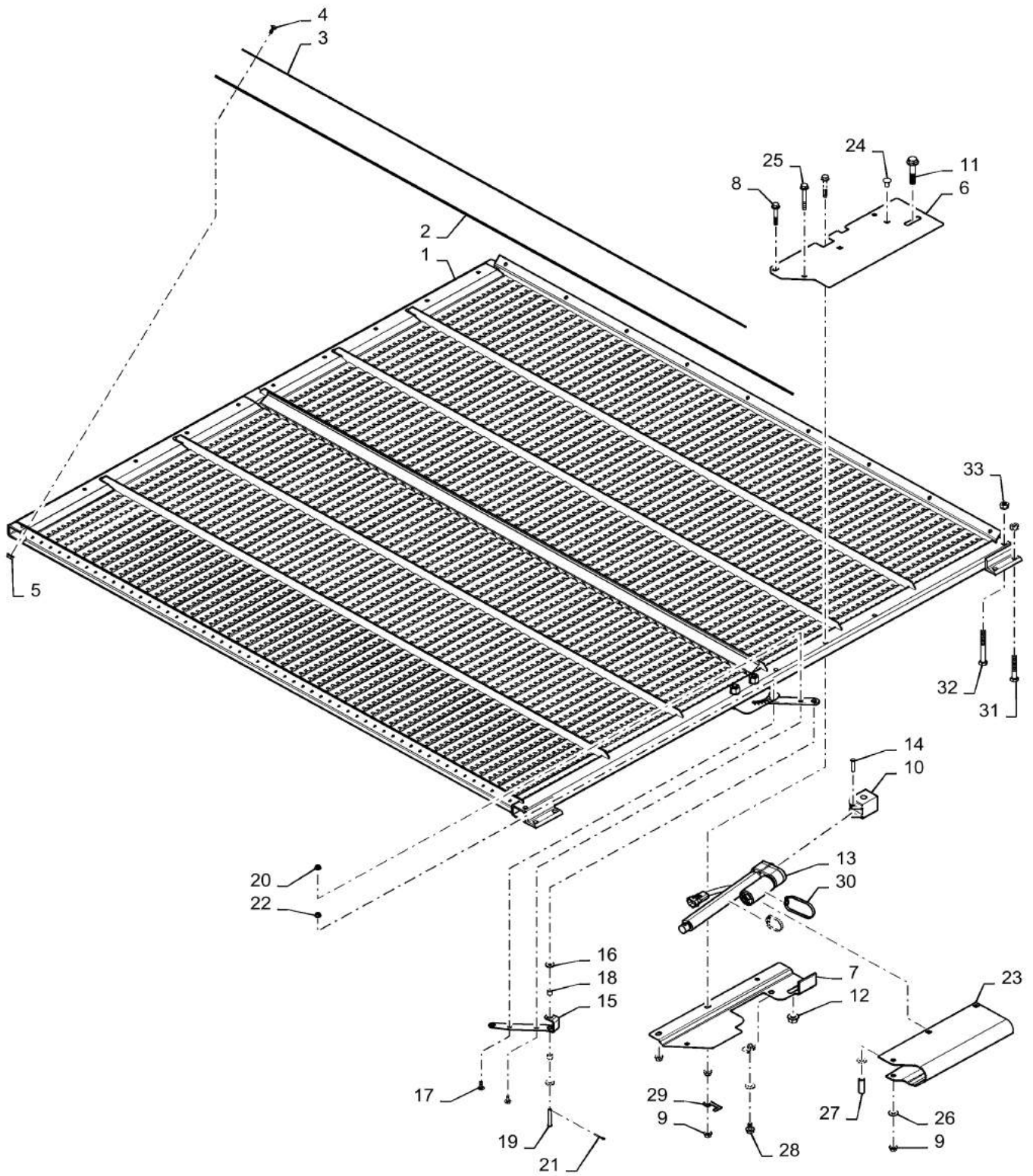


SIEVE, LOWER, MECHANICAL

REF FN	PART NUMBER	YR/SN	QTY DESCRIPTION
1	87712276		1 SIEVE Lower Closz 1-5/8" Lower, 1 5/8" Closz
1	87712275		1 SIEVE Lower Closz 1-1/8", 60.20" x 65.96" Lower, 1 1/8" Closz
2	198925A1		2 SEAL 56mm W x 1790mm L Sieve, Front
3	87712566		2 BAR Seal Strap
4	86512439		19 CARRIAGE BOLT M6 x 16mm, CI 8.8
5	86050300		18 FLANGE NUT M6 x 1.0, CI 10
6	87301498		1 FLANGE NUT Hex, M6 x 1.0, CI 10
7	827-10120		2 BOLT Hex, M10 x 1.5 x 120mm, CI 10.9
8	827-10140		2 BOLT Hex, M10 x 1.5 x 140mm, CI 10.9
9	86512554		4 NUT M10 x 1.5, CI 10

5140-COMBINE - TIER 2

SIEVE, LOWER, REMOTE CONTROL

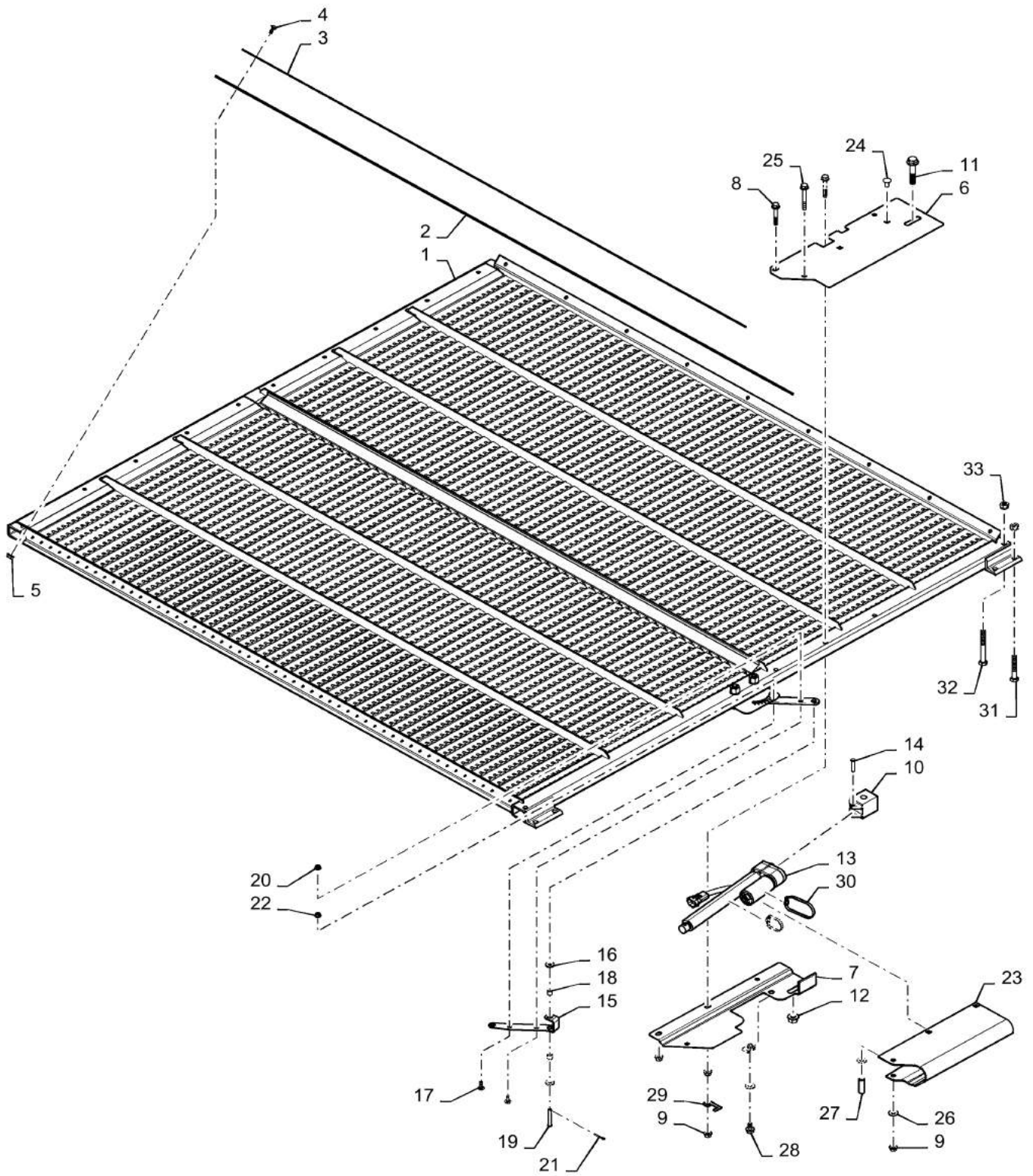


SIEVE, LOWER, REMOTE CONTROL

REF FN	PART NUMBER	YR/SN	QTY DESCRIPTION
1	87712276		1 SIEVE Lower Closz 1-5/8" Lower, 1 5/8" Closz
1	87712275		1 SIEVE Lower Closz 1-1/8", 60.20" x 65.96" Lower, 1 1/8" Closz
2	198925A1		2 SEAL 56mm W x 1790mm L Sieve, Front
3	87712566		2 BAR Seal Strap
4	86512439		19 CARRIAGE BOLT M6 x 16mm, CI 8.8
5	86050300		18 FLANGE NUT M6 x 1.0, CI 10
6	84130561		1 SHIELD Actuator Mount, Top
7	84130550		1 SHIELD Actuator Mount, Bottom
8	87698763		3 FLANGE BOLT Hex, M8 x 50mm, CI 0.9
9	87681210		7 FLANGE NUT M8 x 1.25, CI 10
10	87705852		1 BLOCK Sieve Actuator
11	87301277		1 BOLT M12 x 71.8mm, CI 10.9
12	86512497		1 FLANGE NUT M12 x 1.75, CI 10
13	87347281		1 ACTUATOR Sieve Adjustment
14	47479764		1 CLEVIS PIN 1/4" OD x 1.219"
15	87705855		1 STRAP Actuator Link
16	86624138		2 WASHER 0.28" ID x 0.75" OD x 0.12" Thk
17	9706703		1 CARRIAGE BOLT Sht Sq Nk, M6 x 1 x 20mm, CI 8.8, Full Thd
18	87682401		2 SPACER 6.83mm ID x 10.29mm OD x 9mm L 1/8" Pipe, 9mm
19	86624059		1 HEADED PIN 1/4" x 1 7/8"
20	87301498		2 FLANGE NUT Hex, M6 x 1.0, CI 10
21	432-812		1 COTTER PIN 3/4" OAL x 1/8" W
22	87301498		2 FLANGE NUT Hex, M6 x 1.0, CI 10
23	87705853		1 COVER Rear Actuator
24	87020310		1 CARRIAGE BOLT M8 x 1.25 x 20.8mm, CI 10.9
25	87670761		1 FLANGE BOLT M8 x 68.1mm, CI 10.9
26	378243		5 WASHER 8.4mm ID x 21mm OD x 1.6mm Thk

5140-COMBINE - TIER 2

SIEVE, LOWER, REMOTE CONTROL

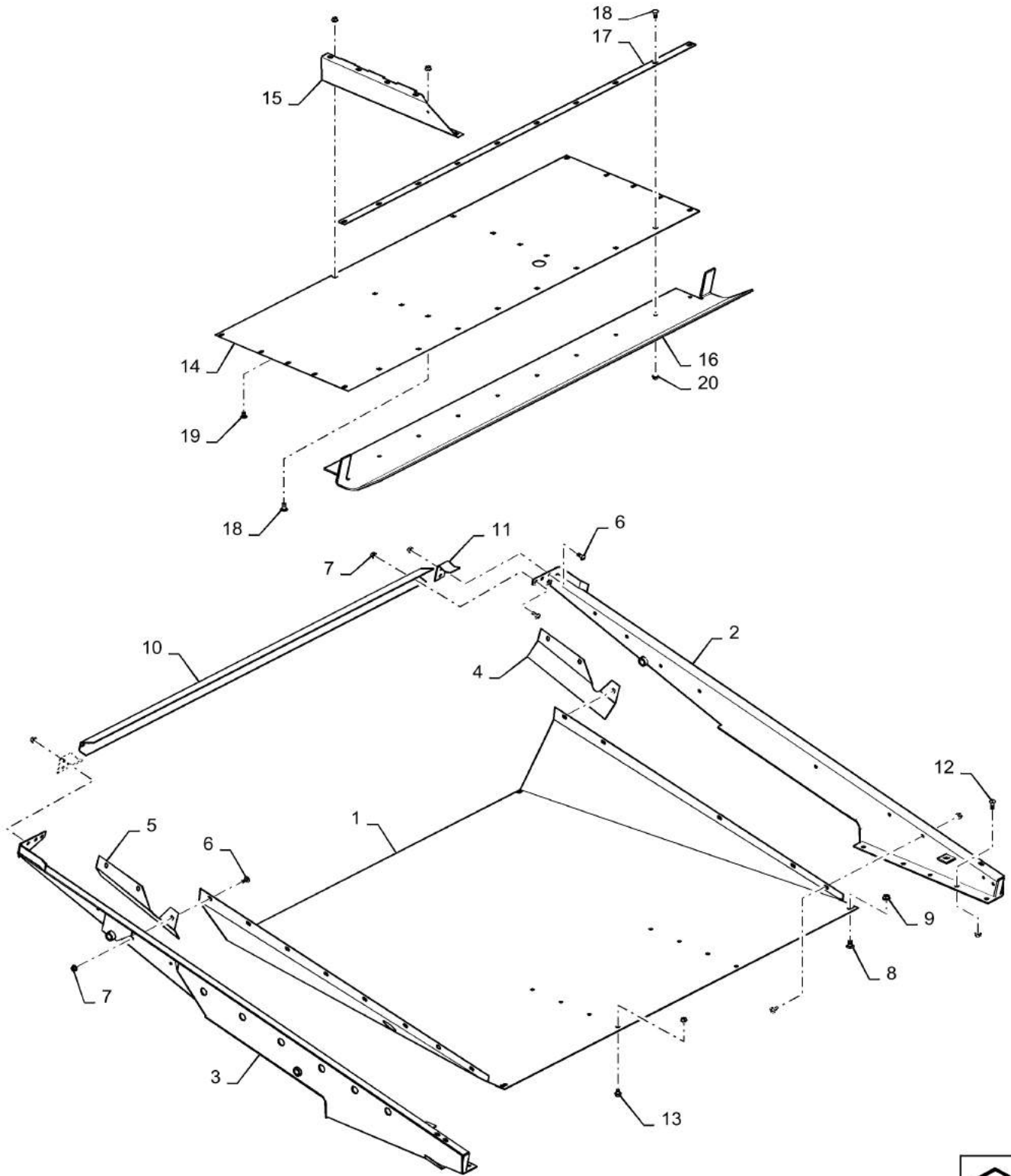


SIEVE, LOWER, REMOTE CONTROL

REF FN	PART NUMBER	YR/SN	QTY DESCRIPTION
27	87698776		1 SPACER 8.48mm ID x 12.7mm OD x 36.5mm L
28	87681207		1 BOLT M8 x 24.1mm, CI 10.9
29	87013667		1 CLIP Harness Mount
30	86566989		2 CABLE TIE 208mm L
31	827-10120		2 BOLT Hex, M10 x 1.5 x 120mm, CI 10.9
32	827-10140		2 BOLT Hex, M10 x 1.5 x 140mm, CI 10.9
33	86512554		4 NUT M10 x 1.5, CI 10

5140-COMBINE - TIER 2

SUPPORT, SIEVE, LOWER

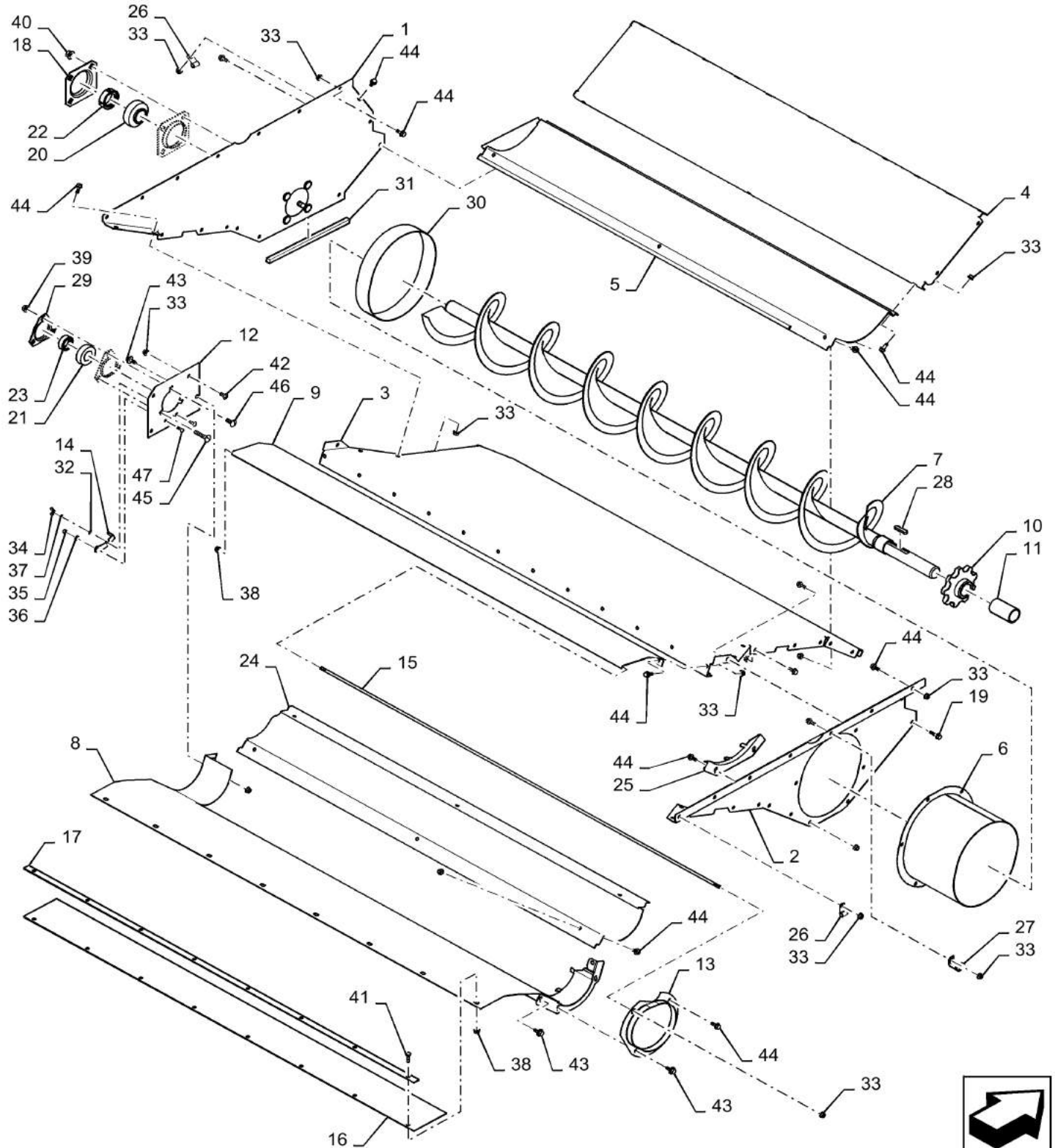


SUPPORT, SIEVE, LOWER

REF FN	PART NUMBER	YR/SN	QTY DESCRIPTION
1	87376644		1 PAN ASSY. Shoe Clean Grain Return
2	84169474		1 RAIL Shoe, Left Hand
3	84169462		1 RAIL Shoe, Right Hand
4	87376646		1 SUPPORT ASSY. Forward Shoe Return, Right Hand
5	87376645		1 SUPPORT ASSY. Forward Shoe Return, Left Hand
6	847-3820		36 SERRATED SCREW M8 x 20mm, CI 10.9
7	825-5148		46 SERRATED NUT M8, Flg Ser
8	87682390		2 CARRIAGE BOLT M10 x 1.5 x 20mm, CI 10.9 Carriage, M10 x 20mm, 10.9
9	86050279		2 FLANGE NUT M10 x 1.5, CI 10
10	87376643		1 CHANNEL Shoe Rail Front Cross
11	87376647		2 CLIP Front Shoe Retainer
12	87682384		2 CARRIAGE BOLT M8 x 1.25 x 25mm, CI 10.9
13	87681207		8 BOLT M8 x 24.1mm, CI 10.9
14	87613461		1 SHEET ASSY. Tailing Return
15	87613403		2 SUPPORT ASSY. Tailing Return Pan
16	1979194C2		1 SEAL Tailing Sheet
17	87376640		1 STRAP Seal
18	87682383		10 CARRIAGE BOLT M8 x 1.25 x 20mm, CI 10.9
19	87020310		6 CARRIAGE BOLT M8 x 1.25 x 20.8mm, CI 10.9
20	86507066		16 FLANGE NUT M8 x 1.25, CI 10

5140-COMBINE - TIER 2

TROUGH, AUGER, CLEAN GRAIN ELEVATOR

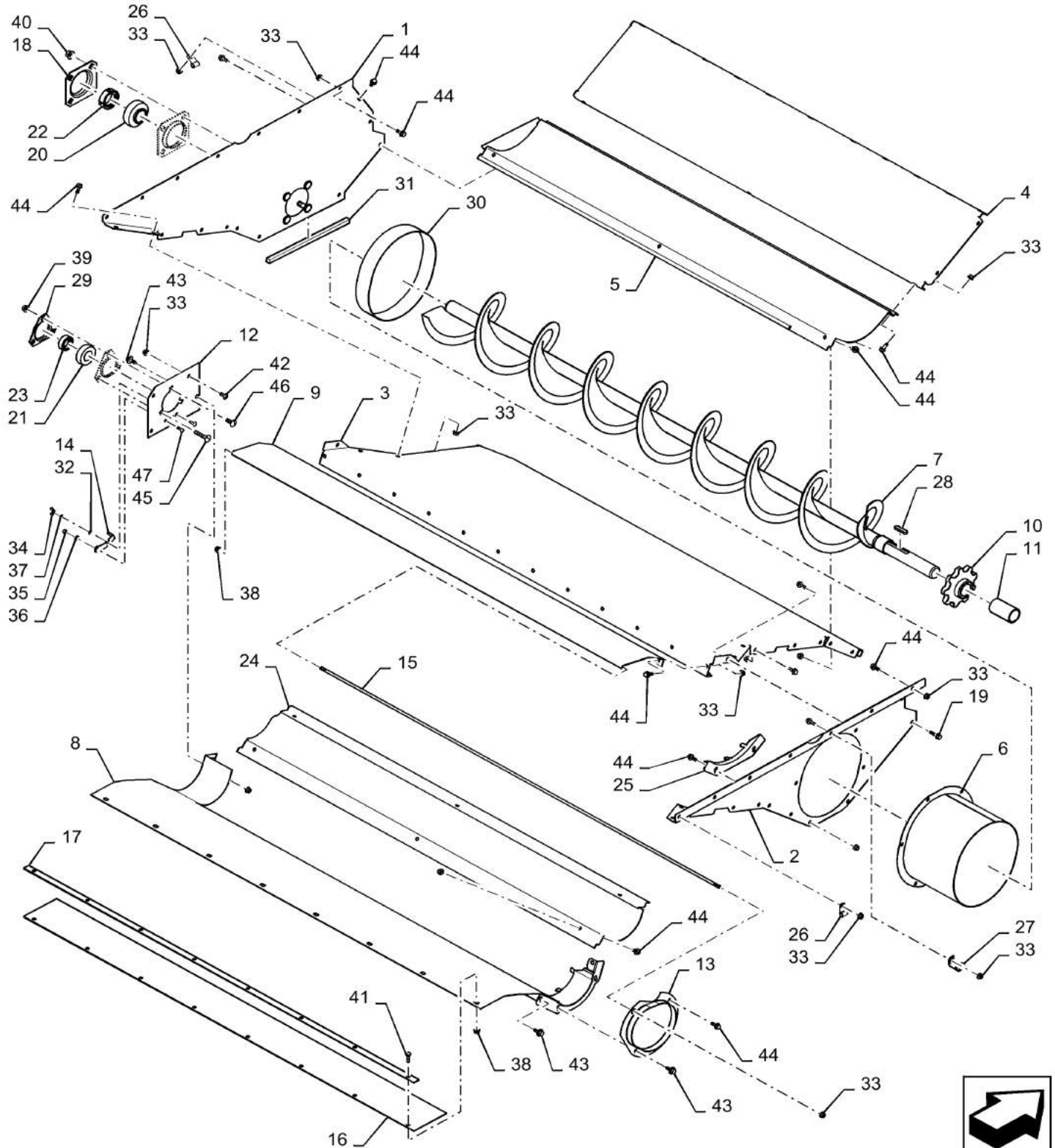


TROUGH, AUGER, CLEAN GRAIN ELEVATOR

REF FN	PART NUMBER	YR/SN	QTY DESCRIPTION
1	84180065		1 OUTER SHIELD Auger Trough, LH
2	87751063		1 WALL Auger Trough, RH
3	87646217		1 TROUGH ASSY. Rear
4	87651146		1 PAN ASSY. Front
5	84181476		1 PAN ASSY. Center
6	87751634		1 WALL Sleeve, Clean Grain Auger
7	87510720		1 AUGER Clean Grain
8	84397769		1 TROUGH Tailings
9	87379137		1 COVER Cover, Tailings
10	87324981		1 SPROCKET 9 Tooth
11	87325194		1 BUSHING 44.45mm OD x 38.35mm ID x 77.70mm L
12	84397774		1 SUPPORT Tailings Auger Bearing
13	87395983		1 FLANGE Tailings Auger Tube
14	87396061		1 COVER Door, Cleanout
15	87393155		1 ROD Door Hinge
16	87392706		1 SEAL Rear Shaker Shoe
17	316709A1		1 SEALING STRIP Clamp, Seal
18	1307583C1		2 FLANGED BEARING 80mm ID
19	87030775		1 BOLT M8 x 38.1mm, CI 10.9
20	52443		1 BALL BEARING 38.1mm ID x 79.99mm OD x 22mm W
21	617668R92		1 BEARING ASSY 1.2505" ID x 62 mm OD x 0.9375"
22	87313329		1 COLLAR 38mm ID
23	87431216		1 COLLAR 31.77mm ID x 44.45mm OD x 15.9mm W 31.75mm ID
24	87726707		1 TROUGH ASSY. Tailings Auger
25	87751583		1 SUPPORT Clean Grain Trough
26	516-2395		2 CLAMP J, 7/16" Insul, 3/8" Bolt
27	370383R1		1 CLIP Cable Harness
28	170056		1 KEY 12mm W x 50mm OAL

5140-COMBINE - TIER 2

TROUGH, AUGER, CLEAN GRAIN ELEVATOR

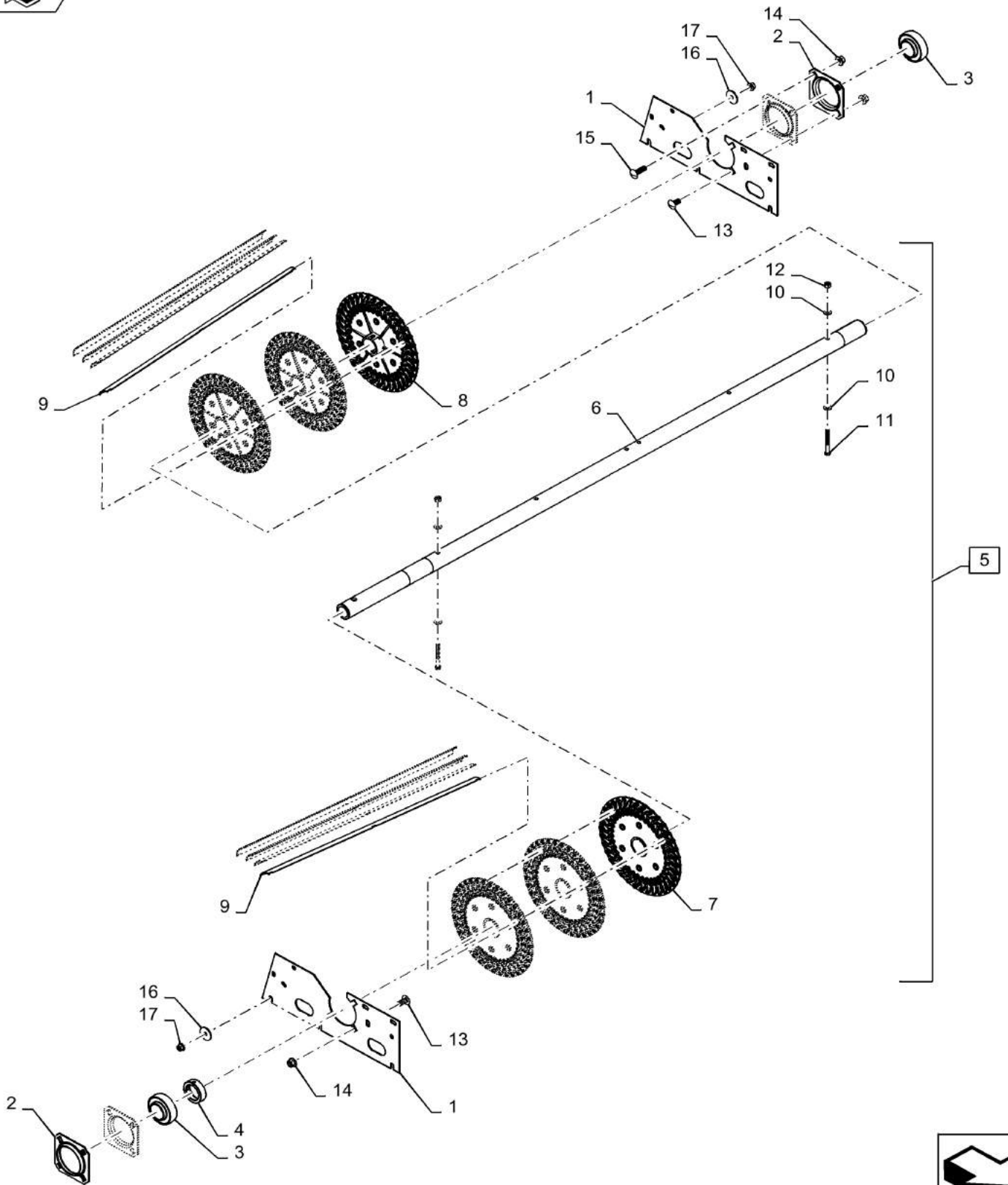


TROUGH, AUGER, CLEAN GRAIN ELEVATOR

REF FN	PART NUMBER	YR/SN	QTY DESCRIPTION
29	84414986		2 FLANGED BEARING 62mm ID
30	84139353		1 BAND Elevator Boot Seal, Clean Grain
31	1331084C1		1 SEAL High Density Foam
32	86588450		1 WASHER 6.6mm ID x 12mm OD x 1.6mm Thk
33	86507066		88 FLANGE NUT M8 x 1.25, CI 10
34	84814892		1 WING NUT M6 x 1.0
35	393392		1 LOCK NUT M6 x 1.0, CI 8
36	322357		1 BELLEVILLE WASHER M6 x 14mm OD x 1.3mm Thk
37	86517328		1 LOCK WASHER 6.1mm ID x 11.8mm OD x 1.7mm Thk
38	87681210		9 FLANGE NUT M8 x 1.25, CI 10
39	86050279		3 FLANGE NUT M10 x 1.5, CI 10
40	86512497		4 FLANGE NUT M12 x 1.75, CI 10
41	43127		8 BOLT Hex, M8 x 1.25 x 25mm, CI 8.8
42	847-3820		2 SERRATED SCREW M8 x 20mm, CI 10.9
43	87673845		5 SELF-TAP SCREW M8 x 1.25 x 25mm
44	87656137		79 BOLT M8 x 28.1mm, CI 10.9
45	350459		1 CARRIAGE BOLT Rd Hd, Short NK, M10 x 50mm, CI 8.8, Full Thd
46	86633356		2 CARRIAGE BOLT M10 x 34.8mm, CI 8.8
47	9706703		2 CARRIAGE BOLT Sht Sq Nk, M6 x 1 x 20mm, CI 8.8, Full Thd

5140-COMBINE - TIER 2

FAN, CLEANER

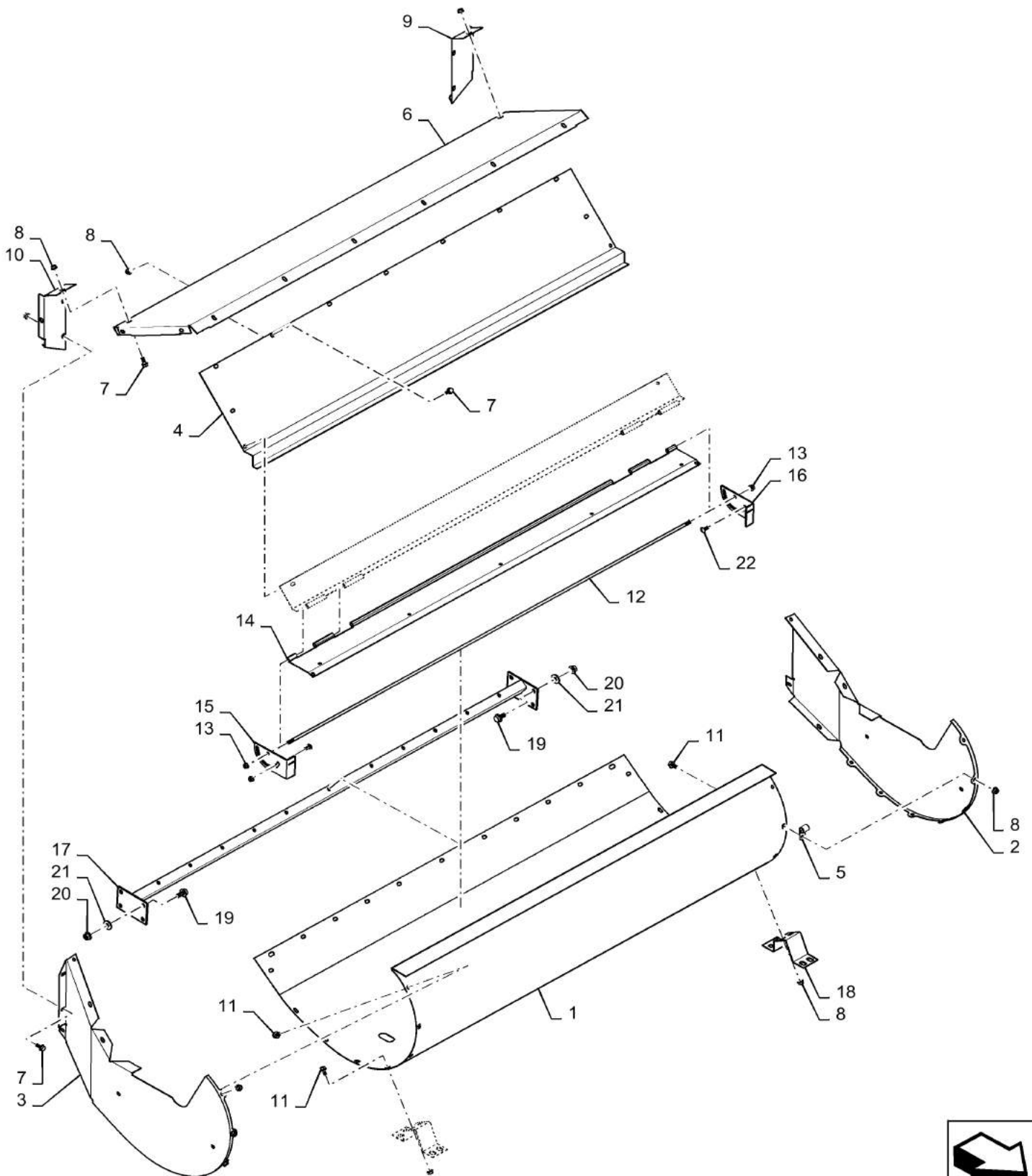


FAN, CLEANER

REF FN	PART NUMBER	YR/SN	QTY DESCRIPTION
1	87735825		2 SUPPORT Fan Bearing
2	86979948		4 FLANGE Bearing, 85mm OD
3	668719R92		2 BEARING ASSY 1.7505" ID x 3.346" OD x 1.1875" Thk
4	86999734		1 COLLAR 44.48mm ID x 63.5mm OD x 18.3mm W Locking W/ Set Screw
5	1541936C3		1 FAN Cleaning, Incl 6 - 12
6	1989543C3		1 SHAFT Cleaning Fan
7	1541570C1		3 FAN BLADE Fan, Right Hand
8	1541560C1		3 FAN BLADE Fan, Left Hand
9	1347001C1		72 FAN BLADE Crossflow Fan
10	86625263		12 WASHER 9mm ID x 20mm OD x 1.6mm Thk
11	331175		6 BOLT Hex, M8 x 1.25 x 75mm, CI 8.8
12	86629542		6 NUT M8 x 1.25, CI 8
13	9503839		6 CARRIAGE BOLT Short NK, M12 x 25, CI8.8, Full Thd
14	86512497		10 FLANGE NUT M12 x 1.75, CI 10
15	87698852		2 CARRIAGE BOLT M12 x 40mm, CI 10.9
16	495-81143		6 WASHER 13/32" x 1 1/2" x .120"
17	86050279		6 FLANGE NUT M10 x 1.5, CI 10

5140-COMBINE - TIER 2

FAN, HOUSING, CLEANER

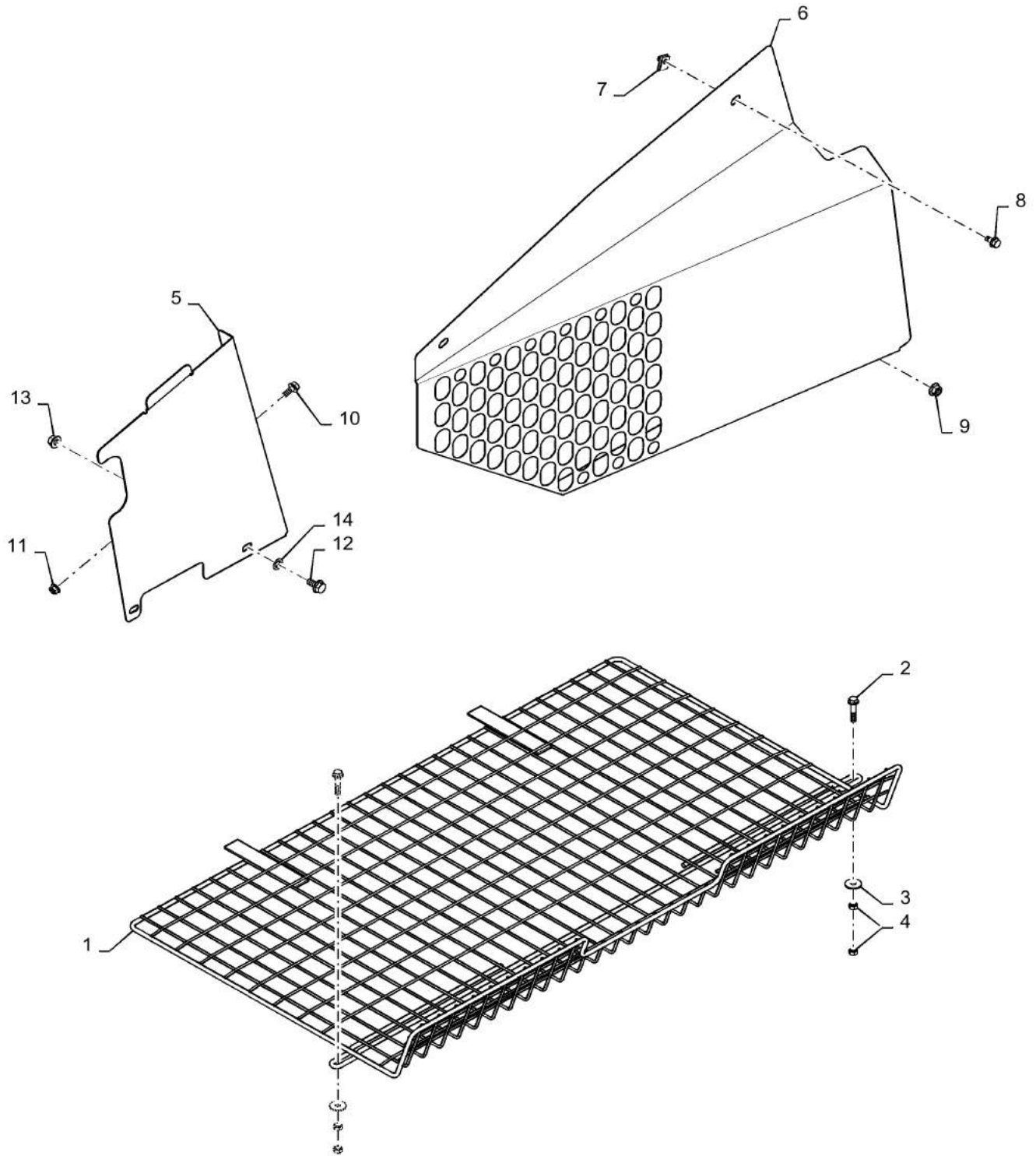


FAN, HOUSING, CLEANER

REF FN	PART NUMBER	YR/SN	QTY DESCRIPTION
1	1347466C1		1 HOUSING Cleaning Fan
2	1347012C2		1 PLATE Fan, LH, End
3	1347013C2		1 PLATE Fan, RH, End
4	84429659		1 HANDLE Fan Top
5	516-23127		1 CLAMP 9/16", Insul, 3/8" Bolt
6	1989340C1		1 PLATE Fan To Auger Trough
7	87656137		17 BOLT M8 x 28.1mm, CI 10.9
8	86507066		33 FLANGE NUT M8 x 1.25, CI 10
9	1541928C1		1 SUPPORT Filler, LH
10	1541929C1		1 SUPPORT Filler, RH
11	87681207		14 BOLT M8 x 24.1mm, CI 10.9
12	87393155		1 ROD Tailings
13	87681210		2 FLANGE NUT M8 x 1.25, CI 10
14	87471844		1 DOOR Cutoff Fan
15	1989694C2		1 PLATE Fan Cutoff, RH
16	1989693C2		1 PLATE Fan Cutoff, LH
17	191928C2		1 SUPPORT Fan Rear
18	1541543C1		2 BRACKET Fan Housing
19	87698835		6 FLANGE BOLT M10 x 20mm, Full Thd, CI 10.9
20	86050279		6 FLANGE NUT M10 x 1.5, CI 10
21	495-81135		4 WASHER 10.31mm ID x 25.4mm OD x 3.4mm Thk
22	87682383		2 CARRIAGE BOLT M8 x 1.25 x 20mm, CI 10.9

5140-COMBINE - TIER 2

FAN SHIELD



FAN SHIELD

REF FN	PART NUMBER	YR/SN	QTY DESCRIPTION
1	87754961		1 BRACKET Formed Wire Bottom Shield
2	87698840		2 FLANGE BOLT M10 x 50mm, CI 10.9
3	140042		2 WASHER 11mm ID x 34mm OD x 3mm Thk
4	86500689		4 NUT M10, CI 10
5	87687568		1 SHIELD Cleaning Fan, RH
6	84344616		1 SHIELD Cleaning Fan, LH
7	86508354		2 PUSH-ON NUT M8 x 1.25
8	87681207		2 BOLT M8 x 24.1mm, CI 10.9
9	87547587		2 LOCK NUT Hex, M10 x 1.5, CI 10
10	87656137		1 BOLT M8 x 28.1mm, CI 10.9
11	86507066		1 FLANGE NUT M8 x 1.25, CI 10
12	87698835		1 FLANGE BOLT M10 x 20mm, Full Thd, CI 10.9
13	86050279		1 FLANGE NUT M10 x 1.5, CI 10
14	87698854		1 NUT M10

5140-COMBINE - TIER 2

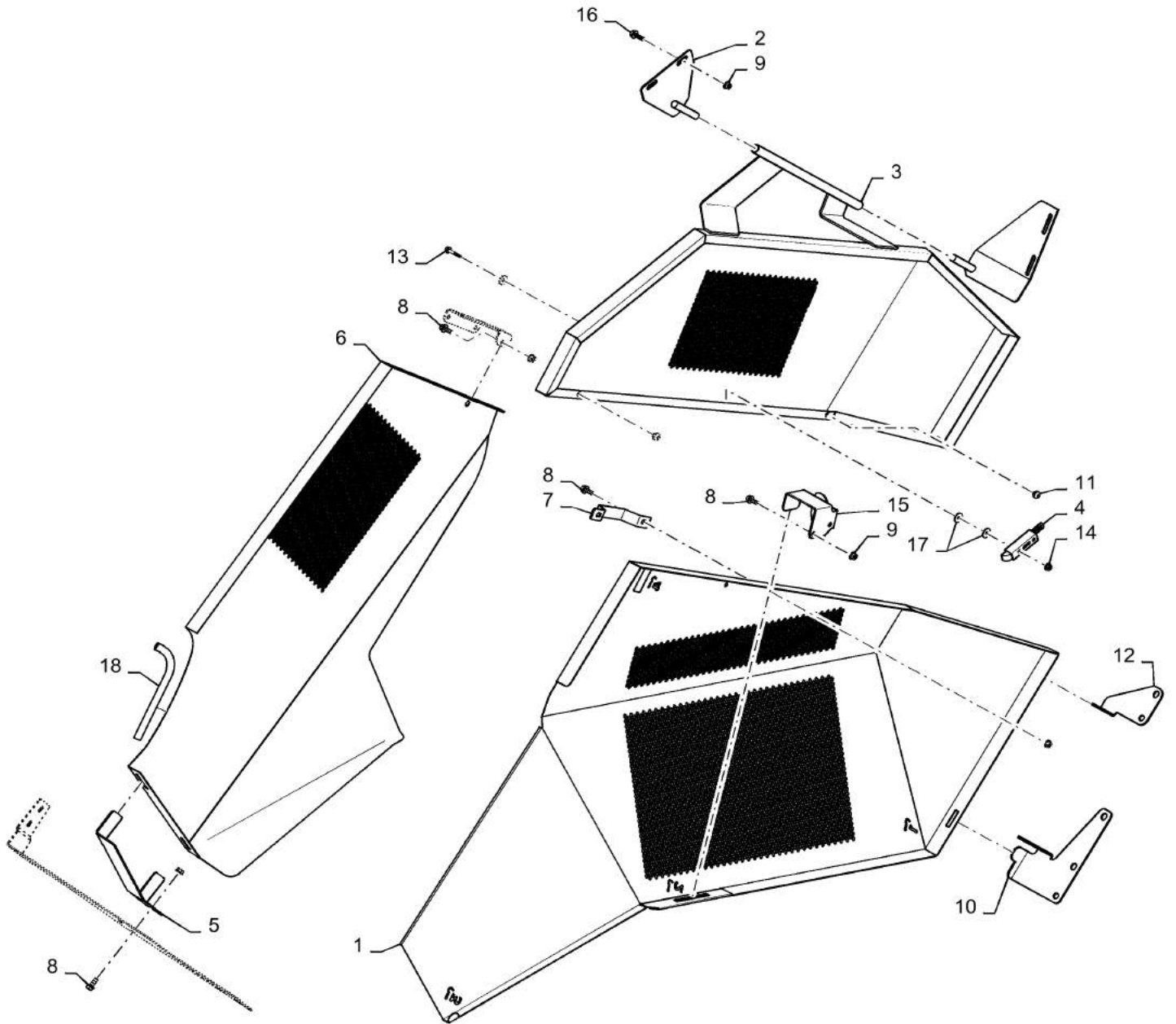
74.130.AJ

02

p1

7/2015

SHIELD, DRIVE, FAN, RH



SHIELD, DRIVE, FAN, RH

REF FN	PART NUMBER	YR/SN	QTY DESCRIPTION
1	84128953		1 SHIELD Fan Inlet, RH
2	87706143		1 BRACKET Door, RH
3	84128958		1 GUARD ASSY. Hinging
4	142588A1		1 LOCK Door, Securing
5	87699674		1 SUPPORT ASSY. Upper Shield, Front
6	47412091		1 SHIELD Feeder Drive
7	87735697		1 LATCH Handle
8	87656137		7 BOLT M8 x 28.1mm, CI 10.9
9	86507066		8 FLANGE NUT M8 x 1.25, CI 10
10	87482795		1 SUPPORT ASSY. Fan Shield, RH
11	1321640C1		2 GROMMET Rubber Bump
12	87474210		1 SUPPORT ASSY. Fan Shield, RH
13	87698832		2 FLANGE BOLT Hex, M6 x 35mm, CI 10.9
14	825-5146		2 SERRATED NUT M6, Flg Ser
15	87475710		1 BRACKET Fan Inlet Shield, RH
16	87698833		1 BOLT M8 x 33.1mm, CI 10.9
17	140040		6 WASHER 6.6mm ID x 22mm OD x 2mm Thk
18	87029779		1 SEAL Trim Edge, Black

5140-COMBINE - TIER 2

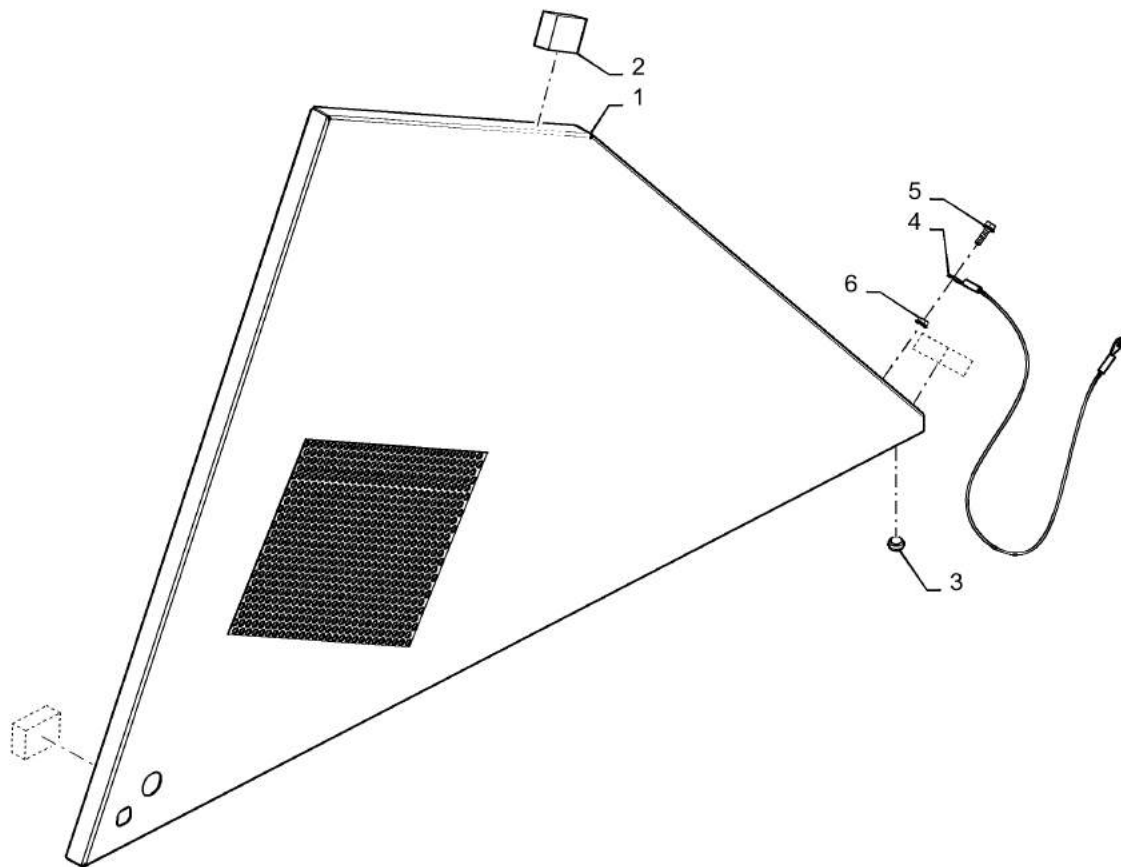
74.130.AJ

03

p1

7/2015

SHIELD, TAILINGS ELEVATOR, REAR, RH



74.130.AJ

03

p1

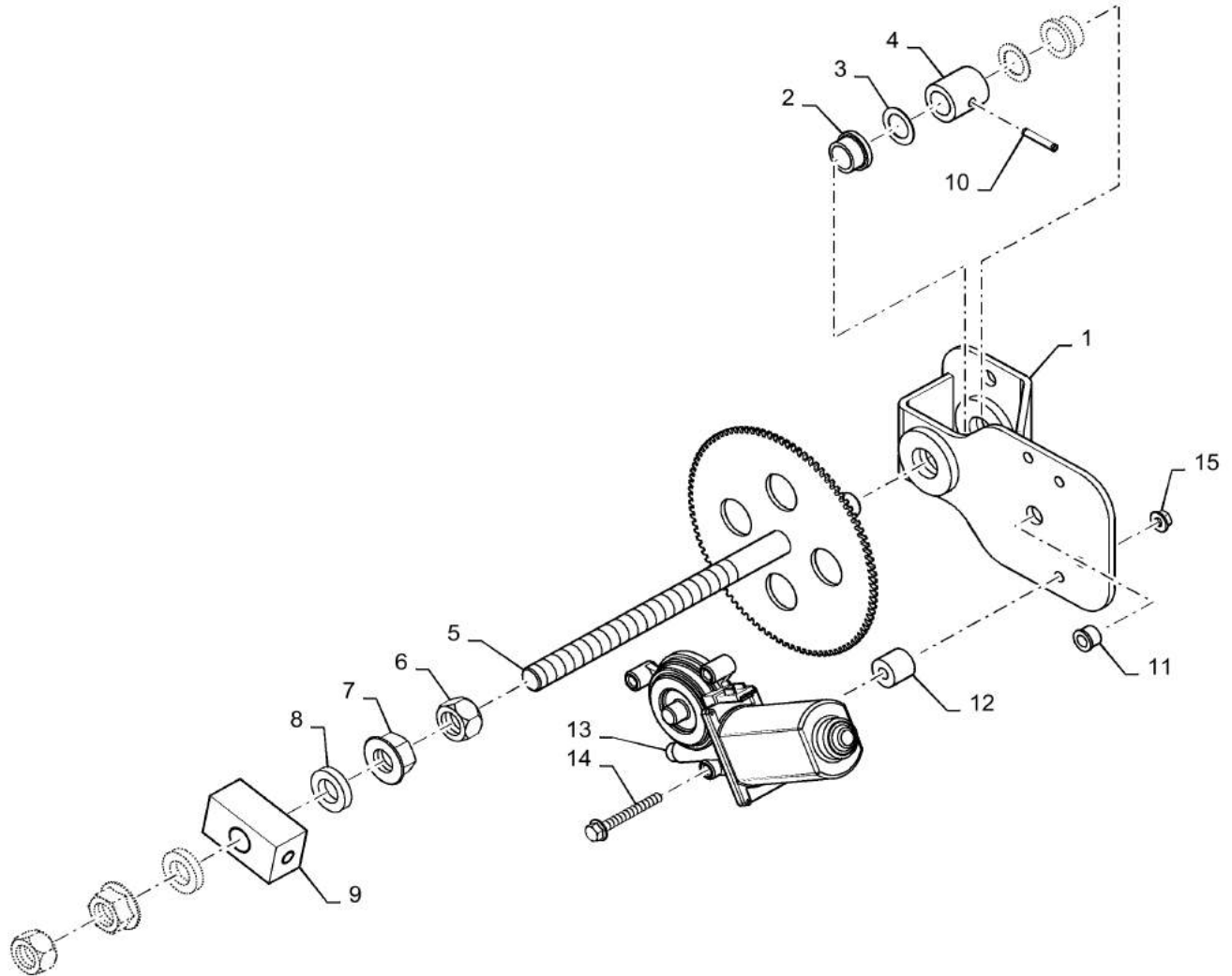
7/2015

SHIELD, TAILINGS ELEVATOR, REAR, RH

REF FN	PART NUMBER	YR/SN	QTY DESCRIPTION
1	84393401		1 PROTECTION PLATE Tailings Elevator/Spreader Drive
2	187884C1		3 SEALING STRIP Foam
3	1321640C1		1 GROMMET Rubber Bumper
4	132657A2		1 CABLE Shield Tether
5	87675531		2 FLANGE BOLT M6 x 26.6mm, CI 10.9
6	86050300		4 FLANGE NUT M6 x 1.0, CI 10

5140-COMBINE - TIER 2

MOTOR, FAN, SPEED GOVERNOR

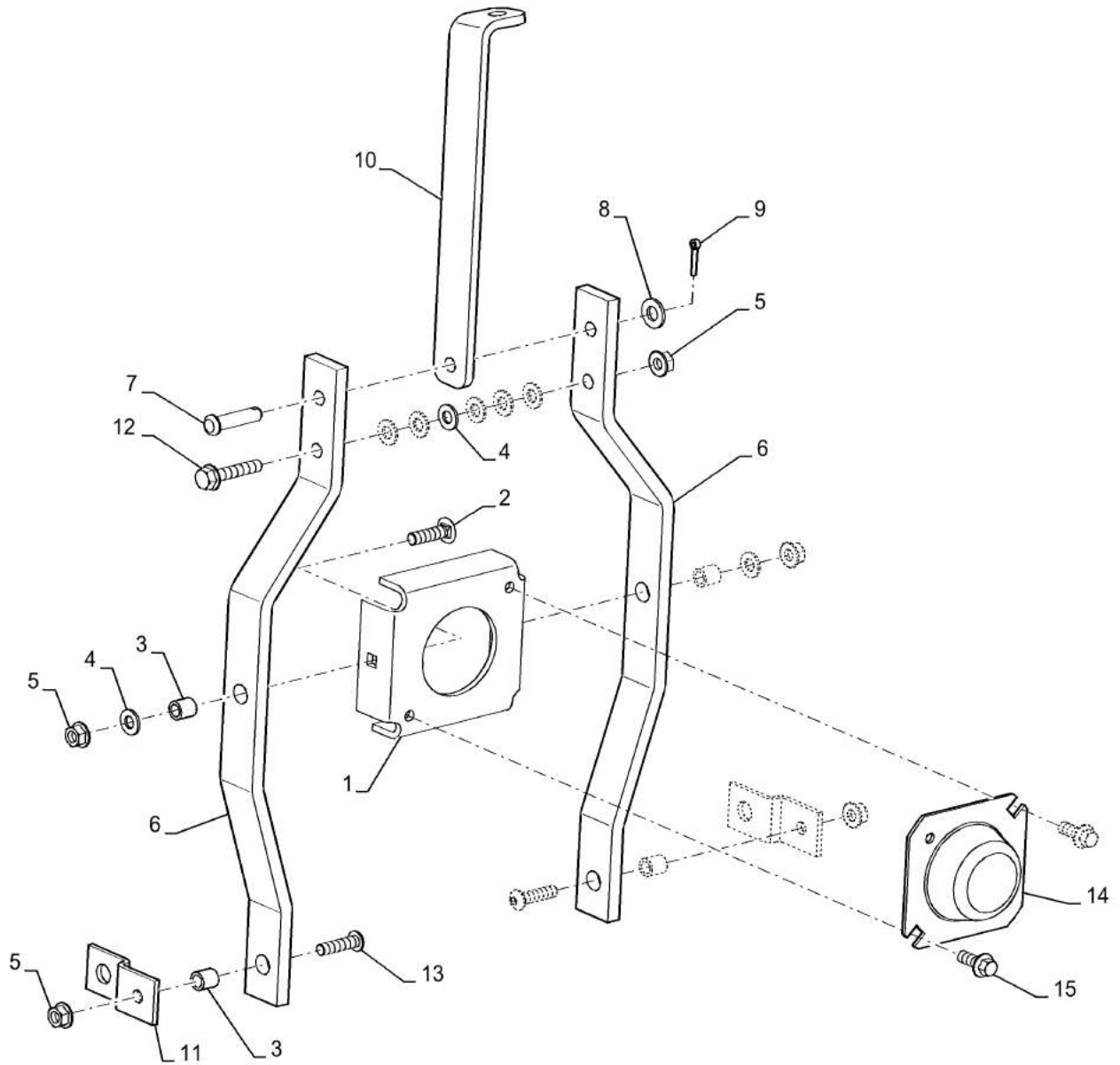


MOTOR, FAN, SPEED GOVERNOR

REF FN	PART NUMBER	YR/SN	QTY DESCRIPTION
1	87647064		1 SUPPORT ASSY. Fan Adjuster
2	55826C1		2 BUSHING 15.9mm ID x 20.7mm OD x 12.7mm L Flange
3	495-81177		2 WASHER 21/32" x 1" x .030"
4	87647066		1 SPACER 16.26mm ID x 25.4mm OD x 28mm L 25.4mm x 16.26mm x 28mm
5	142848A1		1 GEAR Fan Speed Adjuster
6	425-1010		2 NUT 5/8"-11, G5
7	86521608		2 FLANGE NUT Flg, 5/8"-11, G5
8	87652042		2 WASHER 16.36mm ID x 28.5mm OD x 5.5mm Thk 28.5mm x 16.36mm x 5.5mm
9	181206C1		1 BLOCK Cleaning Fan Speed Control
10	38-11216		1 LOCK PIN 3/16" x 1", Slotted
11	55825C1		1 BUSHING 8.03mm ID x 12.74mm OD x 9.65mm L Top Hat
12	113485A1		2 SPACER Fan And Rotor Speed Motor
13	87693674		1 ELECTRIC MOTOR Fan And Rotor Speed
14	87670760		2 FLANGE BOLT M6 x 56.6mm, CI 10.9
15	86050300		2 FLANGE NUT M6 x 1.0, CI 10

5140-COMBINE - TIER 2

PIVOT, FAN, SPEED GOVERNOR



PIVOT, FAN, SPEED GOVERNOR

REF FN	PART NUMBER	YR/SN	QTY DESCRIPTION
1	87647073		1 BRACKET Fan Driver
2	87682385		2 CARRIAGE BOLT Sht Sq Nk, M8 x 30mm, CI 10.9
3	87035448		4 SPACER 8.48mm ID x 12.7mm OD x 12.7mm L
4	83918746		8 WASHER 0.34" ID x 0.69" OD x 0.07" Thk
5	86507066		5 FLANGE NUT M8 x 1.25, CI 10
6	87647079		2 COVER ASSY Bar, Fan Control
7	84157001		1 PIN 9.53mm OD x 41.66mm L Headed, .375" x 1.5"
8	87016		1 WASHER 0.41" ID x 0.81" OD x 0.07" Thk
9	80756		1 COTTER PIN 1/8" x 3/4"
10	87647071		1 PLATE ASSY. Fan Drive Control
11	142853A2		2 SUPPORT Bar, Fan Adjuster Extension
12	87698834		1 BOLT M8 x 48.1mm, CI 10.9 Flange, M8 x 40mm, 10.9
13	86512788		2 HEX SOC SCREW Btn Hd, M8 x 1.25 x 30mm, CI 10.9
14	87647075		1 COVER ASSY Fan Drive Bearing
15	86625200		2 SELF-TAP SCREW Hex Flng, M8 x 1.25 x 20mm

5140-COMBINE - TIER 2

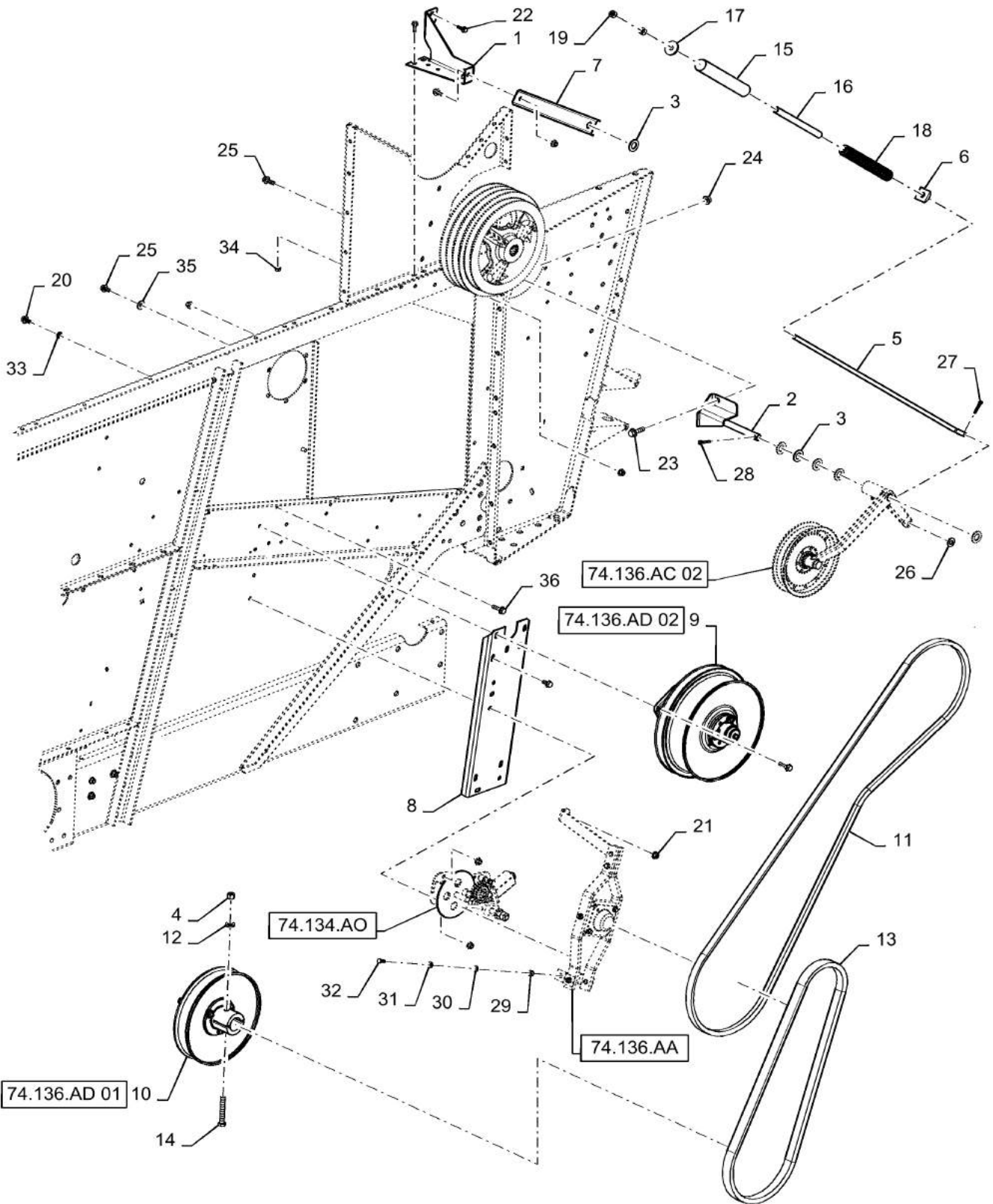
74.136.AC

01

p1

7/2015

JACKSHAFT, FAN, DRIVE

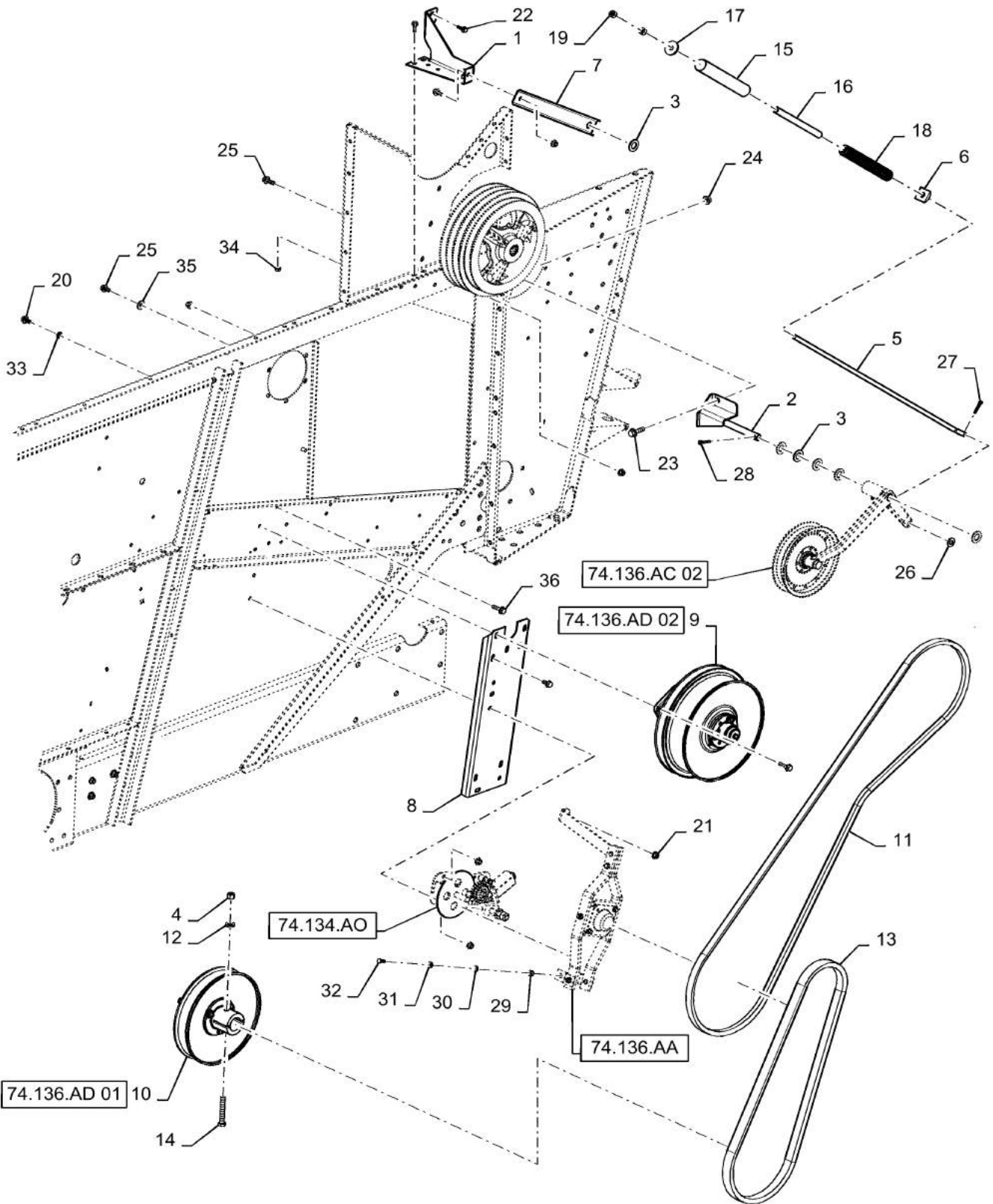


JACKSHAFT, FAN, DRIVE

REF FN	PART NUMBER	YR/SN	QTY DESCRIPTION
1	87643045		1 SUPPORT ASSY. Idler Arm Spring
2	87703325		1 SUPPORT ASSY. Cleaning Fan Idler Pivot
3	495-11081		6 WASHER 3/4", SAE
4	232-4118		1 NUT 1/2"-13, GC
5	174520C2		1 ROD Jackshaft Belt Tension
6	194652C1		1 PIVOT Primary Drive
7	87643047		1 CHANNEL Outer Pivot Support
8	87647069		1 PLATE ASSY. Fan Drive Support
9	87494910		1 PULLEY Cleaning Fan Drive
10	87494908		1 PULLEY Cleaning Fan Assembly
11	87642957		1 V-BELT 22.23 mm W x 3238.00 mm L
12	87613293		1 WASHER 0.53" ID x 1.06" OD x 0.19" Thk 0.531" x 1.062" x 0.188"
13	301146A1		1 V-BELT 31.80 mm W x 1847.25 mm L Cleaning Fan Drive
14	9818286		1 BOLT Hex, 1/2" - 13 x 3 1/2", Gr 8
15	87703617		1 SPACER Fan Jackshaft
16	84122810		1 SPACER Fan Jackshaft
17	9511052		1 WASHER 13.5mm ID x 44mm OD x 4mm Thk
18	450555A1		1 SPRING Tension
19	425-108		2 NUT 1/2"-13, G5
20	87698835		9 FLANGE BOLT M10 x 20mm, Full Thd, CI 10.9
21	86050279		15 FLANGE NUT M10 x 1.5, CI 10
22	87698833		3 BOLT M8 x 33.1mm, CI 10.9
23	87695413		2 BOLT M12 x 51.8mm, CI 10.9
24	86512497		2 FLANGE NUT M12 x 1.75, CI 10
25	87698837		2 FLANGE BOLT M10 x 30mm, Full Thd, CI 10.9
26	495-11053		1 WASHER 1/2", SAE
27	87398		1 COTTER PIN 3/16" OD x 1-1/4" OAL
28	432-1620		1 COTTER PIN 1/4" x 1 1/4"

5140-COMBINE - TIER 2

JACKSHAFT, FAN, DRIVE

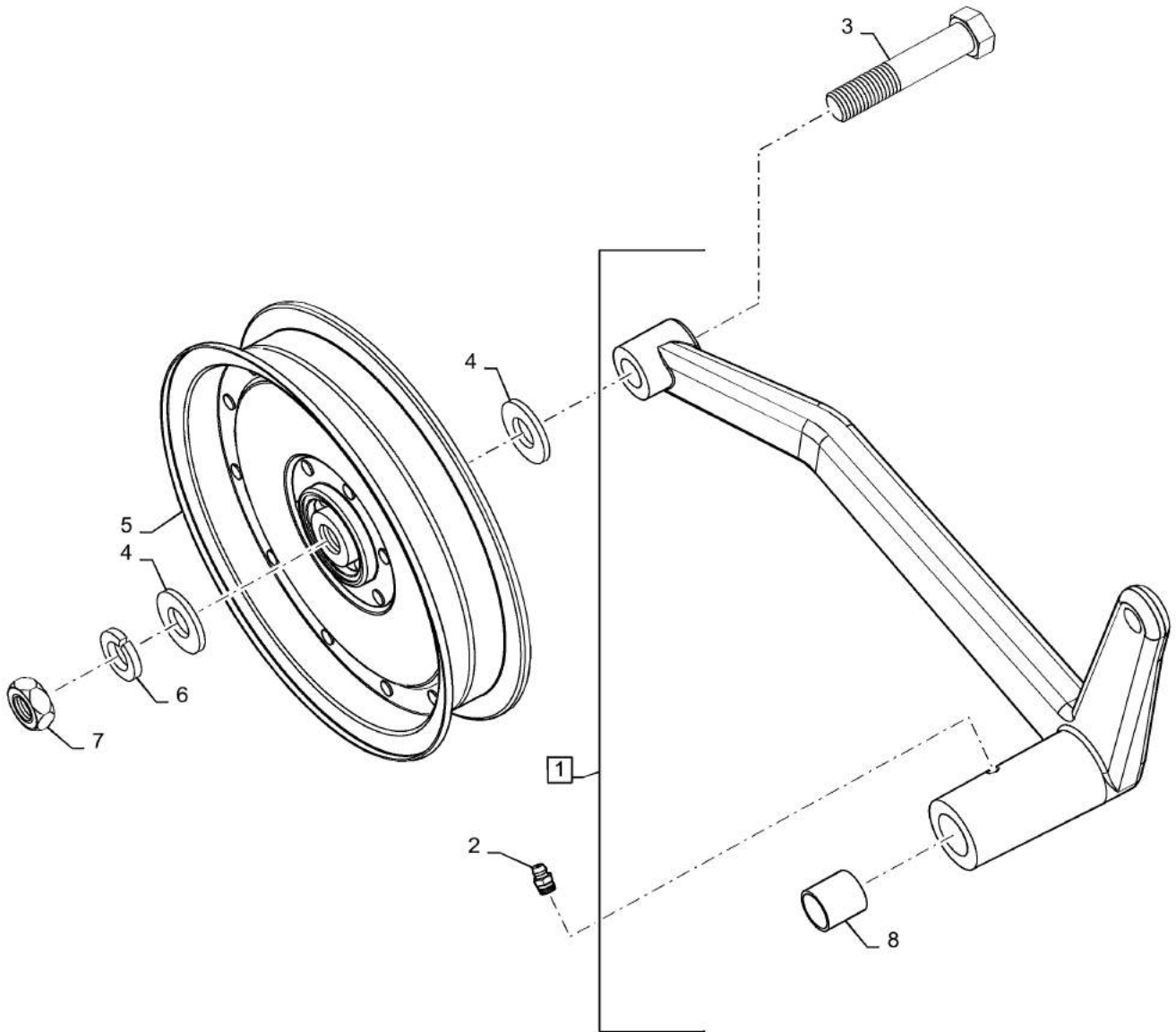


JACKSHAFT, FAN, DRIVE

REF FN	PART NUMBER	YR/SN	QTY DESCRIPTION
29	183916A1		2 SPACER 13mm OD x 8.5mm ID x 5mm
30	83918746		2 WASHER 0.34" ID x 0.69" OD x 0.07" Thk
31	492-11031		2 LOCK WASHER 5/16"
32	413-512		2 BOLT Hex, 5/16" - 18 x 3/4", Gr 5
33	87698854		1 NUT M10
34	86507066		2 FLANGE NUT M8 x 1.25, CI 10
35	495-81143		1 WASHER 13/32" x 1 1/2" x .120"
36	87698838		4 FLANGE BOLT M10 x 35mm, Full Thd, CI 10.9

5140-COMBINE - TIER 2

IDLER, DRIVE, FAN



74.136.AC

02

p1

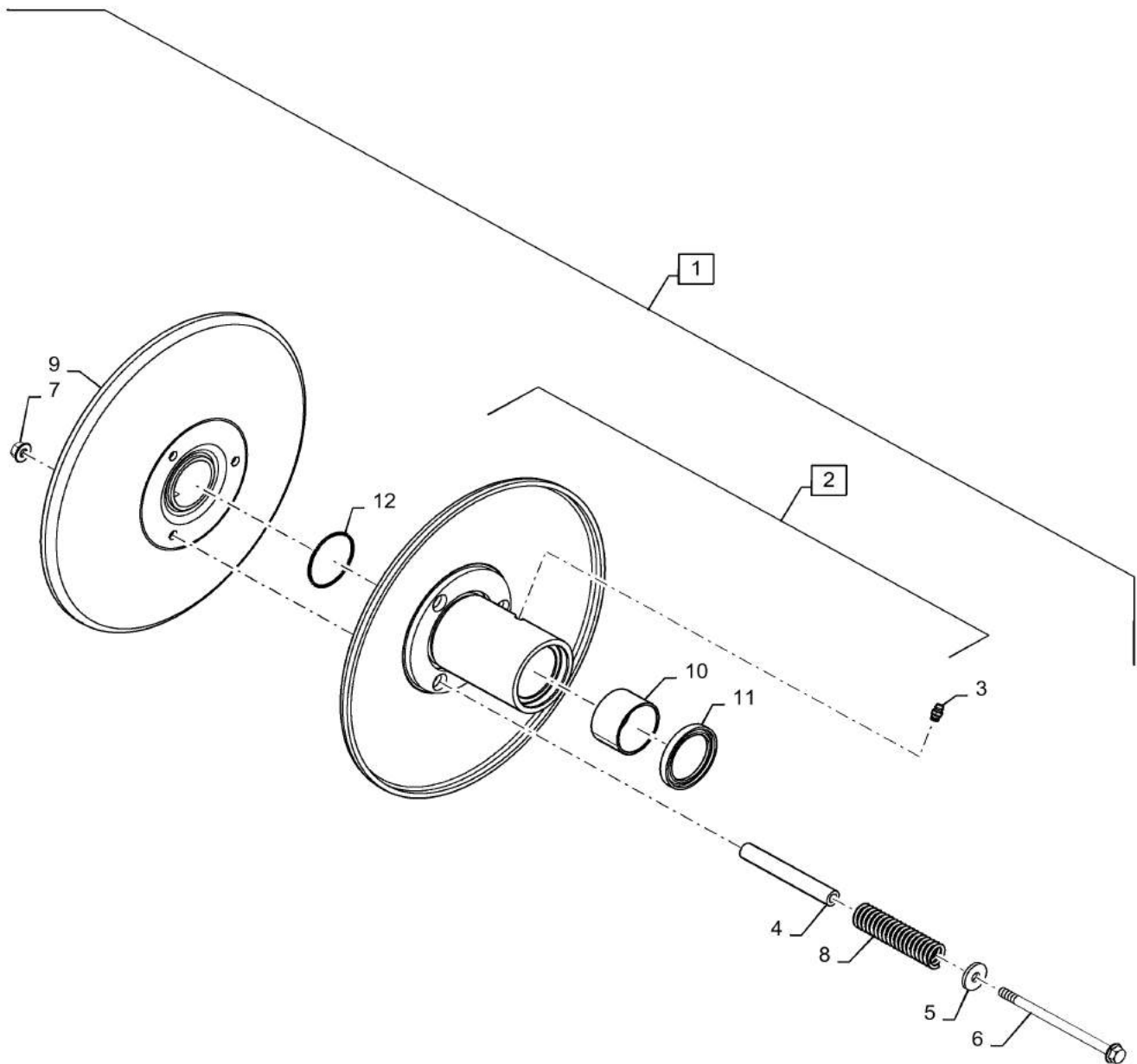
7/2015

IDLER, DRIVE, FAN

REF FN	PART NUMBER	YR/SN	QTY DESCRIPTION
1	87644280		1 ARM ASSY. Fan Jackshaft Drive, Incl 8
2	219-8		1 LUBE NIPPLE 1/4"-28 x 1/2"
3	413-1048		1 BOLT Hex, 5/8" - 11 x 3", Gr 5
4	87365		2 WASHER 0.66" ID x 1.31" OD x 0.1" Thk
5	177195C1		1 PULLEY ASSY. Fan Drive
6	492-11062		1 BEARING WASHER 5/8"
7	425-1410		1 JAM NUT Jam, 5/8"-11, G5
8	556448R1		2 BUSHING 19.07mm ID x 22.23mm OD x 25.4mm L Steel Insert

5140-COMBINE - TIER 2

PULLEY, FAN, DRIVE



74.136.AD

01

p1

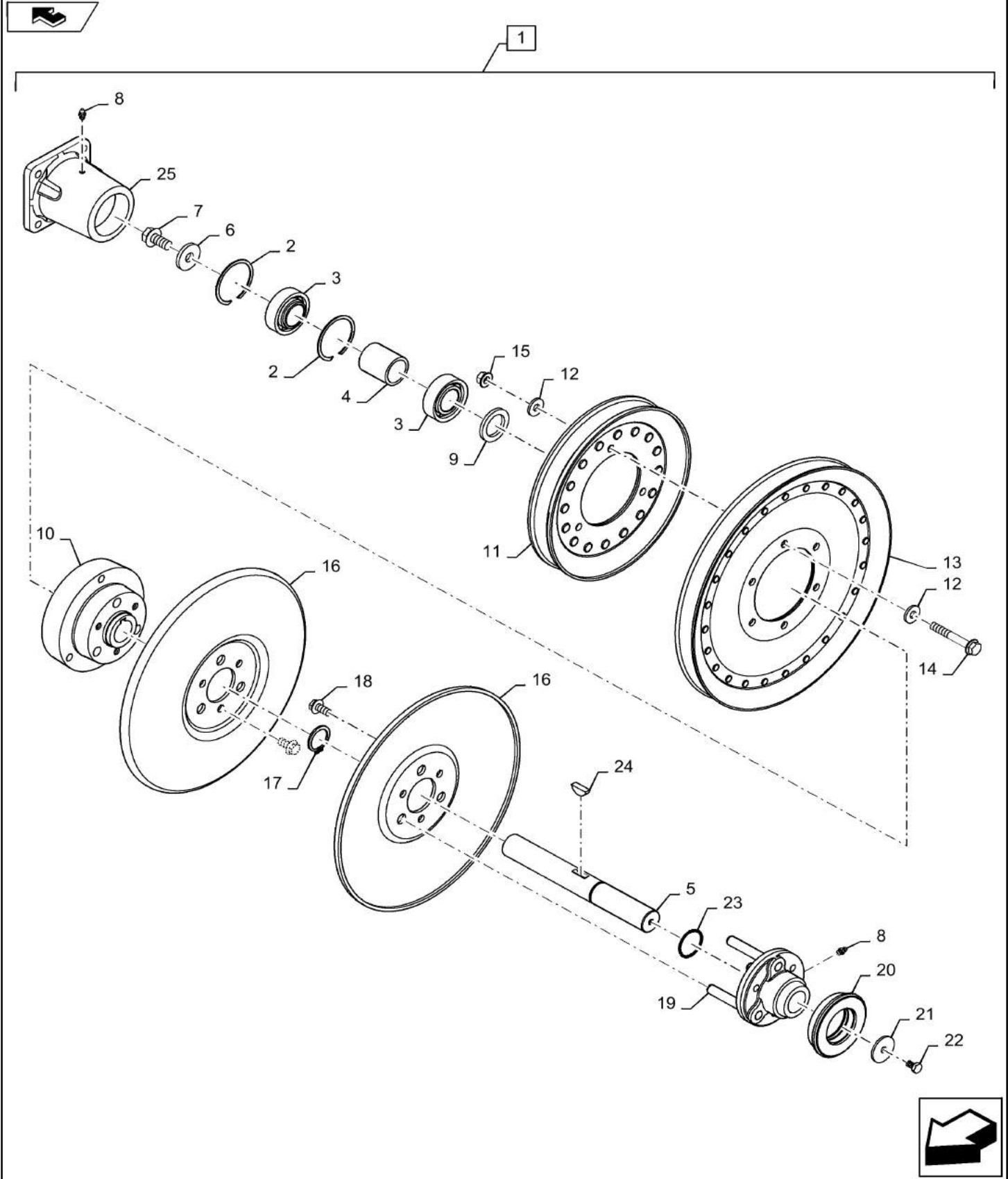
7/2015

PULLEY, FAN, DRIVE

REF FN	PART NUMBER	YR/SN	QTY DESCRIPTION
1	87494908		1 PULLEY Cleaning Fan Drive, Incl 2 - 12
2	84556153		1 PULLEY Fan Driven, Adjustable, Incl 10 - 12
3	219-87		1 LUBE NIPPLE 1/4"-28 x .56" lg, Self-Tap
4	1302180C2		3 BUSHING 8.2mm ID x 14.27mm OD x 101.6mm L Fan Drive
5	495-81117		3 WASHER .344" x 1" x .120"
6	87681208		3 BOLT Hex, M8 X 130, Class 10.9
7	87681210		3 FLANGE NUT M8 x 1.25, CI 10
8	1302181C2		3 SPRING Fan Drive
9	87522943		1 PULLEY Fan Driven, Fixed
10	1541551C1		2 BUSHING 44.32mm ID x 48.97mm OD x 30.2mm L Fan Hub
11	1541775C1		1 SEAL Fan Sheave
12	238-5327		1 O-RING 0.21" Thk x 1.725" ID, -327, CI 5, 75 Duro

5140-COMBINE - TIER 2

PULLEY ASSEMBLY CLEANING FAN, CLEANING FAN DRIVE JACKSHAFT ASSEMBLY, IDLER ASSEMBLY FAN DRIVE WITH PULLEY

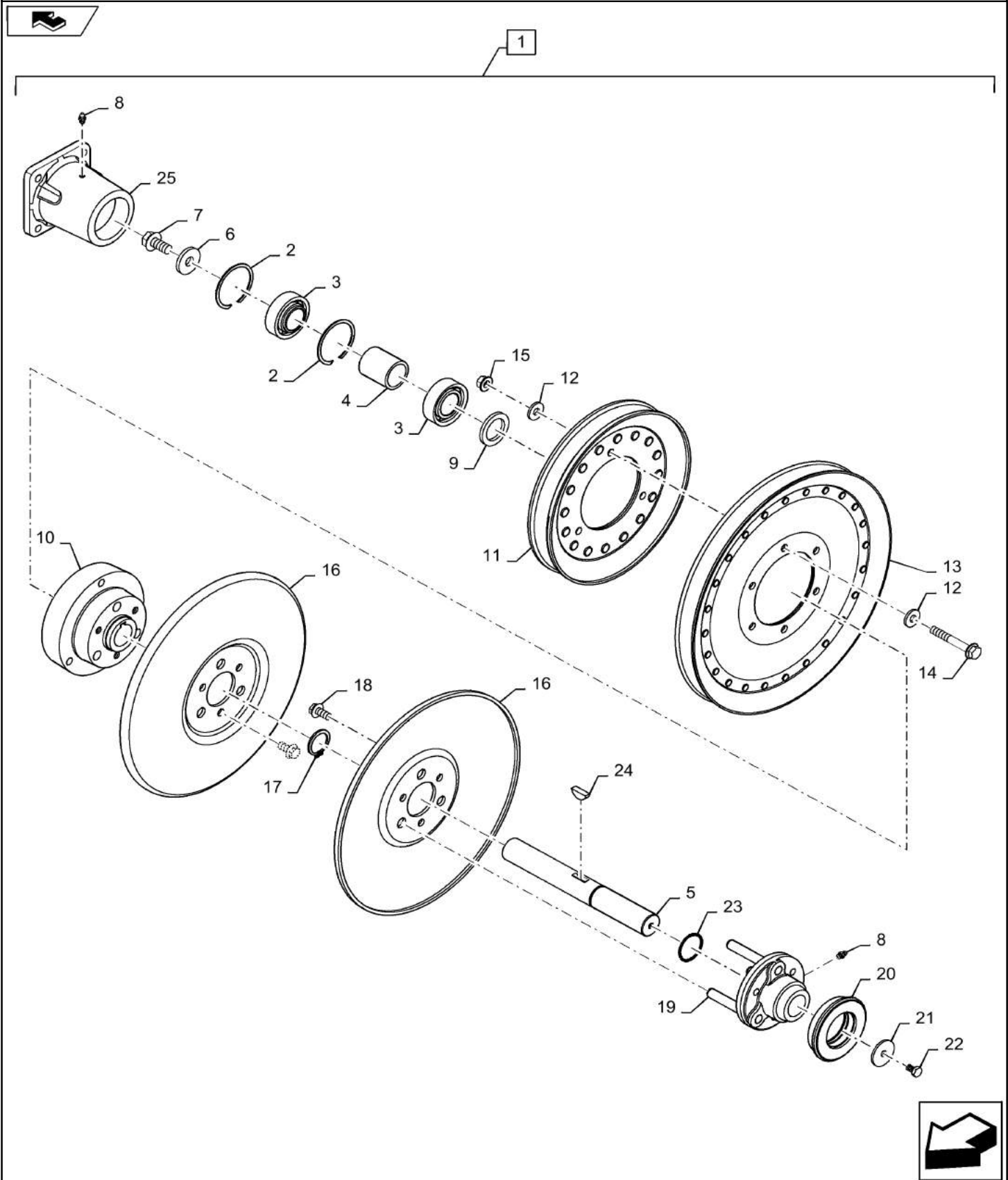


PULLEY ASSEMBLY CLEANING FAN, CLEANING FAN DRIVE JACKSHAFT ASSEMBLY, IDLER ASSEMBLY FAN DRIVE WITH PULLEY

REF FN	PART NUMBER	YR/SN	QTY DESCRIPTION
1	87494910		1 PULLEY Cleaning Fan Jackshaft Assy, Incl 2 - 25
2	360936R1		2 RING Snap Ring, Separator Drive Shaft
3	1302725C91		2 BALL BEARING 31.75mm ID x 62mm OD x 18mm W
4	152926C1		1 SPACER 1-5/16" ID x 1-5/8" OD x 1.8"
5	194853C3		1 SHAFT Elevator And Fan Drive
6	195-81030		1 WASHER .531" x 1.5" x 0.188"
7	1302143C1		1 FLANGE BOLT Lock, Hex, 1/2" - 13 x 1"
8	87414		2 LUBE NIPPLE 1/4" - 28
9	183274C2		1 WASHER 32.51mm ID x 47.75mm OD x 4.57mm Thk
10	183333C1		1 HUB Fixed Pulley
11	193948C1		1 PULLEY Cleaning System Drive
12	495-81135		6 WASHER 10.31mm ID x 25.4mm OD x 3.4mm Thk
13	295918A1		1 PULLEY 355.6mm OD Fan, Jackshaft Driven
14	87698841		3 BOLT Hex, M10 x 70mm, CI 10.9 Flange, M10 x 70mm, 10.9
15	87547587		3 LOCK NUT Hex, M10 x 1.5, CI 10
16	301141A2		2 PULLEY Fan Driver
17	100-16125		1 SNAP RING #125, Ext
18	115745A1		6 FLANGE BOLT Special Head Height
19	185286C91		1 HUB Fan Driven Pulley
20	168215C92		1 BALL BEARING 50.8mm ID x 92.84mm OD x 20.5mm W
21	495-81122		1 WASHER .344" x 1 1/2" x .120"
22	413-58		1 BOLT Hex, 5/16" - 18 x 1/2", Gr 5
23	238-5218		1 O-RING 0.139" Thk x 1.234" ID, -218, CI 5, 75 Duro

5140-COMBINE - TIER 2

PULLEY ASSEMBLY CLEANING FAN, CLEANING FAN DRIVE JACKSHAFT ASSEMBLY, IDLER ASSEMBLY FAN DRIVE WITH PULLEY



74.136.AD

02

p2

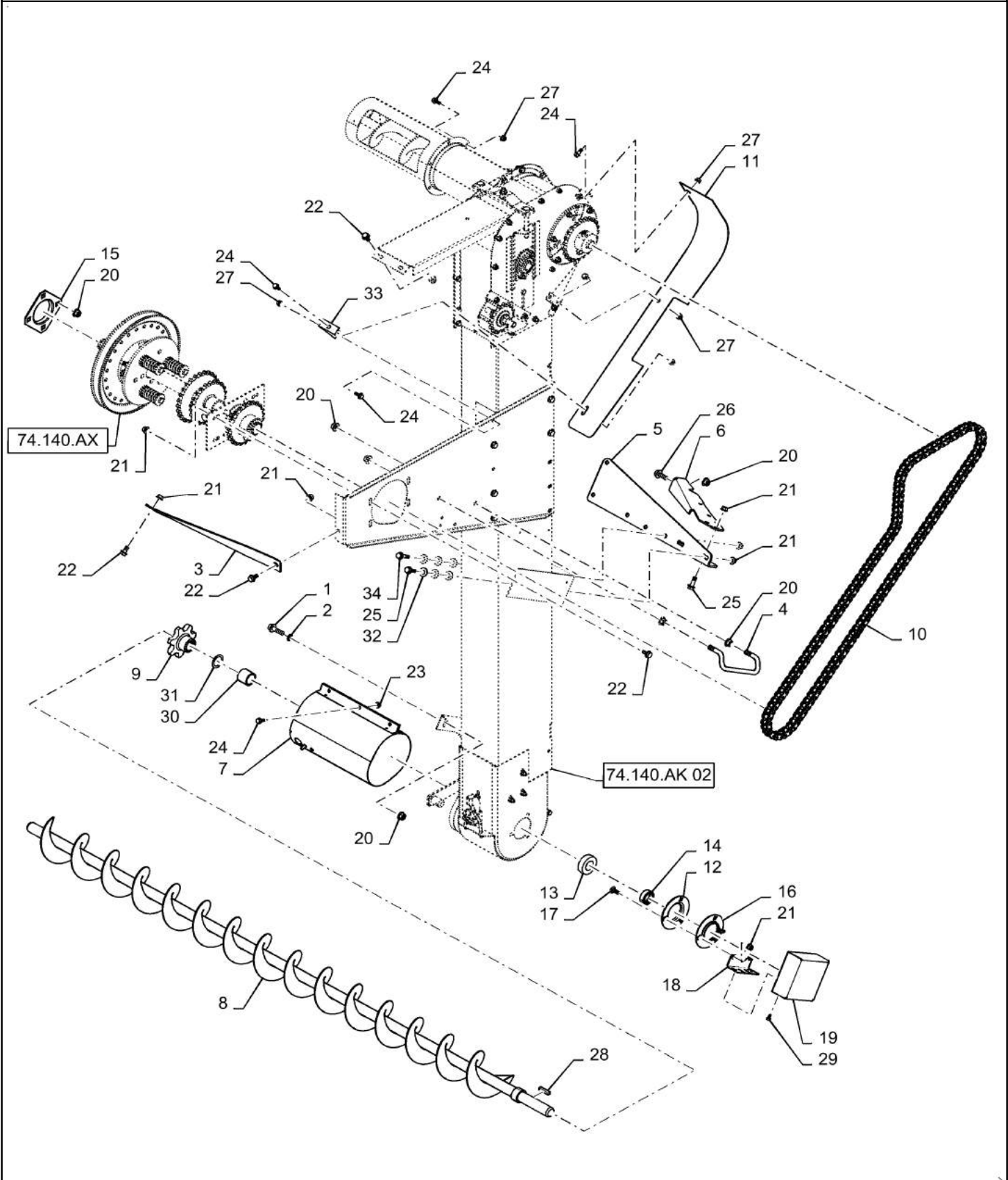
7/2015

PULLEY ASSEMBLY CLEANING FAN, CLEANING FAN DRIVE JACKSHAFT ASSEMBLY, IDLER ASSEMBLY FAN DRIVE WITH PULLEY

REF FN	PART NUMBER	YR/SN	QTY DESCRIPTION
24	126-125		1 WOODRUFF KEY #B, 5/16" x 1", HT
25	192418C1		1 HUB Elevator And Fan Drive

5140-COMBINE - TIER 2

TAILINGS ELEVATOR

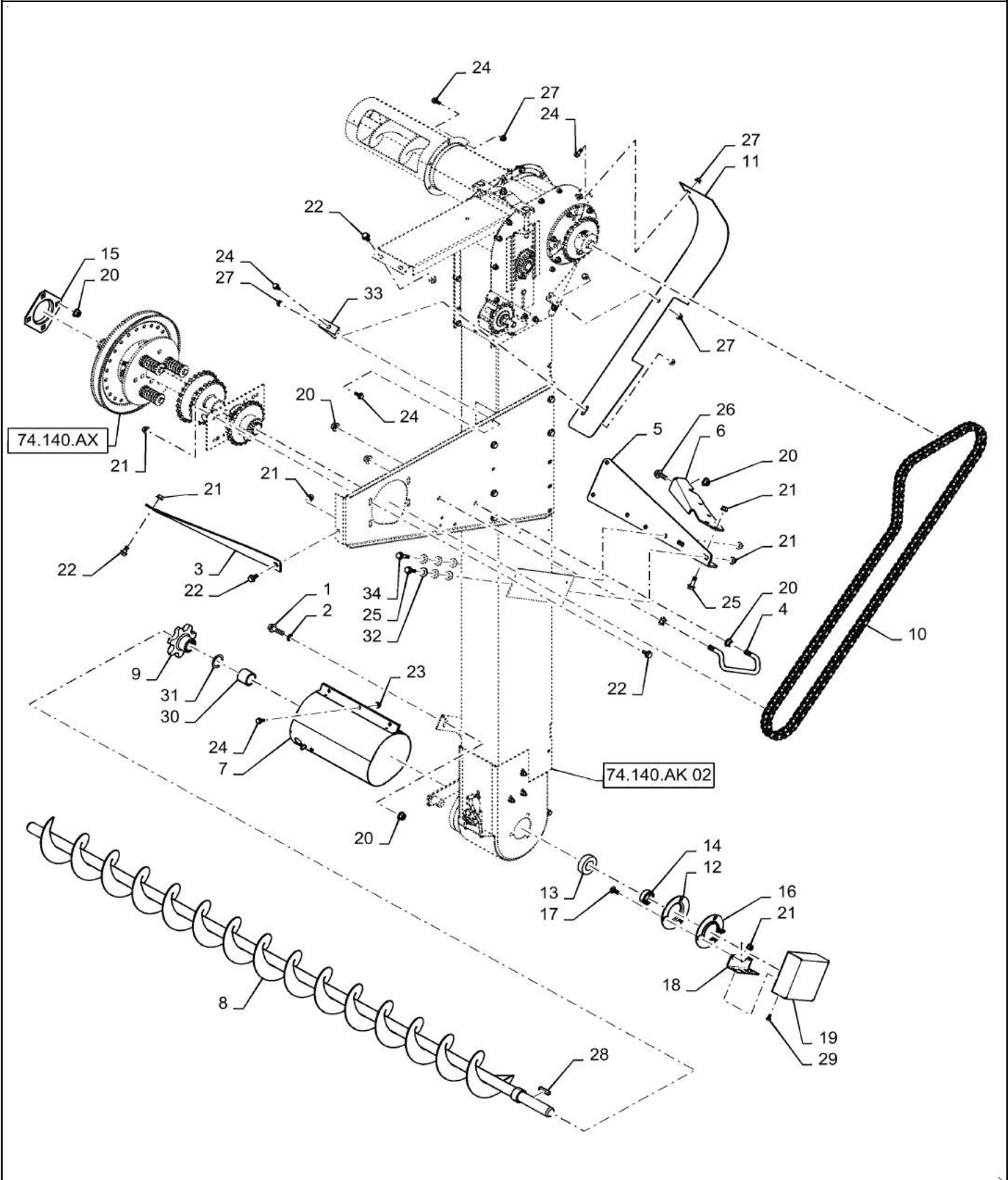


TAILINGS ELEVATOR

REF FN	PART NUMBER	YR/SN	QTY DESCRIPTION
1	87695413		2 BOLT M12 x 51.8mm, CI 10.9
2	87698855		2 PUSH-ON NUT M12
3	87620385		1 PLATE ASSY. Support, Outer Elevator Jackshaft
4	87711329		1 HANDLE Elevator Step
5	87635253		1 BRACKET Elevator Support, Upper
6	47439788		1 BRACKET Elevator Support, Lower
7	87689184		1 TUBE Tailings Trough Extension
8	144028A2		1 AUGER Tailings, Lower
9	87740180		1 SPROCKET 7 Tooth
10	84164207		1 CHAIN (AG) 60H, 134 Links x 19.05mm = 2552.7mm Tailings Elevator Drive
11	87728575		1 SHEET Strip, Shield, Tailings Elevator
12	47417549		1 FLANGE 62mm ID
13	156011C92		1 BALL BEARING 62mm OD
14	38767		1 COLLAR Lock, 31.9mm ID x 44mm OD 15.9mm Thk 31.75mm ID
15	86974037		1 FLANGE 80mm ID
16	47417550		1 FLANGE 62mm ID
17	87682391		3 CARRIAGE BOLT M10 x 1.5 x 25mm, CI 10.9
18	87740297		1 COVER Tailings Shaft Speed Sensor Mount
19	87740295		1 COVER Tailings Shaft Speed Sensor
20	86512497		11 FLANGE NUT M12 x 1.75, CI 10
21	86050279		19 FLANGE NUT M10 x 1.5, CI 10
22	87698835		8 FLANGE BOLT M10 x 20mm, Full Thd, CI 10.9
23	87681210		3 FLANGE NUT M8 x 1.25, CI 10
24	87656137		13 BOLT M8 x 28.1mm, CI 10.9
25	87698837		6 FLANGE BOLT M10 x 30mm, Full Thd, CI 10.9
26	87030508		1 BOLT M12 x 30 Full 10.9 ZND

5140-COMBINE - TIER 2

TAILINGS ELEVATOR

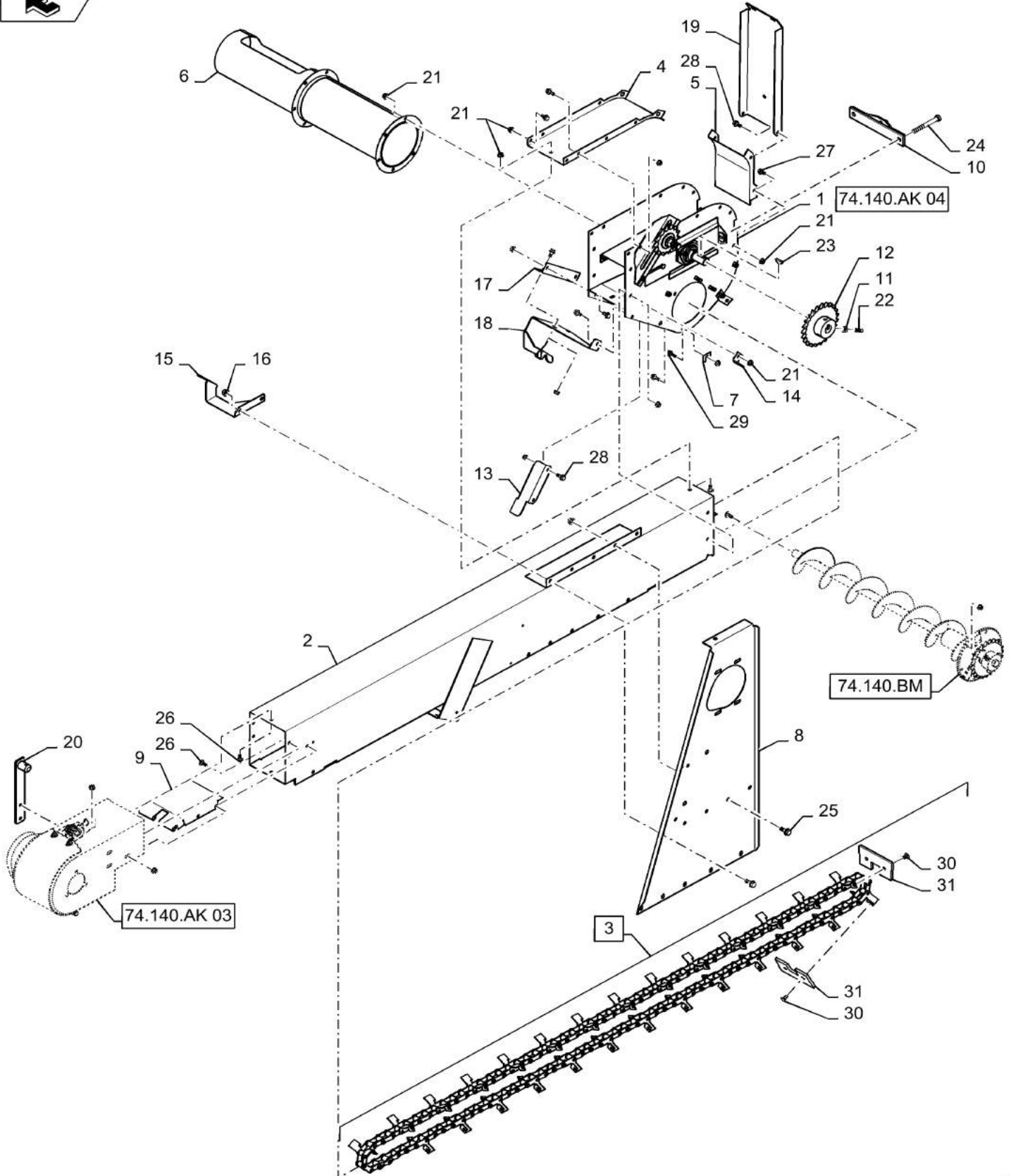


TAILINGS ELEVATOR

REF FN	PART NUMBER	YR/SN	QTY DESCRIPTION
27	86507066		10 FLANGE NUT M8 x 1.25, CI 10
28	Q1443		1 KEY 5/16" Sq x 1 1/2", Par
29	281-1478		2 SELF-TAP SCREW 1/4" - 20 x 1/2"
30	144038A1		1 SPACER 41.3mm OD x 32.9mm ID x 34.9mm
31	495-81202		1 WASHER 1 9/32" x 1 3/4" x .060"
32	140046		12 BELLEVILLE WASHER M12 x 27mm OD x 1.8mm Thk
33	87757141		1 PLATE Side Shield
34	87698839		2 FLANGE BOLT M10 x 40mm, CI 10.9

5140-COMBINE - TIER 2

TAILINGS ELEVATOR, CHAIN

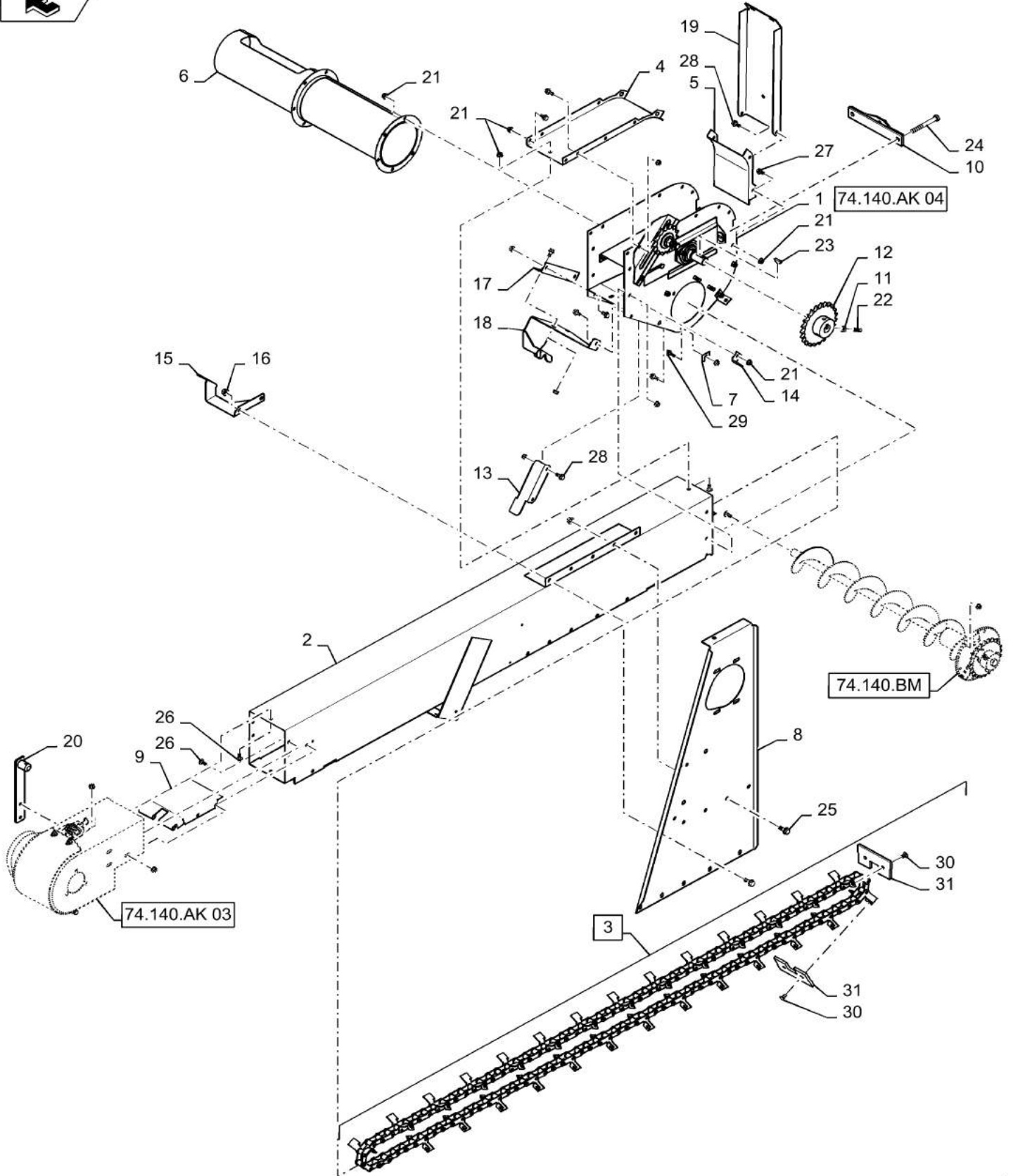


TAILINGS ELEVATOR, CHAIN

REF FN	PART NUMBER	YR/SN	QTY DESCRIPTION
1	847-3825		1 SERRATED SCREW M8 x 25mm, CI 10.9
2	87756199		1 ELEVATOR TUBE Tailings Elevator
3	1303114C91		1 ELEVATOR CHAIN C550, 112 Links x 41.4mm = 4636.8mm Tailings Elevator, Incl 30, 31
4	87735106		1 TOP COVER Tailings Elevator Head
5	87622920		1 SUPPORT Tailings Elevator Head
6	87687117		1 TUBE Tailings Delivery Auger
7	151670C1		1 SHIM Fender, 1.25"
8	84164209		1 BRACKET Outer Elevator Jackshaft
9	87622917		1 END False Bottom
10	87622976		1 LOCK Bar
11	100016		3 NUT M10 x 1.5, CI 8
12	84542305		1 SPROCKET 23 Tooth
13	87707059		1 SUPPORT Upper Shield
14	142478A2		1 BRACKET Chain Shield
15	87685994		1 BRACKET Chain Guide
16	86050279		5 FLANGE NUT M10 x 1.5, CI 10
17	87707064		1 ANGLE RH Shield Support
18	87703137		1 SUPPORT Bracket, Upper Elevator
19	87609175		1 SUPPORT Tailings Elevator, Upper
20	84393407		1 SUPPORT Shield
21	86507066		46 FLANGE NUT M8 x 1.25, CI 10
22	300484		3 SET SCREW M10 x 30mm
23	126-124		1 WOODRUFF KEY #15, 1/4" x 1", HT
24	9837937		2 BOLT Hex, M12 x 1.75 x 100mm, CI 8.8
25	87698836		5 BOLT M10 x 25mm, Full Thd, CI 10.9
26	847-3820		13 SERRATED SCREW M8 x 20mm, CI 10.9
27	87681207		15 BOLT M8 x 24.1mm, CI 10.9
28	87656137		9 BOLT M8 x 28.1mm, CI 10.9

5140-COMBINE - TIER 2

TAILINGS ELEVATOR, CHAIN



74.140.AK

02

p2

7/2015

TAILINGS ELEVATOR, CHAIN

REF FN	PART NUMBER	YR/SN	QTY DESCRIPTION
29	87698833		4 BOLT M8 x 33.1mm, CI 10.9
30	1303116C1		27 RUBBER FLIGHT Tailings Elevator Chain
31	185315C1		54 RIVET 3/8" x 5/8"

5140-COMBINE - TIER 2

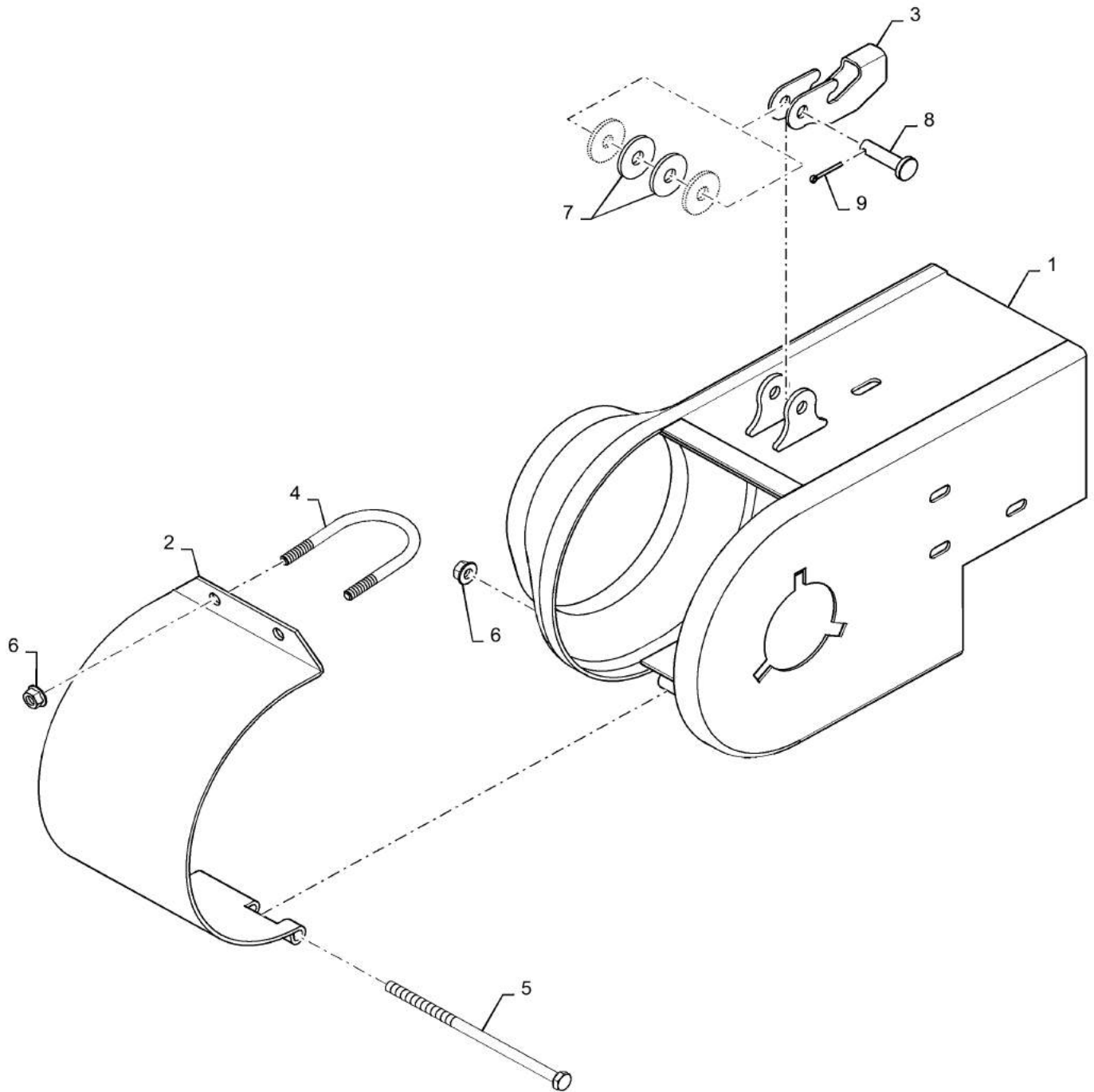
74.140.AK

03

p1

7/2015

BOOT, TAILINGS ELEVATOR

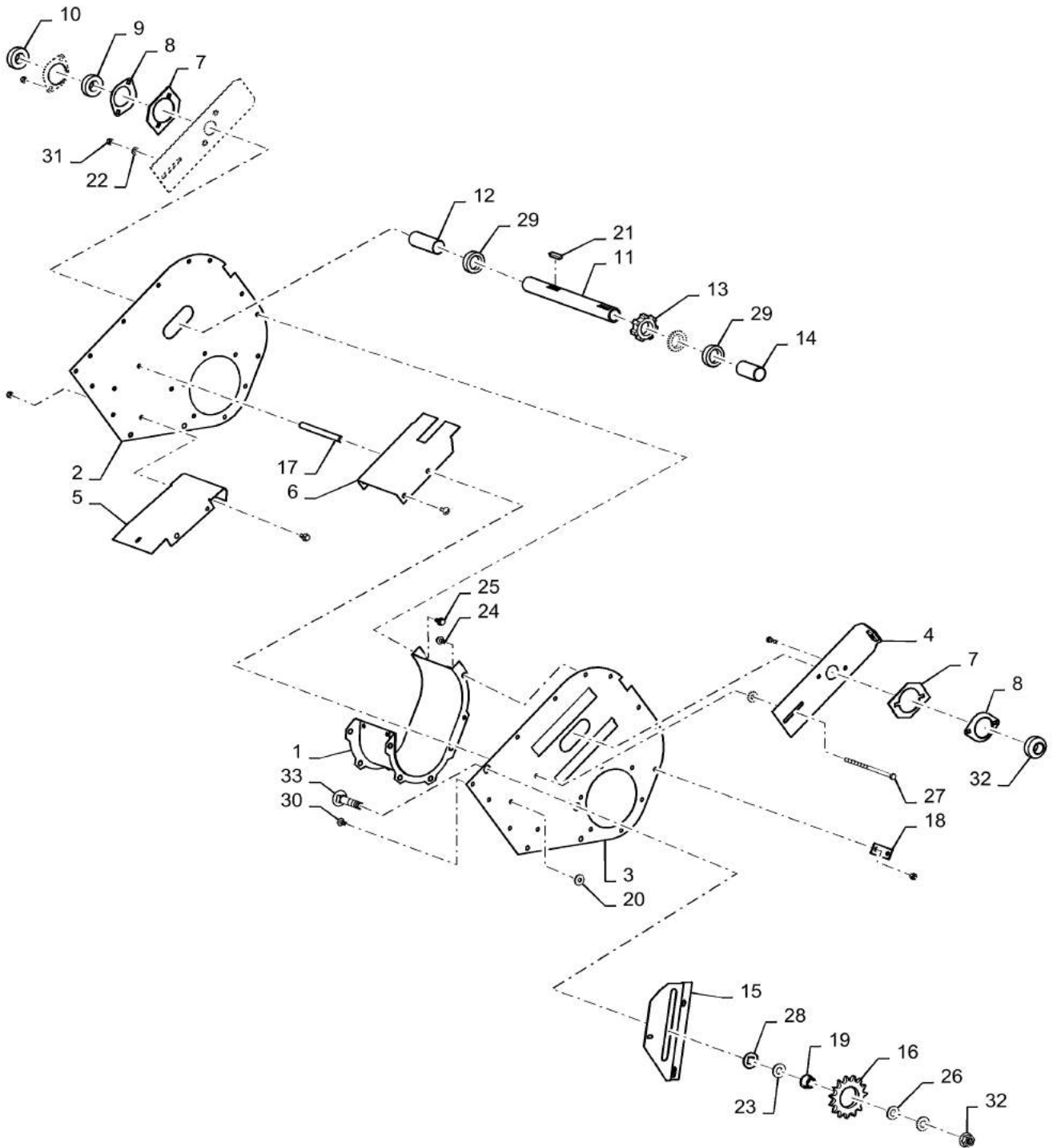


BOOT, TAILINGS ELEVATOR

REF FN	PART NUMBER	YR/SN	QTY DESCRIPTION
1	87622542		1 BOOT Tailings Elevator
2	87622926		1 DOOR Elevator Boot
3	86581559		1 HANDLE Boot Latch
4	84989315		1 U-BOLT M8 x 1.25 x 26mm Threaded x 63.5mm W x 90.4mm OAL
5	16046531		1 SCREW Hex, M8 x 1.25 x 170mm, CI 10.9
6	87681210		3 FLANGE NUT M8 x 1.25, CI 10
7	140042		4 WASHER 11mm ID x 34mm OD x 3mm Thk
8	9507095		1 CLEVIS PIN 10mm OD x 40mm L
9	280251		1 COTTER PIN 3/32" OD x 1" OAL

5140-COMBINE - TIER 2

HEAD, TAILINGS ELEVATOR

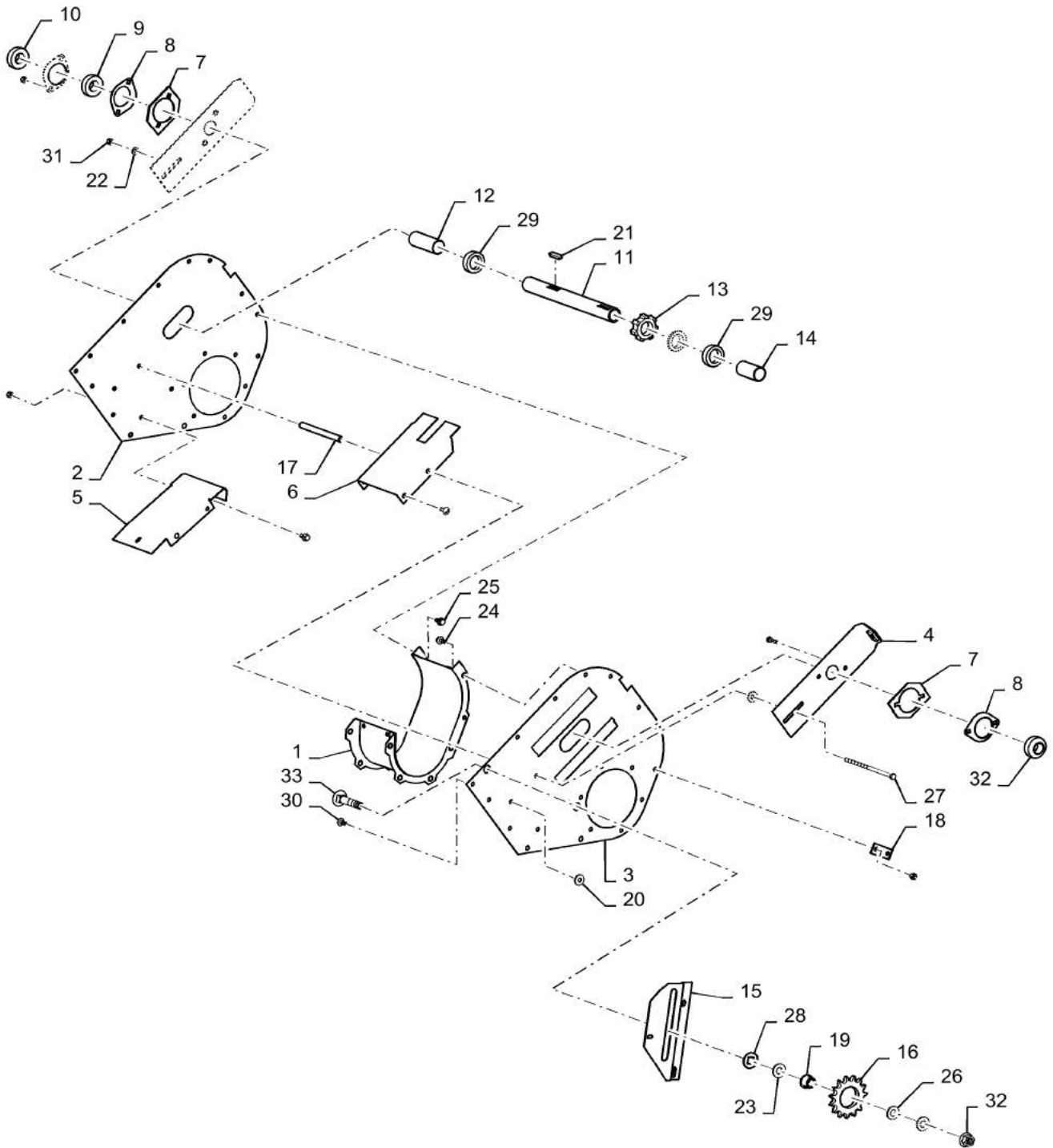


HEAD, TAILINGS ELEVATOR

REF FN	PART NUMBER	YR/SN	QTY DESCRIPTION
1	87622913		1 TROUGH Elevator Head
2	87620241		1 PLATE ASSY. Inside, Head
3	87620236		1 PLATE ASSY. Outside, Head
4	87622915		2 SUPPORT ASSY. Head Shaft
5	87736713		1 TOP COVER Bottom, Elevator Head
6	87622916		1 BOTTOM False, Elevator Head
7	87624305		4 LARGE PLATE Spacer
8	50591		4 FLANGE 52mm
9	214366C91		2 BALL BEARING 25.40mm ID x 52mm OD
10	87431217		2 COLLAR 25.43mm ID x 38.1mm OD x 13.5mm W 25mm ID
11	87515814		1 SHAFT Tailings Elevator Drive
12	516327R1		1 SPACER 26.6mm ID x 33.4mm OD x 69.8mm L
13	87691619		1 SPROCKET 7 Tooth
14	87036418		1 SPACER 26.64mm ID x 33.4mm OD x 39.67mm L
15	87622836		1 BRACKET Elevator Chain Tightener
16	87283101		1 SPROCKET 15T 15 Tooth
17	87302565		1 SPACER 9.2mm ID x 13.7mm OD x 147.6mm L 1/4" x 5.8"
18	142478A2		1 BRACKET Chain Shield
19	84334697		1 BUSHING 17mm ID x 32mm OD x 18.8mm L Hub, 17mm ID
20	495-81135		3 WASHER 10.31mm ID x 25.4mm OD x 3.4mm Thk
21	126-124		1 WOODRUFF KEY #15, 1/4" x 1", HT
22	83918746		1 WASHER 0.34" ID x 0.69" OD x 0.07" Thk
23	87365		3 WASHER 0.66" ID x 1.31" OD x 0.1" Thk
24	87681207		3 BOLT M8 x 24.1mm, Cl 10.9
25	87656137		3 BOLT M8 x 28.1mm, Cl 10.9

5140-COMBINE - TIER 2

HEAD, TAILINGS ELEVATOR

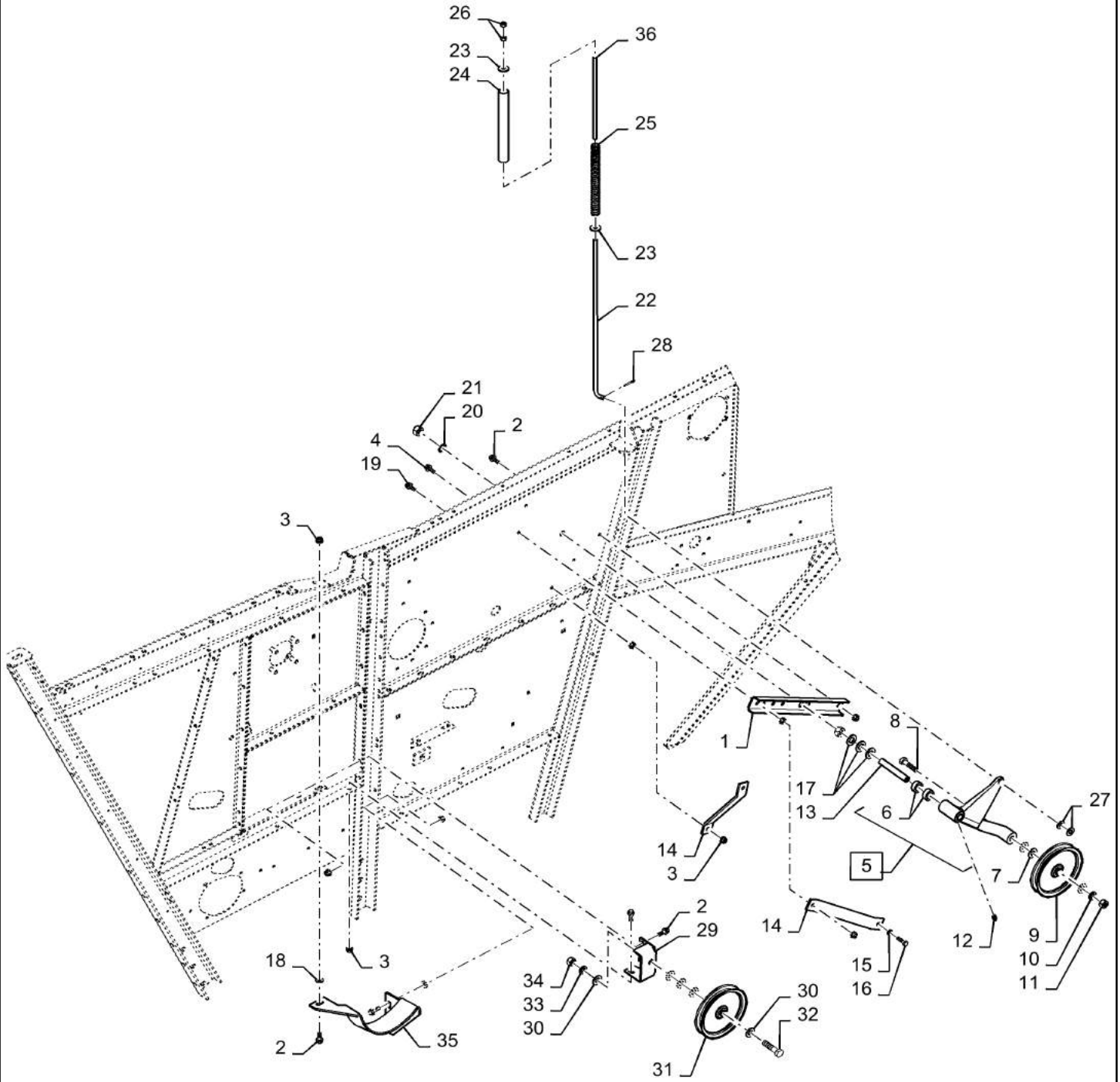


HEAD, TAILINGS ELEVATOR

REF FN	PART NUMBER	YR/SN	QTY DESCRIPTION
26	140048		1 BELLEVILLE WASHER M16 x 32mm OD x 2.8mm Thk
27	87690472		1 BOLT Hex, M8 x 180mm, CI 8.8 M8 x 180mm, 8.8
28	498-81010		3 SQ HOLE WASHER 16.66mm ID x 38.1mm OD x 2.67mm Thk
29	495-81069		7 WASHER 1-1/32" ID x 1-1/2" OD x 3/50" Thk
30	847-3820		4 SERRATED SCREW M8 x 20mm, CI 10.9
31	86629542		15 NUT M8 x 1.25, CI 8
32	86512498		1 FLANGE NUT M16 x 2.0, CI 10
33	711-16080		1 CARRIAGE BOLT Sq Nk, M16 x 2 x 80mm, CI 8.8

5140-COMBINE - TIER 2

JACKSHAFT, IDLER, TAILINGS ELEVATOR

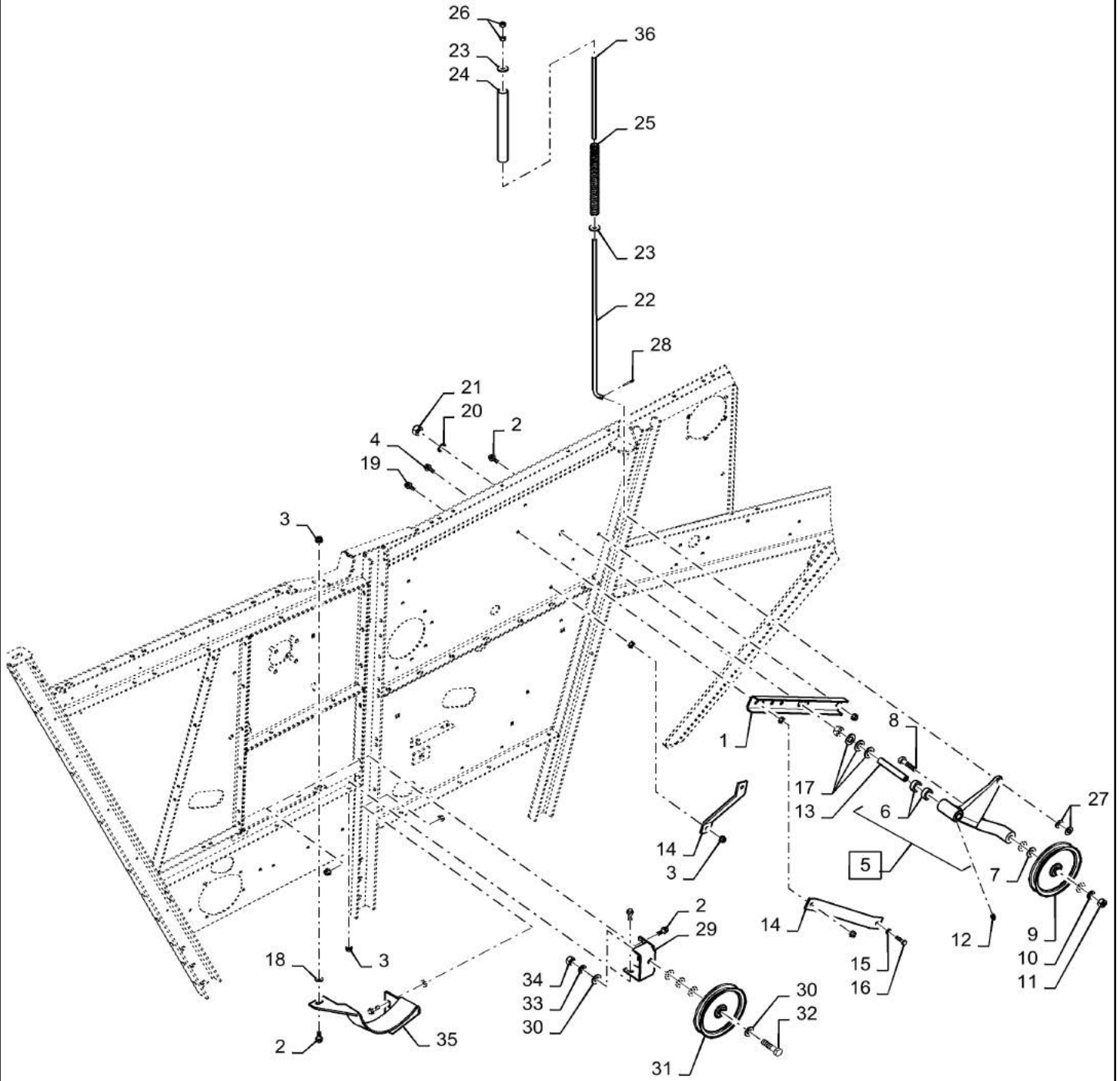


JACKSHAFT, IDLER, TAILINGS ELEVATOR

REF FN	PART NUMBER	YR/SN	QTY DESCRIPTION
1	87742025		1 CHANNEL Pivot Support
2	87698836		5 BOLT M10 x 25mm, Full Thd, CI 10.9
3	86050279		11 FLANGE NUT M10 x 1.5, CI 10
4	87698839		1 FLANGE BOLT M10 x 40mm, CI 10.9
5	87742016		1 ARM Elevator Jackshaft Drive, Idler, Incl 6
6	556448R1		2 BUSHING 19.07mm ID x 22.23mm OD x 25.4mm L .875" OD x .75" ID x 1"
7	87365		3 WASHER 0.66" ID x 1.31" OD x 0.1" Thk
8	413-1048		1 BOLT Hex, 5/8" - 11 x 3", Gr 5
9	86996213		1 PULLEY 185.74mm OD Belt, Stationary Idler
10	492-11062		1 BEARING WASHER 5/8"
11	425-1010		1 NUT 5/8"-11, G5
12	219-87		1 LUBE NIPPLE 1/4"-28 x .56" lg, Self-Tap
13	1327538C1		1 STUD Pivot Arm
14	87742018		2 SUPPORT Pivot Support
15	492-11038		1 LOCK WASHER 3/8"
16	413-620		1 BOLT Hex, 3/8" - 16 x 1-1/4", Gr 5
17	495-11081		3 WASHER 3/4", SAE
18	495-81135		3 WASHER 10.31mm ID x 25.4mm OD x 3.4mm Thk
19	87698838		3 FLANGE BOLT M10 x 35mm, Full Thd, CI 10.9
20	493-41078		1 LOCK WASHER Ext Tooth, 3/4"
21	425-1012		2 NUT 3/4"-10, G5
22	87485727		1 ROD Elevator Jackshaft Belt Tensioner
23	495-81162		2 WASHER 17/32" x 1 1/2" x .179"
24	87485725		1 SPACER 31.63mm ID x 34.93mm OD x 278mm L Elevator Drive Spring
25	155311C1		1 SPRING Elevator Drive Idler Lever

5140-COMBINE - TIER 2

JACKSHAFT, IDLER, TAILINGS ELEVATOR

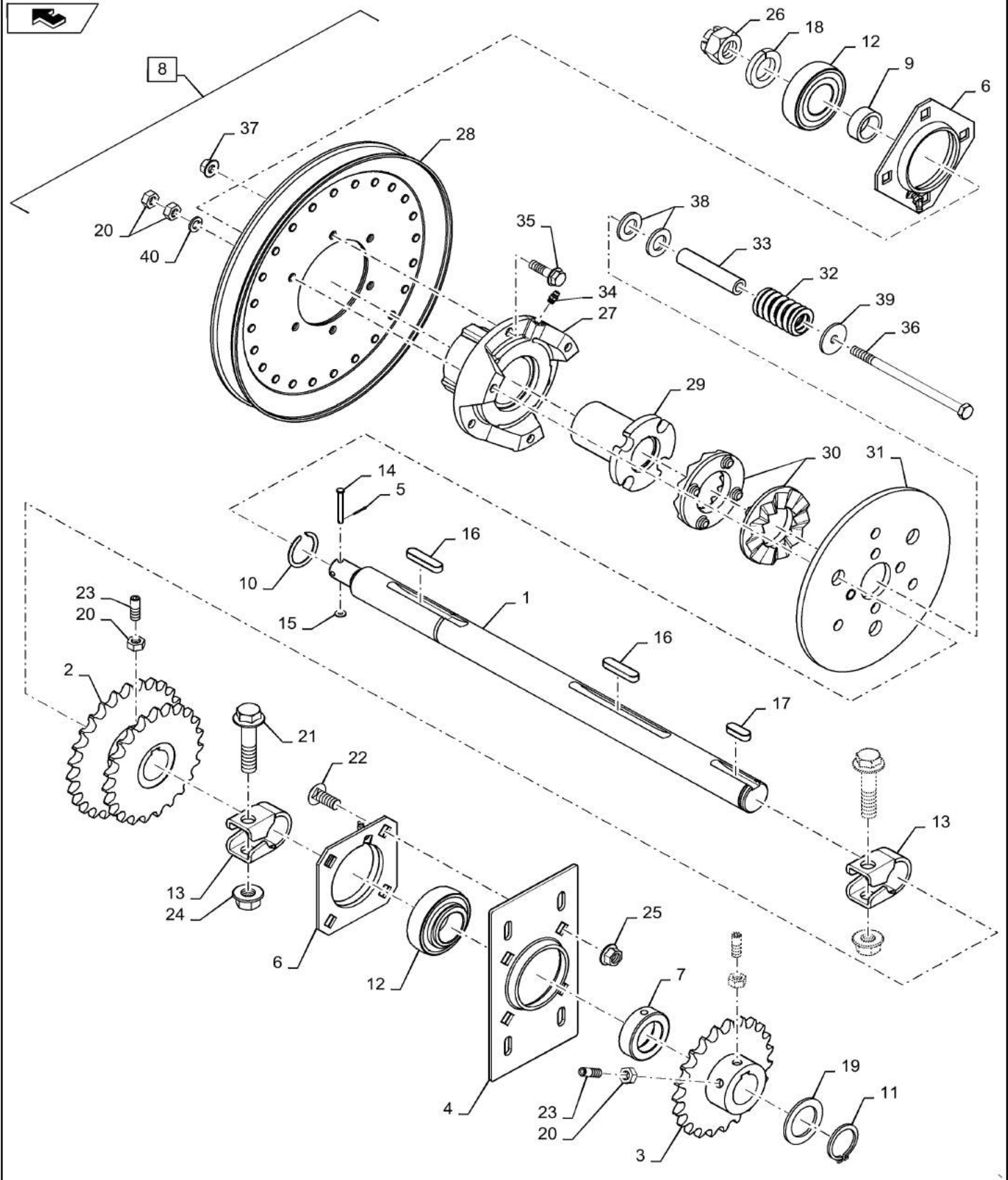


JACKSHAFT, IDLER, TAILINGS ELEVATOR

REF FN	PART NUMBER	YR/SN	QTY DESCRIPTION
26	425-108		2 NUT 1/2"-13, G5
27	495-11053		2 WASHER 1/2", SAE
28	432-1216		1 COTTER PIN 3/16" x 1"
29	87742023		1 SUPPORT Elevator Drive, Fixed Idler
30	87365		5 WASHER 0.66" ID x 1.31" OD x 0.1" Thk
31	86996213		1 PULLEY 185.74mm OD Belt, Stationary Idler
32	413-1040		1 BOLT Hex, 5/8" - 11 x 2-1/2", Gr 5
33	492-11062		1 BEARING WASHER 5/8"
34	425-1010		1 NUT 5/8"-11, G5
35	87742021		1 GUIDE Lower Belt, Cleaning Unit
36	84155000		1 SPACER Belt Tension Spring, Inner

5140-COMBINE - TIER 2

JACKSHAFT, TAILINGS ELEVATOR

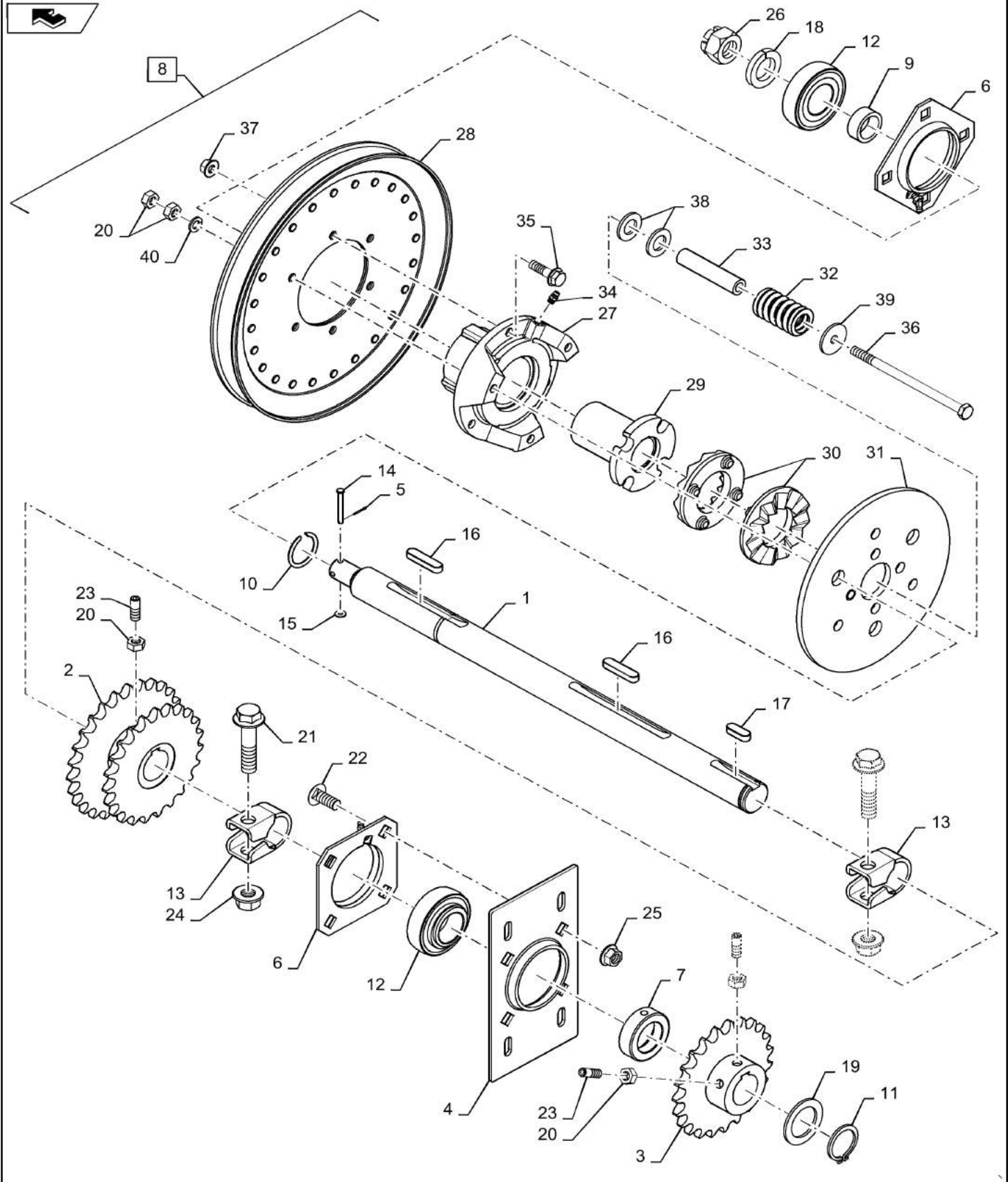


JACKSHAFT, TAILINGS ELEVATOR

REF FN	PART NUMBER	YR/SN	QTY DESCRIPTION
1	84183407		1 SHAFT Jackshaft, Tailings Elevator Drive
2	84159778		1 SPROCKET ASSY. 27 Tooth/23 Tooth
3	84159772		1 SPROCKET ASSY. 23 Tooth
4	84160038		1 BRACKET Bearing Flange
5	432-48		1 COTTER PIN 1/16" x 1/2"
6	84165643		2 BEARING HOUSING 80mm ID
7	87313329		1 COLLAR 38mm ID
8	84159775		1 CLUTCH Elevator Jackshaft, Incl 20, 27 - 40
9	84183897		1 SPACER 50.8mm OD x 38.4mm ID x 20mm
10	84213582		1 SNAP RING 35mm ID
11	100-16150		1 SNAP RING #150, Ext
12	478038R92		2 BALL BEARING 38.1mm ID x 80mm OD x 21mm W
13	84159773		2 CLAMP 38.4mm ID
14	427-3175		1 CLEVIS PIN 4.78mm OD x 44.45mm L
15	495-31022		1 WASHER #10
16	170056		2 KEY 12mm W x 50mm OAL
17	170015		1 KEY 12mm x 8mm x 32mm
18	88695		1 LOCK WASHER 1 1/8"
19	86632584		1 WASHER 1.53" ID x 2.25" OD x 0.12" Thk
20	100016		10 NUT M10 x 1.5, CI 8
21	86981489		2 BOLT Hex, M16 x 70mm, CI 10.9
22	87695426		4 CARRIAGE BOLT M12 x 30mm, CI 0.9
23	300484		4 SET SCREW M10 x 30mm
24	87016581		2 FLANGE NUT M16 x 2.0, CI 10
25	86512497		4 FLANGE NUT M12 x 1.75, CI 10
26	11693821		1 SLOTTED NUT M24 x 2, CI 10
27	84164210		1 ASSEMBLY Hub, Elevator Jackshaft
28	87757836		1 PULLEY 335.53mm OD Elevator Jackshaft

5140-COMBINE - TIER 2

JACKSHAFT, TAILINGS ELEVATOR

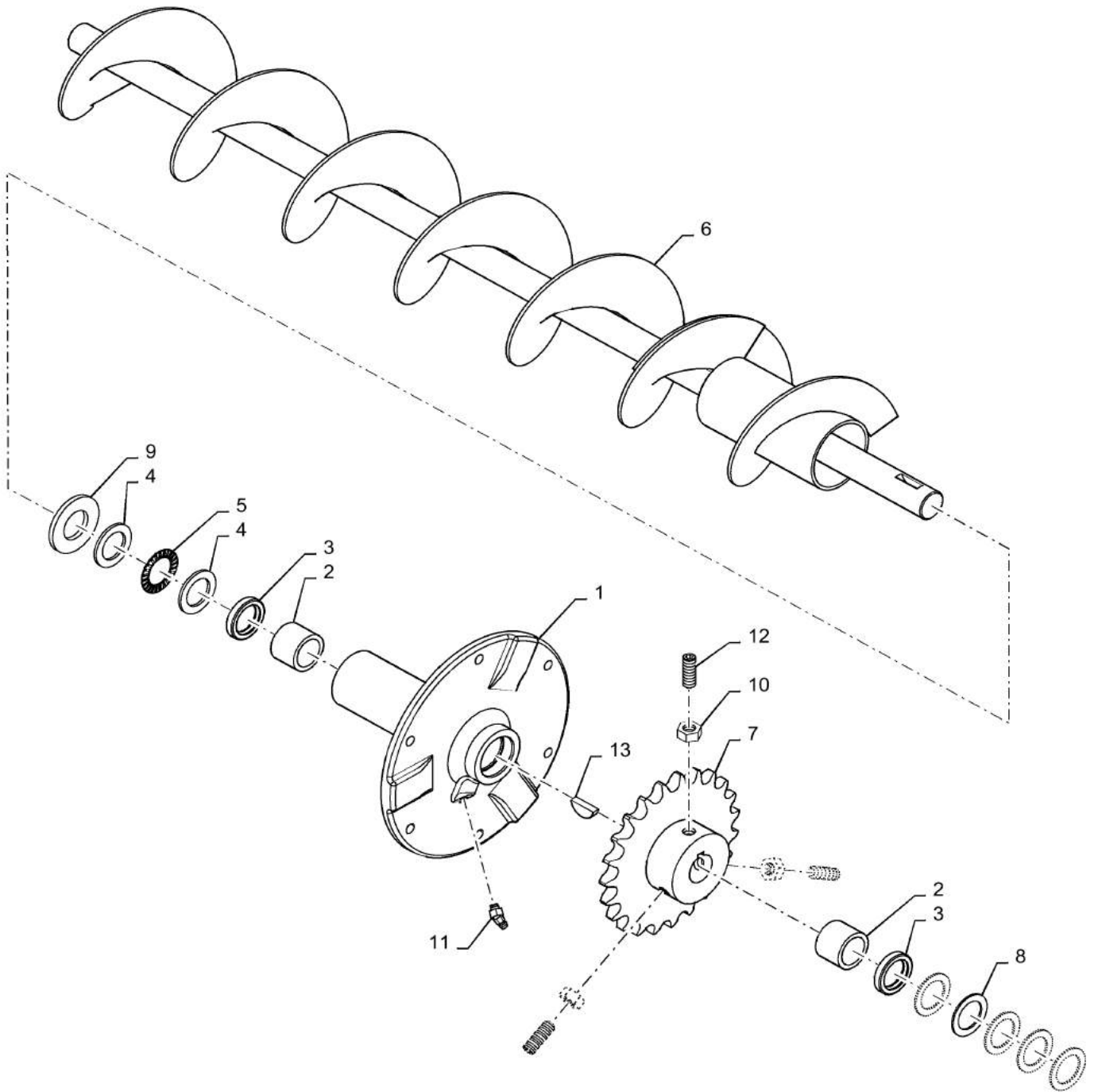


JACKSHAFT, TAILINGS ELEVATOR

REF FN	PART NUMBER	YR/SN	QTY DESCRIPTION
29	84213522		1 HUB Elevator Ratchet Clutch
30	168370C2		2 RATCHET Clutch Slip, 50.04mm ID x 94.49mm OD Clutch Slip
31	87470287		1 RETAINER Clutch Ratchet
32	84301305		3 COMPRESSION SPRING Elevator Clutch
33	186916C2		3 BUSHING 11.18mm ID x 19.05mm OD x 87.38mm L 19.05mm OD x 11.18mm ID x 87.38mm
34	219-87		1 LUBE NIPPLE 1/4"-28 x .56" lg, Self-Tap
35	87698838		3 FLANGE BOLT M10 x 35mm, Full Thd, CI 10.9
36	814-10170		3 BOLT Hex, M10 x 1.5 x 170mm, CI 8.8
37	87547587		3 LOCK NUT Hex, M10 x 1.5, CI 10
38	495-11081		6 WASHER 3/4", SAE
39	495-81143		3 WASHER 13/32" x 1 1/2" x .120"
40	140028		3 WASHER 10.2mm ID x 18.1mm OD x 2.2mm Thk

5140-COMBINE - TIER 2

AUGER, UPPER, TAILINGS ELEVATOR

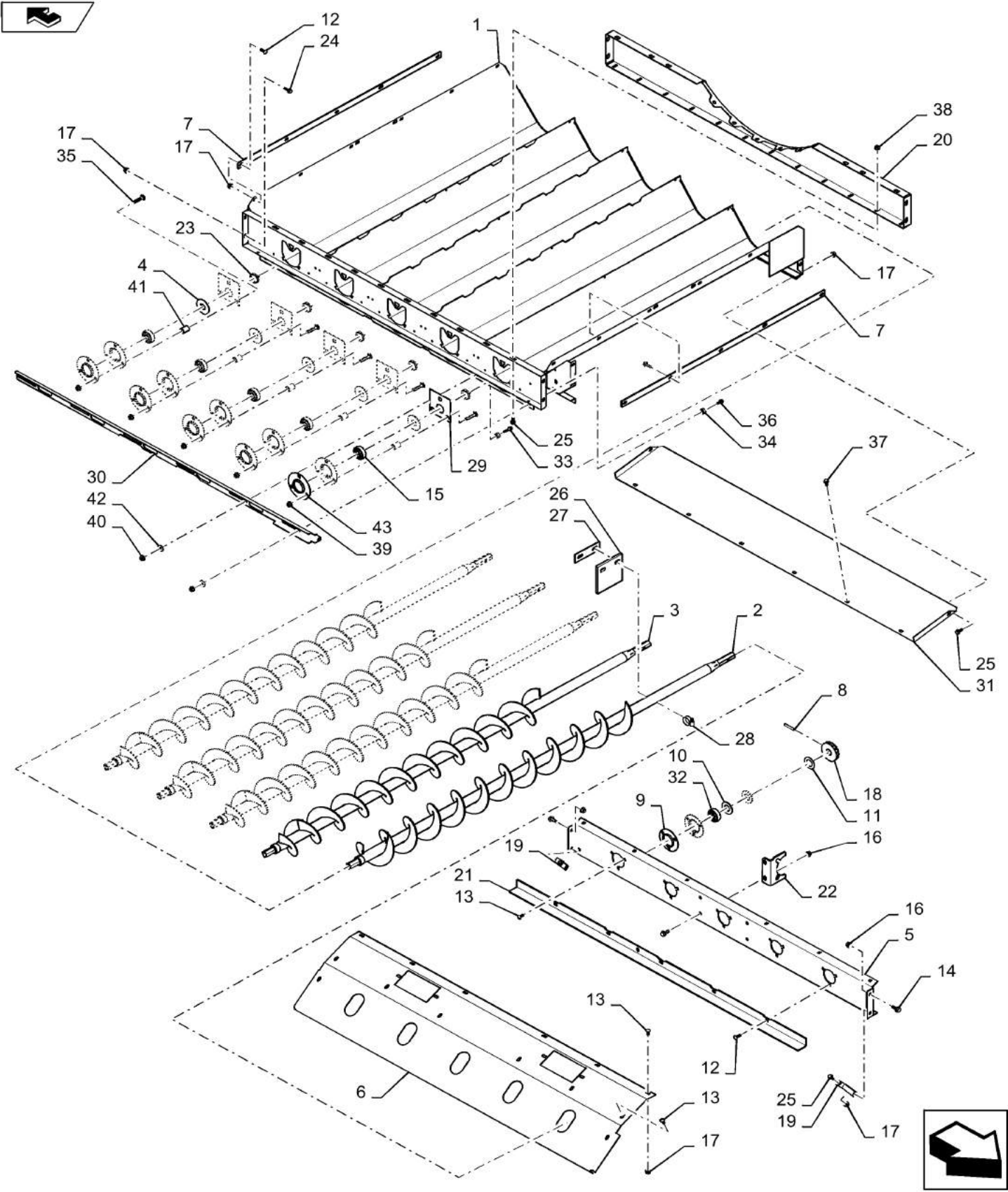


AUGER, UPPER, TAILINGS ELEVATOR

REF FN	PART NUMBER	YR/SN	QTY DESCRIPTION
1	87692304		1 BEARING HOUSING 36.525 mm ID x 177.8 mm OD x 160 mm
2	574940R91		2 NEEDLE BEARING Needle, 25.39mm ID x 33.35mm OD x 25.4mm W 33.325mm OD x 25.4mm ID x 25.4mm
3	564592R91		2 SEAL 23.5mm ID x 36.6mm OD x 6.5mm Thk 36.5mm OD x 25.4mm ID x 6.5mm
4	864982R1		2 THRUST WASHER 1.012" ID x 1.552" OD x 0.93"
5	1324864C91		1 THRUST BEARING 39.67mm OD x 25.4mm ID x 1.984mm
6	87379140		1 AUGER Tailings Delivery
7	84542305		1 SPROCKET 23 Tooth
8	495-81069		5 WASHER 1-1/32" ID x 1-1/2" OD x 3/50" Thk
9	87367		1 WASHER 1.06" ID x 2" OD x 0.13" Thk
10	100016		3 NUT M10 x 1.5, Cl 8
11	219-90		1 LUBE NIPPLE 45°, 1/4" NPT x .80" lg, Drive
12	300484		3 SET SCREW M10 x 30mm
13	126-124		1 WOODRUFF KEY #15, 1/4" x 1", HT

5140-COMBINE - TIER 2

AUGER BED

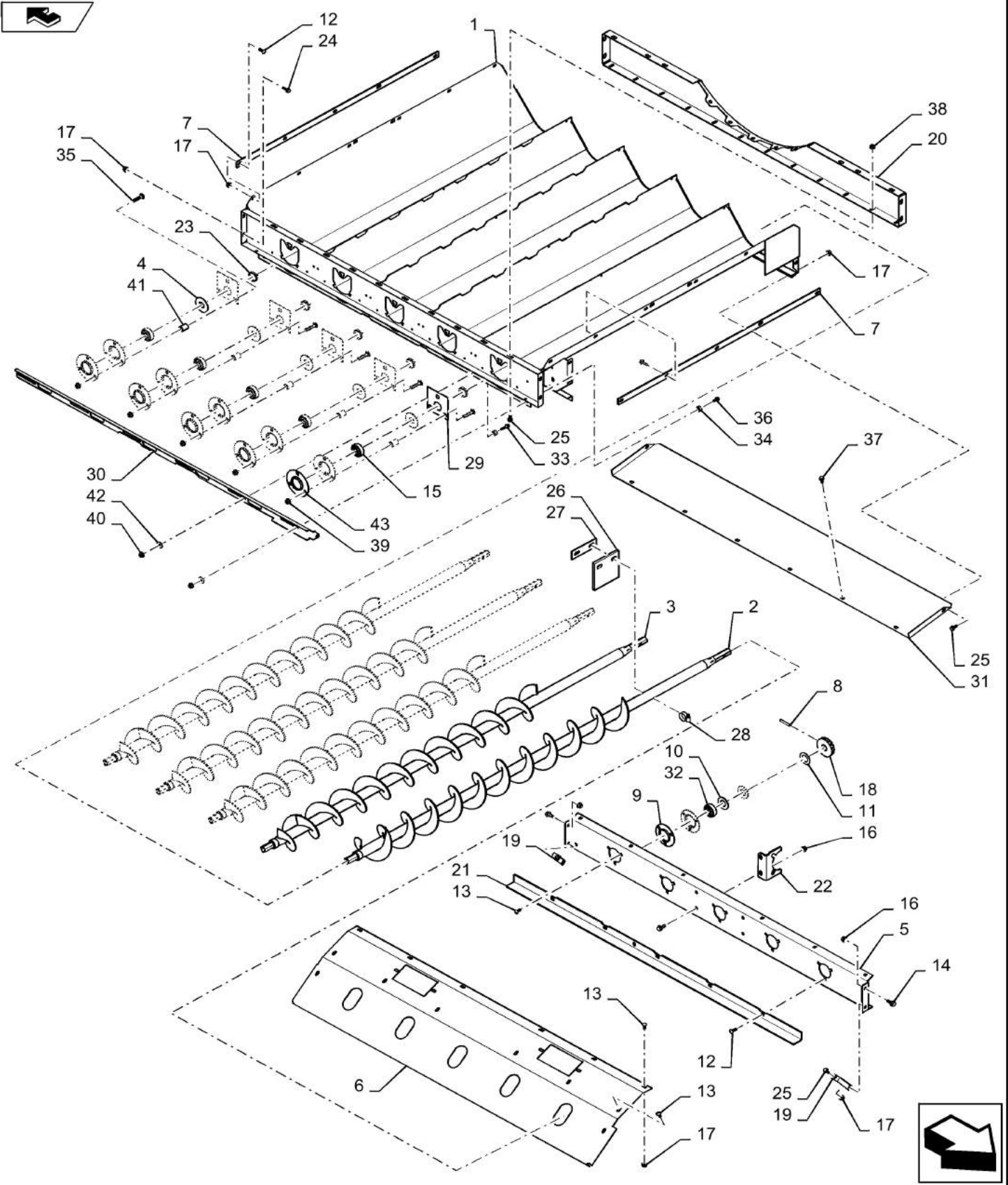


AUGER BED

REF FN	PART NUMBER	YR/SN	QTY DESCRIPTION
1	87594299		1 TROUGH ASSY. Auger Bed
2	87649712		1 AUGER LH
3	87649711		4 AUGER RH
4	87643385		5 COVER Dust Shield
5	87379131		1 SUPPORT Auger Drive Gears
6	87379132		1 SHEET Filler, Rotor To Auger Drive
7	87313058		2 STRAP Auger Trough
8	87040910		5 RETAINER Pin
9	86603075		10 FLANGE Bearing, 52.01 mm ID x 95.3 mm OD x 8.7 mm
10	87367		10 WASHER 1.06" ID x 2" OD x 0.13" Thk
11	86624175		5 WASHER 1.16" ID x 2" OD x 0.06" Thk
12	87682384		15 CARRIAGE BOLT M8 x 1.25 x 25mm, CI 10.9
13	87682383		23 CARRIAGE BOLT M8 x 1.25 x 20mm, CI 10.9
14	87698836		4 BOLT M10 x 25mm, Full Thd, CI 10.9
15	87650438		5 BALL BEARING 22.25mm Hex x 52mm OD x 25.4mm W
16	86050279		4 FLANGE NUT M10 x 1.5, CI 10
17	86507066		69 FLANGE NUT M8 x 1.25, CI 10
18	87375653		5 GEAR 14 Tooth
19	87744771		2 SUPPORT Pan Support
20	192385C1		1 SUPPORT Lower Front
21	84171727		1 ANGLE Auger Support Stiffener
22	84171883		1 SUPPORT Auger Drive Center Bearing
23	306132C1		5 CABLE TIE .30" x 14.5"
24	87698833		4 BOLT M8 x 33.1mm, CI 10.9
25	87656137		27 BOLT M8 x 28.1mm, CI 10.9
26	1302112C1		1 STRIP LH Auger Grain Spreader
27	1302113C1		1 BAR Flap Stiffener
28	84674		2 HOSE CLAMP 33.3mm - 57.1mm

5140-COMBINE - TIER 2

AUGER BED



AUGER BED

REF FN	PART NUMBER	YR/SN	QTY DESCRIPTION
29	87649714		5 COVER ASSY Auger Bed
30	87665145		1 COVER Auger Trough Clean Out
31	87386833		1 SHEET Chaffer Front Seal
32	87650438		5 BALL BEARING 22.25mm Hex x 52mm OD x 25.4mm W
33	87670758		1 FLANGE BOLT M6 x 31.6mm, CI 10.9 Flange,
34	87387134		6 SPACER Auger Bed Cleanout Door
35	87682396		15 CARRIAGE BOLT M10 x 1.5 x 50mm, CI 10.9
36	87695418		5 FLANGE BOLT M6 x 1.0 x 16mm, CI 10.9
37	87656137		6 BOLT M8 x 28.1mm, CI 10.9
38	86507066		6 FLANGE NUT M8 x 1.25, CI 10
39	87547587		15 LOCK NUT Hex, M10 x 1.5, CI 10
40	87301498		6 FLANGE NUT Hex, M6 x 1.0, CI 10
41	384257A1		15 SPACER 13.87mm ID x 21.34mm OD x 28.6mm L 1/2" Pipe
42	495-81006		6 WASHER 6.76mm ID x 19.05mm OD x 1.7mm Thk
43	380288A1		10 FLANGED BEARING 52mm

5140-COMBINE - TIER 2

SECTION INDEX

CROP STORAGE/UNLOADING

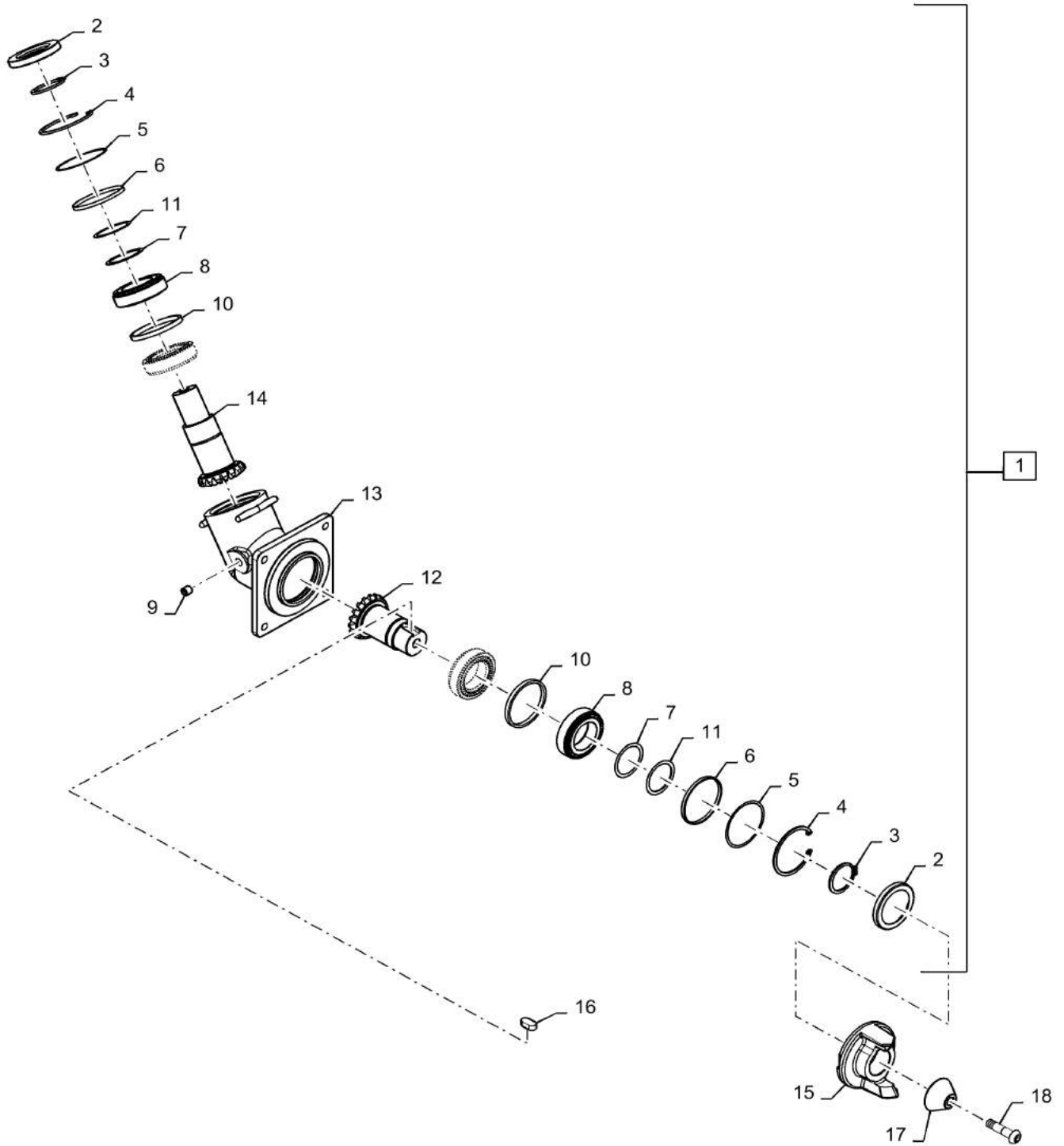
80.101.AE		GEARBOX, BUBBLE-UP AUGER
80.101.AP		TENSIONER, GRAIN ELEVATOR
80.101.AR	01	VAR 722630 - GRAIN ELEVATOR HOUSING, HEAD
80.101.AR	02	VAR 722632 - GRAIN ELEVATOR HOUSING, HEAD
80.101.AR	03	VAR 722630 - GRAIN ELEVATOR HOUSING
80.101.AR	04	VAR 722632 - GRAIN ELEVATOR HOUSING
80.101.BK	01	VAR 722630 - BUBBLE-UP AUGER, ASSY STANDARD
80.101.BK	02	VAR 722632 - BUBBLE-UP AUGER
80.101.CA	01	VAR - 722630 - GRAIN ELEVATOR
80.101.CA	02	VAR - 722632 - GRAIN ELEVATOR
80.101.CA	03	BOOT, CLEAN GRAIN ELEVATOR
80.150.AI		BOTTOM, GRAIN TANK
80.150.AK	01	GRAIN TANK
80.150.AK	02	PANEL, GRAIN TANK, FRONT, RH
80.150.AK	03	PANEL, GRAIN TANK, FRONT, LH
80.150.AR		GRAIN TANK, SUPPORT, LH, RH
80.150.BF	01	VAR - 425472, 425467 - COVER, GRAIN TANK
80.150.BF	02	VAR - 425472, 425467 - DOOR COVER, GRAIN TANK
80.150.BG	01	VAR - 425470 - GRAIN BIN EXTENSION
80.150.BG	02	VAR - 425470 - GRAIN BIN EXTENSION, DOOR PANEL
80.150.BG	03	VAR - 425466 - GRAIN BIN EXTENSION
80.150.BG	04	VAR - 425466 - GRAIN BIN EXTENSION, DOOR
80.150.BG	05	VAR - 425471, 425494 - GRAIN BIN EXTENSION
80.150.BG	06	VAR - 425471, 425494 - GRAIN BIN EXTENSION, DOOR
80.150.BJ		COVER, AUGER, GRAIN TANK
80.175.AD	01	CHAIN, UNLOADING & FLOW, DRIVE
80.175.AD	02	TENSIONER, CHAIN, DRIVE, UNLOADING TUBE
80.175.AG	01	UNLOADER BELT DRIVE ASSY
80.175.AG	02	UNLOADER BELT DRIVE ASSY (CONT.)
80.180.AQ	01	VAR - 425312, 425314, 425313 - EXTENSION, UNLOADING TUBE
80.180.AQ	02	VAR - 722983, 425078, 425077 - EXTENSION, UNLOADING TUBE
80.180.AR	01	GEARBOX, UPPER UNLOADER
80.180.AR	02	GEARBOX, LOWER UNLOADER

SECTION INDEX

CROP STORAGE/UNLOADING

80.180.AU	01	VAR - 425329, 722740, 425330, 425312, 425314, 425313, 722983, 425078, 425077 - UNLOADING TUBE, VERTICAL
80.180.AU	02	VAR - 425329, 722740, 425330, 425312, 425314, 425313, 722983, 425078, 425077 - UNLOADING TUBE, HORIZONTAL

GEARBOX, BUBBLE-UP AUGER

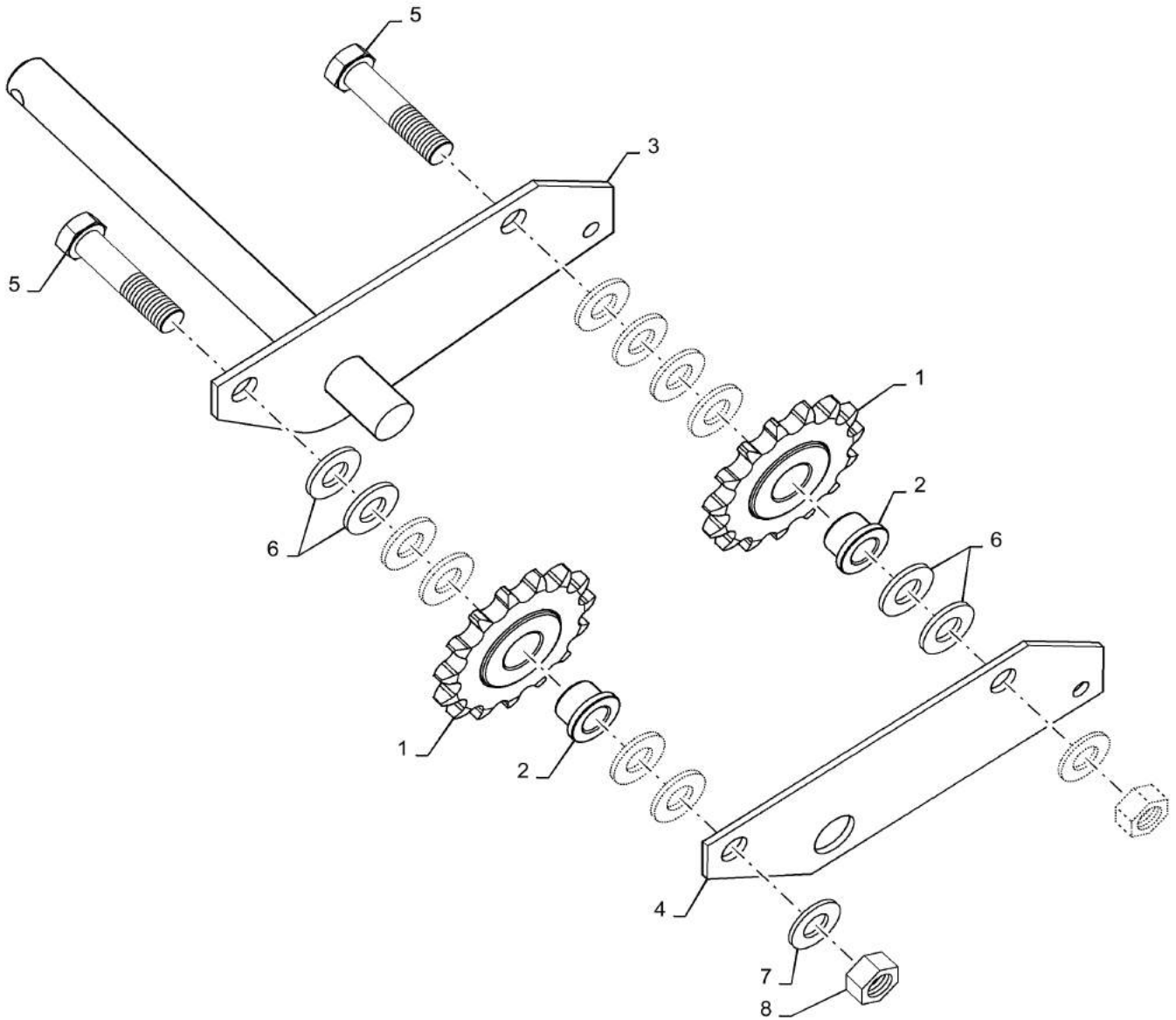


GEARBOX, BUBBLE-UP AUGER

REF FN	PART NUMBER	YR/SN	QTY DESCRIPTION
1	87491124		1 GEARBOX ASSY Bubble Up Auger Drive, Incl 2 - 14
1	87491124R		1 REMAN-GEARBOX Bubble Up Auger Drive, Incl 2 - 14
1	87491124C		1 CORE-GEARBOX Return Number
2	84437282		2 SEAL PROTECTION 45mm ID x 75mm OD x 10mm Thk 61.90mm OD x 41.275mm ID x 8mm
3	84437572		2 SNAP RING M41.5, External
4	382103		2 SNAP RING M75, Internal
5	84437581		4 SHIM KIT 74.8mm OD x 68.3mm ID, .3mm, .35mm, .4mm, .5mm
6	84437569		4 SPACER 71mm ID x 75mm OD x 4.5mm L 75mm OD x 71mm ID x 4.5mm
7	84437580		2 SHIM 45.2mm ID x 54.8mm OD x 1mm Thk
8	84438713		4 TAPERED ROLLER BEARING 45mm ID x 75mm OD x 20mm W 45mm ID
9	84437573		2 PLUG 1/4"
10	84437570		2 SPACER 68mm ID x 75mm OD x 6mm L 75mm x 68mm x 6mm
11	84437582		2 SHIM 54.8mm OD x 45.2mm ID, .3mm, .35mm, .4mm, .5mm
12	84437278		1 GEAR Gearbox Pinion, Output
13	84437272		1 HOUSING Bubble Up Auger Drive
14	87491122		1 SHAFT Gearbox Pinion, Input
15	87470291		1 COUPLING Bubble Up Auger
16	87588870		1 KEY 12mm x 8mm x 25mm 12mm x 8mm x 25mm
17	87695821		1 CONE Bubble Up Auger Alignment
18	84129702		1 HEX SOC SCREW Btn Hd, M12 x 1.75 x 50mm, CI 10.9

5140-COMBINE - TIER 2

TENSIONER, GRAIN ELEVATOR



TENSIONER, GRAIN ELEVATOR

REF FN	PART NUMBER	YR/SN	QTY DESCRIPTION
1	87283101		2 SPROCKET 15T Driven, 15 Tooth
2	84334697		2 BUSHING 17mm ID x 32mm OD x 18.8mm L Hub
3	47475823		1 SUPPORT Double Idler
4	84398019		1 PLATE Elevator Drive Tightener
5	9847468		2 BOLT Hex, M16 x 2 x 70mm, CI 10.9
6	378246		12 WASHER 17mm ID x 34mm OD x 3mm Thk
7	140048		2 BELLEVILLE WASHER M16 x 32mm OD x 2.8mm Thk
8	100020		2 NUT M16 x 2.0, CI 8

5140-COMBINE - TIER 2

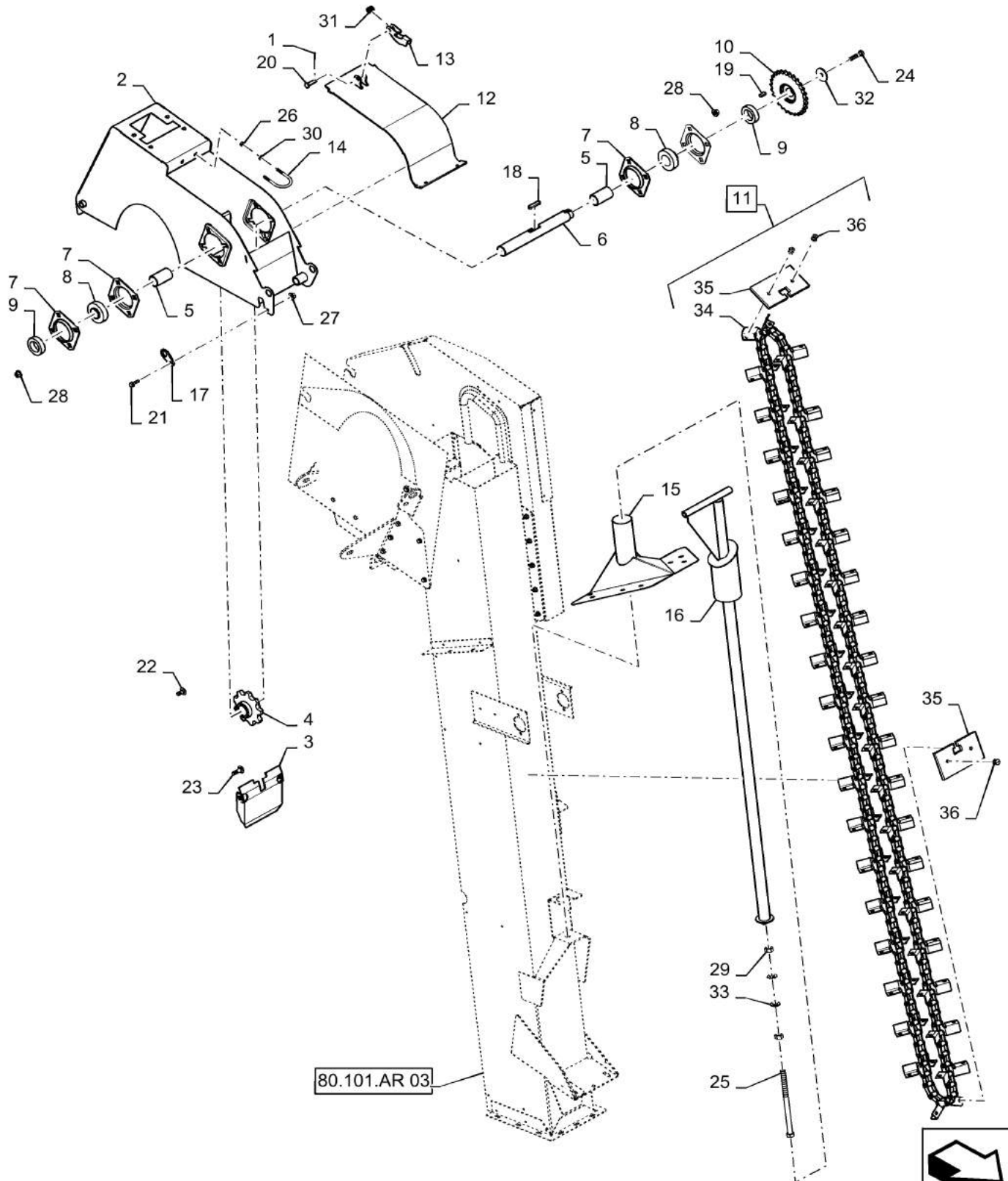
80.101.AR

01

p1

7/2015

VAR 722630 - GRAIN ELEVATOR HOUSING, HEAD



VAR 722630 - GRAIN ELEVATOR HOUSING, HEAD

REF FN	PART NUMBER	YR/SN	QTY DESCRIPTION
1	280251		1 COTTER PIN 3/32" OD x 1" OAL
2	84258176		1 FRAME Elevator Head
3	84202836		1 DIVIDER Crop, Elevator Head
4	87324981		1 SPROCKET 9 Tooth, Chain Drive
5	87337958		2 SPACER 38.35mm ID x 44.45mm OD x 76mm L Elevator Head Shaft
6	87384187		1 SHAFT Elevator Head
7	1307583C1		4 FLANGED BEARING 80mm, 4 Bolt
8	52443		2 BALL BEARING 38.1mm ID x 79.99mm OD x 22mm W
9	87313329		2 COLLAR 38mm, Locking
10	84163939		1 SPROCKET ASSY. Driven, 27 Tooth
11	87365387		1 CONVEYOR ASSY. CA550, 154 Links x 41.4mm = 6375.6mm Grain Elevator, Incl 34 - 36
12	87727685		1 DOOR ASSY. Elevator Head Access
13	86581559		1 HANDLE Door Latch
14	84989315		1 U-BOLT M8 x 1.25 x 26mm Threaded x 63.5mm W x 90.4mm OAL
15	84130477		1 TRAP DOOR Elevator Adjustment
16	84129021		1 ASSEMBLY Adjustment Support
17	84134664		1 BRACKET Support, Compression Lock
18	170056		1 KEY 12mm W x 50mm OAL
19	368317		1 KEY 10mm x 8mm x 25mm 10mm x 8mm x 25mm
20	9507095		1 CLEVIS PIN 10mm OD x 40mm L
21	87656137		1 BOLT M8 x 28.1mm, CI 10.9
22	374895		6 CARRIAGE BOLT M12 x 1.75 x 25mm, CI 8.8
23	328754		2 CARRIAGE BOLT M12 x 1.75 x 40mm, CI 8.8
24	337476		1 BOLT Hex, M12 x 1.75 x 50mm, CI 10.9
25	389034		1 BOLT Hex, M16 x 2 x 251mm, CI 8.8, Full Thd

5140-COMBINE - TIER 2

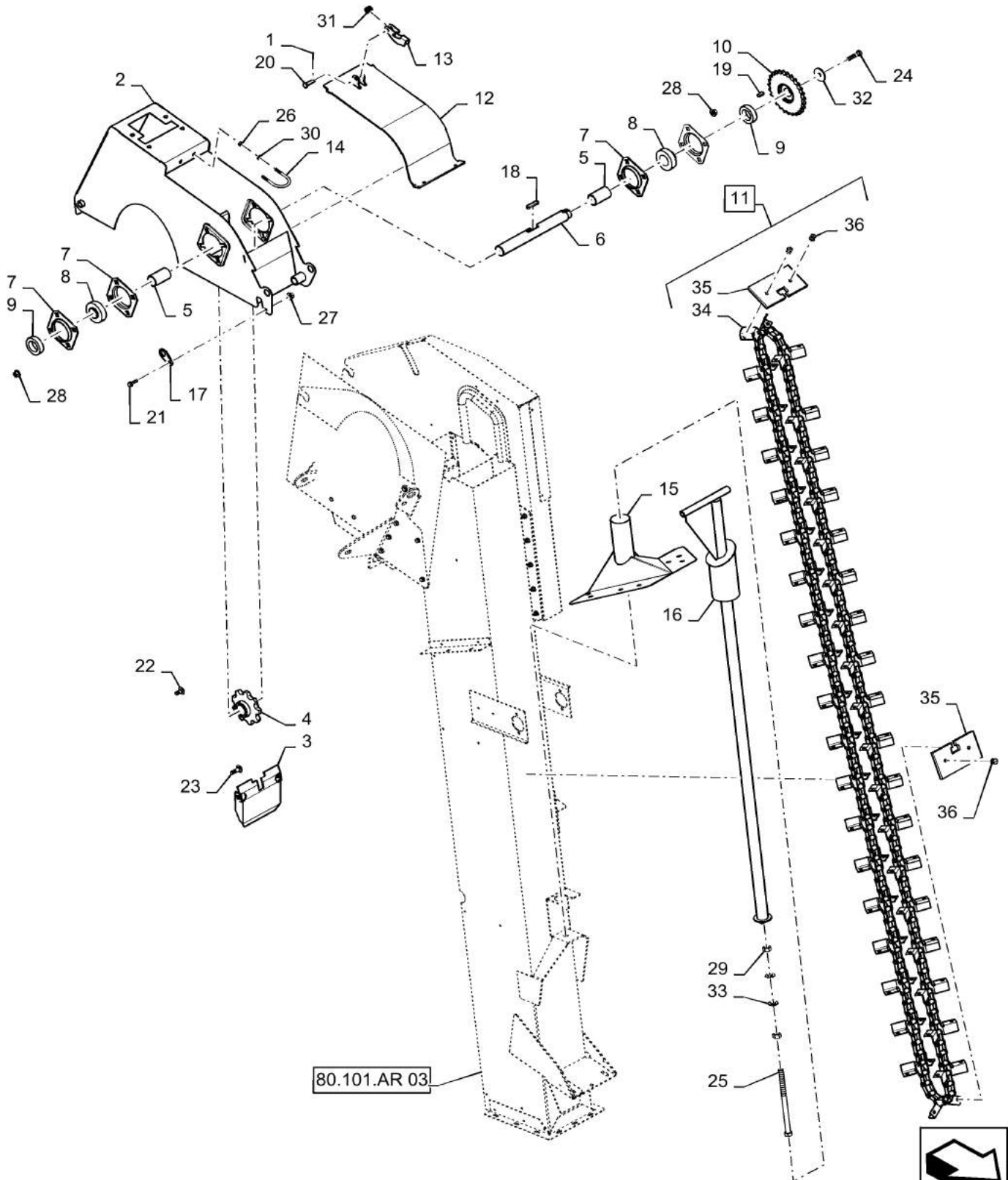
80.101.AR

01

p2

7/2015

VAR 722630 - GRAIN ELEVATOR HOUSING, HEAD



VAR 722630 - GRAIN ELEVATOR HOUSING, HEAD

REF FN	PART NUMBER	YR/SN	QTY DESCRIPTION
26	86629542		2 NUT M8 x 1.25, CI 8
27	86507066		1 FLANGE NUT M8 x 1.25, CI 10
28	86512497		8 FLANGE NUT M12 x 1.75, CI 10
29	100020		2 NUT M16 x 2.0, CI 8
30	322358		2 BELLEVILLE WASHER M8 x 18mm OD x 1.4mm Thk
31	86624176		7 WASHER 11mm ID x 20mm OD x 2mm Thk
32	496-81018		1 WASHER 2" OD x .521" ID x .16" L
33	140048		2 BELLEVILLE WASHER M16 x 32mm OD x 2.8mm Thk
34	87362143		1 CHAIN (AG) CA550, 154 Links x 41.4mm = 6375.6mm Elevator Chain
35	1318493C2		38 RUBBER FLIGHT Elevator Conveyor
36	185053C1		76 RIVET .375" OD x .75" L

5140-COMBINE - TIER 2

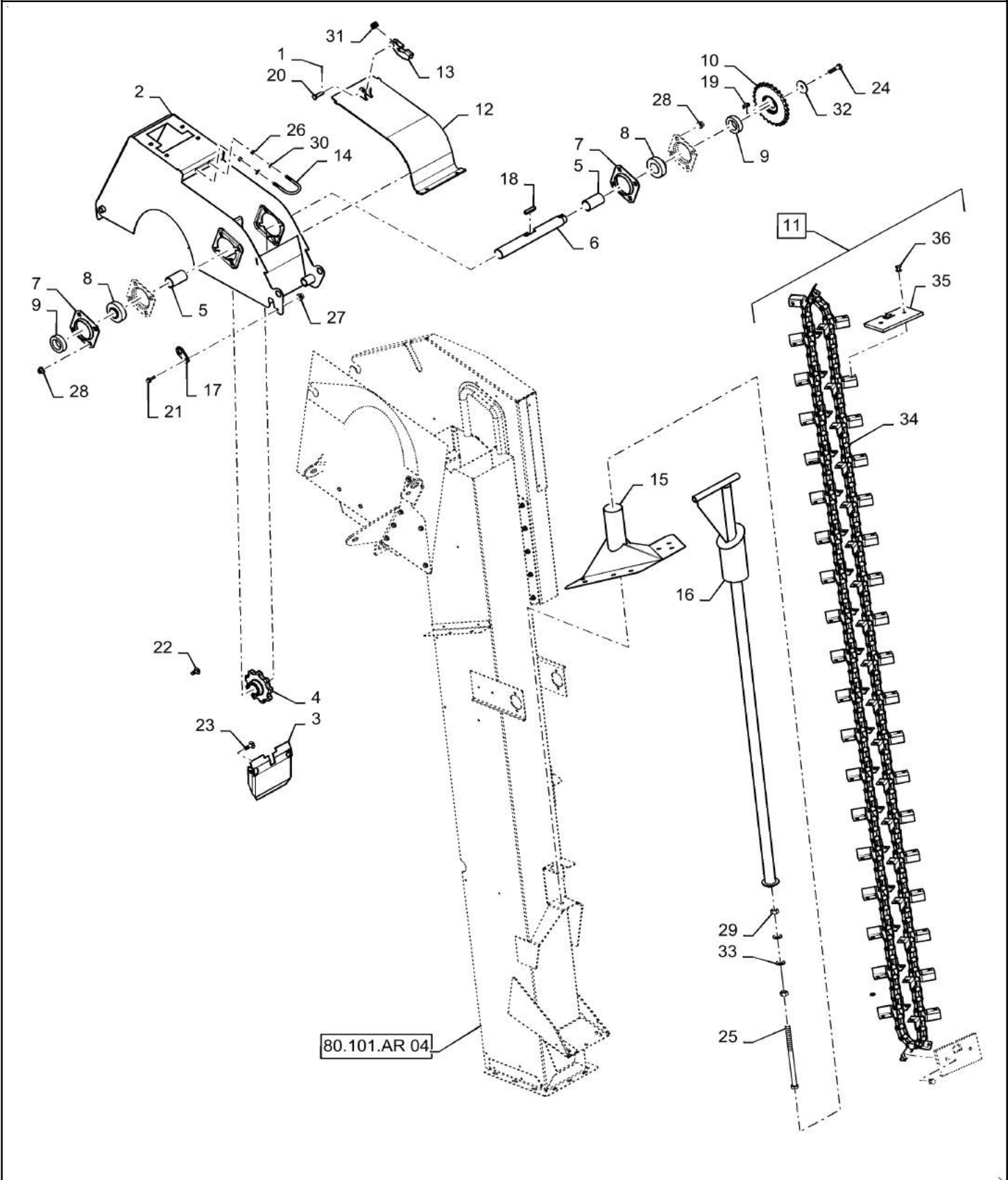
80.101.AR

02

p1

7/2015

VAR 722632 - GRAIN ELEVATOR HOUSING, HEAD



80.101.AR 04

VAR 722632 - GRAIN ELEVATOR HOUSING, HEAD

REF FN	PART NUMBER	YR/SN	QTY DESCRIPTION
1	280251		1 COTTER PIN 3/32" OD x 1" OAL
2	84258176		1 FRAME Elevator Head
3	84202836		1 DIVIDER Crop, Elevator Head
4	87324981		1 SPROCKET 9 Tooth, Chain Drive
5	87337958		2 SPACER 38.35mm ID x 44.45mm OD x 76mm L Elevator Head Shaft
6	87384187		1 SHAFT Elevator Head
7	1307583C1		4 FLANGED BEARING 80mm, 4 Bolt
8	52443		2 BALL BEARING 38.1mm ID x 79.99mm OD x 22mm W
9	87313329		2 COLLAR 38mm, Locking
10	84163939		1 SPROCKET ASSY. Driven, 27 Tooth
11	87365387		1 CONVEYOR ASSY. CA550, 154 Links x 41.4mm = 6375.6mm Grain Elevator, Incl 34 - 36
12	87727685		1 DOOR ASSY. Elevator Head Access
13	86581559		1 HANDLE Door Latch
14	84989315		1 U-BOLT M8 x 1.25 x 26mm Threaded x 63.5mm W x 90.4mm OAL
15	84130477		1 TRAP DOOR Elevator Adjustment
16	84129021		1 ASSEMBLY Adjustment Support
17	84134664		1 BRACKET Support, Compression Lock
18	170056		1 KEY 12mm W x 50mm OAL
19	368317		1 KEY 10mm x 8mm x 25mm 10mm x 8mm x 25mm
20	9507095		1 CLEVIS PIN 10mm OD x 40mm L
21	87656137		1 BOLT M8 x 28.1mm, CI 10.9
22	374895		6 CARRIAGE BOLT M12 x 1.75 x 25mm, CI 8.8
23	328754		2 CARRIAGE BOLT M12 x 1.75 x 40mm, CI 8.8
24	337476		1 BOLT Hex, M12 x 1.75 x 50mm, CI 10.9
25	389034		1 BOLT Hex, M16 x 2 x 251mm, CI 8.8, Full Thd

5140-COMBINE - TIER 2

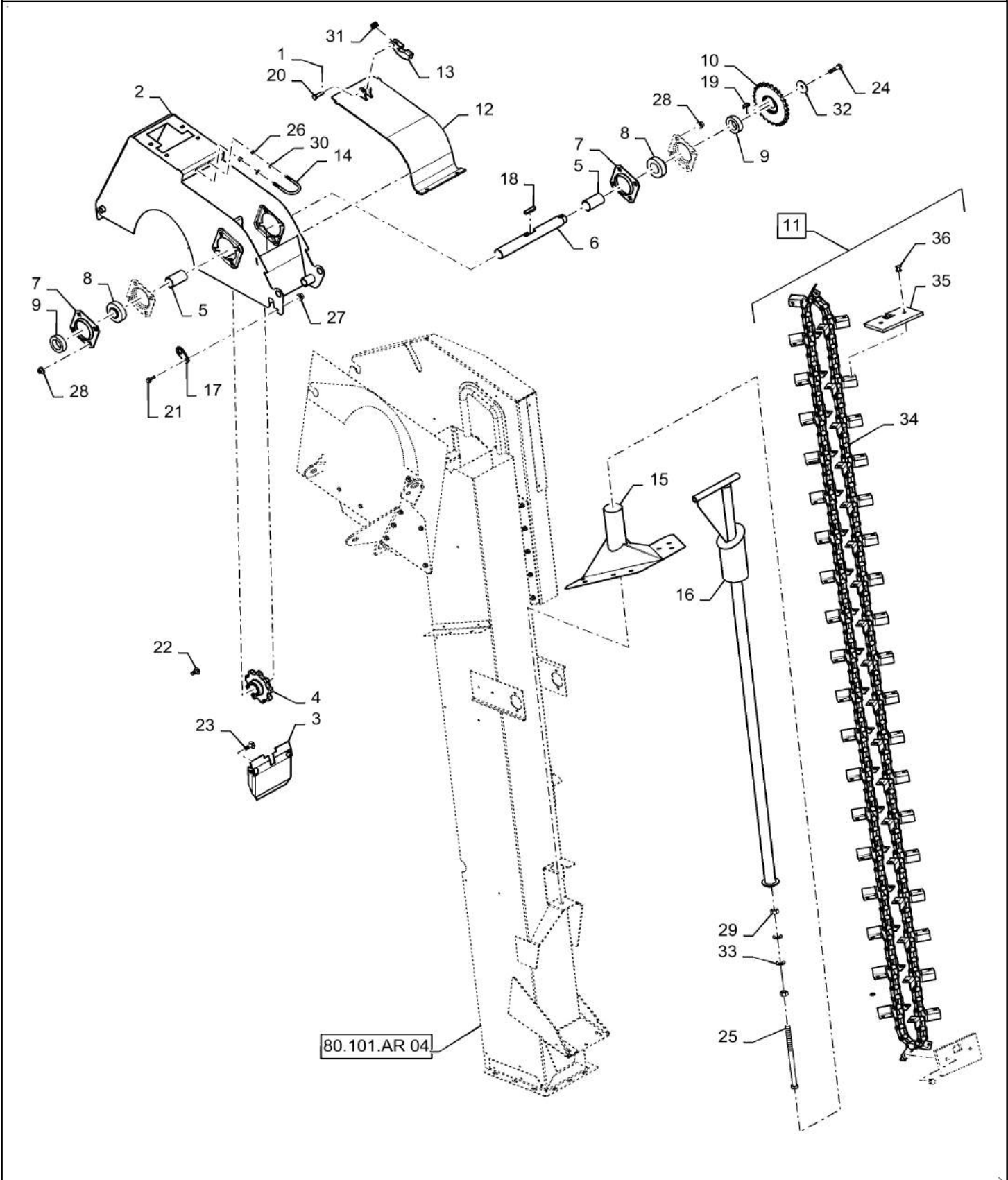
80.101.AR

02

p2

7/2015

VAR 722632 - GRAIN ELEVATOR HOUSING, HEAD

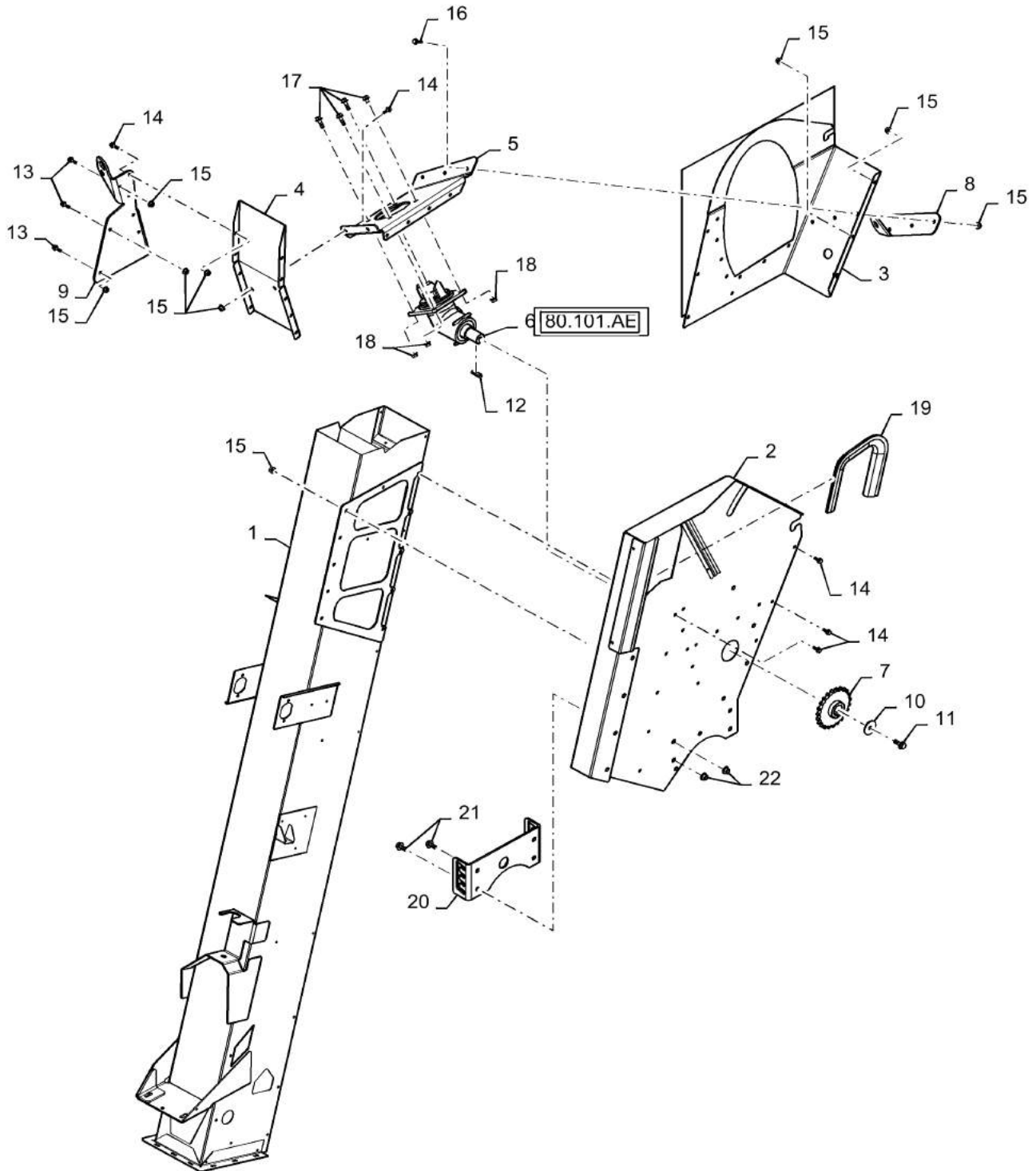


VAR 722632 - GRAIN ELEVATOR HOUSING, HEAD

REF FN	PART NUMBER	YR/SN	QTY DESCRIPTION
26	86629542		2 NUT M8 x 1.25, CI 8
27	86507066		1 FLANGE NUT M8 x 1.25, CI 10
28	86512497		8 FLANGE NUT M12 x 1.75, CI 10
29	100020		2 NUT M16 x 2.0, CI 8
30	322358		2 BELLEVILLE WASHER M8 x 18mm OD x 1.4mm Thk
31	86624176		7 WASHER 11mm ID x 20mm OD x 2mm Thk
32	496-81018		1 WASHER 2" OD x .521" ID x .16"
33	140048		2 BELLEVILLE WASHER M16 x 32mm OD x 2.8mm Thk
34	87362143		1 CHAIN (AG) CA550, 154 Links x 41.4mm = 6375.6mm Elevator Chain
35	1318493C2		38 RUBBER FLIGHT Elevator Conveyor
36	185053C1		76 RIVET .375" OD x .75"

5140-COMBINE - TIER 2

VAR 722630 - GRAIN ELEVATOR HOUSING



VAR 722630 - GRAIN ELEVATOR HOUSING

REF FN	PART NUMBER	YR/SN	QTY DESCRIPTION
1	84398020		1 FRAME Clean Grain Elevator, Standard Wear
2	84122309		1 PANEL ASSY. Elevator Head And Gearbox Support
3	84135527		1 FRAME ASSY Gearbox And Elevator Head
4	84122801		1 WALL Bubbler Auger Sump
5	84122793		1 BRACKET Gearbox And Bubbler Auger
6	87491126		1 GEARBOX Gearbox, Bubbler Auger W/ Coupler
7	84167767		1 SPROCKET ASSY. Bubbler Driven, 23 Tooth
8	87656574		1 PLATE Auger Hinge
9	87653731		1 BRACKET Bubbler Hinge, Rear
10	496-81018		1 WASHER 2" OD x .521" ID x .134"
11	87030508		1 BOLT M12 x 30 Full 10.9 ZND
12	354775		1 KEY 10mm x 8mm x 40mm
13	87698833		3 BOLT M8 x 33.1mm, CI 10.9
14	87656137		31 BOLT M8 x 28.1mm, CI 10.9
15	86507066		37 FLANGE NUT M8 x 1.25, CI 10
16	87030775		3 BOLT M8 x 38.1mm, CI 10.9
17	87698837		4 FLANGE BOLT M10 x 30mm, Full Thd, CI 10.9
18	86050279		4 FLANGE NUT M10 x 1.5, CI 10
19	87703603		1 SEAL 610mm L Elevator Head
20	84126497		1 BRACKET, SUPPORTING Auger Cover
21	87343550		2 FLANGE BOLT Hex HD M12x25 ZND
22	86512497		2 FLANGE NUT M12 x 1.75, CI 10

5140-COMBINE - TIER 2

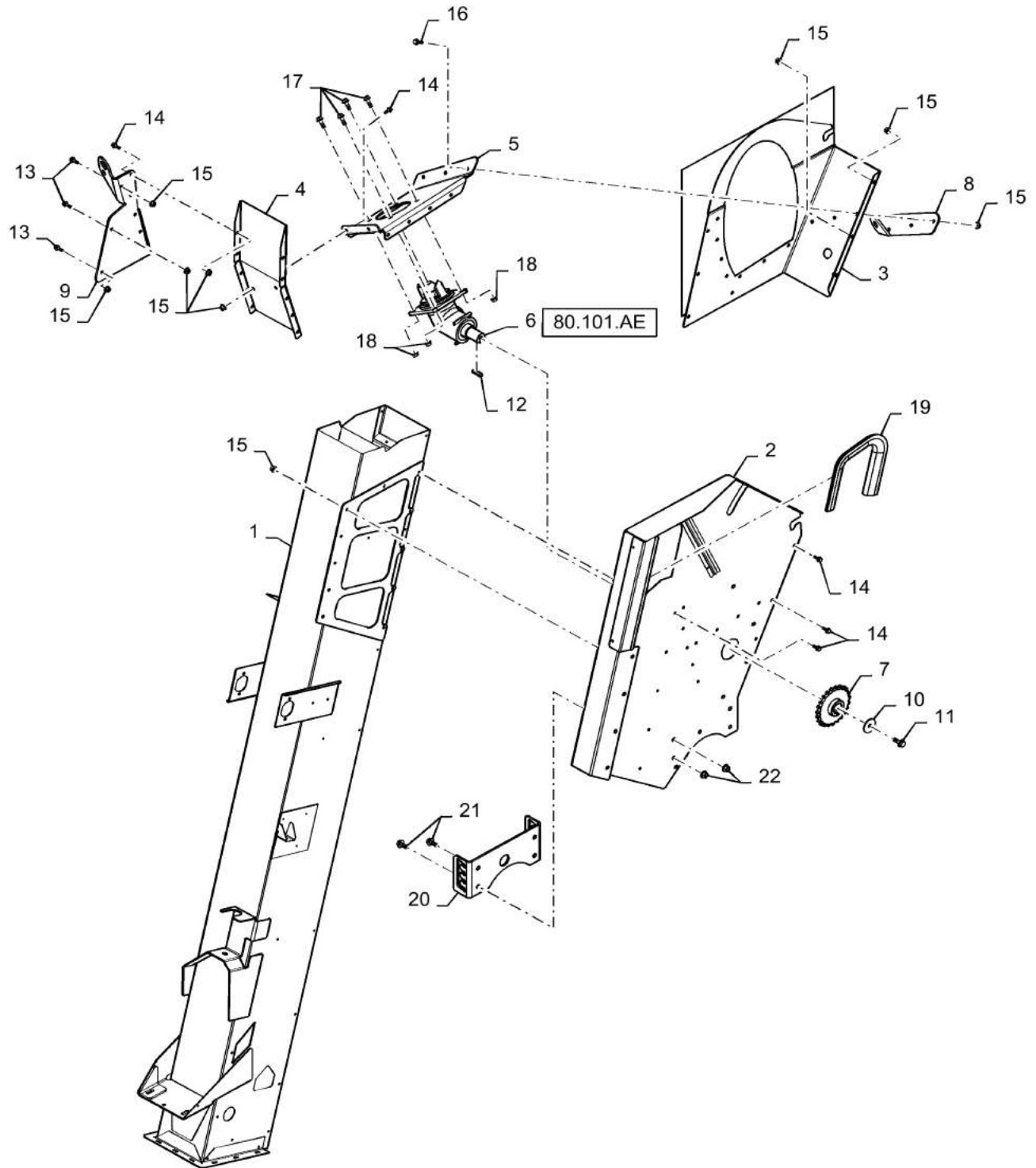
80.101.AR

04

p1

7/2015

VAR 722632 - GRAIN ELEVATOR HOUSING



VAR 722632 - GRAIN ELEVATOR HOUSING

REF FN	PART NUMBER	YR/SN	QTY DESCRIPTION
1	84398072		1 FRAME Clean Grain Elevator, Extended Wear
2	84122309		1 PANEL ASSY. Elevator Head And Gearbox Support
3	84135526		1 FRAME ASSY Extended Wear
4	84122805		1 WALL Bubbler Auger Sump, Extended Wear
5	84122793		1 BRACKET Gearbox And Bubbler Auger
6	87491126		1 GEARBOX Gearbox, Bubbler Auger W/ Coupler
7	84167767		1 SPROCKET ASSY. Bubbler Driven
8	87656574		1 PLATE Auger Hinge
9	87653731		1 BRACKET Bubbler Hinge, Rear
10	496-81018		1 WASHER 2" OD x .521" ID x .16" L
11	87030508		1 BOLT M12 x 30 Full 10.9 ZND
12	354775		1 KEY 10mm x 8mm x 40mm
13	87698833		3 BOLT M8 x 33.1mm, CI 10.9
14	87656137		31 BOLT M8 x 28.1mm, CI 10.9
15	86507066		37 FLANGE NUT M8 x 1.25, CI 10
16	87030775		3 BOLT M8 x 38.1mm, CI 10.9
17	87698837		4 FLANGE BOLT M10 x 30mm, Full Thd, CI 10.9
18	86050279		4 FLANGE NUT M10 x 1.5, CI 10
19	87703603		1 SEAL 610mm L Elevator Head, Bulb
20	84126497		1 BRACKET, SUPPORTING Auger Cover
21	87343550		2 FLANGE BOLT Hex HD M12x25 ZND
22	86512497		2 FLANGE NUT M12 x 1.75, CI 10

5140-COMBINE - TIER 2

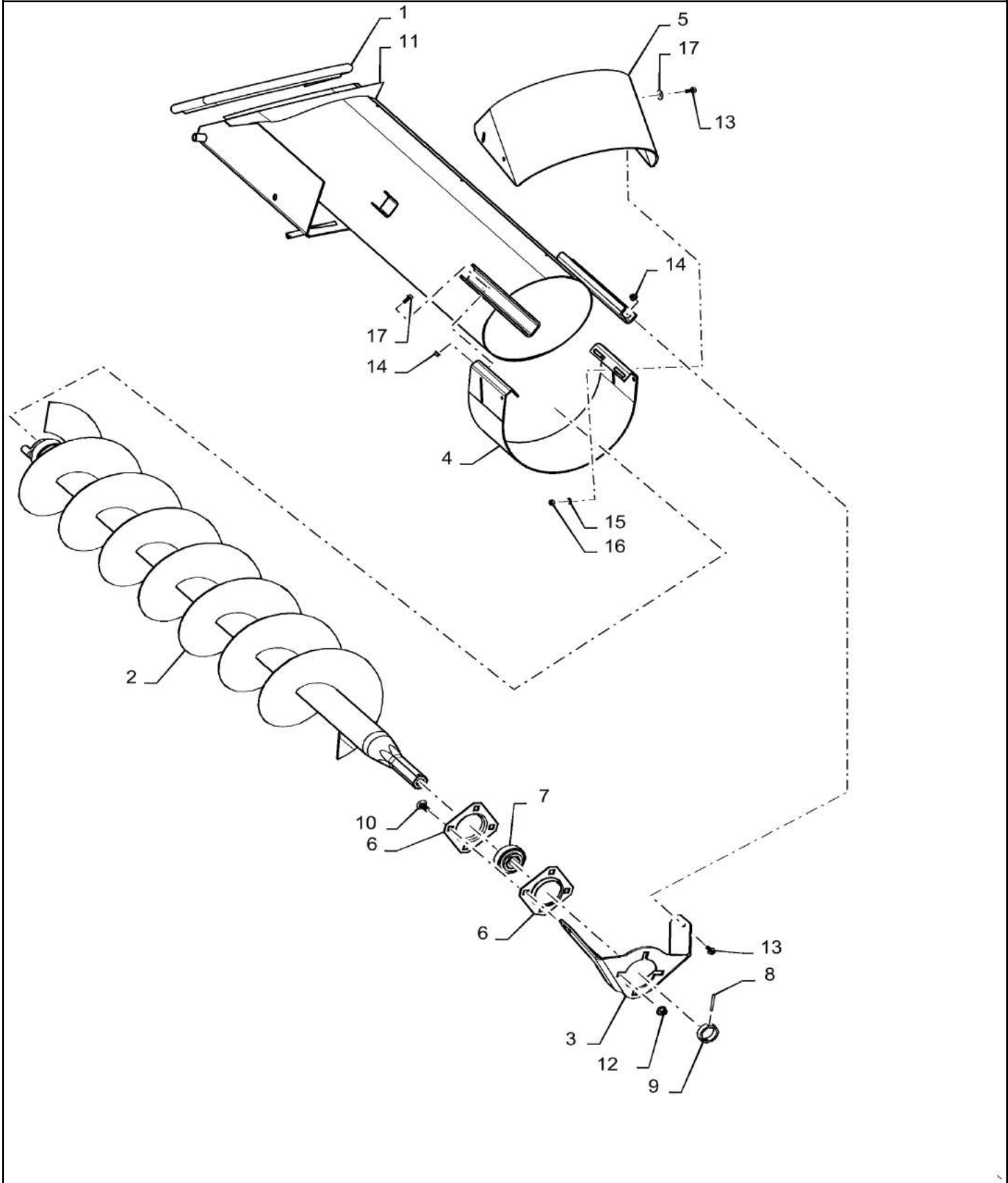
80.101.BK

01

p1

7/2015

VAR 722630 - BUBBLE-UP AUGER, ASSY STANDARD



VAR 722630 - BUBBLE-UP AUGER, ASSY STANDARD

REF FN	PART NUMBER	YR/SN	QTY DESCRIPTION
1	87676889		1 RUBBER SEAL 995mm L Bulb Seal, Bubbler Auger
2	84577410		1 AUGER Bubbler
3	87563887		1 SUPPORT Bubbler Auger Bearing
4	84138953		1 DEFLECTOR Bubbler Auger
5	87676889		4 RUBBER SEAL 995mm L
6	1307583C1		2 FLANGED BEARING 80mm, 4 Bolt
7	694444		1 BALL BEARING 34.95mm Hex x 80mm OD x 36.51mm W Bubbler Auger
8	84024216		1 LOCK PIN 5mm OD x 50mm L, Slotted
9	87571176		1 COLLAR 41.28mm ID x 50.8mm OD x 15mm L 50.8mm OD x 41.28mm ID x 15mm
10	120044		4 CARRIAGE BOLT M12 x 1.75 x 36.8mm, CI 8.8
11	84173040		1 HOUSING ASSY. Bubbler
12	86512497		4 FLANGE NUT M12 x 1.75, CI 10
13	87656137		12 BOLT M8 x 28.1mm, CI 10.9
14	86507066		8 FLANGE NUT M8 x 1.25, CI 10
15	140016		4 WASHER M8 x 16mm OD x 1.6mm Thk
16	86629542		4 NUT M8 x 1.25, CI 8
17	87013865		4 WASHER 9mm ID x 28mm OD x 1.6mm Thk

5140-COMBINE - TIER 2

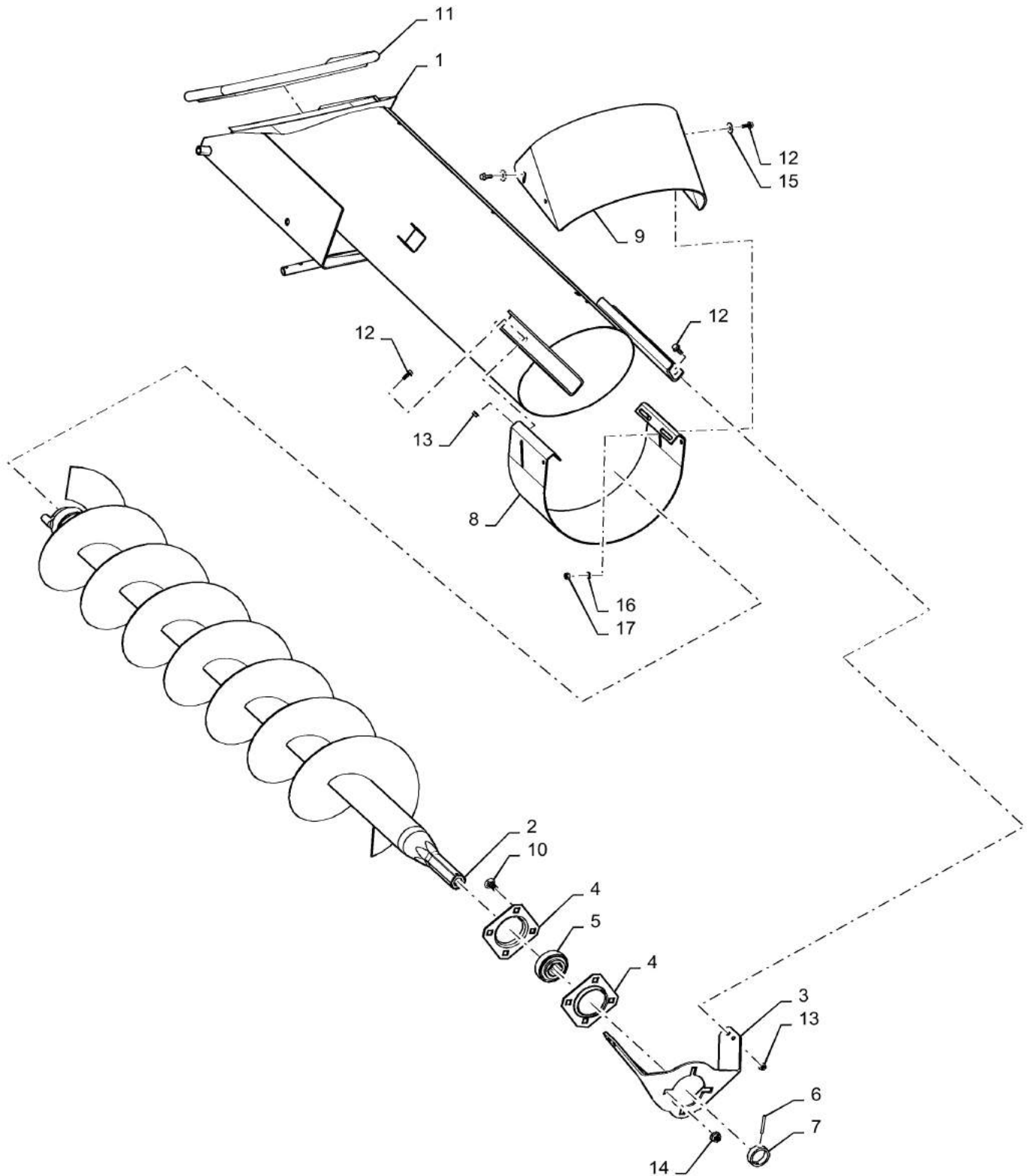
80.101.BK

02

p1

7/2015

VAR 722632 - BUBBLE-UP AUGER



VAR 722632 - BUBBLE-UP AUGER

REF FN	PART NUMBER	YR/SN	QTY DESCRIPTION
1	47512735		1 BUBBLE-UP Tube, Extended Wear
2	84577410		1 AUGER Extended Wear
3	84408234		1 SUPPORT Bubbler Auger Bearing
4	1307583C1		2 FLANGED BEARING 80mm, 4 Bolt
5	694444		1 BALL BEARING 34.95mm Hex x 80mm OD x 36.51mm W
6	84024216		1 LOCK PIN 5mm OD x 50mm L, Slotted
7	87571176		1 COLLAR 41.28mm ID x 50.8mm OD x 15mm L Locking, 80.8mm OD x 41.28mm ID x 15mm L
8	84138953		1 DEFLECTOR Bubbler Auger
9	84138950		1 DEFLECTOR Bubbler Auger
10	120044		1 CARRIAGE BOLT M12 x 1.75 x 36.8mm, CI 8.8
11	87676889		1 RUBBER SEAL 995mm L Trim, Bulb
12	87656137		12 BOLT M8 x 28.1mm, CI 10.9
13	86507066		8 FLANGE NUT M8 x 1.25, CI 10
14	86512497		4 FLANGE NUT M12 x 1.75, CI 10
15	87013865		4 WASHER 9mm ID x 28mm OD x 1.6mm Thk
16	140016		4 WASHER M8 x 16mm OD x 1.6mm Thk
17	86629542		4 NUT M8 x 1.25, CI 8

5140-COMBINE - TIER 2

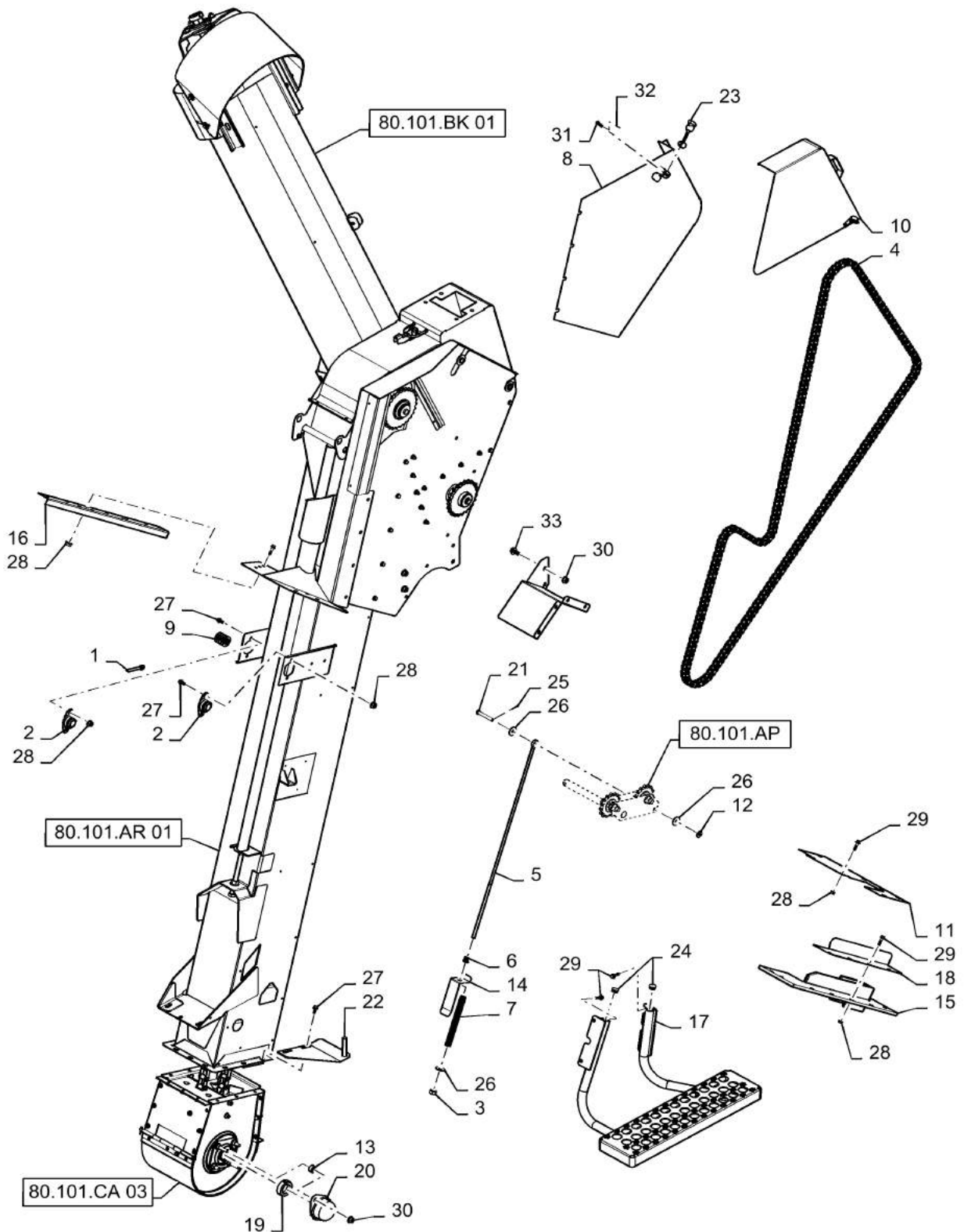
80.101.CA

01

p1

7/2015

VAR - 722630 - GRAIN ELEVATOR



VAR - 722630 - GRAIN ELEVATOR

REF FN	PART NUMBER	YR/SN	QTY DESCRIPTION
1	300602		1 COTTER PIN 10mm x 63mm
2	682452		2 FLANGED BEARING 25.46mm ID 25.4mm ID
3	829-1410		2 NUT M10 x 1.5, CI 10.9
4	84163936		1 CHAIN (AG) 60H, 224 Links x 19.05mm = 4267.2mm Clean Grain Elevator Drive
5	87365605		1 EYEBOLT Elevator Tightener
6	87697440		1 FLANGED BEARING 10.5 mm ID x 19 mm OD x 15.8 mm
7	523677R1		1 SPRING Tension, 204mm
8	84121900		1 SHIELD Bubbler Drive
9	87602935		5 WASHER 1.06" ID x 1.62" OD x 0.07" Thk 1.625" OD x 1.0625" ID x 0.065"
10	84130534		1 COVER ASSY Bubbler Drive
11	84410229		1 PLATE Elevator, Front
12	13550421		1 WASHER 10.2mm ID x 20mm OD x 2mm Thk 20mm OD x 10.2mm ID x 2mm L
13	168368		2 SPACER 13.4mm ID x 25.4mm OD x 11.1mm OAL .99" OD x .53" ID x .437" L
14	84209641		1 BRACKET Indicator, Elevator Chain Tension
15	84402983		1 GUIDE Elevator Chain Drive
16	1317475C1		1 BRACKET Angle, Tank Bottom
17	84172835		1 STEP Grain Elevator Access
18	84410232		1 ANGLE Drive Tunnel
19	87313329		1 COLLAR 38mm, Locking
20	86996082		1 COVER Cross Auger
21	87668381		1 PIN Clevis, 10mm x 75mm
22	87706141		1 SUPPORT Bracket, Lower RH Door
23	494307C1		1 LATCH Bubbler Drive Shield
24	86627131		2 PLUG Dome, .875" hole, Nylon
25	733-3220		1 COTTER PIN M3.2 x 20

5140-COMBINE - TIER 2

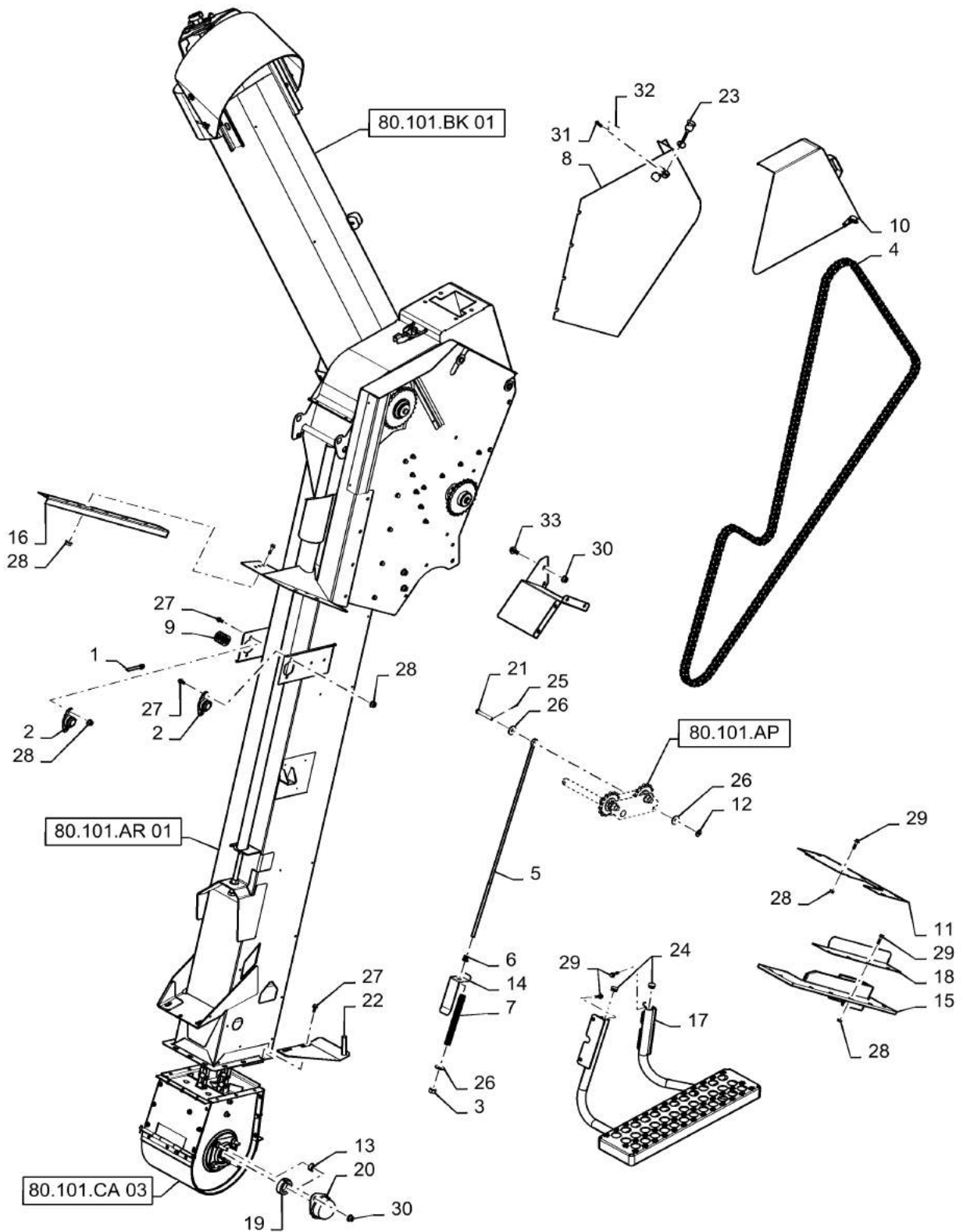
80.101.CA

01

p2

7/2015

VAR - 722630 - GRAIN ELEVATOR



80.101.CA

01

p2

7/2015

VAR - 722630 - GRAIN ELEVATOR

REF FN	PART NUMBER	YR/SN	QTY DESCRIPTION
26	12644301		5 WASHER M10 x 35 x 3
27	87656137		24 BOLT M8 x 28.1mm, CI 10.9
28	86507066		37 FLANGE NUT M8 x 1.25, CI 10
29	87030775		24 BOLT M8 x 38.1mm, CI 10.9
30	86512497		4 FLANGE NUT M12 x 1.75, CI 10
31	728-640		1 RETAINER Clevis, 6mm x 40mm
32	733-1610		1 COTTER PIN M1.6 x 10
33	87343550		2 FLANGE BOLT Hex HD M12x25 ZND

5140-COMBINE - TIER 2

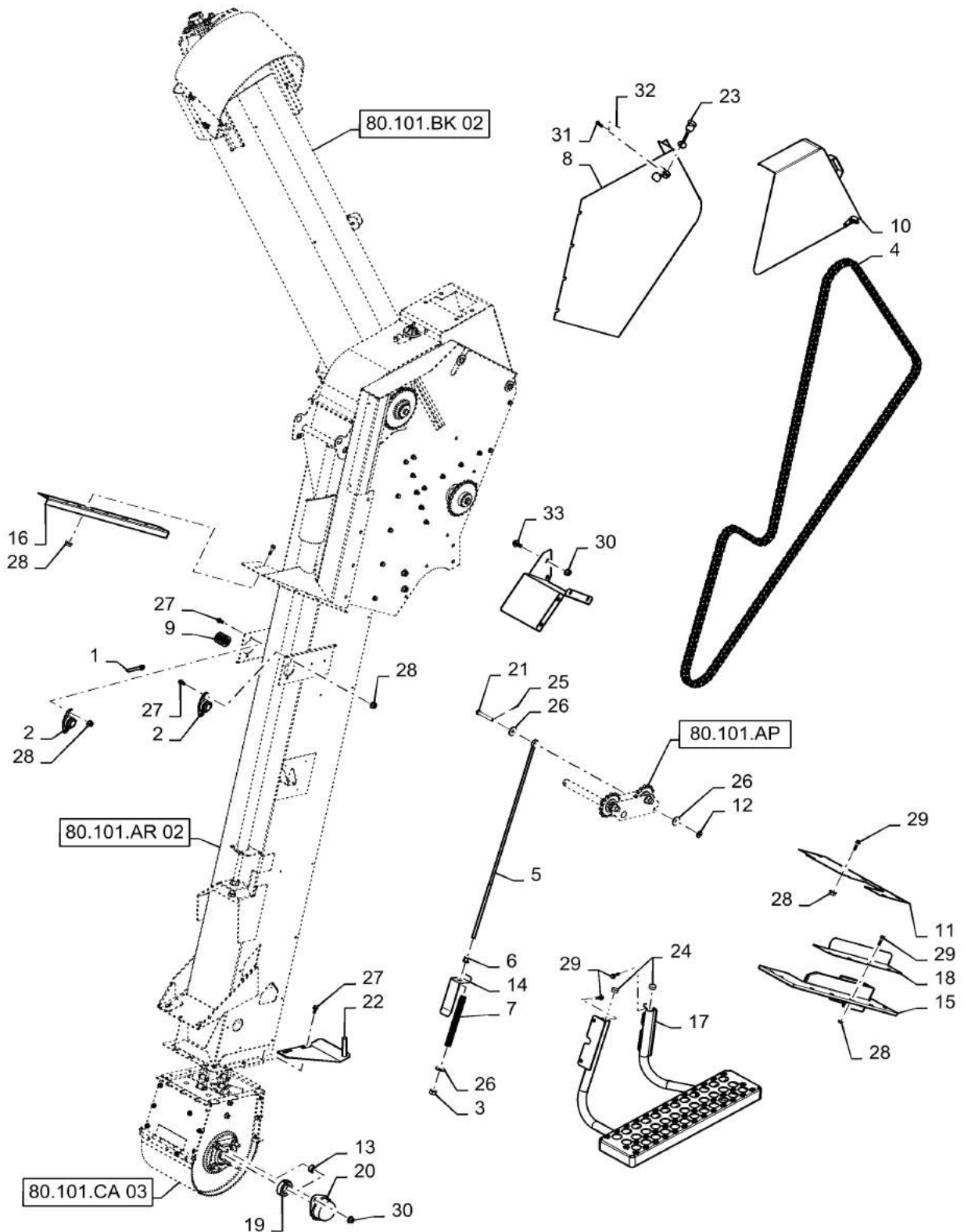
80.101.CA

02

p1

7/2015

VAR - 722362 - GRAIN ELEVATOR

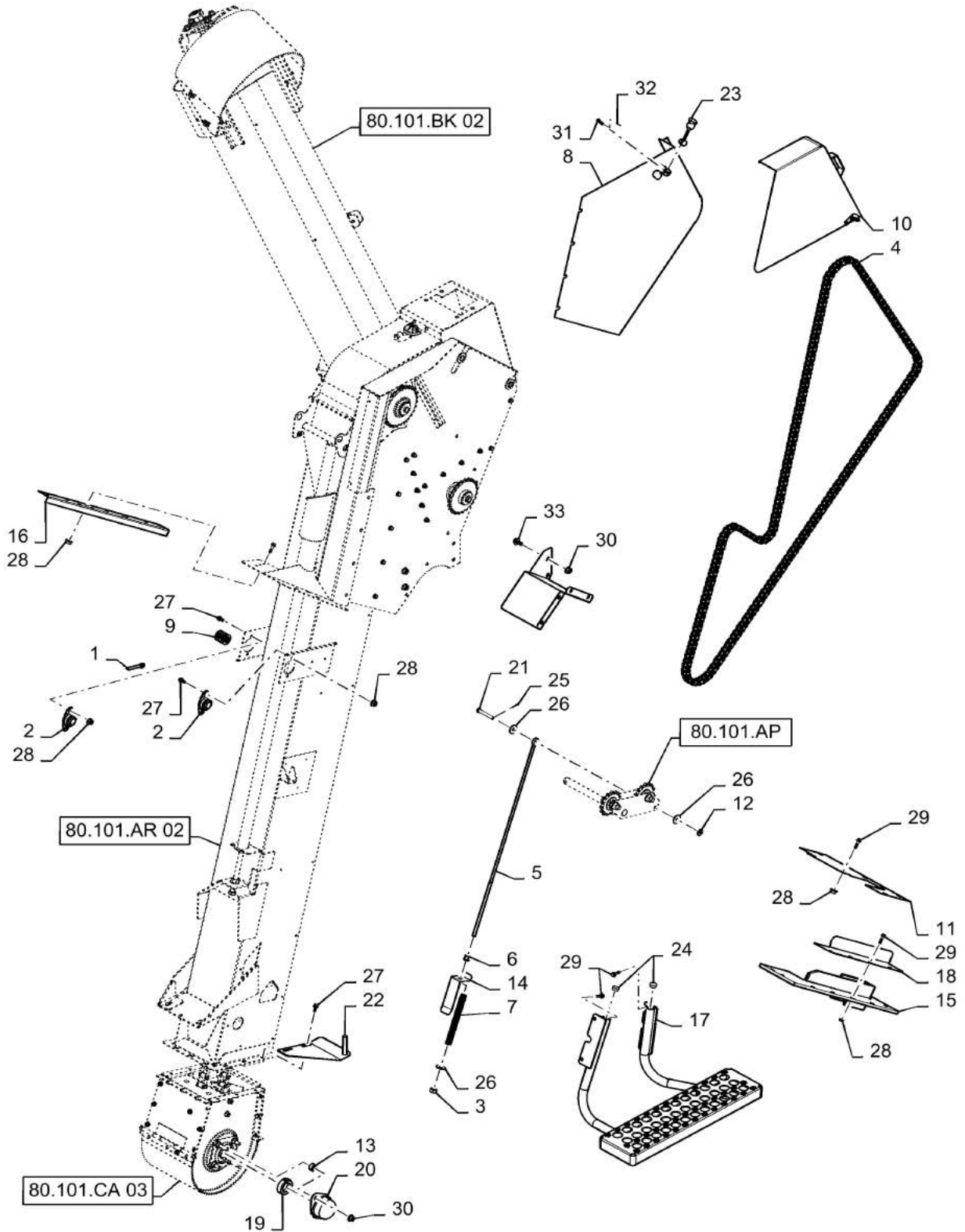


VAR - 722362 - GRAIN ELEVATOR

REF FN	PART NUMBER	YR/SN	QTY DESCRIPTION
1	300602		1 COTTER PIN 10mm x 63mm
2	682452		2 FLANGED BEARING 25.46mm ID 25.4mm ID
3	829-1410		2 NUT M10 x 1.5, CI 10.9
4	84163936		1 CHAIN (AG) 60H, 224 Links x 19.05mm = 4267.2mm Clean Grain Elevator Drive
5	87365605		1 EYEBOLT Elevator Tightener
6	87697440		1 FLANGED BEARING 10.5 mm ID x 19 mm OD x 15.8 mm
7	523677R1		1 SPRING Tension, 204mm
8	84121900		1 SHIELD Bubbler Drive
9	87602935		5 WASHER 1.06" ID x 1.62" OD x 0.07" Thk 1.625" OD x 1.0625" ID x .065" L
10	84130534		1 COVER ASSY Bubbler Drive
11	84410229		1 PLATE Elevator, Front
12	13550421		1 WASHER 10.2mm ID x 20mm OD x 2mm Thk 20mm OD x 10.2mm ID x 2mm L
13	168368		2 SPACER 13.4mm ID x 25.4mm OD x 11.1mm OAL .99" OD x .53" ID x .437" L
14	84209641		1 BRACKET Indicator, Elevator Chain Tension
15	84402983		1 GUIDE Elevator Chain Drive
16	1317475C1		1 BRACKET Angle, Tank Bottom
17	84172835		1 STEP Grain Elevator Access
18	84410232		1 ANGLE Drive Tunnel
19	87313329		1 COLLAR 38mm, Locking
20	86996082		1 COVER Cross Auger
21	87668381		1 PIN Clevis, 10mm x 75mm
22	87706141		1 SUPPORT Bracket, Lower RH Door
23	494307C1		1 LATCH Bubbler Drive Shield
24	86627131		2 PLUG Dome, .875" hole, Nylon
25	733-3220		1 COTTER PIN M3.2 x 20

5140-COMBINE - TIER 2

VAR - 722362 - GRAIN ELEVATOR

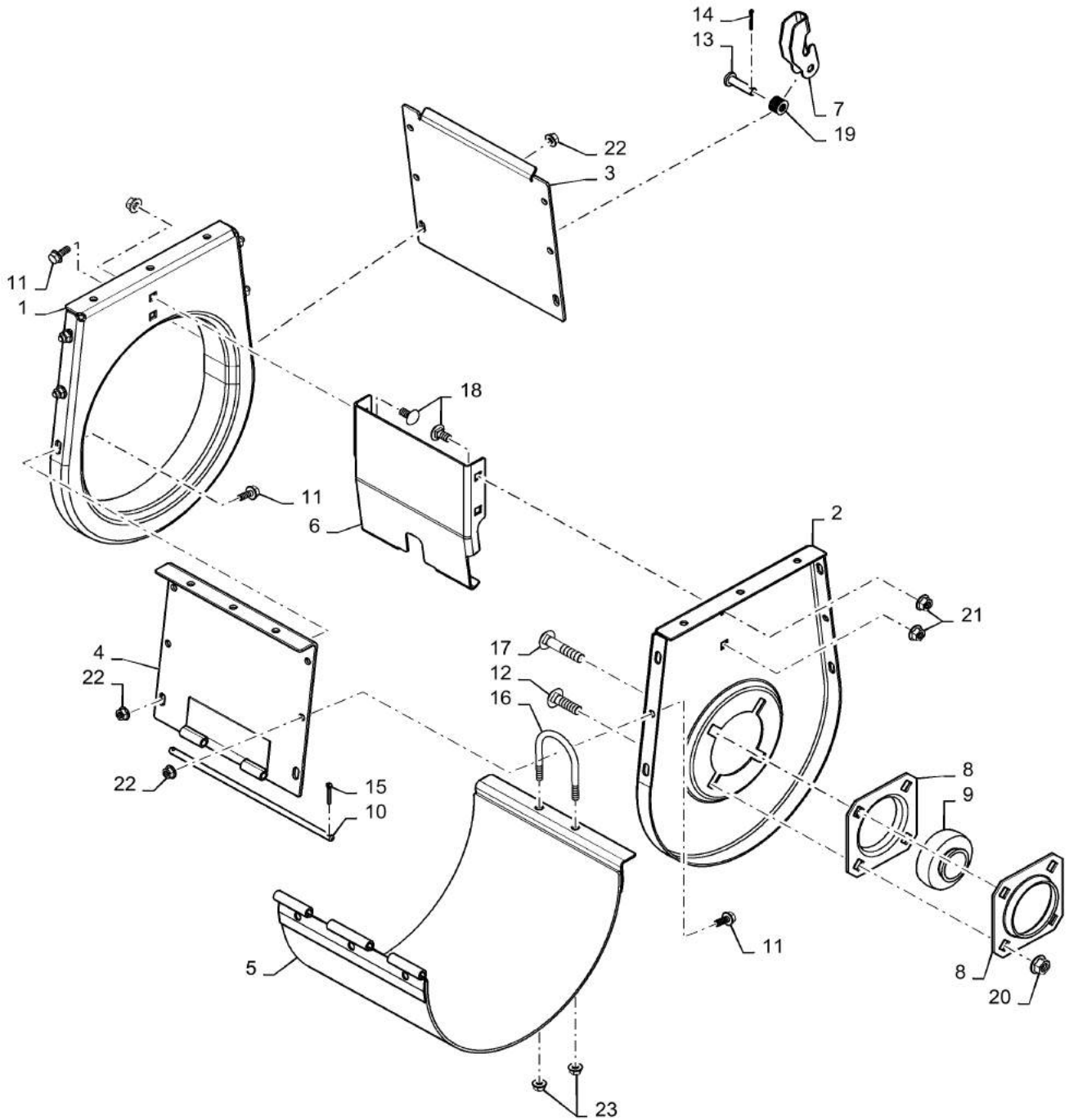


VAR - 722362 - GRAIN ELEVATOR

REF FN	PART NUMBER	YR/SN	QTY DESCRIPTION
26	12644301		5 WASHER M10 x 35 x 3
27	87656137		24 BOLT M8 x 28.1mm, CI 10.9
28	86507066		37 FLANGE NUT M8 x 1.25, CI 10
29	87030775		24 BOLT M8 x 38.1mm, CI 10.9
30	86512497		4 FLANGE NUT M12 x 1.75, CI 10
31	728-640		1 RETAINER Clevis, 6mm x 40mm
32	733-1610		1 COTTER PIN M1.6 x 10
33	87343550		2 FLANGE BOLT Hex HD M12x25 ZND

5140-COMBINE - TIER 2

BOOT, CLEAN GRAIN ELEVATOR

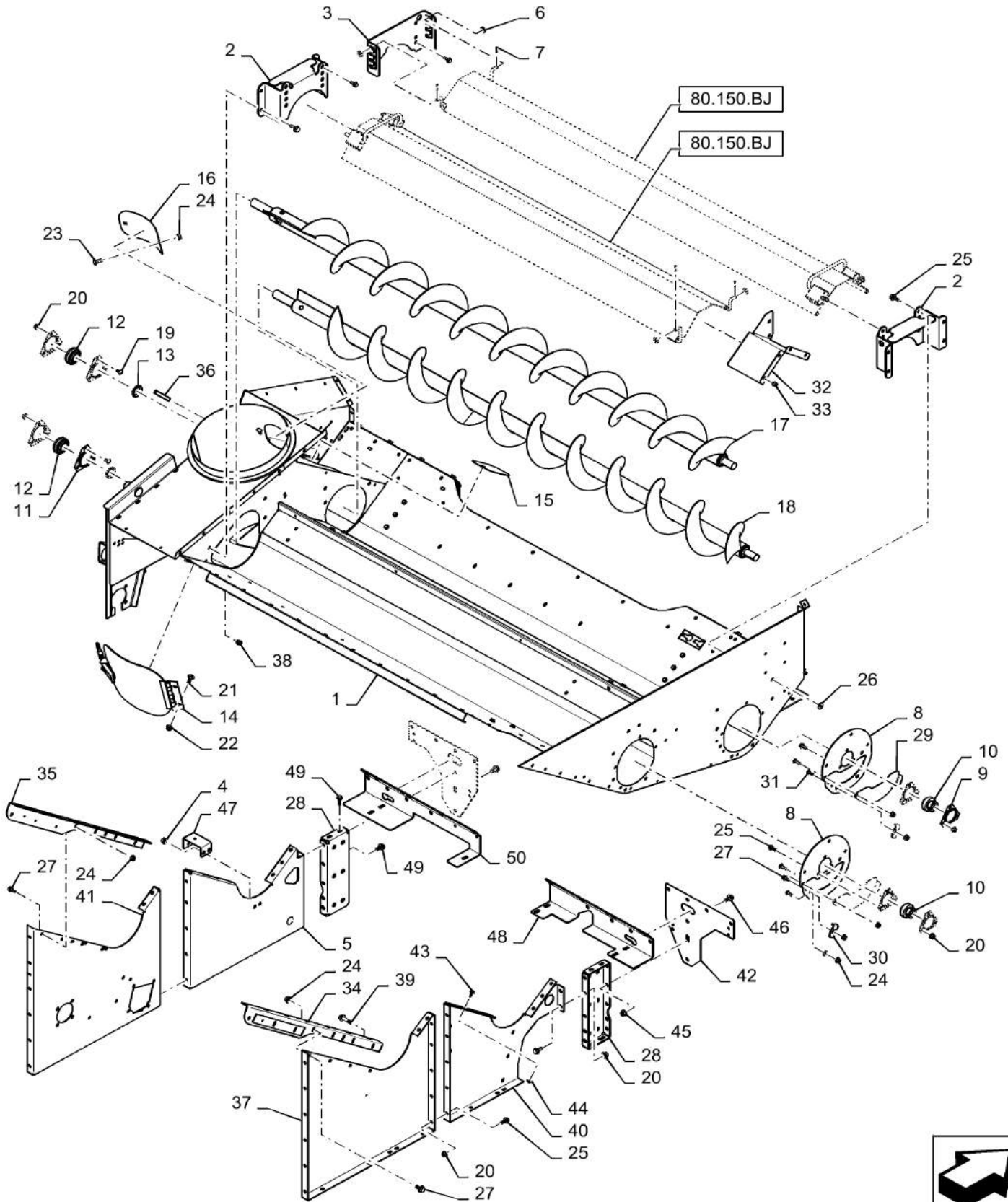


BOOT, CLEAN GRAIN ELEVATOR

REF FN	PART NUMBER	YR/SN	QTY DESCRIPTION
1	84171638		1 PANEL ASSY. Inner Boot
2	84171636		1 PANEL ASSY. Outer Boot
3	84171634		1 COVER ASSY Front Boot
4	84149716		1 COVER ASSY Rear Boot
5	84149722		1 COVER ASSY Door Assy
6	84173941		1 DEFLECTOR Boot
7	86581559		1 HANDLE Door Latch
8	1307583C1		2 FLANGED BEARING 80mm, 4 Bolt
9	52443		1 BALL BEARING 38.1mm ID x 79.99mm OD x 22mm W Auger Shaft
10	84172562		1 PIN 7.9mm OD x 286mm L 7.9mm x 286mm
11	87656137		8 BOLT M8 x 28.1mm, CI 10.9
12	328754		2 CARRIAGE BOLT M12 x 1.75 x 40mm, CI 8.8
13	9507095		1 CLEVIS PIN 10mm OD x 40mm L
14	280251		1 COTTER PIN 3/32" OD x 1" OAL
15	80755		2 COTTER PIN 1/8" OD x 1" OAL
16	84989315		1 U-BOLT M8 x 1.25 x 26mm Threaded x 63.5mm W x 90.4mm OAL
17	412097		2 CARRIAGE BOLT Short Sq Nk, M12 x 1.75 x 60mm, CI 8.8
18	120041		4 CARRIAGE BOLT M10 x 20mm, CI 8.8
19	86624176		7 WASHER 11mm ID x 20mm OD x 2mm Thk
20	86512497		4 FLANGE NUT M12 x 1.75, CI 10
21	86050279		4 FLANGE NUT M10 x 1.5, CI 10
22	86507066		8 FLANGE NUT M8 x 1.25, CI 10
23	87681210		2 FLANGE NUT M8 x 1.25, CI 10

5140-COMBINE - TIER 2

BOTTOM, GRAIN TANK

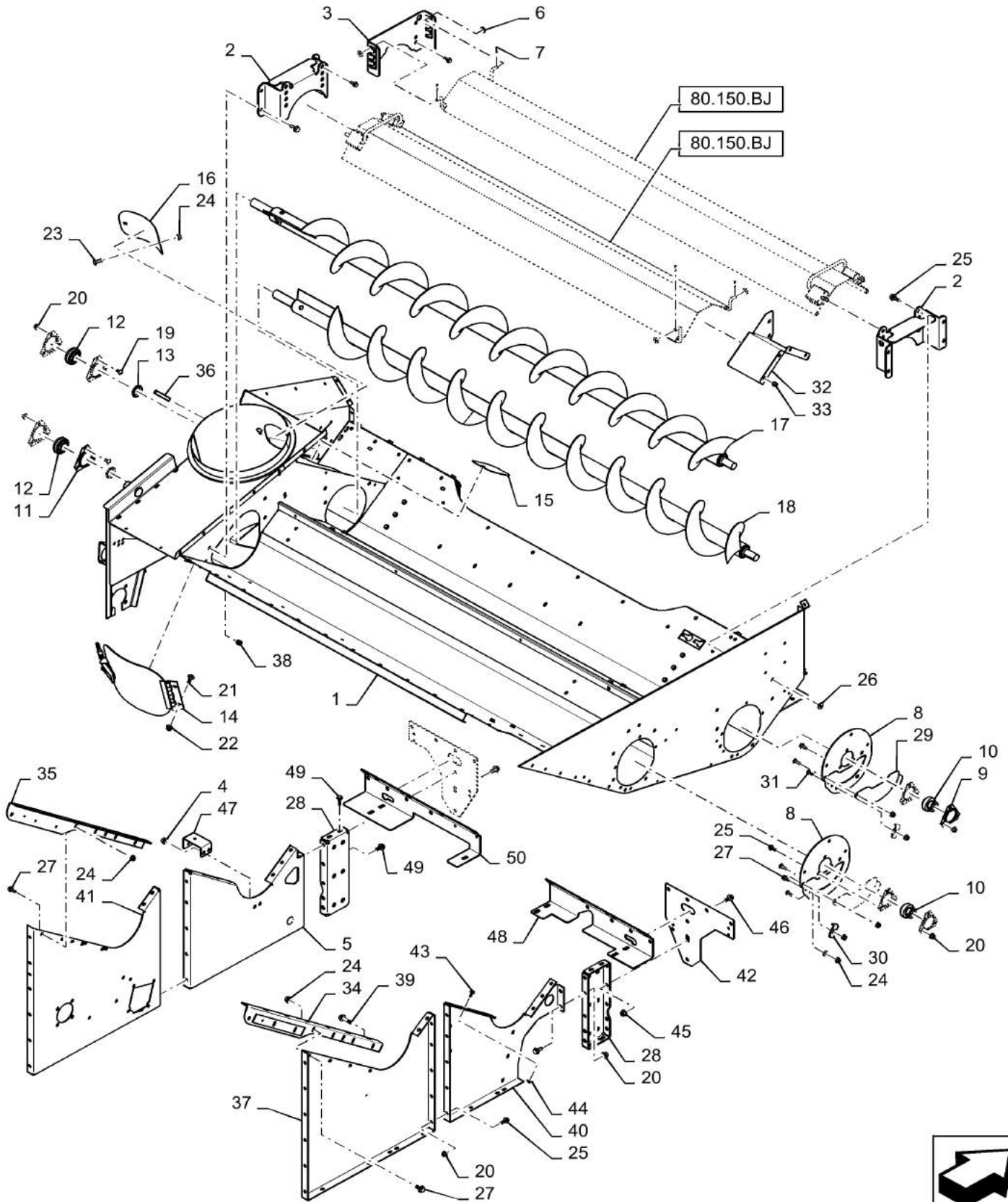


BOTTOM, GRAIN TANK

REF FN	PART NUMBER	YR/SN	QTY DESCRIPTION
1	84499036		1 GRAIN TANK Bottom
2	86975993		2 BRACKET Support
3	86975994		1 BRACKET Support
4	86610201		2 INSERT M8 M8
5	84499021		1 SUPPORT Support, Center, LH
6	86624146		4 WASHER 0.53" ID x 1" OD x 0.12" Thk
7	130004		4 COTTER PIN 2.9mm OD x 31.4mm OAL
8	87342517		2 BEARING COVER Grain Tank Access, Cleanout
9	84414986		4 FLANGED BEARING 62mm ID
10	87044350		2 BEARING ASSY 30mm ID x 62mm OD x 18mm W 62mm OD
11	84414985		4 FLANGED BEARING 72mm ID
12	87605592		2 CYLINDRICAL ROLLER BEARING 35mm ID x 72mm OD x 19mm W
13	84075099		2 WASHER 36mm ID x 51mm OD x 6mm Thk
14	87583588		1 COVER ASSY Bubble Up Inspection
15	86600691		1 COVER Inspection
16	86597524		1 COVER Inspection
17	84075321		1 AUGER Grain Tank Cross, Front
18	84075322		1 AUGER Grain Tank Cross, Rear
19	87682390		7 CARRIAGE BOLT M10 x 1.5 x 20mm, CI 10.9 Carriage, M10 x 20mm, 10.9
20	86050279		32 FLANGE NUT M10 x 1.5, CI 10
21	87752072		2 CARRIAGE BOLT M6 x 1.0 x 26.6mm, CI 10.9 M6 x 20mm, 10.9
22	86050300		2 FLANGE NUT M6 x 1.0, CI 10
23	87682383		2 CARRIAGE BOLT M8 x 1.25 x 20mm, CI 10.9
24	86507066		38 FLANGE NUT M8 x 1.25, CI 10
25	86705429		27 BOLT M10 x 34.2mm OAL, Full Thd, CI 10.9 Flange, M10 x 25mm, Full Thread, 10.9

5140-COMBINE - TIER 2

BOTTOM, GRAIN TANK



BOTTOM, GRAIN TANK

REF FN	PART NUMBER	YR/SN	QTY DESCRIPTION
26	213404		3 SPACER 10.3mm ID x 38.1mm OD x 5.2mm OAL 38mm OD x 10mm ID
27	87656137		31 BOLT M8 x 28.1mm, CI 10.9
28	84499024		2 SUPPORT Lifting Eye
29	87342513		2 COVER Grain Tank Cleanout
30	425093		6 CLAMP Line Retainer
31	87682384		8 CARRIAGE BOLT M8 x 1.25 x 25mm, CI 10.9
32	87564472		1 COVER
33	87284531		4 NUT Rivnut, M8 x 1.25, 0.5mm - 3mm Grip Range Rivnut, M8
34	84131457		1 ANGLE Grain Tank Rear, RH
35	84131453		1 ANGLE Grain Tank Rear, LH
36	86516805		AR SOFT TRIM Cut To Length, 2.4"
37	84581530		1 SUPPORT Grain Tank Rear, RH
38	86610201		2 INSERT M8 Rivnut, M8
39	87030775		1 BOLT M8 x 38.1mm, CI 10.9
40	84499028		1 SUPPORT Grain Tank, Center, RH
41	87755376		1 SUPPORT Grain Tank, Rear, LH
42	47470110		1 SUPPORT Grain Tank, Front
43	87673845		12 SELF-TAP SCREW M8 x 1.25 x 25mm
44	86625074		12 SPRING NUT M8, U
45	86512497		31 FLANGE NUT M12 x 1.75, CI 10
46	87343550		31 FLANGE BOLT Hex HD M12x25 ZND
47	87685426		1 BRACKET Clamp
48	47470118		1 CHANNEL Grain Tank Front, RH
49	87698838		4 FLANGE BOLT M10 x 35mm, Full Thd, CI 10.9
50	47470122		1 CHANNEL Grain Tank Front, LH

5140-COMBINE - TIER 2

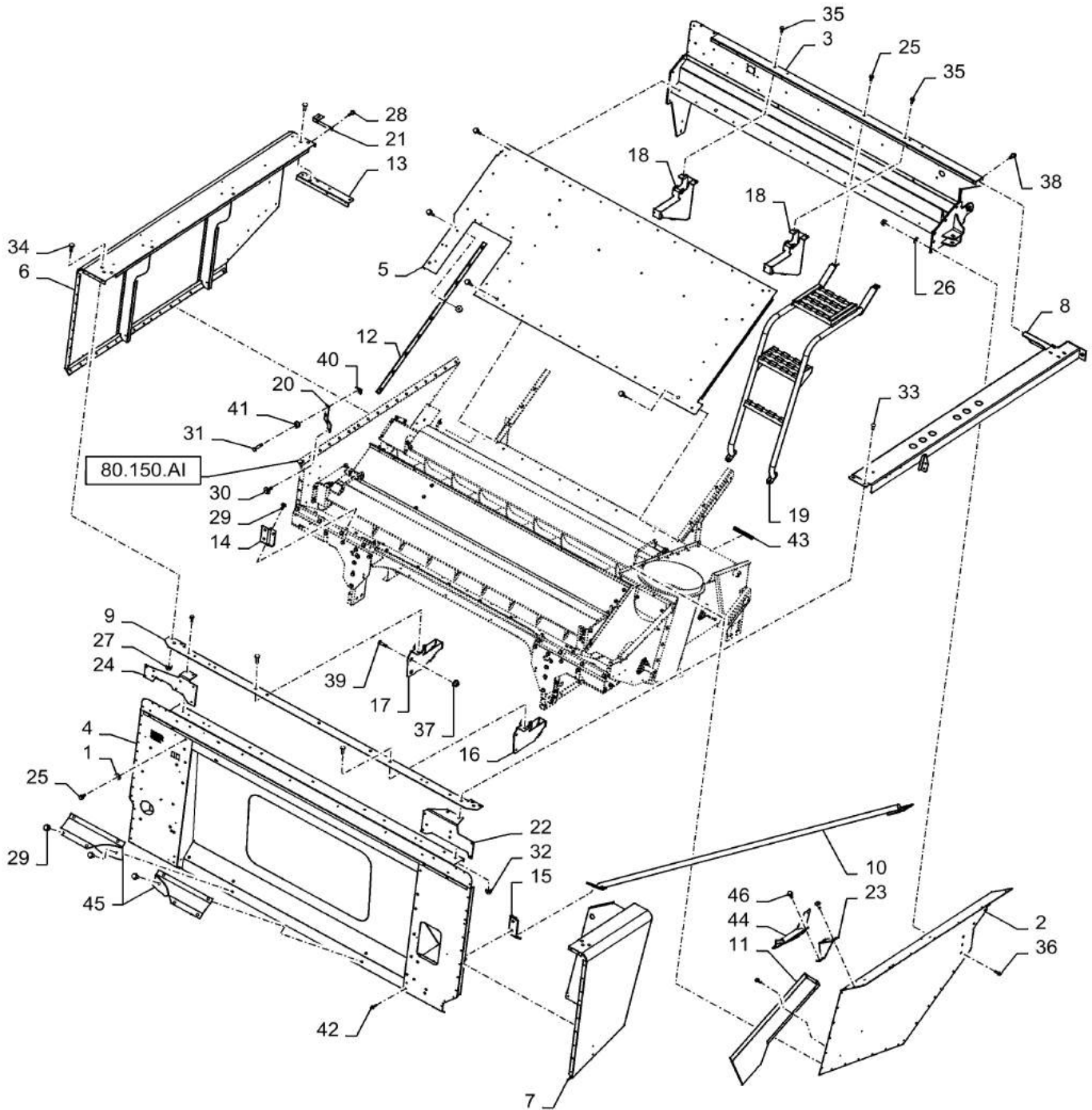
80.150.AK

01

p1

7/2015

GRAIN TANK



GRAIN TANK

REF FN	PART NUMBER	YR/SN	QTY DESCRIPTION
1	86624146		1 WASHER 0.53" ID x 1" OD x 0.12" Thk
2	84581833		1 SHEET Grain Tank, LH
3	84130497		1 PANEL ASSY. Grain Tank, Rear Upper
4	84303995		1 SHEET Grain Tank, Front
5	84198815		1 FLOOR Grain Tank, Rear
6	87654564		1 SHEET ASSY. Grain Tank, RH
7	84581836		1 PANEL LH Front
8	47420825		1 PROFILE Tube, Unload Support
9	84492038		1 REINFORCEMENT Front
10	84492055		1 SUPPORT TUBE Unload Support
11	87655039		1 CHUTE Sample
12	84182745		1 SUPPORT Bottom, RH
13	87528508		1 ANGLE Plate
14	47399635		1 BRACKET Bottom, RH
15	47399637		1 BRACKET Bottom, LH
16	87617037		1 HINGE Front, LH
17	87552212		1 HINGE Front, RH
18	87552213		2 HINGE Rear
19	86976398		1 LADDER
20	87561755		1 REINFORCEMENT Front Wall, RH
21	87557999		1 CANOPY Graintank, Trim Support
22	84498407		1 PLATE Tank Support, Front, LH
23	47367888		1 BRACKET Auger Stop
24	84498405		1 PLATE Tank Support, Front, RH
25	87656137		114 BOLT M8 x 28.1mm, CI 10.9
26	86585939		5 BELLEVILLE WASHER 12mm ID x 32mm OD x 3.5mm Thk
27	86507066		114 FLANGE NUT M8 x 1.25, CI 10
28	87698833		11 BOLT M8 x 33.1mm, CI 10.9

5140-COMBINE - TIER 2

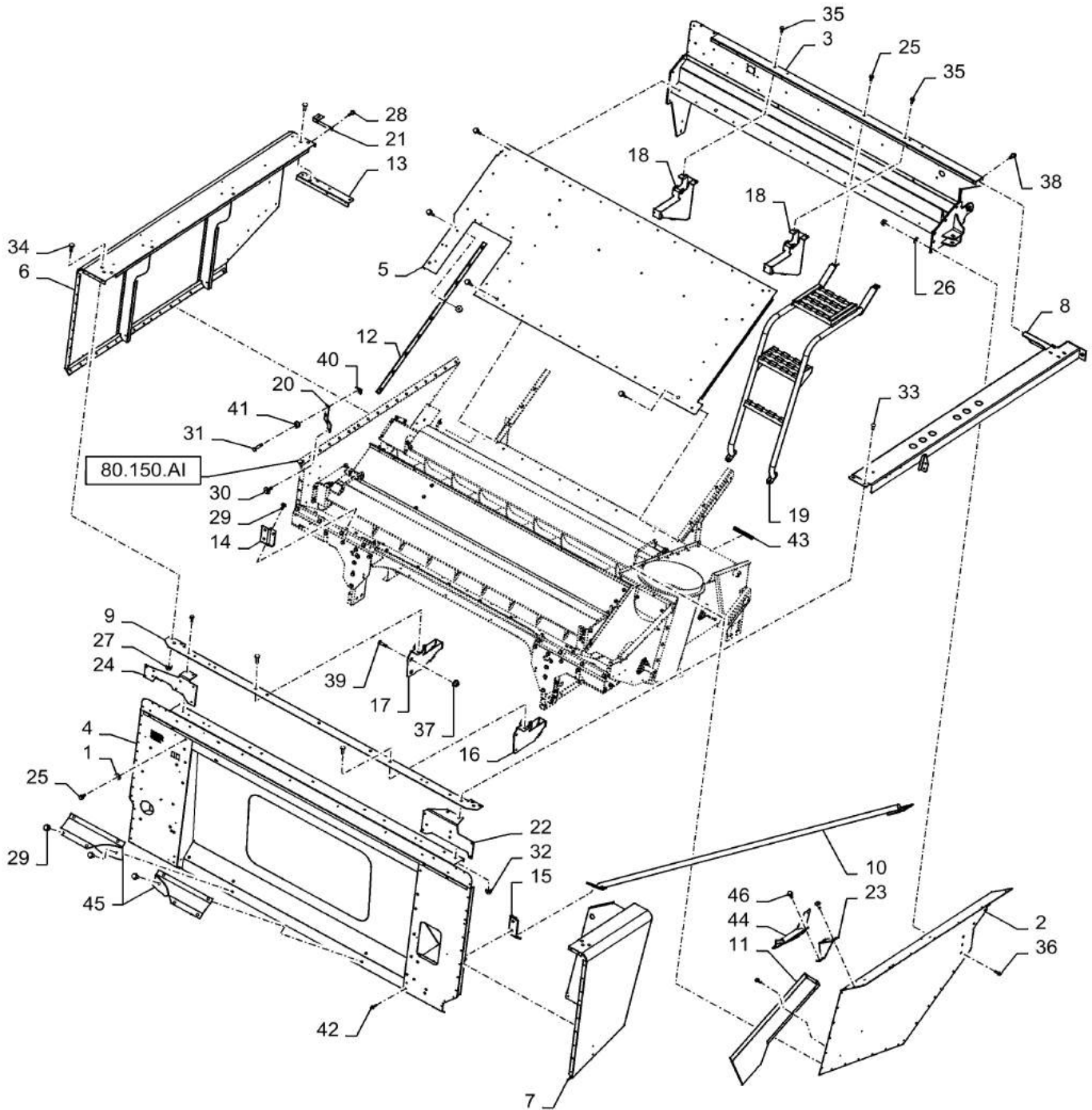
80.150.AK

01

p2

7/2015

GRAIN TANK



GRAIN TANK

REF FN	PART NUMBER	YR/SN	QTY DESCRIPTION
29	87673844		10 SELF-TAP SCREW M8 x 1.25 x 20mm
30	87673845		42 SELF-TAP SCREW M8 x 1.25 x 25mm
31	87698834		6 BOLT M8 x 48.1mm, CI 10.9 Flange, M8 x 40mm, 10.9
32	86512497		21 FLANGE NUT M12 x 1.75, CI 10
33	87695426		4 CARRIAGE BOLT M12 x 30mm, CI 0.9
34	86585704		1 SCREW Phillips Drive, Pan HD, M8 x 25mm, CI 4.8
35	86705429		20 BOLT M10 x 34.2mm OAL, Full Thd, CI 10.9 Flange, M10 x 25mm, Full Thread, 10.9
36	87695414		10 BOLT M12 x 46.8mm, CI 10.9
37	86050279		28 FLANGE NUT M10 x 1.5, CI 10
38	87343550		7 FLANGE BOLT Hex HD M12x25 ZND
39	87682390		9 CARRIAGE BOLT M10 x 1.5 x 20mm, CI 10.9 Carriage, M10 x 20mm, 10.9
40	86625074		50 SPRING NUT M8, U
41	84127180		6 BOSS Corner, 21mm x 8mm x 15mm
42	87698836		4 BOLT M10 x 25mm, Full Thd, CI 10.9
43	86516805		AR SOFT TRIM Cut To Length, 2.4"
44	47367884		1 BRACKET Bubble Up Auger Stop
45	84492083		2 SEAL Rubber Dust Trap
46	87030775		2 BOLT M8 x 38.1mm, CI 10.9

5140-COMBINE - TIER 2

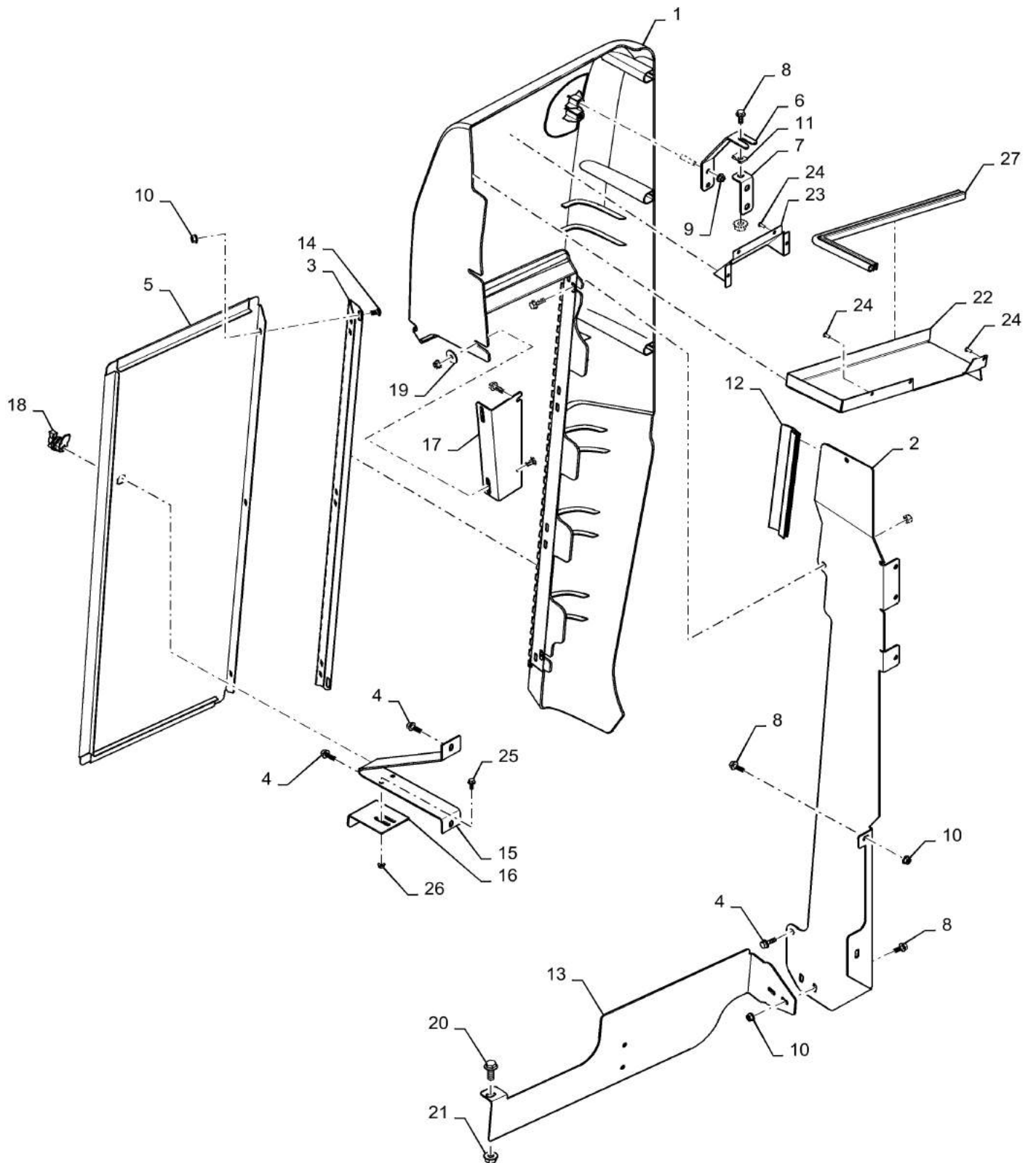
80.150.AK

02

p1

7/2015

PANEL, GRAIN TANK, FRONT, RH



PANEL, GRAIN TANK, FRONT, RH

REF FN	PART NUMBER	YR/SN	QTY DESCRIPTION
1	84414926		1 PANEL Grain Tank Corner, RH
2	47394879		1 SUPPORT Door
3	84525952		1 HINGE Door
4	87698833		4 BOLT M8 x 33.1mm, CI 10.9
5	84392049		1 PANEL Door
6	87709069		1 BRACKET Grain Tank Corner
7	87757940		1 BRACKET Grain tank Corner, RH
8	87656137		9 BOLT M8 x 28.1mm, CI 10.9
9	86619801		2 FLANGE NUT M8 x 1.25, CI 8
10	86507066		9 FLANGE NUT M8 x 1.25, CI 10
11	86625074		1 SPRING NUT M8, U
12	84250551		1 SEAL Bulb
13	84526367		1 SUPPORT Lower Panel
14	87020310		3 CARRIAGE BOLT M8 x 1.25 x 20.8mm, CI 10.9
15	87615815		1 BRACKET Door Latch
16	141786A3		1 SUPPORT Door Latch
17	84420760		1 BRACKET Panel
18	182925A1		1 LOCK Latch, Shield
19	140075		2 WASHER 8.5mm ID x 30mm OD x 2mm Thk
20	87030508		1 BOLT M12 x 30 Full 10.9 ZND
21	86512497		1 FLANGE NUT M12 x 1.75, CI 10
22	47394877		1 BRACKET Blockoff
23	84582188		1 BRACKET Air Inlet Cover
24	445394		7 RIVET Pop, 3/16" x 1/2" OAL
25	87695418		2 FLANGE BOLT M6 x 1.0 x 16mm, CI 10.9
26	86050300		2 FLANGE NUT M6 x 1.0, CI 10
27	47417644		1 SEAL Door

5140-COMBINE - TIER 2

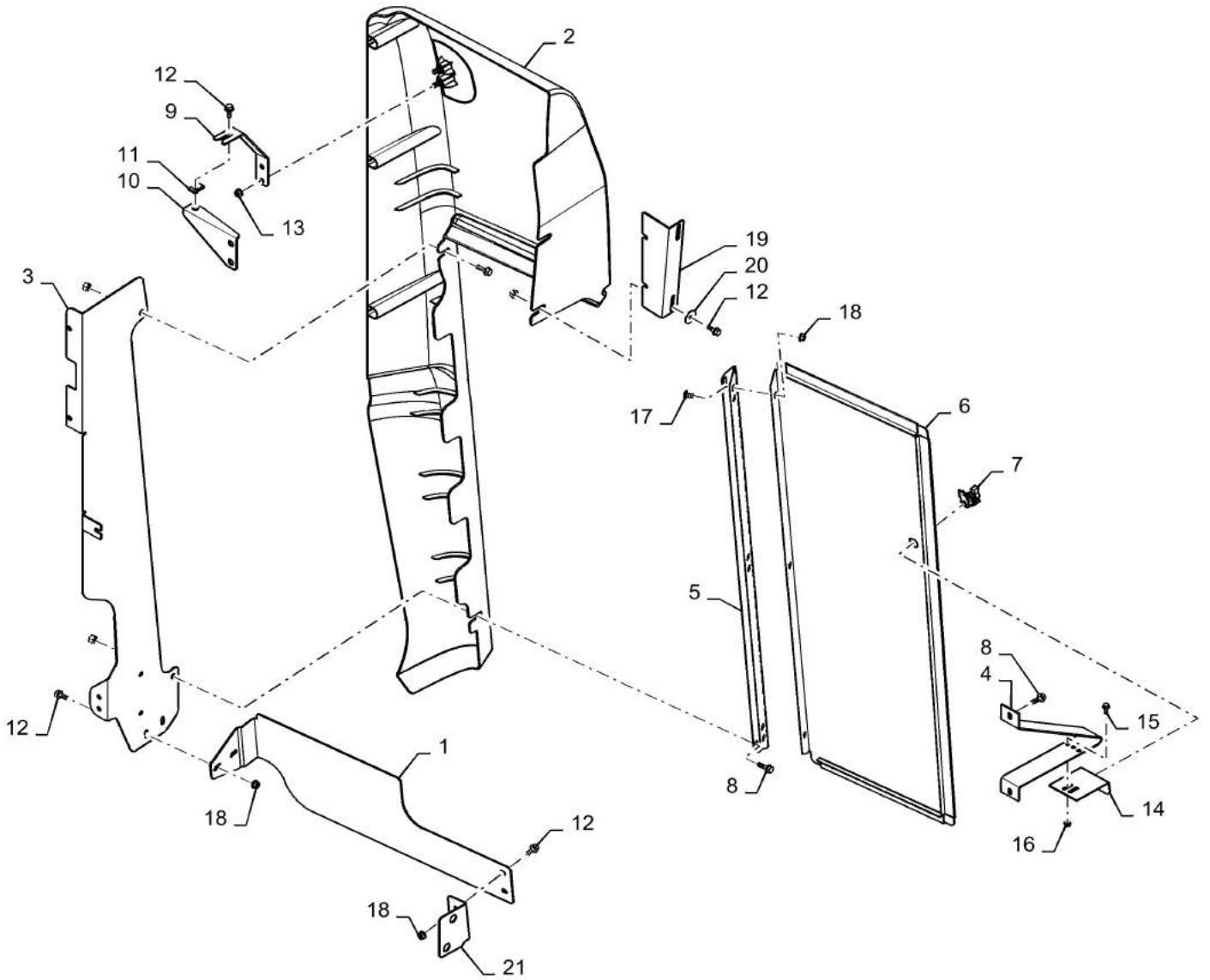
80.150.AK

03

p1

7/2015

PANEL, GRAIN TANK, FRONT, LH

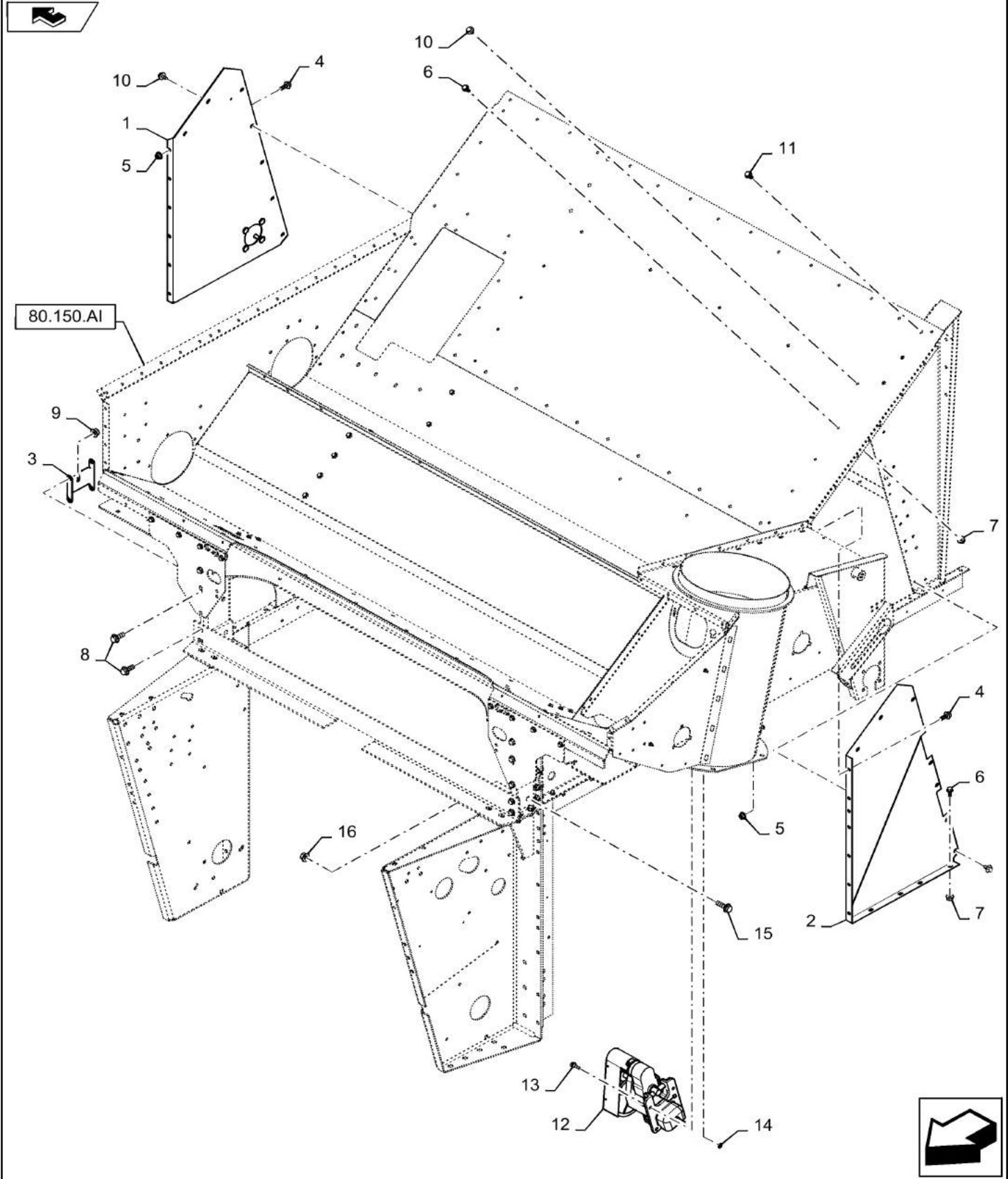


PANEL, GRAIN TANK, FRONT, LH

REF FN	PART NUMBER	YR/SN	QTY DESCRIPTION
1	47409635		1 SUPPORT Lower, LH
2	84414924		1 PANEL Grain Tank Corner, LH
3	87758254		1 SUPPORT ASSY. Door, LH
4	87615815		1 BRACKET Door Latch
5	84525952		1 HINGE Door
6	84392050		1 PANEL Door, LH
7	182925A1		1 LOCK Latch, Shield
8	87698833		8 BOLT M8 x 33.1mm, CI 10.9
9	87709069		1 BRACKET Grain Tank Corner
10	87757942		1 BRACKET Grain Tank Corner
11	86625074		1 SPRING NUT M8, U
12	87656137		9 BOLT M8 x 28.1mm, CI 10.9
13	86619801		2 FLANGE NUT M8 x 1.25, CI 8
14	141786A3		1 SUPPORT Door Latch Keeper
15	87695418		2 FLANGE BOLT M6 x 1.0 x 16mm, CI 10.9
16	86050300		2 FLANGE NUT M6 x 1.0, CI 10
17	87020310		3 CARRIAGE BOLT M8 x 1.25 x 20.8mm, CI 10.9
18	86507066		9 FLANGE NUT M8 x 1.25, CI 10
19	84420766		1 BRACKET Corner Panel
20	140075		2 WASHER 8.5mm ID x 30mm OD x 2mm Thk
21	47409940		1 BRACKET Door Sill

5140-COMBINE - TIER 2

GRAIN TANK, SUPPORT, LH, RH



GRAIN TANK, SUPPORT, LH, RH

REF FN	PART NUMBER	YR/SN	QTY DESCRIPTION
1	84164224		1 SUPPORT ASSY. Elevator, Inner
2	84131451		1 SUPPORT Rear, LH
3	84576623		1 SUPPORT Feeder Belt Guide Rod
4	86705429		12 BOLT M10 x 34.2mm OAL, Full Thd, CI 10.9 Flange, M10 x 25mm, Full Thread, 10.9
5	86050279		16 FLANGE NUT M10 x 1.5, CI 10
6	87656137		32 BOLT M8 x 28.1mm, CI 10.9
7	86507066		32 FLANGE NUT M8 x 1.25, CI 10
8	87030508		12 BOLT M12 x 30 Full 10.9 ZND
9	86512497		17 FLANGE NUT M12 x 1.75, CI 10
10	87673844		20 SELF-TAP SCREW M8 x 1.25 x 20mm
11	87343550		5 FLANGE BOLT Hex HD M12x25 ZND
12	195035A1		1 HOUSING Concave Control Motor And Drive
13	87698837		4 FLANGE BOLT M10 x 30mm, Full Thd, CI 10.9
14	87698854		4 NUT M10
15	87698849		4 BOLT M16 x 50mm, CI 10.9
16	86512498		4 FLANGE NUT M16 x 2.0, CI 10

5140-COMBINE - TIER 2

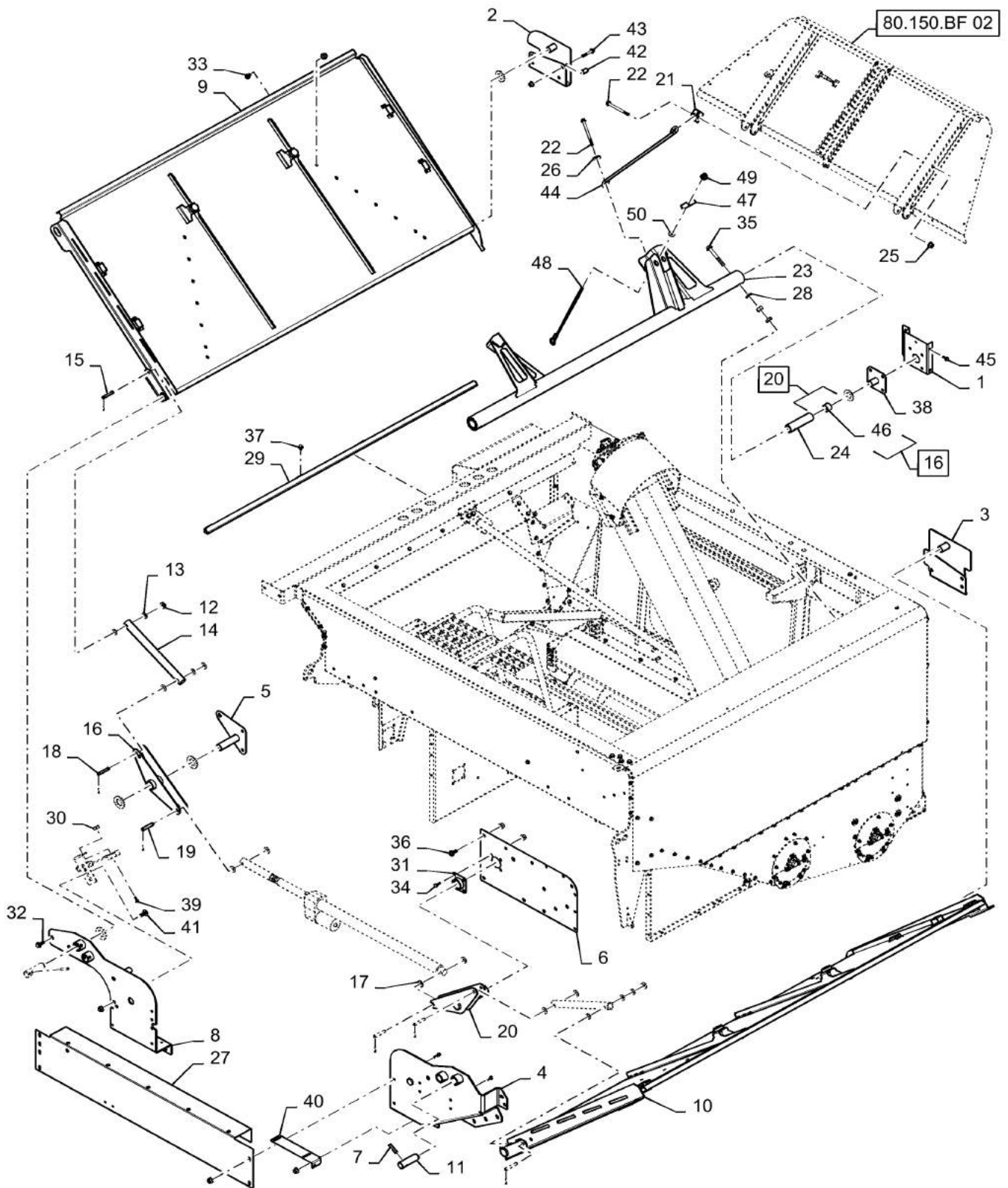
80.150.BF

01

p1

7/2015

VAR - 425472, 425467 - COVER, GRAIN TANK



VAR - 425472, 425467 - COVER, GRAIN TANK

REF FN	PART NUMBER	YR/SN	QTY DESCRIPTION
1	84369496		1 BRACKET Rockshaft, Front
2	87727126		1 BRACKET Tank Cover, Front, LH
3	87727129		1 BRACKET Tank Cover, Front, RH
4	47423996		1 BRACKET Tank Cover, Rear, RH
5	87619951		1 BRACKET Tube Support, Grain Tank
6	87727319		1 SUPPORT ASSY. Tank Cover, Rear, RH
7	381928		2 ROLL PIN 10mm OD x 50mm L, Slotted
8	47424000		1 BRACKET Tank Cover, Rear, LH
9	87556613		1 COVER ASSY Grain Tank, LH
10	87556597		1 COVER ASSY Grain Tank, RH
11	47384093		2 PIN Tank Extension, Retaining
12	86592713		2 WASHER 13mm ID x 30mm OD x 6mm Thk 30mm OD x 13mm ID x 6mm
13	86625254		6 WASHER 13.5mm ID x 28mm OD x 2.5mm Thk
14	87731370		2 TUBE 25.4 mm ID x 34.925 mm OD x 400 mm L Top Link
15	84522945		2 HEADLESS PIN 12mm OD x 75mm L M12 x 75mm
16	87731372		1 LINK ASSY. Tank Cover, Lower, LH, Incl 46
17	87613189		8 WASHER 0.53" ID x 1.25" OD x 0.06" Thk
18	84522947		2 HEADLESS PIN 10mm OD x 70mm L M10 x 70mm
19	84522949		2 HEADLESS PIN 12mm OD x 70mm L M12 x 70mm
20	87720937		1 LINK ASSY. Lower, RH, Incl 46
21	87631786		2 CHANNEL Wear
22	87030021		4 BOLT Hex, M12 x 150mm, CI 10.9
23	47517661		1 ROCKSHAFT Tank Cover
24	87726831		1 TUBE 31.7729 mm DIA Front
25	86512497		18 FLANGE NUT M12 x 1.75, CI 10
26	9511052		2 WASHER 13.5mm ID x 44mm OD x 4mm Thk

5140-COMBINE - TIER 2

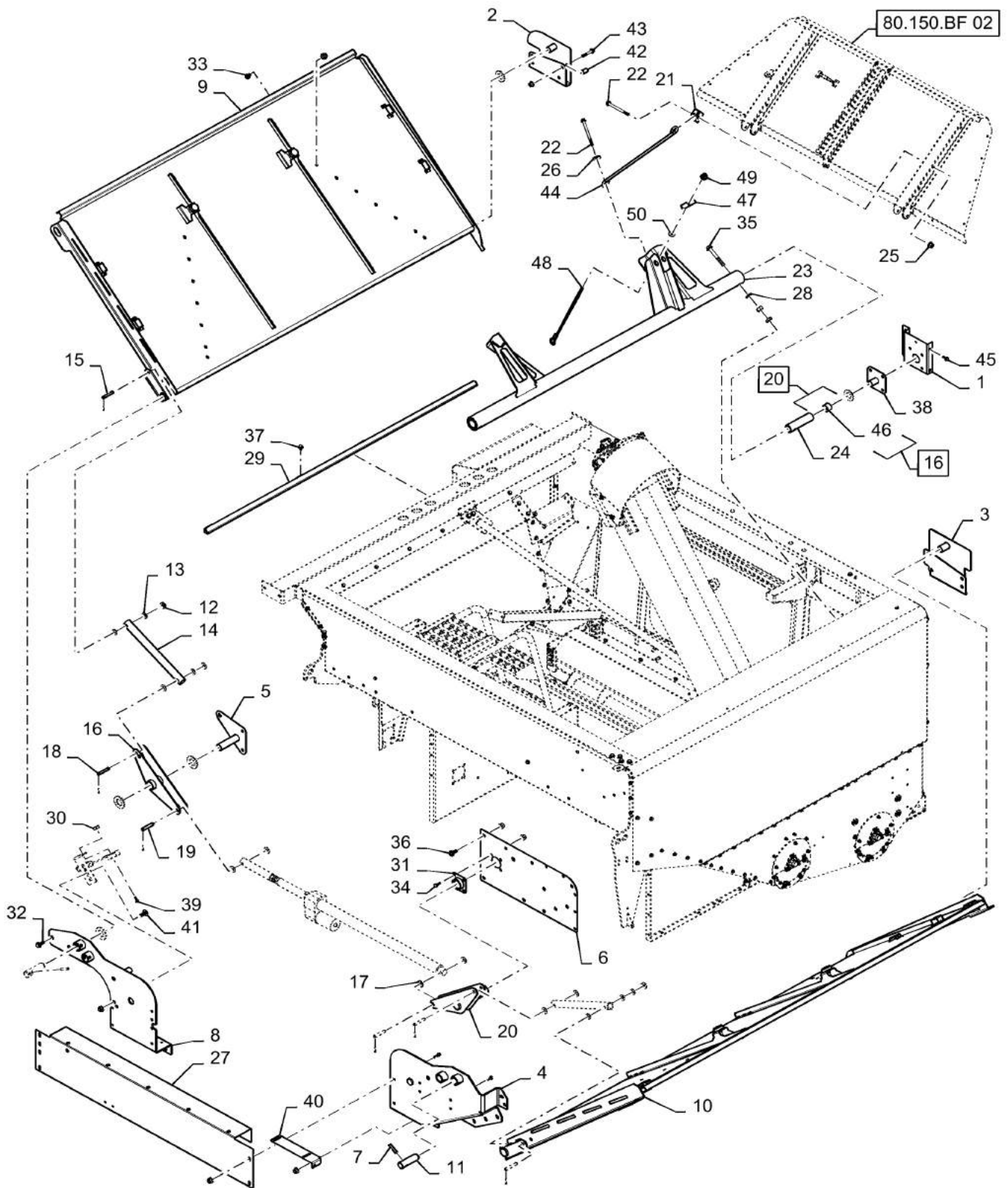
80.150.BF

01

p2

7/2015

VAR - 425472, 425467 - COVER, GRAIN TANK



VAR - 425472, 425467 - COVER, GRAIN TANK

REF FN	PART NUMBER	YR/SN	QTY DESCRIPTION
27	84300520		1 COVER ASSY Actuator Cover
28	86511326		2 WASHER 17mm ID x 30mm OD x 3mm Thk
29	87605674		2 SUPPORT ASSY. Top Cover
30	86632551		2 NUT #10-24, GB
31	87710467		1 SUPPORT ASSY. Rockshaft
32	87030508		17 BOLT M12 x 30 Full 10.9 ZND
33	86975890		48 SCREW Torx, Pan HD, M8 x 1.25 x 20mm, CI 8.8
34	86585704		6 SCREW Phillips Drive, Pan HD, M8 x 25mm, CI 4.8
35	87698807		2 BOLT Hex, M16 x 120mm, CI 10.9 Flange, M16 x 120mm, 10.9
36	87036807		8 SCREW Pan Cross Recess Phillips, M10 x 1.5 x 20mm, CI 4.8
37	87673844		6 SELF-TAP SCREW M8 x 1.25 x 20mm
38	87631278		1 PLATE ASSY. Rockshaft Retainer
39	86511920		2 SCREW Phillips Drive, Pan HD, #10 - 24 x 1/2"
40	87643551		1 CHANNEL Baffle Cover
41	87682383		2 CARRIAGE BOLT M8 x 1.25 x 20mm, CI 10.9
42	87686085		2 SPACER Front Stopper
43	87698845		2 BOLT M12 x 70, CI 10.9
44	84411464		2 ROD Linkage Extension
45	86705429		8 BOLT M10 x 34.2mm OAL, Full Thd, CI 10.9
46	87556665		1 BEARING 31.773mm ID x 35.7mm OD x 25.4mm Thk Hinge
47	84208529		1 BAR Cable, Bubbler Linkage
48	87740261		1 CABLE ASSY. Bubbler Auger Lift
49	86050279		2 FLANGE NUT M10 x 1.5, CI 10
50	86625253		1 WASHER 11mm ID x 24mm OD x 2mm Thk

5140-COMBINE - TIER 2

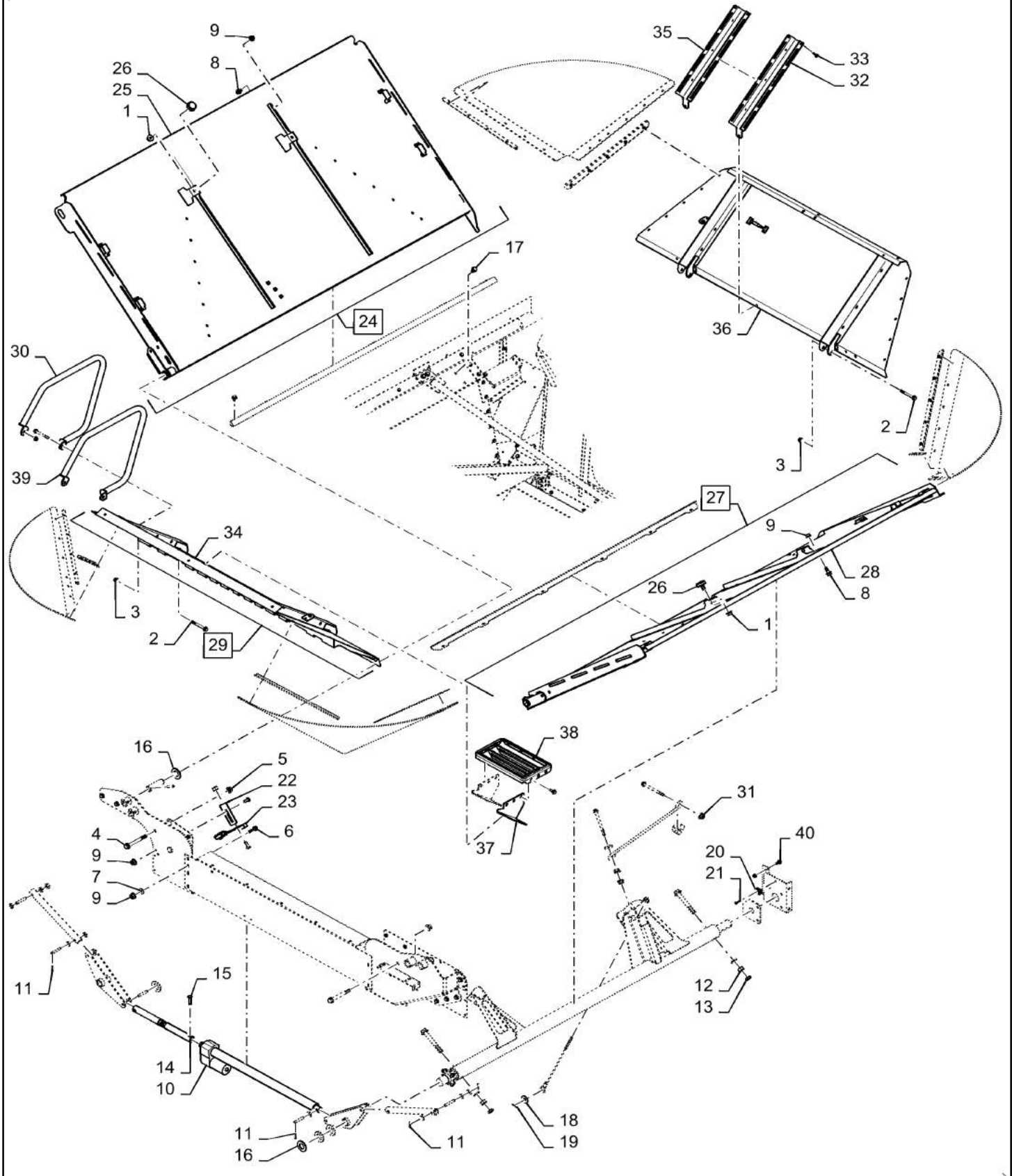
80.150.BF

02

p1

7/2015

VAR - 425472, 425467 - DOOR COVER, GRAIN TANK

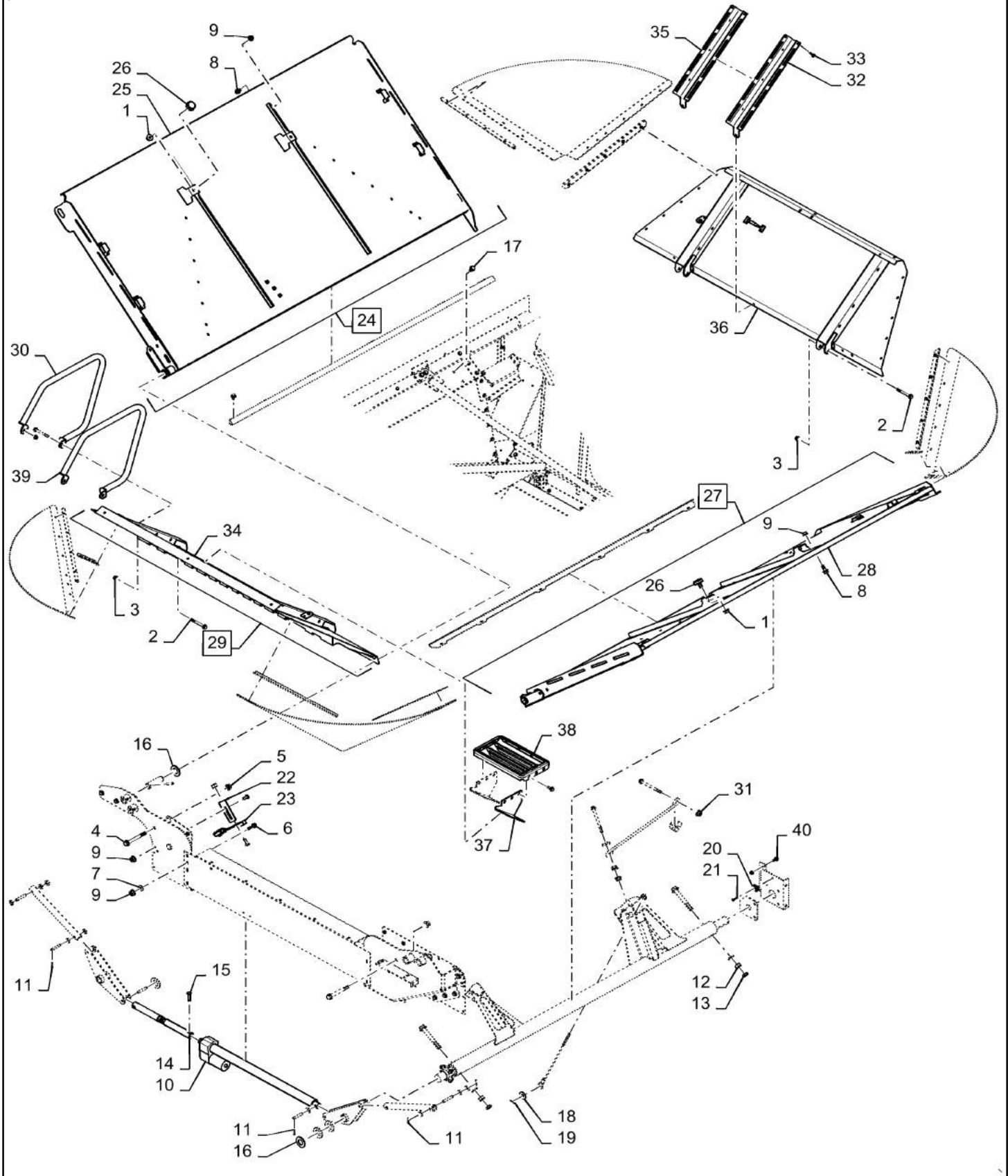


VAR - 425472, 425467 - DOOR COVER, GRAIN TANK

REF FN	PART NUMBER	YR/SN	QTY DESCRIPTION
1	86050279		26 FLANGE NUT M10 x 1.5, CI 10
2	87032825		8 BOLT Hvy Hex, M12 x 100mm, CI 10.9
3	87681209		4 FLANGE NUT Hex, M12 x 1.75, CI 10
4	87028052		2 BOLT Hex Flg, M16 x 140, 10.9
5	86512498		2 FLANGE NUT M16 x 2.0, CI 10
6	87030775		6 BOLT M8 x 38.1mm, CI 10.9
7	131-440		5 PUSH-ON NUT 5/16"
8	87656137		30 BOLT M8 x 28.1mm, CI 10.9
9	86507066		74 FLANGE NUT M8 x 1.25, CI 10
10	84181862		1 ACTUATOR Grain Tank Covers
10	84181862R		1 REMAN-ELECTRIC MOTOR Grain Tank Covers
10	84181862C		1 CORE-ELECTRIC MOTOR Return Part Number
11	130004		13 COTTER PIN 2.9mm OD x 31.4mm OAL
12	392530		2 NUT M16, CI 10
13	10717511		2 THIN NUT Thin, M16 x 2, CI 04
14	87740259		1 EXTENSION Actuator Bar
15	84056380		1 CLEVIS PIN 12mm OD x 50mm L
16	86512837		10 WASHER 1.38" ID x 2.5" OD x 0.17" Thk
17	87698835		6 FLANGE BOLT M10 x 20mm, Full Thd, CI 10.9
18	495-61066		1 WASHER 1.75" OD x .656" ID x .1"
19	394818		1 COTTER PIN M5 x 25
20	86590413		1 BASE 15.87mm W x 22.22mm OAL x 9.9mm Thk Wire Tie
21	445394		1 RIVET Pop, 3/16" x 1/2" OAL
22	47438793		1 BRACKET Door Open/ Close Sensor
23	87392235		1 SENSOR Door Open/ Close
24	87556613		1 COVER ASSY LH, VAR - 425472, 425467, Incl 1, 8, 9, 25, 26
25	NSS		1 NOT SERVICED SEPARATELY Cover Assy, LH, Incl In 24

5140-COMBINE - TIER 2

VAR - 425472, 425467 - DOOR COVER, GRAIN TANK



VAR - 425472, 425467 - DOOR COVER, GRAIN TANK

REF FN	PART NUMBER	YR/SN	QTY DESCRIPTION
26	190029		2 STOP M10 x 1.0 x 20mm OD, Rubber Bumper
27	87556597		1 COVER ASSY RH, VAR - 425472, 425467, Incl 1, 8, 9, 26, 28
28	87722154		1 COVER ASSY RH
29	87554394		1 EXTENSION ASSY. Front/ Rear VAR - 425472, Incl 34
30	87109875		1 HANDLE Grab VAR - 425472
31	86512497		4 FLANGE NUT M12 x 1.75, CI 10 VAR - 425472
32	87756703		1 BRACKET Bin Level Sensor Mount VAR - 425472
33	87682383		6 CARRIAGE BOLT M8 x 1.25 x 20mm, CI 10.9
34	87721662		1 EXTENSION ASSY. Front VAR - 425467
35	87685904		1 BRACKET Bin Level Sensor Mount VAR - 425472
36	87735049		1 EXTENSION ASSY. Rear VAR - 425467
37	87609690		2 BRACKET Step Support VAR - 425472
38	1531337C1		1 STEP VAR - 425472
39	87648705		1 HANDLE Grab VAR - 425467
40	86705429		4 BOLT M10 x 34.2mm OAL, Full Thd, CI 10.9 Flange, M10 x 25mm, Full Thread, 10.9

5140-COMBINE - TIER 2

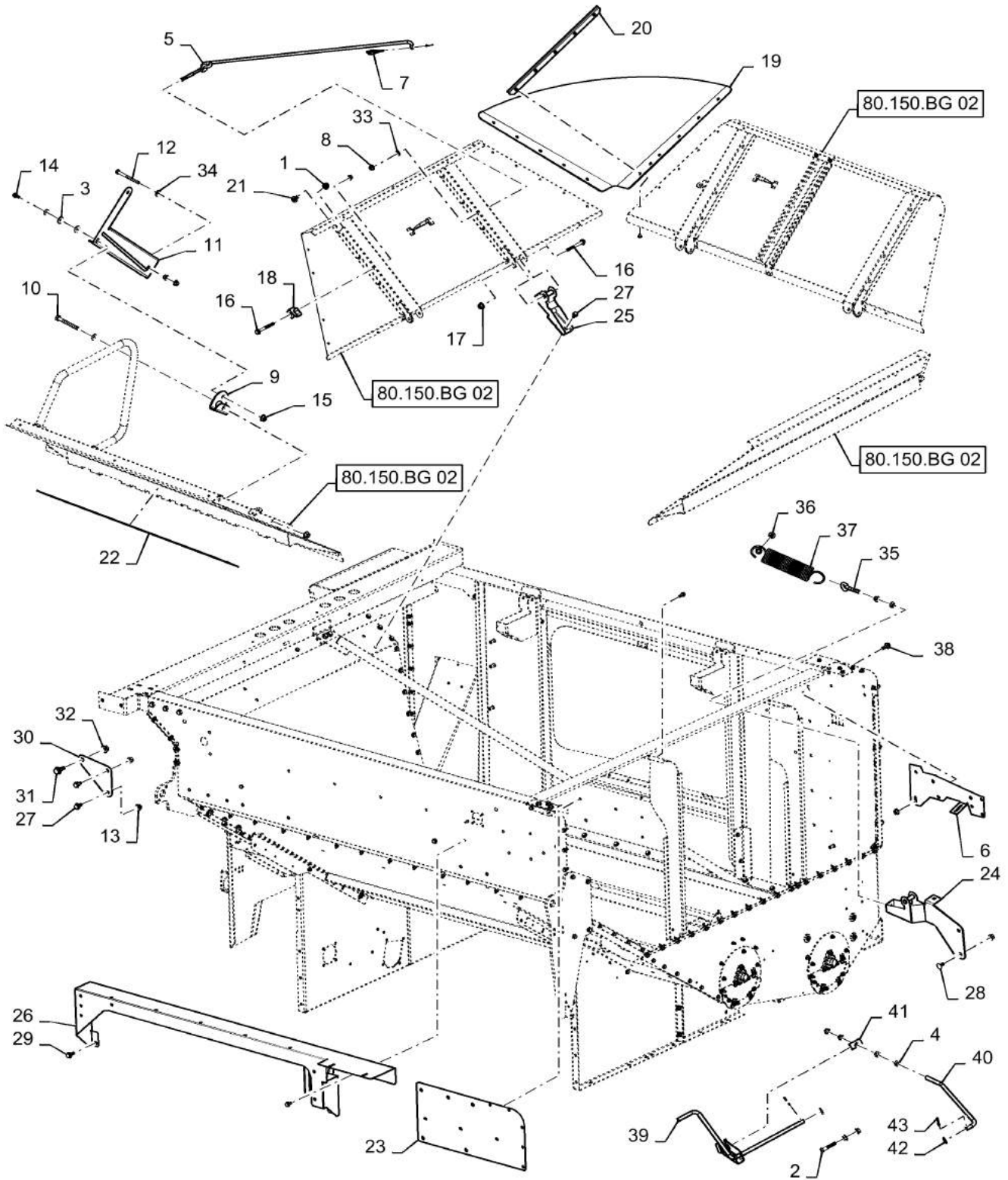
80.150.BG

01

p1

7/2015

VAR - 425470 - GRAIN BIN EXTENSION



VAR - 425470 - GRAIN BIN EXTENSION

REF FN	PART NUMBER	YR/SN	QTY DESCRIPTION
1	86507066		1 FLANGE NUT M8 x 1.25, CI 10
2	9706693		1 BOLT Hex, M12 x 1.75 x 60mm, CI 8.8
3	86511315		2 WASHER 8.4mm ID x 16mm OD x 1.8mm Thk
4	100020		4 NUT M16 x 2.0, CI 8
5	87553944		2 ROD Prop
6	84555626		1 PLATE Tank Support
7	87106279		2 PIN 6.4mm OD Linch, Quick Connect
8	86512497		15 FLANGE NUT M12 x 1.75, CI 10
9	87107781		1 BRACKET Panel Support
10	86508622		1 BOLT Hex, M12 x 1.75 x 100mm, CI 10.9
11	87608564		1 BRACKET Latch, Panel Extension
12	120117		1 BOLT Hex, M10 x 1.5 x 110mm, CI 8.8, Full Thd
13	86050279		28 FLANGE NUT M10 x 1.5, CI 10
14	87656137		7 BOLT M8 x 28.1mm, CI 10.9
15	86619801		1 FLANGE NUT M8 x 1.25, CI 8
16	87032825		10 BOLT Hvy Hex, M12 x 100mm, CI 10.9
17	87681209		8 FLANGE NUT Hex, M12 x 1.75, CI 10
18	86976901		2 CLIP Prop Rod
19	87734459		4 CANVAS Extension, 24"
20	84194670		8 ANGLE Extension, 24"
21	86975890		50 SCREW Torx, Pan HD, M8 x 1.25 x 20mm, CI 8.8
22	86995792		4 PAD 125mm W x 1270mm L Non- Slip Grip
23	87603123		1 SUPPORT Grain Tank
24	87474228		2 HINGE RH
25	87606500		2 HINGE LH
26	84300515		1 ACCESS COVER Linkage Access
27	87698835		13 FLANGE BOLT M10 x 20mm, Full Thd, CI 10.9
28	120041		6 CARRIAGE BOLT M10 x 20mm, CI 8.8

5140-COMBINE - TIER 2

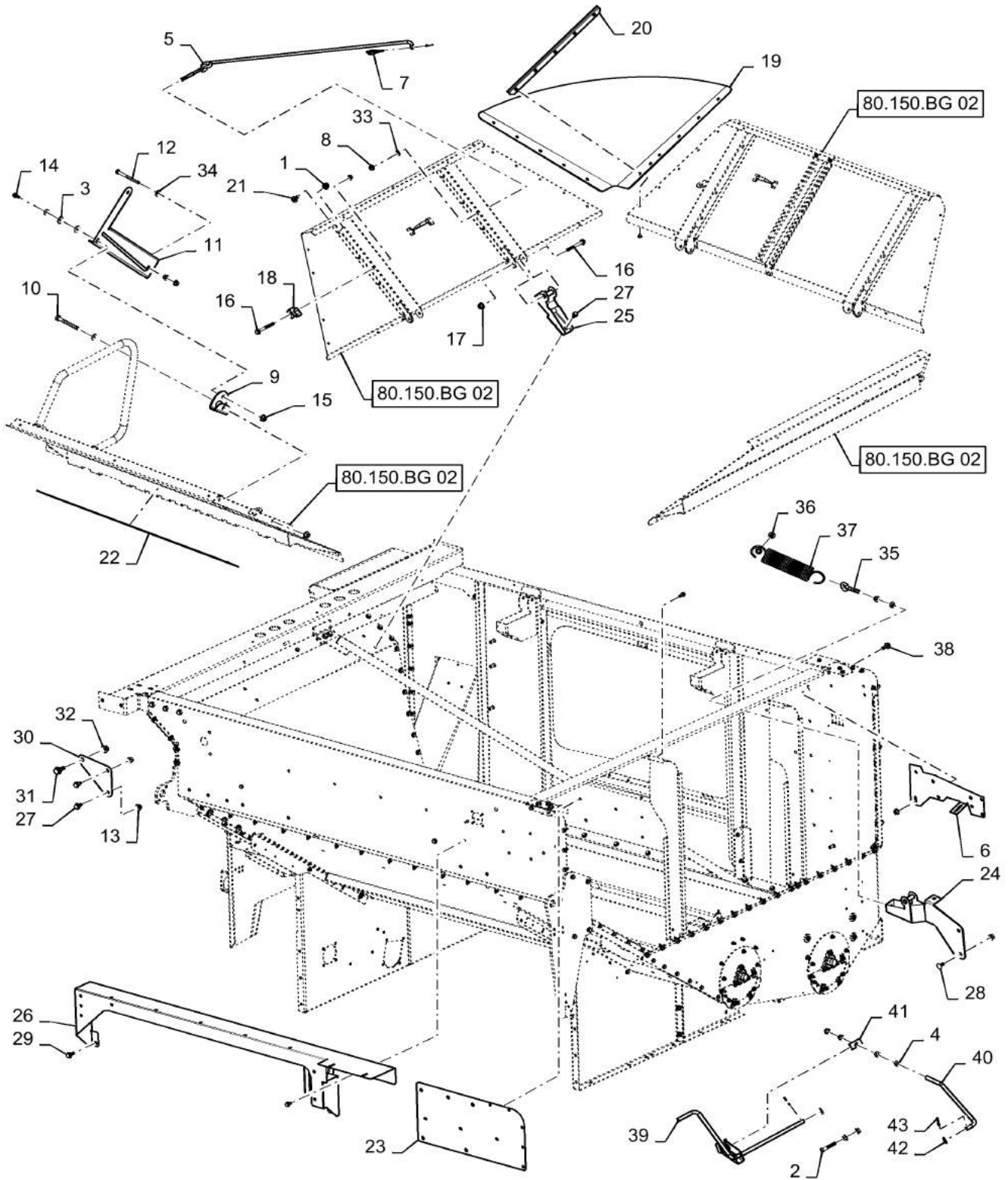
80.150.BG

01

p2

7/2015

VAR - 425470 - GRAIN BIN EXTENSION

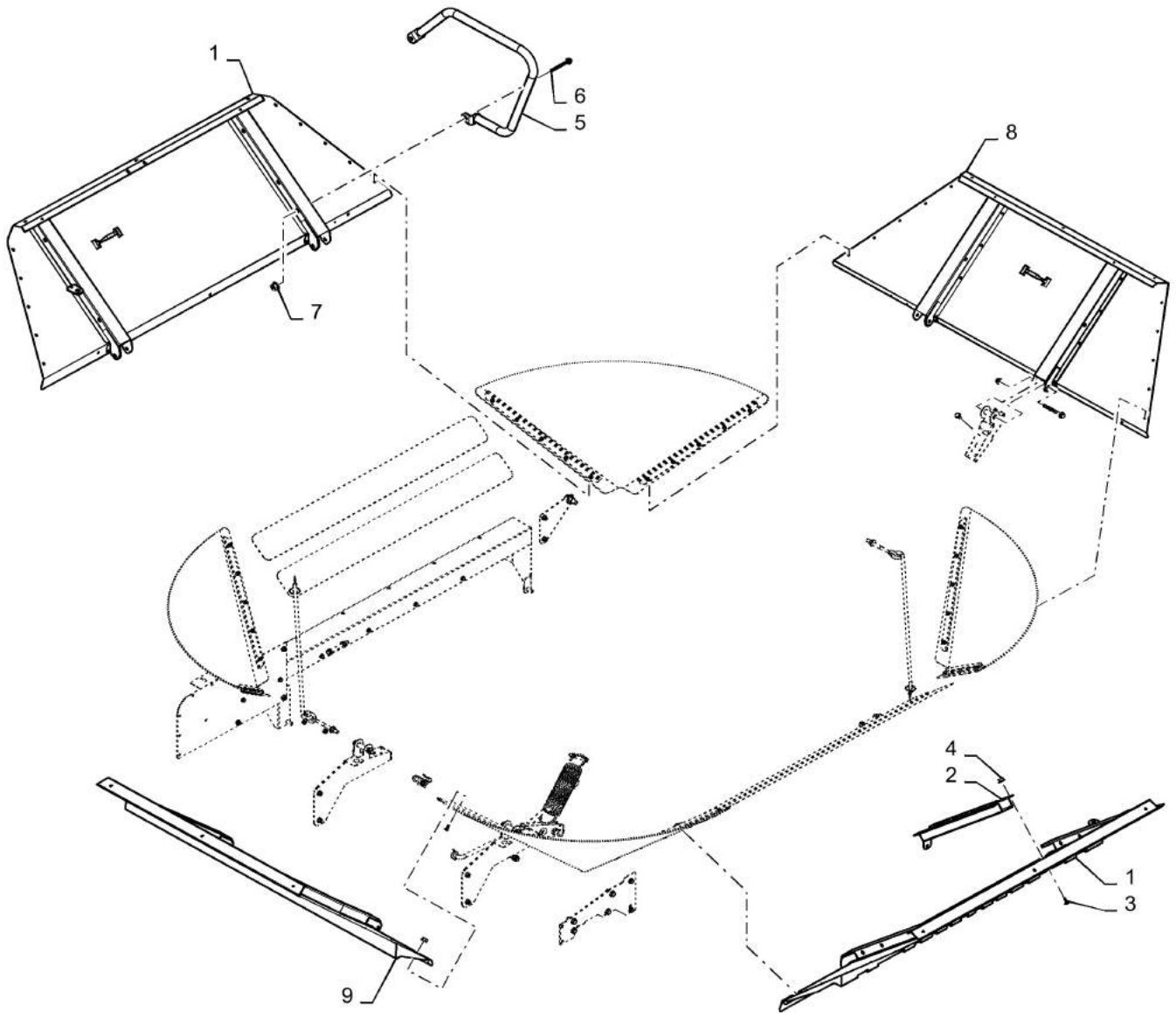


VAR - 425470 - GRAIN BIN EXTENSION

REF FN	PART NUMBER	YR/SN	QTY DESCRIPTION
29	87030508		10 BOLT M12 x 30 Full 10.9 ZND
30	87614100		1 COVER Tank Extension, LH
31	86978772		1 FLANGE BOLT Hex, M16 x 40mm, CI 10.9, Full Thd
32	86512498		1 FLANGE NUT M16 x 2.0, CI 10
33	140046		3 BELLEVILLE WASHER M12 x 27mm OD x 1.8mm Thk
34	378244		2 WASHER 10.5mm ID x 24mm OD x 2mm Thk
35	86599359		1 EYEBOLT M10 x 75mm
36	87698841		1 BOLT Hex, M10 x 70mm, CI 10.9 Flange, M10 x 75mm
37	86975571		1 SPRING Extension, 72.4mm OD x 356mm L 356mm
38	86705429		10 BOLT M10 x 34.2mm OAL, Full Thd, CI 10.9 Flange, M10 x 25mm, Full Thread, 10.9
39	87571909		1 ASSEMBLY Bubbler Latch
40	87656571		1 ROD Latch, Bubbler Auger
41	87571967		1 BUSHING Latch, Bubbler Auger
42	140048		2 BELLEVILLE WASHER M16 x 32mm OD x 2.8mm Thk
43	80754		2 COTTER PIN 3/16" OD x 1-1/2" OAL

5140-COMBINE - TIER 2

VAR - 425470 - GRAIN BIN EXTENSION, DOOR PANEL



80.150.BG

02

p1

7/2015

VAR - 425470 - GRAIN BIN EXTENSION, DOOR PANEL

REF FN	PART NUMBER	YR/SN	QTY DESCRIPTION
1	87554394		2 EXTENSION ASSY. Front and Rear, 24"
2	87756703		1 BRACKET Bin Level Sensor Mount
3	87682383		3 CARRIAGE BOLT M8 x 1.25 x 20mm, CI 10.9
4	86507066		3 FLANGE NUT M8 x 1.25, CI 10
5	87109875		1 HANDLE Grab Handle
6	87032825		2 BOLT Hvy Hex, M12 x 100mm, CI 10.9
7	86512497		2 FLANGE NUT M12 x 1.75, CI 10
8	84368551		1 EXTENSION LH, 24"
9	84368545		1 EXTENSION RH, 24"

5140-COMBINE - TIER 2

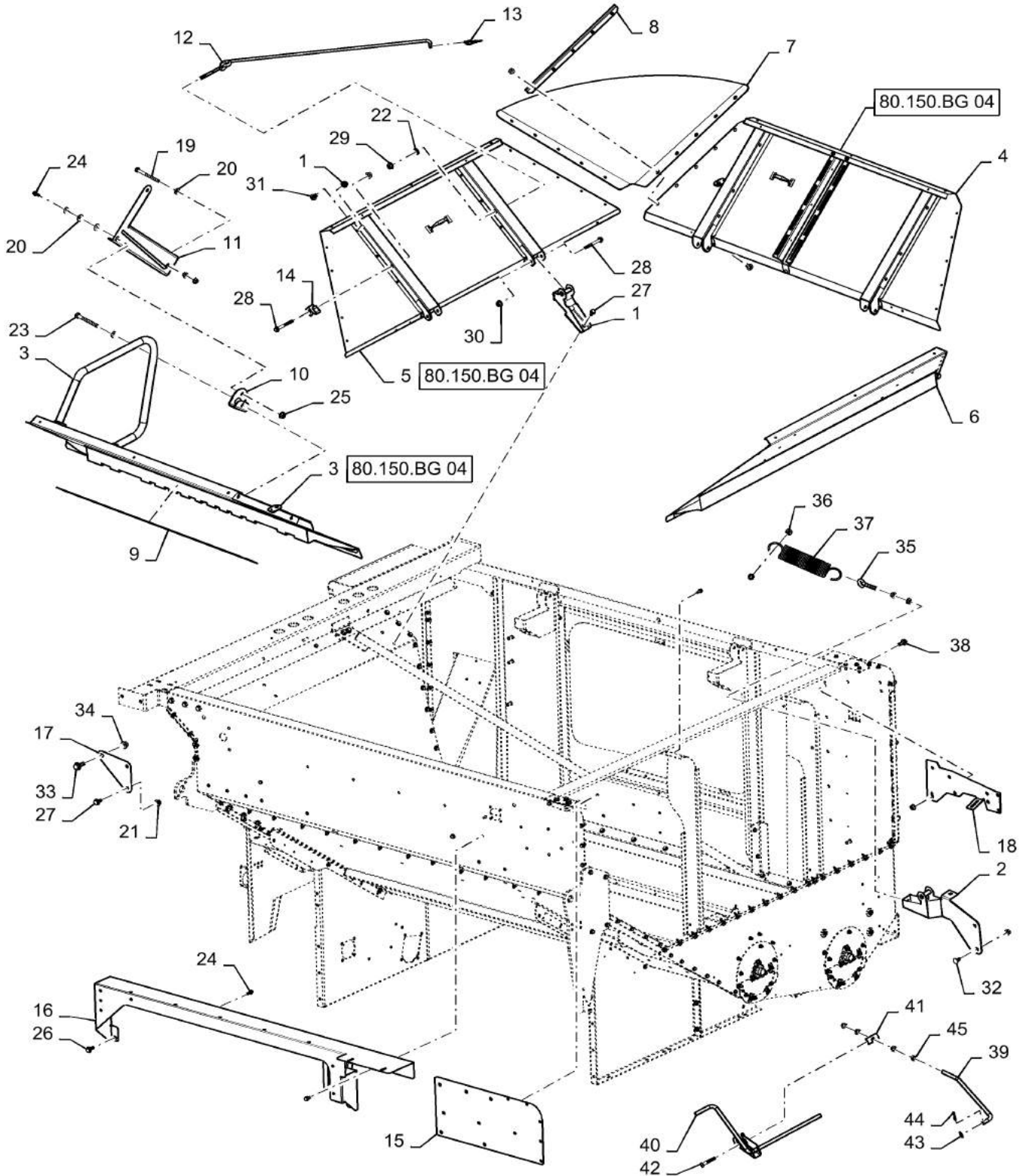
80.150.BG

03

p1

7/2015

VAR - 425466 - GRAIN BIN EXTENSION



VAR - 425466 - GRAIN BIN EXTENSION

REF FN	PART NUMBER	YR/SN	QTY DESCRIPTION
1	87606500		2 HINGE LH
2	87474228		2 HINGE RH
3	86507066		10 FLANGE NUT M8 x 1.25, CI 10
4	86511315		2 WASHER 8.4mm ID x 16mm OD x 1.8mm Thk
5	84367834		1 EXTENSION LH, 32"
6	84367830		1 EXTENSION RH, 32"
7	87726836		4 CANVAS 938.3mm W x 1345.5mm L Corner Extension, 32"
8	87735041		8 ANGLE Extension, 32"
9	86995792		4 PAD 125mm W x 1270mm L Anti-Slip Strip
10	87107781		1 BRACKET Panel Support
11	87608564		1 BRACKET Latch, Extension Panel
12	87553944		2 ROD Prop
13	87106279		2 PIN 6.4mm OD Klik, Quick Disconnect
14	86976901		2 CLIP Prop Rod
15	87603123		1 SUPPORT Tank Support
16	84300515		1 ACCESS COVER Actuator Access
17	87614100		1 COVER Tank Extension
18	84555626		1 PLATE Tank Support
19	120117		1 BOLT Hex, M10 x 1.5 x 110mm, CI 8.8, Full Thd
20	378244		2 WASHER 10.5mm ID x 24mm OD x 2mm Thk
21	86050279		28 FLANGE NUT M10 x 1.5, CI 10
22	140046		3 BELLEVILLE WASHER M12 x 27mm OD x 1.8mm Thk
23	86508622		1 BOLT Hex, M12 x 1.75 x 100mm, CI 10.9
24	87656137		7 BOLT M8 x 28.1mm, CI 10.9
25	86619801		1 FLANGE NUT M8 x 1.25, CI 8
26	87030508		10 BOLT M12 x 30 Full 10.9 ZND
27	87698835		13 FLANGE BOLT M10 x 20mm, Full Thd, CI 10.9

5140-COMBINE - TIER 2

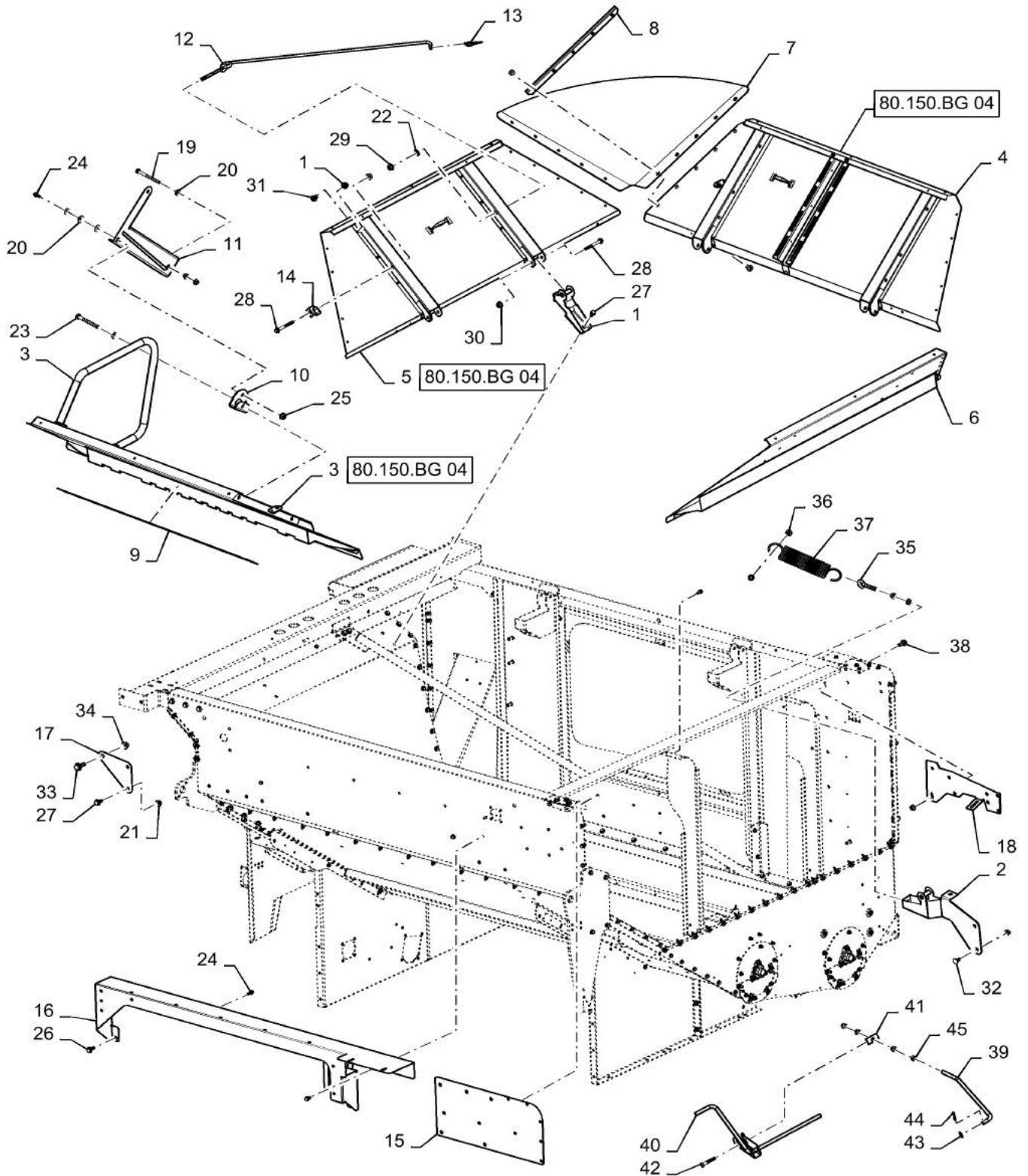
80.150.BG

03

p2

7/2015

VAR - 425466 - GRAIN BIN EXTENSION

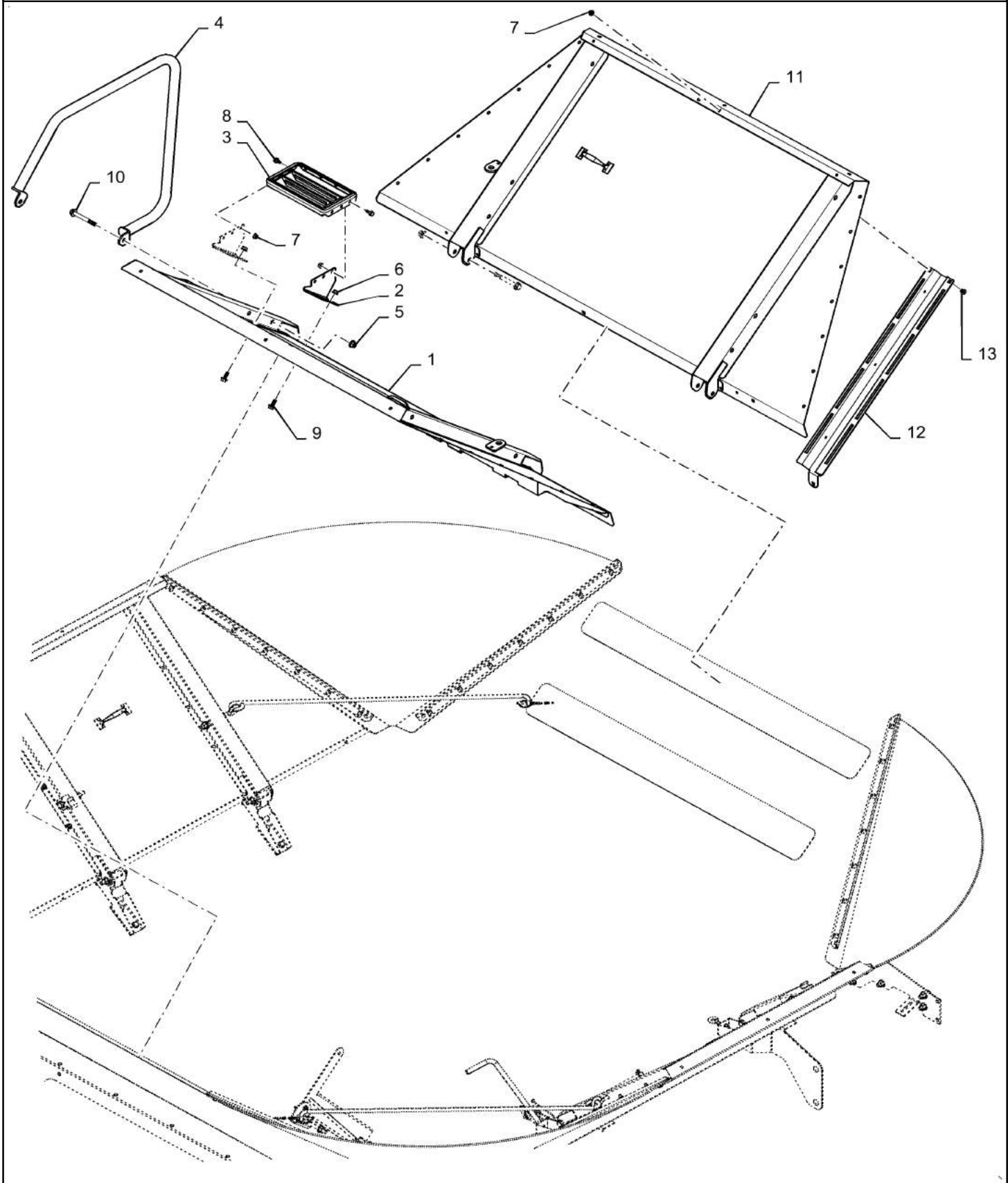


VAR - 425466 - GRAIN BIN EXTENSION

REF FN	PART NUMBER	YR/SN	QTY DESCRIPTION
28	87032825		10 BOLT Hvy Hex, M12 x 100mm, CI 10.9
29	86512497		15 FLANGE NUT M12 x 1.75, CI 10
30	87681209		8 FLANGE NUT Hex, M12 x 1.75, CI 10
31	86975890		66 SCREW Torx, Pan HD, M8 x 1.25 x 20mm, CI 8.8
32	120041		6 CARRIAGE BOLT M10 x 20mm, CI 8.8
33	86978772		1 FLANGE BOLT Hex, M16 x 40mm, CI 10.9, Full Thd
34	86512498		1 FLANGE NUT M16 x 2.0, CI 10
35	86599359		1 EYEBOLT M10 x 75mm
36	87698841		1 BOLT Hex, M10 x 70mm, CI 10.9 Flange, M10 x 70mm, 10.9
37	86975571		1 SPRING Extension, 72.4mm OD x 356mm L 356mm
38	86705429		10 BOLT M10 x 34.2mm OAL, Full Thd, CI 10.9 Flange, M10 x 25mm, Full Thread, 10.9
39	87656571		1 ROD Latch, Bubbler Auger
40	87571909		1 ASSEMBLY Handle, Bubbler Latch
41	87571967		1 BUSHING Latch, Bubble Auger
42	9706693		1 BOLT Hex, M12 x 1.75 x 60mm, CI 8.8
43	140048		2 BELLEVILLE WASHER M16 x 32mm OD x 2.8mm Thk
44	80754		2 COTTER PIN 3/16" OD x 1-1/2" OAL
45	100020		4 NUT M16 x 2.0, CI 8

5140-COMBINE - TIER 2

VAR - 425466 - GRAIN BIN EXTENSION, DOOR



80.150.BG

04

p1

7/2015

VAR - 425466 - GRAIN BIN EXTENSION, DOOR

REF FN	PART NUMBER	YR/SN	QTY DESCRIPTION
1	87735049		1 EXTENSION ASSY. Rear, 32"
2	87609690		2 BRACKET Step Support
3	1531337C1		1 STEP
4	87648705		1 HANDLE Grab
5	86512497		2 FLANGE NUT M12 x 1.75, CI 10
6	86050279		4 FLANGE NUT M10 x 1.5, CI 10
7	86507066		4 FLANGE NUT M8 x 1.25, CI 10
8	87656137		4 BOLT M8 x 28.1mm, CI 10.9
9	86705429		4 BOLT M10 x 34.2mm OAL, Full Thd, CI 10.9 Flange, M10 x 25mm, Full Thread, 10.9
10	87032825		2 BOLT Hvy Hex, M12 x 100mm, CI 10.9
11	87721662		1 EXTENSION ASSY. Front, 32"
12	87685904		1 BRACKET Bin Level Sensor Mount
13	87682383		3 CARRIAGE BOLT M8 x 1.25 x 20mm, CI 10.9

5140-COMBINE - TIER 2

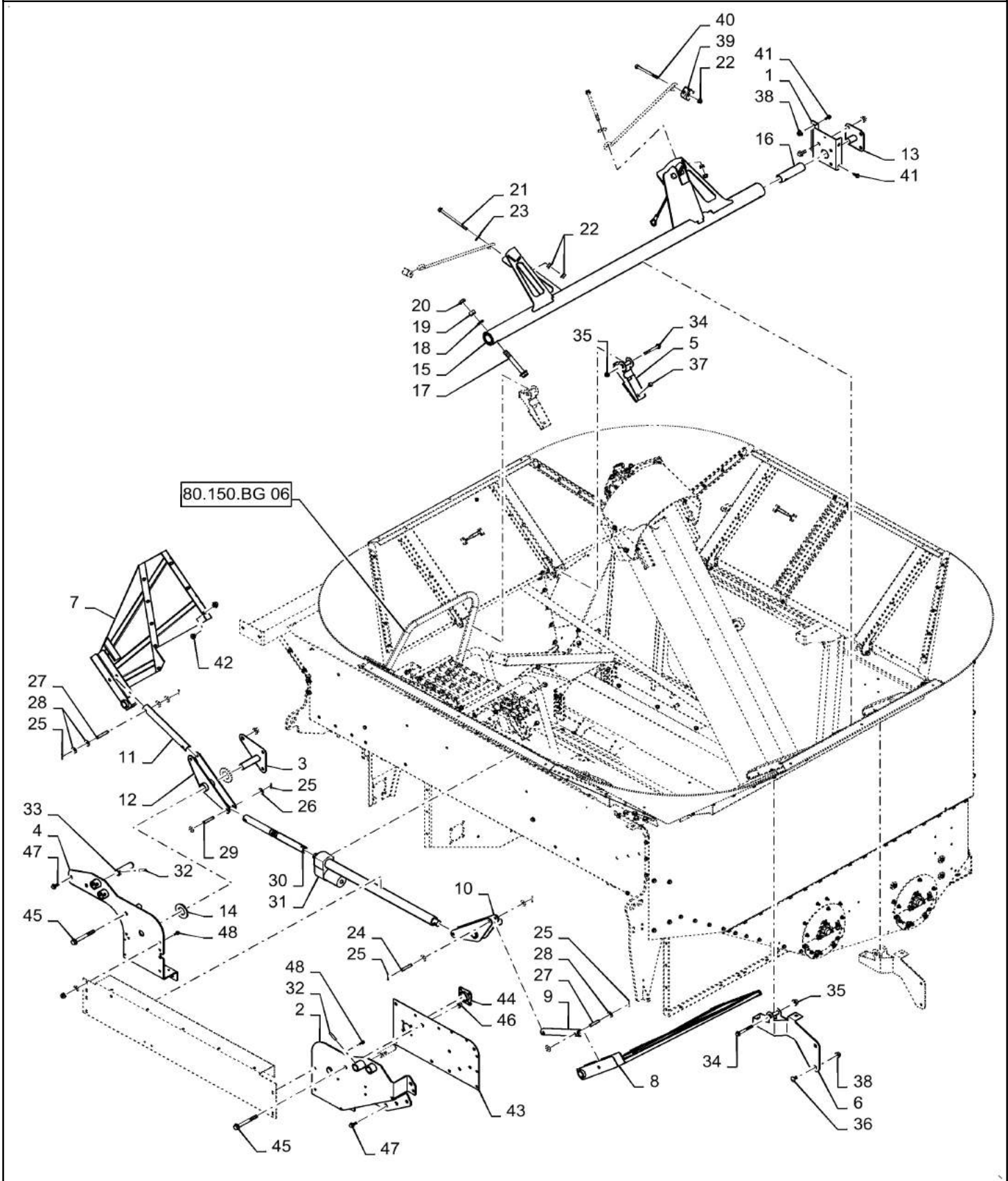
80.150.BG

05

p1

7/2015

VAR - 425471, 425494 - GRAIN BIN EXTENSION

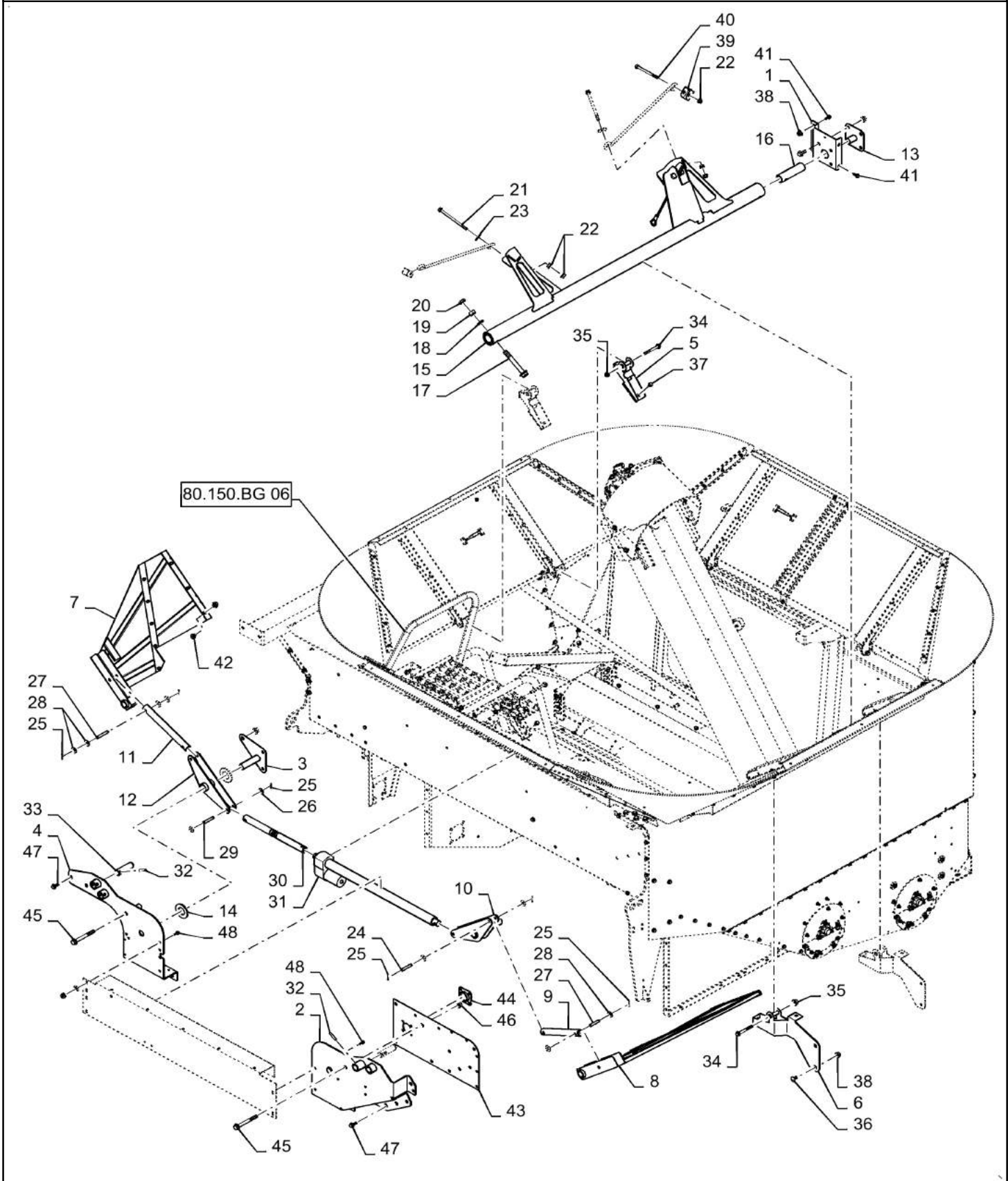


VAR - 425471, 425494 - GRAIN BIN EXTENSION

REF FN	PART NUMBER	YR/SN	QTY DESCRIPTION
1	84369496		1 BRACKET Rockshaft, Front
2	47423996		1 BRACKET Tank Cover
3	87619951		1 BRACKET Tube Support
4	47424000		1 BRACKET Tank Cover
5	87606500		2 HINGE LH
6	87474228		2 HINGE RH
7	47402671		1 BRACKET LH
8	47402661		1 BRACKET RH
9	84151350		1 TUBE Top Link
10	87720937		1 LINK ASSY. Lower, RH
11	84419998		1 TUBE Top Link, LH
12	87731372		1 LINK ASSY. Lower, LH
13	87631278		1 PLATE ASSY. Rockshaft Retainer
14	86512837		5 WASHER 1.38" ID x 2.5" OD x 0.17" Thk
15	84419999		1 SERVICE KIT Rockshaft, Tank Cover
16	87726831		1 TUBE 31.7729 mm DIA Front
17	87698807		2 BOLT Hex, M16 x 120mm, CI 10.9 Flange, M16 x 120mm, 10.9
18	86511326		2 WASHER 17mm ID x 30mm OD x 3mm Thk
19	392530		2 NUT M16, CI 10
20	10717511		2 THIN NUT Thin, M16 x 2, CI 04
21	84526231		2 BOLT Hex, M12 x 170mm, CI 10.9 Flange, M12 x 170mm, 10.9
22	86512497		6 FLANGE NUT M12 x 1.75, CI 10
23	9511052		2 WASHER 13.5mm ID x 44mm OD x 4mm Thk
24	84522947		2 HEADLESS PIN 10mm OD x 70mm L M10 x 70mm
25	130004		13 COTTER PIN 2.9mm OD x 31.4mm OAL
26	87613189		8 WASHER 0.53" ID x 1.25" OD x 0.06" Thk
27	84522945		2 HEADLESS PIN 12mm OD x 75mm L M12 x 75mm

5140-COMBINE - TIER 2

VAR - 425471, 425494 - GRAIN BIN EXTENSION



VAR - 425471, 425494 - GRAIN BIN EXTENSION

REF FN	PART NUMBER	YR/SN	QTY DESCRIPTION
28	86625254		8 WASHER 13.5mm ID x 28mm OD x 2.5mm Thk
29	84522949		2 HEADLESS PIN 12mm OD x 70mm L M12 x 70mm
30	87740259		1 EXTENSION Bar, Actuator
31	84181862		1 ACTUATOR Bin Extension
31	84181862R		1 REMAN-ELECTRIC MOTOR Bin Extension
31	84181862C		1 CORE-ELECTRIC MOTOR Return Part Number
32	381928		2 ROLL PIN 10mm OD x 50mm L, Slotted
33	47384093		2 PIN Tank Extension, Retaining
34	87032825		8 BOLT Hvy Hex, M12 x 100mm, CI 10.9
35	87681209		8 FLANGE NUT Hex, M12 x 1.75, CI 10
36	120041		6 CARRIAGE BOLT M10 x 20mm, CI 8.8
37	87698835		6 FLANGE BOLT M10 x 20mm, Full Thd, CI 10.9
38	86050279		22 FLANGE NUT M10 x 1.5, CI 10
39	87631786		2 CHANNEL Wear
40	87030021		2 BOLT Hex, M12 x 150mm, CI 10.9
41	86705429		12 BOLT M10 x 34.2mm OAL, Full Thd, CI 10.9 Flange, M10 x 25mm, Full Thread, 10.9
42	86975890		50 SCREW Torx, Pan HD, M8 x 1.25 x 20mm, CI 8.8
43	87727319		1 SUPPORT ASSY. Tank Cover, Rear, RH
44	87710467		1 SUPPORT ASSY. Rockshaft
45	87028052		2 BOLT Hex Flg, M16 x 140, 10.9
46	86512837		1 WASHER 1.38" ID x 2.5" OD x 0.17" Thk
47	87030508		2 BOLT M12 x 30 Full 10.9 ZND
48	87656137		2 BOLT M8 x 28.1mm, CI 10.9

5140-COMBINE - TIER 2

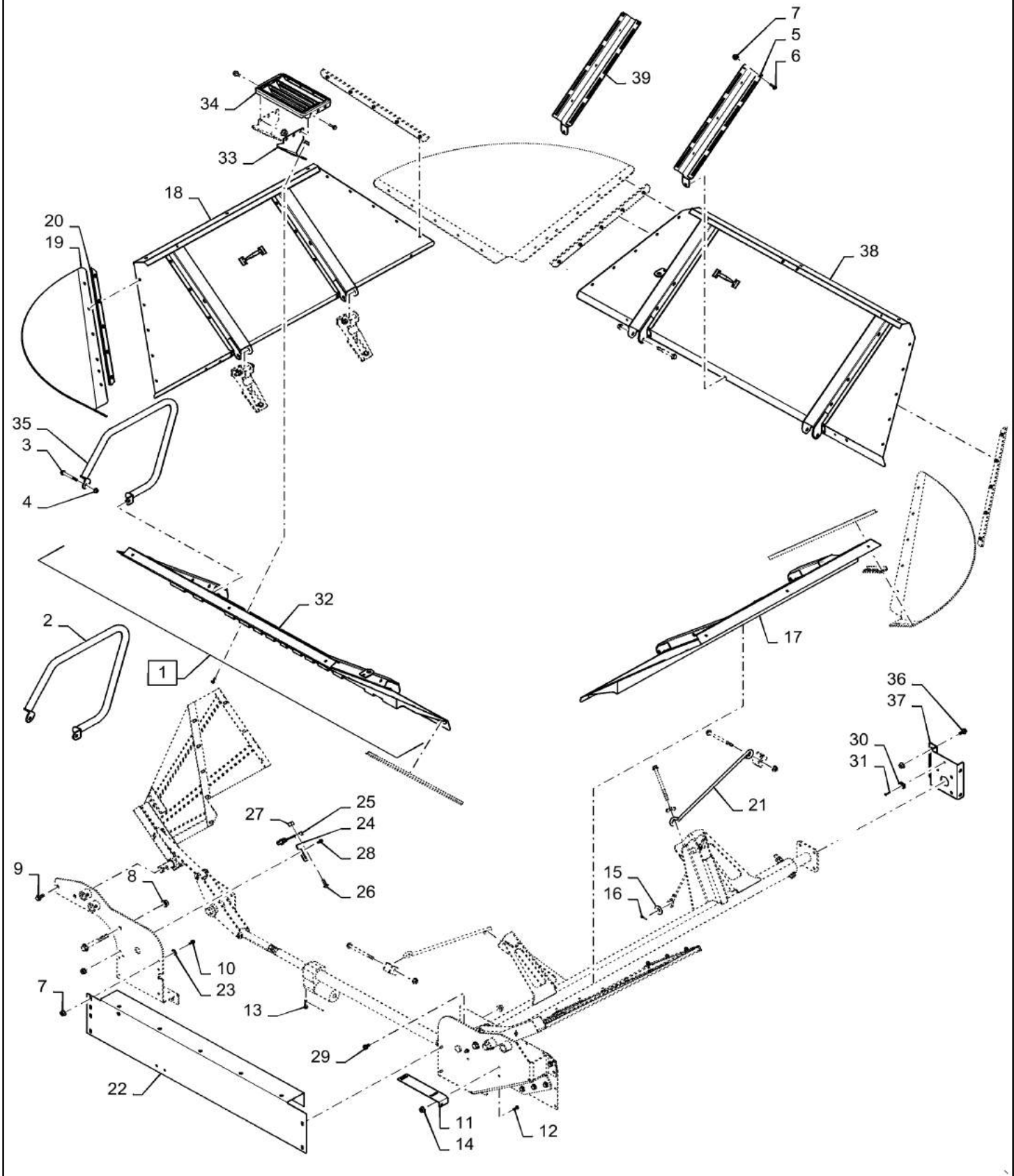
80.150.BG

06

p1

7/2015

VAR - 425471, 425494 - GRAIN BIN EXTENSION, DOOR



VAR - 425471, 425494 - GRAIN BIN EXTENSION, DOOR

REF FN	PART NUMBER	YR/SN	QTY DESCRIPTION
1	87554394		2 EXTENSION ASSY. Door, Front/ Rear, 24", VAR - 425471, Incl 32
2	87109875		1 HANDLE Grab- VAR - 425471
3	87032825		4 BOLT Hvy Hex, M12 x 100mm, CI 10.9
4	86512497		4 FLANGE NUT M12 x 1.75, CI 10
5	87756703		1 BRACKET Bin Level Sensor Mount
6	87682383		6 CARRIAGE BOLT M8 x 1.25 x 20mm, CI 10.9
7	86507066		6 FLANGE NUT M8 x 1.25, CI 10
8	86512498		2 FLANGE NUT M16 x 2.0, CI 10
9	87030508		11 BOLT M12 x 30 Full 10.9 ZND
10	87656137		10 BOLT M8 x 28.1mm, CI 10.9
11	87643551		1 CHANNEL Baffle Cover
12	86585704		2 SCREW Phillips Drive, Pan HD, M8 x 25mm, CI 4.8
13	84056380		1 CLEVIS PIN 12mm OD x 50mm L
14	86507066		24 FLANGE NUT M8 x 1.25, CI 10
15	495-61066		1 WASHER .75" x .656" x .1"
16	394818		1 COTTER PIN M5 x 25
17	84368545		1 EXTENSION RH, 24" VAR - 425471
17	84367830		1 EXTENSION RH, 32" VAR - 425494
18	84368551		1 EXTENSION LH, 24" VAR - 425471
18	84367834		1 EXTENSION LH, 32", VAR - 425494
19	87734459		4 CANVAS Extension, Corner, 24" VAR 425471
19	87726836		4 CANVAS 938.3mm W x 1345.5mm L Extension, Corner, 32" VAR - 425494
20	84194670		8 ANGLE Extension, 24" VAR - 425471
20	87735041		8 ANGLE Extension, 32" VAR 425494
21	84411464		2 ROD Linkage Extension
22	84300520		1 COVER ASSY Actuator
23	131-440		6 PUSH-ON NUT 5/16"

5140-COMBINE - TIER 2

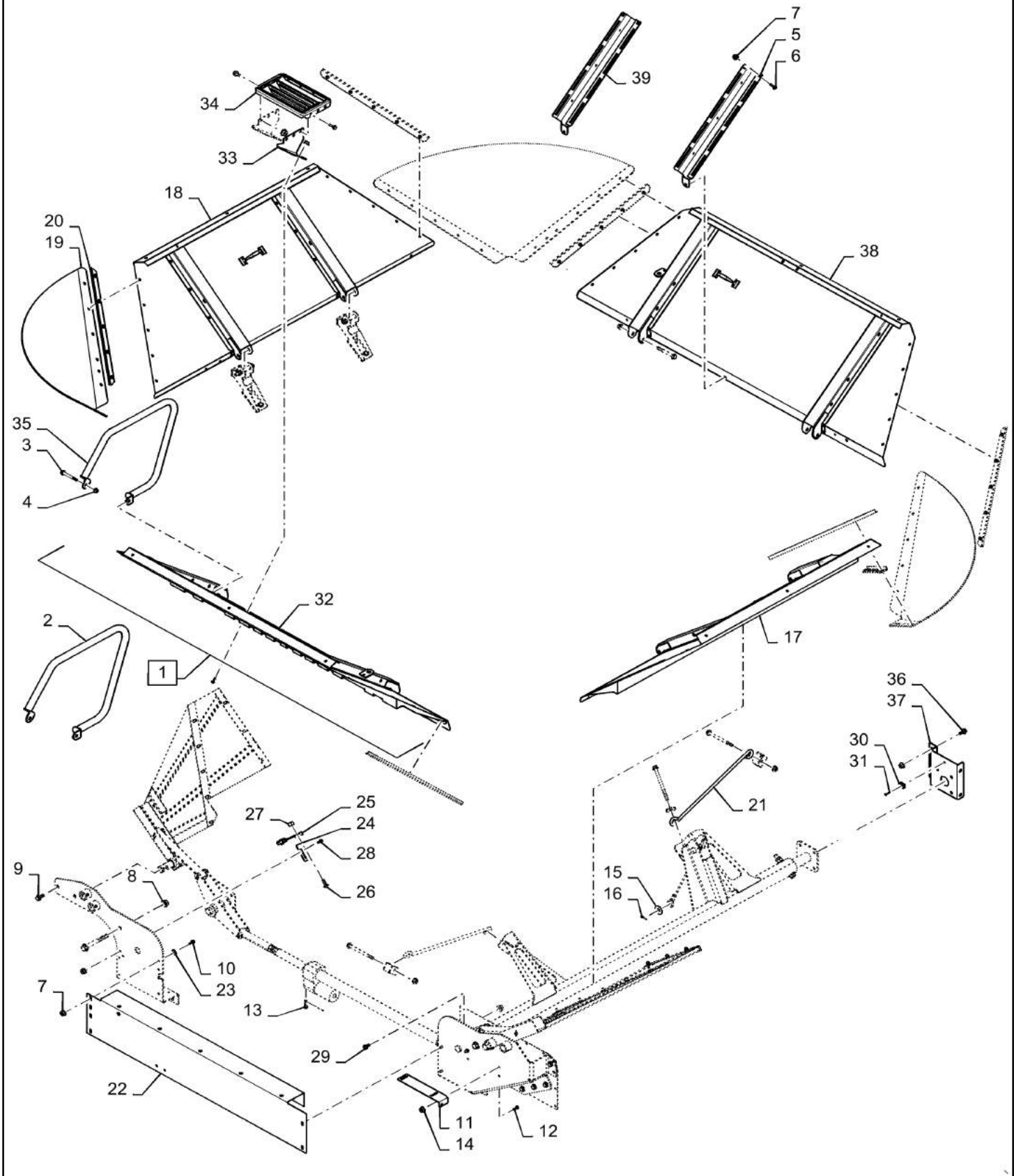
80.150.BG

06

p2

7/2015

VAR - 425471, 425494 - GRAIN BIN EXTENSION, DOOR

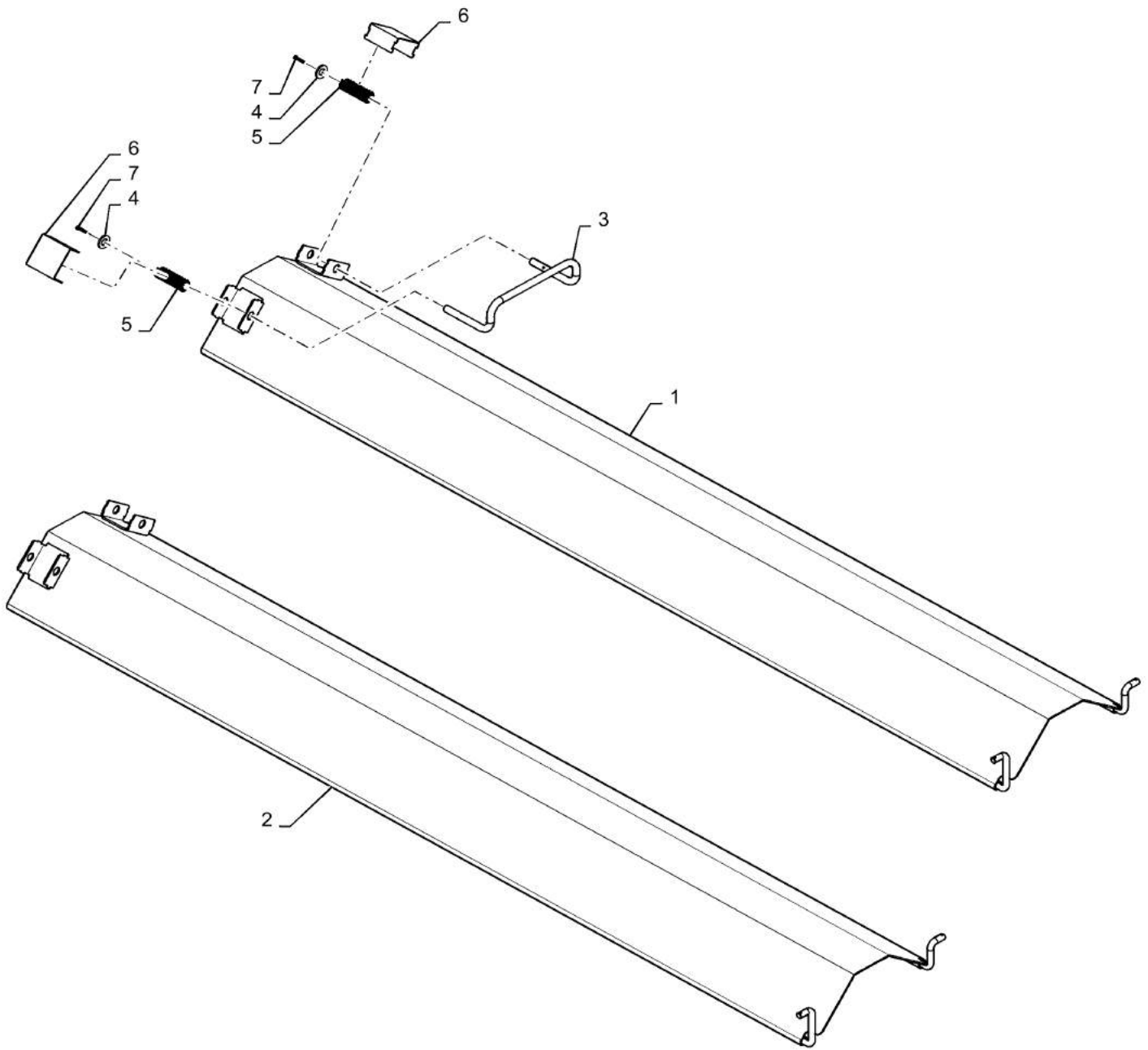


VAR - 425471, 425494 - GRAIN BIN EXTENSION, DOOR

REF FN	PART NUMBER	YR/SN	QTY DESCRIPTION
24	47438793		1 BRACKET Door Open/Close Sensor
25	87392235		1 SENSOR Reed, Door Open/Close
26	86511920		2 SCREW Phillips Drive, Pan HD, #10 - 24 x 1/2"
27	86632551		2 NUT #10-24, GB
28	87682383		2 CARRIAGE BOLT M8 x 1.25 x 20mm, CI 10.9
29	87036807		6 SCREW Pan Cross Recess Phillips, M10 x 1.5 x 20mm, CI 4.8
30	86590413		1 BASE 15.87mm W x 22.22mm OAL x 9.9mm Thk Wire Tie
31	445394		1 RIVET Pop, 3/16" x 1/2" OAL
32	87735049		1 EXTENSION ASSY. Door, Rear, 32" VAR - 425494
33	87609690		2 BRACKET Step Support
34	1531337C1		1 STEP
35	87648705		1 HANDLE Grab - 425494
36	86705429		4 BOLT M10 x 34.2mm OAL, Full Thd, CI 10.9 Flange, M10 x 25mm, Full Thread, 10.9
37	86050279		4 FLANGE NUT M10 x 1.5, CI 10
38	87721662		1 EXTENSION ASSY. Door, Front, 32" VAR 425494
39	87685904		1 BRACKET Bin Level Sensor Mount

5140-COMBINE - TIER 2

COVER, AUGER, GRAIN TANK



80.150.BJ

p1

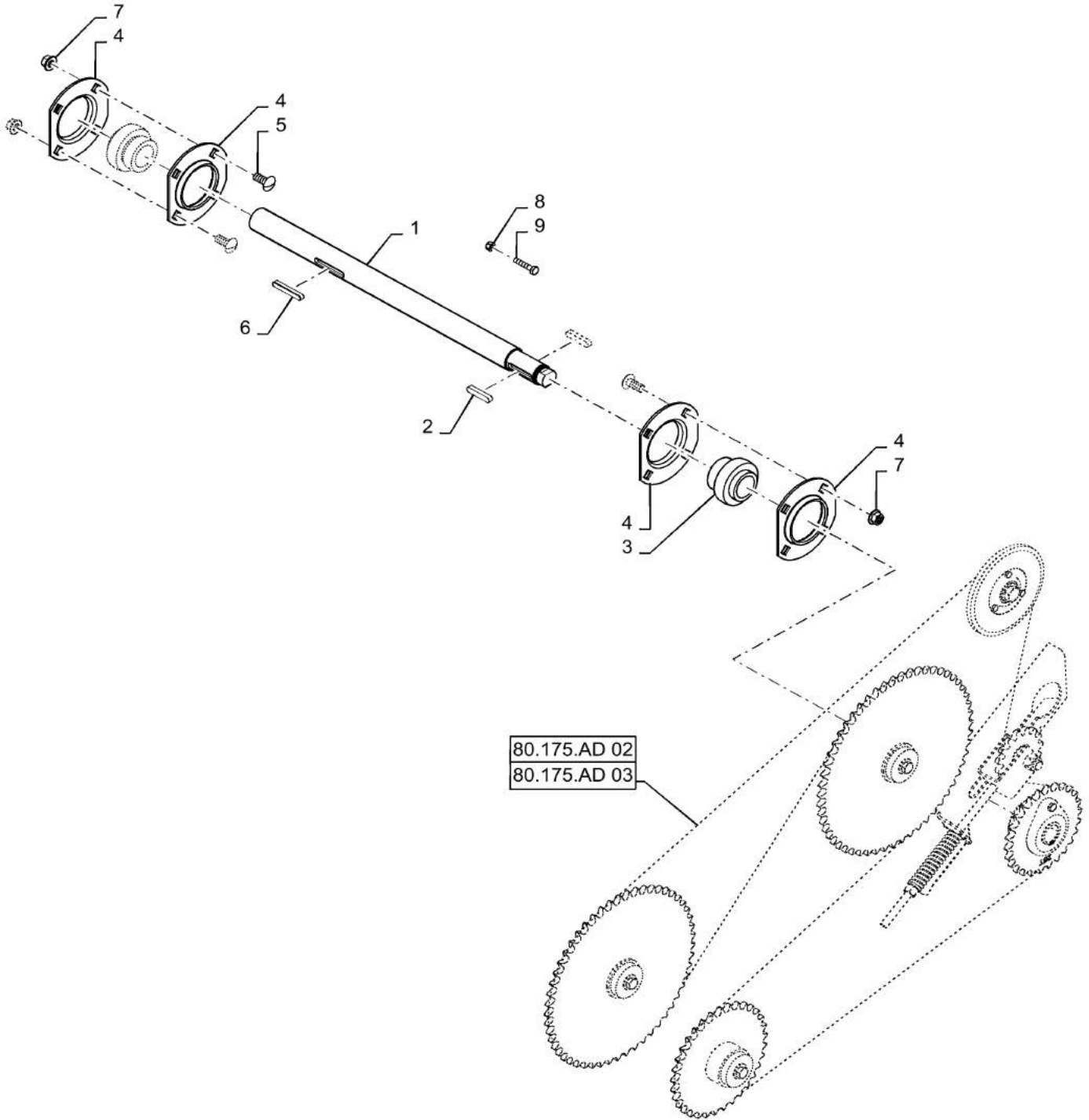
7/2015

COVER, AUGER, GRAIN TANK

REF FN	PART NUMBER	YR/SN	QTY DESCRIPTION
1	87545834		1 TOP COVER Grain Tank Auger, Rear
2	86976422		1 COVER Grain Tank Auger, Front
3	86975418		1 HANDLE Cover
4	86624146		2 WASHER 0.53" ID x 1" OD x 0.12" Thk
5	80025823		2 SPRING 63.5mm Free Length Guard And Lock
6	86976481		2 COVER Cap
7	130004		2 COTTER PIN 2.9mm OD x 31.4mm OAL

5140-COMBINE - TIER 2

CHAIN, UNLOADING & FLOW, DRIVE



80.175.AD

01

p1

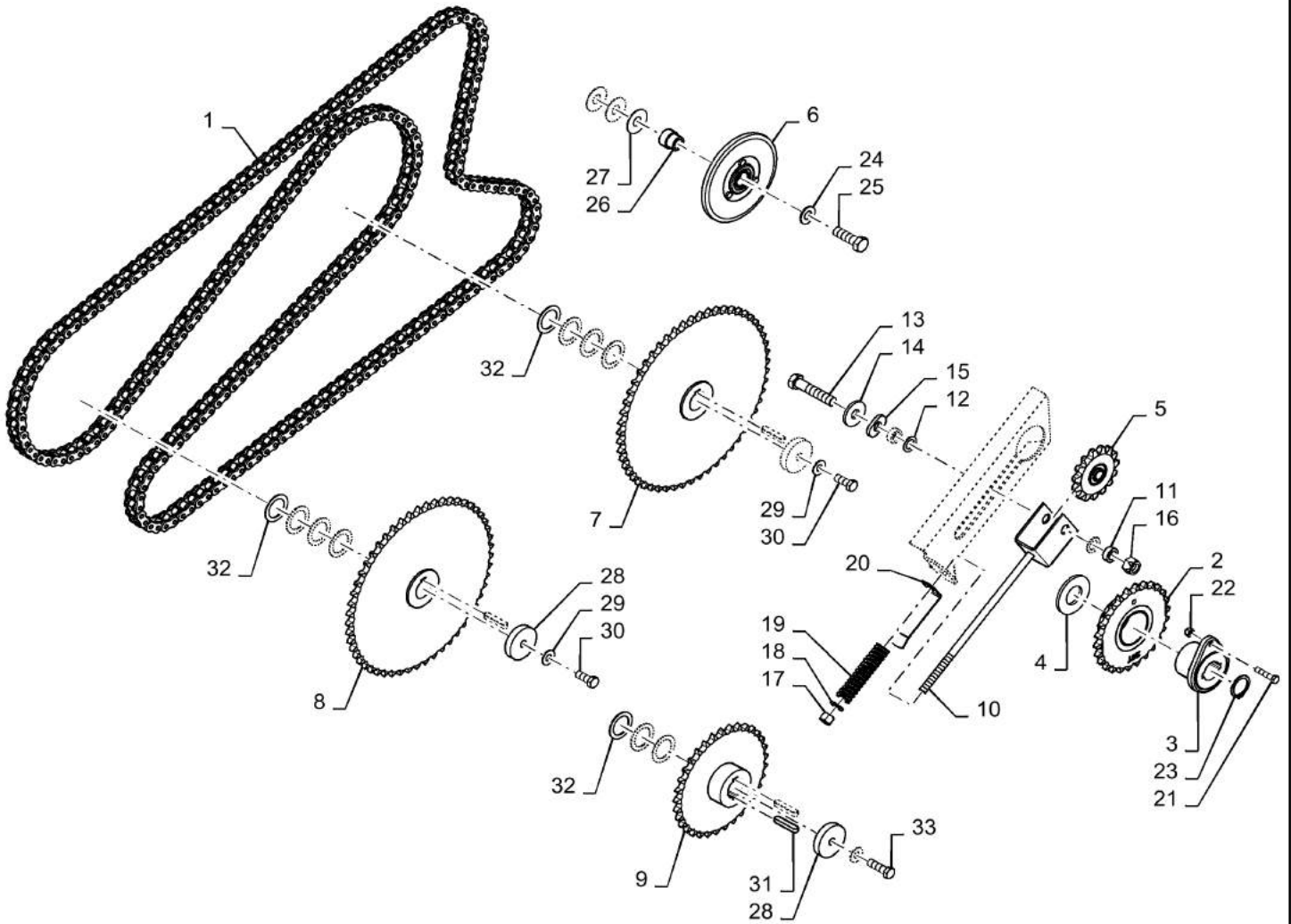
7/2015

CHAIN, UNLOADING & FLOW, DRIVE

REF FN	PART NUMBER	YR/SN	QTY DESCRIPTION
1	87555273		1 SHAFT Jackshaft, Unload Drive
2	170012		2 KEY 8mm W x 50mm OAL
3	455805		2 BALL BEARING 40mm ID x 80mm OD x 42.9mm Thk
4	86620027		4 FLANGED BEARING 80.02mm ID x 147.6mm OD x 4mm Thk 80mm ID
5	87695426		8 CARRIAGE BOLT M12 x 30mm, CI 0.9
6	323190		1 KEY 10mm x 8mm x 63mm
7	86512497		8 FLANGE NUT M12 x 1.75, CI 10
8	86629542		5 NUT M8 x 1.25, CI 8
9	43129		5 BOLT M8 x 1.25 x 45.45mm, CI 8.8

5140-COMBINE - TIER 2

TENSIONER, CHAIN, DRIVE, UNLOADING TUBE

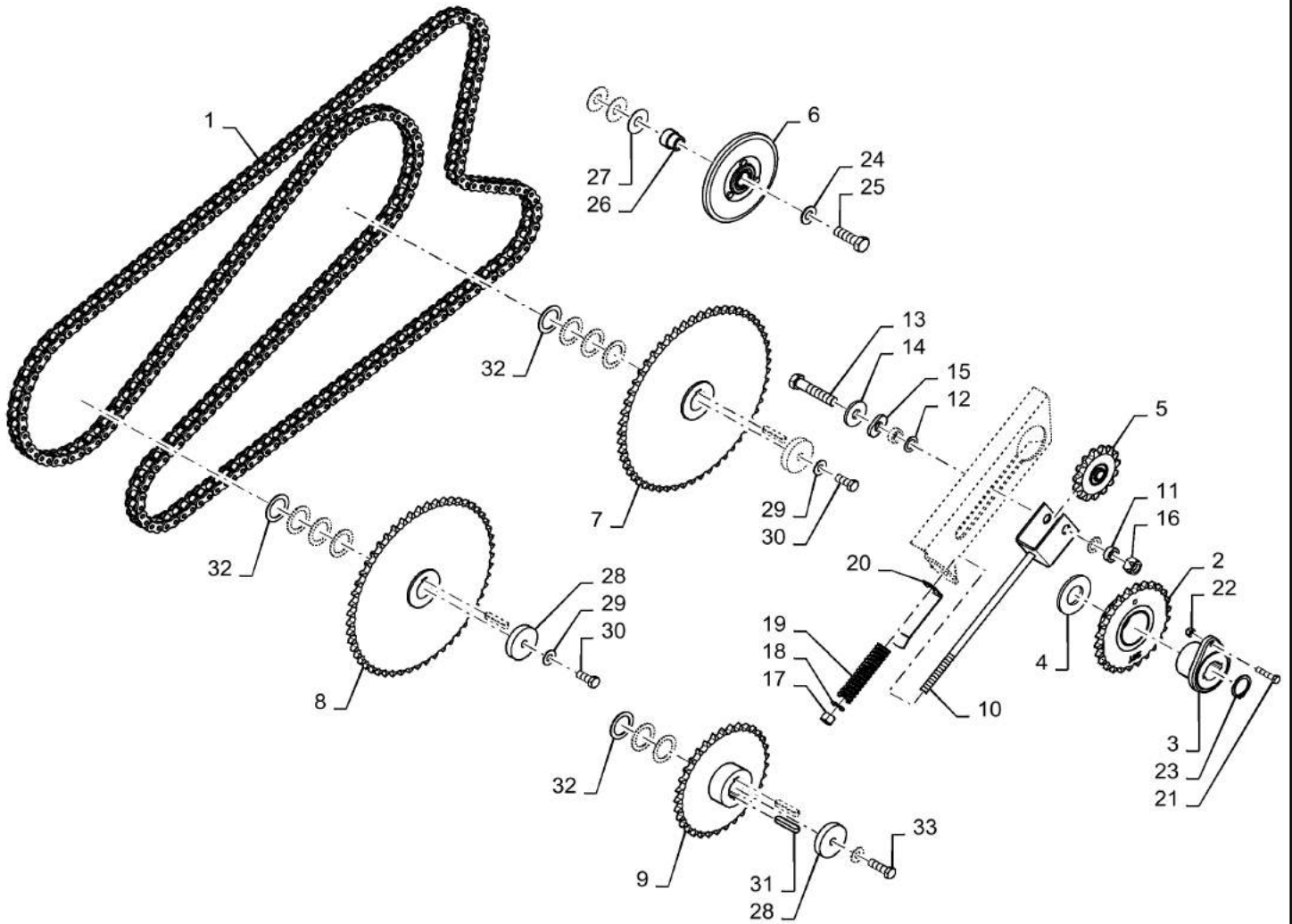


TENSIONER, CHAIN, DRIVE, UNLOADING TUBE

REF FN	PART NUMBER	YR/SN	QTY DESCRIPTION
1	87707588		1 CHAIN (AG) 60H, 266 Links x 19.05mm = 5067.3mm 60H, 2.5 BPS
2	84398912		1 SPROCKET 26 Tooth
3	84073176		1 SHEAR BOLT BUSHING
4	84073175		1 WASHER 35.1mm ID x 71.5mm OD x 5mm Thk
5	86627639		1 SPROCKET 15 Tooth
6	86565318		1 SPROCKET 25T 25 Tooth
7	87705471		1 SPROCKET ASSY. Rear Driven, 55 Tooth
8	87705478		1 SPROCKET ASSY. Front Driven, 53 Tooth
9	87705556		1 SPROCKET ASSY. Vertical Driven, 33 Tooth
10	86588887		1 CLEVIS Rod
11	86582836		2 SPACER 25mm OD x 16.5mm ID x 9.5mm L
12	34821		2 WASHER 17.86mm ID x 28.57mm OD x 1.52mm Thk
13	120093		1 BOLT M16 x 2.0 x 90.18mm, CI 8.8
14	86519909		1 WASHER 17mm ID x 46mm OD x 5mm Thk
15	86623083		1 SPACER Oval, 7mm Thick
16	86000441		1 NUT M16 x 2.0, CI 8
17	412126		1 NUT M12 x 1.75
18	140018		1 WASHER 13.5mm ID x 24mm OD x 2.5mm Thk
19	337829		1 SPRING Tension
20	86601493		1 INDICATOR Chain Condition
21	43129		1 BOLT M8 x 1.25 x 45.45mm, CI 8.8
22	86629542		1 NUT M8 x 1.25, CI 8
23	370004		1 SNAP RING M35 x 1.5mm Thk, External
24	140048		1 BELLEVILLE WASHER M16 x 32mm OD x 2.8mm Thk
25	120090		1 BOLT Hex, M16 x 50mm, CI 8.8

5140-COMBINE - TIER 2

TENSIONER, CHAIN, DRIVE, UNLOADING TUBE



TENSIONER, CHAIN, DRIVE, UNLOADING TUBE

REF FN	PART NUMBER	YR/SN	QTY DESCRIPTION
26	9515145		1 BUSHING 17mm ID x 30mm OD x 29mm L 17mm ID x 29mm
27	393062		3 WASHER 17mm ID x 45mm OD x 1mm Thk
28	84073172		3 WASHER 13mm ID x 60mm OD x 12mm Thk
29	140046		3 BELLEVILLE WASHER M12 x 27mm OD x 1.8mm Thk
30	9706687		2 BOLT M12 x 1.75 x 30mm, CI 8.8
31	170012		4 KEY 8mm W x 50mm OAL
32	9800957		11 WASHER 35.81mm ID x 50.8mm OD x 1.52mm Thk
33	86629541		1 BOLT Hex, M12 x 1.75 x 40mm, CI 8.8

5140-COMBINE - TIER 2

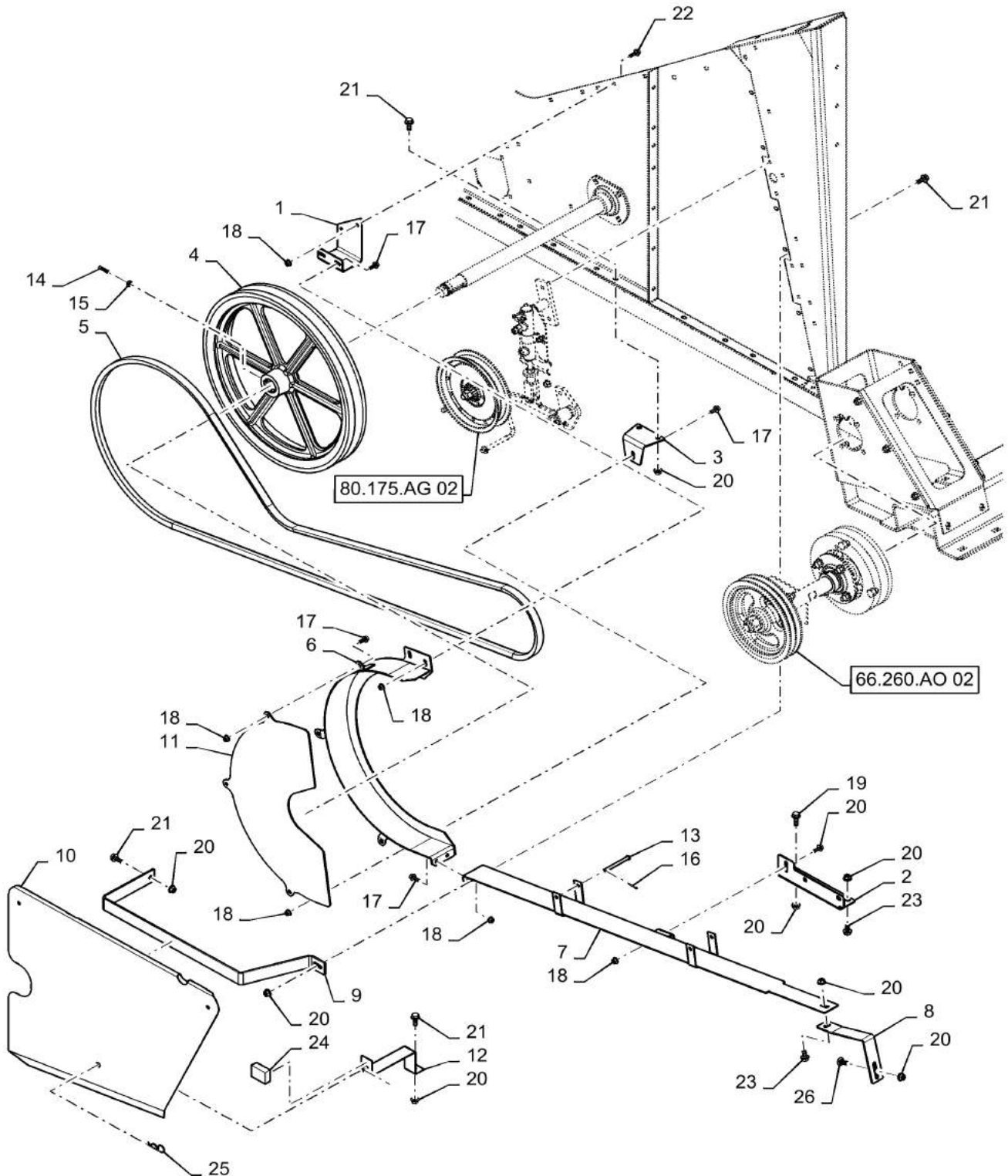
80.175.AG

01

p1

7/2015

UNLOADER BELT DRIVE ASSY



UNLOADER BELT DRIVE ASSY

REF FN	PART NUMBER	YR/SN	QTY DESCRIPTION
1	87682668		1 SUPPORT Unloader Belt Guide. Top, Dark Gray
2	87682672		1 SUPPORT Unloader Belt Guide, Center, Dark Gray
3	87682670		1 SUPPORT Unloader Belt Guide, Bottom, Dark Gray
4	87470148		1 PULLEY Unloader Driven, Dark Gray
5	87566055		1 V-BELT 22.33 mm W x 3864.00 mm L Unloader Drive, 2.5 BU/Sec.
6	87682676		1 GUIDE Unloader Belt, Front, Dark Gray
7	87682680		1 GUIDE Unloader Belt, Rear, Dark Gray
8	87395751		1 SUPPORT Unloader Belt Guide, Rear, Dark Gray
9	87684242		1 STRAP Unloader Drive Shield, Dark Gray
10	87684244		1 BRACKET, SUPPORTING Unloader Drive Belt Shield, Dark Gray
11	87684246		1 COVER ASSY Unloader Drive Belt, Dark Gray
12	87555282		1 SUPPORT ASSY. Unloader Shield, Dark Gray
13	439-1556		2 PIN 5/16" x 3 1/2"
14	485-13116		2 SET SCREW Sq Hd, 5/16"-18 x 1", Cup pt
15	425-145		2 JAM NUT Jam, 5/16"-18, G5
16	432-812		2 COTTER PIN 3/4" OAL x 1/8" W
17	87656137		9 BOLT M8 x 28.1mm, CI 10.9
18	86507066		11 FLANGE NUT M8 x 1.25, CI 10
19	87698837		2 FLANGE BOLT M10 x 30mm, Full Thd, CI 10.9
20	86050279		11 FLANGE NUT M10 x 1.5, CI 10
21	87698836		5 BOLT M10 x 25mm, Full Thd, CI 10.9

5140-COMBINE - TIER 2

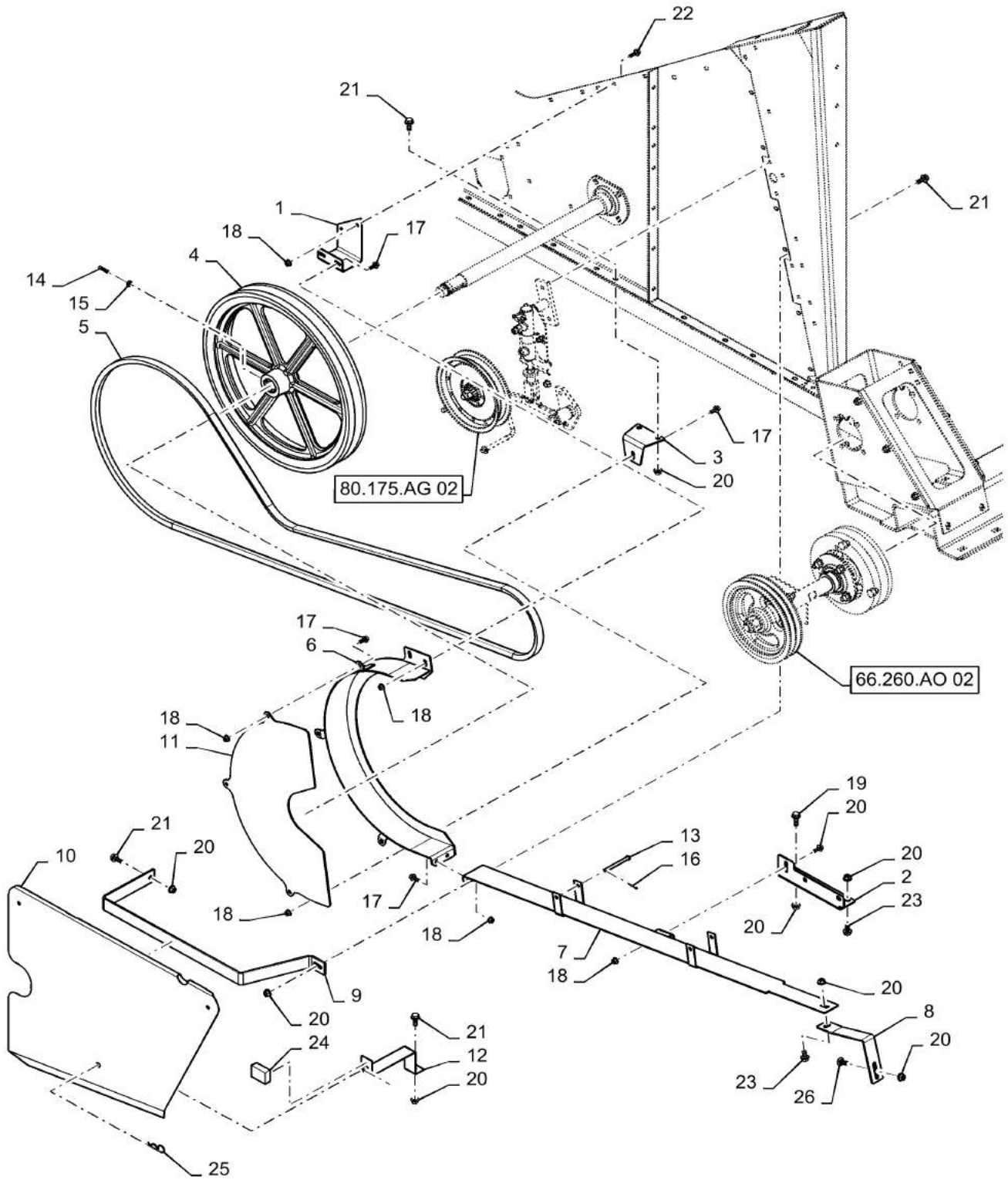
80.175.AG

01

p2

7/2015

UNLOADER BELT DRIVE ASSY



80.175.AG

01

p2

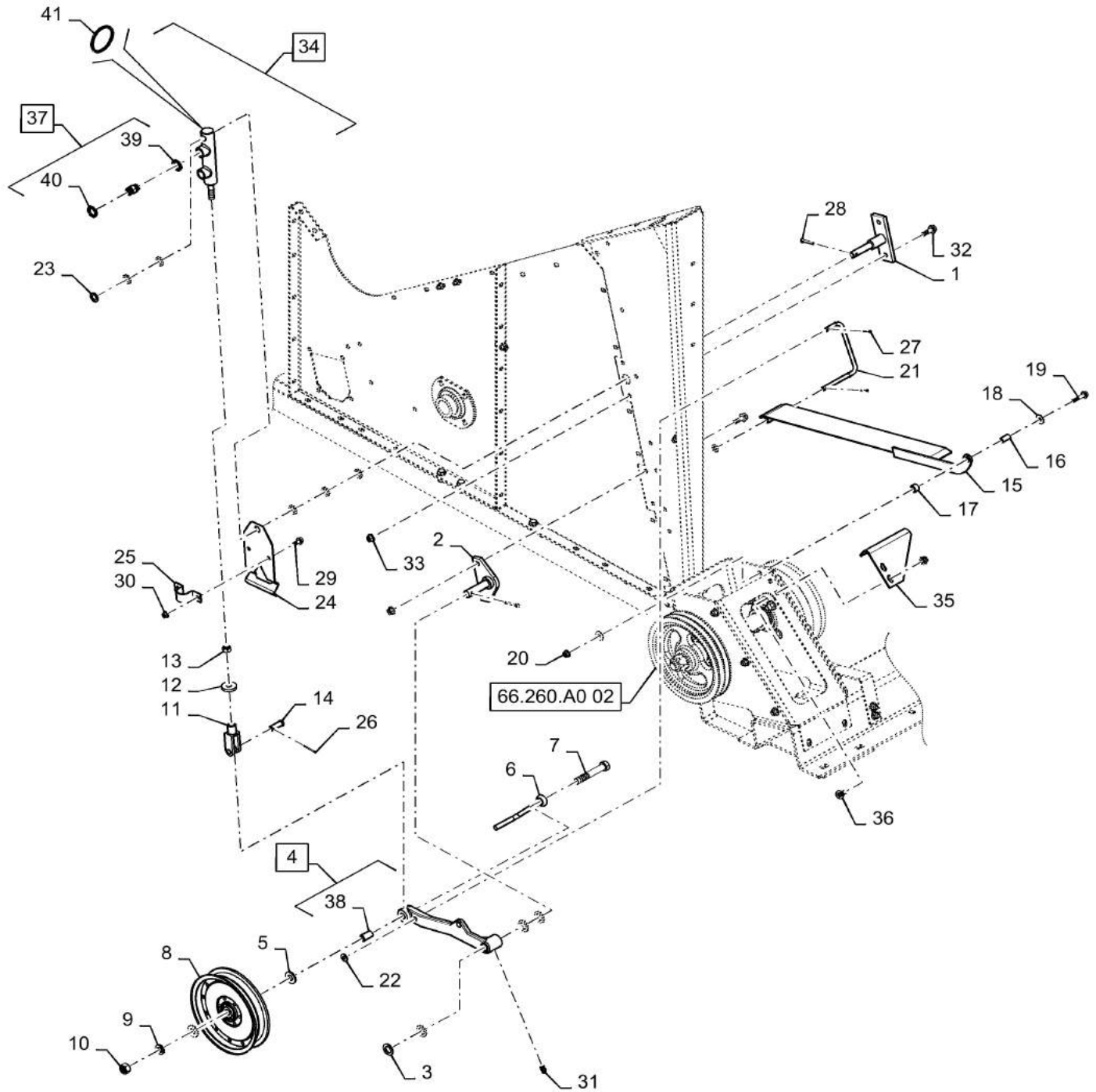
7/2015

UNLOADER BELT DRIVE ASSY

REF FN	PART NUMBER	YR/SN	QTY DESCRIPTION
22	87698833		2 BOLT M8 x 33.1mm, CI 10.9
23	87698835		2 FLANGE BOLT M10 x 20mm, Full Thd, CI 10.9
24	187884C1		1 SEALING STRIP Foam
25	610784R1		1 SPLIT PIN/SAFETY PIN 2.4mm OD x 60.345mm OAL
26	87682391		2 CARRIAGE BOLT M10 x 1.5 x 25mm, CI 10.9

5140-COMBINE - TIER 2

UNLOADER BELT DRIVE ASSY (CONT.)

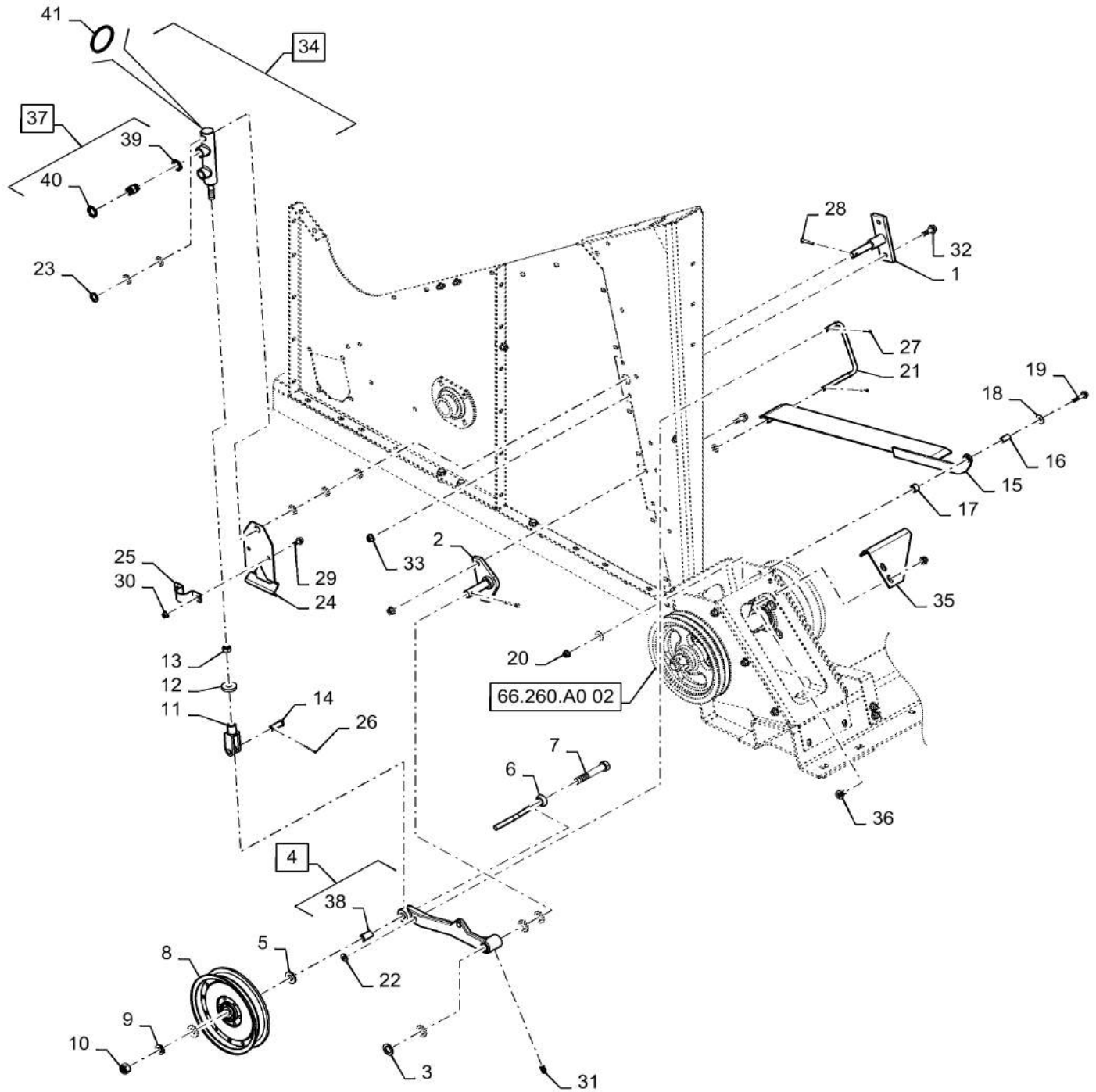


UNLOADER BELT DRIVE ASSY (CONT.)

REF FN	PART NUMBER	YR/SN	QTY DESCRIPTION
1	87555297		1 ASSEMBLY Unloader Idler Cylinder Shaft
2	87555294		1 SHAFT ASSY. Unloader Drive Idler Arm, Dark Gray
3	495-81039		4 WASHER 25/32" x 1 1/4" x .120"
4	112008A1		1 ARM Unloader Idler, Incl 38
5	496-21066		2 WASHER 16.6mm ID x 33.5mm OD x 3.8mm Thk
6	194894C1		1 ROD Unloader Belt, Upper
7	413-1060		1 BOLT Hex, 5/8" - 11 x 3-3/4", Gr 5
8	177195C1		1 PULLEY ASSY. Idler
9	492-11062		1 BEARING WASHER 5/8"
10	425-1010		1 NUT 5/8"-11, G5
11	213-128		1 ADJUSTABLE CLEVIS 1/2"-20 x 3"
12	189153A1		1 WASHER Unloader Clutch Retainer
13	425-118		1 NUT 1/2"-20, G5
14	427-8136		1 CLEVIS PIN 1/2" x 1.360"
15	87555302		1 SUPPORT ASSY. Unloader Drive Belt, Dark Gray
16	190123C1		1 SPACER 1/2" Tube x 1"
17	86622618		1 SPACER 13.11mm ID x 19.05mm OD x 12.3mm Thk Assembly
18	495-81116		2 WASHER 8.74mm ID x 25.4mm OD x 1.7mm Thk
19	87698834		1 BOLT M8 x 48.1mm, CI 10.9 M8 x 40
20	87681210		1 FLANGE NUT M8 x 1.25, CI 10
21	87555310		1 ROD Unloader Drive Belt Upper Retainer
22	495-11041		2 WASHER 0.406" ID x 0.812" OD x 0.065" W
23	495-81175		6 WASHER 21/32" x 1" x .120"
24	84172259		1 RETAINER Unload Belt Idler Arm, Dark Gray
25	84226332		1 CLAMP Unloader Retaining Plate

5140-COMBINE - TIER 2

UNLOADER BELT DRIVE ASSY (CONT.)



UNLOADER BELT DRIVE ASSY (CONT.)

REF FN	PART NUMBER	YR/SN	QTY DESCRIPTION
26	432-820		1 COTTER PIN 1/8" x 1 1/4"
27	432-812		2 COTTER PIN 3/4" OAL x 1/8" W
28	432-1620		2 COTTER PIN 1/4" x 1 1/4"
29	87656137		2 BOLT M8 x 28.1mm, CI 10.9
30	86507066		2 FLANGE NUT M8 x 1.25, CI 10
31	219-87		1 LUBE NIPPLE 1/4"-28 x .56" lg, Self-Tap
32	87698837		4 FLANGE BOLT M10 x 30mm, Full Thd, CI 10.9
33	86050279		6 FLANGE NUT M10 x 1.5, CI 10
34	87337243		1 CYLINDER Double Acting, 12.7mm Rod, 69.85mm Stroke Unloader Clutch With Fittings, Incl 37
35	84153766		1 RETAINER Unloader Drive Belt, Dark Gray
36	87682391		4 CARRIAGE BOLT M10 x 1.5 x 25mm, CI 10.9
37	327679A1		1 CHECK VALVE Unloader Cylinder, Incl 39, 40
38	382638R2		2 BUSHING 19.07mm ID x 22.24mm OD x 19.05mm L Unloader Idler Arm
39	237-6006		1 O-RING 0.078" Thk x 0.468" ID, -906, CI 6, 90 Duro Unloader Cylinder Check Valve
40	238-6012		1 O-RING 0.07" Thk x 0.364" ID, -12, CI 6, 90 Duro Unloader Cylinder Check Valve
41	87364305		1 SEAL KIT Services 34

5140-COMBINE - TIER 2

80.180.AQ

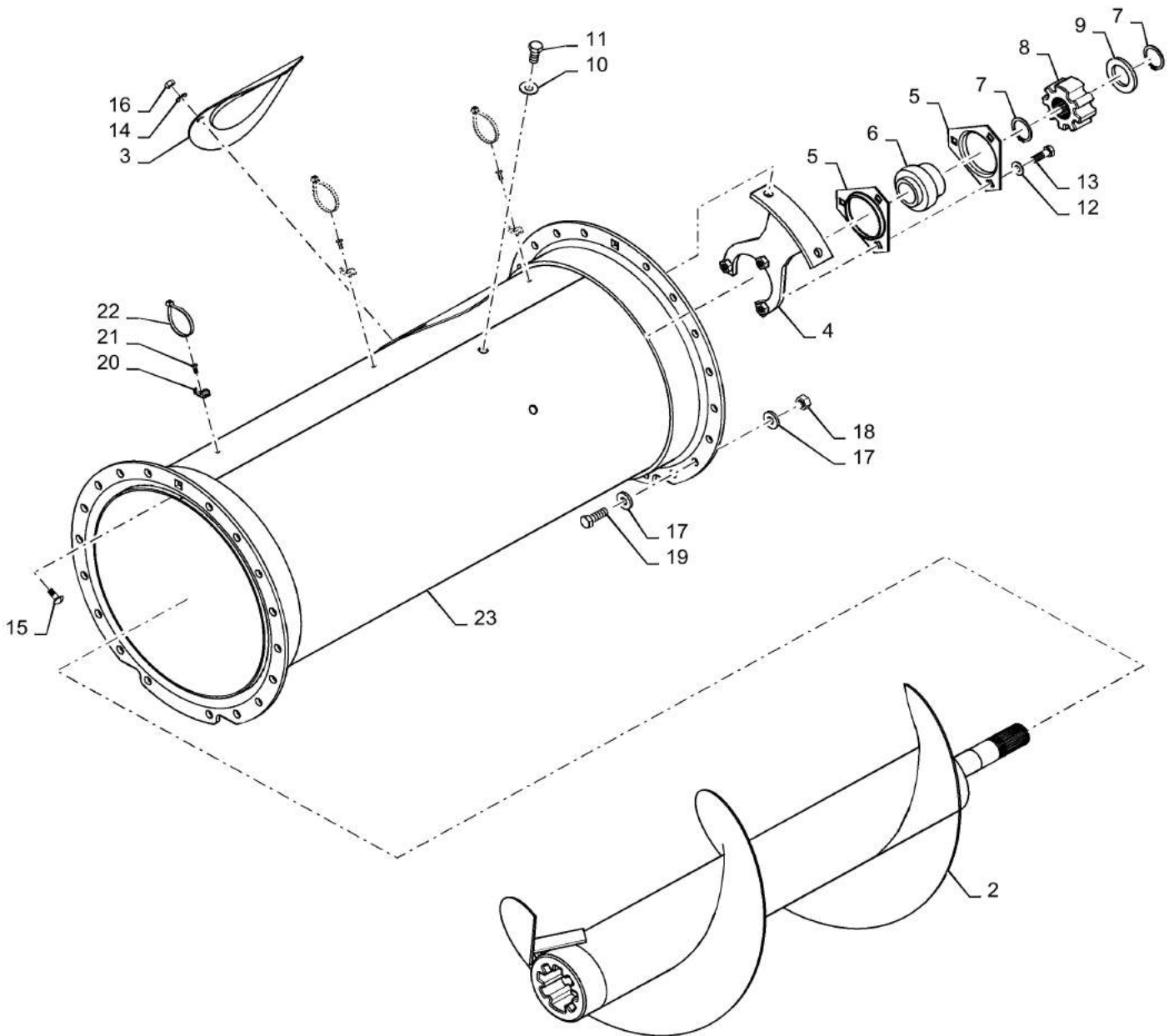
01

p1

7/2015

VAR - 425312, 425314, 425313 - EXTENSION, UNLOADING TUBE

1



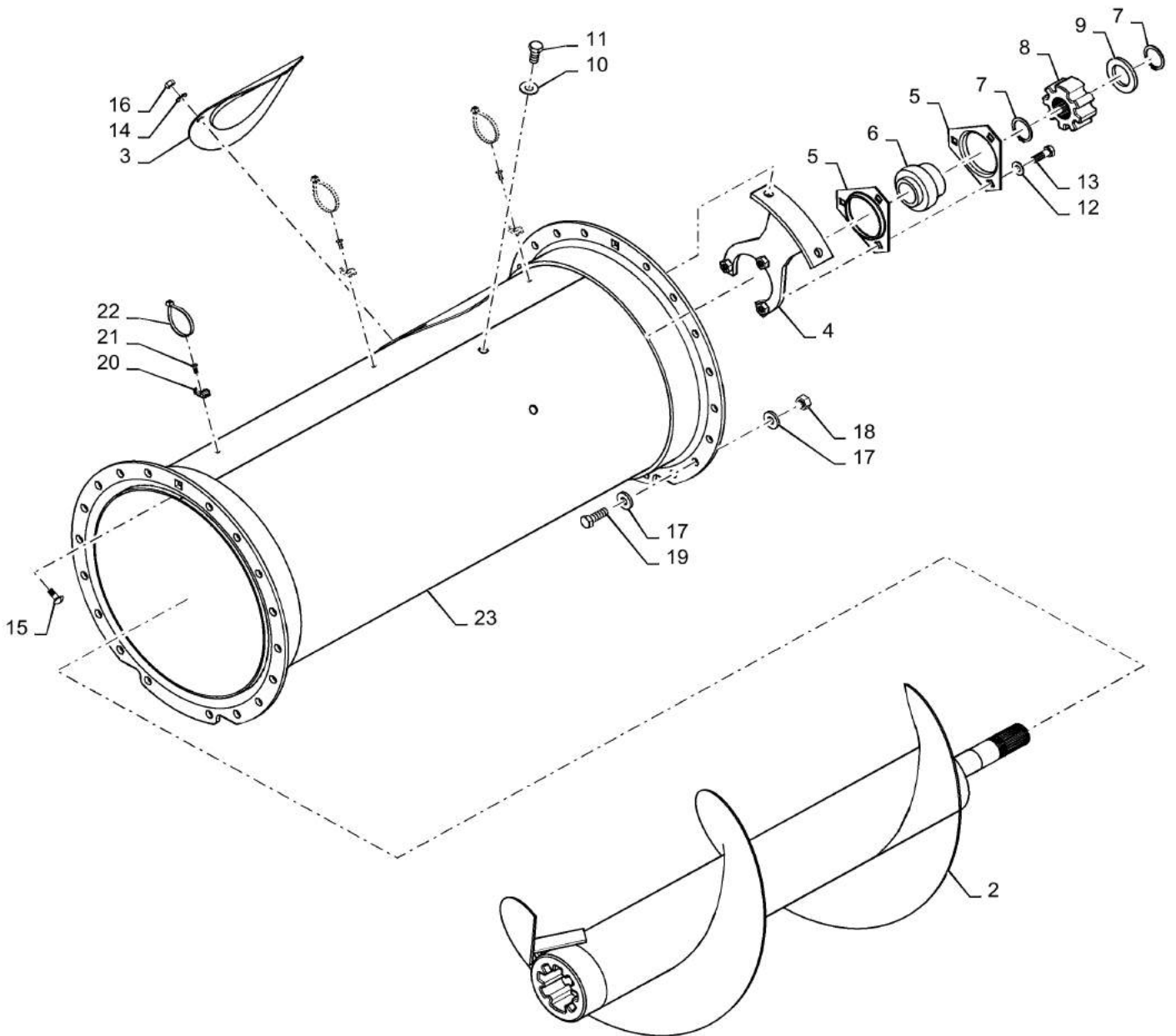
VAR - 425312, 425314, 425313 - EXTENSION, UNLOADING TUBE

REF FN	PART NUMBER	YR/SN	QTY DESCRIPTION
1	87471942		1 AUGER Extension Assembly, 3 ft, Standard, Incl 2 - 23, VAR - 425312, 425314
1	87471943		1 AUGER Extension Assembly, 3 ft, Extended Wear, Incl 2 - 23, VAR 425313
2	87575223		1 AUGER 3 FT, Standard VAR - 425312, 425314
2	87657822		1 AUGER 3 FT, Extended Wear VAR 425313
3	87552541		1 COVER Tube Access
4	84072623		1 SUPPORT Bracket, Auger Support
5	84414985		2 FLANGED BEARING 72mm ID, 3 Hole
6	87605590		1 BEARING ASSY 35mm ID x 72mm OD x 19mm W Outer Sphere
7	370004		2 SNAP RING M35 x 1.5mm Thk, External
8	87011705		1 HUB 21T Auger Coupler, 21 Tooth Internal/ 8 Tooth External
9	84072793		1 WASHER 35.5mm ID x 58mm OD x 5mm Thk
10	140046		2 BELLEVILLE WASHER M12 x 27mm OD x 1.8mm Thk
11	300388		2 BOLT Hex, M12 x 1.75 x 25mm, CI 8.8
12	140046		3 BELLEVILLE WASHER M12 x 27mm OD x 1.8mm Thk
13	43140		3 BOLT Hex, M10 x 1.5 x 30mm, CI 8.8
14	322358		2 BELLEVILLE WASHER M8 x 18mm OD x 1.4mm Thk
15	86507486		2 CARRIAGE BOLT M8 x 1.25 x 20mm, CI 8.8
16	9706690		2 NUT M8 x 1.25, CI 8
17	394630		38 WASHER 13mm ID x 28mm OD x 4mm Thk
18	9706685		19 NUT M12 x 1.75, CI 8
19	300389		19 BOLT M12 x 1.75 x 35mm
20	86590413		3 BASE 15.87mm W x 22.22mm OAL x 9.9mm Thk Wire Tie

5140-COMBINE - TIER 2

VAR - 425312, 425314, 425313 - EXTENSION, UNLOADING TUBE

1



80.180.AQ

01

p2

7/2015

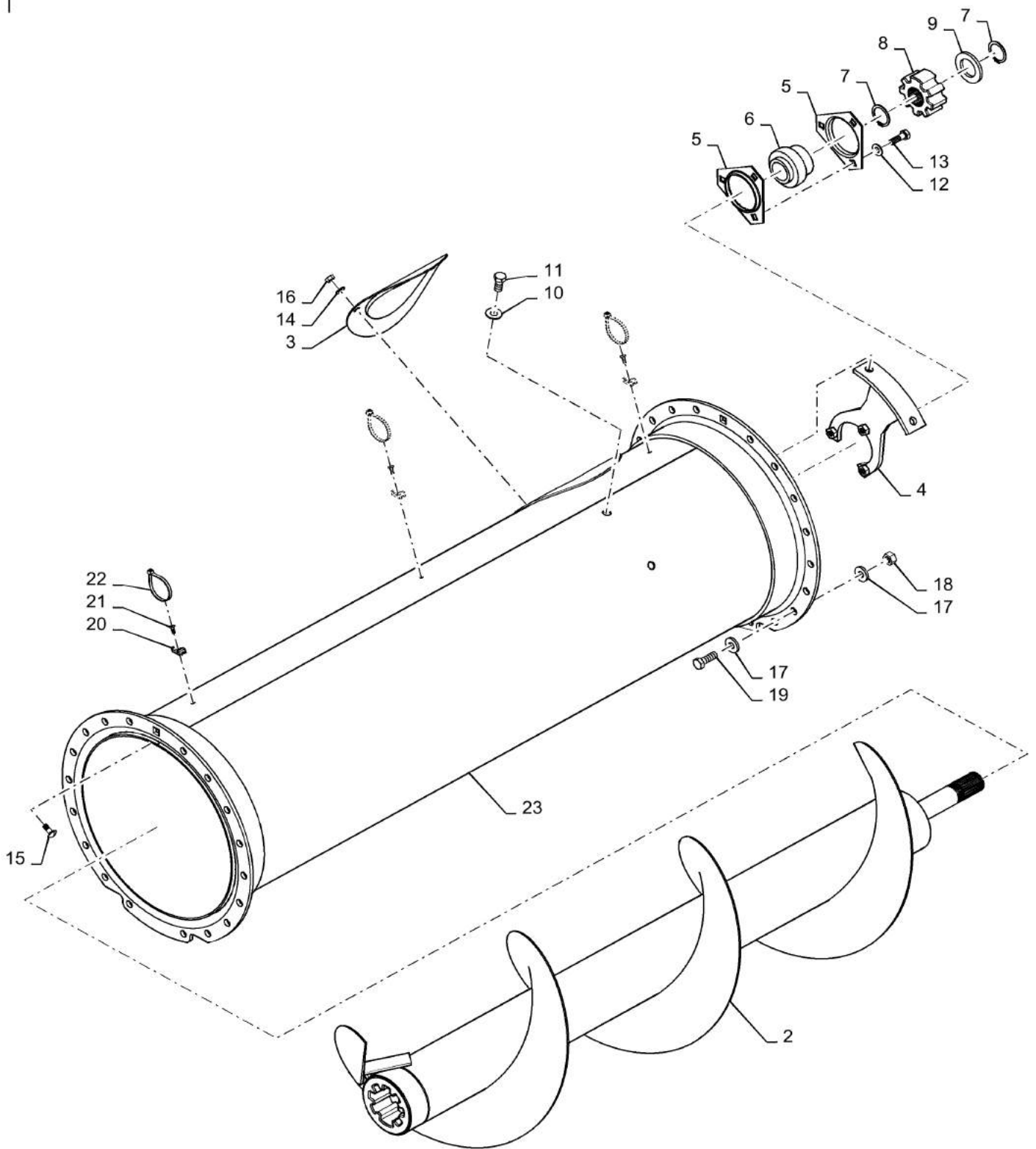
VAR - 425312, 425314, 425313 - EXTENSION, UNLOADING TUBE

REF FN	PART NUMBER	YR/SN	QTY DESCRIPTION
21	445394		3 RIVET Pop, 3/16" x 1/2" OAL
22	86566989		3 CABLE TIE 208mm L
23	87470153		1 TUBE 349.6 mm ID x 412.6 mm OD x 914.4 mm L Unloader, 3 FT, Standard, VAR - 425312, 425314, 425313

5140-COMBINE - TIER 2

VAR - 722983, 425078, 425077 - EXTENSION, UNLOADING TUBE

1



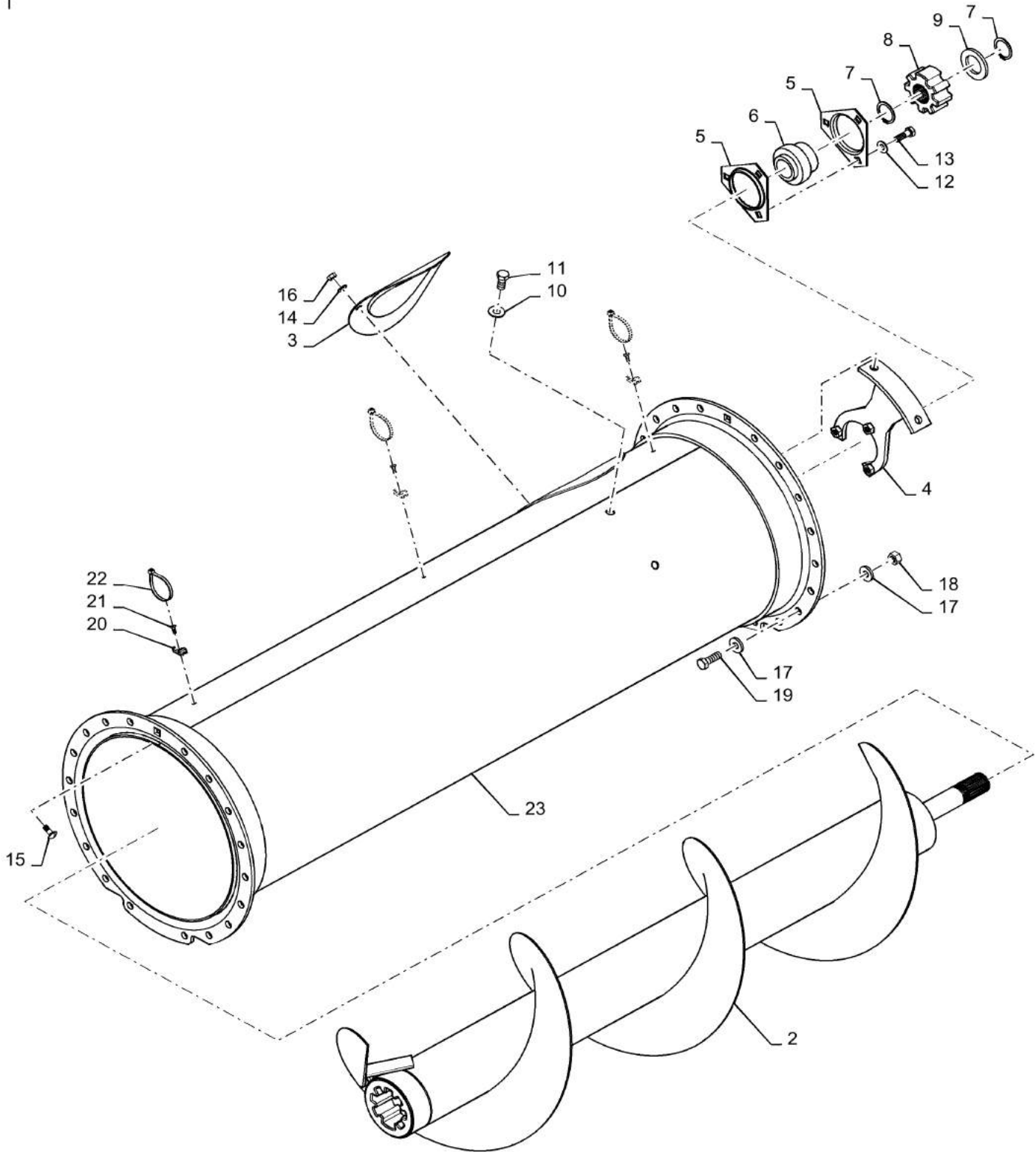
VAR - 722983, 425078, 425077 - EXTENSION, UNLOADING TUBE

REF FN	PART NUMBER	YR/SN	QTY DESCRIPTION
1	84256215		1 AUGER Extension, Standard Wear, 4.4 Ft., Incl 2 - 23, VAR - 722983, 425078
1	84240131		1 AUGER Extension, Extended Wear, 4.4 Ft., Incl 2 - 23, VAR - 425077
2	84256217		1 AUGER Standard Wear, VAR - 722983, 425078
2	84240121		1 AUGER Extended Wear, VAR - 425077
3	87552541		1 COVER Auger Access
4	84072623		1 SUPPORT Auger
5	84414985		2 FLANGED BEARING 72mm ID, 3 Bolt
6	87605590		1 BEARING ASSY 35mm ID x 72mm OD x 19mm W
7	370004		2 SNAP RING M35 x 1.5mm Thk, External
8	87011705		1 HUB 21T Auger Drive, 21 Tooth Internal/ 8 Tooth External
9	84072793		1 WASHER 35.5mm ID x 58mm OD x 5mm Thk
10	140046		2 BELLEVILLE WASHER M12 x 27mm OD x 1.8mm Thk
11	300388		2 BOLT Hex, M12 x 1.75 x 25mm, CI 8.8
12	140045		3 BELLEVILLE WASHER M10X22 ZNM
13	43140		3 BOLT Hex, M10 x 1.5 x 30mm, CI 8.8
14	322358		2 BELLEVILLE WASHER M8 x 18mm OD x 1.4mm Thk
15	86507486		2 CARRIAGE BOLT M8 x 1.25 x 20mm, CI 8.8
16	9706690		2 NUT M8 x 1.25, CI 8
17	394630		38 WASHER 13mm ID x 28mm OD x 4mm Thk
18	9706685		19 NUT M12 x 1.75, CI 8
19	300389		19 BOLT M12 x 1.75 x 35mm
20	86590413		3 BASE 15.87mm W x 22.22mm OAL x 9.9mm Thk Wire Tie
21	445394		3 RIVET Pop, 3/16" x 1/2" OAL
22	86566989		3 CABLE TIE 208mm L

5140-COMBINE - TIER 2

VAR - 722983, 425078, 425077 - EXTENSION, UNLOADING TUBE

1



80.180.AQ

02

p2

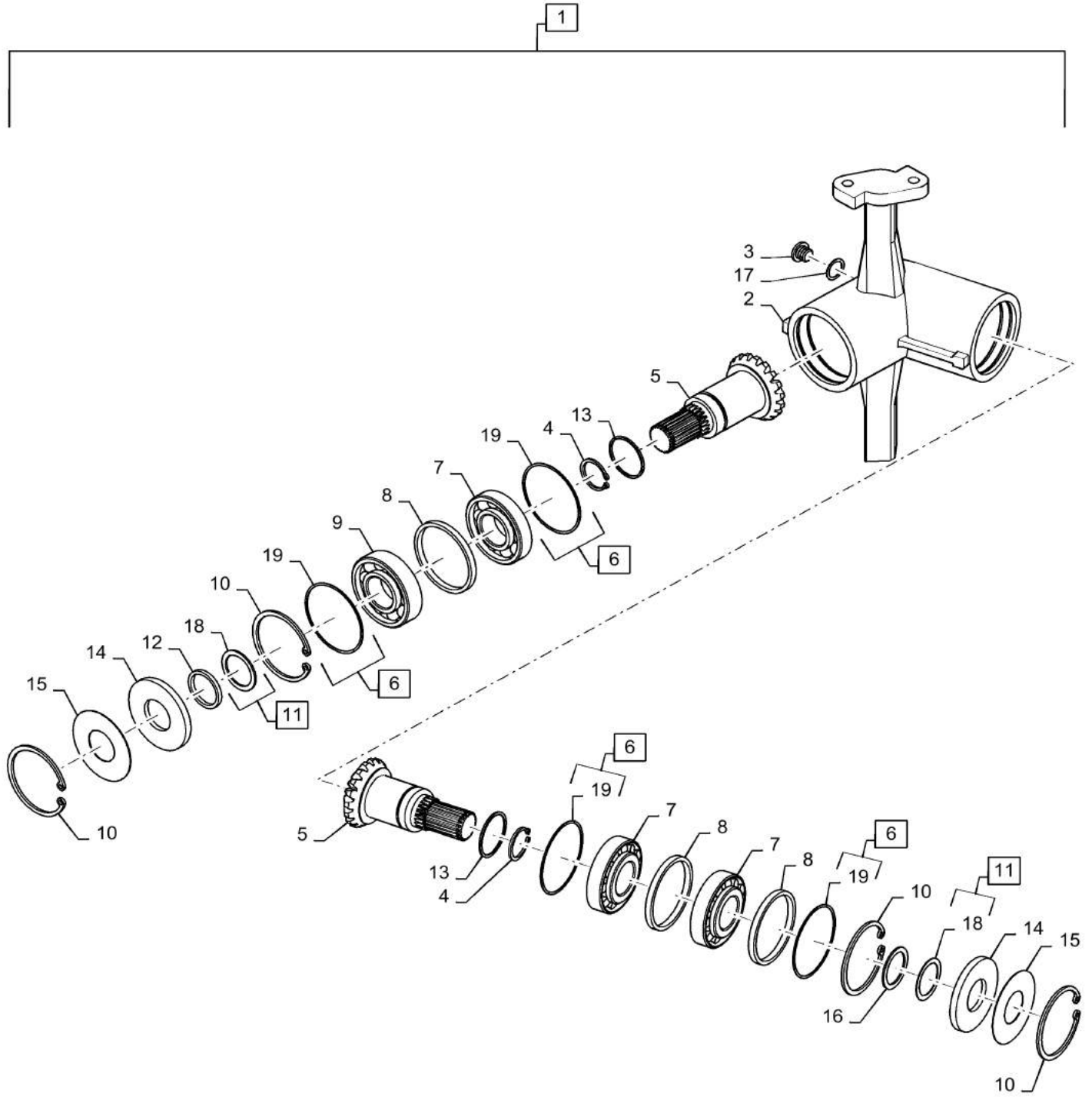
7/2015

VAR - 722983, 425078, 425077 - EXTENSION, UNLOADING TUBE

REF FN	PART NUMBER	YR/SN	QTY DESCRIPTION
23	84240125		1 UNLOADING TUBE Extension, 4.4Ft, VAR - 722983, 425078, 425077

5140-COMBINE - TIER 2

GEARBOX, UPPER UNLOADER

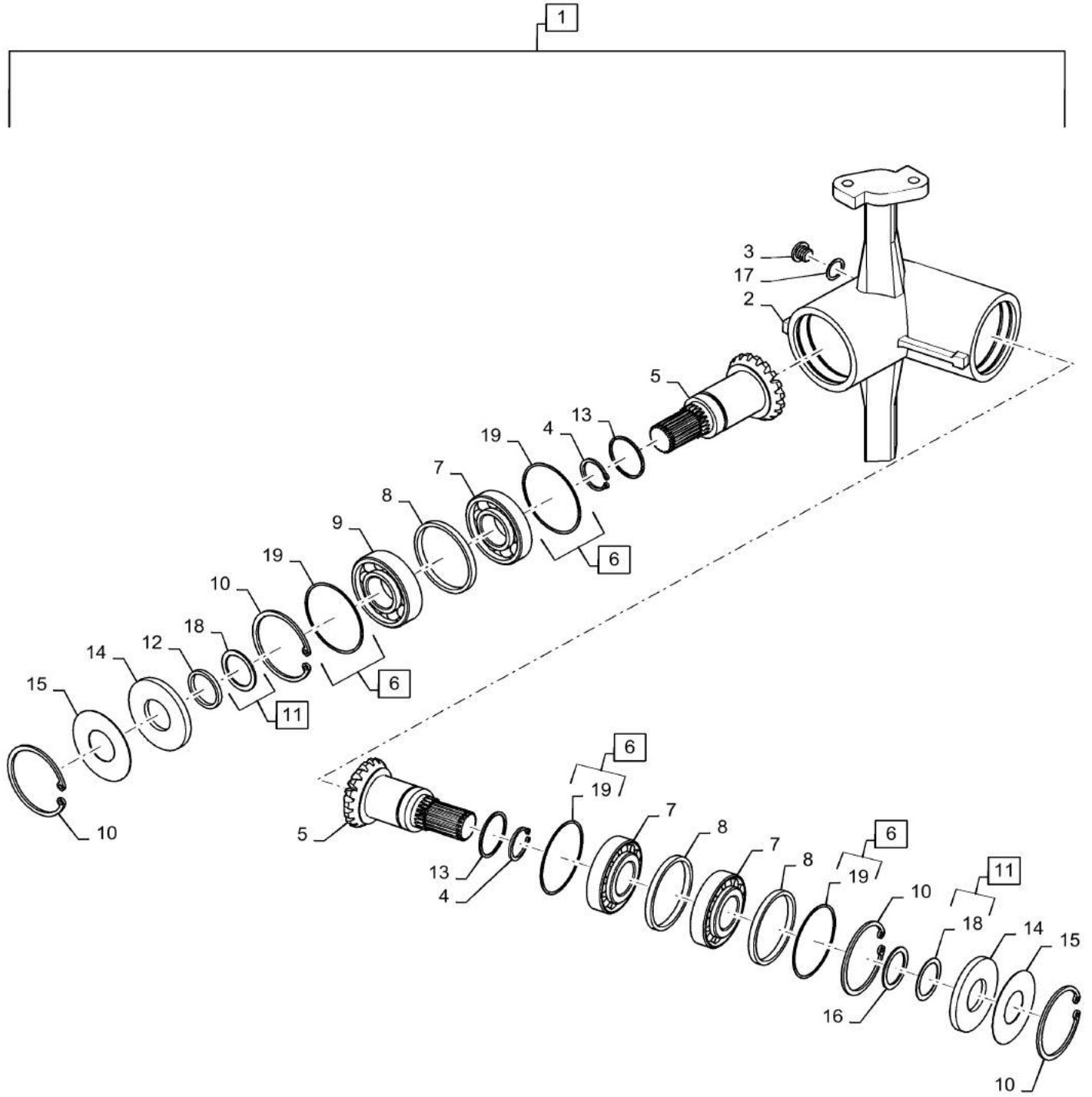


GEARBOX, UPPER UNLOADER

REF FN	PART NUMBER	YR/SN	QTY DESCRIPTION
1	87331084		1 GEARBOX Upper Unload Gearbox, Incl 2 - 17
1	87331084R		1 REMAN-GEARBOX Upper Unload Gearbox
1	87331084C		1 CORE-GEARBOX Return Number
2	87331121		1 HOUSING Upper Unload Gearbox
3	84437088		1 PLUG 3/8" Gas
4	87349260		2 SNAP RING M34, External
5	87331114		2 BEVEL GEAR Output to Unload Auger, 24 Tooth Shaft/15 Tooth Bevel, 161mm OAL
6	87346736		4 SHIM KIT Incl 19
7	26799990		3 TAPERED ROLLER BEARING 55mm ID x 120mm OD x 45.5mm W
8	87332420		3 SPACER, RING 94mm ID x 99.9mm OD x 5mm OAL
9	ST265		1 BALL BEARING 55mm ID x 100mm OD x 21mm Thk
10	370026		4 SNAP RING M100 x 3mm Thk, Internal
11	87332423		2 SHIM KIT Incl 18
12	87345894		1 SHIM 55mm ID x 68mm OD x 3mm Thk
13	800-5155		2 SNAP RING M55 x 3mm Thk, External
14	87331115		2 SEAL 55mm ID x 100mm OD x 10mm Thk 55mm ID x 100mm OD x 10mm Thk
15	87332418		2 WASHER 55.5mm ID x 99.9mm OD x 1mm Thk
16	87345893		1 SHIM 55mm ID x 68mm OD x 1mm Thk
17	9511034		1 SEAL 18.2mm ID x 21.9mm OD x 1.5mm Thk
18	87345883		AR SHIM 55mm ID x 68mm OD x 0.1mm Thk
18	87345884		AR SHIM 55mm ID x 68mm OD x 0.15mm Thk
18	87345889		AR SHIM 55mm ID x 68mm OD x 0.3mm Thk
18	87345890		AR SHIM 55mm ID x 68mm OD x 0.5mm Thk
19	87346738		AR SHIM 94.2mm ID x 99.8mm OD x 0.3mm Thk

5140-COMBINE - TIER 2

GEARBOX, UPPER UNLOADER



80.180.AR

01

p2

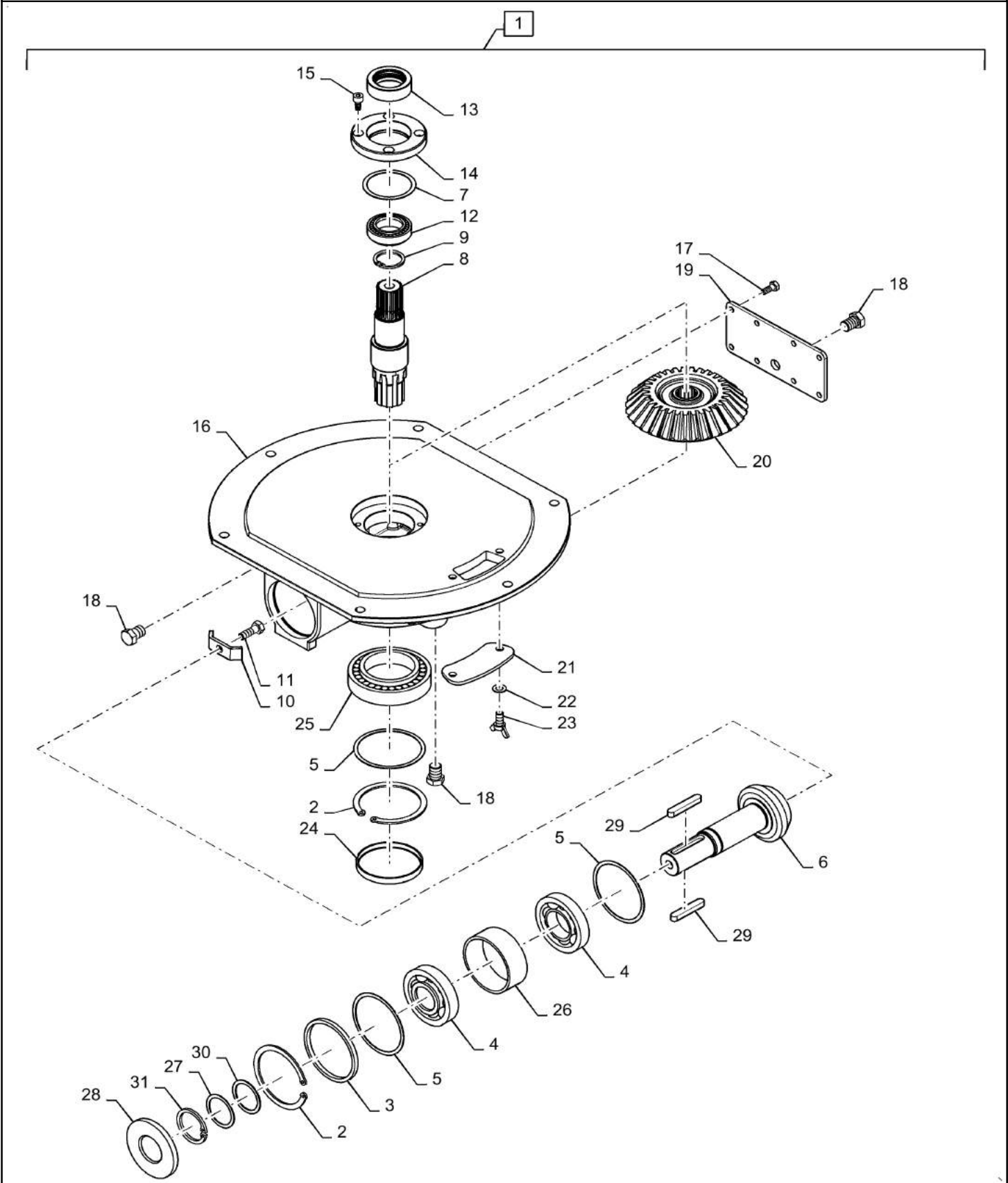
7/2015

GEARBOX, UPPER UNLOADER

REF FN	PART NUMBER	YR/SN	QTY DESCRIPTION
19	87346739		AR SHIM 94.2mm ID x 99.8mm OD x 0.35mm Thk
19	87346740		AR SHIM 94.2mm ID x 99.8mm OD x 0.4mm Thk
19	87346741		AR SHIM 94.2mm ID x 99.8mm OD x 0.5mm Thk

5140-COMBINE - TIER 2

GEARBOX, LOWER UNLOADER

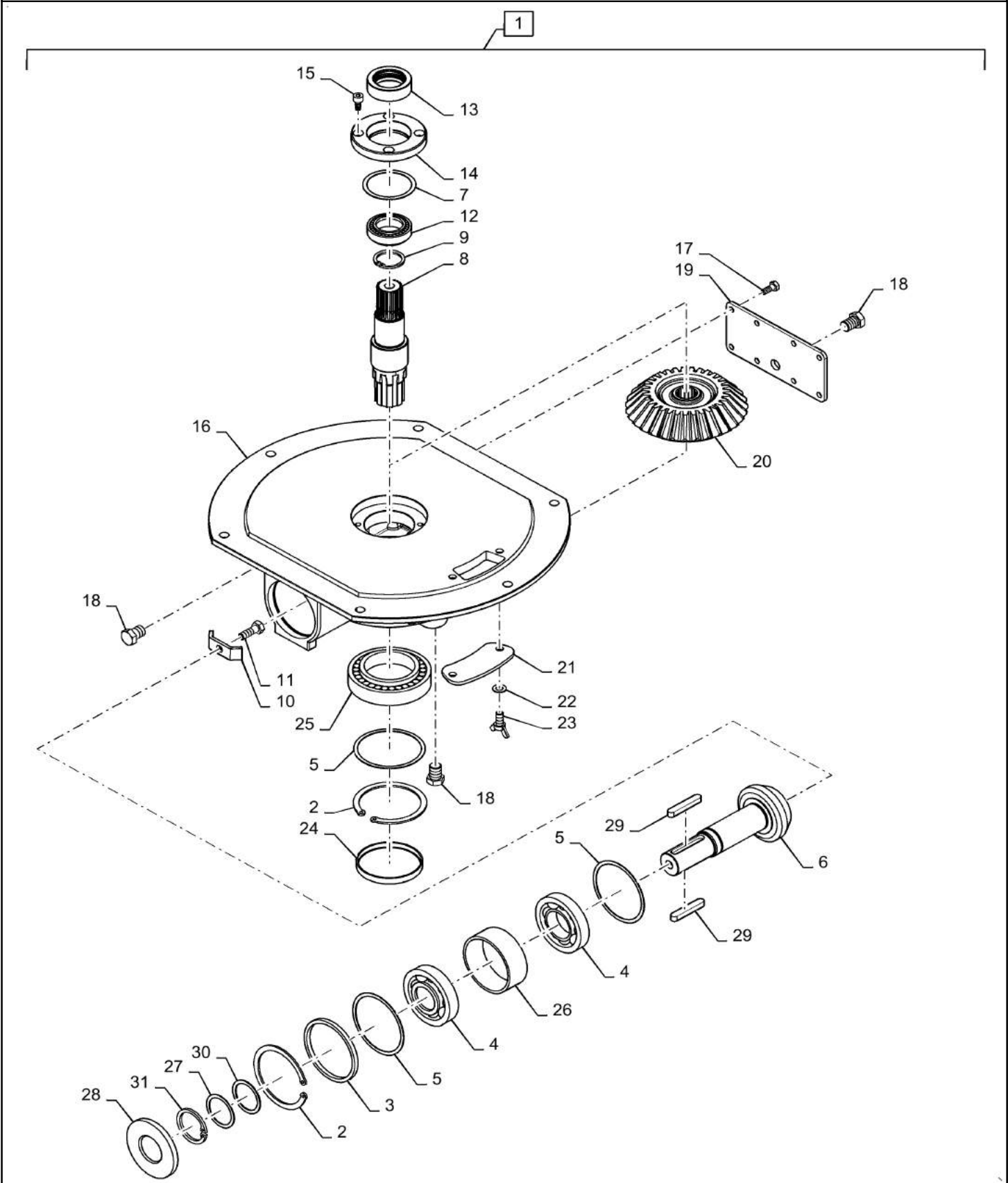


GEARBOX, LOWER UNLOADER

REF FN	PART NUMBER	YR/SN	QTY DESCRIPTION
1	84320052		1 GEARBOX Lower Unload, Incl 2 - 31
1	84320052R		1 REMAN-GEARBOX Lower Unload
1	84320052C		1 CORE-GEARBOX Return Number
2	370013		2 SNAP RING M90 x 3mm Thk, Internal
3	86623215		1 SPACER 81mm ID x 89.8mm OD x 7mm OAL
4	86613758		2 BEARING ASSY 40mm ID x 90mm OD x 25.25mm W
5	86623216		3 SHIM Lower Bearing Depth
6	86623217		1 SHAFT Pinion, Input, M10 x 200.9mm OAL
7	86623218		1 SHIM KIT Upper Bearing Depth, 55.3mm ID x 67.7mm OD
8	86623219		1 SHAFT Pinion, Output, M12 x 198.6mm OAL
9	370004		1 SNAP RING M35 x 1.5mm Thk, External
10	86623220		1 PLATE Oil Distribution
11	9804262		1 BOLT M10 x 39.2mm, Cl 8.8
12	86626475		1 BEARING ASSY 40mm ID x 68mm OD x 19mm W
13	86623221		1 RUBBER SEAL 38.9mm ID x 60mm OD x 18.5mm Thk
14	86623222		1 FLANGE 57.6mm ID x 102mm OD x 18.7mm Thk
15	86566099		4 HEX SOC SCREW M8 x 16mm, Cl 12.9
16	86623223		1 HOUSING Lower Unload Gearbox
17	120104		8 BOLT Hex, M8 x 1.25 x 20mm, Cl 8.8
18	9837623		3 PLUG 3/8" Gas
19	86623224		1 COVER Gearbox, Rear
20	86623225		1 BEVEL PINION Lower Gearbox, Driven, 167mm OD
21	86623226		1 COVER Inspection
22	9511037		2 SEAL 10.2mm ID x 15.9mm OD x 1mm Thk
23	412049		2 SCREW M10 x 16mm

5140-COMBINE - TIER 2

GEARBOX, LOWER UNLOADER



GEARBOX, LOWER UNLOADER

REF FN	PART NUMBER	YR/SN	QTY DESCRIPTION
24	86623227		1 COVER Housing Bottom
25	853116		1 TAPERED ROLLER BEARING Lower, 55mm ID x 90mm OD x 23mm Thk
26	86623228		1 SPACER 81mm ID x 89.8mm OD x 33mm OAL
27	86623229		1 SHIM KIT Input Shaft Depth
28	86623230		1 RUBBER SEAL Input Shaft, 40mm ID x 90mm OD x 7mm Thk
29	170013		2 KEY 10mm W x 56mm OAL x 8mm Thk
30	86623231		1 SHIM 17.2mm ID x 24.9mm OD x 0.3mm Thk
31	440442		1 SNAP RING M40 x 2.5mm Thk, External

5140-COMBINE - TIER 2

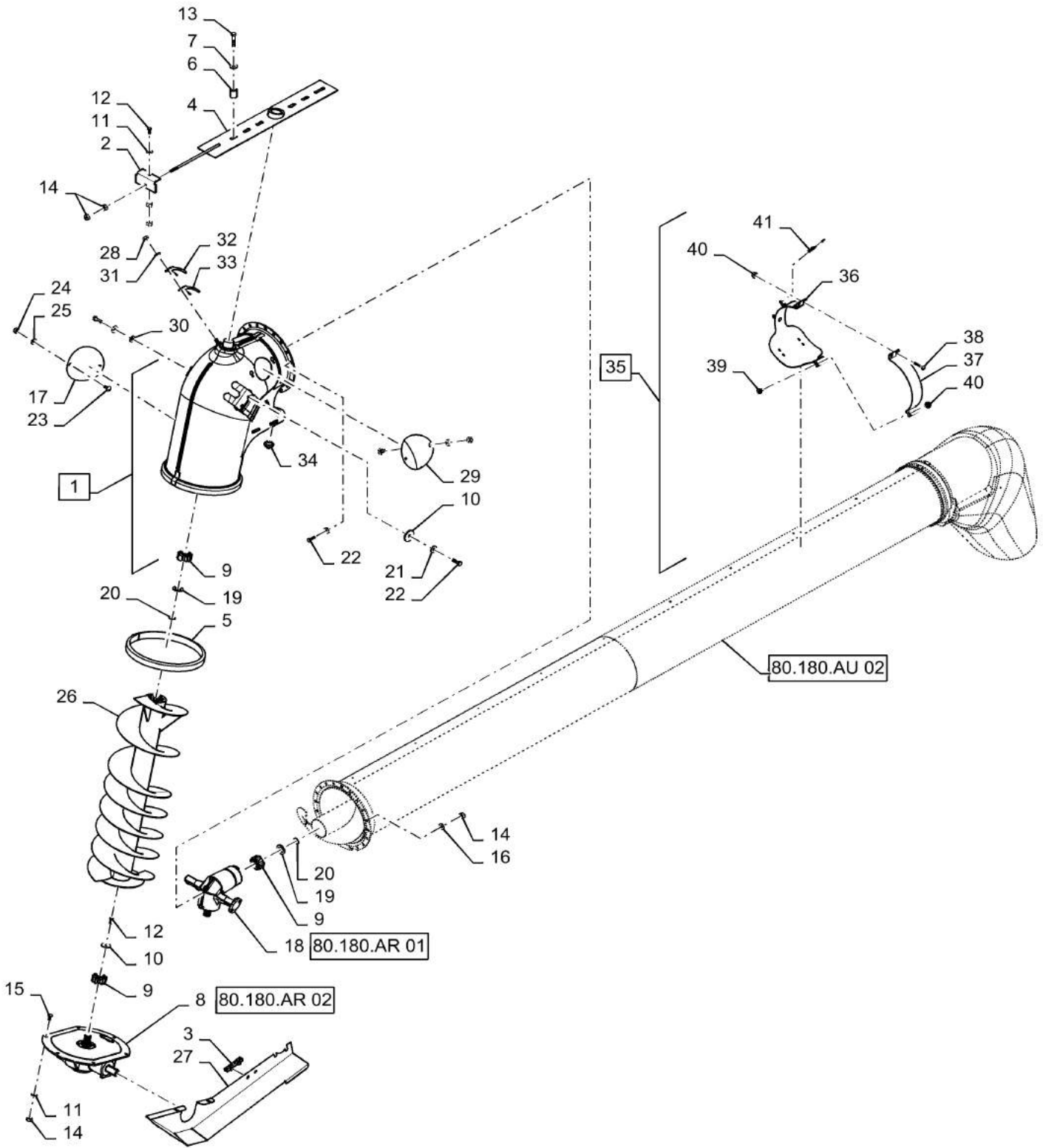
80.180.AU

01

p1

7/2015

VAR - 425329, 722740, 425330, 425312, 425314, 425313, 722983, 425078, 425077 - UNLOADING TUBE, VERTICAL



VAR - 425329, 722740, 425330, 425312, 425314, 425313, 722983, 425078, 425077 - UNLOADING TUBE, VERTICAL

REF FN	PART NUMBER	YR/SN	QTY DESCRIPTION
1	84126361		1 ELBOW Unloading Auger Unload Tube, Incl 34
2	84072832		1 BRACKET Angle, Support
3	3102155R1		1 HOLDER Shear Bolt
4	47420965		1 BRACKET Top Tube Support
5	86558526		1 BUSHING 408mm ID x 440mm OD x 40mm OAL 405mm ID Installed
6	87284863		6 SPACER 38mm OD x 46mm OAL 38.1mm OD x 19.05mm ID x 46mm L
7	86589278		6 BELLEVILLE WASHER 17mm ID x 41.5mm OD x 4.5mm Thk
8	84320052		1 GEARBOX Lower Unload Drive
8	84320052R		1 REMAN-GEARBOX Lower Unload Drive
8	84320052C		1 CORE-GEARBOX Return Number
9	87011705		3 HUB 21T Gearbox To Auger, 21 Tooth Internal/ 8 Tooth External
10	327084		3 WASHER 13mm ID x 52mm OD x 5mm Thk
11	140046		7 BELLEVILLE WASHER M12 x 27mm OD x 1.8mm Thk
12	9706687		2 BOLT M12 x 1.75 x 30mm, CI 8.8
13	86577946		6 BOLT M16 x 2.0 x 90.8mm, CI 0.9
14	9706685		27 NUT M12 x 1.75, CI 8
15	120044		6 CARRIAGE BOLT M12 x 1.75 x 36.8mm, CI 8.8
16	394630		38 WASHER 13mm ID x 28mm OD x 4mm Thk
17	87552532		1 COVER Lower Gearbox Access
18	87331084		1 GEARBOX Upper Unload Drive
18	87331084R		1 REMAN-GEARBOX Upper Unload Drive
18	87331084C		1 CORE-GEARBOX Return Number
19	84072793		2 WASHER 35.5mm ID x 58mm OD x 5mm Thk
20	370004		2 SNAP RING M35 x 1.5mm Thk, External
21	86585939		3 BELLEVILLE WASHER 12mm ID x 32mm OD x 3.5mm Thk
22	300389		22 BOLT M12 x 1.75 x 35mm

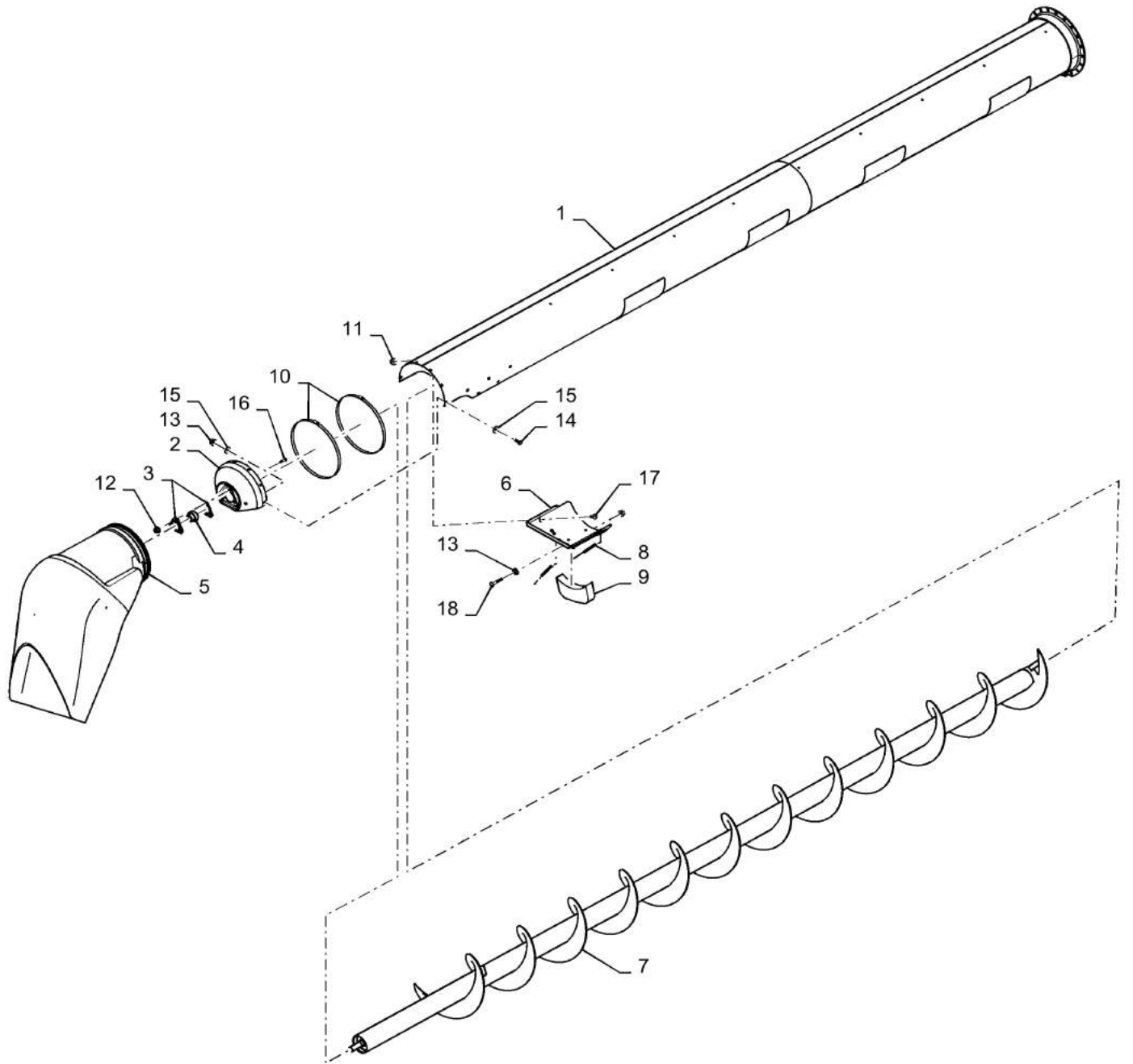
5140-COMBINE - TIER 2

VAR - 425329, 722740, 425330, 425312, 425314, 425313, 722983, 425078, 425077 - UNLOADING TUBE, VERTICAL

REF FN	PART NUMBER	YR/SN	QTY DESCRIPTION
23	86507486		4 CARRIAGE BOLT M8 x 1.25 x 20mm, CI 8.8
24	9706690		4 NUT M8 x 1.25, CI 8
25	322358		4 BELLEVILLE WASHER M8 x 18mm OD x 1.4mm Thk
26	84447940		1 AUGER Vertical Unload, Standard Wear
26	87756536		1 AUGER Vertical Unload, Extended Wear
27	87476437		1 GUARD Unload Chain Drive
28	100016		1 NUT M10 x 1.5, CI 8
29	87552534		1 COVER Upper Gearbox Access
30	378245		AR WASHER 13mm ID x 28.5mm OD x 2.7mm Thk Shim
31	140045		1 BELLEVILLE WASHER M10X22 ZNM
32	87620925		AR SHIM 3.2mm Thk
33	87627724		AR SHIM 1.7mm Thk
34	224090		1 BALL JOINT 50.8mm OD x 19.05mm ID x 43.942mm L
35	84248894		1 SECURING BAND Unload Tube, Incl 36 - 41
36	47409007		1 BAND Unload Tube, Lower Half
37	84263413		1 CLAMP Unload Tube, Upper Half
38	120039		2 CARRIAGE BOLT M8 x 1.25 x 54.8mm, CI 8.8
39	86507486		2 CARRIAGE BOLT M8 x 1.25 x 20mm, CI 8.8
40	86619801		4 FLANGE NUT M8 x 1.25, CI 8
41	87106279		1 PIN 6.4mm OD Linch, 45.25mm x 6.4mm

5140-COMBINE - TIER 2

VAR - 425329, 722740, 425330, 425312, 425314, 425313, 722983, 425078, 425077 - UNLOADING TUBE, HORIZONTAL



80.180.AU

02

p1

7/2015

VAR - 425329, 722740, 425330, 425312, 425314, 425313, 722983, 425078, 425077 - UNLOADING TUBE, HORIZONTAL

REF FN	PART NUMBER	YR/SN	QTY DESCRIPTION
1	87743673		1 TUBE 356mm ID x 5034.7mm OAL Unload, Standard Wear
1	87743683		1 TUBE 5034.7 mm L Unload, Standard Wear, Perforated VAR - 722740, 425314, 425078
2	87741381		1 COVER Unload Tube End Cap
3	84414986		2 FLANGED BEARING 62mm ID, 3 Bolt
4	87044350		1 BEARING ASSY 30mm ID x 62mm OD x 18mm W 62mm OD x 30mm ID x 18mm L
5	84219375		1 SPOUT Unload Tube
6	84131732		1 DOOR Grain Saver
7	84447941		1 AUGER Unload, Standard Wear VAR - 425329, 722740, 425312, 425314, 722983, 425078
7	87280339		1 AUGER Unload, Extended Wear VAR - 425330, 425313, 425077
8	1338869C2		2 SPRING 162mm Free Length 162mm Free Length
9	84219420		1 PLUG Foam, 240mm x 131mm x 50mm, Formed
10	87339347		2 CLAMP 316mm - 387mm 387mm Open
11	87681210		2 FLANGE NUT M8 x 1.25, CI 10
12	86050279		3 FLANGE NUT M10 x 1.5, CI 10
13	86507066		8 FLANGE NUT M8 x 1.25, CI 10
14	120104		6 BOLT Hex, M8 x 1.25 x 20mm, CI 8.8
15	322358		12 BELLEVILLE WASHER M8 x 18mm OD x 1.4mm Thk
16	87682391		3 CARRIAGE BOLT M10 x 1.5 x 25mm, CI 10.9
17	87020310		2 CARRIAGE BOLT M8 x 1.25 x 20.8mm, CI 10.9
18	120039		1 CARRIAGE BOLT M8 x 1.25 x 54.8mm, CI 8.8

5140-COMBINE - TIER 2

SECTION INDEX

ACCESSORIES

88.100.10	01	DIA KIT, STATIONERY AIR CLEANER BRUSH
88.100.25	01	DIA KIT, AXLE EXTENSION
88.100.55	01	DIA KIT, AFS 372 GPS RECEIVER W/E/V/HP/XP
88.100.55	02	DIA KIT, AFS 372 GPS RECEIVER W/E/V
88.100.55	03	DIA KIT, AFS 162 GPS RECEIVER WAAS/EGNOS
88.100.55	04	DIA KIT, LED DISTANCE LIGHTING
88.100.55	05	DIA KIT, BLUETOOTH MICROPHONE AND SATELLITE RADIO
88.100.55	06	DIA KIT, BEACON, LIGHT
88.100.66	01	DIA KIT, STANDARD FEEDER CONE
88.100.66	02	DIA KIT, HEAVY DUTY FEEDER CONE
88.100.73	01	DIA KIT, CHAFF SPREADER HYDRAULIC SYSTEM
88.100.73	02	DIA KIT, CHAFF SPREADER HYDRAULIC VALVE
88.100.73	03	DIA KIT, CHAFF SPREADER ASSY
88.100.73	04	DIA KIT, DISC, CHAFF SPREADER
88.100.74	01	DIA KIT, ELEVATOR DOOR
88.100.74	02	DIA KIT, TALL HILL SIDE DIVIDER
88.100.74	03	DIA KIT, SIEVE, DIVIDER
88.100.90	01	DIA KIT, RH SUNSHADE

88.100.10

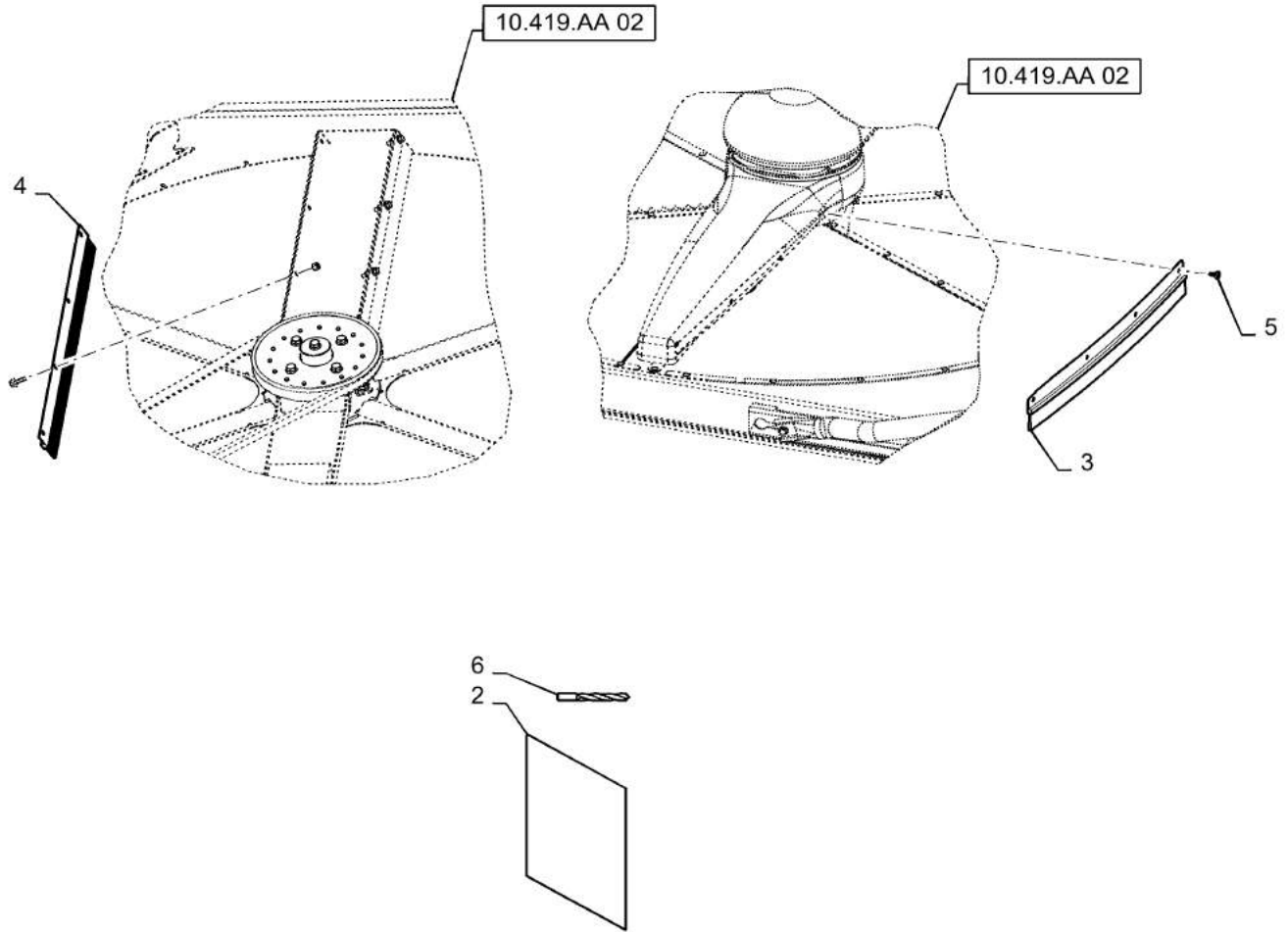
01

p1

7/2015

DIA KIT, STATIONERY AIR CLEANER BRUSH

1



88.100.10

01

p1

7/2015

DIA KIT, STATIONERY AIR CLEANER BRUSH

REF FN	PART NUMBER	YR/SN	QTY DESCRIPTION
1	87687385		1 DIA KIT, HARVESTER Stationary Air Screen Brush, Incl 2 - 6
2	84150526		1 INSTRUCTION Sheet, Sucrose Brush
3	84138151		2 BRUSH Rotating, Nozzle Side
4	84138152		2 BRUSH Rotating, Blockoff Side
5	84151453		4 SCREW Thread Forming
6	84153086		1 BIT Drill, 7/32"

5140-COMBINE - TIER 2

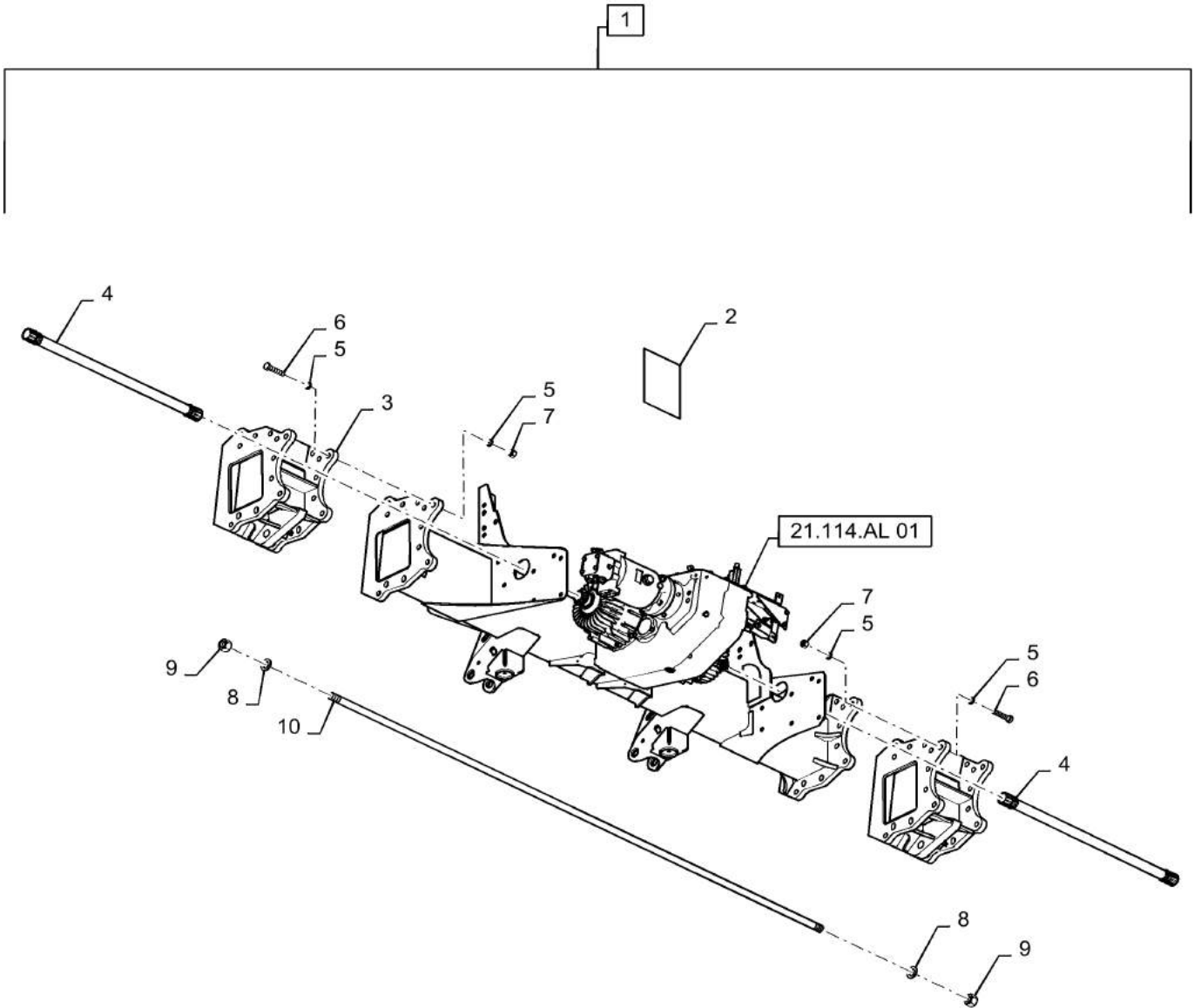
88.100.25

01

p1

7/2015

DIA KIT, AXLE EXTENSION



88.100.25

01

p1

7/2015

DIA KIT, AXLE EXTENSION

REF FN	PART NUMBER	YR/SN	QTY DESCRIPTION
1	87390908		1 DIA KIT, HARVESTER Axle Extensions, 12", Incl 2 - 10
2	84158969		1 SERVICE MANUAL Axle Extensions, 12"
3	87676677		2 EXTENSION Axle Assy, 12"
4	87638961		2 SHAFT Final Drive
5	137339A2		52 WASHER 21mm ID x 33.5mm OD x 4mm Thk Final Drive, 33.5mm OD x 21.3mm ID x 4mm W
6	9846950		26 BOLT Hex, M20 x 2.5 x 90mm, CI 10.9
7	832-41320		26 NUT M20 x 2.5, CI 10
8	87542957		2 WASHER 32.8mm ID x 56.5mm OD x 5mm Thk 56mm OD x 33mm ID x 5mm W
9	86016798		2 LOCK NUT 1 1/4"-12, GC
10	87708035		1 ROD Axle Extension, 12", 2986.5mm OAL Or 117.5" OAL

5140-COMBINE - TIER 2

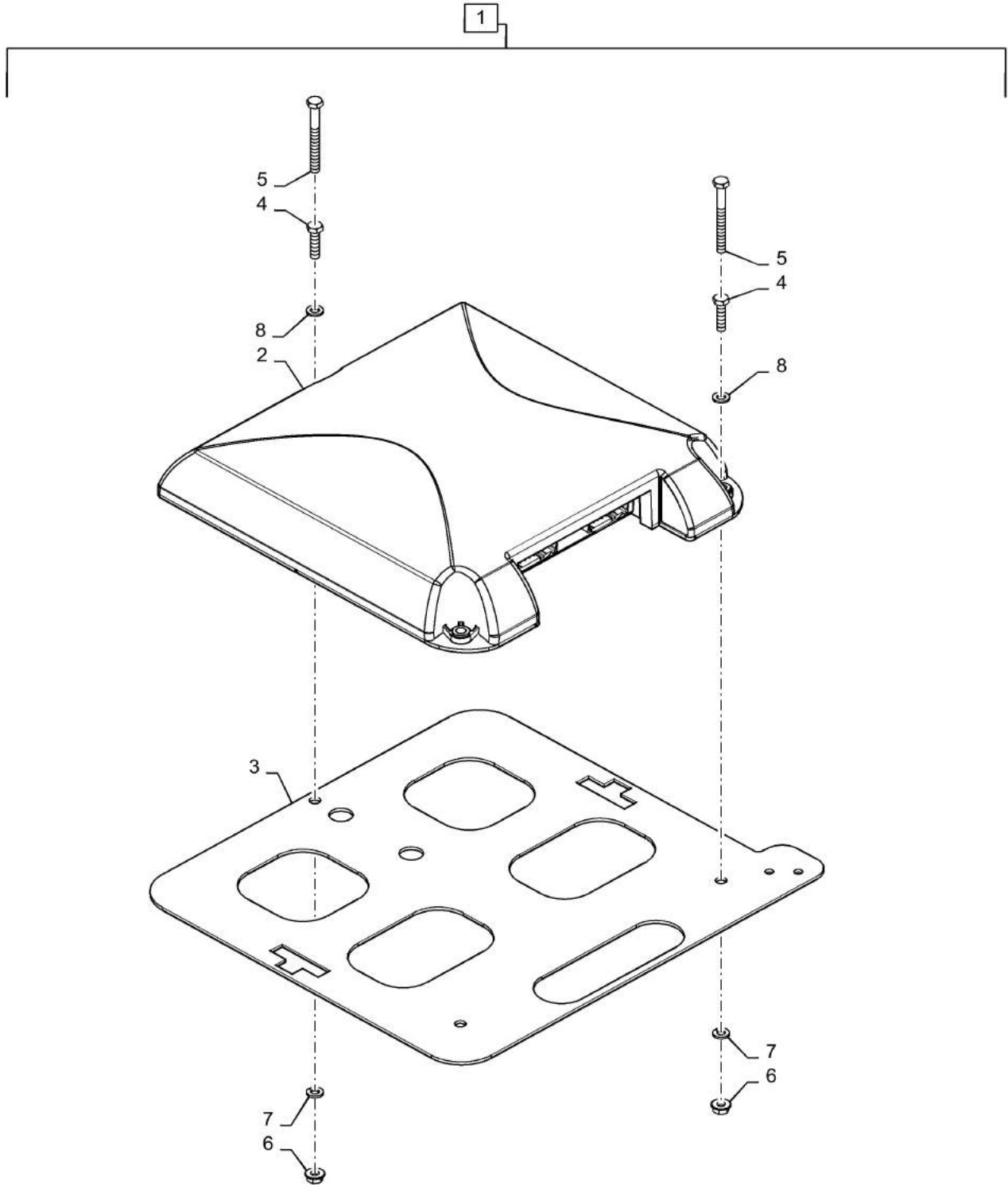
88.100.55

01

p1

7/2015

DIA KIT, AFS 372 GPS RECEIVER W/EV/HP/XP



88.100.55

01

p1

7/2015

DIA KIT, AFS 372 GPS RECEIVER W/E/V/HP/XP

REF FN	PART NUMBER	YR/SN	QTY DESCRIPTION
1	84588269		1 AFS PARTS & PACKAGES DIA Kit, AFS 372 GPS Receiver, Incl 2 - 8
1	84588269R		1 REMAN-ELECTRONIC CONTROL UNIT DIA Kit, AFS 372 GPS Receiver, Incl 2 - 8
1	84588269C		1 CORE-ELECTRONIC CONTROL UNIT Return Number
2	84574273		1 GPS RECEIVER AFS 372
2	84574273R		1 REMAN-ELECTRONIC CONTROL UNIT AFS 372
2	84574273C		1 CORE-ELECTRONIC CONTROL UNIT Return Number
3	87496985		1 MOUNTING PLATE GPS Receiver
4	1 86977786		3 BOLT Hex, M6 x 1.0 x 25mm, Cl 8.8
5	2 338413		3 BOLT Hex, M6 x 60mm, Cl 8.8
6	86511444		3 FLANGE NUT M6
7	86517328		3 LOCK WASHER 6.1mm ID x 11.8mm OD x 1.7mm Thk
8	86588450		3 WASHER 6.6mm ID x 12mm OD x 1.6mm Thk
(1)	Used W/ 252 Antenna/Receiver Only		
(2)	Used W/ 252 Antenna/Receiver and RTK Radio Receiver		

5140-COMBINE - TIER 2

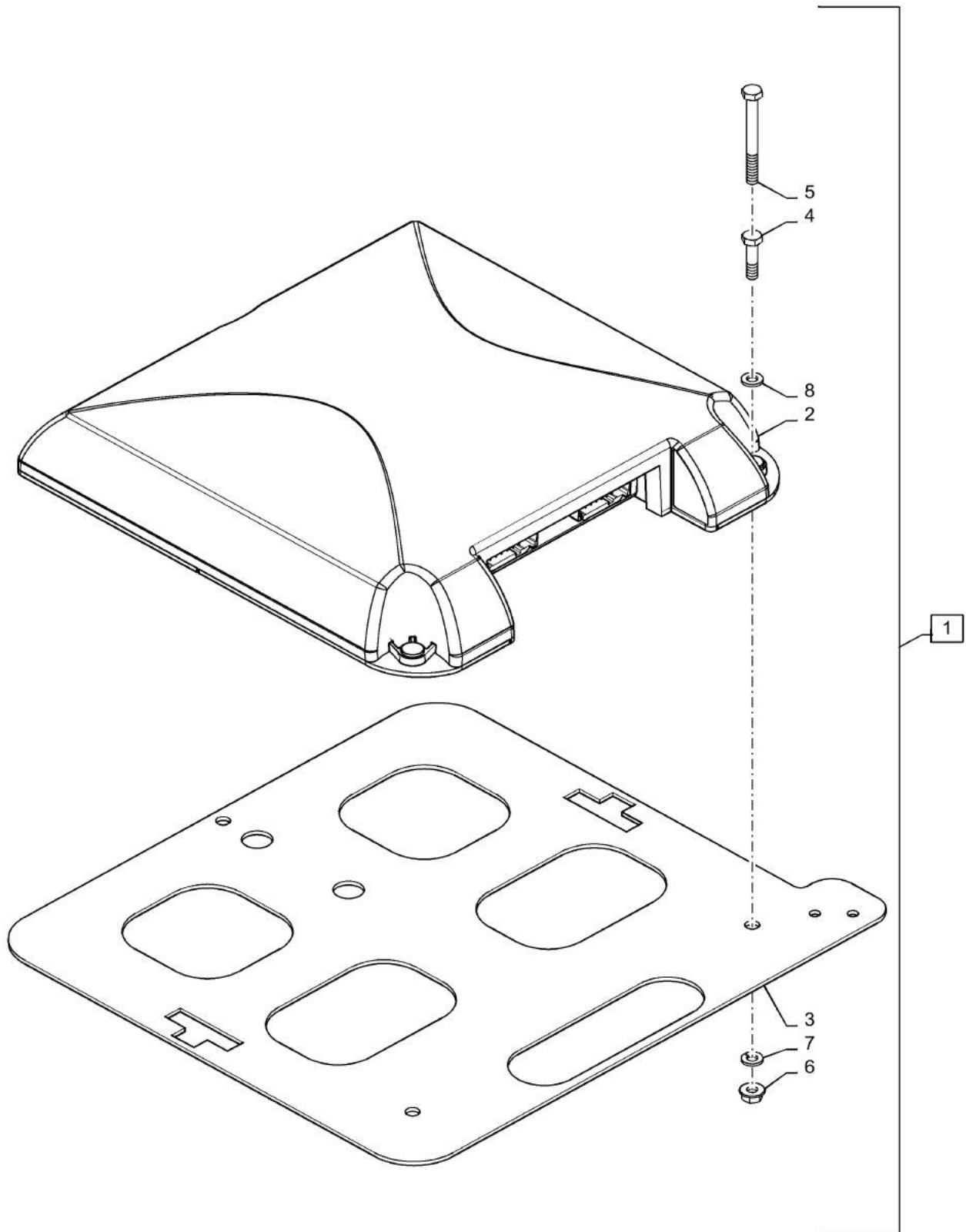
88.100.55

02

p1

7/2015

DIA KIT, AFS 372 GPS RECEIVER W/E/V



88.100.55

02

p1

7/2015

DIA KIT, AFS 372 GPS RECEIVER W/E/V

REF FN	PART NUMBER	YR/SN	QTY DESCRIPTION
1	84588266		1 AFS PARTS & PACKAGES DIA Kit, AFS 372 Receiver, Incl 2 - 8
1	84588266R		1 REMAN-ELECTRONIC CONTROL UNIT DIA Kit, AFS 372 Receiver, Incl 2 - 8
1	84588266C		1 CORE-ELECTRONIC CONTROL UNIT Return Number
2	84574271		1 GPS RECEIVER AFS 372
2	84574271R		1 REMAN-ELECTRONIC CONTROL UNIT AFS 372
2	84574271C		1 CORE-ELECTRONIC CONTROL UNIT Return Number
3	87496985		1 MOUNTING PLATE GPS
4	1 86977786		3 BOLT Hex, M6 x 1.0 x 25mm, Cl 8.8
5	2 338413		3 BOLT Hex, M6 x 60mm, Cl 8.8
6	86511444		3 FLANGE NUT M6
7	86517328		3 LOCK WASHER 6.1mm ID x 11.8mm OD x 1.7mm Thk
8	86588450		3 WASHER 6.6mm ID x 12mm OD x 1.6mm Thk
(1)	Used W/ 252 Antenna/Receiver Only		
(2)	Used W/ 252 Antenna/Receiver and RTK Radio Receiver		

5140-COMBINE - TIER 2

88.100.55

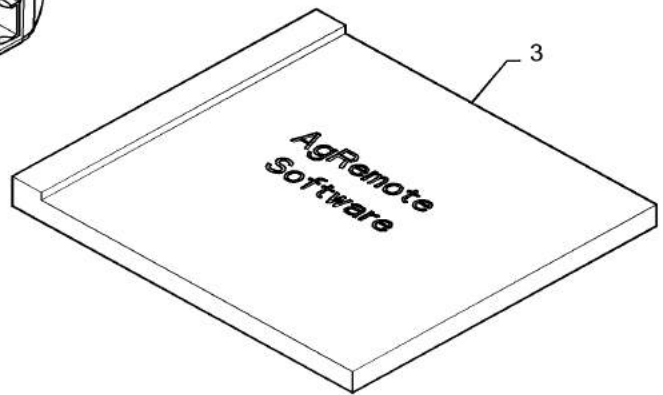
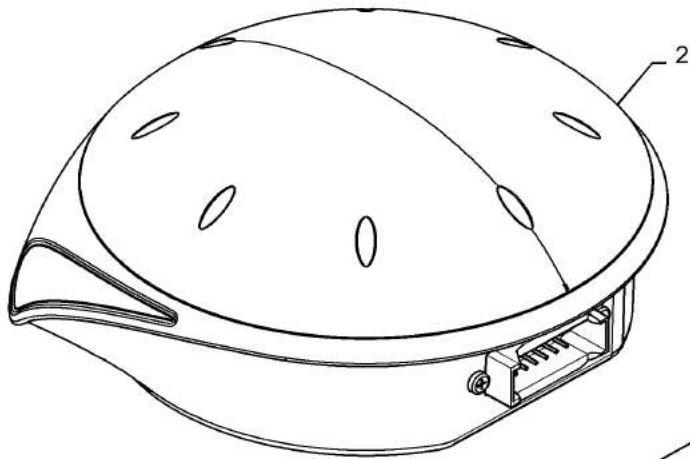
03

p1

7/2015

DIA KIT, AFS 162 GPS RECEIVER WAAS/EGNOS

1



88.100.55

03

p1

7/2015

DIA KIT, AFS 162 GPS RECEIVER WAAS/EGNOS

REF FN	PART NUMBER	YR/SN	QTY DESCRIPTION
1	84150838		1 ANTENNA DIA Kit, AFS 162 GPS Receiver WAAS/EGNOS, Incl 2 - 3
2	87491749		1 ANTENNA WAAS/EGNOS
2	87491749R		1 REMAN-ELECTRONIC CONTROL UNIT WAAS/EGNOS
2	87491749C		1 CORE-ELECTRONIC CONTROL UNIT Return Number
3	NSS		1 NOT SERVICED SEPARATELY AgRemote Software, Incl in 1

5140-COMBINE - TIER 2

88.100.55

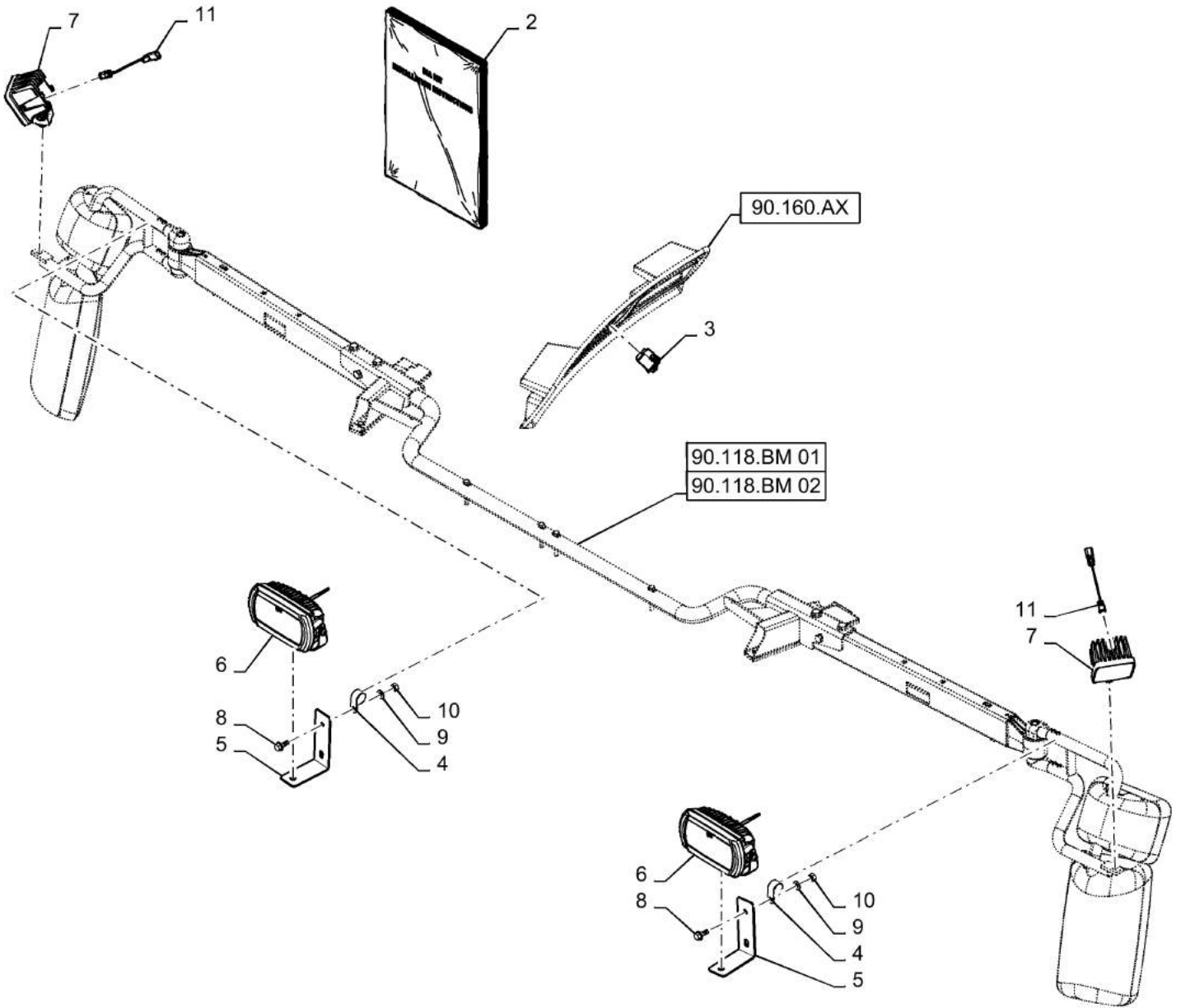
04

p1

7/2015

DIA KIT, LED DISTANCE LIGHTING

1



88.100.55

04

p1

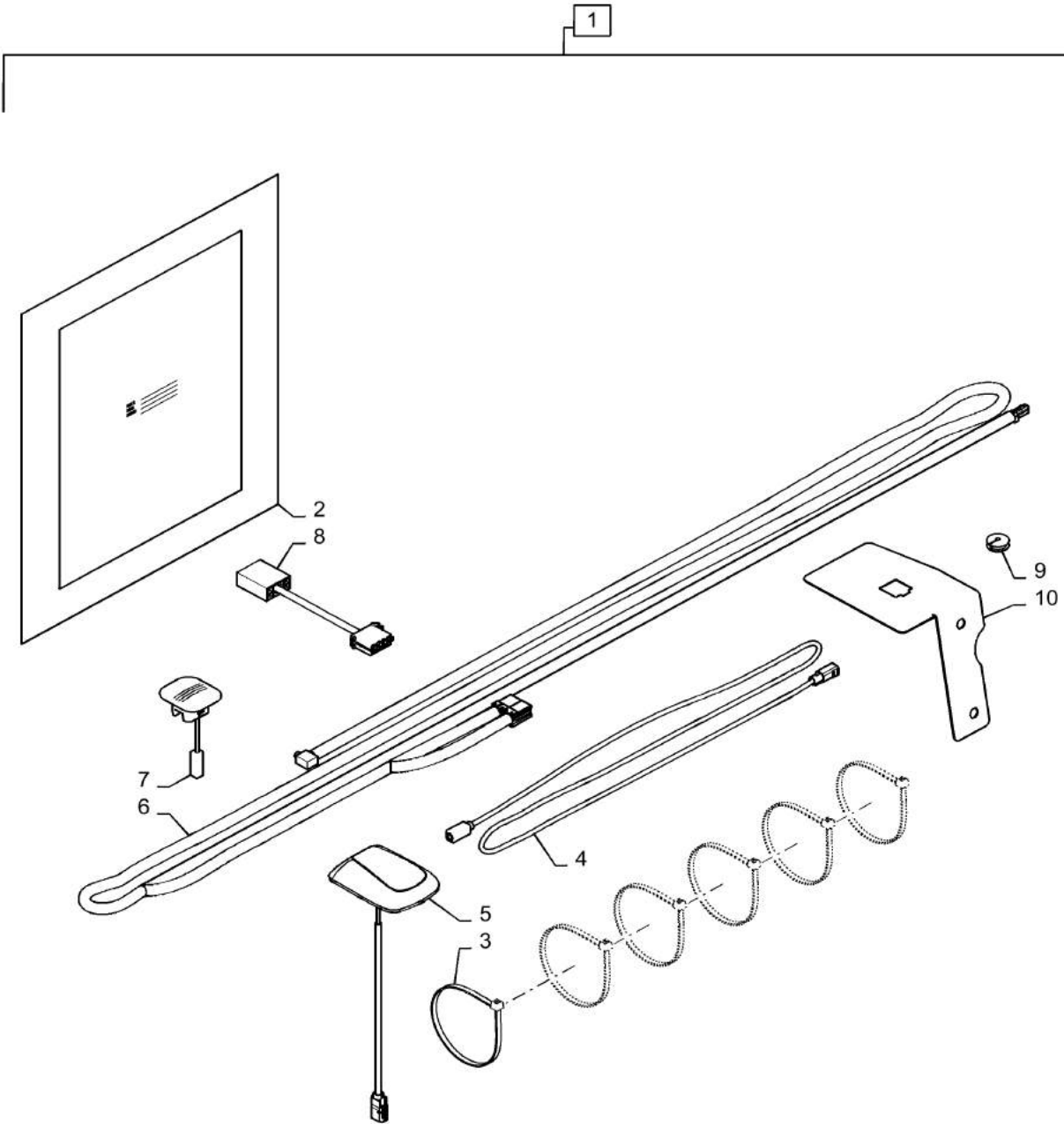
7/2015

DIA KIT, LED DISTANCE LIGHTING

REF FN	PART NUMBER	YR/SN	QTY DESCRIPTION
1	47516013		1 SERVICE KIT DIA, LED Distance Lighting, Incl 2 - 11
2	47524036		1 OPERATOR MANUAL Instruction Sheet
3	84380255		1 SWITCH HID Spot Lamp
4	86637996		4 CLAMP 28.6mm, Coat, 10.3mm Bolt Hole, P Type
5	47524087		2 BRACKET Lamp
6	47487028		2 WORK LAMP LED, 12V, 50W, Clear Spot, 3274 Lumen, LED
7	47487008		2 WORK LAMP LED, 12V, 42W, Clear Flood, 2500 Lumen, LED
8	9804261		4 BOLT Hex, M10 x 25mm, Full Thd, CI 8.8
9	140045		4 BELLEVILLE WASHER M10X22 ZNM
10	100016		4 NUT M10 x 1.5, CI 8
11	47542626		2 WIRE HARNESS Extension, Light

5140-COMBINE - TIER 2

DIA KIT, BLUETOOTH MICROPHONE AND SATELLITE RADIO



88.100.55

05

p1

7/2015

DIA KIT, BLUETOOTH MICROPHONE AND SATELLITE RADIO

REF FN	PART NUMBER	YR/SN	QTY DESCRIPTION
1	47637735		1 KIT DIA Kit, Bluetooth Microphone and Satellite Radio Antenna, Incl 2 - 10
2	47637734		1 INSTRUCTION Instruction Sheet
3	86566990		6 CABLE TIE 292mm OAL x 4.8mm W
4	47461379		1 WIRE HARNESS Harness, XM Radio Antenna
5	47431090		1 ANTENNA Satellite Radio
6	47390902		1 WIRE HARNESS Bluetooth Mic and Aux
7	84367388		1 MODULE Bluetooth Microphone
8	47400807		1 WIRE HARNESS Radio Adapter
9	87036285		1 GROMMET 0.125" ID x 0.750" OD x 0.312" Thk
10	47460061		1 BRACKET Bracket, Satellite Antenna

5140-COMBINE - TIER 2

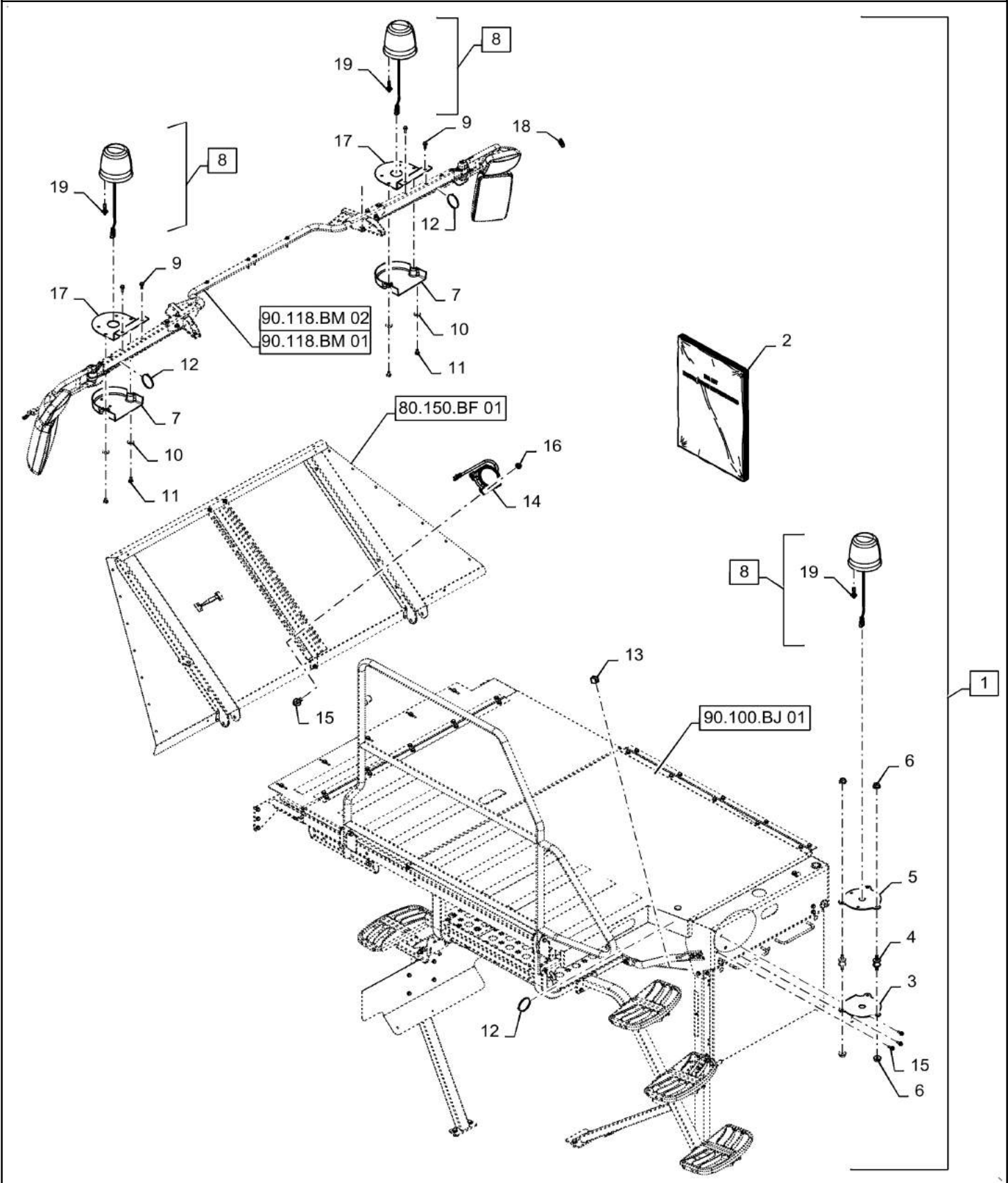
88.100.55

06

p1

7/2015

DIA KIT, BEACON, LIGHT



88.100.55

06

p1

7/2015

DIA KIT, BEACON, LIGHT

REF FN	PART NUMBER	YR/SN	QTY DESCRIPTION
1	47760929		1 DIA KIT, HARVESTER Beacon Lights, Incl 2 - 19
2	84474459		1 INSTRUCTION Beacon Light Installation
3	84571030		1 MOUNT Beacon, Rear
4	47673402		3 DAMPER M6 x 1mm x 54mm OAL
5	84571032		1 MOUNT Beacon, Rear, 175mm OD x 25.4mm ID
6	86050300		6 FLANGE NUT M6 x 1.0, CI 10
7	84559032		2 COVER 182mm W
8	47670938		3 BEACON Amber, Incl 19
9	87675531		4 FLANGE BOLT M6 x 26.6mm, CI 10.9
10	9824840		4 WASHER 4.3mm ID x 9mm OD x 0.8mm Thk
11	87367495		4 SCREW Pozidrive, Pan HD, M4 x 0.7 x 8mm
12	289862C1		3 CABLE TIE 3/16" x 7"
13	87694057		1 CABLE TIE 200mm L Edge W/ Cable Tie, 200mm
14	84545938		1 SENSOR Grain Bin
15	87656137		7 BOLT M8 x 28.1mm, CI 10.9
16	86507066		4 FLANGE NUT M8 x 1.25, CI 10
17	84546855		2 MOUNT Beacon, Front
18	84480525		1 SWITCH Rocker, Beacon W/ Auto
19	47691331		3 BULB Long Life, H1, 55 Watt

5140-COMBINE - TIER 2

88.100.66

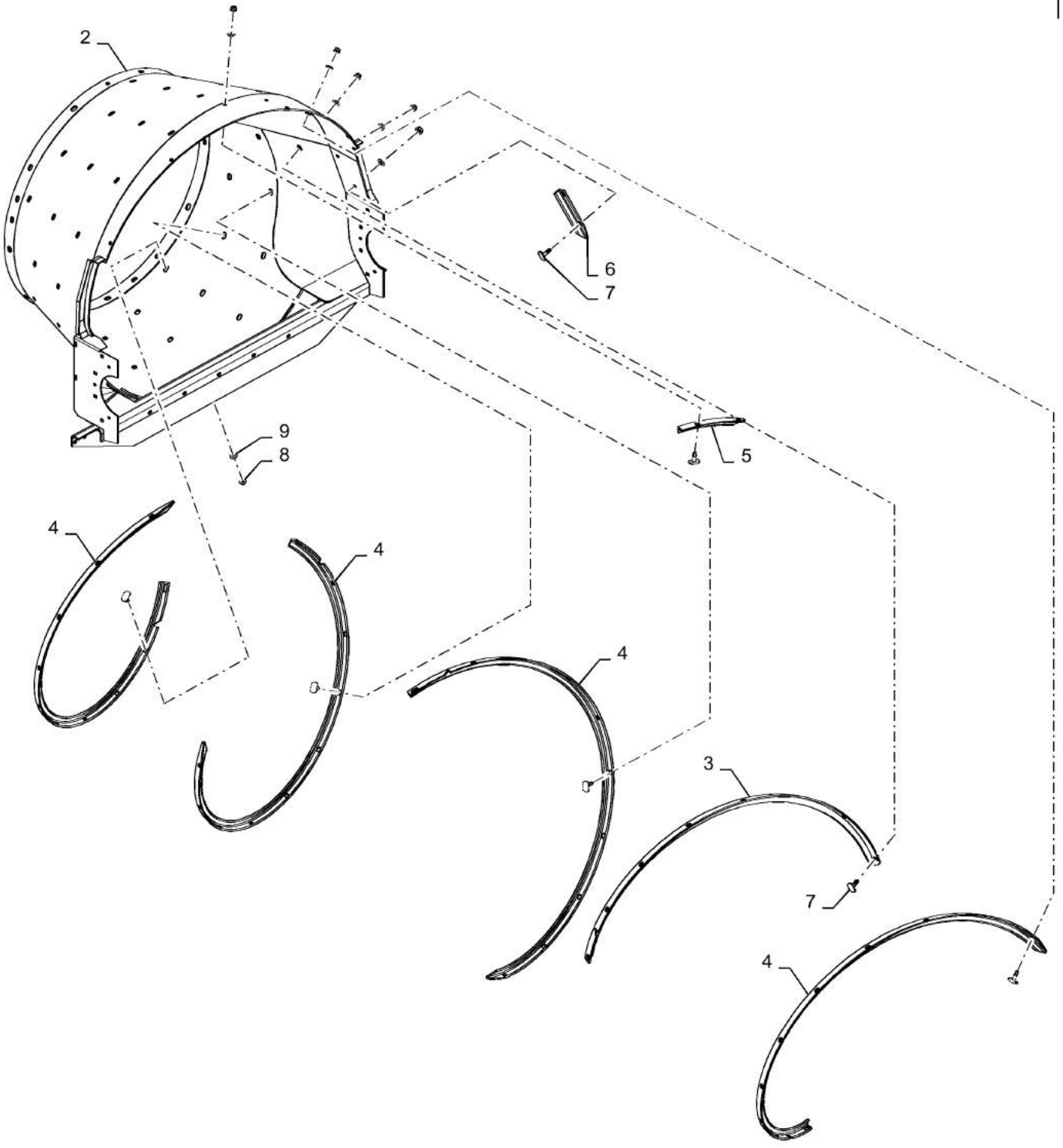
01

p1

7/2015

DIA KIT, STANDARD FEEDER CONE

1



88.100.66

01

p1

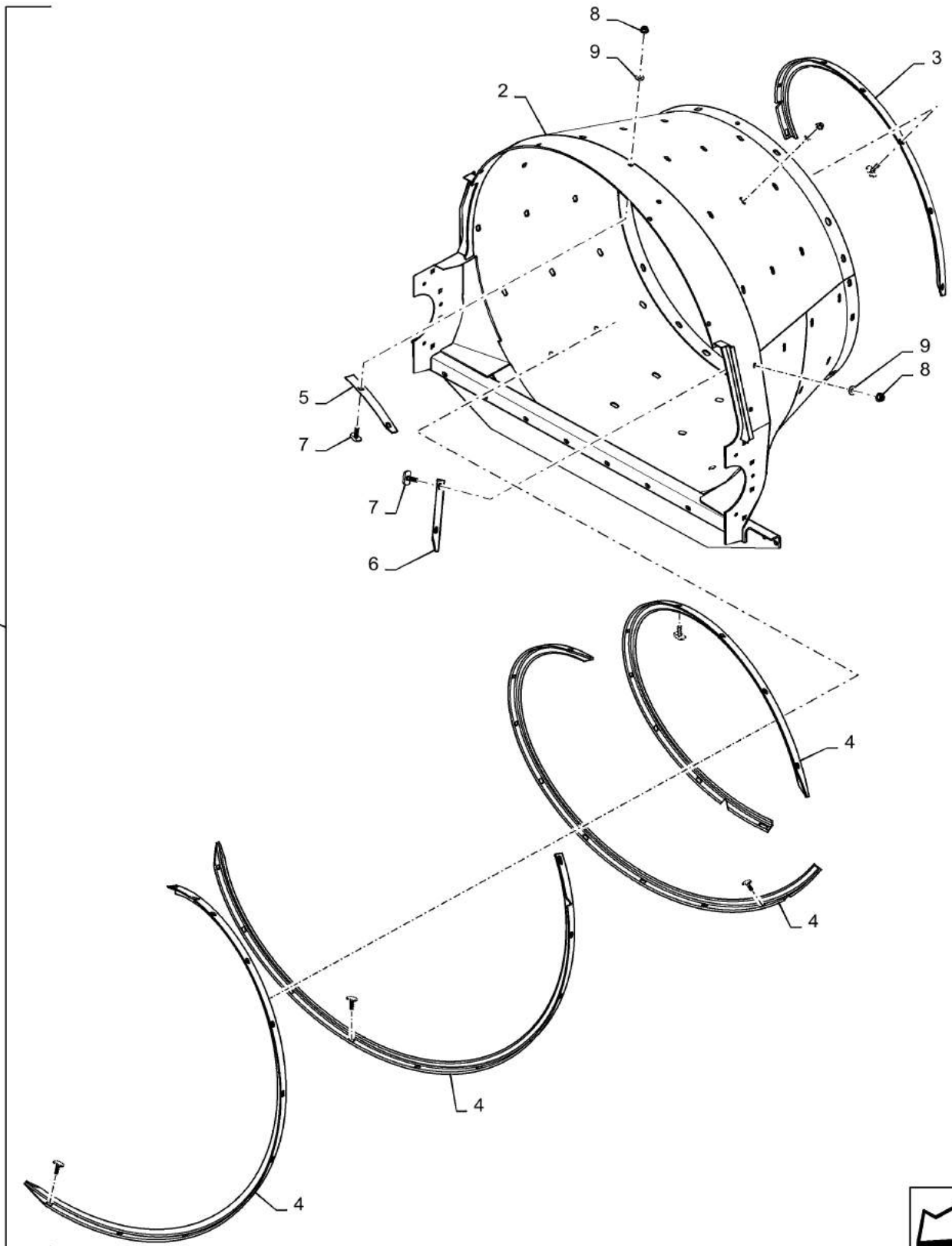
7/2015

DIA KIT, STANDARD FEEDER CONE

REF FN	PART NUMBER	YR/SN	QTY DESCRIPTION
1	47512057		1 CONE DIA Kit, Transition W/ Standard Wear Vanes, Incl 2 - 9
2	47516014		1 CONE Transition
3	428280A2		1 STIFFENER Standard Wear Short Vane
4	428279A2		4 STIFFENER Standard Wear Long Vane
5	428281A1		1 STIFFENER Standard Wear Extension Vane
6	428282A1		1 STIFFENER Standard Wear Pocket Vane
7	87106338		47 BOLT Tee, M10 x 30mm
8	87547587		47 LOCK NUT Hex, M10 x 1.5, CI 10
9	140045		47 BELLEVILLE WASHER M10X22 ZNM

5140-COMBINE - TIER 2

DIA KIT, HEAVY DUTY FEEDER CONE



88.100.66

02

p1

7/2015

DIA KIT, HEAVY DUTY FEEDER CONE

REF FN	PART NUMBER	YR/SN	QTY DESCRIPTION
1	47512044		1 CONE DIA Kit, Transition W/ Extended Wear Vanes, Incl 2 - 9
2	47512072		1 CONE Extended Wear
3	418655A2		1 STIFFENER Extended Wear Short Vane
4	418654A2		4 VANE Extended Wear Long Vane
5	347913A1		1 VANE Extended Wear Extension Vane
6	347918A1		1 STIFFENER Extended Wear Pocket Vane
7	87106338		47 BOLT Tee, M10 x 30mm
8	87547587		47 LOCK NUT Hex, M10 x 1.5, CI 10
9	140045		47 BELLEVILLE WASHER M10X22 ZNM

5140-COMBINE - TIER 2

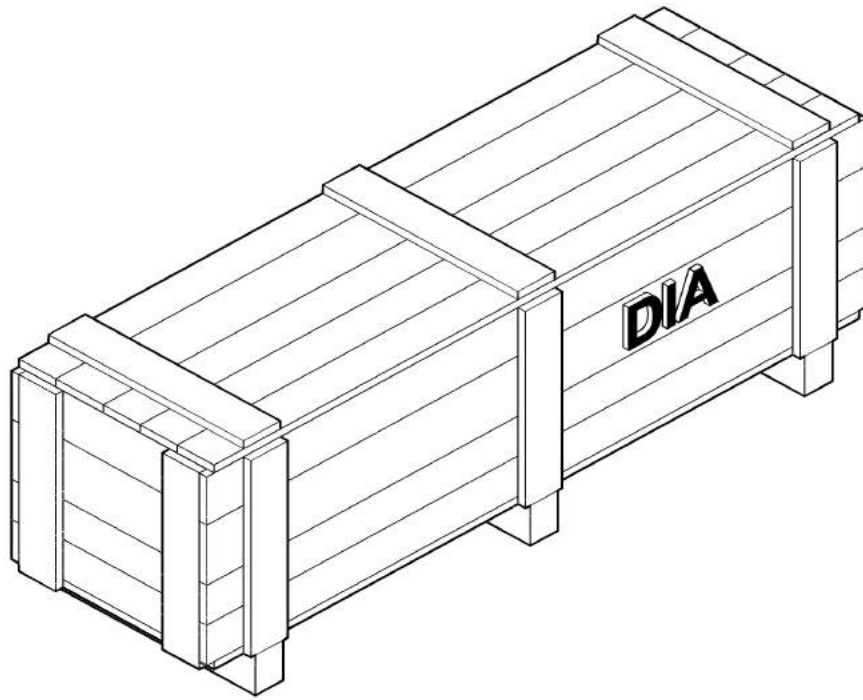
88.100.73

01

p1

7/2015

DIA KIT, CHAFF SPREADER HYDRAULIC SYSTEM



88.100.73

01

p1

7/2015

DIA KIT, CHAFF SPREADER HYDRAULIC SYSTEM

REF FN	PART NUMBER	YR/SN	QTY DESCRIPTION
1	47518485		1 KIT DIA Kit, Hydraulic Chaff Spreader, Incl 2 - 3
2	47431439		1 KIT DIA, Chaff Spreader Hydraulic Valve and Lines, See Figure 88.100.73 (02)
3	47518400		1 KIT DIA Kit, Chaff Spreader Assy, See Figure 88.100.73 (03)

5140-COMBINE - TIER 2

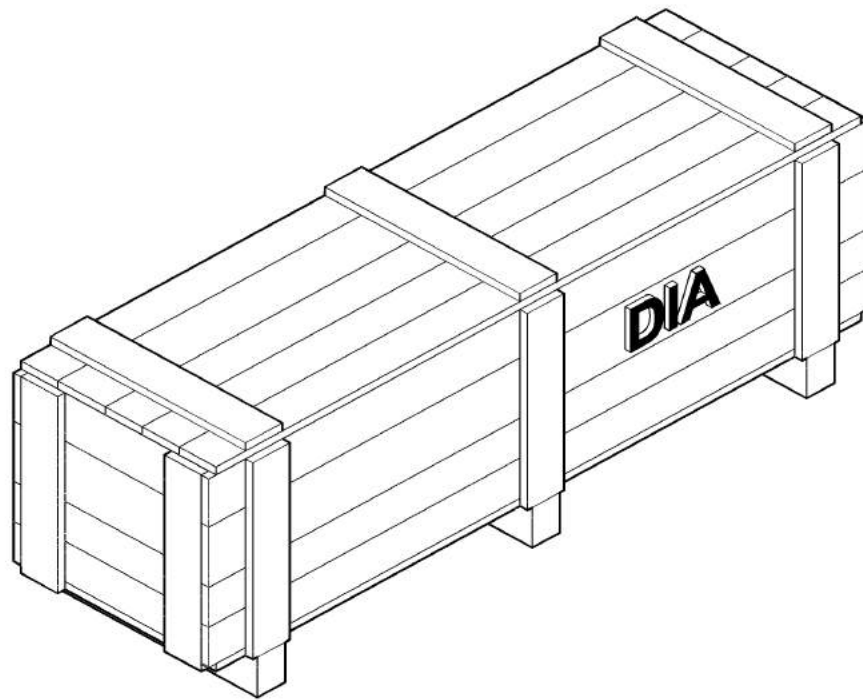
88.100.73

02

p1

7/2015

DIA KIT, CHAFF SPREADER HYDRAULIC VALVE



DIA KIT, CHAFF SPREADER HYDRAULIC VALVE

REF FN	PART NUMBER	YR/SN	QTY DESCRIPTION
1	47431439		1 KIT DIA, Chaff Spreader Hydraulic Valve and Lines, Incl 2 - 14
2	47445695		1 MANUALS KIT Instruction Sheet
3	84197992		1 BRACKET Manifold, See Figure 35.796.AC, 1
4	470375C1		2 CLAMP Hose, See Figure 35.796.AC, 2
5	87631078		1 HOSE ASSY. Spreader Supply, See Figure 35.796.AC, 3
6	87709638		1 HOSE ASSY. Spreader Return, See Figure 35.796.AC, 4
7	87619387		1 VALVE Spreader, See Figure 35.796.AF, 1
8	87656137		1 BOLT M8 x 28.1mm, CI 10.9 See Figure 35.796.AC, 8
9	87681208		2 BOLT Hex, M8 X 130, Class 10.9 See Figure 35.796.AC, 9
10	86050279		1 FLANGE NUT M10 x 1.5, CI 10 See Figure 35.796.AC, 10
11	86566989		1 CABLE TIE 208mm L See Figure 35.796.AC, 11
12	86507066		1 FLANGE NUT M8 x 1.25, CI 10 See Figure 35.796.AC, 12
13	87485024		1 HYD CONNECTOR See Figure 35.796.AC, 17
14	84347764		1 HOSE ASSY. 19.05mm ID x 655mm L, SAE 100R17 Spreader Return, See Figure 35.796.AC, 26

5140-COMBINE - TIER 2

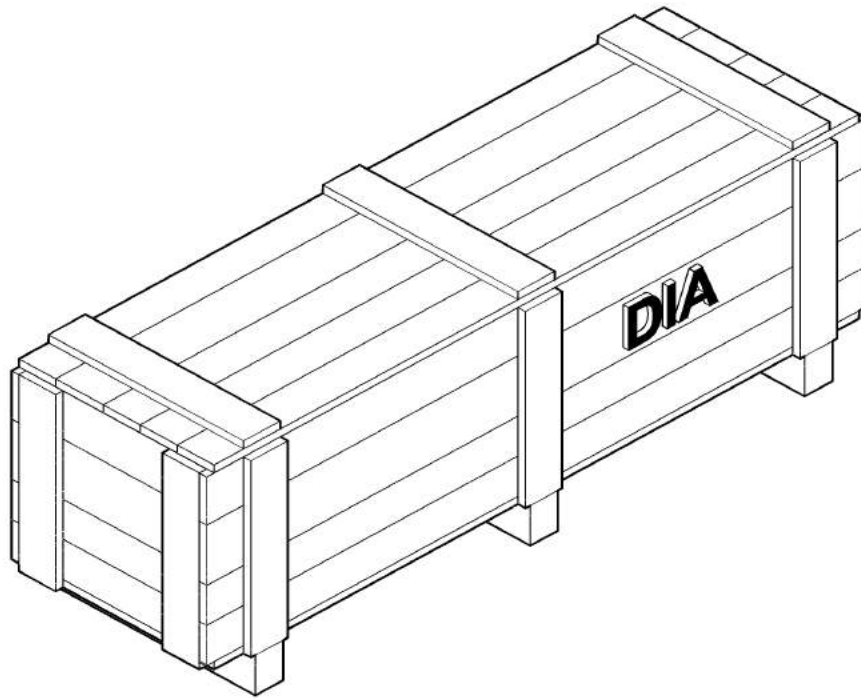
88.100.73

03

p1

7/2015

DIA KIT, CHAFF SPREADER ASSY



88.100.73

03

p1

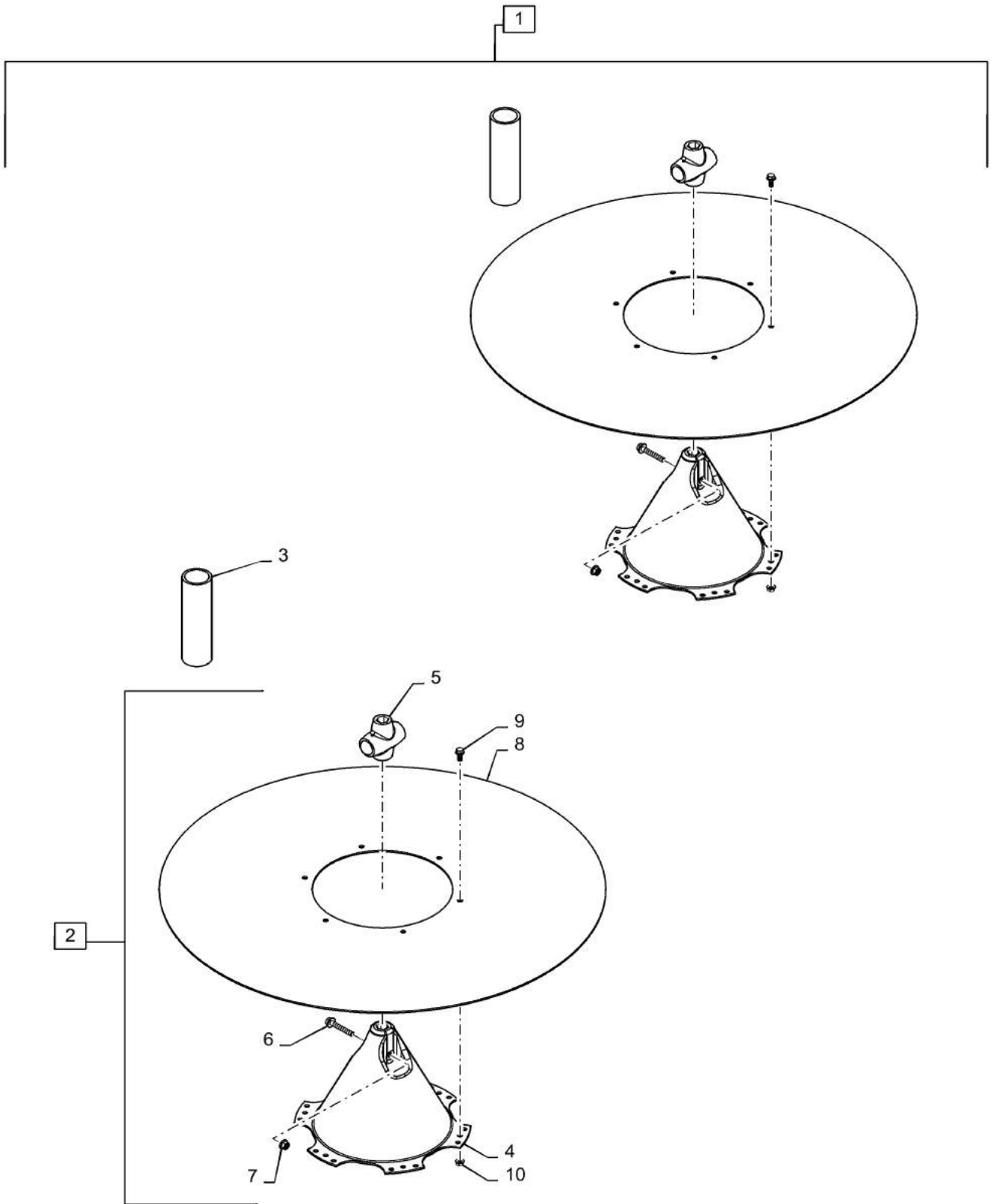
7/2015

DIA KIT, CHAFF SPREADER ASSY

REF FN	PART NUMBER	YR/SN	QTY DESCRIPTION
1	47518400		1 KIT DIA Kit, Hydraulic Chaff Spreader, Incl 2 - 9
2	47445692		1 MANUALS KIT Instruction Sheet
3	87757860		1 MANUALS KIT Chaff Spreader Assy, See Figure 73.335.AB (01)
4	84414537		1 KIT Kit, Chaff Spreader Electrical, See Figure 55.624.AZ
5	84130573		1 HOSE ASSY. Motor Drain, See Figure 35.796.AC, 5
6	87709636		1 HOSE ASSY. Motor Supply, See Figure 35.796.AC, 6
7	86566989		1 CABLE TIE 208mm L See Figure 35.796.AC, 11
8	84202893		1 MANUALS KIT Chaff Spreader Sheet, See Figure 73.430.AA (07)
9	87688165		2 SEAL Spreader, See Figure 73.430.AA (06)

5140-COMBINE - TIER 2

DIA KIT, DISC, CHAFF SPREADER



88.100.73

04

p1

7/2015

DIA KIT, DISC, CHAFF SPREADER

REF FN	PART NUMBER	YR/SN	QTY DESCRIPTION
1	84303526		1 REPAIR KIT Smooth Spreader Disc, Incl 2 - 3
2	84303517		2 DISC Assy, Smooth Spreader, Incl 4 - 10
3	87751662		2 PLASTIC-RUBBER TUBE 60.32 mm OD x 212 mm L
4	47442301		1 SUPPORT Straw Spreader Cone, 362mm OD
5	87648715		1 SHAFT Detent Assy, Straw Spreader, 343.1mm OAL x 100.3mm OD
6	87656139		1 BOLT M10 x 70.4mm, CI 10.9 M10 x 60mm OAL, CI 10.9
7	87547587		1 LOCK NUT Hex, M10 x 1.5, CI 10
8	84303518		1 DISC Smooth Spreader, 902mm OD x 284mm ID
9	87656137		6 BOLT M8 x 28.1mm, CI 10.9
10	86507066		6 FLANGE NUT M8 x 1.25, CI 10

5140-COMBINE - TIER 2

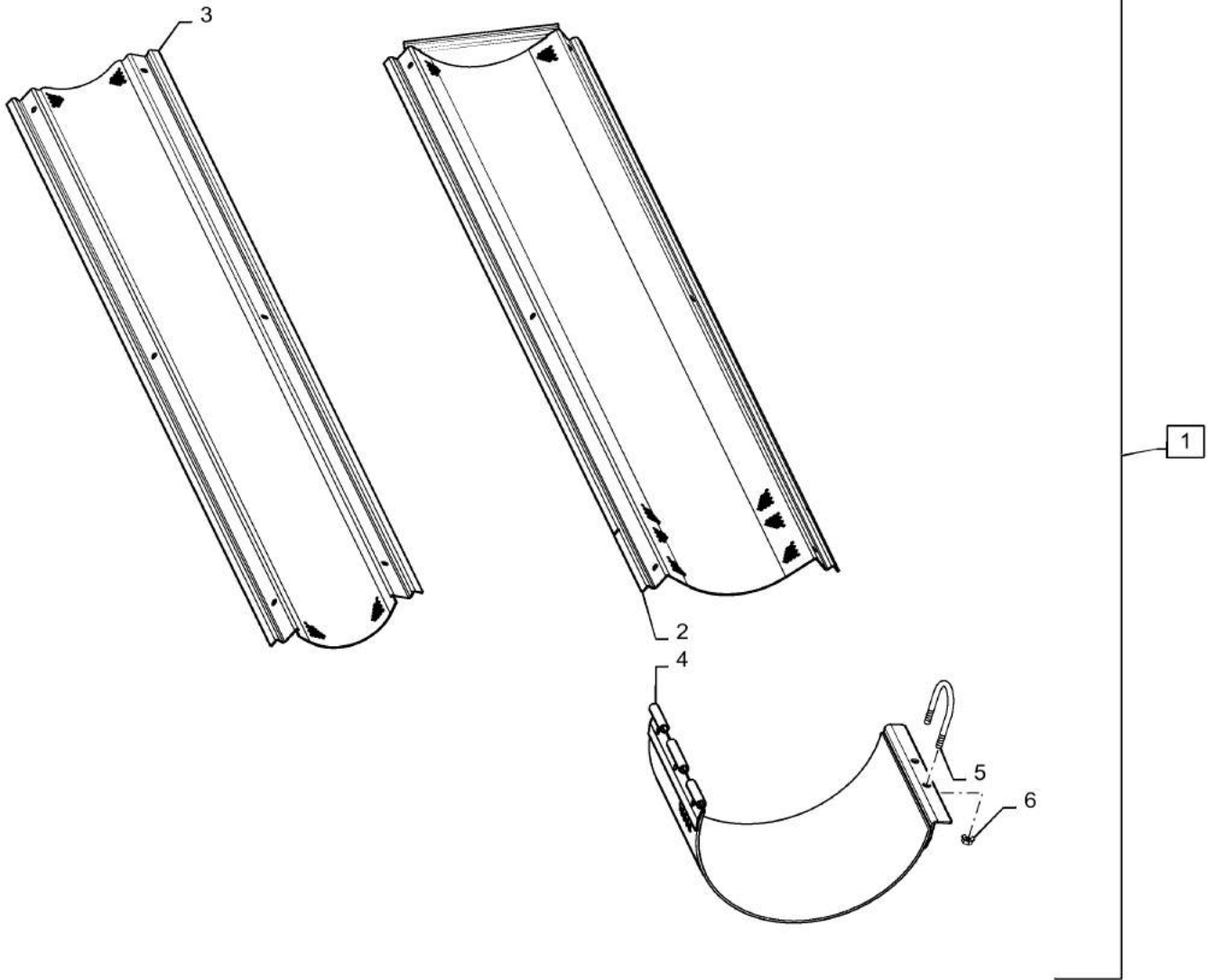
88.100.74

01

p1

7/2015

DIA KIT, ELEVATOR DOOR



88.100.74

01

p1

7/2015

DIA KIT, ELEVATOR DOOR

REF FN	PART NUMBER	YR/SN	QTY DESCRIPTION
1	84181343		1 SERVICE KIT DIA, Perforated Elevator Door, Incl 2 - 6
2	87726786		1 TROUGH ASSY. Tailings Auger
3	84181472		1 PAN ASSY. Auger Trough
4	84181350		1 COVER ASSY Grain Elevator Door Boot
5	84989315		1 U-BOLT M8 x 1.25 x 26mm Threaded x 63.5mm W x 90.4mm OAL
6	87681210		2 FLANGE NUT M8 x 1.25, CI 10

5140-COMBINE - TIER 2

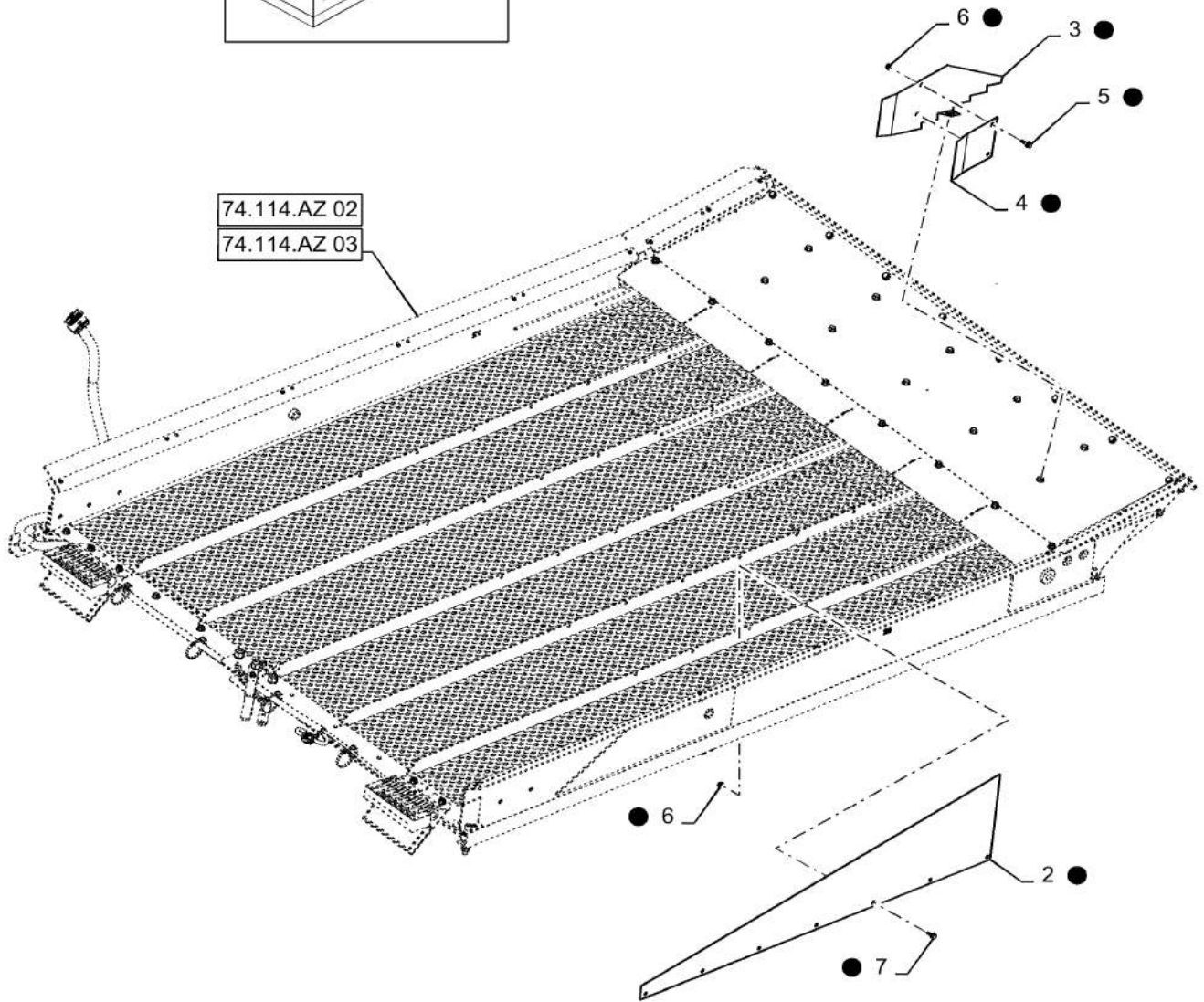
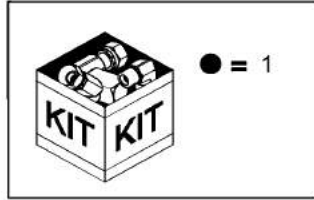
88.100.74

02

p1

7/2015

DIA KIT, TALL HILL SIDE DIVIDER



88.100.74

02

p1

7/2015

DIA KIT, TALL HILL SIDE DIVIDER

REF FN	PART NUMBER	YR/SN	QTY DESCRIPTION
1	87720383		1 DIA KIT, HARVESTER Tall Hill Side Divider, Incl 2 - 7
2	185114C1		5 DIVIDER Chaffer Sieve
3	87584221		5 DIVIDER Chaffer Front
4	185116C1		5 RETAINER Chaffer Divider
5	87675531		10 FLANGE BOLT M6 x 26.6mm, CI 10.9
6	86050300		45 FLANGE NUT M6 x 1.0, CI 10
7	87695418		35 FLANGE BOLT M6 x 1.0 x 16mm, CI 10.9

5140-COMBINE - TIER 2

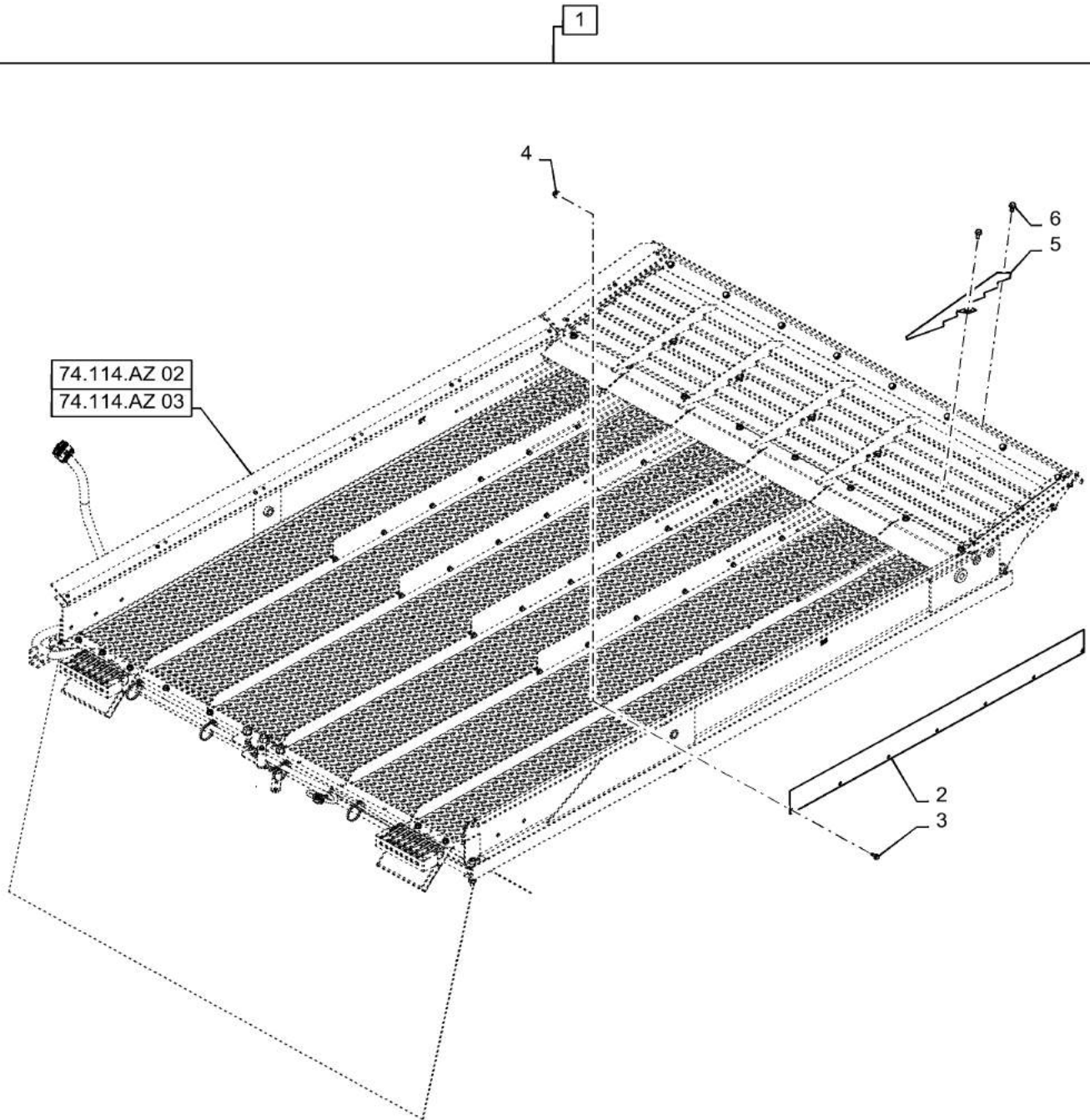
88.100.74

03

p1

7/2015

DIA KIT, SIEVE, DIVIDER



88.100.74

03

p1

7/2015

DIA KIT, SIEVE, DIVIDER

REF FN	PART NUMBER	YR/SN	QTY DESCRIPTION
1	84167899		1 SERVICE KIT Side Hill Dividers, Incl 2 - 6
2	1957596C2		5 DIVIDER Chaffer Sieve, 1078.8mm OAL Or 42.47" OAL x 76.2mm W
3	87695418		35 FLANGE BOLT M6 x 1.0 x 16mm, CI 10.9
4	86050300		35 FLANGE NUT M6 x 1.0, CI 10
5	87546880		5 DIVIDER Grain Pan, 384mm OAL x 50mm W
6	87681207		10 BOLT M8 x 24.1mm, CI 10.9

5140-COMBINE - TIER 2

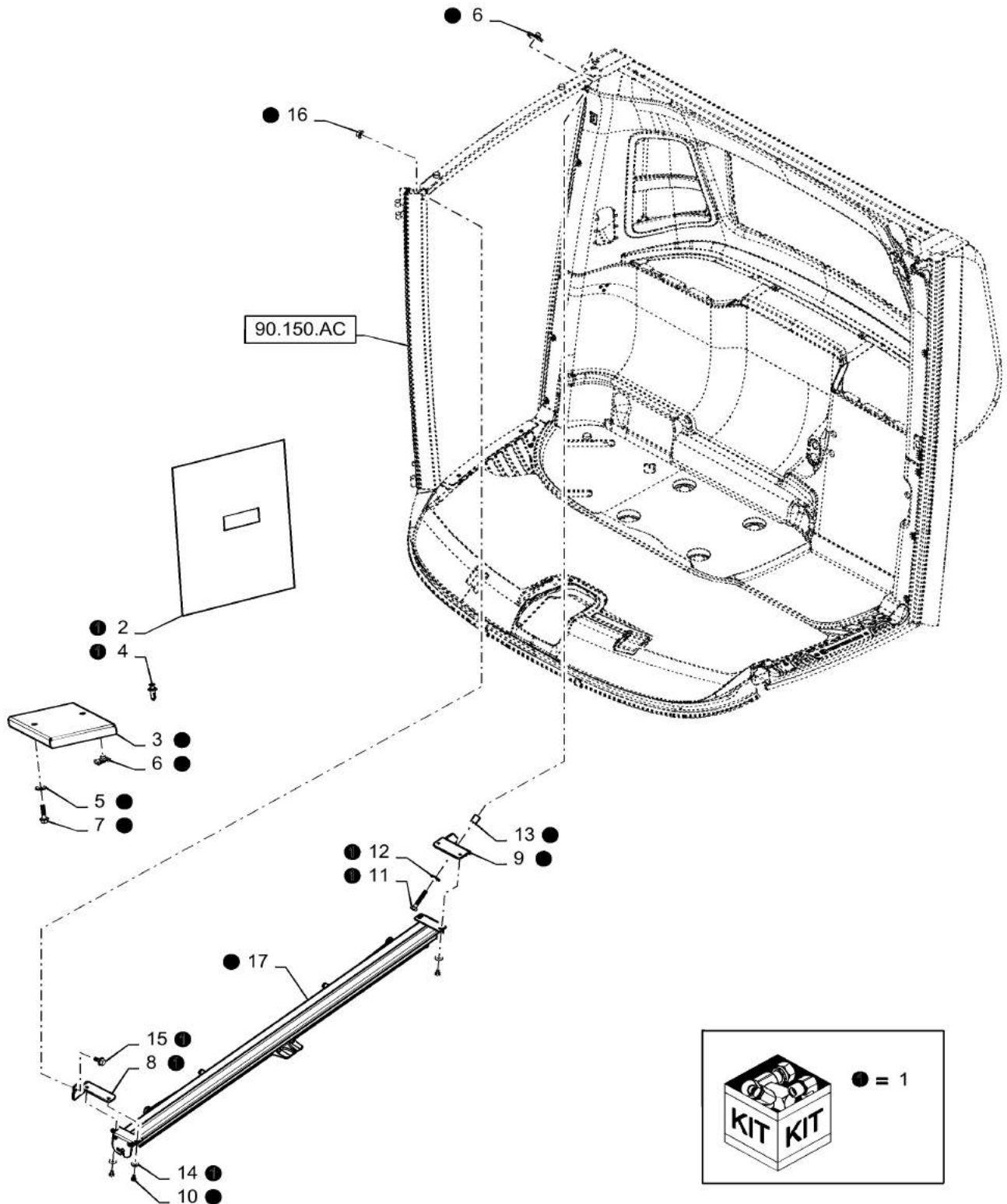
88.100.90

01

p1

7/2015

DIA KIT, RH SUNSHADE



88.100.90

01

p1

7/2015

DIA KIT, RH SUNSHADE

REF FN	PART NUMBER	YR/SN	QTY DESCRIPTION
1	47584973		1 KIT DIA, RH Sunshade, Incl 2 - 17
2	47584968		1 INSTRUCTION Instruction Sheet
3	47582523		1 BRACKET BB Radio
4	84563392		1 PLASTIC PLUG Plastic
5	86624182		2 WASHER 6.6mm ID x 18mm OD x 1.6mm Thk
6	87016585		3 NUT Spring, M6 Spring, M6 x 1mm
7	9804257		2 FLANGE BOLT M6 x 1.0 x 31.6mm, CI 8.8
8	47452041		1 BRACKET Front
9	47454664		1 BRACKET Rear
10	540-717		4 SCREW Cross Pan Hd, M4 x 8
11	87698769		1 BOLT Hex, M6 x 35mm, CI 8.8 M6 x 35mm
12	84007539		1 BELLEVILLE WASHER 6.099mm ID x 18mm OD x 1.399mm Thk
13	87377305		1 NUT 6.8mm ID x 10.3mm OD x 13mm L 1/8" Pipe Spacer
14	12601079		4 WASHER Spring, M4
15	86050272		1 BOLT M6 x 1.0 x 18.6mm OAL, CI 8.8, Full Thd
16	9804276		1 FLANGE NUT M6 x 1.0, CI 8
17	47431093		1 SUNSHADE RH, Wheat

5140-COMBINE - TIER 2

SECTION INDEX

PLATFORM, CAB, BODYWORK AND DECALS

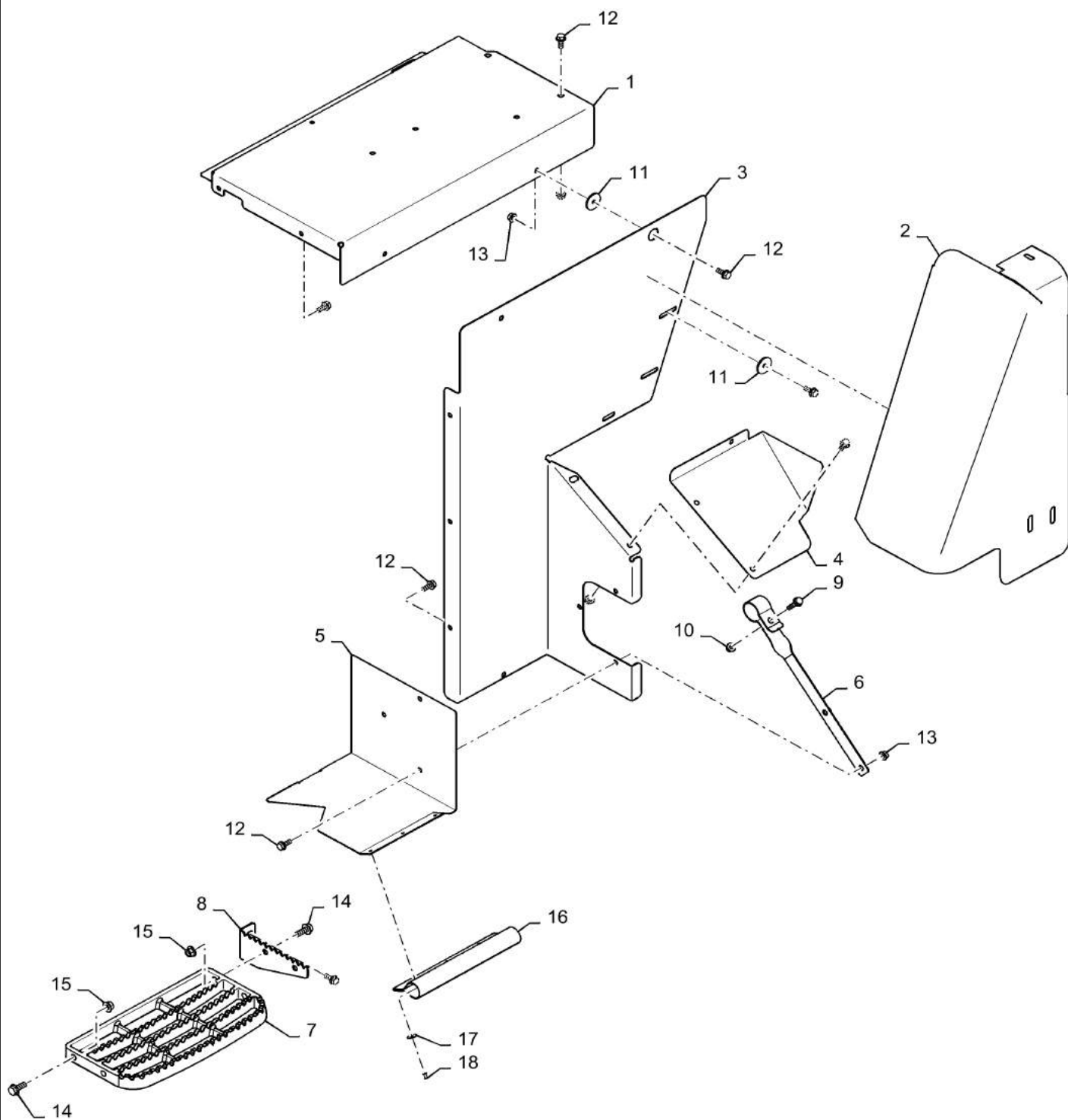
90.100.AD		BAFFLE, COVER, ENGINE
90.100.BJ	01	COVER ASSY, ENGINE
90.100.BJ	02	COVER, RAIL ASSY, ENGINE SHIELD
90.102.AZ		SHIELD, DRIVE, CHAFF SPREADER
90.102.BC		LATCH, PANEL
90.105.BH	01	SIDE PANEL, BODY, LH
90.105.BH	02	PANEL, BODY, LH
90.105.BH	03	SIDE PANEL, BODY, RH
90.105.BH	04	PANEL, BODY, RH
90.105.BH	05	SUPPORT, PANEL, BODY, RH
90.105.CL		TRIM PANEL, REAR
90.108.AB	01	DECALS, MODEL AND BRAND
90.108.AB	02	FRAME, DECALS, WARNING
90.108.AB	03	DECALS, MODEL AND BRAND, ASN YEG227001
90.108.AC		DECALS, CAB
90.118.AC	01	OPERATOR'S LADDER, PLATFORM, LADDER, LH
90.118.AC	02	PLATFORM, FRONT, LH
90.118.AC	03	PLATFORM, FRONT, RH
90.118.AX	01	EXTENSION, OPERATOR'S LADDER, FRONT, LH, WIDE
90.118.AX	02	EXTENSION, OPERATOR'S LADDER, PLATFORM, FRONT, LH, NARROW
90.118.AX	03	RAIL ASSY, PLATFORM, REAR
90.118.BM	01	VAR - 425357 - MIRROR, STANDARD
90.118.BM	02	VAR - 425358 - ELECTRIC MIRROR
90.120.AE		VAR - 425186, 425187 - SEAT, CAB
90.120.AI		VAR - 425186, 425187 - SEAT BACK
90.120.BA		VAR - 425186, 425187 - SEAT, SLIDE, BELLOWS
90.120.BC		VAR - 425186, 425187 - SEAT, SUSPENSION
90.124.AH		VAR - 425188, 425376 - SEAT CUSHION & ARMREST
90.124.AL		VAR - 425188, 425376 - SEAT BACK, SLIDE, BELLOWS
90.124.AN		VAR - 425188, 425376 - SEAT SUSPENSION
90.150.AB	01	HANDRAIL, CAB
90.150.AB	02	HANDRAIL, CAB, RH

SECTION INDEX

PLATFORM, CAB, BODYWORK AND DECALS

90.150.AC		CAB FRAME, WINDSHIELD
90.150.AD		CAB, PLATE, ACCESS COVER
90.150.BG	01	ROOF, INSIDE CAB ROOF
90.150.BG	02	ROOF, TOP COVER
90.150.BI		MOUNT, CAB
90.150.BJ		COVER ASSY, CAB GUARD
90.151.AC		VAR - 425186, 425187, 425188, 425376 - SEAT ACCESSORY
90.151.AD		VAR - 425186, 425187, 425188, 425376 - SEAT BELT, INSTRUCTOR/OPERATOR
90.151.AE		SUNSHADE, LH, REAR
90.151.AO		VAR - 425358 - COVER ASSY
90.151.AP		VAR - 425186, 425187, 425188, 425376 - ARMREST, RH
90.154.AA	01	CAB DOOR, RH
90.154.AA	02	LH CAB DOOR
90.154.AC		VAR - 425358 - DOOR HANDLE
90.156.AB		WINDOW, REAR
90.160.AH	01	VAR - 425357 - PANEL, CAB, REAR
90.160.AH	02	VAR - 425358 - CAB STORAGE BOX, LUXURY CAB
90.160.AH	03	VAR - 425358 - PANEL, CAB, REAR
90.160.AX		HEADLINER
90.160.BI		MAT, FLOOR
90.160.BL		VAR 425357, 425358 - IGNITION SWITCH, DECALS, CONSOLE

BAFFLE, COVER, ENGINE



BAFFLE, COVER, ENGINE

REF FN	PART NUMBER	YR/SN	QTY DESCRIPTION
1	84418892		1 COVER Engine Baffle
2	84136603		1 PANEL GrainTank Corner, Rear, RH
3	84210262		1 PLATE Baffle, Blockoff
4	87477249		1 COVER Grain Tank, Rear, RH
5	87746060		1 BRACKET Cooler Door Filler
6	84129923		1 BRACKET Cooler Baffle Brace
7	87301185		1 STEP Aluminum
8	87642448		1 SHEET ASSY. Tread Plate Bracket
9	87695419		1 FLANGE BOLT M8 x 43.1mm, CI 10.9
10	87681210		1 FLANGE NUT M8 x 1.25, CI 10
11	12646205		3 WASHER M8 x 35 x 3
12	87656137		20 BOLT M8 x 28.1mm, CI 10.9
13	86507066		12 FLANGE NUT M8 x 1.25, CI 10
14	87698836		4 BOLT M10 x 25mm, Full Thd, CI 10.9
15	86050279		4 FLANGE NUT M10 x 1.5, CI 10
16	87746062		1 FOAM Cooler Door Filler
17	895-30108		3 WASHER 4.3mm ID x 15mm OD x 1.2mm Thk
18	86984400		3 RIVET Pop, 1/8" x .400", Stainless

5140-COMBINE - TIER 2

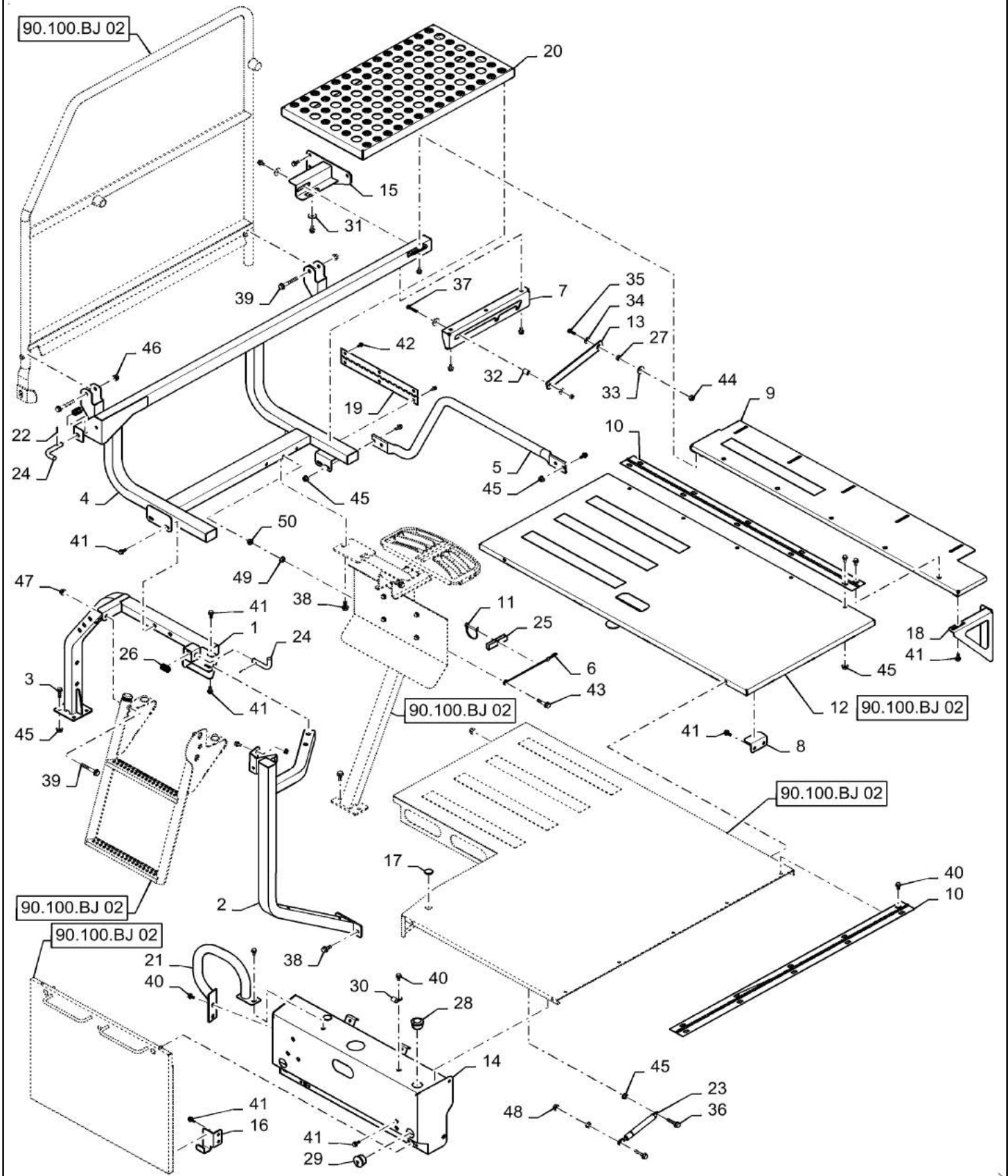
90.100.BJ

01

p1

7/2015

COVER ASSY, ENGINE

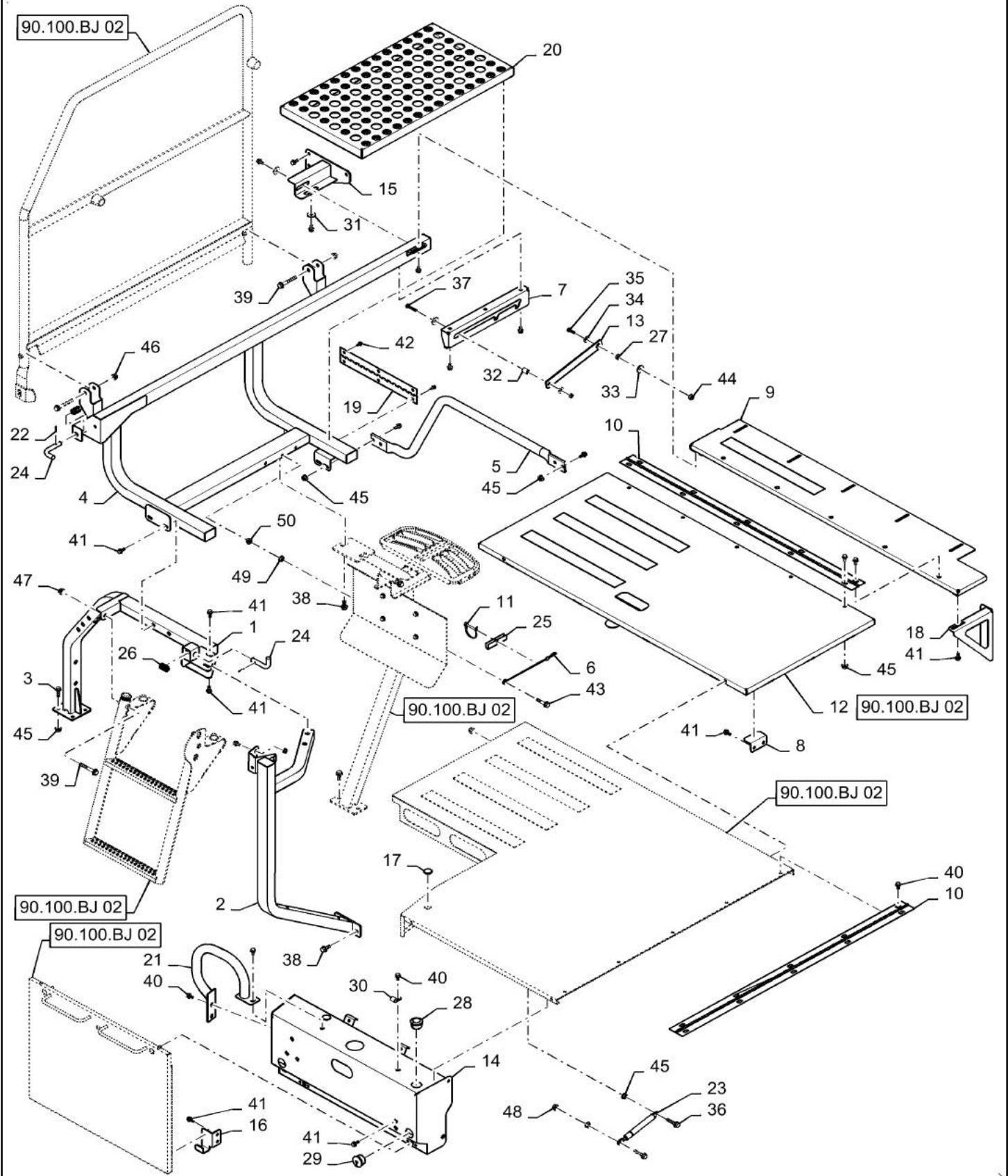


COVER ASSY, ENGINE

REF FN	PART NUMBER	YR/SN	QTY DESCRIPTION
1	47377135		1 SUPPORT Rear
2	47378755		1 SUPPORT Rear
3	87030775		4 BOLT M8 x 38.1mm, Cl 10.9
4	47377198		1 SUPPORT Cover
5	84348616		1 HANDRAIL Front
6	409114A1		1 CABLE 10" Nylon
7	84291514		1 ANGLE Rotor Door Prop
8	84258220		1 ANGLE BAR Cover Support
9	84277131		1 SHEET Rotor Door Mount
10	442774A2		2 HINGE Engine Cover Door
11	47431629		1 PIN W/ Wire Lock
12	84592582		1 COVER ASSY Rotor Top
13	84254778		1 STRAP Engine Cover Support
14	84351096		1 SUPPORT Engine Cover
15	47418896		1 SUPPORT Deaeration Tank
16	84295598		1 BRACKET Catch, RH
17	158188		1 PLUG 19mm Hole, 28.6mm OD
18	84283597		1 SUPPORT Gusset
19	47377206		1 HINGE Door, Separator Drive
20	47440200		1 PLATFORM Engine Deck
21	47510541		1 HANDRAIL Engine Deck
22	87455		1 SLOTTED PIN 1/8" OD x 1" OAL, Slotted
23	84121818		1 GAS STRUT
24	86611330		2 PIN 16.56mm OD 1/2"
25	47441370		1 BRACKET Cylinder Lockout
26	47383335		2 SPRING Compression
27	87281729		1 BUSHING 16mm OD x 9.5mm ID x 6.35mm L
28	198828C1		1 GROMMET 25.4mm ID x 41.1mm OD x 26.9mm Thk 41mm OD x 25.4mm ID

5140-COMBINE - TIER 2

COVER ASSY, ENGINE

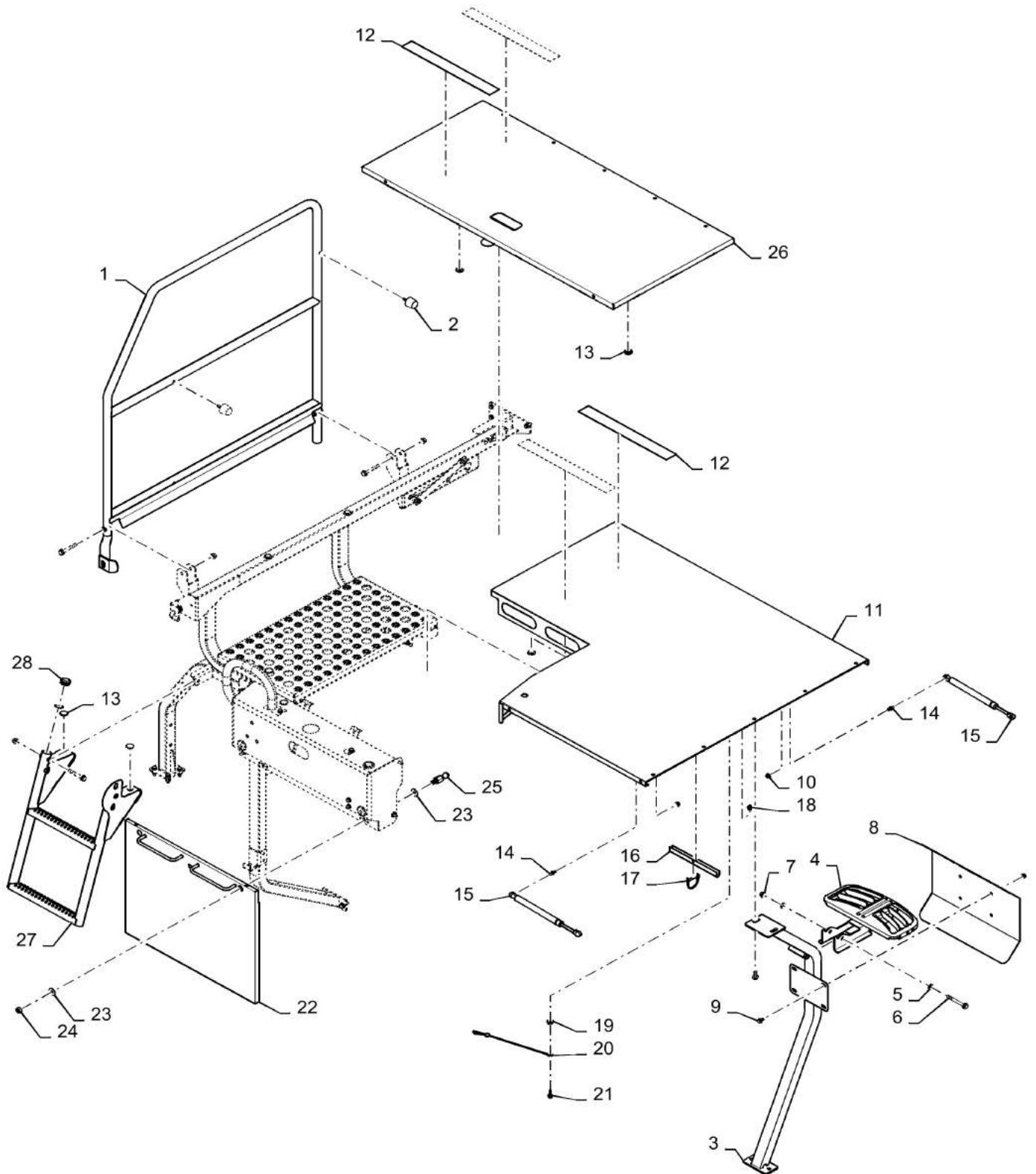


COVER ASSY, ENGINE

REF FN	PART NUMBER	YR/SN	QTY DESCRIPTION
29	198823C1		2 GROMMET 9.53mm ID x 41.1mm OD x 26.9mm Thk 41mm OD x 9.5mm ID
30	515-23127		1 CLAMP 1/2", Insul, 3/8" Bolt
31	87033737		2 WASHER 9mm ID x 28mm OD x 3mm Thk
32	86580795		1 SPACER 15.9mm OD x 8mm ID x 21.8mm L
33	140041		2 WASHER M8 x 28mm OD x 3mm Thk
34	322358		2 BELLEVILLE WASHER M8 x 18mm OD x 1.4mm Thk
35	43127		1 BOLT Hex, M8 x 1.25 x 25mm, CI 8.8
36	87695419		2 FLANGE BOLT M8 x 43.1mm, CI 10.9
37	43129		1 BOLT M8 x 1.25 x 45.45mm, CI 8.8
38	87698836		6 BOLT M10 x 25mm, Full Thd, CI 10.9
39	87698841		4 BOLT Hex, M10 x 70mm, CI 10.9 Flange, M10 x 70mm, 10.9
40	87681207		38 BOLT M8 x 24.1mm, CI 10.9
41	87656137		22 BOLT M8 x 28.1mm, CI 10.9
42	87695418		6 FLANGE BOLT M6 x 1.0 x 16mm, CI 10.9
43	87670758		1 FLANGE BOLT M6 x 31.6mm, CI 10.9 Flange, M6 x 25mm, 10.9
44	9706690		2 NUT M8 x 1.25, CI 8
45	86507066		23 FLANGE NUT M8 x 1.25, CI 10
46	86050279		2 FLANGE NUT M10 x 1.5, CI 10
47	87547587		2 LOCK NUT Hex, M10 x 1.5, CI 10 M10
48	87681210		2 FLANGE NUT M8 x 1.25, CI 10
49	86050300		1 FLANGE NUT M6 x 1.0, CI 10
50	87301498		1 FLANGE NUT Hex, M6 x 1.0, CI 10 M6

5140-COMBINE - TIER 2

COVER, RAIL ASSY, ENGINE SHIELD

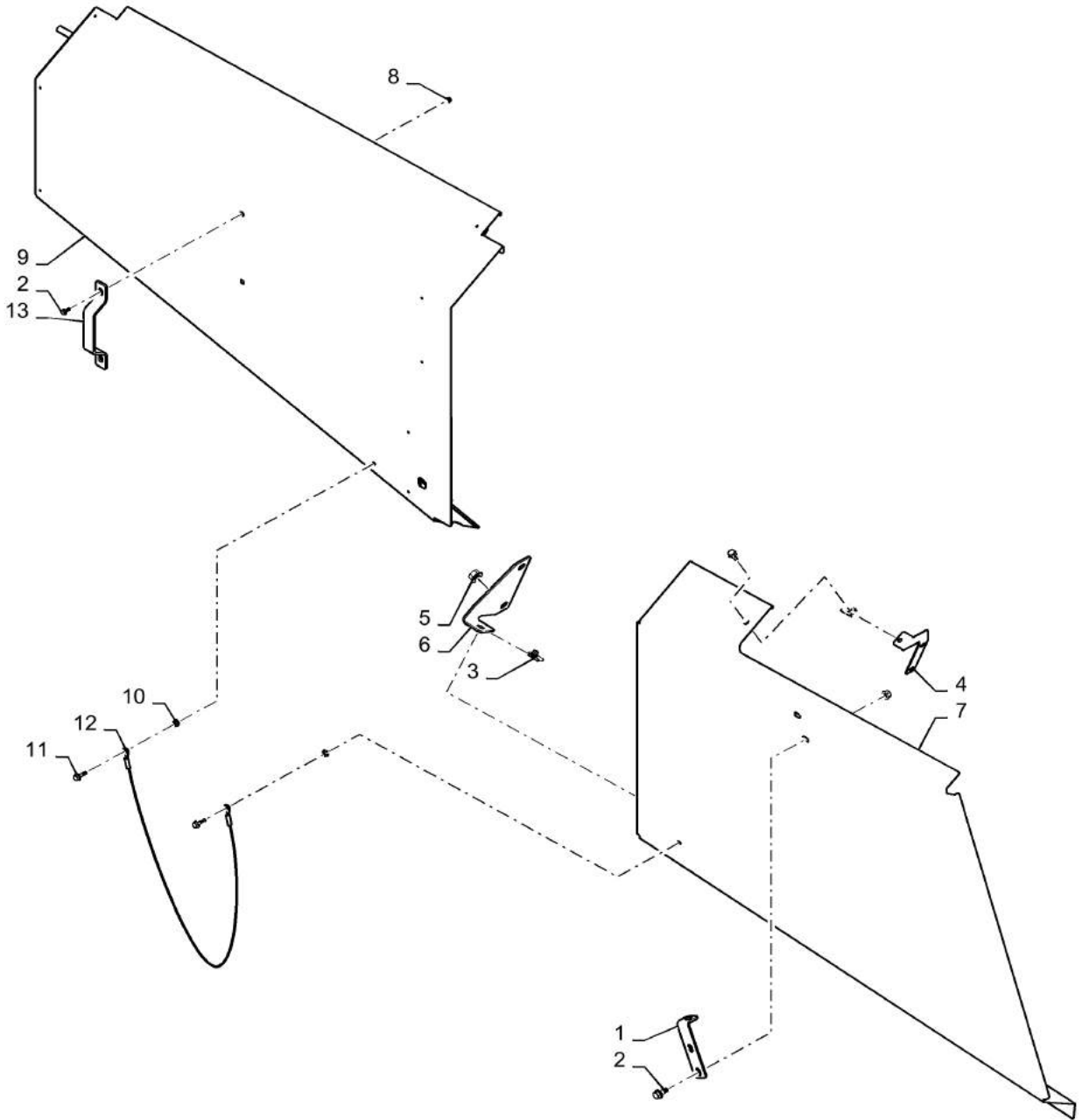


COVER, RAIL ASSY, ENGINE SHIELD

REF FN	PART NUMBER	YR/SN	QTY DESCRIPTION
1	47428286		1 HANDRAIL Engine Deck
2	87109195		1 BUMPER 5/16" - 18, 38mm OD Rubber
3	47377140		1 SUPPORT Center Support, Step
4	84283959		1 STEP Engine
5	140045		2 BELLEVILLE WASHER M10X22 ZNM
6	87695408		1 BOLT M10 x 1.5 x 100.4mm OAL, CI 10.9 Flange, M10 x 90mm, 10.9
7	87547587		1 LOCK NUT Hex, M10 x 1.5, CI 10
8	47625267		1 SHIELD Exhaust, Turbo
9	87681207		4 BOLT M8 x 24.1mm, CI 10.9
10	86507066		6 FLANGE NUT M8 x 1.25, CI 10
11	47377204		1 COVER ASSY Engine
12	401502		AR ANTI-SKID STRIP Bulk, Cut To Length
13	158188		6 PLUG 19mm Hole, 28.6mm OD
14	83952214		2 BALL STUD M8 x 29.5mm OAL Strut Mount
15	84292651		2 GAS STRUT Engine Door Lift
16	448354A1		1 BRACKET Cylinder Lockout
17	47431629		1 PIN W/ Lock Clip
18	86610198		1 INSERT M6 x 1 Nutsert, M6
19	86050300		1 FLANGE NUT M6 x 1.0, CI 10
20	409114A1		1 CABLE 10" Nylon
21	87675531		1 FLANGE BOLT M6 x 26.6mm, CI 10.9
22	47418899		1 COVER ASSY Fan Access
23	412649		4 BELLEVILLE WASHER M6 x 18mm OD x 1.4mm Thk
24	86508813		4 NUT M5, CI 8
25	86998687		2 STUD Push On Retainer
26	84586622		1 COVER Rotor Top
27	47381991		1 LADDER Engine Deck
28	47438213		2 PLUG Tube, 33.7mm OD

5140-COMBINE - TIER 2

SHIELD, DRIVE, CHAFF SPREADER

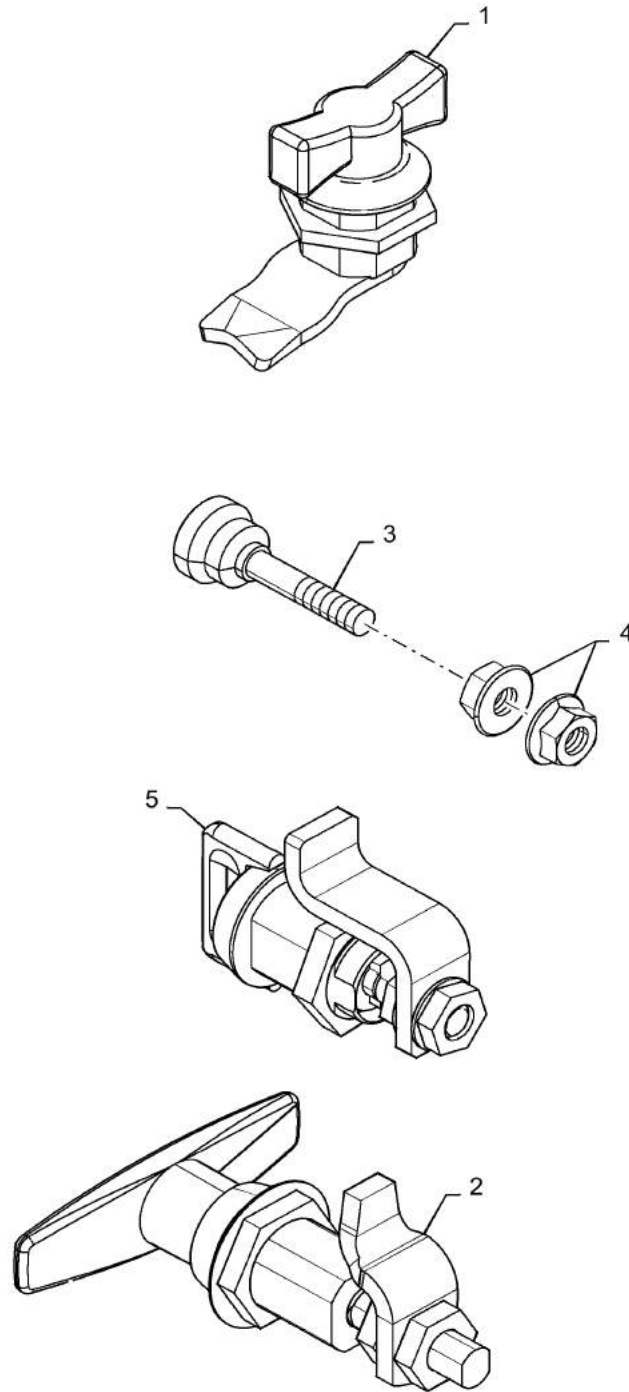


SHIELD, DRIVE, CHAFF SPREADER

REF FN	PART NUMBER	YR/SN	QTY DESCRIPTION
1	84127465		1 BRACKET Fixed Spreader Drive Shield
2	87656137		8 BOLT M8 x 28.1mm, CI 10.9
3	86508354		4 PUSH-ON NUT M8 x 1.25
4	87654964		1 BRACKET Fixed Spreader Shield, Lower
5	86512497		4 FLANGE NUT M12 x 1.75, CI 10
6	84136322		1 BRACKET Shield Support
7	84136319		1 BRACKET Shield, Spreader Drive
8	86507066		4 FLANGE NUT M8 x 1.25, CI 10
9	87655293		1 PANEL ASSY. Shield, Spreader Drive
10	86050300		4 FLANGE NUT M6 x 1.0, CI 10
11	87675531		2 FLANGE BOLT M6 x 26.6mm, CI 10.9
12	132657A2		1 CABLE Shield
13	87735697		1 LATCH Handle

5140-COMBINE - TIER 2

LATCH, PANEL



LATCH, PANEL

REF FN	PART NUMBER	YR/SN	QTY DESCRIPTION
1	182925A1		3 LOCK Grain Tank RH, Spreader Shield, RH Shields, 22mm W x 42mm OAL
2	87283386		1 LATCH Cooler Door, T - Handle, 1/4 Turn Compression
3	96860C1		1 KNOB RH Shields, Position Control Stop, 46.25mm OAL x 15mm OD, 1/4 Threaded Stud
4	231-5144		2 SERRATED NUT Flg, USR, 1/4"-20
5	87472948		2 LATCH Rotor Access Panel, Hand Op

5140-COMBINE - TIER 2

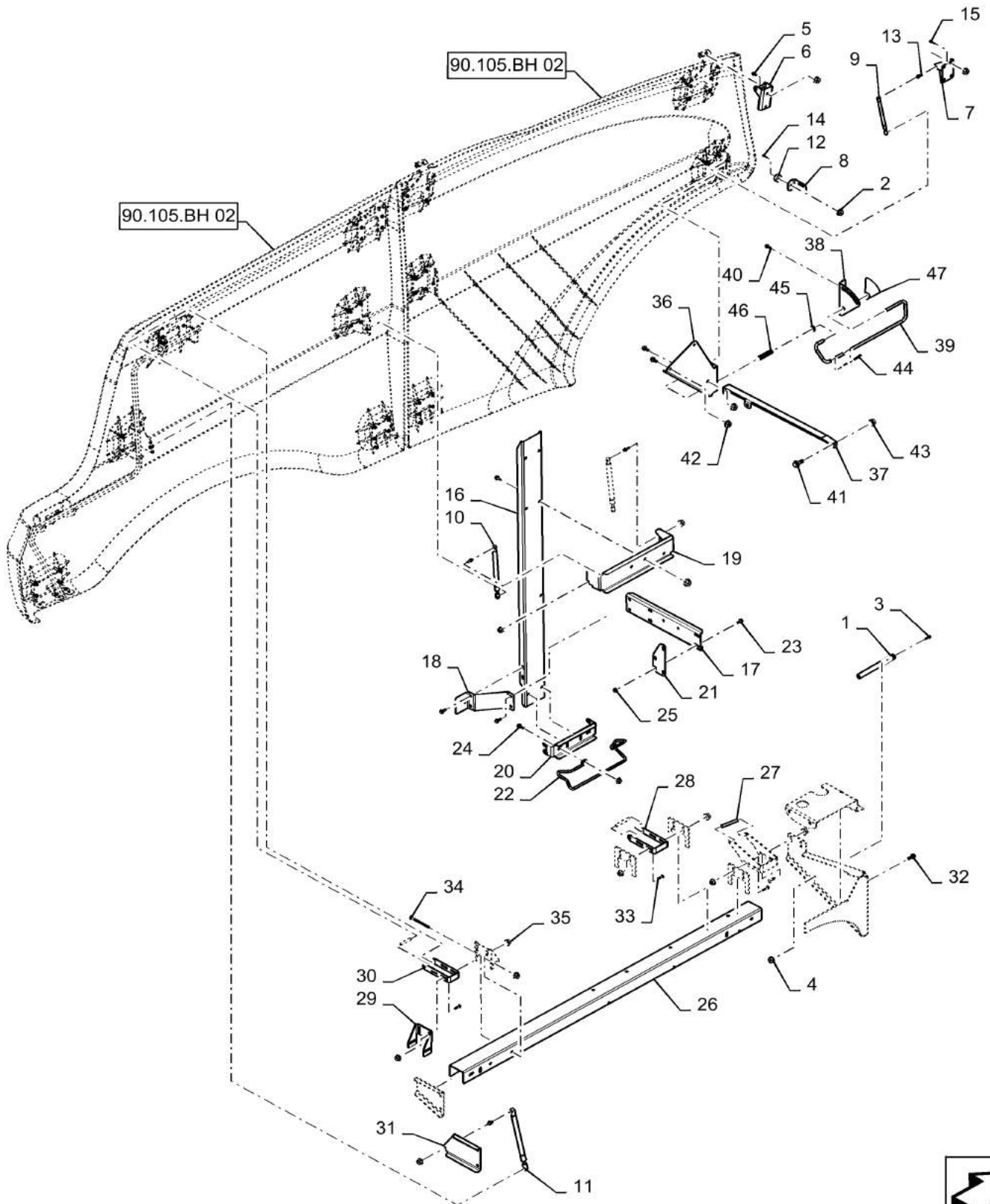
90.105.BH

01

p1

7/2015

SIDE PANEL, BODY, LH



SIDE PANEL, BODY, LH

REF FN	PART NUMBER	YR/SN	QTY DESCRIPTION
1	84398945		1 STRAP Trim Panel Brace
2	86619800		1 FLANGE NUT M6 x 1.0, CI 8
3	87698833		2 BOLT M8 x 33.1mm, CI 10.9
4	86507066		13 FLANGE NUT M8 x 1.25, CI 10
5	87656137		8 BOLT M8 x 28.1mm, CI 10.9
6	87663840		1 BRACKET Hinge, Front, LH
7	87663897		1 BRACKET Mount, Front Panel Gas Spring, LH0
8	87671843		1 BRACKET Bumper
9	87688426		1 GAS STRUT Front, LH
10	87757843		2 GAS STRUT Center, LH
11	87690981		1 GAS STRUT Rear, LH
12	87602893		1 BUMPER 6.4mm ID x 38mm OD x 19mm Thk Rubber
13	86634307		4 STUD Ball, Strut Mount
14	86977786		1 BOLT Hex, M6 x 1.0 x 25mm, CI 8.8
15	87656137		11 BOLT M8 x 28.1mm, CI 10.9
16	84180129		1 BRACKET, SUPPORTING Channel, Trim Panel Latch
17	84475121		1 CHANNEL Side Sheet, Rear, LH
18	87757249		1 SUPPORT Latch Brace
19	84579046		1 BRACKET Trim Panel, Gas Spring Mount, LH
20	84136668		1 BRACKET Trim Panel Latch, LH
21	84160869		1 PLATE Vertical Support, LH
22	84149018		1 LATCH Rod, Latch Guard
23	87698836		22 BOLT M10 x 25mm, Full Thd, CI 10.9
24	87698837		2 FLANGE BOLT M10 x 30mm, Full Thd, CI 10.9
25	86050279		26 FLANGE NUT M10 x 1.5, CI 10
26	47367198		1 CHANNEL Panel Support, LH
27	84155744		1 HINGE Panel, Front, LH, Rear Latch
28	84155739		1 HINGE Panel, Rear, LH, Rear Latch

5140-COMBINE - TIER 2

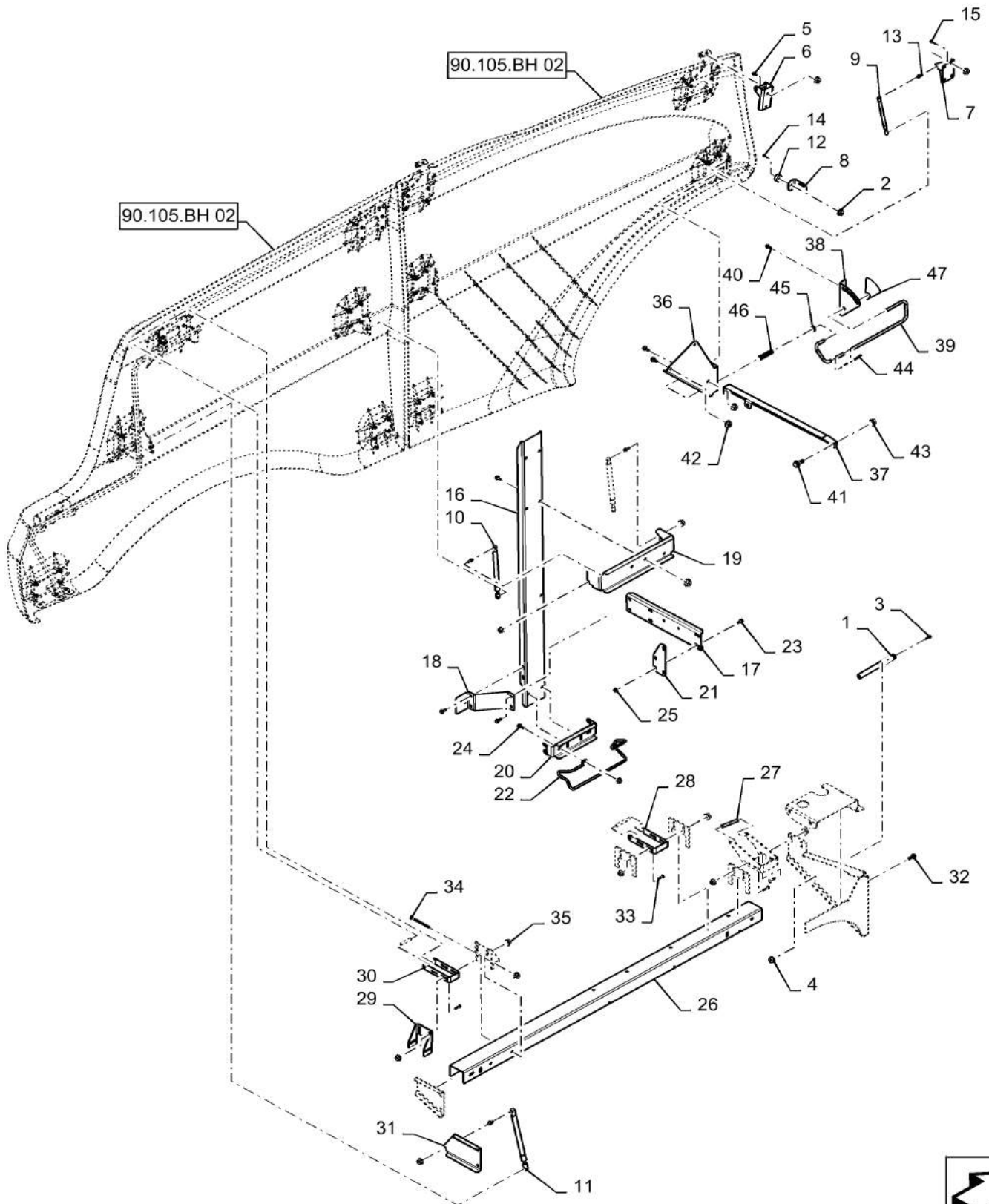
90.105.BH

01

p2

7/2015

SIDE PANEL, BODY, LH

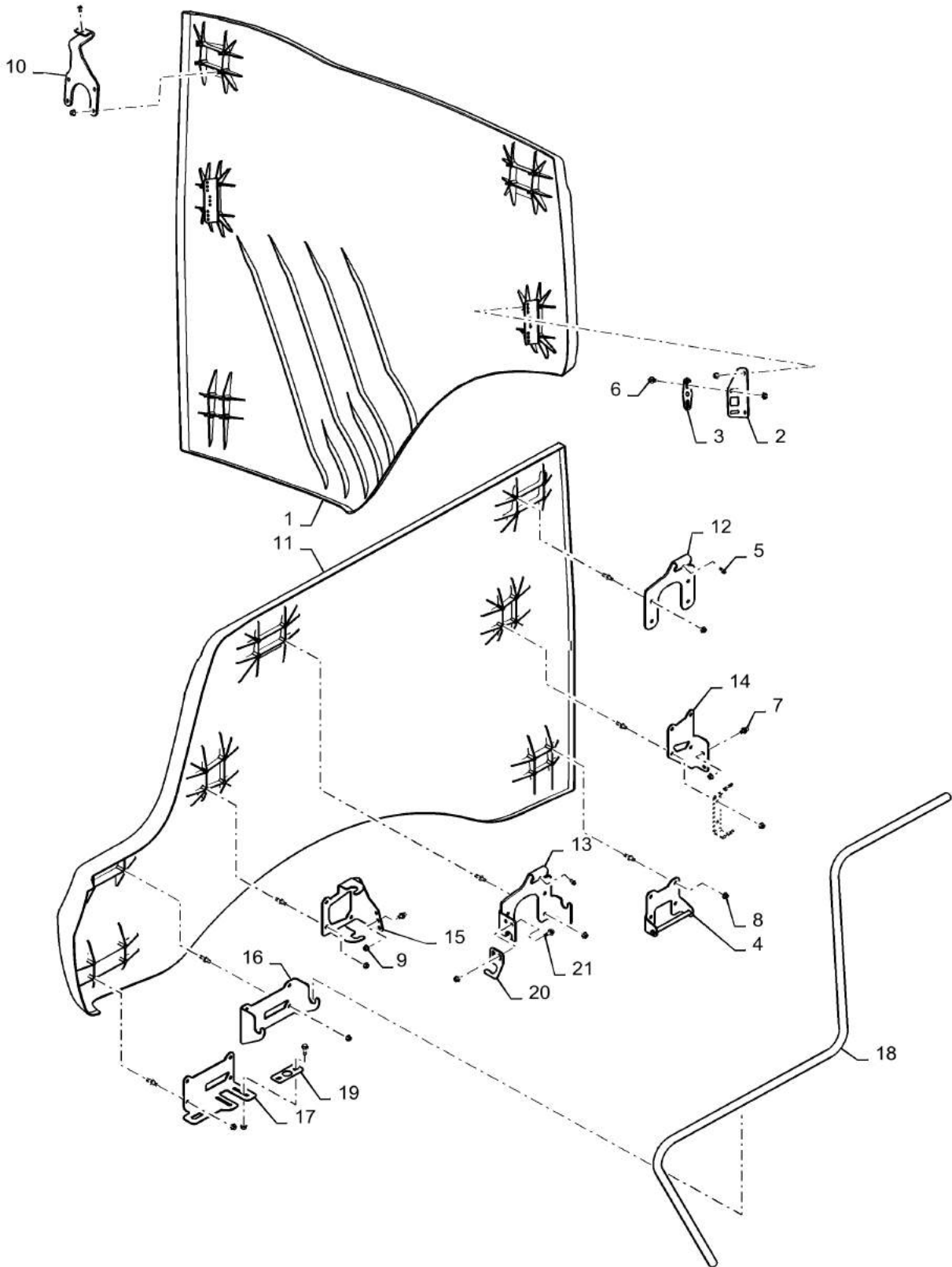


SIDE PANEL, BODY, LH

REF FN	PART NUMBER	YR/SN	QTY DESCRIPTION
29	84156192		2 PANEL SUPPORT Panel, Rear, LH, Hinge
30	84155736		1 FIXED HINGE Panel, Rear, LH
31	84156195		1 BRACKET, SUPPORTING Panel, Rear, LH, Rear Spring
32	87695414		3 BOLT M12 x 46.8mm, CI 10.9
33	87682384		12 CARRIAGE BOLT M8 x 1.25 x 25mm, CI 10.9
34	84188427		2 CARRIAGE BOLT Short Sq Nk, M10 x 1.5 x 130mm, CI 10.9 M10 x 130mm, 10.9
35	86507066		16 FLANGE NUT M8 x 1.25, CI 10
36	84158421		1 BRACKET, SUPPORTING Transport Lock, Front, LH
37	84158468		1 BRACKET, SUPPORTING Transport Lock Support, Front, LH
38	87700648		1 BRACKET Latch, Front, LH
39	87470712		1 ROD Transport Lock, Front, LH
40	87675531		2 FLANGE BOLT M6 x 26.6mm, CI 10.9
41	87030508		1 BOLT M12 x 30 Full 10.9 ZND
42	86050300		2 FLANGE NUT M6 x 1.0, CI 10
43	86512497		1 FLANGE NUT M12 x 1.75, CI 10
44	432-812		2 COTTER PIN 3/4" OAL x 1/8" W
45	495-11041		1 WASHER 0.406" ID x 0.812" OD x 0.065" W
46	192216A1		1 SPRING Safety Stand Rod
47	87479419		1 DECAL Trim Panel Lock

5140-COMBINE - TIER 2

PANEL, BODY, LH



PANEL, BODY, LH

REF FN	PART NUMBER	YR/SN	QTY DESCRIPTION
1	84322724		1 TRIM PANEL Body, Front, LH
2	87699517		1 BRACKET Door Lock
3	87676999		1 BRACKET Lock Support
4	87649465		2 BRACKET Latch Support
5	86625199		4 SELF-TAP SCREW M6 x 15.2mm OAL
6	87656137		2 BOLT M8 x 28.1mm, CI 10.9
7	86634307		4 STUD Gas Spring Mount
8	86619801		42 FLANGE NUT M8 x 1.25, CI 8
9	86507066		6 FLANGE NUT M8 x 1.25, CI 10
10	87633973		1 BRACKET Door Hinge
11	87614445		1 PANEL Plastic, LH Rear, Red Body, Rear, LH
12	87654736		1 BRACKET Hinge, Front, LH
13	87470677		1 BRACKET Hinge, Rear, LH
14	87661469		1 BRACKET Gas Spring
15	87470680		1 BRACKET Gas Spring Mount
16	87470683		1 BRACKET Door, Rear, LH
17	87649312		1 BRACKET Door, Rear, Lower, LH
18	87654332		1 BRACKET Stiffener, Door, Rear, LH
19	87649314		1 BRACKET Stiffener Adjustment, Door, Rear, LH
20	87661473		1 BRACKET Tube Retainer
21	87698833		4 BOLT M8 x 33.1mm, CI 10.9

5140-COMBINE - TIER 2

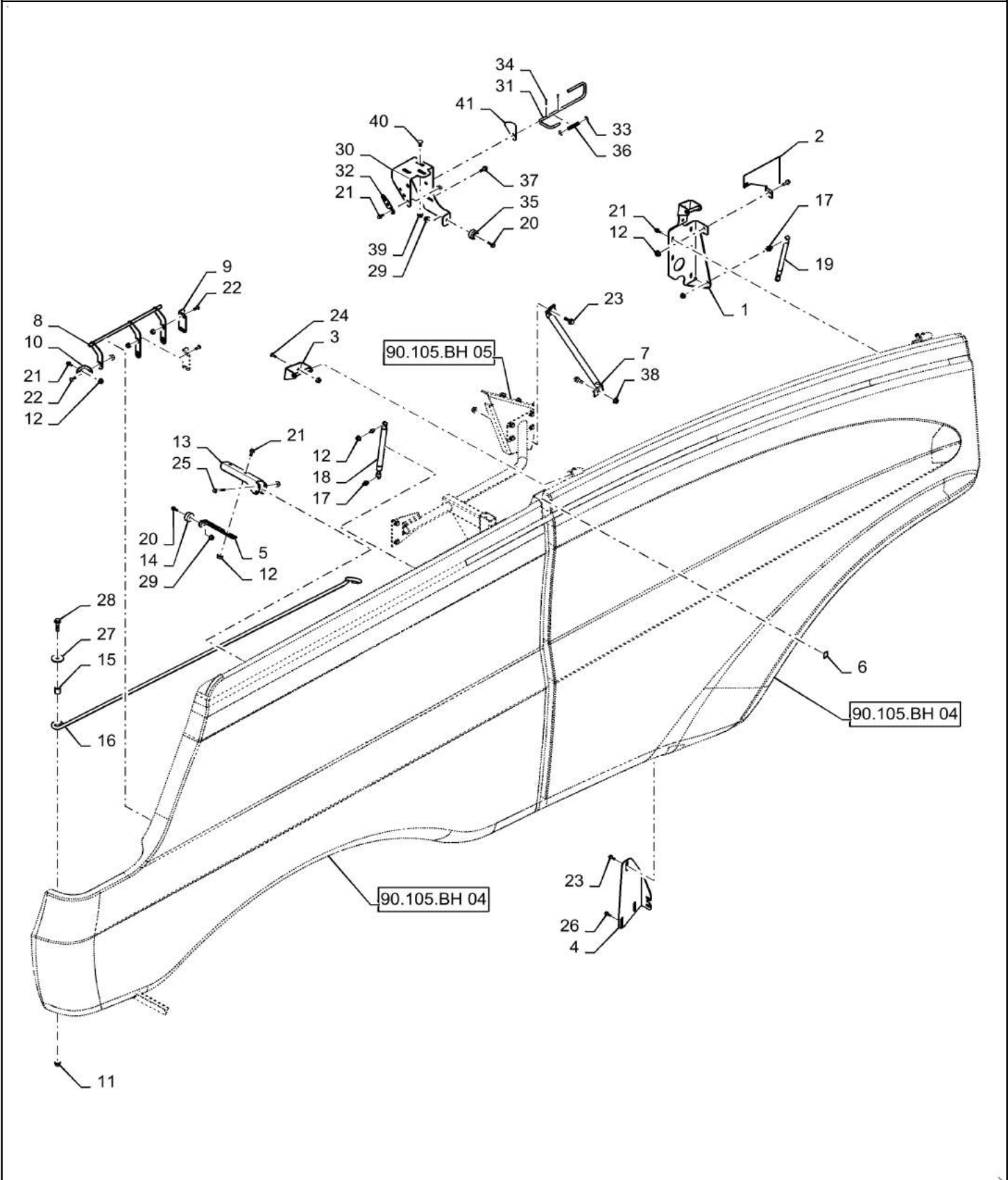
90.105.BH

03

p1

7/2015

SIDE PANEL, BODY, RH

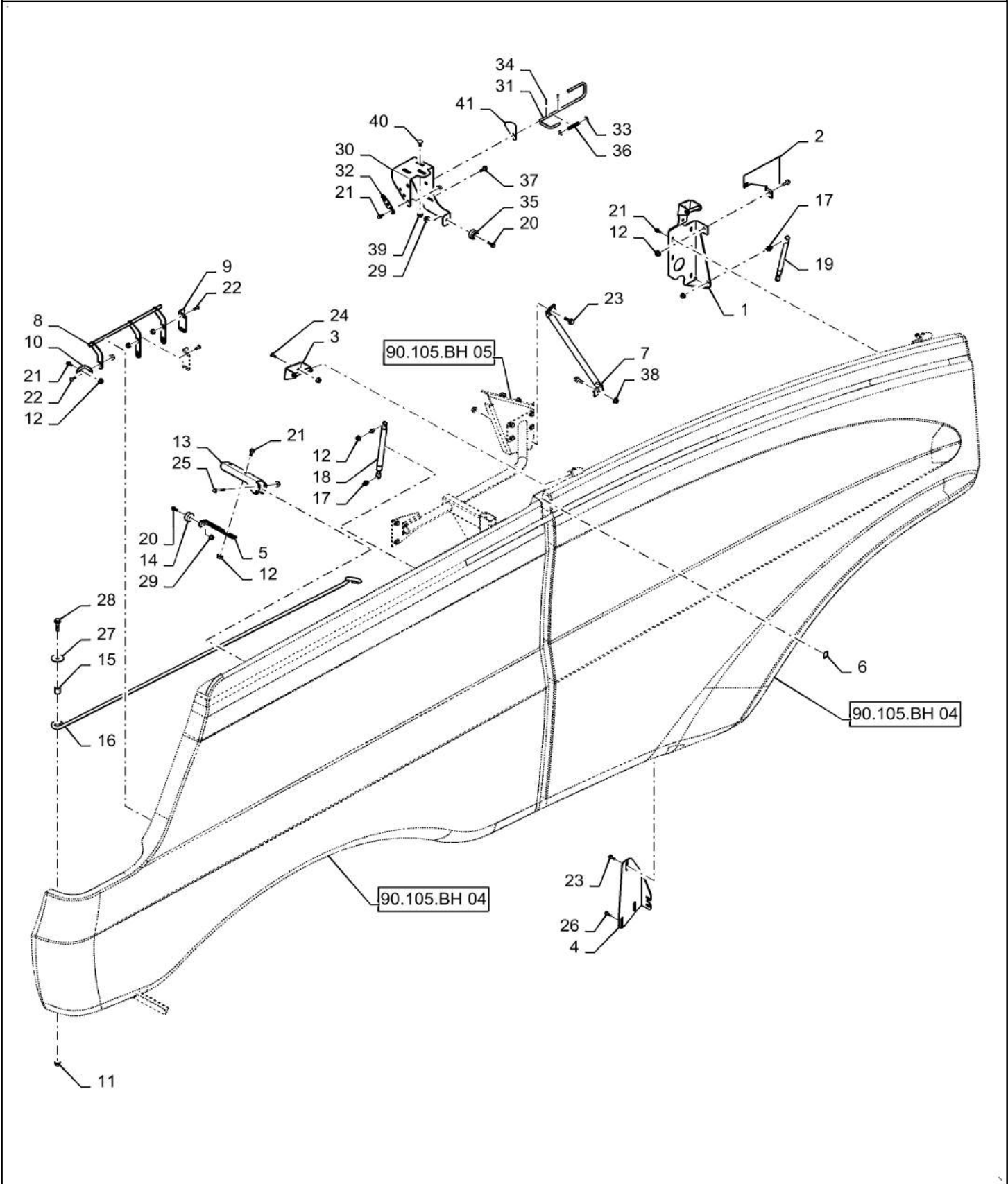


SIDE PANEL, BODY, RH

REF FN	PART NUMBER	YR/SN	QTY DESCRIPTION
1	87663834		1 BRACKET Hinge, Front, RH
2	87666897		1 PLATE Cover, RH
3	87624895		1 BRACKET Rear Hinge
4	87484220		1 BRACKET Front Panel Latch, RH
5	87485148		1 BRACKET Bumper, Rear, RH
6	86984222		2 PAD Adhesive Back, Foam
7	87680949		1 SUPPORT Tube
8	87709512		1 BRACKET Latch, Rear, RH
9	87709508		2 BRACKET Latch, Rear, RH
10	87709506		1 BRACKET Latch, Rear, RH
11	86512497		1 FLANGE NUT M12 x 1.75, CI 10
12	86507066		31 FLANGE NUT M8 x 1.25, CI 10
13	87485146		1 BRACKET Bumper, Rear, RH
14	87602893		1 BUMPER 6.4mm ID x 38mm OD x 19mm Thk Rubber
15	224368A1		1 SPACER 0.546" ID x 0.840" OD x 0.984" OAL .546" ID x .640" OD x 1" L
16	87654944		1 ROD Door Keeper, RH
17	86634307		2 STUD Gas Spring Mount
18	87757843		1 GAS STRUT Spring, Center, RH
19	87688426		1 GAS STRUT Spring, Front, RH
20	87675531		2 FLANGE BOLT M6 x 26.6mm, CI 10.9
21	87656137		17 BOLT M8 x 28.1mm, CI 10.9
22	87682383		5 CARRIAGE BOLT M8 x 1.25 x 20mm, CI 10.9
23	87698833		4 BOLT M8 x 33.1mm, CI 10.9
24	87682384		2 CARRIAGE BOLT M8 x 1.25 x 25mm, CI 10.9
25	87670761		2 FLANGE BOLT M8 x 68.1mm, CI 10.9
26	87030775		1 BOLT M8 x 38.1mm, CI 10.9
27	29684		1 WASHER 13.5mm ID x 50.8mm OD x 5.52mm Thk 50.8mm OD x 13.5mm ID x 5.52mm L

5140-COMBINE - TIER 2

SIDE PANEL, BODY, RH



SIDE PANEL, BODY, RH

REF FN	PART NUMBER	YR/SN	QTY DESCRIPTION
28	87670764		1 BOLT M12 x 61.8mm, CI 10.9
29	86619800		2 FLANGE NUT M6 x 1.0, CI 8
30	47376576		1 BRACKET Transport Lock, Front, RH
31	87470711		1 ROD Transport Lock Latch, Front, RH
32	87676999		1 BRACKET Strap, Latch Support
33	495-11041		2 WASHER 0.406" ID x 0.812" OD x 0.065" W
34	432-812		2 COTTER PIN 3/4" OAL x 1/8" W
35	87602893		1 BUMPER 6.4mm ID x 38mm OD x 19mm Thk Rubber
36	192216A1		1 SPRING Compression
37	87698836		1 BOLT M10 x 25mm, Full Thd, CI 10.9
38	86507066		2 FLANGE NUT M8 x 1.25, CI 10
39	86050279		4 FLANGE NUT M10 x 1.5, CI 10
40	87682393		3 CARRIAGE BOLT M10 x 1.5 x 35mm, CI 10.9 Carriage, M10 x 35mm, 10.9
41	87479418		1 DECAL Trim Panel Lock

5140-COMBINE - TIER 2

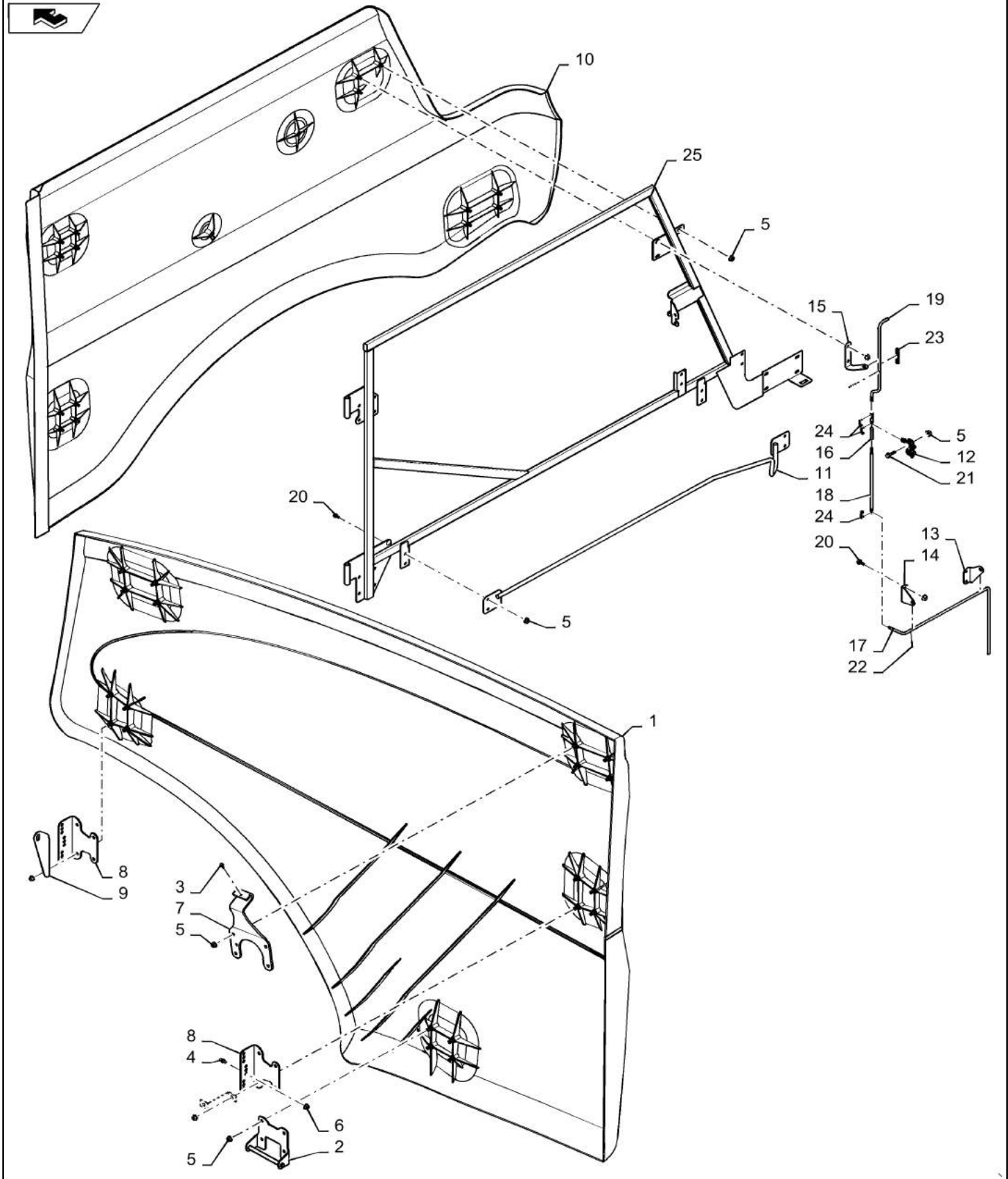
90.105.BH

04

p1

7/2015

PANEL, BODY, RH



PANEL, BODY, RH

REF FN	PART NUMBER	YR/SN	QTY DESCRIPTION
1	87612686		1 PANEL Front, RH
2	87649465		1 BRACKET Door Latch
3	86625199		2 SELF-TAP SCREW M6 x 15.2mm OAL
4	86634307		2 STUD Gas Shock Mount
5	86619801		45 FLANGE NUT M8 x 1.25, CI 8
6	86507066		2 FLANGE NUT M8 x 1.25, CI 10
7	87633973		2 BRACKET Door Hinge
8	87661467		2 BRACKET Gas Spring
9	87680383		1 BRACKET Bracket Support
10	87620367		1 PANEL Panel, Rear, RH
11	87707244		1 GUIDE Panel, Rear, RH
12	87695332		1 LATCH ASSY.
13	87707025		1 BRACKET Latch, Panel, Rear, RH
14	87706352		1 BRACKET Latch, Panel, Rear, RH
15	87706353		1 BRACKET Latch, Panel, Rear, RH
16	87282456		1 CLEVIS Dual Latch
17	87706351		1 ROD Rear Door Latch, RH
18	87706354		1 ROD Latch, Upper Door, RH
19	87755442		1 ROD Door Latch, Rear, RH
20	87656137		8 BOLT M8 x 28.1mm, CI 10.9
21	87030775		2 BOLT M8 x 38.1mm, CI 10.9
22	438-1816		3 LOCK PIN 1/8" x 2" OAL, Slotted
23	87426044		1 SPRING Compression
24	87282455		3 LOCK PIN Clip, Retaining
25	84140983		1 BRACKET Panel, Rear, RH

5140-COMBINE - TIER 2

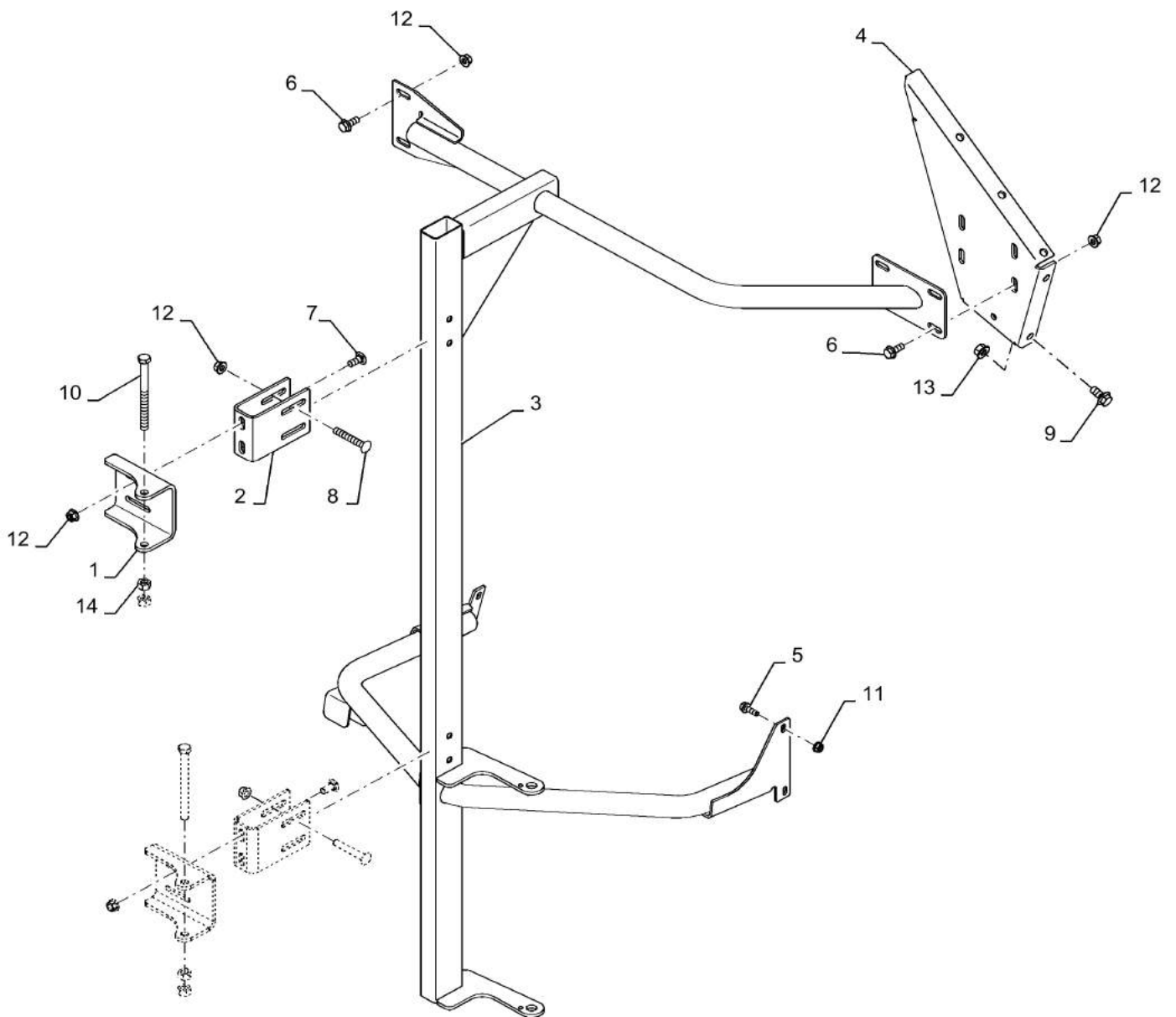
90.105.BH

05

p1

7/2015

SUPPORT, PANEL, BODY, RH

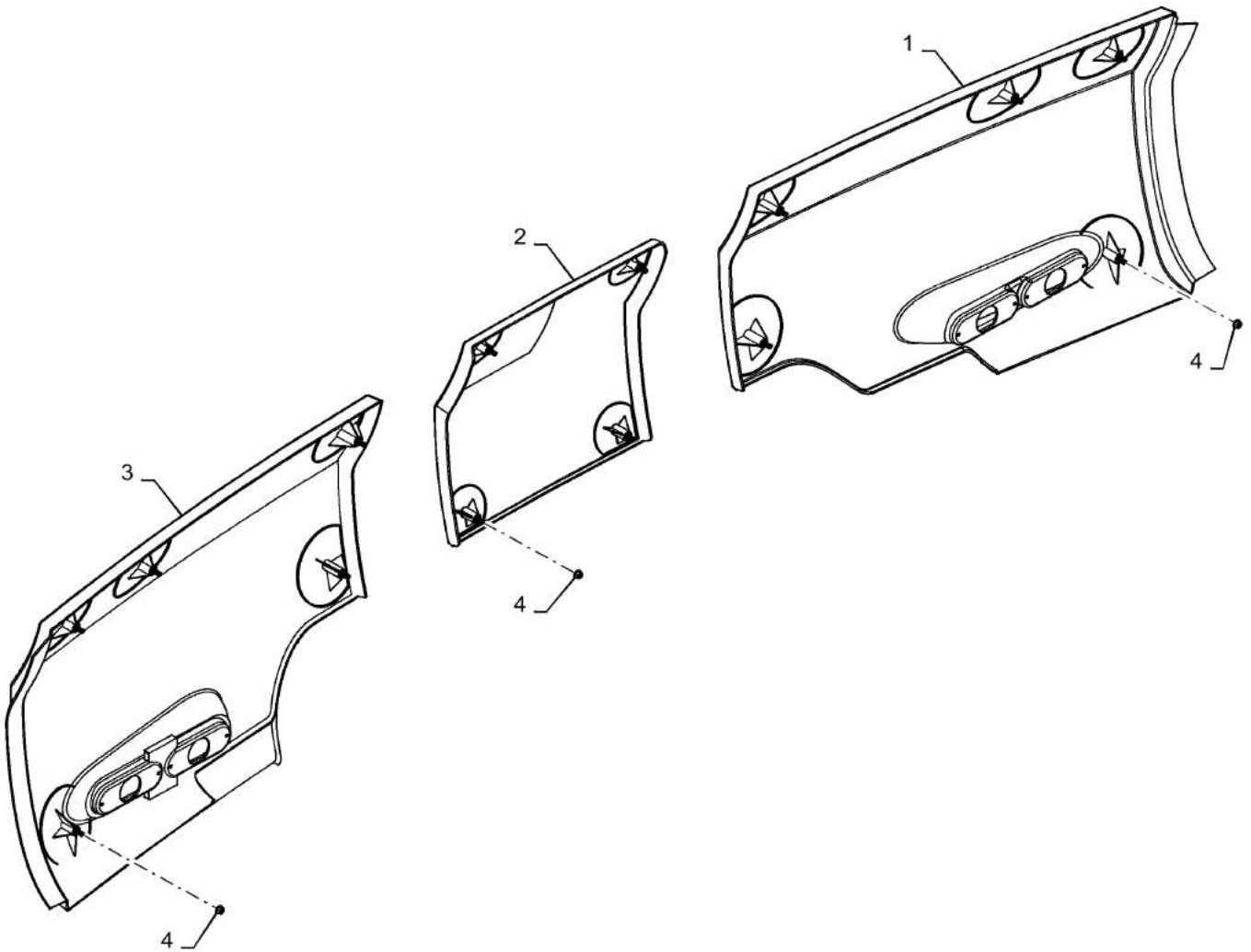


SUPPORT, PANEL, BODY, RH

REF FN	PART NUMBER	YR/SN	QTY DESCRIPTION
1	87703740		2 BRACKET Door Hinge, Rear, RH
2	87629500		2 BRACKET Hinge, Rear, RH
3	84127288		1 BRACKET Support, Rear, RH
4	87756424		1 BRACKET Vertical Hinge Support, Front
5	87698833		4 BOLT M8 x 33.1mm, CI 10.9
6	87698836		6 BOLT M10 x 25mm, Full Thd, CI 10.9
7	87682391		4 CARRIAGE BOLT M10 x 1.5 x 25mm, CI 10.9
8	87752069		4 CARRIAGE BOLT Sht Sq Nk, M10 x 70mm, CI 10.9
9	87343550		5 FLANGE BOLT Hex HD M12x25 ZND
10	328048		2 BOLT M12 x 1.75 x 147.68mm OAL, CI 8.8
11	86507066		4 FLANGE NUT M8 x 1.25, CI 10
12	86050279		14 FLANGE NUT M10 x 1.5, CI 10
13	86512497		5 FLANGE NUT M12 x 1.75, CI 10
14	9706685		4 NUT M12 x 1.75, CI 8

5140-COMBINE - TIER 2

TRIM PANEL, REAR



90.105.CL

p1

7/2015

TRIM PANEL, REAR

REF FN	PART NUMBER	YR/SN	QTY DESCRIPTION
1	87658402		1 PANEL ASSY. Tail Light, LH Rear
2	87658407		1 PANEL ASSY. Rear Service Ladder
3	87658408		1 PANEL ASSY. Tail Light, RH Rear
4	86619801		14 FLANGE NUT M8 x 1.25, CI 8

5140-COMBINE - TIER 2

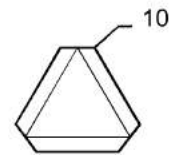
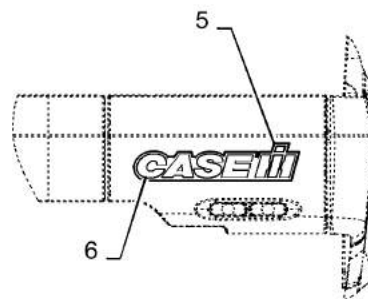
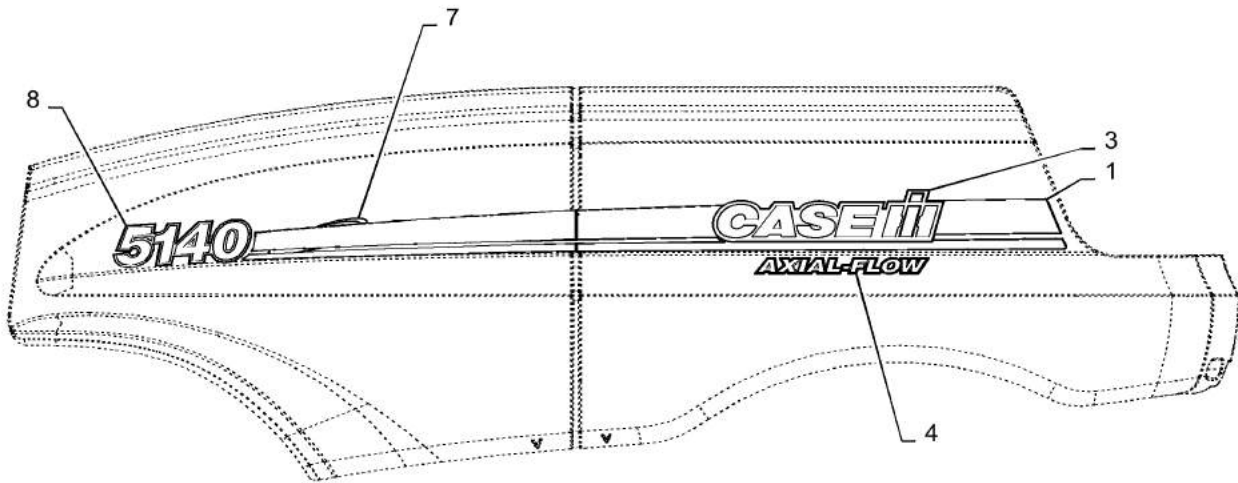
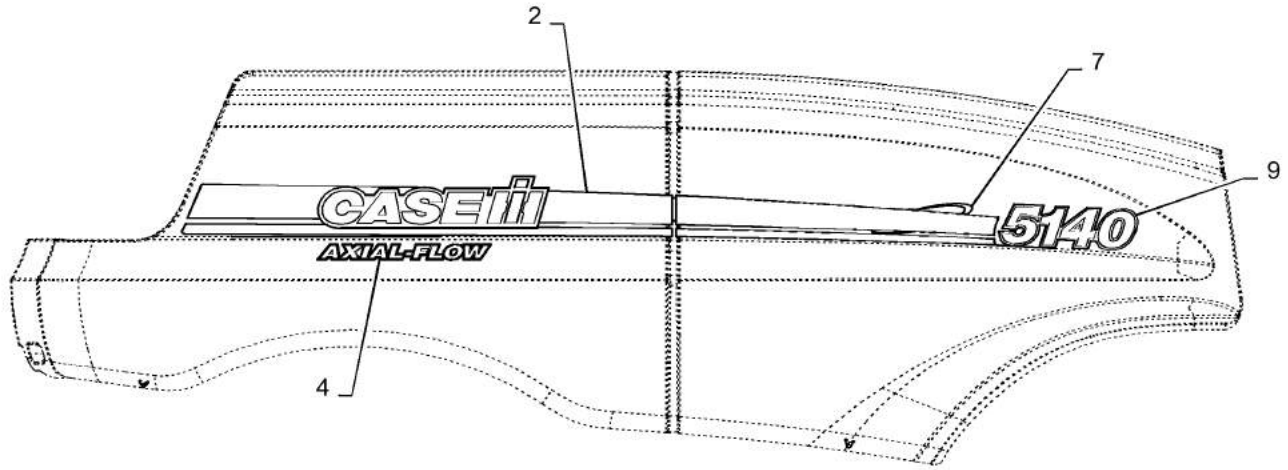
90.108.AB

01

p1

7/2015

DECALS, MODEL AND BRAND

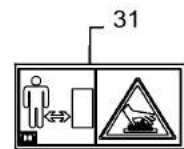
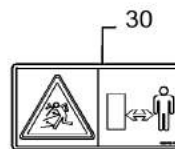
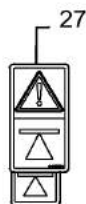
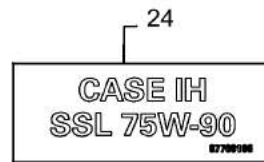
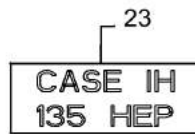
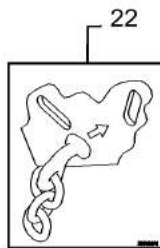
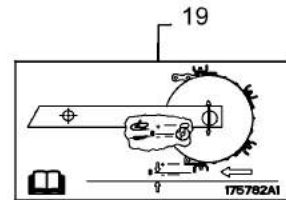
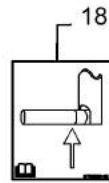
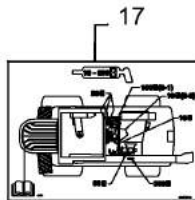
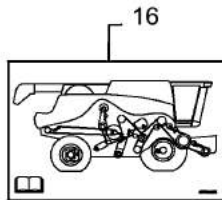
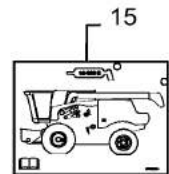
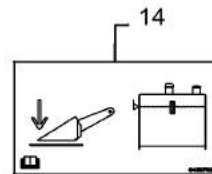
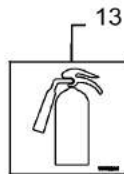
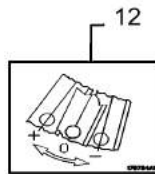
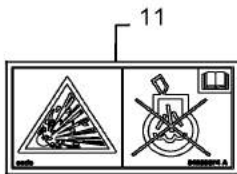
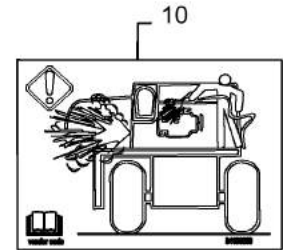
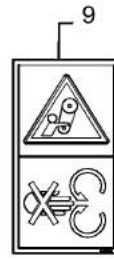
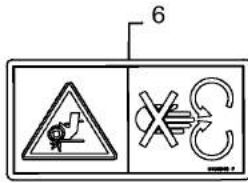
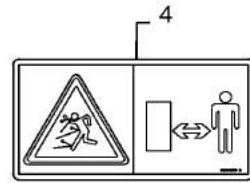
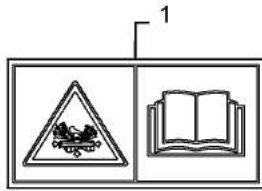


DECALS, MODEL AND BRAND

REF FN	PART NUMBER	YR/SN	QTY DESCRIPTION
1	87680083		1 DECAL LH Rear
2	84285473		1 DECAL RH Rear
3	87556588		2 DECAL Case IH Logo
4	87556579		2 DECAL Axial Flow
5	87647829		1 DECAL Background For Logo
6	87556985		1 DECAL Case IH Logo
7	87107364		2 DECAL Emblem, AFS Overlay
8	47507697		1 DECAL 5140 LH Front
8	47507701		1 DECAL 6140 LH Front
8	47507703		1 DECAL 7140 LH Front
9	47507699		1 DECAL 5140 RH Front
9	47507702		1 DECAL 6140 RH Front
9	47507704		1 DECAL 7140 RH Front
10	311858A1		1 DECAL Slow Moving Vehicle

5140-COMBINE - TIER 2

FRAME, DECALS, WARNING

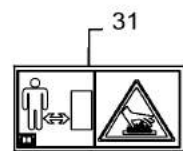
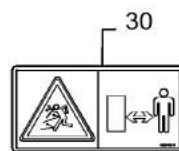
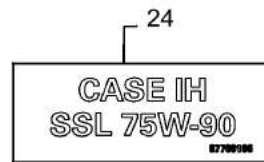
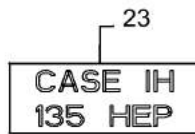
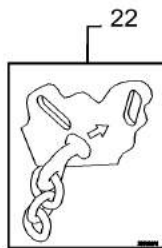
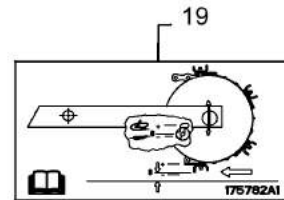
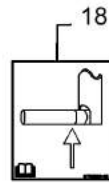
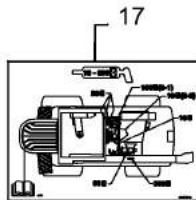
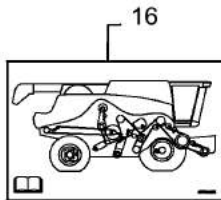
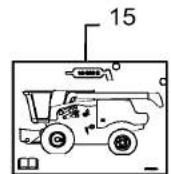
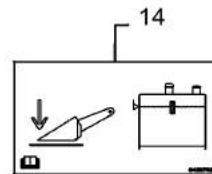
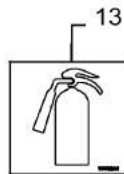
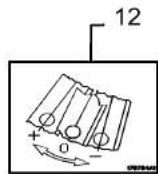
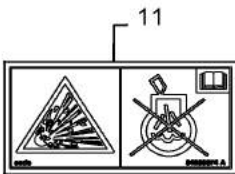
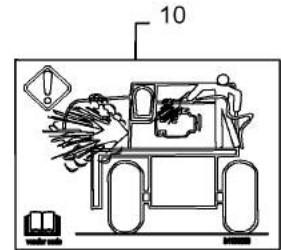
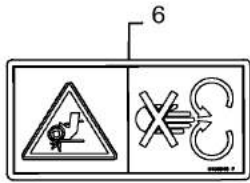
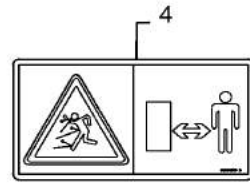
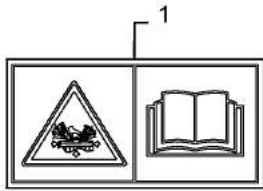


FRAME, DECALS, WARNING

REF FN	PART NUMBER	YR/SN	QTY DESCRIPTION
1	329045A1		1 WARNING DECAL Fluid Under Pressure
2	144371A1		1 WARNING DECAL Warning, Stay Clear Of Ladder
3	144380A1		2 DECAL Lock Lift Cylinder
4	84004739		2 DECAL Flying Debris
5	84004736		2 DANGER DECAL Auger Entanglement
6	84011345		5 DECAL Chain Entanglement
7	84004734		3 WARNING DECAL Safety
8	84004732		1 DECAL Platform, No Riding
9	144374A1		1 DANGER DECAL Do Not Open, Belt Entanglement
10	84190259		1 IMPORTANT DECAL Important: Keep Engine Clean
11	84203074		1 DECAL No Ether
12	175784A1		1 DECAL Vane Position
13	144483A1		1 DECAL Fire Extinguisher
14	84387023		1 DECAL Hydraulic Oil Level
15	87720294		1 DECAL Lubrication, LH
16	87720295		1 DECAL Lubrication, RH
17	47445391		1 DECAL Lube Guide Top
18	87568949		1 DECAL Ladder Unlatch, Lower Black
19	175782A1		1 DECAL Feeder Drum Adjust
20	84100296		2 DECAL Caution, Tie Down Location
21	344946A1		1 WARNING DECAL Pressurized Vessel
22	283528A1		6 DECAL T Hook
23	144378A1		1 DECAL Case IH 135 HEP
24	87709106		1 DECAL Case IH SSL 75W-90
25	332511A1		1 DECAL Fan Hazard
26	84004733		1 DECAL Stop Engine Before Service
27	84078384		4 DECAL Jacking Position
28	144384A1		3 DECAL Do Not Enter Graitank

5140-COMBINE - TIER 2

FRAME, DECALS, WARNING



90.108.AB

02

p2

7/2015

FRAME, DECALS, WARNING

REF FN	PART NUMBER	YR/SN	QTY DESCRIPTION
29	87413244		2 DECAL Pinch Point
30	87479097		3 DECAL Rotating Parts
31	47488993		1 DECAL Coolant Level

5140-COMBINE - TIER 2

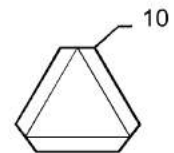
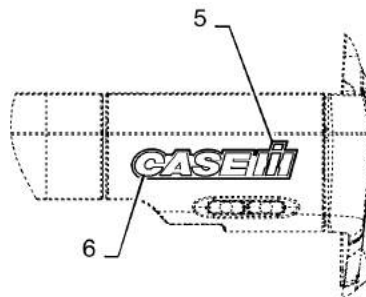
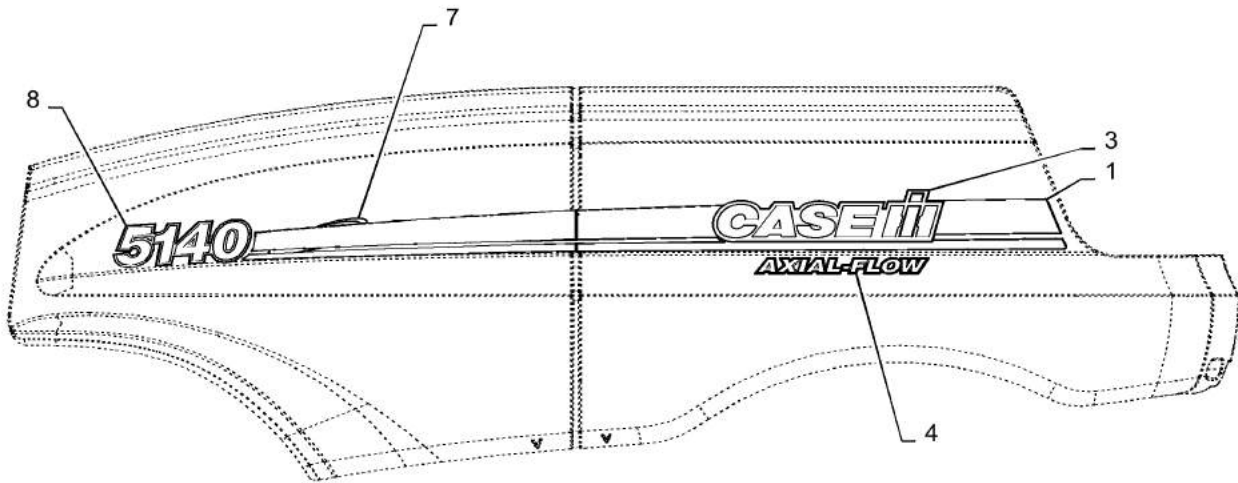
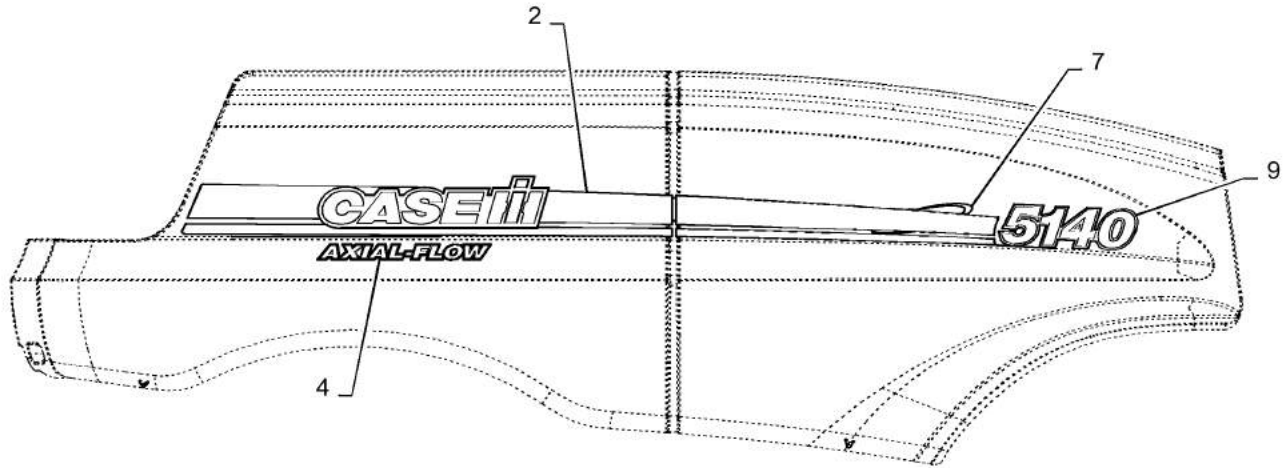
90.108.AB

03

p1

7/2015

DECALS, MODEL AND BRAND, ASN YEG227001

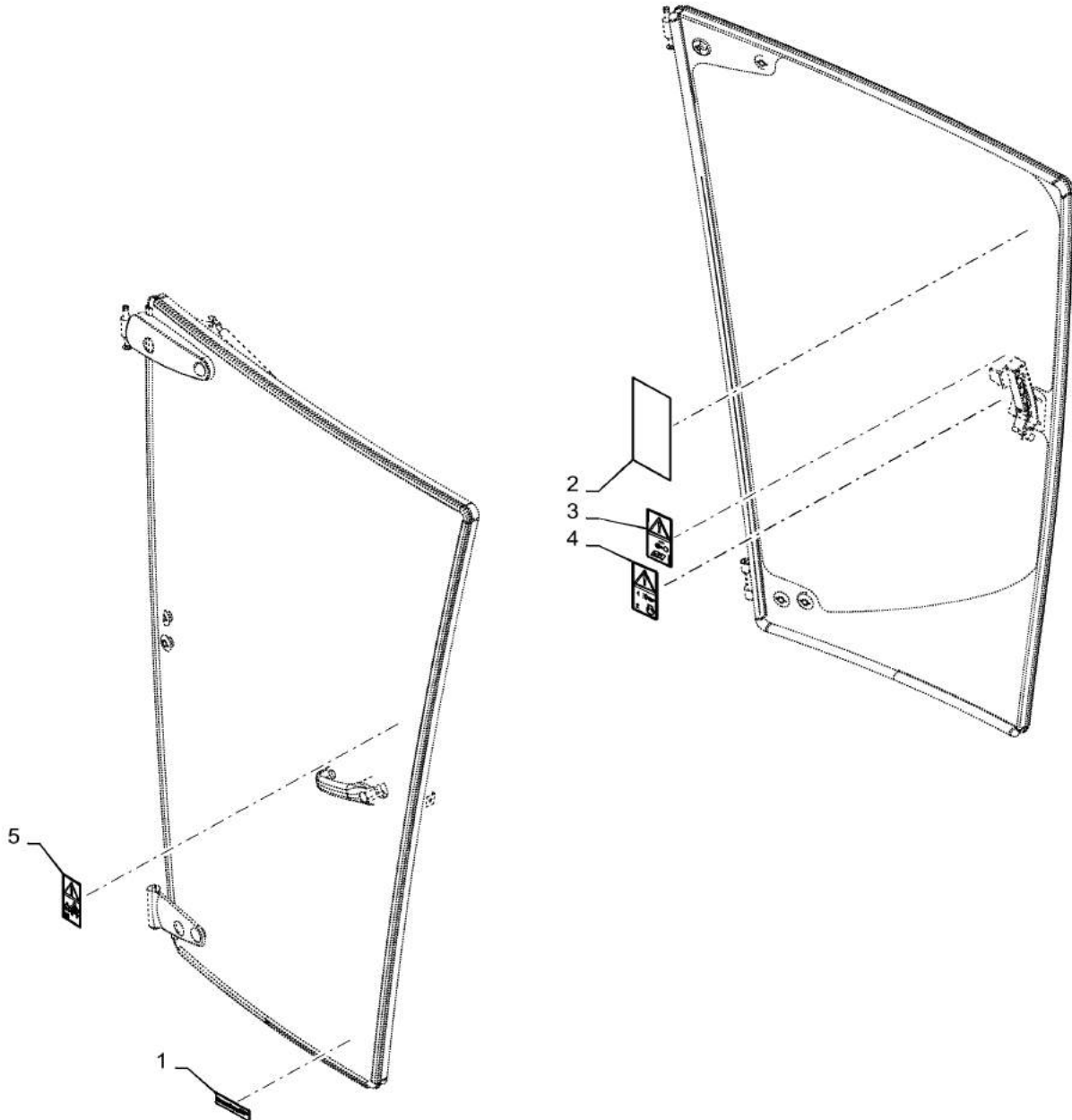


DECALS, MODEL AND BRAND, ASN YEG227001

REF FN	PART NUMBER	YR/SN	QTY DESCRIPTION
1	47643523		1 DECAL LH Rear
2	47643524		1 DECAL RH Rear
3	87556588		2 DECAL Case IH Logo
4	87556579		2 DECAL Axial Flow
5	87647829		1 DECAL Background For Logo
6	87556985		1 DECAL Case IH Logo
7	87107364		2 DECAL Emblem, AFS Overlay
8	47643525		1 DECAL 5140 LH Front
8	47643527		1 DECAL 6140 LH Front
8	47643529		1 DECAL 7140 LH Front
9	47643526		1 DECAL 5140 RH Front
9	47643528		1 DECAL 6140 RH Front
9	47643530		1 DECAL 7140 RH Front
10	311858A1		1 DECAL Slow Moving Vehicle

5140-COMBINE - TIER 2

DECALS, CAB

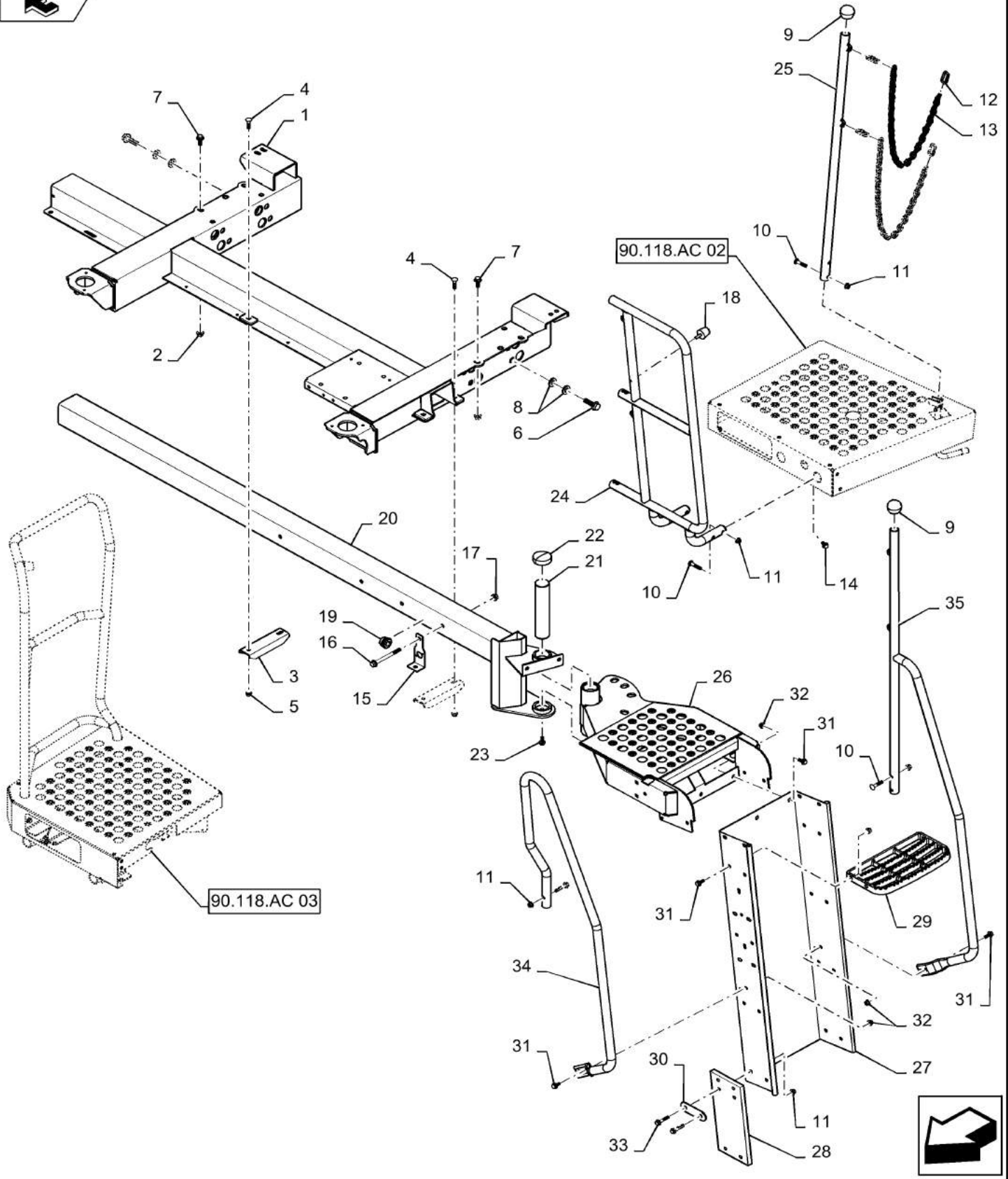


DECALS, CAB

REF FN	PART NUMBER	YR/SN	QTY DESCRIPTION
1	84390356		1 DECAL Engine Power
2	47376427		1 DECAL Electrical Hazard
3	84012893		1 DECAL Remove Key For Service
4	84012892		1 DECAL Blow Horn, Start
5	84282118		1 DECAL Instructional Seat

5140-COMBINE - TIER 2

OPERATOR'S LADDER, PLATFORM, LADDER, LH

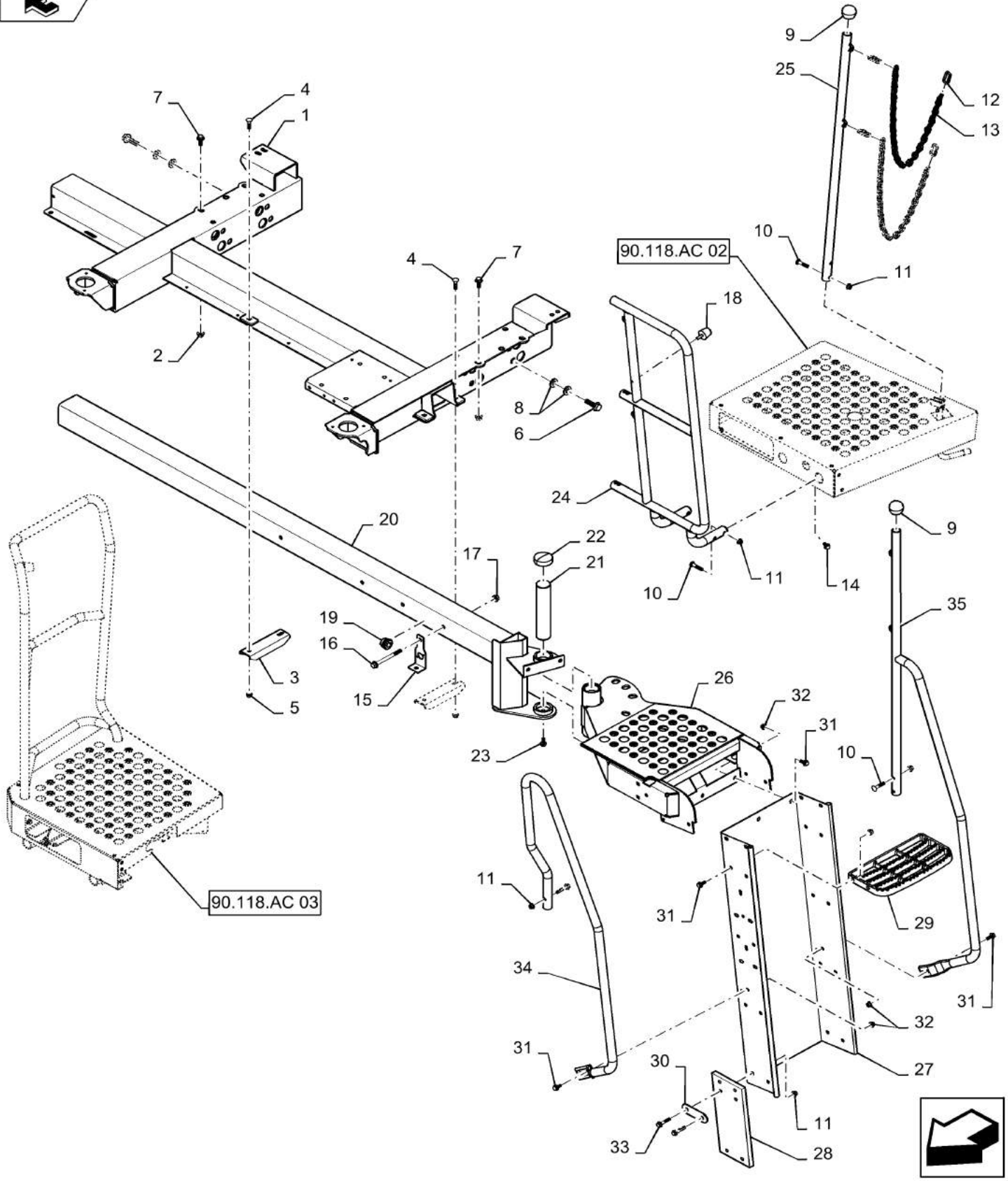


OPERATOR'S LADDER, PLATFORM, LADDER, LH

REF FN	PART NUMBER	YR/SN	QTY DESCRIPTION
1	47400779		1 SUPPORT Operators Platform Beam
2	86512497		6 FLANGE NUT M12 x 1.75, CI 10
3	84512981		3 BRACKET Platform Locking
4	87682394		6 CARRIAGE BOLT M10 x 1.5 x 40mm, CI 10.9
5	86050279		6 FLANGE NUT M10 x 1.5, CI 10
6	87495304		1 FLANGE BOLT M6 x 55.4mm, CI 10.9
7	87030508		6 BOLT M12 x 30 Full 10.9 ZND
8	86639326		16 WASHER 17.3mm ID x 34.5mm OD x 5mm Thk
9	87109879		2 KNOB Ladder Latch
10	87682396		8 CARRIAGE BOLT M10 x 1.5 x 50mm, CI 10.9 Carriage, M10 x 50mm, 10.9
11	87547587		17 LOCK NUT Hex, M10 x 1.5, CI 10
12	87107072		4 CHAIN LINK 44.299mm Pitch Connecting
13	87677048		2 CHAIN (AG) Ladder Gate
14	87698835		2 FLANGE BOLT M10 x 20mm, Full Thd, CI 10.9
15	84584837		1 BRACKET After Cut Light
16	87742362		1 BOLT M12 x 130mm, CI 10.9
17	87681209		1 FLANGE NUT Hex, M12 x 1.75, CI 10
18	87109195		1 BUMPER 5/16" - 18, 38mm OD Rubber, Door Stop
19	86976974		1 GROMMET Harness Pass Thru
20	84568142		1 BEAM Operators Platform
21	84275943		1 PIN 50.8mm OD x 244mm L Ladder Retention
22	324464A1		1 PLUG Pivot Pin
23	87698836		1 BOLT M10 x 25mm, Full Thd, CI 10.9
24	84562864		1 HANDRAIL Base, LH
25	84417818		1 HANDRAIL Platform Locking Post
26	84542962		1 PIVOT Ladder
27	84547503		1 CHANNEL Ladder Steps
28	47367655		2 HANGER Bottom Step

5140-COMBINE - TIER 2

OPERATOR'S LADDER, PLATFORM, LADDER, LH

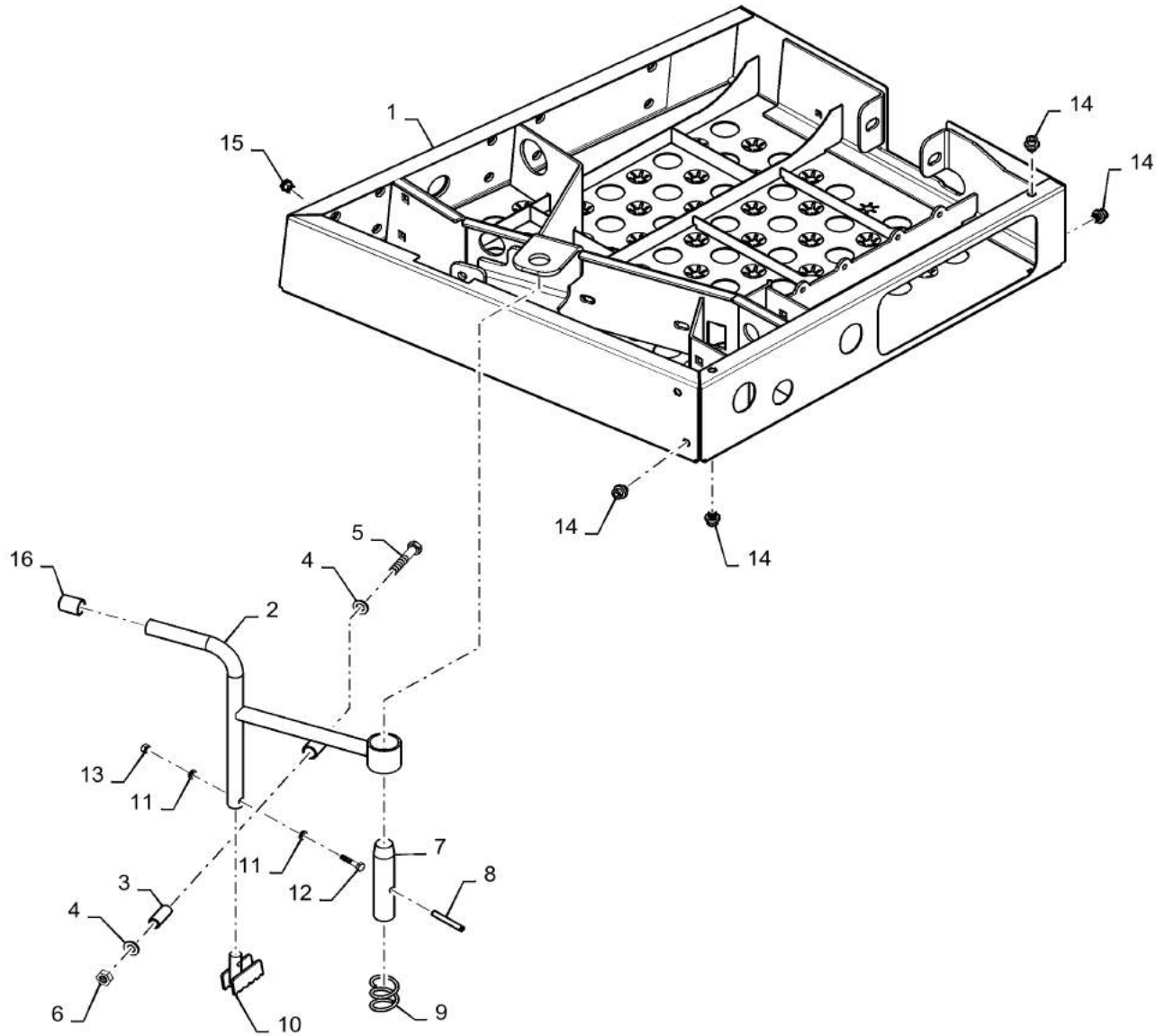


OPERATOR'S LADDER, PLATFORM, LADDER, LH

REF FN	PART NUMBER	YR/SN	QTY DESCRIPTION
29	87301185		5 STEP Aluminum
30	87281588		4 PLATE Hanger Support
31	86705429		23 BOLT M10 x 34.2mm OAL, Full Thd, CI 10.9 Flange, M10 x 25mm Full Thread, 10.9
32	86050279		23 FLANGE NUT M10 x 1.5, CI 10
33	857-10050		9 BOLT Hvy Hex, M10 x 50mm, CI 10.9
34	84579342		1 HANDRAIL LH Front
35	47405598		1 HANDRAIL LH Rear

5140-COMBINE - TIER 2

PLATFORM, FRONT, LH



90.118.AC

02

p1

7/2015

PLATFORM, FRONT, LH

REF FN	PART NUMBER	YR/SN	QTY DESCRIPTION
1	47403240		1 PLATFORM Operators LH
2	84543670		1 HANDLE Ladder Pivot
3	87108760		1 BUSHING 10.4mm ID x 14.4mm OD x 34mm OAL Spacer
4	86511323		2 WASHER 10.5mm ID x 20mm OD x 2mm Thk
5	412151		1 BOLT M10 x 1.5 x 61.58mm, CI 8.8
6	100016		1 NUT M10 x 1.5, CI 8
7	87106596		1 PIN 25.4mm OD x 114mm OAL Ladder Pivot Handle Locating
8	87020818		1 LOCK PIN 1/4" OD x 2" OAL, Slotted
9	87109472		1 SPRING 40.49mm Free Length Ladder Position Pin
10	87548607		1 PEDAL Ladder Foot Release
11	86588450		2 WASHER 6.6mm ID x 12mm OD x 1.6mm Thk
12	43117		1 SCREW Hex, M6 x 1.0 x 30mm, CI 8.8
13	86500688		1 NUT Hex, M6 x 1.0, CI 10.9
14	86610198		9 INSERT M6 x 1 Nut, M6
15	87284531		2 NUT Rivnut, M8 x 1.25, 0.5mm - 3mm Grip Range Rivet, M8
16	87109878		1 CAP 17.5mm ID x 25.4mm OAL Handle End Cap

5140-COMBINE - TIER 2

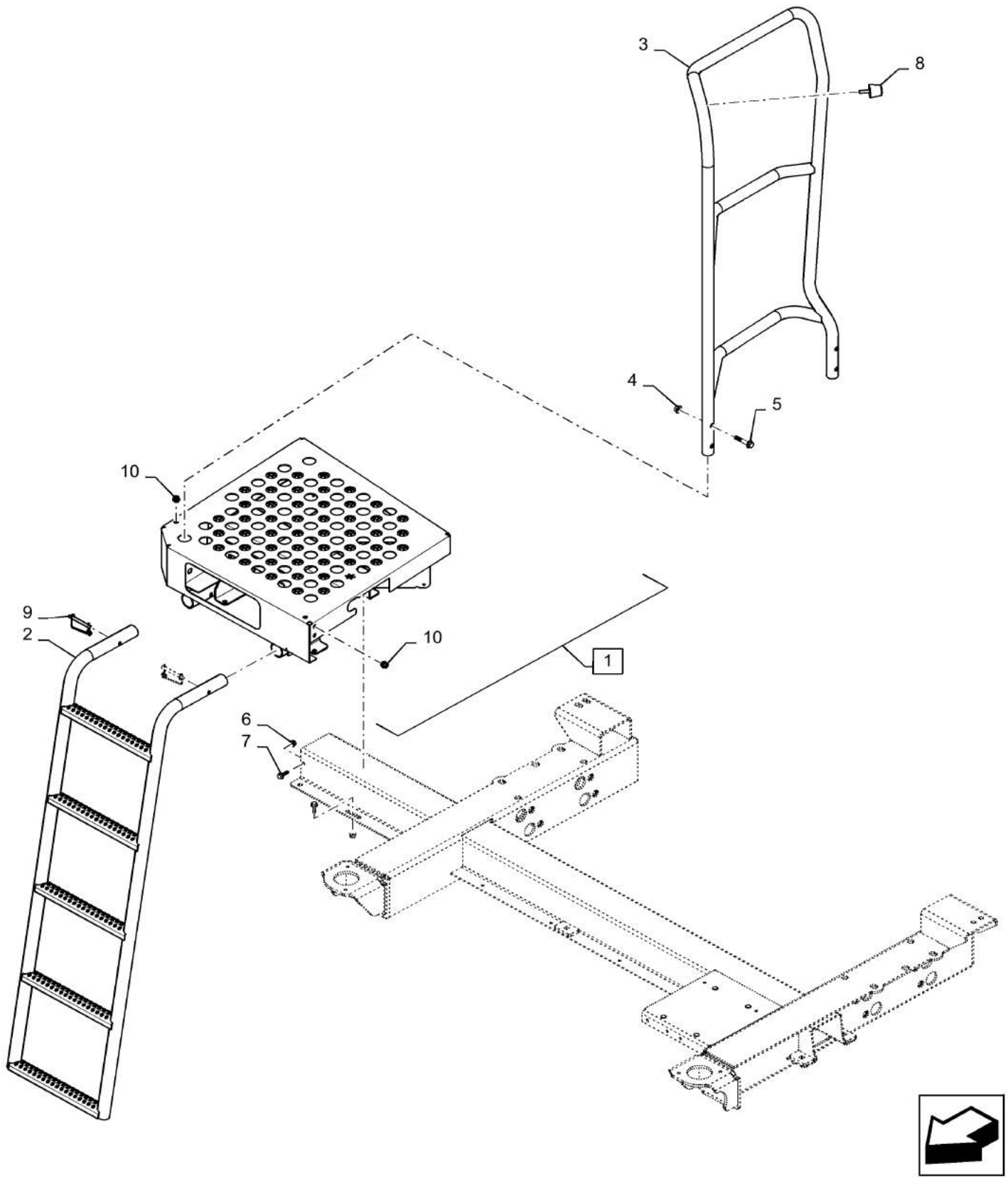
90.118.AC

03

p1

7/2015

PLATFORM, FRONT, RH



PLATFORM, FRONT, RH

REF FN	PART NUMBER	YR/SN	QTY DESCRIPTION
1	84579810		1 PLATFORM RH Operators, Incl 10
2	84555560		1 LADDER RH Platform
3	84566809		1 HANDRAIL RH
4	87547587		4 LOCK NUT Hex, M10 x 1.5, CI 10 Flange
5	857-10050		4 BOLT Hvy Hex, M10 x 50mm, CI 10.9
6	86507066		6 FLANGE NUT M8 x 1.25, CI 10
7	87698833		6 BOLT M8 x 33.1mm, CI 10.9
8	87109195		1 BUMPER 5/16" - 18, 38mm OD Rubber, Door Stop
9	1338021C1		2 PIN 7.94mm OD Latch, Locking
10	86610198		10 INSERT M6 x 1 Nut, M6

5140-COMBINE - TIER 2

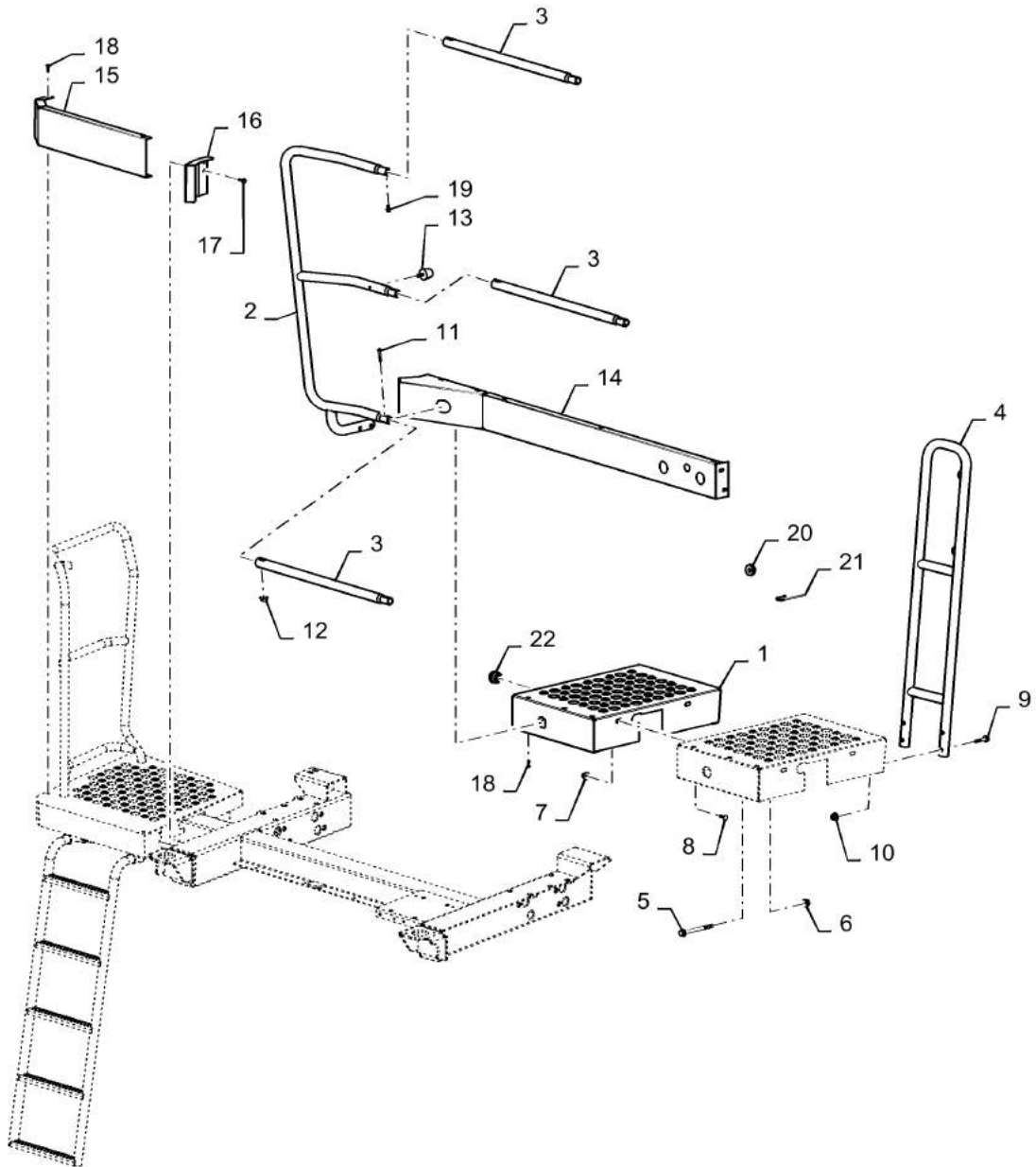
90.118.AX

01

p1

7/2015

EXTENSION, OPERATOR'S LADDER, FRONT, LH, WIDE

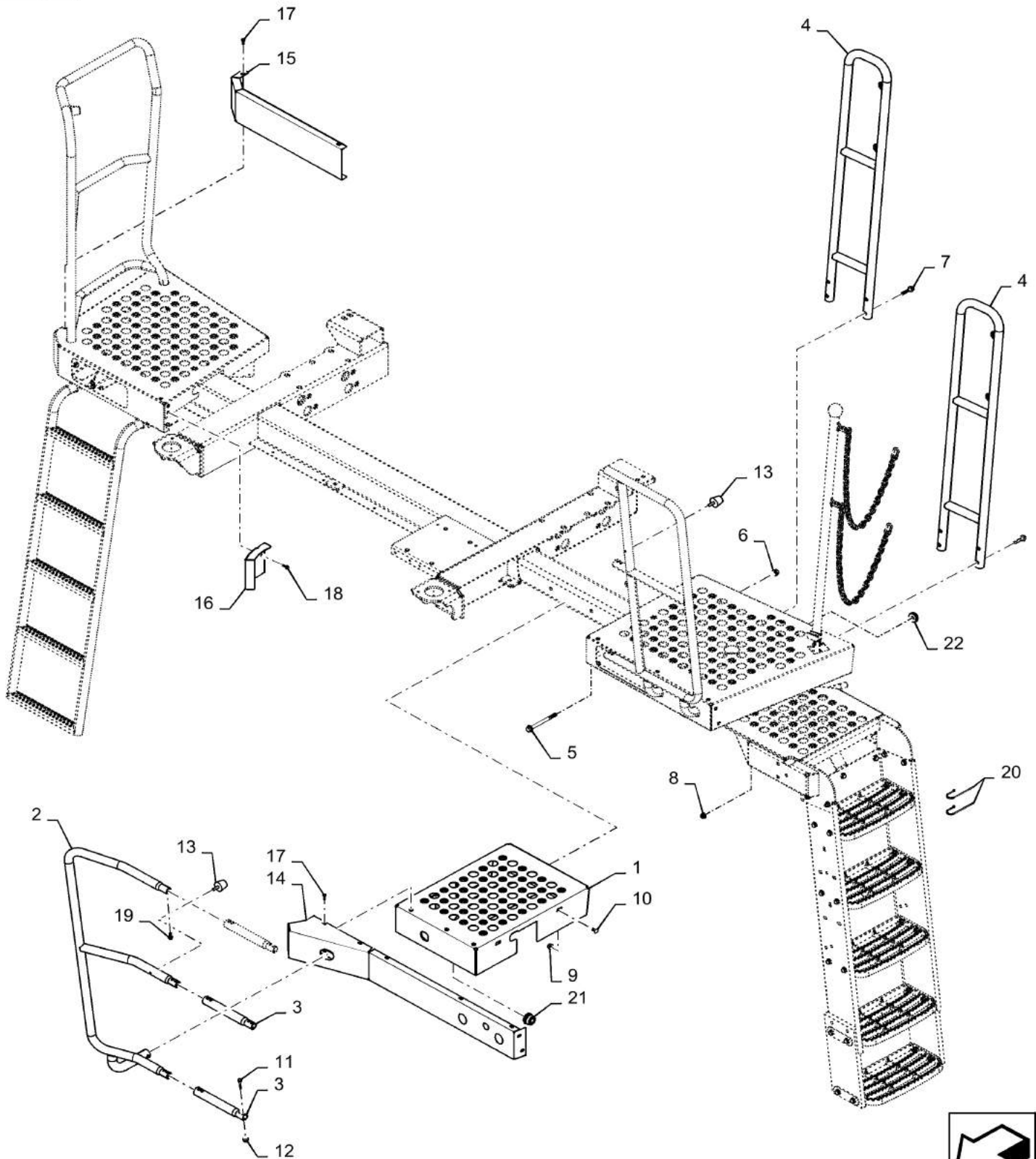


EXTENSION, OPERATOR'S LADDER, FRONT, LH, WIDE

REF FN	PART NUMBER	YR/SN	QTY DESCRIPTION
1	84579811		2 PLATFORM Deck Extension
2	84562879		1 HANDRAIL LH
3	84563495		3 HANDRAIL Extension
4	47403833		3 HANDRAIL Rear
5	87742362		2 BOLT M12 x 130mm, CI 10.9
6	87681209		2 FLANGE NUT Hex, M12 x 1.75, CI 10
7	86507066		4 FLANGE NUT M8 x 1.25, CI 10
8	87682383		4 CARRIAGE BOLT M8 x 1.25 x 20mm, CI 10.9
9	87698840		14 FLANGE BOLT M10 x 50mm, CI 10.9
10	87547587		14 LOCK NUT Hex, M10 x 1.5, CI 10
11	87670759		8 FLANGE BOLT M6 x 1.0 x 46.6mm, CI 10.9
12	87301498		8 FLANGE NUT Hex, M6 x 1.0, CI 10
13	87109195		1 BUMPER 5/16" - 18, 38mm OD Rubber, Door Stop
14	84577553		1 COVER Operators Deck, LH
15	84577849		1 COVER Operators Deck, RH
16	84580238		1 BRACKET Operators Deck, RH
17	87675531		2 FLANGE BOLT M6 x 26.6mm, CI 10.9
18	86511830		13 SCREW Phillips Drive, Pan HD, M6 x 20mm, CI 4.8
19	87752074		2 SCREW Hex Wshr Hd, M8 x 1.25 x 16mm
20	87015294		1 GROMMET 1/2" ID x 1-1/2" OD x 0.438" Thk
21	86566989		2 CABLE TIE 208mm L
22	86976974		2 GROMMET 5/8"

5140-COMBINE - TIER 2

EXTENSION, OPERATOR'S LADDER, PLATFORM, FRONT, LH, NARROW



EXTENSION, OPERATOR'S LADDER, PLATFORM, FRONT, LH, NARROW

REF FN	PART NUMBER	YR/SN	QTY DESCRIPTION
1	84579811		1 PLATFORM Extension
2	84562879		1 HANDRAIL LH Front
3	84563493		3 TUBE Platform Extension
4	47403833		2 HANDRAIL LH Rear
5	87742362		1 BOLT M12 x 130mm, CI 10.9
6	87681209		1 FLANGE NUT Hex, M12 x 1.75, CI 10
7	87698840		10 FLANGE BOLT M10 x 50mm, CI 10.9
8	87547587		10 LOCK NUT Hex, M10 x 1.5, CI 10
9	86507066		2 FLANGE NUT M8 x 1.25, CI 10
10	87682383		2 CARRIAGE BOLT M8 x 1.25 x 20mm, CI 10.9
11	87670759		8 FLANGE BOLT M6 x 1.0 x 46.6mm, CI 10.9
12	87301498		8 FLANGE NUT Hex, M6 x 1.0, CI 10
13	87109195		1 BUMPER 5/16" - 18, 38mm OD Rubber, Door Stop
14	84577836		1 COVER Operators Deck, LH
15	84577849		1 COVER Operators Deck, RH
16	84580238		1 BRACKET Operators Deck, RH
17	86511830		13 SCREW Phillips Drive, Pan HD, M6 x 20mm, CI 4.8
18	87675531		2 FLANGE BOLT M6 x 26.6mm, CI 10.9
19	87752074		2 SCREW Hex Wshr Hd, M8 x 1.25 x 16mm
20	86566989		2 CABLE TIE 208mm L
21	86976974		1 GROMMET 5/8"
22	87015294		1 GROMMET 1/2" ID x 1-1/2" OD x 0.438" Thk

5140-COMBINE - TIER 2

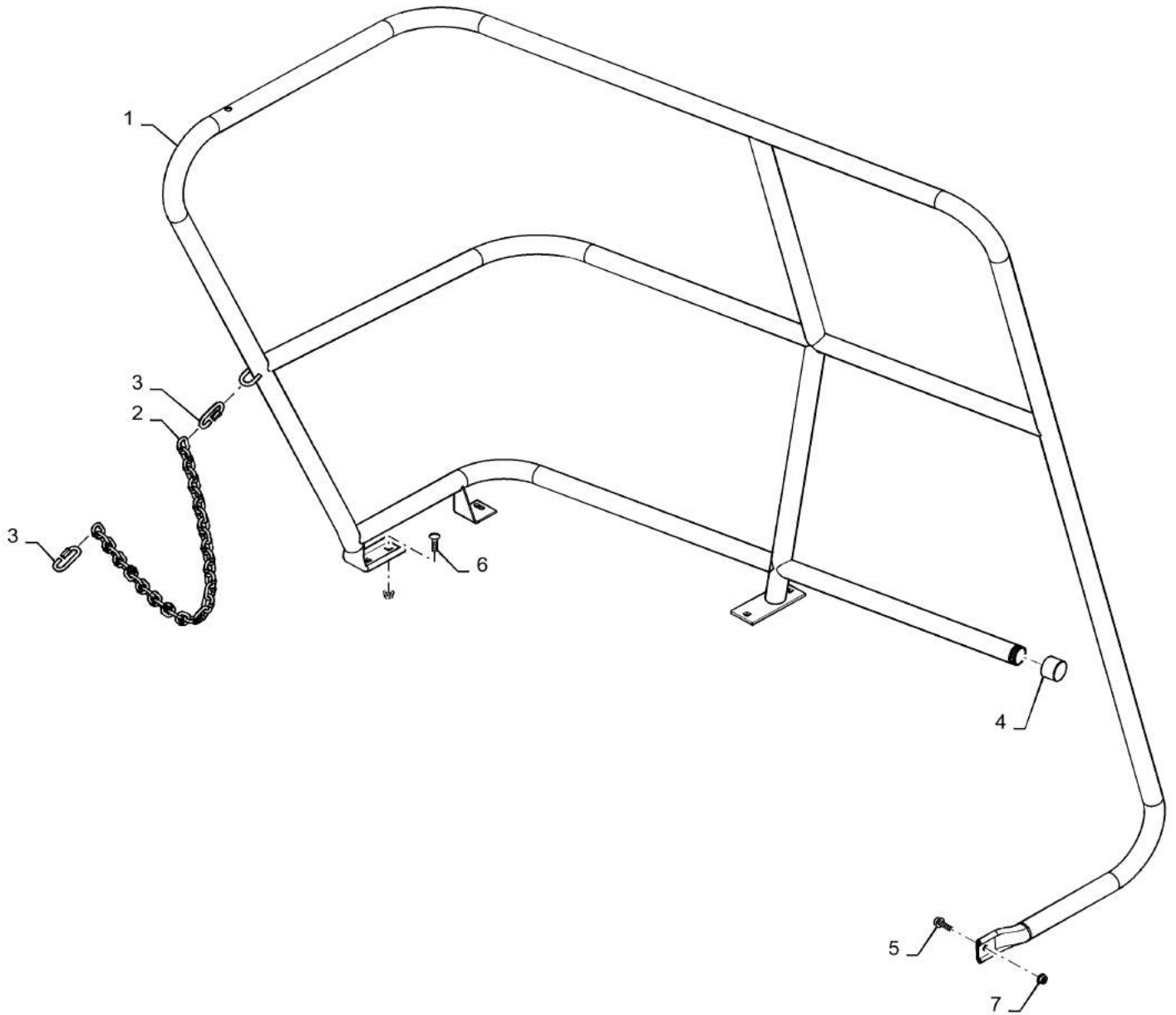
90.118.AX

03

p1

7/2015

RAIL ASSY, PLATFORM, REAR



90.118.AX

03

p1

7/2015

RAIL ASSY, PLATFORM, REAR

REF FN	PART NUMBER	YR/SN	QTY DESCRIPTION
1	87689356		1 RAIL ASSY. Service Deck, RH
2	87109887		1 CHAIN 807.32mm L Ladder Gate
3	87107072		2 CHAIN LINK 44.299mm Pitch Chain Quick Connect
4	87638219		1 CAP Vinyl, End Plug
5	87698833		1 BOLT M8 x 33.1mm, CI 10.9
6	87682385		5 CARRIAGE BOLT Sht Sq Nk, M8 x 30mm, CI 10.9
7	86507066		6 FLANGE NUT M8 x 1.25, CI 10

5140-COMBINE - TIER 2

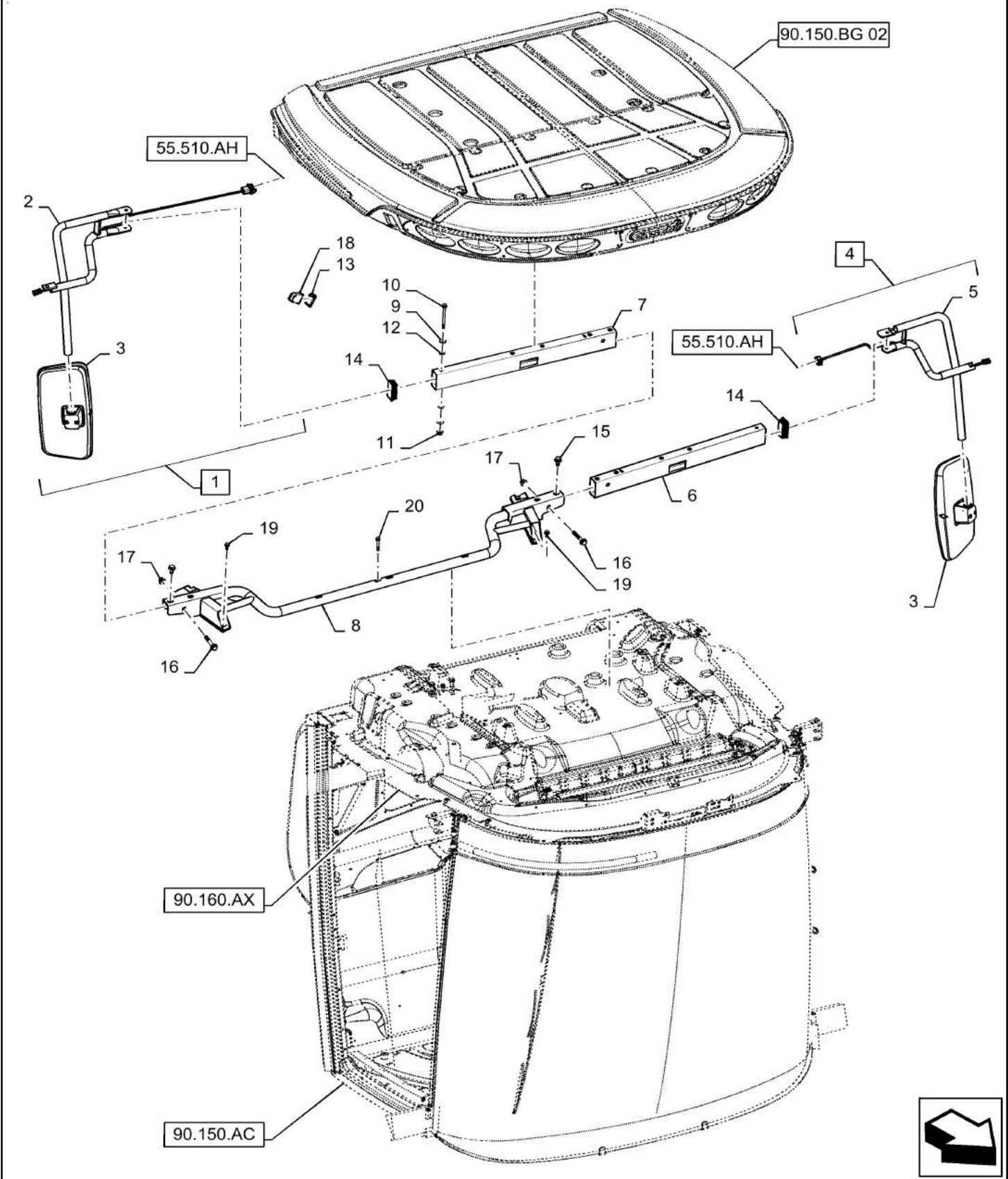
90.118.BM

01

p1

7/2015

VAR - 425357 - MIRROR, STANDARD

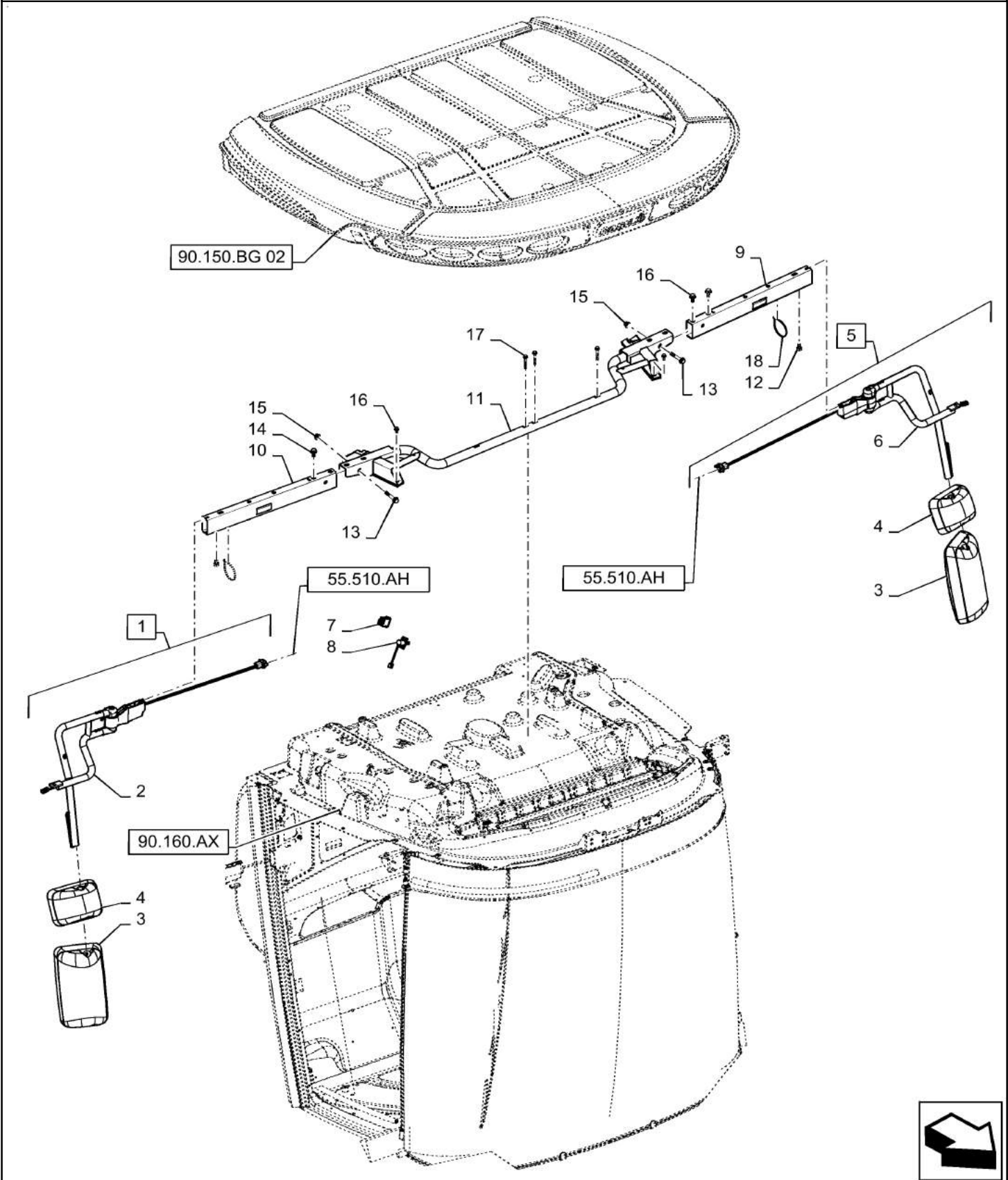


VAR - 425357 - MIRROR, STANDARD

REF FN	PART NUMBER	YR/SN	QTY DESCRIPTION
1	47406336		1 ARM RH, Mirror, Incl 2 - 3
2	84548160		1 TUBE RH, Mirror, RH
3	84405787		2 MIRROR 201.81mm x 435.87mm Standard
4	47406338		1 ARM LH, Mirror, Incl 3, 5
5	84548161		1 MIRROR ARM LH, Mirror
6	47382640		1 SUPPORT LH, Mirror
7	47382683		1 SUPPORT RH, Mirror
8	47392095		1 SUPPORT Center, Roof Support
9	322358		4 BELLEVILLE WASHER M8 x 18mm OD x 1.4mm Thk
10	84193283		2 BOLT Hex, M8 x 110mm, CI 10.9
11	87681210		2 FLANGE NUT M8 x 1.25, CI 10
12	84409223		4 WASHER 9mm ID x 23.6mm OD x 2mm Thk
13	86533310		1 PLUG Blank, 1.97" OD x 0.55" Thk
14	84475216		2 PLASTIC PLUG Rubber, End Cap
15	87343550		4 FLANGE BOLT Hex HD M12x25 ZND
16	87698845		2 BOLT M12 x 70, CI 10.9
17	86512497		2 FLANGE NUT M12 x 1.75, CI 10
18	84320263		1 BLANK-OFF PLUG Switch Cover
19	87656137		4 BOLT M8 x 28.1mm, CI 10.9
20	87670761		4 FLANGE BOLT M8 x 68.1mm, CI 10.9

5140-COMBINE - TIER 2

VAR - 425358 - ELECTRIC MIRROR

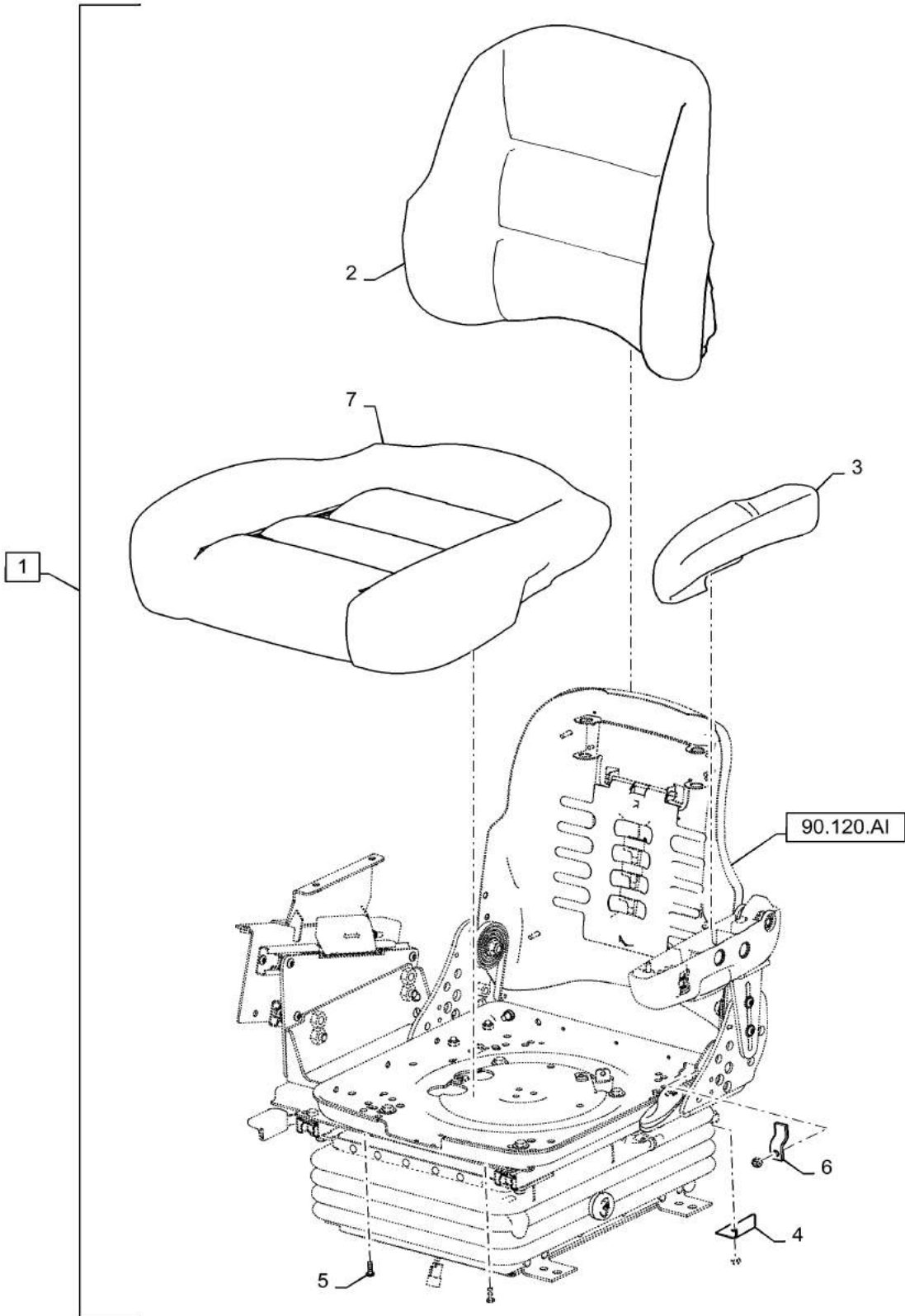


VAR - 425358 - ELECTRIC MIRROR

REF FN	PART NUMBER	YR/SN	QTY DESCRIPTION
1	47406334		1 MIRROR ARM RH, Incl 2 - 4
2	84548136		1 TUBE RH, Mirror
3	84379447		2 REAR VIEW MIRROR 204.72mm x 653mm Main
4	84379458		2 REAR VIEW MIRROR Wide
5	47406335		1 MIRROR ARM LH, Incl 3 - 4, 6
6	84548138		1 SUPPORT LH, Mirror
7	84380251		1 SWITCH Rocker, Mirror Heat
8	84380253		1 SWITCH Rotary, Mirror Adjustment
9	47404694		1 SUPPORT LH, Mirror
10	47404696		1 SUPPORT RH, Mirror
11	47392095		1 SUPPORT Mirror, Bar/Roof Support
12	84552992		2 SET SCREW M12 x 1.75 x 20mm OAL, 10.9
13	87698845		2 BOLT M12 x 70, CI 10.9
14	87343550		4 FLANGE BOLT Hex HD M12x25 ZND
15	86512497		2 FLANGE NUT M12 x 1.75, CI 10
16	87656137		4 BOLT M8 x 28.1mm, CI 10.9
17	87670761		4 FLANGE BOLT M8 x 68.1mm, CI 10.9
18	86566990		2 CABLE TIE 292mm OAL x 4.8mm W

5140-COMBINE - TIER 2

VAR - 425186, 425187 - SEAT, CAB

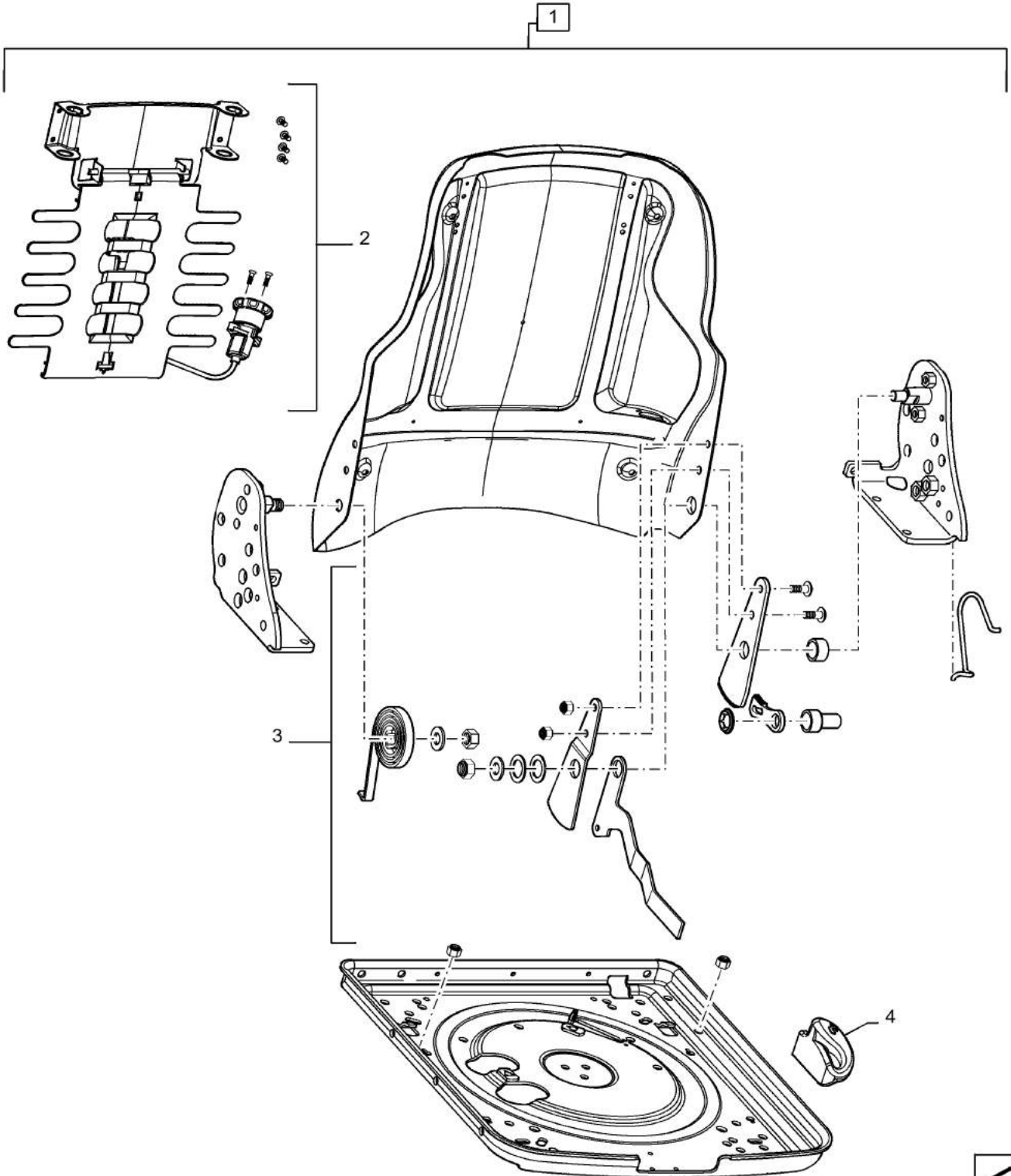


VAR - 425186, 425187 - SEAT, CAB

REF FN	PART NUMBER	YR/SN	QTY DESCRIPTION
1	47405244		1 DRIVER SEAT Cut & Sewn Leather, Incl 2 - 7, - VAR - 425187
1	47405245		1 DRIVER SEAT FabriForm Cloth, Incl 2 - 7, - VAR - 425186
2	47368359		1 SEAT CUSHION Cut & Sewn Cushion, Back, - VAR - 425187
2	47368350		1 SEAT CUSHION FabriForm Cushion, Back, - VAR - 425186
2	47368376		1 SEAT CUSHION Back, Red Leather, - VAR - 425188
3	47368638		1 SERVICE KIT LH, Armrest
4	47368655		1 SERVICE KIT Slide Stop
5	47357001		1 SERVICE KIT Cushion Attachment
6	84602733		1 KIT Recliner
7	47368353		1 SEAT CUSHION Cut & Sewn Cushion, Bottom, - VAR - 425187
7	47368338		1 SEAT CUSHION FabriForm Cushion, Bottom, - VAR - 425186
7	47368362		1 SEAT CUSHION Seat, Red Leather, - VAR - 425188

5140-COMBINE - TIER 2

VAR - 425186, 425187 - SEAT BACK



VAR - 425186, 425187 - SEAT BACK

REF FN	PART NUMBER	YR/SN	QTY DESCRIPTION
1	84602606		1 KIT Seat Top/Back Frame, Incl 2 - 4
2	47357018		1 KIT Lumbar Adjustment
3	47357023		1 KIT Recliner Hinges/Spring
4	47357025		1 KNOB Recliner

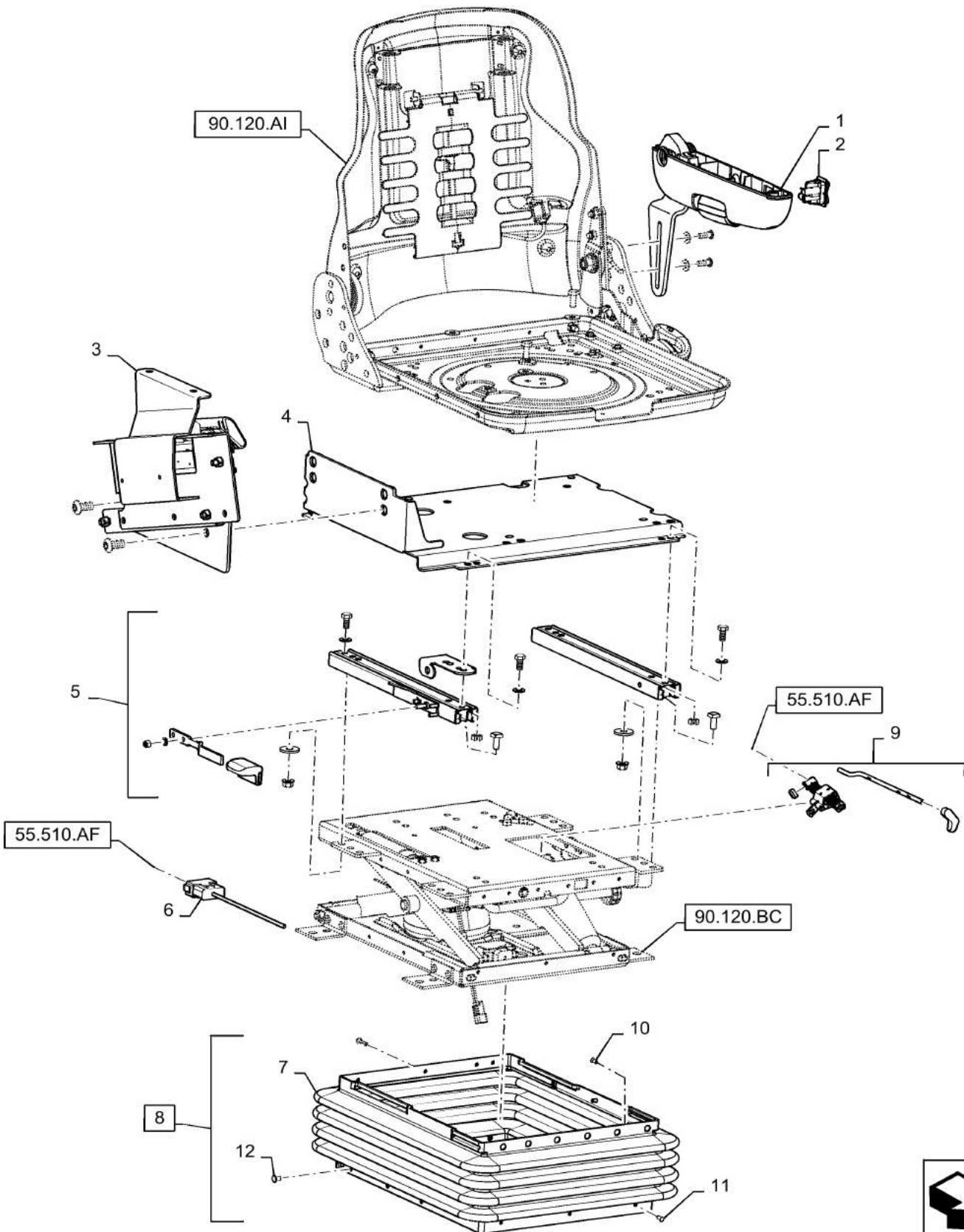
5140-COMBINE - TIER 2

90.120.BA

p1

7/2015

VAR - 425186, 425187 - SEAT, SLIDE, BELLOWS

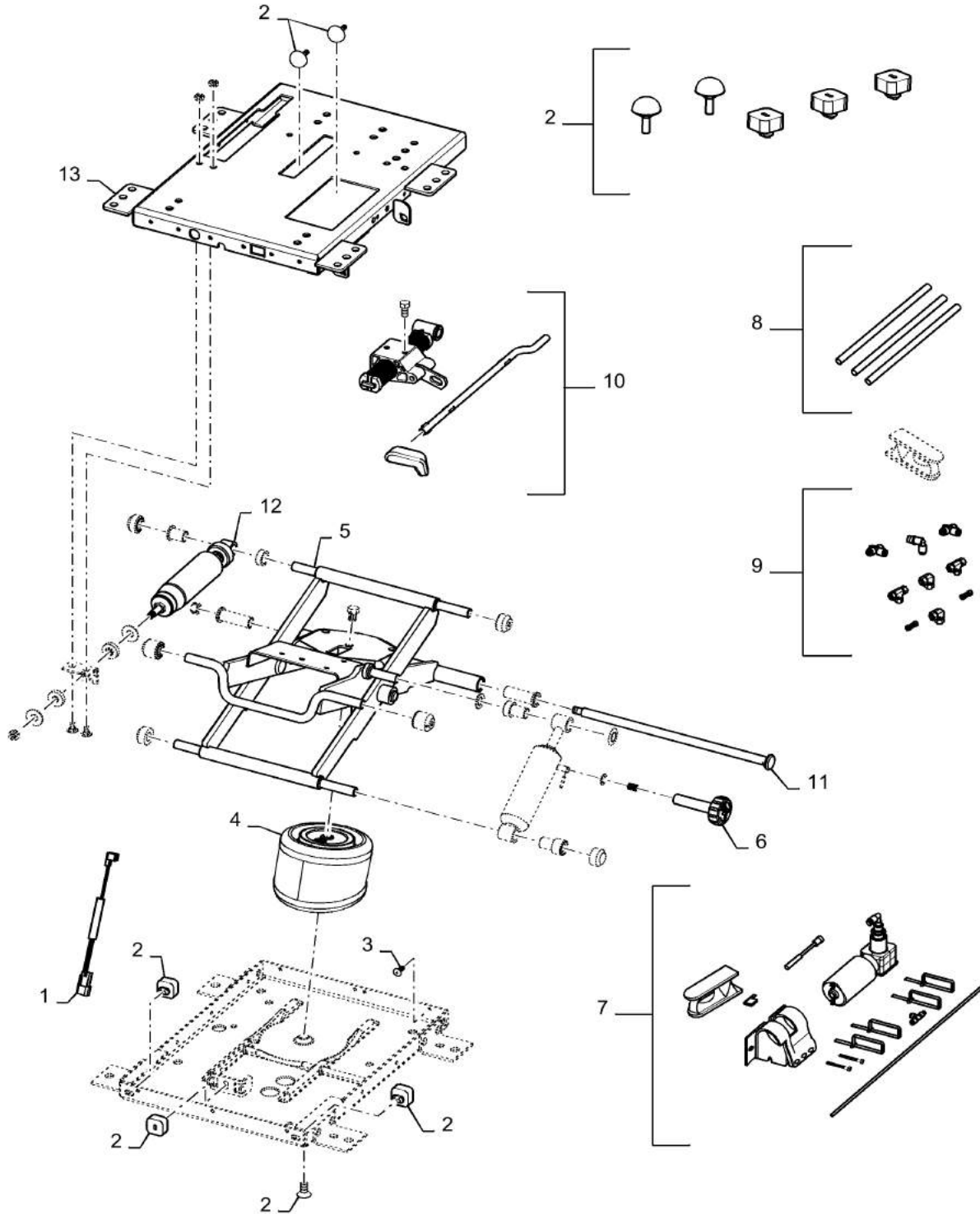


VAR - 425186, 425187 - SEAT, SLIDE, BELLOWS

REF FN	PART NUMBER	YR/SN	QTY DESCRIPTION
1	47368643		1 SERVICE KIT LH, Armrest, Lower Housing/Bracket Assy
2	87347940		1 ROCKER SWITCH Seat Height Adjustment, Air
3	47368659		1 SERVICE KIT Console Support
4	47368661		1 SERVICE KIT Console Mount
5	47368662		1 SERVICE KIT Slide, Seat Adjustment
6	87347964		1 SERVICE KIT Seat Suspension Harness
7	84120495		1 KIT Boot
8	87347976		1 SERVICE KIT Clip Seat Boot, Incl 7, 10 - 12
9	84189454		1 SEAT ACCESSORY Knob, Seat Control
10	NSS		3 NOT SERVICED SEPARATELY Lower, Boot, Rivet, Male, Incl in 8
11	NSS		6 NOT SERVICED SEPARATELY Lower, Boot, Rivet, Female, Incl in 8
12	NSS		21 NOT SERVICED SEPARATELY Upper, Tree Clip, Incl in 8

5140-COMBINE - TIER 2

VAR - 425186, 425187 - SEAT, SUSPENSION



VAR - 425186, 425187 - SEAT, SUSPENSION

REF FN	PART NUMBER	YR/SN	QTY DESCRIPTION
1	84173154		1 SWITCH ASSY Operators Presence
2	84603019		1 KIT Bumpers
3	47368682		1 SERVICE KIT Lower, Housing
4	47368706		1 SERVICE KIT Air Spring
5	1990643C1		1 FRAME ASSY Lower Suspension
6	47368724		1 SERVICE KIT Shock Knob
7	84427758		1 AIR COMPRESSOR KIT Seat
8	47368664		1 SERVICE KIT Air Line Tubing
9	47368666		1 SERVICE KIT Air Line Fittings
10	84244765		1 SERVICE KIT Isolator Latch
11	143786A1		1 SHAFT Suspension Cross
12	227546A1		1 KIT Shock
13	47368675		1 PLATE Upper, Housing

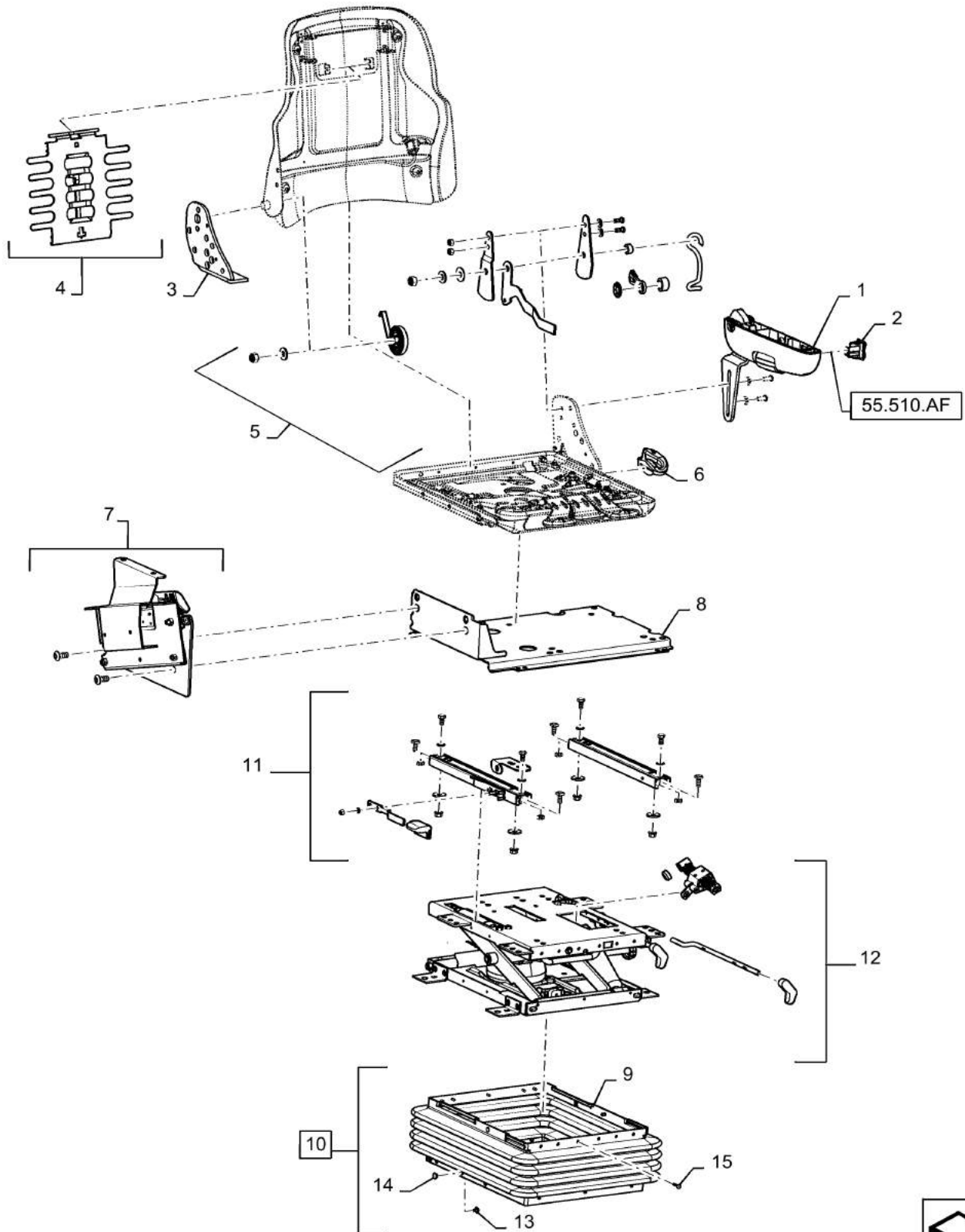
5140-COMBINE - TIER 2

VAR - 425188, 425376 - SEAT CUSHION & ARMREST

REF FN	PART NUMBER	YR/SN	QTY DESCRIPTION
1	47368362		1 SEAT CUSHION Bottom, Red Leather
2	47368376		1 SEAT CUSHION Back, Red Leather
3	47357001		1 SERVICE KIT Operator Seat, Cushion Attachment
4	84173154		1 SWITCH ASSY Operators Presence
5	47368639		1 SERVICE KIT LH, Armrest Pad
6	84392269		1 CONTROLLER Seat Heater
7	84392266		1 HARNESS Seat Heater/Switch
8	84602733		1 KIT Service, Recliner, Full Stop
9	47368651		1 SERVICE KIT Heater Jumper
10	47368606		1 SERVICE KIT Tilt Knob
11	47368613		1 SERVICE KIT Extension Knob
12	47368628		1 SERVICE KIT No Swivel Knob
13	47368657		1 SERVICE KIT W/ Semi - Active Suspension, - VAR - 425376
14	87626130		1 HARNESS W/ Semi - Active Suspension, - VAR - 425376

5140-COMBINE - TIER 2

VAR - 425188, 425376 - SEAT BACK, SLIDE, BELLOWS



VAR - 425188, 425376 - SEAT BACK, SLIDE, BELLOWS

REF FN	PART NUMBER	YR/SN	QTY DESCRIPTION
1	47368643		1 SERVICE KIT LH, Armrest, Lower, Housing/Bracket Assy
2	87347940		1 ROCKER SWITCH Seat Height Adjustment, Air
3	47368382		1 DRIVER SEAT Seat Top
4	47357018		1 KIT Seat, Operator, Lumbar
5	47357023		1 KIT Seat, Operator, Recliner
6	47357025		1 KNOB Seat, Operator, Recliner
7	47368659		1 SERVICE KIT Console Support
8	47368661		1 SERVICE KIT Console Mount
9	84120495		1 KIT Boot
10	87347976		1 SERVICE KIT Clip, Seat Boot, Incl 9, 13 - 15
11	47368662		1 SERVICE KIT Slide, Seat Adjustment
12	84244765		1 SERVICE KIT Isolator Latch
13	NSS		3 NOT SERVICED SEPARATELY Lower, Boot, Rivet, Male, Incl in 10
14	NSS		6 NOT SERVICED SEPARATELY Lower, Boot, Rivet, Female, Incl in 10
15	NSS		21 NOT SERVICED SEPARATELY Upper, Tree Clip, Incl in 10

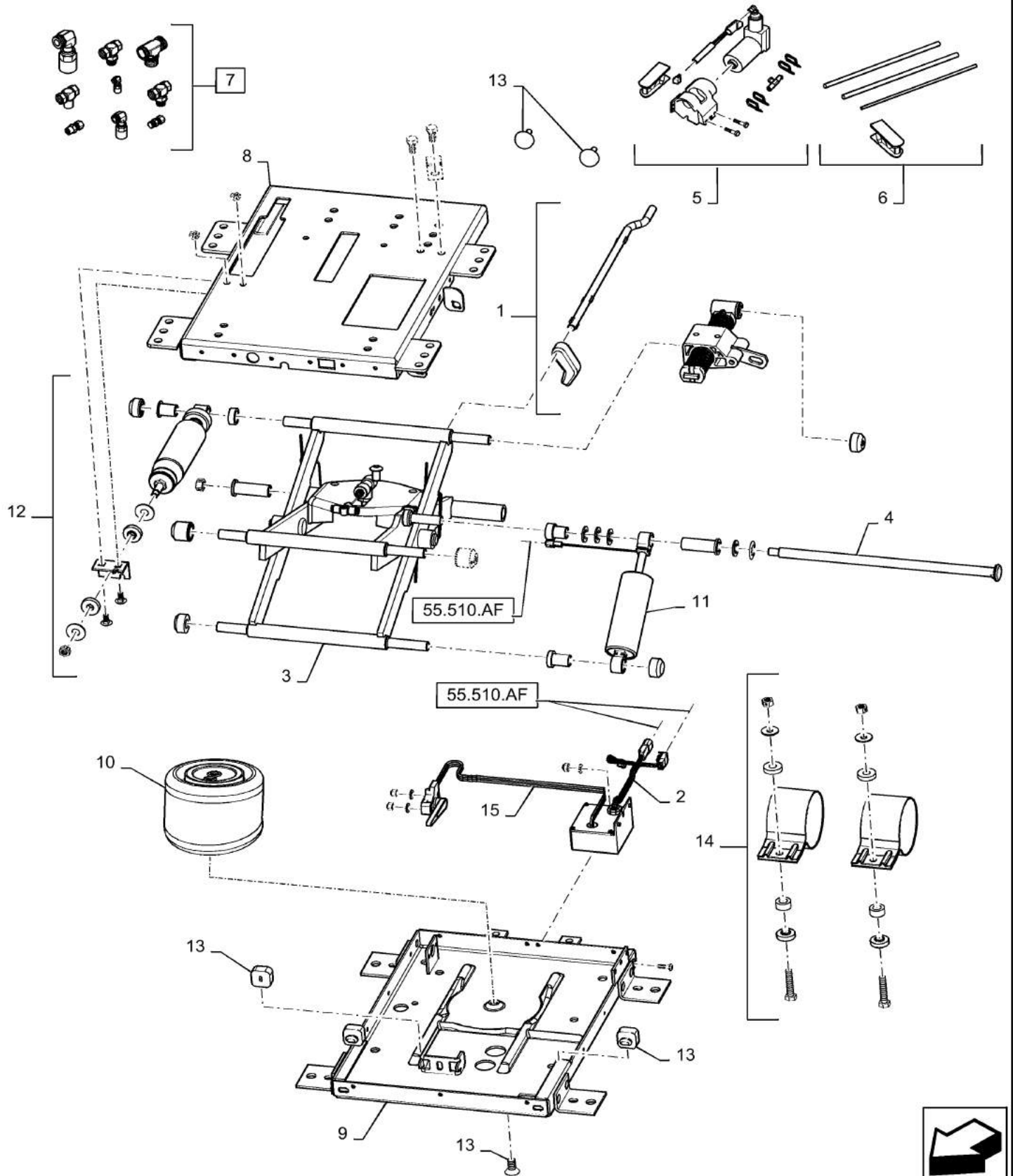
5140-COMBINE - TIER 2

90.124.AN

p1

7/2015

VAR - 425188, 425376 - SEAT SUSPENSION



VAR - 425188, 425376 - SEAT SUSPENSION

REF FN	PART NUMBER	YR/SN	QTY DESCRIPTION
1	84244765		1 SERVICE KIT Isolator Latch
2	87347944		1 SERVICE KIT Wlre Harness, Seat Suspension
3	47368671		1 SERVICE KIT Suspension Scissors
4	143786A1		1 SHAFT Bearing
5	47368672		1 SERVICE KIT Air Compressor, 12V
6	47368664		1 SERVICE KIT Air Line Tubing
7	47368666		1 SERVICE KIT Air Line Fittings
8	47368675		1 PLATE Upper, Housing
9	47368698		1 SERVICE KIT Lower, Housing
10	47368706		1 SERVICE KIT Air Spring
11	47368729		1 SERVICE KIT Semi - Active Shock
12	227546A1		1 KIT Isolator Shock
13	84603019		1 KIT Service Bumper
14	87347960		1 SERVICE KIT Tank, Seat Air
15	47368735		1 SERVICE KIT Damping Control

5140-COMBINE - TIER 2

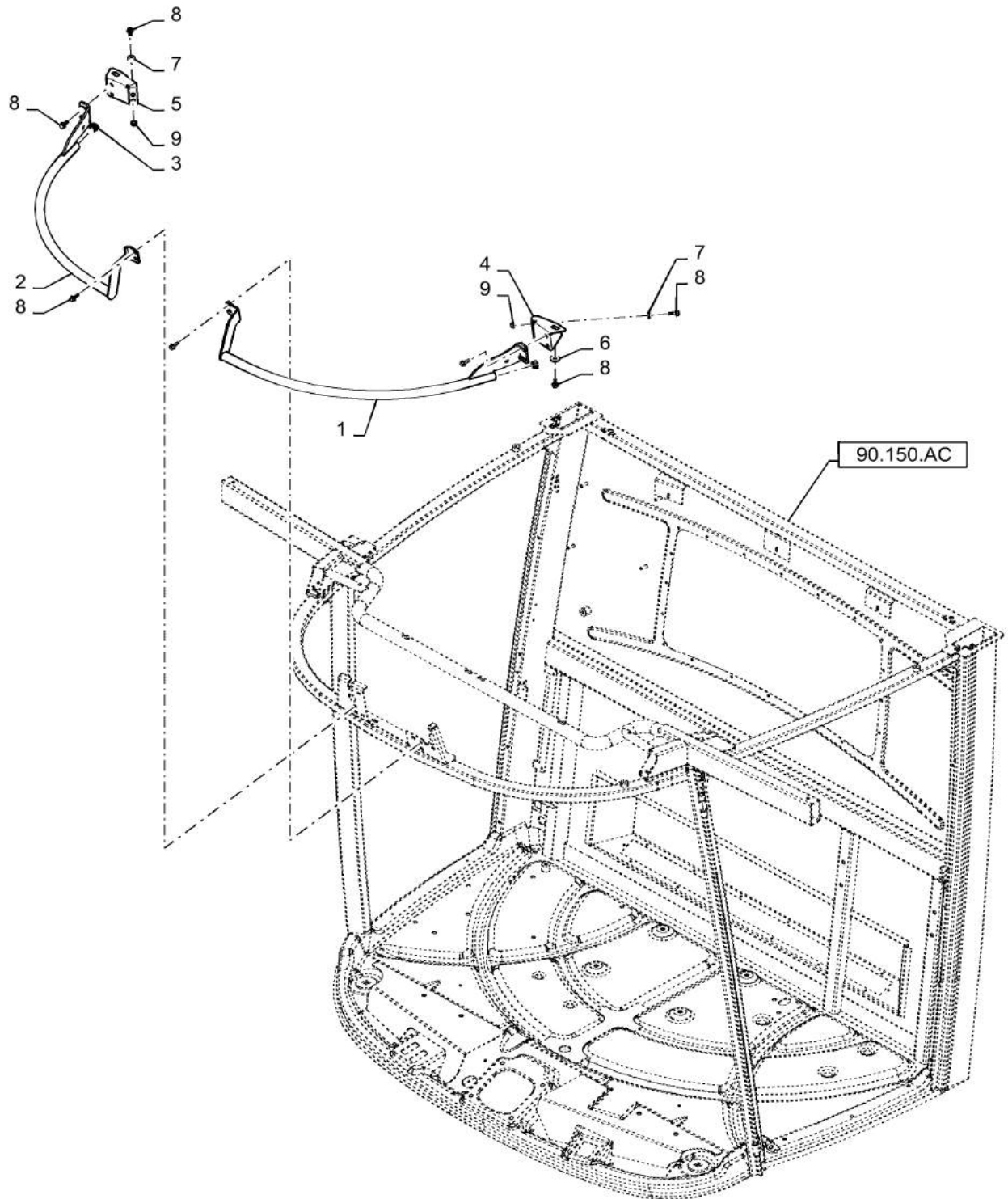
90.150.AB

01

p1

7/2015

HANDRAIL, CAB



90.150.AB

01

p1

7/2015

HANDRAIL, CAB

REF FN	PART NUMBER	YR/SN	QTY DESCRIPTION
1	47398660		1 HANDRAIL LH
2	47398089		1 HANDRAIL RH
3	87280507		2 PLUG M21
4	47429501		1 SUPPORT LH, Frame
5	47429500		1 SUPPORT RH, Frame
6	86592700		2 WASHER 10.5mm ID x 28mm OD x 4mm Thk
7	322358		4 BELLEVILLE WASHER M8 x 18mm OD x 1.4mm Thk
8	87656137		14 BOLT M8 x 28.1mm, CI 10.9
9	86507066		4 FLANGE NUT M8 x 1.25, CI 10

5140-COMBINE - TIER 2

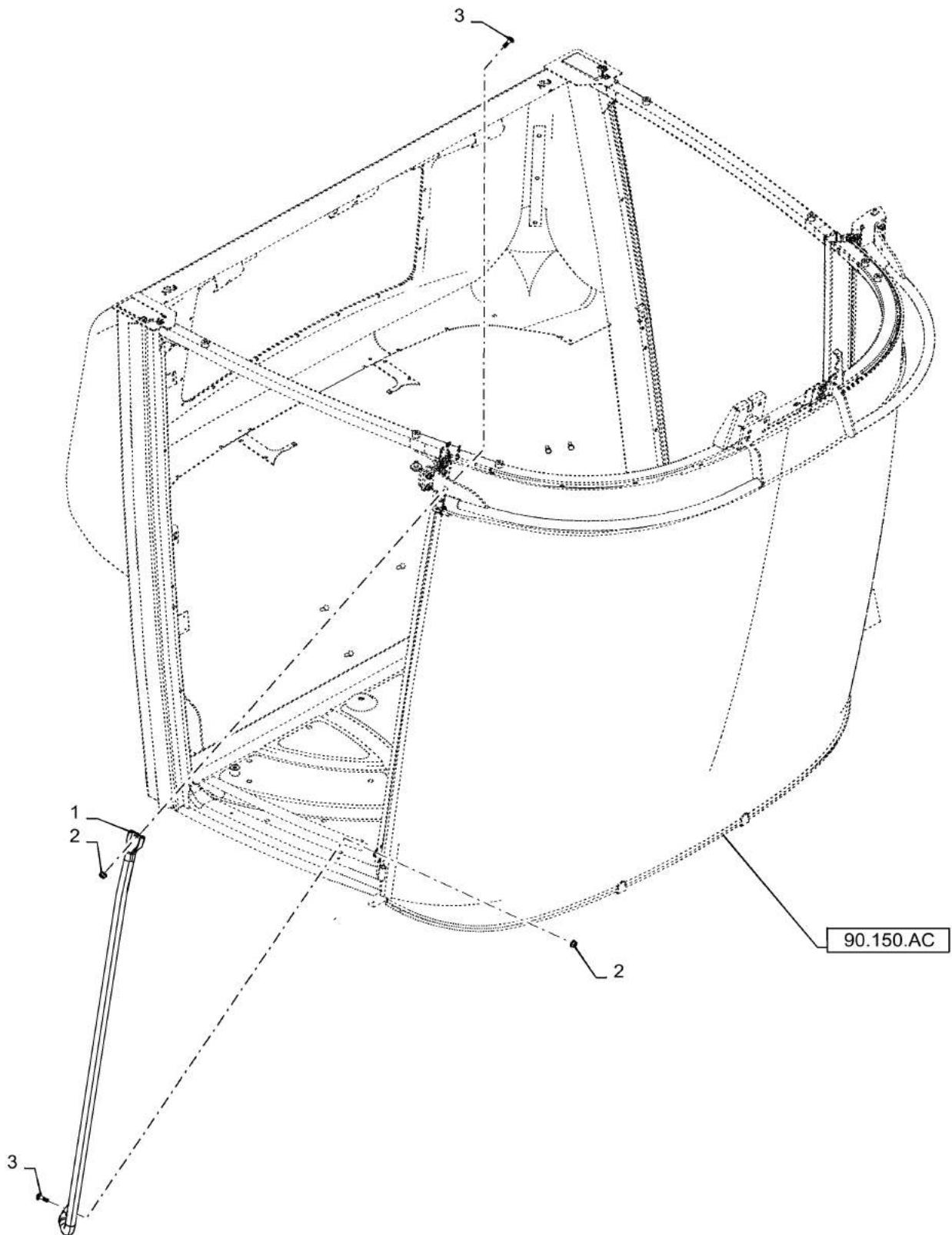
90.150.AB

02

p1

7/2015

HANDRAIL, CAB, RH



90.150.AB

02

p1

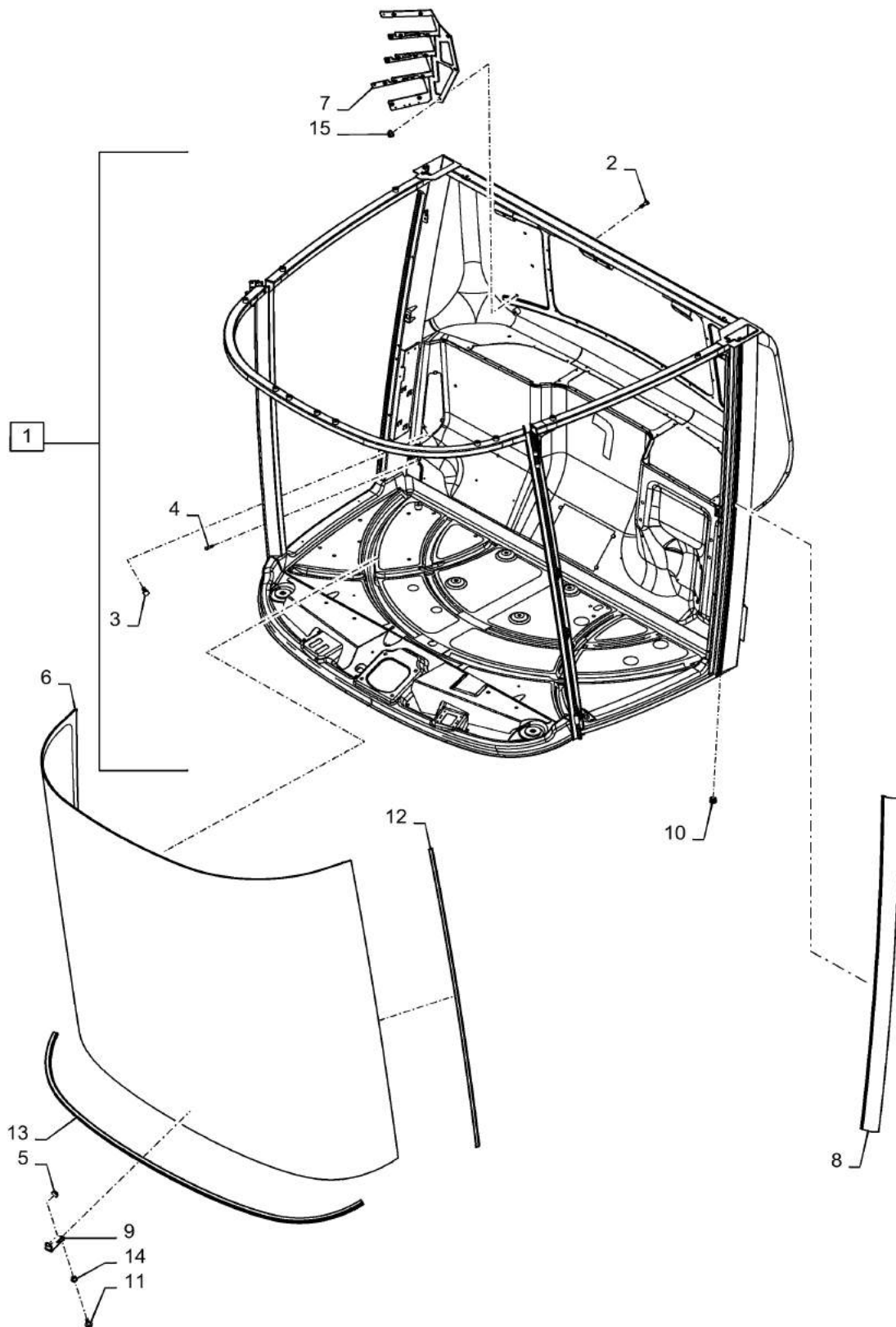
7/2015

HANDRAIL, CAB, RH

REF FN	PART NUMBER	YR/SN	QTY DESCRIPTION
1	84544926		1 HANDRAIL RH, Cab
2	87681210		2 FLANGE NUT M8 x 1.25, CI 10
3	308761		2 CARRIAGE BOLT M8 x 1.25 x 25mm, CI 8.8

5140-COMBINE - TIER 2

CAB FRAME, WINDSHIELD

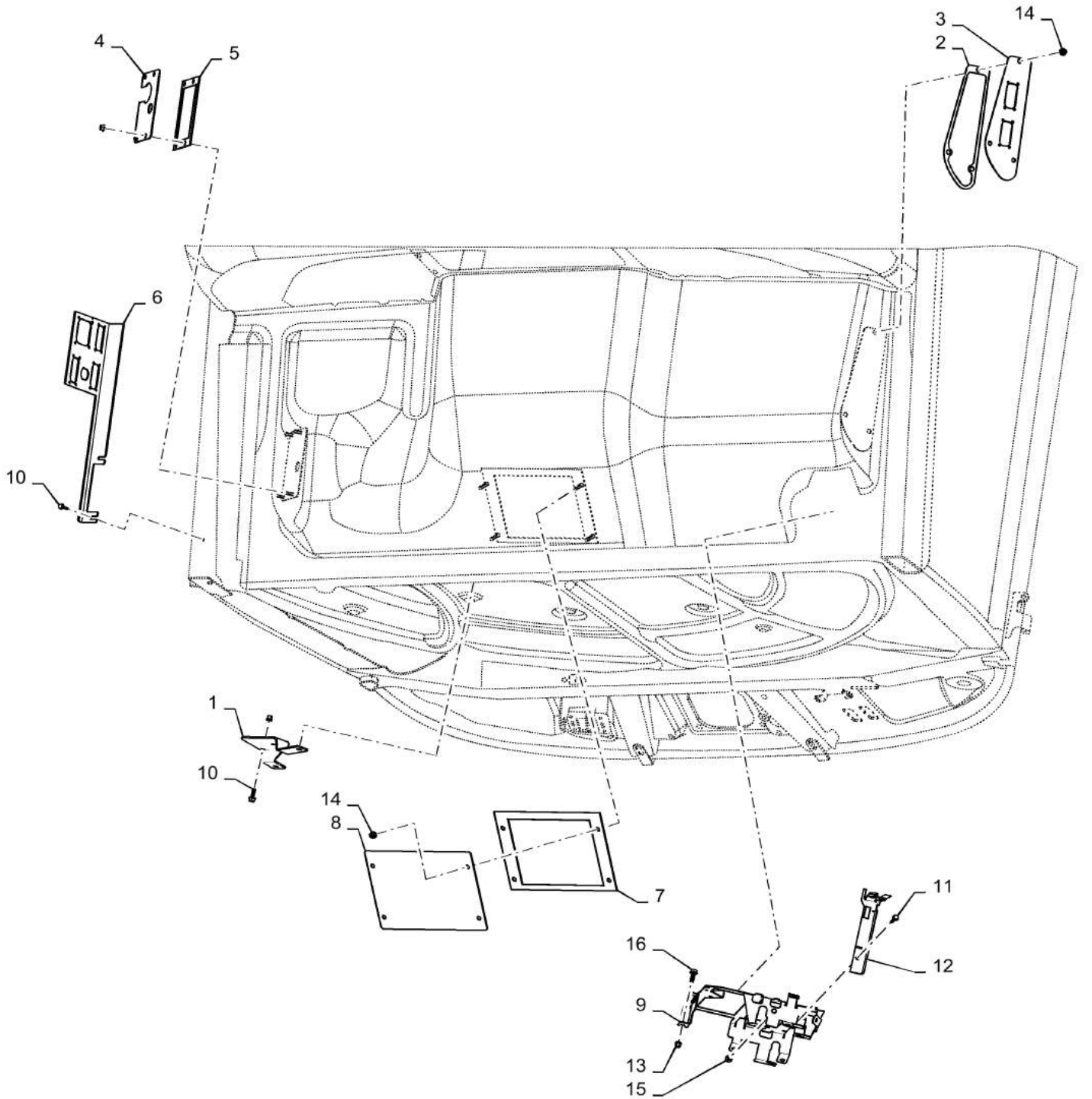


CAB FRAME, WINDSHIELD

REF FN	PART NUMBER	YR/SN	QTY DESCRIPTION
1	47399269		1 FRAME Cab, Incl 2 - 4
2	412247		3 BOLT Hex, M8 x 25mm, CI 8.8
3	16043420		11 BOLT Hex, M8 x 1.25 x 20mm, CI 8.8, Full Thd
4	10978020		2 BOLT Hex, M5 x 20mm, CI 8.8, Full Thd
5	84553150		28 BUMPER Rubber
6	84290182		1 GLASS Front
7	84531553		1 BRACKET Quad Mount
8	47421147		2 SEAL 1520mm L Rear Door
9	84421894		2 BRACKET Lower Windshield
10	87510719		1 PLUG 19.2mm OD x 14.7mm
11	87656137		2 BOLT M8 x 28.1mm, CI 10.9
12	84560428		2 RUBBER SEAL 1483mm L Windshield Side Strip
13	84560672		1 RUBBER SEAL 1920mm L Windshield Lower Strip
14	87284531		2 NUT Rivnut, M8 x 1.25, 0.5mm - 3mm Grip Range
15	86507066		3 FLANGE NUT M8 x 1.25, CI 10

5140-COMBINE - TIER 2

CAB, PLATE, ACCESS COVER

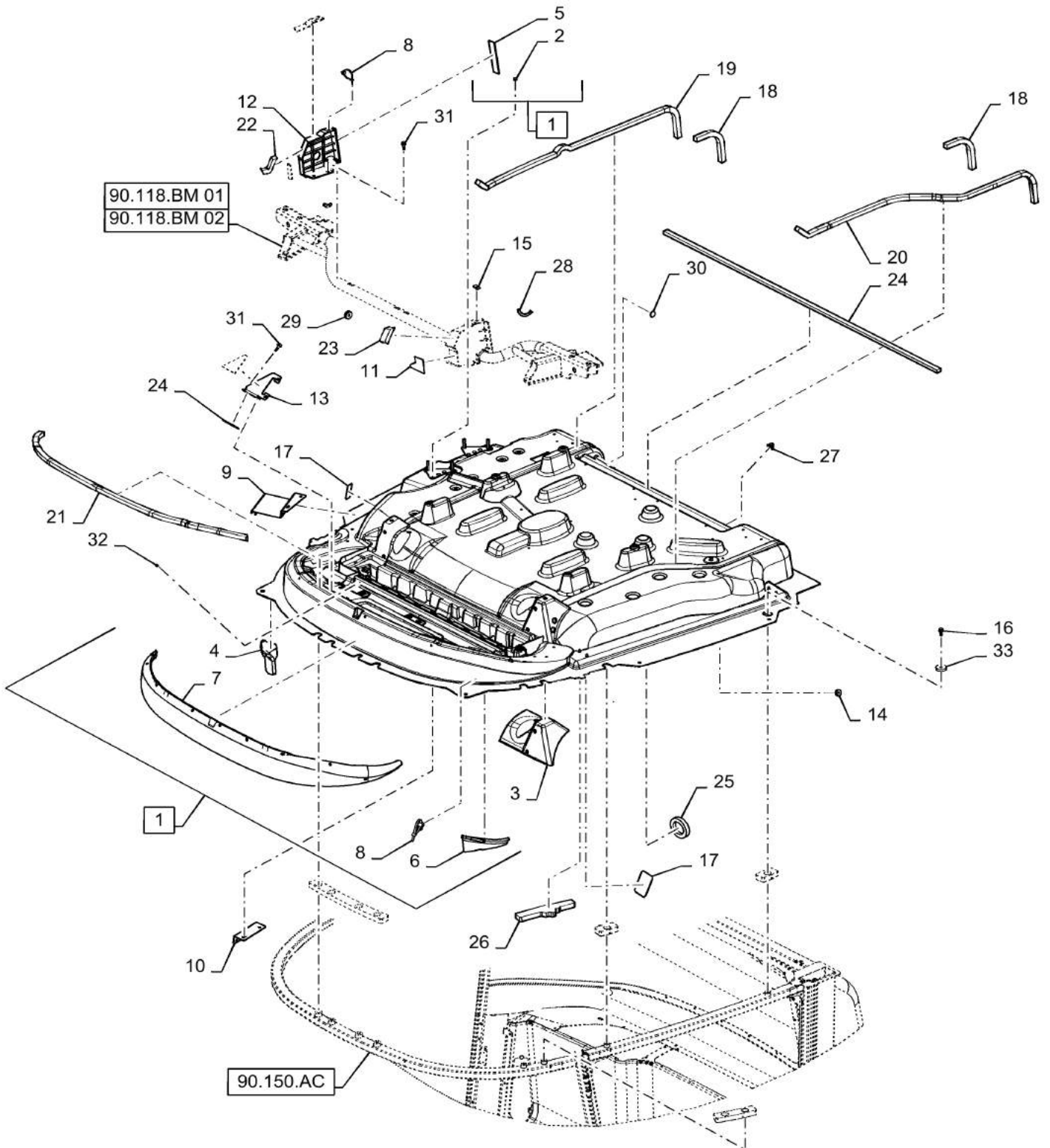


CAB, PLATE, ACCESS COVER

REF FN	PART NUMBER	YR/SN	QTY DESCRIPTION
1	84582900		1 PLATE Cab Support
2	84563997		1 GASKET 3mm Thk Bulkhead Seal
3	47386395		1 PLATE Bulkhead
4	84425615		1 GASKET 3mm Thk Bulkhead Seal
5	84560656		1 PLATE Bulkhead
6	84545926		1 PLATE Harness Support
7	47644358		1 GASKET Center, Rear, Bulkhead
8	84421731		1 PLATE Center, Rear, Bulkhead
9	84544095		1 SUPPORT ICM/ UCM
10	87670758		2 FLANGE BOLT M6 x 31.6mm, CI 10.9
11	87698753		1 FLANGE BOLT M6 x 12mm, CI 10.9, Full Thd
12	47605696		1 SUPPORT Cab Harness
13	87284531		6 NUT Rivnut, M8 x 1.25, 0.5mm - 3mm Grip Range Rivnut, M8 x 1.25
14	87681210		11 FLANGE NUT M8 x 1.25, CI 10
15	86610198		4 INSERT M6 x 1 Nutsert, M6 x 1
16	87698833		6 BOLT M8 x 33.1mm, CI 10.9

5140-COMBINE - TIER 2

ROOF, INSIDE CAB ROOF

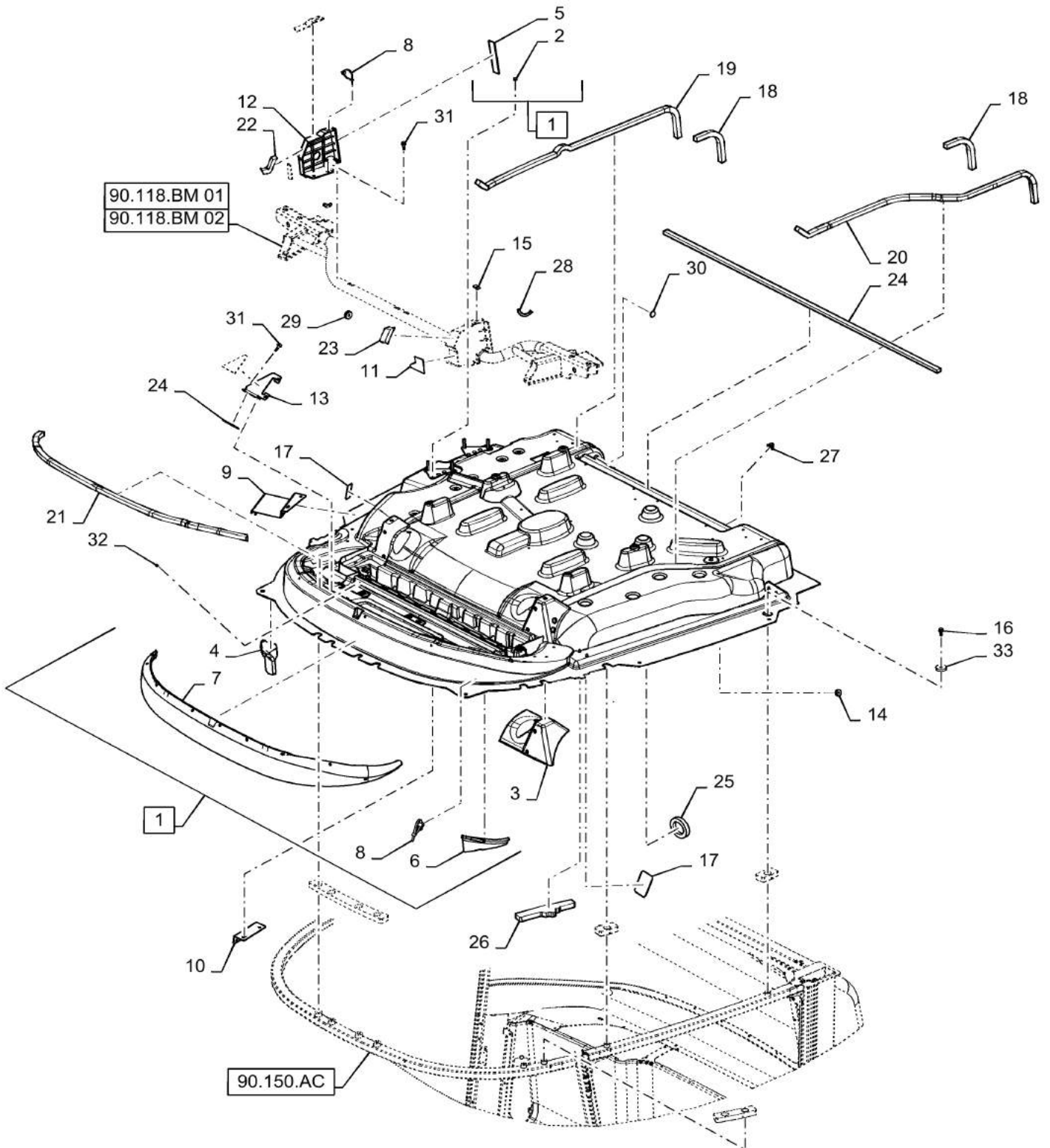


ROOF, INSIDE CAB ROOF

REF FN	PART NUMBER	YR/SN	QTY DESCRIPTION
1	47618485		1 ROOF Inner, Incl 2 - 8
2	87613322		35 POP RIVET Pop, 6.35mm OD x 15.75mm L
3	47438073		1 FOAM INSULATION RH, Rear
4	47438072		1 FOAM INSULATION RH, Middle
5	47438075		1 FOAM INSULATION LH, Front, Top
6	47438074		1 FOAM INSULATION LH, Front Inside
7	47438076		1 FOAM INSULATION Front
8	84292754		6 CLIP Cable Tie W/ Fir Tree, 5mm OD x 203mm OAL Fir Tree
9	47407373		1 BRACKET Radio Mounting
10	84323555		1 BRACKET RH, Bezel Mount
11	84541632		1 PANEL LH, HVAC Enclosure
12	84541633		1 PANEL RH, HVAC Enclosure
13	47408567		1 BRACKET Blower Mount
14	248-1336		2 GROMMET 1/4" ID x 3/4" Groove Dia, Str Cut
15	833-40306		2 SPRING NUT M6, U
16	87656137		2 BOLT M8 x 28.1mm, Cl 10.9
17	84399760		2 DECAL Edge Guidance
18	47394939		2 FOAM Rear, Inner Roof
19	84546025		1 FOAM RH, Inner Roof
20	84546026		1 FOAM LH, Inner Roof
21	84546027		1 FOAM Front, Inner Main
22	84546028		1 FOAM RH, Front
23	84546029		1 FOAM LH, Front
24	47395757		1 FOAM Rear, Inner Roof
25	84546159		1 FOAM Cooler Seal
26	47464870		1 FOAM LH, Inner Roof
27	84570383		2 LATCH Ball Stud
28	84571672		2 TRIM Edge, Mirror

5140-COMBINE - TIER 2

ROOF, INSIDE CAB ROOF



90.150.BG

01

p2

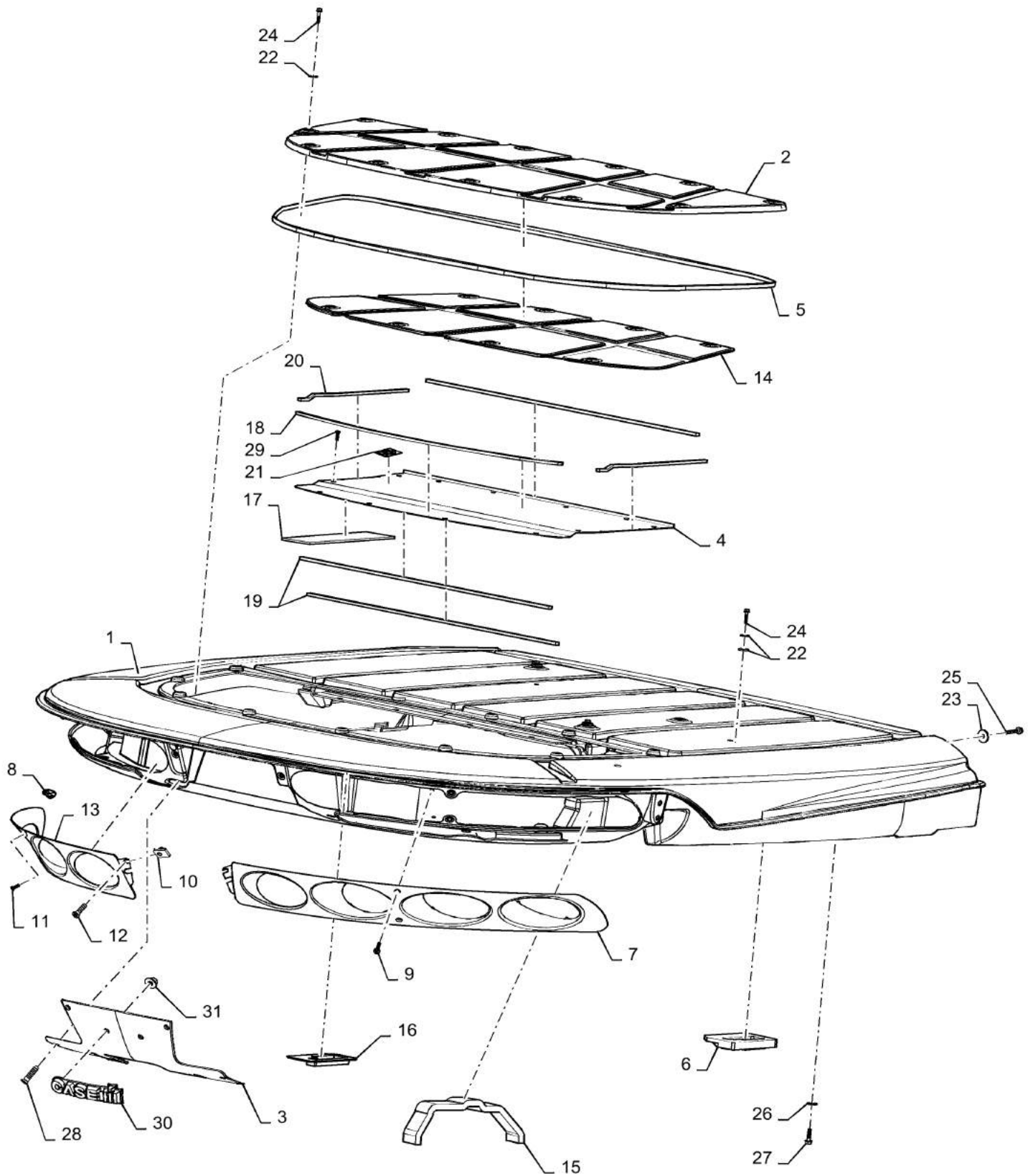
7/2015

ROOF, INSIDE CAB ROOF

REF FN	PART NUMBER	YR/SN	QTY DESCRIPTION
29	87030421		1 GROMMET 3/8" ID x 1 1/4" Groove Dia, Str Cut
30	87373039		3 GROMMET
31	87675531		12 FLANGE BOLT M6 x 26.6mm, CI 10.9
32	322072A2		6 FASTENER Plastic Expansion
33	47544456		2 WASHER

5140-COMBINE - TIER 2

ROOF, TOP COVER

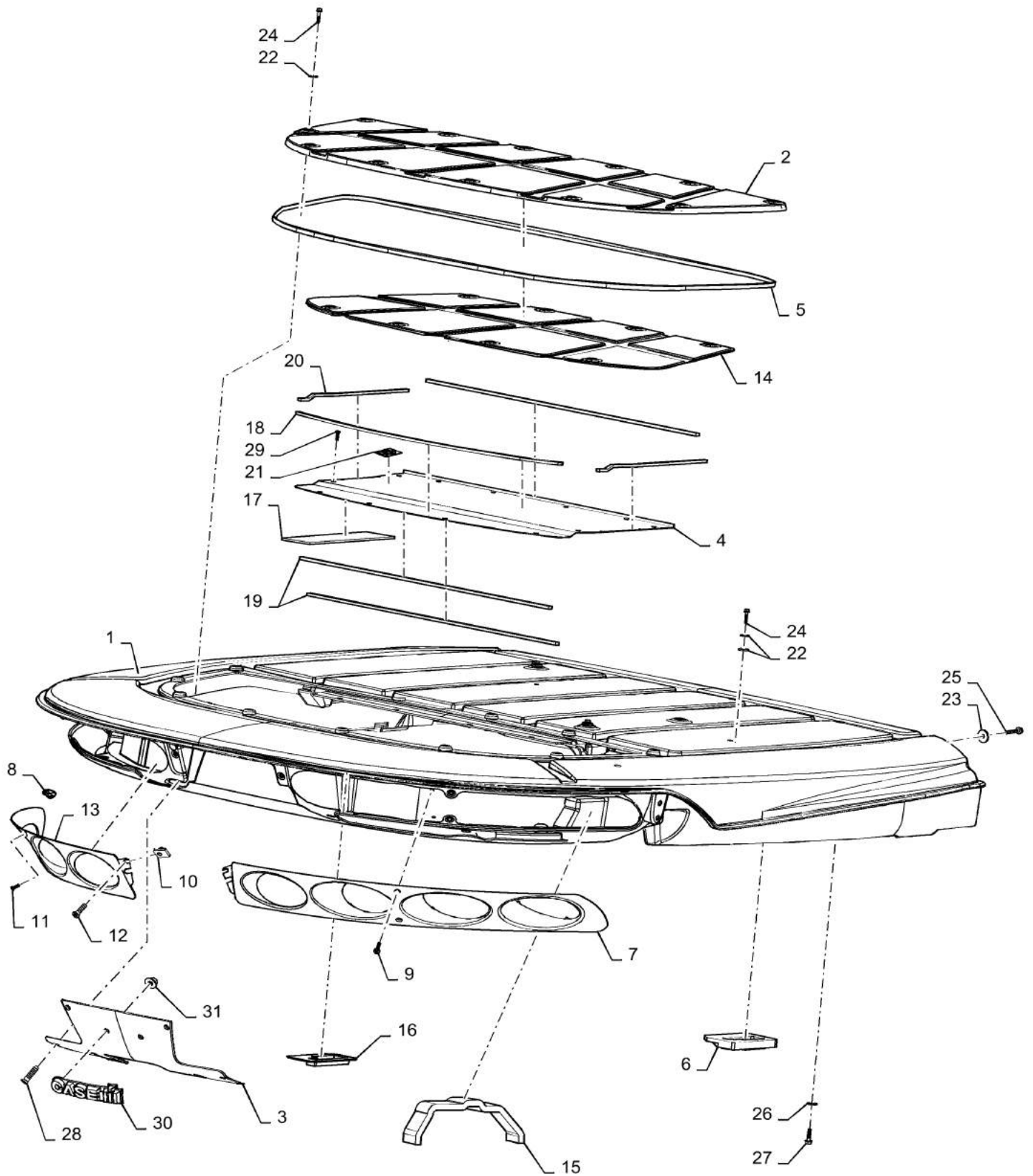


ROOF, TOP COVER

REF FN	PART NUMBER	YR/SN	QTY DESCRIPTION
1	47437713		1 ROOF Outer
2	84541655		1 ROOF Service Panel
3	84541659		1 PANEL Wiper Motor, Access
4	84540936		1 PLATE HVAC, Cover
5	84541662		1 SEAL Bulb
6	84541663		1 GASKET 5mm Thk B - Post, Hose Protection
7	84496414		1 BEZEL LH
8	84496413		10 RETAINER Roof Light
9	84496419		32 SCREW Pozidrive, Pan HD, M4.2 x 10mm
10	833-40306		12 SPRING NUT M6, U
11	13301717		12 SCREW Pozidriv Flat Hd, Csk, M6 x 25mm, CI 5.8
12	47365943		4 SCREW FLAT, M6 x 25mm, SST
13	84496415		1 HOOD RH
14	84541664		1 INSULATION Radiant Heat, HVAC
15	84549024		2 FOAM Mirror Bar
16	47395772		1 FOAM INSULATION Rear, LH, Post
17	84570683		1 FOAM Bottom, HVAC Core
18	84548928		2 FOAM Core Cover, Main
19	84548930		2 FOAM 12.7mm W x 800mm L x 6.35mm Thk Core Cover, Main
20	84570680		2 FOAM 25.4mm W x 400mm L x 6.35mm Thk Core Cover, Side
21	84012596		1 DECAL R-134a Refrigerant Only
22	84072877		18 WASHER 6.6mm ID x 22mm OD x 2mm Thk
23	87013351		2 WASHER 0.34" ID x 1.25" OD x 0.12" Thk
24	87698760		18 FLANGE BOLT M6 x 36.6mm, CI 10.9
25	87698763		2 FLANGE BOLT Hex, M8 x 50mm, CI 0.9
26	87613287		6 WASHER 0.34" ID x 1" OD x 0.1" Thk
27	86639271		6 BOLT Hvy Hex, M8 x 30mm, CI 10.9, Full Thd

5140-COMBINE - TIER 2

ROOF, TOP COVER



90.150.BG

02

p2

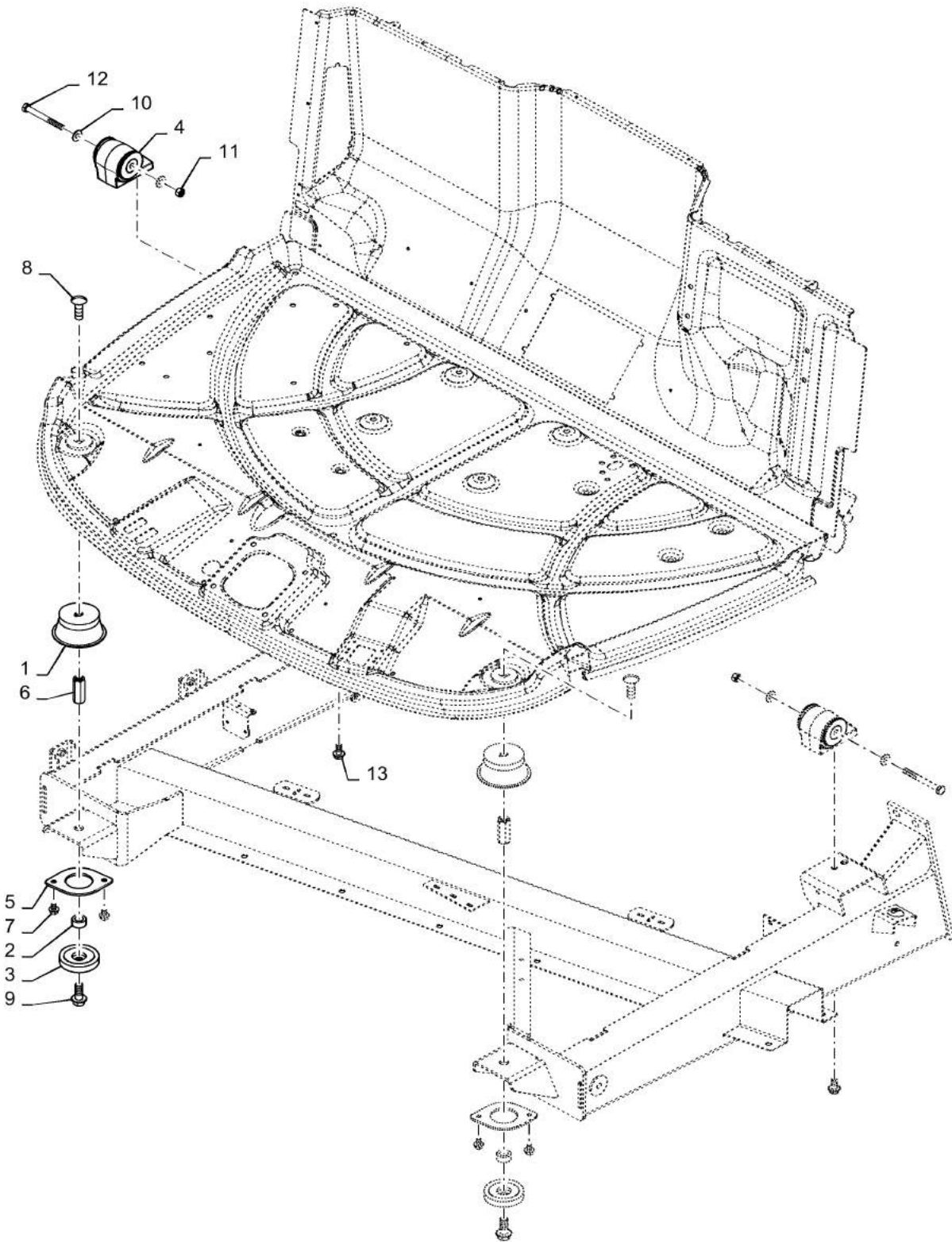
7/2015

ROOF, TOP COVER

REF FN	PART NUMBER	YR/SN	QTY DESCRIPTION
28	13301717		4 SCREW Pozidriv Flat Hd, Csk, M6 x 25mm, Cl 5.8
29	13276414		12 SCREW Pozidriv Pan Hd, M6 x 20mm, Cl 5.8, Full Thd
30	87716230		1 EMBLEM Case IH
31	86625060		2 PUSH-ON NUT Self, Threading, 1/4"

5140-COMBINE - TIER 2

MOUNT, CAB



MOUNT, CAB

REF FN	PART NUMBER	YR/SN	QTY DESCRIPTION
1	87012026		2 ISOLATOR 119.38mm OD x 69.09mm L Rubber
1	47595940		2 ISOLATOR Rubber
2	84574601		2 SPACER 19.05mm ID x 31.8mm OD x 14.4mm L Steel
3	87022202		2 WASHER Rebound
4	84569825		2 DAMPER Mount
5	84574471		2 MOUNTING PLATE Steel
6	47596518		2 NUT M16 x 2
7	86512520		4 BOLT Hvy Hex, M8 x 12mm, CI 8.8, Full Thd
8	87698768		2 CARRIAGE BOLT M16 x 60.9mm, CI 10.9 M16 x 50mm, 10.9
9	87495304		2 FLANGE BOLT M6 x 55.4mm, CI 10.9
10	140046		4 BELLEVILLE WASHER M12 x 27mm OD x 1.8mm Thk
11	337475		2 NUT M12, CI 10
12	9501756		2 BOLT Hex, M12 x 1.75 x 110mm, CI 10.9
13	87343550		4 FLANGE BOLT Hex HD M12x25 ZND

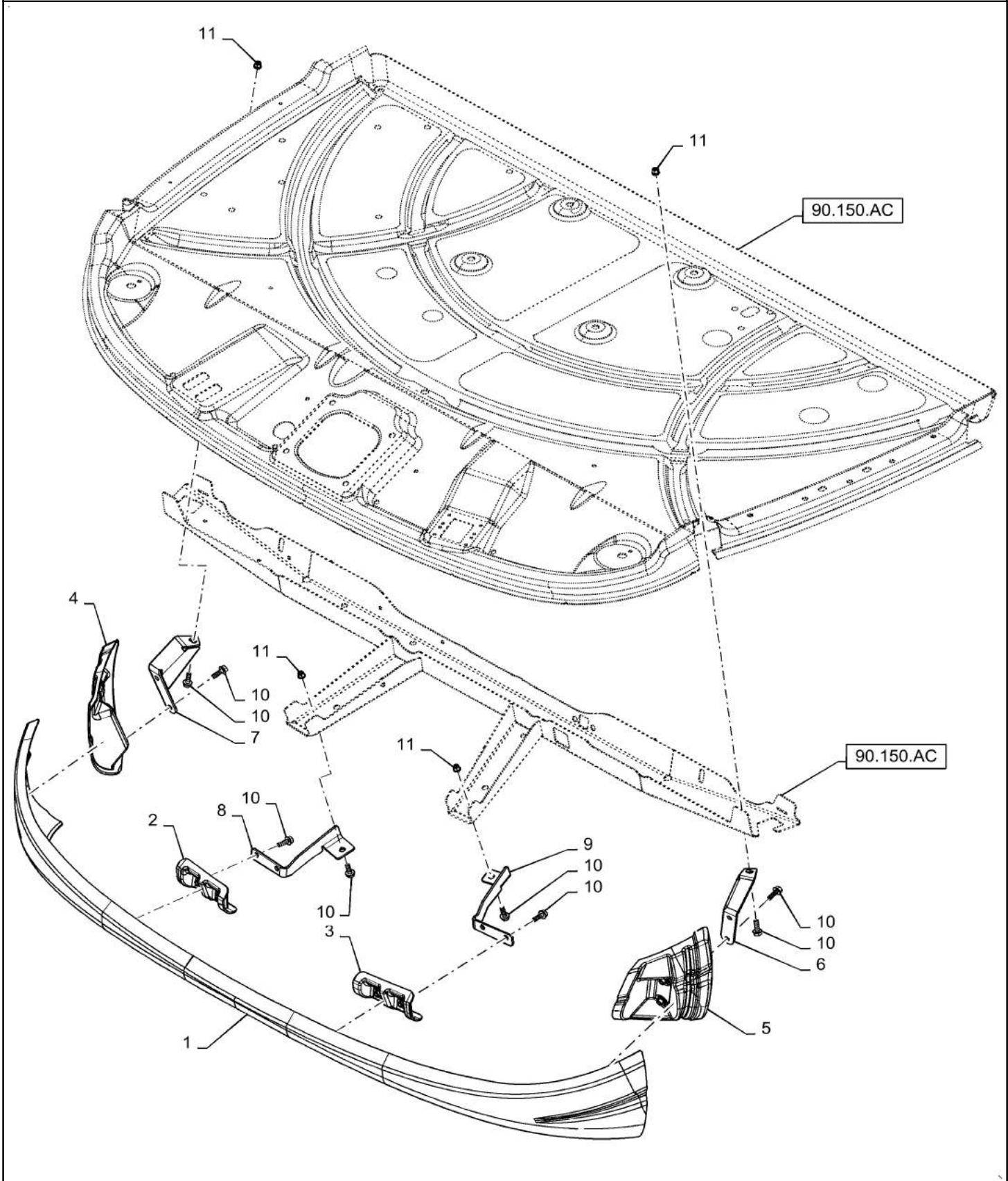
5140-COMBINE - TIER 2

90.150.BJ

p1

7/2015

COVER ASSY, CAB GUARD

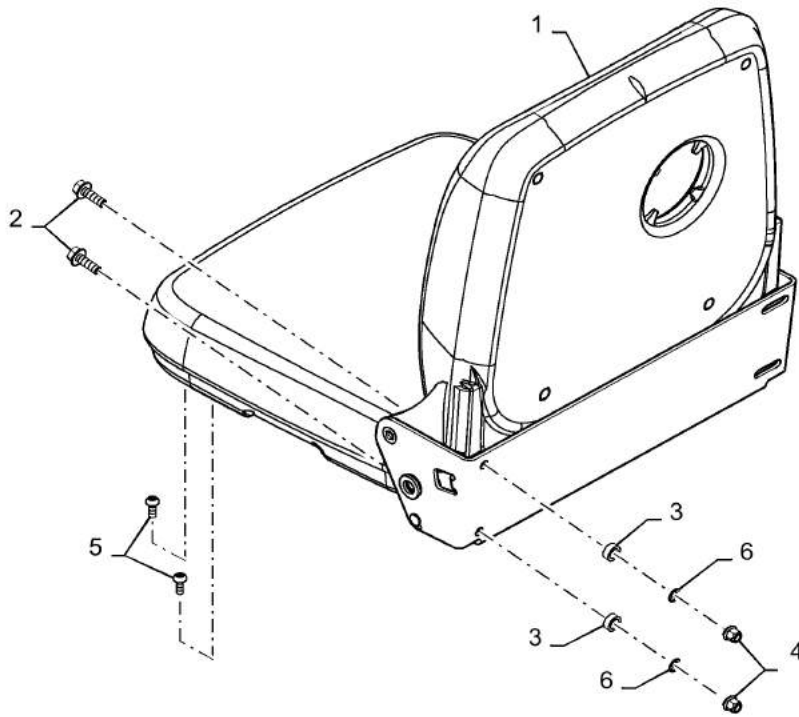


COVER ASSY, CAB GUARD

REF FN	PART NUMBER	YR/SN	QTY DESCRIPTION
1	84413883		1 COVER Center Chin
2	84413884		1 COVER RH, Center
3	84413885		1 COVER LH, Center
4	84539438		1 COVER RH, End
5	84413887		1 COVER LH, End
6	47361681		1 BRACKET LH Securing
7	47361683		1 BRACKET RH, Securing
8	47404765		1 BRACKET RH, Center, Securing
9	47404763		1 BRACKET LH, Center, Securing
10	87698833		12 BOLT M8 x 33.1mm, Cl 10.9
11	87284531		4 NUT Rivnut, M8 x 1.25, 0.5mm - 3mm Grip Range

5140-COMBINE - TIER 2

VAR - 425186, 425187, 425188, 425376 - SEAT ACCESSORY

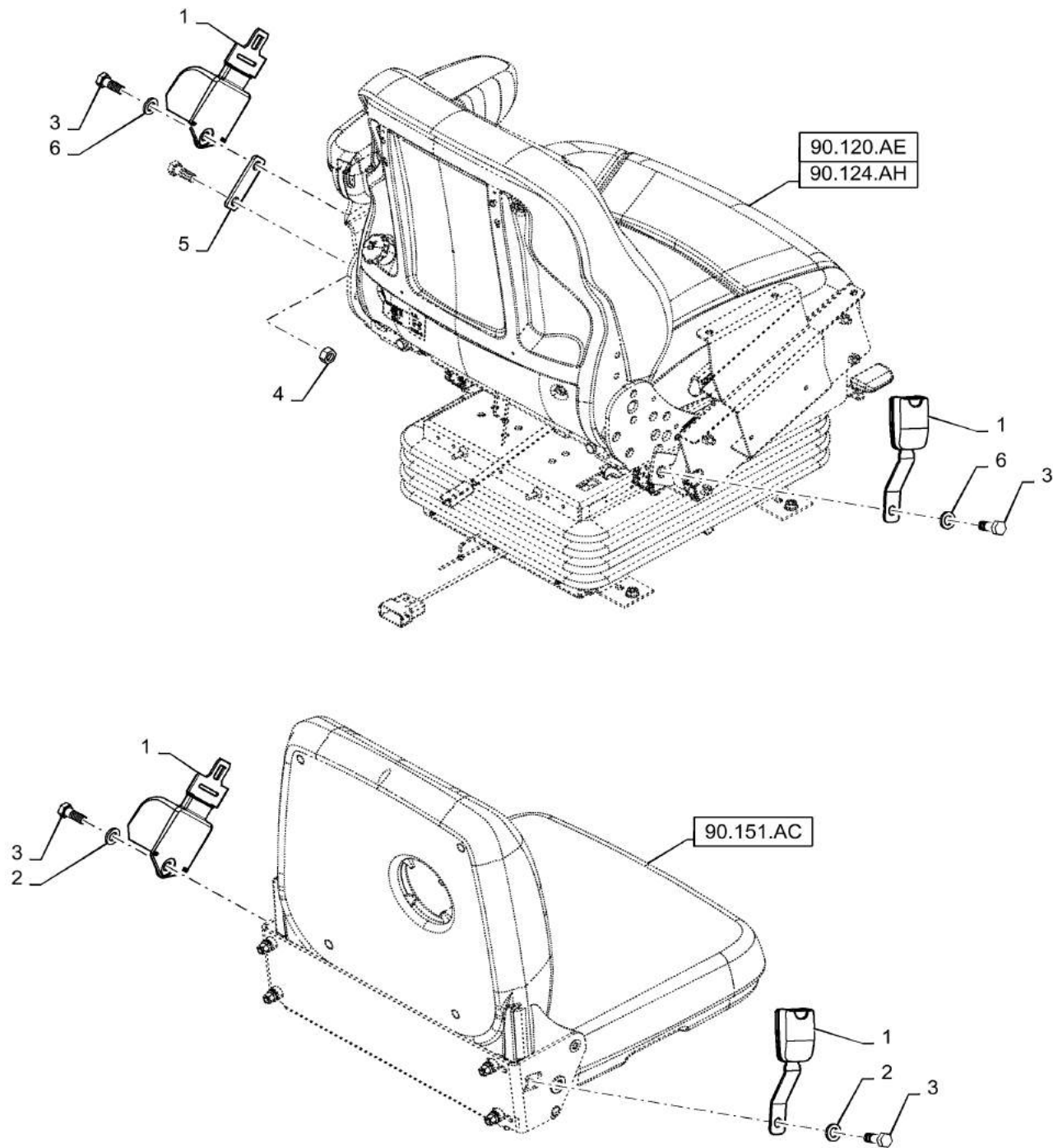


VAR - 425186, 425187, 425188, 425376 - SEAT ACCESSORY

REF FN	PART NUMBER	YR/SN	QTY DESCRIPTION
1	47377843		1 INSTRUCTIONAL SEAT Cut & Sewn/ FabriForm, - VAR - 425186, 425187
1	47377792		1 INSTRUCTIONAL SEAT Leather, - VAR - 425188, 425376
2	87698833		4 BOLT M8 x 33.1mm, CI 10.9
3	87342153		4 SPACER 10.34mm ID x 15.88mm OD x 6.3mm L
4	87284531		4 NUT Rivnut, M8 x 1.25, 0.5mm - 3mm Grip Range
5	84187812		4 SCREW Torx, Pan HD, M6 x 16mm, CI 4.8
6	11087976		1 CIRCLIP Ext., M8, BLO

5140-COMBINE - TIER 2

VAR - 425186, 425187, 425188, 425376 - SEAT BELT, INSTRUCTOR/OPERATOR

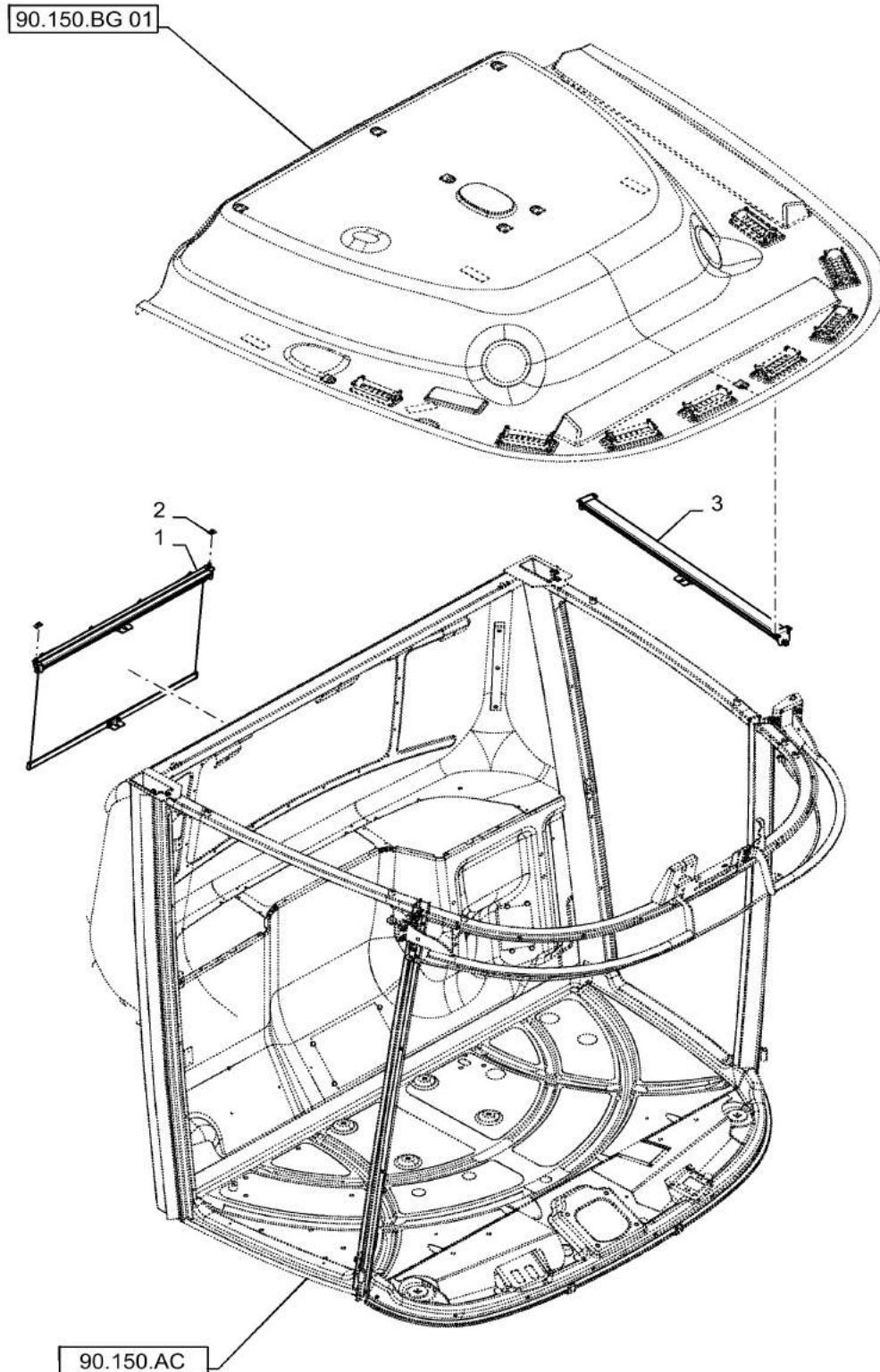


VAR - 425186, 425187, 425188, 425376 - SEAT BELT, INSTRUCTOR/OPERATOR

REF FN	PART NUMBER	YR/SN	QTY DESCRIPTION
1	84257916		1 SEAT BELT 48mm W x 1447.8mm L
2	896-11012		2 WASHER 13.5mm ID x 24mm OD x 3mm Thk
3	86624975		2 BOLT Hex, M12 x 30mm, CI 8.8, Full Thd
4	9706685		1 NUT M12 x 1.75, CI 8
5	47435667		1 PLATE Mounting Extension
6	86625255		2 WASHER 13.3mm ID x 24.5mm OD x 3mm Thk

5140-COMBINE - TIER 2

SUNSHADE, LH, REAR



90.151.AE

p1

7/2015

SUNSHADE, LH, REAR

REF FN	PART NUMBER	YR/SN	QTY DESCRIPTION
1	84560595		1 SUN VISOR 450mm x 763mm Rear, Wheat
2	87016585		2 NUT Spring, M6
3	84525584		1 SUNSHADE 451mm x 850mm LH, Wheat

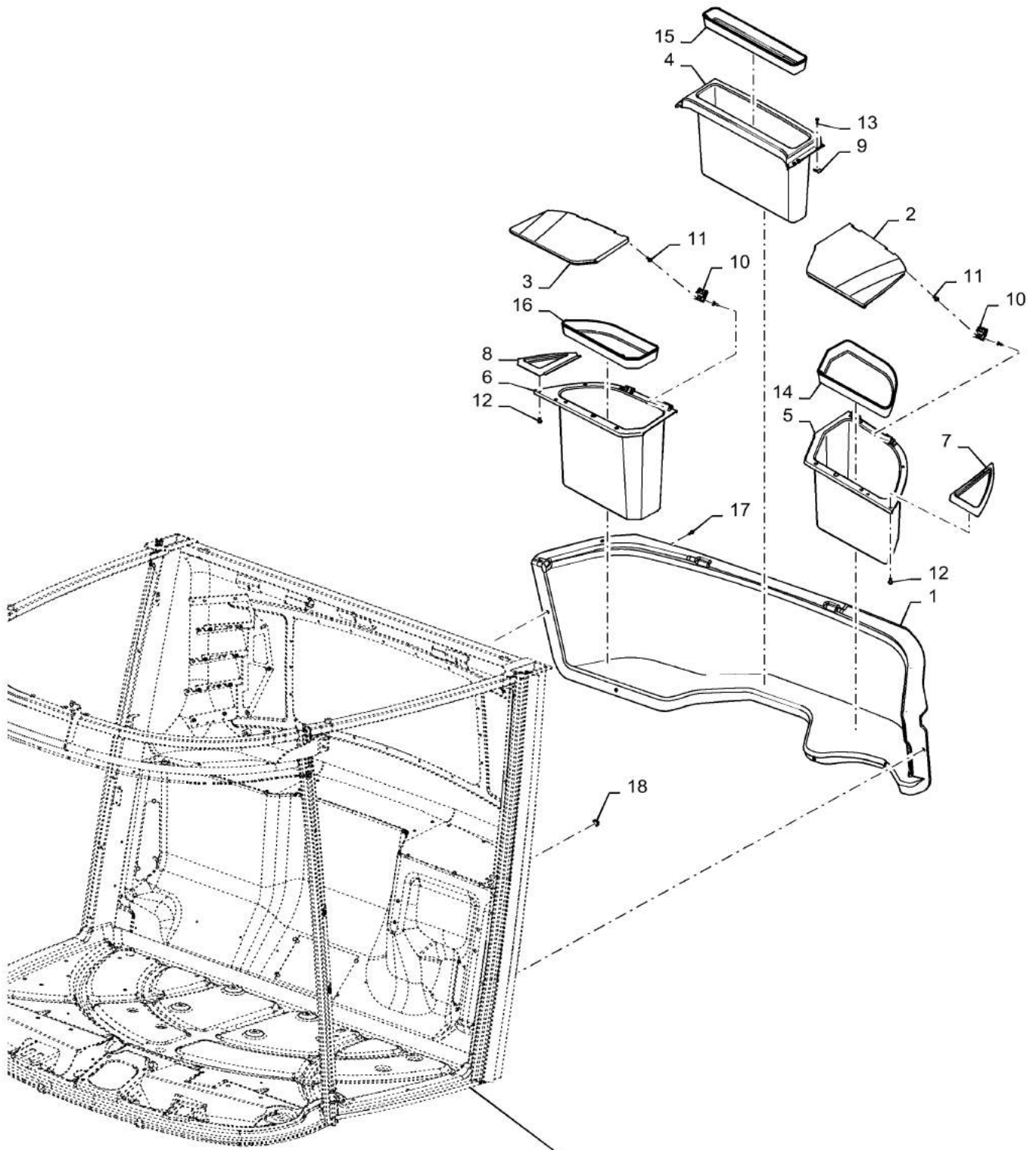
5140-COMBINE - TIER 2

90.151.AO

p1

7/2015

VAR - 425358 - COVER ASSY



90.150.AC

VAR - 425358 - COVER ASSY

REF FN	PART NUMBER	YR/SN	QTY DESCRIPTION
1	47396579		1 COVER Rear, Lower
2	47396501		1 LID LH, Wheat
3	47396500		1 LID RH, Wheat
4	84548226		1 TRAY Center
5	47403992		1 TRAY LH
6	47404007		1 TRAY RH
7	84546829		1 TRAY LH, Pick - Up Tray
8	84546833		1 TRAY RH, Pick - Up Tray
9	47395852		12 SPRING NUT Retaining
10	84393101		4 HINGE 4 Bolt Flat
11	47391906		8 SCREW Torx, M3.5 x 1.65 x 12mm
12	86511823		14 SCREW Phillips Drive, Pan HD, M4 x 8mm, CI 4.8
13	15693507		12 SCREW Over Head, M4.8 x 1.6 x 22mm
14	47633910		1 LINER LH, Rear, Liner
15	47635908		1 LINER Rear, Center, Liner
16	47635905		1 LINER LH, Rear, Liner
17	87675531		6 FLANGE BOLT M6 x 26.6mm, CI 10.9
18	84553150		6 BUMPER Rubber

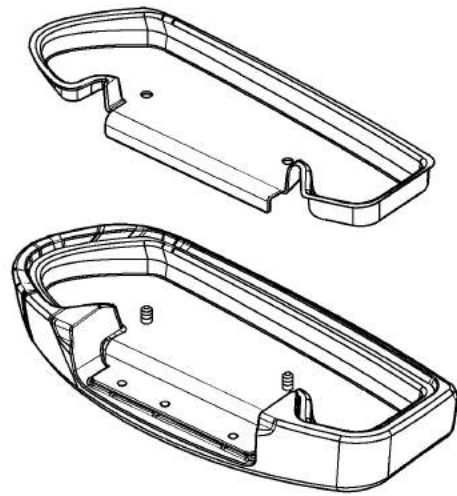
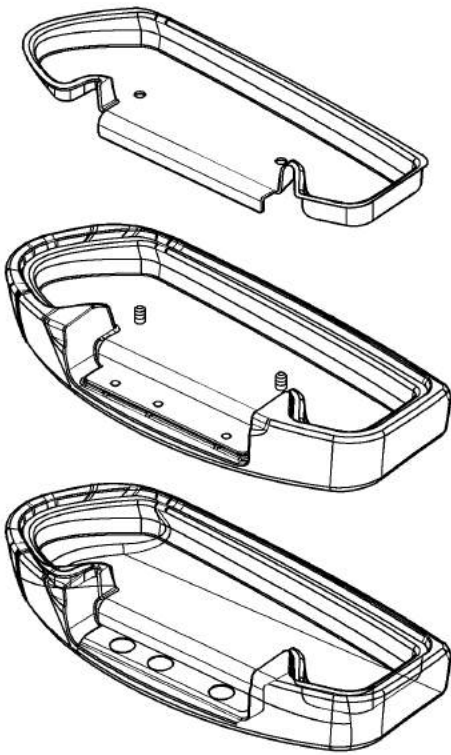
5140-COMBINE - TIER 2

90.151.AP

p1

7/2015

VAR - 425186, 425187, 425188, 425376 - ARMREST, RH



90.151.AP

p1

7/2015

VAR - 425186, 425187, 425188, 425376 - ARMREST, RH

REF FN	PART NUMBER	YR/SN	QTY DESCRIPTION
1	47361226		1 ARMREST RH, Console, - VAR - 425186, 425187
2	47361284		1 ARMREST RH, Console, - VAR - 425188, 425376

5140-COMBINE - TIER 2

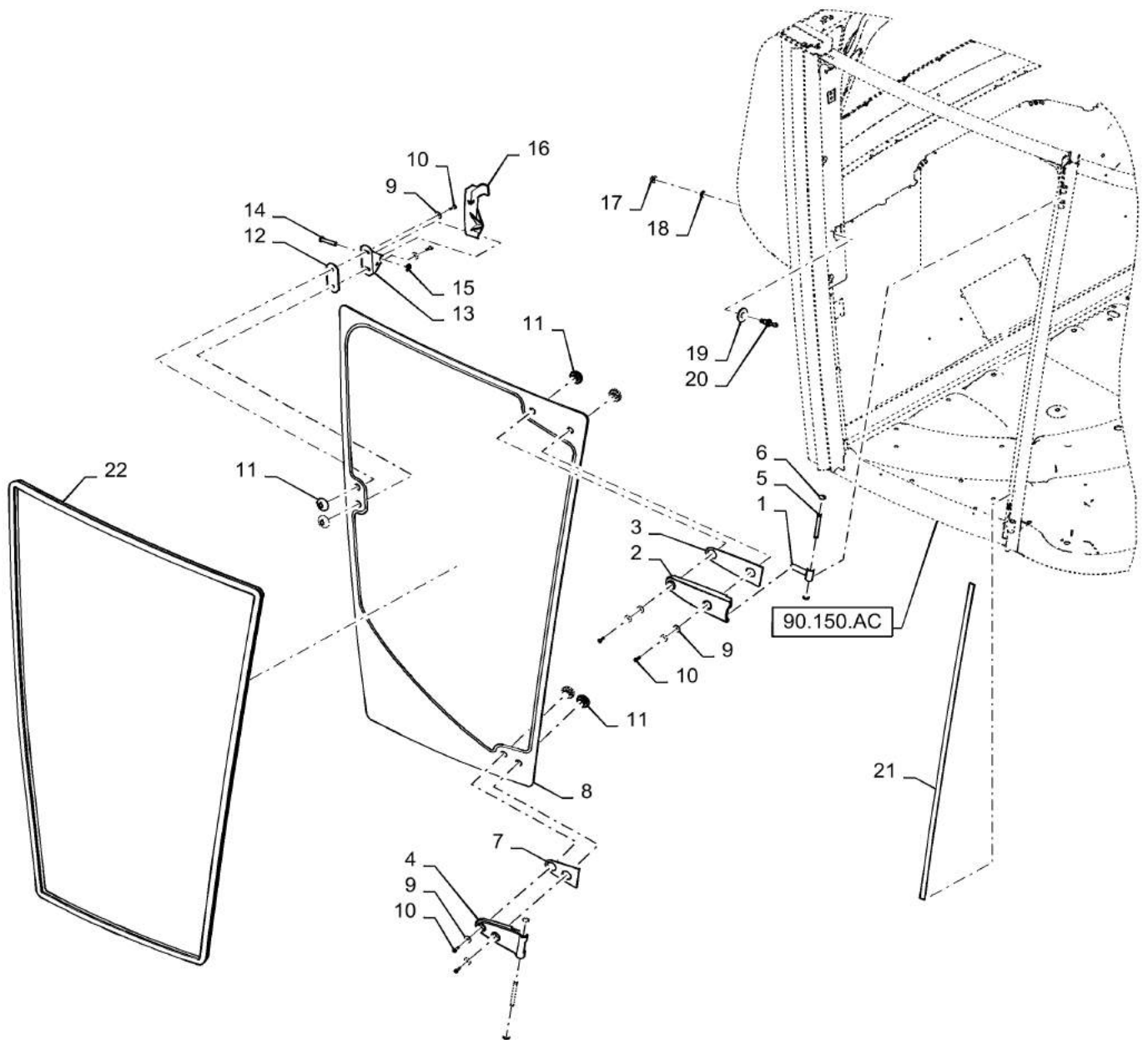
90.154.AA

01

p1

7/2015

CAB DOOR, RH



CAB DOOR, RH

REF FN	PART NUMBER	YR/SN	QTY DESCRIPTION
1	84607170		1 HINGE Upper
2	84061311		1 HINGE Upper, Outer, Plate
3	84057937		1 SEAL PROTECTION Upper, Hinge
4	84061313		1 HINGE Lower, Outer, Plate
5	84607358		2 PIN 10mm OD x 96mm L Hinge
6	431021		4 SPECIAL WASHER Securing
7	84057936		1 SEAL PROTECTION Lower Hinge
8	87282167		1 CAB GLASS Right, Operators
9	84072877		10 WASHER 6.6mm ID x 22mm OD x 2mm Thk
10	84073086		6 LOCK BOLT Pan HD, M6 x 20mm
11	86531235		6 BUSHING M6 ID x 40mm OD x 13mm Outer, Middle Glass
12	84057939		1 SEAL PROTECTION Inner, Latch
13	84434979		1 BRACKET Latch
14	84320278		1 PIN 10mm OD x 59mm L Latch
15	86979020		1 CIRCLIP M9
16	9992366		1 HANDLE Lock
17	86050279		1 FLANGE NUT M10 x 1.5, CI 10
18	86511323		1 WASHER 10.5mm ID x 20mm OD x 2mm Thk
19	47515146		1 WASHER 0.69" ID x 1.75" OD x 0.13" Thk
20	47358741		1 PIN 14mm OD x 61mm L RH
21	87032582		1 SEALING STRIP 15mm W x 1250mm L x 4mm Thk
22	84057848		1 SEAL 4415mm L Glass

5140-COMBINE - TIER 2

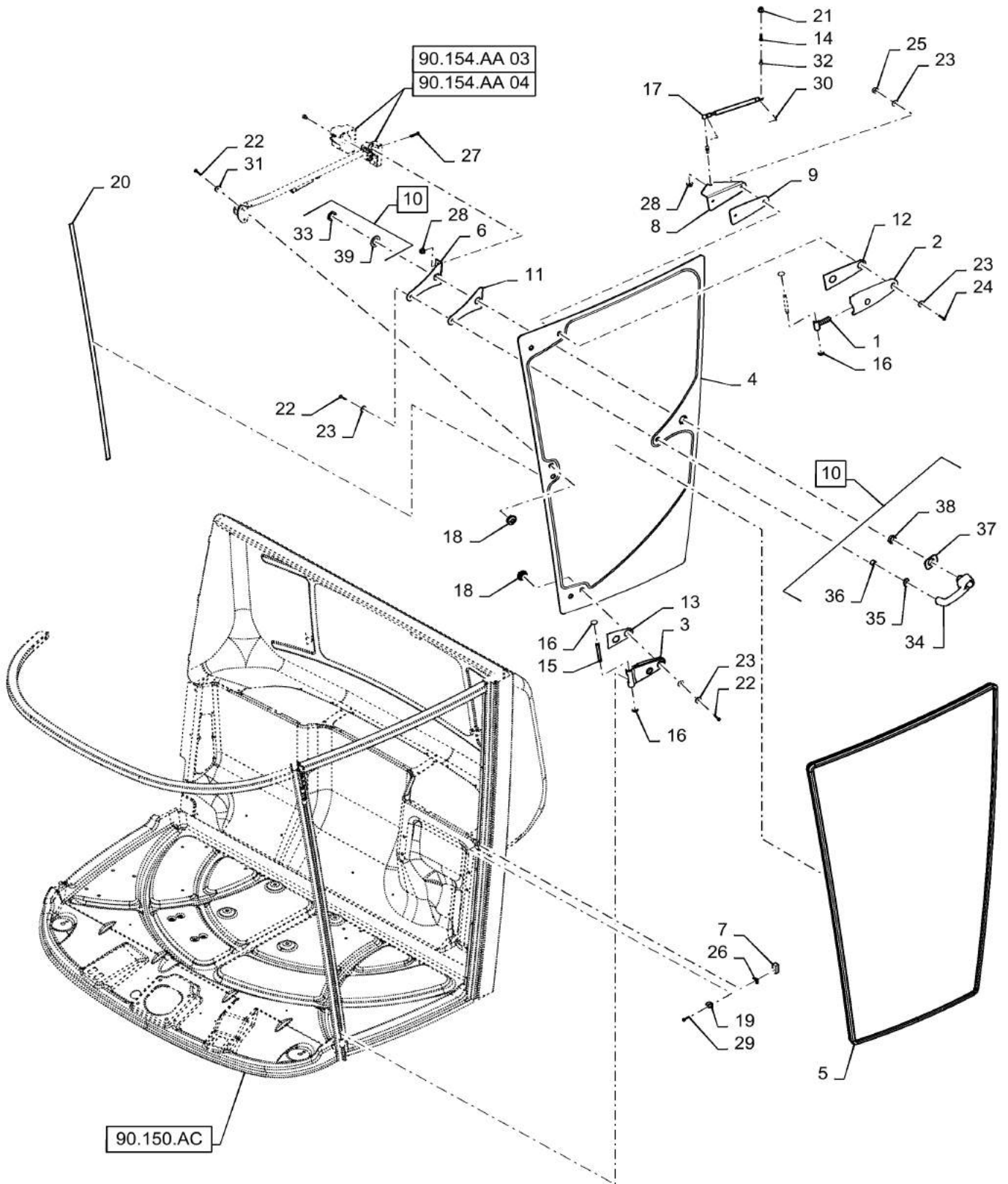
90.154.AA

02

p1

7/2015

LH CAB DOOR



LH CAB DOOR

REF FN	PART NUMBER	YR/SN	QTY DESCRIPTION
1	84607170		1 HINGE Upper
2	84061311		1 HINGE Upper, Outer, Plate
3	84061312		1 HINGE Lower
4	87282168		1 CAB GLASS Left, Operators
5	84057848		1 SEAL 4415mm L Door
6	84320292		1 BRACKET Inner, Rear
7	47432306		1 FOAM
8	84569510		1 BRACKET Upper, Inside
9	87360671		1 SEAL PROTECTION Hinge to Glass Upper
10	87280263		1 KIT Locking Handle, Incl 33 - 39
11	87360675		1 SEAL PROTECTION Handle, Inner
12	84057937		1 SEAL PROTECTION Upper, Outer, Hinge
13	84057936		1 SEAL PROTECTION Lower, Outer, Hinge
14	9706807		2 BALL STUD M8 x 1.25
15	84607358		2 PIN 10mm OD x 96mm L Hinge
16	431021		4 SPECIAL WASHER
17	84320293		1 GAS STRUT
18	86531235		4 BUSHING M6 ID x 40mm OD x 13mm Outer Glass to Inside Handle
19	47432363		1 GUARD Bumper
20	87032582		1 SEALING STRIP 15mm W x 1250mm L x 4mm Thk
21	87284531		1 NUT Rivnut, M8 x 1.25, 0.5mm - 3mm Grip Range
22	84073086		5 LOCK BOLT Pan HD, M6 x 20mm
23	84072877		9 WASHER 6.6mm ID x 22mm OD x 2mm Thk
24	84007540		2 SCREW Pozidrive, Pan HD, M6 x 25mm, CI 4.8
25	86500656		2 LOCK NUT M6 x 1, CI 8
26	87037148		1 PLATE 19mm W x 26mm L x 7.9mm Thk
27	300352		2 SCREW Phillips Drive, Flat HD, M8 x 1.25 x 40mm, CI 4.8
28	87681210		3 FLANGE NUT M8 x 1.25, CI 10

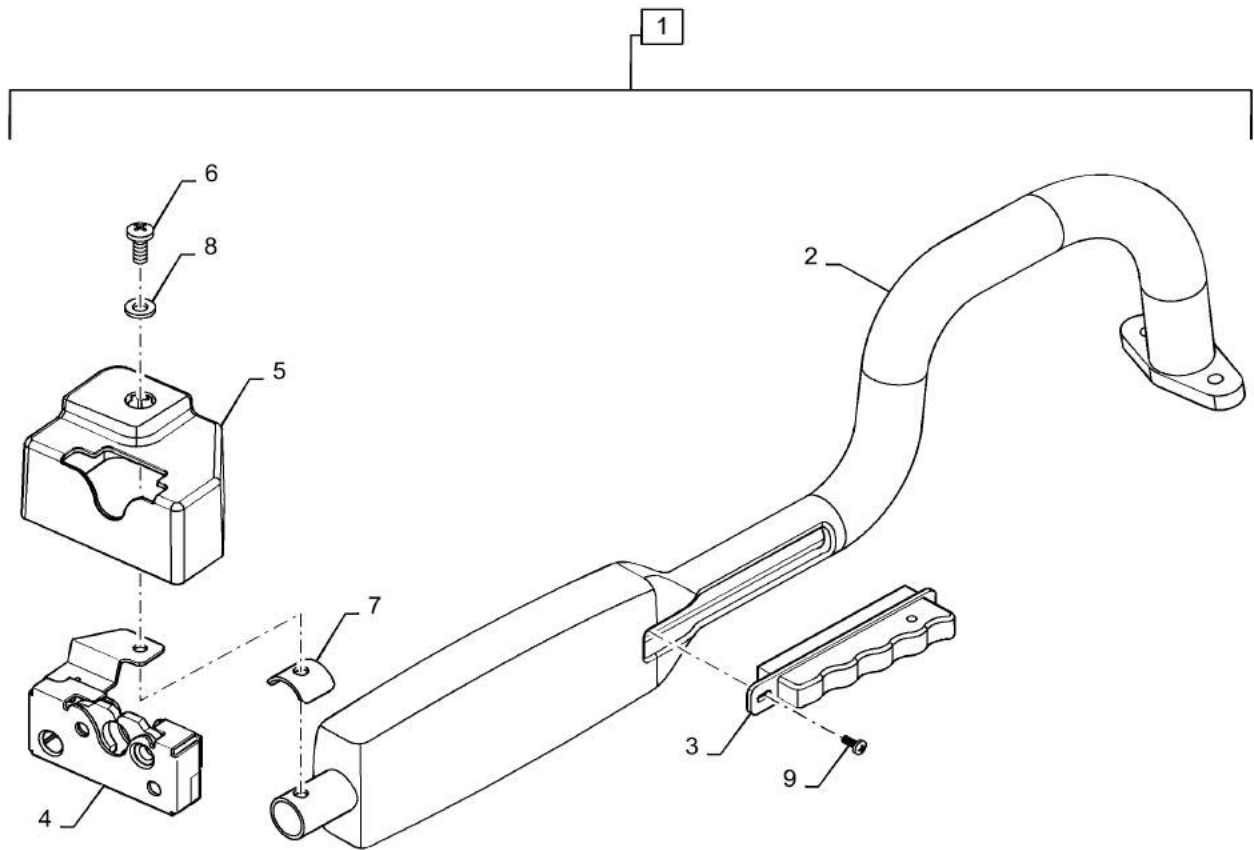
5140-COMBINE - TIER 2

LH CAB DOOR

REF FN	PART NUMBER	YR/SN	QTY DESCRIPTION
29	84569274		1 SCREW
30	86999310		2 CLIP Retainer, 13mm ID, Strut Ball Stud
31	86588450		2 WASHER 6.6mm ID x 12mm OD x 1.6mm Thk
32	82000409		2 BALL STUD Pivot
33	84989695		1 NUT M28
34	87280262		1 LOCKING HANDLE LH
35	86531231		1 GASKET Small
36	84989696		1 SPACER Small, Seal
37	86521017		1 GASKET Large
38	84064278		1 SPACER Large
39	84989694		1 WASHER Inner Handle

5140-COMBINE - TIER 2

VAR - 425358 - DOOR HANDLE

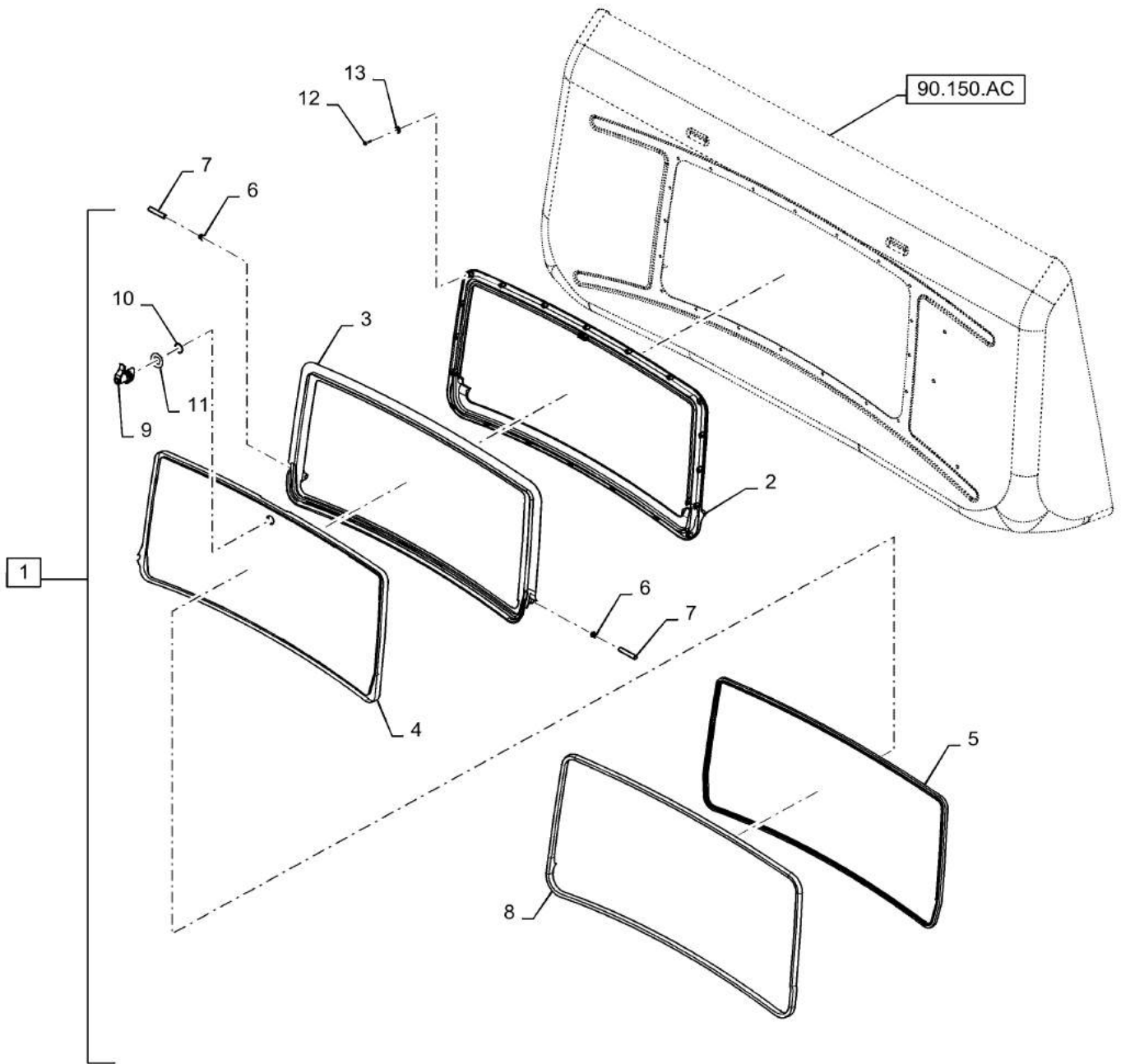


VAR - 425358 - DOOR HANDLE

REF FN	PART NUMBER	YR/SN	QTY DESCRIPTION
1	84067947		1 DOOR HANDLE Luxury, Incl 2 - 9 VAR - 425358
2	86521008		1 HANDLE Grab Handle, LH
3	84320301		1 HANDLE Inner Handle
4	86520782		1 LATCH Door
5	84067944		1 COVER Latch
6	44317		1 SCREW Cross Pan Hd, M8 x 16
7	84320299		1 CAP COVER Half Moon
8	86511315		1 WASHER 8.4mm ID x 16mm OD x 1.8mm Thk
9	86585711		1 SCREW Phillips Drive, Pan HD, M6 x 10mm, Cl 4.8

5140-COMBINE - TIER 2

WINDOW, REAR



WINDOW, REAR

REF FN	PART NUMBER	YR/SN	QTY DESCRIPTION
1	47622357		1 WINDOW Rear Cab, Incl 2 - 11
2	47405343		1 WINDOW FRAME Outer
3	84555896		1 WINDOW FRAME Inner
4	84555903		1 GLASS Rear Window
5	47617495		AR SEAL Bulb, 2.33M L, Cut to Length
6	84561230		2 PLUG Push - In, Wheat
7	84561226		2 PIN 8mm OD x 45mm L
8	9501985		AR SEALING STRIP Rubber, Cut to Length
9	84555904		1 LOCK Twist
10	84564282		1 SEAL Glass
11	84606473		1 PLATE Lock Mounting
12	84404455		20 SCREW Spcl Tap, Rd Wshr Hd Torx, M3.5 x 12mm
13	47383775		20 SEALING RING 2.5mm ID x 14mm OD x 1.75mm Thk

5140-COMBINE - TIER 2

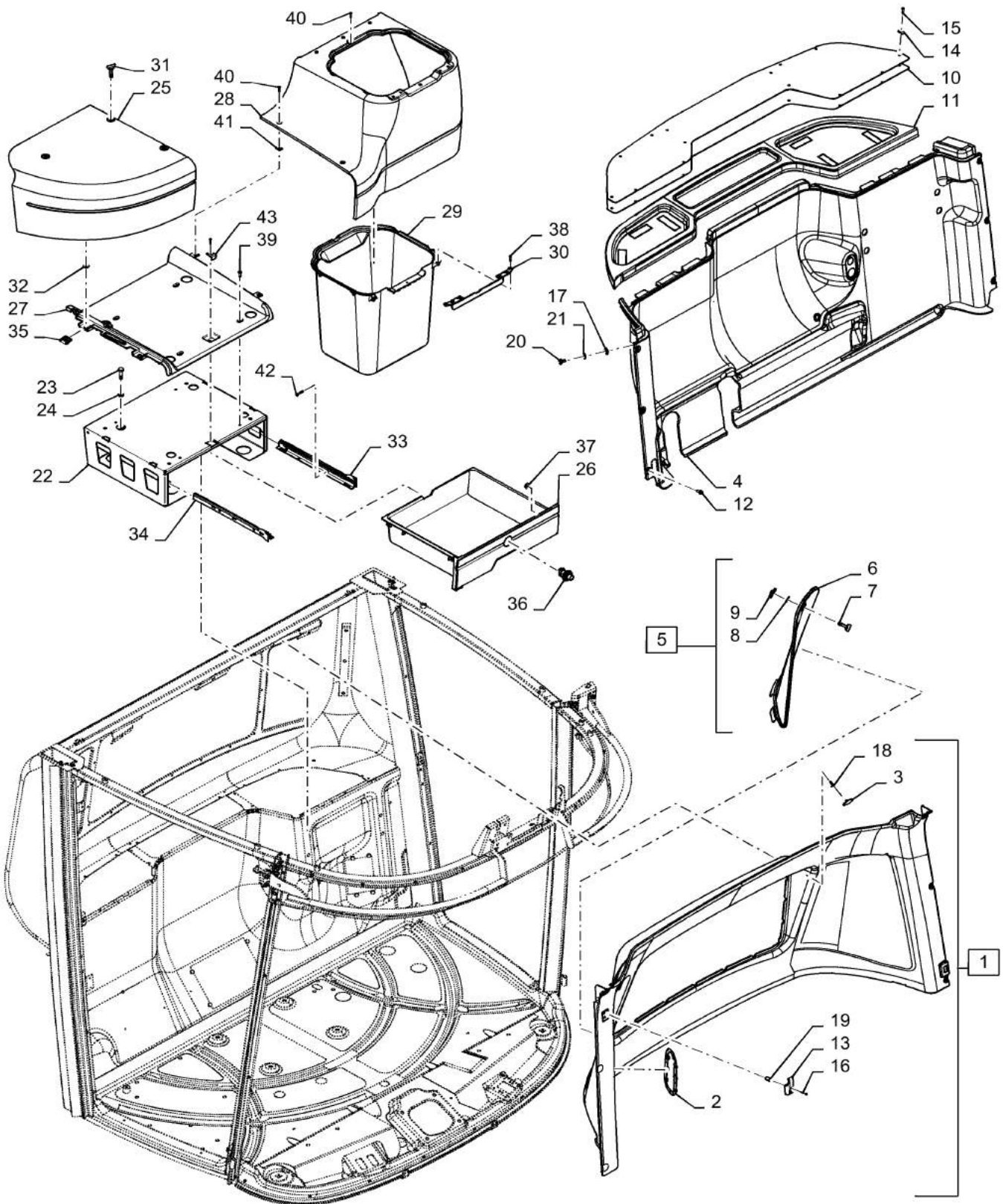
90.160.AH

01

p1

7/2015

VAR - 425357 - PANEL, CAB, REAR



90.160.AH

01

p1

7/2015

VAR - 425357 - PANEL, CAB, REAR

REF FN	PART NUMBER	YR/SN	QTY DESCRIPTION
1	47497633		1 LINER Upper Rear, Wheat, Incl 2 - 3
2	47400062		1 PLATE Operators Right, Ring For Ignition Panel
3	47435270		3 CLIP Fir Tree Fastener
4	47497629		1 LINER Rear, Lower
5	47422229		1 COVER ASSY Incl 6 - 9
6	84565264		1 PANEL Fuse
7	84576359		1 PLUG Quarter Turn Lock
8	84576365		1 WASHER 8mm ID x 16mm OD x 0.5mm Thk Quarter Turn Lock
9	84576335		1 LOCK Quarter Turn Receiver
10	84562813		1 REINFORCEMENT Rear Deck
11	47499164		1 LID Cover
12	84563392		12 PLASTIC PLUG Push Plug, Phillips Head
13	86520824		1 HOOK Coat
14	47395852		14 SPRING NUT 30mm x 4.8mm x .7mm
15	86900238		14 SELF-TAP SCREW Phillips Drive, Pan HD, #10 - 16 x 3/4"
16	86511042		2 SCREW Pan, M4 x 0.7 x 19.25mm OAL
17	84563251		3 PLUG M4 x 25mm
18	93199C1		3 FASTENER Rathchet
19	87551419		2 CONTROL NUT M4 Well Insert
20	87532870		3 THREADED INSERT Rivnut, M4, 8mm OD x 16.6mm OAL, 11.9mm Shoulder
21	10519604		3 WASHER 8.15mm ID x 17mm OD x 2mm Thk
22	47415393		1 SUPPORT Seat
23	9706704		4 BOLT Hex, M10 x 1.5 x 41.58mm, Cl 8.8
24	86511323		4 WASHER 10.5mm ID x 20mm OD x 2mm Thk
25	84577164		1 COVER Corner, Wheat
26	84546825		1 TRAY Under Seat
27	84546257		1 COVER Wheat
28	84547127		1 PEDESTAL Seat

5140-COMBINE - TIER 2

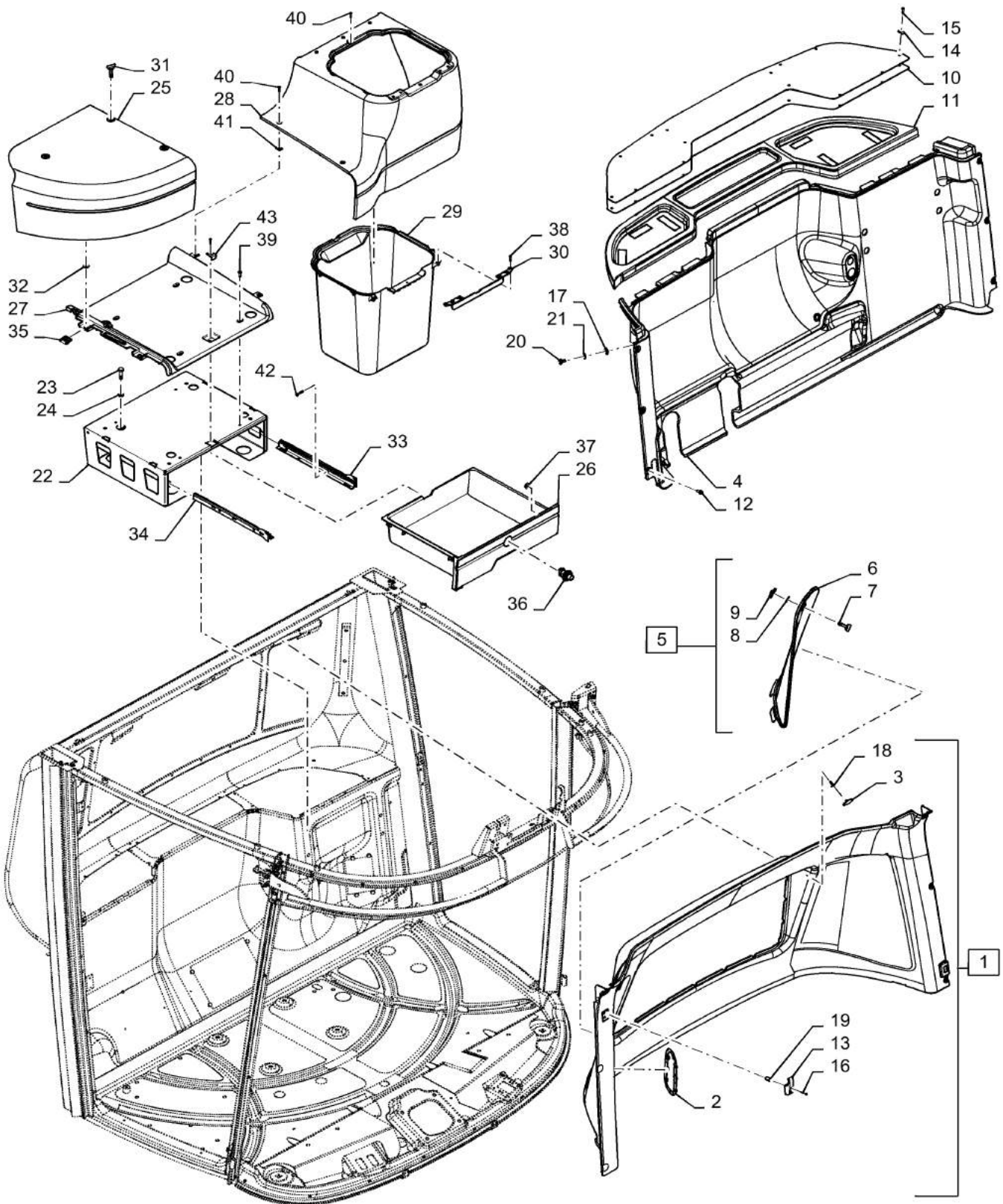
90.160.AH

01

p2

7/2015

VAR - 425357 - PANEL, CAB, REAR



VAR - 425357 - PANEL, CAB, REAR

REF FN	PART NUMBER	YR/SN	QTY DESCRIPTION
29	84547153		1 TRAY Under Seat
30	84547155		1 BRACKET Support
31	84511750		3 PLUG Quarter Turn Lock
32	84499241		3 RETAINER Quarter Turn Lock
33	84393181		1 GUIDE Drawer Slide
34	84404363		1 GUIDE Drawer Slide
35	87732164		3 LOCKING PLATE Quarter Turn Receiver
36	84402856		1 LOCK Quarter Turn
37	84553150		2 BUMPER Rubber
38	47391906		13 SCREW Torx, M3.5 x 1.65 x 12mm 3.5mm x12mm
39	84187819		4 SCREW Torx Flat Hd, M6 x 12mm, Cl 5.8
40	47399711		5 SCREW M5 x 0.8 x 20mm OAL
41	14371071		5 SPRING NUT M5, 12mm W x 20.3mm OAL
42	86555127		4 SCREW M4 x 0.7 x 23.25mm OAL, Cl 4.8, Cntr Sunk
43	84553364		1 BRACKET Support

5140-COMBINE - TIER 2

VAR - 425358 - CAB STORAGE BOX, LUXURY CAB

REF FN	PART NUMBER	YR/SN	QTY DESCRIPTION
1	84577164		1 COVER RH, Rear, Floor
2	84546825		1 TRAY Under, Operators Seat
3	84546257		1 COVER Seat Trim
4	84547127		1 PEDESTAL Instruction Seat
5	84547153		1 TRAY Removable
6	84547155		1 BRACKET LH, Support
7	47664629		1 COOLER ASSY. Cool Box, Incl 8 - 10
8	47443925		1 WIRE CONNECTOR Male, 12V, Plug In, 450mm L
9	47443926		1 WIRE CONNECTOR Male, 12V, Plug In, 1000mm L
10	47443927		1 WIRE CONNECTOR Hard Wired Plug For Cool Box , 2250mm L
11	84511750		3 PLUG Quarter Turn Lock
12	84499241		3 RETAINER Quarter Turn Lock
13	84393181		1 GUIDE LH, Slide, Under Seat, Tray
14	84404363		1 GUIDE RH, Slide, Under Seat, Tray
15	87732164		3 LOCKING PLATE Quarter Turn Receiver
16	84402856		1 LOCK Drawer
17	84553150		2 BUMPER Rubber
18	47391906		13 SCREW Torx, M3.5 x 1.65 x 12mm
19	84187819		8 SCREW Torx Flat Hd, M6 x 12mm, CI 5.8
20	47399711		5 SCREW M5 x 0.8 x 20mm OAL
21	14371071		9 SPRING NUT M5, 12mm W x 20.3mm OAL
22	86555127		4 SCREW M4 x 0.7 x 23.25mm OAL, CI 4.8, Cntr Sunk
23	84546530		1 STRAP Instruction Seat
24	12646601		1 WASHER 6.15mm ID x 15mm OD x 1.5mm Thk
25	15903801		1 SELF-TAP SCREW Pozidriv Pan Hd, M4.8 x 1.6 x 13mm
26	47398712		1 DECAL Case IH
27	84553364		1 BRACKET Underseat

5140-COMBINE - TIER 2

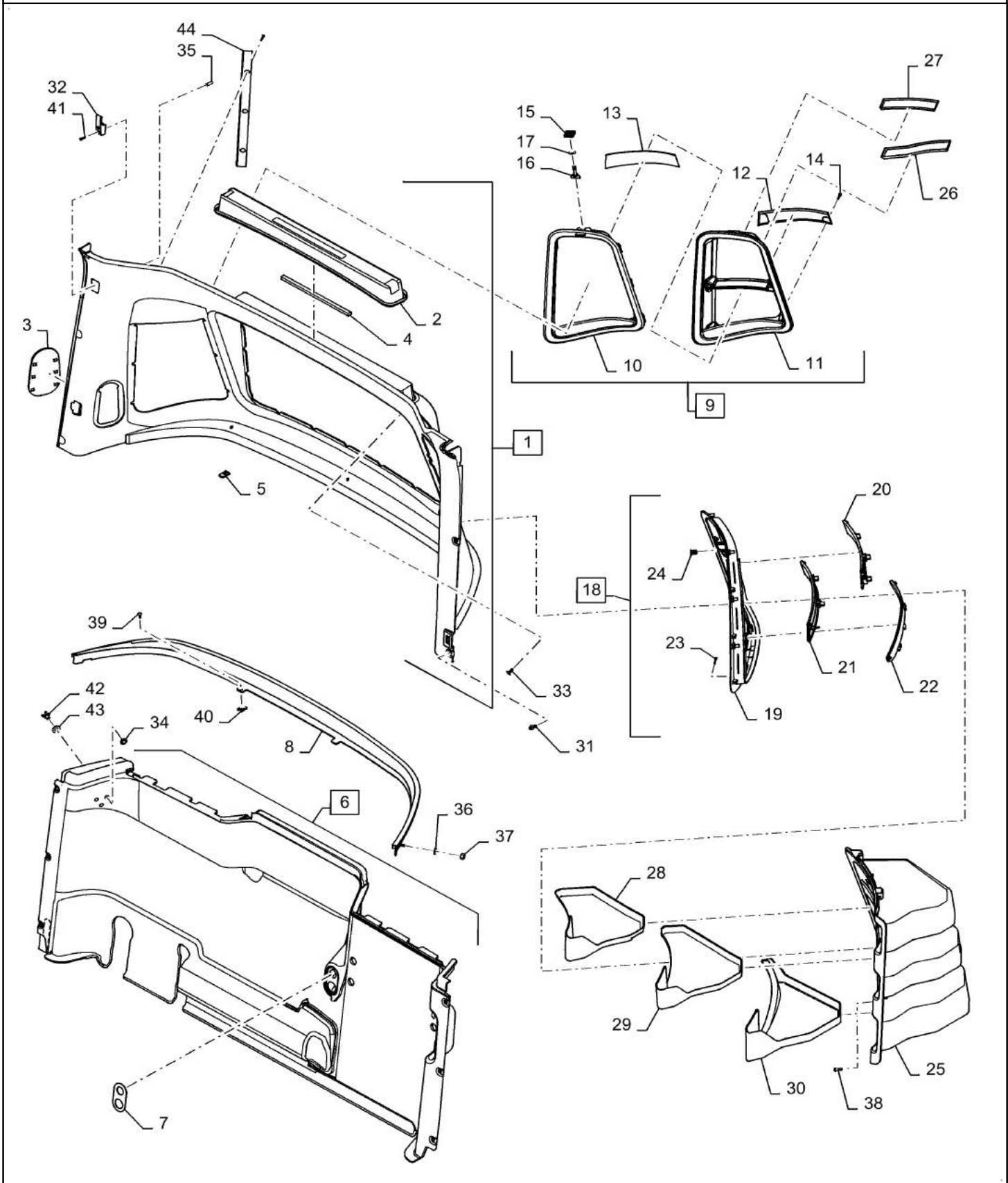
90.160.AH

03

p1

7/2015

VAR - 425358 - PANEL, CAB, REAR



VAR - 425358 - PANEL, CAB, REAR

REF FN	PART NUMBER	YR/SN	QTY DESCRIPTION
1	47497637		1 LINER Rear, Upper, Wheat, Incl 2 - 5
2	84545797		1 COVER Rear, Upper, Window
3	47400062		1 PLATE Ignition Panel Mount
4	47394939		1 FOAM
5	47435270		3 CLIP Retaining
6	47637109		1 LINER Lower, Rear, Incl 7
7	47435265		1 REINFORCEMENT Wire Harness Entry
8	84577647		1 BEZEL Rear, Trim, Wheat
9	47404666		1 COVER RH, Rear, Operators, Incl 10 - 17
10	84545927		1 COVER Retainer Ring
11	47404663		1 COVER Storage Compartment
12	47404669		1 COVER Upper, Wheat
13	47404671		1 COVER Lower, Wheat
14	84404455		6 SCREW Spcl Tap, Rd Wshr Hd Torx, M3.5 x 12mm
15	84576335		1 LOCK Quarter Turn, Receiver
16	84576359		1 PLUG Quarter Turn, Receiver
17	84576365		1 WASHER 8mm ID x 16mm OD x 0.5mm Thk Quarter Turn, Lock
18	47404653		1 COVER 3 Tier, Wheat, Incl 19 - 24
19	47404655		1 COVER Trim Ring, Wheat
20	47404659		1 COVER Upper, Wheat
21	47404661		1 COVER Middle, Wheat
22	47404679		1 COVER Lower, Wheat
23	47391906		6 SCREW Torx, M3.5 x 1.65 x 12mm
24	47406156		6 SPRING CLIP Retainer
25	47400104		1 COVER 3 Tier, Compartment
26	47635825		1 LINER Lower, 2 Tier
27	47635822		1 LINER Upper, 2 Tier
28	47635755		1 LINER Upper, 3 Tier

5140-COMBINE - TIER 2

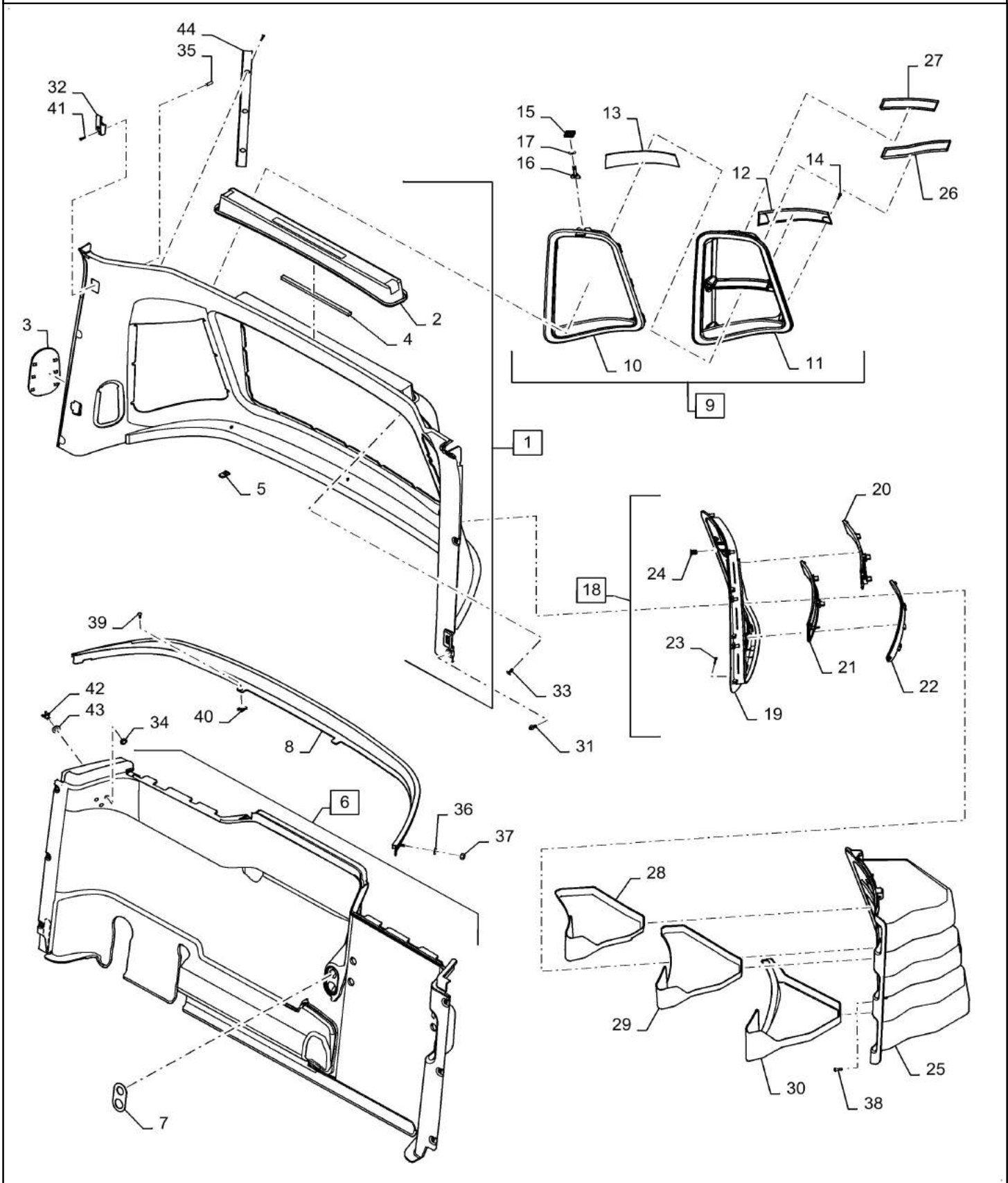
90.160.AH

03

p2

7/2015

VAR - 425358 - PANEL, CAB, REAR

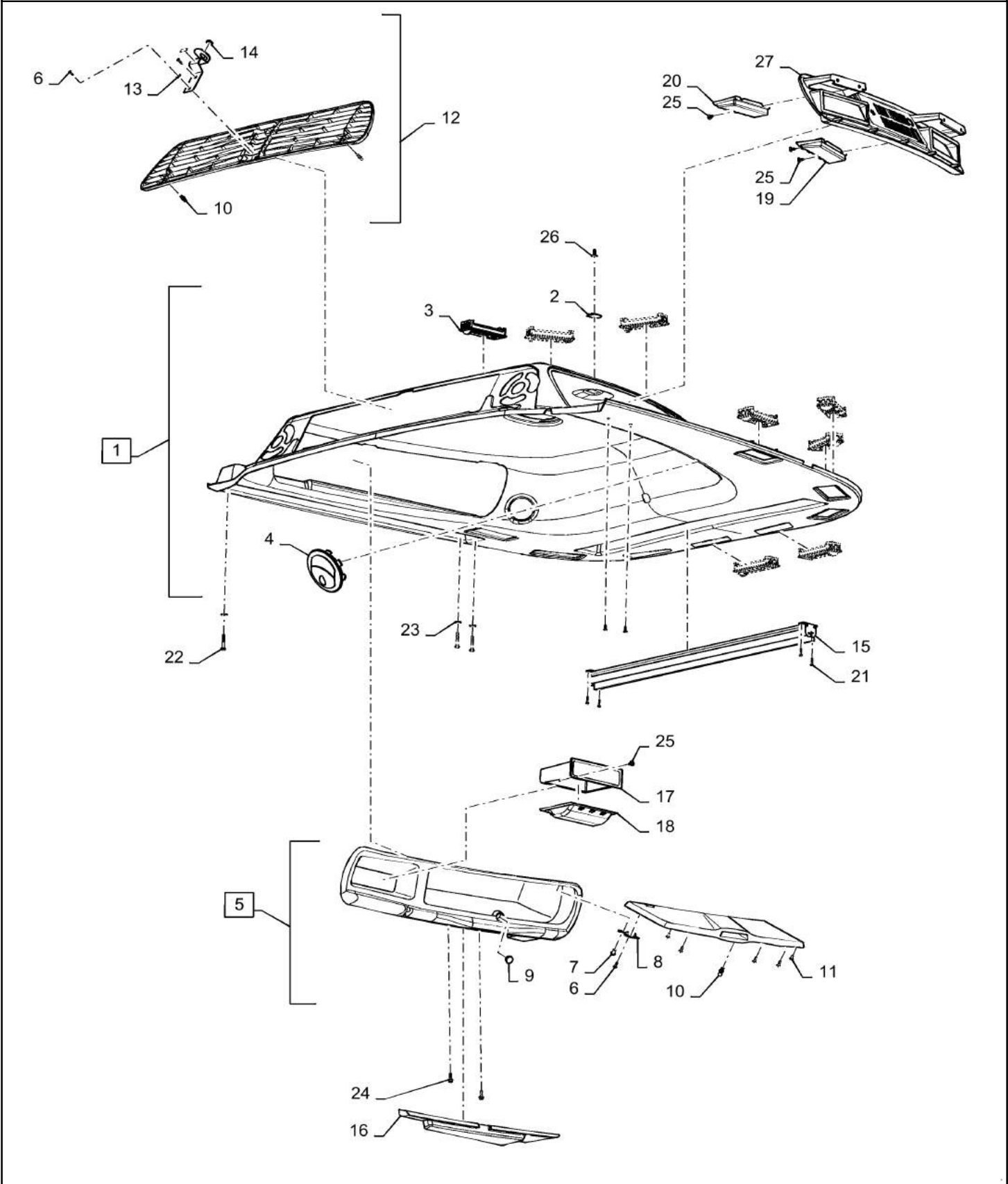


VAR - 425358 - PANEL, CAB, REAR

REF FN	PART NUMBER	YR/SN	QTY DESCRIPTION
29	47635756		1 LINER Middle, 3 Tier
30	47635757		1 LINER Lower, 3 Tier
31	84563392		12 PLASTIC PLUG Push - In
32	86520824		1 HOOK Coat
33	93199C1		3 FASTENER Ratchet
34	84563251		3 PLUG Wheat, Mushroom
35	47608153		2 SPRING NUT M4
36	14496301		5 WASHER 5.3mm ID x 10mm OD x 1mm Thk
37	12574115		5 NUT M5
38	84073086		1 LOCK BOLT Pan HD, M6 x 20mm
39	725479		2 SELF-TAP SCREW Cross Pan Hd, M4.8 x 13
40	47395852		2 SPRING NUT
41	86511042		2 SCREW Pan, M4 x 0.7 x 19.25mm OAL
42	87532870		3 THREADED INSERT Rivnut, M4, 8mm OD x 16.6mm OAL, 11.9mm Shoulder
43	10519604		3 WASHER 8.15mm ID x 17mm OD x 2mm Thk
44	47438202		1 BRACKET Support

5140-COMBINE - TIER 2

HEADLINER



HEADLINER

REF FN	PART NUMBER	YR/SN	QTY DESCRIPTION
1	47684415		1 HEADLINER Bonded, Incl 2 - 4
2	47435270		8 CLIP Fir Tree
3	87568777		8 VENT Vent, Rectangular
4	47435255		2 LOUVER Round Vent
5	84541678		1 BEZEL Incl 6 - 11
6	47363725		12 SCREW Phillips Drive, Pan HD, #7 - 19 x 1/2"
7	14644190		4 RIVET M3.9 x 11.1mm
8	84541688		2 HINGE Upper Door
9	84570383		1 LATCH Door
10	84570379		3 STUD Ball, M6 x 7mm OD x 21.7mm L
11	84554313		2 DOOR Bezel, Upper
12	47427863		1 GRILLE Vent, Incl 6, 10, 13 - 14
13	87698783		1 WASHER 5.3mm ID x 8.9mm OD x 1.2mm Thk
14	117963		1 GROMMET 1/2" ID x 1 1/16" x .062"
15	84413773		1 SUNSHADE 400mm x 880mm Front
16	84592636		1 TRAY Storage, Removable
17	84572256		1 BOX LH, Storage
18	84572243		1 INSERT LH, Storage
19	84360598		1 INSERT RH, Upper, Front
20	84360599		1 INSERT RH, Upper, Rear
21	86511824		4 SCREW Phillips Drive, Pan HD, M4 x 0.7 x 20mm, Cl 4.8
22	86050251		4 SCREW Phillips Drive, Pan HD, M4 x 25mm, Cl 4.8
23	86639315		4 WASHER 6.6mm ID x 18mm OD x 1.6mm Thk
24	87675531		3 FLANGE BOLT M6 x 26.6mm, Cl 10.9
25	104033C2		5 SELF-TAP SCREW Truss HD, #10 - 16 x 3/4"
26	93199C1		8 FASTENER Ratchet, Trim
27	47405194		1 BEZEL RH, Upper

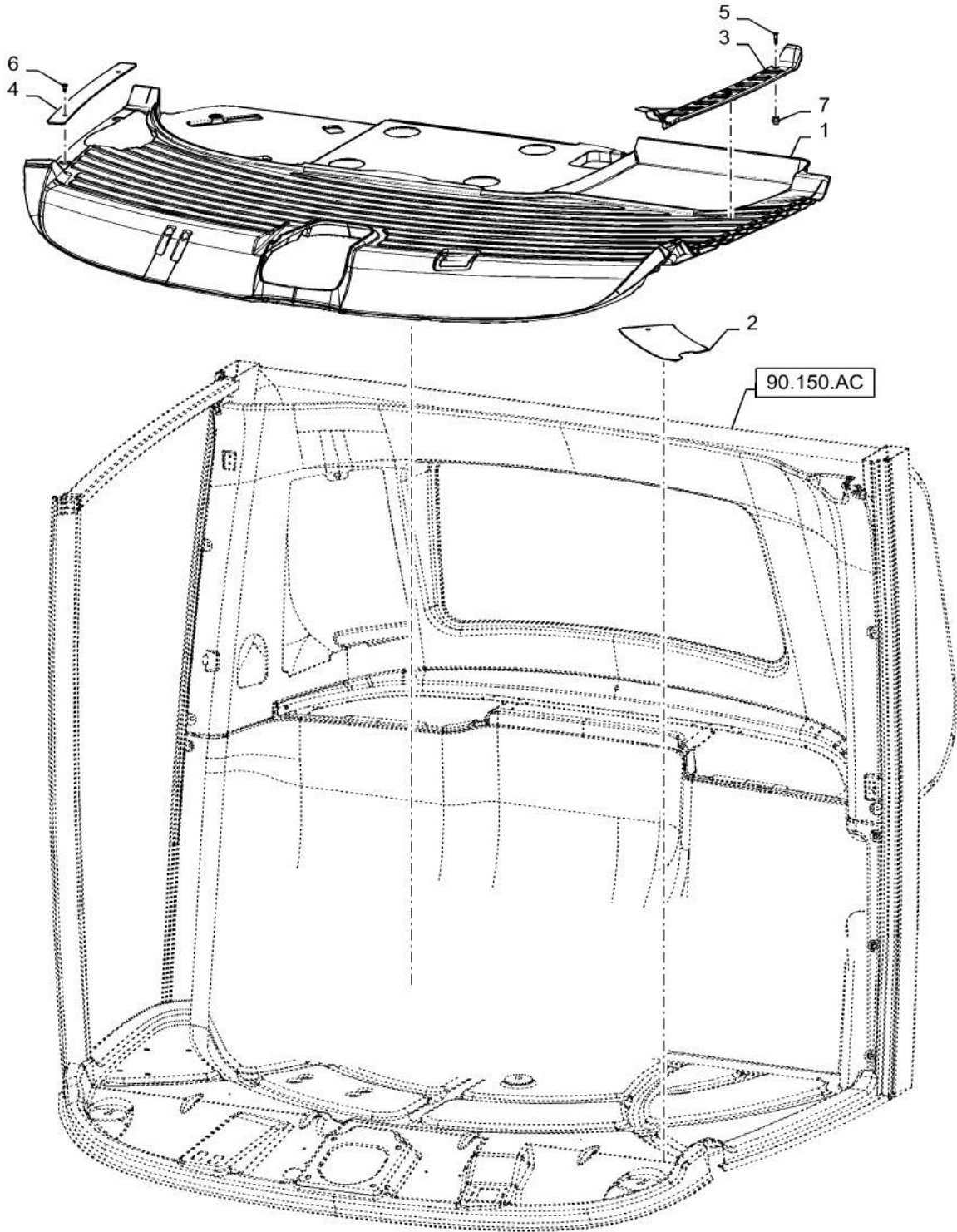
5140-COMBINE - TIER 2

90.160.BI

p1

7/2015

MAT, FLOOR

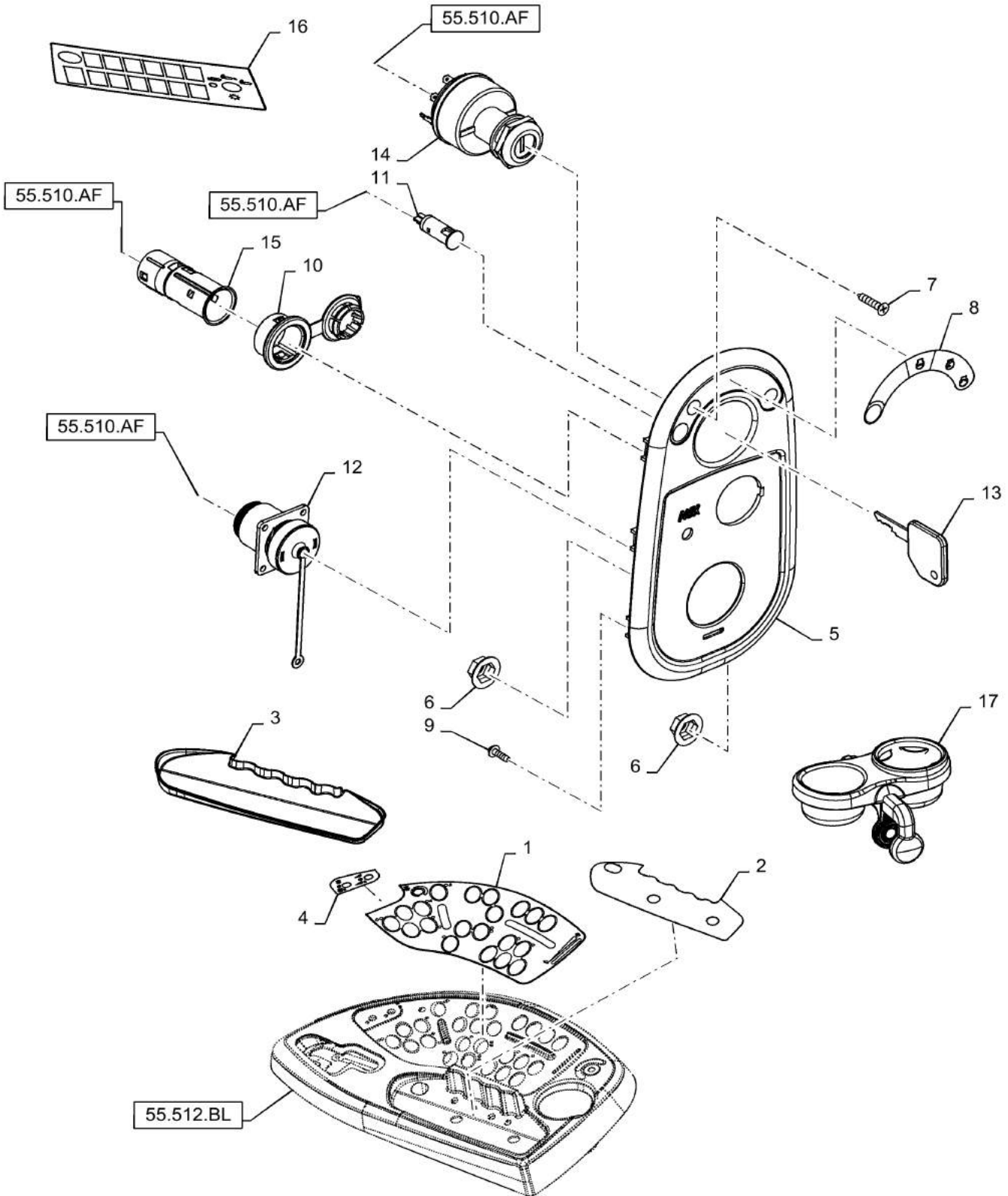


MAT, FLOOR

REF FN	PART NUMBER	YR/SN	QTY DESCRIPTION
1	47470775		1 FLOOR MAT Rubber
2	47495740		1 PLATE Cab Floor
3	47399439		1 PLATE Cab Floor, Rear
4	47401415		1 PLATE Threshold
5	47365943		3 SCREW FLAT, M6 x 25mm, SST M6 x 25mm
6	1321447C1		2 SELF-TAP SCREW Cross Pan Hd, 1/4 -20 x 1/2" OAL
7	86610198		3 INSERT M6 x 1 Nutzert, M6

5140-COMBINE - TIER 2

VAR 425357, 425358 - IGNITION SWITCH, DECALS, CONSOLE



VAR 425357, 425358 - IGNITION SWITCH, DECALS, CONSOLE

REF FN	PART NUMBER	YR/SN	QTY DESCRIPTION
1	84549233		1 DECAL Console, Black/White, - VAR - 425357
1	47467606		1 DECAL Console, Carbon Fiber, - VAR - 425358
2	47466627		1 DECAL Console, Inner Armrest, W/ Adjustment Printing, 5140, 6140, 7140
2	47466628		1 DECAL Console, Inner Armrest, Plain, 7240, 8240, 9240
3	84528919		1 PAD Under Console Armrest
4	47391986		1 DECAL Separator/Feeder Switch
5	84563625		1 PANEL Ignition Switch/Power Outlet/Implement Socket
6	86625060		1 PUSH-ON NUT Self, Threading, 1/4"
7	15916007		1 SELF-TAP SCREW Pozidriv Flat Hd Csk, M3.50 x 1.3 x 19mm
8	84403170		1 DECAL Engine Heater
9	47391906		1 SCREW Torx, M3.5 x 1.65 x 12mm
10	84556691		1 COVER Dust, 12V Socket
11	47056319		1 WARNING LIGHT LED, PTO Yellow
12	84596569		2 WIRE HARNESS 3 - Way Implement Socket
12	84596570		2 WIRE HARNESS 3 - Way Implement Socket
13	47457834		2 IGNITION KEY Contains 2 Keys
14	87281750		1 IGNITION SWITCH Start
15	388812A1		1 OUTLET 12V, 10A
16	84379141		1 DECAL Headliner, Control Panel, - VAR - 425357
16	47395906		1 DECAL Headliner, Control Panel, - VAR - 425358
17	47401102		1 TRIM PANEL Cup Holder

5140-COMBINE - TIER 2

INDEX - INDICE - INDEX - ZAHLENVERZEICHNIS - INDICE - INDICE - INDHOLD - INHOUD

Number	Figure	Sequence	Ref.	Number	Figure	Sequence	Ref.
	05.100.03	02	*	100037	60.112.AA	05	20
	05.100.03	02	1	100037	72.220.AJ	01	15
	05.100.03	02	10	100038	73.335.AG	01	13
	05.100.03	02	11	100038	74.101.BB		13
	05.100.03	02	12	101-21393	33.202.AK		6
	05.100.03	02	13	101-21412	25.310.AB		23
	05.100.03	02	14	10118711	35.359.AB	02	18
	05.100.03	02	15	102-22625	33.202.AK		17
	05.100.03	02	2	10395890	05.100.02		64
	05.100.03	02	3	10401190	05.100.02		68
	05.100.03	02	4	10401290	05.100.02		69
	05.100.03	02	5	10402190	05.100.02		70
	05.100.03	02	6	104033C2	90.160.AX		25
	05.100.03	02	7	104407A1	05.100.03	01	18
	05.100.03	02	8	104407A1	35.300.AQ	02	9
	05.100.03	02	9	10519604	90.160.AH	01	21
100-11200	60.120.AG	01	8	10519604	90.160.AH	03	43
100-11200	60.120.AG	03	7	105420	25.100.AA		29
100-1356	29.218.AO		10	105497H	14.100.AR	01	11
100-1375	29.100.AB	01	13	105497H	21.114.AL	02	25
100-16125	74.136.AD	02	17	10589928	55.512.BL	02	12
100-16150	74.140.AX		11	10619520	10.419.AA	02	14
100-2187	35.359.AC		16	106743A1	73.230.AQ	02	31
100012	55.015.AB	01	16	106744A1	73.230.AQ	02	28
100012	55.101.AC	02	7	10717511	60.120.AI	01	22
100012	55.101.AC	04	14	10717511	60.120.AI	03	13
100012	55.426.AH		1	10717511	80.150.BF	02	13
100016	55.404.CU		9	10717511	80.150.BG	05	20
100016	60.112.AA	02	21	10796401	21.126.AB		14
100016	60.112.AA	05	19	109619A1	35.500.AJ		5
100016	73.230.AJ	02	24	10978020	90.150.AC		4
100016	73.230.AJ	05	31	11065671	41.101.AC		8
100016	74.140.AK	02	11	11066071	41.101.AC		28
100016	74.140.AX		20	11066674	41.101.AC		35
100016	74.140.BM		10	11087976	90.151.AC		6
100016	80.180.AU	01	28	11119231	60.110.AA	01	31
100016	88.100.55	04	10	11119231	60.110.AA	03	33
100016	90.118.AC	02	6	112008A1	80.175.AG	02	4
100020	60.110.AT		18	113485A1	66.260.AS	01	4
100020	60.112.AA	03	19	113485A1	74.134.AO		12
100020	80.101.AP		8	114551A1	55.512.BL	01	8
100020	80.101.AR	01	29	1148871	14.100.BH		10
100020	80.101.AR	02	29	114979H	66.260.AU	02	9
100020	80.150.BG	01	4	115397A1	21.126.AB		8
100020	80.150.BG	03	45	115398A1	21.126.AB		5
100037	60.112.AA	02	24	115497A1	73.230.AQ	02	17

INDEX - INDICE - INDEX - ZAHLENVERZEICHNIS - INDICE - INDICE - INDHOLD - INHOUD

Number	Figure	Sequence	Ref.	Number	Figure	Sequence	Ref.
115745A1	74.136.AD	02	18	121413A1	55.640.AG	01	28
116032A1	60.150.AQ	01	13	121414A1	55.640.AG	01	29
116032A1	60.150.AQ	02	13	121415A1	55.640.AG	01	30
116032A1	60.150.AQ	04	4	121416A1	55.640.AG	01	31
116032A1	60.150.AQ	06	4	121602	60.150.AD	01	43
11693821	74.140.AX		26	121602	60.150.AD	02	37
117051A1	72.220.AJ	01	5	121602	60.150.AD	03	43
117067A1	55.510.AF		15	121602	60.150.AD	04	37
117067A1	55.512.BL	01	28	121850A1	05.100.02		63
117067A1	55.640.AG	01	18	121850A1	55.640.AG	01	25
117963	90.160.AX		14	122056	41.432.AE		13
118661A1	05.100.02		7	122067	10.419.AE		26
118661A1	60.150.AD	02	40	122756A3	05.100.02		41
118661A1	60.150.AD	04	40	122756A3	66.110.AF		8
118780A1	55.512.BL	01	9	123565A1	60.150.AQ	04	2
120001A1	74.114.AZ	02	17	123763A1	25.100.AA		18
120001A1	74.114.AZ	03	34	125-10012	14.100.AB		8
120039	80.180.AU	01	38	125264A2	50.200.AB	03	14
120039	80.180.AU	02	18	12574115	90.160.AH	03	37
120041	80.101.CA	03	18	126-124	74.101.AC		19
120041	80.150.BG	01	28	126-124	74.101.BB		4
120041	80.150.BG	03	32	126-124	74.140.AK	02	23
120041	80.150.BG	05	36	126-124	74.140.AK	04	21
120044	80.101.BK	01	10	126-124	74.140.BM		13
120044	80.101.BK	02	10	126-125	74.136.AD	02	24
120044	80.180.AU	01	15	126-176	14.100.AR	01	7
120061	73.335.AC	01	19	126-179	14.100.BH		7
120069	18.112.AC	01	7	12601079	88.100.90	01	14
120080	35.410.AH	01	15	12644301	80.101.CA	01	26
120080	35.410.AH	03	8	12644301	80.101.CA	02	26
120090	80.175.AD	02	25	12646205	90.100.AD		11
120093	80.175.AD	02	13	12646601	50.300.AB		14
120103	05.102.AA	02	8	12646601	90.160.AH	02	24
120104	35.415.AA		23	12648501	60.165.AM		12
120104	36.100.AA	01	9	127-218	73.230.AJ	04	36
120104	73.230.AJ	05	24	127083A1	50.200.AB	01	10
120104	80.180.AR	02	17	1272750C1	29.218.AO		31
120104	80.180.AU	02	14	1280291C1	60.112.AA	03	20
120106	33.202.BN	01	49	128068A2	35.359.AE	01	21
120106	33.202.BN	02	26	128298A2	55.628.AT	01	5
120117	80.150.BG	01	12	128359	50.100.AP		19
120117	80.150.BG	03	19	128483A1	50.100.AP		12
120248	66.101.AP	02	17	128483A1	50.200.AB	03	35
121410A1	55.640.AG	01	26	128485A1	50.200.AB	03	36
121411A1	55.640.AG	01	26	128593A1	55.512.BL	01	25
121412A1	55.640.AG	01	27	1285974C1	33.202.AK		30

INDEX - INDICE - INDEX - ZAHLENVERZEICHNIS - INDICE - INDICE - INDHOLD - INHOUD

Number	Figure	Sequence	Ref.	Number	Figure	Sequence	Ref.
1286016C1	60.120.AR		15	1308696C1	72.420.AM	01	5
128825	10.210.AO		20	1309111C1	66.331.AM		14
128825	27.450.AJ	01	19	131-415	36.100.AK	01	36
128825	29.300.AP	02	16	131-440	10.210.AF	01	18
128825	29.300.AP	03	45	131-440	10.210.AO		38
128825	35.300.AQ	02	15	131-440	29.300.AP	02	5
129-289	74.114.AU	01	27	131-440	35.300.BC	01	38
129010A4	33.110.AT	01	2	131-440	66.360.AH	01	31
129010A4	33.110.AT	02	1	131-440	73.230.AQ	02	19
129270	35.415.AA		38	131-440	73.230.AQ	03	17
129998	66.260.AU	02	55	131-440	74.114.AU	01	24
130003	60.120.AI	01	15	131-440	80.150.BF	02	7
130003	60.120.AI	02	15	131-440	80.150.BG	06	23
130003	60.120.AI	03	7	131-58	60.165.AM		36
130003	60.120.AI	04	6	131175A1	66.110.AF		6
130003	60.165.AR		24	1311905C1	73.230.AP	02	14
130004	73.335.AG	01	15	1312210C2	55.101.AC	06	7
130004	80.150.AI		7	1312210C2	55.404.CU		12
130004	80.150.BF	02	11	1312210C2	55.510.AH		33
130004	80.150.BG	05	25	1312476C1	74.114.AZ	01	30
130004	80.150.BJ		7	131311C91	21.114.AL	02	11
1301387C2	50.200.AB	03	12	131311C91	60.120.AR		31
1302112C1	74.140.CM		26	131312C1	21.114.AL	02	10
1302113C1	74.140.CM		27	131312C1	60.120.AR		32
1302143C1	74.136.AD	02	7	131436A2	55.628.AP		2
1302173C1	66.260.AS	01	13	131475R91	21.114.AL	01	8
1302176C2	72.220.AJ	02	9	1315197C1	73.335.AG	01	6
1302180C2	74.136.AD	01	4	1315223C1	73.335.AG	01	8
1302181C2	74.136.AD	01	8	1315251C1	73.210.AX	01	4
1302308C1	60.150.AQ	03	4	1315251C1	73.210.AX	07	17
1302308C1	60.150.AQ	07	4	1315256C1	73.230.AJ	04	38
1302563C1	66.331.AA		1	1315259C1	73.230.AJ	01	22
1302644C2	74.101.AC		37	1315259C1	73.230.AJ	04	20
1302725C91	74.136.AD	02	3	1315284C1	73.210.AX	03	25
1303114C91	05.100.02		4	1315284C1	73.210.AX	09	22
1303114C91	74.140.AK	02	3	1315288C1	66.260.AV	01	14
1303116C1	74.140.AK	02	30	1315316C1	60.150.AY	01	14
1303136C2	74.101.AL		1	1315316C1	60.150.AY	02	18
130503H	66.260.AU	02	3	1315597C1	60.150.AE	01	24
1307583C1	74.101.BB		9	1316828C1	73.230.AQ	05	22
1307583C1	74.125.AL		18	131703A1	60.120.AG	02	24
1307583C1	80.101.AR	01	7	1317229C1	66.110.AD		1
1307583C1	80.101.AR	02	7	1317233C1	66.110.AD		7
1307583C1	80.101.BK	01	6	1317475C1	80.101.CA	01	16
1307583C1	80.101.BK	02	4	1317475C1	80.101.CA	02	16
1307583C1	80.101.CA	03	8	1318493C2	80.101.AR	01	35

INDEX - INDICE - INDEX - ZAHLENVERZEICHNIS - INDICE - INDICE - INDHOLD - INHOUD

Number	Figure	Sequence	Ref.	Number	Figure	Sequence	Ref.
1318493C2	80.101.AR	02	35	132657A2	90.102.AZ		12
1318581C1	72.420.AM	02	7	1327538C1	74.140.AM		13
1318729C5	72.420.AM	02	1	13276414	90.150.BG	02	29
1318893C2	66.110.AF		25	1327676C1	66.331.AK	01	4
1318900C1	66.331.AM		5	1327676C1	66.331.AK	02	4
1318976C2	66.331.AK	01	5	1327676C1	66.331.AK	04	4
1318976C2	66.331.AK	02	5	1327799C2	74.114.AZ	04	1
1318976C2	66.331.AK	04	5	1327979C1	36.100.AK	01	1
1319266C1	72.220.AO		2	1327979C1	66.260.AU	01	10
1319270C1	72.220.AO		1	1329214C1	05.100.01		39
1319402C1	72.220.AJ	01	21	1329214C1	05.100.03	01	17
1319402C1	72.220.AJ	04	16	1329214C1	35.359.AE	02	6
1320922C2	60.112.AA	02	31	1329214C1	35.796.AC		31
1321447C1	90.160.BI		6	1329214C1	35.796.AD		6
1321640C1	74.130.AJ	02	11	1329715C1	10.419.AA	02	29
1321640C1	74.130.AJ	03	3	1329837C2	60.150.AD	01	30
1321661C3	72.420.AM	02	2	1329837C2	60.150.AD	02	23
1322232C2	73.230.AJ	05	27	1329837C2	60.150.AD	03	30
1322233C2	73.230.AP	02	13	1329837C2	60.150.AD	04	23
1322242C1	73.230.AJ	05	37	1330108C2	66.331.AM		32
1322248C2	73.230.AJ	05	21	13301717	90.150.BG	02	11
1322252C1	73.230.AP	02	15	13301717	90.150.BG	02	28
1322573C1	74.101.BF	02	4	1330336C1	74.101.BF	02	6
1322616C2	74.101.BB		3	1331084C1	74.125.AL		31
1322623C1	74.101.BF	01	7	133756C1	29.218.AO		34
1322623C1	74.101.BF	02	7	1338021C1	90.118.AC	03	9
1322624C1	74.101.BF	01	3	1338041C2	66.331.AM		15
1322624C1	74.101.BF	02	3	1338869C2	80.180.AU	02	8
1324190C1	66.331.AM		12	1339006C1	60.150.AE	01	42
1324294C1	60.150.AD	01	29	1339006C1	60.150.AE	02	41
1324294C1	60.150.AD	02	22	134084	05.102.AA	02	3
1324294C1	60.150.AD	03	29	1340843C1	33.110.AT	02	2
1324294C1	60.150.AD	04	22	1340843C1	35.359.AB	04	6
1324437C1	60.112.AA	02	30	1342934C1	21.114.AL	02	29
1324437C1	60.112.AA	05	30	1342935C1	21.114.AL	02	4
1324451C1	35.359.AB	01	12	1345226C1	74.101.BF	01	2
1324469C1	35.300.AQ	01	9	1345226C1	74.101.BF	02	2
1324864C91	74.140.BM		5	1345296C1	73.210.AX	03	20
1325331C1	74.114.AZ	01	25	1345296C1	73.210.AX	09	17
132657A2	60.112.AA	01	17	1345482C3	05.100.02		47
132657A2	60.112.AA	04	17	1347001C1	74.130.AF		9
132657A2	60.120.AI	01	25	1347012C2	74.130.AH		2
132657A2	60.120.AI	02	24	1347013C2	74.130.AH		3
132657A2	60.120.AI	03	17	1347127C1	10.400.BI	01	33
132657A2	60.120.AI	04	16	134713A1	60.150.AQ	01	50
132657A2	74.130.AJ	03	4	134713A1	60.150.AQ	02	50

INDEX - INDICE - INDEX - ZAHLENVERZEICHNIS - INDICE - INDICE - INDHOLD - INHOUD

Number	Figure	Sequence	Ref.	Number	Figure	Sequence	Ref.
134713A1	60.150.AQ	05	15	140016	80.101.BK	02	16
134713A1	60.150.AQ	08	6	140018	10.310.AA		4
1347207C1	73.230.AP	02	1	140018	80.175.AD	02	18
1347214C1	72.420.AM	01	21	140020	73.230.AQ	05	21
1347214C1	73.230.AJ	04	27	140021	10.400.BF	02	41
1347215C1	72.420.AM	01	20	140021	35.359.AB	01	25
1347215C1	73.230.AJ	04	26	140028	74.140.AX		40
1347466C1	74.130.AH		1	140040	74.130.AJ	02	17
13507701	60.120.AG	02	27	140041	50.300.AB		9
135286A1	25.310.AB		30	140041	55.510.AH		1
135289A1	25.310.AB		27	140041	55.518.AW		16
135291A1	25.310.AB		26	140041	90.100.BJ	01	33
135292A1	25.310.AB		25	140042	60.110.AD	01	51
135293A1	25.310.AB		24	140042	60.110.AD	03	51
135294A1	25.310.AB		13	140042	74.130.AJ	01	3
135295A1	25.310.AB		16	140042	74.140.AK	03	7
135296A1	25.310.AB		29	140045	18.112.AC	01	6
135297A1	25.310.AB		6	140045	36.100.AA	01	5
135299A1	25.310.AB		11	140045	41.206.AA		10
135300A1	25.310.AB		10	140045	55.404.CU		8
135301A1	25.310.AB		9	140045	60.112.AA	01	34
135302A1	25.310.AB		21	140045	60.112.AA	04	36
135303A1	25.310.AB		20	140045	60.150.AY	01	17
135305A1	25.310.AB		19	140045	60.150.AY	02	15
135307A1	25.310.AB		12	140045	66.101.AP	02	8
135324A2	50.200.AA	01	14	140045	66.101.AP	03	8
135370A1	55.302.AK	01	19	140045	80.180.AQ	02	12
135406A2	55.628.AP		8	140045	80.180.AU	01	31
135410A2	55.628.AP		9	140045	88.100.55	04	9
135476A1	60.120.AI	02	29	140045	88.100.66	01	9
135476A1	60.120.AI	05	1	140045	88.100.66	02	9
13550421	80.101.CA	01	12	140045	90.100.BJ	02	5
13550421	80.101.CA	02	12	140046	18.112.AC	01	3
135649A1	25.310.AB		3	140046	27.450.AH	01	8
135650A1	25.310.AB		14	140046	27.450.AH	02	8
135651A1	25.310.AB		18	140046	27.550.AJ	01	8
135950A1	25.100.AA		6	140046	35.410.AH	01	22
136-154	74.114.AU	01	6	140046	35.410.AH	03	15
137339A2	25.100.AA		9	140046	36.100.AA	01	14
137339A2	25.100.AV		3	140046	74.140.AK	01	32
137339A2	88.100.25	01	5	140046	80.150.BG	01	33
13797721	41.216.AO		8	140046	80.150.BG	03	22
138699A2	60.120.AI	02	29	140046	80.175.AD	02	29
138699A2	60.120.AI	05	1	140046	80.180.AQ	01	10
13910670	41.101.AC		39	140046	80.180.AQ	01	12
140016	80.101.BK	01	15	140046	80.180.AQ	02	10

INDEX - INDICE - INDEX - ZAHLENVERZEICHNIS - INDICE - INDICE - INDHOLD - INHOUD

Number	Figure	Sequence	Ref.	Number	Figure	Sequence	Ref.
140046	80.180.AU	01	11	142848A1	74.134.AO		5
140046	90.150.BI		10	142853A2	74.136.AA		11
140048	55.911.AB	02	3	14304021	41.101.AC		27
140048	66.331.AL	01	19	14304321	55.520.AX	01	11
140048	74.140.AK	04	26	14305221	50.100.AP		14
140048	80.101.AP		7	14305221	55.512.BL	01	15
140048	80.101.AR	01	33	143239A2	55.628.AP		4
140048	80.101.AR	02	33	143239A2C	55.628.AP		4
140048	80.150.BG	01	42	143239A2R	55.628.AP		4
140048	80.150.BG	03	43	143347A1	60.120.AI	05	2
140048	80.175.AD	02	24	14358921	50.100.AP		10
140075	80.150.AK	02	19	14369071	55.520.AX	02	7
140075	80.150.AK	03	20	14371071	90.160.AH	01	41
140219	72.420.AM	02	5	14371071	90.160.AH	02	21
140521A1	73.230.AP	02	4	143786A1	90.120.BC		11
140525A1	73.230.AJ	05	20	143786A1	90.124.AN		4
140527A1	73.230.AJ	05	10	144028A2	74.140.AK	01	8
140747C92	29.100.AB	01	31	144038A1	74.140.AK	01	30
140747C92	29.100.AB	02	31	144041	73.210.AX	09	30
140760A1	73.230.AJ	05	23	14418924	55.512.BL	01	35
140761C1	29.100.AB	01	41	144371A1	90.108.AB	02	2
140761C1	29.100.AB	02	8	144374A1	90.108.AB	02	9
140766C1	29.100.AB	01	11	14437785	10.210.AO		16
140766C1	29.218.AO		11	144378A1	90.108.AB	02	23
140769C1	29.218.AO		12	144380A1	90.108.AB	02	3
140961A1	73.230.AP	02	11	144384A1	90.108.AB	02	28
140975A1	73.230.AP	02	12	144483A1	90.108.AB	02	13
14149590	05.100.02		55	144528A1	55.628.AP		7
14149590	55.510.AH		34	14453080	60.150.AE	01	38
141655A1	55.512.BL	01	29	14453080	60.150.AE	02	35
141657A1	35.359.AC		10	14457280	41.432.AE		12
141786A3	80.150.AK	02	16	14461080	60.120.AR		37
141786A3	80.150.AK	03	14	14467080	60.150.AE	02	19
142386C91	29.100.AB	01	16	14467980	14.100.AR	01	13
142386C91	29.218.AO		16	14467980	14.100.AR	02	1
142398C91	29.100.AB	01	8	14468780	60.150.AE	02	6
142398C91	29.100.AB	02	22	14496301	21.126.AB		22
142398C91	29.218.AO		6	14496301	55.512.BL	02	20
142399C1	29.218.AO		3	14496301	90.160.AH	03	36
142407C2	29.218.AO		17	145337C1	29.100.AB	01	26
142408C1	29.100.AB	01	22	145458	55.101.AC	01	8
142408C1	29.218.AO		21	145560C1	29.100.AB	01	43
142478A2	74.140.AK	02	14	145560C1	29.100.AB	02	10
142478A2	74.140.AK	04	18	14644190	90.160.AX		7
142588A1	74.130.AJ	02	4	149940C1	35.415.AA		2
142607A2	55.628.AP		20	149942C1	33.110.AT	02	14

INDEX - INDICE - INDEX - ZAHLENVERZEICHNIS - INDICE - INDICE - INDHOLD - INHOUD

Number	Figure	Sequence	Ref.	Number	Figure	Sequence	Ref.
151-559	60.110.AD	01	55	167266	29.100.AB	02	15
151-559	60.110.AD	02	48	167266	29.218.AD		24
151-559	60.110.AD	03	55	167266	29.218.AS		32
151-559	60.110.AD	04	48	167266	35.106.AD		29
151670C1	74.140.AK	02	7	167266	35.300.AQ	02	16
1520828	35.410.AH	03	28	167266	35.300.BC	01	46
152926C1	74.136.AD	02	4	167268	35.106.AD		38
1531337C1	80.150.BF	02	38	167269	10.210.AO		41
1531337C1	80.150.BG	04	3	167269	10.419.AE		25
1531337C1	80.150.BG	06	34	167269	29.100.AB	02	16
1541543C1	74.130.AH		18	167269	35.106.AD		36
1541551C1	74.136.AD	01	10	167269	66.260.AU	02	48
1541554C1	55.101.AC	05	5	167521H1	74.101.AL		8
1541555C1	55.101.AC	05	8	167570C1	60.110.AD	01	25
1541560C1	74.130.AF		8	167570C1	60.110.AD	02	8
1541570C1	74.130.AF		7	167570C1	60.110.AD	03	25
1541775C1	74.136.AD	01	11	167570C1	60.110.AD	04	8
1541849C1	35.359.AC		2	167800C1	66.360.AH	03	2
1541928C1	74.130.AH		9	167800C1	66.360.AH	07	5
1541929C1	74.130.AH		10	168215C92	74.136.AD	02	20
1541936C3	74.130.AF		5	168368	80.101.CA	01	13
1545944C1	66.260.AS	01	8	168368	80.101.CA	02	13
155311C1	74.140.AM		25	168370C2	05.100.02		79
156011C92	74.140.AK	01	13	168370C2	74.140.AX		30
15693507	90.151.AO		13	169948C91	60.150.AE	02	29
158188	90.100.BJ	01	17	170005	10.414.AC	01	7
158188	90.100.BJ	02	13	170012	80.175.AD	01	2
1589127	35.410.AH	01	10	170012	80.175.AD	02	31
15901470	41.101.AB		26	170013	80.180.AR	02	29
15903801	90.160.AH	02	25	170015	74.140.AX		17
15916007	90.160.BL		7	170030	35.796.AE		11
159688R91	55.512.BL	02	21	170030	60.165.AM		39
16043420	90.150.AC		3	170056	74.125.AL		28
16046531	74.140.AK	03	5	170056	74.140.AX		16
16102311	33.202.BN	01	48	170056	80.101.AR	01	18
16102311	33.202.BN	02	27	170056	80.101.AR	02	18
16102311	55.015.AB	01	19	170234R1	60.150.AE	02	7
16288724	10.414.AC	01	37	174125	29.100.AB	01	5
163410	29.100.AB	01	20	174125	29.100.AB	02	20
163410	29.100.AB	02	6	174125	29.218.AO		2
163410	35.359.AC		9	174520C2	74.136.AC	01	5
165202	29.100.AB	02	17	17498D	73.210.AX	03	19
165202	35.106.AD		33	17498D	73.210.AX	09	16
165202	35.415.AA		36	175114C1	74.114.AZ	01	29
167266	27.450.AJ	01	17	175782A1	90.108.AB	02	19
167266	27.450.AJ	01	22	175784A1	90.108.AB	02	12

INDEX - INDICE - INDEX - ZAHLENVERZEICHNIS - INDICE - INDICE - INDHOLD - INHOUD

Number	Figure	Sequence	Ref.	Number	Figure	Sequence	Ref.
175788A1	73.230.AJ	01	25	182949C2	72.220.AJ	01	7
175788A1	73.230.AJ	04	25	182949C2	72.220.AJ	04	6
175931C1	60.112.AA	01	14	182949C2	72.420.AM	01	22
175931C1	60.112.AA	04	14	182949C2	73.230.AJ	01	26
176579C1	60.110.AT		3	182950C1	72.420.AM	01	10
177195C1	74.136.AC	02	5	182980C1	72.220.AJ	01	8
177195C1	80.175.AG	02	8	182980C1	72.220.AJ	04	7
177249A1	55.510.AH		28	182980C1	73.230.AJ	02	8
177678A1	29.218.AD		4	182980C1	73.230.AP	02	5
178889A1	35.796.AF		22	182981C1	72.220.AJ	02	5
178960C1	74.101.AF	01	8	183274C2	74.136.AD	02	9
1791248	74.101.AC		24	183323C1	66.331.AM		8
181195C1	73.210.AX	03	23	183333C1	74.136.AD	02	10
181195C1	73.210.AX	09	20	183826C1	33.202.AP	01	33
181206C1	74.134.AO		9	183826C1	33.202.AP	02	32
181269C1	72.350.AI	01	33	183916A1	74.136.AC	01	29
181269C1	73.210.AX	03	16	184072C1	33.202.AK		2
181269C1	73.210.AX	09	13	184195C2	21.114.AL	02	21
181274C1	73.210.AX	03	11	18438	60.120.AR		23
181274C1	73.210.AX	09	8	184489C1	66.260.AV	01	16
181278C1	73.210.AX	03	2	185053C1	80.101.AR	01	36
181278C1	73.210.AX	09	2	185053C1	80.101.AR	02	36
181281C1	73.210.AX	03	30	185114C1	88.100.74	02	2
181281C1	73.210.AX	09	27	185116C1	88.100.74	02	4
181287C1	72.350.AI	01	32	185286C91	74.136.AD	02	19
181287C1	73.210.AX	03	5	185315C1	74.140.AK	02	31
181287C1	73.210.AX	09	4	185386C1	66.331.AM		7
181288C1	72.350.AI	01	34	185413C1	60.150.AE	01	21
181288C1	73.210.AX	03	15	186700C1	72.420.AM	02	8
181288C1	73.210.AX	09	12	186736C3	73.335.AG	01	18
181376A1	25.100.AA		21	186736C3	74.101.AU		4
181760A2	66.110.AF		5	186750C1	66.331.AM		33
182634C3	66.331.AM		10	186784C2	66.331.AM		27
182892C2	72.220.AJ	02	7	186785C2	66.331.AM		9
182893C1	72.420.AM	01	9	186797C2	66.331.AM		6
182895C1	72.420.AM	01	11	186916C2	74.140.AX		33
182896C2	72.220.AJ	02	3	187187A2	74.101.AC		35
182925A1	60.120.AI	05	2	187204A1	74.101.AC		12
182925A1	80.150.AK	02	18	187849C1	33.110.AT	02	15
182925A1	80.150.AK	03	7	187849C1	35.359.AB	04	5
182925A1	90.102.BC		1	187849C1	35.359.AC		12
182931C1	72.420.AM	01	3	187850C1	33.110.AT	02	8
182948C2	72.220.AJ	01	6	187884C1	10.400.BF	02	30
182948C2	72.220.AJ	04	5	187884C1	74.130.AJ	03	2
182948C2	72.420.AM	01	23	187884C1	80.175.AG	01	24
182948C2	73.230.AJ	01	27	188029C1	73.335.AC	01	25

INDEX - INDICE - INDEX - ZAHLENVERZEICHNIS - INDICE - INDICE - INDHOLD - INHOUD

Number	Figure	Sequence	Ref.	Number	Figure	Sequence	Ref.
188062C2	66.360.AH	01	23	191422C2	66.110.AF		1
188104A1	35.100.AZ		10	191496C1	60.150.AU	01	26
188105A1	05.100.02		75	191497C1	60.150.AU	01	27
188105A1	35.100.AZ		11	191497C1	60.150.AU	02	23
188105A1	35.359.AB	03	21	191928C2	74.130.AH		17
188106A1	35.100.AZ		4	192049C1	74.114.AZ	01	23
188106A1	41.432.AE		11	192216A1	73.230.AQ	02	12
188107A1	35.100.AZ		6	192216A1	73.230.AQ	03	11
188114A1	35.100.AZ		5	192216A1	90.105.BH	01	46
188116A1	35.100.AZ		8	192216A1	90.105.BH	03	36
188117A1	35.100.AZ		9	192385C1	74.140.CM		20
188143C1	66.260.AU	01	13	192418C1	74.136.AD	02	25
188210C91	66.260.AV	01	7	192527C1	60.150.AE	01	31
188351C1	66.110.AF		2	192527C1	73.210.AX	03	29
188354C1	74.101.AC		13	192527C1	73.210.AX	09	26
188354C1	74.101.BB		2	192528C1	60.150.AE	01	12
189153A1	80.175.AG	02	12	192865C2	66.260.AO	01	6
189168A1	21.114.AL	02	43	192886C1	55.628.AP		5
189562A1	33.202.AK		16	192888C1	55.628.AP		6
190029	80.150.BF	02	26	192890C2	66.110.AF		3
190117A1	29.100.AB	01	38	19302K	74.101.AL		4
190123C1	80.175.AG	02	16	193086A1	33.202.AK		9
190158A1	55.510.AF		20	193170C1	72.420.AM	01	27
190158A1	55.640.AG	01	19	193393C1	72.420.AM	01	17
190703A1	33.110.AT	02	9	193607C3	66.101.AP	02	9
190704A1	33.110.AT	02	5	193611C2	60.112.AA	01	11
190704A1	35.359.AB	03	11	193611C2	60.120.AI	01	6
190704A1	35.415.AA		21	193611C2	60.120.AI	02	9
190705A1	33.110.AT	02	6	193652A1	25.310.AB		22
190706A2	33.110.AT	02	7	193946C1	66.260.AU	01	5
190707A1	33.110.AT	02	13	193948C1	74.136.AD	02	11
190711A1	35.415.AA		6	194043C1	66.260.AU	01	9
190715A1	35.359.AC		13	194047C2	66.260.AU	02	35
190986A1	35.415.AA		4	194051C1	66.260.AU	02	36
191065A1	29.218.AO		33	194066C91	66.260.AU	01	7
191116A1	35.300.AQ	02	7	194167C1	66.260.AV	01	11
191121A1	35.359.AB	03	7	194336C2	66.260.AS	01	2
191216A1	50.200.AB	03	29	194337C1	66.260.AS	02	6
191245C2	73.210.AX	03	17	194437C1	25.100.AA		27
191245C2	73.210.AX	09	14	194548C1	60.150.AE	01	16
191269C4	72.420.AM	01	1	194549C1	60.150.AE	01	17
191366C1	60.150.AE	01	3	194550C1	60.150.AE	01	18
191367C1	60.150.AE	01	4	194652C1	73.335.AG	01	5
191368C1	60.150.AE	01	5	194652C1	74.136.AC	01	6
191384C2	60.150.AE	01	11	194737C1	60.150.AE	02	21
191396C1	60.150.AE	01	13	194853C3	74.136.AD	02	5

INDEX - INDICE - INDEX - ZAHLENVERZEICHNIS - INDICE - INDICE - INDHOLD - INHOUD

Number	Figure	Sequence	Ref.	Number	Figure	Sequence	Ref.
194894C1	80.175.AG	02	6	1980543C1	05.102.AA	02	4
195-81030	74.136.AD	02	6	1983341C1	55.510.AF		21
195035A1	55.628.AP		1	1983341C1	55.640.AG	01	20
195035A1	80.150.AR		12	1986618C1	33.110.AT	02	4
195202C1	60.112.AA	02	15	1986739C1	29.218.AO		32
195439C2	14.100.AR	01	45	198823C1	90.100.BJ	01	29
1954736C1	10.102.AW	01	9	198824C1	55.101.AC	04	15
1954736C1	50.200.AB	01	9	198824C1	55.680.AA		2
1954736C1	50.200.AB	03	11	198824C1	66.110.AF		20
195484C2	60.150.AE	01	45	198824C1	73.230.AQ	02	25
195484C2	73.210.AX	03	7	198824C1	73.230.AQ	03	20
195484C2	73.210.AX	09	6	198824C1	73.230.AQ	05	24
195485C1	60.150.AE	01	44	198824C1	74.114.AU	02	13
195683A1	33.110.AT	02	3	198828C1	90.100.BJ	01	28
195683A1	35.359.AB	03	9	198925A1	74.118.AD	01	2
195683A1	35.359.AB	04	7	198925A1	74.118.AD	02	2
195683A1	35.359.AC		14	1989340C1	74.130.AH		6
195683A1	35.415.AA		13	1989529C1	60.150.AD	02	41
195683A1	35.796.AF		17	1989529C1	60.150.AD	04	41
195683A1	41.432.AE		21	1989543C3	74.130.AF		6
1957596C2	88.100.74	03	2	1989693C2	74.130.AH		16
195803C1	55.512.BL	01	34	1989694C2	74.130.AH		15
195806C1	55.101.AC	01	1	1990325C1	60.120.AR		40
196186A1	33.202.AK		32	1990643C1	90.120.BC		5
196693H1	21.114.AL	02	5	1994758C2	73.230.AJ	05	34
196737A1	41.432.AE		8	1994858C1	74.114.AZ	01	20
1971726C1	05.100.02		54	1994980C1	55.512.BL	02	22
1971726C1	14.100.AR	02	32	199528A1	66.331.AK	01	12
197514A2	29.218.AO		38	199528A1	66.331.AK	02	12
197526C1	60.110.AD	01	54	199528A1	66.331.AK	03	12
197526C1	60.110.AD	02	47	199528A1	66.331.AK	04	12
197526C1	60.110.AD	03	54	1997394C1	33.202.AK		27
197526C1	60.110.AD	04	47	1997395C1	33.202.AK		8
197608R1	60.150.AE	01	9	1997398C1	33.202.AK		20
197609R91	60.150.AE	01	10	1997399C1	33.202.AK		15
1977293C3	10.102.AW	01	16	1997400C1	33.202.AK		12
1979190C1	74.101.BF	01	5	1997616C4	33.202.AK		22
1979190C1	74.101.BF	02	5	1997617C4	33.202.AK		19
1979191C1	74.101.BF	01	6	1997618C4	33.202.AK		10
1979194C2	74.118.AK		16	1997619C4	33.202.AK		14
1979369C2	74.101.BF	01	9	1997656C1	21.114.AL	02	40
1979369C2	74.101.BF	02	9	1997657C1	21.114.AL	02	41
1979580C1	74.101.BB		6	1997900C1	33.202.AK		23
1979965C1	55.101.AC	03	1	1997906C1	21.114.AL	02	44
1979989C1	73.335.AG	01	21	1997933C1	21.114.AL	02	9
1980140C1	29.100.AB	02	26	1997947C2	21.114.AL	01	11

INDEX - INDICE - INDEX - ZAHLENVERZEICHNIS - INDICE - INDICE - INDHOLD - INHOUD

Number	Figure	Sequence	Ref.	Number	Figure	Sequence	Ref.
1997956C2	21.114.AL	01	10	201-419	35.796.AC		27
1997957C2	21.114.AL	01	13	201-419	35.796.AD		19
1997958C2	21.114.AL	01	12	201-428	35.796.AC		28
1997998C1	21.114.AL	02	36	201-428	35.796.AD		18
1997999C2	33.202.AK		7	201-433	29.300.AP	03	30
201-100	29.218.AS		24	201-433	35.300.BC	01	37
201-101	33.110.AT	01	5	201-434	33.202.AP	01	3
201-101	33.202.AK		24	201-434	33.202.AP	02	3
201-104	35.796.AD		22	201-452	35.410.AH	01	2
201-105	29.218.AD		11	201-452	35.410.AH	03	20
201-112	10.419.AE		12	201-919	10.102.AW	01	6
201-112	60.165.AM		32	203-903	35.796.AE		6
201-118	35.106.AD		16	203-905	35.359.AB	01	19
201-120	33.202.AP	01	14	205-126	74.101.AC		38
201-120	33.202.AP	02	13	205369R91	14.100.AR	02	19
201-121	10.400.BF	02	38	211-1014	60.120.AR		28
201-123	41.200.AO		2	213-123	29.218.AD		14
201-140	10.400.BF	02	37	213-128	80.175.AG	02	11
201-149	35.359.AB	01	18	213404	80.150.AI		26
201-161	35.796.AE		5	214-1408	10.419.AE		18
201-303	10.419.AE		9	214-1408	35.300.BC	02	22
201-304	33.110.AT	01	7	214-1410	35.300.BC	02	11
201-319	35.359.AB	02	14	214-1410	41.206.AA		21
201-320	35.359.AB	01	31	214-14104	10.202.BD	01	6
201-320	41.432.AC		5	214-1416	35.359.AE	01	36
201-320	41.432.AG		3	214-1420	35.300.BC	01	29
201-323	35.359.AB	01	28	214-1496	10.419.AA	01	1
201-326	10.210.AO		6	214-1540	55.628.AP		14
201-326	10.419.AE		10	214-1704	73.230.AQ	01	11
201-327	10.210.AO		9	214-1706	10.210.AO		32
201-331	29.100.AB	01	34	214-1706	66.260.AU	01	11
201-334	10.210.AO		43	214-1708	10.210.AF	01	10
201-334	35.500.AJ		3	214-3228	35.300.AQ	01	25
201-339	29.218.AD		13	214-3228	35.300.BC	01	6
201-339	35.359.AB	02	10	214-3228	60.150.AE	01	26
201-340	35.500.AJ		10	214-3228	60.150.AE	02	43
201-348	60.165.AM		24	214-3232	35.300.AQ	01	24
201-357	33.202.AP	01	15	214-3240	10.400.BI	01	15
201-357	33.202.AP	02	14	214-3240	10.400.BI	01	5
201-361	41.432.AG		15	214-3248	10.400.BI	01	4
201-409	29.300.AP	03	28	214366C91	74.140.AK	04	9
201-410	35.359.AB	01	16	214389	21.114.AL	02	2
201-418	29.218.AD		12	214389	29.300.AP	02	10
201-418	35.359.AB	01	17	214389	35.300.AQ	02	8
201-418	35.796.AC		22	214389	66.260.AU	02	57
201-418	35.796.AD		13	216698	10.400.BF	02	32

INDEX - INDICE - INDEX - ZAHLENVERZEICHNIS - INDICE - INDICE - INDHOLD - INHOUD

Number	Figure	Sequence	Ref.	Number	Figure	Sequence	Ref.
216698	66.110.AF		12	219-8	74.101.AF	02	6
216698	66.110.AF		27	219-8	74.136.AC	02	2
217-1035	10.400.BI	01	9	219-82	60.165.AR		14
217-1035	50.200.AB	01	4	219-86	72.350.AI	01	8
217-151	10.400.BE		9	219-86	73.210.AX	02	11
217-342	33.202.BN	01	14	219-86	73.210.AX	08	11
217-342	33.202.BN	03	13	219-87	14.100.BH		37
217-348	66.260.AU	01	25	219-87	60.110.AT		29
217-351	35.106.AD		7	219-87	60.112.AA	03	21
217-352	36.100.AK	01	23	219-87	73.335.AG	01	10
217-386	33.110.AT	01	4	219-87	74.101.AL		2
217-395	10.102.AW	01	8	219-87	74.136.AD	01	3
217-405	73.210.AX	03	10	219-87	74.140.AM		12
217-405	73.210.AX	09	7	219-87	74.140.AX		34
217-43	36.100.AC	01	12	219-87	80.175.AG	02	31
217-43	36.100.AC	01	8	219-90	66.260.AO	01	5
217-430	29.100.AB	02	30	219-90	74.140.BM		11
217-438	10.400.BI	01	7	219690R91	60.150.AE	02	30
217-46	73.210.AX	03	8	221-1142	60.150.AE	01	32
217-504	21.114.AL	01	21	221-1142	60.150.AE	02	39
217-51	36.100.AL		6	221-1344	60.150.AE	01	33
217-84	73.210.AX	03	18	221-1344	60.150.AE	02	40
217-84	73.210.AX	09	15	221254A1	33.202.AK		29
217408	14.100.AR	01	20	221579A1	35.100.AZ		2
218-1249	10.400.BF	02	39	221598A1	33.202.AK		33
218-1249	35.359.AB	01	30	222699A1	55.640.AG	01	21
218-5158	25.310.AB		33	22396V	14.100.AR	01	9
218-5206	35.100.AZ		14	224090	80.180.AU	01	34
218-5208	35.500.AH		8	224368A1	55.512.BL	01	18
218-5209	35.500.AH		9	224368A1	90.105.BH	03	15
218-5212	25.310.AB		34	224669C91	29.218.AO		18
219-1	72.350.AI	01	35	225-14104	55.510.AF		2
219-418	74.101.AF	01	3	225-14104	55.512.BL	01	32
219-433	60.120.AR		43	225-14104	55.640.AG	01	2
219-434	25.100.AA		7	225120C1	55.785.AS	02	25
219-434	60.150.AE	01	34	225123C1	55.785.AS	02	16
219-434	60.150.AE	02	31	225265R1	74.101.BB		11
219-434	66.260.AU	02	51	225326C1	35.359.AC		17
219-434	72.350.AI	01	36	225762A6	55.101.AC	02	21
219-436	73.210.AX	03	4	227546A1	90.120.BC		12
219-436	73.210.AX	09	31	227546A1	90.124.AN		12
219-8	41.106.AH		10	230-4214	55.628.AP		17
219-8	60.150.AQ	01	21	230-42406	55.628.AT	01	9
219-8	60.150.AQ	02	21	231-14109	55.101.AC	04	19
219-8	60.165.AR		18	231-14109	73.230.AQ	05	20
219-8	74.101.AF	01	7	231-1447	55.512.BL	02	23

INDEX - INDICE - INDEX - ZAHLENVERZEICHNIS - INDICE - INDICE - INDHOLD - INHOUD

Number	Figure	Sequence	Ref.	Number	Figure	Sequence	Ref.
231-1448	55.628.AP		15	237-6008	66.260.AU	01	24
231-41112	74.101.BB		7	237-6010	10.419.AE		22
231-41120	72.350.AI	01	20	237-6010	33.110.AT	02	10
231-41120	73.210.AX	02	22	237-6010	35.100.AZ		7
231-41120	73.210.AX	08	22	237-6012	66.260.AU	02	52
231-41310	41.106.AH		9	237-6014	29.100.AB	02	14
231-5144	55.101.AC	02	2	237-6016	29.218.AD		25
231-5144	55.785.AS	01	11	237-6016	35.300.AQ	02	13
231-5144	90.102.BC		4	238-5014	33.110.AT	02	12
231-5145	66.260.AU	01	8	238-5015	33.110.AT	02	11
231-5146	55.628.AT	01	4	238-5115	55.101.AC	02	23
231-5148	10.419.AA	02	30	238-5210	10.216.AI		6
231-5148	73.230.AJ	02	36	238-5214	66.260.AU	02	11
231-5344	73.230.AP	01	27	238-5218	74.136.AD	02	23
232-41110	55.628.AP		16	238-5226	72.350.AI	01	9
232-4118	74.136.AC	01	4	238-5226	73.210.AX	02	12
232-41316	72.350.AI	01	22	238-5226	73.210.AX	08	12
232-41316	73.210.AX	02	24	238-5250	73.210.AX	03	14
232-41316	73.210.AX	08	24	238-5250	73.210.AX	09	11
232707A1	33.202.AP	01	11	238-5327	74.136.AD	01	12
232707A1	33.202.AP	02	10	238-6011	10.419.AE		19
233482A1	66.101.AP	02	11	238-6011	29.218.AS		30
235584A1	66.260.AU	02	26	238-6012	33.202.AP	01	43
235591A1	66.260.AU	02	28	238-6012	33.202.AP	02	44
235594A1	66.260.AU	02	29	238-6012	35.300.BC	02	19
235595A2	66.260.AU	02	30	238-6012	35.359.AE	01	37
235757	29.218.AS		26	238-6012	41.432.AE		18
235757	29.300.AP	02	13	238-6012	60.150.AQ	05	16
235757	29.300.AP	03	37	238-6012	60.150.AQ	08	12
236377A1	21.114.AL	01	4	238-6012	80.175.AG	02	40
236378A1	33.202.AK		3	238-6014	10.419.AE		23
236388A1	21.114.AL	01	14	238-6014	29.300.AP	03	42
236388A1	33.202.AK		1	238-6014	35.359.AB	01	22
236388A1C	21.114.AL	01	14	238-6014	35.410.AH	03	22
236388A1C	33.202.AK		1	238-6014	35.500.AJ		13
236388A1R	21.114.AL	01	14	238-6014	41.432.AG		1
236388A1R	33.202.AK		1	238-6016	29.300.AP	03	43
236851A1	66.260.AU	02	44	238-6016	35.300.BC	01	50
237-6002	35.796.AF		15	238-6016	35.359.AB	01	32
237-6004	10.419.AE		20	238-6016	35.500.AJ		14
237-6004	29.218.AS		29	238-6018	35.300.BC	01	39
237-6006	33.202.AP	01	46	238-6020	35.359.AE	01	34
237-6006	33.202.AP	02	43	238-6021	29.218.AD		26
237-6006	60.150.AQ	05	17	238-6021	35.300.AQ	02	14
237-6006	80.175.AG	02	39	238-6025	35.300.BC	02	20
237-6008	33.110.AT	01	12	238-6042	35.106.AD		21

INDEX - INDICE - INDEX - ZAHLENVERZEICHNIS - INDICE - INDICE - INDHOLD - INHOUD

Number	Figure	Sequence	Ref.	Number	Figure	Sequence	Ref.
238-6117	29.100.AB	02	13	258818A1	66.260.AU	02	16
238-6219	29.218.AS		8	258819A1	66.260.AU	02	15
238-6219	29.300.AP	02	17	2652	29.100.AB	01	19
238-6219	35.300.BC	01	41	265927	55.130.AR	01	3
238-7154	21.114.AL	02	17	26799990	80.180.AR	01	7
238-7157	33.202.AK		13	27-8343	55.512.BL	01	23
238-7162	33.202.AK		11	272344	35.500.AH		6
238-7168	33.202.AK		18	272712	14.100.AR	02	22
238-7174	33.202.AK		21	272712	60.150.AE	01	6
239456A1	21.114.AL	01	19	273916	10.202.BD	01	4
239809A1	55.101.AC	02	25	274249	60.120.AI	01	20
241892A1	05.100.03	01	19	274249	60.120.AI	02	19
241892A1	35.359.AC		15	274336	25.100.AA		12
241929A2	60.120.AG	01	7	274336	29.218.AD		21
241929A2	60.120.AG	03	6	274844R91	66.260.AO	01	7
241929A2	60.165.AR		6	277043	29.100.AB	01	12
242234A1	60.150.AE	01	36	277961A1	33.202.AP	01	2
242234A1	60.150.AE	02	33	277961A1	33.202.AP	02	2
243333A1	73.210.AX	03	24	277963A1	33.202.AP	01	1
244358	10.400.BI	01	22	277963A1	33.202.AP	02	1
244549A1	25.100.AA		19	278548	29.100.AB	01	21
245105A2	25.100.AA		20	278548	29.218.AO		26
245193C2	55.101.AC	03	2	278548	35.106.AD		22
245193C2	55.101.AC	05	11	278548	35.415.AA		14
245193C2	60.110.AD	01	10	278548	41.432.AE		17
245193C2	60.110.AD	03	10	278821A3	66.331.AK	03	6
245193C2	60.112.AA	01	13	278842A1	73.335.AC	01	24
245193C2	60.112.AA	04	13	278842A1	73.335.AC	02	8
245193C2	73.335.AC	01	14	278842A1	73.335.AC	03	9
245240C1	55.628.AT	01	10	279086A1	66.110.AD		5
245361C2	74.114.AZ	02	5	280-2448	55.785.AS	02	4
245361C2	74.114.AZ	03	5	280154	41.101.AB		13
245362C1	55.101.AC	01	5	280160	35.359.AB	03	2
245484C1	55.785.AS	02	19	280183	73.230.AJ	04	31
245632C2	55.512.BL	01	7	280236	29.218.AD		16
245634C3	55.512.BL	01	6	280236	60.120.AG	02	13
248-1123	74.114.AU	01	20	280250	21.126.AB		18
248-1123	74.114.AU	02	20	280251	74.140.AK	03	9
248-1185	60.120.AG	02	9	280251	80.101.AR	01	1
248-1336	90.150.BG	01	14	280251	80.101.AR	02	1
248-1370	55.518.AW		9	280251	80.101.CA	03	14
251090A1	55.512.BL	02	18	280384	55.628.AT	01	8
253177A1	66.260.AU	02	13	280541	29.100.AB	01	18
253178A1	66.260.AU	02	12	280541	29.100.AB	02	27
255825A1	29.100.AB	01	25	280541	29.218.AO		24
255843A1	29.100.AB	01	29	280638	73.230.AP	01	26

INDEX - INDICE - INDEX - ZAHLENVERZEICHNIS - INDICE - INDICE - INDHOLD - INHOUD

Number	Figure	Sequence	Ref.	Number	Figure	Sequence	Ref.
280651	29.100.AB	01	4	300484	74.140.BM		12
280651	29.100.AB	02	25	300602	80.101.CA	01	1
280651	29.218.AO		9	300602	80.101.CA	02	1
280673A1	35.300.BQ		12	300627	35.440.AB		12
280747	55.512.BL	02	19	300633	10.414.AC	01	3
280874	29.100.AB	02	28	300644	10.414.AC	01	20
280874	29.218.AO		23	300809	74.101.BB		12
281-1478	74.140.AK	01	29	301141A2	74.136.AD	02	16
281-5458	74.114.AZ	02	16	301146A1	05.100.01		14
281-5458	74.114.AZ	03	36	301146A1	74.136.AC	01	13
281060	35.415.AA		8	301688A1	41.200.AO		10
281060	41.432.AE		19	301803R1	10.400.BI	01	10
282056A1	55.512.BL	01	12	301803R1	35.359.AE	02	9
282766A1	66.110.AD		4	301803R1	35.796.AC		33
283524A1	66.331.AB		17	301803R1	35.796.AD		8
283528A1	90.108.AB	02	22	301803R1	50.200.AB	01	3
2854542	05.100.02		25	303717A1	55.510.AF		22
2856707	05.100.02		61	303717A1	55.640.AG	01	22
2859674	05.100.02		23	303793A1	41.200.AO		21
289862C1	55.404.AC		7	306132C1	10.102.AW	01	19
289862C1	88.100.55	06	12	306132C1	50.300.AB		25
290099C91	21.114.AL	02	34	306132C1	55.911.AB	04	9
290100C1	21.114.AL	02	35	306132C1	74.140.CM		23
291186	55.302.AK	01	20	308761	90.150.AB	02	3
291186	73.230.AQ	01	36	309090	27.550.AM	01	13
29214H	66.260.AU	02	5	309090	27.550.AM	02	13
293339A1	10.102.AW	01	14	31-2423	55.518.AS		10
293460A1	72.420.AM	01	31	310-1824	66.260.AV	01	8
293817A1	66.260.AA	02	16	3102155R1	80.180.AU	01	3
295537A1	60.120.AR		48	311858A1	90.108.AB	01	10
295918A1	74.136.AD	02	13	311858A1	90.108.AB	03	10
29684	90.105.BH	03	27	3120737R1	50.200.AA	01	9
2977215	41.101.AC		33	3120737R1	55.301.AD	01	2
299075A1	35.796.AF		6	316709A1	74.125.AL		17
300352	90.154.AA	02	27	319151A1	35.415.AA		18
300388	18.112.AC	01	4	321637	21.126.AB		25
300388	80.180.AQ	01	11	322072A2	90.150.BG	01	32
300388	80.180.AQ	02	11	322355	55.512.BL	02	25
300389	60.165.AM		2	322355	60.110.AA	01	42
300389	80.180.AQ	01	19	322355	60.110.AA	03	44
300389	80.180.AQ	02	19	322355	60.110.AD	01	40
300389	80.180.AU	01	22	322355	60.110.AD	02	38
300426R91	66.260.AU	02	4	322355	60.110.AD	03	40
300480	60.165.AR		13	322355	60.110.AD	04	38
300484	74.140.AK	02	22	322356	41.101.AC		26
300484	74.140.AX		23	322357	35.410.AH	01	8

INDEX - INDICE - INDEX - ZAHLENVERZEICHNIS - INDICE - INDICE - INDHOLD - INHOUD

Number	Figure	Sequence	Ref.	Number	Figure	Sequence	Ref.
322357	35.410.AH	03	26	327679A1	80.175.AG	02	37
322357	50.100.AP		15	327802	27.450.AH	01	15
322357	50.300.AB		15	327802	27.450.AH	02	15
322357	55.015.AB	01	24	327802	27.550.AJ	01	15
322357	55.404.AC		17	328048	90.105.BH	05	10
322357	55.518.AW		10	328754	80.101.AR	01	23
322357	74.114.AU	02	2	328754	80.101.AR	02	23
322357	74.125.AL		36	328754	80.101.CA	03	12
322358	05.102.AA	02	7	329045A1	90.108.AB	02	1
322358	21.126.AB		24	330083A1	10.414.AC	01	9
322358	36.100.AA	01	8	331175	74.130.AF		11
322358	41.101.AA		3	332511A1	90.108.AB	02	25
322358	55.015.AB	01	23	335040	33.202.BN	01	37
322358	60.110.AA	01	34	335040	33.202.BN	02	15
322358	60.110.AA	03	6	335947A1	25.310.AB		7
322358	73.230.AJ	05	28	336266	55.991.AA	01	9
322358	80.101.AR	01	30	336266	55.991.AA	03	9
322358	80.101.AR	02	30	337374A1	66.260.AU	02	14
322358	80.180.AQ	01	14	337375A1	66.260.AU	02	17
322358	80.180.AQ	02	14	337475	29.300.AP	02	4
322358	80.180.AU	01	25	337475	72.350.AJ	01	20
322358	80.180.AU	02	15	337475	73.210.AX	01	3
322358	90.100.BJ	01	34	337475	73.210.AX	07	21
322358	90.118.BM	01	9	337475	90.150.BI		11
322358	90.150.AB	01	7	337476	66.331.AM		37
323190	80.175.AD	01	6	337476	74.101.AC		5
323238	60.165.AM		22	337476	80.101.AR	01	24
323464A1	35.359.AB	03	14	337476	80.101.AR	02	24
323713	25.100.AA		17	337522	37.100.AF		3
324105R91	66.260.AU	02	33	337563	66.331.AK	02	23
324464A1	90.118.AC	01	22	337563	66.331.AK	05	8
325103	10.419.AA	02	8	337563	66.331.AK	06	7
325594	60.150.AD	01	27	337563	66.331.AK	07	6
325594	60.150.AD	02	30	337829	80.175.AD	02	19
325594	60.150.AD	03	27	338413	55.911.AB	01	5
325594	60.150.AD	04	30	338413	55.911.AB	03	5
326-1048	41.106.AH		8	338413	88.100.55	01	5
326-820	66.331.AK	01	9	338413	88.100.55	02	5
326-820	66.331.AK	02	9	34039	29.100.AB	01	2
326-820	66.331.AK	03	9	34039	29.100.AB	02	19
326-820	66.331.AK	04	9	344946A1	90.108.AB	02	21
326-824	66.331.AK	01	10	347913A1	66.101.AP	02	4
326-824	66.331.AK	02	10	347913A1	66.101.AP	03	4
326-824	66.331.AK	03	10	347913A1	88.100.66	02	5
326-824	66.331.AK	04	10	347917A1	05.100.02		78
327084	80.180.AU	01	10	347917A1	72.420.AM	02	3

INDEX - INDICE - INDEX - ZAHLENVERZEICHNIS - INDICE - INDICE - INDHOLD - INHOUD

Number	Figure	Sequence	Ref.	Number	Figure	Sequence	Ref.
347918A1	66.101.AP	02	5	364845A1	55.785.AS	02	20
347918A1	66.101.AP	03	5	365789A1	50.200.CZ		8
347918A1	88.100.66	02	6	368317	80.101.AR	01	19
34821	80.175.AD	02	12	368317	80.101.AR	02	19
350459	74.125.AL		45	368798A1	55.785.AS	01	6
352198A1	10.250.AJ	01	12	368947A1	55.785.AS	02	23
352198A1	10.250.AJ	01	5	37-1420	66.260.AU	02	41
353-414	10.400.BF	02	2	37-1512	25.310.AB		5
353-414	66.360.AH	02	22	37-1516	29.100.AB	02	29
353-414	66.360.AH	06	22	37-1816	66.260.AU	02	63
353-414	74.114.AU	01	14	370001	41.101.AC		2
353-75	21.114.AL	02	37	370004	80.175.AD	02	23
353-782	25.310.AB		35	370004	80.180.AQ	01	7
353-79	74.101.AF	01	13	370004	80.180.AQ	02	7
353-79	74.101.AF	02	9	370004	80.180.AR	02	9
353216	60.120.AG	02	12	370004	80.180.AU	01	20
353308	35.410.AH	01	9	370006	10.414.AC	01	5
353308	35.410.AH	03	27	370007	10.414.AC	01	40
353308	60.110.AD	01	43	370013	80.180.AR	02	2
353308	60.110.AD	02	40	370024	10.414.AC	01	14
353308	60.110.AD	03	43	370026	80.180.AR	01	10
353308	60.110.AD	04	40	370255R2	66.260.AV	01	13
354775	66.260.AO	02	5	370383R1	74.125.AL		27
354775	80.101.AR	03	12	372756R91	74.101.AF	01	11
354775	80.101.AR	04	12	372756R91	74.101.AF	02	7
356728	10.414.AC	01	28	374835	66.331.AL	01	6
358059R1	33.202.AK		4	374835	66.331.AL	02	6
360171R1	66.260.AV	01	9	374891	74.114.AZ	02	14
360260A2	05.100.01		34	374891	74.114.AZ	03	23
360260A2	05.100.03	01	12	374895	80.101.AR	01	22
360260A2	50.100.AP		34	374895	80.101.AR	02	22
360936R1	74.136.AD	02	2	374897	74.114.AZ	01	5
361061R3	21.114.AL	01	6	377593A1	35.359.AC		11
362120R1	55.628.AT	01	2	378056	27.550.AM	01	18
362666R1	55.101.AC	02	11	378056	27.550.AM	02	18
362678A1	14.100.BH		15	378243	74.114.AZ	02	8
362679A1	14.100.BH		20	378243	74.114.AZ	03	8
362804	10.414.AC	01	17	378243	74.118.AD	02	26
363860A1	55.785.AS	02	5	378244	80.150.BG	01	34
364053	66.260.AA	02	10	378244	80.150.BG	03	20
364170A1	35.440.AB		5	378245	80.180.AU	01	30
364194A1	55.785.AS	02	10	378246	80.101.AP		6
364837A1	55.785.AS	02	21	379858R1	21.114.AL	01	1
364837A1C	55.785.AS	02	21	38-11216	74.134.AO		10
364837A1R	55.785.AS	02	21	38-1813	73.230.AQ	05	15
364843A1	55.785.AS	02	22	38-21622	60.120.AR		27

INDEX - INDICE - INDEX - ZAHLENVERZEICHNIS - INDICE - INDICE - INDHOLD - INHOUD

Number	Figure	Sequence	Ref.	Number	Figure	Sequence	Ref.
38-21622	66.260.AU	02	40	392531	74.101.AC		10
38-21622	66.260.AU	02	54	392679R91	60.150.AE	02	8
380288A1	74.140.CM		43	393062	33.202.BN	01	25
381144	50.300.AB		19	393062	33.202.BN	02	3
381928	80.150.BF	01	7	393062	80.175.AD	02	27
381928	80.150.BG	05	32	393392	10.419.AA	02	49
382103	80.101.AE		4	393392	55.785.AS	02	7
382527	10.400.BI	01	26	393392	74.125.AL		35
382638R2	80.175.AG	02	38	393598	73.230.AJ	02	22
384257A1	74.140.CM		41	393598	73.230.AJ	05	30
386188A1	66.105.AO		3	393637R2	21.114.AL	01	5
386189A1	66.105.AO		4	394120A1	60.112.AA	03	14
38767	74.140.AK	01	14	394630	80.180.AQ	01	17
388396A1	60.120.AG	01	6	394630	80.180.AQ	02	17
388812A1	55.510.AF		23	394630	80.180.AU	01	16
388812A1	55.510.AH		29	394631	25.100.AA		4
388812A1	55.512.BL	01	10	394818	80.150.BF	02	19
388812A1	55.640.AG	01	23	394818	80.150.BG	06	16
388812A1	90.160.BL		15	395448	44.511.AE		2
389034	80.101.AR	01	25	395448	44.520.AB	02	2
389034	80.101.AR	02	25	395513A1	73.230.AP	01	13
389972A2	60.110.AT		9	396-11119	73.210.AX	03	26
389973A2	60.110.AT		7	396-11119	73.210.AX	09	23
389974A1	60.110.AT		27	396-41053	25.100.AA		14
390547A1	60.150.AE	01	14	396-41053	66.331.AK	01	11
390549A1	60.150.AE	01	2	396-41053	66.331.AK	02	11
390653A1	35.300.BC	02	21	396-41053	66.331.AK	02	22
390822	27.450.AH	01	16	396-41053	66.331.AK	03	11
390822	27.450.AH	02	16	396-41053	66.331.AK	04	11
390822	27.550.AJ	01	16	396795R1	66.260.AU	02	32
390869A1	60.112.AA	03	15	397105A5	33.202.BN	01	6
390870A1	60.112.AA	03	6	397105A5	33.202.BN	03	5
390872A1	60.112.AA	03	16	397106A5	33.202.BN	01	7
390952A1	60.150.AE	01	8	397106A5	33.202.BN	03	6
391085A1	60.120.AG	01	2	397110A1	33.202.BN	01	23
391218A1	73.230.AP	01	10	397110A1	33.202.BN	03	20
391221A1	73.230.AP	01	3	397111A1	33.202.BN	01	4
391222A1	73.230.AP	01	12	397111A1	33.202.BN	03	3
391230A1	73.230.AP	01	4	397115A2	55.302.AK	01	18
391745R1	72.220.AJ	02	6	397128A1	60.150.AE	01	43
392530	60.150.AD	01	31	397586A1	66.360.AH	07	2
392530	60.150.AD	02	34	398059A1	60.150.AE	01	37
392530	60.150.AD	03	31	398059A1	60.150.AE	02	34
392530	60.150.AD	04	34	400983R91	29.100.AB	01	10
392530	80.150.BF	02	12	400983R91	29.100.AB	02	24
392530	80.150.BG	05	19	400983R91	29.218.AO		7

INDEX - INDICE - INDEX - ZAHLENVERZEICHNIS - INDICE - INDICE - INDHOLD - INHOUD

Number	Figure	Sequence	Ref.	Number	Figure	Sequence	Ref.
401502	90.100.BJ	02	12	412123	60.130.AJ	01	7
401879R1	21.114.AL	02	8	412123	60.130.AJ	02	7
401883R2	21.114.AL	02	18	412123	72.350.AJ	01	19
401884R2	21.114.AL	02	19	412123	73.210.AX	01	7
401885R2	21.114.AL	02	20	412123	73.210.AX	07	20
401889R1	21.114.AL	02	30	412126	80.175.AD	02	17
402987A1	73.230.AJ	02	21	412151	72.220.AJ	01	14
403123A1	74.114.AU	01	26	412151	90.118.AC	02	5
403145A1	29.100.AB	01	40	412247	90.150.AC		2
403145A1	29.100.AB	02	18	412398	66.331.AL	01	20
403147A1	29.100.AB	01	7	412398	72.350.AI	01	1
403147A1	29.100.AB	02	21	412398	73.210.AX	02	1
403356A1	33.202.BN	01	3	412398	73.210.AX	08	1
403356A1	33.202.BN	03	2	412649	90.100.BJ	02	23
405462R1	60.150.AE	01	35	412672	66.331.AK	01	15
405462R1	60.150.AE	02	32	412672	66.331.AK	02	15
407139A2	74.114.AU	01	30	412672	66.331.AK	03	15
407140A2	74.114.AU	01	31	412672	66.331.AK	04	15
407282A1	33.202.BN	01	11	412672	66.331.AK	05	11
407282A1	33.202.BN	03	11	412672	66.331.AK	06	10
407387A1	33.202.BN	01	9	412672	66.331.AK	07	9
407387A1	33.202.BN	03	9	413-1040	74.140.AM		32
409-7412	55.101.AC	02	3	413-1048	74.136.AC	02	3
409-7412	55.101.AC	16	7	413-1048	74.140.AM		8
409-7416	55.785.AS	01	7	413-1060	80.175.AG	02	7
409-7512	55.101.AC	02	4	413-12176	72.350.AI	01	13
409-7620	29.300.AP	03	9	413-12176	73.210.AX	02	16
409114A1	90.100.BJ	01	6	413-12176	73.210.AX	08	16
409114A1	90.100.BJ	02	20	413-428	55.628.AP		12
409731A1	05.100.02		52	413-436	55.628.AP		13
409731A1	73.230.AJ	02	34	413-512	73.210.AX	03	9
41-1012	21.114.AL	02	1	413-512	73.210.AX	09	29
410668A3	66.331.AK	01	8	413-512	74.101.AL		7
410668A3	66.331.AK	02	8	413-512	74.136.AC	01	32
410668A3	66.331.AK	03	8	413-58	74.136.AD	02	22
410668A3	66.331.AK	04	8	413-616	66.260.AU	01	19
411410A1	66.260.AV	01	10	413-620	73.210.AX	03	13
411411A1	66.260.AV	01	4	413-620	73.210.AX	09	10
411518A2	72.420.AM	02	14	413-620	74.114.AU	01	8
411572A1	10.400.BE		3	413-620	74.140.AM		16
412049	80.180.AR	02	23	413-816	73.230.AJ	02	35
412064	55.015.AB	01	15	413-824	66.331.AB		10
412064	55.101.AC	02	8	413-828	66.260.AU	01	21
412064	55.101.AC	04	11	413-832	66.331.AB		12
412064	55.426.AH		2	413-88	66.101.AP	02	16
412097	80.101.CA	03	17	413-880	55.628.AP		10

INDEX - INDICE - INDEX - ZAHLENVERZEICHNIS - INDICE - INDICE - INDHOLD - INHOUD

Number	Figure	Sequence	Ref.	Number	Figure	Sequence	Ref.
413012A1	10.400.BF	02	7	425-118	80.175.AG	02	13
413160A1	66.260.AV	01	15	425-1212	74.101.AC		18
413163A1	66.260.AV	01	3	425-1314	73.210.AX	02	26
413165A1	66.260.AV	01	12	425-1314	73.210.AX	08	26
413431A1	29.100.AB	01	28	425-1314	73.230.AJ	01	7
413528A1	60.110.AT		28	425-1314	73.230.AJ	04	7
413984A1	60.110.AT		11	425-1318	41.106.AH		13
416615A1	60.150.AE	01	27	425-1410	74.136.AC	02	7
416747A1	60.110.AT		26	425-1412	72.350.AI	01	15
416749A1	60.110.AT		25	425-1412	73.210.AX	02	18
418645A1	66.105.AO		5	425-1412	73.210.AX	08	18
418646A1	66.105.AO		6	425-144	55.785.AS	01	8
418647A1	66.105.AO		1	425-145	80.175.AG	01	15
418648A1	66.105.AO		2	425-1512	55.101.AC	03	3
418654A2	66.101.AP	02	3	425-1512	55.101.AC	05	7
418654A2	66.101.AP	03	3	425-1512	60.110.AD	01	9
418654A2	88.100.66	02	4	425-1512	60.110.AD	03	9
418655A2	66.101.AP	02	2	425-1512	60.112.AA	01	33
418655A2	66.101.AP	03	2	425-1512	60.112.AA	04	35
418655A2	88.100.66	02	3	425-1512	73.335.AC	01	15
418784A1	35.440.AB		7	425-156	74.114.AU	01	29
418785A1	10.210.AO		39	425-285	55.101.AC	02	5
418785A1	35.359.AE	01	10	425093	80.150.AI		30
418785A1	35.440.AB		6	42568767	05.100.01		27
418785A1	41.200.AO		11	42568767	05.100.03	01	3
419957A1	66.101.AP	02	10	426-516	72.350.AI	01	38
424-1228	66.331.AL	02	19	426-832	72.350.AI	01	4
425-1010	66.260.AU	01	15	426-832	73.210.AX	02	7
425-1010	74.134.AO		6	426-832	73.210.AX	08	7
425-1010	74.140.AM		11	426552A1	60.150.AE	01	25
425-1010	74.140.AM		34	426559A1	60.150.AE	01	40
425-1010	80.175.AG	02	10	426559A1	60.150.AE	02	44
425-1012	73.230.AJ	01	28	427-3175	74.140.AX		14
425-1012	73.230.AJ	04	28	427-6156	60.150.AQ	01	45
425-1012	74.140.AM		21	427-6156	60.150.AQ	02	45
425-104	55.302.AK	01	9	427-6156	60.150.AQ	05	11
425-105	73.230.AJ	02	26	427-8136	80.175.AG	02	14
425-105	73.230.AP	01	5	427179A1	74.114.AU	01	28
425-106	55.510.AF		3	427267A1	66.105.AO		7
425-106	55.640.AG	01	3	427336A1	66.360.AH	03	4
425-108	72.220.AJ	02	8	427336A1	74.114.AU	01	4
425-108	74.136.AC	01	19	428279A2	88.100.66	01	4
425-108	74.140.AM		26	428280A2	88.100.66	01	3
425-1110	66.260.AV	01	6	428281A1	88.100.66	01	5
425-1112	66.260.AA	02	12	428282A1	88.100.66	01	6
425-115	21.126.AB		23	429-108	66.260.AV	03	4

INDEX - INDICE - INDEX - ZAHLENVERZEICHNIS - INDICE - INDICE - INDHOLD - INHOUD

Number	Figure	Sequence	Ref.	Number	Figure	Sequence	Ref.
429-108	72.350.AI	01	6	432-1232	27.550.AM	02	14
429-108	73.210.AX	02	9	432-1240	60.150.AQ	01	10
429-108	73.210.AX	08	9	432-1240	60.150.AQ	02	10
431021	90.154.AA	01	6	432-1620	66.331.AB		9
431021	90.154.AA	02	16	432-1620	74.136.AC	01	28
431114A1	66.360.AH	01	21	432-1620	80.175.AG	02	28
43117	90.118.AC	02	12	432-1624	60.150.AQ	01	11
43118	41.101.AC		40	432-1624	60.150.AQ	02	11
43127	60.110.AA	01	35	432-1624	60.150.AQ	04	22
43127	60.110.AA	03	2	432-1624	60.150.AQ	06	22
43127	74.125.AL		41	432-1624	66.260.AO	01	16
43127	90.100.BJ	01	35	432-1624	73.230.AJ	01	19
43128	05.102.AA	02	2	432-1624	73.230.AJ	04	14
43128	60.110.AA	01	36	432-2040	60.112.AA	02	28
43128	60.110.AA	03	14	432-2040	60.112.AA	05	23
43129	10.400.BI	01	23	432-48	55.512.BL	02	24
43129	80.175.AD	01	9	432-48	74.140.AX		5
43129	80.175.AD	02	21	432-612	25.100.AA		28
43129	90.100.BJ	01	37	432-612	60.150.AQ	01	46
43138	36.100.AA	01	6	432-612	60.150.AQ	02	46
43139	29.300.AP	03	21	432-612	60.150.AQ	05	12
43139	55.404.CU		7	432-612	74.101.AU		7
43140	33.202.AP	01	10	432-812	60.150.AQ	01	44
43140	33.202.AP	02	9	432-812	60.150.AQ	02	44
43140	41.206.AA		11	432-812	60.150.AQ	05	10
43140	80.180.AQ	01	13	432-812	73.230.AP	01	14
43140	80.180.AQ	02	13	432-812	73.230.AQ	02	10
43151	25.100.AV		5	432-812	73.230.AQ	03	9
432-1216	55.628.AP		19	432-812	74.114.AZ	03	37
432-1216	60.150.AQ	01	15	432-812	74.118.AD	02	21
432-1216	60.150.AQ	02	15	432-812	80.175.AG	01	16
432-1216	60.150.AQ	04	23	432-812	80.175.AG	02	27
432-1216	60.150.AQ	06	23	432-812	90.105.BH	01	44
432-1216	66.110.AF		19	432-812	90.105.BH	03	34
432-1216	66.260.AO	01	18	432-816	55.512.BL	01	24
432-1216	66.260.AU	01	17	432-820	73.230.AJ	02	13
432-1216	72.220.AJ	02	14	432-820	73.230.AP	01	16
432-1216	73.230.AQ	05	23	432-820	80.175.AG	02	26
432-1216	74.140.AM		28	432-828	73.210.AX	02	27
432-1224	14.100.BH		17	432-828	73.210.AX	08	27
432-1224	60.112.AA	02	27	432-828	73.230.AJ	01	8
432-1224	60.112.AA	05	18	432-828	73.230.AJ	04	8
432-1228	74.101.AF	01	10	432-828	74.101.AC		17
432-1228	74.101.AF	02	5	43260	66.331.AM		29
432-1232	14.100.BH		18	43260	72.350.AJ	01	12
432-1232	27.550.AM	01	14	43260	73.210.AX	01	19

INDEX - INDICE - INDEX - ZAHLENVERZEICHNIS - INDICE - INDICE - INDHOLD - INHOUD

Number	Figure	Sequence	Ref.	Number	Figure	Sequence	Ref.
43260	73.210.AX	07	12	440442	80.180.AR	02	31
432698A1	27.450.AJ	01	7	442374A1	74.114.AU	01	2
432698A1	27.450.AJ	02	7	442398	10.414.AC	01	23
432698A1	27.450.AJ	03	7	442714A1	66.331.AA		5
432698A1	27.450.AJ	04	7	442774A2	90.100.BJ	01	10
432698A1	27.450.AL	01	31	44317	90.154.AC		6
432698A1	27.450.AL	02	31	44334	73.230.AQ	02	29
432698A1	27.450.AL	03	31	443434	10.414.AC	01	11
432698A1	27.450.AL	04	31	445394	10.102.AW	01	18
43281	74.101.AC		11	445394	10.400.BF	02	50
433196A2	33.202.BN	01	24	445394	36.100.AK	01	12
433196A2	33.202.BN	03	19	445394	50.200.AB	03	16
433199A1	33.202.BN	01	5	445394	55.404.CU		4
433199A1	33.202.BN	03	4	445394	55.640.AG	01	6
43362	33.202.BN	01	50	445394	55.785.AS	02	18
43362	33.202.BN	02	2	445394	66.360.AH	03	3
43362	36.100.AI		4	445394	73.230.AQ	01	27
433741A1	60.120.AG	02	7	445394	74.114.AU	02	15
434177A1	10.400.BE		4	445394	80.150.AK	02	24
43435	60.110.AD	01	46	445394	80.150.BF	02	21
43435	60.110.AD	02	44	445394	80.150.BG	06	31
43435	60.110.AD	03	46	445394	80.180.AQ	01	21
43435	60.110.AD	04	44	445394	80.180.AQ	02	21
43435	60.120.AI	01	23	445395	10.419.AA	02	45
43435	60.120.AI	02	21	445395	55.101.AC	02	9
43440	55.404.BM		5	445395	55.101.AC	03	7
43440	66.110.AF		14	445395	55.101.AC	04	6
438-1816	90.105.BH	04	22	445395	55.101.AC	05	2
438250A2	10.310.AA		1	445395	55.101.AC	08	4
438250A2C	10.310.AA		1	445395	55.101.AC	16	6
438250A2R	10.310.AA		1	445395	55.130.AR	01	10
439-11048	60.112.AA	03	9	445395	55.426.AH		3
439-11048	60.150.AQ	04	29	445395	55.510.AF		6
439-11048	60.150.AQ	06	29	445395	66.331.AL	01	14
439-1556	80.175.AG	01	13	445395	66.331.AL	02	14
439-1652	60.150.AQ	01	43	445395	73.230.AQ	01	39
439-1652	60.150.AQ	02	43	445395	74.114.AU	02	9
439-1652	60.150.AQ	05	9	445395	74.114.AZ	01	28
439-1823	66.110.AF		11	445395	74.114.AZ	02	11
439-1823	66.110.AF		26	445395	74.114.AZ	03	11
439-1828	72.220.AJ	02	13	445521A1	29.218.AO		37
439-1838	55.628.AP		18	446307	27.550.AM	01	17
439-1848	66.110.AF		18	446307	27.550.AM	02	17
439-5832	66.260.AU	01	16	44669	55.512.BL	02	15
440-10620	55.628.AT	01	7	447336	10.414.AC	01	16
440-1108	55.101.AC	04	18	448354A1	90.100.BJ	02	16

INDEX - INDICE - INDEX - ZAHLENVERZEICHNIS - INDICE - INDICE - INDHOLD - INHOUD

Number	Figure	Sequence	Ref.	Number	Figure	Sequence	Ref.
449127A1	10.210.AO		24	47357023	90.124.AL		5
449127A1	35.359.AE	01	8	47357025	90.120.AI		4
449128A1	10.210.AO		25	47357025	90.124.AL		6
449128A1	35.359.AE	01	12	47358408	44.511.AE		1
44995013	50.100.AP		32	47358412	44.511.AE		1
450555A1	74.136.AC	01	18	47358741	90.154.AA	01	20
450716	10.414.AC	01	2	47360258	35.518.AC	02	2
451231A2	66.260.AU	02	7	47361226	90.151.AP		1
451241A2	66.260.AU	02	60	47361284	90.151.AP		2
451244A1	66.260.AU	02	23	47361681	90.150.BJ		6
451245A2	66.260.AU	02	25	47361683	90.150.BJ		7
451251A1	66.260.AU	02	37	47363725	90.160.AX		6
451255A1	66.260.AU	02	27	47364243	05.100.03	01	7
451775A1	10.202.BD	01	9	47364405	50.100.AP		23
455386C1	60.150.AE	02	22	47364924	36.100.AK	01	47
455387C91	60.150.AE	02	23	47365943	90.150.BG	02	12
455805	66.260.AO	02	3	47365943	90.160.BI		5
455805	80.175.AD	01	3	47367198	90.105.BH	01	26
461-3086	29.100.AB	01	23	47367655	90.118.AC	01	28
461-3086	29.218.AO		22	47367884	80.150.AK	01	44
463-10416	55.510.AF		4	47367888	80.150.AK	01	23
463-10416	55.512.BL	01	31	47367914	36.100.AL		14
463-10416	55.640.AG	01	4	47368338	90.120.AE		7
463-11010	73.230.AQ	05	19	47368350	90.120.AE		2
463-11024	55.101.AC	02	24	47368353	90.120.AE		7
465004R91	73.335.AG	01	22	47368359	90.120.AE		2
466053	36.100.AK	01	19	47368362	90.120.AE		7
470375C1	10.210.AO		36	47368362	90.124.AH		1
470375C1	33.202.AP	01	6	47368376	90.120.AE		2
470375C1	33.202.AP	02	5	47368376	90.124.AH		2
470375C1	35.359.AB	01	7	47368382	90.124.AL		3
470375C1	35.410.AH	01	14	47368606	90.124.AH		10
470375C1	35.410.AH	03	7	47368613	90.124.AH		11
470375C1	35.796.AC		2	47368628	90.124.AH		12
470375C1	50.200.AB	01	11	47368638	90.120.AE		3
470375C1	88.100.73	02	4	47368639	90.124.AH		5
47056319	90.160.BL		11	47368643	90.120.BA		1
47132327	50.300.AB		37	47368643	90.124.AL		1
473321C1	55.101.AC	05	9	47368651	90.124.AH		9
473321C1	55.510.AH		31	47368655	90.120.AE		4
473321C1	55.785.AS	01	12	47368657	90.124.AH		13
47357001	90.120.AE		5	47368659	90.120.BA		3
47357001	90.124.AH		3	47368659	90.124.AL		7
47357018	90.120.AI		2	47368661	90.120.BA		4
47357018	90.124.AL		4	47368661	90.124.AL		8
47357023	90.120.AI		3	47368662	90.120.BA		5

INDEX - INDICE - INDEX - ZAHLENVERZEICHNIS - INDICE - INDICE - INDHOLD - INHOUD

Number	Figure	Sequence	Ref.	Number	Figure	Sequence	Ref.
47368662	90.124.AL		11	47377908	55.991.AA	03	1
47368664	90.120.BC		8	47378755	90.100.BJ	01	2
47368664	90.124.AN		6	47379727	10.210.AF	01	8
47368666	90.120.BC		9	47381867	10.500.AA		19
47368666	90.124.AN		7	47381895	10.210.AF	01	2
47368671	90.124.AN		3	47381991	90.100.BJ	02	27
47368672	90.124.AN		5	47382452	73.230.AQ	01	23
47368675	90.120.BC		13	47382453	73.230.AQ	01	22
47368675	90.124.AN		8	47382640	90.118.BM	01	6
47368682	90.120.BC		3	47382683	90.118.BM	01	7
47368698	90.124.AN		9	47383335	90.100.BJ	01	26
47368706	90.120.BC		4	47383775	90.156.AB		13
47368706	90.124.AN		10	47384093	80.150.BF	01	11
47368724	90.120.BC		6	47384093	80.150.BG	05	33
47368729	90.124.AN		11	47384533	55.510.AH		2
47368735	90.124.AN		15	47384536	55.512.AA	01	1
47369196	36.100.AK	01	46	47384748	55.512.AA	01	3
47369205	36.100.AK	01	24	47385459	73.230.AQ	02	1
47371008	10.500.AA		2	47386238	60.110.AA	01	1
47371010	10.500.AA		12	47386395	90.150.AD		3
47371517	10.500.AA		16	47388263	29.218.AD		3
47371876	10.419.AE		6	47389368	14.100.BH		30
47372434	10.400.BF	02	13	47389370	14.100.BH		33
47372435	10.400.BF	02	12	47389493	10.202.BD	01	19
47372452	10.500.AA		18	47389513	33.202.BN	01	21
47373318	35.300.AQ	01	2	47390902	55.512.AA	03	1
47373319	35.300.AQ	01	3	47390902	88.100.55	05	6
47373764	10.202.BD	01	2	47390996	36.100.AK	01	22
47374382	29.218.AS		3	47391020	73.230.AQ	04	11
47375124	10.001.AK	01	3	47391901	55.512.BL	01	27
47375155	10.001.AK	01	6	47391903	55.512.BL	02	28
47375165	10.001.AK	01	7	47391906	90.151.AO		11
47375849	35.300.AQ	01	7	47391906	90.160.AH	01	38
47376419	50.300.AB		11	47391906	90.160.AH	02	18
47376427	90.108.AC		2	47391906	90.160.AH	03	23
47376576	90.105.BH	03	30	47391906	90.160.BL		9
47376768	10.414.AC	01	32	47391986	90.160.BL		4
47377135	90.100.BJ	01	1	47392095	90.118.BM	01	8
47377140	90.100.BJ	02	3	47392095	90.118.BM	02	11
47377198	90.100.BJ	01	4	47392741	41.101.AB		24
47377204	90.100.BJ	02	11	47392759	41.101.AB		14
47377206	90.100.BJ	01	19	47392763	41.101.AB		15
47377792	90.151.AC		1	47394672	33.202.BN	01	42
47377843	90.151.AC		1	47394672	33.202.BN	02	20
47377908	55.991.AA	01	1	47394877	80.150.AK	02	22
47377908	55.991.AA	02	1	47394879	80.150.AK	02	2

INDEX - INDICE - INDEX - ZAHLENVERZEICHNIS - INDICE - INDICE - INDHOLD - INHOUD

Number	Figure	Sequence	Ref.	Number	Figure	Sequence	Ref.
47394886	10.202.BD	01	35	47404007	90.151.AO		6
47394939	90.150.BG	01	18	47404253	55.512.BL	01	14
47394939	90.160.AH	03	4	47404653	90.160.AH	03	18
47395194	50.200.CZ		2	47404655	90.160.AH	03	19
47395715	50.100.AP		43	47404659	90.160.AH	03	20
47395757	90.150.BG	01	24	47404661	90.160.AH	03	21
47395772	90.150.BG	02	16	47404663	90.160.AH	03	11
47395852	90.151.AO		9	47404666	90.160.AH	03	9
47395852	90.160.AH	01	14	47404669	90.160.AH	03	12
47395852	90.160.AH	03	40	47404671	90.160.AH	03	13
47395906	90.160.BL		16	47404679	90.160.AH	03	22
47396500	90.151.AO		3	47404694	90.118.BM	02	9
47396501	90.151.AO		2	47404696	90.118.BM	02	10
47396579	90.151.AO		1	47404763	90.150.BJ		9
47398089	90.150.AB	01	2	47404765	90.150.BJ		8
47398660	90.150.AB	01	1	47404990	33.202.BN	01	34
47398712	90.160.AH	02	26	47404990	33.202.BN	02	12
47399269	90.150.AC		1	47405194	90.160.AX		27
47399439	90.160.BI		3	47405243	55.520.AX	01	2
47399635	80.150.AK	01	14	47405244	90.120.AE		1
47399637	80.150.AK	01	15	47405245	90.120.AE		1
47399711	90.160.AH	01	40	47405343	90.156.AB		2
47399711	90.160.AH	02	20	47405598	90.118.AC	01	35
47400062	90.160.AH	01	2	47405767	50.100.AP		26
47400062	90.160.AH	03	3	47405809	50.100.AP		28
47400104	90.160.AH	03	25	47405998	50.200.AB	01	14
47400259	33.202.BN	01	35	47406001	50.200.AB	03	2
47400259	33.202.BN	02	13	47406002	50.200.AB	03	1
47400368	73.230.AQ	02	7	47406003	50.200.AB	03	19
47400779	90.118.AC	01	1	47406004	50.200.AB	03	4
47400807	55.512.AA	02	3	47406156	90.160.AH	03	24
47400807	55.512.AA	03	2	47406334	90.118.BM	02	1
47400807	88.100.55	05	8	47406335	90.118.BM	02	5
47401102	90.160.BL		17	47406336	90.118.BM	01	1
47401286	55.518.AW		14	47406338	90.118.BM	01	4
47401290	55.518.AW		15	47406520	55.680.AA		5
47401415	90.160.BI		4	47406561	55.015.AB	01	4
47402661	80.150.BG	05	8	47407373	90.150.BG	01	9
47402671	80.150.BG	05	7	47407663	10.210.AF	01	22
47403240	90.118.AC	02	1	47408190	33.202.BN	01	46
47403808	55.404.BB		15	47408190	33.202.BN	02	25
47403812	55.101.AC	03	6	47408567	90.150.BG	01	13
47403813	55.101.AC	05	12	47408802	50.200.AB	01	15
47403833	90.118.AX	01	4	47408829	55.640.AG	02	1
47403833	90.118.AX	02	4	47409007	80.180.AU	01	36
47403992	90.151.AO		5	47409202	55.512.BL	01	17

INDEX - INDICE - INDEX - ZAHLENVERZEICHNIS - INDICE - INDICE - INDHOLD - INHOUD

Number	Figure	Sequence	Ref.	Number	Figure	Sequence	Ref.
47409205	55.512.BL	01	2	47424855	41.101.AB		17
47409212	55.512.BL	02	1	47426256	55.404.AQ	02	1
47409635	80.150.AK	03	1	47426256	55.404.AQ	03	1
47409940	80.150.AK	03	21	47426827	50.200.AB	01	8
47411041	41.216.AO		6	47427189	10.250.AJ	01	6
47412091	74.130.AJ	02	6	47427228	10.400.BI	01	24
47412741	10.400.BF	02	3	47427682	29.300.AP	03	5
47412768	73.230.AQ	06	1	47427863	90.160.AX		12
47412770	55.520.AX	02	1	47428202	29.218.AD		7
47415231	73.230.AJ	02	5	47428203	29.218.AD		8
47415231	73.230.AJ	05	17	47428286	90.100.BJ	02	1
47415393	90.160.AH	01	22	47428356	50.200.CZ		7
47416206	55.512.BL	02	29	47428822	55.510.AF		7
47416208	55.512.BL	02	30	47428825	55.520.AX	01	12
47416411	55.512.BL	02	31	47428826	55.520.AX	02	5
47417549	74.140.AK	01	12	47428827	55.991.AA	01	3
47417550	74.140.AK	01	16	47428827	55.991.AA	02	3
47417644	80.150.AK	02	27	47428827	55.991.AA	03	3
47418272	35.500.AJ		12	47429500	90.150.AB	01	5
47418653	10.400.BI	01	19	47429501	90.150.AB	01	4
47418860	73.230.AQ	04	6	47430118	73.230.AQ	03	5
47418896	90.100.BJ	01	15	47430120	73.230.AQ	02	6
47418899	90.100.BJ	02	22	47430122	73.230.AQ	02	3
47419355	10.400.BI	01	18	47430975	10.210.AO		1
47419567	35.300.BC	01	11	47430977	55.404.AQ	01	3
47419689	41.101.AA		1	47430977	55.404.AQ	02	3
47419693	41.101.AA		1	47430979	55.404.AQ	01	1
47420650	35.300.AQ	01	26	47430979	55.404.AQ	02	2
47420664	33.202.BN	01	30	47430979	55.404.AQ	03	2
47420825	80.150.AK	01	8	47431090	55.512.AA	04	1
47420965	80.180.AU	01	4	47431090	88.100.55	05	5
47421147	90.150.AC		8	47431093	88.100.90	01	17
47422212	10.400.BI	01	6	47431439	88.100.73	01	2
47422229	90.160.AH	01	5	47431439	88.100.73	02	1
47422280	73.230.AJ	05	13	47431629	90.100.BJ	01	11
47422974	41.101.AB		4	47431629	90.100.BJ	02	17
47422975	41.101.AB		3	47432029	55.512.BL	01	1
47422982	41.101.AB		6	47432136	10.414.AC	01	1
47422986	41.101.AB		5	47432306	90.154.AA	02	7
47423425	33.202.BN	01	1	47432363	90.154.AA	02	19
47423468	33.202.BN	01	32	47433417	41.101.AC		1
47423468	33.202.BN	02	10	47433724	35.300.AQ	01	17
47423996	80.150.BF	01	4	47433726	35.300.AQ	01	18
47423996	80.150.BG	05	2	47433727	35.300.AQ	01	19
47424000	80.150.BF	01	8	47433809	35.300.BC	01	25
47424000	80.150.BG	05	4	47433817	10.254.AI	01	3

INDEX - INDICE - INDEX - ZAHLENVERZEICHNIS - INDICE - INDICE - INDHOLD - INHOUD

Number	Figure	Sequence	Ref.	Number	Figure	Sequence	Ref.
47434248	35.300.AQ	02	10	47452041	88.100.90	01	8
47434263	35.300.AQ	01	11	47452377	72.350.AI	01	7
47435255	90.160.AX		4	47452377	73.210.AX	02	10
47435265	90.160.AH	03	7	47452377	73.210.AX	08	10
47435270	90.160.AH	01	3	47452379	72.350.AI	01	12
47435270	90.160.AH	03	5	47452379	73.210.AX	02	15
47435270	90.160.AX		2	47452379	73.210.AX	08	15
47435667	90.151.AD		5	47454664	88.100.90	01	9
47436583	10.254.AI	01	9	47455617	05.100.01		9
47437183	35.300.AQ	01	5	47455617	60.120.AI	03	1
47437399	05.100.01		32	47455617	60.120.AI	04	1
47437399	05.100.03	01	9	47457834	05.100.02		83
47437510	10.400.BF	01	8	47457834	90.160.BL		13
47437526	10.400.BF	01	8	47459262	10.254.AI	01	7
47437713	90.150.BG	02	1	47460061	88.100.55	05	10
47437717	73.230.AQ	04	12	47461379	88.100.55	05	4
47438072	90.150.BG	01	4	47461992	35.300.AQ	02	1
47438073	90.150.BG	01	3	47462106	35.300.AQ	01	4
47438074	90.150.BG	01	6	47462117	72.350.AI	01	2
47438075	90.150.BG	01	5	47462117	73.210.AX	02	5
47438076	90.150.BG	01	7	47462117	73.210.AX	08	5
47438158	55.101.AC	08	1	47463175	35.410.AH	03	1
47438202	90.160.AH	03	44	47463668	50.300.AB		13
47438213	90.100.BJ	02	28	47464191	35.410.AH	03	23
47438793	80.150.BF	02	22	47464221	21.114.AL	02	46
47438793	80.150.BG	06	24	47464870	90.150.BG	01	26
47438886	72.350.AI	01	14	47466135	55.512.BL	02	26
47438886	73.210.AX	02	17	47466627	90.160.BL		2
47438886	73.210.AX	08	17	47466628	90.160.BL		2
47439788	74.140.AK	01	6	47467583	50.200.AB	01	1
47439854	73.230.AQ	01	18	47467606	90.160.BL		1
47440200	90.100.BJ	01	20	47468700	21.126.AB		16
47441370	90.100.BJ	01	25	47470110	80.150.AI		42
47441468	35.796.AC		30	47470118	80.150.AI		48
47442301	88.100.73	04	4	47470122	80.150.AI		50
47443461	73.230.AQ	03	1	47470775	90.160.BI		1
47443925	90.160.AH	02	8	47473655	60.110.AA	03	1
47443926	90.160.AH	02	9	47473670	60.110.AA	04	1
47443927	90.160.AH	02	10	47473780	60.110.AD	04	1
47444104	72.350.AI	01	11	47473789	60.112.AA	04	11
47444104	73.210.AX	02	14	47473789	60.120.AI	01	6
47444104	73.210.AX	08	14	47473789	60.120.AI	02	9
47445391	90.108.AB	02	17	47473797	60.112.AA	05	1
47445692	88.100.73	03	2	47473821	60.112.AA	05	4
47445695	88.100.73	02	2	47473827	60.112.AA	05	8
47448362	44.520.AB	02	3	47474378	10.254.AI	01	5

INDEX - INDICE - INDEX - ZAHLENVERZEICHNIS - INDICE - INDICE - INDHOLD - INHOUD

Number	Figure	Sequence	Ref.	Number	Figure	Sequence	Ref.
47474396	55.512.AA	03	5	47514305	10.419.AA	02	41
47475823	80.101.AP		3	47515146	90.154.AA	01	19
47478880	05.100.02		36	47516013	88.100.55	04	1
47478912	60.110.AD	03	1	47516014	88.100.66	01	2
47479764	74.114.AZ	03	20	47517661	80.150.BF	01	23
47479764	74.118.AD	02	14	47518400	88.100.73	01	3
47480642	21.126.AB		7	47518400	88.100.73	03	1
47483610	35.410.AH	03	25	47518485	88.100.73	01	1
47483741	60.150.AQ	06	9	47520140	05.100.02		38
47483751	60.150.AQ	04	9	47520143	05.100.02		39
47483761	60.150.AQ	08	1	47520143	10.500.AA		17
47487008	88.100.55	04	7	47523670	50.200.CZ		1
47487028	88.100.55	04	6	47524036	88.100.55	04	2
47488993	90.108.AB	02	31	47524087	88.100.55	04	5
47489262	33.202.BN	01	22	47525766	60.150.AQ	07	1
47490840	33.202.BN	01	2	47527226	33.202.BN	03	17
47491856	60.110.AD	03	14	47527227	33.202.BN	03	18
47491856	60.110.AD	04	18	47527272	33.202.BN	03	1
47493594	33.202.AP	02	4	47532787	33.110.AT	01	6
47493785	33.202.AP	02	8	47535264	73.230.AQ	01	24
47495740	90.160.BI		2	47536014	33.202.BN	01	26
47497190	55.510.AH		3	47536014	33.202.BN	02	4
47497195	55.510.AH		17	47536021	33.202.BN	01	43
47497629	90.160.AH	01	4	47536021	33.202.BN	02	21
47497633	90.160.AH	01	1	47537142	55.015.AB	01	1
47497637	90.160.AH	03	1	47537152	55.101.AC	04	1
47499164	90.160.AH	01	11	47537155	55.101.AC	07	1
47502133	66.101.AP	02	1	47537161	55.101.AC	04	2
47502271	66.360.AH	01	4	47542626	88.100.55	04	11
47502627	21.126.AB		1	47543817	10.400.BI	01	30
47502955	21.126.AB		2	47543824	10.202.BD	01	28
47503589	10.254.AI	01	1	47544456	90.150.BG	01	33
47507697	90.108.AB	01	8	47548019	10.400.BI	01	16
47507699	90.108.AB	01	9	47548181	55.101.AC	02	10
47507701	90.108.AB	01	8	47548986	72.420.AM	01	6
47507702	90.108.AB	01	9	47551649	73.230.AQ	04	5
47507703	90.108.AB	01	8	47551651	73.230.AQ	04	1
47507704	90.108.AB	01	9	47552013	55.785.AS	01	1
47509956	35.300.AQ	01	1	47552457	10.001.AD		1
47510541	90.100.BJ	01	21	47552457	18.112.AC	01	1
47512044	88.100.66	02	1	47552528	10.001.AD		1
47512057	88.100.66	01	1	47552528	18.112.AC	01	1
47512072	88.100.66	02	2	47552602	10.001.AD		1
47512674	10.500.AA		13	47552603	10.001.AD		1
47512735	80.101.BK	02	1	47556682	33.202.BN	02	1
47514034	55.520.AX	01	15	47556713	10.254.AI	01	8

INDEX - INDICE - INDEX - ZAHLENVERZEICHNIS - INDICE - INDICE - INDHOLD - INHOUD

Number	Figure	Sequence	Ref.	Number	Figure	Sequence	Ref.
47558660	55.991.AA	01	4	47635756	90.160.AH	03	29
47558660	55.991.AA	02	4	47635757	90.160.AH	03	30
47558660	55.991.AA	03	4	47635822	90.160.AH	03	27
47558670	55.991.AA	01	5	47635825	90.160.AH	03	26
47558670	55.991.AA	02	5	47635905	90.151.AO		16
47558670	55.991.AA	03	5	47635908	90.151.AO		15
47577112	10.419.AA	02	1	47637109	90.160.AH	03	6
47582523	88.100.90	01	3	47637734	88.100.55	05	2
47584968	88.100.90	01	2	47637735	88.100.55	05	1
47584973	88.100.90	01	1	47639011	33.202.BN	02	5
47590604	60.110.AD	01	53	47643523	90.108.AB	03	1
47590604	60.110.AD	02	46	47643524	90.108.AB	03	2
47590604	60.110.AD	03	53	47643525	90.108.AB	03	8
47590604	60.110.AD	04	46	47643526	90.108.AB	03	9
47592682	55.785.AS	01	13	47643527	90.108.AB	03	8
47595940	90.150.BI		1	47643528	90.108.AB	03	9
47596518	90.150.BI		6	47643529	90.108.AB	03	8
47596609	66.360.AH	02	4	47643530	90.108.AB	03	9
47596609	66.360.AH	06	4	47644358	90.150.AD		7
47600811	60.110.AA	01	23	47651567	55.640.AG	01	7
47600811	60.110.AA	03	29	47651824	05.100.01		30
47605347	35.410.AH	03	24	47651824	05.100.03	01	6
47605357	35.410.AH	03	2	47657024	10.500.AA		21
47605696	90.150.AD		12	47664256	55.628.AT	01	1
47607632	35.415.AC		1	47664629	90.160.AH	02	7
47607635	35.415.AC		1	47667007	41.101.AC		3
47608063	10.001.AK	01	1	47667012	41.101.AC		4
47608153	90.160.AH	03	35	47667018	41.101.AC		6
47609070	55.520.AX	02	4	47667020	41.101.AC		11
47613266	50.100.AP		16	47667023	41.101.AC		12
47613712	05.102.AA	02	1	47667030	41.101.AC		13
47616842	05.100.01		10	47667032	41.101.AC		16
47616842	60.120.AI	01	1	47667035	41.101.AC		22
47616842	60.120.AI	02	1	47667080	41.101.AC		5
47617495	90.156.AB		5	47667085	41.101.AC		25
47617518	10.500.AA		1	47667093	41.101.AC		29
47617587	55.101.AC	04	4	47667099	41.101.AC		31
47617588	55.101.AC	05	10	47667113	41.101.AC		34
47618485	90.150.BG	01	1	47667145	41.101.AC		9
47621906	50.100.AP		31	47667152	41.101.AC		14
47621955	50.100.AP		30	47667171	41.101.AC		10
47622357	90.156.AB		1	47667185	41.101.AC		24
47625267	90.100.BJ	02	8	47667739	60.112.AA	04	9
47629093	33.202.BN	02	8	47670938	55.404.AC		4
47633910	90.151.AO		14	47670938	88.100.55	06	8
47635755	90.160.AH	03	28	47673402	55.404.AC		2

INDEX - INDICE - INDEX - ZAHLENVERZEICHNIS - INDICE - INDICE - INDHOLD - INHOUD

Number	Figure	Sequence	Ref.	Number	Figure	Sequence	Ref.
47673402	88.100.55	06	4	492-11050	60.150.AD	03	4
47677236	60.110.AD	03	36	492-11050	60.150.AD	04	27
47677236	60.110.AD	04	33	492-11050	66.260.AU	01	20
47677236	60.112.AA	04	29	492-11062	74.136.AC	02	6
47680524	05.100.01		29	492-11062	74.140.AM		10
47680524	05.100.03	01	5	492-11062	74.140.AM		33
47683161	55.015.AB	01	5	492-11062	80.175.AG	02	9
47684415	90.160.AX		1	492-11075	66.331.AL	02	18
47687085	55.512.AA	04	2	492-21050	72.350.AI	01	5
47690872	55.512.AA	04	3	492-21050	73.210.AX	02	8
47691331	55.404.AC		18	492-21050	73.210.AX	08	8
47691331	88.100.55	06	19	493-41026	55.785.AS	02	8
47691873	10.500.AA		11	493-41078	74.140.AM		20
477-73112	55.101.AC	01	7	494307C1	80.101.CA	01	23
477-73112	66.260.AU	01	6	494307C1	80.101.CA	02	23
477-73808	55.628.AT	01	3	495-11028	10.202.BD	01	11
47720522	10.400.BI	01	27	495-11028	55.785.AS	01	10
47760929	88.100.55	06	1	495-11041	73.230.AP	01	11
47772156	10.500.AA		20	495-11041	73.230.AQ	02	11
47772661	10.500.AA		3	495-11041	73.230.AQ	03	10
478038R92	74.140.AX		12	495-11041	74.101.AU		8
47827303	66.101.AP	03	1	495-11041	74.114.AU	01	7
47870722	41.216.AO		10	495-11041	80.175.AG	02	22
480523R1	10.400.BF	02	11	495-11041	90.105.BH	01	45
480523R1	73.230.AP	01	1	495-11041	90.105.BH	03	33
483-1084	66.110.AF		15	495-11053	66.260.AA	02	9
485-12512	66.260.AS	02	9	495-11053	66.260.AV	03	3
485-13116	73.230.AJ	02	25	495-11053	66.331.AB		13
485-13116	73.230.AP	01	6	495-11053	74.136.AC	01	26
485-13116	80.175.AG	01	14	495-11053	74.140.AM		27
485093C1	10.210.AF	01	21	495-11081	74.136.AC	01	3
485093C1	10.400.BF	01	1	495-11081	74.140.AM		17
485093C1	10.400.BF	02	14	495-11081	74.140.AX		38
4890189	05.100.02		27	495-31012	55.510.AF		5
4897224	05.100.02		24	495-31012	55.640.AG	01	5
492-11031	72.350.AI	01	37	495-31022	74.114.AZ	02	18
492-11031	73.210.AX	03	31	495-31022	74.114.AZ	03	35
492-11031	73.210.AX	09	28	495-31022	74.140.AX		15
492-11031	74.101.AL		6	495-51053	73.230.AQ	05	27
492-11031	74.136.AC	01	31	495-61020	55.628.AT	01	6
492-11038	66.260.AU	01	18	495-61020	73.230.AJ	04	37
492-11038	73.210.AX	03	12	495-61066	80.150.BF	02	18
492-11038	73.210.AX	09	9	495-61066	80.150.BG	06	15
492-11038	74.140.AM		15	495-81006	74.140.CM		42
492-11050	60.150.AD	01	4	495-81009	29.218.AD		9
492-11050	60.150.AD	02	27	495-81030	60.112.AA	03	13

INDEX - INDICE - INDEX - ZAHLENVERZEICHNIS - INDICE - INDICE - INDHOLD - INHOUD

Number	Figure	Sequence	Ref.	Number	Figure	Sequence	Ref.
495-81030	66.260.AU	01	14	495-81211	72.220.AJ	04	11
495-81037	66.331.AB		8	495-81213	72.220.AJ	01	18
495-81039	80.175.AG	02	3	495-81213	72.220.AJ	04	15
495-81056	73.230.AJ	02	12	495-81225	60.150.AQ	01	9
495-81056	74.101.AF	01	4	495-81225	60.150.AQ	02	9
495-81056	74.101.AF	02	3	495-82234	60.150.AD	01	35
495-81057	73.230.AJ	02	10	495-82234	60.150.AD	02	31
495-81057	73.230.AP	01	15	495-82234	60.150.AD	03	35
495-81057	74.101.AF	01	2	495-82234	60.150.AD	04	31
495-81057	74.101.AF	02	2	496-11066	55.628.AP		3
495-81069	60.110.AT		23	496-11066	60.112.AA	03	17
495-81069	60.150.AQ	01	4	496-11066	74.101.AC		23
495-81069	60.150.AQ	02	4	496-21053	73.230.AJ	01	16
495-81069	74.140.AK	04	29	496-21053	73.230.AJ	04	21
495-81069	74.140.BM		8	496-21066	60.112.AA	03	12
495-81073	14.100.BH		16	496-21066	80.175.AG	02	5
495-81097	66.331.AL	01	12	496-21106	72.350.AI	01	21
495-81097	66.331.AL	02	12	496-21106	73.210.AX	02	23
495-81116	74.114.AZ	01	2	496-21106	73.210.AX	08	23
495-81116	80.175.AG	02	18	496-41041	72.220.AJ	02	19
495-81117	74.136.AD	01	5	496-41041	73.230.AJ	02	18
495-81122	73.230.AQ	01	14	496-41041	73.230.AJ	05	11
495-81122	74.136.AD	02	21	496-41066	60.112.AA	03	11
495-81135	14.100.BH		3	496-41066	66.331.AM		40
495-81135	66.260.AA	01	8	496-41066	73.230.AJ	04	32
495-81135	66.260.AS	01	10	496-81010	73.230.AQ	02	22
495-81135	74.130.AH		21	496-81018	80.101.AR	01	32
495-81135	74.136.AD	02	12	496-81018	80.101.AR	02	32
495-81135	74.140.AK	04	20	496-81018	80.101.AR	03	10
495-81135	74.140.AM		18	496-81018	80.101.AR	04	10
495-81143	35.359.AE	01	27	498-81010	74.140.AK	04	28
495-81143	60.150.AY	02	17	50087	29.100.AB	01	24
495-81143	74.130.AF		16	50087	29.218.AO		20
495-81143	74.136.AC	01	35	50212VA	21.114.AL	02	32
495-81143	74.140.AX		39	504096443	05.100.02		35
495-81162	60.150.AD	01	3	504096645	05.100.02		33
495-81162	60.150.AD	02	26	504262827	05.100.02		62
495-81162	60.150.AD	03	3	504364902	05.100.02		31
495-81162	60.150.AD	04	26	504372225	05.100.02		26
495-81162	72.220.AJ	02	4	504382791	05.100.02		29
495-81162	73.230.AJ	05	25	50591	10.419.AA	02	7
495-81162	74.140.AM		23	50591	73.335.AC	01	12
495-81175	80.175.AG	02	23	50591	73.335.AC	02	2
495-81177	74.134.AO		3	50591	73.335.AC	03	2
495-81202	74.140.AK	01	31	50591	74.140.AK	04	8
495-81211	72.220.AJ	01	12	50631	55.512.BL	02	16

INDEX - INDICE - INDEX - ZAHLENVERZEICHNIS - INDICE - INDICE - INDHOLD - INHOUD

Number	Figure	Sequence	Ref.	Number	Figure	Sequence	Ref.
510828	60.150.AE	01	19	539450	27.450.AH	01	14
511526	29.100.AB	01	14	539450	27.450.AH	02	14
511526	29.218.AO		15	539450	27.550.AJ	01	14
51200379	21.114.AL	02	33	54-2006	73.210.AX	03	28
514920	10.202.BD	01	24	54-2006	73.210.AX	09	25
514920	10.400.BF	02	48	54-2014	60.120.AR		10
515-23127	90.100.BJ	01	30	540-717	88.100.90	01	10
515-23286	10.400.BI	01	36	540815R2	73.230.AQ	05	16
515-23412	73.230.AQ	01	20	540815R2	73.335.AG	01	19
515-23508	10.102.AW	01	11	540815R2	74.101.AU		5
515-23508	35.300.BC	01	3	55-2006	73.210.AX	03	27
515-2395	36.100.AK	01	8	55-2006	73.210.AX	09	24
515-2395	55.680.AA		9	55-2014	60.120.AR		9
515-25381	29.300.AP	03	23	551139R91	74.101.AF	01	12
516-22127	36.100.AK	01	40	551139R91	74.101.AF	02	8
516-23127	25.100.AA		30	556448R1	74.136.AC	02	8
516-23127	35.440.AB		29	556448R1	74.140.AM		6
516-23127	55.785.AS	01	9	55825C1	66.260.AS	01	3
516-23127	60.112.AA	01	20	55825C1	74.134.AO		11
516-23127	60.112.AA	04	19	55826C1	66.260.AS	02	2
516-23127	60.150.AQ	01	16	55826C1	74.134.AO		2
516-23127	60.150.AQ	02	16	564592R91	74.140.BM		3
516-23127	74.130.AH		5	570186	35.106.AD		30
516-2395	74.125.AL		26	574940R91	74.140.BM		2
516327R1	74.140.AK	04	12	575098R1	66.260.AS	02	5
5185510	29.218.AS		28	57861H	21.114.AL	02	16
5185511	10.210.AO		15	57861H	60.150.AE	01	7
5185525	36.100.AK	01	25	57862H	21.114.AL	02	15
5185548	10.210.AO		14	5801376024	05.100.02		32
523282	55.101.AC	16	8	5801567639	05.100.02		34
523310	66.360.AH	07	7	580165956	05.100.01		26
523677R1	80.101.CA	01	7	580165956	05.100.03	01	3
523677R1	80.101.CA	02	7	586591R1	74.101.AU		6
52443	74.125.AL		20	60-6515T1	55.510.AF		1
52443	80.101.AR	01	8	60-6515T1	55.640.AG	01	1
52443	80.101.AR	02	8	600179R1	66.331.AM		26
52443	80.101.CA	03	9	610784R1	55.404.BB		12
529070	50.200.AB	03	17	610784R1	80.175.AG	01	25
529070	55.015.AB	01	26	613-10020	21.114.AL	01	20
529070	55.101.AC	07	6	613-10025	21.114.AL	02	28
529070	55.510.AH		30	614-12040	66.260.AU	01	23
529070	55.680.AA		3	614051	60.150.AE	02	10
530704R2	21.114.AL	02	13	614052	60.150.AE	02	9
530741R1	29.100.AB	01	9	617107R91	66.260.AS	01	12
530741R1	29.100.AB	02	23	617668R92	74.125.AL		21
530741R1	29.218.AO		8	61801C1	14.100.AR	02	10

INDEX - INDICE - INDEX - ZAHLENVERZEICHNIS - INDICE - INDICE - INDHOLD - INHOUD

Number	Figure	Sequence	Ref.	Number	Figure	Sequence	Ref.
618023R91	14.100.AR	02	7	725479	90.160.AH	03	39
618023R91	60.150.AE	01	23	725583	33.202.BN	01	51
618023R91	73.210.AX	03	22	725583	33.202.BN	03	8
618023R91	73.210.AX	09	19	728-640	80.101.CA	01	31
618024R1	14.100.AR	02	8	728-640	80.101.CA	02	31
618024R1	60.150.AE	01	22	73170457	35.500.AH		5
618024R1	73.210.AX	03	21	733-1610	80.101.CA	01	32
618024R1	73.210.AX	09	18	733-1610	80.101.CA	02	32
61802C91	14.100.AR	02	9	733-3220	80.101.CA	01	25
622336C1	14.100.AR	01	32	733-3220	80.101.CA	02	25
622337C1	14.100.AR	01	33	73341634	05.100.02		80
625742C1	14.100.AR	01	30	754131	10.414.AC	01	24
625743C1	14.100.AR	01	31	76349	33.202.BN	01	12
627-16050	25.100.AA		3	76349	33.202.BN	03	12
628-10035	21.114.AL	02	22	76349	35.359.AC		5
628-12025	66.260.AU	02	61	800-2147	14.100.AB		5
628-12040	25.100.AA		13	800-5155	80.180.AR	01	13
628-16050	25.310.AB		32	80012047	29.100.AB	01	32
632147R1	72.220.AJ	01	13	80012047	29.100.AB	02	5
632147R1	72.220.AJ	04	12	80025823	80.150.BJ		5
634248R2	60.112.AA	01	16	80043982	41.101.AB		20
634248R2	60.112.AA	04	16	80043982	55.512.BL	02	14
634248R2	60.120.AI	01	13	80043982	55.640.AG	02	4
634248R2	60.120.AI	02	12	801895	60.120.AG	02	22
635503R1	60.110.AD	01	24	805-12030	66.331.AM		21
635503R1	60.110.AD	02	7	80572270	66.260.AU	02	6
635503R1	60.110.AD	03	24	80679	60.150.AU	01	20
635503R1	60.110.AD	04	7	80680	60.150.AE	01	28
637-63193	60.120.AR		52	80681	55.015.AB	01	17
645342C1	74.114.AZ	01	12	80714	60.150.AE	01	41
668719R92	74.130.AF		3	80714	60.150.AE	02	38
67526	14.100.AR	02	28	80754	80.150.BG	01	43
67527	14.100.AR	02	27	80754	80.150.BG	03	44
675708R91	21.114.AL	02	7	80755	60.112.AA	05	26
682452	80.101.CA	01	2	80755	73.230.AJ	04	41
682452	80.101.CA	02	2	80755	80.101.CA	03	15
694444	80.101.BK	01	7	80756	74.136.AA		9
694444	80.101.BK	02	5	80855	74.114.AU	01	25
700514	10.102.AW	01	10	814-10170	74.140.AX		36
700514	10.210.AF	01	1	81834054	21.114.AL	01	2
700514	10.210.AO		48	82000409	90.154.AA	02	32
70330C1	66.331.AL	02	17	82012728	35.359.AE	01	33
711-16080	74.140.AK	04	33	82017881	05.100.02		30
71455R1	25.310.AB		2	82022744	05.100.02		53
720060	35.300.AQ	02	12	82022744	10.400.BI	01	12
72180326	50.200.AB	01	19	82023542	50.100.AP		11

INDEX - INDICE - INDEX - ZAHLENVERZEICHNIS - INDICE - INDICE - INDHOLD - INHOUD

Number	Figure	Sequence	Ref.	Number	Figure	Sequence	Ref.
82038414	55.520.AX	01	6	838-3636	66.331.AB		14
82039389	55.520.AX	01	4	83822C1	55.510.AF		24
824-1408	60.110.AT		16	83822C1	55.640.AG	01	24
825-51410	60.112.AA	02	23	83904166	41.432.AG		11
825-51410	60.112.AA	05	17	83918746	66.360.AH	01	20
825-51410	73.230.AJ	02	3	83918746	74.136.AA		4
825-51410	73.230.AP	01	9	83918746	74.136.AC	01	30
825-51410	73.230.AP	02	3	83918746	74.140.AK	04	22
825-5146	74.130.AJ	02	14	83931520	33.202.BN	01	36
825-5148	60.112.AA	02	22	83931520	33.202.BN	02	14
825-5148	60.112.AA	05	22	83931520	55.518.AW		12
825-5148	72.220.AL		4	83952214	10.400.BF	02	15
825-5148	73.230.AP	01	21	83952214	90.100.BJ	02	14
825-5148	74.114.AZ	01	6	83962539	27.450.AJ	01	8
825-5148	74.118.AK		7	83962539	27.450.AJ	02	8
827-10120	74.118.AD	01	7	83962539	27.450.AJ	03	8
827-10120	74.118.AD	02	31	83962539	27.450.AJ	04	8
827-10140	74.118.AD	01	8	83962539	35.359.AC		8
827-10140	74.118.AD	02	32	84004732	90.108.AB	02	8
827-20070	25.100.AA		8	84004733	90.108.AB	02	26
827-20070	25.100.AV		4	84004734	90.108.AB	02	7
827-20140	25.100.AV		4	84004736	90.108.AB	02	5
828-10055	73.230.AJ	05	36	84004739	90.108.AB	02	4
828-12045	25.100.AA		13	84007539	88.100.90	01	12
828-12070	66.260.AU	02	56	84007540	90.154.AA	02	24
828-24090	25.310.AB		28	84011345	90.108.AB	02	6
828-8070	33.202.AK		26	84012596	90.150.BG	02	21
829-1310	21.114.AL	02	42	84012892	90.108.AC		4
829-1410	80.101.CA	01	3	84012893	90.108.AC		3
829-1410	80.101.CA	02	3	84022122	35.440.AC		4
829-4410	10.414.AC	01	31	84024216	80.101.BK	01	8
829-4420	27.450.AJ	01	3	84024216	80.101.BK	02	6
829-4420	27.450.AJ	02	3	84036669	36.100.AK	01	14
829-4420	27.450.AJ	03	3	84036945	36.100.AC	01	1
829-4420	27.450.AJ	04	3	84037518	55.518.AS		5
832-10406	74.114.AU	01	19	84037518	55.518.AW		4
832-10406	74.114.AU	02	19	84037529	55.518.AS		4
832-41310	73.230.AJ	05	35	84037530	55.518.AS		2
832-41320	88.100.25	01	7	84037532	55.518.AS		1
832-41410	50.200.AA	01	8	84056380	80.150.BF	02	15
833-40306	90.150.BG	01	15	84056380	80.150.BG	06	13
833-40306	90.150.BG	02	10	84057675	50.300.AB		2
833-40310	66.331.AL	01	21	84057848	90.154.AA	01	22
833-40310	66.331.AL	02	20	84057848	90.154.AA	02	5
837-12025	60.120.AR		7	84057936	90.154.AA	01	7
837-16030	33.202.AK		25	84057936	90.154.AA	02	13

INDEX - INDICE - INDEX - ZAHLENVERZEICHNIS - INDICE - INDICE - INDHOLD - INHOUD

Number	Figure	Sequence	Ref.	Number	Figure	Sequence	Ref.
84057937	90.154.AA	01	3	84074397	27.450.AH	01	13
84057937	90.154.AA	02	12	84074397	27.450.AH	02	13
84057939	90.154.AA	01	12	84074397	27.550.AJ	01	13
84061311	90.154.AA	01	2	84075099	80.150.AI		13
84061311	90.154.AA	02	2	84075321	80.150.AI		17
84061312	90.154.AA	02	3	84075322	80.150.AI		18
84061313	90.154.AA	01	4	84076700	55.512.AA	01	4
84062511	27.550.AM	01	11	84078384	90.108.AB	02	27
84064163	27.550.AM	01	3	841-4410	55.512.BL	02	6
84064163	27.550.AM	02	3	84100209	29.300.AP	03	17
84064278	90.154.AA	02	38	84100296	90.108.AB	02	20
84064952	27.550.AM	01	12	84100564	27.450.AH	01	5
84064952	27.550.AM	02	11	84100564	27.450.AH	02	5
84064952	27.550.AM	02	12	84100564	27.550.AJ	01	5
84067944	90.154.AC		5	84120495	90.120.BA		7
84067947	90.154.AC		1	84120495	90.124.AL		9
84067961	55.510.AH		4	84120743	10.414.AC	01	43
84068653	27.550.AM	01	8	84120744	10.414.AC	01	39
84068653	27.550.AM	02	8	84121811	25.100.AA		10
84068654	27.550.AM	01	6	84121816	60.150.AQ	01	48
84068654	27.550.AM	02	6	84121816	60.150.AQ	02	48
84069505	27.550.AM	01	19	84121816	60.150.AQ	05	14
84069505	27.550.AM	02	19	84121818	90.100.BJ	01	23
84069731	27.550.AM	01	4	84121900	80.101.CA	01	8
84069731	27.550.AM	02	4	84121900	80.101.CA	02	8
84069736	27.450.AH	01	12	84122242	60.150.AD	01	7
84069736	27.450.AH	02	12	84122242	60.150.AD	02	3
84069736	27.550.AJ	01	12	84122242	60.150.AD	03	7
84069932	10.414.AC	01	27	84122242	60.150.AD	04	3
84072623	80.180.AQ	01	4	84122309	80.101.AR	03	2
84072623	80.180.AQ	02	4	84122309	80.101.AR	04	2
84072793	80.180.AQ	01	9	84122776	60.150.AQ	01	41
84072793	80.180.AQ	02	9	84122776	60.150.AQ	02	41
84072793	80.180.AU	01	19	84122776	60.150.AQ	05	7
84072832	80.180.AU	01	2	84122793	80.101.AR	03	5
84072877	90.150.BG	02	22	84122793	80.101.AR	04	5
84072877	90.154.AA	01	9	84122801	80.101.AR	03	4
84072877	90.154.AA	02	23	84122805	80.101.AR	04	4
84073086	90.154.AA	01	10	84122810	74.136.AC	01	16
84073086	90.154.AA	02	22	84123053	60.120.AG	02	21
84073086	90.160.AH	03	38	84123676	10.419.AA	02	38
84073172	80.175.AD	02	28	84124122	60.150.AY	01	3
84073175	80.175.AD	02	4	84124122	60.150.AY	02	3
84073176	80.175.AD	02	3	84126280	35.440.AB		10
84074068	27.550.AM	01	2	84126280	35.440.AC		1
84074068	27.550.AM	02	2	84126280C	35.440.AB		10

INDEX - INDICE - INDEX - ZAHLENVERZEICHNIS - INDICE - INDICE - INDHOLD - INHOUD

Number	Figure	Sequence	Ref.	Number	Figure	Sequence	Ref.
84126280C	35.440.AC		1	84129686	74.101.AC		25
84126280R	35.440.AB		10	84129702	80.101.AE		18
84126280R	35.440.AC		1	84129923	90.100.AD		6
84126361	80.180.AU	01	1	84130457	60.120.AG	02	23
84126497	80.101.AR	03	20	84130460	60.120.AG	02	6
84126497	80.101.AR	04	20	84130477	80.101.AR	01	15
84126991	66.360.AH	02	6	84130477	80.101.AR	02	15
84126991	66.360.AH	06	6	84130497	80.150.AK	01	3
84127177	60.110.AD	01	11	84130534	80.101.CA	01	10
84127177	60.110.AD	02	13	84130534	80.101.CA	02	10
84127177	60.110.AD	03	11	84130550	74.114.AZ	03	15
84127177	60.110.AD	04	13	84130550	74.118.AD	02	7
84127180	80.150.AK	01	41	84130561	74.114.AZ	03	14
84127288	90.105.BH	05	3	84130561	74.118.AD	02	6
84127465	90.102.AZ		1	84130573	35.796.AC		5
84127484	74.114.AZ	01	4	84130573	88.100.73	03	5
84127486	74.114.AZ	01	1	84131413	60.150.AQ	04	1
84127513	74.114.AU	01	15	84131413	60.150.AQ	06	1
84127513	74.114.AU	02	16	84131451	80.150.AR		2
84127574	74.114.AU	01	17	84131453	80.150.AI		35
84128104	29.300.AP	03	7	84131457	80.150.AI		34
84128119	60.112.AA	01	4	84131732	80.180.AU	02	6
84128119	60.112.AA	04	4	84133775	60.120.AG	02	8
84128122	60.112.AA	01	7	84133868	35.300.BQ		7
84128122	60.112.AA	04	7	84133930	60.150.AQ	01	25
84128484	60.150.AD	01	25	84133930	60.150.AQ	04	10
84128484	60.150.AD	02	17	84133932	60.150.AQ	02	25
84128484	60.150.AD	03	25	84133932	60.150.AQ	06	10
84128484	60.150.AD	04	17	84134547	66.331.AB		6
84128519	74.101.AF	01	1	84134664	80.101.AR	01	17
84128519	74.101.AF	02	1	84134664	80.101.AR	02	17
84128533	74.101.AF	01	5	84134672	66.331.AB		2
84128533	74.101.AF	02	4	84134693	66.331.AB		5
84128607	66.260.AV	03	1	84135525	66.331.AB		4
84128710	72.420.AM	01	4	84135526	80.101.AR	04	3
84128953	74.130.AJ	02	1	84135527	80.101.AR	03	3
84128958	74.130.AJ	02	3	84135556	66.331.AB		7
84129021	80.101.AR	01	16	84136319	90.102.AZ		7
84129021	80.101.AR	02	16	84136322	90.102.AZ		6
84129051	35.359.AC		1	84136324	39.100.AS		3
84129118	66.260.AA	02	13	84136603	90.100.AD		2
84129177	35.440.AB		1	84136668	90.105.BH	01	20
84129225	74.114.AU	01	3	84136824	66.331.AM		4
84129335	33.202.AP	01	32	84137599	73.230.AQ	05	4
84129335	33.202.AP	02	31	84137786	73.230.AJ	02	6
84129685	74.101.AC		34	84138151	88.100.10	01	3

INDEX - INDICE - INDEX - ZAHLENVERZEICHNIS - INDICE - INDICE - INDHOLD - INHOUD

Number	Figure	Sequence	Ref.	Number	Figure	Sequence	Ref.
84138152	88.100.10	01	4	84148069	29.218.AO		1
84138793	72.420.AM	01	12	84148069C	29.218.AD		1
84138950	80.101.BK	02	9	84148069C	29.218.AO		1
84138953	80.101.BK	01	4	84148069R	29.218.AD		1
84138953	80.101.BK	02	8	84148069R	29.218.AO		1
84139322	55.015.AB	01	20	84148074	60.150.AD	01	39
84139323	55.520.AX	01	9	84148074	60.150.AD	02	43
84139333	14.100.AR	01	6	84148074	60.150.AD	03	39
84139353	74.125.AL		30	84148074	60.150.AD	04	43
84140983	90.105.BH	04	25	84148076	60.150.AD	01	38
84141963	14.100.AR	02	16	84148076	60.150.AD	02	42
84141965	14.100.AR	02	25	84148076	60.150.AD	03	38
84142987	14.100.AR	02	26	84148076	60.150.AD	04	42
84143017	73.230.AQ	03	4	84148135	60.150.AD	01	2
84143349	29.300.AP	01	7	84148135	60.150.AD	02	2
84143350	29.300.AP	01	6	84148135	60.150.AD	03	2
84143970	55.510.AH		5	84148135	60.150.AD	04	2
84143971	55.510.AH		6	84148216	14.100.AR	02	11
84144154	50.100.AP		7	84148217	14.100.AR	02	12
84144718	36.100.AC	01	3	84148219	14.100.AR	02	23
84144765	29.100.AB	01	42	84149018	90.105.BH	01	22
84144765	29.100.AB	02	9	84149716	80.101.CA	03	4
84145259	14.100.AR	02	21	84149722	80.101.CA	03	5
84145261	14.100.AR	02	17	84150030	55.201.AE		1
84146049	14.100.AR	01	19	84150030C	55.201.AE		1
84146055	14.100.BH		27	84150030R	55.201.AE		1
84146062	14.100.AR	02	30	84150266	05.100.01		4
84146241	73.230.AJ	04	35	84150266	10.414.AC	01	22
84146244	73.230.AJ	04	39	84150526	88.100.10	01	2
84146249	73.230.AJ	04	33	84150838	88.100.55	03	1
84146254	73.230.AJ	04	29	84151259	60.150.AY	01	2
84146255	60.150.AY	01	13	84151259	60.150.AY	02	2
84146255	60.150.AY	02	13	84151350	80.150.BG	05	9
84146274	73.230.AJ	01	18	84151453	88.100.10	01	5
84146274	73.230.AJ	04	13	84152415	66.260.AO	02	6
84146883	14.100.AR	01	41	84152427	66.260.AO	02	4
84146883	14.100.AR	02	6	84152654	66.260.AO	02	9
84147444	60.150.AD	01	32	84152678	21.114.AL	02	48
84147444	60.150.AD	02	15	84152678	66.260.AU	02	38
84147444	60.150.AD	03	32	84153086	88.100.10	01	6
84147444	60.150.AD	04	15	84153766	80.175.AG	02	35
84147485	21.114.AL	02	3	84153801	72.350.AJ	01	1
84147486	21.114.AL	02	12	84153801	73.210.AX	01	8
84148055	35.106.AD		1	84153801	73.210.AX	07	1
84148068	35.106.AD		2	84153804	66.260.AO	02	1
84148069	29.218.AD		1	84154101	60.120.AI	03	14

INDEX - INDICE - INDEX - ZAHLENVERZEICHNIS - INDICE - INDICE - INDHOLD - INHOUD

Number	Figure	Sequence	Ref.	Number	Figure	Sequence	Ref.
84154101	60.120.AI	04	13	84159775	74.140.AX		8
84154228	36.100.AL		1	84159778	74.140.AX		2
84154327	66.260.AO	01	20	84160038	74.140.AX		4
84154356	66.260.AO	02	12	84160202	25.100.AA		23
84155000	74.140.AM		36	84160487	35.359.AE	02	1
84155736	90.105.BH	01	30	84160822	35.359.AE	01	26
84155739	90.105.BH	01	28	84160869	90.105.BH	01	21
84155744	90.105.BH	01	27	84160943	21.114.AL	02	23
84156112	66.110.AF		24	84161205	29.218.AS		16
84156112	66.331.AM		42	84161638	55.302.AK	01	2
84156192	90.105.BH	01	29	84161640	55.302.AK	01	3
84156195	90.105.BH	01	31	84161945	66.331.AM		11
84156258	35.359.AE	01	3	84162196	50.200.AA	01	10
84156271	35.359.AE	01	5	84162516	66.331.AK	01	14
84156311	35.300.BC	01	23	84162516	66.331.AK	02	14
84156326	29.300.AP	03	13	84162516	66.331.AK	03	14
84156333	35.300.AQ	01	6	84162516	66.331.AK	04	13
84156333	35.300.BC	01	17	84162517	66.331.AK	01	13
84156334	35.300.BC	01	24	84162517	66.331.AK	02	13
84156341	29.218.AS		9	84162517	66.331.AK	03	13
84156342	29.218.AS		20	84162517	66.331.AK	04	14
84156344	29.218.AS		10	84162974	36.100.AI		8
84156345	29.218.AS		19	84162975	36.100.AL		7
84156348	41.432.AC		9	84162977	36.100.AL		4
84156349	41.432.AC		7	84163222	05.100.01		17
84157001	74.136.AA		7	84163252	21.114.AL	02	26
84157594	41.206.AA		26	84163827	60.150.AD	01	34
84158123	60.150.AD	01	6	84163827	60.150.AD	02	24
84158123	60.150.AD	02	10	84163827	60.150.AD	03	34
84158123	60.150.AD	03	6	84163827	60.150.AD	04	24
84158123	60.150.AD	04	10	84163936	05.100.02		6
84158421	90.105.BH	01	36	84163936	80.101.CA	01	4
84158468	90.105.BH	01	37	84163936	80.101.CA	02	4
84158622	10.202.BD	01	20	84163939	80.101.AR	01	10
84158872	60.110.AA	01	8	84163939	80.101.AR	02	10
84158872	60.110.AA	03	8	84164207	05.100.02		3
84158878	60.110.AA	01	7	84164207	74.140.AK	01	10
84158878	60.110.AA	03	7	84164209	74.140.AK	02	8
84158969	88.100.25	01	2	84164210	74.140.AX		27
84159143	60.120.AI	05	3	84164224	80.150.AR		1
84159148	36.100.AI		7	84164540	66.331.AK	01	6
84159174	33.202.AK		31	84164540	66.331.AK	02	6
84159358	35.796.AC		13	84164540	66.331.AK	04	6
84159358	35.796.AD		9	84165643	74.140.AX		6
84159772	74.140.AX		3	84166878	66.260.AU	02	2
84159773	74.140.AX		13	84167767	80.101.AR	03	7

INDEX - INDICE - INDEX - ZAHLENVERZEICHNIS - INDICE - INDICE - INDHOLD - INHOUD

Number	Figure	Sequence	Ref.	Number	Figure	Sequence	Ref.
84167767	80.101.AR	04	7	84175931	36.100.AK	01	7
84167899	88.100.74	03	1	84176521	36.100.AK	01	4
84169374	74.114.AZ	01	8	84176522	36.100.AK	01	5
84169439	74.114.AZ	01	7	84178552	35.106.AD		8
84169462	74.118.AK		3	84178858	66.260.AU	02	42
84169474	74.118.AK		2	84178859	66.260.AU	02	43
84169781	10.210.AO		17	84179332	73.230.AQ	01	19
84170096	60.150.AQ	01	5	84180065	74.125.AL		1
84170096	60.150.AQ	02	5	84180129	90.105.BH	01	16
84170096	60.150.AQ	05	1	84180364	73.230.AQ	02	2
84170869	50.200.AA	01	2	84180970	66.331.AM		3
84171360	74.101.BF	03	2	84180972	66.331.AM		1
84171364	74.101.BF	03	1	84181343	88.100.74	01	1
84171634	80.101.CA	03	3	84181350	88.100.74	01	4
84171636	80.101.CA	03	2	84181445	14.100.BH		12
84171638	80.101.CA	03	1	84181445	60.150.AQ	08	3
84171727	74.140.CM		21	84181445	66.260.AA	02	21
84171873	29.300.AP	03	22	84181465	35.359.AE	01	20
84171883	74.140.CM		22	84181472	88.100.74	01	3
84171940	36.100.AC	01	2	84181476	74.125.AL		5
84171982	36.100.AL		2	84181862	80.150.BF	02	10
84171991C	66.260.AU	02	1	84181862	80.150.BG	05	31
84171991R	66.260.AU	02	1	84181862C	80.150.BF	02	10
84171992	66.260.AU	01	4	84181862C	80.150.BG	05	31
84171992	66.260.AU	02	1	84181862R	80.150.BF	02	10
84171994	66.260.AU	02	39	84181862R	80.150.BG	05	31
84172049	36.100.AL		3	84181953	36.100.AL		9
84172050	36.100.AL		11	84181958	36.100.AL		10
84172259	80.175.AG	02	24	84182443	36.100.AL		8
84172525	41.200.AO		17	84182745	80.150.AK	01	12
84172562	80.101.CA	03	10	84182878	14.100.BH		5
84172815	36.100.AK	01	6	84183365	60.120.AR		51
84172835	80.101.CA	01	17	84183407	74.140.AX		1
84172835	80.101.CA	02	17	84183897	74.140.AX		9
84173040	80.101.BK	01	11	84185100	10.102.AW	01	7
84173154	90.120.BC		1	84185100	10.210.AO		21
84173154	90.124.AH		4	84185358	72.350.AJ	01	8
84173593	66.260.AU	02	34	84185358	73.210.AX	01	15
84173594	66.260.AU	02	49	84185358	73.210.AX	07	8
84173941	80.101.CA	03	6	84186708	66.260.AA	02	8
84174008	60.150.AD	01	9	84187812	90.151.AC		5
84174008	60.150.AD	02	4	84187819	90.160.AH	01	39
84174008	60.150.AD	03	9	84187819	90.160.AH	02	19
84174008	60.150.AD	04	4	84188228	66.260.AV	01	1
84174273	55.301.AD	01	4	84188427	90.105.BH	01	34
84175791	36.100.AI		1	84188560	10.414.AC	01	25

INDEX - INDICE - INDEX - ZAHLENVERZEICHNIS - INDICE - INDICE - INDHOLD - INHOUD

Number	Figure	Sequence	Ref.	Number	Figure	Sequence	Ref.
84188950	35.359.AE	01	31	84207195	60.150.AD	02	45
84189454	90.120.BA		9	84207195	60.150.AD	03	41
84190103	35.300.BC	02	9	84207195	60.150.AD	04	45
84190259	90.108.AB	02	10	84207203	05.100.02		18
84190520	36.100.AL		13	84207204	05.100.02		19
84190633	35.300.AQ	02	5	84207413	55.302.AK	01	7
84191585	60.150.AE	02	26	84208502	10.500.AA		14
84193283	90.118.BM	01	10	84208529	80.150.BF	01	47
84193573	35.106.AD		17	84209641	80.101.CA	01	14
84193638	35.359.AE	01	30	84209641	80.101.CA	02	14
84193662	66.260.AA	02	7	84210262	90.100.AD		3
84193697	66.260.AU	02	46	84213133	21.114.AL	02	39
84194177	35.359.AE	01	32	84213134	21.114.AL	02	38
84194234	74.101.AC		9	84213522	74.140.AX		29
84194259	35.300.BC	02	10	84213582	74.140.AX		10
84194297	66.260.AO	02	9	84215091	60.110.AD	01	3
84194650	05.100.01		12	84215091	60.110.AD	02	3
84194650	66.260.AA	01	6	84215091	60.110.AD	03	3
84194670	80.150.BG	01	20	84215091	60.110.AD	04	3
84194670	80.150.BG	06	20	84215095	60.110.AD	01	6
84195725	60.120.AR		17	84215095	60.110.AD	02	6
84196062	35.300.BQ		2	84215095	60.110.AD	03	6
84196964	50.200.AA	01	3	84215095	60.110.AD	04	6
84197269	10.400.BF	01	3	84215544	10.202.BD	01	26
84197902	10.400.BF	02	34	84216133	44.520.AB	01	1
84197923	29.300.AP	02	1	84217229	05.100.01		35
84197925	29.300.AP	03	15	84217229	05.100.03	01	13
84197992	35.796.AC		1	84217229	50.300.AB		36
84197992	88.100.73	02	3	84218029	55.512.BL	02	9
84198534	25.100.AA		29	84218385	14.100.AR	02	20
84198815	80.150.AK	01	5	84218981	35.440.AC		11
84199195	66.360.AH	07	1	84219274	35.440.AC		12
84201873	66.360.AH	01	6	84219375	80.180.AU	02	5
84201886	66.360.AH	01	5	84219420	80.180.AU	02	9
84202836	80.101.AR	01	3	84220776	35.440.AC		3
84202836	80.101.AR	02	3	84225496	35.300.BQ		3
84202851	35.518.AC	01	11	84226332	80.175.AG	02	25
84202893	88.100.73	03	8	84228488	05.100.01		24
84203074	90.108.AB	02	11	84228488	05.100.03	01	2
84203945	55.512.BL	02	3	84229717	44.520.AB	01	1
84206552	05.100.02		59	84229720	44.511.AE		1
84206552	10.500.AA		22	84230061	60.120.AR		24
84207192	05.100.02		11	84231452	55.785.AS	02	13
84207192	60.150.AD	02	7	84233788	66.260.AO	01	8
84207192	60.150.AD	04	7	84234574	10.500.AA		15
84207195	60.150.AD	01	41	84235762	55.785.AS	02	6

INDEX - INDICE - INDEX - ZAHLENVERZEICHNIS - INDICE - INDICE - INDHOLD - INHOUD

Number	Figure	Sequence	Ref.	Number	Figure	Sequence	Ref.
84235763	55.785.AS	02	15	84259085	35.796.AD		1
84240121	80.180.AQ	02	2	84259104	35.796.AC		20
84240125	80.180.AQ	02	23	84259104	35.796.AD		4
84240131	80.180.AQ	02	1	84260097	35.300.BC	02	3
84240261	44.520.AB	01	1	84260113	35.359.AB	01	4
84242005	44.520.AB	01	1	84260454	35.796.AD		2
84243260	14.100.BH		21	84260466	35.359.AE	01	4
84244765	90.120.BC		10	84260467	35.359.AE	01	6
84244765	90.124.AL		12	84260470	41.432.AG		6
84244765	90.124.AN		1	84260471	35.359.AB	01	1
84248007	10.500.AA		7	84260725	33.202.AP	01	39
84248894	80.180.AU	01	35	84260725	33.202.AP	02	38
84249370	35.440.AB		19	84261477	60.110.AD	01	4
84249371	35.440.AB		20	84261477	60.110.AD	02	4
84249467	36.100.AC	01	13	84261477	60.110.AD	03	4
84249536	35.440.AB		21	84261477	60.110.AD	04	4
84249537	35.440.AB		22	84263413	80.180.AU	01	37
84250212	14.100.BH		25	84266050	10.500.AA		6
84250219	29.100.AB	01	6	84266050	41.206.AA		24
84250551	80.150.AK	02	12	84266050	50.200.AB	01	2
84250965	05.100.02		5	84266245	14.100.AR	02	37
84253774	05.100.01		38	84268957	50.100.AP		24
84253774	05.100.03	01	16	84268957C	50.100.AP		24
84253774	14.100.AR	02	36	84268957R	50.100.AP		24
84254243	35.440.AB		11	84270855	10.419.AE		14
84254778	90.100.BJ	01	13	84271697	10.400.BI	01	20
84255119	10.250.AJ	01	1	84272052	60.150.AD	01	26
84255125	10.400.BI	01	1	84272052	60.150.AD	02	19
84255166	10.001.AK	01	2	84272052	60.150.AD	03	26
84255718	66.260.AO	01	2	84272052	60.150.AD	04	19
84256215	80.180.AQ	02	1	84273275	35.518.AC	01	8
84256217	80.180.AQ	02	2	84274488	35.410.AH	01	24
84256524	60.112.AA	02	14	84275943	90.118.AC	01	21
84256524	60.112.AA	05	10	84276168	66.360.AH	04	7
84257916	90.151.AD		1	84277131	90.100.BJ	01	9
84258176	80.101.AR	01	2	84279830	10.400.BF	01	19
84258176	80.101.AR	02	2	84280236	35.796.AC		18
84258220	90.100.BJ	01	8	84280236	35.796.AD		3
84258238	60.150.AQ	03	2	84280361	27.450.AJ	03	5
84258238	60.150.AQ	07	2	84280361	27.450.AL	03	1
84258365	10.400.BF	02	45	84280362	27.450.AJ	04	5
84258366	10.400.BF	02	44	84280362	27.450.AL	04	1
84258367	10.400.BF	02	46	84280380	27.450.AH	02	18
84258368	10.400.BF	02	47	84282059	35.359.AE	01	35
84258973	10.400.BF	02	43	84282060	35.359.AE	01	2
84259085	35.796.AC		19	84282118	90.108.AC		5

INDEX - INDICE - INDEX - ZAHLENVERZEICHNIS - INDICE - INDICE - INDHOLD - INHOUD

Number	Figure	Sequence	Ref.	Number	Figure	Sequence	Ref.
84283206	41.101.AA		5	84299967	10.414.AC	01	33
84283207	41.101.AA		2	84300108	21.114.AL	01	7
84283495	50.200.AB	01	18	84300160	35.415.AA		1
84283524	35.796.AC		34	84300515	80.150.BG	01	26
84283524	35.796.AD		23	84300515	80.150.BG	03	16
84283597	90.100.BJ	01	18	84300520	80.150.BF	01	27
84283744	21.114.AL	02	4	84300520	80.150.BG	06	22
84283745	21.114.AL	02	29	84301065	36.100.AA	01	21
84283746	21.114.AL	02	6	84301067	36.100.AA	01	18
84283747	21.114.AL	02	31	84301305	74.140.AX		32
84283896	29.300.AP	01	2	84302526	35.106.AD		15
84283959	90.100.BJ	02	4	84303080	44.520.AB	01	1
84285473	90.108.AB	01	2	84303517	88.100.73	04	2
84286694	55.512.BL	02	2	84303518	88.100.73	04	8
84288936	10.102.AW	01	5	84303526	88.100.73	04	1
84289579	60.112.AA	02	1	84303615	35.415.AA		11
84289581	60.112.AA	02	2	84303995	80.150.AK	01	4
84290182	90.150.AC		6	84304075	35.415.AA		20
84291514	90.100.BJ	01	7	84304076	35.359.AB	01	20
84292045	35.359.AE	01	19	84304550	35.300.BC	01	19
84292651	90.100.BJ	02	15	84305176	55.301.AD	01	8
84292721	29.218.AD		23	84309096	55.518.AW		3
84292754	29.218.AD		17	84309098	05.100.02		81
84292754	55.015.AB	01	21	84309098	55.518.AW		6
84292754	55.101.AC	04	8	84309101	55.518.AW		5
84292754	55.101.AC	08	2	84310734	60.110.AD	02	1
84292754	55.510.AH		32	84310769	60.110.AD	01	5
84292754	55.512.AA	03	3	84310769	60.110.AD	02	5
84292754	55.512.BL	02	34	84310769	60.110.AD	03	5
84292754	55.520.AX	01	13	84310769	60.110.AD	04	5
84292754	55.680.AA		12	84310770	60.110.AD	01	52
84292754	90.150.BG	01	8	84310770	60.110.AD	02	45
84292913	05.100.01		1	84310770	60.110.AD	03	52
84294527	35.415.AC		2	84310770	60.110.AD	04	45
84294531	37.100.AF		5	84311371	10.102.AW	01	1
84295598	90.100.BJ	01	16	84311373	10.400.BI	01	8
84295601	55.785.AS	01	5	84312027	05.100.01		2
84295601	55.785.AS	02	1	84312027	55.301.AD	01	11
84296251	10.202.BD	01	18	84312225	55.015.AB	01	3
84298453	37.100.AA	03	1	84312933	10.419.AE		15
84298523	37.100.AF		4	84314118	60.110.AA	02	5
84299666	37.100.AA	01	1	84314118	60.110.AA	04	5
84299758	60.150.AD	01	15	84316356	50.100.AP		25
84299758	60.150.AD	02	8	84317535	35.300.BC	01	5
84299758	60.150.AD	03	15	84317775	05.100.02		2
84299758	60.150.AD	04	8	84317775	66.331.AK	05	4

INDEX - INDICE - INDEX - ZAHLENVERZEICHNIS - INDICE - INDICE - INDHOLD - INHOUD

Number	Figure	Sequence	Ref.	Number	Figure	Sequence	Ref.
84317775	66.331.AK	06	4	84332197	66.360.AH	06	7
84317775	66.331.AK	07	3	84334438	27.450.AH	01	11
84317777	05.100.02		1	84334438	27.450.AH	02	11
84317777	66.331.AK	05	3	84334438	27.550.AJ	01	11
84317777	66.331.AK	06	3	84334657	50.300.AB		1
84319915	10.210.AO		47	84334697	74.140.AK	04	19
84320052	80.180.AR	02	1	84334697	80.101.AP		2
84320052	80.180.AU	01	8	84334828	37.100.AA	03	5
84320052C	80.180.AR	02	1	84335407C	74.114.AZ	03	6
84320052C	80.180.AU	01	8	84335407R	74.114.AZ	03	6
84320052R	80.180.AR	02	1	84340333	10.102.AW	01	22
84320052R	80.180.AU	01	8	84340333	41.206.AA		22
84320263	55.510.AH		7	84340333	50.200.AB	03	18
84320263	90.118.BM	01	18	84340333	50.300.AB		29
84320278	90.154.AA	01	14	84340333	55.510.AF		8
84320292	90.154.AA	02	6	84340333	55.640.AG	01	8
84320293	90.154.AA	02	17	84340469	14.100.BH		11
84320299	90.154.AC		7	84340469	60.150.AQ	08	2
84320301	90.154.AC		3	84342704	36.100.AK	01	26
84320565	35.359.AB	02	4	84342705	36.100.AK	01	27
84322388	05.100.02		28	84342714	36.100.AK	01	2
84322724	90.105.BH	02	1	84342778	50.100.AP		2
84323355	10.400.BF	02	13	84342816	14.100.AB		3
84323555	90.150.BG	01	10	84342822	66.260.AO	01	4
84323821	41.101.AB		7	84343144	66.360.AH	02	1
84323822	41.101.AB		8	84343144	66.360.AH	06	1
84324767	35.359.AB	01	23	84343148	66.360.AH	01	24
84324768	35.518.AC	01	2	84343148	66.360.AH	02	23
84324771	35.518.AC	01	3	84343148	66.360.AH	06	23
84324772	35.518.AC	01	4	84344312	41.101.AB		11
84324773	35.518.AC	01	5	84344572	55.510.AH		8
84324781	35.518.AC	01	6	84344616	74.130.AJ	01	6
84324783	35.518.AC	01	12	84344644	55.404.AC		19
84324784	35.518.AC	01	13	84346464	60.110.AD	01	1
84326214	27.450.AJ	01	2	84346485	05.100.02		14
84326214	27.450.AJ	02	2	84346485	60.150.AD	01	14
84326214	27.450.AJ	03	2	84346485	60.150.AD	03	14
84326214	27.450.AJ	04	2	84346486	60.110.AD	01	2
84326214	27.550.AJ	01	18	84346486	60.110.AD	03	2
84328904	41.206.AA		8	84346773	05.100.01		25
84328905	41.206.AA		9	84346773	05.100.03	01	2
84329849	60.110.AA	02	1	84347763	41.432.AC		8
84331727	41.101.AB		1	84347764	35.796.AC		26
84332167	37.100.AF		16	84347764	88.100.73	02	14
84332194	66.360.AH	01	2	84347770	35.359.AE	01	29
84332197	66.360.AH	02	7	84347774	35.300.BC	01	20

INDEX - INDICE - INDEX - ZAHLENVERZEICHNIS - INDICE - INDICE - INDHOLD - INHOUD

Number	Figure	Sequence	Ref.	Number	Figure	Sequence	Ref.
84347775	35.300.BC	01	21	84359856	60.150.AD	04	18
84347781	35.500.AJ		2	84360158	29.218.AO		5
84347782	35.500.AJ		1	84360167	29.218.AO		28
84347786	35.300.BC	01	10	84360209	29.300.AP	03	31
84347788	35.300.BC	02	2	84360209	50.200.AB	03	30
84347789	35.300.BC	02	7	84360210	55.101.AC	04	17
84347790	35.300.BC	02	8	84360212	29.300.AP	03	32
84347791	35.300.BC	02	6	84360213	05.100.02		9
84348525	35.300.BC	02	5	84360598	90.160.AX		19
84348616	90.100.BJ	01	5	84360599	90.160.AX		20
84348781	29.300.AP	02	11	84360909	41.101.AB		10
84348882	05.100.01		28	84361382	05.100.02		12
84348882	05.100.03	01	4	84361382	60.150.AD	01	37
84348882	10.210.AO		4	84361382	60.150.AD	03	37
84349242	44.520.AB	01	8	84361383	05.100.02		13
84349242	44.520.AB	02	7	84361383	60.150.AD	01	36
84349665	10.408.AO		2	84361383	60.150.AD	03	36
84349665C	10.408.AO		2	84364071	10.102.AW	01	21
84349665R	10.408.AO		2	84365099	35.410.AH	01	23
84350040	35.359.AB	01	3	84367388	55.512.AA	03	4
84350123	35.300.BC	02	12	84367388	88.100.55	05	7
84350681	50.100.AP		35	84367830	80.150.BG	03	6
84351096	90.100.BJ	01	14	84367830	80.150.BG	06	17
84351581	35.796.AD		16	84367834	80.150.BG	03	5
84352406	60.150.AU	02	27	84367834	80.150.BG	06	18
84353399	60.112.AA	02	17	84368545	80.150.BG	02	9
84353399	60.112.AA	05	3	84368545	80.150.BG	06	17
84355817	60.120.AI	01	12	84368551	80.150.BG	02	8
84355817	60.120.AI	02	8	84368551	80.150.BG	06	18
84355826	60.120.AI	01	9	84369496	80.150.BF	01	1
84355975	35.300.BC	01	22	84369496	80.150.BG	05	1
84355977	35.300.BC	01	2	84370689	55.510.AH		9
84356578	35.300.BC	01	34	84370690	55.680.AA		4
84359106	29.218.AO		29	84370691	55.101.AC	16	4
84359760	35.359.AB	01	14	84371206	55.404.CU		1
84359789C	14.100.AR	01	1	84372493	35.518.AC	01	1
84359789C	14.100.BH		1	84372640	36.100.AK	01	3
84359789C	18.112.AC	01	5	84372644	36.100.AK	01	39
84359789R	14.100.AR	01	1	84372662	36.100.AK	01	38
84359789R	14.100.BH		1	84373207	55.101.AC	16	1
84359789R	18.112.AC	01	5	84373406	50.300.AB		17
84359850	33.202.AP	01	37	84373430	18.112.AC	01	8
84359850	33.202.AP	02	36	84374745	60.120.AI	02	7
84359856	60.150.AD	01	33	84375293	66.260.AO	01	14
84359856	60.150.AD	02	18	84375294	66.260.AO	01	12
84359856	60.150.AD	03	33	84375295	66.260.AO	01	11

INDEX - INDICE - INDEX - ZAHLENVERZEICHNIS - INDICE - INDICE - INDHOLD - INHOUD

Number	Figure	Sequence	Ref.	Number	Figure	Sequence	Ref.
84375781	35.300.BC	02	15	84397769	74.125.AL		8
84375783	35.796.AC		25	84397774	74.125.AL		12
84375783	35.796.AD		21	84398019	80.101.AP		4
84375995	60.110.AD	01	13	84398020	80.101.AR	03	1
84375995	60.110.AD	03	13	84398072	80.101.AR	04	1
84377662	35.359.AB	02	6	84398515	55.510.AH		13
84378104	60.120.AI	03	11	84398840	05.100.02		22
84378104	60.120.AI	04	10	84398912	80.175.AD	02	2
84378109	60.120.AI	04	2	84398945	90.105.BH	01	1
84378114	60.120.AI	03	2	84399760	55.512.AA	02	5
84378692	10.254.AI	01	13	84399760	90.150.BG	01	17
84379141	90.160.BL		16	84402542	73.230.AQ	01	26
84379447	90.118.BM	02	3	84402613	35.410.AH	01	12
84379458	90.118.BM	02	4	84402613	35.410.AH	03	4
84380249	55.510.AH		10	84402856	90.160.AH	01	36
84380250	55.518.AS		3	84402856	90.160.AH	02	16
84380251	90.118.BM	02	7	84402983	80.101.CA	01	15
84380253	90.118.BM	02	8	84402983	80.101.CA	02	15
84380254	55.510.AH		11	84403170	90.160.BL		8
84380255	88.100.55	04	3	84404363	90.160.AH	01	34
84380257	41.101.AC		7	84404363	90.160.AH	02	14
84380267	55.510.AH		12	84404455	90.156.AB		12
84384048	35.359.AB	02	19	84404455	90.160.AH	03	14
84385245	50.200.CZ		3	84405101	55.512.BL	01	16
84385653	41.216.AO		4	84405787	90.118.BM	01	3
84385653	41.432.AG		7	84406044	05.100.01		6
84386243	50.200.AB	03	32	84406044	14.100.BH		24
84387023	90.108.AB	02	14	84406548	14.100.BH		8
84387640	21.114.AL	01	3	84407375	14.100.BH		2
84389239	73.230.AJ	01	13	84407377	66.260.AA	02	4
84389239	73.230.AJ	04	15	84407378	14.100.BH		22
84390356	90.108.AC		1	84407903	55.512.AA	03	11
84392049	80.150.AK	02	5	84408234	80.101.BK	02	3
84392050	80.150.AK	03	6	84409223	90.118.BM	01	12
84392266	90.124.AH		7	84410229	80.101.CA	01	11
84392269	90.124.AH		6	84410229	80.101.CA	02	11
84392517	60.110.AA	01	2	84410232	80.101.CA	01	18
84392517	60.110.AA	03	26	84410232	80.101.CA	02	18
84393101	90.151.AO		10	84411114	14.100.BH		31
84393181	90.160.AH	01	33	84411464	80.150.BF	01	44
84393181	90.160.AH	02	13	84411464	80.150.BG	06	21
84393337	55.512.BL	02	10	84411618	35.410.AH	01	5
84393401	74.130.AJ	03	1	84411619	35.410.AH	01	6
84393407	74.140.AK	02	20	84412164	05.100.01		22
84394419	10.254.AI	01	18	84412164	05.100.03	01	1
84396784	55.512.BL	01	19	84413157	05.100.02		8

INDEX - INDICE - INDEX - ZAHLENVERZEICHNIS - INDICE - INDICE - INDHOLD - INHOUD

Number	Figure	Sequence	Ref.	Number	Figure	Sequence	Ref.
84413157	60.112.AA	01	9	84425615	90.150.AD		4
84413773	90.160.AX		15	84426478	37.100.AF		7
84413883	90.150.BJ		1	84426633	73.335.AC	02	6
84413884	90.150.BJ		2	84426633	73.335.AC	03	7
84413885	90.150.BJ		3	84426637	73.335.AC	01	4
84413887	90.150.BJ		5	84426640	73.335.AC	01	32
84414537	88.100.73	03	4	84426641	73.335.AC	01	27
84414707	29.300.AP	01	1	84426643	73.335.AC	01	28
84414924	80.150.AK	03	2	84426645	73.335.AC	01	30
84414926	80.150.AK	02	1	84426645	73.335.AC	02	7
84414985	72.220.AJ	02	10	84426645	73.335.AC	03	8
84414985	80.150.AI		11	84427758	90.120.BC		7
84414985	80.180.AQ	01	5	84427917	73.335.AC	01	29
84414985	80.180.AQ	02	5	84428369	37.100.AF		12
84414986	74.125.AL		29	84428411	35.500.AJ		11
84414986	80.150.AI		9	84428963	41.216.AO		5
84414986	80.180.AU	02	3	84428963	41.432.AG		8
84415827	66.260.AS	02	1	84429450	27.550.AM	01	15
84415953	14.100.AR	01	34	84429450	27.550.AM	02	15
84415954	14.100.AR	01	42	84429659	74.130.AH		4
84415955	14.100.AR	01	35	84431522	35.415.AA		29
84416329	25.100.AA		16	84431916	10.210.AO		7
84416701	21.126.AB		3	84434979	90.154.AA	01	13
84416703	21.126.AB		4	84435829	55.785.AS	02	12
84417818	90.118.AC	01	25	84435830	55.785.AS	02	11
84418892	90.100.AD		1	84435831	55.785.AS	02	3
84419250	05.100.02		77	84435833	55.785.AS	02	26
84419250	50.100.AP		5	84437088	80.180.AR	01	3
84419756	50.100.AP		40	84437272	80.101.AE		13
84419998	80.150.BG	05	11	84437278	80.101.AE		12
84419999	80.150.BG	05	15	84437282	80.101.AE		2
84420304	35.300.BC	01	36	84437569	80.101.AE		6
84420760	80.150.AK	02	17	84437570	80.101.AE		10
84420766	80.150.AK	03	19	84437572	80.101.AE		3
84420989	66.360.AH	04	1	84437573	80.101.AE		9
84421043	14.100.AB		1	84437580	80.101.AE		7
84421419	50.200.CZ		5	84437581	80.101.AE		5
84421731	90.150.AD		8	84437582	80.101.AE		11
84421894	90.150.AC		9	84438713	80.101.AE		8
84422216	55.404.BB		1	84438887	55.202.AE	02	1
84422747	05.100.02		37	84441023	36.100.AA	01	3
84423660	55.201.AE		1	84441024	36.100.AA	01	12
84423660C	55.201.AE		1	84442536	10.400.BI	01	17
84423660R	55.201.AE		1	84443588	27.550.AM	01	10
84425149	55.101.AC	01	2	84443588	27.550.AM	02	10
84425180	35.300.BC	01	35	84444625	27.450.AH	01	3

INDEX - INDICE - INDEX - ZAHLENVERZEICHNIS - INDICE - INDICE - INDHOLD - INHOUD

Number	Figure	Sequence	Ref.	Number	Figure	Sequence	Ref.
84444625	27.450.AH	02	3	84482251	21.126.AB		6
84444625	27.550.AJ	01	3	84485285	10.202.BD	01	27
84446050	37.100.AF		17	84485287	10.202.BD	01	33
84446948	27.550.AM	01	16	84490696	35.410.AH	01	1
84446949	27.550.AM	02	16	84490696	35.410.AH	03	19
84447940	80.180.AU	01	26	84492038	80.150.AK	01	9
84447941	80.180.AU	02	7	84492055	80.150.AK	01	10
84448564	27.550.AM	01	9	84492083	80.150.AK	01	45
84448564	27.550.AM	02	9	84496413	90.150.BG	02	8
84454949	27.550.AM	01	7	84496414	90.150.BG	02	7
84454949	27.550.AM	02	7	84496415	90.150.BG	02	13
84457284	10.414.AC	01	13	84496419	90.150.BG	02	9
84458881	10.250.AJ	01	4	84497408	10.210.AO		13
84460193	10.254.AI	01	6	84497410	10.210.AO		12
84460795	10.414.AC	01	42	84497413	10.210.AO		10
84465299	33.202.BN	01	28	84498405	80.150.AK	01	24
84465299	33.202.BN	02	6	84498407	80.150.AK	01	22
84467465	73.335.AC	01	3	84498846	10.210.AF	01	13
84469094	41.101.AB		12	84499021	80.150.AI		5
84472142	35.300.BC	02	4	84499024	80.150.AI		28
84472143	10.419.AE		16	84499028	80.150.AI		40
84473715	66.331.AM		43	84499036	80.150.AI		1
84474186	55.015.AB	01	25	84499134	37.100.AF		1
84474186	55.101.AC	04	16	84499135	37.100.AA	03	2
84474186	55.101.AC	07	5	84499241	90.160.AH	01	32
84474354	55.301.AD	01	3	84499241	90.160.AH	02	12
84474354C	55.301.AD	01	3	845-8020	33.202.AK		28
84474354R	55.301.AD	01	3	84510048	29.300.AP	03	12
84474459	88.100.55	06	2	84511542	60.120.AG	01	1
84475121	90.105.BH	01	17	84511542	60.120.AG	03	1
84475216	90.118.BM	01	14	84511574	60.120.AI	01	8
84476156	21.126.AB		15	84511574	60.120.AI	02	5
84477370	05.100.01		33	84511578	60.120.AI	01	3
84477370	05.100.03	01	10	84511578	60.120.AI	02	6
84477370	10.206.AF		2	84511581	60.120.AI	01	2
84478836	50.100.AP		41	84511750	90.160.AH	01	31
84479126	55.101.AC	06	1	84511750	90.160.AH	02	11
84479806	55.404.CU		2	84512981	90.118.AC	01	3
84480525	55.404.AC		11	84513521	73.335.AC	01	21
84480525	88.100.55	06	18	84513921	10.210.AF	01	4
84481532	60.150.AQ	02	24	84514485	55.512.BL	01	33
84481535	60.150.AQ	01	24	84514654	10.414.AC	01	4
84481537	60.150.AQ	01	36	84514679	35.359.AE	01	7
84481537	60.150.AQ	02	36	84515546	35.300.BC	02	1
84481537	60.150.AQ	04	14	84517739	29.300.AP	03	34
84481537	60.150.AQ	06	14	84518532	35.359.AB	01	2

INDEX - INDICE - INDEX - ZAHLENVERZEICHNIS - INDICE - INDICE - INDHOLD - INHOUD

Number	Figure	Sequence	Ref.	Number	Figure	Sequence	Ref.
84518535	35.359.AB	01	15	84538152	41.200.AO		1
84518861	10.400.BF	02	5	84539038	55.520.AX	01	1
84522401	10.400.BF	02	4	84539438	90.150.BJ		4
84522945	80.150.BF	01	15	84539487	41.101.AB		9
84522945	80.150.BG	05	27	84540936	90.150.BG	02	4
84522947	80.150.BF	01	18	84541632	90.150.BG	01	11
84522947	80.150.BG	05	24	84541633	90.150.BG	01	12
84522949	80.150.BF	01	19	84541655	90.150.BG	02	2
84522949	80.150.BG	05	29	84541659	90.150.BG	02	3
84522968	10.400.BF	02	1	84541662	90.150.BG	02	5
84523951	29.300.AP	03	29	84541663	90.150.BG	02	6
84523955	29.300.AP	03	6	84541664	90.150.BG	02	14
84523955	35.359.AB	04	1	84541678	90.160.AX		5
84524006	41.101.AB		16	84541688	90.160.AX		8
84524018	55.512.BL	02	27	84542305	74.140.AK	02	12
84524019	55.426.AH		6	84542305	74.140.BM		7
84524484	55.680.AA		7	84542602	50.100.AP		6
84525530	55.512.BL	01	5	84542606	50.100.AP		20
84525584	90.151.AE		3	84542607	50.100.AP		17
84525952	80.150.AK	02	3	84542962	90.118.AC	01	26
84525952	80.150.AK	03	5	84543542	27.106.AL		2
84526231	80.150.BG	05	21	84543670	90.118.AC	02	2
84526367	80.150.AK	02	13	84543947	73.230.AQ	04	9
84527246	36.100.AK	01	33	84544095	55.640.AG	02	2
84527251	36.100.AK	01	37	84544095	90.150.AD		9
84528919	90.160.BL		3	84544383	21.126.AB		12
84530585	55.301.AD	01	5	84544528	50.100.AP		42
84530695	55.520.AX	02	3	84544528	55.512.BL	01	26
84530698	55.520.AX	02	2	84544529	50.200.CZ		6
84531217	27.106.AL		1	84544926	90.150.AB	02	1
84531553	90.150.AC		7	84545277	41.101.AB		25
84533184	35.415.AA		22	84545630	66.260.AA	01	10
84534416	14.100.AR	01	28	84545797	90.160.AH	03	2
84534849	66.360.AH	01	1	84545926	90.150.AD		6
84536111	35.359.AB	01	24	84545927	90.160.AH	03	10
84536915	33.202.BN	01	27	84545938	55.404.AC		8
84537718	41.200.AO		6	84545938	55.426.AH		5
84537720	41.200.AO		8	84545938	88.100.55	06	14
84537722	41.200.AO		5	84546025	90.150.BG	01	19
84537723	41.200.AO		7	84546026	90.150.BG	01	20
84537725	41.200.AO		12	84546027	90.150.BG	01	21
84537726	41.200.AO		13	84546028	90.150.BG	01	22
84538095	60.110.AD	01	21	84546029	90.150.BG	01	23
84538095	60.110.AD	02	15	84546159	90.150.BG	01	25
84538095	60.110.AD	03	21	84546257	90.160.AH	01	27
84538095	60.110.AD	04	15	84546257	90.160.AH	02	3

INDEX - INDICE - INDEX - ZAHLENVERZEICHNIS - INDICE - INDICE - INDHOLD - INHOUD

Number	Figure	Sequence	Ref.	Number	Figure	Sequence	Ref.
84546427	33.202.AP	01	7	84552156	14.100.AR	01	22
84546427	33.202.AP	02	6	84552157	14.100.AR	01	23
84546428	33.202.AP	01	8	84552158	14.100.AR	01	24
84546428	33.202.AP	02	7	84552159	14.100.AR	01	44
84546429	41.206.AA		6	84552737	55.518.AW		1
84546530	90.160.AH	02	23	84552753	55.518.AW		2
84546825	90.160.AH	01	26	84552832	14.100.AR	01	25
84546825	90.160.AH	02	2	84552838	14.100.AR	01	3
84546829	90.151.AO		7	84552992	90.118.BM	02	12
84546833	90.151.AO		8	84553150	90.150.AC		5
84546855	55.404.AC		12	84553150	90.151.AO		18
84546855	88.100.55	06	17	84553150	90.160.AH	01	37
84547127	90.160.AH	01	28	84553150	90.160.AH	02	17
84547127	90.160.AH	02	4	84553364	90.160.AH	01	43
84547153	90.160.AH	01	29	84553364	90.160.AH	02	27
84547153	90.160.AH	02	5	84553550	41.206.AA		7
84547155	90.160.AH	01	30	84554313	90.160.AX		11
84547155	90.160.AH	02	6	84554766	60.120.AG	03	2
84547412	55.512.BL	02	13	84555558	66.360.AH	02	5
84547423	55.512.BL	01	20	84555558	66.360.AH	06	5
84547427	55.512.BL	02	17	84555560	90.118.AC	03	2
84547431	55.512.BL	01	21	84555626	80.150.BG	01	6
84547455	55.512.BL	02	7	84555626	80.150.BG	03	18
84547503	90.118.AC	01	27	84555896	90.156.AB		3
84548136	90.118.BM	02	2	84555903	90.156.AB		4
84548138	90.118.BM	02	6	84555904	90.156.AB		9
84548160	90.118.BM	01	2	84556153	74.136.AD	01	2
84548161	90.118.BM	01	5	84556691	55.510.AF		9
84548226	90.151.AO		4	84556691	55.510.AH		14
84548651	05.100.01		5	84556691	55.512.BL	01	11
84548651	66.260.AO	01	1	84556691	55.640.AG	01	9
84548713	50.200.AB	03	3	84556691	90.160.BL		10
84548928	90.150.BG	02	18	84556772	35.300.BC	01	12
84548930	90.150.BG	02	19	84556773	35.300.BC	01	18
84549024	90.150.BG	02	15	84556774	35.300.BC	01	4
84549233	90.160.BL		1	84557167	35.359.AB	03	6
84549785	66.260.AU	01	1	84557184	29.300.AP	02	12
84549789	35.359.AB	03	5	84557185	29.300.AP	03	36
84549933	50.300.AB		26	84557659	10.414.AC	01	8
84549935	50.300.AB		28	84559032	55.404.AC		13
84549937	50.300.AB		27	84559032	88.100.55	06	7
84551013	73.230.AP	01	18	84559733	14.100.BH		9
84551621	50.200.AB	03	20	84560428	90.150.AC		12
84551627	50.200.AB	01	20	84560595	90.151.AE		1
84551627	50.200.AB	03	22	84560656	90.150.AD		5
84552155	14.100.AR	01	21	84560672	90.150.AC		13

INDEX - INDICE - INDEX - ZAHLENVERZEICHNIS - INDICE - INDICE - INDHOLD - INHOUD

Number	Figure	Sequence	Ref.	Number	Figure	Sequence	Ref.
84561137	66.110.AF		23	84570379	90.160.AX		10
84561226	90.156.AB		7	84570383	90.150.BG	01	27
84561230	90.156.AB		6	84570383	90.160.AX		9
84562813	90.160.AH	01	10	84570435	55.991.AA	02	2
84562836	10.102.AW	01	20	84570436	55.991.AA	01	2
84562864	90.118.AC	01	24	84570680	90.150.BG	02	20
84562879	90.118.AX	01	2	84570683	90.150.BG	02	17
84562879	90.118.AX	02	2	84571030	55.404.AC		1
84563062	60.120.AI	02	2	84571030	88.100.55	06	3
84563251	90.160.AH	01	17	84571032	55.404.AC		3
84563251	90.160.AH	03	34	84571032	88.100.55	06	5
84563392	88.100.90	01	4	84571672	90.150.BG	01	28
84563392	90.160.AH	01	12	84572243	90.160.AX		18
84563392	90.160.AH	03	31	84572256	90.160.AX		17
84563493	90.118.AX	02	3	84573674	41.432.AG		10
84563495	90.118.AX	01	3	84573689	41.432.AG		9
84563625	90.160.BL		5	84574271	55.911.AB	01	2
84563870	10.210.AO		31	84574271	88.100.55	02	2
84563952	55.991.AA	03	2	84574271C	55.911.AB	01	2
84563997	90.150.AD		2	84574271C	88.100.55	02	2
84564282	90.156.AB		10	84574271R	55.911.AB	01	2
84564721	35.300.AQ	01	13	84574271R	88.100.55	02	2
84564803	36.100.AL		5	84574273	55.911.AB	03	2
84565264	90.160.AH	01	6	84574273	88.100.55	01	2
84565331	10.210.AF	01	6	84574273C	55.911.AB	03	2
84565332	10.210.AF	01	7	84574273C	88.100.55	01	2
84565334	10.210.AF	01	3	84574273R	55.911.AB	03	2
84565367	10.210.AF	01	15	84574273R	88.100.55	01	2
84565377	35.359.AB	01	21	84574471	90.150.BI		5
84565773	10.400.BF	01	7	84574524	55.512.BL	01	22
84565825	10.400.BF	01	7	84574601	90.150.BI		2
84566809	90.118.AC	03	3	84574648	41.206.AA		1
84567144	55.680.AA		1	84574650	41.206.AA		2
84567630	41.216.AO		7	84574652	41.206.AA		3
84567649	41.216.AO		9	84574654	41.206.AA		4
84568100	10.210.AO		22	84574655	41.206.AA		5
84568142	90.118.AC	01	20	84575664	33.202.AP	01	40
84569274	90.154.AA	02	29	84575664	33.202.AP	02	39
84569276	35.359.AB	03	12	84576335	90.160.AH	01	9
84569342	10.210.AO		23	84576335	90.160.AH	03	15
84569510	90.154.AA	02	8	84576359	90.160.AH	01	7
84569631	66.360.AH	02	21	84576359	90.160.AH	03	16
84569631	66.360.AH	06	21	84576365	90.160.AH	01	8
84569825	90.150.BI		4	84576365	90.160.AH	03	17
84570331	35.300.BC	01	9	84576623	80.150.AR		3
84570336	35.300.BC	01	16	84576796	10.400.BF	01	8

INDEX - INDICE - INDEX - ZAHLENVERZEICHNIS - INDICE - INDICE - INDHOLD - INHOUD

Number	Figure	Sequence	Ref.	Number	Figure	Sequence	Ref.
84576809	10.400.BF	01	7	84588266C	88.100.55	02	1
84577164	90.160.AH	01	25	84588266R	55.911.AB	01	1
84577164	90.160.AH	02	1	84588266R	88.100.55	02	1
84577410	80.101.BK	01	2	84588269	55.911.AB	03	1
84577410	80.101.BK	02	2	84588269	88.100.55	01	1
84577553	90.118.AX	01	14	84588269C	55.911.AB	03	1
84577647	90.160.AH	03	8	84588269C	88.100.55	01	1
84577836	90.118.AX	02	14	84588269R	55.911.AB	03	1
84577849	90.118.AX	01	15	84588269R	88.100.55	01	1
84577849	90.118.AX	02	15	84588535	29.300.AP	03	35
84579046	90.105.BH	01	19	84589086	66.360.AH	01	10
84579342	90.118.AC	01	34	84589142	55.510.AF		10
84579603	55.404.AQ	02	5	84589142	55.640.AG	01	10
84579603	55.404.AQ	03	4	84589384	14.100.AR	01	14
84579642	10.102.AW	01	2	84589384	14.100.AR	02	2
84579810	90.118.AC	03	1	84589385	14.100.AR	01	15
84579811	90.118.AX	01	1	84589385	14.100.AR	02	3
84579811	90.118.AX	02	1	84589386	14.100.AR	01	16
84580238	90.118.AX	01	16	84589386	14.100.AR	02	4
84580238	90.118.AX	02	16	84589387	14.100.AR	01	17
84580265	50.100.AP		1	84589387	14.100.AR	02	5
84580309	60.150.AU	02	20	84589389	14.100.AR	01	37
84580314	60.150.AU	01	24	84589391	14.100.AR	01	38
84580530	35.518.AC	01	7	84589392	14.100.AR	01	39
84580530	35.518.AC	02	1	84589393	14.100.AR	01	40
84580534	35.518.AC	02	3	84589396	14.100.AR	02	29
84580662	60.112.AA	05	28	84589398	14.100.AR	01	12
84580668	60.112.AA	05	27	84589400	14.100.AR	01	1
84581120	73.230.AP	01	19	84589400	14.100.BH		1
84581204	72.220.AL		2	84589400	18.112.AC	01	5
84581530	80.150.AI		37	84589402	14.100.AR	01	27
84581833	80.150.AK	01	2	84589582	55.512.AA	02	1
84581836	80.150.AK	01	7	84589785	55.512.AA	02	2
84582188	80.150.AK	02	23	84590411	35.300.BQ		1
84582200	41.101.AB		23	84590415	50.300.AB		7
84582896	50.300.AB		4	84591621	50.300.AB		12
84582900	90.150.AD		1	84591724	50.300.AB		6
84584187	41.432.AC		11	84592582	90.100.BJ	01	12
84584837	90.118.AC	01	15	84592636	90.160.AX		16
84586492	41.200.AO		9	84592867	55.512.BL	01	3
84586622	90.100.BJ	02	26	84593658	50.200.AB	03	13
84587081	60.110.AA	02	2	84594043	55.510.AH		15
84587081	60.110.AA	04	2	84594139	10.254.AI	01	12
84588266	55.911.AB	01	1	84595755	10.500.AA		23
84588266	88.100.55	02	1	84596569	90.160.BL		12
84588266C	55.911.AB	01	1	84596570	90.160.BL		12

INDEX - INDICE - INDEX - ZAHLENVERZEICHNIS - INDICE - INDICE - INDHOLD - INHOUD

Number	Figure	Sequence	Ref.	Number	Figure	Sequence	Ref.
84597064	05.100.01		23	847-3820	60.112.AA	05	21
84597064	05.100.03	01	1	847-3820	66.260.AA	02	17
84598218	50.200.AB	03	8	847-3820	66.331.AM		38
84599117	14.100.AR	02	18	847-3820	72.220.AL		5
84599119	14.100.AR	01	2	847-3820	72.420.AM	01	29
84599273	25.100.AA		11	847-3820	72.420.AM	02	10
84599273	29.100.AB	01	1	847-3820	73.230.AP	01	20
84599273C	25.100.AA		11	847-3820	74.118.AK		6
84599273C	29.100.AB	01	1	847-3820	74.125.AL		42
84599273R	25.100.AA		11	847-3820	74.140.AK	02	26
84599273R	29.100.AB	01	1	847-3820	74.140.AK	04	30
84600009	66.105.AO		9	847-3825	74.140.AK	02	1
84600010	66.105.AO		8	847-3830	66.360.AH	01	19
84600412	29.100.AB	01	35	84800194	27.450.AJ	01	12
84600417	29.100.AB	01	35	84800194	27.450.AJ	02	12
84601219	50.200.AB	03	5	84800194	27.450.AJ	03	12
84601476	55.512.AA	03	10	84800194	27.450.AJ	04	12
84601477	55.512.AA	03	9	84800194	27.450.AL	01	32
84602040	21.114.AL	02	49	84800194	27.450.AL	02	32
84602041	21.114.AL	02	50	84800194	27.450.AL	03	32
84602042	21.114.AL	02	51	84800194	27.450.AL	04	32
84602043	21.114.AL	02	52	84800212	27.450.AL	01	35
84602046	21.114.AL	02	14	84800212	27.450.AL	02	35
84602048	21.114.AL	01	18	84800212	27.450.AL	03	35
84602050	25.100.AA		2	84800212	27.450.AL	04	35
84602052	25.100.AA		2	84800213	27.450.AL	01	36
84602171	55.512.AA	03	6	84800213	27.450.AL	02	36
84602606	90.120.AI		1	84800213	27.450.AL	03	36
84602733	90.120.AE		6	84800213	27.450.AL	04	36
84602733	90.124.AH		8	84807411	41.432.AG		13
84603019	90.120.BC		2	84814892	55.785.AS	02	14
84603019	90.124.AN		13	84814892	74.125.AL		34
84606473	90.156.AB		11	84814918	33.202.BN	01	33
84607170	90.154.AA	01	1	84814918	33.202.BN	02	11
84607170	90.154.AA	02	1	84817900	27.450.AL	01	38
84607279	50.100.AP		44	84817900	27.450.AL	02	38
84607280	50.100.AP		29	84817900	27.450.AL	03	38
84607358	90.154.AA	01	5	84817900	27.450.AL	04	38
84607358	90.154.AA	02	15	84817916	27.450.AL	01	37
84607475	55.518.AW		8	84817916	27.450.AL	02	37
84674	74.140.CM		28	84817916	27.450.AL	03	37
847-3816	60.120.AI	01	27	84817916	27.450.AL	04	37
847-3816	60.120.AI	02	26	84817917	27.450.AL	01	41
847-3816	60.120.AI	03	19	84817917	27.450.AL	02	41
847-3816	60.120.AI	04	18	84817917	27.450.AL	03	41
847-3820	60.112.AA	02	19	84817917	27.450.AL	04	41

INDEX - INDICE - INDEX - ZAHLENVERZEICHNIS - INDICE - INDICE - INDHOLD - INHOUD

Number	Figure	Sequence	Ref.	Number	Figure	Sequence	Ref.
84817924	27.450.AJ	01	4	86010510	35.415.AA		39
84817924	27.450.AJ	02	4	86014250	74.114.AU	02	4
84817924	27.450.AJ	03	4	86016798	88.100.25	01	9
84817924	27.450.AJ	04	4	86017581	35.300.AQ	02	4
84817924	27.450.AL	01	39	8602005	55.202.AE	01	1
84817924	27.450.AL	02	39	86050251	90.160.AX		22
84817924	27.450.AL	03	39	86050272	88.100.90	01	15
84817924	27.450.AL	04	39	86050276	50.300.AB		23
84817926	27.450.AL	01	42	86050276	66.110.AF		13
84817926	27.450.AL	02	42	86050279	10.210.AO		35
84817926	27.450.AL	03	42	86050279	10.254.AI	01	16
84817926	27.450.AL	04	42	86050279	10.400.BF	01	14
84989315	74.140.AK	03	4	86050279	10.400.BF	02	23
84989315	80.101.AR	01	14	86050279	14.100.BH		6
84989315	80.101.AR	02	14	86050279	33.202.AP	01	28
84989315	80.101.CA	03	16	86050279	33.202.AP	02	27
84989315	88.100.74	01	5	86050279	35.300.AQ	01	21
84989392	10.210.AO		44	86050279	35.359.AE	01	25
84989392	14.100.BH		38	86050279	35.796.AC		10
84989392	33.202.AP	01	30	86050279	36.100.AK	01	34
84989392	33.202.AP	02	29	86050279	41.432.AG		5
84989392	35.359.AB	02	16	86050279	50.200.AA	01	4
84989392	35.359.AC		7	86050279	55.201.AE		2
84989392	35.440.AB		24	86050279	55.301.AD	01	1
84989694	90.154.AA	02	39	86050279	55.302.AK	01	14
84989695	90.154.AA	02	33	86050279	55.510.AH		16
84989696	90.154.AA	02	36	86050279	60.110.AD	01	44
84994447	36.100.AC	01	10	86050279	60.110.AD	02	41
853116	80.180.AR	02	25	86050279	60.110.AD	03	44
853764	35.500.AJ		7	86050279	60.110.AD	04	41
857-10050	90.118.AC	01	33	86050279	60.110.AT		17
857-10050	90.118.AC	03	5	86050279	60.112.AA	01	31
857-10070	74.114.AZ	01	14	86050279	60.112.AA	04	32
857-8025	60.165.AM		31	86050279	60.150.AD	01	45
85700654	72.220.AJ	01	1	86050279	60.150.AD	02	39
85700654	74.114.AZ	01	13	86050279	60.150.AD	03	45
85700693	73.230.AJ	04	34	86050279	60.150.AD	04	39
858956	55.101.AC	02	6	86050279	60.150.AQ	01	3
86000439	60.110.AA	01	3	86050279	60.150.AQ	02	3
86000439	60.110.AA	03	25	86050279	60.150.AQ	04	17
86000439	60.110.AD	01	27	86050279	60.150.AQ	06	17
86000439	60.110.AD	02	20	86050279	60.150.AU	01	9
86000439	60.110.AD	03	27	86050279	60.150.AU	02	11
86000439	60.110.AD	04	20	86050279	60.165.AM		25
86000441	80.175.AD	02	16	86050279	66.110.AF		22
86010510	35.106.AD		34	86050279	66.260.AA	01	9

INDEX - INDICE - INDEX - ZAHLENVERZEICHNIS - INDICE - INDICE - INDHOLD - INHOUD

Number	Figure	Sequence	Ref.	Number	Figure	Sequence	Ref.
86050279	66.260.AA	02	6	86050279	88.100.73	02	10
86050279	66.260.AO	02	14	86050279	90.100.AD		15
86050279	66.260.AS	01	11	86050279	90.100.BJ	01	46
86050279	66.331.AA		3	86050279	90.105.BH	01	25
86050279	66.331.AM		20	86050279	90.105.BH	03	39
86050279	66.360.AH	02	26	86050279	90.105.BH	05	12
86050279	66.360.AH	04	4	86050279	90.118.AC	01	32
86050279	66.360.AH	06	26	86050279	90.118.AC	01	5
86050279	72.220.AJ	02	20	86050279	90.154.AA	01	17
86050279	72.220.AO		4	86050300	10.102.AW	01	13
86050279	72.350.AJ	01	15	86050300	10.210.AO		30
86050279	72.420.AM	01	8	86050300	10.500.AA		10
86050279	72.420.AM	02	6	86050300	33.202.AP	02	35
86050279	73.210.AX	01	1	86050300	33.202.BN	01	39
86050279	73.210.AX	07	15	86050300	33.202.BN	02	17
86050279	73.230.AJ	02	15	86050300	35.359.AE	01	13
86050279	73.230.AJ	05	3	86050300	35.440.AB		15
86050279	73.230.AQ	01	13	86050300	36.100.AK	01	45
86050279	73.230.AQ	02	24	86050300	41.200.AO		25
86050279	74.101.AC		21	86050300	50.200.AB	03	25
86050279	74.118.AK		9	86050300	50.300.AB		33
86050279	74.125.AL		39	86050300	55.015.AB	01	12
86050279	74.130.AF		17	86050300	55.404.AC		5
86050279	74.130.AH		20	86050300	55.510.AF		11
86050279	74.130.AJ	01	13	86050300	55.640.AG	01	11
86050279	74.136.AC	01	21	86050300	60.110.AD	01	47
86050279	74.140.AK	01	21	86050300	60.110.AD	02	16
86050279	74.140.AK	02	16	86050300	60.110.AD	03	47
86050279	74.140.AM		3	86050300	60.110.AD	04	16
86050279	74.140.CM		16	86050300	60.112.AA	01	30
86050279	80.101.AR	03	18	86050300	60.112.AA	04	31
86050279	80.101.AR	04	18	86050300	60.120.AI	01	28
86050279	80.101.CA	03	21	86050300	60.120.AI	02	27
86050279	80.150.AI		20	86050300	60.120.AI	03	20
86050279	80.150.AK	01	37	86050300	60.120.AI	04	19
86050279	80.150.AR		5	86050300	66.331.AB		16
86050279	80.150.BF	01	49	86050300	66.360.AH	01	33
86050279	80.150.BF	02	1	86050300	66.360.AH	07	4
86050279	80.150.BG	01	13	86050300	73.230.AQ	04	10
86050279	80.150.BG	03	21	86050300	74.101.AC		20
86050279	80.150.BG	04	6	86050300	74.118.AD	01	5
86050279	80.150.BG	05	38	86050300	74.118.AD	02	5
86050279	80.150.BG	06	37	86050300	74.130.AJ	03	6
86050279	80.175.AG	01	20	86050300	74.134.AO		15
86050279	80.175.AG	02	33	86050300	80.150.AI		22
86050279	80.180.AU	02	12	86050300	80.150.AK	02	26

INDEX - INDICE - INDEX - ZAHLENVERZEICHNIS - INDICE - INDICE - INDHOLD - INHOUD

Number	Figure	Sequence	Ref.	Number	Figure	Sequence	Ref.
86050300	80.150.AK	03	16	86507066	35.300.BC	01	14
86050300	88.100.55	06	6	86507066	35.300.BC	02	17
86050300	88.100.74	02	6	86507066	35.300.BQ		5
86050300	88.100.74	03	4	86507066	35.359.AB	01	11
86050300	90.100.BJ	01	49	86507066	35.359.AE	01	18
86050300	90.100.BJ	02	19	86507066	35.410.AH	01	21
86050300	90.102.AZ		10	86507066	35.410.AH	03	14
86050300	90.105.BH	01	42	86507066	35.440.AB		17
863-10025	21.114.AL	01	17	86507066	35.500.AJ		9
863-10075	74.114.AZ	01	16	86507066	35.518.AC	01	9
863-16090	21.114.AL	01	24	86507066	35.796.AC		12
864982R1	74.140.BM		4	86507066	35.796.AD		17
86500656	90.154.AA	02	25	86507066	36.100.AC	01	7
86500688	41.101.AC		41	86507066	36.100.AI		6
86500688	90.118.AC	02	13	86507066	36.100.AK	01	30
86500689	55.404.BB		11	86507066	41.101.AA		4
86500689	74.130.AJ	01	4	86507066	41.200.AO		22
86502604	35.359.AB	02	5	86507066	50.200.AB	01	12
86502967	55.404.BM		3	86507066	50.200.AB	03	23
86505430	73.335.AC	01	33	86507066	50.300.AB		31
86505834	29.100.AB	01	3	86507066	55.015.AB	01	22
86505844	35.796.AF		4	86507066	55.101.AC	02	12
86507064	21.126.AB		9	86507066	55.101.AC	04	13
86507064	55.640.AG	02	5	86507066	55.130.AR	01	6
86507066	10.001.AK	01	14	86507066	55.302.AK	01	16
86507066	10.202.BD	01	31	86507066	55.404.AC		10
86507066	10.210.AF	01	14	86507066	55.426.AH		7
86507066	10.210.AO		27	86507066	55.518.AS		9
86507066	10.400.BF	01	13	86507066	55.911.AB	04	5
86507066	10.400.BF	02	22	86507066	60.110.AA	01	37
86507066	10.400.BI	01	35	86507066	60.110.AA	03	38
86507066	10.414.AC	01	35	86507066	60.110.AD	01	48
86507066	10.419.AA	01	6	86507066	60.110.AD	02	12
86507066	10.419.AA	02	10	86507066	60.110.AD	03	48
86507066	10.419.AA	03	2	86507066	60.110.AD	04	12
86507066	10.419.AE		5	86507066	60.120.AI	01	21
86507066	14.100.BH		32	86507066	60.120.AI	02	20
86507066	25.100.AA		26	86507066	60.120.AI	02	28
86507066	29.218.AD		20	86507066	60.120.AI	03	21
86507066	29.218.AS		12	86507066	60.120.AI	03	9
86507066	29.300.AP	02	7	86507066	60.120.AI	04	20
86507066	29.300.AP	03	27	86507066	60.120.AI	04	8
86507066	33.110.AT	01	8	86507066	60.150.AQ	01	28
86507066	33.202.AP	01	26	86507066	60.150.AQ	02	28
86507066	33.202.AP	02	25	86507066	60.150.AQ	04	20
86507066	35.300.AQ	01	23	86507066	60.150.AQ	06	20

INDEX - INDICE - INDEX - ZAHLENVERZEICHNIS - INDICE - INDICE - INDHOLD - INHOUD

Number	Figure	Sequence	Ref.	Number	Figure	Sequence	Ref.
86507066	60.165.AR		1	86507066	80.101.BK	01	14
86507066	66.101.AP	02	15	86507066	80.101.BK	02	13
86507066	66.110.AF		17	86507066	80.101.CA	01	28
86507066	66.260.AA	02	20	86507066	80.101.CA	02	28
86507066	66.331.AL	01	5	86507066	80.101.CA	03	22
86507066	66.331.AL	02	5	86507066	80.150.AI		24
86507066	66.331.AM		17	86507066	80.150.AK	01	27
86507066	66.360.AH	01	13	86507066	80.150.AK	02	10
86507066	66.360.AH	02	14	86507066	80.150.AK	03	18
86507066	66.360.AH	06	14	86507066	80.150.AR		7
86507066	72.220.AJ	01	17	86507066	80.150.BF	02	9
86507066	72.220.AJ	02	12	86507066	80.150.BG	01	1
86507066	72.220.AJ	04	14	86507066	80.150.BG	02	4
86507066	72.420.AM	01	15	86507066	80.150.BG	03	3
86507066	72.420.AM	02	9	86507066	80.150.BG	04	7
86507066	73.230.AJ	01	9	86507066	80.150.BG	06	14
86507066	73.230.AJ	02	23	86507066	80.150.BG	06	7
86507066	73.230.AJ	04	1	86507066	80.175.AG	01	18
86507066	73.230.AJ	05	7	86507066	80.175.AG	02	30
86507066	73.230.AQ	01	8	86507066	80.180.AU	02	13
86507066	73.230.AQ	02	23	86507066	88.100.55	06	16
86507066	73.230.AQ	03	19	86507066	88.100.73	02	12
86507066	73.230.AQ	05	12	86507066	88.100.73	04	10
86507066	73.230.AQ	06	10	86507066	90.100.AD		13
86507066	73.335.AC	01	9	86507066	90.100.BJ	01	45
86507066	73.335.AC	02	5	86507066	90.100.BJ	02	10
86507066	73.335.AC	03	6	86507066	90.102.AZ		8
86507066	74.101.AU		3	86507066	90.105.BH	01	35
86507066	74.114.AU	01	12	86507066	90.105.BH	01	4
86507066	74.114.AU	02	24	86507066	90.105.BH	02	9
86507066	74.114.AZ	01	11	86507066	90.105.BH	03	12
86507066	74.118.AK		20	86507066	90.105.BH	03	38
86507066	74.125.AL		33	86507066	90.105.BH	04	6
86507066	74.130.AH		8	86507066	90.105.BH	05	11
86507066	74.130.AJ	01	11	86507066	90.118.AC	03	6
86507066	74.130.AJ	02	9	86507066	90.118.AX	01	7
86507066	74.136.AA		5	86507066	90.118.AX	02	9
86507066	74.136.AC	01	34	86507066	90.118.AX	03	7
86507066	74.140.AK	01	27	86507066	90.150.AB	01	9
86507066	74.140.AK	02	21	86507066	90.150.AC		15
86507066	74.140.CM		17	86507068	50.100.AP		21
86507066	74.140.CM		38	86507486	55.911.AB	04	4
86507066	80.101.AR	01	27	86507486	60.110.AA	01	29
86507066	80.101.AR	02	27	86507486	60.110.AA	03	31
86507066	80.101.AR	03	15	86507486	80.180.AQ	01	15
86507066	80.101.AR	04	15	86507486	80.180.AQ	02	15

INDEX - INDICE - INDEX - ZAHLENVERZEICHNIS - INDICE - INDICE - INDHOLD - INHOUD

Number	Figure	Sequence	Ref.	Number	Figure	Sequence	Ref.
86507486	80.180.AU	01	23	86511315	60.120.AG	02	18
86507486	80.180.AU	01	39	86511315	80.150.BG	01	3
86508097	27.450.AJ	01	11	86511315	80.150.BG	03	4
86508097	27.450.AJ	02	11	86511315	90.154.AC		8
86508097	27.450.AJ	03	11	86511323	73.335.AG	01	20
86508097	27.450.AJ	04	11	86511323	90.118.AC	02	4
86508097	27.450.AL	01	33	86511323	90.154.AA	01	18
86508097	27.450.AL	02	33	86511323	90.160.AH	01	24
86508097	27.450.AL	03	33	86511324	10.400.BF	02	17
86508097	27.450.AL	04	33	86511324	73.335.AG	01	14
86508168	05.100.02		82	86511326	80.150.BF	01	28
86508168	35.796.AF		2	86511326	80.150.BG	05	18
86508354	10.400.BF	02	25	86511328	60.150.AQ	01	39
86508354	73.230.AQ	01	4	86511328	60.150.AQ	02	39
86508354	73.230.AQ	04	4	86511328	60.150.AQ	05	5
86508354	73.230.AQ	05	17	86511329	60.110.AD	01	41
86508354	74.114.AZ	03	28	86511329	60.110.AD	02	39
86508354	74.130.AJ	01	7	86511329	60.110.AD	03	41
86508354	90.102.AZ		3	86511329	60.110.AD	04	39
86508568	74.114.AU	02	3	86511329	60.112.AA	01	1
86508575	50.200.AA	01	6	86511329	60.112.AA	04	1
86508581	27.450.AH	01	7	86511444	55.911.AB	01	6
86508581	27.450.AH	02	7	86511444	55.911.AB	03	6
86508581	27.550.AJ	01	7	86511444	88.100.55	01	6
86508583	66.331.AK	01	3	86511444	88.100.55	02	6
86508583	66.331.AK	02	3	86511661	35.796.AC		21
86508583	66.331.AK	03	3	86511661	35.796.AD		12
86508583	66.331.AK	04	3	86511823	21.126.AB		11
86508583	66.331.AK	05	14	86511823	41.101.AB		22
86508583	66.331.AK	06	13	86511823	90.151.AO		12
86508583	66.331.AK	07	12	86511824	21.126.AB		17
86508603	05.100.02		71	86511824	55.510.AH		19
86508603	55.101.AC	02	13	86511824	90.160.AX		21
86508603	55.101.AC	16	2	86511830	90.118.AX	01	18
86508620	60.150.AY	01	12	86511830	90.118.AX	02	17
86508620	60.150.AY	02	12	86511845	60.150.AD	01	24
86508622	80.150.BG	01	10	86511845	60.150.AD	02	25
86508622	80.150.BG	03	23	86511845	60.150.AD	03	24
86508624	60.165.AR		8	86511845	60.150.AD	04	25
86508813	90.100.BJ	02	24	86511855	55.404.BB		20
86511042	41.101.AB		19	86511920	66.360.AH	07	6
86511042	50.100.AP		37	86511920	73.230.AQ	01	29
86511042	55.510.AH		18	86511920	80.150.BF	01	39
86511042	55.512.AA	03	7	86511920	80.150.BG	06	26
86511042	90.160.AH	01	16	86512439	74.114.AU	01	18
86511042	90.160.AH	03	41	86512439	74.114.AU	02	18

INDEX - INDICE - INDEX - ZAHLENVERZEICHNIS - INDICE - INDICE - INDHOLD - INHOUD

Number	Figure	Sequence	Ref.	Number	Figure	Sequence	Ref.
86512439	74.114.AZ	02	15	86512497	66.360.AH	05	10
86512439	74.114.AZ	03	27	86512497	66.360.AH	06	19
86512439	74.118.AD	01	4	86512497	72.220.AJ	01	2
86512439	74.118.AD	02	4	86512497	72.220.AJ	04	1
86512497	10.001.AK	01	12	86512497	72.350.AJ	01	13
86512497	10.102.AW	01	4	86512497	73.210.AX	01	20
86512497	10.400.BF	02	36	86512497	73.210.AX	07	13
86512497	14.100.BH		14	86512497	73.230.AJ	01	21
86512497	29.300.AP	03	24	86512497	73.230.AJ	04	17
86512497	35.410.AH	01	19	86512497	73.230.AJ	05	14
86512497	35.410.AH	03	12	86512497	73.230.AQ	01	10
86512497	37.100.AF		13	86512497	73.230.AQ	06	4
86512497	39.100.AS		6	86512497	74.101.AC		8
86512497	55.101.AC	05	6	86512497	74.101.BB		15
86512497	55.404.BB		6	86512497	74.114.AZ	03	18
86512497	60.110.AD	01	42	86512497	74.118.AD	02	12
86512497	60.110.AD	02	42	86512497	74.125.AL		40
86512497	60.110.AD	03	42	86512497	74.130.AF		14
86512497	60.110.AD	04	42	86512497	74.136.AC	01	24
86512497	60.112.AA	04	33	86512497	74.140.AK	01	20
86512497	60.150.AD	01	5	86512497	74.140.AX		25
86512497	60.150.AD	02	32	86512497	80.101.AR	01	28
86512497	60.150.AD	03	5	86512497	80.101.AR	02	28
86512497	60.150.AD	04	32	86512497	80.101.AR	03	22
86512497	60.150.AQ	01	8	86512497	80.101.AR	04	22
86512497	60.150.AQ	02	8	86512497	80.101.BK	01	12
86512497	60.150.AQ	04	32	86512497	80.101.BK	02	14
86512497	60.150.AQ	06	15	86512497	80.101.CA	01	30
86512497	60.150.AQ	08	5	86512497	80.101.CA	02	30
86512497	60.150.AU	01	12	86512497	80.101.CA	03	20
86512497	60.150.AU	02	4	86512497	80.150.AI		45
86512497	60.165.AM		4	86512497	80.150.AK	01	32
86512497	60.165.AR		5	86512497	80.150.AK	02	21
86512497	66.101.AP	02	13	86512497	80.150.AR		9
86512497	66.110.AF		10	86512497	80.150.BF	01	25
86512497	66.260.AA	02	3	86512497	80.150.BF	02	31
86512497	66.260.AO	01	3	86512497	80.150.BG	01	8
86512497	66.260.AO	02	11	86512497	80.150.BG	02	7
86512497	66.331.AL	01	11	86512497	80.150.BG	03	29
86512497	66.331.AL	01	23	86512497	80.150.BG	04	5
86512497	66.331.AL	02	11	86512497	80.150.BG	05	22
86512497	66.331.AL	02	22	86512497	80.150.BG	06	4
86512497	66.331.AM		22	86512497	80.175.AD	01	7
86512497	66.360.AH	01	17	86512497	90.102.AZ		5
86512497	66.360.AH	02	19	86512497	90.105.BH	01	43
86512497	66.360.AH	04	6	86512497	90.105.BH	03	11

INDEX - INDICE - INDEX - ZAHLENVERZEICHNIS - INDICE - INDICE - INDHOLD - INHOUD

Number	Figure	Sequence	Ref.	Number	Figure	Sequence	Ref.
86512497	90.105.BH	05	13	86512554	60.150.AY	01	15
86512497	90.118.AC	01	2	86512554	60.150.AY	02	16
86512497	90.118.BM	01	17	86512554	74.114.AZ	01	15
86512497	90.118.BM	02	15	86512554	74.118.AD	01	9
86512498	25.100.AA		33	86512554	74.118.AD	02	33
86512498	37.100.AA	01	3	86512555	60.110.AT		19
86512498	37.100.AA	03	4	86512788	74.136.AA		13
86512498	60.110.AD	01	45	86512837	80.150.BF	02	16
86512498	60.110.AD	02	43	86512837	80.150.BG	05	14
86512498	60.110.AD	03	45	86512837	80.150.BG	05	46
86512498	60.110.AD	04	43	86512844	35.106.AD		26
86512498	60.120.AG	01	5	86512871	35.106.AD		25
86512498	60.120.AG	03	5	86513328	35.100.AZ		15
86512498	60.150.AD	01	28	86514793	35.796.AF		8
86512498	60.150.AD	02	33	86514794	35.796.AF		18
86512498	60.150.AD	03	28	86516805	80.150.AI		36
86512498	60.150.AD	04	33	86516805	80.150.AK	01	43
86512498	60.165.AM		8	86517116	29.218.AD		2
86512498	60.165.AR		9	86517328	55.911.AB	01	7
86512498	66.101.AP	02	18	86517328	55.911.AB	03	7
86512498	66.260.AA	01	5	86517328	74.125.AL		37
86512498	66.331.AL	01	8	86517328	88.100.55	01	7
86512498	66.331.AL	02	8	86517328	88.100.55	02	7
86512498	66.360.AH	01	15	86519909	80.175.AD	02	14
86512498	66.360.AH	02	16	86520782	90.154.AC		4
86512498	66.360.AH	05	9	86520824	90.160.AH	01	13
86512498	66.360.AH	06	16	86520824	90.160.AH	03	32
86512498	73.230.AQ	01	32	86521008	90.154.AC		2
86512498	74.140.AK	04	32	86521017	90.154.AA	02	37
86512498	80.150.AR		16	86521605	10.400.BF	02	33
86512498	80.150.BF	02	5	86521608	74.134.AO		7
86512498	80.150.BG	01	32	86521610	66.331.AB		11
86512498	80.150.BG	03	34	86529630	35.359.AB	02	6
86512498	80.150.BG	06	8	86531231	90.154.AA	02	35
86512499	37.100.AF		15	86531235	90.154.AA	01	11
86512499	60.110.AA	01	41	86531235	90.154.AA	02	18
86512499	60.110.AA	03	41	86533310	90.118.BM	01	13
86512499	60.150.AD	01	17	86536986	66.260.AO	02	8
86512499	60.150.AD	02	35	86541970	60.110.AA	01	32
86512499	60.150.AD	03	17	86541970	60.110.AA	03	34
86512499	60.150.AD	04	35	86541970	74.101.AC		29
86512512	10.210.AO		40	86544168	41.101.AC		32
86512512	29.100.AB	01	44	86544803	66.260.AS	02	8
86512512	29.100.AB	02	11	86548493	21.126.AB		26
86512512	29.218.AO		27	86555127	90.160.AH	01	42
86512520	90.150.BI		7	86555127	90.160.AH	02	22

INDEX - INDICE - INDEX - ZAHLENVERZEICHNIS - INDICE - INDICE - INDHOLD - INHOUD

Number	Figure	Sequence	Ref.	Number	Figure	Sequence	Ref.
86558526	80.180.AU	01	5	86566990	55.512.BL	02	35
86560521	66.260.AO	01	9	86566990	55.640.AG	01	12
86562215	10.419.AA	02	21	86566990	55.680.AA		8
86565318	80.175.AD	02	6	86566990	55.991.AA	01	8
86566099	80.180.AR	02	15	86566990	55.991.AA	02	8
86566800	35.106.AD		19	86566990	55.991.AA	03	8
86566989	27.450.AH	02	19	86566990	88.100.55	05	3
86566989	29.300.AP	01	8	86566990	90.118.BM	02	18
86566989	35.796.AC		11	86572009	55.101.AC	01	6
86566989	55.101.AC	01	9	86572009	55.785.AS	01	2
86566989	55.101.AC	02	14	86577946	80.180.AU	01	13
86566989	55.101.AC	03	5	86579671	35.359.AB	02	13
86566989	55.101.AC	04	7	86579672	35.359.AB	02	3
86566989	55.101.AC	05	3	86579672	35.415.AA		27
86566989	55.101.AC	08	5	86579672	35.415.AC		3
86566989	55.101.AC	16	5	86579672	35.415.AC		6
86566989	55.130.AR	01	9	86579673	35.440.AB		9
86566989	55.404.BB		19	86579673	41.206.AA		16
86566989	55.404.CU		5	86579676	27.450.AH	01	17
86566989	55.426.AH		8	86579676	27.450.AH	02	17
86566989	55.518.AS		6	86579676	27.550.AJ	01	17
86566989	60.150.AU	01	18	86579676	33.202.BN	01	19
86566989	60.150.AU	02	15	86579676	33.202.BN	03	16
86566989	66.331.AL	01	15	86579676	35.300.BQ		6
86566989	66.331.AL	02	15	86579676	35.440.AB		8
86566989	73.230.AQ	01	37	86579676	41.206.AA		13
86566989	74.114.AU	01	23	86579678	35.359.AB	02	15
86566989	74.114.AU	02	10	86579678	35.415.AA		28
86566989	74.114.AZ	02	13	86579680	35.796.AE		2
86566989	74.114.AZ	03	13	86579681	35.300.BC	01	30
86566989	74.118.AD	02	30	86579681	35.359.AB	02	9
86566989	80.180.AQ	01	22	86579682	35.796.AF		20
86566989	80.180.AQ	02	22	86579688	33.202.BN	01	15
86566989	88.100.73	02	11	86579688	33.202.BN	03	14
86566989	88.100.73	03	7	86579691	35.359.AB	02	11
86566989	90.118.AX	01	21	86579691	35.410.AH	01	25
86566989	90.118.AX	02	20	86579691	35.410.AH	03	16
86566990	21.126.AB		10	86579694	35.300.BC	01	42
86566990	36.100.AK	01	41	86579694	35.796.AE		9
86566990	41.101.AB		2	86579697	29.300.AP	03	18
86566990	50.200.CZ		4	86579698	35.359.AB	02	8
86566990	55.015.AB	01	7	86579705	35.796.AE		4
86566990	55.101.AC	07	4	86580178	35.796.AE		8
86566990	55.510.AF		12	86580179	14.100.BH		29
86566990	55.510.AH		20	86580179	35.359.AB	02	2
86566990	55.512.AA	04	4	86580795	90.100.BJ	01	32

INDEX - INDICE - INDEX - ZAHLENVERZEICHNIS - INDICE - INDICE - INDHOLD - INHOUD

Number	Figure	Sequence	Ref.	Number	Figure	Sequence	Ref.
86581559	74.140.AK	03	3	86590413	80.180.AQ	01	20
86581559	80.101.AR	01	13	86590413	80.180.AQ	02	20
86581559	80.101.AR	02	13	86590562	35.359.AB	03	19
86581559	80.101.CA	03	7	86591730	55.512.AA	01	2
86582836	80.175.AD	02	11	86592700	90.150.AB	01	6
86583482	14.100.AR	02	33	86592701	66.331.AK	05	10
86585704	80.150.AK	01	34	86592701	66.331.AK	06	9
86585704	80.150.BF	01	34	86592701	66.331.AK	07	8
86585704	80.150.BG	06	12	86592701	72.350.AJ	01	18
86585711	90.154.AC		9	86592701	73.210.AX	01	6
86585939	80.150.AK	01	26	86592701	73.210.AX	07	19
86585939	80.180.AU	01	21	86592703	37.100.AF		14
86588450	55.911.AB	01	8	86592703	60.110.AA	01	40
86588450	55.911.AB	03	8	86592703	60.110.AA	03	37
86588450	66.360.AH	07	8	86592713	80.150.BF	01	12
86588450	74.125.AL		32	86593173	41.206.AA		18
86588450	88.100.55	01	8	86595832	66.260.AA	01	3
86588450	88.100.55	02	8	86596057	29.218.AD		15
86588450	90.118.AC	02	11	86597524	80.150.AI		16
86588450	90.154.AA	02	31	86597760	35.415.AA		24
86588887	80.175.AD	02	10	86597760	35.500.AH		3
86589278	80.180.AU	01	7	86597760	35.796.AF		21
86590413	10.102.AW	01	17	86597761	35.500.AH		4
86590413	10.400.BF	02	49	86598044	60.120.AR		29
86590413	36.100.AK	01	13	86598046	35.359.AB	02	7
86590413	50.200.AB	03	15	86598098	35.415.AA		34
86590413	55.101.AC	02	15	86598098	35.796.AE		14
86590413	55.101.AC	03	4	86598098	41.206.AA		19
86590413	55.101.AC	04	5	86598099	35.359.AB	02	23
86590413	55.101.AC	05	1	86598099	35.796.AF		23
86590413	55.101.AC	08	3	86598100	35.300.AQ	02	11
86590413	55.101.AC	16	3	86598100	35.359.AB	02	21
86590413	55.130.AR	01	8	86598100	35.415.AA		30
86590413	55.404.CU		6	86598100	35.415.AC		5
86590413	55.426.AH		9	86598101	33.202.BN	01	16
86590413	55.510.AF		13	86598101	33.202.BN	03	21
86590413	55.640.AG	01	13	86598101	35.300.BQ		9
86590413	55.785.AS	02	17	86598101	35.359.AB	02	24
86590413	66.331.AL	01	13	86598101	35.410.AH	01	26
86590413	66.331.AL	02	13	86598101	35.410.AH	03	17
86590413	73.230.AQ	01	38	86598101	41.206.AA		14
86590413	74.114.AU	02	11	86598102	35.300.BC	01	52
86590413	74.114.AZ	02	10	86598102	35.359.AB	02	27
86590413	74.114.AZ	03	10	86598102	35.415.AA		32
86590413	80.150.BF	02	20	86598102	35.796.AE		13
86590413	80.150.BG	06	30	86598103	29.300.AP	03	41

INDEX - INDICE - INDEX - ZAHLENVERZEICHNIS - INDICE - INDICE - INDHOLD - INHOUD

Number	Figure	Sequence	Ref.	Number	Figure	Sequence	Ref.
86598103	35.415.AA		25	86619907	35.415.AA		19
86598103	35.796.AF		25	86619908	05.100.02		72
86598104	14.100.BH		44	86619908	55.015.AB	01	6
86598104	35.359.AB	02	1	86620027	66.260.AO	02	2
86598104	35.359.AB	02	25	86620027	80.175.AD	01	4
86599359	80.150.BG	01	35	86622618	80.175.AG	02	17
86599359	80.150.BG	03	35	86623083	80.175.AD	02	15
86599775	55.512.BL	01	4	86623215	80.180.AR	02	3
86599794	21.126.AB		13	86623216	80.180.AR	02	5
86600691	80.150.AI		15	86623217	80.180.AR	02	6
86601493	80.175.AD	02	20	86623218	80.180.AR	02	7
86603075	73.335.AC	01	6	86623219	80.180.AR	02	8
86603075	74.140.CM		9	86623220	80.180.AR	02	10
86604178	55.130.AR	01	1	86623221	80.180.AR	02	13
86605625	60.120.AI	01	14	86623222	80.180.AR	02	14
86605625	60.120.AI	02	14	86623223	80.180.AR	02	16
86605625	60.120.AI	03	6	86623224	80.180.AR	02	19
86605625	60.120.AI	04	5	86623225	80.180.AR	02	20
86605625	60.165.AR		23	86623226	80.180.AR	02	21
86610198	50.300.AB		18	86623227	80.180.AR	02	24
86610198	90.100.BJ	02	18	86623228	80.180.AR	02	26
86610198	90.118.AC	02	14	86623229	80.180.AR	02	27
86610198	90.118.AC	03	10	86623230	80.180.AR	02	28
86610198	90.150.AD		15	86623231	80.180.AR	02	30
86610198	90.160.BI		7	86623898	35.518.AC	02	5
86610201	80.150.AI		38	86623899	35.518.AC	02	6
86610201	80.150.AI		4	86623900	35.518.AC	02	4
86611330	90.100.BJ	01	24	86624003	36.100.AA	01	10
86613758	80.180.AR	02	4	86624005	55.015.AB	01	8
86616248	05.100.02		49	86624059	74.114.AZ	03	25
86619800	10.419.AA	02	52	86624059	74.118.AD	02	19
86619800	73.230.AQ	02	15	86624132	35.359.AB	02	17
86619800	73.230.AQ	03	14	86624132	41.432.AG		2
86619800	90.105.BH	01	2	86624133	41.432.AG		14
86619800	90.105.BH	03	29	86624138	74.114.AZ	03	22
86619801	10.400.BF	02	24	86624138	74.118.AD	02	16
86619801	10.419.AA	02	56	86624146	80.150.AI		6
86619801	55.518.AS		14	86624146	80.150.AK	01	1
86619801	80.150.AK	02	9	86624146	80.150.BJ		4
86619801	80.150.AK	03	13	86624148	66.260.AO	01	10
86619801	80.150.BG	01	15	86624169	60.150.AQ	04	21
86619801	80.150.BG	03	25	86624169	60.150.AQ	06	21
86619801	80.180.AU	01	40	86624169	73.335.AC	01	31
86619801	90.105.BH	02	8	86624170	73.335.AC	01	26
86619801	90.105.BH	04	5	86624171	66.260.AO	01	15
86619801	90.105.CL		4	86624175	74.140.CM		11

INDEX - INDICE - INDEX - ZAHLENVERZEICHNIS - INDICE - INDICE - INDHOLD - INHOUD

Number	Figure	Sequence	Ref.	Number	Figure	Sequence	Ref.
86624176	50.200.AA	01	7	86625213	55.510.AF		14
86624176	55.101.AC	06	2	86625213	55.510.AH		21
86624176	55.404.CU		10	86625213	55.640.AG	01	14
86624176	80.101.AR	01	31	86625213	55.680.AA		6
86624176	80.101.AR	02	31	86625234	36.100.AC	01	9
86624176	80.101.CA	03	19	86625234	73.230.AQ	01	16
86624182	88.100.90	01	5	86625239	33.202.AP	01	34
86624184	10.419.AA	02	55	86625239	33.202.AP	02	33
86624189	14.100.AB		7	86625251	35.359.AB	03	4
86624194	10.500.AA		4	86625253	60.110.AD	01	39
86624945	21.114.AL	02	45	86625253	60.110.AD	02	36
86624975	90.151.AD		3	86625253	60.110.AD	03	39
86625011	60.150.AE	02	27	86625253	60.110.AD	04	36
86625019	10.202.BD	01	29	86625253	60.120.AI	05	4
86625019	10.254.AI	01	14	86625253	80.150.BF	01	50
86625022	10.400.BI	01	28	86625254	80.150.BF	01	13
86625032	50.300.AB		21	86625254	80.150.BG	05	28
86625033	50.300.AB		20	86625255	29.300.AP	02	2
86625038	10.102.AW	01	15	86625255	29.300.AP	03	19
86625038	35.300.AQ	01	10	86625255	39.100.AS		13
86625041	33.202.AP	01	12	86625255	90.151.AD		6
86625041	33.202.AP	02	11	86625256	35.410.AH	01	17
86625060	90.150.BG	02	31	86625256	35.410.AH	03	10
86625060	90.160.BL		6	86625256	37.100.AF		10
86625074	60.150.AU	01	6	86625256	60.150.AU	01	15
86625074	60.150.AU	02	8	86625256	60.150.AU	02	12
86625074	72.420.AM	01	13	86625256	66.331.AL	01	10
86625074	73.230.AJ	02	31	86625256	66.331.AL	02	10
86625074	73.230.AJ	05	9	86625256	66.360.AH	01	18
86625074	80.150.AI		44	86625256	66.360.AH	02	17
86625074	80.150.AK	01	40	86625256	66.360.AH	06	17
86625074	80.150.AK	02	11	86625256	73.335.AG	01	11
86625074	80.150.AK	03	11	86625263	10.400.BF	02	18
86625099	36.100.AK	01	28	86625263	10.400.BI	01	31
86625119	60.150.AE	02	37	86625263	10.419.AA	02	12
86625129	10.419.AA	02	15	86625263	14.100.AR	02	13
86625138	35.359.AB	03	17	86625263	74.130.AF		10
86625162	55.785.AS	02	2	86625266	60.110.AA	01	44
86625169	50.100.AP		39	86625266	60.110.AA	03	42
86625199	90.105.BH	02	5	86626475	80.180.AR	02	12
86625199	90.105.BH	04	3	86627131	80.101.CA	01	24
86625200	35.796.AC		7	86627131	80.101.CA	02	24
86625200	74.101.AC		36	86627351	74.114.AU	02	5
86625200	74.136.AA		15	86627352	74.114.AU	02	6
86625201	10.400.BF	01	18	86627639	80.175.AD	02	5
86625213	55.101.AC	04	12	86629541	66.110.AF		9

INDEX - INDICE - INDEX - ZAHLENVERZEICHNIS - INDICE - INDICE - INDHOLD - INHOUD

Number	Figure	Sequence	Ref.	Number	Figure	Sequence	Ref.
86629541	80.175.AD	02	33	86638316	60.120.AI	04	4
86629542	10.400.BI	01	21	86638316	60.165.AR		25
86629542	73.230.AP	02	8	86639054	35.359.AB	02	12
86629542	74.114.AU	01	13	86639138	50.300.AB		24
86629542	74.130.AF		12	86639144	14.100.AR	02	14
86629542	74.140.AK	04	31	86639271	90.150.BG	02	27
86629542	80.101.AR	01	26	86639313	10.310.AA		6
86629542	80.101.AR	02	26	86639313	10.419.AA	01	5
86629542	80.101.BK	01	16	86639313	66.360.AH	03	7
86629542	80.101.BK	02	17	86639315	90.160.AX		23
86629542	80.175.AD	01	8	86639316	73.230.AP	02	10
86629542	80.175.AD	02	22	86639326	25.100.AA		31
86629543	41.432.AE		14	86639326	66.331.AK	01	19
86632547	35.106.AD		23	86639326	66.331.AK	02	19
86632547	35.359.AB	03	16	86639326	66.331.AK	03	19
86632547	35.415.AA		17	86639326	66.331.AK	04	19
86632551	73.230.AQ	01	30	86639326	66.331.AK	05	17
86632551	80.150.BF	01	30	86639326	66.331.AK	06	16
86632551	80.150.BG	06	27	86639326	66.331.AK	07	15
86632584	74.140.AX		19	86639326	66.331.AL	01	18
86632589	35.106.AD		11	86639326	66.331.AL	01	7
86633350	10.202.BD	01	5	86639326	66.331.AL	02	7
86633353	10.500.AA		5	86639326	72.350.AI	01	23
86633356	60.112.AA	01	29	86639326	73.210.AX	02	29
86633356	60.112.AA	04	30	86639326	73.210.AX	08	29
86633356	74.125.AL		46	86639326	90.118.AC	01	8
86634307	90.105.BH	01	13	86643151	50.300.AB		35
86634307	90.105.BH	02	7	86643166	10.202.BD	01	25
86634307	90.105.BH	03	17	86705429	80.150.AI		25
86634307	90.105.BH	04	4	86705429	80.150.AK	01	35
86634393	60.120.AR		50	86705429	80.150.AR		4
86637711	10.202.BD	01	8	86705429	80.150.BF	01	45
86637712	10.202.BD	01	7	86705429	80.150.BF	02	40
86637742	21.114.AL	02	27	86705429	80.150.BG	01	38
86637769	35.106.AD		13	86705429	80.150.BG	03	38
86637780	55.426.AH		4	86705429	80.150.BG	04	9
86637932	60.120.AG	02	26	86705429	80.150.BG	05	41
86637954	60.150.AE	02	20	86705429	80.150.BG	06	36
86637976	36.100.AK	01	31	86705429	90.118.AC	01	31
86637977	74.114.AU	01	21	86705431	66.331.AL	01	9
86637977	74.114.AU	02	21	86705431	66.331.AL	02	9
86637996	88.100.55	04	4	86729454	29.218.AS		25
86637998	29.218.AS		17	86729670	55.510.AH		22
86638316	60.120.AI	01	5	86837477	73.230.AJ	04	40
86638316	60.120.AI	02	4	86900238	41.101.AB		21
86638316	60.120.AI	03	5	86900238	55.520.AX	02	6

INDEX - INDICE - INDEX - ZAHLENVERZEICHNIS - INDICE - INDICE - INDHOLD - INHOUD

Number	Figure	Sequence	Ref.	Number	Figure	Sequence	Ref.
86900238	90.160.AH	01	15	86978772	80.150.BG	03	33
86900723	36.100.AK	01	42	86979020	90.154.AA	01	15
86900727	36.100.AK	01	43	86979948	73.230.AJ	02	4
86974037	74.140.AK	01	15	86979948	74.130.AF		2
86975418	80.150.BJ		3	86980728	35.300.BC	01	31
86975571	80.150.BG	01	37	86980733	29.218.AS		15
86975571	80.150.BG	03	37	86981478	37.100.AF		11
86975890	80.150.BF	01	33	86981478	60.110.AA	01	33
86975890	80.150.BG	01	21	86981478	60.110.AA	03	35
86975890	80.150.BG	03	31	86981487	66.331.AK	01	7
86975890	80.150.BG	05	42	86981487	66.331.AK	02	7
86975993	80.150.AI		2	86981487	66.331.AK	03	7
86975994	80.150.AI		3	86981487	66.331.AK	04	7
86976064	60.120.AG	02	25	86981487	66.331.AK	05	6
86976398	80.150.AK	01	19	86981487	66.331.AK	06	5
86976422	80.150.BJ		2	86981487	66.331.AK	07	4
86976481	80.150.BJ		6	86981489	74.140.AX		21
86976596	60.150.AQ	03	3	86981709	14.100.AR	01	26
86976596	60.150.AQ	07	3	86984222	90.105.BH	03	6
86976663	29.300.AP	03	16	86984400	90.100.AD		18
86976679	10.202.BD	01	15	86985597	10.400.BF	01	17
86976901	80.150.BG	01	18	86987869	35.500.AH		7
86976901	80.150.BG	03	14	86988833	10.400.BI	01	29
86976974	10.400.BF	02	29	86988833	33.202.AP	01	18
86976974	55.101.AC	07	2	86988833	33.202.AP	02	17
86976974	55.130.AR	01	7	86988833	35.440.AB		3
86976974	55.404.BB		13	86988966	60.150.AY	01	8
86976974	73.230.AQ	02	27	86988966	60.150.AY	02	8
86976974	74.114.AU	02	12	86989592	60.150.AY	01	16
86976974	90.118.AC	01	19	86989592	60.150.AY	02	14
86976974	90.118.AX	01	22	86991204	66.360.AH	02	11
86976974	90.118.AX	02	21	86991204	66.360.AH	06	11
86977688	60.150.AU	02	5	86992047	66.331.AK	03	5
86977786	55.911.AB	01	4	86992048	66.331.AK	03	4
86977786	55.911.AB	03	4	86992943	66.260.AV	03	1
86977786	88.100.55	01	4	86992947	66.260.AV	03	2
86977786	88.100.55	02	4	86993462	50.200.AA	01	1
86977786	90.105.BH	01	14	86995153	60.112.AA	01	18
86977871	55.202.AE	01	4	86995153	60.112.AA	04	18
86977871	55.202.AE	02	2	86995302	35.359.AB	03	8
86978772	25.100.AA		32	86995302	35.415.AA		12
86978772	66.260.AA	01	1	86995306	35.415.AA		9
86978772	66.360.AH	01	14	86995317	10.202.BD	01	3
86978772	66.360.AH	02	15	86995542	60.110.AA	01	9
86978772	66.360.AH	06	15	86995542	60.110.AA	03	9
86978772	80.150.BG	01	31	86995688	35.500.AH		1

INDEX - INDICE - INDEX - ZAHLENVERZEICHNIS - INDICE - INDICE - INDHOLD - INHOUD

Number	Figure	Sequence	Ref.	Number	Figure	Sequence	Ref.
86995792	80.150.BG	01	22	87000159	35.300.BC	02	13
86995792	80.150.BG	03	9	87000159	50.200.AB	01	17
86996082	80.101.CA	01	20	87000223	50.100.AP		33
86996082	80.101.CA	02	20	87000227	05.100.02		76
86996213	74.140.AM		31	87000227	10.400.BF	02	8
86996213	74.140.AM		9	87000230	10.210.AF	01	11
86996737	44.511.AE		1	87000230	10.210.AO		26
86996745	44.511.AE		1	87000230	33.202.AP	01	19
86996749	44.511.AE		1	87000230	33.202.AP	02	18
86996753	44.511.AE		1	87000230	35.300.BC	01	40
86997298	50.200.AB	03	6	87000230	35.359.AB	01	10
86997685	44.520.AB	01	2	87000230	35.359.AE	01	17
86997821	44.511.AE		3	87000230	35.440.AB		4
86997936	55.404.BB		2	87000230	35.500.AJ		6
86998255	55.512.BL	02	11	87000230	36.100.AK	01	10
86998329	10.202.AB		1	87000230	41.200.AO		16
86998330	10.202.AB		2	87000230	50.200.AB	01	22
86998331	10.202.AB		3	87000624	05.100.02		60
86998332	05.100.01		37	87000624	35.300.AQ	02	2
86998332	05.100.03	01	15	87000625	35.300.AQ	02	6
86998332	10.202.AB		4	87000778	10.400.BF	02	31
86998333	05.100.01		36	87010469	60.110.AD	01	38
86998333	05.100.03	01	14	87010469	60.110.AD	03	38
86998333	10.202.AB		5	87010469	60.165.AR		21
86998472	10.250.AJ	01	11	87011705	80.180.AQ	01	8
86998476	10.250.AJ	01	8	87011705	80.180.AQ	02	8
86998687	90.100.BJ	02	25	87011705	80.180.AU	01	9
86998693	66.331.AL	01	17	87011997	74.114.AU	02	1
86999174	35.500.AH		2	87012026	90.150.BI		1
86999310	90.154.AA	02	30	87012918	10.202.BD	01	14
86999734	74.130.AF		4	87013351	90.150.BG	02	23
86999947	10.216.AI		4	87013357	50.100.AP		22
86999948	10.216.AI		5	87013666	10.202.BD	01	16
86999949	05.100.01		31	87013667	74.118.AD	02	29
86999949	05.100.03	01	8	87013865	10.400.BF	01	10
86999949	73.230.AQ	01	21	87013865	80.101.BK	01	17
87000138	35.359.AE	01	14	87013865	80.101.BK	02	15
87000139	35.500.AJ		4	87014923	55.518.AS		11
87000141	35.359.AE	01	16	87015294	55.404.BB		7
87000144	50.200.AB	01	21	87015294	90.118.AX	01	20
87000145	35.300.AQ	01	8	87015294	90.118.AX	02	22
87000146	35.300.BC	01	8	87015348	50.200.AB	01	5
87000147	36.100.AK	01	11	87015540	14.100.AR	02	24
87000149	35.359.AB	01	5	87015724	60.120.AR		47
87000150	41.200.AO		15	87015732	14.100.AR	02	31
87000152	50.200.AB	01	16	87015733	60.120.AR		44

INDEX - INDICE - INDEX - ZAHLENVERZEICHNIS - INDICE - INDICE - INDHOLD - INHOUD

Number	Figure	Sequence	Ref.	Number	Figure	Sequence	Ref.
87015733	60.150.AE	02	28	87019709	29.218.AS		7
87015736	60.120.AR		46	87019751	55.518.AW		7
87015849	60.110.AD	01	37	87019792	29.218.AS		6
87015849	60.110.AD	02	35	87020310	10.210.AO		37
87015849	60.110.AD	03	37	87020310	73.230.AQ	01	28
87015849	60.110.AD	04	35	87020310	74.114.AU	02	23
87016	35.106.AD		3	87020310	74.114.AZ	01	22
87016	74.136.AA		8	87020310	74.114.AZ	03	31
87016581	10.001.AK	01	5	87020310	74.118.AD	02	24
87016581	60.110.AA	01	39	87020310	74.118.AK		19
87016581	60.110.AA	02	7	87020310	80.150.AK	02	14
87016581	60.110.AA	03	40	87020310	80.150.AK	03	17
87016581	60.110.AA	04	7	87020310	80.180.AU	02	17
87016581	60.112.AA	03	18	87020814	35.359.AB	01	29
87016581	66.260.AA	01	4	87020818	90.118.AC	02	8
87016581	74.140.AX		24	87021006	35.359.AE	02	5
87016585	55.512.BL	02	33	87021006	35.796.AC		15
87016585	88.100.90	01	6	87021006	35.796.AD		10
87016585	90.151.AE		2	87021006	55.015.AB	01	13
87016606	60.110.AT		22	87021006	55.101.AC	06	3
87016608	66.260.AO	02	7	87021006	55.404.CU		11
87016618	72.350.AI	01	24	87022202	90.150.BI		3
87016618	73.210.AX	02	30	87024335	66.260.AU	01	29
87016618	73.210.AX	08	30	87024765	35.300.AQ	01	12
87016664	60.150.AD	01	22	87024936	35.796.AF		16
87016664	60.150.AD	02	36	87025441	05.100.02		74
87016664	60.150.AD	03	22	87025441	14.100.BH		39
87016664	60.150.AD	04	36	87025441	60.150.AQ	08	13
87016721	35.300.BC	01	43	87025563	35.106.AD		28
87016871	55.101.AC	02	16	87026232	41.432.AE		6
87016871	55.101.AC	05	4	87026245	35.796.AF		10
87016871	60.110.AD	01	50	87026652	29.300.AP	03	20
87016871	60.110.AD	03	50	87026653	29.300.AP	02	3
87016874	35.796.AC		23	87028051	60.110.AT		15
87016874	35.796.AD		14	87028052	80.150.BF	02	4
87016877	14.100.BH		36	87028052	80.150.BG	05	45
87016877	35.359.AC		6	87029779	66.101.AP	02	19
87016877	60.150.AQ	01	47	87029779	74.130.AJ	02	18
87016877	60.150.AQ	02	47	87029968	29.218.AD		5
87016877	60.150.AQ	05	13	87030021	55.404.BB		5
87016962	33.202.BN	01	10	87030021	80.150.BF	01	22
87016962	33.202.BN	03	10	87030021	80.150.BG	05	40
87017578	41.432.AC		6	87030025	33.202.BN	01	18
87017606	60.112.AA	01	23	87030025	33.202.BN	03	15
87017606	60.112.AA	04	22	87030421	90.150.BG	01	29
87019656	10.400.BF	02	10	87030508	10.001.AK	01	11

INDEX - INDICE - INDEX - ZAHLENVERZEICHNIS - INDICE - INDICE - INDHOLD - INHOUD

Number	Figure	Sequence	Ref.	Number	Figure	Sequence	Ref.
87030508	10.400.BF	02	35	87030775	80.150.BF	02	6
87030508	14.100.BH		26	87030775	90.100.BJ	01	3
87030508	35.410.AH	01	18	87030775	90.105.BH	03	26
87030508	35.410.AH	03	11	87030775	90.105.BH	04	21
87030508	60.150.AQ	01	7	87031239	35.796.AF		7
87030508	60.150.AQ	02	7	87031322	35.440.AC		5
87030508	60.150.AQ	04	31	87032428	55.015.AB	01	9
87030508	60.150.AQ	06	31	87032582	90.154.AA	01	21
87030508	66.101.AP	02	12	87032582	90.154.AA	02	20
87030508	66.260.AA	02	1	87032825	60.165.AM		26
87030508	66.331.AL	01	22	87032825	73.335.AG	01	16
87030508	66.331.AL	02	21	87032825	80.150.BF	02	2
87030508	66.360.AH	02	12	87032825	80.150.BG	01	16
87030508	66.360.AH	06	12	87032825	80.150.BG	02	6
87030508	72.350.AJ	01	10	87032825	80.150.BG	03	28
87030508	73.210.AX	01	17	87032825	80.150.BG	04	10
87030508	73.210.AX	07	10	87032825	80.150.BG	05	34
87030508	74.140.AK	01	26	87032825	80.150.BG	06	3
87030508	80.101.AR	03	11	87033737	10.400.BF	02	16
87030508	80.101.AR	04	11	87033737	90.100.BJ	01	31
87030508	80.150.AK	02	20	87034489	60.150.AQ	01	38
87030508	80.150.AR		8	87034489	60.150.AQ	02	38
87030508	80.150.BF	01	32	87034489	60.150.AQ	05	4
87030508	80.150.BG	01	29	87034740	73.335.AC	01	16
87030508	80.150.BG	03	26	87035062	35.359.AB	03	15
87030508	80.150.BG	05	47	87035062	35.415.AA		16
87030508	80.150.BG	06	9	87035062	35.796.AF		9
87030508	90.105.BH	01	41	87035062	41.432.AE		16
87030508	90.118.AC	01	7	87035064	55.404.BB		9
87030775	10.400.BI	01	37	87035075	60.130.AJ	01	8
87030775	39.100.AS		4	87035075	60.130.AJ	02	8
87030775	50.200.AB	01	13	87035448	10.400.BI	01	38
87030775	50.300.AB		10	87035448	74.136.AA		3
87030775	60.110.AA	01	28	87035472	27.450.AJ	01	16
87030775	60.110.AA	03	30	87035472	27.450.AJ	02	16
87030775	60.130.AJ	01	6	87035472	27.450.AJ	03	16
87030775	60.130.AJ	02	6	87035472	27.450.AJ	04	16
87030775	66.331.AM		31	87036180	66.331.AM		28
87030775	73.335.AC	01	8	87036285	55.512.AA	04	5
87030775	74.125.AL		19	87036285	88.100.55	05	9
87030775	80.101.AR	03	16	87036367	36.100.AL		12
87030775	80.101.AR	04	16	87036416	55.628.AP		11
87030775	80.101.CA	01	29	87036416	73.230.AJ	01	15
87030775	80.101.CA	02	29	87036416	73.230.AJ	04	19
87030775	80.150.AI		39	87036418	74.140.AK	04	14
87030775	80.150.AK	01	46	87036419	60.110.AT		12

INDEX - INDICE - INDEX - ZAHLENVERZEICHNIS - INDICE - INDICE - INDHOLD - INHOUD

Number	Figure	Sequence	Ref.	Number	Figure	Sequence	Ref.
87036589	74.114.AU	02	7	87107380	50.300.AB		5
87036807	80.150.BF	01	36	87107381	50.300.AB		8
87036807	80.150.BG	06	29	87107420	10.400.BF	02	28
87037148	90.154.AA	02	26	87107420	73.230.AQ	02	26
87040910	74.140.CM		8	87107672	60.110.AA	01	14
87044350	80.150.AI		10	87107672	60.110.AA	03	13
87044350	80.180.AU	02	4	87107674	60.110.AA	02	3
87063C3	29.300.AP	03	2	87107674	60.110.AA	04	3
87063C3	33.202.AP	01	42	87107781	80.150.BG	01	9
87063C3	33.202.AP	02	41	87107781	80.150.BG	03	10
87105383	55.404.BB		4	87108048	29.218.AS		27
87105392	55.404.BB		22	87108048	35.518.AC	01	10
87105393	55.404.BB		23	87108048	41.206.AA		25
87105394	55.404.BB		24	87108678	27.450.AH	01	10
87105683	60.110.AA	01	5	87108678	27.450.AH	02	10
87105683	60.110.AA	03	4	87108678	27.550.AJ	01	10
87105732	10.210.AF	01	5	87108760	90.118.AC	02	3
87105732	10.210.AO		11	87108781	14.100.AR	02	35
87105732	35.359.AE	01	15	87108781	60.120.AR		41
87105744	35.415.AC		4	87109195	10.400.BF	02	27
87105748	55.202.AE	01	2	87109195	90.100.BJ	02	2
87105840	50.200.AB	03	10	87109195	90.118.AC	01	18
87105841	50.200.AB	03	9	87109195	90.118.AC	03	8
87106279	80.150.BG	01	7	87109195	90.118.AX	01	13
87106279	80.150.BG	03	13	87109195	90.118.AX	02	13
87106279	80.180.AU	01	41	87109472	90.118.AC	02	9
87106338	66.101.AP	02	6	87109527	55.404.BB		25
87106338	66.101.AP	03	6	87109875	80.150.BF	02	30
87106338	66.331.AM		25	87109875	80.150.BG	02	5
87106338	72.420.AM	02	4	87109875	80.150.BG	06	2
87106338	88.100.66	01	7	87109878	90.118.AC	02	16
87106338	88.100.66	02	7	87109879	90.118.AC	01	9
87106339	44.520.AB	01	2	87109887	90.118.AX	03	2
87106340	44.520.AB	01	3	87238	14.100.AR	01	43
87106351	55.911.AB	02	4	87280262	90.154.AA	02	34
87106596	90.118.AC	02	7	87280263	90.154.AA	02	10
87106719	60.110.AA	01	19	87280339	80.180.AU	02	7
87106719	60.110.AA	03	19	87280507	90.150.AB	01	3
87107072	90.118.AC	01	12	87281122	50.100.AP		38
87107072	90.118.AX	03	3	87281256	35.359.AB	03	10
87107077	05.100.02		56	87281588	90.118.AC	01	30
87107077	55.101.AC	06	8	87281709	27.450.AJ	01	15
87107105	60.110.AA	01	13	87281709	27.450.AJ	02	15
87107105	60.110.AA	03	12	87281709	27.450.AJ	03	15
87107364	90.108.AB	01	7	87281709	27.450.AJ	04	15
87107364	90.108.AB	03	7	87281713	27.450.AL	01	43

INDEX - INDICE - INDEX - ZAHLENVERZEICHNIS - INDICE - INDICE - INDHOLD - INHOUD

Number	Figure	Sequence	Ref.	Number	Figure	Sequence	Ref.
87281713	27.450.AL	02	43	87301277	74.114.AZ	03	17
87281729	90.100.BJ	01	27	87301277	74.118.AD	02	11
87281750	90.160.BL		14	87301498	10.202.BD	01	12
87282167	90.154.AA	01	8	87301498	55.101.AC	01	10
87282168	90.154.AA	02	4	87301498	55.680.AA		11
87282455	90.105.BH	04	24	87301498	66.260.AS	01	7
87282456	90.105.BH	04	16	87301498	74.114.AZ	02	6
87283101	05.100.02		16	87301498	74.114.AZ	03	26
87283101	74.140.AK	04	16	87301498	74.118.AD	01	6
87283101	80.101.AP		1	87301498	74.118.AD	02	20
87283209	60.110.AA	01	16	87301498	74.118.AD	02	22
87283209	60.110.AA	03	15	87301498	74.140.CM		40
87283383	27.450.AL	03	43	87301498	90.100.BJ	01	50
87283383	27.450.AL	04	43	87301498	90.118.AX	01	12
87283386	10.419.AA	02	37	87301498	90.118.AX	02	12
87283386	90.102.BC		2	87301603	10.254.AI	01	2
87283963	73.230.AQ	02	32	87301605	10.254.AI	01	4
87283963	73.230.AQ	03	22	87301675	72.350.AI	01	19
87284035	55.404.AQ	02	4	87301675	73.210.AX	02	21
87284035	55.404.AQ	03	3	87301675	73.210.AX	08	21
87284531	10.400.BF	01	9	87301686	29.300.AP	03	33
87284531	10.400.BF	02	26	87301686	35.300.BC	01	13
87284531	21.126.AB		20	87301686	35.300.BC	02	16
87284531	33.202.BN	01	47	87301983	55.510.AH		24
87284531	33.202.BN	02	23	87302039	10.202.BD	01	13
87284531	60.130.AJ	01	3	87302088	10.400.BE		1
87284531	60.130.AJ	02	3	87302565	74.140.AK	04	17
87284531	80.150.AI		33	87302733	29.218.AD		6
87284531	90.118.AC	02	15	87303844	35.300.BC	01	1
87284531	90.150.AC		14	87305298	21.114.AL	02	6
87284531	90.150.AD		13	87305299	21.114.AL	02	31
87284531	90.150.BJ		11	87306083	29.300.AP	03	11
87284531	90.151.AC		4	87306803	14.100.AB		2
87284531	90.154.AA	02	21	87307506	72.350.AI	01	10
87284863	73.230.AQ	01	31	87307506	73.210.AX	02	13
87284863	80.180.AU	01	6	87307506	73.210.AX	08	13
87301087	66.331.AM		2	87307839	73.210.AX	02	31
87301185	90.100.AD		7	87308234	10.202.BD	01	36
87301185	90.118.AC	01	29	87310758	14.100.AB		4
87301238	21.126.AB		19	87311003	14.100.AR	01	18
87301238	55.510.AH		23	87312135	60.110.AA	01	6
87301238	55.512.BL	02	4	87312135	60.110.AA	03	5
87301238	73.230.AQ	02	30	87312141	60.110.AA	01	18
87301257	60.150.AU	01	23	87312141	60.110.AA	03	18
87301277	72.220.AJ	01	10	87312143	60.110.AA	01	24
87301277	72.220.AJ	04	9	87312143	60.110.AA	03	23

INDEX - INDICE - INDEX - ZAHLENVERZEICHNIS - INDICE - INDICE - INDHOLD - INHOUD

Number	Figure	Sequence	Ref.	Number	Figure	Sequence	Ref.
87313058	74.140.CM		7	87319550	10.400.BF	02	42
87313329	74.125.AL		22	87319550	35.359.AB	01	26
87313329	74.140.AX		7	87323280	73.230.AP	01	7
87313329	80.101.AR	01	9	87323562	60.150.AD	01	44
87313329	80.101.AR	02	9	87323562	60.150.AD	02	38
87313329	80.101.CA	01	19	87323562	60.150.AD	03	44
87313329	80.101.CA	02	19	87323562	60.150.AD	04	38
87313981	72.350.AI	01	16	87324388	05.100.02		58
87313981	73.210.AX	02	19	87324388	10.216.AI		2
87313981	73.210.AX	08	19	87324981	05.100.02		15
87313999	10.202.BD	01	1	87324981	74.125.AL		10
87314103	66.331.AK	01	16	87324981	80.101.AR	01	4
87314103	66.331.AK	02	16	87324981	80.101.AR	02	4
87314103	66.331.AK	03	16	87325194	74.125.AL		11
87314103	66.331.AK	04	16	87325480	10.310.AA		1
87314103	66.331.AK	05	12	87326175	66.260.AU	02	50
87314103	66.331.AK	06	11	87326176	66.260.AU	02	8
87314103	66.331.AK	07	10	87326186	66.260.AU	02	22
87315088	05.100.02		50	87326187	66.260.AU	02	24
87315088	73.230.AP	01	24	87327478	44.520.AB	01	6
87315089	05.100.02		51	87327481	44.520.AB	01	10
87315089	73.230.AP	01	25	87327481	44.520.AB	02	9
87315090	73.230.AP	01	23	87327483	44.520.AB	01	5
87316352	55.404.AQ	01	2	87327940	44.520.AB	02	5
87316352	55.404.AQ	02	7	87329757	55.426.AH		10
87316352	55.404.AQ	03	6	87329813	55.426.AH		12
87317425	66.260.AS	02	10	87330133	66.260.AU	02	21
87317689	66.260.AA	01	2	87330286	05.100.02		43
87317689	66.360.AH	05	15	87330286	60.110.AA	01	11
87318100	74.101.BF	01	4	87330286	60.110.AA	03	17
87319002	35.796.AF		5	87330286	60.110.AD	01	20
87319308	60.120.AR		30	87330286	60.110.AD	02	19
87319310	60.120.AR		12	87330286	60.110.AD	03	20
87319314	60.120.AR		39	87330286	60.110.AD	04	19
87319316	60.120.AR		38	87330901	60.130.AJ	01	1
87319317	60.120.AR		33	87330903	05.100.01		19
87319318	60.120.AR		34	87330903	73.230.AJ	01	11
87319319	60.120.AR		35	87330903	73.230.AJ	04	11
87319322	60.120.AR		36	87331084	80.180.AR	01	1
87319330	60.120.AR		18	87331084	80.180.AU	01	18
87319333	60.120.AR		19	87331084C	80.180.AR	01	1
87319334	60.120.AR		20	87331084C	80.180.AU	01	18
87319335	60.120.AR		21	87331084R	80.180.AR	01	1
87319338	60.120.AR		22	87331084R	80.180.AU	01	18
87319340	60.120.AR		25	87331114	80.180.AR	01	5
87319344	60.120.AR		45	87331115	80.180.AR	01	14

INDEX - INDICE - INDEX - ZAHLENVERZEICHNIS - INDICE - INDICE - INDHOLD - INHOUD

Number	Figure	Sequence	Ref.	Number	Figure	Sequence	Ref.
87331121	80.180.AR	01	2	87343550	73.230.AJ	01	20
87331545	72.350.AJ	01	9	87343550	73.230.AJ	04	16
87331545	73.210.AX	01	16	87343550	73.230.AQ	01	35
87331545	73.210.AX	07	9	87343550	73.230.AQ	06	6
87331951	35.359.AB	01	33	87343550	80.101.AR	03	21
87332161	60.120.AI	04	1	87343550	80.101.AR	04	21
87332418	80.180.AR	01	15	87343550	80.101.CA	01	33
87332420	80.180.AR	01	8	87343550	80.101.CA	02	33
87332423	80.180.AR	01	11	87343550	80.150.AI		46
87332721	35.410.AH	01	11	87343550	80.150.AK	01	38
87332721	35.410.AH	03	5	87343550	80.150.AR		11
87333676	10.206.AF		10	87343550	90.105.BH	05	9
87333679	10.206.AF		3	87343550	90.118.BM	01	15
87333768	41.106.AH		7	87343550	90.118.BM	02	14
87335635	55.911.AB	04	1	87343550	90.150.BI		13
87335677	55.911.AB	04	2	87345883	80.180.AR	01	18
87337243	80.175.AG	02	34	87345884	80.180.AR	01	18
87337958	80.101.AR	01	5	87345889	80.180.AR	01	18
87337958	80.101.AR	02	5	87345890	80.180.AR	01	18
87338661	25.310.AB		4	87345893	80.180.AR	01	16
87339347	80.180.AU	02	10	87345894	80.180.AR	01	12
87340028	44.520.AB	01	9	87346736	80.180.AR	01	6
87340028	44.520.AB	02	8	87346738	80.180.AR	01	19
87341589	72.350.AI	01	26	87346739	80.180.AR	01	19
87341589	73.210.AX	03	3	87346740	80.180.AR	01	19
87341589	73.210.AX	09	3	87346741	80.180.AR	01	19
87341607	10.419.AE		27	87347281	74.114.AZ	03	6
87342019	66.260.AU	01	28	87347281	74.118.AD	02	13
87342153	90.151.AC		3	87347940	90.120.BA		2
87342513	80.150.AI		29	87347940	90.124.AL		2
87342517	80.150.AI		8	87347944	90.124.AN		2
87342970	44.520.AB	02	4	87347960	90.124.AN		14
87343282	72.350.AI	01	25	87347964	90.120.BA		6
87343285	72.350.AI	01	31	87347976	90.120.BA		8
87343289	72.350.AI	01	28	87347976	90.124.AL		10
87343290	72.350.AI	01	29	87348536	14.100.AR	02	15
87343291	72.350.AI	01	30	87348628	60.165.AM		34
87343550	10.001.AK	01	9	87349260	80.180.AR	01	4
87343550	10.102.AW	01	3	87350546	35.796.AC		16
87343550	60.150.AU	01	11	87350546	35.796.AD		11
87343550	60.150.AU	02	17	87353504	55.520.AX	01	8
87343550	66.260.AA	02	2	87354295	60.165.AR		10
87343550	66.331.AM		24	87354302	60.165.AM		28
87343550	66.360.AH	04	5	87354317	60.120.AG	01	3
87343550	72.220.AJ	01	4	87354317	60.120.AG	03	3
87343550	72.220.AJ	04	2	87354318	60.165.AR		11

INDEX - INDICE - INDEX - ZAHLENVERZEICHNIS - INDICE - INDICE - INDHOLD - INHOUD

Number	Figure	Sequence	Ref.	Number	Figure	Sequence	Ref.
87354319	60.165.AR		12	87366201	10.419.AE		11
87354344	60.120.AR		16	87367	73.230.AJ	01	12
87354348	25.310.AB		15	87367	73.230.AJ	04	12
87354349	25.310.AB		8	87367	74.140.BM		9
87355939	50.100.AP		18	87367	74.140.CM		10
87357472	66.360.AH	01	8	87367495	55.404.AC		16
87357472	66.360.AH	02	2	87367495	88.100.55	06	11
87357472	66.360.AH	06	2	87367550	44.520.AB	01	12
87357510	60.165.AR		20	87367550	44.520.AB	02	6
87358704	60.165.AR		17	87367599	66.260.AU	02	20
87359661	10.419.AE		3	87368468	55.101.AC	02	22
87360505	27.450.AL	01	47	87368474	55.101.AC	02	1
87360505	27.450.AL	02	47	87369115	66.260.AV	01	2
87360505	27.450.AL	03	47	87372895	60.165.AM		3
87360505	27.450.AL	04	47	87373039	55.512.AA	03	8
87360671	90.154.AA	02	9	87373039	90.150.BG	01	30
87360675	90.154.AA	02	11	87373945	60.150.AQ	01	22
87361	60.120.AG	02	19	87373945	60.150.AQ	02	22
87362143	80.101.AR	01	34	87373945	60.150.AQ	04	7
87362143	80.101.AR	02	34	87373945	60.150.AQ	06	7
87362420	60.110.AA	01	10	87374324	60.150.AY	01	11
87362420	60.110.AA	03	10	87374324	60.150.AY	02	11
87362420	60.110.AD	01	19	87374885	25.100.AA		11
87362420	60.110.AD	02	14	87374885	29.100.AB	02	1
87362420	60.110.AD	03	19	87374885C	25.100.AA		11
87362420	60.110.AD	04	14	87374885C	29.100.AB	02	1
87363448	10.419.AA	02	42	87374885R	25.100.AA		11
87363874	73.335.AC	01	10	87374885R	29.100.AB	02	1
87364	66.260.AO	01	17	87375653	74.140.CM		18
87364072	25.100.AA		24	87375654	74.101.BB		8
87364294	66.260.AS	02	4	87376144	73.230.AQ	06	3
87364303	60.150.AQ	01	51	87376564	72.220.AJ	02	11
87364303	60.150.AQ	02	51	87376640	74.118.AK		17
87364303	60.150.AQ	05	20	87376643	74.118.AK		10
87364305	80.175.AG	02	41	87376644	74.118.AK		1
87365	60.110.AT		21	87376645	74.118.AK		5
87365	66.260.AS	02	3	87376646	74.118.AK		4
87365	74.136.AC	02	4	87376647	74.118.AK		11
87365	74.140.AK	04	23	87376924	74.101.AC		2
87365	74.140.AM		30	87376924	74.101.BF	01	8
87365	74.140.AM		7	87376924	74.101.BF	02	8
87365387	05.100.02		10	87377051	60.150.AQ	01	14
87365387	80.101.AR	01	11	87377051	60.150.AQ	04	5
87365387	80.101.AR	02	11	87377053	60.150.AQ	02	14
87365605	80.101.CA	01	5	87377053	60.150.AQ	06	5
87365605	80.101.CA	02	5	87377305	88.100.90	01	13

INDEX - INDICE - INDEX - ZAHLENVERZEICHNIS - INDICE - INDICE - INDHOLD - INHOUD

Number	Figure	Sequence	Ref.	Number	Figure	Sequence	Ref.
87379123	74.114.AZ	01	26	87389815	60.150.AD	01	1
87379127	74.114.AZ	01	3	87389815	60.150.AD	02	1
87379129	74.114.AZ	01	18	87389815	60.150.AD	03	1
87379131	74.140.CM		5	87389815	60.150.AD	04	1
87379132	74.140.CM		6	87389849	33.202.AP	01	17
87379134	73.230.AP	01	2	87389849	33.202.AP	02	16
87379137	74.125.AL		9	87390458	55.101.AC	06	5
87379140	74.140.BM		6	87390908	88.100.25	01	1
87381181	10.310.AA		2	87391332	55.015.AB	01	2
87381287	33.202.AP	01	21	87392233	10.310.AA		5
87381287	33.202.AP	02	20	87392235	55.101.AC	04	9
87381289	10.400.BF	02	40	87392235	73.230.AQ	01	25
87381289	35.359.AB	01	27	87392235	80.150.BF	02	23
87381289	35.410.AH	01	3	87392235	80.150.BG	06	25
87381289	35.410.AH	03	3	87392240	10.310.AA		3
87381294	41.200.AO		3	87392706	74.125.AL		16
87381623	60.120.AG	02	15	87393155	74.125.AL		15
87382748	66.360.AH	05	7	87393155	74.130.AH		12
87384106	60.110.AA	01	26	87393437	72.350.AJ	01	2
87384106	60.110.AA	03	27	87393437	73.210.AX	01	9
87384106	60.110.AD	01	33	87393437	73.210.AX	07	2
87384106	60.110.AD	02	31	87393438	72.350.AJ	01	3
87384106	60.110.AD	03	33	87393438	73.210.AX	01	10
87384106	60.110.AD	04	31	87393438	73.210.AX	07	3
87384187	80.101.AR	01	6	87393439	72.350.AJ	01	6
87384187	80.101.AR	02	6	87393439	73.210.AX	01	13
87385244	33.202.AP	01	16	87393439	73.210.AX	07	6
87385244	33.202.AP	02	15	87393441	66.260.AA	02	14
87386310	44.520.AB	02	1	87393443	72.420.AM	01	24
87386313	44.520.AB	02	1	87393444	72.420.AM	01	25
87386315	44.520.AB	02	1	87395015	66.260.AA	02	11
87386411	60.150.AY	01	9	87395750	60.150.AQ	01	1
87386411	60.150.AY	02	9	87395750	60.150.AQ	02	1
87386833	74.140.CM		31	87395751	80.175.AG	01	8
87387066	74.114.AZ	01	24	87395983	74.125.AL		13
87387107	35.410.AH	01	13	87396061	74.125.AL		14
87387107	35.410.AH	03	6	87396619	29.218.AS		23
87387107	66.331.AB		3	87397583	72.220.AJ	01	19
87387119	74.114.AZ	01	27	87398	60.112.AA	03	10
87387134	74.140.CM		34	87398	60.150.AQ	04	30
87388129	33.110.AT	01	1	87398	60.150.AQ	06	30
87388129	33.202.AP	01	9	87398	74.136.AC	01	27
87388134	33.202.AP	01	20	87400460	10.210.AF	01	17
87388134	33.202.AP	02	19	87402650	66.260.AU	02	53
87389212	41.200.AO		4	87402765	10.400.BI	01	2
87389797	74.114.AU	02	14	87404	33.202.AP	01	36

INDEX - INDICE - INDEX - ZAHLENVERZEICHNIS - INDICE - INDICE - INDHOLD - INHOUD

Number	Figure	Sequence	Ref.	Number	Figure	Sequence	Ref.
87406696	66.260.AU	01	12	87470148	80.175.AG	01	4
87406697	66.260.AU	01	26	87470153	80.180.AQ	01	23
87406699	66.260.AU	01	3	87470287	74.140.AX		31
87413244	90.108.AB	02	29	87470291	80.101.AE		15
87414	60.150.AQ	08	7	87470677	90.105.BH	02	13
87414	73.230.AJ	04	30	87470680	90.105.BH	02	15
87414	74.136.AD	02	8	87470683	90.105.BH	02	16
87414982	10.202.AB		6	87470711	90.105.BH	03	31
87415	27.450.AL	01	17	87470712	90.105.BH	01	39
87415	27.450.AL	02	17	87470725	55.404.BB		26
87415	27.450.AL	03	17	87471844	74.130.AH		14
87415	27.450.AL	04	17	87471942	80.180.AQ	01	1
87415942	10.400.BF	01	6	87471943	80.180.AQ	01	1
87416663	66.331.AK	02	21	87472948	90.102.BC		5
87418312	55.785.AS	02	24	87473304	10.206.AF		4
87419199	10.310.AA		9	87473305	10.206.AF		5
87420676	10.250.AJ	01	3	87473306	10.206.AF		7
87425179	05.102.AA	02	6	87473308	10.206.AF		8
87426044	90.105.BH	04	23	87473326	66.360.AH	02	29
87428328	05.100.02		46	87473326	66.360.AH	06	29
87428328	35.359.AB	02	6	87473361	73.230.AJ	02	29
87429534	10.400.BF	02	6	87473361	73.230.AJ	05	19
87431216	74.125.AL		23	87473364	74.114.AZ	01	19
87431217	74.140.AK	04	10	87474210	74.130.AJ	02	12
87432132	10.400.BE		2	87474228	80.150.BG	01	24
87433998	35.415.AA		3	87474228	80.150.BG	03	2
87434000	35.359.AB	03	13	87474228	80.150.BG	05	6
87434014	35.359.AB	03	1	87474697	10.206.AF		9
87434014	35.415.AA		7	87474698	10.206.AF		6
87434016	35.359.AB	03	18	87474735	60.110.AD	02	17
87434017	35.359.AB	03	20	87474735	60.110.AD	04	17
87434021	35.796.AF		12	87475710	74.130.AJ	02	15
87434021	35.796.AF		19	87475753	66.260.AU	01	2
87436627	35.415.AA		5	87476437	80.180.AU	01	27
87439461	55.518.AS		13	87476486	05.100.01		21
87439633	41.432.AE		9	87476486	73.230.AJ	01	1
87442270	10.210.AF	01	9	87476486	73.230.AJ	04	10
87445404	10.210.AF	01	27	87476487	05.100.01		18
87445405	10.210.AF	01	28	87476487	72.220.AJ	01	9
87447534	35.796.AF		3	87476487	72.220.AJ	04	8
87447938	55.518.AS		7	87477249	90.100.AD		4
87451102	35.300.BC	02	14	87477658	60.112.AA	03	3
87453256	74.114.AU	01	5	87478648	66.360.AH	01	9
87454442	05.100.02		44	87478648	66.360.AH	02	20
87454442	50.100.AP		3	87478648	66.360.AH	06	20
87455	90.100.BJ	01	22	87479010	29.100.AB	01	30

INDEX - INDICE - INDEX - ZAHLENVERZEICHNIS - INDICE - INDICE - INDHOLD - INHOUD

Number	Figure	Sequence	Ref.	Number	Figure	Sequence	Ref.
87479010	29.100.AB	02	2	87489502	05.100.01		3
87479097	66.360.AH	07	9	87489502	50.200.AA	01	13
87479097	90.108.AB	02	30	87489758	60.110.AD	01	14
87479340	10.419.AA	01	7	87489758	60.110.AD	02	18
87479341	10.419.AE		1	87489861	74.114.AZ	02	12
87479418	90.105.BH	03	41	87489861	74.114.AZ	03	12
87479419	90.105.BH	01	47	87491115	74.101.BB		10
87482355	05.100.02		40	87491122	80.101.AE		14
87482795	74.130.AJ	02	10	87491124	80.101.AE		1
87484220	90.105.BH	03	4	87491124C	80.101.AE		1
87484762	27.450.AL	01	5	87491124R	80.101.AE		1
87484762	27.450.AL	02	5	87491126	80.101.AR	03	6
87484762	27.450.AL	03	5	87491126	80.101.AR	04	6
87484762	27.450.AL	04	5	87491749	55.911.AB	02	2
87484763	27.450.AL	01	9	87491749	88.100.55	03	2
87484763	27.450.AL	02	9	87491749C	55.911.AB	02	2
87484763	27.450.AL	03	9	87491749C	88.100.55	03	2
87484763	27.450.AL	04	9	87491749R	55.911.AB	02	2
87485014	36.100.AK	01	16	87491749R	88.100.55	03	2
87485024	35.796.AC		17	87491816	66.260.AU	02	45
87485024	88.100.73	02	13	87491853	74.101.BB		1
87485146	90.105.BH	03	13	87494244	60.120.AG	02	5
87485148	90.105.BH	03	5	87494272	05.100.03	01	11
87485525	60.150.AE	02	15	87494272	10.216.AI		9
87485684	27.450.AL	01	23	87494908	74.136.AC	01	10
87485684	27.450.AL	02	23	87494908	74.136.AD	01	1
87485684	27.450.AL	03	23	87494910	74.136.AC	01	9
87485684	27.450.AL	04	23	87494910	74.136.AD	02	1
87485685	27.450.AL	01	24	87495301	41.106.AH		6
87485685	27.450.AL	02	24	87495304	10.001.AK	01	4
87485685	27.450.AL	03	24	87495304	37.100.AA	01	2
87485685	27.450.AL	04	24	87495304	60.110.AA	02	6
87485686	27.450.AL	01	25	87495304	60.110.AA	04	6
87485686	27.450.AL	02	25	87495304	90.118.AC	01	6
87485686	27.450.AL	03	25	87495304	90.150.BI		9
87485686	27.450.AL	04	25	87495307	72.350.AJ	01	17
87485712	14.100.AR	02	34	87495307	73.210.AX	01	5
87485725	74.140.AM		24	87495307	73.210.AX	07	18
87485727	74.140.AM		22	87495309	74.101.AC		7
87487044	66.331.AM		34	87495389	74.114.AU	01	16
87487056	66.331.AM		35	87495389	74.114.AU	02	17
87487056	72.420.AM	02	12	87496197	73.335.AC	01	23
87487059	66.331.AM		19	87496985	55.911.AB	01	3
87487071	66.331.AM		18	87496985	55.911.AB	02	1
87487071	72.420.AM	02	11	87496985	55.911.AB	03	3
87488331	55.911.AB	04	3	87496985	88.100.55	01	3

INDEX - INDICE - INDEX - ZAHLENVERZEICHNIS - INDICE - INDICE - INDHOLD - INHOUD

Number	Figure	Sequence	Ref.	Number	Figure	Sequence	Ref.
87496985	88.100.55	02	3	87524877	05.100.02		67
87497819	73.230.AQ	02	8	87525174	36.100.AA	01	4
87497819	73.230.AQ	03	7	87525336	36.100.AA	01	7
87497917	60.112.AA	04	26	87525489	36.100.AA	01	11
87497922	60.110.AD	01	36	87525507	36.100.AA	01	13
87497922	60.110.AD	02	33	87525736	36.100.AA	01	17
87497922	60.112.AA	01	28	87525773	36.100.AA	01	20
87499095	66.360.AH	05	6	87525945	60.120.AR		6
87499098	66.360.AH	02	8	87525964	66.260.AU	02	58
87499098	66.360.AH	06	8	87525965	66.260.AU	02	59
87499125	35.410.AH	01	7	87526110	36.100.AA	01	16
87499320	60.110.AD	01	18	87526205	36.100.AA	01	19
87499320	60.110.AD	02	24	87528508	80.150.AK	01	13
87499320	60.110.AD	03	18	87528912	66.331.AB		1
87499320	60.110.AD	04	24	87529307	66.260.AU	01	27
87499320	60.112.AA	01	21	87529708	72.350.AI	01	3
87499320	60.112.AA	04	20	87529708	73.210.AX	02	6
87499555	55.130.AR	01	2	87529708	73.210.AX	08	6
87510719	90.150.AC		10	87530403	60.165.AM		7
87510720	74.125.AL		7	87532511	66.331.AK	05	7
87515814	74.140.AK	04	11	87532511	66.331.AK	06	6
87518247	55.404.BB		8	87532511	66.331.AK	07	5
87518983	55.680.AA		16	87532870	90.160.AH	01	20
87518983C	55.680.AA		16	87532870	90.160.AH	03	42
87518983R	55.680.AA		16	87533612	50.100.AP		27
87519075	35.796.AE		7	87533880	10.414.AC	01	19
87519075C	35.796.AE		7	87536687	35.440.AB		26
87519075R	35.796.AE		7	87536688	35.440.AB		27
87519076	35.796.AE		1	87536815	18.112.AC	01	2
87519076C	35.796.AE		1	87538002	10.414.AC	01	18
87519076R	35.796.AE		1	87538599	74.101.AC		3
87519307	05.100.02		42	87538600	74.101.AC		4
87519307	10.210.AO		3	87538605	36.100.AK	01	21
87519418	60.150.AQ	03	5	87540958	10.414.AC	01	12
87519419	60.150.AQ	01	6	87540959	10.414.AC	01	29
87519419	60.150.AQ	02	6	87542957	88.100.25	01	8
87519419	60.150.AQ	03	1	87543658	60.150.AY	01	1
87520834	60.120.AR		42	87543658	60.150.AY	02	1
87522595	05.100.02		65	87543712	36.100.AI		2
87522597	05.100.02		66	87544176	66.331.AK	05	2
87522943	74.136.AD	01	9	87544176	66.331.AK	06	2
87524288	10.250.AJ	01	10	87544176	66.331.AK	07	2
87524452	60.120.AR		49	87544714	33.202.AP	01	22
87524759	36.100.AA	01	1	87544714	33.202.AP	02	21
87524815	36.100.AA	01	22	87544715	33.202.AP	01	13
87524831	36.100.AA	01	2	87544715	33.202.AP	02	12

INDEX - INDICE - INDEX - ZAHLENVERZEICHNIS - INDICE - INDICE - INDHOLD - INHOUD

Number	Figure	Sequence	Ref.	Number	Figure	Sequence	Ref.
87545055	66.360.AH	01	3	87552541	80.180.AQ	01	3
87545055	66.360.AH	02	3	87552541	80.180.AQ	02	3
87545055	66.360.AH	06	3	87552805	10.202.BD	01	30
87545834	80.150.BJ		1	87552805	10.254.AI	01	19
87546880	88.100.74	03	5	87552816	27.450.AL	01	48
87547587	10.202.BD	01	22	87552816	27.450.AL	02	48
87547587	10.414.AC	01	21	87552816	27.450.AL	03	48
87547587	29.300.AP	03	10	87552816	27.450.AL	04	48
87547587	60.112.AA	02	33	87552816C	27.450.AL	01	48
87547587	60.112.AA	05	32	87552816C	27.450.AL	02	48
87547587	66.101.AP	02	7	87552816C	27.450.AL	03	48
87547587	66.101.AP	03	7	87552816C	27.450.AL	04	48
87547587	66.260.AS	01	1	87552816R	27.450.AL	01	48
87547587	72.220.AJ	02	15	87552816R	27.450.AL	02	48
87547587	74.130.AJ	01	9	87552816R	27.450.AL	03	48
87547587	74.136.AD	02	15	87552816R	27.450.AL	04	48
87547587	74.140.AX		37	87553944	80.150.BG	01	5
87547587	74.140.CM		39	87553944	80.150.BG	03	12
87547587	88.100.66	01	8	87554227	66.260.AV	01	5
87547587	88.100.66	02	8	87554394	80.150.BF	02	29
87547587	88.100.73	04	7	87554394	80.150.BG	02	1
87547587	90.100.BJ	01	47	87554394	80.150.BG	06	1
87547587	90.100.BJ	02	7	87555273	80.175.AD	01	1
87547587	90.118.AC	01	11	87555282	80.175.AG	01	12
87547587	90.118.AC	03	4	87555294	80.175.AG	02	2
87547587	90.118.AX	01	10	87555297	80.175.AG	02	1
87547587	90.118.AX	02	8	87555302	80.175.AG	02	15
87548607	90.118.AC	02	10	87555310	80.175.AG	02	21
87549264	29.218.AS		21	87555831	60.120.AR		3
87549264	35.300.BC	01	7	87556579	90.108.AB	01	4
87549264	36.100.AK	01	29	87556579	90.108.AB	03	4
87549557	05.100.01		15	87556588	90.108.AB	01	3
87550181	66.331.AK	01	20	87556588	90.108.AB	03	3
87550181	66.331.AK	02	20	87556597	80.150.BF	01	10
87550181	66.331.AK	03	20	87556597	80.150.BF	02	27
87550181	66.331.AK	04	20	87556613	80.150.BF	01	9
87550181	66.331.AK	05	18	87556613	80.150.BF	02	24
87550181	66.331.AK	06	17	87556665	80.150.BF	01	46
87550181	66.331.AK	07	16	87556985	90.108.AB	01	6
87550514	55.911.AB	04	8	87556985	90.108.AB	03	6
87551123	10.400.BI	01	25	87557056	60.112.AA	01	10
87551419	90.160.AH	01	19	87557056	60.112.AA	04	10
87552212	80.150.AK	01	17	87557056	60.150.AD	01	8
87552213	80.150.AK	01	18	87557056	60.150.AD	03	8
87552532	80.180.AU	01	17	87557999	80.150.AK	01	21
87552534	80.180.AU	01	29	87558237	35.359.AE	01	22

INDEX - INDICE - INDEX - ZAHLENVERZEICHNIS - INDICE - INDICE - INDHOLD - INHOUD

Number	Figure	Sequence	Ref.	Number	Figure	Sequence	Ref.
87559340	14.100.AB		9	87571909	80.150.BG	01	39
87559515	73.335.AG	01	17	87571909	80.150.BG	03	40
87559875	73.335.AG	01	1	87571967	80.150.BG	01	41
87559914	10.408.AO		1	87571967	80.150.BG	03	41
87560349	35.440.AB		13	87573369	60.112.AA	02	20
87560423	35.440.AB		2	87573369	60.112.AA	05	16
87561730	05.102.AA	02	5	87573369	72.220.AO		3
87561755	80.150.AK	01	20	87573369	73.230.AP	01	8
87563887	80.101.BK	01	3	87573369	73.230.AP	02	2
87564472	80.150.AI		32	87573369	74.101.AC		15
87564742	74.114.AZ	01	17	87573700	60.112.AA	02	11
87564748	35.300.BC	01	33	87573700	60.112.AA	05	6
87564749	35.440.AB		23	87573705	60.112.AA	02	5
87564865	73.230.AJ	01	24	87573762	73.335.AC	01	13
87564865	73.230.AJ	04	24	87573934	27.450.AH	01	2
87566055	05.100.01		16	87573934	27.450.AH	02	2
87566055	80.175.AG	01	5	87573934	27.550.AJ	01	2
87566525	73.230.AJ	01	23	87575223	80.180.AQ	01	2
87566525	73.230.AJ	04	23	87575232	10.400.BF	02	9
87567192	50.200.AB	01	7	87575615	60.150.AU	01	25
87568603	55.520.AX	01	7	87577140	10.400.BI	01	3
87568777	90.160.AX		3	87577310	60.112.AA	01	3
87568819	60.120.AR		11	87577310	60.112.AA	04	3
87568821	60.120.AR		13	87578073	66.360.AH	05	5
87568949	90.108.AB	02	18	87578627	60.112.AA	03	7
87569765	60.120.AR		2	87579601	60.150.AU	01	4
87569766	60.120.AR		4	87579999	60.150.AU	01	28
87570112	55.512.BL	01	13	87580180	66.360.AH	05	4
87570139	44.520.AB	01	4	87580679	74.114.AU	02	8
87571128	60.150.AE	02	2	87581597	10.419.AA	02	17
87571130	60.150.AE	02	11	87582995	27.450.AH	01	6
87571135	60.150.AE	02	3	87582995	27.450.AH	02	6
87571136	60.150.AE	02	4	87582995	27.550.AJ	01	6
87571137	60.150.AE	02	5	87583588	80.150.AI		14
87571139	60.150.AE	02	12	87583785	05.100.01		20
87571140	60.150.AE	02	25	87583785	10.419.AA	02	19
87571141	60.150.AU	02	26	87583911	55.520.AX	01	5
87571144	60.150.AE	02	14	87584221	88.100.74	02	3
87571146	60.150.AE	02	42	87584294	33.202.BN	01	31
87571153	60.150.AE	02	16	87584294	33.202.BN	02	9
87571154	60.150.AE	02	17	87584502	60.130.AJ	01	4
87571155	60.150.AE	02	18	87584502	60.130.AJ	02	4
87571156	60.150.AE	02	24	87584890	55.101.AC	06	4
87571158	60.150.AE	02	45	87584890	55.404.CU		3
87571176	80.101.BK	01	9	87585076	10.419.AA	02	18
87571176	80.101.BK	02	7	87585115	73.230.AJ	05	16

INDEX - INDICE - INDEX - ZAHLENVERZEICHNIS - INDICE - INDICE - INDHOLD - INHOUD

Number	Figure	Sequence	Ref.	Number	Figure	Sequence	Ref.
87585116	73.230.AP	02	6	87599206	60.112.AA	02	7
87585119	73.230.AJ	05	2	87599206	60.112.AA	05	13
87585123	73.230.AP	02	9	87599214	60.112.AA	02	8
87585371	41.106.AH		1	87599214	60.112.AA	05	14
87585377	41.106.AH		4	87599255	60.112.AA	02	10
87585378	41.106.AH		11	87599255	60.112.AA	05	5
87585379	41.106.AH		12	87599478	73.230.AQ	05	6
87585824	35.106.AD		18	87599485	73.230.AQ	04	2
87585826	35.106.AD		27	87599486	73.230.AQ	05	13
87585828	35.106.AD		20	87599770	60.165.AM		29
87588870	80.101.AE		16	87600698	60.130.AJ	01	11
87589800	73.230.AJ	05	8	87600698	60.130.AJ	02	11
87589802	73.230.AJ	05	1	87600699	60.130.AJ	02	2
87589850	60.150.AE	02	13	87600700	60.130.AJ	01	9
87589924	10.400.BF	01	4	87600700	60.130.AJ	02	9
87590351	41.432.AE		3	87600701	60.130.AJ	01	2
87590718	10.419.AA	02	22	87601305	10.216.AI		10
87590733	36.100.AK	01	20	87601306	10.216.AI		3
87591593	41.432.AE		4	87601309	10.216.AI		1
87591594	41.432.AE		2	87602131	60.112.AA	01	12
87591596	41.432.AE		5	87602131	60.112.AA	04	12
87592843	73.230.AQ	05	18	87602131	60.120.AI	01	7
87593795	73.230.AJ	05	33	87602131	60.120.AI	02	10
87593881	73.230.AQ	01	1	87602186	60.165.AM		11
87593883	73.230.AQ	05	9	87602190	60.165.AM		10
87593885	73.230.AQ	05	8	87602198	60.165.AM		6
87593888	73.230.AQ	05	7	87602200	60.165.AM		17
87593899	73.230.AQ	05	1	87602201	60.165.AM		27
87594299	74.140.CM		1	87602594	66.331.AK	05	5
87595454	73.230.AQ	05	10	87602893	73.230.AQ	02	13
87595611	10.400.BF	01	5	87602893	73.230.AQ	03	12
87596053	10.419.AE		2	87602893	90.105.BH	01	12
87596066	10.419.AE		7	87602893	90.105.BH	03	14
87596068	10.419.AE		8	87602893	90.105.BH	03	35
87596685	10.419.AA	01	2	87602902	73.230.AQ	02	5
87596688	10.419.AA	01	3	87602902	73.230.AQ	03	3
87596824	73.335.AC	01	5	87602935	80.101.CA	01	9
87597406	60.130.AJ	02	1	87602935	80.101.CA	02	9
87597409	60.130.AJ	01	10	87603123	80.150.BG	01	23
87597409	60.130.AJ	02	10	87603123	80.150.BG	03	15
87597579	60.112.AA	02	4	87603649	14.100.AR	01	29
87597609	41.216.AO		3	87603654	55.101.AC	01	4
87597960	60.120.AG	02	11	87604638	60.165.AM		33
87598111	10.419.AA	02	23	87605321	33.202.BN	01	40
87598213	74.101.AU		1	87605321	33.202.BN	02	18
87598803	44.520.AB	01	7	87605327	35.359.AB	01	6

INDEX - INDICE - INDEX - ZAHLENVERZEICHNIS - INDICE - INDICE - INDHOLD - INHOUD

Number	Figure	Sequence	Ref.	Number	Figure	Sequence	Ref.
87605590	80.180.AQ	01	6	87613189	80.150.BF	01	17
87605590	80.180.AQ	02	6	87613189	80.150.BG	05	26
87605592	80.150.AI		12	87613216	60.150.AQ	04	15
87605671	74.114.AU	01	1	87613216	60.150.AQ	06	2
87605674	80.150.BF	01	29	87613252	10.414.AC	01	41
87606500	80.150.BG	01	25	87613287	90.150.BG	02	26
87606500	80.150.BG	03	1	87613293	74.136.AC	01	12
87606500	80.150.BG	05	5	87613300	60.150.AE	01	20
87607276	41.101.AC		50	87613300	60.150.AU	01	22
87607288	41.101.AC		20	87613300	73.210.AX	02	25
87607289	41.101.AC		21	87613300	73.210.AX	08	25
87607297	41.101.AC		17	87613322	90.150.BG	01	2
87607298	41.101.AC		23	87613390	66.331.AL	01	1
87607304	41.101.AC		15	87613390	66.331.AL	02	1
87607305	41.101.AC		18	87613403	74.118.AK		15
87607308	41.101.AC		19	87613461	74.118.AK		14
87607317	41.101.AC		30	87613502	41.101.AA		6
87607326	41.101.AC		38	87613823	55.302.AK	01	5
87607334	41.101.AC		36	87613832	55.302.AK	01	4
87607602	10.419.AA	02	26	87614100	80.150.BG	01	30
87607877	10.210.AO		2	87614100	80.150.BG	03	17
87608548	60.150.AU	02	25	87614445	90.105.BH	02	11
87608564	80.150.BG	01	11	87614520	73.230.AJ	01	3
87608564	80.150.BG	03	11	87614520	73.230.AJ	04	3
87608658	73.210.AX	09	21	87615678	39.100.AS		12
87608663	55.302.AK	01	6	87615815	80.150.AK	02	15
87608675	55.302.AK	01	11	87615815	80.150.AK	03	4
87609162	29.218.AS		2	87617037	80.150.AK	01	16
87609175	74.140.AK	02	19	87618166	60.110.AD	01	16
87609366	10.419.AA	02	13	87618166	60.110.AD	03	16
87609428	10.419.AE		17	87618406	14.100.AR	01	4
87609690	80.150.BF	02	37	87618988	27.550.AM	01	20
87609690	80.150.BG	04	2	87618988	27.550.AM	02	20
87609690	80.150.BG	06	33	87619363	66.331.AK	01	17
87610720	35.106.AD		6	87619363	66.331.AK	02	17
87610811	41.101.AC		37	87619363	66.331.AK	03	17
87611718	60.165.AM		16	87619363	66.331.AK	04	17
87612181	60.112.AA	02	9	87619363	66.331.AK	05	15
87612181	60.112.AA	05	2	87619363	66.331.AK	06	14
87612310	60.112.AA	02	12	87619363	66.331.AK	07	13
87612311	60.112.AA	02	13	87619364	66.331.AK	01	18
87612311	60.112.AA	05	7	87619364	66.331.AK	02	18
87612334	55.785.AS	01	3	87619364	66.331.AK	03	18
87612686	90.105.BH	04	1	87619364	66.331.AK	04	18
87612755	39.100.AS		2	87619364	66.331.AK	05	16
87613189	66.360.AH	01	29	87619364	66.331.AK	06	15

INDEX - INDICE - INDEX - ZAHLENVERZEICHNIS - INDICE - INDICE - INDHOLD - INHOUD

Number	Figure	Sequence	Ref.	Number	Figure	Sequence	Ref.
87619364	66.331.AK	07	14	87627724	80.180.AU	01	33
87619387	88.100.73	02	7	87627854	55.404.BM		2
87619388	35.796.AF		1	87629039	73.230.AJ	01	6
87619751	66.260.AU	01	30	87629039	73.230.AJ	04	6
87619898	72.420.AM	01	18	87629040	73.210.AX	02	3
87619951	80.150.BF	01	5	87629040	73.210.AX	08	3
87619951	80.150.BG	05	3	87629040	73.230.AJ	01	4
87620236	74.140.AK	04	3	87629040	73.230.AJ	04	4
87620241	74.140.AK	04	2	87629126	60.120.AR		8
87620367	90.105.BH	04	10	87629500	90.105.BH	05	2
87620385	74.140.AK	01	3	87629587	55.404.BM		1
87620467	60.112.AA	02	6	87629601	05.100.01		7
87620467	60.112.AA	05	9	87629601	60.150.AQ	02	18
87620467	60.150.AD	01	10	87629601	60.150.AQ	06	6
87620467	60.150.AD	02	5	87629602	05.100.01		8
87620467	60.150.AD	03	10	87629602	60.150.AQ	01	18
87620467	60.150.AD	04	5	87629602	60.150.AQ	04	6
87620925	80.180.AU	01	32	87631078	35.796.AC		3
87621965	10.414.AC	01	6	87631078	88.100.73	02	5
87622542	74.140.AK	03	1	87631278	80.150.BF	01	38
87622836	74.140.AK	04	15	87631278	80.150.BG	05	13
87622913	74.140.AK	04	1	87631786	80.150.BF	01	21
87622915	74.140.AK	04	4	87631786	80.150.BG	05	39
87622916	74.140.AK	04	6	87632645	10.419.AA	02	31
87622917	74.140.AK	02	9	87632904	60.150.AU	01	16
87622920	74.140.AK	02	5	87632904	60.150.AU	02	7
87622926	74.140.AK	03	2	87633182	25.100.AA		1
87622976	74.140.AK	02	10	87633973	90.105.BH	02	10
87623906	55.911.AB	04	7	87633973	90.105.BH	04	7
87623908	35.796.AF		13	87634114	10.419.AA	02	33
87623908	41.432.AE		20	87635253	74.140.AK	01	5
87624305	74.140.AK	04	7	87636590	66.331.AK	01	1
87624399	60.130.AJ	01	5	87636590	66.331.AK	02	1
87624399	60.130.AJ	02	5	87636594	66.331.AK	04	1
87624708	10.419.AE		4	87636602	66.331.AK	03	1
87624708	36.100.AC	01	6	87637434	10.202.BD	01	17
87624708	73.230.AQ	01	6	87637434	36.100.AK	01	15
87624708	73.230.AQ	04	3	87638219	73.230.AQ	06	5
87624708	73.230.AQ	05	11	87638219	90.118.AX	03	4
87624862	60.150.AU	01	19	87638946	25.100.AV		2
87624895	90.105.BH	03	3	87638961	88.100.25	01	4
87625444	60.165.AM		35	87639306	73.335.AG	01	2
87625624	33.202.AP	01	41	87639783	60.110.AD	01	12
87625624	33.202.AP	02	40	87639783	60.110.AD	02	37
87626130	90.124.AH		14	87639783	60.110.AD	03	12
87627461	66.110.AF		4	87639783	60.110.AD	04	37

INDEX - INDICE - INDEX - ZAHLENVERZEICHNIS - INDICE - INDICE - INDHOLD - INHOUD

Number	Figure	Sequence	Ref.	Number	Figure	Sequence	Ref.
87640692	60.165.AM		40	87648025	66.331.AL	02	3
87642448	90.100.AD		8	87648197	35.100.AZ		1
87642683	60.150.AE	01	1	87648197	35.359.AB	03	3
87642683	60.150.AU	01	1	87648197C	35.100.AZ		1
87642957	05.100.01		13	87648197C	35.359.AB	03	3
87642957	74.136.AC	01	11	87648197R	35.100.AZ		1
87642985	05.100.02		57	87648197R	35.359.AB	03	3
87642985	55.404.BM		6	87648705	80.150.BF	02	39
87643045	74.136.AC	01	1	87648705	80.150.BG	04	4
87643047	74.136.AC	01	7	87648705	80.150.BG	06	35
87643243	60.110.AA	01	12	87648715	88.100.73	04	5
87643243	60.110.AA	03	11	87648796	27.450.AJ	01	5
87643245	60.110.AA	01	17	87648796	27.450.AL	01	1
87643245	60.110.AA	03	16	87649312	90.105.BH	02	17
87643385	74.140.CM		4	87649314	90.105.BH	02	19
87643551	80.150.BF	01	40	87649381	66.360.AH	05	3
87643551	80.150.BG	06	11	87649413	73.335.AC	02	1
87644162	35.300.AQ	02	3	87649415	73.335.AC	03	1
87644280	74.136.AC	02	1	87649465	90.105.BH	02	4
87644454	10.419.AA	02	4	87649465	90.105.BH	04	2
87644459	10.419.AA	02	2	87649537	73.335.AC	01	22
87644487	10.419.AA	02	5	87649711	74.140.CM		3
87644620	41.200.AO		28	87649712	74.140.CM		2
87644667	41.200.AO		19	87649714	74.140.CM		29
87644725	60.112.AA	02	29	87649793	73.230.AJ	02	1
87644725	60.112.AA	05	29	87649796	73.230.AJ	02	2
87644726	60.112.AA	02	3	87650438	73.335.AC	01	7
87644726	60.112.AA	05	12	87650438	73.335.AC	02	3
87644729	41.200.AO		18	87650438	73.335.AC	03	3
87646188	60.112.AA	03	4	87650438	74.140.CM		15
87646188	73.230.AQ	01	33	87650438	74.140.CM		32
87646191	60.165.AR		19	87650675	05.100.02		45
87646217	74.125.AL		3	87650675	73.230.AJ	02	27
87646364	10.419.AA	02	3	87650675	73.230.AJ	05	32
87647057	60.165.AR		15	87650811	73.230.AQ	05	5
87647064	74.134.AO		1	87651146	74.125.AL		4
87647066	74.134.AO		4	87651811	50.300.AB		34
87647069	74.136.AC	01	8	87651938	73.230.AQ	02	16
87647071	74.136.AA		10	87652042	74.134.AO		8
87647073	74.136.AA		1	87652873	60.150.AU	01	17
87647075	74.136.AA		14	87653731	80.101.AR	03	9
87647079	74.136.AA		6	87653731	80.101.AR	04	9
87647641	73.335.AG	01	4	87653929	60.110.AT		20
87647829	90.108.AB	01	5	87653930	60.110.AT		10
87647829	90.108.AB	03	5	87653932	60.110.AT		4
87648025	66.331.AL	01	3	87653934	60.110.AT		2

INDEX - INDICE - INDEX - ZAHLENVERZEICHNIS - INDICE - INDICE - INDHOLD - INHOUD

Number	Figure	Sequence	Ref.	Number	Figure	Sequence	Ref.
87653936	60.110.AT		1	87656137	55.101.AC	04	10
87653938	60.110.AT		6	87656137	55.101.AC	07	3
87653940	60.110.AT		5	87656137	55.202.AE	01	3
87654332	90.105.BH	02	18	87656137	55.302.AK	01	15
87654391	10.400.BF	01	16	87656137	55.404.AC		9
87654393	10.419.AA	02	24	87656137	55.426.AH		11
87654414	60.165.AM		1	87656137	55.510.AH		25
87654417	60.165.AM		13	87656137	55.518.AS		8
87654418	60.165.AM		5	87656137	55.518.AW		13
87654564	80.150.AK	01	6	87656137	55.785.AS	01	4
87654736	90.105.BH	02	12	87656137	55.911.AB	04	6
87654944	90.105.BH	03	16	87656137	60.110.AA	02	4
87654964	90.102.AZ		4	87656137	60.110.AA	04	4
87655039	80.150.AK	01	11	87656137	60.120.AI	01	16
87655293	90.102.AZ		9	87656137	60.120.AI	02	16
87656135	60.110.AT		13	87656137	60.120.AI	03	8
87656137	10.202.BD	01	23	87656137	60.120.AI	04	7
87656137	10.210.AF	01	23	87656137	60.150.AQ	01	32
87656137	10.210.AO		49	87656137	60.150.AQ	02	34
87656137	10.254.AI	01	15	87656137	60.150.AQ	04	24
87656137	10.400.BF	01	11	87656137	60.150.AQ	06	24
87656137	10.400.BF	02	19	87656137	60.150.AU	01	7
87656137	10.414.AC	01	36	87656137	60.150.AU	02	9
87656137	10.419.AA	01	4	87656137	60.165.AR		26
87656137	10.419.AA	02	34	87656137	66.101.AP	02	14
87656137	10.419.AA	03	1	87656137	66.110.AF		16
87656137	14.100.BH		35	87656137	66.331.AM		16
87656137	25.100.AA		25	87656137	66.360.AH	01	12
87656137	29.218.AD		19	87656137	66.360.AH	02	13
87656137	29.218.AS		22	87656137	66.360.AH	03	5
87656137	29.300.AP	02	6	87656137	66.360.AH	04	8
87656137	33.202.AP	01	25	87656137	66.360.AH	06	13
87656137	33.202.AP	02	24	87656137	72.220.AJ	01	16
87656137	35.300.AQ	01	15	87656137	72.220.AJ	02	17
87656137	35.300.BC	02	18	87656137	72.220.AJ	04	13
87656137	35.300.BQ		4	87656137	72.220.AL		3
87656137	35.410.AH	01	20	87656137	72.420.AM	01	14
87656137	35.410.AH	03	13	87656137	73.230.AJ	01	10
87656137	35.796.AC		8	87656137	73.230.AJ	02	17
87656137	36.100.AI		5	87656137	73.230.AJ	04	9
87656137	36.100.AK	01	32	87656137	73.230.AJ	05	6
87656137	41.200.AO		24	87656137	73.230.AP	01	22
87656137	50.200.AB	03	21	87656137	73.230.AQ	01	7
87656137	50.300.AB		32	87656137	73.230.AQ	04	7
87656137	55.015.AB	01	10	87656137	73.230.AQ	05	25
87656137	55.101.AC	02	17	87656137	74.114.AU	01	22

INDEX - INDICE - INDEX - ZAHLENVERZEICHNIS - INDICE - INDICE - INDHOLD - INHOUD

Number	Figure	Sequence	Ref.	Number	Figure	Sequence	Ref.
87656137	74.114.AU	02	22	87656137	90.150.AB	01	8
87656137	74.114.AZ	01	10	87656137	90.150.AC		11
87656137	74.125.AL		44	87656137	90.150.BG	01	16
87656137	74.130.AH		7	87656138	33.110.AT	01	3
87656137	74.130.AJ	01	10	87656138	35.500.AJ		8
87656137	74.130.AJ	02	8	87656138	36.100.AI		3
87656137	74.140.AK	01	24	87656139	88.100.73	04	6
87656137	74.140.AK	02	28	87656571	80.150.BG	01	40
87656137	74.140.AK	04	25	87656571	80.150.BG	03	39
87656137	74.140.CM		25	87656574	80.101.AR	03	8
87656137	74.140.CM		37	87656574	80.101.AR	04	8
87656137	80.101.AR	01	21	87657822	80.180.AQ	01	2
87656137	80.101.AR	02	21	87657886	60.165.AM		20
87656137	80.101.AR	03	14	87658402	90.105.CL		1
87656137	80.101.AR	04	14	87658407	90.105.CL		2
87656137	80.101.BK	01	13	87658408	90.105.CL		3
87656137	80.101.BK	02	12	87658626	60.110.AA	01	21
87656137	80.101.CA	01	27	87658626	60.110.AA	03	21
87656137	80.101.CA	02	27	87658627	60.110.AA	01	20
87656137	80.101.CA	03	11	87658627	60.110.AA	03	20
87656137	80.150.AI		27	87658628	60.110.AA	01	4
87656137	80.150.AK	01	25	87658628	60.110.AA	03	3
87656137	80.150.AK	02	8	87660278	27.550.AM	01	5
87656137	80.150.AK	03	12	87660281	27.550.AM	02	5
87656137	80.150.AR		6	87661467	90.105.BH	04	8
87656137	80.150.BF	02	8	87661469	90.105.BH	02	14
87656137	80.150.BG	01	14	87661473	90.105.BH	02	20
87656137	80.150.BG	03	24	87661865	35.359.AB	04	4
87656137	80.150.BG	04	8	87662350	41.106.AH		2
87656137	80.150.BG	05	48	87662365	41.432.AE		10
87656137	80.150.BG	06	10	87662556	35.796.AE		3
87656137	80.175.AG	01	17	87663397	10.419.AA	02	25
87656137	80.175.AG	02	29	87663834	90.105.BH	03	1
87656137	88.100.55	06	15	87663840	90.105.BH	01	6
87656137	88.100.73	02	8	87663897	90.105.BH	01	7
87656137	88.100.73	04	9	87665088	60.150.AY	01	10
87656137	90.100.AD		12	87665088	60.150.AY	02	10
87656137	90.100.BJ	01	41	87665145	74.140.CM		30
87656137	90.102.AZ		2	87665206	60.150.AY	01	4
87656137	90.105.BH	01	15	87665206	60.150.AY	02	4
87656137	90.105.BH	01	5	87666897	90.105.BH	03	2
87656137	90.105.BH	02	6	87666924	60.110.AD	01	26
87656137	90.105.BH	03	21	87666924	60.110.AD	02	23
87656137	90.105.BH	04	20	87666924	60.110.AD	03	26
87656137	90.118.BM	01	19	87666924	60.110.AD	04	23
87656137	90.118.BM	02	16	87666924	60.120.AI	01	10

INDEX - INDICE - INDEX - ZAHLENVERZEICHNIS - INDICE - INDICE - INDHOLD - INHOUD

Number	Figure	Sequence	Ref.	Number	Figure	Sequence	Ref.
87666924	60.120.AI	02	13	87670761	90.118.BM	01	20
87667404	60.150.AD	01	42	87670761	90.118.BM	02	17
87667404	60.150.AD	02	9	87670762	29.218.AS		13
87667404	60.150.AD	03	42	87670762	29.300.AP	02	9
87667404	60.150.AD	04	9	87670762	29.300.AP	03	26
87668016	73.335.AG	01	3	87670764	60.165.AM		9
87668029	73.335.AG	01	12	87670764	60.165.AR		2
87668116	37.100.AF		8	87670764	66.360.AH	05	12
87668381	80.101.CA	01	21	87670764	73.230.AJ	01	14
87668381	80.101.CA	02	21	87670764	73.230.AJ	04	18
87670013	10.419.AA	02	51	87670764	90.105.BH	03	28
87670320	21.114.AL	02	47	87671107	60.165.AM		21
87670320	66.260.AU	02	47	87671722	74.101.AC		27
87670349	10.400.BI	01	11	87671723	74.101.AC		33
87670758	10.419.AA	02	53	87671724	74.101.AC		26
87670758	35.440.AB		16	87671843	90.105.BH	01	8
87670758	41.200.AO		27	87671877	10.400.BF	01	15
87670758	50.200.AB	03	24	87672050	74.101.BB		5
87670758	50.300.AB		30	87672050	74.101.BF	02	1
87670758	55.510.AF		16	87672051	74.101.AC		14
87670758	55.510.AH		26	87672051	74.101.BF	01	1
87670758	55.640.AG	01	15	87672100	74.101.AC		22
87670758	74.140.CM		33	87673511	35.410.AH	01	4
87670758	90.100.BJ	01	43	87673511	35.410.AH	03	21
87670758	90.150.AD		10	87673657	41.432.AC		1
87670759	10.210.AO		29	87673657	41.432.AE		1
87670759	41.200.AO		26	87673659	41.432.AE		7
87670759	90.118.AX	01	11	87673666	41.200.AO		20
87670759	90.118.AX	02	11	87673844	60.110.AA	01	30
87670760	33.202.AP	02	34	87673844	60.110.AA	03	32
87670760	66.260.AS	01	6	87673844	80.150.AK	01	29
87670760	74.134.AO		14	87673844	80.150.AR		10
87670761	10.210.AF	01	12	87673844	80.150.BF	01	37
87670761	10.210.AO		28	87673845	74.125.AL		43
87670761	10.400.BI	01	34	87673845	80.150.AI		43
87670761	33.202.AP	01	29	87673845	80.150.AK	01	30
87670761	33.202.AP	02	28	87674051	41.216.AO		1
87670761	35.359.AB	01	9	87674267	60.165.AM		37
87670761	35.440.AB		18	87674272	60.112.AA	01	2
87670761	35.796.AD		15	87674272	60.112.AA	04	2
87670761	36.100.AK	01	9	87674273	60.150.AD	02	21
87670761	41.200.AO		23	87674273	60.150.AD	04	21
87670761	50.200.AB	01	6	87674299	60.112.AA	01	8
87670761	74.114.AZ	03	30	87674299	60.112.AA	04	8
87670761	74.118.AD	02	25	87674756	10.419.AA	02	50
87670761	90.105.BH	03	25	87675531	10.102.AW	01	23

INDEX - INDICE - INDEX - ZAHLENVERZEICHNIS - INDICE - INDICE - INDHOLD - INHOUD

Number	Figure	Sequence	Ref.	Number	Figure	Sequence	Ref.
87675531	10.202.BD	01	10	87677485	27.550.AJ	01	1
87675531	10.419.AA	02	48	87678372	33.202.AP	01	4
87675531	10.500.AA		9	87678374	33.202.AP	01	5
87675531	50.200.AB	03	26	87678376	33.202.AP	01	24
87675531	55.015.AB	01	14	87678376	33.202.AP	02	23
87675531	55.404.AC		14	87678377	33.202.AP	01	23
87675531	55.510.AF		17	87678377	33.202.AP	02	22
87675531	60.112.AA	01	22	87678379	33.110.AT	01	9
87675531	60.112.AA	04	21	87678466	73.335.AC	01	1
87675531	60.120.AI	01	26	87679098	10.210.AO		46
87675531	60.120.AI	02	25	87679098	18.112.AC	01	9
87675531	60.120.AI	03	18	87679652	66.360.AH	02	9
87675531	60.120.AI	04	17	87679652	66.360.AH	06	9
87675531	73.230.AQ	02	14	87680031	66.331.AL	01	2
87675531	73.230.AQ	03	13	87680031	66.331.AL	02	2
87675531	74.130.AJ	03	5	87680083	90.108.AB	01	1
87675531	88.100.55	06	9	87680383	90.105.BH	04	9
87675531	88.100.74	02	5	87680949	90.105.BH	03	7
87675531	90.100.BJ	02	21	87681199	29.100.AB	01	36
87675531	90.102.AZ		11	87681199	35.106.AD		5
87675531	90.105.BH	01	40	87681202	29.100.AB	01	33
87675531	90.105.BH	03	20	87681202	35.359.AE	01	39
87675531	90.118.AX	01	17	87681202	41.432.AC		2
87675531	90.118.AX	02	18	87681202	10.210.AF	01	24
87675531	90.150.BG	01	31	87681202	10.310.AA		8
87675531	90.151.AO		17	87681202	10.400.BE		5
87675531	90.160.AX		24	87681202	10.408.AO		3
87675533	37.100.AA	03	3	87681202	10.419.AA	02	36
87675533	60.165.AR		7	87681202	29.218.AS		18
87675533	66.360.AH	05	11	87681202	35.300.BC	01	27
87676677	88.100.25	01	3	87681202	55.302.AK	01	17
87676818	10.210.AO		5	87681202	55.404.BB		17
87676889	80.101.BK	01	1	87681202	55.510.AH		27
87676889	80.101.BK	01	5	87681202	55.991.AA	01	6
87676889	80.101.BK	02	11	87681202	55.991.AA	02	6
87676999	90.105.BH	02	3	87681202	55.991.AA	03	6
87676999	90.105.BH	03	32	87681202	60.110.AA	01	27
87677048	90.118.AC	01	13	87681202	60.110.AA	03	28
87677098	72.350.AI	01	17	87681202	60.150.AQ	01	27
87677098	73.210.AX	02	20	87681202	60.150.AQ	02	27
87677098	73.210.AX	08	20	87681202	60.150.AQ	04	19
87677105	72.350.AI	01	18	87681202	60.150.AQ	06	19
87677105	73.210.AX	02	28	87681202	66.360.AH	03	6
87677105	73.210.AX	08	28	87681202	74.114.AZ	01	21
87677485	27.450.AH	01	1	87681202	74.114.AZ	03	33
87677485	27.450.AH	02	1	87681202	74.118.AD	02	28

INDEX - INDICE - INDEX - ZAHLENVERZEICHNIS - INDICE - INDICE - INDHOLD - INHOUD

Number	Figure	Sequence	Ref.	Number	Figure	Sequence	Ref.
87681207	74.118.AK		13	87681210	74.140.AK	01	23
87681207	74.130.AH		11	87681210	74.140.AK	03	6
87681207	74.130.AJ	01	8	87681210	80.101.CA	03	23
87681207	74.140.AK	02	27	87681210	80.175.AG	02	20
87681207	74.140.AK	04	24	87681210	80.180.AU	02	11
87681207	88.100.74	03	6	87681210	88.100.74	01	6
87681207	90.100.BJ	01	40	87681210	90.100.AD		10
87681207	90.100.BJ	02	9	87681210	90.100.BJ	01	48
87681208	35.796.AC		9	87681210	90.118.BM	01	11
87681208	74.136.AD	01	6	87681210	90.150.AB	02	2
87681208	88.100.73	02	9	87681210	90.150.AD		14
87681209	66.110.AD		3	87681210	90.154.AA	02	28
87681209	66.331.AM		30	87681213	55.301.AD	01	9
87681209	72.220.AJ	01	11	87681530	73.230.AJ	05	15
87681209	72.220.AJ	04	10	87681895	66.331.AL	01	16
87681209	73.230.AJ	01	17	87681895	66.331.AL	02	16
87681209	73.230.AJ	02	16	87682344	73.230.AQ	03	2
87681209	73.230.AJ	04	22	87682346	73.230.AQ	02	4
87681209	80.150.BF	02	3	87682383	10.210.AO		42
87681209	80.150.BG	01	17	87682383	10.419.AA	02	9
87681209	80.150.BG	03	30	87682383	60.110.AD	01	34
87681209	80.150.BG	05	35	87682383	60.110.AD	02	34
87681209	90.118.AC	01	17	87682383	60.110.AD	03	34
87681209	90.118.AX	01	6	87682383	60.110.AD	04	34
87681209	90.118.AX	02	6	87682383	60.120.AI	01	17
87681210	10.254.AI	01	20	87682383	60.120.AI	02	17
87681210	33.202.BN	01	29	87682383	60.120.AI	03	10
87681210	33.202.BN	02	7	87682383	60.120.AI	04	9
87681210	35.300.AQ	01	16	87682383	66.360.AH	01	30
87681210	36.100.AC	01	5	87682383	73.230.AQ	02	18
87681210	39.100.AS		10	87682383	73.230.AQ	03	16
87681210	55.404.BB		18	87682383	73.230.AQ	05	26
87681210	60.110.AA	01	38	87682383	73.335.AC	01	2
87681210	60.110.AA	03	39	87682383	74.101.AU		2
87681210	66.360.AH	01	22	87682383	74.114.AU	01	10
87681210	66.360.AH	03	8	87682383	74.118.AK		18
87681210	72.220.AJ	01	23	87682383	74.130.AH		22
87681210	72.220.AJ	04	18	87682383	74.140.CM		13
87681210	73.230.AJ	02	28	87682383	80.150.AI		23
87681210	73.230.AJ	05	22	87682383	80.150.BF	01	41
87681210	74.114.AZ	02	9	87682383	80.150.BF	02	33
87681210	74.114.AZ	03	9	87682383	80.150.BG	02	3
87681210	74.118.AD	02	9	87682383	80.150.BG	04	13
87681210	74.125.AL		38	87682383	80.150.BG	06	28
87681210	74.130.AH		13	87682383	80.150.BG	06	6
87681210	74.136.AD	01	7	87682383	90.105.BH	03	22

INDEX - INDICE - INDEX - ZAHLENVERZEICHNIS - INDICE - INDICE - INDHOLD - INHOUD

Number	Figure	Sequence	Ref.	Number	Figure	Sequence	Ref.
87682383	90.118.AX	01	8	87682391	80.180.AU	02	16
87682383	90.118.AX	02	10	87682391	90.105.BH	05	7
87682384	10.210.AF	01	19	87682392	10.210.AO		33
87682384	35.300.BC	01	15	87682392	60.110.AD	01	28
87682384	73.230.AQ	02	34	87682392	60.110.AD	02	27
87682384	73.230.AQ	06	9	87682392	60.110.AD	03	28
87682384	73.335.AC	02	4	87682392	60.110.AD	04	27
87682384	73.335.AC	03	5	87682393	60.112.AA	02	32
87682384	74.118.AK		12	87682393	60.112.AA	05	31
87682384	74.140.CM		12	87682393	90.105.BH	03	40
87682384	80.150.AI		31	87682394	55.302.AK	01	12
87682384	90.105.BH	01	33	87682394	66.360.AH	01	26
87682384	90.105.BH	03	24	87682394	90.118.AC	01	4
87682385	73.335.AC	03	4	87682396	74.140.CM		35
87682385	74.114.AU	01	11	87682396	90.118.AC	01	10
87682385	74.136.AA		2	87682401	74.114.AZ	03	24
87682385	90.118.AX	03	6	87682401	74.118.AD	02	18
87682390	60.150.AQ	01	35	87682654	10.419.AA	02	11
87682390	60.150.AQ	02	35	87682668	80.175.AG	01	1
87682390	60.150.AQ	04	28	87682670	80.175.AG	01	3
87682390	60.150.AQ	06	28	87682672	80.175.AG	01	2
87682390	74.118.AK		8	87682676	80.175.AG	01	6
87682390	80.150.AI		19	87682680	80.175.AG	01	7
87682390	80.150.AK	01	39	87682772	10.419.AA	02	16
87682391	36.100.AK	01	35	87684093	10.400.BF	01	2
87682391	60.110.AD	01	32	87684242	80.175.AG	01	9
87682391	60.110.AD	02	30	87684244	80.175.AG	01	10
87682391	60.110.AD	03	32	87684246	80.175.AG	01	11
87682391	60.110.AD	04	30	87684758	35.300.BC	01	26
87682391	60.110.AT		14	87685406	27.450.AJ	02	13
87682391	60.150.AQ	01	33	87685406	27.450.AJ	04	13
87682391	60.150.AQ	02	31	87685408	27.450.AJ	01	13
87682391	60.150.AQ	04	26	87685408	27.450.AJ	03	13
87682391	60.150.AQ	06	26	87685417	66.331.AM		13
87682391	66.260.AA	01	11	87685419	66.110.AF		7
87682391	66.260.AO	02	13	87685426	80.150.AI		47
87682391	66.360.AH	01	27	87685904	80.150.BF	02	35
87682391	66.360.AH	02	27	87685904	80.150.BG	04	12
87682391	66.360.AH	06	27	87685904	80.150.BG	06	39
87682391	72.350.AJ	01	14	87685964	10.419.AA	02	32
87682391	73.210.AX	01	21	87685994	74.140.AK	02	15
87682391	73.210.AX	07	14	87686085	80.150.BF	01	42
87682391	73.230.AQ	02	20	87686906	60.120.AI	01	24
87682391	74.140.AK	01	17	87686906	60.120.AI	02	23
87682391	80.175.AG	01	26	87686906	60.120.AI	03	16
87682391	80.175.AG	02	36	87686906	60.120.AI	04	15

INDEX - INDICE - INDEX - ZAHLENVERZEICHNIS - INDICE - INDICE - INDHOLD - INHOUD

Number	Figure	Sequence	Ref.	Number	Figure	Sequence	Ref.
87687030	60.150.AD	01	12	87690674	60.150.AU	02	1
87687030	60.150.AD	02	6	87690981	90.105.BH	01	11
87687030	60.150.AD	03	12	87691372	66.110.AD		6
87687030	60.150.AD	04	6	87691619	74.140.AK	04	13
87687117	74.140.AK	02	6	87692304	74.140.BM		1
87687385	88.100.10	01	1	87692664	10.419.AA	02	28
87687393	10.419.AA	02	46	87692779	60.150.AU	02	19
87687568	74.130.AJ	01	5	87692783	60.150.AU	02	21
87687575	10.419.AA	02	47	87692785	60.150.AU	02	22
87687616	39.100.AS		7	87692786	60.150.AU	02	24
87687790	39.100.AS		1	87693080	60.110.AA	01	22
87688165	88.100.73	03	9	87693080	60.110.AA	03	36
87688426	90.105.BH	01	9	87693137	10.419.AA	02	6
87688426	90.105.BH	03	19	87693310	73.230.AJ	02	7
87688473	60.150.AD	01	13	87693674	66.260.AS	01	5
87688473	60.150.AD	02	16	87693674	74.134.AO		13
87688473	60.150.AD	03	13	87694057	55.101.AC	01	11
87688473	60.150.AD	04	16	87694057	55.101.AC	02	18
87689184	74.140.AK	01	7	87694057	55.404.AC		6
87689356	90.118.AX	03	1	87694057	55.680.AA		13
87689378	41.106.AH		2	87694057	88.100.55	06	13
87689482	35.359.AE	02	2	87694590	41.106.AH		2
87689482	35.796.AC		14	87694594	10.216.AI		7
87689482	35.796.AD		5	87694595	10.216.AI		8
87689622	41.106.AH		3	87695213	25.310.AB		36
87689624	41.106.AH		3	87695215	25.100.AA		5
87690471	60.120.AI	02	22	87695215	25.310.AB		1
87690472	74.140.AK	04	27	87695215C	25.100.AA		5
87690482	60.112.AA	01	36	87695215C	25.310.AB		1
87690482	60.112.AA	02	26	87695215R	25.100.AA		5
87690482	60.112.AA	04	38	87695215R	25.310.AB		1
87690482	60.112.AA	05	15	87695332	90.105.BH	04	12
87690482	60.150.AD	01	19	87695408	41.432.AG		4
87690482	60.150.AD	02	29	87695408	55.301.AD	01	7
87690482	60.150.AD	03	19	87695408	60.165.AM		23
87690482	60.150.AD	04	29	87695408	90.100.BJ	02	6
87690483	60.112.AA	01	35	87695413	37.100.AF		2
87690483	60.112.AA	02	25	87695413	39.100.AS		5
87690483	60.112.AA	04	37	87695413	60.150.AU	01	13
87690483	60.112.AA	05	24	87695413	60.150.AU	02	3
87690483	60.150.AD	01	16	87695413	60.150.AY	01	19
87690483	60.150.AD	02	28	87695413	60.150.AY	02	20
87690483	60.150.AD	03	16	87695413	60.165.AM		14
87690483	60.150.AD	04	28	87695413	60.165.AR		3
87690614	25.100.AA		1	87695413	66.360.AH	01	16
87690674	60.150.AE	02	1	87695413	66.360.AH	02	18

INDEX - INDICE - INDEX - ZAHLENVERZEICHNIS - INDICE - INDICE - INDHOLD - INHOUD

Number	Figure	Sequence	Ref.	Number	Figure	Sequence	Ref.
87695413	66.360.AH	05	8	87695426	80.175.AD	01	5
87695413	66.360.AH	06	18	87695427	66.260.AA	02	19
87695413	74.101.AC		6	87695427	66.260.AO	02	10
87695413	74.136.AC	01	23	87695821	80.101.AE		17
87695413	74.140.AK	01	1	87697371	41.106.AH		3
87695414	14.100.BH		28	87697440	80.101.CA	01	6
87695414	29.218.AD		22	87697440	80.101.CA	02	6
87695414	60.112.AA	01	27	87697517	72.420.AM	01	30
87695414	60.112.AA	04	28	87697608	29.300.AP	01	5
87695414	60.120.AG	02	3	87697608	29.300.AP	03	3
87695414	60.165.AM		19	87697608	39.100.AS		11
87695414	60.165.AR		4	87697608	73.230.AQ	03	21
87695414	73.230.AQ	06	2	87698746	60.120.AG	01	4
87695414	80.150.AK	01	36	87698746	60.120.AG	02	10
87695414	90.105.BH	01	32	87698746	60.120.AG	03	4
87695418	10.102.AW	01	12	87698753	55.512.BL	02	32
87695418	10.202.BD	01	34	87698753	55.520.AX	01	14
87695418	50.200.AB	03	28	87698753	55.680.AA		10
87695418	55.015.AB	01	11	87698753	55.991.AA	01	7
87695418	55.301.AD	01	10	87698753	55.991.AA	02	7
87695418	55.510.AF		18	87698753	55.991.AA	03	7
87695418	55.518.AW		11	87698753	66.360.AH	07	3
87695418	55.520.AX	01	10	87698753	90.150.AD		11
87695418	55.640.AG	01	16	87698760	33.202.BN	01	41
87695418	55.640.AG	02	3	87698760	33.202.BN	02	19
87695418	66.331.AB		15	87698760	41.206.AA		23
87695418	66.360.AH	01	32	87698760	50.300.AB		16
87695418	73.230.AQ	04	8	87698760	55.101.AC	01	3
87695418	74.101.AC		1	87698760	90.150.BG	02	24
87695418	74.140.CM		36	87698761	36.100.AK	01	44
87695418	80.150.AK	02	25	87698763	74.114.AZ	02	7
87695418	80.150.AK	03	15	87698763	74.114.AZ	03	7
87695418	88.100.74	02	7	87698763	74.118.AD	02	8
87695418	88.100.74	03	3	87698763	90.150.BG	02	25
87695418	90.100.BJ	01	42	87698766	10.001.AK	01	10
87695419	10.310.AA		7	87698766	60.110.AD	01	30
87695419	90.100.AD		9	87698766	60.110.AD	02	26
87695419	90.100.BJ	01	36	87698766	60.110.AD	03	30
87695420	35.300.AQ	01	14	87698766	60.110.AD	04	26
87695426	66.260.AA	02	18	87698768	90.150.BI		8
87695426	66.260.AO	01	21	87698769	88.100.90	01	11
87695426	72.350.AJ	01	11	87698776	74.114.AZ	03	32
87695426	73.210.AX	01	18	87698776	74.118.AD	02	27
87695426	73.210.AX	07	11	87698783	90.160.AX		13
87695426	74.140.AX		22	87698807	80.150.BF	01	35
87695426	80.150.AK	01	33	87698807	80.150.BG	05	17

INDEX - INDICE - INDEX - ZAHLENVERZEICHNIS - INDICE - INDICE - INDHOLD - INHOUD

Number	Figure	Sequence	Ref.	Number	Figure	Sequence	Ref.
87698832	35.359.AE	01	11	87698833	74.136.AC	01	22
87698832	35.440.AB		14	87698833	74.140.AK	02	29
87698832	50.200.AB	03	27	87698833	74.140.CM		24
87698832	74.101.BF	03	3	87698833	80.101.AR	03	13
87698832	74.130.AJ	02	13	87698833	80.101.AR	04	13
87698833	10.001.AK	01	13	87698833	80.150.AK	01	28
87698833	10.210.AF	01	16	87698833	80.150.AK	02	4
87698833	10.254.AI	01	11	87698833	80.150.AK	03	8
87698833	10.400.BI	01	32	87698833	80.175.AG	01	22
87698833	10.414.AC	01	34	87698833	90.105.BH	01	3
87698833	10.419.AA	02	27	87698833	90.105.BH	02	21
87698833	10.419.AE		13	87698833	90.105.BH	03	23
87698833	10.500.AA		8	87698833	90.105.BH	05	5
87698833	21.126.AB		21	87698833	90.118.AC	03	7
87698833	29.218.AS		11	87698833	90.118.AX	03	5
87698833	29.300.AP	01	4	87698833	90.150.AD		16
87698833	29.300.AP	03	4	87698833	90.150.BJ		10
87698833	33.202.BN	01	44	87698833	90.151.AC		2
87698833	33.202.BN	02	22	87698834	10.400.BF	02	21
87698833	35.300.AQ	01	22	87698834	10.419.AA	02	35
87698833	35.300.BC	01	28	87698834	36.100.AC	01	4
87698833	35.359.AB	01	8	87698834	55.101.AC	02	19
87698833	35.359.AE	01	9	87698834	74.136.AA		12
87698833	39.100.AS		9	87698834	80.150.AK	01	31
87698833	41.101.AB		18	87698834	80.175.AG	02	19
87698833	50.200.AB	03	31	87698835	10.400.BF	01	12
87698833	55.130.AR	01	5	87698835	29.300.AP	03	8
87698833	55.301.AD	01	6	87698835	35.300.AQ	01	20
87698833	55.404.BB		14	87698835	35.359.AE	01	24
87698833	55.510.AF		19	87698835	35.359.AE	02	7
87698833	55.640.AG	01	17	87698835	35.518.AC	01	14
87698833	60.112.AA	01	24	87698835	60.150.AQ	01	17
87698833	60.112.AA	04	23	87698835	60.150.AQ	02	17
87698833	66.331.AL	01	4	87698835	60.150.AQ	04	16
87698833	66.331.AL	02	4	87698835	60.150.AQ	06	16
87698833	66.331.AM		39	87698835	60.150.AU	01	10
87698833	72.220.AJ	01	22	87698835	60.150.AU	02	14
87698833	72.220.AJ	04	17	87698835	66.260.AA	02	15
87698833	72.420.AM	01	28	87698835	66.260.AO	01	19
87698833	73.230.AJ	02	30	87698835	66.331.AM		23
87698833	73.230.AJ	05	18	87698835	66.360.AH	01	25
87698833	73.230.AQ	01	15	87698835	66.360.AH	02	24
87698833	73.230.AQ	02	21	87698835	66.360.AH	04	2
87698833	73.230.AQ	03	18	87698835	66.360.AH	06	24
87698833	73.230.AQ	06	8	87698835	72.420.AM	01	7
87698833	74.130.AJ	02	16	87698835	74.101.AC		32

INDEX - INDICE - INDEX - ZAHLENVERZEICHNIS - INDICE - INDICE - INDHOLD - INHOUD

Number	Figure	Sequence	Ref.	Number	Figure	Sequence	Ref.
87698835	74.130.AH		19	87698836	74.140.AM		2
87698835	74.130.AJ	01	12	87698836	74.140.CM		14
87698835	74.136.AC	01	20	87698836	80.150.AK	01	42
87698835	74.140.AK	01	22	87698836	80.175.AG	01	21
87698835	80.150.BF	02	17	87698836	90.100.AD		14
87698835	80.150.BG	01	27	87698836	90.100.BJ	01	38
87698835	80.150.BG	03	27	87698836	90.105.BH	01	23
87698835	80.150.BG	05	37	87698836	90.105.BH	03	37
87698835	80.175.AG	01	23	87698836	90.105.BH	05	6
87698835	90.118.AC	01	14	87698836	90.118.AC	01	23
87698836	10.202.BD	01	32	87698837	10.254.AI	01	17
87698836	10.210.AF	01	20	87698837	10.414.AC	01	10
87698836	10.254.AI	01	10	87698837	14.100.BH		4
87698836	10.400.BF	02	20	87698837	25.100.AA		22
87698836	10.414.AC	01	38	87698837	33.202.AP	01	27
87698836	10.419.AA	02	20	87698837	33.202.AP	02	26
87698836	14.100.BH		23	87698837	35.359.AE	01	28
87698836	33.202.BN	01	45	87698837	55.404.BB		10
87698836	33.202.BN	02	24	87698837	60.120.AI	01	18
87698836	35.359.AB	01	13	87698837	60.150.AQ	01	2
87698836	50.200.AA	01	5	87698837	60.150.AQ	02	2
87698836	60.112.AA	01	25	87698837	60.150.AQ	04	25
87698836	60.112.AA	04	24	87698837	60.150.AQ	06	25
87698836	60.150.AQ	01	30	87698837	60.150.AU	01	14
87698836	60.150.AQ	02	30	87698837	60.150.AU	02	10
87698836	60.150.AQ	04	18	87698837	66.110.AF		21
87698836	60.150.AQ	06	18	87698837	66.331.AA		2
87698836	60.150.AU	01	8	87698837	72.220.AJ	02	18
87698836	60.150.AU	02	13	87698837	73.230.AJ	02	19
87698836	66.260.AA	01	7	87698837	73.230.AJ	05	12
87698836	66.260.AA	02	5	87698837	74.136.AC	01	25
87698836	66.260.AS	01	9	87698837	74.140.AK	01	25
87698836	66.331.AA		4	87698837	80.101.AR	03	17
87698836	66.331.AM		36	87698837	80.101.AR	04	17
87698836	66.360.AH	02	25	87698837	80.150.AR		13
87698836	66.360.AH	04	3	87698837	80.175.AG	01	19
87698836	66.360.AH	06	25	87698837	80.175.AG	02	32
87698836	72.220.AJ	02	16	87698837	90.105.BH	01	24
87698836	72.350.AJ	01	21	87698838	10.414.AC	01	30
87698836	72.420.AM	01	26	87698838	50.200.AA	01	12
87698836	73.210.AX	01	2	87698838	66.260.AS	01	14
87698836	73.210.AX	07	22	87698838	73.230.AJ	02	32
87698836	73.230.AJ	02	14	87698838	73.230.AJ	05	4
87698836	73.230.AJ	05	5	87698838	74.136.AC	01	36
87698836	73.230.AQ	01	12	87698838	74.140.AM		19
87698836	74.140.AK	02	25	87698838	74.140.AX		35

INDEX - INDICE - INDEX - ZAHLENVERZEICHNIS - INDICE - INDICE - INDHOLD - INHOUD

Number	Figure	Sequence	Ref.	Number	Figure	Sequence	Ref.
87698838	80.150.AI		49	87698854	73.210.AX	07	16
87698839	60.112.AA	01	26	87698854	73.230.AQ	02	33
87698839	60.112.AA	04	27	87698854	74.130.AJ	01	14
87698839	74.140.AK	01	34	87698854	74.136.AC	01	33
87698839	74.140.AM		4	87698854	80.150.AR		14
87698840	10.202.BD	01	21	87698855	66.260.AA	02	23
87698840	74.130.AJ	01	2	87698855	74.140.AK	01	2
87698840	90.118.AX	01	9	87699517	90.105.BH	02	2
87698840	90.118.AX	02	7	87699674	74.130.AJ	02	5
87698841	74.136.AD	02	14	87699760	29.218.AO		30
87698841	80.150.BG	01	36	87700648	90.105.BH	01	38
87698841	80.150.BG	03	36	87701106	66.360.AH	05	2
87698841	90.100.BJ	01	39	87701168	66.360.AH	05	1
87698844	60.112.AA	04	25	87701237	60.150.AU	02	6
87698845	80.150.BF	01	43	87702084	27.550.AM	01	1
87698845	90.118.BM	01	16	87702086	27.550.AM	02	1
87698845	90.118.BM	02	13	87703137	74.140.AK	02	18
87698846	66.110.AD		2	87703325	74.136.AC	01	2
87698846	66.260.AA	02	22	87703491	25.100.AV		2
87698846	66.360.AH	05	13	87703493	25.100.AA		15
87698847	14.100.BH		13	87703603	80.101.AR	03	19
87698847	60.150.AQ	08	4	87703603	80.101.AR	04	19
87698848	60.112.AA	03	5	87703617	74.136.AC	01	15
87698848	73.230.AQ	01	9	87703740	90.105.BH	05	1
87698849	10.001.AK	01	8	87703786	73.230.AJ	02	20
87698849	37.100.AF		6	87703786	73.230.AJ	05	29
87698849	66.360.AH	05	14	87704303	72.420.AM	01	16
87698849	80.150.AR		15	87704305	72.420.AM	01	2
87698852	74.130.AF		15	87704454	25.100.AV		1
87698853	60.110.AD	01	35	87705471	80.175.AD	02	7
87698853	60.110.AD	02	32	87705478	80.175.AD	02	8
87698853	60.110.AD	03	35	87705556	80.175.AD	02	9
87698853	60.110.AD	04	32	87705852	74.114.AZ	03	16
87698853	66.331.AM		41	87705852	74.118.AD	02	10
87698854	10.210.AO		34	87705853	74.114.AZ	03	29
87698854	55.302.AK	01	13	87705853	74.118.AD	02	23
87698854	60.150.AQ	01	34	87705855	74.114.AZ	03	21
87698854	60.150.AQ	02	32	87705855	74.118.AD	02	15
87698854	60.150.AQ	04	27	87706141	80.101.CA	01	22
87698854	60.150.AQ	06	27	87706141	80.101.CA	02	22
87698854	66.360.AH	01	28	87706143	74.130.AJ	02	2
87698854	66.360.AH	02	28	87706351	90.105.BH	04	17
87698854	66.360.AH	06	28	87706352	90.105.BH	04	14
87698854	72.350.AJ	01	16	87706353	90.105.BH	04	15
87698854	72.420.AM	02	13	87706354	90.105.BH	04	18
87698854	73.210.AX	01	22	87706764	60.110.AT		8

INDEX - INDICE - INDEX - ZAHLENVERZEICHNIS - INDICE - INDICE - INDHOLD - INHOUD

Number	Figure	Sequence	Ref.	Number	Figure	Sequence	Ref.
87707025	90.105.BH	04	13	87712040	60.110.AD	04	10
87707059	74.140.AK	02	13	87712042	60.150.AQ	01	12
87707064	74.140.AK	02	17	87712042	60.150.AQ	02	12
87707244	90.105.BH	04	11	87712042	60.150.AQ	04	3
87707588	80.175.AD	02	1	87712042	60.150.AQ	06	3
87708035	88.100.25	01	10	87712044	60.150.AQ	02	23
87708102	44.520.AB	01	11	87712044	60.150.AQ	06	8
87708105	60.120.AR		26	87712046	60.150.AQ	01	23
87708446	14.100.AB		6	87712046	60.150.AQ	04	8
87709069	80.150.AK	02	6	87712056	60.150.AQ	02	29
87709069	80.150.AK	03	9	87712056	60.150.AQ	06	12
87709106	90.108.AB	02	24	87712058	60.150.AQ	01	29
87709107	60.112.AA	01	19	87712058	60.150.AQ	04	12
87709506	90.105.BH	03	10	87712275	05.100.02		21
87709508	90.105.BH	03	9	87712275	74.118.AD	01	1
87709512	90.105.BH	03	8	87712275	74.118.AD	02	1
87709636	35.796.AC		6	87712276	74.118.AD	01	1
87709636	88.100.73	03	6	87712276	74.118.AD	02	1
87709638	35.796.AC		4	87712566	74.118.AD	01	3
87709638	88.100.73	02	6	87712566	74.118.AD	02	3
87709918	60.110.AD	01	17	87713111	73.230.AQ	01	2
87709918	60.110.AD	02	25	87713439	29.300.AP	01	3
87709918	60.110.AD	03	17	87714707	29.300.AP	03	1
87709918	60.110.AD	04	25	87714969	55.404.BB		16
87710335	60.150.AQ	01	49	87714971	05.100.01		11
87710335	60.150.AQ	02	49	87714971	66.260.AA	01	6
87710335	60.150.AQ	05	2	87714993	55.512.AA	02	4
87710467	80.150.BF	01	31	87716230	90.150.BG	02	30
87710467	80.150.BG	05	44	87717348	10.419.AA	02	43
87710706	74.114.AZ	02	1	87719075	60.120.AG	02	2
87710706	74.114.AZ	03	1	87719076	60.120.AG	02	17
87710707	74.114.AZ	02	1	87719076	60.120.AR		5
87710707	74.114.AZ	03	1	87719937	35.440.AC		9
87710708	05.100.02		20	87720294	90.108.AB	02	15
87710708	74.114.AZ	02	1	87720295	90.108.AB	02	16
87710708	74.114.AZ	03	1	87720383	88.100.74	02	1
87710709	74.114.AZ	02	1	87720413	60.112.AA	01	15
87710709	74.114.AZ	03	1	87720413	60.112.AA	04	15
87711031	74.114.AZ	02	2	87720413	60.120.AI	01	11
87711031	74.114.AZ	03	2	87720413	60.120.AI	02	11
87711033	74.114.AZ	02	3	87720415	60.110.AD	01	23
87711033	74.114.AZ	03	3	87720415	60.110.AD	02	22
87711329	74.140.AK	01	4	87720415	60.110.AD	03	23
87712040	60.110.AD	01	8	87720415	60.110.AD	04	22
87712040	60.110.AD	02	10	87720937	80.150.BF	01	20
87712040	60.110.AD	03	8	87720937	80.150.BG	05	10

INDEX - INDICE - INDEX - ZAHLENVERZEICHNIS - INDICE - INDICE - INDHOLD - INHOUD

Number	Figure	Sequence	Ref.	Number	Figure	Sequence	Ref.
87720940	60.120.AI	04	12	87728575	74.140.AK	01	11
87720948	60.120.AI	03	12	87728796	60.150.AD	01	23
87721662	80.150.BF	02	34	87728796	60.150.AD	02	20
87721662	80.150.BG	04	11	87728796	60.150.AD	03	23
87721662	80.150.BG	06	38	87728796	60.150.AD	04	20
87721681	66.360.AH	03	1	87729260	60.150.AY	01	6
87722023	55.404.AQ	02	6	87729260	60.150.AY	02	6
87722023	55.404.AQ	03	5	87730813	60.150.AY	01	7
87722154	80.150.BF	02	28	87730813	60.150.AY	02	19
87723447	66.331.AK	05	1	87730813	60.150.AY	02	7
87723448	66.331.AK	07	1	87731370	80.150.BF	01	14
87723449	66.331.AK	06	1	87731372	80.150.BF	01	16
87725972	74.114.AZ	01	9	87731372	80.150.BG	05	12
87726043	60.150.AY	01	5	87732164	90.160.AH	01	35
87726043	60.150.AY	02	5	87732164	90.160.AH	02	15
87726278	33.202.AP	01	31	87732233	60.165.AM		18
87726278	33.202.AP	02	30	87732307	10.250.AJ	01	7
87726688	27.450.AJ	02	5	87732308	10.250.AJ	01	2
87726688	27.450.AL	02	1	87732448	74.114.AZ	02	4
87726688C	27.450.AJ	02	5	87732448	74.114.AZ	03	4
87726688C	27.450.AL	02	1	87733367	27.450.AJ	01	14
87726688R	27.450.AJ	02	5	87733367	27.450.AJ	02	14
87726688R	27.450.AL	02	1	87733367	27.450.AJ	03	14
87726707	74.125.AL		24	87733367	27.450.AJ	04	14
87726742	55.302.AK	01	1	87734459	80.150.BG	01	19
87726786	88.100.74	01	2	87734459	80.150.BG	06	19
87726831	80.150.BF	01	24	87734479	10.206.AF		1
87726831	80.150.BG	05	16	87735041	80.150.BG	03	8
87726836	80.150.BG	03	7	87735041	80.150.BG	06	20
87726836	80.150.BG	06	19	87735049	80.150.BF	02	36
87727126	80.150.BF	01	2	87735049	80.150.BG	04	1
87727129	80.150.BF	01	3	87735049	80.150.BG	06	32
87727299	73.230.AQ	01	17	87735063	55.404.BB		3
87727319	80.150.BF	01	6	87735064	55.404.BB		21
87727319	80.150.BG	05	43	87735079	73.230.AJ	02	11
87727365	60.110.AD	02	2	87735106	74.140.AK	02	4
87727365	60.110.AD	04	2	87735186	73.230.AJ	02	9
87727685	80.101.AR	01	12	87735266	73.210.AX	02	4
87727685	80.101.AR	02	12	87735266	73.210.AX	08	4
87727969	29.218.AS		4	87735266	73.230.AJ	01	5
87727969	29.300.AP	02	8	87735266	73.230.AJ	04	5
87727969	29.300.AP	03	14	87735279	74.101.AL		5
87727971	29.218.AS		1	87735679	35.440.AC		10
87728300	73.230.AQ	02	9	87735697	60.150.AQ	01	26
87728300	73.230.AQ	03	8	87735697	60.150.AQ	02	26
87728316	10.210.AO		8	87735697	60.150.AQ	04	11

INDEX - INDICE - INDEX - ZAHLENVERZEICHNIS - INDICE - INDICE - INDHOLD - INHOUD

Number	Figure	Sequence	Ref.	Number	Figure	Sequence	Ref.
87735697	60.150.AQ	06	11	87742029	60.150.AQ	04	13
87735697	66.360.AH	01	11	87742029	60.150.AQ	06	13
87735697	66.360.AH	02	10	87742285	60.110.AA	01	15
87735697	66.360.AH	06	10	87742285	60.110.AA	03	22
87735697	74.130.AJ	02	7	87742362	73.230.AQ	01	5
87735697	90.102.AZ		13	87742362	90.118.AC	01	16
87735825	74.130.AF		1	87742362	90.118.AX	01	5
87735827	73.230.AQ	05	3	87742362	90.118.AX	02	5
87735830	73.230.AQ	05	2	87742820	10.400.BI	01	13
87735869	74.101.AC		31	87743249	27.450.AJ	01	1
87735883	74.101.AC		30	87743249	27.450.AJ	03	1
87736433	73.210.AX	03	6	87743252	27.450.AJ	02	1
87736433	73.210.AX	09	5	87743252	27.450.AJ	04	1
87736713	74.140.AK	04	5	87743673	80.180.AU	02	1
87737845	60.150.AQ	01	37	87743683	80.180.AU	02	1
87737845	60.150.AQ	02	37	87744660	73.210.AX	03	1
87737845	60.150.AQ	05	3	87744667	73.210.AX	09	1
87738355	55.101.AC	04	3	87744723	72.350.AI	01	27
87739619	60.150.AQ	01	42	87744771	74.140.CM		19
87739619	60.150.AQ	02	42	87745589	73.210.AX	02	2
87739619	60.150.AQ	05	8	87745589	73.210.AX	08	2
87740180	05.100.02		17	87745644	66.360.AH	01	7
87740180	74.140.AK	01	9	87745690	74.114.AZ	01	19
87740259	80.150.BF	02	14	87746049	10.419.AA	02	40
87740259	80.150.BG	05	30	87746050	10.419.AA	02	57
87740261	80.150.BF	01	48	87746051	10.419.AA	02	58
87740295	74.140.AK	01	19	87746052	10.419.AA	02	59
87740297	74.140.AK	01	18	87746053	10.419.AA	02	60
87740697	60.150.AD	01	18	87746060	90.100.AD		5
87740697	60.150.AD	02	14	87746062	90.100.AD		16
87740697	60.150.AD	03	18	87746063	10.419.AA	02	61
87740697	60.150.AD	04	14	87746097	72.220.AL		1
87740715	60.112.AA	02	16	87746115	73.230.AP	01	17
87740715	60.112.AA	05	25	87748011	60.110.AD	01	7
87740715	60.150.AD	02	13	87748011	60.110.AD	02	9
87740715	60.150.AD	04	13	87748011	60.110.AD	03	7
87741381	80.180.AU	02	2	87748011	60.110.AD	04	9
87742016	74.140.AM		5	87749828	41.206.AA		12
87742018	74.140.AM		14	87750011	41.432.AC		10
87742021	74.140.AM		35	87751063	74.125.AL		2
87742023	74.140.AM		29	87751400	36.100.AK	01	17
87742025	74.140.AM		1	87751534	73.230.AQ	03	15
87742027	60.150.AU	01	2	87751583	74.125.AL		25
87742027	60.150.AU	02	16	87751610	60.150.AD	01	21
87742029	60.150.AQ	01	31	87751610	60.150.AD	03	21
87742029	60.150.AQ	02	33	87751611	60.150.AD	01	11

INDEX - INDICE - INDEX - ZAHLENVERZEICHNIS - INDICE - INDICE - INDHOLD - INHOUD

Number	Figure	Sequence	Ref.	Number	Figure	Sequence	Ref.
87751611	60.150.AD	02	11	87754245	50.100.AP		13
87751611	60.150.AD	03	11	87754319	60.110.AD	01	15
87751611	60.150.AD	04	11	87754319	60.110.AD	03	15
87751613	60.150.AD	01	20	87754566	60.120.AI	03	15
87751613	60.150.AD	02	12	87754566	60.120.AI	04	14
87751613	60.150.AD	03	20	87754961	74.130.AJ	01	1
87751613	60.150.AD	04	12	87754966	41.106.AH		5
87751634	74.125.AL		6	87755002	73.230.AQ	05	14
87751662	88.100.73	04	3	87755014	10.419.AA	02	39
87751887	60.120.AG	02	1	87755376	80.150.AI		41
87751887	60.120.AR		1	87755442	90.105.BH	04	19
87751887C	60.120.AG	02	1	87755503	60.112.AA	03	2
87751887C	60.120.AR		1	87755505	60.112.AA	01	5
87751887R	60.120.AG	02	1	87755505	60.112.AA	04	5
87751887R	60.120.AR		1	87755510	60.112.AA	03	1
87752066	60.110.AD	01	49	87755517	60.112.AA	02	18
87752066	60.110.AD	02	11	87755517	60.112.AA	05	11
87752066	60.110.AD	03	49	87755523	60.112.AA	01	6
87752066	60.110.AD	04	11	87755523	60.112.AA	04	6
87752066	60.112.AA	01	32	87755999	60.112.AA	03	8
87752066	60.112.AA	04	34	87756199	74.140.AK	02	2
87752069	10.414.AC	01	15	87756392	73.230.AQ	03	6
87752069	90.105.BH	05	8	87756424	90.105.BH	05	4
87752072	60.110.AD	01	31	87756536	80.180.AU	01	26
87752072	60.110.AD	02	29	87756703	80.150.BF	02	32
87752072	60.110.AD	03	31	87756703	80.150.BG	02	2
87752072	60.110.AD	04	29	87756703	80.150.BG	06	5
87752072	80.150.AI		21	87757015	35.415.AA		10
87752074	90.118.AX	01	19	87757057	72.350.AJ	01	4
87752074	90.118.AX	02	19	87757057	73.210.AX	01	11
87752142	55.101.AC	02	20	87757057	73.210.AX	07	4
87752640	72.220.AJ	02	1	87757061	72.350.AJ	01	5
87752641	72.220.AJ	02	2	87757061	73.210.AX	01	12
87752814	72.220.AJ	01	20	87757061	73.210.AX	07	5
87752814	72.220.AJ	04	4	87757085	72.350.AJ	01	7
87752993	60.150.AY	01	18	87757085	73.210.AX	01	14
87753056	41.216.AO		2	87757085	73.210.AX	07	7
87753756	60.120.AI	01	4	87757116	73.230.AJ	04	2
87753756	60.120.AI	02	3	87757141	74.140.AK	01	33
87753756	60.120.AI	03	4	87757146	73.335.AC	01	18
87753756	60.120.AI	04	3	87757148	73.335.AC	01	17
87753756	60.165.AR		22	87757151	72.420.AM	01	19
87753814	72.220.AJ	01	3	87757249	90.105.BH	01	18
87753814	72.220.AJ	04	3	87757824	35.359.AB	04	9
87753814	73.230.AJ	01	2	87757834	35.359.AB	04	2
87754238	50.100.AP		4	87757836	74.140.AX		28

INDEX - INDICE - INDEX - ZAHLENVERZEICHNIS - INDICE - INDICE - INDHOLD - INHOUD

Number	Figure	Sequence	Ref.	Number	Figure	Sequence	Ref.
87757843	90.105.BH	01	10	935915R1	60.150.AU	01	5
87757843	90.105.BH	03	18	935915R1	60.150.AU	02	2
87757860	88.100.73	03	3	937773R91	74.101.AF	01	6
87757940	80.150.AK	02	7	937781R92	60.150.AQ	01	19
87757942	80.150.AK	03	10	937781R92	60.150.AQ	02	19
87758240	60.150.AQ	01	40	938294R91	60.150.AE	01	15
87758240	60.150.AQ	02	40	941-4610	55.512.BL	02	8
87758240	60.150.AQ	05	6	9501756	90.150.BI		12
87758254	80.150.AK	03	3	9501985	90.156.AB		8
87778863	10.400.BI	01	14	9503839	60.110.AD	01	29
87909	60.150.AU	01	21	9503839	60.110.AD	02	28
87996	35.106.AD		12	9503839	60.110.AD	03	29
88011	35.106.AD		4	9503839	60.110.AD	04	28
88011	60.150.AE	01	30	9503839	73.230.AQ	01	34
88182	27.450.AH	01	9	9503839	73.230.AQ	06	7
88182	27.450.AH	02	9	9503839	74.101.AC		16
88182	27.550.AJ	01	9	9503839	74.101.BB		14
88434	60.150.AE	01	29	9503839	74.130.AF		13
88542	55.785.AS	02	9	9507095	74.140.AK	03	8
88695	74.140.AX		18	9507095	80.101.AR	01	20
892-11005	55.015.AB	01	18	9507095	80.101.AR	02	20
892-11012	73.230.AJ	05	26	9507095	80.101.CA	03	13
895-15008	73.335.AC	01	11	9507949	60.165.AM		30
895-30105	60.110.AT		24	9511034	80.180.AR	01	17
895-30108	90.100.AD		17	9511037	80.180.AR	02	22
896-11012	21.114.AL	01	15	9511052	39.100.AS		14
896-11012	25.100.AA		14	9511052	60.165.AM		15
896-11012	55.520.AX	01	3	9511052	73.335.AG	01	7
896-11012	66.260.AU	01	22	9511052	74.136.AC	01	17
896-11012	90.151.AD		2	9511052	80.150.BF	01	26
896-11016	25.310.AB		31	9511052	80.150.BG	05	23
896-12016	21.114.AL	01	23	9512667	33.202.BN	01	38
905-10025	60.120.AI	01	19	9512667	33.202.BN	02	16
905-10025	60.120.AI	02	18	9512667	60.120.AG	02	14
906035R1	73.230.AP	02	7	9512667	73.230.AJ	04	42
913347	60.110.AA	01	43	9514334	10.414.AC	01	26
913347	60.110.AA	03	43	9515145	80.175.AD	02	26
92242C2	55.101.AC	06	6	9515561	27.450.AJ	01	6
92741C2	29.100.AB	01	17	9515561	27.450.AJ	02	6
92741C2	29.218.AO		19	9515561	27.450.AJ	03	6
93196C1	35.359.AE	02	8	9515561	27.450.AJ	04	6
93196C1	35.796.AC		32	9515561	27.450.AL	01	40
93196C1	35.796.AD		7	9515561	27.450.AL	02	40
93199C1	90.160.AH	01	18	9515561	27.450.AL	03	40
93199C1	90.160.AH	03	33	9515561	27.450.AL	04	40
93199C1	90.160.AX		26	9516263	36.100.AC	01	11

INDEX - INDICE - INDEX - ZAHLENVERZEICHNIS - INDICE - INDICE - INDHOLD - INHOUD

Number	Figure	Sequence	Ref.	Number	Figure	Sequence	Ref.
9516263	36.100.AK	01	18	9706690	05.102.AA	02	9
9617873	14.100.BH		41	9706690	80.180.AQ	01	16
9617873	33.110.AT	01	10	9706690	80.180.AQ	02	16
9617873	33.202.BN	01	13	9706690	80.180.AU	01	24
9617873	33.202.BN	03	25	9706690	90.100.BJ	01	44
9617873	35.106.AD		35	9706693	80.150.BG	01	2
9617873	35.415.AA		37	9706693	80.150.BG	03	42
9617873	35.796.AC		35	9706703	74.114.AZ	03	19
9617873	35.796.AF		14	9706703	74.118.AD	02	17
9617873	60.150.AQ	05	19	9706703	74.125.AL		47
9617873	60.150.AQ	08	11	9706704	90.160.AH	01	23
9617873	60.150.AQ	08	9	9706748	55.130.AR	01	4
9617975	29.100.AB	01	15	9706748	60.120.AG	02	20
9617975	29.218.AO		14	9706755	55.680.AA		14
9618968	35.300.BC	01	32	9706807	90.154.AA	02	14
9625178	35.415.AA		15	9707515	29.100.AB	01	27
9625178	35.796.AF		11	9707515	29.218.AO		36
9626558	33.202.AP	01	35	972466R1	21.114.AL	01	9
9627887	29.218.AO		4	97252C1	50.200.AB	03	7
9628098	73.335.AC	01	20	9800957	80.175.AD	02	32
963-12040	21.114.AL	01	16	9804256	50.100.AP		36
9635884	29.218.AO		35	9804257	88.100.90	01	7
9637692	74.114.AU	01	9	9804261	88.100.55	04	8
9637916	29.218.AD		10	9804262	80.180.AR	02	11
96423C1	66.260.AU	02	10	9804263	41.432.AG		12
9672438	29.100.AB	01	37	9804276	88.100.90	01	16
9672438	29.100.AB	02	12	9807617	05.100.02		73
9672438	29.218.AO		25	9807617	35.796.AE		10
9672438	41.432.AC		4	9809800	50.300.AB		3
9672438	60.150.AE	01	39	9811147	10.419.AA	02	54
9672438	60.150.AE	02	36	9818286	74.136.AC	01	14
96860C1	90.102.BC		3	9821714	60.110.AA	01	25
9706685	35.410.AH	01	16	9821714	60.110.AA	03	24
9706685	35.410.AH	03	9	9821714	60.110.AD	01	22
9706685	36.100.AA	01	15	9821714	60.110.AD	02	21
9706685	37.100.AF		9	9821714	60.110.AD	03	22
9706685	66.110.AD		8	9821714	60.110.AD	04	21
9706685	66.260.AO	01	13	9823349	14.100.AR	01	36
9706685	73.335.AG	01	9	9824050	14.100.BH		43
9706685	80.180.AQ	01	18	9824050	29.218.AS		31
9706685	80.180.AQ	02	18	9824050	35.106.AD		32
9706685	80.180.AU	01	14	9824050	35.106.AD		39
9706685	90.105.BH	05	14	9824050	35.300.BC	01	47
9706685	90.151.AD		4	9824050	35.359.AB	02	20
9706687	80.175.AD	02	30	9824051	29.218.AD		27
9706687	80.180.AU	01	12	9824051	35.106.AD		31

INDEX - INDICE - INDEX - ZAHLENVERZEICHNIS - INDICE - INDICE - INDHOLD - INHOUD

Number	Figure	Sequence	Ref.	Number	Figure	Sequence	Ref.
9824259	55.680.AA		15	9847024	27.550.AJ	01	19
9824326	10.419.AA	02	44	9847247	35.359.AE	02	3
9824326	50.300.AB		22	9847468	80.101.AP		5
9824326	55.404.BM		4	9850384	27.450.AH	01	4
9824642	66.331.AK	05	9	9850384	27.450.AH	02	4
9824642	66.331.AK	06	8	9850384	27.550.AJ	01	4
9824642	66.331.AK	07	7	9991973	35.359.AB	04	3
9824840	55.404.AC		15	9991976	10.408.AO		5
9824840	55.512.BL	01	30	9991976	27.450.AJ	01	21
9824840	88.100.55	06	10	9991976	29.300.AP	01	11
9825770	10.419.AE		21	9991976	29.300.AP	02	14
9825770	33.202.BN	03	24	9991976	29.300.AP	03	39
9825770	35.300.BC	01	48	9991976	35.300.BC	01	44
9825770	35.415.AA		35	9991976	35.300.BC	02	24
9825770	41.206.AA		20	9991976	35.359.AB	02	26
9827058	50.100.AP		8	9991976	35.359.AB	02	28
9827059	50.100.AP		9	9991976	35.796.AF		26
9827059	50.200.AB	03	34	9992069	10.102.AW	01	24
9827060	50.200.AB	03	33	9992069	27.450.AJ	01	18
9827902	14.100.BH		34	9992069	29.300.AP	01	10
9827902	29.218.AD		18	9992069	29.300.AP	02	15
9835349	66.101.AP	02	20	9992069	29.300.AP	03	40
9837623	80.180.AR	02	18	9992069	35.300.BC	01	51
9837937	74.140.AK	02	24	9992069	35.300.BC	02	23
9840325	35.106.AD		9	9992069	35.415.AA		26
9840325	35.359.AE	02	4	9992069	35.796.AE		12
9840491	66.260.AU	02	62	9992069	35.796.AF		27
9840534	35.106.AD		14	9992069	41.200.AO		14
9840535	27.450.AJ	01	10	9992298	10.210.AF	01	25
9840535	27.450.AJ	02	10	9992298	10.210.AO		19
9840535	27.450.AJ	03	10	9992298	10.408.AO		4
9840535	27.450.AJ	04	10	9992298	10.419.AE		24
9840543	35.359.AE	01	1	9992298	14.100.BH		40
9840543	60.150.AQ	08	8	9992298	27.450.AJ	01	20
9840670	74.101.AC		28	9992298	29.300.AP	01	9
9840672	50.200.AA	01	11	9992298	29.300.AP	03	38
9841223	21.114.AL	01	22	9992298	33.202.AP	01	45
9841223	35.106.AD		24	9992298	33.202.BN	01	20
9846522	39.100.AS		8	9992298	33.202.BN	03	22
9846677	60.150.AD	01	40	9992298	35.106.AD		37
9846677	60.150.AD	02	44	9992298	35.300.BC	01	45
9846677	60.150.AD	03	40	9992298	35.300.BQ		8
9846677	60.150.AD	04	44	9992298	35.359.AB	02	29
9846950	88.100.25	01	6	9992298	35.410.AH	01	27
9846955	35.106.AD		10	9992298	35.410.AH	03	18
9846956	29.218.AS		14	9992298	35.415.AA		33

INDEX - INDICE - INDEX - ZAHLENVERZEICHNIS - INDICE - INDICE - INDHOLD - INHOUD

Number	Figure	Sequence	Ref.	Number	Figure	Sequence	Ref.
9992298	35.440.AB		28	A75815	55.512.BL	02	5
9992298	41.200.AO		29	B12170	74.101.AL		3
9992298	41.206.AA		15	BMF31GW	05.100.02		48
9992298	60.150.AQ	05	18	BN98901	55.518.AS		12
9992305	10.210.AO		18	F53473	60.150.AQ	01	20
9992305	27.450.AJ	01	9	F53473	60.150.AQ	02	20
9992305	27.450.AJ	02	9	F53473	60.150.AU	01	3
9992305	27.450.AJ	03	9	F53473	60.150.AU	02	18
9992305	27.450.AJ	04	9	F53473	60.165.AR		16
9992305	35.359.AE	01	40	F53473	74.101.AF	01	9
9992305	41.432.AC		3	G13609	66.260.AU	02	19
9992307	29.300.AP	03	25	H144527	60.120.AR		14
9992342	35.359.AC		4	H434163	29.100.AB	01	39
9992366	90.154.AA	01	16	H434163	29.100.AB	02	4
9993141	10.210.AF	01	26	H434163	35.796.AF		24
9993141	10.210.AO		45	J883284	10.250.AJ	01	9
9993141	14.100.BH		42	K4729	25.310.AB		17
9993141	29.300.AP	03	44	L112318	73.230.AQ	01	3
9993141	33.110.AT	01	11	L11541	60.120.AG	02	16
9993141	33.202.AP	01	44	L33289	14.100.AR	01	10
9993141	33.202.AP	02	42	L33289	21.114.AL	02	24
9993141	33.202.BN	01	17	L70872	35.300.BQ		10
9993141	33.202.BN	03	23	NLS	60.120.AI	03	3
9993141	35.300.BC	01	49	NLS	60.120.AI	04	11
9993141	35.359.AB	02	22	NS	10.400.BE		6
9993141	35.415.AA		31	NS	10.400.BE		7
9993141	35.415.AC		7	NS	10.400.BE		8
9993141	35.440.AB		25	NS	29.100.AB	02	7
9993141	35.796.AC		24	NS	60.120.AG	02	4
9993141	35.796.AE		15	NS	66.331.AK	03	2
9993141	41.206.AA		17	NSS	10.206.AF		11
9993141	60.150.AQ	08	10	NSS	14.100.BH		19
9993143	35.359.AB	04	8	NSS	27.450.AL	01	10
9993143	35.359.AC		3	NSS	27.450.AL	01	11
9993143	35.359.AE	01	23	NSS	27.450.AL	01	12
9993143	35.359.AE	01	38	NSS	27.450.AL	01	13
9993143	35.796.AC		29	NSS	27.450.AL	01	14
9993143	35.796.AD		20	NSS	27.450.AL	01	15
A147915	55.302.AK	01	8	NSS	27.450.AL	01	16
A21266	33.202.AK		5	NSS	27.450.AL	01	18
A27999	66.260.AU	02	31	NSS	27.450.AL	01	19
A33497	55.302.AK	01	10	NSS	27.450.AL	01	2
A42561	35.300.BQ		11	NSS	27.450.AL	01	20
A63399	33.202.BN	01	8	NSS	27.450.AL	01	21
A63399	33.202.BN	03	7	NSS	27.450.AL	01	22
A66476	14.100.AR	01	5	NSS	27.450.AL	01	26

INDEX - INDICE - INDEX - ZAHLENVERZEICHNIS - INDICE - INDICE - INDHOLD - INHOUD

Number	Figure	Sequence	Ref.	Number	Figure	Sequence	Ref.
NSS	27.450.AL	01	27	NSS	27.450.AL	03	14
NSS	27.450.AL	01	28	NSS	27.450.AL	03	15
NSS	27.450.AL	01	29	NSS	27.450.AL	03	16
NSS	27.450.AL	01	3	NSS	27.450.AL	03	18
NSS	27.450.AL	01	30	NSS	27.450.AL	03	19
NSS	27.450.AL	01	34	NSS	27.450.AL	03	2
NSS	27.450.AL	01	4	NSS	27.450.AL	03	20
NSS	27.450.AL	01	44	NSS	27.450.AL	03	21
NSS	27.450.AL	01	45	NSS	27.450.AL	03	22
NSS	27.450.AL	01	46	NSS	27.450.AL	03	26
NSS	27.450.AL	01	49	NSS	27.450.AL	03	27
NSS	27.450.AL	01	6	NSS	27.450.AL	03	28
NSS	27.450.AL	01	7	NSS	27.450.AL	03	29
NSS	27.450.AL	01	8	NSS	27.450.AL	03	3
NSS	27.450.AL	02	10	NSS	27.450.AL	03	30
NSS	27.450.AL	02	11	NSS	27.450.AL	03	34
NSS	27.450.AL	02	12	NSS	27.450.AL	03	4
NSS	27.450.AL	02	13	NSS	27.450.AL	03	44
NSS	27.450.AL	02	14	NSS	27.450.AL	03	45
NSS	27.450.AL	02	15	NSS	27.450.AL	03	46
NSS	27.450.AL	02	16	NSS	27.450.AL	03	49
NSS	27.450.AL	02	18	NSS	27.450.AL	03	6
NSS	27.450.AL	02	19	NSS	27.450.AL	03	7
NSS	27.450.AL	02	2	NSS	27.450.AL	03	8
NSS	27.450.AL	02	20	NSS	27.450.AL	04	10
NSS	27.450.AL	02	21	NSS	27.450.AL	04	11
NSS	27.450.AL	02	22	NSS	27.450.AL	04	12
NSS	27.450.AL	02	26	NSS	27.450.AL	04	13
NSS	27.450.AL	02	27	NSS	27.450.AL	04	14
NSS	27.450.AL	02	28	NSS	27.450.AL	04	15
NSS	27.450.AL	02	29	NSS	27.450.AL	04	16
NSS	27.450.AL	02	3	NSS	27.450.AL	04	18
NSS	27.450.AL	02	30	NSS	27.450.AL	04	19
NSS	27.450.AL	02	34	NSS	27.450.AL	04	2
NSS	27.450.AL	02	4	NSS	27.450.AL	04	20
NSS	27.450.AL	02	44	NSS	27.450.AL	04	21
NSS	27.450.AL	02	45	NSS	27.450.AL	04	22
NSS	27.450.AL	02	46	NSS	27.450.AL	04	26
NSS	27.450.AL	02	49	NSS	27.450.AL	04	27
NSS	27.450.AL	02	6	NSS	27.450.AL	04	28
NSS	27.450.AL	02	7	NSS	27.450.AL	04	29
NSS	27.450.AL	02	8	NSS	27.450.AL	04	3
NSS	27.450.AL	03	10	NSS	27.450.AL	04	30
NSS	27.450.AL	03	11	NSS	27.450.AL	04	34
NSS	27.450.AL	03	12	NSS	27.450.AL	04	4
NSS	27.450.AL	03	13	NSS	27.450.AL	04	44

INDEX - INDICE - INDEX - ZAHLENVERZEICHNIS - INDICE - INDICE - INDHOLD - INHOUD

Number	Figure	Sequence	Ref.	Number	Figure	Sequence	Ref.
NSS	27.450.AL	04	45	NSS	35.100.AZ		34
NSS	27.450.AL	04	46	NSS	35.100.AZ		35
NSS	27.450.AL	04	49	NSS	35.100.AZ		36
NSS	27.450.AL	04	6	NSS	35.100.AZ		37
NSS	27.450.AL	04	7	NSS	35.100.AZ		38
NSS	27.450.AL	04	8	NSS	35.100.AZ		39
NSS	29.100.AB	01	45	NSS	35.440.AC		2
NSS	29.100.AB	01	46	NSS	35.440.AC		6
NSS	29.100.AB	01	47	NSS	35.440.AC		7
NSS	29.100.AB	01	48	NSS	35.440.AC		8
NSS	29.100.AB	01	49	NSS	35.500.AH		10
NSS	29.100.AB	01	50	NSS	35.518.AC	02	10
NSS	29.100.AB	01	51	NSS	35.518.AC	02	11
NSS	29.100.AB	01	52	NSS	35.518.AC	02	12
NSS	29.100.AB	01	53	NSS	35.518.AC	02	13
NSS	29.100.AB	01	54	NSS	35.518.AC	02	7
NSS	29.218.AO		13	NSS	35.518.AC	02	8
NSS	29.218.AO		39	NSS	35.518.AC	02	9
NSS	29.218.AO		40	NSS	41.101.AC		42
NSS	29.218.AO		41	NSS	41.101.AC		43
NSS	29.218.AO		42	NSS	41.101.AC		44
NSS	29.218.AO		43	NSS	41.101.AC		45
NSS	29.218.AO		44	NSS	41.101.AC		46
NSS	33.110.AT	02	16	NSS	41.101.AC		47
NSS	33.202.BN	01	52	NSS	41.101.AC		48
NSS	35.100.AZ		12	NSS	41.101.AC		49
NSS	35.100.AZ		13	NSS	41.432.AE		15
NSS	35.100.AZ		16	NSS	41.432.AE		22
NSS	35.100.AZ		17	NSS	55.301.AD	01	12
NSS	35.100.AZ		18	NSS	55.404.BB		27
NSS	35.100.AZ		19	NSS	55.404.BB		28
NSS	35.100.AZ		20	NSS	55.518.AW		17
NSS	35.100.AZ		21	NSS	55.518.AW		18
NSS	35.100.AZ		22	NSS	55.518.AW		19
NSS	35.100.AZ		23	NSS	55.518.AW		20
NSS	35.100.AZ		24	NSS	55.518.AW		21
NSS	35.100.AZ		25	NSS	55.518.AW		22
NSS	35.100.AZ		26	NSS	60.165.AM		38
NSS	35.100.AZ		27	NSS	66.331.AK	01	2
NSS	35.100.AZ		28	NSS	66.331.AK	02	2
NSS	35.100.AZ		29	NSS	66.331.AK	04	2
NSS	35.100.AZ		3	NSS	66.331.AK	05	13
NSS	35.100.AZ		30	NSS	66.331.AK	06	12
NSS	35.100.AZ		31	NSS	66.331.AK	07	11
NSS	35.100.AZ		32	NSS	73.230.AJ	02	33
NSS	35.100.AZ		33	NSS	80.150.BF	02	25

INDEX - INDICE - INDEX - ZAHLENVERZEICHNIS - INDICE - INDICE - INDHOLD - INHOUD

Number	Figure	Sequence	Ref.	Number	Figure	Sequence	Ref.
NSS	88.100.55	03	3				
NSS	90.120.BA		10				
NSS	90.120.BA		11				
NSS	90.120.BA		12				
NSS	90.124.AL		13				
NSS	90.124.AL		14				
NSS	90.124.AL		15				
Q1443	74.140.AK	01	28				
Q5024	66.260.AS	02	7				
R55912	29.100.AB	02	3				
S118576X	33.202.AP	01	38				
S118576X	33.202.AP	02	37				
S97224	29.218.AS		5				
SP4802591D	55.404.BB		29				
ST216	14.100.AR	01	8				
ST265	80.180.AR	01	9				
T40066	66.260.AU	02	18				

TABLE OF CONTENTS

00.000.10		PICTORIAL INDEX - ENGINE
00.000.55		PICTORIAL INDEX - ELECTRICAL SYSTEMS
10.000.00		SECTION INDEX
10.001.AB		CRANKCASE
10.001.AD		ENGINE
10.001.AK		ENGINE, SUPPORT, MOUNT
10.101.AA		CYLINDER HEAD
10.101.AB		CYLINDER HEAD, COVER
10.101.AM		VALVE
10.102.AK		CRANKCASE, COVER
10.102.AP		ENGINE OIL PAN
10.103.AA		CRANKSHAFT
10.103.AG		CRANKSHAFT, PULLEY
10.103.AH		ENGINE FLYWHEEL
10.105.AB		CONNECTING ROD
10.105.AG		PISTONS
10.106.AA		CAMSHAFT, TIMING CONTROL
10.106.AG		GEAR, DRIVE
10.106.AO		ROCKER ARM
10.106.AP		ROCKSHAFT
10.110.AD		CRANKSHAFT, DAMPER
10.206.AG		FUEL FILTER
10.206.AO		FUEL FILTER
10.210.AF		FUEL LINE
10.218.AF		FUEL INJECTOR
10.218.AI		INJECTION PIPE
10.218.AQ	01	FUEL INJECTION PUMP
10.218.AQ	02	FUEL INJECTION PUMP, COMPONENTS
10.250.AC		TURBOCHARGER
10.250.AD		TURBOCHARGER LUBE LINE
10.250.AJ		TURBOCHARGER, VALVE, LINE
10.254.AC		EXHAUST MANIFOLD
10.254.AM		INLET MANIFOLD
10.304.AC		ENGINE OIL PUMP

TABLE OF CONTENTS

10.304.AE		ENGINE OIL FILTER
10.304.AF	01	ENGINE OIL FILTER, LUBRICATION LINE, LINE
10.304.AF	02	ENGINE OIL FILTER, LINE
10.304.AJ	01	ENGINE OIL, DIPSTICK
10.304.AJ	02	ENGINE OIL, DIPSTICK
10.304.AL		SUCTION PIPE
10.304.AM		PRESSURE CONTROL VALVE
10.304.AP		ENGINE, VENT
10.304.AR		PISTON COOLING NOZZLE
10.400.AE	01	ENGINE, COOLING SYSTEM LINE
10.400.AE	02	ENGINE, COOLING SYSTEM LINE
10.400.AQ		WATER PUMP LINE
10.400.BB		WATER PUMP
10.400.BC		THERMOSTAT
10.408.AA		OIL COOLER, SUPPLY, CONNECTING
10.408.AB		OIL COOLER, RETURN LINE
10.408.AC		ENGINE, HEAT EXCHANGER
10.414.AE		BELT TENSIONER
10.450.AA		AIR COMPRESSOR, COVER
10.450.AL		AIR COMPRESSOR, SUPPORT
55.000.00		SECTION INDEX
55.010.AA		ENGINE, ENGINE
55.015.AA		ENGINE, ELECTRONIC CONTROL UNIT
55.015.AC		ENGINE, SENSOR
55.201.AE		STARTER MOTOR
55.301.AB		ALTERNATOR, SUPPORT

SECTION INDEX

GENERAL & PICTORIAL INDEX

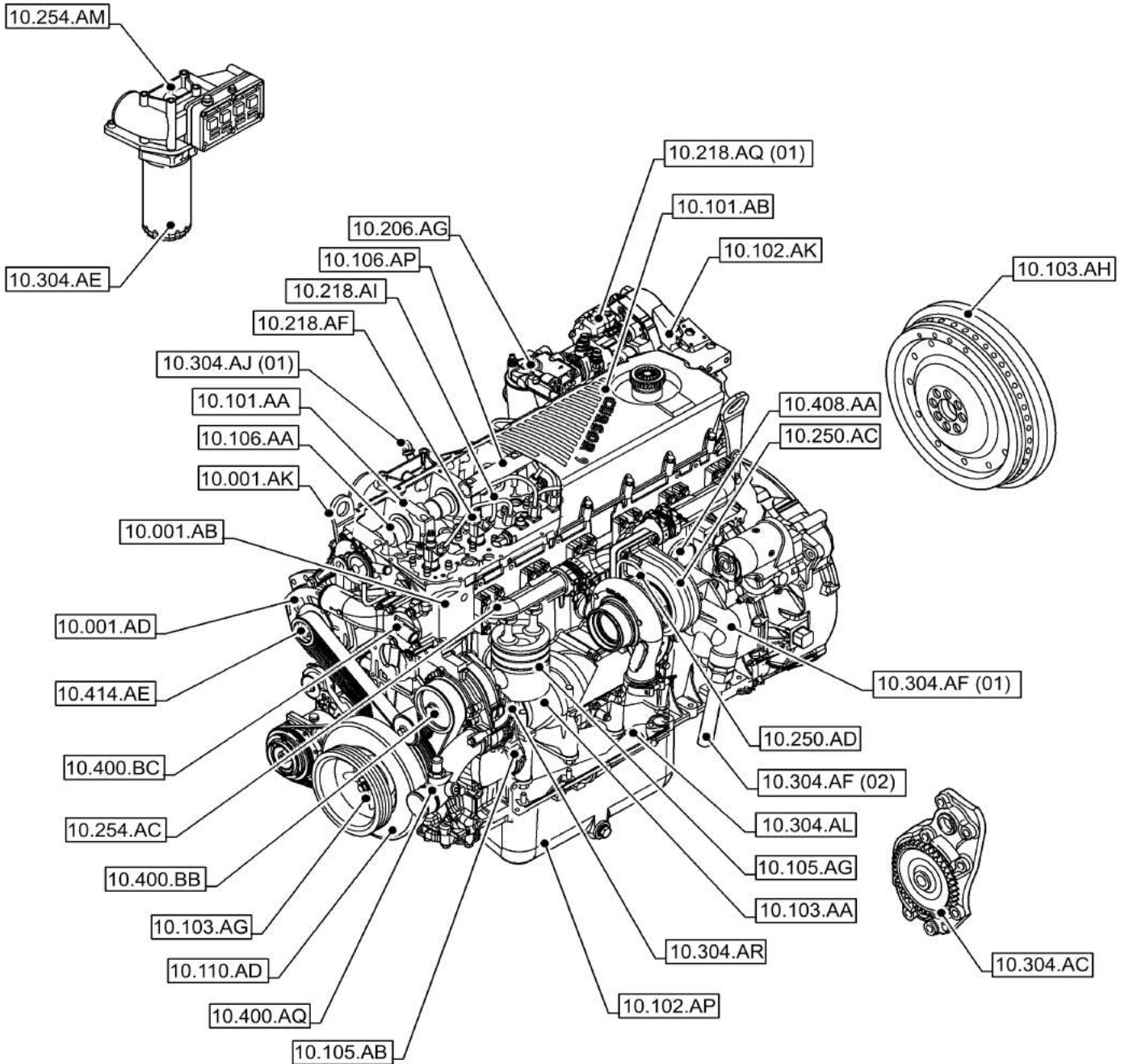
00.000.10

PICTORIAL INDEX - ENGINE

00.000.55

PICTORIAL INDEX - ELECTRICAL SYSTEMS

PICTORIAL INDEX - ENGINE



00.000.10

p1

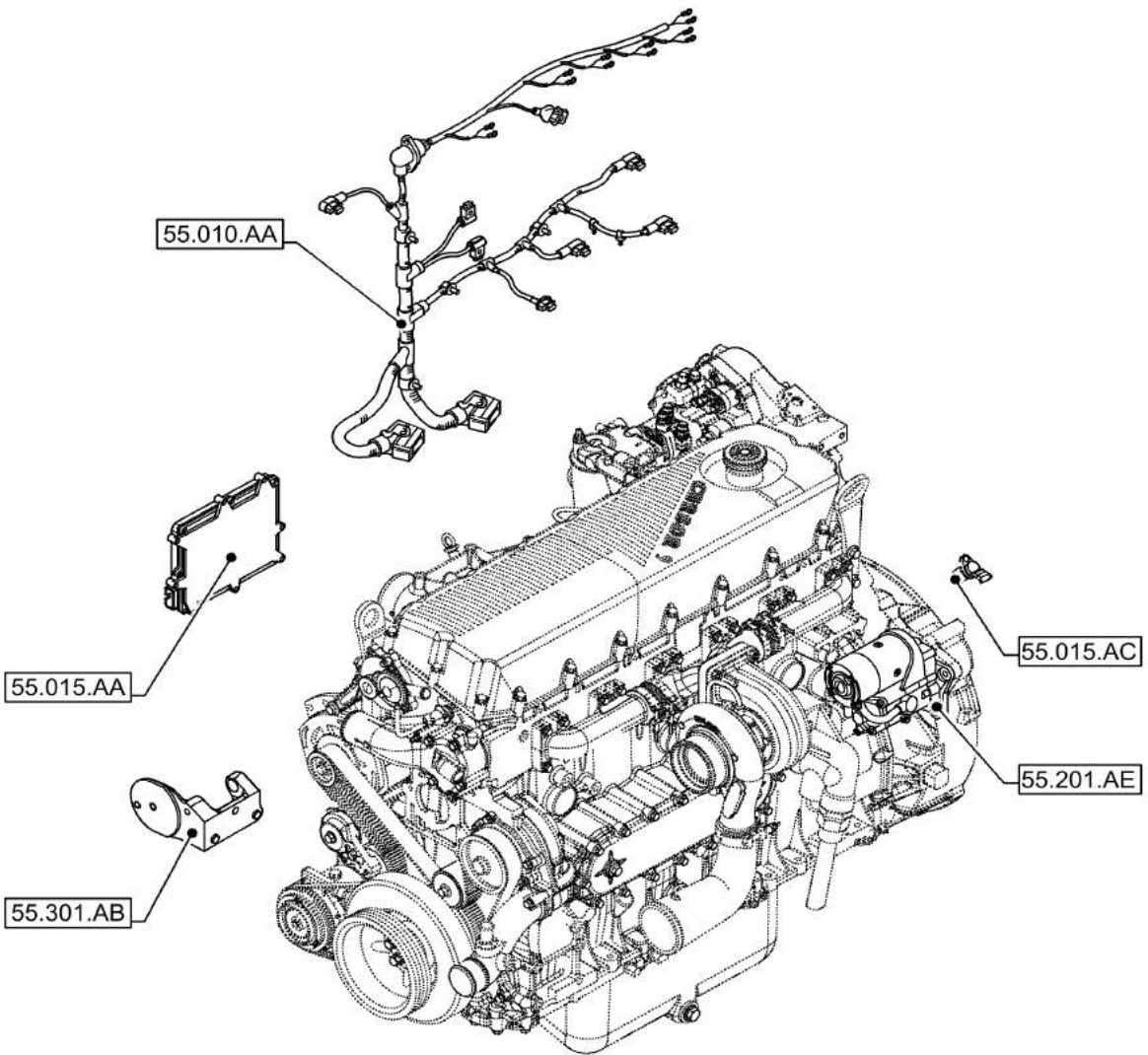
7/2015

PICTORIAL INDEX - ENGINE

REF FN	PART NUMBER	YR/SN	QTY	DESCRIPTION
---------------	--------------------	--------------	------------	--------------------

F2CFA613C*G001-ENGINE 5801805474 - 47497628
--

PICTORIAL INDEX - ELECTRICAL SYSTEMS



00.000.55

p1

7/2015

PICTORIAL INDEX - ELECTRICAL SYSTEMS

REF FN	PART NUMBER	YR/SN	QTY	DESCRIPTION
---------------	--------------------	--------------	------------	--------------------

F2CFA613C*G001-ENGINE 5801805474 - 47497628
--

SECTION INDEX

ENGINE

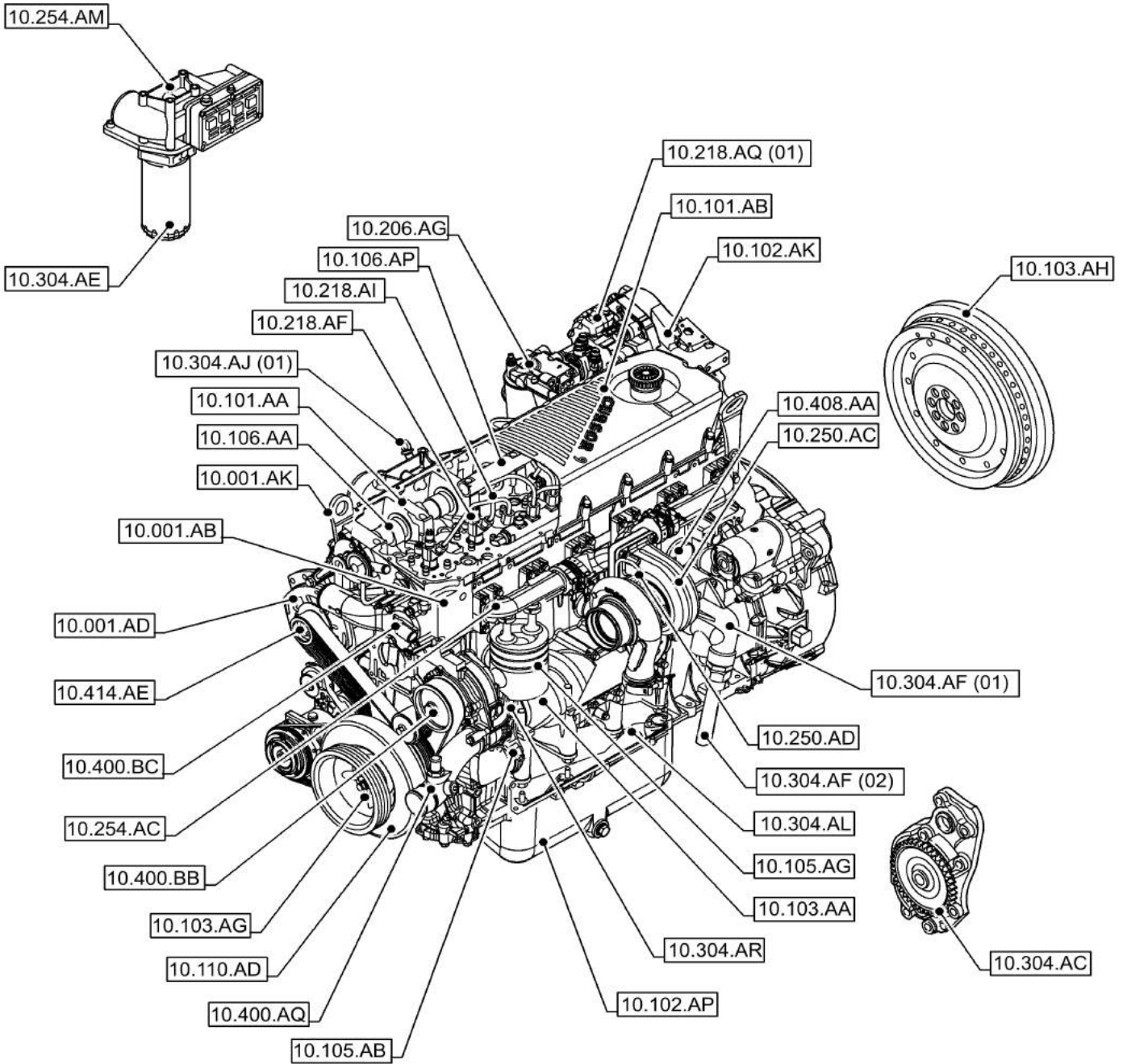
10.000.00		SECTION INDEX
10.001.AB		CRANKCASE
10.001.AD		ENGINE
10.001.AK		ENGINE, SUPPORT, MOUNT
10.101.AA		CYLINDER HEAD
10.101.AB		CYLINDER HEAD, COVER
10.101.AM		VALVE
10.102.AK		CRANKCASE, COVER
10.102.AP		ENGINE OIL PAN
10.103.AA		CRANKSHAFT
10.103.AG		CRANKSHAFT, PULLEY
10.103.AH		ENGINE FLYWHEEL
10.105.AB		CONNECTING ROD
10.105.AG		PISTONS
10.106.AA		CAMSHAFT, TIMING CONTROL
10.106.AG		GEAR, DRIVE
10.106.AO		ROCKER ARM
10.106.AP		ROCKSHAFT
10.110.AD		CRANKSHAFT, DAMPER
10.206.AG		FUEL FILTER
10.206.AO		FUEL FILTER
10.210.AF		FUEL LINE
10.218.AF		FUEL INJECTOR
10.218.AI		INJECTION PIPE
10.218.AQ	01	FUEL INJECTION PUMP
10.218.AQ	02	FUEL INJECTION PUMP, COMPONENTS
10.250.AC		TURBOCHARGER
10.250.AD		TURBOCHARGER LUBE LINE
10.250.AJ		TURBOCHARGER, VALVE, LINE
10.254.AC		EXHAUST MANIFOLD
10.254.AM		INLET MANIFOLD
10.304.AC		ENGINE OIL PUMP
10.304.AE		ENGINE OIL FILTER

SECTION INDEX

ENGINE

10.304.AF	01	ENGINE OIL FILTER, LUBRICATION LINE, LINE
10.304.AF	02	ENGINE OIL FILTER, LINE
10.304.AJ	01	ENGINE OIL, DIPSTICK
10.304.AJ	02	ENGINE OIL, DIPSTICK
10.304.AL		SUCTION PIPE
10.304.AM		PRESSURE CONTROL VALVE
10.304.AP		ENGINE, VENT
10.304.AR		PISTON COOLING NOZZLE
10.400.AE	01	ENGINE, COOLING SYSTEM LINE
10.400.AE	02	ENGINE, COOLING SYSTEM LINE
10.400.AQ		WATER PUMP LINE
10.400.BB		WATER PUMP
10.400.BC		THERMOSTAT
10.408.AA		OIL COOLER, SUPPLY, CONNECTING
10.408.AB		OIL COOLER, RETURN LINE
10.408.AC		ENGINE, HEAT EXCHANGER
10.414.AE		BELT TENSIONER
10.450.AA		AIR COMPRESSOR, COVER
10.450.AL		AIR COMPRESSOR, SUPPORT

SECTION INDEX



10.000.00

p1

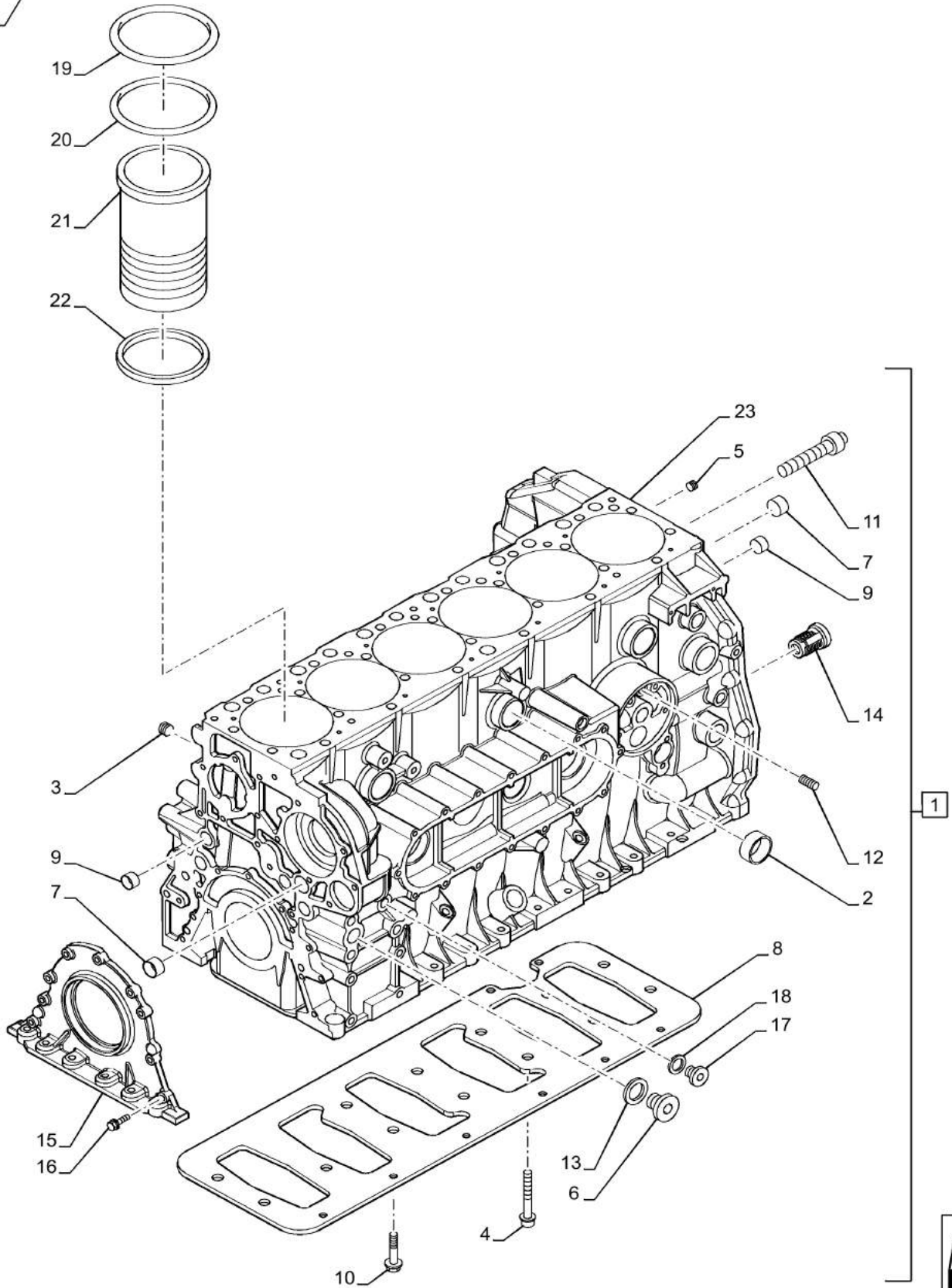
7/2015

SECTION INDEX

REF FN	PART NUMBER	YR/SN	QTY DESCRIPTION
---------------	--------------------	--------------	------------------------

F2CFA613C*G001-ENGINE 5801805474 - 47497628
--

CRANKCASE

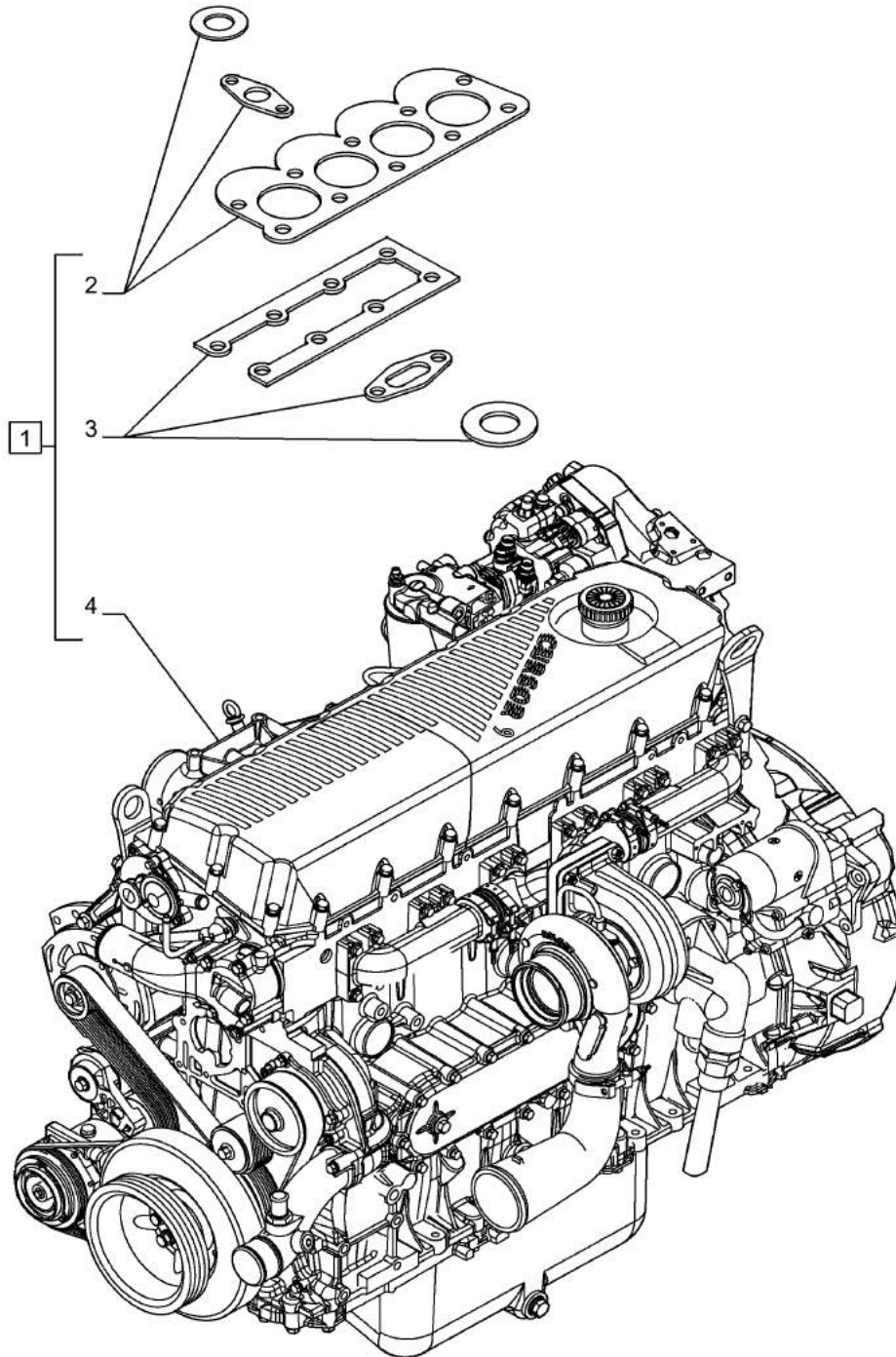


CRANKCASE

REF FN	PART NUMBER	YR/SN	QTY DESCRIPTION
1	504219039		1 CRANKCASE ASSY; Incl 2 - 18; 23
2	16991370		4 PLUG D=45 mm
3	504051237		3 PLUG D=1/4
4	504125417		14 SCREW M16 x 2 mm
5	504051236		1 PLUG Threaded, 1/8" D=1/8
6	16992515		1 PLUG M18 x 1.5 mm
7	16990870		3 PLUG D= 28 mm
8	504127723		1 PLATE
9	16990670		10 PLUG Lock, 22mm Dia D=22 mm
10	18139424		12 SCREW Hex, M10 x 20mm M10 x 20 mm
11	500356932		3 PLUG D=12 mm
12	500314967		3 DOWEL D=10 mm
13	5167640		1 SEALING WASHER 14.09mm ID x 26.45mm OD x 1.5mm Thk
14	504142601		1 VALVE
15	504125098		1 COVER ASSY
16	16673735		9 BOLT Hex, M8 x 1.25 x 25mm M8 x 1.25 x 25 mm
17	11903211		1 PLUG M12 x 1.25 x 12, CI5.8
18	99489017		1 GASKET 9.9mm ID x 20mm OD x 2.5mm Thk D=12 x 20 mm; SP=1.5 mm
19	99459176		12 GASKET
20	99459175		6 GASKET
21	504305869		6 ENGINE CYLINDER LINER
22	504128648		6 SHIM 0;08 mm
22	504128649		6 SHIM 0;10 mm
22	504128650		6 SHIM 0;12 mm
22	504128651		6 SHIM 0;14 mm
23	NSS		1 NOT SERVICED SEPARATELY Crankcase; Incl in 1

F2CFA613C*G001-ENGINE 5801805474 - 47497628

ENGINE



ENGINE

REF FN	PART NUMBER	YR/SN	QTY DESCRIPTION
1	{5801805474}		1 ASSY; Incl 2 - 4
2	8099072		1 GASKET KIT
3	8099073		1 GASKET KIT
4	NSS		1 NOT SERVICED SEPARATELY Engine; Incl in 1

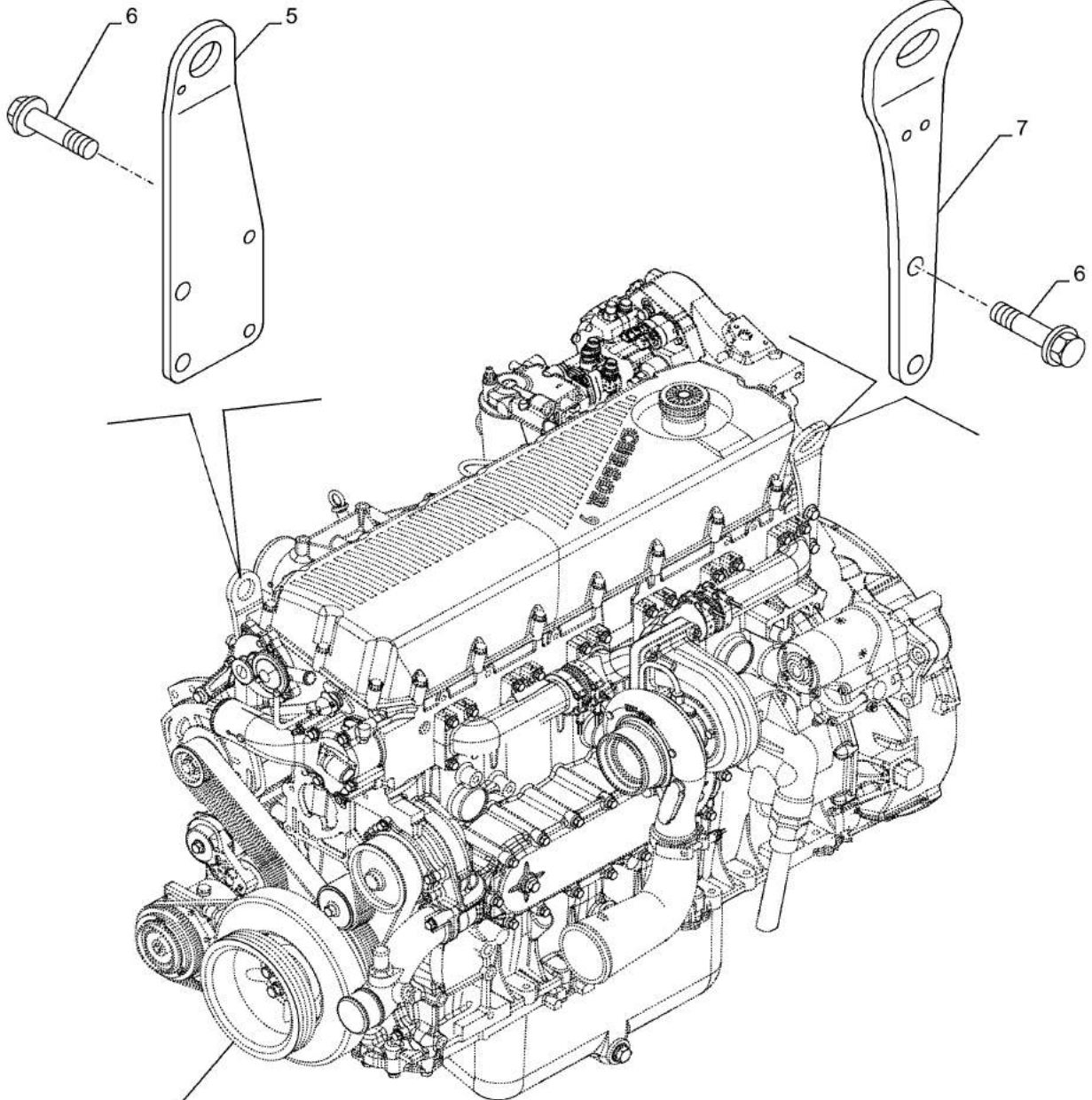
F2CFA613C*G001-ENGINE 5801805474 - 47497628

10.001.AK

p1

7/2015

ENGINE, SUPPORT, MOUNT



10.001.AD



10.001.AK

p1

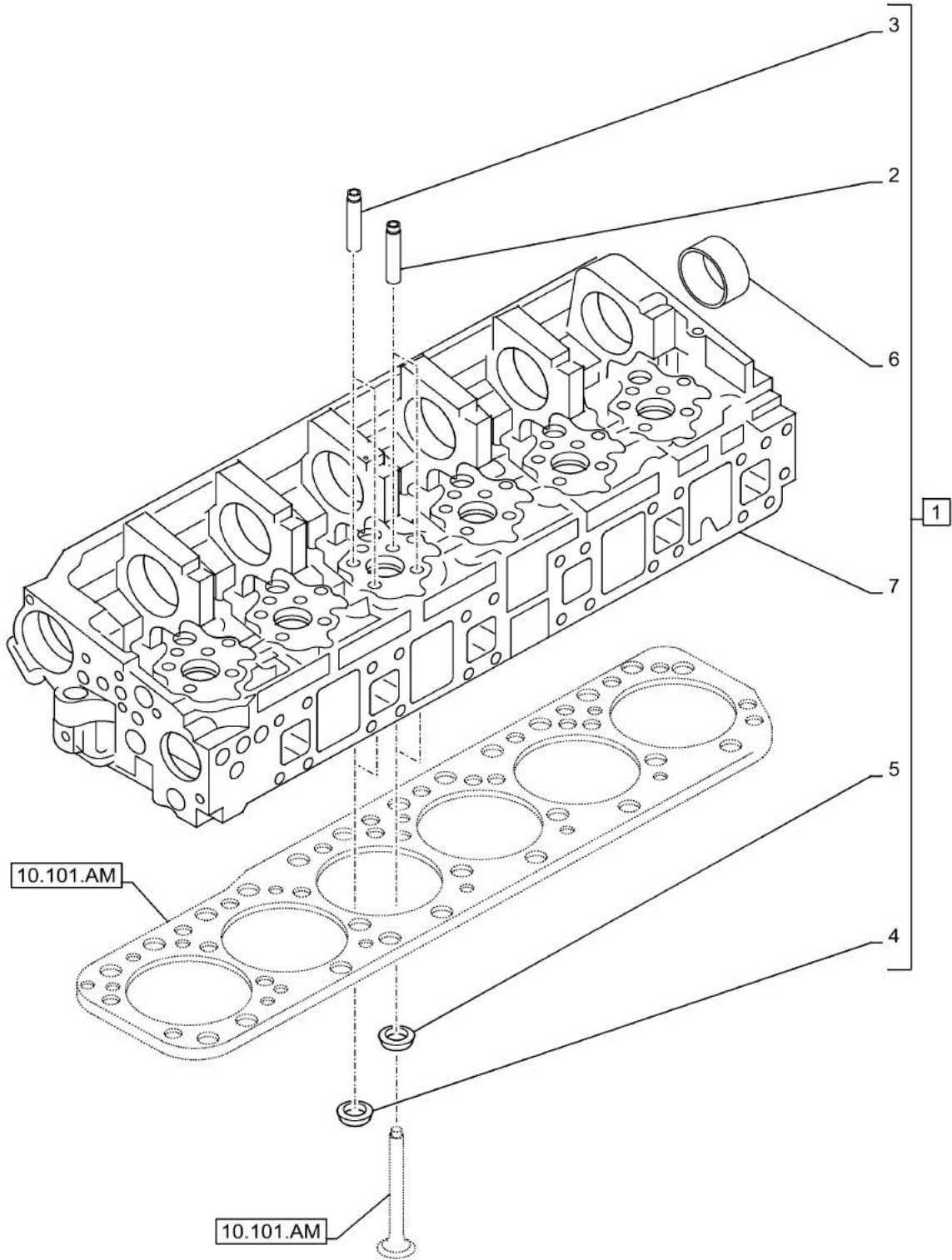
7/2015

ENGINE, SUPPORT, MOUNT

REF FN	PART NUMBER	YR/SN	QTY DESCRIPTION
1	500361014		1 LOAD HOOK
2	16677735		2 SCREW M12 x 25mm M12 x 25 mm
3	504354481		1 HOOK

F2CFA613C*G001-ENGINE 5801805474 - 47497628

CYLINDER HEAD



CYLINDER HEAD

REF FN	PART NUMBER	YR/SN	QTY DESCRIPTION
1	5801476005		1 CYLINDER HEAD ASSY; Incl 2 - 7
2	504361838		12 VALVE GUIDE Exhaust
2	504361839		12 VALVE GUIDE Exhaust
2	504361840		12 VALVE GUIDE Exhaust
3	504361843		12 VALVE GUIDE Intake
3	504361844		12 VALVE GUIDE Intake
3	504361845		12 VALVE GUIDE Intake
4	504361851		12 VALVE SEAT Intake
5	5801388691		12 VALVE SEAT Exhaust
6	504125778		7 BUSHING
7	NSS		1 NOT SERVICED SEPARATELY Cylinder head; Incl in 1

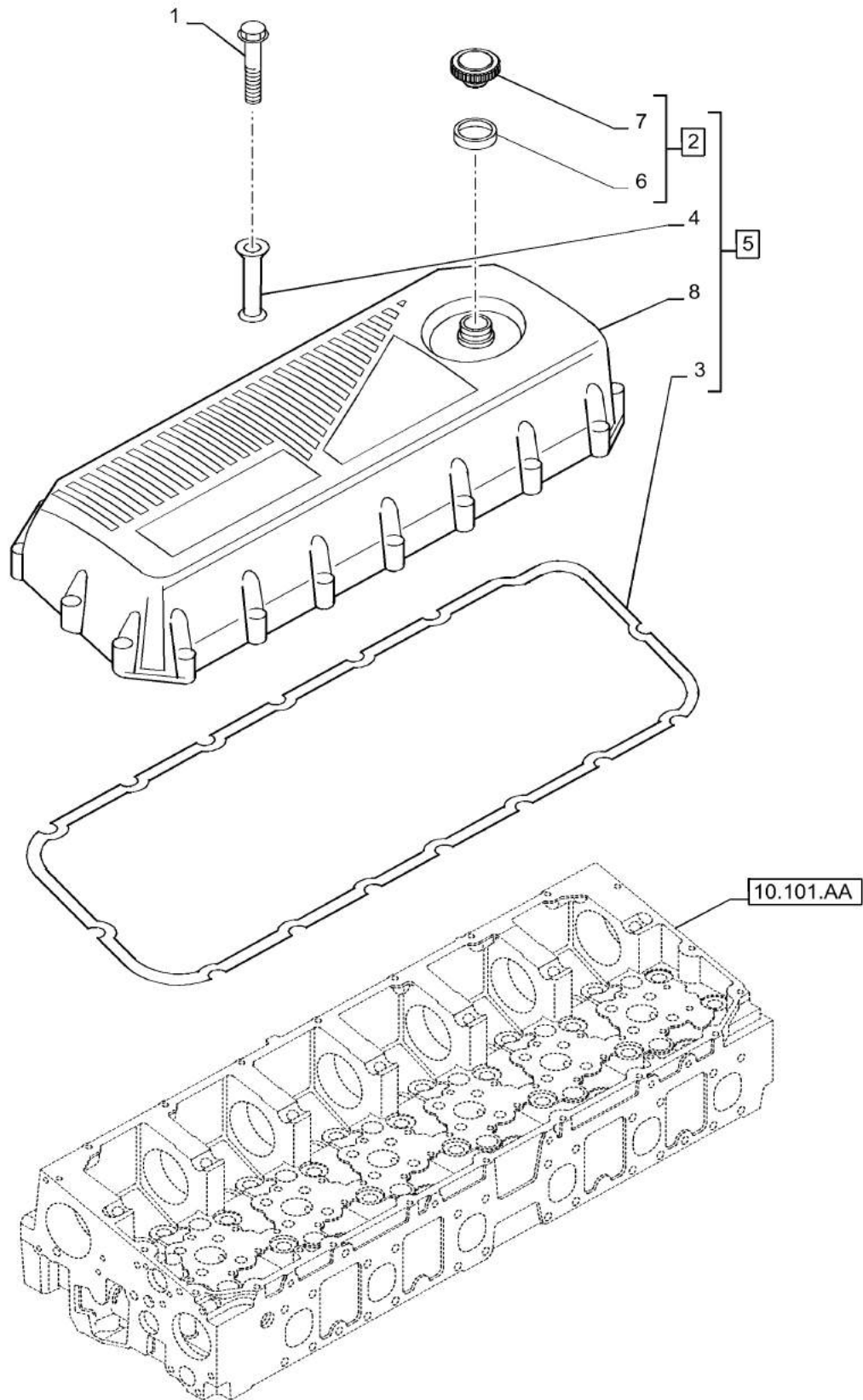
F2CFA613C*G001-ENGINE 5801805474 - 47497628

10.101.AB

p1

7/2015

CYLINDER HEAD, COVER

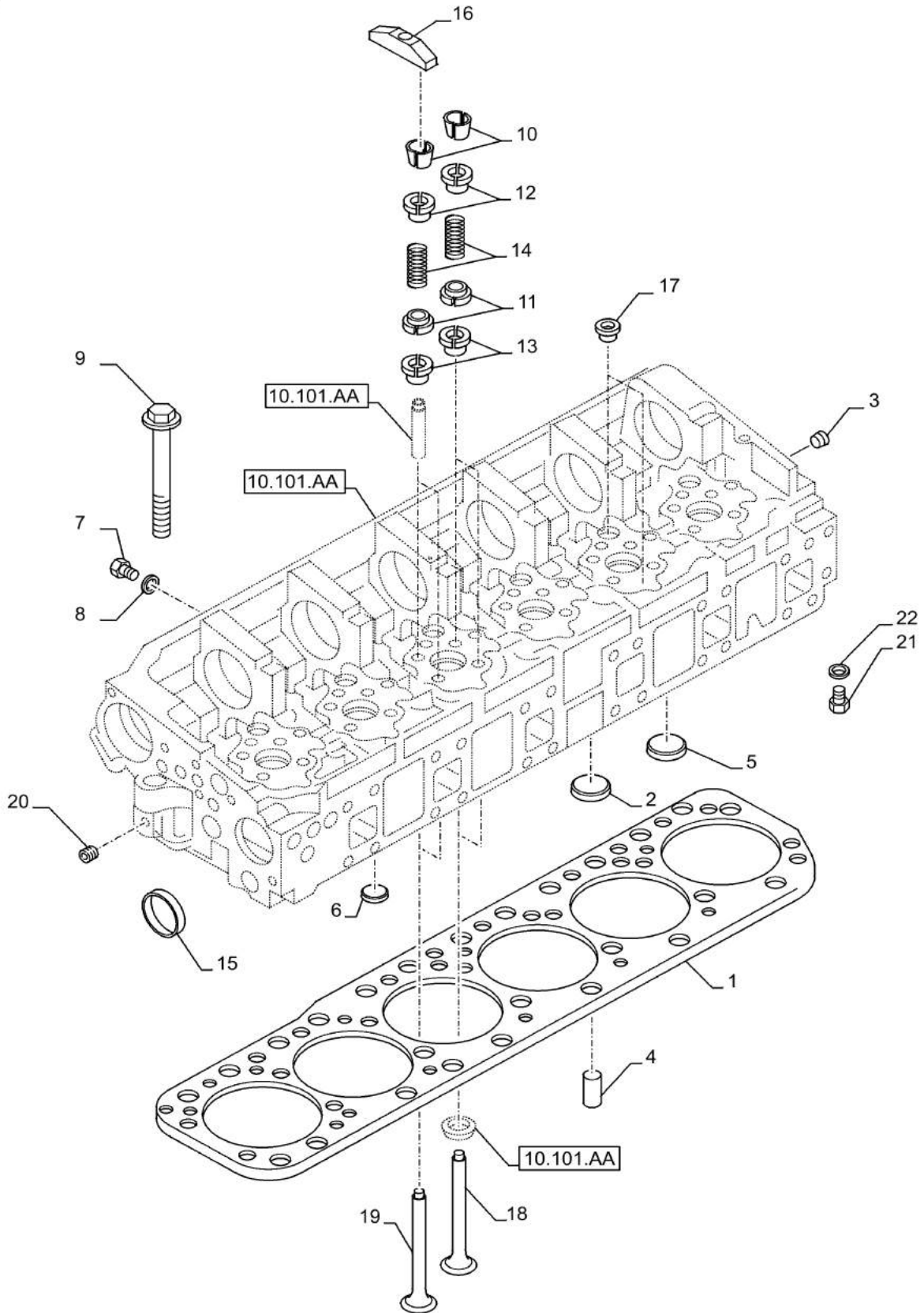


CYLINDER HEAD, COVER

REF FN	PART NUMBER	YR/SN	QTY DESCRIPTION
1	16591925		20 BOLT M6 x 50mm M6 x 50 mm
2	98442027		1 CAP ASSY; Incl 6; 7
3	99446692		1 GASKET
4	99446693		20 BUSHING
5	504008093		1 VALVE COVER ASSY; Incl 2 - 4
6	2852774		1 OIL PAN GASKET SET 38mm ID x 51mm OD x 8mm Thk
7	NSS		1 NOT SERVICED SEPARATELY Plug; Incl in 2
8	NSS		1 NOT SERVICED SEPARATELY Cover; Incl in 5

F2CFA613C*G001-ENGINE 5801805474 - 47497628

VALVE

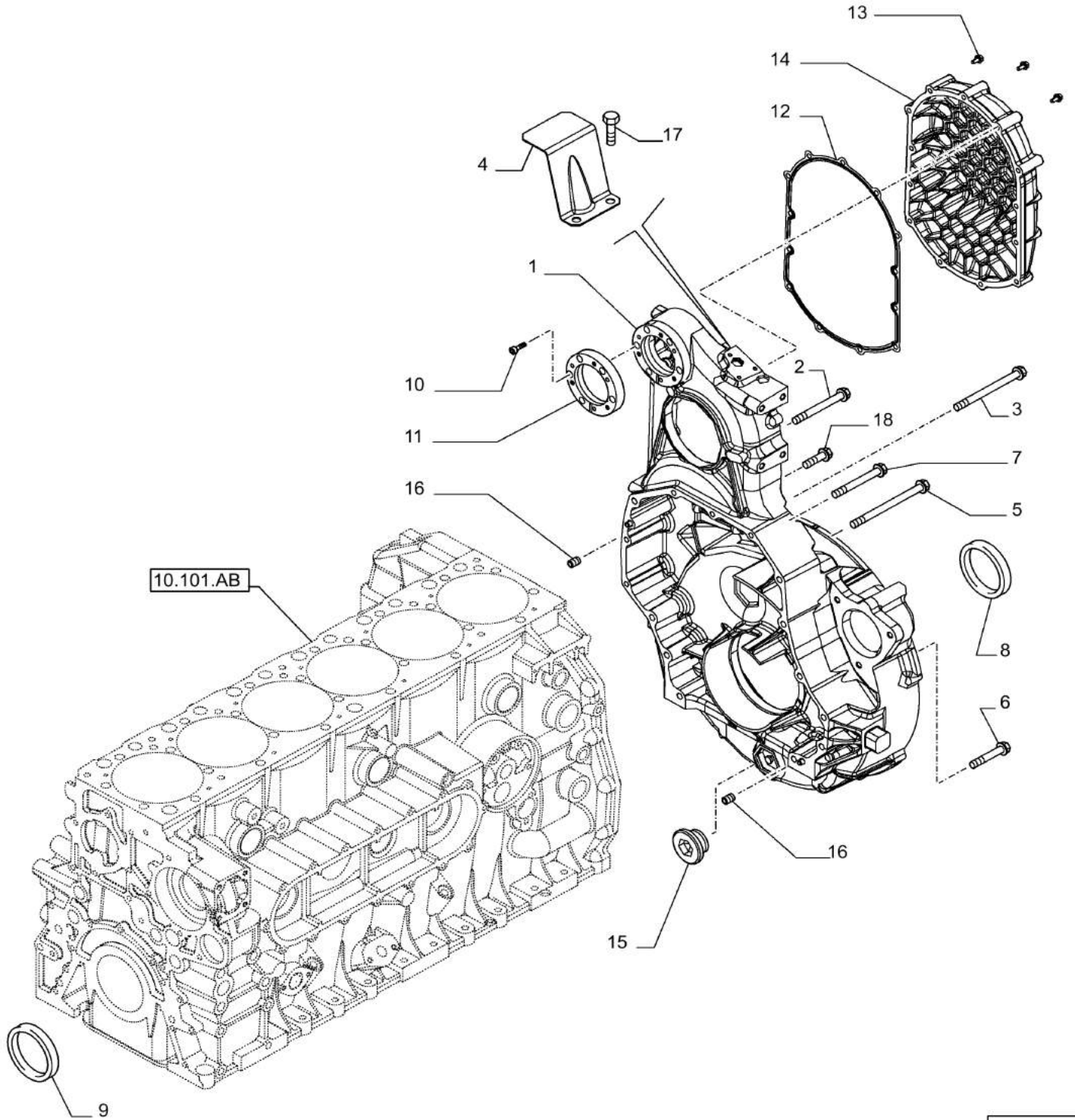


VALVE

REF FN	PART NUMBER	YR/SN	QTY DESCRIPTION
1	504385500		1 CYLINDER HEAD GASKET
2	16991170		6 PLUG D=36 mm
3	504051237		2 PLUG D=1/4
4	500314967		2 DOWEL D=10 mm
5	16991370		2 PLUG D=45 mm
6	14282170		6 PLUG M20, Tapered, Stainless D=20 mm
7	16992211		1 PLUG M12 x 1.5 mm
8	99489017		1 GASKET 9.9mm ID x 20mm OD x 2.5mm Thk
9	500354580		26 BOLT M16 x 2 x 170 mm
10	98499819		48 ROCKER ARM COTTER
11	504129182		24 SPRING SEAT Bottom
12	504127797		24 SPRING CUP Top
13	5801520477		24 RETAINER
14	504125776		24 VALVE SPRING
15	16990870		5 PLUG D=28 mm
16	504131444		12 BRIDGE
17	504344694		23 PLUG M25, Tapered D=25 mm
18	5801506352		12 STD EXHAUST VALVE
19	500354685		12 STD INLET VALVE Intake
20	504138062		3 PLUG D=10 mm
21	10300714		1 PLUG M16 x 1.5 x 14 M16 x 1.5 mm
22	99489019		1 SEALING WASHER D=16x24 mm SP=1.5 mm

F2CFA613C*G001-ENGINE 5801805474 - 47497628

CRANKCASE, COVER

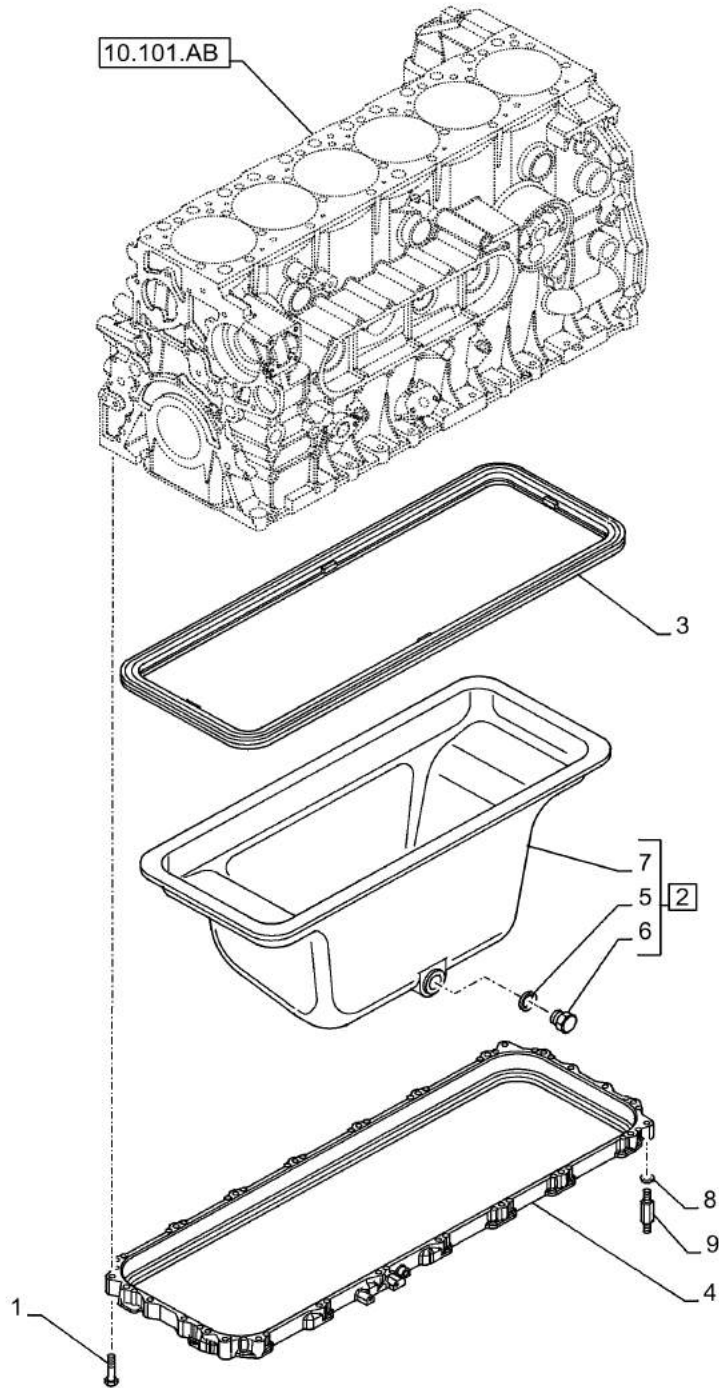


CRANKCASE, COVER

REF FN	PART NUMBER	YR/SN	QTY DESCRIPTION
1	504289274		1 HOUSING
2	16593425		2 BOLT M12 x 100mm M12x100 mm
3	2852925		3 SCREW
4	504347962		1 HEAT SHIELD
5	16586724		3 SCREW M8 x 1.25 x 40mm
6	2852327		5 BOLT Flng, M12 x 1.75 x 80mm M12x80 mm
7	16593125		3 BOLT M10 x 100mm M10x100 mm
8	504244493		1 SEAL
9	504042684		1 SHAFT SEAL
10	16707334		5 BOLT M8 x 30mm, CI 10.9 M8x30 mm
11	504290087		1 FLANGE
12	504290773		1 GASKET
13	16592325		9 BOLT M8 x 60mm M8x40 mm
13	16586725		4 BOLT Hex, M8 x 1.25 x 40mm M8x1.25x40 mm
14	504356982		1 COVER
15	16992915		1 PLUG
16	500314968		2 DOWEL
17	2853970		2 BOLT

F2CFA613C*G001-ENGINE 5801805474 - 47497628

ENGINE OIL PAN



ENGINE OIL PAN

REF FN	PART NUMBER	YR/SN	QTY DESCRIPTION
1	16587525		23 BOLT M10 x 45mm M10 x 45
2	504143834		1 ENGINE OIL PAN ASSY, Incl 5-7
3	504346309		1 GASKET
4	504143828		1 SPACER
5	16508460		1 SEAL
6	10305171		1 PLUG M22 x 1.5 x 21 M22 x 1.5
7	NSS		1 NOT SERVICED SEPARATELY Sump, Incl in 2
8	17095024		3 WASHER
9	504005577		3 PROP

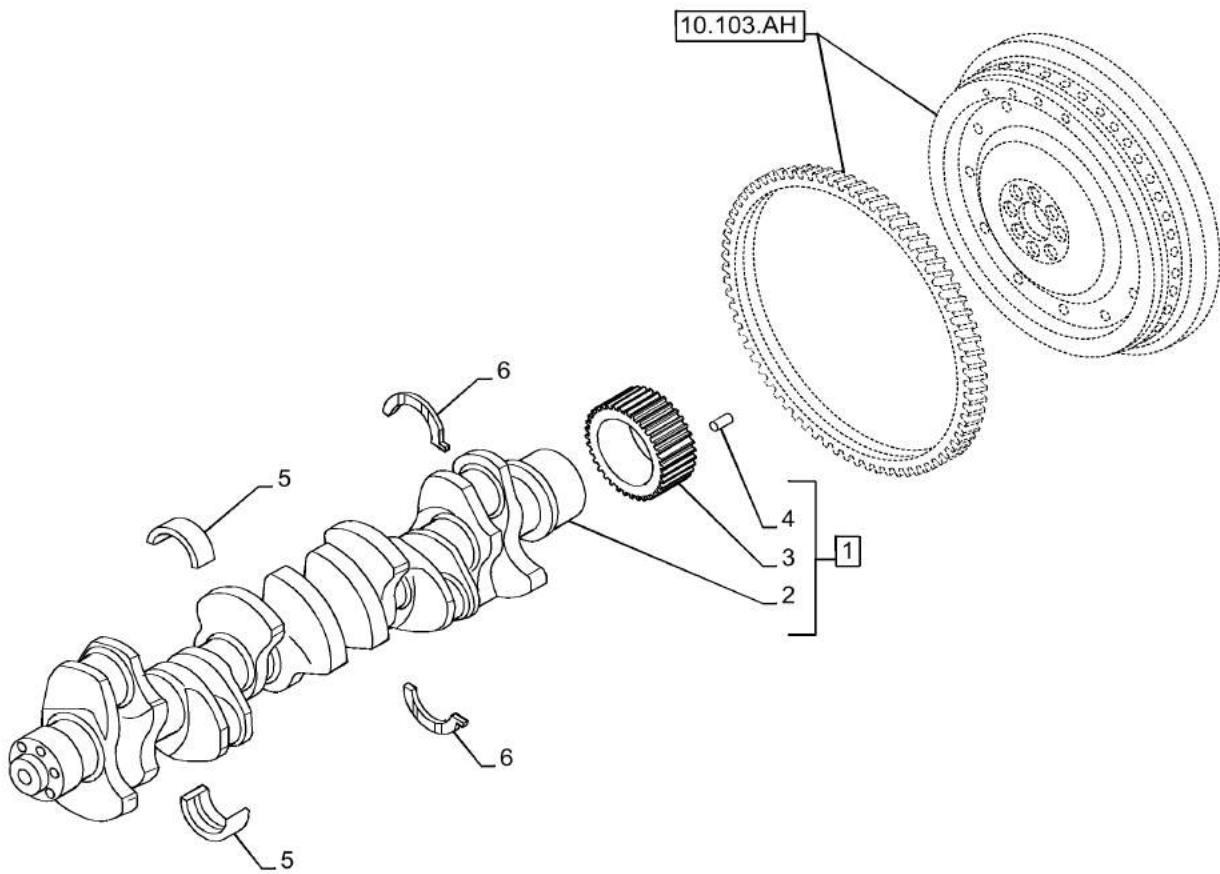
F2CFA613C*G001-ENGINE 5801805474 - 47497628

10.103.AA

p1

7/2015

CRANKSHAFT



CRANKSHAFT

REF FN	PART NUMBER	YR/SN	QTY DESCRIPTION
1	504379916		1 CRANKSHAFT ASSY, Incl 2 - 4
2	NSS		1 NOT SERVICED SEPARATELY Shaft, Incl in 1
3	504124624		1 GEAR
4	10839610		1 DOWEL M8 x 12mm D=8 mm
5	2996584		1 SET OF STD MAIN BRGS Red
5	2996585		1 SET OF STD MAIN BRGS Green
5	2996586		1 BEARING SET Red black
5	2996587		1 BEARING SET Gren black
5	2996588		1 BEARING SET Red
5	2996589		1 SET OF MAIN BRGS -0.508 Red
6	2996590		1 SEAL

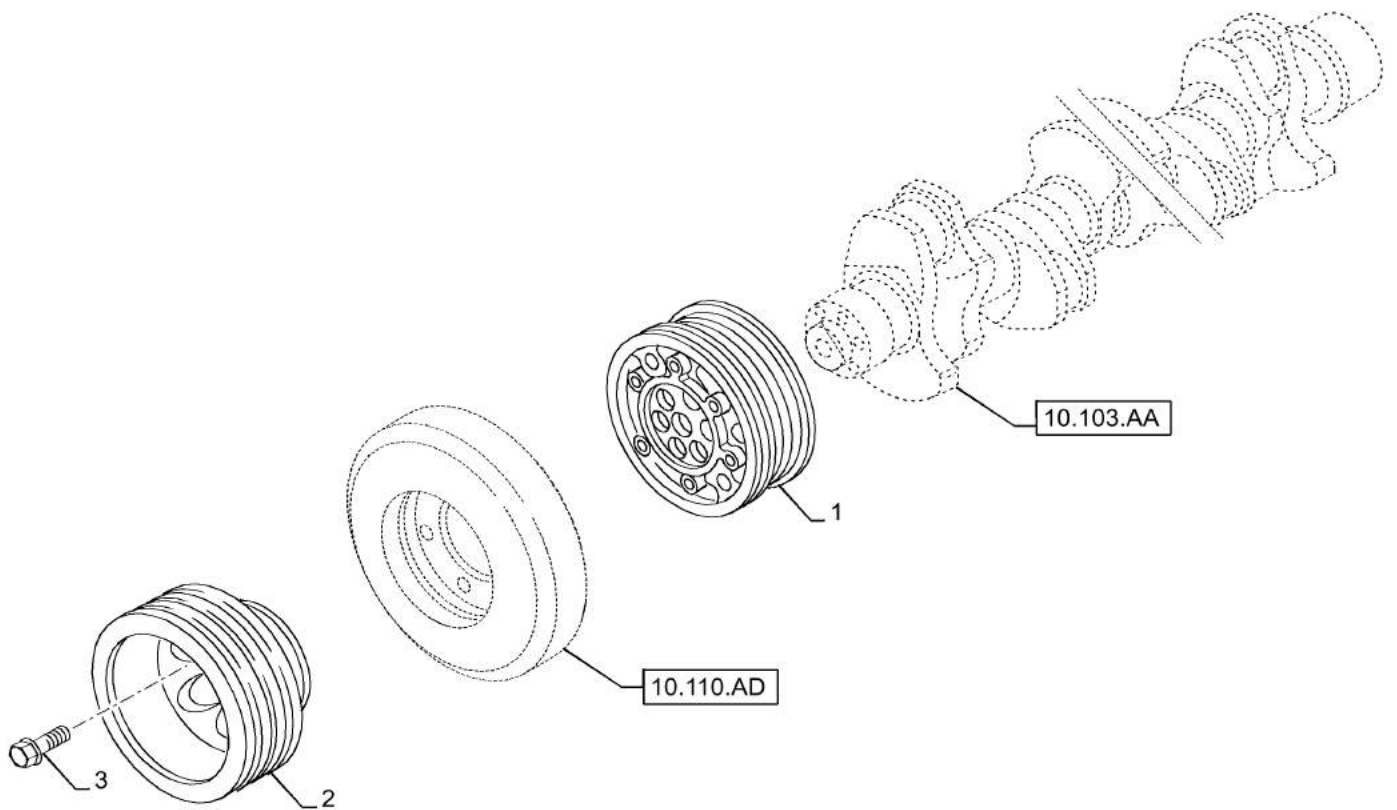
F2CFA613C*G001-ENGINE 5801805474 - 47497628

10.103.AG

p1

7/2015

CRANKSHAFT, PULLEY

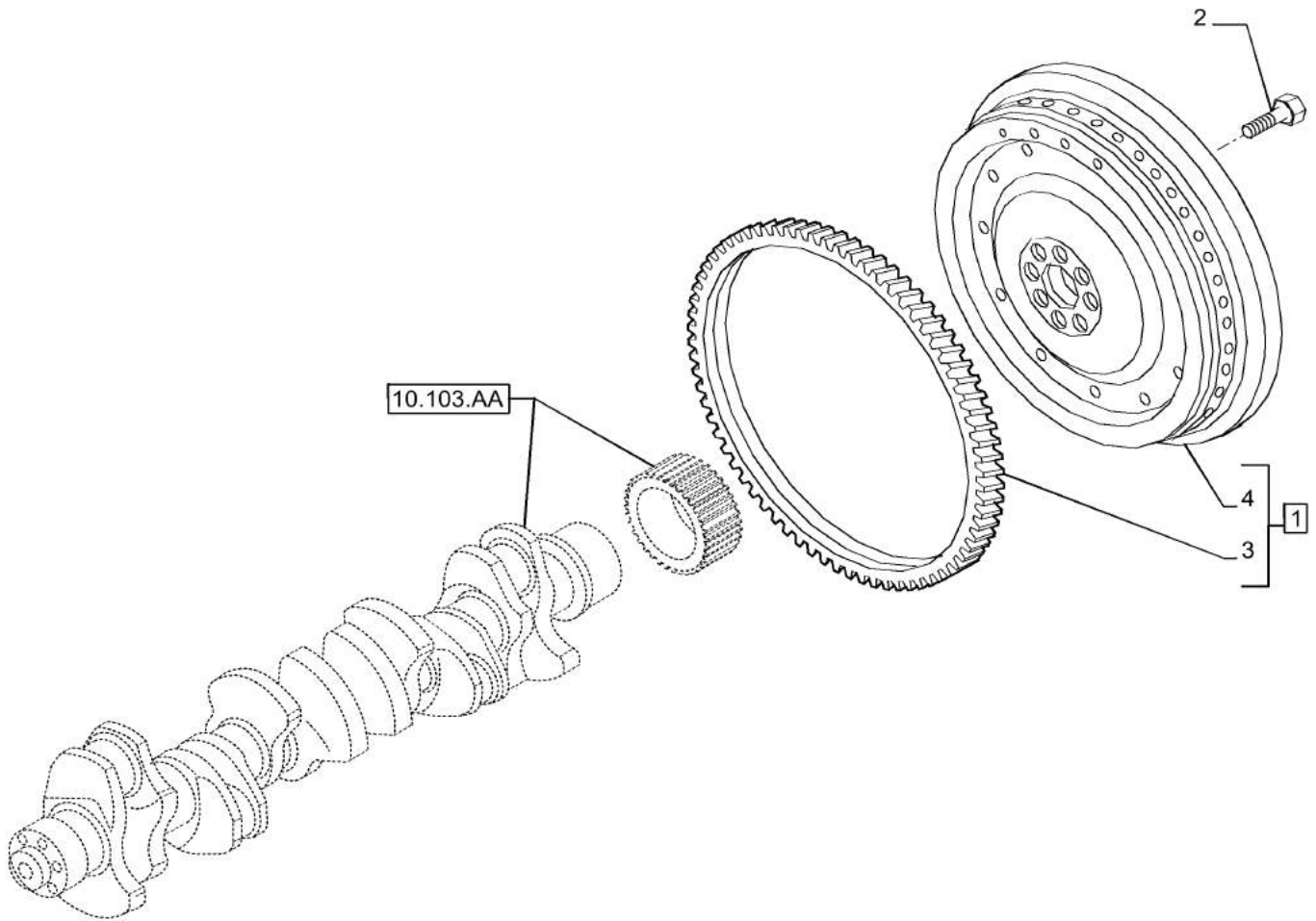


CRANKSHAFT, PULLEY

REF FN	PART NUMBER	YR/SN	QTY DESCRIPTION
1	504360070		1 PULLEY
2	500373497		1 PULLEY
3	500376251		6 SCREW

F2CFA613C*G001-ENGINE 5801805474 - 47497628

ENGINE FLYWHEEL

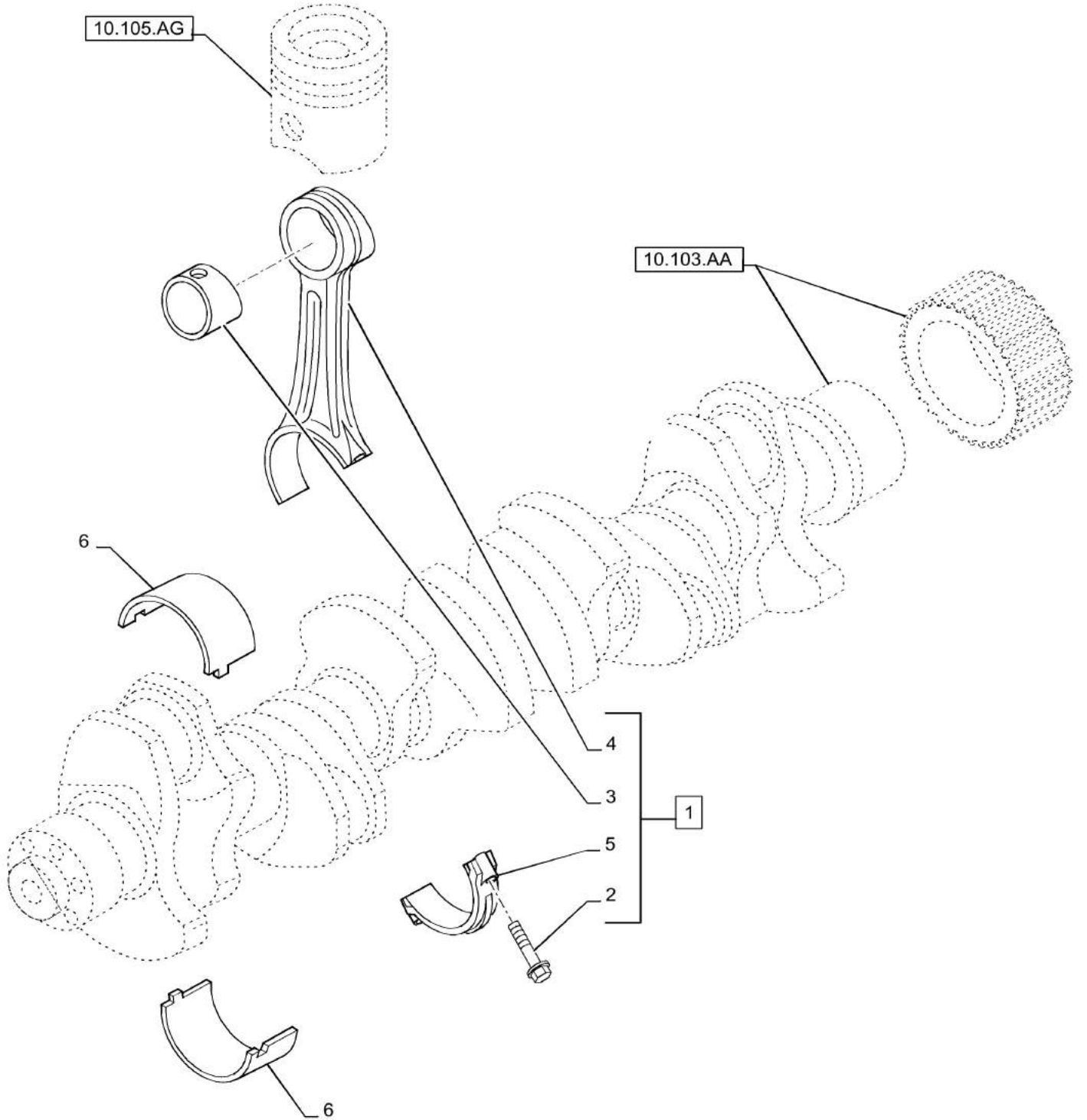


ENGINE FLYWHEEL

REF FN	PART NUMBER	YR/SN	QTY DESCRIPTION
1	504129520		1 ENGINE FLYWHEEL ASSY; Incl 3; 4
2	99430395		8 SCREW M12 x 28 mm
3	2855421		1 RING GEAR
4	NSS		1 NOT SERVICED SEPARATELY Flyweel; Incl in 1

F2CFA613C*G001-ENGINE 5801805474 - 47497628

CONNECTING ROD

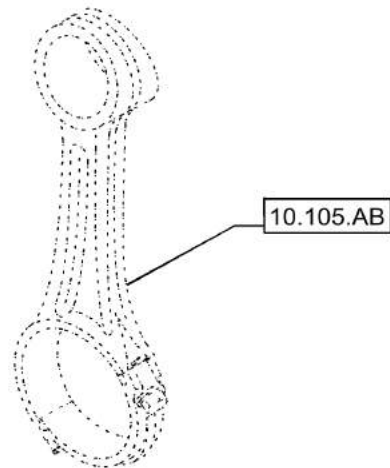
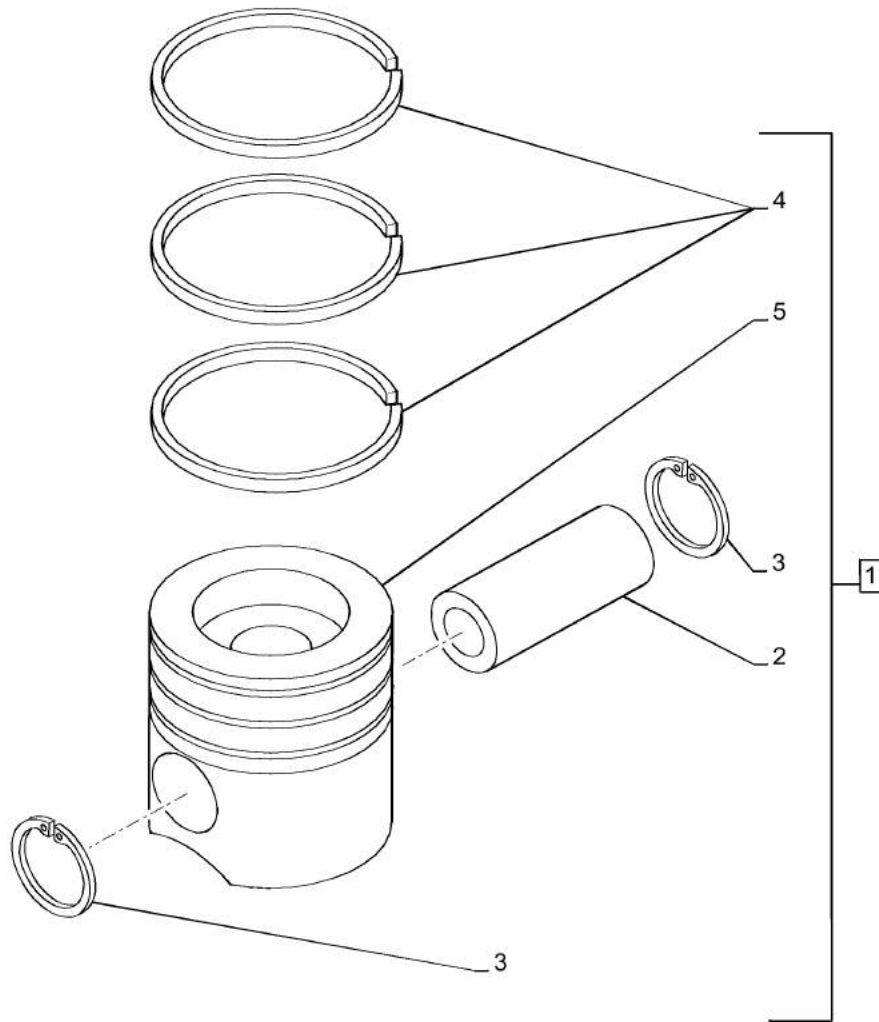


CONNECTING ROD

REF FN	PART NUMBER	YR/SN	QTY DESCRIPTION
1	5801654901		6 CONNECTING ROD ASSY; Incl 2 - 5
2	504126229		2 SCREW
3	5801506454		1 BUSHING
4	NSS		1 NOT SERVICED SEPARATELY Rod. Incl in 1
5	NSS		1 NOT SERVICED SEPARATELY Cap; Incl in 1
6	500054902		6 SET OF CONN ROD BRGS (STD) Red
6	500054903		6 SET OF CONN ROD BRGS (STD) Green
6	500054904		6 SET OF CONN ROD BRGS (STD) Red Black (- 0.127)
6	500054905		6 SET OF CONN ROD BRGS U/S Green Black (- 0.127)
6	500054906		6 SET OF CONN ROD BRGS U/S Red (- 0.254)
6	500054907		6 SET OF CONN ROD BRGS U/S Green (- 0.254)
6	500054908		6 SET OF CONN ROD BRGS U/S Red (- 0.508)
6	500054910		6 SET OF CONN ROD BRGS U/S Green (- 0.508)

F2CFA613C*G001-ENGINE 5801805474 - 47497628

PISTONS

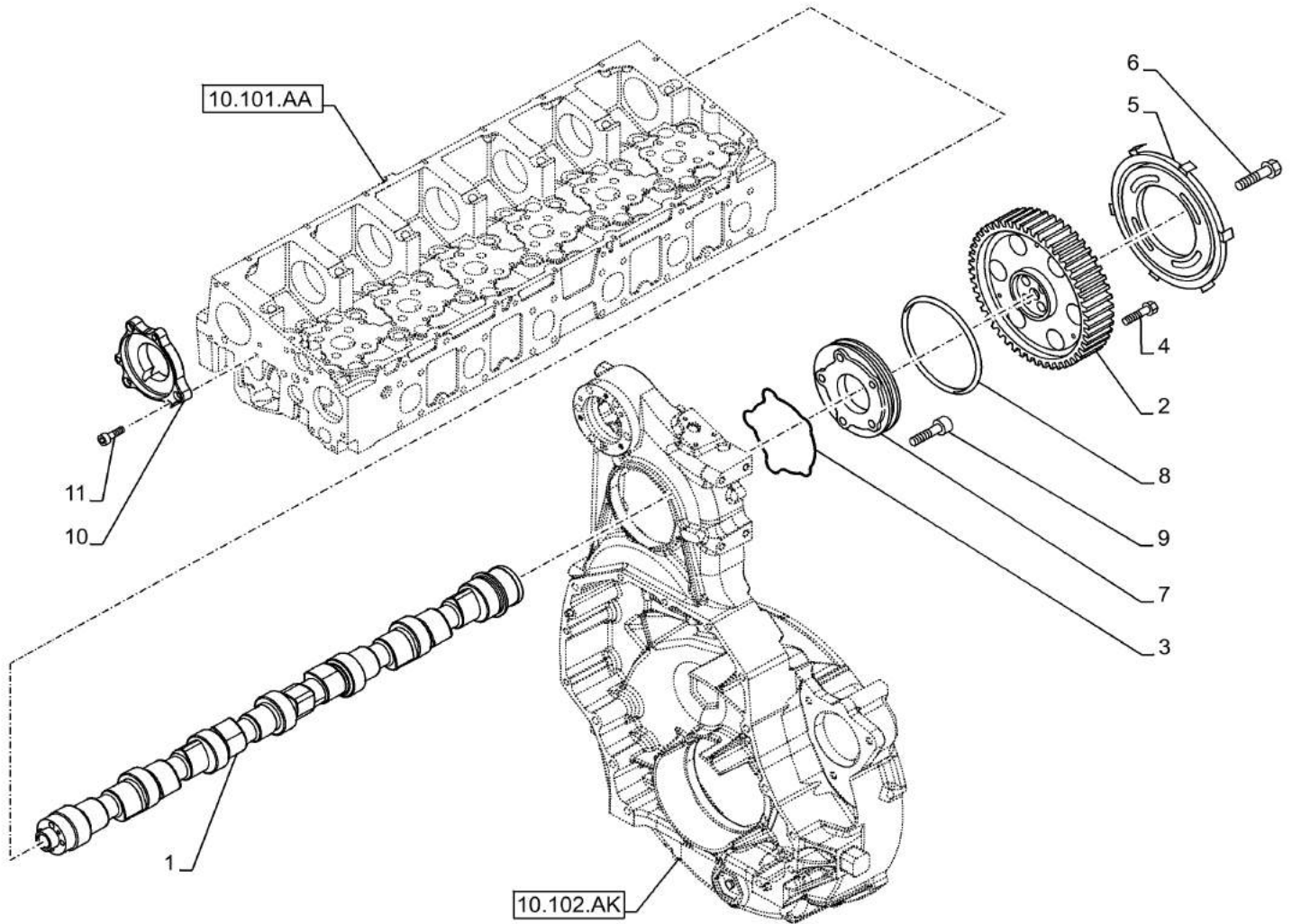


PISTONS

REF FN	PART NUMBER	YR/SN	QTY DESCRIPTION
1	8097809		6 PISTON ASSY ASSY; Incl 2 - 5
2	504126580		1 PISTON PIN
3	16873476		2 CIRCLIP D=56.2 x 2 mm
4	8097808		6 PISTON RINGS KIT
5	NSS		1 NOT SERVICED SEPARATELY Piston; Incl in 1

F2CFA613C*G001-ENGINE 5801805474 - 47497628

CAMSHAFT, TIMING CONTROL

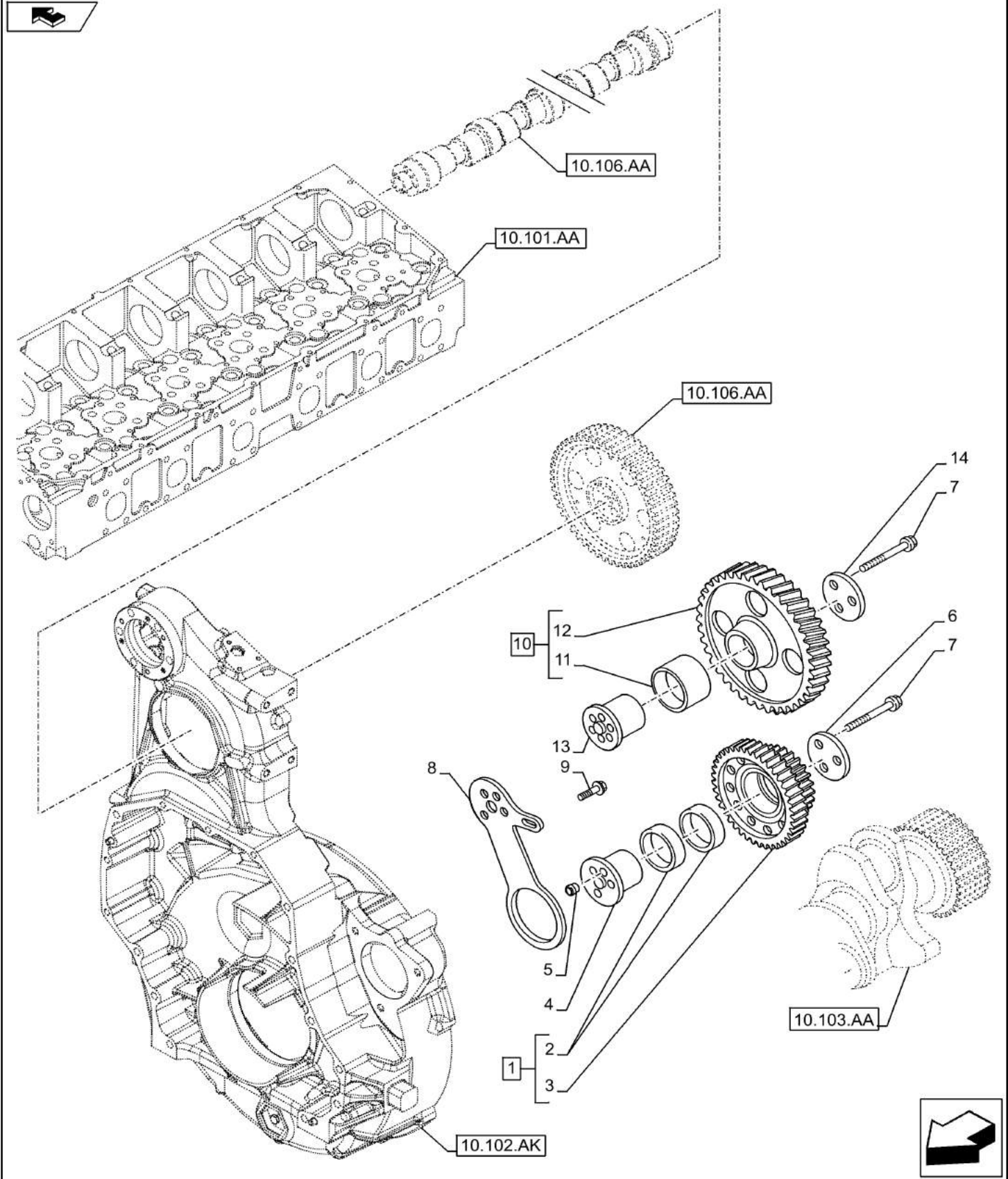


CAMSHAFT, TIMING CONTROL

REF FN	PART NUMBER	YR/SN	QTY DESCRIPTION
1	504254723		1 CAMSHAFT
2	504385205		1 PINION
3	14465381		1 O-RING 3.109" ID x 3.387" OD x 0.139"
4	16676135		4 SCREW
5	504378920		1 PLATE
6	5801472223		3 BOLT
7	504127775		1 REAR COVER
8	14466981		1 O-RING 0.139" Thk x 5.109" ID, -251, CI 7, 75 Duro
9	16586625		5 BOLT M8 x 35mm
10	504360534		1 COVER
11	16690525		3 SCREW M8 x 1.25 x 17mm

F2CFA613C*G001-ENGINE 5801805474 - 47497628

GEAR, DRIVE

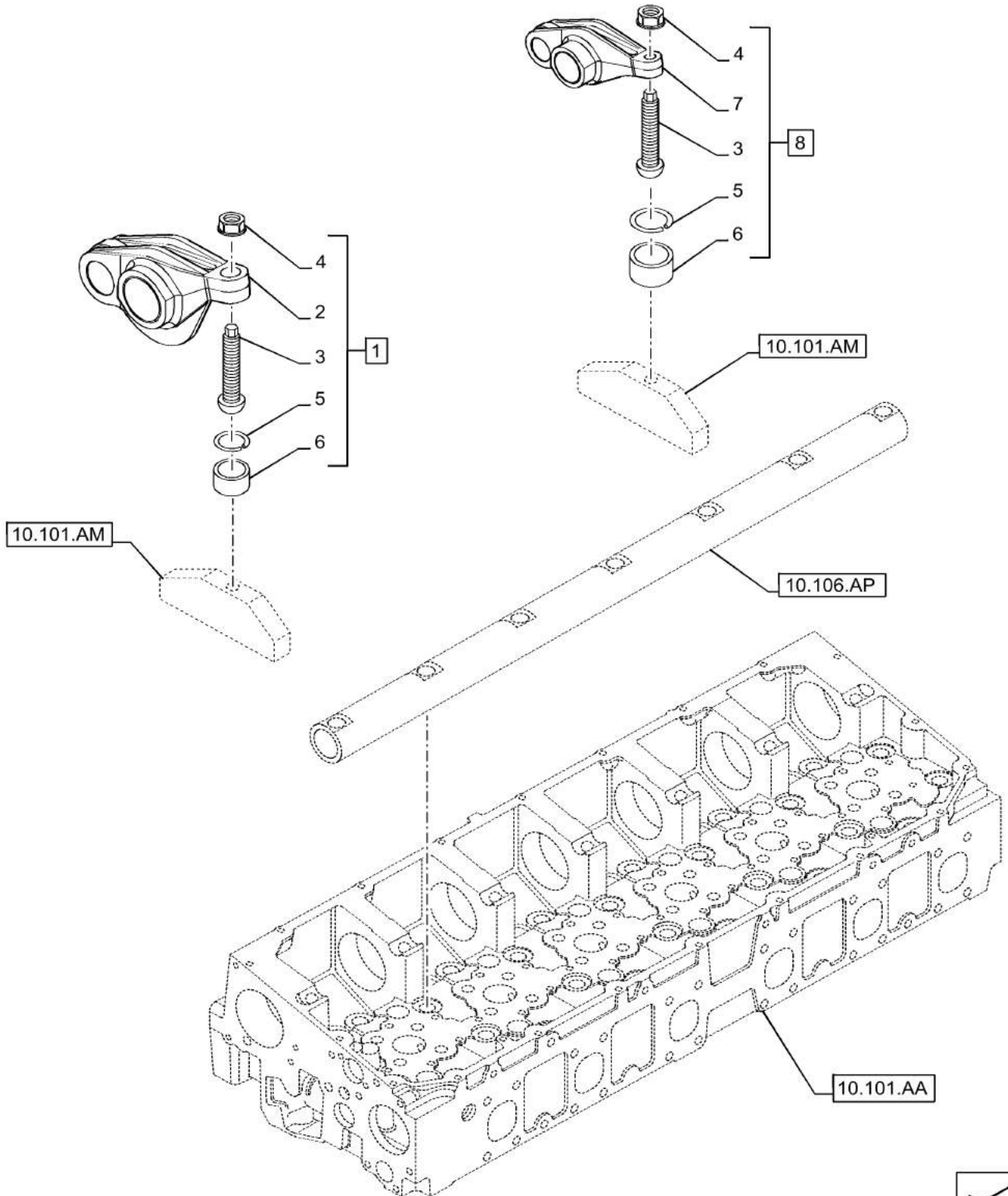


GEAR, DRIVE

REF FN	PART NUMBER	YR/SN	QTY DESCRIPTION
1	504124648		1 GEAR ASSY; Incl 2; 3
2	504001674		2 BUSHING
3	NSS		1 NOT SERVICED SEPARATELY Gear; Incl in 1
4	504127832		1 SPACER
5	504002500		1 DOWEL
6	504128376		1 WASHER, THRUST
7	16679034		6 BOLT M12 x 90mm M12 x 90 mm
8	504126996		1 RETAINER
9	18138324		1 SCREW M8 x 1.25 x 16mm
10	504124654		1 GEAR ASSY; Incl 11; 12
11	99432141		1 BUSHING
12	NSS		1 NOT SERVICED SEPARATELY Gear; Incl in 10
13	504133017		1 SPACER
14	99483931		1 LOCK WASHER

F2CFA613C*G001-ENGINE 5801805474 - 47497628

ROCKER ARM

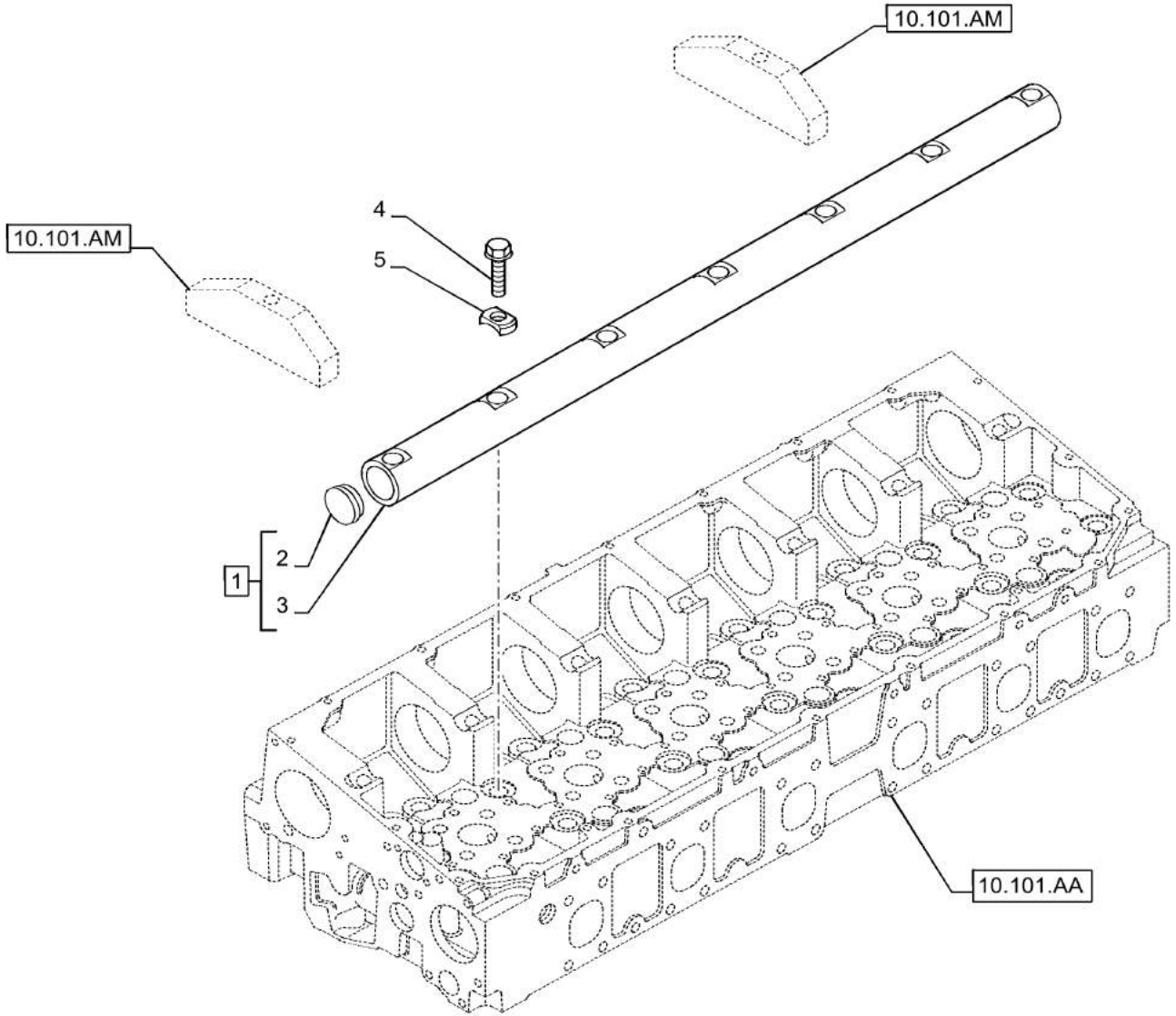


ROCKER ARM

REF FN	PART NUMBER	YR/SN	QTY DESCRIPTION
1	504127124		6 ROCKER ARM Intake; ASSY; Incl 2 - 6
2	NSS		1 NOT SERVICED SEPARATELY Arm; Incl in 1
3	NSS		2 NOT SERVICED SEPARATELY Screw; Incl in 1, 8
4	504059553		2 NUT
5	NSS		12 NOT SERVICED SEPARATELY Ring; Incl in 1, 8
6	500300903		2 SLIDING PAD
7	NSS		1 NOT SERVICED SEPARATELY Arm; Incl in 8
8	504165682		6 ROCKER ARM Exhaust; ASSY; Incl 3 - 6, 7

F2CFA613C*G001-ENGINE 5801805474 - 47497628

ROCKSHAFT

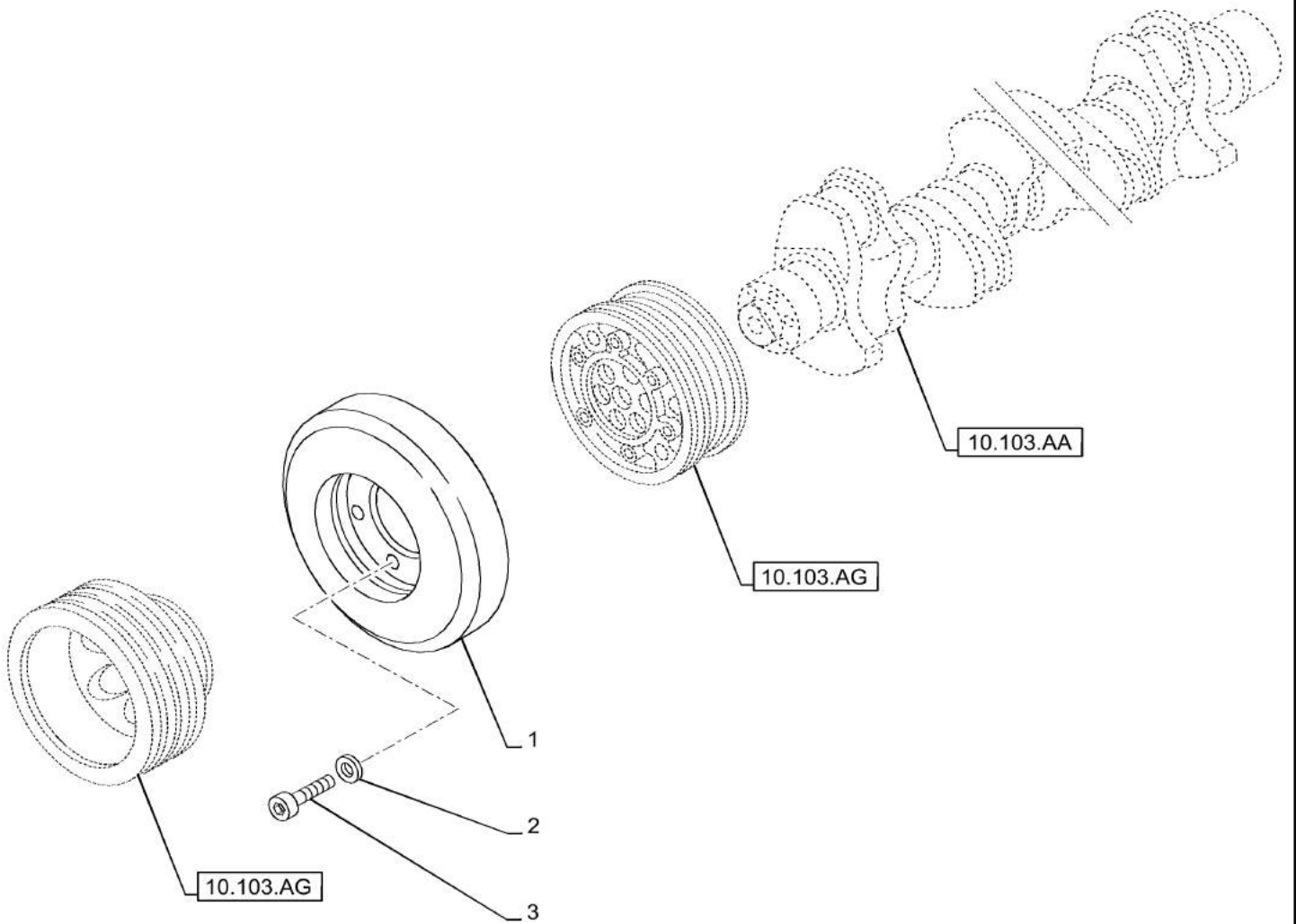


ROCKSHAFT

REF FN	PART NUMBER	YR/SN	QTY DESCRIPTION
1	504189213		1 SHAFT ASSY; Incl 2, 3
2	16988301		2 PLUG D=20 mm
3	NSS		1 NOT SERVICED SEPARATELY Shaft; Incl in 1
4	16679435		7 BOLT
5	504188241		7 SPACER

F2CFA613C*G001-ENGINE 5801805474 - 47497628

CRANKSHAFT, DAMPER

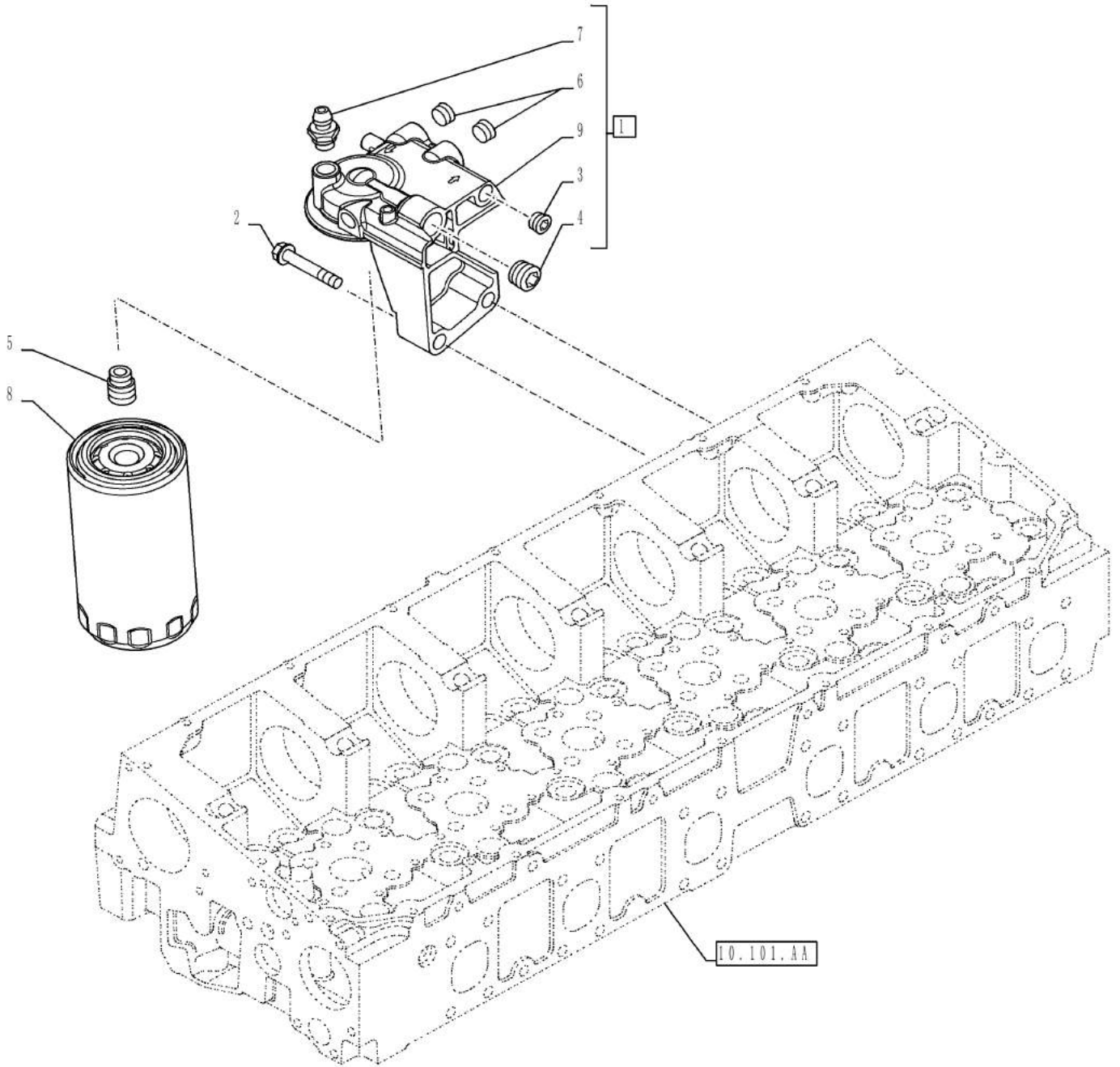


CRANKSHAFT, DAMPER

REF FN	PART NUMBER	YR/SN	QTY DESCRIPTION
1	99454013		1 DAMPER
2	17095224		6 WASHER D=12 x 20 mm
3	16693834		6 SCREW M12 x 30 mm

F2CFA613C*G001-ENGINE 5801805474 - 47497628

FUEL FILTER

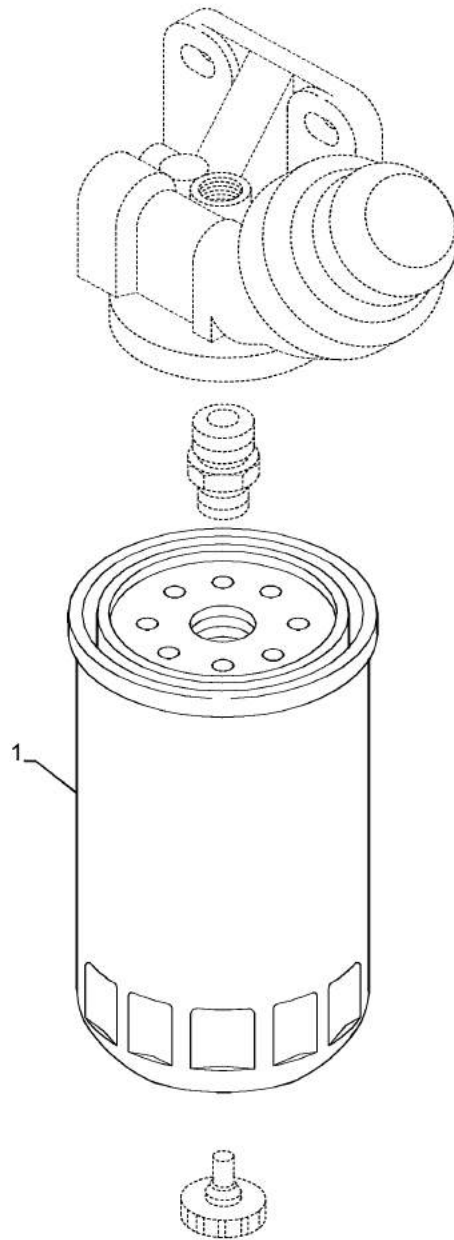


FUEL FILTER

REF FN	PART NUMBER	YR/SN	QTY DESCRIPTION
1	500392440		1 FILTER ASSY ASSY, Incl 3, 4, 6, 7, 9
2	16586725		2 BOLT Hex, M8 x 1.25 x 40mm M8 x 40 mm
3	504051237		1 PLUG D= 1/2
4	99430692		PLUG
5	98498837		1 FITTING M14 x 1.5 - M16 x 1.5
6	504051238		2 PLUG Threaded, 3/8" Dia
7	500304562		1 BLEEDER VALVE
8	2996569		1 FILTER
9	1 NSS		1 NOT SERVICED SEPARATELY Support, Incl in 2
(1)	MAINTENANCE PART		

F2CFA613C*G001-ENGINE 5801805474 - 47497628

FUEL FILTER

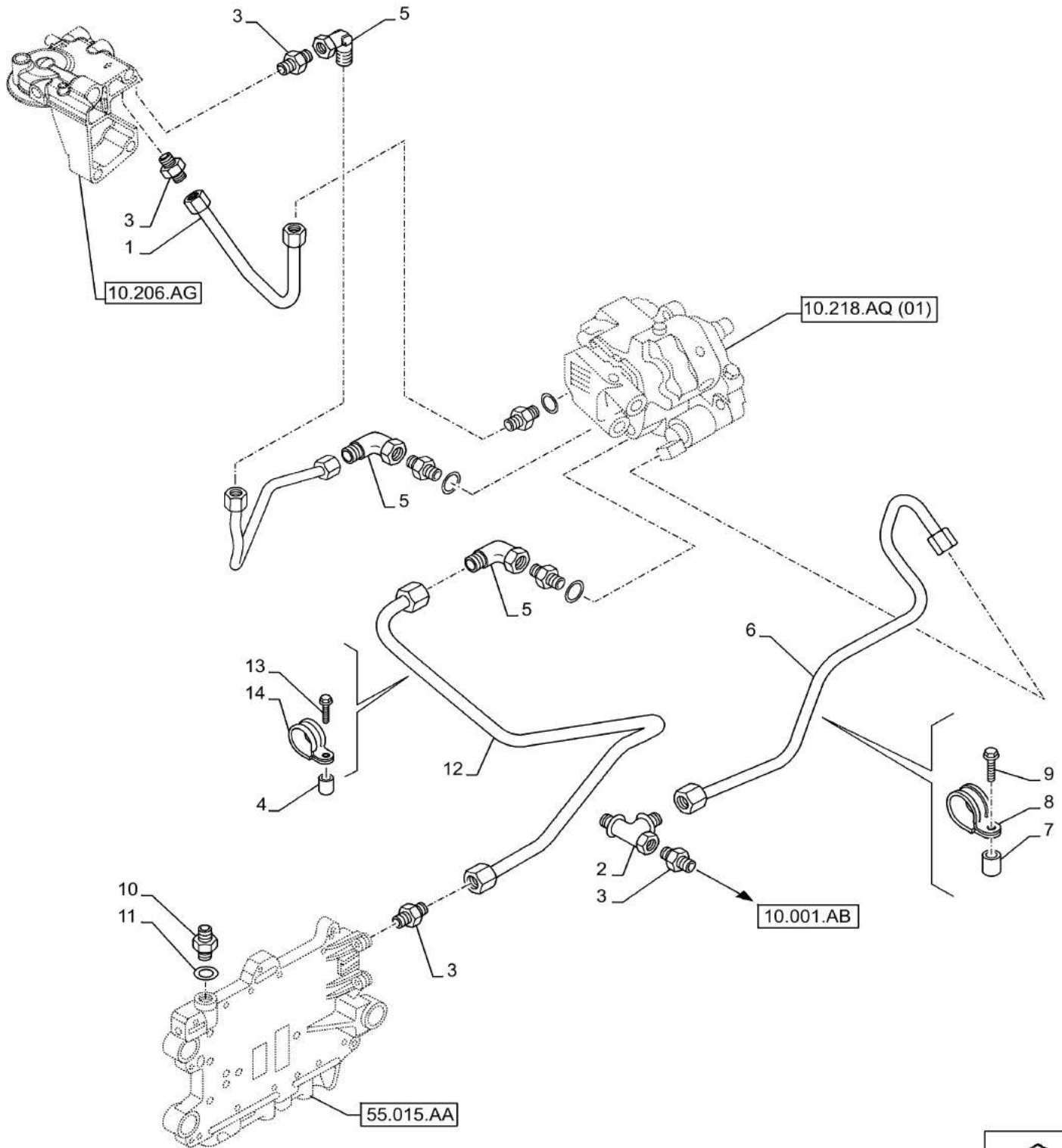


FUEL FILTER

REF FN	PART NUMBER	YR/SN	QTY DESCRIPTION
1	2996571		1 ELEMENT

F2CFA613C*G001-ENGINE 5801805474 - 47497628

FUEL LINE

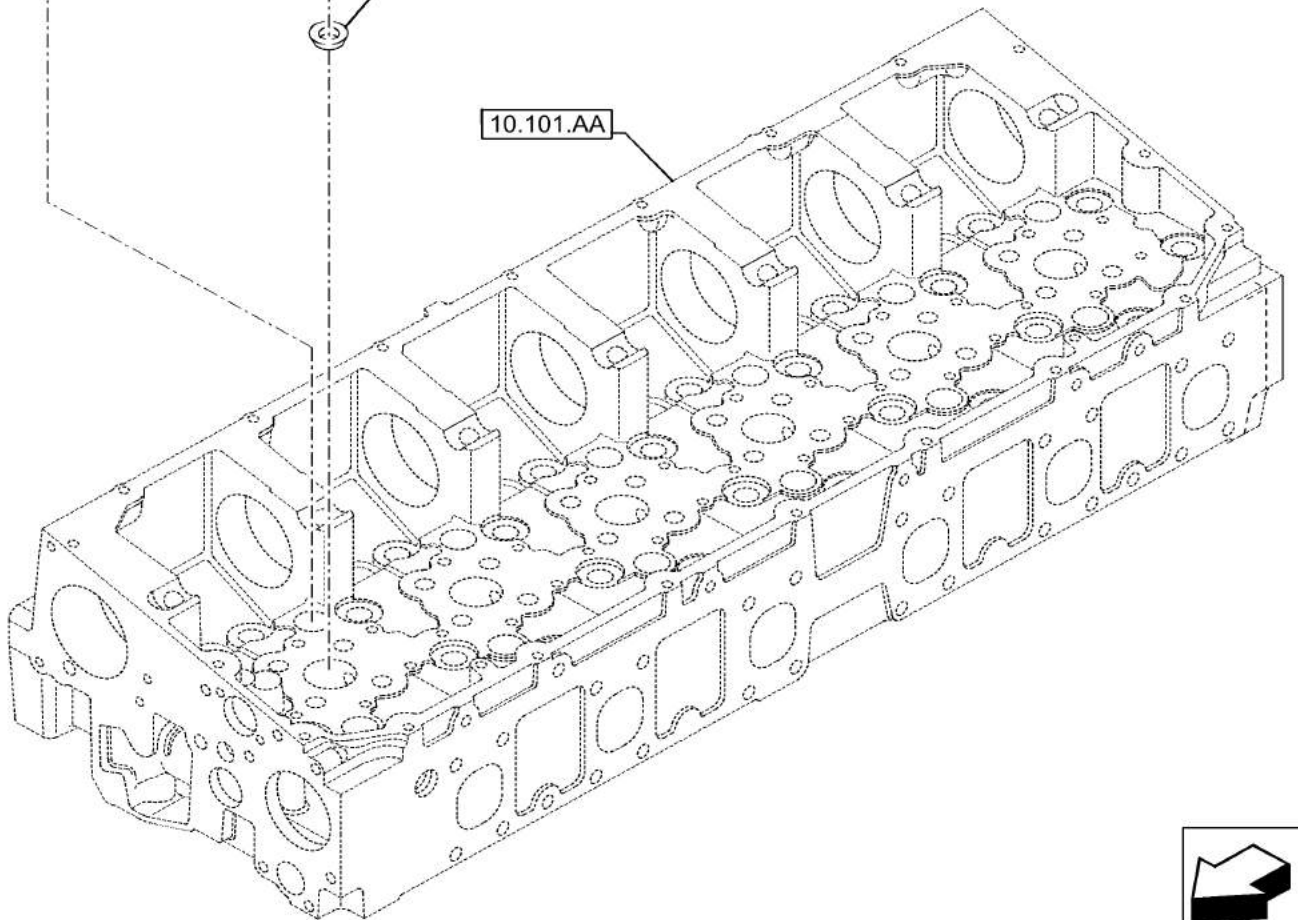
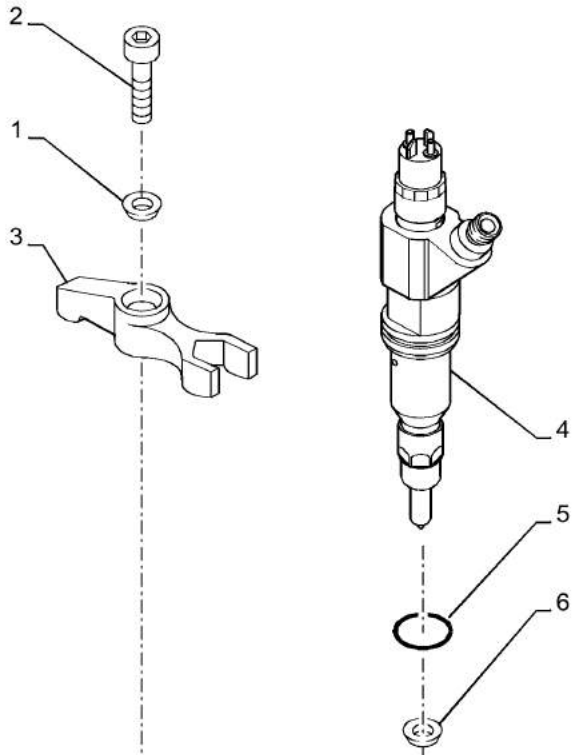


FUEL LINE

REF FN	PART NUMBER	YR/SN	QTY DESCRIPTION
1	504354068		1 TUBE
2	16504714		1 COUPLING M16 x 1.5 mm
3	41031568		4 SPARE PART M16 x 1.5 mm
4	13605711		1 SPACER
5	16504015		3 ELBOW M16 x 1.5 mm
6	504354070		1 TUBE
7	8580153		1 SPACER
8	99431539		1 STEEL PLATE
9	16692125		1 SCREW M10 x 25 mm
10	504081274		1 HYD CONNECTOR M16 x 1.5 mm - M18 x 1.5 mm
11	5801560870		1 WASHER D=16 x 24 mm; SP=1.9 mm
12	5801560865		1 PIPE
13	2852323		1 SCREW M8 x 14 mm
14	86637978		1 CLAMP 9.5mm, Coat, 8.7mm Bolt Hole, P Type
14	10450590		1 CLAMP 18mm, Coat, 9mm Bolt Hole, P Type

F2CFA613C*G001-ENGINE 5801805474 - 47497628

FUEL INJECTOR



10.218.AF

p1

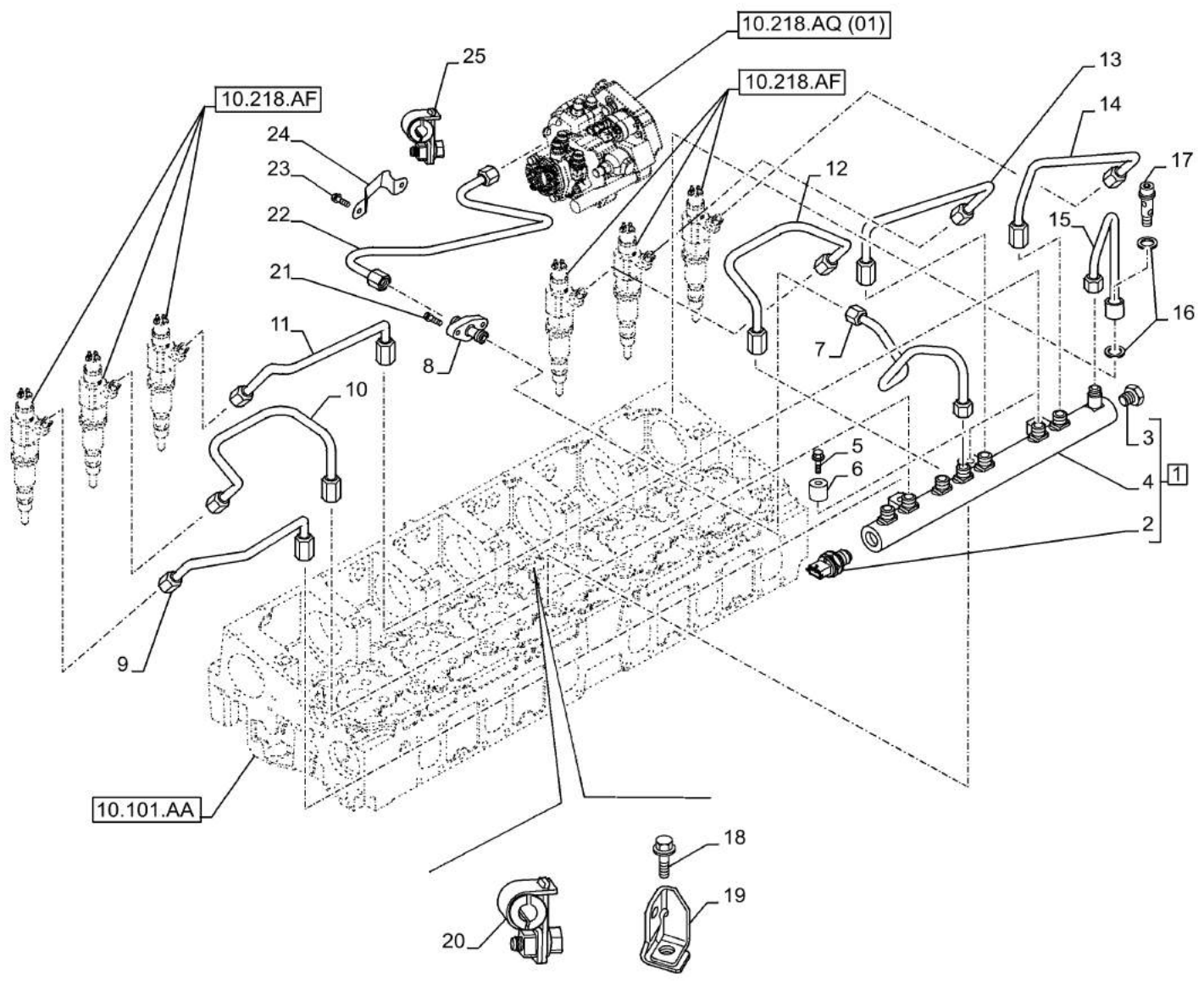
7/2015

FUEL INJECTOR

REF FN	PART NUMBER	YR/SN	QTY DESCRIPTION
1	4700162		6 WASHER D=11.5 mm
2	500356756		6 SCREW M10 x 1.5 x 40 mm
3	504127841		6 FASTENER
4	504255185		6 FUEL SYSTEM INJECTOR
5	14463481		6 O-RING 1.109" ID x 0.139" Width M28.1 x 3.53 mm
6	504262598		6 WASHER

F2CFA613C*G001-ENGINE 5801805474 - 47497628

INJECTION PIPE



INJECTION PIPE

REF FN	PART NUMBER	YR/SN	QTY DESCRIPTION
1	504373407		1 ACCUMULATOR ASSY; Incl 2 - 4
2	504382791		1 SENSOR
3	504130662		1 VALVE
4	NSS		1 NOT SERVICED SEPARATELY Shaft; Incl in 1
5	16586825		3 BOLT Hex, M8 x 1.25 x 45mm M8 x 1.25 x 45 mm
6	504253853		3 SPACER
7	504345093		1 TUBE
8	504345104		1 HYD CONNECTOR
9	504126981		1 INJECTION PIPE
10	504126982		1 INJECTION PIPE
11	504126983		1 INJECTION PIPE
12	504126984		1 INJECTION PIPE
13	504126985		1 INJECTION PIPE
14	504126986		1 INJECTION PIPE
15	504345222		1 TUBE
16	87665413		2 SEALING WASHER D=10 x 17 x 2.3 mm
17	504345096		1 BANJO BOLT
18	16707034		1 BOLT Flng, M8 x 16mm M8 x 16 mm
19	504312745		1 STEEL PLATE
20	504358313		1 STEEL PLATE
21	16585870		2 SCREW Hex, M6 x 20mm M6 x 20 mm
22	504327363		1 TUBE
23	16586225		2 BOLT M8 x 16mm M8x1.25x16 mm
24	504236628		1 BRACKET, SUPPORTING
25	504235264		1 BRACKET

F2CFA613C*G001-ENGINE 5801805474 - 47497628

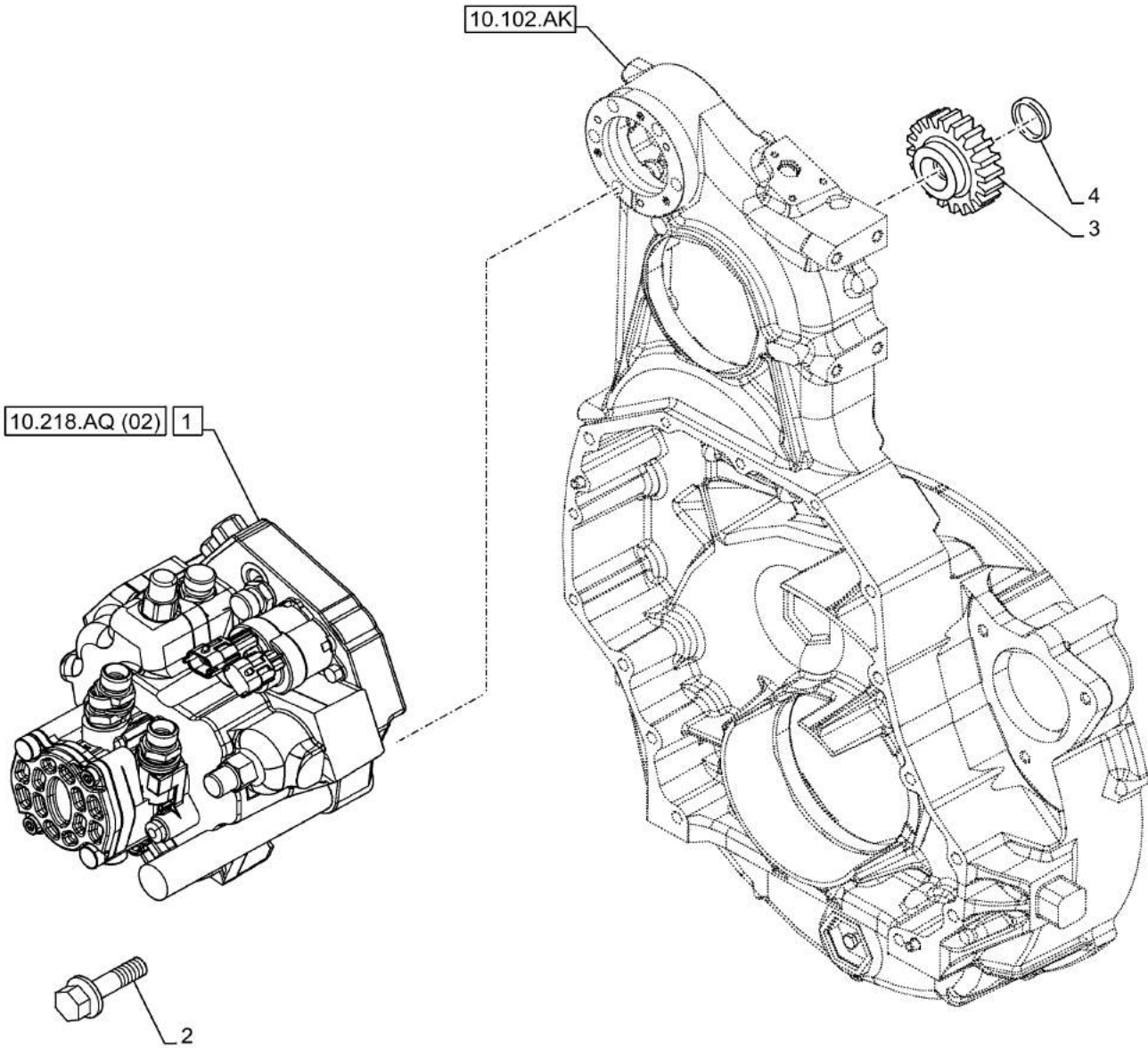
10.218.AQ

01

p1

7/2015

FUEL INJECTION PUMP



10.218.AQ

01

p1

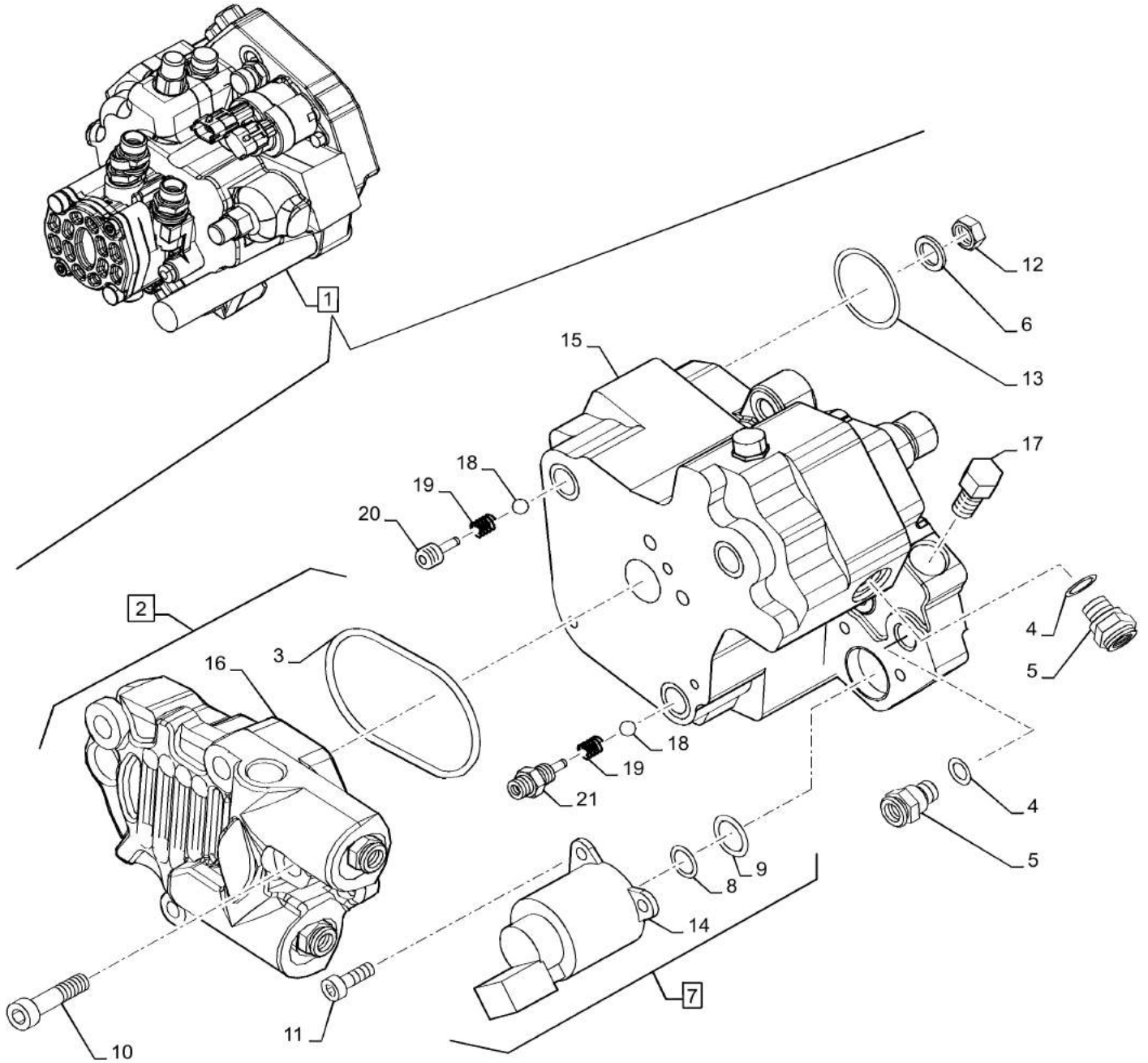
7/2015

FUEL INJECTION PUMP

REF FN	PART NUMBER	YR/SN	QTY DESCRIPTION
1	504188076		1 FUEL PUMP
2	16674034		3 SCREW M8 x 40mm M8 x 1.25 x 40 mm
3	504130644		1 GEAR
4	10520304		1 WASHER 18.8mm ID x 32mm OD x 4mm Thk D=19 x 34 mm

F2CFA613C*G001-ENGINE 5801805474 - 47497628

FUEL INJECTION PUMP, COMPONENTS

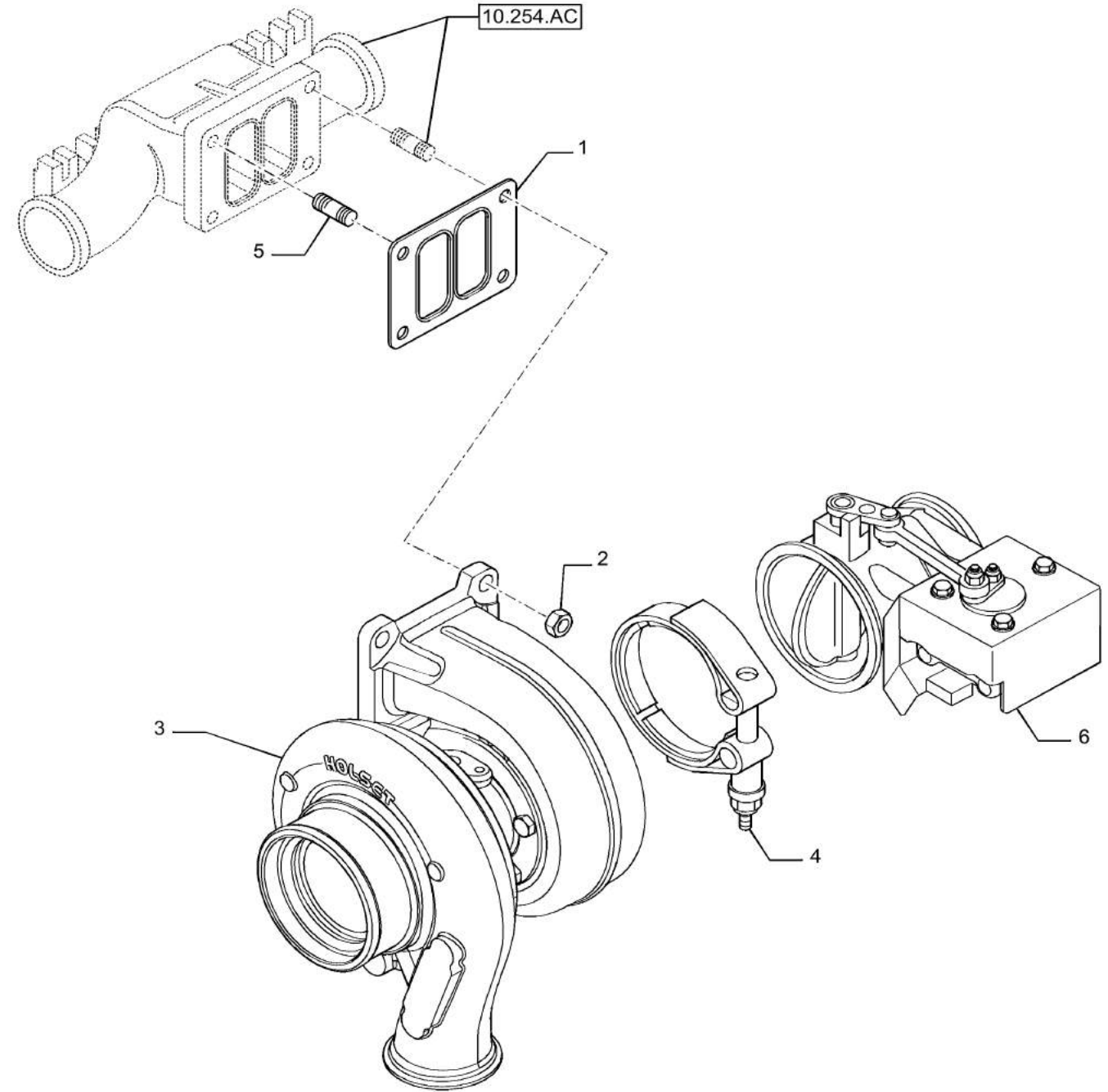


FUEL INJECTION PUMP, COMPONENTS

REF FN	PART NUMBER	YR/SN	QTY DESCRIPTION
1	504188076		1 FUEL PUMP ASSY; Incl 2 - 15
2	8097766		1 FUEL PUMP ASSY; Incl 3; 16
3	42559144		1 O-RING
4	42550485		2 O-RING
5	8097765		2 UNION
6	17095814		1 WASHER
7	8097884		1 SOLENOID ASSY; Incl 8; 9; 14
8	42541850		1 O-RING Green
9	42541849		1 O-RING Black
10	42550487		4 SCREW
11	42556819		3 SCREW
12	4890634		1 NUT M18 x 1.5 mm
13	8097764		1 O-RING
14	NSS		1 NOT SERVICED SEPARATELY Solenoid; Incl in 7
15	NSS		1 NOT SERVICED SEPARATELY Body; Incl in 1
16	NSS		1 NOT SERVICED SEPARATELY Cover; Incl in 2
17	8097896		1 VALVE
18	8097894		3 BALL
19	8097893		3 SPRING
20	8097892		2 FITTING
21	8097895		1 FITTING

F2CFA613C*G001-ENGINE 5801805474 - 47497628

TURBOCHARGER

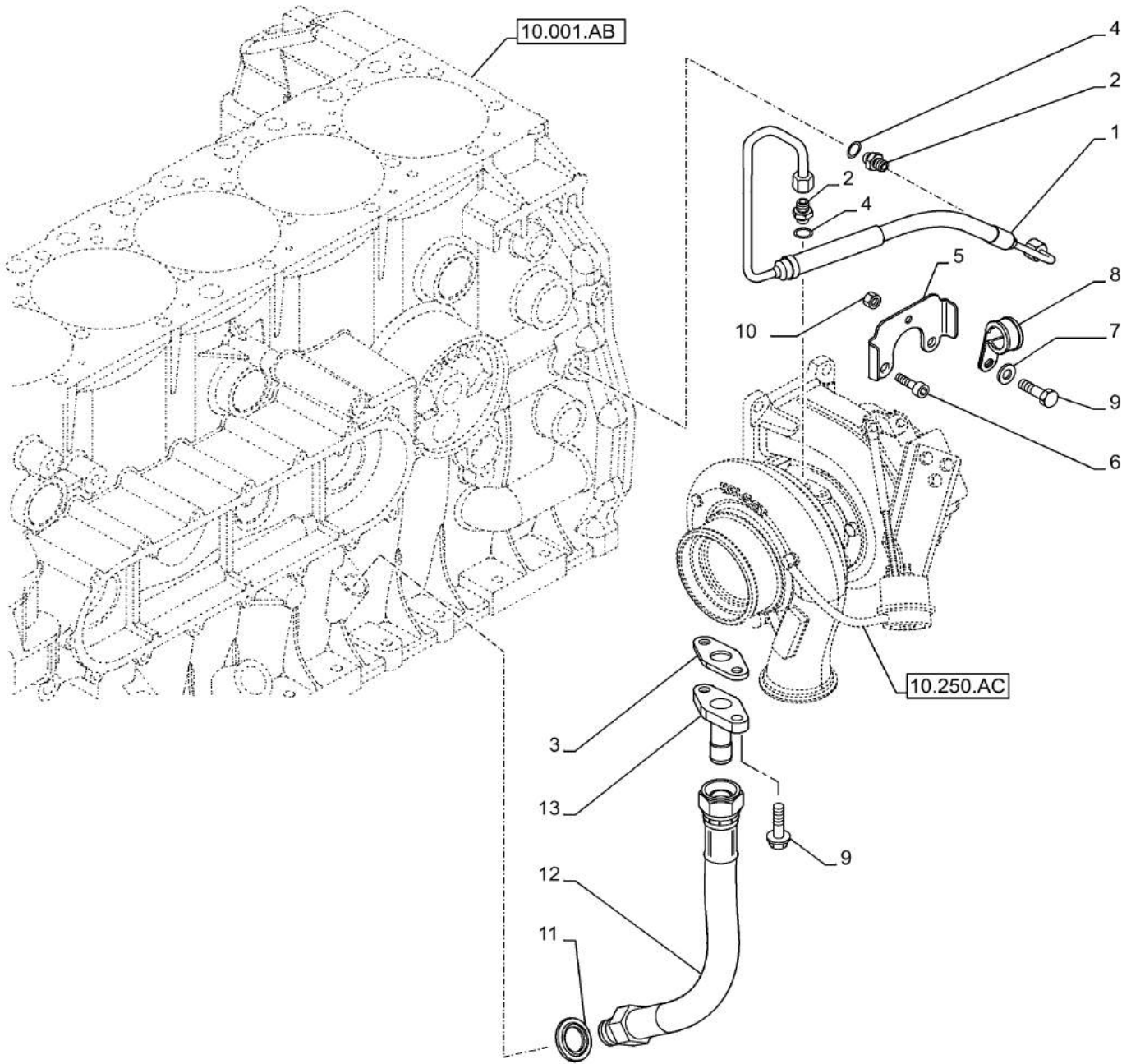


TURBOCHARGER

REF FN	PART NUMBER	YR/SN	QTY DESCRIPTION
1	98451118		1 GASKET
2	500300795		4 NUT M10 x 1.5 mm
3	5801621762		1 TURBOCHARGER
4	5801622468		1 CLIP D = 104 mm
5	5801385950		2 STUD
6	5801622471		1 VALVE

F2CFA613C*G001-ENGINE 5801805474 - 47497628

TURBOCHARGER LUBE LINE

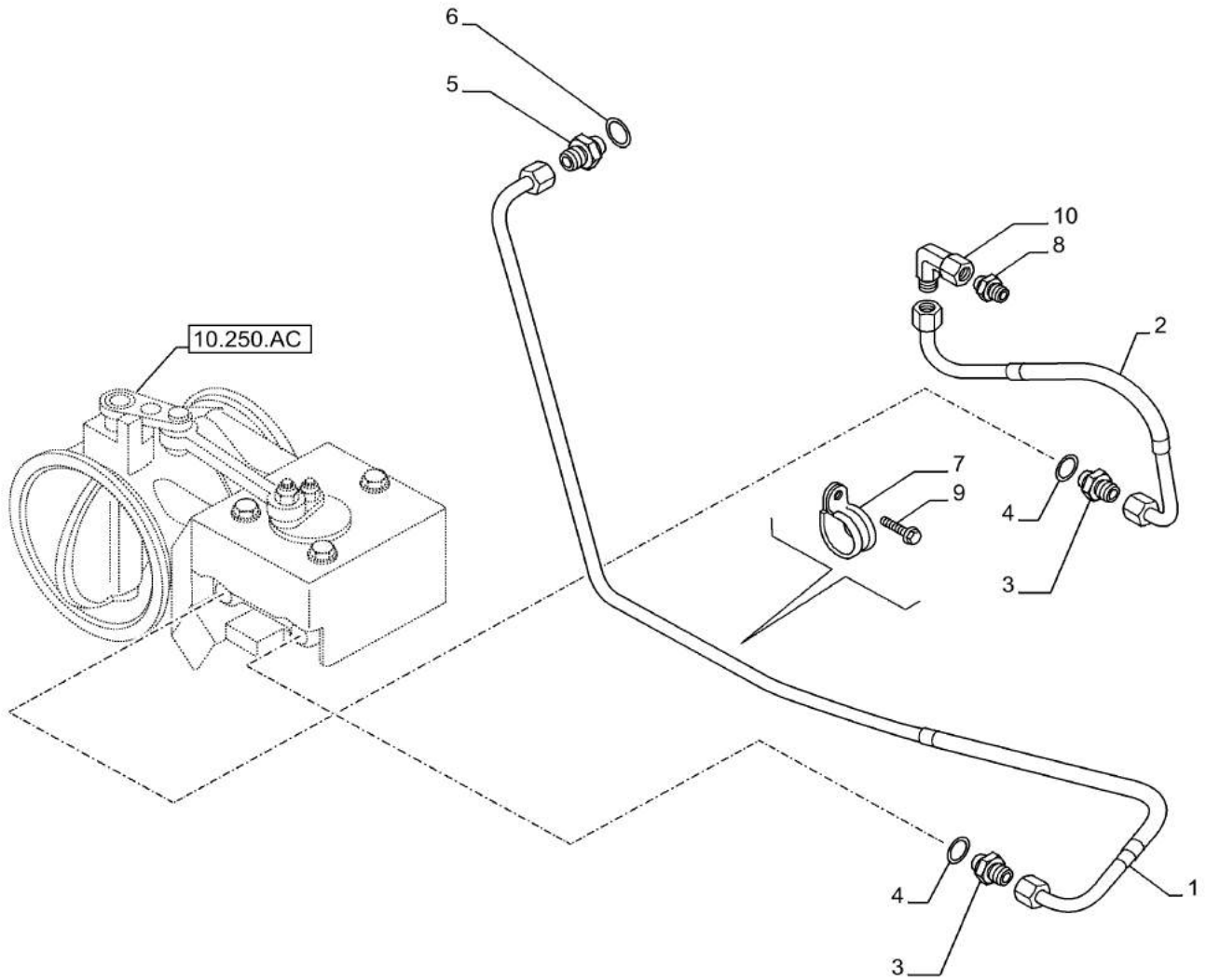


TURBOCHARGER LUBE LINE

REF FN	PART NUMBER	YR/SN	QTY DESCRIPTION
1	5801583056		1 PIPE
2	504081274		2 HYD CONNECTOR
3	98412509		1 GASKET 0.8mm Thk
4	4858609		2 O-RING
5	504213767		1 RETAINER
6	16691424		2 BOLT M8 x 65 mm
7	16666716		1 WASHER
8	17316592		1 COLLAR
9	16673635		3 BOLT Hex, M8 x 1.25 x 20mm, Full Thd
10	43362		1 NUT M8 x 1.25, CI 10 M8 x 1.25
11	99434480		1 SEAL
12	5801583063		1 PIPE
13	500333923		1 FLANGE

F2CFA613C*G001-ENGINE 5801805474 - 47497628

TURBOCHARGER, VALVE, LINE

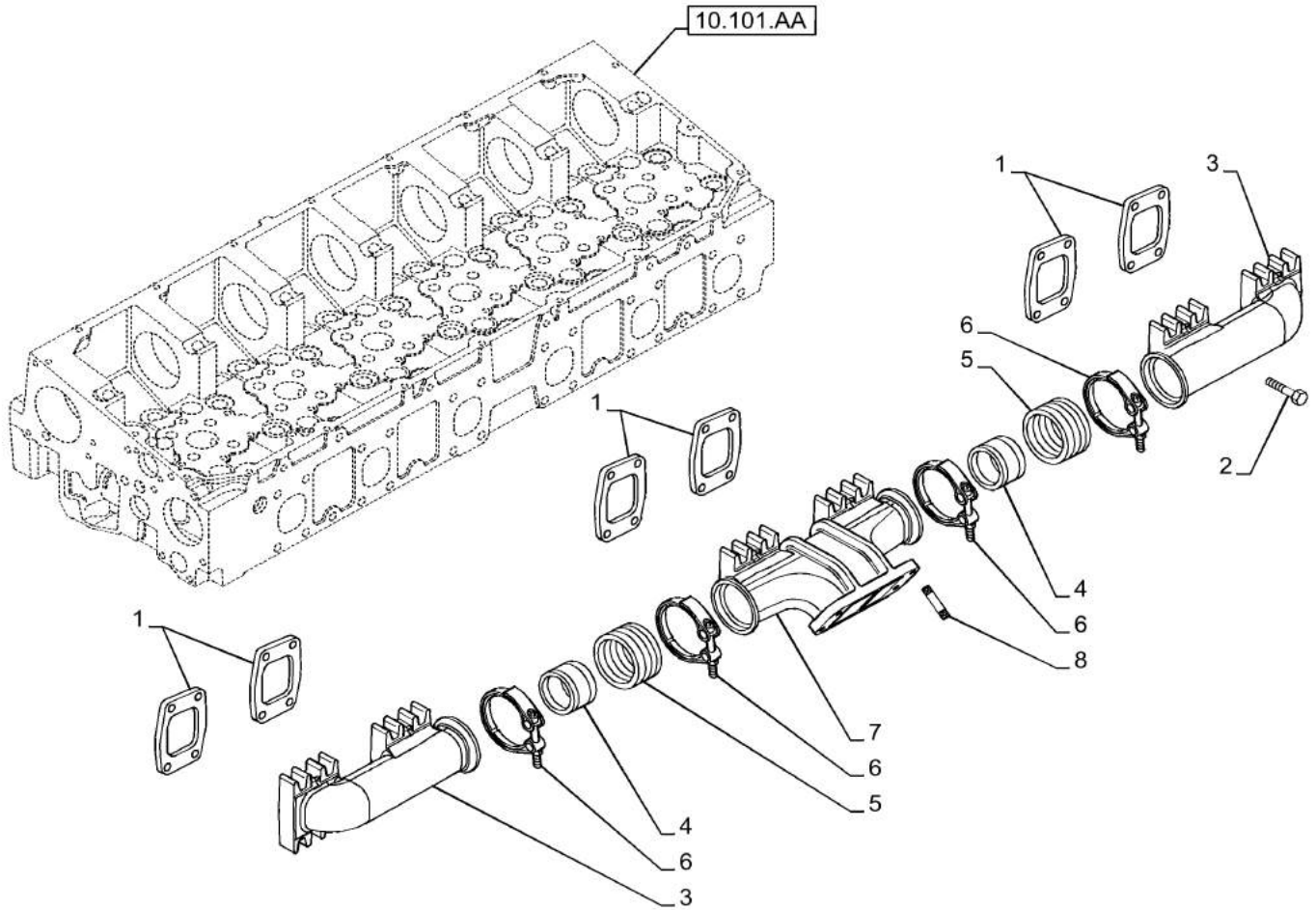


TURBOCHARGER, VALVE, LINE

REF FN	PART NUMBER	YR/SN	QTY DESCRIPTION
1	5801660029		1 TUBE WATER PIPE
2	5801660028		1 TUBE WATER PIPE
3	16500114		2 UNION
4	99489017		2 GASKET 9.9mm ID x 20mm OD x 2.5mm Thk D=12 mm
5	16500919		1 UNION
6	5801560870		1 WASHER SEAL GASKET
7	10450090		2 CLAMP 8mm, Coat, 9mm Bolt Hole, P Type
8	41034989		1 UNION
9	2854311		2 SCREW M8x1.25x18 mm
10	16503915		1 HYD CONNECTOR

F2CFA613C*G001-ENGINE 5801805474 - 47497628

EXHAUST MANIFOLD

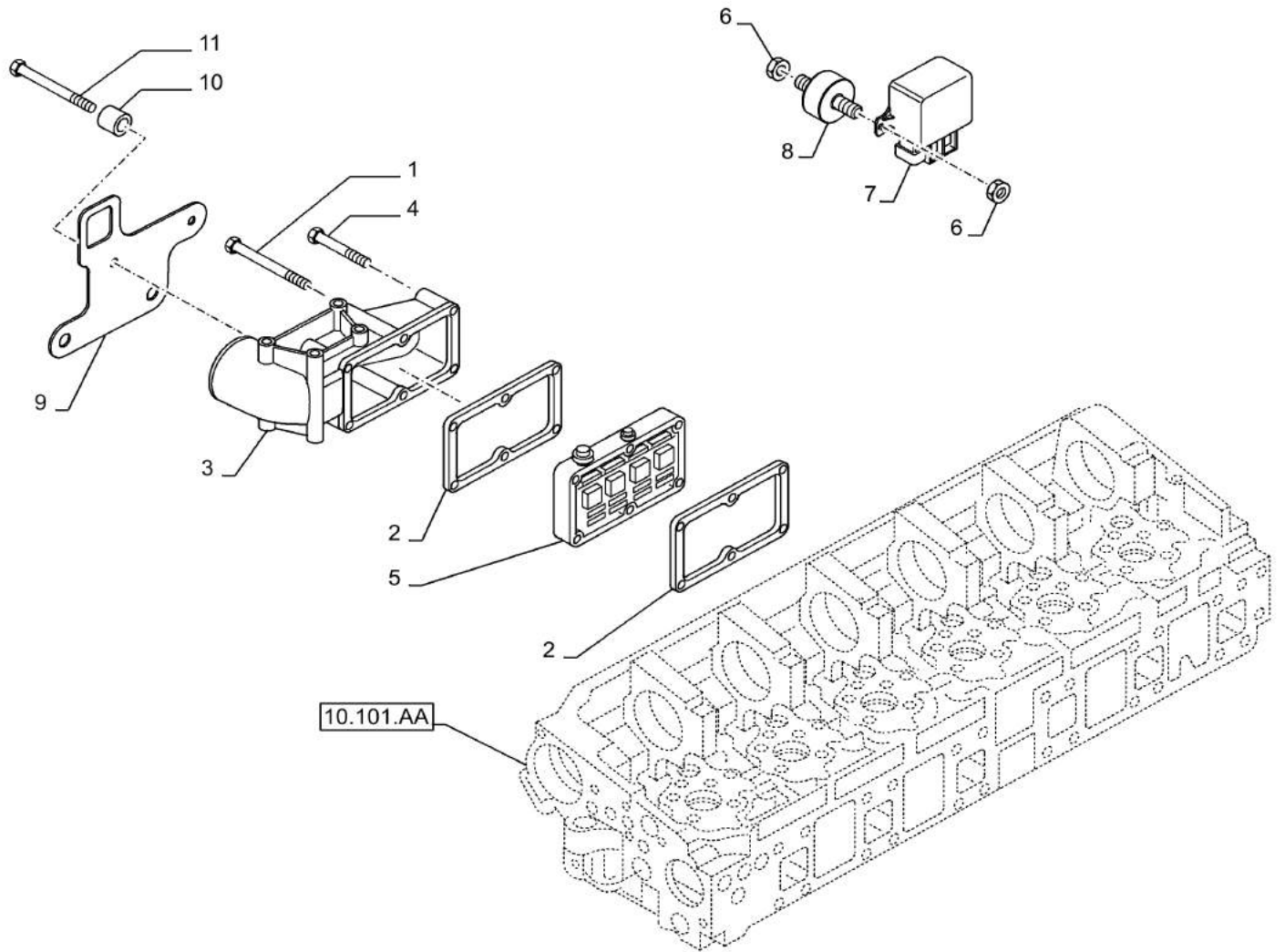


EXHAUST MANIFOLD

REF FN	PART NUMBER	YR/SN	QTY DESCRIPTION
1	504154202		6 GASKET
2	99443210		24 SCREW M10 x 1,5 x 40 M10 x 1.5 x 40 mm
3	504030843		2 EXHAUST MANIFOLD
4	2859382		2 LOCKING RING
5	99454992		2 RING
6	500305814		4 HOSE CLIP
7	5801556304		1 MANIFOLD
8	{5801491535}		2 M10 x 1.5 mm

F2CFA613C*G001-ENGINE 5801805474 - 47497628

INLET MANIFOLD

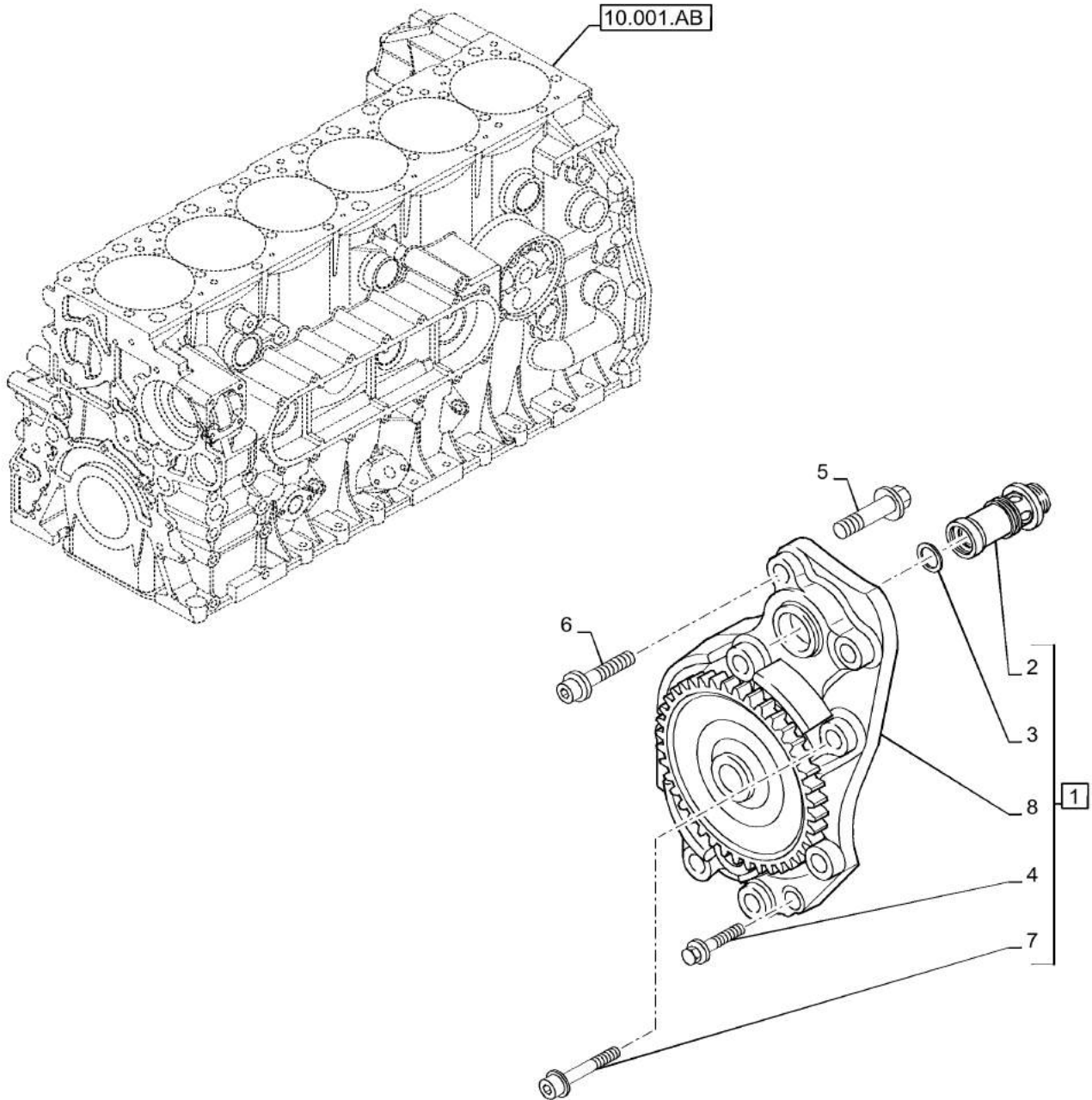


INLET MANIFOLD

REF FN	PART NUMBER	YR/SN	QTY DESCRIPTION
1	2852286		3 BOLT Flng, M10 x 1.5 x 130mm M10x130 mm
2	504375264		2 GASKET 0.3mm Thk
3	5801603834		1 MANIFOLD AIR INTAKE TUBE
4	16593125		1 BOLT M10 x 100mm M10x100 mm
5	504154987		1 HEATER
6	15896221		4 NUT Hex, M6, 5.20mm High, CI 10 M6x1
7	86619908		1 RELAY 12V, 150A
8	504090550		2 LUG RUBBER
9	5801764051		1 FASTENER BRACKET
10	504077078		2 SPACER
11	16599325		2 SCREW M10 x 150mm M10x150 mm

F2CFA613C*G001-ENGINE 5801805474 - 47497628

ENGINE OIL PUMP



ENGINE OIL PUMP

REF FN	PART NUMBER	YR/SN	QTY DESCRIPTION
1	504131225		1 ENGINE OIL PUMP ASSY, Incl 2 - 4, 7, 8
2	500304389		1 SAFETY VALVE
3	14457681		1 O-RING 0.103" Thk x 0.862" ID, -118, CI 7, 75 Duro D=21.8 mm, SP=2.6 mm
4	16591725		1 SCREW Hex, M6 x 40mm M6 x 40 mm
5	16585725		1 SCREW Hex, M6 x 16mm, CI 8.8 M6 x 16 mm
6	500355363		5 SCREW M8 x 1.25 x 60 mm
7	504010370		3 BOLT M8 x 1.25 x 45 mm
8	NSS		1 NOT SERVICED SEPARATELY Pump, Incl in 1

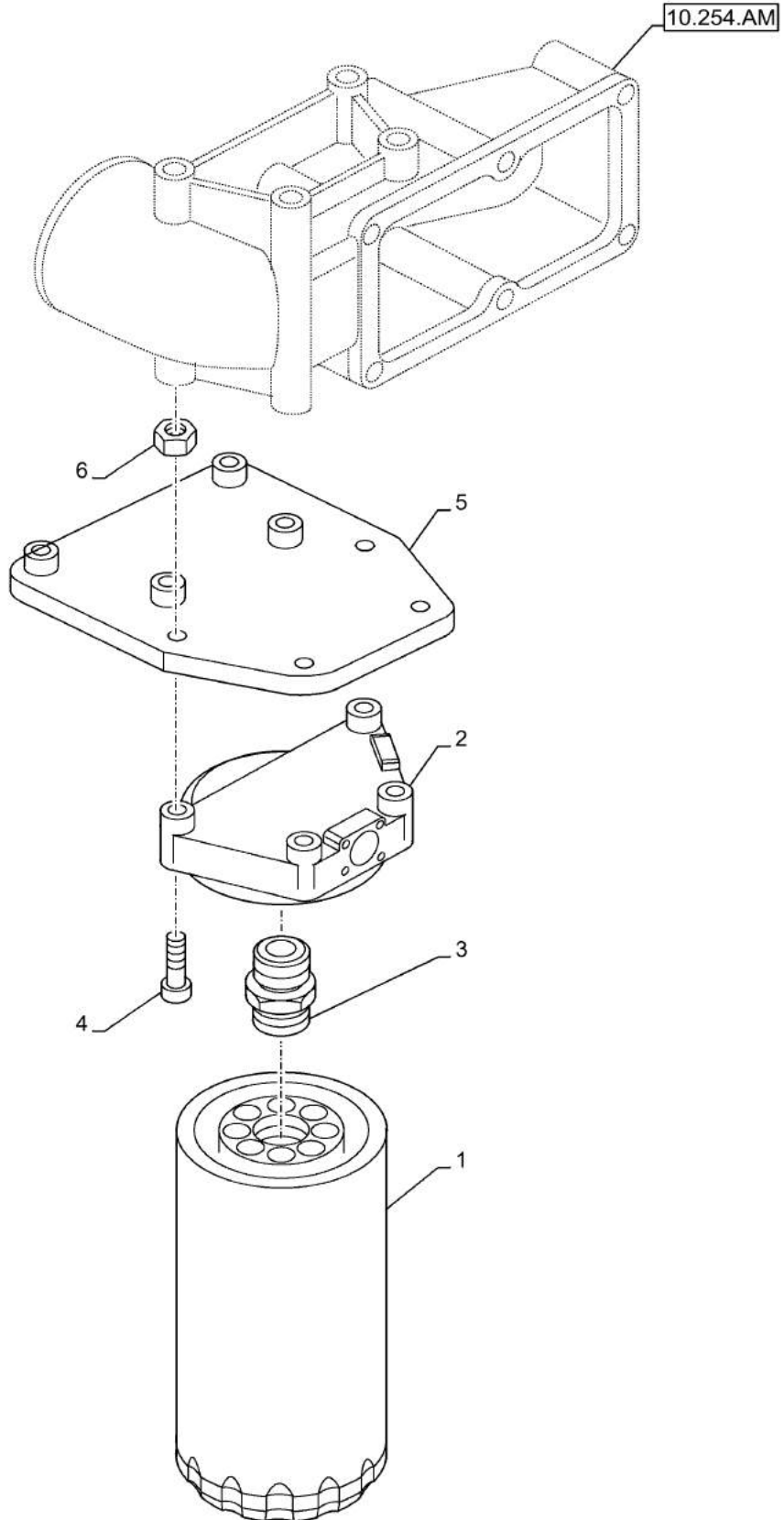
F2CFA613C*G001-ENGINE 5801805474 - 47497628

10.304.AE

p1

7/2015

ENGINE OIL FILTER



10.304.AE

p1

7/2015

ENGINE OIL FILTER

REF FN	PART NUMBER	YR/SN	QTY DESCRIPTION
1	84346773		1 ENGINE OIL FILTER
2	504218098		1 BRACKET
3	99431947		1 HYD CONNECTOR
4	16693124		4 SCREW M10x1.5x80 mm
5	5801764287		1 SUPPORT SUPPORT
6	17044825		4 NUT Hex, M10 NUT M10

F2CFA613C*G001-ENGINE 5801805474 - 47497628

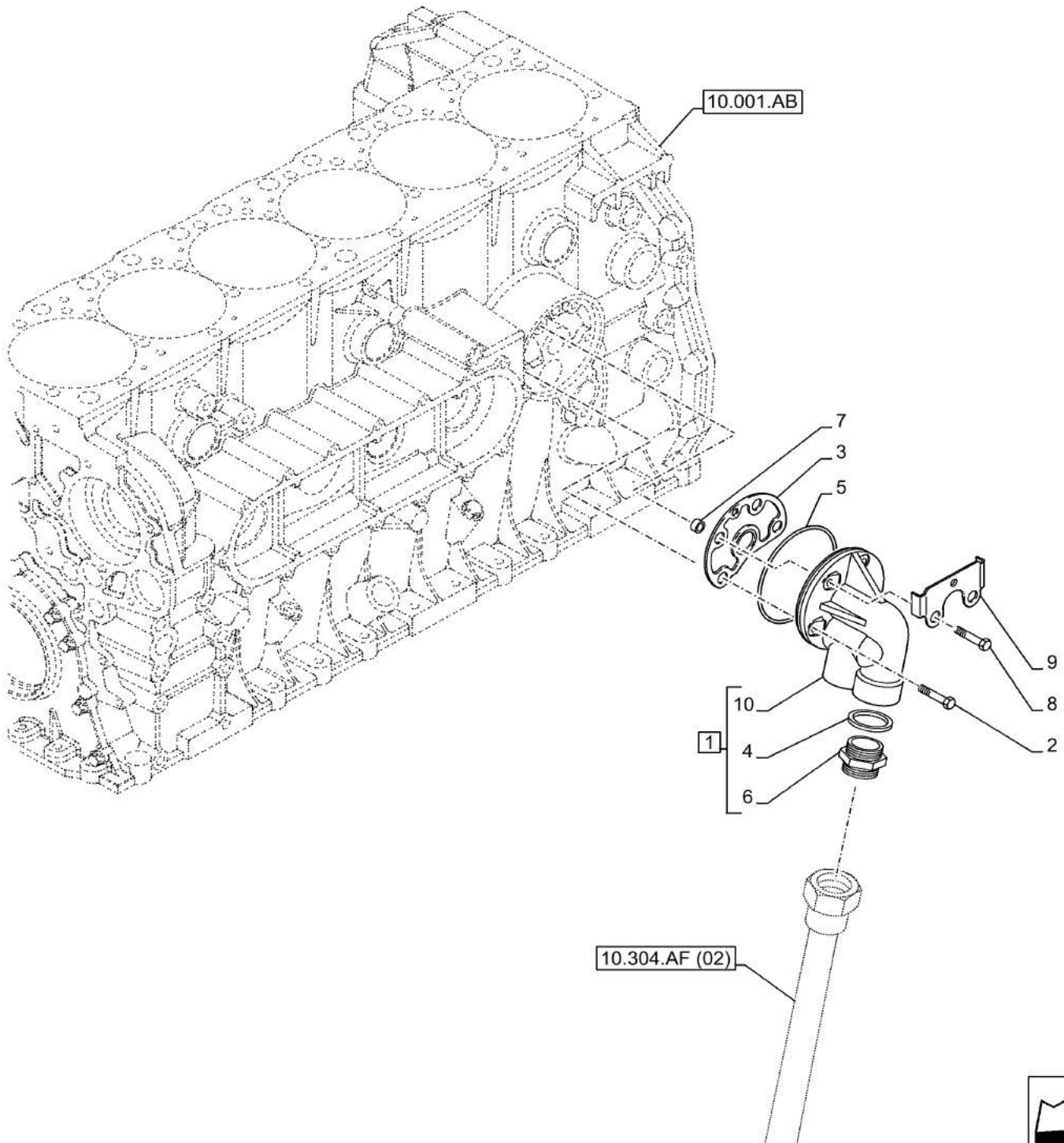
10.304.AF

01

p1

7/2015

ENGINE OIL FILTER, LUBRICATION LINE, LINE



10.304.AF

01

p1

7/2015

ENGINE OIL FILTER, LUBRICATION LINE, LINE

REF FN	PART NUMBER	YR/SN	QTY DESCRIPTION
1	504190449		1 BRACKET
2	16673835		2 BOLT Hex, M8 x 30mm M8 x 30
3	504147366		1 GASKET
4	99434480		1 SEAL D= 30 x 40 mm
5	17291881		1 GASKET M113.89 x 3.53
6	504037176		1 FITTING M30 x 2
7	17816414		2 SPACER D= 8,5 x 18 mm SP= 20 mm
8	16592224		2 SCREW M8 x 55mm M8 x 55
9	504213767		1 RETAINER
10	NSS		1 NOT SERVICED SEPARATELY Bracket, Incl in 1

F2CFA613C*G001-ENGINE 5801805474 - 47497628

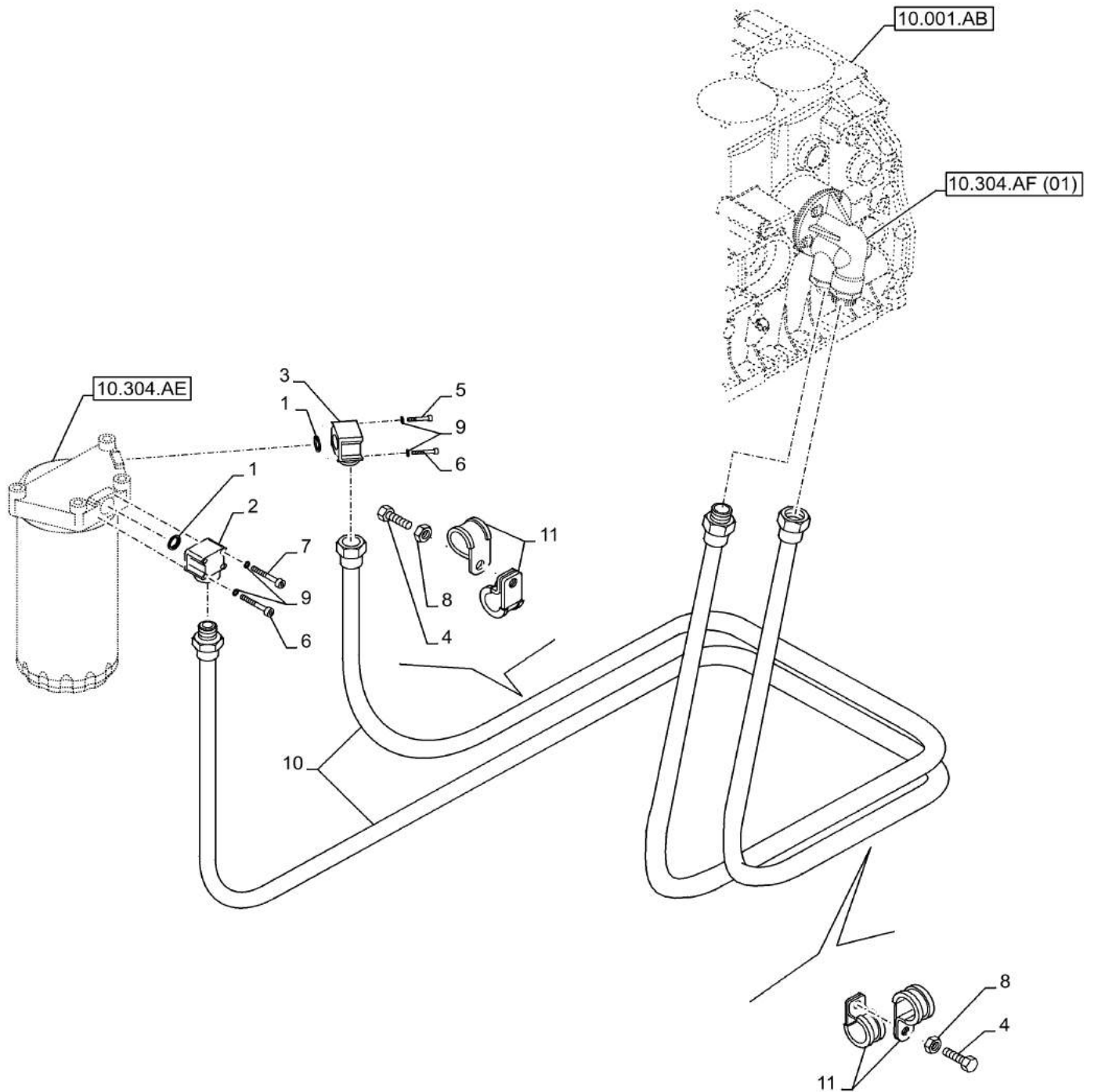
10.304.AF

02

p1

7/2015

ENGINE OIL FILTER, LINE



10.304.AF

02

p1

7/2015

ENGINE OIL FILTER, LINE

REF FN	PART NUMBER	YR/SN	QTY DESCRIPTION
1	2852978		2 O-RING 0.103" Thk x 0.924" ID, -119, CI 7, 75 Duro
2	504005572		1 ELBOW
3	98481998		1 FITTING
4	16675834		4 SCREW M10 x 1.5 x 30mm M10x30 mm
5	16689724		2 SCREW M6 x 45mm
6	16689824		4 SCREW M6 x 50mm
7	16689924		2 SCREW
8	2852389		4 FLANGE NUT M8x1.25 mm
9	11197774		8 BELLEVILLE WASHER Belleville, M6.4
10	504218108		2 TUBE
11	17317390		6 CLAMP

F2CFA613C*G001-ENGINE 5801805474 - 47497628

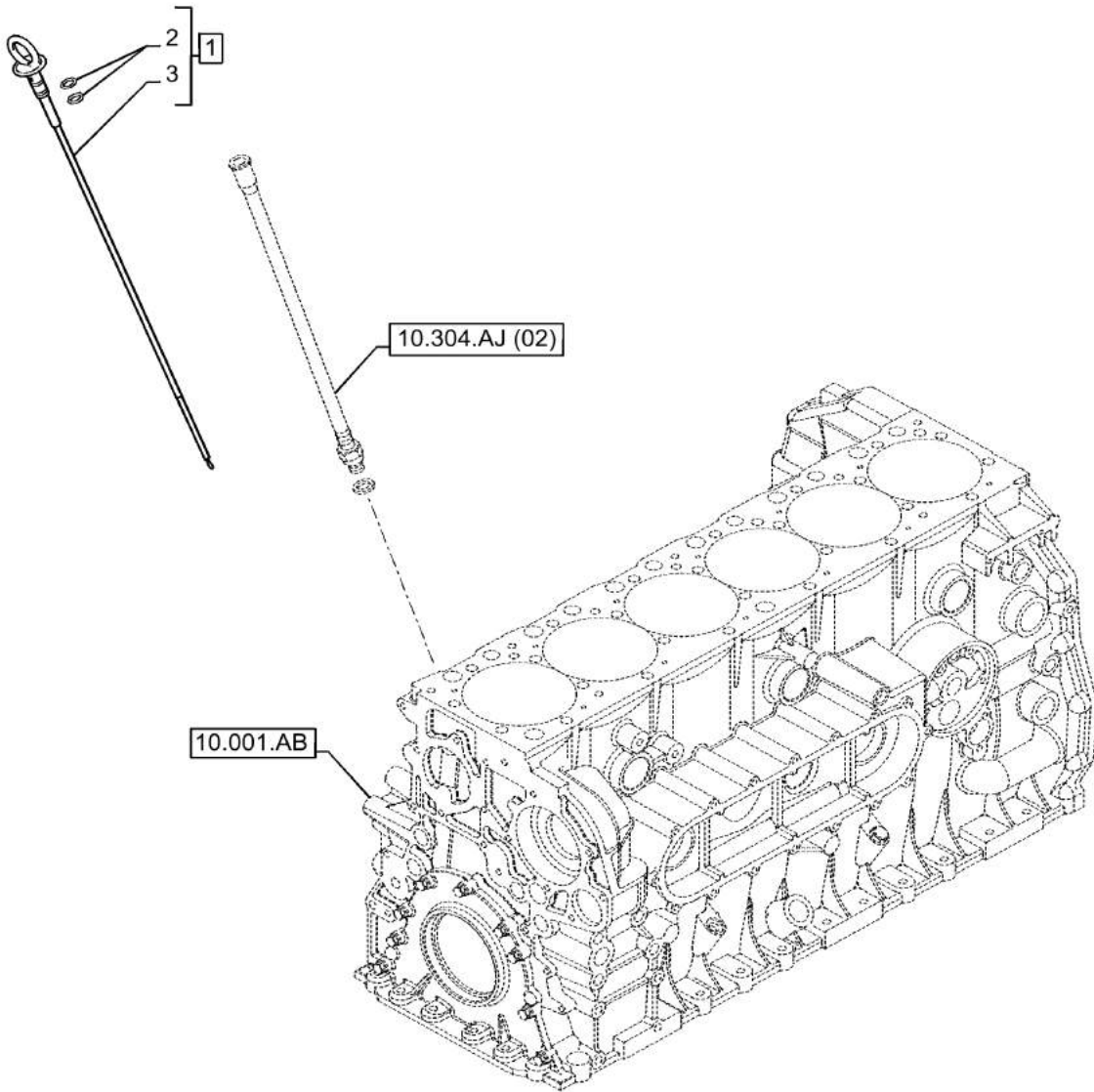
10.304.AJ

01

p1

7/2015

ENGINE OIL, DIPSTICK



10.304.AJ

01

p1

7/2015

ENGINE OIL, DIPSTICK

REF FN	PART NUMBER	YR/SN	QTY DESCRIPTION
1	5801462723		1 DIPSTICK ASSY; Incl 3
2	504027969		2 SEALING RING
3	NSS		1 NOT SERVICED SEPARATELY Dipstick; Incl in 1

F2CFA613C*G001-ENGINE 5801805474 - 47497628

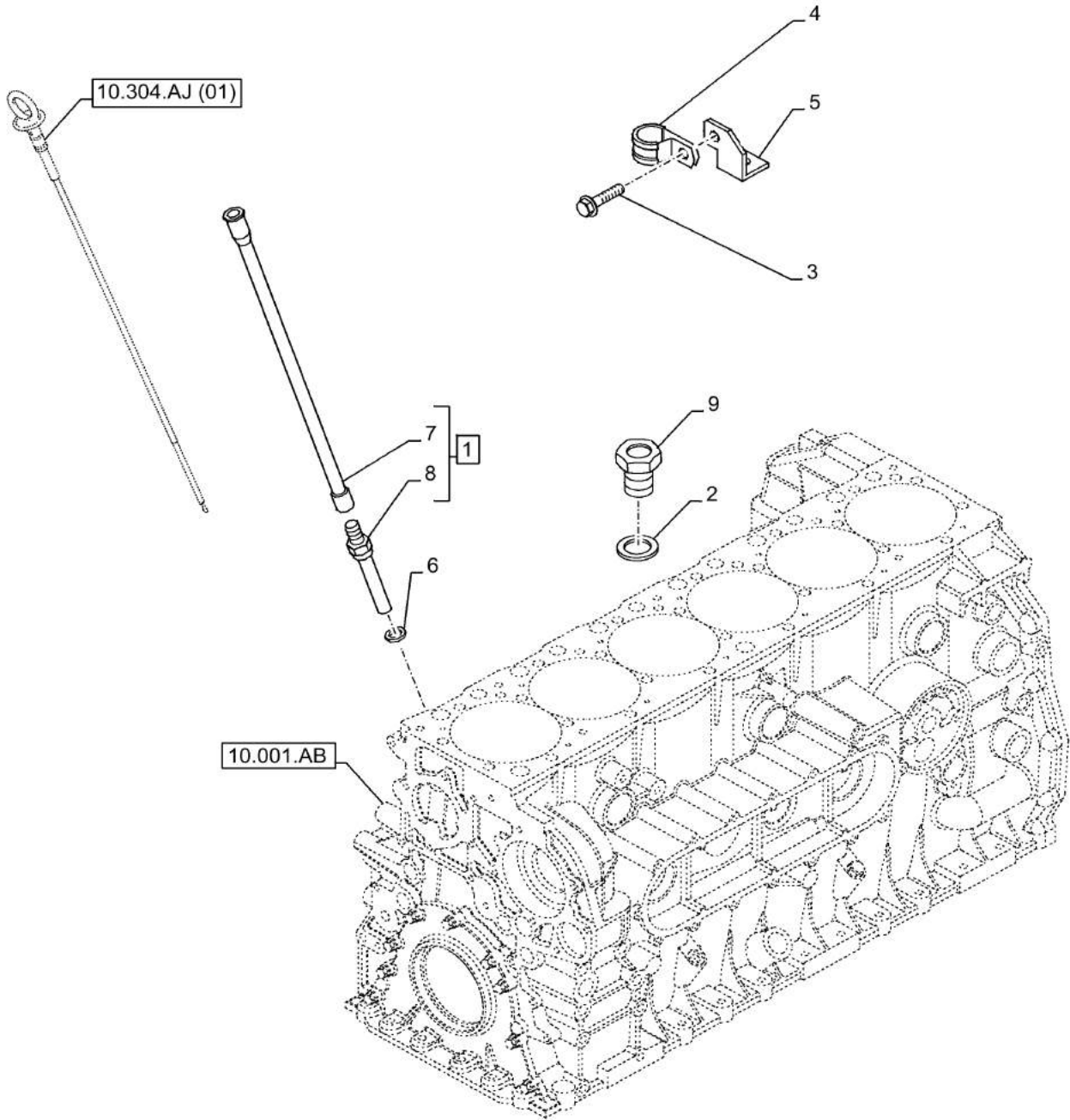
10.304.AJ

02

p1

7/2015

ENGINE OIL, DIPSTICK



10.304.AJ

02

p1

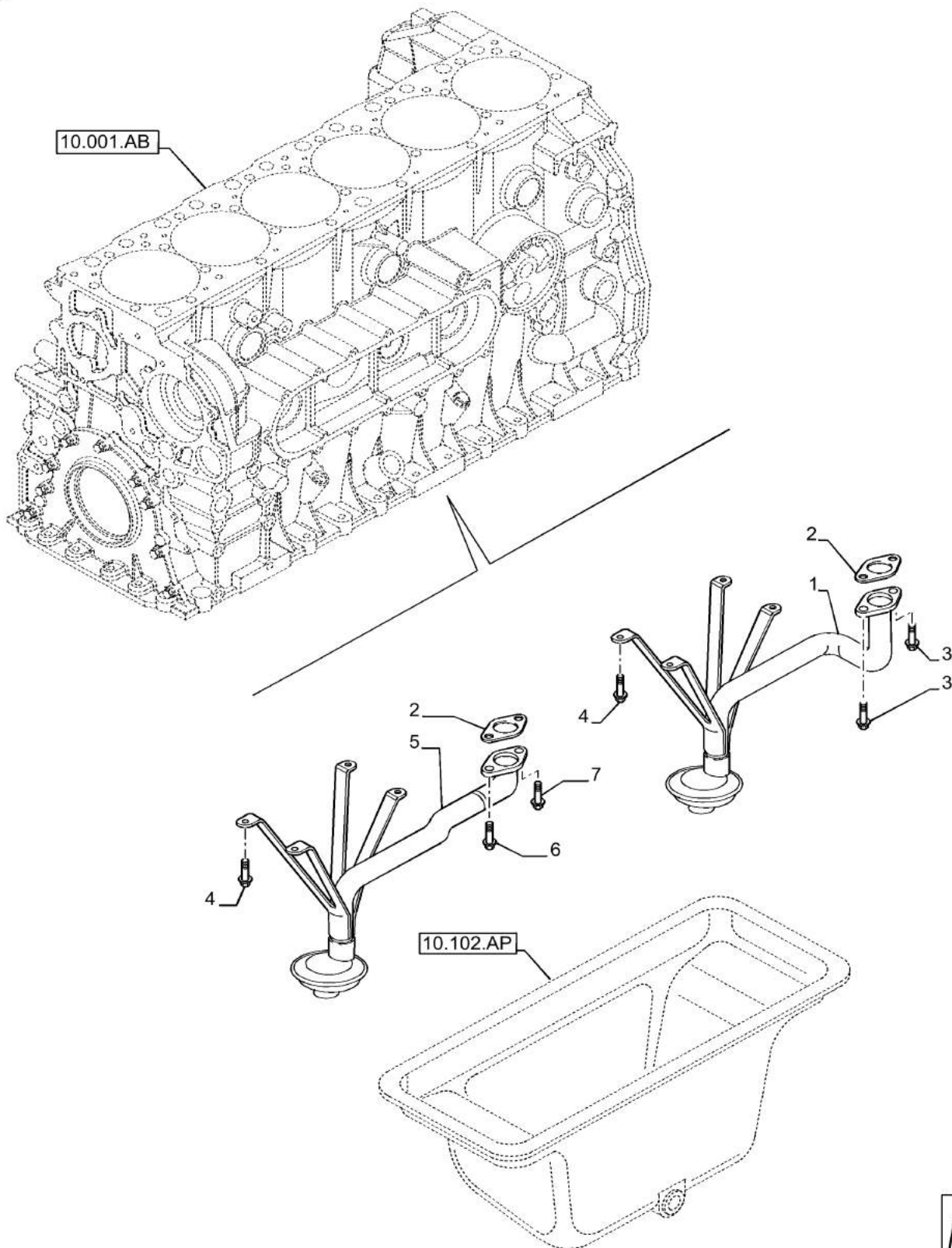
7/2015

ENGINE OIL, DIPSTICK

REF FN	PART NUMBER	YR/SN	QTY DESCRIPTION
1	504323917		1 TUBE ASSY; Incl 7; 8
2	99489017		1 GASKET 9.9mm ID x 20mm OD x 2.5mm Thk D=12 mm
3	16586225		1 BOLT M8 x 16mm
4	17316699		1 CLAMP D=14 mm
5	4791406		1 BRACKET
6	5167640		1 SEALING WASHER 14.09mm ID x 26.45mm OD x 1.5mm Thk D=18 mm
7	NSS		1 NOT SERVICED SEPARATELY Tube; Incl in 1
8	504323023		1 UNION
9	11903211		1 PLUG M12 x 1.25 x 12, CI5.8

F2CFA613C*G001-ENGINE 5801805474 - 47497628

SUCTION PIPE



10.304.AL

p1

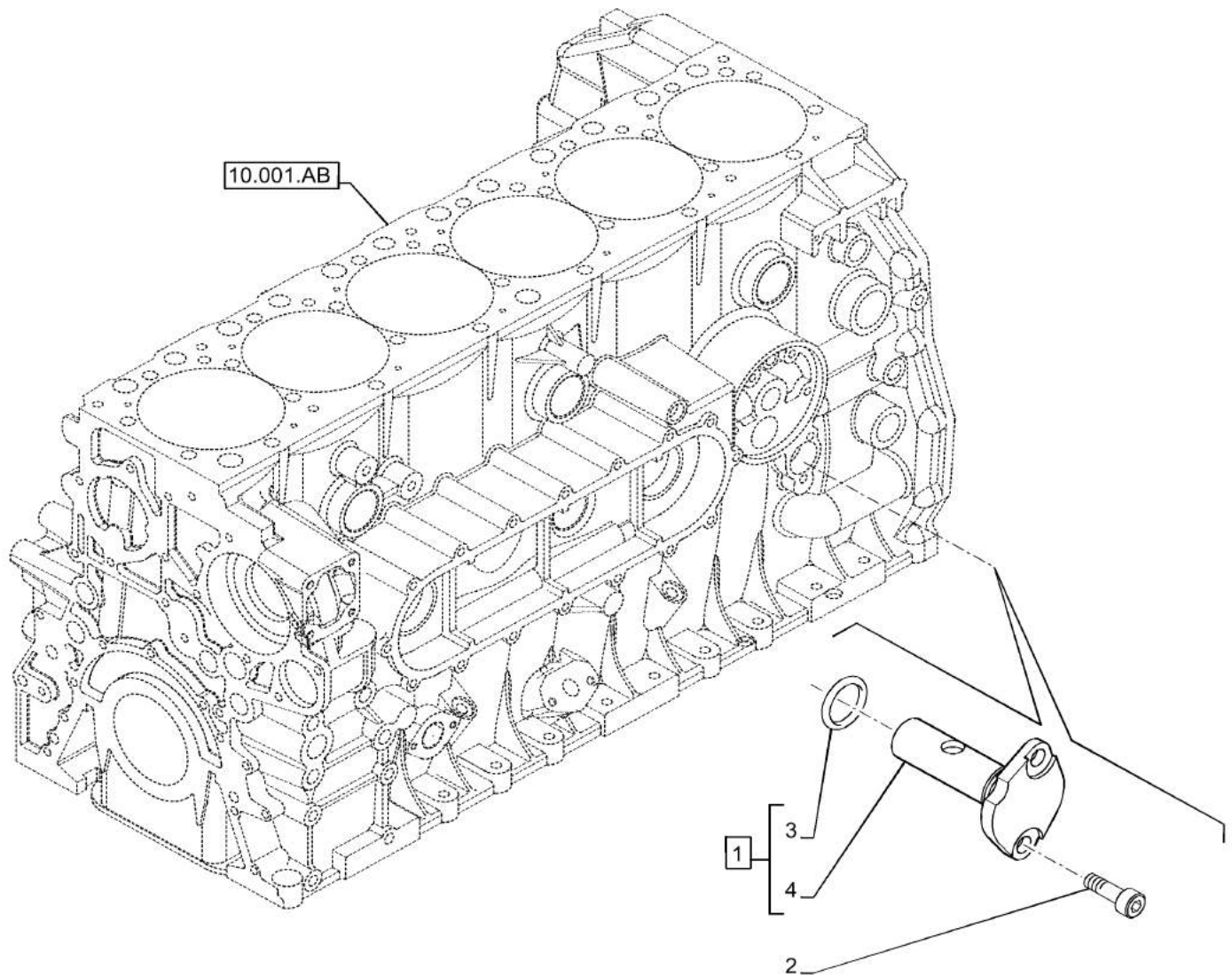
7/2015

SUCTION PIPE

REF FN	PART NUMBER	YR/SN	QTY DESCRIPTION
1	504155884		1 STRAINER ELEMENT Up to Engine 7518
2	504149689		1 GASKET
3	16673735		2 BOLT Hex, M8 x 1.25 x 25mm
4	2852323		4 SCREW
5	504250516		1 STRAINER ELEMENT From Engine 7519
6	16592225		1 BOLT M8 x 55mm
7	16673635		1 BOLT Hex, M8 x 1.25 x 20mm, Full Thd

F2CFA613C*G001-ENGINE 5801805474 - 47497628

PRESSURE CONTROL VALVE

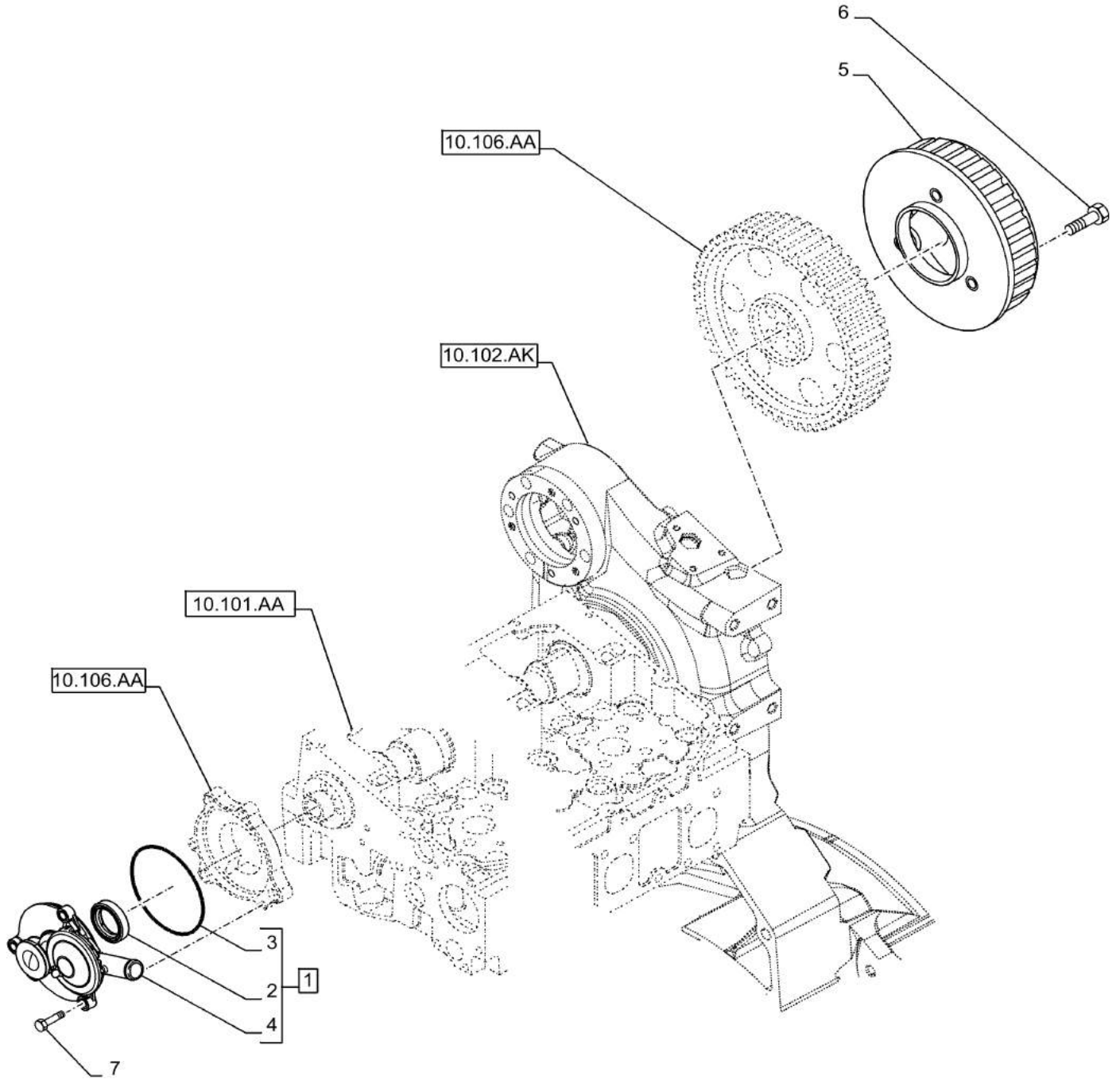


PRESSURE CONTROL VALVE

REF FN	PART NUMBER	YR/SN	QTY DESCRIPTION
1	504191876		1 VALVE ASSY; Incl 3; 4
2	18053625		2 SCREW M8 x 16mm M8 x 16 mm
3	14463281		1 O-RING 0.984" ID x 0.139" Width D=24.9 mm; SP=3.5 mm
4	NSS		1 NOT SERVICED SEPARATELY Valve; Incl in 1

F2CFA613C*G001-ENGINE 5801805474 - 47497628

ENGINE, VENT

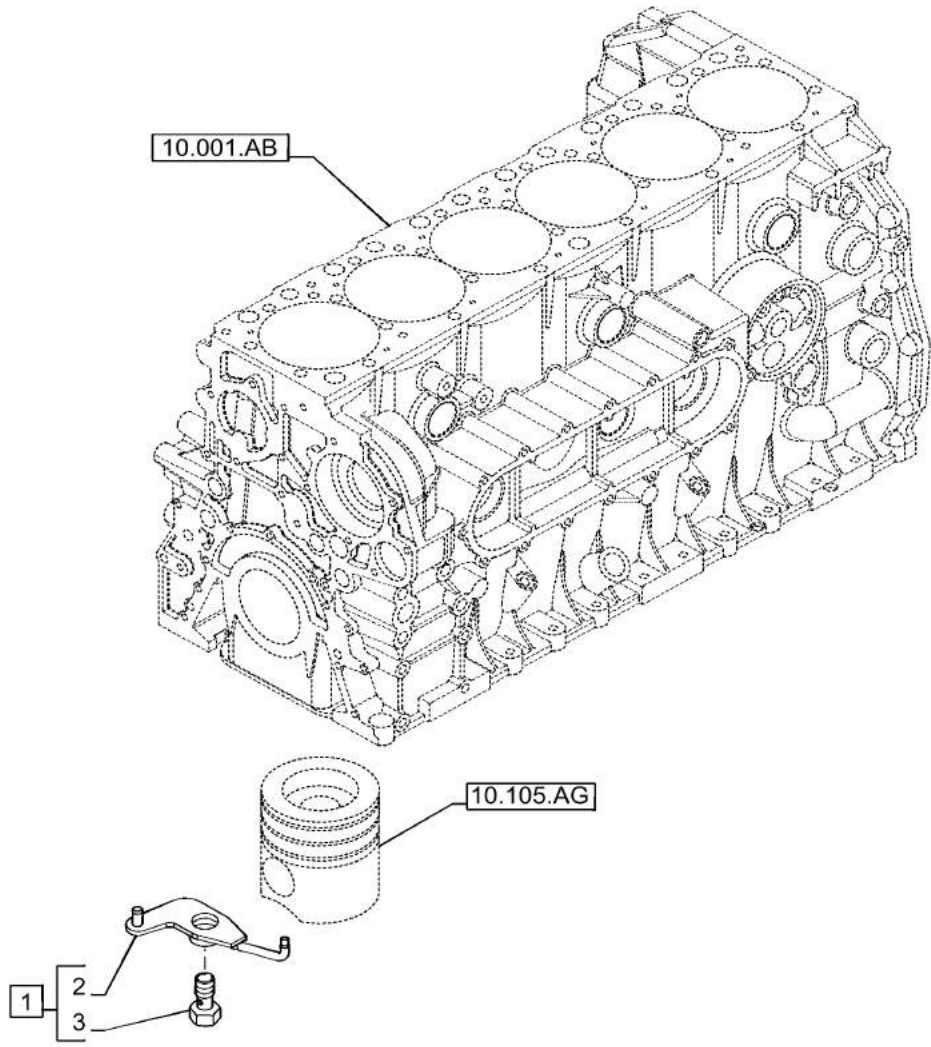


ENGINE, VENT

REF FN	PART NUMBER	YR/SN	QTY DESCRIPTION
1	504089127		1 BREATHER ASSY; Incl 2 - 4
2	504050244		1 SHAFT SEAL
3	504325903		1 O-RING 91.41mm ID x 3.47mm D=91.41 x 3.47 mm
4	NSS		1 NOT SERVICED SEPARATELY Air Filter body; Incl in 1
5	504334915		1 FILTER
6	18137825		3 BOLT Hex, M6 x 16mm M6 x 16 mm
7	16585870		3 SCREW Hex, M6 x 20mm M6 x 20 mm

F2CFA613C*G001-ENGINE 5801805474 - 47497628

PISTON COOLING NOZZLE

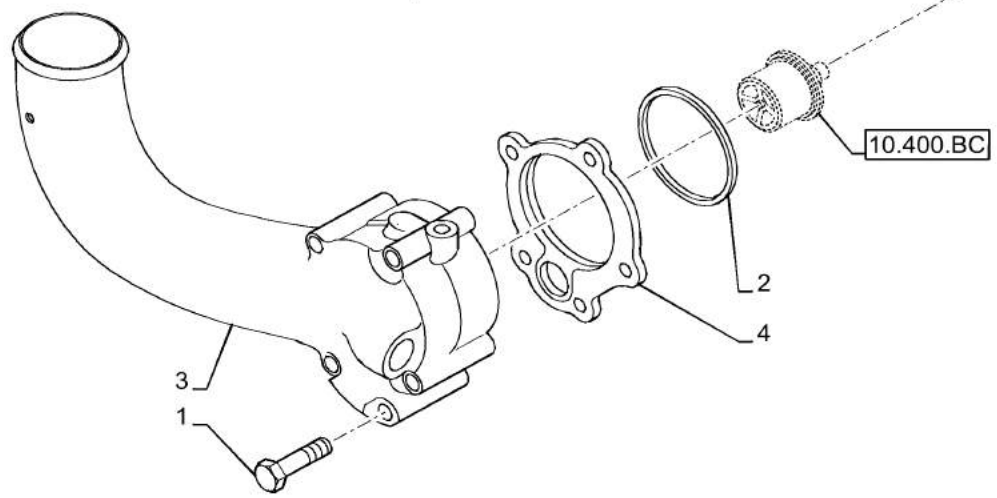
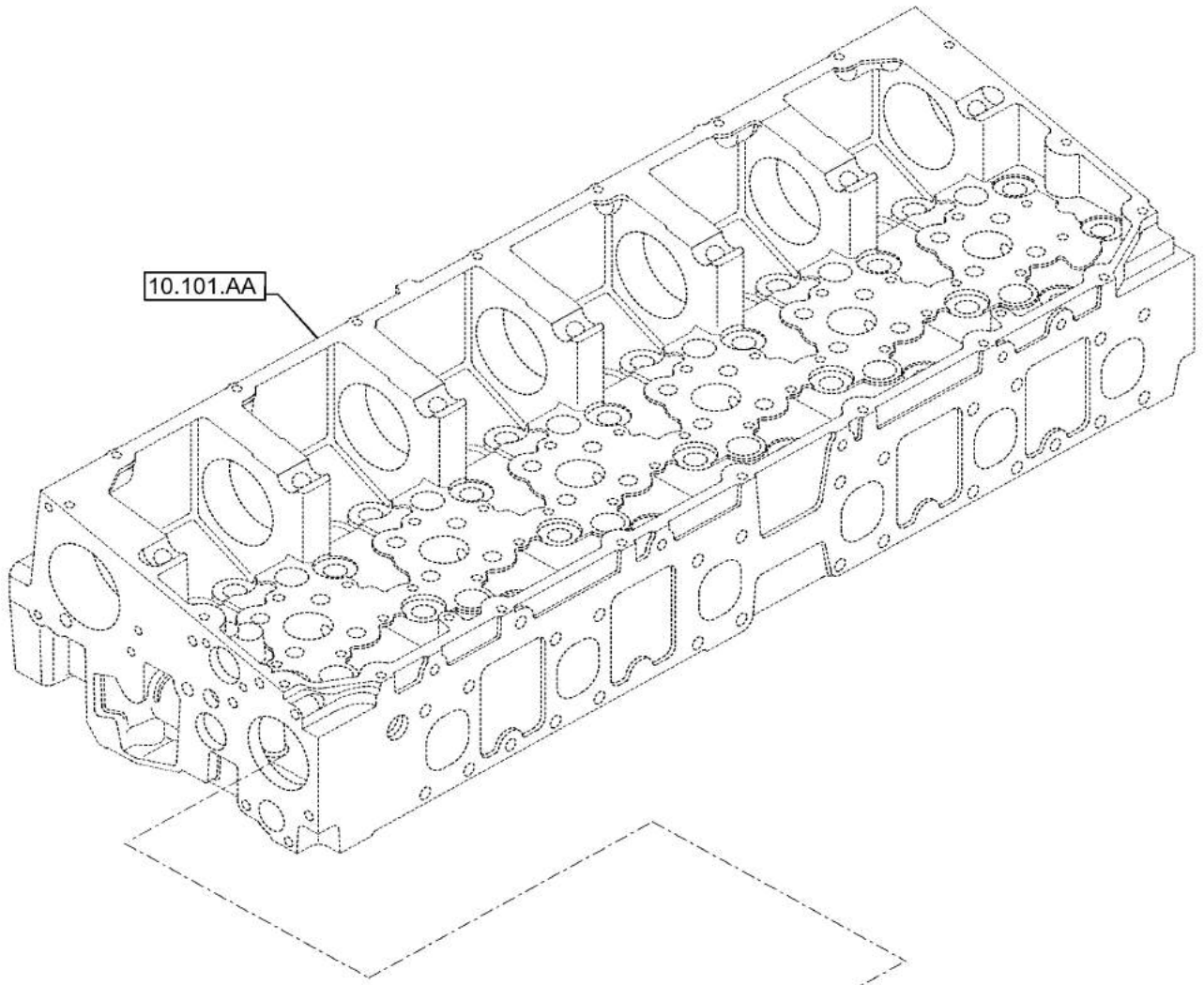


PISTON COOLING NOZZLE

REF FN	PART NUMBER	YR/SN	QTY DESCRIPTION
1	504127000		6 LUBE OIL NOZZLE ASSY; Incl 2; 3
2	NSS		1 NOT SERVICED SEPARATELY Body; Incl in 1
3	NSS		1 NOT SERVICED SEPARATELY Screw; Incl in 1

F2CFA613C*G001-ENGINE 5801805474 - 47497628

ENGINE, COOLING SYSTEM LINE



10.400.AE

01

p1

7/2015

ENGINE, COOLING SYSTEM LINE

REF FN	PART NUMBER	YR/SN	QTY DESCRIPTION
1	16592525		5 BOLT M8 x 1.25 x 70mm M8 x 70 mm
2	98451661		1 SEAL D=57.7 x 67.5 mm
3	504313837		1 PIPE
4	504045785		1 GASKET

F2CFA613C*G001-ENGINE 5801805474 - 47497628

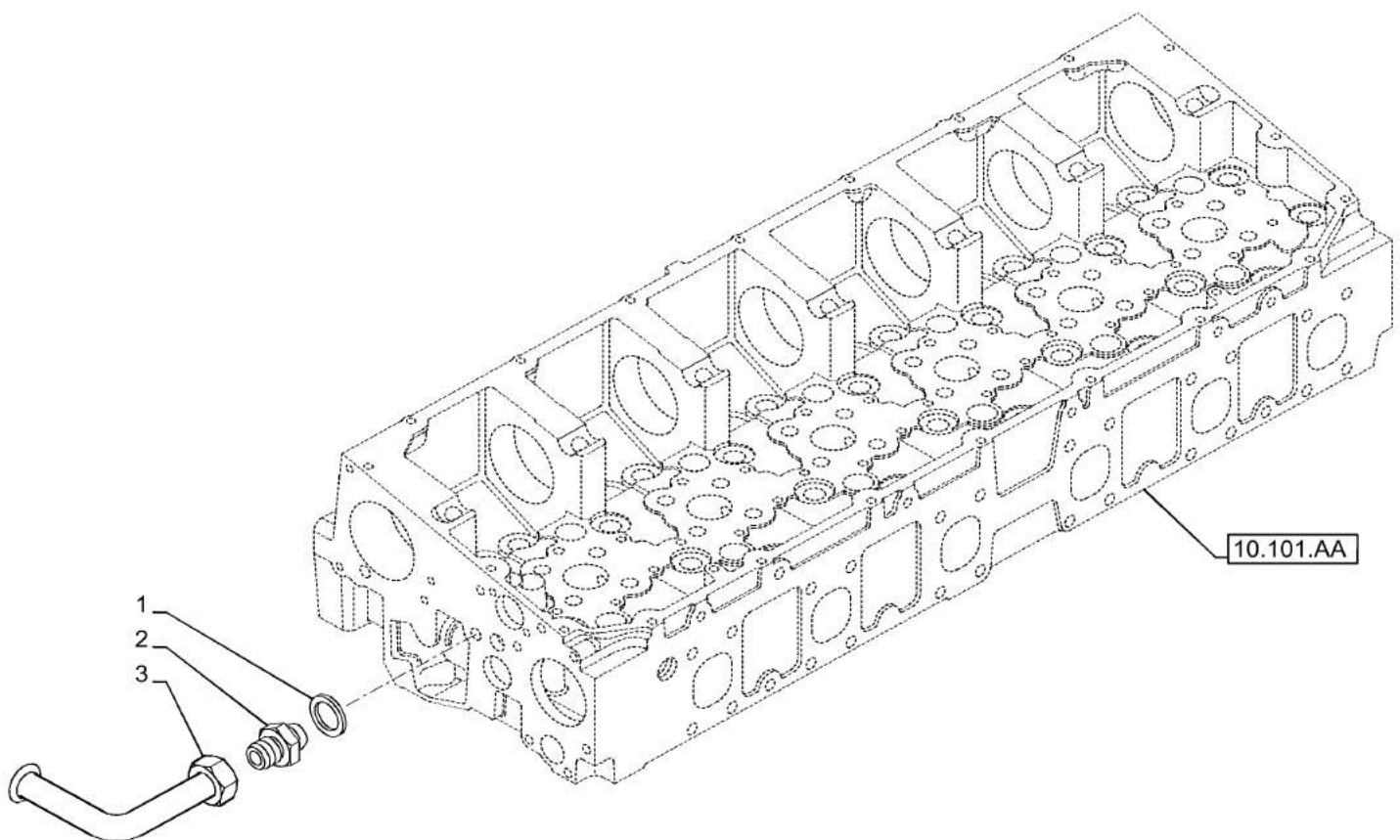
10.400.AE

02

p1

7/2015

ENGINE, COOLING SYSTEM LINE



10.400.AE

02

p1

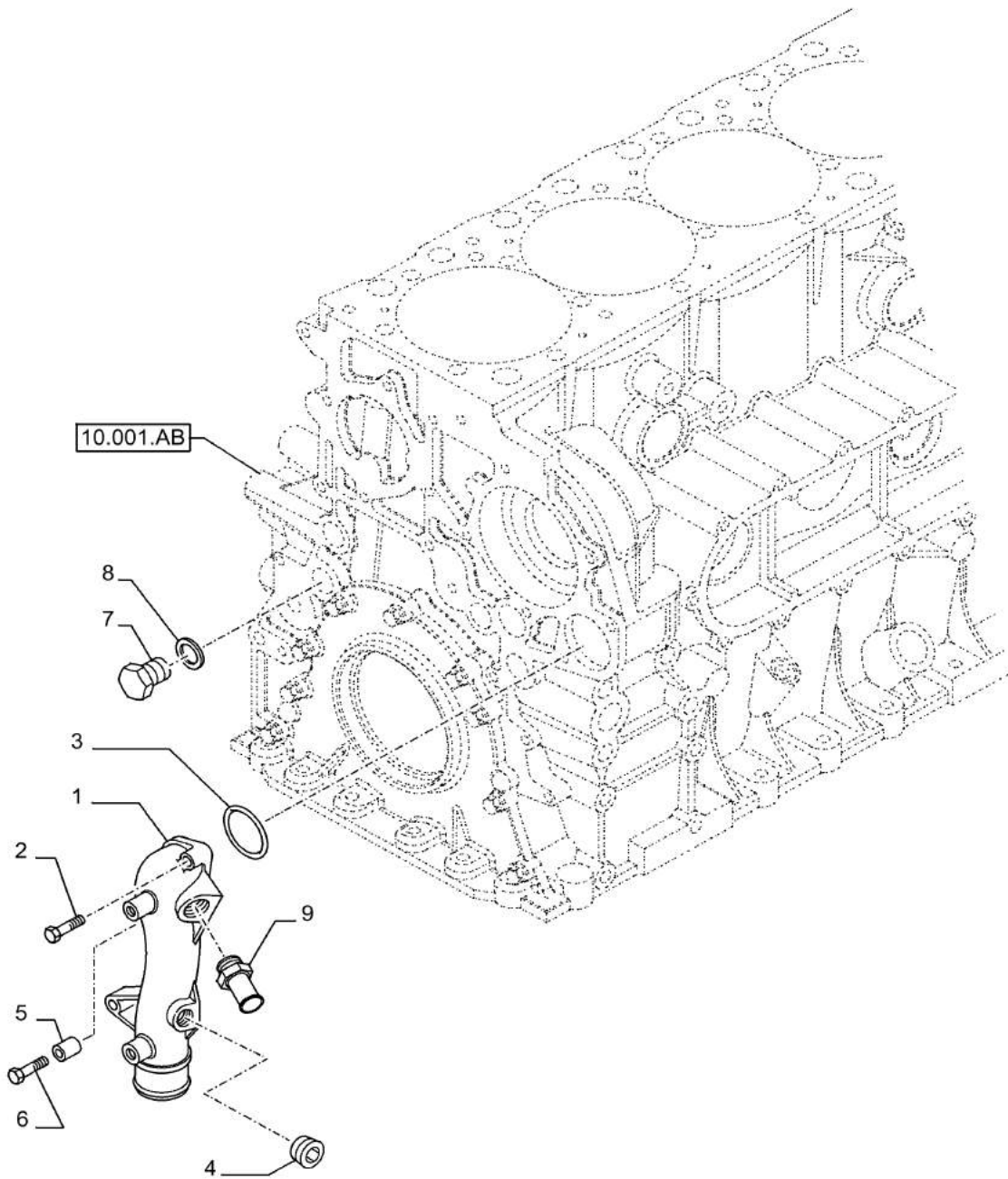
7/2015

ENGINE, COOLING SYSTEM LINE

REF FN	PART NUMBER	YR/SN	QTY DESCRIPTION
1	87665413		1 SEALING WASHER D=10 x 17 mm; SP=1.5 mm
2	504196249		1 FITTING
3	500331700		1 TUBE

F2CFA613C*G001-ENGINE 5801805474 - 47497628

WATER PUMP LINE

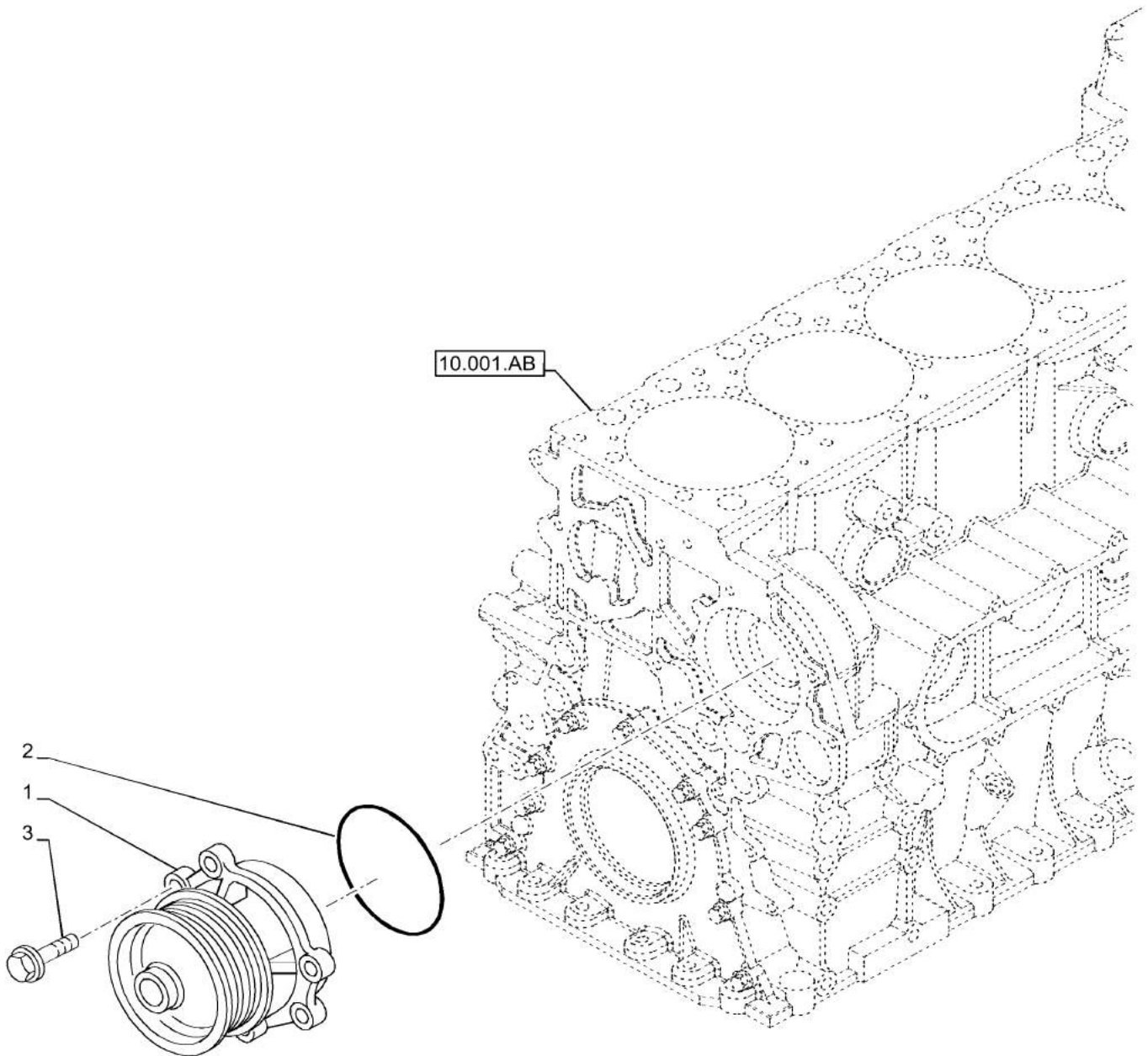


WATER PUMP LINE

REF FN	PART NUMBER	YR/SN	QTY DESCRIPTION
1	99469567		1 PIPE
2	16586925		2 BOLT M8 x 50mm
3	14464681		1 O-RING 56.74mm ID x 2.512" OD x 3.53mm
4	41221517		1 PLUG
4	99430692		1 PLUG
5	504253853		1 SPACER
6	16592525		1 BOLT M8 x 1.25 x 70mm
7	10305171		1 PLUG M22 x 1.5 x 21
8	87332142		1 SEALING WASHER 23.5mm ID x 30mm OD x 1.5mm Thk
9	99464284		1 FITTING

F2CFA613C*G001-ENGINE 5801805474 - 47497628

WATER PUMP



10.400.BB

p1

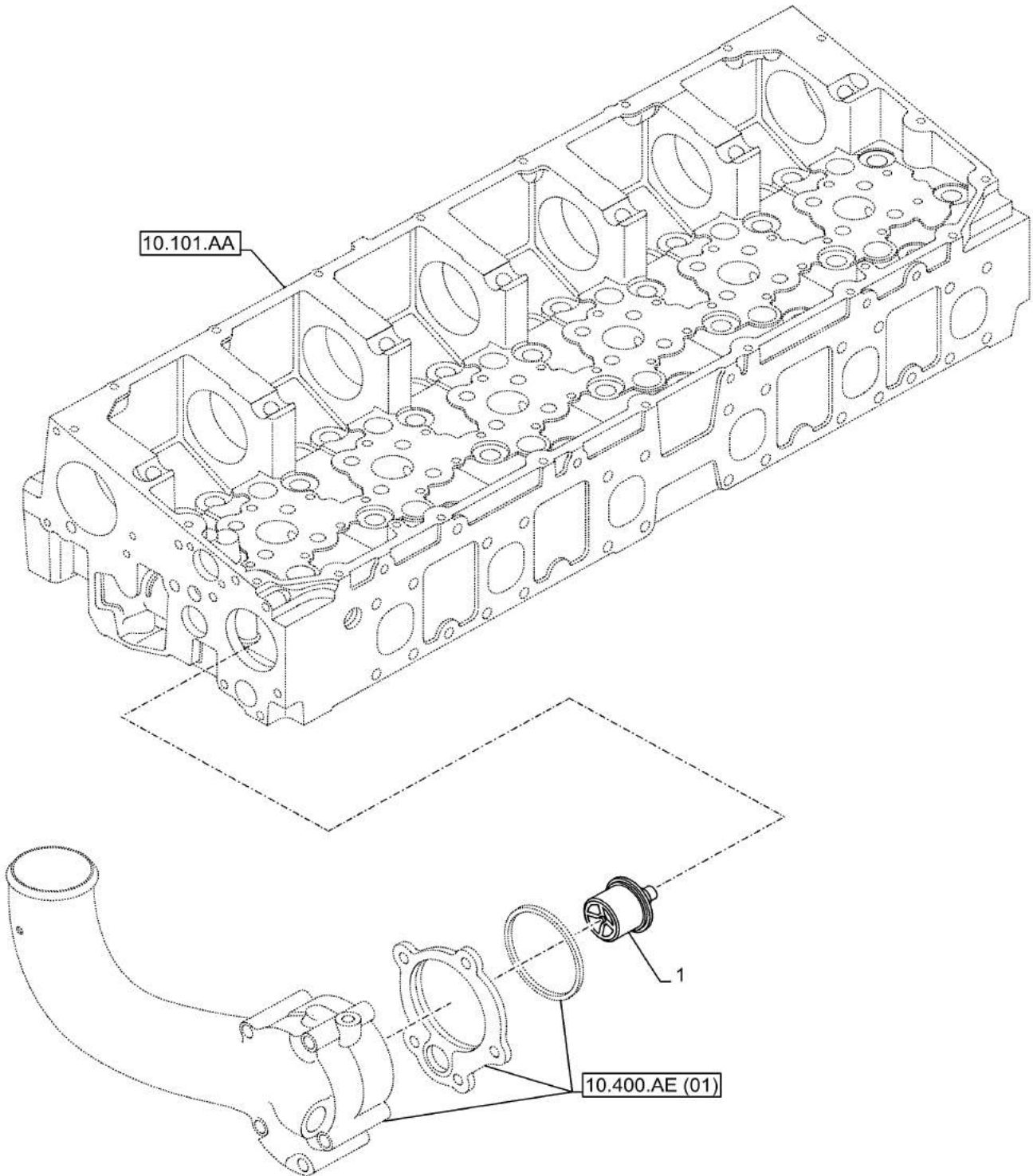
7/2015

WATER PUMP

REF FN	PART NUMBER	YR/SN	QTY DESCRIPTION
1	504361543		1 WATER PUMP
2	17291781		1 GASKET
3	16673735		4 BOLT Hex, M8 x 1.25 x 25mm M8 x 1.25 x 25 mm

F2CFA613C*G001-ENGINE 5801805474 - 47497628

THERMOSTAT



10.400.BC

p1

7/2015

THERMOSTAT

REF FN	PART NUMBER	YR/SN	QTY DESCRIPTION
1	504096443		1 THERMOSTAT From engine 48550
1	99431512		1 THERMOSTAT Up engine 48549

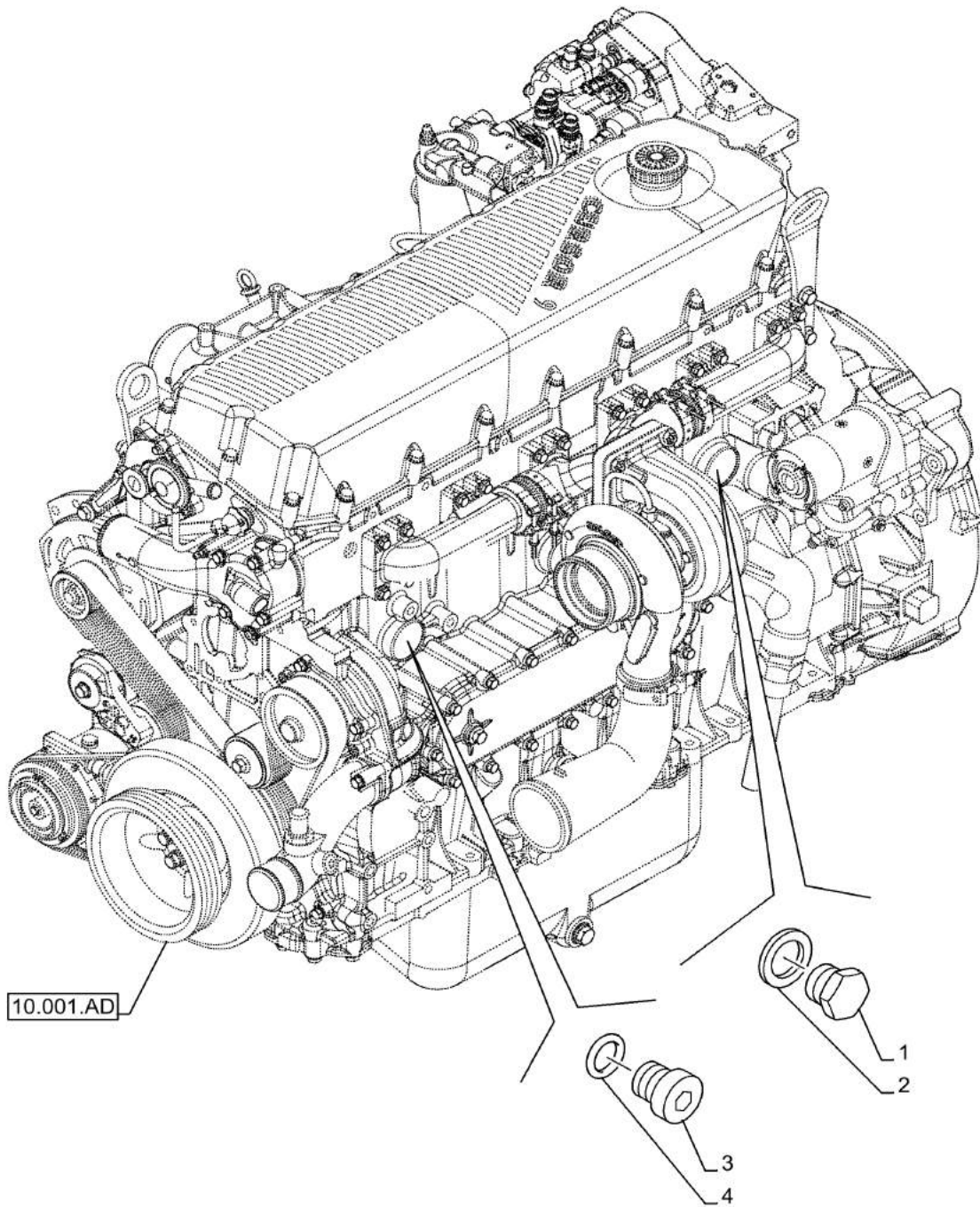
F2CFA613C*G001-ENGINE 5801805474 - 47497628

10.408.AA

p1

7/2015

OIL COOLER, SUPPLY, CONNECTING



10.001.AD

1

2

3

4



10.408.AA

p1

7/2015

OIL COOLER, SUPPLY, CONNECTING

REF FN	PART NUMBER	YR/SN	QTY DESCRIPTION
1	10300714		1 PLUG M16 x 1.5 x 14 M16 x 1.5 mm
2	99489019		1 SEALING WASHER D=16 x 24 mm; SP=1.5 mm
3	4665029		1 PLUG M42 x 1.5 mm
4	99469382		1 SEAL D=42 x 50 x 2 mm

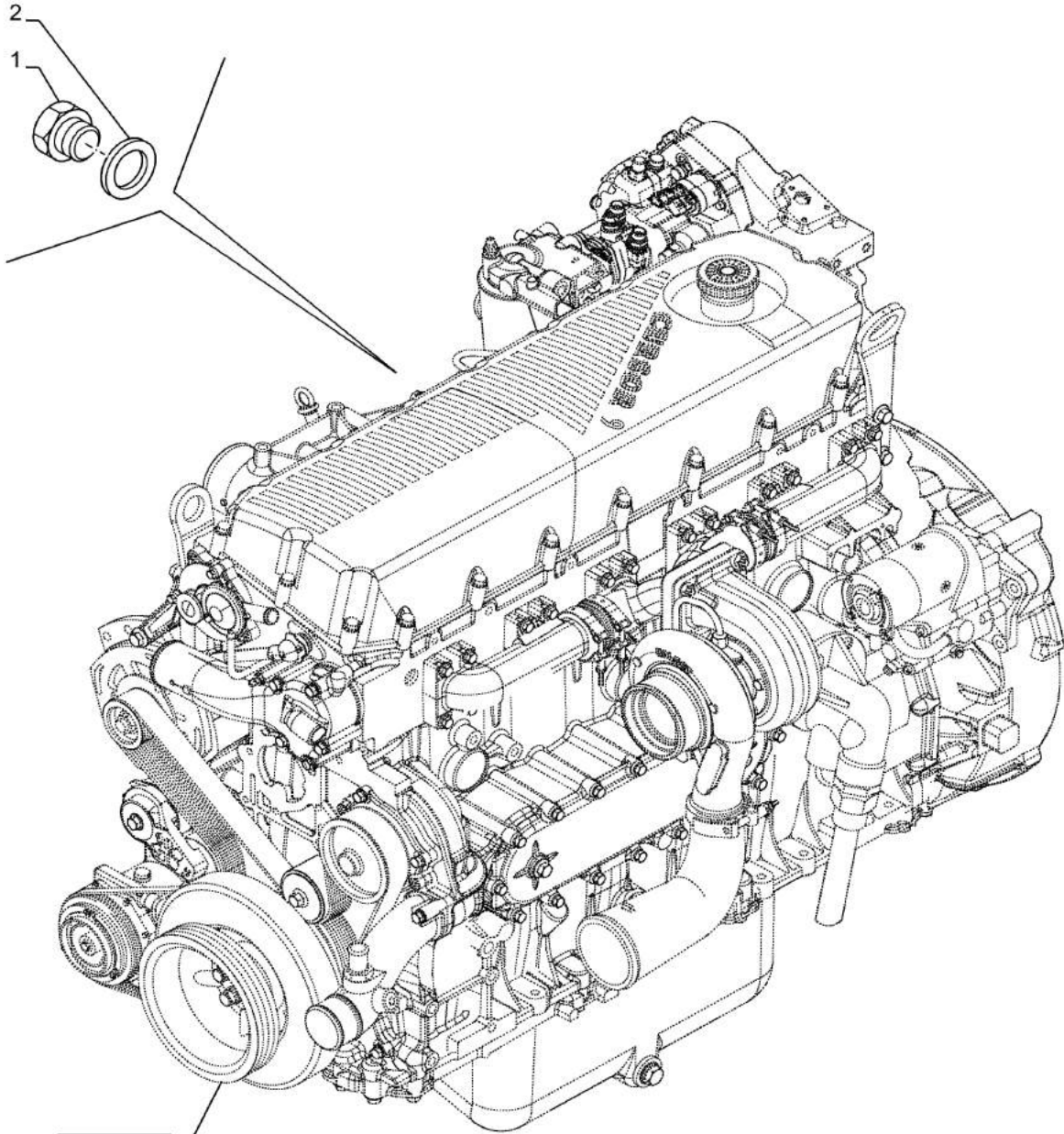
F2CFA613C*G001-ENGINE 5801805474 - 47497628

10.408.AB

p1

7/2015

OIL COOLER, RETURN LINE



10.408.AB

p1

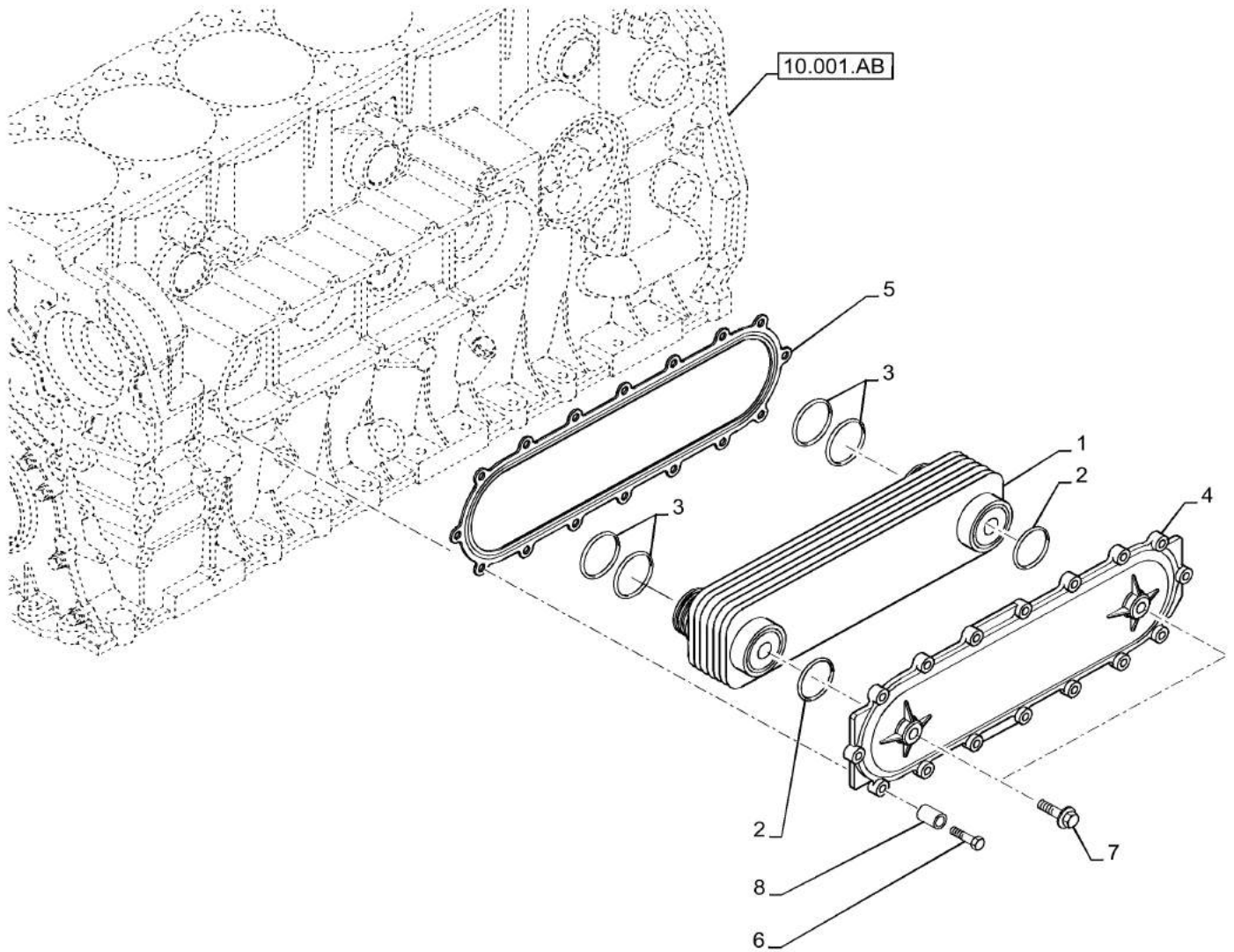
7/2015

OIL COOLER, RETURN LINE

REF FN	PART NUMBER	YR/SN	QTY DESCRIPTION
1	10300714		1 PLUG M16 x 1.5 x 14
2	5801560870		1 WASHER

F2CFA613C*G001-ENGINE 5801805474 - 47497628

ENGINE, HEAT EXCHANGER

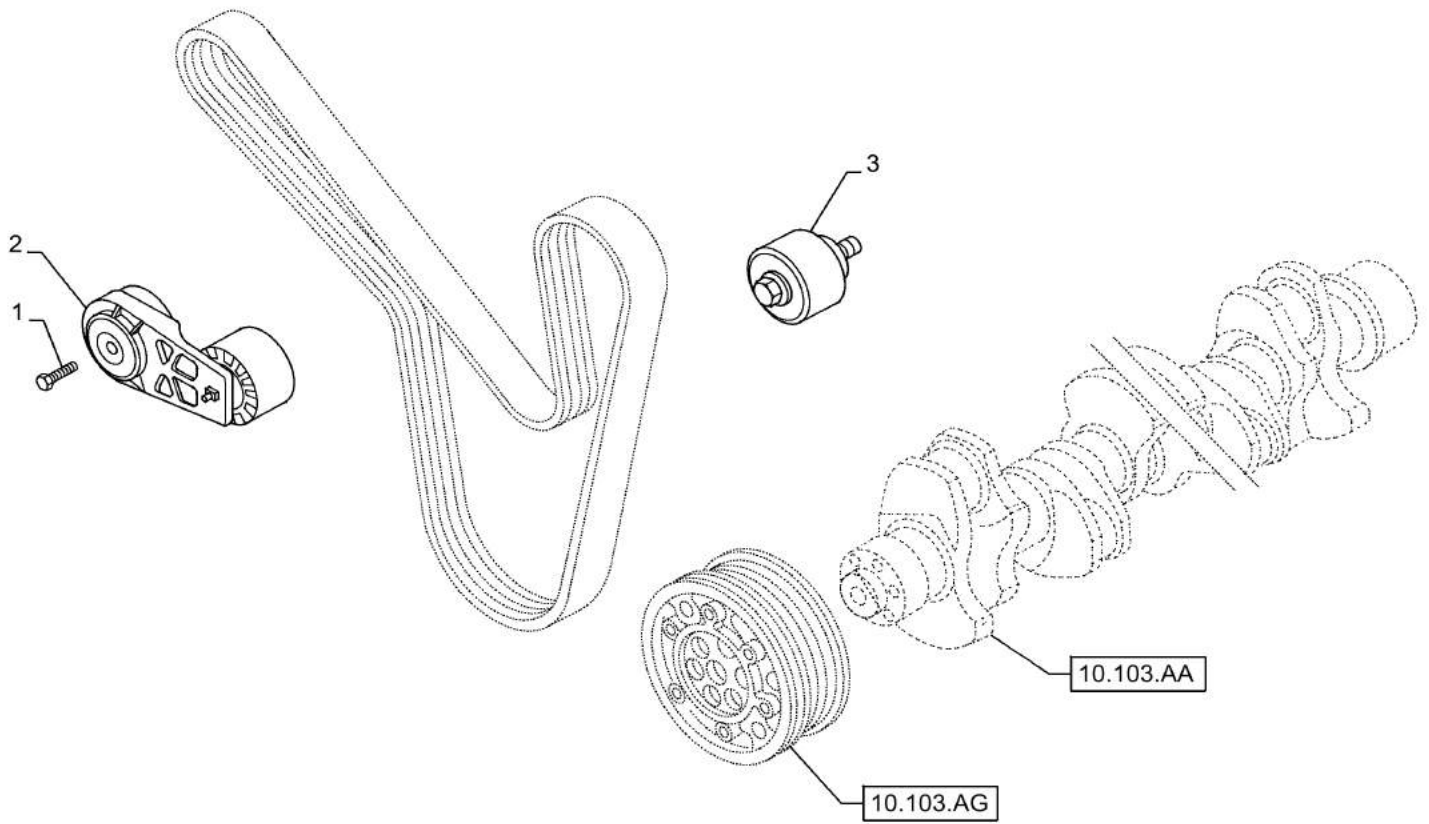


ENGINE, HEAT EXCHANGER

REF FN	PART NUMBER	YR/SN	QTY DESCRIPTION
1	504127469		1 OIL COOLER
2	17283481		2 O-RING D=42.5 mm, SP=2.6 mm
3	17289781		4 O-RING D=47.22 mm, SP=3.55 mm
4	504127468		1 COVER
5	504128027		1 GASKET
6	16674434		16 SCREW M8 x 50 mm
7	2856035		2 SCREW Flng, M12 x 30mm, Cl 8.8 M12 x 30 mm
8	17816414		16 SPACER D=8.5 x 18 mm, SP=20 mm

F2CFA613C*G001-ENGINE 5801805474 - 47497628

BELT TENSIONER



BELT TENSIONER

REF FN	PART NUMBER	YR/SN	QTY DESCRIPTION
1	16592925		1 SCREW M10 x 1.5 x 80mm M10x80 mm
2	2856948		1 BELT TENSIONER
3	504356034		1 IDLER
3	504356836		1 BELT TENSIONER

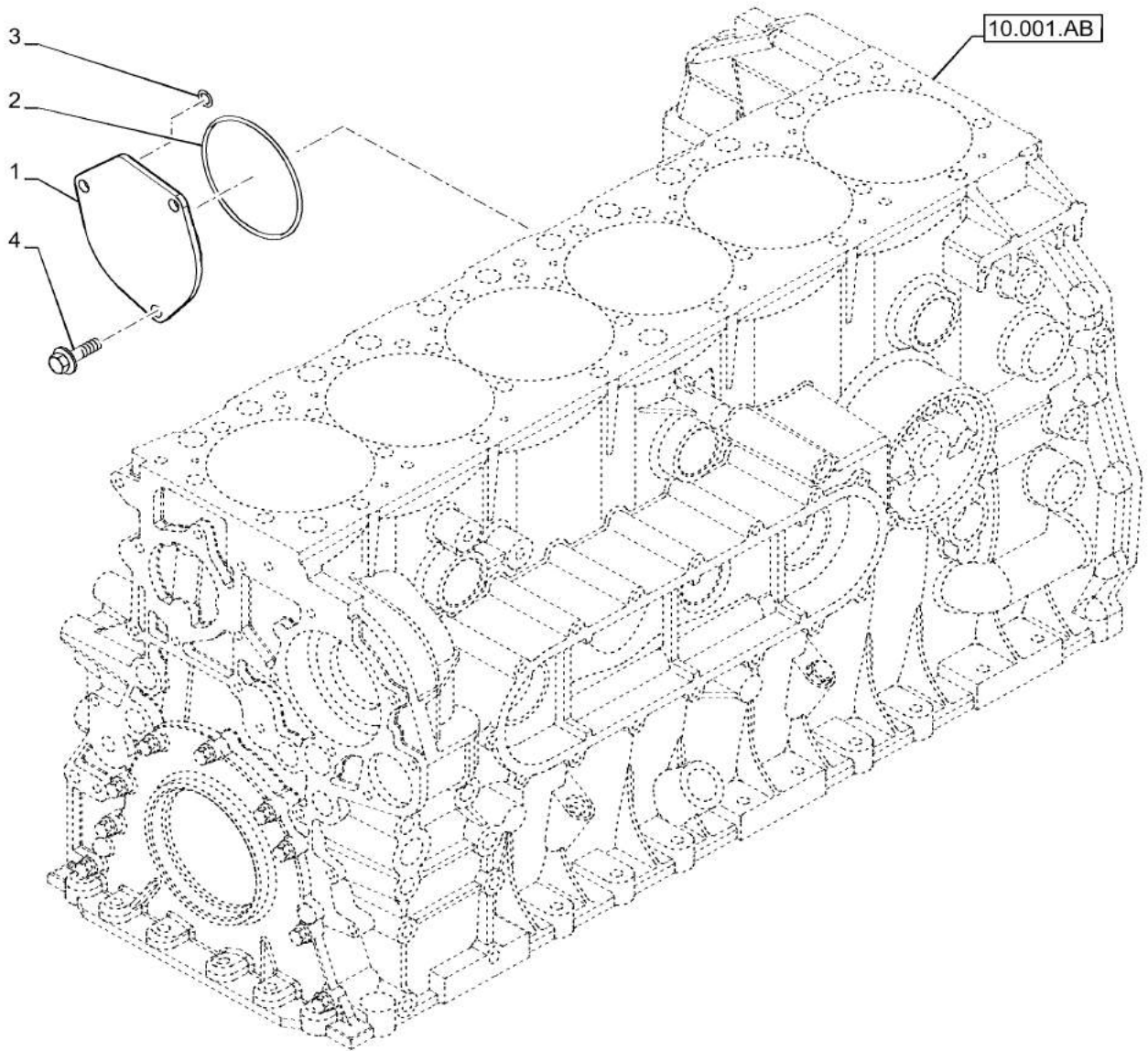
F2CFA613C*G001-ENGINE 5801805474 - 47497628

10.450.AA

p1

7/2015

AIR COMPRESSOR, COVER



10.450.AA

p1

7/2015

AIR COMPRESSOR, COVER

REF FN	PART NUMBER	YR/SN	QTY DESCRIPTION
1	504150292		1 COVER
2	14466981		1 O-RING 0.139" Thk x 5.109" ID, -251, CI 7, 75 Duro D=126.59 mm; SP=3.53 mm
3	14456881		1 O-RING 0.362" ID x 0.103" Width D=9.19 mm
4	16677735		3 SCREW M12 x 25mm M12 x 25 mm

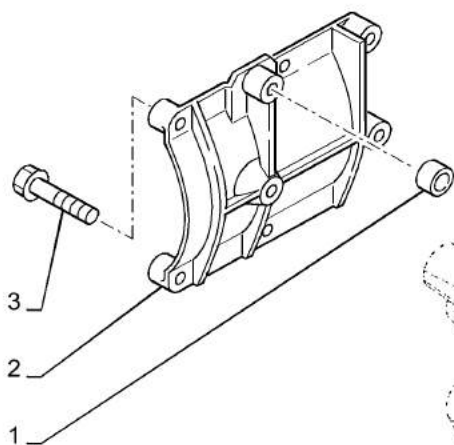
F2CFA613C*G001-ENGINE 5801805474 - 47497628

10.450.AL

p1

7/2015

AIR COMPRESSOR, SUPPORT



10.001.AB



10.450.AL

p1

7/2015

AIR COMPRESSOR, SUPPORT

REF FN	PART NUMBER	YR/SN	QTY DESCRIPTION
1	504277279		2 PIN
2	504354470		1 SUPPORT
3	2852172		2 BOLT Flng, M10 x 1.5 x 70mm M10 x 70 mm
3	16588825		2 BOLT M12 x 70mm M12 x70 mm

F2CFA613C*G001-ENGINE 5801805474 - 47497628

SECTION INDEX
ELECTRICAL SYSTEMS

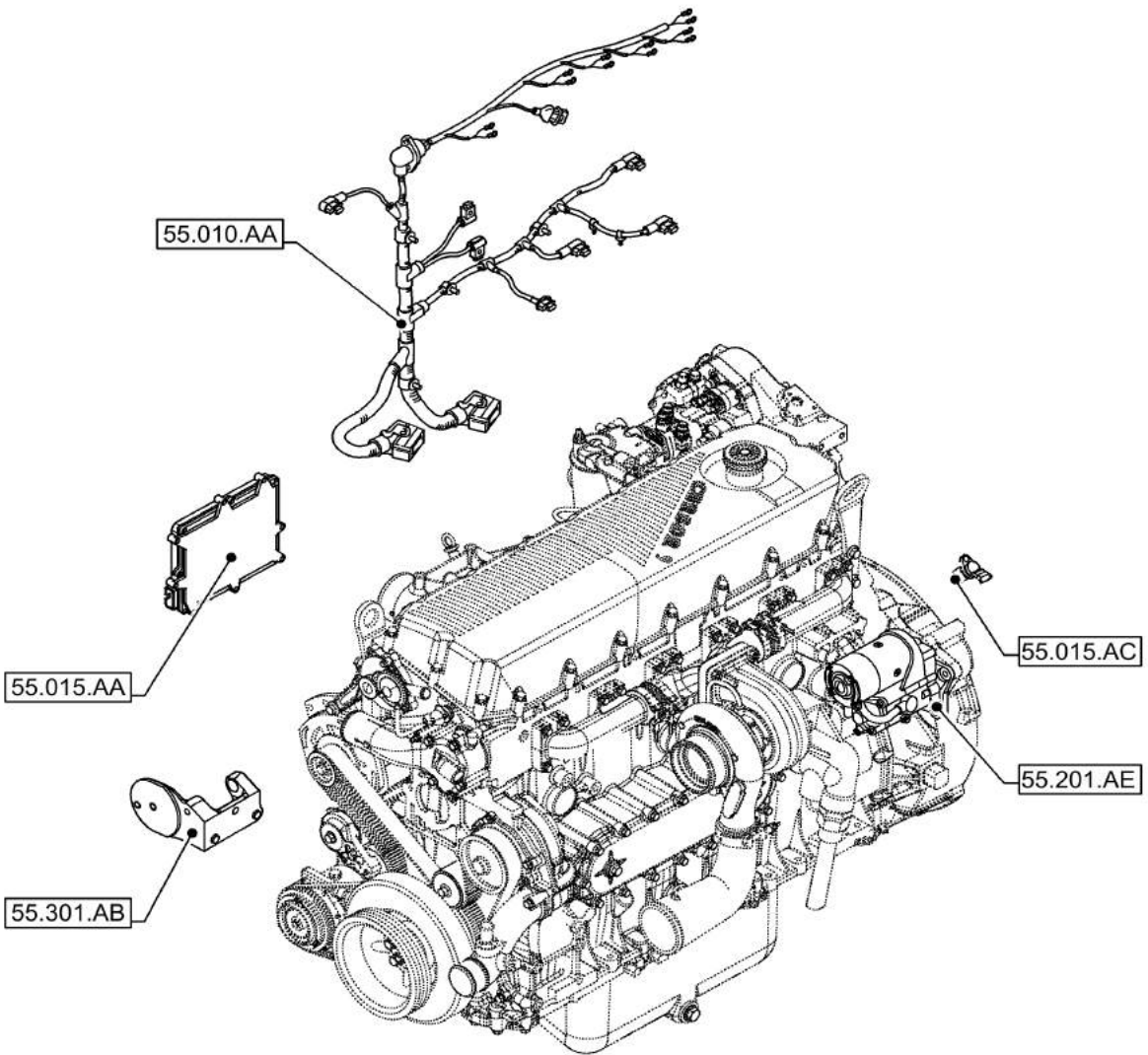
55.000.00	SECTION INDEX
55.010.AA	ENGINE, ENGINE
55.015.AA	ENGINE, ELECTRONIC CONTROL UNIT
55.015.AC	ENGINE, SENSOR
55.201.AE	STARTER MOTOR
55.301.AB	ALTERNATOR, SUPPORT

55.000.00

p1

7/2015

SECTION INDEX



55.000.00

p1

7/2015

SECTION INDEX

REF FN	PART NUMBER	YR/SN	QTY DESCRIPTION
---------------	--------------------	--------------	------------------------

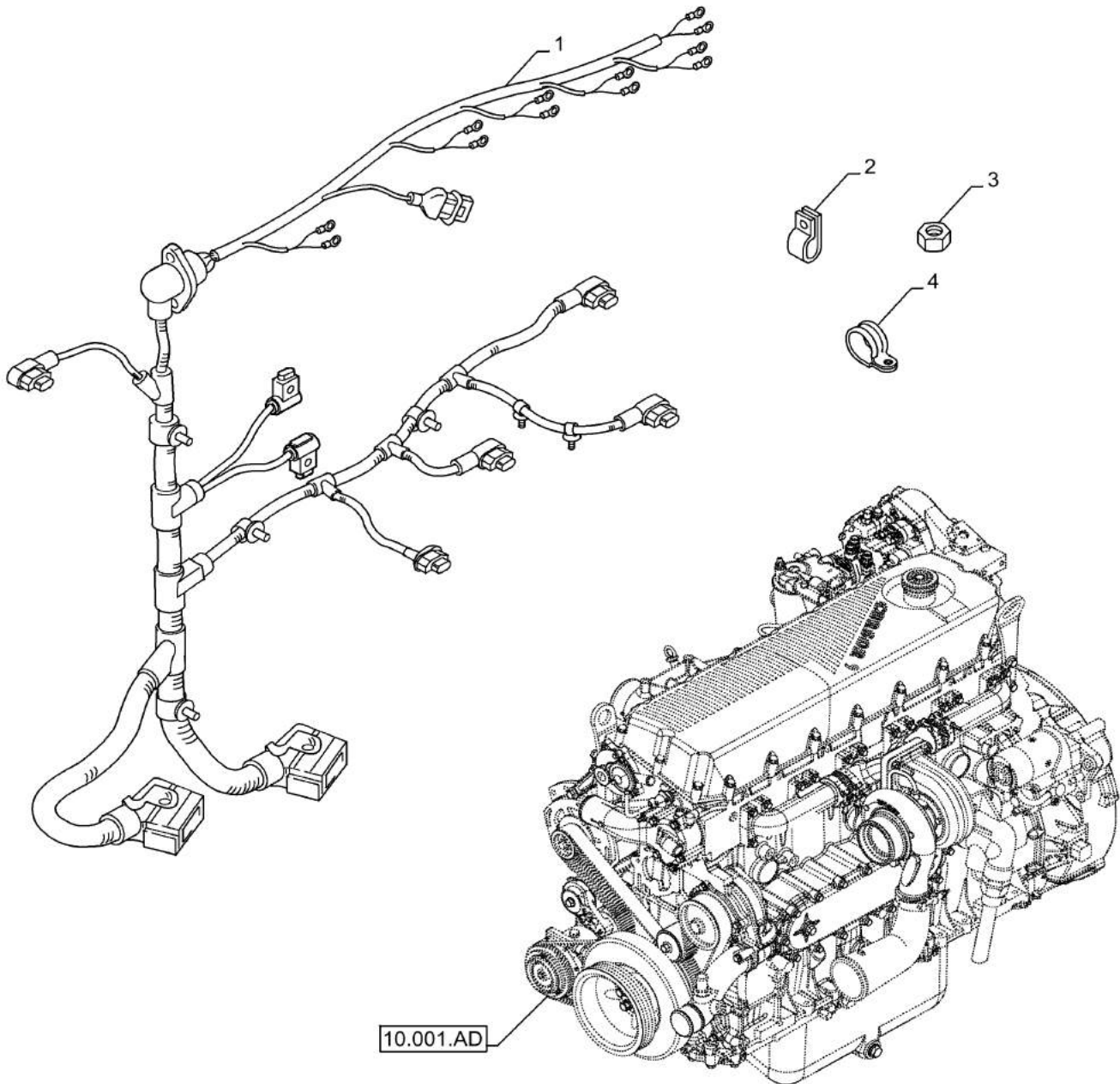
F2CFA613C*G001-ENGINE 5801805474 - 47497628
--

55.010.AA

p1

7/2015

ENGINE, ENGINE



10.001.AD

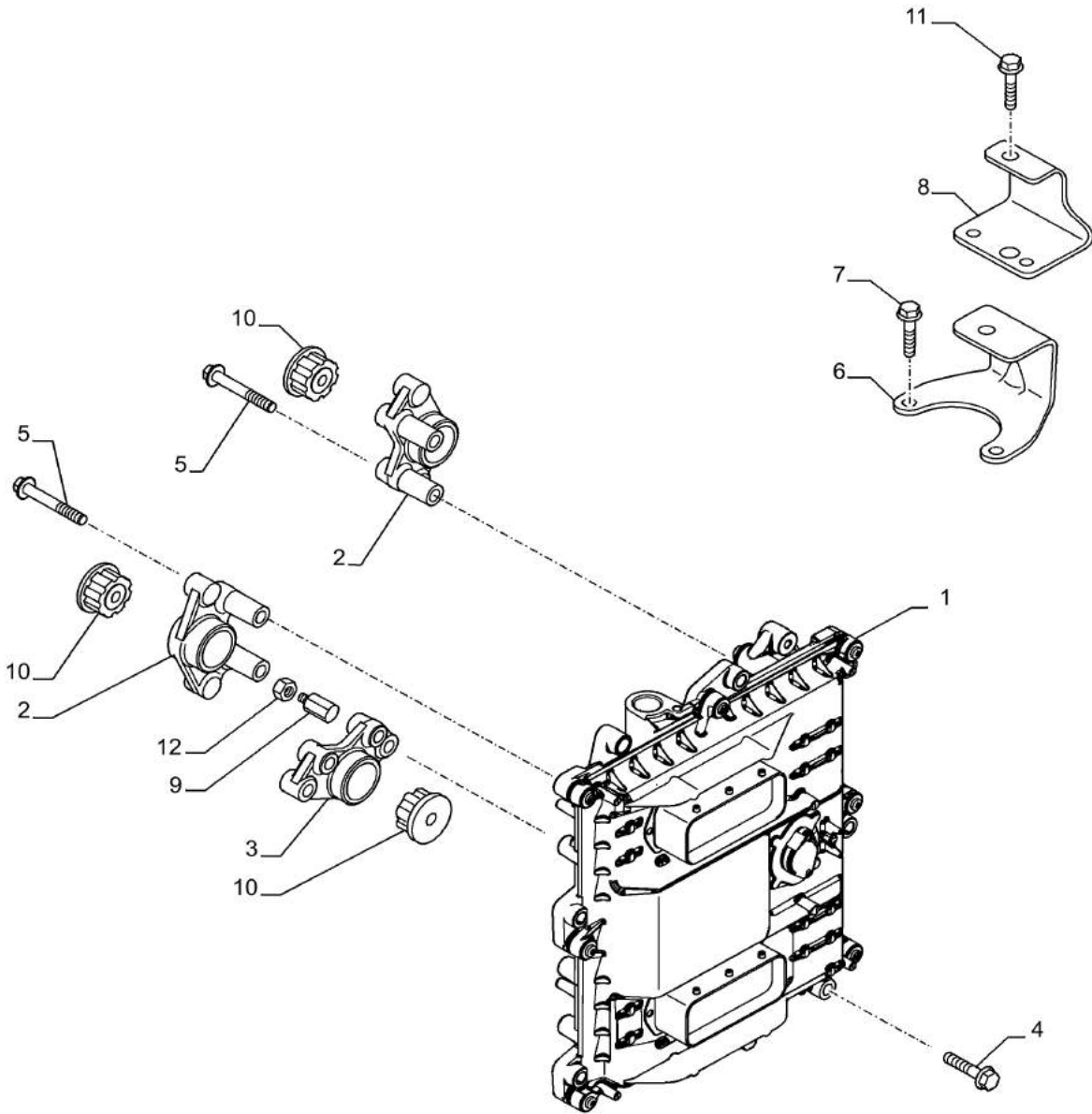


ENGINE, ENGINE

REF FN	PART NUMBER	YR/SN	QTY DESCRIPTION
1	5801773712		1 WIRE HARNESS
2	17315290		1 CLAMP
3	2852197		1 FLANGE NUT M6 x 1
4	41231089		1 FASTENER

F2CFA613C*G001-ENGINE 5801805474 - 47497628

ENGINE, ELECTRONIC CONTROL UNIT

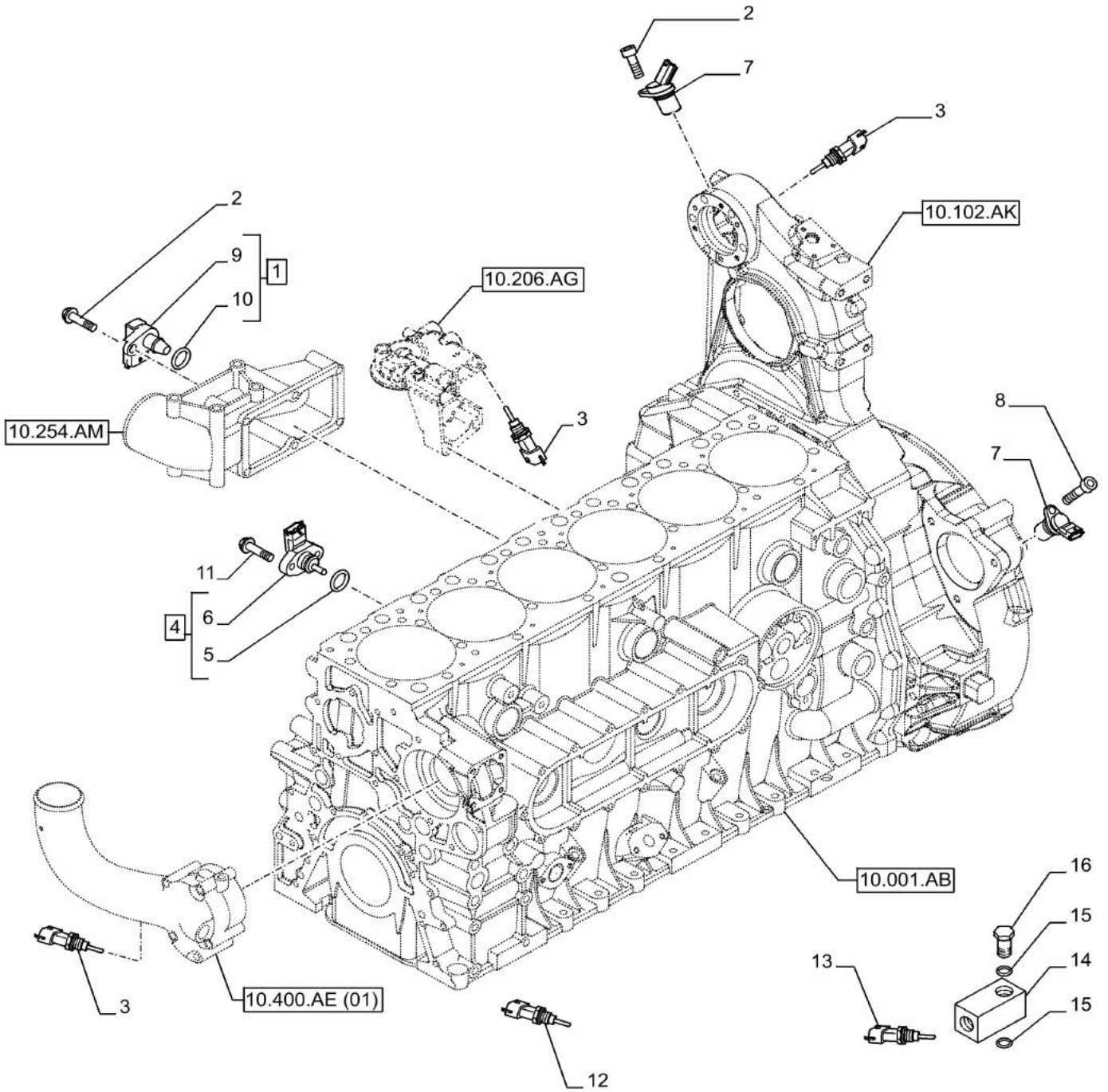


ENGINE, ELECTRONIC CONTROL UNIT

REF FN	PART NUMBER	YR/SN	QTY DESCRIPTION
1	504388754		1 CONTROL UNIT
2	5801624736		2 SUPPORT SUPPORT
3	5801564789		1 SUPPORT SUPPORT
4	2854083		2 BOLT Flng, M6 x 1 x 30mm M6x30 mm
5	17935001		4 SELF-TAP SCREW Hex Flng, M5.5 x 1.8 x 45mm
6	5801643600		1 RETAINER RETAINER
7	2853118		2 BOLT Hex, M6 x 1 x 18mm M6x18 mm
8	5801662800		1 RETAINER RETAINER
9	5801457718		1 SPACER SPACING BAR
9	5801457717		2 SPACER SPACING BAR
10	5801406998		6 SHOCK ABSORBER RUBBER LUG
11	17933601		3 SCREW
12	17044735		3 NUT Hex, M8

F2CFA613C*G001-ENGINE 5801805474 - 47497628

ENGINE, SENSOR

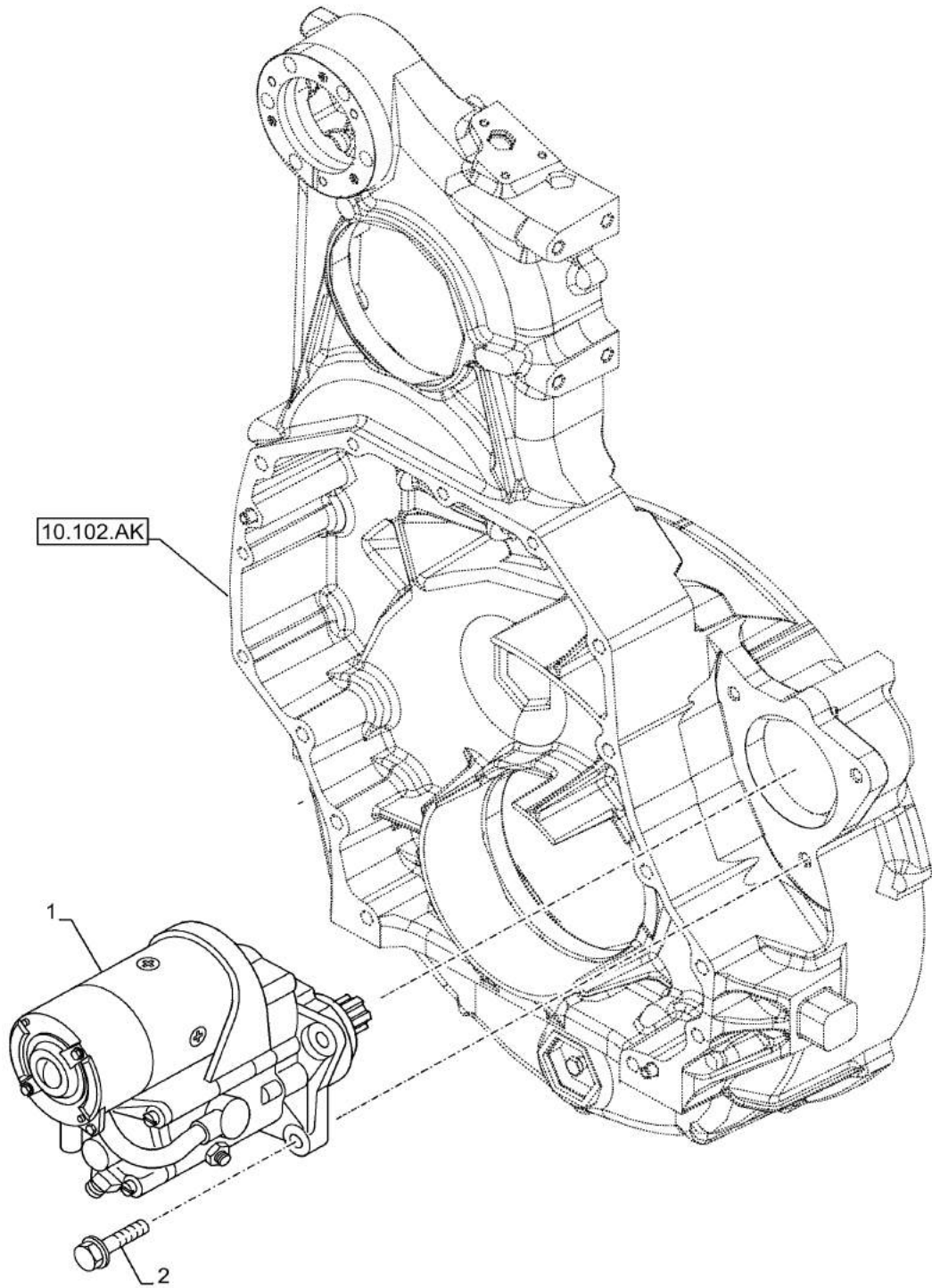


ENGINE, SENSOR

REF FN	PART NUMBER	YR/SN	QTY DESCRIPTION
1	504372225		1 SENSOR Temperature / Pressure Air pressure and temperature; ASSY; Incl 9; 10
2	2853118		2 BOLT Hex, M6 x 1 x 18mm M6 x 18 mm
3	82017881		2 SENSOR Pressure and temperature
4	504358206		1 SWITCH Pressure Oil pressure and temperature; ASSY; Incl 5; 6
5	4895477		1 O-RING 2.62mm Thk x 13.94mm ID D=13.94mm; SP=2.62 mm
6	NSS		1 NOT SERVICED SEPARATELY Sensor; Incl in 4
7	504096645		2 TRANSMITTER
8	16689024		1 SCREW M16 x 12mm M6x12 mm
9	NSS		1 NOT SERVICED SEPARATELY Sensor; Incl in 1
10	42546555		1 O-RING
11	16585870		2 SCREW Hex, M6 x 20mm
12	5801567639		1 SENSOR SENSOR
13	504364902		1 SENSOR
14	5801494046		1 SUPPORT SUPPORT
15	99489017		2 GASKET 9.9mm ID x 20mm OD x 2.5mm Thk
16	99469255		1 PLUG

F2CFA613C*G001-ENGINE 5801805474 - 47497628

STARTER MOTOR



55.201.AE

p1

7/2015

STARTER MOTOR

REF FN	PART NUMBER	YR/SN	QTY DESCRIPTION
1	84150030		1 STARTER MOTOR 12V, 5kW ASSY
2	16588125		3 BOLT M12 x 1.75 x 35mm M12 x 35mm

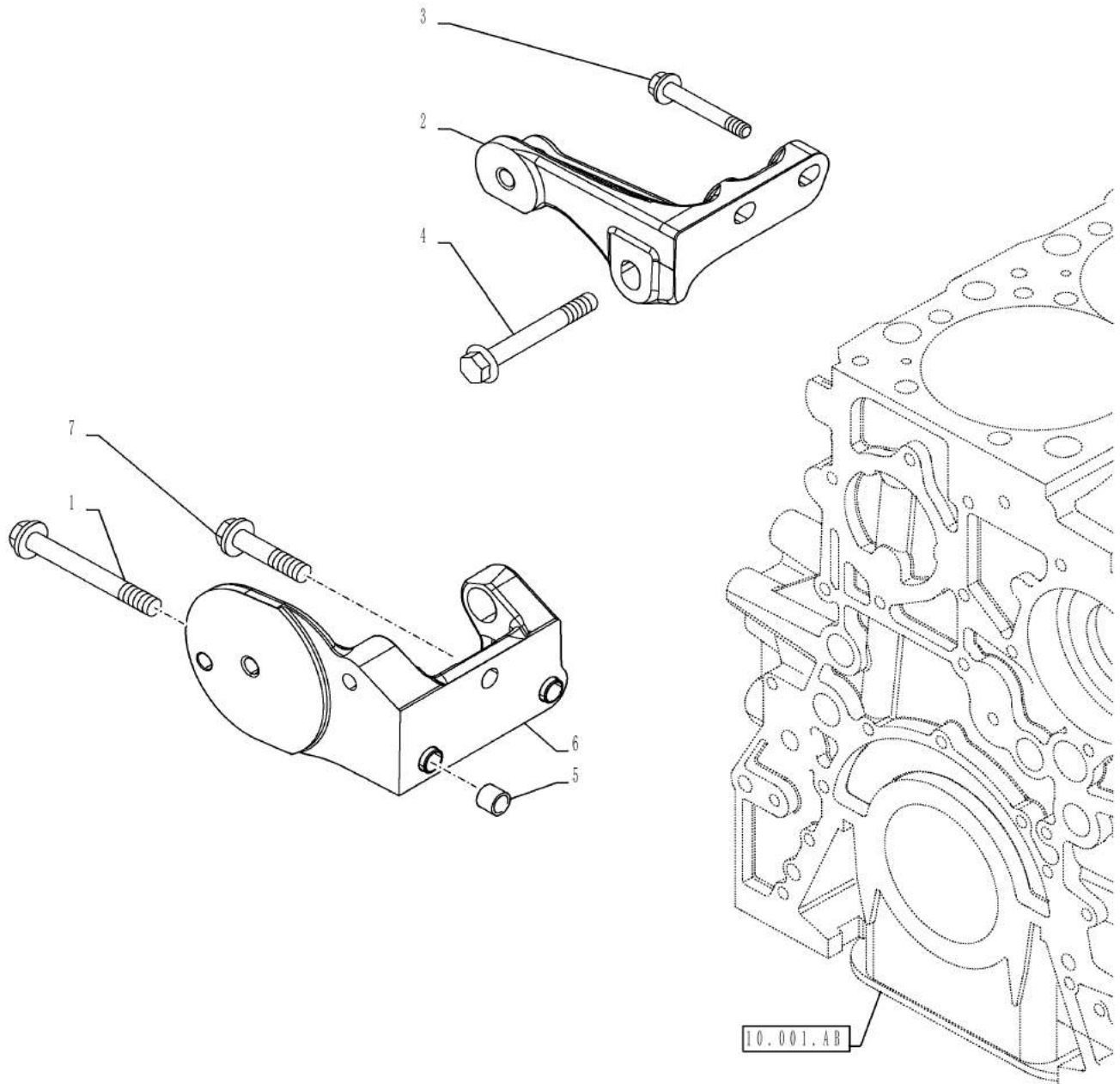
F2CFA613C*G001-ENGINE 5801805474 - 47497628

55.301.AB

p1

7/2015

ALTERNATOR, SUPPORT



55.301.AB

p1

7/2015

ALTERNATOR, SUPPORT

REF FN	PART NUMBER	YR/SN	QTY DESCRIPTION
1	16587525		2 BOLT M10 x 45mm
2	504384182		1 SUPPORT
3	16586925		2 BOLT M8 x 50mm
4	16673835		1 BOLT Hex, M8 x 30mm
5	98405462		2 DOWEL
6	504354467		1 SUPPORT
7	16587125		1 SCREW M10

F2CFA613C*G001-ENGINE 5801805474 - 47497628

INDEX - INDICE - INDEX - ZAHLENVERZEICHNIS - INDICE - INDICE - INDHOLD - INHOUD

Number	Figure	Sequence	Ref.	Number	Figure	Sequence	Ref.
10300714	10.101.AM		21	16588825	10.450.AL		3
10300714	10.408.AA		1	16591725	10.304.AC		4
10300714	10.408.AB		1	16591925	10.101.AB		1
10305171	10.102.AP		6	16592224	10.304.AF	01	8
10305171	10.400.AQ		7	16592225	10.304.AL		6
10450090	10.250.AJ		7	16592325	10.102.AK		13
10450590	10.210.AF		14	16592525	10.400.AE	01	1
10520304	10.218.AQ	01	4	16592525	10.400.AQ		6
10839610	10.103.AA		4	16592925	10.414.AE		1
11197774	10.304.AF	02	9	16593125	10.102.AK		7
11903211	10.001.AB		17	16593125	10.254.AM		4
11903211	10.304.AJ	02	9	16593425	10.102.AK		2
13605711	10.210.AF		4	16599325	10.254.AM		11
14282170	10.101.AM		6	16666716	10.250.AD		7
14456881	10.450.AA		3	16673635	10.250.AD		9
14457681	10.304.AC		3	16673635	10.304.AL		7
14463281	10.304.AM		3	16673735	10.001.AB		16
14463481	10.218.AF		5	16673735	10.304.AL		3
14464681	10.400.AQ		3	16673735	10.400.BB		3
14465381	10.106.AA		3	16673835	10.304.AF	01	2
14466981	10.106.AA		8	16673835	55.301.AB		4
14466981	10.450.AA		2	16674034	10.218.AQ	01	2
15896221	10.254.AM		6	16674434	10.408.AC		6
16500114	10.250.AJ		3	16675834	10.304.AF	02	4
16500919	10.250.AJ		5	16676135	10.106.AA		4
16503915	10.250.AJ		10	16677735	10.001.AK		2
16504015	10.210.AF		5	16677735	10.450.AA		4
16504714	10.210.AF		2	16679034	10.106.AG		7
16508460	10.102.AP		5	16679435	10.106.AP		4
16585725	10.304.AC		5	16689024	55.015.AC		8
16585870	10.218.AI		21	16689724	10.304.AF	02	5
16585870	10.304.AP		7	16689824	10.304.AF	02	6
16585870	55.015.AC		11	16689924	10.304.AF	02	7
16586225	10.218.AI		23	16690525	10.106.AA		11
16586225	10.304.AJ	02	3	16691424	10.250.AD		6
16586625	10.106.AA		9	16692125	10.210.AF		9
16586724	10.102.AK		5	16693124	10.304.AE		4
16586725	10.102.AK		13	16693834	10.110.AD		3
16586725	10.206.AG		2	16707034	10.218.AI		18
16586825	10.218.AI		5	16707334	10.102.AK		10
16586925	10.400.AQ		2	16873476	10.105.AG		3
16586925	55.301.AB		3	16988301	10.106.AP		2
16587125	55.301.AB		7	16990670	10.001.AB		9
16587525	10.102.AP		1	16990870	10.001.AB		7
16587525	55.301.AB		1	16990870	10.101.AM		15
16588125	55.201.AE		2	16991170	10.101.AM		2

INDEX - INDICE - INDEX - ZAHLENVERZEICHNIS - INDICE - INDICE - INDHOLD - INHOUD

Number	Figure	Sequence	Ref.	Number	Figure	Sequence	Ref.
16991370	10.001.AB		2	2996571	10.206.AO		1
16991370	10.101.AM		5	2996584	10.103.AA		5
16992211	10.101.AM		7	2996585	10.103.AA		5
16992515	10.001.AB		6	2996586	10.103.AA		5
16992915	10.102.AK		15	2996587	10.103.AA		5
17044735	55.015.AA		12	2996588	10.103.AA		5
17044825	10.304.AE		6	2996589	10.103.AA		5
17095024	10.102.AP		8	2996590	10.103.AA		6
17095224	10.110.AD		2	41031568	10.210.AF		3
17095814	10.218.AQ	02	6	41034989	10.250.AJ		8
17283481	10.408.AC		2	41221517	10.400.AQ		4
17289781	10.408.AC		3	41231089	55.010.AA		4
17291781	10.400.BB		2	42541849	10.218.AQ	02	9
17291881	10.304.AF	01	5	42541850	10.218.AQ	02	8
17315290	55.010.AA		2	42546555	55.015.AC		10
17316592	10.250.AD		8	42550485	10.218.AQ	02	4
17316699	10.304.AJ	02	4	42550487	10.218.AQ	02	10
17317390	10.304.AF	02	11	42556819	10.218.AQ	02	11
17816414	10.304.AF	01	7	42559144	10.218.AQ	02	3
17816414	10.408.AC		8	43362	10.250.AD		10
17933601	55.015.AA		11	4665029	10.408.AA		3
17935001	55.015.AA		5	4700162	10.218.AF		1
18053625	10.304.AM		2	4791406	10.304.AJ	02	5
18137825	10.304.AP		6	4858609	10.250.AD		4
18138324	10.106.AG		9	4890634	10.218.AQ	02	12
18139424	10.001.AB		10	4895477	55.015.AC		5
2852172	10.450.AL		3	500054902	10.105.AB		6
2852197	55.010.AA		3	500054903	10.105.AB		6
2852286	10.254.AM		1	500054904	10.105.AB		6
2852323	10.210.AF		13	500054905	10.105.AB		6
2852323	10.304.AL		4	500054906	10.105.AB		6
2852327	10.102.AK		6	500054907	10.105.AB		6
2852389	10.304.AF	02	8	500054908	10.105.AB		6
2852774	10.101.AB		6	500054910	10.105.AB		6
2852925	10.102.AK		3	500300795	10.250.AC		2
2852978	10.304.AF	02	1	500300903	10.106.AO		6
2853118	55.015.AA		7	500304389	10.304.AC		2
2853118	55.015.AC		2	500304562	10.206.AG		7
2853970	10.102.AK		17	500305814	10.254.AC		6
2854083	55.015.AA		4	500314967	10.001.AB		12
2854311	10.250.AJ		9	500314967	10.101.AM		4
2855421	10.103.AH		3	500314968	10.102.AK		16
2856035	10.408.AC		7	500331700	10.400.AE	02	3
2856948	10.414.AE		2	500333923	10.250.AD		13
2859382	10.254.AC		4	500354580	10.101.AM		9
2996569	10.206.AG		8	500354685	10.101.AM		19

INDEX - INDICE - INDEX - ZAHLENVERZEICHNIS - INDICE - INDICE - INDHOLD - INHOUD

Number	Figure	Sequence	Ref.	Number	Figure	Sequence	Ref.
500355363	10.304.AC		6	504126986	10.218.AI		14
500356756	10.218.AF		2	504126996	10.106.AG		8
500356932	10.001.AB		11	504127000	10.304.AR		1
500361014	10.001.AK		1	504127124	10.106.AO		1
500373497	10.103.AG		2	504127468	10.408.AC		4
500376251	10.103.AG		3	504127469	10.408.AC		1
500392440	10.206.AG		1	504127723	10.001.AB		8
504001674	10.106.AG		2	504127775	10.106.AA		7
504002500	10.106.AG		5	504127797	10.101.AM		12
504005572	10.304.AF	02	2	504127832	10.106.AG		4
504005577	10.102.AP		9	504127841	10.218.AF		3
504008093	10.101.AB		5	504128027	10.408.AC		5
504010370	10.304.AC		7	504128376	10.106.AG		6
504027969	10.304.AJ	01	2	504128648	10.001.AB		22
504030843	10.254.AC		3	504128649	10.001.AB		22
504037176	10.304.AF	01	6	504128650	10.001.AB		22
504042684	10.102.AK		9	504128651	10.001.AB		22
504045785	10.400.AE	01	4	504129182	10.101.AM		11
504050244	10.304.AP		2	504129520	10.103.AH		1
504051236	10.001.AB		5	504130644	10.218.AQ	01	3
504051237	10.001.AB		3	504130662	10.218.AI		3
504051237	10.101.AM		3	504131225	10.304.AC		1
504051237	10.206.AG		3	504131444	10.101.AM		16
504051238	10.206.AG		6	504133017	10.106.AG		13
504059553	10.106.AO		4	504138062	10.101.AM		20
504077078	10.254.AM		10	504142601	10.001.AB		14
504081274	10.210.AF		10	504143828	10.102.AP		4
504081274	10.250.AD		2	504143834	10.102.AP		2
504089127	10.304.AP		1	504147366	10.304.AF	01	3
504090550	10.254.AM		8	504149689	10.304.AL		2
504096443	10.400.BC		1	504150292	10.450.AA		1
504096645	55.015.AC		7	504154202	10.254.AC		1
504124624	10.103.AA		3	504154987	10.254.AM		5
504124648	10.106.AG		1	504155884	10.304.AL		1
504124654	10.106.AG		10	504165682	10.106.AO		8
504125098	10.001.AB		15	504188076	10.218.AQ	01	1
504125417	10.001.AB		4	504188076	10.218.AQ	02	1
504125776	10.101.AM		14	504188241	10.106.AP		5
504125778	10.101.AA		6	504189213	10.106.AP		1
504126229	10.105.AB		2	504190449	10.304.AF	01	1
504126580	10.105.AG		2	504191876	10.304.AM		1
504126981	10.218.AI		9	504196249	10.400.AE	02	2
504126982	10.218.AI		10	504213767	10.250.AD		5
504126983	10.218.AI		11	504213767	10.304.AF	01	9
504126984	10.218.AI		12	504218098	10.304.AE		2
504126985	10.218.AI		13	504218108	10.304.AF	02	10

INDEX - INDICE - INDEX - ZAHLENVERZEICHNIS - INDICE - INDICE - INDHOLD - INHOUD

Number	Figure	Sequence	Ref.	Number	Figure	Sequence	Ref.
504219039	10.001.AB		1	504361844	10.101.AA		3
504235264	10.218.AI		25	504361845	10.101.AA		3
504236628	10.218.AI		24	504361851	10.101.AA		4
504244493	10.102.AK		8	504364902	55.015.AC		13
504250516	10.304.AL		5	504372225	55.015.AC		1
504253853	10.218.AI		6	504373407	10.218.AI		1
504253853	10.400.AQ		5	504375264	10.254.AM		2
504254723	10.106.AA		1	504378920	10.106.AA		5
504255185	10.218.AF		4	504379916	10.103.AA		1
504262598	10.218.AF		6	504382791	10.218.AI		2
504277279	10.450.AL		1	504384182	55.301.AB		2
504289274	10.102.AK		1	504385205	10.106.AA		2
504290087	10.102.AK		11	504385500	10.101.AM		1
504290773	10.102.AK		12	504388754	55.015.AA		1
504305869	10.001.AB		21	5167640	10.001.AB		13
504312745	10.218.AI		19	5167640	10.304.AJ	02	6
504313837	10.400.AE	01	3	5801385950	10.250.AC		5
504323023	10.304.AJ	02	8	5801388691	10.101.AA		5
504323917	10.304.AJ	02	1	5801406998	55.015.AA		10
504325903	10.304.AP		3	5801457717	55.015.AA		9
504327363	10.218.AI		22	5801457718	55.015.AA		9
504334915	10.304.AP		5	5801462723	10.304.AJ	01	1
504344694	10.101.AM		17	5801472223	10.106.AA		6
504345093	10.218.AI		7	5801476005	10.101.AA		1
504345096	10.218.AI		17	5801491535	10.254.AC		8
504345104	10.218.AI		8	5801494046	55.015.AC		14
504345222	10.218.AI		15	5801506352	10.101.AM		18
504346309	10.102.AP		3	5801506454	10.105.AB		3
504347962	10.102.AK		4	5801520477	10.101.AM		13
504354068	10.210.AF		1	5801556304	10.254.AC		7
504354070	10.210.AF		6	5801560865	10.210.AF		12
504354467	55.301.AB		6	5801560870	10.210.AF		11
504354470	10.450.AL		2	5801560870	10.250.AJ		6
504354481	10.001.AK		3	5801560870	10.408.AB		2
504356034	10.414.AE		3	5801564789	55.015.AA		3
504356836	10.414.AE		3	5801567639	55.015.AC		12
504356982	10.102.AK		14	5801583056	10.250.AD		1
504358206	55.015.AC		4	5801583063	10.250.AD		12
504358313	10.218.AI		20	5801603834	10.254.AM		3
504360070	10.103.AG		1	5801621762	10.250.AC		3
504360534	10.106.AA		10	5801622468	10.250.AC		4
504361543	10.400.BB		1	5801622471	10.250.AC		6
504361838	10.101.AA		2	5801624736	55.015.AA		2
504361839	10.101.AA		2	5801643600	55.015.AA		6
504361840	10.101.AA		2	5801654901	10.105.AB		1
504361843	10.101.AA		3	5801660028	10.250.AJ		2

INDEX - INDICE - INDEX - ZAHLENVERZEICHNIS - INDICE - INDICE - INDHOLD - INHOUD

Number	Figure	Sequence	Ref.	Number	Figure	Sequence	Ref.
5801660029	10.250.AJ		1	99446692	10.101.AB		3
5801662800	55.015.AA		8	99446693	10.101.AB		4
5801764051	10.254.AM		9	99454013	10.110.AD		1
5801764287	10.304.AE		5	99454992	10.254.AC		5
5801773712	55.010.AA		1	99459175	10.001.AB		20
5801805474	10.001.AD		1	99459176	10.001.AB		19
8097764	10.218.AQ	02	13	99464284	10.400.AQ		9
8097765	10.218.AQ	02	5	99469255	55.015.AC		16
8097766	10.218.AQ	02	2	99469382	10.408.AA		4
8097808	10.105.AG		4	99469567	10.400.AQ		1
8097809	10.105.AG		1	99483931	10.106.AG		14
8097884	10.218.AQ	02	7	99489017	10.001.AB		18
8097892	10.218.AQ	02	20	99489017	10.101.AM		8
8097893	10.218.AQ	02	19	99489017	10.250.AJ		4
8097894	10.218.AQ	02	18	99489017	10.304.AJ	02	2
8097895	10.218.AQ	02	21	99489017	55.015.AC		15
8097896	10.218.AQ	02	17	99489019	10.101.AM		22
8099072	10.001.AD		2	99489019	10.408.AA		2
8099073	10.001.AD		3	NSS	10.001.AB		23
82017881	55.015.AC		3	NSS	10.001.AD		4
84150030	55.201.AE		1	NSS	10.101.AA		7
84346773	10.304.AE		1	NSS	10.101.AB		7
8580153	10.210.AF		7	NSS	10.101.AB		8
86619908	10.254.AM		7	NSS	10.102.AP		7
86637978	10.210.AF		14	NSS	10.103.AA		2
87332142	10.400.AQ		8	NSS	10.103.AH		4
87665413	10.218.AI		16	NSS	10.105.AB		4
87665413	10.400.AE	02	1	NSS	10.105.AB		5
98405462	55.301.AB		5	NSS	10.105.AG		5
98412509	10.250.AD		3	NSS	10.106.AG		12
98442027	10.101.AB		2	NSS	10.106.AG		3
98451118	10.250.AC		1	NSS	10.106.AO		2
98451661	10.400.AE	01	2	NSS	10.106.AO		3
98481998	10.304.AF	02	3	NSS	10.106.AO		5
98498837	10.206.AG		5	NSS	10.106.AO		7
98499819	10.101.AM		10	NSS	10.106.AP		3
99430395	10.103.AH		2	NSS	10.206.AG		9
99430692	10.206.AG		4	NSS	10.218.AI		4
99430692	10.400.AQ		4	NSS	10.218.AQ	02	14
99431512	10.400.BC		1	NSS	10.218.AQ	02	15
99431539	10.210.AF		8	NSS	10.218.AQ	02	16
99431947	10.304.AE		3	NSS	10.304.AC		8
99432141	10.106.AG		11	NSS	10.304.AF	01	10
99434480	10.250.AD		11	NSS	10.304.AJ	01	3
99434480	10.304.AF	01	4	NSS	10.304.AJ	02	7
99443210	10.254.AC		2	NSS	10.304.AM		4

INDEX - INDICE - INDEX - ZAHLENVERZEICHNIS - INDICE - INDICE - INDHOLD - INHOUD

Number	Figure	Sequence Ref.	Number	Figure	Sequence Ref.
NSS	10.304.AP	4			
NSS	10.304.AR	2			
NSS	10.304.AR	3			
NSS	55.015.AC	6			
NSS	55.015.AC	9			

