

# **2010, 2020 Grain Heads**

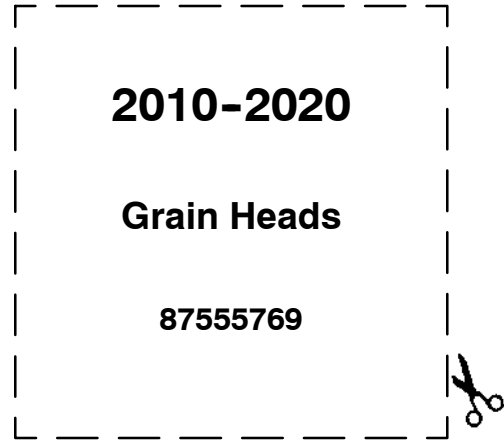
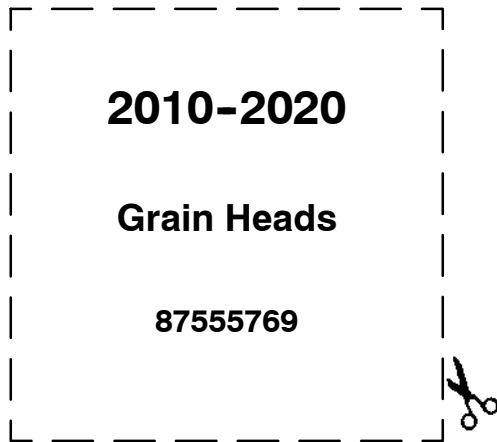
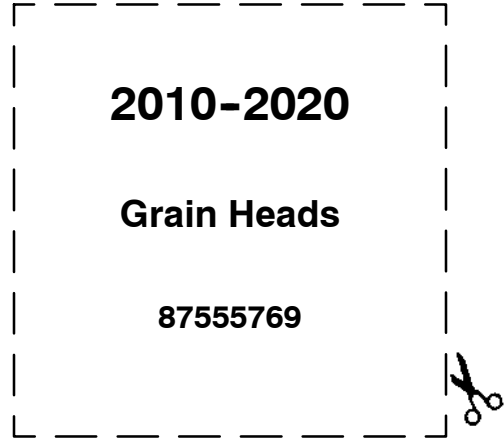
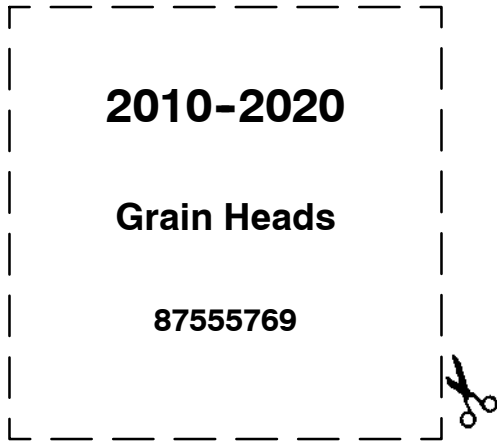
## **Parts Catalog**

87555769 - 5/06

**CASE *III***



Please cut where indicated and insert the label into the plastic pocket on the spine of the binder.





---

## **GENERAL INFORMATION**

---

1. Whenever the terms left and right are used, it should be understood to mean from a position facing in direction of travel.
2. Throughout this manual you find common hardware not illustrated, but listed in the description column. The service part immediately preceding a hardware listing is the part using these particular items for mounting purposes. This hardware is not included with the service part or assembly when ordered as a replacement.
3. CNH America LLC is continually striving to improve its products. We must, therefore, reserve the right to make improvements or changes when it becomes practical and possible to do so, without incurring any obligation to make changes or additions to the equipment sold previously.

**ALWAYS USE GENUINE CASE IH PARTS**

**CNH America LLC, Racine, WI 53404 U.S.A.**



---

# TABLE OF CONTENTS

---

20.00.01		MAIN PICTORAL INDEX
20.03.01		MAIN SHAFT, 20 FT
20.03.02		MAIN SHAFT, 25 FT
20.03.03	1	MAIN SHAFT, 30 FT, BPIN CBJ020205 [INCLUDES ALL HAJ PIN"S]
20.03.03	2	MAIN SHAFT, 30 FT, PIN CBJ020205 AND AFTER
20.03.04		MAIN SHAFT, 20 FT
20.03.10		DRIVE BELT, 20 FT
20.03.11		DRIVE BELT, 25 FT & 30 FT
20.03.12		DRIVE BELT, 20 FT, 25 FT & 30 FT
20.03.13		DRIVE BELT, 20 FT, RICE
20.03.14		DRIVE BELT, 25 FT, RICE
20.03.20		DRIVE
20.03A		DRIVE SHAFT [PTO] SUBASSEMBLY
20.03B		YOKE SUBASSEMBLY, FREE MOTION
20.03C		YOKE SUBASSEMBLY, FRICTION
20.06.01		CONTROL ASSEMBLY
20.06.02		HEADER HEIGHT, 25 FT & 30 FT
20.06.10		LIGHTS
20.07.01		HYDRAULIC SYSTEM
20.07.02		HYDRAULIC SYSTEM, 20 FT, 25 FT, RICE
20.07.03	1	HYDRAULICS, REEL DRIVE, BPIN CBJ020205 & RICE [INCLUDES ALL HAJ PIN"S]
20.07.03	2	HYDRAULICS, REEL DRIVE, PIN CBJ020205 AND AFTER EXCEPT RICE HEADER
20.07.04	1	HYDRAULICS, ARM LIFT, BPIN CBJ020205 [INCLUDES ALL HAJ PIN"S]
20.07.04	2	HYDRAULICS, ARM LIFT, PIN CBJ020205 AND AFTER
20.07.05		HYDRAULICS, FORE/AFT REEL
20.07A		HYDRAULICS, FORE/AFT CYLINDER
20.07B	1	REEL LIFT MASTER CYLINDER, BPIN CBJ020205 [INCLUDES ALL HAJ PIN"S]
20.07B	2	REEL LIFT MASTER CYLINDER, PIN CBJ020205 AND AFTER
20.07C	1	REEL LIFT SLAVE CYLINDER, BPIN CBJ020205 [INCLUDES ALL HAJ PIN"S]
20.07C	2	REEL LIFT SLAVE CYLINDER, PIN CBJ020205 AND AFTER
20.07D		HYDRAULICS, MULTI-COUPLING
20.08.01		SHIELD ASSEMBLY
20.08.10		DECALS
20.12.01	1	MAIN FRAME & FLOORS, 20 FT& 25 FT, BPIN CBJ020701
20.12.01	2	MAIN FRAME & FLOORS, 20 FT & 25 FT, PIN CBJ020701 AND AFTER
20.12.02	1	MAIN FRAME & FLOORS, 30 FT, BPIN CBJ020701
20.12.02	2	MAIN FRAME & FLOORS, 30 FT, PIN CBJ020701 AND AFTER
20.12.03		MAIN FRAME & FLOORS, 20 FT, 25 FT & 30 FT
20.12.04		MAIN FRAME ADDITIONS, RICE, 20 FT AND 25 FT
20.12.06		AUGER STRIPPERS
20.12A		REAR FLOOR REPLACEMENT
20.13.01		DIVIDER POINT, 20 FT
20.13.02		DIVIDER POINT, 25 FT & 30 FT
20.13.03		DIVIDER POINT & SKID SHOES, 20 FT, 25 FT & 30 FT
20.13.04		MEDIUM DIVIDER
20.13.05		LONG DIVIDER MOUNT
20.13.06		LONG DIVIDER
20.13.10		CUTTERBAR, 20 FT, SINGLE DRIVE, 3" KNIVES
20.13.11		CUTTERBAR, 20 FT, 25 FT, 30 FT, 3" KNIVES
20.13.12		CUTTERBAR, 20 FT, 25 FT & 30 FT, 1-1/2" KNIVES
20.13.20		WOBBLE BOX DRIVE

---

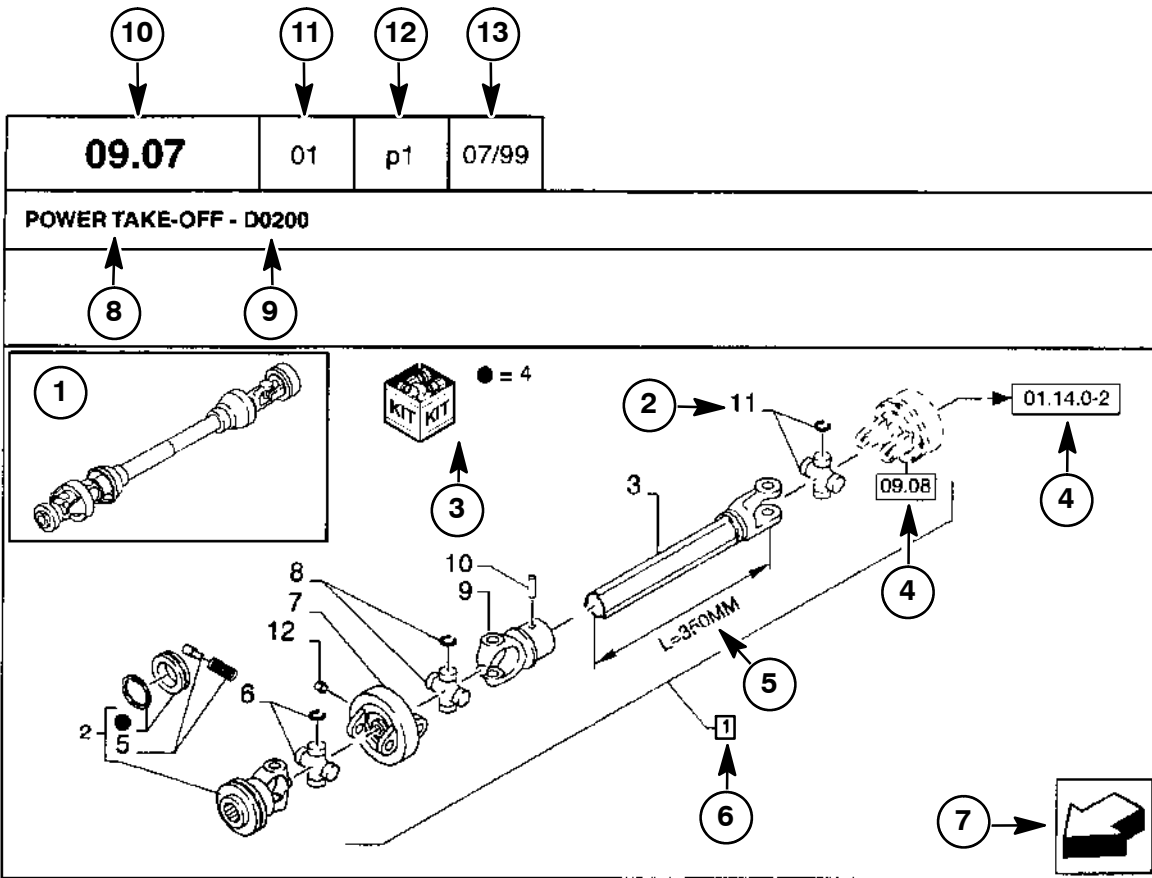
# TABLE OF CONTENTS

---

20.13.21		WOBBLE BOX
20.13.30	1	PICK-UP REEL, HCC INC, BPIN CBJ020205 [INCLUDES ALL HAJ PIN"S]
20.13.30	2	PICK-UP REEL, HCC INC, PIN CBJ020205 AND AFTER
20.13.31	1	BAT REEL, HCC INC, BPIN CBJ020205 [INCLUDES ALL HAJ PIN"S]
20.13.31	2	BAT REEL, HCC INC, PIN CBJ020205 AND AFTER
20.16.01		AUGER, 20 FT
20.16.02		AUGER, 25 FT
20.16.03		AUGER, 30 FT
20.18.01		COMBINE MODEL 2388 ADAPTION, FRAME ADAPTER AND HARDWARE
20.18.02		COMBINE MODEL 2388 ADAPTION, HOSES AND COUPLINGS
20.18.03		COMBINE MODEL 2388 ADAPTION, PTO
20.18.04		COMBINE MODEL 2388 ADAPTION, ELECTRICAL
20.18.05		COMBINE MODEL 2388 ADAPTION, HYDRAULIC/ELECTRIC INTERFACE
20.20.01		INITIAL, PART STOCK LIST





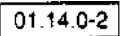







POWER TAKE-OFF - D0200					09.07	01	p1	09/00	
REF	FN	PART NUMBER	YR/SN	QTY	DESCRIPTION	10	11	12	13
1	1	86529340	Before 06/85	1	SHAFT, PTO 2 to 11 ← 6				
2		84014007		1	YOKE Includes Ref. 4 & 5				
3		NSS ← 15		1	NOT SERVICED SEPARATELY Shaft, L=350MM				
4	14	84004292	C0204	1	KIT				16
4		{84058743}	D0500	1	KIT				
						2	17	18	17
							19		20
									21
									22

(1) For Italy Only

STANDARD ← 23

24 → MODELS

- 1 Position of the "Figure" on the machine.
- 2 Reference - Figure call-out of the part number.
- 3 Parts supplied in repair kits per symbol reference.
- 4  Indicates components shown in detail elsewhere in the catalog under the figure or page number shown. Some figures or pages referenced may not apply to the model in question.
- 5 Technical specifications relating to the Part indicated.
- 6  Item Includes References noted in description.
- 7 Orientation. (Arrow indicates front of the machine.) 
- 8 Figure description.
- 9 General information of the figure.
- 10 Assembly code.
- 11 Sequence code within the assembly.
- 12 Page number within the sequence code.
- 13 Date of printing or updating of page (month-year).
- 14 Note - Relating to the Part Number. There is a key to symbols and abbreviations at the bottom of the text page.
- 15 Non-serviced parts.
- 16 Further description of the part to help confirm identification.
- 17 Not available as service part in this market.
- 18 Part Number.
- 19 Year
  - Before 06/85 = Part valid for production 06/85 and before
  - From 07/85 = Part valid for production from 07/85 and after
 Serial Number
  - BSN 31011913 = Part valid for serial number 31011913 and below
  - ASN 31011914 = Part valid for serial number 31011914 and above
 Modification
  -  C 0201 = Part valid UNTIL 0201 change.
  -  D 0300 = Part valid FROM 0300 change.
  -  F 0202 = Part valid FROM Serial N..... to Serial N.....
 Implementation of change. Serial number from which the change starts. The numbers are indicated on the identification plate of the model.  
 E.g.: D0300 Serial N 2503001 means that the part has been installed "From" serial number 2503001. Consequently, the parts marked by C0201, were installed "UP TO" serial number 2501999.  
 See code table.
- 20 Total Quantity of the Part referred to in the page. The quantity can be replaced by the following indications:  
 M = supplied in metres. AR = quantity as required.
- 21 Part Description.
- 22 Footnote references.
- 23 Figure notes.
- 24 Model number(s).

---

## METRIC AND INCH HARDWARE

---

Allowances have been made in punched and drilled holes to allow interchangeability of metric and inch dimension hardware in fastening and mounting applications. However, this interchangeability does not apply to tapped holes or using metric dimension nuts on inch cap screws, studs and bolts. Likewise, inch dimension nuts cannot be used on metric cap screws, studs or bolts.

Following is a listing of Common sizes for substitution.

Inches	Screw Diameter	Millimeters
3/16"		5 mm
1/4"		6 mm
5/16 "		8 mm
*3/8"		*10 mm
1/2"		12 mm
9/16"		14 mm
5/8"		16 mm
	Screw Length	
5/8"		15 mm
3/4"		20 mm
*1"		25 mm
1-1/4"		30 mm
1-3/8"		35 mm
1-1/2"		40 mm
1-3/4"		45 mm
2"		50 mm
2-1/4"		60 mm
2-3/4"		70 mm
3"		80 mm
3-1/2"		90 mm
4"		100 mm

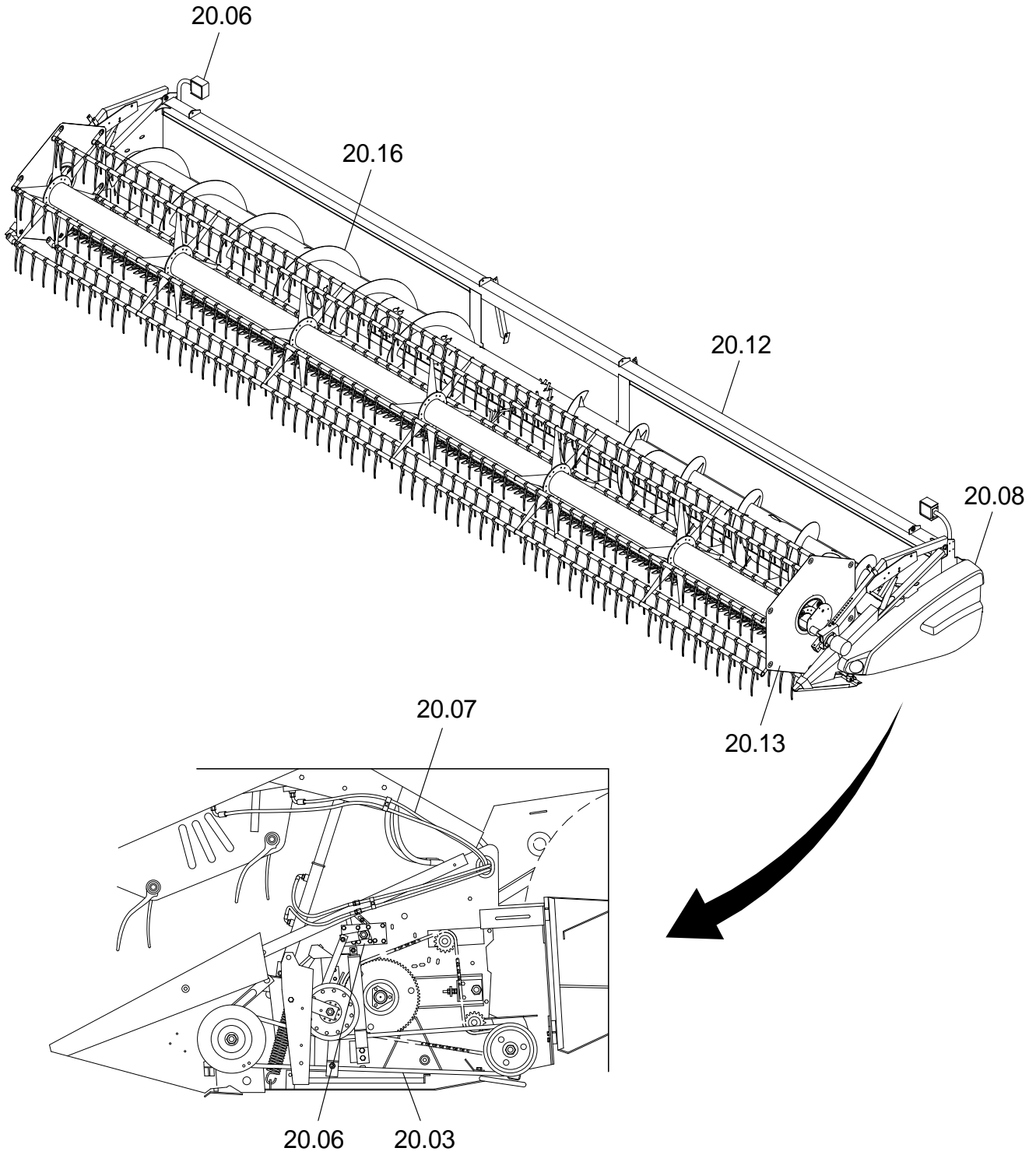
\*EXAMPLE: For most applications a 3/8" x 1" cap screw and nut can be replaced by a 10 mm x 25 mm cap screw and nut.

For additional size information and possible substitutions, either inch to metric or metric to inch, please refer to the conversion table in this catalog.

# CONVERSION CHART

Inch Fractions and Decimals to Millimeter Equivalents											
INCHES		MM	INCHES		MM	INCHES		MM	INCHES		MM
Fraction	Decimal		Fraction	Decimal		Fraction	Decimal		Fraction	Decimal	
-	.0004	.01	-	.3	7.620	-	.7874	20	-	1.989	50
-	.001	.025	5/16	.3125	7.938	51/64	.7969	20.241	2	2.000	50.8
-	.0039	.10	-	.3150	8	13/16	.8125	20.638	2-1/8	2.125	54
-	.005	.127	21/64	.3281	8.334	-	.8268	21	-	2.165	55
-	.0079	.2	-	.3346	8.5	53/64	.8281	21.034	2-1/4	2.250	57.2
-	.0098	.25	11/32	.3438	8.731	27/32	.8438	21.431	-	2.362	60
-	.01	.254	-	.3543	9	55/64	.8594	21.828	2-3/8	2.375	60.3
-	.0118	.3	23/64	.3594	9.128	-	.8662	22	2-1/2	2.500	63.5
1/64	.0156	.397	-	.3740	9.5	7/8	.8750	22.225	-	2.559	65
-	.0157	.4	3/8	.375	9.525	57/64	.8906	22.622	2-5/8	2.625	66.7
-	.0197	.5	25/64	.3906	9.922	-	.9	22.860	2-3/4	2.750	69.9
-	.0236	.6	-	.3937	10	-	.9055	23	-	2.756	70
-	.025	.635	-	.4	10.160	29/32	.9063	23.019	2-7/8	2.875	73
-	.0276	.7	13/32	.4062	10.319	59/64	.9219	23.416	-	2.953	75
-	.0295	.75	-	.4134	10.5	15/16	.9375	23.813	3	3.000	76.2
1/32	.0313	.794	27/64	.4219	10.716	-	.9449	24	-	3.150	80
-	.0315	.8	-	.4331	11	61/64	.9531	24.209	3-1/4	3.250	82.6
-	.0354	.9	7/16	.4375	11.113	31/32	.9688	24.606	-	3.346	85
-	.0394	1	29/64	.4531	11.509	-	.9843	25	3-1/2	3.500	88.9
3/64	.0469	1.191	15/32	.4688	11.906	1	1.000	25.400	-	3.543	90
-	.0472	1.20	-	.4724	12	-	1.024	26	-	3.740	95
-	.05	1.270	31/64	.4844	12.303	1-1/16	1.062	26.988	3-3/4	3.750	95.3
-	.0551	1.4	-	.4921	12.5	-	1.063	27	-	3.937	100
-	.0591	1.50	1/2	.5	12.700	-	1.102	28	4	4.000	101.6
1/16	.0625	1.588	-	.5118	13	1-1/8	1.125	28.575	-	4.331	110
-	.0669	1.70	33/64	.5156	13.097	-	1.142	29	4-1/2	4.500	114.3
-	.075	1.905	17/32	.5326	13.494	-	1.181	30	-	4.724	120
5/64	.0781	1.984	-	.5315	13.5	1-3/16	1.188	30.16	5	5.000	127
-	.0787	2	35/64	.5469	13.891	-	1.221	31	-	5.118	130
-	.0906	2.3	-	.5512	14	1-1/4	1.250	31.75	5-1/2	5.500	139.7
3/32	.0938	2.381	9/16	.5625	14.288	-	1.260	32	-	5.512	140
-	.0984	2.5	-	.571	14.5	-	1.299	33	-	5.906	150
-	.1	2.540	37/64	.5781	14.684	1-5/16	1.312	33.34	6	6.000	152.4
-	.1024	2.6	-	.5906	15	-	1.339	34	-	6.299	160
7/64	.1093	2.776	19/32	.5938	15.081	1-3/8	1.375	34.93	6-1/2	6.500	165.1
-	.1181	3	-	.6	15.240	-	1.378	35	7	7.000	177.8
1/8	.125	3.175	39/64	.6094	15.478	-	1.417	36	-	7.087	180
-	.1378	3.5	-	.6103	15.5	1-7/16	1.438	36.51	7-1/2	7.500	190.5
9/64	.1406	3.572	5/8	.6250	15.875	-	1.457	37	-	7.874	200
5/32	.1563	3.969	-	.6299	16	-	1.496	38	8	8.000	203.2
-	.1575	4	41/64	.6406	16.272	1-1/2	1.500	38.10	8-1/2	8.500	215.9
11/64	.1719	4.366	-	.6496	16.5	-	1.535	39	-	8.661	220
-	.1772	4.5	21/32	.6563	16.669	1-9/16	1.562	39.69	9	9.000	228.6
3/16	.1875	4.763	-	.6693	17	-	1.575	40	-	9.449	240
-	.1969	5	43/64	.6719	17.066	-	1.614	41	9-1/2	9.500	241.3
-	.2	5.080	11/16	.6875	17.463	1-5/8	1.625	41.28	-	9.843	250
13/64	.2031	5.159	-	.6890	17.5	-	1.654	42	10	10.000	254
-	.2165	5.5	-	.7	17.780	1-11/16	1.688	42.86	-	10.236	260
7/32	.2188	5.556	45/64	.7031	17.859	-	1.693	43	11	11.000	279.4
15/64	.2344	5.963	-	.7087	18	-	1.732	44	-	11.024	280
-	.2362	6	23/32	.7188	18.256	1-3/4	1.750	44.45	-	11.811	300
1/4	.25	6.350	-	.7283	18.5	-	1.772	45	12	12.000	304.8
-	.2559	6.5	47/64	.7344	18.653	-	1.811	46	13	13.000	330.2
17/64	.2656	6.747	-	.7480	19	1-13/16	1.813	46.04	-	13.780	350
-	.2756	7	3/4	.75	19.050	-	1.850	47	14	14.000	355.6
9/32	.2813	7.144	49/64	.7656	19.447	1-7/8	1.875	47.63	15	15.000	381
-	.2953	7.5	-	.7677	19.5	-	1.890	48	-	15.748	400
19/64	.2969	7.541	25/32	.7813	19.844	-	1.929	49	16	16.000	406.4

MAIN PICTORAL INDEX



**20.00.01**

p1

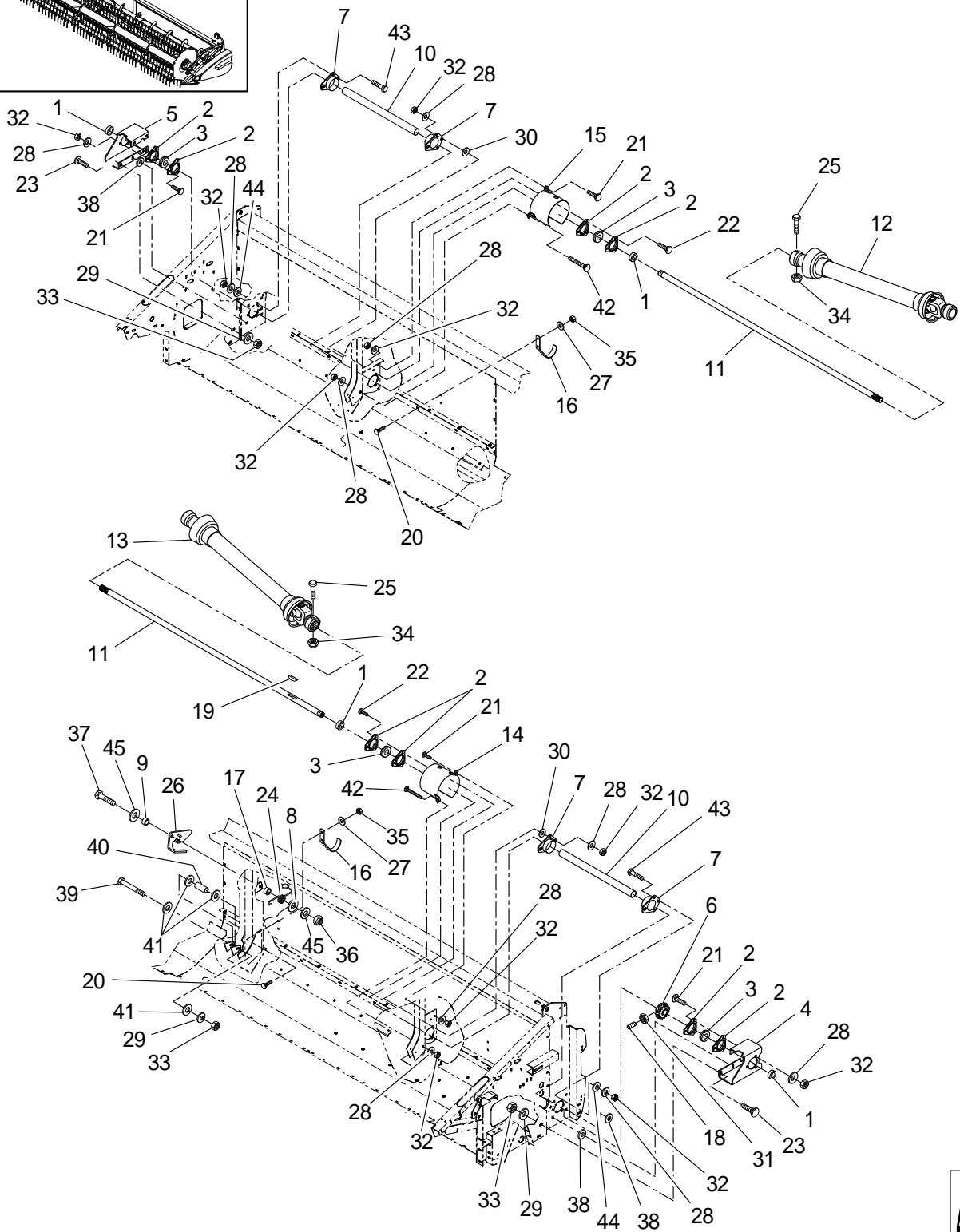
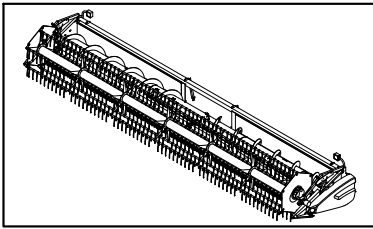
03/04

**MAIN PICTORAL INDEX**

<b>REF</b>	<b>FN</b>	<b>PART NUMBER</b>	<b>YR/SN</b>	<b>QTY</b>	<b>DESCRIPTION</b>
20.03					Main Shaft & Belt Drive
20.06					Electrical Lights & Control
20.07					Hydraulics
20.08					Shielding and Decals
20.12					Frame and Floor
20.13					Divider, Cutterbar, & Reel
20.16					Auger

**2010 2020**

MAIN SHAFT, 20 FT



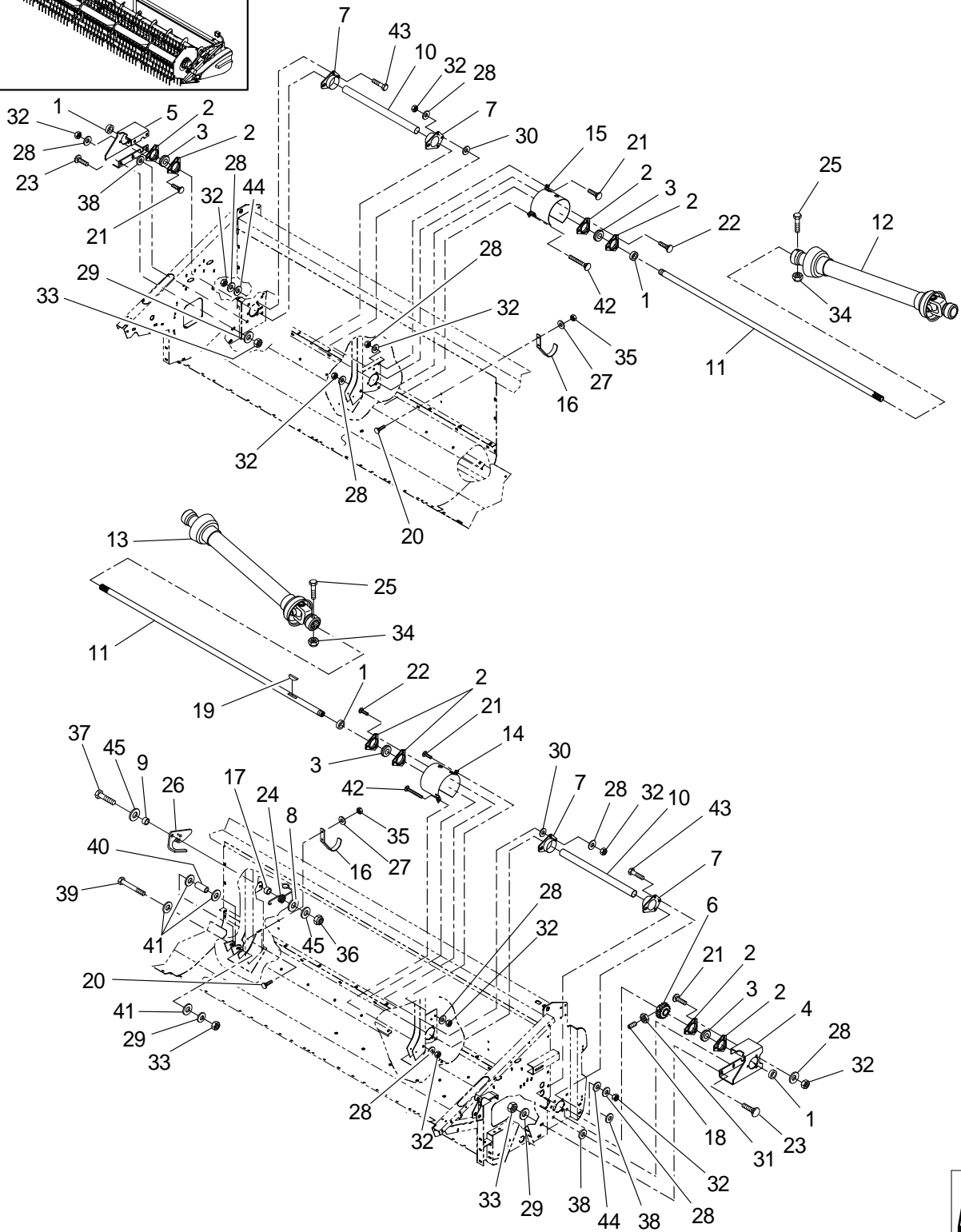
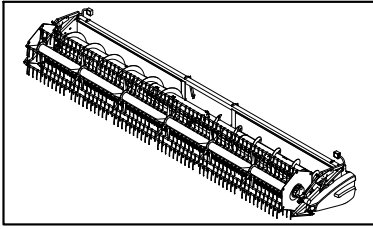


## MAIN SHAFT, 20 FT

REF	FN	PART NUMBER	YR/SN	QTY	DESCRIPTION
1		47067		4	COLLAR, RETAINER
2		86620026		8	FLANGE
3		571588R92		4	BEARING
4		86603129		1	BRACKET, LH
5		86603130		1	BRACKET, RH
6		86604840		1	SPROCKET, DRIVING
7		86631151		4	CASTING
8		86622500		AR	WASHER, 17/32" ID x 7/8" OD x 0.049"
9		86622548		1	SPACER
10		86633026		1	SHIELD
11		86604168		1	SHAFT, DRIVE
12		86978544		1	PTO, See Fig 20.03A
13		86978545		1	PTO, See Fig 20.03A
14		86626014		1	SHIELD
15		764809		1	SHIELD
16		87026208		2	RETAINER
17		86553411		1	SPACER, Split
18		86542821		2	SET SCREW, Sq Hd, 5/16"-18 x 7/8", Cup Pt
19		126-33		1	WOODRUFF KEY, #D, 5/16" x 1 1/4"
20		43465		4	BOLT, CARRIAGE, Short NK, M8 x 30, CI8.8, Full Thd
21		86512446		10	BOLT, Short NK, M10 x 30, CI8.8, Full Thd
22		374892		6	BOLT, Short NK, M10 x 40, CI8.8, Full Thd
23		335890		10	BOLT, Short NK, M12 x 30, CI8.8, Full Thd
24		87026147		1	SPRING, RH, PTO Shield
25		120062		2	SCREW, Hex, M8 x 70, 8.8
26		87033816		1	CLIP
27		322358		92	WASHER, SPRING, Belleville, M8
28		140045		24	WASHER, SPRING, Belleville, M10
29		140046		12	WASHER, LOCK, Belleville, M12
30		86511323		18	WASHER, M10 x 20 x 2
31		9626568		2	NUT, Jam, 5/16"-18, G2
32		100016		24	NUT, M10, CI 8
33		9706685		12	NUT, M12, CI 8
34		86629542		2	NUT, M8 x 1.25", CI 8
35		9706690		92	NUT, M8, CI 8

2020

MAIN SHAFT, 20 FT

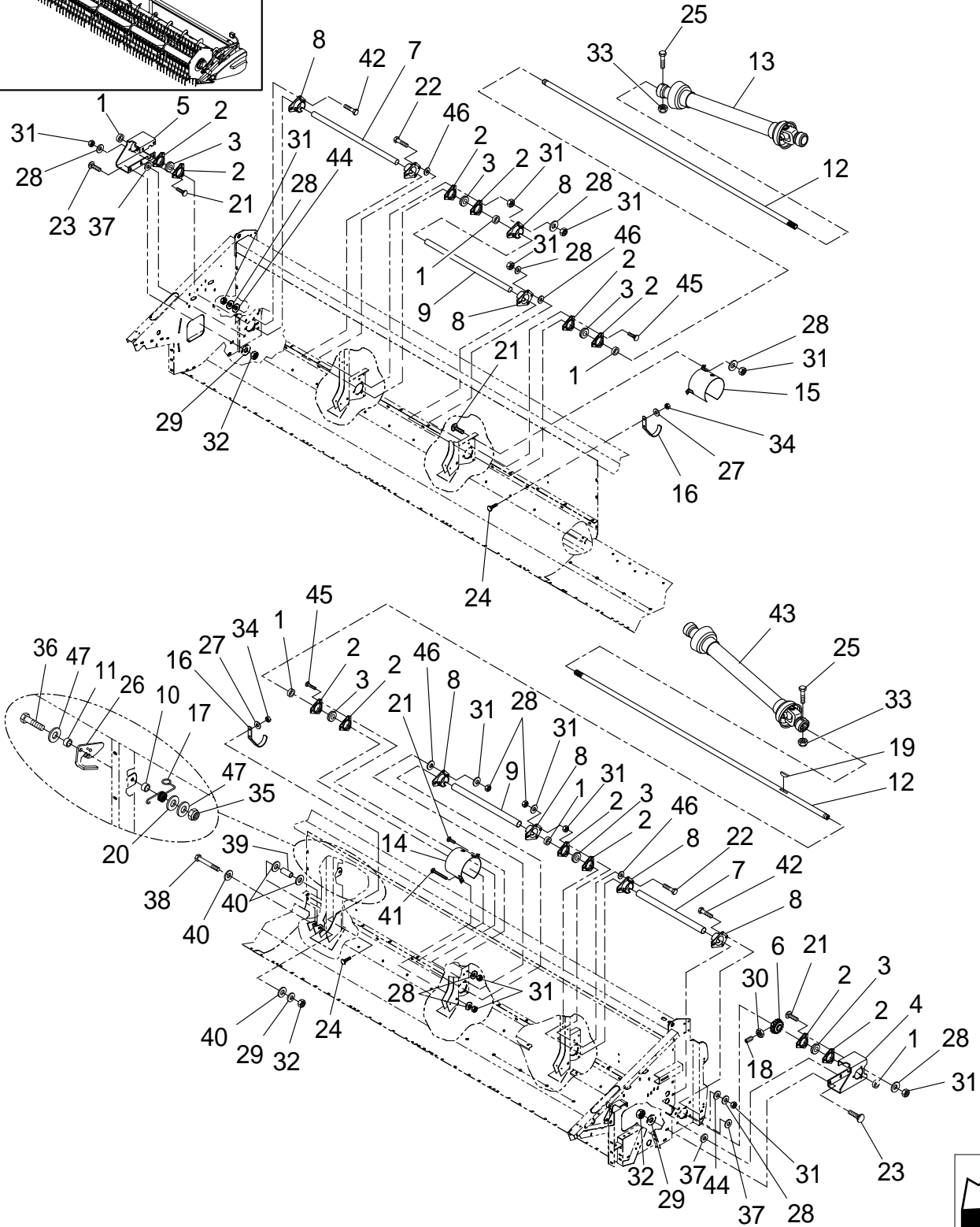
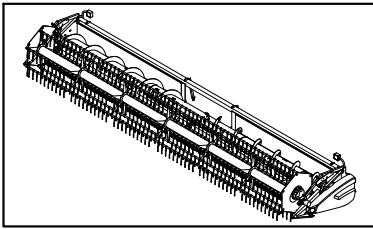


## MAIN SHAFT, 20 FT

REF	FN	PART NUMBER	YR/SN	QTY	DESCRIPTION
36		100038		1	NUT, LOCK, M12 x 1.75, Cl 8
37		9706693		1	SCREW, Hex, M12 x 60, 8.8
38		64264		4	WASHER, 1/2"
39		86900194		2	BOLT, Hex, M12 x 115, 10.9
40		86837468		2	SPACER, 13.5ID x 19OD x 68.3
41		143479		8	WASHER, Hardened, 1/2"
42		811-10080		1	BOLT, CARRIAGE, Short NK, M10 x 80, Cl8.8
43		43139		3	SCREW, Hex, M10 x 25, 8.8, Full Thd
44		623303		2	WASHER, 13/32" ID x 1-7/8" OD x 3/16"
45		86511324		2	WASHER, M12 x 24 x 2.5

2020

MAIN SHAFT, 25 FT

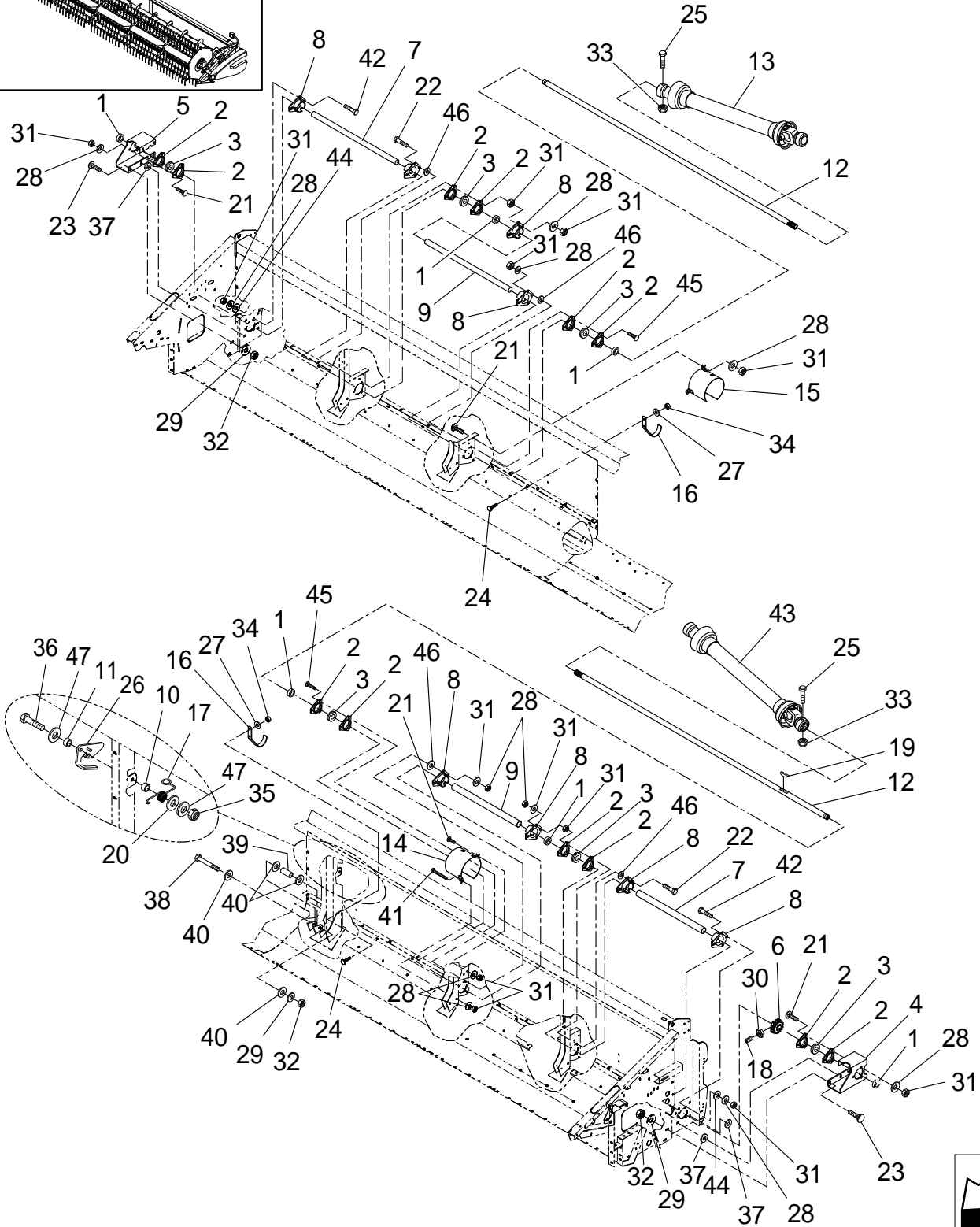
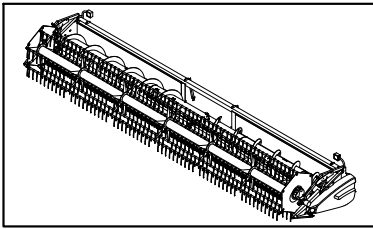


## MAIN SHAFT, 25 FT

REF	FN	PART NUMBER	YR/SN	QTY	DESCRIPTION
1		47067		6	COLLAR, RETAINER
2		86620026		12	FLANGE
3		571588R92		6	BEARING
4		86603129		1	BRACKET, LH
5		86603130		1	BRACKET, RH
6		86604840		1	SPROCKET, DRIVING
7		86633023		2	SHIELD
8		86631151		8	CASTING
9		86633016		2	SHIELD
10		86553411		1	SPACER, Split
11		86622548		1	SPACER
12		86590289		2	SHAFT, DRIVE
13		86978545		1	PTO, See Ref 20.03A
14		86626014		1	SHIELD
15		764809		1	SHIELD
16		87026208		2	RETAINER
17		87026147		1	SPRING, RH, PTO Shield
18		86542821		2	SET SCREW, Sq Hd, 5/16"-18 x 7/8", Cup Pt
19		126-33		1	WOODRUFF KEY, #D, 5/16" x 1 1/4"
20		86622500		AR	WASHER, 1/2"ID x 7/8"OD x 0.049"
21		86512446		10	BOLT, Short NK, M10 x 30, Cl8.8, Full Thd
22		120069		6	SCREW, Hex, M10 x 50, 8.8
23		335890		10	BOLT, Short NK, M12 x 30, Cl8.8, Full Thd
24		86507486		112	BOLT, CARRIAGE, Short NK, M8 x 20, Cl8.8, Full Thd
25		120062		2	SCREW, Hex, M8 x 70, 8.8
26		87033816		1	CLIP
27		322358		112	WASHER, SPRING, Belleville, M8
28		140045		30	WASHER, SPRING, Belleville, M10
29		140046		12	WASHER, LOCK, Belleville, M12
30		9626568		2	NUT, Jam, 5/16"-18, G2
31		100016		36	NUT, M10, Cl 8
32		9706685		12	NUT, M12, Cl 8
33		86629542		2	NUT, M8 x 1.25", Cl 8
34		9706690		112	NUT, M8, Cl 8
35		100038		1	NUT, LOCK, M12 x 1.75, Cl 8

2010 2020

MAIN SHAFT, 25 FT



## MAIN SHAFT, 25 FT

REF	FN	PART NUMBER	YR/SN	QTY	DESCRIPTION
36		9706693		1	SCREW, Hex, M12 x 60, 8.8
37		64264		4	WASHER, 1/2"
38		86900194		2	BOLT, Hex, M12 x 115, 10.9
39		86837468		2	SPACER, 13.5ID x 19OD x 68.3
40		143479		8	WASHER, Hardened, 1/2"
41		811-10080		2	BOLT, CARRIAGE, Short NK, M10 x 80, CI8.8
42		43139		6	SCREW, Hex, M10 x 25, 8.8, Full Thd
43		86978544		1	PTO, See Fig 20.03A
44		623303		2	WASHER, 13/32"ID x 1-7/8"OD x 3/16"
45		374892		6	BOLT, Short NK, M10 x 40, CI8.8, Full Thd
46		86511323		12	WASHER, M10 x 20 x 2
47		86511324		2	WASHER, M12 x 24 x 2.5

2010 2020

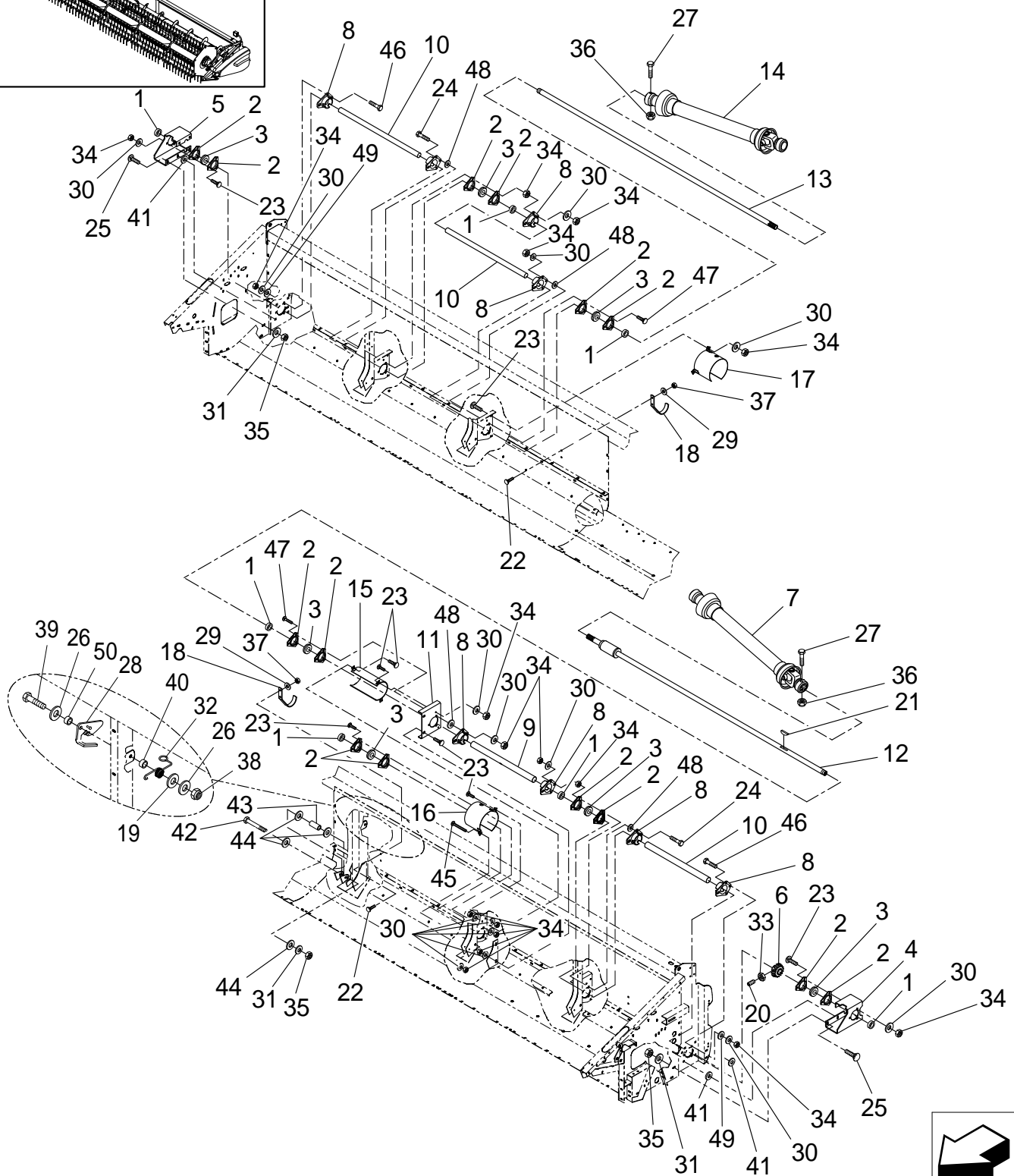
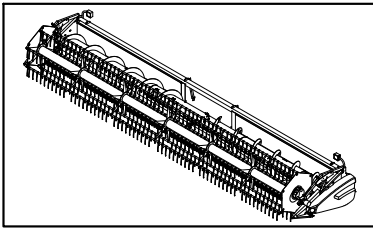
20.03.03

1

p1

04/06

MAIN SHAFT, 30 FT, BPIN CBJ020205 [INCLUDES ALL HAJ PIN'S]





## MAIN SHAFT, 30 FT, BPIN CBJ020205 [INCLUDES ALL HAJ PIN'S]

REF	FN	PART NUMBER	YR/SN	QTY	DESCRIPTION
1		47067		7	COLLAR, RETAINER
2		86620026		10	FLANGE
3		571588R92		7	BEARING
4		86603129		1	BRACKET, LH
5		86603130		1	BRACKET, RH
6		86604840		1	SPROCKET, DRIVING
7		86978544		1	PTO, See Fig 20.03A
8		86631151		8	CASTING
9		86633018		1	SHIELD, See Note This Figure
10		86633016		3	SHIELD
11		86603146		1	CHANNEL, See Note This Figure
12		86586107		1	SHAFT, DRIVE, See Note This Figure
13		86586127		1	SHAFT, DRIVE
14		86978545		1	PTO, See Fig 20.03A
15		9612714		1	SHIELD, See Note This Figure
16		86626014		1	SHIELD
17		764809		1	SHIELD
18		87026208		2	RETAINER
19		86622500		AR	WASHER, 17/32" ID x 7/8" OD x 0.049"
20		86542821		2	SET SCREW, Sq Hd, 5/16"-18 x 7/8", Cup Pt
21		126-33		1	WOODRUFF KEY, #D, 5/16" x 1 1/4"
22		43465		4	BOLT, CARRIAGE, Short NK, M8 x 30, CI8.8, Full Thd
23		86512446		19	BOLT, Short NK, M10 x 30, CI8.8, Full Thd
24		120069		6	SCREW, Hex, M10 x 50, 8.8
25		335890		10	BOLT, Short NK, M12 x 30, CI8.8, Full Thd
26		86511324		2	WASHER, M12 x 24 x 2.5
27		120062		2	SCREW, Hex, M8 x 70, 8.8
28		87033816		1	CLIP
29		322358		140	WASHER, SPRING, Belleville, M8
30		140045		44	WASHER, SPRING, Belleville, M10
31		140046		12	WASHER, LOCK, Belleville, M12
32		87026147		1	SPRING, RH, PTO Shield
33		9626568		2	NUT, Jam, 5/16"-18, G2
34		100016		45	NUT, M10, CI 8
35		9706685		12	NUT, M12, CI 8

Ref's 9, 11, 12 & 15 were obsoleted in year 2004. If stock of these Ref's is depleted the arrangement of 20.03.03[2] may be used. Ref 11 and 15 of this Figure would be deleted and Ref's 10 and 13 of 20.03.03[2] installed as shown on that Figure.

**2010 2020**

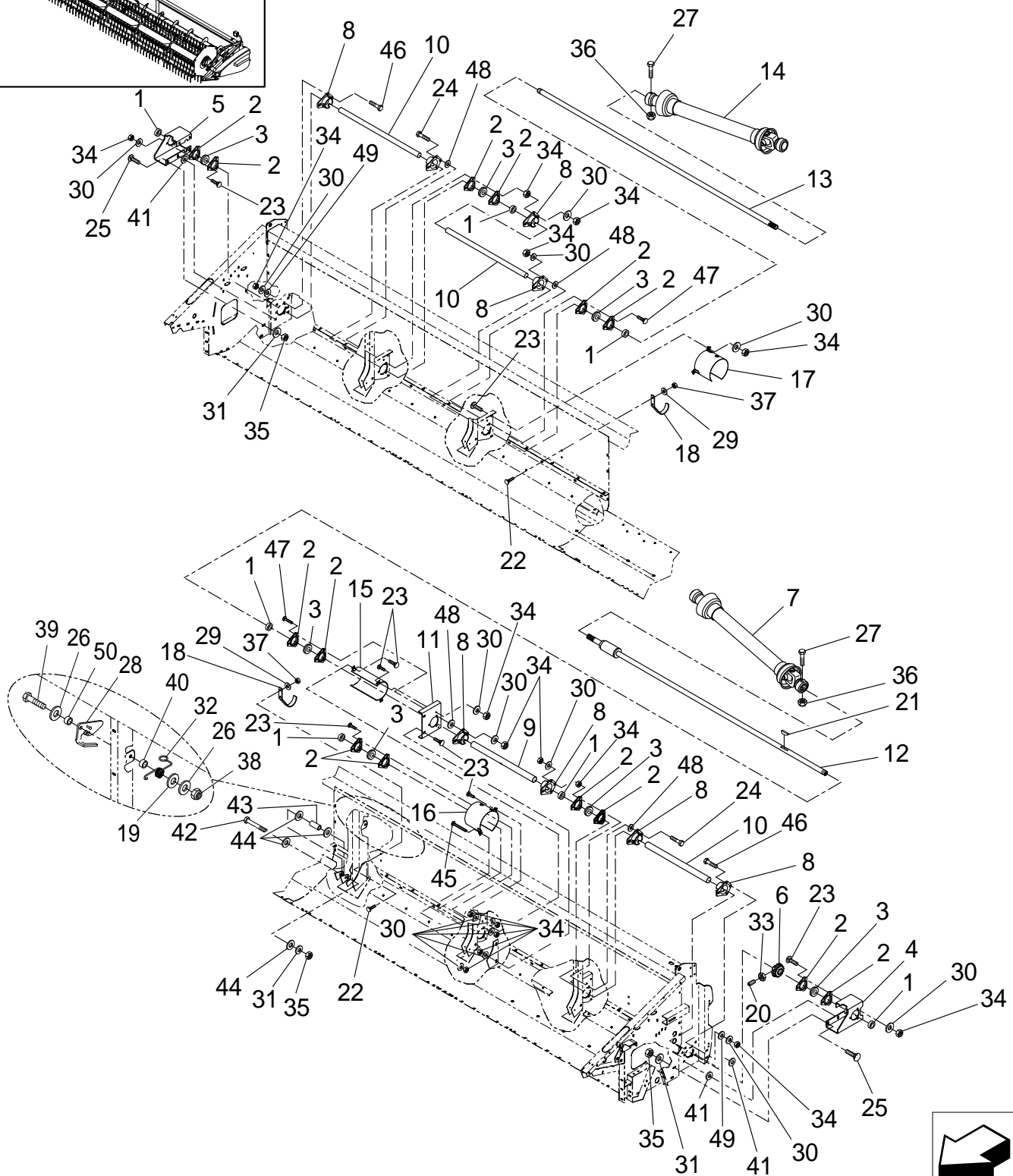
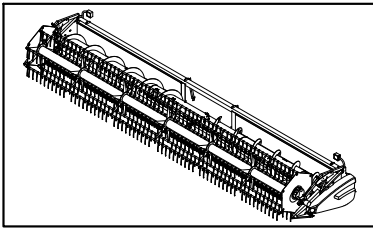
20.03.03

1

p2

04/06

MAIN SHAFT, 30 FT, BPIN CBJ020205 [INCLUDES ALL HAJ PIN'S]



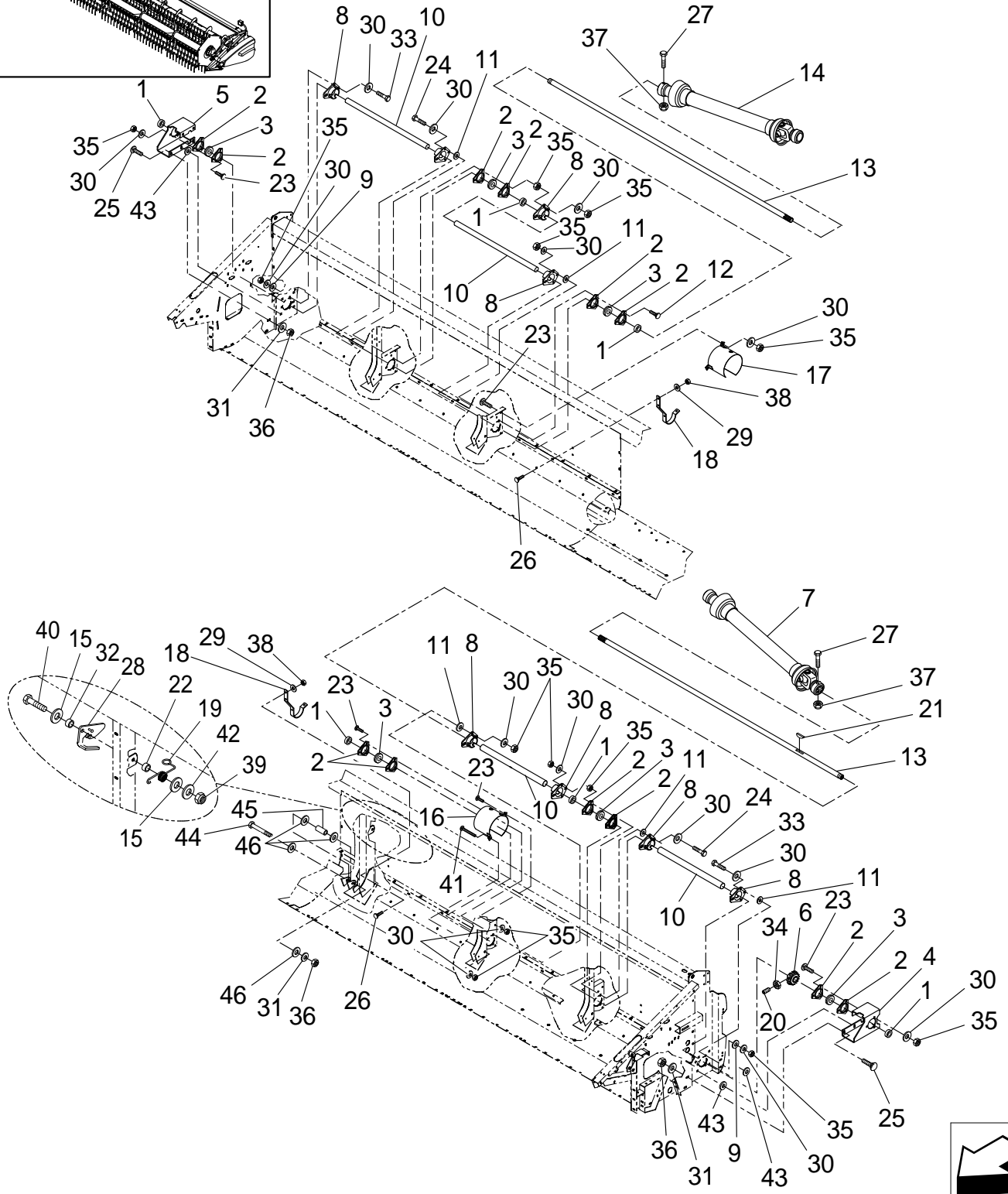
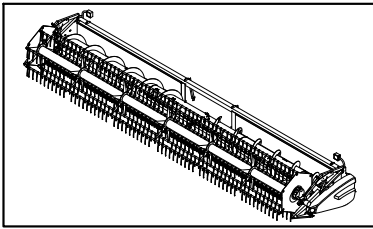
## MAIN SHAFT, 30 FT, BPIN CBJ020205 [INCLUDES ALL HAJ PIN'S]

REF	FN	PART NUMBER	YR/SN	QTY	DESCRIPTION
36		86629542		2	NUT, M8 x 1.25", CI 8
37		9706690		140	NUT, M8, CI 8
38		100038		1	NUT, LOCK, M12 x 1.75, CI 8
39		9706693		1	SCREW, Hex, M12 x 60, 8.8
40		86553411		1	SPACER, Split
41		64264		4	WASHER, 1/2"
42		86900194		2	BOLT, Hex, M12 x 115, 10.9
43		86837468		2	SPACER, 13.5ID x 19OD x 68.3
44		143479		8	WASHER, Hardened, 1/2"
45		811-10080		2	BOLT, CARRIAGE, Short NK, M10 x 80, CI8.8
46		43139		6	SCREW, Hex, M10 x 25, 8.8, Full Thd
47		374892		6	BOLT, Short NK, M10 x 40, CI8.8, Full Thd
48		86511323		12	WASHER, M10 x 20 x 2
49		80299		2	WASHER, 5/8"
50		86622548		1	SPACER

Ref's 9, 11, 12 & 15 were obsoleted in year 2004. If stock of these Ref's is depleted the arrangement of 20.03.03[2] may be used. Ref 11 and 15 of this Figure would be deleted and Ref's 10 and 13 of 20.03.03[2] installed as shown on that Figure.

**2010 2020**

MAIN SHAFT, 30 FT, PIN CBJ020205 AND AFTER

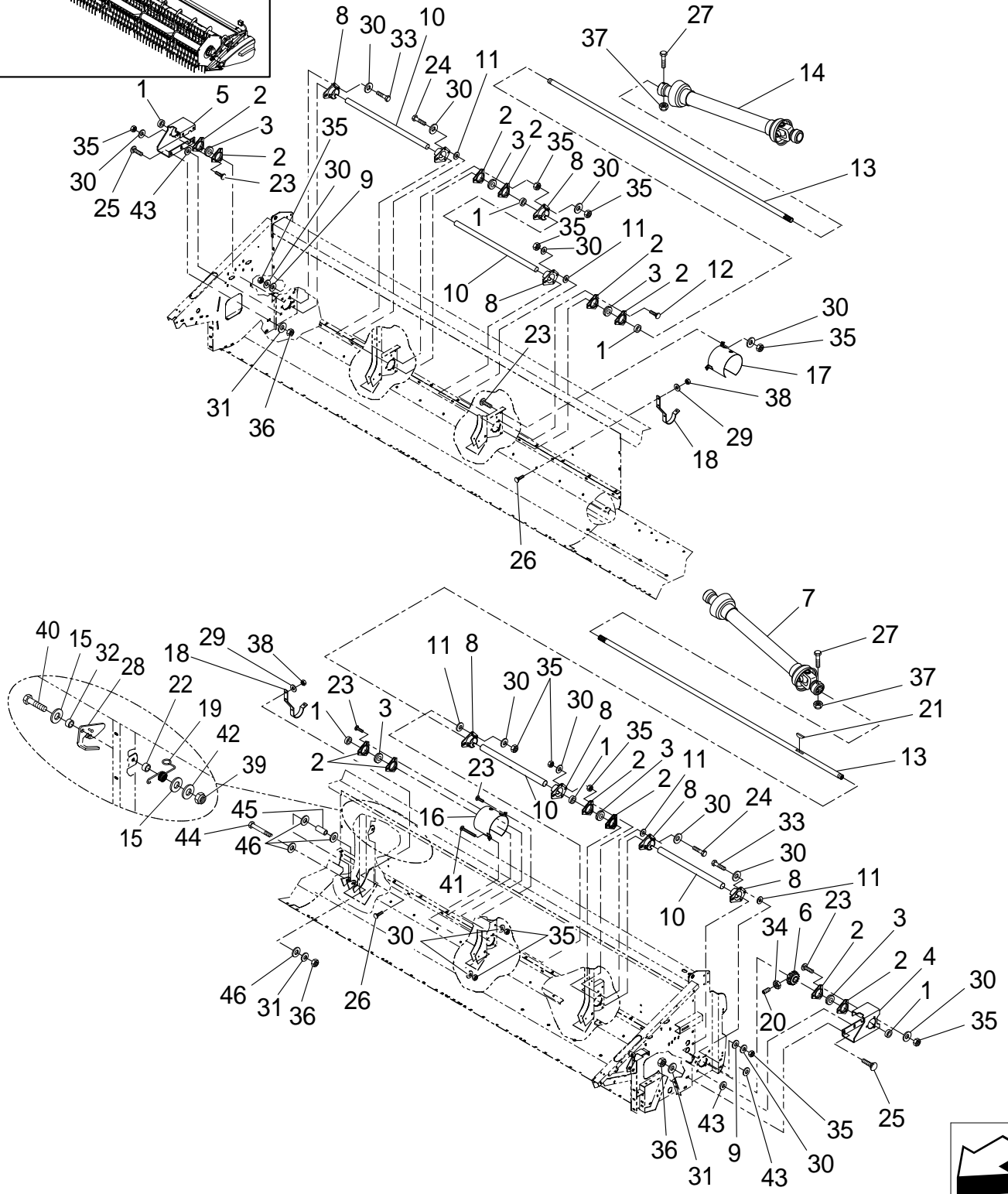
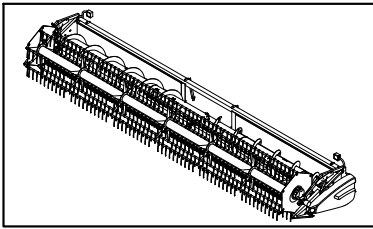


## MAIN SHAFT, 30 FT, PIN CBJ020205 AND AFTER

REF	FN	PART NUMBER	YR/SN	QTY	DESCRIPTION
1		47067		6	COLLAR, RETAINER
2		86620026		12	FLANGE, Bearing
3		47066		6	BEARING, BALL
4		86603129		1	BRACKET, LH
5		86603130		1	BRACKET, RH
6		86604840		1	SPROCKET, DRIVING, 16T & 14T
7		86978544		1	PTO
8		86631151		8	CASTING, Shield Flange
9		623303		2	WASHER, 13/32" ID, 1-7/8" OD, 3/16"
10		86633016		4	SHIELD
11		86511323		30	WASHER, M10 x 20 x 2
12		374892		3	BOLT, Short NK, M10 x 40, CI8.8, Full Thd
13		86586127		2	SHAFT, DRIVE
14		86978545		1	PTO
15		86511324		2	WASHER, M12 x 24 x 2.5
16		86626014		1	SHIELD
17		764809		1	SHIELD
18		87026208		2	RETAINER
19		87026147		1	SPRING
20		86542821		2	SET SCREW, Sq Hd, 5/16"-18 x 7/8", Cup Pt
21		84241		1	WOODRUFF KEY, #D, 5/16" x 1 1/4"
22		86553411		1	SPACER, Split
23		86512446		13	BOLT, Short NK, M10 x 30, CI8.8, Full Thd
24		120069		6	SCREW, Hex, M10 x 50, 8.8
25		335890		10	BOLT, Short NK, M12 x 30, CI8.8, Full Thd
26		86507486		140	BOLT, CARRIAGE, Short NK, M8 x 20, CI8.8, Full Thd
27		120062		2	SCREW, Hex, M8 x 70, 8.8
28		87033816		1	CLIP
29		322358		140	WASHER, SPRING, Belleville, M8
30		140045		42	WASHER, SPRING, Belleville, M10
31		140046		12	WASHER, LOCK, Belleville, M12
32		86622548		1	SPACER
33		43139		6	SCREW, Hex, M10 x 25, 8.8, Full Thd
34		9626568		2	NUT, Jam, 5/16"-18, G2
35		100016		36	NUT, M10, CI 8

2010 2020

MAIN SHAFT, 30 FT, PIN CBJ020205 AND AFTER



**20.03.03**

2

p2

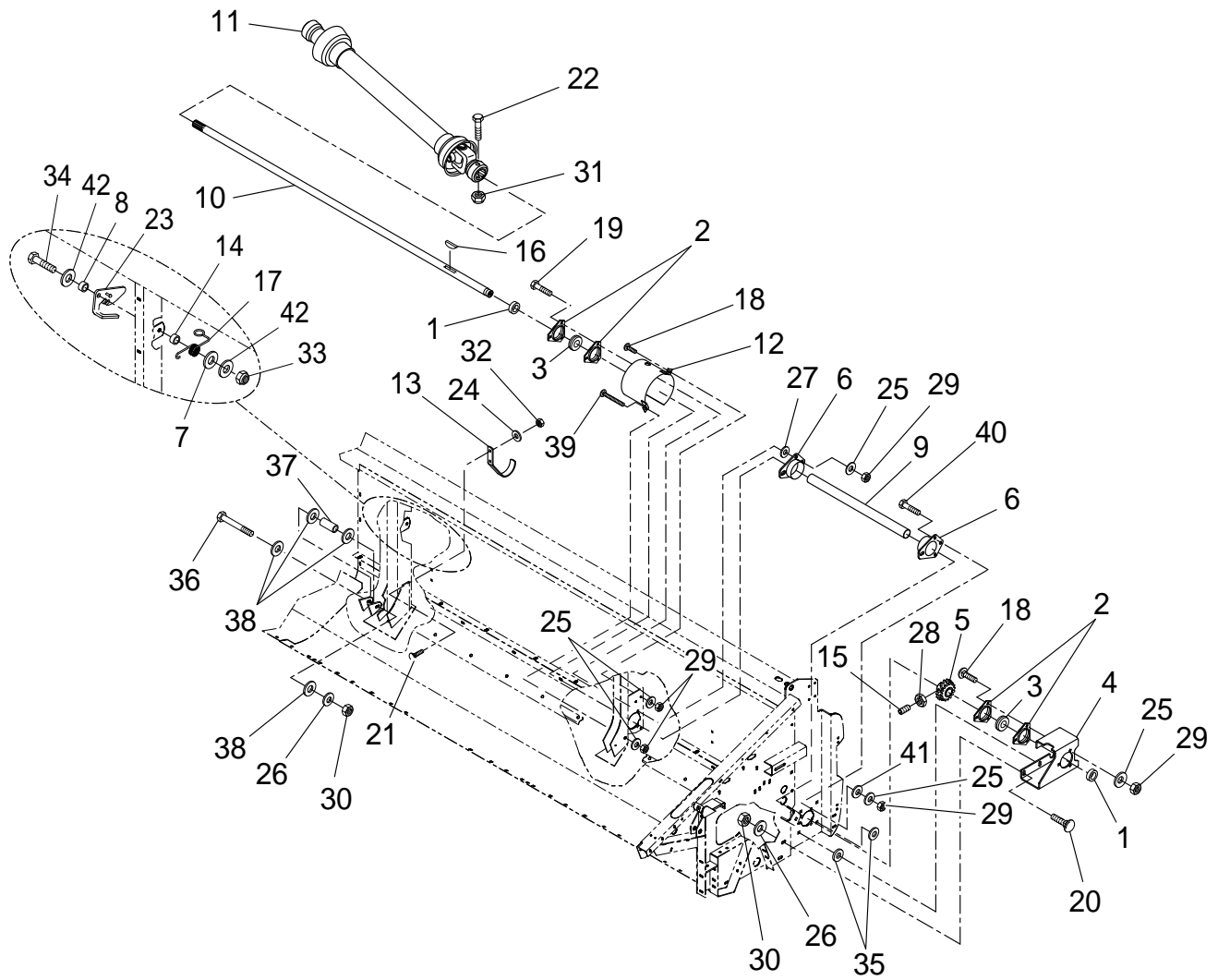
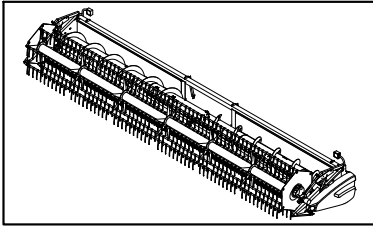
04/06

**MAIN SHAFT, 30 FT, PIN CBJ020205 AND AFTER**

REF	FN	PART NUMBER	YR/SN	QTY	DESCRIPTION
36		9706685		12	NUT, M12, CI 8
37		86629542		2	NUT, M8 x 1.25", CI 8
38		9706690		140	NUT, M8, CI 8
39		100038		1	NUT, LOCK, M12 x 1.75, CI 8
40		9706693		1	SCREW, Hex, M12 x 60, 8.8
41		412189		2	BOLT, CARRIAGE, Short NK, M10 x 80, CI8.8
42		86622500		AR	WASHER, 1/2" ID, 7/8" OD, 0.049"
43		64264		4	WASHER, 1/2" ID, 1-1/4" OD, 0.135"
44		86900194		2	BOLT, Hex, M12 x 115, 10.9
45		86837468		2	SPACER
46		143479		8	WASHER, 19/32" ID, 1-1/4" OD, 0.135"

**2010 2020**

MAIN SHAFT, 20 FT



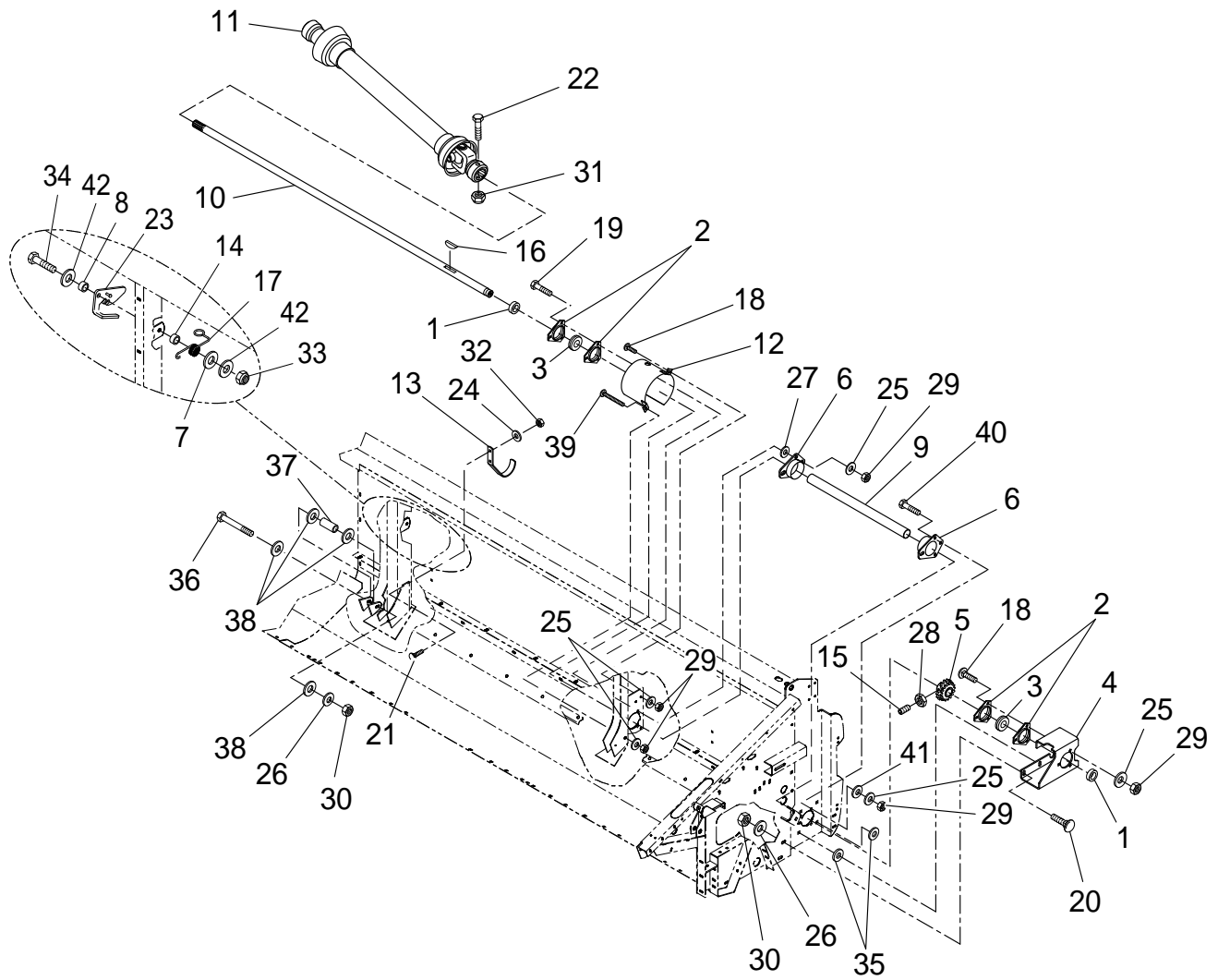
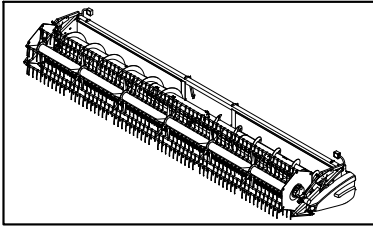


## MAIN SHAFT, 20 FT

REF	FN	PART NUMBER	YR/SN	QTY	DESCRIPTION
1		47067		2	COLLAR, RETAINER
2		86620026		4	FLANGE
3		571588R92		2	BEARING
4		86603129		1	BRACKET
5		86604840		1	SPROCKET, DRIVING
6		86631151		2	CASTING
7		86622500		AR	WASHER, 17/32" ID x 7/8" OD x 0.049"
8		86622548		1	SPACER
9		86633026		1	SHIELD
10		86604168		1	SHAFT, DRIVE
11		86978544		1	PTO, See Fig 20.03A
12		86626014		1	SHIELD
13		87026208		1	RETAINER
14		86553411		1	SPACER, Split
15		86542821		2	SET SCREW, Sq Hd, 5/16"-18 x 7/8", Cup Pt
16		126-33		1	WOODRUFF KEY, #D, 5/16" x 1 1/4"
17		87026147		1	SPRING, RH, PTO Shield
18		86512446		5	BOLT, Short NK, M10 x 30, CI8.8, Full Thd
19		374892		3	BOLT, Short NK, M10 x 40, CI8.8, Full Thd
20		335890		5	BOLT, Short NK, M12 x 30, CI8.8, Full Thd
21		86507486		90	BOLT, CARRIAGE, Short NK, M8 x 20, CI8.8, Full Thd
22		120062		1	SCREW, Hex, M8 x 70, 8.8
23		87033816		1	CLIP
24		322358		92	WASHER, SPRING, Belleville, M8
25		140045		15	WASHER, SPRING, Belleville, M10
26		140046		7	WASHER, LOCK, Belleville, M12
27		86511323		3	WASHER, M10 x 20 x 2
28		9626568		2	NUT, Jam, 5/16"-18, G2
29		100016		12	NUT, M10, CI 8
30		9706685		7	NUT, M12, CI 8
31		86629542		1	NUT, M8 x 1.25", CI 8
32		9706690		92	NUT, M8, CI 8
33		100038		1	NUT, LOCK, M12 x 1.75, CI 8
34		9706693		1	SCREW, Hex, M12 x 60, 8.8
35		64264		2	WASHER, 1/2"

2010

MAIN SHAFT, 20 FT

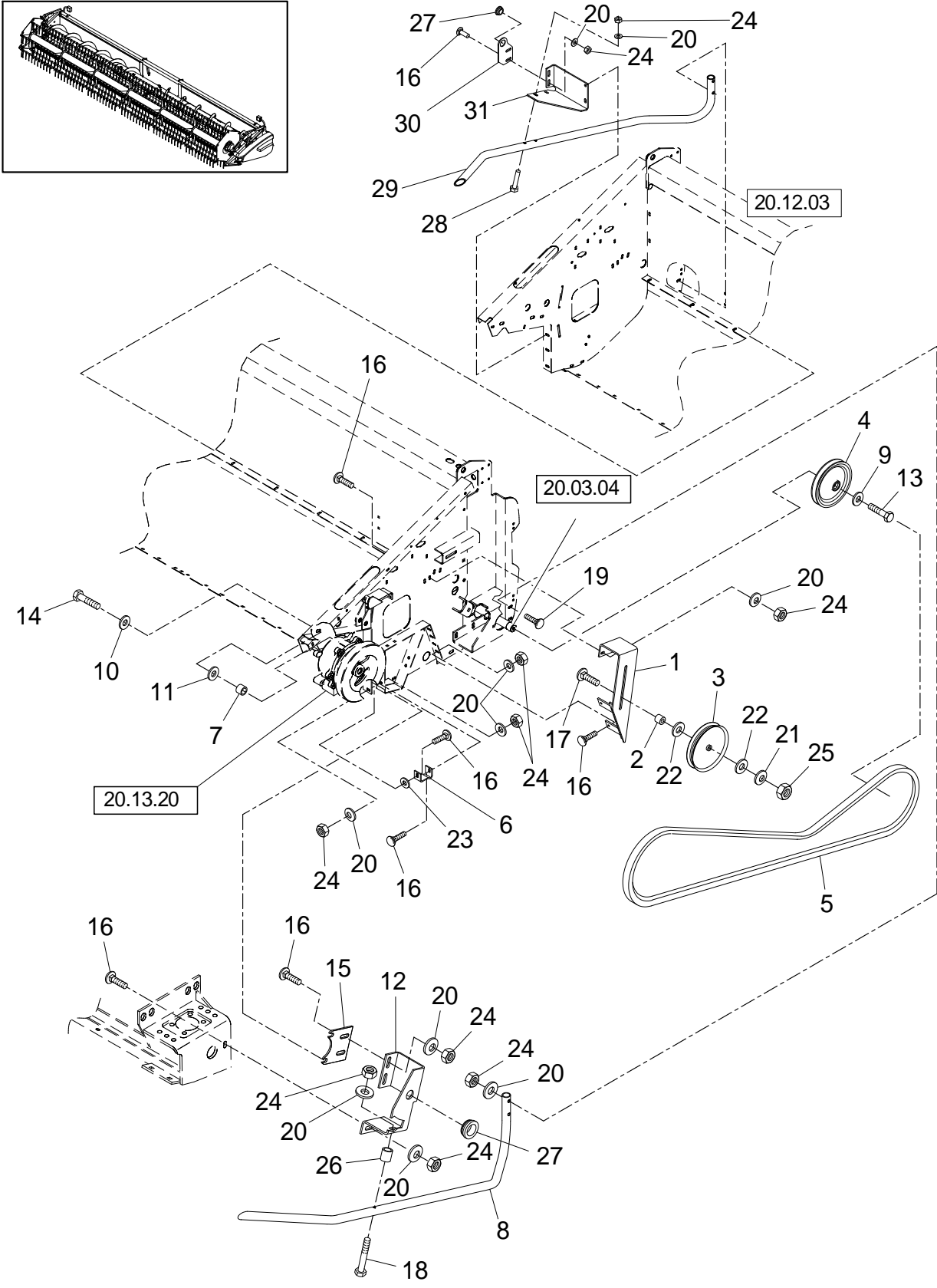
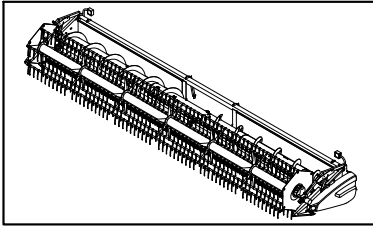


## MAIN SHAFT, 20 FT

REF	FN	PART NUMBER	YR/SN	QTY	DESCRIPTION
36		86900194		2	BOLT, Hex, M12 x 115, 10.9
37		86837468		2	SPACER, 13.5 ID x 19 OD x 68.3
38		143479		8	WASHER, Hardened, 1/2"
39		811-10080		1	BOLT, CARRIAGE, Short NK, M10 x 80, CI8.8
40		43139		3	SCREW, Hex, M10 x 25, 8.8, Full Thd
41		623303		1	WASHER, 13/32" ID x 1-7/8" OD x 3/16"
42		86511324		2	WASHER, M12 x 24 x 2.5

2010

DRIVE BELT, 20 FT



## DRIVE BELT, 20 FT

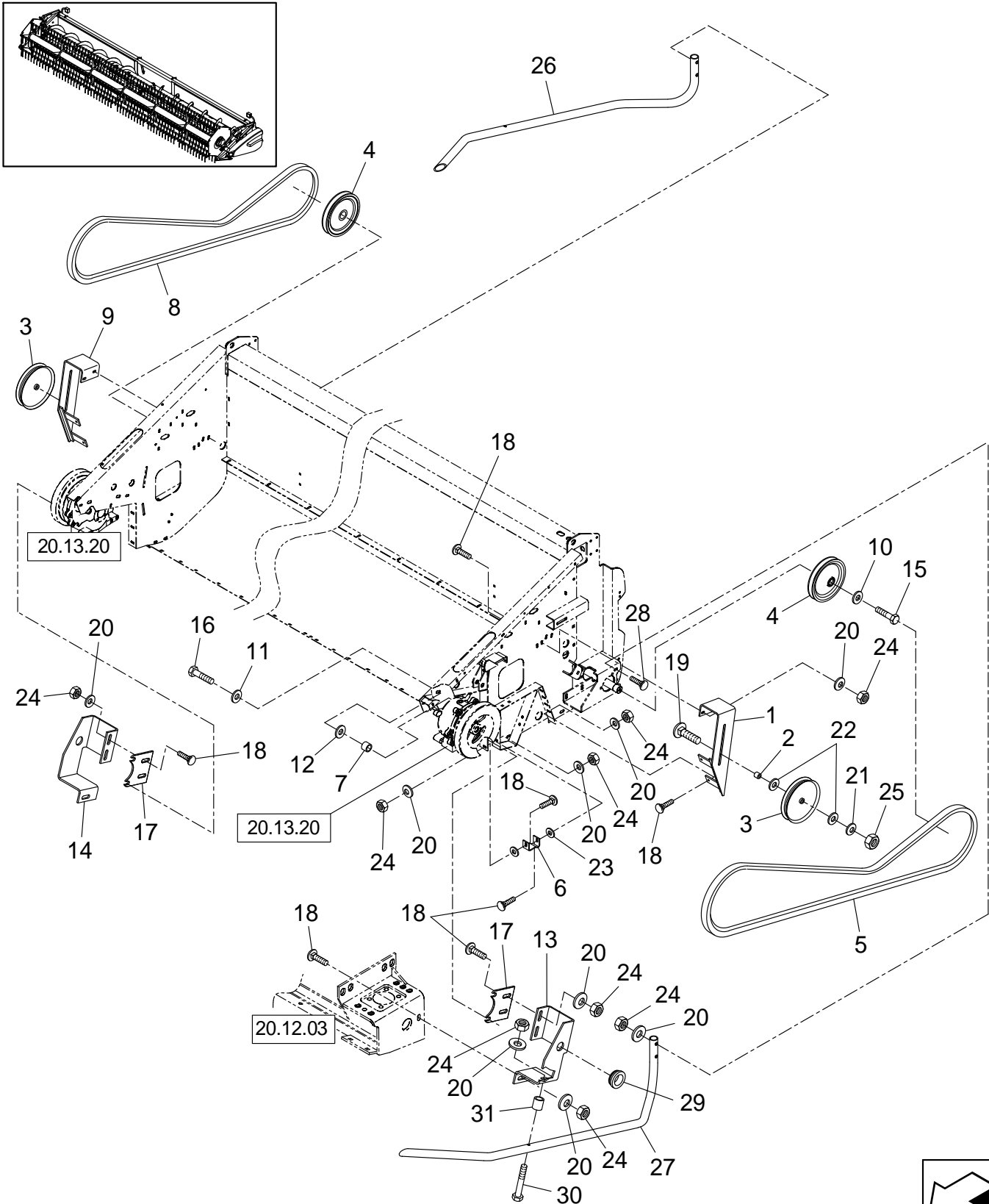
REF	FN	PART NUMBER	YR/SN	QTY	DESCRIPTION
1		782079		1	BRACKET
2		86622664		1	SPACER
3		605451		1	IDLER
4	1	616383		1	PULLEY, 8-11/16" OD
4	2	86979102		1	PULLEY, 9-3/4" OD, Speed Increase
5	1	87020286		1	BELT, V-Type, 108-1/4" Length
5	2	87041778		1	BELT, V-Type, 110-3/16" Length, Speed Increase
6		767655		2	BRACKET
7		86622665		1	SPACER, Split
8		86613470		1	TUBE, LH
9		86622619		1	WASHER, 1/2" ID x 1-5/8" OD x 1/4" Hardened
10		64263		1	WASHER, 1/2", 1/16" Thk
11		143479		1	WASHER, 1/2", 1/8" Thk, Hardened
12		86613469		1	BRACKET, LH
13		9706687		1	SCREW, Hex, M12 x 30, 8.8
14		850124		1	SCREW, Cap, HH, CL 8.8, M12 x 1.25 x 40
15		86614971		1	BRACKET
16		86512446		11	BOLT, Short NK, M10 x 30, Cl8.8, Full Thd
17		300662		1	BOLT, CARRIAGE, Short NK, M12 x 80, Cl8.8
18		43144		1	SCREW, Hex, M10 x 70, 8.8
19		350459		4	BOLT, Short NK, M10 x 50, Cl8.8, Full Thd
20		140045		18	WASHER, SPRING, Belleville, M10
21		140046		1	WASHER, LOCK, Belleville, M12
22		80700		AR	WASHER, 1/2"
23		80702		2	WASHER, 3/8"
24		100016		18	NUT, M10, Cl 8
25		9706685		1	NUT, M12, Cl 8
26		37836		1	SPACER, Split Tube
27		556719		2	BUSHING
28		120069		2	SCREW, Hex, M10 x 50, 8.8
29		86613465		1	TUBE, RH
30		86632722		1	BRACKET
31		86632724		1	BRACKET

(1) BPIN CBJ020001[Includes all HAJ PIN's]

(2) PIN CBJ020001 and later

**2010**

DRIVE BELT, 25 FT & 30 FT



## DRIVE BELT, 25 FT &amp; 30 FT

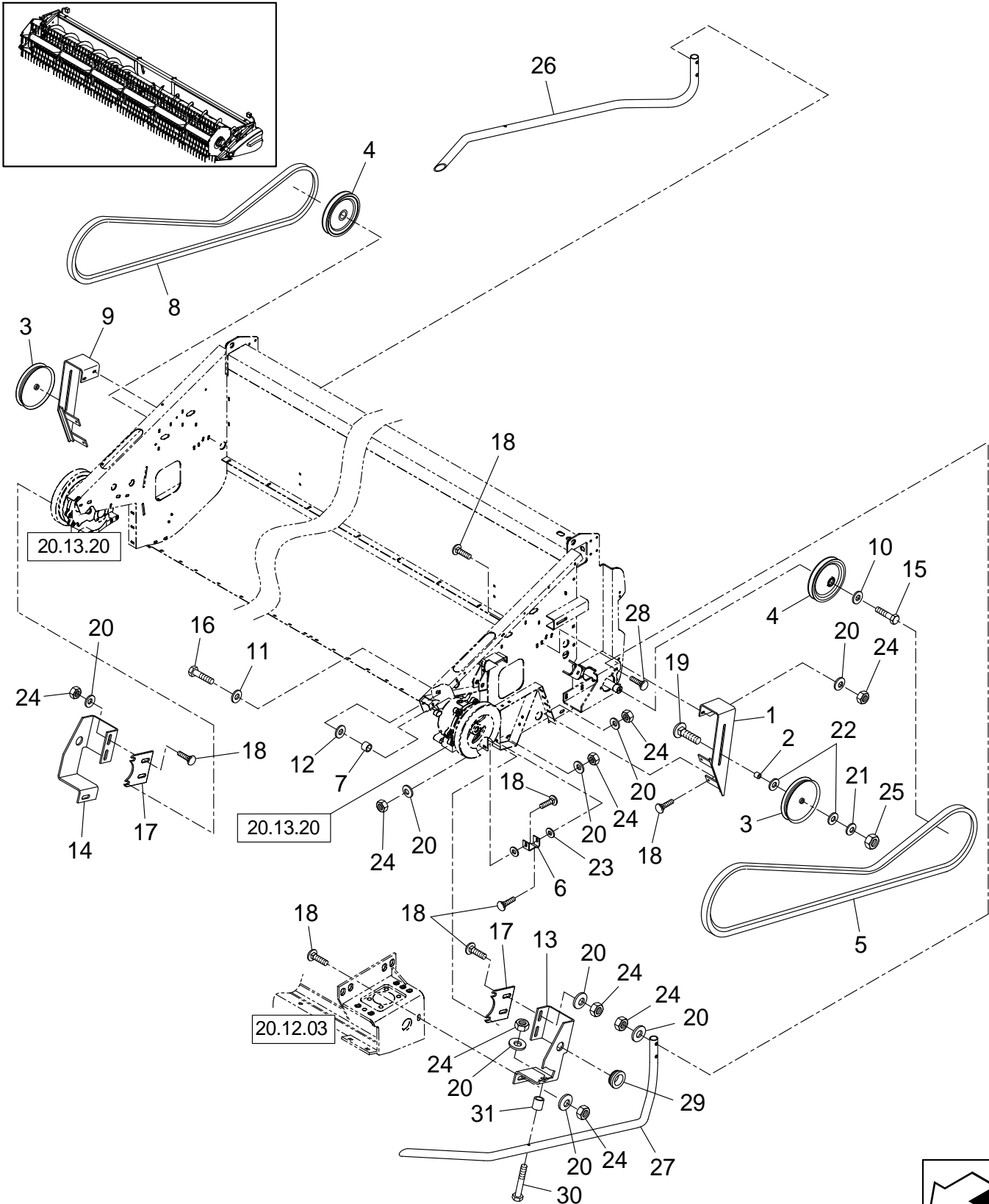
REF	FN	PART NUMBER	YR/SN	QTY	DESCRIPTION
1		782079		1	BRACKET
2		86622664		2	SPACER
3		605451		2	IDLER
4	1	616383		2	PULLEY, 8-11/16" OD
4	2	86979102		2	PULLEY, 9-3/4" OD, Speed Increase
5	1	87020286		1	BELT, V-Type, 108-1/4" Length
5	2	87041778		1	BELT, V-Type, 110-3/16" Length, Speed Increase
6		767655		2	BRACKET
7		86622665		2	SPACER, Split
8	1	87020285		1	BELT, V-Type, 107-1/4" Length
8	2	87041779		1	BELT, V-Type, 109-3/16" Length, Speed Increase
9		9603557		1	BRACKET, RH
10		86622619		2	WASHER, 1/2" ID x 1-5/8" OD x 1/4" Hardened
11		64263		2	WASHER, 17/32" x 1-1/4" x 1/16"
12		143479		2	WASHER, Hardened, 19/32" ID x 1-1/4" OD x 0.135"
13		86613469		1	BRACKET, LH
14		86613467		1	BRACKET, RH
15		9706687		2	SCREW, Hex, M12 x 30, 8.8
16		850124		2	SCREW, Cap, HH, CL 8.8, M12 x 1.25 x 40
17		86614971		2	BRACKET
18		43140		18	BOLT, Hex, M10 x 30, 8.8
19		300662		2	BOLT, CARRIAGE, Short NK, M12 x 80, Cl8.8
20		140045		24	WASHER, SPRING, Belleville, M10
21		140046		2	WASHER, LOCK, Belleville, M12
22		80700		8	WASHER, 1/2"
23		80702		2	WASHER, 3/8"
24		100016		24	NUT, M10, Cl 8
25		9706685		2	NUT, M12, Cl 8
26		86613465		1	TUBE, RH
27		86613470		1	TUBE, LH
28		350459		4	BOLT, Short NK, M10 x 50, Cl8.8, Full Thd
29		556719		2	BUSHING
30		43144		2	SCREW, Hex, M10 x 70, 8.8

(1) BPIN CBJ020001[Includes all HAJ PIN's]

(2) PIN CBJ020001 and later

**2010**

DRIVE BELT, 25 FT & 30 FT





**20.03.11**

p2

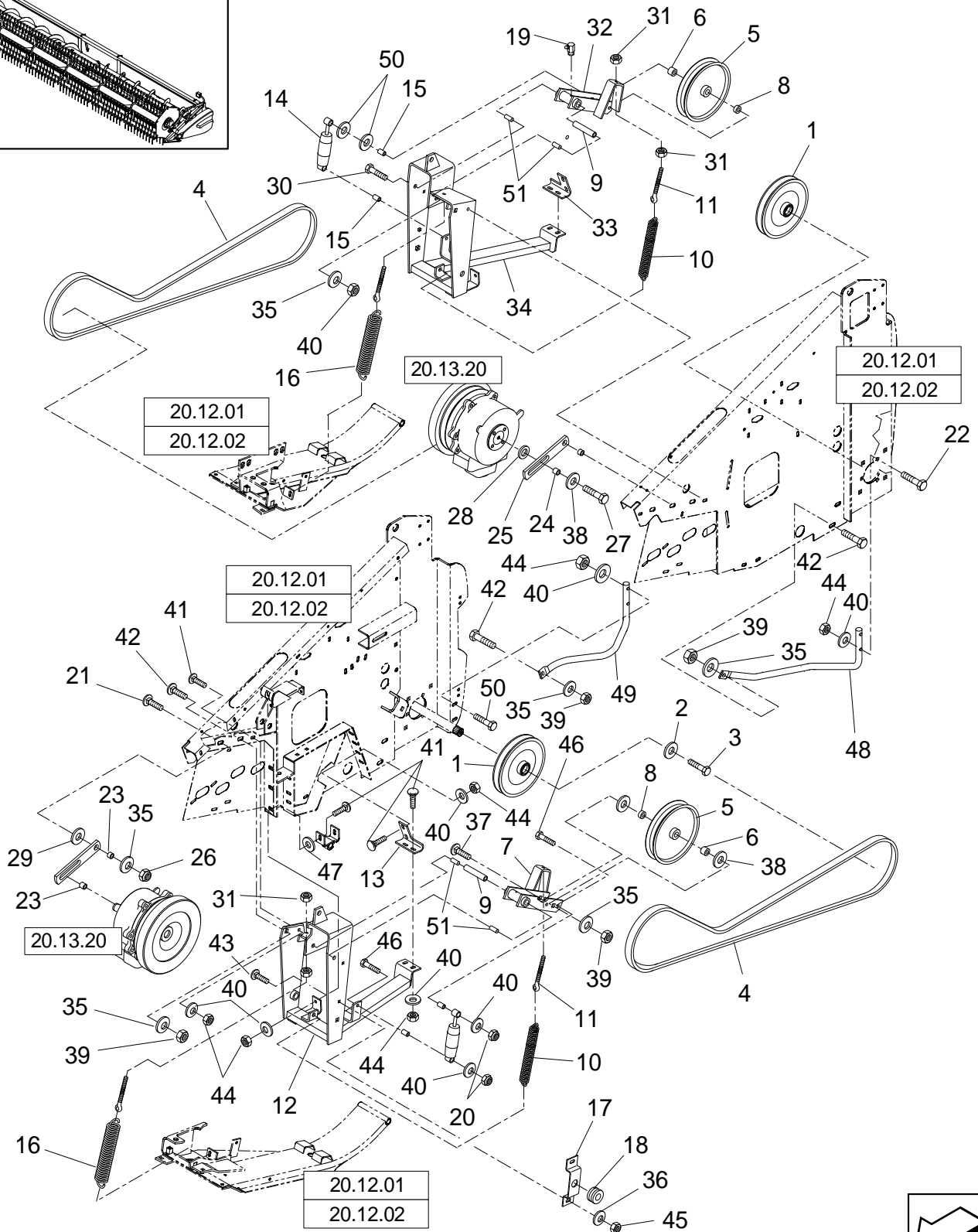
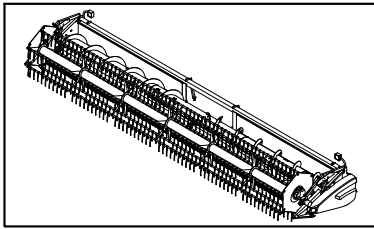
04/06

DRIVE BELT, 25 FT & 30 FT

REF	FN	PART NUMBER	YR/SN	QTY	DESCRIPTION
31		37836		2	SPACER, Split

**2010**

DRIVE BELT, 20 FT, 25 FT & 30 FT



## DRIVE BELT, 20 FT, 25 FT &amp; 30 FT

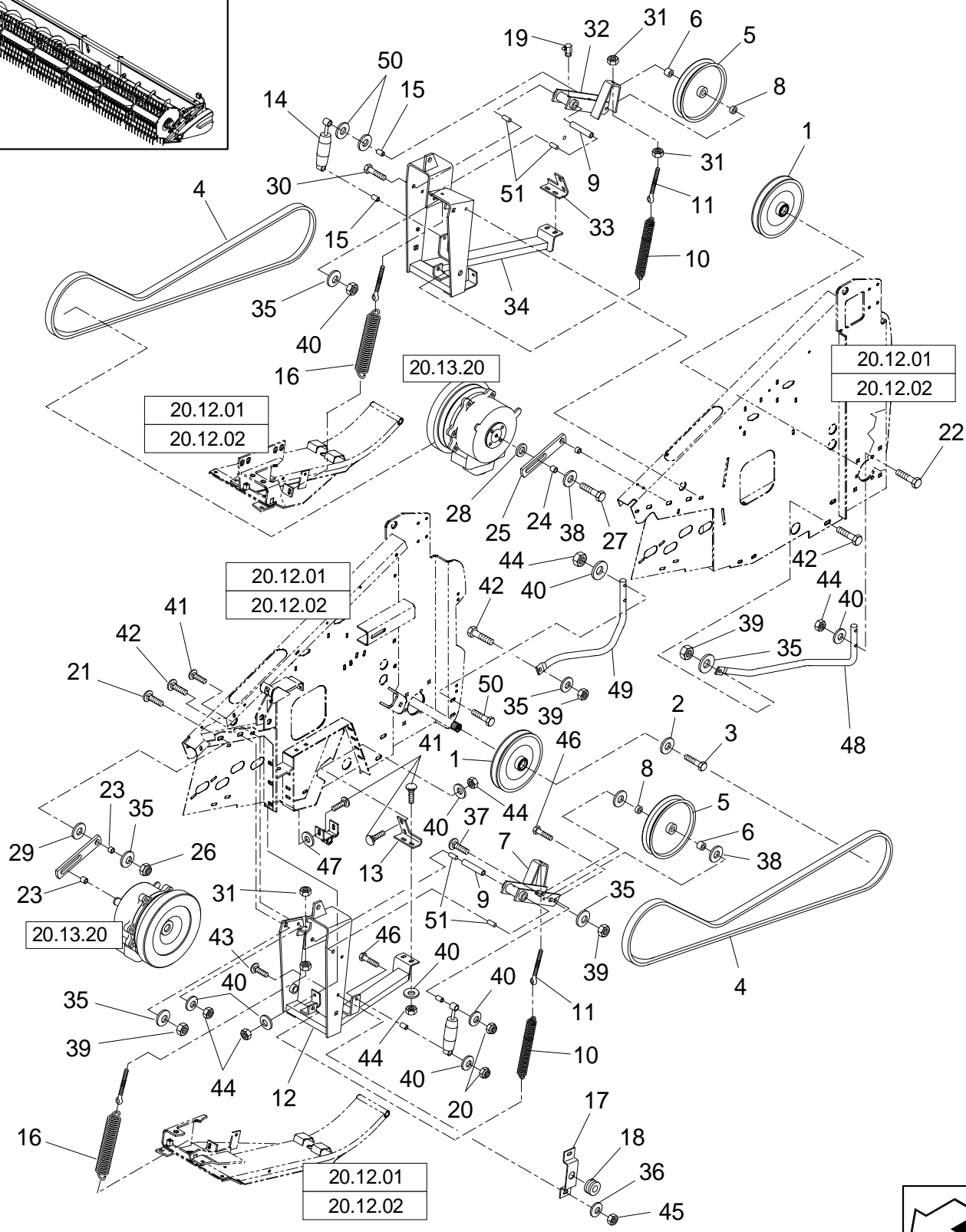
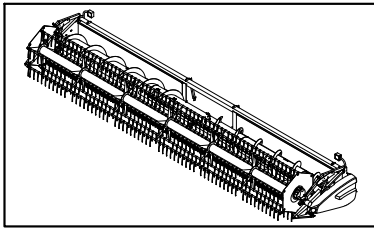
REF	FN	PART NUMBER	YR/SN	QTY	DESCRIPTION
1	1	616383		2	PULLEY, 8-11/16" OD
1	2	86979102		2	PULLEY, 9-3/4" OD, Speed Increase
2		86622619		2	WASHER, 1/2" ID x 1-5/8" OD x 1/4" Hardened
3		9706687		2	SCREW, Hex, M12 x 30, 8.8
4	1	87020184		2	BELT, V-Type, 116-1/4" Length
4	2	87041732		2	BELT, V-Type, 117-1/2" Length, Speed Increase
5		605451		2	IDLER
6		168368		2	SPACER
7	1	856739		1	ARM
7	2	87363422		1	ARM, , Speed Increase
8		86622574		2	SPACER
9		695916		2	SPACER
10		605846		2	SPRING, Extension
11		631201		4	EYEBOLT, 3/8"-16 x 5-1/2"
12		856794		1	SUPPORT, LH
13		695333		1	BRACKET, LH
14		276486		2	SHOCK ABSORBER
15		9616869		4	SPACER
16		67629		2	SPRING
17		86609450		2	BRACKET
18		556719		2	BUSHING
19		87415		2	NIPPLE, LUBE, 45°, 1/4" NPT x .75" lg, Drive
20		100037		4	NUT, M10 x 1.5, CI 8
21		328754		2	BOLT, Short NK, M12 x 40, CI 8.8, Full Thd
22		350459		4	BOLT, Short NK, M10 x 50, CI 8.8, Full Thd
23		86622618		2	SPACER
24		86622563		2	SPACER
25		783570		2	LINK, CONNECTING
26		100038		2	NUT, LOCK, M12 x 1.75, CI 8
27		850124		2	SCREW, Cap, HH, CL 8.8, M12 x 1.25 x 40, UNF
28		87381		2	WASHER, 3/4", SAE
29		249100		2	WASHER, 25/32" I.D. x 1-1/4" O.D. x 0.060"
30		395277		2	SCREW, Hex, M12 x 130, 8.8

(1) BPIN CBJ020001[Includes all HAJ PIN's]

(2) PIN CBJ020001 and later

2020

DRIVE BELT, 20 FT, 25 FT & 30 FT



## DRIVE BELT, 20 FT, 25 FT &amp; 30 FT

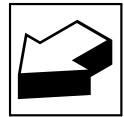
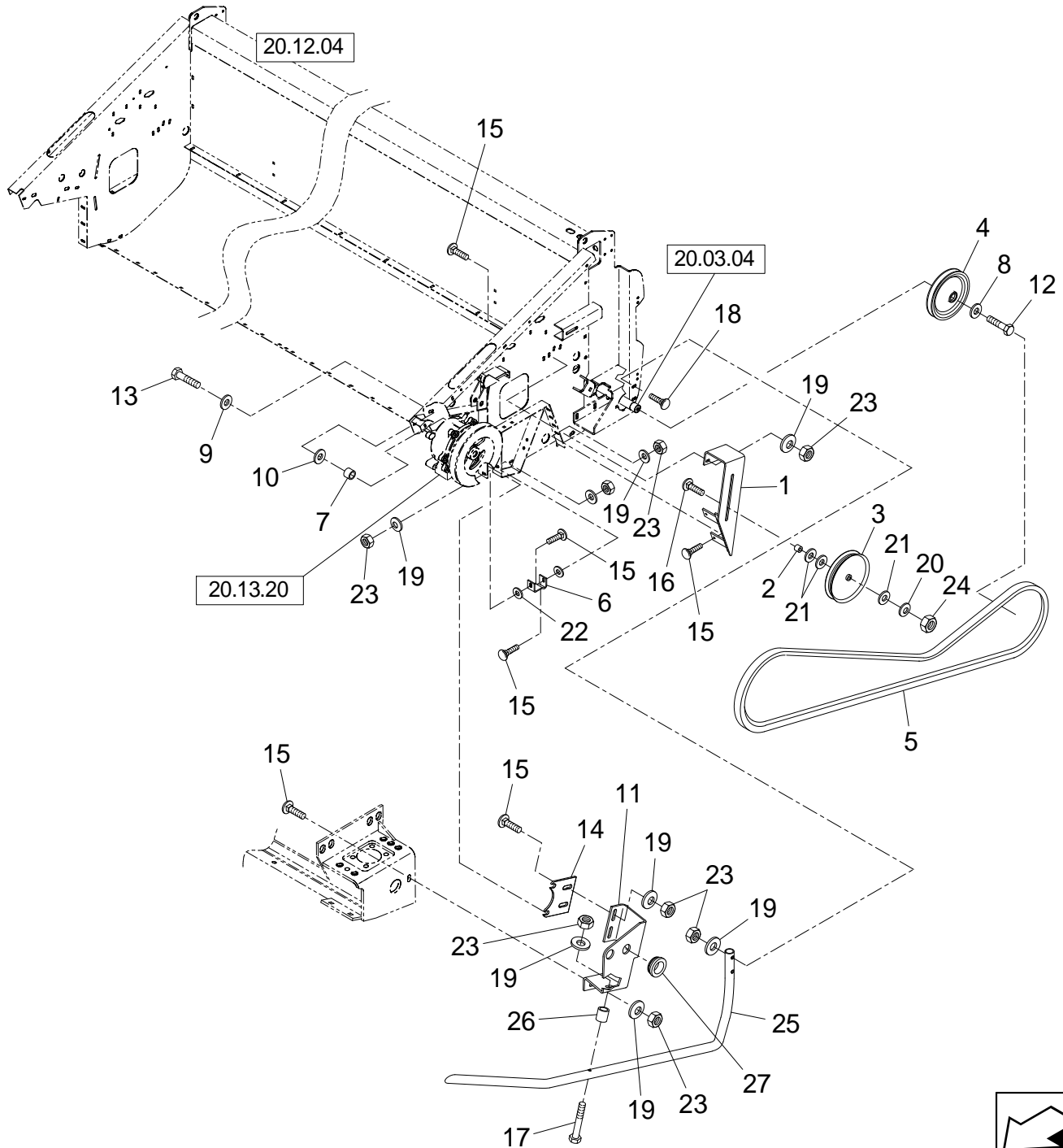
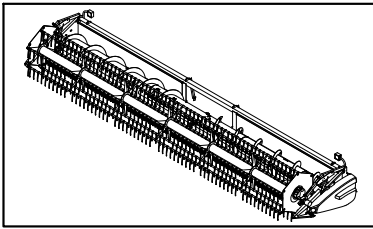
REF	FN	PART NUMBER	YR/SN	QTY	DESCRIPTION
31		9628503		8	NUT, 3/8"-16, G5
32	1	857188		1	ARM
32	2	87363458		1	ARM, , Speed Increase
33		695334		1	BRACKET, RH
34		857177		1	SUPPORT, RH
35		140046		10	WASHER, LOCK, Belleville, M12
36		322358		4	WASHER, SPRING, Belleville, M8
37		84818450		2	BOLT, CARRIAGE, Short NK, M12 x 85, CI8.8
38		80700		6	WASHER, 1/2"
39		9706685		8	NUT, M12, CI 8
40		140045		20	WASHER, SPRING, Belleville, M10
41		86512446		12	BOLT, Short NK, M10 x 30, CI8.8, Full Thd
42		120044		4	BOLT, Short NK, M12 x 30, CI8.8, Full Thd
43		308761		4	BOLT, CARRIAGE, Short NK, M8 x 25, CI8.8, Full Thd
44		100016		16	NUT, M10, CI 8
45		9706690		4	NUT, M8, CI 8
46		120069		4	SCREW, Hex, M10 x 50, 8.8
47		80702		2	WASHER, 3/8"
48		86633064		1	TUBE, LH
49		86633066		1	TUBE, RH
50		86511323		4AR	WASHER, M10 x 20 x 2
51		47584		4	BUSHING

(1) BPIN CBJ020001[Includes all HAJ PIN's]

(2) PIN CBJ020001 and later

**2020**

DRIVE BELT, 20 FT, RICE

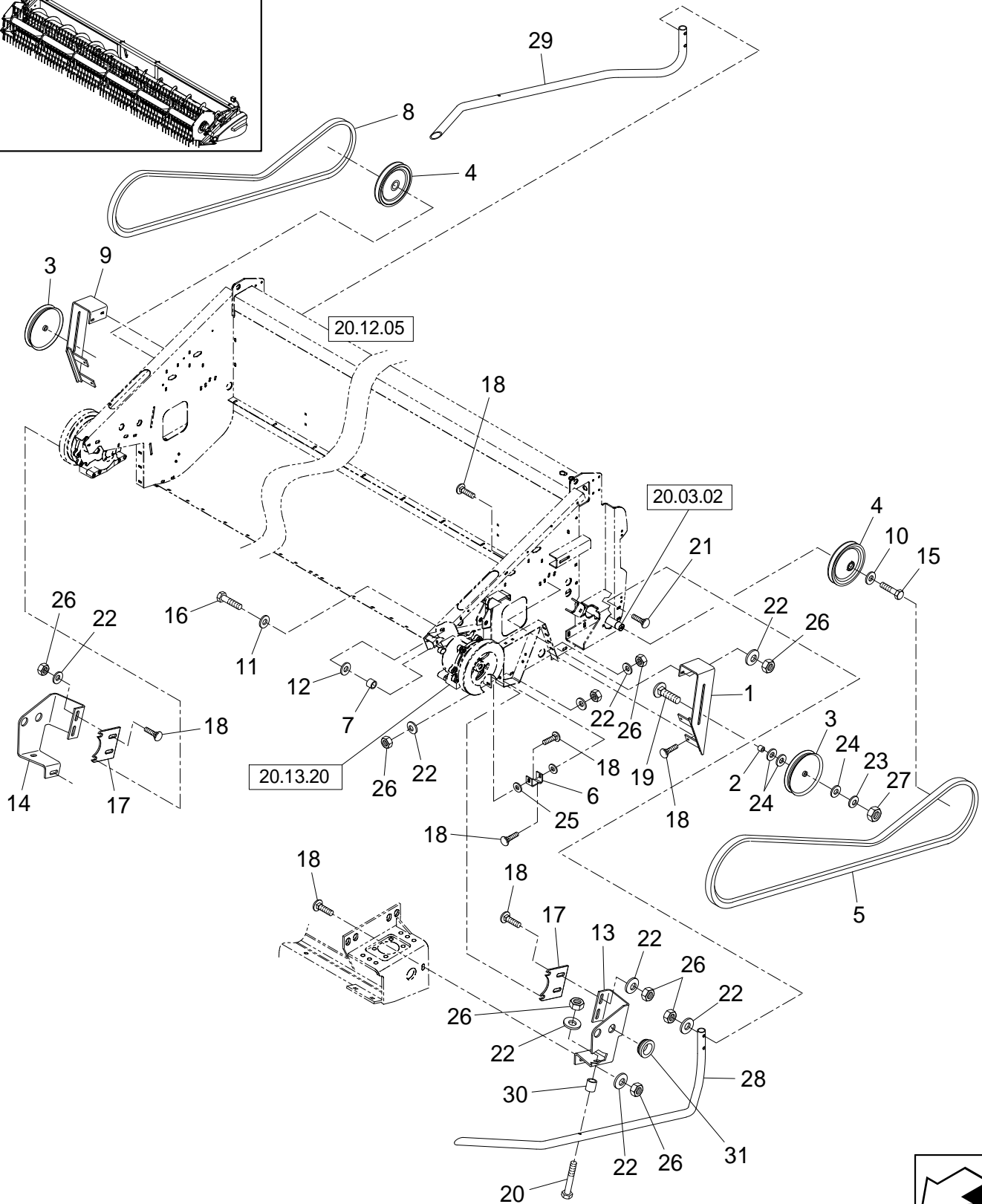
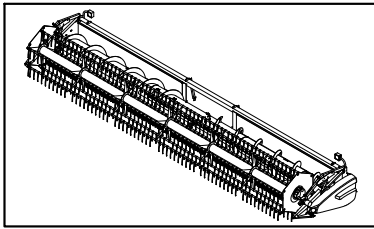


## DRIVE BELT, 20 FT, RICE

REF	FN	PART NUMBER	YR/SN	QTY	DESCRIPTION
1		782079		1	BRACKET
2		86622664		1	SPACER
3		605451		1	IDLER
4		616383		1	PULLEY, 8-11/16" OD
5		87020302		1	BELT, TRANSMISSION
6		767655		2	BRACKET
7		86622665		1	SPACER, Split
8		86622619		1	WASHER, 1/2" ID x 1-5/8" OD x 1/4" Hardened
9		64263		1	WASHER, 1/2" ID, 1/16" Thk
10		143479		1	WASHER, 1/2", Hardened
11		86613475		1	BRACKET
12		9706687		1	SCREW, Hex, M12 x 30, 8.8
13		850124		1	SCREW, Cap, HH, CL 8.8, M12 x 1.25 x 40, UNF
14		86614971		1	BRACKET
15		86512446		11	BOLT, Short NK, M10 x 30, Cl8.8, Full Thd
16		9504194		1	BOLT, CL 8.8, M12 x 1.75 x 85
17		43144		1	SCREW, Hex, M10 x 70, 8.8
18		350459		2	BOLT, Short NK, M10 x 50, Cl8.8, Full Thd
19		140045		14	WASHER, SPRING, Belleville, M10
20		140046		1	WASHER, LOCK, Belleville, M12
21		80700		4	WASHER, 1/2"
22		80702		2	WASHER, 3/8"
23		100016		14	NUT, M10, Cl 8
24		9706685		1	NUT, M12, Cl 8
25		86613470		1	TUBE, LH
26		37836		1	SPACER, Splt
27		556719		1	BUSHING

2010

DRIVE BELT, 25 FT, RICE





**20.03.14**

p1

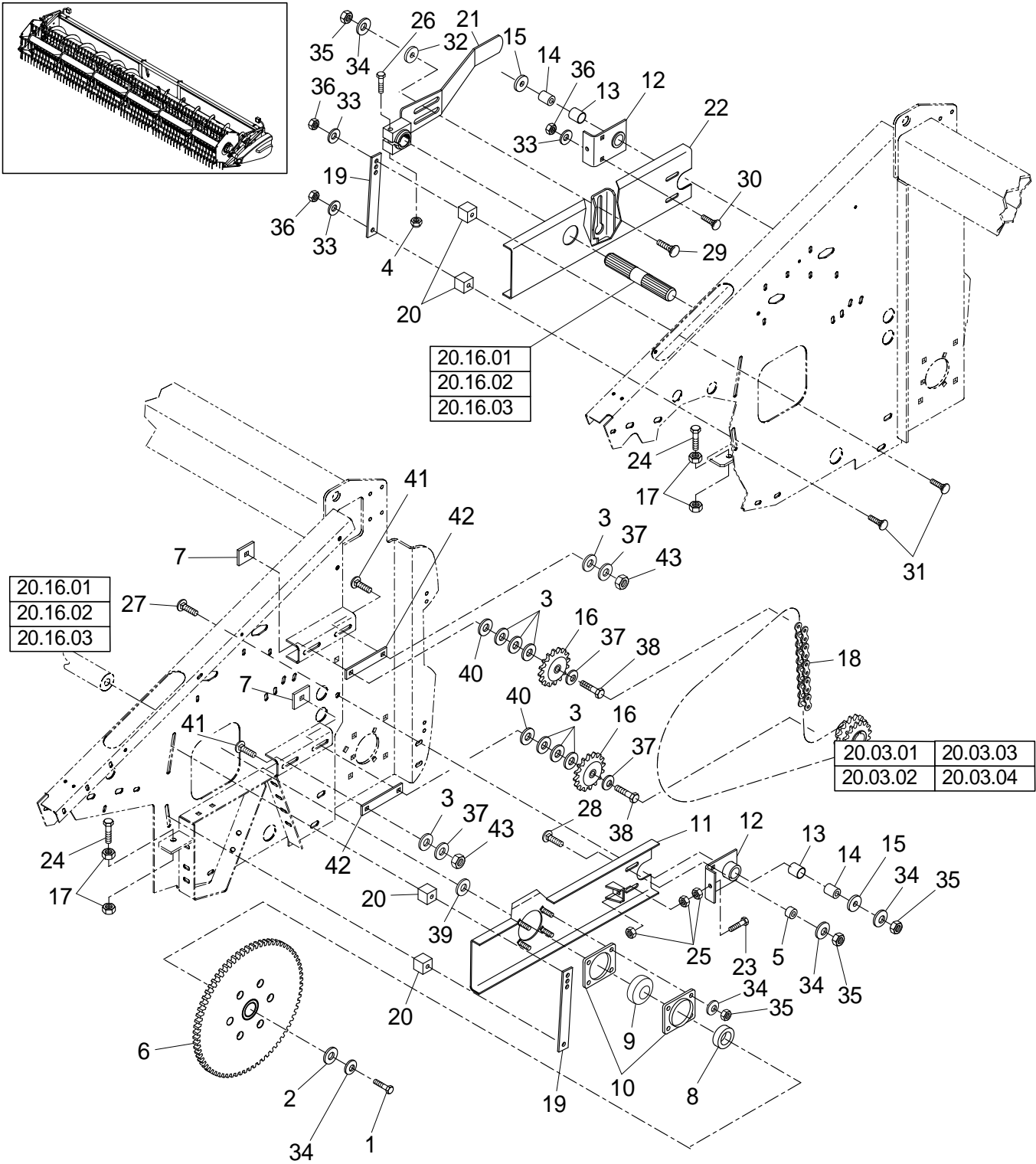
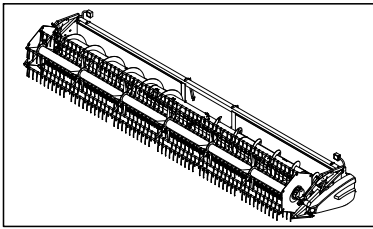
04/06

**DRIVE BELT, 25 FT, RICE**

REF	FN	PART NUMBER	YR/SN	QTY	DESCRIPTION
1		782079		1	BRACKET
2		86622664		2	SPACER
3		605451		2	IDLER
4		616383		2	PULLEY, 8-11/16" OD
5		87020302		1	BELT, TRANSMISSION
6		767655		2	BRACKET
7		86622665		2	SPACER, Split
8		84817621		1	BELT, TRANSMISSION
9		9603557		1	BRACKET, RH
10		86622619		2	WASHER, 1/2" ID x 1-5/8" OD x 1/4" Hardened
11		64263		2	WASHER, 1/2", 1/16" Thk
12		143479		2	WASHER, 1/2", Hardened
13		86613475		1	BRACKET, LH
14		86613473		1	BRACKET, RH
15		9706687		2	SCREW, Hex, M12 x 30, 8.8
16		850124		2	SCREW, Cap, HH, CL 8.8, M12 x 1.25 x 40, UNF
17		86614971		2	BRACKET
18		86512446		18	BOLT, Short NK, M10 x 30, Cl8.8, Full Thd
19		9504194		2	BOLT, CL 8.8, M12 x 1.75 x 85
20		43144		2	SCREW, Hex, M10 x 70, 8.8
21		350459		4	BOLT, Short NK, M10 x 50, Cl8.8, Full Thd
22		140045		24	WASHER, SPRING, Belleville, M10
23		140046		2	WASHER, LOCK, Belleville, M12
24		80700		8	WASHER, 1/2"
25		80702		2	WASHER, 3/8"
26		100016		24	NUT, M10, Cl 8
27		9706685		2	NUT, M12, Cl 8
28		86613470		1	TUBE, LH
29		86613465		1	TUBE, RH
30		37836		2	SPACER, Split
31		556719		2	BUSHING

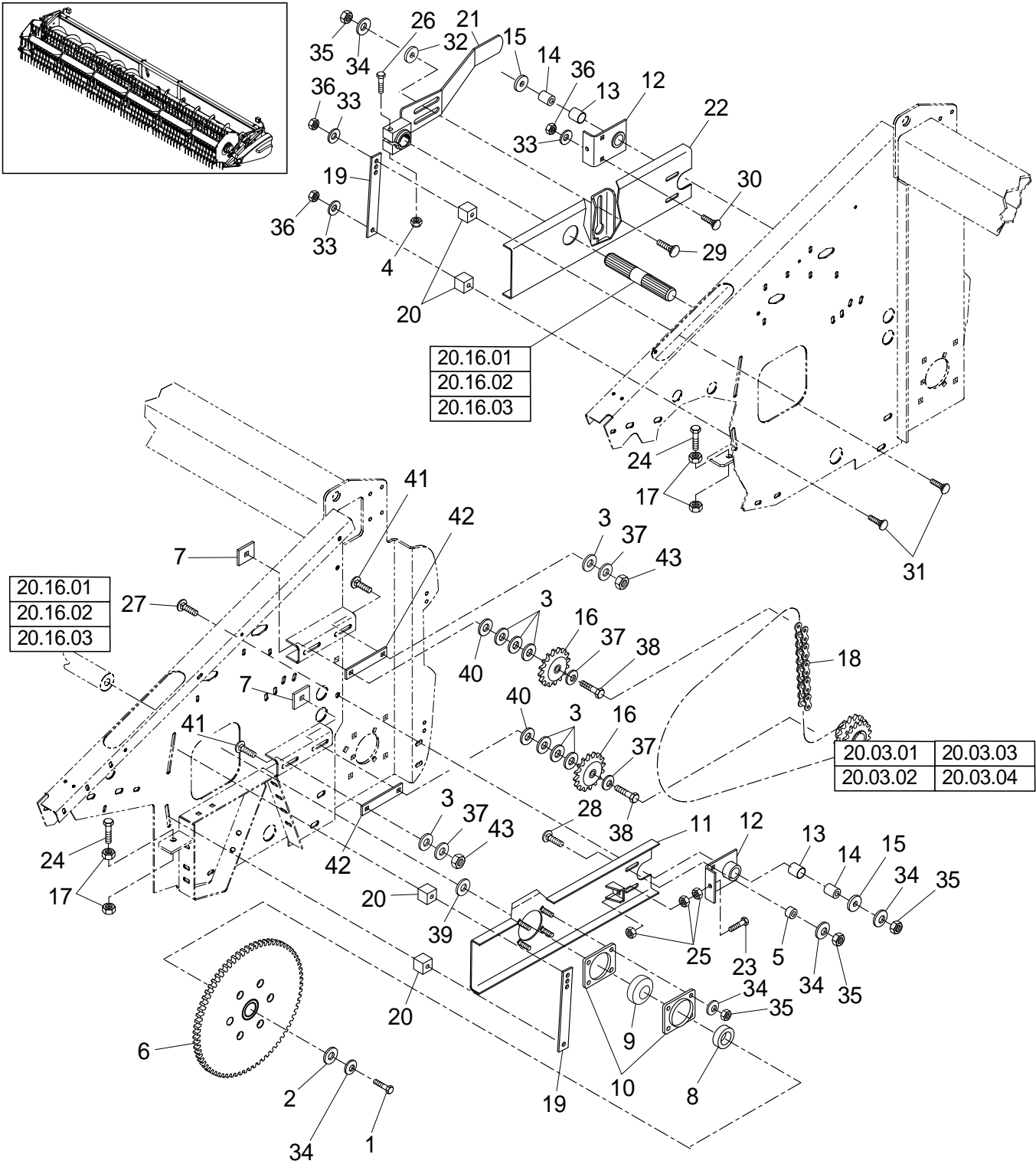
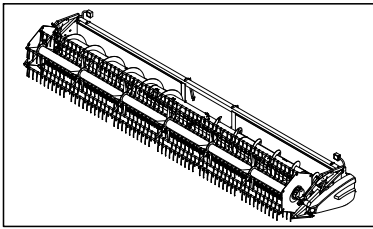
**2010**

DRIVE



DRIVE					
REF	FN	PART NUMBER	YR/SN	QTY	DESCRIPTION
1		300389		1	SCREW, Hex, M12 x 35, 8.8, Full Thd
2		87017556		1	WASHER, 19/32" x 2-1/2" x 1/2", Hardened
3		86511326		4	WASHER, M16 x 30 x 3
4		100037		1	NUT, M10 x 1.5, Cl 8
5		168368		2	SPACER
6		86622886		1	SPROCKET, DRIVEN, 58 Teeth
6		87019825		1	SPROCKET, DRIVEN, 64 Teeth, Slowdown For Barley
7		86619024		1	BLOCK
8		45631		1	COLLAR
9		133941		1	BEARING, BALL, 1-3/4" Bore
10		86979948		2	FLANGE
11		86979956		1	CHANNEL, LH
12		86979957		2	BRACKET
13		135861		2	BEARING, Nylatron, 1.187 x 0.062
14		48462		2	SPACER
15		86622619		2	WASHER, 1/2" ID x 1-5/8" OD x 1/4" Hardened
16		86619126		2	SPROCKET ASSY., 15T Idler
17		280431		4	NUT, 1/2"-13, G5
18		86595136		1	CHAIN, RC60
19		86603212		2	BAR
20		606233		4	BLOCK
21		86643620		1	LEVER
22		86643641		1	CHANNEL, RH
23		280626		2	BOLT, Hex, 3/8"-16 x 3", G5, Full Thd
24		280324		2	BOLT, HH, Tap, G5, 1/2"-13 x 3-1/4"
25		9628503		6	NUT, 3/8"-16, G5
26		120073		1	SCREW, Hex, M10 x 80, 8.8
27		9706693		2	SCREW, Hex, M12 x 60, 8.8
28		811-12040		2	BOLT, CARRIAGE, Short NK, M12 x 40, Cl8.8, Full Thd
29		120044		1	BOLT, Short NK, M12 x 30, Cl8.8, Full Thd
30		338949		2	SCREW, Short NK, M10 x 25, Cl8.8, Full Thd
31		350459		4	BOLT, Short NK, M10 x 50, Cl8.8, Full Thd
32		86592701		1	WASHER, M12 x 35 x 5, HT
Ref 42, stiffener plate was added MY 2006. Previous arrangements utilized one bolt through the sprocket with a square nut only and a shorter side plate channel					<b>2010 2020</b>

DRIVE



## DRIVE

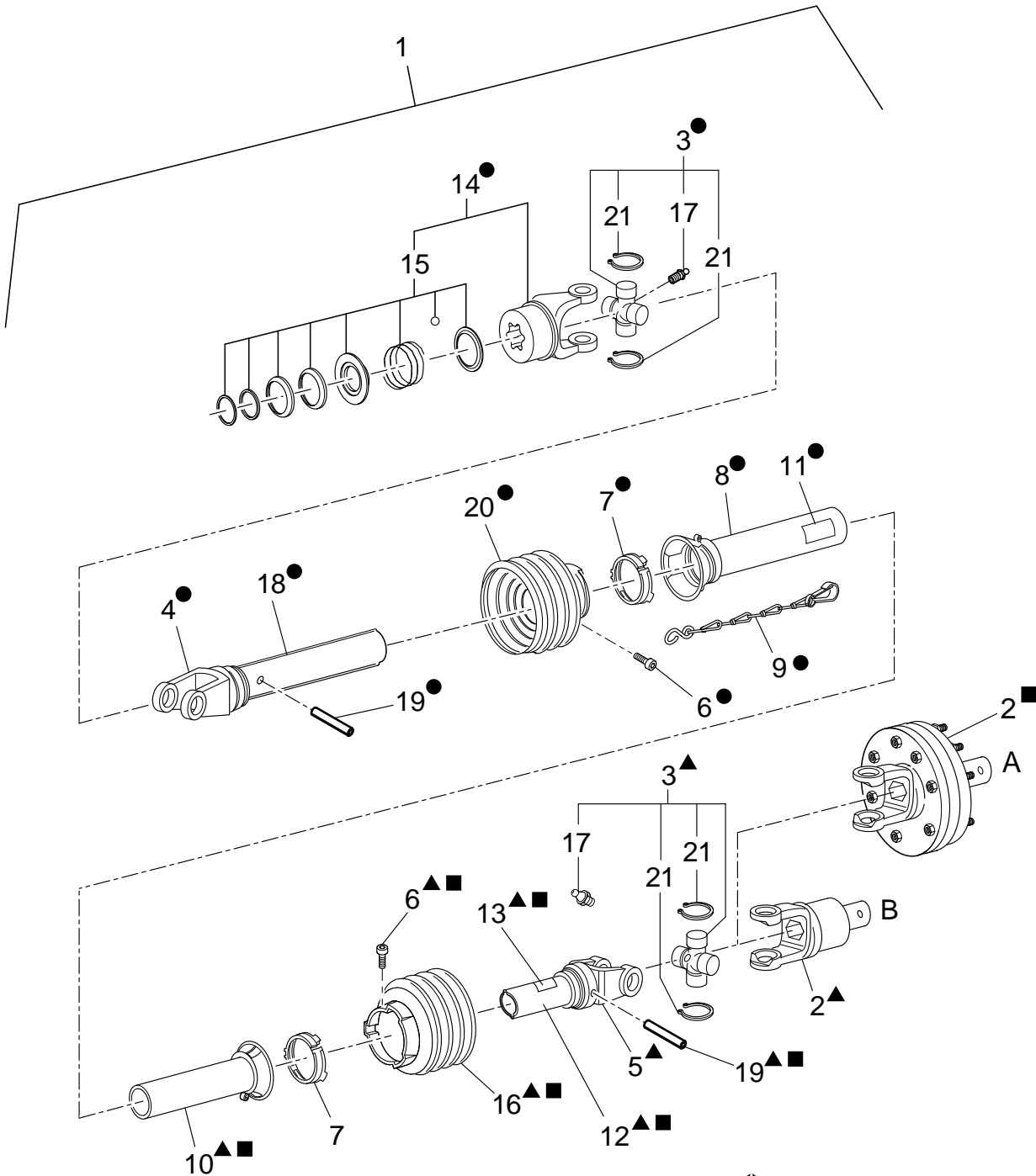
REF	FN	PART NUMBER	YR/SN	QTY	DESCRIPTION
33		140045		6	WASHER, SPRING, Belleville, M10
34		140046		12	WASHER, LOCK, Belleville, M12
35		9706685		11	NUT, M12, CI 8
36		100016		6	NUT, M10, CI 8
37		140048		2	WASHER, SPRING, Belleville, M16
38		120092		2	SCREW, Hex, M16 x 70, 8.8
39		58821		1AR	WASHER, 1-25/32" ID x 2-7/8" OD x 1/16"
40		87365		2AR	WASHER, 5/8", SAE
41	1	86595832		2	BOLT, CARRIAGE, Short NK, M16 x 40, CI8.8, Full Thd
42	1	87047856		2	BRACKET, Stiffener, See figure note.
43	1	100020		2	NUT, M16, CI 8

(1) PIN CBJ020701 and after

Ref 42, stiffener plate was added MY 2006. Previous arrangements utilized one bolt through the sprocket with a square nut only and a shorter side plate channel

**2010 2020**

DRIVE SHAFT [PTO] SUBASSEMBLY



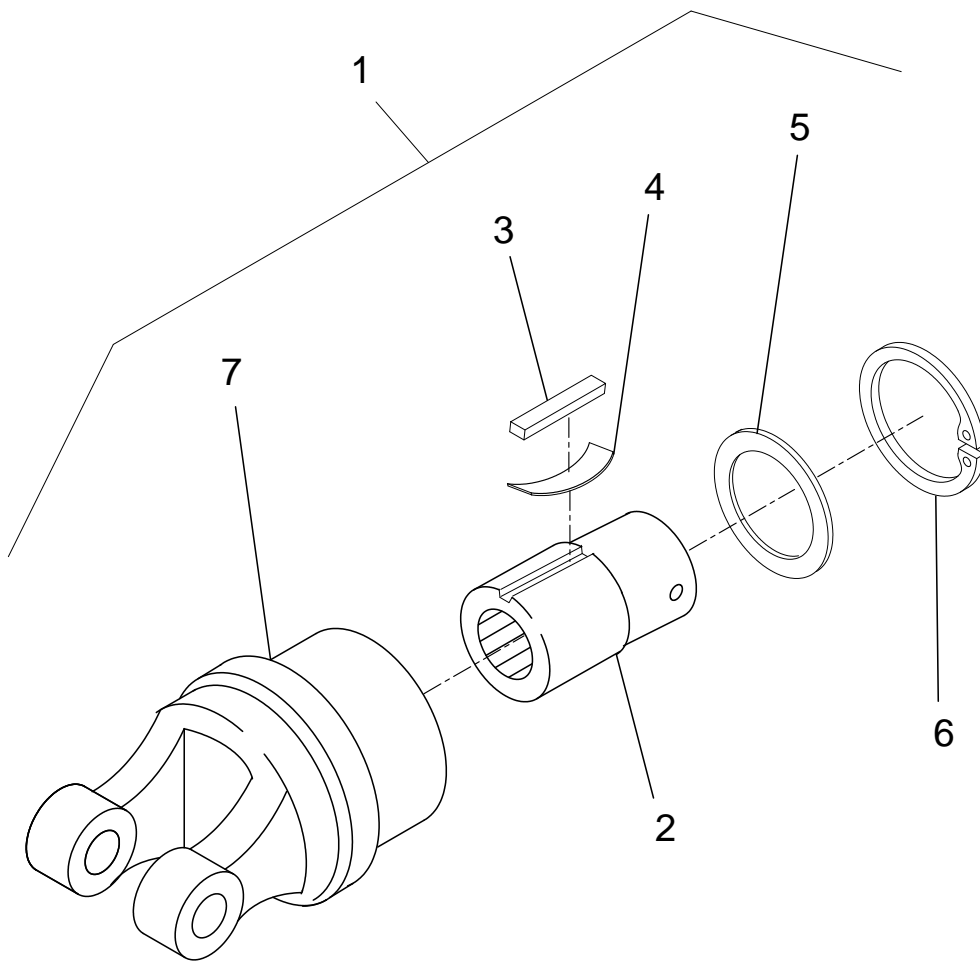
- = 22
- ▲ = 23
- = 24

## DRIVE SHAFT [PTO] SUBASSEMBLY

REF	FN	PART NUMBER	YR/SN	QTY	DESCRIPTION
1		86978544		1	PTO, Friction Yoke, View A
1		86978545		1	PTO, Free Motion Yoke, View B
2				1	Friction, View A, See Fig 20.03C
2				1	Free Motion, View B, See Fig 20.03B
3		86900575		2	JOINT, UNIVERSAL
4		556924		1	YOKE
5		556927		1	YOKE
6		86585706		2	SCREW, Cross Pan Hd, M4 x 10
7		728164		2	RING, Sleeve Bearing
8		86900580		1	SHIELD, OUTER
9		379650		1	CHAIN, Anchor
10		86900581		1	SHIELD, INNER
11		849471		1	DECAL, DANGER ROTATING DRIVELINE
12		86900577		1	SHAFT, PTO, Outer
13		849472		1	DECAL, DANGER SHIELD MISSING
14		86533997		1	YOKE
15		86525265		1	KIT, Slide Collar
16		86900579		1	SHIELD
17		321204		2	NIPPLE, LUBE, M6 x 1, Straight
18		86900576		1	SHAFT, PTO, Inner
19		412690		2	PIN, LOCK, M10 x 65, Slotted
20		87024157		1	SHIELD, OUTER
21		456770		2	RING, SNAP, Snap Ring
22		86900583		1	PTO ASSY, FRONT, Feeder
23		86900584		1	PTO ASSY, REAR, Header, View B
24		86900585		1	PTO ASSY, REAR, Header, View A

2010 2020

YOKE SUBASSEMBLY, FREE MOTION



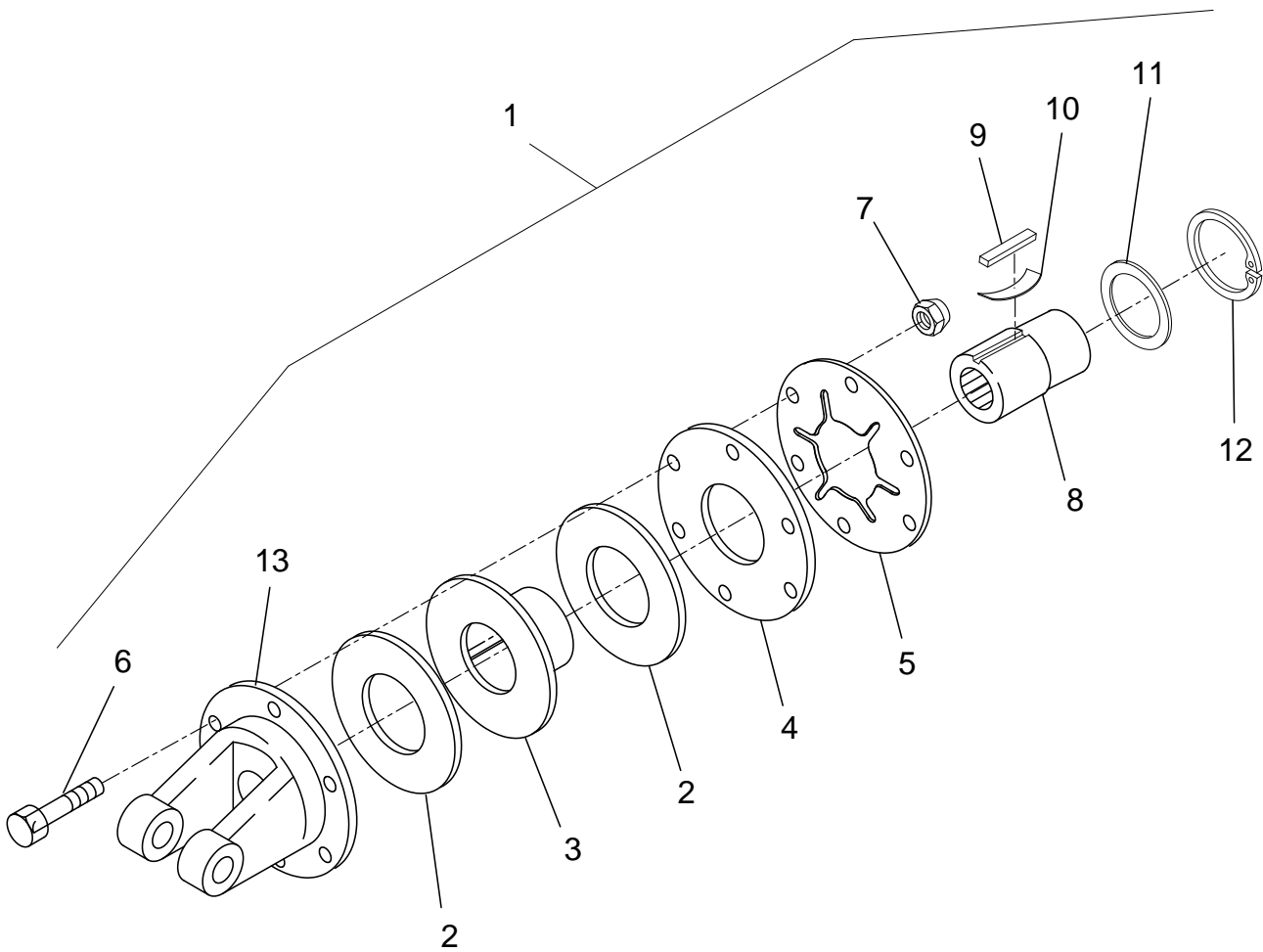


**YOKE SUBASSEMBLY, FREE MOTION**

<b>REF</b>	<b>FN</b>	<b>PART NUMBER</b>	<b>YR/SN</b>	<b>QTY</b>	<b>DESCRIPTION</b>
1		86900578		1	YOKE, Assembly, Free Motion
2		87026353		1	HUB
3		449316		2	KEY
4		449317		2	SPRING, Leaf
5		449318		1	RING
6		370018		1	RING, SNAP
7		87026356		1	HOUSING, CLUTCH

**2010 2020**

YOKE SUBASSEMBLY, FRICTION

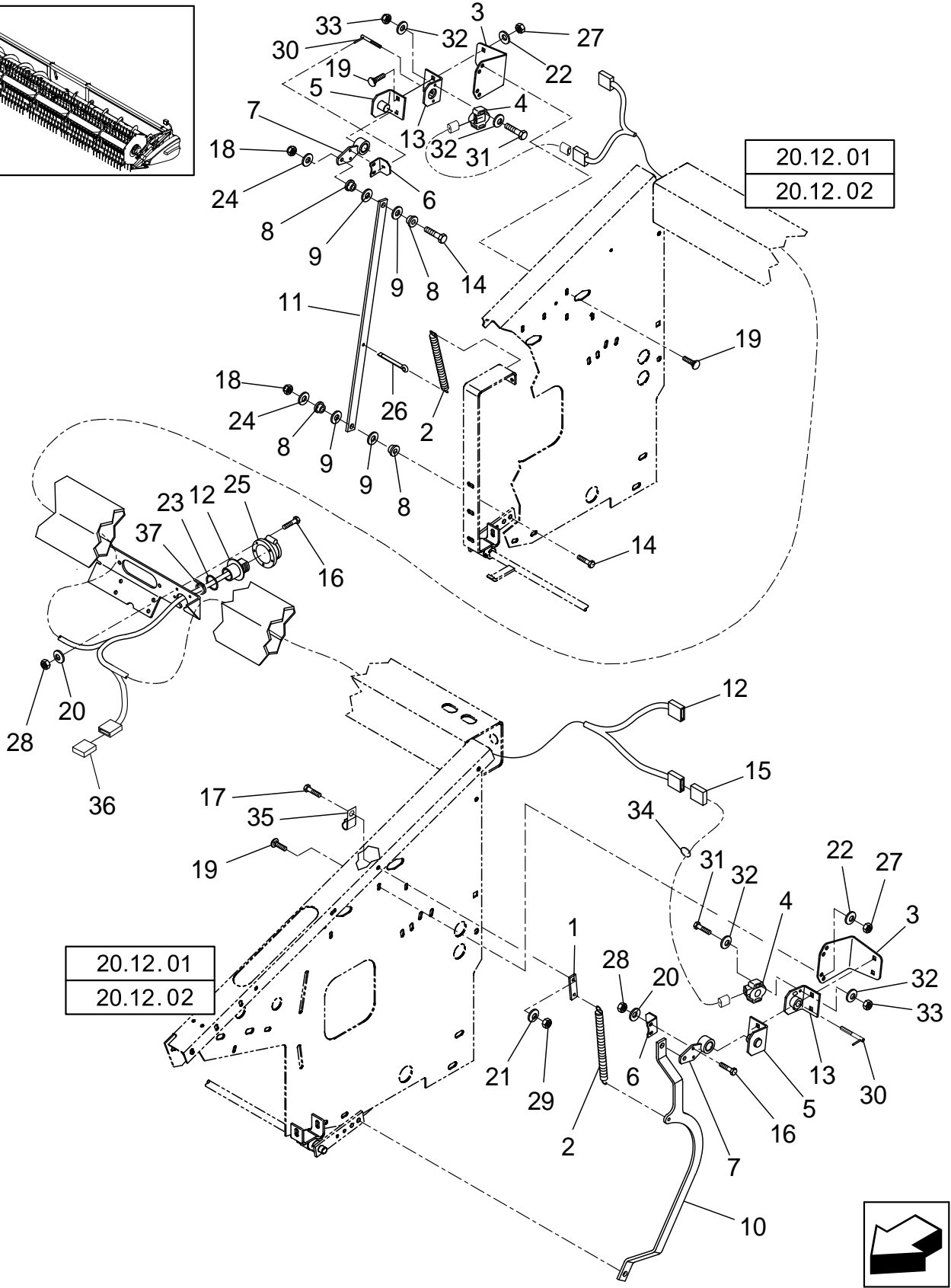
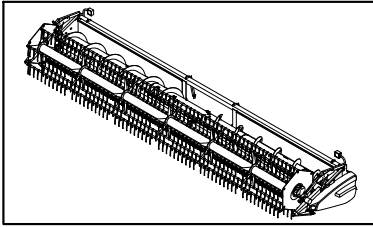


## YOKE SUBASSEMBLY, FRICTION

REF	FN	PART NUMBER	YR/SN	QTY	DESCRIPTION
1		86900582		1	YOKE, Assembly, Friction
2		279434		2	DISC, Friction
3		87026350		1	HOUSING, CLUTCH
4		87026351		1	PLATE, THRUST
5		87026352		1	SPRING, BELLEVILLE
6		120069		6	SCREW, Hex, M10 x 50, 8.8
7		100037		6	NUT, M10 x 1.5, CI 8
8		87026353		1	HUB
9		449316		2	KEY
10		449317		2	SPRING
11		449318		1	RING
12		370018		1	RING, SNAP
13		87026349		1	FLANGE, Yoke

2010 2020

CONTROL ASSEMBLY

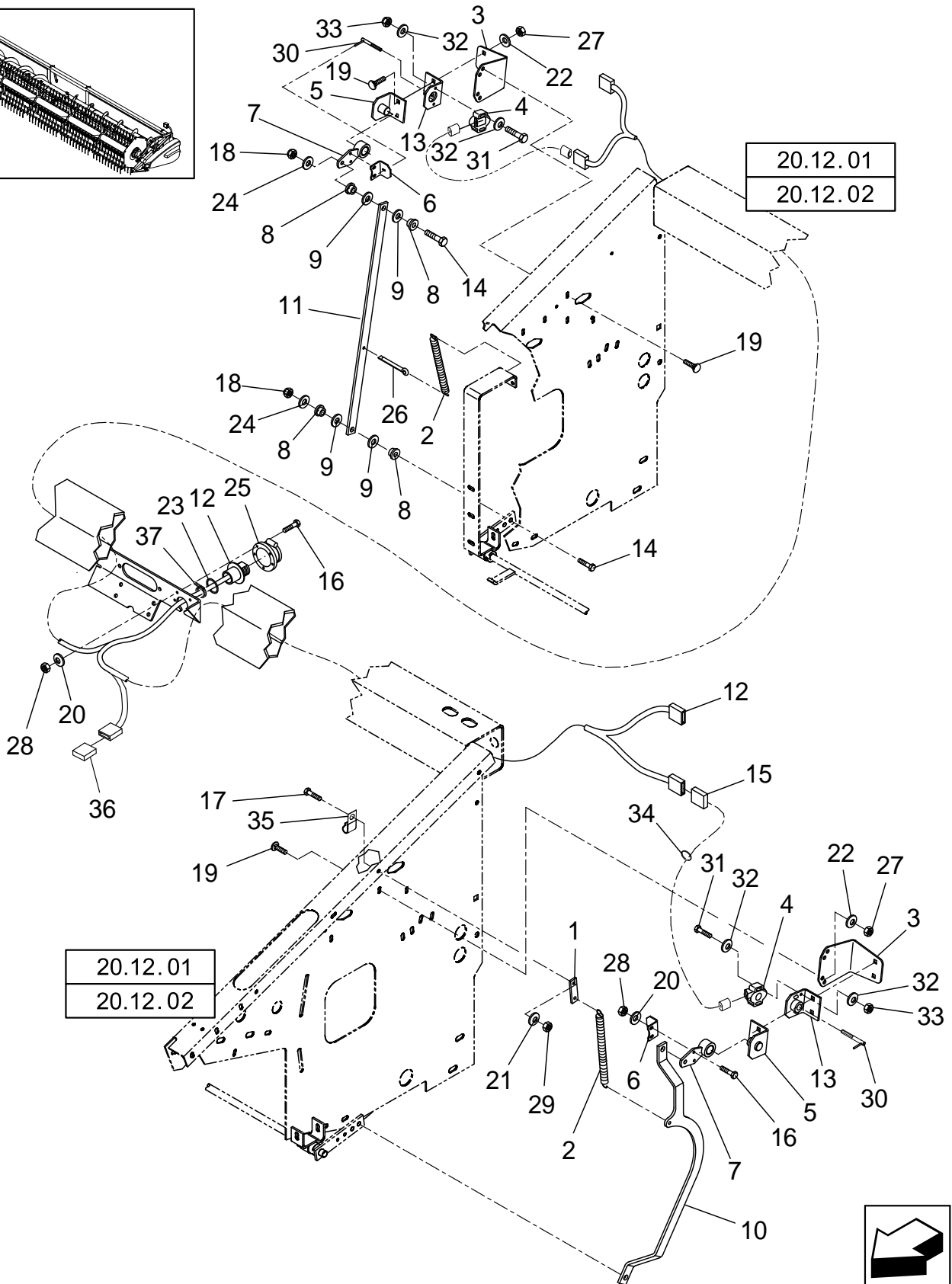
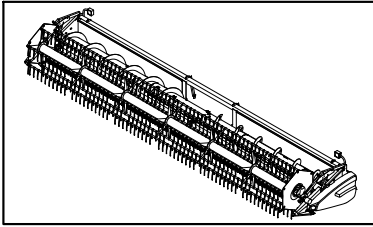


## CONTROL ASSEMBLY

REF	FN	PART NUMBER	YR/SN	QTY	DESCRIPTION
1		86603439		1	BAR, Flat, Control Assembly
2		27310		2	SPRING
3		86607216		2	ANGLE
4		86616339		2	SENSOR, Rotary position
5		86642491		2	ANGLE
6		86607215		2	ANGLE
7		86607195		2	BAR
8		133246		8	BUSHING
9		86622500		8	WASHER, 1/2"ID x 7/8"OD x 0.049"
10		86621869		1	ARM, LH
11		86618736		1	ARM, RH
12		87024770		1	HARNESS, WIRE, Header
13		86642490		2	ANGLE
14		87657		4	BOLT, Hex, 5/16"-18 x 1 1/4", G5
15		87010600		2	HARNESS, WIRE
16		120098		12	SCREW, Hex, M5 x 20, 8.8, Full Thd
17		120100		1	BOLT, Hex, M6 x 20, 8.8
18		86629544		4	NUT, LOCK, 5/16"-18, GB
19		86507486		8	BOLT, CARRIAGE, Short NK, M8 x 20, C18.8, Full Thd
20		322356		12	WASHER, LOCK, M5
21		322357		1	WASHER, SPRING, Belleville, M6
22		322358		8	WASHER, SPRING, Belleville, M8
23		84037188		1	O-RING, 34mm ID, 40mm OD, 3mm
24		87362		4	WASHER, 1/4"
25		86606228		1	COVER, Dust Cap
26		87019		1	PIN, SPLIT (COTTER), 3/16" x 3/4"
27		9706690		8	NUT, M8, CI 8
28		86508813		12	NUT, M4, CI 8, M5 x 0.8
29		9706755		1	NUT, M6, CI 8
30		86642493		2	SHAFT, W/Pin
31		86025725		4	BOLT, Hex, M5 x 40, 8.8
32		9824326		8	WASHER, M5
33		86508813		4	NUT, M4, CI 8, M5 x 0.8
34		323597		2	STRAP
35		134579		2	CLAMP, WIRE, 0.218 Wire

2020

CONTROL ASSEMBLY



**20.06.01**

p2

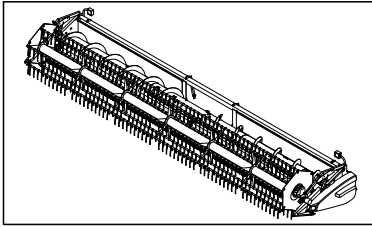
04/06

**CONTROL ASSEMBLY**

REF	FN	PART NUMBER	YR/SN	QTY	DESCRIPTION
36		86837775		1	RESISTOR, Module
37		263117		1	STRAP, SECURING, 0.14" x 11-1/2"

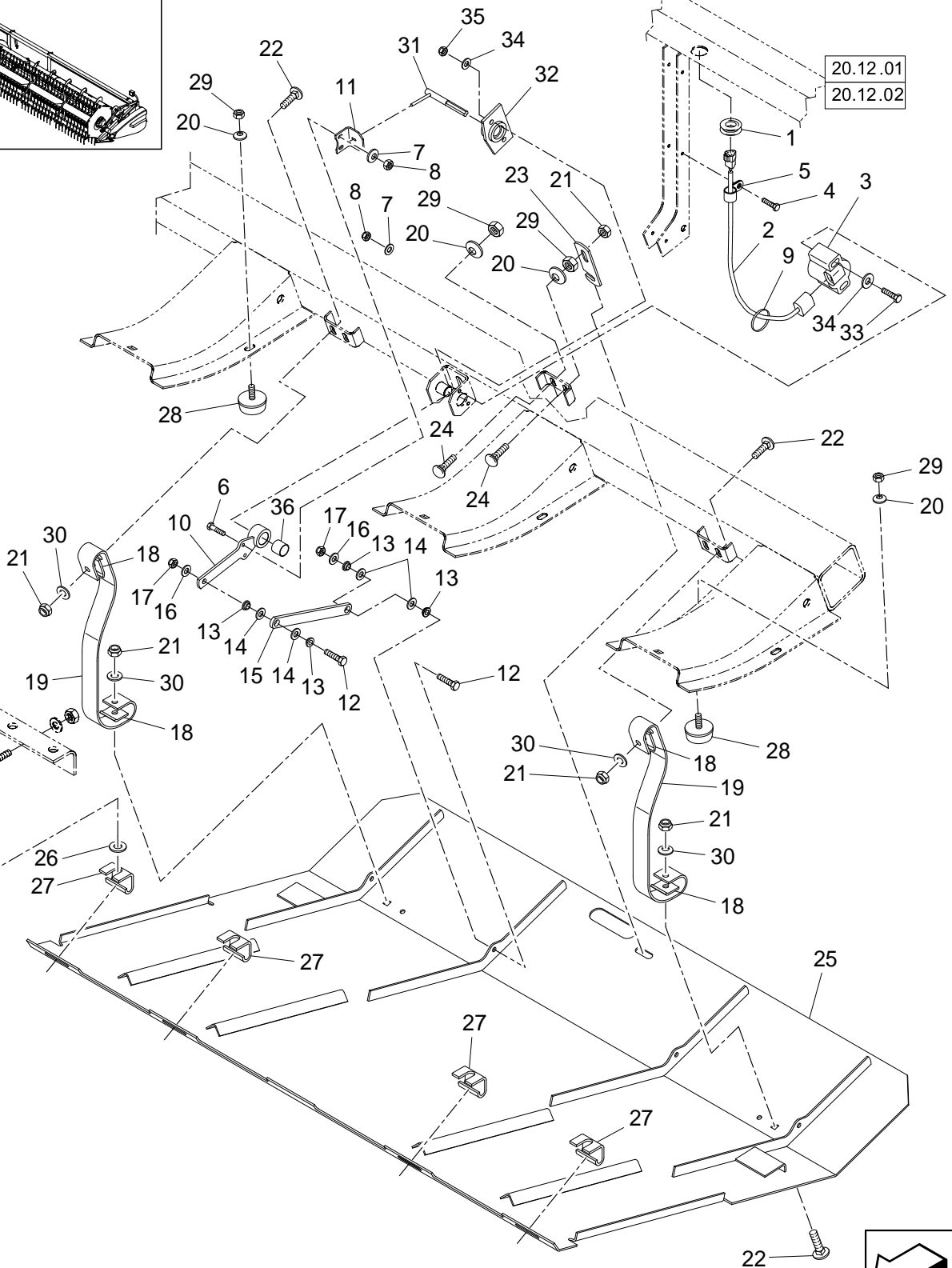
**2020**

HEADER HEIGHT, 25 FT & 30 FT



20.12.01  
20.12.02

20.12.01  
20.12.02



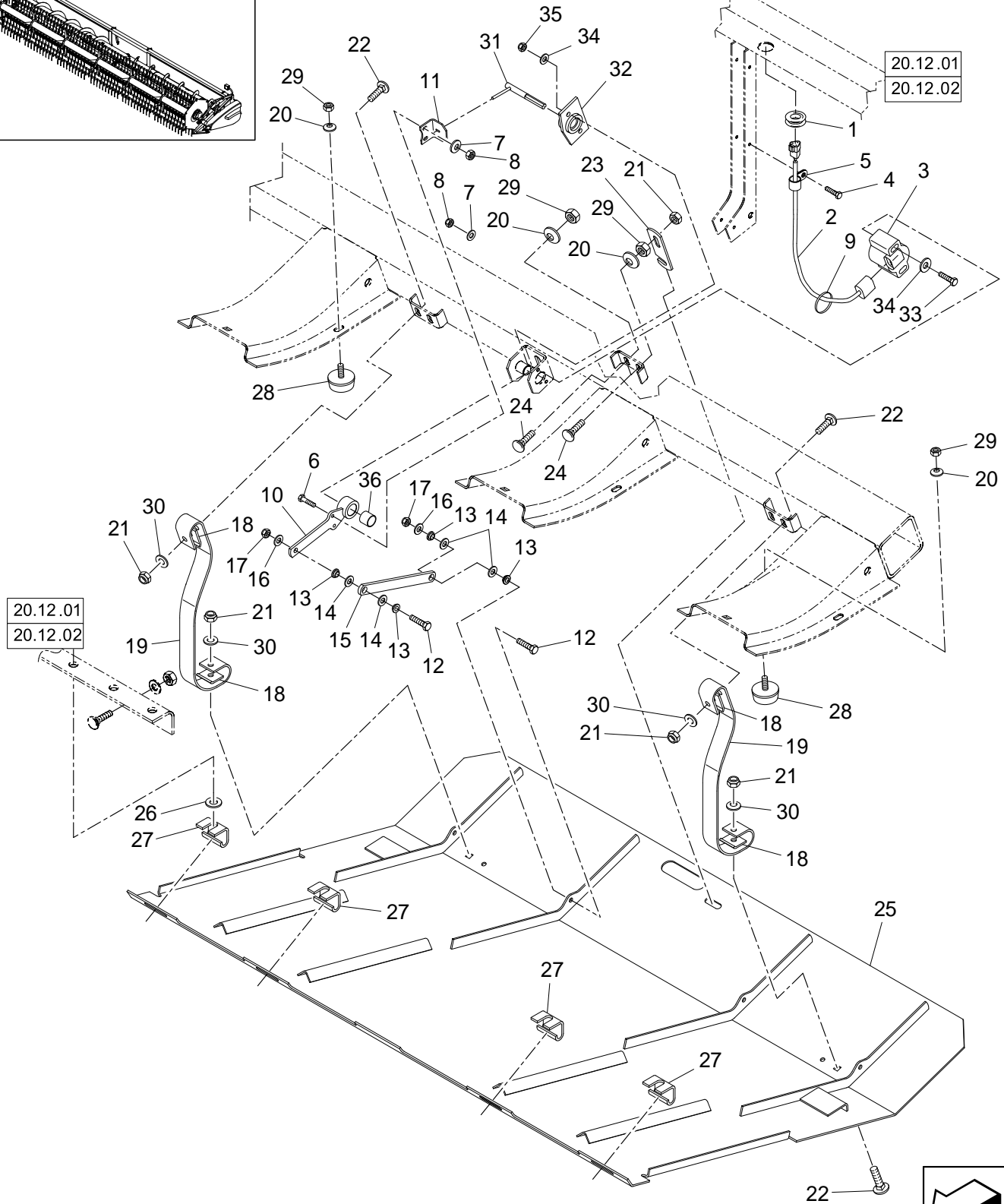
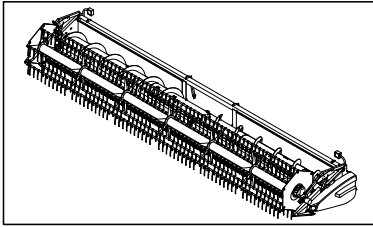


## HEADER HEIGHT, 25 FT &amp; 30 FT

REF	FN	PART NUMBER	YR/SN	QTY	DESCRIPTION
1		682052		2	GROMMET
2		87010564		2	HARNASS, WIRE, Header
3		86616339		2	SENSOR, AHHC Potentiometer
4		412093		6	SCREW, SELF TAPPING, M6 x 1 x 12
5		86050346		6	CLAMP, Wire, 0.375
6		120098		8	SCREW, Hex, M5 x 20, 8.8, Full Thd
7		322356		8	WASHER, LOCK, M5
8		86508813		8	NUT, M4, CI 8, M5 x 0.8
9		323597		2	STRAP
10		86602343		2	ARM
11		86607215		2	ANGLE
12		87657		4	BOLT, Hex, 5/16"-18 x 1 1/4", G5
13		133246		8	BUSHING
14		86622500		8	WASHER, 1/2"ID x 7/8"OD x 0.049"
15		86602346		2	SUPPORT, Link
16		87362		2	WASHER, 1/4"
17		231-4145		2	NUT, LOCK, 5/16"-18, GB
18		84036081		16	CLAMP
19		84032833		8	BAND
20		140045		8	WASHER, SPRING, Belleville, M10
21		100037		18	NUT, M10 x 1.5, CI 8
22		86512446		2	BOLT, Short NK, M10 x 30, CI8.8, Full Thd
23		87019955		2	PLATE
24		374892		4	BOLT, Short NK, M10 x 40, CI8.8, Full Thd
25		86602403		2	PLATE, SKID, 25 Ft Header
25		86602402		2	PLATE, SKID, 30 Ft Header
26		65319		4	WASHER, 33/64" ID x 1" OD x 0.135" Thk
27		86595813		8	CLIP
28		190029		4	INSULATOR BLOCK, Rubber
29		100016		8	NUT, M10, CI 8
30		140017		16	WASHER, LOCK, M10 x 20 x 2
31		86642493		2	SHAFT, W/Pin
32		86642494		2	PLATE
33		86025725		4	BOLT, Hex, M5 x 40, 8.8
34		9824326		8	WASHER, M5

2010

HEADER HEIGHT, 25 FT & 30 FT

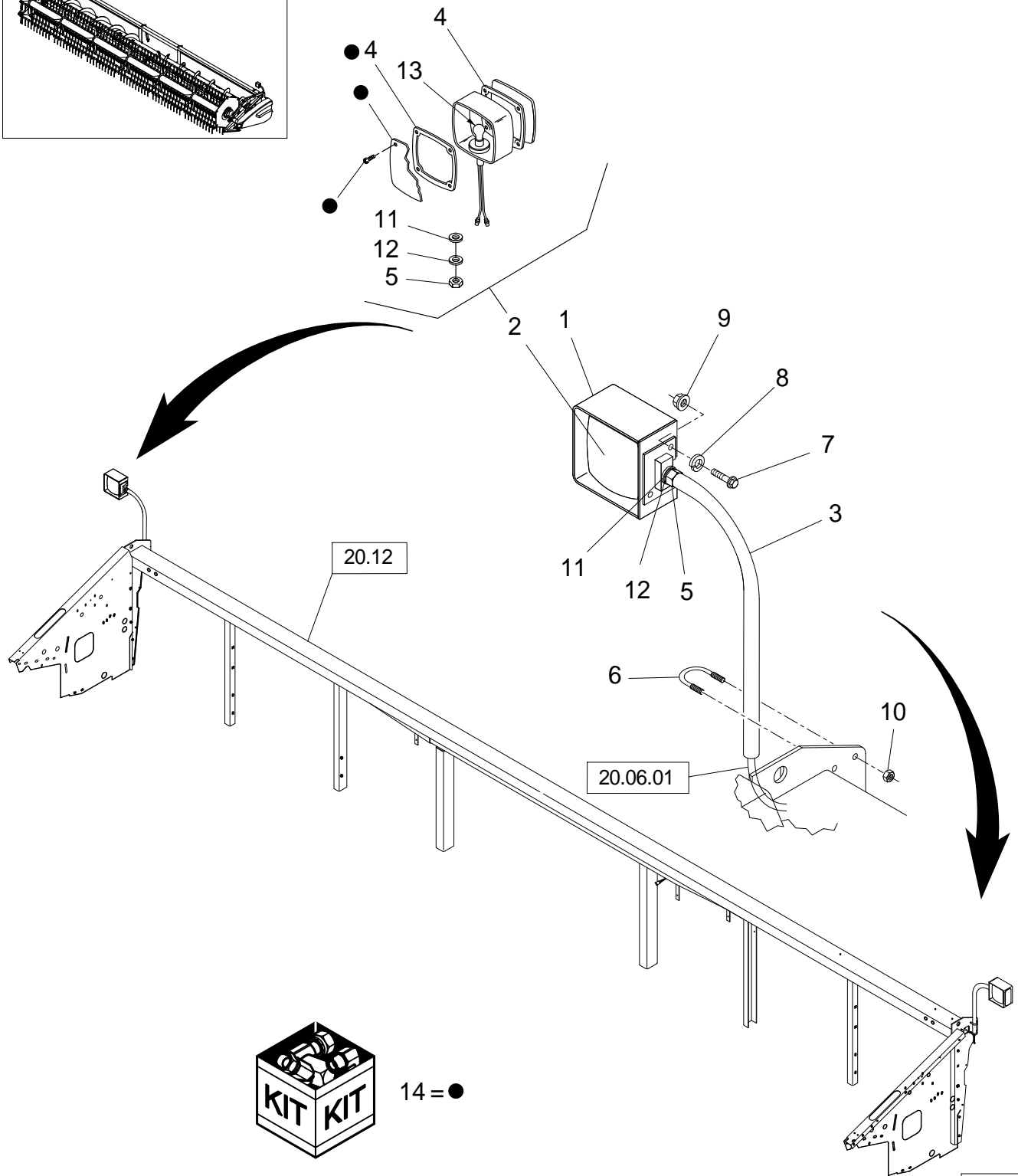
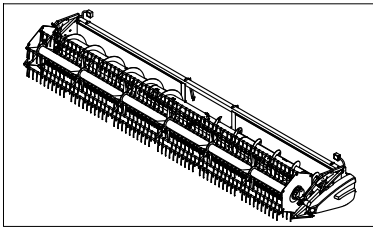


HEADER HEIGHT, 25 FT & 30 FT

REF	FN	PART NUMBER	YR/SN	QTY	DESCRIPTION
35		86508813		4	NUT, M4, CI 8, M5 x 0.8
36		420761		2	BUSHING

2010

LIGHTS



**20.06.10**

p1

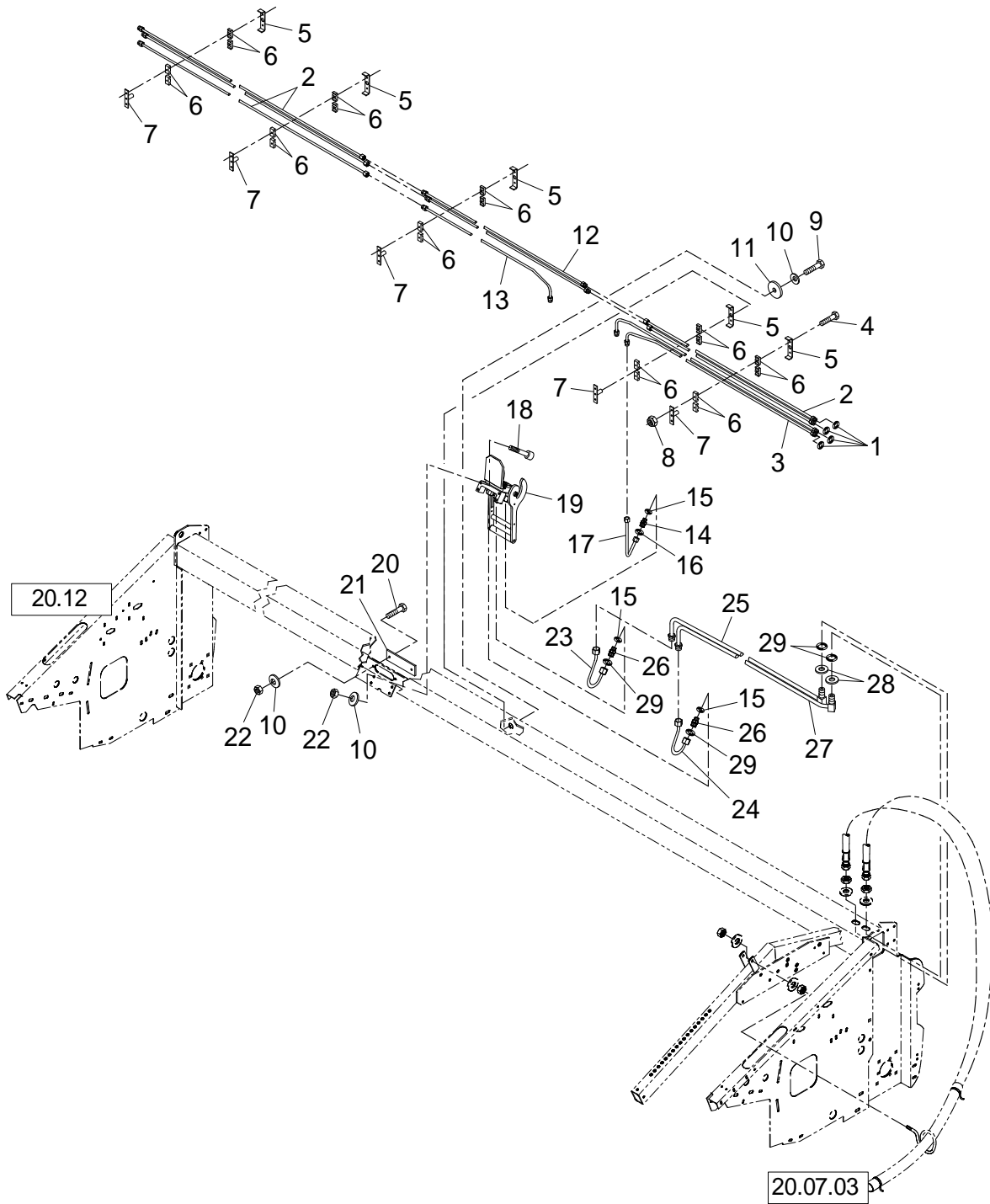
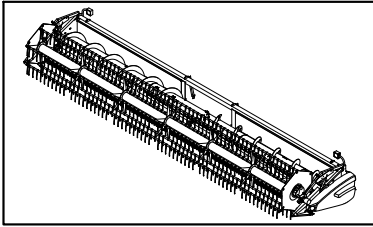
04/06

**LIGHTS**

REF	FN	PART NUMBER	YR/SN	QTY	DESCRIPTION
1		86572350		2	PROTECTING COVER
2		86536572		2	LAMP, Double Face, Amber
3		86535301		2	TUBE, RIGID
4		853709		2	GASKET
5		280963		AR	NUT, 1/2"-20, G5
6		145345		4	U-BOLT, 5/16" x 1-5/16" W x 1-29/32" D
7		86521552		4	BOLT, Hex Flg, 5/16"-18 x 3/4", G5, Full Thd
8		322358		4	WASHER, SPRING, Belleville, M8
9		86521605		4	NUT, Flg, 5/16"-18, G5
10		87382		8	NUT, LOCK, 5/16"-18, GB
11		80700		AR	WASHER, 1/2"
12		80679		AR	WASHER, LOCK, 1/2"
13		529068		AR	BULB, #1156
14		F0NN15N581BA		AR	KIT, Amber, Qty 1 Lens & Gasket & Qty 4 #10 x 1/2" Screws

**2010 2020**

HYDRAULIC SYSTEM



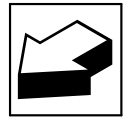
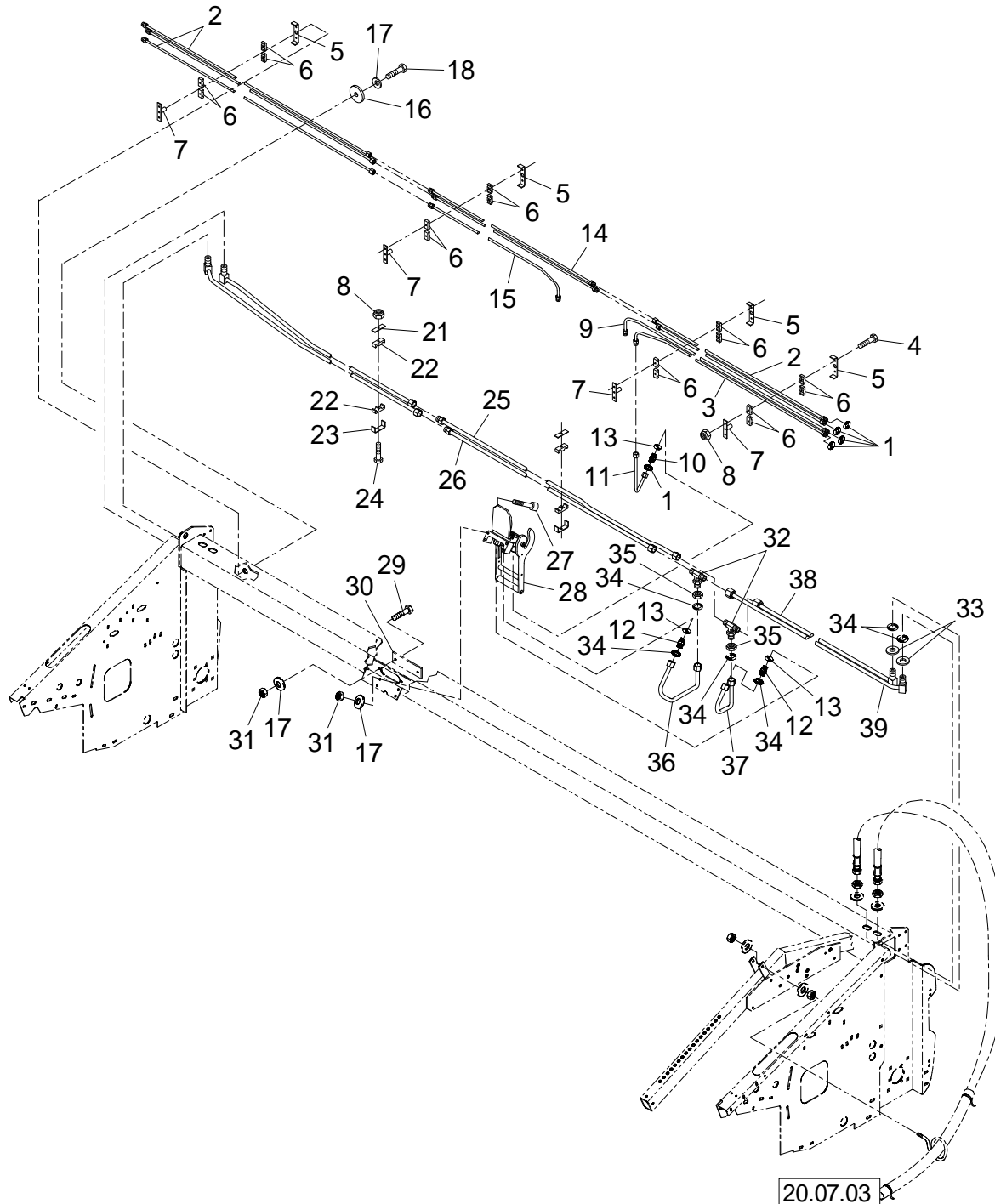
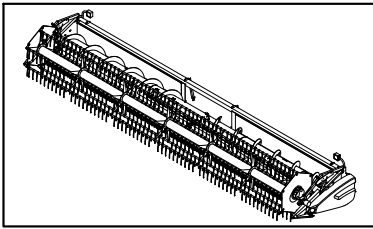
## HYDRAULIC SYSTEM

REF	FN	PART NUMBER	YR/SN	QTY	DESCRIPTION
1		9993141		AR	O-RING, -012, 90 Duro, .364" ID x .070" Thk
2		86604202		5	TUBE, HYD, 3/8", 20 Ft Header
2	1	NSS		5	NOT SERVICED SEPARATELY, 3/8", 25 Ft Header
2	1	NSS		5	NOT SERVICED SEPARATELY, 3/8", 30 Ft Header
3	1	86604203		1	TUBE, HYD, 3/8", 20 Ft Header, Note-4" Longer Than Max Length
3	1	NSS		1	NOT SERVICED SEPARATELY, 3/8", 25 Ft Header
3	1	NSS		1	NOT SERVICED SEPARATELY, 3/8", 30 Ft Header
4		43118		10	SCREW, Hex, M6 x 40, 8.8, Qty 8 [20"]
5		86602890		5	CHANNEL, Qty 4[20 Ft]
6		430357		20	CLAMP, Rubber, Qty 16[20 Ft]
7		86602874		5	PLATE, Qty 4[20 Ft]
8		353308		10	NUT, M6 x 1, CI 8
9		43128		5	SCREW, Hex, M8 x 30, 8.8, Qty 4 [20 Ft]
10		322358		13	WASHER, SPRING, Belleville, M8, (12) 20 Ft
11		623303		5	WASHER, 13/32"ID x 1-7/8"OD x 3/16", Qty 4[20 Ft]
12	1	NSS		2	NOT SERVICED SEPARATELY, 3/8"
13	1	NSS		1	NOT SERVICED SEPARATELY, 3/8"
14		86623107		1	ADAPTER, 9/16"-18 x 11/16"-16"
15		9617873		2	O-RING, 6-1, 90 Duro, .468" ID x .078" Thk
16		9993141		1	O-RING, -012, 90 Duro, .364" ID x .070" Thk
17		86623117		1	TUBE, HYD, 11/16"-16 Fittings
18		86512138		4	SCREW, Hex Soc Hd, M8 x 20, 12.9
19				1	See Fig 20.07D
20		120104		2	SCREW, Hex, M8 x 20, 8.8
21		620884		1	SHIM, 0.060" Thk
22		9706690		6	NUT, M8, CI 8
23		86623116		1	TUBE, HYD, 1"-14
24		86623115		1	TUBE, HYD, 1"-14
25	1	NSS		1	NOT SERVICED SEPARATELY, 1"-14
26		86603051		2	CONNECTOR, HYD., 1/2" M x 5/8" OR
27	1	NSS		1	NOT SERVICED SEPARATELY, 1"-14
28		87367		2	WASHER, 1", SAE
29		9992069		3	O-RING, -016, 90 Duro, .614" ID x .070" Thk

(1) Steel tubing assemblies longer than 5' are not supplied from the Service Parts System.

**2010 2020**

HYDRAULIC SYSTEM, 20 FT, 25 FT, RICE



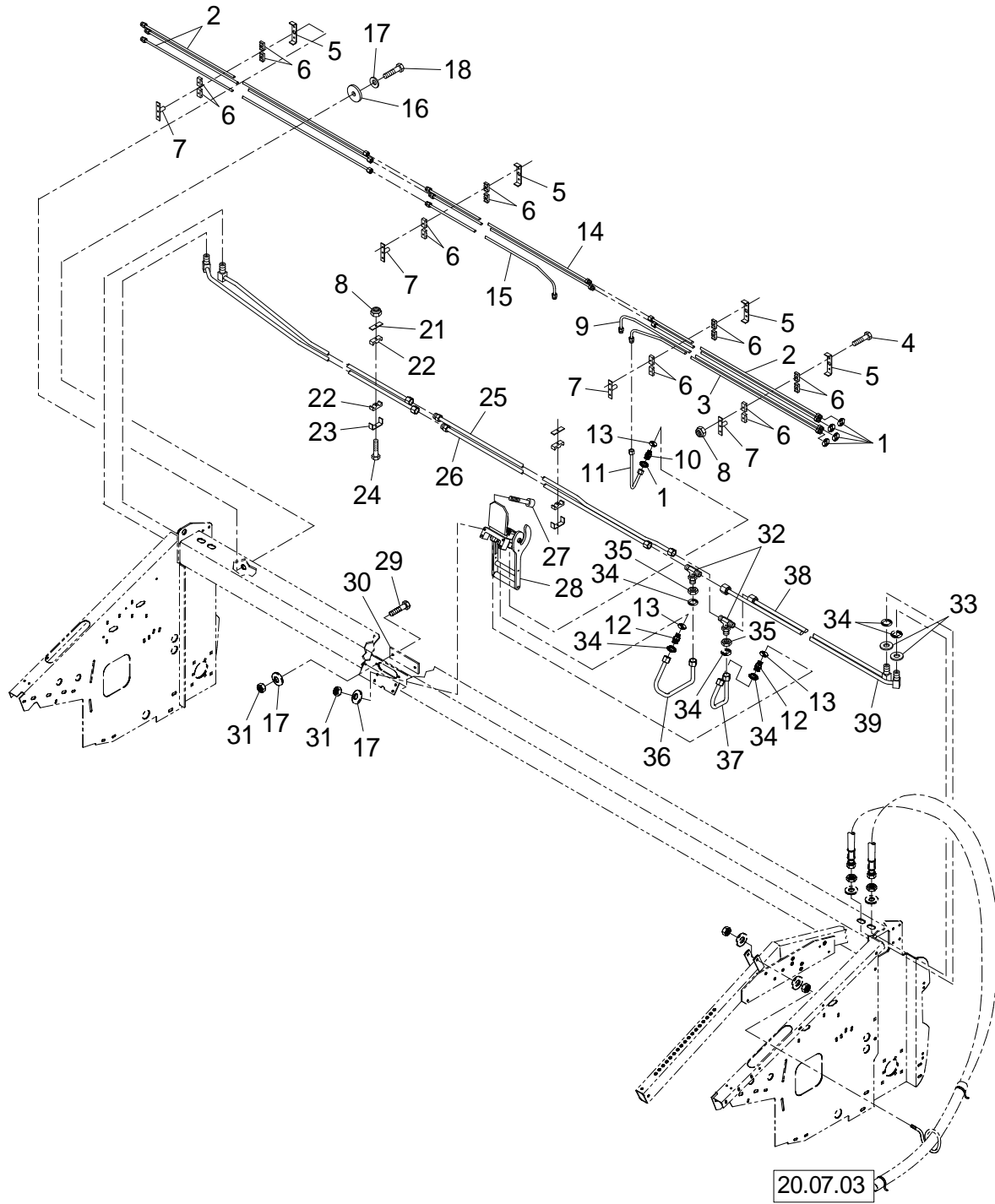
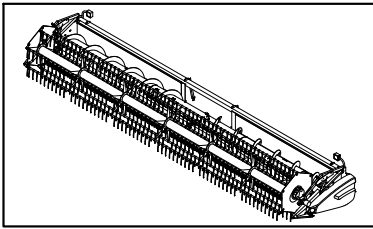


## HYDRAULIC SYSTEM, 20 FT, 25 FT, RICE

REF	FN	PART NUMBER	YR/SN	QTY	DESCRIPTION
1		9993141		AR	O-RING, -012, 90 Duro, .364" ID x .070" Thk
2		86604202		5	TUBE, HYD, 3/8", 20 Ft Header
2	1	NS		5	NOT SERVICED, 3/8", 25 Ft Header
3		86604203		1	TUBE, HYD, 3/8", 20 Ft Header
3	1	NS		1	NOT SERVICED, 3/8", 25 Ft Header
4		43118		8	SCREW, Hex, M6 x 40, 8.8
5		86602890		4	CHANNEL
6		430357		16	CLAMP
7		86602874		4	PLATE
8		353308		10	NUT, M6 x 1, CI 8
9		86604206		1	TUBE, HYD, 3/8", 20 Ft Header
9	1	NS		1	NOT SERVICED, 3/8", 25 Ft Header
10		86623107		1	ADAPTER, 9/16"-11 x 11/16"-16
11		86623117		1	TUBE, HYD, 11/16"-16
12		86603051		2	CONNECTOR, HYD., 3/4"-16 x 1"-14
13		9617873		AR	O-RING, 6-1, 90 Duro, .468" ID x .078" Thk, -06
14	1	NS		2	NOT SERVICED, 3/8"
15	1	NS		1	NOT SERVICED, 3/8"
16		623303		4	WASHER, 13/32"ID x 1-7/8"OD x 3/16"
17		322358		10	WASHER, SPRING, Belleville, M8
18		43128		4	SCREW, Hex, M8 x 30, 8.8
19	1	NS		1	NOT SERVICED, 1"
20	1	NS		1	NOT SERVICED, 1'
21		434103		2	PLATE
22		430356		4	CLAMP
23		84814948		2	SUPPORT
24		120056		2	SCREW, Hex, M6 x 50, 8.8
25	1	NS		1	NOT SERVICED, 1"
26	1	NS		1	NOT SERVICED, 1"
27		86512138		4	SCREW, Hex Soc Hd, M8 x 20, 12.9
28				1	See Fig 20.07D
29		120104		2	SCREW, Hex, M8 x 20, 8.8
30		620884		1	SHIM, 0.060" Thk
31		9706690		6	NUT, M8, CI 8

(1) Steel tubing assemblies longer than 5' are not supplied from the Service Parts System.

HYDRAULIC SYSTEM, 20 FT, 25 FT, RICE



## HYDRAULIC SYSTEM, 20 FT, 25 FT, RICE

REF	FN	PART NUMBER	YR/SN	QTY	DESCRIPTION
32		86592092		2	CONNECTOR, HYD., Tee, 1"-14
33		87367		4	WASHER, 1", SAE
34		392385R1		AR	O-RING, -016, 90 Duro, .614" ID x .070" Thk
35		86609743		5	NUT, Jam, Bulkhead, 1"-14
36		86623121		1	TUBE, HYD, 1"-14
37		86623120		1	TUBE, HYD, 1"-14
38	1	NS		1	NOT SERVICED, 1"
39	1	NS		1	NOT SERVICED, 1"

(1) Steel tubing assemblies longer than 5' are not supplied from the Service Parts System.

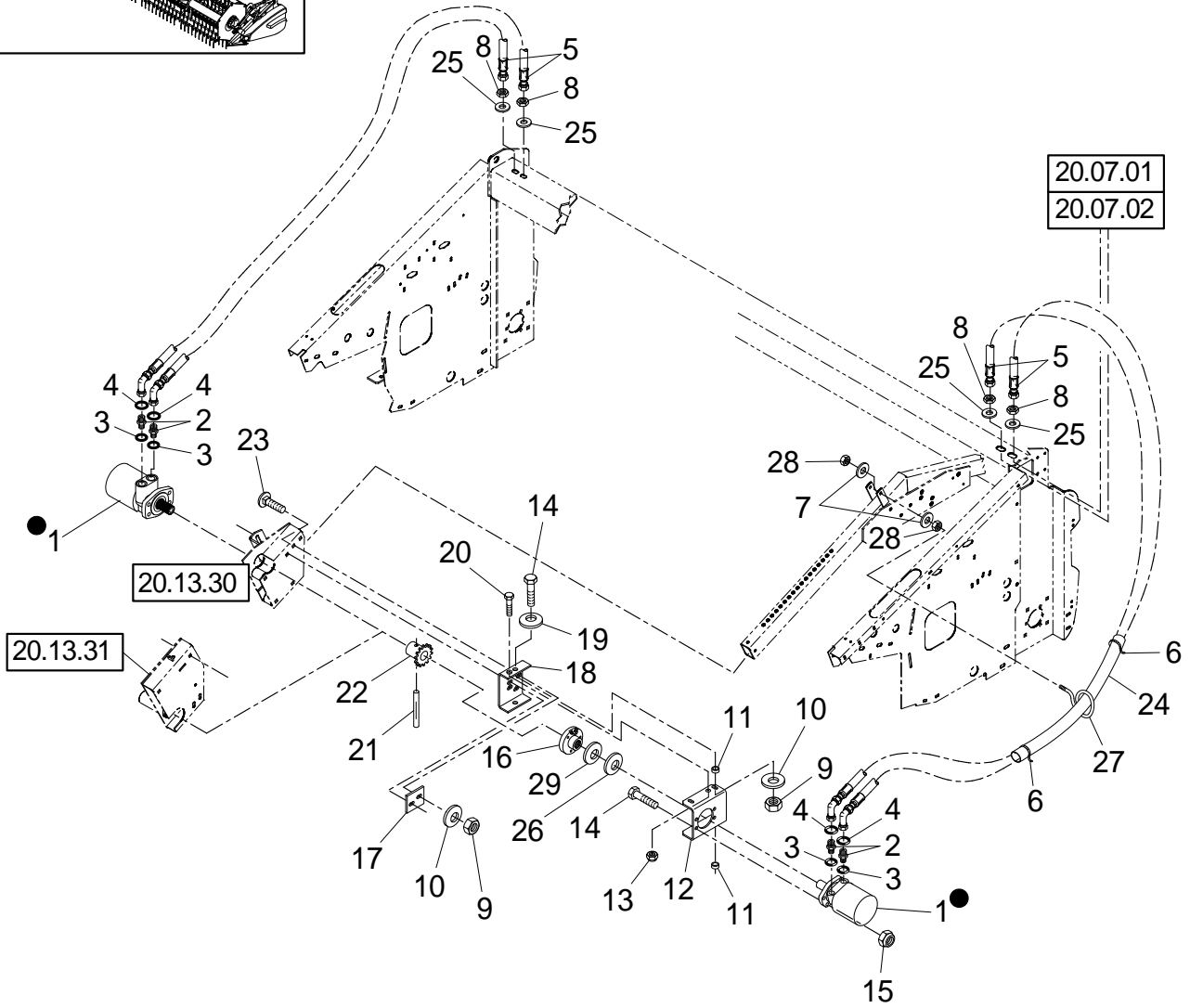
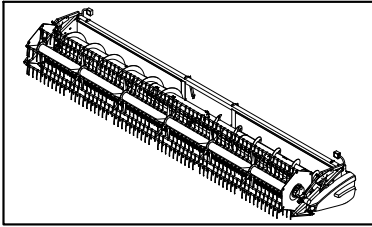
20.07.03

1

p1

04/06

HYDRAULICS, REEL DRIVE, BPIN CBJ020205 & RICE [INCLUDES ALL HAJ PIN'S]



30 = ●



**20.07.03**

1

p1

04/06

**HYDRAULICS, REEL DRIVE, BPIN CBJ020205 & RICE [INCLUDES ALL HAJ PIN'S]**

REF	FN	PART NUMBER	YR/SN	QTY	DESCRIPTION
1		86561661		1	MOTOR, HYDRAULIC
2		9621483		2	CONNECTOR, HYD., 1" x 7/8"
3		167269		2	O-RING, 10-1, 90 Duro, .755" ID x .097" Thk
4		128359		2	O-RING, -016, 70 Duro, .614" ID x .070" Thk
5		86599484		2	HOSE, HYD, 5/8" ID
6		263117		2	STRAP, SECURING, 3/32" x 11-1/2" L
7		322358		2	WASHER, SPRING, Belleville, M8
8		86609743		2	NUT, Jam, Bulkhead, 1"-14
9		9706685		3	NUT, M12, CI 8
10		140046		3	WASHER, LOCK, Belleville, M12
11		168368		2	SPACER
12		86641315		1	BRACKET
13		20356		1	NUT, LOCK, 1/4"-20, GB
14		86629541		6	BOLT, Hex, M12 x 40, 8.8, Full Thd
15		100038		4	NUT, LOCK, M12 x 1.75, CI 8
16		86603103		1	COUPLING
17		86613627		1	PLATE
18		86603098		1	BRACKET
19		87364		2	WASHER, 1/2", SAE
20		46520		1	BOLT, SHEAR, HH, 1/4"-20 x 1-1/2", W/ Nut
21		86597005		1	PIN, GROOVED, 1/2" x 2", Type E
22		86603099		1	COUPLING
23		335890		1	BOLT, Short NK, M12 x 30, CI8.8, Full Thd
24		9612137		1	HOSE, PROTECTION, Sleeve Nylabraid
25		87374		2	WASHER, 1"
26		86632064		1	SPACER
27		719665		1	RETAINER
28		9635082		2	NUT, 5/16"-18, G5
29		146258		1AR	WASHER, 1-3/4 OD, 1-9/32" ID, 1/16" Thick
30		86566360		1	KIT, SEALS

Quantities are doubled for Rice Header.

**2010 2020**

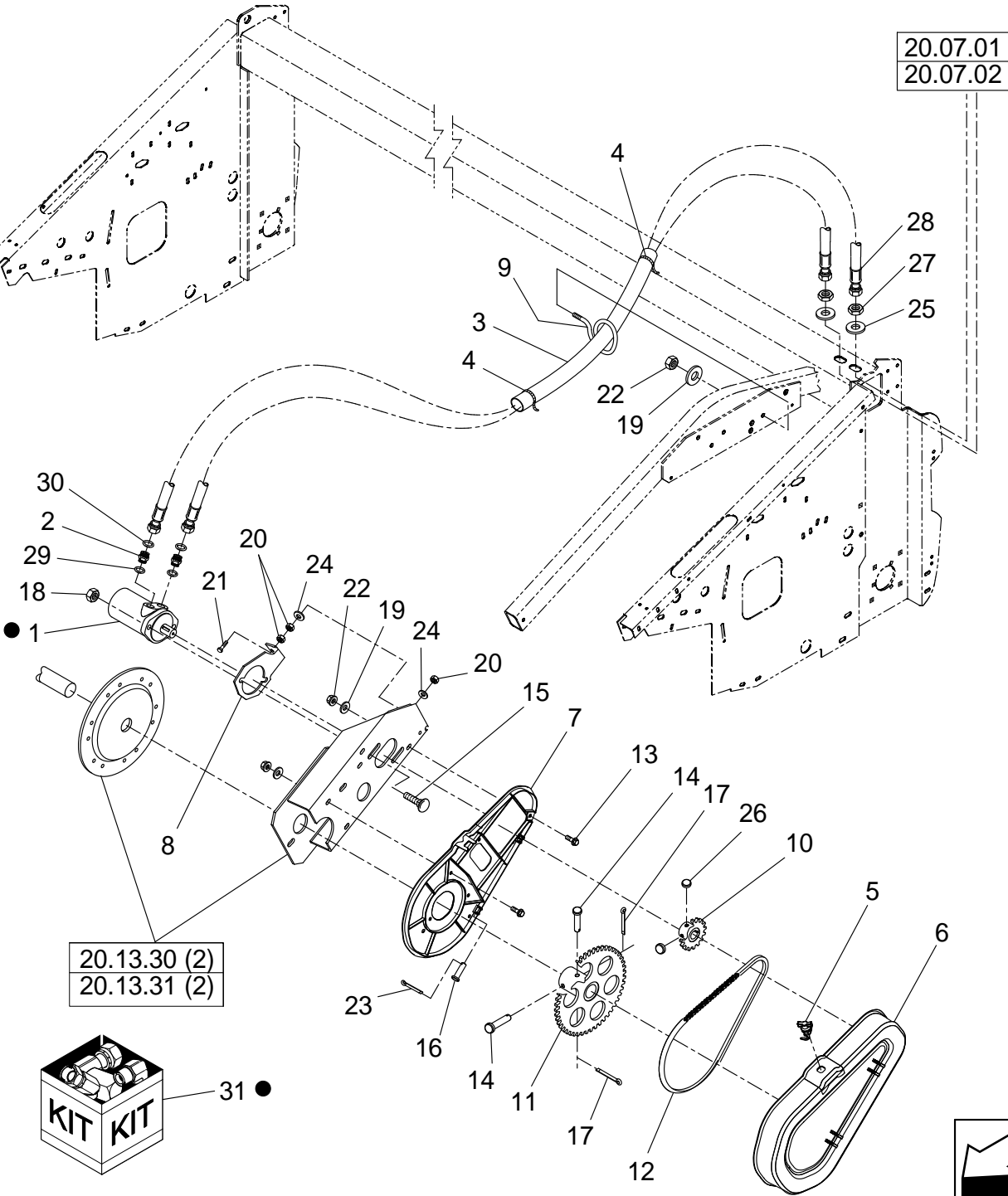
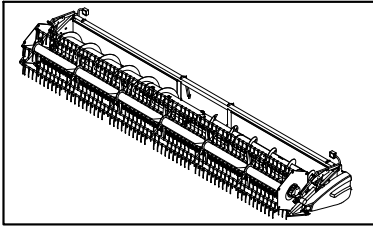
20.07.03

2

p1

04/06

HYDRAULICS, REEL DRIVE, PIN CBJ020205 AND AFTER EXCEPT RICE HEADER



**20.07.03**

2

p1

04/06

**HYDRAULICS, REEL DRIVE, PIN CBJ020205 AND AFTER EXCEPT RICE HEADER**

REF	FN	PART NUMBER	YR/SN	QTY	DESCRIPTION
1		87036557		1	MOTOR, HYDRAULIC
2		9621483		2	CONNECTOR, HYD., 1"-14 M x 7/8"-14 M, O-Ring
3		9612137		1	HOSE, PROTECTION
4		263117		2	STRAP, SECURING
5		87053562		1	LATCH
6		87036523		1	SHIELD
7		87036524		1	SUPPORT
8		87045366		1	ANGLE, Motor Support
9		84062500		1	RETAINER
10		87035837		1	DRIVE SPROCKET, 17T
11		87036543		1	SPROCKET ASSY., 5T
12		87053561		1	CHAIN, #50, 5/8" P, 1- Conn., 2- Offset, 70 Links
					Total
13		43128		9	SCREW, Hex, M8 x 30, 8.8
14		87036559		2	PIN, CLEVIS, 1/2" x 1.141", 7/16" x 2-25/32"
15		328754		2	BOLT, Short NK, M12 x 40, Cl8.8, Full Thd
16		86624075		2	PIN, 1/4" x 1-3/4", Type 1, Hard
17		280251		2	PIN, SPLIT (COTTER), 3/32" x 1"
18		100038		4	NUT, LOCK, M12 x 1.75, Cl 8
19		322358		12	WASHER, SPRING, Belleville, M8
20		100016		3	NUT, M10, Cl 8
21		NH120116		1	SCREW, Cap, HH, CL 8.8, M10 x 1.5 x 80
22		9706690		1	NUT, M8, Cl 8
23		280250		2	PIN, SPLIT (COTTER), 3/32" x 3/4"
24		140045		2	WASHER, SPRING, Belleville, M10
25		87367		2	WASHER, 1", SAE
26		87304415		2	SET SCREW, 3/8"-24 x 3/8", CP
27		86609743		2	NUT, Jam, 1"-14
28		87046053		2	HOSE, Pickup Reel, 20.13.30[2]
28		87047039		2	HOSE, Bat Reel, 20.13.31[2]
29		167269		2	O-RING, 10-1, 90 Duro, .755" ID x .097" Thk
30		128359		2	O-RING, -016, 70 Duro, .614" ID x .070" Thk
31		87036584		AR	PACKAGE, SEALS, Washers & O-rings

**2010 2020**

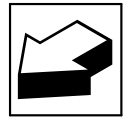
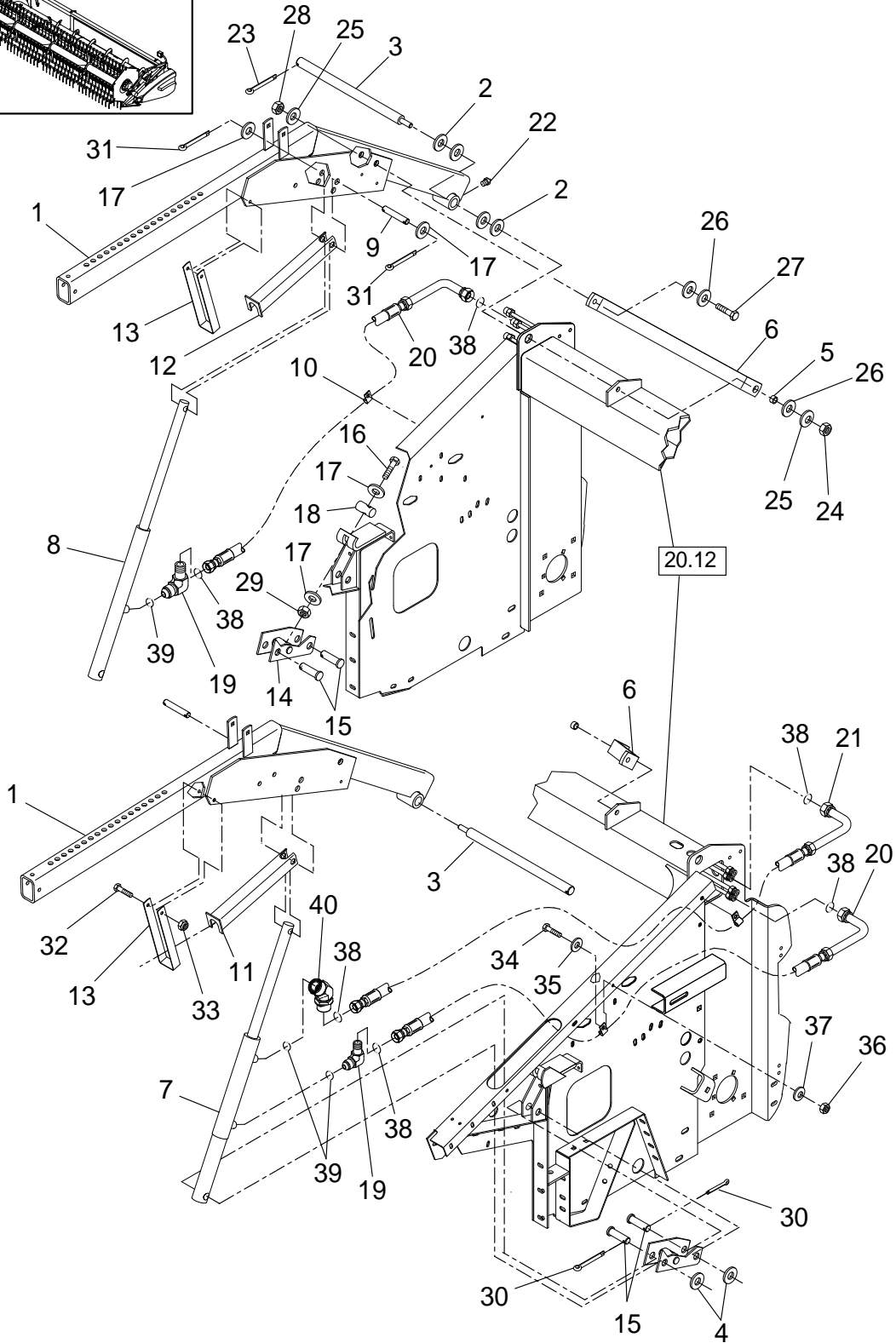
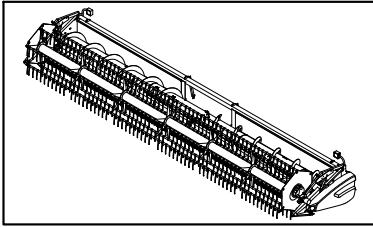
20.07.04

1

p1

04/06

HYDRAULICS, ARM LIFT, BPIN CBJ020205 [INCLUDES ALL HAJ PIN'S]





**20.07.04**

1

p1

04/06

**HYDRAULICS, ARM LIFT, BPIN CBJ020205 [INCLUDES ALL HAJ PIN'S]**

REF	FN	PART NUMBER	YR/SN	QTY	DESCRIPTION
1		86603153		2	ARM, LH
2		26129		8±	WASHER, 1-1/64" ID x 1-9/16" OD x 0.036"
3		168126		2	SHAFT, RH
4		86622501		4	WASHER, 7/8" ID x 1-1/2" OD, 1/16" Thk
5		86622548		2	SPACER
6		641714		2	BRACKET
7		86518812		1	HYDRAULIC CYLINDER, Master
8		86518813		1	HYDRAULIC CYLINDER, Slave
9		787723		2	PIN, 5/8" x 3-1/2"
10		86010402		3	CLAMP, 1/2" x 3/8" Bolt
11		86603149		1	TAB, LOCKING, LH
12		86603148		1	TAB, LOCKING, RH
13		86603152		2	SUPPORT
14		770838		2	ARM, Pivot
15		606898		4	PIN
16		9827768		2	SCREW, Cap, HH, G8, 5/8"-11 x 7"
17		87365		8	WASHER, 5/8", SAE
18		606899		2	PIN
19		9840543		2	ELBOW, 90°, 3/8"
20		86599482		2	HOSE, 1/4"
21		86599483		1	HOSE, 1/4"
22		87414		2	NIPPLE, LUBE, 1/4"-28 x .56" lg, Drive
23		80754		2	PIN, SPLIT (COTTER), 3/16" x 1 1/2"
24		280431		2	NUT, 1/2"-13, G5
25		140046		4	WASHER, LOCK, Belleville, M12
26		80700		6±	WASHER, 1/2"
27		374887		2	SCREW, Hex, M12 x 100, 8.8
28		9706685		2	NUT, M12, Cl 8
29		280374		2	NUT, 5/8"-11, G5
30		87402		4	PIN, SPLIT (COTTER), 1/4" x 1 1/4"
31		87397		4	PIN, SPLIT (COTTER), 3/16" x 1"
32		43133		2	SCREW, Hex, M8 x 80, 8.8
33		126712A1		2	TUBE, Prevailing Torque, CL 9, M8 x 1.25
34		120100		3	BOLT, Hex, M6 x 20, 8.8
35		87361		3	WASHER, 1/4", SAE

**2010 2020**

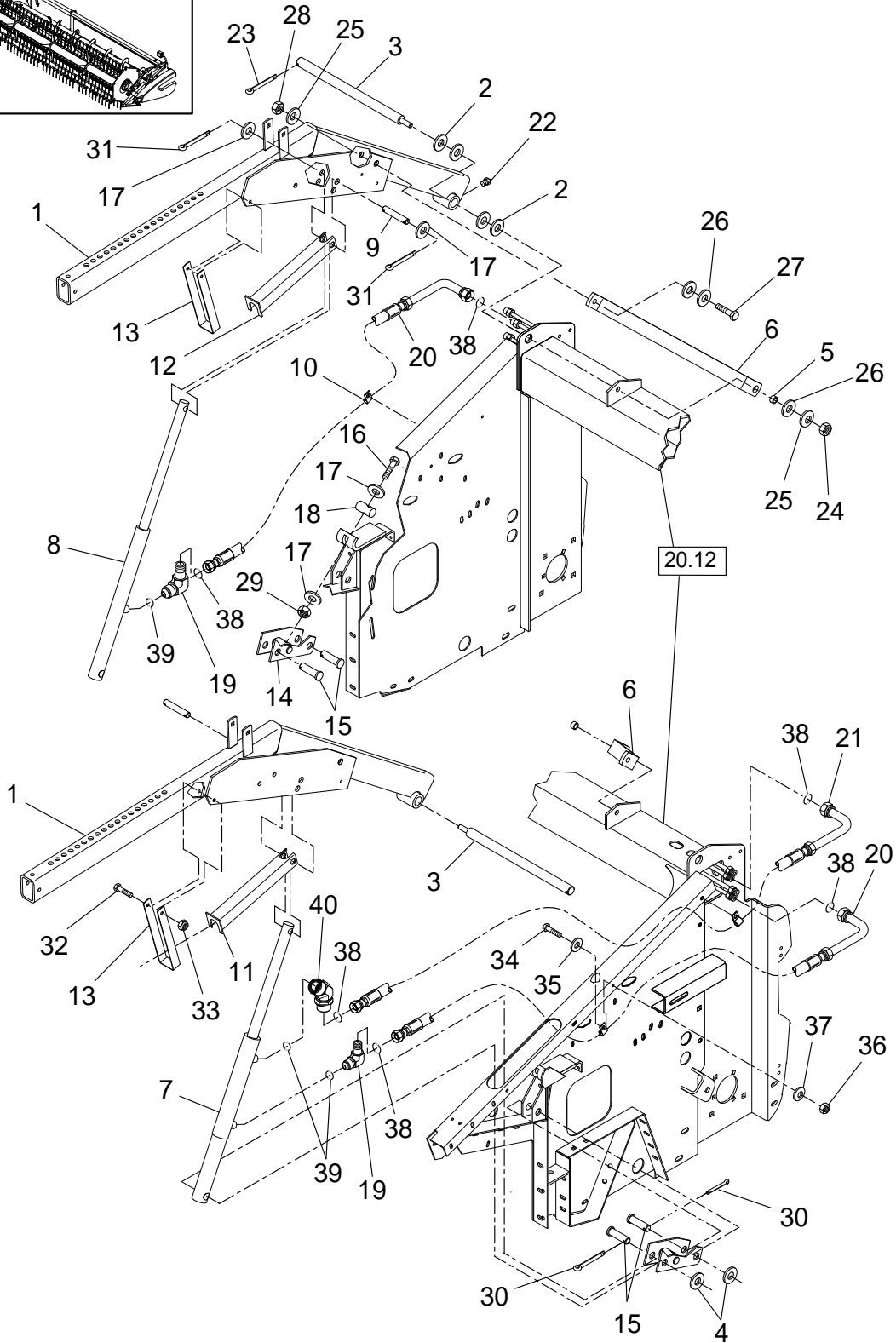
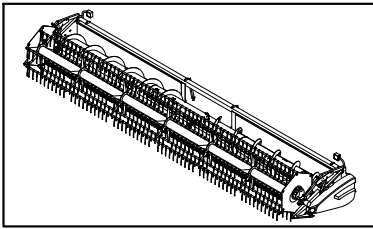
20.07.04

1

p2

04/06

HYDRAULICS, ARM LIFT, BPIN CBJ020205 [INCLUDES ALL HAJ PIN'S]



**20.07.04**

1

p2

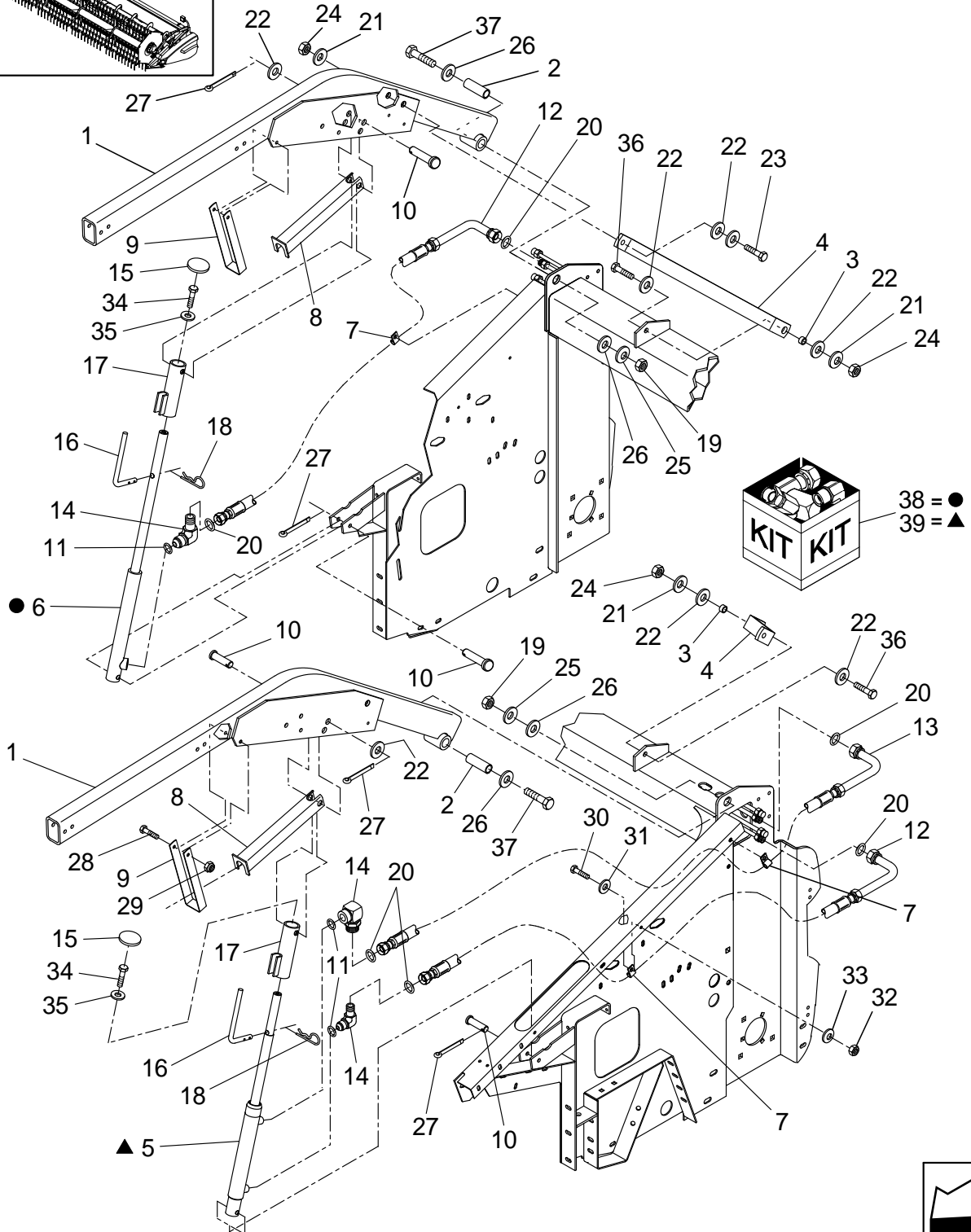
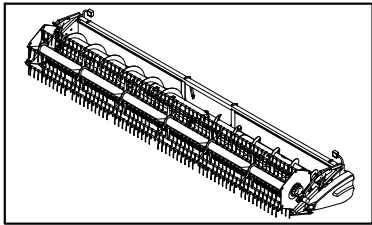
04/06

**HYDRAULICS, ARM LIFT, BPIN CBJ020205 [INCLUDES ALL HAJ PIN'S]**

<b>REF</b>	<b>FN</b>	<b>PART NUMBER</b>	<b>YR/SN</b>	<b>QTY</b>	<b>DESCRIPTION</b>
36		9706755		3	NUT, M6, CI 8
37		322357		3	WASHER, SPRING, Belleville, M6
38		9993141		6	O-RING, -012, 90 Duro, .364" ID x .070" Thk
39		9617873		3	O-RING, 6-1, 90 Duro, .468" ID x .078" Thk
40		9846661		1	ELBOW, 45°, 3/8"

**2010 2020**

HYDRAULICS, ARM LIFT, PIN CBJ020205 AND AFTER



**20.07.04**

2

p1

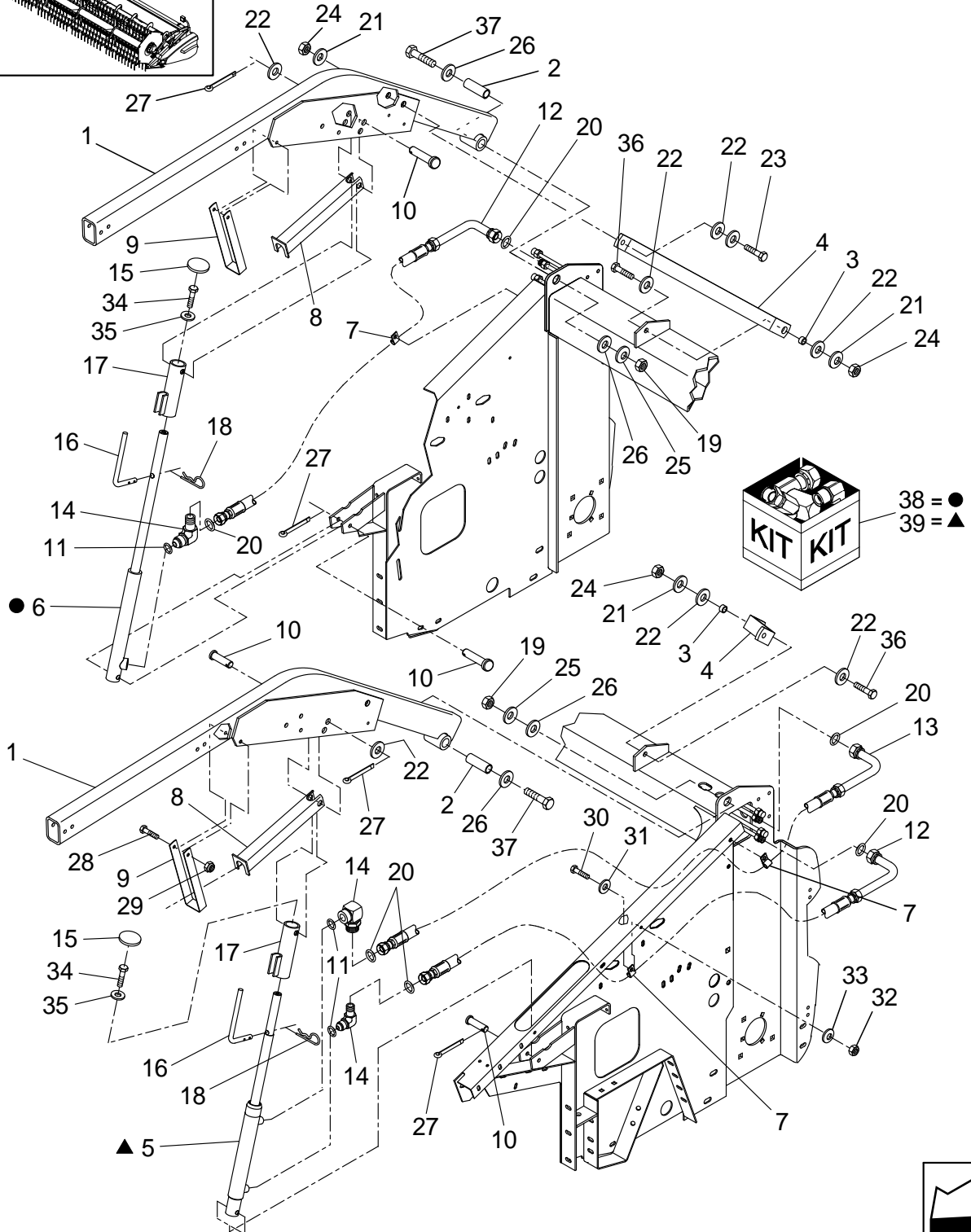
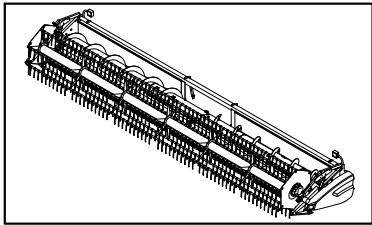
04/06

**HYDRAULICS, ARM LIFT, PIN CBJ020205 AND AFTER**

REF	FN	PART NUMBER	YR/SN	QTY	DESCRIPTION
1		87050132		2	ARM, With Warning Decal
2		87036565		2	SPACER
3		86622548		2	SPACER
4		641714		2	BRACKET
5		87045527		1	HYDRAULIC CYLINDER, 1-1/2" x 9-3/8"
6		87045528		1	HYDRAULIC CYLINDER, 1" x 9-3/8"
7		86010402		3	CLAMP, 1/2" x 3/8" Bolt
8		87450187		2	SUPPORT, Cylinder Lock
9		87045351		2	SUPPORT, Hanger
10		86979987		4	PIN, HEADED, 1/2" x 3"
11		9617873		2	O-RING, 6-1, 90 Duro, .468" ID x .078" Thk, NBR
12		87046054		2	HOSE, 1/4", 11/16"-16 Str x 11/16"-16, 90°, O-Ring
13		87046055		1	HOSE, 1/4", 11/16"-16 Str x 11/16"-16, 90°, O-Ring
14		9840543		3	ELBOW, 90°, 11/16"-16 M x 9/16"-18 MUNF, O-Ring
15		87045538		2	PLUG, Button, Plastic
16		87045536		2	ROD, Lock
17		87045535		2	TUBE
18		87045537		2	SPLIT PIN/SAFETY PIN, 2-11/16", 9 Ga., Hairpin
19		280954		2	NUT, 3/4"-10, G5
20		9993141		6	O-RING, -012, 90 Duro, .364" ID x .070" Thk
21		140046		4	WASHER, LOCK, Belleville, M12
22		495-21056		10	WASHER, 1/2"
23		374887		2	SCREW, Hex, M12 x 100, 8.8
24		9706685		4	NUT, M12, CI 8
25		87340		2	WASHER, LOCK, 3/4"
26		86511191		4	WASHER, 3/4"
27		87397		4	PIN, SPLIT (COTTER), 3/16" x 1"
28		43133		2	SCREW, Hex, M8 x 80, 8.8
29		126712A1		2	TUBE, CL 8, M8 x 1.25
30		120100		3	BOLT, Hex, M6 x 20, 8.8
31		87361		3	WASHER, 1/4", SAE
32		9706755		3	NUT, M6, CI 8
33		322357		3	WASHER, SPRING, Belleville, M6
34		9627879		2	BOLT, Hex, 1/2"-13 x 3/4", G5, Full Thd
35		143479		2	WASHER, 0.594" ID x 1-1/4" OD x 0.135" Thk

**2010 2020**

HYDRAULICS, ARM LIFT, PIN CBJ020205 AND AFTER



**20.07.04**

2

p2

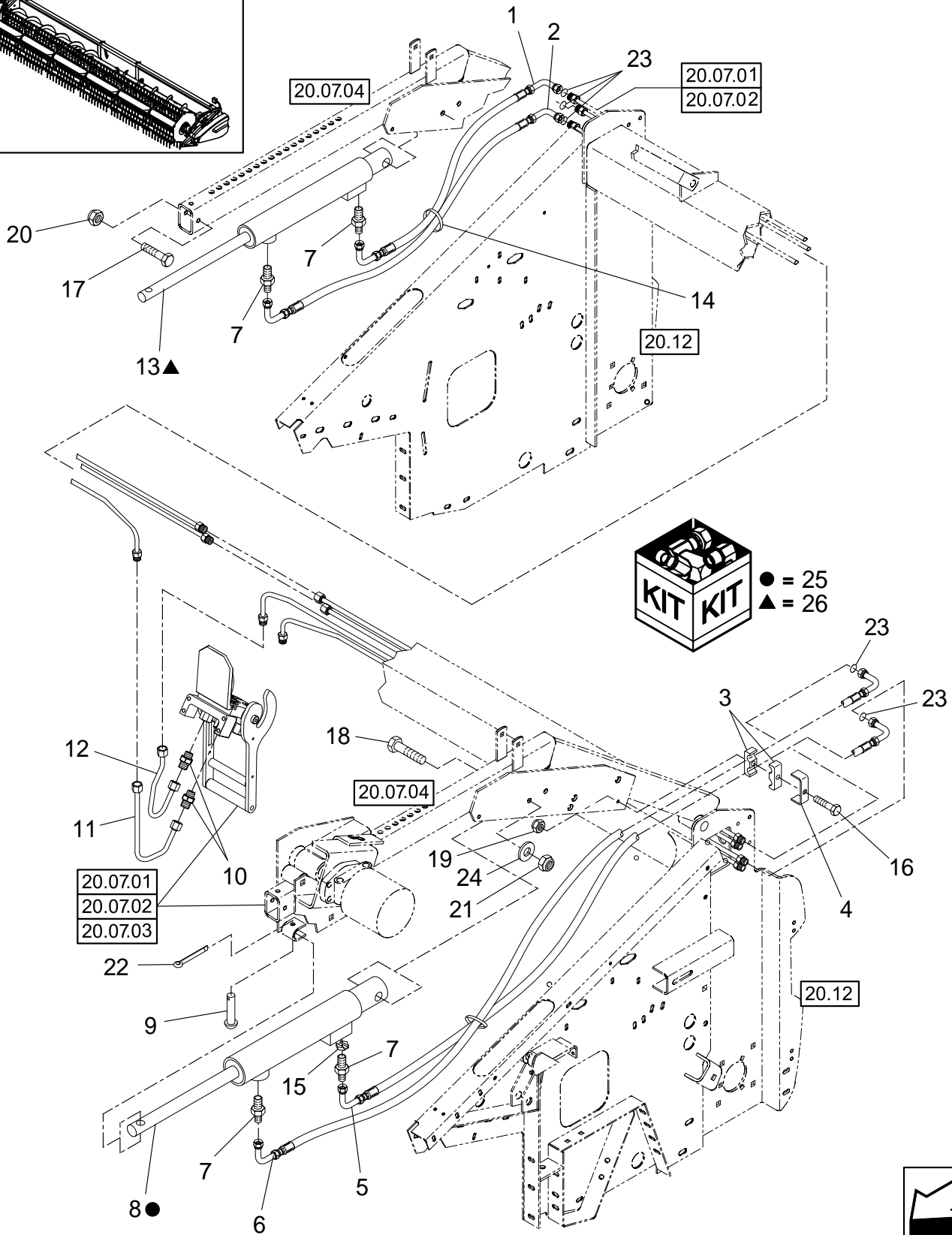
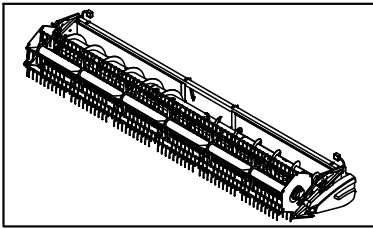
04/06

**HYDRAULICS, ARM LIFT, PIN CBJ020205 AND AFTER**

<b>REF</b>	<b>FN</b>	<b>PART NUMBER</b>	<b>YR/SN</b>	<b>QTY</b>	<b>DESCRIPTION</b>
36		86629541		2	BOLT, Hex, M12 x 40, 8.8, Full Thd
37		280210		2	BOLT, Hex, 3/4"-10 x 4", G5
38		87047332		AR	PACKAGE, Repair, Ref 6
39		87047337		AR	KIT, Repair, Ref 5

**2010 2020**

HYDRAULICS, FORE/AFT REEL





## HYDRAULICS, FORE/AFT REEL

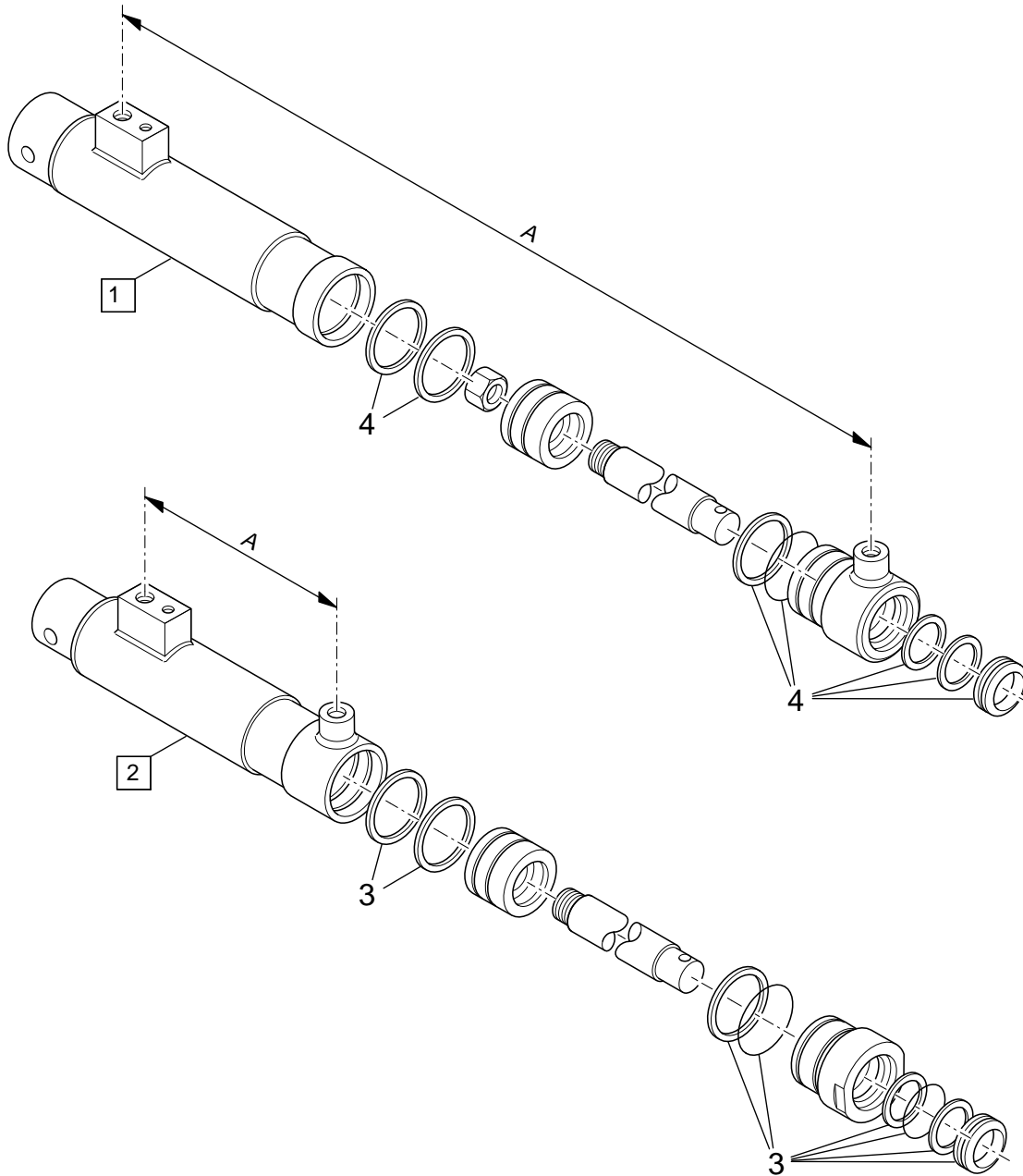
REF	FN	PART NUMBER	YR/SN	QTY	DESCRIPTION
1	1	86599478		1	HOSE, 1/4" x 36"
1	2	87046188		1	HOSE, 1/4" x 41"
2	1	86599480		1	HOSE, 1/4" x 49"
2	2	87046189		1	HOSE, 1/4" x 54"
3		430357		4	CLAMP, Double
4		431941		2	SUPPORT
5	1	86599479		1	HOSE, 1/4" x 34-1/2"
5	2	87046057		1	HOSE, 1/4" x 39-1/2"
6	1	86599481		1	HOSE, 1/4" x 47"
6	2	87046056		1	HOSE, 1/4" x 52"
7		386215		4	CONNECTOR, HYD., M6 MB x M6 MB
8		84320874		1	HYDRAULIC CYLINDER, See Figure 20.07A
9		25847		2	RIVET, Drilled
10		9993143		2	CONNECTOR, HYD., 3/8" x 1/2"
11		86623119		1	TUBE, HYD
12		86623118		1	TUBE, HYD
13		84320873		1	HYDRAULIC CYLINDER, See Figure 20.07A
14		263117		2	STRAP, SECURING, 3/32" x 11-1/2" L
15		84043754		1	ORIFICE, 1/32"
16		120056		2	SCREW, Hex, M6 x 50, 8.8
17		43144		2	SCREW, Hex, M10 x 70, 8.8
18		412605		2	BOLT, Hex, M12 x 90, 10.9
19		353308		2	NUT, M6 x 1, CI 8
20		100037		2	NUT, M10 x 1.5, CI 8
21		100038		2	NUT, LOCK, M12 x 1.75, CI 8
22		80755		2	PIN, SPLIT (COTTER), 1/8" x 1"
23		9993141		4	O-RING, -012, 90 Duro, .364" ID x .070" Thk
24		80700		2	WASHER, 1/2"
25		84023914		1	KIT, SEALS, For Ref 8
26		84026460		1	KIT, SEALS, For Ref 13

(1) BPIN CBJ020205 [Includes all HAJ PIN's]

(2) PIN CBJ020205 and later

**2010 2020**

HYDRAULICS, FORE/AFT CYLINDER



**20.07A**

p1

09/05

**HYDRAULICS, FORE/AFT CYLINDER**

<b>REF</b>	<b>FN</b>	<b>PART NUMBER</b>	<b>YR/SN</b>	<b>QTY</b>	<b>DESCRIPTION</b>
1		84320873		1	HYDRAULIC CYLINDER, RH
2		84320874		1	HYDRAULIC CYLINDER, LH
3		84023914		AR	KIT, SEALS, A= 329MM
4		84026460		AR	KIT, SEALS, A= 334MM

**2010 2020**

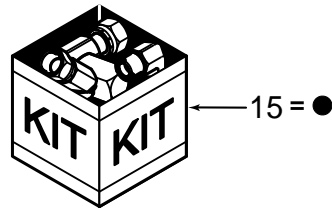
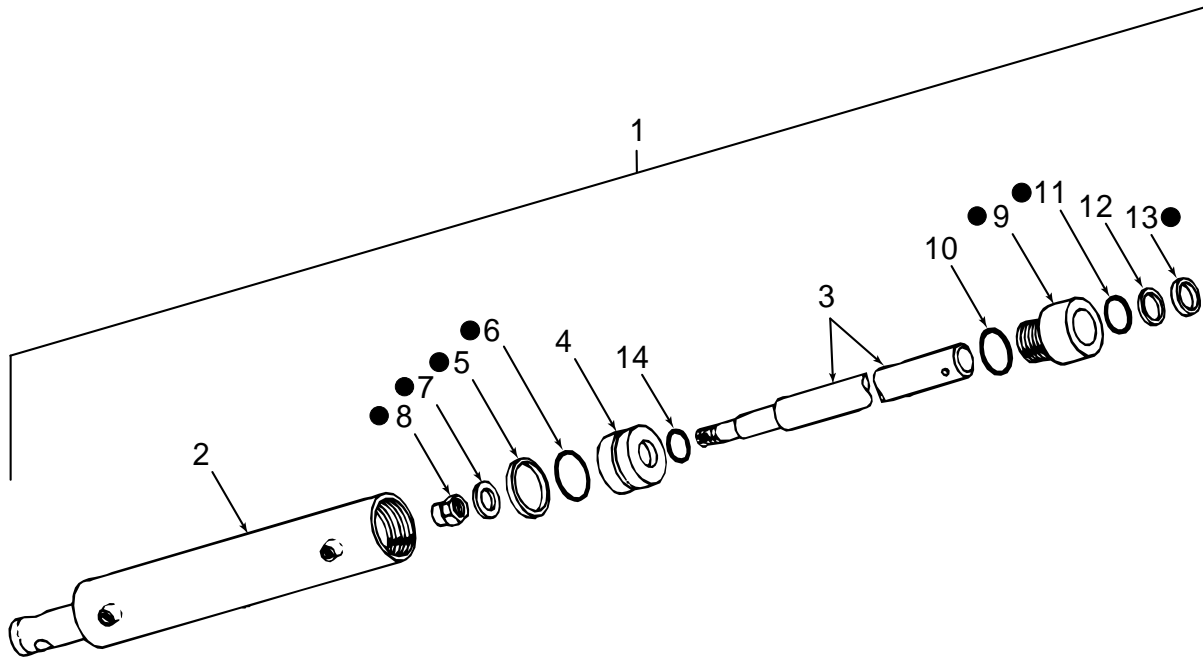
20.07B

1

p1

04/06

REEL LIFT MASTER CYLINDER, BPIN CBJ020205 [INCLUDES ALL HAJ PIN'S]

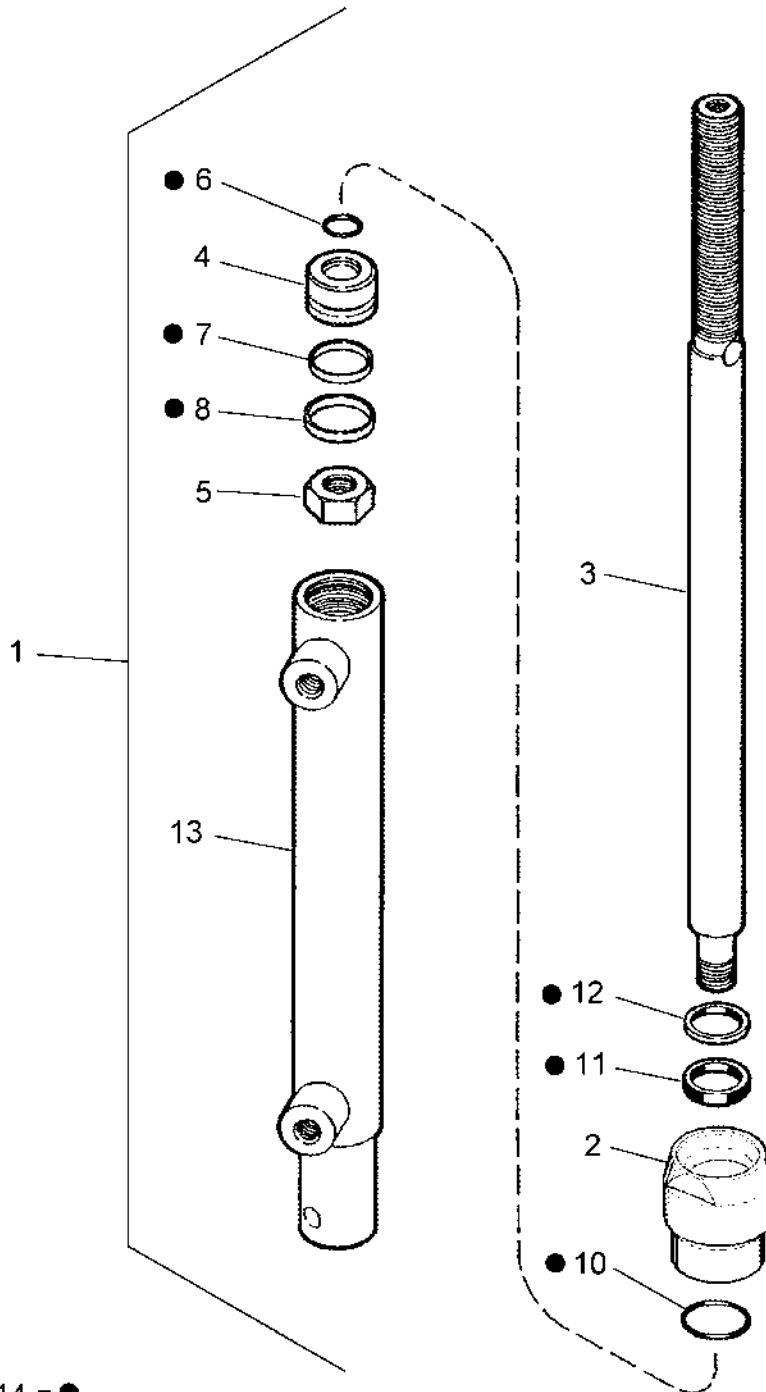


## REEL LIFT MASTER CYLINDER, BPIN CBJ020205 [INCLUDES ALL HAJ PIN'S]

REF	FN	PART NUMBER	YR/SN	QTY	DESCRIPTION
1		86518812		1	HYDRAULIC CYLINDER, Master
2		NSS		1	NOT SERVICED SEPARATELY
3		134369		1	ROD, Piston
4		134374		1	PISTON
5		129988		1	RING, Piston, 1.400" ID x 0.093" Thk
6		579359		1	O-RING, -026, 70 Duro, 1.239" ID x .070" Thk
7		600083		1	WASHER
8		88559		1	NUT, G8, Thin, 3/4"-14
9		134376		1	BUSHING
10		134375		1	O-RING, -126, 70 Duro, 1.362" ID x .103" Thk
11		134372		1	O-RING, -216, 70 Duro, 1.109" ID x .139" Thk
12		134371		1	SEALRING, Back-up, 1.141" ID x 0.040" Thk
13		33268		1	SEAL
14		134373		1	O-RING, -024, 70 Duro, 1.114" ID x .070" Thk
15		136440		1	KIT, SEALS

2010 2020

REEL LIFT MASTER CYLINDER, PIN CBJ020205 AND AFTER



14 = ●

## REEL LIFT MASTER CYLINDER, PIN CBJ020205 AND AFTER

REF	FN	PART NUMBER	YR/SN	QTY	DESCRIPTION
1		87045527		1	HYDRAULIC CYLINDER, Master, 1.5 x 9.38
2		547384R2		1	HEAD, Front
3		128724A1		1	ROD, PISTON
4		547333R3		1	PISTON
5		548033R1		1	NUT, Hex, Jam, 3/4-16
6		238-6017		1	O-RING, -017, 90 Duro, .676" ID x .070" Thk
7		238-5123		1	O-RING, -123, 70 Duro, 1.174" ID x .103" Thk
8		547383R2		1	SEAL, Ring
9		NSS		1	NOT SERVICED SEPARATELY, , Body
10		238-6126		1	O-RING, -126, 90 Duro, .987" ID x .103" Thk, 1-3/8 x 1-9/16, CL 6
11		1272317C1		1	SEAL, Rod
12		564808R91		1	WIPER, Seal, Shaft
13		547388R94		1	KIT, , Seals

**2010 2020**

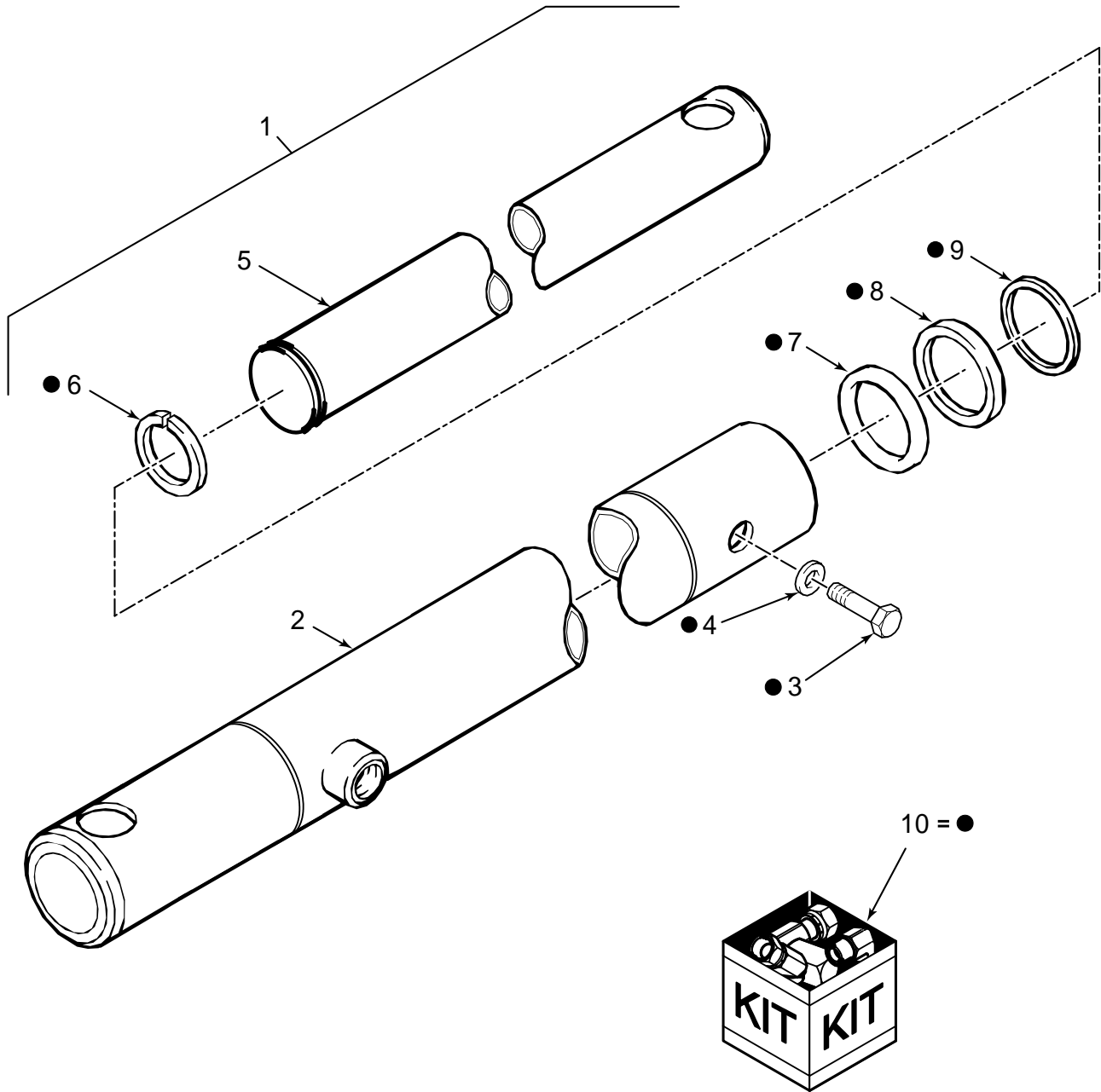
20.07C

1

p1

04/06

REEL LIFT SLAVE CYLINDER, BPIN CBJ020205 [INCLUDES ALL HAJ PIN'S]





**20.07C**

1

p1

04/06

**REEL LIFT SLAVE CYLINDER, BPIN CBJ020205 [INCLUDES ALL HAJ PIN'S]**

REF	FN	PART NUMBER	YR/SN	QTY	DESCRIPTION
1		86518813		1	HYDRAULIC CYLINDER, Slave
2		NSS		1	NOT SERVICED SEPARATELY, Barrel
3		136207		1	SCREW, Hex Wash Hd, #10-24 x .218"
4		134381		1	WASHER, SEALING
5		134379		1	ROD
6		129973		1	RING, LOCKING, Ext, 1.000"
7		86629540		1	O-RING, -214, 70 Duro, .984" ID x .139" Thk
8		129971		1	WASHER, Back-Up, 1.016" ID x 0.034" Thk
9		121189		1	SEAL
10		136441		1	KIT, SEALS

**2010 2020**

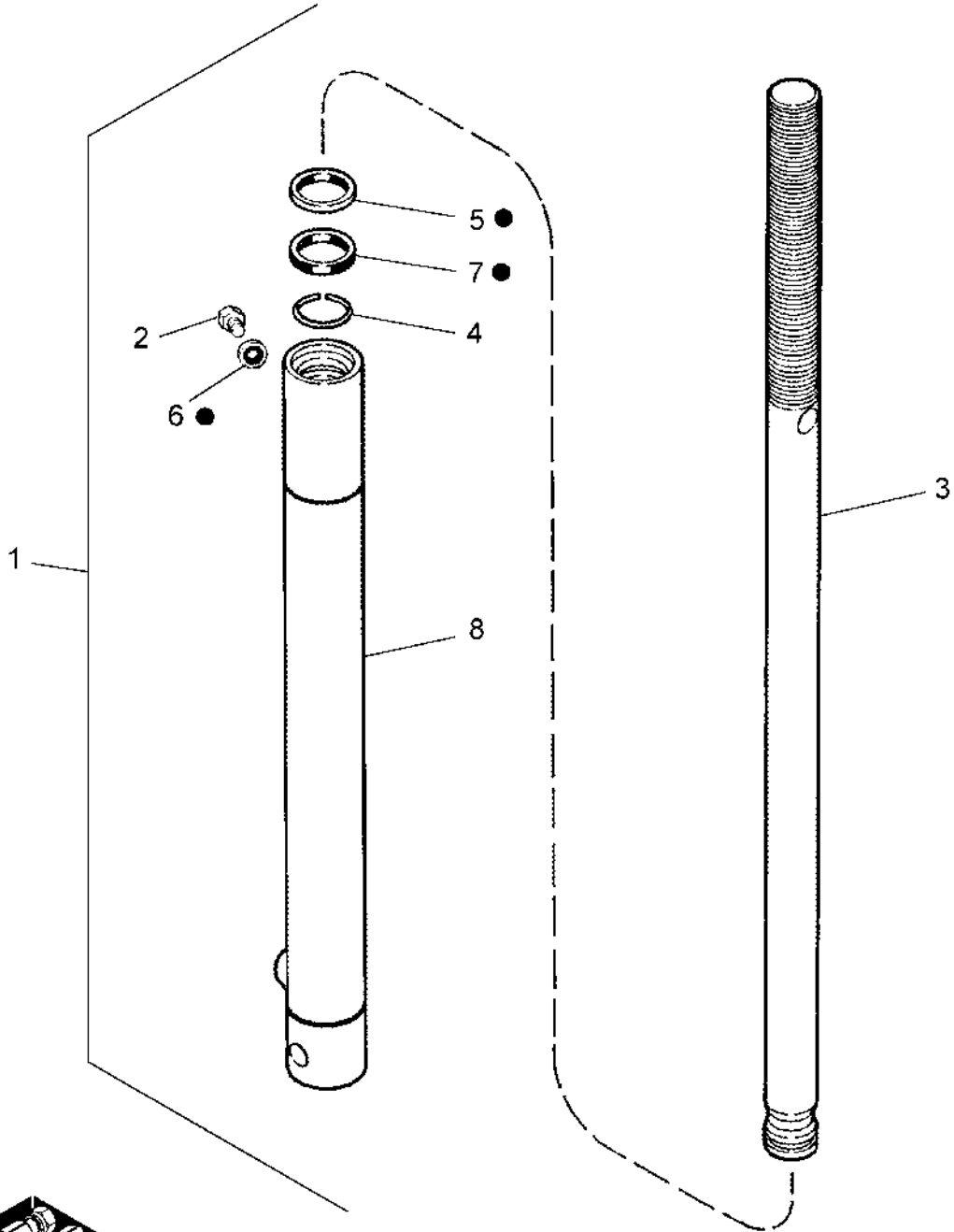
20.07C

2

p1

04/06

REEL LIFT SLAVE CYLINDER, PIN CBJ020205 AND AFTER



9 = ●

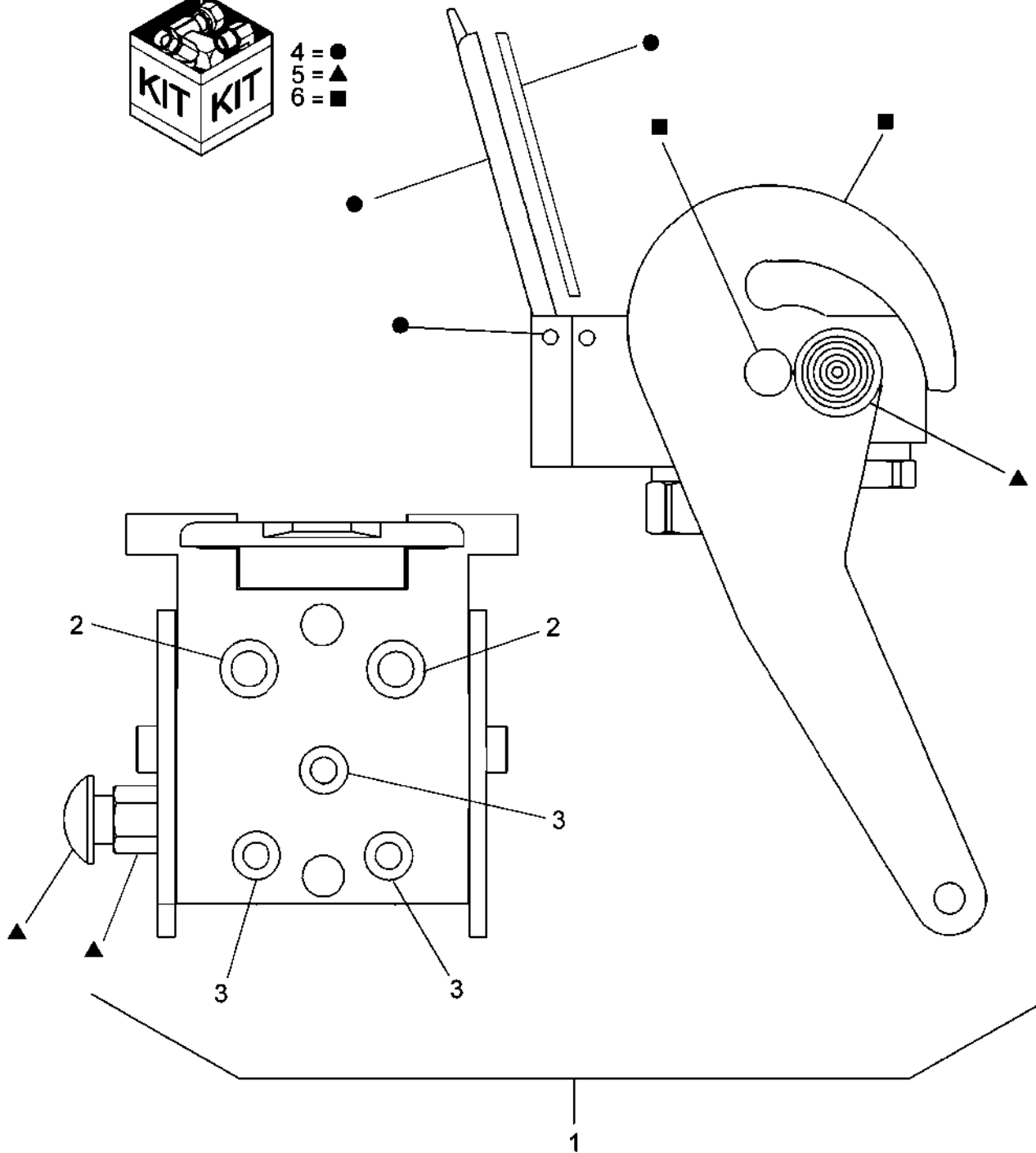
**REEL LIFT SLAVE CYLINDER, PIN CBJ020205 AND AFTER**

<b>REF</b>	<b>FN</b>	<b>PART NUMBER</b>	<b>YR/SN</b>	<b>QTY</b>	<b>DESCRIPTION</b>
1		87045528		1	HYDRAULIC CYLINDER, Slave, 1 x 9.38
2		463-1104		1	SCREW, Hex Hd, #10-24 x 1/4"
3		128727A1		1	ROD, PISTON
4		145190C1		1	SNAP RING
5		532773R1		1	WIPER, Rod
6		533145R1		1	WASHER, Rubber Bonded
7		389500A1		1	SEAL, Rod
8		NSS		1	NOT SERVICED SEPARATELY, Body
9		532531R92		1	PACKAGE, Seals
					<b>2010 2020</b>

HYDRAULICS, MULTI-COUPLING



- 4 = ●
- 5 = ▲
- 6 = ■

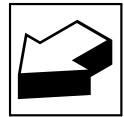
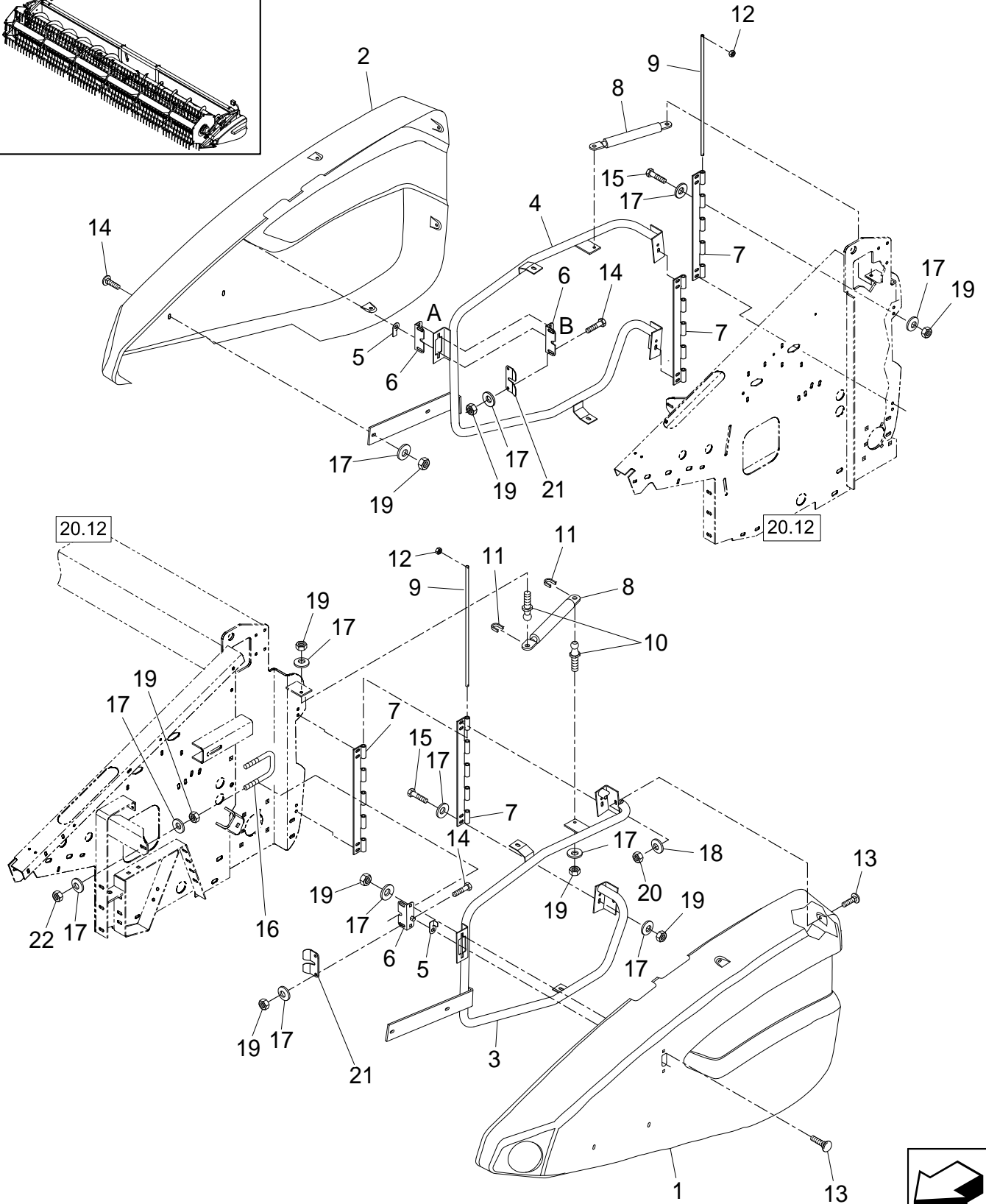
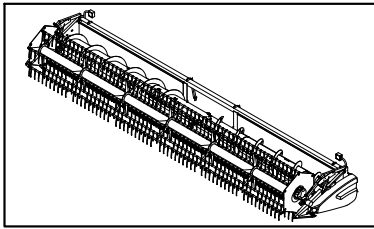


**HYDRAULICS, MULTI-COUPLING**

REF	FN	PART NUMBER	YR/SN	QTY	DESCRIPTION
1		84434997		1	COUPLING, Quick, Multi-connection
2		84435046		2	COUPLING, Quick
3		84435047		3	COUPLING, Quick
4		84435044		1	COVER, Gasket, Pin & Springs
5		86623902		1	LATCH, Knobs, Nuts, Bushings, Springs
6		86623901		1	HANDLE, Fasteners & Washers

**2010 2020**

SHIELD ASSEMBLY

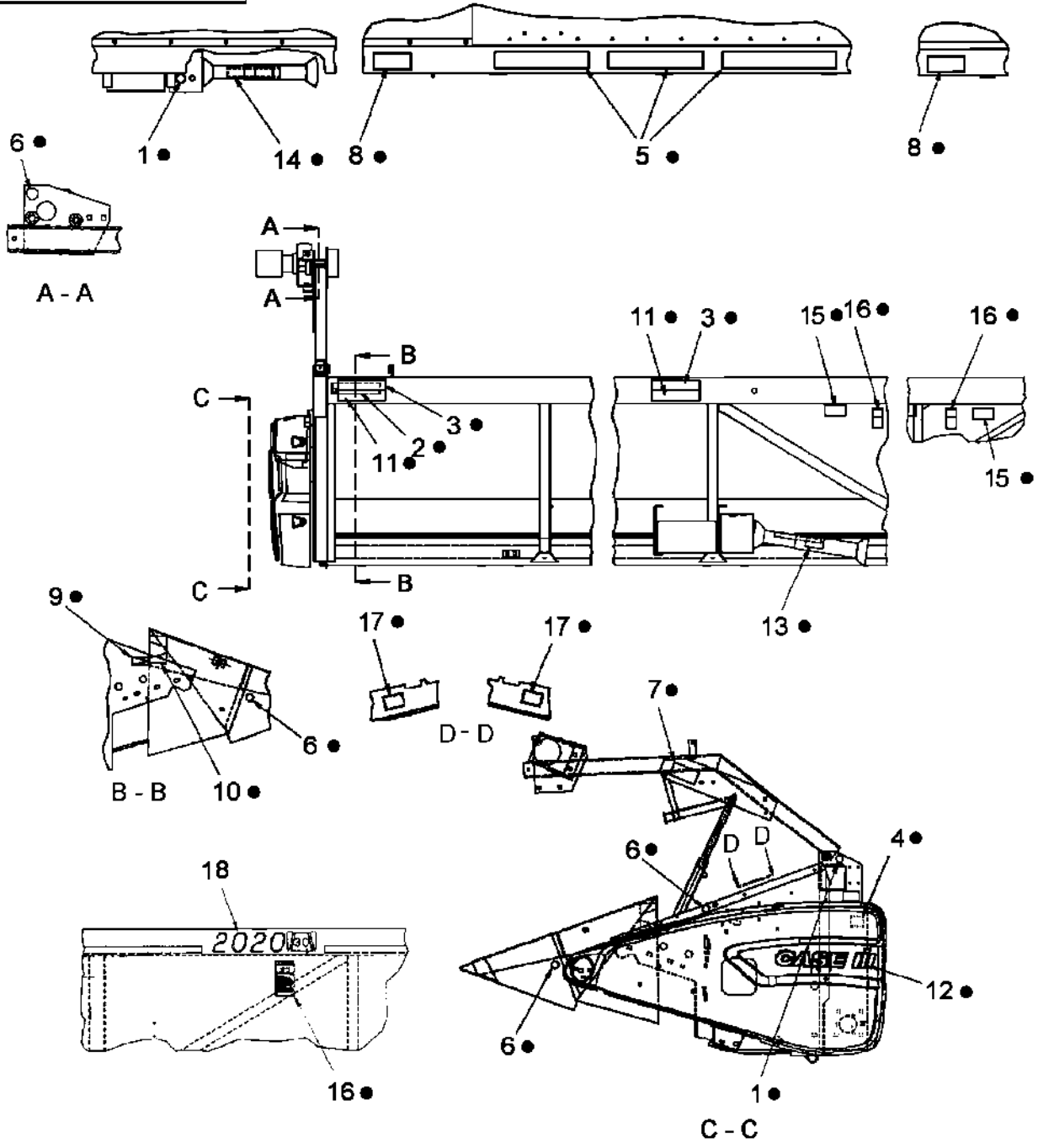
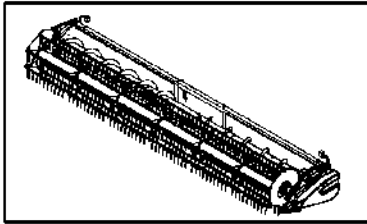


## SHIELD ASSEMBLY

REF	FN	PART NUMBER	YR/SN	QTY	DESCRIPTION
1		87022693		1	SHIELD, LH
2		87022694		1	SHIELD, RH
3		86602953		1	TUBE, LH
4		86602955		1	TUBE, RH
5		86571951		2	LEVER
6		84015292		2	LOCK
7		86640767		4	HINGE, Long, 16-15/16"
8		9706806		2	DAMPER, Gas Spring, Door
9		86640769		2	ROD
10		9706807		4	STUD, M8 x 1.25 x 29.3
11		9849996		4	CLIP, Safety
12		595787		4	NUT, Push, 3/8"
13		120041		8	BOLT, CARRIAGE, Short NK, M10 x 20, CI8.8, Full Thd
14		86507486		12	BOLT, CARRIAGE, Short NK, M8 x 20, CI8.8, Full Thd
15		43127		16	BOLT, Hex, M8 x 25, 8.8
16		86977434		2	U-BOLT, 5/16"-18, 1-15/16" W x 2-1/2" L
17		322358		56	WASHER, SPRING, Belleville, M8
18		140045		8	WASHER, SPRING, Belleville, M10
19		9706690		32	NUT, M8, CI 8
20		100016		8	NUT, M10, CI 8
21		86705570		2	BRACKET, Guide
22		9635082		8	NUT, 5/16"-18, G5

2010 2020

DECALS





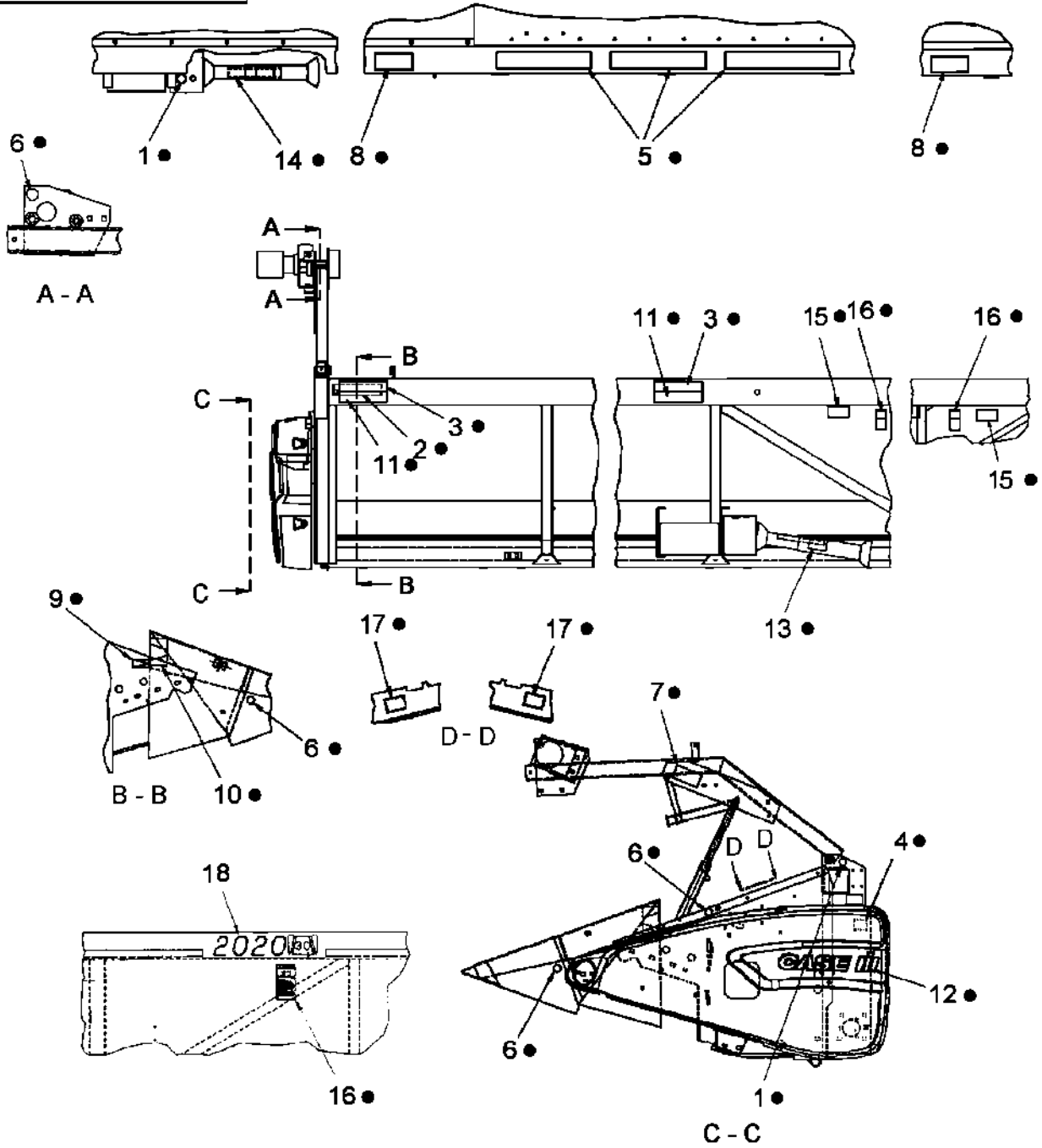
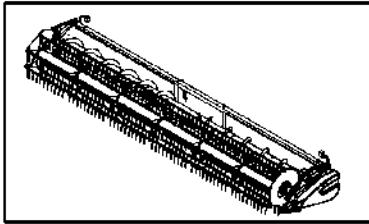
## DECALS

REF	FN	PART NUMBER	YR/SN	QTY	DESCRIPTION
1	1	84334829		4	DECAL, Grease, 50 Hours
2		86547782		2	DECAL, Tape Yellow Retroreflective
3		86547781		4	DECAL, Tape red Retroreflective, [Qty 2, 20 FT Header, LH]
4		86626959		2	DECAL, Warning, English
4		86624741		2	DECAL, Warning, French
4		86624653		2	DECAL, Warning, Spanish
5		87022092		3	DECAL, Non-Slip Tape
6		84989464		6	DECAL, Grease, 10 Hours, 2020, View C-C Only, English
6		84989464		6	DECAL, Grease, 10 Hours, 2020, View C-C Only, Fr, Sp, Russ
7		86611824		2	DECAL, Warning, Hydraulic Cylinder Failure, English
7		86634140		2	DECAL, Warning, Hydraulic Cylinder Failure, French
7		87020347		2	DECAL, Warning, Spanish
7		84004735		2	DECAL, Warning, Russian
8		86611825		2	DECAL, Warning Slippery Surface, English
8		86614084		2	DECAL, Warning, Slippery Surface, French
8		86624655		2	DECAL, Warning, Slippery Surface, Spanish
8		87026533		2	DECAL, Warning, Slippery Surface, Russian
9		783918		2	DECAL, Header Height, 2020
10		783919		1	DECAL, Header Height, 2020, English
10		86614084		1	DECAL, Header Height, 2020, French
10		86624655		1	DECAL, Header Height, 2020, Spanish
11		86547783		4	DECAL, Tape Red- Orange Fluorescent, 20' Header Apply LH Only
12		87013653		1	DECAL, CaseIH, RH
12		84441291		1	DECAL, CaseIH, LH
13		849471		2	DECAL, Danger, Rotating Drive Line, English
13		849482		2	DECAL, Danger, Rotating Drive Line, French
13		9801260		2	DECAL, Danger, Rotating Drive Line, Spanish
13		86520062		2	DECAL, Danger, Rotating Drive Line, Russian
14		849472		2	DECAL, Danger, Shield Missing, English
14		849483		2	DECAL, Danger, Shield Missing, French

(1) Not required at base of lift arm for PIN CBJ020205 and later.

**2010 2020**

DECALS

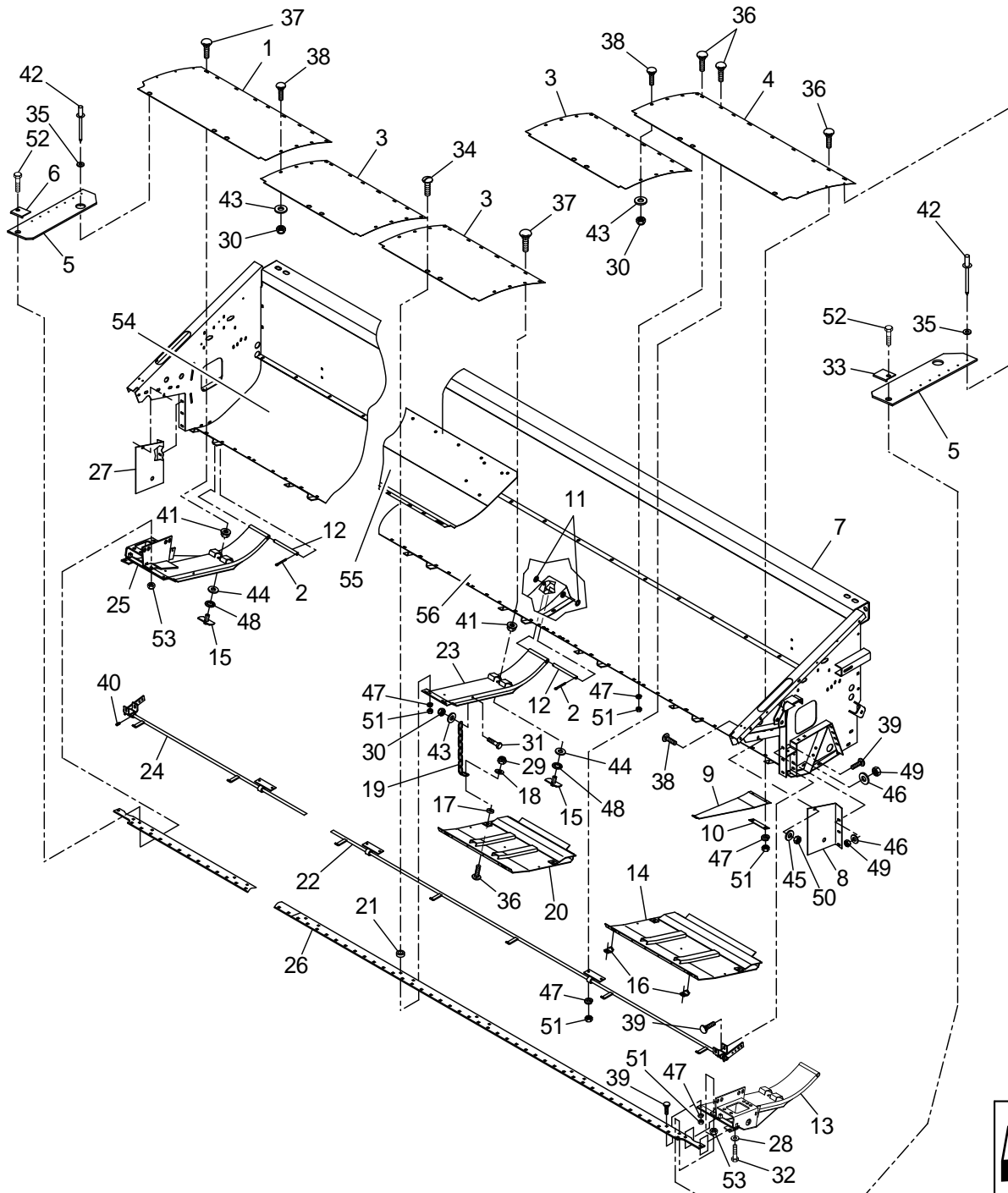
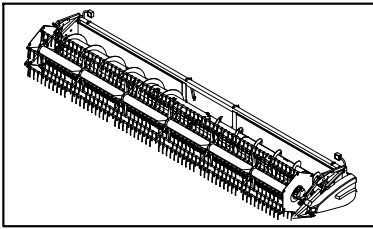


## DECALS

REF	FN	PART NUMBER	YR/SN	QTY	DESCRIPTION
14		9801256		2	DECAL, Danger, Shield Missing, Spanish
15		9826789		2	DECAL, Danger English
15		9827448		2	DECAL, Danger, French
15		87013474		2	DECAL, Danger, Spanish
15		86999254		2	DECAL, Danger, Russian
16		86622719		2	DECAL, Danger, English
16		86624740		4	DECAL, Danger, French
16		86624656		4	DECAL, Danger, Spanish
16		87027712		4	DECAL, Danger, Russian
17		86626958		2	DECAL, Warning, English
17		86626961		2	DECAL, Warning, French
17		86626962		2	DECAL, Warning, Spanish
17		84011345		2	DECAL, Warning, Russian
18		87013643		1	DECAL, 2010 20
18		87013645		1	DECAL, 2010 25
18		87013647		1	DECAL, 2010 30
18		87013648		1	DECAL, 2020 20
18		87013649		1	DECAL, 2020 25
18		87013650		1	DECAL, 2020 30
19		87020373		1	DECAL, Ref 1 to 17, English
19		87022610		1	DECAL, Ref 1 to 17, French
19		87022611		1	DECAL, Ref 1 to 17, Spanish
19		87022612		1	DECAL, Ref 1 to 17, Russian

2010 2020

MAIN FRAME & FLOORS, 20 FT & 25 FT, BPIN CBJ020701



## MAIN FRAME &amp; FLOORS, 20 FT&amp; 25 FT, BPIN CBJ020701

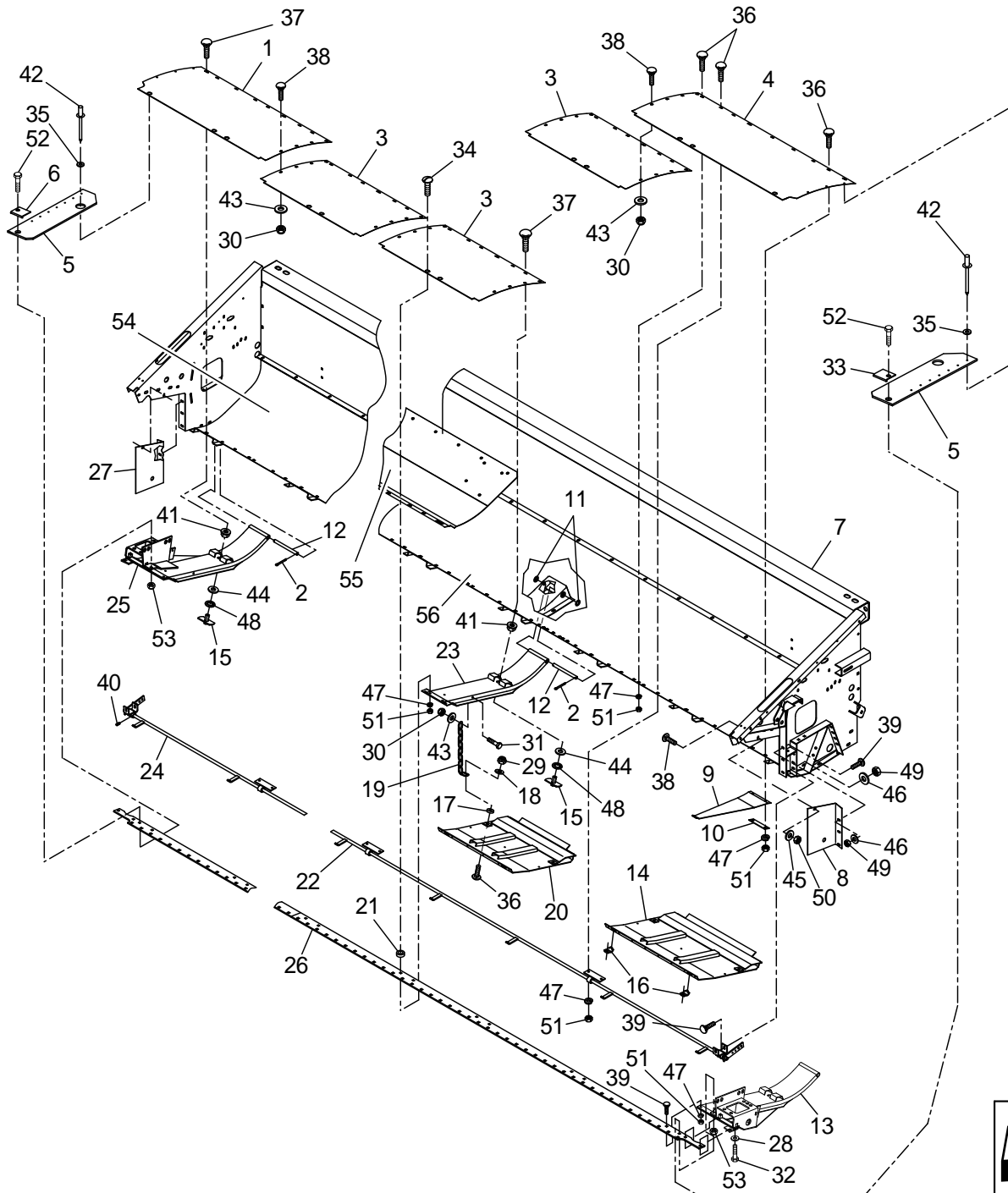
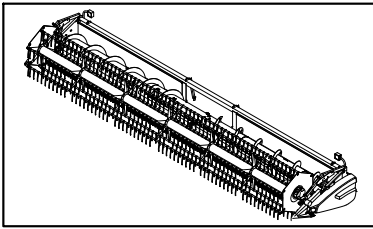
REF	FN	PART NUMBER	YR/SN	QTY	DESCRIPTION
1	1	87041151		1	FLOOR, RH, 1035.1mm [40.8"] Wide, Bent Offset Rear Edge, See Figure Note
1	2	87055873		1	FLOOR, RH, 1035.1mm [40.8"] Wide, Flat Rear Edge, See Figure Note
2		80755		AR	PIN, SPLIT (COTTER), 1/8" x 1"
3	1	87041149		5	FLOOR, Mid, 20 Ft, 800.1mm [31.5"] Wide, Bent Offset Rear Edge, See Figure Note
3	2	87055871		5	FLOOR, Mid, 20 Ft, 800.1mm [31.5"] Wide, Flat Rear Edge, See Figure Note
3	1	87041149		7	FLOOR, Mid, 25 Ft, 800.1mm [31.5"] Wide, Bent Offset Rear Edge, See Figure Note
3	2	87055871		7	FLOOR, Mid, 25 Ft, 800.1mm [31.5"] Wide, Flat Rear Edge, See Figure Note
4	1	87041153		1	FLOOR, LH, 1111.2mm [43.8"] Wide, Bent Offset Rear Edge, See Figure Note
4	2	87055874		1	FLOOR, LH, 1111.2mm [43.8"] Wide, Flat Rear Edge, See Figure Note
5		86979436		2	PAD, RUBBER
6		86979433		1	ANGLE
7	3	87041269		1	FRAME ASSY, 20 Ft, [Also requires Ref 2 & 5 channel shape Fig 20.12.06]
7	4	87041269		1	FRAME ASSY, 20 Ft, New Rear Floor
7	5	87047073		1	FRAME ASSY, 20 Ft, New Reel
7	3	87041272		1	FRAME ASSY, 25 Ft, [Also requires Ref 10 Fig 20.12 .06]
7	4	87041272		1	FRAME ASSY, 25 Ft, New Rear Floor
7	5	87047070		1	FRAME ASSY, 25 Ft, New Reel
8		87020190		1	PLATE, LH
9		606896		12	SPRING
10		145176		8	REINFORCEMENT

- (1) BPIN CBJ020287 [Includes all HAJ PIN's]  
(2) PIN CBJ020287 and After  
(3) BPIN CBJ020001[Includes all HAJ PIN's]  
(4) PIN CBJ020001 to CBJ020204  
(5) PIN CBJ020205 and later

Ref 1, 3 & 4 may be replaced individually by original parts but if no longer in stock, all three Ref's should be replaced with "CBJ020287 and after" parts [flat rear edge].

**2020**

MAIN FRAME & FLOORS, 20 FT & 25 FT, BPIN CBJ020701



## MAIN FRAME &amp; FLOORS, 20 FT&amp; 25 FT, BPIN CBJ020701

REF	FN	PART NUMBER	YR/SN	QTY	DESCRIPTION
11		27697		18	WASHER, 5/8", 1/16" Thick
12		518771		9	PIN, CLEVIS, 1/16" x 7-1/4"
13		850555		1	SUPPORT, LH
14	1	86552871		6	PLATE, Center, Steel, 20 Ft, [Qty 8, 25 Ft], See Fig 20.13.03 For Poly Liner
14	2	87040525		6	SUPPORT, Center, Steel, 20 Ft, [Qty 8, 25 Ft], See Fig 20.13.03 For Poly Liner
15		767186		9	NUT, Rib
16		605838		16	CLAMP
17		29711		16	SPACER
18		285072		16	WASHER, 13/32" ID x 7/8" OD, Hardened
19		66272		16	CHAIN
20	1	86552870		2	PLATE, End, Steel, See Fig 20.13.03 For Poly Liner
20	2	87040632		2	PLATE, End, Steel, See Fig 20.13.03 For Poly Liner
21		694371		16	SPACER
22		87015642		1	FRAME, SENSOR LH, 20 Ft
22		87015638		1	FRAME, SENSOR LH, 25 Ft
23		766675		7	SUPPORT
24		87015645		1	FRAME, SENSOR RH, 20 Ft
24		87015640		1	FRAME, SENSOR RH, 25 Ft
25		850556		1	SUPPORT, RH
26		87015613		1	CUTTERBAR, 20 Ft
26		87015611		1	CUTTERBAR, 25 Ft
27		87020192		1	PLATE, RH
28		285072		4	WASHER, 13/32" ID x 7/8" OD, Hardened
29		88902		16	NUT, 3/8"-16, GC
30		231-4145		34	NUT, LOCK, 5/16"-18, GB
31		9635884		16	BOLT, Hex, 5/16"-18 x 1", G5, Full Thd
32		280655		4	BOLT, Hex, 3/8"-24 x 1 1/2", G8
33		86979434		1	ANGLE, LH
34		87260		16	SCREW, Slotted Truss Hd, 3/8"-16 x 1 1/4"
35		88612		14	WASHER, #10
36		86508773		58	BOLT, CARRIAGE, Short NK, 3/8"-16 x 1 1/4", G5

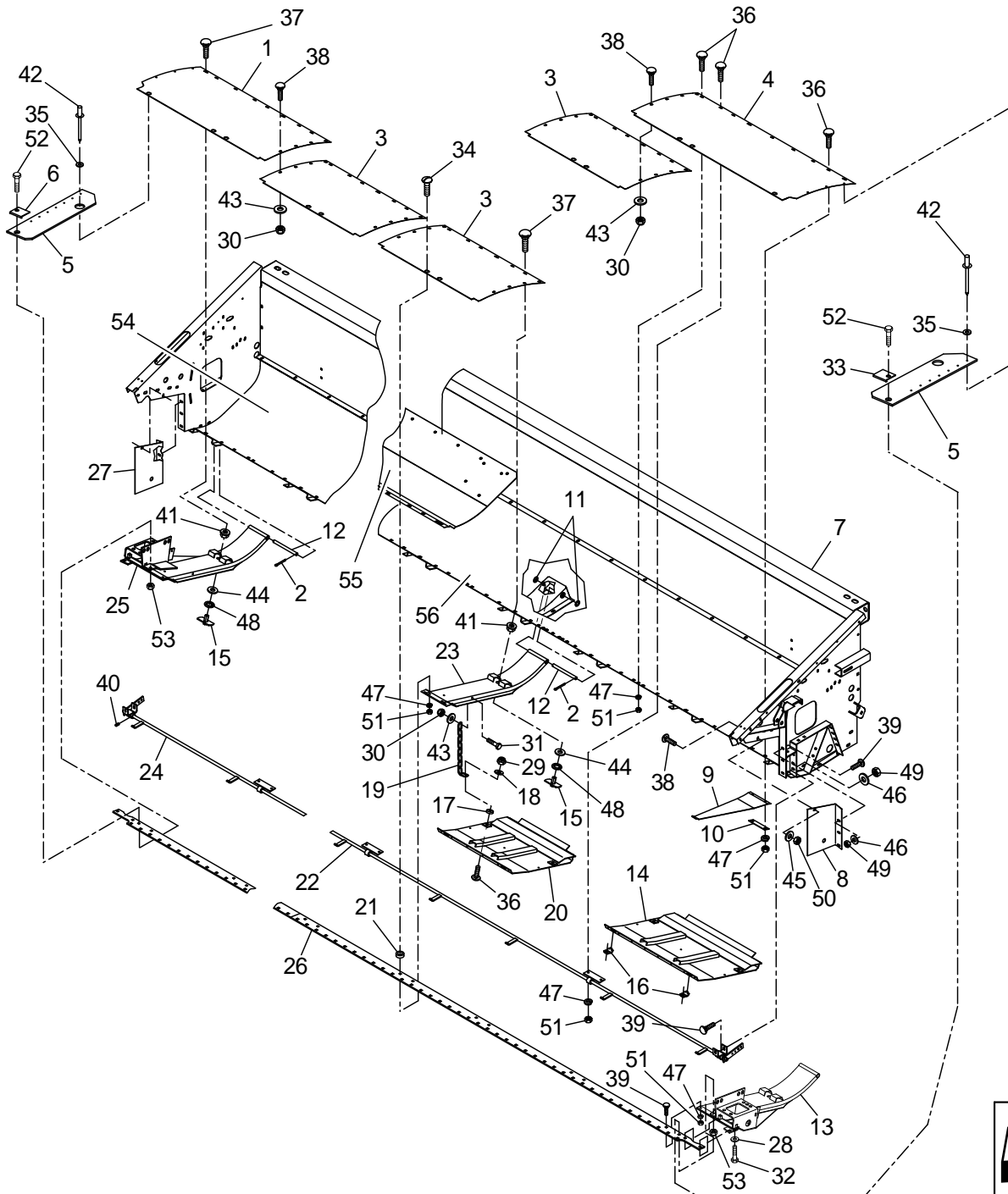
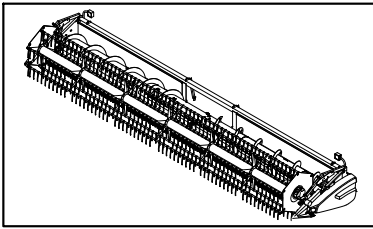
(1) BPIN CBJ020001[Includes all HAJ PIN's]

(2) PIN CBJ020001 and later

Ref 1, 3 & 4 may be replaced individually by original parts but if no longer in stock, all three Ref's should be replaced with "CBJ020287 and after" parts [flat rear edge].

**2020**

MAIN FRAME & FLOORS, 20 FT & 25 FT, BPIN CBJ020701





## MAIN FRAME &amp; FLOORS, 20 FT&amp; 25 FT, BPIN CBJ020701

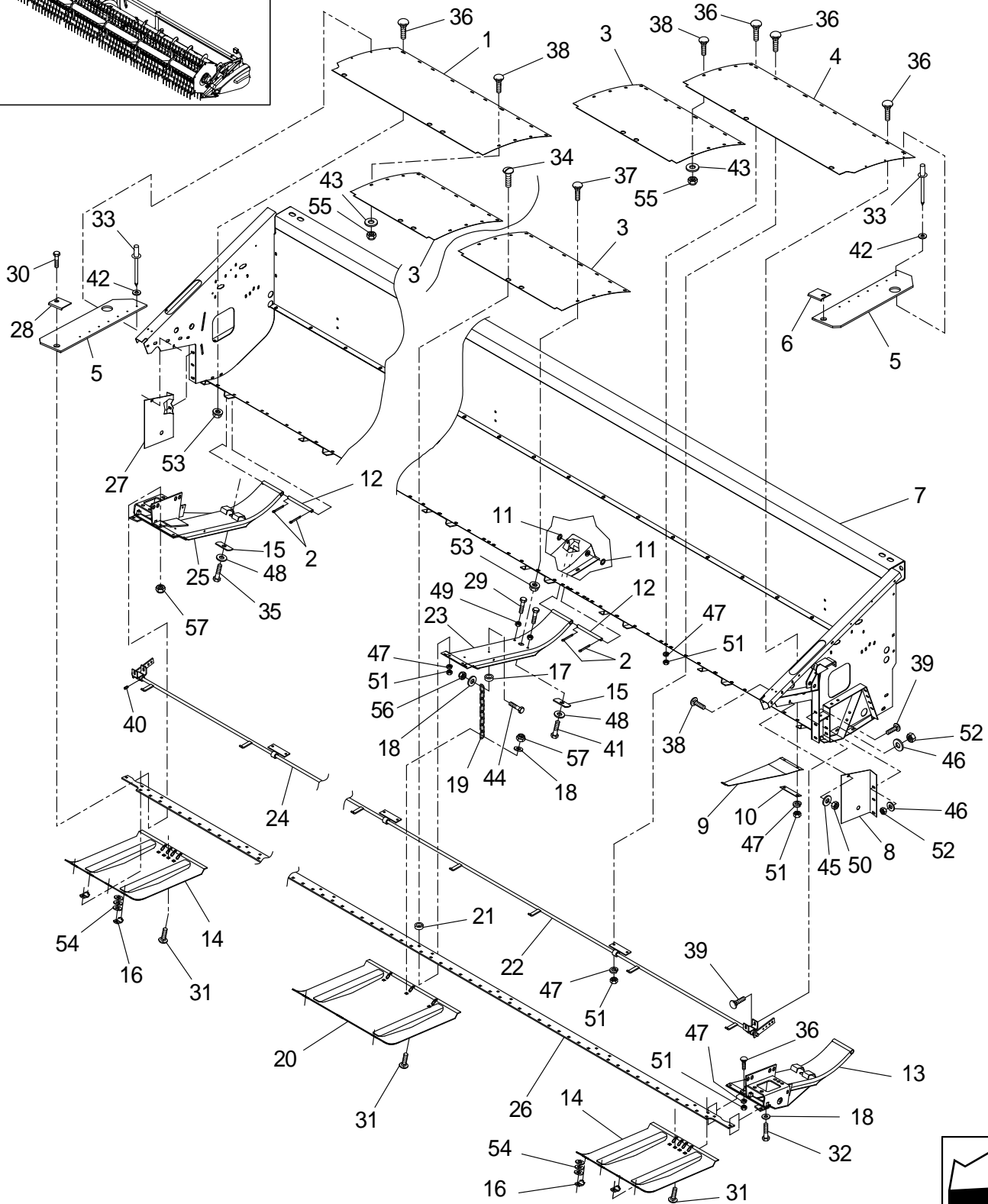
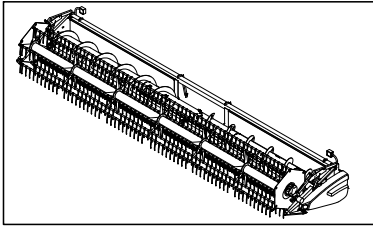
REF	FN	PART NUMBER	YR/SN	QTY	DESCRIPTION
37		88530		9	BOLT, CARRIAGE, Short NK, 1/2"-13 x 1 3/4", G5
38		280497		20	BOLT, CARRIAGE, Short NK, 5/16"-18 x 3/4", G5, Full Thd
39		86512446		6	BOLT, Short NK, M10 x 30, Cl8.8, Full Thd
40		80975		4	SET SCREW, Hex Soc, 5/16"-18 x 1/4"
41		86512371		9	NUT, Flg, USR, 1/2"-13
42		445394		14	RIVET, 3/16" x 1/2"
43		80664		34	WASHER, 5/16"
44		87366		9	WASHER, 7/8", SAE
45		322358		2	WASHER, SPRING, Belleville, M8
46		140045		6	WASHER, SPRING, Belleville, M10
47		80680		58	WASHER, LOCK, 3/8"
48		87010		9	WASHER, LOCK, Int Tooth, 7/8"
49		100016		6	NUT, M10, Cl 8
50		9635082		2	NUT, 5/16"-18, G5
51		9628503		58	NUT, 3/8"-16, G5
52		120068		2	SCREW, Hex, M10 x 40, 8.8, Full Thd
53		100037		2	NUT, M10 x 1.5, Cl 8
54	1			1	Floor, Rear, RH
55	1			1	Floor, Rear, Center
56	1			1	Floor, Rear, LH

(1) See Figure 20.12A

Ref 1, 3 & 4 may be replaced individually by original parts but if no longer in stock, all three Ref's should be replaced with "CBJ020287 and after" parts [flat rear edge].

**2020**

MAIN FRAME & FLOORS, 20 FT & 25 FT, PIN CBJ020701 AND AFTER

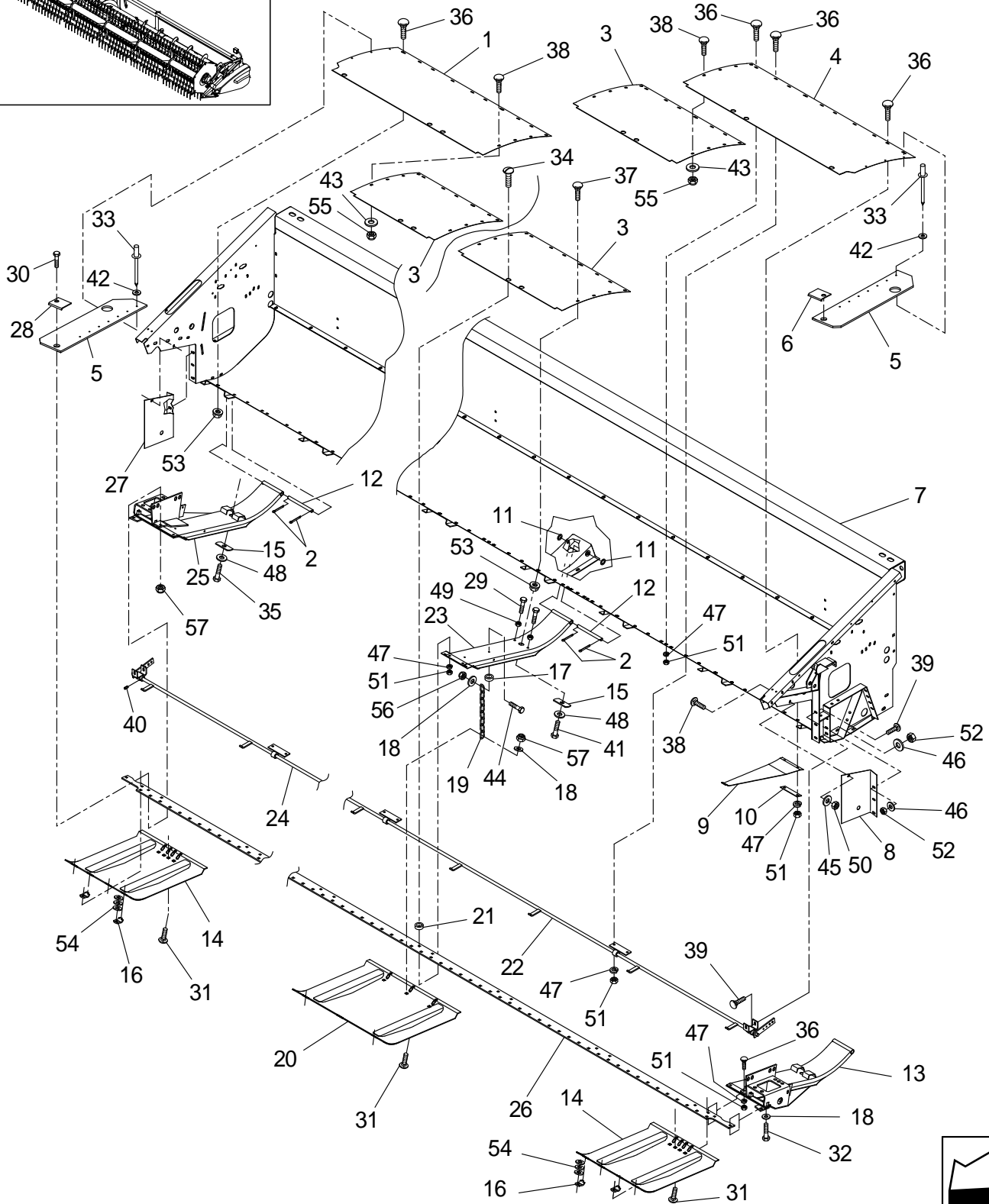
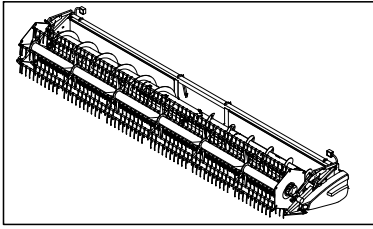


## MAIN FRAME &amp; FLOORS, 20 FT &amp; 25 FT, PIN CBJ020701 AND AFTER

REF	FN	PART NUMBER	YR/SN	QTY	DESCRIPTION
1		87055873		1	FLOOR, RH, 1035.1mm[40.8"] Wide
2		80755		18	PIN, SPLIT (COTTER), 1/8" x 1", 20 Ft
2		80755		22	PIN, SPLIT (COTTER), 1/8" x 1", 25 Ft
3		87055871		5	FLOOR, 800.1mm[31.5"] Wide, 20 Ft
3		87055871		7	FLOOR, 800.1mm[31.5"] Wide, 25 Ft
4		87055874		1	FLOOR, LH, 1111.2mm[43.8"] Wide
5		86979436		2	PAD, RUBBER
6		86979434		1	ANGLE, LH
7		87047073		1	FRAME ASSY, 20 Ft
7		87047070		1	FRAME ASSY, 25 Ft
8		87020190		1	PLATE, LH
9		606896		12	SPRING, 20 Ft
9		606896		16	SPRING, 25 Ft
10		145176		8	REINFORCEMENT, 20 Ft
10		145176		10	REINFORCEMENT, 25 Ft
11		27697		18	WASHER, 21/32" ID, 1-1/16" OD, 1/16" Thk, 20 Ft
11		27697		22	WASHER, 21/32" ID, 1-1/16" OD, 1/16" Thk, 25 Ft
12		518771		9	PIN, CLEVIS, 5/8" x 7-1/4", 20 Ft
12		518771		11	PIN, CLEVIS, 5/8" x 7-1/4", 25 Ft
13		850555		1	SUPPORT, LH
14		{87055072}		2	Steel, Fig 20.13.03 For Plastic Cover
15		{757921}		9	Clamp, 20 Ft
15		{757921}		11	Clamp, 25 Ft
16		605838		18	CLAMP, 20 Ft
16		605838		22	CLAMP, 25 Ft
17		29711		9	SPACER, 20 Ft
17		29711		11	SPACER, 25 Ft
18		285072		22	WASHER, 3/8", Hard
18		285072		26	WASHER, 3/8", Hard
19		66272		9	CHAIN, 20 Ft
19		66272		11	CHAIN, 25 Ft
20		{87055078}		7	Steel, Center, 20 Ft, Figure 20.13.03 For Plastic Cover
20		{87055078}		9	Steel, Center, 25 Ft, Figure 20.13.03 For Plastic Cover

2020

MAIN FRAME & FLOORS, 20 FT & 25 FT, PIN CBJ020701 AND AFTER

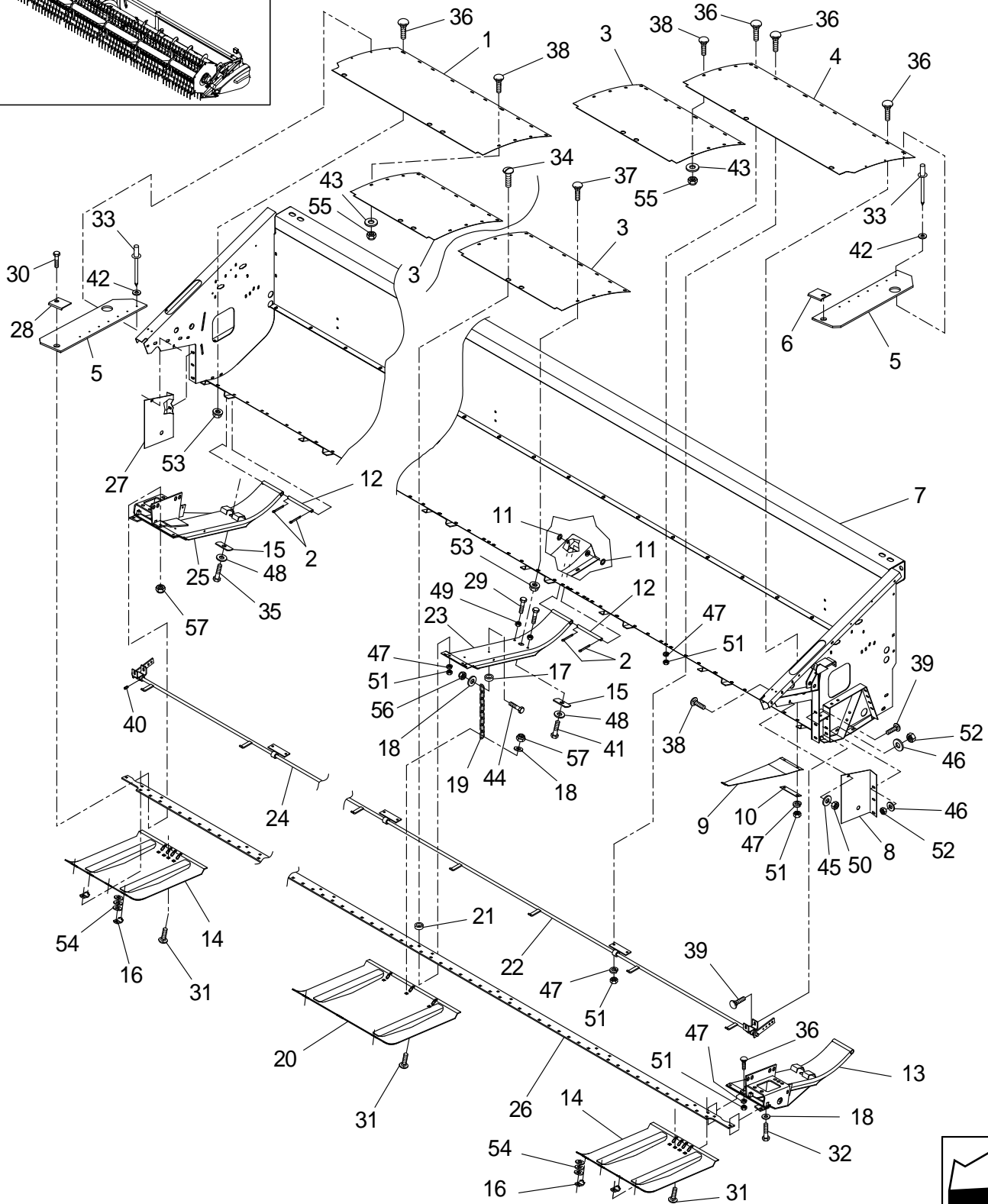
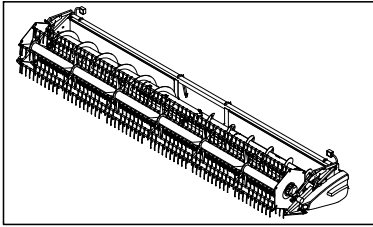


## MAIN FRAME &amp; FLOORS, 20 FT &amp; 25 FT, PIN CBJ020701 AND AFTER

REF	FN	PART NUMBER	YR/SN	QTY	DESCRIPTION
21		694371		16	SPACER, 20 Ft
21		694371		20	SPACER, 25 Ft
22		87015642		1	FRAME, LH, 20 Ft
22		87015638		1	FRAME, LH, 25 Ft
23		{87051797}		7	20 Ft
23		{87051797}		9	25 Ft
24		87015645		1	FRAME, 20 Ft, Sensor, RH
24		87015640		1	FRAME, 25 Ft, Sensor, RH
25		850556		1	SUPPORT, RH
26		87015613		1	CUTTERBAR, 20 Ft
26		87015611		1	CUTTERBAR, 25 Ft
27		87020192		1	PLATE, RH
28		86979433		1	ANGLE
29		86508583		14	SCREW, Hex, M16 x 35, 8.8, 20 Ft
30		120068		2	SCREW, Hex, M10 x 40, 8.8, Full Thd
31		86633356		9	BOLT, Short NK, M10 x 25, Cl8.8, Full Thd, 20 Ft
31		86633356		11	BOLT, Short NK, M10 x 25, Cl8.8, Full Thd, 25 Ft
32		280655		4	BOLT, Hex, 3/8"-24 x 1 1/2", G8, Cap, HH, G8, 3/8"-16 x 1-1/2"
33		445394		14	RIVET, Pop, 3/16" x 1/2"
34		87260		16	SCREW, Slotted Truss Hd, 3/8"-16 x 1 1/4", 20 Ft
34		87260		20	SCREW, Slotted Truss Hd, 3/8"-16 x 1 1/4", 25 Ft
35		9706693		2	SCREW, Hex, M12 x 60, 8.8
36		86508773		42	BOLT, CARRIAGE, Short NK, 3/8"-16 x 1 1/4", G5, 20 Ft
36		86508773		56	BOLT, CARRIAGE, Short NK, 3/8"-16 x 1 1/4", G5, 25 Ft
37		{757919}		9	Short Neck, M12 x 1.75 x 16, 20 Ft
37		{757919}		11	Short Neck, M12 x 1.75 x 16, 25 Ft
38		280497		20	BOLT, CARRIAGE, Short NK, 5/16"-18 x 3/4", G5, Full Thd, 20 Ft
38		280497		26	BOLT, CARRIAGE, Short NK, 5/16"-18 x 3/4", G5, Full Thd, 25 Ft
39		86512446		6	BOLT, Short NK, M10 x 30, Cl8.8, Full Thd
40		80975		4	SET SCREW, Hex Soc, 5/16"-18 x 1/4"

2020

MAIN FRAME & FLOORS, 20 FT & 25 FT, PIN CBJ020701 AND AFTER

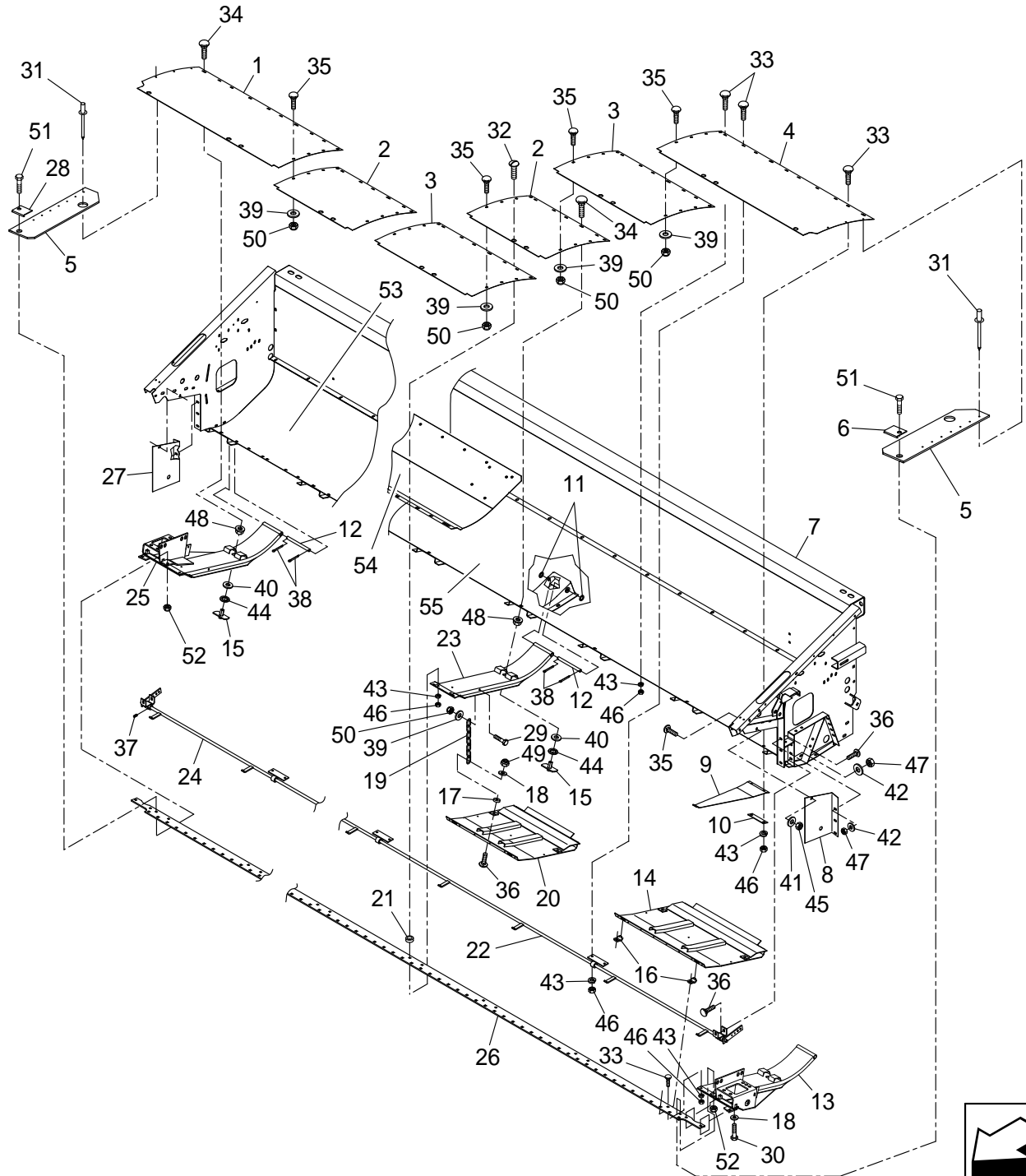
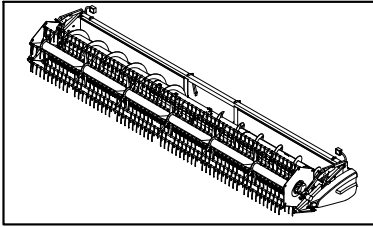


## MAIN FRAME &amp; FLOORS, 20 FT &amp; 25 FT, PIN CBJ020701 AND AFTER

REF	FN	PART NUMBER	YR/SN	QTY	DESCRIPTION
41		9706702		7	SCREW, Hex, M12 x 50, 8.8
41		9706702		9	SCREW, Hex, M12 x 50, 8.8
42		88612		14	WASHER, #10
43		80664		27	WASHER, 5/16", 20 Ft
43		80664		35	WASHER, 5/16", 25 Ft
44		412183		9	BOLT, CARRIAGE, Short NK, M10 x 35, CI8.8, Full Thd, 20 Ft
44		412183		11	BOLT, CARRIAGE, Short NK, M10 x 35, CI8.8, Full Thd, 25 Ft
45		322358		2	WASHER, SPRING, Belleville, M8
46		140045		6	WASHER, SPRING, Belleville, M10
47		80680		58	WASHER, LOCK, 3/8"
47		80680		76	WASHER, LOCK, 3/8"
48		140046		9	WASHER, LOCK, Belleville, M12, 20 Ft
48		140046		11	WASHER, LOCK, Belleville, M12, 25 Ft
49		100095		14	NUT, Thin, M16 x 2, CI 04, 20 Ft
49		100095		18	NUT, Thin, M16 x 2, CI 04, 25 Ft
50		9635082		2	NUT, 5/16"-18, G5
51		9628503		58	NUT, 3/8"-16, G5, 20 Ft
51		9628503		76	NUT, 3/8"-16, G5, 25 Ft
52		100016		6	NUT, M10, CI 8
53		{757918}		9	CL 8, M12 x 1.75 x 24, 24mm [1" length], 20 Ft
53		{757918}		11	CL 8, M12 x 1.75 x 24, 24mm [1" length], 25 Ft
54		87363		6	WASHER, 7/16", SAE
55		280736		27	NUT, LOCK, 5/16"-18, GC, 20 Ft
55		280736		35	NUT, LOCK, 5/16"-18, GC, 25 Ft
56		100037		20	NUT, M10 x 1.5, CI 8, 20 Ft
56		100037		24	NUT, M10 x 1.5, CI 8, 25 Ft

2020

MAIN FRAME & FLOORS, 30 FT, BPIN CBJ020701





## MAIN FRAME &amp; FLOORS, 30 FT, BPIN CBJ020701

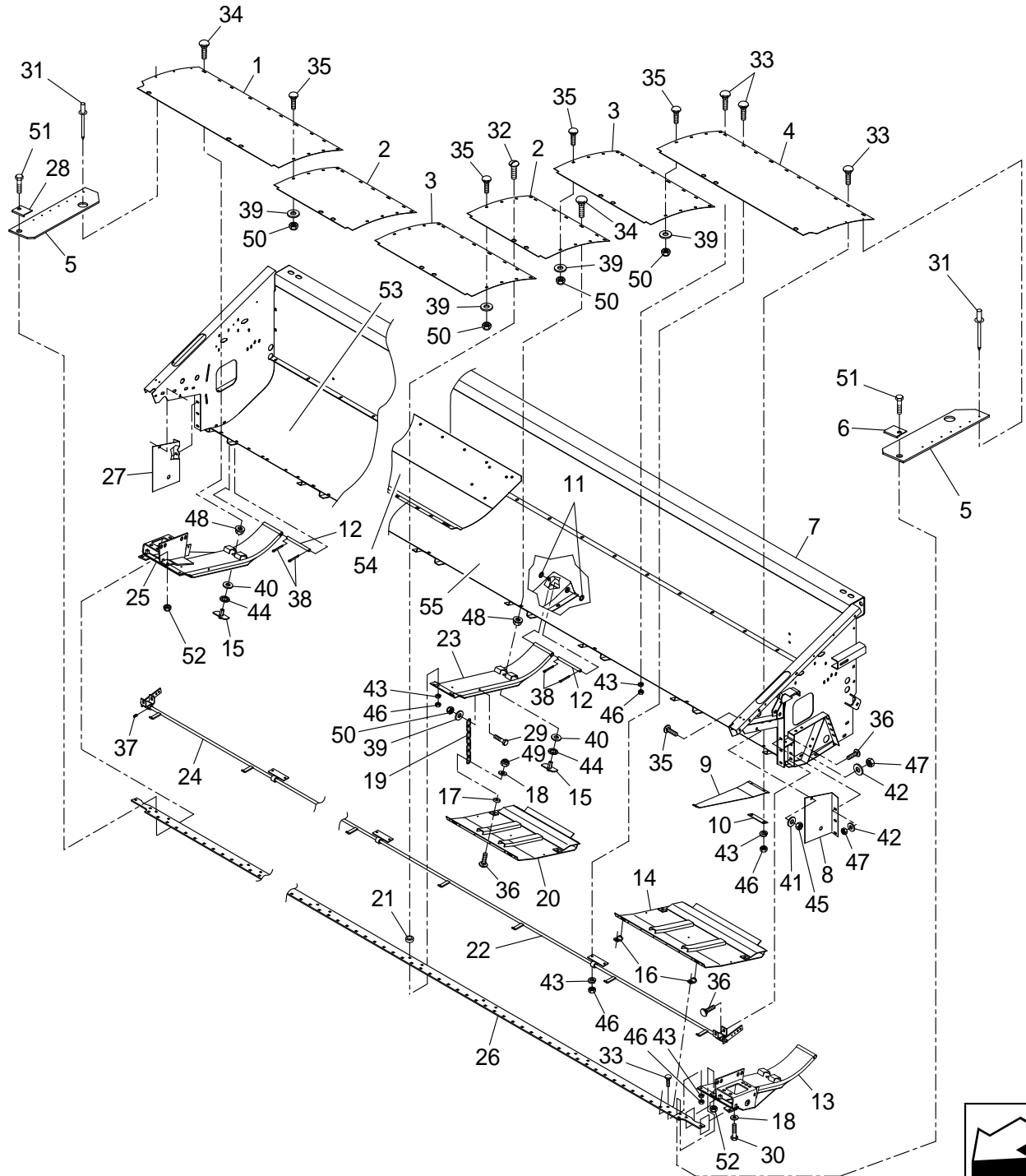
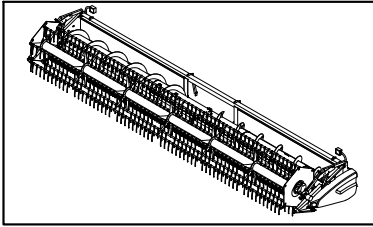
REF	FN	PART NUMBER	YR/SN	QTY	DESCRIPTION
1	1	87041145		1	FLOOR, RH, 1187.4mm [46.8"] Wide, Bent Offset Rear Edge, See Figure Note
1	2	87055869		1	FLOOR, RH, 1187.4mm [46.8"] Wide, Flat Rear Edge, See Figure Note
2	1	87041147		2	FLOOR, Mid, LH, 647.7mm [25.52"] Wide, Bent Offset Rear Edge, See Figure Note
2	2	87055872		2	FLOOR, Mid, LH, 647.7mm [25.52"] Wide, Flat Rear Edge, See Figure Note
3	1	87041149		7	FLOOR, Mid, 800.1mm [31.52"] Wide, Bent Offset Rear Edge, See Figure Note
3	2	87055871		7	FLOOR, Mid, 800.1mm [31.52"] Wide, Flat Rear Edge, See Figure Note
4	1	87041143		1	FLOOR, LH, 1263.6mm [49.8"] Wide, Bent Offset Rear Edge, See Figure Note
4	2	87055870		1	FLOOR, LH, 1263.6mm [49.8"] Wide, Flat Rear Edge, See Figure Note
5		86979436		2	PAD, RUBBER
6		86979433		1	ANGLE, LH
7	3	87041275		1	FRAME ASSY, [Also requires Ref 10 Fig 20.12.06]
7	4	87041275		1	FRAME ASSY, New Rear Floor
7	5	87047067		1	FRAME ASSY, New Reel
8		87020190		1	PLATE, LH
9		606896		25	SPRING
10		145176		14	REINFORCEMENT
11		27697		26	WASHER, 5/8", 1/16" Thick
12		518771		13	PIN, CLEVIS, 1/16" x 7-1/4"
13		850555		1	SUPPORT
14	3	86552871		10	PLATE, Protective
14	6	87040525		10	SUPPORT, Protective

- (1) BPIN CBJ020287 [Includes all HAJ PIN's]  
(2) PIN CBJ020287 and After  
(3) BPIN CBJ020001[Includes all HAJ PIN's]  
(4) PIN CBJ020001 to CBJ020204  
(5) PIN CBJ020205 and later  
(6) PIN CBJ020001 and later

Ref's 1 to 4 may be replaced individually by original parts but if no longer in stock, all four Ref's should be replaced with "CBJ020287" parts [flat rear edge].

**2020**

MAIN FRAME & FLOORS, 30 FT, BPIN CBJ020701



## MAIN FRAME &amp; FLOORS, 30 FT, BPIN CBJ020701

REF	FN	PART NUMBER	YR/SN	QTY	DESCRIPTION
15		767186		13	NUT
16		605838		24	CLAMP
17		29711		24	SPACER
18		285072		28	WASHER, 13/32" ID x 7/8" OD, Hardened
19		66272		24	CHAIN
20	1	86552870		2	PLATE, Protective
20	2	87040632		2	PLATE, Protective
21		694371		24	SPACER
22		87015647		1	ROD, SENSOR LH
23		766675		11	SUPPORT
24		87015649		1	ROD, SENSOR RH
25		850556		1	SUPPORT, RH
26		87015615		1	CUTTERBAR
27		87020192		1	PLATE, RH
28		86979433		1	ANGLE
29		9635884		24	BOLT, Hex, 5/16"-18 x 1", G5, Full Thd
30		280655		4	BOLT, Hex, 3/8"-24 x 1 1/2", G8
31		445394		14	RIVET, 3/16" x 1/2"
32		87260		24	SCREW, Slotted Truss Hd, 3/8"-16 x 1 1/4"
33		86508773		94	BOLT, CARRIAGE, Short NK, 3/8"-16 x 1 1/4", G5
34		88530		13	BOLT, CARRIAGE, Short NK, 1/2"-13 x 1 3/4", G5
35		280497		32	BOLT, CARRIAGE, Short NK, 5/16"-18 x 3/4", G5, Full Thd
36		86512446		6	BOLT, Short NK, M10 x 30, Cl.8, Full Thd
37		80975		4	SET SCREW, Hex Soc, 5/16"-18 x 1/4"
38		80755		26	PIN, SPLIT (COTTER), 1/8" x 1"
39		80664		24	WASHER, 5/16"
40		87366		13	WASHER, 7/8", SAE
41		322358		2	WASHER, SPRING, Belleville, M8
42		140045		6	WASHER, SPRING, Belleville, M10
43		80680		94	WASHER, LOCK, 3/8"
44		87010		13	WASHER, LOCK, Int Tooth, 7/8"
45		9635082		2	NUT, 5/16"-18, G5

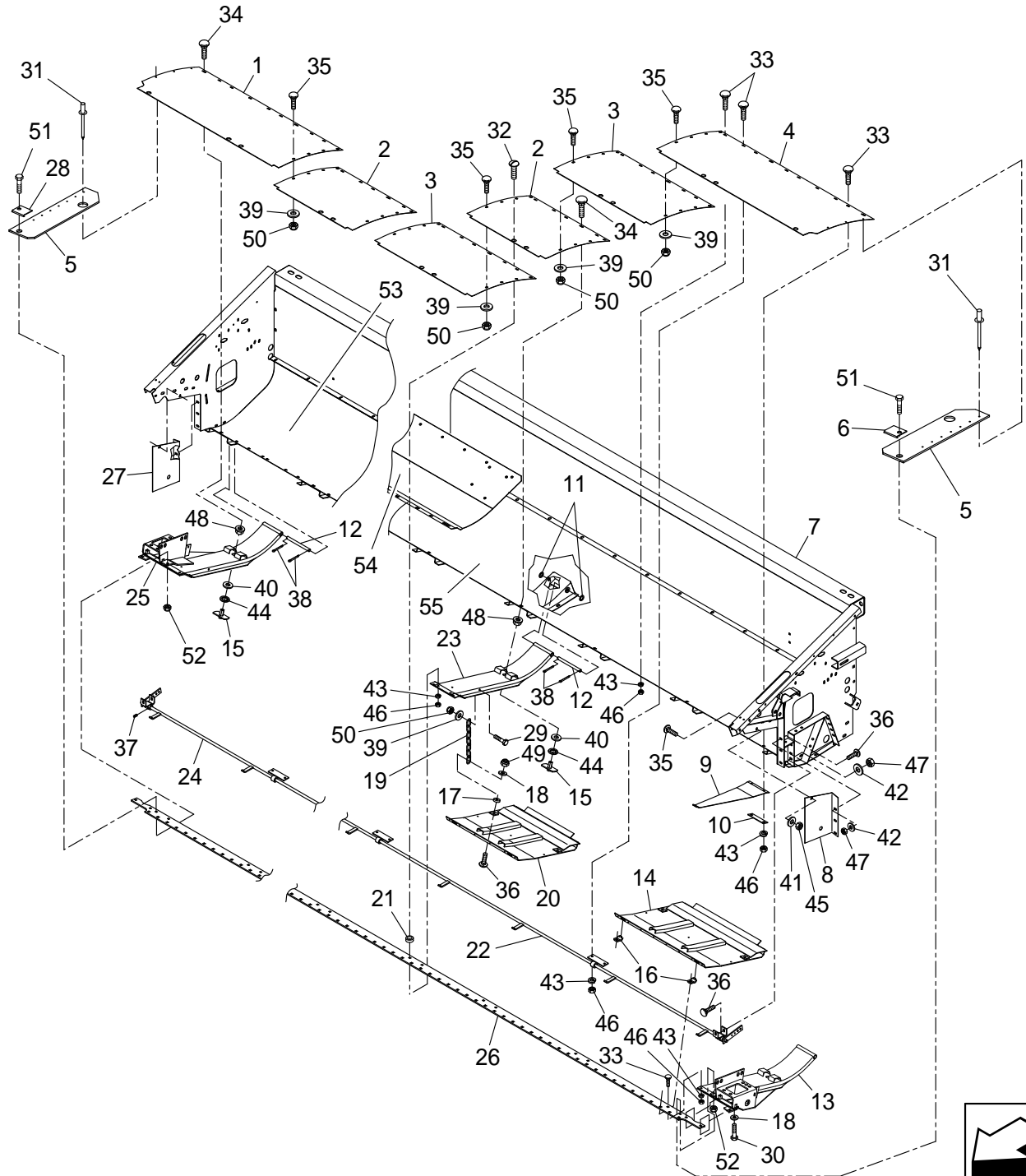
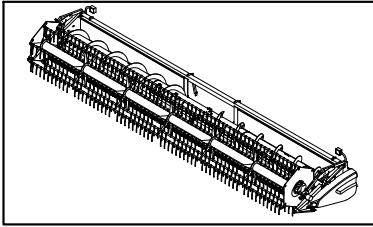
(1) BPIN CBJ020001[Includes all HAJ PIN's]

(2) PIN CBJ020001 and later

Ref's 1 to 4 may be replaced individually by original parts but if no longer in stock, all four Ref's should be replaced with "CBJ020287" parts [flat rear edge].

**2020**

MAIN FRAME & FLOORS, 30 FT, BPIN CBJ020701



## MAIN FRAME &amp; FLOORS, 30 FT, BPIN CBJ020701

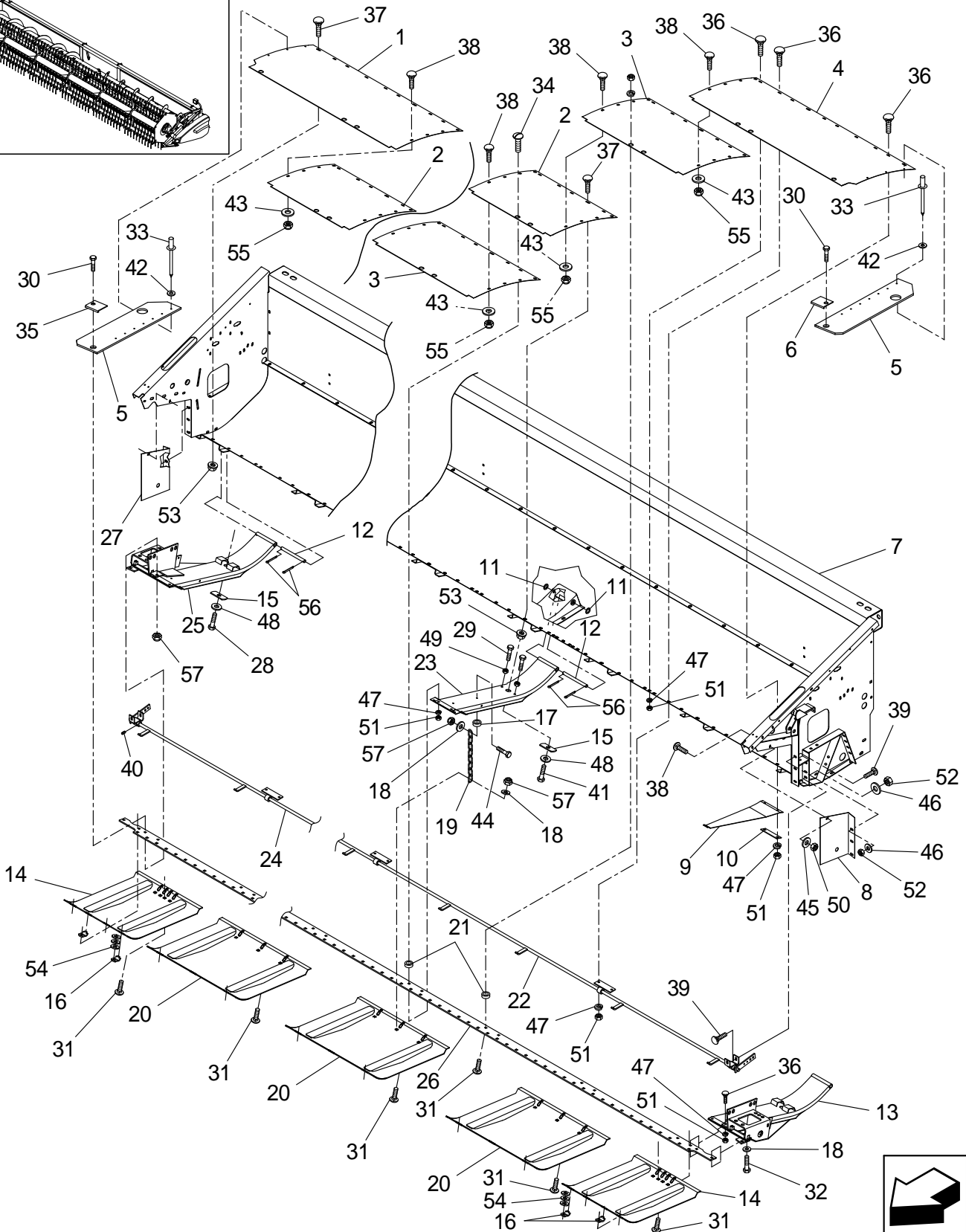
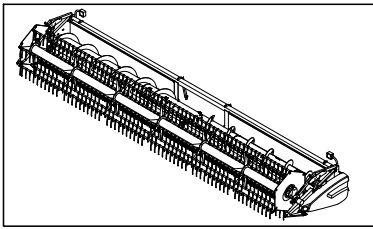
REF	FN	PART NUMBER	YR/SN	QTY	DESCRIPTION
46		9628503		94	NUT, 3/8"-16, G5
47		100016		6	NUT, M10, CI 8
48		86512371		13	NUT, Flg, USR, 1/2"-13
49		280129		6	NUT, LOCK, 1/4"-20, GC
50		231-4145		54	NUT, LOCK, 5/16"-18, GB
51		120068		2	SCREW, Hex, M10 x 40, 8.8, Full Thd
52		100037		2	NUT, M10 x 1.5, CI 8
53	1			1	Floor, Rear, RH
54	1			1	Floor, Rear, Center
55	1			1	Floor, Rear, LH

(1) See Figure 20.12A

Ref's 1 to 4 may be replaced individually by original parts but if no longer in stock, all four Ref's should be replaced with "CBJ020287" parts [flat rear edge].

**2020**

MAIN FRAME & FLOORS, 30 FT, PIN CBJ020701 AND AFTER

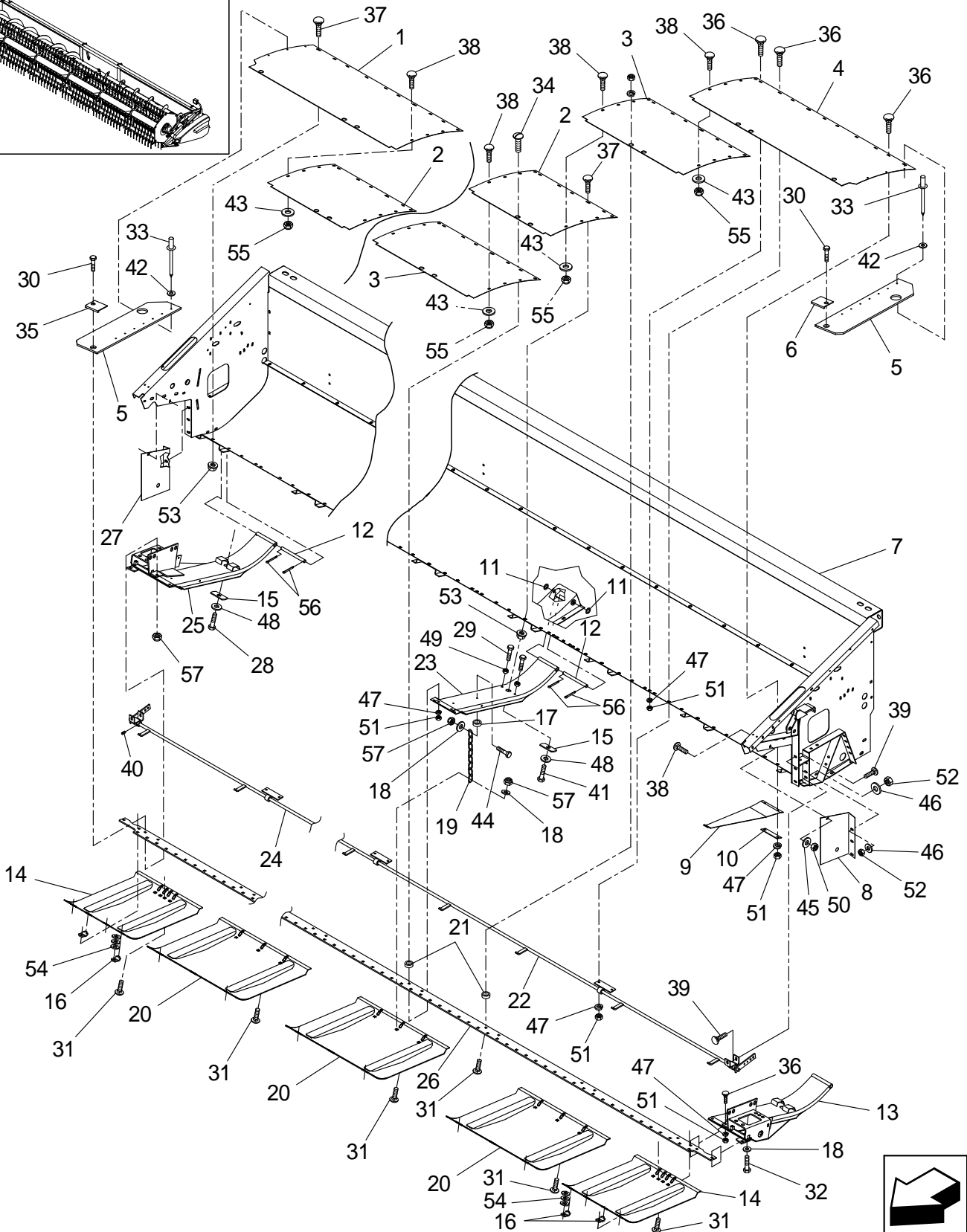
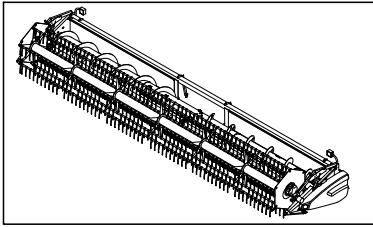


## MAIN FRAME &amp; FLOORS, 30 FT, PIN CBJ020701 AND AFTER

REF	FN	PART NUMBER	YR/SN	QTY	DESCRIPTION
1		87055869		1	FLOOR, RH, 1187.5mm[46.8"] Wide
2		87055872		2	FLOOR, 647.7mm[25.5"] Wide
3		87055871		7	FLOOR, 800.1mm[31.5"] Wide
4		87055870		1	FLOOR, 1263.7mm[49.8"] Wide
5		86979436		2	PAD, RUBBER
6		86979434		1	ANGLE, LH
7		{87047066}		1	
8		87020190		1	PLATE, LH
9		606896		25	SPRING
10		145176		14	REINFORCEMENT
11		27697		26	WASHER, 21/32" ID, 1-1/16" OD, 1/16" Thk
12		518771		13	PIN, CLEVIS, 5/8" x 7-1/4"
13		850555		1	SUPPORT, LH
14		{87055072}		2	Steel, Fig 20.13.03 For Plastic Covers
15		{757921}		13	Clamp
16		605838		26	CLAMP
17		29711		13	SPACER
18		285072		30	WASHER, 3/8", Hard
19		66272		13	CHAIN
20		{87055078}		11	Steel, Fig 20.13.03 For Plastic Covers
21		694371		24	SPACER
22		87015647		1	ROD, Sensor, LH
23		{87051797}		11	
24		87015649		1	ROD, Sensor, RH
25		850556		1	SUPPORT, RH
26		87015615		1	CUTTERBAR
27		87020192		1	PLATE, RH
28		9706693		2	SCREW, Hex, M12 x 60, 8.8
29		86508583		22	SCREW, Hex, M16 x 35, 8.8
30		120068		2	SCREW, Hex, M10 x 40, 8.8, Full Thd
31		86633356		13	BOLT, Short NK, M10 x 25, Cl8.8, Full Thd
32		280655		4	BOLT, Hex, 3/8"-24 x 1 1/2", G8, Cap, HH, G8, 3/8"-16 x 1-1/2"
33		445394		14	RIVET, Pop, 3/16" x 1/2"
34		87260		24	SCREW, Slotted Truss Hd, 3/8"-16 x 1 1/4"

2020

MAIN FRAME & FLOORS, 30 FT, PIN CBJ020701 AND AFTER





**20.12.02**

2

p2

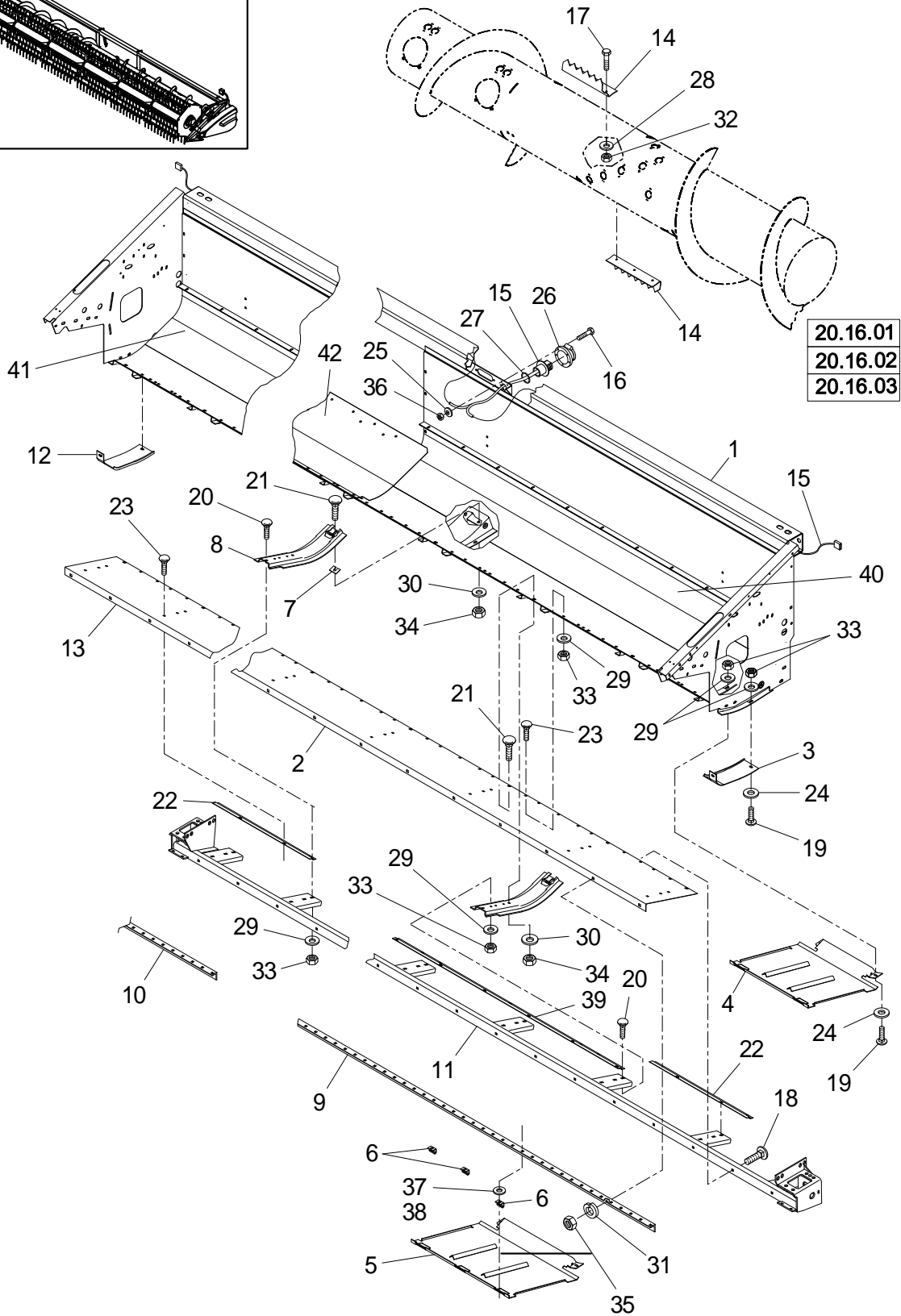
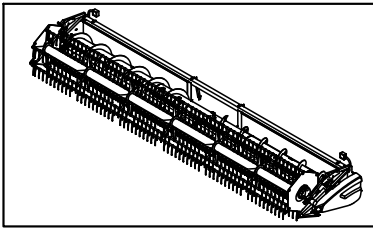
04/06

**MAIN FRAME & FLOORS, 30 FT, PIN CBJ020701 AND AFTER**

REF	FN	PART NUMBER	YR/SN	QTY	DESCRIPTION
35		86979433		1	ANGLE, RH
36		86508773		70	BOLT, CARRIAGE, Short NK, 3/8"-16 x 1 1/4", G5
37		{757919}		13	Short Neck, M12 x 1.75 x 16
38		280497		32	BOLT, CARRIAGE, Short NK, 5/16"-18 x 3/4", G5, Full Thd
39		86512446		6	BOLT, Short NK, M10 x 30, Cl8.8, Full Thd
40		80975		4	SET SCREW, Hex Soc, 5/16"-18 x 1/4"
41		9706702		11	SCREW, Hex, M12 x 50, 8.8
42		88612		14	WASHER, #10
43		80664		30	WASHER, 5/16"
44		412183		13	BOLT, CARRIAGE, Short NK, M10 x 35, Cl8.8, Full Thd
45		322358		2	WASHER, SPRING, Belleville, M8
46		140045		6	WASHER, SPRING, Belleville, M10
47		80680		94	WASHER, LOCK, 3/8"
48		140046		13	WASHER, LOCK, Belleville, M12
49		100095		22	NUT, Thin, M16 x 2, Cl 04
50		9635082		2	NUT, 5/16"-18, G5
51		9628503		94	NUT, 3/8"-16, G5
52		100016		6	NUT, M10, Cl 8
53		{757918}		13	CL 8 x M12 x 1.75 x 24
54		87363		6	WASHER, 7/16", SAE
55		86629544		30	NUT, LOCK, 5/16"-18, GB
56		80755		26	PIN, SPLIT (COTTER), 1/8" x 1"
57		100037		28	NUT, M10 x 1.5, Cl 8

**2020**

MAIN FRAME & FLOORS, 20 FT, 25 FT & 30 FT



## MAIN FRAME &amp; FLOORS, 20 FT, 25 FT &amp; 30 FT

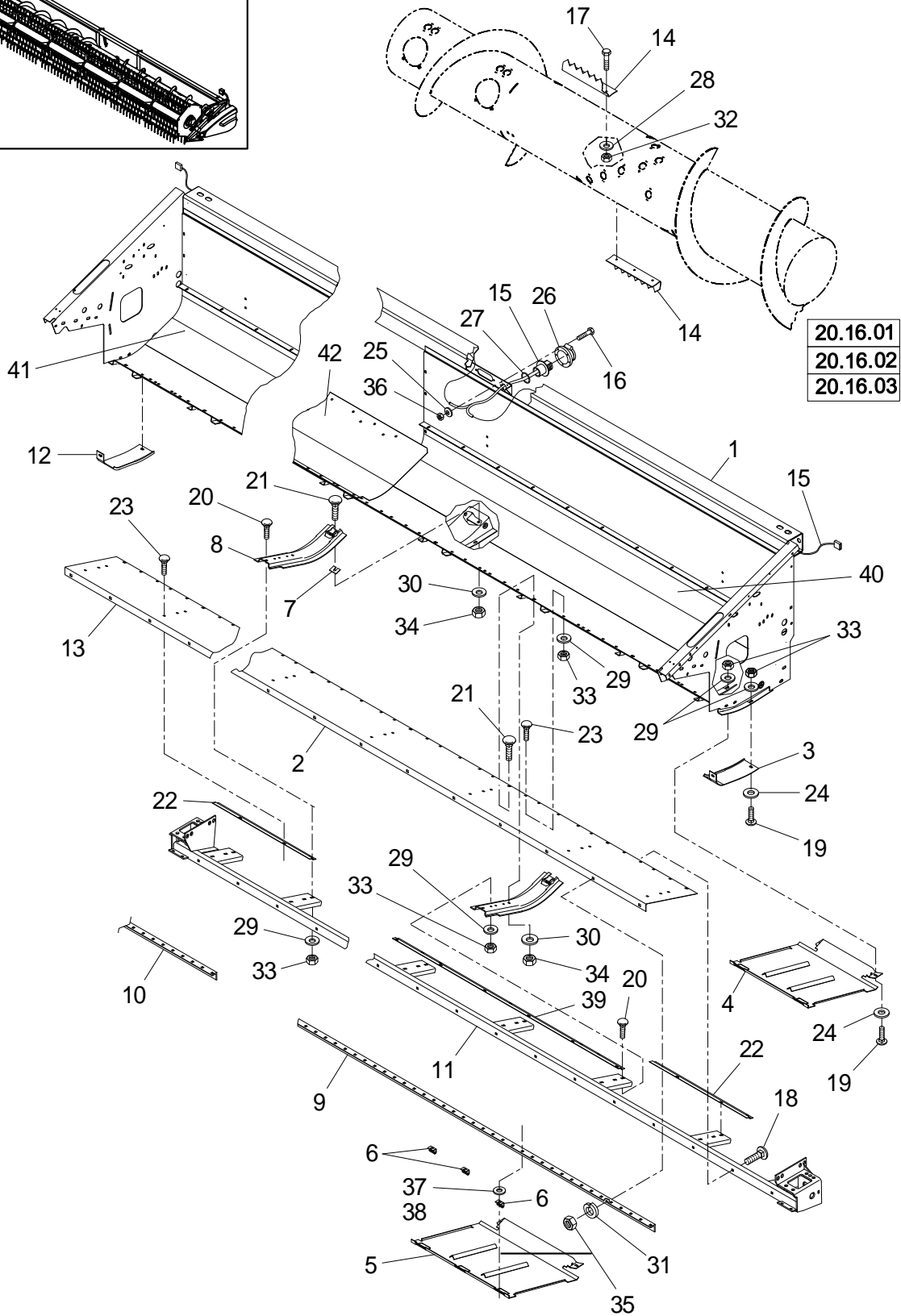
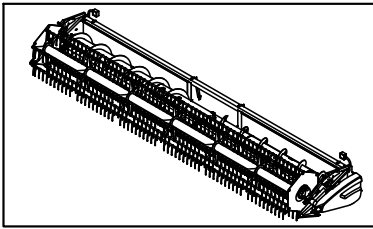
REF	FN	PART NUMBER	YR/SN	QTY	DESCRIPTION
1	1	87041269		1	FRAME ASSY, 20 Ft, [Also requires Ref 2 & 5 channel shape Figure 20.12.06]
1	2	87041269		1	FRAME ASSY, 20 Ft, New Rear Floor
1	3	87047073		1	FRAME ASSY, 20 Ft, New Reel
1	1	87041272		1	FRAME ASSY, 25 Ft, [Also requires Ref 10 Figure 20.12.06]
1	2	87041272		1	FRAME ASSY, 25 Ft, New Rear Floor
1	3	87047070		1	FRAME ASSY, 25 Ft, New Reel
1	1	87041275		1	FRAME ASSY, 30 Ft, [Also requires Figure 20.12.06]
1	2	87041275		1	FRAME ASSY, 30 Ft, New Rear Floor
1	3	87047067		1	FRAME ASSY, 30 Ft, New Reel
2		86553421		1	FLOOR, LH, Front, 20 Ft, See Figure Note
2		86553423		1	FLOOR, LH, Front, 25 Ft, See Figure Note
2		86553425		1	FLOOR, LH, Front, 30 Ft, See Figure Note
3		611759		1	PLATE, End, Protection, LH
4		782109		2	PLATE, Protective, 30 Ft
5		782111		AR	PLATE, Qty (4) 20 Ft, (6) 25 Ft & (22) 30 Ft
6		606411		AR	CLIP, Qty (12) 20 Ft, (18) 25 Ft & (22) 30 Ft
7		606230		AR	SHIM, 0.060" Thick, Qty (27) 20 Ft, (33) 25 Ft & (39) 30 Ft
8		9806438		AR	CHANNEL, Middle, Qty (9) 20 Ft, (11) 25 Ft & (13) 30 Ft
9		87015636		1	ANGLE, 20 Ft
9		87015634		1	ANGLE, 25 Ft
9		87015619		1	ANGLE, 30 Ft
10					Not Required, 20 Ft
10		87015632		1	ANGLE, RH, 25 Ft
10		87015617		1	ANGLE, RH, 30 Ft
11		87015660		1	CUTTERBAR, 20 Ft
11		87015656		1	CUTTERBAR, 25 Ft
11		87015654		1	CUTTERBAR, 30 Ft
12		611760		1	PLATE, End Protection, RH

(1) BPIN CBJ020001[Includes all HAJ PIN's]  
(2) PIN CBJ020001 to CBJ020204  
(3) PIN CBJ020205 and later

Ref 2 & 13 were revised to the parts currently listed for use on headers PIN CBJ020306 and after. These floors are flat. Previous floors had a bent offset at the rear edge and required Ref 22 and 39. If Ref 2 or 13 [BPIN CBJ020306] require replacement, replace both with parts currently shown and delete Ref 22 & 39.

**2010**

MAIN FRAME & FLOORS, 20 FT, 25 FT & 30 FT



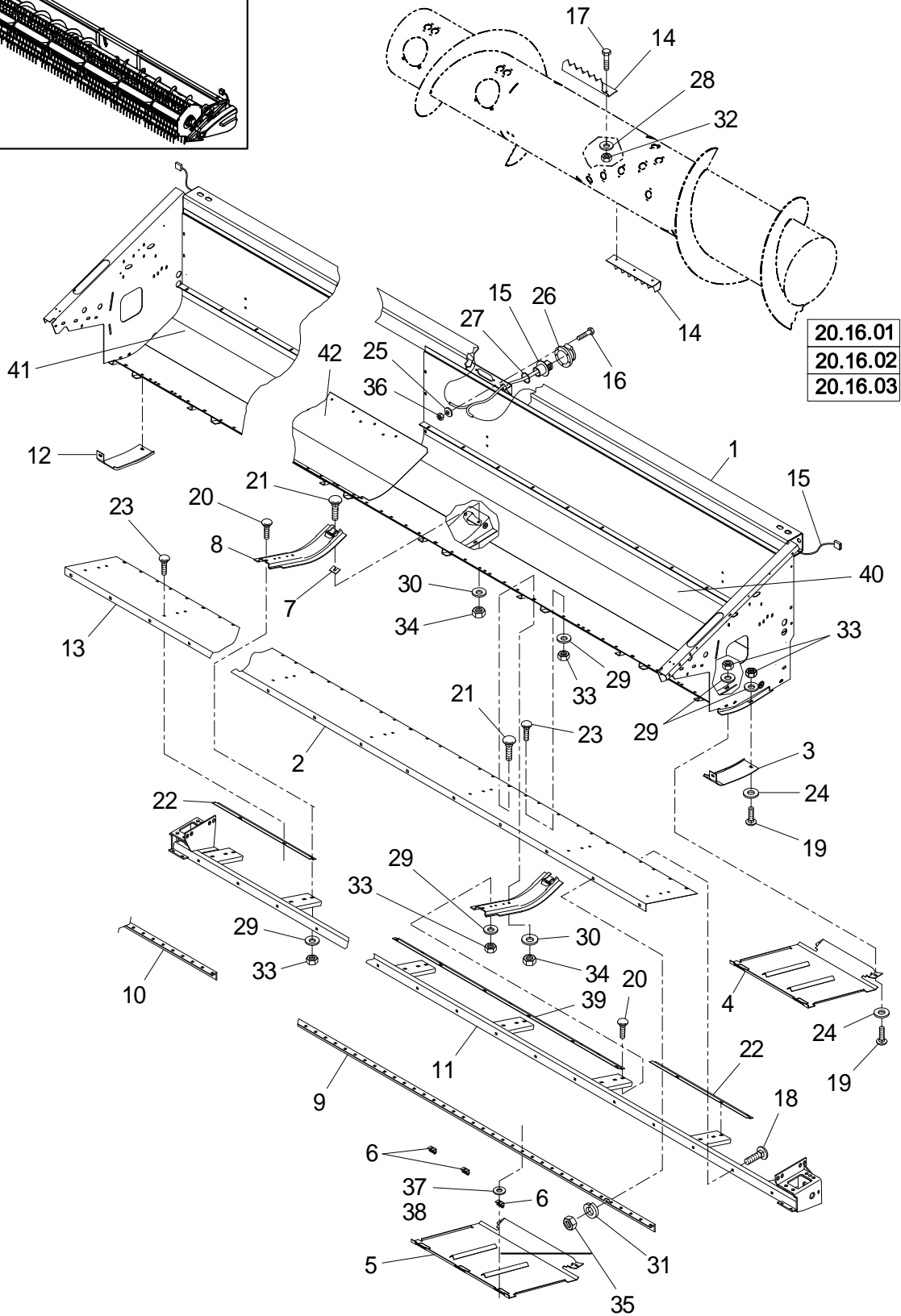
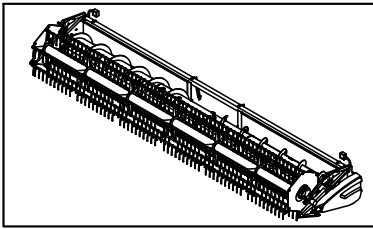
## MAIN FRAME &amp; FLOORS, 20 FT, 25 FT &amp; 30 FT

REF	FN	PART NUMBER	YR/SN	QTY	DESCRIPTION
13		86553422		1	FLOOR, RH, Front, 20 Ft, See Figure Note
13		86553424		1	FLOOR, RH, Front, 25 Ft, See Figure Note
13		86553426		1	FLOOR, RH, Front, 30 Ft, See Figure Note
14		87019394		2	SWEEP
15		87024769		1	HARNESS, WIRE, Header
16		120098		4	SCREW, Hex, M5 x 20, 8.8, Full Thd
17		43127		6	BOLT, Hex, M8 x 25, 8.8
18		86508777		AR	BOLT, CARRIAGE, Short NK, 7/16"-14 x 1 1/4", G5, Qty (20) 20 Ft, (26) 25 Ft & (31) 30 Ft
19		43139		AR	SCREW, Hex, M10 x 25, 8.8, Full Thd
20		338949		AR	SCREW, Short NK, M10 x 25, CI8.8, Full Thd, Qty (18) 20 Ft, (22) 25 Ft & (26) 30 Ft
21		120044		AR	BOLT, Short NK, M12 x 30, CI8.8, Full Thd, Qty (18) 20 Ft, (22) 25 Ft & (26) 30 Ft
22		86837207		2	BRACKET, 20 Ft & 30 Ft, LH & RH
23		120041		AR	BOLT, CARRIAGE, Short NK, M10 x 20, CI8.8, Full Thd, Qty (47) 20 Ft, (59) 25 Ft & (80) 30 Ft
24		80702		AR	WASHER, 3/8"
25		322356		4	WASHER, LOCK, M5
26		86606228		1	COVER
27		84037188		1	O-RING, 34mm ID, 40mm OD, 3mm
28		322358		6	WASHER, SPRING, Belleville, M8
29		140045		AR	WASHER, SPRING, Belleville, M10, Qty (83) 20 Ft, (110) 25 Ft & (132) 30 Ft
30		140046		AR	WASHER, LOCK, Belleville, M12, Qty (18) 20 Ft, (22) 25 Ft & (26) 30 Ft
31		81547		AR	WASHER, LOCK, 7/16"
32		9706690		6	NUT, M8, CI 8
33		100016		AR	NUT, M10, CI 8
34		9706685		AR	NUT, M12, CI 8
35		280717		AR	NUT, 7/16"-14, G5, (20) 20 Ft, (26) 25 Ft & (31) 30 Ft
36		86508813		4	NUT, M4, CI 8, M5 x 0.8
37		27697		AR	WASHER, 5/8", 1/16" Thick, LH Side Only, Qty [22] 20 Ft, [13] 25 Ft, [18] 30 Ft

Ref 2 & 13 were revised to the parts currently listed for use on headers PIN CBJ020306 and after. These floors are flat. Previous floors had a bent offset at the rear edge and required Ref 22 and 39. If Ref 2 or 13 [BPIN CBJ020306] require replacement, replace both with parts currently shown and delete Ref 22 & 39.

**2010**

MAIN FRAME & FLOORS, 20 FT, 25 FT & 30 FT



## MAIN FRAME &amp; FLOORS, 20 FT, 25 FT &amp; 30 FT

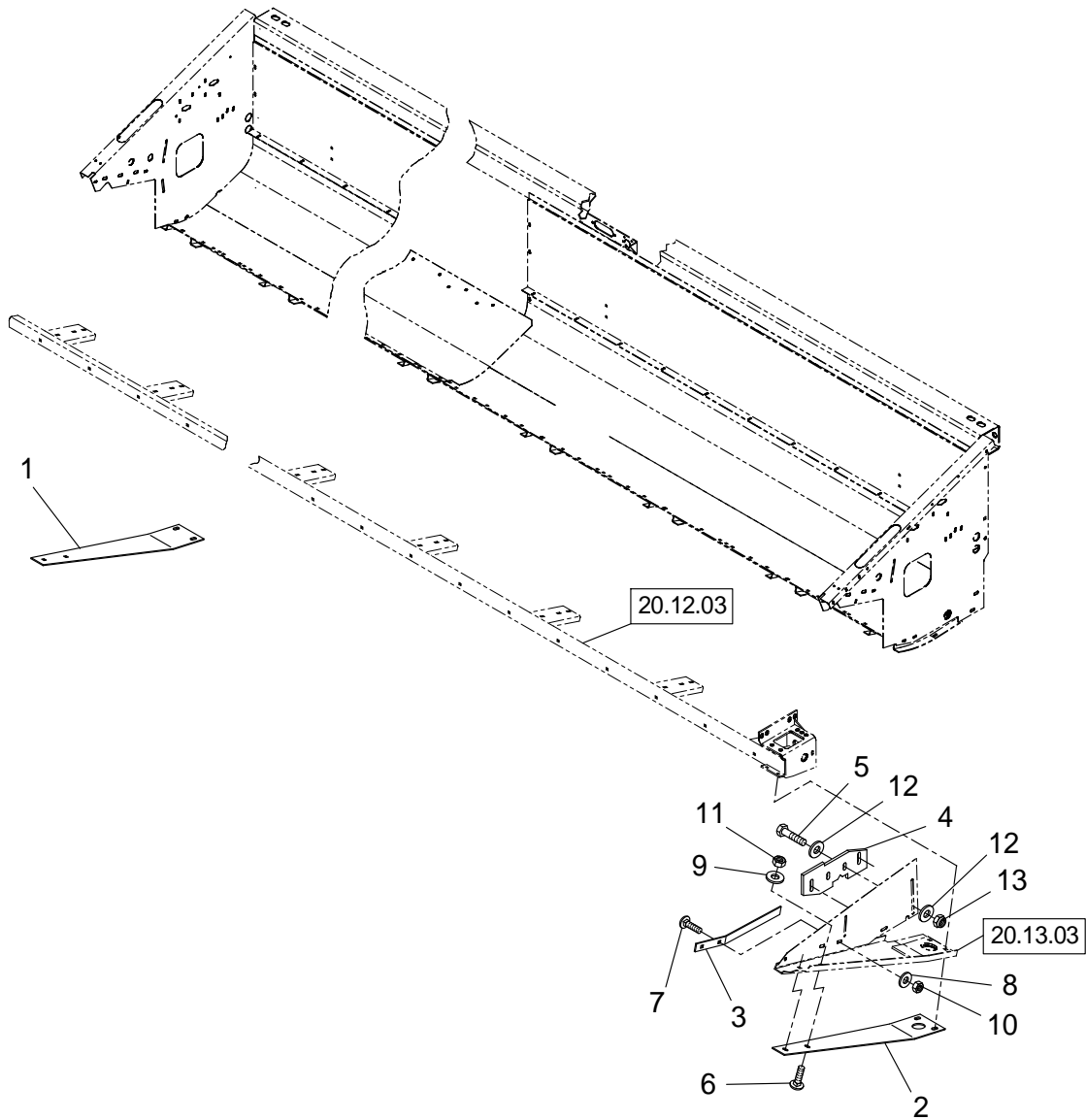
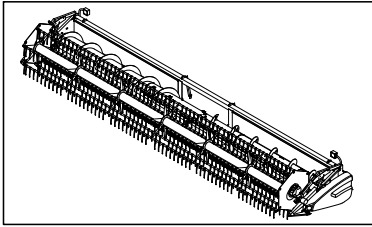
REF	FN	PART NUMBER	YR/SN	QTY	DESCRIPTION
38		781316		AR	WASHER, 21/32" ID x 1-1/8" OD x 0.135", RH Side Only, Qty [15] 25 Ft, [16] 30 Ft
39		86837205		1	BRACKET, 20 Ft Header
39		86837205		3	BRACKET, 25 Ft & 30 Ft Headers
40	1			1	Floor LH, 20 Ft, 25 Ft & 30 Ft
41	1			1	Floor RH, 20 Ft, 25 Ft & 30 Ft
42	1			1	Floor, Center, 20 Ft, 25 Ft & 30 Ft

(1) See Figure 20.12A

Ref 2 & 13 were revised to the parts currently listed for use on headers PIN CBJ020306 and after. These floors are flat. Previous floors had a bent offset at the rear edge and required Ref 22 and 39. If Ref 2 or 13 [BPIN CBJ020306] require replacement, replace both with parts currently shown and delete Ref 22 & 39.

**2010**

MAIN FRAME ADDITIONS, RICE, 20 FT AND 25 FT



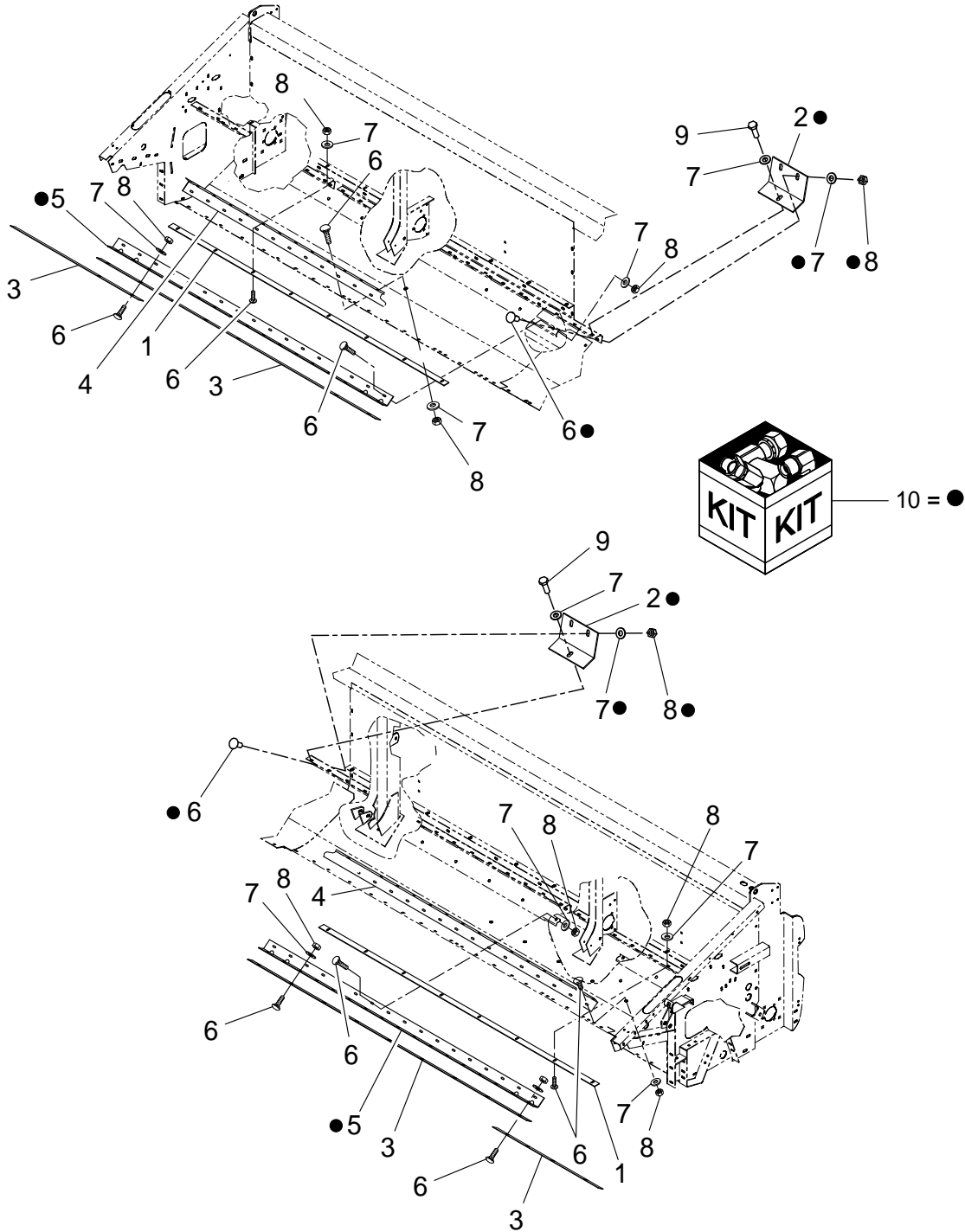
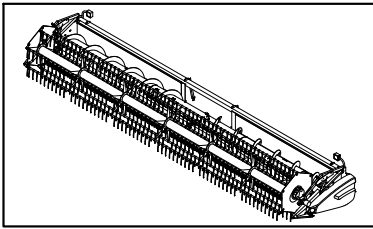


## MAIN FRAME ADDITIONS, RICE, 20 FT AND 25 FT

REF	FN	PART NUMBER	YR/SN	QTY	DESCRIPTION
1		610813		1	SHOE, Wear, RH, 20 Ft Only
2		610811		2	SHOE, Wear, LH & RH 25 Ft, Qty [1] 20 Ft LH
3		798812		2	GUIDE, Crop
4		798813		2	KNIFE, Stripper
5		814-8025		6	BOLT, Hex, M8 x 25, 8.8
6		86512446		2	BOLT, Short NK, M10 x 30, Cl8.8, Full Thd
7		86507486		4	BOLT, CARRIAGE, Short NK, M8 x 20, Cl8.8, Full Thd
8		322358		4	WASHER, SPRING, Belleville, M8
9		140045		2	WASHER, SPRING, Belleville, M10
10		9706690		4	NUT, M8, Cl 8
11		100016		2	NUT, M10, Cl 8
12		495-21038		6	WASHER, 5/16"
13		9628098		6	NUT, LOCK, M8 x 1.25", Cl 8, CL 10, M8 x 1.25

2010

AUGER STRIPPERS



## AUGER STRIPPERS

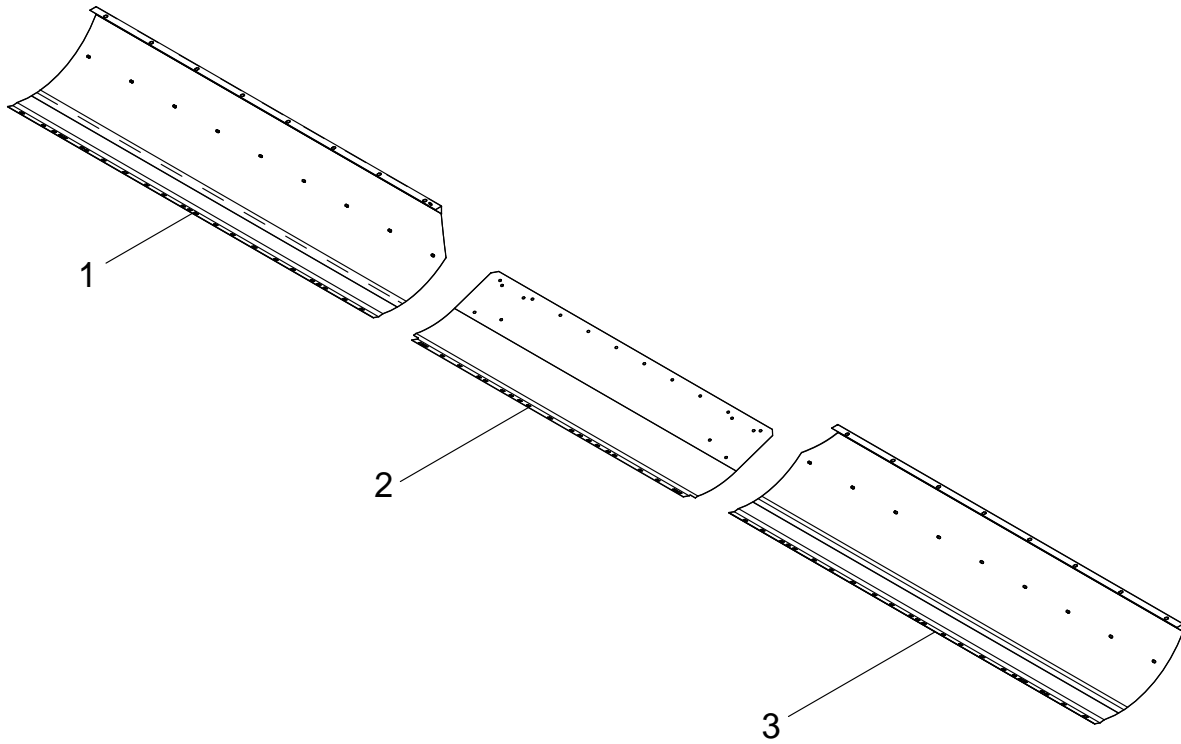
REF	FN	PART NUMBER	YR/SN	QTY	DESCRIPTION
1		86639572		2	PLATE, Stripper, 20 Ft
1		86639570		2	BAR, Stripper, 25 Ft
1		86639568		2	PLATE, Stripper, 30 Ft
2	1	87019230		2	BRACKET, 90° Shape
2	2	87022313		2	BRACKET, Channel Shape
3		87019341		2	STRIP, Stripper, 20 Ft
3		87019310		4	STRIP, Stripper, 25 Ft
3		87019228		4	STRIP, Stripper, 30 Ft
4		87022192		2	ANGLE, Stripper, 20 Ft
4		87022099		2	ANGLE, Stripper, 25 Ft
4		87022153		2	ANGLE, Stripper, 30 Ft
5	1	87019339		2	ANGLE, Stripper, 90° Shape, 20 Ft
5	1	87019308		2	ANGLE, Stripper, 90° Shape, 25 Ft
5	1	87019226		2	ANGLE, Stripper, 90° Shape, 30 Ft
5	2	87022318		2	BRACKET, Stripper, Channel Shape, 20 Ft
5	2	87022315		2	BRACKET, Stripper, Channel Shape, 25 Ft
5	2	87019945		2	ANGLE, Stripper, Channel Shape, 30 Ft
6		86619060		AR	BOLT, CARRIAGE, Short NK, M8 x 16, Cl8.8, Full Thd, Qty 54 [20 Ft], 112 [25 Ft], 136 [30 Ft]
7		322358		AR	WASHER, SPRING, Belleville, M8, Qty 54 [20 Ft], 112 [25 Ft], 136 [30 Ft]
8		89706690		AR	NUT, M8 x 1.25; Qty 54 [20 Ft], 112 [25 Ft], 136 [30 Ft]
9		43127		4	BOLT, Hex, M8 x 25, 8.8
10	2	87038438		AR	KIT, REPAIR, Strippers, 25 Ft
10	2	87038439		AR	KIT, REPAIR, Strippers, 30 Ft

(1) BPIN CBJ020001[Includes all HAJ PIN's]

(2) PIN CBJ020001 and later

**2010 2020**

REAR FLOOR REPLACEMENT



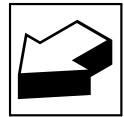
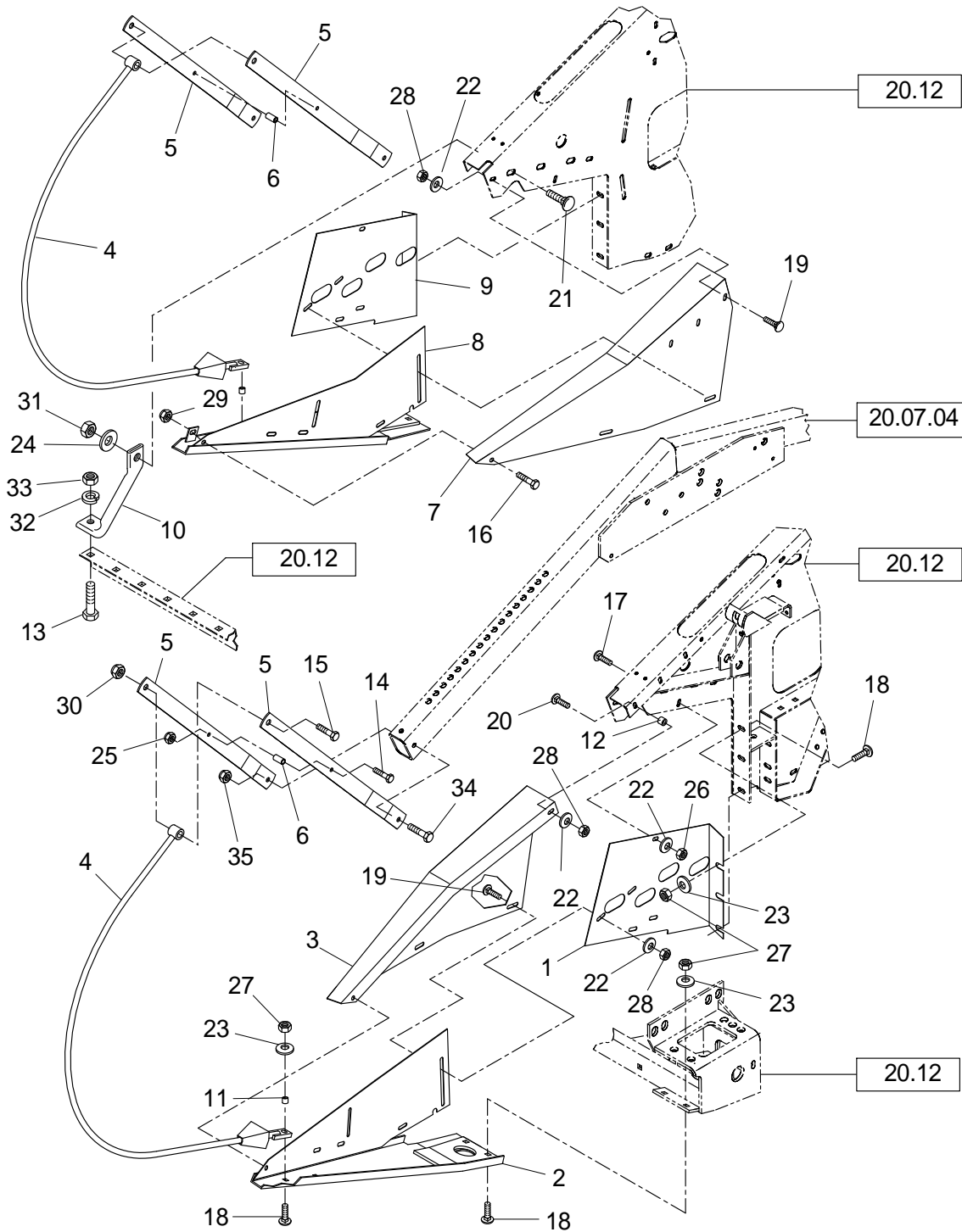
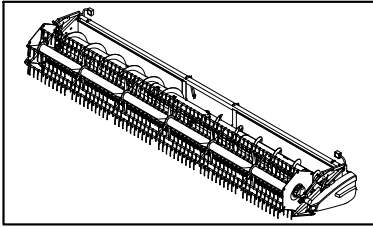
REAR FLOOR REPLACEMENT

REF	FN	PART NUMBER	YR/SN	QTY	DESCRIPTION
1		87016900		1	FLOOR, RH, 20 Ft
1		87016903		1	FLOOR, RH, 25 Ft
1		87016865		1	FLOOR, RH, 30 Ft
2		86837456		1	SHEET, Middle, 20 Ft, 25 Ft & 30 Ft
3		87016899		1	FLOOR, LH, 20 Ft
3		87016902		1	FLOOR, LH, 25 Ft
3		87016864		1	FLOOR, LH, 30 Ft

Stripper parts moved to 20.12.06.

**2010 2020**

DIVIDER POINT, 20 FT



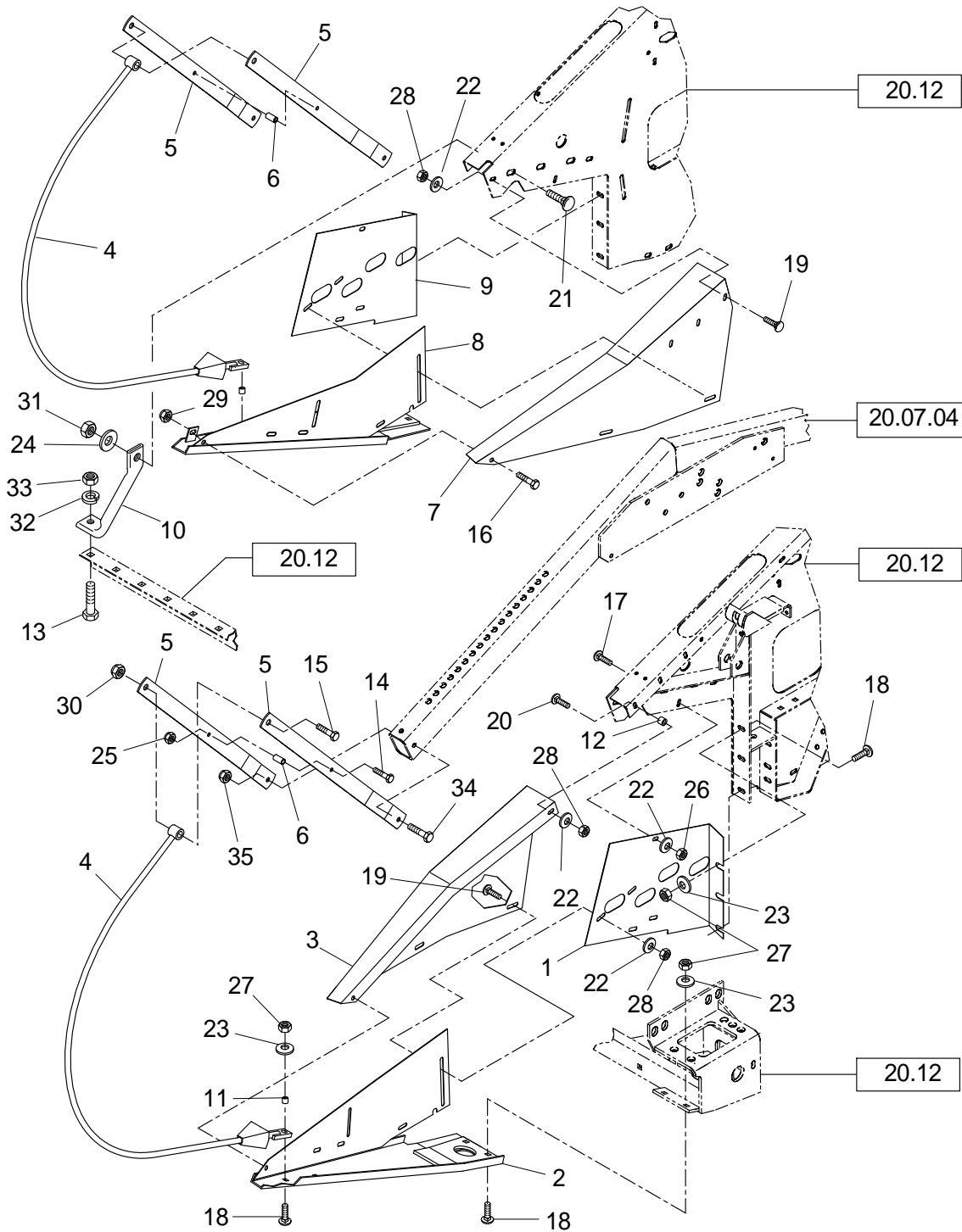
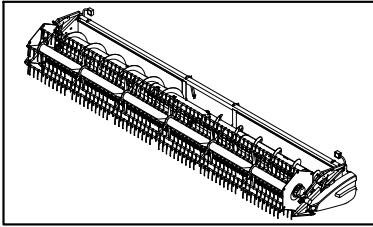
## DIVIDER POINT, 20 FT

REF	FN	PART NUMBER	YR/SN	QTY	DESCRIPTION
1		87017634		1	PLATE, LH
2		87017628		1	DIVIDER, LH
3		87017629		1	SHIELD, LH
4		694747		2	DIVIDER
5		626667		4	DIVIDER, Arm
6		856964		2	BUSHING, Spacer
7		87017630		1	SHIELD, RH
8		87017631		1	DIVIDER, RH
9		87017632		1	PLATE, RH
10		782160		1	BRACKET
11		86633335		2	SPACER
12		86589143		2	SPACER
13		9637916		1	BOLT, Hex, 7/16"-14 x 1 1/2", G5
14		43130		2	SCREW, Hex, M8 x 50, 8.8
15		9706702		2	SCREW, Hex, M12 x 50, 8.8
16		120070		2	BOLT, Hex, M10 x 60, 8.8
17		280497		2	BOLT, CARRIAGE, Short NK, 5/16"-18 x 3/4", G5, Full Thd
18		86512446		10	BOLT, Short NK, M10 x 30, CI8.8, Full Thd
19		86507486		6	BOLT, CARRIAGE, Short NK, M8 x 20, CI8.8, Full Thd
20		120038		2	BOLT, CARRIAGE, Short NK, M8 x 30, CI8.8, Full Thd
21		120044		1	BOLT, Short NK, M12 x 30, CI8.8, Full Thd
22		322358		10	WASHER, SPRING, Belleville, M8
23		140045		10	WASHER, SPRING, Belleville, M10
24		140046		1	WASHER, LOCK, Belleville, M12
25		86629542		3	NUT, M8 x 1.25", CI 8
26		9635082		2	NUT, 5/16"-18, G5
27		100016		10	NUT, M10, CI 8
28		9706690		8	NUT, M8, CI 8
29		100037		2	NUT, M10 x 1.5, CI 8
30		100038		2	NUT, LOCK, M12 x 1.75, CI 8
31		9706685		1	NUT, M12, CI 8
32		81547		1	WASHER, LOCK, 7/16"
33		280717		1	NUT, 7/16"-14, G5
34		43144		1	SCREW, Hex, M10 x 70, 8.8

Loop, Ref 4, is optional for Flexible Header.

**2010**

DIVIDER POINT, 20 FT





**20.13.01**

p2

04/06

DIVIDER POINT, 20 FT

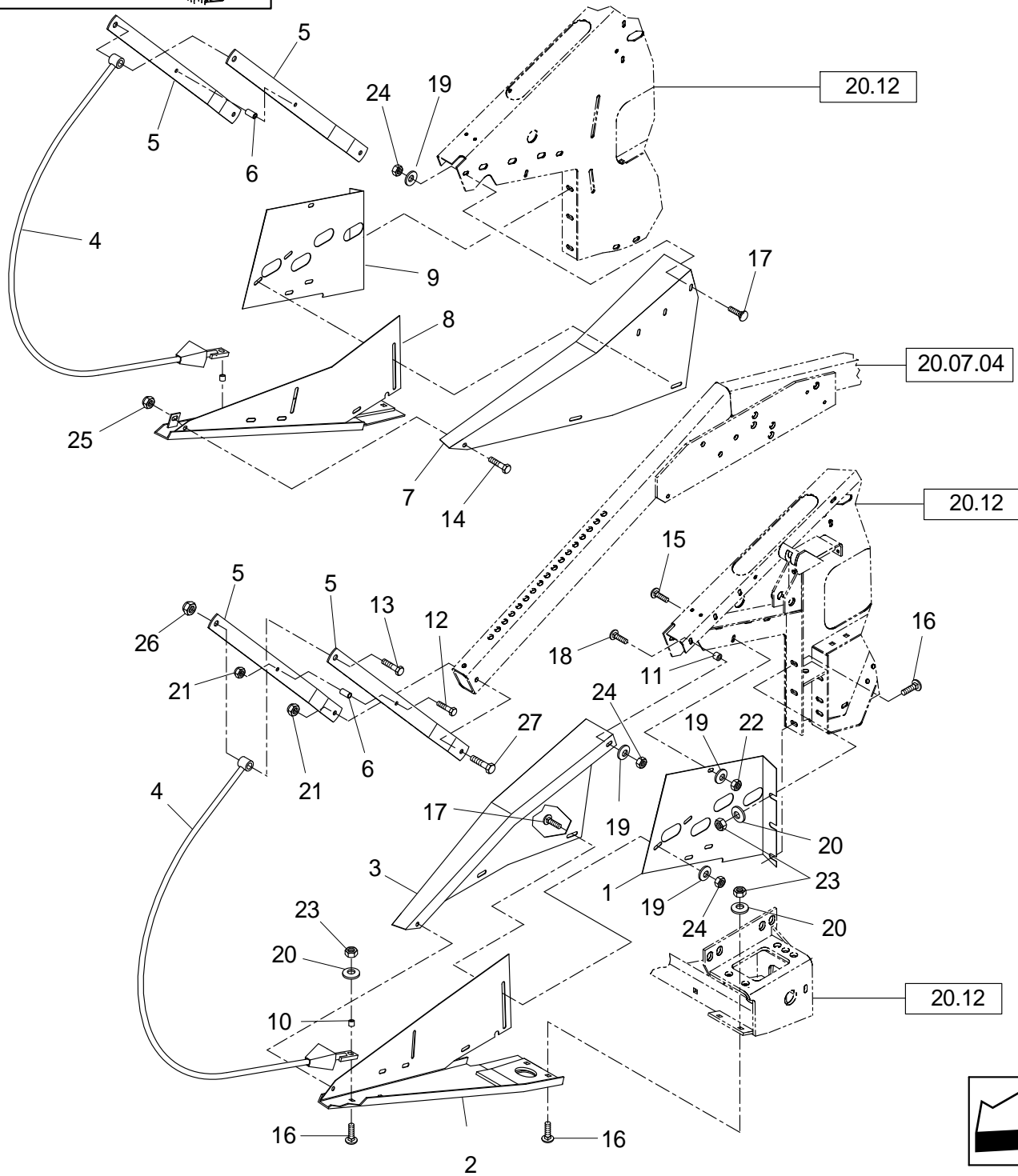
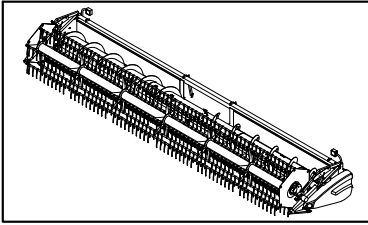
REF	FN	PART NUMBER	YR/SN	QTY	DESCRIPTION
-----	----	-------------	-------	-----	-------------

35		100037		1	NUT, M10 x 1.5, Cl 8
----	--	--------	--	---	----------------------

Loop, Ref 4, is optional for Flexible Header.

**2010**

DIVIDER POINT, 25 FT & 30 FT



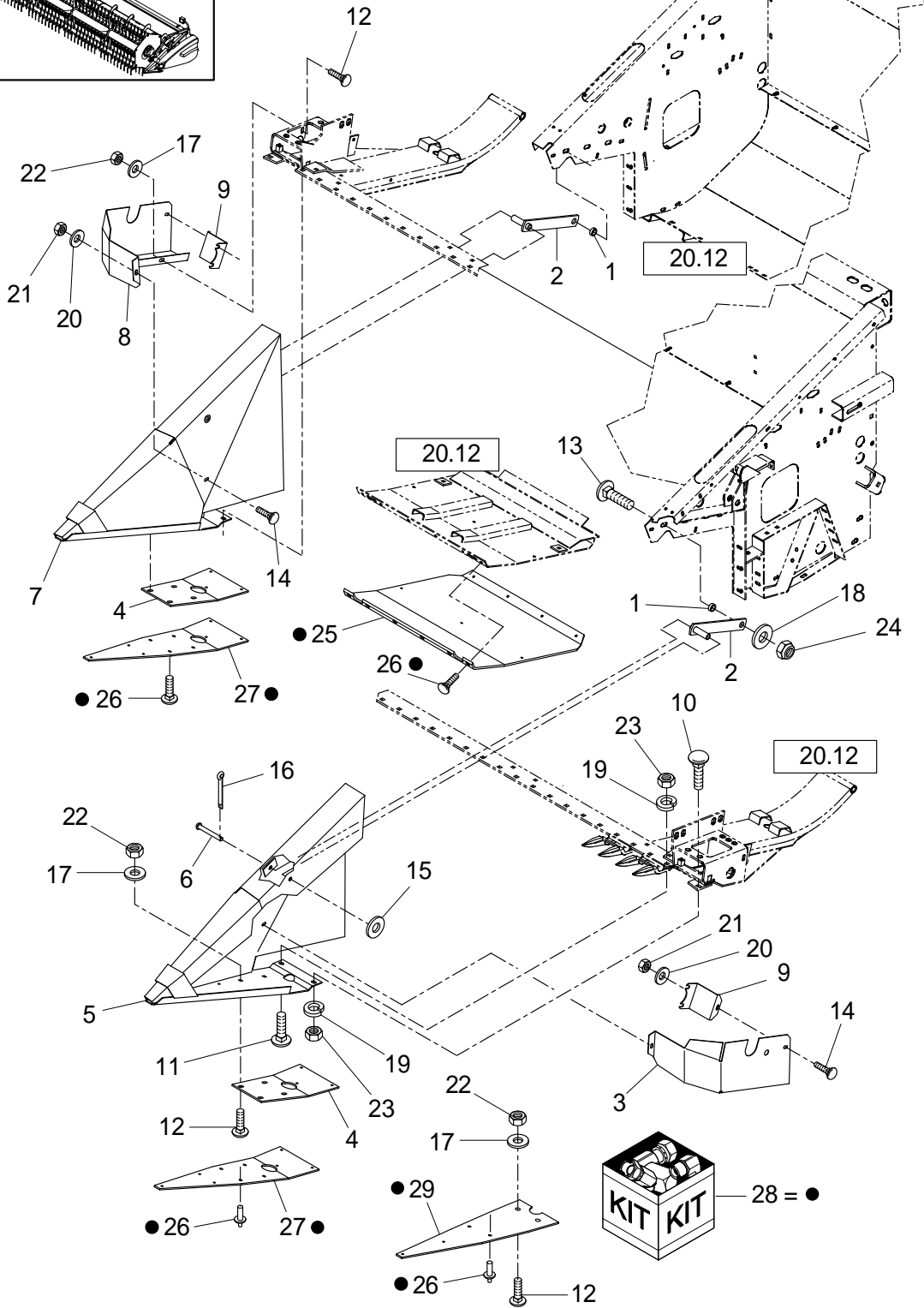
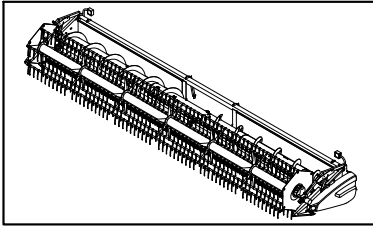
## DIVIDER POINT, 25 FT &amp; 30 FT

REF	FN	PART NUMBER	YR/SN	QTY	DESCRIPTION
1		87017634		1	PLATE, LH
2		87017628		1	DIVIDER, LH
3		87017629		1	SHIELD, LH
4		694747		2	DIVIDER
5		626667		4	DIVIDER, Arm
6		856964		2	BUSHING
7		87017630		1	SHIELD, RH
8		87017635		1	DIVIDER, RH
9		87017636		1	PLATE, RH
10		86633335		2	SPACER
11		86589143		2	SPACER
12		43130		2	SCREW, Hex, M8 x 50, 8.8
13		9706702		2	SCREW, Hex, M12 x 50, 8.8
14		120070		2	BOLT, Hex, M10 x 60, 8.8
15		280497		2	BOLT, CARRIAGE, Short NK, 5/16"-18 x 3/4", G5, Full Thd
16		86512446		10	BOLT, Short NK, M10 x 30, CI8.8, Full Thd
17		86507486		6	BOLT, CARRIAGE, Short NK, M8 x 20, CI8.8, Full Thd
18		120038		2	BOLT, CARRIAGE, Short NK, M8 x 30, CI8.8, Full Thd
19		322358		10	WASHER, SPRING, Belleville, M8
20		140045		10	WASHER, SPRING, Belleville, M10
21		126712A1		2	TUBE, Prevailing Torque, CL 9, M8 x 1.25
22		9635082		2	NUT, 5/16"-18, G5
23		100016		10	NUT, M10, CI 8
24		9706690		8	NUT, M8, CI 8
25		100037		2	NUT, M10 x 1.5, CI 8
26		100038		2	NUT, LOCK, M12 x 1.75, CI 8
27		43133		1	SCREW, Hex, M8 x 80, 8.8

Loop, Ref 4, is optional for Flexible Header.

**2010**

DIVIDER POINT & SKID SHOES, 20 FT, 25 FT & 30 FT



## DIVIDER POINT &amp; SKID SHOES, 20 FT, 25 FT &amp; 30 FT

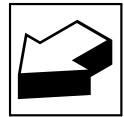
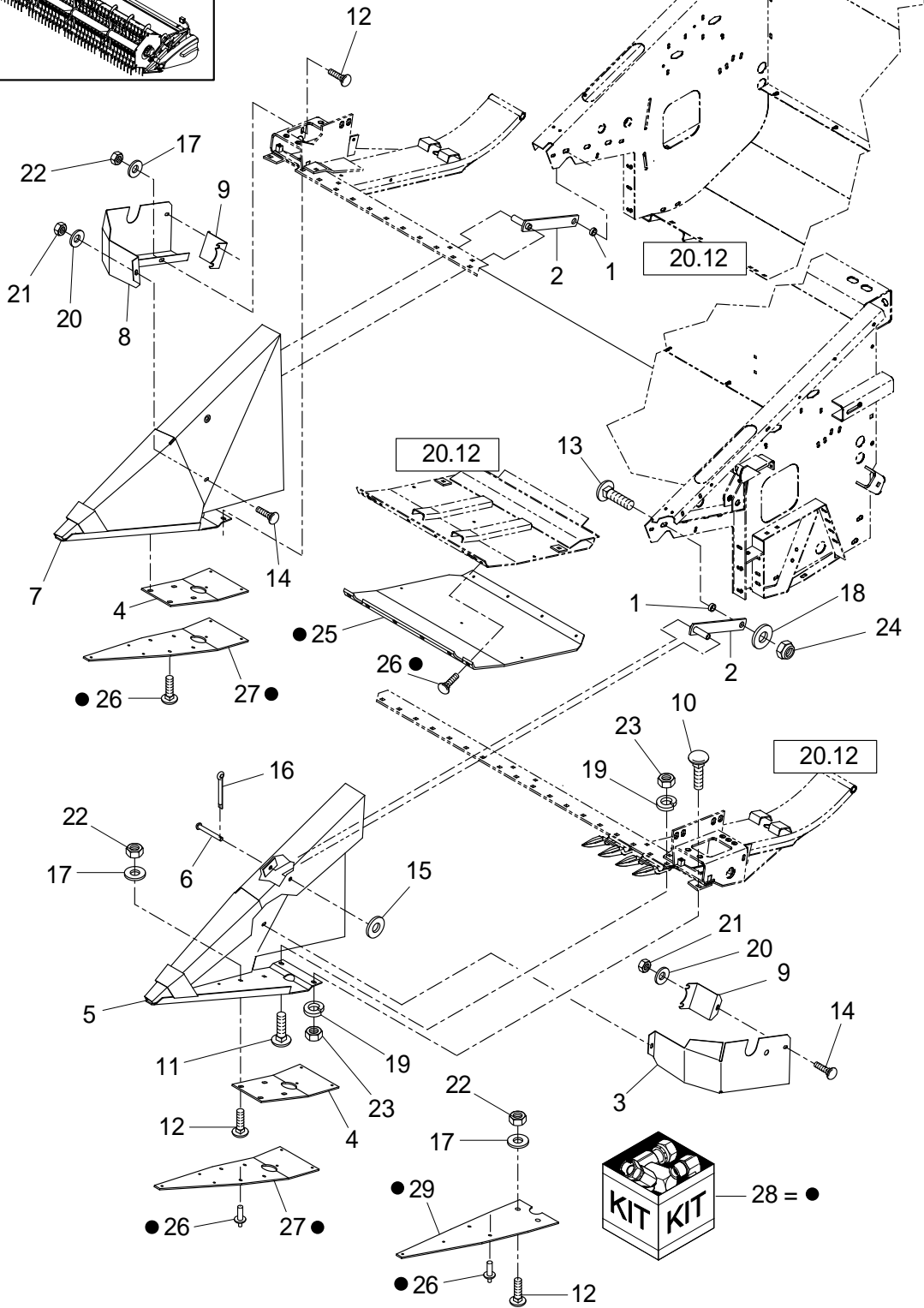
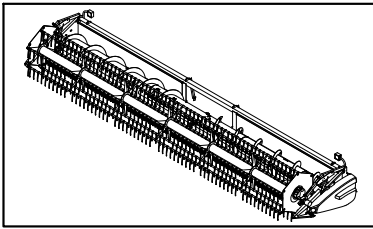
REF	FN	PART NUMBER	YR/SN	QTY	DESCRIPTION
1		131522		2	SPACER, Split
2		610946		2	ARM
3		86603425		1	SHIELD, LH
4	1	86552779		2	BRACKET
4	2	87041473		2	BRACKET
5	1	87017566		1	POINT, LH
5	3	87040655		1	DIVIDER, LH
5	4	{87369869}		1	LH
6		38734		2	PIN, CLEVIS, 1/2" x 4"
7	1	87017567		1	POINT, RH
7	3	87040657		1	DIVIDER, RH
7	4	{87369877}		1	RH
8		86603426		1	SHIELD, RH
9		86604958		2	BRACKET
10		86508776		2	BOLT, CARRIAGE, Short NK, 7/16"-14 x 1", G5
11		88586		2	BOLT, CARRIAGE, Short NK, 7/16"-14 x 1 1/2", G5
12		338949		10	SCREW, Short NK, M10 x 25, CI8.8, Full Thd
13		120044		2	BOLT, Short NK, M12 x 30, CI8.8, Full Thd
14		86507486		4	BOLT, CARRIAGE, Short NK, M8 x 20, CI8.8, Full Thd
15		80700		2	WASHER, 1/2"
16		87019		2	PIN, SPLIT (COTTER), 3/16" x 3/4"
17		140045		10	WASHER, SPRING, Belleville, M10
18		140046		2	WASHER, LOCK, Belleville, M12
19		81547		4	WASHER, LOCK, 7/16"
20		322358		4	WASHER, SPRING, Belleville, M8
21		9706690		4	NUT, M8, CI 8
22		100016		10	NUT, M10, CI 8
23		280717		4	NUT, 7/16"-14, G5
24		100038		2	NUT, LOCK, M12 x 1.75, CI 8
25	1	86541350		2	PLATE, SKID, Poly, End
25	3	87041364		2	PLATE, SKID, Poly, End

- (1) BPIN CBJ020001[Includes all HAJ PIN's]  
(2) PIN CBJ020001 and later  
(3) PIN CBJ020001 to CBJ020700  
(4) PIN CBJ020701 and after

Note: Short divider loop available for 2020. See Figure 20.13.02 [2010]. Ref 4, 5 and associated spacers and fasteners.

**2020**

DIVIDER POINT & SKID SHOES, 20 FT, 25 FT & 30 FT



## DIVIDER POINT &amp; SKID SHOES, 20 FT, 25 FT &amp; 30 FT

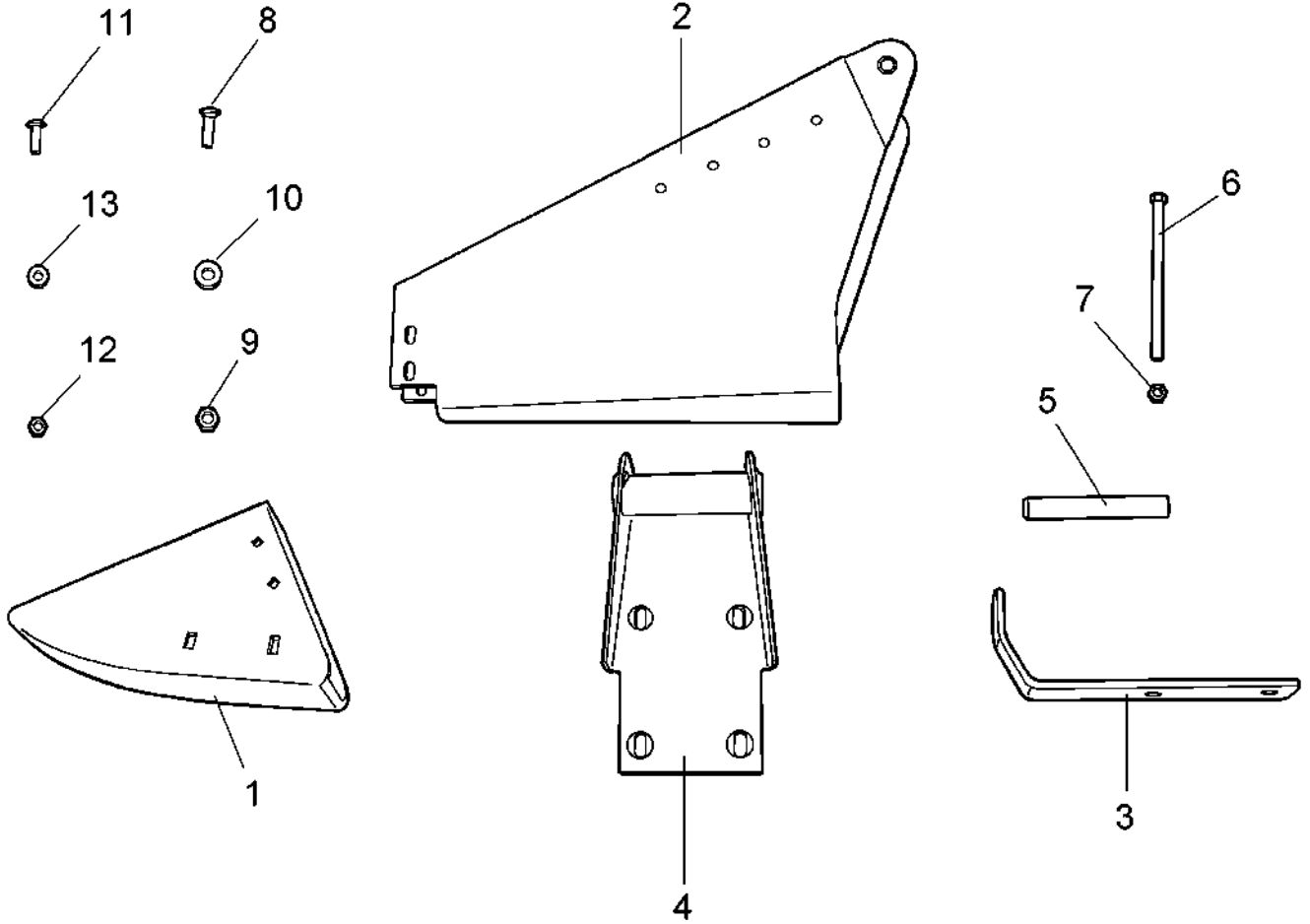
REF	FN	PART NUMBER	YR/SN	QTY	DESCRIPTION
25	1	{87056684}		2	Poly, End
25	2	86541351		AR	PLATE, SKID, Poly, Center, Qty 6, 20 Ft; Qty 8, 25 Ft; Qty 10, 30 Ft
25	3	87041363		AR	PLATE, SKID, Poly, Center, Qty 6, 20 Ft; Qty 8, 25 Ft; Qty 10, 30 Ft
25	1	{87056685}		AR	Poly, Center, Qty 7, 20 Ft; Qty 9, 25 Ft; Qty 11, 30 Ft
26		86548631		142	RIVET, 0.25 x 0.47 Alum, 20 Ft
26		86548631		172	RIVET, 0.25 x 0.47 Alum, 25 Ft
26		86548631		202	RIVET, 0.25 x 0.47 Alum, 30 Ft
27	4	86548295		2	PLATE, SKID, Poly, Dual Drive, See Ref 29 for MY06 and after
27	4	86548294		2	PLATE, SKID, Poly, Point, See Ref 29 for MY06 and after
28	2	86556627		AR	DIA KIT, HARVESTER, Poly Skid Shoes, 20 Ft
28	3	87049703		AR	KIT, Poly Skid Shoes, 20 Ft
28	1	{87387733}		AR	Poly Skid Shoes, 20 Ft
28	2	86556628		AR	DIA KIT, HARVESTER, Poly Skid Shoes, 25 Ft
28	3	87049705		AR	KIT, Poly Skid Shoes, 25 Ft
28	1	{87387732}		AR	Poly Skid Shoes, 25 Ft
28	2	86556629		AR	DIA KIT, HARVESTER, Poly Skid Shoes, 30 Ft
28	3	87049707		AR	KIT, Poly Skid Shoes, 30 Ft
28	1	{87387731}		AR	Poly Skid Shoes, 30 Ft
29	1	87368493		2	SKID/SHOE, Poly, Dual Drive

- (1) PIN CBJ020701 and after  
(2) BPIN CBJ020001[Includes all HAJ PIN's]  
(3) PIN CBJ020001 to CBJ020700  
(4) BPIN CBJ020701

Note: Short divider loop available for 2020. See Figure 20.13.02 [2010]. Ref 4, 5 and associated spacers and fasteners.

**2020**

MEDIUM DIVIDER



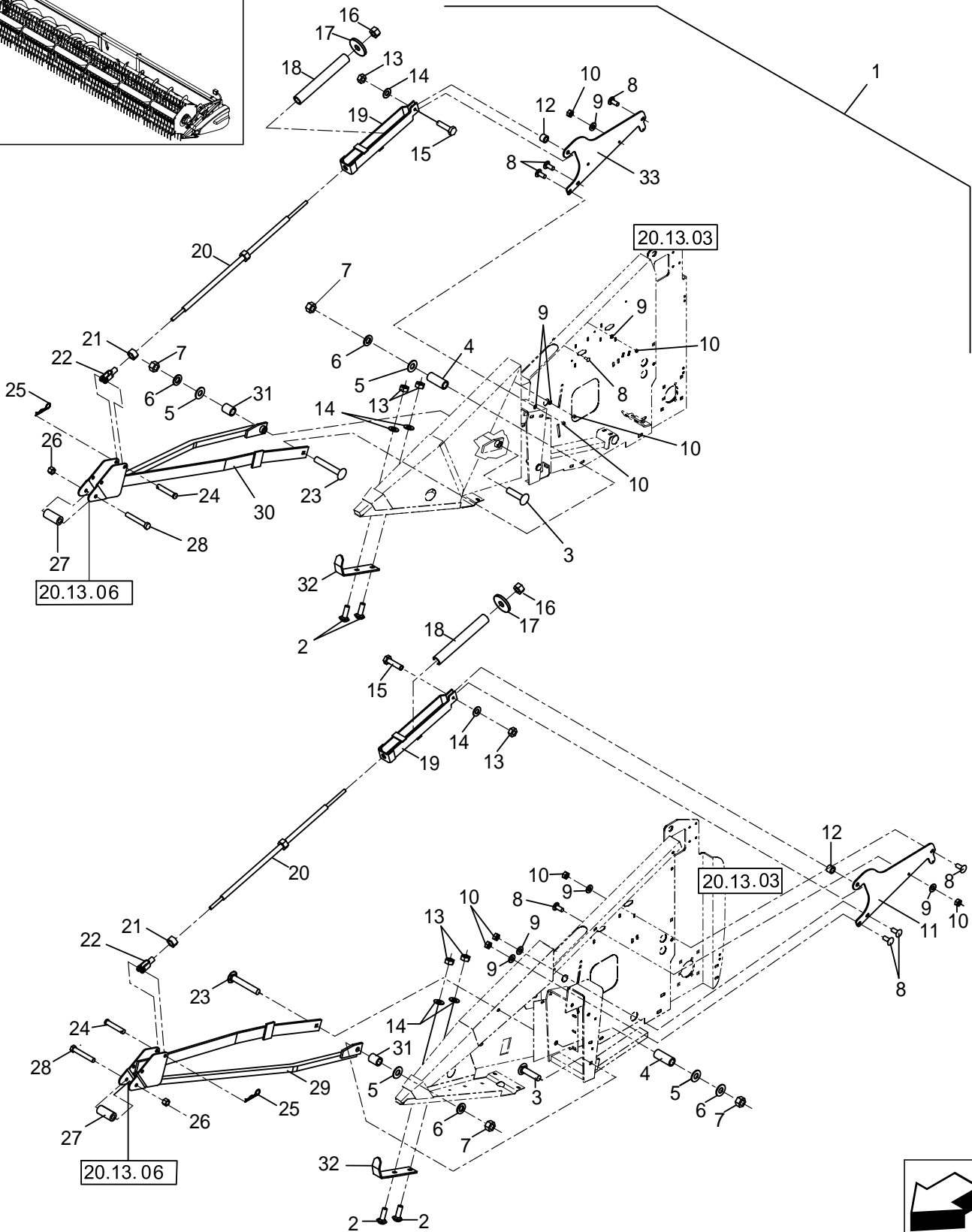
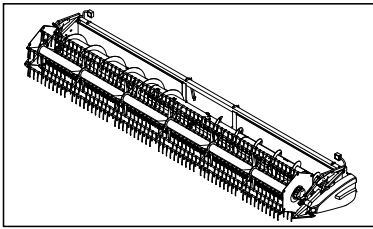


## MEDIUM DIVIDER

REF	FN	PART NUMBER	YR/SN	QTY	DESCRIPTION
1		86997152		2	DIVIDER POINT
2		87017724		2	CHANNEL
3		87017725		2	ANGLE
4		87017723		2	BRACKET
5		235373		2	WASHER
6		86509596		2	SCREW, Hex, M10 x 160, 8.8
7		100037		2	NUT, M10 x 1.5, CI 8
8		43473		12	BOLT, CARRIAGE, Short NK, M10 x 40, CI8.8, Full Thd
9		100016		12	NUT, M10, CI 8
10		140045		12	WASHER, SPRING, Belleville, M10
11		86585703		8	SCREW, Cross Pan Hd, M8 x 20
12		86629542		8	NUT, M8 x 1.25", CI 8
13		322358		8	WASHER, SPRING, Belleville, M8

2020

LONG DIVIDER MOUNT



## LONG DIVIDER MOUNT

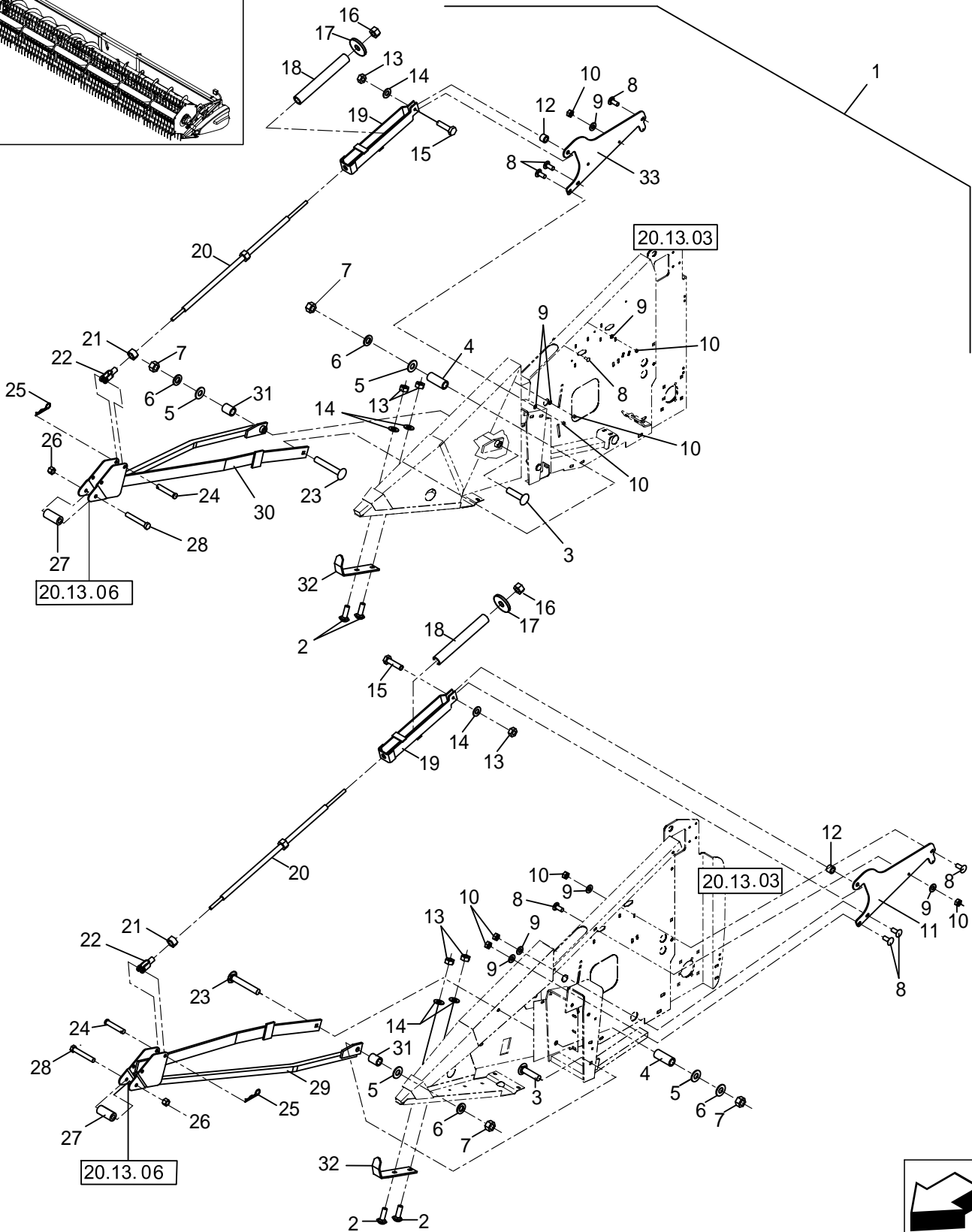
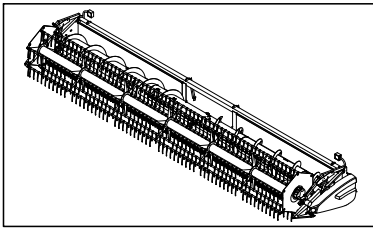
REF	FN	PART NUMBER	YR/SN	QTY	DESCRIPTION
1	1	87042132		1	DIVIDER, Assembly [Ref 11 BPIN used for LH & RH]
1	2	87053606		1	DIVIDER, Assembly [Can be used on earlier machines]
2		86512446		4	BOLT, Short NK, M10 x 30, CI8.8, Full Thd
3		300662		2	BOLT, CARRIAGE, Short NK, M12 x 80, CI8.8
4		86546424		2	SPACER, 1.84" Long
5		86511324		4	WASHER, M12 x 24 x 2.5
6		140046		4	WASHER, LOCK, Belleville, M12
7		9706685		4	NUT, M12, CI 8
8		86507486		4	BOLT, CARRIAGE, Short NK, M8 x 20, CI8.8, Full Thd
9		322358		4	WASHER, SPRING, Belleville, M8
10		9706690		4	NUT, M8, CI 8
11	1	87017752		2	BRACKET, LH & RH
11	2	87039744		1	BRACKET, LH [Can be used on earlier machines]
12		768703		2	BUSHING
13		100016		6	NUT, M10, CI 8
14		140045		6	WASHER, SPRING, Belleville, M10
15		120068		2	SCREW, Hex, M10 x 40, 8.8, Full Thd
16		280431		2	NUT, 1/2"-13, G5
17		86520929		2	WASHER, 17/32" ID x 1-5/8" OD x 1/4"
18		621023		2	SPRING, Compression
19		87017742		2	STRAP
20		87017741		2	LINK
21		87309		2	NUT, Jam, 1/2"-20, G2
22		86627455		2	CLEVIS
23		334682		2	BOLT, Short NK, M12 x 50, CI8.8, Full Thd
24		9801244		2	RIVET, Pin
25		86628570		2	PIN, SPLIT (COTTER), M4 x 62
26		412672		4	NUT, LOCK, M12 x 1.75, CI 10
27		86627294		2	SPACER
28		43158		4	SCREW, Hex, M12 x 80, 8.8
29		87041521		1	FRAME ASSY, LH
30		87041518		1	FRAME ASSY, RH

(1) BPIN CBJ020205 [Includes all HAJ PIN's]

(2) PIN CBJ020205 and later

2020

LONG DIVIDER MOUNT



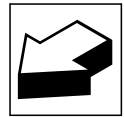
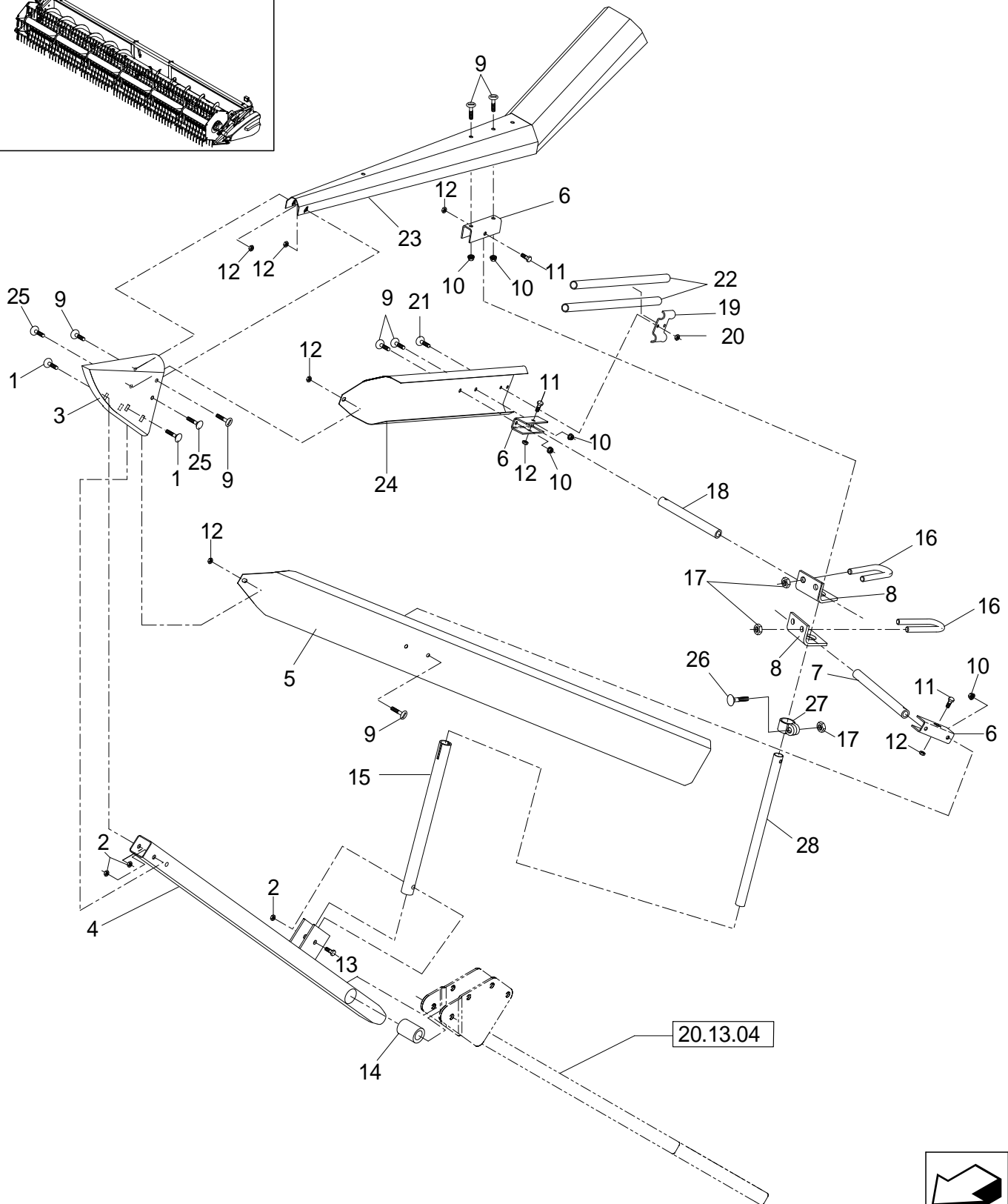
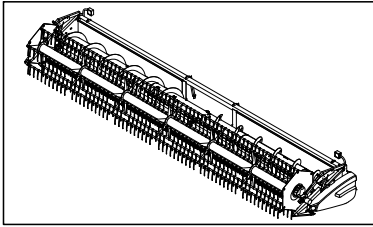
LONG DIVIDER MOUNT

REF	FN	PART NUMBER	YR/SN	QTY	DESCRIPTION
31		86553411		2	SPACER, 0.94" Long
32		87017725		2	ANGLE
33	1	87039742		1	BRACKET, RH [Can be used on earlier machines]

(1) PIN CBJ020205 and later

2020

LONG DIVIDER

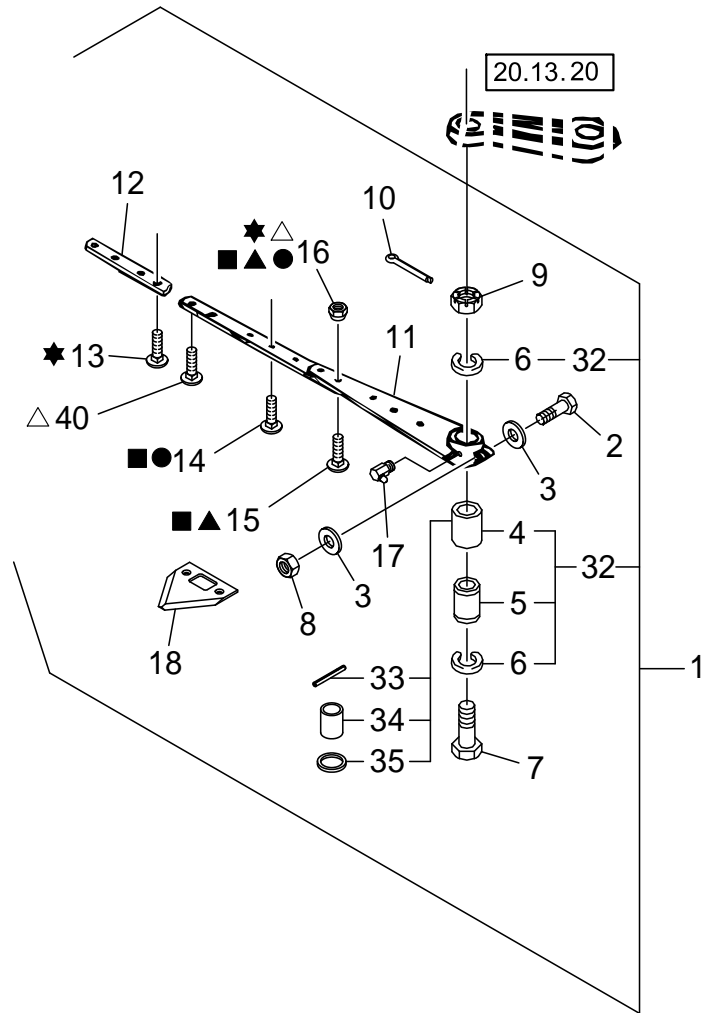
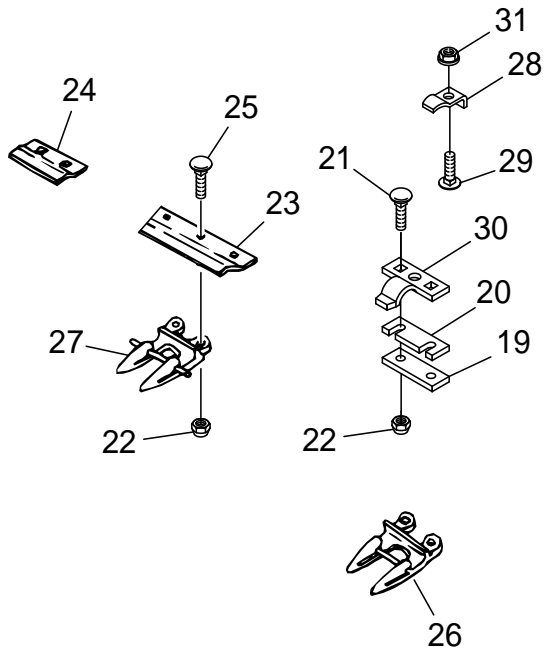
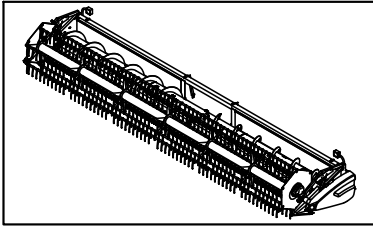


## LONG DIVIDER

REF	FN	PART NUMBER	YR/SN	QTY	DESCRIPTION
1		280744		4	BOLT, CARRIAGE, Short NK, 3/8"-16 x 2 1/2", G5
2		88902		6	NUT, 3/8"-16, GC
3		86997152		2	DIVIDER POINT, Wing Tube
4		87017754		2	TUBE, Wing Box, Support
5		87017760		2	SUPPORT ASSY., Wing Outer
6		86627644		6	SUPPORT
7		87017856		2	TUBE, Outer, Wing Support
8		86627642		4	ANGLE
9		280696		16	SCREW, Hex Soc But Hd, 5/16"-18 x 3/4"
10		9823743		12	NUT, LOCK, Flg, 5/16"-18
11		88275		6	BOLT, Hex, 5/16"-18 x 1 1/2", G5
12		231-4145		14	NUT, LOCK, 5/16"-18, GB
13		88436		2	BOLT, Hex, 3/8"-16 x 2", G5
14		515308		2	BUSHING
15		87017756		2	TUBE, Outer, Vertical, Wing Support
16		86997191		4	U-BOLT, 1/2"-13, 1-21/32" x 3-5/64"
17		88871		10	NUT, LOCK, 1/2"-13, GC
18		87017753		2	TUBE, Inner Wing Support
19		86997188		2	CLAMP
20		20356		4	NUT, LOCK, 1/4"-20, GB
21		87252		4	SCREW, Slotted Truss Hd, 1/4"-20 x 1"
22		86997190		4	TUBE, PLASTIC-RUBBER, Tine
23		87017761		2	SUPPORT ASSY., Wing, Upper
24		87017757		2	SUPPORT ASSY., Wing Inner
25		619978		4	SCREW, Truss Hd, USR, 5/16" x 1"
26		280624		2	BOLT, CARRIAGE, Short NK, 1/2"-13 x 2", G5, Full Thd
27		86627643		2	CLAMP, 1-1/8"
28		87017755		2	TUBE, Vertical, Inner

2020

CUTTERBAR, 20 FT, SINGLE DRIVE, 3" KNIVES



- 36 = ●
- 37 = ▲
- 38 = ■
- 39 = ★
- 41 = △





## CUTTERBAR, 20 FT, SINGLE DRIVE, 3" KNIVES

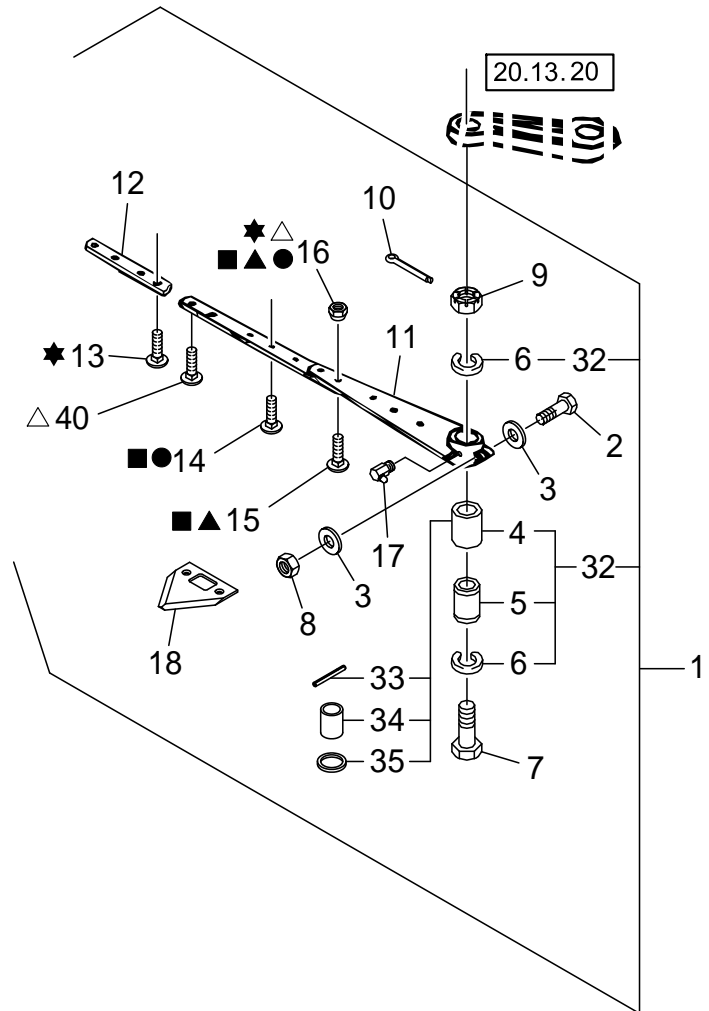
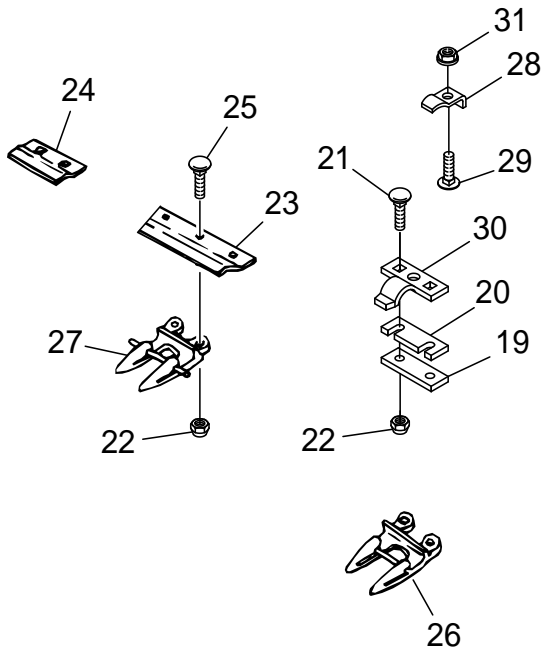
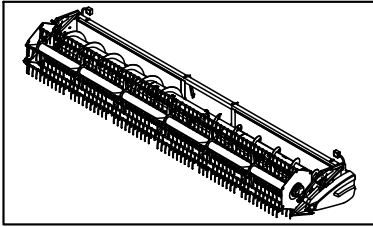
REF	FN	PART NUMBER	YR/SN	QTY	DESCRIPTION
1		86900830		1	KNIFE ASSY., Standard
2		87936		1	BOLT, Hex, 3/8"-16 x 2 1/2", G5
3		285072		2	WASHER, 13/32" ID x 7/8" OD, Hardened
4		612408		1	HUB, Bushing
5		288749		1	SHAFT
6		579497		2	RING, SNAP, Ext., 1.0"
7		762691		1	BOLT, HH, G5, 5/8"-18 x 3-1/2" UNF
8		88902		1	NUT, 3/8"-16, GC
9		87446		1	SLOTTED NUT, 5/8"-18
10		87395		1	PIN, SPLIT (COTTER), 1/8" x 1 1/4"
11		848094		1	KNIFE HEAD
12		86604791		1	KNIFE, Back
13		NSS		AR	NOT SERVICED SEPARATELY, Bolt, Knife, #12-24 x 9/16"
14		NSS		AR	NOT SERVICED SEPARATELY, Bolt, Knife, #12-24 x 7/8"
15		NSS		AR	NOT SERVICED SEPARATELY, Bolt, Knife, #12-24 x 1-1/8"
16		848083		158	NUT, LOCK, G2, #12-24
17		87415		1	NIPPLE, LUBE, 45°, 1/4" NPT x .75" lg, Drive
18		86615988		79	KNIFE SECTION, OSR, Not CS, 14 Ser/Inch
18		86616527		79	KNIFE SECTION, OSR, Not CS, 14 Ser/Inch, Chrome
19	1	86512826		19	SHIM, 0.060"
19	2	86512826		59	SHIM, 0.060"
19		634780		19	SHIM, 0.120"
20		86622662		19	SHIM, 0.036"
20		86622663		38	SHIM, 0.010"
21		88586		38	BOLT, CARRIAGE, Short NK, 7/16"-14 x 1 1/2", G5
22		280717		79	NUT, 7/16"-14, G5
23		694945		1	WEAR STRIP
24		694293		19	WEAR STRIP
25		86508777		43	BOLT, CARRIAGE, Short NK, 7/16"-14 x 1 1/4", G5
26	1	86615984		2	GUARD, End, W/ trash guard

(1) BPIN CBJ020001[Includes all HAJ PIN's]

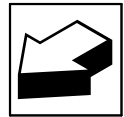
(2) PIN CBJ020001 and later

2010

CUTTERBAR, 20 FT, SINGLE DRIVE, 3" KNIVES



- 36 = ●
- 37 = ▲
- 38 = ■
- 39 = ★
- 41 = △



## CUTTERBAR, 20 FT, SINGLE DRIVE, 3" KNIVES

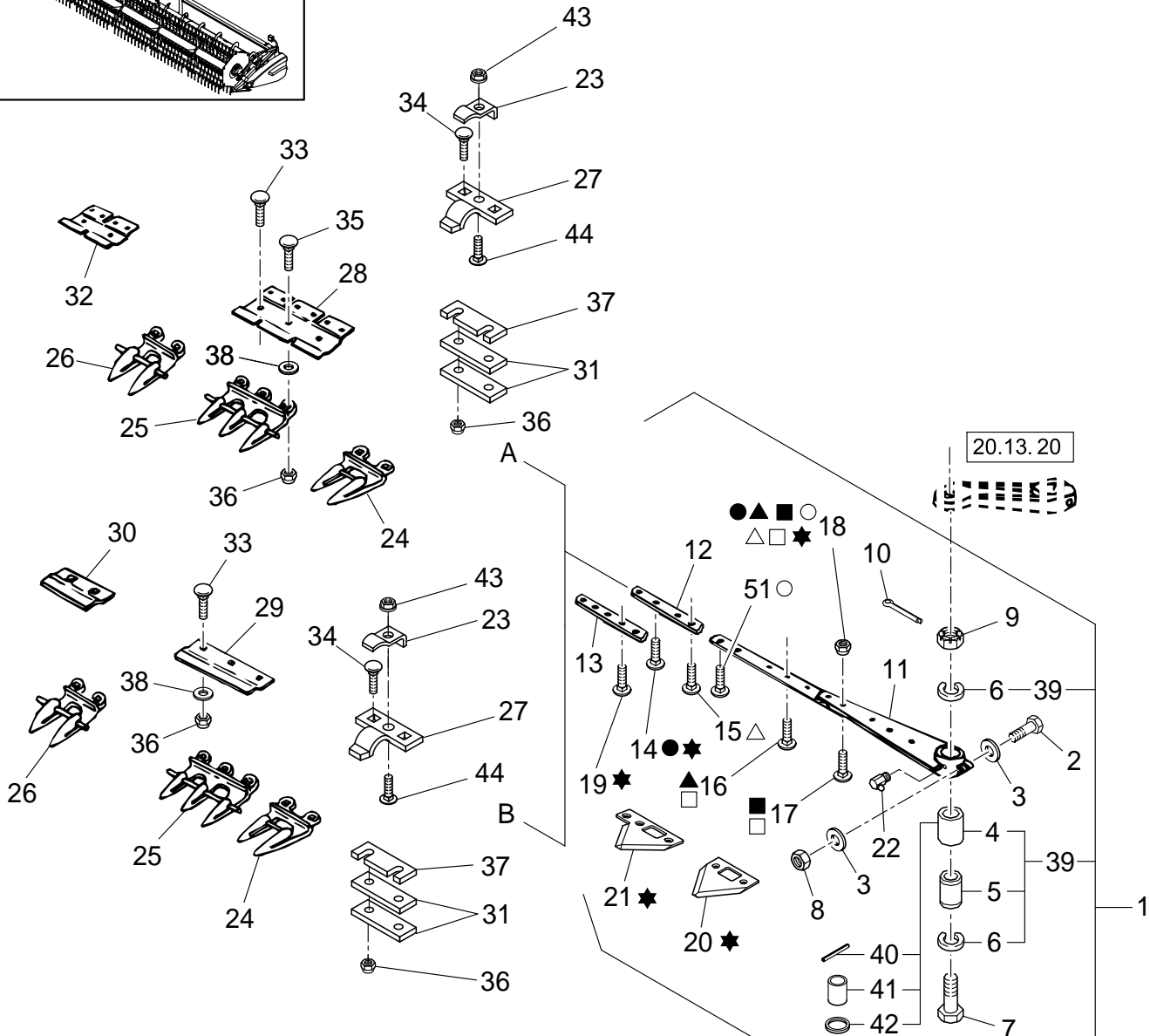
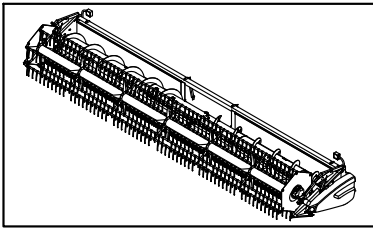
REF	FN	PART NUMBER	YR/SN	QTY	DESCRIPTION
26	1	87442329		2	GUARD, End, W/O trash guard
27	2	86615982		38	GUIDE, KNIFE, Double, W/ trash guard
27	1	87442324		38	GUARD, Double, W/O trash guard
28		86630787		19	CLIP, KNIFE
29		86517871		19	BOLT, CARRIAGE, 3/8"-16 x 1 1/8", G5, Flat Hd, G5, 3/8"-16 x 1-1/8"
30		86630786		19	CLIP, KNIFE, Hold Down
31		86521609		19	NUT, LOCK, Flg, 3/8"-16
32		701401		1	BUSHING, And Hub
33		88106		1	PIN, 3/32" x 1/4", Slotted
34		612407		1	BUSHING
35		121189		1	SEAL, Grease
36		86507778		1	KIT, SERVICE, Ref 14 [7/8" Long] and 16, Qty 25 Each
37		86507780		1	BOLT AND NUT, Ref 15 [1-1/8" Long] and 16, Qty 25 Each
38		86562960		1	BOLT AND NUT, Ref 14[Qty 9], Ref15[Qty 6], Ref 16[Qty 25]
39		87015068		1	KIT, Ref 13 [9/16" Long] and Ref 16, Qty 50 Each
40		NSS		AR	NOT SERVICED SEPARATELY, Bolt, Knife, #12-24 x 3/4"
41		86517390		1	BOLT AND NUT, Kit, Ref 40[Qty 25] & Ref16[Qty 25]

(1) PIN CBJ020001 and later

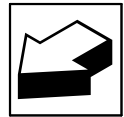
(2) BPIN CBJ020001[Includes all HAJ PIN's]

2010

CUTTERBAR, 20 FT, 25 FT, 30 FT, 3" KNIVES



- 45 = ●
- 46 = ▲
- 47 = ■
- 48 = △
- 49 = □
- 50 = ★
- 52 = ○



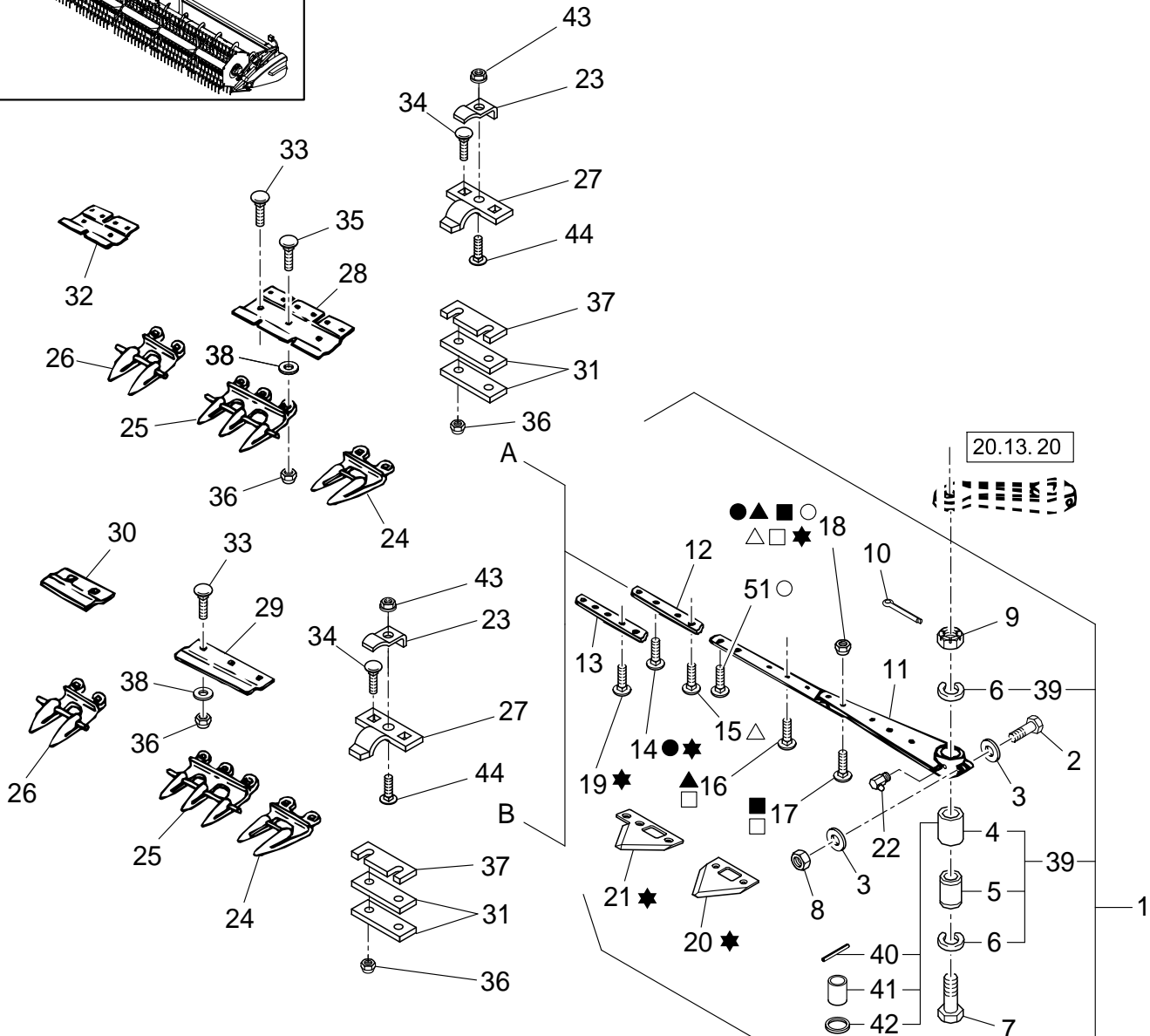
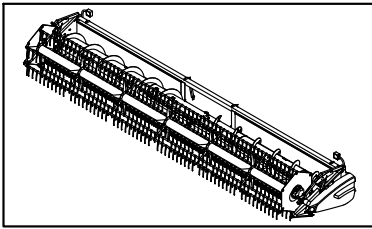
## CUTTERBAR, 20 FT, 25 FT, 30 FT, 3" KNIVES

REF	FN	PART NUMBER	YR/SN	QTY	DESCRIPTION
1		86900832		1	KNIFE ASSY., Standard, LH, 20 FT, View A, 2020
1		86900833		1	KNIFE ASSY., Standard, RH, 20 FT, View A, 2020
1		86900834		1	KNIFE ASSY., Standard, LH, 25 FT, View A, 2020
1		86900835		1	KNIFE ASSY., Standard, RH, 25 FT, View A, 2020
1		86633150		1	KNIFE ASSY., Standard, LH, 25 FT, View B, 2010
1		86633151		1	KNIFE ASSY., Standard, RH, 25 FT, View B, 2010
1		86977981		1	KNIFE ASSY., Standard, LH, 30 FT, View A, 2020
1		86977982		1	KNIFE ASSY., Standard, RH, 30 FT, View A, 2020
1		86633148		1	KNIFE ASSY., Standard, LH, 30 FT, View B, 2010
1		86633149		1	KNIFE ASSY., Standard, RH, 30 FT, View B, 2010
2		87936		2	BOLT, Hex, 3/8"-16 x 2 1/2", G5
3		285072		4	WASHER, 13/32" ID x 7/8" OD, Hardened
4		612408		2	HUB, Bushing
5		288749		2	SHAFT
6		579497		4	RING, SNAP, Ext., 1.0"
7		762691		2	BOLT, HH, G5, 5/8"-18 x 3-1/2" UNF
8		88902		2	NUT, 3/8"-16, GC
9		87446		2	SLOTTED NUT, 5/8"-18
10		87395		2	PIN, SPLIT (COTTER), 1/8" x 1 1/4"
11		848094		2	KNIFE HEAD, Assembly
12		86604529		1	KNIFE, Back, 20 FT, LH
12		86604530		1	KNIFE, Back, 20 FT, RH
12		86589951		1	KNIFE, Back, 25 FT, LH
12		86589952		1	KNIFE, Back, 25 FT, RH
12		86587785		1	KNIFE, Back, 30 FT, LH
12		86587786		1	KNIFE, Back, 30 FT, RH
13		86517388		1	EXTENSION, RH Only
14		NSS		AR	NOT SERVICED SEPARATELY, Bolt, Knife, #12-24 x 5/8", RH Only
15		NSS		AR	NOT SERVICED SEPARATELY, Bolt, Knife, #12-24 x 9/16"
16		NSS		AR	NOT SERVICED SEPARATELY, Bolt, Knife, #12-24 x 7/8"
17		NSS		AR	NOT SERVICED SEPARATELY, Bolt, Knife, #12-24 x 1-1/8"

View A represents a flexible header [2020] and view B represents a rigid header [2010].

**2010 2020**

CUTTERBAR, 20 FT, 25 FT, 30 FT, 3" KNIVES



- 45 = ●
- 46 = ▲
- 47 = ■
- 48 = △
- 49 = □
- 50 = ★
- 52 = ○



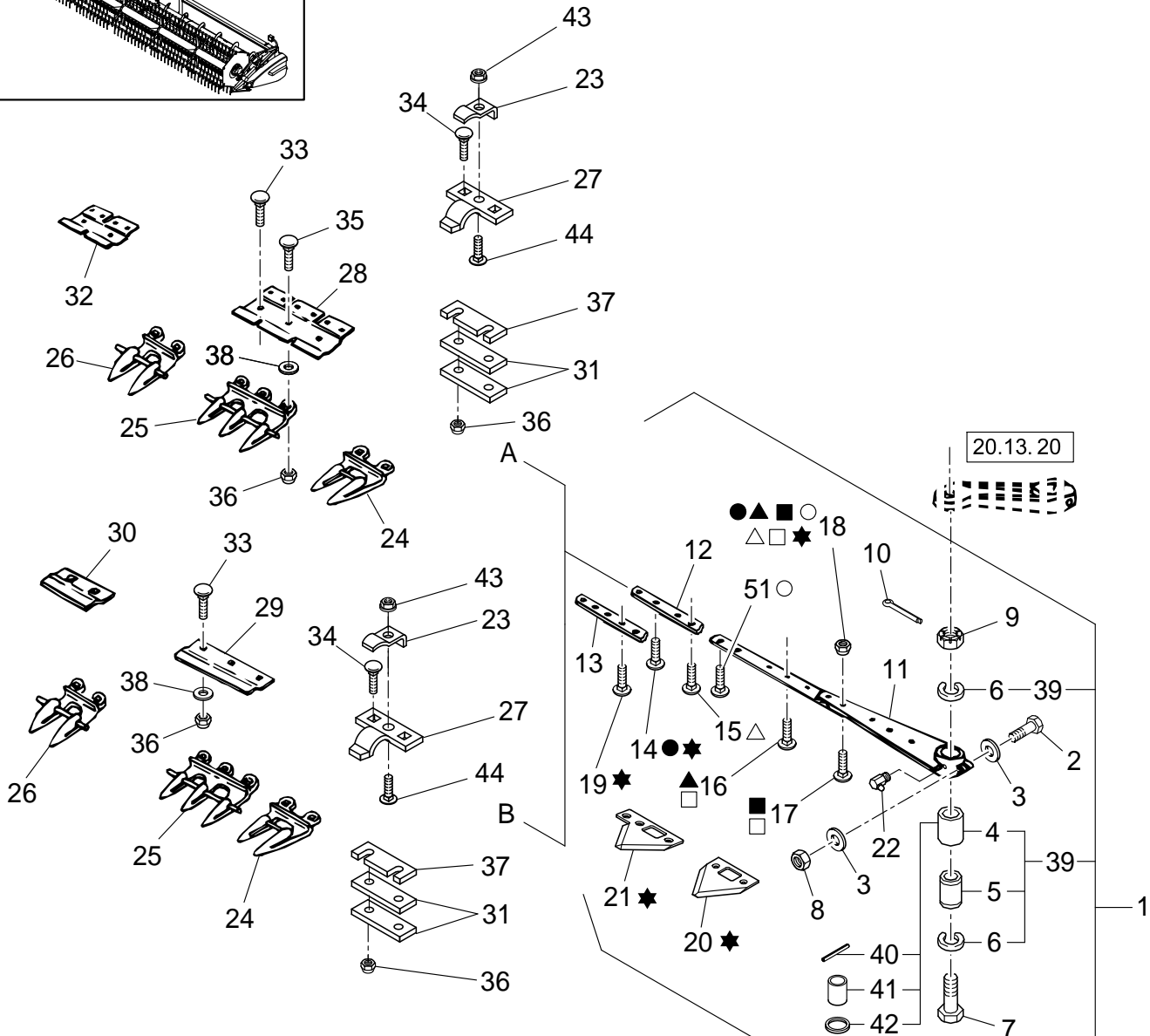
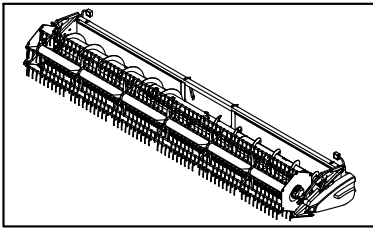
## CUTTERBAR, 20 FT, 25 FT, 30 FT, 3" KNIVES

REF	FN	PART NUMBER	YR/SN	QTY	DESCRIPTION
18		848083		AR	NUT, LOCK, G2, #12-24
19		86512289		AR	KIT, #12-24 x 1/2" Knife Bolt/Nuts, Qty 25, See Ref 50
20		86615987		3	KNIFE SECTION, CSB, 14 Ser/Inch, 2010, RH, Adjacent Inner End
20		86616529		3	KNIFE SECTION, CSB, 14 Ser/Inch, 2010, RH, Adjacent Inner End, Chrome
20		86615988		AR	KNIFE SECTION, OSR, Not CS, 14 Ser/Inch, 2010, RH, Qty 46[25 FT], 56[30 FT]
20		86616527		AR	KNIFE SECTION, OSR, Not CS, 14 Ser/Inch, 2010, RH, Chrome, Qty 46[25 FT], 56[30 FT]
20		86615986		1	KNIFE SECTION, CST, 14 Ser/Inch, 2010, LH, Adjacent Inner End
20		86616528		1	KNIFE SECTION, CST, 14 Ser/Inch, 2010, LH, Adjacent Inner End, Chrome
20		86615988		AR	KNIFE SECTION, OSR, Not CS, 14 Ser/Inch, 2010, LH, Qty 48[25 FT], 58[30 FT]
20		86616527		AR	KNIFE SECTION, OSR, Not CS, 14 Ser/Inch, 2010, LH, Chrome Qty 48[25 FT], 58[30 FT]
20		86616695		3	KNIFE SECTION, CSB, 10 Ser/Inch, 2020, RH, Inner End Position
20		86616693		3	KNIFE SECTION, CSB, 10 Ser/Inch, 2020, RH, Inner End Position, Chrome
20		86616691		AR	KNIFE SECTION, Not CS, 10 Ser/Inch, 2020, RH, Qty 36[20 FT], 46[25 FT], 56[30 FT]
20		86616689		AR	KNIFE SECTION, Not CS, 10 Ser/Inch, 2020, RH, Chrome, Qty 36[20 FT], 46[25 FT], 56[30 FT]
20		86616694		1	KNIFE SECTION, CST, 10 Ser/Inch, 2020, LH, Adjacent Inner End
20		86616692		1	KNIFE SECTION, CST, 10 Ser/Inch, 2020, LH, Adjacent Inner End, Chrome
20		86616691		AR	KNIFE SECTION, Not CS, 10 Ser/Inch, 2020, LH, Qty 38[20 FT], 48[25 FT], 58[30 FT]
20		86616689		AR	KNIFE SECTION, Not CS, 10 Ser/Inch, 2020, LH, Chrome, Qty 38[20 FT], 48[25 FT], 58[30 FT]

View A represents a flexible header [2020] and view B represents a rigid header [2010].

**2010 2020**

CUTTERBAR, 20 FT, 25 FT, 30 FT, 3" KNIVES



- 45 = ●
- 46 = ▲
- 47 = ■
- 48 = △
- 49 = □
- 50 = ★
- 52 = ○





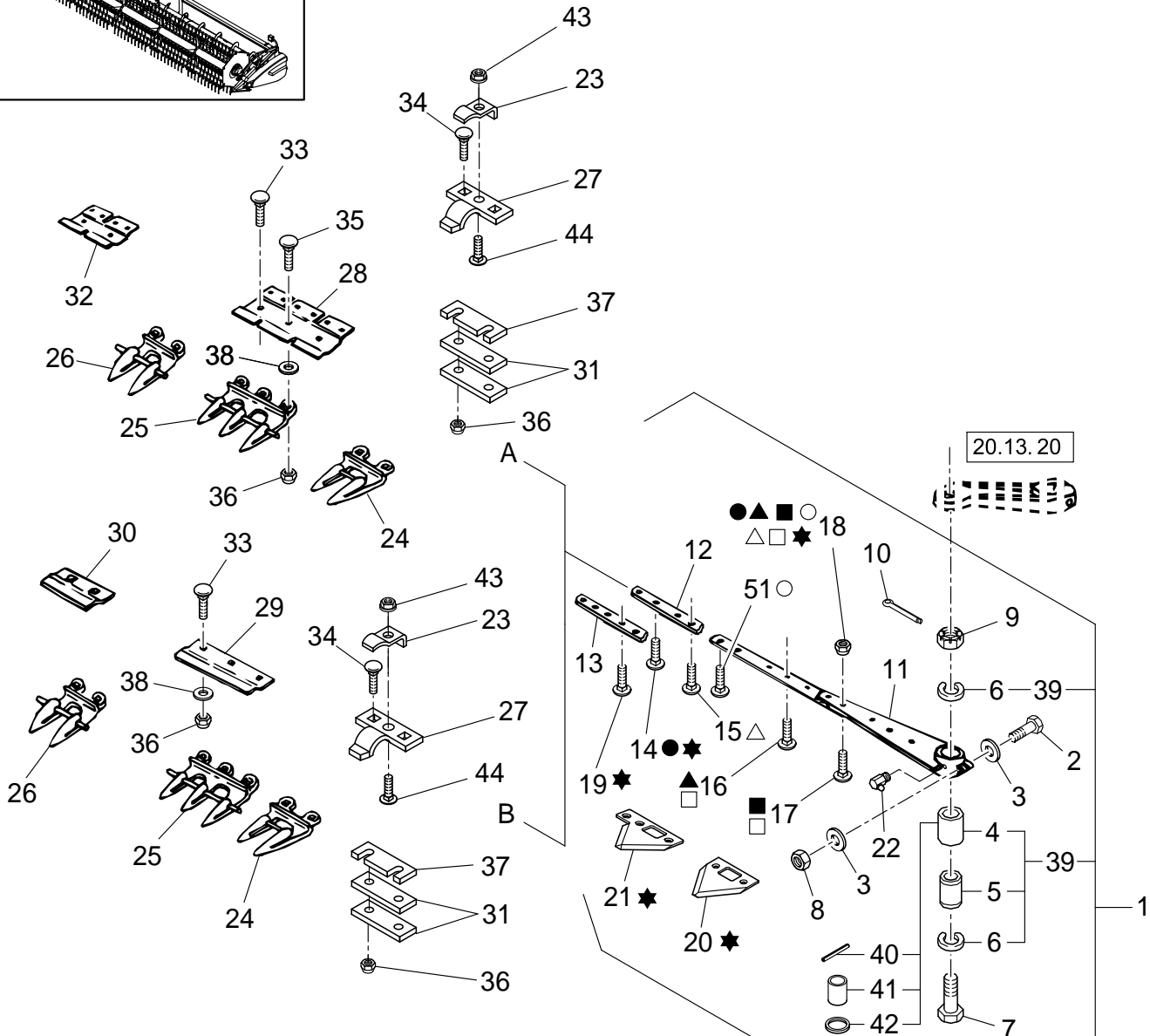
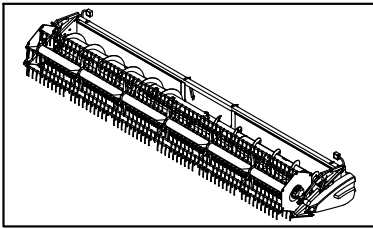
## CUTTERBAR, 20 FT, 25 FT, 30 FT, 3" KNIVES

REF	FN	PART NUMBER	YR/SN	QTY	DESCRIPTION
21		86615985		1	KNIFE SECTION, CSB, 14 Ser/Inch, 2010/2020, LH, Inner End Position
22		87415		2	NIPPLE, LUBE, 45°, 1/4" NPT x .75" lg, Drive
23		86630787		AR	CLIP, KNIFE, Qty 18[20 FT], 22[25 FT], 28[30 FT]
24	1	86615984		4	GUARD, End, W/trash bar
24	2	87442329		4	GUARD, End, W/O trash bar
25	1	86587787		1	GUARD, Triple, W/trash bar
25	2	87045432		1	GUARD, Triple, W/O trash bar
26	1	86615982		AR	GUIDE, KNIFE, Double, W/trash bar, Qty 34[20 FT], 44[25 FT], 54[30 FT]
26	2	87442324		AR	GUARD, Double, W/O trash bar, Qty 34[20 FT], 44[25 FT], 54[30 FT]
27		86630786		AR	CLIP, KNIFE, 2010, Qty 18[20 FT], 22[25 FT], 28[30 FT]
28		694295		3	PLATE, Wear, 2020
29		694945		3	WEAR STRIP, 25 & 30 FT, 2010
30		694293		AR	WEAR STRIP, Qty 22[25 FT], 26[30 FT], 2010
31	1	86512826		AR	SHIM, 0.060, Qty 18[20 FT], 22[25 FT], 28[30 FT], Used with guard W/trash shield
31	2	86512826		AR	SHIM, 0.060, Qty 59[20 FT], 71[25 FT], 86[30 FT], Used with guard W/O trash shield
31		634780		AR	SHIM, 0.120, Qty 18[20 FT], 22[25 FT], 28[30 FT]
32		694294		AR	PROTECTION PLATE, Wear, 2020, Qty 16[20 FT], 22[25 FT], 26[30 FT]
33		86508777		AR	BOLT, CARRIAGE, Short NK, 7/16"-14 x 1 1/4", G5
34		88586		AR	BOLT, CARRIAGE, Short NK, 7/16"-14 x 1 1/2", G5
35		86508778		AR	BOLT, CARRIAGE, Short NK, 7/16"-14 x 1 3/4", G5
36		280717		AR	NUT, 7/16"-14, G5
37		86622663		AR	SHIM, 0.010"
37		86622662		AR	SHIM, 0.036"
38		87363		1	WASHER, 7/16", SAE, Used next to two hole shim at triple guard.
39		701401		1	BUSHING, & Hub
(1)	BPIN CBJ020001[Includes all HAJ PIN's]				
(2)	PIN CBJ020001 and later				

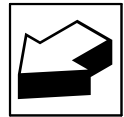
View A represents a flexible header [2020] and view B represents a rigid header [2010].

**2010 2020**

CUTTERBAR, 20 FT, 25 FT, 30 FT, 3" KNIVES



- 45 = ●
- 46 = ▲
- 47 = ■
- 48 = △
- 49 = □
- 50 = ★
- 52 = ○



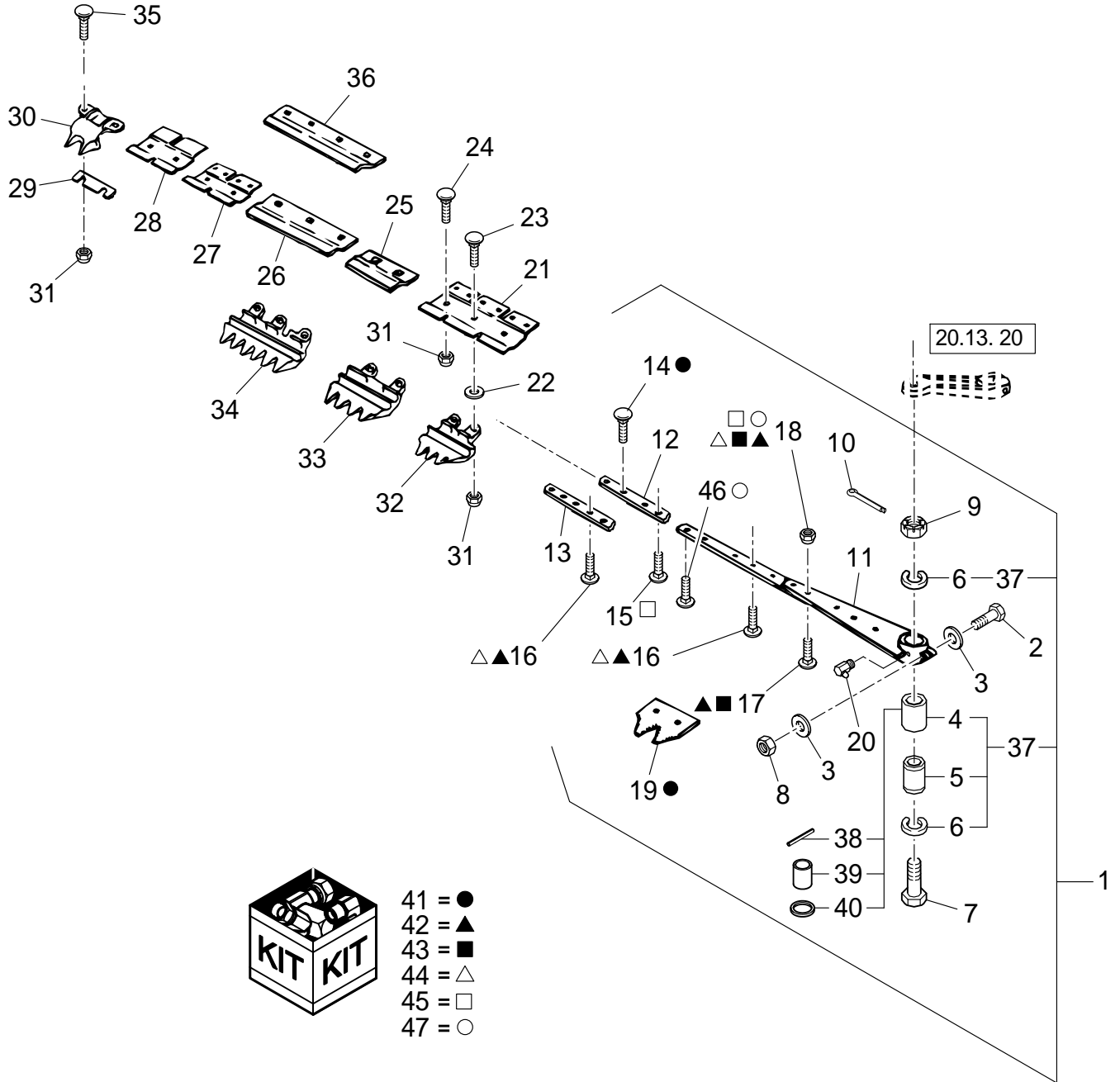
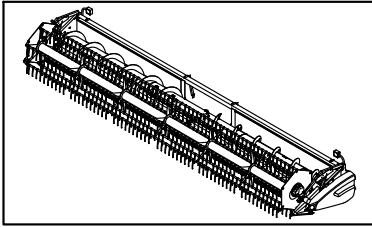
## CUTTERBAR, 20 FT, 25 FT, 30 FT, 3" KNIVES

REF	FN	PART NUMBER	YR/SN	QTY	DESCRIPTION
40		88106		1	PIN, 3/32" x 1/4", Slotted
41		612407		1	BUSHING
42		121189		1	SEAL, Grease
43		86521609		AR	NUT, LOCK, Flg, 3/8"-16
44		86517871		AR	BOLT, CARRIAGE, 3/8"-16 x 1 1/8", G5, Flat Hd, G5, 3/8"-16 x 1-1/8"
45		86507777		1	KIT, 5/8", Ref 14 & 18, Qty 50 Each
46		86507778		1	KIT, SERVICE, 7/8", Ref 16 & 18, Qty 25 Each
47		86507780		1	BOLT AND NUT, 1-1/8", Ref 17 & 18, Qty 25 Each
48		87015068		1	KIT, 9/16", Ref 15 & 18, Qty 50 Each
49		86562960		1	BOLT AND NUT, Kit, Knife Head, Ref 16[Qty 9], Ref 17[Qty 5], Ref 18[Qty 25]
50		87013358		1	KIT, SERVICE, Overlap, 14 Ser/Inch, Qty [5] Sections, Qty [11] 1/2" & Qty [5] 5/8" Bolt/Nuts
50		87013359		1	KIT, SERVICE, Overlap, 10 Ser/Inch, Qty [5] Sections, Qty [11] 1/2" & Qty [5] 5/8" Bolt/Nuts
51		NSS		AR	NOT SERVICED SEPARATELY, Bolt, Knife, #12-24 x 3/4"
52		86517390		1	BOLT AND NUT, Kit, Ref 51[Qty 25] & Ref 18[Qty 25]

View A represents a flexible header [2020] and view B represents a rigid header [2010].

**2010 2020**

CUTTERBAR, 20 FT, 25 FT & 30 FT, 1-1/2" KNIVES



- 41 = ●
- 42 = ▲
- 43 = ■
- 44 = △
- 45 = □
- 47 = ○



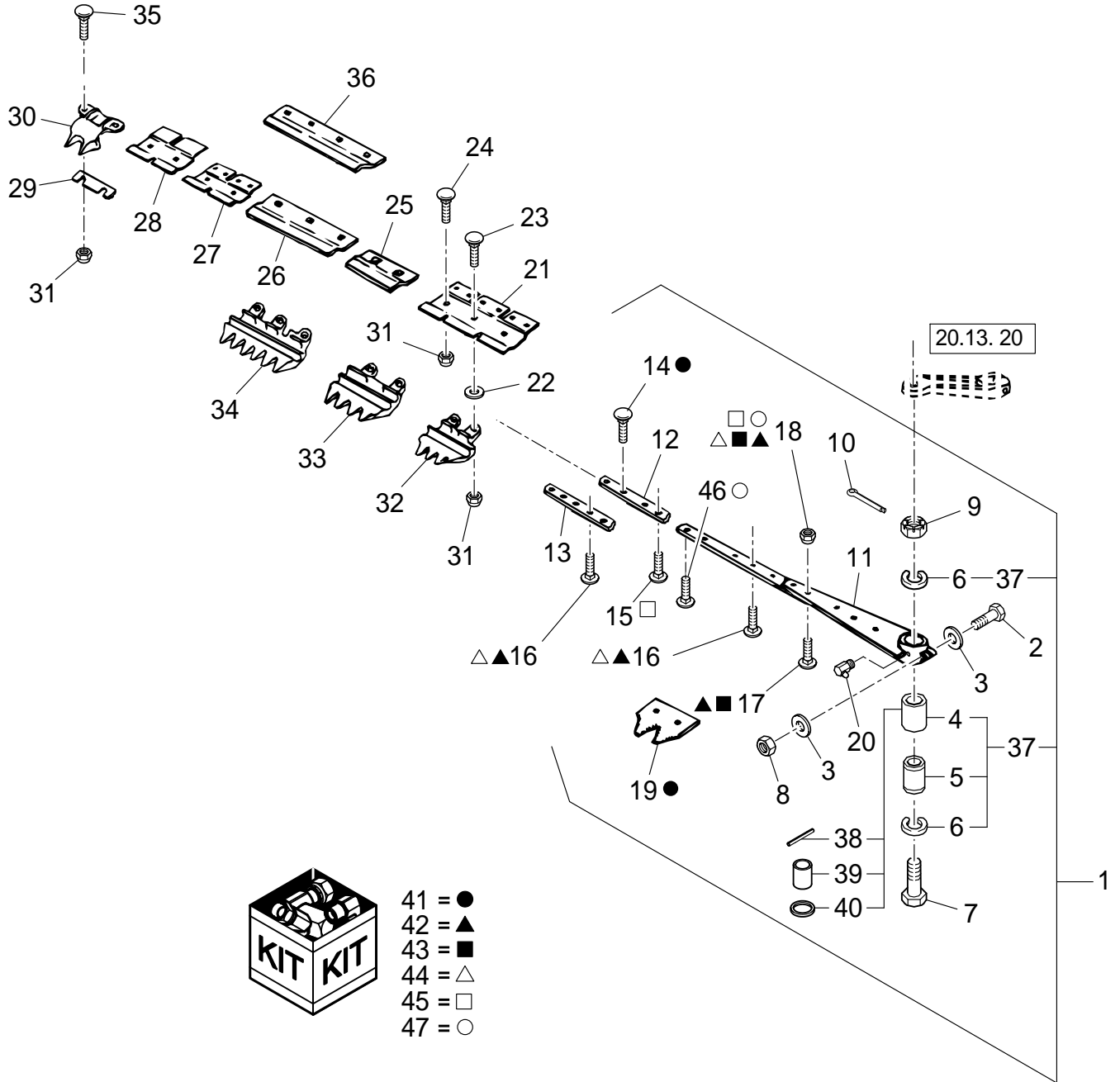
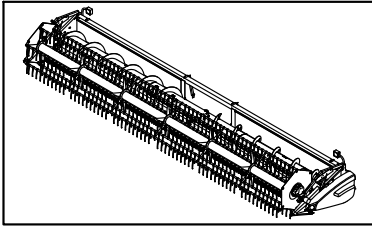
## CUTTERBAR, 20 FT, 25 FT &amp; 30 FT, 1-1/2" KNIVES

REF	FN	PART NUMBER	YR/SN	QTY	DESCRIPTION
1		851662		1	KNIFE, RH 20 Ft
1		851663		1	KNIFE, LH 20 Ft
1		9842537		1	KNIFE, LH 25 Ft
1		9842536		1	KNIFE, RH 25 Ft
1		9820456		1	KNIFE, LH 30 Ft
1		9820457		1	KNIFE, RH 30 Ft
2		87936		2	BOLT, Hex, 3/8"-16 x 2 1/2", G5
3		285072		4	WASHER, 13/32" ID x 7/8" OD, Hardened
4		612408		3	HUB, Bushing
5		288749		2	SHAFT
6		579497		4	RING, SNAP, Ext, 1.0"
7		762691		2	BOLT, HH, G5, 5/8"-18 x 3-1/2" UNF
8		88902		2	NUT, 3/8"-16, GC
9		87446		2	SLOTTED NUT, 5/8"-18
10		87395		2	PIN, SPLIT (COTTER), 1/8" x 1 1/4"
11		848094		2	KNIFE HEAD
12		NSS		1	NOT SERVICED SEPARATELY, Back, LH&RH, Part of Ref 1
13		848095		1	EXTENSION, RH Only
14		137636		AR	RIVET
15		NSS		AR	NOT SERVICED SEPARATELY, Bolt, Knife, #12-24 x 9/16"
16		NSS		AR	NOT SERVICED SEPARATELY, Bolt, Knife, #12-24 x 7/8"
17		NSS		AR	NOT SERVICED SEPARATELY, Bolt, Knife, #12-24 x 1-1/8"
18		848083		AR	NUT, LOCK, G2, #12-24
19		766758		2	KNIFE SECTION, LH, Holes Bevelled Top
19		766757		AR	KNIFE SECTION, End, Holes Bevelled Bottom, Qty 1LH, 2RH
19	1	848093		AR	KNIFE SECTION, Holes Countersunk Top
20		87415		2	NIPPLE, LUBE, 45°, 1/4" NPT x .75" lg, Drive
21		694295		3	PLATE, Wear
22		781316		2	WASHER, 21/32" ID x 1-1/8" OD x 0.135"

(1) Quantity: 20 Ft [37LH, 36RH], 25 Ft [47LH, 46RH], 30 Ft [57LH, 56RH]

**2020**

CUTTERBAR, 20 FT, 25 FT & 30 FT, 1-1/2" KNIVES

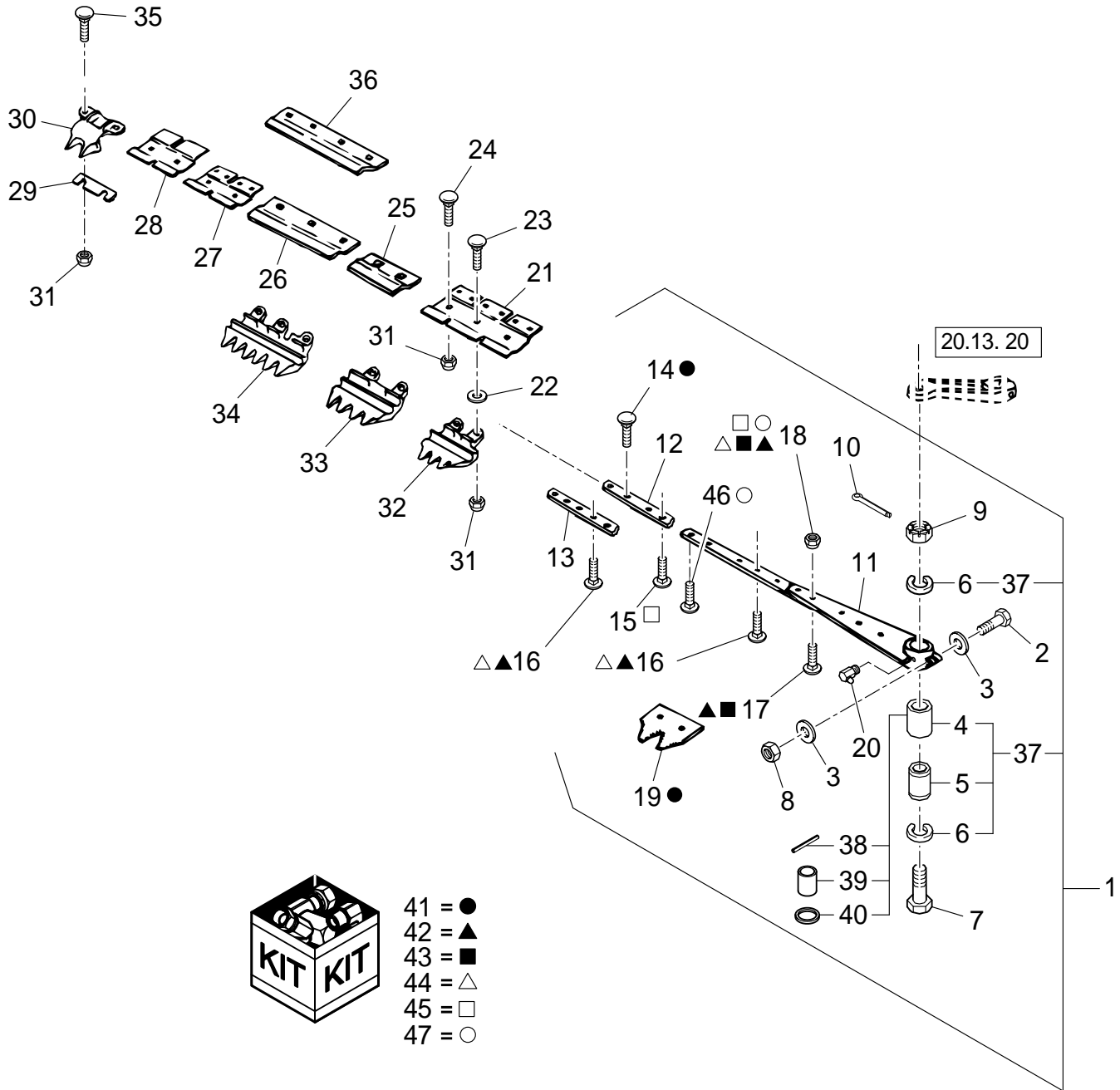
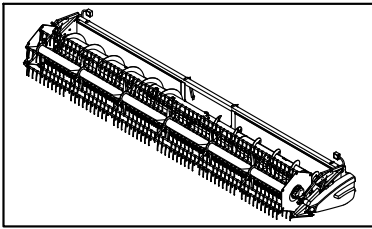


## CUTTERBAR, 20 FT, 25 FT &amp; 30 FT, 1-1/2" KNIVES

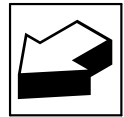
REF	FN	PART NUMBER	YR/SN	QTY	DESCRIPTION
23		88586		93	BOLT, CARRIAGE, Short NK, 7/16"-14 x 1 1/2", G5
23	1	280804		13	BOLT, CARRIAGE, Short NK, 7/16"-14 x 2", G5
24		86508777		6	BOLT, CARRIAGE, Short NK, 7/16"-14 x 1 1/4", G5
25		694293		AR	WEAR STRIP, Qty 13[20 Ft], 14[25 Ft], 17[30 Ft], 1[25 Ft Rice]
26		694945		AR	WEAR STRIP, Qty 2[20 Ft], 4[25 Ft & 30 Ft], 1[25 Ft]
27		694294		AR	PROTECTION PLATE, Wear, Qty 12[20 Ft], 16[25 Ft], 20[30 Ft]
28		695233		AR	WEAR STRIP, Qty 6[20 Ft], 8[25 Ft], 10[30 Ft]
29		86622663		AR	SHIM, 0.010", Qty 35[20 Ft], 45[25 Ft], 55[30 Ft]
29		86622662		AR	SHIM, 0.036", Qty 35[20 Ft], 45[25 Ft], 55[30 Ft]
30		9826150		AR	CLIP, KNIFE
31		280717		AR	NUT, 7/16"-14, G5
32		87015706		1	GUIDE, KNIFE, Stub, LH
32		87015707		1	GUIDE, KNIFE, Stub, RH
33		87015708		AR	GUIDE, KNIFE, Stub, Qty 36[20 Ft], 46[25 Ft], 56[30 Ft]
34		87015709		1	GUIDE, KNIFE, Stub, Triple
35		86508778		AR	BOLT, CARRIAGE, Short NK, 7/16"-14 x 1 3/4", G5
36		694946		23	WEAR STRIP, 25 Ft Rice Only
37		701401		1	BUSHING, & Hub Assembly, Includes Ref 4, 5 & 6
38		88106		1	PIN, 3/32" x 1/4", Slotted
39		612407		1	BUSHING
40		121189		1	SEAL, Grease
41		86606200		1	KIT, Overlap, Ref 19 Bevelled Top[Qty 3], Ref 19 Bevelled Bottom[Qty 3], Ref 14[Qty 10]
42		86562960		1	BOLT AND NUT, Kit, Ref 16[Qty 9], Ref 17[Qty 5], Ref 18[Qty 25]
43		86507780		1	BOLT AND NUT, Kit, Ref 17[Qty 25], Ref 18[Qty 25], 1-1/8"
44		86507778		1	KIT, SERVICE, Ref 16[Qty 25], Ref 18[Qty 25], 7/8"
45		87015068		1	KIT, Ref15[Qty 50], Ref18[Qty 50], 9/16"
46		NSS		AR	NOT SERVICED SEPARATELY, Bolt, Knife, #12-24 x 3/4"

(1) Required when also passing through a clamp.

CUTTERBAR, 20 FT, 25 FT & 30 FT, 1-1/2" KNIVES



- 41 = ●
- 42 = ▲
- 43 = ■
- 44 = △
- 45 = □
- 47 = ○





**20.13.12**

p3

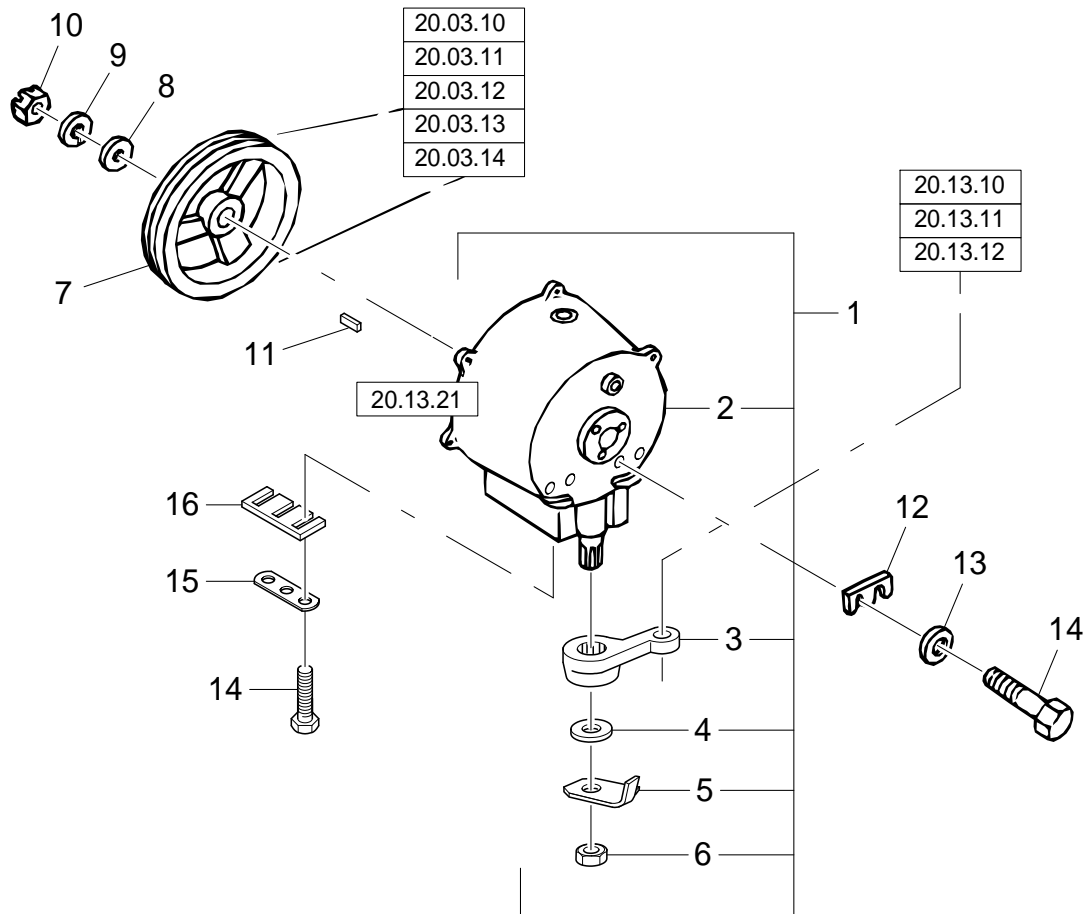
04/06

**CUTTERBAR, 20 FT, 25 FT & 30 FT, 1-1/2" KNIVES**

<b>REF</b>	<b>FN</b>	<b>PART NUMBER</b>	<b>YR/SN</b>	<b>QTY</b>	<b>DESCRIPTION</b>
47		86517390		1	BOLT AND NUT, Kit, Ref 46[Qty 25] & Ref 18[Qty 25]

**2020**

WOBBLE BOX DRIVE

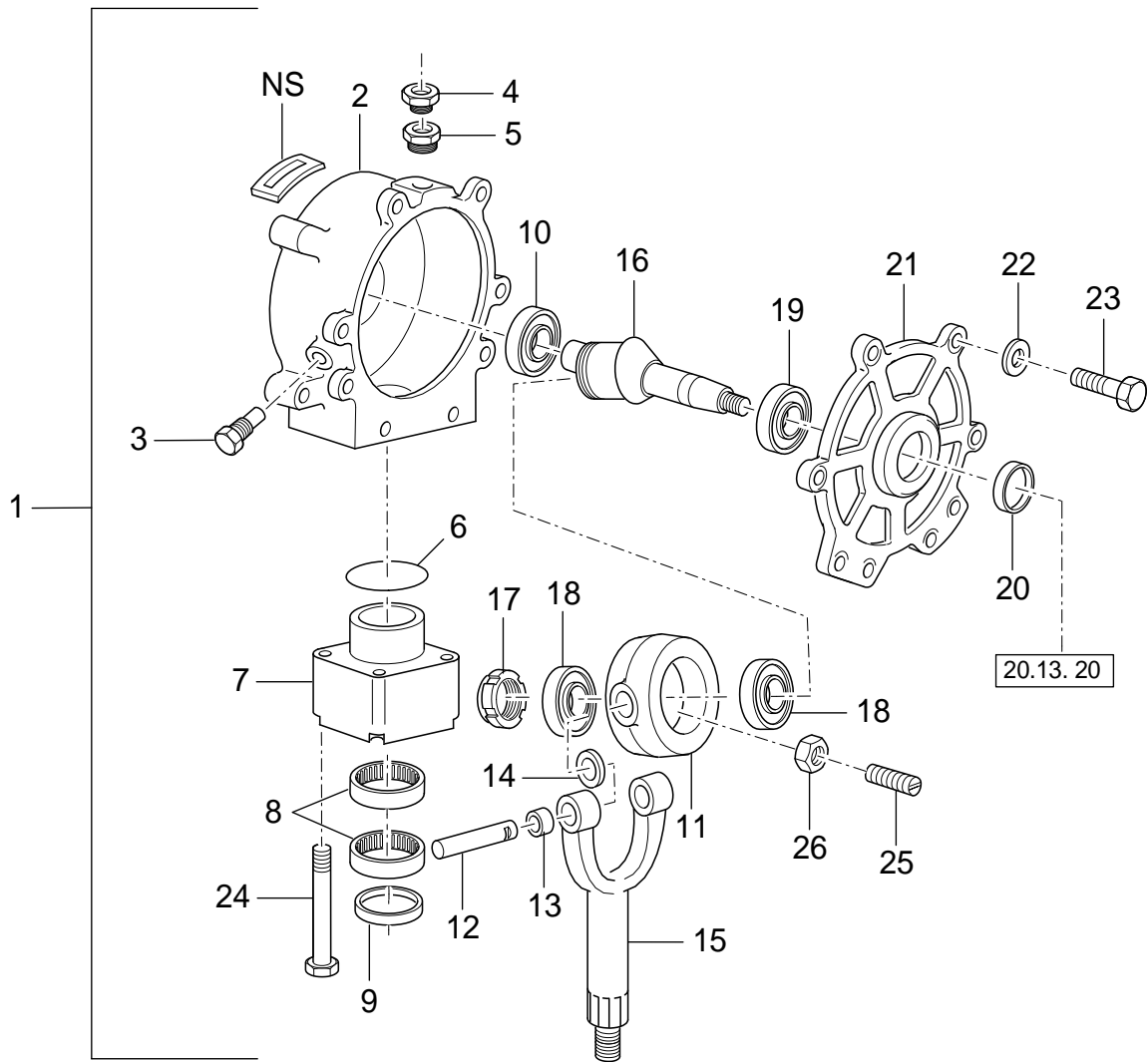


## WOBBLE BOX DRIVE

REF	FN	PART NUMBER	YR/SN	QTY	DESCRIPTION
1		9837960		1	WOBBLE BOX
2				1	Wobble Box, See Fig 20.13.21
3		84017247		1	ARM
4		850053		1	WASHER
5		9513487		1	PLATE, Lock
6		100085		1	NUT, M20 x 1.5, CI 8
7		86604996		1	PULLEY, 279.4MM OD, LH
7		86604997		1	PULLEY, 247.5MM OD, RH
8		325594		1	WASHER, M16
9		140048		1	WASHER, SPRING, Belleville, M16
10		10790521		1	NUT, M16 x 1.5, CI 10
11		170005		1	KEY, SQ 8 X 7 X 25MM
12		846973		8	WASHER
13		143479		4	WASHER, Hardened, 1/2"
14		850124		9	SCREW, Cap, HH, CL 8.8, M12 x 1.25 x 40
15		86622727		2	SHIM, 0.135"
16		796687		8AR	SHIM, 0.036"
16		847712		16AR	SHIM, 0.062"
16		847713		4AR	SHIM, 0.010"

2010 2020

WOBBLE BOX



## WOBBLE BOX

REF	FN	PART NUMBER	YR/SN	QTY	DESCRIPTION
1		85000175		1	WOBBLE BOX
2		9501967		1	HOUSING
3		384922		1	PLUG, Magnetic
4		572820		1	SCREW, VENTING, Breather
5		920158		1	CONNECTOR, HYD.
6		165216		1	O-RING, -144, 90 Duro, 2.487" ID x .103" Thk
7		NSS		1	NOT SERVICED SEPARATELY
8		87021857		2	BEARING ASSY
9		796503		1	ELEMENT, SEALING
10		9811397		1	BEARING ASSY
11		850123		1	HOUSING, BEARING
12		847547		2	PIN
13		709063		2	BUSHING
14		168100		2	SHIM, 0.036" Thk
15		9513490		1	YOKE, Includes Ref 13
16		9501697		1	SHAFT
17		850119		1	NUT, M50 x 1.5, Stake
18		796504		2	BEARING, ROLLER
19		9811632		1	BEARING ASSY
20		9513024		1	RING
21		9501969		1	COVER
22		140045		8	WASHER, SPRING, Belleville, M10
23		43140		8	BOLT, Hex, M10 x 30, 8.8
24		850125		4	BOLT, Hex Lock, M12 x 1.25 x 70, 8.8
25		300479		2	SET SCREW, Hex Soc, M8 x 25, Cup Pt
26		86629542		2	NUT, M8 x 1.25", CI 8

2010 2020

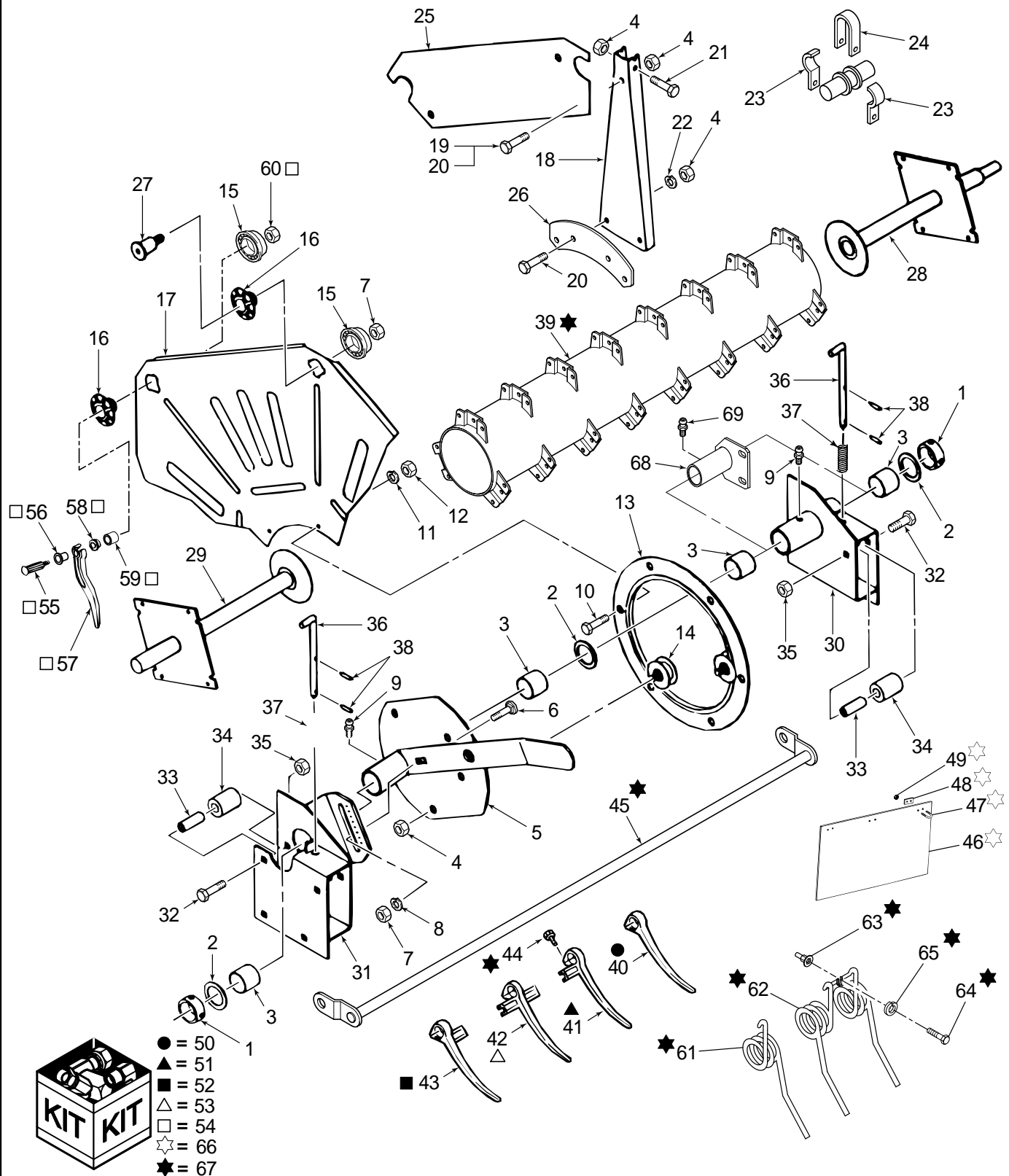
20.13.30

1

p1

04/06

PICK-UP REEL, HCC INC, BPIN CBJ020205 [INCLUDES ALL HAJ PIN'S]



**20.13.30**

1

p1

04/06

**PICK-UP REEL, HCC INC, BPIN CBJ020205 [INCLUDES ALL HAJ PIN'S]**

REF	FN	PART NUMBER	YR/SN	QTY	DESCRIPTION
1		86518431		2	COLLAR
2		167934		4	WASHER, 1-5/8" ID x 2-1/4" OD x 1/8" Nom. Thk.
3		167940		4	BEARING
4		100037		AR	NUT, M10 x 1.5, CI 8
5		86609389		2	FRAME, Eccentric
6		86512428		2	BOLT, CARRIAGE, Short NK, M12 x 40, CI8.8, Full Thd, Qty [1] 20 Ft
7		9706685		2	NUT, M12, CI 8
8		140046		2	WASHER, LOCK, Belleville, M12, Qty [1] 20 Ft
9		80710		2	NIPPLE, LUBE, 1/8"-27 x .66 lg
10		120104		12	SCREW, Hex, M8 x 20, 8.8
11		322358		12	WASHER, SPRING, Belleville, M8, Qty (6) 20 Ft
12		9706690		12	NUT, M8, CI 8
13		167953		2	RING, Qty [1] 20 Ft
14		86518386		6	BEARING ASSY
15		86518392		12	ECCENTRIC, Eccentric, Female Thread, Qty [6] 20 Ft
16		86518393		12	BEARING ASSY, Eccentric, Male Thread, Qty [6] 20 Ft
17		86609726		2	SHIELD, End, Qty [1], 20 Ft LH, See Ref 25
18		9842291		AR	ARM, Reel, Qty [30] 20 Ft, [36] 25 Ft, [42] 30 Ft
19		43139		6	SCREW, Hex, M10 x 25, 8.8, Full Thd
20		43140		AR	BOLT, Hex, M10 x 30, 8.8, Qty [60] 20 Ft, [72] 25 Ft, [84] 30 Ft
21		120069		AR	SCREW, Hex, M10 x 50, 8.8, Qty [30] 20 Ft, [36] 25 Ft, [42] 30 Ft
22		140045		AR	WASHER, SPRING, Belleville, M10, Qty [60] 20 Ft, [72] 25 Ft, [84] 30 Ft
23		9842300		AR	BEARING ASSY, Qty [60] 20 Ft, [72] 25 Ft, [84] 30 Ft
24		9842301		AR	STRAP, Bearing, Qty [30] 20 Ft, [36] 25 Ft, [42] 30 Ft
25		9842298		6	SHIELD, RH End, 20 Ft, Rice
25		86626144		6	SHIELD, RH End, 20 Ft
26		86609773		12	PLATE, Anchor, Qty [9], 20 Ft Rice & Non-Rice
27		86518387		12	BOLT, HS, Shoulder, CL 9.8, M12 x 1.75 x 50, Qty [9] 20 Ft Rice & Non-Rice

**2010 2020**

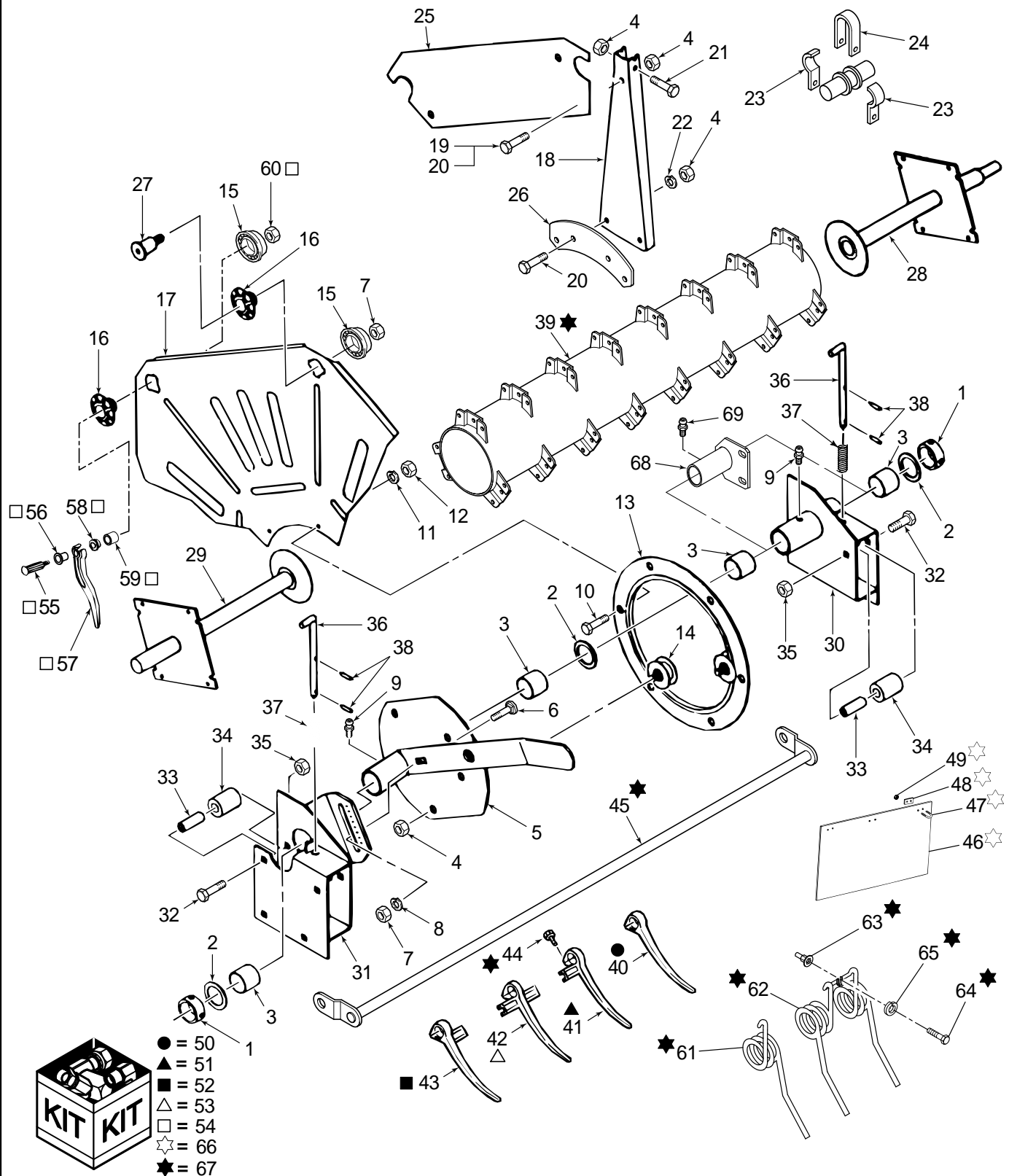
20.13.30

1

p2

04/06

PICK-UP REEL, HCC INC, BPIN CBJ020205 [INCLUDES ALL HAJ PIN'S]





**20.13.30**

1

p2

04/06

**PICK-UP REEL, HCC INC, BPIN CBJ020205 [INCLUDES ALL HAJ PIN'S]**

REF	FN	PART NUMBER	YR/SN	QTY	DESCRIPTION
28		86609553		1	SHAFT, Driven, 20 Ft, 25 Ft, & 30 Ft [Non-Rice Only]
29		86609388		1	SHAFT, Driving, Qty [2] 20 Ft Rice & 25 Ft Rice
30		86518389		1	BRACKET, RH, 25 Ft & 30 Ft, [Used when Ref 5 is Qty 2, LH & RH]
30		86545712		1	BRACKET, RH, 25 & 30 Ft, [Used when Ref 5 is Qty 1, & LH]
31		86545711		1	BRACKET, LH
32		43158		4	SCREW, Hex, M12 x 80, 8.8
33		646668		4	SPACER
34		675205		4	ROLLER
35		100038		16	NUT, LOCK, M12 x 1.75, Cl 8, Qty [10] 20 Ft
36		641221		2	PIN
37		514779		2	SPRING, Compression
38		84016		4	PIN, GROOVED, 1/8" x 1 1/4", Type A
39		86609236		1	SHAFT, Center 20 Ft
39		86614496		1	SHAFT, Center 20 Ft, Rice & Steel Tine Option
39		86609240		1	SHAFT, Center 25 Ft, Rice & Non Rice & Steel Tine Option
39		86609096		1	SHAFT, Center, 30 Ft & Steel Tine Option
40		NSS		AR	NOT SERVICED SEPARATELY, Plastic, No Bat, Qty [21] 20 Ft, [24] 25 Ft & 30 Ft, See Ref 50
41		NSS		AR	NOT SERVICED SEPARATELY, Plastic, LH Bat, Qty [12] 20 Ft, [15] 25 Ft, [18] 30 Ft, See Ref 51
42		NSS		AR	NOT SERVICED SEPARATELY, Plastic, Full Bat, Qty [192] 20 Ft, [246] 25 Ft, [300] 30 Ft, See Ref 53
43		NSS		AR	NOT SERVICED SEPARATELY, Plastic, RH Bat, Qty [15] 20 Ft & 25 Ft, [18] 30 Ft, See Ref 52
44		9842264		AR	SCREW, SELF TAPPING, M3.5X16 1.3P SHWH AB, Qty [240] 20 Ft, [300] 25 Ft, [360] 30 Ft
44		9842264		12	SCREW, SELF TAPPING, M3.5 x 16, SHWH, 20 Ft, 25 Ft & 30 Ft, Steel Tine Option
45		86609237		6	TUBE, Plastic Tines, 20 Ft
45		86614495		6	TUBE, Plastic Tines, 20 Ft Rice
45		87017201		3	TUBE, Steel Tines, 20 Ft
45		87017200		3	TUBE, Steel Tines, 20 Ft

**2010 2020**

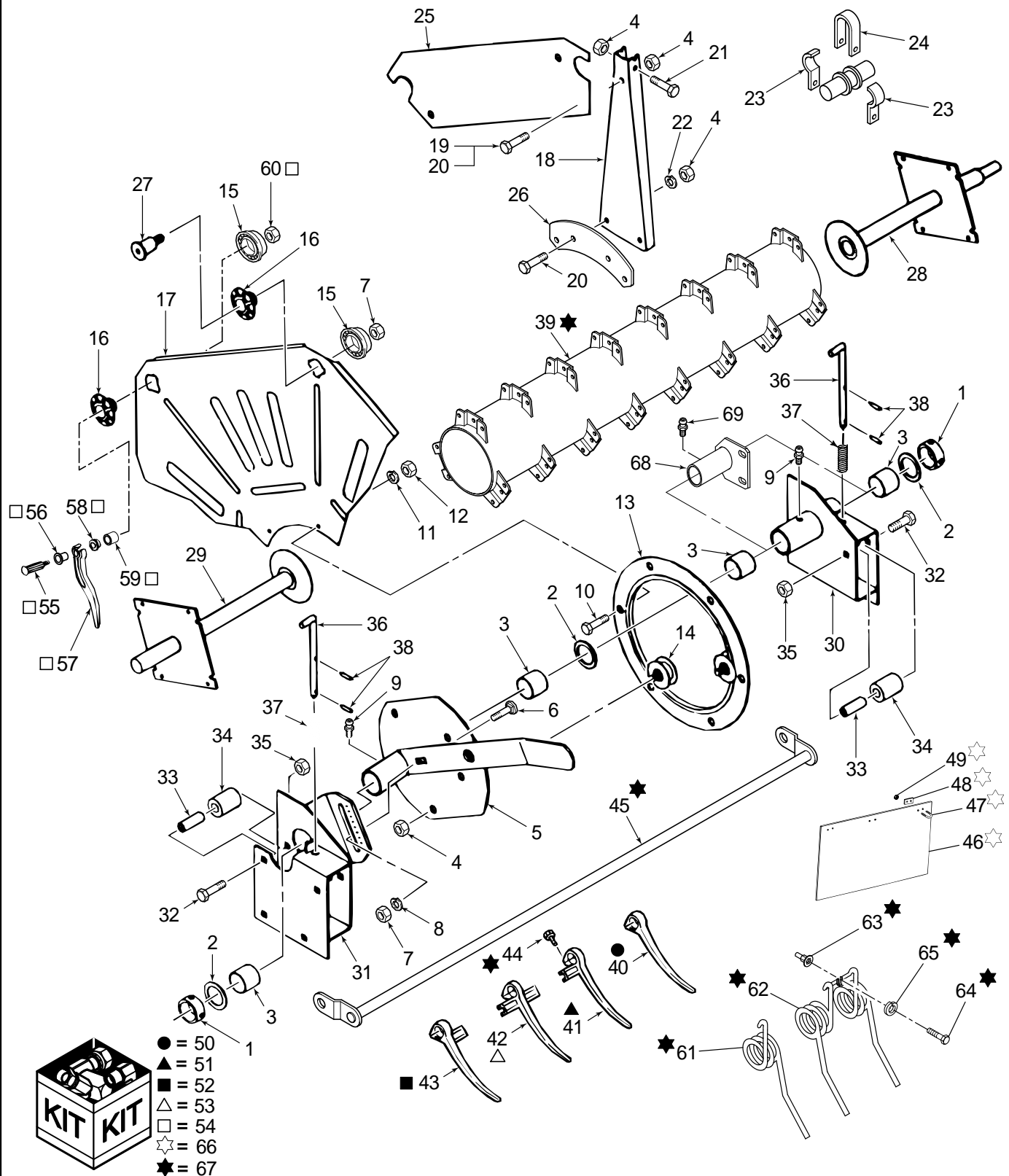
20.13.30

1

p3

04/06

PICK-UP REEL, HCC INC, BPIN CBJ020205 [INCLUDES ALL HAJ PIN'S]



**20.13.30**

1

p3

04/06

**PICK-UP REEL, HCC INC, BPIN CBJ020205 [INCLUDES ALL HAJ PIN'S]**

REF	FN	PART NUMBER	YR/SN	QTY	DESCRIPTION
45		87025694		3	TUBE, Steel Tines, 20 Ft, Ref 63 Included
45		87025695		3	TUBE, Steel Tines, 20 Ft, Ref 63 Included
45		86609239		6	TUBE, Plastic Tines, 25 Ft, Rice & Non-Rice
45		87017203		3	TUBE, Steel Tines, 25 Ft
45		87017202		3	TUBE, Steel Tines, 25 Ft
45		87025700		3	TUBE, Steel Tines, 25 Ft, Ref 63 Included
45		87025701		3	TUBE, Steel Tines, 25 Ft, Ref 63 Included
45		86609095		6	TUBE, Plastic Tines, 30 Ft
45		87017198		3	TUBE, Steel Tines, 30 Ft
45		87017197		3	TUBE, Steel Tines, 30 Ft
45		87025698		3	TUBE, Steel Tines, 30 Ft, Ref 63 Included
45		87025699		3	TUBE, Steel Tines, 30 Ft, Ref 63 Included
46		86634225		9	FLAP, Rubber, 14" x 7", Option
47		87010605		27	U-BOLT, G5, 1/4"-20 x 1-1/4", Option
48		86514396		27	PLATE, STEEL, Option
49		523282		54	NUT, Flg, USR, 1/4"-20, Option
50		86620750		1	KIT, Qty-10, Ref 40
51		86620755		1	KIT, Qty-10, Ref 41
52		86620757		1	KIT, Qty-10, Ref 43
53		86620758		1	KIT, Qty-10, Ref 42
54		86622865		1	KIT, Outer Finger
55		167928		12	BOLT, Rd Hd, Hex Shank, 1/2"-20 x 2-1/2"
56		9601652		12	BRACKET, Auxilliary Finger
57		9601650		12	FINGER, Auxilliary
58		9601651		12	RETAINER, Auxilliary Finger
59		167933		12	SPACER, Tubing
60		86632156		12	NUT, LOCK, Flange, 1/2"-20
61		87017196		AR	TINE, Steel, Single, Option, Qty [21] 20 Ft, [33] 25 Ft & 30 Ft
62		87017195		AR	TINE, Steel, Double, Option, Qty [102] 20 Ft, [126] 25 Ft, [156] 30 Ft
63		87029978		AR	INSERT, THREADED, Steel Tine Option, Qty [123] 20 Ft, [159] 25 Ft, [189] 30 Ft
63		87029980		AR	INSERT, THREADED, Tool, When no factory insert installed

**2010 2020**

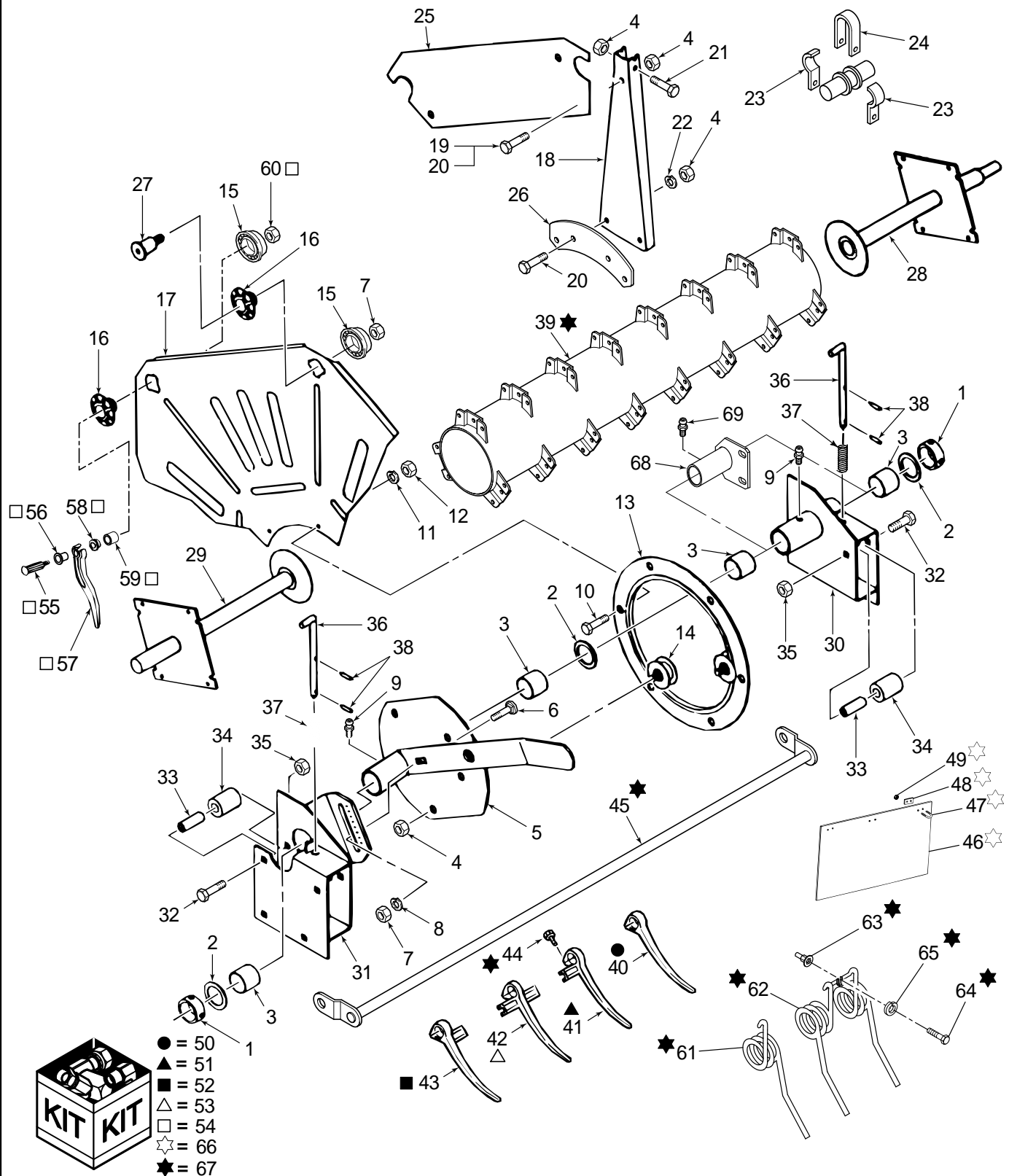
20.13.30

1

p4

04/06

PICK-UP REEL, HCC INC, BPIN CBJ020205 [INCLUDES ALL HAJ PIN'S]



**20.13.30**

1

p4

04/06

**PICK-UP REEL, HCC INC, BPIN CBJ020205 [INCLUDES ALL HAJ PIN'S]**

REF	FN	PART NUMBER	YR/SN	QTY	DESCRIPTION
64		9671714		AR	BOLT, Hex Flg, M8 x 25, 8.8
65		322358		AR	WASHER, SPRING, Belleville, M8, Steel Tine Option, Qty [123] 20 Ft, [159] 25 Ft, [189] 30 Ft
66		86705199		AR	PACKAGE, Qty's Shown Per Kit, 2 Kits For 20 Ft & 3 Kits For 25 Ft & 30 Ft
67		NS		AR	NOT SERVICED, Order Whole Goods, Steel Tine Option
67		NS		AR	NOT SERVICED, Order Whole Goods, Steel Tine Option
68		{87061280}		1	Plastic Tine Reel, RH, 20 Ft Only
69		87414		1	NIPPLE, LUBE, 1/4"-28 x .56" lg, Drive

**2010 2020**

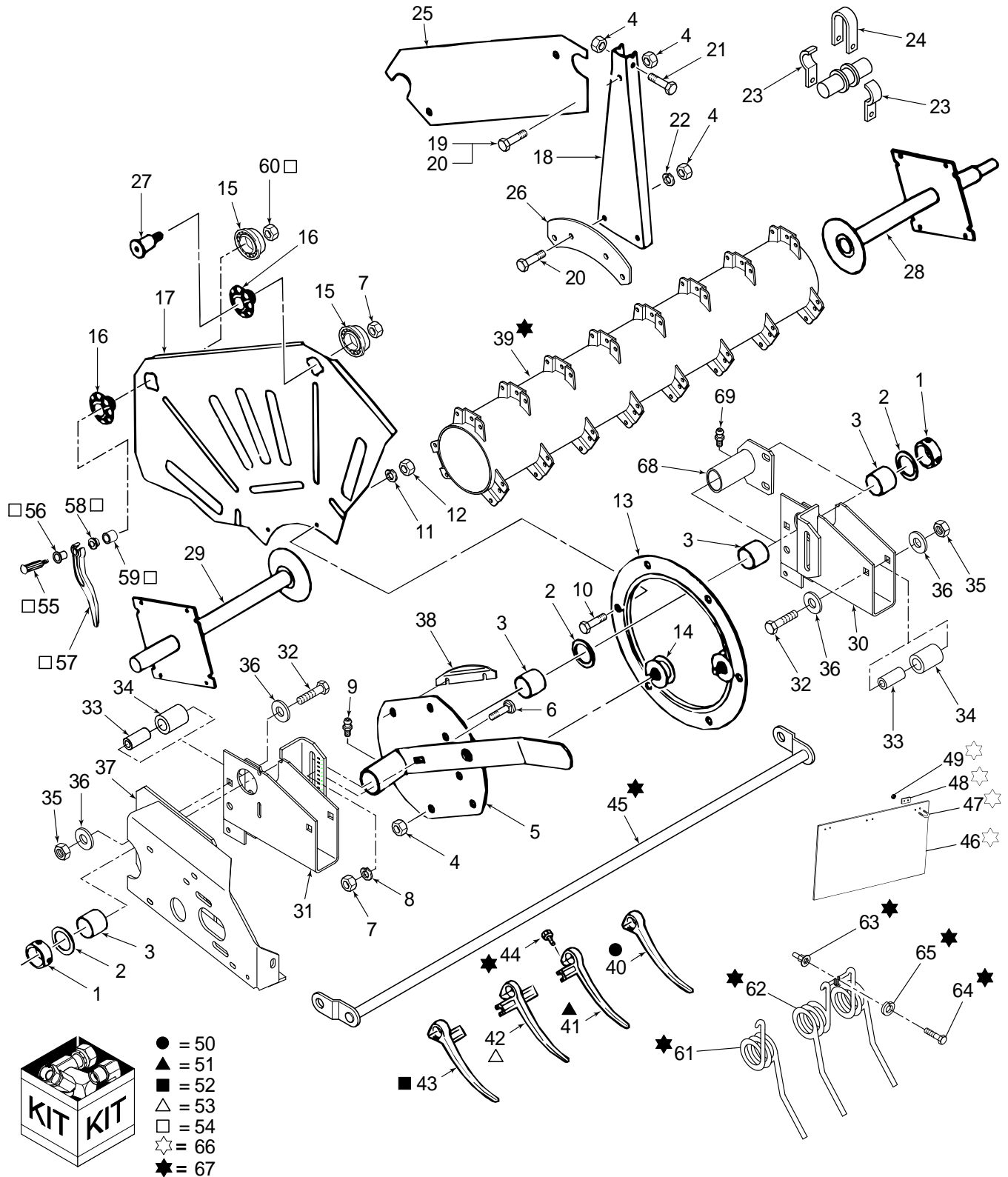
20.13.30

2

p1

04/06

PICK-UP REEL, HCC INC, PIN CBJ020205 AND AFTER



## PICK-UP REEL, HCC INC, PIN CBJ020205 AND AFTER

REF	FN	PART NUMBER	YR/SN	QTY	DESCRIPTION
1		86518431		2	COLLAR
2		167934		4	WASHER, 1-5/8" ID x 2-1/4" OD x 1/8" Nom. Thk.
3		167940		4	BEARING
4		100037		AR	NUT, M10 x 1.5, CI 8
5		86609389		1	FRAME, Eccentric, RH, 25, 30 & 20 Ft Rice
5		87045530		1	HOUSING, Eccentric, LH, 20, 25 & 30 Ft
6		86512428		2	BOLT, CARRIAGE, Short NK, M12 x 40, CI8.8, Full Thd
7		9706685		2	NUT, M12, CI 8
8		140046		2	WASHER, LOCK, Belleville, M12
9		80710		2	NIPPLE, LUBE, 1/8"-27 x .66 lg
10		120104		12	SCREW, Hex, M8 x 20, 8.8
11		322358		12	WASHER, SPRING, Belleville, M8
12		9706690		12	NUT, M8, CI 8
13		167953		2	RING
14		86518386		6	BEARING ASSY
15		86518392		12	ECCENTRIC, Eccentric, Female Thread
16		86518393		12	BEARING ASSY, Eccentric, Male Thread
17		86609726		2	SHIELD, End
18		9842291		AR	ARM, Reel, Qty [30] 20 Ft, [36] 25 Ft, [42] 30 Ft
19		43139		6	SCREW, Hex, M10 x 25, 8.8, Full Thd
20		43140		AR	BOLT, Hex, M10 x 30, 8.8, Qty [60] 20 Ft, [72] 25 Ft, [84] 30 Ft
21		120069		AR	SCREW, Hex, M10 x 50, 8.8, Qty [30] 20 Ft, [36] 25 Ft, [42] 30 Ft
22		140045		AR	WASHER, SPRING, Belleville, M10, Qty [60] 20 Ft, [72] 25 Ft, [84] 30 Ft
23		9842300		AR	BEARING ASSY, Qty [60] 20 Ft, [72] 25 Ft, [84] 30 Ft
24		9842301		AR	STRAP, Bearing, Qty [30] 20 Ft, [36] 25 Ft, [42] 30 Ft
25		86626144		6	SHIELD, RH End, 20 Ft Non-Rice
26		86609773		12	PLATE, Anchor
27		86518387		12	BOLT, HS, Shoulder, CL 9.8, M12 x 1.75 x 50
28		86609553		1	SHAFT, Driven
29		87037954		1	SHAFT, Driving
30		87036734		1	BRACKET, RH

Quantities listed are for 20 Ft Rice, 25 Ft and 30 Ft. Twenty foot non-rice has only one Ref 5, so associated parts will have a smaller quantity.

**2010 2020**

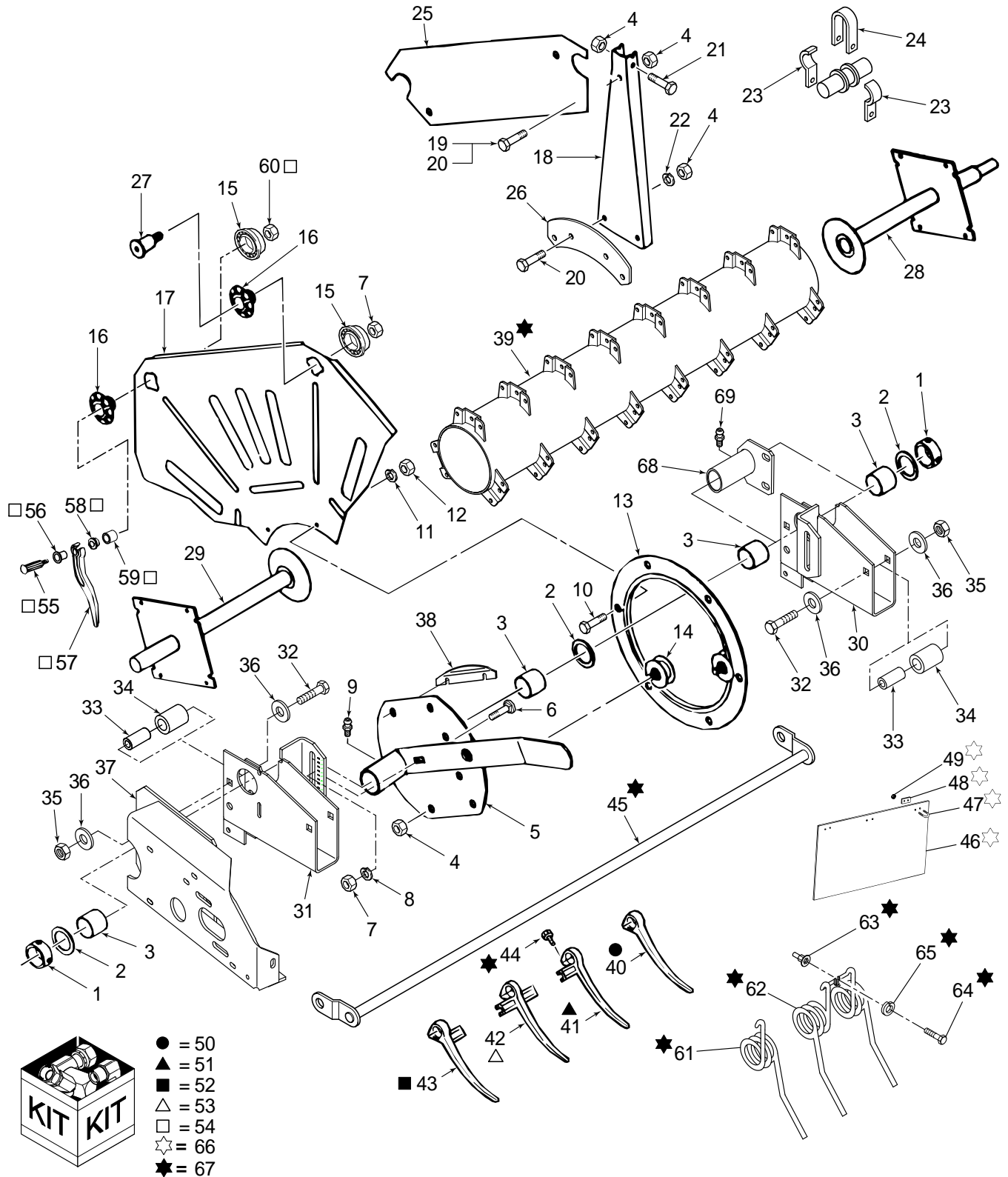
20.13.30

2

p2

04/06

PICK-UP REEL, HCC INC, PIN CBJ020205 AND AFTER





## PICK-UP REEL, HCC INC, PIN CBJ020205 AND AFTER

REF	FN	PART NUMBER	YR/SN	QTY	DESCRIPTION
31		87036733		1	BRACKET, LH
32		43158		4	SCREW, Hex, M12 x 80, 8.8
33		646668		4	SPACER
34		675205		4	ROLLER
35		9706685		16	NUT, M12, CI 8
36		140046		8	WASHER, LOCK, Belleville, M12
37		87049811		1	BRACKET
38		87047050		4	SHIELD
39		86609236		1	SHAFT, Center 20 Ft
39		86614496		1	SHAFT, Center 20 Ft, Rice & Steel Tine Option
39		86609240		1	SHAFT, Center 25 Ft, Rice & Non Rice & Steel Tine Option
39		86609096		1	SHAFT, Center, 30 Ft & Steel Tine Option
40		NSS		AR	NOT SERVICED SEPARATELY, Plastic, No Bat, Qty [21] 20 Ft, [24] 25 Ft & 30 Ft, See Ref 50
41		NSS		AR	NOT SERVICED SEPARATELY, Plastic, LH Bat, Qty [12] 20 Ft, [15] 25 Ft, [18] 30 Ft, See Ref 51
42		NSS		AR	NOT SERVICED SEPARATELY, Plastic, Full Bat, Qty [192] 20 Ft, [246] 25 Ft, [300] 30 Ft, See Ref 53
43		NSS		AR	NOT SERVICED SEPARATELY, Plastic, RH Bat, Qty [15] 20 Ft & 25 Ft, [18] 30 Ft, See Ref 52
44		9842264		AR	SCREW, SELF TAPPING, M3.5 x 16, SHWH, Qty [240] 20 Ft, [300] 25 Ft, [360] 30 Ft
44		9842264		12	SCREW, SELF TAPPING, M3.5 x 16, SHWH, Steel Tine Option
45		86609237		6	TUBE, Plastic Tines, 20 Ft
45		86614495		6	TUBE, Plastic Tines, 20 Ft Rice, Double Drive
45		86609239		6	TUBE, Plastic Tines, 25 Ft, Rice & Non-Rice
45		87017203		3	TUBE, Steel Tines, 25 Ft
45		87017202		3	TUBE, Steel Tines, 25 Ft
45		87025700		3	TUBE, Steel Tines, 25 Ft, Ref 63 Included
45		87025701		3	TUBE, Steel Tines, 25 Ft, Ref 63 Included
45		86609095		6	TUBE, Plastic Tines, 30 Ft
45		87017198		3	TUBE, Steel Tines, 30 Ft
45		87017197		3	TUBE, Steel Tines, 30 Ft

Quantities listed are for 20 Ft Rice, 25 Ft and 30 Ft. Twenty foot non-rice has only one Ref 5, so associated parts will have a smaller quantity.

**2010 2020**

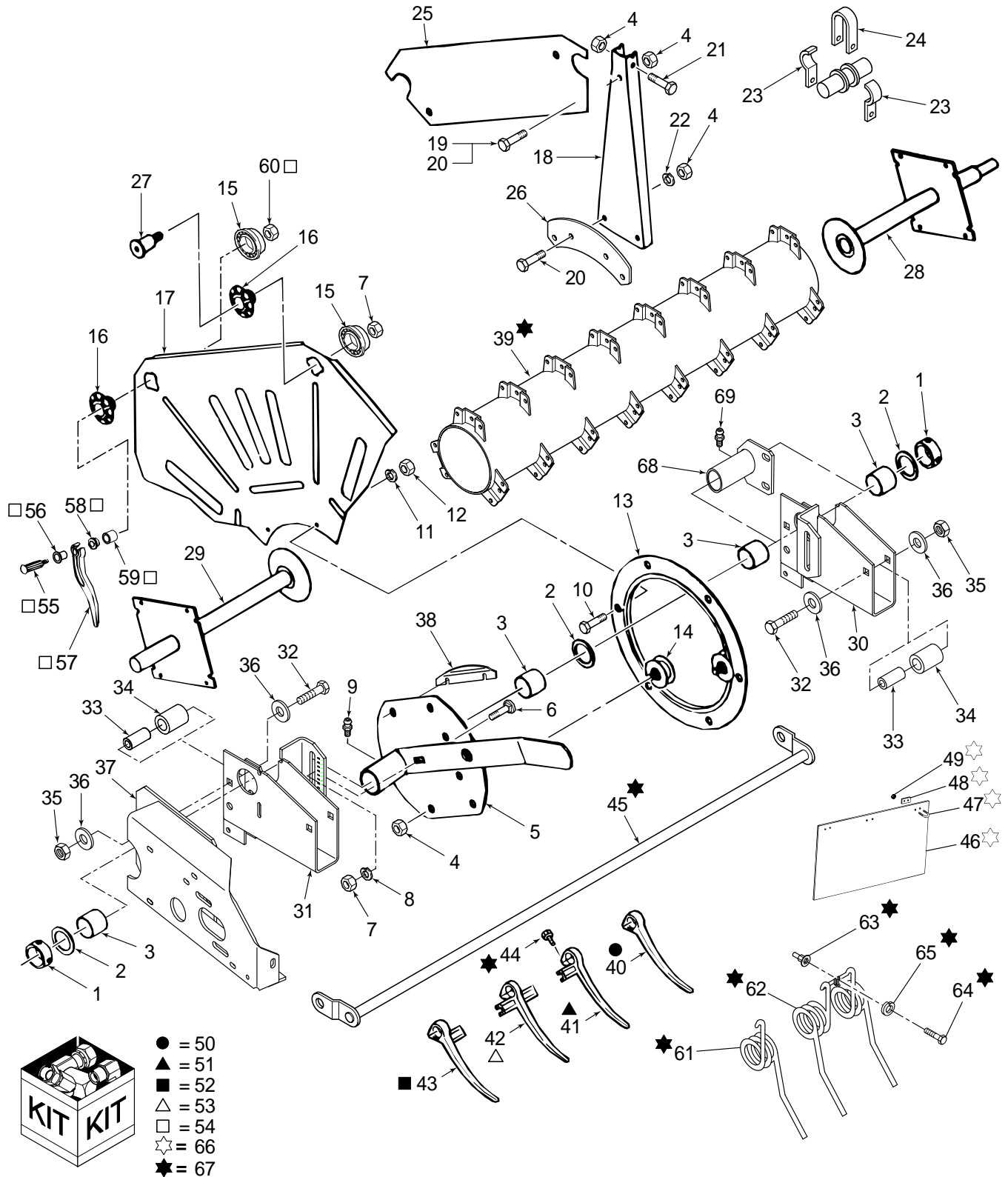
20.13.30

2

p3

04/06

PICK-UP REEL, HCC INC, PIN CBJ020205 AND AFTER



## PICK-UP REEL, HCC INC, PIN CBJ020205 AND AFTER

REF	FN	PART NUMBER	YR/SN	QTY	DESCRIPTION
45		87025698		3	TUBE, Steel Tines, 30 Ft, Ref 63 Included
45		87025699		3	TUBE, Steel Tines, 30 Ft, Ref 63 Included
46		86634225		9	FLAP, Rubber, 14" x 7", Option
47		87010605		27	U-BOLT, G5, 1/4"-20 x 1-1/4", Option
48		86514396		27	PLATE, STEEL, Option
49		523282		54	NUT, Flg, USR, 1/4"-20, Option
50		86620750		1	KIT, Qty-10, Ref 40
51		86620755		1	KIT, Qty-10, Ref 41
52		86620757		1	KIT, Qty-10, Ref 43
53		86620758		1	KIT, Qty-10, Ref 42
54		86622865		1	KIT, Outer Finger, Qty as shown at each part
55		167928		12	BOLT, Rd Hd, Hex Shank, 1/2"-20 x 2-1/2"
56		9601652		12	BRACKET, Auxilliary Finger
57		9601650		12	FINGER, Auxilliary
58		9601651		12	RETAINER, Auxilliary Finger
59		167933		12	SPACER, Tubing
60		86632156		12	NUT, LOCK, Flange, 1/2"-20
61		87017196		AR	TINE, Steel, Single, Option, Qty [21] 20 Ft, [33] 25 Ft & 30 Ft
62		87017195		AR	TINE, Steel, Double, Option, Qty [102] 20 Ft, [126] 25 Ft, [156] 30 Ft
63		427417A1		AR	PACKAGE, Steel Tine Option, Qty [123] 20 Ft, [159] 25 Ft, [189] 30 Ft
63		430246A1		AR	TOOL, For use when no factory insert installed
64		9671714		AR	BOLT, Hex Flg, M8 x 25, 8.8
65		322358		AR	WASHER, SPRING, Belleville, M8, Steel Tine Option, Qty [123] 20 Ft, [159] 25 Ft, [189] 30 Ft
66		86705199		AR	PACKAGE, Qty's Shown Per Kit, 2 Kits For 20 Ft & 3 Kits For 25 Ft & 30 Ft
67		NS		AR	NOT SERVICED, Order Whole Goods, Steel Tine Option

Quantities listed are for 20 Ft Rice, 25 Ft and 30 Ft. Twenty foot non-rice has only one Ref 5, so associated parts will have a smaller quantity.

**2010 2020**

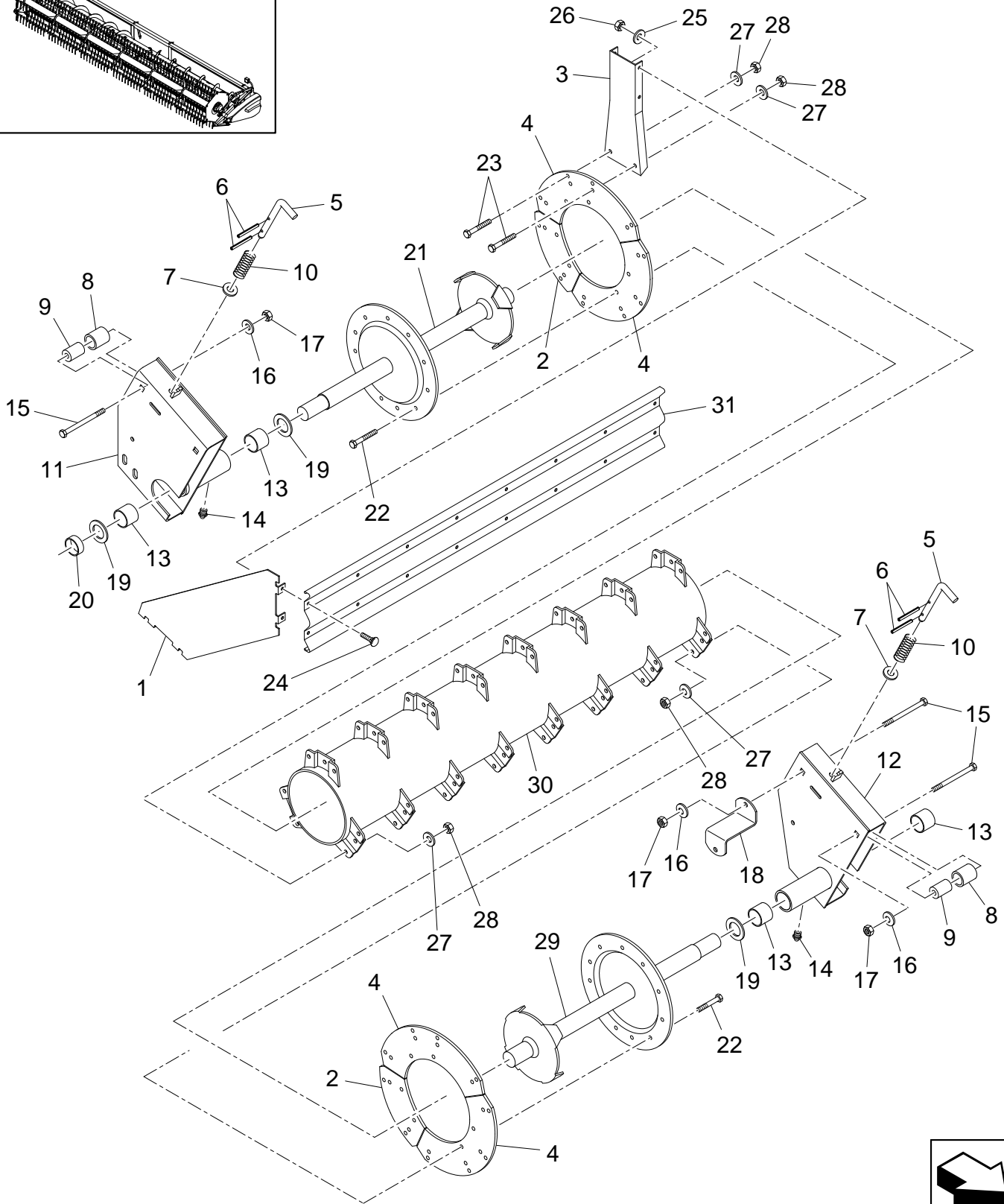
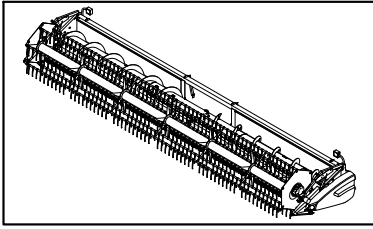
20.13.31

1

p1

04/06

BAT REEL, HCC INC, BPIN CBJ020205 [INCLUDES ALL HAJ PIN'S]



## BAT REEL, HCC INC, BPIN CBJ020205 [INCLUDES ALL HAJ PIN'S]

REF	FN	PART NUMBER	YR/SN	QTY	DESCRIPTION
1		86609420		10	SHIELD, End
2		86609424		5	PLATE, 20 Ft
2		86609424		6	PLATE, 25 Ft
2		86609424		7	PLATE, 30 Ft
3		86609419		25	ARM, Reel, 20 Ft
3		86609419		30	ARM, Reel, 25 Ft
3		86609419		35	ARM, Reel, 30 Ft
4		86609421		10	PLATE, 20 Ft
4		86609421		12	PLATE, 25 Ft
4		86609421		14	PLATE, 30 Ft
5		641221		2	PIN
6		84016		4	PIN, GROOVED, 1/8" x 1 1/4", Type A
7		87364		2	WASHER, 1/2", SAE
8		675205		4	ROLLER
9		646668		4	SPACER
10		514779		2	SPRING, Compression
11		86607074		1	BRACKET, RH
12		86607073		1	BRACKET, LH
13		167940		4	BEARING
14		87414		2	NIPPLE, LUBE, 1/4"-28 x .56" lg, Drive
15		88043		4	BOLT, Hex, 1/2"-13 x 3 1/4", G5
16		80679		4	WASHER, LOCK, 1/2"
17		280431		4	NUT, 1/2"-13, G5
18		86609477		1	BRACKET
19		167934		4	WASHER, 1-5/8" ID x 2-1/4" OD x 1/8" Nom. Thk.
20		86518431		1	COLLAR
21		86609553		1	SHAFT, Driven, RH
22		43140		12	BOLT, Hex, M10 x 30, 8.8
23		43139		68	SCREW, Hex, M10 x 25, 8.8, Full Thd
23		43139		84	SCREW, Hex, M10 x 25, 8.8, Full Thd
23		43139		100	SCREW, Hex, M10 x 25, 8.8, Full Thd
24		62087		70	SCREW, Truss Hd, M8 x 1.25 x 20
24		62087		80	SCREW, Truss Hd, M8 x 1.25 x 20
24		62087		90	SCREW, Truss Hd, M8 x 1.25 x 20
25		492-11031		70	WASHER, LOCK, 5/16"

2010 2020

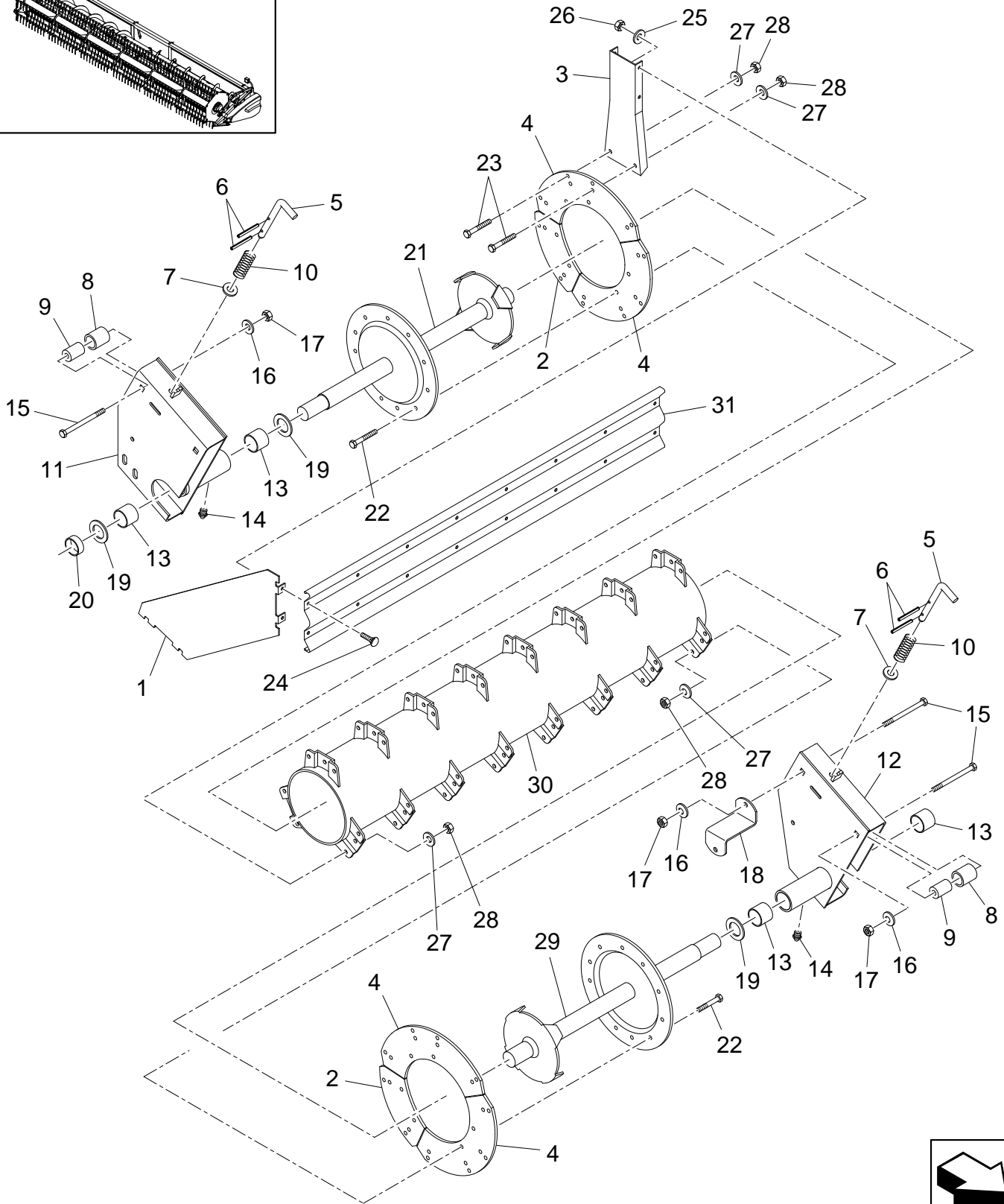
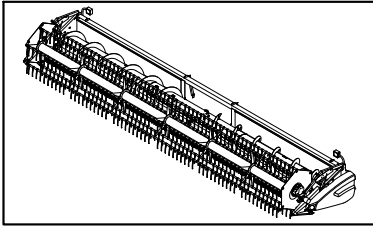
20.13.31

1

p2

04/06

BAT REEL, HCC INC, BPIN CBJ020205 [INCLUDES ALL HAJ PIN'S]



## BAT REEL, HCC INC, BPIN CBJ020205 [INCLUDES ALL HAJ PIN'S]

REF	FN	PART NUMBER	YR/SN	QTY	DESCRIPTION
25		492-11031		80	WASHER, LOCK, 5/16"
25		492-11031		90	WASHER, LOCK, 5/16"
26		9706690		70	NUT, M8, CI 8
26		9706690		80	NUT, M8, CI 8
26		9706690		90	NUT, M8, CI 8
27		140045		80	WASHER, SPRING, Belleville, M10
27		140045		96	WASHER, SPRING, Belleville, M10
27		140045		112	WASHER, SPRING, Belleville, M10
28		100037		80	NUT, M10 x 1.5, CI 8
28		100037		96	NUT, M10 x 1.5, CI 8
28		100037		112	NUT, M10 x 1.5, CI 8
29		86609388		1	SHAFT, Driving, LH
30		86609236		1	SHAFT, Center 20 Ft
30		86609240		1	SHAFT, Center, 25 Ft
30		86609096		1	SHAFT, Center, 30 Ft
31		86609423		5	SLAT, Plain, 20 Ft
31		86609422		5	REEL, Slat, Plain, 25 Ft
31		86609418		5	REEL, Slat, Plain, 30 Ft

2010 2020

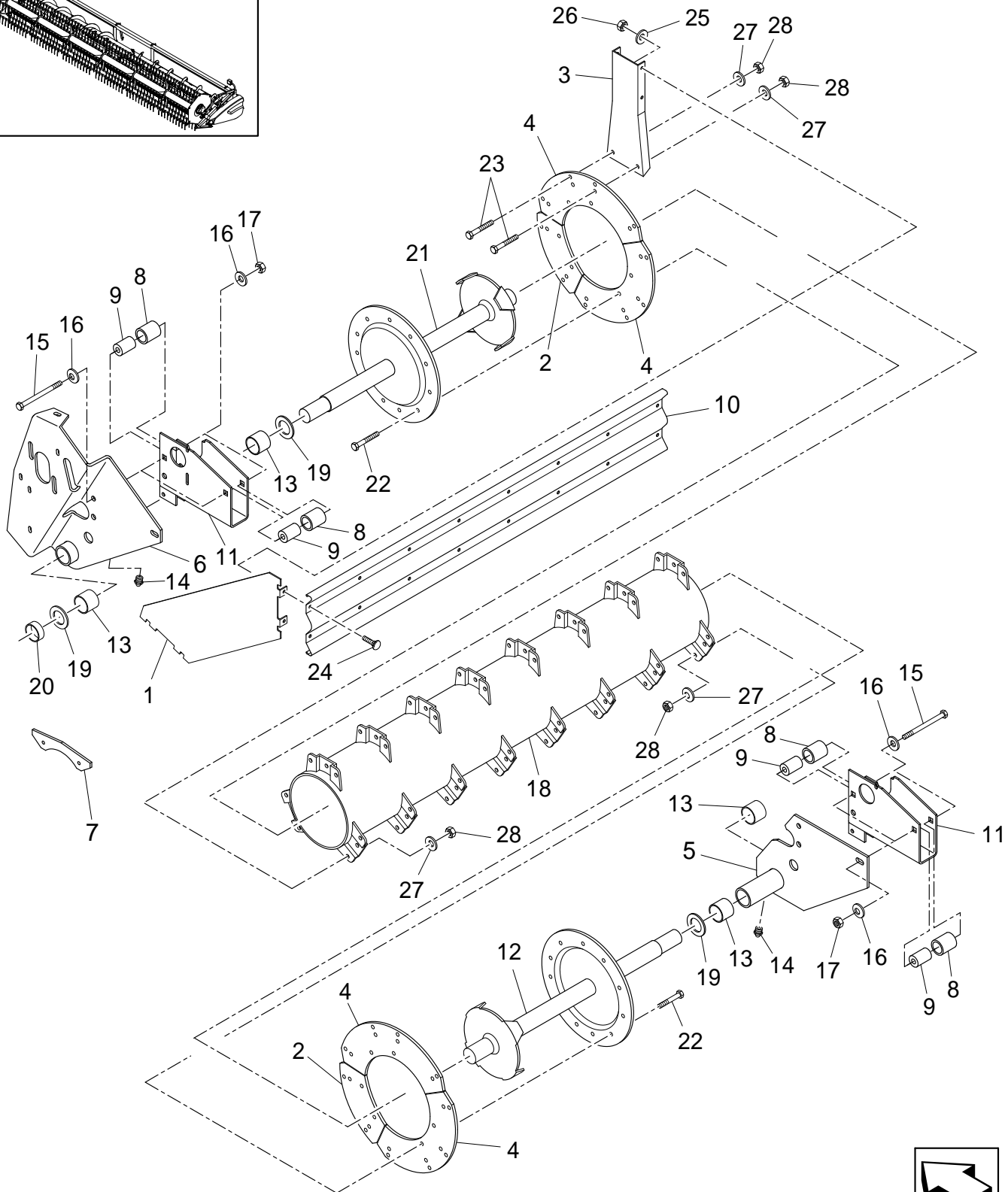
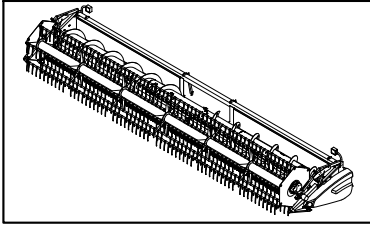
20.13.31

2

p1

04/06

BAT REEL, HCC INC, PIN CBJ020205 AND AFTER





## BAT REEL, HCC INC, PIN CBJ020205 AND AFTER

REF	FN	PART NUMBER	YR/SN	QTY	DESCRIPTION
1		86609420		10	SHIELD, End
2		86609424		5	PLATE, 20 Ft
2		86609424		6	PLATE, 25 Ft
2		86609424		7	PLATE, 30 Ft
3		86609419		25	ARM, Reel, 20 Ft
3		86609419		30	ARM, Reel, 25 Ft
3		86609419		35	ARM, Reel, 30 Ft
4		86609421		10	PLATE, 20 Ft
4		86609421		12	PLATE, 25 Ft
4		86609421		14	PLATE, 30 Ft
5		87048379		1	PLATE ASSY., Bearing, RH
6		87048378		1	PLATE ASSY., Bearing, LH
7		87039068		1	PLATE, Support for base of plastic chain cover
8		675205		4	ROLLER
9		646668		4	SPACER
10		86609423		5	SLAT, Plain, 20 Ft
10		86609422		5	REEL, Slat, Plain, 25 Ft
10		86609418		5	REEL, Slat, Plain, 30 Ft
11		87052952		2	SUPPORT ASSY.
12		86609553		1	SHAFT, Driven, RH
13		167940		4	BEARING
14		87414		2	NIPPLE, LUBE, 1/4"-28 x .56" lg, Drive
15		86508581		4	SCREW, Hex, M12 x 90, 8.8
16		140046		8	WASHER, LOCK, Belleville, M12
17		9706685		4	NUT, M12, CI 8
18		86609236		1	SHAFT, Center, 20 Ft
18		86609240		1	SHAFT, Center, 25 Ft
18		86609096		1	SHAFT, Center, 30 Ft
19		167934		4	WASHER, 1-5/8" ID x 2-1/4" OD x 1/8" Nom. Thk.
20		86518431		1	COLLAR
21		86609388		1	SHAFT, Driving, LH
22		43140		12	BOLT, Hex, M10 x 30, 8.8
23		43139		68	SCREW, Hex, M10 x 25, 8.8, Full Thd
23		43139		84	SCREW, Hex, M10 x 25, 8.8, Full Thd
23		43139		100	SCREW, Hex, M10 x 25, 8.8, Full Thd

2010 2020

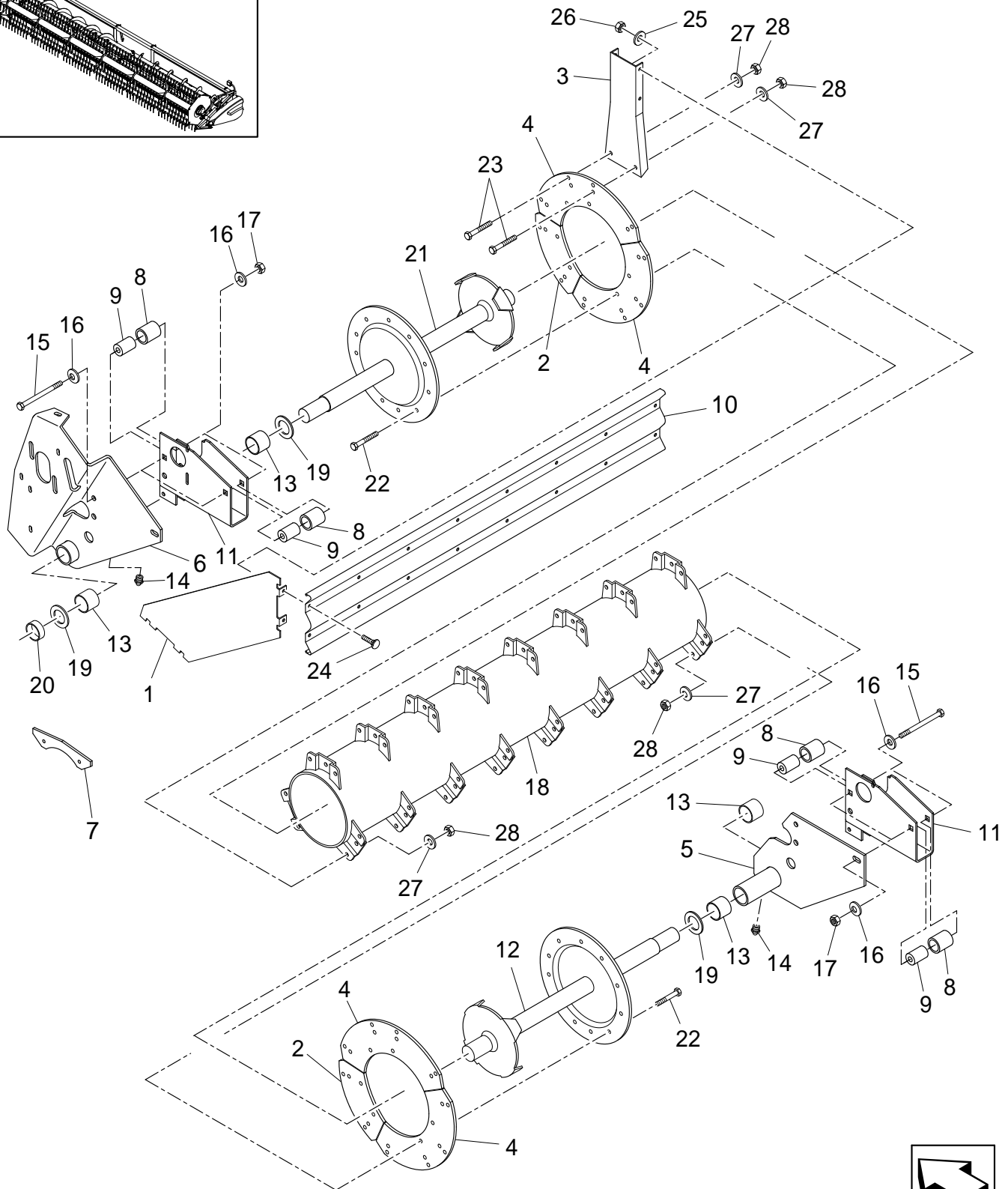
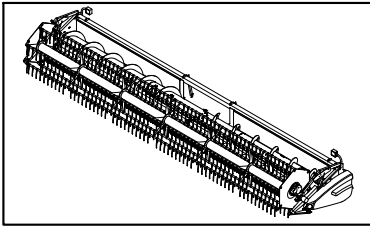
20.13.31

2

p2

04/06

BAT REEL, HCC INC, PIN CBJ020205 AND AFTER



## BAT REEL, HCC INC, PIN CBJ020205 AND AFTER

REF	FN	PART NUMBER	YR/SN	QTY	DESCRIPTION
24		62087		70	SCREW, Truss Hd, M8 x 1.25 x 20
24		62087		80	SCREW, Truss Hd, M8 x 1.25 x 20
24		62087		90	SCREW, Truss Hd, M8 x 1.25 x 20
25		322358		70	WASHER, SPRING, Belleville, M8
25		322358		80	WASHER, SPRING, Belleville, M8
25		322358		90	WASHER, SPRING, Belleville, M8
26		9706690		70	NUT, M8, CI 8
26		9706690		80	NUT, M8, CI 8
26		9706690		90	NUT, M8, CI 8
27		140045		80	WASHER, SPRING, Belleville, M10
27		140045		96	WASHER, SPRING, Belleville, M10
27		140045		112	WASHER, SPRING, Belleville, M10
28		100037		80	NUT, M10 x 1.5, CI 8
28		100037		96	NUT, M10 x 1.5, CI 8
28		100037		112	NUT, M10 x 1.5, CI 8

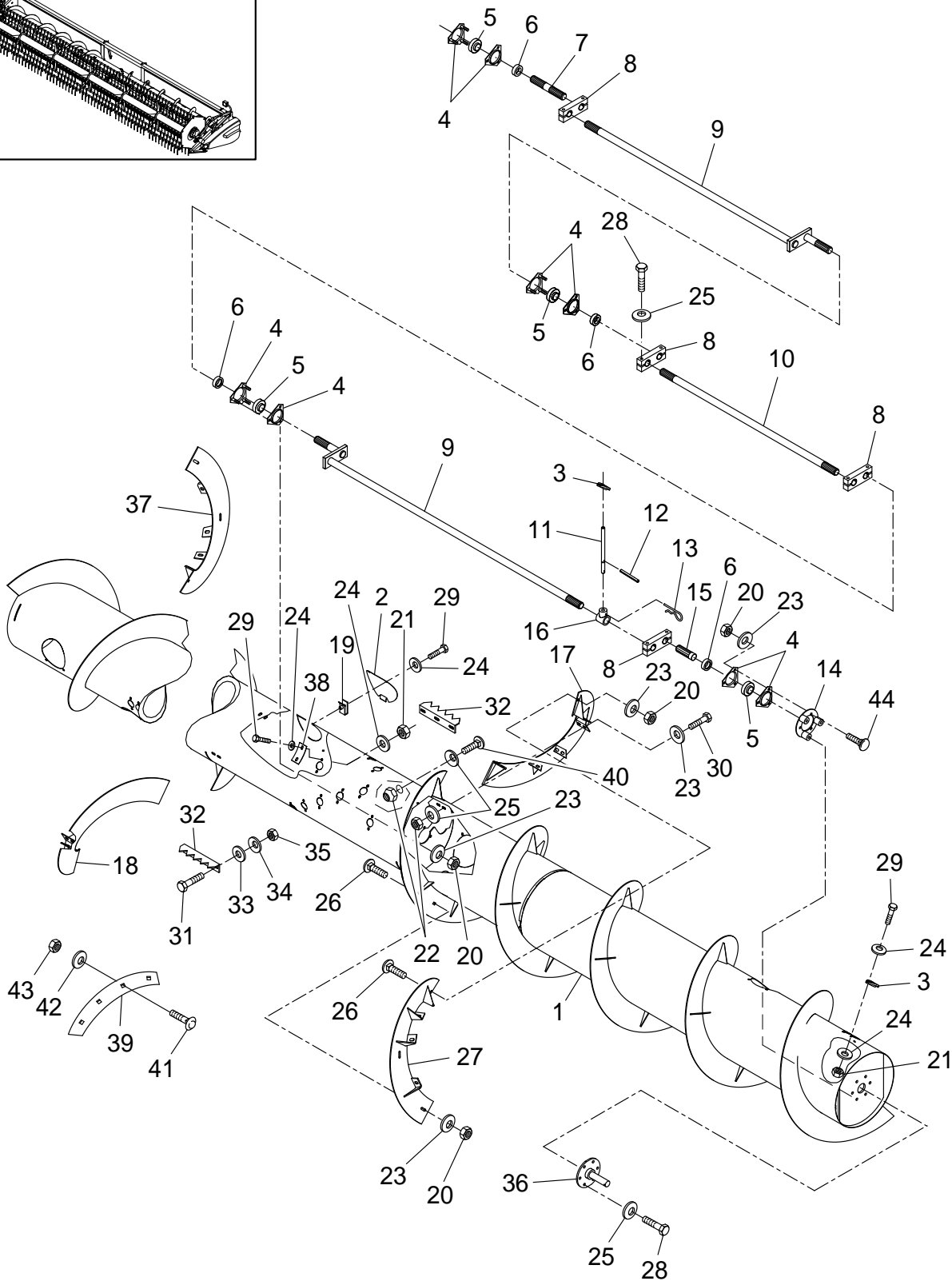
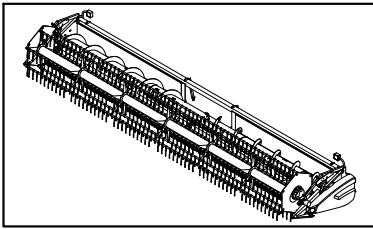
2010 2020

20.16.01

p1

04/06

AUGER, 20 FT



## AUGER, 20 FT

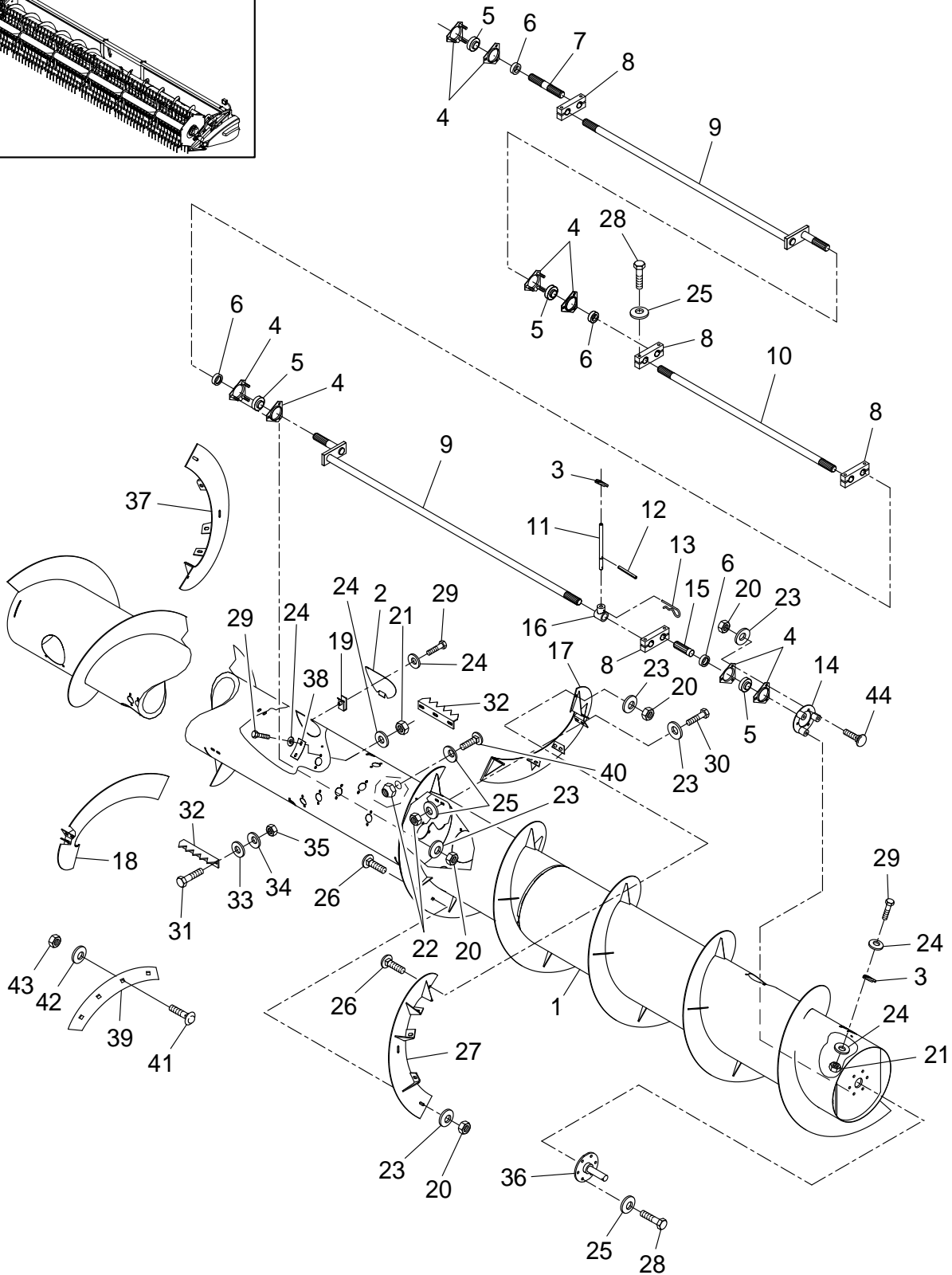
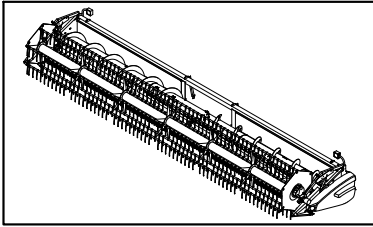
REF	FN	PART NUMBER	YR/SN	QTY	DESCRIPTION
1	1	87016026		1	AUGER
1	2	87058017		1	AUGER
2		87017844		10	COVER
3	1	86632613		24	PIN, GUIDE
3	2	87051323		28	GUIDE
4		86620026		8	FLANGE
5		47066		4	BEARING, BALL
6		47067		4	COLLAR, RETAINER
7		86599055		1	SHAFT, RH
8		86620720		4	LINK CRANKED
9		86599059		2	SHAFT, Crank
10		86599057		1	SHAFT, Center
11	1	86603233		24	FINGER
11	2	87051301		26	FINGER
12	1	130078		24	PIN, ROLL, M4 x 30, Slotted
12	2	{38-1828}		26	Spring, 1/8" x 1-3/4"
13		740591		24	PIN, SPLIT (COTTER), Spring
14		86603897		1	PLATE, MOUNTING
15	1	86599056		1	SHAFT, LH
15	2	87051367		1	SHAFT, LH
16		740844		28	COUPLING
17		87016024		1	AUGER FLIGHT, LH, Std
17		87017766		1	AUGER FLIGHT, LH, Light Crop Option
18		87016023		1	AUGER FLIGHT, RH, Std
18		87017767		1	AUGER FLIGHT, RH, Light Crop Option
19		86014250		20	NUT, Speed, M6 x 1
20		100016		20	NUT, M10, CI 8
21	1	353308		56	NUT, M6 x 1, CI 8
21	2	127550		56	NUT, Tee, 1/4"-20
22		412672		22	NUT, LOCK, M12 x 1.75, CI 10
23		140045		20	WASHER, SPRING, Belleville, M10
24		322357		132	WASHER, SPRING, Belleville, M6
25		140046		55	WASHER, LOCK, Belleville, M12

(1) BPIN CBJ020701

(2) PIN CBJ020701 and after

**2010 2020**

AUGER, 20 FT



## AUGER, 20 FT

REF	FN	PART NUMBER	YR/SN	QTY	DESCRIPTION
26		338949		11	SCREW, Short NK, M10 x 25, CI8.8, Full Thd
27		87016022		1	AUGER FLIGHT, LH, Standard
28		43158		11	SCREW, Hex, M12 x 80, 8.8
29	1	120100		76	BOLT, Hex, M6 x 20, 8.8
29	2	88542		56	BOLT, Hex, 1/4"-20 x 1/2", G5, Full Thd
30		300388		14	SCREW, Hex, M12 x 25, 8.8
31		9635884		6	BOLT, Hex, 5/16"-18 x 1", G5, Full Thd
32		87019394		2	SWEEP, Optional, 2010
33		87362		6	WASHER, 1/4"
34		492-11031		6	WASHER, LOCK, 5/16"
35		9635082		6	NUT, 5/16"-18, G5
36		86622892		1	SHAFT, Flange
37		87016021		1	AUGER FLIGHT, RH, Standard
38	3	87017812		4	COVER
39		87028705		6	AUGER FLIGHT, Wear Strip, LH
39		87028703		6	AUGER FLIGHT, Wear Strip, RH
40		374895		8	SCREW, Short NK, M12 x 25, CI8.8, Full Thd, Used to plug empty holes
41		86507486		48	BOLT, CARRIAGE, Short NK, M8 x 20, CI8.8, Full Thd
42		322358		48	WASHER, SPRING, Belleville, M8
43		9706690		48	NUT, M8, CI 8
44		86512446		6	BOLT, Short NK, M10 x 30, CI8.8, Full Thd

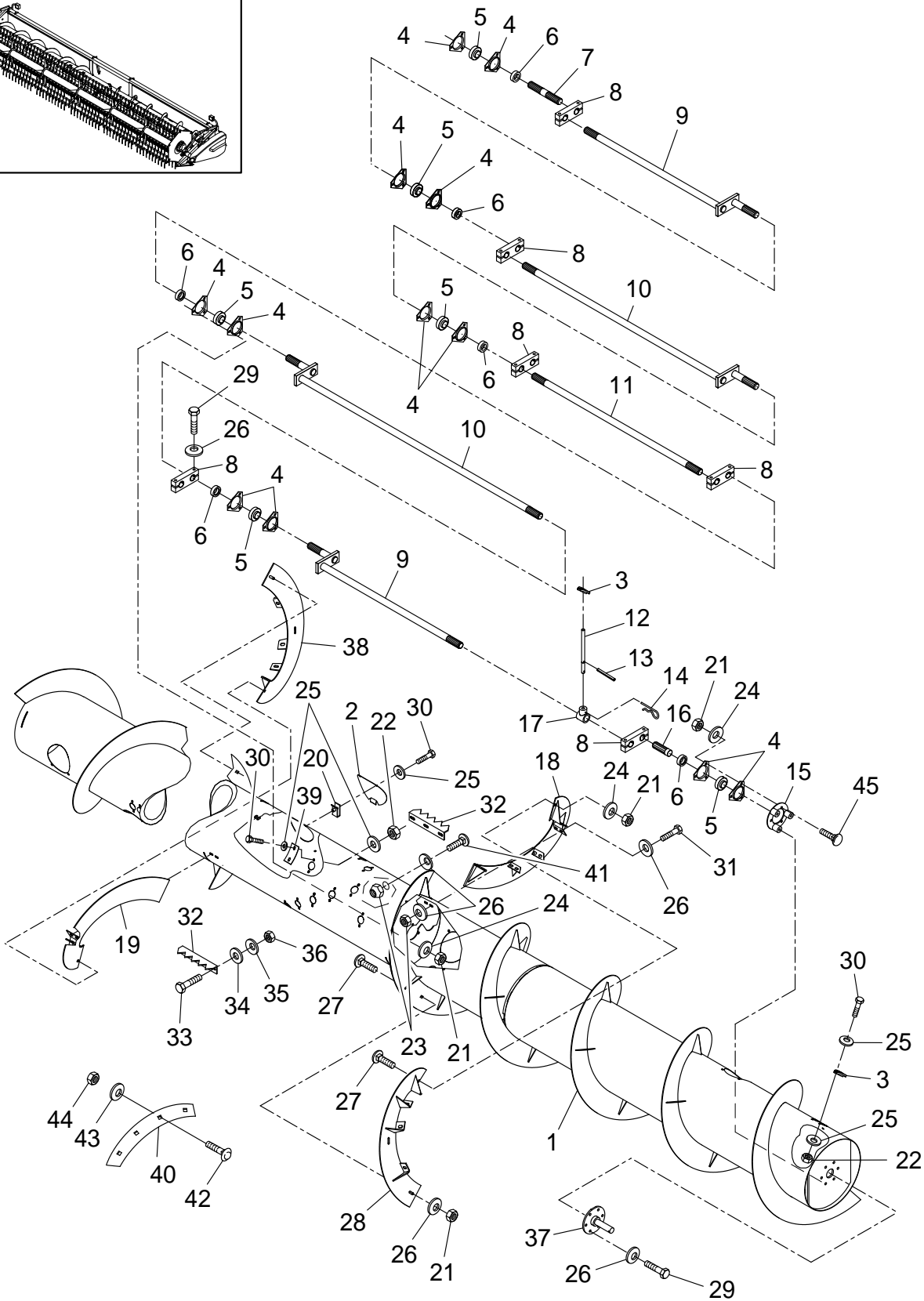
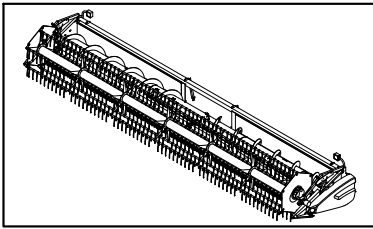
(1) BPIN CBJ020701

(2) PIN CBJ020701 and after

(3) Cover provided in place of removed fingers when attached to narrow opening combines.

**2010 2020**

AUGER, 25 FT





## AUGER, 25 FT

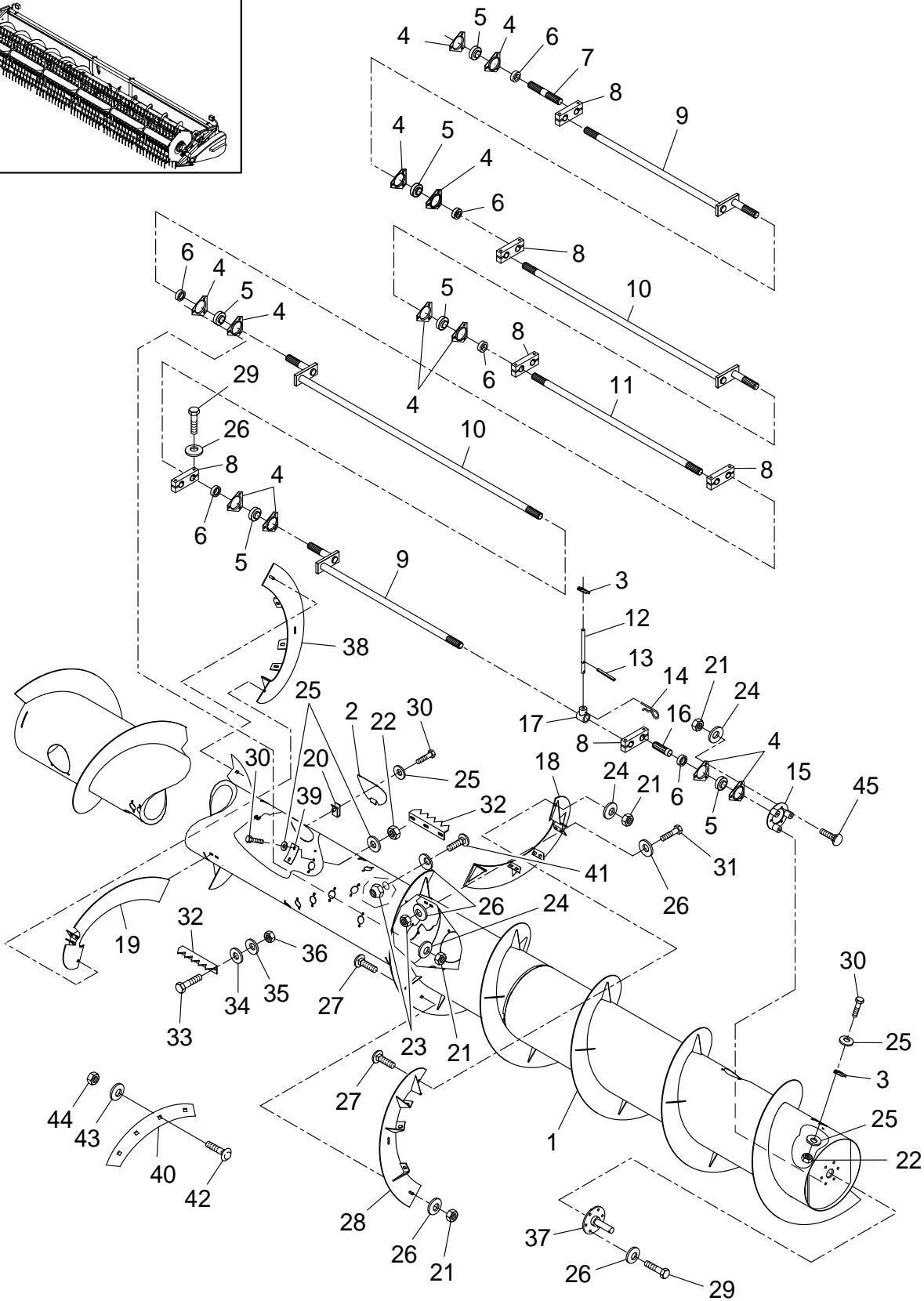
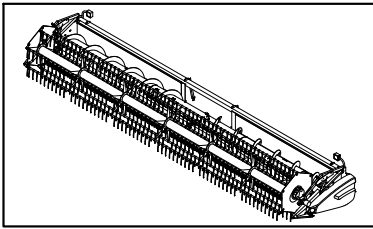
REF	FN	PART NUMBER	YR/SN	QTY	DESCRIPTION
1	1	87016025		1	AUGER
1	2	87058005		1	AUGER
2		87017844		12	COVER
3	1	86632613		26	PIN, GUIDE
3	2	87051323		30	GUIDE
4		86620026		12	FLANGE
5		47066		6	BEARING, BALL
6		47067		6	COLLAR, RETAINER
7		86599055		1	SHAFT
8		86620720		6	LINK CRANKED
9		86599063		2	SHAFT
10		86599065		2	SHAFT
11		86599057		1	SHAFT, Center
12	1	86603233		26	FINGER
12	2	87051301		28	FINGER
13	1	130078		26	PIN, ROLL, M4 x 30, Slotted
13	2	{38-1828}		28	Spring, 1/8" x 1-3/4"
14		740591		26	PIN, SPLIT (COTTER)
15		86603897		1	PLATE, MOUNTING
16	1	86599056		1	SHAFT, LH
16	2	87051367		1	SHAFT, LH
17		740844		30	COUPLING, LH
18		87016024		1	AUGER FLIGHT, LH, Std
18		87017766		1	AUGER FLIGHT, LH, Light Crop Option
19		87016023		1	AUGER FLIGHT, RH
19		87017767		1	AUGER FLIGHT, RH, Light Crop Option
20		86014250		24	NUT, Speed, M6 x 1
21		100016		26	NUT, M10, CI 8
22	1	353308		60	NUT, M6 x 1, CI 8
22	2	127550		60	NUT, Tee, 1/4"-20
23		412672		22	NUT, LOCK, M12 x 1.75, CI 10
24		140045		26	WASHER, SPRING, Belleville, M10
25		322357		144	WASHER, SPRING, Belleville, M6

(1) BPIN CBJ020701

(2) PIN CBJ020701 and after

2010 2020

AUGER, 25 FT



## AUGER, 25 FT

REF	FN	PART NUMBER	YR/SN	QTY	DESCRIPTION
26		140046		51	WASHER, LOCK, Belleville, M12
27		338949		11	SCREW, Short NK, M10 x 25, CI8.8, Full Thd
28		87016022		1	AUGER FLIGHT, LH, Standard
29		43158		11	SCREW, Hex, M12 x 80, 8.8
30	1	120100		84	BOLT, Hex, M6 x 20, 8.8
30	2	88542		60	BOLT, Hex, 1/4"-20 x 1/2", G5, Full Thd
31		300388		14	SCREW, Hex, M12 x 25, 8.8
32		87019394		2	SWEEP, Optional, 2010
33		9635884		6	BOLT, Hex, 5/16"-18 x 1", G5, Full Thd
34		87362		6	WASHER, 1/4"
35		492-11031		6	WASHER, LOCK, 5/16"
36		9635082		6	NUT, 5/16"-18, G5
37		86622892		1	SHAFT, Flange
38		87016021		1	AUGER FLIGHT, RH, Standard
39	3	87017812		4	COVER
40		87028703		11	AUGER FLIGHT, RH, Wear Strip, Rice, [Obsoleted, never built]
40		87028705		11	AUGER FLIGHT, LH, Wear Strip, Rice, [Obsoleted, never built]
41		374895		8	SCREW, Short NK, M12 x 25, CI8.8, Full Thd, Used to plug empty holes
42		86507486		88	BOLT, CARRIAGE, Short NK, M8 x 20, CI8.8, Full Thd
43		322358		88	WASHER, SPRING, Belleville, M8
44		9706690		88	NUT, M8, CI 8
45		86512446		12	BOLT, Short NK, M10 x 30, CI8.8, Full Thd

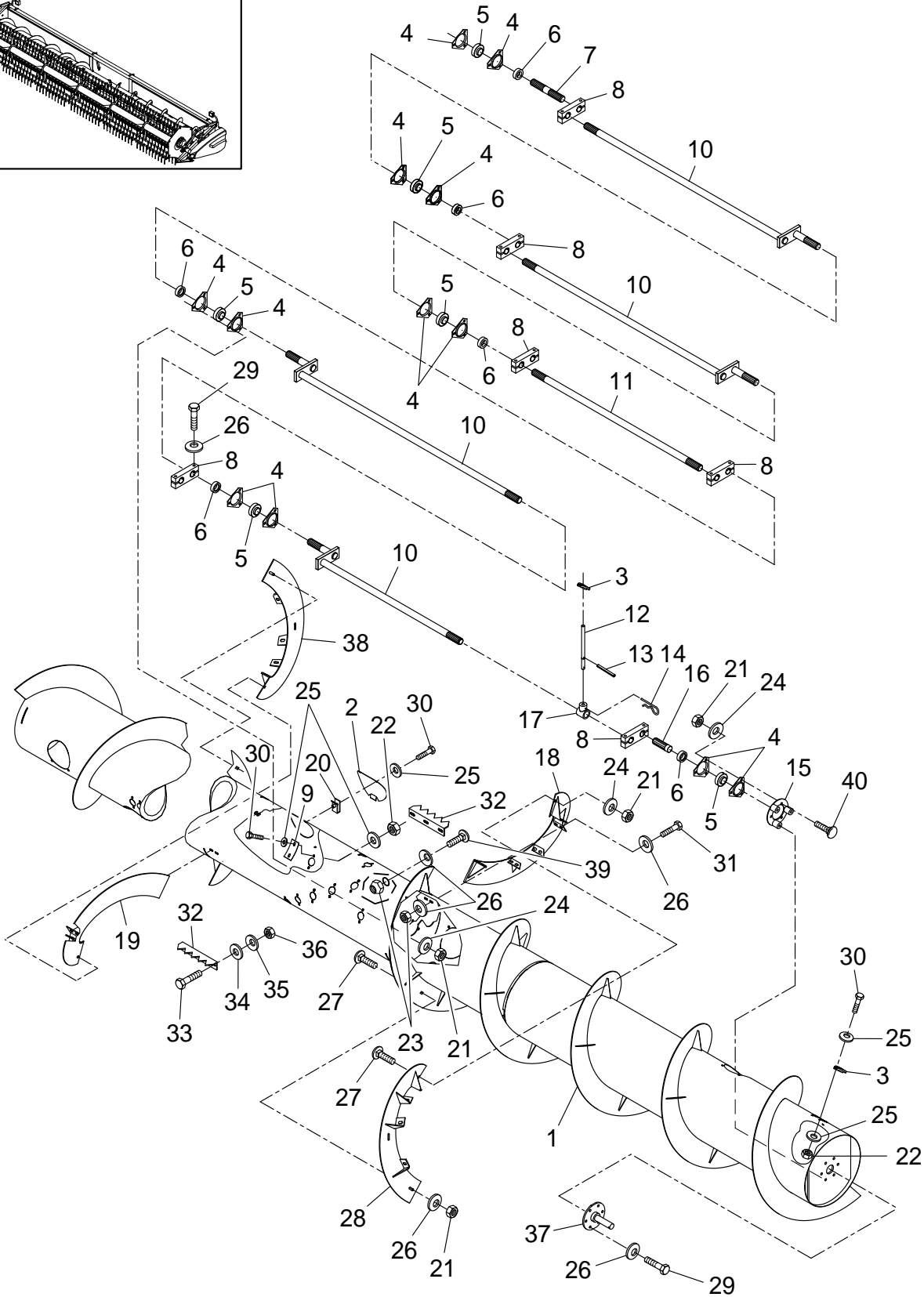
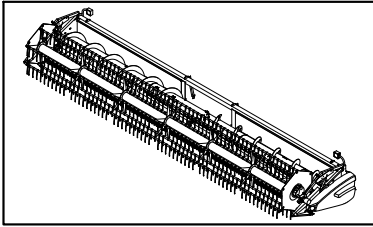
(1) BPIN CBJ020701

(2) PIN CBJ020701 and after

(3) Cover provided in place of removed fingers when attached to narrow opening combines.

**2010 2020**

AUGER, 30 FT



## AUGER, 30 FT

REF	FN	PART NUMBER	YR/SN	QTY	DESCRIPTION
1	1	87016027		1	AUGER
1	2	87057587		1	AUGER
2		87017844		12	COVER
3	1	86632613		28	PIN, GUIDE
3	2	87051323		32	GUIDE
4		86620026		12	FLANGE
5		47066		6	BEARING, BALL
6		47067		6	COLLAR, RETAINER
7		86599055		1	SHAFT
8		86620720		6	LINK CRANKED
9	3	87017812		4	COVER
10		86599065		4	SHAFT
11		86599057		1	SHAFT, Center
12	1	86603233		28	FINGER
12	2	87051301		30	FINGER
13	1	130078		28	PIN, ROLL, M4 x 30, Slotted
13	2	{38-1828}		30	Spring, 1/8" x 1-3/4"
14		740591		28	PIN, SPLIT (COTTER)
15		86603897		1	PLATE, MOUNTING
16	1	86599056		1	SHAFT, LH
16	2	87051367		1	SHAFT, LH
17		740844		32	COUPLING, LH
18		87016024		1	AUGER FLIGHT, LH
18		87017766		1	AUGER FLIGHT, LH, Light Crop Option
19		87016023		1	AUGER FLIGHT, RH
19		87017767		1	AUGER FLIGHT, RH, Light Crop Option
20		86014250		24	NUT, Speed, M6 x 1
21		100016		22	NUT, M10, CI 8
22	1	353308		60	NUT, M6 x 1, CI 8
22	2	127550		64	NUT, Tee, 1/4"-20
23		412672		22	NUT, LOCK, M12 x 1.75, CI 10
24		140045		22	WASHER, SPRING, Belleville, M10

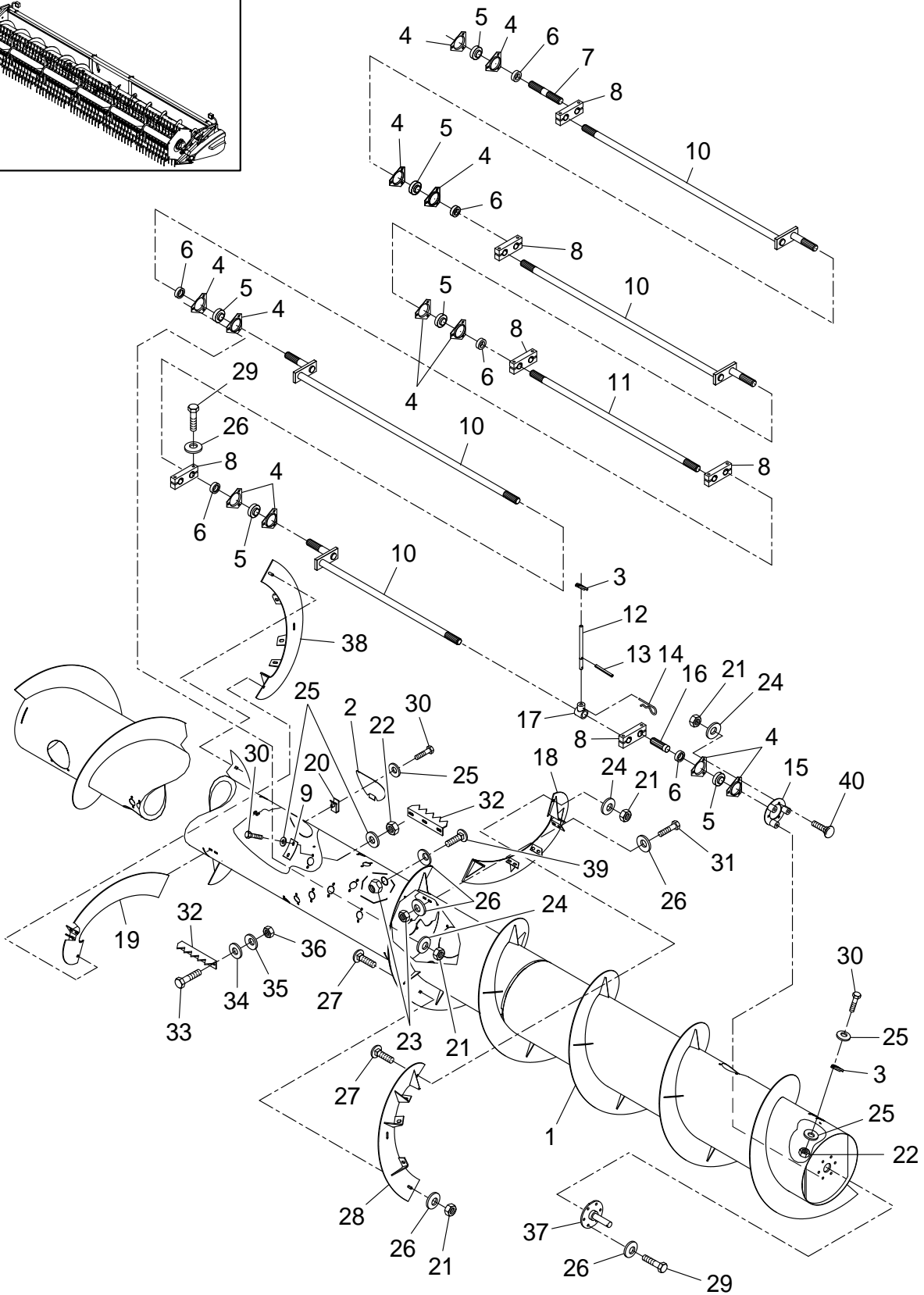
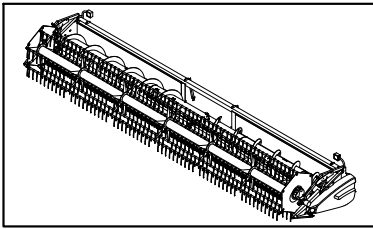
(1) BPIN CBJ020701

(2) PIN CBJ020701 and after

(3) Cover provided in place of removed fingers when attached to narrow opening combines.

**2010 2020**

AUGER, 30 FT



## AUGER, 30 FT

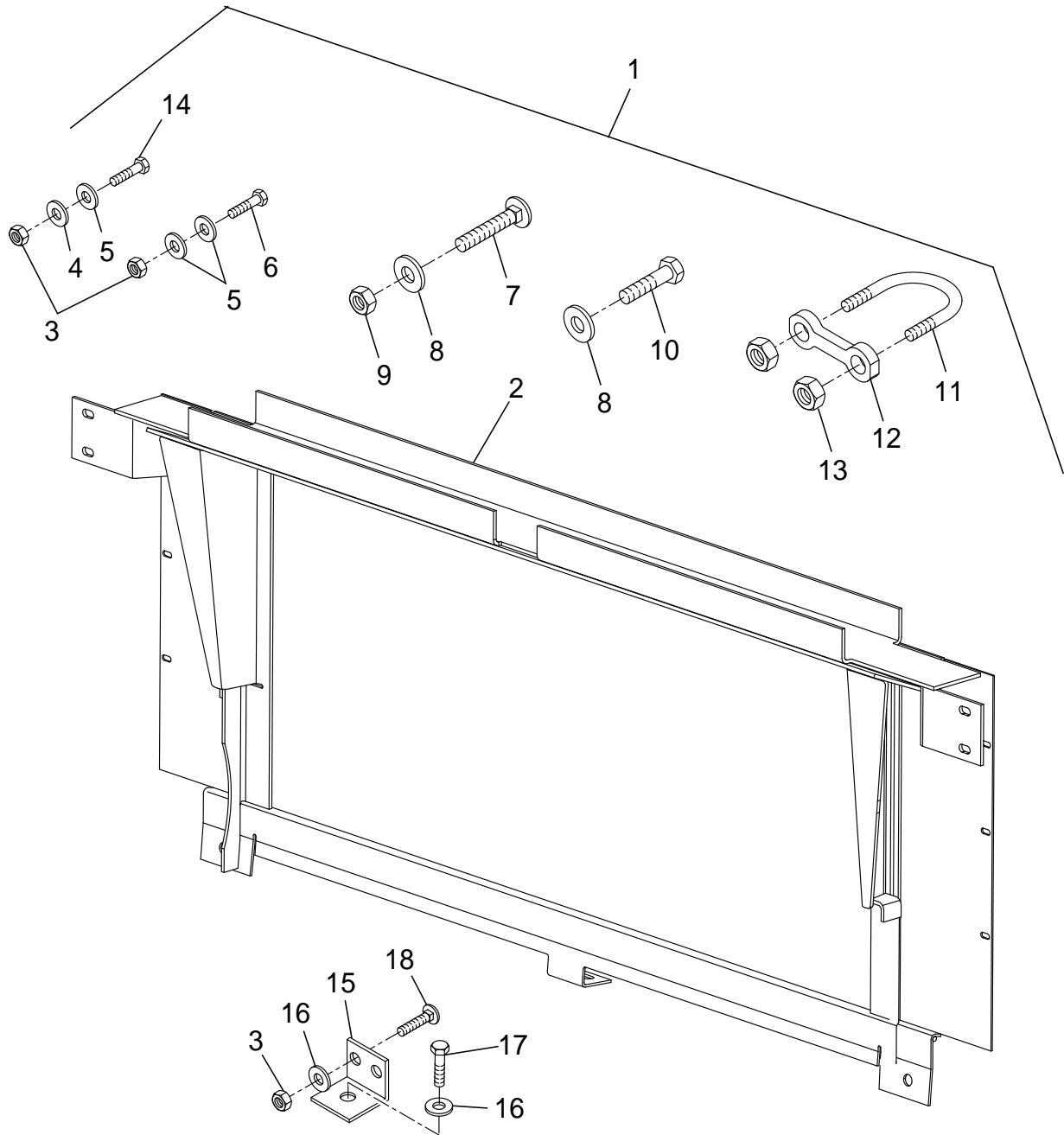
REF	FN	PART NUMBER	YR/SN	QTY	DESCRIPTION
25		322357		144	WASHER, SPRING, Belleville, M6
26		140046		51	WASHER, LOCK, Belleville, M12
27		338949		7	SCREW, Short NK, M10 x 25, C18.8, Full Thd
28		87016022		1	AUGER FLIGHT, Standard
29		43158		11	SCREW, Hex, M12 x 80, 8.8
30	1	120100		84	BOLT, Hex, M6 x 20, 8.8
30	2	88542		64	BOLT, Hex, 1/4"-20 x 1/2", G5, Full Thd
31		300388		14	SCREW, Hex, M12 x 25, 8.8
32		87019394		2	SWEEP, Optional, 2010
33		9635884		6	BOLT, Hex, 5/16"-18 x 1", G5, Full Thd
34		87362		6	WASHER, 1/4"
35		492-11031		6	WASHER, LOCK, 5/16"
36		9635082		6	NUT, 5/16"-18, G5
37		86622892		1	SHAFT, Flange
38		87016021		1	AUGER FLIGHT, Standard
39		374895		8	SCREW, Short NK, M12 x 25, C18.8, Full Thd, Used to plug empty holes
40		86512446		6	BOLT, Short NK, M10 x 30, C18.8, Full Thd

(1) BPIN CBJ020701

(2) PIN CBJ020701 and after

2010 2020

COMBINE MODEL 2388 ADAPTION, FRAME ADAPTER AND HARDWARE



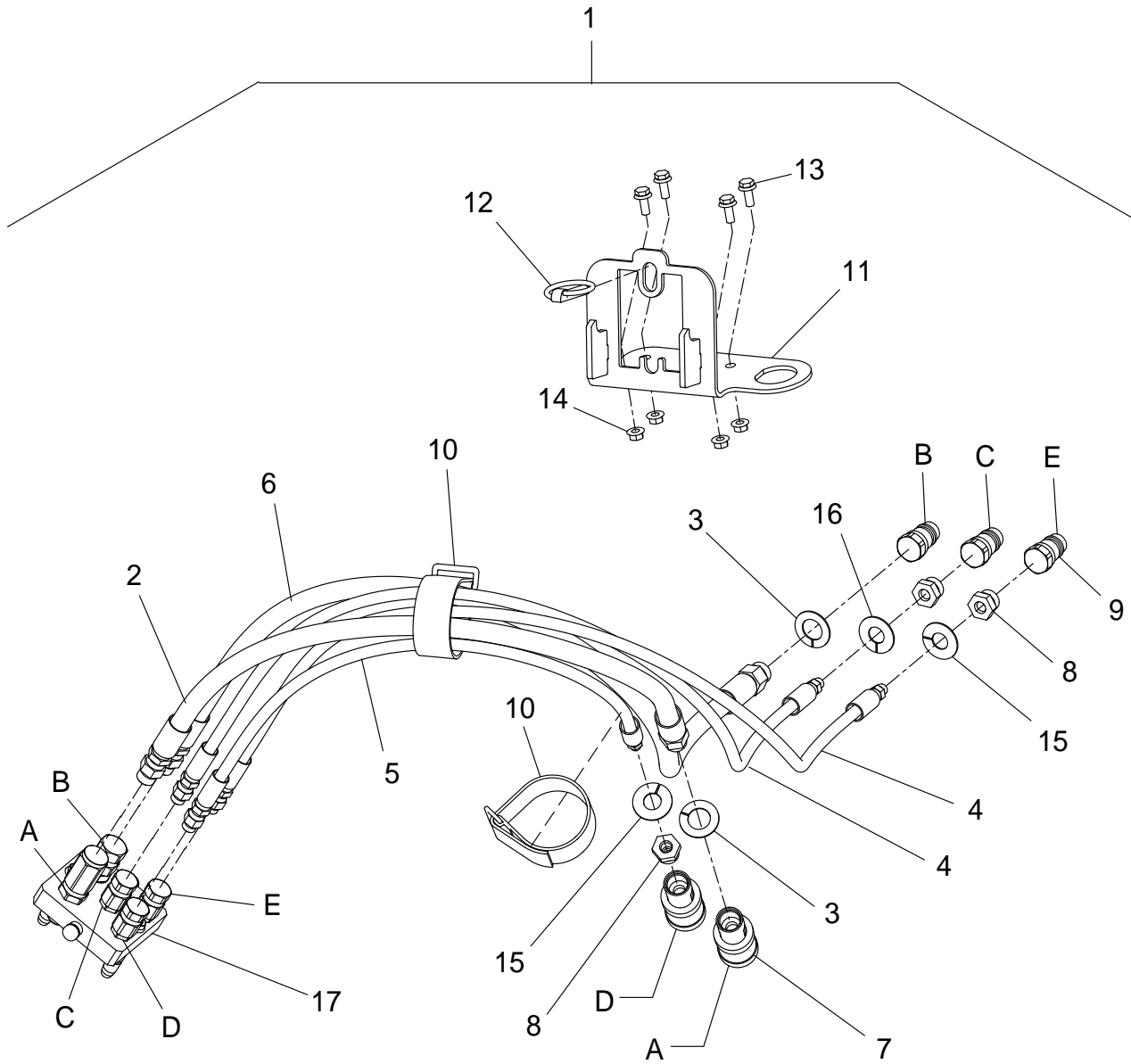


## COMBINE MODEL 2388 ADAPTION, FRAME ADAPTER AND HARDWARE

REF	FN	PART NUMBER	YR/SN	QTY	DESCRIPTION
1		87448290		1	PACKAGE, REPAIR, Model 2010
1		87448291		1	PACKAGE, REPAIR, Model 2020
2		87447674		1	FRAME ASSY, Frame, 2010
2		87032532		1	FRAME ASSY, Frame, 2020
2		814-8030		4	BOLT, Hex, M8 x 30, 8.8
3		9706690		10	NUT, M8, CI 8
4		86624143		4	WASHER, .344" x 1" x .120"
5		495-21038		16	WASHER, 5/16"
6		814-8020		6	BOLT, Hex, M8 x 20, 8.8
7		86595832		2	BOLT, CARRIAGE, Short NK, M16 x 40, CI8.8, Full Thd
8		140020		3	WASHER, M16 x 30 x 3
9		10020		2	NUT, M16 x 2
10		43167		1	BOLT, Hex, M16 x 30, 8.8, Full Thd
11		177134C3		2	U-BOLT, 5/8"-11, 4.6" ID Height, 2.18" ID Width
12		86619254		2	LATCH, Bar, Feeder
13		231-14110		4	NUT, LOCK, 5/8"
14		814-8030		4	BOLT, Hex, M8 x 30, 8.8
15		87022313		2	BRACKET, Stripper Extension
16		322358		4	WASHER, SPRING, Belleville, M8
17		43127		2	BOLT, Hex, M8 x 25, 8.8
18		86619060		2	BOLT, CARRIAGE, Short NK, M8 x 16, CI8.8, Full Thd

2010 2020

COMBINE MODEL 2388 ADAPTION, HOSES AND COUPLINGS

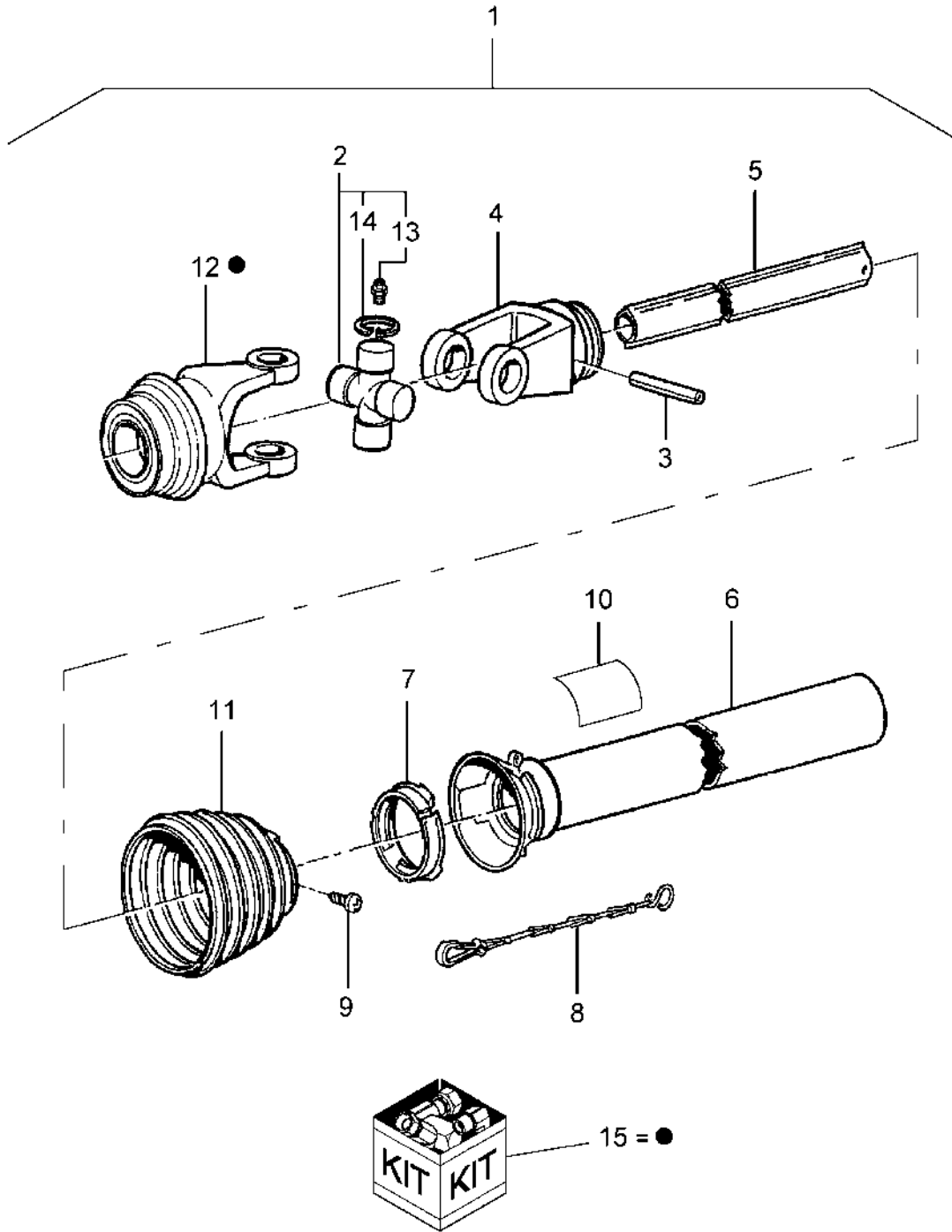


## COMBINE MODEL 2388 ADAPTION, HOSES AND COUPLINGS

REF	FN	PART NUMBER	YR/SN	QTY	DESCRIPTION
1		87301386		1	PACKAGE, REPAIR
2		87301376		1	HOSE ASSY., Reel Drive Supply, A Connection
3		1345266C1		2	WASHER, Plastic, White
4		87301378		2	HOSE ASSY., Reel Lift [C] and Aft [E]
5		87301380		1	HOSE ASSY., Reel Fore, D Connection
6		87301377		1	HOSE ASSY., Reel Drive Return, B Connection
7		1282338C91		2	COUPLING, BREAK AWAY, Female
8		196443A1		3	FITTING, Reducer, -10 ORB x -4 ORB
9		1272399C2		3	COUPLING, BREAK AWAY, Male
10		87108048		2	STRAP, Cinching
11		87301385		1	BRACKET, Header Coupling
12		378704A1		1	PIN, Klik
13		409-7512		4	BOLT, Hex Flg, 5/16"-18 x 3/4", Serr
14		231-5145		4	NUT, Flg, USR, 5/16"-18
15		1541792C1		2	WASHER, Plastic, Red
16		1541804C1		1	WASHER, Plastic, Black
17		84435010		1	COUPLING, QUICK, MALE

2010 2020

COMBINE MODEL 2388 ADAPTION, PTO

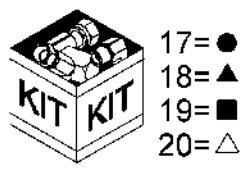
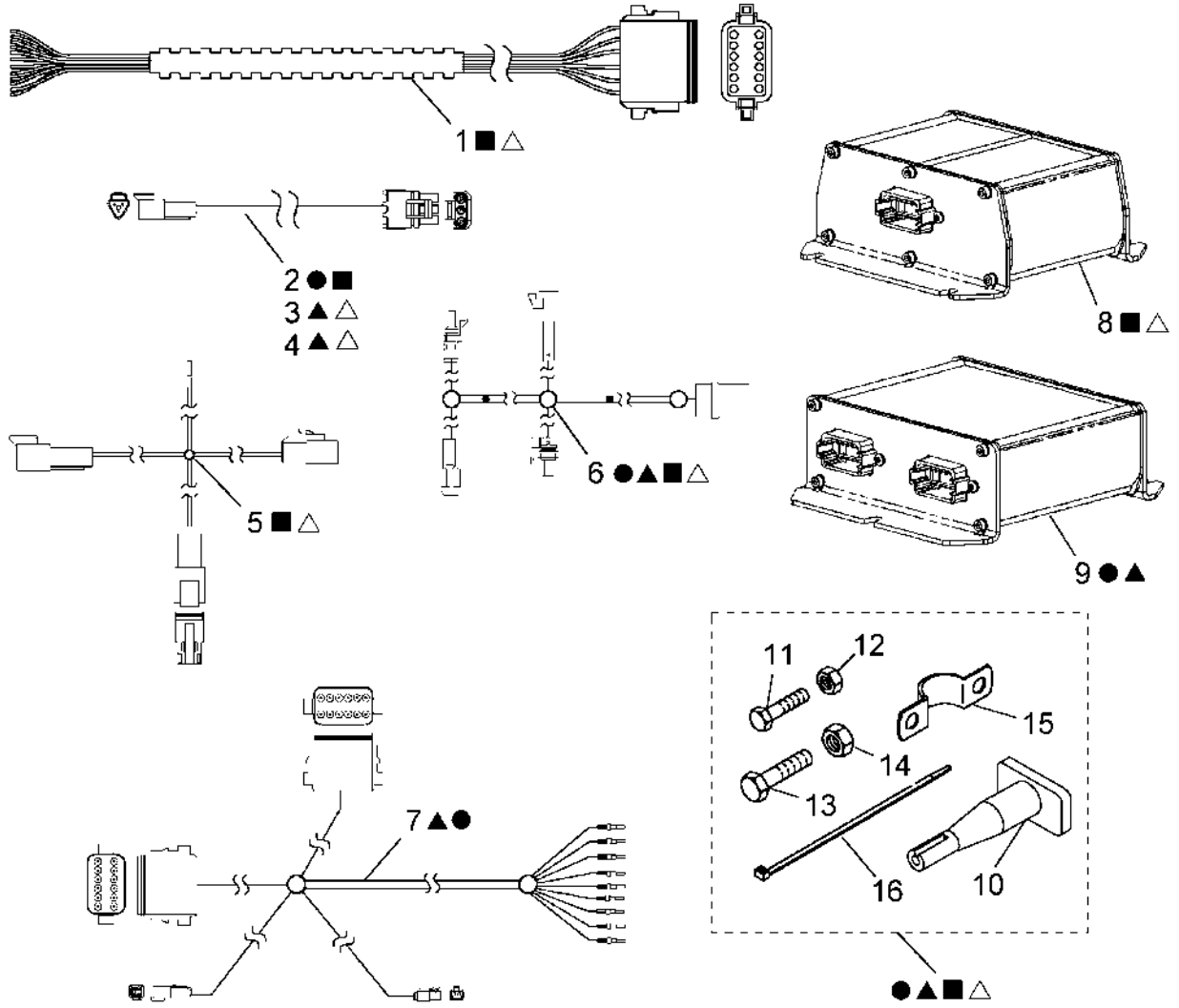


## COMBINE MODEL 2388 ADAPTION, PTO

REF	FN	PART NUMBER	YR/SN	QTY	DESCRIPTION
1		87041098		1	SHAFT ASSY., PTO Half
2		86900575		1	JOINT, UNIVERSAL, Kit
3		412690		1	PIN, LOCK, M10 x 65, Slotted
4		556924		1	YOKE, Inboard, Oval
5		NSS		1	NOT SERVICED SEPARATELY, Inner Profile
6		1326503C1		1	SHIELD, Outer, Black
7		728164		1	RING, Bearing
8		379650		1	CHAIN, Safety
9		86585706		1	SCREW, Cross Pan Hd, M4 x 10
10		849471		1	DECAL
11		364901A1		1	SHIELD, Cone, 7 Rib
12		87030380		1	YOKE, 1-1/8" Hex, ASGE
13		712998R91		1	NIPPLE, LUBE, M6
14		456770		1	RING, SNAP, 1.5 x 24
15		364914A1		1	COLLAR ASSY., Kit, For Ref 12, [7 Parts]

2010 2020

COMBINE MODEL 2388 ADAPTION, ELECTRICAL



- 17= ●
- 18= ▲
- 19= ■
- 20= △

## COMBINE MODEL 2388 ADAPTION, ELECTRICAL

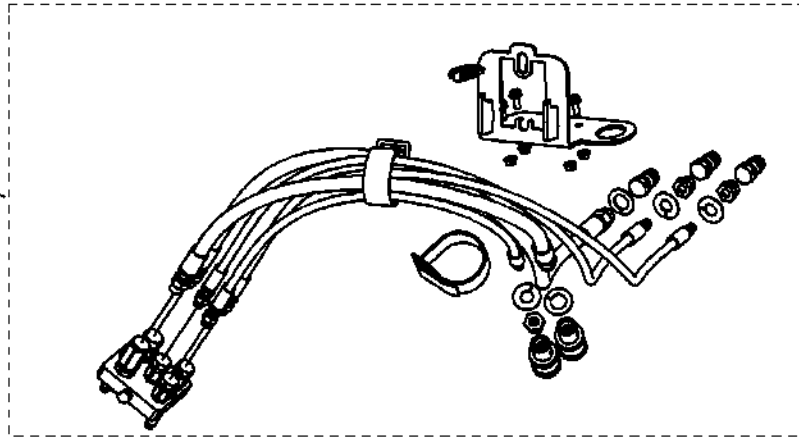
REF	FN	PART NUMBER	YR/SN	QTY	DESCRIPTION
1		84457488		1	HARNESS, Control Module Interface, AHHC/LT, 12 Cavity Conn.
2		87049788		2	HARNESS, LH Sensor Adapter, 2010, 3 Cavity Conns.
3		87049789		1	HARNESS, RH Sensor Adapter, 2020, 3 Cavity Conns.
4		87049790		1	HARNESS, LH Sensor Adapter, 2020, 3 Cavity Conns.
5		87455341		1	HARNESS, Lateral Tilt Adapter
6		87447945		1	HARNESS, Power and Ground
7		{87503860}		1	Control Module Interface, AHHC
8		84457628		1	MODULE, AHHC & LT
9		{87503858}		4	AHHC
10		87050118		1	TOOL, Extraction, Size 16
11		120100		4	BOLT, Hex, M6 x 20, 8.8
12		393392		4	NUT, LOCK, M6 x 1, Cl 8, Nylon Insert
13		43138		1	SCREW, Hex, M10 x 20, 8.8, Full Thd
14		43435		1	NUT, M10, Flg Ser
15		87010656		1	CLAMP, HOSE, 11/16", 7/8" Between Holes, 3/8" Bolt
16		87050114		6	STRAP, Nylon, 14-7/8", Black
16		86566989		6	STRAP, Nylon, 8", Black
17		87455606		1	PACKAGE, AHHC Sensor Adapter, 2010
18		87455403		1	PACKAGE, AHHC Sensor Adapter, 2020
19		87455402		1	PACKAGE, AHHC & LT Sensor Adapter, 2010
20		87455332		1	PACKAGE, AHHC & LT Sensor Adapter, 2020

2010 2020

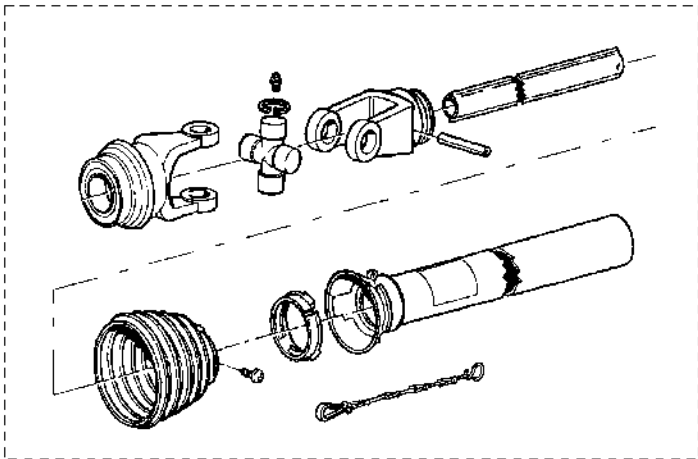
COMBINE MODEL 2388 ADAPTION, HYDRAULIC/ELECTRIC INTERFACE

1

2



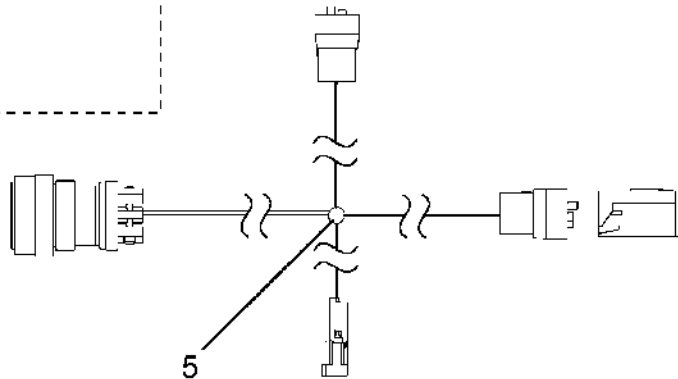
3



4



5





**COMBINE MODEL 2388 ADAPTION, HYDRAULIC/ELECTRIC INTERFACE**

<b>REF</b>	<b>FN</b>	<b>PART NUMBER</b>	<b>YR/SN</b>	<b>QTY</b>	<b>DESCRIPTION</b>
1		87447947		1	PACKAGE, Hydraulic & Electrical Interface
2				1	Hoses & Couplings, Figure 20.18.02, Ref 1
3				1	Adaption, PTO, Figure 20.18.03, Ref 1
4		87105683		1	PROTECTION CAP, Rubber
5		87447944		1	HARNESS, Interface [NAO]

**2010 2020**

**20.20.01**

p1

04/06

INITIAL, PART STOCK LIST

**ART  
NOT  
AVAILABLE**

## INITIAL, PART STOCK LIST

REF	FN	PART NUMBER	YR/SN	QTY	DESCRIPTION
					LIST- A
1		136440		1	KIT, SEALS, Master, Reel Lift
2		136441		1	KIT, SEALS, Slave, Reel Lift
3		84015292		2	LOCK, Latch, End Shield
4		86507778		2	KIT, SERVICE, #12-24 x 7/8" Long, Knife, Qty 25 Each
5		86507780		1	BOLT AND NUT, #12-24 x 1-1/8" Long, Knife Bolts/Nuts, Qty 25 Each
6		86512289		1	KIT, #12-24 x 1/2" Long, Knife Bolts/Nuts, Qty 25 Each
7		87020286		1	BELT, V-Type, Wobble Box, LH, 2010 Only
8		87020285		1	BELT, V-Type, Wobble Box, RH, 2010 Only
9		86562960		1	BOLT AND NUT, #12-24, Qty [5] 1-1/8", [9] 1", [25] Nuts
10		86606200		2	KIT, Overlap, 1-1/2" Knife Sections, Bolts, Nuts
11		86620750		1	KIT, Tines, Plastic, No Bat, Qty 10
12		86620757		1	KIT, Tines, Plastic, RH Bat, Qty 10
13		86620758		1	KIT, Tines, Plastic, Full Bat, Qty 10
14		86627870		1	SPROCKET, DRIVEN, Idler, Auger
15		86603103		1	COUPLING, Reel Drive
16		87016021		2	AUGER FLIGHT, Extension RH
17		87016022		2	AUGER FLIGHT, Extension LH
18		47067		6	COLLAR, RETAINER
19		87015706		2	GUIDE, KNIFE, Stub LH, 1-1/2" Knives
20		87015707		2	GUIDE, KNIFE, Stub RH, 1-1/2" Knives
21		701401		2	BUSHING, Knife Head
22		762691		2	BOLT, HH, G5, 5/8"-18 x 3-1/2" UNF
23		86616339		2	SENSOR, AHHC
24		86507777		6	KIT, #12 x 5/8" Long, Knife Bolts/Nuts, Qty 50
25		87020184		2	BELT, V-Type, Wobble Box, 2020 Only
26		86556029		1	GUIDE, KNIFE, Stub, Triple, 1-1/2" Knives
27		86587787		1	GUARD, End, Triple, 3" Knives
28		86620755		5	KIT, Tines, Plastic, LH Bat, Qty 10
29		86900575		4	JOINT, UNIVERSAL, Cross, U-Joint, PTO
30		86979436		2	PAD, RUBBER, Floor Seal

2010 2020

INITIAL, PART STOCK LIST

**ART  
NOT  
AVAILABLE**

## INITIAL, PART STOCK LIST

REF	FN	PART NUMBER	YR/SN	QTY	DESCRIPTION
31		47066		6	BEARING, BALL, Auger
32		86615984		2	GUARD, End, 3" Knives
33		86632613		16	PIN, GUIDE, Auger Finger
34		694293		20	WEAR STRIP, Knife
35		766757		4	KNIFE SECTION, 1-1/2", CSB, End
36		766758		4	KNIFE SECTION, 1-1/2", CST, LH
37		86517871		20	BOLT, CARRIAGE, 3/8"-16 x 1 1/8", G5, Flat Hd, G5, 3/8"-16 x 1-1/8"
38		86603233		16	FINGER, Auger
39		86615985		4	KNIFE SECTION, CSB, 14 Ser/Inch, LH, 3"
40		86630787		20	CLIP, KNIFE, 3" Sections, 2020
41		86630786		36	CLIP, KNIFE, 3" Sections, 2010
42		86512826		20	SHIM, Hold Down
43		86521609		20	NUT, LOCK, Flg, 3/8"-16, Hold Down
44		86615982		36	GUIDE, KNIFE, Double
45		86622662		20	SHIM, Hold Down
46		634780		20	SHIM, Hold Down
47		87015708		60	GUIDE, KNIFE, Stub, 1-1/2" Knives
48		848093		60	KNIFE SECTION, 1-1/2"
					LIST- B
1		67629		1	SPRING
2		87010		2	WASHER, LOCK, Int Tooth, 7/8", Floors
3		87366		2	WASHER, 7/8", SAE, Floors
4		276486		1	SHOCK ABSORBER, Drive Belt
5		529068		2	BULB, Flasher
6		605451		1	IDLER, Flat
7		605846		1	SPRING, Drive Belt
8		606896		4	SPRING, Leaf, Floor, 2020 Only
9		740844		6	COUPLING, Holder
10		767186		2	NUT, Floor Lock
11		9993143		2	CONNECTOR, HYD., 3/8" MB x OR
12		84023914		1	KIT, SEALS, F/A, LH
13		84026460		1	KIT, SEALS, F/A, RH
14		84043754		1	ORIFICE

2010 2020

**20.20.01**

p3

04/06

INITIAL, PART STOCK LIST

**ART  
NOT  
AVAILABLE**

## INITIAL, PART STOCK LIST

REF	FN	PART NUMBER	YR/SN	QTY	DESCRIPTION
15		87020302		1	BELT, TRANSMISSION, V-Type, Wobble Box, 2010 Rice Only
16		84817621		1	BELT, TRANSMISSION, V-Type, Wobble Box, 2010 Rice Only
17		86533997		1	YOKE
18		86536572		2	LAMP, Flasher
19		86548295		2	PLATE, SKID, Short Divider
20		86566360		1	KIT, SEALS, Hyd Motor
21		85000175		1	WOBBLE BOX
22		86599478		1	HOSE, Reel, F/A, RH
23		86599479		1	HOSE, Reel, F/A, LH
24		86599480		1	HOSE, Reel, F/A, RH
25		86599481		1	HOSE, Reel, F/A, LH
26		86603051		1	CONNECTOR, HYD., Multi-Coupler
27		86603099		1	COUPLING, Reel Drive
28		86603103		1	COUPLING, Reel Drive
29		86604840		1	SPROCKET, DRIVING, Auger
30		86605086		1	HOOK
31		86605478		1	HARNES, WIRE
32		86606228		1	COVER
33		86620026		4	FLANGE
34		86622886		1	SPROCKET, DRIVEN, Auger
35		86623107		1	ADAPTER, 3/8" MB x OR
36		86623118		1	TUBE, HYD
37		86623119		1	TUBE, HYD
38		86629894		2	SPRING, HHC Return
39		86900582		1	YOKE, PTO
40		86978544		1	PTO, Friction
41		86978545		1	PTO, Free Motion
42		86979433		1	ANGLE
43		86979434		1	ANGLE
44		86979948		2	FLANGE

2010 2020

INDEX - INDICE - INDEX - ZAHLENVERZEICHNIS - INDICE - INDICE - INDHOLD - INHOUD

Number	Figure	Sequence	Ref.	Number	Figure	Sequence	Ref.
{38-1828}	20.16.01		12	100037	20.13.31	1	28
	20.16.02		13		20.13.31	2	28
	20.16.03		13		20.13.31	2	28
{757918}	20.12.01	2	53		20.13.31	2	28
	20.12.01	2	53	100038	20.03.01		36
	20.12.02	2	53		20.03.02		35
{757919}	20.12.01	2	37		20.03.03	1	38
	20.12.01	2	37		20.03.03	2	39
	20.12.02	2	37		20.03.04		33
{757921}	20.12.01	2	15		20.03.12		26
	20.12.01	2	15		20.07.03	1	15
	20.12.02	2	15		20.07.03	2	18
{87047066}	20.12.02	2	7		20.07.05		21
{87051797}	20.12.01	2	23		20.13.01		30
	20.12.01	2	23		20.13.02		26
	20.12.02	2	23		20.13.03		24
{87055072}	20.12.01	2	14		20.13.30	1	35
	20.12.02	2	14	100085	20.13.20		6
{87055078}	20.12.01	2	20	100095	20.12.01	2	49
	20.12.01	2	20		20.12.01	2	49
	20.12.02	2	20		20.12.02	2	49
{87056684}	20.13.03		25	10020	20.18.01		9
{87056685}	20.13.03		25	10790521	20.13.20		10
{87061280}	20.13.30	1	68	120038	20.13.01		20
{87369869}	20.13.03		5		20.13.02		18
{87369877}	20.13.03		7	120041	20.08.01		13
{87387731}	20.13.03		28		20.12.03		23
{87387732}	20.13.03		28	120044	20.03.12		42
{87387733}	20.13.03		28		20.03.20		29
{87503858}	20.18.04		9		20.12.03		21
{87503860}	20.18.04		7		20.13.01		21
100016	20.03.01		32		20.13.03		13
	20.03.02		31	120056	20.07.02		24
	20.03.03	1	34		20.07.05		16
	20.03.03	2	35	120062	20.03.01		25
	20.03.04		29		20.03.02		25
	20.03.10		24		20.03.03	1	27
	20.03.11		24		20.03.03	2	27
	20.03.12		44		20.03.04		22
	20.03.13		23	120068	20.12.01	1	52
	20.03.14		26		20.12.01	2	30
	20.03.20		36		20.12.02	1	51
	20.06.02		29		20.12.02	2	30
	20.07.03	2	20		20.13.05		15
	20.08.01		20	120069	20.03.02		22
	20.12.01	1	49		20.03.03	1	24
	20.12.01	2	52		20.03.03	2	24
	20.12.02	1	47		20.03.10		28
	20.12.02	2	52		20.03.12		46
	20.12.03		33		20.03C		6
	20.12.04		11		20.13.30	1	21
	20.13.01		27		20.13.30	2	21
	20.13.02		23	120070	20.13.01		16
	20.13.03		22		20.13.02		14
	20.13.04		9	120073	20.03.20		26
	20.13.05		13	120092	20.03.20		38
	20.16.01		20	120098	20.06.01		16
	20.16.02		21		20.06.02		6
	20.16.03		21		20.12.03		16
100020	20.03.20		43	120100	20.06.01		17
100037	20.03.12		20		20.07.04	1	34
	20.03.20		4		20.07.04	2	30
	20.03C		7		20.16.01		29
	20.06.02		21		20.16.02		30
	20.07.05		20		20.16.03		30
	20.12.01	1	53		20.18.04		11
	20.12.01	2	56	120104	20.07.01		20
	20.12.01	2	56		20.07.02		29
	20.12.02	1	52		20.13.30	1	10
	20.12.02	2	57		20.13.30	2	10
	20.13.01		29	121189	20.07C	1	9
	20.13.01		35		20.13.10		35
	20.13.02		25		20.13.11		42
	20.13.04		7		20.13.12		40
	20.13.30	1	4	126-33	20.03.01		19
	20.13.30	2	4		20.03.02		19
	20.13.31	1	28		20.03.03	1	21
	20.13.31	1	28		20.03.04		16



INDEX - INDICE - INDEX - ZAHLENVERZEICHNIS - INDICE - INDICE - INHOLD - INHOUD

Number	Figure	Sequence	Ref.	Number	Figure	Sequence	Ref.
126712A1	20.07.04	1	33	140045	20.16.01		23
	20.07.04	2	29		20.16.02		24
	20.13.02		21		20.16.03		24
1272317C1	20.07B	2	11	140046	20.03.01		29
1272399C2	20.18.02		9		20.03.02		29
127550	20.16.01		21		20.03.03	1	31
	20.16.02		22		20.03.03	2	31
	20.16.03		22		20.03.04		26
1282338C91	20.18.02		7		20.03.10		21
128359	20.07.03	1	4		20.03.11		21
	20.07.03	2	30		20.03.12		35
128724A1	20.07B	2	3		20.03.13		20
128727A1	20.07C	2	3		20.03.14		23
129971	20.07C	1	8		20.03.20		34
129973	20.07C	1	6		20.07.03	1	10
129988	20.07B	1	5		20.07.04	1	25
130078	20.16.01		12		20.07.04	2	21
	20.16.02		13		20.12.01	2	48
	20.16.03		13		20.12.01	2	48
131522	20.13.03		1		20.12.02	2	48
1326503C1	20.18.03		6		20.12.03		30
133246	20.06.01		8		20.13.01		24
	20.06.02		13		20.13.03		18
133941	20.03.20		9		20.13.05		6
134369	20.07B	1	3		20.13.30	1	8
134371	20.07B	1	12		20.13.30	2	36
134372	20.07B	1	11		20.13.30	2	8
134373	20.07B	1	14		20.13.31	2	16
134374	20.07B	1	4		20.16.01		25
134375	20.07B	1	10		20.16.02		26
134376	20.07B	1	9		20.16.03		26
134379	20.07C	1	5	140048	20.03.20		37
134381	20.07C	1	4		20.13.20		9
1345266C1	20.18.02		3	143479	20.03.01		41
134579	20.06.01		35		20.03.02		40
135861	20.03.20		13		20.03.03	1	44
136207	20.07C	1	3		20.03.03	2	46
136440	20.07B	1	15		20.03.04		38
	20.20.01		1		20.03.10		11
136441	20.07C	1	10		20.03.11		12
	20.20.01		2		20.03.13		10
137636	20.13.12		14		20.03.14		12
140017	20.06.02		30		20.07.04	2	35
140020	20.18.01		8		20.13.20		13
140045	20.03.01		28	145176	20.12.01	1	10
	20.03.02		28		20.12.01	2	10
	20.03.03	1	30		20.12.01	2	10
	20.03.03	2	30		20.12.02	1	10
	20.03.04		25		20.12.02	2	10
	20.03.10		20	145190C1	20.07C	2	4
	20.03.11		20	145345	20.06.10		6
	20.03.12		40	146258	20.07.03	1	29
	20.03.13		19	1541792C1	20.18.02		15
	20.03.14		22	1541804C1	20.18.02		16
	20.03.20		33	165216	20.13.21		6
	20.06.02		20	167269	20.07.03	1	3
	20.07.03	2	24		20.07.03	2	29
	20.08.01		18	167928	20.13.30	1	55
	20.12.01	1	46		20.13.30	2	55
	20.12.01	2	46	167933	20.13.30	1	59
	20.12.02	1	42		20.13.30	2	59
	20.12.02	2	46	167934	20.13.30	1	2
	20.12.03		29		20.13.30	2	2
	20.12.04		9		20.13.31	1	19
	20.13.01		23		20.13.31	2	19
	20.13.02		20	167940	20.13.30	1	3
	20.13.03		17		20.13.30	2	3
	20.13.04		10		20.13.31	1	13
	20.13.05		14		20.13.31	2	13
	20.13.21		22	167953	20.13.30	1	13
	20.13.30	1	22		20.13.30	2	13
	20.13.30	2	22	168100	20.13.21		14
	20.13.31	1	27	168126	20.07.04	1	3
	20.13.31	1	27	168368	20.03.12		6
	20.13.31	1	27		20.03.20		5
	20.13.31	2	27		20.07.03	1	11
	20.13.31	2	27	170005	20.13.20		11
	20.13.31	2	27	177134C3	20.18.01		11

INDEX - INDICE - INDEX - ZAHLENVERZEICHNIS - INDICE - INDICE - INHOLD - INHOUD

Number	Figure	Sequence	Ref.	Number	Figure	Sequence	Ref.
190029	20.06.02		28	288749	20.13.12		5
196443A1	20.18.02		8	29711	20.12.01	1	17
20356	20.07.03	1	13		20.12.01	2	17
	20.13.06		20		20.12.01	2	17
231-14110	20.18.01		13		20.12.02	1	17
231-4145	20.06.02		17		20.12.02	2	17
	20.12.01		30	300388	20.16.01		30
	20.12.02	1	50		20.16.02		31
	20.13.06		12		20.16.03		31
231-5145	20.18.02		14	300389	20.03.20		1
235373	20.13.04		5	300479	20.13.21		25
238-5123	20.07B	2	7	300662	20.03.10		17
238-6017	20.07B	2	6		20.03.11		19
238-6126	20.07B	2	10		20.13.05		3
249100	20.03.12		29	308761	20.03.12		43
25847	20.07.05		9	321204	20.03A		17
26129	20.07.04	1	2	322356	20.06.01		20
263117	20.06.01		37		20.06.02		7
	20.07.03	1	6		20.12.03		25
	20.07.03	2	4	322357	20.06.01		21
	20.07.05		14		20.07.04	1	37
27310	20.06.01		2		20.07.04	2	33
276486	20.03.12		14		20.16.01		24
	20.20.01		4		20.16.02		25
27697	20.12.01	1	11		20.16.03		25
	20.12.01	2	11	322358	20.03.01		27
	20.12.01	2	11		20.03.02		27
	20.12.02	1	11		20.03.03	1	29
	20.12.02	2	11		20.03.03	2	29
	20.12.03		37		20.03.04		24
279434	20.03C		2		20.03.12		36
280129	20.12.02	1	49		20.06.01		22
280210	20.07.04	2	37		20.06.10		8
280250	20.07.03	2	23		20.07.01		10
280251	20.07.03	2	17		20.07.02		17
280324	20.03.20		24		20.07.03	1	7
280374	20.07.04	1	29		20.07.03	2	19
280431	20.03.20		17		20.08.01		17
	20.07.04	1	24		20.12.01	1	45
	20.13.05		16		20.12.01	2	45
	20.13.31	1	17		20.12.02	1	41
280497	20.12.01	1	38		20.12.02	2	45
	20.12.01	2	38		20.12.03		28
	20.12.01	2	38		20.12.04		8
	20.12.02	1	35		20.12.06		7
	20.12.02	2	38		20.13.01		22
	20.13.01		17		20.13.02		19
	20.13.02		15		20.13.03		20
280624	20.13.06		26		20.13.04		13
280626	20.03.20		23		20.13.05		9
280655	20.12.01	1	32		20.13.30	1	11
	20.12.01	2	32		20.13.30	1	65
	20.12.02	1	30		20.13.30	2	11
	20.12.02	2	32		20.13.30	2	65
280696	20.13.06		9		20.13.31	2	25
280717	20.12.03		35		20.13.31	2	25
	20.13.01		33		20.13.31	2	25
	20.13.03		23		20.16.01		42
	20.13.10		22		20.16.02		43
	20.13.11		36		20.18.01		16
	20.13.12		31	323597	20.06.01		34
280736	20.12.01	2	55		20.06.02		9
	20.12.01	2	55	325594	20.13.20		8
280744	20.13.06		1	328754	20.03.12		21
280804	20.13.12		23		20.07.03	2	15
280954	20.07.04	2	19	33268	20.07B	1	13
280963	20.06.10		5	334682	20.13.05		23
285072	20.12.01	1	18	335890	20.03.01		23
	20.12.01	1	28		20.03.02		23
	20.12.01	2	18		20.03.03	1	25
	20.12.01	2	18		20.03.03	2	25
	20.12.02	1	18		20.03.04		20
	20.12.02	2	18		20.07.03	1	23
	20.13.10		3	338949	20.03.20		30
	20.13.11		3		20.12.03		20
	20.13.12		3		20.13.03		12
288749	20.13.10		5		20.16.01		26
	20.13.11		5		20.16.02		27

INDEX - INDICE - INDEX - ZAHLENVERZEICHNIS - INDICE - INDICE - INDHOLD - INHOUD

Number	Figure	Sequence	Ref.	Number	Figure	Sequence	Ref.
338949	20.16.03		27	43139	20.03.02		42
350459	20.03.10		19		20.03.03	1	46
	20.03.11		28		20.03.03	2	33
	20.03.12		22		20.03.04		40
	20.03.13		18		20.12.03		19
	20.03.14		21		20.13.30	1	19
	20.03.20		31		20.13.30	2	19
353308	20.07.01		8		20.13.31	1	23
	20.07.02		8		20.13.31	1	23
	20.07.05		19		20.13.31	1	23
	20.16.01		21		20.13.31	2	23
	20.16.02		22		20.13.31	2	23
	20.16.03		22		20.13.31	2	23
364901A1	20.18.03		11	43140	20.03.11		18
364914A1	20.18.03		15		20.13.21		23
370018	20.03B		6		20.13.30	1	20
	20.03C		12		20.13.30	2	20
374887	20.07.04	1	27		20.13.31	1	22
	20.07.04	2	23		20.13.31	2	22
374892	20.03.01		22	43144	20.03.10		18
	20.03.02		45		20.03.11		30
	20.03.03	1	47		20.03.13		17
	20.03.03	2	12		20.03.14		20
	20.03.04		19		20.07.05		17
	20.06.02		24		20.13.01		34
374895	20.16.01		40	43158	20.13.05		28
	20.16.02		41		20.13.30	1	32
	20.16.03		39		20.13.30	2	32
37836	20.03.10		26		20.16.01		28
	20.03.11		31		20.16.02		29
	20.03.13		26		20.16.03		29
	20.03.14		30	43167	20.18.01		10
378704A1	20.18.02		12	431941	20.07.05		4
379650	20.03A		9	434103	20.07.02		21
	20.18.03		8	43435	20.18.04		14
384922	20.13.21		3	43465	20.03.01		20
386215	20.07.05		7		20.03.03	1	22
38734	20.13.03		6	43473	20.13.04		8
389500A1	20.07C	2	7	445394	20.12.01	1	42
392385R1	20.07.02		34		20.12.01	2	33
393392	20.18.04		12		20.12.02	1	31
395277	20.03.12		30		20.12.02	2	33
409-7512	20.18.02		13	449316	20.03B		3
412093	20.06.02		4		20.03C		9
412183	20.12.01	2	44	449317	20.03B		4
	20.12.01	2	44		20.03C		10
	20.12.02	2	44	449318	20.03B		5
412189	20.03.03	2	41		20.03C		11
412605	20.07.05		18	45631	20.03.20		8
412672	20.13.05		26	456770	20.03A		21
	20.16.01		22		20.18.03		14
	20.16.02		23	463-1104	20.07C	2	2
	20.16.03		23	46520	20.07.03	1	20
412690	20.03A		19	47066	20.03.03	2	3
	20.18.03		3		20.16.01		5
	20.06.02		36		20.16.02		5
420761	20.13.30	2	63		20.16.03		5
427417A1	20.13.30	2	63		20.20.01		31
430246A1	20.07.02		22	47067	20.03.01		1
430356	20.07.01		6		20.03.02		1
430357	20.07.02		6		20.03.03	1	1
	20.07.05		3		20.03.03	2	1
43118	20.07.01		4		20.03.04		1
	20.07.02		4		20.16.01		6
43127	20.08.01		15		20.16.02		6
	20.12.03		17		20.16.03		6
	20.12.06		9		20.20.01		18
	20.18.01		17	47584	20.03.12		51
43128	20.07.01		9	48462	20.03.20		14
	20.07.02		18	492-11031	20.13.31	1	25
	20.07.03	2	13		20.13.31	1	25
43130	20.13.01		14		20.13.31	1	25
	20.13.02		12		20.16.01		34
43133	20.07.04	1	32		20.16.02		35
	20.07.04	2	28		20.16.03		35
	20.13.02		27	495-21038	20.12.04		12
43138	20.18.04		13		20.18.01		5
43139	20.03.01		43	495-21056	20.07.04	2	22

INDEX - INDICE - INDEX - ZAHLENVERZEICHNIS - INDICE - INDICE - INDHOLD - INHOUD

Number	Figure	Sequence	Ref.	Number	Figure	Sequence	Ref.
514779	20.13.30	1	37	616383	20.03.12		1
	20.13.31	1	10		20.03.13		4
515308	20.13.06		14		20.03.14		4
518771	20.12.01	1	12	619978	20.13.06		25
	20.12.01	2	12	62087	20.13.31	1	24
	20.12.01	2	12		20.13.31	1	24
	20.12.02	1	12		20.13.31	1	24
	20.12.02	2	12		20.13.31	2	24
523282	20.13.30	1	49		20.13.31	2	24
	20.13.30	2	49		20.13.31	2	24
529068	20.06.10		13	620884	20.07.01		21
	20.20.01		5		20.07.02		30
532531R92	20.07C	2	9	621023	20.13.05		18
532773R1	20.07C	2	5	623303	20.03.01		44
533145R1	20.07C	2	6		20.03.02		44
547333R3	20.07B	2	4		20.03.03	2	9
547383R2	20.07B	2	8		20.03.04		41
547384R2	20.07B	2	2		20.07.01		11
547388R94	20.07B	2	13		20.07.02		16
548033R1	20.07B	2	5	626667	20.13.01		5
556719	20.03.10		27		20.13.02		5
	20.03.11		29	631201	20.03.12		11
	20.03.12		18	634780	20.13.10		19
	20.03.13		27		20.13.11		31
	20.03.14		31		20.20.01		46
556924	20.03A		4	641221	20.13.30	1	36
	20.18.03		4		20.13.31	1	5
556927	20.03A		5	641714	20.07.04	1	6
564808R91	20.07B	2	12		20.07.04	2	4
571588R92	20.03.01		3	64263	20.03.10		10
	20.03.02		3		20.03.11		11
	20.03.03	1	3		20.03.13		9
	20.03.04		3		20.03.14		11
572820	20.13.21		4	64264	20.03.01		38
579359	20.07B	1	6		20.03.02		37
579497	20.13.10		6		20.03.03	1	41
	20.13.11		6		20.03.03	2	43
	20.13.12		6		20.03.04		35
58821	20.03.20		39	646668	20.13.30	1	33
595787	20.08.01		12		20.13.30	2	33
600083	20.07B	1	7		20.13.31	1	9
605451	20.03.10		3		20.13.31	2	9
	20.03.11		3	65319	20.06.02		26
	20.03.12		5	66272	20.12.01	1	19
	20.03.13		3		20.12.01	2	19
	20.03.14		3		20.12.01	2	19
	20.20.01		6		20.12.02	1	19
605838	20.12.01	1	16		20.12.02	2	19
	20.12.01	2	16	675205	20.13.30	1	34
	20.12.01	2	16		20.13.30	2	34
	20.12.02	1	16		20.13.31	1	8
	20.12.02	2	16		20.13.31	2	8
605846	20.03.12		10	67629	20.03.12		16
	20.20.01		7		20.20.01		1
606230	20.12.03		7	682052	20.06.02		1
606233	20.03.20		20	694293	20.13.10		24
606411	20.12.03		6		20.13.11		30
606896	20.12.01	1	9		20.13.12		25
	20.12.01	2	9		20.20.01		34
	20.12.01	2	9	694294	20.13.11		32
	20.12.02	1	9		20.13.12		27
	20.12.02	2	9	694295	20.13.11		28
	20.20.01		8		20.13.12		21
606898	20.07.04	1	15	694371	20.12.01	1	21
606899	20.07.04	1	18		20.12.01	2	21
610811	20.12.04		2		20.12.01	2	21
610813	20.12.04		1		20.12.02	1	21
610946	20.13.03		2		20.12.02	2	21
611759	20.12.03		3	694747	20.13.01		4
611760	20.12.03		12		20.13.02		4
612407	20.13.10		34	694945	20.13.10		23
	20.13.11		41		20.13.11		29
	20.13.12		39		20.13.12		26
612408	20.13.10		4	694946	20.13.12		36
	20.13.11		4	695233	20.13.12		28
	20.13.12		4	695333	20.03.12		13
616383	20.03.10		4	695334	20.03.12		33
	20.03.11		4	695916	20.03.12		9

INDEX - INDICE - INDEX - ZAHLENVERZEICHNIS - INDICE - INDICE - INHOLD - INHOUD

Number	Figure	Sequence	Ref.	Number	Figure	Sequence	Ref.
701401	20.13.10		32	80700	20.13.03		15
	20.13.11		39	80702	20.03.10		23
	20.13.12		37		20.03.11		23
	20.20.01		21		20.03.12		47
709063	20.13.21		13		20.03.13		22
712998R91	20.18.03		13		20.03.14		25
719665	20.07.03	1	27		20.12.03		24
728164	20.03A		7	80710	20.13.30	1	9
	20.18.03		7		20.13.30	2	9
740591	20.16.01		13	80754	20.07.04	1	23
	20.16.02		14	80755	20.07.05		22
	20.16.03		14		20.12.01	1	2
740844	20.16.01		16		20.12.01	2	2
	20.16.02		17		20.12.01	2	2
	20.16.03		17		20.12.02	1	38
	20.20.01		9		20.12.02	2	56
762691	20.13.10		7	80975	20.12.01	1	40
	20.13.11		7		20.12.01	2	40
	20.13.12		7		20.12.02	1	37
	20.20.01		22		20.12.02	2	40
764809	20.03.01		15	811-10080	20.03.01		42
	20.03.02		15		20.03.02		41
	20.03.03	1	17		20.03.03	1	45
	20.03.03	2	17		20.03.04		39
766675	20.12.01	1	23	811-12040	20.03.20		28
	20.12.02	1	23	814-8020	20.18.01		6
766757	20.13.12		19	814-8025	20.12.04		5
	20.20.01		35	814-8030	20.18.01		14
766758	20.13.12		19		20.18.01		2
	20.20.01		36	81547	20.12.03		31
767186	20.12.01	1	15		20.13.01		32
	20.12.02	1	15		20.13.03		19
	20.20.01		10	84004735	20.08.10		7
767655	20.03.10		6	84011345	20.08.10		17
	20.03.11		6	84015292	20.08.01		6
	20.03.13		6		20.20.01		3
	20.03.14		6	84016	20.13.30	1	38
768703	20.13.05		12		20.13.31	1	6
770838	20.07.04	1	14	84017247	20.13.20		3
781316	20.12.03		38	84023914	20.07.05		25
	20.13.12		22		20.07A		3
782079	20.03.10		1		20.20.01		12
	20.03.11		1	84026460	20.07.05		26
	20.03.13		1		20.07A		4
	20.03.14		1		20.20.01		13
782109	20.12.03		4	84032833	20.06.02		19
782111	20.12.03		5	84036081	20.06.02		18
782160	20.13.01		10	84037188	20.06.01		23
783570	20.03.12		25		20.12.03		27
783918	20.08.10		9	84043754	20.07.05		15
783919	20.08.10		10		20.20.01		14
787723	20.07.04	1	9	84062500	20.07.03	2	9
796503	20.13.21		9	84241	20.03.03	2	21
796504	20.13.21		18	84320873	20.07.05		13
796687	20.13.20		16		20.07A		1
798812	20.12.04		3	84320874	20.07.05		8
798813	20.12.04		4		20.07A		2
80299	20.03.03	1	49	84334829	20.08.10		1
80664	20.12.01	1	43	84434997	20.07D		1
	20.12.01	2	43	84435010	20.18.02		17
	20.12.01	2	43	84435044	20.07D		4
	20.12.02	1	39	84435046	20.07D		2
	20.12.02	2	43	84435047	20.07D		3
80679	20.06.10		12	84441291	20.08.10		12
	20.13.31	1	16	84457488	20.18.04		1
80680	20.12.01	1	47	84457628	20.18.04		8
	20.12.01	2	47	846973	20.13.20		12
	20.12.01	2	47	847547	20.13.21		12
	20.12.02	1	43	847712	20.13.20		16
	20.12.02	2	47	847713	20.13.20		16
80700	20.03.10		22	848083	20.13.10		16
	20.03.11		22		20.13.11		18
	20.03.12		38		20.13.12		18
	20.03.13		21	848093	20.13.12		19
	20.03.14		24		20.20.01		48
	20.06.10		11	848094	20.13.10		11
	20.07.04	1	26		20.13.11		11
	20.07.05		24		20.13.12		11

INDEX - INDICE - INDEX - ZAHLENVERZEICHNIS - INDICE - INDICE - INDHOLD - INHOUD

Number	Figure	Sequence	Ref.	Number	Figure	Sequence	Ref.
848095	20.13.12		13	86508773	20.12.01	2	36
84814948	20.07.02		23		20.12.02	1	33
84817621	20.03.14		8		20.12.02	2	36
	20.20.01		16	86508776	20.13.03		10
84818450	20.03.12		37	86508777	20.12.03		18
849471	20.03A		11		20.13.10		25
	20.08.10		13		20.13.11		33
	20.18.03		10		20.13.12		24
849472	20.03A		13	86508778	20.13.11		35
	20.08.10		14		20.13.12		35
849482	20.08.10		13	86508813	20.06.01		28
849483	20.08.10		14		20.06.01		33
84989464	20.08.10		6		20.06.02		35
	20.08.10		6		20.06.02		8
85000175	20.13.21		1		20.12.03		36
	20.20.01		21	86509596	20.13.04		6
850053	20.13.20		4	86511191	20.07.04	2	26
850119	20.13.21		17	86511323	20.03.01		30
850123	20.13.21		11		20.03.02		46
850124	20.03.10		14		20.03.03	1	48
	20.03.11		16		20.03.03	2	11
	20.03.12		27		20.03.04		27
	20.03.13		13		20.03.12		50
	20.03.14		16	86511324	20.03.01		45
	20.13.20		14		20.03.02		47
850125	20.13.21		24		20.03.03	1	26
850555	20.12.01	1	13		20.03.03	2	15
	20.12.01	2	13		20.03.04		42
	20.12.02	1	13		20.13.05		5
	20.12.02	2	13	86511326	20.03.20		3
850556	20.12.01	1	25	86512138	20.07.01		18
	20.12.01	2	25		20.07.02		27
	20.12.02	1	25	86512289	20.13.11		19
	20.12.02	2	25		20.20.01		6
851662	20.13.12		1	86512371	20.12.01	1	41
851663	20.13.12		1		20.12.02	1	48
853709	20.06.10		4	86512428	20.13.30	1	6
856739	20.03.12		7		20.13.30	2	6
856794	20.03.12		12	86512446	20.03.01		21
856964	20.13.01		6		20.03.02		21
	20.13.02		6		20.03.03	1	23
857177	20.03.12		34		20.03.03	2	23
857188	20.03.12		32		20.03.04		18
86010402	20.07.04	1	10		20.03.10		16
	20.07.04	2	7		20.03.12		41
86014250	20.16.01		19		20.03.13		15
	20.16.02		20		20.03.14		18
	20.16.03		20		20.06.02		22
86025725	20.06.01		31		20.12.01	1	39
	20.06.02		33		20.12.01	2	39
86050346	20.06.02		5		20.12.02	1	36
86507486	20.03.02		24		20.12.02	2	39
	20.03.03	2	26		20.12.04		6
	20.03.04		21		20.13.01		18
	20.06.01		19		20.13.02		16
	20.08.01		14		20.13.05		2
	20.12.04		7		20.16.01		44
	20.13.01		19		20.16.02		45
	20.13.02		17		20.16.03		40
	20.13.03		14	86512826	20.13.10		19
	20.13.05		8		20.13.10		19
	20.16.01		41		20.13.11		31
	20.16.02		42		20.13.11		31
86507777	20.13.11		45		20.20.01		42
	20.20.01		24	86514396	20.13.30	1	48
86507778	20.13.10		36		20.13.30	2	48
	20.13.11		46	86517388	20.13.11		13
	20.13.12		44	86517390	20.13.10		41
	20.20.01		4		20.13.11		52
86507780	20.13.10		37		20.13.12		47
	20.13.11		47	86517871	20.13.10		29
	20.13.12		43		20.13.11		44
	20.20.01		5		20.20.01		37
86508581	20.13.31	2	15	86518386	20.13.30	1	14
86508583	20.12.01	2	29		20.13.30	2	14
	20.12.02	2	29	86518387	20.13.30	1	27
86508773	20.12.01	1	36		20.13.30	2	27
	20.12.01	2	36	86518389	20.13.30	1	30

INDEX - INDICE - INDEX - ZAHLENVERZEICHNIS - INDICE - INDICE - INDHOLD - INHOUD

Number	Figure	Sequence	Ref.	Number	Figure	Sequence	Ref.
86518392	20.13.30	1	15	86586107	20.03.03	1	12
	20.13.30	2	15	86586127	20.03.03	1	13
86518393	20.13.30	1	16		20.03.03	2	13
	20.13.30	2	16	86587785	20.13.11		12
86518431	20.13.30	1	1	86587786	20.13.11		12
	20.13.30	2	1	86587787	20.13.11		25
	20.13.31	1	20		20.20.01		27
	20.13.31	2	20	86589143	20.13.01		12
86518812	20.07.04	1	7		20.13.02		11
	20.07B	1	1	86589951	20.13.11		12
86518813	20.07.04	1	8	86589952	20.13.11		12
	20.07C	1	1	86590289	20.03.02		12
86520062	20.08.10		13	86592092	20.07.02		32
86520929	20.13.05		17	86592701	20.03.20		32
86521552	20.06.10		7	86595136	20.03.20		18
86521605	20.06.10		9	86595813	20.06.02		27
86521609	20.13.10		31	86595832	20.03.20		41
	20.13.11		43		20.18.01		7
	20.20.01		43	86597005	20.07.03	1	21
86525265	20.03A		15	86599055	20.16.01		7
86533997	20.03A		14		20.16.02		7
	20.20.01		17		20.16.03		7
86535301	20.06.10		3	86599056	20.16.01		15
86536572	20.06.10		2		20.16.02		16
	20.20.01		18		20.16.03		16
86541350	20.13.03		25	86599057	20.16.01		10
86541351	20.13.03		25		20.16.02		11
86542821	20.03.01		18		20.16.03		11
	20.03.02		18	86599059	20.16.01		9
	20.03.03	1	20	86599063	20.16.02		9
	20.03.03	2	20	86599065	20.16.02		10
	20.03.04		15		20.16.03		10
86545711	20.13.30	1	31	86599478	20.07.05		1
86545712	20.13.30	1	30		20.20.01		22
86546424	20.13.05		4	86599479	20.07.05		5
86547781	20.08.10		3		20.20.01		23
86547782	20.08.10		2	86599480	20.07.05		2
86547783	20.08.10		11		20.20.01		24
86548294	20.13.03		27	86599481	20.07.05		6
86548295	20.13.03		27		20.20.01		25
	20.20.01		19	86599482	20.07.04	1	20
86548631	20.13.03		26	86599483	20.07.04	1	21
	20.13.03		26	86599484	20.07.03	1	5
	20.13.03		26	86602343	20.06.02		10
86552779	20.13.03		4	86602346	20.06.02		15
86552870	20.12.01	1	20	86602402	20.06.02		25
	20.12.02	1	20	86602403	20.06.02		25
86552871	20.12.01	1	14	86602874	20.07.01		7
	20.12.02	1	14		20.07.02		7
86553411	20.03.01		17	86602890	20.07.01		5
	20.03.02		10		20.07.02		5
	20.03.03	1	40	86602953	20.08.01		3
	20.03.03	2	22	86602955	20.08.01		4
	20.03.04		14	86603051	20.07.01		26
	20.13.05		31		20.07.02		12
86553421	20.12.03		2		20.20.01		26
86553422	20.12.03		13	86603098	20.07.03	1	18
86553423	20.12.03		2	86603099	20.07.03	1	22
86553424	20.12.03		13		20.20.01		27
86553425	20.12.03		2	86603103	20.07.03	1	16
86553426	20.12.03		13		20.20.01		15
86556029	20.20.01		26		20.20.01		28
86556627	20.13.03		28	86603129	20.03.01		4
86556628	20.13.03		28		20.03.02		4
86556629	20.13.03		28		20.03.03	1	4
86561661	20.07.03	1	1		20.03.03	2	4
86562960	20.13.10		38		20.03.04		4
	20.13.11		49	86603130	20.03.01		5
	20.13.12		42		20.03.02		5
	20.20.01		9		20.03.03	1	5
86566360	20.07.03	1	30		20.03.03	2	5
	20.20.01		20	86603146	20.03.03	1	11
86566989	20.18.04		16	86603148	20.07.04	1	12
86571951	20.08.01		5	86603149	20.07.04	1	11
86572350	20.06.10		1	86603152	20.07.04	1	13
86585703	20.13.04		11	86603153	20.07.04	1	1
86585706	20.03A		6	86603212	20.03.20		19
	20.18.03		9	86603233	20.16.01		11

INDEX - INDICE - INDEX - ZAHLENVERZEICHNIS - INDICE - INDICE - INDHOLD - INHOUD

Number	Figure	Sequence	Ref.	Number	Figure	Sequence	Ref.
86603233	20.16.02		12	86609421	20.13.31	2	4
	20.16.03		12		20.13.31	2	4
	20.20.01		38	86609422	20.13.31	1	31
86603425	20.13.03		3		20.13.31	2	10
86603426	20.13.03		8	86609423	20.13.31	1	31
86603439	20.06.01		1		20.13.31	2	10
86603897	20.16.01		14	86609424	20.13.31	1	2
	20.16.02		15		20.13.31	1	2
	20.16.03		15		20.13.31	1	2
86604168	20.03.01		11		20.13.31	2	2
	20.03.04		10		20.13.31	2	2
86604202	20.07.01		2		20.13.31	2	2
	20.07.02		2	86609450	20.03.12		17
86604203	20.07.01		3	86609477	20.13.31	1	18
	20.07.02		3	86609553	20.13.30	1	28
86604206	20.07.02		9		20.13.30	2	28
86604529	20.13.11		12		20.13.31	1	21
86604530	20.13.11		12		20.13.31	2	12
86604791	20.13.10		12	86609726	20.13.30	1	17
86604840	20.03.01		6		20.13.30	2	17
	20.03.02		6	86609743	20.07.02		35
	20.03.03	1	6		20.07.03	1	8
	20.03.03	2	6		20.07.03	2	27
	20.03.04		5	86609773	20.13.30	1	26
	20.20.01		29		20.13.30	2	26
86604958	20.13.03		9	86611824	20.08.10		7
86604996	20.13.20		7	86611825	20.08.10		8
86604997	20.13.20		7	86613465	20.03.10		29
86605086	20.20.01		30		20.03.11		26
86605478	20.20.01		31		20.03.14		29
86606200	20.13.12		41	86613467	20.03.11		14
	20.20.01		10	86613469	20.03.10		12
86606228	20.06.01		25		20.03.11		13
	20.12.03		26	86613470	20.03.10		8
	20.20.01		32		20.03.11		27
86607073	20.13.31	1	12		20.03.13		25
86607074	20.13.31	1	11		20.03.14		28
86607195	20.06.01		7	86613473	20.03.14		14
86607215	20.06.01		6	86613475	20.03.13		11
	20.06.02		11		20.03.14		13
86607216	20.06.01		3	86613627	20.07.03	1	17
86609095	20.13.30	1	45	86614084	20.08.10		10
	20.13.30	2	45		20.08.10		8
86609096	20.13.30	1	39	86614495	20.13.30	1	45
	20.13.30	2	39		20.13.30	2	45
	20.13.31	1	30	86614496	20.13.30	1	39
	20.13.31	2	18		20.13.30	2	39
86609236	20.13.30	1	39	86614971	20.03.10		15
	20.13.30	2	39		20.03.11		17
	20.13.31	1	30		20.03.13		14
	20.13.31	2	18		20.03.14		17
86609237	20.13.30	1	45	86615982	20.13.10		27
	20.13.30	2	45		20.13.11		26
86609239	20.13.30	1	45		20.20.01		44
	20.13.30	2	45	86615984	20.13.10		26
86609240	20.13.30	1	39		20.13.11		24
	20.13.30	2	39		20.20.01		32
	20.13.31	1	30	86615985	20.13.11		21
	20.13.31	2	18		20.20.01		39
86609388	20.13.30	1	29	86615986	20.13.11		20
	20.13.31	1	29	86615987	20.13.11		20
	20.13.31	2	21	86615988	20.13.10		18
86609389	20.13.30	1	5		20.13.11		20
	20.13.30	2	5		20.13.11		20
86609418	20.13.31	1	31	86616339	20.06.01		4
	20.13.31	2	10		20.06.02		3
86609419	20.13.31	1	3		20.20.01		23
	20.13.31	1	3	86616527	20.13.10		18
	20.13.31	1	3		20.13.11		20
	20.13.31	2	3		20.13.11		20
	20.13.31	2	3	86616528	20.13.11		20
	20.13.31	2	3	86616529	20.13.11		20
86609420	20.13.31	1	1	86616689	20.13.11		20
	20.13.31	2	1		20.13.11		20
86609421	20.13.31	1	4	86616691	20.13.11		20
	20.13.31	1	4		20.13.11		20
	20.13.31	1	4	86616692	20.13.11		20
	20.13.31	2	4	86616693	20.13.11		20



INDEX - INDICE - INDEX - ZAHLENVERZEICHNIS - INDICE - INDICE - INHOLD - INHOUD

Number	Figure	Sequence	Ref.	Number	Figure	Sequence	Ref.
86616694	20.13.11		20	86622892	20.16.01		36
86616695	20.13.11		20		20.16.02		37
86618736	20.06.01		11		20.16.03		37
86619024	20.03.20		7	86623107	20.07.01		14
86619060	20.12.06		6		20.07.02		10
	20.18.01		18		20.20.01		35
86619126	20.03.20		16	86623115	20.07.01		24
86619254	20.18.01		12	86623116	20.07.01		23
86620026	20.03.01		2	86623117	20.07.01		17
	20.03.02		2		20.07.02		11
	20.03.03	1	2	86623118	20.07.05		12
	20.03.03	2	2		20.20.01		36
	20.03.04		2	86623119	20.07.05		11
	20.16.01		4		20.20.01		37
	20.16.02		4	86623120	20.07.02		37
	20.16.03		4	86623121	20.07.02		36
	20.20.01		33	86623901	20.07D		6
86620720	20.16.01		8	86623902	20.07D		5
	20.16.02		8	86624075	20.07.03	2	16
	20.16.03		8	86624143	20.18.01		4
86620750	20.13.30	1	50	86624653	20.08.10		4
	20.13.30	2	50	86624655	20.08.10		10
	20.20.01		11		20.08.10		8
86620755	20.13.30	1	51	86624656	20.08.10		16
	20.13.30	2	51	86624740	20.08.10		16
	20.20.01		28	86624741	20.08.10		4
86620757	20.13.30	1	52	86626014	20.03.01		14
	20.13.30	2	52		20.03.02		14
	20.20.01		12		20.03.03	1	16
86620758	20.13.30	1	53		20.03.03	2	16
	20.13.30	2	53		20.03.04		12
	20.20.01		13	86626144	20.13.30	1	25
86621869	20.06.01		10		20.13.30	2	25
86622500	20.03.01		8	86626958	20.08.10		17
	20.03.02		20	86626959	20.08.10		4
	20.03.03	1	19	86626961	20.08.10		17
	20.03.03	2	42	86626962	20.08.10		17
	20.03.04		7	86627294	20.13.05		27
	20.06.01		9	86627455	20.13.05		22
	20.06.02		14	86627642	20.13.06		8
86622501	20.07.04	1	4	86627643	20.13.06		27
86622548	20.03.01		9	86627644	20.13.06		6
	20.03.02		11	86627870	20.20.01		14
	20.03.03	1	50	86628570	20.13.05		25
	20.03.03	2	32	86629540	20.07C	1	7
	20.03.04		8	86629541	20.07.03	1	14
	20.07.04	1	5		20.07.04	2	36
	20.07.04	2	3	86629542	20.03.01		34
86622563	20.03.12		24		20.03.02		33
86622574	20.03.12		8		20.03.03	1	36
86622618	20.03.12		23		20.03.03	2	37
86622619	20.03.10		9		20.03.04		31
	20.03.11		10		20.13.01		25
	20.03.12		2		20.13.04		12
	20.03.13		8		20.13.21		26
	20.03.14		10	86629544	20.06.01		18
	20.03.20		15		20.12.02	2	55
86622662	20.13.10		20	86629894	20.20.01		38
	20.13.11		37	86630786	20.13.10		30
	20.13.12		29		20.13.11		27
	20.20.01		45		20.20.01		41
86622663	20.13.10		20	86630787	20.13.10		28
	20.13.11		37		20.13.11		23
	20.13.12		29		20.20.01		40
86622664	20.03.10		2	86631151	20.03.01		7
	20.03.11		2		20.03.02		8
	20.03.13		2		20.03.03	1	8
	20.03.14		2		20.03.03	2	8
86622665	20.03.10		7		20.03.04		6
	20.03.11		7	86632064	20.07.03	1	26
	20.03.13		7	86632156	20.13.30	1	60
	20.03.14		7		20.13.30	2	60
86622719	20.08.10		16	86632613	20.16.01		3
86622727	20.13.20		15		20.16.02		3
86622865	20.13.30	1	54		20.16.03		3
	20.13.30	2	54		20.20.01		33
86622886	20.03.20		6	86632722	20.03.10		30
	20.20.01		34	86632724	20.03.10		31

INDEX - INDICE - INDEX - ZAHLENVERZEICHNIS - INDICE - INDICE - INHOLD - INHOUD

Number	Figure	Sequence	Ref.	Number	Figure	Sequence	Ref.
86633016	20.03.02		9	86978544	20.03.04		11
	20.03.03	1	10		20.03A		1
	20.03.03	2	10		20.20.01		40
86633018	20.03.03	1	9	86978545	20.03.01		13
86633023	20.03.02		7		20.03.02		13
86633026	20.03.01		10		20.03.03	1	14
	20.03.04		9		20.03.03	2	14
86633064	20.03.12		48		20.03A	1	1
86633066	20.03.12		49		20.20.01		41
86633148	20.13.11		1	86979102	20.03.10		4
86633149	20.13.11		1		20.03.11		4
86633150	20.13.11		1		20.03.12		1
86633151	20.13.11		1	86979433	20.12.01	1	6
86633335	20.13.01		11		20.12.01	2	28
	20.13.02		10		20.12.02	1	28
86633356	20.12.01	2	31		20.12.02	1	6
	20.12.01	2	31		20.12.02	2	35
	20.12.02	2	31		20.20.01		42
86634140	20.08.10		7	86979434	20.12.01	1	33
86634225	20.13.30	1	46		20.12.01	2	6
	20.13.30	2	46		20.12.02	2	6
86639568	20.12.06		1		20.20.01		43
86639570	20.12.06		1	86979436	20.12.01	1	5
86639572	20.12.06		1		20.12.01	2	5
86640767	20.08.01		7		20.12.02	1	5
86640769	20.08.01		9		20.12.02	2	5
86641315	20.07.03	1	12		20.20.01		30
86642490	20.06.01		13	86979948	20.03.20		10
86642491	20.06.01		5		20.20.01		44
86642493	20.06.01		30	86979956	20.03.20		11
	20.06.02		31	86979957	20.03.20		12
86642494	20.06.02		32	86979987	20.07.04	2	10
86643620	20.03.20		21	86997152	20.13.04		1
86643641	20.03.20		22		20.13.06		3
86705199	20.13.30	1	66	86997188	20.13.06		19
	20.13.30	2	66	86997190	20.13.06		22
86705570	20.08.01		21	86997191	20.13.06		16
86837205	20.12.03		39	86999254	20.08.10		15
	20.12.03		39	87010	20.12.01	1	48
86837207	20.12.03		22		20.12.02	1	44
86837456	20.12A		2		20.20.01		2
86837468	20.03.01		40	87010564	20.06.02		2
	20.03.02		39	87010600	20.06.01		15
	20.03.03	1	43	87010605	20.13.30	1	47
	20.03.03	2	45		20.13.30	2	47
	20.03.04		37	87010656	20.18.04		15
86837775	20.06.01		36	87013358	20.13.11		50
86900194	20.03.01		39	87013359	20.13.11		50
	20.03.02		38	87013474	20.08.10		15
	20.03.03	1	42	87013643	20.08.10		18
	20.03.03	2	44	87013645	20.08.10		18
	20.03.04		36	87013647	20.08.10		18
86900575	20.03A		3	87013648	20.08.10		18
	20.18.03		2	87013649	20.08.10		18
	20.20.01		29	87013650	20.08.10		18
86900576	20.03A		18	87013653	20.08.10		12
86900577	20.03A		12	87015068	20.13.10		39
86900578	20.03B		1		20.13.11		48
86900579	20.03A		16		20.13.12		45
86900580	20.03A		8	87015611	20.12.01	1	26
86900581	20.03A		10		20.12.01	2	26
86900582	20.03C		1	87015613	20.12.01	1	26
	20.20.01		39		20.12.01	2	26
86900583	20.03A		22	87015615	20.12.02	1	26
86900584	20.03A		23		20.12.02	2	26
86900585	20.03A		24	87015617	20.12.03		10
86900830	20.13.10		1	87015619	20.12.03		9
86900832	20.13.11		1	87015632	20.12.03		10
86900833	20.13.11		1	87015634	20.12.03		9
86900834	20.13.11		1	87015636	20.12.03		9
86900835	20.13.11		1	87015638	20.12.01	1	22
86977434	20.08.01		16		20.12.01	2	22
86977981	20.13.11		1	87015640	20.12.01	1	24
86977982	20.13.11		1		20.12.01	2	24
86978544	20.03.01		12	87015642	20.12.01	1	22
	20.03.02		43		20.12.01	2	22
	20.03.03	1	7	87015645	20.12.01	1	24
	20.03.03	2	7		20.12.01	2	24

INDEX - INDICE - INDEX - ZAHLENVERZEICHNIS - INDICE - INDICE - INHOLD - INHOUD

Number	Figure	Sequence	Ref.	Number	Figure	Sequence	Ref.
87015647	20.12.02	1	22	87017760	20.13.06		5
	20.12.02	2	22	87017761	20.13.06		23
87015649	20.12.02	1	24	87017766	20.16.01		17
	20.12.02	2	24		20.16.02		18
87015654	20.12.03		11		20.16.03		18
87015656	20.12.03		11	87017767	20.16.01		18
87015660	20.12.03		11		20.16.02		19
87015706	20.13.12		32		20.16.03		19
	20.20.01		19	87017812	20.16.01		38
87015707	20.13.12		32		20.16.02		39
	20.20.01		20		20.16.03		9
87015708	20.13.12		33	87017844	20.16.01		2
	20.20.01		47		20.16.02		2
87015709	20.13.12		34		20.16.03		2
87016021	20.16.01		37	87017856	20.13.06		7
	20.16.02		38	87019	20.06.01		26
	20.16.03		38		20.13.03		16
	20.20.01		16	87019226	20.12.06		5
87016022	20.16.01		27	87019228	20.12.06		3
	20.16.02		28	87019230	20.12.06		2
	20.16.03		28	87019308	20.12.06		5
	20.20.01		17	87019310	20.12.06		3
87016023	20.16.01		18	87019339	20.12.06		5
	20.16.02		19	87019341	20.12.06		3
	20.16.03		19	87019394	20.12.03		14
87016024	20.16.01		17		20.16.01		32
	20.16.02		18		20.16.02		32
	20.16.03		18		20.16.03		32
87016025	20.16.02		1	87019825	20.03.20		6
87016026	20.16.01		1	87019945	20.12.06		5
87016027	20.16.03		1	87019955	20.06.02		23
87016864	20.12A		3	87020184	20.03.12		4
87016865	20.12A		1		20.20.01		25
87016899	20.12A		3	87020190	20.12.01	1	8
87016900	20.12A		1		20.12.01	2	8
87016902	20.12A		3		20.12.02	1	8
87016903	20.12A		1		20.12.02	2	8
87017195	20.13.30	1	62	87020192	20.12.01	1	27
	20.13.30	2	62		20.12.01	2	27
87017196	20.13.30	1	61		20.12.02	1	27
	20.13.30	2	61		20.12.02	2	27
87017197	20.13.30	1	45	87020285	20.03.11		8
	20.13.30	2	45		20.20.01		8
87017198	20.13.30	1	45	87020286	20.03.10		5
	20.13.30	2	45		20.03.11		5
87017200	20.13.30	1	45		20.20.01		7
87017201	20.13.30	1	45	87020302	20.03.13		5
87017202	20.13.30	1	45		20.03.14		5
	20.13.30	2	45		20.20.01		15
87017203	20.13.30	1	45	87020347	20.08.10		7
	20.13.30	2	45	87020373	20.08.10		19
87017556	20.03.20		2	87021857	20.13.21		8
87017566	20.13.03		5	87022092	20.08.10		5
87017567	20.13.03		7	87022099	20.12.06		4
87017628	20.13.01		2	87022153	20.12.06		4
	20.13.02		2	87022192	20.12.06		4
87017629	20.13.01		3	87022313	20.12.06		2
	20.13.02		3		20.18.01		15
87017630	20.13.01		7	87022315	20.12.06		5
	20.13.02		7	87022318	20.12.06		5
87017631	20.13.01		8	87022610	20.08.10		19
87017632	20.13.01		9	87022611	20.08.10		19
87017634	20.13.01		1	87022612	20.08.10		19
	20.13.02		1	87022693	20.08.01		1
87017635	20.13.02		8	87022694	20.08.01		2
87017636	20.13.02		9	87024157	20.03A		20
87017723	20.13.04		4	87024769	20.12.03		15
87017724	20.13.04		2	87024770	20.06.01		12
87017725	20.13.04		3	87025694	20.13.30	1	45
	20.13.05		32	87025695	20.13.30	1	45
87017741	20.13.05		20	87025698	20.13.30	1	45
87017742	20.13.05		19		20.13.30	2	45
87017752	20.13.05		11	87025699	20.13.30	1	45
87017753	20.13.06		18		20.13.30	2	45
87017754	20.13.06		4	87025700	20.13.30	1	45
87017755	20.13.06		28		20.13.30	2	45
87017756	20.13.06		15	87025701	20.13.30	1	45
87017757	20.13.06		24		20.13.30	2	45

INDEX - INDICE - INDEX - ZAHLENVERZEICHNIS - INDICE - INDICE - INDHOLD - INHOUD

Number	Figure	Sequence	Ref.	Number	Figure	Sequence	Ref.
87026147	20.03.01		24	87041518	20.13.05		30
	20.03.02		17	87041521	20.13.05		29
	20.03.03	1	32	87041732	20.03.12		4
	20.03.03	2	19	87041778	20.03.10		5
	20.03.04		17		20.03.11		5
87026208	20.03.01		16	87041779	20.03.11		8
	20.03.02		16	87042132	20.13.05		1
	20.03.03	1	18	87045351	20.07.04	2	9
	20.03.03	2	18	87045366	20.07.03	2	8
	20.03.04		13	87045432	20.13.11		25
87026349	20.03C		13	87045527	20.07.04	2	5
87026350	20.03C		3		20.07B	2	1
87026351	20.03C		4	87045528	20.07.04	2	6
87026352	20.03C		5		20.07C	2	1
87026353	20.03B		2	87045530	20.13.30	2	5
	20.03C		8	87045535	20.07.04	2	17
87026356	20.03B		7	87045536	20.07.04	2	16
87026533	20.08.10		8	87045537	20.07.04	2	18
87027712	20.08.10		16	87045538	20.07.04	2	15
87028703	20.16.01		39	87046053	20.07.03	2	28
	20.16.02		40	87046054	20.07.04	2	12
87028705	20.16.01		39	87046055	20.07.04	2	13
	20.16.02		40	87046056	20.07.05		6
87029978	20.13.30	1	63	87046057	20.07.05		5
87029980	20.13.30	1	63	87046188	20.07.05		1
87030380	20.18.03		12	87046189	20.07.05		2
87032532	20.18.01		2	87047039	20.07.03	2	28
87033816	20.03.01		26	87047050	20.13.30	2	38
	20.03.02		26	87047067	20.12.02	1	7
	20.03.03	1	28		20.12.03		1
	20.03.03	2	28	87047070	20.12.01	1	7
	20.03.04		23		20.12.01	2	7
87035837	20.07.03	2	10		20.12.03		1
87036523	20.07.03	2	6	87047073	20.12.01	1	7
87036524	20.07.03	2	7		20.12.01	2	7
87036543	20.07.03	2	11		20.12.03		1
87036557	20.07.03	2	1	87047332	20.07.04	2	38
87036559	20.07.03	2	14	87047337	20.07.04	2	39
87036565	20.07.04	2	2	87047856	20.03.20		42
87036584	20.07.03	2	31	87048378	20.13.31	2	6
87036733	20.13.30	2	31	87048379	20.13.31	2	5
87036734	20.13.30	2	30	87049703	20.13.03		28
87037954	20.13.30	2	29	87049705	20.13.03		28
87038438	20.12.06		10	87049707	20.13.03		28
87038439	20.12.06		10	87049788	20.18.04		2
87039068	20.13.31	2	7	87049789	20.18.04		3
87039742	20.13.05		33	87049790	20.18.04		4
87039744	20.13.05		11	87049811	20.13.30	2	37
87040525	20.12.01	1	14	87050114	20.18.04		16
	20.12.02	1	14	87050118	20.18.04		10
87040632	20.12.01	1	20	87050132	20.07.04	2	1
	20.12.02	1	20	87051301	20.16.01		11
87040655	20.13.03		5		20.16.02		12
87040657	20.13.03		7		20.16.03		12
87041098	20.18.03		1	87051323	20.16.01		3
87041143	20.12.02	1	4		20.16.02		3
87041145	20.12.02	1	1		20.16.03		3
87041147	20.12.02	1	2	87051367	20.16.01		15
87041149	20.12.01	1	3		20.16.02		16
	20.12.01	1	3		20.16.03		16
	20.12.02	1	3	87052952	20.13.31	2	11
87041151	20.12.01	1	1	87053561	20.07.03	2	12
87041153	20.12.01	1	4	87053562	20.07.03	2	5
87041269	20.12.01	1	7	87053606	20.13.05		1
	20.12.01	1	7	87055869	20.12.02	1	1
	20.12.03	1	1		20.12.02	2	1
	20.12.03	1	1	87055870	20.12.02	1	4
87041272	20.12.01	1	7		20.12.02	2	4
	20.12.01	1	7	87055871	20.12.01	1	3
	20.12.03	1	1		20.12.01	1	3
	20.12.03	1	1		20.12.01	2	3
87041275	20.12.02	1	7		20.12.01	2	3
	20.12.02	1	7		20.12.02	1	3
	20.12.03	1	1		20.12.02	2	3
	20.12.03	1	1	87055872	20.12.02	1	2
87041363	20.13.03		25		20.12.02	2	2
87041364	20.13.03		25	87055873	20.12.01	1	1
87041473	20.13.03		4		20.12.01	2	1

INDEX - INDICE - INDEX - ZAHLENVERZEICHNIS - INDICE - INDICE - INHOLD - INHOUD

Number	Figure	Sequence	Ref.	Number	Figure	Sequence	Ref.
87055874	20.12.01	1	4	87455402	20.18.04		19
	20.12.01	2	4	87455403	20.18.04		18
87057587	20.16.03		1	87455606	20.18.04		17
87058005	20.16.02		1	87657	20.06.01		14
87058017	20.16.01		1		20.06.02		12
87105683	20.18.05		4	87936	20.13.10		2
87108048	20.18.02		10		20.13.11		2
87252	20.13.06		21		20.13.12		2
87260	20.12.01	1	34	88043	20.13.31	1	15
	20.12.01	2	34	88106	20.13.10		33
	20.12.01	2	34		20.13.11		40
	20.12.02	1	32		20.13.12		38
	20.12.02	2	34	88275	20.13.06		11
87301376	20.18.02		2	88436	20.13.06		13
87301377	20.18.02		6	88530	20.12.01	1	37
87301378	20.18.02		4		20.12.02	1	34
87301380	20.18.02		5	88542	20.16.01		29
87301385	20.18.02		11		20.16.02		30
87301386	20.18.02		1		20.16.03		30
87304415	20.07.03	2	26	88559	20.07B	1	8
87309	20.13.05		21	88586	20.13.03		11
87340	20.07.04	2	25		20.13.10		21
87361	20.07.04	1	35		20.13.11		34
	20.07.04	2	31		20.13.12		23
87362	20.06.01		24	88612	20.12.01	1	35
	20.06.02		16		20.12.01	2	42
	20.16.01		33		20.12.02	2	42
	20.16.02		34	88871	20.13.06		17
	20.16.03		34	88902	20.12.01	1	29
87363	20.12.01	2	54		20.13.06		2
	20.12.02	2	54		20.13.10		8
	20.13.11		38		20.13.11		8
87363422	20.03.12		7		20.13.12		8
87363458	20.03.12		32	89706690	20.12.06		8
87364	20.07.03	1	19	920158	20.13.21		5
	20.13.31	1	7	9501697	20.13.21		16
87365	20.03.20		40	9501967	20.13.21		2
	20.07.04	1	17	9501969	20.13.21		21
87366	20.12.01	1	44	9504194	20.03.13		16
	20.12.02	1	40		20.03.14		19
	20.20.01		3	9513024	20.13.21		20
87367	20.07.01		28	9513487	20.13.20		5
	20.07.02		33	9513490	20.13.21		15
	20.07.03	2	25	9601650	20.13.30	1	57
87368493	20.13.03		29		20.13.30	2	57
87374	20.07.03	1	25	9601651	20.13.30	1	58
87381	20.03.12		28		20.13.30	2	58
87382	20.06.10		10	9601652	20.13.30	1	56
87395	20.13.10		10		20.13.30	2	56
	20.13.11		10	9603557	20.03.11		9
	20.13.12		10		20.03.14		9
87397	20.07.04	1	31	9612137	20.07.03	1	24
	20.07.04	2	27		20.07.03	2	3
87402	20.07.04	1	30	9612714	20.03.03	1	15
87414	20.07.04	1	22	9616869	20.03.12		15
	20.13.30	1	69	9617873	20.07.01		15
	20.13.31	1	14		20.07.02		13
	20.13.31	2	14		20.07.04	1	39
87415	20.03.12		19		20.07.04	2	11
	20.13.10		17	9621483	20.07.03	1	2
	20.13.11		22		20.07.03	2	2
	20.13.12		20	9626568	20.03.01		31
87442324	20.13.10		27		20.03.02		30
	20.13.11		26		20.03.03	1	33
87442329	20.13.10		26		20.03.03	2	34
	20.13.11		24		20.03.04		28
87446	20.13.10		9	9627879	20.07.04	2	34
	20.13.11		9	9628098	20.12.04		13
	20.13.12		9	9628503	20.03.12		31
87447674	20.18.01		2		20.03.20		25
87447944	20.18.05		5		20.12.01	1	51
87447945	20.18.04		6		20.12.01	2	51
87447947	20.18.05		1		20.12.01	2	51
87448290	20.18.01		1		20.12.02	1	46
87448291	20.18.01		1		20.12.02	2	51
87450187	20.07.04		8	9635082	20.07.03	1	28
87455332	20.18.04	2	20		20.08.01		22
87455341	20.18.04		5		20.12.01	1	50

INDEX - INDICE - INDEX - ZAHLENVERZEICHNIS - INDICE - INDICE - INDHOLD - INHOUD

Number	Figure	Sequence	Ref.	Number	Figure	Sequence	Ref.
9635082	20.12.01	2	50	9706702	20.12.01	2	41
	20.12.02	1	45		20.12.01	2	41
	20.12.02	2	50		20.12.02	2	41
	20.13.01		26		20.13.01		15
	20.13.02		22		20.13.02		13
	20.16.01		35	9706755	20.06.01		29
	20.16.02		36		20.07.04		36
	20.16.03		36		20.07.04	1	32
9635884	20.12.01	1	31	9706806	20.08.01		8
	20.12.02	1	29	9706807	20.08.01		10
	20.16.01		31	9801244	20.13.05		24
	20.16.02		33	9801256	20.08.10		14
	20.16.03		33	9801260	20.08.10		13
9637916	20.13.01		13	9806438	20.12.03		8
9671714	20.13.30	1	64	9811397	20.13.21		10
	20.13.30	2	64	9811632	20.13.21		19
9706685	20.03.01		33	9820456	20.13.12		1
	20.03.02		32	9820457	20.13.12		1
	20.03.03	1	35	9823743	20.13.06		10
	20.03.03	2	36	9824326	20.06.01		32
	20.03.04		30		20.06.02		34
	20.03.10		25	9826150	20.13.12		30
	20.03.11		25	9826789	20.08.10		15
	20.03.12		39	9827448	20.08.10		15
	20.03.13		24	9827768	20.07.04	1	16
	20.03.14		27	9837960	20.13.20		1
	20.03.20		35	9840543	20.07.04	1	19
	20.07.03	1	9		20.07.04	2	14
	20.07.04	1	28	9842264	20.13.30	1	44
	20.07.04	2	24		20.13.30	1	44
	20.12.03		34		20.13.30	2	44
	20.13.01		31		20.13.30	2	44
	20.13.05		7	9842291	20.13.30	1	18
	20.13.30	1	7		20.13.30	2	18
	20.13.30	2	35	9842298	20.13.30	1	25
	20.13.30	2	7	9842300	20.13.30	1	23
	20.13.31	2	17		20.13.30	2	23
9706687	20.03.10		13	9842301	20.13.30	1	24
	20.03.11		15		20.13.30	2	24
	20.03.12		3	9842536	20.13.12		1
	20.03.13		12	9842537	20.13.12		1
	20.03.14		15	9846661	20.07.04	1	40
9706690	20.03.01		35	9849996	20.08.01		11
	20.03.02		34	9992069	20.07.01		29
	20.03.03	1	37	9993141	20.07.01		1
	20.03.03	2	38		20.07.01		16
	20.03.04		32		20.07.02		1
	20.03.12		45		20.07.04	1	38
	20.06.01		27		20.07.04	2	20
	20.07.01		22		20.07.05		23
	20.07.02		31	9993143	20.07.05		10
	20.07.03	2	22		20.20.01		11
	20.08.01		19	F0NN15N581BA	20.06.10		14
	20.12.03		32	NH120116	20.07.03	2	21
	20.12.04		10	NS	20.07.02		14
	20.13.01		28		20.07.02		15
	20.13.02		24		20.07.02		19
	20.13.03		21		20.07.02		2
	20.13.05		10		20.07.02		20
	20.13.30	1	12		20.07.02		25
	20.13.30	2	12		20.07.02		26
	20.13.31	1	26		20.07.02		3
	20.13.31	1	26		20.07.02		38
	20.13.31	1	26		20.07.02		39
	20.13.31	2	26		20.07.02		9
	20.13.31	2	26		20.13.30	1	67
	20.13.31	2	26		20.13.30	1	67
	20.16.01		43		20.13.30	2	67
	20.16.02		44	NSS	20.07.01		12
	20.18.01		3		20.07.01		13
9706693	20.03.01		37		20.07.01		2
	20.03.02		36		20.07.01		2
	20.03.03	1	39		20.07.01		25
	20.03.03	2	40		20.07.01		27
	20.03.04		34		20.07.01		3
	20.03.20		27		20.07.01		3
	20.12.01	2	35		20.07B	1	2
	20.12.02	2	28		20.07B	2	9

INDEX - INDICE - INDEX - ZAHLENVERZEICHNIS - INDICE - INDICE - INHOLD - INHOUD

---

Number	Figure	Sequence	Ref.	Number	Figure	Sequence	Ref.
NSS	20.07C	1	2				
	20.07C	2	8				
	20.13.10		13				
	20.13.10		14				
	20.13.10		15				
	20.13.10		40				
	20.13.11		14				
	20.13.11		15				
	20.13.11		16				
	20.13.11		17				
	20.13.11		51				
	20.13.12		12				
	20.13.12		15				
	20.13.12		16				
	20.13.12		17				
	20.13.12		46				
	20.13.21		7				
	20.13.30	1	40				
	20.13.30	1	41				
	20.13.30	1	42				
	20.13.30	1	43				
	20.13.30	2	40				
	20.13.30	2	41				
	20.13.30	2	42				
	20.13.30	2	43				
	20.18.03		5				







