

3020-25
3020-30
3020-35
Flexible Grain Header

Parts Catalog

Print No. 3020-20-25-30-35
Issued 2/2011



3020-25
3020-30
3020-35
Flexible Grain Header

Parts Catalog

Print No. 3020-20-25-30-35
Issued 2/2011

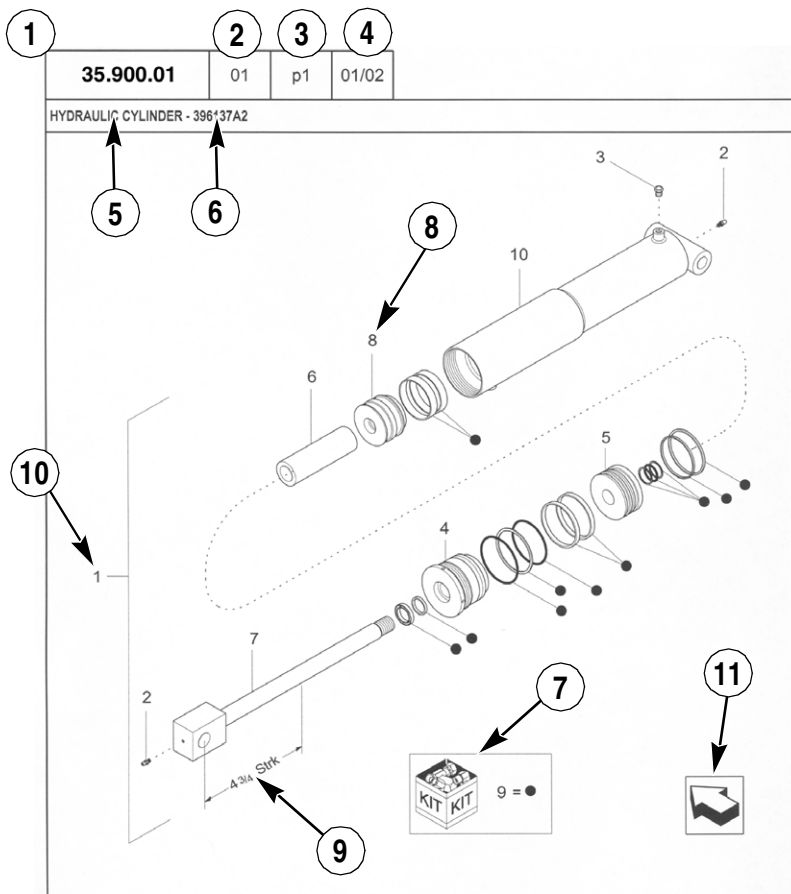


GENERAL INFORMATION

1. Whenever the terms left and right are used, it should be understood to mean from a position facing in direction of travel.
2. Throughout this manual you may find common hardware not illustrated, but listed in the description column. The service part immediately preceding a hardware listing is the part using these particular items for mounting purposes. This hardware is not included with the service part or assembly when ordered as a replacement.
3. The illustrations show typical assemblies plus individual parts but in all cases may not show the exact shape or detail of parts required. However, the purpose for the illustrations is to identify parts performing like functions. Whenever possible illustrations are located at the beginning of each section or immediately adjacent to the applicable text.
4. CNH America LLC is continually striving to improve its products. We must, therefore, reserve the right to make improvements or changes when it becomes practical and possible to do so, without incurring any obligation to make changes or additions to the equipment sold previously.

CNH America LLC, Racine, WI 53404 U.S.A.

How to Use Your Parts Catalog



HYDRAULIC CYLINDER - 396137A2					
REF	FN	PART NUMBER	YR/SN	QTY	DESCRIPTION
1	1	396137A2	BTW 01/85 & 02/02	1	CYLINDER ASSY. 4-3/4 in strk, Inc 2-10
2		31-95	Before 01/85	2	FITTING
2		219-8	From 01/85	2	NIPPLE, LUBE Grease, 1/4 tpr x 17/32
3		{402475A2}		1	BREATHER
4		402474A1		1	CAP CYLINDER END
5		402468A1	BSN JJC0189200	1	PISTON ROD/GLAND
5		145221C3	ASN JJC0189200	1	PISTON
6		402471A1		1	SPACER
7		402473A1		1	ROD, PISTON
8		402469A1		1	PISTON ROD/GLAND
9		402476A1		1	PACKAGE, SEALS
10		NSS		1	NOT SERVICED SEPARAT CASE ASSEMBLY
(1) 08-20					
STANDARD			MODELS		

How to Use Your Parts Catalog

1. Figure Number
2. Sequence code within the Figure Number
3. Page number within the Sequence Code
4. Date of Printing (month / year)
5. Figure Description
6. General information regarding the figure
7. Parts supplied in repair kits per symbol reference
8. Figure call-out of the part number (REF)
9. Technical Specifications relating to the part indicated
10. Figure call-out includes bracketed items, the included items may also be listed in the additional description area
11. Orientation - Arrow indicates front of the machine
12. Footnote - Additional information relating to the part number. In this example, 08-20 equals another figure that this part is shown on.
13. Part Number
 - NSS = Non-serviced parts
 - Bracketed numbers = not available as service parts in this market
14. Not Available as service part in this market
15. YR/SN
 - Year
 - Before 01/85 = Part valid for production January 1985 and before
 - From 01/85 = Part valid for production from January 1985 and after
 - BTW 01/85 & 02/02 = Part valid for machines produced between January 1985 and February 2002.
 - Serial Number (P.I.N.)
 - BSN JJC0268800 = Part valid for serial number JJC0268800 and below
 - ASN JJC0268800 = Part valid for serial number JJC0268800 and above
 - BTW JJC0178000 & JJC0179000 = Part valid for serial numbers between JJC0178000 & JJC0179000
16. Total Quantity of the Part referred to in the page. The quantity can be replaced by the following indications:
 - AR = quantity as required
 - X = as required
17. Part Description
18. Additional description of the part to help confirm identification
19. Figure Notes
20. Model Number(s)

Explanation of Abbreviations

Abbreviation	Meaning
adj	adjustable
amp	ampere
AR	As required
ASN	Serial number and after / P.I.N. and after
barb	barb
blkhd	bulkhead
boss	boss
BSN	before serial number / before P.I.N
BTW	between
cc	cubic centimetre
chain	chain
cl	class
cp pt	cup point
CRS	Chrome Alloy Steel
CST	Carbon Steel
cu yd	cubic yard
deg	degree
dia	diameter
dr type	drive type
dry	dry
fc	face
fc sl	face seal
fem	female
fem PT	female pipe thread
fl	flare
ft	feet (or foot)
gal	gallon(s)
gr	grade
hd	head
hp	horsepower
ID	inside diameter

Abbreviation	Meaning
in	inch(es)
Inc.	includes
inv fl	inverted flare
K	kilo
kg	kilogram
L	litre
lb	pound(s)
lg	long
LH	left hand
LH thd	left hand thread
links	links
M	(prefix) metric thread size
m	metre
male	male
mm	millimetre
NF	National Fine
No.	number
NS	National Super Fine
OD	outside diameter
ohm	electrical unit of resistance
Or	O-ring
orifice	orifice
P	pitch
piece	piece
psi	pounds per square inch
PT	pipe thread
rd	round
rd holes	round holes
RH	right hand
RH thd	right hand thread
rpm	revolutions per minute

Explanation of Abbreviations

Abbreviation	Meaning
sl	self locking
slat	slat
spool	spool
sq	square
SST	Stainless Steel
st	self tapping
stem	stem
strk	stroke
sw	swivel
T	teeth
Teflon	Teflon
thin	thin
thk	thick
tpr	taper

Abbreviation	Meaning
tube	tube
type	type
V	volt(s)
W	watt(s)
way	way
wide	wide
X	as required
yd	yard

Dimensions

Metric and U.S. hardware dimensions do not show the numeric designations of standard coarse threads. A number following a semi colon (;) is the class or grade of hardware. A comma (,) represents the decimal point (.) used in U.S. dimensions.



TABLE OF CONTENTS

35.410.01		HYDRAULIC SYSTEM, COMMON PARTS
35.410.02	01	STANDARD HYDRAULIC SYSTEM, 25 FOOT HEADER
35.410.02	02	STANDARD HYDRAULIC SYSTEM, 30 AND 35 FOOT HEADER
35.410.03		HYDRAULICS, REEL ARMS
35.410.04		SUSPENSION, CUTTERBAR, STANDARD
55.100.01		HARNESS, FLEX HEADER, MOUNTING
55.100.02		HARNESS, FLEX HEADER
55.404.01		LIGHT ASSEMBLY, WARNING
58.100.01	01	MAIN DRIVE
58.100.01	02	MAIN DRIVE
58.100.02		REEL DRIVE
58.100.03		BELT DRIVE, WOBBLE BOX
58.101.01		REEL ARMS
58.101.02		REEL ADAPTER
58.101.03		KIT, REEL TINE FLAP
58.101.04		PICKUP REEL
58.101.05		PLASTIC TINES, PICKUP REEL, 6 BAT
58.101.06		STEEL TINES, PICKUP REEL, 6 BAT
58.105.01		CONTROL ASSEMBLY, HEADER HEIGHT
58.110.01		STRIPPER
58.110.02		DIA KIT, THIRD STRIPPER
58.110.03	01	KNIFE ASSEMBLY, STANDARD, 3 INCH
58.110.03	02	KNIFE ASSEMBLY, COARSE SPARE, SINGLE DRIVE, 3 INCH
58.110.04		CUTTERBAR, 3 INCH STANDARD GUARD
58.110.05		WOBBLE BOX ASSEMBLY
58.110.06		WOBBLE BOX
58.120.01		AUGER ASSEMBLY
58.120.02		DIA KIT, AUGER, LOW RPM
58.130.01	01	FLOOR SUPPORT
58.130.01	02	FLOOR SUPPORT
58.130.02		ARMS, FLOOR SUPPORT
58.130.03		FLOOR ASSEMBLY
58.131.01	01	DIVIDER ASSEMBLY, LEFT HAND
58.131.01	02	DIVIDER ASSEMBLY, LONG, LEFT HAND
58.131.02	01	DIVIDER ASSEMBLY, RIGHT HAND
58.131.02	02	DIVIDER ASSEMBLY, LONG, RIGHT HAND
58.131.03		DIVIDER ASSEMBLY, EXTENDED
58.131.04		DIA KIT, CROP LIFTERS AND SUPPORT
58.145.01		SENSORS, REEL POSITION
58.208.01		END SHIELDING, RIGHT HAND
58.208.02		END SHIELDING, LEFT HAND
58.208.03		WEAR PLATES
58.500.01		MAIN SHAFT
58.500.02		SHAFT, POWER TAKE-OFF
90.108.01		DECALS
90.108.02		DECALS - GENERAL INSTRUCTIONS
90.108.03		DECALS - CAUTION, WARNING, AND DANGER

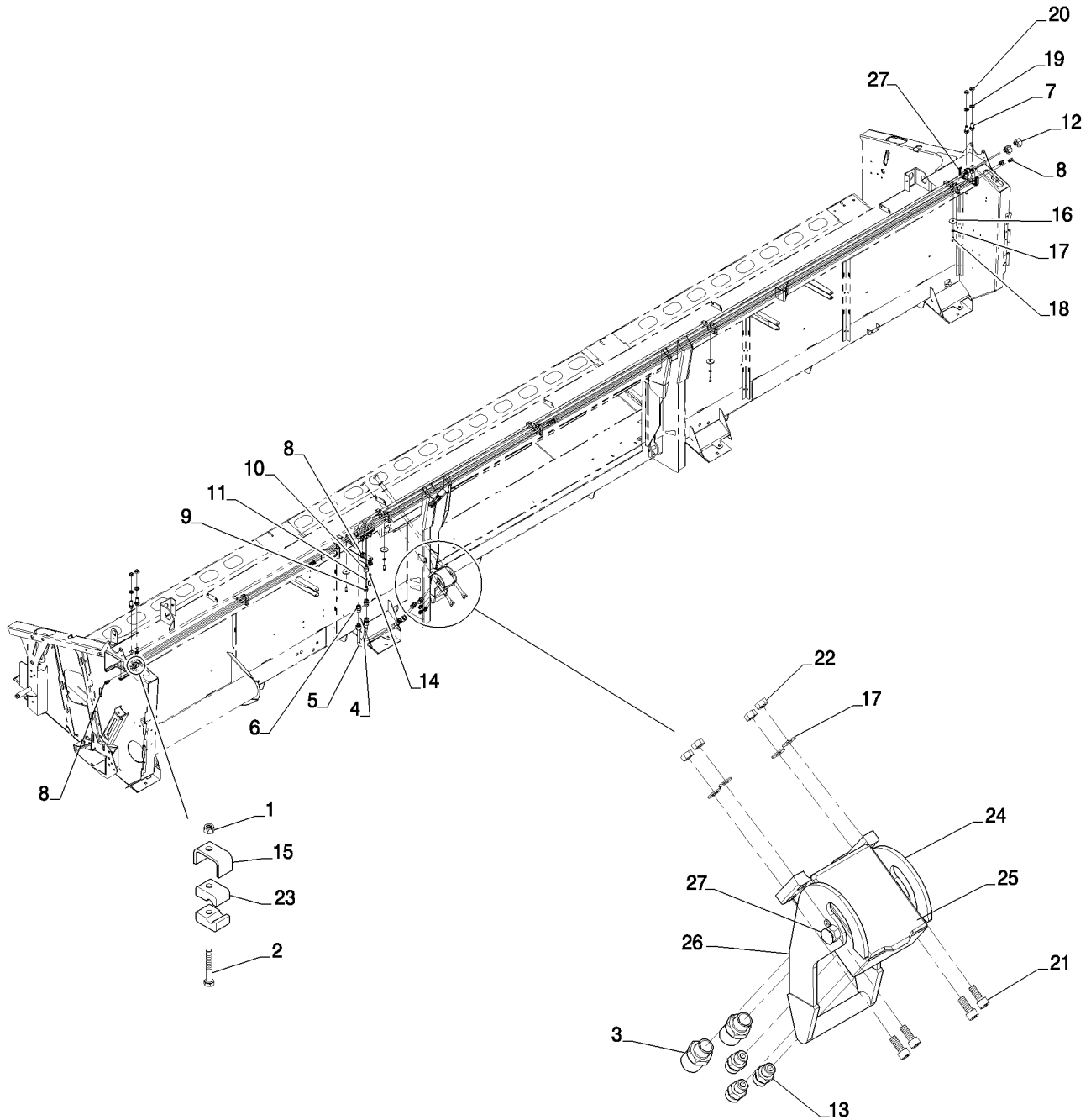
ALPHABETICAL INDEX	FIGURE	SEQ.
ARMS, FLOOR SUPPORT	58.130.02	
AUGER ASSEMBLY	58.120.01	
BELT DRIVE, WOBBLE BOX	58.100.03	
CONTROL ASSEMBLY, HEADER HEIGHT	58.105.01	
CUTTERBAR, 3 INCH STANDARD GUARD	58.110.04	
DECALS	90.108.01	
DECALS - CAUTION, WARNING, AND DANGER	90.108.03	
DECALS - GENERAL INSTRUCTIONS	90.108.02	
DIA KIT, AUGER, LOW RPM	58.120.02	
DIA KIT, CROP LIFTERS AND SUPPORT	58.131.04	
DIA KIT, THIRD STRIPPER	58.110.02	
DIVIDER ASSEMBLY, EXTENDED	58.131.03	
DIVIDER ASSEMBLY, LEFT HAND	58.131.01	01
DIVIDER ASSEMBLY, LONG, LEFT HAND	58.131.01	02
DIVIDER ASSEMBLY, LONG, RIGHT HAND	58.131.02	02
DIVIDER ASSEMBLY, RIGHT HAND	58.131.02	01
END SHIELDING, LEFT HAND	58.208.02	
END SHIELDING, RIGHT HAND	58.208.01	
FLOOR ASSEMBLY	58.130.03	
FLOOR SUPPORT	58.130.01	02
FLOOR SUPPORT	58.130.01	01
HARNESS, FLEX HEADER	55.100.02	
HARNESS, FLEX HEADER, MOUNTING	55.100.01	
HYDRAULIC SYSTEM, COMMON PARTS	35.410.01	
HYDRAULICS, REEL ARMS	35.410.03	
KIT, REEL TINE FLAP	58.101.03	
KNIFE ASSEMBLY, COARSE SPARE, SINGLE DRIVE, 3 INCH	58.110.03	02
KNIFE ASSEMBLY, STANDARD, 3 INCH	58.110.03	01
LIGHT ASSEMBLY, WARNING	55.404.01	
MAIN DRIVE	58.100.01	02
MAIN DRIVE	58.100.01	01
MAIN SHAFT	58.500.01	
PICKUP REEL	58.101.04	
PLASTIC TINES, PICKUP REEL, 6 BAT	58.101.05	
REEL ADAPTER	58.101.02	
REEL ARMS	58.101.01	
REEL DRIVE	58.100.02	
SENSORS, REEL POSITION	58.145.01	
SHAFT, POWER TAKE-OFF	58.500.02	
STANDARD HYDRAULIC SYSTEM, 25 FOOT HEADER	35.410.02	01
STANDARD HYDRAULIC SYSTEM, 30 AND 35 FOOT HEADER	35.410.02	02
STEEL TINES, PICKUP REEL, 6 BAT	58.101.06	
STRIPPER	58.110.01	
SUSPENSION, CUTTERBAR, STANDARD	35.410.04	
WEAR PLATES	58.208.03	
WOBBLE BOX	58.110.06	
WOBBLE BOX ASSEMBLY	58.110.05	

SECTION INDEX

35 - Hydraulic Systems

35.410.01		HYDRAULIC SYSTEM, COMMON PARTS
35.410.02	01	STANDARD HYDRAULIC SYSTEM, 25 FOOT HEADER
35.410.02	02	STANDARD HYDRAULIC SYSTEM, 30 AND 35 FOOT HEADER
35.410.03		HYDRAULICS, REEL ARMS
35.410.04		SUSPENSION, CUTTERBAR, STANDARD

HYDRAULIC SYSTEM, COMMON PARTS

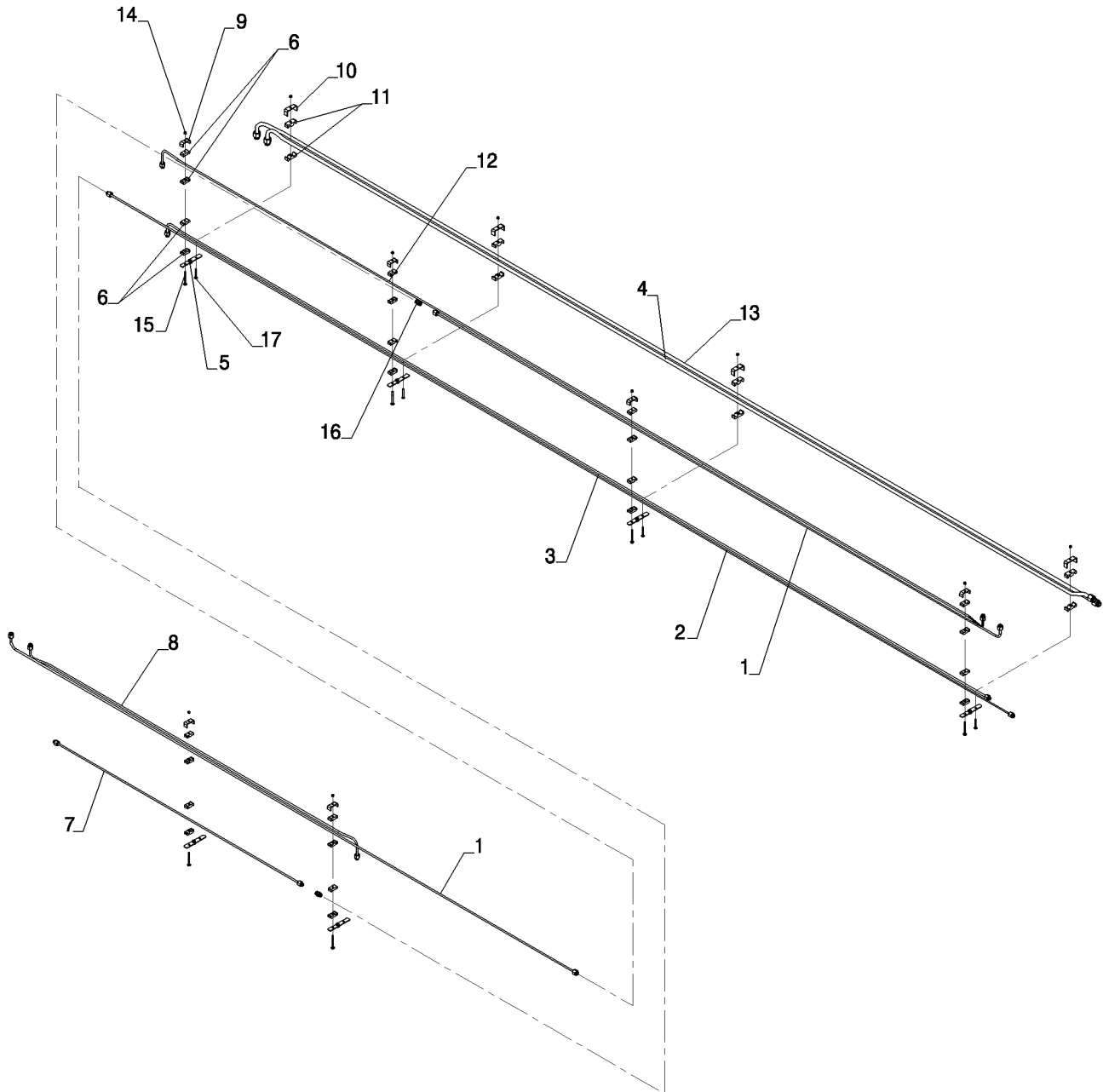


HYDRAULIC SYSTEM, COMMON PARTS

REF	FN	PART NUMBER	YR/SN	QTY	DESCRIPTION
1		353308		1	NUT, M6 x 1, CI 8
2		43118		1	BOLT, Hex, M6 x 40, 8.8
3		86603051		2	HYD CONNECTOR, 3/4"-16 x 1"-14
4		84139301		1	HYD. TUBE, Header Hydraulic System
5		87654201		1	HYD. TUBE, Header Hydraulic System
6		84431473		2	HYD CONNECTOR, 1"-14 ORFS
7		86978770		4	UNION, 11/16"-6 ORFS, Blkd
8		84431546		4	UNION, 11/16"-16 ORFS
9		86579673		2	HYD CONNECTOR, 11/16"-16 ORFS x M18 x 1.5 ORB
10		84062491		2	HYD CONNECTOR, 11/16"-16 M ORFS x M18 x 1.5 Fem
11		385686		1	ORIFICE, Valve Restrictor
12		9840570		2	ELBOW
13		9993143		3	HYD CONNECTOR, 11/16"-16 ORFS x 9/16"-18 ORB
14		84206574		1	RESTRICTOR, Valve
15		433101		1	SUPPORT
16		623303		4	WASHER
17		322358		8	BELLEVILLE WASHER, M8
18		43127		4	SCREW, Hex, M8 x 25, 8.8
19		140020		4	WASHER, M16 x 30 x 3
20		87010704		4	LOCK NUT, 11/16"-16, Blkhd
21		86512138		4	SCREW, Hex Soc Hd, M8 x 20, 12.9
22		9706690		4	NUT, M8, CI 8
23		433008		2	CLAMP
24		84434997		1	COUPLING, Quick, Inc. 25-29
25		84435044		1	GUARD, Protection
26		86623901		1	HANDLE, Quick Coupling
27		86623902		1	LATCH, Quick Coupling
28		84435046		2	COUPLING
29		84435047		3	QUICK MALE COUPLING

3020-25 3020-30
3020-35

STANDARD HYDRAULIC SYSTEM, 25 FOOT HEADER

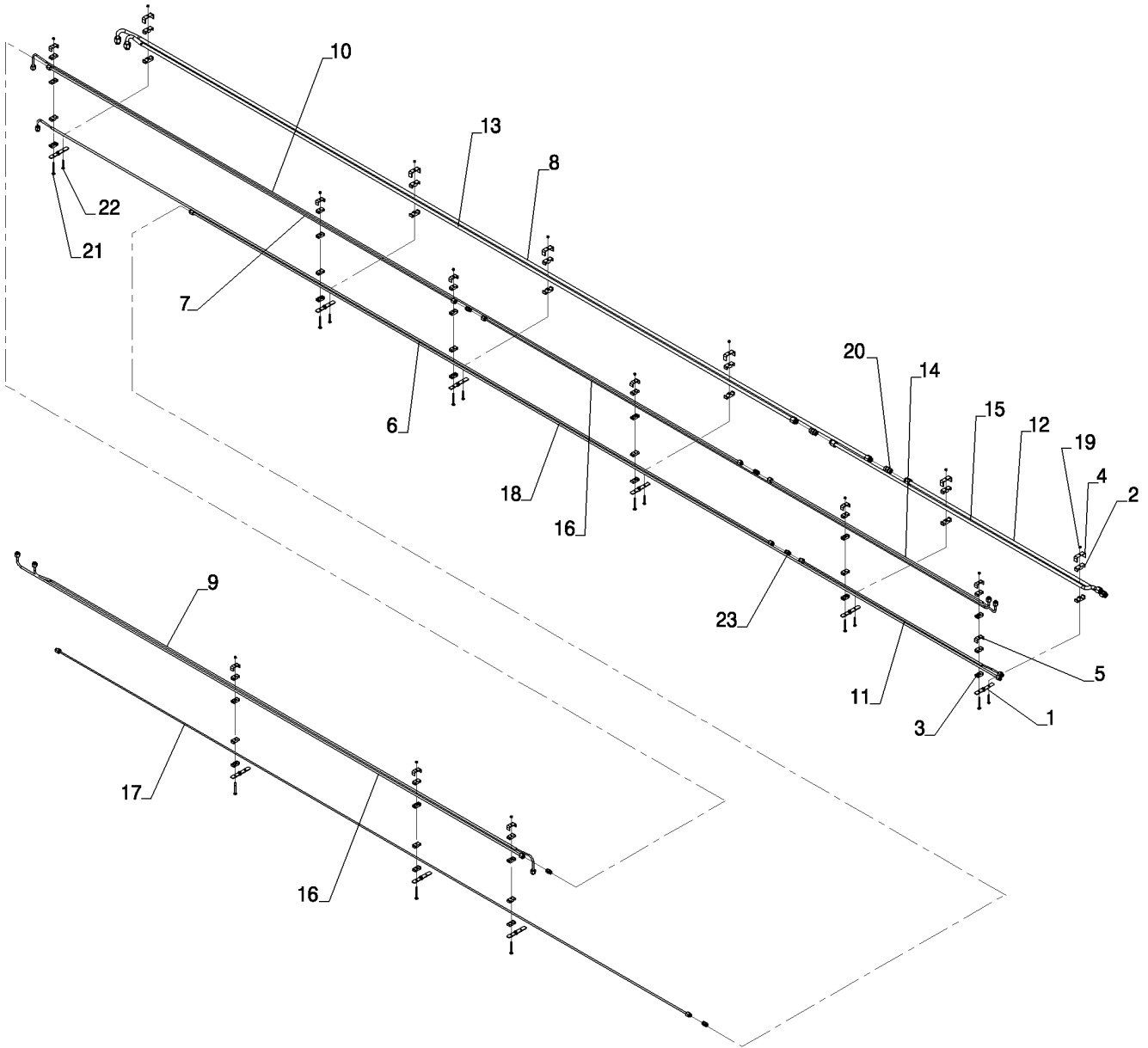


STANDARD HYDRAULIC SYSTEM, 25 FOOT HEADER

REF	FN	PART NUMBER	YR/SN	QTY	DESCRIPTION
1		87654196		2	HYD. TUBE, Header Hydraulic System
2		84139195		1	HYD. TUBE, Header Hydraulic System
3		84139193		1	HYD. TUBE, Header Hydraulic System
4		84146810		1	HYD. TUBE, Header Hydraulic System
5		84140859		6	BRACKET, Hydraulic Tube Clamps
6		430357		24	CLAMP, Hydraulic Tubes
7		84146790		1	HYD. TUBE, Header Hydraulic System
8		84146787		1	HYD. TUBE, Header Hydraulic System
9		431941		6	SUPPORT, Hydraulic Tube Clamps
10		84814948		4	SUPPORT, Hydraulic Tube Clamps
11		430356		8	CLAMP, Hydraulic Tubes
12		84146803		1	HYD. TUBE, Header Hydraulic System
13		84139174		1	HYD. TUBE, Header Hydraulic System
14		353308		10	NUT, M6 x 1, CI 8
15		86512419		6	CARRIAGE BOLT, Short NK, M6 x 70, CI8.8
16		84431546		2	UNION, 11/16"-16 ORFS
17		412364		4	CARRIAGE BOLT, Short NK, M6 x 50, CI8.8, Full Thd

3020-25

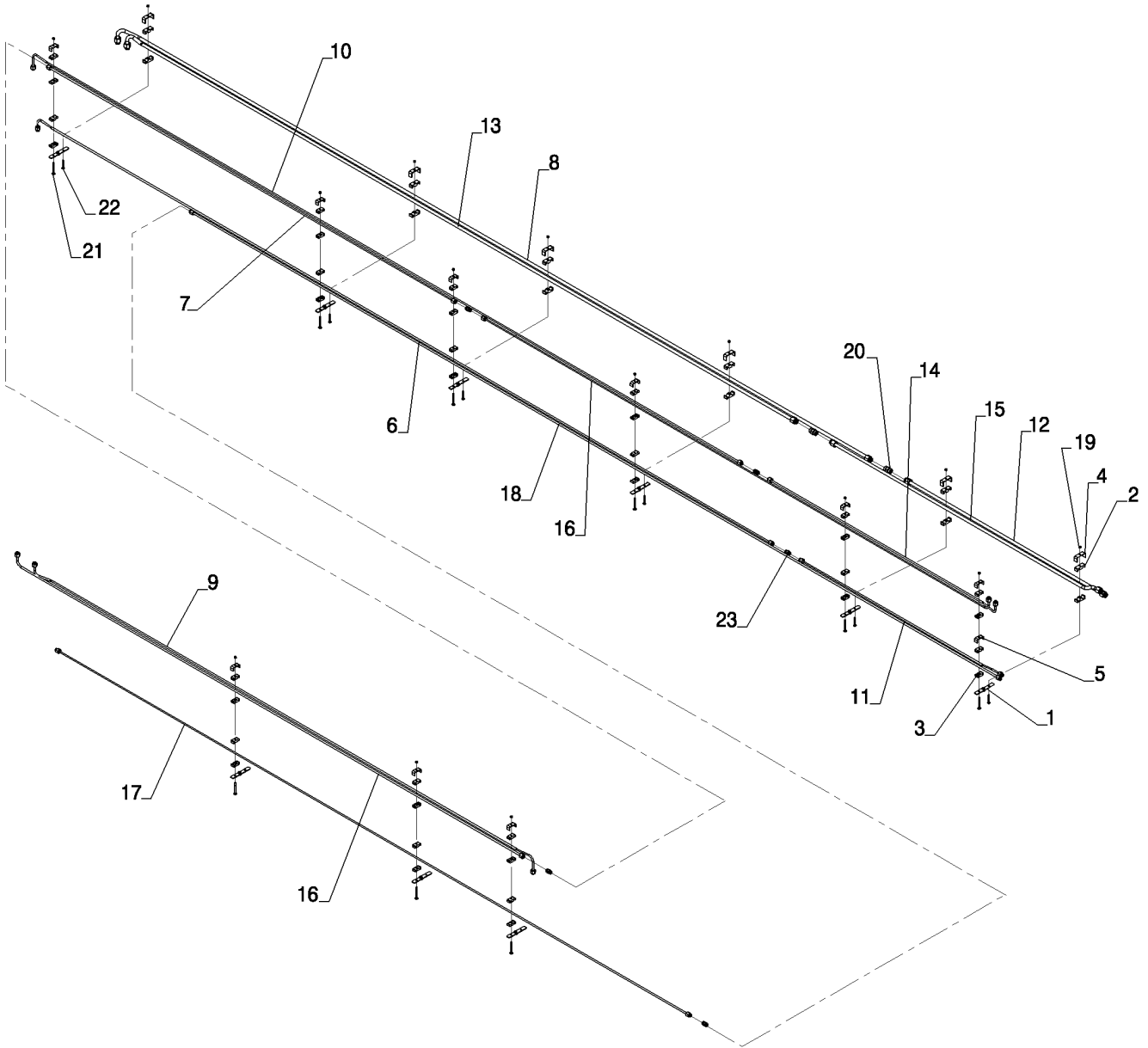
STANDARD HYDRAULIC SYSTEM, 30 AND 35 FOOT HEADER



STANDARD HYDRAULIC SYSTEM, 30 AND 35 FOOT HEADER

REF	FN	PART NUMBER	YR/SN	QTY	DESCRIPTION
1		84140859		8	BRACKET, Hydraulic Tube Clamps, 30 Foot Header
1		84140859		9	BRACKET, Hydraulic Tube Clamps, 35 Foot Header
2		430356		10	CLAMP, Hydraulic Tubes, 30 Foot Header
2		430356		12	CLAMP, Hydraulic Tubes, 35 Foot Header
3		430357		32	CLAMP, Hydraulic Tubes, 30 Foot Header
3		430357		36	CLAMP, Hydraulic Tubes, 35 Foot Header
4		84814948		5	SUPPORT, Hydraulic Tube Clamps, 30 Foot Header
4		84814948		6	SUPPORT, Hydraulic Tube Clamps, 35 Foot Header
5		431941		8	SUPPORT, Hydraulic Tube Clamps, 30 Foot Header
5		431941		10	SUPPORT, Hydraulic Tube Clamps, 35 Foot Header
6		84139193		1	HYD. TUBE, Header Hydraulic System
7		84146726		1	HYD. TUBE, Header Hydraulic System, 30 Foot Header
7		87654200		1	HYD. TUBE, Header Hydraulic System, 35 Foot Header
8		84139174		1	HYD. TUBE, Header Hydraulic System
9		84146722		1	HYD. TUBE, Header Hydraulic System, 30 Foot Header
9		87654198		1	HYD. TUBE, Header Hydraulic System, 35 Foot Header
10		84146748		1	HYD. TUBE, Header Hydraulic System, 30 Foot Header
10		87654194		1	HYD. TUBE, Header Hydraulic System, 35 Foot Header
11		84146753		1	HYD. TUBE, Header Hydraulic System, 30 Foot Header
11		84139191		1	HYD. TUBE, Header Hydraulic System, 35 Foot Header
12		84146743		1	HYD. TUBE, Header Hydraulic System, 30 Foot Header
12		84139172		1	HYD. TUBE, Header Hydraulic System, 35 Foot Header
13		84139203		1	HYD. TUBE, Header Hydraulic System
14		87654195		1	HYD. TUBE, Header Hydraulic System
					3020-30 3020-35

STANDARD HYDRAULIC SYSTEM, 30 AND 35 FOOT HEADER


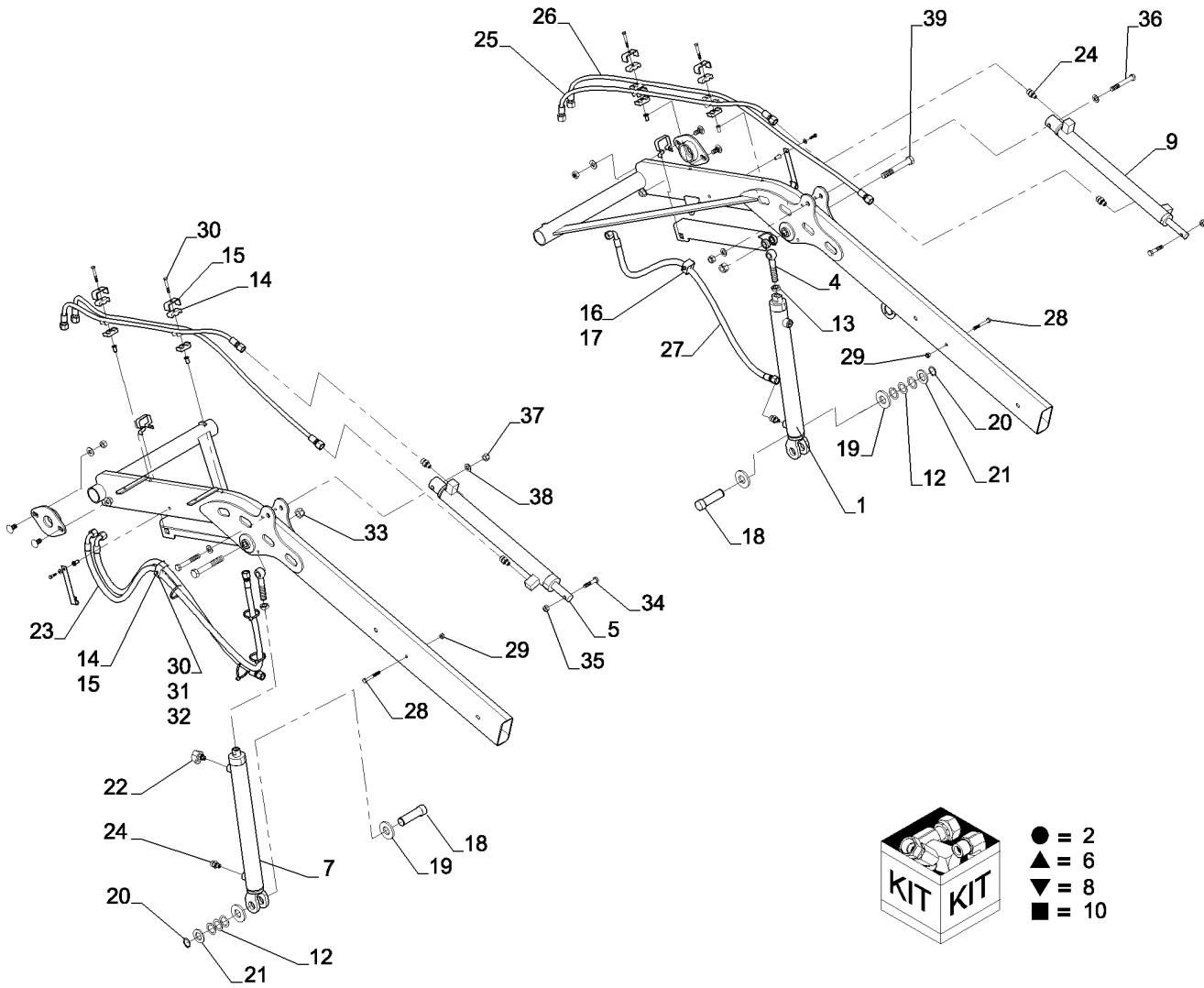


STANDARD HYDRAULIC SYSTEM, 30 AND 35 FOOT HEADER

REF	FN	PART NUMBER	YR/SN	QTY	DESCRIPTION
15		84146729		1	HYD. TUBE, Header Hydraulic System, 30 Foot Header
15		84139188		1	HYD. TUBE, Header Hydraulic System, 35 Foot Header
16		87654196		2	HYD. TUBE, Header Hydraulic System
17		84146757		1	HYD. TUBE, Header Hydraulic System, 30 Foot Header
17		84138467		1	HYD. TUBE, Header Hydraulic System, 35 Foot Header
18		84139195		1	HYD. TUBE, Header Hydraulic System
19		353308		13	NUT, M6 x 1, CI 8, 30 Foot Header
19		353308		15	NUT, M6 x 1, CI 8, 35 Foot Header
20		84431473		2	HYD CONNECTOR, 1"-14 ORFS
21		86512419		8	CARRIAGE BOLT, Short NK, M6 x 70, CI8.8, 30 Foot Header
21		86512419		9	CARRIAGE BOLT, Short NK, M6 x 70, CI8.8, 35 Foot Header
22		412364		5	CARRIAGE BOLT, Short NK, M6 x 50, CI8.8, Full Thd, 30 Foot Header
22		412364		6	CARRIAGE BOLT, Short NK, M6 x 50, CI8.8, Full Thd, 35 Foot Header
23		84431546		5	UNION, 11/16"-16 ORFS

3020-30 3020-35

HYDRAULICS, REEL ARMS



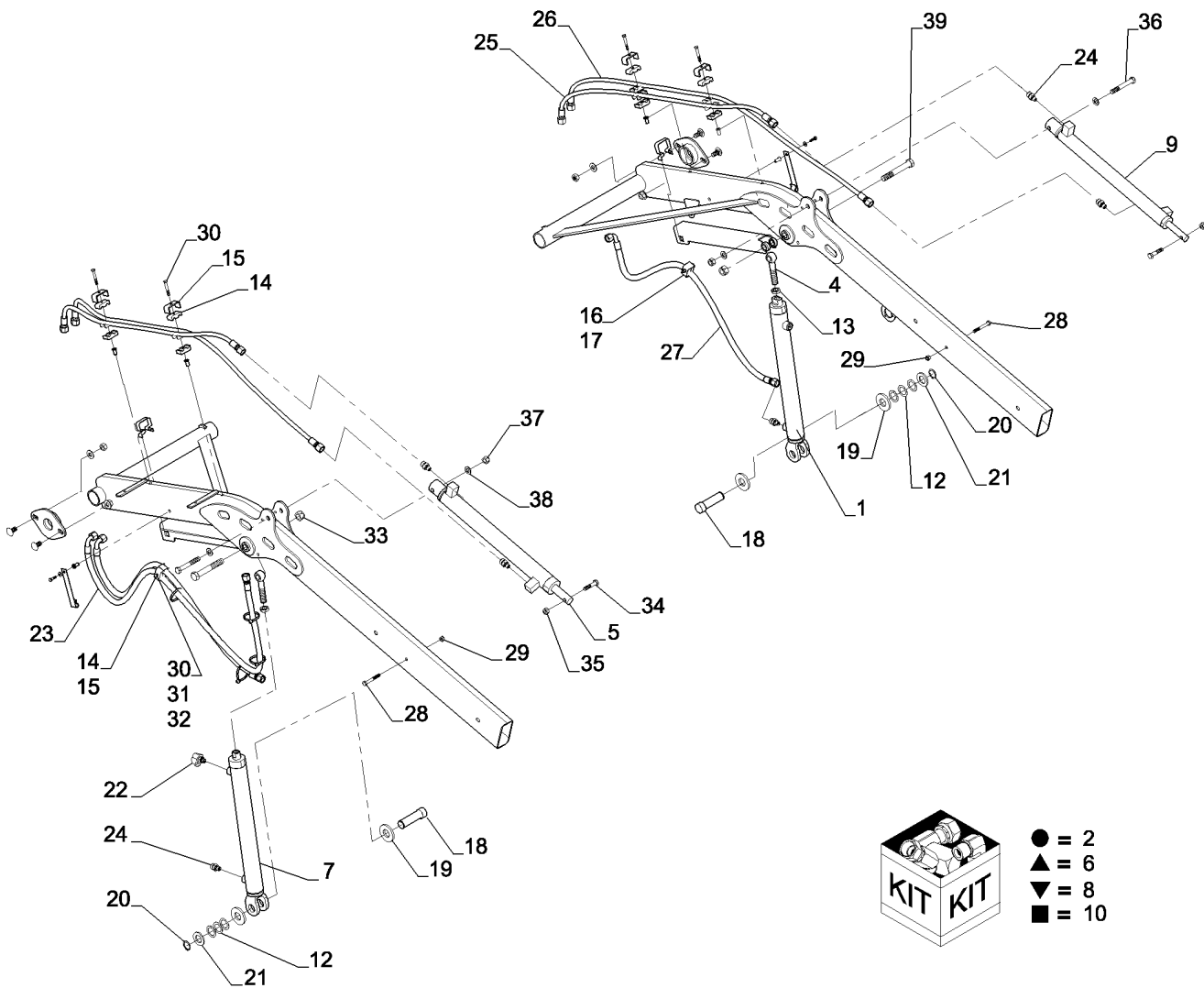
- = 2
- ▲ = 6
- ▼ = 8
- = 10

HYDRAULICS, REEL ARMS

REF	FN	PART NUMBER	YR/SN	QTY	DESCRIPTION
1		87647112		1	HYDRAULIC CYLINDER, Left Hand Reel Arm
2		84026009		1	SEAL KIT, For Serta Cylinder
2		84141839		1	SEAL KIT, For Burnside Cylinder
2		84139388		1	SEAL KIT, For Monarch Cylinder, Will Also Need 10118611 Plug
3		10118611		1	PLUG, M12 x 1.5 x 15, CI5.8, For Monarch Cylinder
4		354131		2	BOLT, Eye
5		87715955		1	HYDRAULIC CYLINDER, Right Hand Reel Arm
6		84023914		1	SEAL KIT, For Serta Cylinder
6		84139385		1	SEAL KIT, For Burnside Cylinder
6		84139383		1	SEAL KIT, For Monarch Cylinder
7		87645535		1	HYDRAULIC CYLINDER, Right Hand Reel Arm
8		84023914		1	SEAL KIT, For Serta Cylinder
8		84139385		1	SEAL KIT, For Burnside Cylinder
8		84139383		1	SEAL KIT, For Monarch Cylinder
9		87715949		1	HYDRAULIC CYLINDER, Left Hand Reel Arm
10		84026460		1	SEAL KIT, For Serta Cylinder
10		84139387		1	SEAL KIT, For Burnside Cylinder
10		84139386		1	SEAL KIT, For Monarch Cylinder
11		86566989		4	CABLE STRAP, M4.75 x 190.5 L
12		140229		6	WASHER
13		10717511		2	NUT, Thin, M16 x 2, CI 04
14		430357		10	CLAMP
15		431941		5	SUPPORT
16		433008		2	CLAMP
17		442340		1	SUPPORT
18		87723829		2	PIN
19		87016613		4	WASHER, M24 x 56.5 x 6, HT
20		370002		2	CIRCLIP, M25, Ext
21		84134795		2	WASHER
22		86580178		1	ELBOW, 90°, 11/16"-18 ORFS x M12 x 1.5 ORB
23		87683553		1	HOSE, Right Hand Reel Arm
24		86580177		6	HYD CONNECTOR, 11/16"-16 ORFS x M12 x 1.5 ORB

3020-25 3020-30
3020-35

HYDRAULICS, REEL ARMS

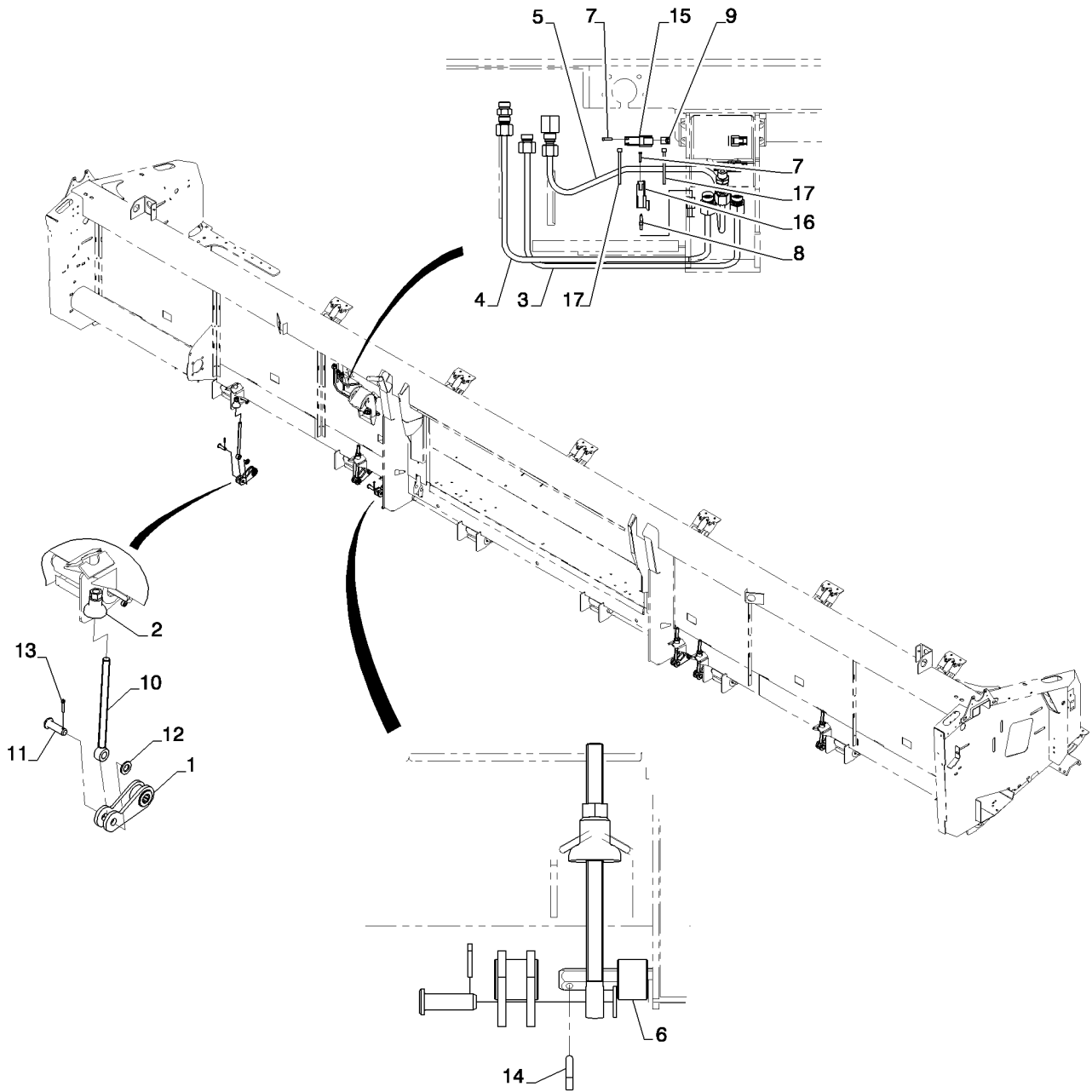


HYDRAULICS, REEL ARMS

REF	FN	PART NUMBER	YR/SN	QTY	DESCRIPTION
25		84151314		2	HOSE, Right And Left Hand Reel Arm Hydraulic Cylinder
26		84151317		2	HOSE, Right And Left Hand Reel Arm Hydraulic Cylinder
27		87676380		2	HOSE, Right And Left Hand Reel Arm Hydraulic Cylinder
28		120061		2	BOLT, Hex, M8 x 60, 8.8
29		86629542		2	LOCK NUT, M8 x 1.25, CI 8
30		86977790		6	SCREW, Hex, M6 x 45, 8.8
31		86588450		2	WASHER, M6 x 12 x 1.6 Thk
32		353308		2	NUT, M6 x 1, CI 8
33		86000441		2	NUT, M16 x 2, CI 8
34		325829		2	BOLT, Hex, M10 x 45, 8.8
35		100037		2	NUT, M10 x 1.5, CI 8
36		86624981		2	BOLT, Hex, M12 x 85, 8.8
37		100038		2	LOCK NUT, M12 x 1.75, CI 8
38		86511324		4	WASHER, M12 x 24 x 2.5
39		43874		2	SCREW, Hex, M16 x 110, 8.8

3020-25 3020-30
3020-35

SUSPENSION, CUTTERBAR, STANDARD



SUSPENSION, CUTTERBAR, STANDARD

REF	FN	PART NUMBER	YR/SN	QTY	DESCRIPTION
1		84235768		7	ARM, 25 Foot Header
1		84235768		9	ARM, 30 Foot Header
1		84235768		11	ARM, 35 Foot Header
2		84390188		7	ADJUSTER, 25 Foot Header
2		84390188		9	ADJUSTER, 30 Foot Header
2		84390188		11	ADJUSTER, 35 Foot Header
3		84191219		1	HYD. TUBE, Cutterbar Suspension
4		87661737		1	HYD. TUBE, Cutterbar Suspension
5		84167485		1	HYD. TUBE, Cutterbar Suspension
6		84129438		2	SPACER
7		453133C1		7	PLUG, Connector
8		225297C1		1	ELEC CONNECTOR
9		225318C1		2	ELEC CONNECTOR
10		84235826		7	EYEBOLT, M16 x 2, 25 Foot Header
10		84235826		9	EYEBOLT, M16 x 2, 30 Foot Header
10		84235826		11	EYEBOLT, M16 x 2, 35 Foot Header
11		9503184		7	CLEVIS PIN, M16 x 50, 25 Foot Header
11		9503184		9	CLEVIS PIN, M16 x 50, 30 Foot Header
11		9503184		11	CLEVIS PIN, M16 x 50, 35 Foot Header
12		86511326		7	WASHER, M16 x 30 x 3, 25 Foot Header
12		86511326		9	WASHER, M16 x 30 x 3, 30 Foot Header
12		86511326		11	WASHER, M16 x 30 x 3, 35 Foot Header
13		130007		7	COTTER PIN, M4 x 25, 25 Foot Header
13		130007		9	COTTER PIN, M4 x 25, 30 Foot Header
13		130007		11	COTTER PIN, M4 x 25, 35 Foot Header
14		412687		7	COTTER PIN, M6.3 x 32, 25 Foot Header
14		412687		9	COTTER PIN, M6.3 x 32, 30 Foot Header
14		412687		11	COTTER PIN, M6.3 x 32, 35 Foot Header
15		225315C1		2	ELEC CONNECTOR
16		225294C1		1	ELEC CONNECTOR
17		86566989		2	CABLE STRAP, M4.75 x 190.5 L

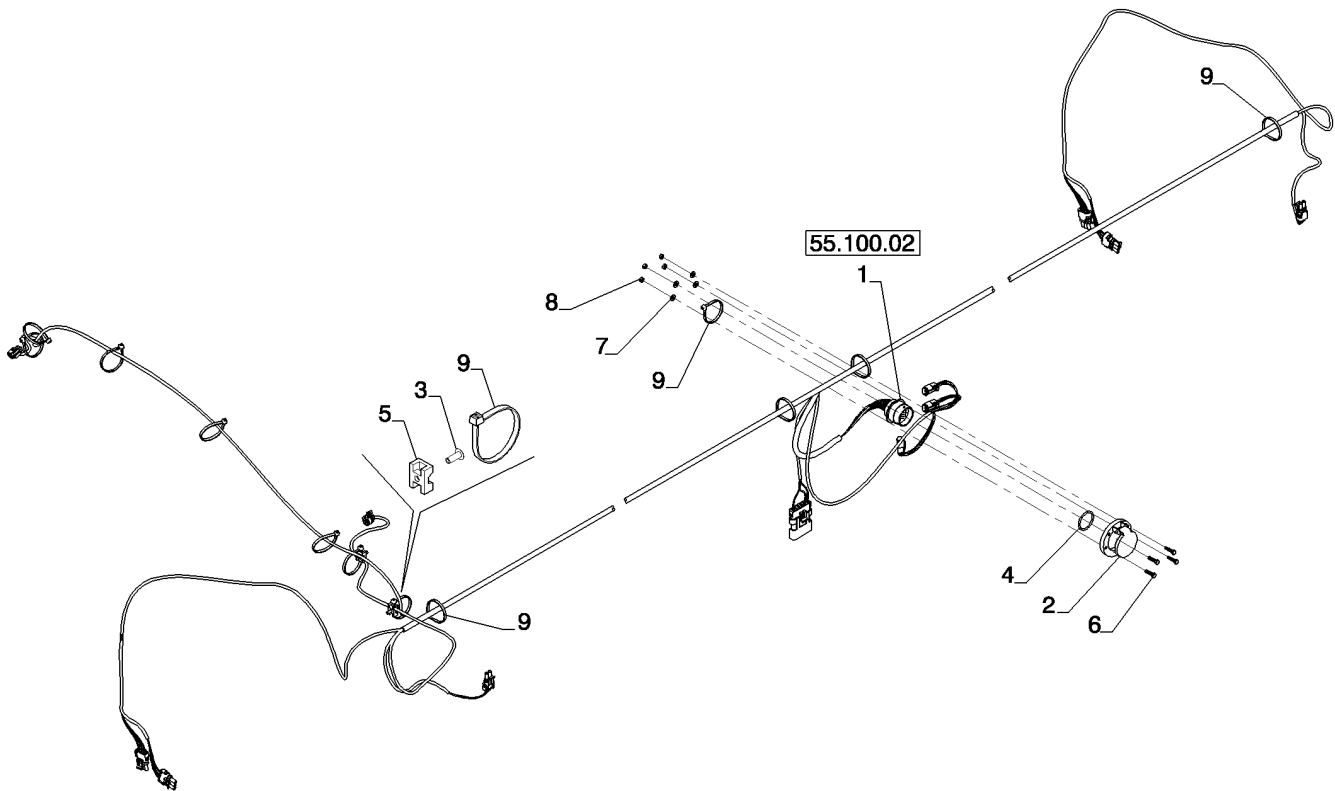
3020-25 3020-30
3020-35

SECTION INDEX

55 - Electrical Systems

55.100.01	HARNESS, FLEX HEADER, MOUNTING
55.100.02	HARNESS, FLEX HEADER
55.404.01	LIGHT ASSEMBLY, WARNING

HARNESS, FLEX HEADER, MOUNTING

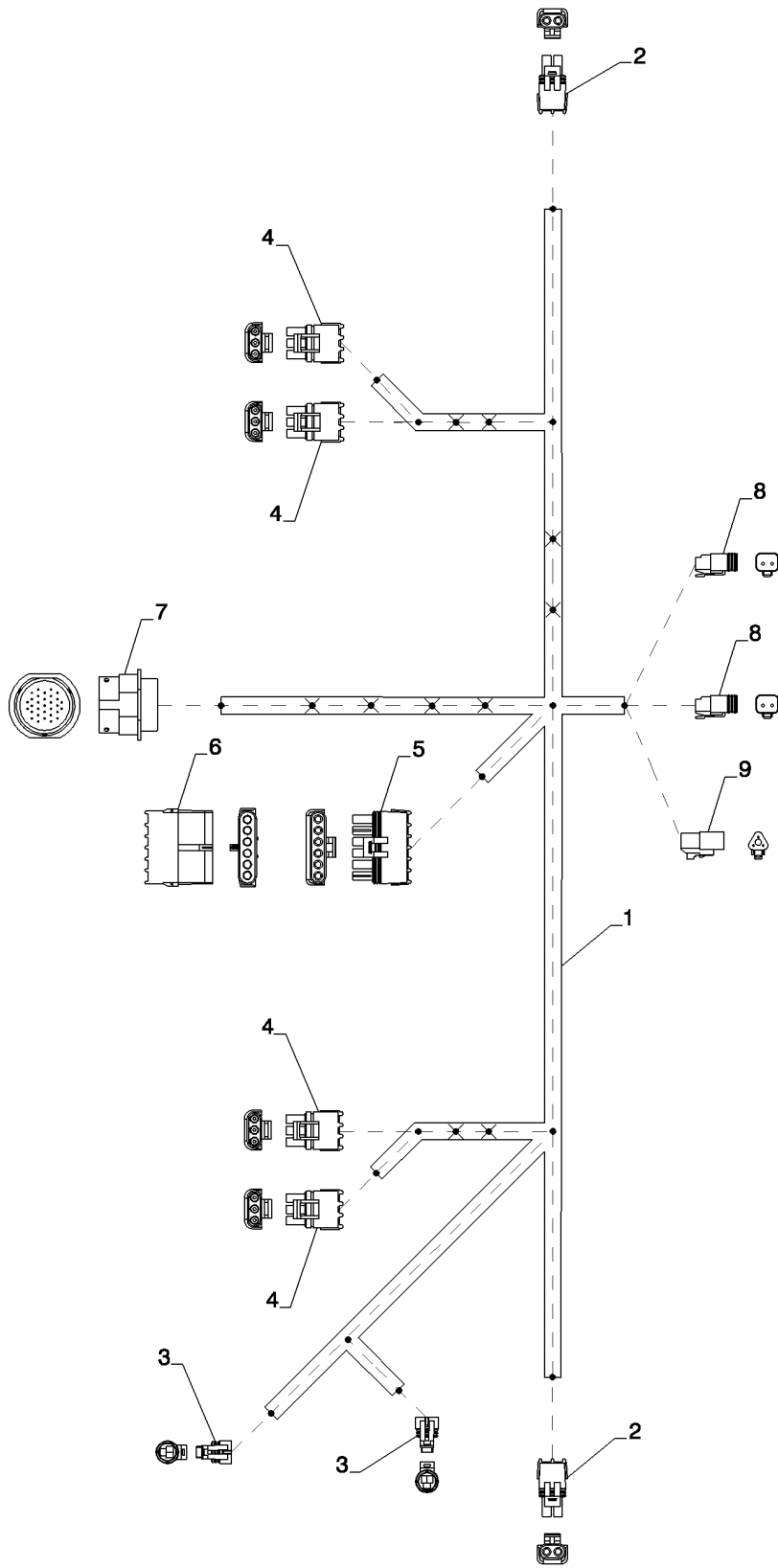


HARNESS, FLEX HEADER, MOUNTING

REF	FN	PART NUMBER	YR/SN	QTY	DESCRIPTION
1		84305206		1	WIRE HARNESS, Flex Header
2		86606228		1	COVER
3		445394		2	RIVET, Pop, M4.8 x 12.7
4		84037188		1	O-RING, M34.2 ID x 3 Thk
5		86590413		2	BASE, Wire Tie
6		120098		4	BOLT, Hex, M5 x 20, 8.8, Full Thd
7		322356		4	BELLEVILLE WASHER, M5.1 x 12 x 1.85, HDN
8		86508813		4	NUT, M5, CI 8
9		86566989		12	CABLE STRAP, M4.75 x 190.5 L

3020-25 3020-30
3020-35

HARNESS, FLEX HEADER

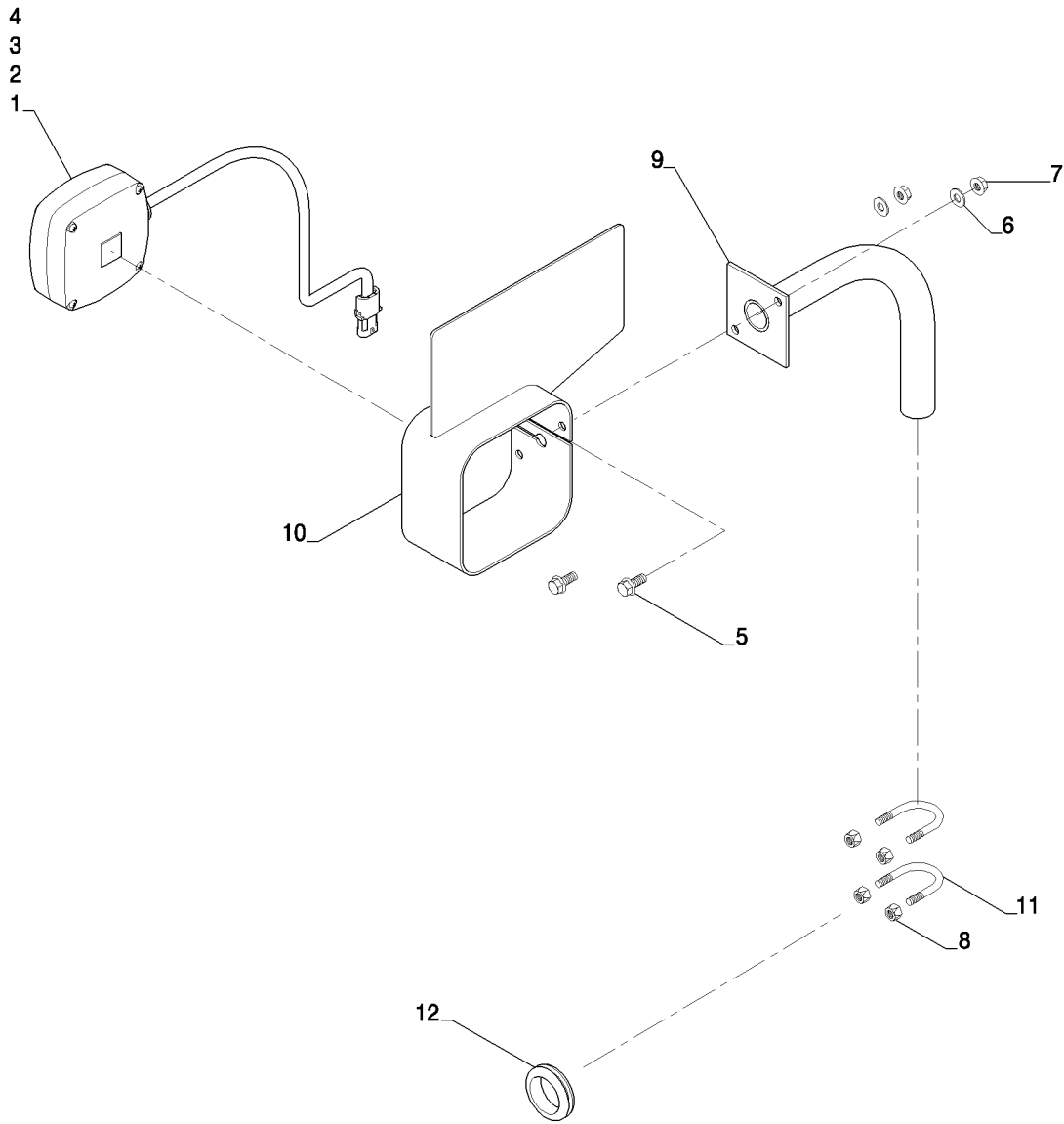


HARNESS, FLEX HEADER

REF	FN	PART NUMBER	YR/SN	QTY	DESCRIPTION
1		84305206		1	WIRE HARNESS, Flex Header, Inc. 2-9
2		NSS		2	NOT SERVICED SEPARATELY, CONNECTOR, 2-Pin, Right Hand And Left Hand Flashing Light
3		NSS		2	NOT SERVICED SEPARATELY, CONNECTOR, 2-Pin, Reel Vertical Position, Reel Horizontal Position
4		NSS		4	NOT SERVICED SEPARATELY, CONNECTOR, 3-Pin, Left Center Height, Left Hand Height/Tilt, Right Hand Height/Tilt, Right Center Height
5		NSS		1	NOT SERVICED SEPARATELY, CONNECTOR, 6-Pin, Header Type
6		86837775		1	RESISTOR, Module
7		NSS		1	NOT SERVICED SEPARATELY, CONNECTOR, 31-Pin, Feeder
8		NSS		2	NOT SERVICED SEPARATELY, CONNECTOR, 2-Pin, Flex Solenoid #1 And #2
9		NSS		1	NOT SERVICED SEPARATELY, CONNECTOR, 3-Pin, Flex Pressure Read

	3020-25 3020-30 3020-35
--	--

LIGHT ASSEMBLY, WARNING



55.404.01

p1

07/10

LIGHT ASSEMBLY, WARNING

REF	FN	PART NUMBER	YR/SN	QTY	DESCRIPTION
1		134454A1		2	LAMP, Warning, Inc. 2-4
2		F63434		1	LENS, Warning Lamp
3		A43731		1	GASKET, Warning Lamp
4		9417866		1	BULB, C6, #1156, 12.8V, Warning Lamp
5		86521552		4	BOLT, Hex Flg, 5/16"-18 x 3/4", G5, Full Thd
6		322358		4	BELLEVILLE WASHER, M8
7		86521605		4	NUT, Flg, 5/16"-18, G5
8		87382		8	LOCK NUT, 5/16"-18, GB
9		127031A1		2	SUPPORT, Warning Lamp
10		390636A1		2	BRACKET, Warning Lamp
11		145345		4	U-BOLT
12		87423314		2	GROMMET, Oil Cooler

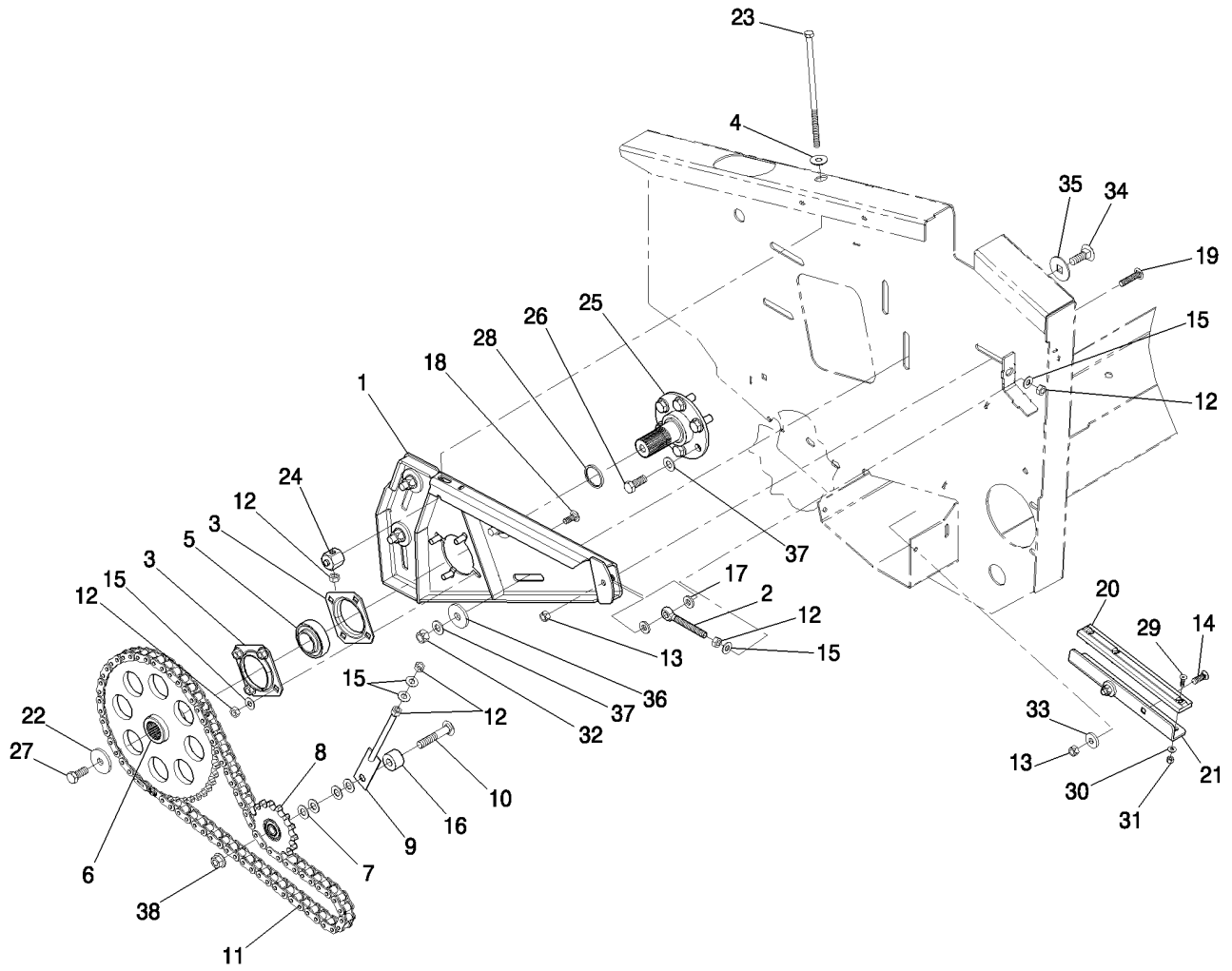
**3020-25 3020-30
3020-35**

SECTION INDEX

58 - Attachments/Headers

58.100.01	01	MAIN DRIVE
58.100.01	02	MAIN DRIVE
58.100.02		REEL DRIVE
58.100.03		BELT DRIVE, WOBBLE BOX
58.101.01		REEL ARMS
58.101.02		REEL ADAPTER
58.101.03		KIT, REEL TINE FLAP
58.101.04		PICKUP REEL
58.101.05		PLASTIC TINES, PICKUP REEL, 6 BAT
58.101.06		STEEL TINES, PICKUP REEL, 6 BAT
58.105.01		CONTROL ASSEMBLY, HEADER HEIGHT
58.110.01		STRIPPER
58.110.02		DIA KIT, THIRD STRIPPER
58.110.03	01	KNIFE ASSEMBLY, STANDARD, 3 INCH
58.110.03	02	KNIFE ASSEMBLY, COARSE SPARE, SINGLE DRIVE, 3 INCH
58.110.04		CUTTERBAR, 3 INCH STANDARD GUARD
58.110.05		WOBBLE BOX ASSEMBLY
58.110.06		WOBBLE BOX
58.120.01		AUGER ASSEMBLY
58.120.02		DIA KIT, AUGER, LOW RPM
58.130.01	01	FLOOR SUPPORT
58.130.01	02	FLOOR SUPPORT
58.130.02		ARMS, FLOOR SUPPORT
58.130.03		FLOOR ASSEMBLY
58.131.01	01	DIVIDER ASSEMBLY, LEFT HAND
58.131.01	02	DIVIDER ASSEMBLY, LONG, LEFT HAND
58.131.02	01	DIVIDER ASSEMBLY, RIGHT HAND
58.131.02	02	DIVIDER ASSEMBLY, LONG, RIGHT HAND
58.131.03		DIVIDER ASSEMBLY, EXTENDED
58.131.04		DIA KIT, CROP LIFTERS AND SUPPORT
58.145.01		SENSORS, REEL POSITION
58.208.01		END SHIELDING, RIGHT HAND
58.208.02		END SHIELDING, LEFT HAND
58.208.03		WEAR PLATES
58.500.01		MAIN SHAFT
58.500.02		SHAFT, POWER TAKE-OFF

MAIN DRIVE

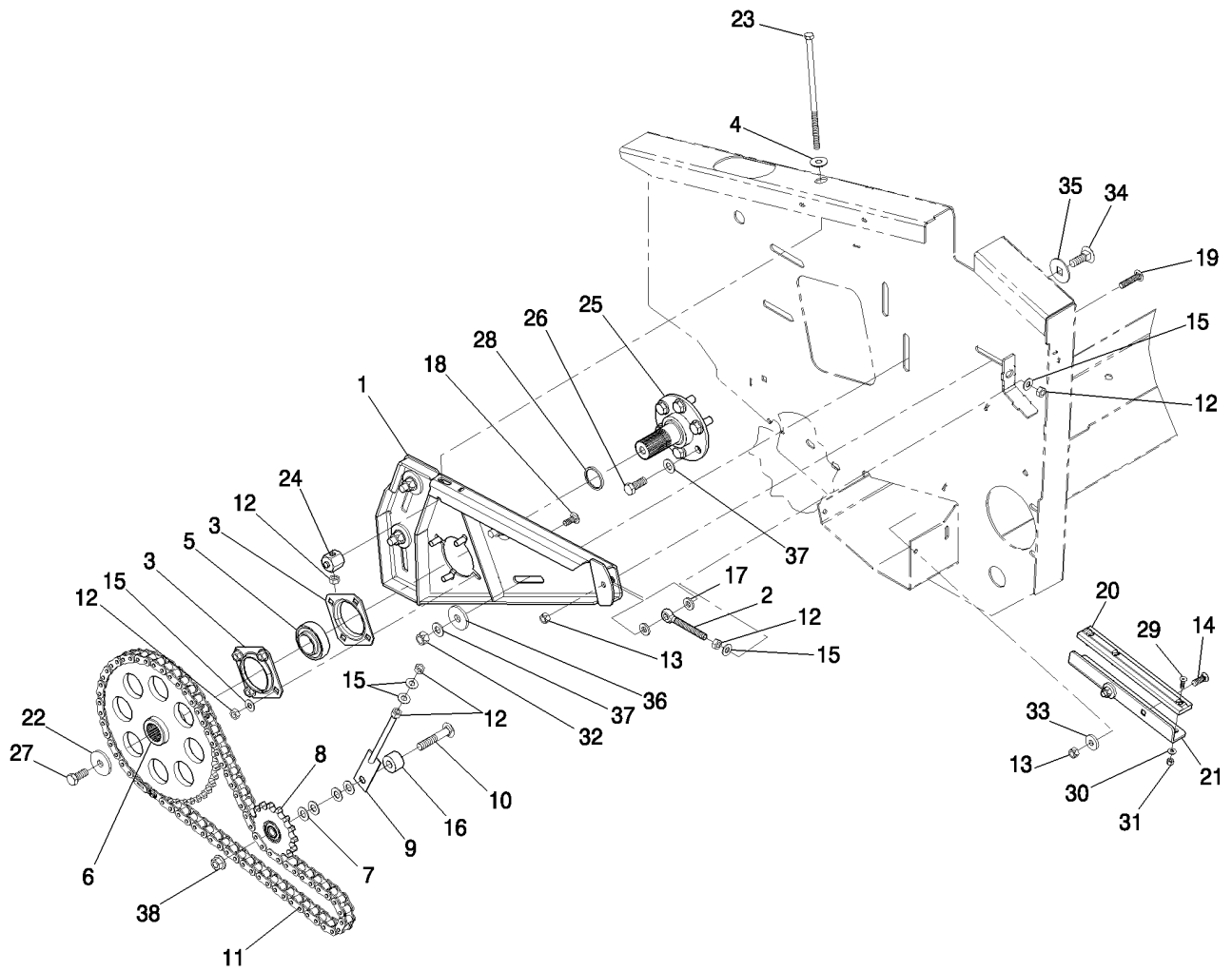


MAIN DRIVE

REF	FN	PART NUMBER	YR/SN	QTY	DESCRIPTION
1		84175196		1	ARM ASSY., Main Drive
2		84156112		1	BOLT, EYE, Main Drive
3		86979948		2	FLANGE, Main Drive
4		87485736		1	SPECIAL WASHER
5		84125180		1	BEARING ASSY, Main Drive
6		84176718		1	SPROCKET ASSY., 43T, RC80
7		87524771		4	SHIM
8		86619245		1	SPROCKET ASSY., RC80, 15T, 16mm Bore
9		84221149		1	ROD ASSY., Main Drive
10		120049		1	CARRIAGE BOLT, Short NK, M16 x 90, CI8.8
11		86614643		1	CHAIN (AG), Main Drive
12		9706685		9	NUT, M12, CI 8
13		100038		3	LOCK NUT, M12 x 1.75, CI 8
14		87036813		2	PLOW BOLT
15		140046		8	BELLEVILLE SPRING, Belleville, M12
16		87751682		1	BUSHING
17		86625256		2	WASHER, M12 x 28.5 x 4, HT
18		120044		4	CARRIAGE BOLT, Short NK, M12 x 30, CI8.8, Full Thd
19		87033290		1	CARRIAGE BOLT, Short NK, M12 x 55, CI8.8
20		84213929		1	WEAR STRIP, Main Drive
21		84216772		1	ANGLE, Main Drive
22		84007183		1	WASHER, M16 x 58 x 6
23		86505347		1	SCREW, M12x285
24		87485286		1	BLOCK, Hexagon
25		84251628		1	SHAFT, Main Drive
26		43168		6	BOLT, Hex, M16 x 2 x 40, 8.8, Full Thd
27		86508583		1	BOLT, Hex, M16 x 35, 8.8
28		84308394		1	WASHER
29		14442131		3	SCREW, M8x25
30		322358		3	BELLEVILLE WASHER, M8
31		412250		3	LOCK NUT, M8 x 1.25, CI 8
32		86000441		4	NUT, M16 x 2, CI 8
33		86592701		2	WASHER, M12 x 35 x 5, HT
34		86512430		4	BOLT

3020-25 3020-30
3020-35

MAIN DRIVE

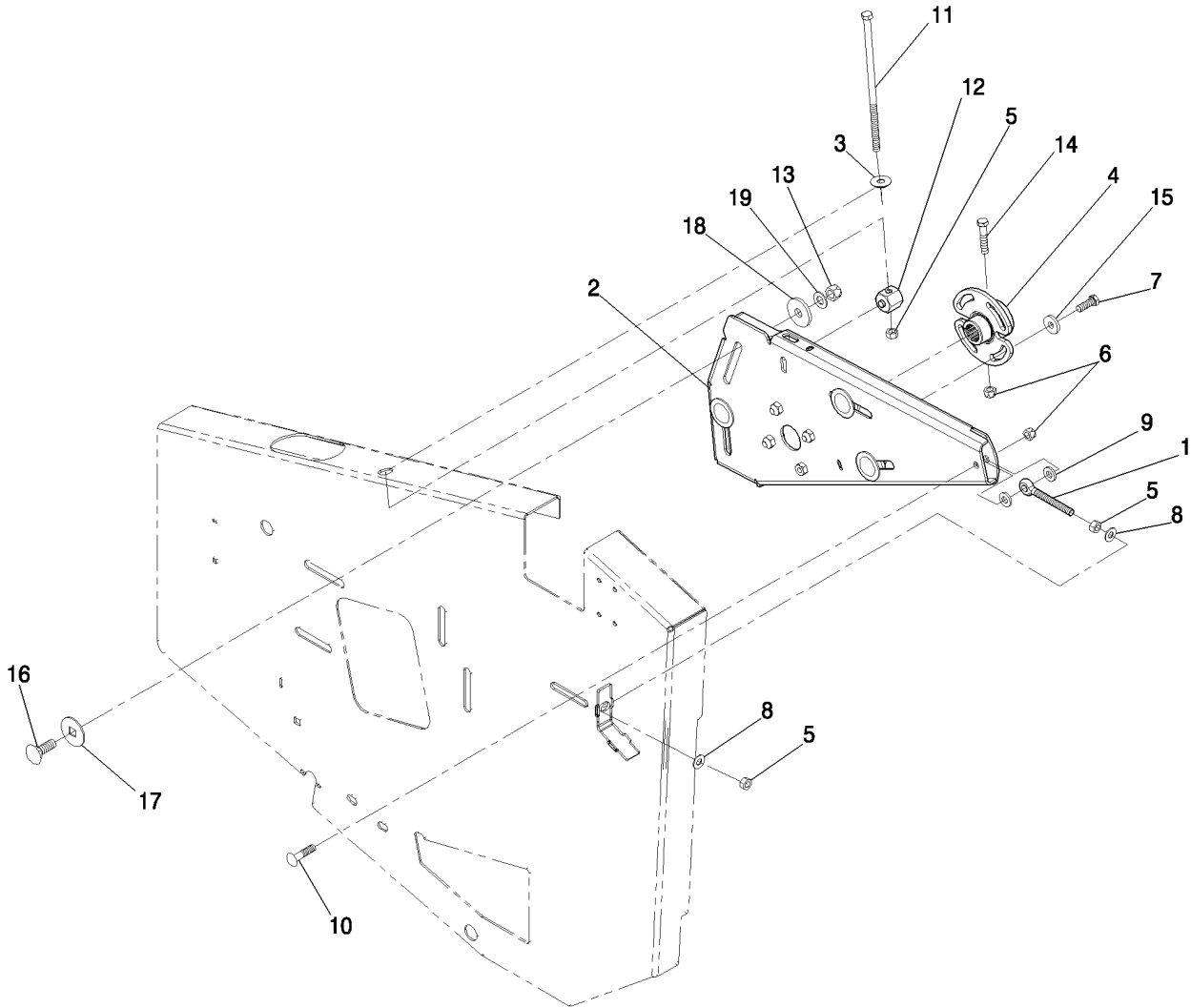


MAIN DRIVE

REF	FN	PART NUMBER	YR/SN	QTY	DESCRIPTION
35		87498650		4	WASHER
36		337522		4	WASHER, M16 x 56 x 5
37		140048		10	BELLEVILLE WASHER, M16
38		87016581		1	LOCK NUT, M16 x 2, Flg, CI 10

	3020-25 3020-30 3020-35
--	------------------------------------

MAIN DRIVE



58.100.01

02

p1

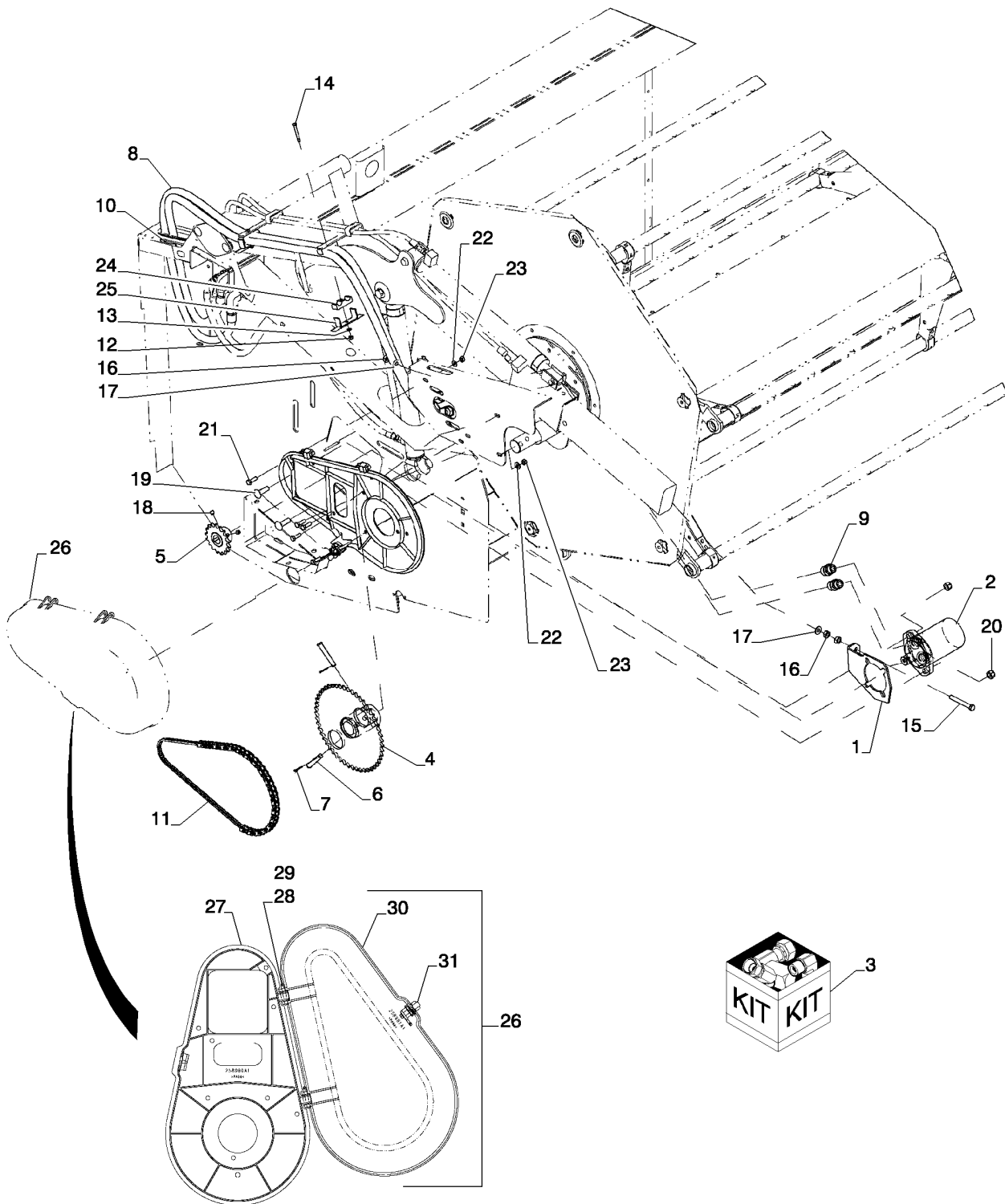
09/10

MAIN DRIVE

REF	FN	PART NUMBER	YR/SN	QTY	DESCRIPTION
1		334534		1	BANJO BOLT, Main Drive
2		84175201		1	ARM, Main Drive
3		87485736		1	SPECIAL WASHER
4		84261957		1	HUB, Main Drive
5		9706685		3	NUT, M12, CI 8
6		100038		2	LOCK NUT, M12 x 1.75, CI 8
7		300389		4	BOLT, Hex, M12 x 35, 8.8, Full Thd
8		140046		2	BELLEVILLE SPRING, Belleville, M12
9		86625266		2	WASHER, M17.5 x 30 x 4, HT
10		87033290		1	CARRIAGE BOLT, Short NK, M12 x 55, CI8.8
11		86505347		1	SCREW
12		87485286		1	BLOCK, Hexagon
13		86000441		4	NUT, M16 x 2, CI 8
14		9706693		1	BOLT, Hex, M12 x 60, 8.8
15		86592701		4	WASHER, M12 x 35 x 5, HT
16		86512430		4	BOLT
17		87498650		4	WASHER
18		337522		4	WASHER, M16 x 56 x 5
19		140048		4	BELLEVILLE WASHER, M16

**3020-25 3020-30
3020-35**

REEL DRIVE

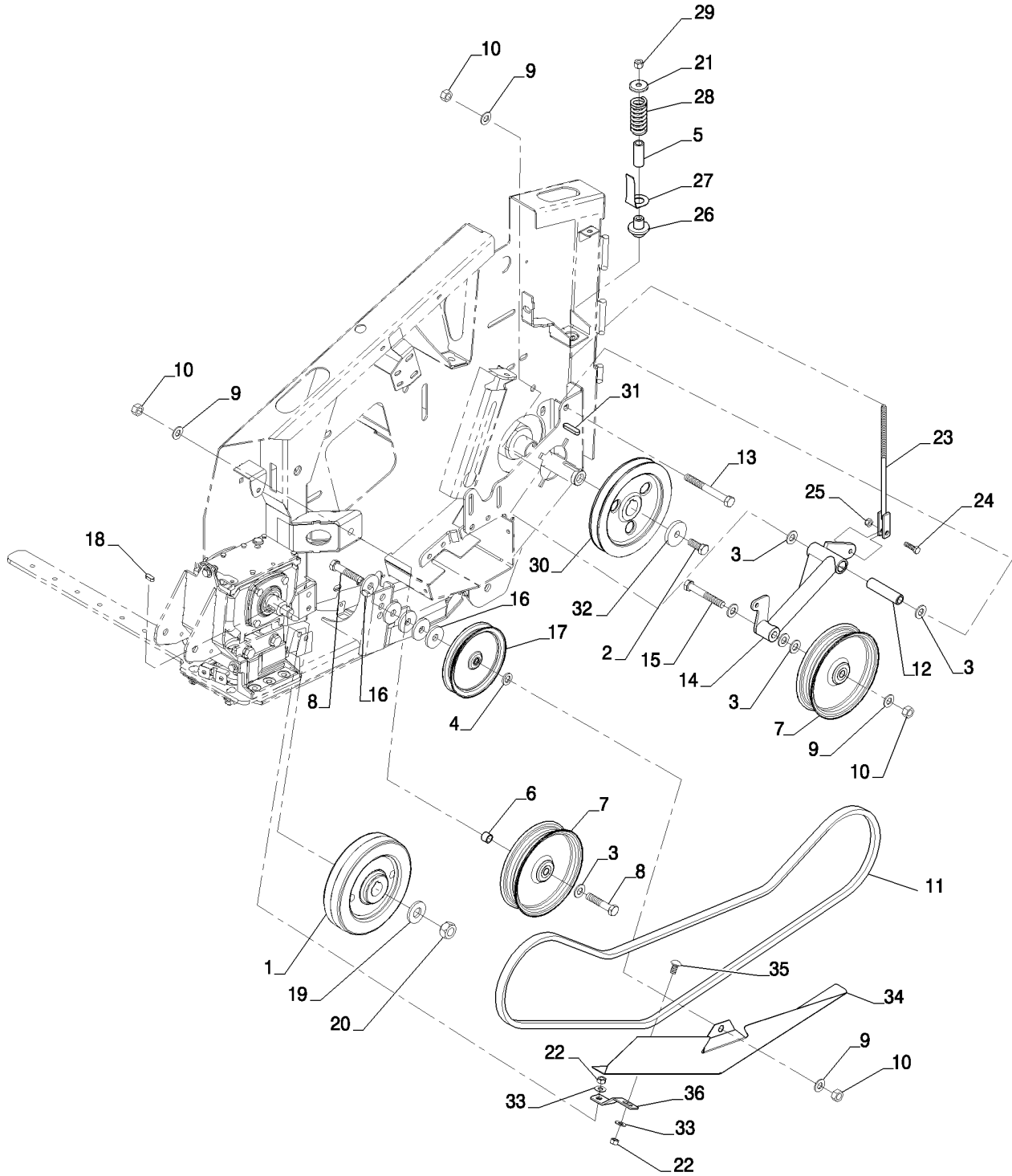


REEL DRIVE

REF	FN	PART NUMBER	YR/SN	QTY	DESCRIPTION
1		87045366		1	ANGLE, Reel Drive Motor
2		130409A1		1	MOTOR, HYDRAULIC, Reel Drive
3		188118A1		1	SEAL KIT, Reel Drive Motor
4		129973A2		1	SPROCKET, Reel Driven, 51T
5		87450165		1	DRIVE SPROCKET, Reel, 17T
6		27-7278		2	CLEVIS PIN, 7/16" x 2.781"
7		280251		2	COTTER PIN, 3/32" x 1"
8		87659777		2	FLEXIBLE HOSE, Reel Drive
9		9621483		2	HYD CONNECTOR, 1"-14 ORFS x 7/8"-14 ORB
10		397985		1	BOLT, Hex, M6 x 70, 8.8, Full Thd
11		87053561		1	CHAIN, Reel Drive
12		353308		3	NUT, M6 x 1, CI 8
13		86588450		3	WASHER, M6 x 12 x 1.6 Thk
14		412559		2	BOLT, Hex, M6 x 50, 8.8, Full Thd
15		120116		1	SCREW
16		100016		3	NUT, M10, CI 8
17		140045		2	BELLEVILLE WASHER, M10
18		87304415		2	SET SCREW
19		328754		2	SCREW, Short NK, M12 x 40, CI8.8, Full Thd
20		100038		2	LOCK NUT, M12 x 1.75, CI 8
21		43127		5	SCREW, Hex, M8 x 25, 8.8
22		322358		5	BELLEVILLE WASHER, M8
23		9706690		5	NUT, M8, CI 8
24		430356		6	CLAMP
25		84814948		3	SUPPORT, Reel Drive
26		258978A1		1	SHIELD, Reel Drive, Inc. 27-31
27		258980A1		1	SUPPORT, Reel Drive Shield
28		439-1428		2	HEADED PIN, 1/4" x 1 3/4", G2, Reel Drive Shield
29		432-612		2	COTTER PIN, 3/32" x 3/4", Reel Drive Shield
30		258981A1		1	SHIELD, Reel Drive
31		291944A1		1	LATCH, Reel Drive Shield

3020-25 3020-30
3020-35

BELT DRIVE, WOBBLE BOX

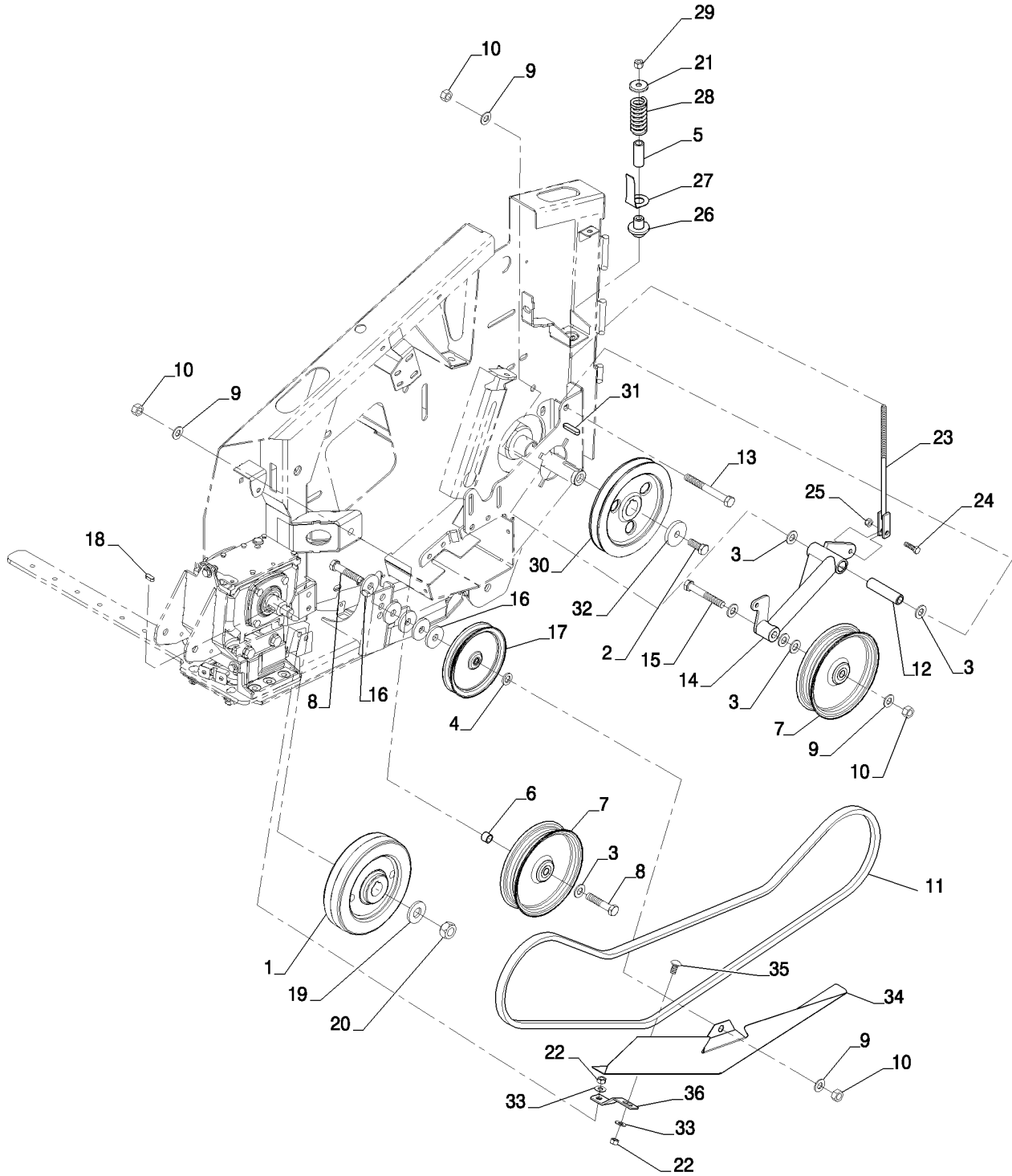


BELT DRIVE, WOBBLE BOX

REF	FN	PART NUMBER	YR/SN	QTY	DESCRIPTION
1		87725967		1	DRIVEN PULLEY
2		43168		1	BOLT, Hex, M16 x 2 x 40, 8.8, Full Thd
3		86639311		6	WASHER, M16 x 34 x 3
4		86625266		1	WASHER, M17.5 x 30 x 4, HT
5		84177827		1	TUBE
6		575098R1		1	SPACER, 7/8" Tube x 5/8"
7		86588003		2	IDLER, Wheel
8		120093		2	BOLT, Hex, M16 x 80, 8.8
9		140048		4	BELLEVILLE WASHER, M16
10		100020		4	NUT, M16, CI 8
11		87041732		1	BELT
12		87698568		1	TUBE
13		334967		1	BOLT, Hex, M16 x 140, 8.8
14		84123122		1	ARM ASSY., Idler, Left Hand
15		43874		1	SCREW, Hex, M16 x 110, 8.8
16		337522		5	WASHER, M16 x 56 x 5
17		86996213		1	PULLEY, Stationary Idler
18		368317		1	KEY, 10 x 8 x 25
19		87016613		1	WASHER, M24 x 56.5 x 6, HT
20		12164521		1	NUT, M24 x 2, CI 10
21		9513105		1	CUP WASHER
22		337475		2	NUT, M12, CI 10
23		NSS		1	NOT SERVICED SEPARATELY, TIE ROD
24		9513808		1	BOLT
25		100037		1	NUT, M10 x 1.5, CI 8
26		87663624		1	GUIDE, Poly
27		84181668		1	ARM, Indicator
28		920397		1	SPRING
29		412126		1	LOCK NUT, M12 x 1.75, CI 8
30		87756741		1	PULLEY
31		170056		1	KEY, M12 x 8 x 50, Par
32		9801067		1	WASHER
33		140046		2	BELLEVILLE SPRING, Belleville, M12
34		84343217		1	SHIELD

3020-25 3020-30
3020-35

BELT DRIVE, WOBBLE BOX



58.100.03

p2

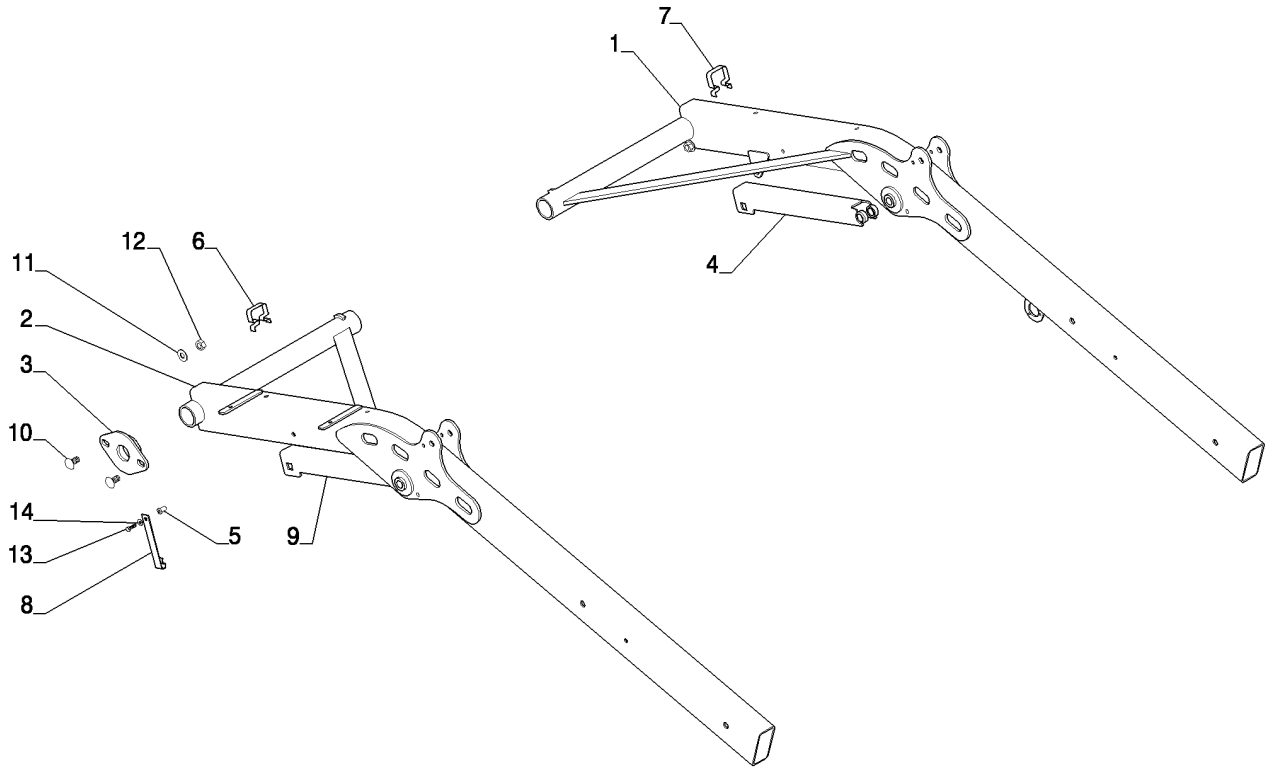
09/10

BELT DRIVE, WOBBLE BOX

REF	FN	PART NUMBER	YR/SN	QTY	DESCRIPTION
35		374895		1	CARRIAGE BOLT, Short NK, M12 x 25, Cl8.8, Full Thd
36		{84343215}		1	

**3020-25 3020-30
3020-35**

REEL ARMS

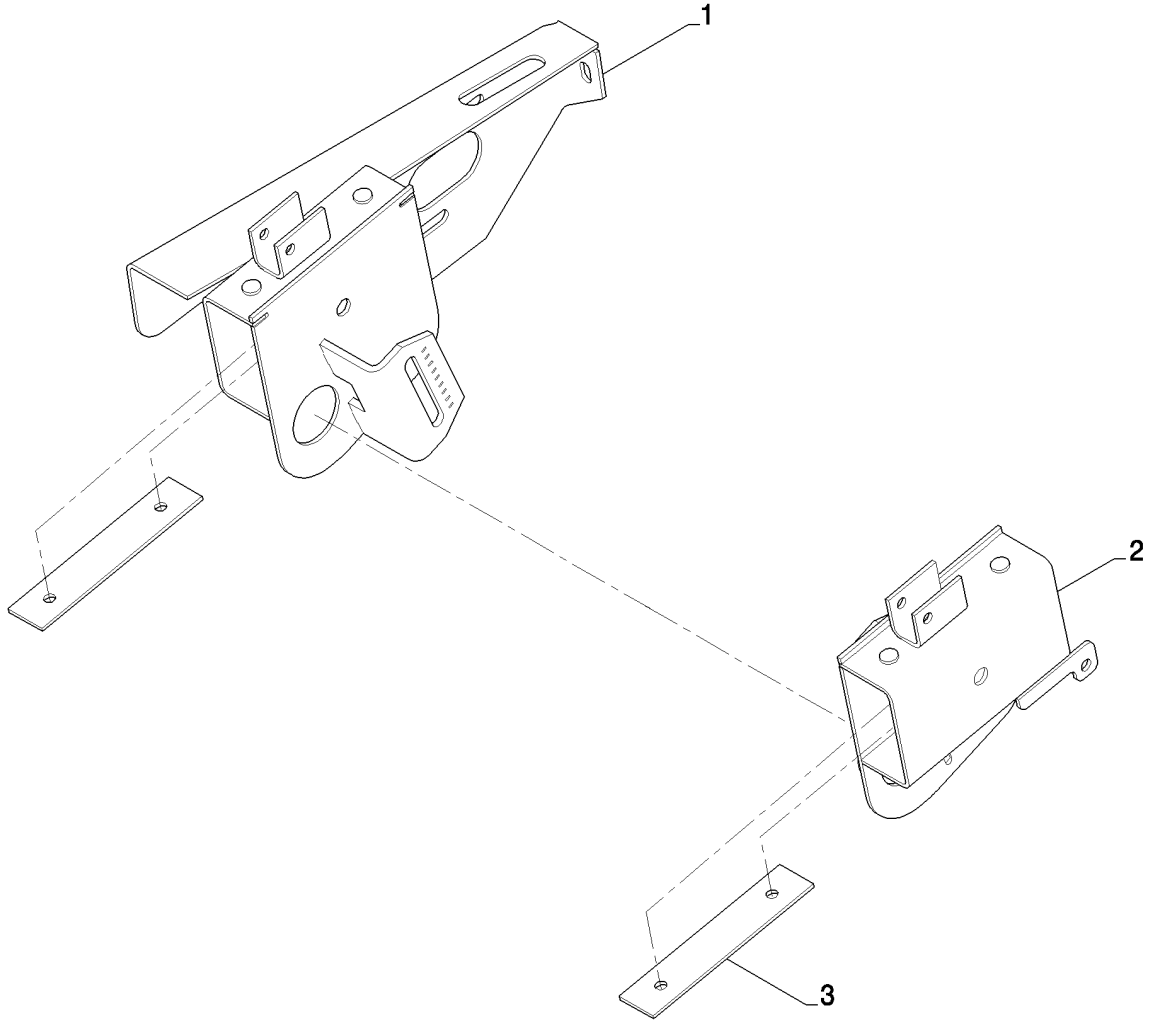


REEL ARMS

REF	FN	PART NUMBER	YR/SN	QTY	DESCRIPTION
1		84348475		1	ARM, Reel, Left Hand
2		84348476		1	ARM, Reel, Right Hand
3		87645701		2	HINGE, Reel Arm
4		84234631		1	SUPPORT, Reel Arm, Left Hand
5		9833239		6	NUT, M6
6		84242532		1	SPRING CLIP, Reel Arm, Right Hand
7		84242566		1	SPRING CLIP, Reel Arm, Left Hand
8		84072277		2	HOOK
9		84242351		1	SUPPORT, Reel Arm, Right Hand
10		374895		4	CARRIAGE BOLT, Short NK, M12 x 25, Cl8.8, Full Thd
11		140046		4	BELLEVILLE SPRING, Belleville, M12
12		9706685		4	NUT, M12, Cl 8
13		120100		2	BOLT, Hex, M6 x 20, 8.8
14		322357		2	BELLEVILLE WASHER, M6

3020-25 3020-30
3020-35

REEL ADAPTER

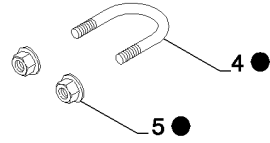
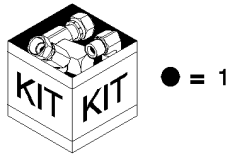
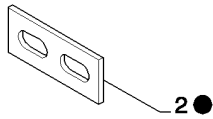
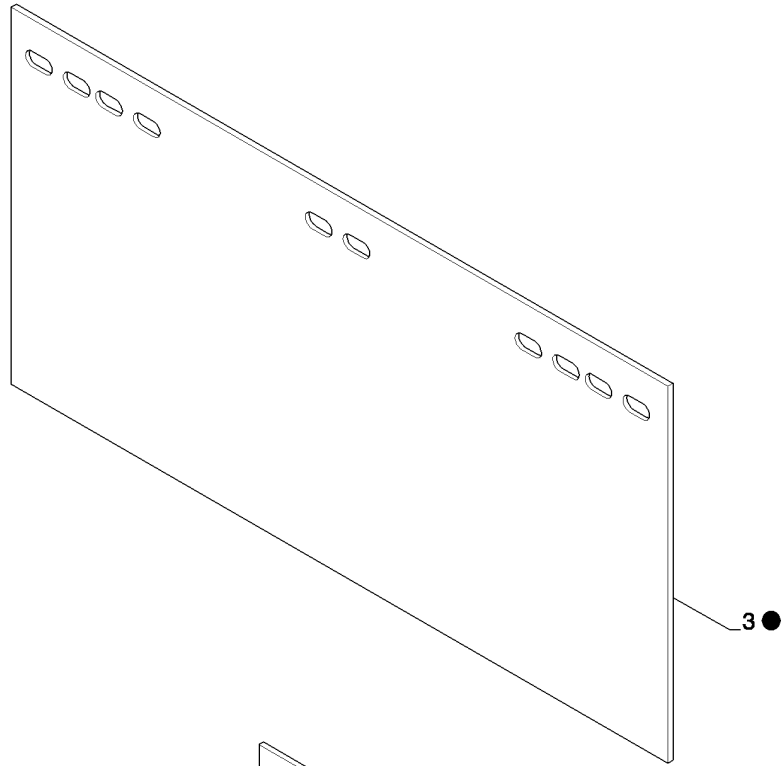


REEL ADAPTER

REF	FN	PART NUMBER	YR/SN	QTY	DESCRIPTION
1		84232891		1	BRACKET, SUPPORTING, Reel Adapter, Right Hand
2		84232893		1	BRACKET, SUPPORTING, Reel Adapter, Left Hand
3		87647472		2	SLIDE, Reel Adapter

3020-25 3020-30
3020-35

KIT, REEL TINE FLAP



58.101.03

p1

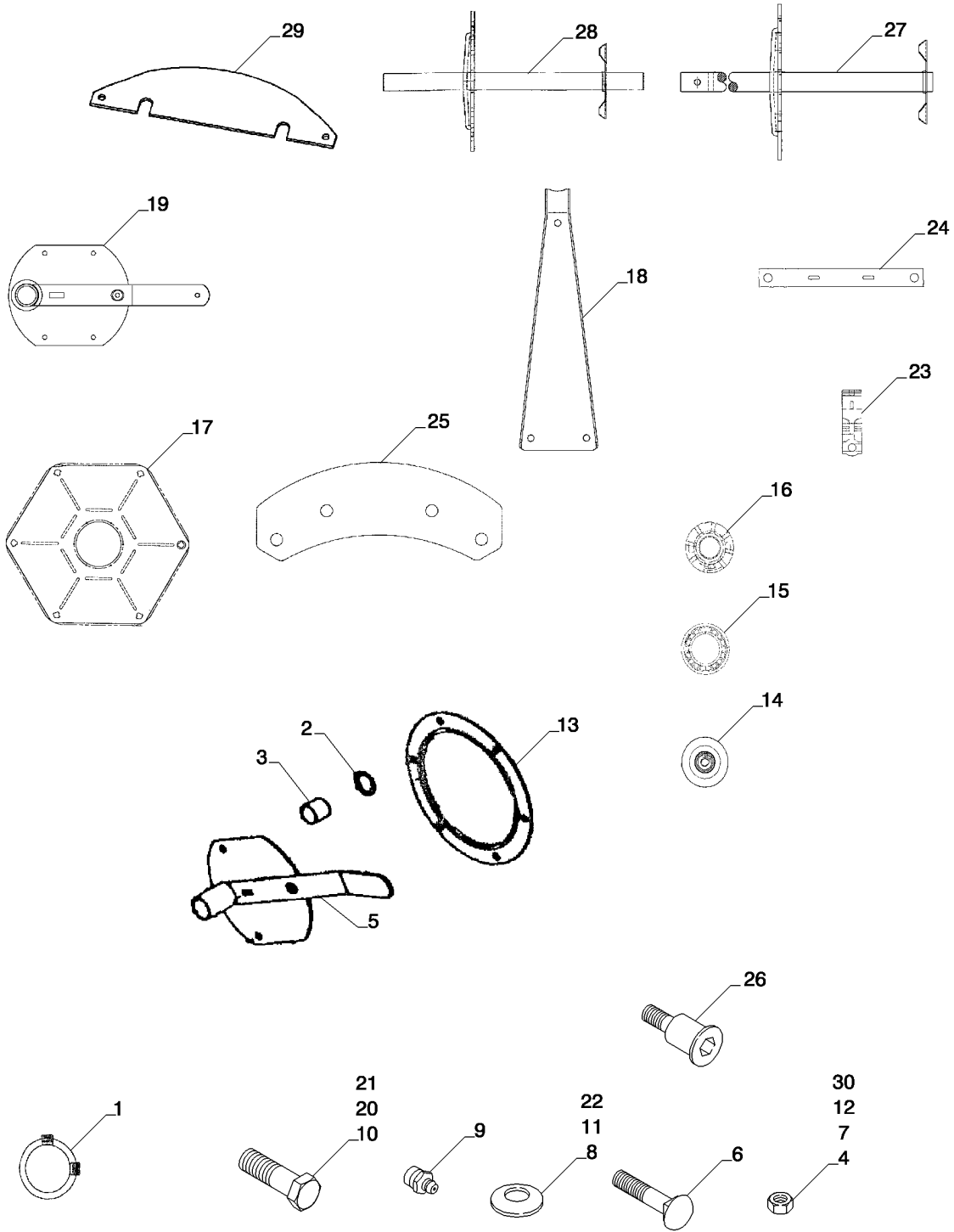
09/10

KIT, REEL TINE FLAP

REF	FN	PART NUMBER	YR/SN	QTY	DESCRIPTION
1		86705199		3	PACKAGE, Reel Tine Flap, Inc. 2-5, 25 And 30 Foot Header
1		86705199		4	PACKAGE, Reel Tine Flap, Inc. 2-5, 35 Foot Header
2		86514396		27	BACKING PLATE
3		86634225		9	FLAP
4		87010605		27	U-BOLT
5		523282		54	NUT, Flg, USR, 1/4"-20

**3020-25 3020-30
3020-35**

PICKUP REEL

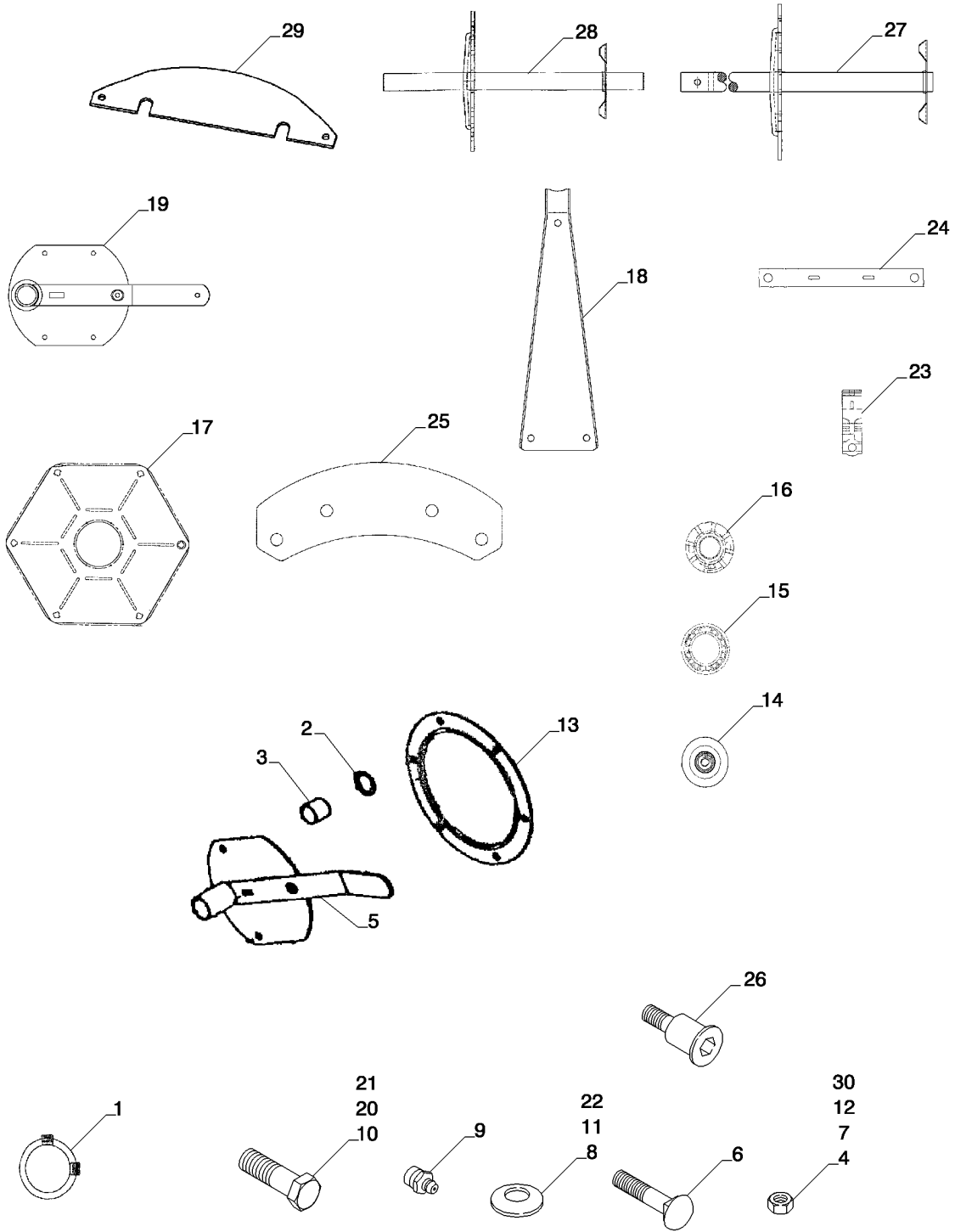


PICKUP REEL

REF	FN	PART NUMBER	YR/SN	QTY	DESCRIPTION
1		86518431		1	COLLAR, Pickup Reel
2		167934		4	WASHER
3		167940		4	BUSHING
4		100037		108	NUT, M10 x 1.5, CI 8, 25 Foot Header
4		100037		126	NUT, M10 x 1.5, CI 8, 30 Foot Header
4		100037		149	NUT, M10 x 1.5, CI 8, 35 Foot Header
5		86609389		1	FRAME, Eccentric Roller
6		86512428		2	CARRIAGE BOLT, Short NK, M12 x 40, CI 8.8, Full Thd
7		9706685		2	NUT, M12, CI 8
8		140046		2	BELLEVILLE SPRING, Belleville, M12
9		80710		2	LUBE NIPPLE, 1/8"-27 x .66 lg
10		120104		12	SCREW, Hex, M8 x 20, 8.8
11		322358		12	BELLEVILLE WASHER, M8
12		9706690		12	NUT, M8, CI 8
13		167953		2	RING
14		86518386		6	BEARING ASSY
15		86518392		12	ECCENTRIC, Bearing
16		86518393		12	BEARING ASSY
17		86609726		2	SHIELD, End
18		9842291		36	ARM, Reel, 25 Foot Header
18		9842291		42	ARM, Reel, 30 Foot Header
18		87523837		42	ARM, Reel, 35 Foot Header
19		87045530		1	HOUSING, Eccentric Roller
20		43140		72	BOLT, Hex, M10 x 30, 8.8, Full Thd, 25 Foot Header
20		43140		84	BOLT, Hex, M10 x 30, 8.8, Full Thd, 30 And 35 Foot Header
21		120069		36	BOLT, Hex, M10 x 50, 8.8, 25 Foot Header
21		120069		42	BOLT, Hex, M10 x 50, 8.8, 30 Foot Header
21		120069		48	BOLT, Hex, M10 x 50, 8.8, 35 Foot Header
22		140045		72	BELLEVILLE WASHER, M10, 25 Foot Header
22		140045		84	BELLEVILLE WASHER, M10, 30 Foot Header
22		140045		96	BELLEVILLE WASHER, M10, 35 Foot Header
23		9842300		72	BEARING (HALF), 25 Foot Header
23		9842300		84	BEARING (HALF), 30 Foot Header

3020-25 3020-30
3020-35

PICKUP REEL

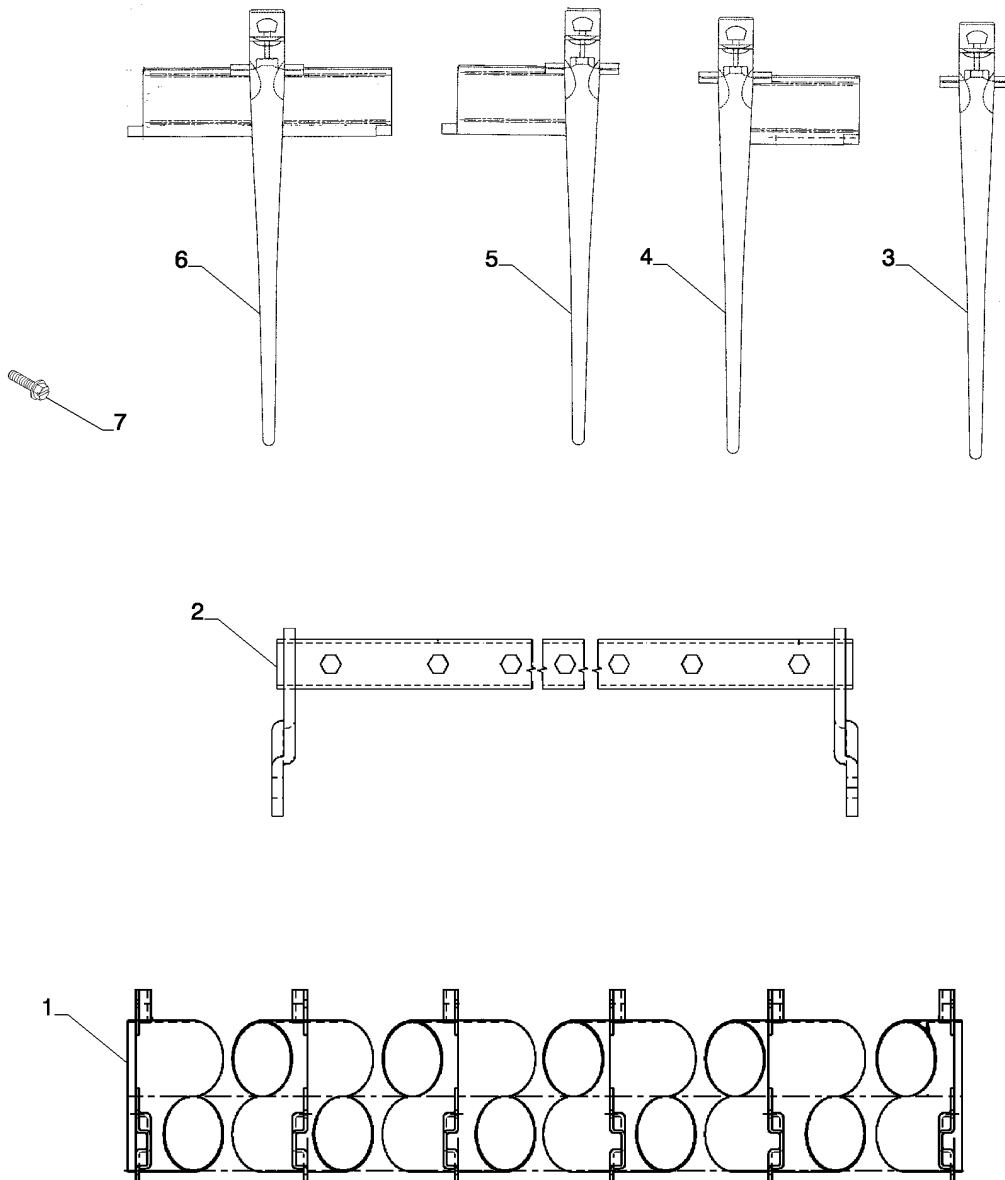


PICKUP REEL

REF	FN	PART NUMBER	YR/SN	QTY	DESCRIPTION
23		9842300		96	BEARING (HALF), 35 Foot Header
24		9842301		36	STRAP, Bearing, 25 Foot Header
24		9842301		42	STRAP, Bearing, 30 Foot Header
24		9842301		48	STRAP, Bearing, 35 Foot Header
25		86609773		12	PLATE, Anchor, 25 And 30 Foot Header
25		87053169		12	PLATE, Anchor, 35 Foot Header
26		86518387		12	BOLT
27		87037954		1	SHAFT, Driving, 25 And 30 Foot Header
27		84212117		1	SHAFT, Driving, 35 Foot Header
28		86609553		1	SHAFT, Driven, 25 And 30 Foot Header
28		84212118		1	SHAFT, Driven, 35 Foot Header
29		87047050		4	SHIELD
30		100038		12	LOCK NUT, M12 x 1.75, CI 8

3020-25 3020-30
3020-35

PLASTIC TINES, PICKUP REEL, 6 BAT

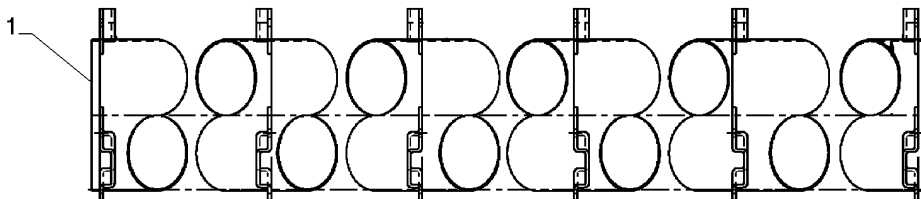
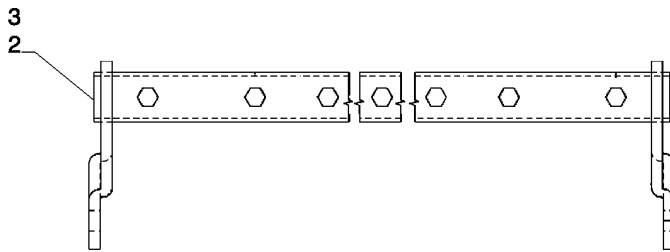
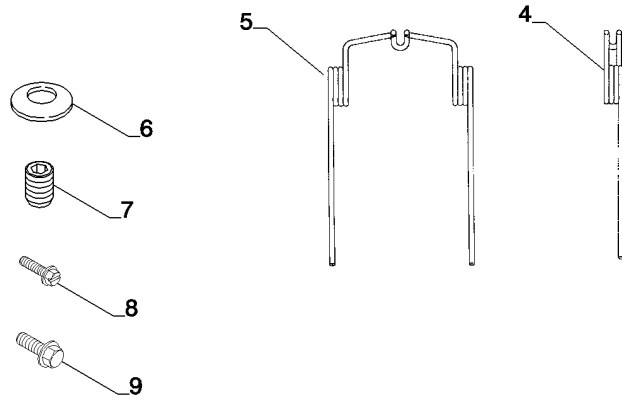


PLASTIC TINES, PICKUP REEL, 6 BAT

REF	FN	PART NUMBER	YR/SN	QTY	DESCRIPTION
1		84297397		1	SUPPORT TUBE, Center Shaft, 25 Foot Header
1		84297394		1	SUPPORT TUBE, Center Shaft, 30 Foot Header
1		87529353		1	SHAFT ASSY., Center, 35 Foot Header
2		84297503		6	TINE BAR, Bat, Plastic, 25 Foot Header
2		84297497		6	TINE BAR, Bat, Plastic, 30 Foot Header
2		87529352		6	TUBE, Bat, Plastic, 35 Foot Header
3		86608282		24	FINGER, Plastic, No Bat
4		86608284		15	FINGER, Plastic, Right Hand Bat, 25 Foot Header
4		86608284		18	FINGER, Plastic, Right Hand Bat, 30 Foot Header
4		86608284		21	FINGER, Plastic, Right Hand Bat, 35 Foot Header
5		86608283		15	FINGER, Plastic, Left Hand Bat, 25 Foot Header
5		86608283		18	FINGER, Plastic, Left Hand Bat, 30 Foot Header
5		86608283		21	FINGER, Plastic, Left Hand Bat, 35 Foot Header
6		86608281		252	FINGER, Plastic, Full Bat, 25 Foot Header
6		86608281		306	FINGER, Plastic, Full Bat, 30 Foot Header
6		86608281		360	FINGER, Plastic, Full Bat, 35 Foot Header
7		9842264		306	SELF-TAP SCREW, 3.5 x 16, 25 Foot Header
7		9842264		366	SELF-TAP SCREW, 3.5 x 16, 30 Foot Header
7		9842264		426	SELF-TAP SCREW, 3.5 x 16, 35 Foot Header

3020-25 3020-30
3020-35

STEEL TINES, PICKUP REEL, 6 BAT

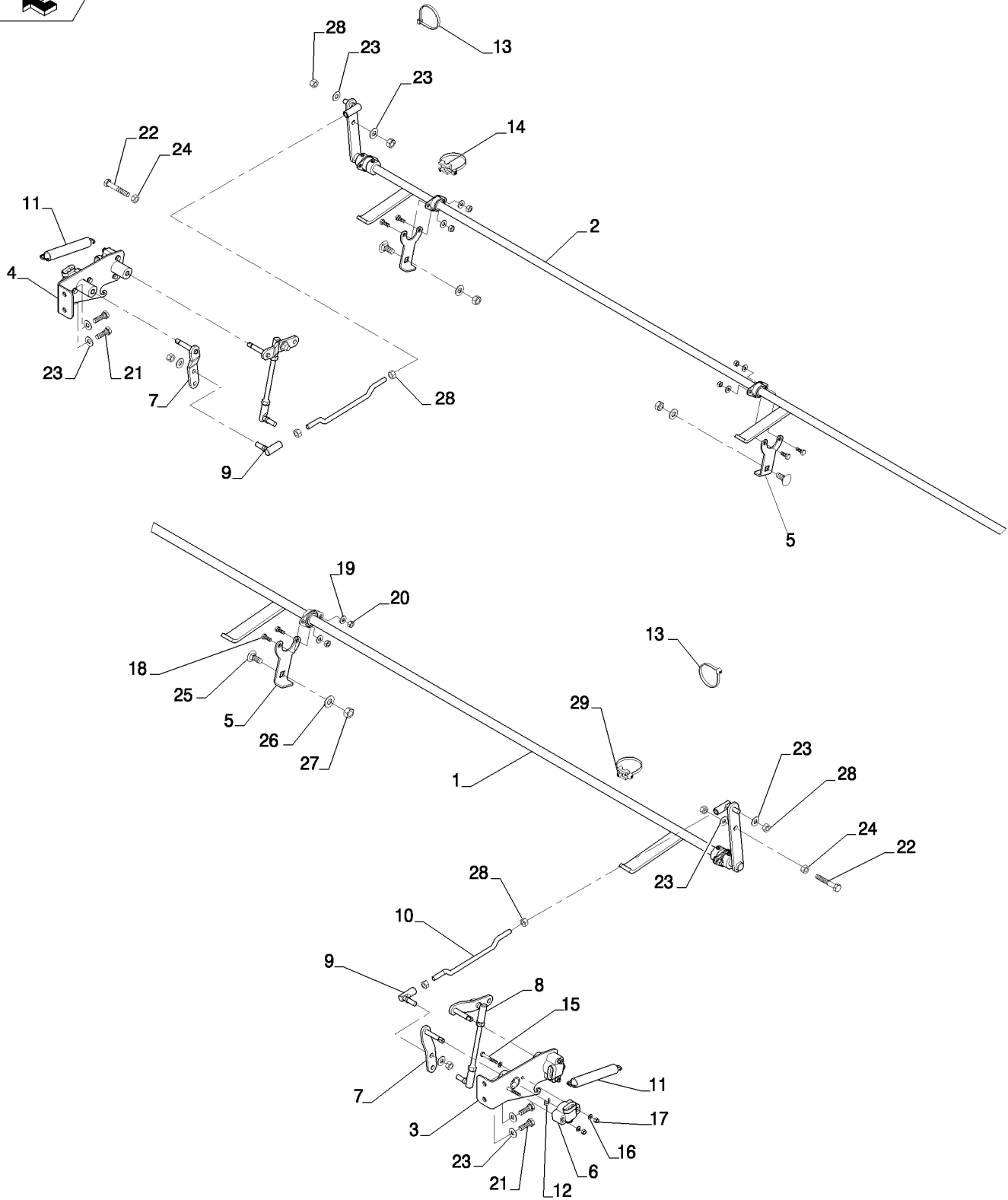


STEEL TINES, PICKUP REEL, 6 BAT

REF	FN	PART NUMBER	YR/SN	QTY	DESCRIPTION
1		84297397		1	SUPPORT TUBE, Center, 25 Foot Header
1		84297394		1	SUPPORT TUBE, Center, 30 Foot Header
1		87529353		1	SHAFT ASSY., Center, 35 Foot Header
2		84297505		3	TINE BAR, Bat, Steel, 25 Foot Header
2		84297499		3	TINE BAR, Bat, Steel, 30 Foot Header
2		87545136		3	TUBE ASSY., Bat, Steel, 35 Foot Header
3		84297504		3	TINE BAR, Bat, Steel, 25 Foot Header
3		84297498		3	TINE BAR, Bat, Steel, 30 Foot Header
3		87545135		3	TUBE ASSY., Bat, Steel, 35 Foot Header
4		87017196		27	TINE, Single Coil Steel, 25 Foot Header
4		87017196		33	TINE, Single Coil Steel, 30 Foot Header
4		87017196		15	TINE, Single Coil Steel, 35 Foot Header
5		87017195		132	TINE, Double Coil Steel, 25 Foot Header
5		87017195		159	TINE, Double Coil Steel, 30 Foot Header
5		87017195		198	TINE, Double Coil Steel, 35 Foot Header
6		322358		159	BELLEVILLE WASHER, M8, 25 Foot Header
6		322358		192	BELLEVILLE WASHER, M8, 30 Foot Header
6		322358		213	BELLEVILLE WASHER, M8, 35 Foot Header
7		87029978		159	KIT, Threaded Insert, 25 Foot Header
7		87029978		192	KIT, Threaded Insert, 30 Foot Header
7		87029978		213	KIT, Threaded Insert, 35 Foot Header
8		9842264		12	SELF-TAP SCREW, 3.5 x 16
9		9671714		159	BOLT, Hex Flg, M8 x 25, 8.8, 25 Foot Header
9		9671714		192	BOLT, Hex Flg, M8 x 25, 8.8, 30 Foot Header
9		9671714		213	BOLT, Hex Flg, M8 x 25, 8.8, 35 Foot Header

3020-25 3020-30
3020-35

CONTROL ASSEMBLY, HEADER HEIGHT

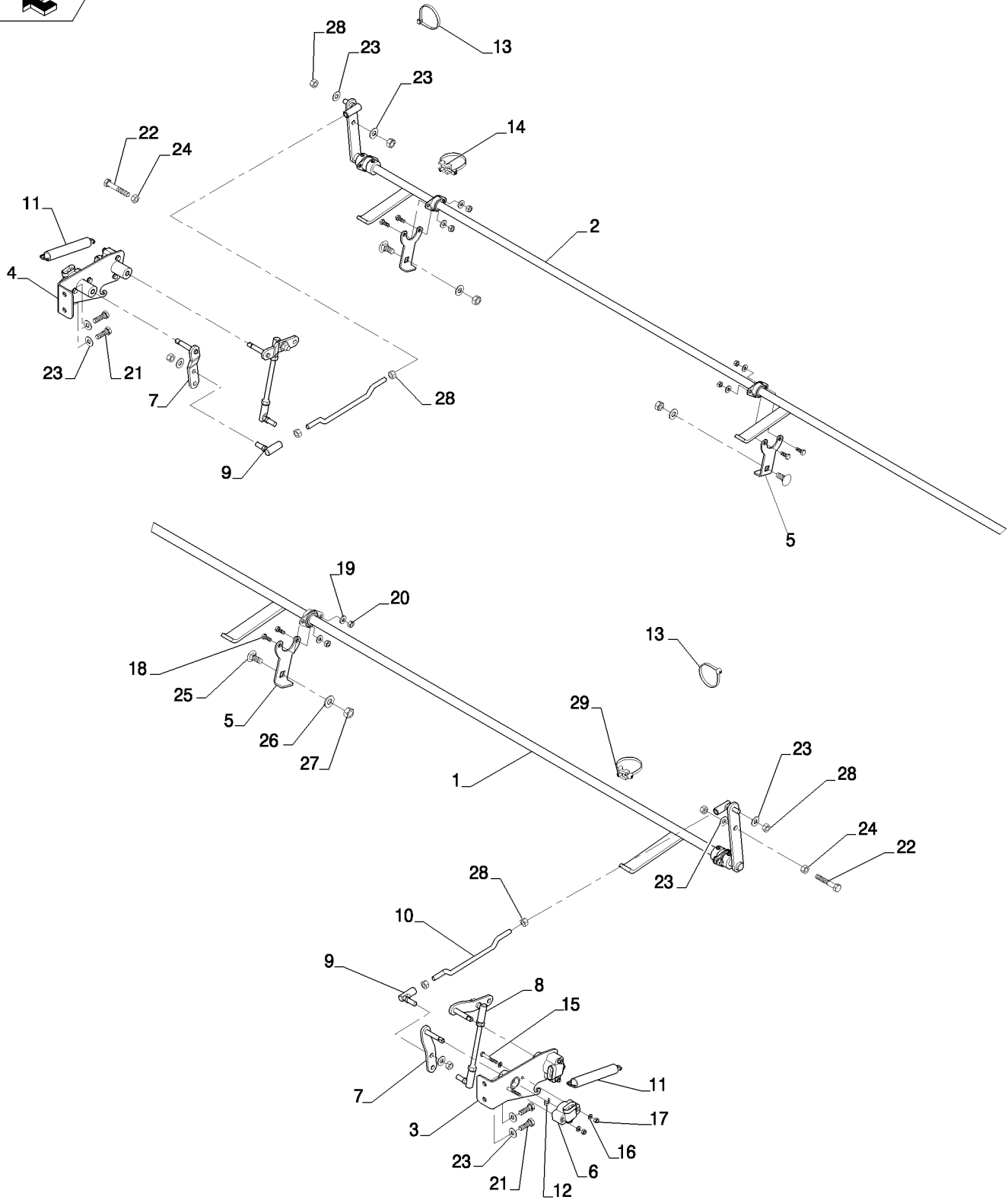


CONTROL ASSEMBLY, HEADER HEIGHT

REF	FN	PART NUMBER	YR/SN	QTY	DESCRIPTION
1		84223209		1	ROD, Left Hand, 25 Foot Header
1		84221507		1	ROD, Left Hand, 30 Foot Header
1		84228558		1	ROD, Left Hand, 35 Foot Header
2		84223219		1	ROD, Right Hand, 25 Foot Header
2		84221516		1	ROD, Right Hand, 30 Foot Header
2		84228560		1	ROD, Right Hand, 35 Foot Header
3		84296810		1	BRACKET, SUPPORTING, Left Hand
4		84296813		1	BRACKET, SUPPORTING, Right Hand
5		84230426		7	MOUNTING PLATE, 25 Foot Header
5		84230426		9	MOUNTING PLATE, 30 Foot Header
5		84230426		11	MOUNTING PLATE, 35 Foot Header
6		86616339		4	POTENTIOMETER, Automatic Header Height Control
7		84126929		4	ARM
8		84296770		2	THREADED ROD, Adjustment
9		86548493		8	BALL, End
10		84228553		2	ADJUSTMENT ROD
11		87047744		2	SPRING
12		100-3431		4	LOCKING RING, #31, Ext, E-Type
13		86566989		6	CABLE STRAP, M4.75 x 190.5 L
14		445394		2	RIVET, Pop, M4.8 x 12.7
15		86544168		8	BOLT, Hex, M5 x 35, 8.8
16		9824326		16	WASHER, M5 x 10 x 1 Thk
17		43440		8	LOCK NUT, M5 x .8, CI 8
18		86508568		18	SCREW, Hex, M6 x 16, CI 8.8, Full Thd, 25 Foot Header
18		86508568		22	SCREW, Hex, M6 x 16, CI 8.8, Full Thd, 30 Foot Header
18		86508568		26	SCREW, Hex, M6 x 16, CI 8.8, Full Thd, 35 Foot Header
19		322357		18	BELLEVILLE WASHER, M6, 25 Foot Header
19		322357		22	BELLEVILLE WASHER, M6, 30 Foot Header
19		322357		26	BELLEVILLE WASHER, M6, 35 Foot Header
20		86500688		18	NUT, M6 x 1, CI 10, 25 Foot Header
20		86500688		22	NUT, M6 x 1, CI 10, 30 Foot Header

3020-25 3020-30
3020-35

CONTROL ASSEMBLY, HEADER HEIGHT

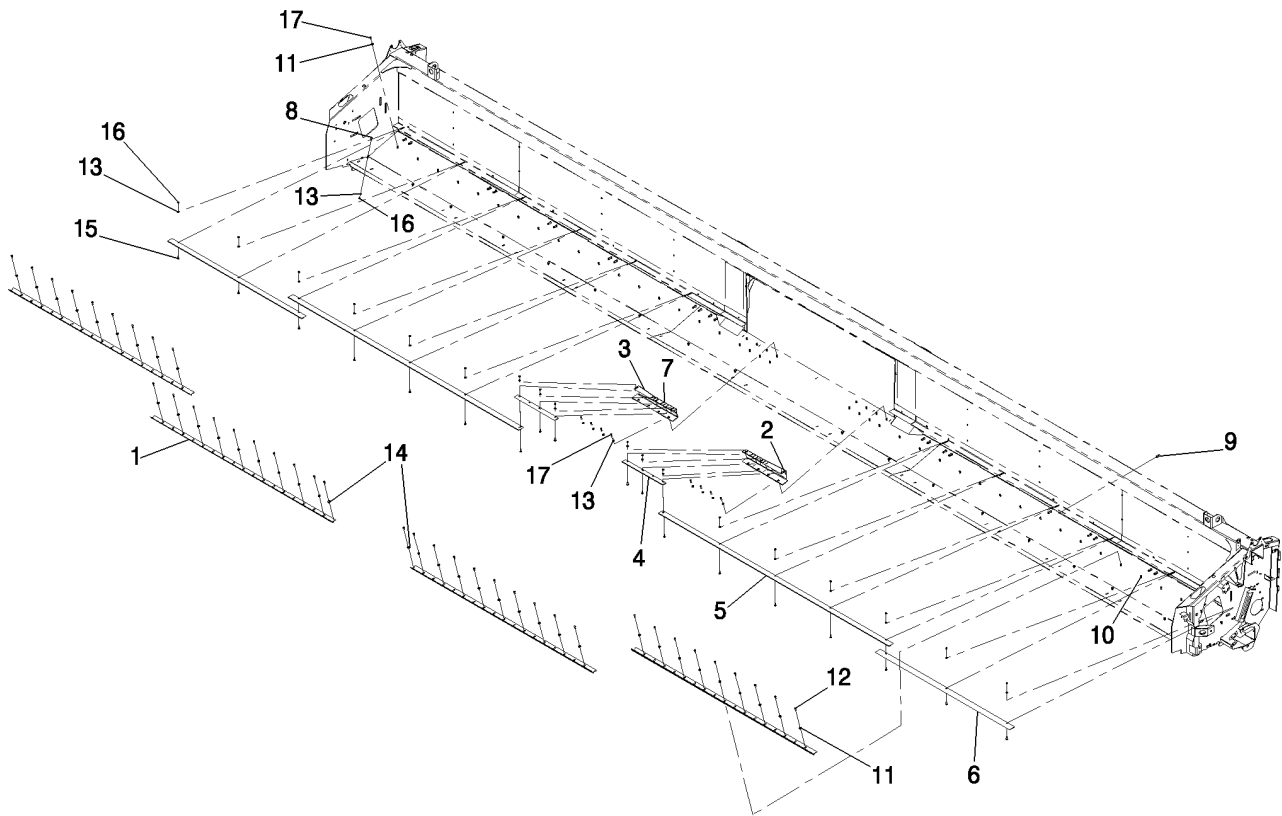


CONTROL ASSEMBLY, HEADER HEIGHT

REF	FN	PART NUMBER	YR/SN	QTY	DESCRIPTION
20		86500688		26	NUT, M6 x 1, CI 10, 35 Foot Header
21		43127		4	SCREW, Hex, M8 x 25, 8.8
22		43130		2	BOLT, Hex, M8 x 50, 8.8
23		322358		14	BELLEVILLE WASHER, M8
24		9706690		4	NUT, M8, CI 8
25		338949		7	CARRIAGE BOLT, Short NK, M10 x 25, CI8.8, Full Thd, 25 Foot Header
25		338949		9	CARRIAGE BOLT, Short NK, M10 x 25, CI8.8, Full Thd, 30 Foot Header
25		338949		11	CARRIAGE BOLT, Short NK, M10 x 25, CI8.8, Full Thd, 35 Foot Header
26		140045		7	BELLEVILLE WASHER, M10, 25 Foot Header
26		140045		9	BELLEVILLE WASHER, M10, 30 Foot Header
26		140045		11	BELLEVILLE WASHER, M10, 35 Foot Header
27		86500689		7	NUT, M10, CI 10, 25 Foot Header
27		86500689		9	NUT, M10, CI 10, 30 Foot Header
27		86500689		11	NUT, M10, CI 10, 35 Foot Header
28		86629539		16	NUT, 5/16"-24, G5
29		86590413		2	BASE

3020-25 3020-30
3020-35

STRIPPER

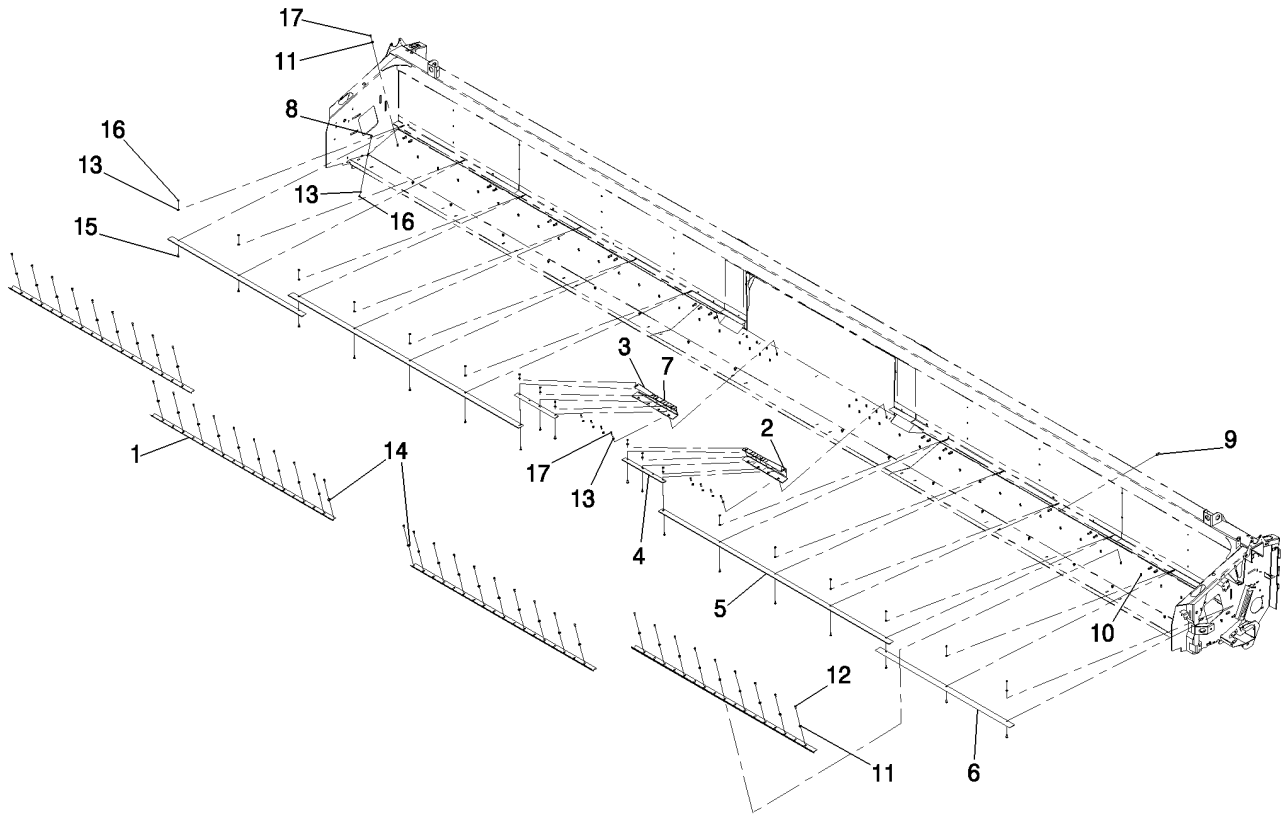


STRIPPER

REF	FN	PART NUMBER	YR/SN	QTY	DESCRIPTION
1		84300880		4	STRIPPER, 25 Foot Header
1		84299985		4	STRIPPER, 30 Foot Header
1		87555156		4	STRIPPER, 35 Foot Header
2		84256945		1	BRACKET, Left Hand
3		84256946		1	BRACKET, Right Hand
4		84216518		2	STRIPPER, Center
5		84304905		2	STRIP, Inside
6		84304910		2	STRIP, Outside, 30 Foot Header
6		84304908		2	STRIP, Outside, 35 Foot Header
7		84215790		4	BRACKET, Stripper
8		86507486		14	CARRIAGE BOLT, Short NK, M8 x 20, Cl8.8, Full Thd, 25 Foot Header
8		86507486		16	CARRIAGE BOLT, Short NK, M8 x 20, Cl8.8, Full Thd, 30 Foot Header
8		86507486		18	CARRIAGE BOLT, Short NK, M8 x 20, Cl8.8, Full Thd, 35 Foot Header
9		84322796		16	NUT, 25 Foot Header
9		84322796		20	NUT, 30 Foot Header
9		84322796		24	NUT, 35 Foot Header
10		87556072		38	NUT, 25 Foot Header
10		87556072		44	NUT, 30 Foot Header
10		87556072		50	NUT, 35 Foot Header
11		87015284		26	WASHER, M8 x 21.5 x 2.5, HT, 25 Foot Header
11		87015284		32	WASHER, M8 x 21.5 x 2.5, HT, 30 Foot Header
11		87015284		38	WASHER, M8 x 21.5 x 2.5, HT, 35 Foot Header
12		120104		26	SCREW, Hex, M8 x 20, 8.8, 25 Foot Header
12		120104		32	SCREW, Hex, M8 x 20, 8.8, 30 Foot Header
12		120104		38	SCREW, Hex, M8 x 20, 8.8, 35 Foot Header
13		322358		36	BELLEVILLE WASHER, M8, 25 Foot Header
13		322358		40	BELLEVILLE WASHER, M8, 30 Foot Header
13		322358		44	BELLEVILLE WASHER, M8, 35 Foot Header
14		86592699		2	WASHER, M6 x 23 x 4, HT
15		308761		14	SCREW, Short NK, M8 x 25, Cl8.8, Full Thd, 25 Foot Header

3020-25 3020-30
3020-35

STRIPPER

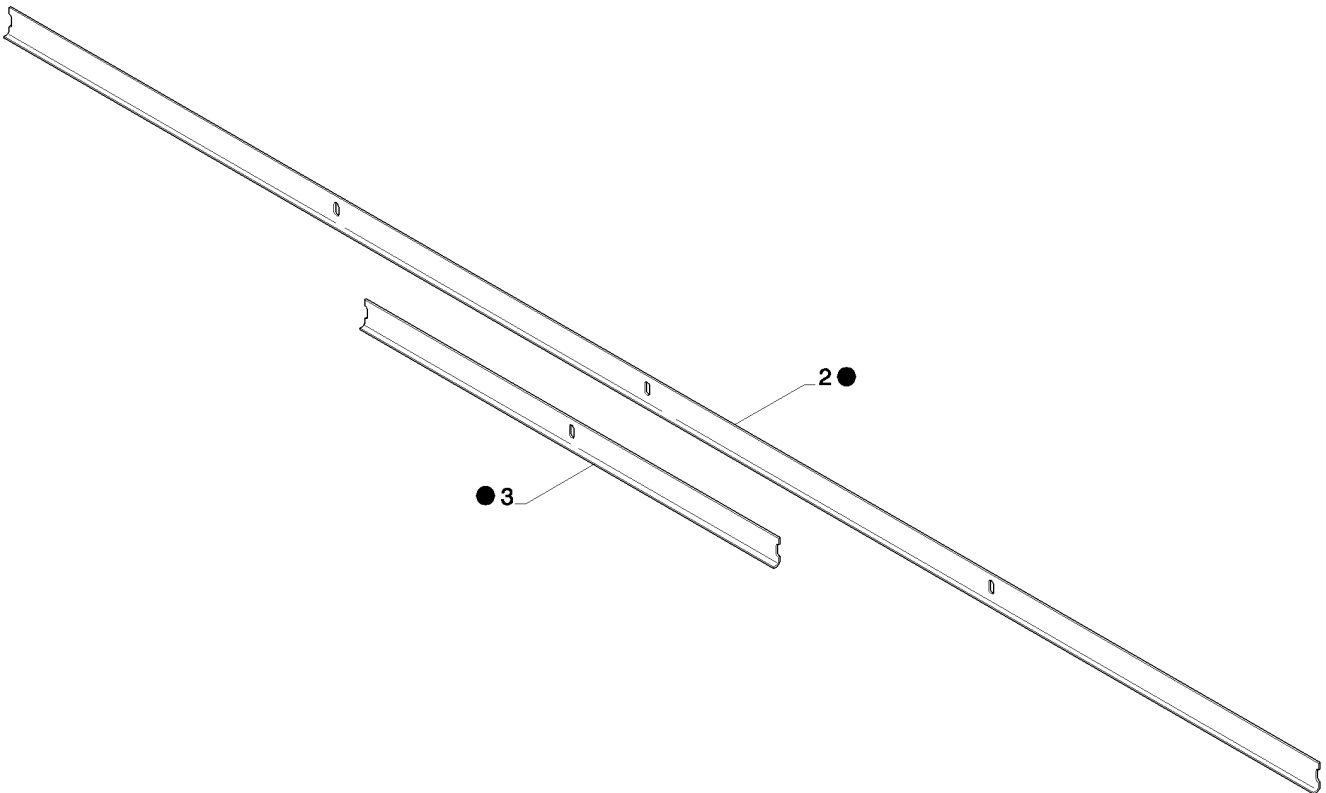


STRIPPER

REF	FN	PART NUMBER	YR/SN	QTY	DESCRIPTION
15		308761		16	SCREW, Short NK, M8 x 25, CI8.8, Full Thd, 30 Foot Header
15		308761		18	SCREW, Short NK, M8 x 25, CI8.8, Full Thd, 35 Foot Header
16		43362		28	NUT, M8, CI 10, 25 Foot Header
16		43362		32	NUT, M8, CI 10, 30 Foot Header
16		43362		36	NUT, M8, CI 10, 35 Foot Header
17		87028323		10	SCREW

**3020-25 3020-30
3020-35**

DIA KIT, THIRD STRIPPER



● = 1

DIA KIT, THIRD STRIPPER

REF	FN	PART NUMBER	YR/SN	QTY	DESCRIPTION
1		84302550		1	KIT, DIA, Third Stripper, Inc. 2, 3, 25 Foot Header
1		84302549		1	KIT, DIA, Third Stripper, Inc. 2, 3, 30 Foot Header
1		84302548		1	KIT, DIA, Third Stripper, Inc. 2, 3, 35 Foot Header
2		84323936		2	STRIPPER, Third
3		84323939		2	STRIPPER, Third, 25 Foot Header
3		84323938		2	STRIPPER, Third, 30 Foot Header
3		84323937		2	STRIPPER, Third, 35 Foot Header

3020-25 3020-30
3020-35

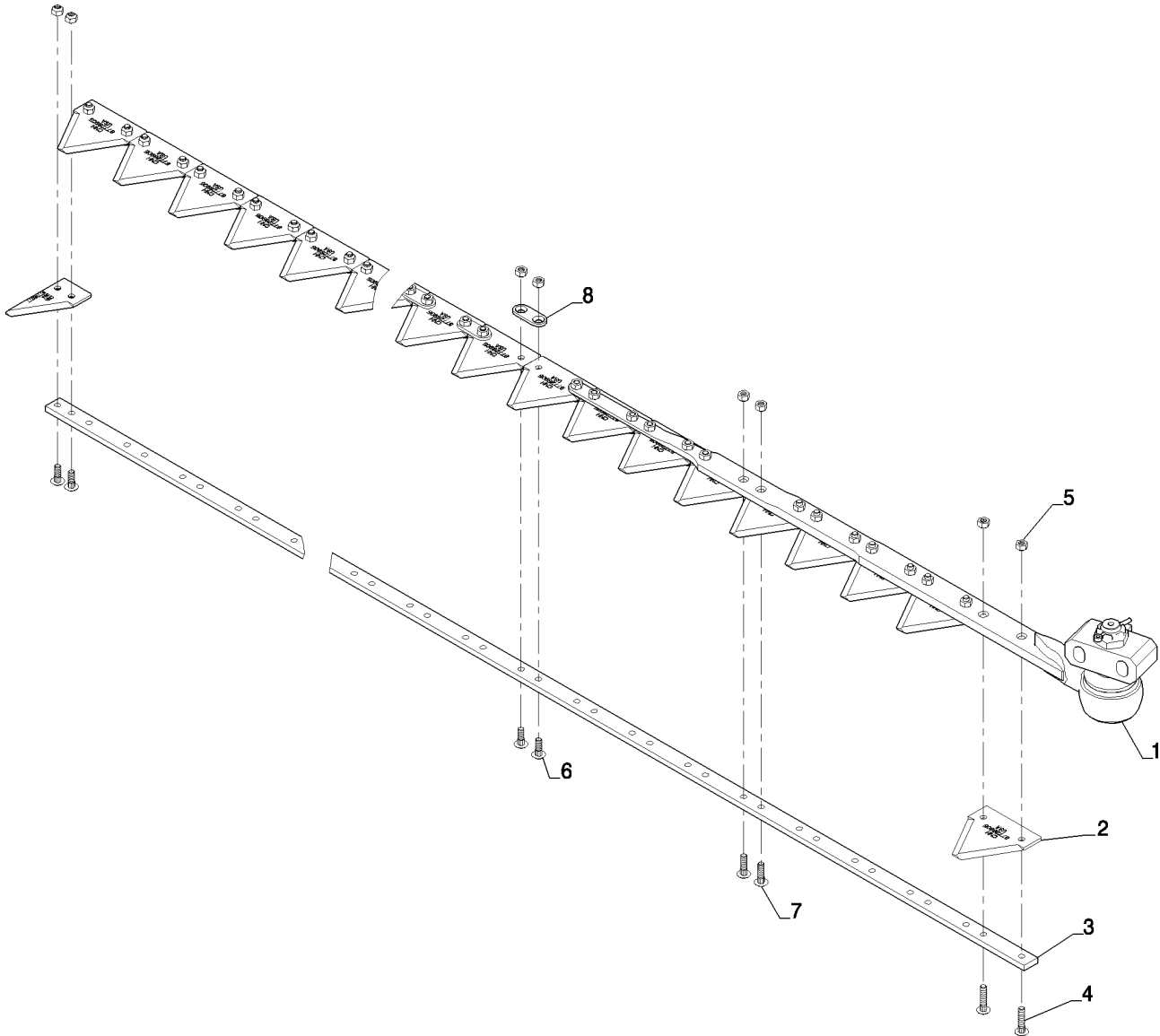
58.110.03

01

p1

09/10

KNIFE ASSEMBLY, STANDARD, 3 INCH



KNIFE ASSEMBLY, STANDARD, 3 INCH

REF	FN	PART NUMBER	YR/SN	QTY	DESCRIPTION
1		84213793		1	KNIFE ASSY, 25 Foot Header, Inc. 2-10
1		84212855		1	KNIFE ASSY, 30 Foot Header, Inc. 2-10
1		87736072		1	KNIFE ASSY, 35 Foot Header, Inc. 2-10
2		87728905		100	KNIFE, Section, 25 Foot Header
2		87728905		120	KNIFE, Section, 30 Foot Header
2		87728905		140	KNIFE, Section, 35 Foot Header
3		84147595		1	KNIFE HOLDER, 25 Foot Header
3		84141413		1	KNIFE HOLDER, 30 Foot Header
3		87554375		1	KNIFE HOLDER, 35 Foot Header
4		84429101		9	SCREW
5		84429102		202	NUT, 25 Foot Header
5		84429102		242	NUT, 30 Foot Header
5		84429102		282	NUT, 35 Foot Header
6		87663841		189	SCREW, 25 Foot Header
6		87663841		229	SCREW, 30 Foot Header
6		87663841		269	SCREW, 35 Foot Header
7		84429100		4	SCREW
8		87544154		48	KNIFE CLIP
9		87736077		1	KNIFE SECTION, Half
10		NSS		1	NOT SERVICED SEPARATELY, CUTTERHEAD

3020-25 3020-30
3020-35

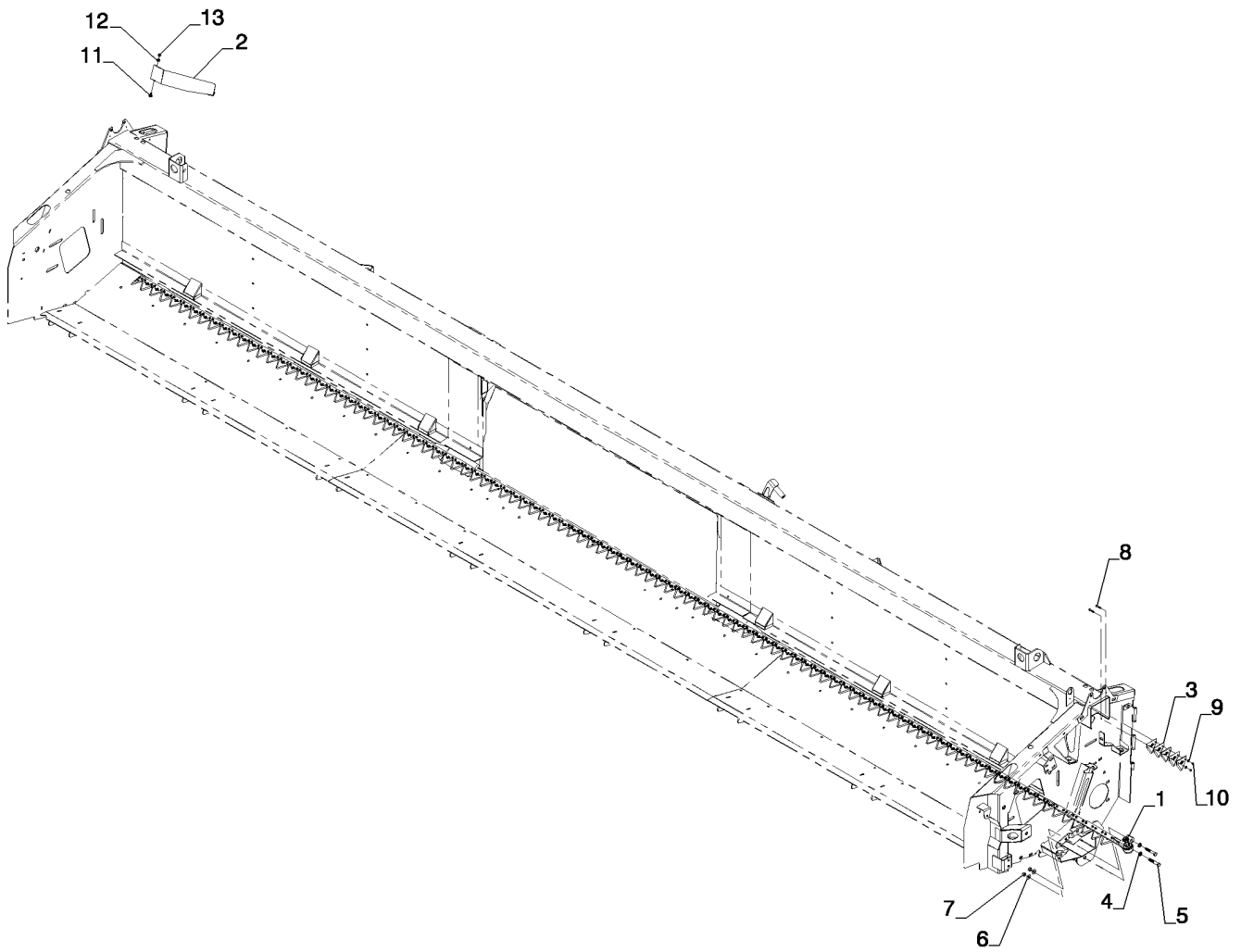
58.110.03

02

p1

09/10

KNIFE ASSEMBLY, COARSE SPARE, SINGLE DRIVE, 3 INCH



58.110.03

02

p1

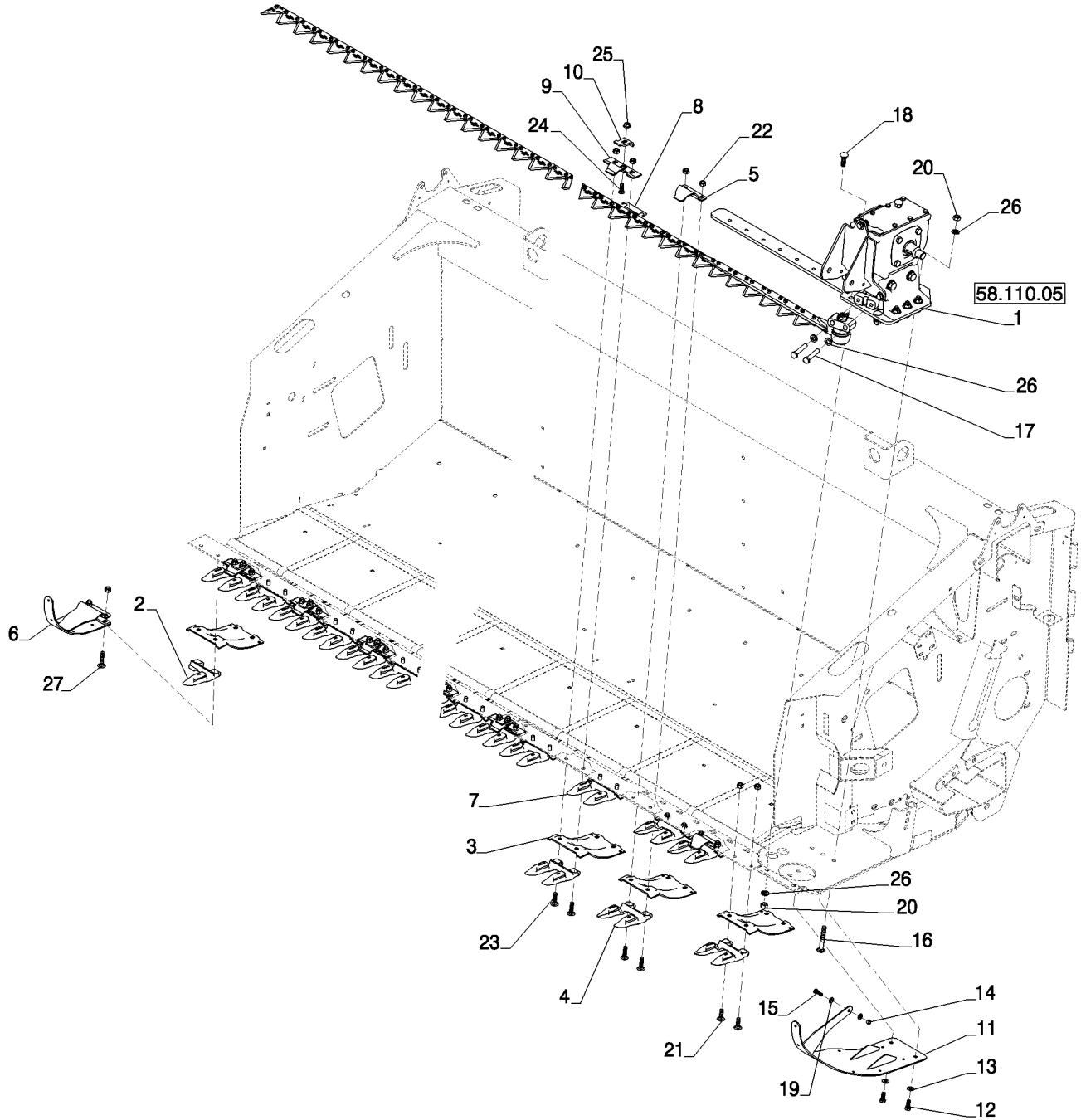
09/10

KNIFE ASSEMBLY, COARSE SPARE, SINGLE DRIVE, 3 INCH

REF	FN	PART NUMBER	YR/SN	QTY	DESCRIPTION
1		84213793		1	KNIFE ASSY, 25 Foot Header
1		84212855		1	KNIFE ASSY, 30 Foot Header
1		87736072		1	KNIFE ASSY, 35 Foot Header
2		84271337		1	DEFLECTOR
3		87728905		5	KNIFE, Section
4		86625255		2	WASHER, M13.5 x 24.5 x 3, HT
5		86505259		2	SCREW, Hex, M12 x 70, 10.9
6		140046		2	BELLEVILLE SPRING, Belleville, M12
7		337475		2	NUT, M12, CI 10
8		120101		2	BOLT, Hex, M6 x 30, 8.8, Full Thd
9		322357		2	BELLEVILLE WASHER, M6
10		9706755		2	NUT, M6, CI 8
11		86507486		2	CARRIAGE BOLT, Short NK, M8 x 20, CI8.8, Full Thd
12		322358		2	BELLEVILLE WASHER, M8
13		43362		2	NUT, M8, CI 10

**3020-25 3020-30
3020-35**

CUTTERBAR, 3 INCH STANDARD GUARD

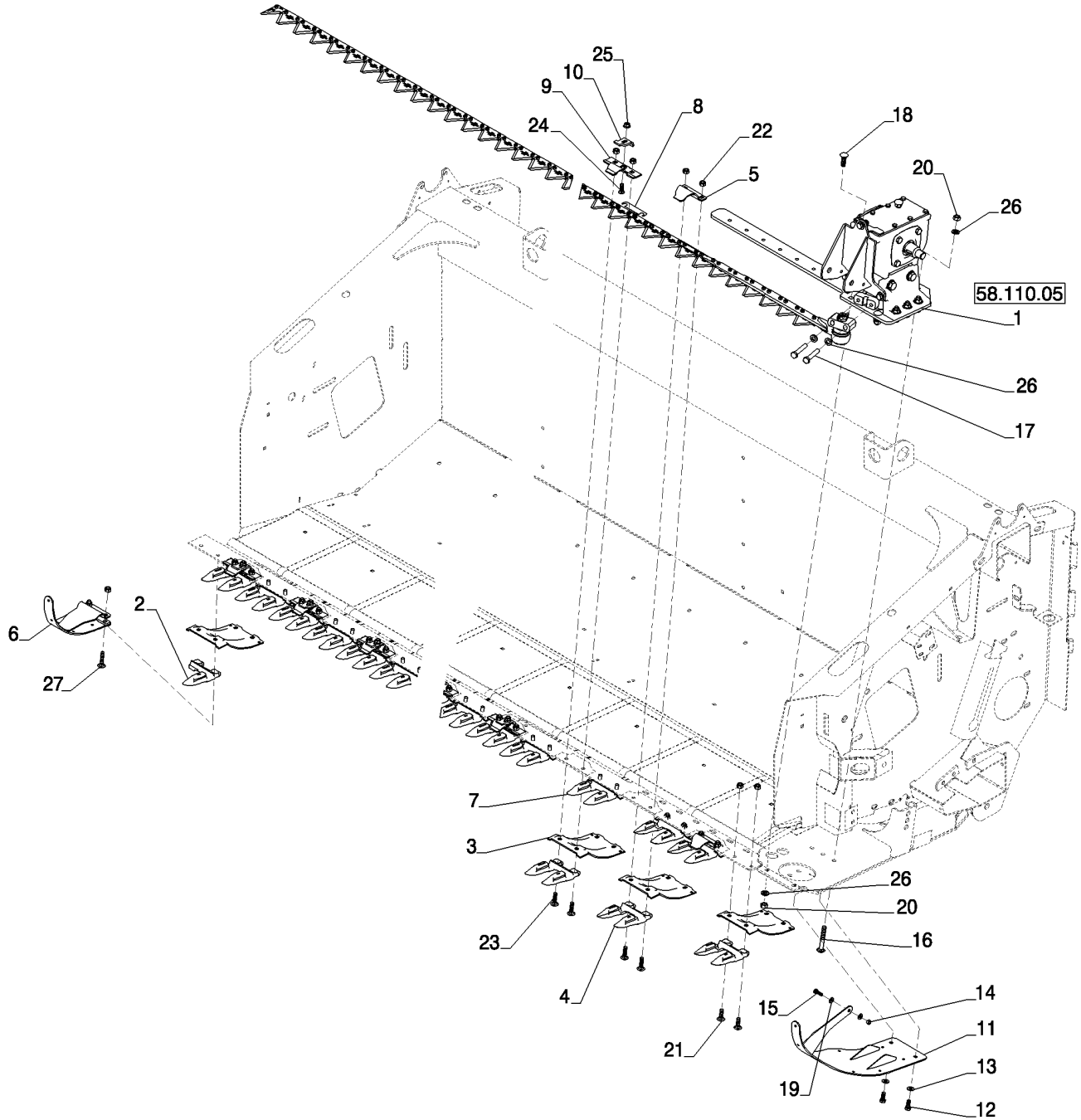


CUTTERBAR, 3 INCH STANDARD GUARD

REF	FN	PART NUMBER	YR/SN	QTY	DESCRIPTION
1		NSS		1	NOT SERVICED SEPARATELY, WOBBLE BOX ASSEMBLY
2		84245171		1	GUARD, Right Hand, Knife 3 Inch
3		251206A2		44	SHOE, Skid, Cutterbar, 25 Foot Header
3		251206A2		52	SHOE, Skid, Cutterbar, 30 Foot Header
3		251206A2		60	SHOE, Skid, Cutterbar, 35 Foot Header
4		87702974		4	GUARD, Knife 3 Inch
5		87517382		2	BRACKET, High Knife Clip
6		84337069		1	SKID/SHOE, Right Hand
7		87702973		46	GUARD, Knife 3 Inch, 25 Foot Header
7		87702973		56	GUARD, Knife 3 Inch, 30 Foot Header
7		87702973		66	GUARD, Knife 3 Inch, 35 Foot Header
8		482769		23	SHIM, Adjusting, 25 Foot Header
8		482769		28	SHIM, Adjusting, 30 Foot Header
8		482769		33	SHIM, Adjusting, 35 Foot Header
9		86630786		23	KNIFE CLIP, 25 Foot Header
9		86630786		28	KNIFE CLIP, 30 Foot Header
9		86630786		33	KNIFE CLIP, 35 Foot Header
10		86630787		23	KNIFE CLIP, 25 Foot Header
10		86630787		28	KNIFE CLIP, 30 Foot Header
10		86630787		33	KNIFE CLIP, 35 Foot Header
11		84337496		1	SKID/SHOE, Skid, Left Hand
12		43139		2	BOLT, Hex, M10 x 25, 8.8, Full Thd
13		140045		2	BELLEVILLE WASHER, M10
14		9706690		1	NUT, M8, CI 8
15		43127		1	SCREW, Hex, M8 x 25, 8.8
16		84818450		3	SCREW, Short NK, M12 x 85, CI8.8
17		86505259		2	SCREW, Hex, M12 x 70, 10.9
18		328754		2	SCREW, Short NK, M12 x 40, CI8.8, Full Thd
19		322358		2	BELLEVILLE WASHER, M8
20		9706685		5	NUT, M12, CI 8
21		9833222		50	CARRIAGE BOLT, 25 Foot Header
21		9833222		60	CARRIAGE BOLT, 30 Foot Header
21		9833222		70	CARRIAGE BOLT, 35 Foot Header
22		100037		102	NUT, M10 x 1.5, CI 8, 25 Foot Header

3020-25 3020-30
3020-35

CUTTERBAR, 3 INCH STANDARD GUARD

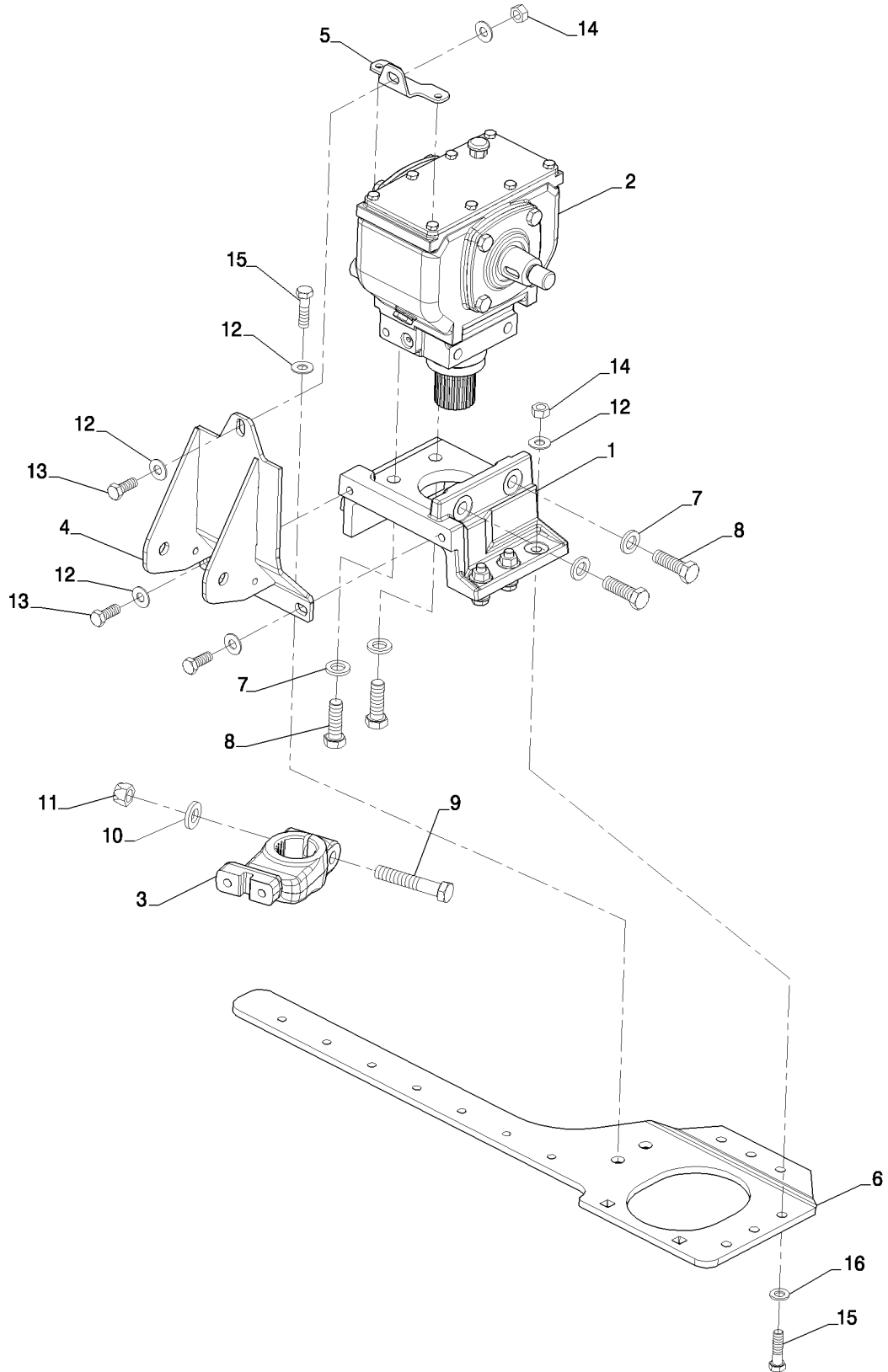


CUTTERBAR, 3 INCH STANDARD GUARD

REF	FN	PART NUMBER	YR/SN	QTY	DESCRIPTION
22		100037		122	NUT, M10 x 1.5, Cl 8, 30 Foot Header
22		100037		142	NUT, M10 x 1.5, Cl 8, 35 Foot Header
23		43473		50	CARRIAGE BOLT, Short NK, M10 x 40, Cl8.8, Full Thd, 25 Foot Header
23		43473		60	CARRIAGE BOLT, Short NK, M10 x 40, Cl8.8, Full Thd, 30 Foot Header
23		43473		70	CARRIAGE BOLT, Short NK, M10 x 40, Cl8.8, Full Thd, 35 Foot Header
24		87742342		23	SCREW, 25 Foot Header
24		87742342		28	SCREW, 30 Foot Header
24		87742342		33	SCREW, 35 Foot Header
25		86619802		23	LOCK NUT, 25 Foot Header
25		86619802		28	LOCK NUT, 30 Foot Header
25		86619802		33	LOCK NUT, 35 Foot Header
26		86625255		7	WASHER, M13.5 x 24.5 x 3, HT
27		86512426		2	CARRIAGE BOLT, Short NK, M10 x 50, Cl8.8

3020-25 3020-30
3020-35

WOBBLE BOX ASSEMBLY

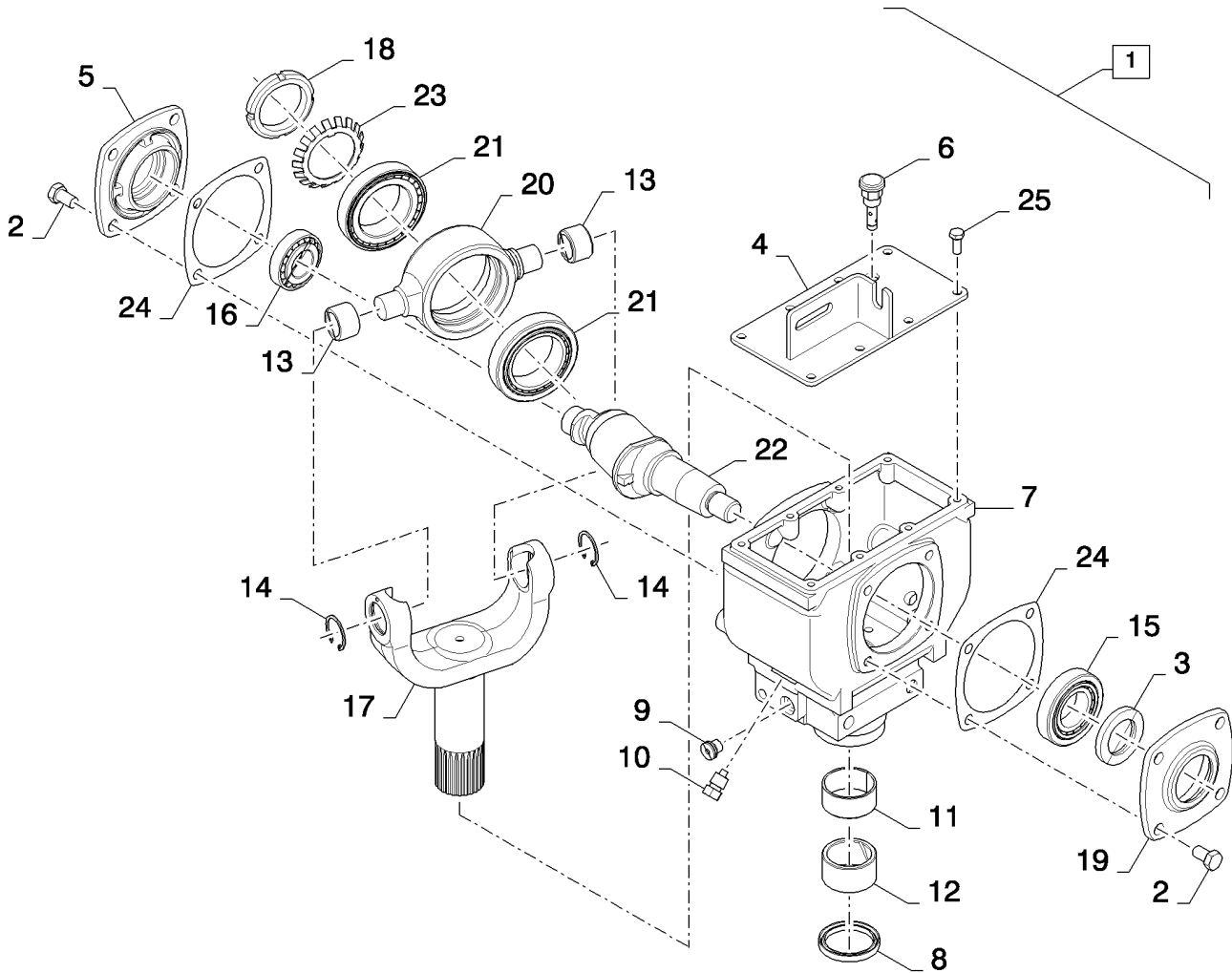


WOBBLE BOX ASSEMBLY

REF	FN	PART NUMBER	YR/SN	QTY	DESCRIPTION
1		87728904		1	SUPPORT, Wobble Box
2		87724927		1	WOBBLE BOX
3		87719769		1	PIVOTING ARM, Wobble Box
4		84137038		1	MOUNT, Wobble Box, Left Hand
5		84129479		1	BRACKET, Wobble Box
6		84285503		1	PLATE, Wobble Box, Top
7		86625266		4	WASHER, M17.5 x 30 x 4, HT
8		15840531		4	BOLT, Hex, M16 x 1.5 x 50, 10.9, Full Thd
9		86521733		1	BOLT, Hex, M16 x 90, 10.9
10		86639326		1	WASHER, M17.5 x 34 x 5, HT
11		86000441		1	NUT, M16 x 2, CI 8
12		140046		9	BELLEVILLE SPRING, Belleville, M12
13		9706687		3	BOLT, Hex, M12 x 30, 8.8, Full Thd
14		9706685		4	NUT, M12, CI 8
15		120080		5	BOLT, M12 x 45
16		86511324		3	WASHER, M12 x 24 x 2.5

3020-25 3020-30
3020-35

WOBBLE BOX

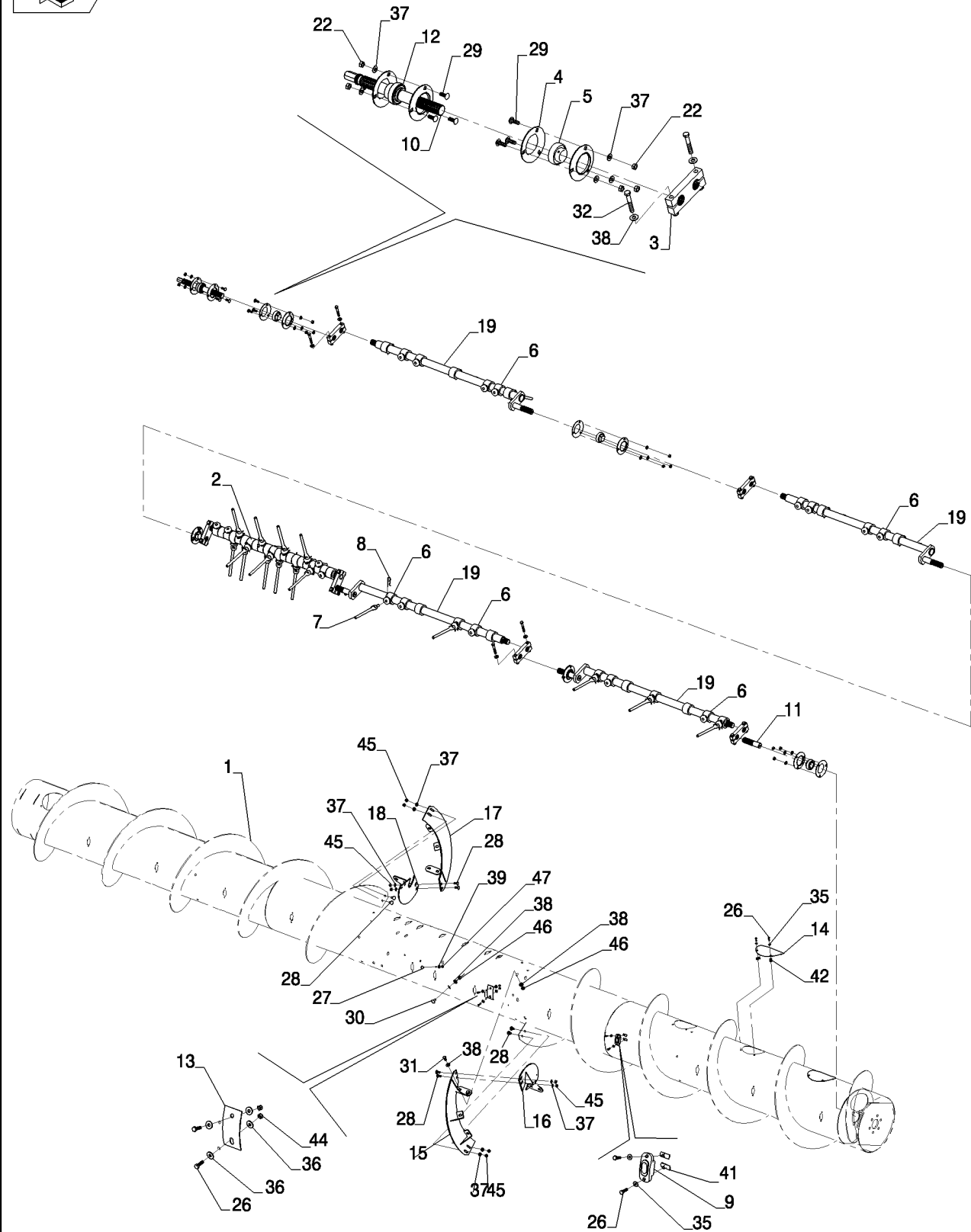


WOBBLE BOX

REF	FN	PART NUMBER	YR/SN	QTY	DESCRIPTION
1		87724927		1	WOBBLE BOX
2		84185948		8	SCREW
3		87490543		1	SEAL
4		87487264		1	COVER PLATE
5		87487254		1	BEARING COVER
6		87490059		1	EXPANSION PLUG
7		87486956		1	HOUSING
8		87490544		1	SEAL
9		84150661		2	HEX SOCKET PLUG
10		84150337		2	MAGNETIC PLUG
11		87630866		1	BUSHING
12		87630859		1	GROOVED BUSHING
13		87630365		2	BUSHING
14		300642		2	CIRCLIP, M35, Int
15		84150339		1	TAPERED ROLLER BEARING
16		84150338		1	TAPERED ROLLER BEARING
17		87487235		1	FORK
18		84185837		1	LOCK NUT
19		87487259		1	BEARING COVER
20		87630328		1	BEARING HOUSING
21		84150340		2	TAPERED ROLLER BEARING
22		87487236		1	SHAFT
23		84185904		1	SHIM
24		87487370		2	SHIM KIT
25		120104		8	SCREW, Hex, M8 x 20, 8.8

3020-25 3020-30
3020-35

AUGER ASSEMBLY

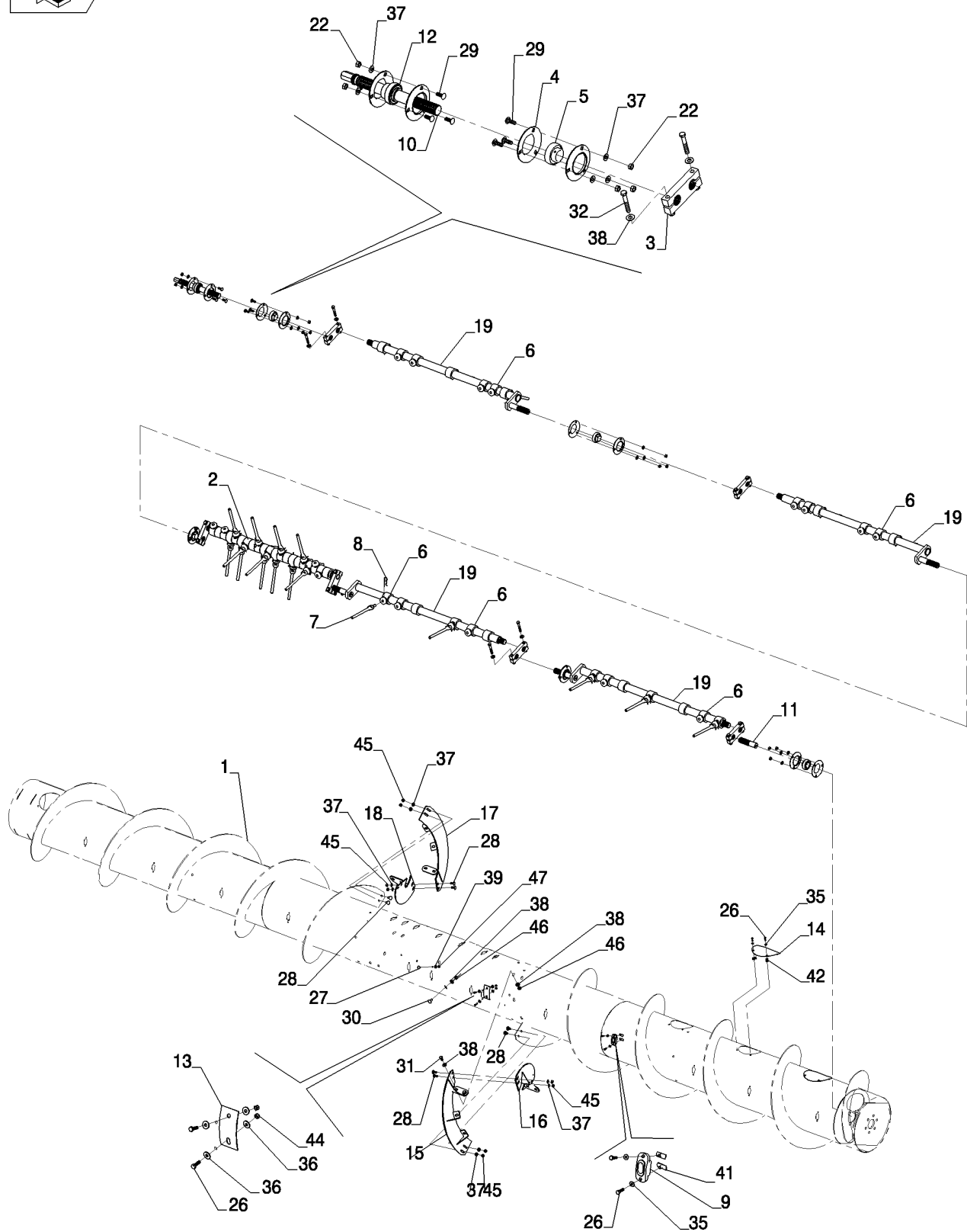


AUGER ASSEMBLY

REF	FN	PART NUMBER	YR/SN	QTY	DESCRIPTION
1		84244830		1	AUGER, 25 Foot Header
1		84244833		1	AUGER, 30 Foot Header
1		84244836		1	AUGER, 35 Foot Header
2		84261948		1	SHAFT
3		86620720		6	CRANKED LINK
4		36403		14	FLANGE
5		87323339		6	BALL BEARING
6		84166226		47	COUPLING JOINT, 25 Foot Header
6		84166226		52	COUPLING JOINT, 30 Foot Header
6		84166226		57	COUPLING JOINT, 35 Foot Header
7		84149782		33	FINGER ASSY., 25 Foot Header
7		84149782		38	FINGER ASSY., 30 Foot Header
7		84149782		43	FINGER ASSY., 35 Foot Header
8		740591		33	HAIR PIN COTTER, M10 x 67, 25 Foot Header
8		740591		38	HAIR PIN COTTER, M10 x 67, 30 Foot Header
8		740591		43	HAIR PIN COTTER, M10 x 67, 35 Foot Header
9		87620690		33	GUIDE, 25 Foot Header
9		87620690		38	GUIDE, 30 Foot Header
9		87620690		43	GUIDE, 35 Foot Header
10		84261952		1	SHAFT
11		87392469		1	AXLE, Left Hand
12		84814912		1	BALL BEARING
13		87471091		6	COVER
14		87017844		11	COVER, Protection, 25 Foot Header
14		87017844		14	COVER, Protection, 30 Foot Header
14		87017844		16	COVER, Protection, 35 Foot Header
15		84224159		1	AUGER FLIGHT, Left Hand
16		84263900		1	AUGER FLIGHT, Left Hand
17		84224162		1	AUGER FLIGHT, Right Hand
18		84263896		1	AUGER FLIGHT, Right Hand
19		84264839		4	SHAFT, 25 Foot Header
19		84264237		4	SHAFT, 30 Foot Header
19		84261950		4	SHAFT, 35 Foot Header
20		9706690		6	NUT, M8, CI 8
21		87533547		26	NUT

3020-25 3020-30
3020-35

AUGER ASSEMBLY



AUGER ASSEMBLY

REF	FN	PART NUMBER	YR/SN	QTY	DESCRIPTION
22		100016		29	NUT, M10, CI 8
23		353308		12	NUT, M6 x 1, CI 8
24		84268307		6	NUT
25		84262759		6	SET SCREW
26		120100		100	BOLT, Hex, M6 x 20, 8.8, 25 Foot Header
26		120100		116	BOLT, Hex, M6 x 20, 8.8, 30 Foot Header
26		120100		130	BOLT, Hex, M6 x 20, 8.8, 35 Foot Header
27		86619060		6	CARRIAGE BOLT, Short NK, M8 x 16, CI8.8, Full Thd
28		338949		8	CARRIAGE BOLT, Short NK, M10 x 25, CI8.8, Full Thd
29		86512446		6	CARRIAGE BOLT, Short NK, M10 x 30, CI8.8, Full Thd
30		374895		12	CARRIAGE BOLT, Short NK, M12 x 25, CI8.8, Full Thd
31		300388		14	BOLT, Hex, M12 x 25, 8.8
32		43158		12	BOLT, Hex, M12 x 80, 8.8
33		86014250		22	SPRING NUT, U, M6 x 1, 25 Foot Header
33		86014250		28	SPRING NUT, U, M6 x 1, 30 Foot Header
33		86014250		32	SPRING NUT, U, M6 x 1, 35 Foot Header
34		84315756		66	SPECIAL NUT, 25 Foot Header
34		84315756		76	SPECIAL NUT, 30 Foot Header
34		84315756		86	SPECIAL NUT, 35 Foot Header
35		322357		94	BELLEVILLE WASHER, M6, 25 Foot Header
35		322357		110	BELLEVILLE WASHER, M6, 30 Foot Header
35		322357		124	BELLEVILLE WASHER, M6, 35 Foot Header
36		86624182		24	WASHER, M6 x 18 x 1.6
37		140045		29	BELLEVILLE WASHER, M10
38		140046		52	BELLEVILLE SPRING, Belleville, M12
39		322358		6	BELLEVILLE WASHER, M8

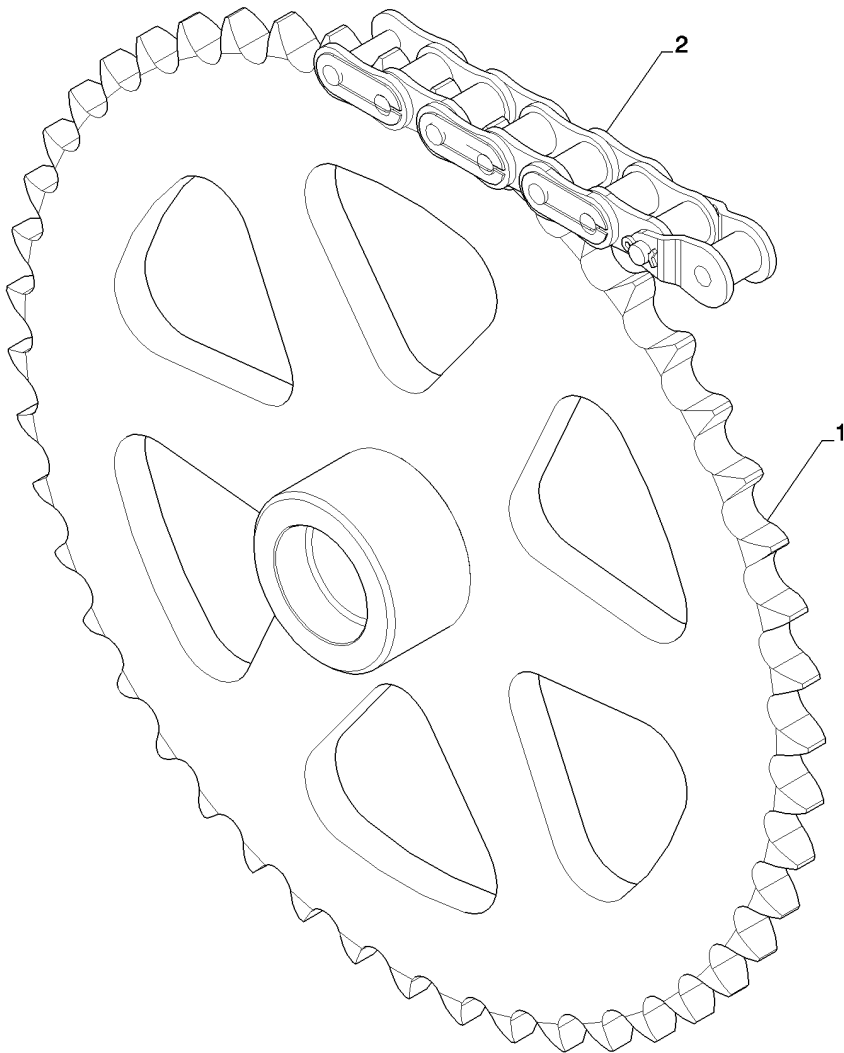
3020-25 3020-30
3020-35

58.120.02

p1

09/10

DIA KIT, AUGER, LOW RPM

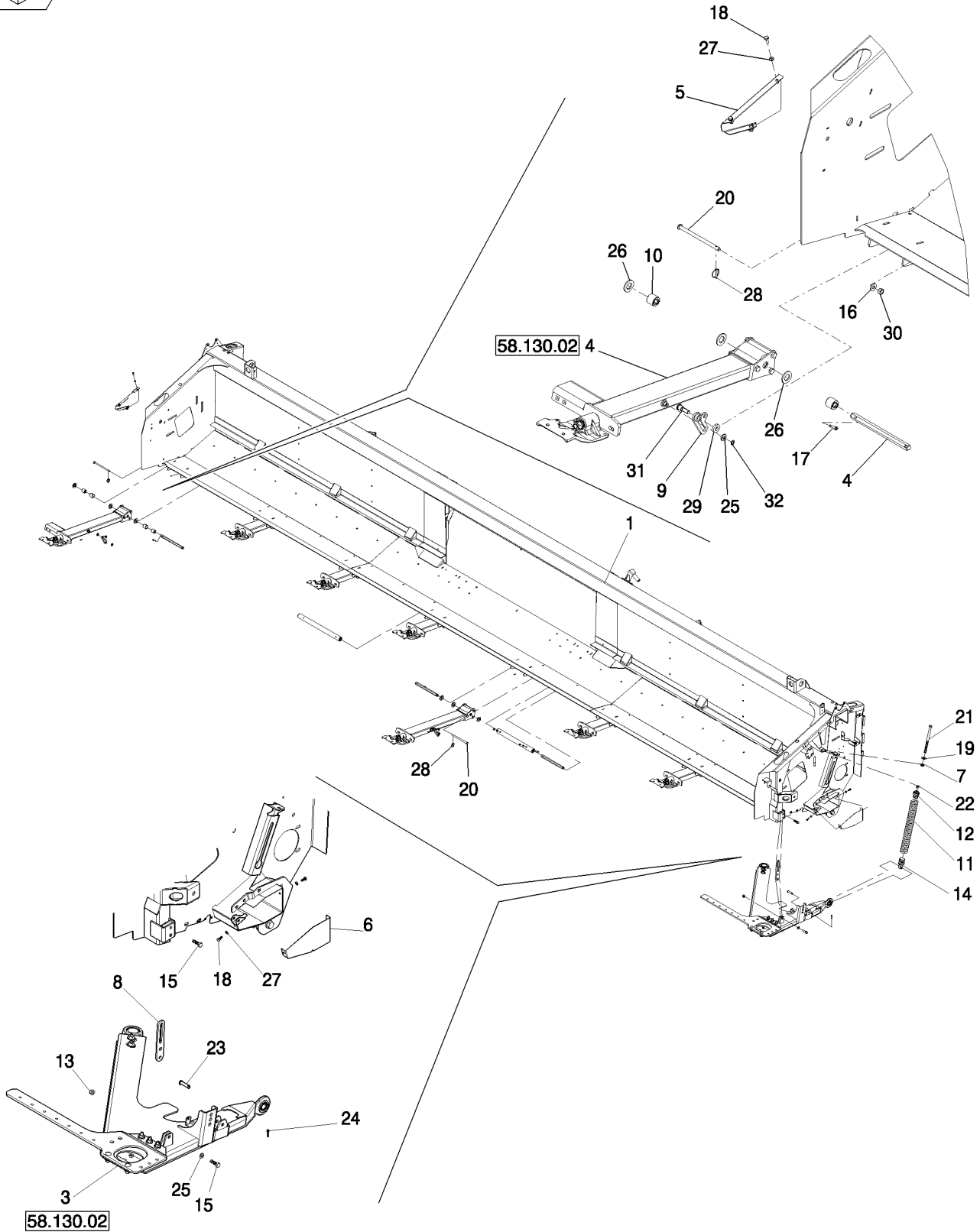


DIA KIT, AUGER, LOW RPM

REF	FN	PART NUMBER	YR/SN	QTY	DESCRIPTION
1		84209468		1	SPROCKET, 47T
2		84268316		1	EXTENSION, Chain

	3020-25 3020-30 3020-35
--	--

FLOOR SUPPORT

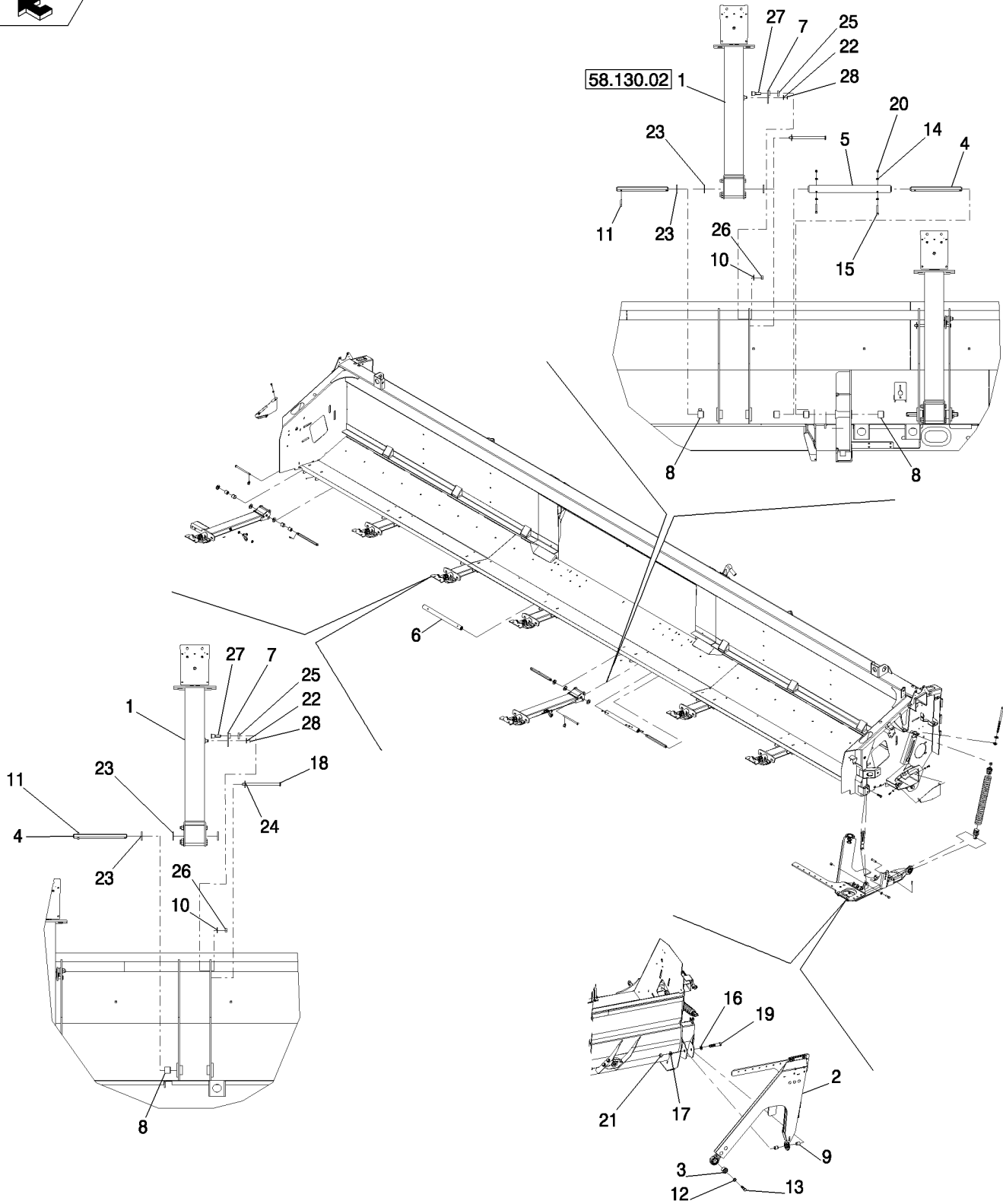


FLOOR SUPPORT

REF	FN	PART NUMBER	YR/SN	QTY	DESCRIPTION
1		84191737		1	FRAME, Floor Support, 25 Foot Header
1		87717739		1	FRAME, Floor Support, 30 Foot Header
1		84225488		1	FRAME, Floor Support, 35 Foot Header
2		NSS		1	NOT SERVICED SEPARATELY, ARM, Right Hand
3		NSS		1	NOT SERVICED SEPARATELY, ARM
4		87736132		1	SHAFT
5		87689122		1	CUP COVER
6		87481873		1	COVER ASSY, Left Hand
7		450869		1	WASHER
8		84229060		1	LINK
9		84349077		1	PLATE
10		{84271863}		2	
11		84126943		1	SPRING, Left Hand Runner Support
12		124366A1		1	SPECIAL NUT, Plug Spring Upper
13		100038		1	LOCK NUT, M12 x 1.75, CI 8
14		1313104C1		1	PLUG, Support Spring Lower
15		337563		2	BOLT, Hex, M12 x 40, 10.9, Full Thd
16		140046		1	BELLEVILLE SPRING, Belleville, M12
17		412687		1	COTTER PIN, M6.3 x 32
18		120104		5	SCREW, Hex, M8 x 20, 8.8
19		496-41066		1	WASHER, 21/32" x 1 1/2" x .188", HDN
20		87682407		3	CLEVIS PIN, M12 x 180
21		124365A1		1	BOLT
22		425-1010		1	NUT, 5/8"-11, G5
23		439-5832		1	HEADED PIN, 1/2" x 2"
24		394818		1	COTTER PIN, M5 x 25
25		86511324		3	WASHER, M12 x 24 x 2.5
26		896-11022		2	WASHER, M22 x 44 x 4, HT
27		140016		5	WASHER, M8 x 16 x 1.6
28		86508947		3	PIN
29		86592713		1	WASHER
30		337475		1	NUT, M12, CI 10
31		84349076		1	STEP BOLT
32		300624		1	SNAP RING, M12, Ext

3020-25 3020-30
3020-35

FLOOR SUPPORT

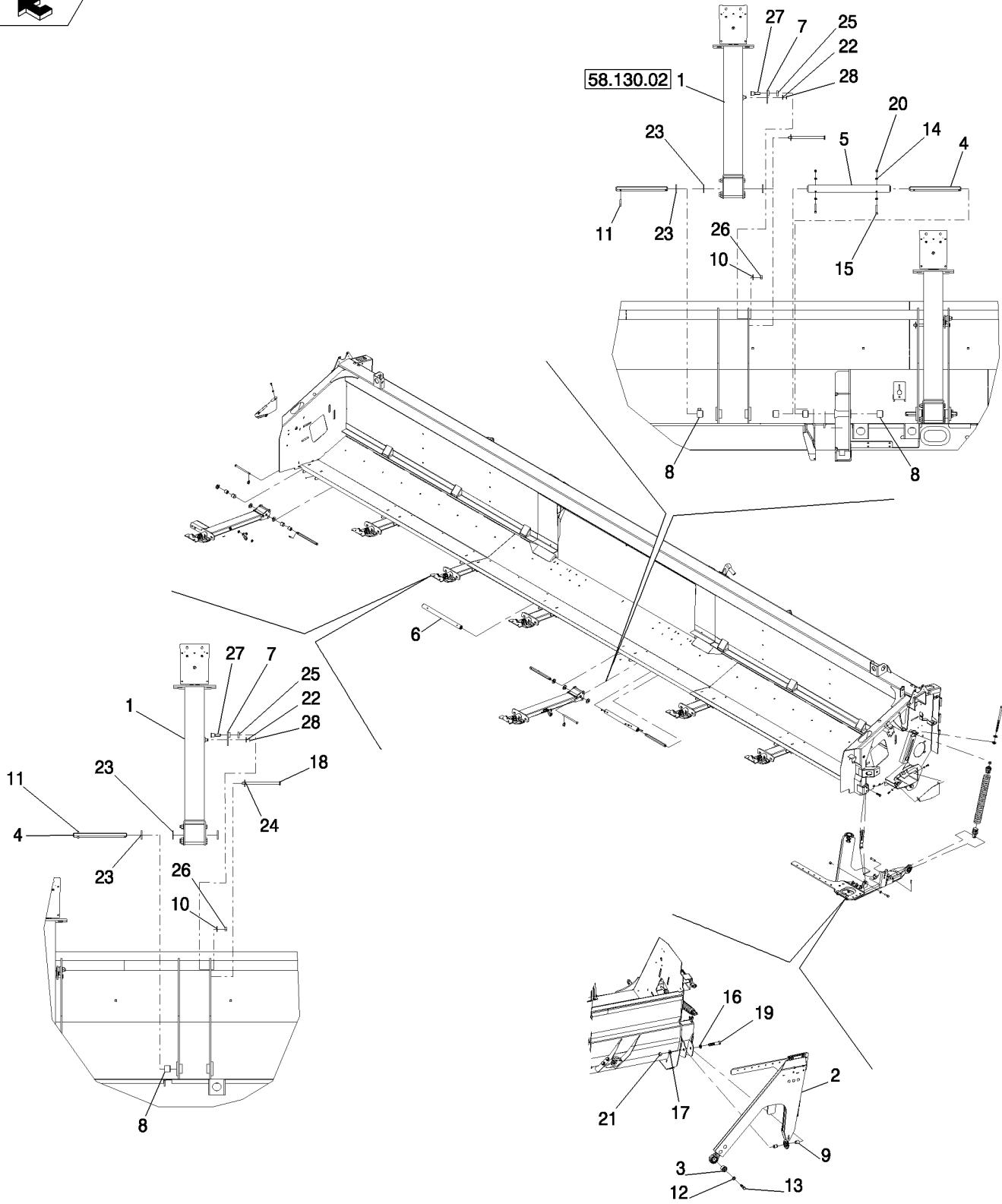


FLOOR SUPPORT

REF	FN	PART NUMBER	YR/SN	QTY	DESCRIPTION
1		NSS		6	NOT SERVICED SEPARATELY, ARM, 25 Foot Header
1		NSS		8	NOT SERVICED SEPARATELY, ARM, 30 Foot Header
1		NSS		10	NOT SERVICED SEPARATELY, ARM, 35 Foot Header
2		NSS		1	NOT SERVICED SEPARATELY, ARM
3		84129472		1	HUB CAP, Floor Support
4		87736132		8	SHAFT, 25 Foot Header
4		87736132		10	SHAFT, 30 Foot Header
4		87736132		12	SHAFT, 35 Foot Header
5		87736146		1	TUBE
6		87736151		1	TUBE
7		84349077		6	PLATE, 25 Foot Header
7		84349077		8	PLATE, 30 Foot Header
7		84349077		10	PLATE, 35 Foot Header
8		{84271863}		16	25 Foot Header
8		{84271863}		20	30 Foot Header
8		{84271863}		24	35 Foot Header
9		87498658		2	BUSHING
10		140046		6	BELLEVILLE SPRING, Belleville, M12, 25 Foot Header
10		140046		8	BELLEVILLE SPRING, Belleville, M12, 30 Foot Header
10		140046		10	BELLEVILLE SPRING, Belleville, M12, 35 Foot Header
11		412687		6	COTTER PIN, M6.3 x 32, 25 Foot Header
11		412687		8	COTTER PIN, M6.3 x 32, 30 Foot Header
11		412687		10	COTTER PIN, M6.3 x 32, 35 Foot Header
12		86625266		1	WASHER, M17.5 x 30 x 4, HT
13		9828248		1	BOLT, Hex, M16 x 60, 10.9
14		86639317		8	WASHER, M6 x 13 x 2, HT
15		10903721		4	BOLT, Hex, M6 x 55, 8.8
16		394632		1	WASHER, M20 x 40 x 4, HT
17		322359		1	SPRING WASHER, Belleville, M20

3020-25 3020-30
3020-35

FLOOR SUPPORT

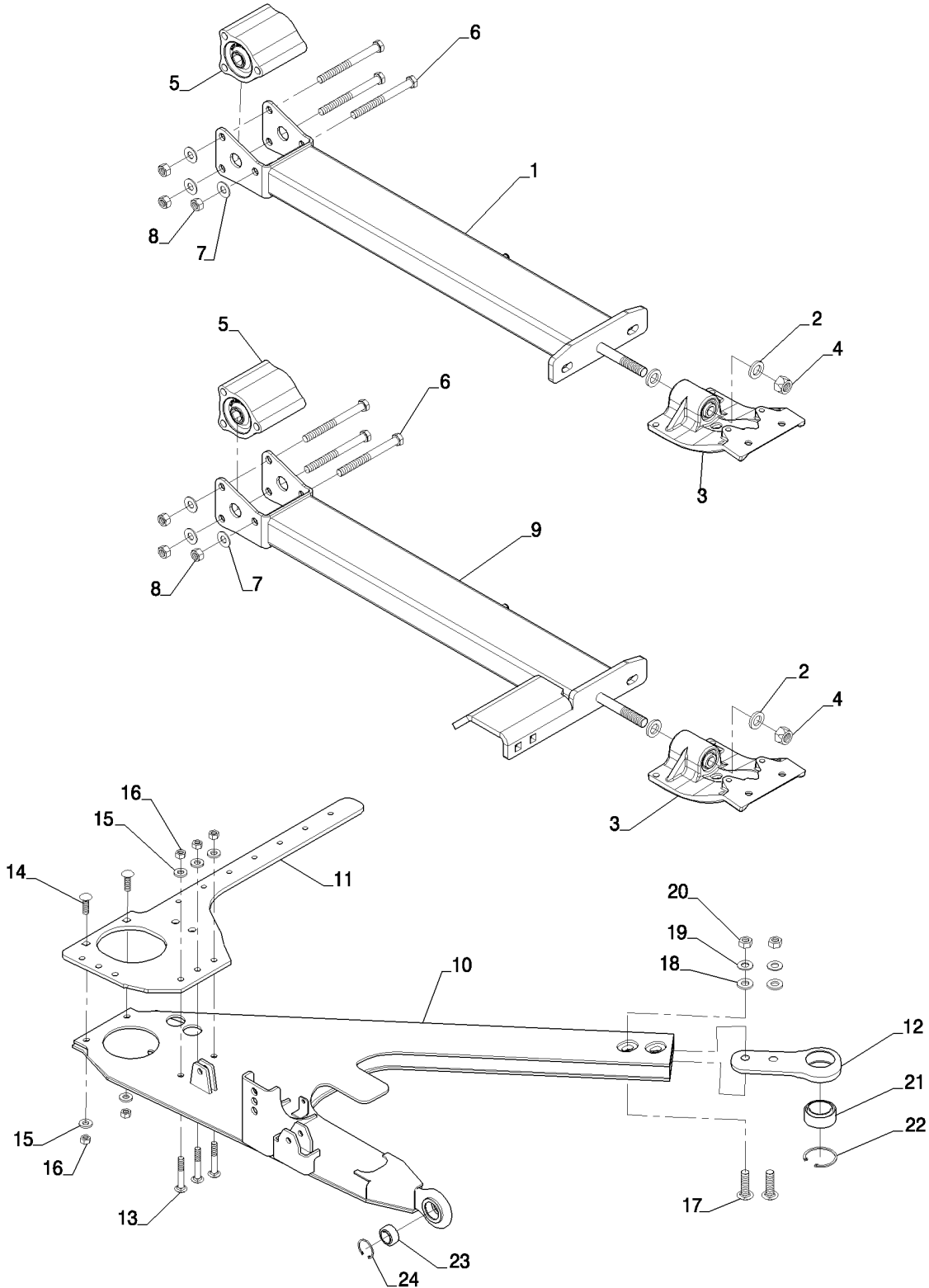


FLOOR SUPPORT

REF	FN	PART NUMBER	YR/SN	QTY	DESCRIPTION
18		87682407		4	CLEVIS PIN, 25 Foot Header
18		87682407		6	CLEVIS PIN, 30 Foot Header
18		87682407		8	CLEVIS PIN, 35 Foot Header
19		86639035		1	BOLT, Hex, M20 x 110, 10.9, Full Thd
20		353308		4	NUT, M6 x 1, CI 8
21		9706694		1	NUT, M20, CI 8
22		86511324		12	WASHER, M12 x 24 x 2.5, 25 Foot Header
22		86511324		16	WASHER, M12 x 24 x 2.5, 30 Foot Header
22		86511324		20	WASHER, M12 x 24 x 2.5, 35 Foot Header
23		896-11022		19	WASHER, M22 x 44 x 4, HT, 25 Foot Header
23		896-11022		25	WASHER, M22 x 44 x 4, HT, 30 Foot Header
23		896-11022		31	WASHER, M22 x 44 x 4, HT, 35 Foot Header
24		86508947		4	PIN, 25 Foot Header
24		86508947		6	PIN, 30 Foot Header
24		86508947		8	PIN, 35 Foot Header
25		86592713		6	WASHER, 25 Foot Header
25		86592713		8	WASHER, 30 Foot Header
25		86592713		10	WASHER, 35 Foot Header
26		337475		6	NUT, M12, CI 10, 25 Foot Header
26		337475		8	NUT, M12, CI 10, 30 Foot Header
26		337475		10	NUT, M12, CI 10, 35 Foot Header
27		84349076		6	STEP BOLT, 25 Foot Header
27		84349076		8	STEP BOLT, 30 Foot Header
27		84349076		10	STEP BOLT, 35 Foot Header
28		300624		6	SNAP RING, M12, Ext, 25 Foot Header
28		300624		8	SNAP RING, M12, Ext, 30 Foot Header
28		300624		10	SNAP RING, M12, Ext, 35 Foot Header

3020-25 3020-30
3020-35

ARMS, FLOOR SUPPORT

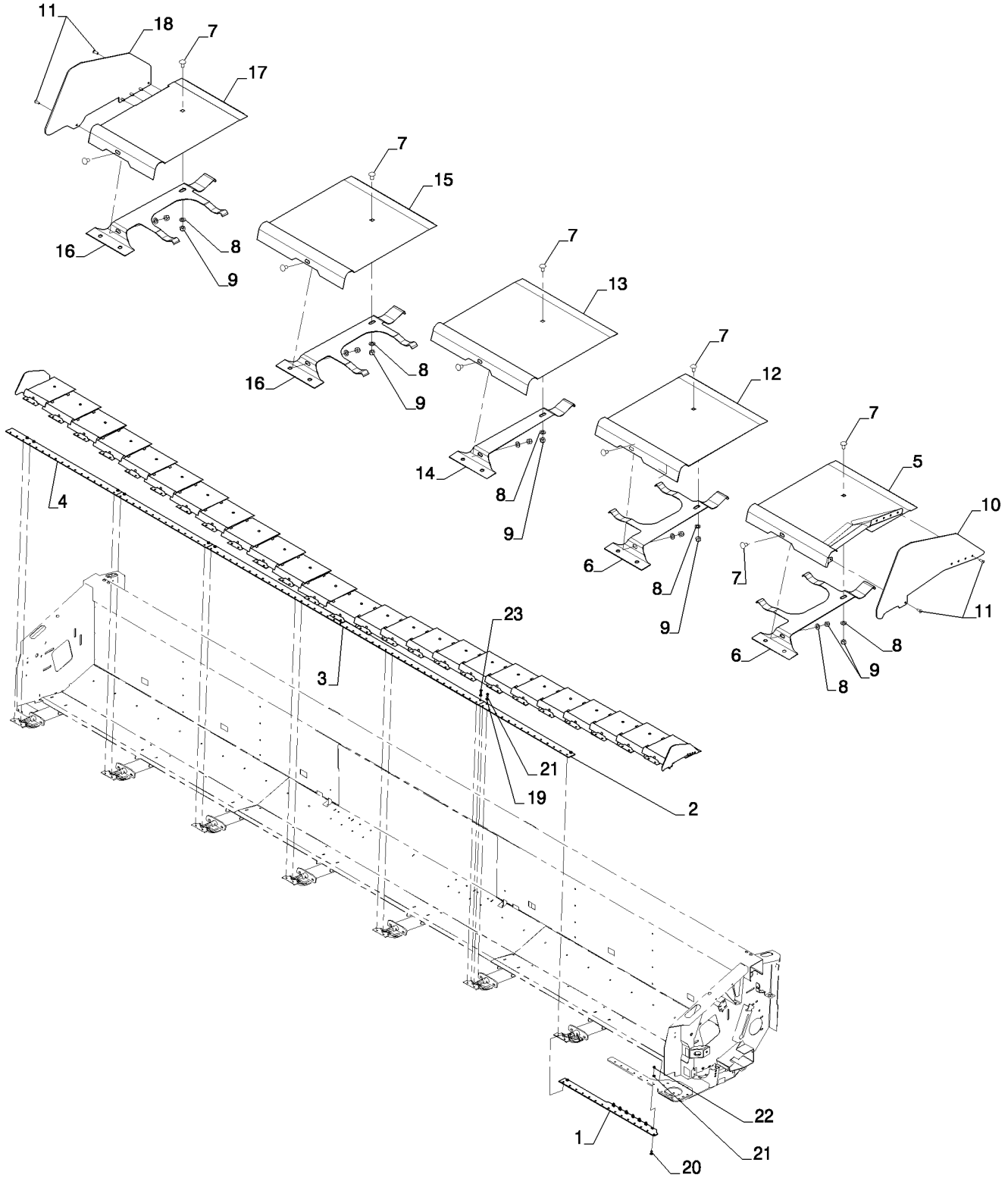


ARMS, FLOOR SUPPORT

REF	FN	PART NUMBER	YR/SN	QTY	DESCRIPTION
1		84225500		1	SUPPORTING ARM, Floor Support
2		86625266		4	WASHER, M17.5 x 30 x 4, HT
3		84173610		2	SKID/SHOE, Floor Support Arm
4		86000441		2	NUT, M16 x 2, CI 8
5		84126918		2	TORSION SPRING, Floor Support Arm
6		395277		6	BOLT, Hex, M12 x 130, 8.8
7		140046		6	BELLEVILLE SPRING, Belleville, M12
8		337475		6	NUT, M12, CI 10
9		84354956		1	ARM, Floor Support, Right Hand
10		{84349646}		1	Floor Support
11		84285503		1	PLATE, Floor Support Arm
12		84155110		1	BLOCK ASSY., Floor Support Arm
13		300662		3	CARRIAGE BOLT, Short NK, M12 x 80, CI8.8
14		328754		2	SCREW, Short NK, M12 x 40, CI8.8, Full Thd
15		86625256		5	WASHER, M12 x 28.5 x 4, HT
16		9706685		5	NUT, M12, CI 8
17		87552612		2	CARRIAGE BOLT
18		394631		2	WASHER, M17 x 34 x 4, HT
19		140048		2	BELLEVILLE WASHER, M16
20		100020		2	NUT, M16, CI 8
21		84127262		1	BUSHING
22		11061376		1	SNAP RING, M68, Int
23		87371170		1	BEARING ASSY
24		300645			SNAP RING, M42, Int

3020-25 3020-30
3020-35

FLOOR ASSEMBLY



FLOOR ASSEMBLY

REF	FN	PART NUMBER	YR/SN	QTY	DESCRIPTION
1		NSS		1	NOT SERVICED SEPARATELY, CUTTERBAR, Left Hand End
2		NSS		2	NOT SERVICED SEPARATELY, CUTTERBAR, Left Hand
3		NSS		1	NOT SERVICED SEPARATELY, CUTTERBAR, Center
4		NSS		1	NOT SERVICED SEPARATELY, CUTTERBAR, Right Hand
5		84330933		1	SHEET, Floor Assembly, Left Hand
6		84324323		12	LEAF SPRING, Floor Assembly, Left Hand
7		86507486		AR	CARRIAGE BOLT, Short NK, M8 x 20, CI8.8, Full Thd
8		86624184		AR	WASHER, M8 x 16 x 1.6
9		86629542		AR	LOCK NUT, M8 x 1.25, CI 8
10		84332238		1	PLATE, Floor Assembly, Left Hand
11		445394		10	RIVET, Pop, M4.8 x 12.7
12		84330930		11	SHEET, Floor Assembly, Left Hand
13		84330928		1	SHEET, Floor Assembly, Center
14		84324326		1	LEAF SPRING, Floor Assembly, Center
15		84330932		11	SHEET, Floor Assembly, Right Hand
16		84324324		12	LEAF SPRING, Floor Assembly, Right Hand
17		84330929		1	SHEET, Floor Assembly, Right Hand End
18		84174195		1	SEAL, Floor Assembly, Right Hand End
19		394629		8	LOCK WASHER, M10.5 x 24 x 0.2, HT
20		86512446		7	CARRIAGE BOLT, Short NK, M10 x 30, CI8.8, Full Thd
21		140045		15	BELLEVILLE WASHER, M10
22		100016		7	NUT, M10, CI 8
23		43139		8	BOLT, Hex, M10 x 25, 8.8, Full Thd

3020-25 3020-30
3020-35

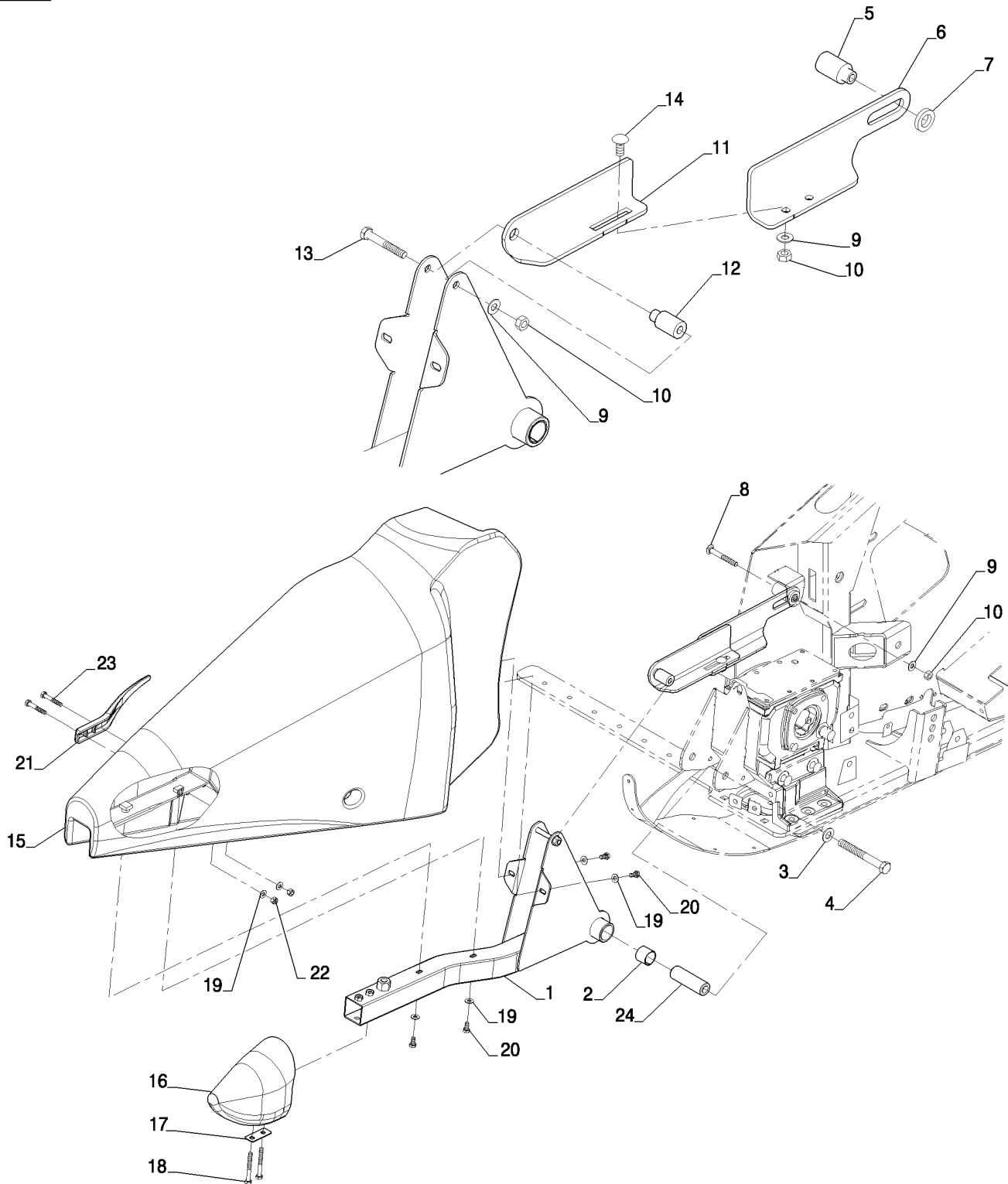
58.131.01

01

p1

08/10

DIVIDER ASSEMBLY, LEFT HAND

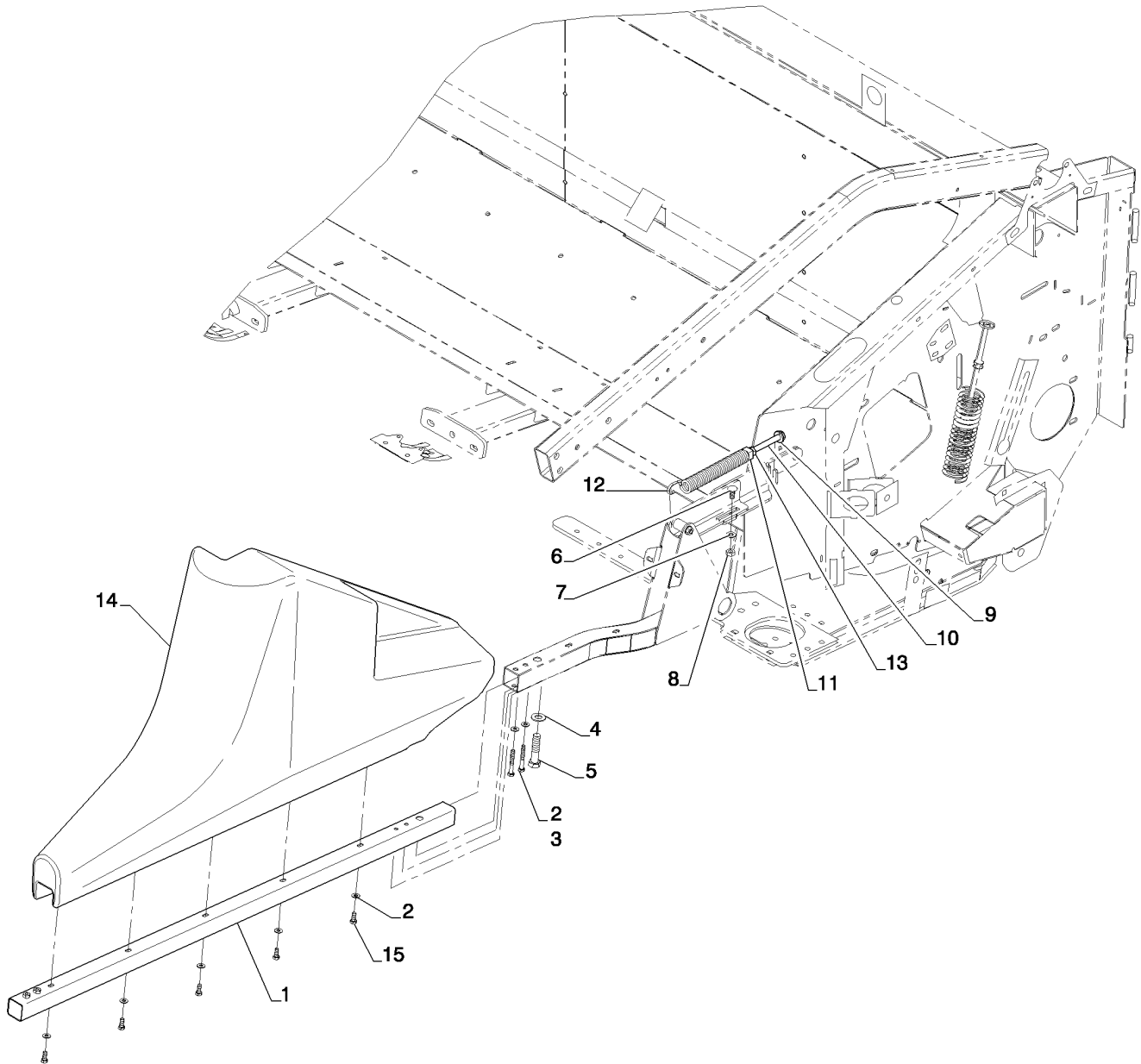


DIVIDER ASSEMBLY, LEFT HAND

REF	FN	PART NUMBER	YR/SN	QTY	DESCRIPTION
1		84137065		1	DIVIDER, Left Hand
2		210022		2	BUSHING, Left Hand Divider
3		140048		1	BELLEVILLE WASHER, M16
4		354360		1	BOLT, Hex, M16 x 130, 8.8
5		84173955		1	SPACER, Stepped, Wide/Dual Drive
6		84306410		1	LINKAGE, Left Hand
7		84306403		1	LINKAGE, Left Hand
8		412189		1	CARRIAGE BOLT, Short NK, M10 x 80, CI8.8
9		140045		3	BELLEVILLE WASHER, M10
10		100016		3	NUT, M10, CI 8
11		84306514		1	LINKAGE, Left Hand
12		84137057		1	SPACER, Lower Pivot
13		43144		1	BOLT, Hex, M10 x 70, 8.8
14		86633356		1	CARRIAGE BOLT, Short NK, M10 x 25, CI8.8, Full Thd
15		84173224		1	DIVIDER, Left Hand
16		87736718		1	DIVIDER POINT
17		84147660		1	PLATE, Left Hand
18		120062		2	BOLT, Hex, M8 x 70, 8.8
19		322358		6	BELLEVILLE WASHER, M8
20		120104		4	SCREW, Hex, M8 x 20, 8.8
21		87488952		1	DEFLECTOR, Crop
22		86629542		2	LOCK NUT, M8 x 1.25, CI 8
23		120107		2	BOLT, Hex, M8 x 50, 8.8, Full Thd
24		84137037		1	SPACER, Lower Pivot

3020-25 3020-30
3020-35

DIVIDER ASSEMBLY, LONG, LEFT HAND



58.131.01

02

p1

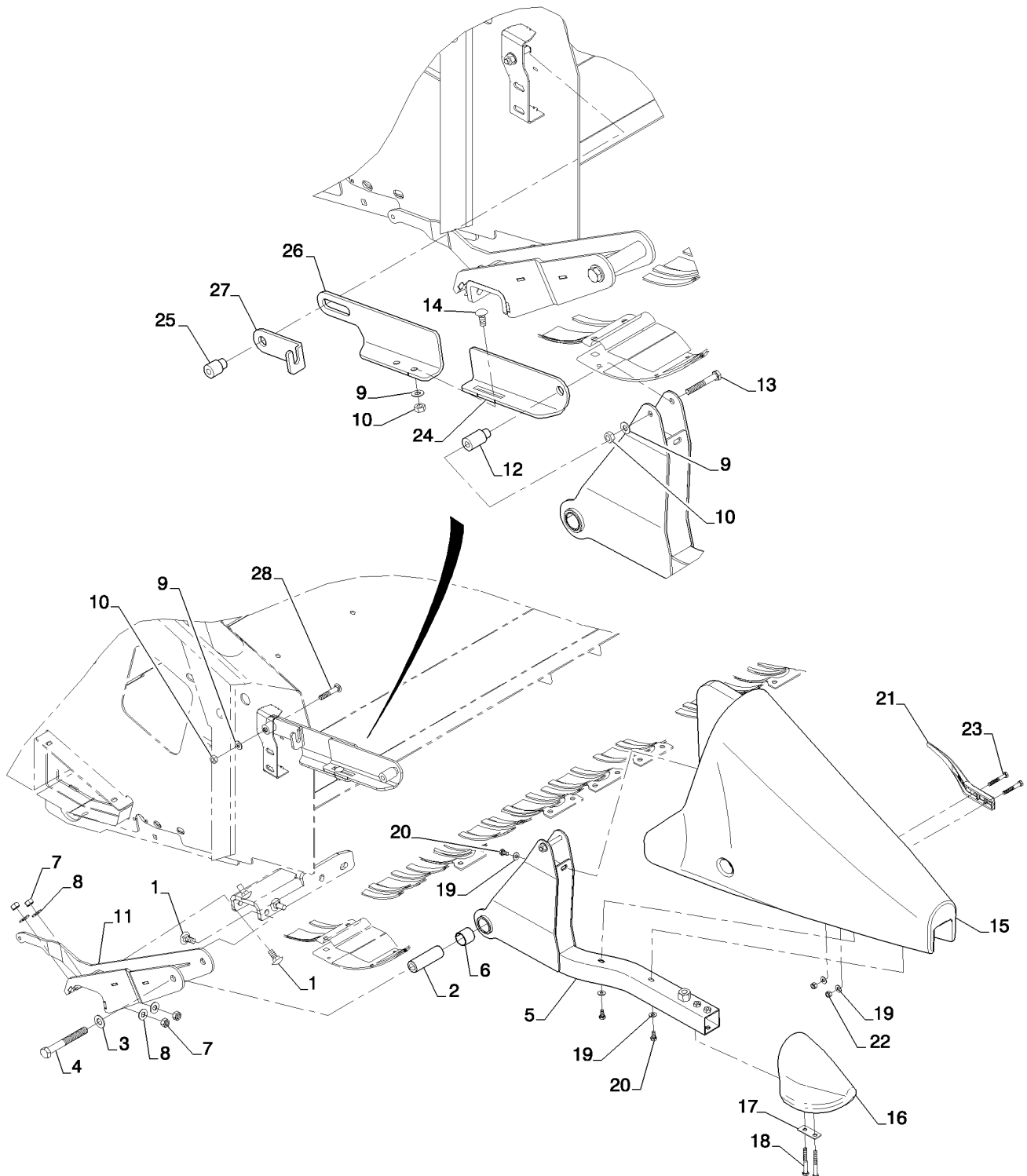
08/10

DIVIDER ASSEMBLY, LONG, LEFT HAND

REF	FN	PART NUMBER	YR/SN	QTY	DESCRIPTION
1		84308107		1	TUBE, Long Divider, Left Hand
2		322358		7	BELLEVILLE WASHER, M8
3		120061		2	BOLT, Hex, M8 x 60, 8.8
4		140048		1	BELLEVILLE WASHER, M16
5		120092		1	BOLT, Hex, M16 x 70, 8.8
6		86633356		1	CARRIAGE BOLT, Short NK, M10 x 25, CI8.8, Full Thd
7		140045		1	BELLEVILLE WASHER, M10
8		100016		1	NUT, M10, CI 8
9		496-21053		1	WASHER, 17/32" x 1 1/16" x .134"
10		86508731		1	BOLT, Hex, 1/2"-13 x 7", G8
11		1316731C1		1	SPECIAL NUT
12		84306385		1	SPRING
13		9706685		1	NUT, M12, CI 8
14		84254734		1	DIVIDER, Long, Left Hand
15		120104		5	SCREW, Hex, M8 x 20, 8.8

**3020-25 3020-30
3020-35**

DIVIDER ASSEMBLY, RIGHT HAND

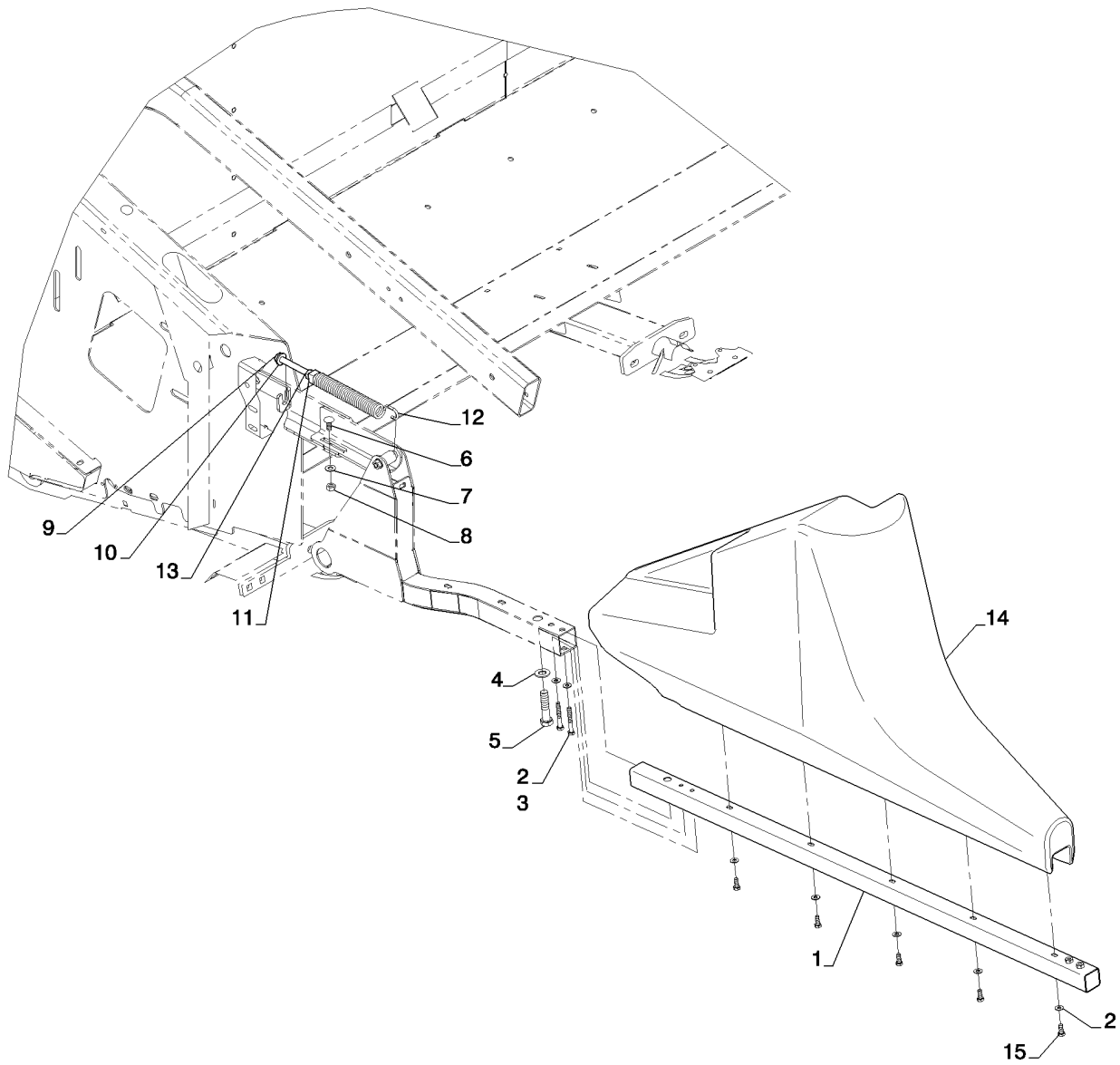


DIVIDER ASSEMBLY, RIGHT HAND

REF	FN	PART NUMBER	YR/SN	QTY	DESCRIPTION
1		335890		4	CARRIAGE BOLT, Short NK, M12 x 30, Cl8.8, Full Thd
2		84137037		1	SPACER, Lower Pivot
3		140048		1	BELLEVILLE WASHER, M16
4		354360		1	BOLT, Hex, M16 x 130, 8.8
5		84137066		1	DIVIDER, Right Hand
6		210022		2	BUSHING, Right Hand Divider
7		337475		4	NUT, M12, Cl 10
8		140046		4	BELLEVILLE SPRING, Belleville, M12
9		140045		3	BELLEVILLE WASHER, M10
10		100016		3	NUT, M10, Cl 8
11		84296541		1	DIVIDER, Right Hand
12		84137057		1	SPACER, Lower Pivot
13		43144		1	BOLT, Hex, M10 x 70, 8.8
14		86633356		1	CARRIAGE BOLT, Short NK, M10 x 25, Cl8.8, Full Thd
15		84173226		1	DIVIDER, Right Hand
16		87736718		1	DIVIDER POINT, Right Hand
17		84147660		1	PLATE, Right Hand
18		120062		2	BOLT, Hex, M8 x 70, 8.8
19		322358		5	BELLEVILLE WASHER, M8
20		120104		3	SCREW, Hex, M8 x 20, 8.8
21		87488952		1	DEFLECTOR, Crop
22		86629542		2	LOCK NUT, M8 x 1.25, Cl 8
23		120107		2	BOLT, Hex, M8 x 50, 8.8, Full Thd
24		84306495		1	LINKAGE, Right Hand
25		84164504		1	SPACER, Stepped
26		84306405		1	LINKAGE, Right Hand
27		84306399		1	LINKAGE, Right Hand
28		86512447		1	CARRIAGE BOLT, Short NK, M10 x 60, Cl8.8

3020-25 3020-30
3020-35

DIVIDER ASSEMBLY, LONG, RIGHT HAND



58.131.02

02

p1

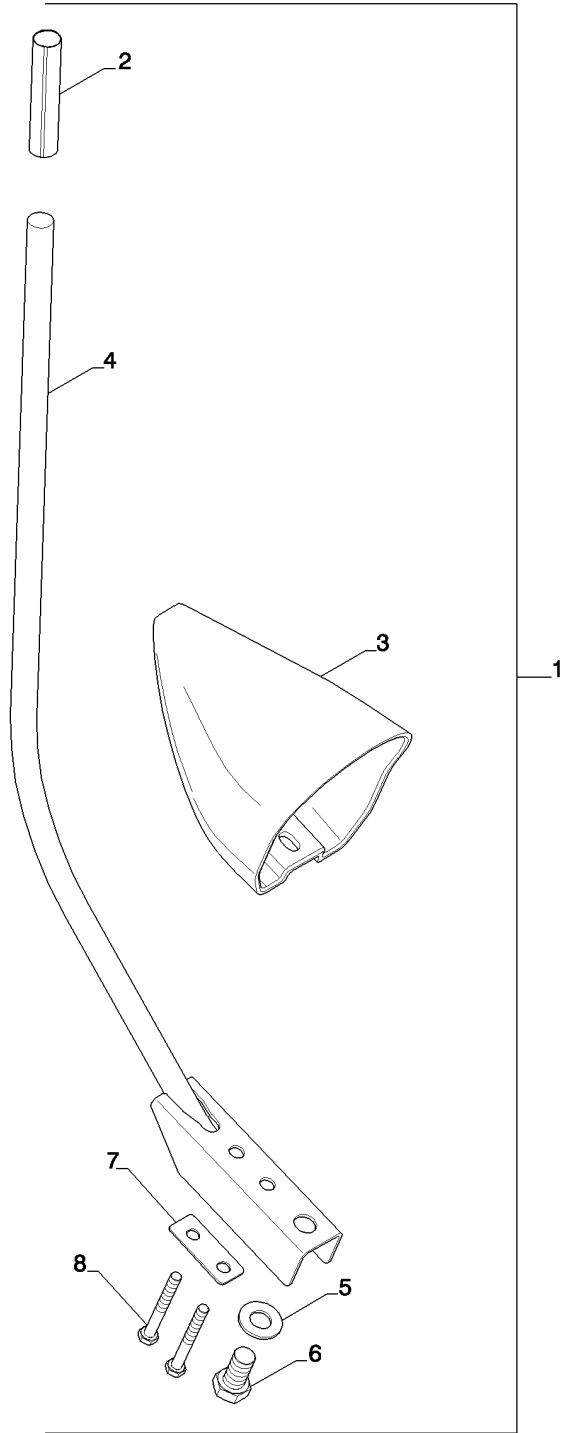
08/10

DIVIDER ASSEMBLY, LONG, RIGHT HAND

REF	FN	PART NUMBER	YR/SN	QTY	DESCRIPTION
1		84308107		1	TUBE, Long Divider, Right Hand
2		322358		7	BELLEVILLE WASHER, M8
3		120061		2	BOLT, Hex, M8 x 60, 8.8
4		140048		1	BELLEVILLE WASHER, M16
5		120092		1	BOLT, Hex, M16 x 70, 8.8
6		86633356		1	CARRIAGE BOLT, Short NK, M10 x 25, CI8.8, Full Thd
7		140045		1	BELLEVILLE WASHER, M10
8		100016		1	NUT, M10, CI 8
9		496-21053		1	WASHER, 17/32" x 1 1/16" x .134"
10		86508731		1	BOLT, Hex, 1/2"-13 x 7", G8
11		1316731C1		1	SPECIAL NUT
12		84306385		1	SPRING
13		9706685		1	NUT, M12, CI 8
14		84256951		1	DIVIDER, Long, Right Hand
15		120104		5	SCREW, Hex, M8 x 20, 8.8

**3020-25 3020-30
3020-35**

DIVIDER ASSEMBLY, EXTENDED

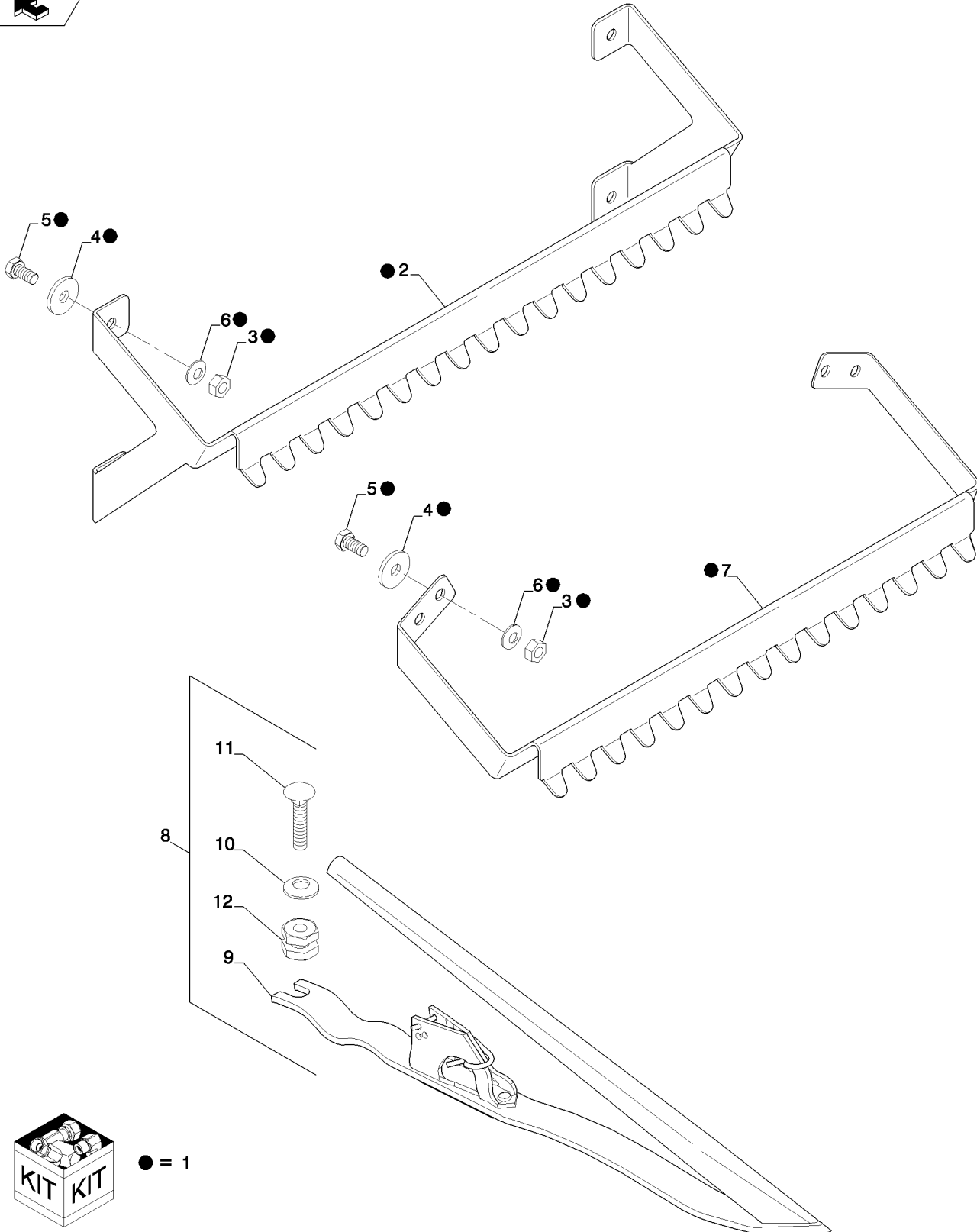


DIVIDER ASSEMBLY, EXTENDED

REF	FN	PART NUMBER	YR/SN	QTY	DESCRIPTION
1		84229083		2	DIVIDER, Extended. Inc. 2-4
2		369441A1		1	REFLECTOR, White
3		84229093		1	DIVIDER, Point
4		84229082		1	DIVIDER, Extended
5		140048		2	BELLEVILLE WASHER, M16
6		43167		2	BOLT, Hex, M16 x 30, 8.8, Full Thd
7		84147660		2	PLATE
8		120062		4	BOLT, Hex, M8 x 70, 8.8

**3020-25 3020-30
3020-35**

DIA KIT, CROP LIFTERS AND SUPPORT



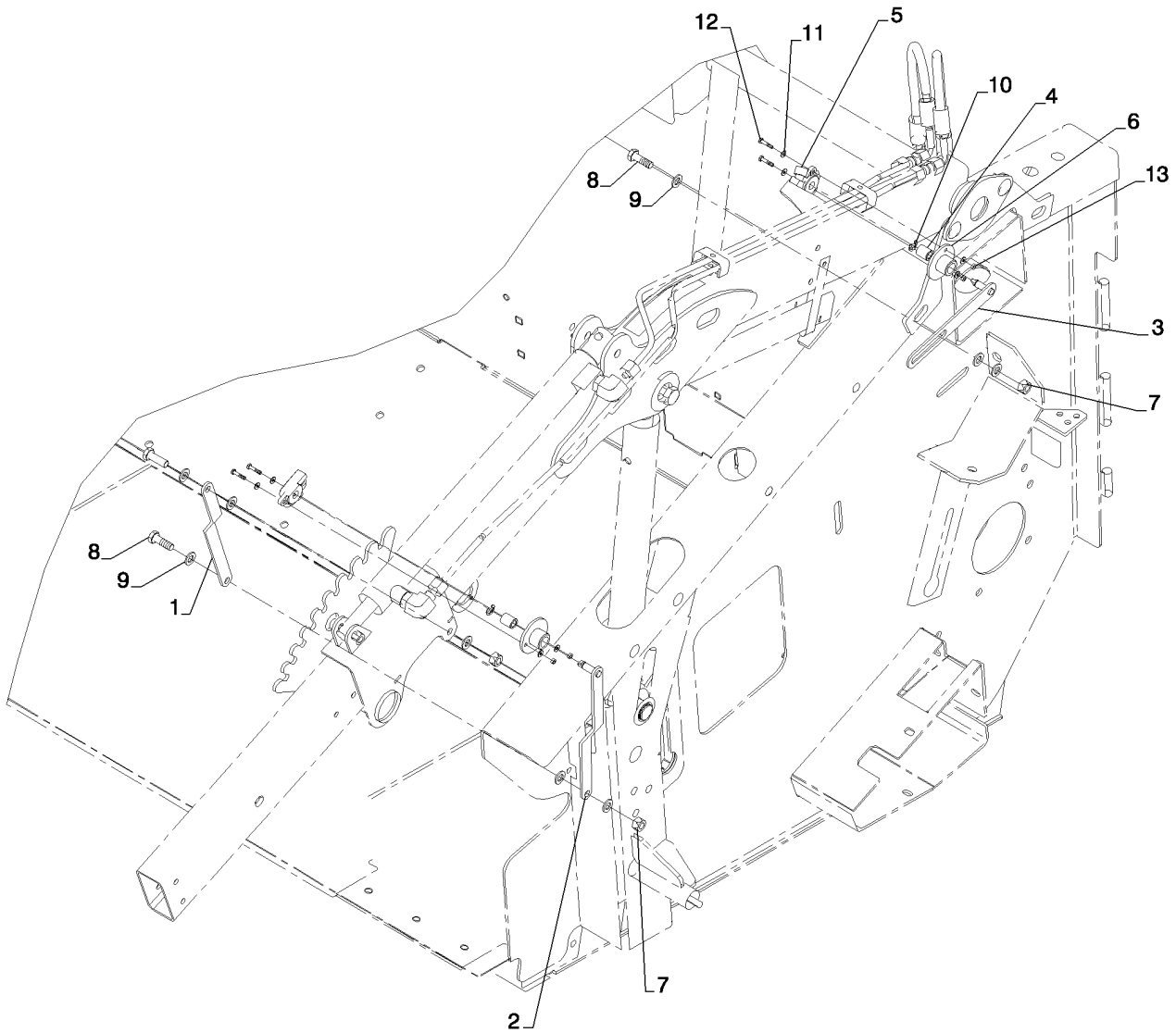
● = 1

DIA KIT, CROP LIFTERS AND SUPPORT

REF	FN	PART NUMBER	YR/SN	QTY	DESCRIPTION
1		84160118		1	DIA KIT, HARVESTER, Crop Lifter, 25 Foot Header, Inc. 2-6, 8
1		84134170		1	DIA KIT, HARVESTER, Crop Lifter, 30 Foot Header, Inc. 3-8
1		84143555		1	DIA KIT, HARVESTER, Crop Lifter, 35 Foot Header, Inc.2-6, 8
2		87699398		2	SUPPORT, Crop Lifter, 25 And 35 Foot Header
3		100016		8	NUT, M10, CI 8
4		140042		8	WASHER, M10 x 34 x 3
5		43138		8	BOLT, Hex, M10 x 20, 8.8, Full Thd
6		140045		8	BELLEVILLE WASHER, M10
7		84441549		2	SUPPORT, Crop Lifter, 30 Foot Header
8		{84134152}		24	25 Foot Header, Inc. 9-12
8		{84134152}		29	30 Foot Header, Inc. 9-12
8		{84134152}		34	35 Foot Header, Inc. 9-12
9		84134059		1	CROP LIFTER
10		140045		1	BELLEVILLE WASHER, M10
11		374892		1	SCREW, Short NK, M10 x 40, CI8.8, Full Thd
12		9514326		1	NUT, M10

3020-25 3020-30
3020-35

SENSORS, REEL POSITION

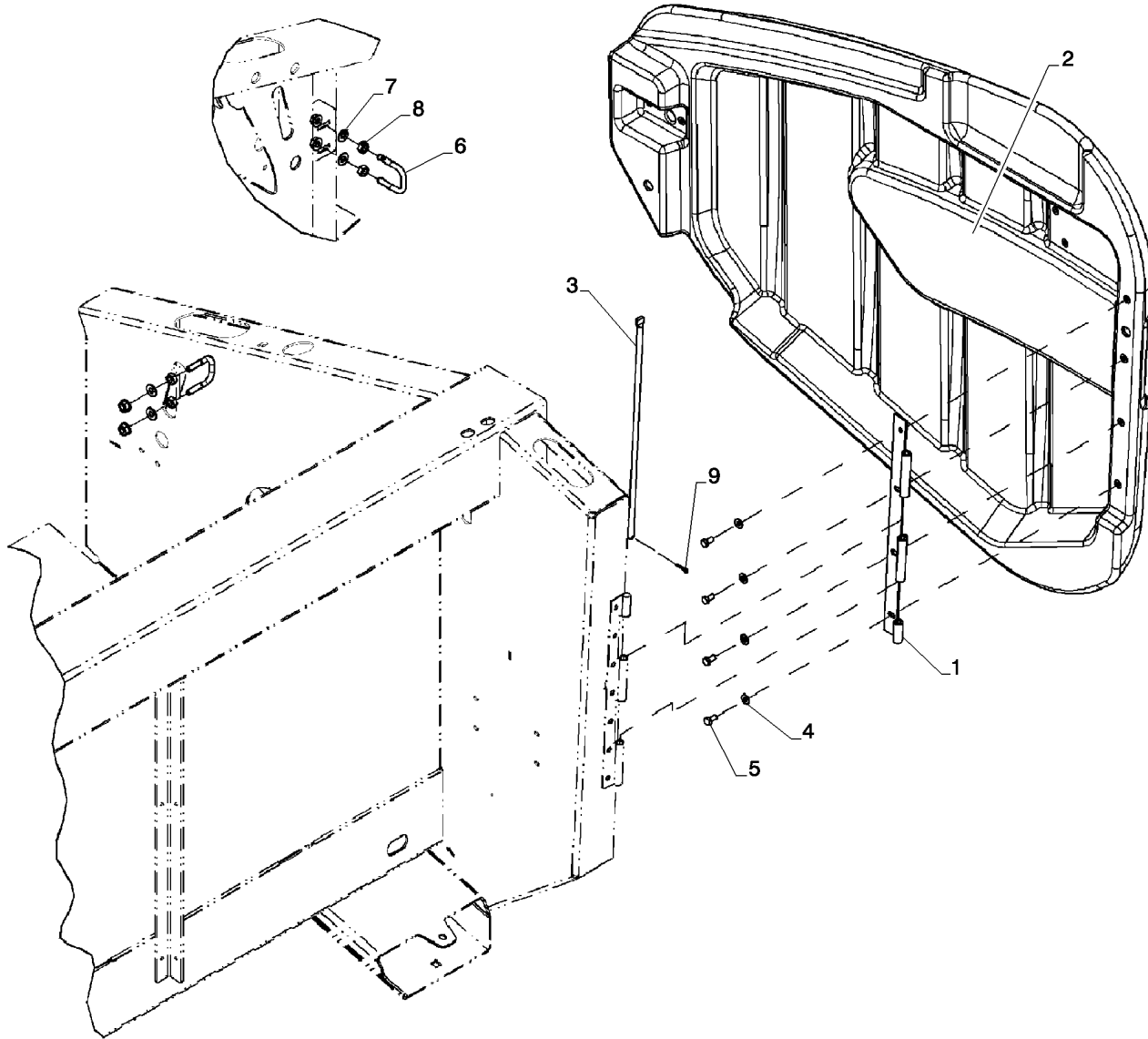


SENSORS, REEL POSITION

REF	FN	PART NUMBER	YR/SN	QTY	DESCRIPTION
1		84268280		1	ARM, Reel Position Sensor
2		84267850		1	ARM, Reel Position Sensor
3		87568002		1	ARM, Reel Position Sensor
4		86516740		2	BUSHING
5		86977396		2	POTENTIOMETER, Reel Position
6		87715239		2	BUSHING
7		100037		3	NUT, M10 x 1.5, CI 8
8		43140		3	BOLT, Hex, M10 x 30, 8.8, Full Thd
9		140017		9	WASHER, M10 x 20 x 2
10		86000439		2	SNAP RING, #37, Ext
11		322355		8	WASHER, Belleville, M4
12		412255		4	BOLT, Hex, M4 x 20, 8.8, Full Thd
13		100012		4	NUT, M4, CI 8

3020-25 3020-30
3020-35

END SHIELDING, RIGHT HAND

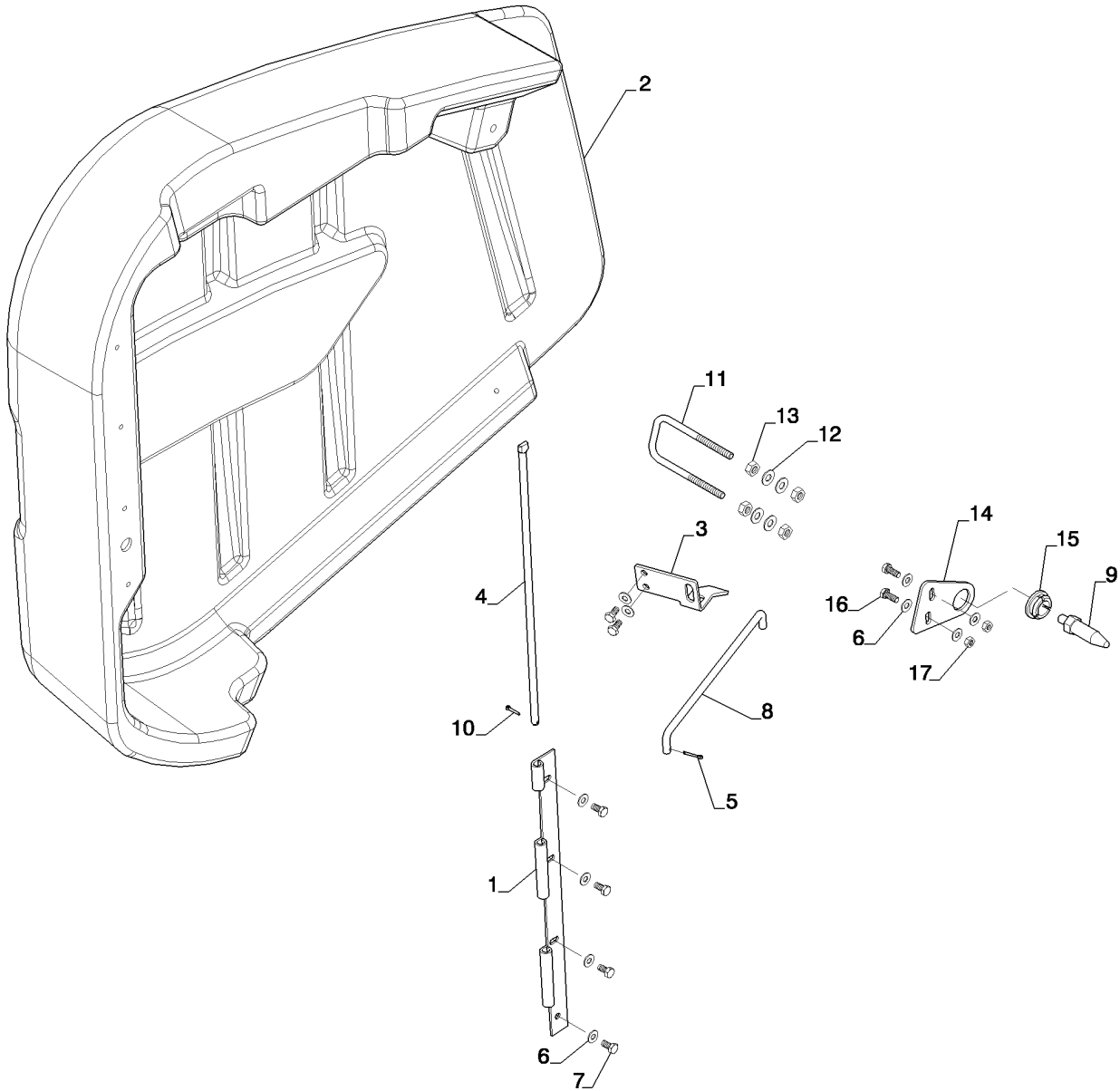


END SHIELDING, RIGHT HAND

REF	FN	PART NUMBER	YR/SN	QTY	DESCRIPTION
1		84124326		1	HINGE, End Shield
2		87752059		1	SHIELD, End, Right Hand
3		87330714		1	ARTICULATED SHAFT, End Shield
4		322358		4	BELLEVILLE WASHER, M8
5		120103		4	BOLT, Hex, M8 x 16, 8.8
6		84134793		1	BRACKET, U-Bolt
7		140045		4	BELLEVILLE WASHER, M10
8		100016		4	NUT, M10, CI 8
9		130003		1	COTTER PIN, M3.2 x 20

3020-25 3020-30
3020-35

END SHIELDING, LEFT HAND

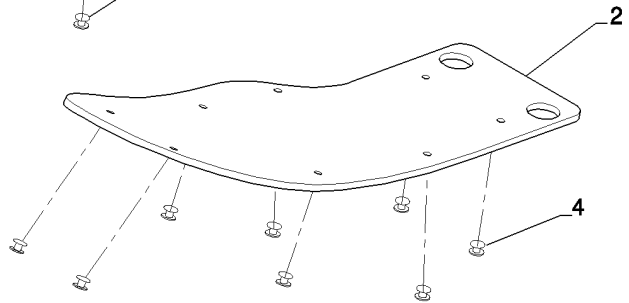
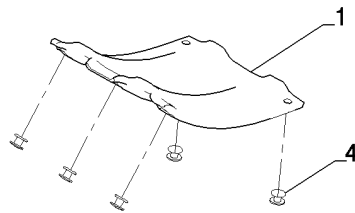
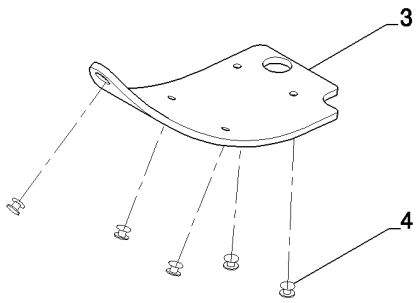


END SHIELDING, LEFT HAND

REF	FN	PART NUMBER	YR/SN	QTY	DESCRIPTION
1		84124326		1	HINGE, Shield
2		84173106		1	SHIELD, Left Hand
3		87481333		1	BRACKET, SUPPORTING, Stop
4		87330714		1	ARTICULATED SHAFT
5		10796401		1	COTTER PIN, M3.2 x 18
6		322358		10	BELLEVILLE WASHER, M8
7		120103		6	BOLT, Hex, M8 x 16, 8.8
8		87725861		1	ROD, Prop
9		87749134		1	PIN
10		130003		1	COTTER PIN, M3.2 x 20
11		84150346		1	BRACKET
12		140045		4	BELLEVILLE WASHER, M10
13		100016		4	NUT, M10, CI 8
14		84207826		1	MOUNT, Left Hand
15		556719		1	BUSHING
16		120104		2	SCREW, Hex, M8 x 20, 8.8
17		9706690		2	NUT, M8, CI 8

3020-25 3020-30
3020-35

WEAR PLATES

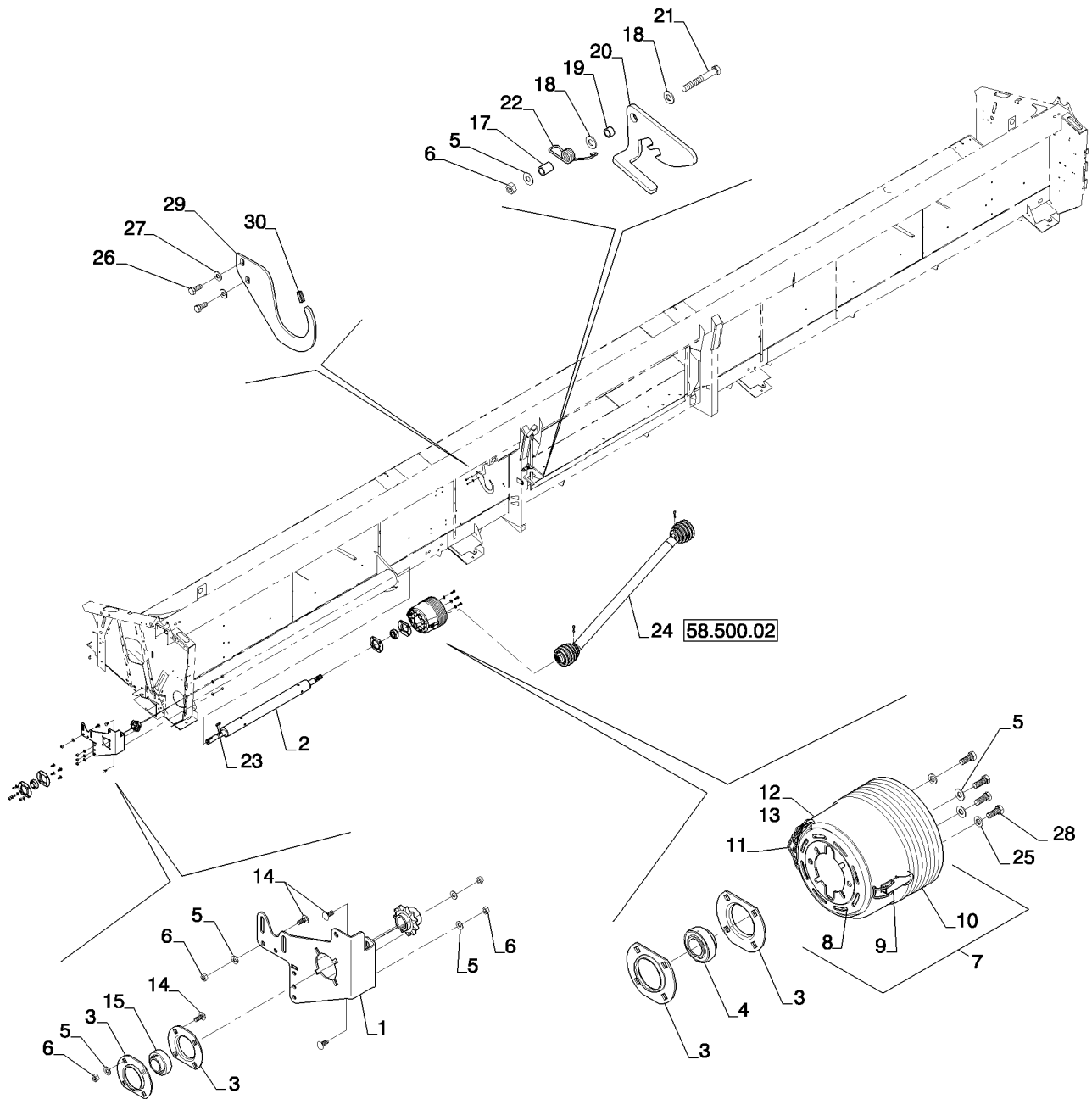


WEAR PLATES

REF	FN	PART NUMBER	YR/SN	QTY	DESCRIPTION
1		377580A1		51	SKID/SHOE, Wear Plate, 25 Foot Header
1		377580A1		61	SKID/SHOE, Wear Plate, 30 Foot Header
1		377580A1		71	SKID/SHOE, Wear Plate, 35 Foot Header
2		84143805		1	SKID/SHOE, Wear Plate, Left Hand
3		84276424		1	SKID/SHOE, Wear Plate, Right Hand
4		87613322		268	POP RIVET, 25 Foot Header
4		87613322		318	POP RIVET, 30 Foot Header
4		87613322		368	POP RIVET, 35 Foot Header

3020-25 3020-30
3020-35

MAIN SHAFT

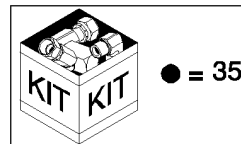
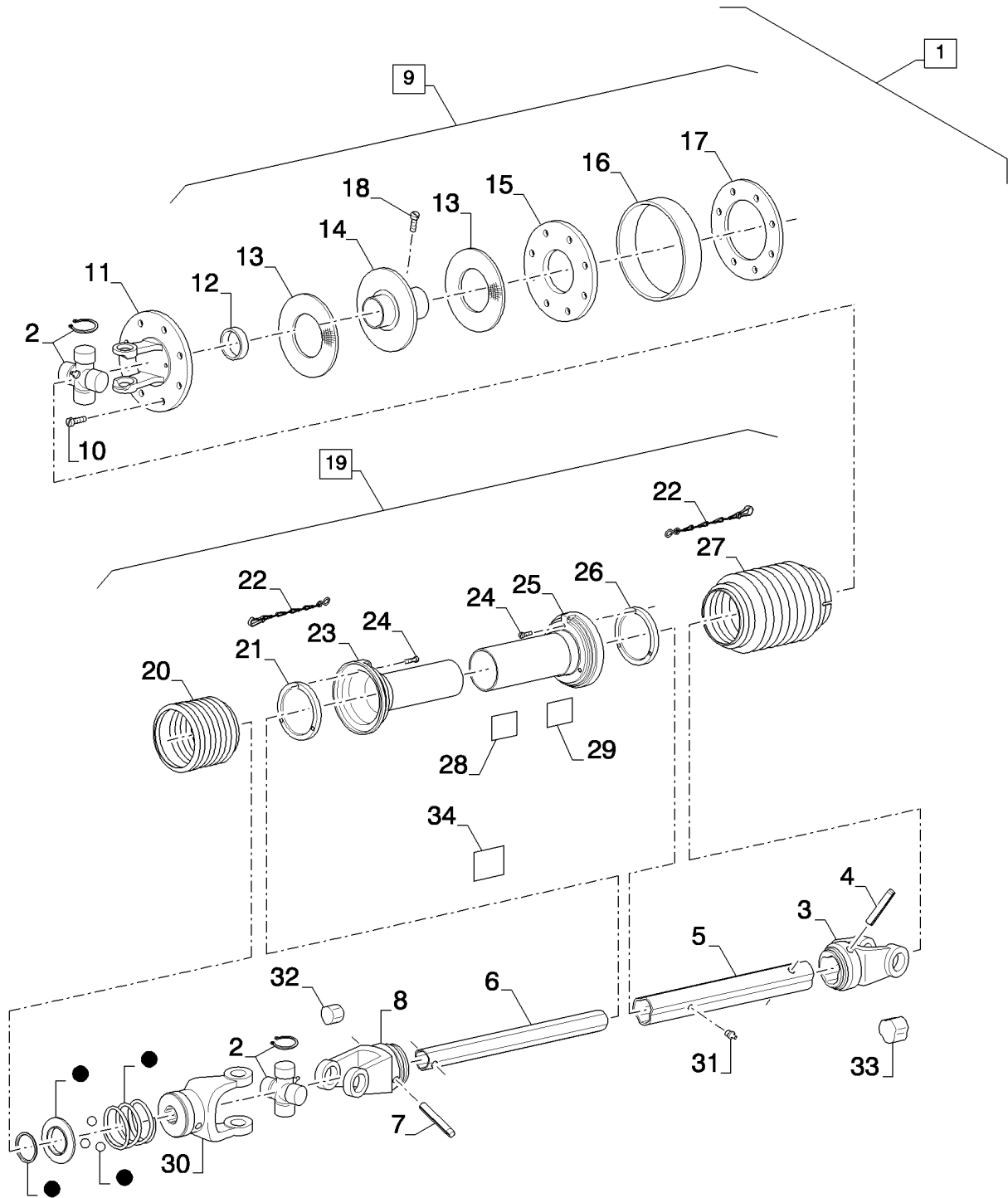


MAIN SHAFT

REF	FN	PART NUMBER	YR/SN	QTY	DESCRIPTION
1		84212231		1	BRACKET, Main Shaft
2		84246661		1	SHAFT, Main, 1366 mm
2		84246657		1	SHAFT, Main, 2128 mm
2		84244432		1	SHAFT, Main, 2890 mm
3		86620027		4	FLANGE, Main Shaft
4		84240146		1	BEARING, Main Shaft
5		140046		13	BELLEVILLE SPRING, Belleville, M12
6		9706685		11	NUT, M12, CI 8
7		84267177		1	SHIELD, Main Shaft, Inc. 8-13
8		84270263		1	PLATE, Shield
9		84270262		2	LATCH, Shield
10		84270261		1	CONE, Shield
11		84270259		1	CHAIN, Shield
12		84270258		1	REINFORCEMENT, Shield
13		84270257		8	RIVET, Shield
14		120044		10	CARRIAGE BOLT, Short NK, M12 x 30, CI 8.8, Full Thd
15		84057307		1	BALL BEARING, Main Shaft
16		84176439		1	SPROCKET ASSY., 11T, RC80
17		86553411		1	SPACER
18		86625254		2	WASHER, M12 x 28 x 2.5
19		86622548		1	SPACER
20		87033816		1	CLIP
21		86508581		1	SCREW, Hex, M12 x 90, 8.8
22		87026147		1	SPRING, Left Hand PTO Shield
23		170056		1	KEY, M12 x 8 x 50, Par
24		84267176		1	PTO SHAFT
25		86511324		2	WASHER, M12 x 24 x 2.5
26		120104		1	SCREW, Hex, M8 x 20, 8.8
27		322358		1	BELLEVILLE WASHER, M8
28		9706687		4	BOLT, Hex, M12 x 30, 8.8, Full Thd
29		84313189		1	HOOK
30		291525		1	EDGE

3020-25 3020-30
3020-35

SHAFT, POWER TAKE-OFF



SHAFT, POWER TAKE-OFF

REF	FN	PART NUMBER	YR/SN	QTY	DESCRIPTION
1		84267176		1	PTO SHAFT, Inc. 2-34
2		87018246		2	KIT
3		87476730		1	YOKE
4		87586147		1	ROLL PIN
5		84175175		1	TUBE
6		87586149		1	TUBE, Inner PTO Shaft
7		87586150		1	ROLL PIN
8		87476733		1	YOKE
9		84270321		1	PTO CLUTCH, Inc. 10-18
10		84270318		8	BOLT
11		84270317		1	FLANGE
12		84270316		1	BUSHING
13		84270315		2	DISC
14		84270314		1	HUB
15		84270313		1	PLATE
16		84270312		1	BAND
17		84270311		1	BELLEVILLE SPRING
18		84270319		1	KIT
19		84270308		1	SHIELD, Complete, Inc. 20-29
20		87586153		1	SHIELD
21		87586154		1	SUPPORT
22		278645		2	CHAIN
23		87586689		1	INNER SHIELD
24		87586687		6	SCREW
25		84175172		1	SHIELD
26		86625852		1	RING NUT
27		84270320		1	CONE
28		87586694		1	DECAL, Safety
29		849471		1	DANGER DECAL
30		87478394		1	YOKE
31		321204		1	LUBE NIPPLE, M6 x 1, 16mm lg
32		84175173		1	PLUG
33		84175174		1	PLUG
34		849472		1	DANGER DECAL
35		87477399		1	REPAIR KIT, Lock Back Ball Collar

3020-25 3020-30
3020-35

SECTION INDEX

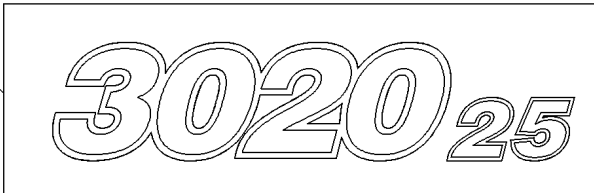
90 - Platform, Cab, Bodywork and Decals

90.108.01	DECALS
90.108.02	DECALS - GENERAL INSTRUCTIONS
90.108.03	DECALS - CAUTION, WARNING, AND DANGER

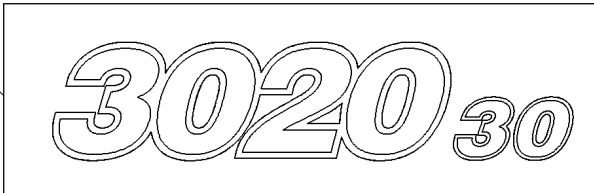
DECALS



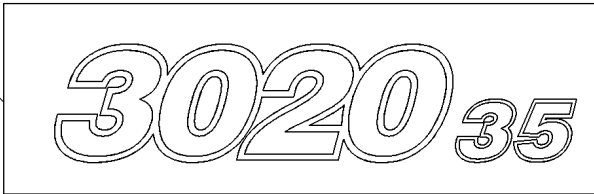
1



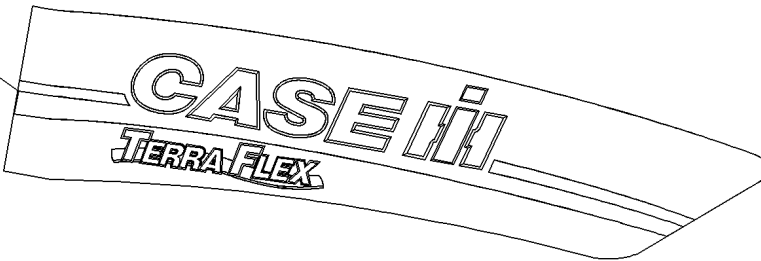
2



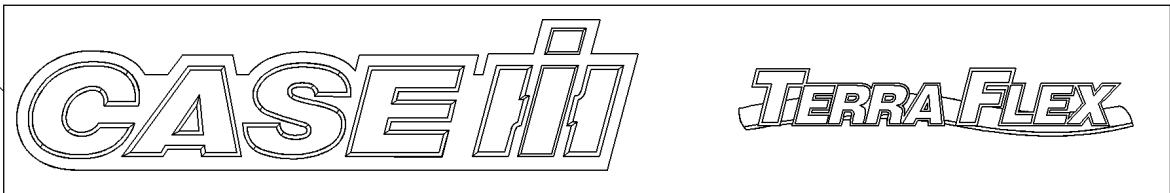
3



4



5

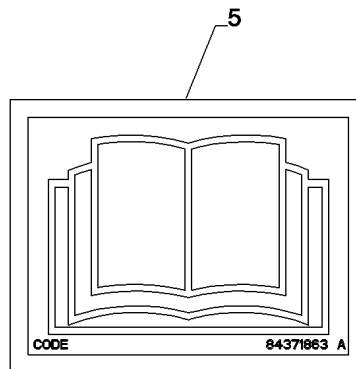
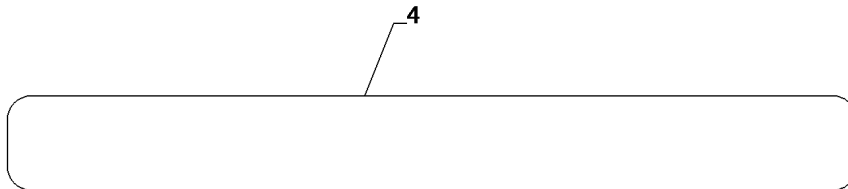
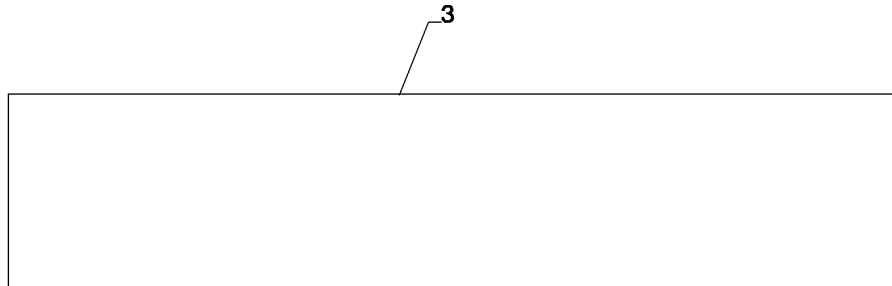
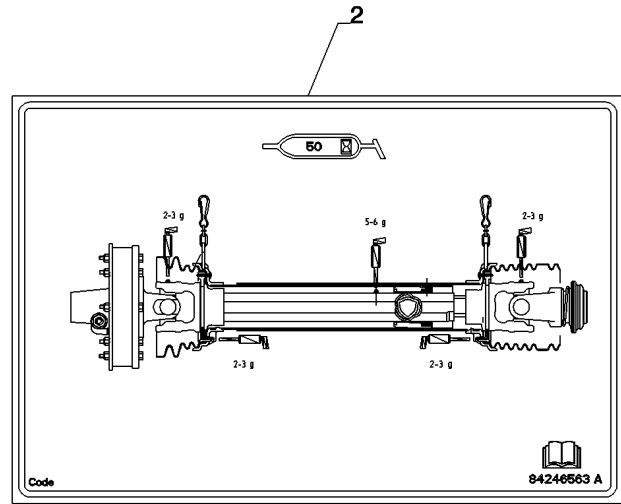
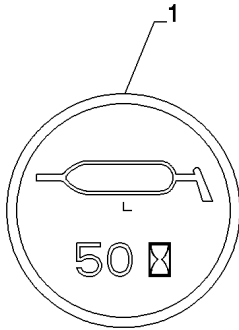


DECALS

REF	FN	PART NUMBER	YR/SN	QTY	DESCRIPTION
1		84361732		1	DECAL, 3020 25
2		84361731		1	DECAL, 3020 30
3		84361730		1	DECAL, 3020 35
4		84361737		1	DECAL, CASE IH Terra Flex, Right Hand
4		84361736		1	DECAL, CASE IH Terra Flex, Left Hand
5		84361734		1	DECAL, CASE IH Terra Flex

3020-25 3020-30
3020-35

DECALS - GENERAL INSTRUCTIONS

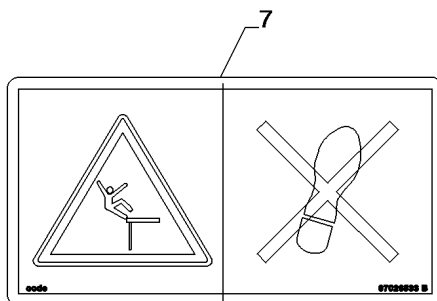
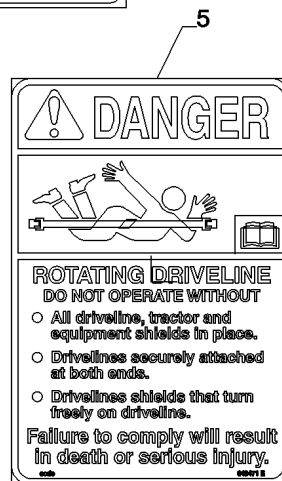
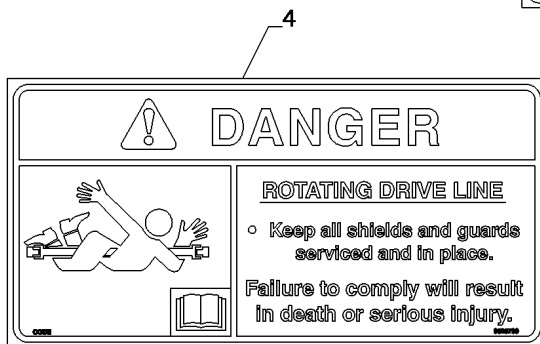
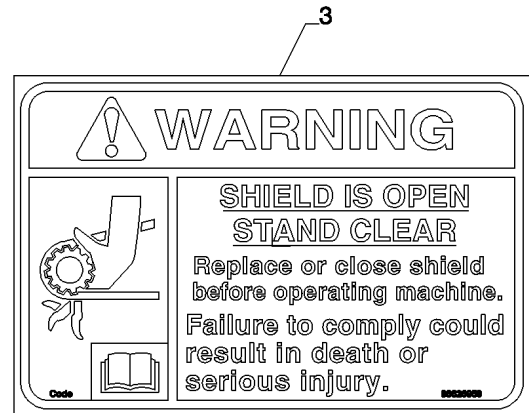
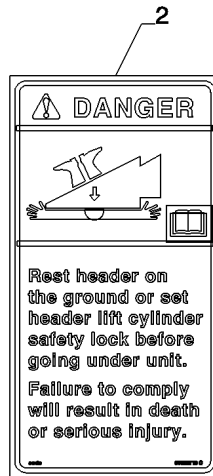
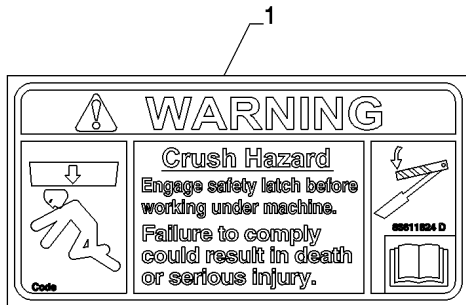


DECALS - GENERAL INSTRUCTIONS

REF	FN	PART NUMBER	YR/SN	QTY	DESCRIPTION
1		84334829		2	DECAL, Grease, 50 Hours
2		84246563		1	DECAL, Grease, 50 Hours
3		86547782		2	DECAL, Yellow, Retroreflective Tape
3		86547781		4	DECAL, Red, Retroreflective Tape
3		86547783		4	DECAL, Orange, Retroreflective Tape
4		87022092		3	DECAL, Header Safety Walk
5		84371863		1	DECAL, Operator Manual

**3020-25 3020-30
3020-35**

DECALS - CAUTION, WARNING, AND DANGER



DECALS - CAUTION, WARNING, AND DANGER

REF	FN	PART NUMBER	YR/SN	QTY	DESCRIPTION
1		86611824		2	DECAL, Warning, Crush Hazard
2		86622719		2	DECAL, Danger, Rest Header On The Ground
3		86626959		2	WARNING DECAL, Shield Is Open Stand Clear
4		9826789		1	DANGER DECAL, Rotating Drive Line
5		849471		1	DANGER DECAL, Rotating Drive Line
6		849472		1	DANGER DECAL, Shield Missing
7		87026533		2	DECAL, Warning, No Step

**3020-25 3020-30
3020-35**

INDEX - INDICE - INDEX - ZAHLENVERZEICHNIS - INDICE - INDICE - INDHOLD - INHOUD

Number	Figure	Sequence	Ref.	Number	Figure	Sequence	Ref.
{84134152}	58.131.04		8	120104	58.500.01		26
	58.131.04		8	120107	58.131.01	01	23
	58.131.04		8		58.131.02	01	23
{84271863}	58.130.01	01	10	120116	58.100.02		15
	58.130.01	02	8	12164521	58.100.03		20
	58.130.01	02	8	124365A1	58.130.01	01	21
	58.130.01	02	8	124366A1	58.130.01	01	12
{84343215}	58.100.03		36	127031A1	55.404.01		9
{84349646}	58.130.02		10	129973A2	58.100.02		4
100-3431	58.105.01		12	130003	58.208.01		9
100012	58.145.01		13		58.208.02		10
100016	58.100.02		16	130007	35.410.04		13
	58.120.01		22		35.410.04		13
	58.130.03		22		35.410.04		13
	58.131.01	01	10	130409A1	58.100.02		2
	58.131.01	02	8	1313104C1	58.130.01	01	14
	58.131.02	01	10	1316731C1	58.131.01	02	11
	58.131.02	02	8		58.131.02	02	11
	58.131.04		3	134454A1	55.404.01		1
	58.208.01		8	140016	58.130.01	01	27
	58.208.02		13	140017	58.145.01		9
100020	58.100.03		10	140020	35.410.01		19
	58.130.02		20	140042	58.131.04		4
100037	35.410.03		35	140045	58.100.02		17
	58.100.03		25		58.101.04		22
	58.101.04		4		58.101.04		22
	58.101.04		4		58.101.04		22
	58.101.04		4		58.105.01		26
	58.110.04		22		58.105.01		26
	58.110.04		22		58.105.01		26
	58.110.04		22		58.110.04		13
	58.145.01		7		58.120.01		37
100038	35.410.03		37		58.130.03		21
	58.100.01	01	13		58.131.01	01	9
	58.100.01	02	6		58.131.01	02	7
	58.100.02		20		58.131.02	01	9
	58.101.04		30		58.131.02	02	7
	58.130.01	01	13		58.131.04		10
10118611	35.410.03		3		58.131.04		6
10717511	35.410.03		13		58.208.01		7
10796401	58.208.02		5		58.208.02		12
10903721	58.130.01	02	15	140046	58.100.01	01	15
11061376	58.130.02		22		58.100.01	02	8
120044	58.100.01	01	18		58.100.03		33
	58.500.01		14		58.101.01		11
120049	58.100.01	01	10		58.101.04		8
120061	35.410.03		28		58.110.03	02	6
	58.131.01	02	3		58.110.05		12
	58.131.02	02	3		58.120.01		38
120062	58.131.01	01	18		58.130.01	01	16
	58.131.02	01	18		58.130.01	02	10
	58.131.03		8		58.130.01	02	10
120069	58.101.04		21		58.130.01	02	10
	58.101.04		21		58.130.02		7
	58.101.04		21		58.131.02	01	8
120080	58.110.05		15		58.500.01		5
120092	58.131.01	02	5	140048	58.100.01	01	37
	58.131.02	02	5		58.100.01	02	19
120093	58.100.03		8		58.100.03		9
120098	55.100.01		6		58.130.02		19
120100	58.101.01		13		58.131.01	01	3
	58.120.01		26		58.131.01	02	4
	58.120.01		26		58.131.02	01	3
	58.120.01		26		58.131.02	02	4
120101	58.110.03	02	8		58.131.03		5
120103	58.208.01		5	140229	35.410.03		12
	58.208.02		7	14442131	58.100.01	01	29
120104	58.101.04		10	145345	55.404.01		11
	58.110.01		12	15840531	58.110.05		8
	58.110.01		12	167934	58.101.04		2
	58.110.01		12	167940	58.101.04		3
	58.110.06		25	167953	58.101.04		13
	58.130.01	01	18	170056	58.100.03		31
	58.131.01	01	20		58.500.01		23
	58.131.01	02	15	188118A1	58.100.02		3
	58.131.02	01	20	210022	58.131.01	01	2
	58.131.02	02	15		58.131.02	01	6
	58.208.02		16	225294C1	35.410.04		16

INDEX - INDICE - INDEX - ZAHLENVERZEICHNIS - INDICE - INDICE - INHOLD - INHOUD

Number	Figure	Sequence	Ref.	Number	Figure	Sequence	Ref.
225297C1	35.410.04		8	337563	58.130.01	01	15
225315C1	35.410.04		15	338949	58.105.01		25
225318C1	35.410.04		9		58.105.01		25
251206A2	58.110.04		3		58.105.01		25
	58.110.04		3		58.120.01		28
	58.110.04		3	353308	35.410.01		1
258978A1	58.100.02		26		35.410.02	01	14
258980A1	58.100.02		27		35.410.02	02	19
258981A1	58.100.02		30		35.410.02	02	19
27-7278	58.100.02		6		35.410.03		32
278645	58.500.02		22		58.100.02		12
280251	58.100.02		7		58.120.01		23
291525	58.500.01		30		58.130.01	02	20
291944A1	58.100.02		31	354131	35.410.03		4
300388	58.120.01		31	354360	58.131.01	01	4
300389	58.100.01	02	7		58.131.02	01	4
300624	58.130.01	01	32	36403	58.120.01		4
	58.130.01	02	28	368317	58.100.03		18
	58.130.01	02	28	369441A1	58.131.03		2
	58.130.01	02	28	370002	35.410.03		20
300642	58.110.06		14	374892	58.131.04		11
300645	58.130.02		24	374895	58.100.03		35
300662	58.130.02		13		58.101.01		10
308761	58.110.01		15		58.120.01		30
	58.110.01		15	377580A1	58.208.03		1
	58.110.01		15		58.208.03		1
321204	58.500.02		31		58.208.03		1
322355	58.145.01		11	385686	35.410.01		11
322356	55.100.01		7	390636A1	55.404.01		10
322357	58.101.01		14	394629	58.130.03		19
	58.105.01		19	394631	58.130.02		18
	58.105.01		19	394632	58.130.01	02	16
	58.105.01		19	394818	58.130.01	01	24
	58.110.03	02	9	395277	58.130.02		6
	58.120.01		35	397985	58.100.02		10
	58.120.01		35	412126	58.100.03		29
	58.120.01		35	412189	58.131.01	01	8
322358	35.410.01		17	412250	58.100.01	01	31
	55.404.01		6	412255	58.145.01		12
	58.100.01	01	30	412364	35.410.02	01	17
	58.100.02		22		35.410.02	02	22
	58.101.04		11		35.410.02	02	22
	58.101.06		6	412559	58.100.02		14
	58.101.06		6	412687	35.410.04		14
	58.101.06		6		35.410.04		14
	58.105.01		23		35.410.04		14
	58.110.01		13		58.130.01	01	17
	58.110.01		13		58.130.01	02	11
	58.110.01		13		58.130.01	02	11
	58.110.03	02	12		58.130.01	02	11
	58.110.04		19	425-1010	58.130.01	01	22
	58.120.01		39	430356	35.410.02	01	11
	58.131.01	01	19		35.410.02	02	2
	58.131.01	02	2		35.410.02	02	2
	58.131.02	01	19		58.100.02		24
	58.131.02	02	2	430357	35.410.02	01	6
	58.208.01		4		35.410.02	02	3
	58.208.02		6		35.410.02	02	3
	58.500.01		27		35.410.03		14
322359	58.130.01	02	17	43118	35.410.01		2
325829	35.410.03		34	43127	35.410.01		18
328754	58.100.02		19		58.100.02		21
	58.110.04		18		58.105.01		21
	58.130.02		14		58.110.04		15
334534	58.100.01	02	1	43130	58.105.01		22
334967	58.100.03		13	43138	58.131.04		5
335890	58.131.02	01	1	43139	58.110.04		12
337475	58.100.03		22		58.130.03		23
	58.110.03	02	7	43140	58.101.04		20
	58.130.01	01	30		58.101.04		20
	58.130.01	02	26		58.145.01		8
	58.130.01	02	26	43144	58.131.01	01	13
	58.130.01	02	26		58.131.02	01	13
	58.130.02		8	43158	58.120.01		32
	58.131.02	01	7	43167	58.131.03		6
337522	58.100.01	01	36	43168	58.100.01	01	26
	58.100.01	02	18		58.100.03		2
	58.100.03		16	431941	35.410.02	01	9

INDEX - INDICE - INDEX - ZAHLENVERZEICHNIS - INDICE - INDICE - INDHOLD - INHOUD

Number	Figure	Sequence	Ref.	Number	Figure	Sequence	Ref.
431941	35.410.02	02	5	84139195	35.410.02	01	2
	35.410.02	02	5		35.410.02	02	18
	35.410.03		15	84139203	35.410.02	02	13
432-612	58.100.02		29	84139301	35.410.01		4
433008	35.410.01		23	84139383	35.410.03		6
	35.410.03		16		35.410.03		8
433101	35.410.01		15	84139385	35.410.03		6
43362	58.110.01		16		35.410.03		8
	58.110.01		16	84139386	35.410.03		10
	58.110.01		16	84139387	35.410.03		10
	58.110.03	02	13	84139388	35.410.03		2
43440	58.105.01		17	84140859	35.410.02	01	5
43473	58.110.04		23		35.410.02	02	1
	58.110.04		23		35.410.02	02	1
	58.110.04		23	84141413	58.110.03	01	3
43874	35.410.03		39	84141839	35.410.03		2
	58.100.03		15	84143555	58.131.04		1
439-1428	58.100.02		28	84143805	58.208.03		2
439-5832	58.130.01	01	23	84146722	35.410.02	02	9
442340	35.410.03		17	84146726	35.410.02	02	7
445394	55.100.01		3	84146729	35.410.02	02	15
	58.105.01		14	84146743	35.410.02	02	12
	58.130.03		11	84146748	35.410.02	02	10
450869	58.130.01	01	7	84146753	35.410.02	02	11
453133C1	35.410.04		7	84146757	35.410.02	02	17
482769	58.110.04		8	84146787	35.410.02	01	8
	58.110.04		8	84146790	35.410.02	01	7
	58.110.04		8	84146803	35.410.02	01	12
496-21053	58.131.01	02	9	84146810	35.410.02	01	4
	58.131.02	02	9	84147595	58.110.03	01	3
496-41066	58.130.01	01	19	84147660	58.131.01	01	17
523282	58.101.03		5		58.131.02	01	17
556719	58.208.02		15		58.131.03		7
575098R1	58.100.03		6	84149782	58.120.01		7
623303	35.410.01		16		58.120.01		7
740591	58.120.01		8		58.120.01		7
	58.120.01		8	84150337	58.110.06		10
	58.120.01		8	84150338	58.110.06		16
80710	58.101.04		9	84150339	58.110.06		15
84007183	58.100.01	01	22	84150340	58.110.06		21
84023914	35.410.03		6	84150346	58.208.02		11
	35.410.03		8	84150661	58.110.06		9
84026009	35.410.03		2	84151314	35.410.03		25
84026460	35.410.03		10	84151317	35.410.03		26
84037188	55.100.01		4	84155110	58.130.02		12
84057307	58.500.01		15	84156112	58.100.01	01	2
84062491	35.410.01		10	84160118	58.131.04		1
84072277	58.101.01		8	84164504	58.131.02	01	25
84123122	58.100.03		14	84166226	58.120.01		6
84124326	58.208.01		1		58.120.01		6
	58.208.02		1		58.120.01		6
84125180	58.100.01	01	5	84167485	35.410.04		5
84126918	58.130.02		5	84173106	58.208.02		2
84126929	58.105.01		7	84173224	58.131.01	01	15
84126943	58.130.01	01	11	84173226	58.131.02	01	15
84127262	58.130.02		21	84173610	58.130.02		3
84129438	35.410.04		6	84173955	58.131.01	01	5
84129472	58.130.01	02	3	84174195	58.130.03		18
84129479	58.110.05		5	84175172	58.500.02		25
84134059	58.131.04		9	84175173	58.500.02		32
84134170	58.131.04		1	84175174	58.500.02		33
84134793	58.208.01		6	84175175	58.500.02		5
84134795	35.410.03		21	84175196	58.100.01	01	1
84137037	58.131.01	01	24	84175201	58.100.01	02	2
	58.131.02	01	2	84176439	58.500.01		16
84137038	58.110.05		4	84176718	58.100.01	01	6
84137057	58.131.01	01	12	84177827	58.100.03		5
	58.131.02	01	12	84181668	58.100.03		27
84137065	58.131.01	01	1	84185837	58.110.06		18
84137066	58.131.02	01	5	84185904	58.110.06		23
84138467	35.410.02	02	17	84185948	58.110.06		2
84139172	35.410.02	02	12	84191219	35.410.04		3
84139174	35.410.02	01	13	84191737	58.130.01	01	1
	35.410.02	02	8	84206574	35.410.01		14
84139188	35.410.02	02	15	84207826	58.208.02		14
84139191	35.410.02	02	11	84209468	58.120.02		1
84139193	35.410.02	01	3	84212117	58.101.04		27
	35.410.02	02	6	84212118	58.101.04		28

INDEX - INDICE - INDEX - ZAHLENVERZEICHNIS - INDICE - INDICE - INHOLD - INHOUD

Number	Figure	Sequence	Ref.	Number	Figure	Sequence	Ref.
84212231	58.500.01		1	84270312	58.500.02		16
84212855	58.110.03	01	1	84270313	58.500.02		15
	58.110.03	02	1	84270314	58.500.02		14
84213793	58.110.03	01	1	84270315	58.500.02		13
	58.110.03	02	1	84270316	58.500.02		12
84213929	58.100.01	01	20	84270317	58.500.02		11
84215790	58.110.01		7	84270318	58.500.02		10
84216518	58.110.01		4	84270319	58.500.02		18
84216772	58.100.01	01	21	84270320	58.500.02		27
84221149	58.100.01	01	9	84270321	58.500.02		9
84221507	58.105.01		1	84271337	58.110.03	02	2
84221516	58.105.01		2	84276424	58.208.03		3
84223209	58.105.01		1	84285503	58.110.05		6
84223219	58.105.01		2		58.130.02		11
84224159	58.120.01		15	84296541	58.131.02	01	11
84224162	58.120.01		17	84296770	58.105.01		8
84225488	58.130.01	01	1	84296810	58.105.01		3
84225500	58.130.02		1	84296813	58.105.01		4
84228553	58.105.01		10	84297394	58.101.05		1
84228558	58.105.01		1		58.101.06		1
84228560	58.105.01		2	84297397	58.101.05		1
84229060	58.130.01	01	8		58.101.06		1
84229082	58.131.03		4	84297497	58.101.05		2
84229083	58.131.03		1	84297498	58.101.06		3
84229093	58.131.03		3	84297499	58.101.06		2
84230426	58.105.01		5	84297503	58.101.05		2
	58.105.01		5	84297504	58.101.06		3
	58.105.01		5	84297505	58.101.06		2
84232891	58.101.02		1	84299985	58.110.01		1
84232893	58.101.02		2	84300880	58.110.01		1
84234631	58.101.01		4	84302548	58.110.02		1
84235768	35.410.04		1	84302549	58.110.02		1
	35.410.04		1	84302550	58.110.02		1
	35.410.04		1	84304905	58.110.01		5
84235826	35.410.04		10	84304908	58.110.01		6
	35.410.04		10	84304910	58.110.01		6
	35.410.04		10	84305206	55.100.01		1
84240146	58.500.01		4		55.100.02		1
84242351	58.101.01		9	84306385	58.131.01	02	12
84242532	58.101.01		6		58.131.02	02	12
84242566	58.101.01		7	84306399	58.131.02	01	27
84244432	58.500.01		2	84306403	58.131.01	01	7
84244830	58.120.01		1	84306405	58.131.02	01	26
84244833	58.120.01		1	84306410	58.131.01	01	6
84244836	58.120.01		1	84306495	58.131.02	01	24
84245171	58.110.04		2	84306514	58.131.01	01	11
84246563	90.108.02		2	84308107	58.131.01	02	1
84246657	58.500.01		2		58.131.02	02	1
84246661	58.500.01		2	84308394	58.100.01	01	28
84251628	58.100.01	01	25	84313189	58.500.01		29
84254734	58.131.01	02	14	84315756	58.120.01		34
84256945	58.110.01		2		58.120.01		34
84256946	58.110.01		3		58.120.01		34
84256951	58.131.02	02	14	84322796	58.110.01		9
84261948	58.120.01		2		58.110.01		9
84261950	58.120.01		19		58.110.01		9
84261952	58.120.01		10	84323936	58.110.02		2
84261957	58.100.01	02	4	84323937	58.110.02		3
84262759	58.120.01		25	84323938	58.110.02		3
84263896	58.120.01		18	84323939	58.110.02		3
84263900	58.120.01		16	84324323	58.130.03		6
84264237	58.120.01		19	84324324	58.130.03		16
84264839	58.120.01		19	84324326	58.130.03		14
84267176	58.500.01		24	84330928	58.130.03		13
	58.500.02		1	84330929	58.130.03		17
84267177	58.500.01		7	84330930	58.130.03		12
84267850	58.145.01		2	84330932	58.130.03		15
84268280	58.145.01		1	84330933	58.130.03		5
84268307	58.120.01		24	84332238	58.130.03		10
84268316	58.120.02		2	84334829	90.108.02		1
84270257	58.500.01		13	84337069	58.110.04		6
84270258	58.500.01		12	84337496	58.110.04		11
84270259	58.500.01		11	84343217	58.100.03		34
84270261	58.500.01		10	84348475	58.101.01		1
84270262	58.500.01		9	84348476	58.101.01		2
84270263	58.500.01		8	84349076	58.130.01	01	31
84270308	58.500.02		19		58.130.01	02	27
84270311	58.500.02		17		58.130.01	02	27

INDEX - INDICE - INDEX - ZAHLENVERZEICHNIS - INDICE - INDICE - INDHOLD - INHOUD

Number	Figure	Sequence	Ref.	Number	Figure	Sequence	Ref.
84349076	58.130.01	02	27	86511324	58.110.05		16
84349077	58.130.01	01	9		58.130.01	01	25
	58.130.01	02	7		58.130.01	02	22
	58.130.01	02	7		58.130.01	02	22
	58.130.01	02	7		58.130.01	02	22
84354956	58.130.02		9		58.500.01		25
84361730	90.108.01		3	86511326	35.410.04		12
84361731	90.108.01		2		35.410.04		12
84361732	90.108.01		1		35.410.04		12
84361734	90.108.01		5	86512138	35.410.01		21
84361736	90.108.01		4	86512419	35.410.02	01	15
84361737	90.108.01		4		35.410.02	02	21
84371863	90.108.02		5		35.410.02	02	21
84390188	35.410.04		2	86512426	58.110.04		27
	35.410.04		2	86512428	58.101.04		6
	35.410.04		2	86512430	58.100.01	01	34
84429100	58.110.03	01	7		58.100.01	02	16
84429101	58.110.03	01	4	86512446	58.120.01		29
84429102	58.110.03	01	5		58.130.03		20
	58.110.03	01	5	86512447	58.131.02	01	28
	58.110.03	01	5	86514396	58.101.03		2
84431473	35.410.01		6	86516740	58.145.01		4
	35.410.02	02	20	86518386	58.101.04		14
84431546	35.410.01		8	86518387	58.101.04		26
	35.410.02	01	16	86518392	58.101.04		15
	35.410.02	02	23	86518393	58.101.04		16
84434997	35.410.01		24	86518431	58.101.04		1
84435044	35.410.01		25	86521552	55.404.01		5
84435046	35.410.01		28	86521605	55.404.01		7
84435047	35.410.01		29	86521733	58.110.05		9
84441549	58.131.04		7	86544168	58.105.01		15
84814912	58.120.01		12	86547781	90.108.02		3
84814948	35.410.02	01	10	86547782	90.108.02		3
	35.410.02	02	4	86547783	90.108.02		3
	35.410.02	02	4	86548493	58.105.01		9
	58.100.02		25	86553411	58.500.01		17
84818450	58.110.04		16	86566989	35.410.03		11
849471	58.500.02		29		35.410.04		17
	90.108.03		5		55.100.01		9
849472	58.500.02		34		58.105.01		13
	90.108.03		6	86579673	35.410.01		9
86000439	58.145.01		10	86580177	35.410.03		24
86000441	35.410.03		33	86580178	35.410.03		22
	58.100.01	01	32	86588003	58.100.03		7
	58.100.01	02	13	86588450	35.410.03		31
	58.110.05		11		58.100.02		13
	58.130.02		4	86590413	55.100.01		5
86014250	58.120.01		33		58.105.01		29
	58.120.01		33	86592699	58.110.01		14
	58.120.01		33	86592701	58.100.01	01	33
86500688	58.105.01		20		58.100.01	02	15
	58.105.01		20	86592713	58.130.01	01	29
	58.105.01		20		58.130.01	02	25
86500689	58.105.01		27		58.130.01	02	25
	58.105.01		27		58.130.01	02	25
	58.105.01		27	86603051	35.410.01		3
86505259	58.110.03	02	5	86606228	55.100.01		2
	58.110.04		17	86608281	58.101.05		6
86505347	58.100.01	01	23		58.101.05		6
	58.100.01	02	11		58.101.05		6
86507486	58.110.01		8	86608282	58.101.05		3
	58.110.01		8	86608283	58.101.05		5
	58.110.01		8		58.101.05		5
	58.110.03	02	11		58.101.05		5
	58.130.03		7	86608284	58.101.05		4
86508568	58.105.01		18		58.101.05		4
	58.105.01		18		58.101.05		4
	58.105.01		18	86609389	58.101.04		5
	58.105.01		18	86609553	58.101.04		28
86508581	58.500.01		21	86609726	58.101.04		17
86508583	58.100.01	01	27	86609773	58.101.04		25
86508731	58.131.01	02	10	86611824	90.108.03		1
	58.131.02	02	10	86614643	58.100.01	01	11
86508813	55.100.01		8	86616339	58.105.01		6
86508947	58.130.01	01	28	86619060	58.120.01		27
	58.130.01	02	24	86619245	58.100.01	01	8
	58.130.01	02	24	86619802	58.110.04		25
	58.130.01	02	24		58.110.04		25
86511324	35.410.03		38				

INDEX - INDICE - INDEX - ZAHLENVERZEICHNIS - INDICE - INDICE - INHOLD - INHOUD

Number	Figure	Sequence	Ref.	Number	Figure	Sequence	Ref.
86619802	58.110.04		25	87036813	58.100.01	01	14
86620027	58.500.01		3	87037954	58.101.04		27
86620720	58.120.01		3	87041732	58.100.03		11
86622548	58.500.01		19	87045366	58.100.02		1
86622719	90.108.03		2	87045530	58.101.04		19
86623901	35.410.01		26	87047050	58.101.04		29
86623902	35.410.01		27	87047744	58.105.01		11
86624182	58.120.01		36	87053169	58.101.04		25
86624184	58.130.03		8	87053561	58.100.02		11
86624981	35.410.03		36	87304415	58.100.02		18
86625254	58.500.01		18	87323339	58.120.01		5
86625255	58.110.03	02	4	87330714	58.208.01		3
	58.110.04		26		58.208.02		4
86625256	58.100.01	01	17	87371170	58.130.02		23
	58.130.02		15	87382	55.404.01		8
86625266	58.100.01	02	9	87392469	58.120.01		11
	58.100.03		4	87423314	55.404.01		12
	58.110.05		7	87450165	58.100.02		5
	58.130.01	02	12	87471091	58.120.01		13
	58.130.02		2	87476730	58.500.02		3
86625852	58.500.02		26	87476733	58.500.02		8
86626959	90.108.03		3	87477399	58.500.02		35
86629539	58.105.01		28	87478394	58.500.02		30
86629542	35.410.03		29	87481333	58.208.02		3
	58.130.03		9	87481873	58.130.01	01	6
	58.131.01	01	22	87485286	58.100.01	01	24
	58.131.02	01	22		58.100.01	02	12
86630786	58.110.04		9	87485736	58.100.01	01	4
	58.110.04		9		58.100.01	02	3
	58.110.04		9	87486956	58.110.06		7
86630787	58.110.04		10	87487235	58.110.06		17
	58.110.04		10	87487236	58.110.06		22
	58.110.04		10	87487254	58.110.06		5
86633356	58.131.01	01	14	87487259	58.110.06		19
	58.131.01	02	6	87487264	58.110.06		4
	58.131.02	01	14	87487370	58.110.06		24
	58.131.02	02	6	87488952	58.131.01	01	21
86634225	58.101.03		3		58.131.02	01	21
86639035	58.130.01	02	19	87490059	58.110.06		6
86639311	58.100.03		3	87490543	58.110.06		3
86639317	58.130.01	02	14	87490544	58.110.06		8
86639326	58.110.05		10	87498650	58.100.01	01	35
86705199	58.101.03		1		58.100.01	02	17
	58.101.03		1	87498658	58.130.01	02	9
86837775	55.100.02		6	87517382	58.110.04		5
86977396	58.145.01		5	87523837	58.101.04		18
86977790	35.410.03		30	87524771	58.100.01	01	7
86978770	35.410.01		7	87529352	58.101.05		2
86979948	58.100.01	01	3	87529353	58.101.05		1
86996213	58.100.03		17		58.101.06		1
87010605	58.101.03		4	87533547	58.120.01		21
87010704	35.410.01		20	87544154	58.110.03	01	8
87015284	58.110.01		11	87545135	58.101.06		3
	58.110.01		11	87545136	58.101.06		2
	58.110.01		11	87552612	58.130.02		17
87016581	58.100.01	01	38	87554375	58.110.03	01	3
87016613	35.410.03		19	87555156	58.110.01		1
	58.100.03		19	87556072	58.110.01		10
87017195	58.101.06		5		58.110.01		10
	58.101.06		5		58.110.01		10
	58.101.06		5	87568002	58.145.01		3
87017196	58.101.06		4	87586147	58.500.02		4
	58.101.06		4	87586149	58.500.02		6
	58.101.06		4	87586150	58.500.02		7
87017844	58.120.01		14	87586153	58.500.02		20
	58.120.01		14	87586154	58.500.02		21
	58.120.01		14	87586687	58.500.02		24
87018246	58.500.02		2	87586689	58.500.02		23
87022092	90.108.02		4	87586694	58.500.02		28
87026147	58.500.01		22	87613322	58.208.03		4
87026533	90.108.03		7		58.208.03		4
87028323	58.110.01		17		58.208.03		4
87029978	58.101.06		7	87620690	58.120.01		9
	58.101.06		7		58.120.01		9
	58.101.06		7		58.120.01		9
87033290	58.100.01	01	19	87630328	58.110.06		20
	58.100.01	02	10	87630365	58.110.06		13
87033816	58.500.01		20	87630859	58.110.06		12

INDEX - INDICE - INDEX - ZAHLENVERZEICHNIS - INDICE - INDICE - INDHOLD - INHOUD

Number	Figure	Sequence	Ref.	Number	Figure	Sequence	Ref.
87630866	58.110.06		11	9671714	58.101.06		9
87645535	35.410.03		7		58.101.06		9
87645701	58.101.01		3	9706685	58.100.01	01	12
87647112	35.410.03		1		58.100.01	02	5
87647472	58.101.02		3		58.101.01		12
87654194	35.410.02	02	10		58.101.04		7
87654195	35.410.02	02	14		58.110.04		20
87654196	35.410.02	01	1		58.110.05		14
	35.410.02	02	16		58.130.02		16
87654198	35.410.02	02	9		58.131.01	02	13
87654200	35.410.02	02	7		58.131.02	02	13
87654201	35.410.01		5		58.500.01		6
87659777	58.100.02		8	9706687	58.110.05		13
87661737	35.410.04		4		58.500.01		28
87663624	58.100.03		26	9706690	35.410.01		22
87663841	58.110.03	01	6		58.100.02		23
	58.110.03	01	6		58.101.04		12
	58.110.03	01	6		58.105.01		24
87676380	35.410.03		27		58.110.04		14
87682407	58.130.01	01	20		58.120.01		20
	58.130.01	02	18		58.208.02		17
	58.130.01	02	18	9706693	58.100.01	02	14
	58.130.01	02	18	9706694	58.130.01	02	21
87683553	35.410.03		23	9706755	58.110.03	02	10
87689122	58.130.01	01	5	9801067	58.100.03		32
87698568	58.100.03		12	9824326	58.105.01		16
87699398	58.131.04		2	9826789	90.108.03		4
87702973	58.110.04		7	9828248	58.130.01	02	13
	58.110.04		7	9833222	58.110.04		21
	58.110.04		7		58.110.04		21
87702974	58.110.04		4		58.110.04		21
87715239	58.145.01		6	9833239	58.101.01		5
87715949	35.410.03		9	9840570	35.410.01		12
87715955	35.410.03		5	9842264	58.101.05		7
87717739	58.130.01	01	1		58.101.05		7
87719769	58.110.05		3		58.101.05		7
87723829	35.410.03		18		58.101.06		8
87724927	58.110.05		2	9842291	58.101.04		18
	58.110.06		1		58.101.04		18
87725861	58.208.02		8	9842300	58.101.04		23
87725967	58.100.03		1		58.101.04		23
87728904	58.110.05		1		58.101.04		23
87728905	58.110.03	01	2	9842301	58.101.04		24
	58.110.03	01	2		58.101.04		24
	58.110.03	01	2		58.101.04		24
	58.110.03	02	3	9993143	35.410.01		13
87736072	58.110.03	01	1	A43731	55.404.01		3
	58.110.03	02	1	F63434	55.404.01		2
87736077	58.110.03	01	9	NSS	55.100.02		2
87736132	58.130.01	01	4		55.100.02		3
	58.130.01	02	4		55.100.02		4
	58.130.01	02	4		55.100.02		5
	58.130.01	02	4		55.100.02		7
87736146	58.130.01	02	5		55.100.02		8
87736151	58.130.01	02	6		55.100.02		9
87736718	58.131.01	01	16		58.100.03		23
	58.131.02	01	16		58.110.03	01	10
87742342	58.110.04		24		58.110.04		1
	58.110.04		24		58.130.01	01	2
	58.110.04		24		58.130.01	01	3
87749134	58.208.02		9		58.130.01	02	1
87751682	58.100.01	01	16		58.130.01	02	1
87752059	58.208.01		2		58.130.01	02	1
87756741	58.100.03		30		58.130.01	02	2
896-11022	58.130.01	01	26		58.130.03		1
	58.130.01	02	23		58.130.03		2
	58.130.01	02	23		58.130.03		3
	58.130.01	02	23		58.130.03		4
920397	58.100.03		28				
9417866	55.404.01		4				
9503184	35.410.04		11				
	35.410.04		11				
	35.410.04		11				
9513105	58.100.03		21				
9513808	58.100.03		24				
9514326	58.131.04		12				
9621483	58.100.02		9				
9671714	58.101.06		9				