

870 Ecolo-Tigger Disk Ripper

Parts Catalog

Print No. 84410705
Issued 8/2016



All rights reserved by **CNH Industrial**.

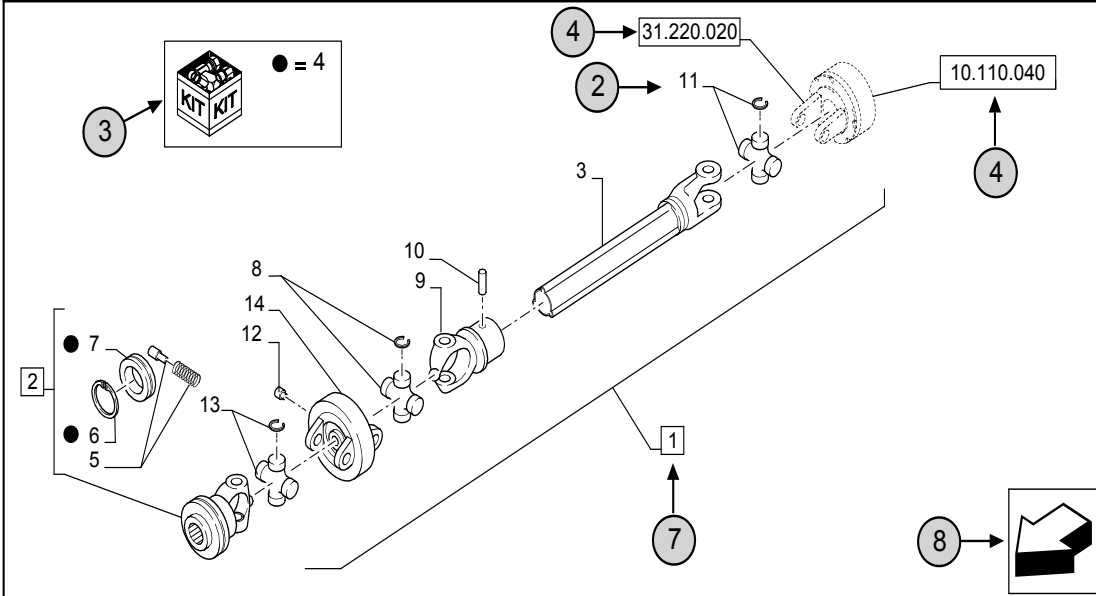
The information contained in this catalogue is intended to be of a general nature only. **CNH Industrial** may at any time and from time to time, for technical or other necessary reasons, modify any of the details or specifications of the product described in this catalogue.

To be sure of getting accurate, detailed and up-to-date information, an intending buyer should consult his nearest **CNH Industrial** dealer or distributor.

Single item numeration method used in this catalogue may not be used without written consent from **CNH Industrial**

31.220.010	01	p1	10/2014
------------	----	----	---------

VAR - 123782, 789101,987654 - PTO - D650



STANDARD ← 6

23	9	10	31.220.010	01	p1	10/2014
----	---	----	------------	----	----	---------

VAR - 123782, 789101,987654 - PTO - D650

11 12 13 14

REF	FN	PART NUMBER	YR/SN	QTY	DESCRIPTION
1	1	86529340	20	1	SHAFT PTO, Incl 2 - 11
2	15	84014007		1	YOKE, Incl 4 - 7 ← 7
3	16	NSS		1	NOT SERVICED SEPARATELY, SHAFT, 350mm, Incl in 1
4		84004292		1	KIT, Seal Kit, Incl 6, 7 ← 17
4		{84058743}		1	KIT, Seal Kit, Incl 6, 7
2	18			21	
	19			22	
		1 = FOR ITALY ONLY ← 5			

MODELS ← 1


- 1 Model Number and Model Description
- 2 Reference - Figure call-out of the part number.
- 3 Parts supplied in repair kits per symbol reference.
- 4 31.220.020 Part illustrated on the **Page** or in the **Figure** indicated, or calls for **Variations** or **Details**. Indicates components shown in detail elsewhere in the catalogue under the figure number shown.
- 5 Footnote references
- 6 Figure notes
- 7 1 2 Includes item(s) (See Description within partlist).
- 8 Orientation. (Arrow indicates front of the machine). 
- 9 Figure description.
- 10 General information of the figure.
- 11 Figure title number that aligns with the SRT. Standard Repair Time.
- 12 **Sequence** code within the assembly.
- 13 Page number within the sequence code.
- 14 **Date** of printing or updating of page (month-year).
- 15 **Note** - Relating to the Part Number. There is a key to symbols and abbreviations at the bottom of the text page.
- 16 Non-serviced parts.
- 17 Further description of the part to help confirm identification.
- 18 Not available as service part.
- 19 Part Number.
- 20 To be defined.
- 21 Total **Quantity** of the Part referred to in the page.
The quantity can be replaced by the following indications:
AR = quantity as requested.
- 22 Part **Description**.
- 23 Variant Codes

TABLE OF CONTENTS

00.100.01		INITIAL STOCKING LIST (ISL)
05.100.03		FILTERS & CAPACITIES, ECOLO-TIGER® 870
35.100.01	01	SINGLE POINT DEPTH CONTROL HYDRAULICS
35.100.01	02	SINGLE POINT DEPTH CONTROL HYDRAULICS 2011
35.100.02	01	7 AND 9 SHANK MECHANICAL TRANSPORT HYDRAULICS
35.100.02	02	7 AND 9 SHANK MECHANICAL TRANSPORT HYDRULICS 2011
35.100.03	01	11 AND 13 SHANK MECHANICAL TRANSPORT HYDRAULICS
35.100.03	02	11 AND 13 SHANK MECHANICAL TRANSPORT HYDRAULICS 2011
35.100.04		BASIC LEVELING PRIOR TO 2012 PRODUCTION
35.100.05		ALL LEVELING 2012 PRODUCTION
35.100.06	01	9 SHANK REAR DISK LEVELER WING FOLD HYDRAULICS
35.100.06	02	9 SHANK REAR DISK LEVELER WING FOLD HYDRAULICS 2011
35.100.07	01	9 SHANK REAR DISK LEVELER WITH FINISHER WING FOLD HYDRAULICS
35.100.07	02	9 SHANK REAR DISK LEVELER WITH FINISHER WING FOLD HYDRAULICS 2011
35.100.08	02	11 & 13 SHANK LEVELER WING FOLD HYDRAULICS 2011
35.100.09	01	11 SHANK LEVELER WITH FINISHER WING FOLD HYDRAULICS
35.100.09	02	11 SHANK LEVELER WITH FINISHER WING FOLD HYDRAULICS 2011
35.100.10	01	13 SHANK LEVELER WITH FINISHER WING FOLD HYDRAULICS
35.100.10	02	13 SHANK LEVELER WITH FINISHER WING FOLD HYDRAULICS 2011
35.100.11		DISK HYDRAULICS PRE 2011
35.100.12		CHECK VALVE KIT, STANDARD EQUIPMENT 2011
35.100.13		HYDRAULIC CYLINDERS
35.100.14		KIT CYLINDER LUG 11/13 SHANK
39.100.01	01	MAIN FRAME INSTALLATION 2009 - 2010 PRODUCTION
39.100.01	02	MAIN FRAME INSTALLATION 2011 - CURRENT
39.100.02		11 AND 13 SHANK MAIN FRAME WING ATTACHMENT
39.100.03		13 SHANK MAIN FRAME GAUGE WHEEL
39.100.04		GAUGE WHEEL, HUB, ASSY
39.100.05		MAIN LIFT CYLINDER ATTACHMENT
39.100.06		DISK FRAME
39.100.07		9 SHANK DISK WING ATTACHMENT
39.100.08		11 AND 13 SHANK DISK WING ATTACHMENT
39.100.09		DISK ROCKSHAFT
39.100.10		SINGLE POINT DEPTH CONTROL
39.100.11		SINGLE SPRING PACK ASSEMBLY
39.100.12		DOUBLE SPRING PACK ASSEMBLY

TABLE OF CONTENTS

39.100.13		SMV BRACKET
39.100.14	01	REAR DISK LEVELER PRE 2011 AND 2011 7 & 9 SHANK
39.100.14	02	REAR DISK LEVELER 2011 11 & 13 SHANK
39.100.15		REAR DISK LEVELER - 7 AND 9 SHANK
39.100.16	01	REAR DISK LEVELER - 11 AND 13 SHANK 2009 - 2010
39.100.16	02	REAR DISK LEVELER - 11 AND 13 SHANK 2011
39.100.17	01	REAR DISK LEVELER LIFT ARMS
39.100.17	02	REAR DISK LEVELER LIFT ARM 2011
39.100.18		REAR LEVELER DEPTH CONTROL
39.100.19	01	REAR DISK LEVELER WITH FINISHER FRAME
39.100.19	02	REAR DISK LEVELER WITH FINISHER FRAME (2011 - CURRENT)
39.100.20		REAR DISK LEVELER WITH FINISHER
39.100.21		REAR DISK LEVELER WITH FINISHER LIFT CYLINDER
39.110.01		PULL FRAME
39.110.02		CAT V PERFECT HITCH
39.110.02		HOSE MOUNT
44.100.01		TANDEM TRANSPORT ASSEMBLY
44.100.02		SINGLE TRANSPORT ASSEMBLY
44.100.03		TANDEM BEARING UPGRADE KIT
55.404.01		WIRE HARNESS
55.404.02		AMBER LIGHT BRACKET
55.404.03		RED LIGHT BRACKET
75.200.01		SHEAR BOLT MOUNT
75.200.02		SR-13 SHANK ASSEMBLY
75.200.03		SHIN
75.200.04		COVERBOARD - 4 INCH
75.200.05		COVERBOARD - 6 INCH
75.200.06		SHANK RIPPER POINT
75.200.07		CUSHION DISK GANG
75.200.08		DISK FRAME SCRAPER ANGLES
75.200.09		DISC, ASSY, TRUNNION
75.200.09	01	KIT STANDARD BEARING TRUNNION
75.200.09	02	KIT DELUXE BEARING TRUNNION W/PIVOT BUSHING
75.200.09	03	KIT UPGRADE TRUNNION ON BASKET ARM
75.200.10		INDIVIDUAL DISK ATTACHMENT
75.200.11		INDIVIDUAL CENTER DISK ATTACHMENT

TABLE OF CONTENTS

75.200.12	01	REAR DISK LEVELER ARM
75.200.12	02	REAR DISK LEVELER ARM 2011
75.200.12	03	REAR DISK LEVELER ARM 2012
75.200.12	04	HUB LEVELER FRONT
75.200.13	01	DISK LEVELER ARM RESET ASSEMBLY
75.200.13	02	DISK LEVELER ARM RESET ASSEMBLY 2012
75.200.13	03	KIT LEVELER MOUNT
75.200.14		DISK LEVELER HUB
75.200.15	01	DOUBLE EDGE REEL
75.200.15	02	DOUBLE EDGE REEL 2011
75.200.16		DOUBLE EDGE REEL ASSEMBLY
75.200.17		REAR DISK LEVELER WITH SPIKE TOOTH HARROW FRAME
75.200.18		SPIKE HARROW
75.200.19		DISK LIFT TRANSPORT STOP
75.200.20		MAIN LIFT TRANSPORT STOP
75.200.21		REAR LEVELER LIFT STOPS
75.200.22		MAIN LIFT DEPTH CONTROL STOPS
88.102.01	01	HUB, KIT
88.103.01	01	HUB, KIT
88.104.01	01	GAUGE WHEEL, KIT
88.105.01	01	GAUGE WHEEL KIT
88.106.01	01	BEARING, KIT
88.107.01	01	KIT
88.108.01	01	SHANK, KIT
88.109.01	01	HUB, KIT
88.110.01	01	BEARING, KIT
88.110.02		KIT SCRAPER
88.110.03		EXTENSION DISC KIT
90.108.02		DECALS
90.108.03	01	DECALS WARNING AND DANGER
90.108.03	02	DECALS WARNING, DANGER AND IMPORTANT
90.108.04	01	DECALS REAR DISK LEVELER
90.108.04	02	DECALS - 7 SHANK
90.108.04	03	DECALS - 9 SHANK
90.108.04	04	DECALS 11 AND 13 SHANK

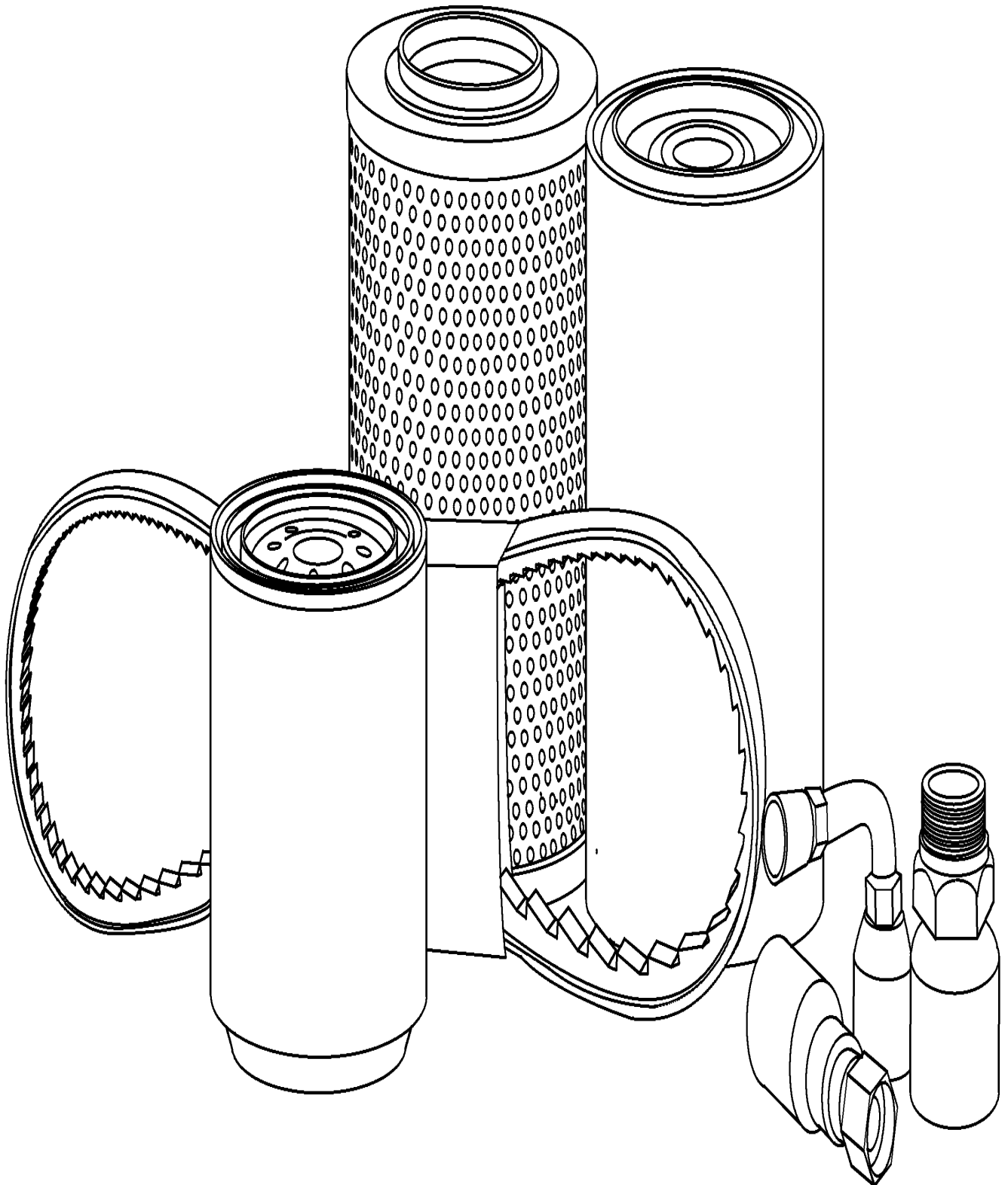
SECTION INDEX

GENERAL & PICTORIAL INDEX

00.100.01

INITIAL STOCKING LIST (ISL)

INITIAL STOCKING LIST (ISL)

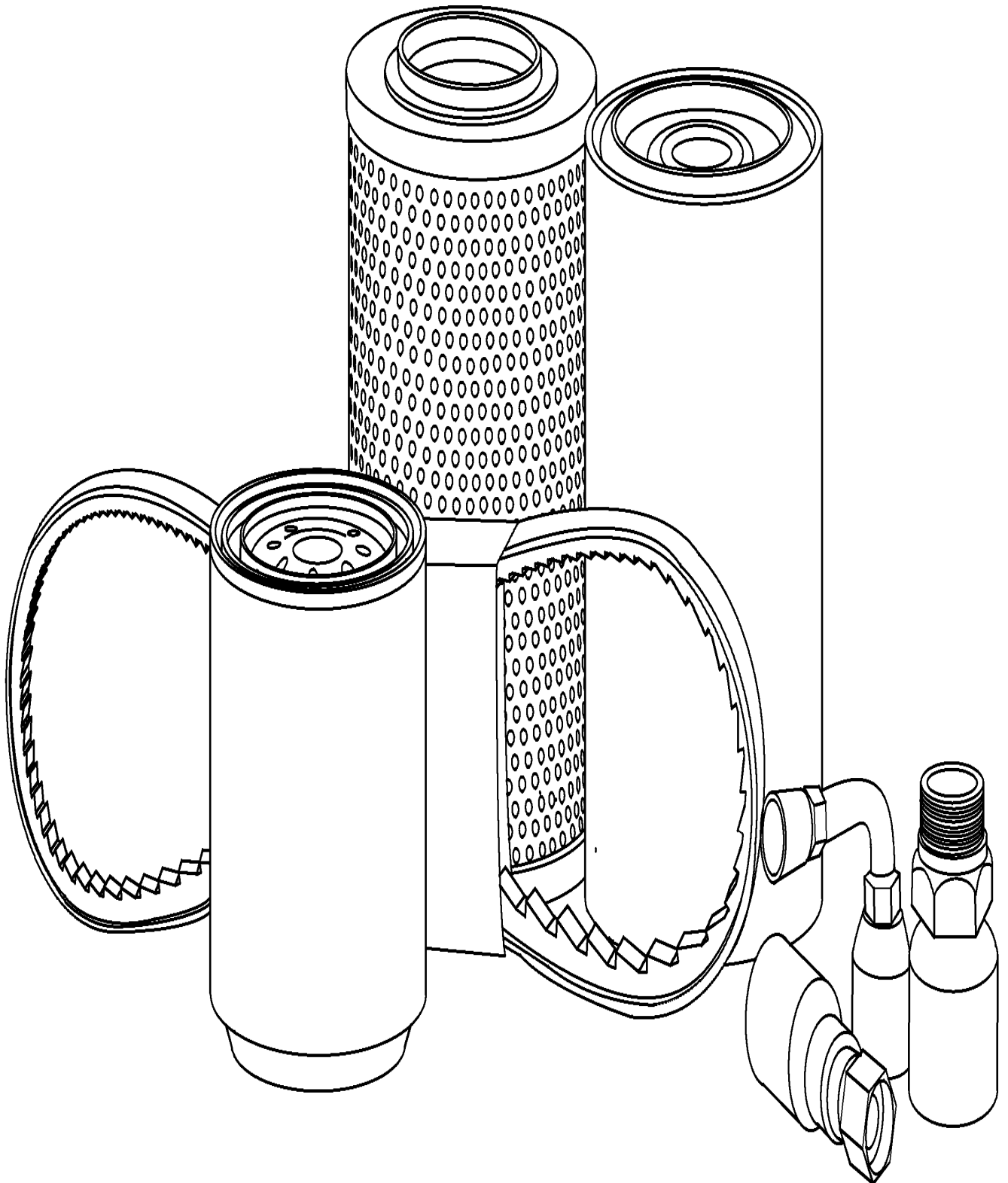


INITIAL STOCKING LIST (ISL)

REF FN	PART NUMBER	YR/SN	QTY DESCRIPTION
	{LIST A}		Parts Required For Preventative Maintenance
1	25833007		2 SEAL KIT Used With Cylinder 25330082 and 25330081
2	87415559		2 SEAL 55.63mm ID x 82.55mm OD x 1.02mm Thk Counterface
3	87415557		2 SEAL
4	87415558		2 SEAL 53.87mm ID x 78.26mm OD x 1.52mm Thk Retainer
5	87421649		2 SEAL Counterface
6	84201759		2 SEAL
7	87421650		2 SEAL RETAINER ATX Packer
8	84172248		2 SEAL KIT
9	84172249		2 SEAL KIT
	{LIST B}		Parts Required For Preventative Maintenance And Basic Repair
10	25330082		2 HYDRAULIC CYLINDER Double Acting, 31.75mm Rod, 203.2mm Stroke 3 In. X8 In. -3000 Psi
11	25330081		1 HYDRAULIC CYLINDER Double Acting, 31.75mm Rod, 203.2mm Stroke 3 X 8 - 3000Psi
12	87471399		1 HYDRAULIC CYLINDER Double Acting, 38.1mm Rod, 406.4mm Stroke 3.5X16, Ind Hard
13	87471400		1 HYDRAULIC CYLINDER Double Acting, 38.1mm Rod, 406.4mm Stroke 4X16, Ind Hard
14	87328528		1 SHUT-OFF VALVE Hydraulic, (Shoemaker 8176)
15	87460075		9 POINT RIPPER SHANK Points, 2 Inch - 9 Shk , Points, 2 Inch - 7 Shk
16	87460070		9 POINT RIPPER SHANK Points, 7 Inch - 9 Shk , Points, 7 Inch - 7 Shk
17	280486		30 CARRIAGE BOLT Sq Nk, 1/2" - 13 x 1", Gr 5, Full Thd 1/2-13X1 Full GR5 Znd
18	280431		30 NUT 1/2"-13, G5 .5 Unc GR5 YZD
19	84180366		2 DISK HARROW 460X3Mm 4 Hole

870-ECOLO-TIGER DISK RIPPER

INITIAL STOCKING LIST (ISL)



INITIAL STOCKING LIST (ISL)

REF FN	PART NUMBER	YR/SN	QTY DESCRIPTION
20	87427192		2 SPECIAL BOLT L-Bolt 3 4Nc X 5.94 Znd
21	ST491A		1 BALL BEARING 45mm ID
22	87691879		2 DISC 620X103.6X6.5 176 C
23	87702617		1 DISC 596X103.6X6.5 176 C
24	281058		10 BOLT Hex, 1/2" - 13 x 2", Gr 8 1/2-13 X 2 Grade 8 Znd
25	86992215		10 LOCK NUT 1/2"-13, GC Prev Torq All MTL 1/2-13 Gr C ZND
26	87613265		10 WASHER 0.53" ID x 1.25" OD x 0.13" Thk 0.531X1.25X0.134 Hts ZND
27	84128120		2 BEARING CONE 31.75mm ID x 16.76mm W
28	86512015		2 BEARING ASSY 41.27mm ID x 73.46mm OD x 19.63mm W Cone LM501349
29	36726		2 BEARING CONE 31.75mm ID x 16.76mm W #LM67048
30	87427186		4 U-BOLT BOLT "U" 3 4 X 6.18 ZND
31	280375		4 NUT 3/4"-10, GC Prev Torq All Mtl 3/4-10 Gr C ZND
32	87553161		5 POINT RIPPER SHANK Parabolic
33	87476379		2 BEARING CONE 41.27mm ID x 19.81mm W Cone, 1.62 In
34	87476393		2 BEARING CUP 73.43mm OD x 14.73mm W 2.89 In
35	87480912		1 STOP Package, Hyd Cly, 1.5-1.75 In
36	619443		1 SEAL 76.2mm ID x 114.48mm OD x 11.89mm Thk
37	86594308		1 BEARING CONE 44.45mm ID x 29.32mm W 1.75
38	371884A1		1 BEARING CONE 63.5mm ID x 30.24mm W 2.50

870-ECOLO-TIGER DISK RIPPER

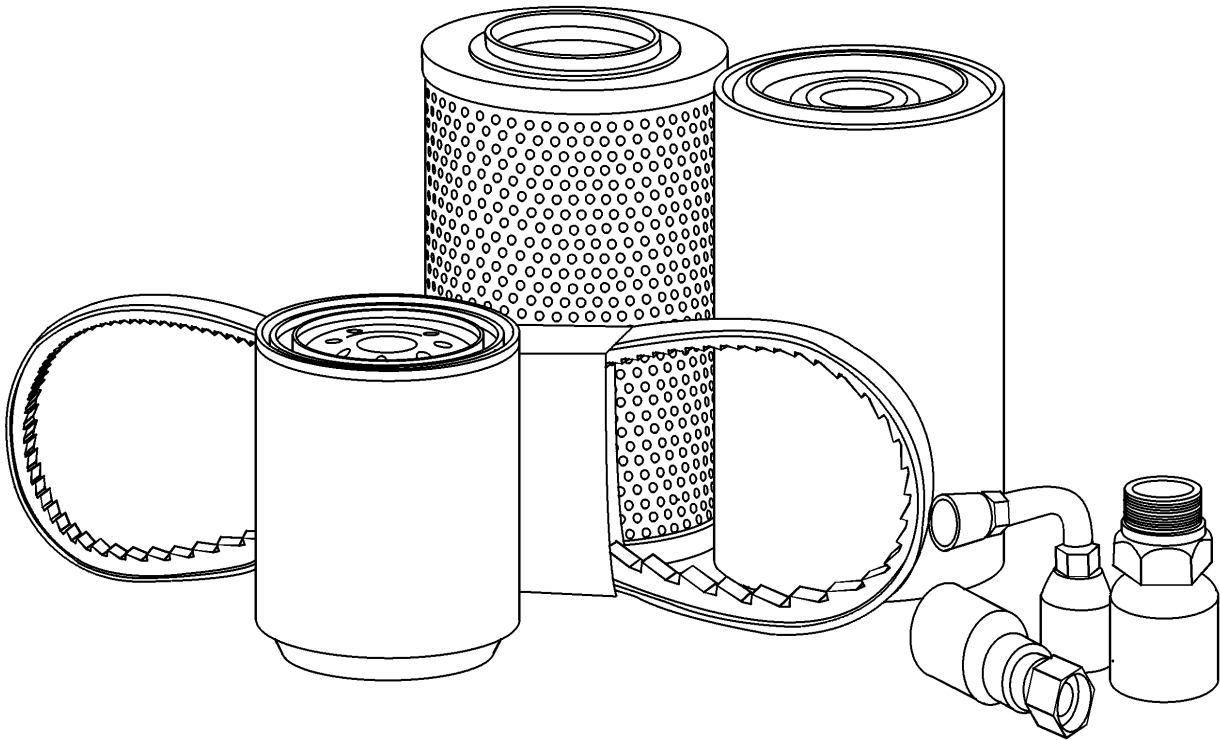
SECTION INDEX

SERVICE & MAINTENANCE

05.100.03

FILTERS & CAPACITIES, ECOLO-TIGER® 870

FILTERS & CAPACITIES, ECOLO-TIGER® 870



FILTERS & CAPACITIES, ECOLO-TIGER® 870

REF FN	PART NUMBER	YR/SN	QTY DESCRIPTION
*	ZRG012WGC		GREASE Chassis Lube, NLGI #2 Lithium, As Required

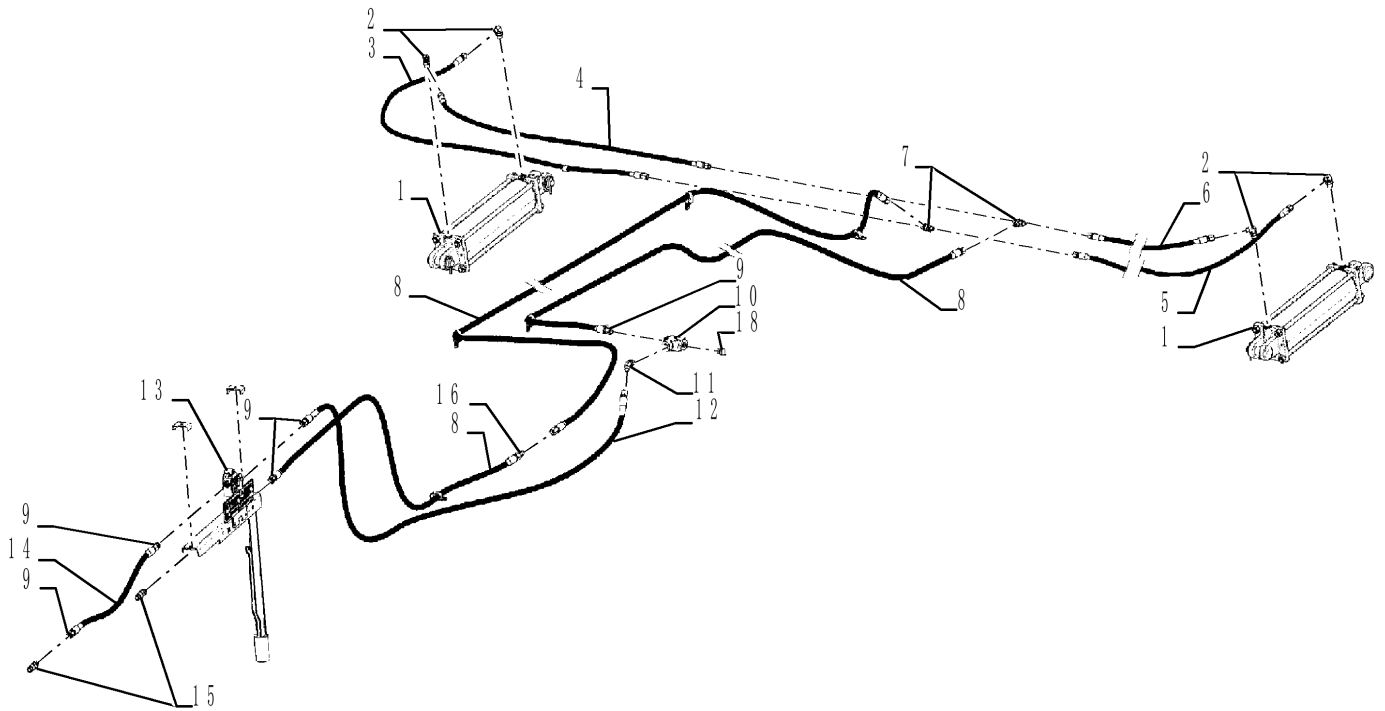
870-ECOLO-TIGER DISK RIPPER

SECTION INDEX

HYDRAULIC SYSTEMS

35.100.01	01	SINGLE POINT DEPTH CONTROL HYDRAULICS
35.100.01	02	SINGLE POINT DEPTH CONTROL HYDRAULICS 2011
35.100.02	01	7 AND 9 SHANK MECHANICAL TRANSPORT HYDRAULICS
35.100.02	02	7 AND 9 SHANK MECHANICAL TRANSPORT HYDRULICS 2011
35.100.03	01	11 AND 13 SHANK MECHANICAL TRANSPORT HYDRAULICS
35.100.03	02	11 AND 13 SHANK MECHANICAL TRANSPORT HYDRAULICS 2011
35.100.04		BASIC LEVELING PRIOR TO 2012 PRODUCTION
35.100.05		ALL LEVELING 2012 PRODUCTION
35.100.06	01	9 SHANK REAR DISK LEVELER WING FOLD HYDRAULICS
35.100.06	02	9 SHANK REAR DISK LEVELER WING FOLD HYDRAULICS 2011
35.100.07	01	9 SHANK REAR DISK LEVELER WITH FINISHER WING FOLD HYDRAULICS
35.100.07	02	9 SHANK REAR DISK LEVELER WITH FINISHER WING FOLD HYDRAULICS 2011
35.100.08	02	11 & 13 SHANK LEVELER WING FOLD HYDRAULICS 2011
35.100.09	01	11 SHANK LEVELER WITH FINISHER WING FOLD HYDRAULICS
35.100.09	02	11 SHANK LEVELER WITH FINISHER WING FOLD HYDRAULICS 2011
35.100.10	01	13 SHANK LEVELER WITH FINISHER WING FOLD HYDRAULICS
35.100.10	02	13 SHANK LEVELER WITH FINISHER WING FOLD HYDRAULICS 2011
35.100.11		DISK HYDRAULICS PRE 2011
35.100.12		CHECK VALVE KIT, STANDARD EQUIPMENT 2011
35.100.13		HYDRAULIC CYLINDERS
35.100.14		KIT CYLINDER LUG 11/13 SHANK

SINGLE POINT DEPTH CONTROL HYDRAULICS

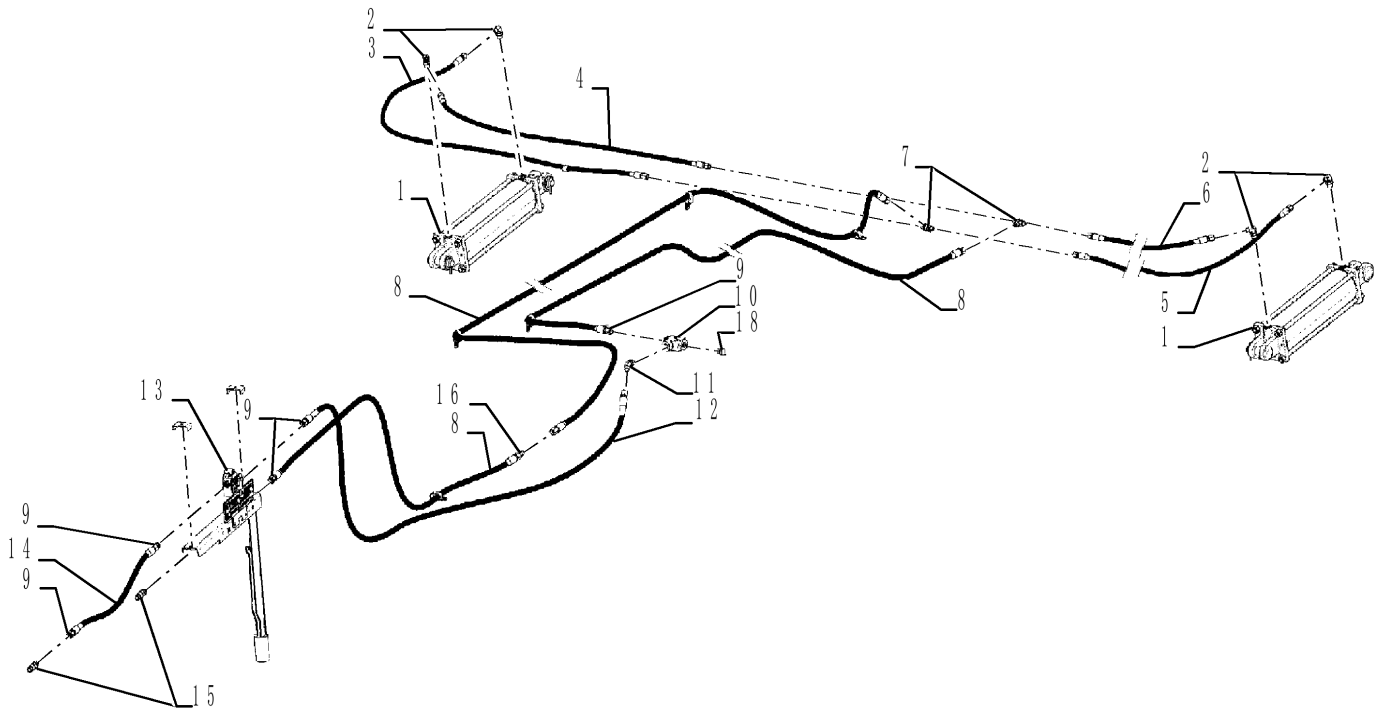


SINGLE POINT DEPTH CONTROL HYDRAULICS

REF FN	PART NUMBER	YR/SN	QTY DESCRIPTION
1	87471399		2 HYDRAULIC CYLINDER Double Acting, 38.1mm Rod, 406.4mm Stroke 3-1/2 x 16, 7 Shank Unit
1	87471400		2 HYDRAULIC CYLINDER Double Acting, 38.1mm Rod, 406.4mm Stroke 4 x 16, 9 Shank Unit
1	87471400R		2 REMAN-HYD CYLINDER 870, ECOLO-TIGER DISK RIPPER, 4 x 16, 9 Shank Unit
1	87471400C		2 CORE-HYD CYLINDER Return Number
1	87471401		2 HYDRAULIC CYLINDER Double Acting, 44.45mm Rod, 406.4mm Stroke 4-1/2 x 16, 11 & 13 Shank Units
1	87471401R		2 REMAN-HYD CYLINDER 870 ECOLO TIGER DISK RIPPER, SINGLE POINT DEPTH CONTROL HYDRAULICS, 4-1/2 x 16, 11 & 13 Shank Units
1	87471401C		2 CORE-HYD CYLINDER Return Number
2	76347		4 ELBOW 90°, 9/16" - 18 JIC x 3/4" - 16 ORB
3	1285380C2		1 HYDRAULIC HOSE 3/8 x 50
4	1270453C1		1 HYDRAULIC HOSE 3/8 x 35
5	1284367C1		1 HYDRAULIC HOSE 9.53mm ID x 2415mm L 3/8 x 95
6	813006C2		1 HYDRAULIC HOSE 3/8 x 85
7	86624134		2 TEE 37°, 9/16"-18 x 3/4"-16, Br
8	1015396		3 HYDRAULIC HOSE 12.7mm ID x 3810mm L, SAE 100R17 1/2 x 150
9	81827427		5 HYD CONNECTOR 3/4" - 16 JIC x 3/4" - 16 ORB
10	396150A1		1 VALVE, CONTROL Single Point Depth
11	216797		1 45 ELBOW 45°, 3/4"-16, 37° x 3/4"-16, O-Ring
12	90685C1		1 HYDRAULIC HOSE 12.70 mm ID x 4825.00 mm, SAE 100R1 1/2" x 190"
13	87328528		1 SHUT-OFF VALVE Hydraulic
14	91202C1		1 HYDRAULIC HOSE 12.70 mm ID x 2160.00 mm, SAE 100R1
15	25705041		2 COUPLING 3/4 Hydraulic Male
16	128822		2 UNION 3/4" - 16 JIC x 3/4" - 16 JIC

870-ECOLO-TIGER DISK RIPPER

SINGLE POINT DEPTH CONTROL HYDRAULICS



35.100.01

01

p2

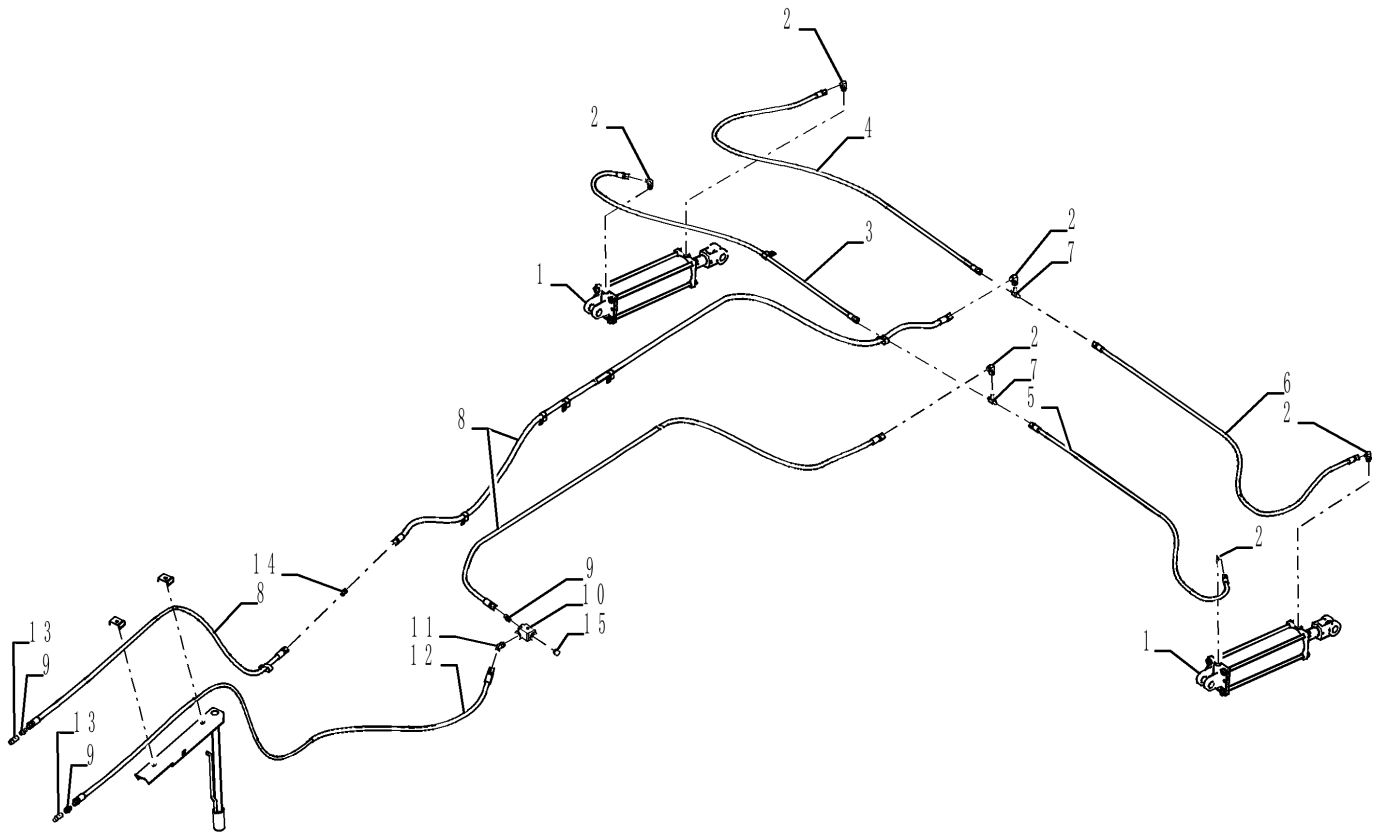
8/2016

SINGLE POINT DEPTH CONTROL HYDRAULICS

REF FN	PART NUMBER	YR/SN	QTY DESCRIPTION
17	237-6008		1 O-RING 0.087" Thk x 0.644" ID, -908, CI 6, 90 Duro Not Shown
18	214389		1 PLUG 3/4" - 16 ORB
19	22510710		UAR HOSE CLAMP 3/4, Not Shown
19	22510700		UAR HOSE CLAMP 15.86mm 5/8, Not Shown
20	88682		UAR CARRIAGE BOLT Short Nk, 3/8"-16 x 1", Gr 5 Not Shown
21	86992213		UAR NUT Not Shown

870-ECOLO-TIGER DISK RIPPER

SINGLE POINT DEPTH CONTROL HYDRAULICS 2011

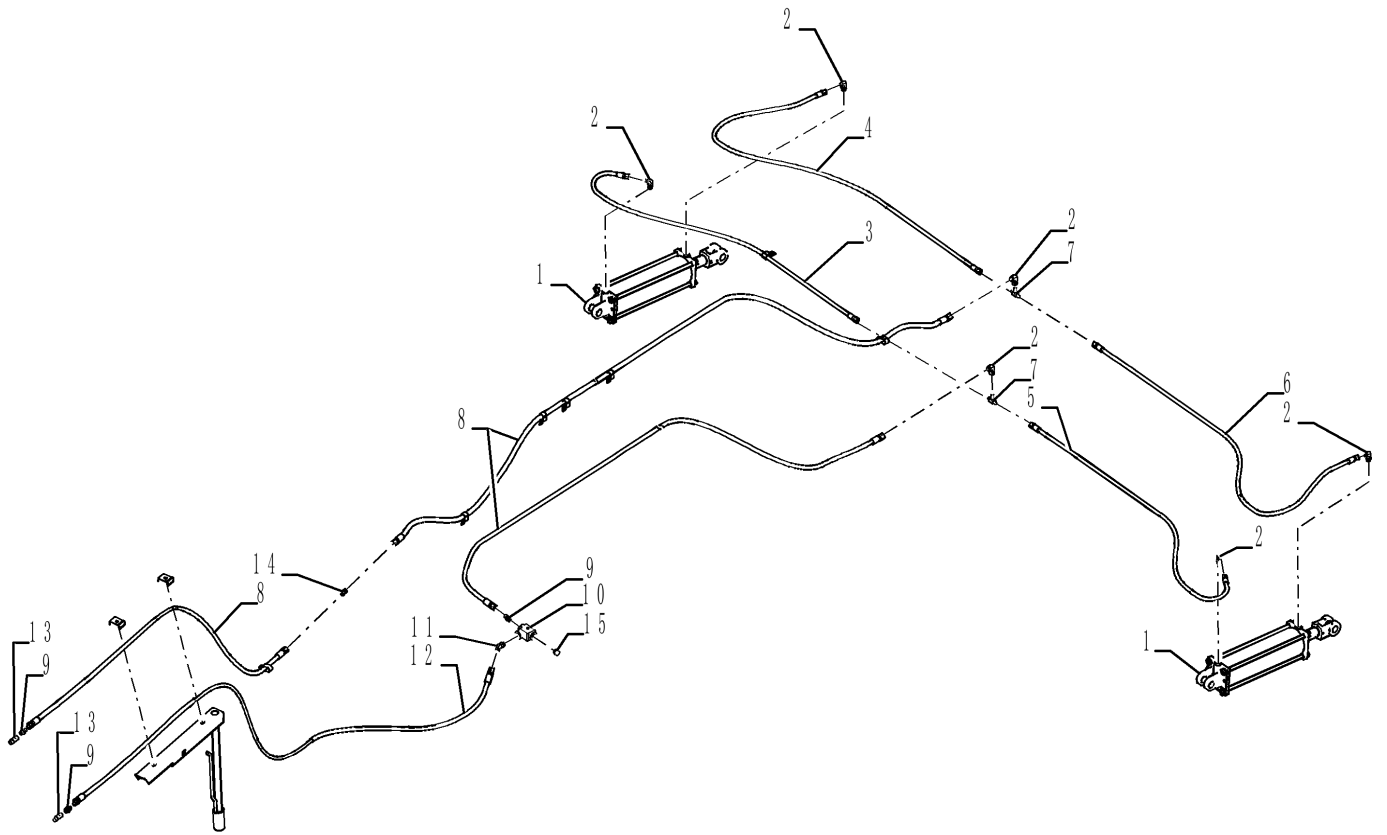


SINGLE POINT DEPTH CONTROL HYDRAULICS 2011

REF FN	PART NUMBER	YR/SN	QTY DESCRIPTION
1	87471399		2 HYDRAULIC CYLINDER Double Acting, 38.1mm Rod, 406.4mm Stroke 3-1/2 x 16, 7 Shank Unit
1	87471400		2 HYDRAULIC CYLINDER Double Acting, 38.1mm Rod, 406.4mm Stroke 4 x 16, 9 Shank Unit
1	87471400R		2 REMAN-HYD CYLINDER 870, ECOLO-TIGER DISK RIPPER, 4 x 16, 9 Shank Unit
1	87471400C		2 CORE-HYD CYLINDER Return Number
1	87471401		2 HYDRAULIC CYLINDER Double Acting, 44.45mm Rod, 406.4mm Stroke 4-1/2 x 16, 11 & 13 Shank Units
1	87471401R		2 REMAN-HYD CYLINDER 870 ECOLO TIGER DISK RIPPER, SINGLE POINT DEPTH CONTROL HYDRAULICS 2011, 4-1/2 x 16, 11 & 13 Shank Units
1	87471401C		2 CORE-HYD CYLINDER Return Number
2	76347		4 ELBOW 90°, 9/16" - 18 JIC x 3/4" - 16 ORB
3	1285380C2		1 HYDRAULIC HOSE 3/8 x 50
4	1270453C1		1 HYDRAULIC HOSE 3/8 x 35
5	1284367C1		1 HYDRAULIC HOSE 9.53mm ID x 2415mm L 3/8 x 95
6	813006C2		1 HYDRAULIC HOSE 3/8 x 85
7	86624134		2 TEE 37°, 9/16"-18 x 3/4"-16, Br
8	1015396		3 HYDRAULIC HOSE 12.7mm ID x 3810mm L, SAE 100R17 1/2 x 150
9	81827427		5 HYD CONNECTOR 3/4" - 16 JIC x 3/4" - 16 ORB
10	396150A1		1 VALVE, CONTROL Single Point Depth
11	216797		1 45 ELBOW 45°, 3/4"-16, 37° x 3/4"-16, O-Ring
12	90685C1		1 HYDRAULIC HOSE 12.70 mm ID x 4825.00 mm, SAE 100R1 1/2 x 190
13	25705041		2 COUPLING 3/4 Hydraulic Male
14	128822		2 UNION 3/4" - 16 JIC x 3/4" - 16 JIC
15	214389		1 PLUG 3/4" - 16 ORB
16	22510710		UAR HOSE CLAMP 3/4, Not Shown
17	22510700		UAR HOSE CLAMP 15.86mm 5/8, Not Shown

870-ECOLO-TIGER DISK RIPPER

SINGLE POINT DEPTH CONTROL HYDRAULICS 2011



35.100.01

02

p2

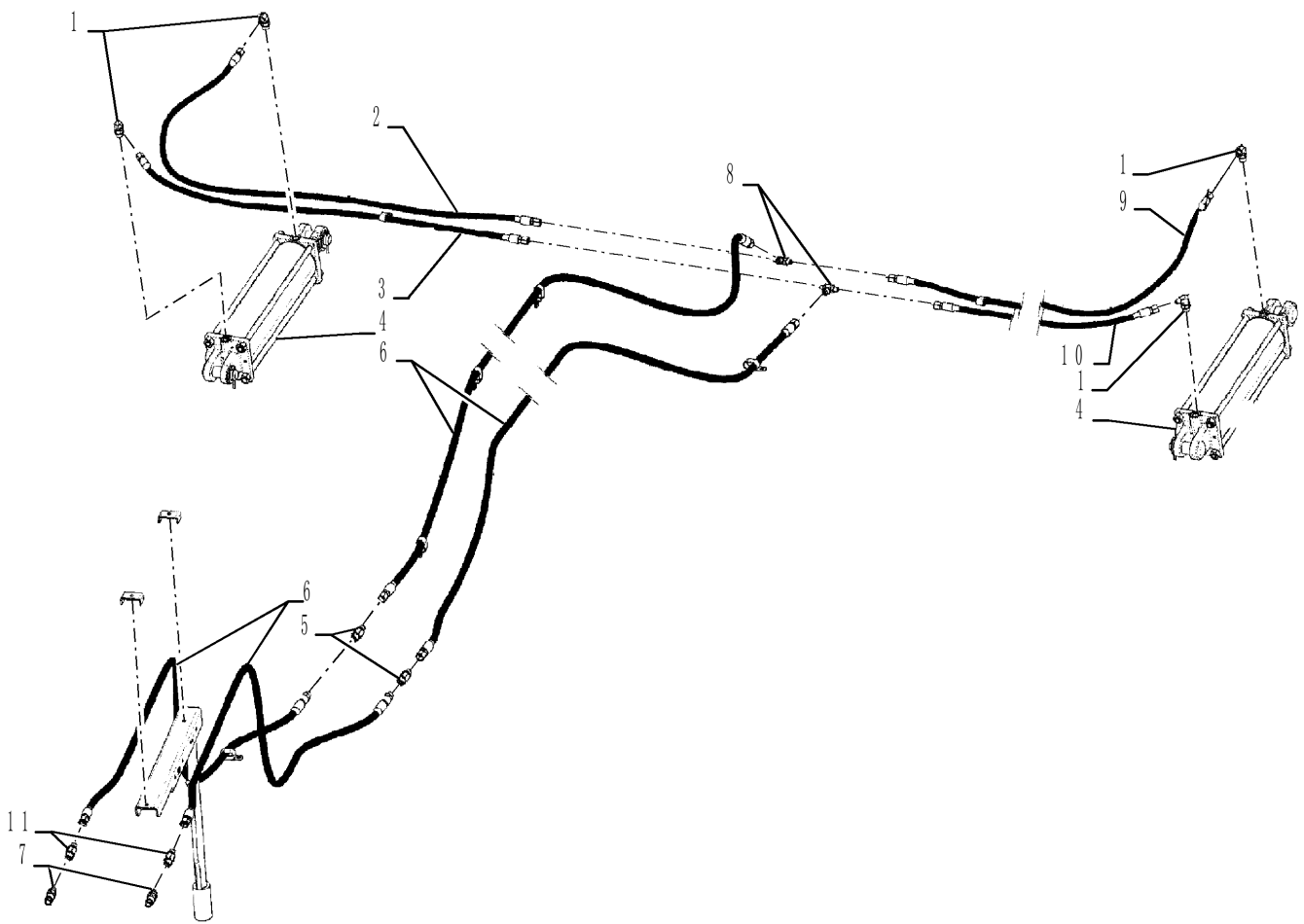
8/2016

SINGLE POINT DEPTH CONTROL HYDRAULICS 2011

REF FN	PART NUMBER	YR/SN	QTY DESCRIPTION
18	88682		UAR CARRIAGE BOLT Short Nk, 3/8"-16 x 1", Gr 5 Not Shown
19	86992213		UAR NUT Not Shown
20	237-6008		1 O-RING 0.087" Thk x 0.644" ID, -908, CI 6, 90 Duro Not Shown

870-ECOLO-TIGER DISK RIPPER

7 AND 9 SHANK MECHANICAL TRANSPORT HYDRAULICS

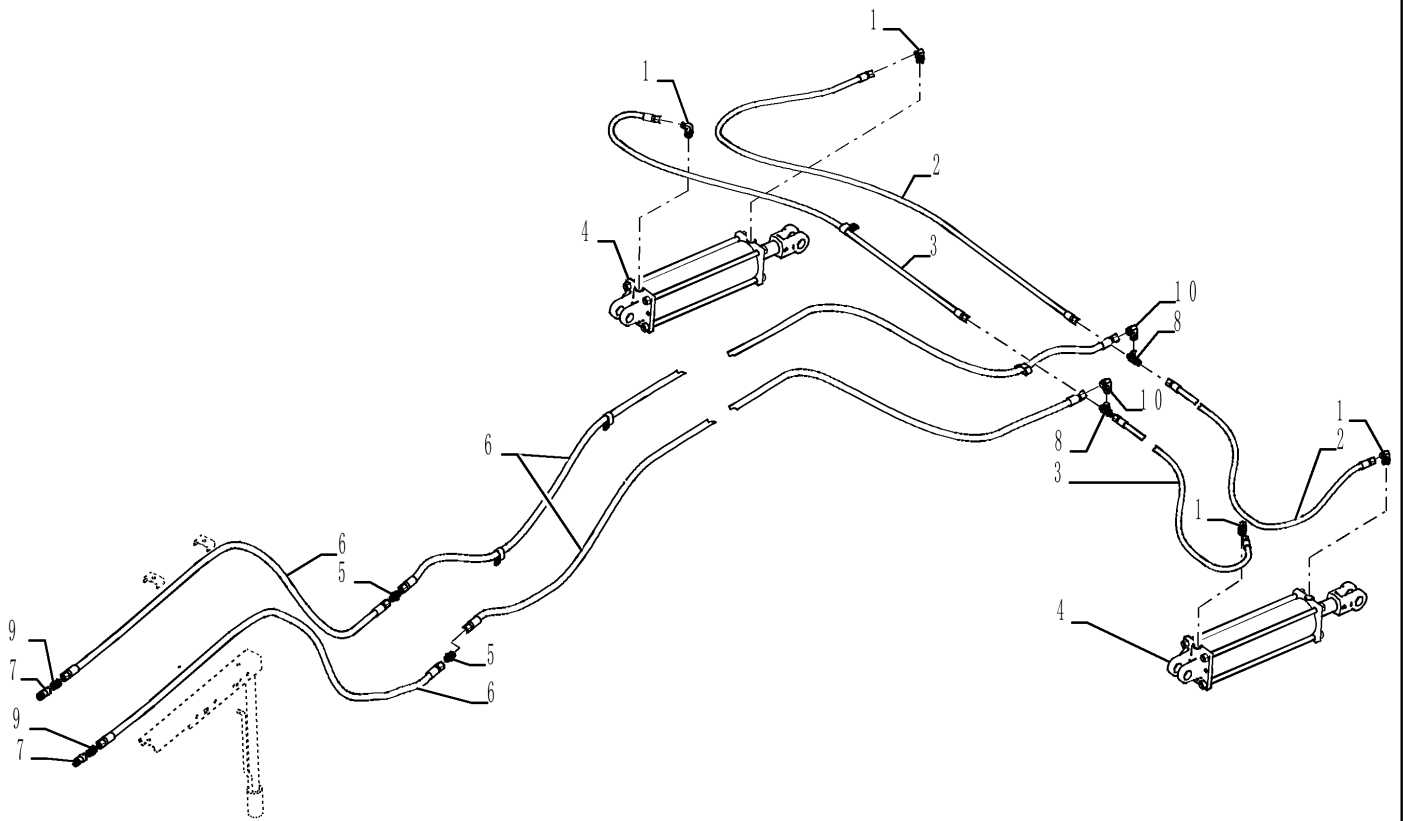


7 AND 9 SHANK MECHANICAL TRANSPORT HYDRAULICS

REF FN	PART NUMBER	YR/SN	QTY DESCRIPTION
1	76347		4 ELBOW 90°, 9/16" - 18 JIC x 3/4" - 16 ORB
2	1285380C2		1 HYDRAULIC HOSE 3/8 x 50
3	1270453C1		1 HYDRAULIC HOSE 3/8 x 35
4	87471399		2 HYDRAULIC CYLINDER Double Acting, 38.1mm Rod, 406.4mm Stroke 3-1/2 x 16, 7 Shank
4	87471400		2 HYDRAULIC CYLINDER Double Acting, 38.1mm Rod, 406.4mm Stroke 4 x 16, 9 Shank
4	87471400R		2 REMAN-HYD CYLINDER 870, ECOLO-TIGER DISK RIPPER, 4 x 16, 9 Shank
4	87471400C		2 CORE-HYD CYLINDER Return Number
5	128822		2 UNION 3/4" - 16 JIC x 3/4" - 16 JIC
6	1015396		4 HYDRAULIC HOSE 12.7mm ID x 3810mm L, SAE 100R17 1/2 x 150
7	25705041		2 COUPLING 3/4 Male
8	86624134		2 TEE 37°, 9/16"-18 x 3/4"-16, Br
9	1284367C1		1 HYDRAULIC HOSE 9.53mm ID x 2415mm L 3/8 x 95
10	813006C2		1 HYDRAULIC HOSE 3/8 x 85
11	81827427		2 HYD CONNECTOR 3/4" - 16 JIC x 3/4" - 16 ORB 3/4 SAEM x 3/4 JICM Adapter
12	22510700		UAR HOSE CLAMP 15.86mm 5/8, Not Shown
12	22510710		UAR HOSE CLAMP 3/4, Not Shown
13	88682		UAR CARRIAGE BOLT Short Nk, 3/8"-16 x 1", Gr 5 Not Shown
14	86992213		UAR NUT Not Shown

870-ECOLO-TIGER DISK RIPPER

7 AND 9 SHANK MECHANICAL TRANSPORT HYDRULICS 2011

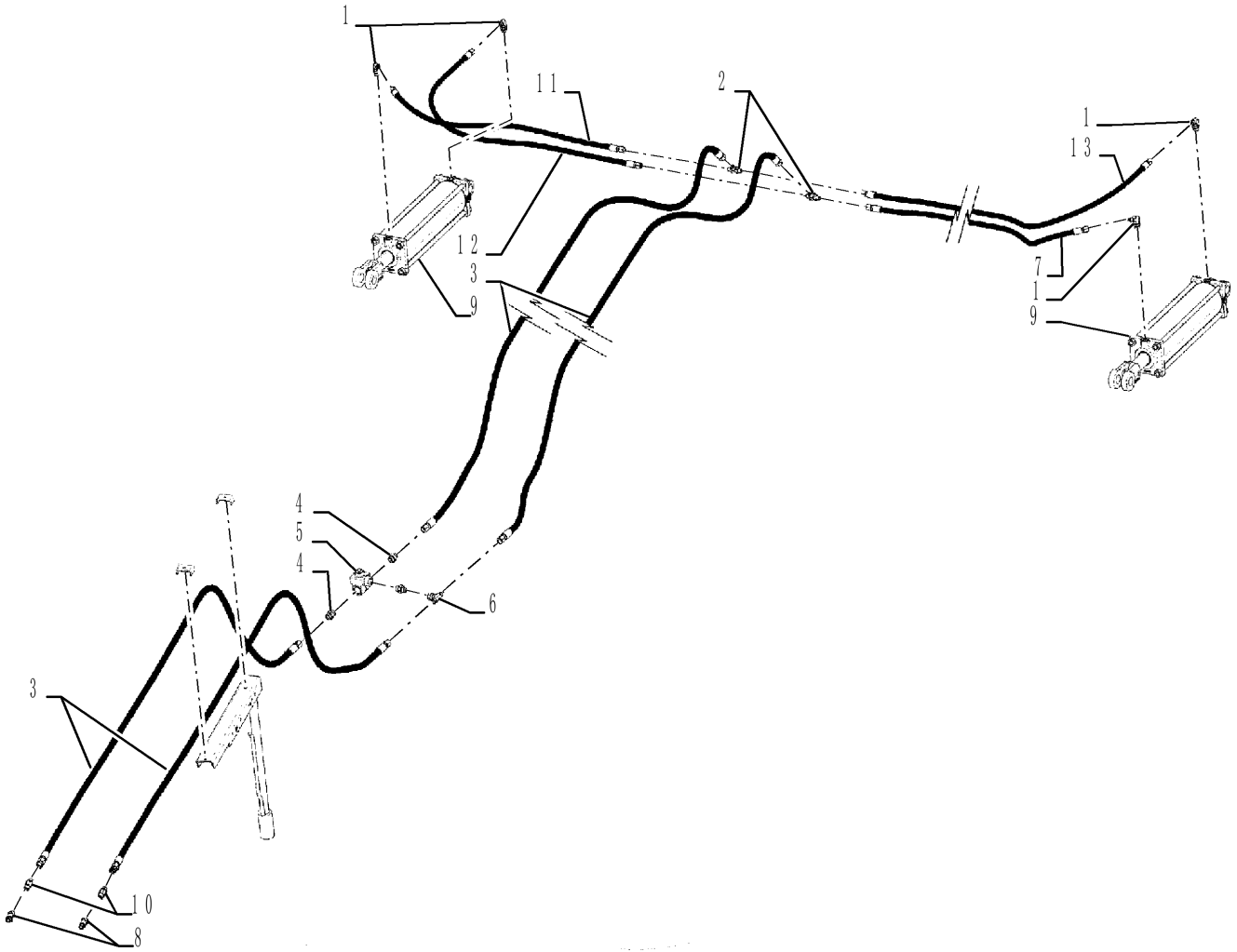


7 AND 9 SHANK MECHANICAL TRANSPORT HYDRULICS 2011

REF FN	PART NUMBER	YR/SN	QTY DESCRIPTION
1	76347		4 ELBOW 90°, 9/16" - 18 JIC x 3/4" - 16 ORB
2	196584C2		2 HYDRAULIC HOSE 3/8 x 50
4	87471399		2 HYDRAULIC CYLINDER Double Acting, 38.1mm Rod, 406.4mm Stroke 3-1/2 x 16, 7 Shank
4	87471400		2 HYDRAULIC CYLINDER Double Acting, 38.1mm Rod, 406.4mm Stroke 4 x 16, 9 Shank
4	87471400R		2 REMAN-HYD CYLINDER 870, ECOLO-TIGER DISK RIPPER, 4 x 16, 9 Shank
4	87471400C		2 CORE-HYD CYLINDER Return Number
5	128822		2 UNION 3/4" - 16 JIC x 3/4" - 16 JIC
6	1015396		4 HYDRAULIC HOSE 12.7mm ID x 3810mm L, SAE 100R17 1/2 x 150
7	25705041		2 COUPLING 3/4 Male
8	86624134		2 TEE 37°, 9/16"-18 x 3/4"-16, Br
9	81827427		2 HYD CONNECTOR 3/4" - 16 JIC x 3/4" - 16 ORB 3/4 SAEM x 3/4 JICM Adapter
10	248974		2 90 ELBOW 3/4" - 16 JIC x 3/4" - 16 Fem Sw
12	22510700		UAR HOSE CLAMP 15.86mm 5/8, Not Shown
12	22510710		UAR HOSE CLAMP 3/4, Not Shown
13	88682		UAR CARRIAGE BOLT Short Nk, 3/8"-16 x 1", Gr 5 Not Shown
14	86992213		UAR NUT Not Shown

870-ECOLO-TIGER DISK RIPPER

11 AND 13 SHANK MECHANICAL TRANSPORT HYDRAULICS

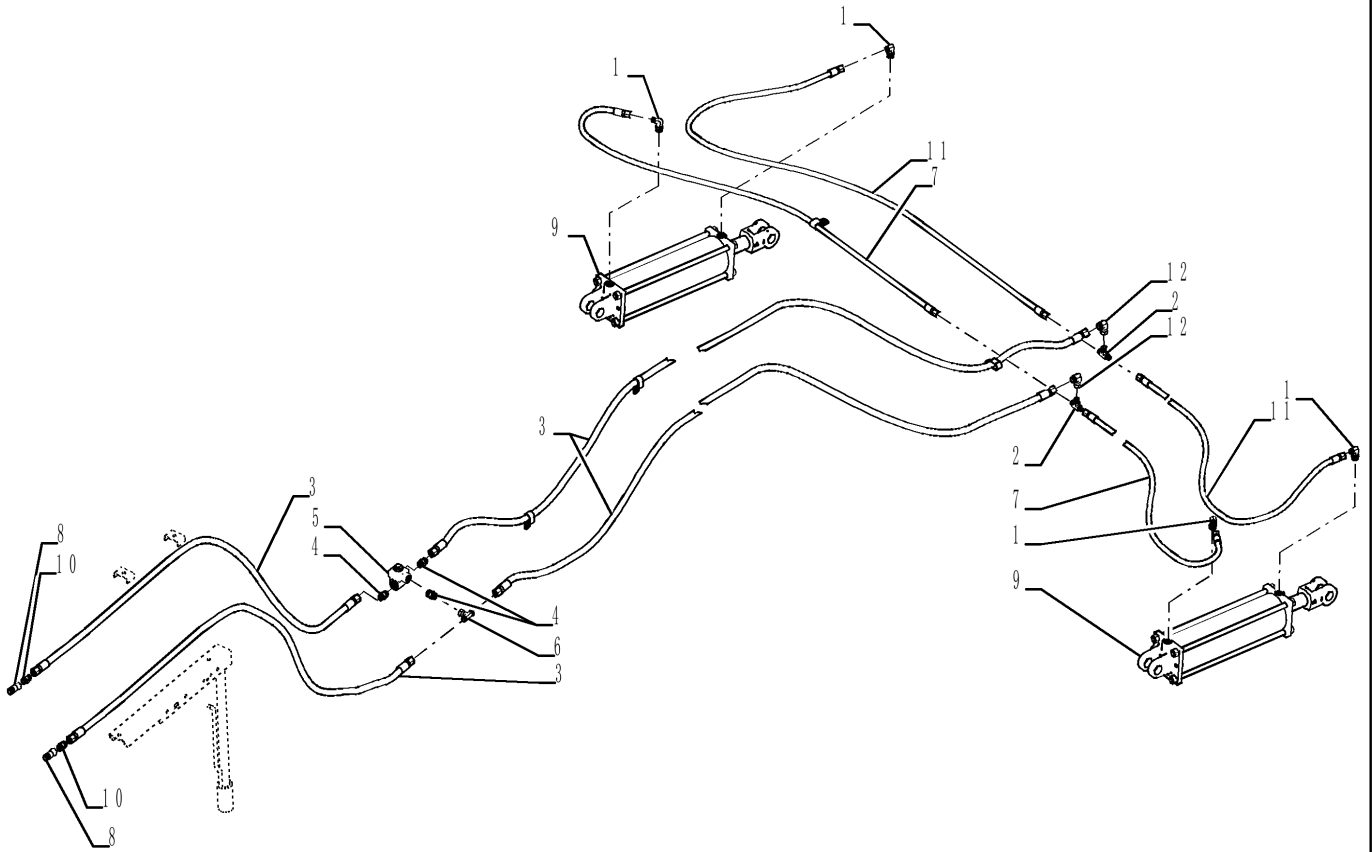


11 AND 13 SHANK MECHANICAL TRANSPORT HYDRAULICS

REF FN	PART NUMBER	YR/SN	QTY DESCRIPTION
1	76347		4 ELBOW 90°, 9/16" - 18 JIC x 3/4" - 16 ORB
2	86624134		2 TEE 37°, 9/16"-18 x 3/4"-16, Br
3	1015396		4 HYDRAULIC HOSE 12.7mm ID x 3810mm L, SAE 100R17 1/2 x 150
4	128819		3 HYD CONNECTOR 7/8" - 14 ORB x 3/4" - 16 JIC
5	25405022		1 VALVE PRESSURE RELIEF
6	86513015		1 TEE 3/4" - 16 JIC x 3/4" - 16 JIC x 3/4" - 16 JIC
7	813006C2		1 HYDRAULIC HOSE 3/8 x 85
8	25705041		2 COUPLING
9	87471401		2 HYDRAULIC CYLINDER Double Acting, 44.45mm Rod, 406.4mm Stroke 4.5 x 16
9	87471401R		2 REMAN-HYD CYLINDER 870 ECOLO TIGER DISK RIPPER, 11 AND 13 SHANK MECHANICAL TRANSPORT HYDRAULICS, 4.5 x 16
9	87471401C		2 CORE-HYD CYLINDER Return Number
10	81827427		8 HYD CONNECTOR 3/4" - 16 JIC x 3/4" - 16 ORB 3/4 SAEM x 3/4 JICM Adapter
11	1285380C2		1 HYDRAULIC HOSE 3/8 x 50
12	1270453C1		1 HYDRAULIC HOSE 3/8 x 35
13	1284367C1		1 HYDRAULIC HOSE 9.53mm ID x 2415mm L 3/8 x 95
14	22510700		UAR HOSE CLAMP 15.86mm 5/8, Not Shown
14	22510710		UAR HOSE CLAMP 3/4, Not Shown
15	88682		UAR CARRIAGE BOLT Short Nk, 3/8"-16 x 1", Gr 5 Not Shown
16	86992213		UAR NUT Not Shown

870-ECOLO-TIGER DISK RIPPER

11 AND 13 SHANK MECHANICAL TRANSPORT HYDRAULICS 2011

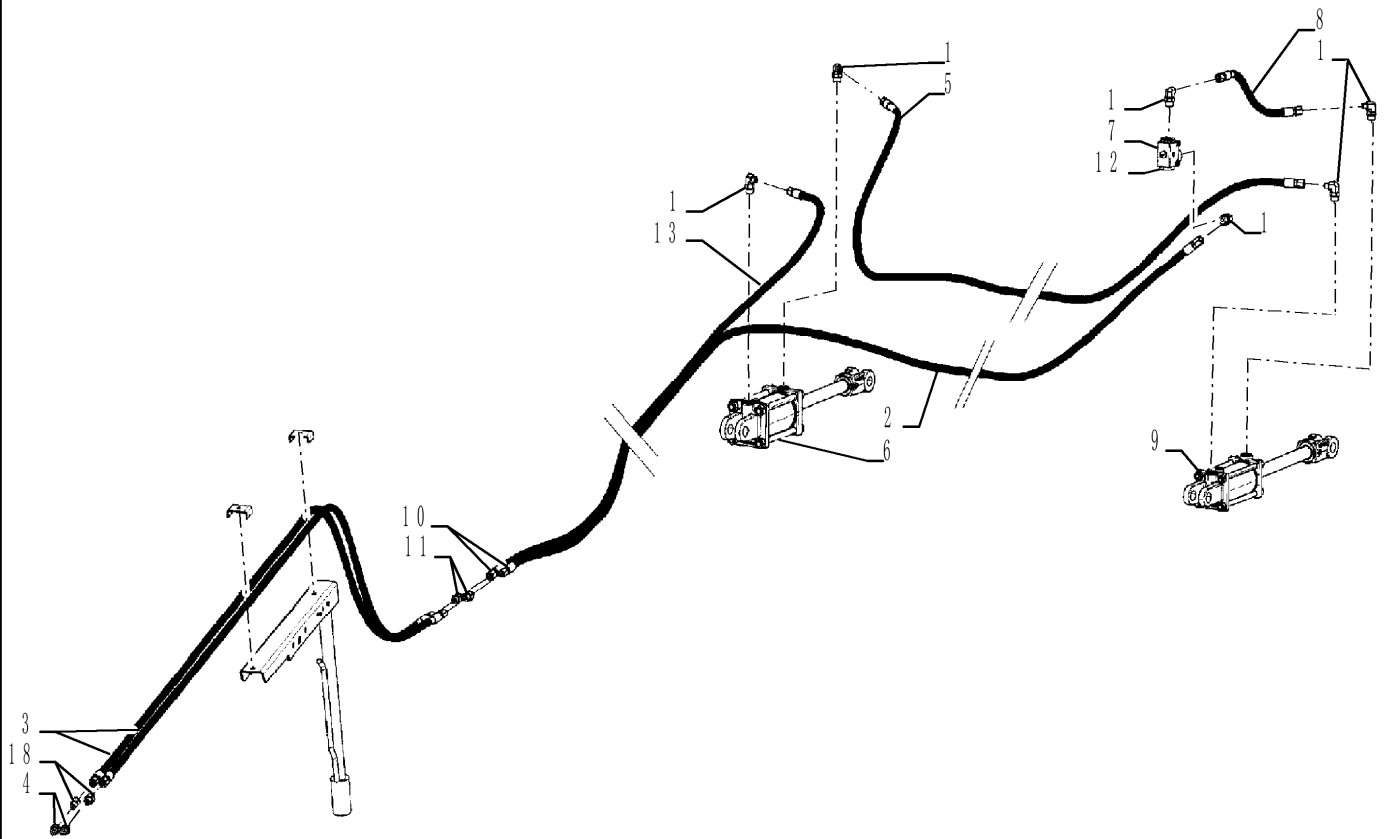


11 AND 13 SHANK MECHANICAL TRANSPORT HYDRAULICS 2011

REF FN	PART NUMBER	YR/SN	QTY DESCRIPTION
1	76347		4 ELBOW 90°, 9/16" - 18 JIC x 3/4" - 16 ORB
2	86624134		2 TEE 37°, 9/16"-18 x 3/4"-16, Br
3	1015396		4 HYDRAULIC HOSE 12.7mm ID x 3810mm L, SAE 100R17 1/2 x 150
4	128819		3 HYD CONNECTOR 7/8" - 14 ORB x 3/4" - 16 JIC
5	25405022		1 VALVE PRESSURE RELIEF
6	86513015		1 TEE 3/4" - 16 JIC x 3/4" - 16 JIC x 3/4" - 16 JIC
7	195869C2		1 HYDRAULIC HOSE 3/8 x 75
8	25705041		2 COUPLING
9	87471401		2 HYDRAULIC CYLINDER Double Acting, 44.45mm Rod, 406.4mm Stroke 4.5 x 16
9	87471401R		2 REMAN-HYD CYLINDER "870 ECOLO TIGER DISK RIPPER, 11 AND 13 SHANK MECHANICAL TRANSPORT HYDRAULICS 2011, 4.5 x 16"
9	87471401C		2 CORE-HYD CYLINDER Return Number
10	81827427		8 HYD CONNECTOR 3/4" - 16 JIC x 3/4" - 16 ORB 3/4 SAEM x 3/4 JICM Adapter
11	196584C1		1 HOSE 3/8 x 95
12	248974		2 90 ELBOW 3/4" - 16 JIC x 3/4" - 16 Fem Sw
13	22510700		UAR HOSE CLAMP 15.86mm 5/8, Not Shown
14	22510710		UAR HOSE CLAMP 3/4, Not Shown
15	88682		UAR CARRIAGE BOLT Short Nk, 3/8"-16 x 1", Gr 5 Not Shown
16	86992213		UAR NUT Not Shown

870-ECOLO-TIGER DISK RIPPER

BASIC LEVELING PRIOR TO 2012 PRODUCTION

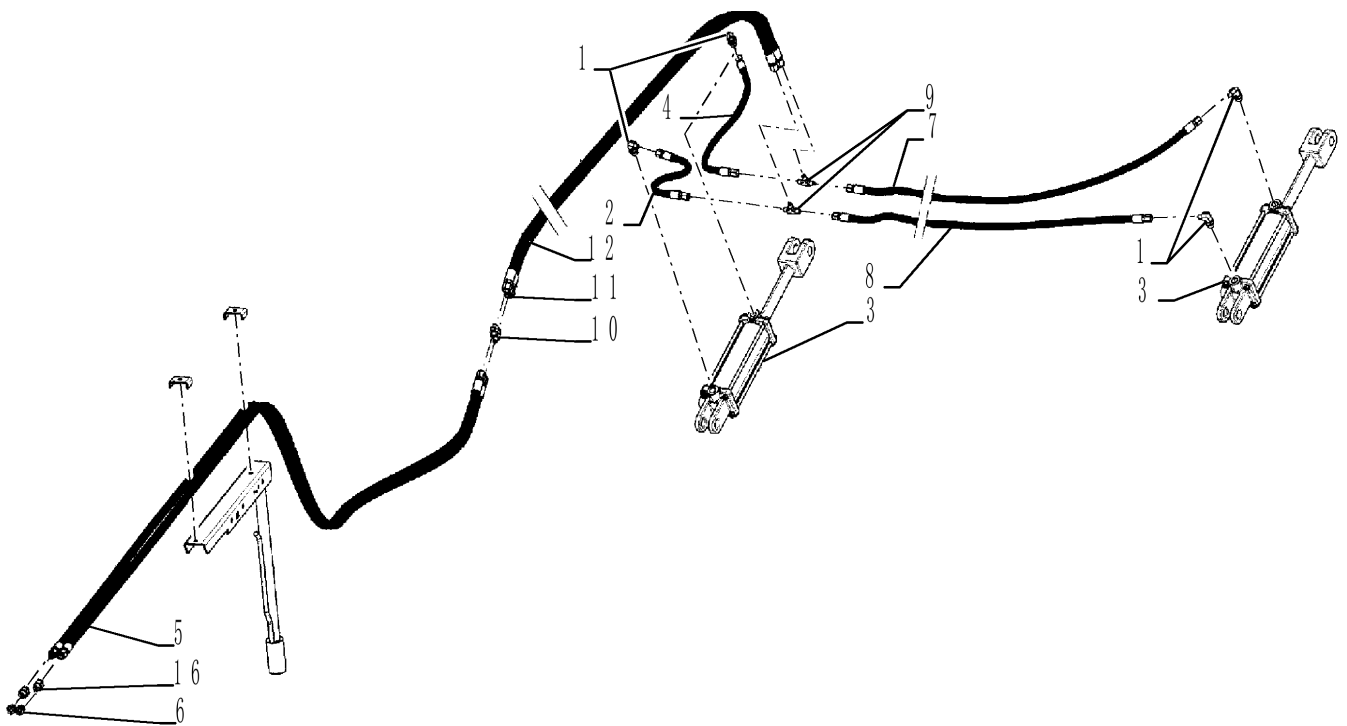


BASIC LEVELING PRIOR TO 2012 PRODUCTION

REF FN	PART NUMBER	YR/SN	QTY DESCRIPTION
1	76347		6 ELBOW 90°, 9/16" - 18 JIC x 3/4" - 16 ORB
2	191289A1		1 HYDRAULIC HOSE 3/8 x 295, 7 And 9 Shank
3	1284303C1		2 HYDRAULIC HOSE 3/8 x 145
2	1284251C1		1 HYDRAULIC HOSE 3/8 x 315, 11 And 13 Shank
4	25705041		2 COUPLING 3/4 SAEF, Male
5	1284297C1		1 HYDRAULIC HOSE 9.52 mm ID x 2795.00 mm
6	87730280		1 HYDRAULIC CYLINDER Double Acting, 31.75mm Rod, 101.6mm Stroke 3-1/4 x 4
7	396150A1		1 VALVE, CONTROL Single Point Depth
7	396151A1		1 KIT Repair
8	1284323C1		1 HYDRAULIC HOSE 3/8 x 15
9	87730279		1 HYDRAULIC CYLINDER Double Acting, 31.75mm Rod, 101.6mm Stroke 3 x 4
10	128817		2 HYD CONNECTOR 3/4" - 16 ORB x 9/16" - 18 JIC
11	128821		2 UNION 9/16" - 18 JIC x 9/16" - 18 JIC
12	218-5156		1 PLUG Hex Hd, 3/4"-16 ORB
13	425639A1		1 HYDRAULIC HOSE 3/8 x 220, 7 And 9 Shank
13	1284330C1		1 HOSE 3/8 x 240, 11 And 13 Shank
14	237-6008		1 O-RING 0.087" Thk x 0.644" ID, -908, Cl 6, 90 Duro Not Shown
15	22510700		UAR HOSE CLAMP 15.86mm 5/8, Not Shown
15	22510710		UAR HOSE CLAMP 3/4, Not Shown
16	88682		UAR CARRIAGE BOLT Short Nk, 3/8"-16 x 1", Gr 5 Not Shown
17	86992213		UAR NUT Not Shown
18	128817		2 HYD CONNECTOR 3/4" - 16 ORB x 9/16" - 18 JIC

870-ECOLO-TIGER DISK RIPPER

ALL LEVELING 2012 PRODUCTION

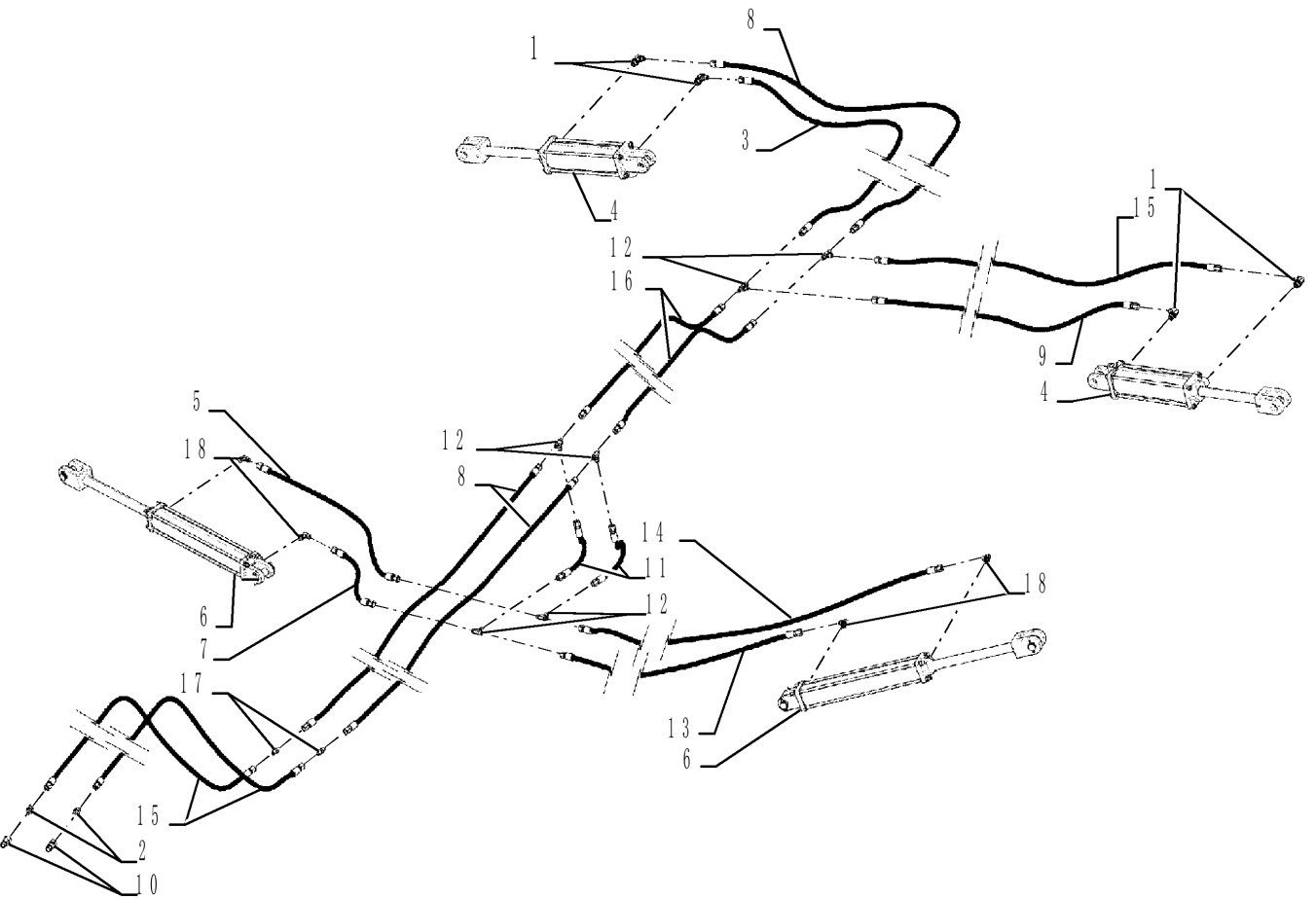


ALL LEVELING 2012 PRODUCTION

REF FN	PART NUMBER	YR/SN	QTY DESCRIPTION
1	76347		4 ELBOW 90°, 9/16" - 18 JIC x 3/4" - 16 ORB
2	1284323C1		1 HYDRAULIC HOSE 3/8 x 15
3	25330082		2 HYDRAULIC CYLINDER Double Acting, 31.75mm Rod, 203.2mm Stroke 3 x 8
3	84393373		2 CYLINDER Double Acting, 31.75mm Rod, 127mm Stroke 3 x 8, 2011 Model, With Stop
3	84413040		2 STOP Cylinder Stop
4	1251872C2		1 HYDRAULIC HOSE 3/8 x 23
5	1284303C1		2 HYDRAULIC HOSE 3/8 x 145
6	25705041		2 COUPLING 3/4 SAEF, Male
7	1284367C1		1 HYDRAULIC HOSE 9.53mm ID x 2415mm L 3/8 x 95
8	813006C2		1 HYDRAULIC HOSE 3/8 x 85
9	76355		2 TEE 9/16" - 18 JIC x 9/16" - 18 JIC x 9/16" - 18 JIC
10	128817		2 HYD CONNECTOR 3/4" - 16 ORB x 9/16" - 18 JIC
11	128821		2 UNION 9/16" - 18 JIC x 9/16" - 18 JIC
12	129765C2		2 HYDRAULIC HOSE 3/8 x 200, 7 And 9 Shank
12	129764C2		2 HYDRAULIC HOSE 3/8 x 215, 11 And 13 Shank
13	22510700		UAR HOSE CLAMP 15.86mm 5/8, Not Shown
13	22510710		UAR HOSE CLAMP 3/4, Not Shown
14	88682		UAR CARRIAGE BOLT Short Nk, 3/8"-16 x 1", Gr 5 Not Shown
15	86992213		UAR NUT Not Shown
16	128817		2 HYD CONNECTOR 3/4" - 16 ORB x 9/16" - 18 JIC

870-ECOLO-TIGER DISK RIPPER

9 SHANK REAR DISK LEVELER WING FOLD HYDRAULICS

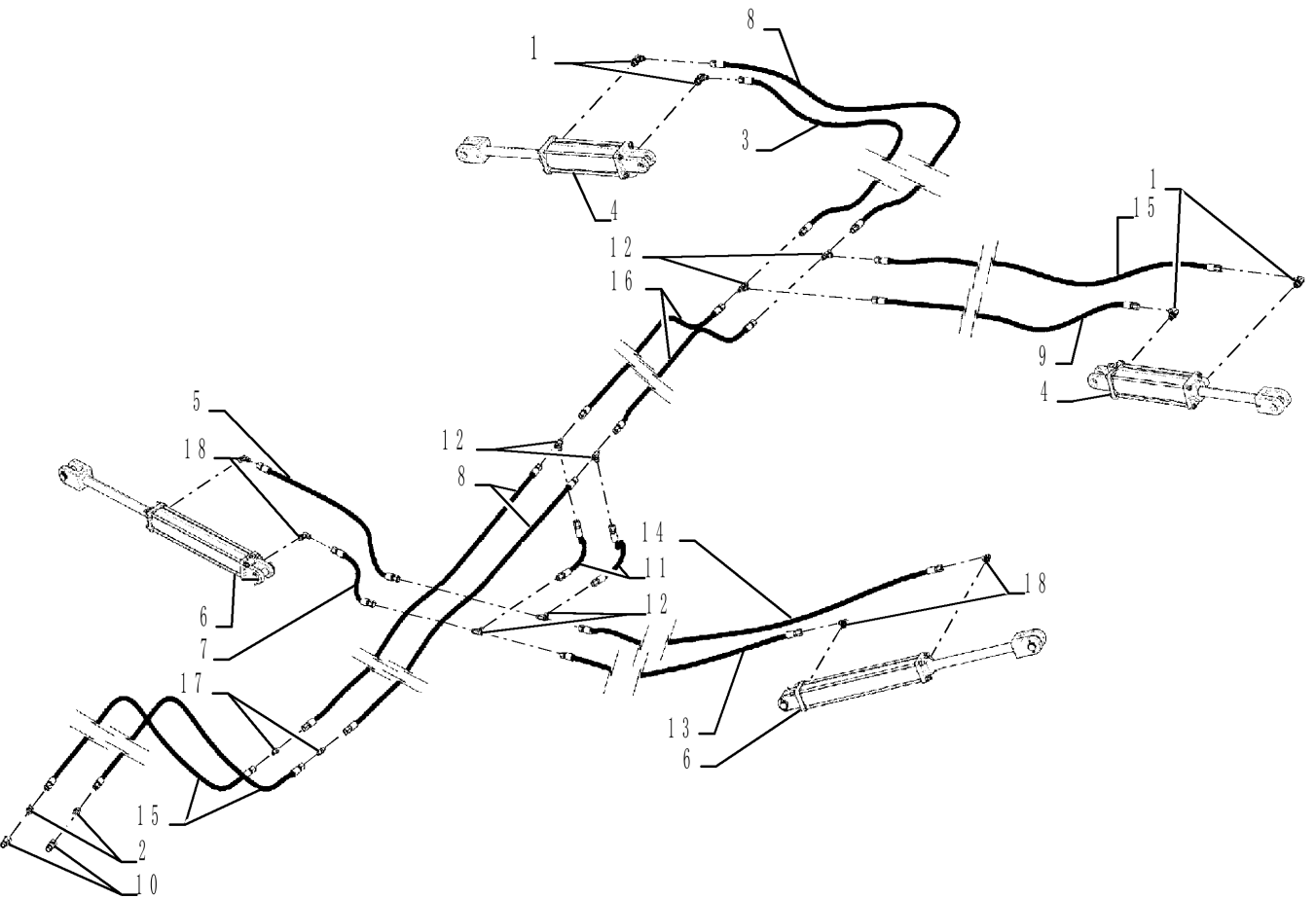


9 SHANK REAR DISK LEVELER WING FOLD HYDRAULICS

REF FN	PART NUMBER	YR/SN	QTY DESCRIPTION
1	76347		4 ELBOW 90°, 9/16" - 18 JIC x 3/4" - 16 ORB
2	128817		2 HYD CONNECTOR 3/4" - 16 ORB x 9/16" - 18 JIC
3	97479C1		1 HYDRAULIC HOSE 6.35 mm ID x 2159.00 mm, SAE 100 R1
4	25330101		2 HYDRAULIC CYLINDER Double Acting, 31.75mm Rod, 254mm Stroke 3 x 10
4	25330101R		2 REMAN-HYD CYLINDER 870 ECOLO-TIGER DISK RIPPER
4	25330101C		2 CORE-HYD CYLINDER Return Number
5	147875C1		1 HYDRAULIC HOSE 6.40 mm ID x 890.00 mm, SAE 100R1
6	25325161		2 HYDRAULIC CYLINDER Double Acting, 31mm Rod, 406.4mm Stroke 2-1/2 x 16
7	1336714C1		1 HYDRAULIC HOSE 1/4 x 15
8	1264172C2		3 HYDRAULIC HOSE 6.40 mm ID x 2665.00 mm, SAE 100R1 1/4 x 105
9	1254530C2		1 HYDRAULIC HOSE 1/4 x 130
10	25705041		2 COUPLING 3/4 SAEF, Male
11	97638C1		2 HYDRAULIC HOSE 6.35 mm ID x 482.60 mm, SAE 100 R1
12	76355		6 TEE 9/16" - 18 JIC x 9/16" - 18 JIC x 9/16" - 18 JIC
13	810205C1		1 HYDRAULIC HOSE 6.35mm ID x 1820mm L, SAE 100R17 1/4 x 70
14	1279526C1		1 HYDRAULIC HOSE 6.35 mm ID x 2285.00 mm
15	97646C1		3 HYDRAULIC HOSE 12.70 mm ID x 381.00 mm, SAE 100 R1 1/4 x 150
16	129768C1		2 HYDRAULIC HOSE 1/4 x 115
17	128821		2 UNION 9/16" - 18 JIC x 9/16" - 18 JIC
18	76344		4 90 ELBOW 9/16" - 18 JIC x 9/16" - 18 ORB
19	22510700		UAR HOSE CLAMP 15.86mm 5/8, Not Shown
19	22510710		UAR HOSE CLAMP 3/4, Not Shown
20	88682		UAR CARRIAGE BOLT Short Nk, 3/8"-16 x 1", Gr 5 Not Shown

870-ECOLO-TIGER DISK RIPPER

9 SHANK REAR DISK LEVELER WING FOLD HYDRAULICS



35.100.06

01

p2

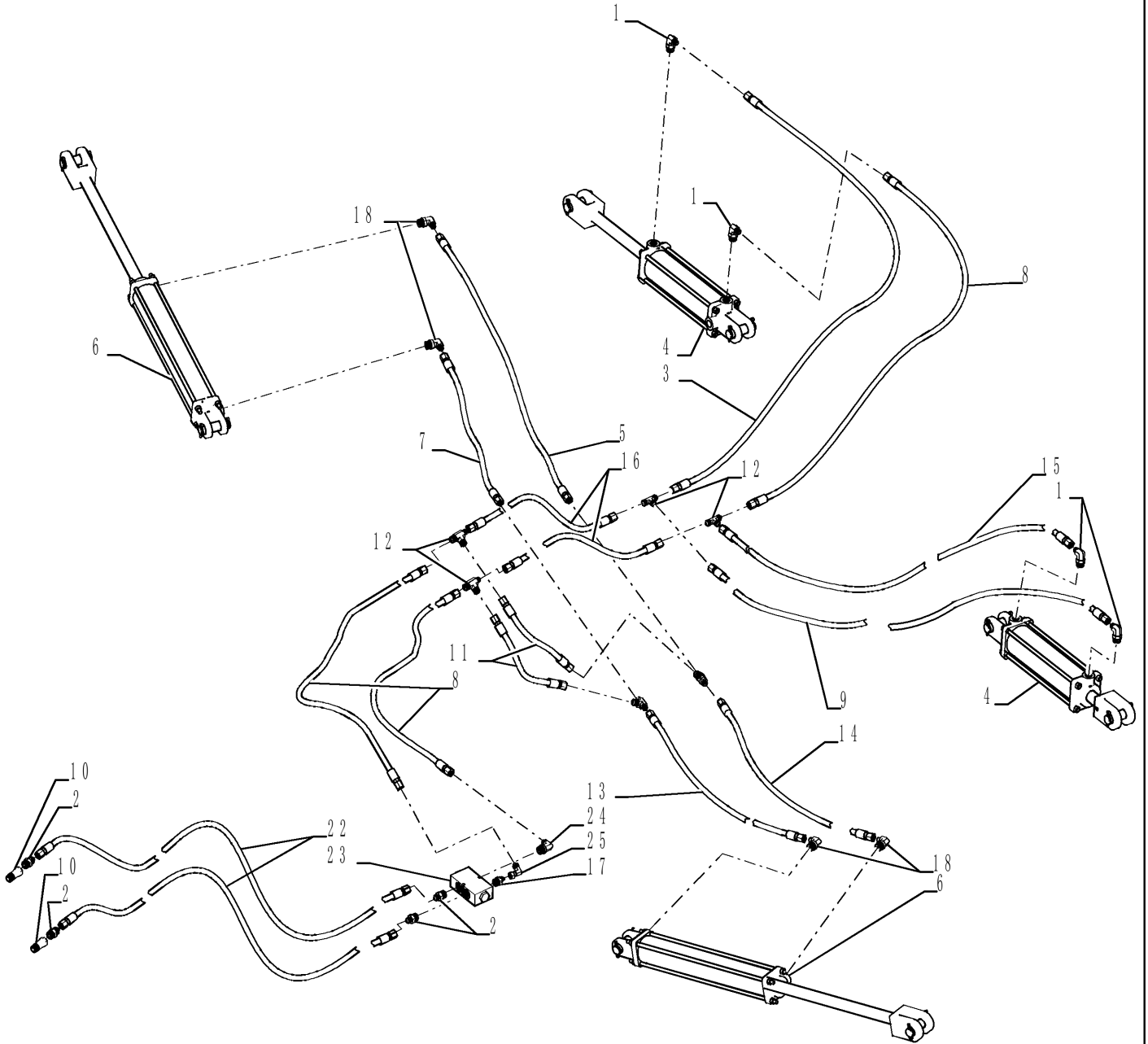
8/2016

9 SHANK REAR DISK LEVELER WING FOLD HYDRAULICS

REF FN	PART NUMBER	YR/SN	QTY DESCRIPTION
21	86992213		UAR NUT Not Shown

870-ECOLO-TIGER DISK RIPPER

9 SHANK REAR DISK LEVELER WING FOLD HYDRAULICS 2011

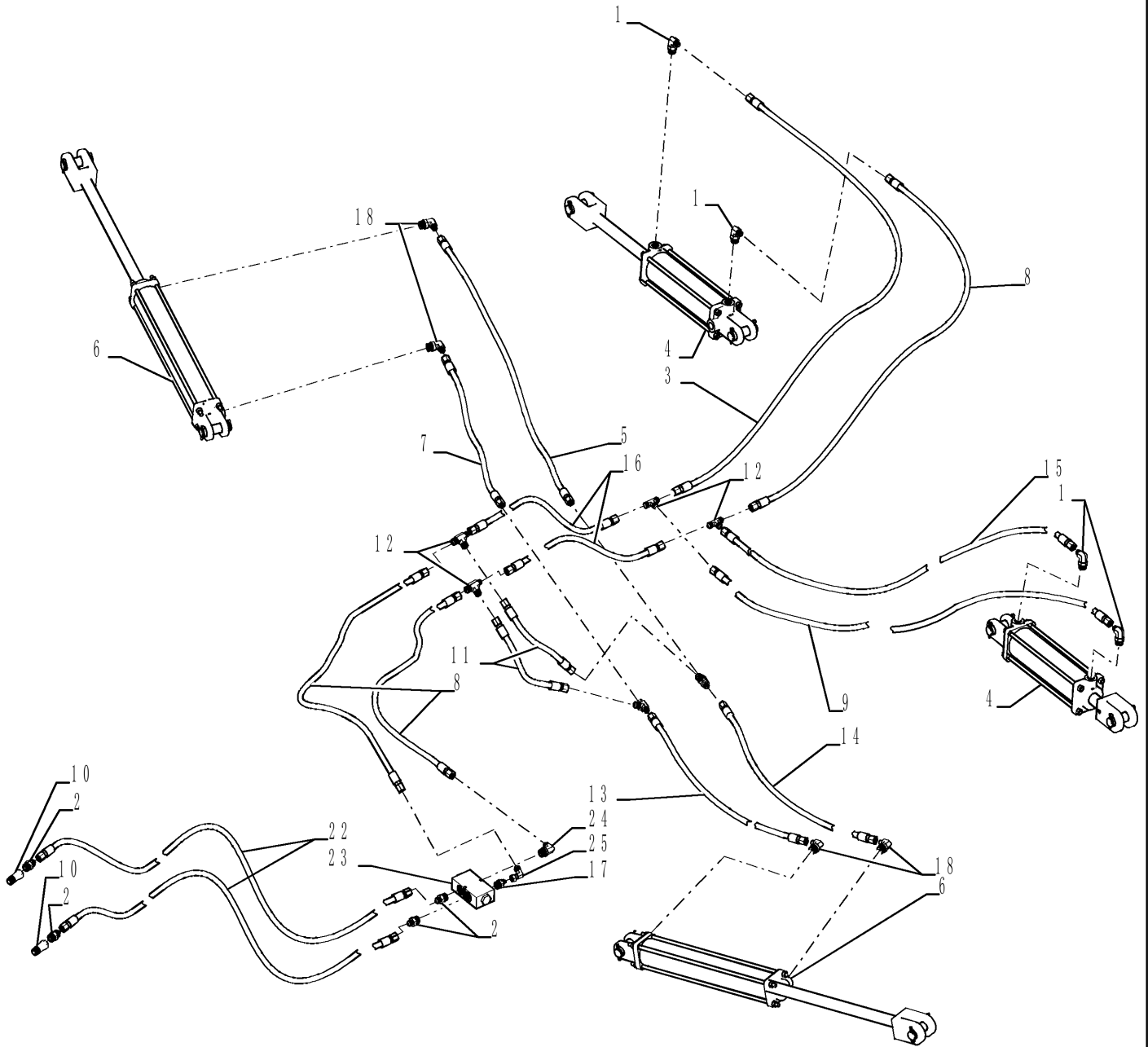


9 SHANK REAR DISK LEVELER WING FOLD HYDRAULICS 2011

REF FN	PART NUMBER	YR/SN	QTY DESCRIPTION
1	76347		4 ELBOW 90°, 9/16" - 18 JIC x 3/4" - 16 ORB
2	128817		4 HYD CONNECTOR 3/4" - 16 ORB x 9/16" - 18 JIC
2	128825		4 O-RING 0.087" Thk x 0.644" ID, -908, CI 6, 90 Duro
3	97479C1		1 HYDRAULIC HOSE 6.35 mm ID x 2159.00 mm, SAE 100 R1
4	25330101		2 HYDRAULIC CYLINDER Double Acting, 31.75mm Rod, 254mm Stroke 3 x 10
4	25330101R		2 REMAN-HYD CYLINDER 870 ECOLO-TIGER DISK RIPPER
4	25330101C		2 CORE-HYD CYLINDER Return Number
5	147875C1		1 HYDRAULIC HOSE 6.40 mm ID x 890.00 mm, SAE 100R1
6	25325161		2 HYDRAULIC CYLINDER Double Acting, 31mm Rod, 406.4mm Stroke 2-1/2 x 16
7	1336714C1		1 HYDRAULIC HOSE 1/4 x 15
8	1264172C2		3 HYDRAULIC HOSE 6.40 mm ID x 2665.00 mm, SAE 100R1 1/4 x 105
9	1254530C2		1 HYDRAULIC HOSE 1/4 x 130
10	25705041		2 COUPLING 3/4 SAEF, Male
11	97638C1		2 HYDRAULIC HOSE 6.35 mm ID x 482.60 mm, SAE 100 R1
12	76355		6 TEE 9/16" - 18 JIC x 9/16" - 18 JIC x 9/16" - 18 JIC
13	810205C1		1 HYDRAULIC HOSE 6.35mm ID x 1820mm L, SAE 100R17 1/4 x 70
14	1279526C1		1 HYDRAULIC HOSE 6.35 mm ID x 2285.00 mm
15	97646C1		3 HYDRAULIC HOSE 12.70 mm ID x 381.00 mm, SAE 100 R1 1/4 x 150
16	129768C1		2 HYDRAULIC HOSE 1/4 x 115
17	241074		1 ELBOW 90°, 9/16"-18, 37° x 9/16"-18, 37°
18	76344		4 90 ELBOW 9/16" - 18 JIC x 9/16" - 18 ORB
19	22510700		UAR HOSE CLAMP 15.86mm 5/8, Not Shown
19	22510710		UAR HOSE CLAMP 3/4, Not Shown

870-ECOLO-TIGER DISK RIPPER

9 SHANK REAR DISK LEVELER WING FOLD HYDRAULICS 2011



35.100.06

02

p2

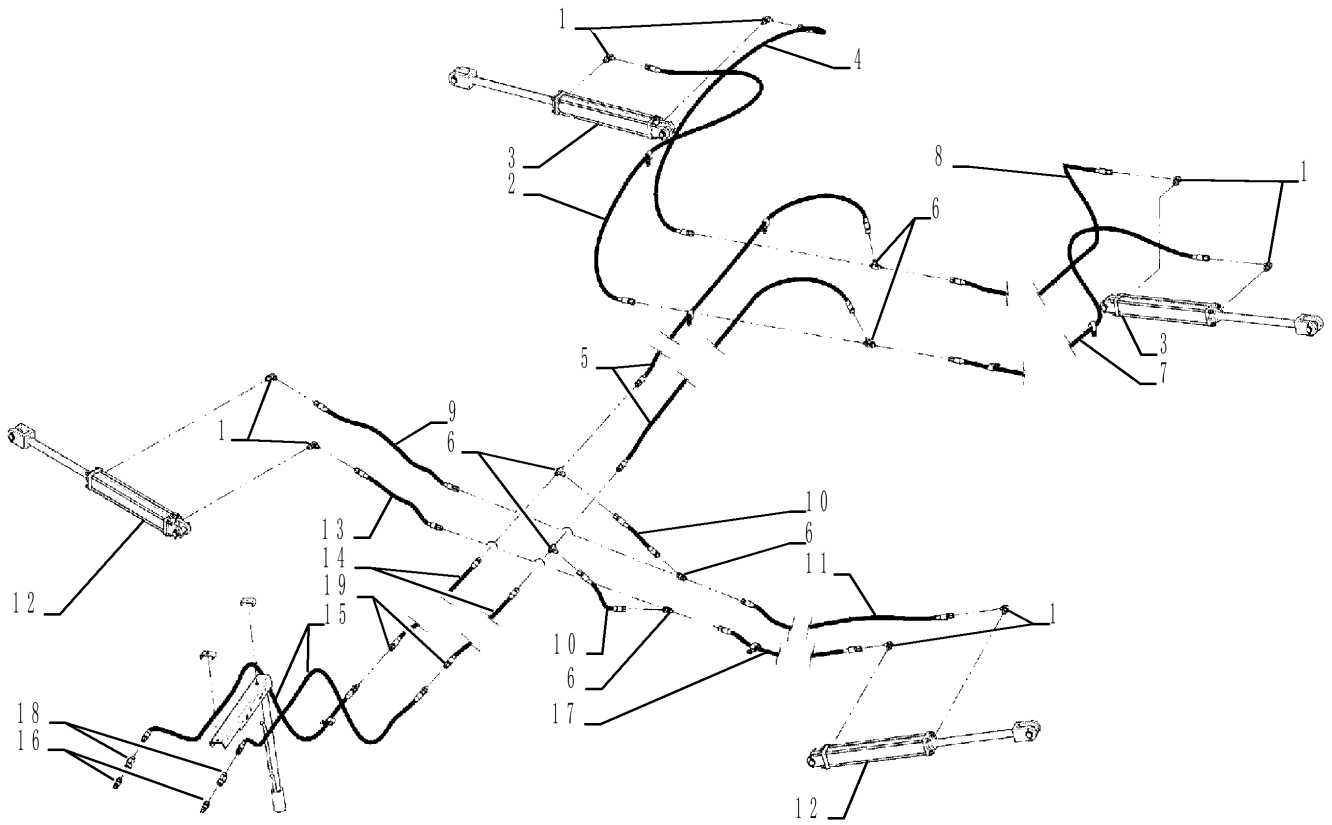
8/2016

9 SHANK REAR DISK LEVELER WING FOLD HYDRAULICS 2011

REF FN	PART NUMBER	YR/SN	QTY DESCRIPTION
20	88682		UAR CARRIAGE BOLT Short Nk, 3/8"-16 x 1", Gr 5 Not Shown
21	86992213		UAR NUT Not Shown
22	1261399C1		2 HYDRAULIC HOSE 6.35mm ID x 4570mm L
23	298624A1		1 VALVE
24	76347		1 ELBOW 90°, 9/16" - 18 JIC x 3/4" - 16 ORB
25	1263477C3		1 HYD CONNECTOR 9/16

870-ECOLO-TIGER DISK RIPPER

9 SHANK REAR DISK LEVELER WITH FINISHER WING FOLD HYDRAULICS

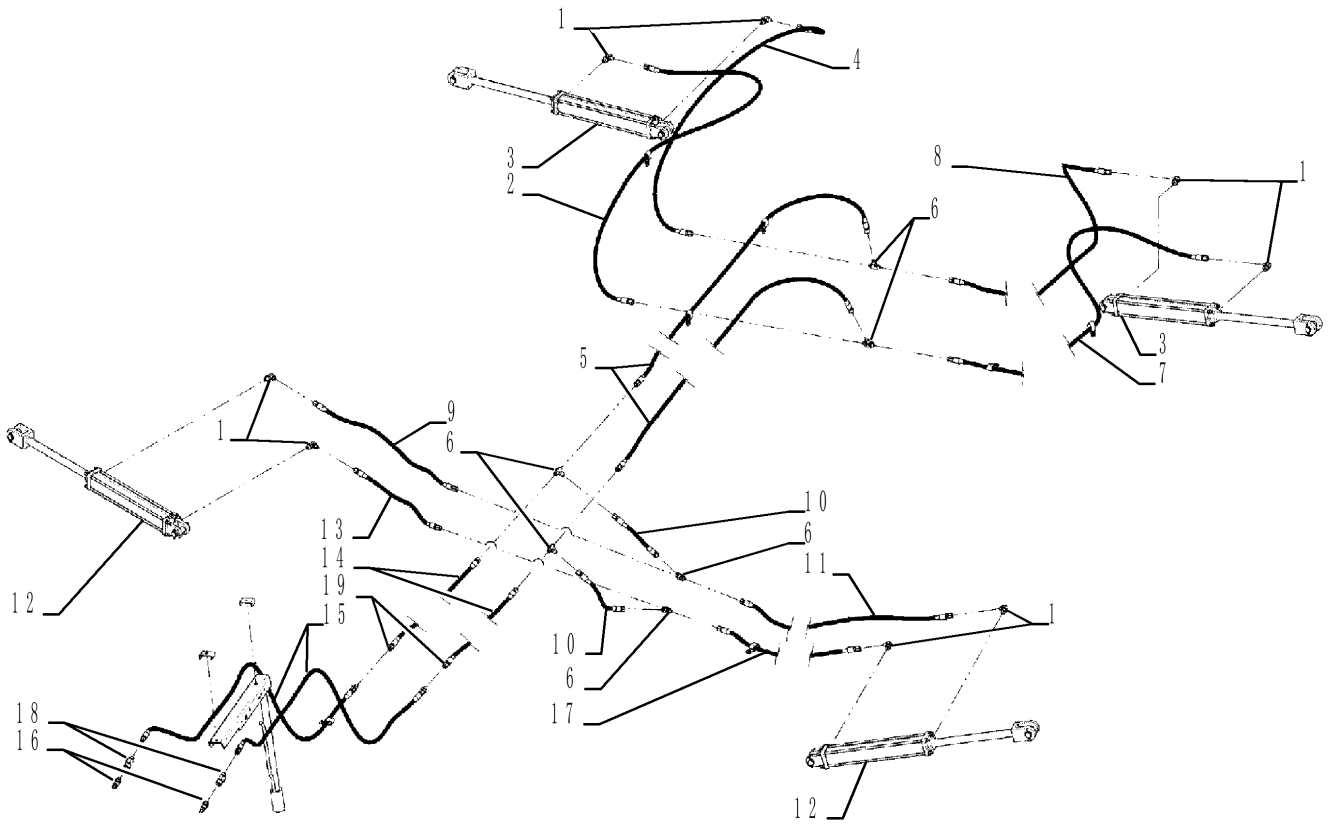


9 SHANK REAR DISK LEVELER WITH FINISHER WING FOLD HYDRAULICS

REF FN	PART NUMBER	YR/SN	QTY DESCRIPTION
1	76344		8 90 ELBOW 9/16" - 18 JIC x 9/16" - 18 ORB
2	147878C1		1 HOSE 1/4 x 65
3	25330160		2 HYDRAULIC CYLINDER Double Acting, 38.1mm Rod, 406.4mm Stroke 3 x 16
3	25330160R		2 REMAN-HYD CYLINDER 870, ECOLO-TIGER DISK RIPPER, 3 x 16
3	25330160C		2 CORE-HYD CYLINDER Return Number
4	1277717C1		1 HYDRAULIC HOSE 6.35 mm ID x 1525.00 mm
5	129768C1		2 HYDRAULIC HOSE 1/4 x 115
6	76355		6 TEE 9/16" - 18 JIC x 9/16" - 18 JIC x 9/16" - 18 JIC
7	1254530C2		1 HYDRAULIC HOSE 1/4 x 130
8	191936A1		1 HOSE 1/4 x 110
9	147875C1		1 HYDRAULIC HOSE 6.40 mm ID x 890.00 mm, SAE 100R1
10	97638C1		2 HYDRAULIC HOSE 6.35 mm ID x 482.60 mm, SAE 100 R1
11	1279526C1		1 HYDRAULIC HOSE 6.35 mm ID x 2285.00 mm
12	25325161		2 HYDRAULIC CYLINDER Double Acting, 31mm Rod, 406.4mm Stroke 2-1/2 x 16
13	1336714C1		1 HYDRAULIC HOSE 1/4 x 15
14	1264172C2		2 HYDRAULIC HOSE 6.40 mm ID x 2665.00 mm, SAE 100R1 1/4 x 105
15	97646C1		1 HYDRAULIC HOSE 12.70 mm ID x 381.00 mm, SAE 100 R1 1/4 x 150
16	25705041		2 COUPLING 9/16 JICM, Male
17	810205C1		1 HYDRAULIC HOSE 6.35mm ID x 1820mm L, SAE 100R17 1/4 x 70
18	128817		2 HYD CONNECTOR 3/4" - 16 ORB x 9/16" - 18 JIC
19	128821		2 UNION 9/16" - 18 JIC x 9/16" - 18 JIC
20	22510700		UAR HOSE CLAMP 15.86mm 5/8, Not Shown
20	22510710		UAR HOSE CLAMP 3/4, Not Shown
21	88682		UAR CARRIAGE BOLT Short Nk, 3/8"-16 x 1", Gr 5 Not Shown

870-ECOLO-TIGER DISK RIPPER

9 SHANK REAR DISK LEVELER WITH FINISHER WING FOLD HYDRAULICS



35.100.07

01

p2

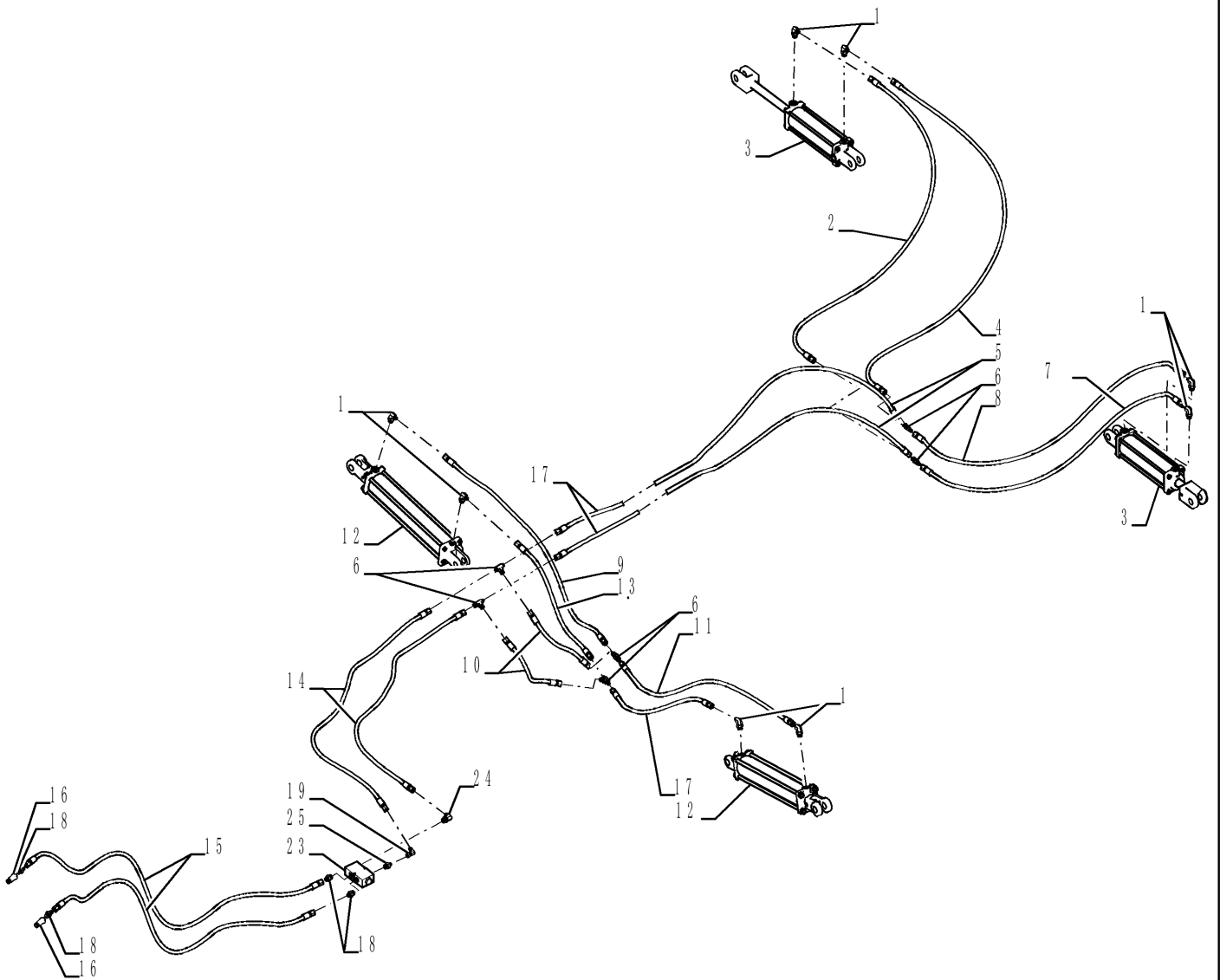
8/2016

9 SHANK REAR DISK LEVELER WITH FINISHER WING FOLD HYDRAULICS

REF FN	PART NUMBER	YR/SN	QTY DESCRIPTION
22	86992213		UAR NUT Not Shown

870-ECOLO-TIGER DISK RIPPER

9 SHANK REAR DISK LEVELER WITH FINISHER WING FOLD HYDRAULICS 2011

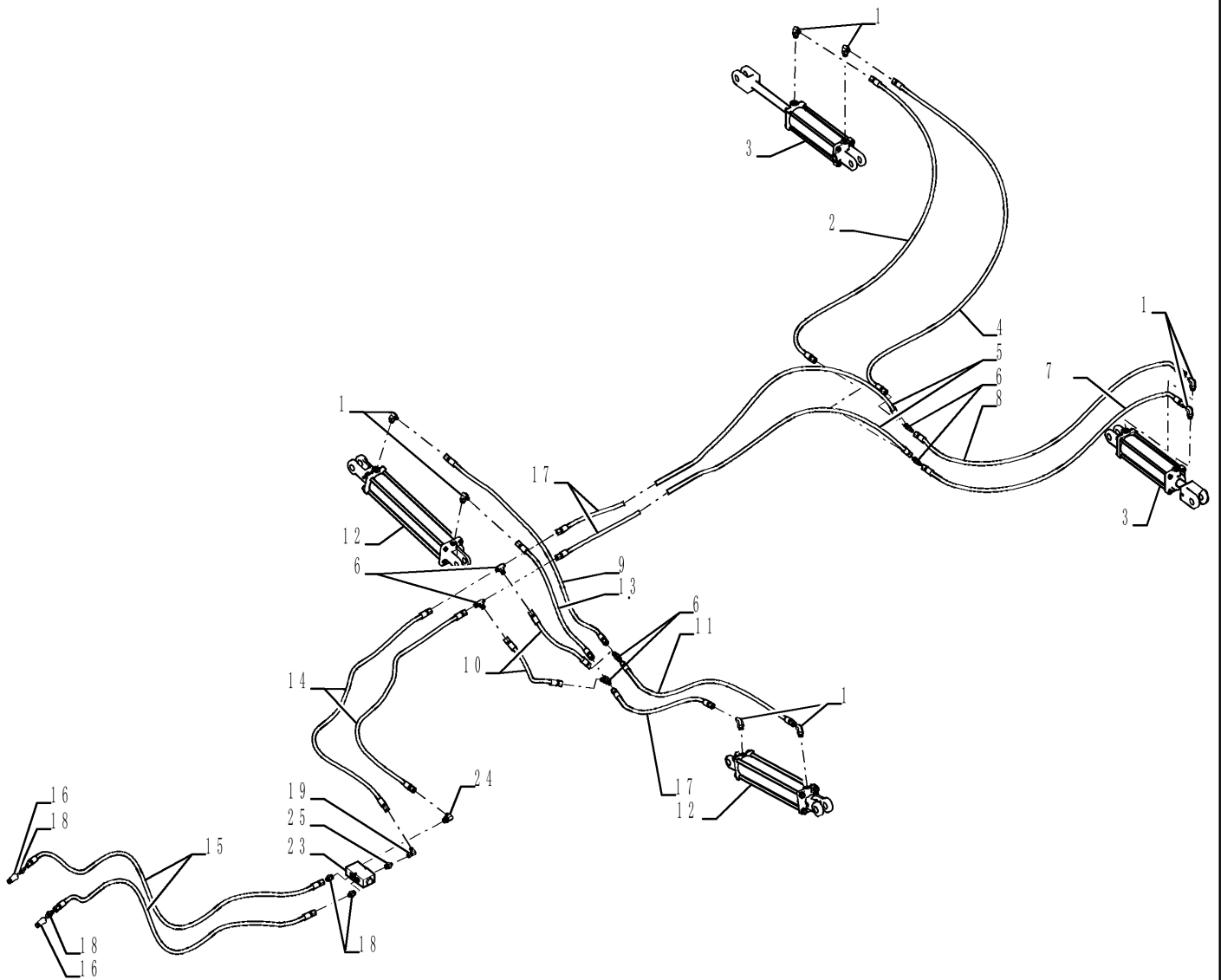


9 SHANK REAR DISK LEVELER WITH FINISHER WING FOLD HYDRAULICS 2011

REF FN	PART NUMBER	YR/SN	QTY DESCRIPTION
1	76344		8 90 ELBOW 9/16" - 18 JIC x 9/16" - 18 ORB
2	147878C1		1 HOSE 1/4 x 65
3	25330160		2 HYDRAULIC CYLINDER Double Acting, 38.1mm Rod, 406.4mm Stroke 3 x 16
3	25330160R		2 REMAN-HYD CYLINDER 870, ECOLO-TIGER DISK RIPPER, 3 x 16
3	25330160C		2 CORE-HYD CYLINDER Return Number
4	1277717C1		1 HYDRAULIC HOSE 6.35 mm ID x 1525.00 mm
5	129768C1		2 HYDRAULIC HOSE 1/4 x 115
6	76355		6 TEE 9/16" - 18 JIC x 9/16" - 18 JIC x 9/16" - 18 JIC
7	1254530C2		1 HYDRAULIC HOSE 1/4 x 130
8	191936A1		1 HOSE 1/4 x 110
9	147875C1		1 HYDRAULIC HOSE 6.40 mm ID x 890.00 mm, SAE 100R1
10	97638C1		2 HYDRAULIC HOSE 6.35 mm ID x 482.60 mm, SAE 100 R1
11	1279526C1		1 HYDRAULIC HOSE 6.35 mm ID x 2285.00 mm
12	25325161		2 HYDRAULIC CYLINDER Double Acting, 31mm Rod, 406.4mm Stroke 2-1/2 x 16
13	1336714C1		1 HYDRAULIC HOSE 1/4 x 15
14	1264172C2		2 HYDRAULIC HOSE 6.40 mm ID x 2665.00 mm, SAE 100R1 1/4 x 105
15	1261399C1		1 HYDRAULIC HOSE 6.35mm ID x 4570mm L 1/4 x 150
16	25705041		2 COUPLING 9/16 JICM, Male
17	810205C1		1 HYDRAULIC HOSE 6.35mm ID x 1820mm L, SAE 100R17 1/4 x 70
18	128817		2 HYD CONNECTOR 3/4" - 16 ORB x 9/16" - 18 JIC
19	128821		2 UNION 9/16" - 18 JIC x 9/16" - 18 JIC
20	22510700		UAR HOSE CLAMP 15.86mm 5/8, Not Shown
20	22510710		UAR HOSE CLAMP 3/4, Not Shown
21	88682		UAR CARRIAGE BOLT Short Nk, 3/8"-16 x 1", Gr 5 Not Shown

870-ECOLO-TIGER DISK RIPPER

9 SHANK REAR DISK LEVELER WITH FINISHER WING FOLD HYDRAULICS 2011



35.100.07

02

p2

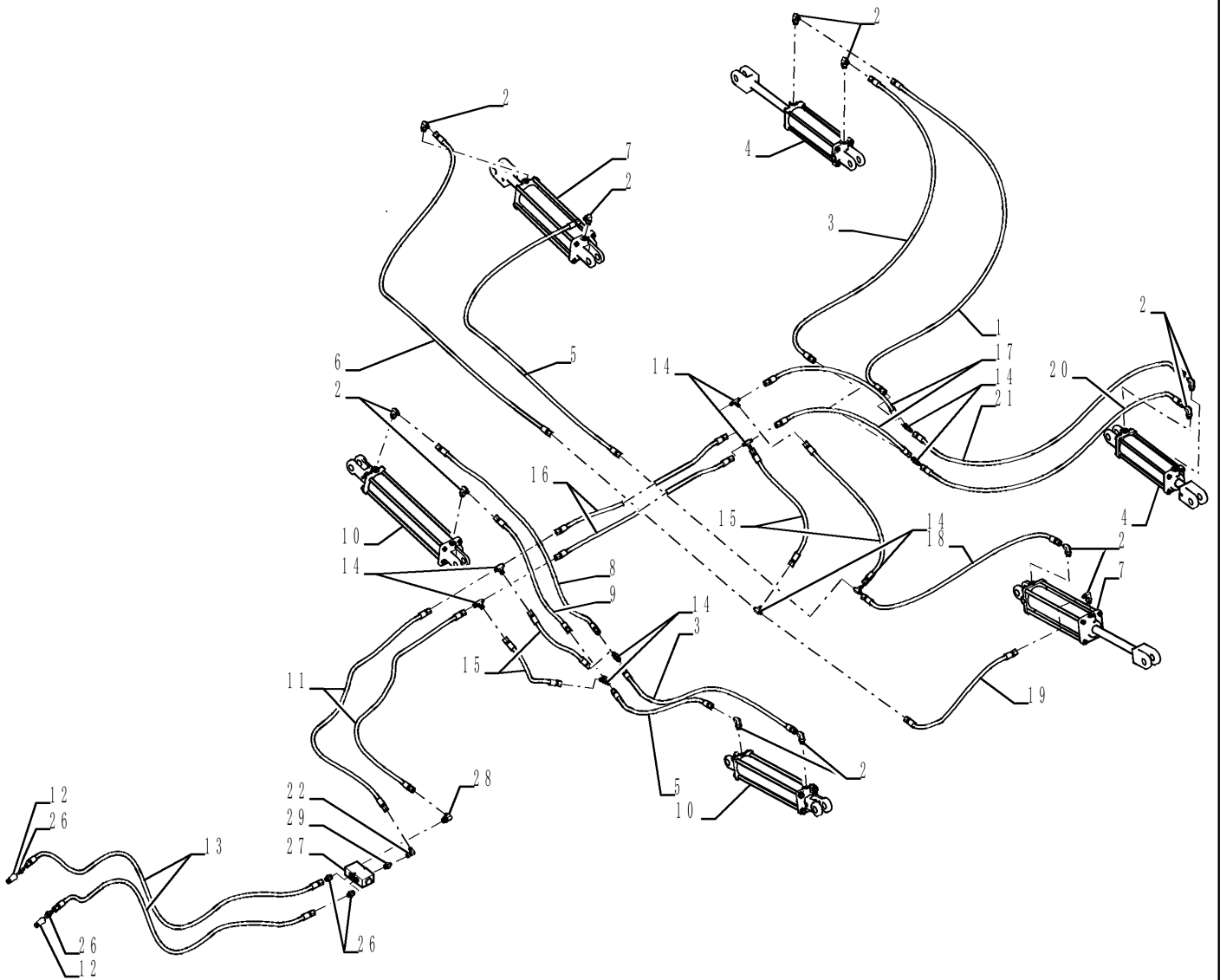
8/2016

9 SHANK REAR DISK LEVELER WITH FINISHER WING FOLD HYDRAULICS 2011

REF FN	PART NUMBER	YR/SN	QTY DESCRIPTION
22	86992213		UAR NUT Not Shown
23	298624A1		1 VALVE
24	76347		1 ELBOW 90°, 9/16" - 18 JIC x 3/4" - 16 ORB
25	1263477C3		1 HYD CONNECTOR

870-ECOLO-TIGER DISK RIPPER

11 & 13 SHANK LEVELER WING FOLD HYDRAULICS 2011



35.100.08

02

p1

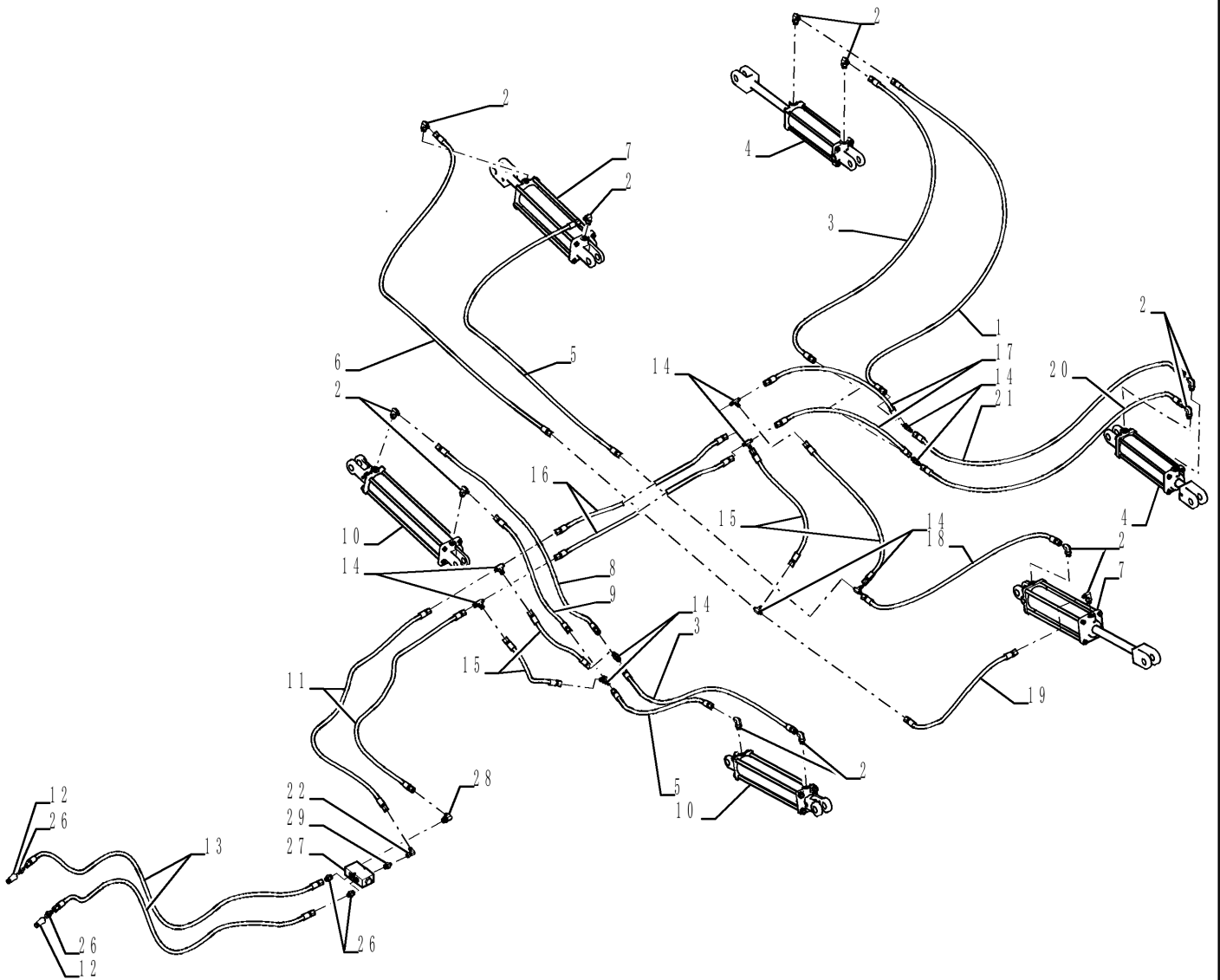
8/2016

11 & 13 SHANK LEVELER WING FOLD HYDRAULICS 2011

REF FN	PART NUMBER	YR/SN	QTY DESCRIPTION
1	1264172C2		1 HYDRAULIC HOSE 6.40 mm ID x 2665.00 mm, SAE 100R1 1/4 x 105
2	76347		12 ELBOW 90°, 9/16" - 18 JIC x 3/4" - 16 ORB
3	97479C1		2 HYDRAULIC HOSE 6.35 mm ID x 2159.00 mm, SAE 100 R1
4	84220783		2 HYDRAULIC CYLINDER Double Acting, 38.1mm Rod, 406.4mm Stroke 3 1/2 x 16 Leveler With Finisher
4	25330101		2 HYDRAULIC CYLINDER Double Acting, 31.75mm Rod, 254mm Stroke 3 x 10, Leveler
4	25330101R		2 REMAN-HYD CYLINDER 870 ECOLO-TIGER DISK RIPPER, Leveler
4	25330101C		2 CORE-HYD CYLINDER Return Number
5	147878C1		2 HOSE 1/4 x 65
6	97478C1		1 HOSE 6.35 mm ID x 1905.00 mm, SAE 100 R1
7	25335120		2 HYDRAULIC CYLINDER Double Acting, 38.1mm Rod, 304.8mm Stroke 3-1/2 x 12
7	25335120R		2 REMAN-HYD CYLINDER 870 Ecolo-Tiger Disk Ripper
	25335120C		CORE-HYD CYLINDER Return Number
8	1284278C1		1 HYDRAULIC HOSE 1/4 x 41
9	1969386C1		1 HOSE 1/4 x 23
10	25330160		2 HYDRAULIC CYLINDER Double Acting, 38.1mm Rod, 406.4mm Stroke 3 x 16, 11 Shank
10	25330160R		2 REMAN-HYD CYLINDER 870, ECOLO-TIGER DISK RIPPER, 3 x 16, 11 Shank
10	25330160C		2 CORE-HYD CYLINDER Return Number
10	84220783		2 HYDRAULIC CYLINDER Double Acting, 38.1mm Rod, 406.4mm Stroke 3-1/2 x 16, 13 Shank
11	813006C2		2 HYDRAULIC HOSE 3/8 x 85
12	25705041		2 COUPLING 3/4 Hydraulic
13	97647C1		2 HYDRAULIC HOSE 12.70 mm ID x 4318.00 mm, SAE 100 R1

870-ECOLO-TIGER DISK RIPPER

11 & 13 SHANK LEVELER WING FOLD HYDRAULICS 2011

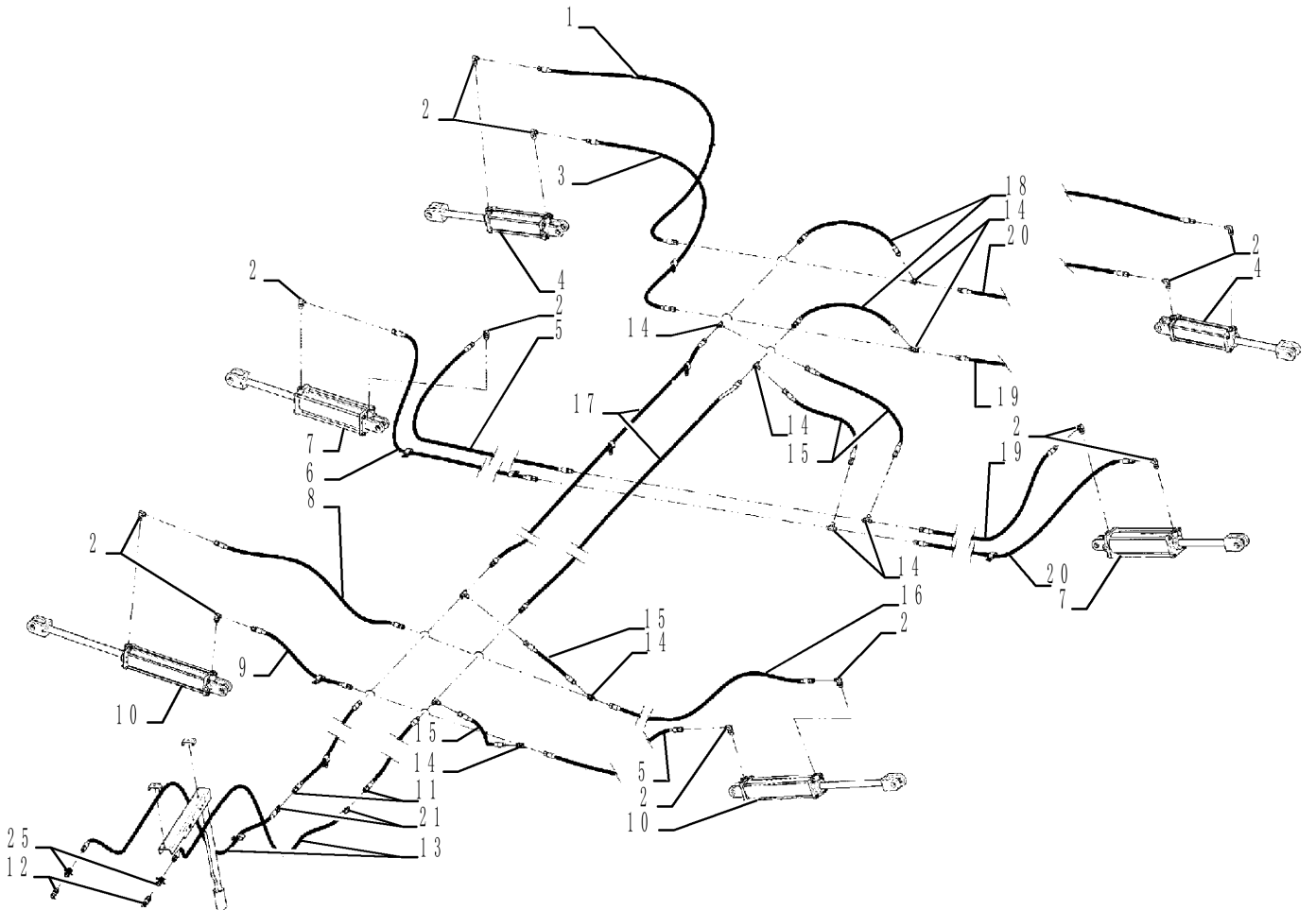


11 & 13 SHANK LEVELER WING FOLD HYDRAULICS 2011

REF FN	PART NUMBER	YR/SN	QTY DESCRIPTION
14	76355		10 TEE 9/16" - 18 JIC x 9/16" - 18 JIC x 9/16" - 18 JIC
15	147887C1		4 HYDRAULIC HOSE 9.53mm ID x 485mm L 1/4 x 19
16	129671C2		2 HYDRAULIC HOSE 3/8 x 105
17	87706C1		2 HYDRAULIC HOSE 3/8 x 29
18	191936A1		1 HOSE 1/4 x 110
19	1277718C1		1 HYDRAULIC HOSE 6.35 mm ID x 3050.00 mm
20	1254530C2		1 HYDRAULIC HOSE 1/4 x 130
21	97646C1		1 HYDRAULIC HOSE 12.70 mm ID x 381.00 mm, SAE 100 R1 1/4 x 150
22	241074		2 ELBOW 90°, 9/16"-18, 37° x 9/16"-18, 37°
23	22510700		UAR HOSE CLAMP 15.86mm 5/8, Not Shown
23	22510710		UAR HOSE CLAMP 3/4, Not Shown
24	88682		UAR CARRIAGE BOLT Short Nk, 3/8"-16 x 1", Gr 5 Not Shown
25	86992213		UAR NUT Not Shown
26	128817		4 HYD CONNECTOR 3/4" - 16 ORB x 9/16" - 18 JIC 3/4 x 9/16
26	128825		4 O-RING 0.087" Thk x 0.644" ID, -908, CI 6, 90 Duro
27	298624A1		1 VALVE
28	76347		1 ELBOW 90°, 9/16" - 18 JIC x 3/4" - 16 ORB
29	1263477C3		1 HYD CONNECTOR

870-ECOLO-TIGER DISK RIPPER

11 SHANK LEVELER WITH FINISHER WING FOLD HYDRAULICS

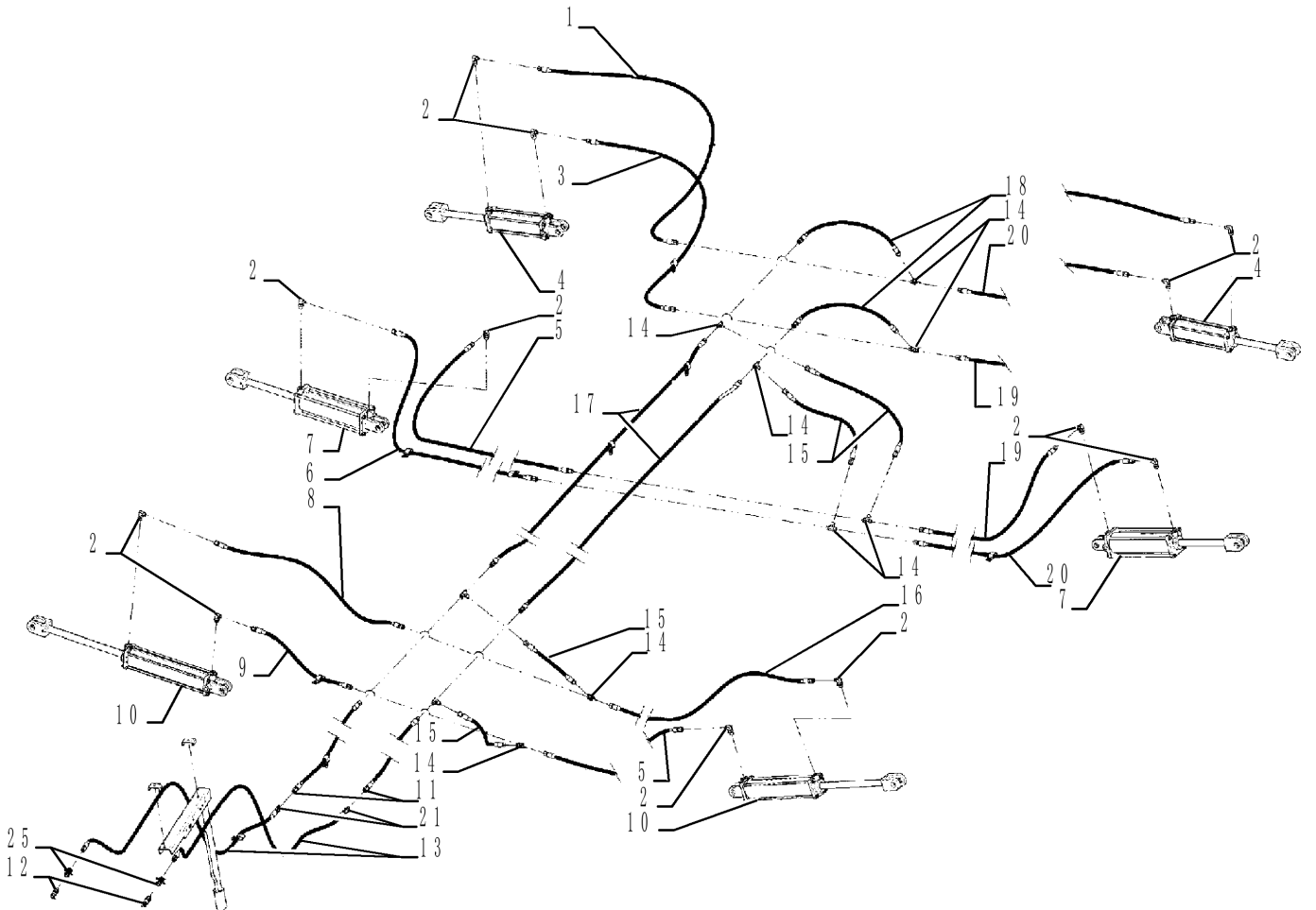


11 SHANK LEVELER WITH FINISHER WING FOLD HYDRAULICS

REF FN	PART NUMBER	YR/SN	QTY DESCRIPTION
1	1277717C1		1 HYDRAULIC HOSE 6.35 mm ID x 1525.00 mm
2	76347		12 ELBOW 90°, 9/16" - 18 JIC x 3/4" - 16 ORB
3	812382C1		1 HYDRAULIC HOSE 1/4 X 50
4	25335162		2 HYDRAULIC CYLINDER Double Acting, 38.1mm Rod, 406.4mm Stroke 3-1/2 X 16, Leveler With Finisher
5	147878C1		2 HOSE 1/4 x 65
6	97478C1		1 HOSE 6.35 mm ID x 1905.00 mm, SAE 100 R1
7	25335120		2 HYDRAULIC CYLINDER Double Acting, 38.1mm Rod, 304.8mm Stroke 3-1/2 x 12
7	25335120R		2 REMAN-HYD CYLINDER 870 Ecolo-Tiger Disk Ripper
7	25335120C		CORE-HYD CYLINDER Return Number
8	1284278C1		1 HYDRAULIC HOSE 1/4 x 41
9	1969386C1		1 HOSE 1/4 x 23
10	25330160		2 HYDRAULIC CYLINDER Double Acting, 38.1mm Rod, 406.4mm Stroke 3 x 16, 11 Shank
10	25330160R		2 REMAN-HYD CYLINDER 870, ECOLO-TIGER DISK RIPPER, 3 x 16, 11 Shank
10	25330160C		2 CORE-HYD CYLINDER Return Number
11	813006C2		2 HYDRAULIC HOSE 3/8 x 85
12	25705041		2 COUPLING 3/4 Hydraulic
13	1284252C1		2 HYDRAULIC HOSE 3/8 x 140
14	76355		10 TEE 9/16" - 18 JIC x 9/16" - 18 JIC x 9/16" - 18 JIC
15	147887C1		4 HYDRAULIC HOSE 9.53mm ID x 485mm L 1/4 x 19
16	97479C1		1 HYDRAULIC HOSE 6.35 mm ID x 2159.00 mm, SAE 100 R1
17	129671C2		2 HYDRAULIC HOSE 3/8 x 105
18	87706C1		2 HYDRAULIC HOSE 3/8 x 29
19	191936A1		2 HOSE 1/4 x 110
20	1277718C1		2 HYDRAULIC HOSE 6.35 mm ID x 3050.00 mm

870-ECOLO-TIGER DISK RIPPER

11 SHANK LEVELER WITH FINISHER WING FOLD HYDRAULICS



35.100.09

01

p2

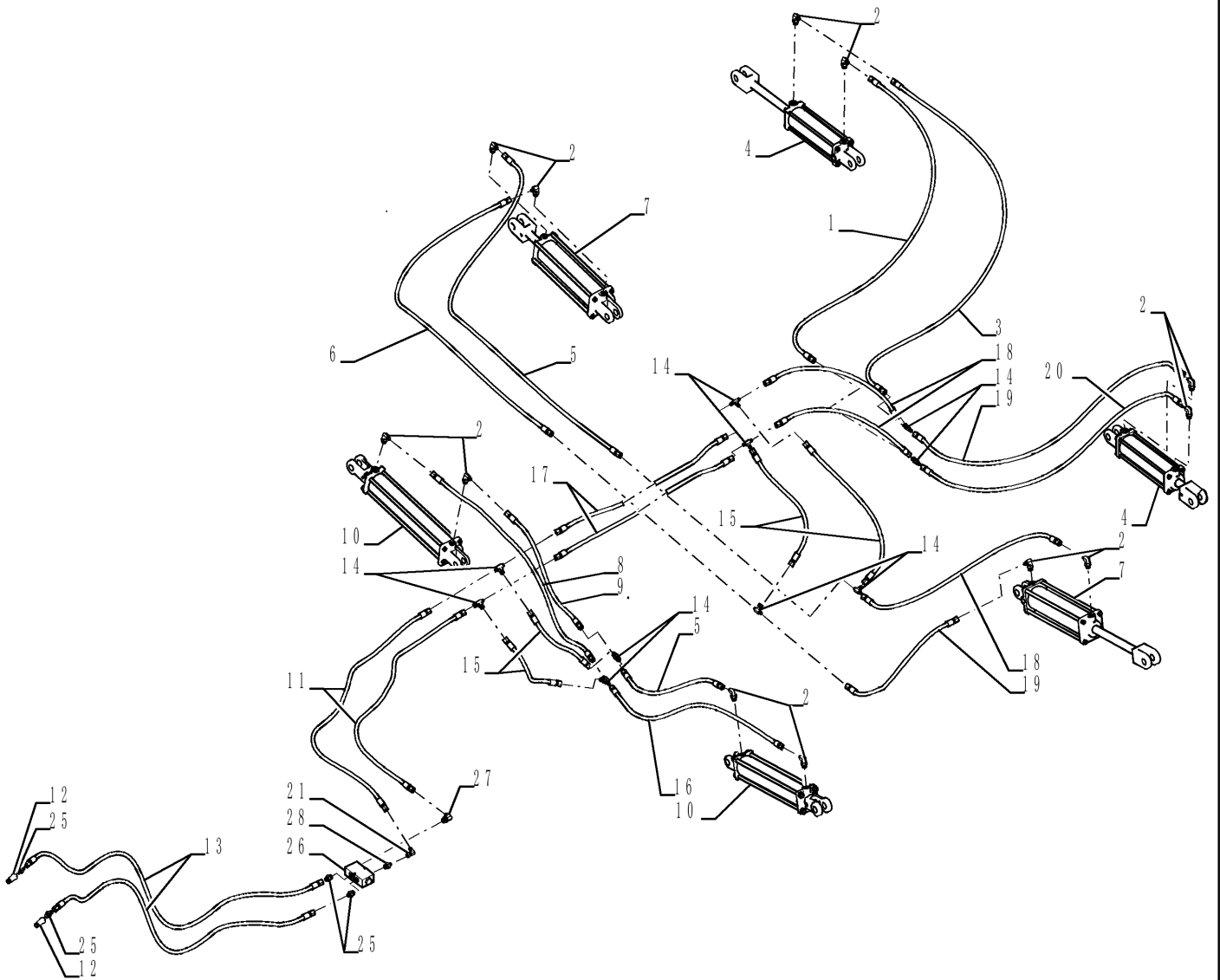
8/2016

11 SHANK LEVELER WITH FINISHER WING FOLD HYDRAULICS

REF FN	PART NUMBER	YR/SN	QTY DESCRIPTION
21	128821		2 UNION 9/16" - 18 JIC x 9/16" - 18 JIC
22	22510700		UAR HOSE CLAMP 15.86mm 5/8, Not Shown
22	22510710		UAR HOSE CLAMP 3/4, Not Shown
23	88682		UAR CARRIAGE BOLT Short Nk, 3/8"-16 x 1", Gr 5 Not Shown
24	86992213		UAR NUT Not Shown
25	1263477C3		2 HYD CONNECTOR 3/4 x 9/16

870-ECOLO-TIGER DISK RIPPER

11 SHANK LEVELER WITH FINISHER WING FOLD HYDRAULICS 2011

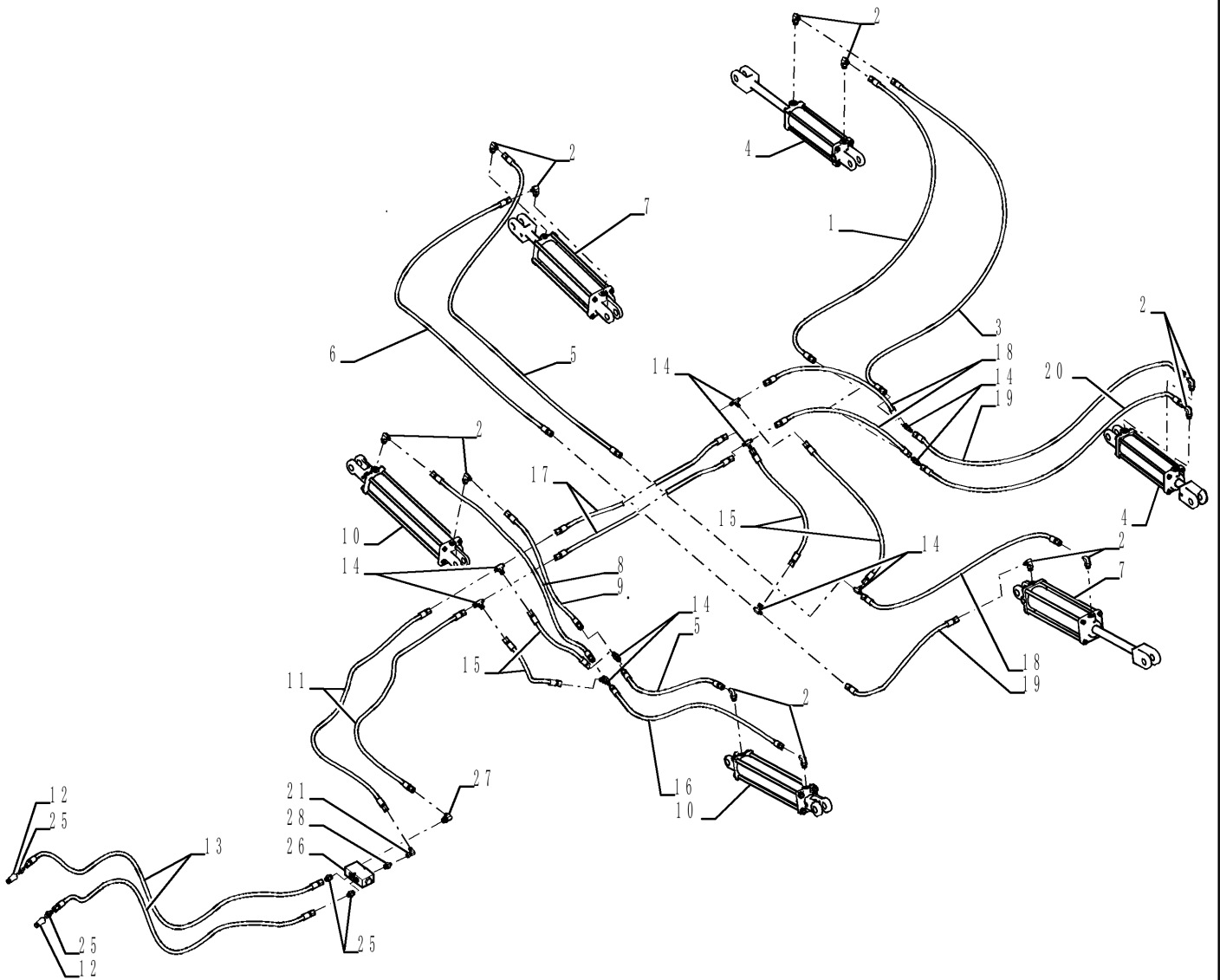


11 SHANK LEVELER WITH FINISHER WING FOLD HYDRAULICS 2011

REF FN	PART NUMBER	YR/SN	QTY DESCRIPTION
1	1277717C1		1 HYDRAULIC HOSE 6.35 mm ID x 1525.00 mm
2	76347		12 ELBOW 90°, 9/16" - 18 JIC x 3/4" - 16 ORB
3	812382C1		1 HYDRAULIC HOSE 1/4 X 50
4	25335162		2 HYDRAULIC CYLINDER Double Acting, 38.1mm Rod, 406.4mm Stroke 3-1/2 X 16, Leveler With Finisher
5	147878C1		2 HOSE 1/4 x 65
6	97478C1		1 HOSE 6.35 mm ID x 1905.00 mm, SAE 100 R1
7	25335120		2 HYDRAULIC CYLINDER Double Acting, 38.1mm Rod, 304.8mm Stroke 3-1/2 x 12
7	25335120R		2 REMAN-HYD CYLINDER 870 Ecolo-Tiger Disk Ripper
	25335120C		CORE-HYD CYLINDER Return Number
8	1284278C1		1 HYDRAULIC HOSE 1/4 x 41
9	1969386C1		1 HOSE 1/4 x 23
10	25330160		2 HYDRAULIC CYLINDER Double Acting, 38.1mm Rod, 406.4mm Stroke 3 x 16, 11 Shank
10	25330160R		2 REMAN-HYD CYLINDER 870, ECOLO-TIGER DISK RIPPER, 3 x 16, 11 Shank
10	25330160C		2 CORE-HYD CYLINDER Return Number
11	813006C2		2 HYDRAULIC HOSE 3/8 x 85
12	25705041		2 COUPLING 3/4 Hydraulic
13	97647C1		2 HYDRAULIC HOSE 12.70 mm ID x 4318.00 mm, SAE 100 R1
14	76355		10 TEE 9/16" - 18 JIC x 9/16" - 18 JIC x 9/16" - 18 JIC
15	147887C1		4 HYDRAULIC HOSE 9.53mm ID x 485mm L 1/4 x 19
16	97479C1		1 HYDRAULIC HOSE 6.35 mm ID x 2159.00 mm, SAE 100 R1
17	129671C2		2 HYDRAULIC HOSE 3/8 x 105
18	87706C1		2 HYDRAULIC HOSE 3/8 x 29
19	191936A1		2 HOSE 1/4 x 110
20	1277718C1		2 HYDRAULIC HOSE 6.35 mm ID x 3050.00 mm

870-ECOLO-TIGER DISK RIPPER

11 SHANK LEVELER WITH FINISHER WING FOLD HYDRAULICS 2011

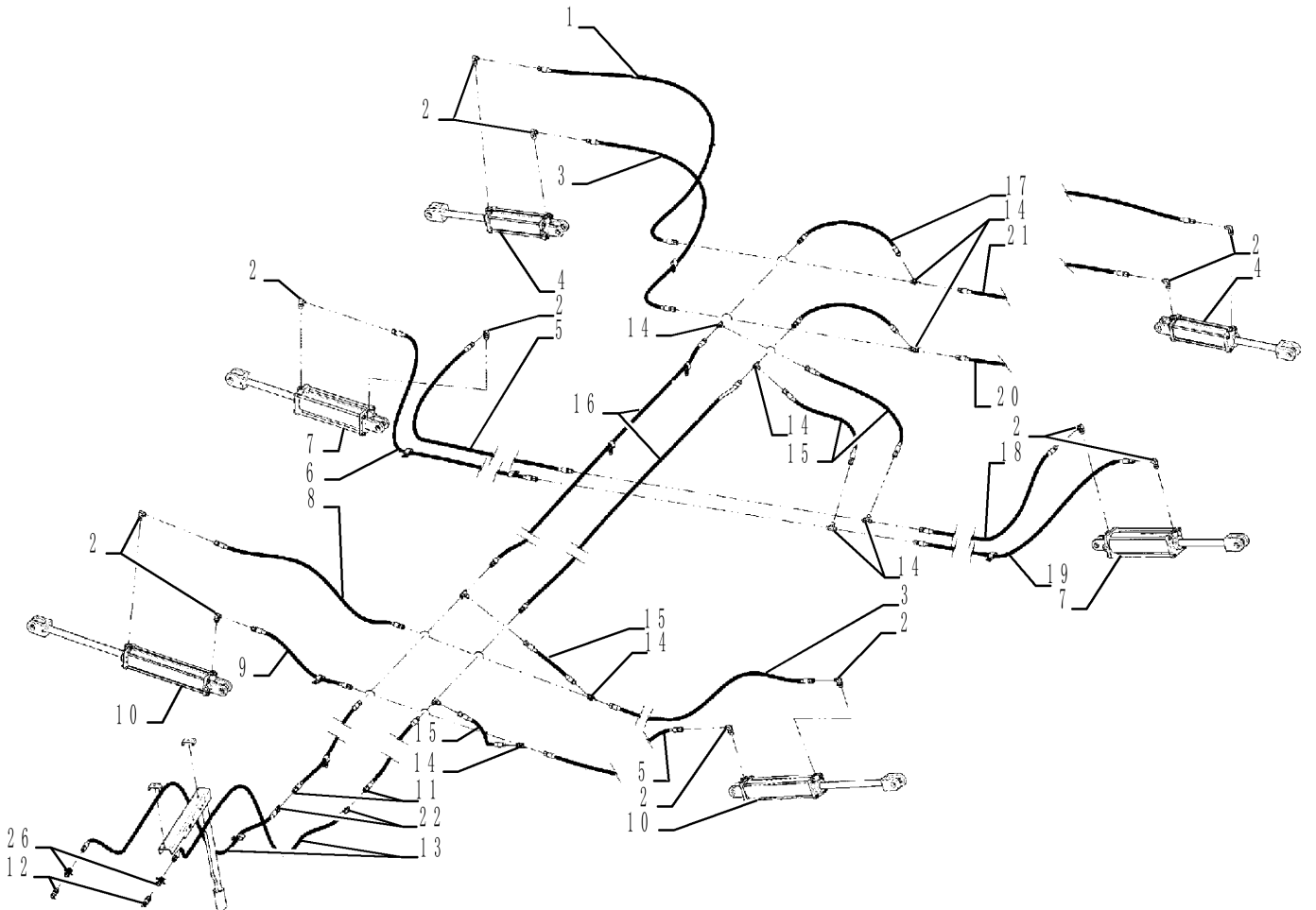


11 SHANK LEVELER WITH FINISHER WING FOLD HYDRAULICS 2011

REF FN	PART NUMBER	YR/SN	QTY DESCRIPTION
21	241074		1 ELBOW 90°, 9/16"-18, 37° x 9/16"-18, 37°
22	22510700		UAR HOSE CLAMP 15.86mm 5/8, Not Shown
22	22510710		UAR HOSE CLAMP 3/4, Not Shown
23	88682		UAR CARRIAGE BOLT Short Nk, 3/8"-16 x 1", Gr 5 Not Shown
24	86992213		UAR NUT Not Shown
25	128817		4 HYD CONNECTOR 3/4" - 16 ORB x 9/16" - 18 JIC 3/4 x 9/16
25	128825		4 O-RING 0.087" Thk x 0.644" ID, -908, CI 6, 90 Duro
26	298624A1		1 VALVE
27	76347		1 ELBOW 90°, 9/16" - 18 JIC x 3/4" - 16 ORB
28	1263477C3		1 HYD CONNECTOR

870-ECOLO-TIGER DISK RIPPER

13 SHANK LEVELER WITH FINISHER WING FOLD HYDRAULICS



13 SHANK LEVELER WITH FINISHER WING FOLD HYDRAULICS

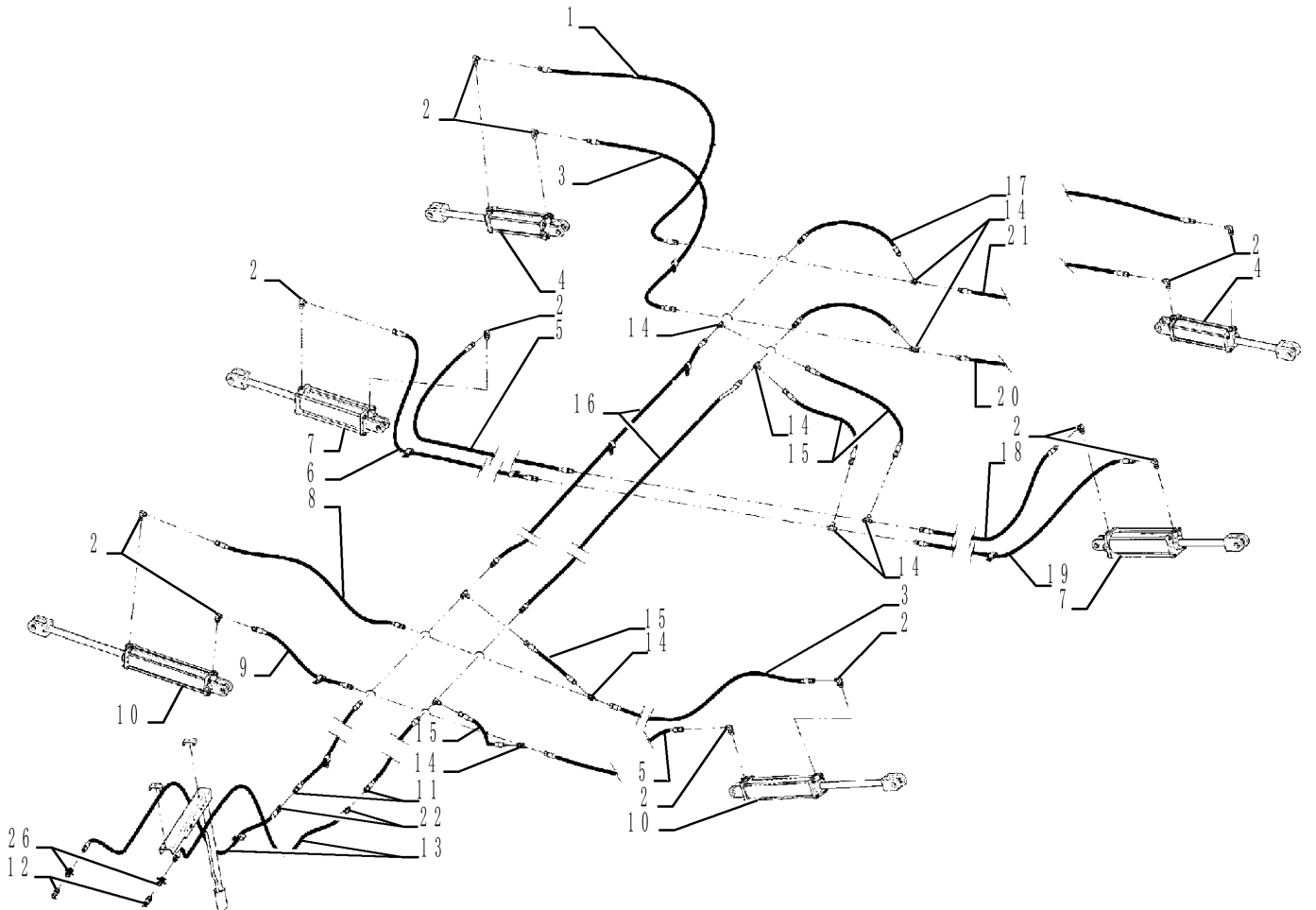
REF FN	PART NUMBER	YR/SN	QTY DESCRIPTION
1	97479C1		2 HYDRAULIC HOSE 6.35 mm ID x 2159.00 mm, SAE 100 R1
2	76347		12 ELBOW 90°, 9/16" - 18 JIC x 3/4" - 16 ORB
3	810205C1		1 HYDRAULIC HOSE 6.35mm ID x 1820mm L, SAE 100R17 1/4 x 70
4	1 25335162		2 HYDRAULIC CYLINDER Double Acting, 38.1mm Rod, 406.4mm Stroke 3-1/2 x 16, Leveler With Finisher
4	2 84220783		2 HYDRAULIC CYLINDER Double Acting, 38.1mm Rod, 406.4mm Stroke
5	147878C1		2 HOSE 1/4 x 65
6	97478C1		1 HOSE 6.35 mm ID x 1905.00 mm, SAE 100 R1
7	25335120		2 HYDRAULIC CYLINDER Double Acting, 38.1mm Rod, 304.8mm Stroke 3-1/2 x 12
7	25335120R		2 REMAN-HYD CYLINDER 870 Ecolo-Tiger Disk Ripper
	25335120C		CORE-HYD CYLINDER Return Number
8	1284278C1		1 HYDRAULIC HOSE 1/4 x 41
9	1969386C1		1 HOSE 1/4 x 23
10	25335162		2 HYDRAULIC CYLINDER Double Acting, 38.1mm Rod, 406.4mm Stroke 3-1/2 x 16, 13 Shank
11	813006C2		2 HYDRAULIC HOSE 3/8 x 85
12	25705041		2 COUPLING 3/4 Hydraulic
13	1284252C1		2 HYDRAULIC HOSE 3/8 x 140
14	76355		10 TEE 9/16" - 18 JIC x 9/16" - 18 JIC x 9/16" - 18 JIC
15	147887C1		4 HYDRAULIC HOSE 9.53mm ID x 485mm L 1/4 x 19
16	129671C2		2 HYDRAULIC HOSE 3/8 x 105
17	87706C1		2 HYDRAULIC HOSE 3/8 x 29
18	191936A1		1 HOSE 1/4 x 110
19	1277718C1		1 HYDRAULIC HOSE 6.35 mm ID x 3050.00 mm
20	129768C1		1 HYDRAULIC HOSE 1/4 x 115

(1) Used On 2009 Model Year Only

(2) Used On 2010 Model Year And After

870-ECOLO-TIGER DISK RIPPER

13 SHANK LEVELER WITH FINISHER WING FOLD HYDRAULICS



35.100.10

01

p2

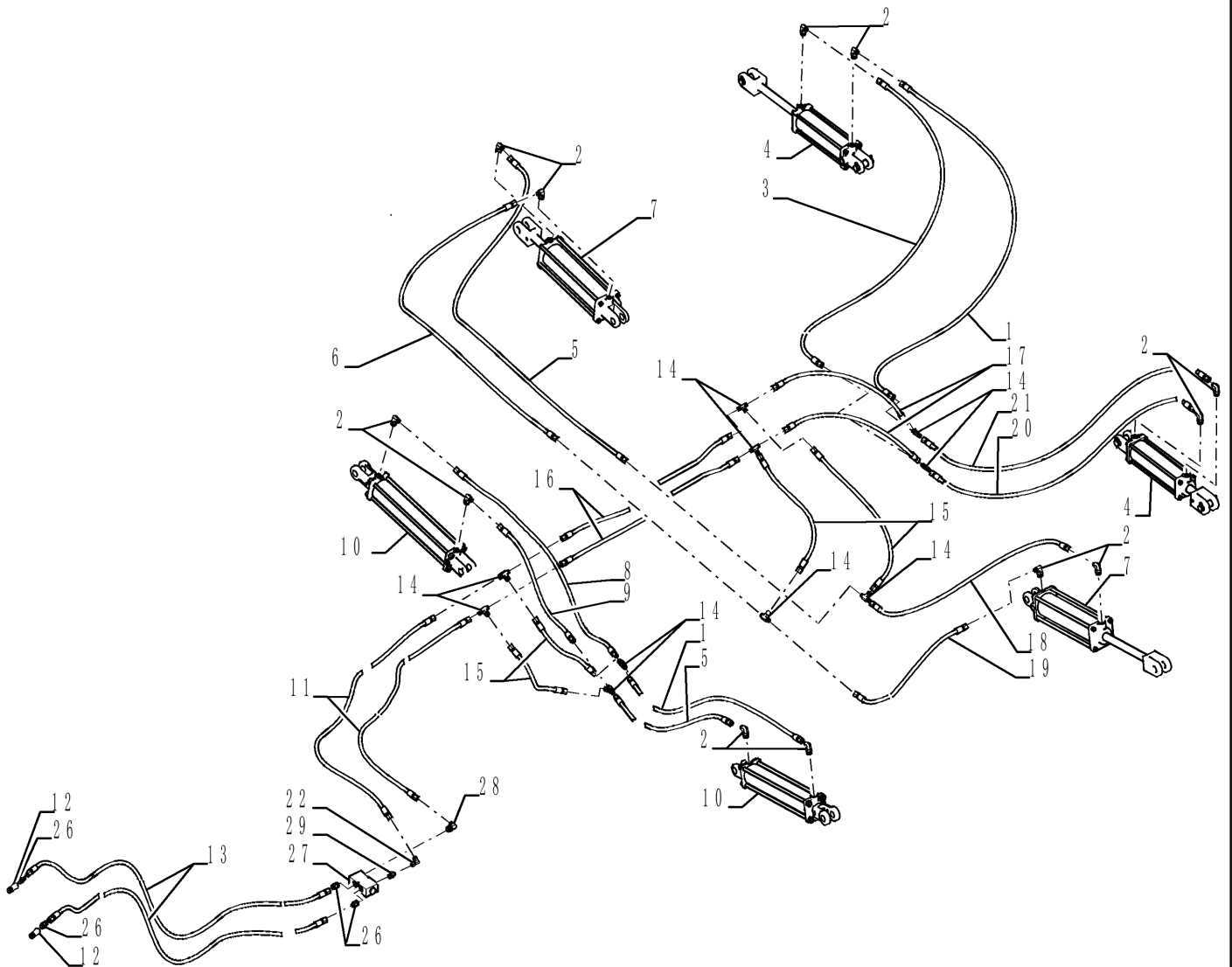
8/2016

13 SHANK LEVELER WITH FINISHER WING FOLD HYDRAULICS

REF FN	PART NUMBER	YR/SN	QTY DESCRIPTION
21	315711A1		1 HOSE 6.35mm ID x 3555mm L 1/4 x 140
22	128821		2 UNION 9/16" - 18 JIC x 9/16" - 18 JIC
23	22510700		UAR HOSE CLAMP 15.86mm 5/8, Not Shown
23	22510710		UAR HOSE CLAMP 3/4, Not Shown
24	88682		UAR CARRIAGE BOLT Short Nk, 3/8"-16 x 1", Gr 5 Not Shown
25	86992213		UAR NUT Not Shown
26	1263477C3		2 HYD CONNECTOR 3/4 x 9/16

870-ECOLO-TIGER DISK RIPPER

13 SHANK LEVELER WITH FINISHER WING FOLD HYDRAULICS 2011



35.100.10

02

p1

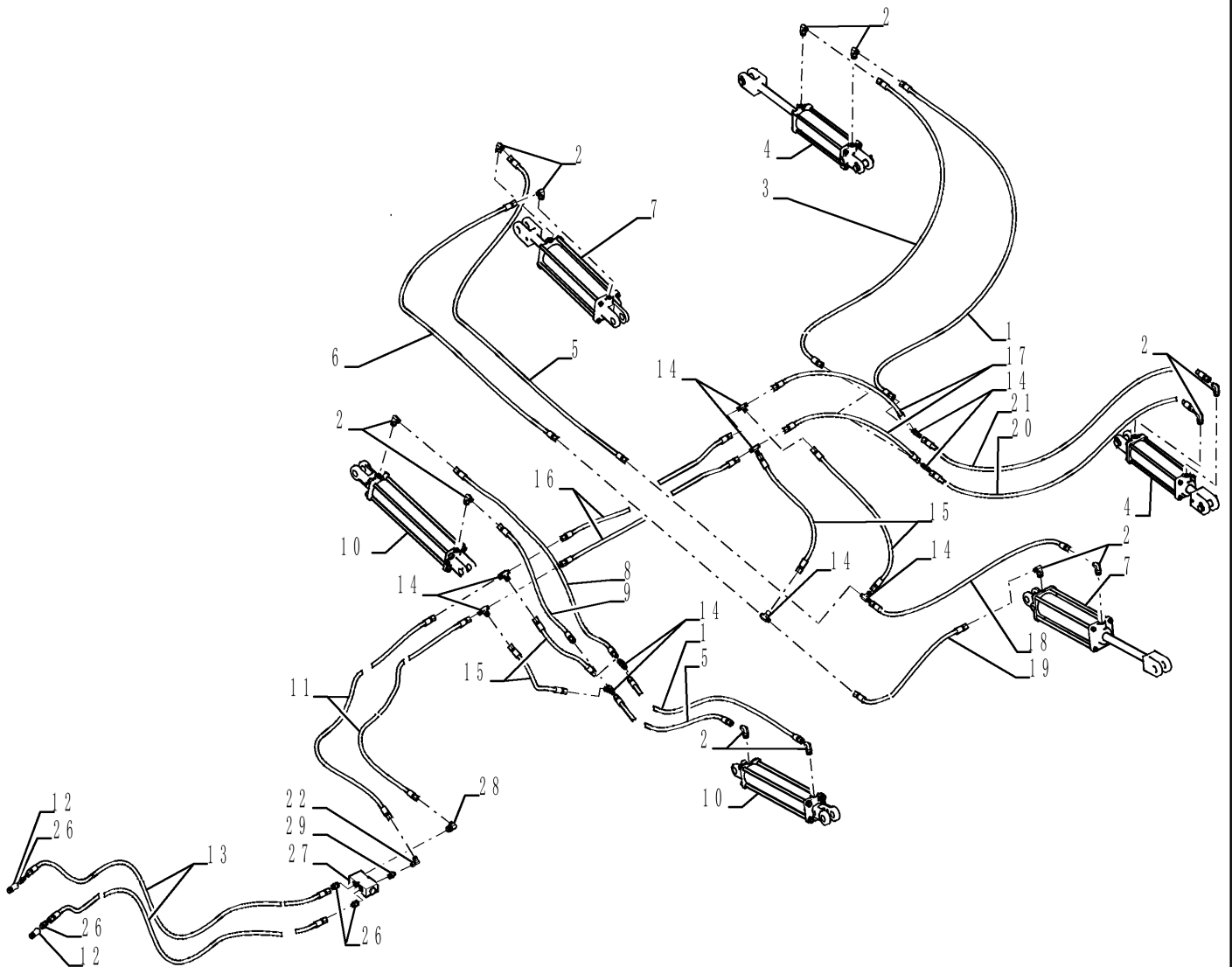
8/2016

13 SHANK LEVELER WITH FINISHER WING FOLD HYDRAULICS 2011

REF FN	PART NUMBER	YR/SN	QTY DESCRIPTION
2	76347		12 ELBOW 90°, 9/16" - 18 JIC x 3/4" - 16 ORB
3	810205C1		1 HYDRAULIC HOSE 6.35mm ID x 1820mm L, SAE 100R17 1/4 x 70
4	84220783		2 HYDRAULIC CYLINDER Double Acting, 38.1mm Rod, 406.4mm Stroke
5	147878C1		2 HOSE 1/4 x 65
6	97478C1		1 HOSE 6.35 mm ID x 1905.00 mm, SAE 100 R1
7	25335120		2 HYDRAULIC CYLINDER Double Acting, 38.1mm Rod, 304.8mm Stroke 3-1/2 x 12
7	25335120R 25335120C		2 REMAN-HYD CYLINDER 870 Ecolo-Tiger Disk Ripper CORE-HYD CYLINDER Return Number
8	1284278C1		1 HYDRAULIC HOSE 1/4 x 41
9	1969386C1		1 HOSE 1/4 x 23
10	25335162		2 HYDRAULIC CYLINDER Double Acting, 38.1mm Rod, 406.4mm Stroke 3-1/2 x 16, 13 Shank
11	813006C2		2 HYDRAULIC HOSE 3/8 x 85
12	25705041		2 COUPLING 3/4 Hydraulic
13	1284252C1		2 HYDRAULIC HOSE 3/8 x 140
14	76355		10 TEE 9/16" - 18 JIC x 9/16" - 18 JIC x 9/16" - 18 JIC
15	147887C1		4 HYDRAULIC HOSE 9.53mm ID x 485mm L 1/4 x 19
16	129671C2		2 HYDRAULIC HOSE 3/8 x 105
17	87706C1		2 HYDRAULIC HOSE 3/8 x 29
18	191936A1		1 HOSE 1/4 x 110
19	1277718C1		1 HYDRAULIC HOSE 6.35 mm ID x 3050.00 mm
20	129768C1		1 HYDRAULIC HOSE 1/4 x 115
21	315711A1		1 HOSE 6.35mm ID x 3555mm L 1/4 x 140
22	241074		2 ELBOW 90°, 9/16"-18, 37° x 9/16"-18, 37°
23	22510700		UAR HOSE CLAMP 15.86mm 5/8, Not Shown
23	22510710		UAR HOSE CLAMP 3/4, Not Shown
24	88682		UAR CARRIAGE BOLT Short Nk, 3/8"-16 x 1", Gr 5 Not Shown

870-ECOLO-TIGER DISK RIPPER

13 SHANK LEVELER WITH FINISHER WING FOLD HYDRAULICS 2011



35.100.10

02

p2

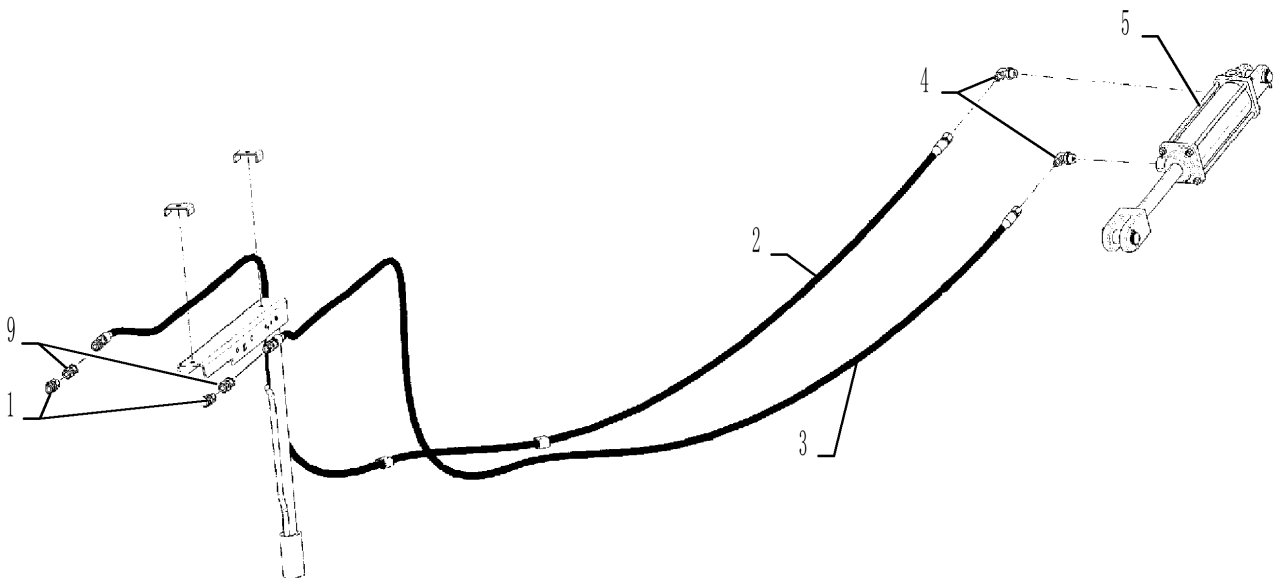
8/2016

13 SHANK LEVELER WITH FINISHER WING FOLD HYDRAULICS 2011

REF FN	PART NUMBER	YR/SN	QTY DESCRIPTION
25	86992213		UAR NUT Not Shown
26	128817		4 HYD CONNECTOR 3/4" - 16 ORB x 9/16" - 18 JIC 3/4 x 9/16
26	128825		4 O-RING 0.087" Thk x 0.644" ID, -908, CI 6, 90 Duro
27	298624A1		1 VALVE
28	76347		1 ELBOW 90°, 9/16" - 18 JIC x 3/4" - 16 ORB
29	1263477C3		1 HYD CONNECTOR

870-ECOLO-TIGER DISK RIPPER

DISK HYDRAULICS PRE 2011

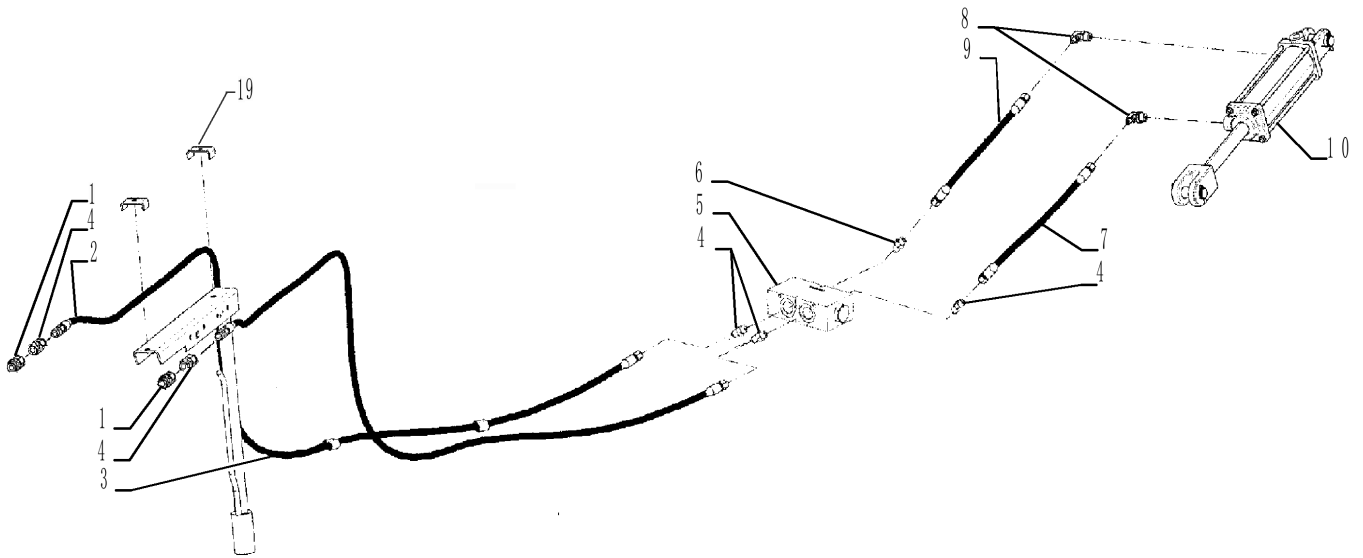


DISK HYDRAULICS PRE 2011

REF FN	PART NUMBER	YR/SN	QTY DESCRIPTION
1	25705041		2 COUPLING 3/4 SAEF, Male
2	1284329C1		1 HYDRAULIC HOSE 3/8 x 205
3	1284256C1		1 HYDRAULIC HOSE 9.52 mm ID x 4955.00 mm
4	76347		2 ELBOW 90°, 9/16" - 18 JIC x 3/4" - 16 ORB
5	25330081		1 HYDRAULIC CYLINDER Double Acting, 31.75mm Rod, 203.2mm Stroke 3 x 8, 7 And 9 Shank
5	87423763		1 HYDRAULIC CYLINDER Double Acting, 31.75mm Rod, 203.2mm Stroke 3-1/2 x 8, Cylinder, 11 And 13 Shank
6	22510700		UAR HOSE CLAMP 15.86mm 5/8, Not Shown
6	22510710		UAR HOSE CLAMP 3/4, Not Shown
7	88682		UAR CARRIAGE BOLT Short Nk, 3/8"-16 x 1", Gr 5 Not Shown
8	86992213		UAR NUT Not Shown
9	128817		2 HYD CONNECTOR 3/4" - 16 ORB x 9/16" - 18 JIC 3/4 SAEM x 9/16 JICM

870-ECOLO-TIGER DISK RIPPER

CHECK VALVE KIT, STANDARD EQUIPMENT 2011



CHECK VALVE KIT, STANDARD EQUIPMENT 2011

REF FN	PART NUMBER	YR/SN	QTY DESCRIPTION
1	25705041		1 COUPLING 3/4 Male
2	1284256C1		1 HYDRAULIC HOSE 9.52 mm ID x 4955.00 mm
3	1284329C1		1 HYDRAULIC HOSE 3/8 x 205
4	128817		4 HYD CONNECTOR 3/4" - 16 ORB x 9/16" - 18 JIC
4	128825		4 O-RING 0.087" Thk x 0.644" ID, -908, CI 6, 90 Duro
5	298624A1		1 VALVE Check
6	1263477C3		1 HYD CONNECTOR 3/4 SAEM xl 9/16 JICM
7	1251872C2		1 HYDRAULIC HOSE 3/8 X 23
8	128822		2 UNION 3/4" - 16 JIC x 3/4" - 16 JIC
9	1270453C1		1 HYDRAULIC HOSE 3/8 X 35
10	25330082		2 HYDRAULIC CYLINDER Double Acting, 31.75mm Rod, 203.2mm Stroke 3 X 8, 7 And 9 Shank
10	84393373		2 CYLINDER Double Acting, 31.75mm Rod, 127mm Stroke 3 X 8, 7 And 9 Shank, After 2011 Model, With Stop
10	84413040		2 STOP Cylinder Stop
10	87423763		2 HYDRAULIC CYLINDER Double Acting, 31.75mm Rod, 203.2mm Stroke 3-1/2 x 8, 11 And 13 Shank
11	302331A1		1 VALVE Not Shown
12	86508168		1 SEAL KIT Not Shown
13	149940C1		1 PISTON Not Shown
14	87405		2 BOLT Hex, 1/4" - 20 x 2 1/4", Gr 5 Not Shown
15	280129		2 NUT 1/4"-20 Not Shown
16	22510700		UAR HOSE CLAMP 15.86mm 5/8, Not Shown
16	22510710		UAR HOSE CLAMP 3/4, Not Shown
17	88682		UAR CARRIAGE BOLT Short Nk, 3/8"-16 x 1", Gr 5 Not Shown
18	86992213		UAR NUT Not Shown
19	427779A1		UAR CLAMP Hose

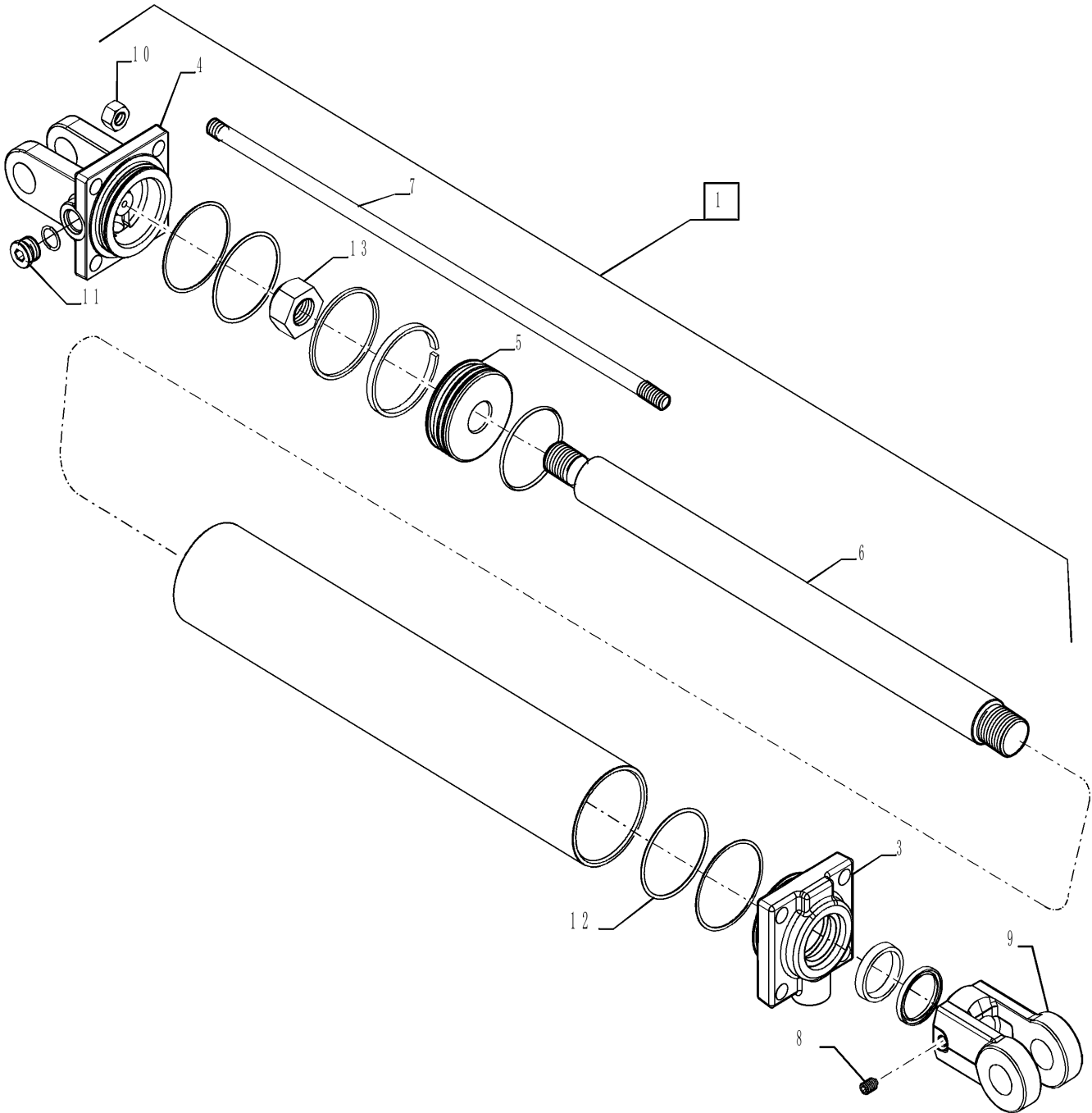
870-ECOLO-TIGER DISK RIPPER

35.100.13

p1

8/2016

HYDRAULIC CYLINDERS



2



HYDRAULIC CYLINDERS

REF FN	PART NUMBER	YR/SN	QTY DESCRIPTION
1	87471399		2 HYDRAULIC CYLINDER Double Acting, 38.1mm Rod, 406.4mm Stroke 3-1/2 x 16, IND HDN
1	87471400		2 HYDRAULIC CYLINDER Double Acting, 38.1mm Rod, 406.4mm Stroke 4 x 16
1	87471400R		2 REMAN-HYD CYLINDER 870, ECOLO-TIGER DISK RIPPER, 4 x 16
1	87471400C		2 CORE-HYD CYLINDER Return Number
1	87471401		2 HYDRAULIC CYLINDER Double Acting, 44.45mm Rod, 406.4mm Stroke 4-1/2 x 16
1	87471401R		2 REMAN-HYD CYLINDER 870 ECOLO TIGER DISK RIPPER, HYDRAULIC CYLINDERS, 4-1/2 x 16
1	87471401C		2 CORE-HYD CYLINDER Return Number
1	25325161		2 HYDRAULIC CYLINDER Double Acting, 31mm Rod, 406.4mm Stroke 2-1/2 x 16
1	25330082		2 HYDRAULIC CYLINDER Double Acting, 31.75mm Rod, 203.2mm Stroke 3 x 8
1	84393373		2 CYLINDER Double Acting, 31.75mm Rod, 127mm Stroke 3 x 8, With Stops
1	87730280		2 HYDRAULIC CYLINDER Double Acting, 31.75mm Rod, 101.6mm Stroke 3-1/4 x 4
1	25330081		2 HYDRAULIC CYLINDER Double Acting, 31.75mm Rod, 203.2mm Stroke 3 x 8
1	25330101		2 HYDRAULIC CYLINDER Double Acting, 31.75mm Rod, 254mm Stroke 3 x 10
1	25330101R		2 REMAN-HYD CYLINDER 870 ECOLO-TIGER DISK RIPPER
1	25330101C		2 CORE-HYD CYLINDER Return Number
1	25335120		2 HYDRAULIC CYLINDER Double Acting, 38.1mm Rod, 304.8mm Stroke 3-1/2 x 12
1	25335120R		2 REMAN-HYD CYLINDER 870 Ecolo-Tiger Disk Ripper
	25335120C		CORE-HYD CYLINDER Return Number
1	25330160		2 HYDRAULIC CYLINDER Double Acting, 38.1mm Rod, 406.4mm Stroke 3 x 16
1	25330160R		2 REMAN-HYD CYLINDER 870, ECOLO-TIGER DISK RIPPER, 3 x 16

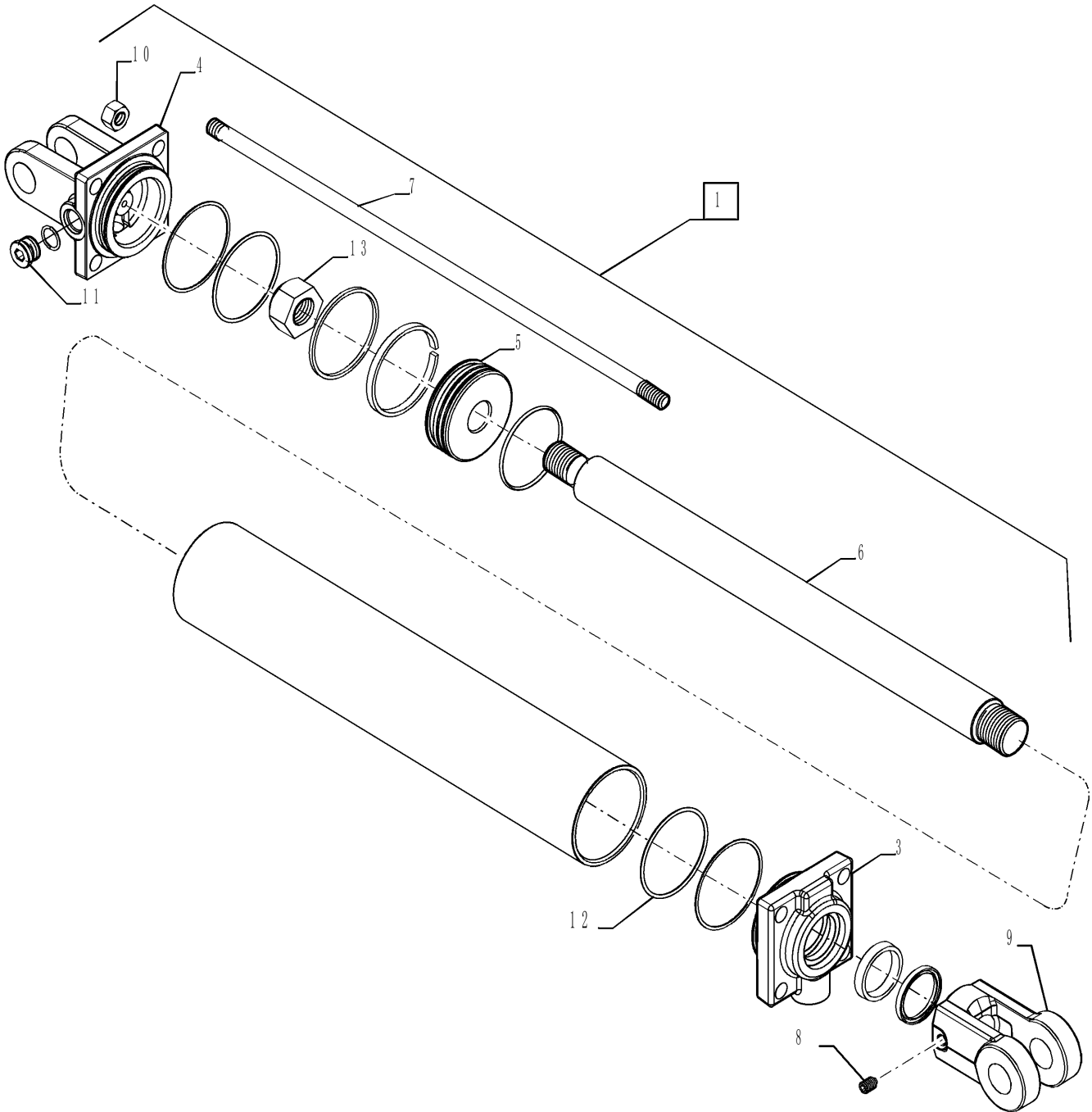
870-ECOLO-TIGER DISK RIPPER

HYDRAULIC CYLINDERS

REF FN	PART NUMBER	YR/SN	QTY DESCRIPTION
1	25330160C		2 CORE-HYD CYLINDER Return Number
1	25335162		2 HYDRAULIC CYLINDER Double Acting, 38.1mm Rod, 406.4mm Stroke 3-1/2 x 16
1	87730279		2 HYDRAULIC CYLINDER Double Acting, 31.75mm Rod, 101.6mm Stroke 3 X 4
1	87423763		2 HYDRAULIC CYLINDER Double Acting, 31.75mm Rod, 203.2mm Stroke 3-1/2 x 8
1	84220783		2 HYDRAULIC CYLINDER Double Acting, 38.1mm Rod, 406.4mm Stroke 3-1/2 x 16
2	84172248		1 SEAL KIT 3-1/2 x 16, IND HDN
2	84172249		1 SEAL KIT 4 x 16
2	84172250		1 SEAL KIT 4-1/2 x 16
2	25832510		1 SEAL KIT 2-1/2 x 16
2	25833007		1 SEAL KIT 3 x 8 And 3 x 10
2	9660V2		1 SEAL KIT 3 x 16
2	87409035		1 REPAIR KIT 3 x 4
2	87409037		1 SEAL KIT 3-1/4 x 4
2	25803500		1 SEAL KIT 3-1/2 x 16 And 3-1/2 x 12
2	87409038		1 SEAL KIT 3-1/2 x 8
3	84220843		1 CYLINDER END CAP 2-1/2 X 16
3	8952		1 CYLINDER END CAP 3 X 16
3	87409417		1 HEAD 3-1/2 X 12 And 3-1/2 x 16
3	87582273		1 CYLINDER END CAP 3 X 8 And 3 x 10
3	87410757		1 CYLINDER END CAP 3-1/4 x 4
3	87635301		1 HEAD 3 x 4
3	87409403		1 HEAD 3-1/2 X 16,
3	87410785		1 CYLINDER END CAP 4 X 16
3	84212853		1 CYLINDER END CAP 4-1/2 X 16
4	84220842		1 CLEVIS 2-1/2 X 16
4	84220841		1 CLEVIS 3 X 8 And 3 x 10
4	87409430		1 HEAD 3-1/2 X 16 And 3-1/2 x 12
4	84220839		1 CLEVIS 3 X 8
4	87410762		1 CLEVIS 3 x 4

870-ECOLO-TIGER DISK RIPPER

HYDRAULIC CYLINDERS



• 2



HYDRAULIC CYLINDERS

REF FN	PART NUMBER	YR/SN	QTY DESCRIPTION
4	87409429		1 CLEVIS 3-1/4 x 4
4	87409445		1 HEAD 3 x 16
4	84212849		1 CLEVIS 3-1/2 x 16 IND HDN
4	84212850		1 CLEVIS 4 X 16
4	84212851		1 CLEVIS 4-1/2 X 16
5	84212859		1 PISTON 3-1/2 X 16 IND HDN
5	87454887		1 PISTON 4 X 16
5	84212860		1 PISTON 4-1/2 X 16
5	87409477		1 PISTON 2-1/2 X 16
5	87635232		1 PISTON 3 X 8, 3 X 10, And 3 x 16
5	87409468		1 PISTON 3-1/4 X 4
5	87409479		1 PISTON 3 X 4
5	87409481		1 PISTON 3-1/2 x 12 And 3-1/2 x 16
6	84212862		1 PISTON ROD 3-1/2 X 16 IND HDN
6	84212864		1 PISTON ROD 4 X 16
6	84212865		1 PISTON ROD 4-1/2 X 16
6	87577842		1 SHAFT 2-1/2 X 16
6	9682		1 SHAFT 3 X 8
6	87637948		1 SHAFT 3 x 10
6	84220844		1 PISTON ROD 3-1/2 x 12
6	87548067		1 SHAFT 3 x 16
6	84220846		1 PISTON ROD 3-1/2 X 16
6	84224028		1 PISTON ROD
7	87577844		1 THREADED TIE-ROD 2-1/2 X 16
7	87409688		1 TIE-ROD 3 X 8
7	87454888		1 TIE-ROD TIE ROD 3-1/4 X 4
7	87582271		1 TIE-ROD 3 X 4
7	87637934		1 THREADED TIE-ROD 3 x 10
7	87548070		1 TIE-ROD 3-1/2 x 12
7	87577798		1 THREADED TIE-ROD 3 x 16
7	87409492		1 THREADED TIE-ROD 3-1/2 X 16 And 4 X16
8	84212867		1 SET SCREW All Cylinders

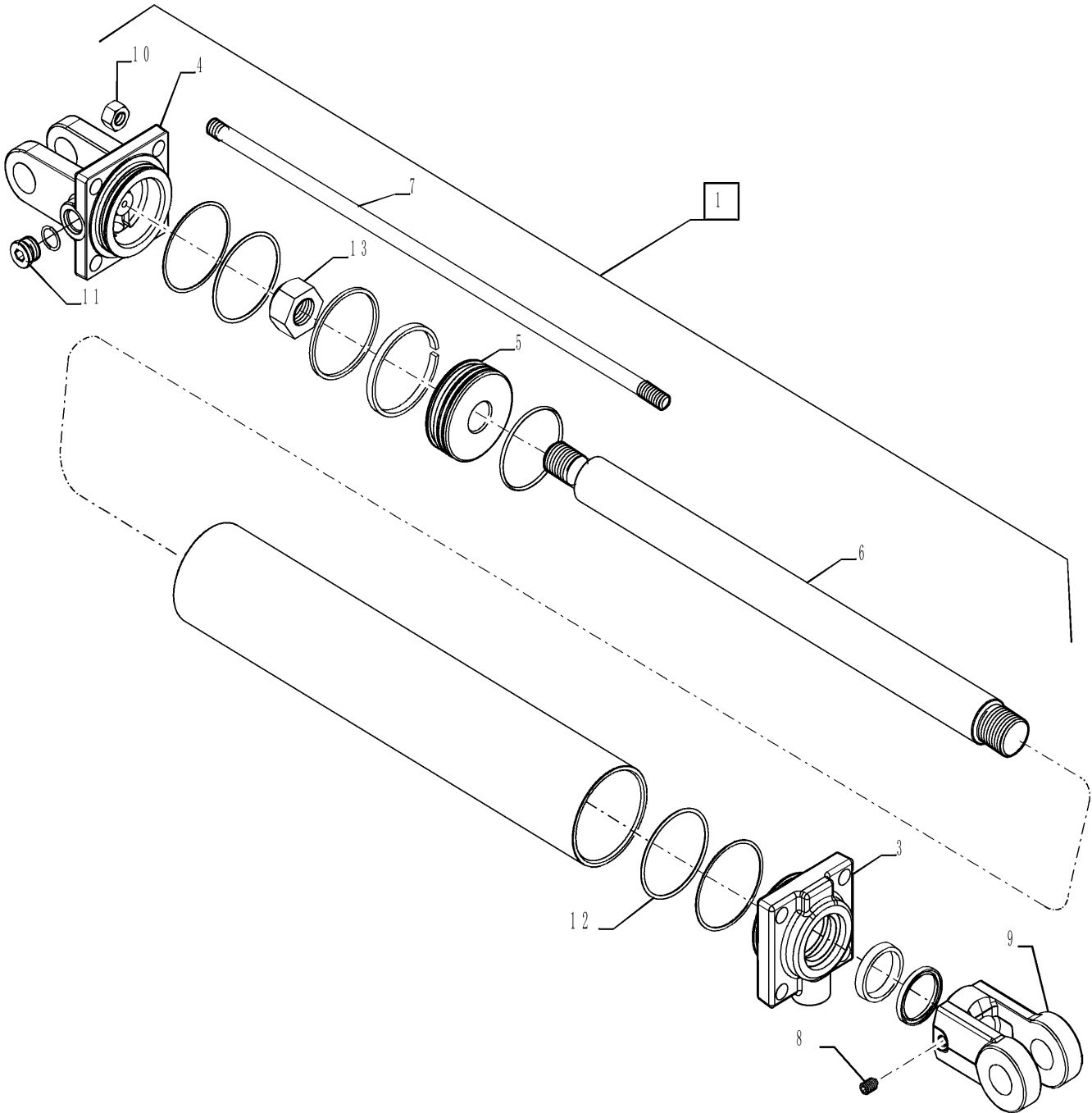
870-ECOLO-TIGER DISK RIPPER

35.100.13

p4

8/2016

HYDRAULIC CYLINDERS



● 2

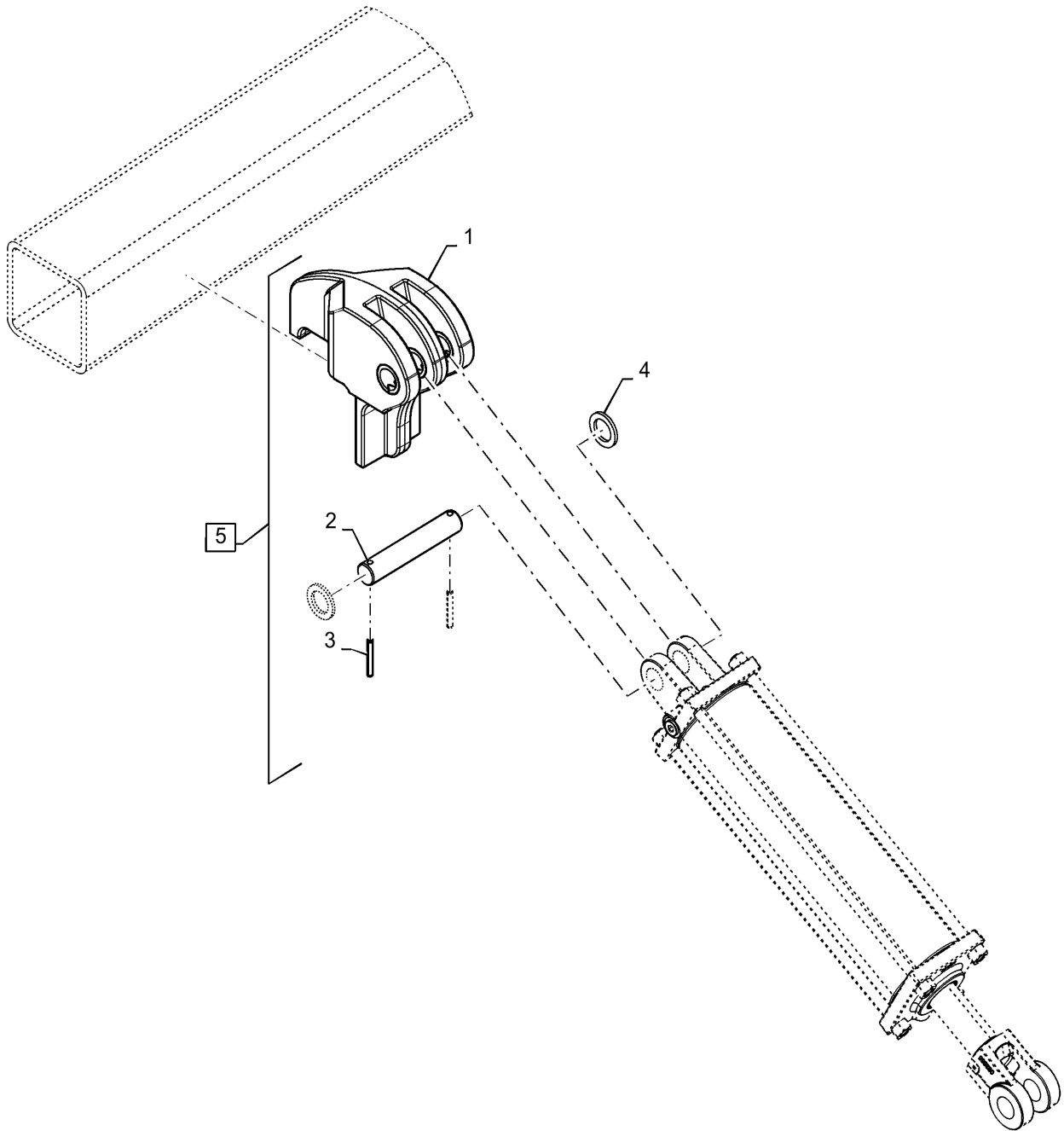


HYDRAULIC CYLINDERS

REF FN	PART NUMBER	YR/SN	QTY DESCRIPTION
9	84212876		1 CLEVIS 3-1/2 x 16 And 4 x 16, IND HDN
9	84212880		1 CLEVIS 4-1/2 x 16
9	87449358		1 CLEVIS 2-1/2 X 16
9	87409387		1 CLEVIS 1 -1/4" - 12 3 X 8, 3 X 10, And 3 x 16
9	87409387		1 CLEVIS 1 -1/4" - 12 3-1/4 X 4 And 3 x 4
9	87409391		1 CLEVIS 1 -1/2" - 12 3-1/2 x 16 And 3-1/2 x 12
10	280963		1 NUT Nut, 1/2-20 GR 5 ZND 3 x 4, 3 x 8, 3 x 10, And 3 x 16
10	408		1 NUT 5/8" - 18, Gr 5 3-1/4 x 4, 3-1/2 x 16, 4 x 16, 4-1/2 x 16, And 3-1/2 x 12
10	86509310		1 NUT 3/8" - 24, Gr 5 2-1/2 x 16
11	86590562		1 PLUG Hex Soc, 3/4" - 16 ORB 3 x 4, 3-1/4 x 4, 3-1/2 x 16, 4 x 16, 4-1/2 x 16, 3 x 8, 3 x 10, And 3 x 16
11	9625178		1 PLUG 9/16" - 18 ORB 2-1/2 x 16
12	128825		1 O-RING 0.087" Thk x 0.644" ID, -908, CI 6, 90 Duro 3 x 4, 3-1/4 x 4, 3-1/2 x 16, 4 x 16, 4-1/2 x 16, 3 x 8, 3 x 10, And 3 x 16
12	9617873		1 O-RING 0.078" Thk x 0.468" ID, -906, CI 6, 90 Duro 2-1/2 x 16
13	87314800		1 LOCK NUT 3 x 4, 3-1/4 x 4, 3-1/2 x 16, 3 x 8, 3 x 10, 3-1/2 x 12, 3 x 16 And 3-1/2 x 16
13	87652886		1 NUT 4 x 16
13	87023139		1 NUT 4-1/2 x 16
13	8000		1 NUT 2-1/2 x 16

870-ECOLO-TIGER DISK RIPPER

KIT CYLINDER LUG 11/13 SHANK



35.100.14

p1

8/2016

KIT CYLINDER LUG 11/13 SHANK

REF FN	PART NUMBER	YR/SN	QTY DESCRIPTION
1	47840285		2 LUG Cylinder
2	47852480		2 PIN Clevis 1.25 x 7
3	87019504		4 COTTER PIN 7.94mm OD x 60.33mm L, Slotted
4	87613302		6 WASHER 1.31" ID x 1.98" OD x 0.18" Thk
5	47927192		1 KIT Cyliner Lug 11/13 Shank Incl 1 - 4 Ins Sheet 47927201

870-ECOLO-TIGER DISK RIPPER

SECTION INDEX

FRAMES AND BALLASTING

39.100.01	01	MAIN FRAME INSTALLATION 2009 - 2010 PRODUCTION
39.100.01	02	MAIN FRAME INSTALLATION 2011 - CURRENT
39.100.02		11 AND 13 SHANK MAIN FRAME WING ATTACHMENT
39.100.03		13 SHANK MAIN FRAME GAUGE WHEEL
39.100.04		GAUGE WHEEL, HUB, ASSY
39.100.05		MAIN LIFT CYLINDER ATTACHMENT
39.100.06		DISK FRAME
39.100.07		9 SHANK DISK WING ATTACHMENT
39.100.08		11 AND 13 SHANK DISK WING ATTACHMENT
39.100.09		DISK ROCKSHAFT
39.100.10		SINGLE POINT DEPTH CONTROL
39.100.11		SINGLE SPRING PACK ASSEMBLY
39.100.12		DOUBLE SPRING PACK ASSEMBLY
39.100.13		SMV BRACKET
39.100.14	01	REAR DISK LEVELER PRE 2011 AND 2011 7 & 9 SHANK
39.100.14	02	REAR DISK LEVELER 2011 11 & 13 SHANK
39.100.15		REAR DISK LEVELER - 7 AND 9 SHANK
39.100.16	01	REAR DISK LEVELER - 11 AND 13 SHANK 2009 - 2010
39.100.16	02	REAR DISK LEVELER - 11 AND 13 SHANK 2011
39.100.17	01	REAR DISK LEVELER LIFT ARMS
39.100.17	02	REAR DISK LEVELER LIFT ARM 2011
39.100.18		REAR LEVELER DEPTH CONTROL
39.100.19	01	REAR DISK LEVELER WITH FINISHER FRAME
39.100.19	02	REAR DISK LEVELER WITH FINISHER FRAME (2011 - CURRENT)
39.100.20		REAR DISK LEVELER WITH FINISHER
39.100.21		REAR DISK LEVELER WITH FINISHER LIFT CYLINDER
39.110.01		PULL FRAME
39.110.02		CAT V PERFECT HITCH
39.110.02		HOSE MOUNT

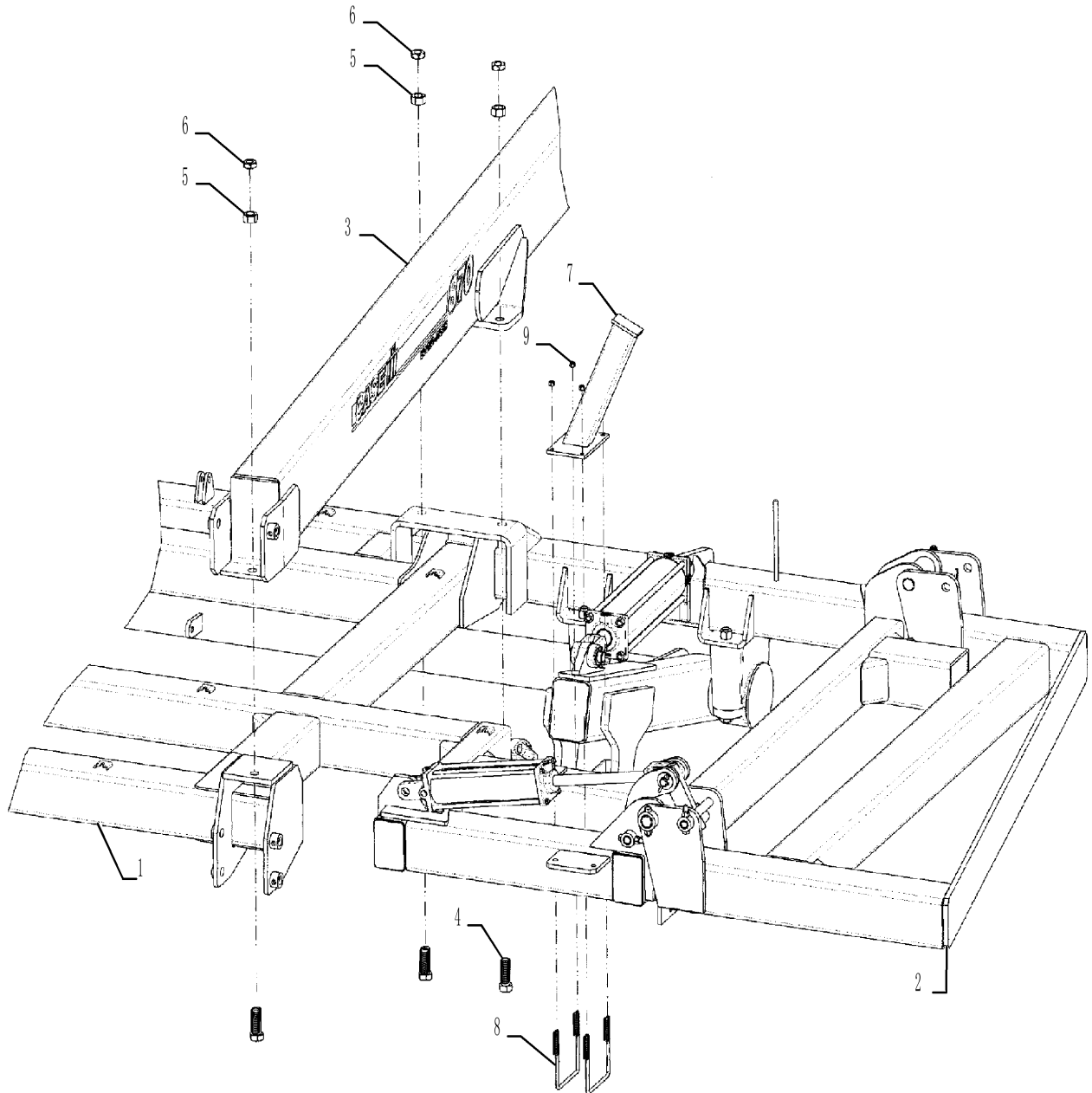
39.100.01

01

p1

8/2016

MAIN FRAME INSTALLATION 2009 - 2010 PRODUCTION

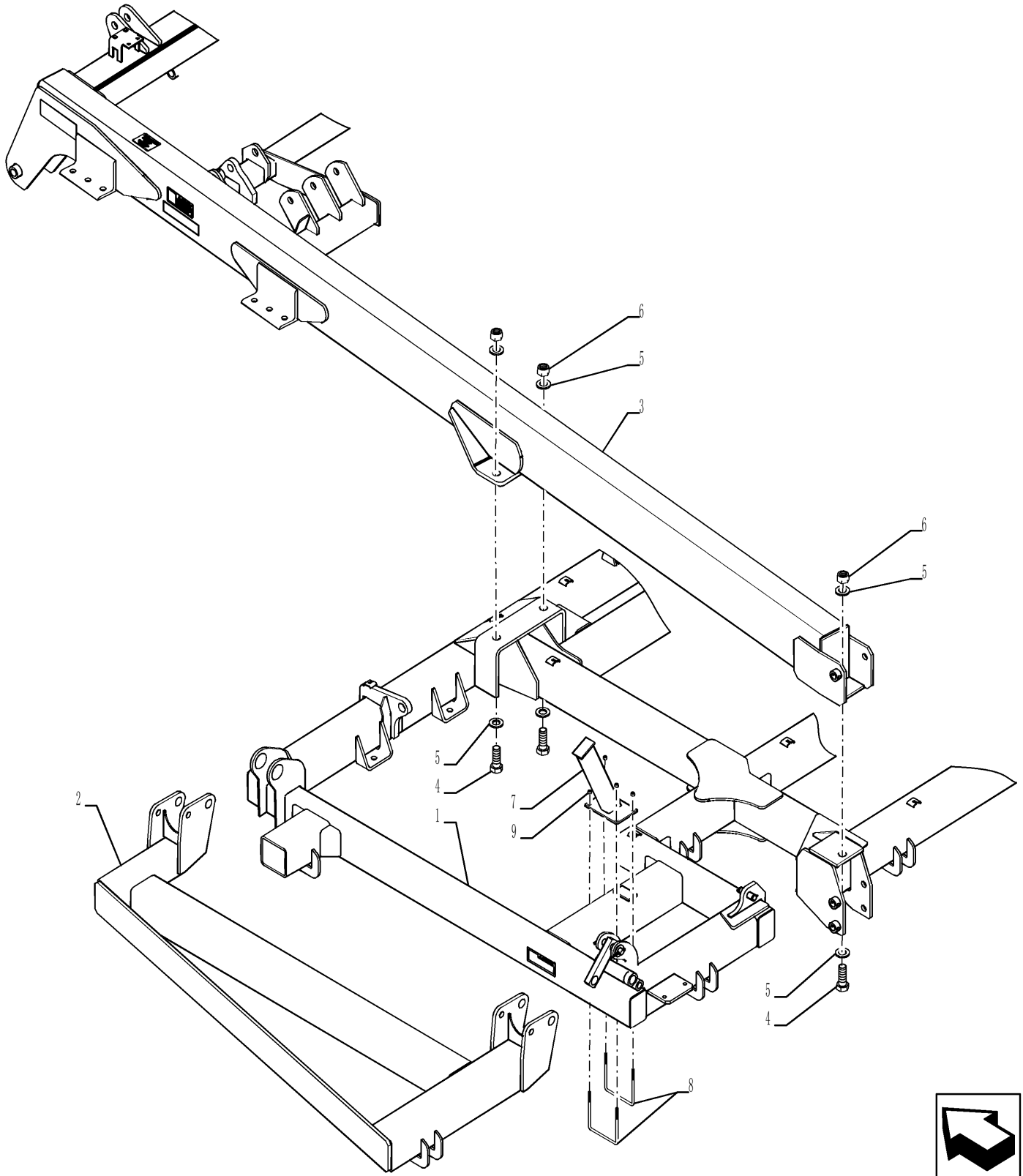


MAIN FRAME INSTALLATION 2009 - 2010 PRODUCTION

REF FN	PART NUMBER	YR/SN	QTY DESCRIPTION
1	87757851		1 FRAME Main, 7 Shank
1	87758268		1 FRAME Main, 9 Shank
1	87476751		1 FRAME Main, 11 And 13 Shank
2	87740529		1 FRAME Main Wing, 11 Shank, Lh
2	87473258		1 FRAME Main Wing, 13 Shank, Lh
2	87742375		1 FRAME Main Wing, 11 Shank, Rh
2	87473256		1 FRAME Main Wing, 13 Shank, Rh
3	87757928		1 FRAME Carrier, 7 Shank
3	87470040		1 FRAME Carrier, 9 Shank
3	87475717		1 FRAME Carrier, 11 And 13 Shank
4	9845479		6 BOLT Hex, 7/8" - 9 x 3", Gr 5 7 And 9 Shank
4	84128		6 BOLT Hex, 1" x 3", Gr 5 11 And 13 Shank
5	9849647		6 NUT 7/8"-9, G5 7 And 9 Shank
5	9849633		6 NUT 1"-8, G5 11 And 13 Shank
6	425-1414		6 JAM NUT Jam, 7/8"-9, G5 7 And 9 Shank
6	87553819		6 JAM NUT 1-8, G5, Znd, 11 And 13 Shank
7	87479417		1 FRAME Wing Stop
8	16309110		2 U-BOLT
9	88902		4 NUT 3/8"-16
10	84482599		UAR HITCH Main Frame To Carrier Frame Update Hardware, 7-9 Shank
10	84482601		UAR HITCH Main Frame To Carrier Frame Update Hardware, 11-13 Shank
11	1 47927293		1 FRAME 7 Shank Kit
12	2 47927239		1 FRAME 9 Shank Kit
13	3 47927241		1 FRAME 11/13 Shank Kit
(1)	can be used to replace 2011-Current 84406828 (MF) & 84406805 (CF) - 2009-2010 87757851 (MF) & 87757928 (CF)		
(2)	can be used to replace: 2011-Current 84406858 (MF) & 84406841 (CF) 2009-2010 87758268 (MF) & 87470040 (CF)		
(3)	can be used to replace: 2011-Current 84406786 (MF) & 84406756 (CF) 2009-2010 87476751 (MF) & 87475717 (CF)		

870-ECOLO-TIGER DISK RIPPER

MAIN FRAME INSTALLATION 2011 - CURRENT

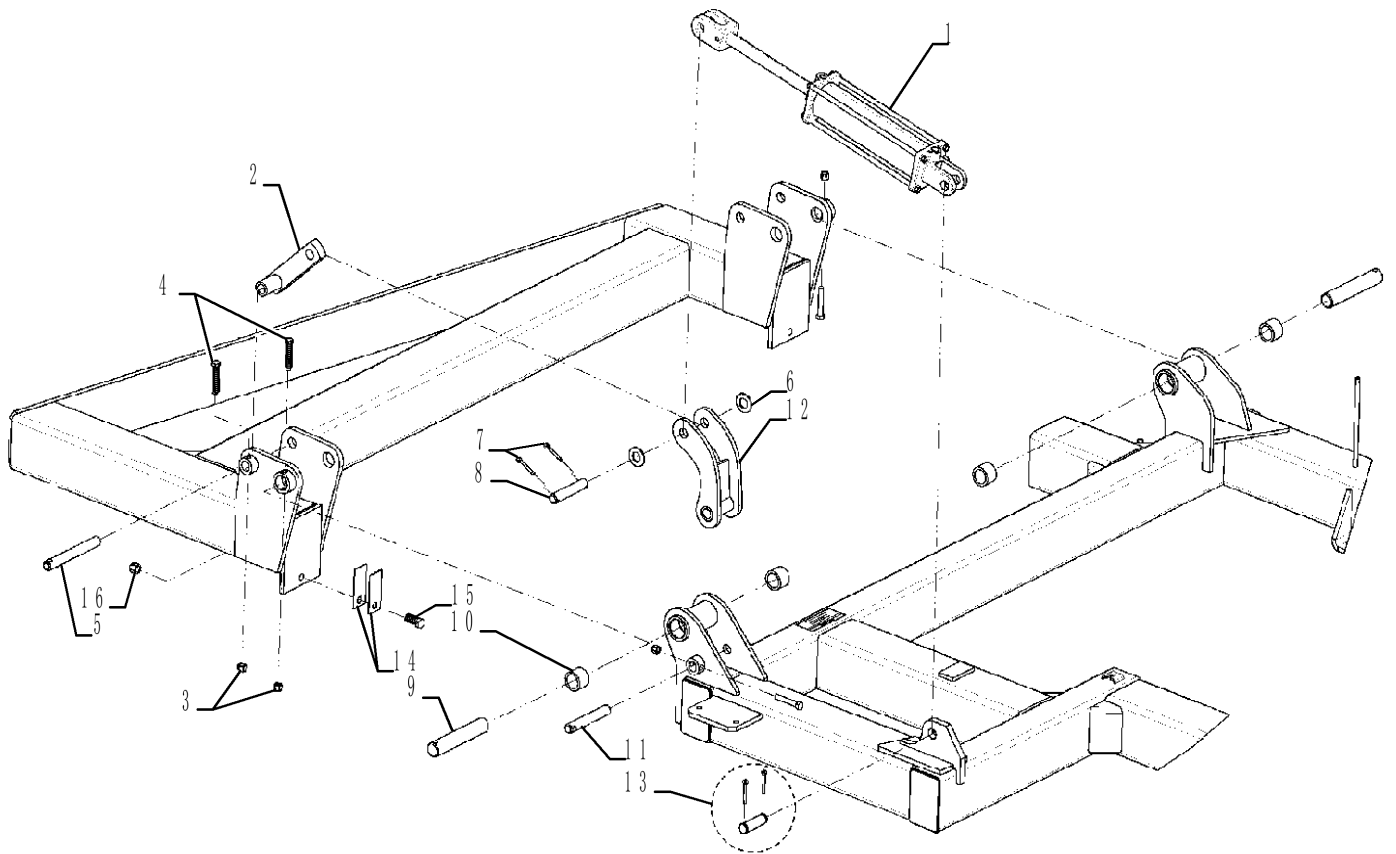


MAIN FRAME INSTALLATION 2011 - CURRENT

REF FN	PART NUMBER	YR/SN	QTY DESCRIPTION
1	84406828		1 FRAME Main, 7 Shank
1	84406858		1 FRAME Main, 9 Shank
1	84406786		1 FRAME Main, 11 And 13 Shank
2	87740529		1 FRAME Main Wing, 11 Shank, Lh
2	87473258		1 FRAME Main Wing, 13 Shank, Lh
2	87742375		1 FRAME Main Wing, 11 Shank, Rh
2	87473256		1 FRAME Main Wing, 13 Shank, Rh
3	84406805		1 FRAME Carrier, 7 Shank
3	84406841		1 FRAME Carrier, 9 Shank
3	84406756		1 FRAME Carrier, 11 And 13 Shank
4	84128		6 BOLT Hex, 1" x 3", Gr 5 7 And 9 Shank
4	87493272		6 BOLT Hex, 1-1/4" G5, 11 And 13 Shank
5	87036175		6 WASHER 1.06" ID x 2" OD x 0.22" Thk 7 And 9 Shank
5	84405133		6 WASHER 1.31" ID x 2.38" OD x 0.25" Thk 1-1/4", HDN, 11 And 13 Shank
6	9849633		6 NUT 1"-8, G5 7 And 9 Shank
6	86614103		6 NUT 1 1/4"-7, GC 11 And 13 Shank
7	87479417		1 FRAME Wing Stop
8	16309110		2 U-BOLT
9	88902		4 NUT 3/8"-16
10	1 47927293		1 FRAME 7 Shank Kit
11	2 47927239		1 FRAME 9 Shank Kit
12	3 47927241		1 FRAME 11/13 Shank Kit
(1)	can be used to replace: 2011-Current 84406828 (MF) & 84406805 (CF) 2009-2010 87757851 (MF) & 87757928 (CF)		
(2)	can be used to replace: 2011-Current 84406858 (MF) & 84406841 (CF) 2009-2010 87758268 (MF) & 87470040 (CF)		
(3)	can be used to replace 2011-Current 84406786 (MF) & 84406756 (CF) 2009-2010 87476751 (MF) & 87475717 (CF)		

870-ECOLO-TIGER DISK RIPPER

11 AND 13 SHANK MAIN FRAME WING ATTACHMENT

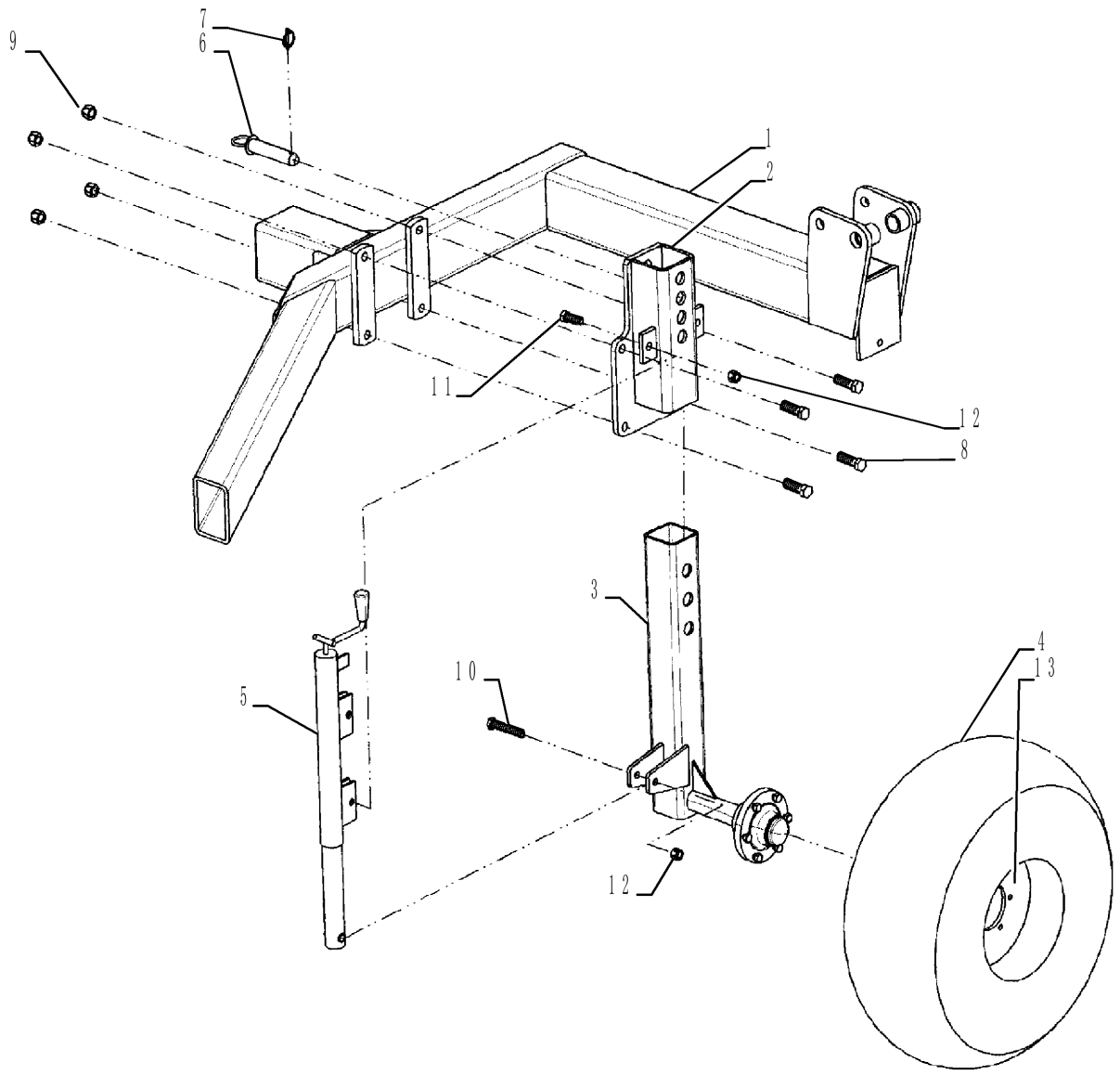


11 AND 13 SHANK MAIN FRAME WING ATTACHMENT

REF FN	PART NUMBER	YR/SN	QTY DESCRIPTION
1	25335120		1 HYDRAULIC CYLINDER Double Acting, 38.1mm Rod, 304.8mm Stroke 3-1/2 x 12
1	25335120R 25335120C		1 REMAN-HYD CYLINDER 870 Ecolo-Tiger Disk Ripper CORE-HYD CYLINDER Return Number
2	84172380		1 LINK Main Frame, 11 And 13 Shank
3	88871		4 NUT 1/2"-13, GC
4	87339		8 BOLT Hex, 1/2" - 13 x 3", Gr 5
5	87748420		1 PIN
6	86632592		2 WASHER 1.06" ID x 2" OD x 0.13" Thk
7	88182		2 COTTER PIN 1/4" OD x 2" L
8	84380509		1 PIN Disk Wing Cylinder
9	87748419		2 PIN
10	87503066		4 BUSHING 38.29mm ID x 50.93mm OD x 37.35mm L 2 x 1.5
11	87748421		1 PIN
12	87741946		1 BRACKET, PIVOT PIVOT BRACKET H Link, 11 Shank
12	84172376		1 LINK H, 11 And 13 Shank
13	25890100		1 KIT Cylinder Pin
14	09661455		UAR SHIM
14	09661456		UAR SHIM
15	88062		2 BOLT Hex, 5/8" - 11 x 1 1/2", Gr 8
16	85700693		2 NUT 5/8" - 11, Gr C

870-ECOLO-TIGER DISK RIPPER

13 SHANK MAIN FRAME GAUGE WHEEL

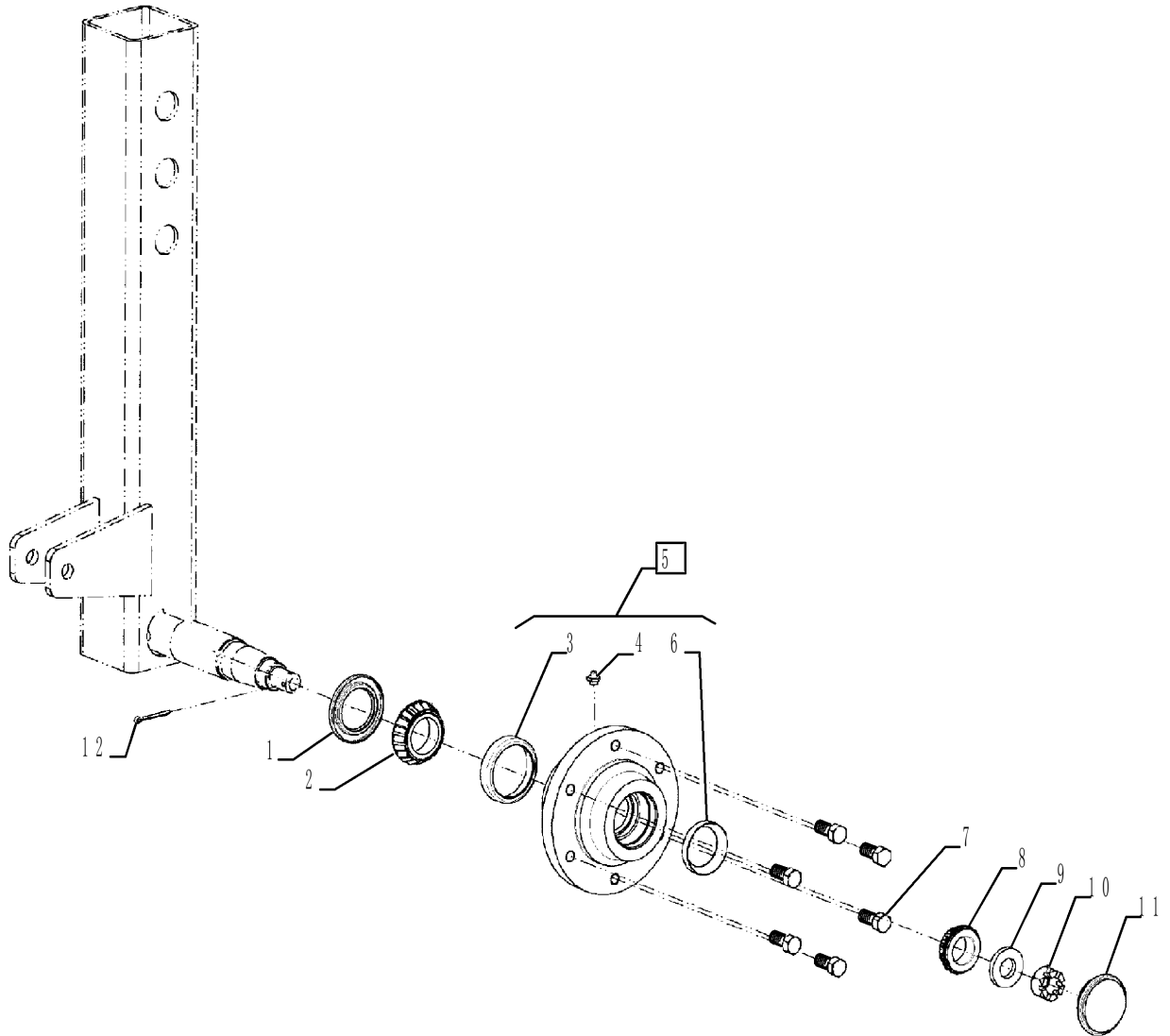


13 SHANK MAIN FRAME GAUGE WHEEL

REF FN	PART NUMBER	YR/SN	QTY DESCRIPTION
1	87473256		1 FRAME Right Hand, Wing
1	87473258		1 FRAME Left Hand, Wing
2	84172570		2 BRACKET Gauge Wheel
3	84172574		1 PEDESTAL Right Hand Assembly
3	84172573		1 PEDESTAL Left Hand Assembly
4	1980754C1		2 LAND WHEEL 12.5L x 15 SL
4	10010184		2 LAND WHEEL 11L x 15 FI F
5	32253000		2 JACK ASSY. 3000 Pound
6	14820421		2 CLEVIS 1-1/4 x 5-1/4
7	A30338		2 PIN 1-1/4 x 1-3/4 Klik
8	9706701		8 BOLT Hex, 3/4" - 10 x 2 1/2", Gr 5
9	280375		8 NUT 3/4"-10, GC
10	86977740		2 BOLT Hex, 5/8" - 11 x 4", Gr 5
11	86505999		2 BOLT Hex, 5/8" - 11 x 2", Gr 5
12	85700693		4 NUT 5/8" - 11, Gr C
13	10110254		2 WHEEL ASSY. 10L X 15 6 bolt
13	10010284		2 LAND WHEEL Silver 11L x 15FI F

870-ECOLO-TIGER DISK RIPPER

GAUGE WHEEL, HUB, ASSY

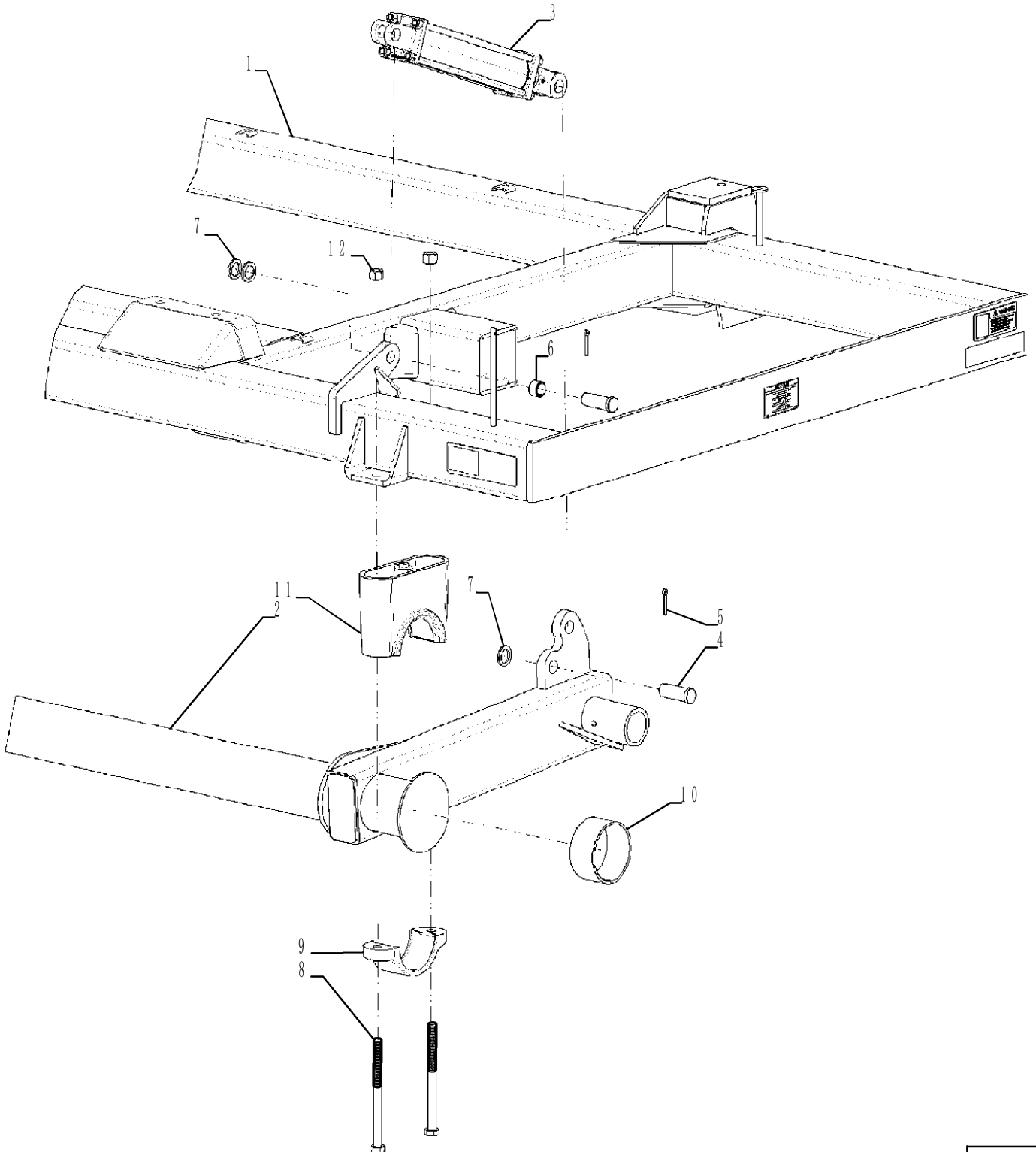


GAUGE WHEEL, HUB, ASSY

REF FN	PART NUMBER	YR/SN	QTY DESCRIPTION
1	145769C91		1 OIL SEAL
2	663557R91		1 BEARING ASSY 1.625" ID x 2.892" OD x 0.77"
3	21882890		1 BEARING, CUP 41.288 mm ID x 73.456 mm OD x 19.76 mm
4	15302005		1 FITTING
5	28278300		1 HUB Inc. 3 - 4 And 6
6	21882330		1 BEARING, CUP 31.77 mm ID x 59.15 mm OD x 16.08 mm
7	549962R1		1 BOLT 1 1/2" - 20 x 1 1/2", Class 3
8	651818R91		1 ROLLER BEARING 31.77 mm ID x 16.08 mm
9	17915000		1 WASHER
10	425-1314		1 SLOTTED NUT 7/8"-14, G5
11	28477700		1 HUB CAP
12	432-1024		1 COTTER PIN 5/32" x 1 1/2"

870-ECOLO-TIGER DISK RIPPER

MAIN LIFT CYLINDER ATTACHMENT

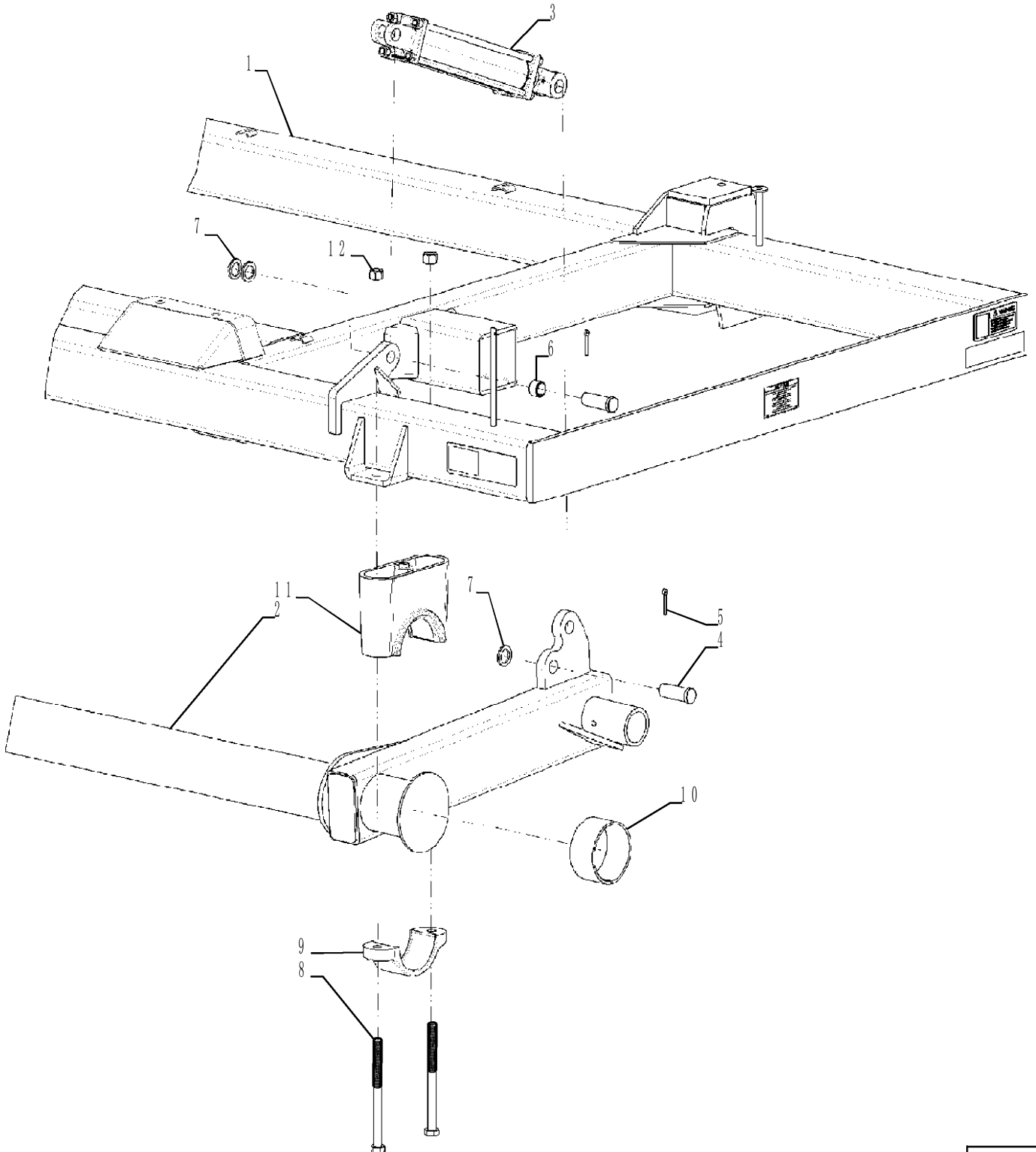


MAIN LIFT CYLINDER ATTACHMENT

REF FN	PART NUMBER	YR/SN	QTY DESCRIPTION
1	87757851		1 FRAME 7 Shank Main
1	84406828		1 FRAME 7 Shank Main
1	87758268		1 FRAME 9 Shank Main
1	84406858		1 FRAME 9 Shank Main
1	87476751		1 FRAME 11 Shank Main
1	84406786		1 FRAME 11, 13 Shank Main
1	87476751		1 FRAME 13 Shank Main
2	87738164		1 ROCKSHAFT 11 Shank
2	87738164		1 ROCKSHAFT 13 Shank
2	87709040		1 ROCKSHAFT 7 Shank
2	87718847		1 ROCKSHAFT 9 Shank
3	87471399		1 HYDRAULIC CYLINDER Double Acting, 38.1mm Rod, 406.4mm Stroke 3-1/2 x 16, Ind. Hardened, 7 Shank
3	87471400		1 HYDRAULIC CYLINDER Double Acting, 38.1mm Rod, 406.4mm Stroke 4 x 16, Ind Hardened, 9 Shank
3	87471400R		1 REMAN-HYD CYLINDER 870, ECOLO-TIGER DISK RIPPER, 4 x 16, Ind Hardened, 9 Shank
3	87471400C		1 CORE-HYD CYLINDER Return Number
3	87471401		1 HYDRAULIC CYLINDER Double Acting, 44.45mm Rod, 406.4mm Stroke 4-1/2 x 16, Ind Hardened, 11 And 13 Shank
3	87471401R		1 REMAN-HYD CYLINDER 870 ECOLO TIGER DISK RIPPER, MAIN LIFT CYLINDER ATTACHMENT, 4-1/2 x 16, Ind Hardened, 11 And 13 Shank
3	87471401C		1 CORE-HYD CYLINDER Return Number
4	427-20350		2 CLEVIS PIN 31.75mm OD x 88.9mm L 7 And 9 Shank
4	427-20375		2 CLEVIS PIN 31.75mm OD x 95.25mm L 11 And 13 Shank
5	88182		2 COTTER PIN 1/4" OD x 2" L
6	BN321131		1 BUSHING 31.75mm ID x 38.73mm OD x 25.4mm L
7	87613302		2 WASHER 1.31" ID x 1.98" OD x 0.18" Thk
8	413-14168		8 BOLT Hex, 7/8" - 9 x 10-1/2", Gr 5

870-ECOLO-TIGER DISK RIPPER

MAIN LIFT CYLINDER ATTACHMENT

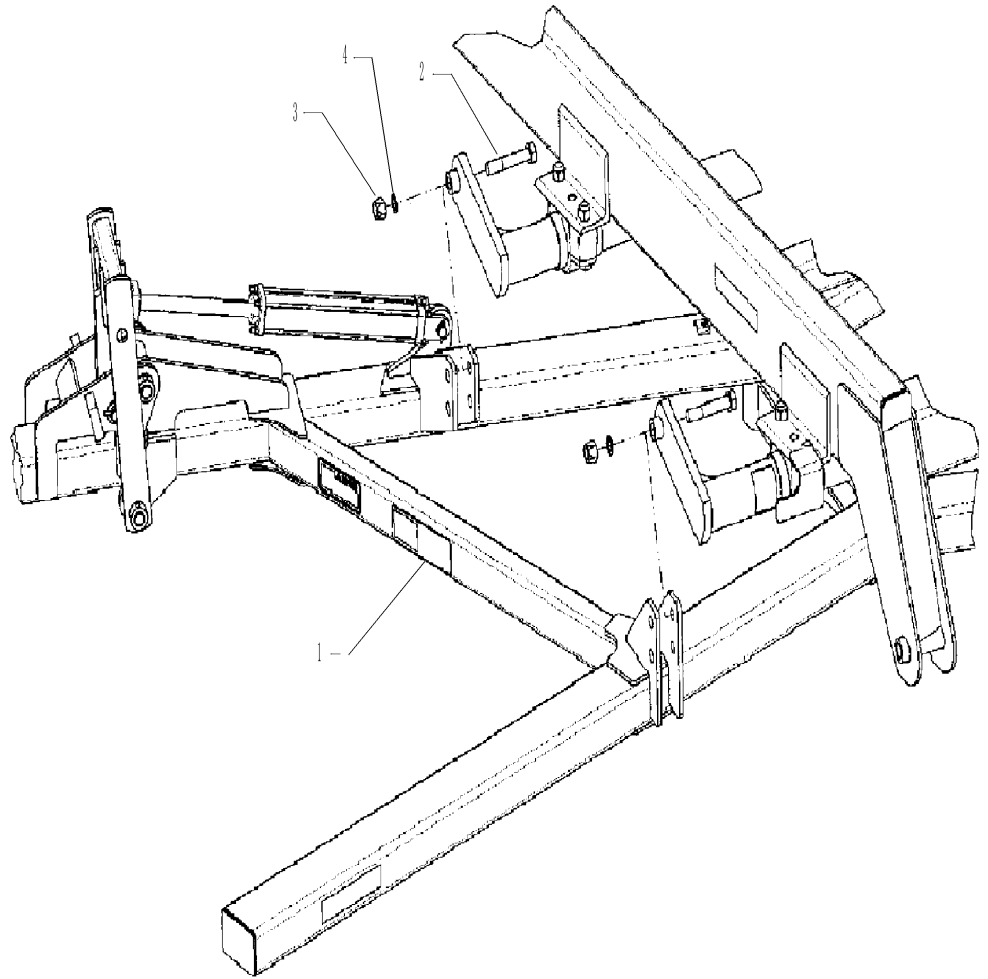


MAIN LIFT CYLINDER ATTACHMENT

REF FN	PART NUMBER	YR/SN	QTY DESCRIPTION
9	87715831		4 BEARING CAP Casting
10	87703164		4 BUSHING 143mm ID x 155.7mm OD x 76.2mm L
11	87754733		4 BEARING HOUSING Casting
12	87681198		8 NUT Hex, 7/8"-9, 0.45 high 7/8

870-ECOLO-TIGER DISK RIPPER

DISK FRAME

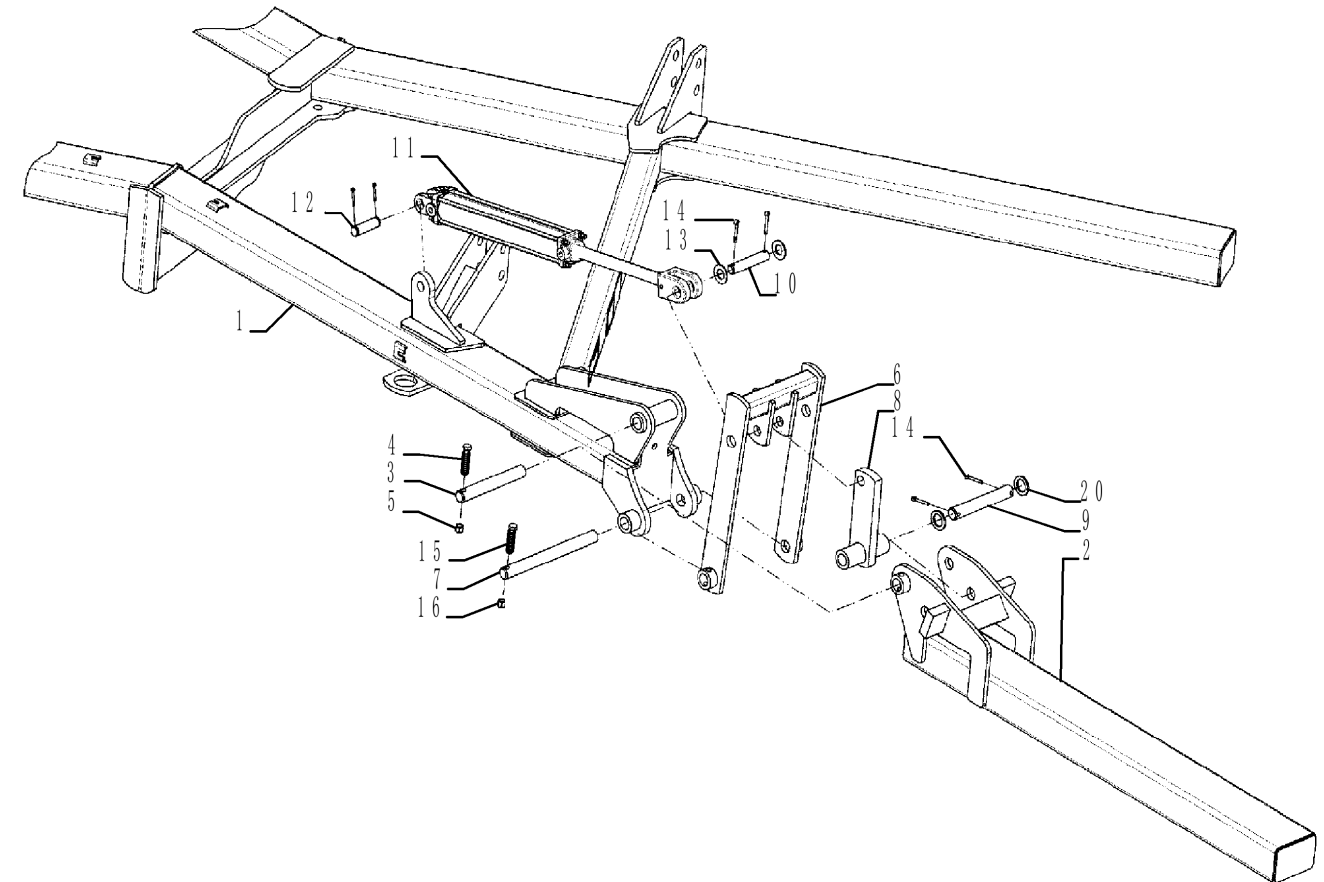


DISK FRAME

REF FN	PART NUMBER	YR/SN	QTY DESCRIPTION
1	87758624		1 FRAME Disk Frame, 7 Shank, Ind
1	87471551		1 FRAME Disk Frame, 7 Shank, Gang
1	87471553		1 FRAME Disk Frame, 9 Shank, Ind
1	87471554		1 FRAME Disk Frame, 9 Shank, Gang
1	87479686		1 FRAME Disk, 11 And 13, Ind
1	84411064		1 FRAME Disk, 11 And 13, Ind
1	87479687		1 FRAME Disk, 11 And 13, Gang
1	84411065		1 FRAME Disk, 11 And 13, Gang
2	16901623		4 BOLT 1 x 5-1/4
3	9626600		4 NUT 1"-8, GC
4	87325444		1 WASHER 1.02" ID x 1.5" OD x 0.07" Thk

870-ECOLO-TIGER DISK RIPPER

9 SHANK DISK WING ATTACHMENT

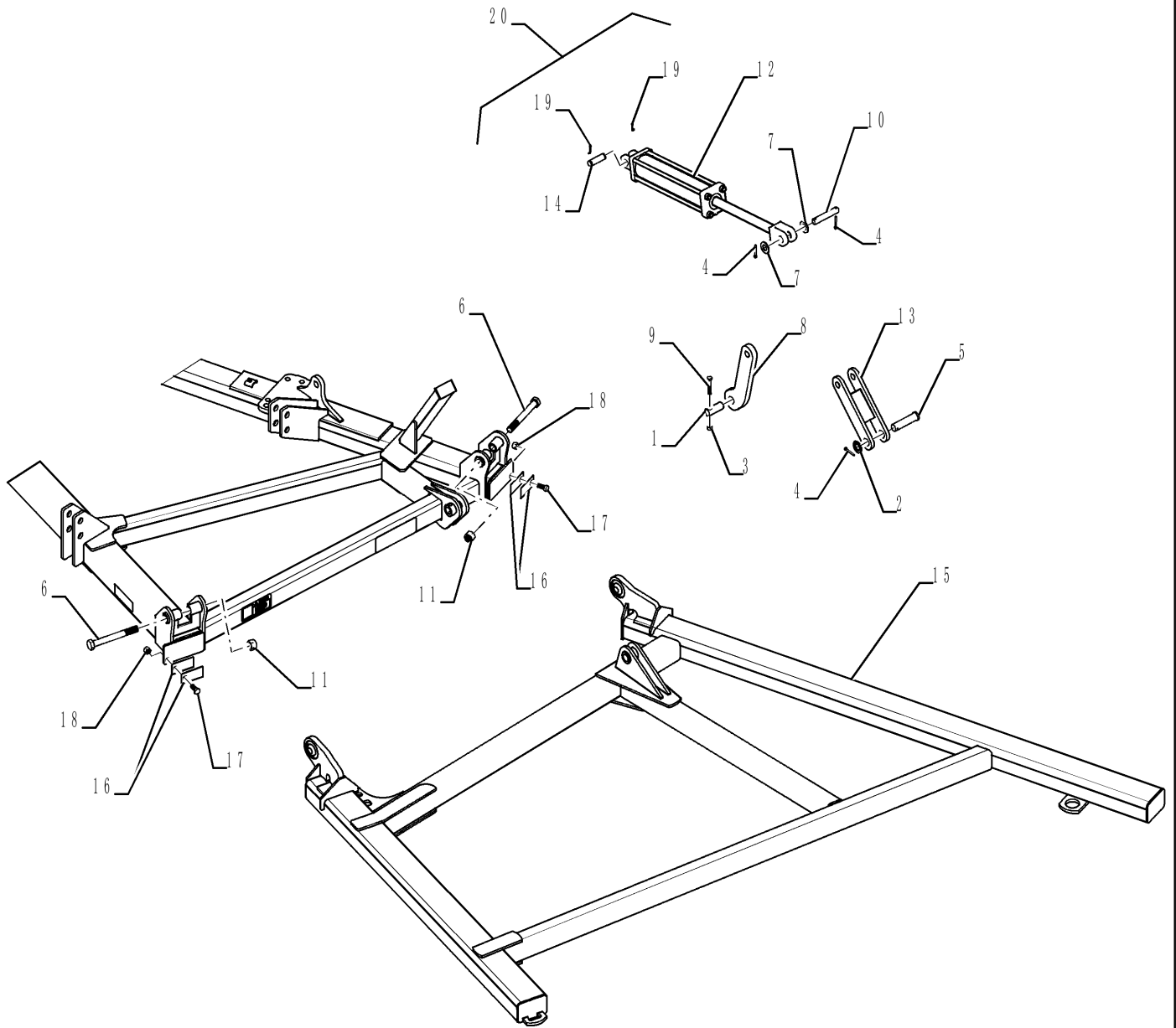


9 SHANK DISK WING ATTACHMENT

REF FN	PART NUMBER	YR/SN	QTY DESCRIPTION
1	87471553		1 FRAME Disk Main Frame
2	87731836		1 FRAME Disk Wing Frame
2	84376797		1 FRAME Disk Wing Frame
3	87394432		1 PIN 31.75mm OD x 236mm L 1-1/4 x 9-1/4
4	87974		4 BOLT Hex, 1/2" - 13 x 2 3/4", Gr 5
5	88871		4 NUT 1/2"-13, GC
6	87732224		2 BRACKET, SUPPORTING
6	84376800		2 FRAME
7	87734577		2 PIN Bottom, 31.75mm x 393mm
7	84405493		2 PIN 31.75mm OD x 393mm L Bottom, 31.75mm x 393mm, Not Shown
7	88182		4 COTTER PIN 1/4" OD x 2" L Not Shown
8	87731922		2 BRACKET, PIVOT PIVOT BRACKET Link
8	84376781		2 LINK/SHACKLE
9	87734576		2 PIN 1 x 8-1/2
10	84380509		2 PIN
10	84380511		2 PIN 25.4mm OD x 140mm L
11	25325161		2 HYDRAULIC CYLINDER Double Acting, 31mm Rod, 406.4mm Stroke 2-1/2 x 16
12	25890100		1 KIT Cylinder Pin
13	86632592		4 WASHER 1.06" ID x 2" OD x 0.13" Thk
14	88182		4 COTTER PIN 1/4" OD x 2" L
15	87974		4 BOLT Hex, 1/2" - 13 x 2 3/4", Gr 5
16	88871		4 NUT 1/2"-13, GC
17	09661455		UAR SHIM Not Shown
17	09661456		UAR SHIM Not Shown
18	88062		1 BOLT Hex, 5/8" - 11 x 1 1/2", Gr 8 Not Shown
19	85700693		1 NUT 5/8" - 11, Gr C Not Shown
20	86632592		UAR WASHER 1.06" ID x 2" OD x 0.13" Thk
20	87613302		UAR WASHER 1.31" ID x 1.98" OD x 0.18" Thk

870-ECOLO-TIGER DISK RIPPER

11 AND 13 SHANK DISK WING ATTACHMENT

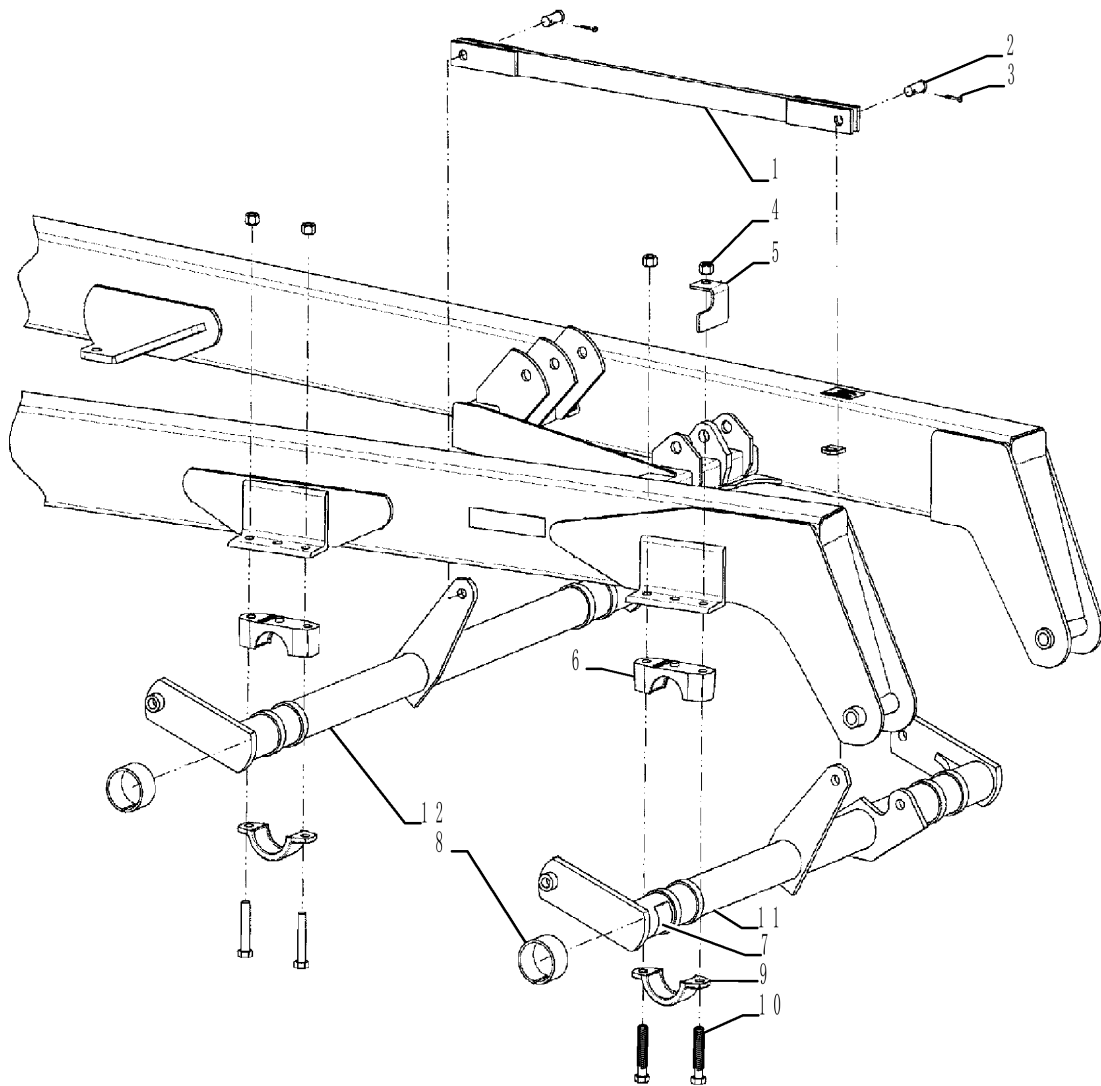


11 AND 13 SHANK DISK WING ATTACHMENT

REF FN	PART NUMBER	YR/SN	QTY DESCRIPTION
1	87746709		2 PIN
2	87613302		2 WASHER 1.31" ID x 1.98" OD x 0.18" Thk 1.312 x 1.984 x .180
3	88871		2 NUT 1/2"-13, GC
4	88182		6 COTTER PIN 1/4" OD x 2" L
5	427-20500		2 CLEVIS PIN 31.75mm OD x 125mm L
6	6436		4 BOLT Hex, 1" - 8 x 9", Gr 5
7	87367		4 WASHER 1.06" ID x 2" OD x 0.13" Thk
8	84171193		2 LINK Inner
9	87339		2 BOLT Hex, 1/2" - 13 x 3", Gr 5
10	84380511		2 PIN 25.4mm OD x 140mm L
11	9626600		4 NUT 1"-8, GC
12	25330160		2 HYDRAULIC CYLINDER Double Acting, 38.1mm Rod, 406.4mm Stroke 3 x 16, 11 Shank
12	25330160R		2 REMAN-HYD CYLINDER 870, ECOLO-TIGER DISK RIPPER, 3 x 16, 11 Shank
12	25330160C		2 CORE-HYD CYLINDER Return Number
12	84220783		2 HYDRAULIC CYLINDER Double Acting, 38.1mm Rod, 406.4mm Stroke 3-1/2 x 16, 13 Shank
13	84171207		1 LINK Weld, Disk, 11, 13, Outer
14	NSS		1 NOT SOLD SEPARAT
15	87473297		1 FRAME 13 Shank, Right Hand
15	87473299		1 FRAME 13 Shank, Left Hand
15	87743020		1 FRAME 11 Shank, Right Hand
15	87743024		1 FRAME 11 Shank, Left Hand
16	09661455		AR SHIM
17	88062		2 BOLT Hex, 5/8" - 11 x 1 1/2", Gr 8 Not Shown
18	85700693		2 NUT 5/8" - 11, Gr C
19	432-1232		2 COTTER PIN 3/16" OD x 2" L
20	25890100		1 KIT Incl 14, 19

870-ECOLO-TIGER DISK RIPPER

DISK ROCKSHAFT

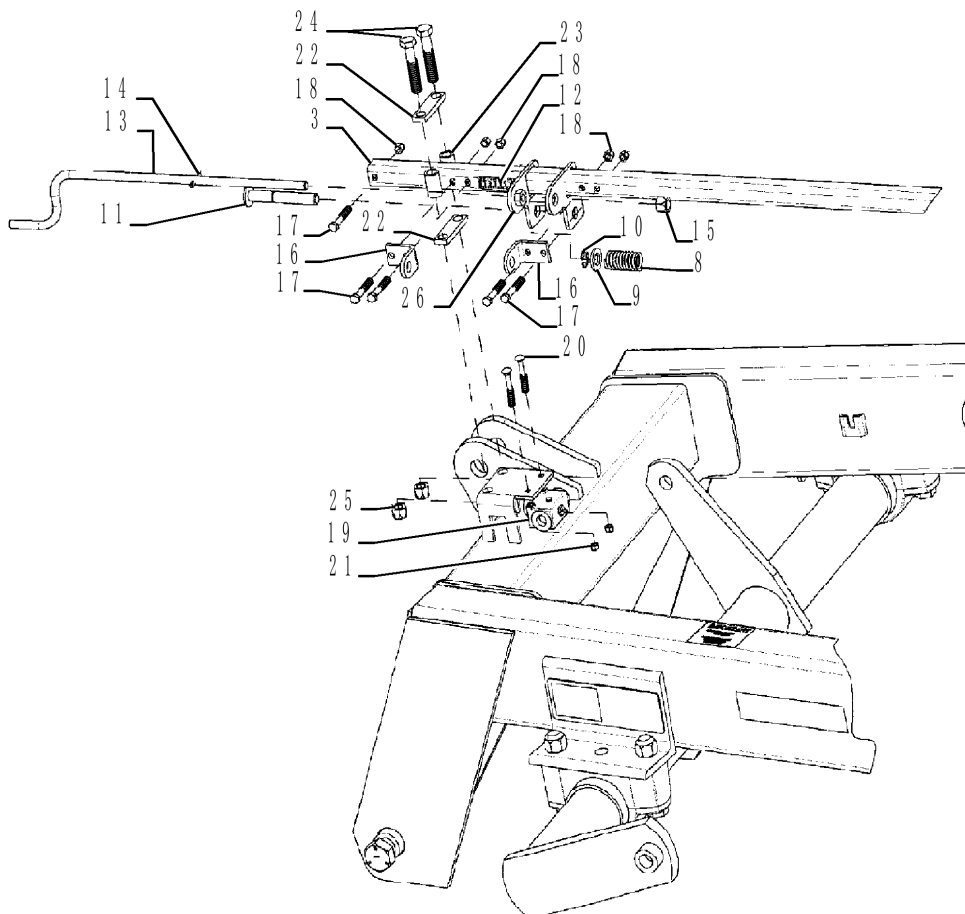
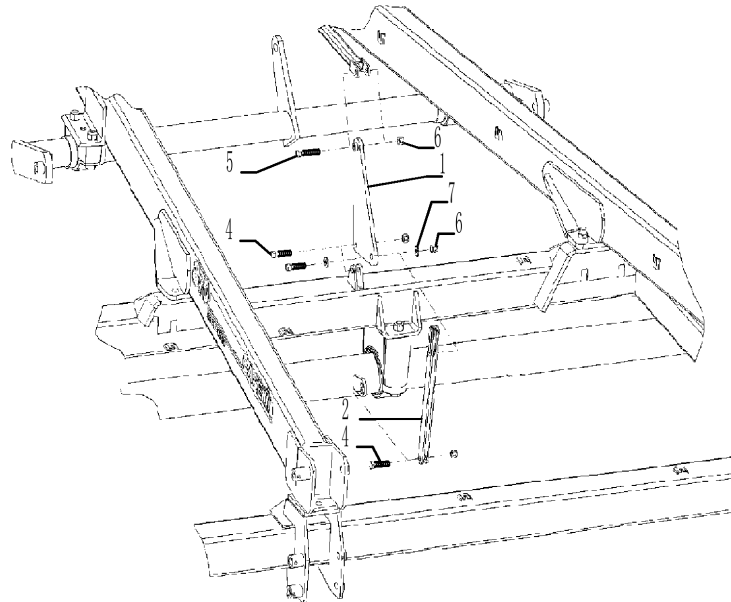


DISK ROCKSHAFT

REF FN	PART NUMBER	YR/SN	QTY DESCRIPTION
1	84401366		1 LINKAGE
1	84401366		1 LINKAGE
2	14816201		1 SMALL PIN
3	80753		1 COTTER PIN 1/4" x 1 1/2"
4	87681198		2 NUT Hex, 7/8"-9, 0.45 high
5	87471944		1 BRACKET
6	87716561		1 CASTING
7	18534258		1 DECAL
8	87710740		1 BUSHING
9	87716562		1 CASTING Clamp
10	87019287		2 BOLT
11	87712625		1 BAR 7 And 9 Shank, Front
11	84404739		1 ROCKSHAFT 7 And 9 Shank, Front
11	87740979		1 BAR 11 And 13 Shank, Front
12	87712621		1 BAR 7 And 9 Shank, Rear
12	87740978		1 BAR 11 And 13 Shank Rear

870-ECOLO-TIGER DISK RIPPER

SINGLE POINT DEPTH CONTROL

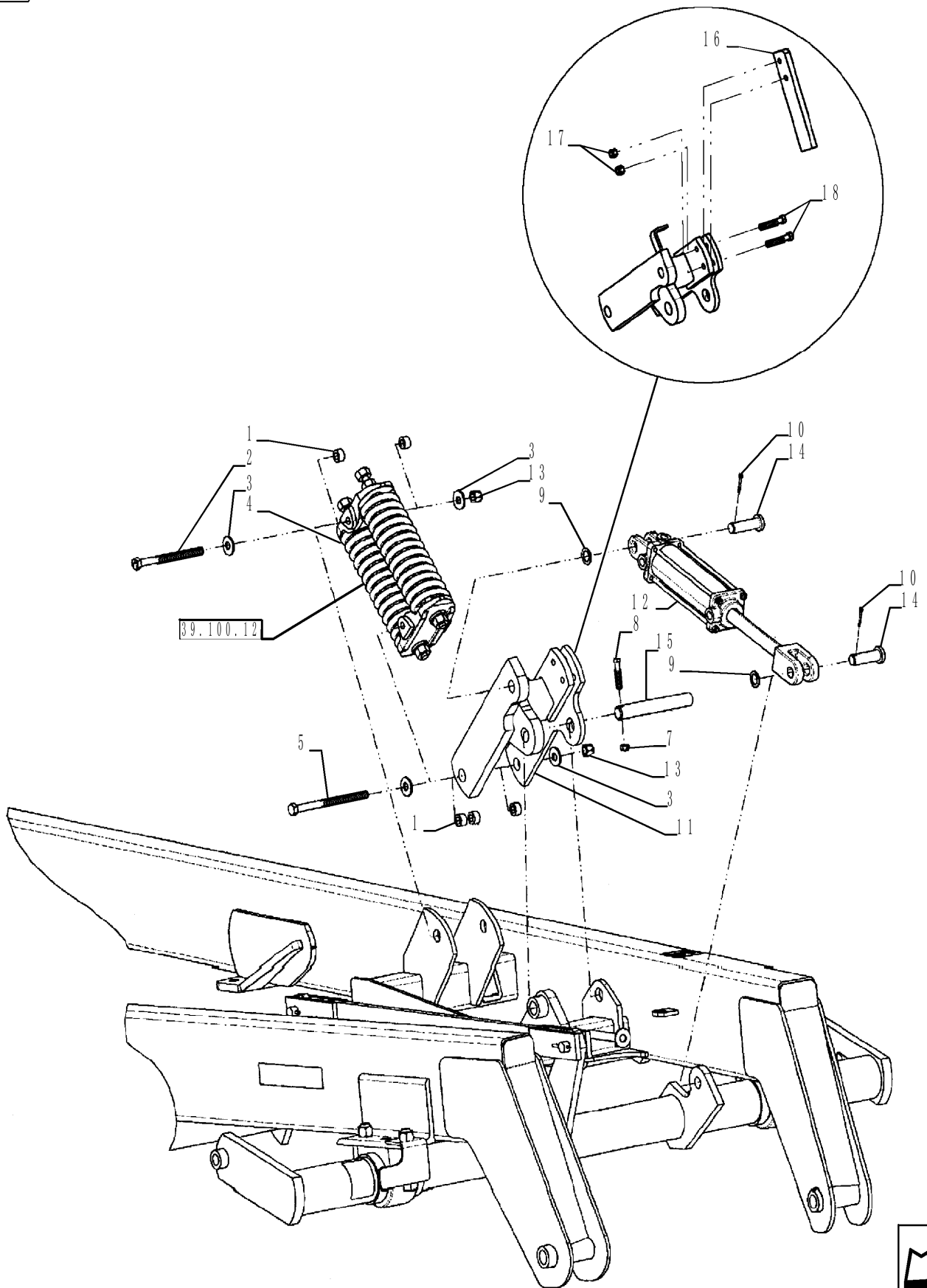


SINGLE POINT DEPTH CONTROL

REF FN	PART NUMBER	YR/SN	QTY DESCRIPTION
1	87708490		1 PLATE Rocker
2	87754729		1 BAR Link
3	84175396		1 TUBE 2911 mm L Tube, 7 And 9 Shank
3	84175397		1 TUBE 2996 mm L Tube, 11 And 13 Shank
4	87630		3 BOLT Hex, 5/8" - 11 x 2 1/2", Gr 5
5	87338		1 BOLT Hex, 5/8" - 11 x 3", Gr 5
6	85700693		4 NUT 5/8" - 11, Gr C
7	87365		2 WASHER 0.66" ID x 1.31" OD x 0.1" Thk
8	396152A1		1 COMPRESSION SPRING
9	87613198		1 WASHER 0.78" ID x 1.25" OD x 0.12" Thk
10	87309726		1 RING
11	396153A1		1 PIN
12	84173988		1 DECAL Depth Control
13	84175405		1 HANDLE Crank
14	438-11624		1 ROLL PIN 6.35mm OD x 38.1mm L
15	85700693		1 NUT 5/8" - 11, Gr C
16	84175398		2 SUPPORT Crank Handle
17	87936		5 BOLT Hex, 3/8" - 16 x 2 1/2", Gr 5
18	88902		5 NUT 3/8"-16
19	396150A1		1 VALVE, CONTROL Depth Control
20	280622		2 CARRIAGE BOLT Sq Nk, 5/16" - 18 x 2 1/2", Gr 5
21	280736		2 NUT 5/16"-18, GC
22	87708499		2 BAR
23	87708500		2 TUBE 16.66 mm ID x 25.4 mm OD x 42 mm L
24	280119		2 BOLT Hex, 5/8" - 11 x 3 1/2", Gr 5
25	85700693		2 NUT 5/8" - 11, Gr C
26	87708494		1 SLIDER

870-ECOLO-TIGER DISK RIPPER

SINGLE SPRING PACK ASSEMBLY

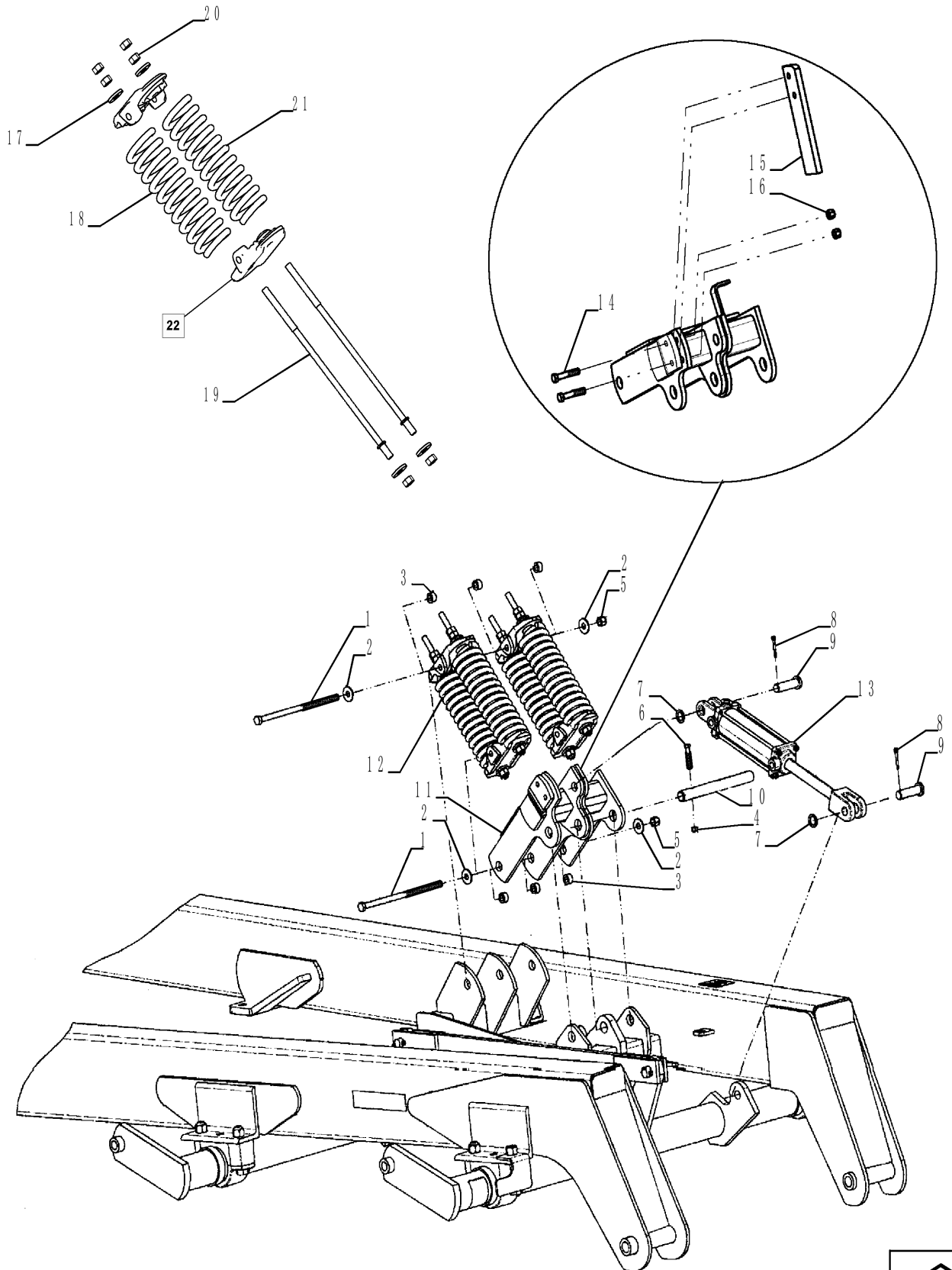


SINGLE SPRING PACK ASSEMBLY

REF FN	PART NUMBER	YR/SN	QTY DESCRIPTION
1	44006200		5 BUSHING 16.38mm ID x 28.58mm OD x 15.75mm L
2	16901025		1 CAPSCREW Hex, 5/8" - 11 x 7 1/2", Spcl, Gr 5
3	80299		4 WASHER 0.69" ID x 1.75" OD x 0.13" Thk
4	09900085		1 SPRING BOX 7 Shank Individual Disks
4	87443458		1 CASTING 7 Shank Gang, 9 Shank Individual Disks
4	87758259		1 SPRING 9 Shank Gangs
4	84308103		1 COIL SPRING COMPRESSION PACK 9 SHK
5	86507001		1 BOLT Hex, 5/8" - 11 x 8 1/2", Gr 5
6	44006200		3 BUSHING 16.38mm ID x 28.58mm OD x 15.75mm L
7	280980		1 NUT 7/16"-14, GC
8	88604		1 BOLT Hex, 7/16" - 14 x 2 1/2", Gr 5
9	87367		2 WASHER 1.06" ID x 2" OD x 0.13" Thk
10	88182		2 COTTER PIN 1/4" OD x 2" L
11	84303069		1 PIVOT
12	25330081		1 HYDRAULIC CYLINDER Double Acting, 31.75mm Rod, 203.2mm Stroke
13	85700693		2 NUT 5/8" - 11, Gr C
14	87735776		2 PIN 25.4mm OD x 111.5mm L
15	14892066		1 PIN 1.25 X 8.6
16	84303098		1 BAR Pivot Stop
17	88871		2 NUT 1/2"-13, GC
18	87974		2 BOLT Hex, 1/2" - 13 x 2 3/4", Gr 5
19	84303069		1 PIVOT Single Sping

870-ECOLO-TIGER DISK RIPPER

DOUBLE SPRING PACK ASSEMBLY

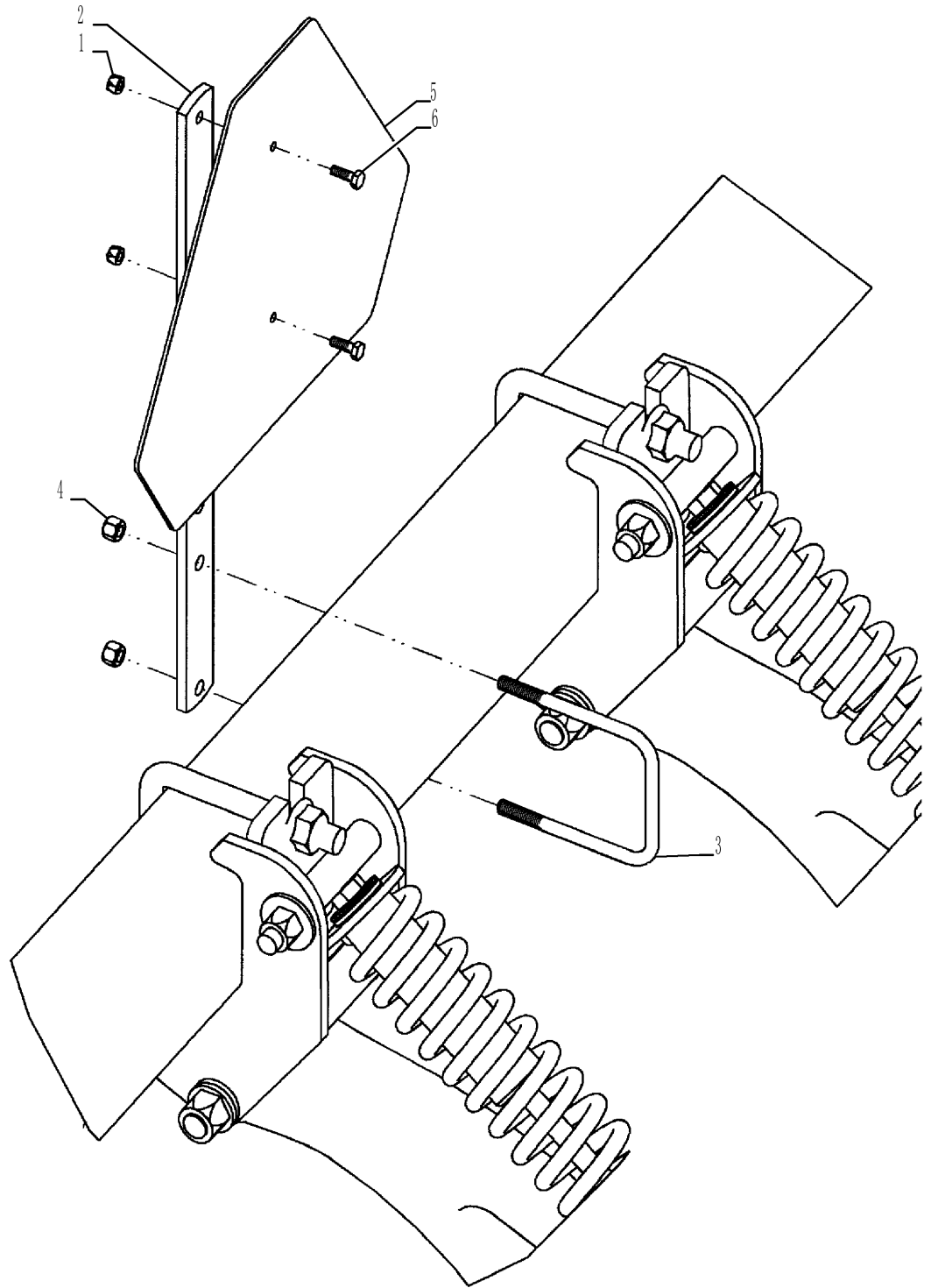


DOUBLE SPRING PACK ASSEMBLY

REF FN	PART NUMBER	YR/SN	QTY DESCRIPTION
1	84175131		2 BOLT
2	80299		4 WASHER 0.69" ID x 1.75" OD x 0.13" Thk
3	44006200		6 BUSHING 16.38mm ID x 28.58mm OD x 15.75mm L
4	280980		1 NUT 7/16"-14, GC
5	85700693		2 NUT 5/8" - 11, Gr C
6	88604		1 BOLT Hex, 7/16" - 14 x 2 1/2", Gr 5
7	87367		2 WASHER 1.06" ID x 2" OD x 0.13" Thk
8	88182		2 COTTER PIN 1/4" OD x 2" L
9	87735776		2 PIN 25.4mm OD x 111.5mm L
10	87738359		1 PIN
11	84303070		1 PIVOT
12	09900085		2 SPRING BOX Individual Disks, Heavy Double Spring
13	25330081		1 HYDRAULIC CYLINDER Double Acting, 31.75mm Rod, 203.2mm Stroke 3 x 8
14	87974		2 BOLT Hex, 1/2" - 13 x 2 3/4", Gr 5
15	84332237		1 BAR Pivot Stop
16	88871		2 NUT 1/2"-13, GC
17	87613192		8 WASHER 0.66" ID x 1.75" OD x 0.24" Thk
18	24162505		2 SPRING Outer
19	16510820		4 THREADED ROD
20	9849623		12 NUT 5/8"-11, G5
21	24143816		2 SPRING Inner
22	20090133		1 HINGE Spring

870-ECOLO-TIGER DISK RIPPER

SMV BRACKET



SMV BRACKET

REF FN	PART NUMBER	YR/SN	QTY DESCRIPTION
1	280129		2 NUT 1/4"-20
2	06000099		1 BRACE
3	16309091		1 U-BOLT 3/8" - 16, Square, 4" W x 5" L BOLT "U"
4	88902		2 NUT 3/8"-16
5	311860A1		1 EMBLEM
6	9707580		2 BOLT Hex, 1/4" - 20 x 3/4", Gr 5, Full Thd

870-ECOLO-TIGER DISK RIPPER

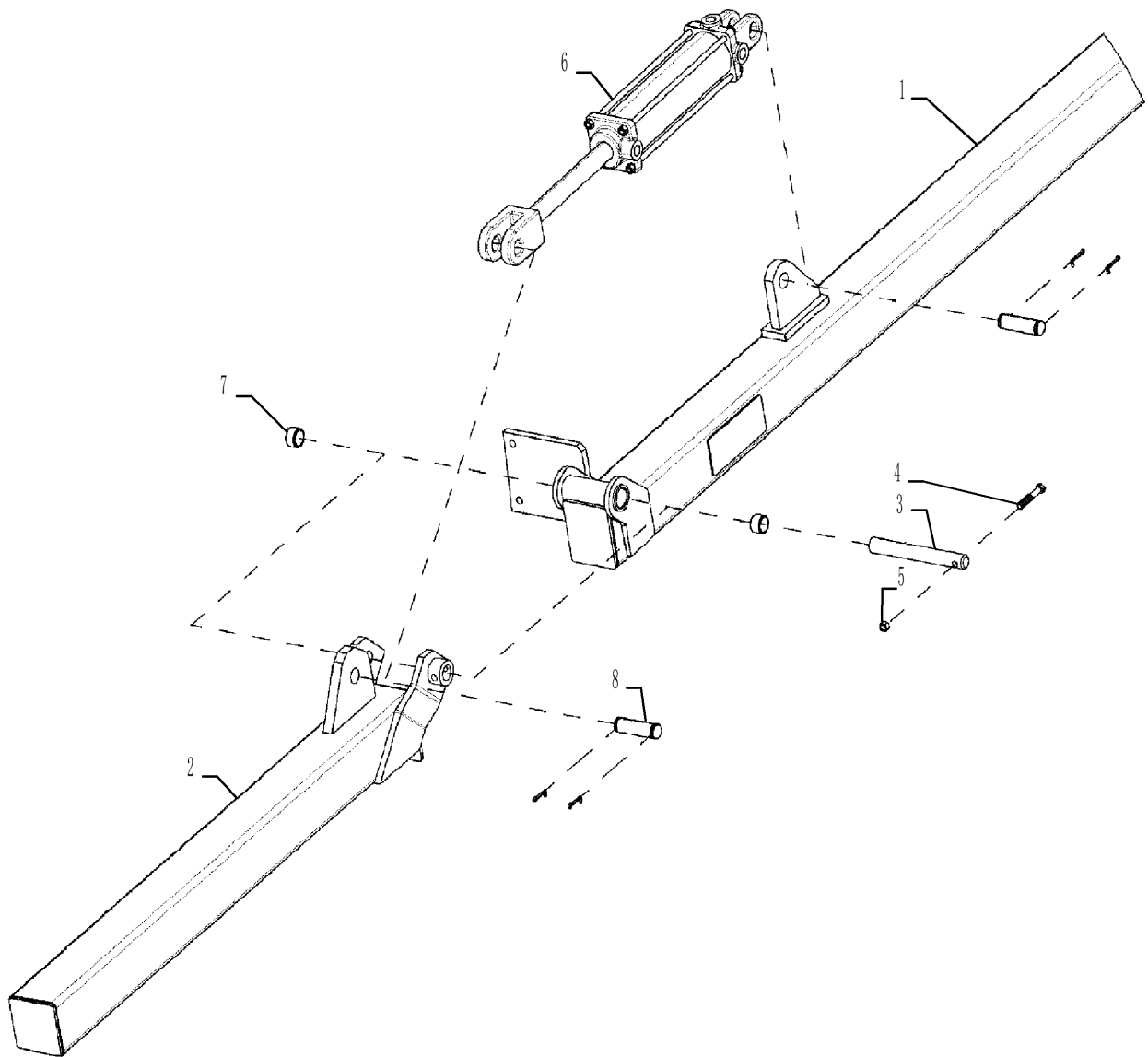
39.100.14

01

p1

8/2016

REAR DISK LEVELER PRE 2011 AND 2011 7 & 9 SHANK



REAR DISK LEVELER PRE 2011 AND 2011 7 & 9 SHANK

REF FN	PART NUMBER	YR/SN	QTY DESCRIPTION
1	84138907		1 FRAME 7 Shank
1	84138909		1 FRAME 9, 11, And 13 Shank
2	87715320		1 FRAME Right Hand
2	87715321		1 FRAME Left Hand
3	14891661		2 SPECIAL PIN 25.4mm OD x 204.7mm L Clevis
4	87936		2 BOLT Hex, 3/8" - 16 x 2 1/2", Gr 5
5	88902		2 NUT 3/8"-16
6	25330101		2 HYDRAULIC CYLINDER Double Acting, 31.75mm Rod, 254mm Stroke 3 x 10
6	25330101R		2 REMAN-HYD CYLINDER 870 ECOLO-TIGER DISK RIPPER
6	25330101C		2 CORE-HYD CYLINDER Return Number
7	87500592		4 BUSHING 25.5mm ID x 31.84mm OD x 19.05mm L
8	25890100		4 KIT Cylinder
9	09661455		UAR SHIM Not Shown
9	09661456		UAR SHIM Not Shown
10	88062		1 BOLT Hex, 5/8" - 11 x 1 1/2", Gr 8 Not Shown
11	85700693		1 NUT 5/8" - 11, Gr C Not Shown

870-ECOLO-TIGER DISK RIPPER

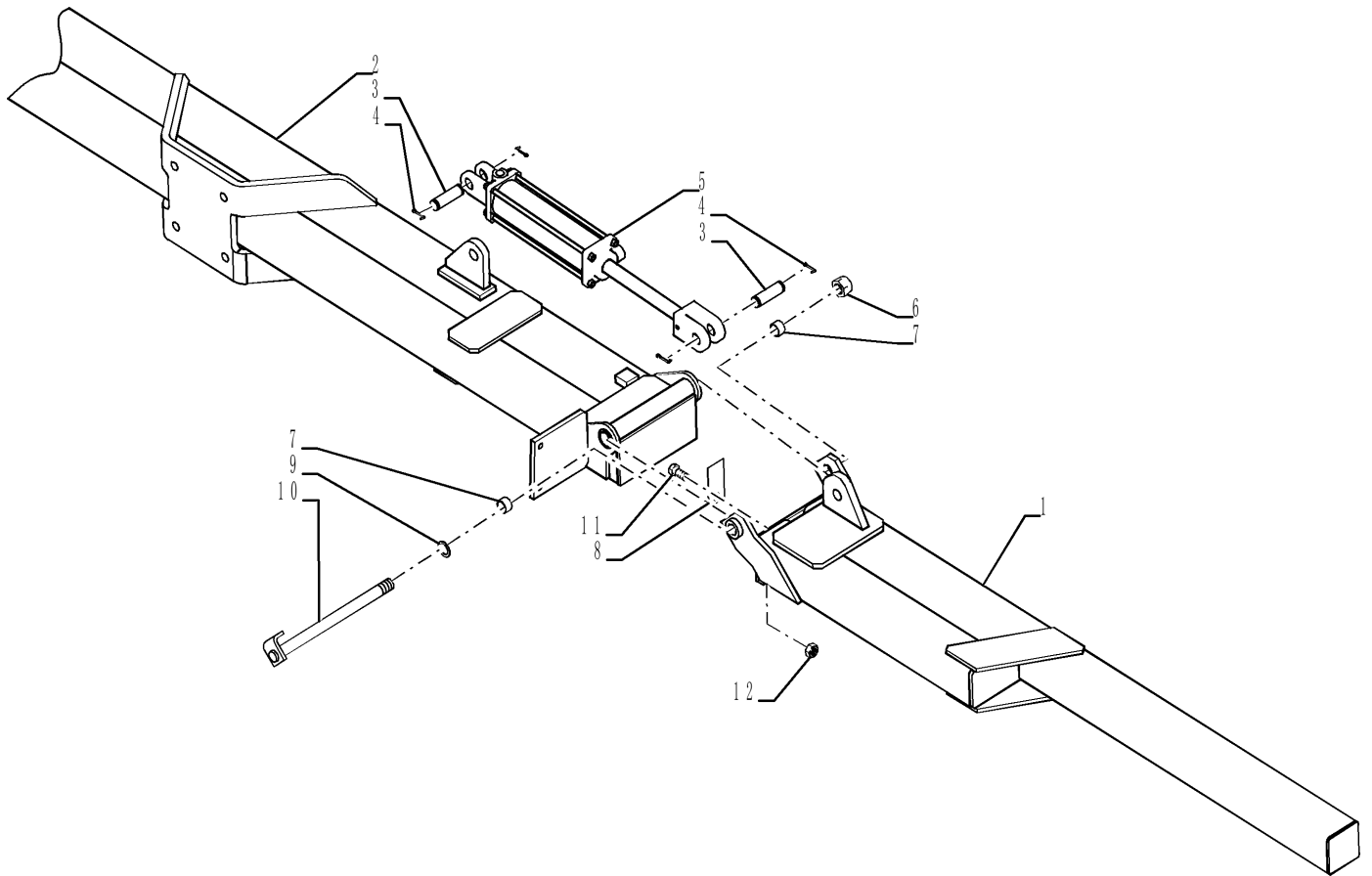
39.100.14

02

p1

8/2016

REAR DISK LEVELER 2011 11 & 13 SHANK

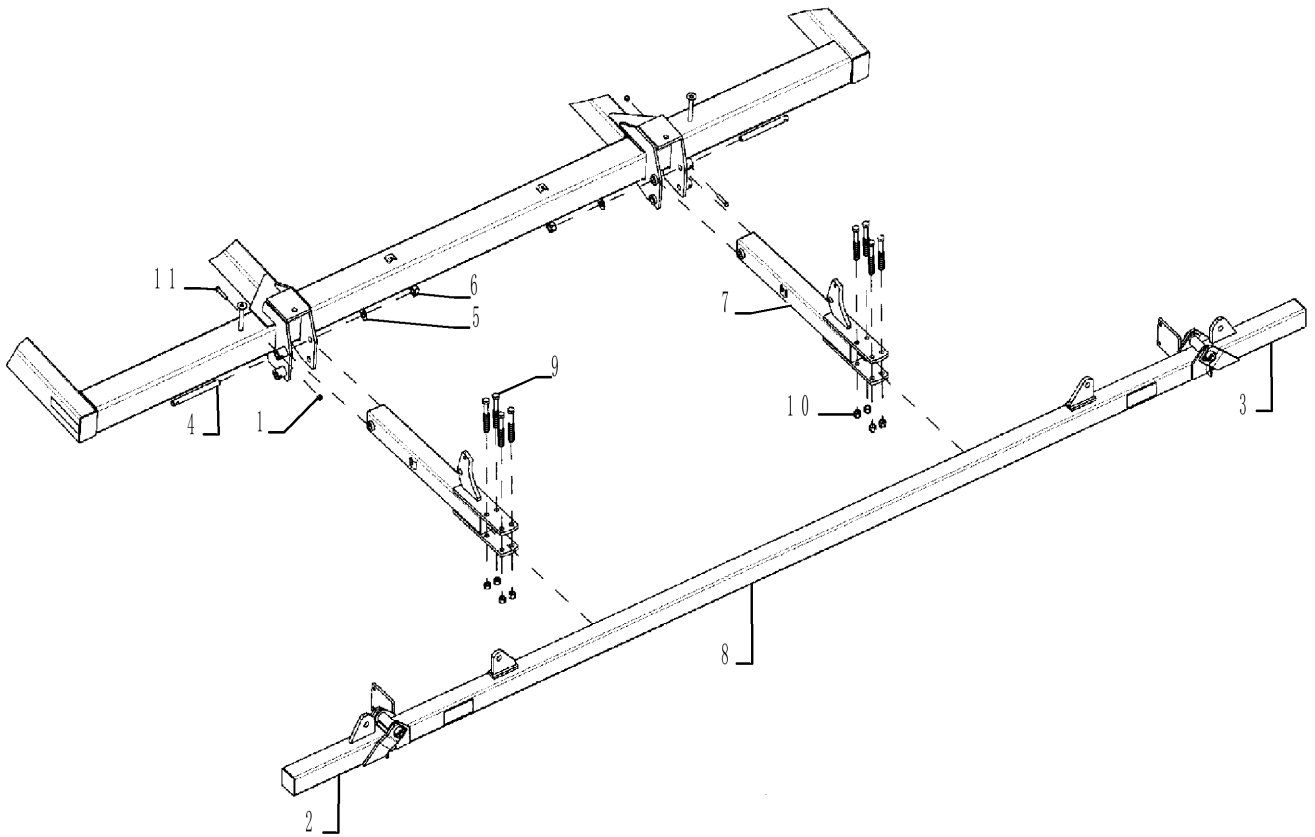


REAR DISK LEVELER 2011 11 & 13 SHANK

REF FN	PART NUMBER	YR/SN	QTY DESCRIPTION
1	84411582		1 FRAME Left Hand, 13 Shank
1	84411596		1 FRAME Right Hand, 13 Shank
1	84412087		1 FRAME Left Hand, 11 Shank
1	84412089		1 FRAME Right Hand, 11 Shank
2	84412139		1 FRAME Center, 11 & 13 Shank
3	14816241		2 CLEVIS PIN
4	14700600		2 COTTER PIN
5	25330101		1 HYDRAULIC CYLINDER Double Acting, 31.75mm Rod, 254mm Stroke
5	25330101R		1 REMAN-HYD CYLINDER 870 ECOLO-TIGER DISK RIPPER
5	25330101C		1 CORE-HYD CYLINDER Return Number
6	280286		1 NUT 1"-8, GB
7	87500592		2 BUSHING 25.5mm ID x 31.84mm OD x 19.05mm L
8	09661455		UAR SHIM
9	17616021		1 BUSHING 25.8mm ID x 38.1mm OD x 2.08mm L
10	84411530		1 PIN
11	88062		1 BOLT Hex, 5/8" - 11 x 1 1/2", Gr 8
12	85700693		1 NUT 5/8" - 11, Gr C

870-ECOLO-TIGER DISK RIPPER

REAR DISK LEVELER - 7 AND 9 SHANK



REAR DISK LEVELER - 7 AND 9 SHANK

REF FN	PART NUMBER	YR/SN	QTY DESCRIPTION
1	88871		1 NUT 1/2"-13, GC
2	87715321		1 FRAME Wing, Left Hand
3	87715320		1 FRAME Wing, Right Hand
4	84216263		1 PIN 25.4mm OD x 270mm L
5	87367		1 WASHER 1.06" ID x 2" OD x 0.13" Thk
6	9626600		1 NUT 1"-8, GC
7	87708855		2 SWIVEL PIVOT
8	84138907		1 FRAME 7 Shank
8	84138909		1 FRAME 9 Shank
9	280223		8 BOLT Hex, 3/4"-10 x 6 1/2", G5
10	280375		8 NUT 3/4"-10, GC
11	86520614		1 BOLT Hex, 1/2" - 13 x 2 3/4", Gr 8

870-ECOLO-TIGER DISK RIPPER

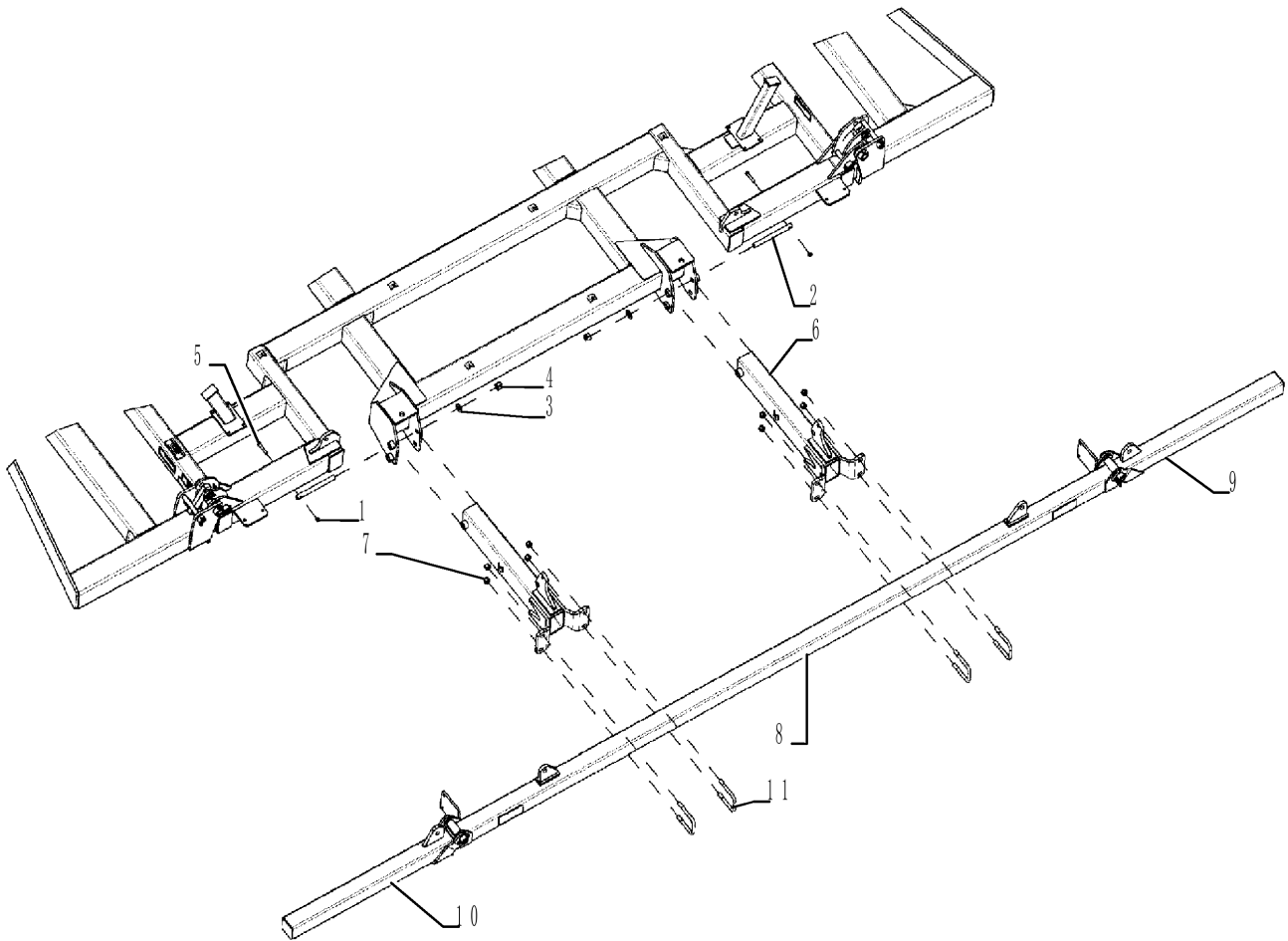
39.100.16

01

p1

8/2016

REAR DISK LEVELER - 11 AND 13 SHANK 2009 - 2010



39.100.16

01

p1

8/2016

REAR DISK LEVELER - 11 AND 13 SHANK 2009 - 2010

REF FN	PART NUMBER	YR/SN	QTY DESCRIPTION
1	88871		2 NUT 1/2"-13, GC
2	84216263		2 PIN 25.4mm OD x 270mm L
3	87367		2 WASHER 1.06" ID x 2" OD x 0.13" Thk
4	9626600		2 NUT 1"-8, GC
5	86520614		2 BOLT Hex, 1/2" - 13 x 2 3/4", Gr 8
6	84255092		2 PIVOT
7	280375		8 NUT 3/4"-10, GC
8	84138909		1 FRAME
9	87741882		1 FRAME 11 Shank, Right Hand
9	87477509		1 FRAME 13 Shank, Right Hand
10	87741880		1 FRAME 11 Shank, Left Hand
10	87477508		1 FRAME 13 Shank, Left Hand
11	87427185		4 U-BOLT

870-ECOLO-TIGER DISK RIPPER

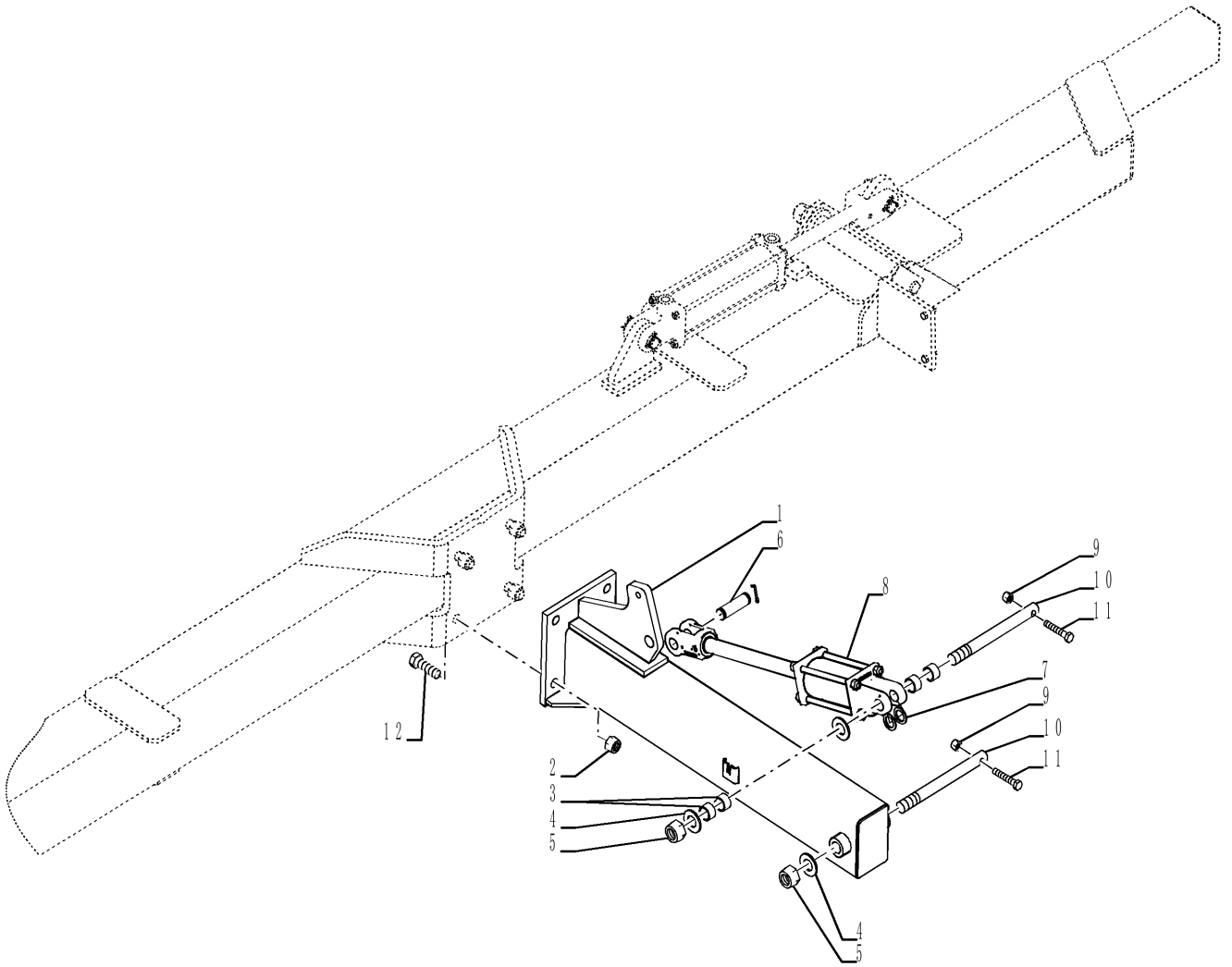
39.100.16

02

p1

8/2016

REAR DISK LEVELER - 11 AND 13 SHANK 2011



39.100.16

02

p1

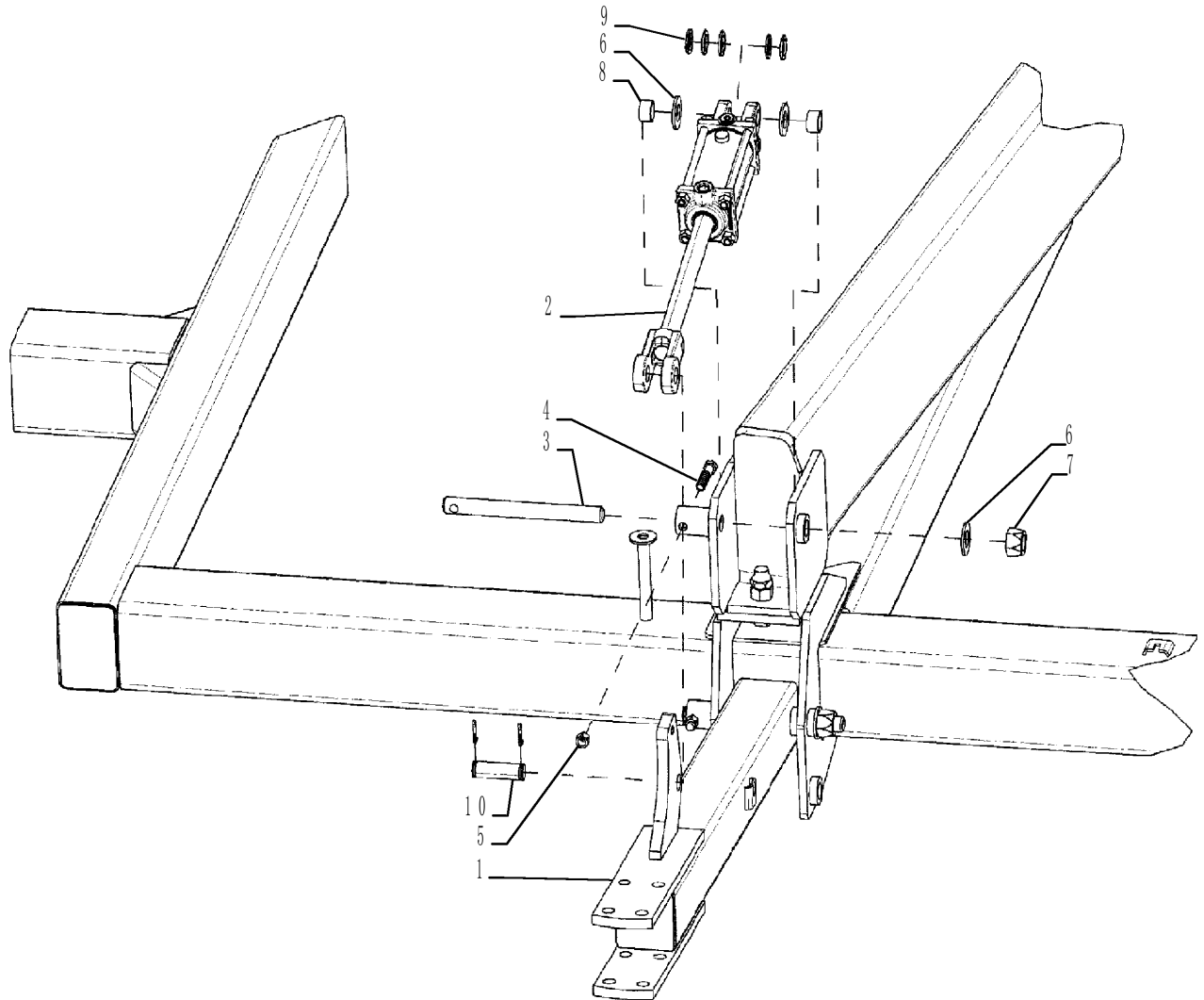
8/2016

REAR DISK LEVELER - 11 AND 13 SHANK 2011

REF FN	PART NUMBER	YR/SN	QTY DESCRIPTION
1	84411046		1 FRAME
2	280375		1 NUT 3/4"-10, GC
3	09102904		4 SPACER
4	87367		2 WASHER 1.06" ID x 2" OD x 0.13" Thk
5	9626600		2 NUT 1"-8, GC
6	25890100		1 KIT
7	86624170		2 WASHER 1.03" ID x 1.5" OD x 0.12" Thk
8	87730279		1 HYDRAULIC CYLINDER Double Acting, 31.75mm Rod, 101.6mm Stroke 3 x 4
9	88871		2 NUT 1/2"-13, GC
10	84216263		2 PIN 25.4mm OD x 270mm L 1.000" X 10.630"
11	86520614		2 BOLT Hex, 1/2" - 13 x 2 3/4", Gr 8
12	9706701		1 BOLT Hex, 3/4" - 10 x 2 1/2", Gr 5

870-ECOLO-TIGER DISK RIPPER

REAR DISK LEVELER LIFT ARMS

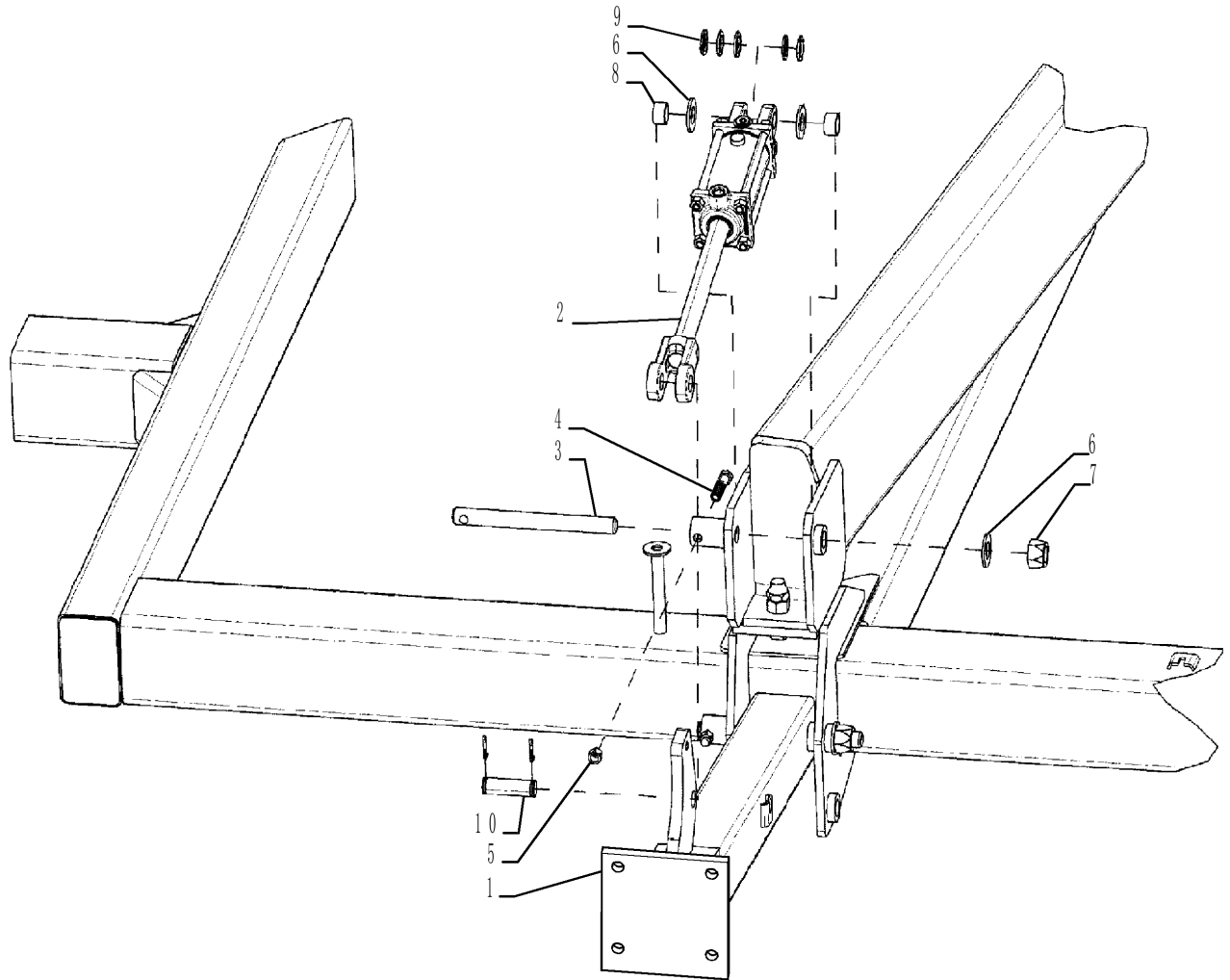


REAR DISK LEVELER LIFT ARMS

REF FN	PART NUMBER	YR/SN	QTY DESCRIPTION
1	87708855		1 SWIVEL PIVOT
2	87730279		1 HYDRAULIC CYLINDER Double Acting, 31.75mm Rod, 101.6mm Stroke 3 x 4
2	87730280		1 HYDRAULIC CYLINDER Double Acting, 31.75mm Rod, 101.6mm Stroke 3-1/4 x 4
3	84216263		1 PIN 25.4mm OD x 270mm L
4	86520614		1 BOLT Hex, 1/2" - 13 x 2 3/4", Gr 8
5	88871		1 NUT 1/2"-13, GC
6	87367		3 WASHER 1.06" ID x 2" OD x 0.13" Thk
7	9626600		1 NUT 1"-8, GC
8	09102904		2 SPACER
9	86624170		5 WASHER 1.03" ID x 1.5" OD x 0.12" Thk
10	25890100		1 KIT

870-ECOLO-TIGER DISK RIPPER

REAR DISK LEVELER LIFT ARM 2011



39.100.17

02

p1

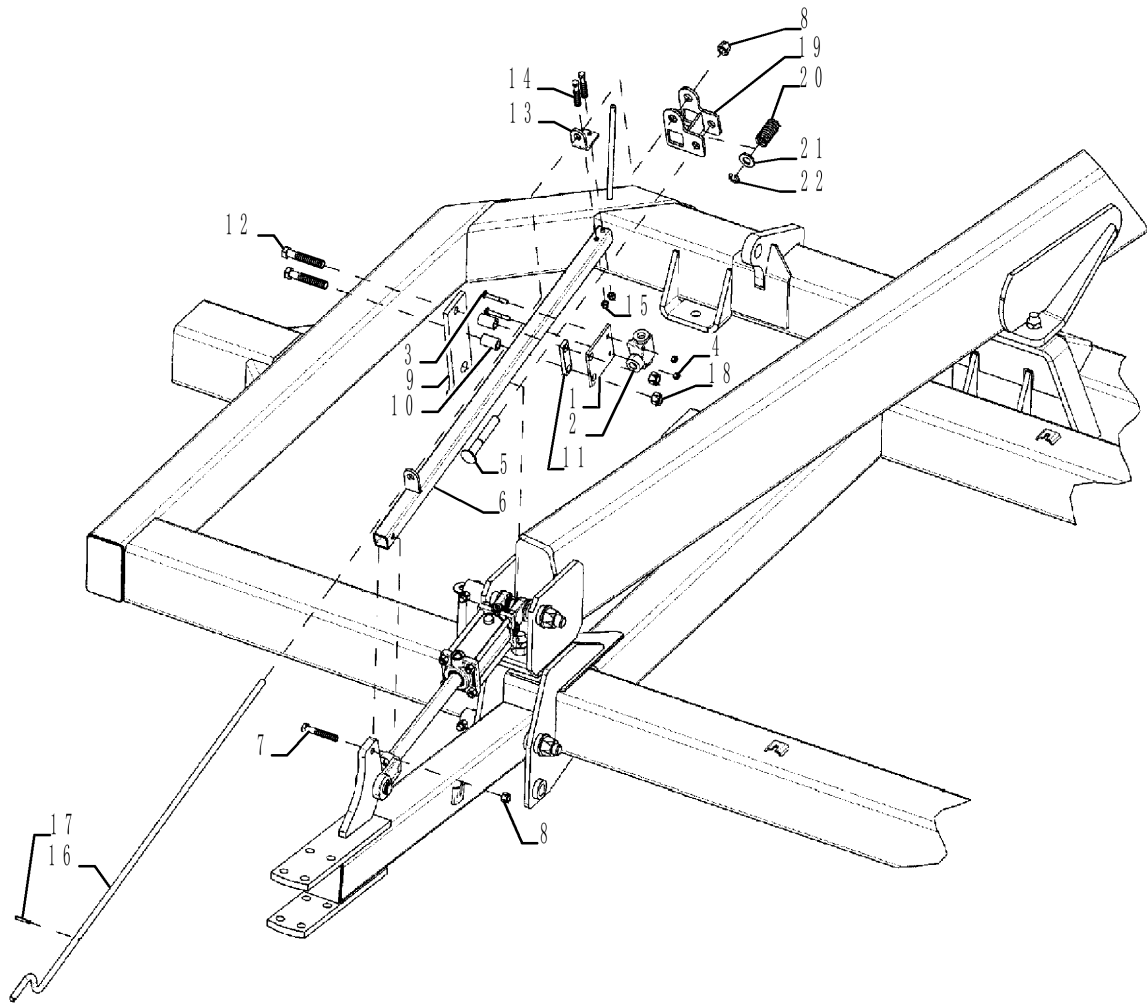
8/2016

REAR DISK LEVELER LIFT ARM 2011

REF FN	PART NUMBER	YR/SN	QTY DESCRIPTION
1	84411046		1 FRAME
2	87730279		1 HYDRAULIC CYLINDER Double Acting, 31.75mm Rod, 101.6mm Stroke 3 x 4
2	87730280		1 HYDRAULIC CYLINDER Double Acting, 31.75mm Rod, 101.6mm Stroke 3-1/4 x 4
3	84216263		1 PIN 25.4mm OD x 270mm L
4	86520614		1 BOLT Hex, 1/2" - 13 x 2 3/4", Gr 8
5	88871		1 NUT 1/2"-13, GC
6	87367		3 WASHER 1.06" ID x 2" OD x 0.13" Thk
7	9626600		1 NUT 1"-8, GC
8	09102904		2 SPACER
9	86624170		5 WASHER 1.03" ID x 1.5" OD x 0.12" Thk
10	25890100		1 KIT

870-ECOLO-TIGER DISK RIPPER

REAR LEVELER DEPTH CONTROL

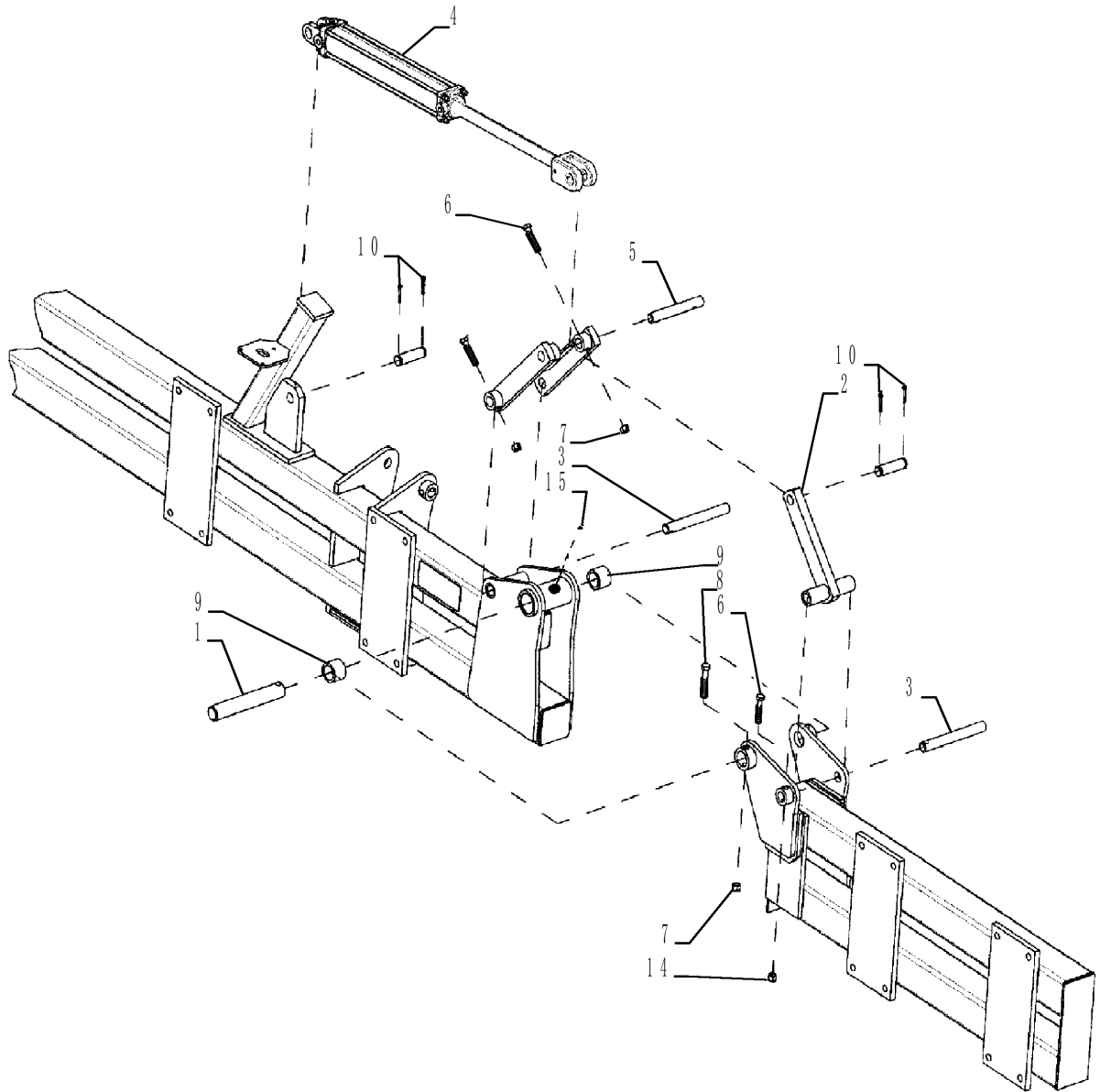


REAR LEVELER DEPTH CONTROL

REF FN	PART NUMBER	YR/SN	QTY DESCRIPTION
1	396150A1		1 VALVE, CONTROL
2	87713460		1 BRACKET SPDC Leveler
3	280622		2 CARRIAGE BOLT Sq Nk, 5/16" - 18 x 2 1/2", Gr 5
4	280736		2 NUT 5/16"-18, GC
5	396153A1		1 PIN
6	87713457		1 TUBE
7	88043		1 BOLT Hex, 1/2" - 13 x 3 1/4", Gr 5
8	88871		1 NUT 1/2"-13, GC
9	84173474		1 MOUNTING PLATE
10	87708500		2 TUBE 16.66 mm ID x 25.4 mm OD x 42 mm L
11	87708499		1 BAR
12	16445		2 BOLT Hex, 5/8" - 11 x 3 3/4", Gr 5
13	84175398		1 SUPPORT
14	87936		2 BOLT Hex, 3/8" - 16 x 2 1/2", Gr 5
15	88902		2 NUT 3/8"-16
16	84173480		1 HANDLE SPDC Leveler
17	438-11624		1 ROLL PIN 6.35mm OD x 38.1mm L
18	19670		2 NUT 5/8"-11, GB
19	87708494		1 SLIDER
20	396152A1		1 COMPRESSION SPRING
21	87613198		1 WASHER 0.78" ID x 1.25" OD x 0.12" Thk
22	87309726		1 RING

870-ECOLO-TIGER DISK RIPPER

REAR DISK LEVELER WITH FINISHER FRAME

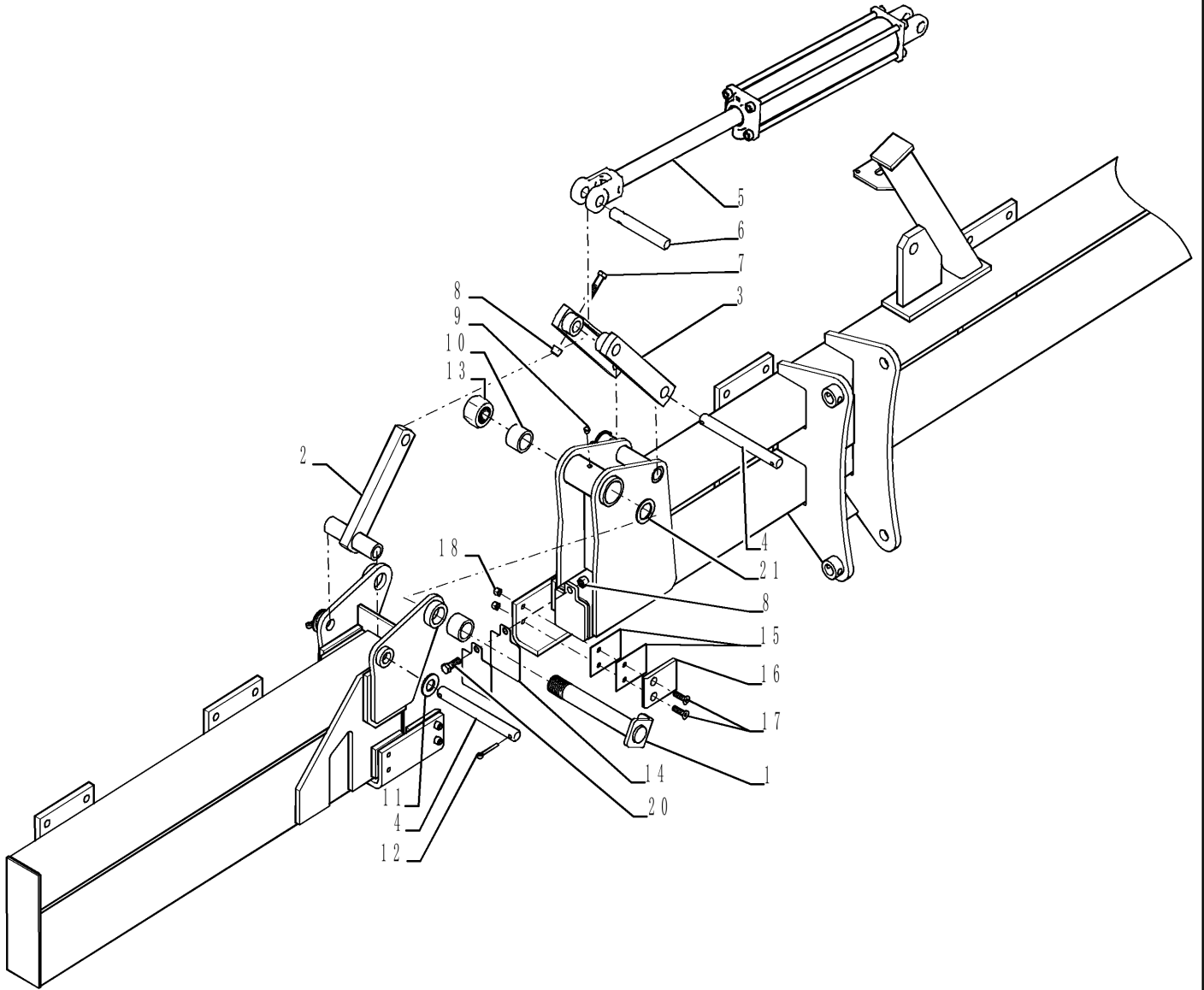


REAR DISK LEVELER WITH FINISHER FRAME

REF FN	PART NUMBER	YR/SN	QTY DESCRIPTION
1	87755240		2 PIN 1-1/2 x 9-5/16
1	84296511		2 PIN 1-1/2 x 9-1/2
2	87755236		2 LINK
3	87748423		4 PIN 1 x 8-1/4
4	25325161		2 HYDRAULIC CYLINDER Double Acting, 31mm Rod, 406.4mm Stroke 2-1/2 x 16, 9 Shank
4	25330160		2 HYDRAULIC CYLINDER Double Acting, 38.1mm Rod, 406.4mm Stroke 3 x 16, 9 Shank
4	25330160R		2 REMAN-HYD CYLINDER 870, ECOLO-TIGER DISK RIPPER, 3 x 16, 9 Shank
4	25330160C		2 CORE-HYD CYLINDER Return Number
4	25335162		2 HYDRAULIC CYLINDER Double Acting, 38.1mm Rod, 406.4mm Stroke 3-1/2 x 16, 11 And 13 Shank
4	84220783		2 HYDRAULIC CYLINDER Double Acting, 38.1mm Rod, 406.4mm Stroke 3-1/2 x 16, 11 And 13 Shank
5	87748424		2 PIN 1 x 7
6	87972		6 BOLT Hex, 1/2" - 13 x 2 1/2", Gr 5
7	88871		8 NUT 1/2"-13, GC
7	88871		6 NUT 1/2"-13, GC
8	87339		2 BOLT Hex, 1/2" - 13 x 3", Gr 5
8	16445		2 BOLT Hex, 5/8" - 11 x 3 3/4", Gr 5
9	87503066		4 BUSHING 38.29mm ID x 50.93mm OD x 37.35mm L
10	25890100		4 KIT Cylinder
11	87755234		2 LINK
12	09661455		UAR SHIM Not Shown
12	09661456		UAR SHIM Not Shown
13	88062		2 BOLT Hex, 5/8" - 11 x 1 1/2", Gr 8 Not Shown
14	85700693		4 NUT 5/8" - 11, Gr C
15	87645504		2 FITTING

870-ECOLO-TIGER DISK RIPPER

REAR DISK LEVELER WITH FINISHER FRAME (2011 - CURRENT)

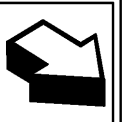
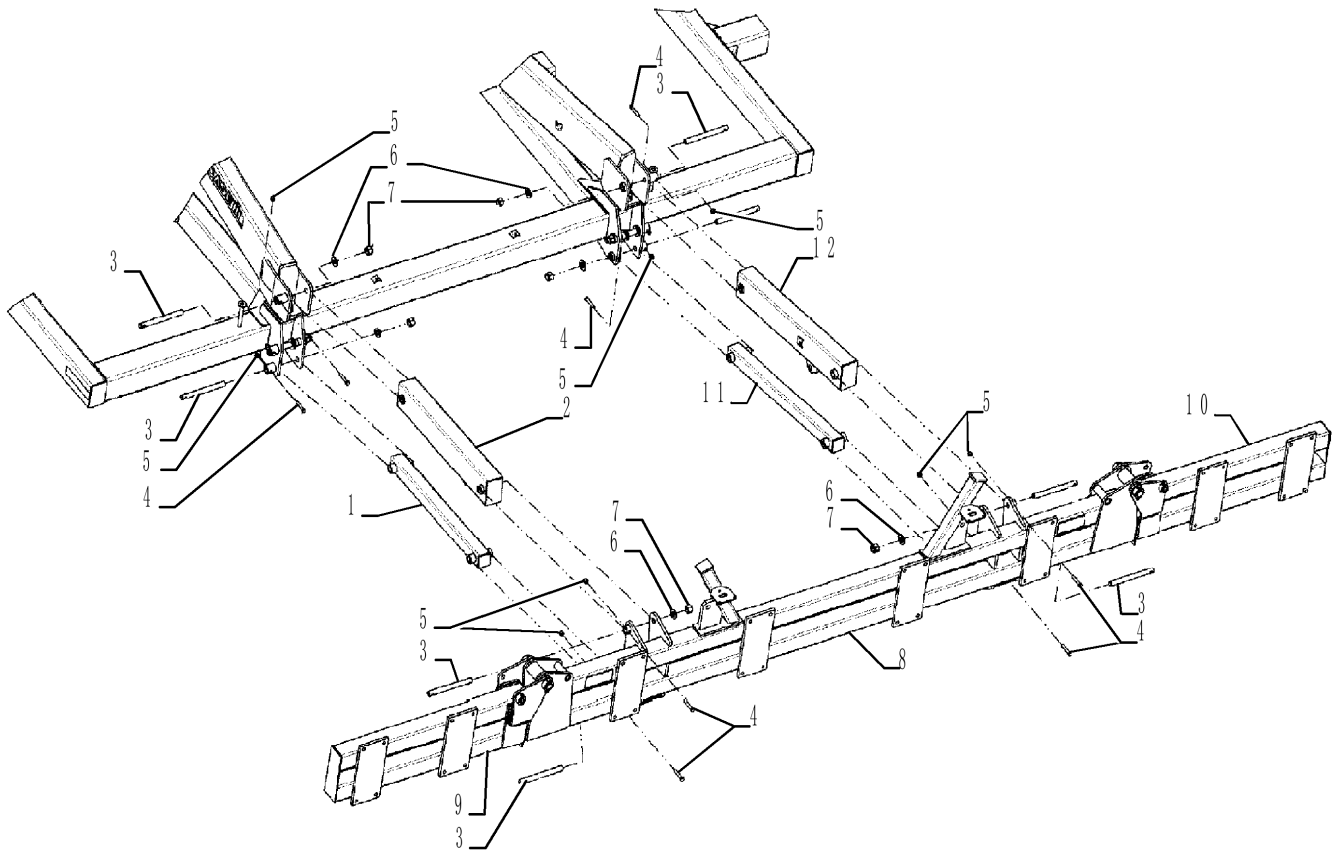


REAR DISK LEVELER WITH FINISHER FRAME (2011 - CURRENT)

REF FN	PART NUMBER	YR/SN	QTY DESCRIPTION
1	84407881		2 PIN 1.5 in Wing Pivot
2	87755236		2 LINK
3	87755234		2 LINK
4	84407853		4 PIN Leveler
5	25330160		2 HYDRAULIC CYLINDER Double Acting, 38.1mm Rod, 406.4mm Stroke 3 x 16, 9 Shank
5	25330160R		2 REMAN-HYD CYLINDER 870, ECOLO-TIGER DISK RIPPER, 3 x 16, 9 Shank
5	25330160C		2 CORE-HYD CYLINDER Return Number
5	84220783		2 HYDRAULIC CYLINDER Double Acting, 38.1mm Rod, 406.4mm Stroke 3.5 x 16, 11 And 13 Shank
6	87748424		4 PIN Cylinder
7	87972		2 BOLT Hex, 1/2" - 13 x 2 1/2", Gr 5
8	88871		4 NUT 1/2"-13, GC
9	87645504		2 FITTING
10	87503066		4 BUSHING 38.29mm ID x 50.93mm OD x 37.35mm L
11	87367		8 WASHER 1.06" ID x 2" OD x 0.13" Thk
12	88182		8 COTTER PIN 1/4" OD x 2" L
13	87020431		2 LOCK NUT
14	84408048		UAR SHIM
15	84410267		UAR PLATE
16	84408051		4 PLATE
17	280760		8 HEX SOC SCREW FLAT, 3/8" - 16 x 1-1/2"
18	88902		8 NUT 3/8"-16
20	87689		2 BOLT 1/2"-13 x 1.813" OAL, Gr 5
21	17624022		2 BUSHING

870-ECOLO-TIGER DISK RIPPER

REAR DISK LEVELER WITH FINISHER

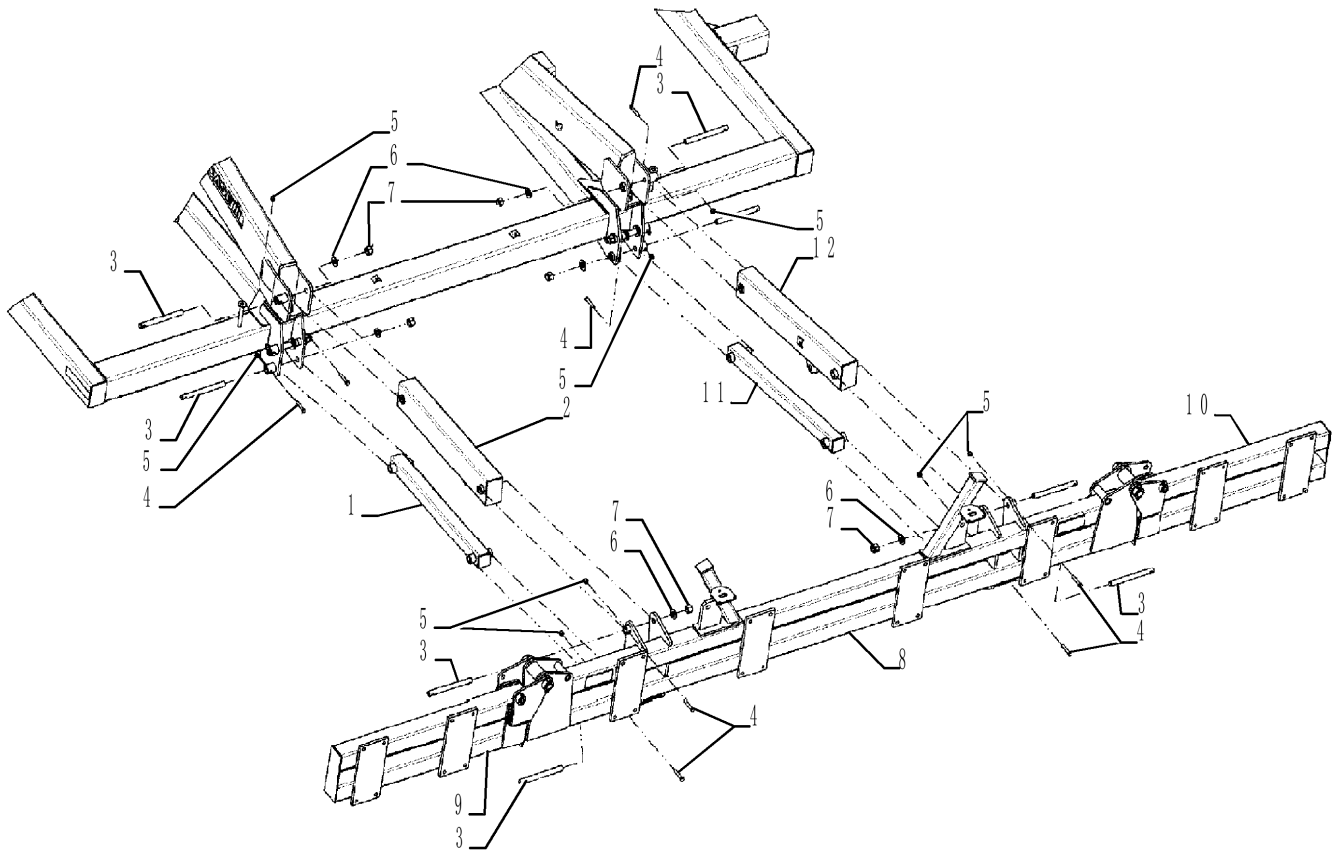


REAR DISK LEVELER WITH FINISHER

REF FN	PART NUMBER	YR/SN	QTY DESCRIPTION
1	87756320		1 PIVOTING ARM 7 And 9 Shank Lower Pivoting LH
1	87738646		1 PIVOTING ARM 11, 13 Shank Lower Pivoting Deluxe
2	87755789		1 PIVOTING ARM 9 Shank Upper Leveling LH
2	87756321		1 PIVOTING ARM 7 Shank Upper Leveler Pivot LH
2	87755239		1 PIVOTING ARM 11, 13 Shank Upper Deluxe LH
3	47635357		8 BOLT 1 x 10.5" 11 & 13 Shank
3	47635327		8 BOLT 1 x 9.5" 7 & 9 Shank
4	86520614		8 BOLT Hex, 1/2" - 13 x 2 3/4", Gr 8
5	88871		8 NUT 1/2"-13, GC
6	87367		8 WASHER 1.06" ID x 2" OD x 0.13" Thk
7	9626600		8 NUT 1"-8, GC
8	84138915		1 FRAME 9 And 11 Shank
8	84410675		1 FRAME 9 And 11 Shank
8	84138908		1 FRAME 7 Shank
8	84410674		1 FRAME 7 Shank
8	84138919		1 FRAME 13 Shank
8	84410684		1 FRAME 13 Shank
9	87718934		1 FRAME Left Hand, 9 Shank
9	84297651		1 FRAME Left Hand, 9 Shank
9	84407848		1 FRAME Left Hand, 9 Shank
9	87726747		1 FRAME Left Hand, 11 And 13 Shank
9	84297325		1 FRAME Left Hand, 11 And 13 Shank
9	84407847		1 FRAME Left Hand, 11 And 13 Shank
9	47406982		1 FRAME 13 Shk Deluxe Lever 875
10	87718927		1 FRAME Right Hand, 9 Shank
10	84297652		1 FRAME Right Hand, 9 Shank
10	84407851		1 FRAME Right Hand, 9 Shank
10	87726748		1 FRAME Right Hand, 11 And 13 Shank
10	84297326		1 FRAME Right Hand, 11 And 13 Shank
10	84407852		1 FRAME Right Hand, 11 And 13 Shank
11	87756320		1 PIVOTING ARM 7 And 9 Shank Lower Pivoting
11	87738646		1 PIVOTING ARM 11, 13 Shank Lower Pivoting Deluxe

870-ECOLO-TIGER DISK RIPPER

REAR DISK LEVELER WITH FINISHER

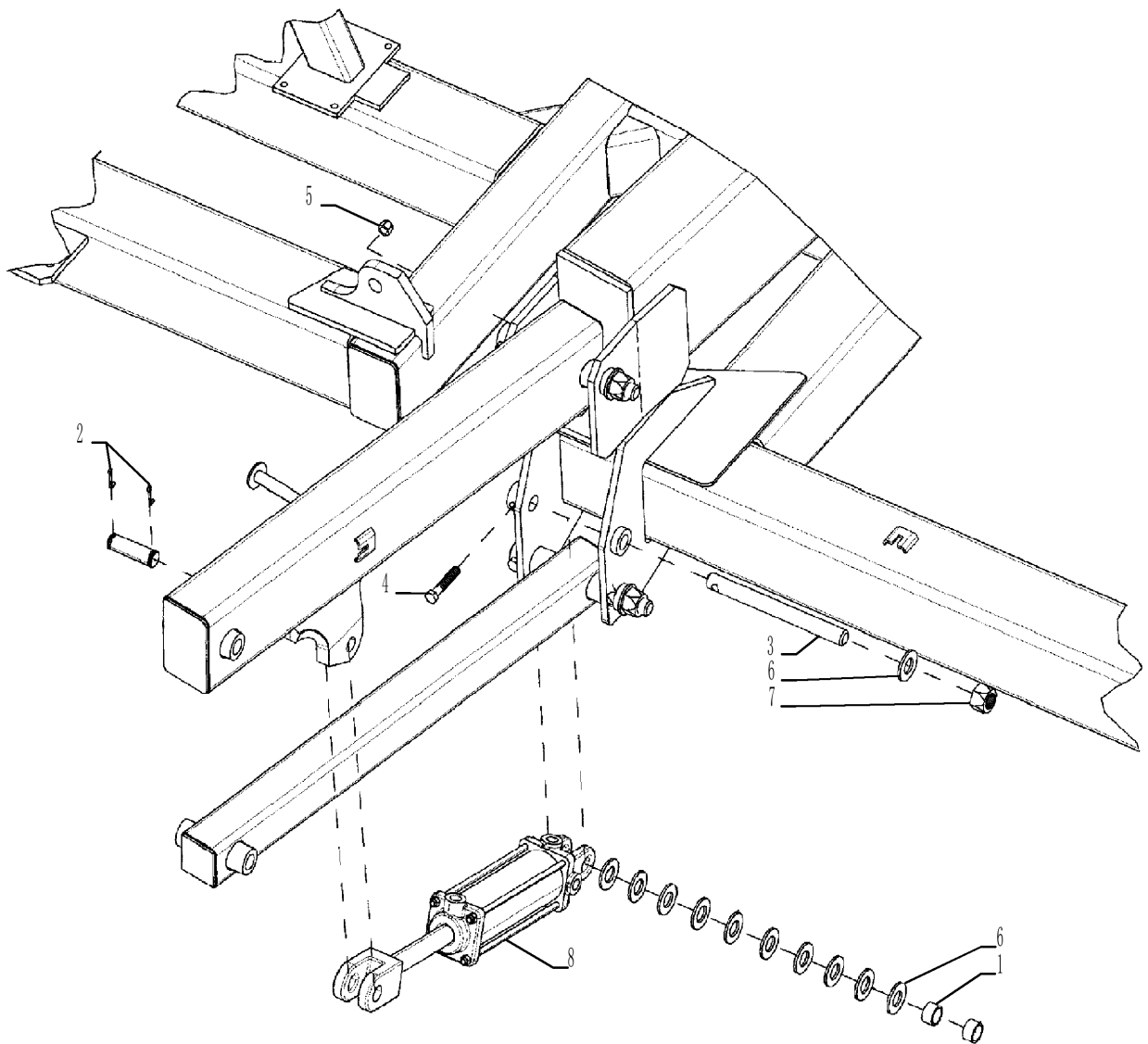


REAR DISK LEVELER WITH FINISHER

REF FN	PART NUMBER	YR/SN	QTY DESCRIPTION
12	87755238		1 PIVOTING ARM 11, 13 Shank Upper Pivoting RH
12	87756322		1 PIVOTING ARM 7 Shank Upper Leveling RH
12	87755791		1 PIVOTING ARM 9 Shank Upper Leveling RH
13	84393373		1 CYLINDER Double Acting, 31.75mm Rod, 127mm Stroke HYD,3.0X8 W/STOP

870-ECOLO-TIGER DISK RIPPER

REAR DISK LEVELER WITH FINISHER LIFT CYLINDER

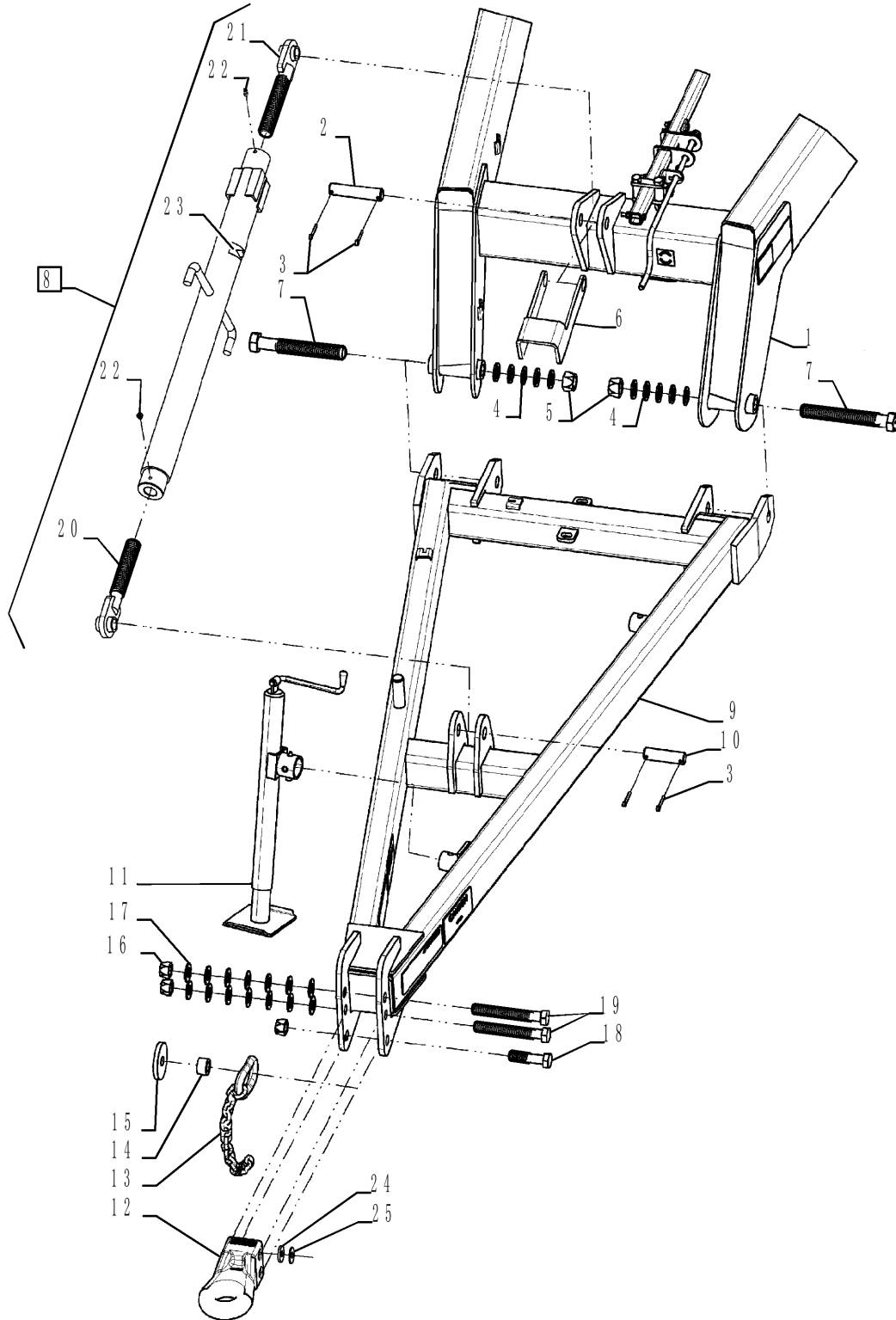


REAR DISK LEVELER WITH FINISHER LIFT CYLINDER

REF FN	PART NUMBER	YR/SN	QTY DESCRIPTION
1	09102904		2 SPACER
2	25890100		1 KIT
3	84216263		1 PIN 25.4mm OD x 270mm L
4	86520614		1 BOLT Hex, 1/2" - 13 x 2 3/4", Gr 8
5	88871		1 NUT 1/2"-13, GC
6	87367		11 WASHER 1.06" ID x 2" OD x 0.13" Thk
7	9626600		1 NUT 1"-8, GC
8	25330082		1 HYDRAULIC CYLINDER Double Acting, 31.75mm Rod, 203.2mm Stroke 3 x 8
8	84393373		1 CYLINDER Double Acting, 31.75mm Rod, 127mm Stroke 3 x 8, With Stop
8	84413040		1 STOP Cylinder

870-ECOLO-TIGER DISK RIPPER

PULL FRAME

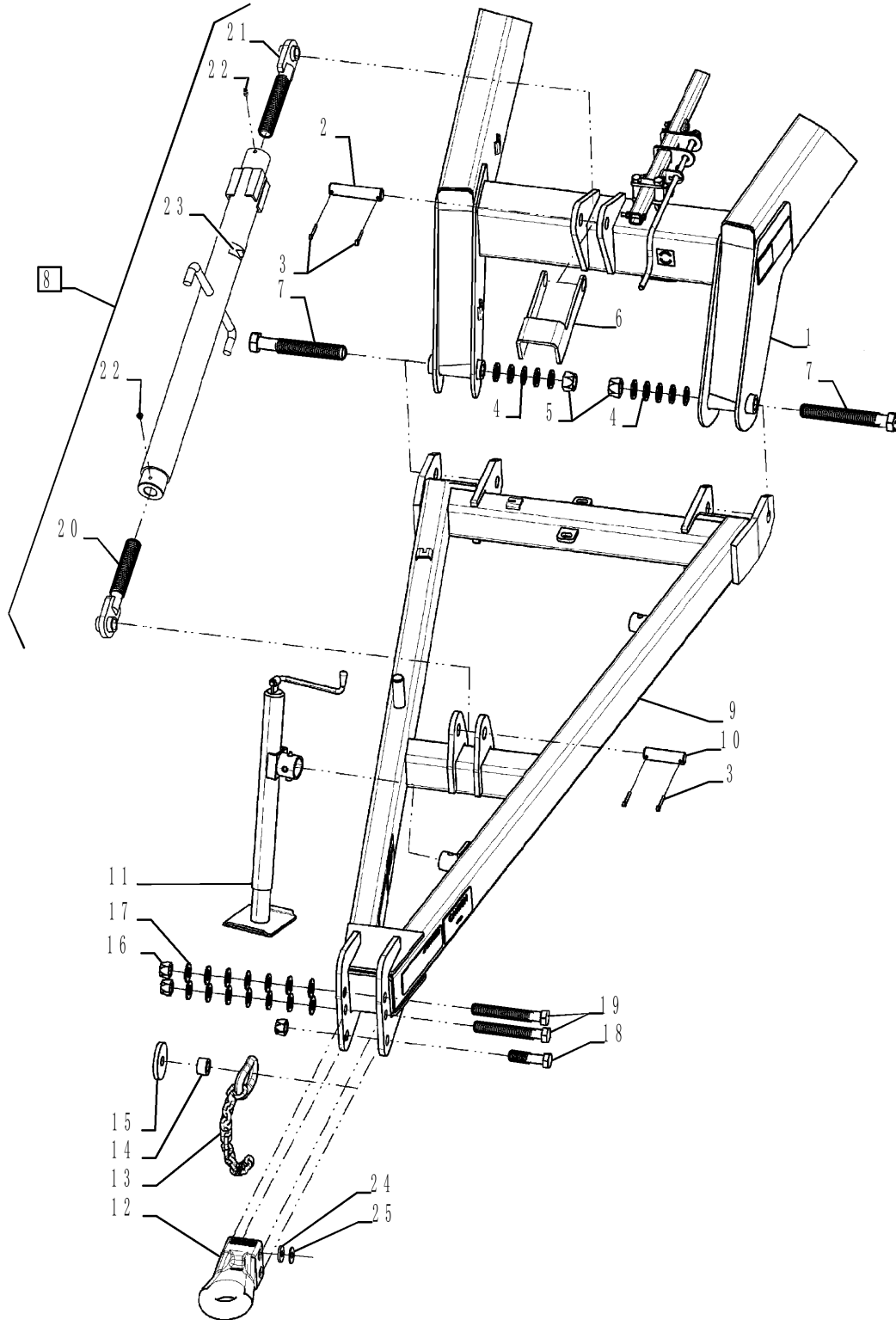


PULL FRAME

REF FN	PART NUMBER	YR/SN	QTY DESCRIPTION
1	87757928		1 FRAME 7 Shank Carrier
1	87470040		1 FRAME 9 Shank Carrier
1	87475717		1 FRAME 11 & 13 Shank Carrier
2	87716171		1 PIN Turnbuckle
3	88182		4 COTTER PIN 1/4" OD x 2" L
4	87613302		10 WASHER 1.31" ID x 1.98" OD x 0.18" Thk 1.312 x 1.984 x .183
5	86614103		2 NUT 1 1/4"-7, GC
6	87708815		1 LATCH Collar
7	87698784		2 BOLT 1-1/4" x 13-1/8 ZND 11-13 Shank
7	399031A1		2 BOLT 1-1/4"x10-1/8 ZND 7 - 9 Shank
8	84295639		1 TURNBUCKLE
9	84403761		1 HITCH Assembly 7 And 9 Shank
9	84135542		1 HITCH Assembly With Finisher, 11 Shank
9	84373080		1 FRAME CAT V, 11 Shank
9	84136263		1 HITCH Assembly With Finisher, 13 Shank
9	84379683		1 FRAME CAT V, 13 Shank
9	87475116		1 FRAME Assembly, 11 And 13 Shank
9	84379681		1 FRAME Assembly,CAT V, 11 And 13 Shank
9	84403761		1 HITCH Assembly 7 And 9 Shank
9	84406449		1 FRAME 11 Shank WTD
9	84406456		1 FRAME 13 Shank WTD
9	84406439		1 FRAME 11 And 13 Shank UNWTD
9	84570860		1 FRAME 13 Shank, Assembly With Decals, 2012 - Newer
9	84570864		1 FRAME 11 & 13 Shank, Assembly With Decals, 2012 - Newer
9	84570869		1 FRAME 11 Shank, Assembly With Decals, 2012 - Newer
9	84570878		1 HITCH 7 & 9 Shank, Assembly With Decals, 2012 - Newer
10	395489A1		1 HITCH PIN
11	32230000		1 JACK 5000 lb, Uses 5/8" Pin
11	32252000		1 JACK ASSY. 5000 lb, Uses 7/8" Pin, 2012 - Newer

870-ECOLO-TIGER DISK RIPPER

PULL FRAME

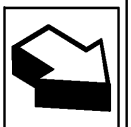
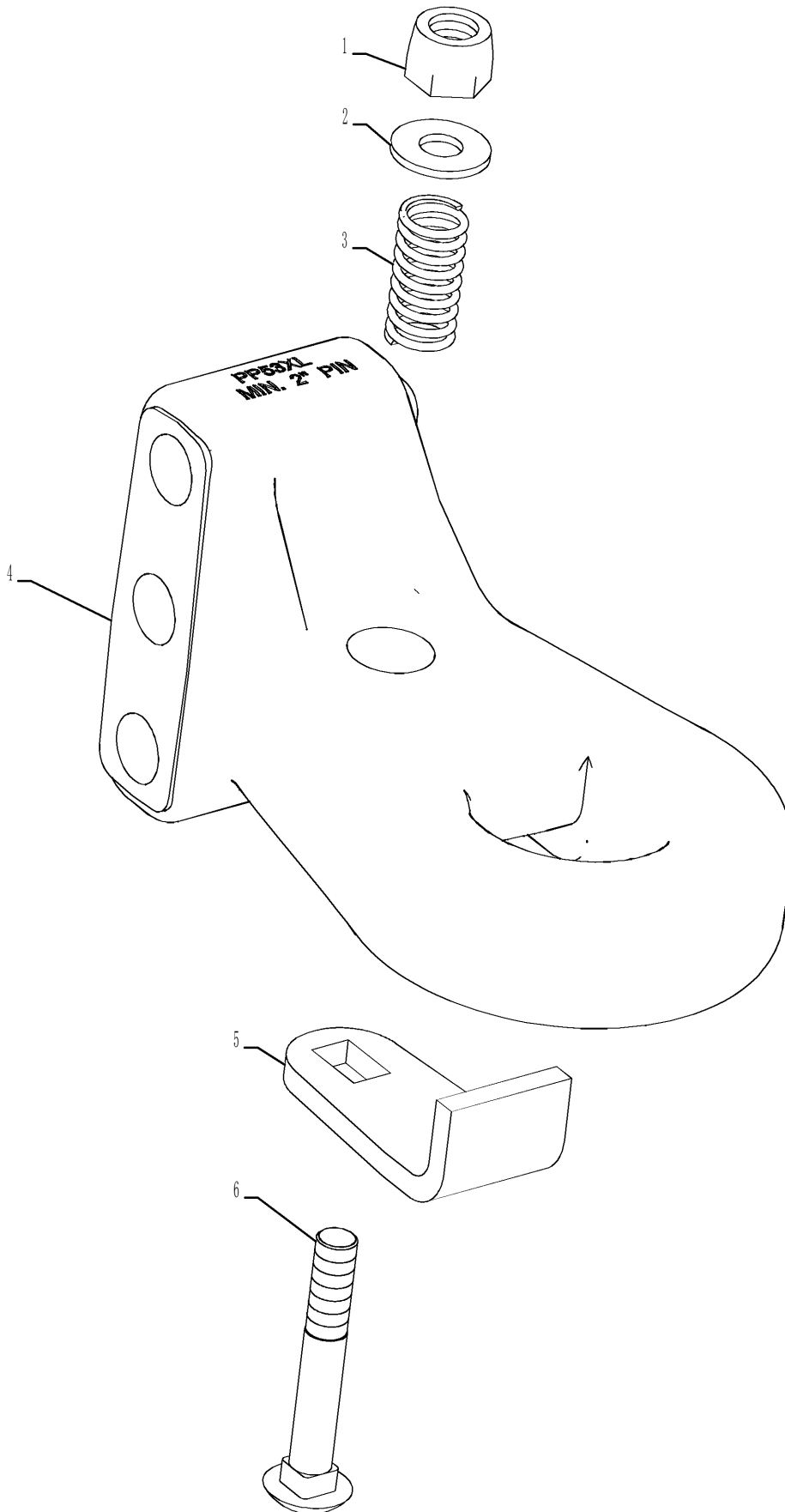


PULL FRAME

REF FN	PART NUMBER	YR/SN	QTY DESCRIPTION
12	251366A1		1 TOW BAR CAT IV, 2 Hole
12	84303598		1 HITCH CAT V, 3 Hole
13	87393082		1 CHAIN 7 And 9 Shank
12	84418130		1 CASTING CAT V, 3 Hole Casting
13	87389757		1 CHAIN 11 And 13 Shank
12	84418127		1 ADJUSTING PLATE CAT V, 3 Hole Plate
14	04681211		1 BUSHING
12	84418128		1 SPRING CAT V, 3 Hole Spring
15	06400065		1 WASHER
12	280461		1 CARRIAGE BOLT Sq Nk, 5/8" - 11 x 4", Gr 5 CAT V, 3 Hole Bolt
16	9626600		3 NUT 1"-8, GC
12	280375		1 NUT 3/4"-10, GC CAT V, 3 Hole Nut
17	86632592		14 WASHER 1.06" ID x 2" OD x 0.13" Thk
12	84156177		1 WASHER 0.66" ID x 1.5" OD x 0.12" Thk CAT V, 3 Hole Washer
18	280285		1 BOLT Hex, 1" - 8 x 4", Gr 5
19	86534764		2 BOLT Hex, 1" - 8 x 8", Gr 8
20	87487124		1 TURNBUCKLE Left Hand
21	87487126		1 TURNBUCKLE Right Hand
22	15302005		2 FITTING
23	87395867		1 DECAL
24	86624168		UAR WASHER 1.03" ID x 1.5" OD x 0.03" Thk
25	86624169		UAR WASHER 1.03" ID x 1.5" OD x 0.06" Thk
26	84482595		UAR HITCH 2009 2010 Pull Hitch Clevis Update Hardware, Not Shown

870-ECOLO-TIGER DISK RIPPER

CAT V PERFECT HITCH

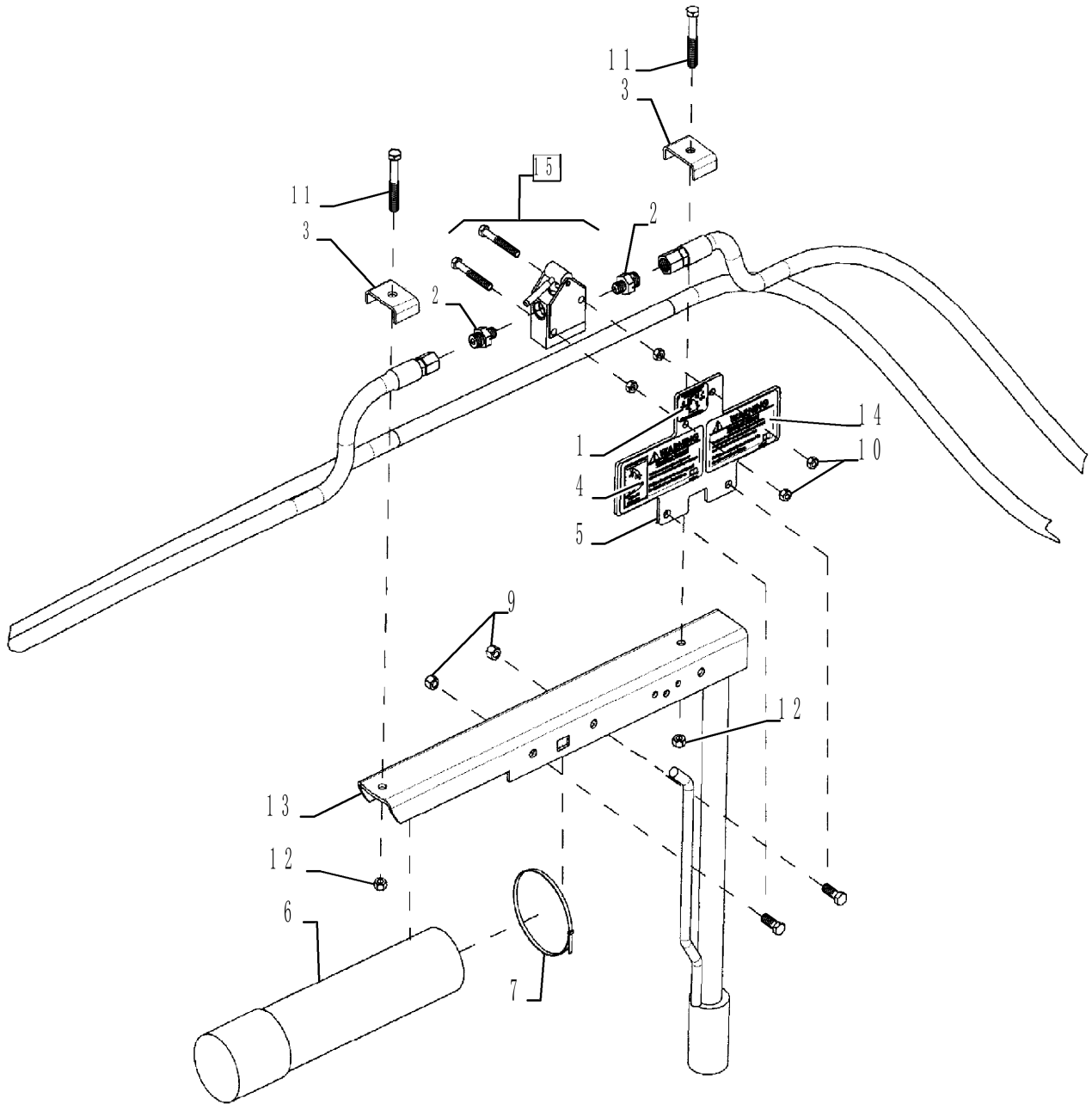


CAT V PERFECT HITCH

REF FN	PART NUMBER	YR/SN	QTY DESCRIPTION
1	280375		1 NUT 3/4"-10, GC
2	84156177		1 WASHER 0.66" ID x 1.5" OD x 0.12" Thk
3	84418128		1 SPRING
4	84418130		1 CASTING
5	84418127		1 ADJUSTING PLATE
6	280461		1 CARRIAGE BOLT Sq Nk, 5/8" - 11 x 4", Gr 5
7	84303598		1 HITCH

870-ECOLO-TIGER DISK RIPPER

HOSE MOUNT



HOSE MOUNT

REF FN	PART NUMBER	YR/SN	QTY DESCRIPTION
1	87343258		1 DECAL
2	25705041		2 COUPLING 3/4 Hydraulic Male
3	06200125		UAR HOSE CLAMP
4	87353780		1 DECAL
5	87328931		1 PLATE
6	30026030		1 TUBE Manual
7	87040758		UAR HOSE CLAMP 71.4mm - 95.2mm
8	88206		2 BOLT Hex, 3/8" - 16 x 1", Gr 5
9	80855		2 NUT Hex, 3/8" - 24 1/4, Stover
10	86992212		2 NUT
11	413-648		2 BOLT Hex, 3/8" - 16 x 3", Gr 5
12	425-106		2 NUT 3/8"-16, CI 5
13	87452523		1 MOUNTING PARTS Hose Boom
14	87353782		1 DECAL
15	87328528		1 SHUT-OFF VALVE

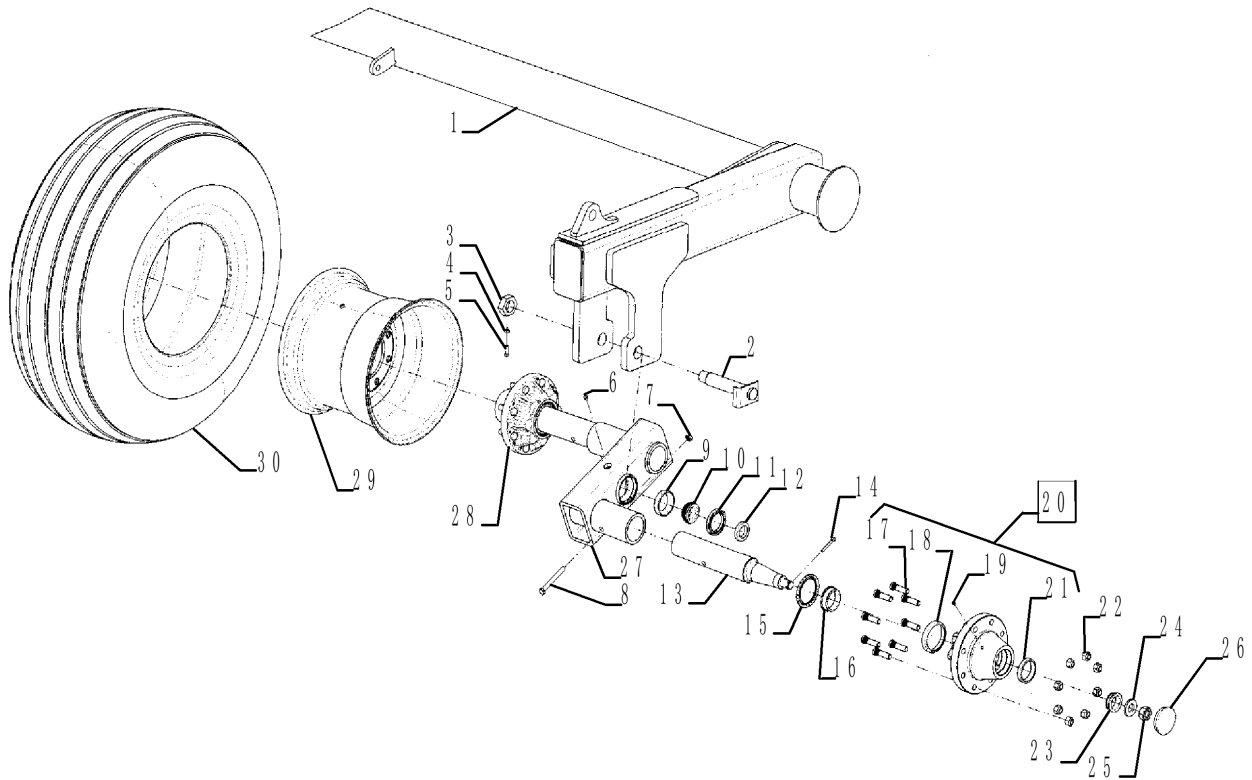
870-ECOLO-TIGER DISK RIPPER

SECTION INDEX

WHEELS

44.100.01	TANDEM TRANSPORT ASSEMBLY
44.100.02	SINGLE TRANSPORT ASSEMBLY
44.100.03	TANDEM BEARING UPGRADE KIT

TANDEM TRANSPORT ASSEMBLY

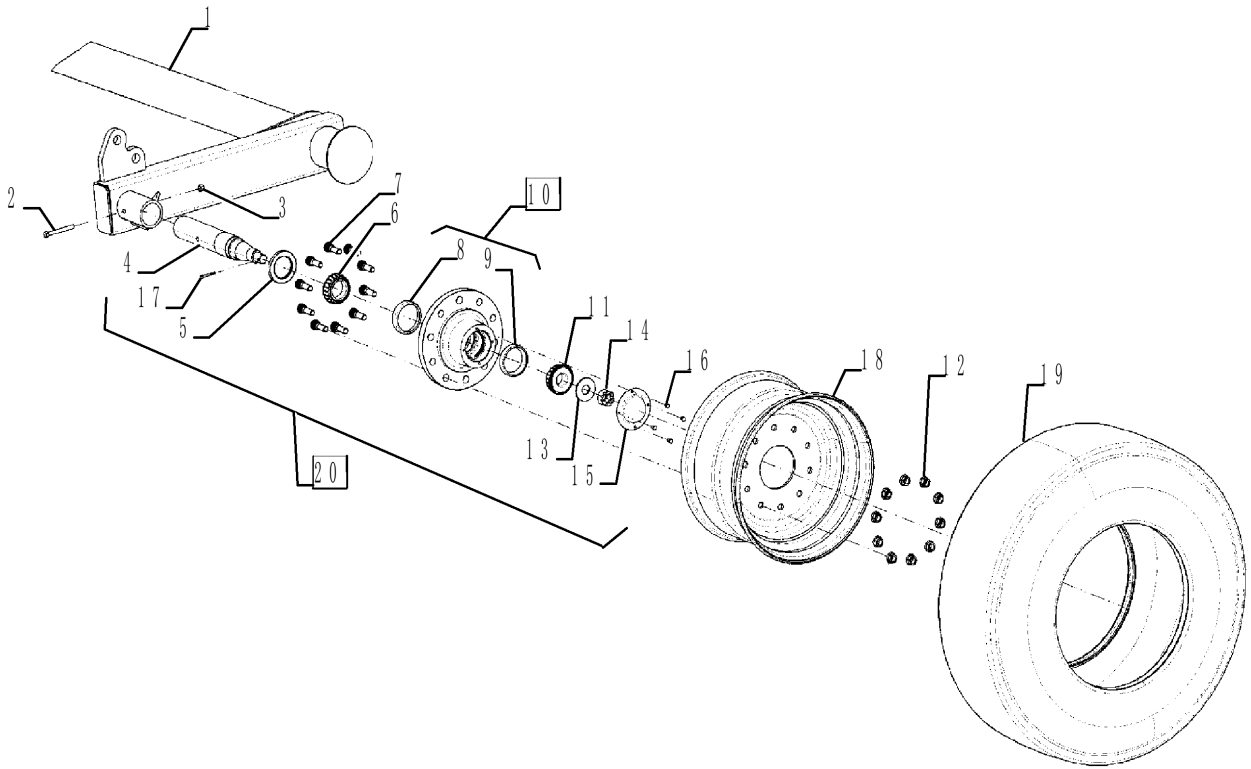


TANDEM TRANSPORT ASSEMBLY

REF FN	PART NUMBER	YR/SN	QTY DESCRIPTION
1	87738164		1 ROCKSHAFT 11 And 13 Shank
2	04683050		1 AXLE PIN
3	14032409		1 NUT
4	87016560		1 JAM NUT Jam, 3/8"-16, G5
5	16806045		1 SET SCREW Sq Hd, 3/8" - 16 UNC x 1"
6	87645504		1 FITTING
7	86992215		2 LOCK NUT 1/2"-13, GC
8	87996		2 BOLT Hex, 1/2" - 13 x 4 1/2", Gr 5
9	17498D		2 TAPERED BEARING " ID x 76.2125 mm OD x 23.9135 mm
10	84229861		2 BEARING 1.500" I.D.
11	21932510		2 SEAL
12	06400573		2 SPACER
13	87758625		1 SPINDLE 3IN, Machined
13	84383792		1 SPINDLE 3IN, Machined
14	88182		1 COTTER PIN 1/4" OD x 2" L
15	87790840		1 SEAL G083109
16	49030		1 BEARING CONE 2.2505" ID x 0.86"
17	557309R1		8 BOLT
18	49029		1 BEARING CUP
19	87414		1 LUBE NIPPLE 1/4" - 28
20	1 84237658		1 HUB With Cups
20	1 87758623		1 HUB With Cups
21	87476393		1 BEARING CUP 73.43mm OD x 14.73mm W 2.89
22	554480R1		8 WHEEL NUT 5/8-18, GB
23	87476379		1 BEARING CONE 41.27mm ID x 19.81mm W 1.62
24	17916100		1 WASHER 1 Diameter
25	86020752		1 SLOTTED NUT 1"-14, G5
26	84238032		1 DUST CAP Black
27	87738165		1 AXLE Right Hand
27	87738166		1 AXLE Left Hand
28	84237927		2 SPINDLE
29	87330641		2 WHEEL 14 x 1.1, Silver, 7, 11, And 13 Shank
30	87326812		2 TYRE/TIRE 16.5 x 16.1 FI (E), 7, 11, And 13 Shank
(1)	Inc. 17 - 19 And 21		

870-ECOLO-TIGER DISK RIPPER

SINGLE TRANSPORT ASSEMBLY

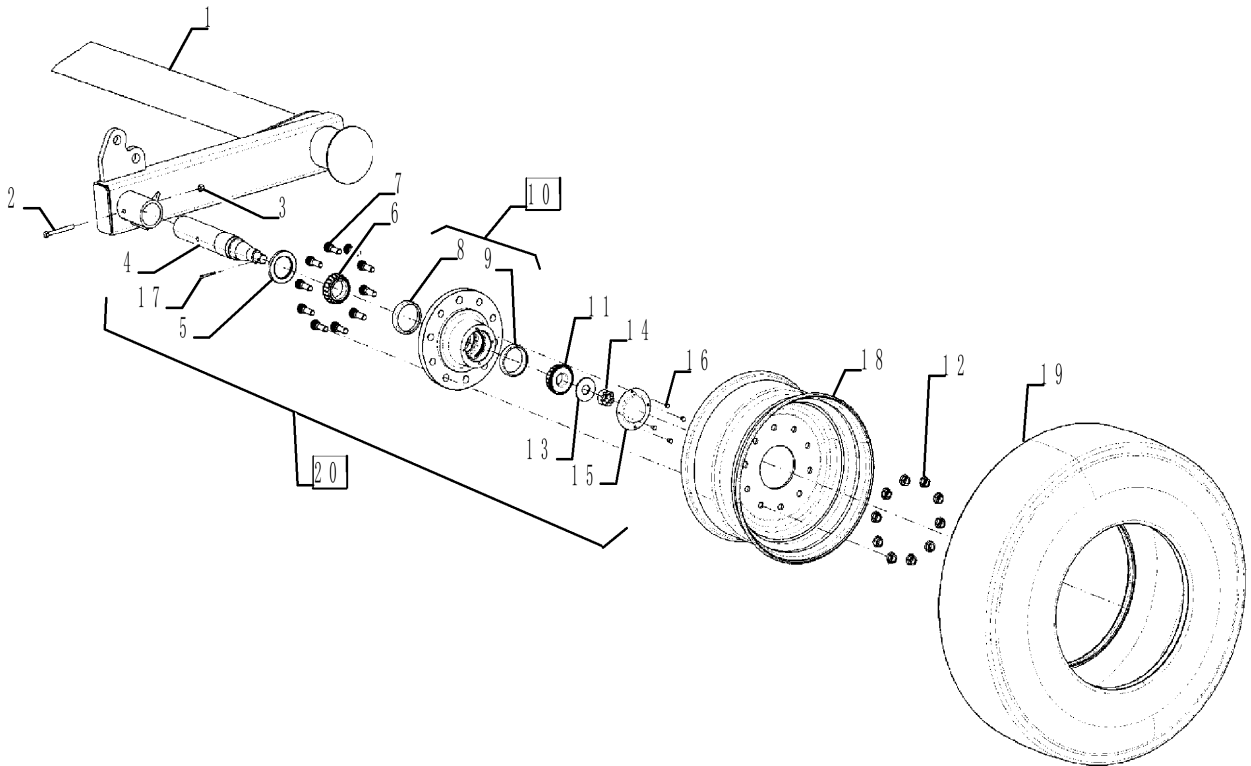


SINGLE TRANSPORT ASSEMBLY

REF FN	PART NUMBER	YR/SN	QTY DESCRIPTION
1	87709040		1 ROCKSHAFT 7 Shank
1	87718847		1 ROCKSHAFT 9 Shank
2	87996		1 BOLT Hex, 1/2" - 13 x 4 1/2", Gr 5
3	88871		1 NUT 1/2"-13, GC
4	28387101		1 SPINDLE Q871, Drilled 526 mm
4	84383792		1 SPINDLE 3 in 500mm
5	21933000		1 SEAL CR30087 3.00
5	21932750		1 SEAL 2.75
6	21872505		1 ROLLER BEARING 63.5 mm ID 2.250 Bore, Timken 39585
6	3216619R91		1 TAPERED BEARING 55mm ID x 26mm W 2.615" Cone
7	16412418		10 STUD 3/4 x 2-9/16, NF
7	557309R1		8 BOLT Wheel Hub 0.625-18 X 2.25
8	371878A1		1 BEARING CUP 112.71mm OD x 23.81mm W 4.45 OD, Timken 39520
9	714428		1 BEARING CUP
10	87758623		1 HUB HUB ASSY,
10	87330630		1 HUB ASSY. 80-8, With Cups 8 5/8" Bolt
10	84252595		1 HUB 10 Bolt With Cups
11	21871750		1 ROLLER BEARING 1.75" ID 1.75"
11	663557R91		1 BEARING ASSY 1.625" ID x 2.892" OD x 0.77" 1.625" Cone
12	14091203		10 NUT 3/4, NF
12	554480R1		8 WHEEL NUT 5/8"
13	17952632		1 WASHER 3-1/4 Heavy
13	17916100		1 WASHER 1" DIA
14	14052012		1 SLOTTED NUT
14	425-1316		1 NUT 1"-14, G5 1"-14NF
15	84254765		1 HUB CAP Bolt on
15	84238032		1 DUST CAP Press on
16	413-58		4 BOLT Hex, 5/16" - 18 x 1/2", Gr 5
17	88182		1 COTTER PIN 1/4" OD x 2" L
17	432-1232		1 COTTER PIN 3/16" OD x 2" L
18	10113223		1 LAND WHEEL 22.5 x 13, 8-Bolt, Silver, 9 Shank

870-ECOLO-TIGER DISK RIPPER

SINGLE TRANSPORT ASSEMBLY

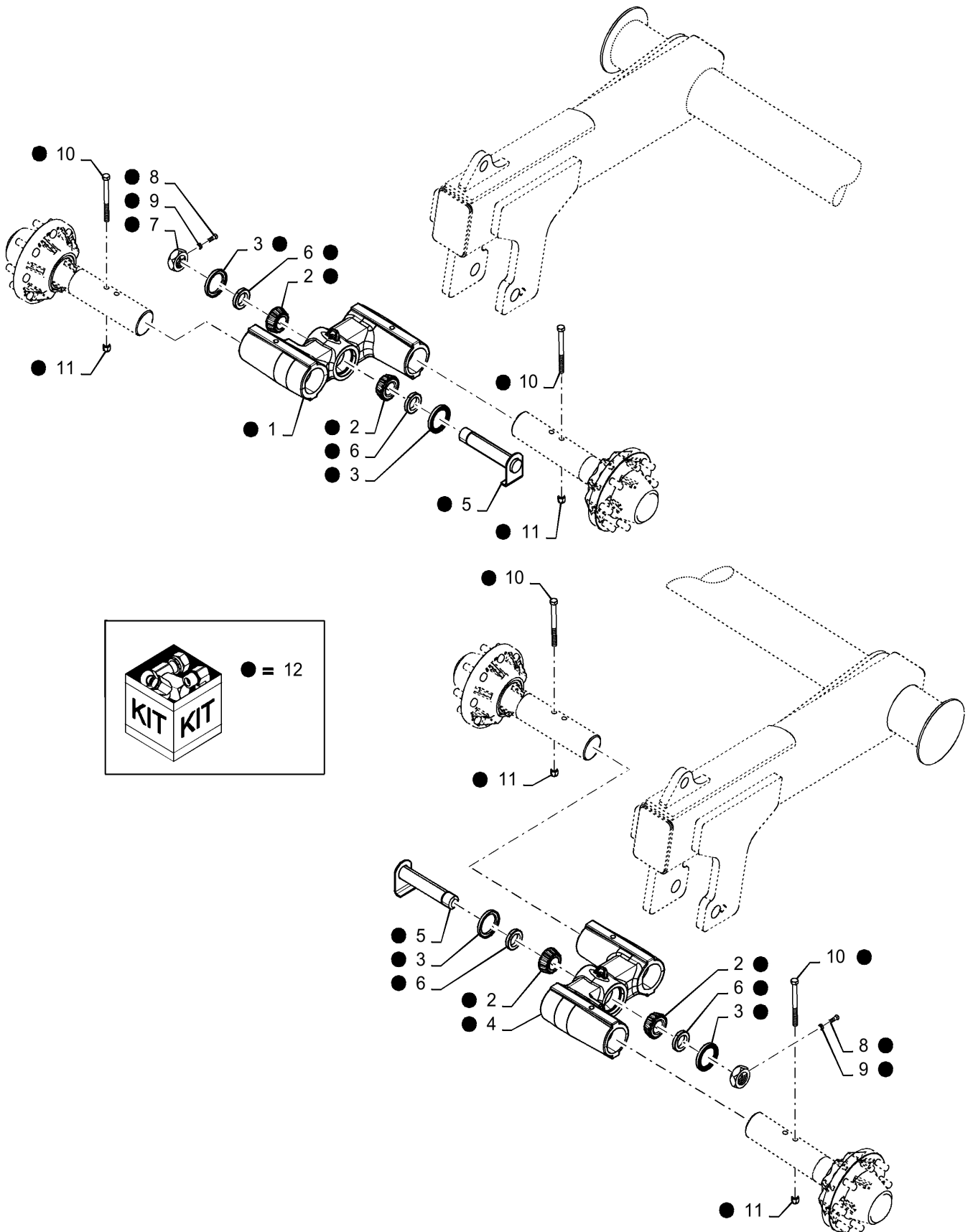


SINGLE TRANSPORT ASSEMBLY

REF FN	PART NUMBER	YR/SN	QTY DESCRIPTION
18	10114269		1 LAND WHEEL 14 x 16, Silver, 7 Shank Stamped Center Rim Wheel
18	10113225		1 LAND WHEEL 22.5 x 13, 10 Bolt, Silver
18	87330641		1 WHEEL 14 x 16.1 Weld Center Rim Wheel
19	11016174		1 TYRE/TIRE 16.5 x 16.1, 4 Ply, 7 Shank
19	11016221		1 TYRE/TIRE 425/65r x 22.5, Recapped, 9 Shank
19	87326812		1 TYRE/TIRE 16.5 - 16.1 FI (E)
20	28087102		1 HUB ASSY. 9 Shank
20	84383798		1 STUB AXLE/STEERING S Hub 75-8

870-ECOLO-TIGER DISK RIPPER

TANDEM BEARING UPGRADE KIT



TANDEM BEARING UPGRADE KIT

REF FN	PART NUMBER	YR/SN	QTY DESCRIPTION
1	47553048		1 SPINDLE 3" Left
2	47584782		4 BEARING CONE 38.1" Id
3	21932510		4 SEAL
4	47444487		1 SPINDLE 3" Right
5	47571831		2 PIN Axle
6	47571830		4 SPACER Bearing
7	14032409		2 NUT 1.5"
8	16806045		2 SET SCREW Sq Hd, 3/8" - 16 UNC x 1"
9	87016560		2 JAM NUT Jam, 3/8"-16, G5
10	88576		4 BOLT Hex, 1/2" - 13 x 5 1/2", Gr 5
11	88871		4 NUT 1/2"-13, GC
12	47779129		1 KIT Tandem bearing upgrade kit Instruction 47779201 Incl 1 -11

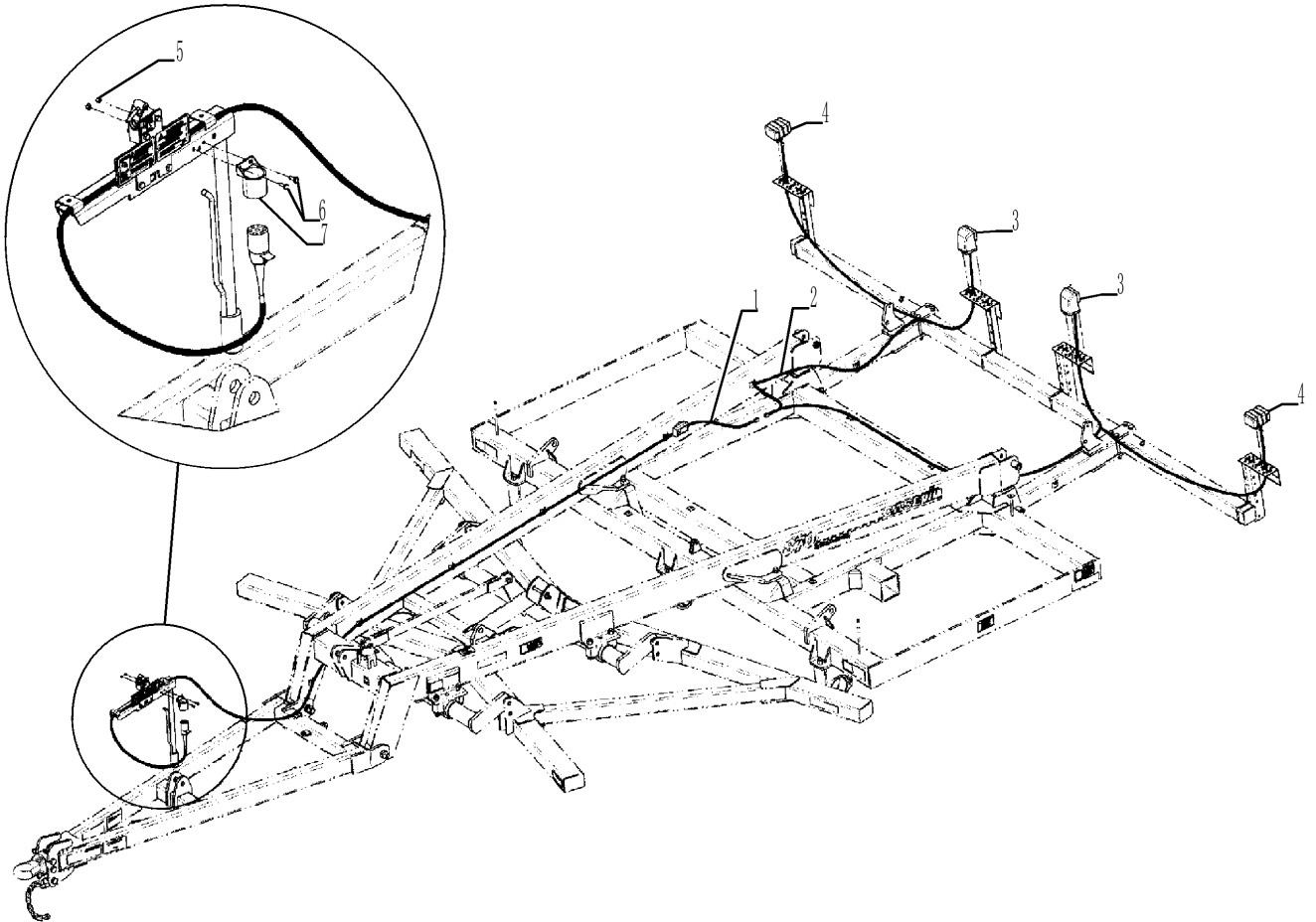
870-ECOLO-TIGER DISK RIPPER

SECTION INDEX

ELECTRICAL SYSTEMS

55.404.01	WIRE HARNESS
55.404.02	AMBER LIGHT BRACKET
55.404.03	RED LIGHT BRACKET

WIRE HARNESS

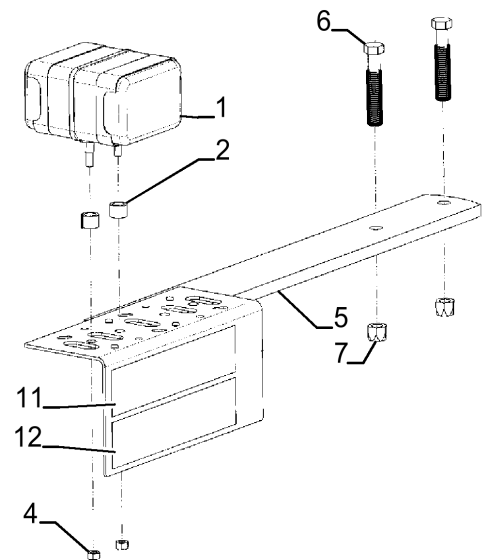
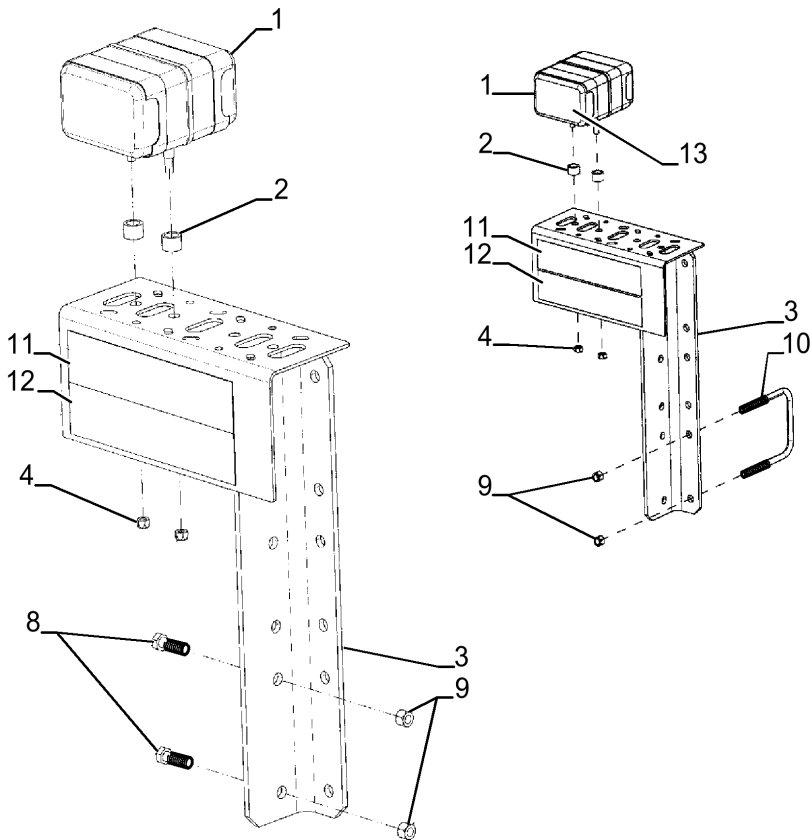


WIRE HARNESS

REF FN	PART NUMBER	YR/SN	QTY DESCRIPTION
1	87555582		1 WIRE HARNESS Front
2	84169848		1 WIRE HARNESS Rear
3	87446791		2 LAMP Red
4	87446792		2 LAMP 12V, 21W, Amber Amber
5	86992211		2 NUT
6	413-412		8 BOLT Hex, 1/4" - 20 x 3/4", Gr 5
7	27601214		1 HOLDER
8	533959R1		45 CABLE TIE .135" x 11" CABLE STRAP Not Shown
8	386170C1		8 CABLE TIE .30" x 27 1/2" CABLE STRAP Not Shown
9	47595348		1 MODULE Logic not shown

870-ECOLO-TIGER DISK RIPPER

AMBER LIGHT BRACKET

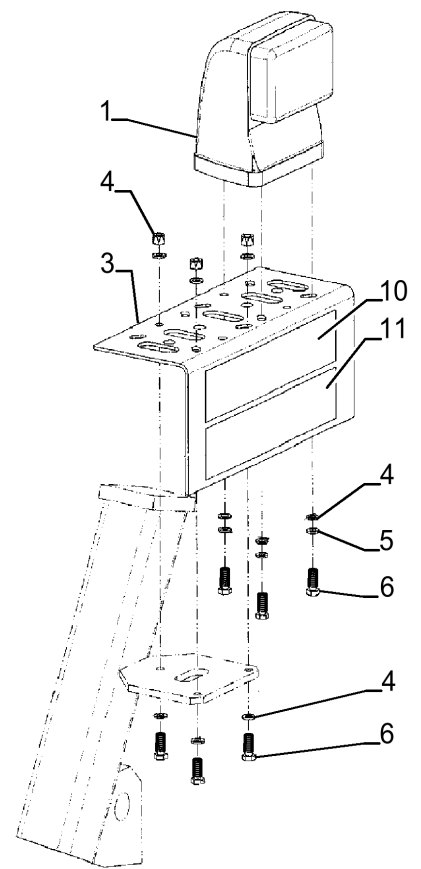
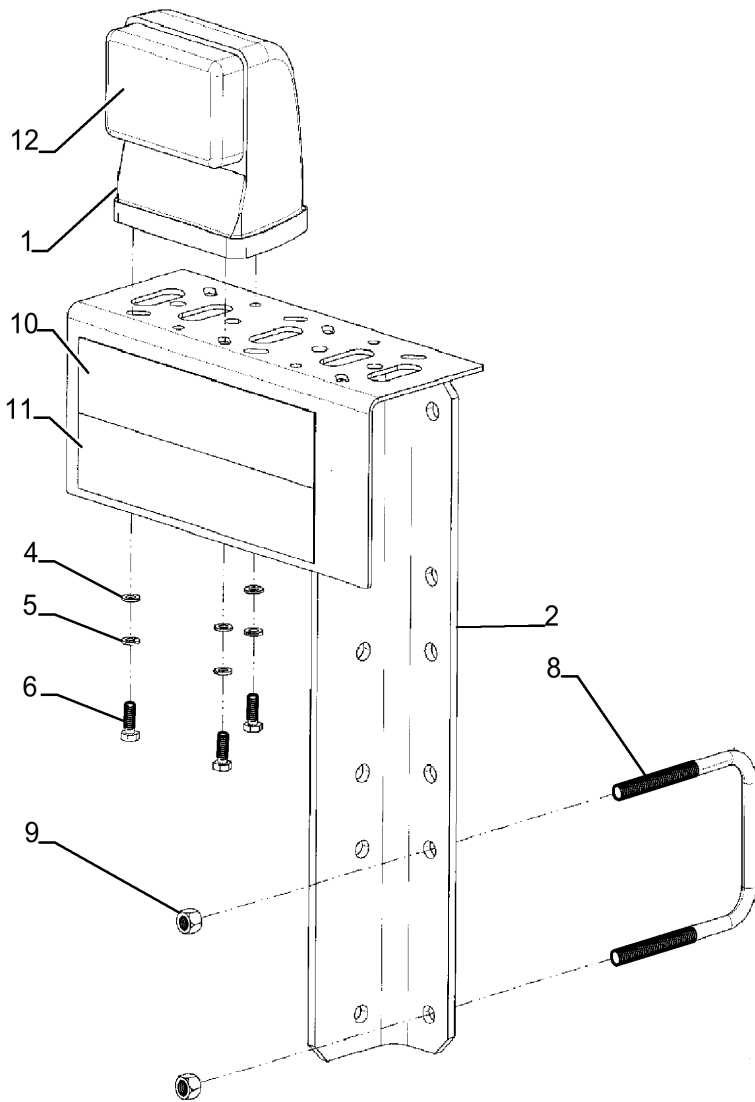


AMBER LIGHT BRACKET

REF FN	PART NUMBER	YR/SN	QTY DESCRIPTION
1	87446792		1 LAMP 12V, 21W, Amber Amber
2	87449661		2 SPACER Bushing
3	87328901		1 BRACKET Lh Light Bracket, Short
3	87328899		1 BRACKET Rh Light Bracket, Short
4	86992212		2 NUT 1/4
5	87482043		1 BRACKET Lh, 11 Shank
5	87482044		1 BRACKET Rh, 11 Shank
5	84173131		1 BRACKET, SUPPORTING Lh, 13 Shank
5	84173132		1 BRACKET, SUPPORTING Rh, 13 Shank
6	87689		2 BOLT 1/2"-13 x 1.813" OAL, Gr 5
7	88871		2 NUT 1/2"-13, GC
8	88011		2 BOLT Hex, 3/8" - 16 x 1 1/4", Gr 5
9	88902		2 NUT 3/8"-16
10	16309091		1 U-BOLT 3/8" - 16, Square, 4" W x 5" L BOLT "U" 4 x 4
10	16309110		1 U-BOLT 6 x 6
11	311865A1		1 REFLECTOR Flourescent
12	311863A1		1 REFLECTOR Red
13	87459023		1 LENS Amber

870-ECOLO-TIGER DISK RIPPER

RED LIGHT BRACKET



RED LIGHT BRACKET

REF FN	PART NUMBER	YR/SN	QTY DESCRIPTION
1	87446791		1 LAMP Red
2	87328899		1 BRACKET Light, Short, Right Hand
2	87328901		1 BRACKET Light, Short, Left Hand
3	87477513		1 BRACKET
4	495-81102		3 WASHER .266" x 1/2" x .060" Flat
5	492-21025		3 LOCK WASHER 1/4"
6	9707580		6 BOLT Hex, 1/4" - 20 x 3/4", Gr 5, Full Thd
6	88146		6 BOLT Hex, 1/4" - 20 x 1", Gr 5
7	280129		3 NUT 1/4"-20
8	16309091		1 U-BOLT 3/8" - 16, Square, 4" W x 5" L BOLT "U"
9	88902		2 NUT 3/8"-16
10	311865A1		1 REFLECTOR Flourescent
11	311863A1		1 REFLECTOR Red
12	87459024		1 LENS Red

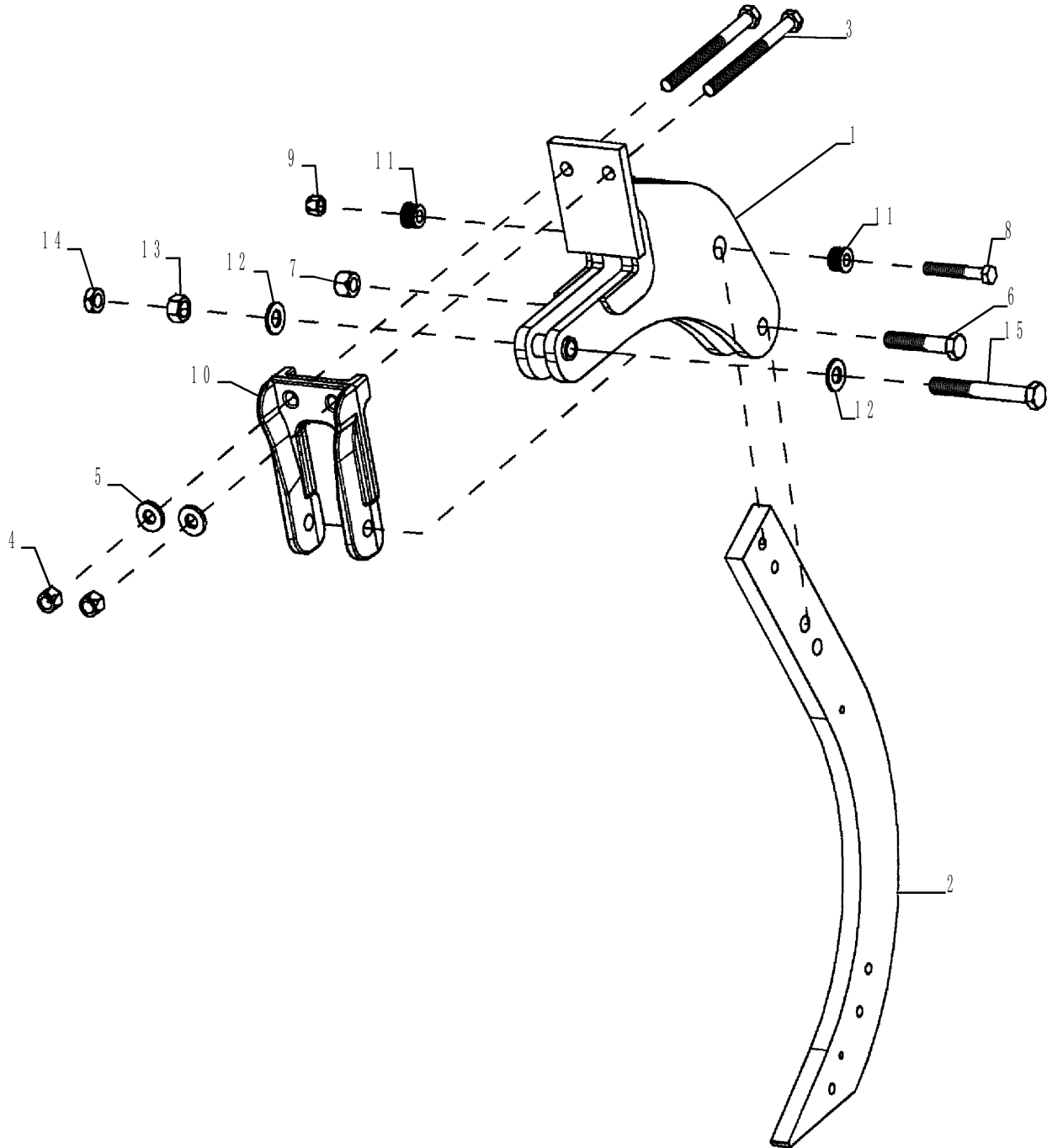
870-ECOLO-TIGER DISK RIPPER

SECTION INDEX

SOIL PREPARATION

75.200.01		SHEAR BOLT MOUNT
75.200.02		SR-13 SHANK ASSEMBLY
75.200.03		SHIN
75.200.04		COVERBOARD - 4 INCH
75.200.05		COVERBOARD - 6 INCH
75.200.06		SHANK RIPPER POINT
75.200.07		CUSHION DISK GANG
75.200.08		DISK FRAME SCRAPER ANGLES
75.200.09		DISC, ASSY, TRUNNION
75.200.09	01	KIT STANDARD BEARING TRUNNION
75.200.09	02	KIT DELUXE BEARING TRUNNION W/PIVOT BUSHING
75.200.09	03	KIT UPGRADE TRUNNION ON BASKET ARM
75.200.10		INDIVIDUAL DISK ATTACHMENT
75.200.11		INDIVIDUAL CENTER DISK ATTACHMENT
75.200.12	01	REAR DISK LEVELER ARM
75.200.12	02	REAR DISK LEVELER ARM 2011
75.200.12	03	REAR DISK LEVELER ARM 2012
75.200.12	04	HUB LEVELER FRONT
75.200.13	01	DISK LEVELER ARM RESET ASSEMBLY
75.200.13	02	DISK LEVELER ARM RESET ASSEMBLY 2012
75.200.13	03	KIT LEVELER MOUNT
75.200.14		DISK LEVELER HUB
75.200.15	01	DOUBLE EDGE REEL
75.200.15	02	DOUBLE EDGE REEL 2011
75.200.16		DOUBLE EDGE REEL ASSEMBLY
75.200.17		REAR DISK LEVELER WITH SPIKE TOOTH HARROW FRAME
75.200.18		SPIKE HARROW
75.200.19		DISK LIFT TRANSPORT STOP
75.200.20		MAIN LIFT TRANSPORT STOP
75.200.21		REAR LEVELER LIFT STOPS
75.200.22		MAIN LIFT DEPTH CONTROL STOPS

SHEAR BOLT MOUNT

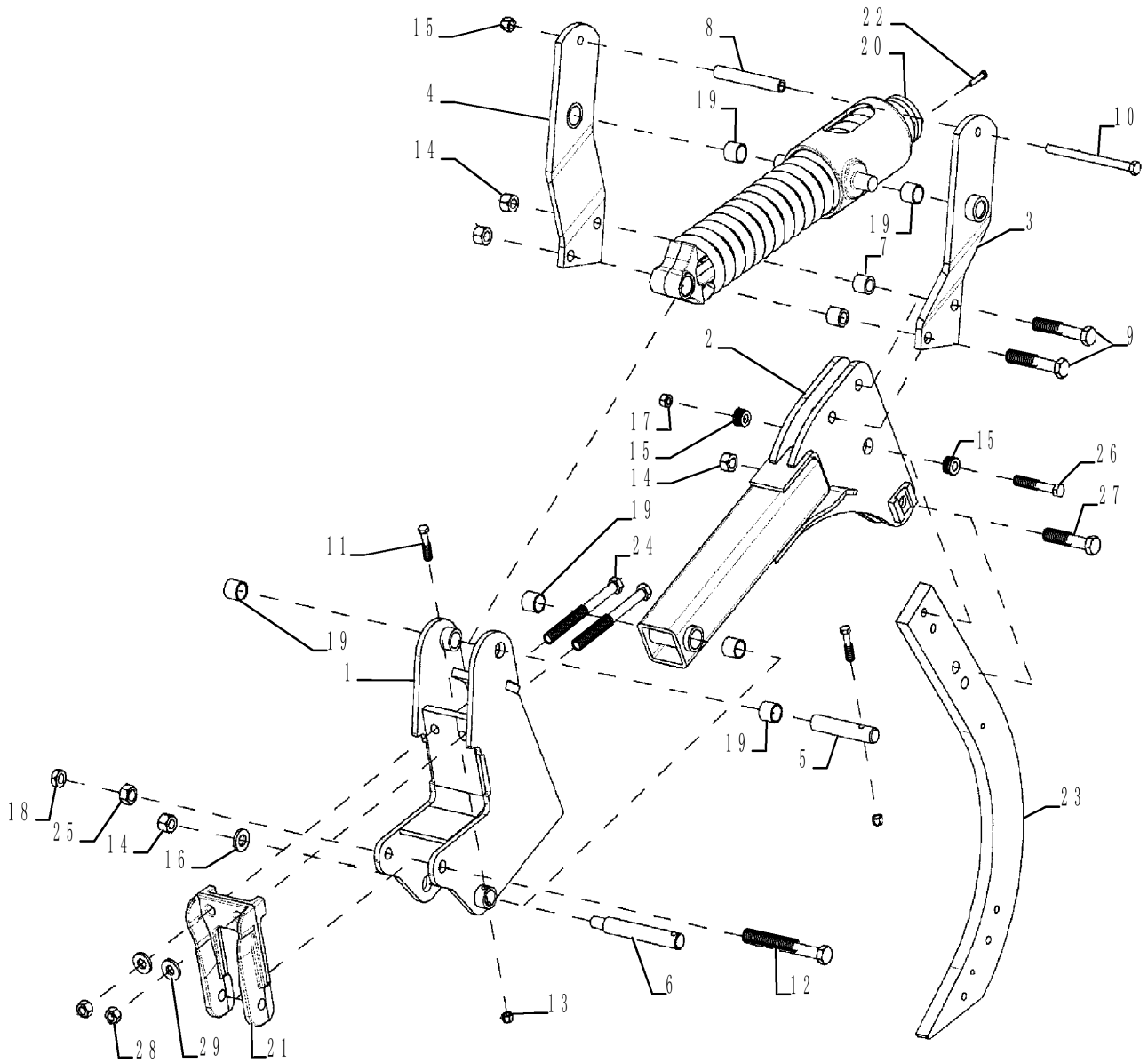


SHEAR BOLT MOUNT

REF FN	PART NUMBER	YR/SN	QTY DESCRIPTION
1	87581625		1 MOUNT Shear Bolt Assembly
2	87553161		1 POINT RIPPER SHANK Parabolic
3	280441		2 BOLT Hex, 3/4" - 10 x 9", Gr 5
4	17413011		2 WASHER
5	280375		2 NUT 3/4"-10, GC
6	426-1472		1 BOLT Hex, 7/8" - 9 x 4-1/2", Gr 8
7	87681198		1 NUT Hex, 7/8"-9, 0.45 high
8	86597433		1 BOLT Hex, 5/8" - 11 x 4 1/4", Gr 5
9	85700693		1 NUT 5/8" - 11, Gr C
10	87441694		1 CLAMP
11	87431928		2 BUSHING 16.66mm ID x 34.93mm OD x 22.86mm L
12	87366		2 WASHER 0.94" ID x 1.75" OD x 0.13" Thk
13	9849647		1 NUT 7/8"-9, G5
14	425-1414		1 JAM NUT Jam, 7/8"-9, G5
15	87490802		1 BOLT

870-ECOLO-TIGER DISK RIPPER

SR-13 SHANK ASSEMBLY

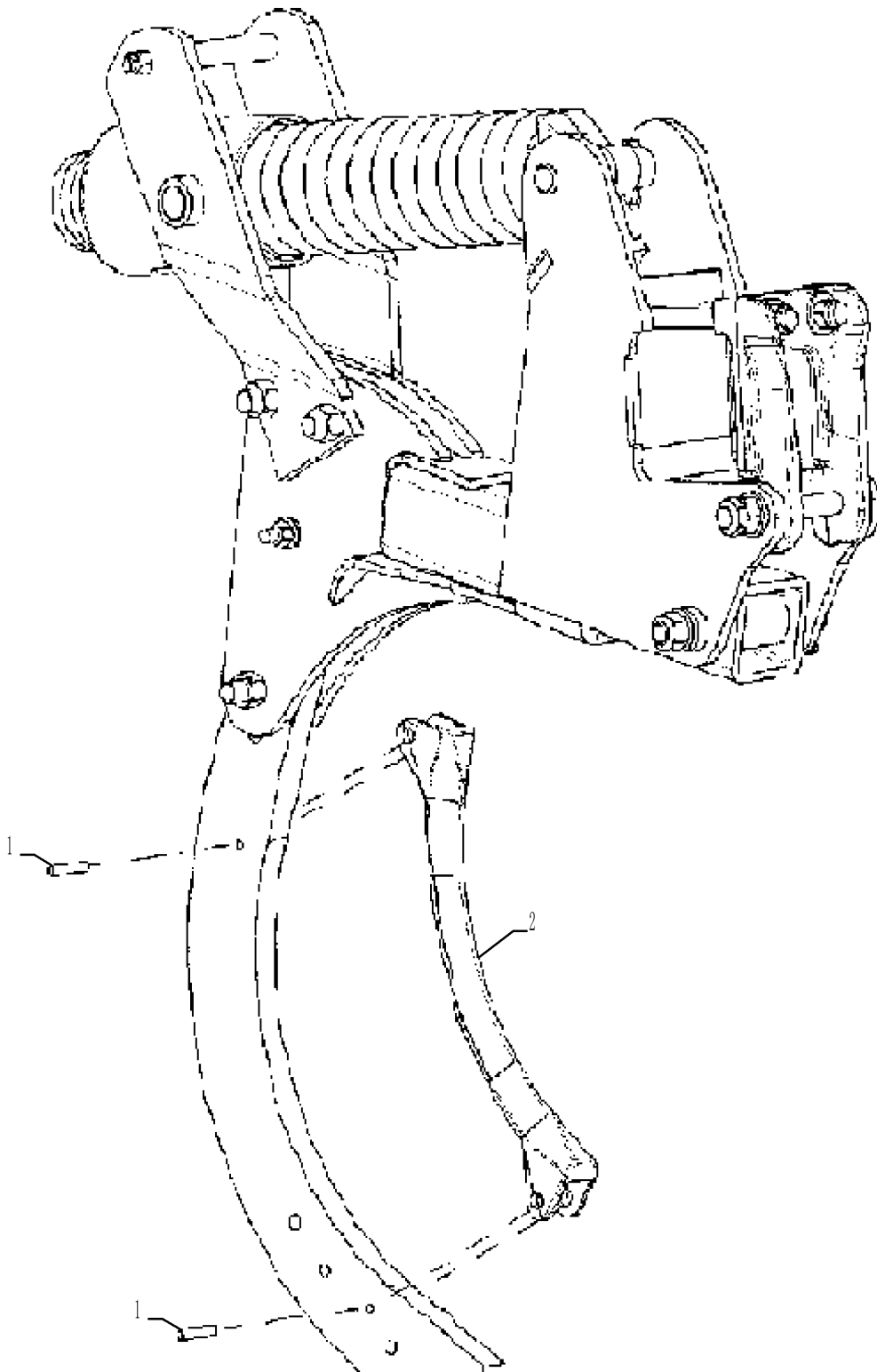


SR-13 SHANK ASSEMBLY

REF FN	PART NUMBER	YR/SN	QTY DESCRIPTION
1	87564600		1 MOUNT Shank
2	87564590		1 SUPPORT SR-13
3	87637851		1 PLATE Left Hand, Spring
4	87637855		1 PLATE Right Hand, Spring
5	84208990		1 PIN 1.25 Diameter Pin
6	84208991		1 PIN 1.25 Machined
7	87559546		2 SPACER
8	87620731		1 SPACER
9	87019287		2 BOLT 5.25 x .875, Gd 5
10	86622984		1 BOLT Hex, 5/8" - 11 x 9", Gr 5
11	87972		2 BOLT Hex, 1/2" - 13 x 2 1/2", Gr 5
12	87490804		1 BOLT
13	88871		2 NUT 1/2"-13, GC GC, .625
14	87681198		4 NUT Hex, 7/8"-9, 0.45 high GC, .875
15	44006510		2 BUSHING GC, .5
16	87012439		2 WASHER 0.91" ID x 1.75" OD x 0.24" Thk
17	85700693		2 NUT 5/8" - 11, Gr C
18	425-1414		1 JAM NUT Jam, 7/8"-9, G5
19	87433288		6 GUIDE BUSHING 31.9mm ID x 38.28mm OD x 31.75mm L
20	87640498		1 SPRING Assembly
21	87441694		1 CLAMP Mount
22	80280644		1 BOLT Hex, 3/8" - 16 x 2", Gr 5, Full Thd
23	87553161		1 POINT RIPPER SHANK
24	280441		2 BOLT Hex, 3/4" - 10 x 9", Gr 5
25	9849647		1 NUT 7/8"-9, G5
26	86597433		1 BOLT Hex, 5/8" - 11 x 4 1/4", Gr 5
27	426-1472		1 BOLT Hex, 7/8" - 9 x 4-1/2", Gr 8
28	280375		2 NUT 3/4"-10, GC
29	17413011		2 WASHER 13/16 x 1-3/4 OD, 240 ZND

870-ECOLO-TIGER DISK RIPPER

SHIN



75.200.03

p1

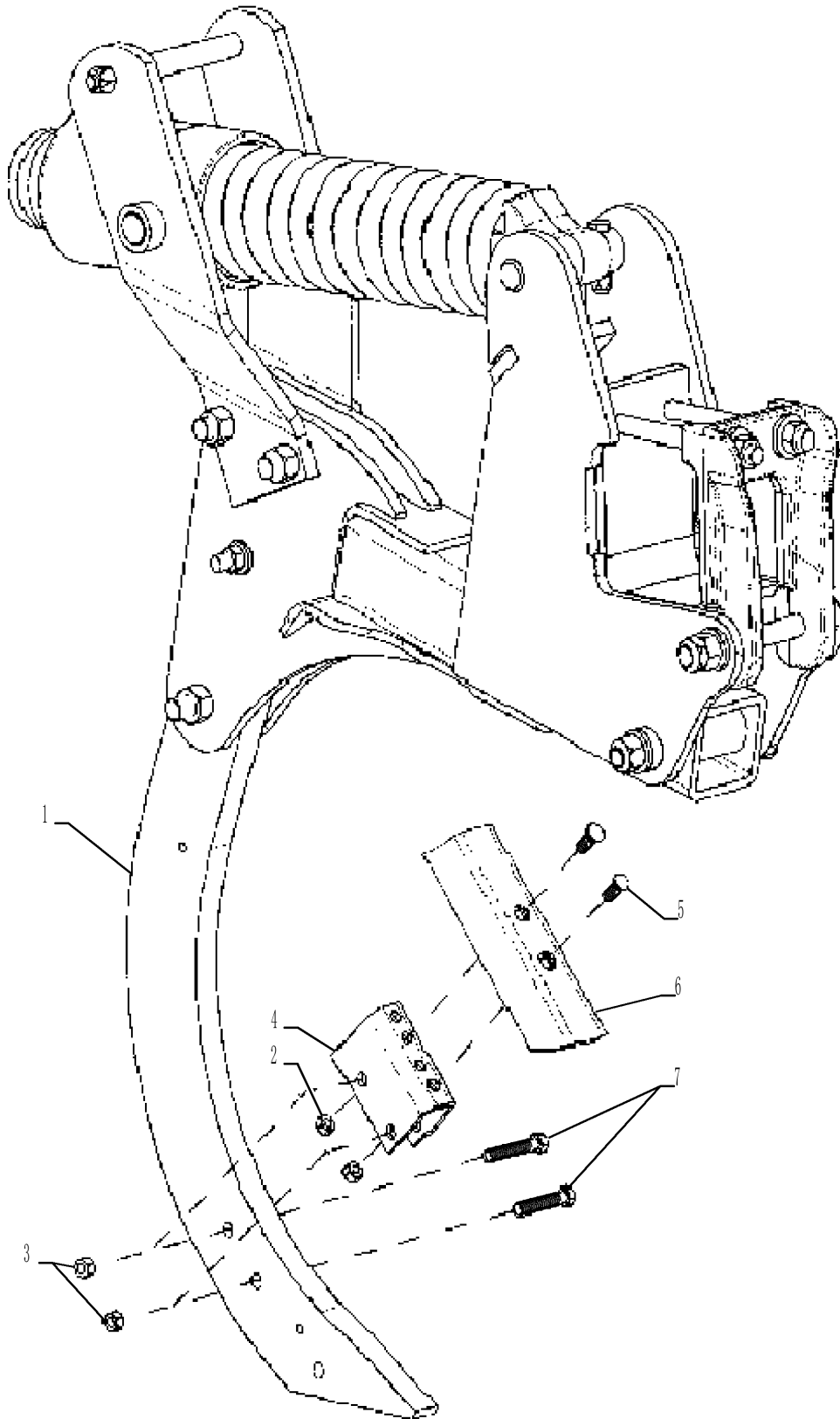
8/2016

SHIN

REF FN	PART NUMBER	YR/SN	QTY DESCRIPTION
1	86624061		2 LOCK PIN 9.53mm OD x 50.8mm L, Slotted
2	87700394		1 SHANK Shin
2	87549262		1 SHANK Shin

870-ECOLO-TIGER DISK RIPPER

COVERBOARD - 4 INCH



75.200.04

p1

8/2016

COVERBOARD - 4 INCH

REF FN	PART NUMBER	YR/SN	QTY DESCRIPTION
1	87553161		1 POINT RIPPER SHANK
2	425-107		2 NUT 7/16"-14, G5
3	425-108		2 NUT 1/2" - 13, Gr 5
4	09580750		1 HITCH BRACKET
5	87495295		2 PLOW BOLT
6	33310079		1 SHOVEL
7	413-844		2 BOLT Hex, 1/2" - 13 x 2-3/4", Gr 5

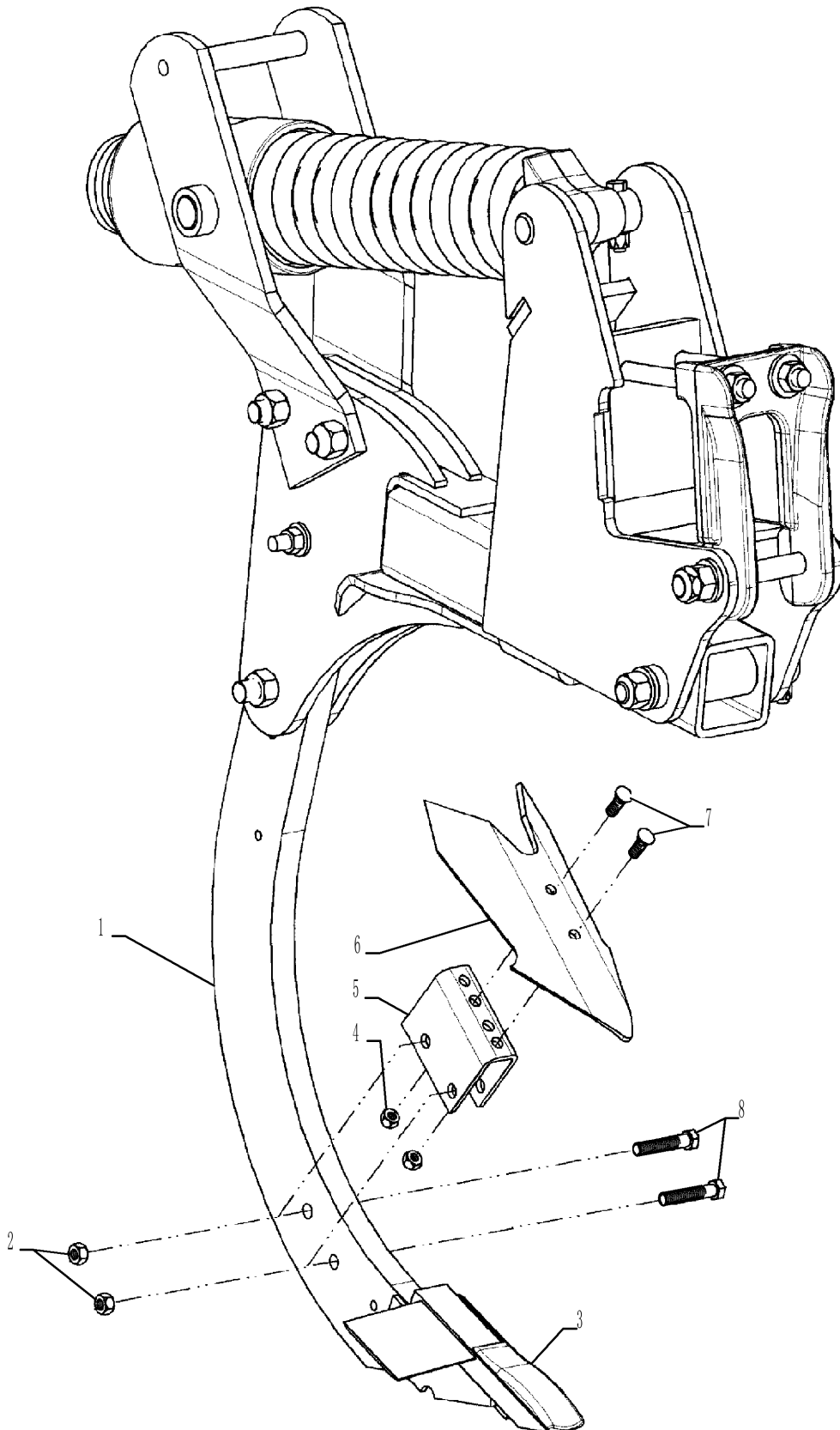
870-ECOLO-TIGER DISK RIPPER

75.200.05

p1

8/2016

COVERBOARD - 6 INCH

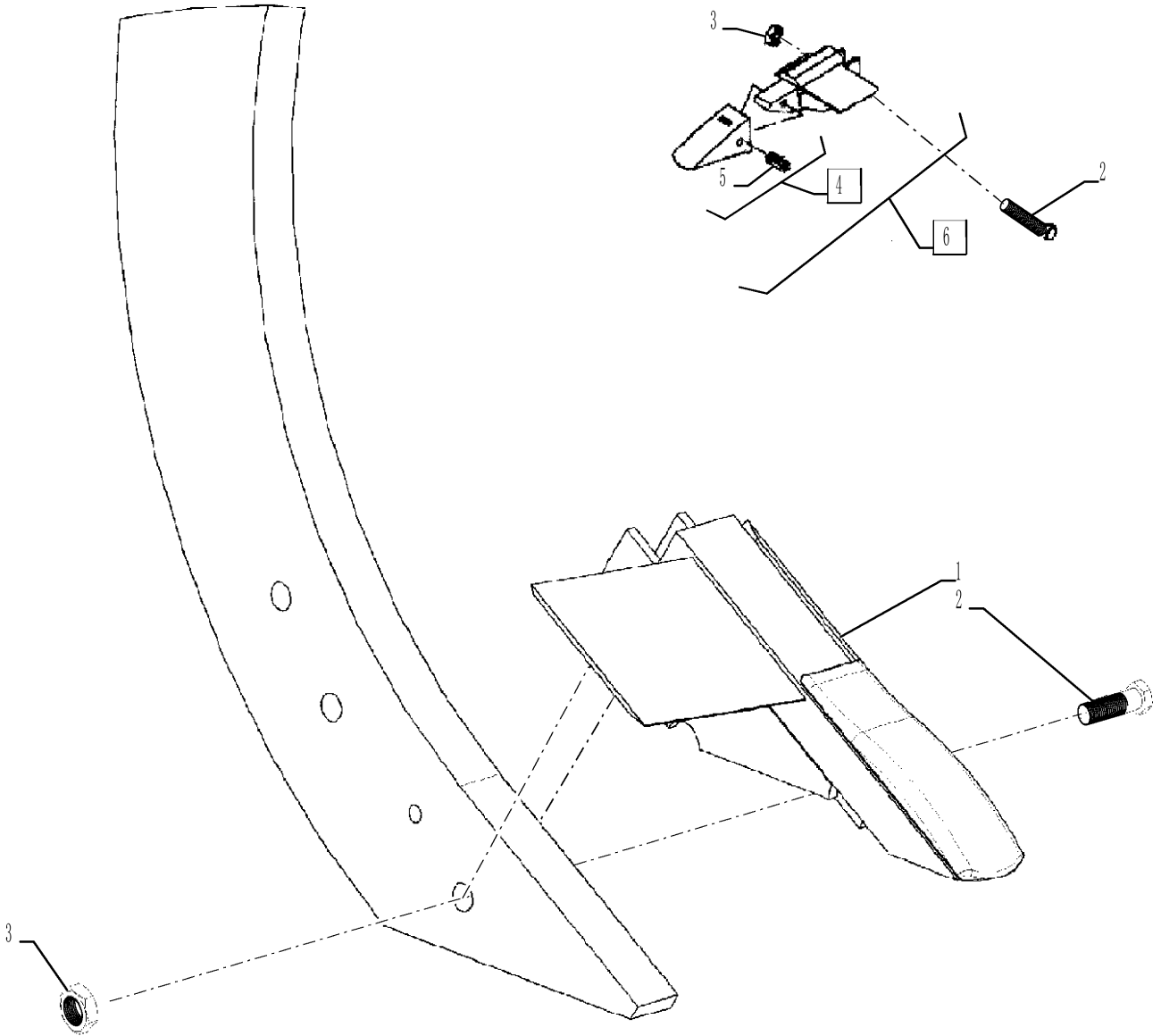


COVERBOARD - 6 INCH

REF FN	PART NUMBER	YR/SN	QTY DESCRIPTION
1	87553161		UAR POINT RIPPER SHANK Parabolic Shank
2	425-108		2 NUT 1/2" - 13, Gr 5
3	87460075		UAR POINT RIPPER SHANK 2 Inch
3	87460070		UAR POINT RIPPER SHANK 7 Inch
4	425-107		2 NUT 7/16"-14, G5
5	87442609		UAR BRACKET Mounting
6	87450521		UAR COVER
7	87301263		2 PLOW BOLT
8	413-844		2 BOLT Hex, 1/2" - 13 x 2-3/4", Gr 5

870-ECOLO-TIGER DISK RIPPER

SHANK RIPPER POINT

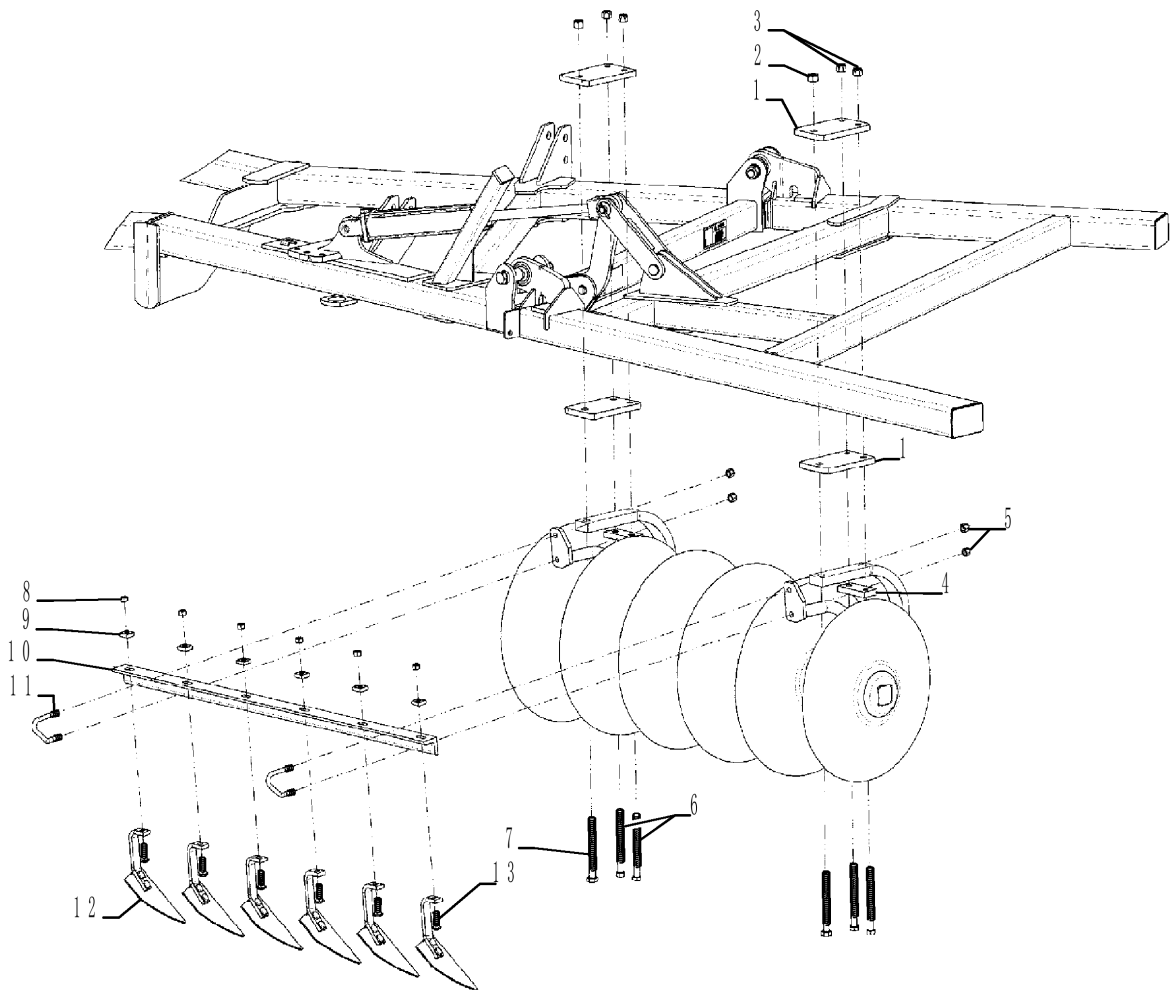


SHANK RIPPER POINT

REF FN	PART NUMBER	YR/SN	QTY DESCRIPTION
1	87460075		1 POINT RIPPER SHANK 2 Inch
1	87460070		1 POINT RIPPER SHANK 7 Inch
2	413-836		1 BOLT Hex, 1/2" - 13 x 2-1/4", Gr 5 SR-13
2	87975		1 BOLT Hex, 1/2" - 13 x 2 1/4", Gr 5 Shear Bolt
3	425-108		1 NUT 1/2" - 13, Gr 5 SR-13
3	280431		1 NUT 1/2"-13, G5 Shear Bolt
4	87412311		1 TIP
5	245466A1		1 RETAINER Flexpin, Bucket Tooth
6	87460158		1 POINT RIPPER SHANK Does Not Include Hardware

870-ECOLO-TIGER DISK RIPPER

CUSHION DISK GANG

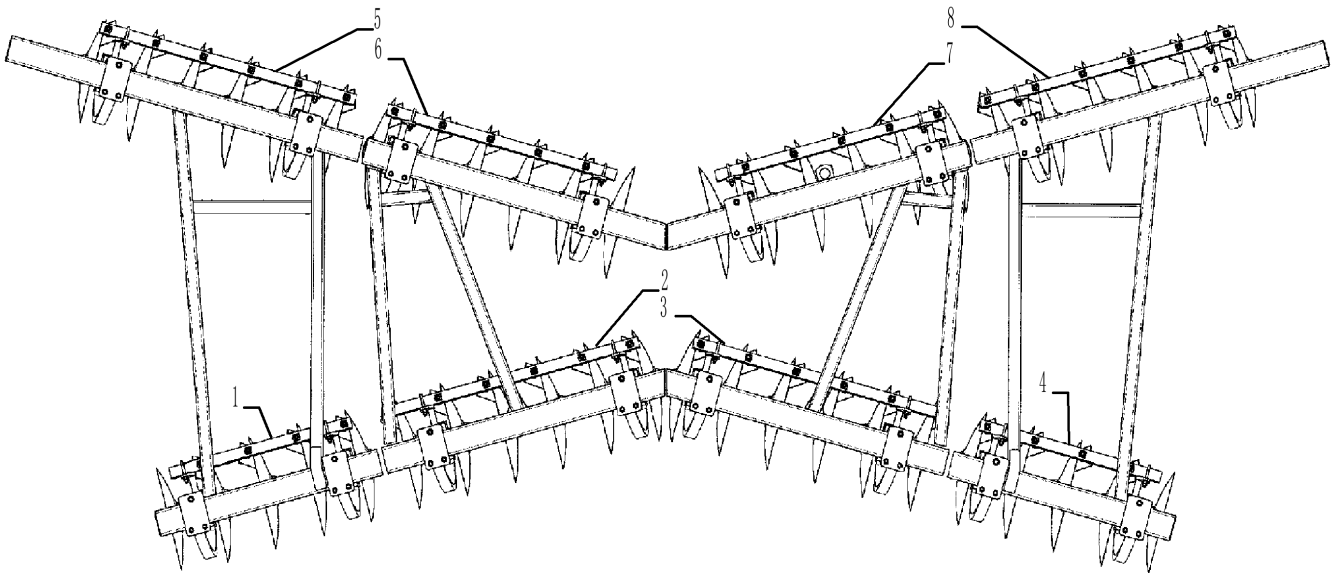


CUSHION DISK GANG

REF FN	PART NUMBER	YR/SN	QTY DESCRIPTION
1	87712636		4 PLATE Flat
2	87681198		2 NUT Hex, 7/8"-9, 0.45 high
3	280375		4 NUT 3/4"-10, GC
4	410082A1		2 STRAP
5	85700693		4 NUT 5/8" - 11, Gr C
6	86502676		4 BOLT Hex, 3/4" - 10 x 8 1/2", Gr 5
7	413-14128		2 BOLT Hex, 7/8" - 9 x 8", Gr 5
8	85700693		UAR NUT 5/8" - 11, Gr C Stover
9	87623346		UAR WASHER 16.66mm ID x 38.1mm OD x 13.72mm Thk 5/8
10	NSS		UAR NOT SOLD SEPARAT See Disk Frame Scraper Angles Page
11	87562173		2 BOLT S
12	87567021		UAR SCRAPER BLADE Rear Bracket Left Hand, Front Bracket Right Hand
12	87567027		UAR SCRAPER BLADE Rear Bracket Right Hand, Front Bracket Left Hand
13	416-1036		UAR CARRIAGE BOLT Sq Nk, 5/8" - 11 x 2 1/4", Gr 8

870-ECOLO-TIGER DISK RIPPER

DISK FRAME SCRAPER ANGLES

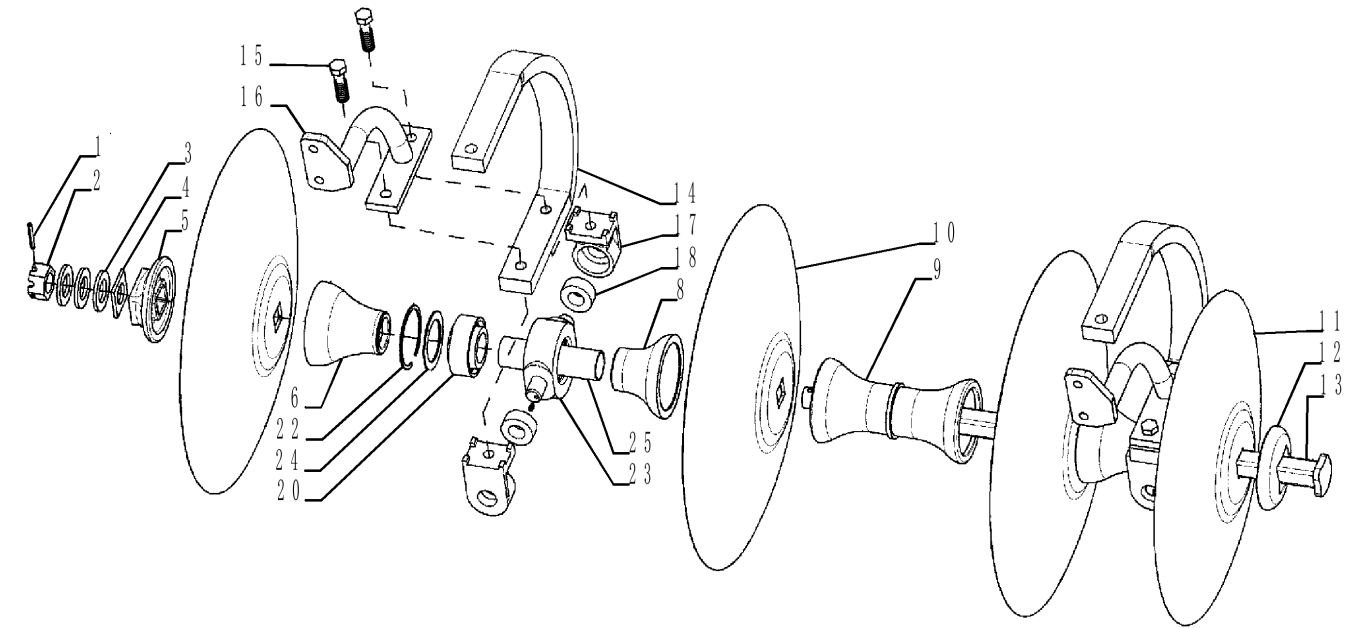


DISK FRAME SCRAPER ANGLES

REF FN	PART NUMBER	YR/SN	QTY DESCRIPTION
1	87472827		1 ANGLE BAR 11Shank
1	87472829		1 ANGLE BAR 13 Shank
2	87472829		1 ANGLE BAR 7 Shank
2	87565572		1 ANGLE BAR 9 Shank
2	87472833		1 ANGLE BAR 11 And 13 Shank
3	87472828		1 ANGLE BAR 7 Shank
3	87565573		1 ANGLE BAR 9 Shank
3	87472833		1 ANGLE BAR 11 And 13 Shank
4	87472816		1 ANGLE BAR 11 Shank
4	87472828		1 ANGLE BAR 13 Shank
5	87472832		1 ANGLE BAR 9 Shank
5	87472833		1 ANGLE BAR 11 Shank
5	87472834		1 ANGLE BAR 13 Shank
6	87472830		1 ANGLE BAR 7 Shank
6	87565570		1 ANGLE BAR 9, 11, And 13 Shank
7	87472831		1 ANGLE BAR 7 Shank
7	87565571		1 ANGLE BAR 9, 11, And 13 Shank
8	87472832		1 ANGLE BAR 9 Shank
8	87472833		1 ANGLE BAR 11 Shank
8	87472834		1 ANGLE BAR 13 Shank

870-ECOLO-TIGER DISK RIPPER

DISC, ASSY, TRUNNION



DISC, ASSY, TRUNNION

REF FN	PART NUMBER	YR/SN	QTY DESCRIPTION
1	87019504		1 COTTER PIN 7.94mm OD x 60.33mm L, Slotted
2	425-1224		1 SLOTTED NUT 1 1/2"-6, G5
3	87412142		UAR WASHER 40mm ID x 75mm OD x 6.5mm Thk
4	488836R2		1 NUT Nut
5	549973R2		1 SQ HOLE WASHER
6	87471561		2 BEARING HOUSING Long, 12 Inch
7	403922A1		2 SLEEVE 49.276mm ID x 55.17mm OD x 197mm L
8	87471560		2 BEARING HOUSING Short, 12 Inch
9	403931A1		UAR SPOOL Spacing, 12 Inch
10	58934C3		UAR DISK HARROW DISK, 26.5"X6.5MM CLV/LF
11	87443004		1 PLOW DISC
12	60615C1		1 WASHER
13	87404886		1 BOLT 4 Blade, 12 Inch Spacing
13	404069A1		1 PLOW BOLT 6 Blade, 12 Inch Spacing
13	87722626		1 BOLT 5 Blade, 12 Inch Spacing
13	404070A1		1 PLOW BOLT 9 Blade, 12 Inch Spacing
13	87407707		1 BOLT 7 Blade, 12 Inch Spacing
13	87407708		1 BOLT 8 Blade, 12 Inch Spacing
14	87562228		2 SPRING Right Hand
14	87562227		2 HANGER Left Hand
15	280173		4 BOLT Hex, 3/4" - 10 x 2 3/4", Gr 5
16	87725635		2 BRACKET Left Hand
16	87725636		2 BRACKET Right Hand
17	195109A1		4 TRUNNION
18	197334A1		4 BUSHING 32.13mm ID x 63.83mm OD x 25.91mm L
19	219-87		1 LUBE NIPPLE 1/4" - 28 NPTF Not Shown
20	409556A1		2 BEARING, BALL 55.56mm ID x 110mm OD x 55.56mm W
22	101-21433		2 SNAP RING #433, 4.641", Int
23	193907A1		2 HOUSING, BEARING 109.971 mm ID x 133 mm OD x 64 mm
24	193929A1		1 WASHER 79 mm ID x 109 mm OD x 3.35 mm
25	403922A1		1 SLEEVE 49.276mm ID x 55.17mm OD x 197mm L

870-ECOLO-TIGER DISK RIPPER

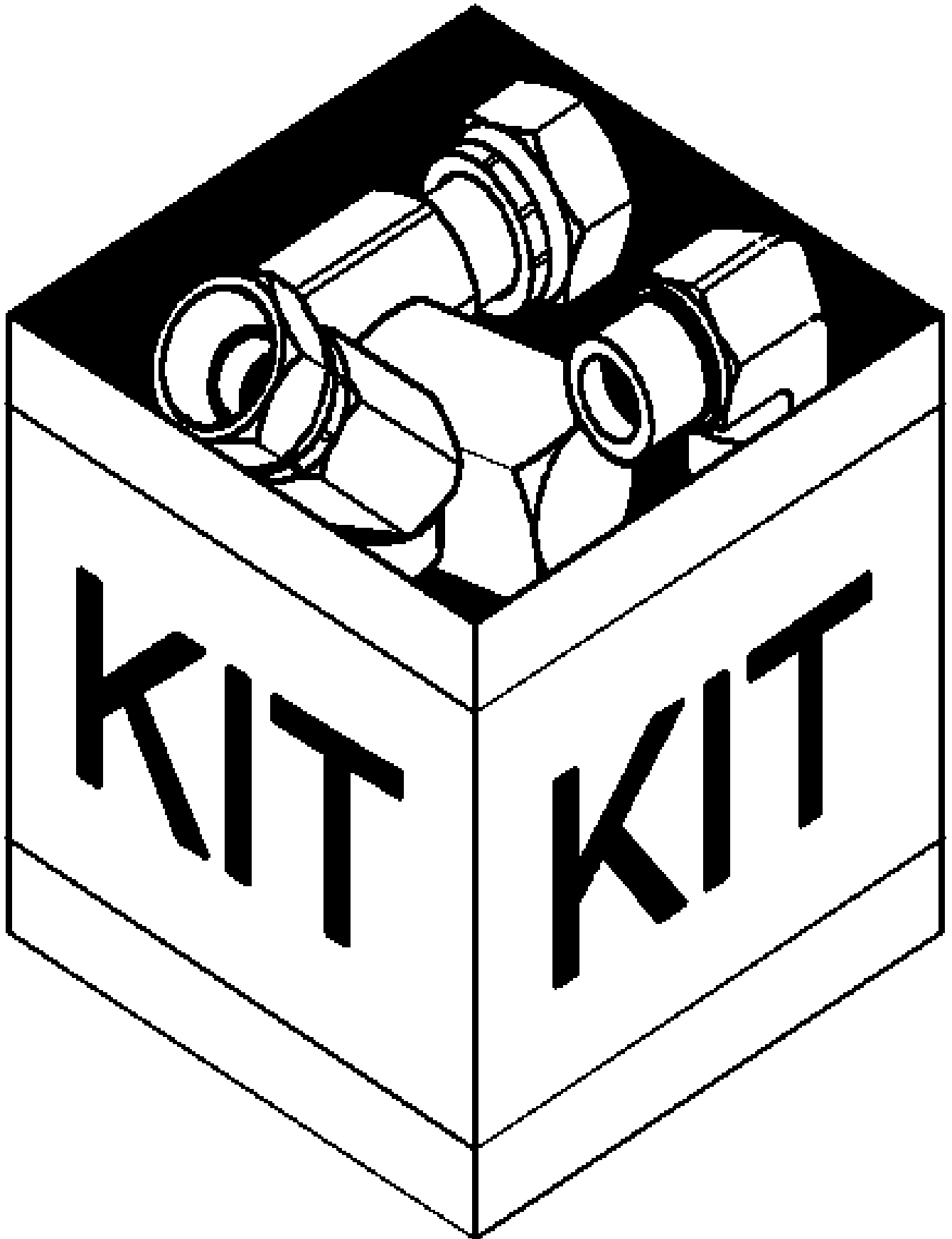
75.200.09

01

p1

8/2016

KIT STANDARD BEARING TRUNNION



75.200.09

01

p1

8/2016

KIT STANDARD BEARING TRUNNION

REF FN	PART NUMBER	YR/SN	QTY DESCRIPTION
1	47781007		1 KIT Includes 2 - 5
2	409556A1		1 BEARING, BALL 55.56mm ID x 110mm OD x 55.56mm W
3	193929A1		1 WASHER 79 mm ID x 109 mm OD x 3.35 mm
4	87016938		1 SNAP RING #433, 4.641", Int
5	87414		1 LUBE NIPPLE 1/4" - 28

870-ECOLO-TIGER DISK RIPPER

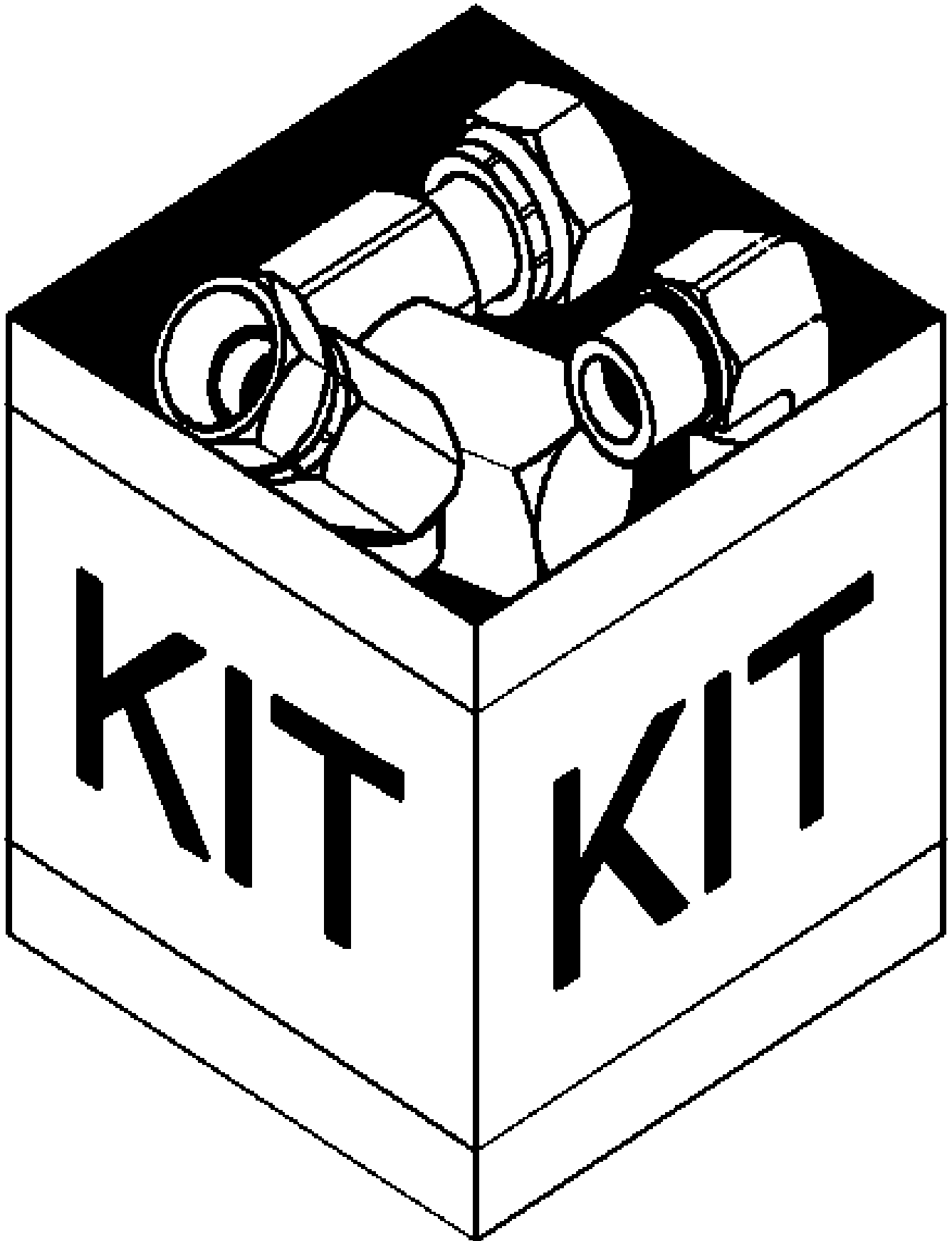
75.200.09

02

p1

8/2016

KIT DELUXE BEARING TRUNNION W/PIVOT BUSHING



75.200.09

02

p1

8/2016

KIT DELUXE BEARING TRUNNION W/PIVOT BUSHING

REF FN	PART NUMBER	YR/SN	QTY DESCRIPTION
1	47781010		1 KIT Includes 2 - 6
2	409556A1		1 BEARING, BALL 55.56mm ID x 110mm OD x 55.56mm W
3	193929A1		1 WASHER 79 mm ID x 109 mm OD x 3.35 mm
4	87016938		1 SNAP RING #433, 4.641", Int
5	197334A1		2 BUSHING 32.13mm ID x 63.83mm OD x 25.91mm L
6	87414		1 LUBE NIPPLE 1/4" - 28

870-ECOLO-TIGER DISK RIPPER

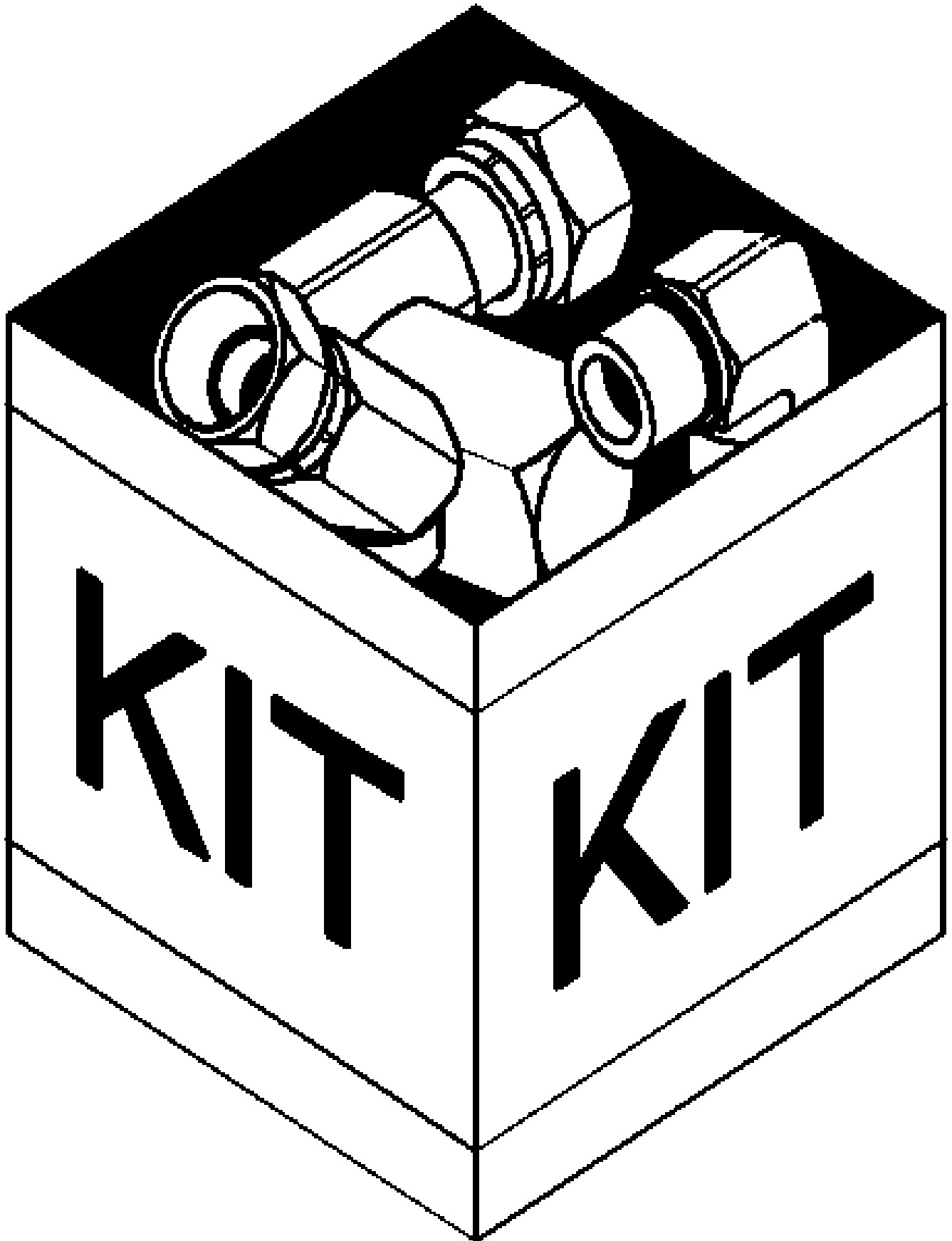
75.200.09

03

p1

8/2016

KIT UPGRADE TRUNNION ON BASKET ARM



75.200.09

03

p1

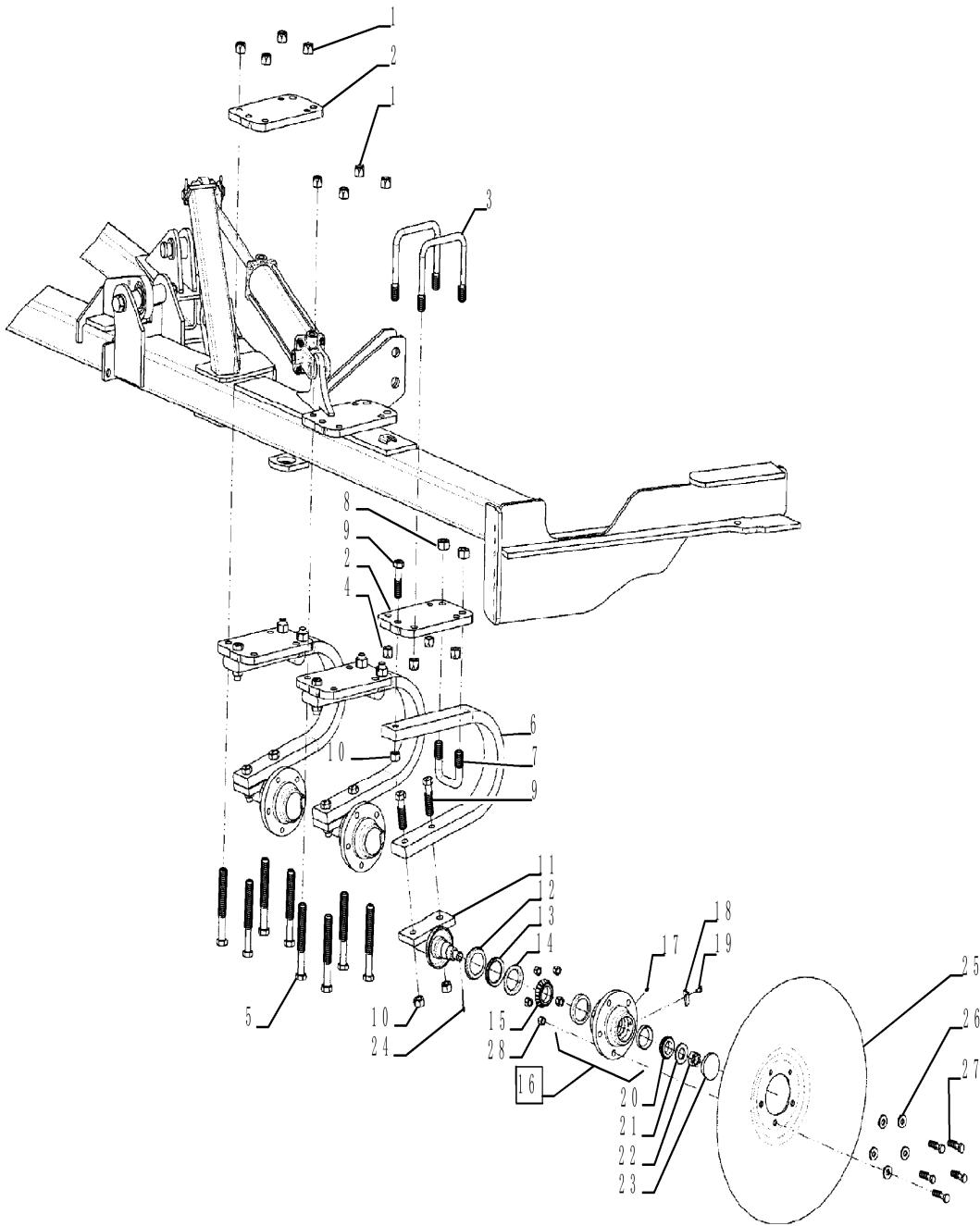
8/2016

KIT UPGRADE TRUNNION ON BASKET ARM

REF FN	PART NUMBER	YR/SN	QTY DESCRIPTION
1	47497781		1 LINK
2	47478812		1 TRUNNION
3	16901495		1 SPECIAL BOLT
4	47497597		4 BUSHING
5	88062		4 BOLT Hex, 5/8" - 11 x 1 1/2", Gr 8
6	47779244		1 KIT Kit Upgrade Trunnion On Basket Arm Inc 1 - 5 Ins Sheet 47779217

870-ECOLO-TIGER DISK RIPPER

INDIVIDUAL DISK ATTACHMENT

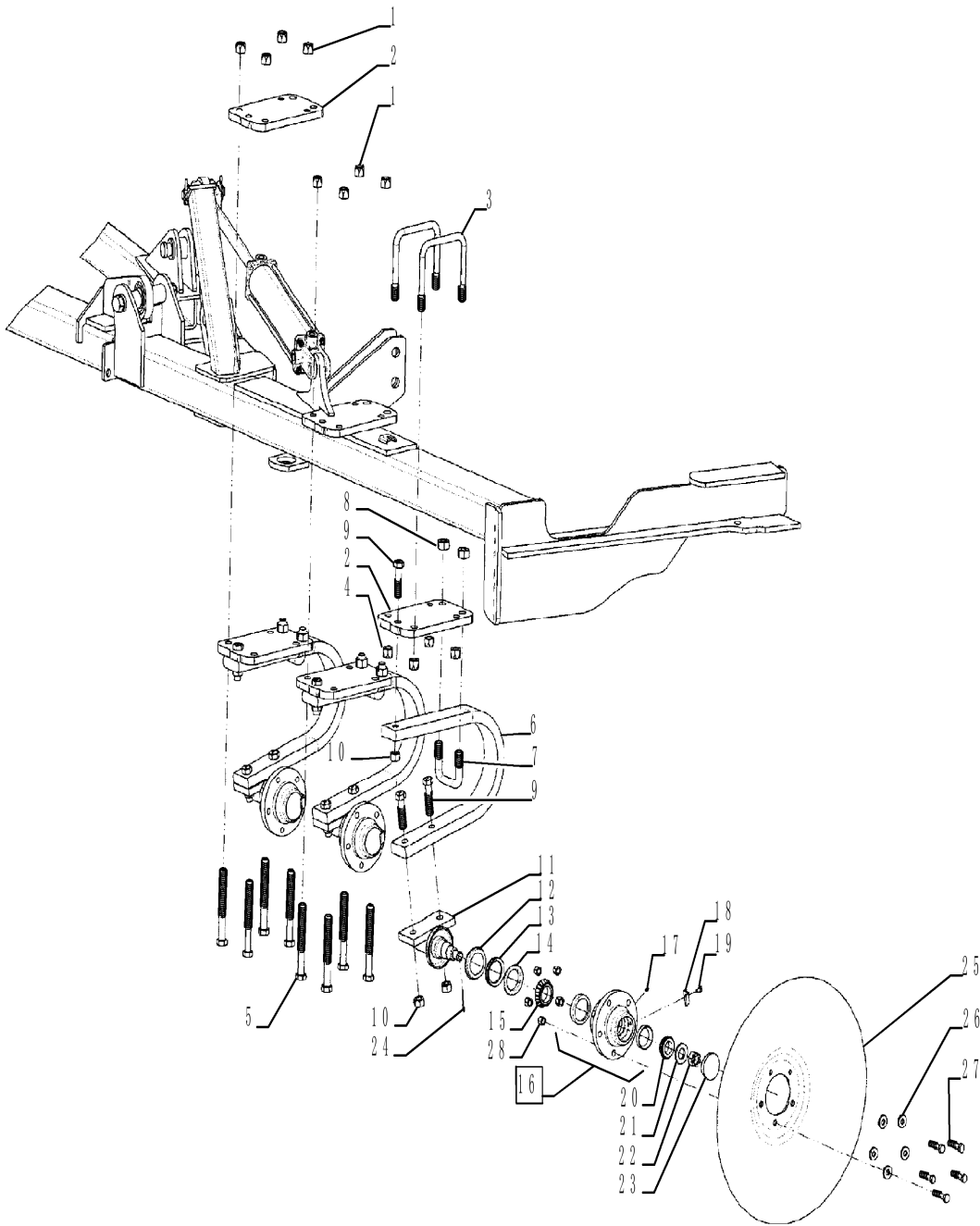


INDIVIDUAL DISK ATTACHMENT

REF FN	PART NUMBER	YR/SN	QTY DESCRIPTION
1	280375		4 NUT 3/4"-10, GC
2	87541405		1 PLATE
3	87427186		2 U-BOLT BOLT "U" 3/4 x 6.18
4	280375		4 NUT 3/4"-10, GC
5	280316		4 BOLT Hex, 3/4" - 10 x 7", Gr 5
6	87429835		1 HANGER
7	87518250		1 U-BOLT 7/8 x 3.06
8	86992218		2 LOCK NUT
9	426-1248		3 BOLT Hex, 3/4" - 10 x 3", Gr 8
10	86992217		3 NUT
11	09987810		1 SHANK
12	87415558		1 SEAL 53.87mm ID x 78.26mm OD x 1.52mm Thk
13	87415557		1 SEAL
14	87415559		1 SEAL 55.63mm ID x 82.55mm OD x 1.02mm Thk
15	663557R91		1 BEARING ASSY 1.625" ID x 2.892" OD x 0.77"
16	28705011		1 HUB ASSY. With Cups
17	219-87		1 LUBE NIPPLE 1/4" - 28 NPTF
18	09970770		1 RETAINER
19	413-58		1 BOLT Hex, 5/16" - 18 x 1/2", Gr 5
20	651818R91		1 ROLLER BEARING 31.77 mm ID x 16.08 mm
21	496-31106		1 WASHER 1 1/16" x 2" x .219", HDN
22	425-1314		1 SLOTTED NUT 7/8"-14, G5
23	28490001		1 HUB CAP
24	432-1024		1 COTTER PIN 5/32" x 1 1/2"
25	87702617		1 DISC 22
25	87691879		1 DISC 24
26	496-41053		5 WASHER 13.49mm ID x 31.75mm OD x 5.05mm Thk
27	50032		5 BOLT Hex, 1/2" - 13 x 2 1/4", Gr 8
28	88871		5 NUT 1/2"-13, GC
29	87541406		1 SHANK Cushion, Right Hand Assembly, Not Shown, 11 And 13 Shank
29	87541407		1 SHANK Cushion, Left Hand Assembly, Not Shown, 11 And 13 Shank

870-ECOLO-TIGER DISK RIPPER

INDIVIDUAL DISK ATTACHMENT



75.200.10

p2

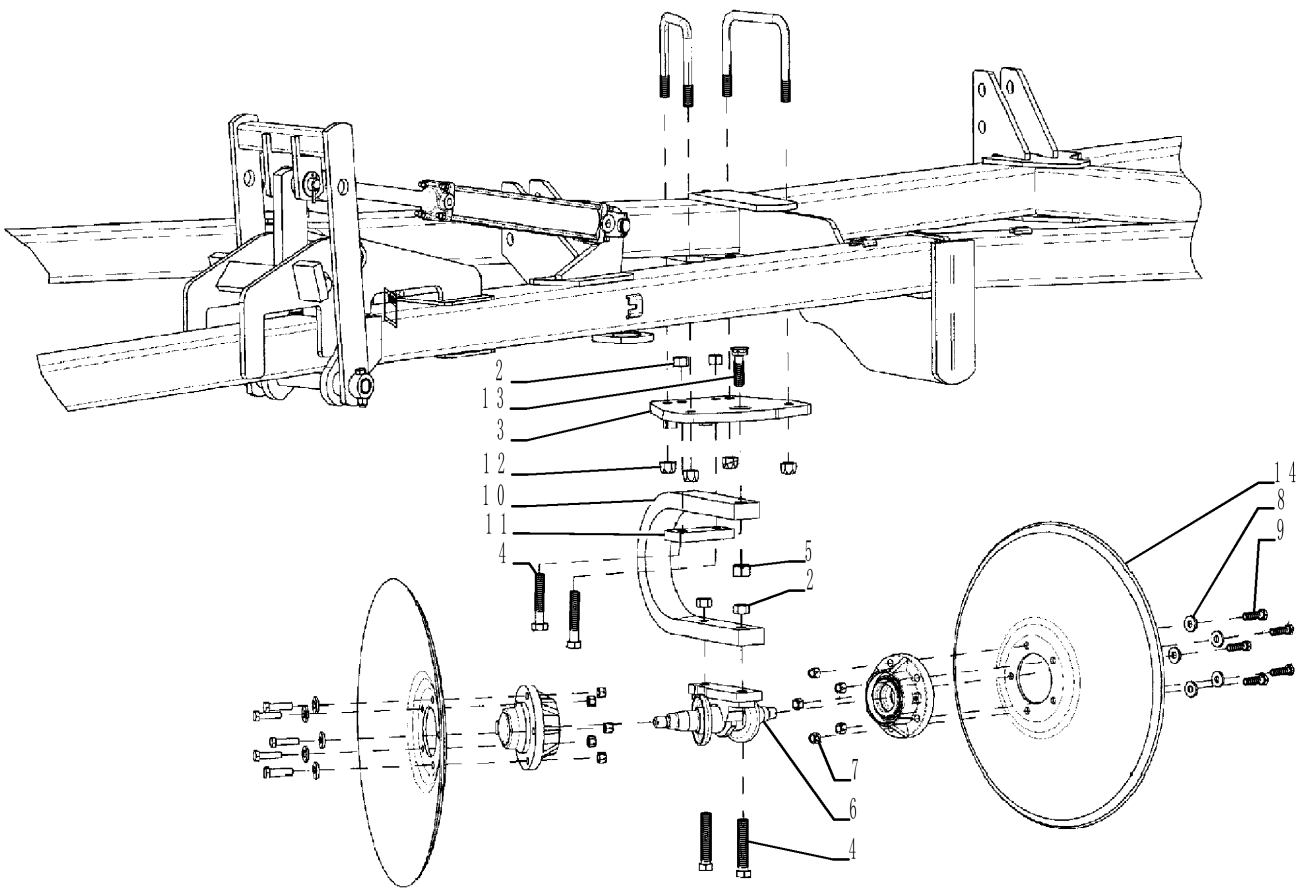
8/2016

INDIVIDUAL DISK ATTACHMENT

REF FN	PART NUMBER	YR/SN	QTY DESCRIPTION
30	87577024		1 HUB Assembly, Not Shown, 11 And 13 Shank

870-ECOLO-TIGER DISK RIPPER

INDIVIDUAL CENTER DISK ATTACHMENT



INDIVIDUAL CENTER DISK ATTACHMENT

REF FN	PART NUMBER	YR/SN	QTY DESCRIPTION
1	87427186		2 U-BOLT BOLT "U"
2	280375		4 NUT 3/4"-10, GC
3	87711265		1 PLATE
4	280210		4 BOLT Hex, 3/4"-10 x 4", G5
5	87681198		1 NUT Hex, 7/8"-9, 0.45 high
6	87708862		1 SPINDLE
7	88871		10 NUT 1/2"-13, GC
8	496-41053		10 WASHER 13.49mm ID x 31.75mm OD x 5.05mm Thk
9	50032		10 BOLT Hex, 1/2" - 13 x 2 1/4", Gr 8
10	87328544		1 HANGER
11	410082A1		1 STRAP
12	280375		4 NUT 3/4"-10, GC
13	320-21448		1 CARRIAGE BOLT #3, 7/8" - 9 x 3", Gr 8
14	87691879		2 DISC

870-ECOLO-TIGER DISK RIPPER

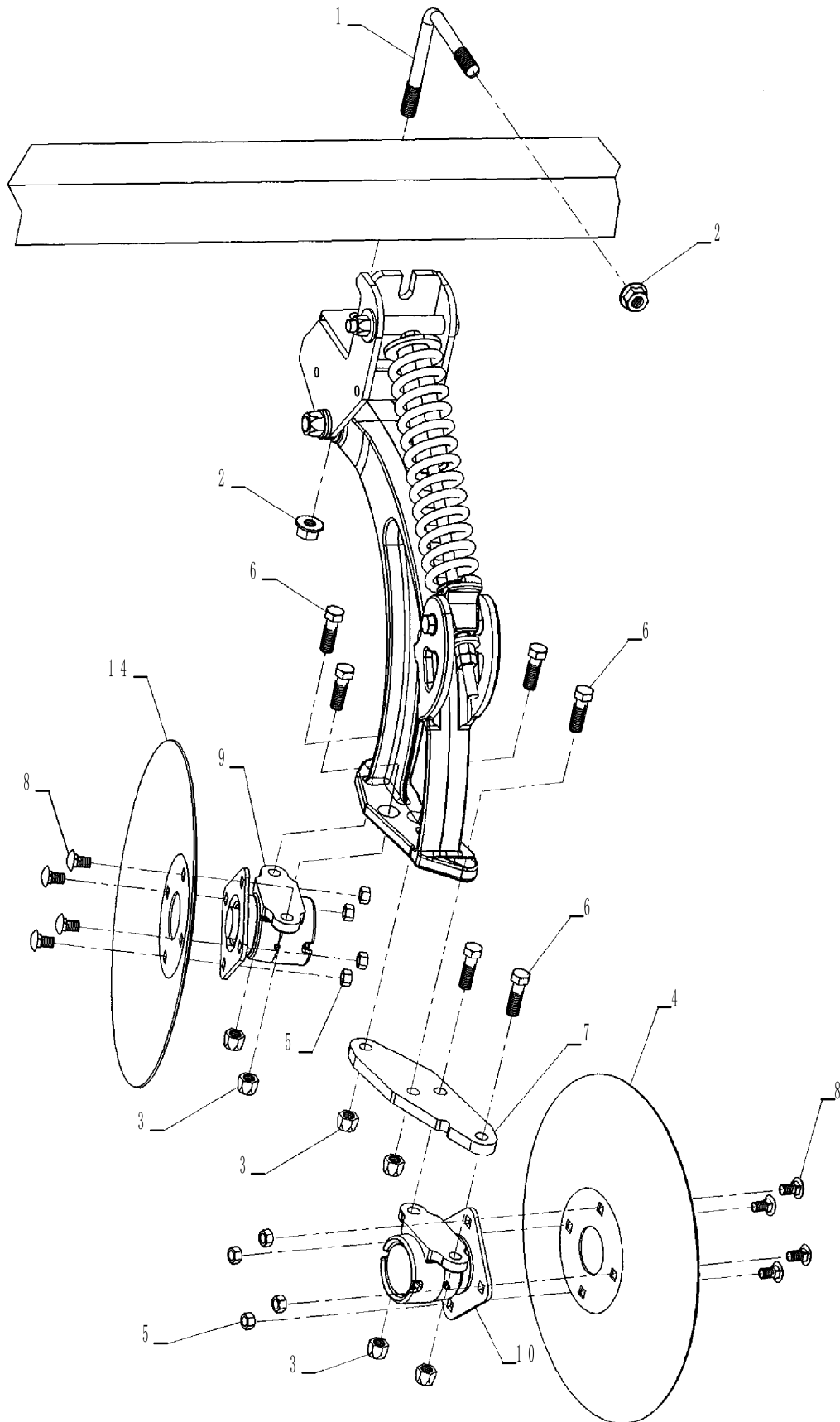
75.200.12

01

p1

8/2016

REAR DISK LEVELER ARM



REAR DISK LEVELER ARM

REF FN	PART NUMBER	YR/SN	QTY DESCRIPTION
1	87427192		1 SPECIAL BOLT 3/4 x 5.94
2	87490324		2 LOCK NUT 3/4
3	85700693		6 NUT 5/8" - 11, Gr C
4	84180366		2 DISK HARROW DISK, MC,FLT CNTR 460X63.5X3
5	280431		8 NUT 1/2"-13, G5
6	86505999		6 BOLT Hex, 5/8" - 11 x 2", Gr 5
7	84184568		1 PLATE
8	280486		8 CARRIAGE BOLT Sq Nk, 1/2" - 13 x 1", Gr 5, Full Thd
9	84293352		1 HUB CARRIER Front
10	84293395		1 HUB CARRIER Rear

870-ECOLO-TIGER DISK RIPPER

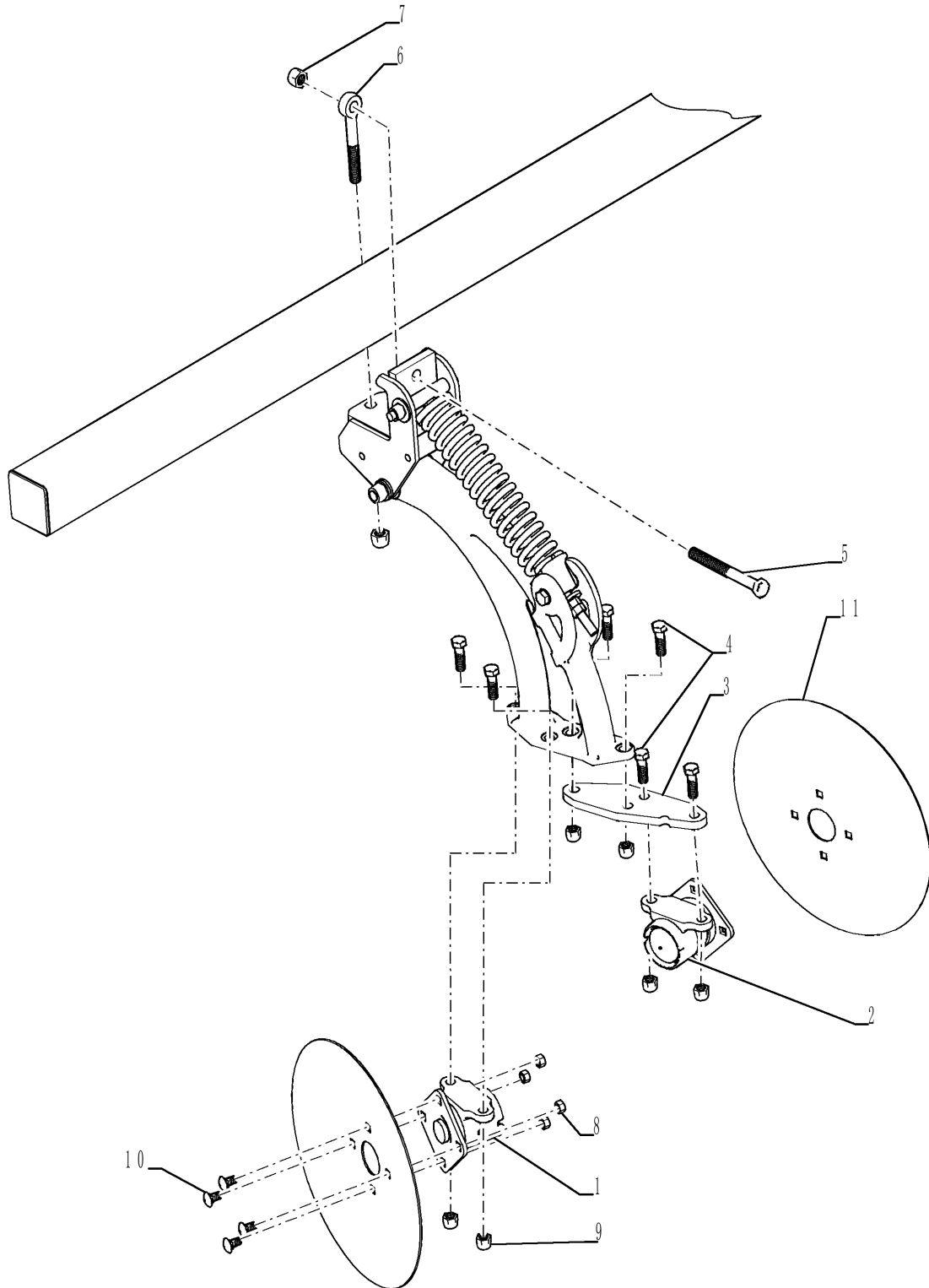
75.200.12

02

p1

8/2016

REAR DISK LEVELER ARM 2011



REAR DISK LEVELER ARM 2011

REF FN	PART NUMBER	YR/SN	QTY DESCRIPTION
1	84403379		1 HUB
2	84403380		1 HUB
3	84184568		1 PLATE
4	86505999		6 BOLT Hex, 5/8" - 11 x 2", Gr 5
5	280316		1 BOLT Hex, 3/4" - 10 x 7", Gr 5
6	84402165		1 EYEBOLT
7	280375		2 NUT 3/4"-10, GC
8	280431		8 NUT 1/2"-13, G5
9	85700693		6 NUT 5/8" - 11, Gr C
10	280486		8 CARRIAGE BOLT Sq Nk, 1/2" - 13 x 1", Gr 5, Full Thd
11	84180366		2 DISK HARROW

870-ECOLO-TIGER DISK RIPPER

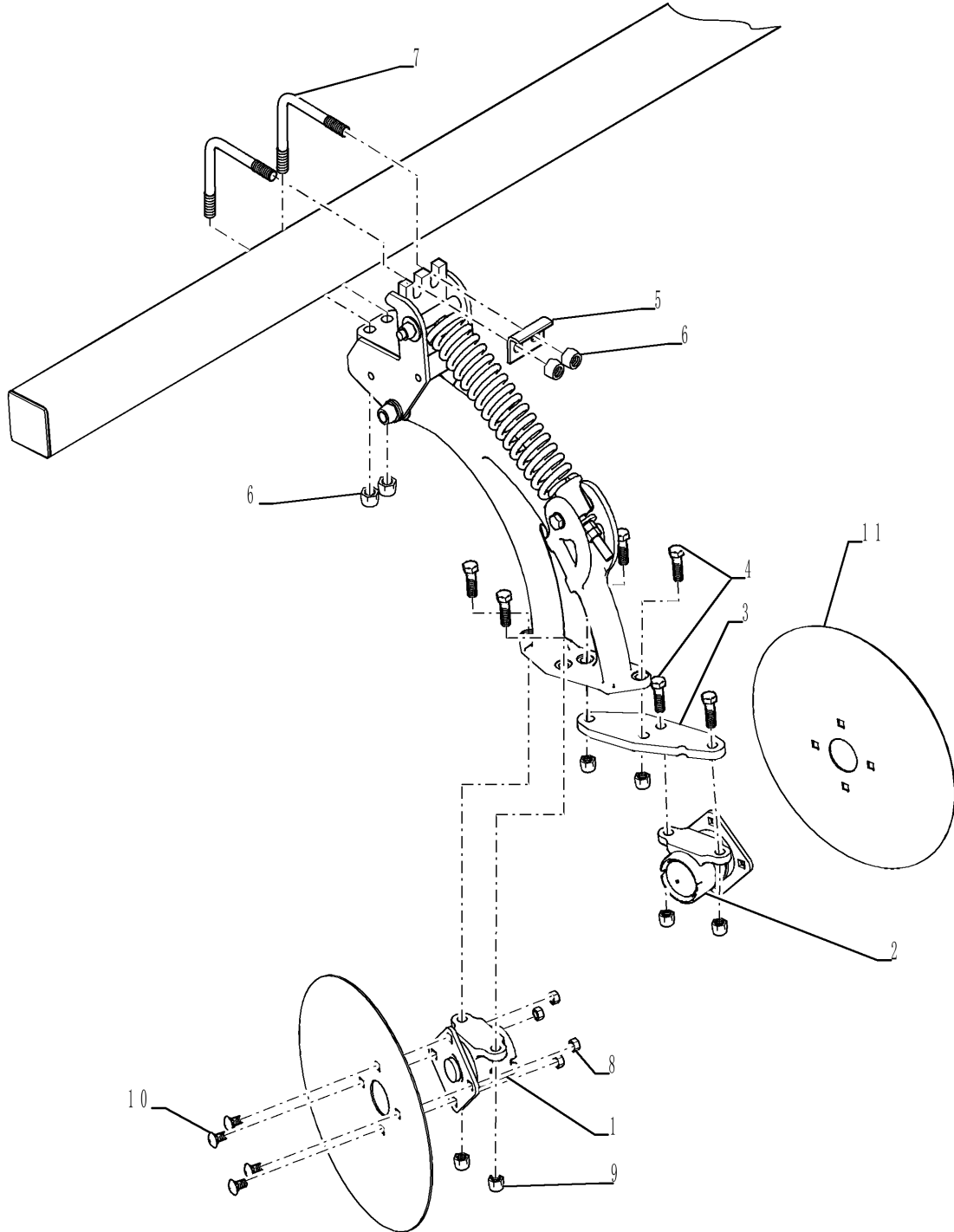
75.200.12

03

p1

8/2016

REAR DISK LEVELER ARM 2012



75.200.12

03

p1

8/2016

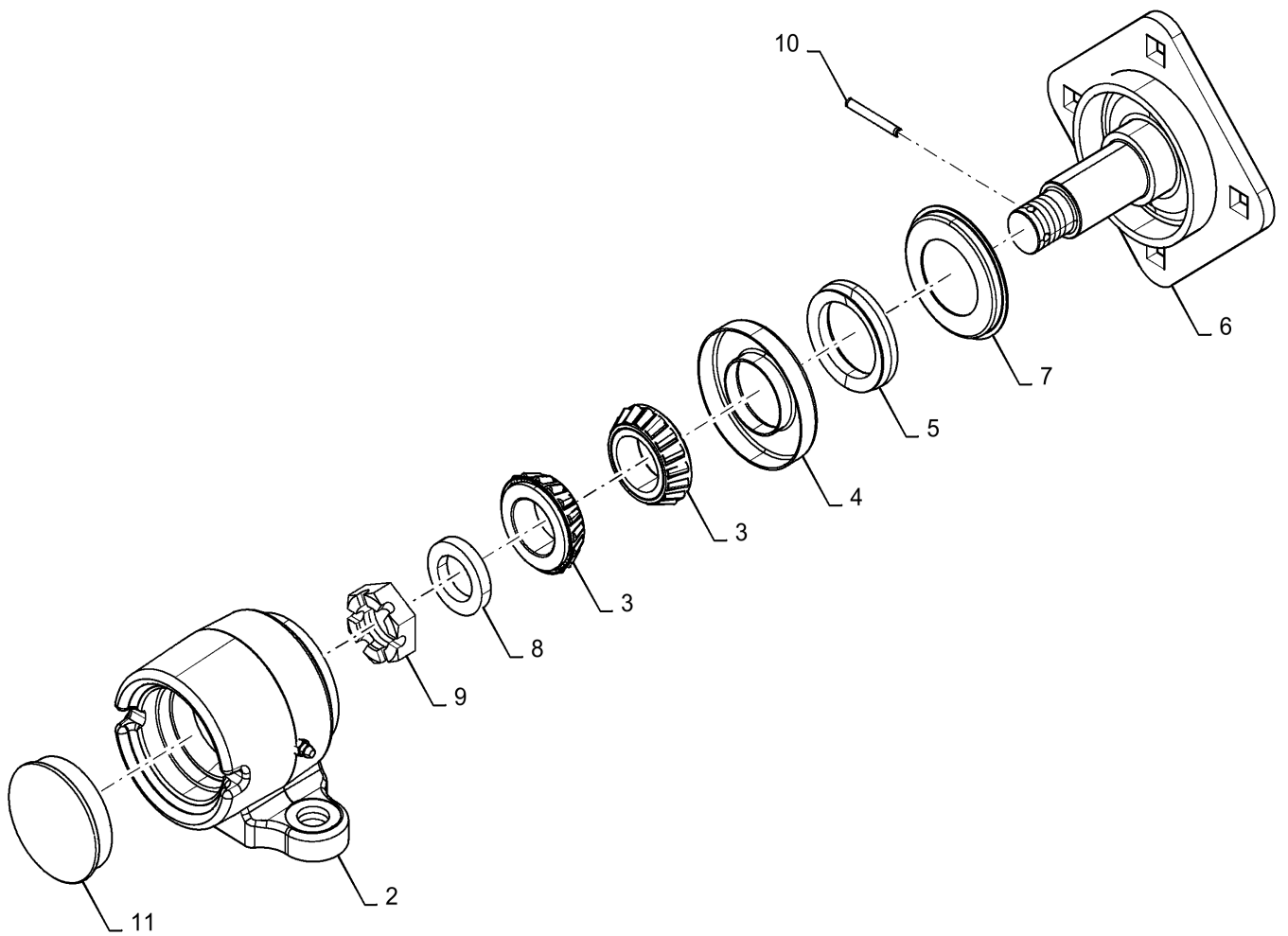
REAR DISK LEVELER ARM 2012

REF FN	PART NUMBER	YR/SN	QTY DESCRIPTION
1	84403379		1 HUB
2	84403380		1 HUB
3	84184568		1 PLATE
4	86505999		6 BOLT Hex, 5/8" - 11 x 2", Gr 5
5	84575666		1 PLATE L-Bracket
6	280375		4 NUT 3/4"-10, GC
7	87427192		2 SPECIAL BOLT L-Bolt, 3/4"NC X 5.94, ZND
8	280431		8 NUT 1/2"-13, G5
9	85700693		6 NUT 5/8" - 11, Gr C
10	280486		8 CARRIAGE BOLT Sq Nk, 1/2" - 13 x 1", Gr 5, Full Thd
11	84180366		2 DISK HARROW

870-ECOLO-TIGER DISK RIPPER

HUB LEVELER FRONT

1



75.200.12

04

p1

8/2016

HUB LEVELER FRONT

REF FN	PART NUMBER	YR/SN	QTY DESCRIPTION
1	84403379		1 HUB Front Incl 2 - 11
2	84293323		1 BEARING HOUSING Hub
3	84128120		2 BEARING CONE 31.75mm ID x 16.76mm W Cone
4	87421649		1 SEAL Counter Face
5	84325902		1 SEAL Rubber
6	84403369		1 SPINDLE Leveler
7	87421650		1 SEAL RETAINER
8	84402325		1 SPECIAL WASHER 26mm ID x 41.28mm OD x 6.99mm Thk
9	84402286		1 JAM NUT
10	87020817		1 LOCK PIN 3/16" OD x 1-1/2" L, Slotted
11	87473731		1 DUST CAP Hub

870-ECOLO-TIGER DISK RIPPER

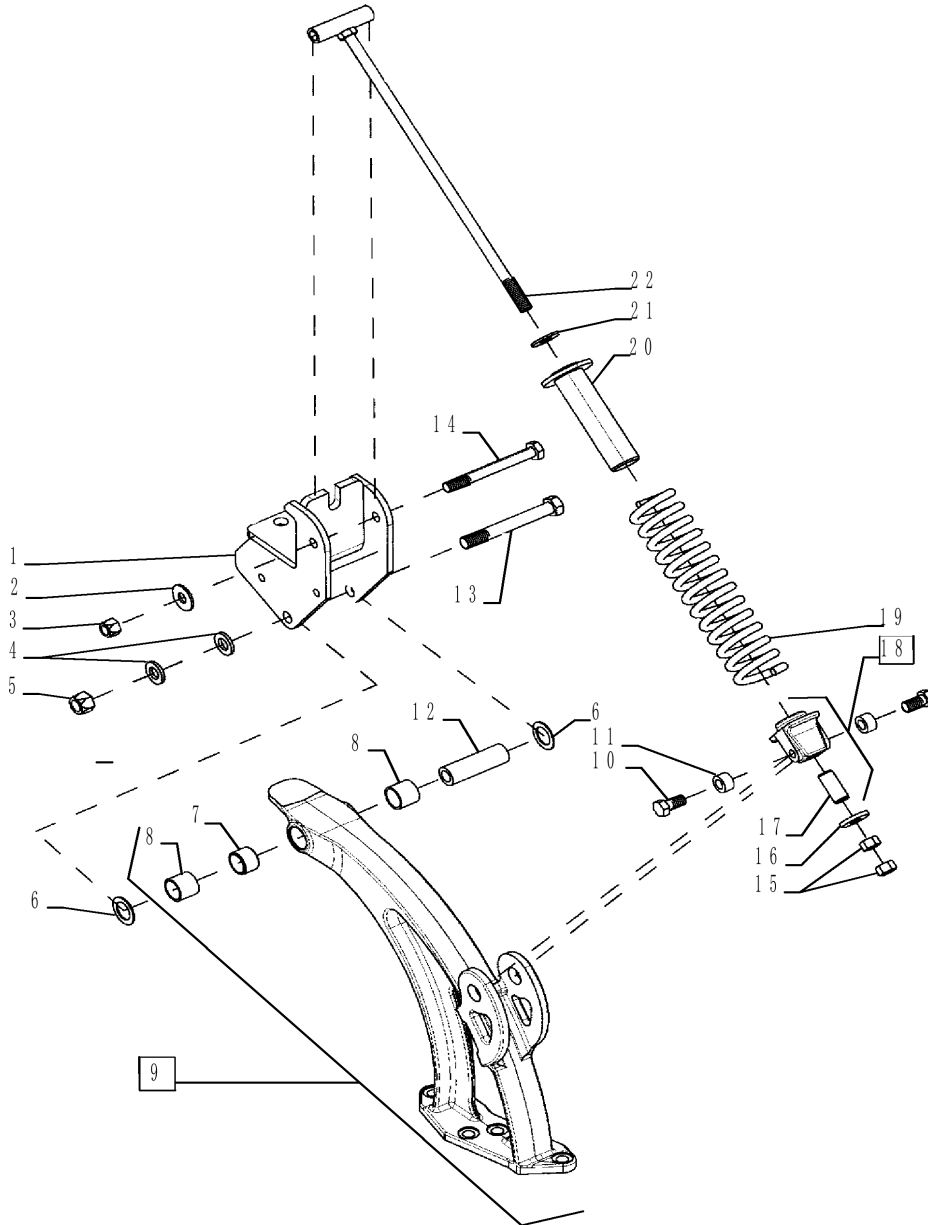
75.200.13

01

p1

8/2016

DISK LEVELER ARM RESET ASSEMBLY

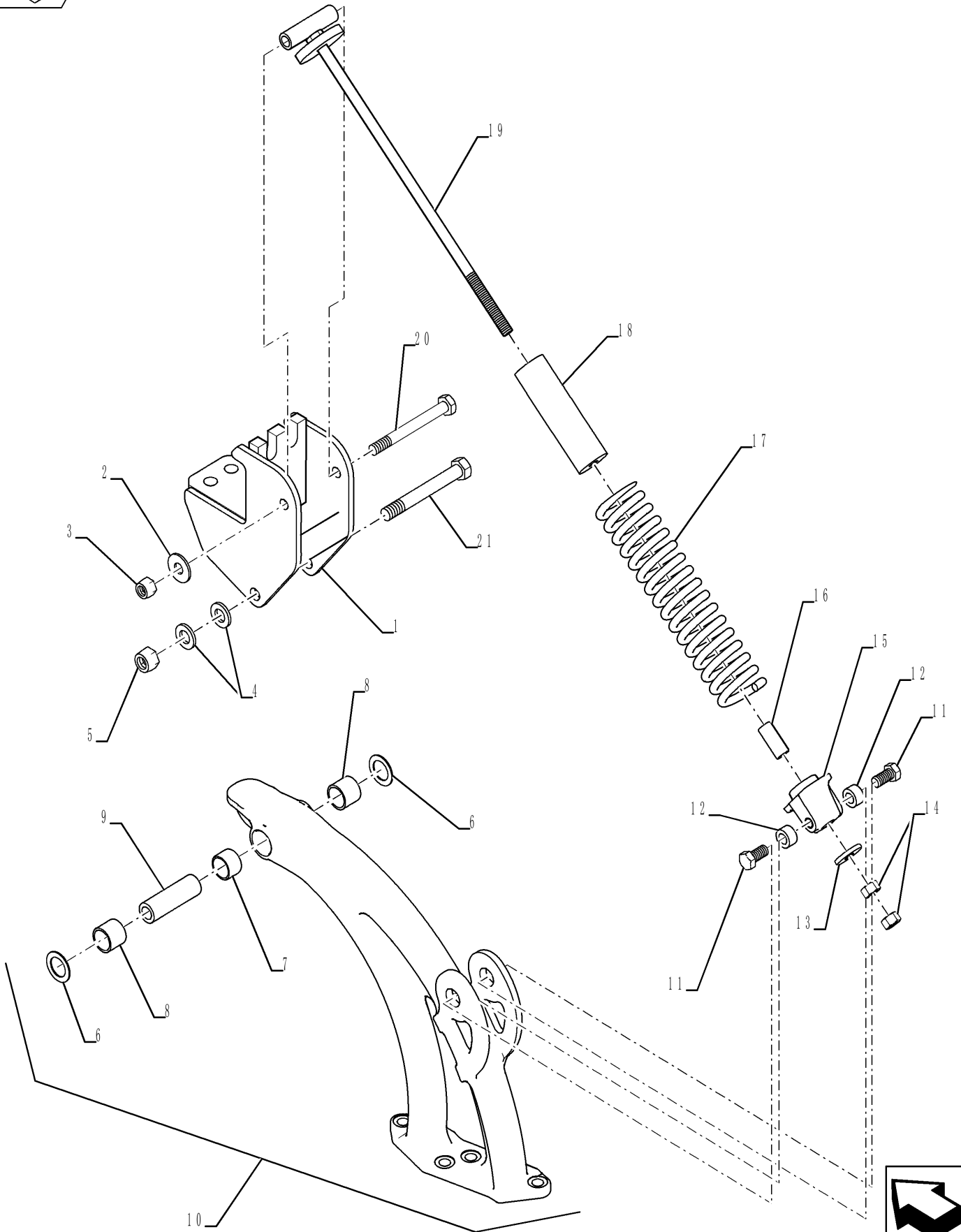


DISK LEVELER ARM RESET ASSEMBLY

REF FN	PART NUMBER	YR/SN	QTY DESCRIPTION
1	84128641		1 MOUNT
1	84403591		1 MOUNT
2	80299		1 WASHER 0.69" ID x 1.75" OD x 0.13" Thk
3	85700693		1 NUT 5/8" - 11, Gr C
4	86624162		2 WASHER 0.81" ID x 1.5" OD x 0.18" Thk
5	280375		1 NUT 3/4"-10, GC
6	17620020		1 BUSHING 32.15mm ID x 47.63mm OD x 2.08mm L
7	6636		2 BUSHING
8	87433288		2 GUIDE BUSHING 31.9mm ID x 38.28mm OD x 31.75mm L
9	84129036		1 ARM Includes Ref#'s 7, 8 (Arm NSS)
10	280319		1 BOLT Hex, 5/8" - 11 x 1 1/4", Gr 5, Full Thd
11	44006201		1 BUSHING 16.38mm ID x 28.58mm OD x 15.75mm L
12	87715895		1 SWIVEL PIVOT
13	16901217		1 BOLT .75 x 6 NC, ZND
14	16901022		1 CAPSCREW Hex, 5/8" - 11 x 6"
15	280374		2 NUT Hex, 5/8" - 11, Gr 5
16	87613192		1 WASHER 0.66" ID x 1.75" OD x 0.24" Thk
17	87499612		1 BUSHING 15.88mm ID x 22.23mm OD x 50.8mm L
18	84129222		1 TRUNNION
19	24146820		1 SPRING
19	84408161		1 COMPRESSION SPRING
20	09103020		1 RETAINER
20	84408160		1 SPACER 15.47mm ID x 50.8mm OD x 171.5mm L
21	95-21069		1 WASHER 5/8"
22	84146271		1 BAR
22	84408163		1 PIVOT

870-ECOLO-TIGER DISK RIPPER

DISK LEVELER ARM RESET ASSEMBLY 2012

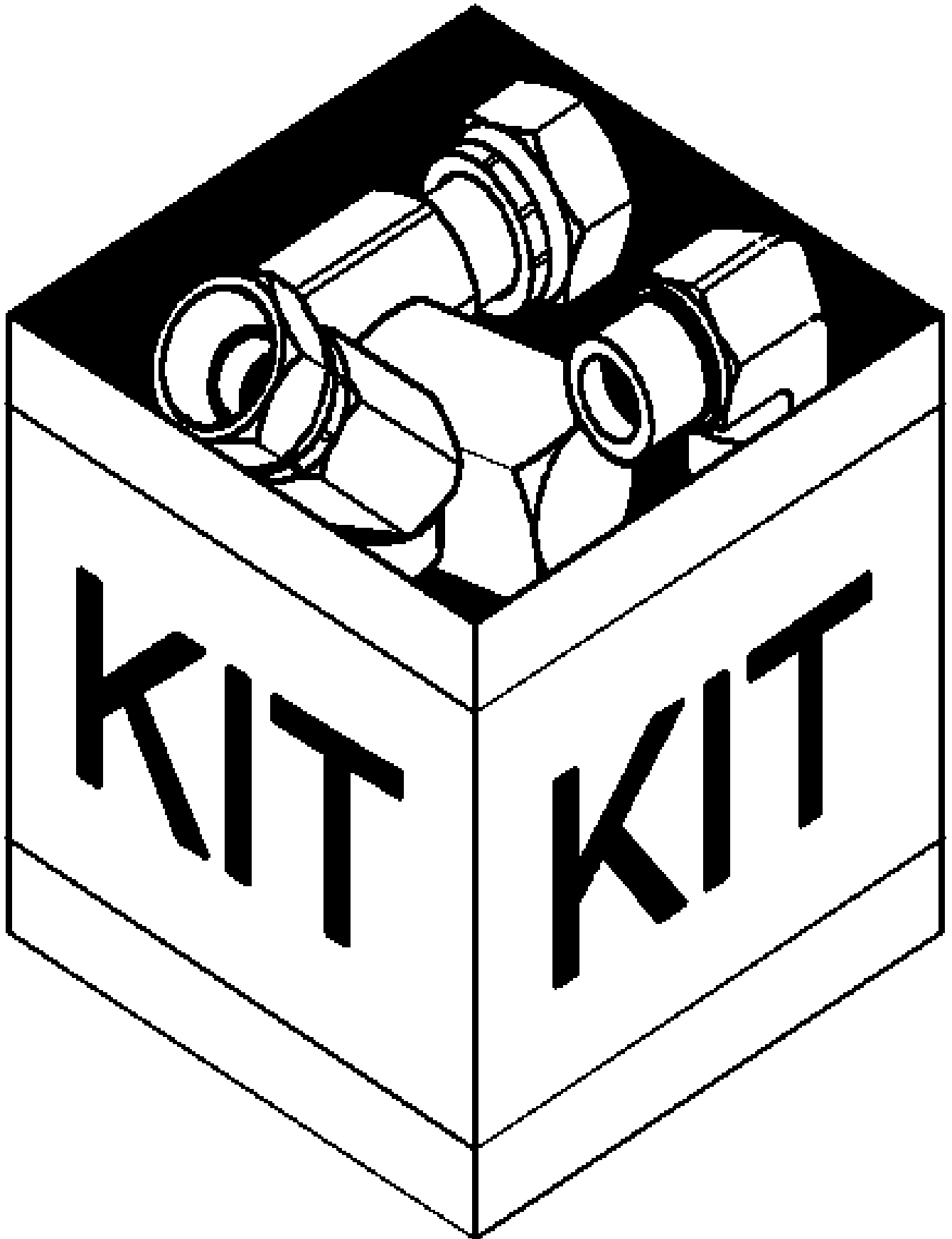


DISK LEVELER ARM RESET ASSEMBLY 2012

REF FN	PART NUMBER	YR/SN	QTY DESCRIPTION
1	84565886		1 MOUNT
2	80299		1 WASHER 0.69" ID x 1.75" OD x 0.13" Thk
3	85700693		1 NUT 5/8" - 11, Gr C
4	86624162		2 WASHER 0.81" ID x 1.5" OD x 0.18" Thk
5	280375		1 NUT 3/4"-10, GC
6	17620020		2 BUSHING 32.15mm ID x 47.63mm OD x 2.08mm L
7	6636		1 BUSHING
8	87433288		2 GUIDE BUSHING 31.9mm ID x 38.28mm OD x 31.75mm L
9	87715895		1 SWIVEL PIVOT
10	84129036		1 ARM Excludes Ref 6
11	280319		2 BOLT Hex, 5/8" - 11 x 1 1/4", Gr 5, Full Thd
12	44006201		2 BUSHING 16.38mm ID x 28.58mm OD x 15.75mm L
13	87613192		1 WASHER 0.66" ID x 1.75" OD x 0.24" Thk
14	280374		2 NUT Hex, 5/8" - 11, Gr 5
15	84129222		1 TRUNNION
16	87499612		1 BUSHING 15.88mm ID x 22.23mm OD x 50.8mm L
17	84408161		1 COMPRESSION SPRING
18	84408160		1 SPACER 15.47mm ID x 50.8mm OD x 171.5mm L
19	84408163		1 PIVOT
20	16901022		1 CAPSCREW Hex, 5/8" - 11 x 6"
21	16901217		1 BOLT

870-ECOLO-TIGER DISK RIPPER

KIT LEVELER MOUNT



75.200.13

03

p1

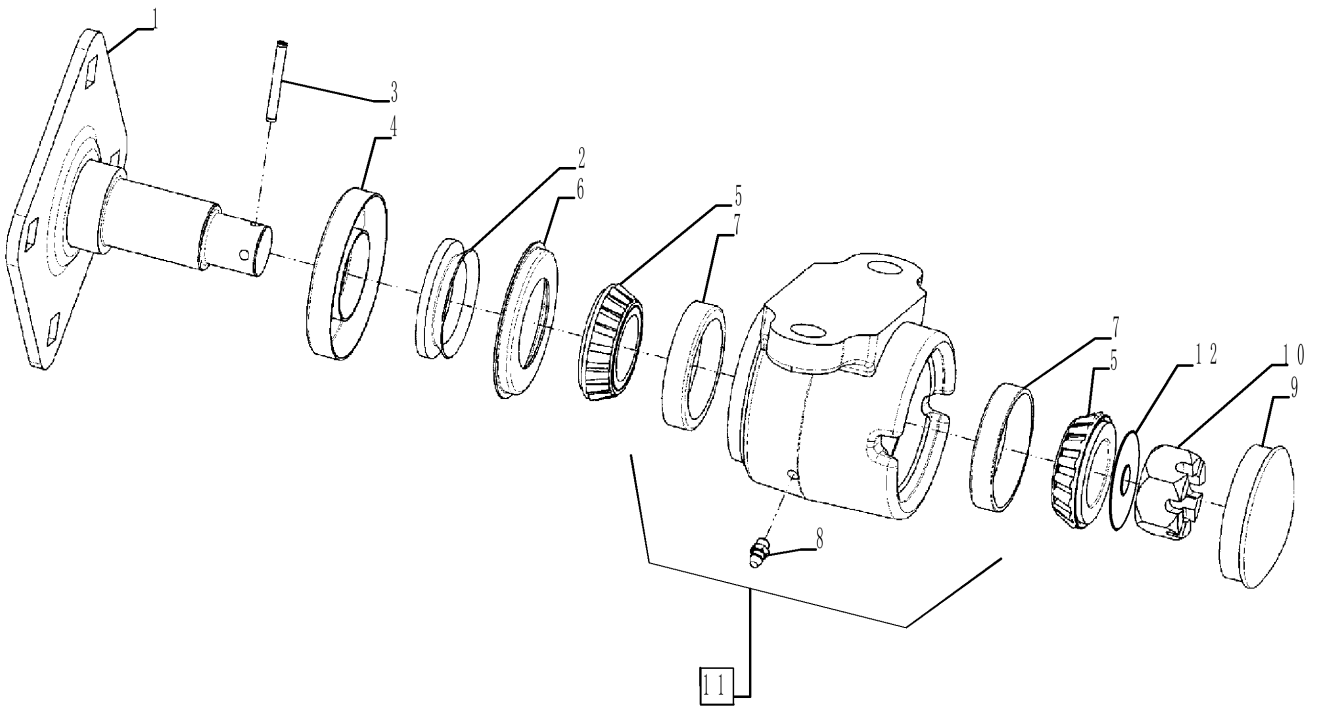
8/2016

KIT LEVELER MOUNT

REF FN	PART NUMBER	YR/SN	QTY DESCRIPTION
1	84577505		1 KIT Incl 2 - 5
2	84565886		1 MOUNT
3	87427192		2 SPECIAL BOLT
4	84575666		1 PLATE
5	280375		4 NUT 3/4"-10, GC

870-ECOLO-TIGER DISK RIPPER

DISK LEVELER HUB



DISK LEVELER HUB

REF FN	PART NUMBER	YR/SN	QTY DESCRIPTION
1	84128643		1 SPINDLE
1	84403369		1 SPINDLE
2	84325902		1 SEAL
3	87020817		1 LOCK PIN 3/16" OD x 1-1/2" L, Slotted
4	87421650		1 SEAL RETAINER
5	84128120		2 BEARING CONE 31.75mm ID x 16.76mm W
6	87421649		1 SEAL Counterface
7	651817R1		2 BEARING CUP LM67010
8	87414		1 LUBE NIPPLE 1/4" - 28
9	87473731		1 DUST CAP Hub Cap
10	86020752		1 SLOTTED NUT
10	84402286		1 JAM NUT
11	84293336		1 BEARING HOUSING Rear
11	84293323		1 BEARING HOUSING Front
12	84402325		1 SPECIAL WASHER 26mm ID x 41.28mm OD x 6.99mm Thk 2011 Model Only

870-ECOLO-TIGER DISK RIPPER

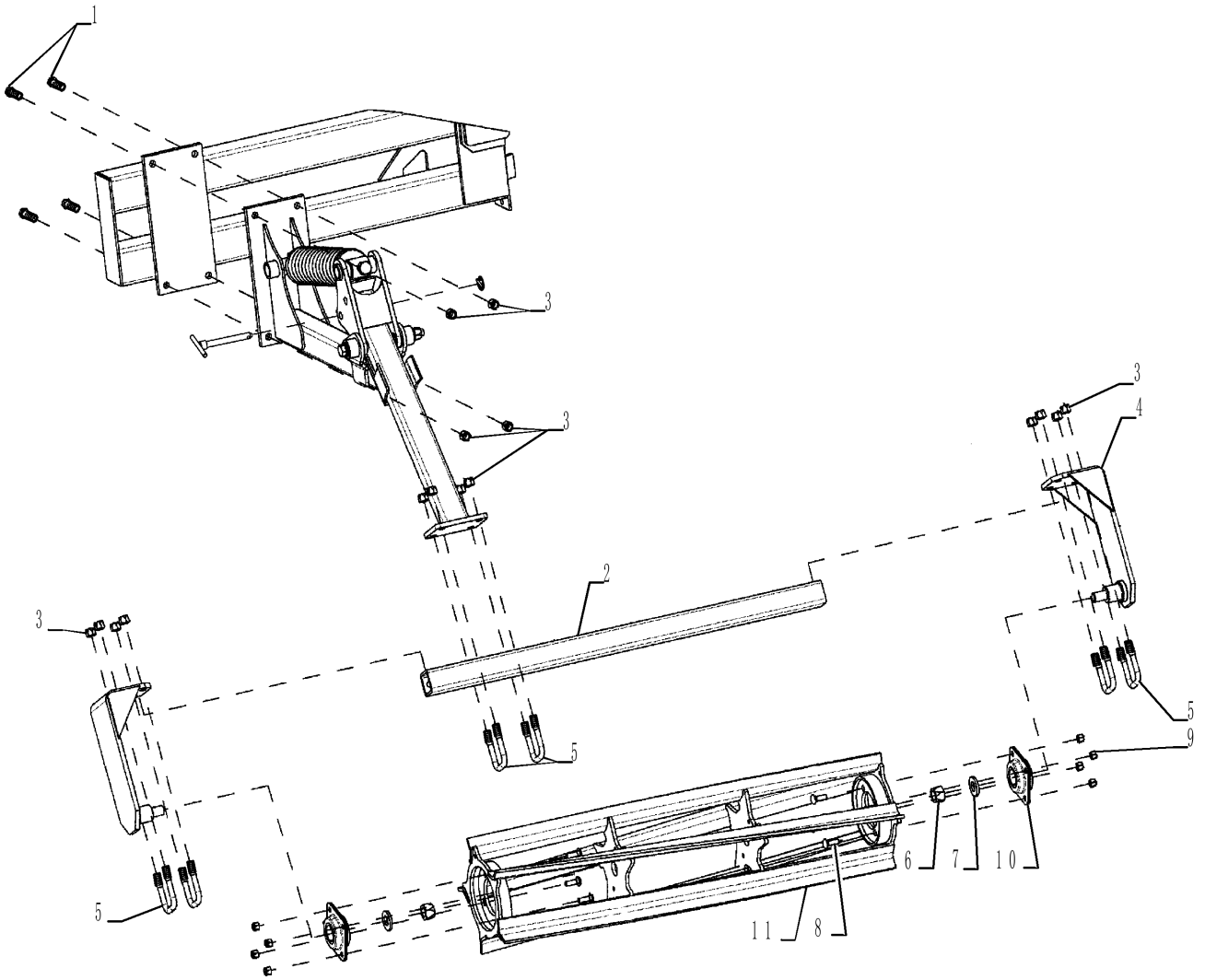
75.200.15

01

p1

8/2016

DOUBLE EDGE REEL

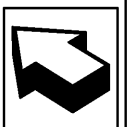
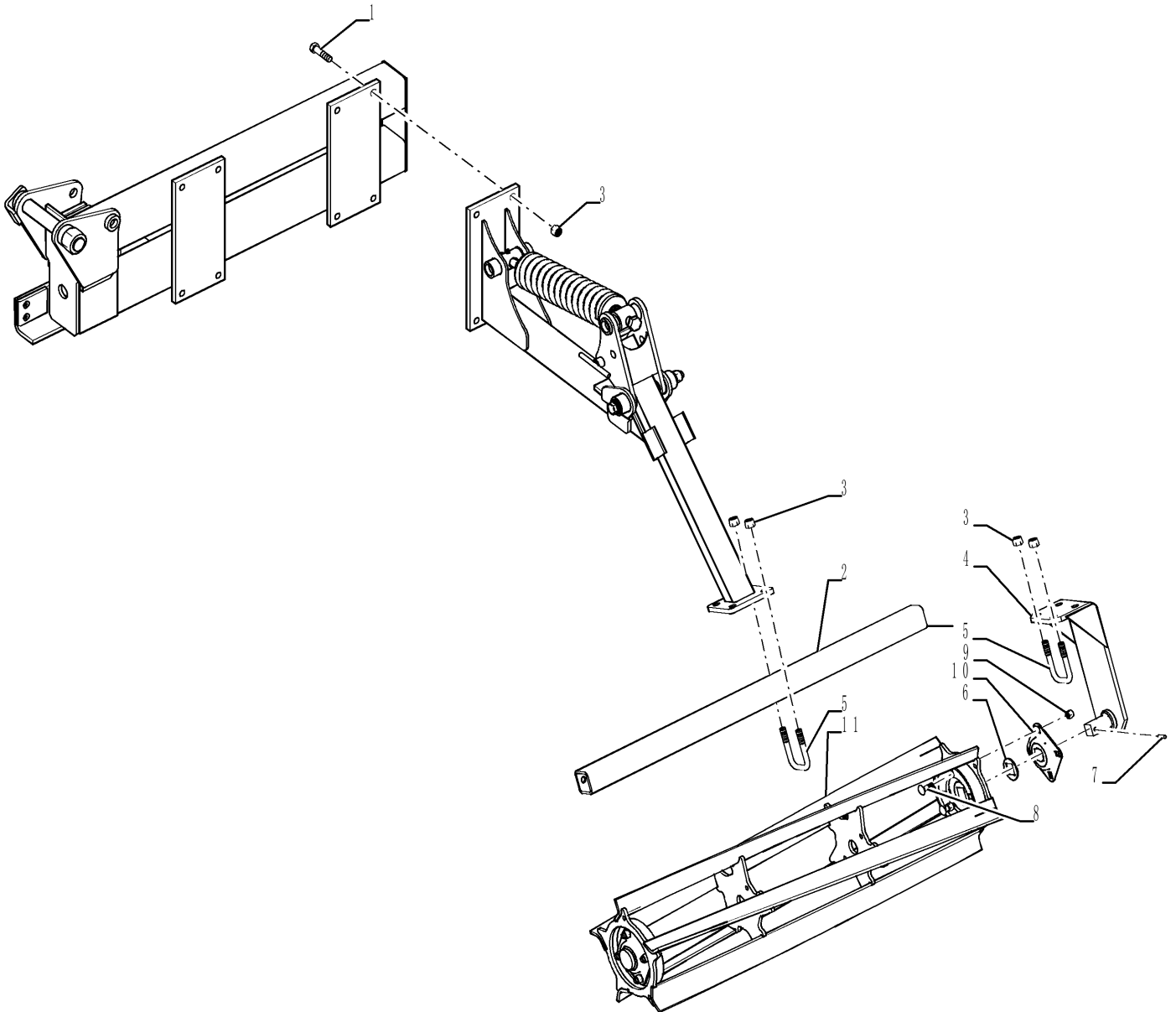


DOUBLE EDGE REEL

REF FN	PART NUMBER	YR/SN	QTY DESCRIPTION
1	87630		4 BOLT Hex, 5/8" - 11 x 2 1/2", Gr 5
2	87710651		1 REEL 48"
2	87712234		1 REEL 72"
2	87712237		1 REEL 96"
3	85700693		16 NUT 5/8" - 11, Gr C
4	87710650		2 SPINDLE Round
4	84327433		2 SPINDLE Square
5	87712238		6 U-BOLT
6	9626600		2 NUT 1"-8, GC Nut
7	17916100		2 WASHER
8	280420		8 CARRIAGE BOLT Sq Nk, 1/2" - 13 x 1 1/2", Gr 5, Full Thd
9	88871		8 NUT 1/2"-13, GC
10	ST491A		2 BALL BEARING 45mm ID
10	ST491A-IMPGV		2 BEARING Value, 1-3/4 In. Round Bore Bearing Assy
10	84151226		2 BALL BEARING 33.02mm ID
11	87470077		1 BASKET 72 Inch
11	87470079		1 BASKET 96 Inch
11	87714550		1 BASKET 48 Inch

870-ECOLO-TIGER DISK RIPPER

DOUBLE EDGE REEL 2011

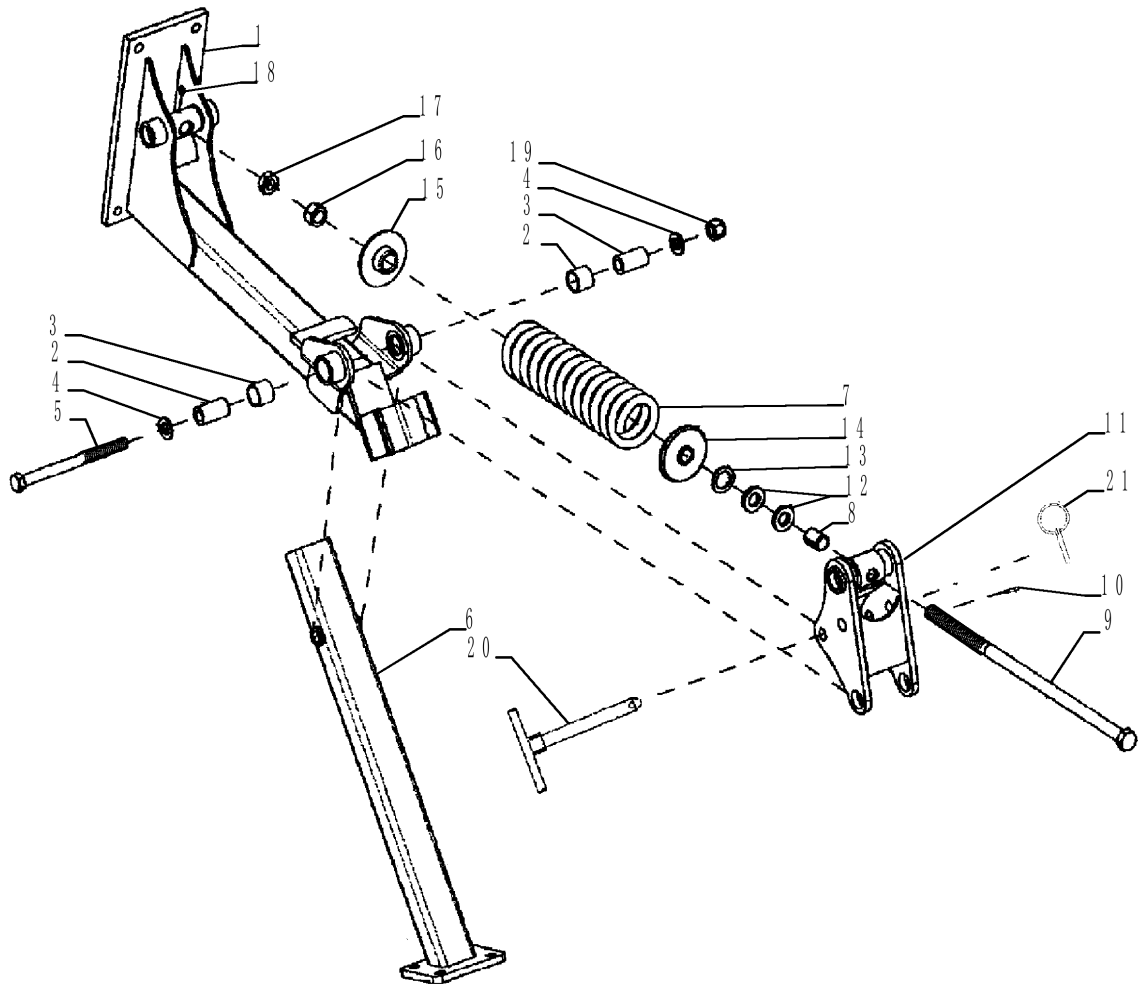


DOUBLE EDGE REEL 2011

REF FN	PART NUMBER	YR/SN	QTY DESCRIPTION
1	87630		4 BOLT Hex, 5/8" - 11 x 2 1/2", Gr 5
2	87710651		1 REEL 48"
2	87712234		1 REEL 72"
2	87712237		1 REEL 96"
3	85700693		16 NUT 5/8" - 11, Gr C
4	84327433		2 SPINDLE
5	87712238		6 U-BOLT
6	84151924		2 SHIM
7	84221259		2 SLOTTED PIN
8	280420		8 CARRIAGE BOLT Sq Nk, 1/2" - 13 x 1 1/2", Gr 5, Full Thd
9	88871		8 NUT 1/2"-13, GC
10	84151226		2 BALL BEARING 33.02mm ID
11	87470077		1 BASKET 72 Inch
11	87470079		1 BASKET 96 Inch
11	87714550		1 BASKET 48 Inch

870-ECOLO-TIGER DISK RIPPER

DOUBLE EDGE REEL ASSEMBLY



DOUBLE EDGE REEL ASSEMBLY

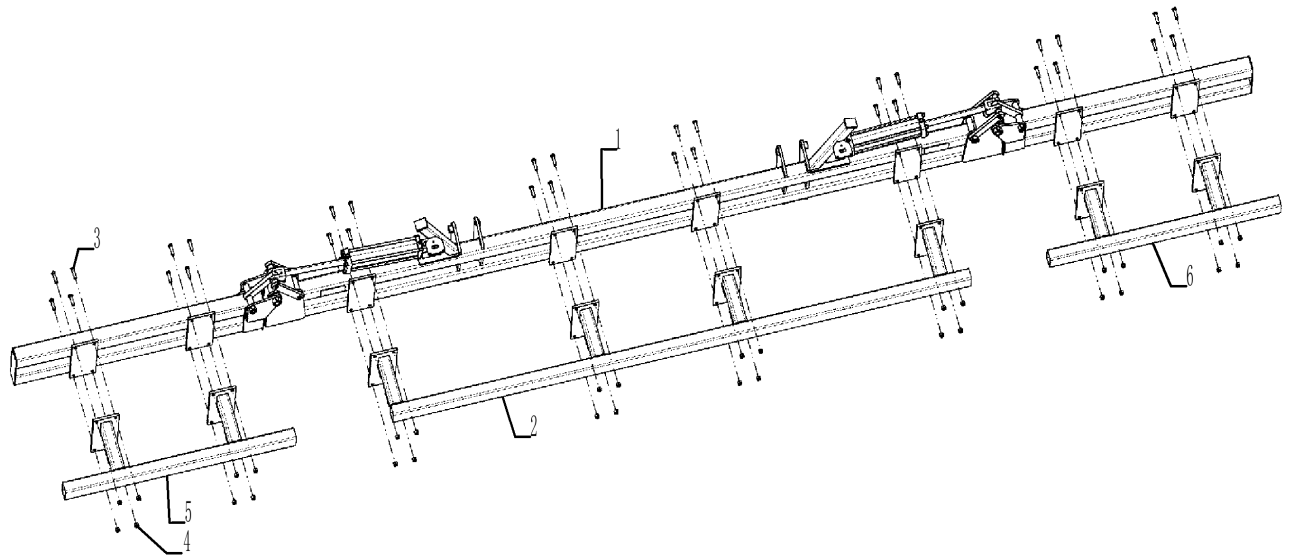
REF FN	PART NUMBER	YR/SN	QTY DESCRIPTION
1	87710115		1 FRAME Basket Arm
2	87712239		2 SPACER 19.84mm ID x 31.6mm OD x 57mm L
3	87433288		2 GUIDE BUSHING 31.9mm ID x 38.28mm OD x 31.75mm L
4	87381		2 WASHER 0.81" ID x 1.47" OD x 0.13" Thk
5	83980547		1 BOLT Hex, 3/4" -10 x 9-1/2", Gr 5
6	87710117		1 ARM Basket
7	24162506		1 SPRING
8	51200158		1 BUSHING 22.72mm ID x 29.08mm OD x 38.1mm L
9	16901495		1 SPECIAL BOLT 7/8" X 23-1/2" NC, GD5 ZND
10	438-31220		1 PIN 3/16" x 1 1/4", Coiled
11	87710116		1 BRACKET, PIVOT PIVOT BRACKET
12	17414012		2 WASHER 23.83mm ID x 44.45mm OD x 6.45mm Thk
13	17620030		1 WASHER 32.15mm ID x 47.63mm OD x 10mm Thk
14	20090120		1 SPRING BOX
15	20090120		1 SPRING BOX
16	9849647		1 NUT 7/8"-9, G5
17	425-1414		1 JAM NUT Jam, 7/8"-9, G5
18	87414		1 LUBE NIPPLE 1/4" - 28
19	1 280375		1 NUT 3/4"-10, GC Not Shown
20	1 280120		1 BOLT Hex, 3/4" - 10 x 6", Gr 5 Not Shown
20	2 14810460		1 SPECIAL PIN
21	2 270184		1 LINCH PIN 6.35mm OD

(1) Used On 2009 Model Year Only

(2) Used On 2010 Model Year And After

870-ECOLO-TIGER DISK RIPPER

REAR DISK LEVELER WITH SPIKE TOOTH HARROW FRAME

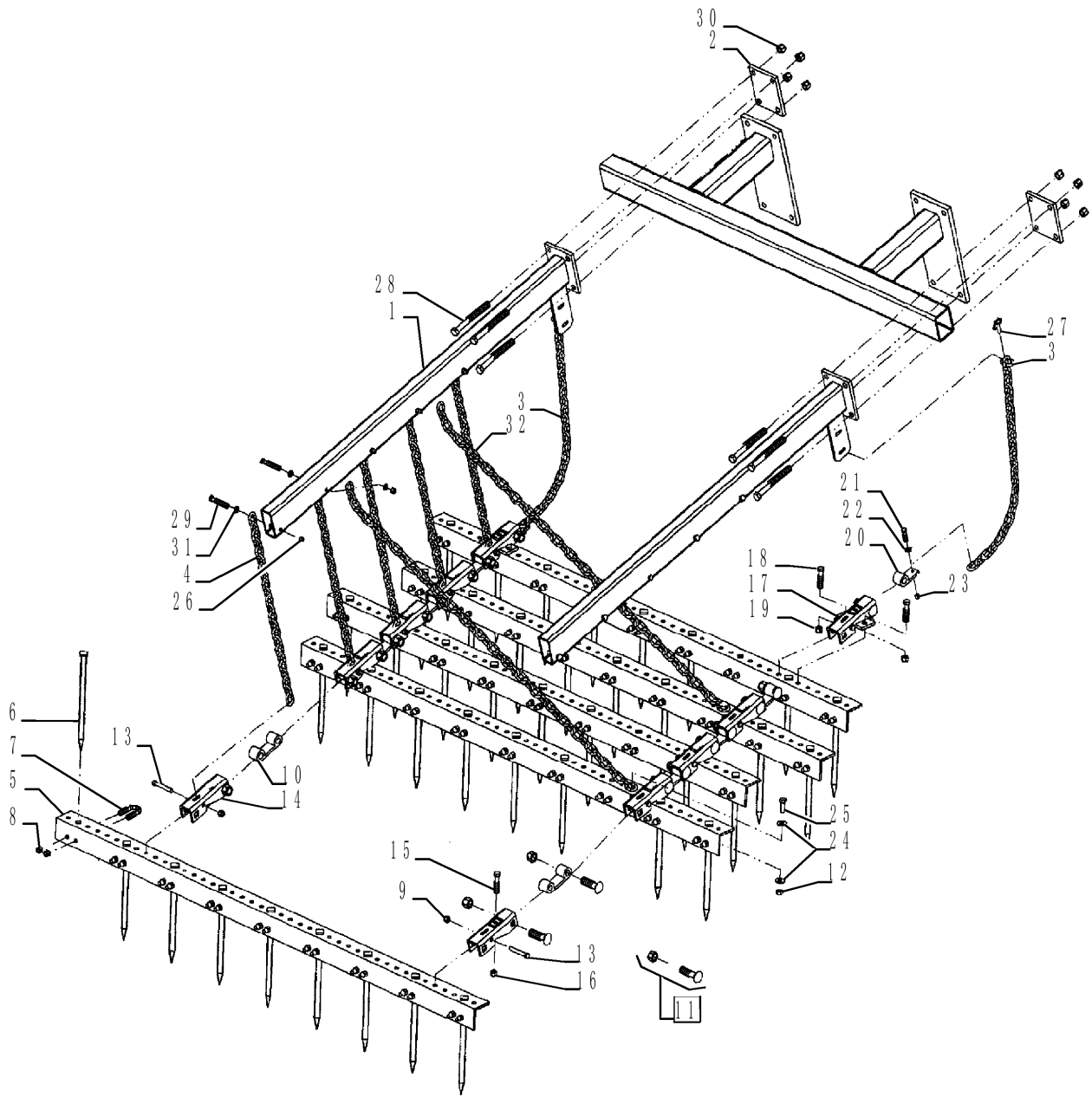


REAR DISK LEVELER WITH SPIKE TOOTH HARROW FRAME

REF FN	PART NUMBER	YR/SN	QTY DESCRIPTION
1	84138908		1 FRAME 7 Shank
1	84138915		1 FRAME 9 And 11 Shank
1	84138919		1 FRAME 13 Shank
2	84150854		1 FRAME 7 And 13 Shank
2	84150227		1 FRAME 9 Shank
2	84150617		1 FRAME 11 Shank
3	87630		UAR BOLT Hex, 5/8" - 11 x 2 1/2", Gr 5
4	85700693		UAR NUT 5/8" - 11, Gr C
5	84150244		1 FRAME Left Hand, 9 Shank
5	84150932		1 FRAME Left Hand, 11 And 13 Shank
6	84150491		1 FRAME Right Hand, 9 Shank
6	84150932		1 FRAME Right Hand, 11 And 13 Shank

870-ECOLO-TIGER DISK RIPPER

SPIKE HARROW

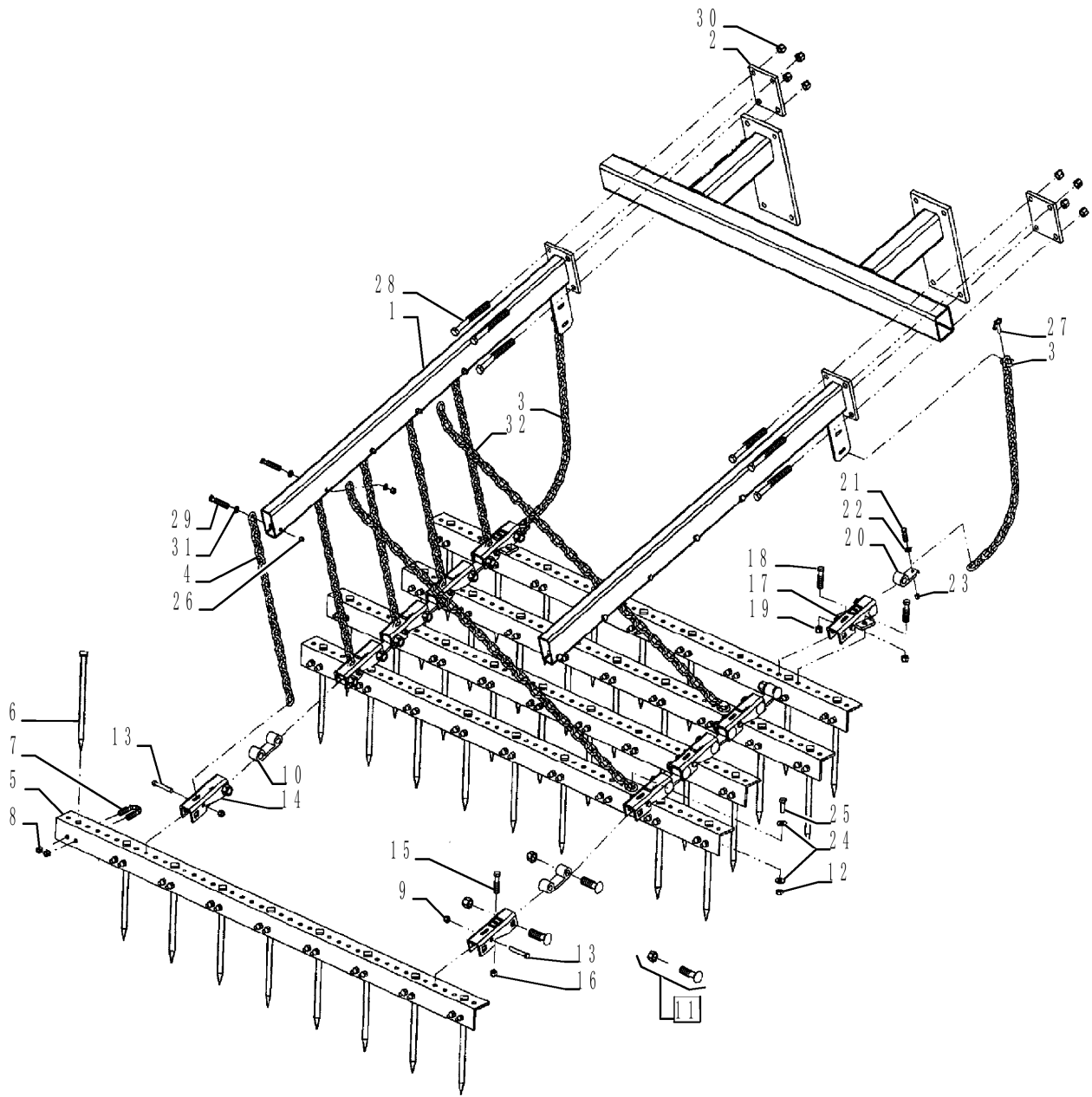


SPIKE HARROW

REF FN	PART NUMBER	YR/SN	QTY DESCRIPTION
1	84213001		2 ARM Mounting
1	84419244		2 ARM Mounting
2	87417725		2 MOUNTING PLATE
2	84419247		2 MOUNTING PLATE
3	87417726		2 CHAIN Pull, 23 Links
4	87417727		10 CHAIN Lift, 23 Links
5	84213015		5 ANGLE BAR Tooth, 3 ft, 6 In (Less Teeth)
5	84213016		5 ANGLE BAR 5 ft Bar
5	84213017		5 ANGLE BAR 5 Bar, 9 Tooth 6 ft, 6 In
5	84213018		5 ANGLE BAR 5 Bar, 11 Tooth, 8 ft
6	84213019		UAR TOOTH 6 Tooth
7	87417737		UAR U-BOLT BOLT "U"
8	80855		UAR NUT Hex, 3/8" - 24
9	280980		10 NUT 7/16"-14, GC
10	84213023		8 CHAIN Pull Link Assembly
11	84213525		16 CARRIAGE BOLT
12	87333862		2 NUT
13	2652		10 BOLT 7/16-14 x 3
14	84213021		8 BRACKET, SUPPORTING Channel Bracket
15	87972		10 BOLT Hex, 1/2" - 13 x 2 1/2", Gr 5
16	88871		10 NUT 1/2"-13, GC
17	84213024		2 BRACKET, SUPPORTING Channel Assembly
18	87670		4 BOLT 1/2" - 13 x 1-1/4", Full Thd, Gr 5
19	88871		4 NUT 1/2"-13, GC
20	84213025		2 CHAIN Pull Assembly
21	88044		2 BOLT Hex, 3/8" - 16 x 1-1/2", Gr 5
22	80702		2 WASHER 0.44" ID x 1" OD x 0.08" Thk
23	80855		2 NUT Hex, 3/8" - 24
24	87613183		4 WASHER 0.53" ID x 1.75" OD x 0.1" Thk
25	87670		2 BOLT 1/2" - 13 x 1-1/4", Full Thd, Gr 5
26	80855		10 NUT Hex, 3/8" - 24
27	87417742		2 LINCH PIN 7/16

870-ECOLO-TIGER DISK RIPPER

SPIKE HARROW



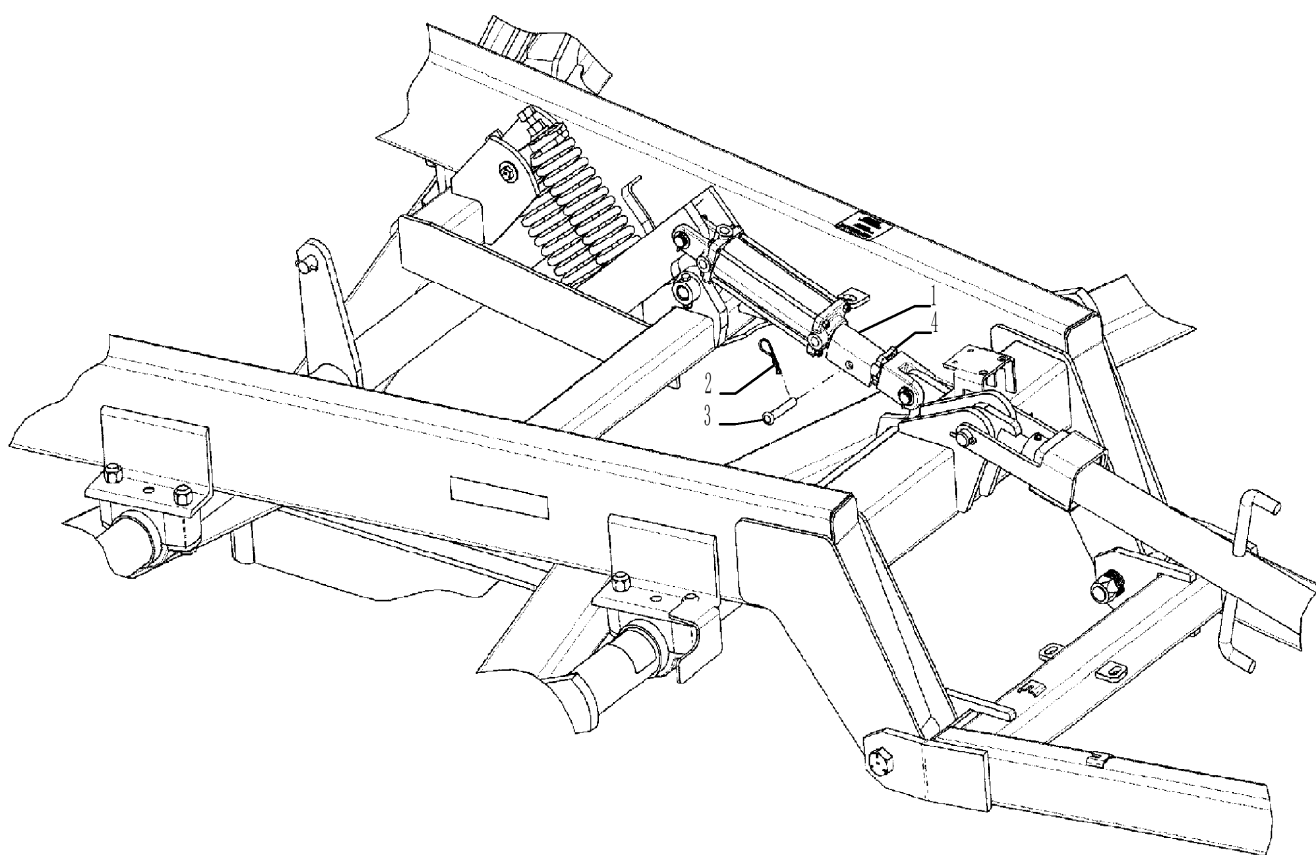
SPIKE HARROW

REF FN	PART NUMBER	YR/SN	QTY DESCRIPTION
28	86507000		8 BOLT Hex, 5/8" - 11 x 6 1/2", Gr 5
29	280161		10 BOLT Hex, 3/8" - 16 x 3", Gr 5
30	280374		8 NUT Hex, 5/8" - 11, Gr 5
31	1 80702		12 WASHER 0.44" ID x 1" OD x 0.08" Thk
32	84213328		2 CHAIN Cross Chains

(1) **NOTE: Mount On Outside Main Frame Mounting Tubes Only**

870-ECOLO-TIGER DISK RIPPER

DISK LIFT TRANSPORT STOP

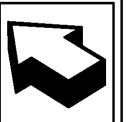
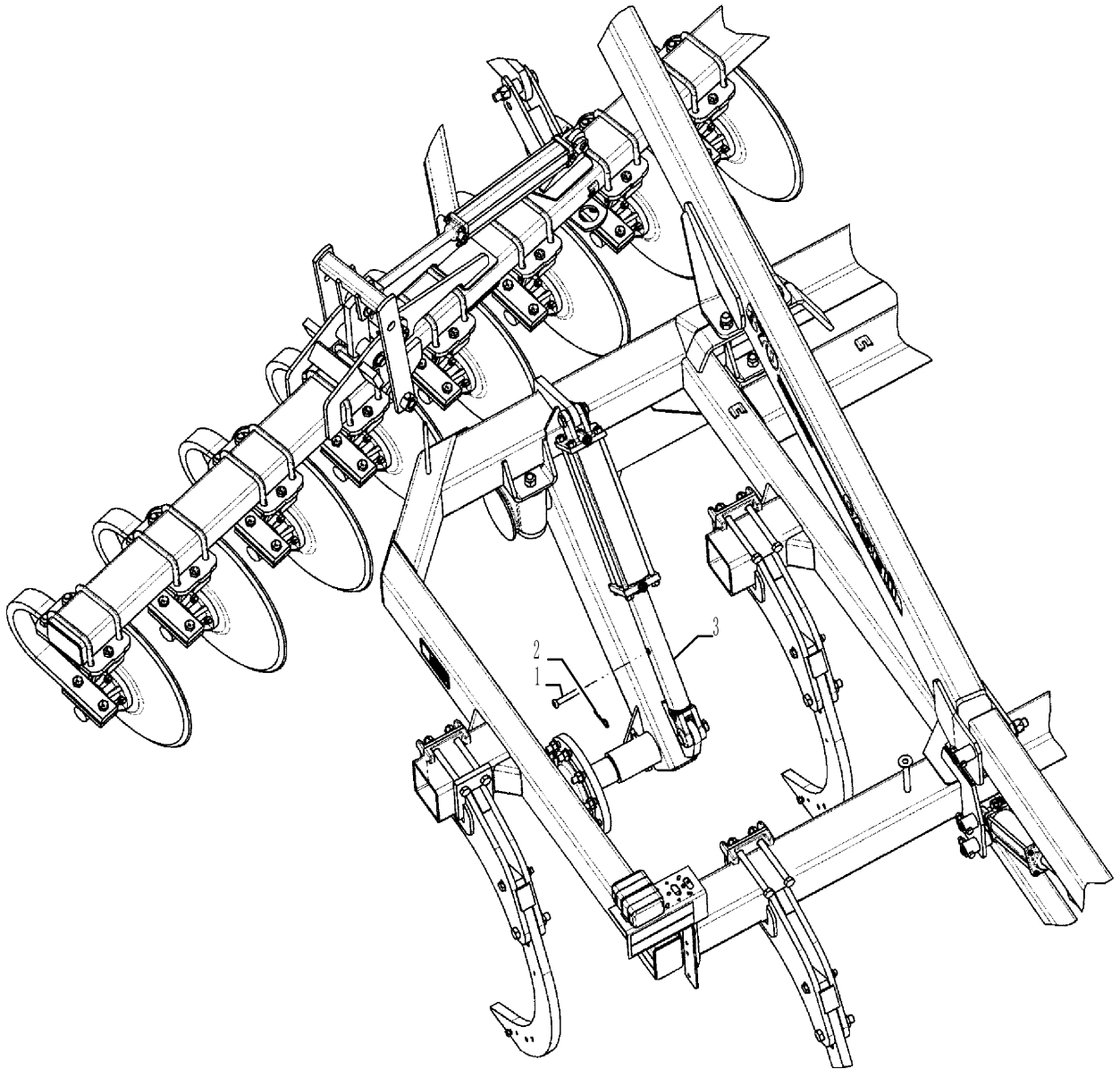


DISK LIFT TRANSPORT STOP

REF FN	PART NUMBER	YR/SN	QTY DESCRIPTION
1	09650207		1 STAY
2	14720411		1 COTTER PIN PIN, COTTER
3	14810251		1 HEADED PIN 15.88mm OD x 96.77mm L
4	25800010		UAR CYLINDER Stop

870-ECOLO-TIGER DISK RIPPER

MAIN LIFT TRANSPORT STOP

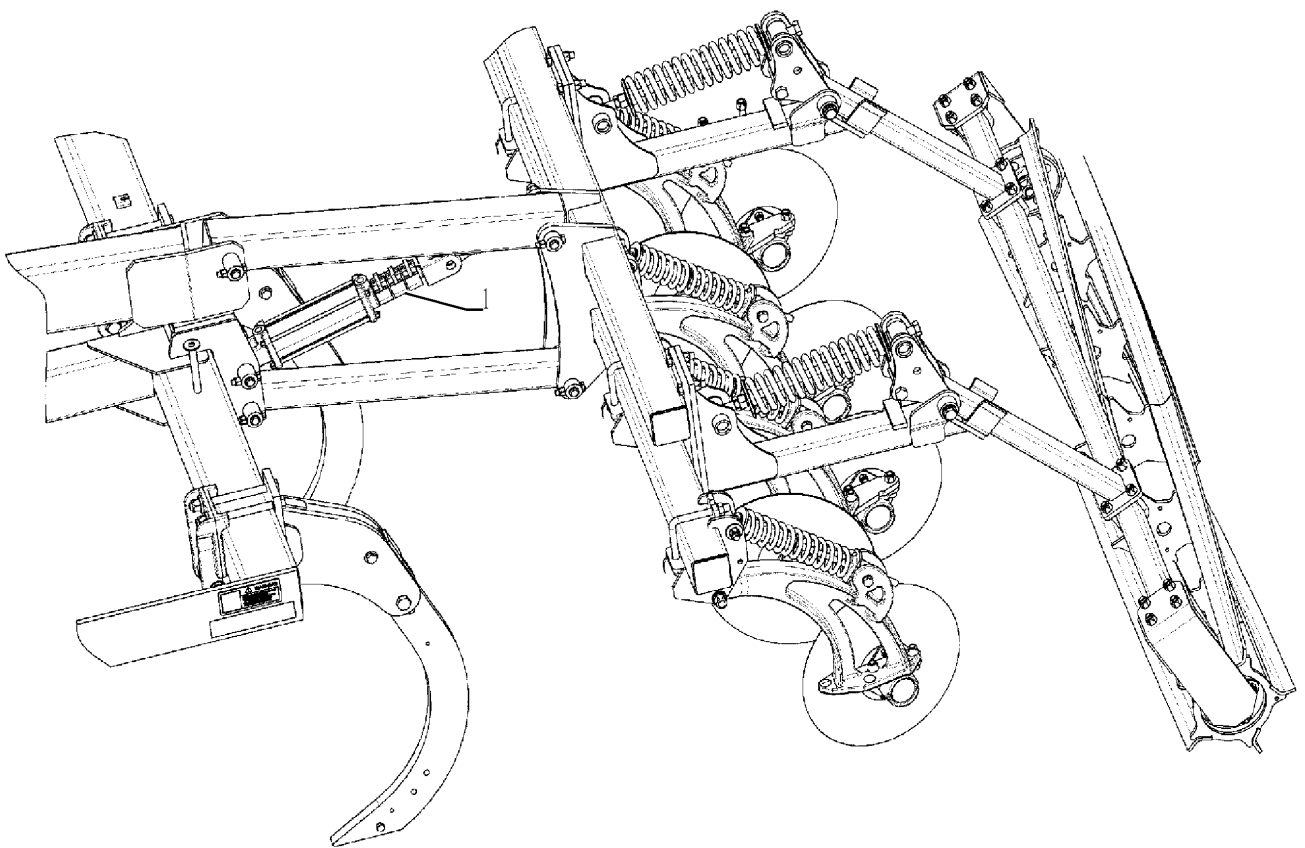


MAIN LIFT TRANSPORT STOP

REF FN	PART NUMBER	YR/SN	QTY DESCRIPTION
1	14810251		1 HEADED PIN 15.88mm OD x 96.77mm L
2	14720411		1 COTTER PIN PIN, COTTER
3	87727111		1 CHANNEL 7 And 9 Shank
3	87726195		1 CHANNEL 11 And 13 Shank

870-ECOLO-TIGER DISK RIPPER

REAR LEVELER LIFT STOPS



75.200.21

p1

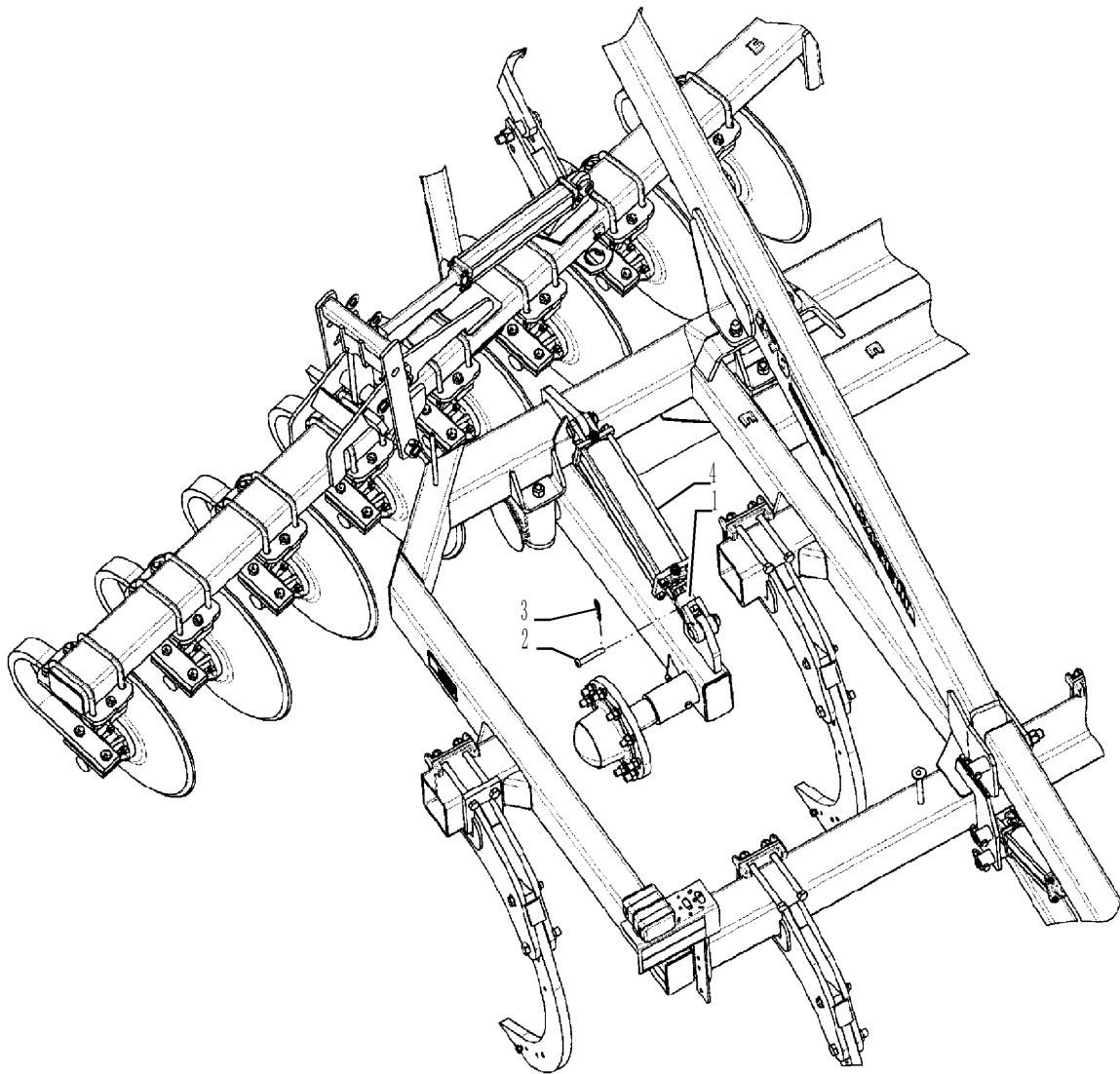
8/2016

REAR LEVELER LIFT STOPS

REF FN	PART NUMBER	YR/SN	QTY DESCRIPTION
1	25800010		UAR CYLINDER Stop

870-ECOLO-TIGER DISK RIPPER

MAIN LIFT DEPTH CONTROL STOPS



MAIN LIFT DEPTH CONTROL STOPS

REF FN	PART NUMBER	YR/SN	QTY DESCRIPTION
1	84185921		1 STOP 4-12, 7 And 9 Shank
1	84185953		1 STOP 4 Inch, 7 And 9 Shank
1	09967023		1 CHANNEL 3-1/2 Inch, 7 And 9 Shank
1	09962430		1 CHANNEL 3 Inch, 7 And 9 Shank
1	84185956		1 STOP 3 Inch, 11 And 13 Shank
1	09962420		1 CHANNEL 2-1/2 Inch, 7 And 9 Shank
1	84185957		1 STOP 2-1/2 Inch, 11 And 13 Shank
1	09962410		1 CHANNEL 2 Inch, 7 And 9 Shank
1	84185958		1 STOP 2 Inch, 11 And 13 Shank
1	09962400		1 CHANNEL 1-1/2 Inch, 7 And 9 Shank
1	84185959		1 STOP 1-1/2 Inch, 11 And 13 Shank
1	84186585		1 KIT Stop, Kit, Cylinder, 7, 9 Shank (Includes 1" - 1.5" - 2" - 2.5" - 3" - 3.5" - 4" - 4.5")
1	84186595		1 KIT Stop, Kit, Cylinder, 11, 13 Shank (Includes 1" - 1.5" - 2" - 2.5" - 3")
2	14810251		1 HEADED PIN 15.88mm OD x 96.77mm L
3	14720411		1 COTTER PIN PIN, COTTER
4	25800010		UAR CYLINDER

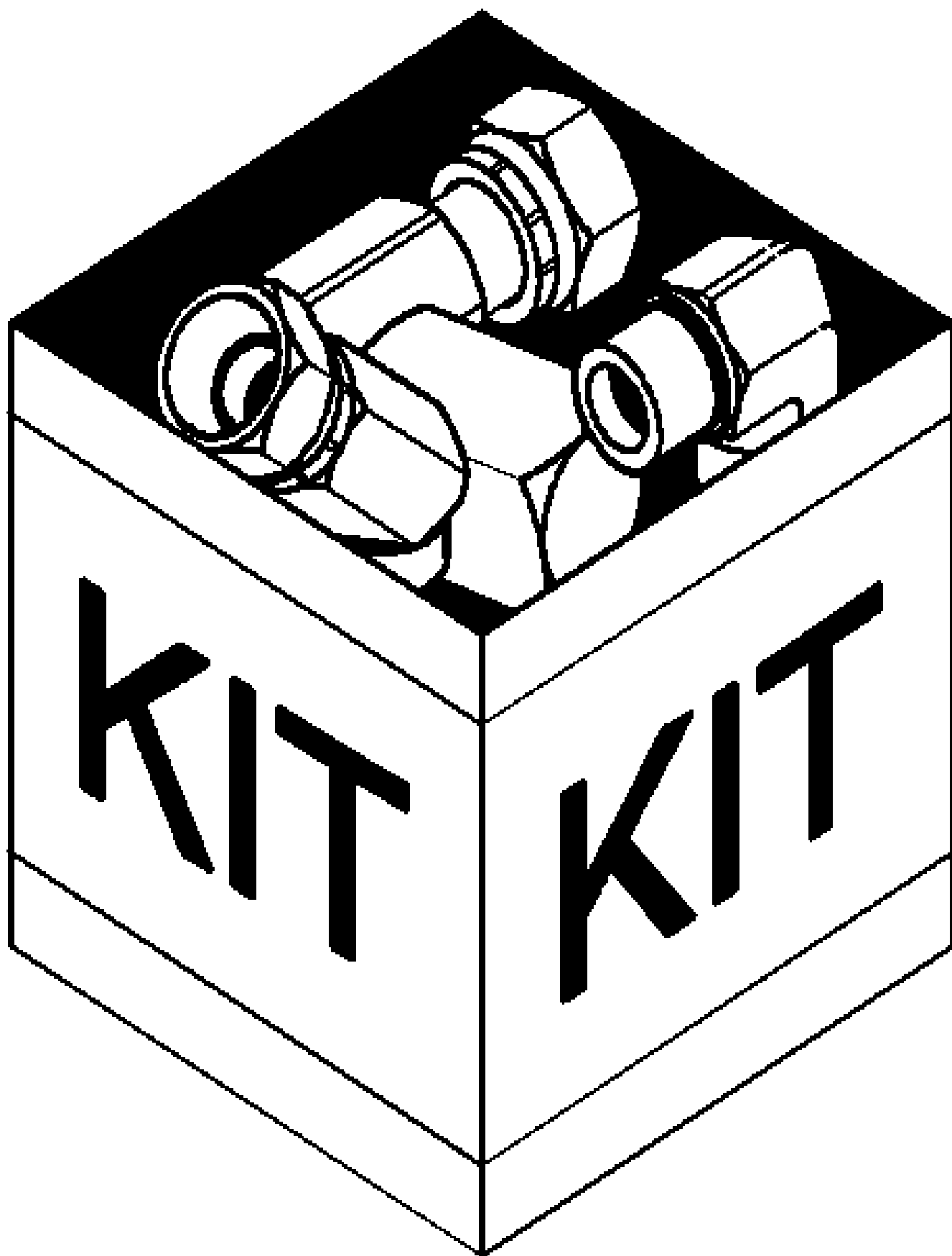
870-ECOLO-TIGER DISK RIPPER

SECTION INDEX

ACCESSORIES

88.102.01	01	HUB, KIT
88.103.01	01	HUB, KIT
88.104.01	01	GAUGE WHEEL, KIT
88.105.01	01	GAUGE WHEEL KIT
88.106.01	01	BEARING, KIT
88.107.01	01	KIT
88.108.01	01	SHANK, KIT
88.109.01	01	HUB, KIT
88.110.01	01	BEARING, KIT
88.110.02		KIT SCRAPER
88.110.03		EXTENSION DISC KIT

HUB, KIT



HUB, KIT

REF FN	PART NUMBER	YR/SN	QTY DESCRIPTION
1	73340659		1 KIT TANDEM TRANSPORT HUB KIT, INCLUDES 2 - 15
2	88182		1 COTTER PIN 1/4" OD x 2" L
3	87790840		1 SEAL
4	87476393		1 BEARING CUP 73.43mm OD x 14.73mm W
5	87476379		1 BEARING CONE 41.27mm ID x 19.81mm W
6	86977427		2 BEARING CUP 76.22mm OD x 19.05mm W
7	86577076		1 BEARING ASSY 55.75mm ID x 122.26mm OD x 33.54mm W
8	84238032		1 DUST CAP
9	554480R1		8 WHEEL NUT
10	86020752		1 SLOTTED NUT
11	21871501		2 BEARING CONE 38.1mm ID x 25.65mm W
12	17916100		1 WASHER
13	115950		2 OIL SEAL
14	105497H		1 BEARING CUP 96.85mm OD x 15.77mm W
15	06400573		2 SPACER

870-ECOLO-TIGER DISK RIPPER

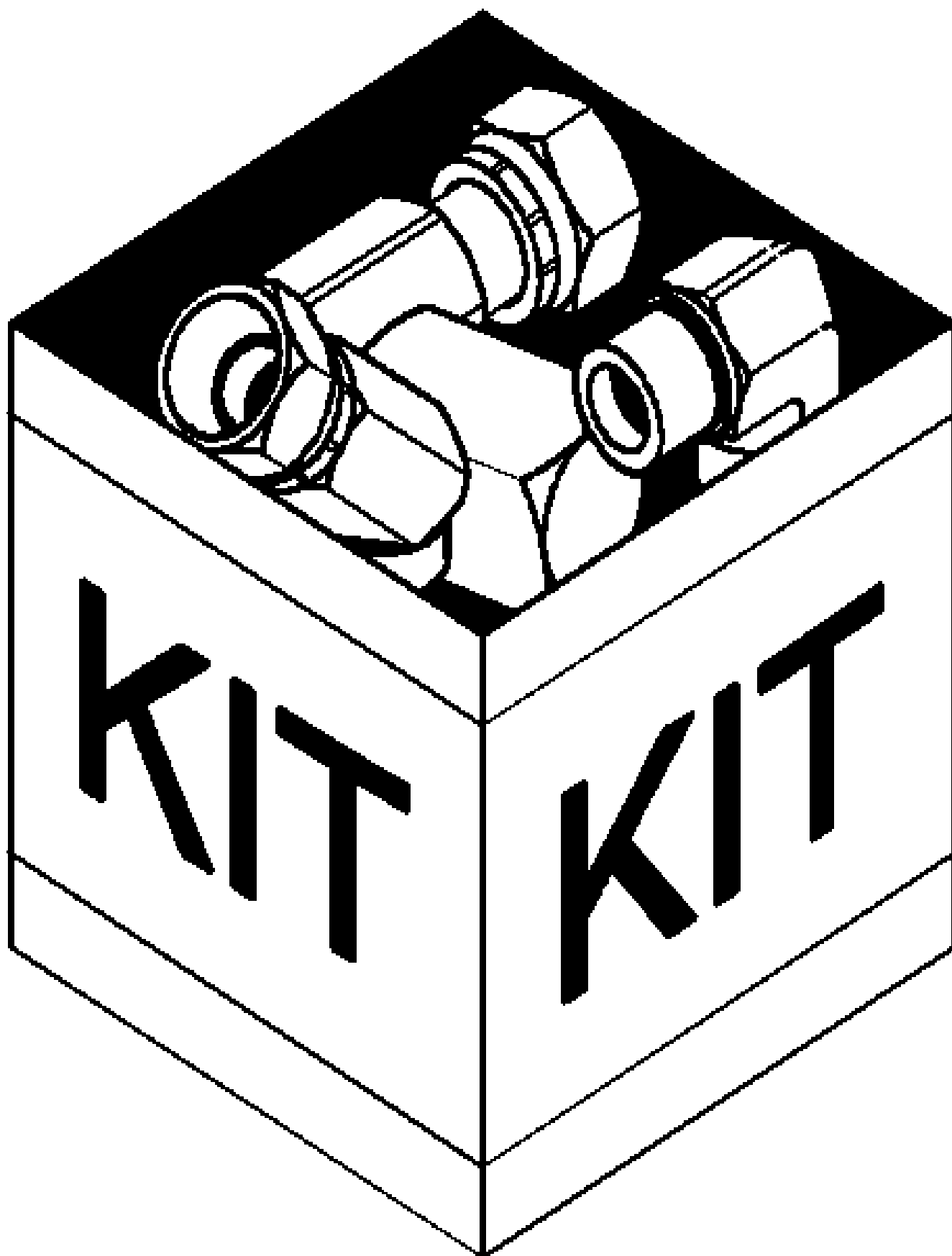
88.103.01

01

p1

8/2016

HUB, KIT



HUB, KIT

REF FN	PART NUMBER	YR/SN	QTY DESCRIPTION
1	73340660		1 KIT TANDEM COMPLETE HUB KIT INCLUDES 2 - 14
2	554480R1		8 WHEEL NUT
3	06400573		2 SPACER
4	87790840		1 SEAL
5	87476379		1 BEARING CONE 41.27mm ID x 19.81mm W
6	86977427		2 BEARING CUP 76.22mm OD x 19.05mm W
7	86577076		1 BEARING ASSY 55.75mm ID x 122.26mm OD x 33.54mm W
8	86020752		1 SLOTTED NUT
9	84238032		1 DUST CAP
10	84237658		1 HUB
11	21871501		2 BEARING CONE 38.1mm ID x 25.65mm W
12	17916100		1 WASHER
13	115950		2 OIL SEAL
14	88182		1 COTTER PIN 1/4" OD x 2" L

870-ECOLO-TIGER DISK RIPPER

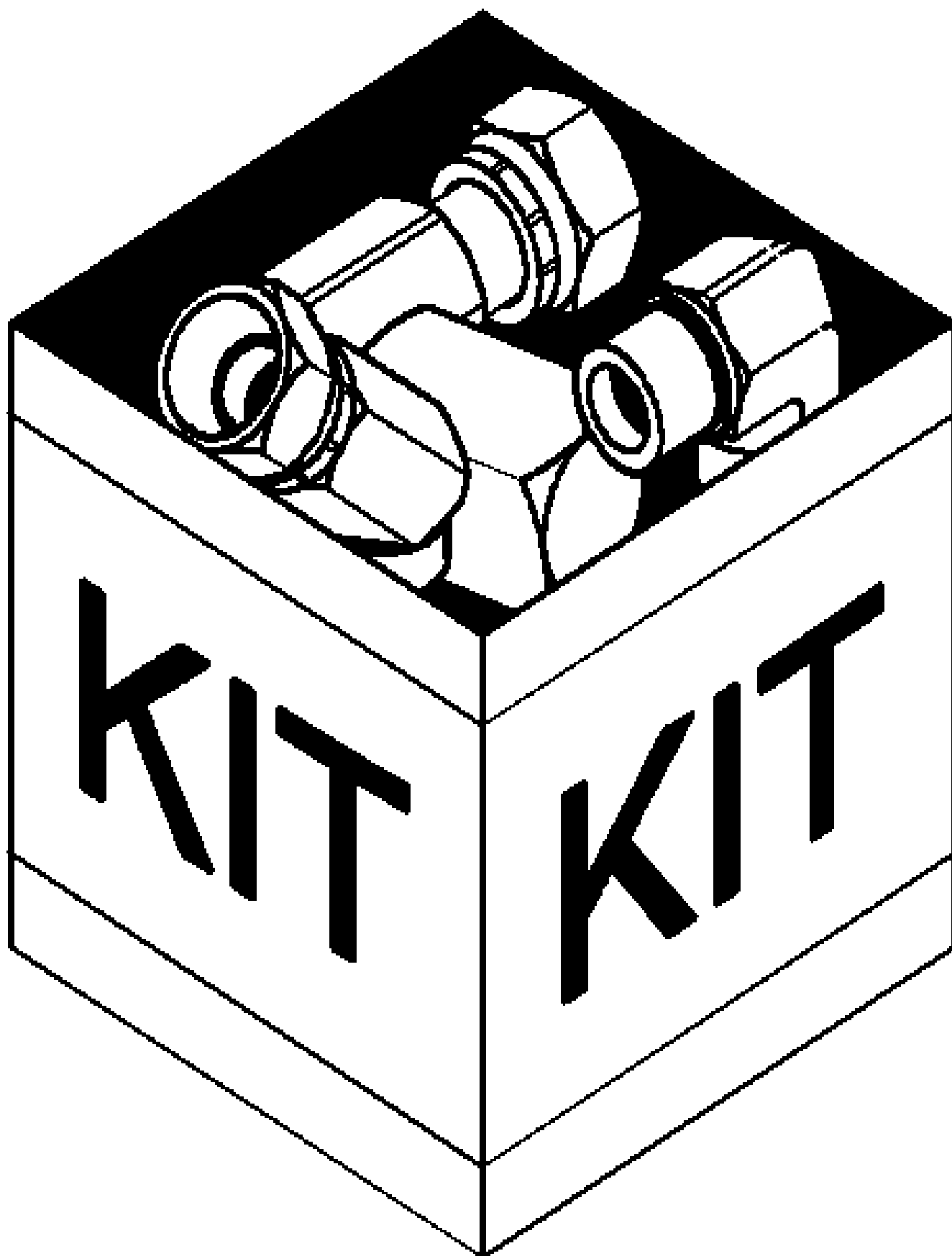
88.104.01

01

p1

8/2016

GAUGE WHEEL, KIT



88.104.01

01

p1

8/2016

GAUGE WHEEL, KIT

REF FN	PART NUMBER	YR/SN	QTY DESCRIPTION
1	73340661		1 KIT GAUGE WHEEL KIT INCLUDES 2-11
2	88350		1 COTTER PIN 5/32" x 1-1/2"
3	86512015		1 BEARING ASSY 41.27mm ID x 73.46mm OD x 19.63mm W
4	84151573		1 NUT
6	36726		1 BEARING CONE 31.75mm ID x 16.76mm W
7	28477700		1 HUB CAP
8	28278300		1 HUB
9	198056		6 WHEEL BOLT 1/2" - 20 x 1.031"
10	17915000		1 WASHER
11	145769C91		1 OIL SEAL

870-ECOLO-TIGER DISK RIPPER

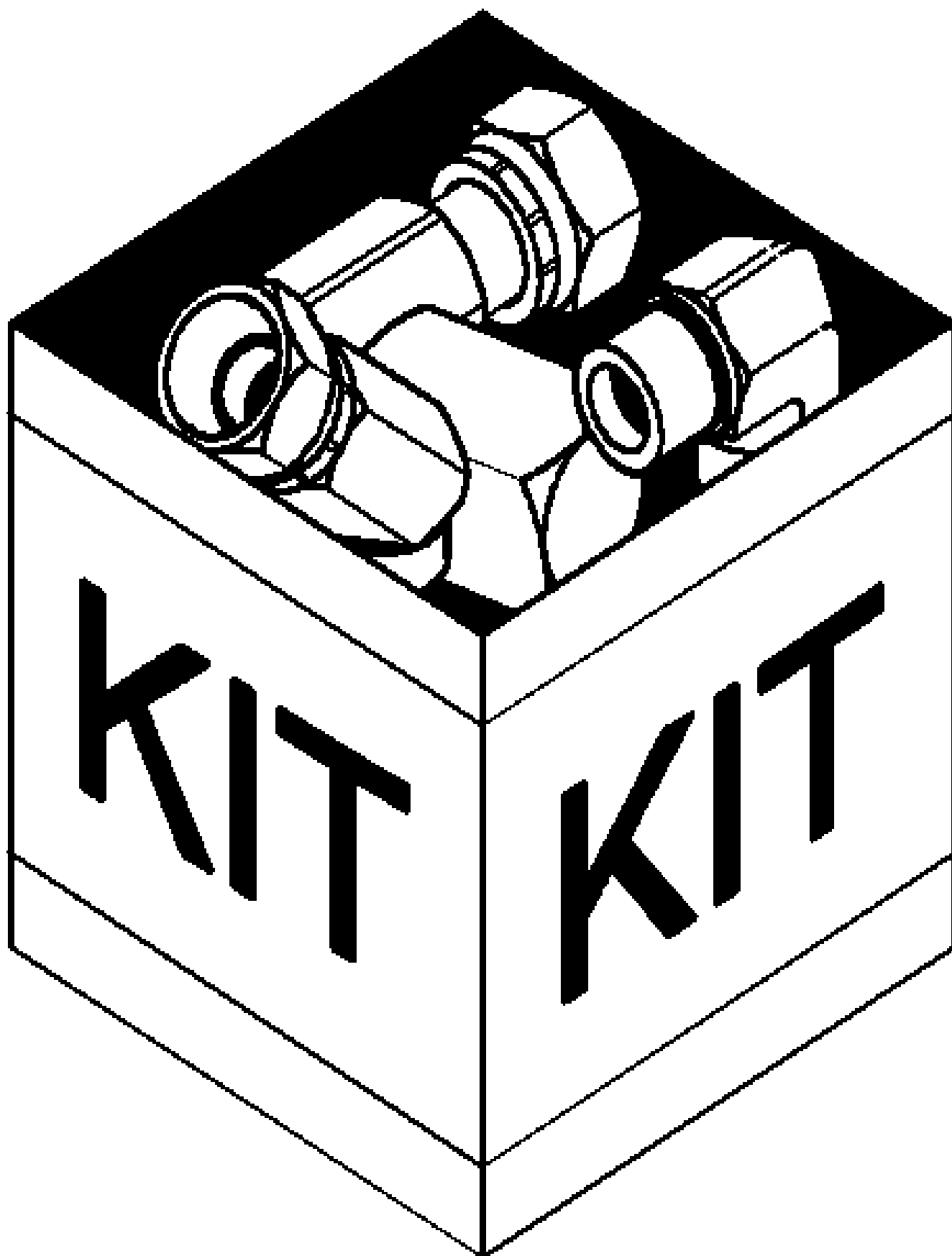
88.105.01

01

p1

8/2016

GAUGE WHEEL KIT



88.105.01

01

p1

8/2016

GAUGE WHEEL KIT

REF FN	PART NUMBER	YR/SN	QTY DESCRIPTION
1	73340662		1 KIT WHEEL HUB ASSY REF. 2-9
2	88350		1 COTTER PIN 5/32" x 1-1/2"
3	86980337		1 BEARING CUP 59.13mm OD x 11.81mm W
4	86512015		1 BEARING ASSY 41.27mm ID x 73.46mm OD x 19.63mm W
5	84151578		1 TEE
6	36726		1 BEARING CONE 31.75mm ID x 16.76mm W
7	28477700		1 HUB CAP
8	17915000		1 WASHER
9	145769C91		1 OIL SEAL

870-ECOLO-TIGER DISK RIPPER

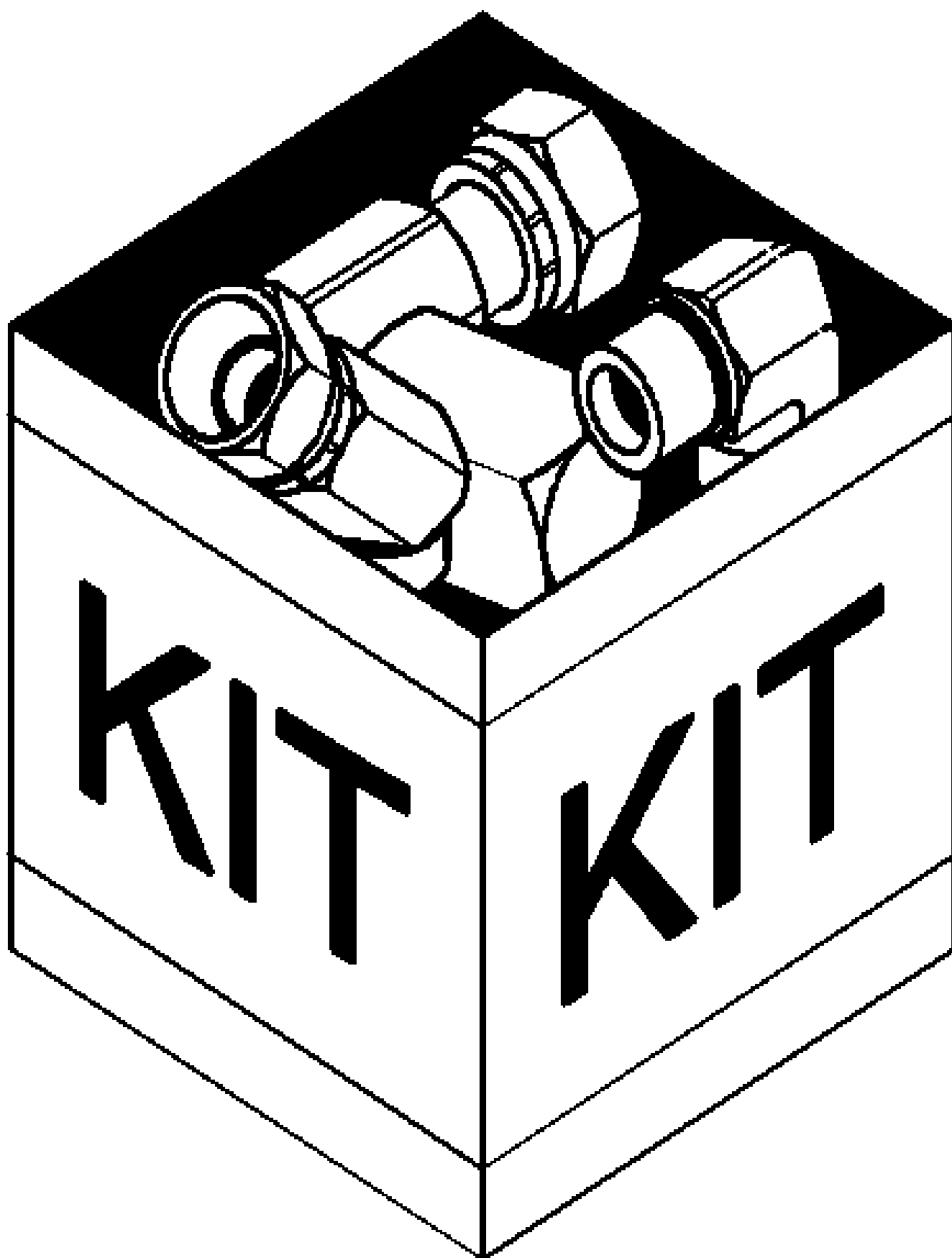
88.106.01

01

p1

8/2016

BEARING, KIT

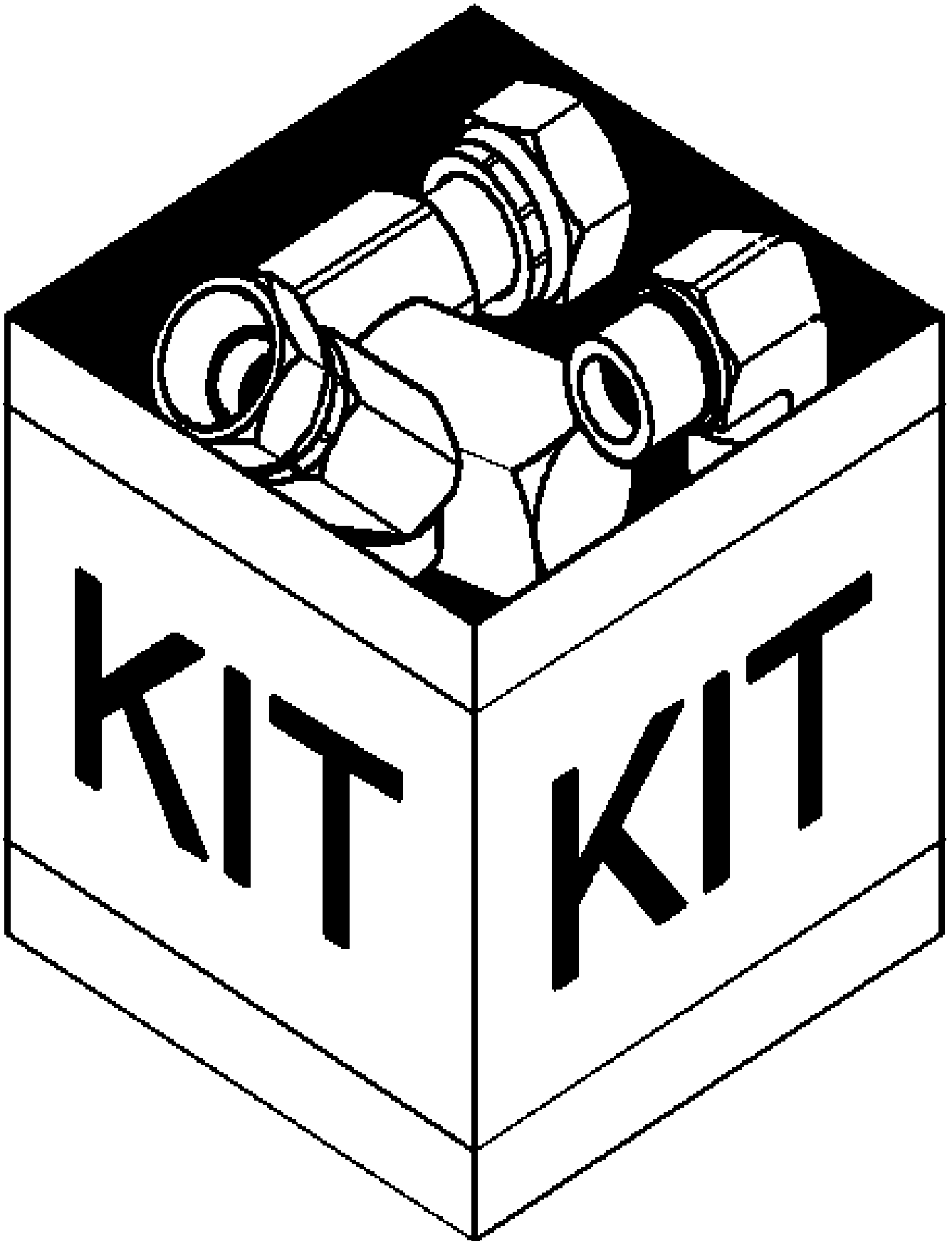


BEARING, KIT

REF FN	PART NUMBER	YR/SN	QTY DESCRIPTION
1	73340663		1 KIT SINGLE AXLE BEARING KIT INCLUDES REF 2-12
2	9790660		10 FLANGE NUT Flg, 3/4"-16, G8
3	88574		4 BOLT Hex, 5/16" - 18 x 1/2", Gr 5, Full Thd
4	88182		1 COTTER PIN 1/4" OD x 2" L
5	86594308		1 BEARING CONE 44.45mm ID x 29.32mm W
6	84254765		1 HUB CAP
7	619443		1 SEAL 76.2mm ID x 114.48mm OD x 11.89mm Thk
8	371884A1		1 BEARING CONE 63.5mm ID x 30.24mm W
9	371878A1		1 BEARING CUP 112.71mm OD x 23.81mm W
10	21884250		1 BEARING CUP 107.95mm OD
11	17952632		1 WASHER
12	14052012		1 SLOTTED NUT

870-ECOLO-TIGER DISK RIPPER

KIT



88.107.01

01

p1

8/2016

KIT

REF FN	PART NUMBER	YR/SN	QTY DESCRIPTION
1	73340665		1 KIT SHANK SHIN KIT INCLUDES 2-3
2	87700394		9 SHANK
3	86624061		19 LOCK PIN 9.53mm OD x 50.8mm L, Slotted

870-ECOLO-TIGER DISK RIPPER

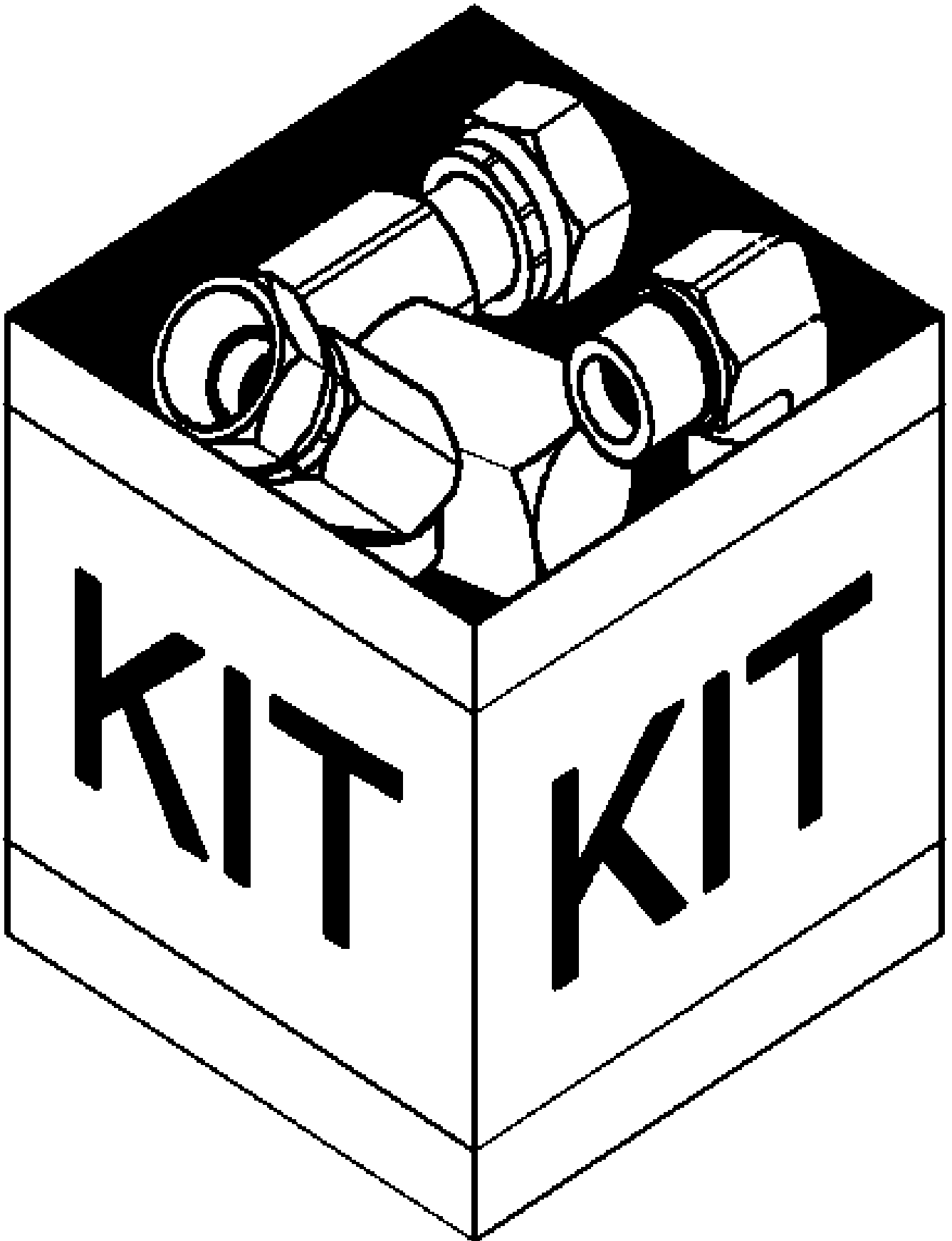
88.108.01

01

p1

8/2016

SHANK, KIT



88.108.01

01

p1

8/2016

SHANK, KIT

REF FN	PART NUMBER	YR/SN	QTY DESCRIPTION
1	73340666		1 KIT SHANK SHIN KIT -11 INCLUDES 2-3
2	87700394		11 SHANK
3	86624061		22 LOCK PIN 9.53mm OD x 50.8mm L, Slotted

870-ECOLO-TIGER DISK RIPPER

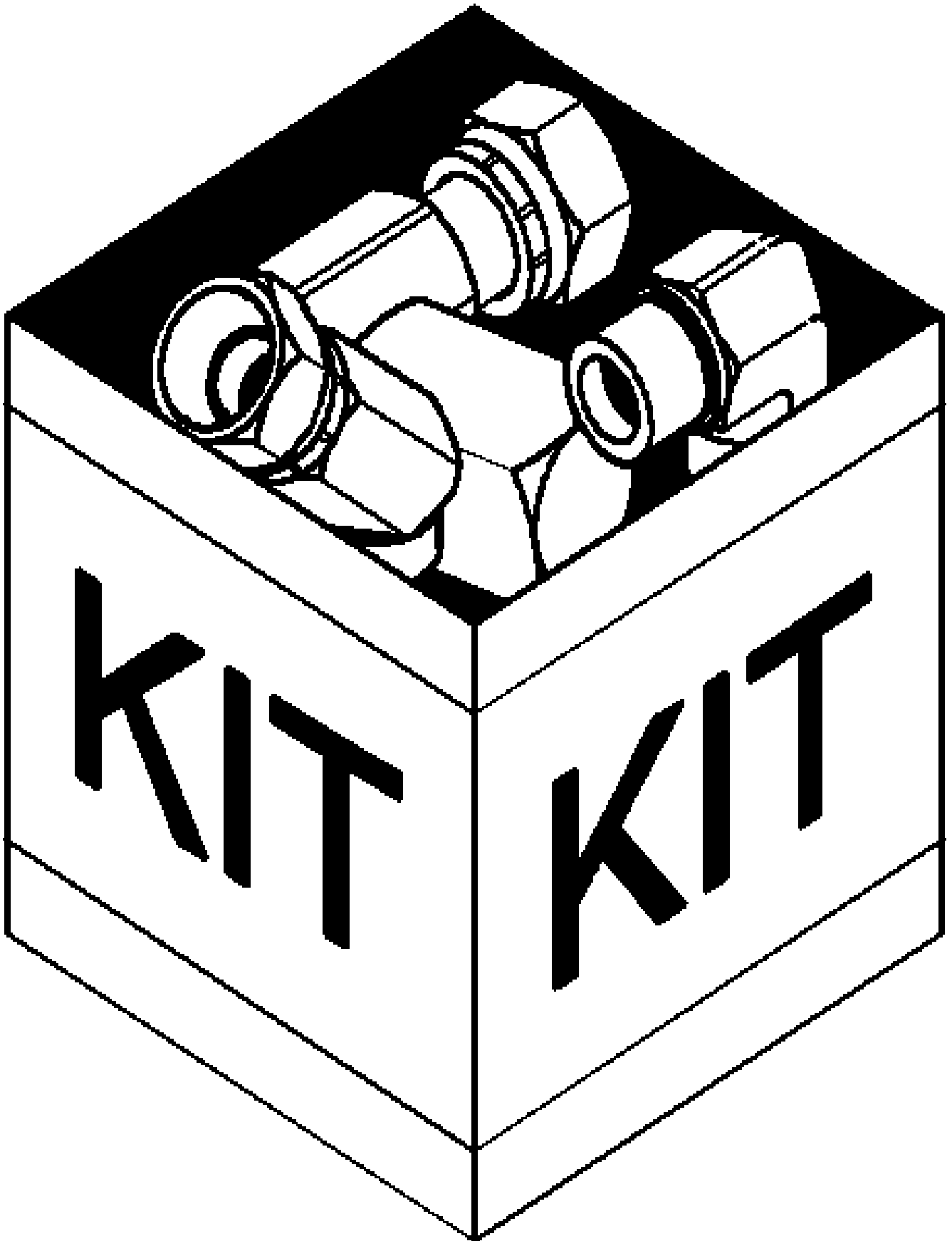
88.109.01

01

p1

8/2016

HUB, KIT



88.109.01

01

p1

8/2016

HUB, KIT

REF FN	PART NUMBER	YR/SN	QTY DESCRIPTION
1	73340669		1 KIT COMPLE HUB KIT INCLUDES 2-11
2	88350		1 COTTER PIN 5/32" x 1-1/2"
3	87415559		1 SEAL 55.63mm ID x 82.55mm OD x 1.02mm Thk
4	87415558		1 SEAL 53.87mm ID x 78.26mm OD x 1.52mm Thk
5	87415557		1 SEAL
6	87024780		1 WASHER 26.98mm ID x 50.8mm OD x 5.56mm Thk
7	86512015		1 BEARING ASSY 41.27mm ID x 73.46mm OD x 19.63mm W
8	84151573		1 NUT
9	36726		1 BEARING CONE 31.75mm ID x 16.76mm W
10	28705006		1 HUB
11	28490001		1 HUB CAP

870-ECOLO-TIGER DISK RIPPER

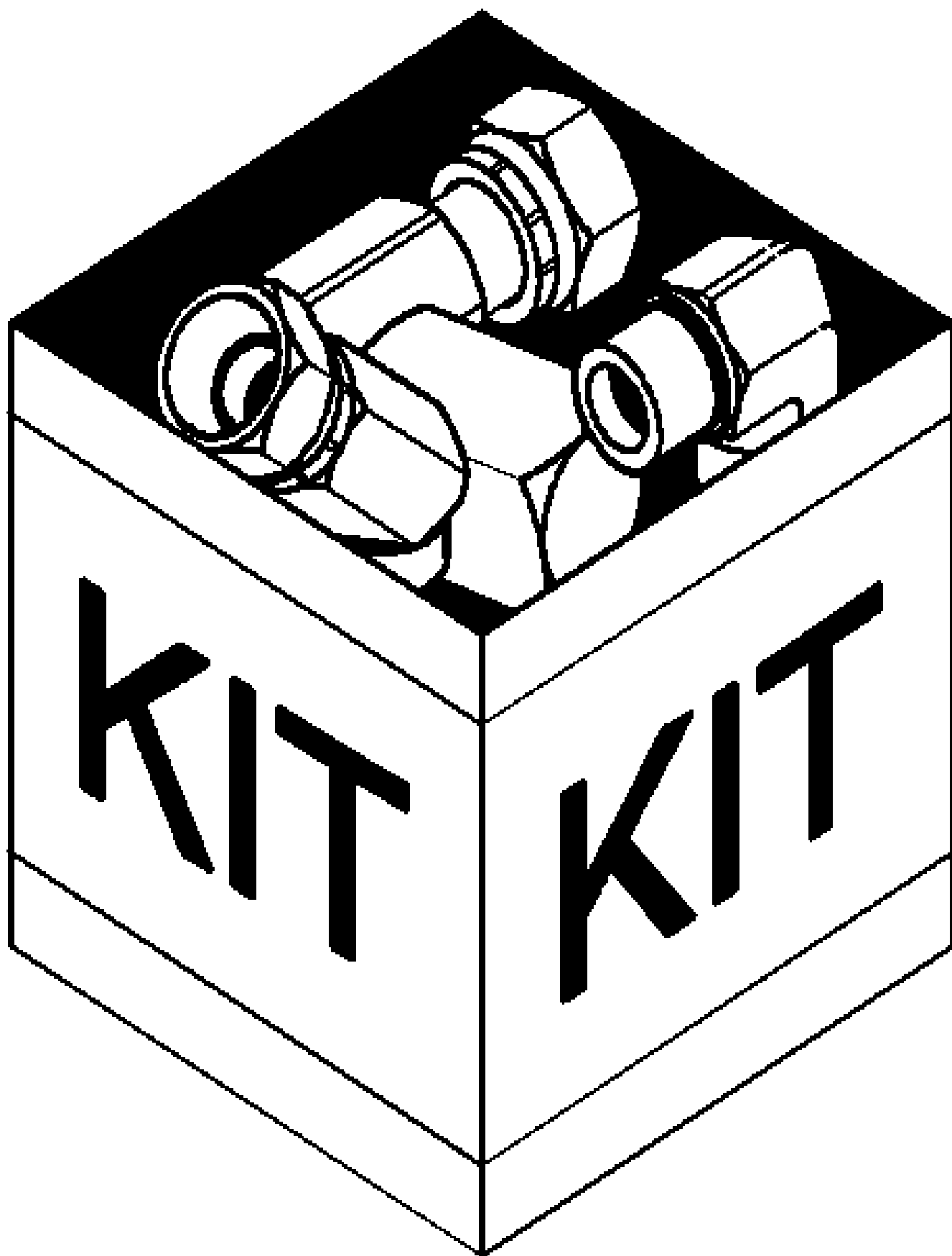
88.110.01

01

p1

8/2016

BEARING, KIT



88.110.01

01

p1

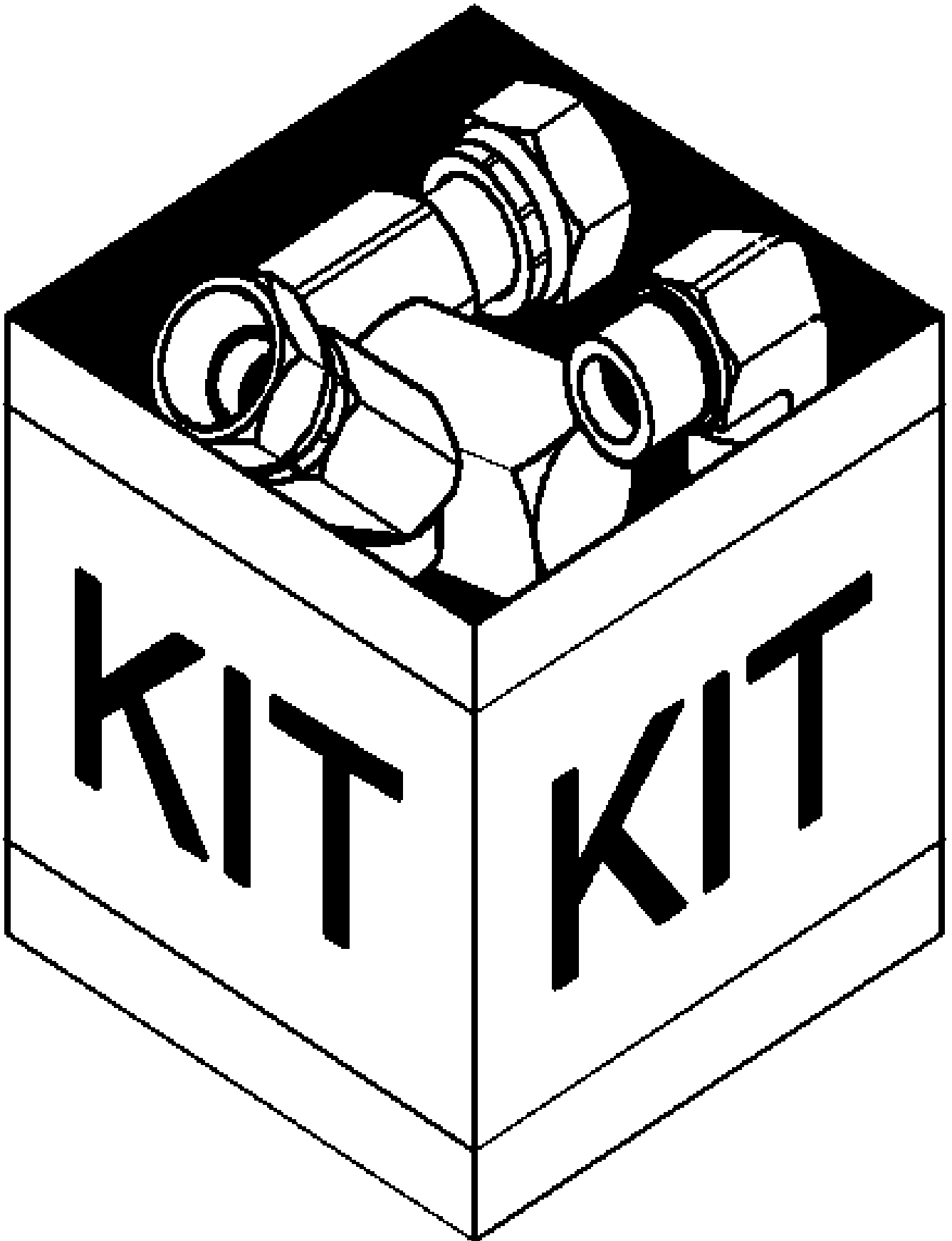
8/2016

BEARING, KIT

REF FN	PART NUMBER	YR/SN	QTY DESCRIPTION
1	73340658		1 KIT WALKING TANDEM BEARING INCLUDES 2-5
2	86977427		1 BEARING CUP 76.22mm OD x 19.05mm W
3	21871501		2 BEARING CONE 38.1mm ID x 25.65mm W
4	115950		2 OIL SEAL
5	06400573		2 SPACER

870-ECOLO-TIGER DISK RIPPER

KIT SCRAPER

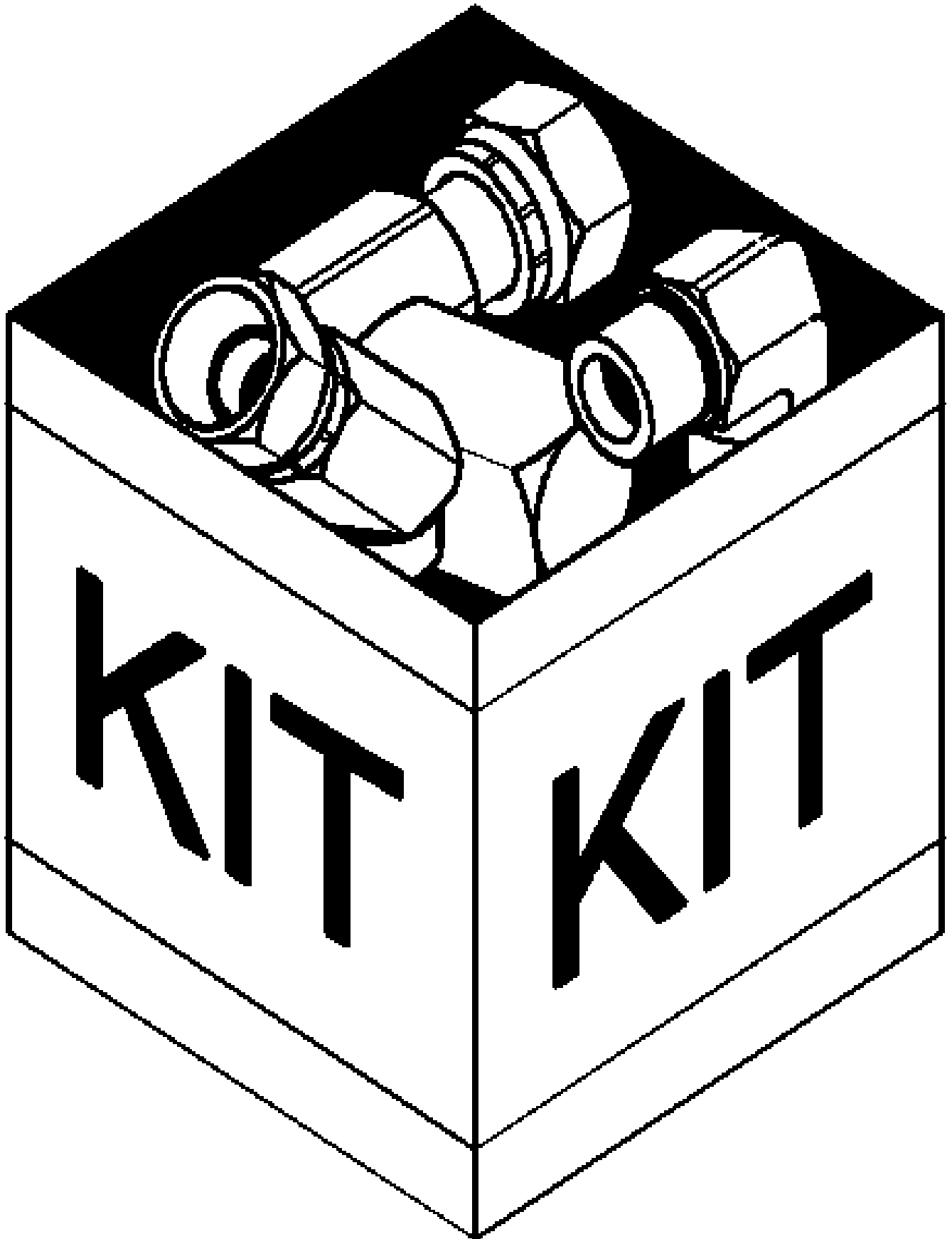


KIT SCRAPER

REF FN	PART NUMBER	YR/SN	QTY DESCRIPTION
1	47558893		1 SERVICE KIT Incl 2 - 5
2	47560311		1 INSTRUCTION
3	47558872		1 SCRAPER BLADE
4	84156178		2 WASHER 0.78" ID x 1.75" OD x 0.18" Thk
5	86977759		2 BOLT Hex, 3/4" - 10 x 3 1/2", Gr 5

870-ECOLO-TIGER DISK RIPPER

EXTENSION DISC KIT



EXTENSION DISC KIT

REF FN	PART NUMBER	YR/SN	QTY DESCRIPTION
1	47362213		1 KIT Extension Disc Kit
2	280375		12 NUT 3/4"-10, GC
3	404069A1		2 PLOW BOLT Arbor
4	47549984		1 INSTRUCTION
5	496-41053		20 WASHER 13.49mm ID x 31.75mm OD x 5.05mm Thk
6	80281058		20 SCREW 1/2"
7	84598137		1 EXTENSION 7 Shank Left
8	84599719		1 EXTENSION 7 Shank Right
9	87427186		6 U-BOLT
10	47544633		4 HUB With Spindle
11	87681198		8 NUT Hex, 7/8"-9, 0.45 high
12	87565570		1 ANGLE BAR Left
13	87565571		1 ANGLE BAR Right
14	87691879		2 DISC 620 x 103.6 x 6.5 x 176
15	87702617		2 DISC 596 x 103.6 x 6.5 x 176
16	88871		20 NUT 1/2"-13, GC
17	280128		4 BOLT Hex, 3/4" - 10 x 3", Gr 8
18	87337		8 BOLT Hex, 3/4" - 10 x 3", Gr 5
19	87429835		4 HANGER
20	87518250		4 U-BOLT

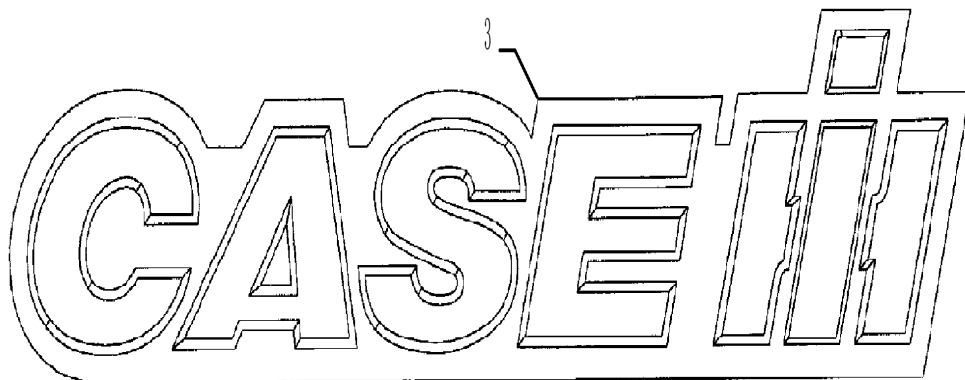
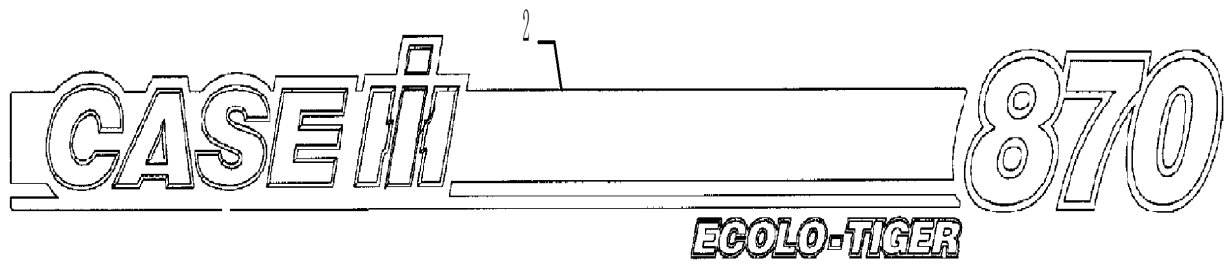
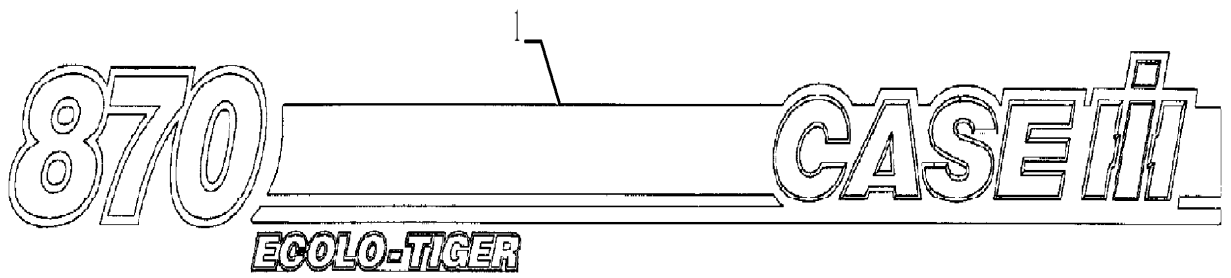
870-ECOLO-TIGER DISK RIPPER

SECTION INDEX

PLATFORM, CAB, BODYWORK AND DECALS

90.108.02		DECALS
90.108.03	01	DECALS WARNING AND DANGER
90.108.03	02	DECALS WARNING, DANGER AND IMPORTANT
90.108.04	01	DECALS REAR DISK LEVELER
90.108.04	02	DECALS - 7 SHANK
90.108.04	03	DECALS - 9 SHANK
90.108.04	04	DECALS 11 AND 13 SHANK

DECALS



DECALS

REF FN	PART NUMBER	YR/SN	QTY DESCRIPTION
1	84163253		1 DECAL Right Hand
2	84163250		1 DECAL Left Hand
3	87653276		2 DECAL Case IH

870-ECOLO-TIGER DISK RIPPER

DECALS WARNING AND DANGER



CAUTION

Failure to observe instructions and safety practices can result in serious bodily injury.

To avoid injury:

- Read and understand your operators manual before servicing or operating the machine.
- Learn to operate and adjust the machine safely.
- Do not allow anyone to work on the machine or tractor.
- Retract all hydraulic cylinders, stops and retract hydraulic rippers before servicing or transporting machine.
- Make certain that coverage is clear before moving the machine, hydraulics or any component.

18534228

WARNING

Escaping hydraulic oil can penetrate the skin.

To avoid serious injury or death:

- Release pressure before disconnecting hydraulic lines.
- Wear eye protection and use wood or cardboard instead of hands when searching for leaks.
- See doctor immediately if injured.

18534232

IMPORTANT

OPERATE IN GREEN ZONE ONLY

FOR MAXIMUM DISC DEPTH & BLADE PROTECTION

18534241

WARNING

STORED ENERGY HAZARD:
Spring assemblies have potentially dangerous stored energy. To avoid bodily injury, read your Operator's Manual, or Service Instructions and Precautions.

18534177

DANGER

CRUSHING HAZARD
To avoid injury or death keep everyone clear of machine when folding or unfolding wings.

18534077

WARNING

UNHITCHING HAZARD
Tongue raises rapidly when unhitched. To avoid bodily injury, lower implement to ground before unhitching.

18534143

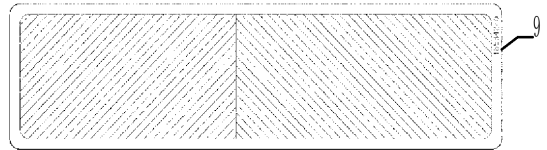
A	UP
B	UP
C	UP
D	DOWN

18534258

DANGER

ELECTROCUTION HAZARD
To avoid injury or death, DO NOT come into contact with overhead power lines.

18534218



DECALS WARNING AND DANGER

REF FN	PART NUMBER	YR/SN	QTY DESCRIPTION
1	18534228		1 DECAL Caution, English
1	87700740		1 DECAL Caution, Russian, Not Shown
1	87413532		1 DECAL Caution, French, Not Shown
2	18534277		1 DECAL Stored Energy, English
2	87700752		1 DECAL Stored Energy, Russian, Not Shown
2	87413530		1 DECAL Stored Energy, French, Not Shown
3	18534140		1 WARNING DECAL Unhitching Hazard, English
3	87700733		1 DECAL Unhitching Hazard, Russian, Not Shown
3	87413534		1 DECAL Unhitching Hazard, French, Not Shown
4	18534275		1 DANGER DECAL Electrocutation Hazard, English
4	87700741		1 DECAL Electrocutation Hazard, Russian, Not Shown
4	87413531		1 DECAL Electrocutation Hazard, French, Not Shown
5	18534282		1 WARNING DECAL Hydraulic Oil, English
5	87700753		1 DECAL Hydraulic Oil, Russian, Not Shown
5	87414162		1 DECAL Hydraulic Oil, French, Not Shown
6	18534227		1 DANGER DECAL Crushing Hazard, English
6	87700738		1 DECAL Crushing Hazard, Russian, Not Shown
6	87413533		1 DECAL Crushing Hazard, French, Not Shown
7	18534258		1 DECAL Depth Indicator, English
7	87700761		1 DECAL Depth Indicator, Russian, Not Shown
7	84272916		1 DECAL Depth Indicator, French, Not Shown
8	18534241		1 DECAL Disk Depth, English

870-ECOLO-TIGER DISK RIPPER

DECALS WARNING AND DANGER



CAUTION

Failure to observe instructions and safety practices can result in serious bodily injury.

To avoid injury:

- Read and understand your operators manual before servicing or operating the machine.
- Learn to operate and adjust the machine safely.
- Do not allow anyone to work on the machine or tractor.
- Retract all hydraulic cylinders, stops and retract hydraulic rippers before servicing or transporting machine.
- Make certain that coverage is clear before moving the machine, hydraulics or any component.

18534228

WARNING

Escaping hydraulic oil can penetrate the skin.

To avoid serious injury or death:

- Release pressure before disconnecting hydraulic lines.
- Wear eye protection and use wood or cardboard instead of hands when searching for leaks.
- See doctor immediately if injured.

18534232

IMPORTANT

OPERATE IN GREEN ZONE ONLY

FOR MAXIMUM DISC DEPTH & BLADE PROTECTION

18534241

WARNING

STORED ENERGY HAZARD: Spring assemblies have potentially dangerous stored energy. To avoid bodily injury, read your Operator's Manual, or Service Instructions and Precautions.

18534177

DANGER

CRUSHING HAZARD To avoid injury or death keep everyone clear of machine when folding or unfolding wings.

18534077

WARNING

UNHITCHING HAZARD Tongue raises rapidly when unhitched. To avoid bodily injury, lower implement to ground before unhitching.

18534143

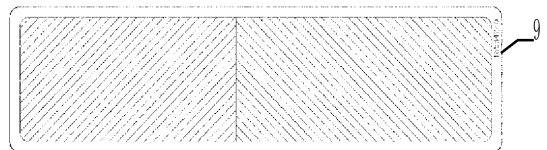
A	UP
B	UP
C	UP
D	DOWN

18534258

DANGER

ELECTROCUTION HAZARD To avoid injury or death, DO NOT come into contact with overhead power lines.

18534218



DECALS WARNING AND DANGER

REF FN	PART NUMBER	YR/SN	QTY DESCRIPTION
8	87700760		1 DECAL Disk Depth, Russian, Not Shown
8	87421857		1 DECAL Disk Depth, French, Not Shown
9	18534240		1 DECAL Red, Green, Disk Depth

870-ECOLO-TIGER DISK RIPPER

DECALS WARNING, DANGER AND IMPORTANT



WARNING

TOWING HAZARD
 To avoid serious injury or death:
 - Always tow implements with agricultural tractors.
 - Never tow agriculture implements in excess of 25 mph.
 - Total weight of implement or combination of implements must not exceed 1.5 times weight of towing tractor.
 - See Operator's Manual for hitching instructions, Safety Chain requirement and towing instructions.

8739587

DANGER

PINCH HAZARD
 To avoid bodily injury or death:
 - Keep all persons away while any part of machine is in motion.

8739587

LENGTHEN

TO RAISE FRONT OF MACHINE

8739587

IMPORTANT

Before using this machine, inflate tires and torque wheel bolts

18.5 X 16.1 (P) L/R-E with 8-Bolt wheel
 Inflate tire to 80 PSI
 Torque wheel bolts to 190-190 FT-LBS

Re-torque wheel bolts after one hour of use

8741422

DEEPER

4 TURNS = 1 INCH

SHALLOWER

8741422

IMPORTANT

Before using this machine, inflate tires and torque wheel bolts

18.5 X 16.1 1/4-Ply with 8-Bolt wheel
 Inflate tire to 48 PSI
 Torque wheel bolts to 90-100 FT-LBS

16.5 X 16.1 (P) L/R-E with 8-Bolt wheel
 Inflate tire to 60 PSI
 Torque wheel bolts to 180-190 FT-LBS

18.5 X 22.5 Tractor tire with 8-Bolt wheel
 Inflate tire to 50 PSI
 Torque wheel bolts to 180-190 FT-LBS

Re-torque wheel bolts after one hour of use

8741422

IMPORTANT

Before using this machine, inflate tires and torque wheel bolts

CS 3.22.5 Tractor tire with 12-Bolt wheel
 Inflate tire to 25 PSI
 Torque wheel bolts to 350-380 FT-LBS

Re-torque wheel bolts after one hour of use

8741422

IMPORTANT

AFTER FIRST 4 HOURS OF OPERATION

- RETORQUE U-BOLTS TO 350 Ft-Lbs
- RETORQUE BLADE BOLTS TO 125 Ft-Lbs

195.3422.3

IMPORTANT

CHECK ARBOR BOLT TORQUE AFTER THE FIRST 10 HOURS OF OPERATION AND PERIODICALLY THEREAFTER

437071 A1

IMPORTANT

- o Torque six 1 inch carrier to main frame bolts to 500 ft-lb.
- o Retorque after first 4 hours of operation.
- o Retorque after each additional 100 hours of operation.

Vendor code 89018987 A

IMPORTANT

- o Torque six 1 1/4 inch carrier to main frame bolts to 600 ft-lb.
- o Retorque after first 4 hours of operation.
- o Retorque after each additional 100 hours of operation.

Vendor code 89018987 A

DECALS WARNING, DANGER AND IMPORTANT

REF FN	PART NUMBER	YR/SN	QTY DESCRIPTION
1	18534347		1 WARNING DECAL Towing Hazard, English
1	87700755		1 DECAL Towing Hazard, Russian, Not Shown
1	87413205		1 DECAL Towing Hazard, French, Not Shown
2	18534333		1 DANGER DECAL Pinch, English
2	87700754		1 DECAL Pinch Hazard, Russian, Not Shown
2	87413529		1 DECAL Pinch Hazard, French, Not Shown
3	87395867		1 DECAL Depth Control, English
3	84135917		1 DECAL Depth Control, Russian, Not Shown
3	84135914		1 DECAL Depth Control, French, Not Shown
4	87480857		1 DECAL Tire Pressure, 11 And 13 Shank, English
4	84186802		1 DECAL Tire Pressure, 11 And 13 Shank, Russian, Not Shown
4	84186797		1 DECAL Tire Pressure, 11 And 13 Shank, French, Not Shown
5	87480855		1 DECAL 7 Shank, English
5	84186791		1 DECAL 7 Shank, Russian, Not Shown
5	84186789		1 DECAL 7 Shank, French, Not Shown
6	18534223		1 DECAL Torque Decal, English
6	87700757		1 DECAL Torque Decal, Russian, Not Shown
6	87421855		1 DECAL Torque Decal, French, Not Shown
7	87414072		1 DECAL Single Point Depth, English
7	87709612		1 DECAL Single Point Depth, Russian, Not Shown
7	84142452		1 DECAL Single Point Depth, French, Not Shown
8	87480856		1 DECAL Important Decal, English
8	84186793		1 DECAL Important Decal, Russian, Not Shown

870-ECOLO-TIGER DISK RIPPER

DECALS WARNING, DANGER AND IMPORTANT



WARNING

TOWING HAZARD
 To avoid serious injury or death:
 - Always tow implements with agricultural tractors.
 - Never tow agriculture implements in excess of 25 mph.
 - Total weight of implement or combination of implements must not exceed 1.5 times weight of towing tractor.
 - See Operator's Manual for hitching instructions, Safety Chain requirement and towing instructions.

8739587

DANGER

PINCH HAZARD
 To avoid bodily injury or death:
 - Keep all persons away while any part of machine is in motion.

8739587

LENGTHEN

TO RAISE FRONT OF MACHINE

8739587

IMPORTANT

Before using this machine, inflate tires and torque wheel bolts

18.5 X 16.1 (P) L/R-E with 8-Bolt wheel
 Inflate tire to 80 PSI
 Torque wheel bolts to 190-190 FT-LBS

Re-torque wheel bolts after one hour of use

8741422

DEEPER

4 TURNS = 1 INCH

SHALLOWER

8741422

IMPORTANT

Before using this machine, inflate tires and torque wheel bolts

18.5 X 16.1 1/4-Ply with 8-Bolt wheel
 Inflate tire to 48 PSI
 Torque wheel bolts to 90-100 FT-LBS

16.5 X 16.1 (P) L/R-E with 8-Bolt wheel
 Inflate tire to 60 PSI
 Torque wheel bolts to 180-190 FT-LBS

425 X 22.5 Tractor tire with 8-Bolt wheel
 Inflate tire to 50 PSI
 Torque wheel bolts to 180-190 FT-LBS

Re-torque wheel bolts after one hour of use

8741422

IMPORTANT

Before using this machine, inflate tires and torque wheel bolts

GS X 22.5 Tractor tire with 12-Bolt wheel
 Inflate tire to 25 PSI
 Torque wheel bolts to 350-380 FT-LBS

Re-torque wheel bolts after one hour of use

8741422

IMPORTANT

AFTER FIRST 4 HOURS OF OPERATION

- RETORQUE U-BOLTS TO 350 Ft-Lbs
- RETORQUE BLADE BOLTS TO 125 Ft-Lbs

195.3422.3

IMPORTANT

CHECK ARBOR BOLT TORQUE AFTER THE FIRST 10 HOURS OF OPERATION AND PERIODICALLY THEREAFTER

437071 A1

IMPORTANT

- o Torque six 1 inch carrier to main frame bolts to 500 ft-lb.
- o Retorque after first 4 hours of operation.
- o Retorque after each additional 100 hours of operation.

Vendor code 89018982 A

IMPORTANT

- o Torque six 1 1/4 inch carrier to main frame bolts to 600 ft-lb.
- o Retorque after first 4 hours of operation.
- o Retorque after each additional 100 hours of operation.

Vendor code 89018987 A

DECALS WARNING, DANGER AND IMPORTANT

REF FN	PART NUMBER	YR/SN	QTY DESCRIPTION
8	84186792		1 DECAL Important Decal, French, Not Shown
9	437071A1		1 DECAL Torque, English
9	84186823		1 DECAL Torque, Russian, Not Shown
9	84186821		1 DECAL Torque, French, Not Shown
10	84415362		1 DECAL Torque 1 IN, English
10	84415363		1 DECAL Torque 1 IN, French, Not Shown
10	84415365		1 DECAL Torque 1 UN, Russian, Not Shown
11	84415367		1 DECAL Torque 1.25, English
11	84415368		1 DECAL Torque 1.25, French, Not Shown
11	84415369		1 DECAL Torque 1.25, Russian, Not Shown

870-ECOLO-TIGER DISK RIPPER

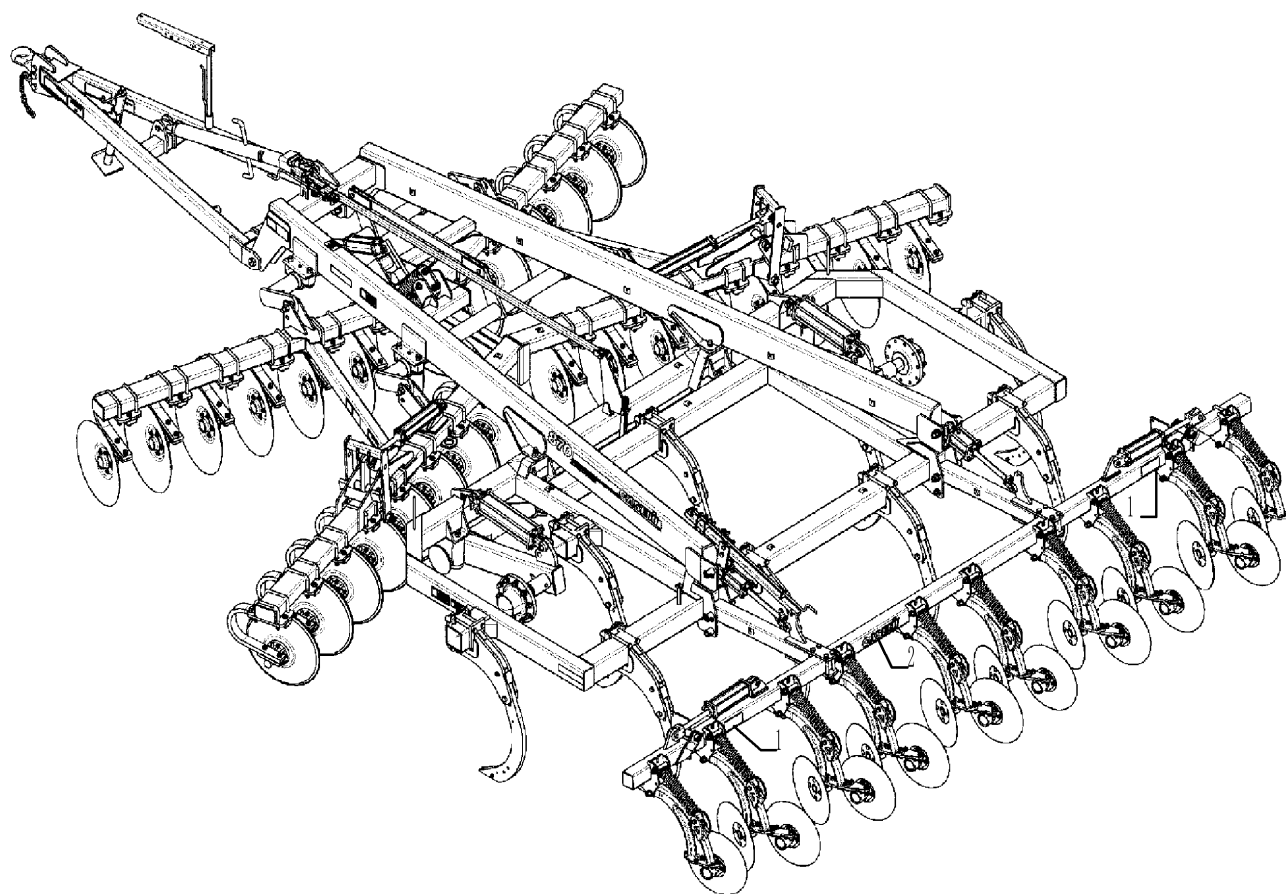
90.108.04

01

p1

8/2016

DECALS REAR DISK LEVELER



DECALS REAR DISK LEVELER

REF FN	PART NUMBER	YR/SN	QTY DESCRIPTION
1	18534227		2 DANGER DECAL Crushing Hazard, English
1	87700738		2 DECAL Crushing Hazard, Russian, Not Shown
1	87413533		2 DECAL Crushing Hazard, French, Not Shown
2	87653276		1 DECAL CIH

870-ECOLO-TIGER DISK RIPPER

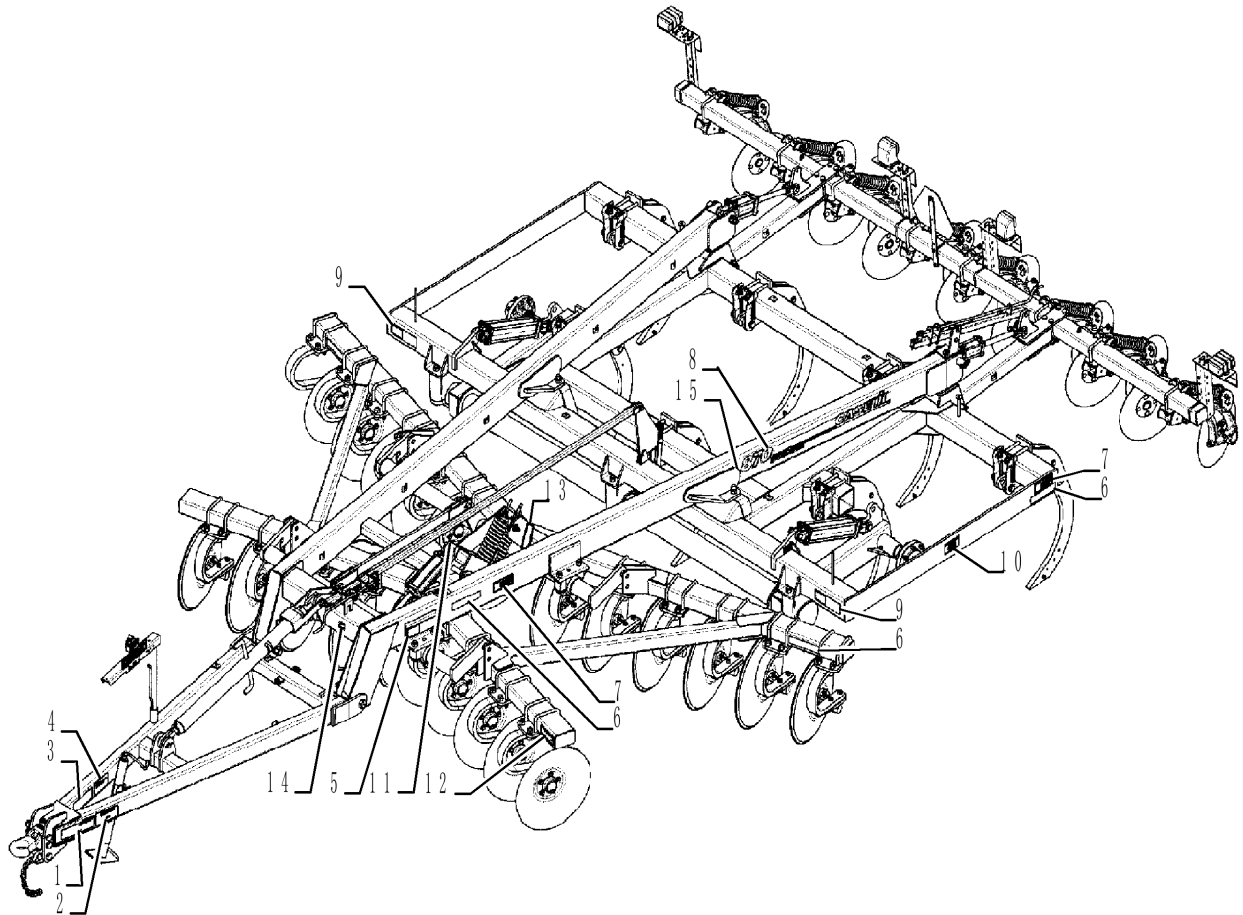
90.108.04

02

p1

8/2016

DECALS - 7 SHANK



DECALS - 7 SHANK

REF FN	PART NUMBER	YR/SN	QTY DESCRIPTION
1	18534347		1 WARNING DECAL Towing Hazard, English
1	87700755		1 DECAL Towing Hazard, Russian, Not Shown
1	87413205		1 DECAL Towing Hazard, French, Not Shown
2	18534228		1 DECAL Caution, English
2	87700740		1 DECAL Caution, Russian, Not Shown
2	87413532		1 DECAL Caution, French, Not Shown
3	18534140		1 WARNING DECAL Unhitching Hazard, English
3	87700733		1 DECAL Unhitching Hazard, Russian, Not Shown
3	87413534		1 DECAL Unhitching Hazard, French, Not Shown
4	18534282		1 WARNING DECAL Hydraulic Oil, English
4	87700753		1 DECAL Hydraulic Oil, Russian, Not Shown
4	87414162		1 DECAL Hydraulic Oil, French, Not Shown
5	18534333		1 DANGER DECAL Pinch Hazard, English
5	87700754		1 DECAL Pinch Hazard, Russian, Not Shown
5	87413529		1 DECAL Pinch Hazard, French, Not Shown
6	311864A1		6 REFLECTOR Yellow
7	18534277		2 DECAL Stored Energy, English
7	87700752		2 DECAL Stored Energy, Russian, Not Shown
7	87413530		2 DECAL Stored Energy, French, Not Shown
8	84163250		1 DECAL 870 Left Hand
8	84163253		1 DECAL 870 Right Hand
9	18534333		2 DANGER DECAL Pinch Hazard, English
9	87700754		2 DECAL Pinch Hazard, Russian, Not Shown
9	87413529		2 DECAL Pinch Hazard, French, Not Shown

870-ECOLO-TIGER DISK RIPPER

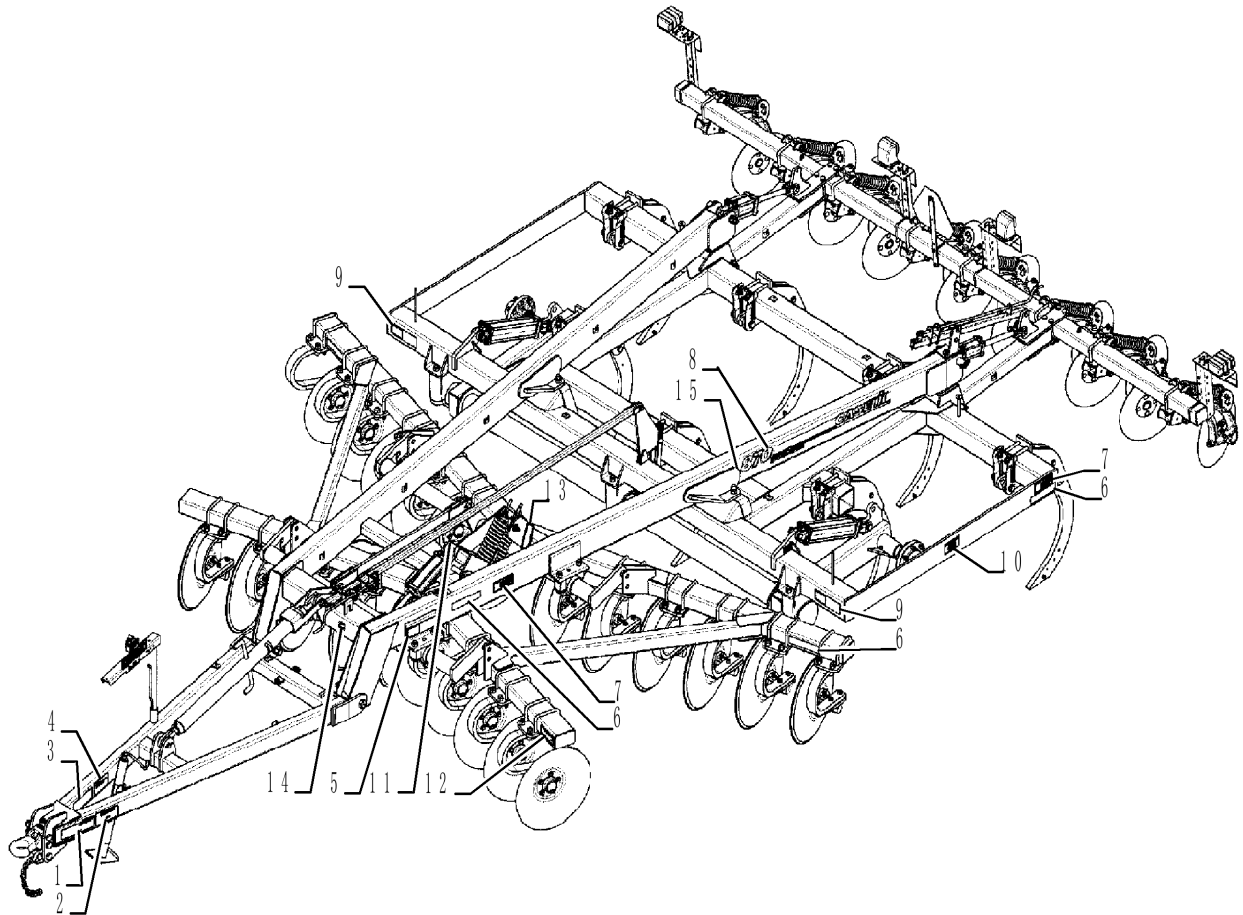
90.108.04

02

p2

8/2016

DECALS - 7 SHANK



DECALS - 7 SHANK

REF FN	PART NUMBER	YR/SN	QTY DESCRIPTION
10	87480855		1 DECAL Tire Inflation And Wheel Torque, English
10	84186791		1 DECAL Tire Inflation And Wheel Torque, Russian, Not Shown
10	84186789		1 DECAL Tire Inflation And Wheel Torque, French, Not Shown
11	18534241		1 DECAL Disk Depth, English
11	87700760		1 DECAL Disk Depth, Russian, Not Shown
11	87421857		1 DECAL Disk Depth, French, Not Shown
12	18534223		1 DECAL Individual Disk Torque, English
12	87700757		1 DECAL Individual Disk Torque, Russian, Not Shown
12	87421855		1 DECAL Individual Disk Torque, French, Not Shown
12	84186823		1 DECAL Gang Arbor Bolt Torque, Russian, Not Shown
12	84186821		1 DECAL Gang Arbor Bolt Torque, French, Not Shown
12	437071A1		1 DECAL Gang Arbor Bolt Torque, English, Not Shown
13	18534240		1 DECAL Red, Green Disk Depth
14	87414072		1 DECAL Single Point Depth Control, English
14	87709612		1 DECAL Single Point Depth Control, Russian, Not Shown
14	84142452		1 DECAL Single Point Depth Control, French, Not Shown
15	84415362		1 DECAL Torque 1 IN, English
15	84415363		1 DECAL Torque 1 IN, French, Not Shown
15	84415365		1 DECAL Torque 1 IN, Russian, Not Shown

870-ECOLO-TIGER DISK RIPPER

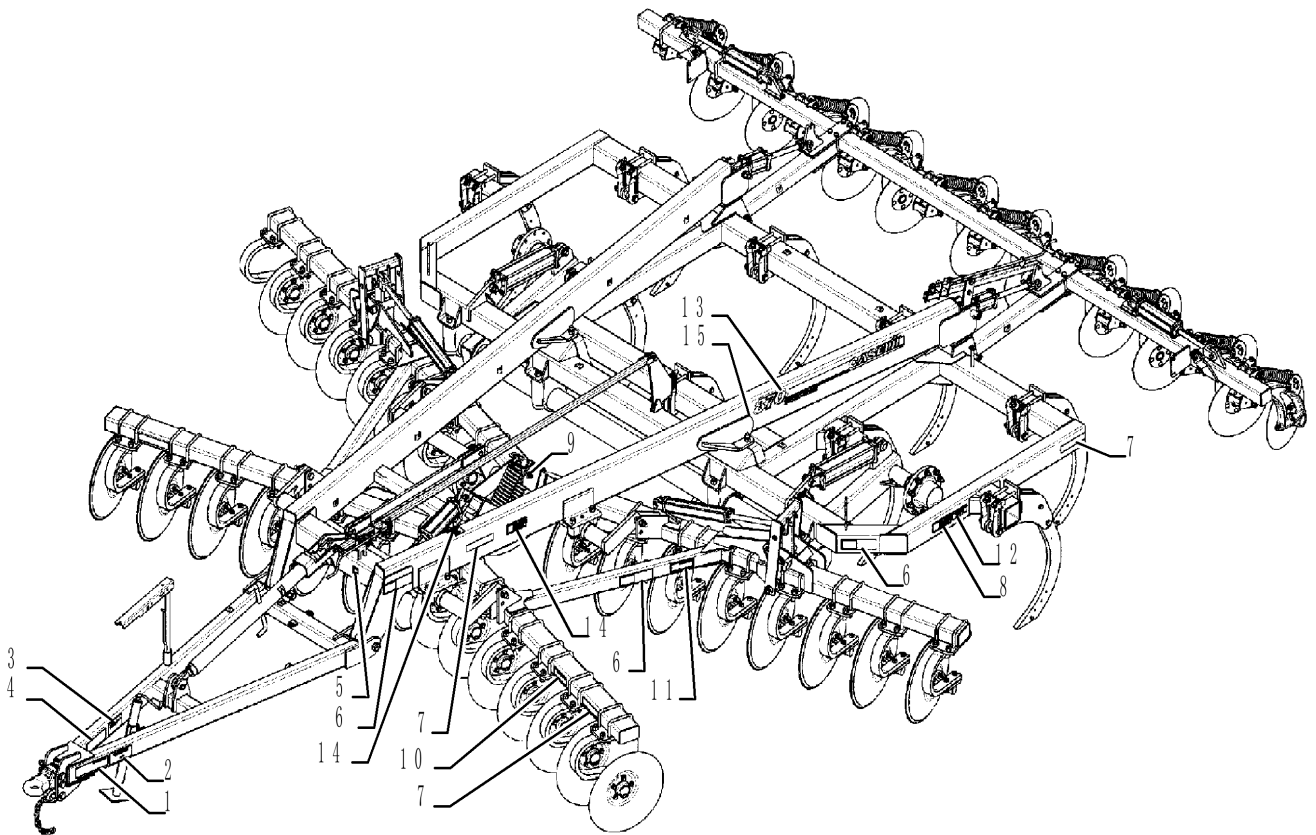
90.108.04

03

p1

8/2016

DECALS - 9 SHANK



DECALS - 9 SHANK

REF FN	PART NUMBER	YR/SN	QTY DESCRIPTION
1	18534347		1 WARNING DECAL Towing Hazard, English
1	87700755		1 DECAL Towing Hazard, Russian, Not Shown
1	87413205		1 DECAL Towing Hazard, French, Not Shown
2	18534228		1 DECAL Caution, English
2	87700740		1 DECAL Caution, Russian, Not Shown
2	87413532		1 DECAL Caution, French, Not Shown
3	18534140		1 WARNING DECAL Unhitching Hazard, English
3	87700733		1 DECAL Unhitching Hazard, Russian, Not Shown
3	87413534		1 DECAL Unhitching Hazard, French, Not Shown
4	18534282		1 WARNING DECAL Hydraulic Oil, English
4	87700753		1 DECAL Hydraulic Oil, Russian, Not Shown
4	87414162		1 DECAL Hydraulic Oil, French, Not Shown
5	87414072		1 DECAL Single Point Depth Control, English
5	87709612		1 DECAL Single Point Depth Control, Russian, Not Shown
5	84142452		1 DECAL Single Point Depth Control, French, Not Shown
6	18534333		5 DANGER DECAL Pinch Hazard, English
6	87700754		5 DECAL Pinch Hazard, Russian, Not Shown
6	87413529		5 DECAL Pinch Hazard, French, Not Shown
7	311864A1		6 REFLECTOR Yellow
8	18534277		3 DECAL Stored Energy, English
8	87700752		3 DECAL Stored Energy, Russian, Not Shown
8	87413530		3 DECAL Stored Energy, French, Not Shown
9	18534240		1 DECAL Red, Green Disk Depth

870-ECOLO-TIGER DISK RIPPER

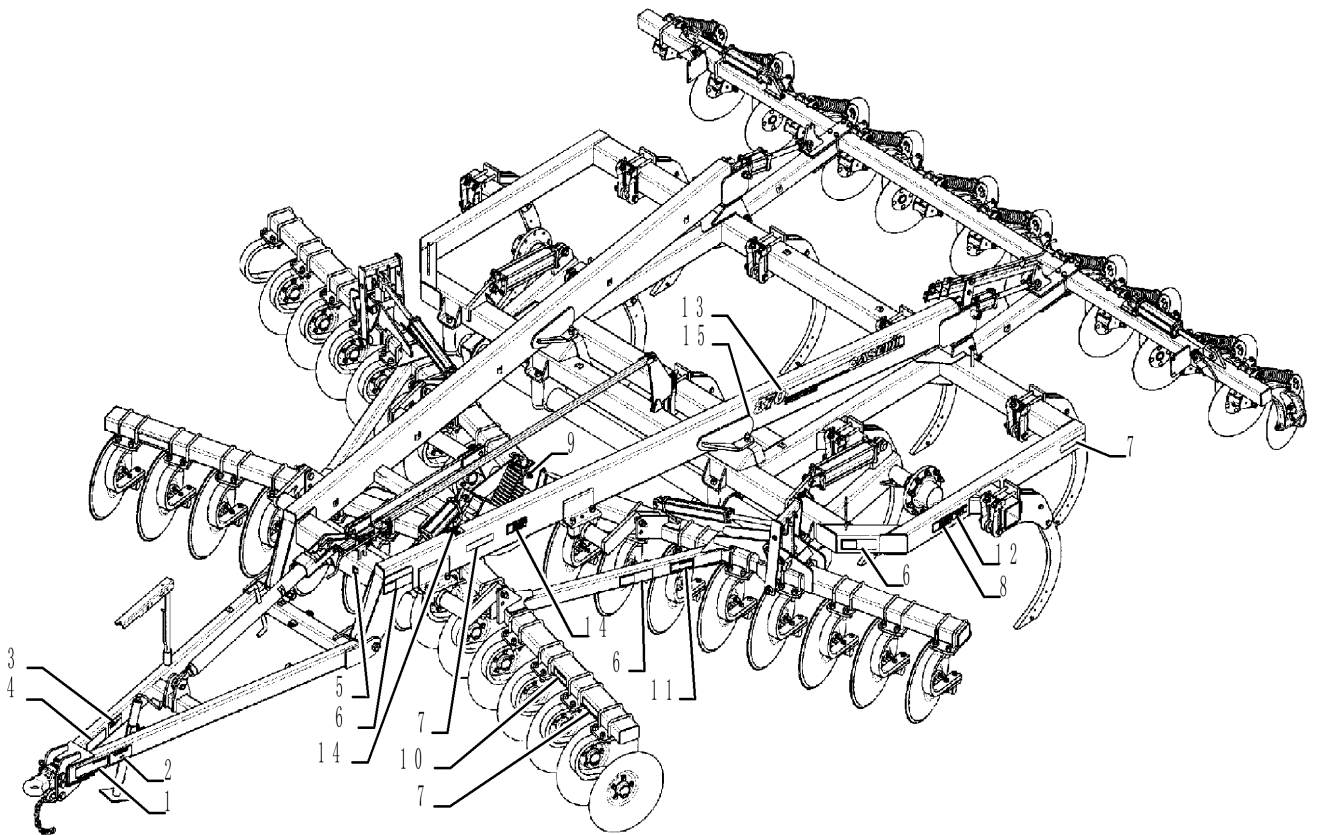
90.108.04

03

p2

8/2016

DECALS - 9 SHANK

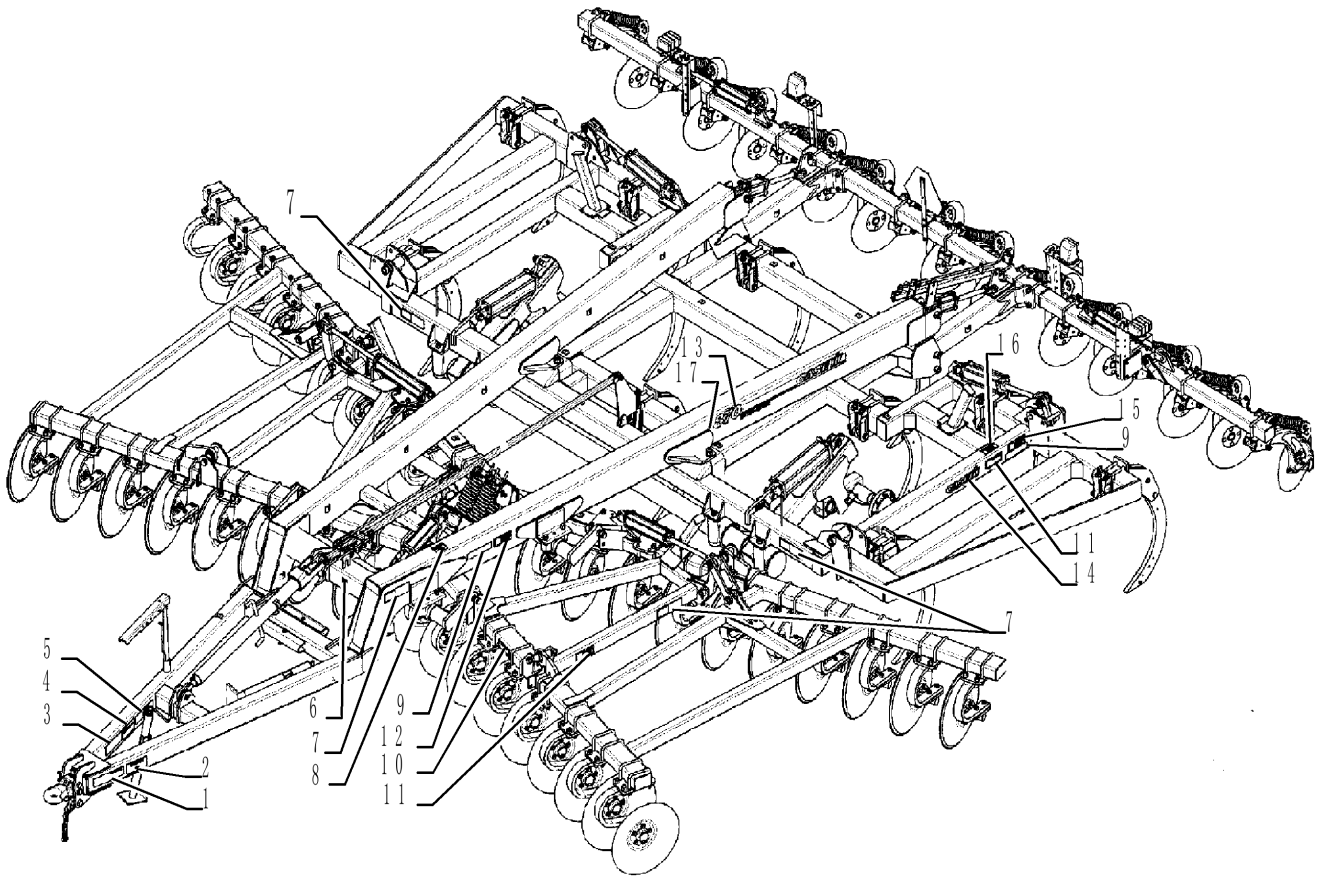


DECALS - 9 SHANK

REF FN	PART NUMBER	YR/SN	QTY DESCRIPTION
10	18534223		1 DECAL Individual Disk Torque, English
10	87700757		1 DECAL Individual Disk Torque, Russian, Not Shown
10	87421855		1 DECAL Individual Disk Torque, French, Not Shown
10	437071A1		1 DECAL Gang Arbor Bolt Torque, English
10	84186823		1 DECAL Gang Arbor Bolt Torque, Russian, Not Shown
10	84186821		1 DECAL Gang Arbor Bolt Torque, French, Not Shown
11	18534227		1 DANGER DECAL Crushing Hazard, English
11	87700738		1 DECAL Crushing Hazard, Russian, Not Shown
11	87413533		1 DECAL Crushing Hazard, French, Not Shown
12	87480856		1 DECAL Tire Inflation And Wheel Torque, English
12	84186793		1 DECAL Tire Inflation And Wheel Torque, Russian, Not Shown
12	84186792		1 DECAL Tire Inflation And Wheel Torque, French, Not Shown
13	84163250		1 DECAL 870 Left Hand
13	84163253		1 DECAL 870 Right Hand
14	18534241		1 DECAL Disk Depth, English
14	87700760		1 DECAL Disk Depth, Russian, Not Shown
14	87421857		1 DECAL Disk Depth, French, Not Shown
15	84415362		1 DECAL Torque 1 IN, Not Shown
15	84415363		1 DECAL Torque 1 IN, French, Not Shown
15	84415365		1 DECAL Torque 1 IN, Russian, Not Shown

870-ECOLO-TIGER DISK RIPPER

DECALS 11 AND 13 SHANK

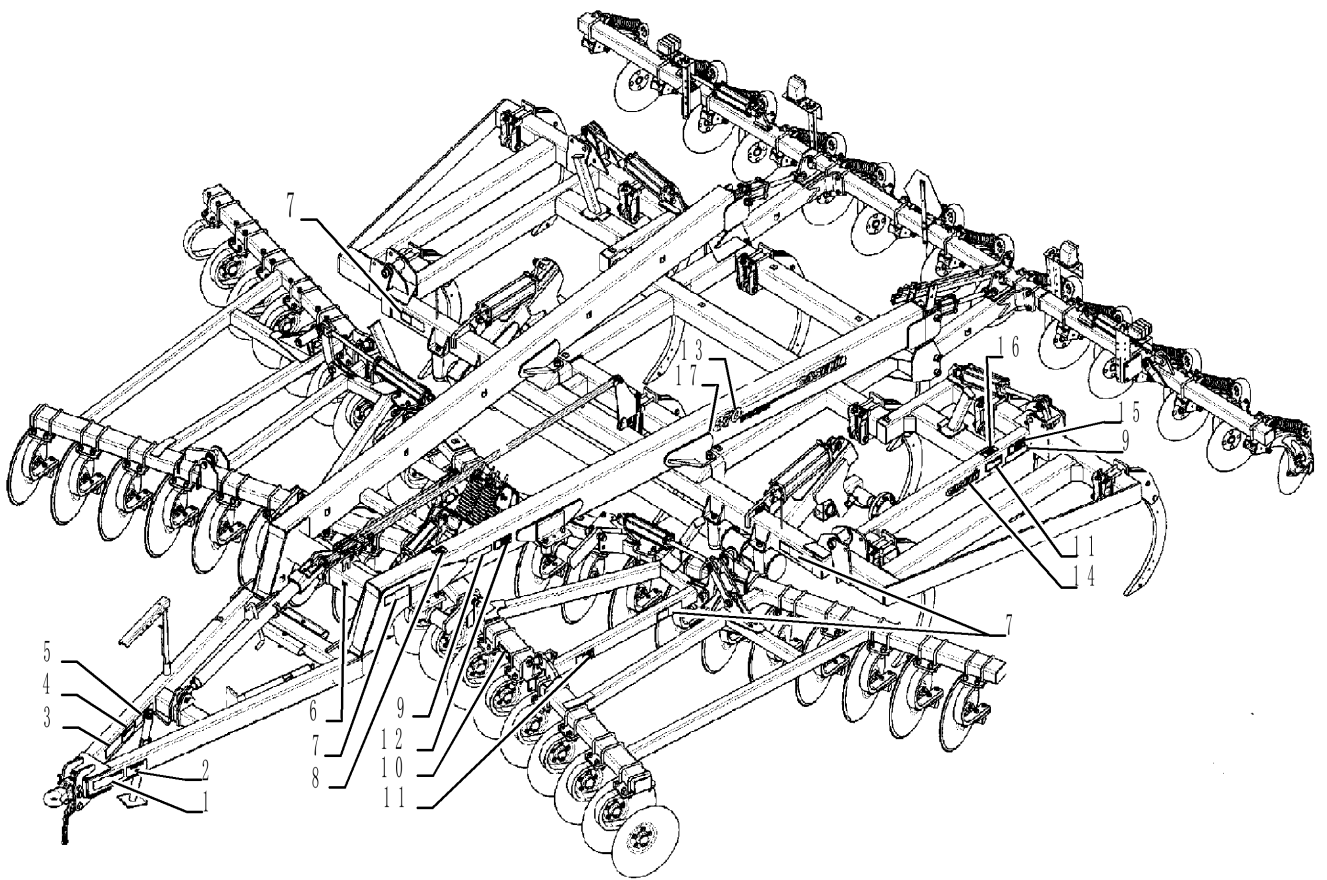


DECALS 11 AND 13 SHANK

REF FN	PART NUMBER	YR/SN	QTY DESCRIPTION
1	18534347		1 WARNING DECAL Towing Hazard, English
1	87700755		1 DECAL Towing Hazard, Russian, Not Shown
1	87413205		1 DECAL Towing Hazard, French, Not Shown
2	18534228		1 DECAL Caution, English
2	87700740		1 DECAL Caution, Russian, Not Shown
2	87413532		1 DECAL Caution, French, Not Shown
3	18534140		1 WARNING DECAL Unhitching Hazard, English
3	87700733		1 DECAL Unhitching Hazard, Russian, Not Shown
3	87413534		1 DECAL Unhitching Hazard, French, Not Shown
4	18534282		1 WARNING DECAL Hydraulic Oil, English
4	87700753		1 DECAL Hydraulic Oil, Russian, Not Shown
4	87414162		1 DECAL Hydraulic Oil, French, Not Shown
5	18534275		1 DANGER DECAL Electrocutation Hazard, English
5	87700741		1 DECAL Electrocutation Hazard, Russian, Not Shown
5	87413531		1 DECAL Electrocutation Hazard, French, Not Shown
6	87414072		1 DECAL Single Point Depth Control, English
6	87709612		1 DECAL Single Point Depth Control, Russian, Not Shown
6	84142452		1 DECAL Single Point Depth Control, French, Not Shown
7	18534333		5 DANGER DECAL Pinch Hazard, English
7	87700754		5 DECAL Pinch Hazard, Russian, Not Shown
7	87413529		5 DECAL Pinch Hazard, French, Not Shown
8	18534241		1 DECAL Disk Depth, English

870-ECOLO-TIGER DISK RIPPER

DECALS 11 AND 13 SHANK

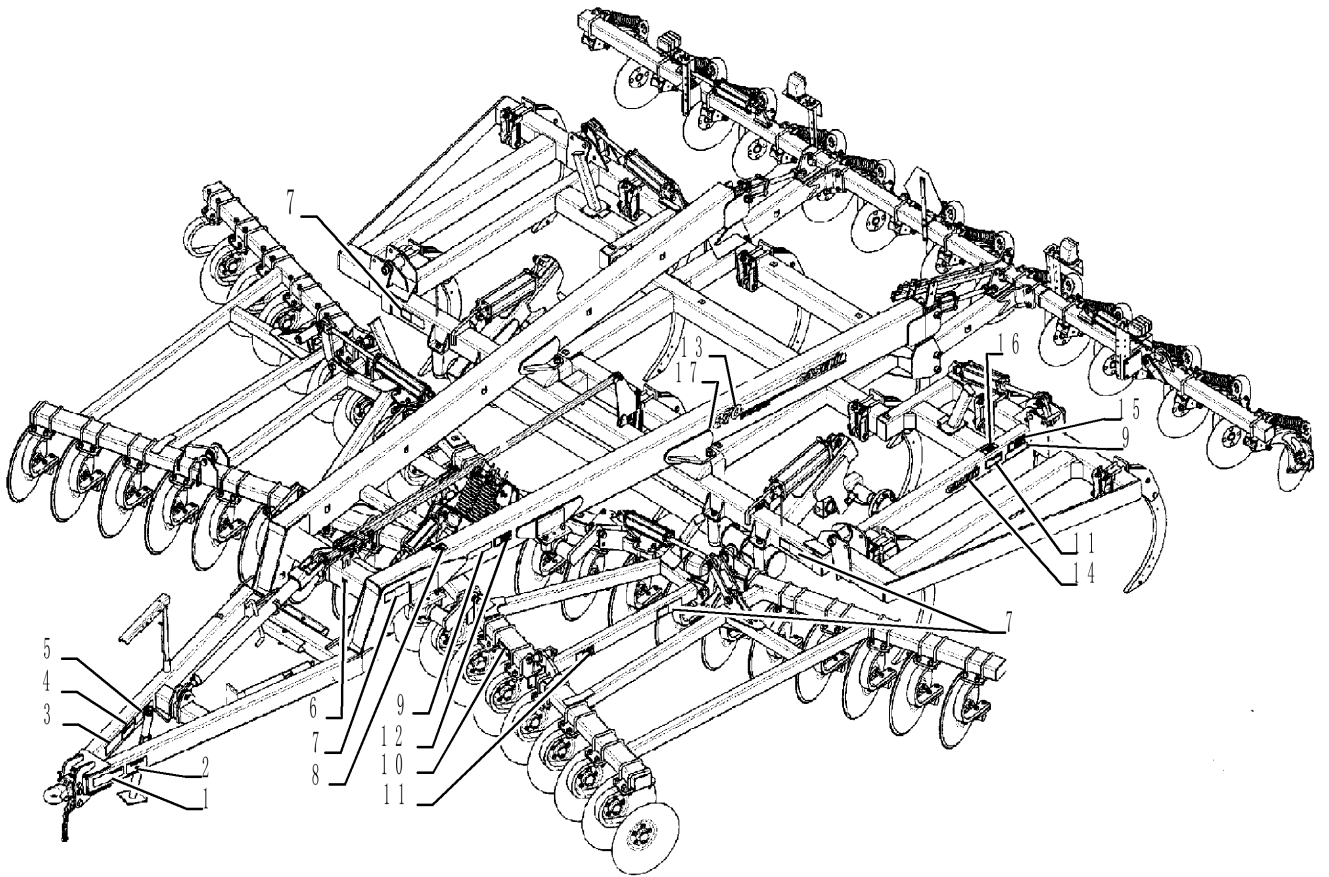


DECALS 11 AND 13 SHANK

REF FN	PART NUMBER	YR/SN	QTY DESCRIPTION
8	87700760		1 DECAL Disk Depth, Russian, Not Shown
8	87421857		1 DECAL Disk Depth, French, Not Shown
9	311864A1		4 REFLECTOR Yellow
10	18534223		1 DECAL Individual Disk Torque, English
10	87700757		1 DECAL Individual Disk Torque, Russian, Not Shown
10	87421855		1 DECAL Individual Disk Torque, French, Not Shown
10	437071A1		1 DECAL Gang Arbor Bolt Torque, English
10	84186823		1 DECAL Gang Arbor Bolt Torque, Russian, Not Shown
10	84186821		1 DECAL Gang Arbor Bolt Torque, French, Not Shown
11	18534227		4 DANGER DECAL Crushing Hazard, English
11	87700738		4 DECAL Crushing Hazard, Russian, Not Shown
11	87413533		4 DECAL Crushing Hazard, French, Not Shown
12	18534277		1 DECAL Stored Energy, English
12	87700752		1 DECAL Stored Energy, Russian, Not Shown
12	87413530		1 DECAL Stored Energy, French, Not Shown
13	84163250		1 DECAL 870 Left Hand
13	84163253		1 DECAL 870 Right Hand
14	87653276		2 DECAL CIH
15	18534277		2 DECAL Stored Energy, English
15	87700752		2 DECAL Stored Energy, Russian, Not Shown
15	87413530		2 DECAL Stored Energy, French, Not Shown
16	87480857		1 DECAL Tire Inflation And Wheel Torque, English
16	84186802		1 DECAL Tire Inflation And Wheel Torque, Russian, Not Shown

870-ECOLO-TIGER DISK RIPPER

DECALS 11 AND 13 SHANK



DECALS 11 AND 13 SHANK

REF FN	PART NUMBER	YR/SN	QTY DESCRIPTION
16	84186797		1 DECAL Tire Inflation And Wheel Torque, French, Not Shown
17	84415367		1 DECAL Torque 1.25 IN, English
17	84415368		1 DECAL Torque 1.25 IN, French, Not Shown
17	84415369		1 DECAL Torque 1.25 IN, Russian, Not Shown

870-ECOLO-TIGER DISK RIPPER

INDEX - INDICE - INDEX - ZAHLENVERZEICHNIS - INDICE - INDICE - INDHOLD - INHOUD

Number	Figure	Sequence	Ref.	Number	Figure	Sequence	Ref.
04681211	39.110.01		14	11016221	44.100.02		19
04683050	44.100.01		2	115950	88.102.01	01	13
06000099	39.100.13		2	115950	88.103.01	01	13
06200125	39.110.02		3	115950	88.110.01	01	4
06400065	39.110.01		15	1251872C2	35.100.05		4
06400573	44.100.01		12	1251872C2	35.100.12		7
06400573	88.102.01	01	15	1254530C2	35.100.06	01	9
06400573	88.103.01	01	3	1254530C2	35.100.06	02	9
06400573	88.110.01	01	5	1254530C2	35.100.07	01	7
09102904	39.100.16	02	3	1254530C2	35.100.07	02	7
09102904	39.100.17	01	8	1254530C2	35.100.08	02	20
09102904	39.100.17	02	8	1261399C1	35.100.06	02	22
09102904	39.100.21		1	1261399C1	35.100.07	02	15
09103020	75.200.13	01	20	1263477C3	35.100.06	02	25
09580750	75.200.04		4	1263477C3	35.100.07	02	25
09650207	75.200.19		1	1263477C3	35.100.08	02	29
09661455	39.100.02		14	1263477C3	35.100.09	01	25
09661455	39.100.07		17	1263477C3	35.100.09	02	28
09661455	39.100.08		16	1263477C3	35.100.10	01	26
09661455	39.100.14	01	9	1263477C3	35.100.10	02	29
09661455	39.100.14	02	8	1263477C3	35.100.12		6
09661455	39.100.19	01	12	1264172C2	35.100.06	01	8
09661456	39.100.02		14	1264172C2	35.100.06	02	8
09661456	39.100.07		17	1264172C2	35.100.07	01	14
09661456	39.100.14	01	9	1264172C2	35.100.07	02	14
09661456	39.100.19	01	12	1264172C2	35.100.08	02	1
09900085	39.100.11		4	1270453C1	35.100.01	01	4
09900085	39.100.12		12	1270453C1	35.100.01	02	4
09962400	75.200.22		1	1270453C1	35.100.02	01	3
09962410	75.200.22		1	1270453C1	35.100.03	01	12
09962420	75.200.22		1	1270453C1	35.100.12		9
09962430	75.200.22		1	1277717C1	35.100.07	01	4
09967023	75.200.22		1	1277717C1	35.100.07	02	4
09970770	75.200.10		18	1277717C1	35.100.09	01	1
09987810	75.200.10		11	1277717C1	35.100.09	02	1
10010184	39.100.03		4	1277718C1	35.100.08	02	19
10010284	39.100.03		13	1277718C1	35.100.09	01	20
101-21433	75.200.09		22	1277718C1	35.100.09	02	20
10110254	39.100.03		13	1277718C1	35.100.10	01	19
10113223	44.100.02		18	1277718C1	35.100.10	02	19
10113225	44.100.02		18	1279526C1	35.100.06	01	14
10114269	44.100.02		18	1279526C1	35.100.06	02	14
1015396	35.100.01	01	8	1279526C1	35.100.07	01	11
1015396	35.100.01	02	8	1279526C1	35.100.07	02	11
1015396	35.100.02	01	6	1284251C1	35.100.04		2
1015396	35.100.02	02	6	1284252C1	35.100.09	01	13
1015396	35.100.03	01	3	1284252C1	35.100.10	01	13
1015396	35.100.03	02	3	1284252C1	35.100.10	02	13
105497H	88.102.01	01	14	1284256C1	35.100.11		3
11016174	44.100.02		19	1284256C1	35.100.12		2

INDEX - INDICE - INDEX - ZAHLENVERZEICHNIS - INDICE - INDICE - INDHOLD - INHOUD

Number	Figure	Sequence	Ref.	Number	Figure	Sequence	Ref.
1284278C1	35.100.08	02	8	128825	35.100.08	02	26
1284278C1	35.100.09	01	8	128825	35.100.09	02	25
1284278C1	35.100.09	02	8	128825	35.100.10	02	26
1284278C1	35.100.10	01	8	128825	35.100.12		4
1284278C1	35.100.10	02	8	128825	35.100.13		12
1284297C1	35.100.04		5	129671C2	35.100.08	02	16
1284303C1	35.100.04		3	129671C2	35.100.09	01	17
1284303C1	35.100.05		5	129671C2	35.100.09	02	17
1284323C1	35.100.04		8	129671C2	35.100.10	01	16
1284323C1	35.100.05		2	129671C2	35.100.10	02	16
1284329C1	35.100.11		2	129764C2	35.100.05		12
1284329C1	35.100.12		3	129765C2	35.100.05		12
1284330C1	35.100.04		13	129768C1	35.100.06	01	16
1284367C1	35.100.01	01	5	129768C1	35.100.06	02	16
1284367C1	35.100.01	02	5	129768C1	35.100.07	01	5
1284367C1	35.100.02	01	9	129768C1	35.100.07	02	5
1284367C1	35.100.03	01	13	129768C1	35.100.10	01	20
1284367C1	35.100.05		7	129768C1	35.100.10	02	20
1285380C2	35.100.01	01	3	1336714C1	35.100.06	01	7
1285380C2	35.100.01	02	3	1336714C1	35.100.06	02	7
1285380C2	35.100.02	01	2	1336714C1	35.100.07	01	13
1285380C2	35.100.03	01	11	1336714C1	35.100.07	02	13
128817	35.100.04		10	14032409	44.100.01		3
128817	35.100.04		18	14032409	44.100.03		7
128817	35.100.05		10	14052012	44.100.02		14
128817	35.100.05		16	14052012	88.106.01	01	12
128817	35.100.06	01	2	14091203	44.100.02		12
128817	35.100.06	02	2	145769C91	39.100.04		1
128817	35.100.07	01	18	145769C91	88.104.01	01	11
128817	35.100.07	02	18	145769C91	88.105.01	01	9
128817	35.100.08	02	26	14700600	39.100.14	02	4
128817	35.100.09	02	25	14720411	75.200.19		2
128817	35.100.10	02	26	14720411	75.200.20		2
128817	35.100.11		9	14720411	75.200.22		3
128817	35.100.12		4	147875C1	35.100.06	01	5
128819	35.100.03	01	4	147875C1	35.100.06	02	5
128819	35.100.03	02	4	147875C1	35.100.07	01	9
128821	35.100.04		11	147875C1	35.100.07	02	9
128821	35.100.05		11	147878C1	35.100.07	01	2
128821	35.100.06	01	17	147878C1	35.100.07	02	2
128821	35.100.07	01	19	147878C1	35.100.08	02	5
128821	35.100.07	02	19	147878C1	35.100.09	01	5
128821	35.100.09	01	21	147878C1	35.100.09	02	5
128821	35.100.10	01	22	147878C1	35.100.10	01	5
128822	35.100.01	01	16	147878C1	35.100.10	02	5
128822	35.100.01	02	14	147887C1	35.100.08	02	15
128822	35.100.02	01	5	147887C1	35.100.09	01	15
128822	35.100.02	02	5	147887C1	35.100.09	02	15
128822	35.100.12		8	147887C1	35.100.10	01	15
128825	35.100.06	02	2	147887C1	35.100.10	02	15

INDEX - INDICE - INDEX - ZAHLENVERZEICHNIS - INDICE - INDICE - INDHOLD - INHOUD

Number	Figure	Sequence	Ref.	Number	Figure	Sequence	Ref.
14810251	75.200.19		3	17952632	88.106.01	01	11
14810251	75.200.20		1	18534140	90.108.03	01	3
14810251	75.200.22		2	18534140	90.108.04	02	3
14810460	75.200.16		20	18534140	90.108.04	03	3
14816201	39.100.09		2	18534140	90.108.04	04	3
14816241	39.100.14	02	3	18534223	90.108.03	02	6
14820421	39.100.03		6	18534223	90.108.04	02	12
14891661	39.100.14	01	3	18534223	90.108.04	03	10
14892066	39.100.11		15	18534223	90.108.04	04	10
149940C1	35.100.12		13	18534227	90.108.03	01	6
15302005	39.100.04		4	18534227	90.108.04	01	1
15302005	39.110.01		22	18534227	90.108.04	03	11
16309091	39.100.13		3	18534227	90.108.04	04	11
16309091	55.404.02		10	18534228	90.108.03	01	1
16309091	55.404.03		8	18534228	90.108.04	02	2
16309110	39.100.01	01	8	18534228	90.108.04	03	2
16309110	39.100.01	02	8	18534228	90.108.04	04	2
16309110	55.404.02		10	18534240	90.108.03	01	9
16412418	44.100.02		7	18534240	90.108.04	02	13
16445	39.100.18		12	18534240	90.108.04	03	9
16445	39.100.19	01	8	18534241	90.108.03	01	8
16510820	39.100.12		19	18534241	90.108.04	02	11
16806045	44.100.01		5	18534241	90.108.04	03	14
16806045	44.100.03		8	18534241	90.108.04	04	8
16901022	75.200.13	01	14	18534258	39.100.09		7
16901022	75.200.13	02	20	18534258	90.108.03	01	7
16901025	39.100.11		2	18534275	90.108.03	01	4
16901217	75.200.13	01	13	18534275	90.108.04	04	5
16901217	75.200.13	02	21	18534277	90.108.03	01	2
16901495	75.200.09	03	3	18534277	90.108.04	02	7
16901495	75.200.16		9	18534277	90.108.04	03	8
16901623	39.100.06		2	18534277	90.108.04	04	12
17413011	75.200.01		4	18534277	90.108.04	04	15
17413011	75.200.02		29	18534282	90.108.03	01	5
17414012	75.200.16		12	18534282	90.108.04	02	4
17498D	44.100.01		9	18534282	90.108.04	03	4
17616021	39.100.14	02	9	18534282	90.108.04	04	4
17620020	75.200.13	01	6	18534333	90.108.03	02	2
17620020	75.200.13	02	6	18534333	90.108.04	02	5
17620030	75.200.16		13	18534333	90.108.04	02	9
17624022	39.100.19	02	21	18534333	90.108.04	03	6
17915000	39.100.04		9	18534333	90.108.04	04	7
17915000	88.104.01	01	10	18534347	90.108.03	02	1
17915000	88.105.01	01	8	18534347	90.108.04	02	1
17916100	44.100.01		24	18534347	90.108.04	03	1
17916100	44.100.02		13	18534347	90.108.04	04	1
17916100	75.200.15	01	7	191289A1	35.100.04		2
17916100	88.102.01	01	12	191936A1	35.100.07	01	8
17916100	88.103.01	01	12	191936A1	35.100.07	02	8
17952632	44.100.02		13	191936A1	35.100.08	02	18

INDEX - INDICE - INDEX - ZAHLENVERZEICHNIS - INDICE - INDICE - INDHOLD - INHOUD

Number	Figure	Sequence	Ref.	Number	Figure	Sequence	Ref.
191936A1	35.100.09	01	19	22510700	35.100.04		15
191936A1	35.100.09	02	19	22510700	35.100.05		13
191936A1	35.100.10	01	18	22510700	35.100.06	01	19
191936A1	35.100.10	02	18	22510700	35.100.06	02	19
193907A1	75.200.09		23	22510700	35.100.07	01	20
193929A1	75.200.09		24	22510700	35.100.07	02	20
193929A1	75.200.09	01	3	22510700	35.100.08	02	23
193929A1	75.200.09	02	3	22510700	35.100.09	01	22
195109A1	75.200.09		17	22510700	35.100.09	02	22
195869C2	35.100.03	02	7	22510700	35.100.10	01	23
196584C1	35.100.03	02	11	22510700	35.100.10	02	23
196584C2	35.100.02	02	2	22510700	35.100.11		6
19670	39.100.18		18	22510700	35.100.12		16
1969386C1	35.100.08	02	9	22510710	35.100.01	01	19
1969386C1	35.100.09	01	9	22510710	35.100.01	02	16
1969386C1	35.100.09	02	9	22510710	35.100.02	01	12
1969386C1	35.100.10	01	9	22510710	35.100.02	02	12
1969386C1	35.100.10	02	9	22510710	35.100.03	01	14
197334A1	75.200.09		18	22510710	35.100.03	02	14
197334A1	75.200.09	02	5	22510710	35.100.04		15
198056	88.104.01	01	9	22510710	35.100.05		13
1980754C1	39.100.03		4	22510710	35.100.06	01	19
20090120	75.200.16		14	22510710	35.100.06	02	19
20090120	75.200.16		15	22510710	35.100.07	01	20
20090133	39.100.12		22	22510710	35.100.07	02	20
214389	35.100.01	01	18	22510710	35.100.08	02	23
214389	35.100.01	02	15	22510710	35.100.09	01	22
216797	35.100.01	01	11	22510710	35.100.09	02	22
216797	35.100.01	02	11	22510710	35.100.10	01	23
218-5156	35.100.04		12	22510710	35.100.10	02	23
21871501	88.102.01	01	11	22510710	35.100.11		6
21871501	88.103.01	01	11	22510710	35.100.12		16
21871501	88.110.01	01	3	237-6008	35.100.01	01	17
21871750	44.100.02		11	237-6008	35.100.01	02	20
21872505	44.100.02		6	237-6008	35.100.04		14
21882330	39.100.04		6	241074	35.100.06	02	17
21882890	39.100.04		3	241074	35.100.08	02	22
21884250	88.106.01	01	10	241074	35.100.09	02	21
219-87	75.200.09		19	241074	35.100.10	02	22
219-87	75.200.10		17	24143816	39.100.12		21
21932510	44.100.01		11	24146820	75.200.13	01	19
21932510	44.100.03		3	24162505	39.100.12		18
21932750	44.100.02		5	24162506	75.200.16		7
21933000	44.100.02		5	245466A1	75.200.06		5
22510700	35.100.01	01	19	248974	35.100.02	02	10
22510700	35.100.01	02	17	248974	35.100.03	02	12
22510700	35.100.02	01	12	251366A1	39.110.01		12
22510700	35.100.02	02	12	25325161	35.100.06	01	6
22510700	35.100.03	01	14	25325161	35.100.06	02	6
22510700	35.100.03	02	13	25325161	35.100.07	01	12

INDEX - INDICE - INDEX - ZAHLENVERZEICHNIS - INDICE - INDICE - INDHOLD - INHOUD

Number	Figure	Sequence	Ref.	Number	Figure	Sequence	Ref.
25325161	35.100.07	02	12	25330160R	35.100.07	01	3
25325161	35.100.13		1	25330160R	35.100.07	02	3
25325161	39.100.07		11	25330160R	35.100.08	02	10
25325161	39.100.19	01	4	25330160R	35.100.09	01	10
25330081	00.100.01		11	25330160R	35.100.09	02	10
25330081	35.100.11		5	25330160R	35.100.13		1
25330081	35.100.13		1	25330160R	39.100.08		12
25330081	39.100.11		12	25330160R	39.100.19	01	4
25330081	39.100.12		13	25330160R	39.100.19	02	5
25330082	00.100.01		10	25335120	35.100.08	02	7
25330082	35.100.05		3	25335120	35.100.09	01	7
25330082	35.100.12		10	25335120	35.100.09	02	7
25330082	35.100.13		1	25335120	35.100.10	01	7
25330082	39.100.21		8	25335120	35.100.10	02	7
25330101	35.100.06	01	4	25335120	35.100.13		1
25330101	35.100.06	02	4	25335120	39.100.02		1
25330101	35.100.08	02	4	25335120C	35.100.08	02	
25330101	35.100.13		1	25335120C	35.100.09	01	7
25330101	39.100.14	01	6	25335120C	35.100.09	02	
25330101	39.100.14	02	5	25335120C	35.100.10	01	
25330101C	35.100.06	01	4	25335120C	35.100.10	02	
25330101C	35.100.06	02	4	25335120C	35.100.13		
25330101C	35.100.08	02	4	25335120C	39.100.02		
25330101C	35.100.13		1	25335120R	35.100.08	02	7
25330101C	39.100.14	01	6	25335120R	35.100.09	01	7
25330101C	39.100.14	02	5	25335120R	35.100.09	02	7
25330101R	35.100.06	01	4	25335120R	35.100.10	01	7
25330101R	35.100.06	02	4	25335120R	35.100.10	02	7
25330101R	35.100.08	02	4	25335120R	35.100.13		1
25330101R	35.100.13		1	25335120R	39.100.02		1
25330101R	39.100.14	01	6	25335162	35.100.09	01	4
25330101R	39.100.14	02	5	25335162	35.100.09	02	4
25330160	35.100.07	01	3	25335162	35.100.10	01	10
25330160	35.100.07	02	3	25335162	35.100.10	01	4
25330160	35.100.08	02	10	25335162	35.100.10	02	10
25330160	35.100.09	01	10	25335162	35.100.13		1
25330160	35.100.09	02	10	25335162	39.100.19	01	4
25330160	35.100.13		1	25405022	35.100.03	01	5
25330160	39.100.08		12	25405022	35.100.03	02	5
25330160	39.100.19	01	4	25705041	35.100.01	01	15
25330160	39.100.19	02	5	25705041	35.100.01	02	13
25330160C	35.100.07	01	3	25705041	35.100.02	01	7
25330160C	35.100.07	02	3	25705041	35.100.02	02	7
25330160C	35.100.08	02	10	25705041	35.100.03	01	8
25330160C	35.100.09	01	10	25705041	35.100.03	02	8
25330160C	35.100.09	02	10	25705041	35.100.04		4
25330160C	35.100.13		1	25705041	35.100.05		6
25330160C	39.100.08		12	25705041	35.100.06	01	10
25330160C	39.100.19	01	4	25705041	35.100.06	02	10
25330160C	39.100.19	02	5	25705041	35.100.07	01	16

INDEX - INDICE - INDEX - ZAHLENVERZEICHNIS - INDICE - INDICE - INDHOLD - INHOUD

Number	Figure	Sequence	Ref.	Number	Figure	Sequence	Ref.
25705041	35.100.07	02	16	280375	39.100.16	01	7
25705041	35.100.08	02	12	280375	39.100.16	02	2
25705041	35.100.09	01	12	280375	39.110.01		12
25705041	35.100.09	02	12	280375	39.110.02		1
25705041	35.100.10	01	12	280375	75.200.01		5
25705041	35.100.10	02	12	280375	75.200.02		28
25705041	35.100.11		1	280375	75.200.07		3
25705041	35.100.12		1	280375	75.200.10		1
25705041	39.110.02		2	280375	75.200.10		4
25800010	75.200.19		4	280375	75.200.11		12
25800010	75.200.21		1	280375	75.200.11		2
25800010	75.200.22		4	280375	75.200.12	02	7
25803500	35.100.13		2	280375	75.200.12	03	6
25832510	35.100.13		2	280375	75.200.13	01	5
25833007	00.100.01		1	280375	75.200.13	02	5
25833007	35.100.13		2	280375	75.200.13	03	5
25890100	39.100.02		13	280375	75.200.16		19
25890100	39.100.07		12	280375	88.110.03		2
25890100	39.100.08		20	280420	75.200.15	01	8
25890100	39.100.14	01	8	280420	75.200.15	02	8
25890100	39.100.16	02	6	280431	00.100.01		18
25890100	39.100.17	01	10	280431	75.200.06		3
25890100	39.100.17	02	10	280431	75.200.12	01	5
25890100	39.100.19	01	10	280431	75.200.12	02	8
25890100	39.100.21		2	280431	75.200.12	03	8
2652	75.200.18		13	280441	75.200.01		3
270184	75.200.16		21	280441	75.200.02		24
27601214	55.404.01		7	280461	39.110.01		12
280119	39.100.10		24	280461	39.110.02		6
280120	75.200.16		20	280486	00.100.01		17
280128	88.110.03		17	280486	75.200.12	01	8
280129	35.100.12		15	280486	75.200.12	02	10
280129	39.100.13		1	280486	75.200.12	03	10
280129	55.404.03		7	280622	39.100.10		20
280161	75.200.18		29	280622	39.100.18		3
280173	75.200.09		15	280736	39.100.10		21
280210	75.200.11		4	280736	39.100.18		4
280223	39.100.15		9	280760	39.100.19	02	17
280285	39.110.01		18	28087102	44.100.02		20
280286	39.100.14	02	6	280963	35.100.13		10
280316	75.200.10		5	280980	39.100.11		7
280316	75.200.12	02	5	280980	39.100.12		4
280319	75.200.13	01	10	280980	75.200.18		9
280319	75.200.13	02	11	281058	00.100.01		24
280374	75.200.13	01	15	28278300	39.100.04		5
280374	75.200.13	02	14	28278300	88.104.01	01	8
280374	75.200.18		30	28387101	44.100.02		4
280375	00.100.01		31	28477700	39.100.04		11
280375	39.100.03		9	28477700	88.104.01	01	7
280375	39.100.15		10	28477700	88.105.01	01	7

INDEX - INDICE - INDEX - ZAHLENVERZEICHNIS - INDICE - INDICE - INDHOLD - INHOUD

Number	Figure	Sequence	Ref.	Number	Figure	Sequence	Ref.
28490001	75.200.10		23	403922A1	75.200.09		7
28490001	88.109.01	01	11	403931A1	75.200.09		9
28705006	88.109.01	01	10	404069A1	75.200.09		13
28705011	75.200.10		16	404069A1	88.110.03		3
298624A1	35.100.06	02	23	404070A1	75.200.09		13
298624A1	35.100.07	02	23	408	35.100.13		10
298624A1	35.100.08	02	27	409556A1	75.200.09		20
298624A1	35.100.09	02	26	409556A1	75.200.09	01	2
298624A1	35.100.10	02	27	409556A1	75.200.09	02	2
298624A1	35.100.12		5	410082A1	75.200.07		4
30026030	39.110.02		6	410082A1	75.200.11		11
302331A1	35.100.12		11	413-14128	75.200.07		7
311860A1	39.100.13		5	413-14168	39.100.05		8
311863A1	55.404.02		12	413-412	55.404.01		6
311863A1	55.404.03		11	413-58	44.100.02		16
311864A1	90.108.04	02	6	413-58	75.200.10		19
311864A1	90.108.04	03	7	413-648	39.110.02		11
311864A1	90.108.04	04	9	413-836	75.200.06		2
311865A1	55.404.02		11	413-844	75.200.04		7
311865A1	55.404.03		10	413-844	75.200.05		8
315711A1	35.100.10	01	21	416-1036	75.200.07		13
315711A1	35.100.10	02	21	425-106	39.110.02		12
320-21448	75.200.11		13	425-107	75.200.04		2
3216619R91	44.100.02		6	425-107	75.200.05		4
32230000	39.110.01		11	425-108	75.200.04		3
32252000	39.110.01		11	425-108	75.200.05		2
32253000	39.100.03		5	425-108	75.200.06		3
33310079	75.200.04		6	425-1224	75.200.09		2
36726	00.100.01		29	425-1314	39.100.04		10
36726	88.104.01	01	6	425-1314	75.200.10		22
36726	88.105.01	01	6	425-1316	44.100.02		14
36726	88.109.01	01	9	425-1414	39.100.01	01	6
371878A1	44.100.02		8	425-1414	75.200.01		14
371878A1	88.106.01	01	9	425-1414	75.200.02		18
371884A1	00.100.01		38	425-1414	75.200.16		17
371884A1	88.106.01	01	8	425639A1	35.100.04		13
386170C1	55.404.01		8	426-1248	75.200.10		9
395489A1	39.110.01		10	426-1472	75.200.01		6
396150A1	35.100.01	01	10	426-1472	75.200.02		27
396150A1	35.100.01	02	10	427-20350	39.100.05		4
396150A1	35.100.04		7	427-20375	39.100.05		4
396150A1	39.100.10		19	427-20500	39.100.08		5
396150A1	39.100.18		1	427779A1	35.100.12		19
396151A1	35.100.04		7	432-1024	39.100.04		12
396152A1	39.100.10		8	432-1024	75.200.10		24
396152A1	39.100.18		20	432-1232	39.100.08		19
396153A1	39.100.10		11	432-1232	44.100.02		17
396153A1	39.100.18		5	437071A1	90.108.03	02	9
399031A1	39.110.01		7	437071A1	90.108.04	02	12
403922A1	75.200.09		25	437071A1	90.108.04	03	10

INDEX - INDICE - INDEX - ZAHLENVERZEICHNIS - INDICE - INDICE - INDHOLD - INHOUD

Number	Figure	Sequence	Ref.	Number	Figure	Sequence	Ref.
437071A1	90.108.04	04	10	50032	75.200.10		27
438-11624	39.100.10		14	50032	75.200.11		9
438-11624	39.100.18		17	51200158	75.200.16		8
438-31220	75.200.16		10	533959R1	55.404.01		8
44006200	39.100.11		1	549962R1	39.100.04		7
44006200	39.100.11		6	549973R2	75.200.09		5
44006200	39.100.12		3	554480R1	44.100.01		22
44006201	75.200.13	01	11	554480R1	44.100.02		12
44006201	75.200.13	02	12	554480R1	88.102.01	01	9
44006510	75.200.02		15	554480R1	88.103.01	01	2
47362213	88.110.03		1	557309R1	44.100.01		17
47406982	39.100.20		9	557309R1	44.100.02		7
47444487	44.100.03		4	58934C3	75.200.09		10
47478812	75.200.09	03	2	60615C1	75.200.09		12
47497597	75.200.09	03	4	619443	00.100.01		36
47497781	75.200.09	03	1	619443	88.106.01	01	7
47544633	88.110.03		10	6436	39.100.08		6
47549984	88.110.03		4	651817R1	75.200.14		7
47553048	44.100.03		1	651818R91	39.100.04		8
47558872	88.110.02		3	651818R91	75.200.10		20
47558893	88.110.02		1	663557R91	39.100.04		2
47560311	88.110.02		2	663557R91	44.100.02		11
47571830	44.100.03		6	663557R91	75.200.10		15
47571831	44.100.03		5	6636	75.200.13	01	7
47584782	44.100.03		2	6636	75.200.13	02	7
47595348	55.404.01		9	714428	44.100.02		9
47635327	39.100.20		3	73340658	88.110.01	01	1
47635357	39.100.20		3	73340659	88.102.01	01	1
47779129	44.100.03		12	73340660	88.103.01	01	1
47779244	75.200.09	03	6	73340661	88.104.01	01	1
47781007	75.200.09	01	1	73340662	88.105.01	01	1
47781010	75.200.09	02	1	73340663	88.106.01	01	1
47840285	35.100.14		1	73340665	88.107.01	01	1
47852480	35.100.14		2	73340666	88.108.01	01	1
47927192	35.100.14		5	73340669	88.109.01	01	1
47927239	39.100.01	01	12	76344	35.100.06	01	18
47927239	39.100.01	02	11	76344	35.100.06	02	18
47927241	39.100.01	01	13	76344	35.100.07	01	1
47927241	39.100.01	02	12	76344	35.100.07	02	1
47927293	39.100.01	01	11	76347	35.100.01	01	2
47927293	39.100.01	02	10	76347	35.100.01	02	2
488836R2	75.200.09		4	76347	35.100.02	01	1
49029	44.100.01		18	76347	35.100.02	02	1
49030	44.100.01		16	76347	35.100.03	01	1
492-21025	55.404.03		5	76347	35.100.03	02	1
495-81102	55.404.03		4	76347	35.100.04		1
496-31106	75.200.10		21	76347	35.100.05		1
496-41053	75.200.10		26	76347	35.100.06	01	1
496-41053	75.200.11		8	76347	35.100.06	02	1
496-41053	88.110.03		5	76347	35.100.06	02	24

INDEX - INDICE - INDEX - ZAHLENVERZEICHNIS - INDICE - INDICE - INDHOLD - INHOUD

Number	Figure	Sequence	Ref.	Number	Figure	Sequence	Ref.
76347	35.100.07	02	24	813006C2	35.100.10	01	11
76347	35.100.08	02	2	813006C2	35.100.10	02	11
76347	35.100.08	02	28	81827427	35.100.01	01	9
76347	35.100.09	01	2	81827427	35.100.01	02	9
76347	35.100.09	02	2	81827427	35.100.02	01	11
76347	35.100.09	02	27	81827427	35.100.02	02	9
76347	35.100.10	01	2	81827427	35.100.03	01	10
76347	35.100.10	02	2	81827427	35.100.03	02	10
76347	35.100.10	02	28	83980547	75.200.16		5
76347	35.100.11		4	84128	39.100.01	01	4
76355	35.100.05		9	84128	39.100.01	02	4
76355	35.100.06	01	12	84128120	00.100.01		27
76355	35.100.06	02	12	84128120	75.200.12	04	3
76355	35.100.07	01	6	84128120	75.200.14		5
76355	35.100.07	02	6	84128641	75.200.13	01	1
76355	35.100.08	02	14	84128643	75.200.14		1
76355	35.100.09	01	14	84129036	75.200.13	01	9
76355	35.100.09	02	14	84129036	75.200.13	02	10
76355	35.100.10	01	14	84129222	75.200.13	01	18
76355	35.100.10	02	14	84129222	75.200.13	02	15
8000	35.100.13		13	84135542	39.110.01		9
80280644	75.200.02		22	84135914	90.108.03	02	3
80281058	88.110.03		6	84135917	90.108.03	02	3
80299	39.100.11		3	84136263	39.110.01		9
80299	39.100.12		2	84138907	39.100.14	01	1
80299	75.200.13	01	2	84138907	39.100.15		8
80299	75.200.13	02	2	84138908	39.100.20		8
80702	75.200.18		22	84138908	75.200.17		1
80702	75.200.18		31	84138909	39.100.14	01	1
80753	39.100.09		3	84138909	39.100.15		8
80855	39.110.02		9	84138909	39.100.16	01	8
80855	75.200.18		23	84138915	39.100.20		8
80855	75.200.18		26	84138915	75.200.17		1
80855	75.200.18		8	84138919	39.100.20		8
810205C1	35.100.06	01	13	84138919	75.200.17		1
810205C1	35.100.06	02	13	84142452	90.108.03	02	7
810205C1	35.100.07	01	17	84142452	90.108.04	02	14
810205C1	35.100.07	02	17	84142452	90.108.04	03	5
810205C1	35.100.10	01	3	84142452	90.108.04	04	6
810205C1	35.100.10	02	3	84146271	75.200.13	01	22
812382C1	35.100.09	01	3	84150227	75.200.17		2
812382C1	35.100.09	02	3	84150244	75.200.17		5
813006C2	35.100.01	01	6	84150491	75.200.17		6
813006C2	35.100.01	02	6	84150617	75.200.17		2
813006C2	35.100.02	01	10	84150854	75.200.17		2
813006C2	35.100.03	01	7	84150932	75.200.17		5
813006C2	35.100.05		8	84150932	75.200.17		6
813006C2	35.100.08	02	11	84151226	75.200.15	01	10
813006C2	35.100.09	01	11	84151226	75.200.15	02	10
813006C2	35.100.09	02	11	84151573	88.104.01	01	4

INDEX - INDICE - INDEX - ZAHLENVERZEICHNIS - INDICE - INDICE - INDHOLD - INHOUD

Number	Figure	Sequence	Ref.	Number	Figure	Sequence	Ref.
84151573	88.109.01	01	8	84185959	75.200.22		1
84151578	88.105.01	01	5	84186585	75.200.22		1
84151924	75.200.15	02	6	84186595	75.200.22		1
84156177	39.110.01		12	84186789	90.108.03	02	5
84156177	39.110.02		2	84186789	90.108.04	02	10
84156178	88.110.02		4	84186791	90.108.03	02	5
84163250	90.108.02		2	84186791	90.108.04	02	10
84163250	90.108.04	02	8	84186792	90.108.03	02	8
84163250	90.108.04	03	13	84186792	90.108.04	03	12
84163250	90.108.04	04	13	84186793	90.108.03	02	8
84163253	90.108.02		1	84186793	90.108.04	03	12
84163253	90.108.04	02	8	84186797	90.108.03	02	4
84163253	90.108.04	03	13	84186797	90.108.04	04	16
84163253	90.108.04	04	13	84186802	90.108.03	02	4
84169848	55.404.01		2	84186802	90.108.04	04	16
84171193	39.100.08		8	84186821	90.108.03	02	9
84171207	39.100.08		13	84186821	90.108.04	02	12
84172248	00.100.01		8	84186821	90.108.04	03	10
84172248	35.100.13		2	84186821	90.108.04	04	10
84172249	00.100.01		9	84186823	90.108.03	02	9
84172249	35.100.13		2	84186823	90.108.04	02	12
84172250	35.100.13		2	84186823	90.108.04	03	10
84172376	39.100.02		12	84186823	90.108.04	04	10
84172380	39.100.02		2	84201759	00.100.01		6
84172570	39.100.03		2	84208990	75.200.02		5
84172573	39.100.03		3	84208991	75.200.02		6
84172574	39.100.03		3	84212849	35.100.13		4
84173131	55.404.02		5	84212850	35.100.13		4
84173132	55.404.02		5	84212851	35.100.13		4
84173474	39.100.18		9	84212853	35.100.13		3
84173480	39.100.18		16	84212859	35.100.13		5
84173988	39.100.10		12	84212860	35.100.13		5
84175131	39.100.12		1	84212862	35.100.13		6
84175396	39.100.10		3	84212864	35.100.13		6
84175397	39.100.10		3	84212865	35.100.13		6
84175398	39.100.10		16	84212867	35.100.13		8
84175398	39.100.18		13	84212876	35.100.13		9
84175405	39.100.10		13	84212880	35.100.13		9
84180366	00.100.01		19	84213001	75.200.18		1
84180366	75.200.12	01	4	84213015	75.200.18		5
84180366	75.200.12	02	11	84213016	75.200.18		5
84180366	75.200.12	03	11	84213017	75.200.18		5
84184568	75.200.12	01	7	84213018	75.200.18		5
84184568	75.200.12	02	3	84213019	75.200.18		6
84184568	75.200.12	03	3	84213021	75.200.18		14
84185921	75.200.22		1	84213023	75.200.18		10
84185953	75.200.22		1	84213024	75.200.18		17
84185956	75.200.22		1	84213025	75.200.18		20
84185957	75.200.22		1	84213328	75.200.18		32
84185958	75.200.22		1	84213525	75.200.18		11

INDEX - INDICE - INDEX - ZAHLENVERZEICHNIS - INDICE - INDICE - INDHOLD - INHOUD

Number	Figure	Sequence	Ref.	Number	Figure	Sequence	Ref.
84216263	39.100.15		4	84303598	39.110.01		12
84216263	39.100.16	01	2	84303598	39.110.02		7
84216263	39.100.16	02	10	84308103	39.100.11		4
84216263	39.100.17	01	3	84325902	75.200.12	04	5
84216263	39.100.17	02	3	84325902	75.200.14		2
84216263	39.100.21		3	84327433	75.200.15	01	4
84220783	35.100.08	02	10	84327433	75.200.15	02	4
84220783	35.100.08	02	4	84332237	39.100.12		15
84220783	35.100.10	01	4	84373080	39.110.01		9
84220783	35.100.10	02	4	84376781	39.100.07		8
84220783	35.100.13		1	84376797	39.100.07		2
84220783	39.100.08		12	84376800	39.100.07		6
84220783	39.100.19	01	4	84379681	39.110.01		9
84220783	39.100.19	02	5	84379683	39.110.01		9
84220839	35.100.13		4	84380509	39.100.02		8
84220841	35.100.13		4	84380509	39.100.07		10
84220842	35.100.13		4	84380511	39.100.07		10
84220843	35.100.13		3	84380511	39.100.08		10
84220844	35.100.13		6	84383792	44.100.01		13
84220846	35.100.13		6	84383792	44.100.02		4
84221259	75.200.15	02	7	84383798	44.100.02		20
84224028	35.100.13		6	84393373	35.100.05		3
84229861	44.100.01		10	84393373	35.100.12		10
84237658	44.100.01		20	84393373	35.100.13		1
84237658	88.103.01	01	10	84393373	39.100.20		13
84237927	44.100.01		28	84393373	39.100.21		8
84238032	44.100.01		26	84401366	39.100.09		1
84238032	44.100.02		15	84402165	75.200.12	02	6
84238032	88.102.01	01	8	84402286	75.200.12	04	9
84238032	88.103.01	01	9	84402286	75.200.14		10
84252595	44.100.02		10	84402325	75.200.12	04	8
84254765	44.100.02		15	84402325	75.200.14		12
84254765	88.106.01	01	6	84403369	75.200.12	04	6
84255092	39.100.16	01	6	84403369	75.200.14		1
84272916	90.108.03	01	7	84403379	75.200.12	02	1
84293323	75.200.12	04	2	84403379	75.200.12	03	1
84293323	75.200.14		11	84403379	75.200.12	04	1
84293336	75.200.14		11	84403380	75.200.12	02	2
84293352	75.200.12	01	9	84403380	75.200.12	03	2
84293395	75.200.12	01	10	84403591	75.200.13	01	1
84295639	39.110.01		8	84403761	39.110.01		9
84296511	39.100.19	01	1	84404739	39.100.09		11
84297325	39.100.20		9	84405133	39.100.01	02	5
84297326	39.100.20		10	84405493	39.100.07		7
84297651	39.100.20		9	84406439	39.110.01		9
84297652	39.100.20		10	84406449	39.110.01		9
84303069	39.100.11		11	84406456	39.110.01		9
84303069	39.100.11		19	84406756	39.100.01	02	3
84303070	39.100.12		11	84406786	39.100.01	02	1
84303098	39.100.11		16	84406786	39.100.05		1

INDEX - INDICE - INDEX - ZAHLENVERZEICHNIS - INDICE - INDICE - INDHOLD - INHOUD

Number	Figure	Sequence	Ref.	Number	Figure	Sequence	Ref.
84406805	39.100.01	02	3	84415369	90.108.03	02	11
84406828	39.100.01	02	1	84415369	90.108.04	04	17
84406828	39.100.05		1	84418127	39.110.01		12
84406841	39.100.01	02	3	84418127	39.110.02		5
84406858	39.100.01	02	1	84418128	39.110.01		12
84406858	39.100.05		1	84418128	39.110.02		3
84407847	39.100.20		9	84418130	39.110.01		12
84407848	39.100.20		9	84418130	39.110.02		4
84407851	39.100.20		10	84419244	75.200.18		1
84407852	39.100.20		10	84419247	75.200.18		2
84407853	39.100.19	02	4	84482595	39.110.01		26
84407881	39.100.19	02	1	84482599	39.100.01	01	10
84408048	39.100.19	02	14	84482601	39.100.01	01	10
84408051	39.100.19	02	16	84565886	75.200.13	02	1
84408160	75.200.13	01	20	84565886	75.200.13	03	2
84408160	75.200.13	02	18	84570860	39.110.01		9
84408161	75.200.13	01	19	84570864	39.110.01		9
84408161	75.200.13	02	17	84570869	39.110.01		9
84408163	75.200.13	01	22	84570878	39.110.01		9
84408163	75.200.13	02	19	84575666	75.200.12	03	5
84410267	39.100.19	02	15	84575666	75.200.13	03	4
84410674	39.100.20		8	84577505	75.200.13	03	1
84410675	39.100.20		8	84598137	88.110.03		7
84410684	39.100.20		8	84599719	88.110.03		8
84411046	39.100.16	02	1	85700693	39.100.02		16
84411046	39.100.17	02	1	85700693	39.100.03		12
84411064	39.100.06		1	85700693	39.100.07		19
84411065	39.100.06		1	85700693	39.100.08		18
84411530	39.100.14	02	10	85700693	39.100.10		15
84411582	39.100.14	02	1	85700693	39.100.10		25
84411596	39.100.14	02	1	85700693	39.100.10		6
84412087	39.100.14	02	1	85700693	39.100.11		13
84412089	39.100.14	02	1	85700693	39.100.12		5
84412139	39.100.14	02	2	85700693	39.100.14	01	11
84413040	35.100.05		3	85700693	39.100.14	02	12
84413040	35.100.12		10	85700693	39.100.19	01	14
84413040	39.100.21		8	85700693	75.200.01		9
84415362	90.108.03	02	10	85700693	75.200.02		17
84415362	90.108.04	02	15	85700693	75.200.07		5
84415362	90.108.04	03	15	85700693	75.200.07		8
84415363	90.108.03	02	10	85700693	75.200.12	01	3
84415363	90.108.04	02	15	85700693	75.200.12	02	9
84415363	90.108.04	03	15	85700693	75.200.12	03	9
84415365	90.108.03	02	10	85700693	75.200.13	01	3
84415365	90.108.04	02	15	85700693	75.200.13	02	3
84415365	90.108.04	03	15	85700693	75.200.15	01	3
84415367	90.108.03	02	11	85700693	75.200.15	02	3
84415367	90.108.04	04	17	85700693	75.200.17		4
84415368	90.108.03	02	11	86020752	44.100.01		25
84415368	90.108.04	04	17	86020752	75.200.14		10

INDEX - INDICE - INDEX - ZAHLENVERZEICHNIS - INDICE - INDICE - INDHOLD - INHOUD

Number	Figure	Sequence	Ref.	Number	Figure	Sequence	Ref.
86020752	88.102.01	01	10	86624170	39.100.17	02	9
86020752	88.103.01	01	8	86632592	39.100.02		6
86502676	75.200.07		6	86632592	39.100.07		13
86505999	39.100.03		11	86632592	39.100.07		20
86505999	75.200.12	01	6	86632592	39.110.01		17
86505999	75.200.12	02	4	86977427	88.102.01	01	6
86505999	75.200.12	03	4	86977427	88.103.01	01	6
86507000	75.200.18		28	86977427	88.110.01	01	2
86507001	39.100.11		5	86977740	39.100.03		10
86508168	35.100.12		12	86977759	88.110.02		5
86509310	35.100.13		10	86980337	88.105.01	01	3
86512015	00.100.01		28	86992211	55.404.01		5
86512015	88.104.01	01	3	86992212	39.110.02		10
86512015	88.105.01	01	4	86992212	55.404.02		4
86512015	88.109.01	01	7	86992213	35.100.01	01	21
86513015	35.100.03	01	6	86992213	35.100.01	02	19
86513015	35.100.03	02	6	86992213	35.100.02	01	14
86520614	39.100.15		11	86992213	35.100.02	02	14
86520614	39.100.16	01	5	86992213	35.100.03	01	16
86520614	39.100.16	02	11	86992213	35.100.03	02	16
86520614	39.100.17	01	4	86992213	35.100.04		17
86520614	39.100.17	02	4	86992213	35.100.05		15
86520614	39.100.20		4	86992213	35.100.06	01	21
86520614	39.100.21		4	86992213	35.100.06	02	21
86534764	39.110.01		19	86992213	35.100.07	01	22
86577076	88.102.01	01	7	86992213	35.100.07	02	22
86577076	88.103.01	01	7	86992213	35.100.08	02	25
86590562	35.100.13		11	86992213	35.100.09	01	24
86594308	00.100.01		37	86992213	35.100.09	02	24
86594308	88.106.01	01	5	86992213	35.100.10	01	25
86597433	75.200.01		8	86992213	35.100.10	02	25
86597433	75.200.02		26	86992213	35.100.11		8
86614103	39.100.01	02	6	86992213	35.100.12		18
86614103	39.110.01		5	86992215	00.100.01		25
86622984	75.200.02		10	86992215	44.100.01		7
86624061	75.200.03		1	86992217	75.200.10		10
86624061	88.107.01	01	3	86992218	75.200.10		8
86624061	88.108.01	01	3	87012439	75.200.02		16
86624134	35.100.01	01	7	87016560	44.100.01		4
86624134	35.100.01	02	7	87016560	44.100.03		9
86624134	35.100.02	01	8	87016938	75.200.09	01	4
86624134	35.100.02	02	8	87016938	75.200.09	02	4
86624134	35.100.03	01	2	87019287	39.100.09		10
86624134	35.100.03	02	2	87019287	75.200.02		9
86624162	75.200.13	01	4	87019504	35.100.14		3
86624162	75.200.13	02	4	87019504	75.200.09		1
86624168	39.110.01		24	87020431	39.100.19	02	13
86624169	39.110.01		25	87020817	75.200.12	04	10
86624170	39.100.16	02	7	87020817	75.200.14		3
86624170	39.100.17	01	9	87023139	35.100.13		13

INDEX - INDICE - INDEX - ZAHLENVERZEICHNIS - INDICE - INDICE - INDHOLD - INHOUD

Number	Figure	Sequence	Ref.	Number	Figure	Sequence	Ref.
87024780	88.109.01	01	6	87404886	75.200.09		13
87036175	39.100.01	02	5	87405	35.100.12		14
87040758	39.110.02		7	87407707	75.200.09		13
87301263	75.200.05		7	87407708	75.200.09		13
87309726	39.100.10		10	87409035	35.100.13		2
87309726	39.100.18		22	87409037	35.100.13		2
87314800	35.100.13		13	87409038	35.100.13		2
87325444	39.100.06		4	87409387	35.100.13		9
87326812	44.100.01		30	87409391	35.100.13		9
87326812	44.100.02		19	87409403	35.100.13		3
87328528	00.100.01		14	87409417	35.100.13		3
87328528	35.100.01	01	13	87409429	35.100.13		4
87328528	39.110.02		15	87409430	35.100.13		4
87328544	75.200.11		10	87409445	35.100.13		4
87328899	55.404.02		3	87409468	35.100.13		5
87328899	55.404.03		2	87409477	35.100.13		5
87328901	55.404.02		3	87409479	35.100.13		5
87328901	55.404.03		2	87409481	35.100.13		5
87328931	39.110.02		5	87409492	35.100.13		7
87330630	44.100.02		10	87409688	35.100.13		7
87330641	44.100.01		29	87410757	35.100.13		3
87330641	44.100.02		18	87410762	35.100.13		4
87333862	75.200.18		12	87410785	35.100.13		3
87337	88.110.03		18	87412142	75.200.09		3
87338	39.100.10		5	87412311	75.200.06		4
87339	39.100.02		4	87413205	90.108.03	02	1
87339	39.100.08		9	87413205	90.108.04	02	1
87339	39.100.19	01	8	87413205	90.108.04	03	1
87343258	39.110.02		1	87413205	90.108.04	04	1
87353780	39.110.02		4	87413529	90.108.03	02	2
87353782	39.110.02		14	87413529	90.108.04	02	5
87365	39.100.10		7	87413529	90.108.04	02	9
87366	75.200.01		12	87413529	90.108.04	03	6
87367	39.100.08		7	87413529	90.108.04	04	7
87367	39.100.11		9	87413530	90.108.03	01	2
87367	39.100.12		7	87413530	90.108.04	02	7
87367	39.100.15		5	87413530	90.108.04	03	8
87367	39.100.16	01	3	87413530	90.108.04	04	12
87367	39.100.16	02	4	87413530	90.108.04	04	15
87367	39.100.17	01	6	87413531	90.108.03	01	4
87367	39.100.17	02	6	87413531	90.108.04	04	5
87367	39.100.19	02	11	87413532	90.108.03	01	1
87367	39.100.20		6	87413532	90.108.04	02	2
87367	39.100.21		6	87413532	90.108.04	03	2
87381	75.200.16		4	87413532	90.108.04	04	2
87389757	39.110.01		13	87413533	90.108.03	01	6
87393082	39.110.01		13	87413533	90.108.04	01	1
87394432	39.100.07		3	87413533	90.108.04	03	11
87395867	39.110.01		23	87413533	90.108.04	04	11
87395867	90.108.03	02	3	87413534	90.108.03	01	3

INDEX - INDICE - INDEX - ZAHLENVERZEICHNIS - INDICE - INDICE - INDHOLD - INHOUD

Number	Figure	Sequence	Ref.	Number	Figure	Sequence	Ref.
87413534	90.108.04	02	3	87427186	75.200.11		1
87413534	90.108.04	03	3	87427186	88.110.03		9
87413534	90.108.04	04	3	87427192	00.100.01		20
87414	44.100.01		19	87427192	75.200.12	01	1
87414	75.200.09	01	5	87427192	75.200.12	03	7
87414	75.200.09	02	6	87427192	75.200.13	03	3
87414	75.200.14		8	87429835	75.200.10		6
87414	75.200.16		18	87429835	88.110.03		19
87414072	90.108.03	02	7	87431928	75.200.01		11
87414072	90.108.04	02	14	87433288	75.200.02		19
87414072	90.108.04	03	5	87433288	75.200.13	01	8
87414072	90.108.04	04	6	87433288	75.200.13	02	8
87414162	90.108.03	01	5	87433288	75.200.16		3
87414162	90.108.04	02	4	87441694	75.200.01		10
87414162	90.108.04	03	4	87441694	75.200.02		21
87414162	90.108.04	04	4	87442609	75.200.05		5
87415557	00.100.01		3	87443004	75.200.09		11
87415557	75.200.10		13	87443458	39.100.11		4
87415557	88.109.01	01	5	87446791	55.404.01		3
87415558	00.100.01		4	87446791	55.404.03		1
87415558	75.200.10		12	87446792	55.404.01		4
87415558	88.109.01	01	4	87446792	55.404.02		1
87415559	00.100.01		2	87449358	35.100.13		9
87415559	75.200.10		14	87449661	55.404.02		2
87415559	88.109.01	01	3	87450521	75.200.05		6
87417725	75.200.18		2	87452523	39.110.02		13
87417726	75.200.18		3	87454887	35.100.13		5
87417727	75.200.18		4	87454888	35.100.13		7
87417737	75.200.18		7	87459023	55.404.02		13
87417742	75.200.18		27	87459024	55.404.03		12
87421649	00.100.01		5	87460070	00.100.01		16
87421649	75.200.12	04	4	87460070	75.200.05		3
87421649	75.200.14		6	87460070	75.200.06		1
87421650	00.100.01		7	87460075	00.100.01		15
87421650	75.200.12	04	7	87460075	75.200.05		3
87421650	75.200.14		4	87460075	75.200.06		1
87421855	90.108.03	02	6	87460158	75.200.06		6
87421855	90.108.04	02	12	87470040	39.100.01	01	3
87421855	90.108.04	03	10	87470040	39.110.01		1
87421855	90.108.04	04	10	87470077	75.200.15	01	11
87421857	90.108.03	01	8	87470077	75.200.15	02	11
87421857	90.108.04	02	11	87470079	75.200.15	01	11
87421857	90.108.04	03	14	87470079	75.200.15	02	11
87421857	90.108.04	04	8	87471399	00.100.01		12
87423763	35.100.11		5	87471399	35.100.01	01	1
87423763	35.100.12		10	87471399	35.100.01	02	1
87423763	35.100.13		1	87471399	35.100.02	01	4
87427185	39.100.16	01	11	87471399	35.100.02	02	4
87427186	00.100.01		30	87471399	35.100.13		1
87427186	75.200.10		3	87471399	39.100.05		3

INDEX - INDICE - INDEX - ZAHLENVERZEICHNIS - INDICE - INDICE - INDHOLD - INHOUD

Number	Figure	Sequence	Ref.	Number	Figure	Sequence	Ref.
87471400	00.100.01		13	87472830	75.200.08		6
87471400	35.100.01	01	1	87472831	75.200.08		7
87471400	35.100.01	02	1	87472832	75.200.08		5
87471400	35.100.02	01	4	87472832	75.200.08		8
87471400	35.100.02	02	4	87472833	75.200.08		2
87471400	35.100.13		1	87472833	75.200.08		3
87471400	39.100.05		3	87472833	75.200.08		5
87471400C	35.100.01	01	1	87472833	75.200.08		8
87471400C	35.100.01	02	1	87472834	75.200.08		5
87471400C	35.100.02	01	4	87472834	75.200.08		8
87471400C	35.100.02	02	4	87473256	39.100.01	01	2
87471400C	35.100.13		1	87473256	39.100.01	02	2
87471400C	39.100.05		3	87473256	39.100.03		1
87471400R	35.100.01	01	1	87473258	39.100.01	01	2
87471400R	35.100.01	02	1	87473258	39.100.01	02	2
87471400R	35.100.02	01	4	87473258	39.100.03		1
87471400R	35.100.02	02	4	87473297	39.100.08		15
87471400R	35.100.13		1	87473299	39.100.08		15
87471400R	39.100.05		3	87473731	75.200.12	04	11
87471401	35.100.01	01	1	87473731	75.200.14		9
87471401	35.100.01	02	1	87475116	39.110.01		9
87471401	35.100.03	01	9	87475717	39.100.01	01	3
87471401	35.100.03	02	9	87475717	39.110.01		1
87471401	35.100.13		1	87476379	00.100.01		33
87471401	39.100.05		3	87476379	44.100.01		23
87471401C	35.100.01	01	1	87476379	88.102.01	01	5
87471401C	35.100.01	02	1	87476379	88.103.01	01	5
87471401C	35.100.03	01	9	87476393	00.100.01		34
87471401C	35.100.03	02	9	87476393	44.100.01		21
87471401C	35.100.13		1	87476393	88.102.01	01	4
87471401C	39.100.05		3	87476751	39.100.01	01	1
87471401R	35.100.01	01	1	87476751	39.100.05		1
87471401R	35.100.01	02	1	87477508	39.100.16	01	10
87471401R	35.100.03	01	9	87477509	39.100.16	01	9
87471401R	35.100.03	02	9	87477513	55.404.03		3
87471401R	35.100.13		1	87479417	39.100.01	01	7
87471401R	39.100.05		3	87479417	39.100.01	02	7
87471551	39.100.06		1	87479686	39.100.06		1
87471553	39.100.06		1	87479687	39.100.06		1
87471553	39.100.07		1	87480855	90.108.03	02	5
87471554	39.100.06		1	87480855	90.108.04	02	10
87471560	75.200.09		8	87480856	90.108.03	02	8
87471561	75.200.09		6	87480856	90.108.04	03	12
87471944	39.100.09		5	87480857	90.108.03	02	4
87472816	75.200.08		4	87480857	90.108.04	04	16
87472827	75.200.08		1	87480912	00.100.01		35
87472828	75.200.08		3	87482043	55.404.02		5
87472828	75.200.08		4	87482044	55.404.02		5
87472829	75.200.08		1	87487124	39.110.01		20
87472829	75.200.08		2	87487126	39.110.01		21

INDEX - INDICE - INDEX - ZAHLENVERZEICHNIS - INDICE - INDICE - INDHOLD - INHOUD

Number	Figure	Sequence	Ref.	Number	Figure	Sequence	Ref.
87490324	75.200.12	01	2	87613192	75.200.13	01	16
87490802	75.200.01		15	87613192	75.200.13	02	13
87490804	75.200.02		12	87613198	39.100.10		9
87493272	39.100.01	02	4	87613198	39.100.18		21
87495295	75.200.04		5	87613265	00.100.01		26
87499612	75.200.13	01	17	87613302	35.100.14		4
87499612	75.200.13	02	16	87613302	39.100.05		7
87500592	39.100.14	01	7	87613302	39.100.07		20
87500592	39.100.14	02	7	87613302	39.100.08		2
87503066	39.100.02		10	87613302	39.110.01		4
87503066	39.100.19	01	9	87620731	75.200.02		8
87503066	39.100.19	02	10	87623346	75.200.07		9
87518250	75.200.10		7	87630	39.100.10		4
87518250	88.110.03		20	87630	75.200.15	01	1
87541405	75.200.10		2	87630	75.200.15	02	1
87541406	75.200.10		29	87630	75.200.17		3
87541407	75.200.10		29	87635232	35.100.13		5
87548067	35.100.13		6	87635301	35.100.13		3
87548070	35.100.13		7	87637851	75.200.02		3
87549262	75.200.03		2	87637855	75.200.02		4
87553161	00.100.01		32	87637934	35.100.13		7
87553161	75.200.01		2	87637948	35.100.13		6
87553161	75.200.02		23	87640498	75.200.02		20
87553161	75.200.04		1	87645504	39.100.19	01	15
87553161	75.200.05		1	87645504	39.100.19	02	9
87553819	39.100.01	01	6	87645504	44.100.01		6
87555582	55.404.01		1	87652886	35.100.13		13
87559546	75.200.02		7	87653276	90.108.02		3
87562173	75.200.07		11	87653276	90.108.04	01	2
87562227	75.200.09		14	87653276	90.108.04	04	14
87562228	75.200.09		14	87670	75.200.18		18
87564590	75.200.02		2	87670	75.200.18		25
87564600	75.200.02		1	87681198	39.100.05		12
87565570	75.200.08		6	87681198	39.100.09		4
87565570	88.110.03		12	87681198	75.200.01		7
87565571	75.200.08		7	87681198	75.200.02		14
87565571	88.110.03		13	87681198	75.200.07		2
87565572	75.200.08		2	87681198	75.200.11		5
87565573	75.200.08		3	87681198	88.110.03		11
87567021	75.200.07		12	87689	39.100.19	02	20
87567027	75.200.07		12	87689	55.404.02		6
87577024	75.200.10		30	87691879	00.100.01		22
87577798	35.100.13		7	87691879	75.200.10		25
87577842	35.100.13		6	87691879	75.200.11		14
87577844	35.100.13		7	87691879	88.110.03		14
87581625	75.200.01		1	87698784	39.110.01		7
87582271	35.100.13		7	87700394	75.200.03		2
87582273	35.100.13		3	87700394	88.107.01	01	2
87613183	75.200.18		24	87700394	88.108.01	01	2
87613192	39.100.12		17	87700733	90.108.03	01	3

INDEX - INDICE - INDEX - ZAHLENVERZEICHNIS - INDICE - INDICE - INDHOLD - INHOUD

Number	Figure	Sequence	Ref.	Number	Figure	Sequence	Ref.
87700733	90.108.04	02	3	87708494	39.100.10		26
87700733	90.108.04	03	3	87708494	39.100.18		19
87700733	90.108.04	04	3	87708499	39.100.10		22
87700738	90.108.03	01	6	87708499	39.100.18		11
87700738	90.108.04	01	1	87708500	39.100.10		23
87700738	90.108.04	03	11	87708500	39.100.18		10
87700738	90.108.04	04	11	87708815	39.110.01		6
87700740	90.108.03	01	1	87708855	39.100.15		7
87700740	90.108.04	02	2	87708855	39.100.17	01	1
87700740	90.108.04	03	2	87708862	75.200.11		6
87700740	90.108.04	04	2	87709040	39.100.05		2
87700741	90.108.03	01	4	87709040	44.100.02		1
87700741	90.108.04	04	5	87709612	90.108.03	02	7
87700752	90.108.03	01	2	87709612	90.108.04	02	14
87700752	90.108.04	02	7	87709612	90.108.04	03	5
87700752	90.108.04	03	8	87709612	90.108.04	04	6
87700752	90.108.04	04	12	87710115	75.200.16		1
87700752	90.108.04	04	15	87710116	75.200.16		11
87700753	90.108.03	01	5	87710117	75.200.16		6
87700753	90.108.04	02	4	87710650	75.200.15	01	4
87700753	90.108.04	03	4	87710651	75.200.15	01	2
87700753	90.108.04	04	4	87710651	75.200.15	02	2
87700754	90.108.03	02	2	87710740	39.100.09		8
87700754	90.108.04	02	5	87711265	75.200.11		3
87700754	90.108.04	02	9	87712234	75.200.15	01	2
87700754	90.108.04	03	6	87712234	75.200.15	02	2
87700754	90.108.04	04	7	87712237	75.200.15	01	2
87700755	90.108.03	02	1	87712237	75.200.15	02	2
87700755	90.108.04	02	1	87712238	75.200.15	01	5
87700755	90.108.04	03	1	87712238	75.200.15	02	5
87700755	90.108.04	04	1	87712239	75.200.16		2
87700757	90.108.03	02	6	87712621	39.100.09		12
87700757	90.108.04	02	12	87712625	39.100.09		11
87700757	90.108.04	03	10	87712636	75.200.07		1
87700757	90.108.04	04	10	87713457	39.100.18		6
87700760	90.108.03	01	8	87713460	39.100.18		2
87700760	90.108.04	02	11	87714550	75.200.15	01	11
87700760	90.108.04	03	14	87714550	75.200.15	02	11
87700760	90.108.04	04	8	87715320	39.100.14	01	2
87700761	90.108.03	01	7	87715320	39.100.15		3
87702617	00.100.01		23	87715321	39.100.14	01	2
87702617	75.200.10		25	87715321	39.100.15		2
87702617	88.110.03		15	87715831	39.100.05		9
87703164	39.100.05		10	87715895	75.200.13	01	12
87706C1	35.100.08	02	17	87715895	75.200.13	02	9
87706C1	35.100.09	01	18	87716171	39.110.01		2
87706C1	35.100.09	02	18	87716561	39.100.09		6
87706C1	35.100.10	01	17	87716562	39.100.09		9
87706C1	35.100.10	02	17	87718847	39.100.05		2
87708490	39.100.10		1	87718847	44.100.02		1

INDEX - INDICE - INDEX - ZAHLENVERZEICHNIS - INDICE - INDICE - INDHOLD - INHOUD

Number	Figure	Sequence	Ref.	Number	Figure	Sequence	Ref.
87718927	39.100.20		10	87754729	39.100.10		2
87718934	39.100.20		9	87754733	39.100.05		11
87722626	75.200.09		13	87755234	39.100.19	01	11
87725635	75.200.09		16	87755234	39.100.19	02	3
87725636	75.200.09		16	87755236	39.100.19	01	2
87726195	75.200.20		3	87755236	39.100.19	02	2
87726747	39.100.20		9	87755238	39.100.20		12
87726748	39.100.20		10	87755239	39.100.20		2
87727111	75.200.20		3	87755240	39.100.19	01	1
87730279	35.100.04		9	87755789	39.100.20		2
87730279	35.100.13		1	87755791	39.100.20		12
87730279	39.100.16	02	8	87756320	39.100.20		1
87730279	39.100.17	01	2	87756320	39.100.20		11
87730279	39.100.17	02	2	87756321	39.100.20		2
87730280	35.100.04		6	87756322	39.100.20		12
87730280	35.100.13		1	87757851	39.100.01	01	1
87730280	39.100.17	01	2	87757851	39.100.05		1
87730280	39.100.17	02	2	87757928	39.100.01	01	3
87731836	39.100.07		2	87757928	39.110.01		1
87731922	39.100.07		8	87758259	39.100.11		4
87732224	39.100.07		6	87758268	39.100.01	01	1
87734576	39.100.07		9	87758268	39.100.05		1
87734577	39.100.07		7	87758623	44.100.01		20
87735776	39.100.11		14	87758623	44.100.02		10
87735776	39.100.12		9	87758624	39.100.06		1
87738164	39.100.05		2	87758625	44.100.01		13
87738164	44.100.01		1	87790840	44.100.01		15
87738165	44.100.01		27	87790840	88.102.01	01	3
87738166	44.100.01		27	87790840	88.103.01	01	4
87738359	39.100.12		10	87936	39.100.10		17
87738646	39.100.20		1	87936	39.100.14	01	4
87738646	39.100.20		11	87936	39.100.18		14
87740529	39.100.01	01	2	87972	39.100.19	01	6
87740529	39.100.01	02	2	87972	39.100.19	02	7
87740978	39.100.09		12	87972	75.200.02		11
87740979	39.100.09		11	87972	75.200.18		15
87741880	39.100.16	01	10	87974	39.100.07		15
87741882	39.100.16	01	9	87974	39.100.07		4
87741946	39.100.02		12	87974	39.100.11		18
87742375	39.100.01	01	2	87974	39.100.12		14
87742375	39.100.01	02	2	87975	75.200.06		2
87743020	39.100.08		15	87996	44.100.01		8
87743024	39.100.08		15	87996	44.100.02		2
87746709	39.100.08		1	88011	55.404.02		8
87748419	39.100.02		9	88043	39.100.18		7
87748420	39.100.02		5	88044	75.200.18		21
87748421	39.100.02		11	88062	39.100.02		15
87748423	39.100.19	01	3	88062	39.100.07		18
87748424	39.100.19	01	5	88062	39.100.08		17
87748424	39.100.19	02	6	88062	39.100.14	01	10

INDEX - INDICE - INDEX - ZAHLENVERZEICHNIS - INDICE - INDICE - INDHOLD - INHOUD

Number	Figure	Sequence	Ref.	Number	Figure	Sequence	Ref.
88062	39.100.14	02	11	88871	39.100.12		16
88062	39.100.19	01	13	88871	39.100.15		1
88062	75.200.09	03	5	88871	39.100.16	01	1
88146	55.404.03		6	88871	39.100.16	02	9
88182	39.100.02		7	88871	39.100.17	01	5
88182	39.100.05		5	88871	39.100.17	02	5
88182	39.100.07		14	88871	39.100.18		8
88182	39.100.07		7	88871	39.100.19	01	7
88182	39.100.08		4	88871	39.100.19	02	8
88182	39.100.11		10	88871	39.100.20		5
88182	39.100.12		8	88871	39.100.21		5
88182	39.100.19	02	12	88871	44.100.02		3
88182	39.110.01		3	88871	44.100.03		11
88182	44.100.01		14	88871	55.404.02		7
88182	44.100.02		17	88871	75.200.02		13
88182	88.102.01	01	2	88871	75.200.10		28
88182	88.103.01	01	14	88871	75.200.11		7
88182	88.106.01	01	4	88871	75.200.15	01	9
88206	39.110.02		8	88871	75.200.15	02	9
88350	88.104.01	01	2	88871	75.200.18		16
88350	88.105.01	01	2	88871	75.200.18		19
88350	88.109.01	01	2	88871	88.110.03		16
88574	88.106.01	01	3	88902	39.100.01	01	9
88576	44.100.03		10	88902	39.100.01	02	9
88604	39.100.11		8	88902	39.100.10		18
88604	39.100.12		6	88902	39.100.13		4
88682	35.100.01	01	20	88902	39.100.14	01	5
88682	35.100.01	02	18	88902	39.100.18		15
88682	35.100.02	01	13	88902	39.100.19	02	18
88682	35.100.02	02	13	88902	55.404.02		9
88682	35.100.03	01	15	88902	55.404.03		9
88682	35.100.03	02	15	8952	35.100.13		3
88682	35.100.04		16	90685C1	35.100.01	01	12
88682	35.100.05		14	90685C1	35.100.01	02	12
88682	35.100.06	01	20	91202C1	35.100.01	01	14
88682	35.100.06	02	20	95-21069	75.200.13	01	21
88682	35.100.07	01	21	9617873	35.100.13		12
88682	35.100.07	02	21	9625178	35.100.13		11
88682	35.100.08	02	24	9626600	39.100.06		3
88682	35.100.09	01	23	9626600	39.100.08		11
88682	35.100.09	02	23	9626600	39.100.15		6
88682	35.100.10	01	24	9626600	39.100.16	01	4
88682	35.100.10	02	24	9626600	39.100.16	02	5
88682	35.100.11		7	9626600	39.100.17	01	7
88682	35.100.12		17	9626600	39.100.17	02	7
88871	39.100.02		3	9626600	39.100.20		7
88871	39.100.07		16	9626600	39.100.21		7
88871	39.100.07		5	9626600	39.110.01		16
88871	39.100.08		3	9626600	75.200.15	01	6
88871	39.100.11		17	9660V2	35.100.13		2

INDEX - INDICE - INDEX - ZAHLENVERZEICHNIS - INDICE - INDICE - INDHOLD - INHOUD

Number	Figure	Sequence	Ref.	Number	Figure	Sequence	Ref.
9682	35.100.13		6				
9706701	39.100.03		8				
9706701	39.100.16	02	12				
9707580	39.100.13		6				
9707580	55.404.03		6				
97478C1	35.100.08	02	6				
97478C1	35.100.09	01	6				
97478C1	35.100.09	02	6				
97478C1	35.100.10	01	6				
97478C1	35.100.10	02	6				
97479C1	35.100.06	01	3				
97479C1	35.100.06	02	3				
97479C1	35.100.08	02	3				
97479C1	35.100.09	01	16				
97479C1	35.100.09	02	16				
97479C1	35.100.10	01	1				
97638C1	35.100.06	01	11				
97638C1	35.100.06	02	11				
97638C1	35.100.07	01	10				
97638C1	35.100.07	02	10				
97646C1	35.100.06	01	15				
97646C1	35.100.06	02	15				
97646C1	35.100.07	01	15				
97646C1	35.100.08	02	21				
97647C1	35.100.08	02	13				
97647C1	35.100.09	02	13				
9790660	88.106.01	01	2				
9845479	39.100.01	01	4				
9849623	39.100.12		20				
9849633	39.100.01	01	5				
9849633	39.100.01	02	6				
9849647	39.100.01	01	5				
9849647	75.200.01		13				
9849647	75.200.02		25				
9849647	75.200.16		16				
A30338	39.100.03		7				
BN321131	39.100.05		6				
LIST A	00.100.01						
LIST B	00.100.01						
NSS	39.100.08		14				
NSS	75.200.07		10				
ST491A	00.100.01		21				
ST491A	75.200.15	01	10				
ST491A-	75.200.15	01	10				
ZRG012WG	05.100.03		*				