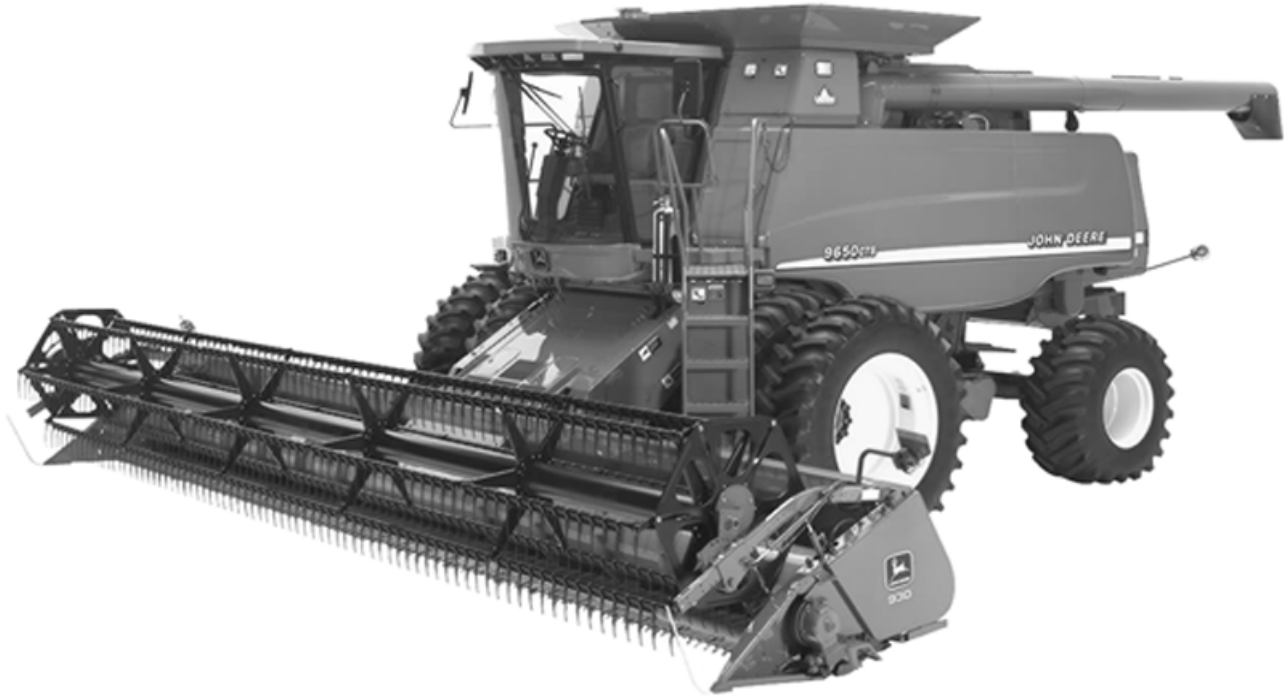


HP8981

-UN-31AUG99



*JOHN DEERE 9650CTS SELF-PROPELLED COMBINE™ WITH 900 SERIES PLATFORM
MANUFACTURED (1999-)*

(SPECIFICATIONS AND DESIGN SUBJECT TO CHANGE WITHOUT NOTICE)

COPYRIGHT (C) 2000. DEERE & COMPANY. MOLINE, ILLINOIS, USA. ALL RIGHTS RESERVED.

NOTE

FOR 900 SERIES PLATFORM PARTS INFORMATION, REFER TO JOHN DEERE PARTS CATALOG - PC2104.

FOR 40 SERIES CORN HEAD PARTS INFORMATION, REFER TO JOHN DEERE PARTS CATALOG - PC1223.

FOR 50A SERIES ROW-CROP HEAD PARTS INFORMATION, REFER TO JOHN DEERE PARTS CATALOG - PC1747.

FOR THREE-ROLLER BELT PICKUP PARTS INFORMATION, REFER TO JOHN DEERE PARTS CATALOG - PC2210.

FOR 918 AND 920 DRAPER PARTS INFORMATION, REFER TO JOHN DEERE PARTS CATALOG - PC2212.

FOR 90 SERIES CORN HEAD PARTS INFORMATION, REFER TO JOHN DEERE PARTS CATALOG - PC2404.

FOR 900R & F SERIES PLATFORM PARTS INFORMATION, REFER TO JOHN DEERE PARTS CATALOG - PC2771.

FOR 914P BELT PICKUP PARTS INFORMATION, REFER TO JOHN DEERE PARTS CATALOG - PC2772.

IMPORTANT

THIS PARTS CATALOG CONTAINS PARTS INFORMATION FOR THE 9650CTS SELF-PROPELLED COMBINE. VINTAGE IS DETERMINED BY THE COMBINE SERIAL NUMBER OR THE PRODUCT IDENTIFICATION NUMBER (PIN). IT IS IMPORTANT THAT THE CORRECT NUMBERS BE USED WHEN ORDERING PARTS.

PRODUCT INFORMATION NUMBER (PIN) PLATE

THE PRODUCT IDENTIFICATION NUMBER (PIN) PLATE IS LOCATED NEAR THE RIGHT-HAND SIDE OF THE TOOL BOX. AN EXAMPLE OF THE TWO-LINES ON THIS PIN PLATE IS:

HO9650X685000
COMBINE

(FIRST LINE)

HO - MANUFACTURING UNIT (HARVESTER WORKS)

9650 - MODEL IDENTIFIER

X - CONFIGURATION CODE/MODEL IDENTIFIER SUFFIX

900000 - SEQUENTIAL NUMBER USED IN SERIAL NO. COLUMN

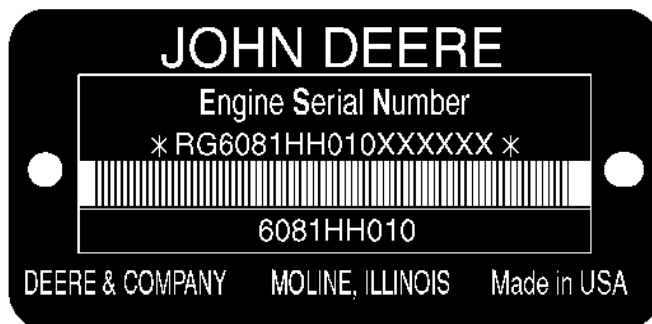
(SECOND LINE)

COMBINE - TYPE OF PRODUCT

TWO LINE BAR CODED ENGINE SERIAL NUMBER PLATE

RGP5229

-UN-21JUN99



RGP5229

FIRST LINE

RG - WATERLOO ENGINE WORKS

6

081 (8.1 LITERS)

H - AIR-TO-AIR

H

XXXXXX

SECOND LINE

6081HH010

DEFINES

DESIGNATES ENGINE MANUFACTURER.

DESIGNATES NUMBER OF CYLINDERS.

DESIGNATES LITER DISPLACEMENT.

DESIGNATES TYPE OF AIR INTAKE SYSTEM.

DESIGNATES HARVESTER VEHICLE.

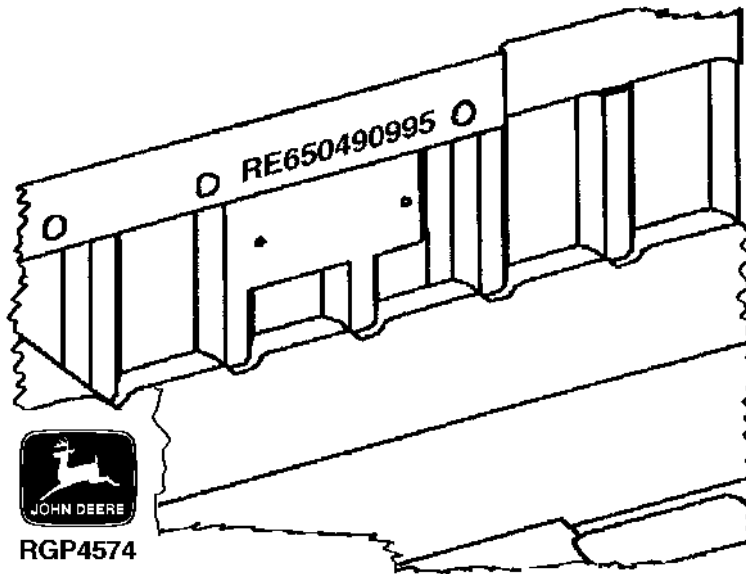
DESIGNATES ENGINE SERIAL NUMBER.

APPLICATION

9650 CTS

SHORT BLOCK SERIAL NUMBER IDENTIFICATION

RGP4574 -UN-02OCT95



SERIAL NUMBER STAMPED INTO CASTING OF BLOCK NEAR PREVIOUS SERIAL NUMBER PLATE.

EXAMPLE: RE650490995

- | | |
|-----------------------------------|---------|
| 1. DESIGNATES SERVICE PART NUMBER | RE65049 |
| 2. DESIGNATES MONTH ASSEMBLED | 09 |
| 3. DESIGNATES YEAR ASSEMBLED | 95 |

PARTS LISTING INFORMATION

SERIAL NUMBER OR PRODUCT IDENTIFICATION NUMBER (PIN) INFORMATION SHOWS ON WHICH MACHINES THE PART MAY BE USED; FOR EXAMPLE:

- THE PART CAN BE USED ON ALL MACHINES.
- 000000 THE PART CAN BE USED ON ALL MACHINES UP TO AND INCLUDING THE SERIAL NUMBER LISTED.
- 000000- THE PART CAN BE USED ON ALL MACHINES BEGINNING WITH THE SERIAL NUMBER LISTED.
- 000000-000000 THE PART CAN BE USED ON ALL MACHINES BETWEEN AND INCLUDING SERIAL NUMBERS LISTED.

WHEN XXXXXX'S ARE LISTED IN PLACE OF A SERIAL NUMBER, A SERIAL NUMBER CHANGE WAS MADE, BUT THE EXACT SERIAL NUMBER WAS NOT AVAILABLE WHEN THE CATALOG WAS PRINTED.

DIRECTION ARROW

ARROWS ARE USED WITH ILLUSTRATIONS TO INDICATE THE FRONT OF THE UNIT. "RIGHT-HAND" AND "LEFT-HAND" SIDES ARE DETERMINED BY FACING IN THE DIRECTION OF MACHINE FORWARD TRAVEL.

BOX-ENCLOSED ILLUSTRATIONS

A KEY NUMBER, SHOWN IN THE PARTS LIST, IS ASSIGNED TO A BOX ENCLOSING ALL PARTS SOLD AS A SERVICE ASSEMBLY. A BOX NOT KEYED INCLUDES NON-CURRENT PARTS.

KITS

KIT INFORMATION WILL BE FOUND IMMEDIATELY FOLLOWING THE STORY IN WHICH IT IS USED. THE ILLUSTRATION IS REPEATED WITH ONLY THE KIT PARTS CALLED OUT AND WITH ALL OTHER PARTS SHOWN IN PHANTOM.

JDM REMANUFACTURED COMPONENTS

THE SERVICE PARTS LISTED IN THIS CATALOG ARE INTENDED FOR THE REPAIR OF ORIGINAL EQUIPMENT COMPONENTS. ALTHOUGH MOST SERVICE PARTS MAY BE USED TO REPAIR REMANUFACTURED COMPONENTS, THE REMANUFACTURED DESIGN MAY CHANGE PARTS SUFFICIENTLY SO THAT SERVICE PARTS ARE INADEQUATE OR NOT USABLE.

BOLT AND CAP SCREW STRENGTH IDENTIFICATION

BOLTS AND CAP SCREWS REQUIRED TO HAVE HIGH-STRENGTH QUALITIES EQUIVALENT TO SAE GRADE 8 ARE IDENTIFIED THROUGHOUT THIS CATALOG BY THE DESCRIPTION HS SAE 8. ALL STANDARD BOLTS AND CAP SCREWS ARE SAE GRADE 5 OR LOWER. BOLTS AND CAP SCREWS REQUIRED TO HAVE HIGH-STRENGTH QUALITIES EQUIVALENT TO PROPERTY CLASS 10.9 ARE IDENTIFIED THROUGHOUT THIS CATALOG BY THE DESCRIPTION 10.9. ALL STANDARD BOLTS AND CAP SCREWS ARE PROPERTY CLASS 8.8 OR LOWER.

SI UNITS OF MEASURE

METRIC DIMENSIONS ARE GIVEN, WHERE APPLICABLE, THROUGHOUT THIS PARTS CATALOG.

TRADEMARKS

THROUGHOUT THIS PARTS CATALOG, YOU WILL FIND THE FOLLOWING DEERE & COMPANY TRADEMARKS:

DIAL-A-SPEED™
DIAL-A-MATIC™
HARVESTRAK™
CONTOUR MASTER™

POSI-TORQ™
TORQ-GARD SUPREME®
QUIK-TATCH™

CHANGE INDICATOR LINE

CHANGES AFFECTING THE ORDERING OF PARTS ARE IDENTIFIED BY VERTICAL LINES MARKED IN THE LEFT-HAND MARGIN OF REVISED PARTS LISTING IMAGES. A LINE IS ALSO AT THE LEFT-HAND EDGE OF THE SAME PART NUMBER IN THE NUMERICAL INDEX TO SHOW THE LOCATION OF REVISED INFORMATION.

FUNCTION CODE

(EXAMPLE - FC: 5000)

FUNCTION CODES ARE LOCATED ON EACH PAGE IN THE UPPER RIGHT-HAND CORNER IN THE BOX. THE CODE LISTED IS A GROUPING CODE THAT CAN BE USED FOR WARRANTIES AND FOR DTAC TO IDENTIFY CERTAIN AREAS.

COMPLETE GOODS LISTINGS

COMPLETE GOODS ARE IN BOLD FACE TYPE. ORDER SEPARATELY. DO NOT INCLUDE ON REPLACEMENT PARTS ORDER.

SECTION INDEX

SECTION 10 - GENERAL INFORMATION

SECTION 20 - ENGINE ACCESSORIES

SECTION 25 - ENGINE

SECTION 30 - FUEL AND AIR

SECTION 40 - ELECTRICAL

SECTION 50 - POWER TRAIN

SECTION 60 - STEERING AND BRAKES

SECTION 70 - HYDRAULICS

SECTION 80 - BODY AND SHIELDS

SECTION 90 - OPERATOR'S STATION

SECTION 95 - AIR CONDITIONING AND HEATING

SECTION 100 - FEEDER HOUSE

SECTION 110 - THRESHING AND SEPARATION

SECTION 120 - CLEANING SHOE

SECTION 125 - ELEVATORS

SECTION 130 - RESIDUE DISPOSAL

SECTION 140 - DRIVES

SECTION 150 - GRAIN TANK AND UNLOADING AUGER

SECTION 155 - GREENSTAR YIELD MAPPING AND MONITOR SYSTEMS

SECTION 160 - RUBBER TRACK SYSTEM

SECTION 170 - DECALS

SECTION 180 - NUMERICAL INDEX

ALPHABETICAL INDEX

GRID		PAGE	GRID		PAGE
	A				
3D11	A/C COMPRESSOR MANIFOLD.....	95 - 11	3B24	ARMREST ROCKER SWITCHES.....	90 - 24
3D11	A/C COMPRESSOR R134A.....	95 - 11	3C1	ARMREST ROCKER SWITCHES.....	90 - 26
1B10	ACCESS DOOR, RADIATOR.....	20 - 8	1G6	ARMREST WIRING HARNESS.....	40 - 34
2J12	ACCESS DOOR, REAR HOOD.....	80 - 36	3B13	ASHTRAY.....	90 - 12
2G11	ACCUMULATOR AND MOUNTING, ONE GALLON.....	70 - 34	3B24	ASHTRAY.....	90 - 24
2G13	ACCUMULATOR PRESSURE GAUGE AND WIRING HARNESS.....	70 - 36	1H8	ASSEMBLY, CLUTCH (STARTER).....	40 - 62
2G9	ACCUMULATOR, ONE HALF GALLON.....	70 - 32	2E7	ATTENUATOR, HYDRAULIC STEERING.....	60 - 16
2G9	ACCUMULATOR, SINGLE MOUNTING BRACKET ONE HALF GALLON.....	70 - 32	4F15	AUGER COVERS AND CHANNEL, CROSS.....	150 - 32
3C11	ACTIVE HEADER HEIGHT CONTROL DISPLAY, R.H. CORNERPOST.....	90 - 36	4E3	AUGER DRIVE, UPPER TAILINGS.....	140 - 46
2F24	ACTIVE HEADER HEIGHT CONTROL HYDRAULIC LINE AND VALVE BLOCK.....	70 - 22	3J12	AUGER HOUSING, LOADING, CLEAN GRAIN.....	125 - 8
1D10	ADAPTER, OIL COOLER.....	25 - 30	4E20	AUGER SWING, HOSES AND LINES.....	150 - 12
1D9	ADAPTER, OIL COOLER BYPASS.....	25 - 29	4F1	AUGER SWIVEL SUPPORT AND BRACES.....	150 - 18
1D4	ADHESIVE, ROCKER ARM COVER GASKET.....	25 - 23	3J22	AUGER TROUGH, LOWER TAILINGS.....	125 - 18
4G18	ADJUSTABLE IDLER ASSEMBLY AND FRONT ARM ..	160 - 6	4F13	AUGER, GRAIN TANK CROSS.....	150 - 30
2B6	ADJUSTABLE REAR AXLE.....	50 - 3	4E18	AUGER, GRAIN TANK, VERTICAL UNLOADING.....	150 - 10
2E22	ADJUSTABLE REAR AXLE STEERING TIE RODS.....	60 - 32	4E24	AUGER, HORIZONTAL UNLOADING.....	150 - 16
4D13	ADJUSTING BRACKET, CYLINDER DRIVE, DUAL-RANGE.....	140 - 32	4F9	AUGER, HORIZONTAL UNLOADING.....	150 - 26
1H14	ADJUSTING MOTOR, CONCAVE.....	40 - 68	3J14	AUGER, LOADING, CLEAN GRAIN.....	125 - 10
1H19	ADJUSTING MOTOR, SEPARATOR FAN DRIVE.....	40 - 74	3K3	AUGER, LOWER TAILINGS.....	125 - 24
1E15	AID, ETHER.....	30 - 13	3K5	AUGER, LOWER TAILINGS DRIVE TIGHTENER.....	125 - 26
1E22	AIR CLEANER AND INTAKE TUBES.....	30 - 20	3J8	AUGER, LOWER, CLEAN GRAIN.....	125 - 4
1B19	AIR CONDITIONER COMPRESSOR FAN PULLEY.....	20 - 17	3J1	AUGER, SHOE GRAIN SUPPLY.....	120 - 22
3D14	AIR CONDITIONER COMPRESSOR HARDWARE.....	95 - 14	4E16	AUGER, VERTICAL, LOWER GEARCASE.....	150 - 8
3D12	AIR CONDITIONER COMPRESSOR HOSE.....	95 - 12	2B7	AXLE SHAFTS.....	50 - 4
1B19	AIR CONDITIONER COMPRESSOR IDLER PULLEY....	20 - 17	2B8	AXLE SPACERS.....	50 - 5
1B19	AIR CONDITIONER COMPRESSOR SUPPORT.....	20 - 17	2B7	AXLE SPACERS AND EXTENSIONS.....	50 - 4
3D7	AIR CONDITIONING AND HEATER DUCTS.....	95 - 7	4H1	AXLE, BOGEY WHEEL.....	160 - 14
3D4	AIR CONDITIONING AND HEATER HOUSING, LOWER.....	95 - 4	4G22	AXLE, IDLER.....	160 - 10
3D2	AIR CONDITIONING AND HEATER HOUSING, UPPER.....	95 - 2	2B6	AXLE, REAR, ADJUSTABLE.....	50 - 3
2F11	AIR CONDITIONING CONDENSER AND OIL COOLER.....	70 - 8	2E20	AXLE, REAR, SPINDLES (HEAVY DUTY).....	60 - 30
3D10	AIR CONDITIONING SYSTEM - EVAPORATOR HEATER.....	95 - 10	2E18	AXLE, REAR, SPINDLES (REGULAR DUTY).....	60 - 28
3D9	AIR CONDITIONING SYSTEM - RECEIVER-DRYER ..	95 - 9			
3D8	AIR CONDITIONING SYSTEM - WATER VALVE.....	95 - 8		B	
1G10	AIR CONDITIONING WIRING HARNESS.....	40 - 38	1H10	BACKSHAFT SPEED SENSOR, FEEDER HOUSE.....	40 - 64
3D2	AIR DUCT, INTAKE.....	95 - 2	1B4	BALL BEARING, ROTOARY SCREEN DRIVE.....	20 - 2
1B6	AIR DUCT, ROTARY SCREEN.....	20 - 4	3G5	BAR, SPIKE TOOTH THRESHING CYLINDER.....	110 - 10
3D4	AIR FILTER, HEATER AND AIR CONDITIONER.....	95 - 4	1E12	BASE, FUEL FILTER.....	30 - 10
3B19	AIR SEAT SUSPENSION.....	90 - 18	4E12	BASE, GRAIN TANK.....	150 - 4
3B21	AIR SEAT SWITCH, OPERATOR'S.....	90 - 20	1D11	BASE, OIL FILTER.....	25 - 32
4G20	AIR SUSPENSION.....	160 - 8	1H22	BATTERY AND CABLES.....	40 - 77
3B19	AIR SUSPENSION, SEAT.....	90 - 18	3H12	BEARING AND LUBE LINES, MODULE FRONT.....	110 - 44
1H6	ALTERNATOR ADJUSTING STRAP.....	40 - 60	1C19	BEARING KIT, UNDERSIZED MAIN BEARING CRANKSHAFT.....	25 - 13
1H6	ALTERNATOR BRACKET.....	40 - 60	4H3	BEARING, BOGEY WHEEL.....	160 - 16
1H4	ALTERNATOR, SHEAVE AND BELT (185 AMP).....	40 - 58	2C15	BEARING, CAM LOBE MOTOR.....	50 - 40
1H2	ALTERNATOR, SHEAVE AND BELT (95 AMP).....	40 - 56	1B17	BEARING, FAN DRIVE.....	20 - 15
111	AMBER LAMP ASSEMBLY, REAR.....	40 - 81	2C1	BEARING, FINAL DRIVE.....	50 - 24
3K11	ANGLES, GRAIN TANK EXTENSION.....	125 - 32	1B4	BEARING, IDLER ARM, ROTARY SCREEN.....	20 - 2
3C15	ANTENNA, SPEAKERS AND RADIO.....	90 - 40	1C20	BEARING, MAIN.....	25 - 14
4D6	ARM, DUAL RANGE LOCKOUT.....	140 - 25	3K2	BEARING, TAILINGS ELEVATOR CONVEYOR.....	125 - 23
3I14	ARM, FRAME, PRECLEANER CHAFFER.....	120 - 10	1C20	BEARING, THRUST.....	25 - 14
4G18	ARM, FRONT, ADJUSTABLE IDLER ASSEMBLY.....	160 - 6	2B18	BEARING, TRANSMISSION.....	50 - 16
4G22	ARM, REAR.....	160 - 10	2B20	BEARING, TRANSMISSION PINION SHAFT.....	50 - 18
1D3	ARM, ROCKER.....	25 - 22	3H1	BEATER COVER.....	110 - 32
2C22	ARM, STEERING, CAM LOBE MOTOR.....	50 - 48	3G20	BEATER DRIVE BELT IDLER.....	110 - 26
3B24	ARMREST CONTROL PANEL, OPERATOR'S.....	90 - 24	3G22	BEATER DRIVE CONVERSION, DUAL SPEED.....	110 - 28
3C1	ARMREST PANEL, OPERATOR'S.....	90 - 26	3G24	BEATER GEARCASE AND SHEAVE.....	110 - 30
			3G12	BEATER HEAD, THRESHING.....	110 - 18
			3G12	BEATER, SHAFT AND DRIVE BELT.....	110 - 18
			3G18	BEATER, STRIPPER.....	110 - 24
			3G16	BEATER, STRIPPER, DRIVE IDLER.....	110 - 22
			4H10	BELT AND DRIVE WHEEL.....	160 - 24
			4F20	BELT GUIDE, UNLOADING AUGER DRIVE.....	150 - 38
			4I21	BELT ROUTING, L.H.....	170 - 32
			4I23	BELT ROUTING, L.H.....	170 - 34

ALPHABETICAL INDEX - CONTINUED

<i>GRID</i>		<i>PAGE</i>	<i>GRID</i>		<i>PAGE</i>
4117	BELT ROUTING, R.H.	170 - 28	1B10	BRACKET, RADITOR MOUNTING	20 - 8
4119	BELT ROUTING, R.H.	170 - 30	2G9	BRACKET, SINGLE ACCUMULATOR MOUNTING ONE HALF GALLON	70 - 32
3G12	BELT SET, BEATER SHAFT	110 - 18	2F15	BRACKET, SOLENOID CONTROL VALVE	70 - 12
1H6	BELT TENSIONER ALTERNATOR	40 - 60	4G3	BRACKET, TRANSDUCER MOUNTING, YIELD MAPPING	155 - 6
1H4	BELT, ALTERNATOR (185 AMP)	40 - 58	2E2	BRAKE CABLE SUPPORT BRACKET	60 - 11
1H2	BELT, ALTERNATOR (95 AMP)	40 - 56	2D22	BRAKE LINES, MASTER CYLINDER AND RESERVOIR	60 - 6
3G24	BELT, BEATER GEARCASE	110 - 30	2D24	BRAKE MASTER CYLINDER	60 - 8
4E6	BELT, CLEAN GRAIN ELEVATOR DRIVE TIGHTENER	140 - 50	2D18	BRAKE PEDAL AND SEAL, PARKING	60 - 2
4D17	BELT, CONVEYOR AUGERS, SIEVE AND CHAFFER	140 - 36	2D20	BRAKE PEDALS AND MASTER CYLINDER	60 - 4
4D4	BELT, DUAL RANGE CYLINDER DRIVE	140 - 22	2E3	BRAKE SHOES AND DRUM	60 - 12
4D11	BELT, DUAL RANGE CYLINDER DRIVE, INTERMEDIATE SHEAVE	140 - 30	4H8	BRAKE SHOES AND DRUM	160 - 22
3G22	BELT, DUAL SPEED DRIVE CONVERSION	110 - 28	2E1	BRAKE SLAVE CYLINDER	60 - 10
4C25	BELT, ELECTROMAGNETIC CLUTCH	140 - 17	3B11	BULB, INTERIOR CAB ROOF	90 - 10
1B14	BELT, ENGINE FAN	20 - 12	3C1	BULB, ARMREST CONTROL PANEL	90 - 26
3E5	BELT, FEEDER HOUSE DRIVE TIGHTENER	100 - 14	1H23	BULB, CAB ROOF LIGHTS	40 - 78
3E1	BELT, FEEDER HOUSE DRIVE TIGHTENER (FIXED SPEED)	100 - 10	1I5	BULB, CLEANING SHOE INSPECTION LIGHT	40 - 85
3F16	BELT, FRONT DRIVE SHAFT (FIXED SPEED WITH REVERSER)	100 - 50	3C11	BULB, CORNERPOST DISPLAY, R.H.	90 - 36
3D18	BELT, FRONT VARIABLE DRIVE SHEAVE	100 - 2	1I3	BULB, FLOODLIGHT SIDE FINDER	40 - 83
3K3	BELT, LOWER TAILINGS AUGER	125 - 24	2I15	BULB, GULLWING DOOR LIGHT, L.H.	80 - 14
3K5	BELT, LOWER TAILINGS TIGHTENER	125 - 26	1H24	BULB, L.H. FRONT TURN SIGNAL (AMBER)	40 - 79
3B24	BELT, OPERATOR'S ARMREST CONTROL PANEL	90 - 24	2I19	BULB, LEFT REAR CORNER PANEL	80 - 18
3B23	BELT, OPERATOR'S SEAT	90 - 23	2J22	BULB, LIGHT, REAR ENGINE COMPARTMENT	80 - 46
2G19	BELT, PICKUP / REEL DRIVE	70 - 42	3C13	BULB, OVERHEAD CONSOLE	90 - 38
1B4	BELT, ROTARY SCREEN DRIVE	20 - 2	1I2	BULB, REAR TURN AND TAIL LIGHTS	40 - 82
4D15	BELT, SECONDARY COUNTERSHAFT DRIVE	140 - 34	3B4	BULB, STUBBLE LIGHT, FRONT CAB	90 - 2
4D21	BELT, SEPARATOR FAN DRIVE	140 - 40	1H25	BULB, TURN SIGNAL	40 - 80
4D3	BELT, SINGLE RANGE CYLINDER DRIVE	140 - 21	1C10	BUSHING, CAMSHAFT	25 - 4
4B18	BELT, STRAW SPREADER	130 - 18	1C24	BUSHING, CAMSHAFT	25 - 18
3G18	BELT, STRIPPER BEATER	110 - 24	4G16	BUSHING, MAIN FRAME PIVOT	160 - 4
4F18	BELT, UNLOADING AUGER COUNTERSHAFT	150 - 36	1D9	BYPASS TUBES, OIL COOLER	25 - 29
3F14	BELT, UPPER DRIVE SHAFT (FIXED SPEED WITH REVERSER)	100 - 48	1D11	BYPASS VALVE, OIL FILTER	25 - 32
3F6	BELT, UPPER VARIABLE DRIVE COUNTERSHAFT	100 - 40	C		
4D1	BELT, VARIABLE SHEAVE, COUNTERSHAFT	140 - 18	3D6	CAB AIR FILTER AND HOUSING	95 - 6
3E3	BELT, VARIABLE SPEED TIGHTENER DRIVE	100 - 12	3B13	CAB DOOR AND GLASS	90 - 12
2G3	BI-DIRECTIONAL MODULE, SOLENOID CONTROL VALVE, REEL LIFT AND CYLINDER SPEED	70 - 26	3B15	CAB DOOR LATCH	90 - 14
4B12	BLADE, FINE CUT CHOPPER - PADDLED	130 - 12	3B13	CAB GLASS AND DOOR	90 - 12
4B18	BLADE, STRAW SPREADER	130 - 18	3B9	CAB INTERIOR TRIM PANELS	90 - 8
4B8	BLADE, TRI-ROD CHOPPER	130 - 8	3C20	CAB LANDING AND MIRROR (L.H.)	90 - 46
1G14	BLADE, WIPER (LONG)	40 - 42	3C22	CAB LANDING AND MIRROR (R.H.)	90 - 48
1B22	BLOCK, ENGINE COOLANT HEATER	20 - 20	1G4	CAB MAIN WIRING HARNESS	40 - 32
1C12	BLOCK, SHORT, ENGINE	25 - 6	3B21	CAB OPERATOR'S SEAT AND BACKREST	90 - 20
4H3	BOGEY WHEEL ASSEMBLY	160 - 16	3B7	CAB REAR AND SIDE SEALS	90 - 6
4H1	BOGEY WHEEL AXLES	160 - 14	3B11	CAB ROOF	90 - 10
1D1	BOLT, CYLINDER HEAD	25 - 20	1H23	CAB ROOF LIGHTS	40 - 78
3C9	BOOT, GEARSHIFT	90 - 34	3B4	CAB SUPPORT	90 - 2
1H4	BOSCH ALTERNATOR, SHEAVE AND BELT (185 AMP)	40 - 58	3B13	CAB, COMPLETE	90 - 12
1H2	BOSCH ALTERNATOR, SHEAVE AND BELT (95 AMP)	40 - 56	2E3	CABLE, BRAKE	60 - 12
4H4	BOX, GEARCASE, TRANSFER	160 - 18	4G11	CABLE, DATASTORE/COMPUTER	155 - 14
2J24	BOX, TOOL	80 - 48	2C3	CABLE, HYDROSTATIC DRIVE CONTROL	50 - 26
4D13	BRACKET, ADJUSTING, CYLINDER DRIVE	140 - 32	1F10	CABLE, WIRING	40 - 8
1H6	BRACKET, ALTERNATOR	40 - 60	1H2	CABLES, BATTERY	40 - 77
2E2	BRACKET, BRAKE CABLE SUPPORT	60 - 11	2C15	CAM LOBE MOTOR	50 - 40
4G1	BRACKET, DISPLAY, YIELD MAPPING	155 - 4	2C19	CAM, CARRIER, AND PISTON	50 - 44
3E22	BRACKET, FEEDER CONVEYOR	100 - 31	3D18	CAM, FRONT VARIABLE DRIVE	100 - 2
1H21	BRACKET, LOW SHAFT SPEED SENSORS	40 - 76	3G9	CAM, SPIKE TOOTH CONCAVE	110 - 14
4G3	BRACKET, MASS FLOW SENSOR, YIELD MAPPING	155 - 6	2B17	CAM, TRANSMISSION SHIFTER	50 - 14
4G5	BRACKET, MOISTURE SENSOR, YIELD MAPPING	155 - 8	1C24	CAMSHAFT	25 - 18
4F23	BRACKET, POSITION RECEIVER YIELD MAPPING	155 - 2	1C10	CAMSHAFT BUSHING	25 - 4
			1C24	CAMSHAFT FOLLOWER	25 - 18
			1D3	CAMSHAFT FOLLOWER	25 - 22
			1C24	CAMSHAFT GEAR	25 - 18

ALPHABETICAL INDEX - CONTINUED

GRID		PAGE	GRID		PAGE
1E24	CAP, EXHAUST PIPE	30 - 22	3J14	CLEAN GRAIN LOADING AUGER	125 - 10
4E16	CAP, GRAIN TANK CLEAN OUT CHUTE	150 - 8	3J12	CLEAN GRAIN LOADING AUGER HOUSING, UPPER	125 - 8
1C10	CAP, MAIN BEARING	25 - 4	3J8	CLEAN GRAIN LOWER AUGER	125 - 4
1B12	CAP, RADIATOR	20 - 10	3J10	CLEAN GRAIN LOWER CONVEYOR CHAIN	125 - 6
1D4	CAP, ROCKER ARM COVER	25 - 23	3J10	CLEAN GRAIN LOWER ELEVATOR	125 - 6
2C20	CAP, YOKE AND PIVOTS (STEERABLE MOTOR).....	50 - 46	4E16	CLEAN OUT CHUTE, GRAIN TANK	150 - 8
2C19	CARRIER, PISTON, AND CAM.....	50 - 44	1E22	CLEANER, AIR AND INTAKE TUBES	30 - 20
2D13	CASE DRAIN, HYDRAULIC LINES (FOUR WHEEL DRIVE)	50 - 64	3I7	CLEANING FAN AND SHROUDS.....	120 - 3
1G22	CENTRAL ELECTRONICS MODULE AND CIRCUIT BOARDS	40 - 50	4D21	CLEANING FAN DRIVE, SEPARATOR	140 - 40
2H16	CHAFF SPREADER CONTROL, CHECK VALVE, ROD AND KNOB.....	70 - 64	3I8	CLEANING FANS AND SHROUDS	120 - 4
4C3	CHAFF SPREADER DISC.....	130 - 28	4D19	CLEANING SHOE AND CONVEYOR AUGER PIVOT ARM DRIVE TIGHTENER.....	140 - 38
2H24	CHAFF SPREADER DRIVE	70 - 72	1I5	CLEANING SHOE INSPECTION LIGHT.....	40 - 85
2H18	CHAFF SPREADER LINES AND FITTINGS	70 - 66	3J3	CLEANOUT DOOR, SUPPLY AUGER, SHOE GRAIN ..	120 - 24
4C9	CHAFF SPREADER MOUNTING SUPPORT	130 - 34	1H8	CLUTCH ASSEMBLY (STARTER)	40 - 62
4C7	CHAFF SPREADER PAN AND SEALS	130 - 32	3D13	CLUTCH, COMPRESSOR.....	95 - 13
2G17	CHAFF SPREADER PUMP.....	70 - 40	3E17	CLUTCH, FEEDER HOUSE SHAFT.....	100 - 26
4C5	CHAFF SPREADER SHIELDS AND HANDLES.....	130 - 30	4C25	CLUTCH, HEADER ELECTROMAGNETIC.....	140 - 17
2H22	CHAFF SPREADER, HOSES, LINES AND MOTOR (DUAL MOTOR).....	70 - 70	3C5	COLD WEATHER START BUTTON	90 - 30
2H20	CHAFF SPREADER, LINES, HOSES, AND PUMP	70 - 68	1E14	COLD WEATHER STARTING AID	30 - 12
3I16	CHAFFER ELEMENT.....	120 - 12	1E20	COMPARTMENT, ENGINE	30 - 18
3I18	CHAFFER EXTENSION ELEMENT	120 - 14	3B13	COMPLETE CAB	90 - 12
3I20	CHAFFER FRAME	120 - 16	3D15	COMPRESSOR PARTS (650301-).....	95 - 15
3I14	CHAFFER FRAME ARMS, PRECLEANER	120 - 10	3D11	COMPRESSOR, AIR CONDITIONING, R134A	95 - 11
3I12	CHAFFER FRAME, PRECLEANER	120 - 8	3D13	COMPRESSOR, CLUTCH.....	95 - 13
4D17	CHAFFER, CONVEYOR AUGERS	140 - 36	1H14	CONCAVE ADJUSTING MOTOR	40 - 68
3I10	CHAFFER, PRECLEANING.....	120 - 6	1H15	CONCAVE INDICATOR.....	40 - 70
3C7	CHAIN LINK, FEEDER HOUSE FOOT CONTROL	90 - 32	3G7	CONCAVE, SPIKE-TOOTH	110 - 12
4E5	CHAIN TIGHTENER, UPPER TAILINGS DRIVE	140 - 49	3G9	CONCAVE, SPIKE-TOOTH	110 - 14
4G20	CHAIN, AIR SUSPENSION	160 - 8	2F11	CONDENSER, AIR CONDITIONING AND OIL COOLER	70 - 8
3C17	CHAIN, CAB PLATFORM SAFETY.....	90 - 42	1C9	CONDITIONER, COOLANT.....	25 - 2
3J10	CHAIN, CONVEYOR, CLEAN GRAIN LOWER ELEVATOR	125 - 6	1C16	CONNECTING RODS	25 - 10
3E21	CHAIN, FEEDER CONVEYOR	100 - 30	1F4	CONNECTORS, ELECTRICAL, WEATHERPACK	40 - 2
3F1	CHAIN, FEEDER CONVEYOR	100 - 34	1B21	CONNECTORS, ENGINE HEATER HOSE.....	20 - 19
3E22	CHAIN, FEEDER CONVEYOR DRIVE	100 - 31	1E8	CONNECTORS, FUEL INJECTION PUMP HOUSING ..	30 - 6
3K3	CHAIN, LOWER TAILINGS AUGER	125 - 24	1F12	CONNECTORS, SUPPLEMENTARY TERMINALS	40 - 10
3K2	CHAIN, TAILINGS ELEVATOR CONVEYOR	125 - 23	3C13	CONSOLE, OVERHEAD	90 - 38
3K7	CHAIN, UPPER TAILINGS AUGER	125 - 28	3B9	CONTAINER, TRASH	90 - 8
4F15	CHANNEL, CROSS AUGER	150 - 32	2H11	CONTOUR MASTER HYDRAULIC HOSES, (L.H.)	70 - 58
4E18	CHARGE HOUSING, VERTICAL UNLOADING AUGER	150 - 10	2F22	CONTOUR MASTER SOLENOID VALVE	70 - 20
2C9	CHARGE PUMP, HYDROSTATIC.....	50 - 32	2H14	CONTOUR MASTER TILT CYLINDER.....	70 - 61
2H20	CHECK VALVE, CHAFF SPREADER.....	70 - 68	2H15	CONTOUR MASTER TILT CYLINDER HOSES AND FITTINGS.....	70 - 63
2H16	CHECK VALVE, CHAFF SPREADER CONTROL	70 - 64	3E15	CONTOUR MASTER, FEEDER HOUSE SHELL, WEAR PLATES AND SEALS	100 - 24
2C7	CHECK VALVE, HYDROSTATIC PUMP	50 - 30	2C3	CONTROL CABLES, HYDROSTATIC DRIVE	50 - 26
4B14	CHOPPER HOUSING AND KNIFEBANK	130 - 14	3B24	CONTROL PANEL, OPERATOR'S ARMREST	90 - 24
4B12	CHOPPER ROTOR, FINE CUT PADDLED BLADE.....	130 - 12	3C1	CONTROL PANEL, OPERATOR'S ARMREST	90 - 26
4B16	CHOPPER TRANSPORT SPROCKETS.....	130 - 16	1E6	CONTROL UNIT, ELECTRONIC.....	30 - 4
4B10	CHOPPER, FINE CUT STRAIGHT BLADE	130 - 10	1H1	CONTROL UNIT, ELECTRONIC (ECU)	40 - 54
4B8	CHOPPER, TRI-ROD.....	130 - 8	2C23	CONTROL VALVE	50 - 50
4E16	CHUTE, GRAIN TANK CLEAN OUT	150 - 8	2F16	CONTROL VALVE MODULE, 6-STACK SOLENOID.....	70 - 14
3B24	CIGARETTE LIGHTER	90 - 24	2C10	CONTROL VALVE, HYDROSTATIC DRIVE DISPLACEMENT	50 - 34
1F13	CIGARETTE LIGHTER ADAPTER	40 - 12	2G5	CONTROL VALVE, SOLENOID, AUGER SWING	70 - 28
1G22	CIRCUIT BOARD, CENTRAL ELECTRONICS MODULE	40 - 50	2G5	CONTROL VALVE, SOLENOID, REEL FORE/AFT	70 - 28
3B24	CIRCUIT BOARD, OPERATOR'S ARMREST CONTROL PANEL.....	90 - 24	1E6	CONTROLLER, ENGINE.....	30 - 4
3C13	CIRCUIT BOARD, OVERHEAD CONSOLE	90 - 38	1F13	CONVENIENCE OUTLET, KIT	40 - 12
1G24	CIRCUIT BREAKER, RELAY PANEL	40 - 52	3G9	CONVERSION, RASP BAR TO SPIKE-TOOTH.....	110 - 14
3J10	CLEAN GRAIN CONVEYOR CHAIN.....	125 - 6	4D19	CONVEYOR AUGER AND CLEANING SHOE PIVOT ARM DRIVE TIGHTENER.....	140 - 38
4E6	CLEAN GRAIN ELEVATOR DRIVE TIGHTENER AND IDLER.....	140 - 50	4D17	CONVEYOR AUGERS, SIEVE AND CHAFFER DRIVE	140 - 36
3J16	CLEAN GRAIN ELEVATOR GEARCASE	125 - 12	3J10	CONVEYOR CHAIN, CLEAN GRAIN	125 - 6
3J6	CLEAN GRAIN ELEVATOR UPPER SHAFT	125 - 2	3E21	CONVEYOR, FEEDER HOUSE IDLER SHAFT.....	100 - 30
			1C9	COOLANT CONDITIONER, ENGINE	25 - 2
			1B22	COOLANT HEATER, ENGINE BLOCK.....	20 - 20

ALPHABETICAL INDEX - CONTINUED

GRID		PAGE	GRID		PAGE
1B12	COOLANT RECOVERY TANK	20 - 10	2G6	CYLINDER, HEADER LIFT, HYDRAULIC	70 - 29
1C9	COOLANT SCAN TEST KIT	25 - 2	2D20	CYLINDER, MASTER BRAKE	60 - 4
1D10	COOLER, ENGINE OIL	25 - 30	2E17	CYLINDER, STEERING	60 - 26
3F3	COOLER, OIL, FEEDER HOUSE GEARCASE	100 - 36	4H14	CYLINDER, TENSION	160 - 28
2119	CORNER SHEET, REAR, L.H.	80 - 18	4G22	CYLINDER, TENSION AND ATTACHING HARDWARE	160 - 10
3C11	CORNERPOST DISPLAY PANEL, R.H.	90 - 36	3G3	CYLINDER, THRESHING, RASP BAR	110 - 8
4D15	COUNTERSHAFT DRIVE, SECONDARY	140 - 34	3G5	CYLINDER, THRESHING, SPIKE TOOTH	110 - 10
4F18	COUNTERSHAFT DRIVE, UNLOADING AUGER	150 - 36	2H15	CYLINDER, TILT, HOSES AND FITTINGS, CONTOUR MASTER	70 - 63
4C23	COUNTERSHAFT GEARCASE, PRIMARY	140 - 14	4E22	CYLINDER, UNLOADING AUGER SWING	150 - 14
1B18	COUPLING WITH HUB, ENGINE GEARCASE	20 - 16			
3H18	COUPLING, GEARBOX AND SHAFT, MODULE	110 - 50		D	
2B8	COUPLINGS, AXLE	50 - 5	1E1	DAMPER, CRANKSHAFT	25 - 50
3H10	COVER AND FRAME, MODULE	110 - 42	4G11	DASTORE	155 - 14
3H1	COVER, BEATER	110 - 32	4G9	DASTORE MODULE	155 - 12
4F15	COVER, CROSS AUGER	150 - 32	4G11	DASTORE MODULE	155 - 14
1H6	COVER, FUEL INJECTION PUMP ACCESS	40 - 60	4G9	DASTORE W/DISPLAY	155 - 12
2C5	COVER, HYDROSTATIC PUMP	50 - 28	4G12	DECALS, DISPLAY, YIELD MONITOR	155 - 15
2C17	COVER, INNER - CAM LOBE MOTOR	50 - 42	4I11	DECALS, FRENCH CANADIAN	170 - 22
4G5	COVER, MOISTURE SENSOR, YIELD MAPPING	155 - 8	4I5	DECALS, FRONT AND REAR	170 - 16
4G7	COVER, MOISTURE SENSOR, YIELD MAPPING	155 - 10	4I9	DECALS, FRONT AND REAR TIRE	170 - 20
1D10	COVER, OIL COOLER	25 - 30	4I3	DECALS, L.H.	170 - 14
4F23	COVER, POSITION RECEIVER, YIELD MAPPING	155 - 2	4I12	DECALS, PORTUGUESE	170 - 23
1D4	COVER, ROCKER ARM	25 - 23	4I1	DECALS, R.H.	170 - 12
2I3	COVER, SEPARATOR FRAME	80 - 2	4I13	DECALS, ROMANIAN	170 - 24
1B20	COVER, STARTER RELAY	20 - 18	4I14	DECALS, RUSSIAN	170 - 25
1D18	COVER, THERMOSTAT	25 - 40	4I7	DECALS, SAFETY (RUBBER TRACK)	170 - 18
3F20	COVER, THRESHING CYLINDER	110 - 1	4H16	DECALS, SAFETY AND LOCATIONS	170 - 2
1C23	COVER, TIMING GEAR	25 - 17	4H18	DECALS, SAFETY AND LOCATIONS	170 - 4
4G7	COVER, WHEN MOISTURE SENSOR IS NOT USED YIELD MAPPING	155 - 10	4H20	DECALS, SAFETY AND LOCATIONS	170 - 6
3H8	CRANK OUT SYSTEM, MODULE	110 - 40	4H22	DECALS, SAFETY AND LOCATIONS	170 - 8
1B24	CRANKCASE, ENGINE OIL DRAIN	20 - 22	4H24	DECALS, SAFETY AND LOCATIONS	170 - 10
1C17	CRANKSHAFT	25 - 11	4I15	DECALS, SPANISH	170 - 26
1C23	CRANKSHAFT FRONT OIL SEAL	25 - 17	4I16	DECALS, UKRAINIAN	170 - 27
1C18	CRANKSHAFT KIT, UNDERSIZE	25 - 12	4G12	DECALS, YIELD MONITOR	155 - 15
1C21	CRANKSHAFT OIL SEAL AND HOUSING	25 - 15	1G18	DEFLECTOR AND SEAL ASSEMBLY	40 - 46
1E1	CRANKSHAFT PULLEY AND DAMPERS	25 - 50	4G3	DEFLECTOR DOOR, MASS FLOW SENSOR, YIELD MAPPING	155 - 6
4F11	CROSS AUGER BEARING PLATE, L.H.	150 - 28	4C7	DEFLECTOR, CHAFF SPREADER	130 - 32
4F15	CROSS AUGER COVERS AND CHANNEL	150 - 32	3F23	DEFLECTOR, CYLINDER DOOR, SEPARATOR (GRAIN AND RICE)	110 - 4
4F13	CROSS AUGER, GRAIN TANK	150 - 30	1E20	DEFLECTOR, ENGINE COMPARTMENT	30 - 18
4E14	CURTAIN, GRAIN TANK	150 - 6	3E13	DEFLECTOR, FEEDER HOUSE FRAME	100 - 22
4B22	CURTAIN, LOWER, STRAW SPREADER	130 - 22	2B22	DIFFERENTIAL SHAFTS AND GEARS	50 - 20
4B20	CURTAIN, SPREADER	130 - 20	1C10	DIPSTICK TUBE, ENGINE BLOCK	25 - 4
4B24	CURTAIN, SPREADER, UPPER	130 - 24	4C23	DIPSTICK, COUNTERSHAFT GEARCASE	140 - 14
3B17	CUSHION, SEAT, PASSENGER	90 - 16	1D15	DIPSTICK, ENGINE OIL	25 - 36
1C10	CYLINDER BLOCK FITTINGS	25 - 4	4C20	DIPSTICK, MAIN GEARCASE	140 - 10
3F20	CYLINDER COVER, THRESHING	110 - 1	3D20	DIPSTICK, REVERSER GEAR BOX	100 - 4
3G1	CYLINDER DOOR (CORN)	110 - 6	4C3	DISC, CHAFF SPREADER	130 - 28
3F23	CYLINDER DOOR, SEPARATOR (GRAIN AND RICE)	110 - 4	2C10	DISPLACEMENT CONTROL VALVE	50 - 34
4D4	CYLINDER DRIVE GEARCASE, DUAL-RANGE	140 - 22	4G1	DISPLAY BRACKET, YIELD MAPPING	155 - 4
4D9	CYLINDER DRIVE INTERMEDIATE SHAFT MOUNTING, DUAL-RANGE	140 - 28	4G12	DISPLAY DECALS, YIELD MONITOR	155 - 15
4D11	CYLINDER DRIVE INTERMEDIATE SHEAVE, DUAL-RANGE	140 - 30	3C11	DISPLAY PANEL, R.H. CORNERPOST	90 - 36
4D7	CYLINDER DRIVE TIGHTENER, DUAL-RANGE	140 - 26	4G9	DISPLAY W/DASTORE	155 - 12
1D1	CYLINDER HEAD	25 - 20	4G1	DISPLAY, YIELD MAPPING	155 - 4
1D24	CYLINDER HEAD GASKET KIT	25 - 48	3B15	DOOR LATCH, CAB	90 - 14
1C16	CYLINDER LINERS	25 - 10	1G4	DOOR LIGHT SWITCH, MAIN CAB	40 - 32
2G3	CYLINDER SPEED AND REEL LIFT, SOLENOID CONTROL VALVE	70 - 26	3D6	DOOR, CAB AIR FILTER	95 - 6
2G15	CYLINDER SPEED HYDRAULIC HOSES	70 - 38	3B13	DOOR, CAB AND GLASS	90 - 12
2E1	CYLINDER, BRAKE SLAVE	60 - 10	2I13	DOOR, CAB, LEFT FRONT	80 - 12
2D24	CYLINDER, BRAKE, MASTER	60 - 8	3J8	DOOR, CLEAN GRAIN LOWER AUGER	125 - 4
2H14	CYLINDER, CONTOUR MASTER, TILT	70 - 61	4D1	DOOR, COUNTERSHAFT DRIVE	140 - 18
2I15	CYLINDER, GAS, GULLWING DOOR L.H.	80 - 14	3G1	DOOR, CYLINDER (CORN)	110 - 6
4F16	CYLINDER, GRAIN TANK UNLOADING DRIVE	150 - 34			

ALPHABETICAL INDEX - CONTINUED

GRID		PAGE	GRID		PAGE
3F23	DOOR, CYLINDER, SEPARATOR (GRAIN AND RICE).....	110 - 4	3H24	DRIVE, ENGINE GEARBOX TO MODULE	110 - 56
1E18	DOOR, ENGINE PLATFORM	30 - 16	3I1	DRIVE, ENGINE GEARBOX TO MODULE	110 - 58
3E13	DOOR, FEEDER HOUSE FRAME	100 - 22	4E1	DRIVE, FAN, SPEED CONTROL SHEAVE LINKAGE....	140 - 44
4E10	DOOR, GRAIN TANK	150 - 2	2C12	DRIVE, HYDROSTATIC MOTOR	50 - 36
2I15	DOOR, GULLWING, L.H.....	80 - 14	2D3	DRIVE, HYDROSTATIC OIL HOSES, UPPER (FOUR WHEEL DRIVE)	50 - 54
2I23	DOOR, GULLWING, R.H.	80 - 22	2D9	DRIVE, HYDROSTATIC, LOWER OIL LINES (FOUR WHEEL DRIVE)	50 - 60
4F9	DOOR, HORIZONTAL UNLOADING.....	150 - 26	2D1	DRIVE, HYDROSTATIC, LOWER OIL LINES (TWO WHEEL DRIVE)	50 - 52
4F5	DOOR, HORIZONTAL UNLOADING AUGER HOUSING	150 - 22	2H1	DRIVE, REEL, HYDRAULIC LINES AND HOSES, L.H.....	70 - 48
2I17	DOOR, LEFT REAR GULLWING	80 - 16	1B3	DRIVE, ROTARY SCREEN.....	20 - 1
4G3	DOOR, MASS FLOW SENSOR DEFLECTOR, YIELD MAPPING	155 - 6	4D15	DRIVE, SECONDARY COUNTERSHAFT.....	140 - 34
3K1	DOOR, MATERIAL SENSOR	125 - 22	4D3	DRIVE, SINGLE RANGE CYLINDER	140 - 21
2J1	DOOR, RADIATOR	80 - 24	3I3	DRIVE, STRAW CHOPPER	110 - 60
2J14	DOOR, REAR HOOD.....	80 - 38	3I6	DRIVE, STRAW SPREADER	120 - 2
2J12	DOOR, REAR HOOD ACCESS	80 - 36	4H8	DRUM AND SHOES, BRAKE	160 - 22
1B6	DOOR, ROTARY SCREEN.....	20 - 4	2E3	DRUM, BRAKE.....	60 - 12
3J3	DOOR, SHOE GRAIN SUPPLY AUGER	120 - 24	3E21	DRUM, FEEDER CONVEYOR IDLER SHAFT.....	100 - 30
4B7	DOOR, SLIDE, LOWER STRAW CHOPPER	130 - 6	3D9	DRYER, AIR CONDITIONER	95 - 9
3F21	DOOR, STONE TRAP, FEEDER HOUSE	110 - 2	4D6	DUAL RANGE LOCKOUT ARM	140 - 25
4B7	DOOR, STRAW CHOPPER, LOWER.....	130 - 6	3G22	DUAL SPEED BEATER DRIVE CONVERSION,	110 - 28
4C1	DOOR, STRAW SPREADER.....	130 - 26	2B11	DUAL WHEELS, WIDE SPACED	50 - 8
4E24	DOOR, UNLOADING AUGER SWIVEL	150 - 16	4D13	DUAL-RANGE CYLINDER DRIVE ADJUSTING BRACKET.....	140 - 32
4B5	DOOR, UPPER REAR, STRAW CHOPPER	130 - 4	4D4	DUAL-RANGE CYLINDER DRIVE GEARCASE.....	140 - 22
1B22	DRAIN PLUG, ENGINE BLOCK COOLANT.....	20 - 20	4D9	DUAL-RANGE CYLINDER DRIVE INTERMEDIATE SHAFT MOUNTING.....	140 - 28
4C14	DRAIN PLUG, ENGINE GEARCASE	140 - 4	4D11	DUAL-RANGE CYLINDER DRIVE INTERMEDIATE SHEAVE.....	140 - 30
4C16	DRAIN PLUG, GEARCASE	140 - 6	4D7	DUAL-RANGE CYLINDER DRIVE TIGHTENER	140 - 26
2C12	DRAIN PLUG, HYDROSTATIC DRIVE MOTOR	50 - 36	3D7	DUCTS, HEATER AND AIR CONDITIONING	95 - 7
2C14	DRAIN PLUG, HYDROSTATIC MOTOR VALVE	50 - 38	3F12	DUST FAN, FEEDER HOUSE, L.H.	100 - 46
1D13	DRAIN PLUG, OIL PAN.....	25 - 34	3E23	DUST FAN, FEEDER HOUSE, R.H.....	100 - 32
2F22	DRAIN PLUG, RELIEF VALVE MODULE.....	70 - 20			
1D18	DRAIN VALVE, CYLINDER HEAD	25 - 40		E	
1C10	DRAIN VALVE, ENGINE BLOCK	25 - 4	1E6	E.C.U.	30 - 4
1E16	DRAIN VALVE, FUEL	30 - 14	1G22	ECU MODULE	40 - 50
1E11	DRAIN VALVE, FUEL COOLER	30 - 9	1H1	ECU, ELECTRONIC CONTROL UNIT	40 - 54
1D13	DRAIN VALVE, OIL PAN.....	25 - 34	1F6	ELECTRICAL CONNECTOR SERVICE KIT.....	40 - 4
1B12	DRAIN VALVE, RADIATOR.....	20 - 10	1F8	ELECTRICAL CONNECTOR SERVICE KIT.....	40 - 6
4F20	DRIVE BELT GUIDE, UNLOADING AUGER	150 - 38	1F4	ELECTRICAL TERMINALS AND CONNECTORS, WEATHERPACK	40 - 2
3G20	DRIVE BELT, BEATER, IDLER.....	110 - 26	4C25	ELECTROMAGNETIC HEADER CLUTCH	140 - 17
4E5	DRIVE CHAIN TIGHTENER, UPPER TAILINGS	140 - 49	1E6	ELECTRONIC CONTROL UNIT	30 - 4
3G22	DRIVE CONVERSION, BEATER, DUAL SPEED.....	110 - 28	1H1	ELECTRONIC CONTROL UNIT (ECU).....	40 - 54
1C17	DRIVE GEAR, OIL PUMP	25 - 11	1E6	ELECTRONIC FUEL INJECTION PUMP	30 - 4
4E6	DRIVE IDLER, CLEAN GRAIN ELEVATOR	140 - 50	1G22	ELECTRONICS MODULE, CENTRAL AND CIRCUIT BOARDS	40 - 50
3G16	DRIVE IDLER, STRIPPER BEATER.....	110 - 22	3I16	ELEMENT, CHAFFER	120 - 12
2B24	DRIVE SHAFT, FINAL DRIVE.....	50 - 22	3I18	ELEMENT, CHAFFER EXTENSION	120 - 14
3H20	DRIVE SHAFT, GEARCASE, L.H.	110 - 52	3I22	ELEMENT, SIEVE	120 - 18
2B8	DRIVE SHAFTS	50 - 5	4E6	ELEVATOR DRIVE IDLER, CLEAN GRAIN	140 - 50
3E7	DRIVE SHIELD WITHOUT AIRFLOW.....	100 - 16	4E6	ELEVATOR DRIVE TIGHTENER, CLEAN GRAIN.....	140 - 50
3E9	DRIVE SHIELD, L.H., WITH AIRFLOW	100 - 18	3J10	ELEVATOR, LOWER, CLEAN GRAIN	125 - 6
3E11	DRIVE SHIELD, R.H.	100 - 20	3J24	ELEVATOR, TAILINGS	125 - 20
2J3	DRIVE SHIELD, R.H. REAR	80 - 27	2J22	ENGINE ACCESS PLATFORM.....	80 - 46
4E6	DRIVE TIGHTENER, CLEAN GRAIN ELEVATOR.....	140 - 50	1E20	ENGINE COMPARTMENT.....	30 - 18
3E5	DRIVE TIGHTENER, FEEDER HOUSE	100 - 14	2J18	ENGINE COMPARTMENT.....	80 - 42
3E1	DRIVE TIGHTENER, FIXED SPEED FEEDER HOUSE.....	100 - 10	1E6	ENGINE CONTROLLER	30 - 4
4D19	DRIVE TIGHTENER, PIVOT ARM, CLEANING SHOE	140 - 38	1B24	ENGINE CRANKCASE OIL DRAIN.....	20 - 22
3E3	DRIVE TIGHTENER, VARIABLE SPEED	100 - 12	1B16	ENGINE DRIVE	20 - 14
4H10	DRIVE WHEEL AND BELT	160 - 24	1B14	ENGINE FAN DRIVES.....	20 - 12
2B9	DRIVE WHEELS	50 - 6	1C22	ENGINE FLYWHEEL	25 - 16
2B10	DRIVE WHEELS, HIGH FLOATATION.....	50 - 7			
2G19	DRIVE, BELT PICKUP / REEL PUMP MOUNTING SHEAVE	70 - 42			
4D17	DRIVE, CONVEYOR AUGERS, CHAFFER	140 - 36			
4F18	DRIVE, COUNTERSHAFT, UNLOADING AUGER.....	150 - 36			
1B16	DRIVE, ENGINE.....	20 - 14			
1B14	DRIVE, ENGINE FAN	20 - 12			

ALPHABETICAL INDEX - CONTINUED

<i>GRID</i>		<i>PAGE</i>	<i>GRID</i>		<i>PAGE</i>
3H24	ENGINE GEARBOX TO MODULE DRIVES	110 - 56	3C7	FEEDER HOUSE REVERSER FOOT CONTROL	90 - 32
311	ENGINE GEARBOX TO MODULE DRIVES	110 - 58	3E15	FEEDER HOUSE SHELL - CONTOUR MASTER	100 - 24
1B18	ENGINE GEARCASE COUPLING WITH HUB	20 - 16	3F14	FEEDER HOUSE UPPER DRIVE SHAFT, (FIXED SPEED WITH REVERSER)	100 - 48
4C12	ENGINE GEARCASE OIL FILTER ASSEMBLY	140 - 2	3E17	FEEDER HOUSE UPPER SHAFT	100 - 26
4C14	ENGINE GEARCASE PRESSURE REGULATOR	140 - 4	3F5	FEEDER HOUSE VARIABLE DRIVE HYDRAULIC HOSE	100 - 38
4C20	ENGINE GEARCASE, SEPARATOR AND PUMP	140 - 10	3E15	FEEDER HOUSE WEAR PLATES - CONTOUR MASTER	100 - 24
1B21	ENGINE HEATER HOSE CONNECTORS	20 - 19	3F21	FEEDER HOUSE/SEPARATOR SEAL	110 - 2
1C1	ENGINE INTERCOOLER	20 - 24	3F6	FEEDER HOUSE, UPPER COUNTERSHAFT VARIABLE DRIVE	100 - 40
1C3	ENGINE MOUNTS AND REAR SUPPORT	20 - 26	3B17	FIELD OFFICE	90 - 16
1C8	ENGINE OIL (TORQ-GARD PLUS-50)	25 - 1	3H14	FILLER PLATE, MODULE GRATE ASSEMBLY	110 - 46
1D10	ENGINE OIL COOLER	25 - 30	1E22	FILTER, AIR CLEANER	30 - 20
1D15	ENGINE OIL DIPSTICK	25 - 36	3D4	FILTER, AIR, RECIRCULATION	95 - 4
1D11	ENGINE OIL FILTER	25 - 32	3D6	FILTER, CAB AIR	95 - 6
1D6	ENGINE OIL PUMP	25 - 26	1D11	FILTER, ENGINE OIL	25 - 32
1D8	ENGINE OIL PUMP INTAKE	25 - 28	3D10	FILTER, EVAPORATOR HEATER	95 - 10
1C14	ENGINE OVERHAUL KIT	25 - 8	1E12	FILTER, FUEL	30 - 10
1E18	ENGINE PLATFORM	30 - 16	1E16	FILTER, FUEL PUMP	30 - 14
1D24	ENGINE REBUILD GASKET KIT	25 - 48	2C9	FILTER, HYDROSTATIC CHARGE PUMP	50 - 32
1H20	ENGINE SPEED SENSOR	40 - 75	2H13	FILTER, MAIN HYDRAULIC	70 - 60
1F15	ENGINE WIRING HARNESS	40 - 14	4C12	FILTER, OIL, ENGINE GEARCASE	140 - 2
1E15	ETHER AID	30 - 13	1C23	FILTER, WATER PUMP (WEEP HOLE)	25 - 17
3C5	ETHER START BUTTON	90 - 30	1G12	FILTER, WINDSHIELD WASHER	40 - 40
3D10	EVAPORATOR HEATER, AIR CONDITIONER	95 - 10	2C1	FINAL DRIVE	50 - 24
1D23	EXHAUST MANIFOLD AND HEAT SHIELD	25 - 46	4H6	FINAL DRIVE MOUNTING	160 - 20
1E24	EXHAUST PIPE AND MUFFLER	30 - 22	2B24	FINAL DRIVE SHAFT	50 - 22
1D1	EXHAUST VALVES AND SHIELDS	25 - 20	2D14	FINAL DRIVE SHAFT SHIELDS, SINGLE REDUCTION	50 - 65
1B22	EXTENSION CORD, ENGINE BLOCK COOLANT HEATER	20 - 20	4B10	FINE CUT ROTOR CHOPPER (STRAIGHT BLADE)	130 - 10
3118	EXTENSION ELEMENT, CHAFFER	120 - 14	3H14	FINGER BAR, MODULE GRATE ASSEMBLY	110 - 46
2B7	EXTENSION, AXLE	50 - 4	3G11	FINGER GRATE, SPIKE-TOOTH	110 - 16
3K9	EXTENSION, GRAIN TANK	125 - 30	3F12	FINGER, FEEDER HOUSE DUST FAN, L.H.	100 - 46
3C19	EXTENSION, LADDER ASSEMBLY	90 - 45	3E23	FINGER, FEEDER HOUSE DUST FAN, R.H.	100 - 32
			3I18	FINGER, PLASTIC, CHAFFER	120 - 14
	F		3I12	FINGER, PRECLEANER CHAFFER	120 - 8
318	FAN AND SHROUD, CLEANING	120 - 4	1C10	FITTINGS, CYLINDER BLOCK	25 - 4
1B17	FAN DRIVE	20 - 15	1E15	FITTINGS, ETHER AID	30 - 13
4D23	FAN DRIVE SPEED CONTROL LINKAGE	140 - 42	1E16	FITTINGS, FUEL TANK	30 - 14
4E1	FAN DRIVE SPEED CONTROL SHEAVE LINKAGE	140 - 44	3D22	FITTINGS, REVERSER GEAR BOX (HI CAPACITY)	100 - 6
4D21	FAN DRIVE, CLEANING, SEPARATOR	140 - 40	2H15	FITTINGS, TILT CYLINDER, CONTOUR MASTER	70 - 63
1H19	FAN DRIVE, SEPARATOR, ADJUSTING MOTOR	40 - 74	2B5	FIXED REAR AXLE	50 - 2
1B19	FAN PULLEY, AIR CONDITIONER COMPRESSOR	20 - 17	2E23	FIXED REAR AXLE STEERING TIE RODS	60 - 33
317	FAN, CLEANING	120 - 3	3E1	FIXED SPEED FEEDER HOUSE DRIVE TIGHTENER ..	100 - 10
3F12	FAN, DUST, FEEDER HOUSE, L.H.	100 - 46	1I5	FLOODLIGHT, CLEANING SHOE INSPECTION	40 - 85
1B14	FAN, ENGINE	20 - 12	2I19	FLOODLIGHT, LEFT REAR CORNER PANEL	80 - 18
3E23	FAN, FEEDER HOUSE DUST, R.H.	100 - 32	1I3	FLOODLIGHT, SIDE FINDER	40 - 83
3D2	FAN, HEATING AND AIR CONDITIONER	95 - 2	3B9	FLOOR MAT	90 - 8
3D4	FAN, HEATING AND AIR CONDITIONING	95 - 4	3B7	FLOOR PANELS	90 - 6
3E22	FEEDER CONVEYOR BRACKET	100 - 31	3E19	FLOOR, FEEDER HOUSE	100 - 28
3E22	FEEDER CONVEYOR DRIVE CHAIN	100 - 31	3F8	FLOOR, FEEDER HOUSE RETURN	100 - 42
3F1	FEEDER CONVEYOR DRIVE CHAIN	100 - 34	2G21	FLOW CONTROL VALVE, REEL DRIVE	70 - 44
3F1	FEEDER CONVEYOR DRIVE IDLER BRACKET	100 - 34	4G3	FLOW SENSOR, MASS, YIELD MAPPING	155 - 6
3E22	FEEDER CONVEYOR IDLER	100 - 31	1C22	FLYWHEEL	25 - 16
3E21	FEEDER CONVEYOR IDLER SHAFT	100 - 30	1C24	FOLLOWER, CAMSHAFT	25 - 18
1H10	FEEDER HOUSE BACKSHAFT SPEED SENSOR	40 - 64	1D3	FOLLOWER, CAMSHAFT	25 - 22
3E5	FEEDER HOUSE DRIVE TIGHTENER	100 - 14	3C7	FOOT PEDAL, FEEDER HOUSE REVERSER	90 - 32
3E1	FEEDER HOUSE DRIVE TIGHTENER (FIXED SPEED)	100 - 10	3H10	FRAME AND COVERS, MODULE	110 - 42
3F12	FEEDER HOUSE DUST FAN, L.H.	100 - 46	3I14	FRAME ARMS, PRECLEANER CHAFFER	120 - 10
3E23	FEEDER HOUSE DUST FAN, R.H.	100 - 32	4G14	FRAME MOUNTING, TRACK	160 - 2
3E19	FEEDER HOUSE FLOOR	100 - 28	3I20	FRAME, CHAFFER	120 - 16
3E13	FEEDER HOUSE FRAME	100 - 22	3D2	FRAME, FAN HEATER AND AIR CONDITIONER	95 - 2
3F16	FEEDER HOUSE FRONT DRIVE SHAFT (FIXED SPEED WITH REVERSER)	100 - 50	3E13	FRAME, FEEDER HOUSE	100 - 22
3F3	FEEDER HOUSE GEARCASE OIL COOLER	100 - 36	3E15	FRAME, FEEDER HOUSE - CONTOUR MASTER	100 - 24
3F10	FEEDER HOUSE POSITION SENSOR	100 - 44			

ALPHABETICAL INDEX - CONTINUED

GRID		PAGE	GRID		PAGE
4G16	FRAME, MAIN, PIVOT BUSHINGS	160-4	2B18	GEAR, TRANSMISSION	50-16
2I3	FRAME, SEPARATOR	80-2	1C18	GEAR, UNDERSIZE CRANKSHAFT	25-12
4G14	FRAME, SHIPPING	160-2	1C19	GEAR, UNDERSIZE MAIN BEARING CRANKSHAFT	25-13
3I24	FRAME, SIEVE	120-20	3H24	GEARBOX, ENGINE TO MODULE DRIVES	110-56
4B22	FRAME, STRAW SPREADER	130-22	3I1	GEARBOX, ENGINE TO MODULE DRIVES	110-58
4I11	FRENCH CANADIAN DECALS AND LABELS	170-22	3H18	GEARBOX, SHAFT AND COUPLING, MODULE	110-50
4G18	FRONT ARM AND ADJUSTABLE IDLER ASSEMBLY ..	160-6	3G24	GEARCASE AND SHEAVE, BEATER	110-30
3F16	FRONT DRIVE SHAFT AND MOUNTINGS (FIXED SPEED WITH REVERSER)	100-50	4C23	GEARCASE COUNTERSHAFT	140-14
1C23	FRONT OIL SEAL	25-17	1B18	GEARCASE COUPLING, ENGINE	20-16
2I21	FRONT PANEL, RIGHT	80-20	3H20	GEARCASE MODULE, L.H.	110-52
2I9	FRONT SHIELD ASSEMBLY, RIGHT SIDE	80-8	3H22	GEARCASE MODULE, R.H.	110-54
3D18	FRONT VARIABLE DRIVE SHEAVE	100-2	4C22	GEARCASE MOUNTING	140-13
1D18	FRONT WATER MANIFOLD	25-40	3J16	GEARCASE, CLEAN GRAIN ELEVATOR	125-12
1E12	FUEL CHECK VALVE	30-10	4D4	GEARCASE, DUAL-RANGE CYLINDER DRIVE	140-22
1E11	FUEL COOLER	30-9	4C20	GEARCASE, ENGINE	140-10
1E12	FUEL FILTER	30-10	4C18	GEARCASE, ENGINE, MAIN	140-8
1E16	FUEL GAUGE	30-14	4F4	GEARCASE, HORIZONTAL UNLOADING AUGER	150-21
1E4	FUEL INJECTION LINES	30-2	4C16	GEARCASE, MAIN	140-6
1E10	FUEL INJECTION NOZZLE	30-8	4H4	GEARCASE, TRANSFER	160-18
1E4	FUEL INJECTION NOZZLES	30-2	4E16	GEARCASE, VERTICAL AUGER LOWER	150-8
1E6	FUEL INJECTION PUMP	30-4	2B20	GEARS, TRANSMISSION PINION SHAFT	50-18
1H6	FUEL INJECTION PUMP ACCESS COVER	40-60	3C9	GEARSHIFT LEVER AND LINKAGE	90-34
1E8	FUEL INJECTION PUMP HOUSING CONNECTORS ..	30-6	3B13	GLASS, CAB AND DOOR	90-12
1E4	FUEL LEAK-OFF LINES	30-2	3C11	GRAIN LOSS DISPLAY, R.H. CORNERPOST	90-36
1E6	FUEL LEAK-OFF LINES	30-4	1G17	GRAIN LOSS MONITOR	40-45
1E16	FUEL PUMP	30-14	3G14	GRAIN SHAKER PAN	110-20
1E16	FUEL SENDER	30-14	4E14	GRAIN TANK AND CURTAINS	150-6
1E6	FUEL SHUT-OFF SOLENOID	30-4	4E12	GRAIN TANK BASE	150-4
2J20	FUEL TANK STEPS AND MOUNTING BRACKETS ..	80-44	4F13	GRAIN TANK CROSS AUGERS	150-30
1E16	FUEL TANK, SUPPORTS, AND FITTINGS	30-14	3K9	GRAIN TANK EXTENSIONS	125-30
1E9	FUEL TRANSFER PUMP	30-7	3K11	GRAIN TANK EXTENSIONS SUPPORT AND ANGLES	125-32
G			1G21	GRAIN TANK FULL BIN SENSOR	40-49
1D4	GASKET ADHESIVE, ROCKER ARM COVER	25-23	4E10	GRAIN TANK TOP	150-2
1D24	GASKET KIT, CYLINDER HEAD	25-48	4F16	GRAIN TANK UNLOADING DRIVE CYLINDER	150-34
1D24	GASKET KIT, ENGINE REBUILD	25-48	4E18	GRAIN TANK VERTICAL UNLOADING AUGER	150-10
1D24	GASKET KIT, SHORT BLOCK	25-48	1G20	GRAIN TANK WIRING HARNESS	40-48
1D1	GASKET, CYLINDER HEAD	25-20	3H14	GRATE, FINGER BAR	110-46
1D23	GASKET, EXHAUST MANIFOLD	25-46	3G11	GRATE, FINGER, SPIKE-TOOTH	110-16
1D20	GASKET, INTAKE MANIFOLD	25-42	3G9	GRATE, SPIKE TOOTH CONCAVE	110-14
1D11	GASKET, OIL FILTER HOUSING	25-32	3C15	GRILLE, RADIO SPEAKER	90-40
1D13	GASKET, OIL PAN	25-34	3B11	GRILLE, SPEAKER	90-10
1D6	GASKET, OIL PUMP	25-26	2J4	GRIP, LADDER, REAR LANDING	80-28
1D8	GASKET, OIL PUMP INTAKE	25-28	2J6	GRIP, LADDER, REAR LANDING	80-30
1C21	GASKET, REAR OIL SEAL	25-15	3B21	GRIP, OPERATOR'S SEAT RECLINER ARM	90-20
1D4	GASKET, ROCKER ARM COVER	25-23	3F1	GUIDE, CHAIN SUPPORT, FEEDER CONVEYOR	100-34
1D18	GASKET, THERMOSTAT	25-40	2I15	GULLWING DOOR, L.H.	80-14
1C23	GASKET, TIMING GEAR COVER	25-17	2I17	GULLWING DOOR, LEFT REAR	80-16
1D21	GASKET, TURBOCHARGER	25-44	2I23	GULLWING DOOR, R.H.	80-22
1D18	GASKET, WATER MANIFOLD	25-40	H		
1D16	GASKET, WATER PUMP	25-38	3C22	HAND RAIL, R.H.	90-48
2G13	GAUGE, ACCUMULATOR PRESSURE	70-36	3B7	HANDLE, CAB	90-6
3D20	GEAR BOX, REVERSER (HI CAPACITY)	100-4	3B15	HANDLE, CAB DOOR	90-14
3D23	GEAR BOX, REVERSER (STANDARD)	100-8	4C5	HANDLE, CHAFF SPREADER	130-30
1C24	GEAR, CAMSHAFT	25-18	3I16	HANDLE, CHAFFER ELEMENT	120-12
2B22	GEAR, DIFFERENTIAL	50-20	3J16	HANDLE, CLEAN GRAIN ELEVATOR GEARCASE ..	125-12
2C1	GEAR, FINAL DRIVE	50-24	3G1	HANDLE, CYLINDER DOOR (CORN)	110-6
1E6	GEAR, INJECTION PUMP	30-4	3F23	HANDLE, CYLINDER DOOR, SPEARATOR (GRAIN AND RICE)	110-4
2F9	GEAR, MAIN HYDRAULIC PUMP	70-6	3E19	HANDLE, FEEDER HOUSE LATCH	100-28
1C17	GEAR, OIL PUMP DRIVE	25-11	2I15	HANDLE, GULLWING DOOR, L.H.	80-14
1D6	GEAR, OIL PUMP DRIVE	25-26	3B24	HANDLE, OPERATORS CONTROL PANEL	90-24
1C22	GEAR, RING, FLYWHEEL	25-16	3J3	HANDLE, SHOE GRAIN SUPPLY AUGER	120-24
3J1	GEAR, SHOE GRAIN AUGER	120-22	3I22	HANDLE, SIEVE ELEMENT	120-18
4B18	GEAR, STRAW SPREADER	130-18	2J18	HANDRAIL, ENGINE COMPARTMENT	80-42

ALPHABETICAL INDEX - CONTINUED

GRID		PAGE	GRID		PAGE
3C20	HANDRAIL, L.H.....	90 - 46	2G23	HOSES AND LINES, HYDRAULIC, REEL PUMP	70 - 46
3C17	HANDRAIL, PLATFORM EXTENSIONS	90 - 42	2D5	HOSES AND LINES, HYDROSTATIC OIL COOLER.....	50 - 56
2J1	HANDRAIL, RADIATOR DOOR.....	80 - 24	2H1	HOSES AND LINES, REEL DRIVE, HYDRAULIC, L.H.....	70 - 48
3C24	HARDWARE KIT, CAB	90 - 50	2H9	HOSES AND LINES, REEL LIFT	70 - 56
1G6	HARNESS, ARMREST WIRING	40 - 34	2E9	HOSES AND LINES, STEERING, FRONT	60 - 18
4G9	HARNESS, DATASTORE	155 - 12	2E15	HOSES AND LINES, STEERING, REAR	60 - 24
1G4	HARNESS, MAIN CAB WIRING	40 - 32	2F13	HOSES AND LINES, WET CLUTCH OIL COOLER, HYDRAULIC.....	70 - 10
1F17	HARNESS, MAIN WIRING, L.H.	40 - 17	1B12	HOSES RADIATOR	20 - 10
1F20	HARNESS, MAIN WIRING, L.H.	40 - 20	3D12	HOSES, AIR CONDITIONER COMPRESSOR.....	95 - 12
4G5	HARNESS, MOISTURE SENSOR MOTOR, YIELD MAPPING	155 - 8	2D11	HOSES, CONTROL VALVE TO CAM LOBE MOTOR (FOUR WHEEL DRIVE)	50 - 62
1F25	HARNESS, R.H. MAIN W/GREENSTAR.....	40 - 27	4F16	HOSES, GRAIN TANK UNLOADING DRIVE CYLINDER	150 - 34
1F22	HARNESS, R.H. MAIN WIRING HARNESS W/O GREENSTAR	40 - 23	2H11	HOSES, HYDRAULIC, CONTOUR MASTER (L.H.).....	70 - 58
1G19	HARNESS, UNLOADING AUGER.....	40 - 47	2G15	HOSES, HYDRAULIC, CYLINDER SPEED	70 - 38
1G16	HARVESTRAK WIRING HARNESS	40 - 44	3F5	HOSES, HYDRAULIC, VARIABLE DRIVE, FEEDER HOUSE.....	100 - 38
1D1	HEAD BOLT KIT	25 - 20	1C1	HOSES, INTERCOOLER.....	20 - 24
1D1	HEAD, CYLINDER	25 - 20	2H22	HOSES, LINES AND MOTOR, CHAFF SPREADER (DUAL MOTOR).....	70 - 70
4C25	HEADER ELECTROMAGNETIC CLUTCH	140 - 17	4E24	HOSES, LUBRICATION, HORIZONTAL UNLOADING AUGER.....	150 - 16
2F23	HEADER HEIGHT CONTROL VALVE ACTIVE HEADER HEIGHT CONTROL	70 - 21	2D9	HOSES, OIL, HYDROSTATIC DRIVE, LOWER (FOUR WHEEL DRIVE)	50 - 60
2F24	HEADER HEIGHT CONTROL, HYDRAULIC LINE AND VALVE BLOCK	70 - 22	2D1	HOSES, OIL, HYDROSTATIC DRIVE, LOWER (TWO WHEEL DRIVE)	50 - 52
2G6	HEADER LIFT CYLINDER, HYDRAULIC	70 - 29	2D3	HOSES, OIL, HYDROSTATIC DRIVE, UPPER (FOUR WHEEL DRIVE)	50 - 54
2G7	HEADER LIFT LINES AND HOSES	70 - 30	2F5	HOSES, PRESSURE, HYDRAULIC	70 - 2
2G1	HEADER LIFT MODULE, SOLENOID VALVE	70 - 24	2H3	HOSES, REEL DRIVE, HYDRAULIC, FRONT	70 - 50
1G19	HEADLIGHT, UNLOADING AUGER	40 - 47	2F7	HOSES, RETURN, HYDRAULIC RESERVOIR	70 - 4
3B11	HEADLINER, CAB	90 - 10	2E7	HOSES, STEERING, UPPER	60 - 16
1D23	HEAT SHIELD, EXHAUST MANIFOLD.....	25 - 46	2H15	HOSES, TILT CYLINDER, CONTOUR MASTER	70 - 63
3D7	HEATER AND AIR CONDITIONING DUCTS	95 - 7	4E20	HOSES, UNLOADING AUGER SWING	150 - 12
3D4	HEATER AND AIR CONDITIONING HOUSING.....	95 - 4	3J1	HOUSING AND SHOE GRAIN SUPPLY AUGERS	120 - 22
3D2	HEATER AND AIR CONDITIONING HOUSING, UPPER	95 - 2	1E8	HOUSING CONNECTORS, FUEL INJECTION PUMP ..	30 - 6
1B22	HEATER, COOLANT, ENGINE BLOCK	20 - 20	2B17	HOUSING COVER, TRANSMISSION	50 - 14
3D20	HI CAPACITY REVERSE GEAR BOX	100 - 4	3D4	HOUSING, AIR CONDITIONER/HEATER, LOWER	95 - 4
2B10	HIGH FLOATATION DRIVE WHEELS	50 - 7	3D2	HOUSING, AIR CONDITIONER/HEATER, UPPER	95 - 2
3J8	HINGE, CLEAN GRAIN LOWER AUGER DOOR	125 - 4	3D6	HOUSING, CAB AIR FILTER	95 - 6
3F23	HINGE, CYLINDER DOOR, SEPARATOR (GRAIN AND RICE).....	110 - 4	4E18	HOUSING, CHARGE, VERTICAL UNLOADING AUGER.....	150 - 10
3E13	HINGE, DOOR, FEEDER HOUSE FRAME	100 - 22	2C1	HOUSING, FINAL DRIVE	50 - 24
4E10	HINGE, DOOR, GRAIN TANK TOP	150 - 2	4F5	HOUSING, HORIZONTAL UNLOADING AUGER.....	150 - 22
2I13	HINGE, DOOR, L.H.	80 - 12	4F7	HOUSING, HORIZONTAL UNLOADING AUGER (EXPORT)	150 - 24
3F21	HINGE, DOOR, SEPARATOR.....	110 - 2	2C7	HOUSING, HYDROSTATIC PUMP	50 - 30
1E20	HINGE, ENGINE COMPARTMENT.....	30 - 18	1D11	HOUSING, OIL FILTER	25 - 32
2J18	HINGE, ENGINE COMPARTMENT DOOR.....	80 - 42	1C21	HOUSING, REAR OIL SEAL.....	25 - 15
2I23	HINGE, GULLWING DOOR, R.H.	80 - 22	3D22	HOUSING, REVERSE GEAR BOX (HI CAPACITY)	100 - 6
2I15	HINGE, L.H. GULLWING DOOR.....	80 - 14	2B5	HOUSING, SPINDLE, REAR AXLE	50 - 2
2I17	HINGE, LEFT REAR GULLWING	80 - 16	3J24	HOUSING, TAILINGS ELEVATOR	125 - 20
3B17	HINGE, PASSENGER SEAT CONSOLE	90 - 16	1D18	HOUSING, THERMOSTAT, FRONT	25 - 40
1B10	HINGE, RADIATOR ACCESS DOOR	20 - 8	2B16	HOUSING, TRANSMISSION AND DIFFERENTIAL	50 - 13
2J1	HINGE, RADIATOR DOOR	80 - 24	3K7	HOUSING, UPPER TAILINGS AUGER	125 - 28
2J8	HINGE, REAR HOOD	80 - 32	4F3	HUB SUPPORT, HORIZONTAL UNLOADING AUGER ..	150 - 20
2J8	HOOD, REAR.....	80 - 32	4H3	HUB, BOGEY WHEEL.....	160 - 16
2J12	HOOD, REAR, ACCESS DOOR	80 - 36	1B18	HUB, ENGINE GEARCASE COUPLING.....	20 - 16
4F9	HORIZONTAL UNLOADING AUGER	150 - 26	1B14	HUB, FAN.....	20 - 12
4F4	HORIZONTAL UNLOADING AUGER DRIVE GEARCASE	150 - 21	1B17	HUB, FAN DRIVE	20 - 15
4F5	HORIZONTAL UNLOADING AUGER HOUSING	150 - 22	4G24	HUB, IDLER WHEEL	160 - 12
4F7	HORIZONTAL UNLOADING AUGER HOUSING (EXPORT)	150 - 24	1B3	HUB, ROTARY SCREEN DRIVE	20 - 1
4E24	HORIZONTAL UNLOADING AUGER SWIVEL.....	150 - 16	2H13	HYDRAULIC FILTER, MAIN	70 - 60
3B6	HORN ASSEMBLY.....	90 - 5	2H11	HYDRAULIC HOSES, CONTOUR MASTER (L.H.)	70 - 58
3C5	HORN BUTTON.....	90 - 30	2G15	HYDRAULIC HOSES, CYLINDER SPEED.....	70 - 38
2G7	HOSES AND LINES, HEADER LIFT	70 - 30			
2D7	HOSES AND LINES, HYDRAULIC, L.H. (FOUR WHEEL DRIVE)	50 - 58			

ALPHABETICAL INDEX - CONTINUED

GRID		PAGE	GRID		PAGE
2G7	HYDRAULIC LINES AND HOSES, HEADER LIFT	70-30		J	
2D7	HYDRAULIC LINES AND HOSES, L.H. (FOUR WHEEL DRIVE)	50-58	1C10	JET, PISTON COOLING	25-4
2H7	HYDRAULIC LINES AND HOSES, REEL FORE-AND-AFT, FRONT	70-54		K	
2G23	HYDRAULIC LINES AND HOSES, REEL PUMP.....	70-46	1C17	KEY, DAMPER.....	25-11
2F13	HYDRAULIC LINES AND HOSES, WET CLUTCH OIL COOLER.....	70-10	3C24	KIT, CAB HARDWARE	90-50
2D13	HYDRAULIC LINES, CASE DRAIN (FOUR WHEEL DRIVE)	50-64	2H14	KIT, CONTOUR MASTER CYLINDER REPAIR.....	70-61
2H5	HYDRAULIC LINES, REEL FORE-AND-AFT, L.H. SIDE.....	70-52	2G5	KIT, CONTROL VALVE, AUGER SWING.....	70-28
2C19	HYDRAULIC MOTOR PISTON CARRIER	50-44	2G5	KIT, CONTROL VALVE, REEL FORE/AFT	70-28
2F5	HYDRAULIC PRESSURE LINES AND HOSES	70-2	1F13	KIT, CONVENIENCE OUTLET	40-12
2G17	HYDRAULIC PUMP FEEDER HOUSE / REEL DRIVE ..	70-40	1D24	KIT, CYLINDER HEAD	25-48
2F9	HYDRAULIC PUMP, MAIN	70-6	1F6	KIT, ELECTRICAL CONNECTOR SERVICE	40-4
2F7	HYDRAULIC RETURN LINES RESERVOIR	70-4	1F8	KIT, ELECTRICAL CONNECTOR SERVICE	40-6
2F4	HYDRAULIC/HYDROSTATIC OIL RESERVOIR.....	70-1	1C14	KIT, ENGINE OVERHAUL.....	25-8
4H12	HYDRAULICS, TENSION CYLINDER.....	160-26	1D24	KIT, ENGINE REBUILD.....	25-48
2C9	HYDROSTATIC DRIVE CHARGE PUMP.....	50-32	1D1	KIT, HEAD BOLT	25-20
2C3	HYDROSTATIC DRIVE CONTROL CABLES	50-26	2G1	KIT, HEADER LIFT CONTROL VALVE REPAIR	70-24
2C10	HYDROSTATIC DRIVE DISPLACEMENT CONTROL VALVE.....	50-34	2G6	KIT, HEADER LIFT HYDRAULIC CYLINDER	70-29
2C12	HYDROSTATIC DRIVE MOTOR.....	50-36	2C12	KIT, HYDROSTATIC DRIVE MOTOR	50-36
2D3	HYDROSTATIC DRIVE OIL HOSES, UPPER (FOUR WHEEL DRIVE)	50-54	2F9	KIT, MAIN HYDRAULIC PUMP REPAIR	70-6
2D9	HYDROSTATIC DRIVE OIL LINES AND HOSES, LOWER (FOUR WHEEL DRIVE)	50-60	2D24	KIT, MASTER BRAKE CYLINDER	60-8
2D1	HYDROSTATIC DRIVE OIL LINES AND HOSES, LOWER (TWO WHEEL DRIVE)	50-52	3B21	KIT, OPERATOR'S SEAT RECLINER	90-20
2C5	HYDROSTATIC DRIVE PUMP SHAFT AND COVER	50-28	1G22	KIT, OPTIONAL POWER.....	40-50
2D5	HYDROSTATIC OIL COOLER LINES AND HOSES	50-56	4B12	KIT, PADDLE BLADE, FINE CUT CHOPPER	130-12
2F4	HYDROSTATIC/HYDRAULIC RESERVOIR	70-1	1C16	KIT, PISTON/LINER.....	25-10
2C7	HYDROSTATIC DRIVE PUMP	50-30	3G3	KIT, RASP BAR	110-8
	I		2G21	KIT, REEL DRIVE FLOW CONTROL REPAIR.....	70-44
1B4	IDLER ARMS, ROTARY SCREEN DRIVE	20-2	2G3	KIT, REEL LIFT/VARIABLE AND CYLINDER SPEED	70-26
4G18	IDLER ASSEMBLY, ADJUSTABLE AND FRONT ARM..	160-6	1H12	KIT, REEL SPEED BRACKET.....	40-66
4G22	IDLER AXLE.....	160-10	2G17	KIT, SEAL, FEEDER HOUSE PUMP	70-40
1B19	IDLER PULLEY, AIR CONDITIONER COMPRESSOR ..	20-17	2C5	KIT, SEAL, HYDRAULIC PUMP	50-28
4G24	IDLER WHEEL ASSEMBLY	160-12	1H8	KIT, STARTER MOTOR	40-62
3G20	IDLER, BEATER DRIVE BELT	110-26	2E17	KIT, STEERING CYLINDER REPAIR	60-26
4E6	IDLER, DRIVE, CLEAN GRAIN ELEVATOR	140-50	2E5	KIT, STEERING PUMP SEALS.....	60-14
3E22	IDLER, FEEDER CONVEYOR	100-31	1F10	KIT, TERMINAL AND WIRING	40-8
3G16	IDLER, STRIPPER BEATER DRIVE.....	110-22	2H15	KIT, TILT CYLINDER REPAIR, CONTOUR MASTER.....	70-63
3C5	IGNITION SWITCH	90-30	1C18	KIT, UNDERSIZE CRANKSHAFT	25-12
1H15	INDICATOR, SPIKE TOOTH	40-70	1C19	KIT, UNDERSIZED MAIN BEARING CRANKSHAFT	25-13
1E6	INJECTION PUMP GEAR	30-4	4E22	KIT, UNLOADING AUGER SWING CYLINDER REPAIR	150-14
1E6	INJECTION PUMP LUBE LINE.....	30-4	1D16	KIT, WATER PUMP SEAL.....	25-38
1E6	INJECTION PUMP, ELECTRONIC FUEL.....	30-4	3B13	KIT, WINDSHIELD	90-12
2C17	INNER COVER - CAM LOBE MOTOR.....	50-42	4B14	KNIFEBANK AND HOUSING, CHOPPER	130-14
2B18	INPUT SHAFT, TRANSMISSION	50-16	3C1	KNOB, ARMREST CONTROL PANEL	90-26
3G9	INSERTS, CONCAVE	110-14	3D6	KNOB, CAB AIR FILTER DOOR.....	95-6
3G7	INSERTS, SPIKE-TOOTH CONCAVE	110-12	2H16	KNOB, CHAFF SPREADER ADJUSTER	70-64
1D1	INSERTS, VALVE SEAT	25-20	2I13	KNOB, DOOR, L.H.	80-12
1I5	INSPECTION LIGHT, CLEANING SHOE	40-85	3C9	KNOB, GEARSHIFT.....	90-34
1D20	INTAKE MANIFOLD AND GASKET	25-42	3B21	KNOB, LUMBAR, OPERATOR'S SEAT	90-20
1E22	INTAKE TUBES AND AIR CLEANER.....	30-20	3C13	KNOB, OVERHEAD CONSOLE	90-38
1D1	INTAKE VALVES	25-20	3C5	KNOB, STEERING WHEEL.....	90-30
1D8	INTAKE, ENGINE OIL PUMP	25-28		L	
1C1	INTERCOOLER, ENGINE	20-24	1F18	L.H. MAIN WIRING HARNESS	40-18
4D9	INTERMEDIATE SHAFT MOUNTING, CYLINDER DRIVE, DUAL-RANGE.....	140-28	1F20	L.H. MAIN WIRING HARNESS	40-20
4D11	INTERMEDIATE SHEAVE, CYLINDER DRIVE, DUAL-RANGE	140-30	2E11	L.H. SIDE LINES, STEERING.....	60-20
			4I9	LABEL, FRONT AND REAR TIRE	170-20
			4I11	LABELS, FRENCH CANADIAN.....	170-22
			4I12	LABELS, PORTUGUESE	170-23

ALPHABETICAL INDEX - CONTINUED

GRID		PAGE	GRID		PAGE
4113	LABELS, ROMANIAN.....	170-24	2H1	LINES AND HOSES, REEL DRIVE, HYDRAULIC, L.H.....	70-48
4114	LABELS, RUSSIAN	170-25	2H9	LINES AND HOSES, REEL LIFT	70-56
417	LABELS, SAFETY (RUBBER TRACK)	170-18	2E9	LINES AND HOSES, STEERING, FRONT.....	60-18
4115	LABELS, SPANISH	170-26	2E15	LINES AND HOSES, STEERING, REAR	60-24
4116	LABELS, UKRAINIAN	170-27	2F13	LINES AND HOSES, WET CLUTCH OIL COOLER, HYDRAULIC.....	70-10
3C19	LADDER EXTENSION ASSEMBLY	90-45	2E11	LINES STEERING, L.H. SIDE	60-20
3C17	LADDER, CAB PLATFORM.....	90-42	2D22	LINES, BRAKE, RESERVOIR, MASTER CYLINDER ...	60-6
2J18	LADDER, ENGINE COMPARTMENT	80-42	2D11	LINES, CONTROL VALVE TO CAM LOBE MOTOR (FOUR WHEEL DRIVE)	50-62
4E10	LADDER, GRAIN TANK.....	150-2	1E12	LINES, FUEL FILTER	30-10
2J4	LADDER, REAR LANDING	80-28	1E4	LINES, FUEL INJECTION	30-2
1H24	LAMP ASSEMBLY, L.H. FRONT.....	40-79	1E4	LINES, FUEL LEAK-OFF.....	30-2
1H25	LAMP ASSEMBLY, R.H. FRONT TURN SIGNAL	40-80	1E6	LINES, FUEL LEAK-OFF.....	30-4
111	LAMP ASSEMBLY, REAR (AMBER)	40-81	1E6	LINES, INJECTION PUMP LUBE	30-4
1H24	LAMP, TURN SIGNAL, L.H. FRONT (AMBER)	40-79	2D9	LINES, OIL, HYDROSTATIC DRIVE, LOWER (FOUR WHEEL DRIVE)	50-60
3C20	LANDING, L.H.....	90-46	2D1	LINES, OIL, HYDROSTATIC DRIVE, LOWER (TWO WHEEL DRIVE)	50-52
3C22	LANDING, R.H.....	90-48	2F5	LINES, PRESSURE, HYDRAULIC	70-2
2J4	LANDING, REAR	80-28	2H3	LINES, REEL DRIVE, HYDRAULIC, FRONT	70-50
1G22	LATCH AND COVER, ELECTRONICS MODULE	40-50	2F7	LINES, RETURN, HYDRAULIC RESERVOIR	70-4
2J6	LATCH ARM, REAR LADDER LANDING.....	80-30	2E13	LINES, STEERING R.H. SIDE	60-22
3B15	LATCH, CAB DOOR	90-14	1D21	LINES, TURBOCHARGER OIL	25-44
2113	LATCH, DOOR L.H.....	80-12	4E20	LINES, UNLOADING AUGER SWING	150-12
3E7	LATCH, DRIVE SHIELD	100-16	2H20	LINES, VALVE AND PUMP, CHAFF SPREADER	70-68
3E11	LATCH, DRIVE SHIELD	100-20	1H15	LINKAGE, CONCAVE INDICATOR.....	40-70
3E9	LATCH, DRIVE SHIELD, L.H. WITH AIRFLOW.....	100-18	1H15	LINKAGE, CORN AND SMALL GRAIN CONCAVE	40-70
4E16	LATCH, GRAIN TANK CLEAN OUT CHUTE	150-8	4E1	LINKAGE, FAN DRIVE SPEED CONTROL	140-44
4E10	LATCH, GRAIN TANK TOP.....	150-2	3F10	LINKAGE, FEEDER HOUSE POSITION SENSOR	100-44
3E19	LATCH, HANDLE, FEEDER HOUSE	100-28	3C9	LINKAGE, GEARSHIFT	90-34
3C19	LATCH, LADDER EXTENSION.....	90-45	4D23	LINKAGE, SPEED CONTROL, FAN DRIVE.....	140-42
2J4	LATCH, LADDER, REAR LANDING	80-28	3J14	LOADING AUGER, CLEAN GRAIN	125-10
1B10	LATCH, RADIATOR DOOR.....	20-8	3I16	LOUVER, CHAFFER ELEMENT	120-12
3H6	LATCH, REAR SHIELDS.....	110-38	3D7	LOUVER, HEATER AND AIR CONDITIONER DUCTS ..	95-7
3J24	LATCH, TAILINGS ELEVATOR.....	125-20	3I10	LOUVER, PRECLEANING CHAFFER.....	120-6
3I18	LEAF SPRING, CHAFFER	120-14	3I22	LOUVER, SIEVE ELEMENT	120-18
3I22	LEAF SPRING, SIEVE ELEMENT	120-18	1H21	LOW SHAFT SPEED SENSORS AND BRACKETS	40-76
2I7	LEFT SIDE SHIELD ASSEMBLY	80-6	3J8	LOWER AUGER, CLEAN GRAIN	125-4
3C9	LEVER, GEARSHIFT	90-34	3J10	LOWER ELEVATOR, CLEAN GRAIN.....	125-6
3J24	LEVER, TAILINGS ELEVATOR.....	125-20	2D9	LOWER HYDROSTATIC DRIVE OIL LINES AND HOSES (FOUR WHEEL DRIVE)	50-60
2G6	LIFT CYLINDER, HEADER, HYDRAULIC	70-29	2D1	LOWER HYDROSTATIC DRIVE OIL LINES AND HOSES (TWO WHEEL DRIVE)	50-52
1D5	LIFT STRAPS, ENGINE.....	25-24	3K3	LOWER TAILINGS AUGER.....	125-24
1H25	LIGHT ASSEMBLY - R.H. FRONT (AMBER) TURN SIGNAL.....	40-80	3K5	LOWER TAILINGS AUGER DRIVE TIGHTENER	125-26
3J24	LIGHT SWITCH, TAILINGS ELEVATOR	125-20	3K3	LOWER TAILINGS AUGER SHAFT	125-24
1H23	LIGHT, CAB ROOF	40-78	3K3	LOWER TAILINGS AUGER SHAFT TIGHTENER	125-24
115	LIGHT, CLEANING SHOE INSPECTION	40-85	3J22	LOWER TAILINGS AUGER TROUGH	125-18
3D23	LIGHT, INDICATOR, REVERSER GEAR BOX (STANDARD).....	100-8	3H12	LUBE LINES AND BEARING, MODULE FRONT.....	110-44
1H24	LIGHT, L.H. FRONT (AMBER)	40-79	1C9	LUBRICANT, ELECTRICAL CONNECTOR, ENGINE ...	25-2
112	LIGHT, REAR TURN AND TAIL	40-82	1C9	LUBRICANT, VALVE STEM	25-2
2J22	LIGHT, REAR, ENGINE ACCESS PLATFORM	80-46	M		
2J18	LIGHT, SERVICE, ENGINE COMPARTMENT	80-42	1H21	MAGNET, LOW SPEED SENSOR	40-76
2115	LIGHT, SERVICE, L.H. GULLWING	80-14	1H20	MAGNETIC PICK-UP (ENGINE)	40-75
2I23	LIGHT, SERVICE, R.H. GULLWING	80-22	1C10	MAIN BEARING CAPS	25-4
2J1	LIGHT, SERVICE, RADIATOR DOOR	80-24	1C20	MAIN BEARINGS.....	25-14
113	LIGHT, SIDE FINDER	40-83	4G16	MAIN FRAME PIVOT BUSHINGS.....	160-4
3B4	LIGHT, STUBBLE, CAB.....	90-2	4C16	MAIN GEARCASE	140-6
114	LIGHT, TRANSPORT WARNING	40-84	2F9	MAIN HYDRAULIC PUMP.....	70-6
1G19	LIGHT, UNLOADING AUGER	40-47	2F23	MAIN VALVE BLOCK SOLENOID ACTIVE HEADER HEIGHT CONTROL	70-21
3B24	LIGHTER, CIGARETTE	90-24	1F17	MAIN WIRING HARNESS, L.H.	40-17
3F12	LIMIT CURTAIN, FEEDER HOUSE DUST FAN	100-46			
1C16	LINER O-RINGS.....	25-10			
1C16	LINER SHIM.....	25-10			
2H18	LINES AND FITTINGS, CHAFF SPREADER	70-66			
2G7	LINES AND HOSES, HEADER LIFT	70-30			
2D7	LINES AND HOSES, HYDRAULIC, L.H. (FOUR WHEEL DRIVE)	50-58			
2G23	LINES AND HOSES, HYDRAULIC, REEL PUMP	70-46			
2D5	LINES AND HOSES, HYDROSTATIC OIL COOLER.....	50-56			

ALPHABETICAL INDEX - CONTINUED

GRID		PAGE	GRID		PAGE
1F25	MAIN WIRING HARNESS, R.H. W/GREENSTAR.....	40 - 27	2J20	MOUNTING BRACKETS, FUEL TANK.....	80 - 44
1F22	MAIN WIRING HARNESS, R.H. W/O GREENSTAR.....	40 - 23	4C9	MOUNTING SUPPORT, CHAFF SPREADER.....	130 - 34
3D11	MANIFOLD, A/C COMPRESSOR, R134A.....	95 - 11	2J10	MOUNTING TRACKS AND SUPPORTS, MODULE.....	80 - 34
2C17	MANIFOLD, CAM LOBE MOTOR.....	50 - 42	4H6	MOUNTING, FINAL DRIVE.....	160 - 20
1D23	MANIFOLD, EXHAUST.....	25 - 46	4F16	MOUNTING, GRAIN TANK UNLOADING DRIVE CYLINDER.....	150 - 34
2D7	MANIFOLD, HYDRAULIC (FOUR WHEEL DRIVE).....	50 - 58	2F4	MOUNTING, HYDRAULIC/HYDRO OIL RESERVOIR....	70 - 1
1D20	MANIFOLD, INTAKE.....	25 - 42	2G11	MOUNTING, ONE GALLON ACCUMULATOR.....	70 - 34
1D18	MANIFOLD, WATER, FRONT.....	25 - 40	4G14	MOUNTING, TRACK FRAME.....	160 - 2
4G3	MASS FLOW SENSOR BRACKET, YIELD MAPPING ..	155 - 6	4E22	MOUNTING, UNLOADING AUGER SWING CYLINDER	150 - 14
4G3	MASS FLOW SENSOR DOOR, YIELD MAPPING.....	155 - 6	2F20	MOUNTINGS, SOLENOID CONTROL VALVE MODULE, 4-STACKTACK).....	70 - 18
4G3	MASS FLOW SENSOR, YIELD MAPPING.....	155 - 6	2F18	MOUNTINGS, SOLENOID CONTROL VALVE, 5-STACK.....	70 - 16
2D24	MASTER BRAKE CYLINDER.....	60 - 8	1C3	MOUNTS, ENGINE.....	20 - 26
2D20	MASTER CYLINDER, AND BRAKE PEDALS.....	60 - 4	2D15	MUD SHIELDS, POWERED REAR WHEELS.....	50 - 66
2D22	MASTER CYLINDER, RESERVOIR, BRAKE LINES.....	60 - 6	1E24	MUFFLER AND EXHAUST PIPE.....	30 - 22
3B9	MAT, CAB FLOOR.....	90 - 8		N	
3E13	MAT, FEEDER HOUSE FRAME.....	100 - 22	1E4	NOZZLE, FUEL INJECTION.....	30 - 2
3K9	MAT, GRAIN TANK EXTENSION.....	125 - 30	1E10	NOZZLE, FUEL INJECTION.....	30 - 8
2J8	MAT, REAR HOOD.....	80 - 32		O	
3K1	MATERIAL SENSOR, TAILINGS ELEVATOR.....	125 - 22	1C16	O-RING, LINER.....	25 - 10
3C20	MIRROR, L.H.....	90 - 46	1D16	O-RING, WATER PUMP.....	25 - 38
3C22	MIRROR, R.H.....	90 - 48	1C9	OFF-SEASON STORAGE KIT.....	25 - 2
4G1	MOBILE PROCESSOR, YIELD MAPPING.....	155 - 4	1D10	OIL COOLER ADAPTER.....	25 - 30
3H5	MODULE ASSEMBLY.....	110 - 36	2F11	OIL COOLER AND AIR CONDITIONING CONDENSOR.....	70 - 8
3H8	MODULE CRANK OUT SYSTEM.....	110 - 40	1D9	OIL COOLER BYPASS ADAPTER AND TUBES.....	25 - 29
3H24	MODULE DRIVES, ENGINE GEARCASE.....	110 - 56	1D10	OIL COOLER COVER AND TUBES.....	25 - 30
3I1	MODULE DRIVES, ENGINE GEARCASE.....	110 - 58	2D5	OIL COOLER LINES AND HOSES, HYDROSTATIC.....	50 - 56
3H10	MODULE FRAME AND COVERS.....	110 - 42	1D10	OIL COOLER, ENGINE.....	25 - 30
3H12	MODULE FRONT BEARING AND LUBE LINES.....	110 - 44	3F3	OIL COOLER, FEEDER HOUSE GEARCASE.....	100 - 36
3H18	MODULE GEARBOX, SHAFT AND COUPLING.....	110 - 50	1B24	OIL DRAIN, ENGINE CRANKCASE.....	20 - 22
3H14	MODULE GRATE ASSEMBLY, FINGER BAR AND FILLER PLATE.....	110 - 46	4C12	OIL FILTER ASSEMBLY, ENGINE GEARCASE.....	140 - 2
2J10	MODULE MOUNTING TRACKS AND SUPPORTS.....	80 - 34	1D11	OIL FILTER HOUSING GASKET.....	25 - 32
3H3	MODULE RAILS, TINE SEPARATOR.....	110 - 34	1D11	OIL FILTER, ENGINE.....	25 - 32
3H6	MODULE REAR SHIELDS.....	110 - 38	2D9	OIL HOSES, HYDROSTATIC DRIVE, LOWER (FOUR WHEEL DRIVE).....	50 - 60
3H16	MODULE TINE SEPARATORS.....	110 - 48	2D1	OIL HOSES, HYDROSTATIC DRIVE, LOWER (TWO WHEEL DRIVE).....	50 - 52
1G3	MODULE WIRING HARNESS, REAR HOOD.....	40 - 30	2D3	OIL HOSES, UPPER, HYDROSTATIC DRIVE (FOUR WHEEL DRIVE).....	50 - 54
1G22	MODULE, CENTRAL ELECTRONICS AND CIRCUIT BOARDS.....	40 - 50	2C1	OIL LINE, FINAL DRIVE.....	50 - 24
3C11	MODULE, CORNERPOST, R.H.....	90 - 36	2D9	OIL LINES HYDROSTATIC DRIVE, LOWER (FOUR WHEEL DRIVE).....	50 - 60
4G9	MODULE, DATASTORE.....	155 - 12	2D1	OIL LINES HYDROSTATIC DRIVE, LOWER (TWO WHEEL DRIVE).....	50 - 52
4G11	MODULE, DATASTORE.....	155 - 14	2E3	OIL LINES, BRAKE.....	60 - 12
3K1	MODULE, TAILINGS ELEVATOR SENSOR.....	125 - 22	1D21	OIL LINES, TURBOCHARGER.....	25 - 44
2F16	MODULE, 6-STACK SOLENOID CONTROL VALVE.....	70 - 14	1D13	OIL PAN AND GASKET.....	25 - 34
1H17	MOISTURE SENSOR.....	40 - 72	1D13	OIL PAN DRAIN VALVE.....	25 - 34
4G5	MOISTURE SENSOR BRACKET, YIELD MAPPING.....	155 - 8	1D10	OIL PRESSURE REGULATING VALVE.....	25 - 30
4G7	MOISTURE SENSOR COVERS - YIELD MAPPING W/O MOISTURE SENSOR.....	155 - 10	1D11	OIL PRESSURE REGULATING VALVE.....	25 - 32
4G7	MOISTURE SENSOR COVERS, YIELD MAPPING.....	155 - 10	1B20	OIL PRESSURE SENSOR, ENGINE.....	20 - 18
4G5	MOISTURE SENSOR MOTOR HARNESS, YIELD MAPPING.....	155 - 8	1C17	OIL PUMP DRIVE GEAR.....	25 - 11
4G5	MOISTURE SENSOR MOTOR, YIELD MAPPING.....	155 - 8	1D8	OIL PUMP INTAKE.....	25 - 28
4G5	MOISTURE SENSOR, YIELD MAPPING.....	155 - 8	1D6	OIL PUMP, ENGINE.....	25 - 26
1G17	MONITOR, GRAIN LOSS.....	40 - 45	1C21	OIL SEAL, REAR, CRANKSHAFT.....	25 - 15
4C3	MOTOR AND DISC, CHAFF SPREADER.....	130 - 28	3D11	OIL, A/C COMPRESSOR.....	95 - 11
2C19	MOTOR PISTON CARRIER.....	50 - 44	1C8	OIL, ENGINE (TORQ-GARD, PLUS-50).....	25 - 1
1H14	MOTOR, ADJUSTING, CONCAVE.....	40 - 68	1C9	OIL, VALVE STEM LUBRICANT.....	25 - 2
1H19	MOTOR, ADJUSTING, SEPARATOR FAN DRIVE.....	40 - 74			
2C15	MOTOR, CAM LOBE.....	50 - 40			
2C12	MOTOR, HYDROSTATIC DRIVE.....	50 - 36			
2C14	MOTOR, HYDROSTATIC VALVE.....	50 - 38			
4G5	MOTOR, MOISTURE SENSOR, YIELD MAPPING.....	155 - 8			
3D2	MOTOR, PRESSURE BLOWER.....	95 - 2			
3D4	MOTOR, RECIRCULATION BLOWER.....	95 - 4			
1H12	MOTOR, REEL SPEED, AND BRACKET.....	40 - 66			
1G14	MOTOR, WINDSHIELD WIPER (LONG).....	40 - 42			

ALPHABETICAL INDEX - CONTINUED

GRID		PAGE	GRID		PAGE
2G11	ONE GALLON ACCUMULATOR AND MOUNTING	70 - 34	4G1	PROCESSOR, MOBILE, YIELD MAPPING	155 - 4
2G9	ONE HALF GALLON ACCUMULATOR	70 - 32	1B19	PULLEY, AIR CONDITIONER COMPRESSOR FAN	20 - 17
3B24	OPERATOR'S ARMREST PANEL	90 - 24	1E1	PULLEY, CRANKSHAFT	25 - 50
3C1	OPERATOR'S ARMREST PANEL	90 - 26	3E1	PULLEY, FEEDER HOUSE DRIVE TIGHTENER	100 - 10
3B21	OPERATOR'S SEAT AND BACKREST	90 - 20	3F12	PULLEY, FEEDER HOUSE DUST FAN, L.H.	100 - 46
3B23	OPERATOR'S SEATBELT.....	90 - 23	3K5	PULLEY, LOWER TAILINGS TIGHTENER.....	125 - 26
1F13	OUTLET, CONVENIENCE, KIT.....	40 - 12	4D15	PULLEY, SECONDARY COUNTERSHAFT DRIVE	140 - 34
1C14	OVERHAUL KIT, ENGINE.....	25 - 8	3E3	PULLEY, VARIABLE SPEED DRIVE TIGHTENER	100 - 12
3C13	OVERHEAD CONSOLE.....	90 - 38	4C20	PUMP DRIVE AND SEPARATOR, GEARCASE	140 - 10
			2G19	PUMP MOUNTING SHEAVE, REEL / BELT PICKUP ...	70 - 42
	P		2H20	PUMP, CHAFF SPREADER HYDRAULIC	70 - 68
			2G17	PUMP, FEEDER HOUSE / REEL DRIVE.....	70 - 40
3I20	PAD, CHAFFER FRAME	120 - 16	1E16	PUMP, FUEL	30 - 14
3J10	PADDLE, CLEAN GRAIN ELEVATOR	125 - 6	1E6	PUMP, FUEL INJECTION	30 - 4
4G5	PADDLE, MOISTURE SENSOR, YIELD MAPPING.....	155 - 8	1E9	PUMP, FUEL TRANSFER	30 - 7
3K2	PADDLE, TAILINGS ELEVATOR	125 - 23	2C5	PUMP, HYDROSTATIC DRIVE	50 - 28
3H16	PADDLE, TINE SEPARATOR	110 - 48	2C9	PUMP, HYDROSTATIC DRIVE CHARGE	50 - 32
3K7	PADDLE, UPPER TAILINGS AUGER.....	125 - 28	2F9	PUMP, MAIN HYDRAULIC	70 - 6
4B12	PADDLED BLADE, FINE CUT CHOPPER	130 - 12	1D6	PUMP, OIL, ENGINE	25 - 26
4C7	PAN, CHAFF SPREADER.....	130 - 32	2G23	PUMP, REEL, HYDRAULIC LINES AND HOSES	70 - 46
1D13	PAN, OIL	25 - 34	2E5	PUMP, STEERING.....	60 - 14
3G14	PAN, SHAKER	110 - 20	3C3	PUMP, STEERING COLUMN	90 - 28
3C1	PANEL, ARMREST	90 - 26	1D16	PUMP, WATER	25 - 38
3B7	PANEL, FLOOR	90 - 6	1D3	PUSH RODS	25 - 22
2I13	PANEL, LEFT FRONT AND DOOR	80 - 12			
3B24	PANEL, OPERATOR'S ARMREST CONTROL	90 - 24		R	
3C13	PANEL, OVERHEAD CONSOLE.....	90 - 38			
2I21	PANEL, RIGHT FRONT.....	80 - 20	1F23	R.H. MAIN WIRING HARNESS	
3B9	PANELS, CAB INTERIOR TRIM	90 - 8		W/O GREENSTAR	40 - 24
2D18	PARKING BRAKE PEDAL AND SEAL	60 - 2	1G1	R.H. MAIN WIRING HARNESS W/GREENSTAR.....	40 - 28
2D20	PEDAL, BRAKE AND MASTER CYLINDER.....	60 - 4	2E13	R.H. SIDE STEERING LINES	60 - 22
3C7	PEDAL, REVERSER FOOT CONTROL, FEEDER		1B12	RADIATOR	20 - 10
	HOUSE	90 - 32	2J1	RADIATOR DOOR AND HANDRAIL.....	80 - 24
3C3	PEDAL, STEERING COLUMN	90 - 28	1B8	RADIATOR SHELL AND SEALS.....	20 - 6
1H20	PICK-UP, MAGNETIC (ENGINE)	40 - 75	3C15	RADIO, SPEAKERS AND ANTENNA	90 - 40
1C10	PISTON COOLING JETS	25 - 4	3H3	RAILS, TINE SEPARATOR MODULE.....	110 - 34
1C16	PISTON RINGS	25 - 10	1B6	RAKE, ROTARY SCREEN	20 - 4
1C16	PISTON/LINER KIT	25 - 10	3G3	RASP BAR THRESHING CYLINDER	110 - 8
2C19	PISTON, CAM, AND CARRIER.....	50 - 44	3B7	REAR AND SIDE CAB SEALS	90 - 6
1C16	PISTON, ENGINE	25 - 10	4G22	REAR ARM, TENSION CYLINDER & IDLER AXLE	160 - 10
4D19	PIVOT ARM DRIVE TIGHTENER, CLEANING SHOE....	140 - 38	2B5	REAR AXLE SPINDLE HOUSING	50 - 2
4G16	PIVOT BUSHINGS, MAIN FRAME	160 - 4	2E20	REAR AXLE SPINDLES (HEAVY DUTY).....	60 - 30
2C20	PIVOT, CAPS AND YOKE (STEERABLE MOTOR).....	50 - 46	2E18	REAR AXLE SPINDLES (REGULAR DUTY)	60 - 28
4F11	PLATE, CROSS AUGER BEARING, L.H.....	150 - 28	2B4	REAR AXLE SUPPORT.....	50 - 1
1E18	PLATFORM, ENGINE	30 - 16	2B6	REAR AXLE, ADJUSTABLE	50 - 3
2J22	PLATFORM, ENGINE ACCESS	80 - 46	2B5	REAR AXLE, FIXED	50 - 2
3C20	PLATFORM, L.H.	90 - 46	2I19	REAR CORNER SHEET, L.H.....	80 - 18
4I12	PORTUGUESE DECALS AND LABELS	170 - 23	4B5	REAR DOOR, STRAW CHOPPER, UPPER	130 - 4
4F23	POSITION RECEIVER BRACKET, YIELD MAPPING ...	155 - 2	2J8	REAR HOOD	80 - 32
4F23	POSITION RECEIVER COVER, YIELD MAPPING	155 - 2	2J12	REAR HOOD ACCESS DOOR	80 - 36
4F23	POSITION RECEIVER, YIELD MAPPING	155 - 2	1G3	REAR HOOD AND MODULE WIRING HARNESS	40 - 30
3C13	POTENTIOMETER	90 - 38	2J14	REAR HOOD DOOR	80 - 38
3D4	PRE-SCREEN FILTER, HEATER AND AIR		2J6	REAR LADDER LANDING LATCH ARM	80 - 30
	CONDITIONER	95 - 4	1I1	REAR LAMP ASSEMBLY (AMBER)	40 - 81
3I12	PRECLEANER CHAFFER FRAME	120 - 8	3J18	REAR LEFT SIDE TAILINGS SHIELD	125 - 14
3I14	PRECLEANER CHAFFER FRAME ARMS	120 - 10	1C21	REAR OIL SEAL AND HOUSING.....	25 - 15
3I10	PRECLEANING CHAFFER	120 - 6	3H6	REAR SHIELDS, MODULE	110 - 38
2G13	PRESSURE GAUGE, ACCUMULATOR	70 - 36	2E15	REAR STEERING LINES AND HOSES	60 - 24
4C14	PRESSURE REGULATOR, ENGINE GEARCASE.....	140 - 4	1C3	REAR SUPPORT, ENGINE MOUNTS	20 - 26
4C12	PRESSURE SWITCH, ENGINE GEARCASE OIL		3J18	REAR TAILINGS SHIELD, LEFT SIDE.....	125 - 14
	FILTER ASSEMBLY	140 - 2	1I2	REAR TURN AND TAIL LIGHTS	40 - 82
2F5	PRESSURE, HYDRAULIC, LINES AND HOSES.....	70 - 2	3C22	REAR VIEW MIRROR, R.H.	90 - 48
4D1	PRIMARY COUNTERSHAFT AND VARIABLE SHEAVE	140 - 18	3C20	REAR VIEW, L.H.	90 - 46
4C23	PRIMARY COUNTERSHAFT GEARCASE	140 - 14	2B13	REAR WHEEL WHEEL WEIGHTS	50 - 10
4C22	PRIMARY COUNTERSHAFT SUPPORT	140 - 13	2B14	REAR WHEELS (4-WHEEL DRIVE).....	50 - 11
1E9	PRIMER, HAND, FUEL TRANSFER PUMP	30 - 7	3D9	RECEIVER-DRYER, AIR CONDITIONER.....	95 - 9

ALPHABETICAL INDEX - CONTINUED

GRID		PAGE	GRID		PAGE
4F23	RECEIVER, POSITION, YIELD MAPPING	155 - 2	3D11	SEAL, A/C COMPRESSOR	95 - 11
2G17	REEL / PICKUP DRIVE	70 - 40	3B7	SEAL, CAB SIDE AND REAR	90 - 6
2G21	REEL DRIVE FLOW CONTROL VALVE	70 - 44	2C15	SEAL, CAM LOBE MOTOR	50 - 40
2H3	REEL DRIVE HYDRAULIC LINES AND HOSES, FRONT	70 - 50	3E15	SEAL, FEEDER HOUSE - CONTOUR MASTER	100 - 24
2H1	REEL DRIVE HYDRAULIC LINES AND HOSES, L.H.	70 - 48	1C23	SEAL, FRONT OIL, TIMING GEAR	25 - 17
2H7	REEL FORE-AND-AFT HYDRAULIC LINES AND HOSES, FRONT	70 - 54	2D18	SEAL, PARKING BRAKE PEDAL	60 - 2
2H5	REEL FORE-AND-AFT HYDRAULIC LINES, L.H. SIDE	70 - 52	1B8	SEAL, RADIATOR SHELL	20 - 6
2G3	REEL LIFT AND CYLINDER SPEED, SOLENOID CONTROL VALVE	70 - 26	1C21	SEAL, REAR OIL	25 - 15
2H9	REEL LIFT LINES AND HOSES	70 - 56	1D16	SEAL, TUBE, WATER PUMP	25 - 38
2G23	REEL PUMP HYDRAULIC LINES AND HOSES	70 - 46	1D16	SEAL, WATER PUMP OIL	25 - 38
1H12	REEL SPEED MOTOR	40 - 66	3B21	SEAT AND BACKREST, OPERATOR'S	90 - 20
1G24	RELAY PANEL AND CIRCUIT BREAKERS	40 - 52	3B21	SEAT BELT, OPERATOR'S SEAT	90 - 20
2F22	RELIEF VALVE, SOLENOID CONTROL - CONTOUR MASTER	70 - 20	3B17	SEAT CONSOLE, PASSENGER	90 - 16
2F22	RELIEF VALVE, UNLOAD, SOLENOID	70 - 20	3B17	SEAT CUSHIONS, PASSENGER	90 - 16
2F7	RESERVOIR LINES AND HOSES	70 - 4	3B23	SEATBELT, OPERATOR'S SEAT	90 - 23
2D22	RESERVOIR, BRAKE LINES, MASTER CYLINDER	60 - 6	4D15	SECONDARY COUNTERSHAFT DRIVE	140 - 34
2F4	RESERVOIR, HYDRAULIC/HYDROSTATIC	70 - 1	4C12	SENDER, ENGINE GEARCASE OIL FILTER	140 - 2
1G12	RESERVOIR, WINDSHIELD WASHER	40 - 40	1H21	SENSOR AND BRACKETS, LOW SHAFT SPEED	40 - 76
3F8	RETURN FLOOR, FEEDER HOUSE	100 - 42	3D10	SENSOR, AIR CONDITIONER EVAPORATOR	95 - 10
2F7	RETURN LINES, HYDRAULIC RESERVOIR	70 - 4	1H15	SENSOR, CONCAVE INDICATOR	40 - 70
3C7	REVERSER FOOT CONTROL, FEEDER HOUSE	90 - 32	1H20	SENSOR, ENGINE SPEED	40 - 75
3D20	REVERSER GEAR BOX (HI CAPACITY)	100 - 4	3F10	SENSOR, FEEDER HOUSE POSITION	100 - 44
3D23	REVERSER GEAR BOX (STANDARD)	100 - 8	1G17	SENSOR, GRAIN LOSS MONITOR	40 - 45
2I11	RIGHT SIDE SHIELD ASSEMBLY	80 - 10	3K9	SENSOR, GRAIN TANK EXTENSION	125 - 30
1C22	RING GEAR, FLYWHEEL	25 - 16	3D2	SENSOR, HEATER AND AIR CONDITIONER	95 - 2
1C16	RING, PISTON	25 - 10	3D4	SENSOR, HEATER AND AIR CONDITIONER	95 - 4
1D16	RING, WATER PUMP RETAINING	25 - 38	4B16	SENSOR, MAGNETIC PICKUP	130 - 16
1D4	ROCKER ARM COVER AND GASKET	25 - 23	4G3	SENSOR, MASS FLOW, YIELD MAPPING	155 - 6
1D3	ROCKER ARM SHAFT	25 - 22	1H17	SENSOR, MOISTURE	40 - 72
1D3	ROCKER ARMS	25 - 22	4G5	SENSOR, MOISTURE, YIELD MAPPING	155 - 8
1C16	ROD, CONNECTING	25 - 10	3C1	SENSOR, OPERATOR'S ARMREST CONTROL PANEL	90 - 26
1D3	ROD, PUSH	25 - 22	3C13	SENSOR, OVERHEAD CONSOLE	90 - 38
3H3	ROLLERS, FRONT MODULE	110 - 34	1H10	SENSOR, SPEED, FEEDER HOUSE BACKSHAFT	40 - 64
4I13	ROMANIAN DECALS AND LABELS	170 - 24	4B16	SENSOR, STRAW CHOPPER DISPOSAL	130 - 16
1H23	ROOF, CAB LIGHTS	40 - 78	3K1	SENSOR, TAILINGS ELEVATOR	125 - 22
3B11	ROOF, INTERIOR CAB	90 - 10	1C4	SENSOR, TEMPERATURE	20 - 27
1B6	ROTARY SCREEN DOOR AND SCREEN	20 - 4	1E6	SENSOR, TEMPERATURE	30 - 4
1B3	ROTARY SCREEN DRIVE	20 - 1	4C14	SENSOR, TEMPERATURE, ENGINE GEARCASE	140 - 4
1B4	ROTARY SCREEN DRIVE AND IDLER ARMS	20 - 2	4C20	SEPARATOR AND PUMP DRIVE, GEARCASE	140 - 10
4B12	ROTOR, FINE CUT PADDLED BLADE CHOPPER	130 - 12	4D21	SEPARATOR FAN DRIVE	140 - 40
4B10	ROTOR, FINE CUT STRAIGHT BLADE CHOPPER	130 - 10	1H19	SEPARATOR FAN DRIVE ADJUSTING MOTOR	40 - 74
4B8	ROTOR, TRI-ROD CHOPPER	130 - 8	3F21	SEPARATOR FEEDER HOUSE SEAL	110 - 2
4I14	RUSSIAN DECALS AND LABELS	170 - 25	2I3	SEPARATOR FRAME	80 - 2
			3H16	SEPARATOR TINES, MODULE	110 - 48
			3H3	SEPARATOR, MODULE RAILS	110 - 34
			1F6	SERVICE KIT, ELECTRICAL CONNECTORS	40 - 4
			1F8	SERVICE KIT, ELECTRICAL CONNECTORS	40 - 6
			2J18	SERVICE LIGHT, ENGINE COMPARTMENT	80 - 42
			2I15	SERVICE LIGHT, L.H.	80 - 14
			2I23	SERVICE LIGHT, R.H. GULLWING	80 - 22
			2J1	SERVICE LIGHT, RADIATOR DOOR	80 - 24
			2C7	SERVO CYLINDER, HYDROSTATIC PUMP	50 - 30
			2B7	SHAFT, AXLE	50 - 4
			3G12	SHAFT, BEATER AND DRIVE BELT	110 - 18
			2C15	SHAFT, CAM LOBE MOTOR	50 - 40
			3J16	SHAFT, CLEAN GRAIN ELEVATOR GEARCASE	125 - 12
			3H18	SHAFT, COUPLING AND GEARBOX, MODULE	110 - 50
			3H8	SHAFT, CRANK OUT SYSTEM	110 - 40
			2B22	SHAFT, DIFFERENTIAL	50 - 20
			3F14	SHAFT, DRIVE, UPPER, SHEAVE AND MOUNTING (FIXED SPEED WITH REVERSER)	100 - 48
			3E21	SHAFT, FEEDER HOUSE CONVEYOR IDLER	100 - 30
			2B24	SHAFT, FINAL DRIVE	50 - 22
			2C1	SHAFT, FINAL DRIVE	50 - 24
			3F16	SHAFT, FRONT DRIVE (FIXED SPEED WITH REVERSER)	100 - 50
			2C12	SHAFT, HYDROSTATIC DRIVE MOTOR	50 - 36

S

ALPHABETICAL INDEX - CONTINUED

GRID		PAGE	GRID		PAGE
2C5	SHAFT, HYDROSTATIC PUMP	50 - 28	3J20	SHIELD, TAILINGS UPPER REAR	125 - 16
3K3	SHAFT, LOWER TAILINGS AUGER.....	125 - 24	4E3	SHIELD, UPPER TAILINGS AUGER DRIVE	140 - 46
3G3	SHAFT, RASP BAR THRESHING.....	110 - 8	2B17	SHIFTER CAM, TRANSMISSION	50 - 14
3D20	SHAFT, REVERSER GEAR BOX	100 - 4	2B16	SHIFTER FORKS, TRANSMISSION	50 - 13
3D23	SHAFT, REVERSER GEAR BOX (STANDARD)	100 - 8	1C16	SHIM, LINER	25 - 10
1D3	SHAFT, ROCKER ARM	25 - 22	4G14	SHIPPING FRAME.....	160 - 2
4D3	SHAFT, SINGLE RANGE CYLINDER DRIVE	140 - 21	4H8	SHOE AND DRUM, BRAKE	160 - 22
3G9	SHAFT, SPIKE-TOOTH CONCAVE	110 - 14	3J3	SHOE GRAIN SUPPLY AUGER CLEANOUT DOOR	120 - 24
2B18	SHAFT, TRANSMISSION	50 - 16	3J1	SHOE GRAIN SUPPLY AUGERS AND HOUSING	120 - 22
2B20	SHAFT, TRANSMISSION PINION SHAFT	50 - 18	2E3	SHOE, BRAKE	60 - 12
3J6	SHAFT, UPPER CLEAN GRAIN ELEVATOR.....	125 - 2	1D24	SHORT BLOCK GASKET KIT.....	25 - 48
2B8	SHAFTS, DRIVE	50 - 5	1A5	SHORT BLOCK SERIAL NUMBER IDENTIFICATION....	10 - 4
3G14	SHAKER PAN	110 - 20	1C12	SHORT BLOCK, ENGINE	25 - 6
3G24	SHEAVE AND GEARCASE, BEATER	110 - 30	3I8	SHROUD AND FAN, CLEANING	120 - 4
4E1	SHEAVE LINKAGE, FAN DRIVE SPEED CONTROL	140 - 44	3I7	SHROUD, CLEANING FAN.....	120 - 3
1H2	SHEAVE, ALTERNATOR.....	40 - 56	1E6	SHUT-OFF HOUSING SOLENOID	30 - 4
4E6	SHEAVE, CLEAN GRAIN ELEVATOR DRIVE TIGHTENER.....	140 - 50	3B7	SIDE AND REAR CAB SEALS	90 - 6
3J16	SHEAVE, CLEAN GRAIN ELEVATOR GEARCASE	125 - 12	1I3	SIDE FINDER LIGHTS	40 - 83
4D17	SHEAVE, CONVEYOR AUGERS	140 - 36	3I22	SIEVE ELEMENT.....	120 - 18
4D1	SHEAVE, COUNTERSHAFT	140 - 18	3I24	SIEVE FRAME	120 - 20
4D4	SHEAVE, DUAL RANGE CYLINDER DRIVE	140 - 22	4D17	SIEVE, CONVEYOR AUGERS	140 - 36
4D11	SHEAVE, DUAL RANGE INTERMEDIATE	140 - 30	2G9	SINGLE ACCUMULATOR, ONE HALF GALLON.....	70 - 32
3G22	SHEAVE, DUAL SPEED DRIVE CONVERSION	110 - 28	2F16	SIX STACK SOLENOID CONTROL VALVE MODULE ASSEMBLY & MOUNTINGS.....	70 - 14
1B14	SHEAVE, ENGINE DRIVE.....	20 - 12	2E1	SLAVE CYLINDER, BRAKE	60 - 10
3H24	SHEAVE, ENGINE GEARBOX TO DRIVES.....	110 - 56	3E17	SLIP CLUTCH, FEEDER HOUSE SHAFT	100 - 26
3E1	SHEAVE, FEEDER HOUSE DRIVE TIGHTENER	100 - 10	2G3	SOLENOID CONTROL VALVE BI-DIRECTIONAL MODULE, REEL LIFT AND CYLINDER SPEED	70 - 26
3E5	SHEAVE, FEEDER HOUSE DRIVE TIGHTENER	100 - 14	2F15	SOLENOID CONTROL VALVE BRACKETS.....	70 - 12
3F12	SHEAVE, FEEDER HOUSE DUST FAN, L.H.	100 - 46	2F16	SOLENOID CONTROL VALVE MODULE, 6-STACK.....	70 - 14
3F6	SHEAVE, FEEDER HOUSE, UPPER COUNTERSHAFT, VARIABLE DRIVE	100 - 40	2G1	SOLENOID CONTROL VALVE UNBALANCED LOAD MODULE (HEADER LIFT MODULE)	70 - 24
3F16	SHEAVE, FRONT DRIVE SHAFT (FIXED SPEED WITH REVERSER).....	100 - 50	2F22	SOLENOID CONTROL VALVE UNLOAD MODULE,	70 - 20
3D18	SHEAVE, FRONT VARIABLE DRIVE	100 - 2	2G5	SOLENOID CONTROL VALVE, AUGER SWING.....	70 - 28
3I1	SHEAVE, GEARBOX TO DRIVES	110 - 58	2G5	SOLENOID CONTROL VALVE, REEL FORE/AFT	70 - 28
4C25	SHEAVE, HEADER ELETROMAGNETIC CLUTCH.....	140 - 17	2F20	SOLENOID VALVE MODULE ASSEMBLY, 4-STACK	70 - 18
3K3	SHEAVE, LOWER TAILINGS AUGER	125 - 24	2F18	SOLENOID VALVE MODULE ASSEMBLY, 5-STACK	70 - 16
4C16	SHEAVE, MAIN GEARCASE.....	140 - 6	1E6	SOLENOID, FUEL SHUT-OFF	30 - 4
2G19	SHEAVE, MOUNTING, PUMP, REEL / BELT PICKUP DRIVE	70 - 42	2F23	SOLENOID, MAIN VALVE BLOCK ACTIVE HEADER HEIGHT CONTROL	70 - 21
3G3	SHEAVE, RASP BAR, THRESHING.....	110 - 8	1E6	SOLENOID, SHUT-OFF HOUSING.....	30 - 4
1B3	SHEAVE, ROTARTY SCREEN DRIVE.....	20 - 1	2B7	SPACER, AXLE	50 - 4
4D21	SHEAVE, SEPARATOR FAN DRIVE	140 - 40	2B8	SPACERS, AXLE	50 - 5
4D3	SHEAVE, SINGLE RANGE CYLINDER DRIVE	140 - 21	4I15	SPANISH DECALS AND LABELS	170 - 26
3I6	SHEAVE, STRAW CHOPPER.....	120 - 2	3B11	SPEAKER GRILLE.....	90 - 10
3I3	SHEAVE, STRAW CHOPPER DRIVE	110 - 60	3C15	SPEAKER, ANTENNA AND RADIO	90 - 40
4B18	SHEAVE, STRAW SPREADER.....	130 - 18	4D23	SPEED CONTROL LINKAGE, FAN DRIVE	140 - 42
3G18	SHEAVE, STRIPPER BEATER	110 - 24	4E1	SPEED CONTROL, FAN DRIVE SHEAVE LINKAGE	140 - 44
4F18	SHEAVE, UNLOADING AUGER COUNTERSHAFT	150 - 36	1H15	SPIKE TOOTH INDICATOR	40 - 70
3J6	SHEAVE, UPPER CLEAN GRAIN ELEVATOR	125 - 2	3G5	SPIKE TOOTH THRESHING CYLINDER	110 - 10
3F14	SHEAVE, UPPER DRIVE SHAFT, FEEDER HOUSE (FIXED SPEED WITH REVERSER).....	100 - 48	3G7	SPIKE-TOOTH CONCAVE	110 - 12
1B8	SHELL, RADIATOR AND SEALS	20 - 6	3G9	SPIKE-TOOTH CONCAVE	110 - 14
2I9	SHIELD ASSEMBLY, FRONT, RIGHT SIDE	80 - 8	3G11	SPIKE-TOOTH FINGER GRATE.....	110 - 16
2I7	SHIELD ASSEMBLY, LEFT SIDE	80 - 6	2B5	SPINDLE HOUSING (REGULAR DUTY), REAR AXLE	50 - 2
2I11	SHIELD ASSEMBLY, RIGHT SIDE.....	80 - 10	2C1	SPINDLE, FINAL DRIVE	50 - 24
4C5	SHIELD, CHAFF SPREADER	130 - 30	2E20	SPINDLE, REAR AXLE (HEAVY DUTY)	60 - 30
2J3	SHIELD, DRIVE, R.H. REAR.....	80 - 27	2E18	SPINDLE, REAR AXLE (REGULAR DUTY)	60 - 28
1D1	SHIELD, EXHAUST VALVE.....	25 - 20	4B20	SPREADER CURTAIN.....	130 - 20
1D23	SHIELD, HEAT, EXHAUST MANIFOLD	25 - 46	4B24	SPREADER CURTAIN, UPPER	130 - 24
3E9	SHIELD, L.H. DRIVE - WITH AIRFLOW.....	100 - 18	4B22	SPREADER FRAME, STRAW AND LOWER CURTAIN	130 - 22
3E7	SHIELD, L.H. DRIVE - WITHOUT AIRFLOW	100 - 16	2H22	SPREADER, CHAFF, MOTOR, LINES AND HOSES (DUAL MOTOR).....	70 - 70
2I5	SHIELD, LEFT SIDE, FRONT	80 - 4	4B18	SPREADER, STRAW.....	130 - 18
2D15	SHIELD, MUD, POWERED REAR WHEELS	50 - 66	3G20	SPRING, BEATER DRIVE BELT.....	110 - 26
3E11	SHIELD, R.H. DRIVE	100 - 20	4H8	SPRING, BRAKE SHOES AND DRUM	160 - 22
3H6	SHIELD, REAR MODULE	110 - 38	4D11	SPRING, DUAL RANGE CYLINDER DRIVE	140 - 30
3J18	SHIELD, REAR TAILINGS LEFT SIDE.....	125 - 14			

ALPHABETICAL INDEX - CONTINUED

GRID		PAGE	GRID		PAGE
4D7	SPRING, DUAL RANGE CYLINDER TIGHTENER	140-26	3G1	STRIPPER, CYLINDER DOOR (CORN).....	110-6
4C14	SPRING, ENGINE GEARCASE TEMPERATURE	140-4	3E13	STRIPPER, FEEDER HOUSE FRAME.....	100-22
3C7	SPRING, FEEDER HOUSE FOOT CONTROL.....	90-32	3F8	STRIPPER, FEEDER HOUSE RETURN	100-42
3C19	SPRING, LADDER EXTENSION.....	90-45	3B4	STUBBLE LIGHT, FRONT CAB	90-2
3B15	SPRING, LATCH, CAB DOOR	90-14	3B11	SUN VISOR	90-10
3D18	SPRING, RONT VARIABLE DRIVE SHEAVE	100-2	1F12	SUPPLEMENTARY TERMINALS AND CONNECTORS	40-10
4D21	SPRING, SEPARATOR FAN DRIVE.....	140-40	3J3	SUPPLY AUGER CLEANOUT DOOR, SHOE GRAIN...	120-24
3C3	SPRING, STEERING COLUMN	90-28	4F1	SUPPORT AND BRACES, AUGER	150-18
4B22	SPRING, STRAW SPREADER FRAME	130-22	2J10	SUPPORT AND MOUNTING TRACKS, MODULE.....	80-34
3K1	SPRING, TAILINGS ELEVATOR.....	125-22	2E2	SUPPORT BRACKET, BRAKE CABLE	60-11
3J8	SPROCKET, CLEAN GRAIN LOWER AUGER	125-4	1H6	SUPPORT, ALTERNATOR	40-60
3H8	SPROCKET, CRANK OUT SYSTEM	110-40	1E18	SUPPORT, ENGINE PLATFORM	30-16
4F13	SPROCKET, CROSS AUGER.....	150-30	3F1	SUPPORT, FEEDER CONVEYOR CHAIN.....	100-34
4F11	SPROCKET, CROSS AUGER BEARING, L.H.	150-28	1E16	SUPPORT, FUEL TANK	30-14
3F1	SPROCKET, FEEDER CONVEYOR DRIVE.....	100-34	3K11	SUPPORT, GRAIN TANK EXTENSION	125-32
3E17	SPROCKET, FEEDER HOUSE SHAFT	100-26	1C3	SUPPORT, REAR ENGINE MOUNTS	20-26
3K3	SPROCKET, LOWER TAILIGS AUGER	125-24	4B3	SUPPORT, TAIL BOARD AND VANES	130-2
4E5	SPROCKET, TAILINGS DRIVE CHAIN TIGHTENER ..	140-49	3F6	SUPPORT, UPPER COUNTERSHAFT, FEEDER	
3K2	SPROCKET, TAILINGS ELEVATOR CONVEYOR.....	125-23		HOUSE, VARIABLE DRIVE	100-40
4B16	SPROCKET, TRANSPORT, CHOPPER	130-16	4D1	SUPPORTS AND VARIABLE SHEAVE, PRIMARY	
4F18	SPROCKET, UNLOADING AUGER COUNTERSHAFT..	150-36		COUNTERSHAFT	140-18
3J6	SPROCKET, UPPER CLEAN GRAIN ELEVATOR.....	125-2	4G20	SUSPENSION, AIR	160-8
3K7	SPROCKET, UPPER TAILINGS AUGER	125-28	3B19	SUSPENSION, AIR SEAT	90-18
4E16	SPROCKET, VERTICAL AUGER GEARCASE.....	150-8	2C12	SWASH PLATE, HYDROSTATIC DRIVE MOTOR.....	50-36
1H8	STARTER	40-62	2C7	SWASHPLATE, HYDROSTATIC PUMP	50-30
1B20	STARTER RELAY	20-18	4E20	SWING AUGER HOSES AND LINES.....	150-12
1H8	STARTER SWITCH	40-62	4E22	SWING UNLOADING AUGER CYLINDER	150-14
1H8	STARTER WIRING HARNESS	40-62	1E22	SWITCH, AIR CLEANER.....	30-20
1E14	STARTING AID, COLD WEATHER.....	30-12	3D10	SWITCH, AIR CONDITONER EVAPORATOR	95-10
1E14	STARTING FLUID	30-12	3B24	SWITCH, ARMREST ROCKER	90-24
3C5	STARTING SWITCH	90-30	3C1	SWITCH, ARMREST ROCKER.....	90-26
2C22	STEERING ARM, CAM LOBE MOTOR	50-48	4C14	SWITCH, ENGINE GEARCASE TEMPERATURE	140-4
3C3	STEERING COLUMN (LOWER)	90-28	1B20	SWITCH, ENGINE PRESSURE	20-18
3C5	STEERING COLUMN (UPPER)	90-30	2F11	SWITCH, HIGH PRESSURE, AIR CONDITIONER	70-8
1G8	STEERING COLUMN WIRING HARNESS.....	40-36	2C9	SWITCH, HYDROSTATIC DRIVE CHARGE PUMP.....	50-32
2E17	STEERING CYLINDER	60-26	3B11	SWITCH, INTERIOR CAB ROOF	90-10
2E9	STEERING HOSES AND LINES, FRONT	60-18	3B21	SWITCH, OPERATOR'S AIR SEAT	90-20
2E7	STEERING HOSES, UPPER.....	60-16	3C13	SWITCH, OVERHEAD CONSOLE	90-38
2E15	STEERING LINES AND HOSES, REAR	60-24	1H8	SWITCH, STARTER.....	40-62
2E11	STEERING LINES, L.H. SIDE	60-20	3C5	SWITCH, STARTER.....	90-30
2E13	STEERING LINES, R.H. SIDE	60-22	3J24	SWITCH, TAILINGS ELEVATOR LIGHT	125-20
2E5	STEERING PUMP	60-14	4F1	SWIVEL SUPPORT AND BRACES, AUGER	150-18
3C3	STEERING PUMP - STEERING SHAFT	90-28	4F1	SWIVEL, AUGER SUPPORT	150-18
2E22	STEERING TIE RODS, ADJUSTABLE REAR AXLE	60-32	4E24	SWIVEL, HORIZONTAL UNLOADING AUGER	150-16
2E23	STEERING TIE RODS, FIXED REAR AXLE	60-33			
3C5	STEERING WHEEL	90-30			
3C3	STEERING WHEEL ADJUSTER PEDAL	90-28			
3C20	STEP TO PLATFORM L.H.	90-46			
1E20	STEP, AIR DUCT, ENGINE COMPARTMENT.....	30-18			
3B4	STEP, CAB SUPPORT	90-2			
2J20	STEP, FUEL TANK	80-44			
3C17	STEP, LADDER EXTENSION	90-42			
3F21	STONE TRAP AND DOOR	110-2			
2G6	STOP, HEADER LIFT CYLINDER	70-29			
2J12	STOP, REAR HOOD ACCESS DOOR	80-36			
1C9	STORAGE KIT, OFF-SEASON	25-2			
1H6	STRAP, ALTERNATOR ADJUSTING	40-60			
1D5	STRAP, ENGINE LIFT.....	25-24			
3I3	STRAW CHOPPER DRIVES.....	110-60			
4B16	STRAW CHOPPER SENSOR.....	130-16			
4B5	STRAW CHOPPER UPPER REAR DOOR	130-4			
4B18	STRAW SPREADER	130-18			
4C1	STRAW SPREADER DOOR	130-26			
3I6	STRAW SPREADER DRIVES.....	120-2			
4B22	STRAW SPREADER FRAME AND LOWER CURTAIN..	130-22			
3G18	STRIPPER BEATER	110-24			
3G16	STRIPPER BEATER DRIVE IDLER	110-22			

T

3C11	TACHOMETER DISPLAY, R.H. CORNERPOST	90-36
4B3	TAIL BOARD SUPPORTS AND VANES	130-2
3K5	TAILINGS AUGER DRIVE TIGHTENER.....	125-26
3K2	TAILINGS ELEVATOR CONVEYOR BEARINGS.....	125-23
3K2	TAILINGS ELEVATOR CONVEYOR CHAIN	125-23
3K2	TAILINGS ELEVATOR CONVEYOR SPROCKETS	125-23
3J24	TAILINGS ELEVATOR HOUSING.....	125-20
3K1	TAILINGS ELEVATOR MATERIAL SENSOR.....	125-22
3J18	TAILINGS SHIELD, REAR LEFT SIDE.....	125-14
3J20	TAILINGS SHIELD, UPPER REAR.....	125-16
2J14	TAILLIGHT WIRING HARNESS	80-38
4E10	TANK TOP, GRAIN	150-2
1B12	TANK, COOLANT RECOVERY.....	20-10
1E16	TANK, FUEL.....	30-14
4E14	TANK, GRAIN.....	150-6
3K9	TANK, GRAIN, EXTENSIONS.....	125-30
1C4	TEMPERATURE SENSOR	20-27
1E6	TEMPERATURE SENSOR	30-4
4C14	TEMPERATURE SWITCH, GEARCASE.....	140-4

ALPHABETICAL INDEX - CONTINUED

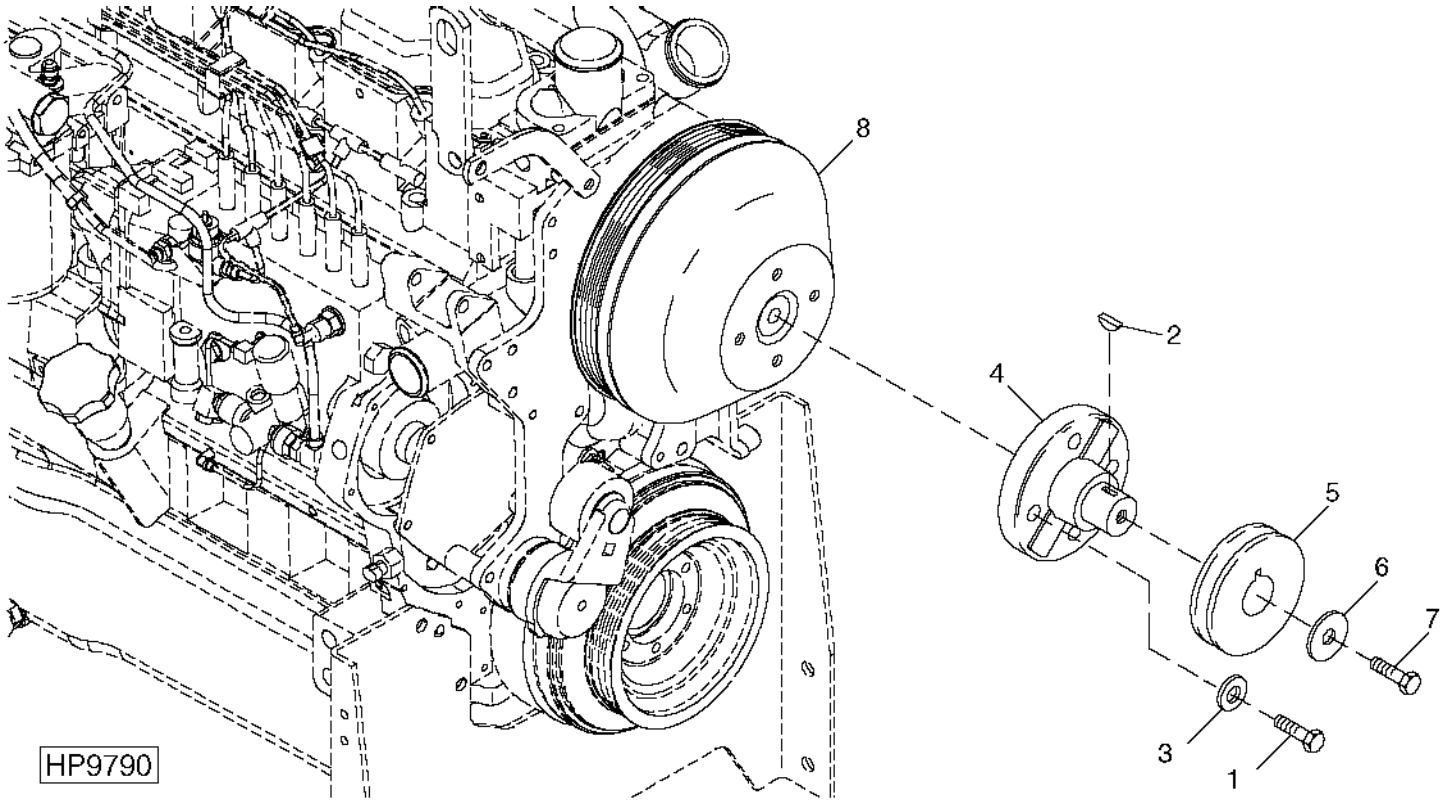
GRID		PAGE	GRID		PAGE
4H14	TENSION CYLINDER	160 - 28	1D10	TUBES, OIL COOLER	25 - 30
4G22	TENSION CYLINDER AND ATTACHING HARDWARE ..	160 - 10	1D9	TUBES, OIL COOLER BYPASS	25 - 29
4H12	TENSION CYLINDER HYDRAULICS	160 - 26	1D21	TURBOCHARGER, OIL LINES AND GASKET	25 - 44
1H6	TENSIONER, BELT (ALT.)	40 - 60	3C5	TURN SIGNAL CONTROLLER	90 - 30
1F10	TERMINAL AND WIRING KIT	40 - 8	1H24	TURN SIGNAL LAMP, L.H. FRONT (AMBER).....	40 - 79
1F4	TERMINALS, ELECTRICAL, WEATHERPACK.....	40 - 2	3C5	TURN SIGNAL SWITCH	90 - 30
1F12	TERMINALS, SUPPLEMENTARY	40 - 10			
1C9	TEST KIT, COOLANT SCAN.....	25 - 2		U	
1D18	THERMOSTAT	25 - 40			
1D18	THERMOSTAT COVER	25 - 40	4I16	UKRAINIAN DECALS AND LABELS.....	170 - 27
1D18	THERMOSTAT GASKET AND COVER	25 - 40	1C18	UNDERSIZE CRANKSHAFT KIT	25 - 12
1D18	THERMOSTAT HOUSING, FRONT	25 - 40	1C19	UNDERSIZE MAIN BEARING CRANKSHAFT	25 - 13
3F20	THRESHING CYLINDER COVER	110 - 1	3H18	UNIVERSAL JOINT, GEARBOX	110 - 50
3G3	THRESHING CYLINDER, RASP BAR	110 - 8	4C22	UNIVERSAL JOINT, PRIMARY COUNTERSHAFT	140 - 13
3G5	THRESHING CYLINDER, SPIKE TOOTH	110 - 10	3C3	UNIVERSAL JOINT, STEERING COLUMN	90 - 28
1C20	THRUST BEARING	25 - 14	4F18	UNLOADING AUGER COUNTERSHAFT DRIVE.....	150 - 36
2E22	TIE RODS, STEERING, ADJUSTABLE REAR AXLE	60 - 32	4F20	UNLOADING AUGER DRIVE BELT GUIDE.....	150 - 38
2E23	TIE RODS, STEERING, FIXED REAR AXLE.....	60 - 33	4F5	UNLOADING AUGER HOUSING, HORIZONTAL.....	150 - 22
4D7	TIGHTENER, CYLINDER DRIVE, DUAL-RANGE	140 - 26	4F7	UNLOADING AUGER HOUSING, HORIZONTAL (EXPORT)	150 - 24
3E3	TIGHTENER, DRIVE, VARIABLE SPEED	100 - 12	4F3	UNLOADING AUGER HUB	150 - 20
3E5	TIGHTENER, FEEDER HOUSE DRIVE	100 - 14	1G19	UNLOADING AUGER LIGHT	40 - 47
3E1	TIGHTENER, FEEDER HOUSE DRIVE (FIXED SPEED).....	100 - 10	4E20	UNLOADING AUGER SWING CYLINDER LINES HOSES.....	150 - 12
3K3	TIGHTENER, LOWER TAILINGS AUGER	125 - 24	4E22	UNLOADING AUGER SWING CYLINDER MOUNTING	150 - 14
3K5	TIGHTENER, LOWER TAILINGS AUGER DRIVE	125 - 26	4E22	UNLOADING AUGER SWING HYDRAULIC CYLINDER	150 - 14
2H14	TILT CYLINDER - CONTOUR MASTER	70 - 61	4E24	UNLOADING AUGER SWIVEL, HORIZONTAL	150 - 16
2H15	TILT CYLINDER HOSES AND FITTINGS, CONTOUR MASTER.....	70 - 63	4E18	UNLOADING AUGER, VERTICAL, GRAIN TANK	150 - 10
1C23	TIMING GEAR COVER	25 - 17	4F16	UNLOADING DRIVE CYLINDER, GRAIN TANK	150 - 34
3H3	TINE SEPARATOR MODULE RAILS	110 - 34	2F22	UNLOADING MODULE, RELIEF SOLENOID VALVE	70 - 20
3H16	TINE SEPARATORS, MODULE	110 - 48	3J6	UPPER CLEAN GRAIN ELEVATOR SHAFT, SPROCKET AND SHEAVE.....	125 - 2
4I9	TIRE PRESSURE LABEL	170 - 20	3J12	UPPER CLEAN GRAIN LOADING AUGER HOUSING ..	125 - 8
2J24	TOOL BOX	80 - 48	3J20	UPPER REAR TAILINGS SHIELD	125 - 16
3G5	TOOTH, SPIKE TOOTH THRESHING CYLINDER	110 - 10	3E17	UPPER SHAFT, FEEDER HOUSE	100 - 26
4E10	TOP, GRAIN TANK	150 - 2	4B24	UPPER SPREADER CURTAIN	130 - 24
1C8	TORQ-GARD PLUS-50, ENGINE OIL.....	25 - 1	2E7	UPPER STEERING HOSES	60 - 16
4G14	TRACK FRAME MOUNTING.....	160 - 2	4E3	UPPER TAILINGS AUGER DRIVE	140 - 46
4G3	TRANSDUCER MOUNTING BRACKET, YIELD MAPPING	155 - 6	3K7	UPPER TAILINGS AUGER HOUSING AND PADDLE....	125 - 28
4G3	TRANSDUCER, YIELD MAPPING	155 - 6	3K7	UPPER TAILINGS AUGER PADDLE ASSEMBLY.....	125 - 28
4H4	TRANSFER GEARCASE	160 - 18	4E3	UPPER TAILINGS AUGER, DRIVE AND SHIELD.....	140 - 46
1E9	TRANSFER PUMP, FUEL	30 - 7	4E5	UPPER TAILINGS DRIVE CHAIN TIGHTENER.....	140 - 49
4G11	TRANSFORMER, DATASTORE	155 - 14			
3J12	TRANSITION, AUGER HOUSING.....	125 - 8		V	
2B15	TRANSMISSION.....	50 - 12	3D8	VALVE ASSEMBLY, WATER, AIR CONDITIONING	95 - 8
2B17	TRANSMISSION AND DIFFERENTIAL HOUSING COVER AND SHIFTER CAM	50 - 14	2F24	VALVE BLOCK AND HYDRAULIC LINE, ACTIVE HEADER HEIGHT CONTROL	70 - 22
2B22	TRANSMISSION DIFFERENTIAL	50 - 20	2F16	VALVE MODULE, 6-STACK SOLENOID CONTROL.....	70 - 14
2B18	TRANSMISSION GEARS AND BEARINGS	50 - 16	1D1	VALVE SEAT INSERTS.....	25 - 20
3C9	TRANSMISSION GEARSHIFT LEVER AND LINKAGE.....	90 - 34	1C9	VALVE STEM LUBRICANT	25 - 2
2B18	TRANSMISSION INPUT SHAFT	50 - 16	2B9	VALVE STEM, DRIVE WHEELS.....	50 - 6
2B20	TRANSMISSION PINION SHAFT	50 - 18	2B13	VALVE STEM, REAR WHEEL	50 - 10
2B20	TRANSMISSION PINION SHAFT GEARS AND BEARINGS.....	50 - 18	4G20	VALVE STEM, TIRE, AIR SUSPENSION.....	160 - 8
2B16	TRANSMISSION SHIFTER FORKS	50 - 13	2B10	VALVE STEM, TIRE, HIGH FLOATATION.....	50 - 7
4B16	TRANSPORT SPROCKETS, CHOPPER	130 - 16	3D10	VALVE, AIR CONDITIONING EVAPORATOR	95 - 10
1I4	TRANSPORT WARNING LIGHTS.....	40 - 84	2F18	VALVE, AUGER EXTEND/RETRACT, 5-STACK	70 - 16
3F21	TRAP, STONE, SEPARATOR.....	110 - 2	2F20	VALVE, AUGER SWING, 4-STACK	70 - 18
3B17	TRASH CONTAINER	90 - 16	2G9	VALVE, BLEED, ACCUMULATOR, ONE GALLON	70 - 32
4B8	TRI-ROD CHOPPER	130 - 8	2G11	VALVE, BLEED, ACCUMULATOR, ONE GALLON	70 - 34
3B9	TRIM PANELS, CAB INTERIOR	90 - 8	3D13	VALVE, COMPRESSOR	95 - 13
4F21	TROUGH, GRAIN TANK SAMPLING	150 - 39	2C23	VALVE, CONTROL	50 - 50
3J22	TROUGH, LOWER TAILINGS AUGER.....	125 - 18	4C14	VALVE, ENGINE GEARCASE TEMPERATURE	140 - 4
1D16	TUBE SEAL, WATER PUMP.....	25 - 38	4C12	VALVE, ENGINE GEARCASE OIL FILTER	140 - 2
1D15	TUBE, ENGINE OIL DIPSTICK.....	25 - 36	1E12	VALVE, FUEL CHECK.....	30 - 10
1D18	TUBE, THERMOSTAT HOUSING.....	25 - 40			

ALPHABETICAL INDEX - CONTINUED

GRID		PAGE	GRID		PAGE
2F20	VALVE, HEADER LIFT, 4-STACK.....	70 - 18	2B10	WHEEL, HIGH FLOATATION DRIVE	50 - 7
2F18	VALVE, HEADER LIFT, 5-STACK.....	70 - 16	2B13	WHEEL, REAR.....	50 - 10
2F16	VALVE, HEADER LIFT, 6-STACK.....	70 - 14	3C5	WHEEL, STEERING	90 - 30
2C10	VALVE, HYDROSTATIC DRIVE DISPLACEMENT CONTROL.....	50 - 34	2B14	WHEELS, REAR (4-WHEEL DRIVE)	50 - 11
2C14	VALVE, HYDROSTATIC MOTOR	50 - 38	2B11	WIDE SPACED DUAL WHEELS.....	50 - 8
1D11	VALVE, OIL FILTER BYPASS.....	25 - 32	4E10	WINDOWPANE, GRAIN TANK	150 - 2
1D13	VALVE, OIL PAN DRAIN.....	25 - 34	2J16	WINDROW ATTACHMENT	80 - 40
1D10	VALVE, OIL PRESSURE REGULATING	25 - 30	3B13	WINDSHIELD	90 - 12
1D11	VALVE, OIL PRESSURE REGULATING	25 - 32	1G12	WINDSHIELD WASHER	40 - 40
2G21	VALVE, REEL DRIVE FLOW CONTROL	70 - 44	1G14	WINDSHIELD WIPER (LONG)	40 - 42
2F16	VALVE, REEL FORE/AFT, AUGER SWING, CONTOUR MASTER, 6-STACK	70 - 14	1G14	WIPER, WINDSHIELD (LONG).....	40 - 42
2F18	VALVE, REEL FORE/AFT, 5-STACK	70 - 16	1F10	WIRING AND TERMINAL KIT.....	40 - 8
2F20	VALVE, REEL LIFT/VSC, 4-STACK	70 - 18	1F10	WIRING CRIMPING TOOL	40 - 8
2F18	VALVE, REEL LIFT/VSC, 5-STACK	70 - 16	1G10	WIRING HARNESS, AIR CONDITIONING	40 - 38
2F16	VALVE, REEL LIFT/VSC, 6-STACK	70 - 14	3B19	WIRING HARNESS, AIR SUSPENSION SEAT	90 - 18
2C9	VALVE, RELIEF, HYROSTATIC DRIVE PUMP	50 - 32	1G6	WIRING HARNESS, ARMREST	40 - 34
2F22	VALVE, RELIEF, SOLENOID UNLOAD MODULE	70 - 20	4B16	WIRING HARNESS, COPPER RESIDUE DISPOSAL	130 - 16
2F16	VALVE, RELIEF, 6-STACK	70 - 14	3C11	WIRING HARNESS, CORNERPOST, R.H.	90 - 36
2F18	VALVE, SOLENOID CONTROL MODULE ASSEMBLY 5-STACK	70 - 16	4G9	WIRING HARNESS, DATASTORE	155 - 12
2F20	VALVE, SOLENOID CONTROL MODULE, 4-STACK	70 - 18	4C25	WIRING HARNESS, ELECTROMAGNETIC CLUTCH	140 - 17
2F22	VALVE, SOLENOID CONTROL RELIEF - CONTOUR MASTER	70 - 20	1F15	WIRING HARNESS, ENGINE	40 - 14
2F22	VALVE, SOLENOID CONTROL UNLOAD MODULE	70 - 20	1G20	WIRING HARNESS, GRAIN TANK.....	40 - 48
2G5	VALVE, SOLENOID CONTROL, AUGER SWING	70 - 28	1G21	WIRING HARNESS, GRAIN TANK FULL BIN SENSOR	40 - 49
2G3	VALVE, SOLENOID CONTROL, CYLINDER SPEED AND REEL LIFT BI-DIRECTIONAL MODULE	70 - 26	2I15	WIRING HARNESS, GULLWING DOOR, L.H.....	80 - 14
2G1	VALVE, SOLENOID CONTROL, HEADER LIFT	70 - 24	2I23	WIRING HARNESS, GULLWING DOOR, R.H.	80 - 22
2G5	VALVE, SOLENOID CONTROL, REEL FORE/AFT	70 - 28	1G16	WIRING HARNESS, HARVESTRAK.....	40 - 44
2F20	VALVE, UNLOAD (RELIEF), 4-STACK.....	70 - 18	1H24	WIRING HARNESS, L.H. FRONT TURN SIGNAL.....	40 - 79
2F18	VALVE, UNLOAD RELIEF, 5-STACK	70 - 16	1F18	WIRING HARNESS, L.H. MAIN	40 - 18
1D1	VALVES, INTAKE AND EXHAUST	25 - 20	1G4	WIRING HARNESS, MAIN CAB	40 - 32
4B3	VANES, TAIL BOARD	130 - 2	1F25	WIRING HARNESS, MAIN R.H. W/GREENSTAR.....	40 - 27
3F5	VARIABLE DRIVE HYDRAULIC HOSE, FEEDER HOUSE.....	100 - 38	4G3	WIRING HARNESS, MASS FLOW SENSOR, YIELD MAPPING.....	155 - 6
3F6	VARIABLE DRIVE, FEEDER HOUSE, UPPER COUNTERSHAFT	100 - 40	1H17	WIRING HARNESS, MOISTURE SENSOR	40 - 72
3D18	VARIABLE DRIVE, FRONT DRIVE SHEAVE.....	100 - 2	2G13	WIRING HARNESS, PRESSURE GAUGE	70 - 36
4D1	VARIABLE SHEAVE AND PRIMARY COUNTERSHAFT	140 - 18	1F22	WIRING HARNESS, R.H. MAIN W/O GREENSTAR	40 - 23
3E3	VARIABLE SPEED DRIVE TIGHTENER	100 - 12	1F23	WIRING HARNESS, R.H. MAIN W/O GREENSTAR	40 - 24
4E16	VERTICAL AUGER LOWER GEARCASE	150 - 8	1G1	WIRING HARNESS, R.H. MAIN, W/GREENSTAR.....	40 - 28
4E18	VERTICAL UNLOADING AUGER	150 - 10	1G3	WIRING HARNESS, REAR HOOD AND MODULE	40 - 30
	W		1H8	WIRING HARNESS, STARTER.....	40 - 62
1G12	WASHER, WINDSHIELD.....	40 - 40	1G8	WIRING HARNESS, STEERING COLUMN	40 - 36
1D18	WATER MANIFOLD GASKET	25 - 40	2J14	WIRING HARNESS, TAILLIGHT	80 - 38
1D18	WATER MANIFOLD, FRONT	25 - 40	1I4	WIRING HARNESS, TRANSPORT WARNING LIGHTS	40 - 84
1D16	WATER PUMP AND SEAL	25 - 38	1G19	WIRING HARNESS, UNLOADING AUGER	40 - 47
1D16	WATER PUMP RETAINING RING AND GASKET.....	25 - 38	1F10	WIRING STRIPPING TOOL.....	40 - 8
3D8	WATER VALVE ASSEMBLY, AIR CONDITIONING.....	95 - 8	1F12	WIRING, SUPPLEMENTARY TERMINALS AND CONNECTORS	40 - 10
3E15	WEAR PLATE, FEEDER HOUSE - CONTOUR MASTER	100 - 24		Y	
3E13	WEAR PLATE, FEEDER HOUSE FRAME	100 - 22	2C20	YOKE, PIVOTS, AND CAPS (STEERABLE MOTOR)	50 - 46
1F4	WEATHERPACK CONNECTORS	40 - 2			
1F4	WEATHERPACK TERMINALS	40 - 2			
2B13	WEIGHTS, REAR WHEEL.....	50 - 10			
2F13	WET CLUTCH OIL COOLER HYDRAULIC LINES AND HOSES	70 - 10			
4H3	WHEEL ASSEMBLY, BOGEY	160 - 16			
4G24	WHEEL ASSEMBLY, IDLER	160 - 12			
4H1	WHEEL AXLES, BOGEY	160 - 14			
2B9	WHEEL, DRIVE	50 - 6			
4H10	WHEEL, DRIVE AND BELT	160 - 24			

1B3

ROTARY SCREEN DRIVE
HP9790 -UN-30MAY00



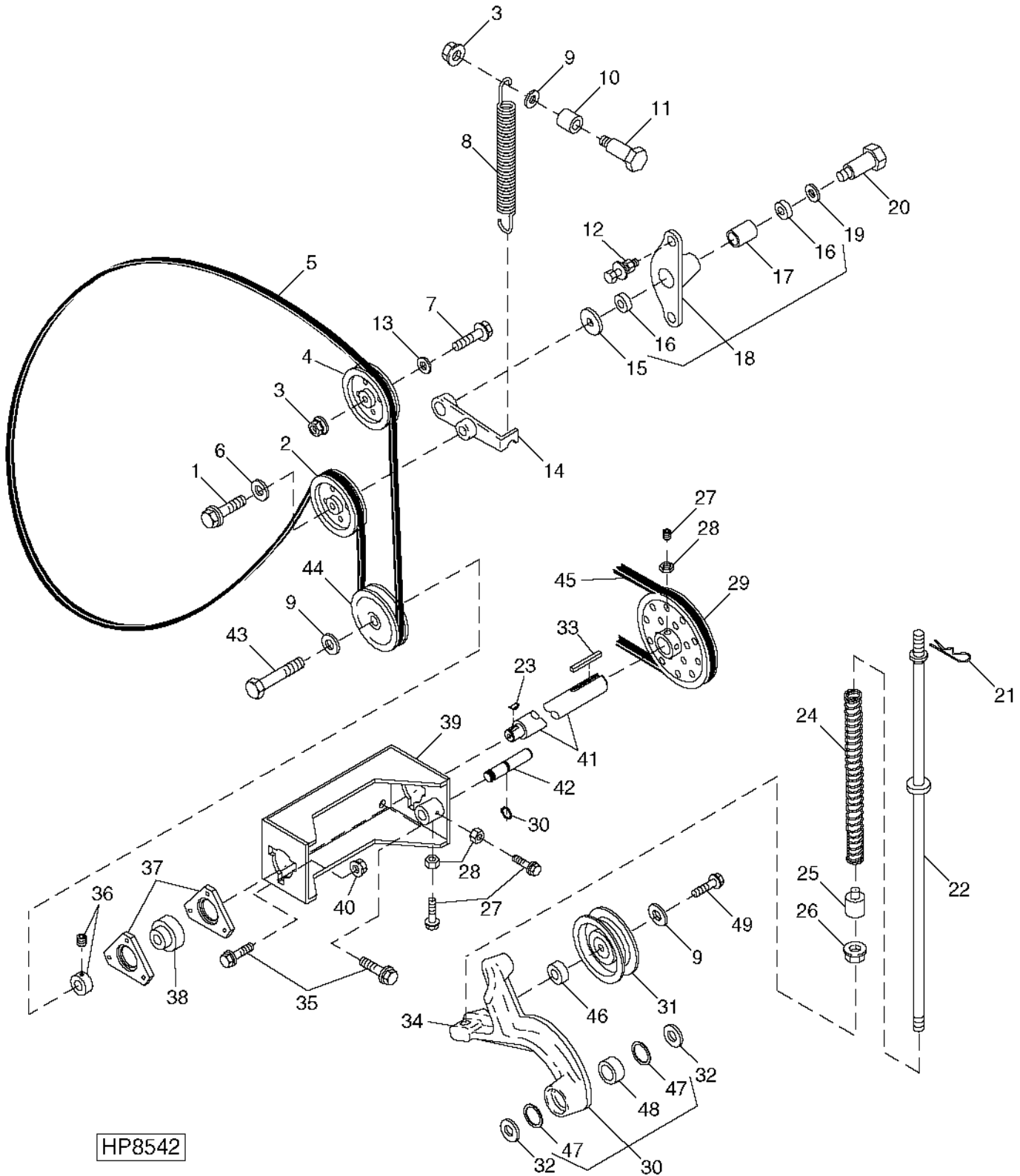
HP9790

KEY	PART NO.	PART NAME	QTY	SERIAL NO.	REMARKS
1	19H3239	CAP SCREW	4		3/8" X 1-1/4"
2	26M7002	SHAFT KEY	1		5 X 16 MM
3	24M7239	WASHER	4		10.700 X 21 X 2.500 MM
4	H163133	HUB	1		
5	H159224	SHEAVE	1		
6	H158845	WASHER	1		
7	19M7865	SCREW	1		M8 X 16
8	R128662	SHEAVE	1		

1B4

ROTARY SCREEN DRIVE AND IDLER ARMS

HP8542 -UN-08JUL99



HP8542

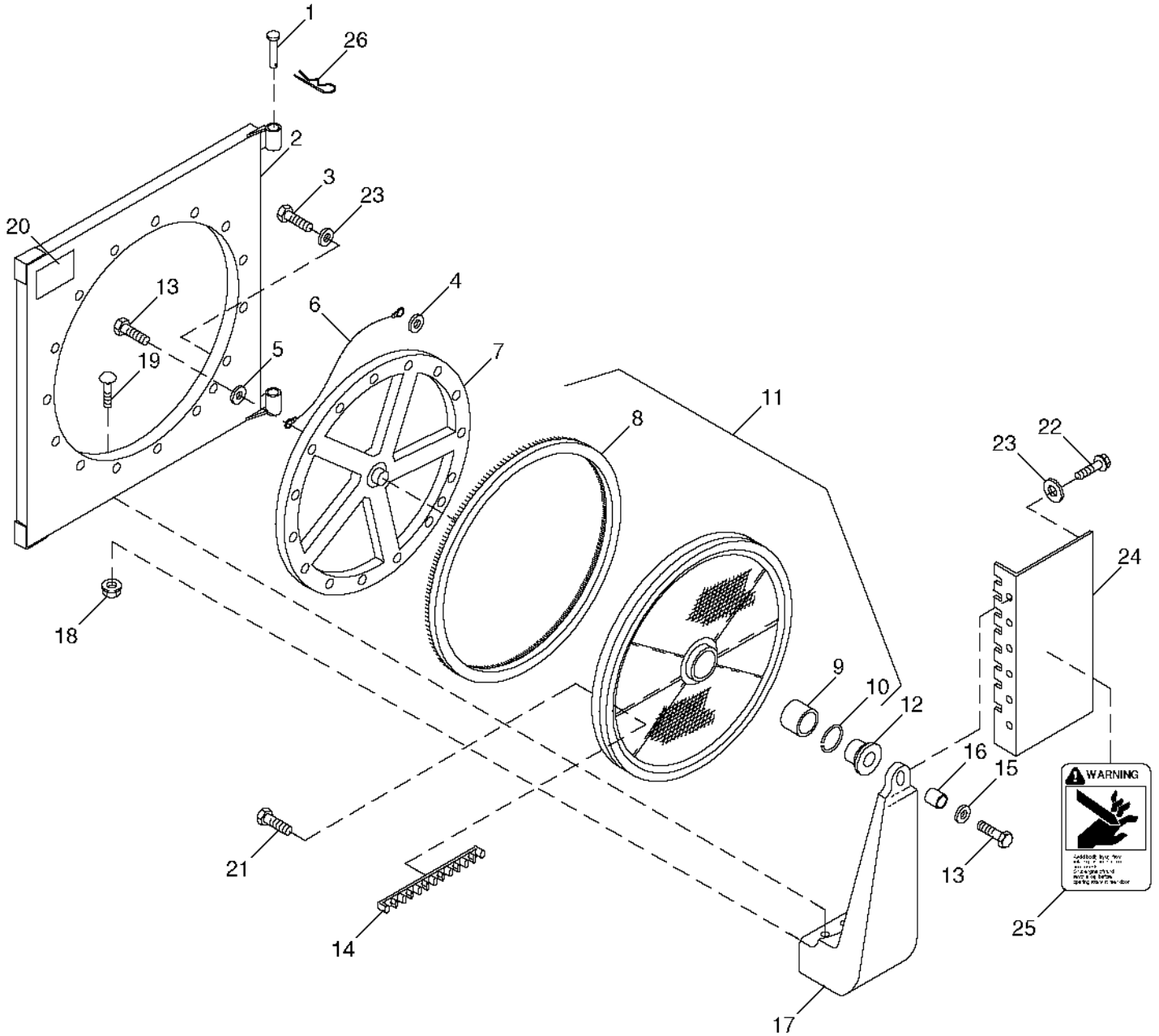
ROTARY SCREEN DRIVE AND IDLER ARMS - CONTINUED

KEY	PART NO.	PART NAME	QTY	SERIAL NO.	REMARKS
1	19M7867	SCREW	1	M8 X 25	
2	AH140119	SHEAVE	1		
3	14M7298	FLANGE NUT	10	M8	
4	AH135035	SHEAVE	1		
5	H145158	BELT	1		
6	24M7207	WASHER	1	8.400 X 24 X 2 MM	
7	03M7223	BOLT	1	M8 X 60	
8	H164808	SPRING	1		
9	H158845	WASHER	3	8.330 X 28.580 X 2.640 MM	
10	28H1720	BUSHING	1	0.423" X 0.675" X 27/32"	
11	H140715	BOLT	1	M8 X 40	
12	19M7867	SCREW	2	M8 X 25	
	24H1296	WASHER	2	11/32" X 1-3/8" X 0.134"	
	14M7298	FLANGE NUT	2	M8	
13	24H1850	WASHER	1	17/32" X 1-1/4" X 0.180"	
14	H146064	PITMAN ARM	1		
15	24H1342	WASHER	1	17/32" X 1-1/4" X 0.036"	
16	AH10888	SEAL	2		
17	R36119	BUSHING	1		
18	AH140170	SUPPORT	1		
19	24H1341	WASHER	1	17/32" X 15/16" X 0.060"	
20	M111701	BOLT	1	M8 X 51	
21	J16931	SPRING LOCKING PIN	1		
22	H131949	ROD	1		
23	26M7002	SHAFT KEY	1		
24	H146767	COMPRESSION SPRING	1		
25	H134214	GUIDE	1		
26	14M7296	FLANGE NUT	1	M10	
27	A50744	BOLT	4	M8 X 25	
28	14M7273	NUT	4	M8	
29	AH115639	SHEAVE	1		
30	40M7259	SNAP RING	3		
31	AH140497	SHEAVE	1		
32	24H1448	WASHER	1	1-1/32" X 1-1/2" X 0.120"	
33	49M4100	SHAFT KEY	1		
34	AH159992	ARM	1		
35	19M7865	SCREW	6	M8 X 16	
36	AZ10044	ECCENTRIC LOCKING COLLAR	2		
37	H103264	PRESSED FLANGED HOUSING	4		
38	JD39102	BALL BEARING	2		
39	AH159991	SUPPORT	1		
40	14M7298	FLANGE NUT	6	M8	
41	H168256	SHAFT	1		
42	H166437	PIN	1		
43	19M7865	SCREW	1	M8 X 16	
44	H159224	SHEAVE	2		
45	H160406	BELT	1		
46	M90451	WASHER	1	9 X 25 X 9 MM	
47	AA5607R	SEAL	2		
48	H99147	BUSHING	1	(SUB H171061)	
	H171061	BEARING	1		
49	19M8318	SCREW	1	M8 X 45	

1B6

ROTARY SCREEN DOOR AND SCREEN

HP8059 -UN-08JUL99



HP8059

1B7

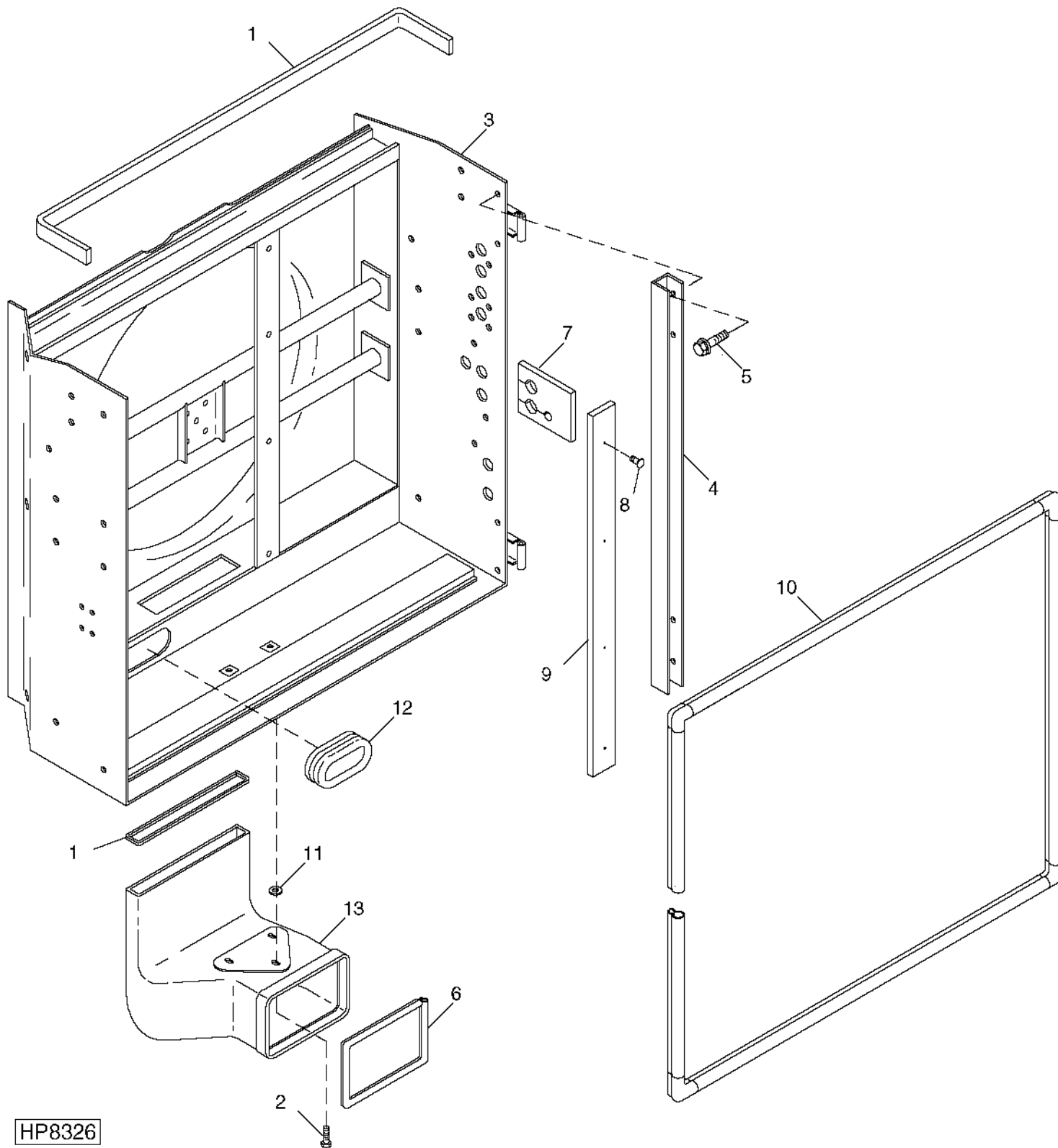
ROTARY SCREEN DOOR AND SCREEN - CONTINUED

KEY	PART NO.	PART NAME	QTY	SERIAL NO.	REMARKS
1	H172337	PIN	2		
2	AH140118	DOOR	1		
3	19M7865	SCREW	15		M8 X 16
4	12M7122	LOCK WASHER	1		8.400 MM
5	24M7028	WASHER	1		10.500 X 20 X 2 MM
6	AH138257	WIRING LEAD	1		
7	AH134642	HUB	1		
8	AH141849	BRUSH	1		
9	AH109788	ROLLER BEARING	1		
10	H83285	SNAP RING	1		
11	AH141671	SCREEN	1		
12	H140380	HUB	1		
13	19M8162	CAP SCREW	1		M10 X 40
14	AH142527	RAKE	2		
15	24M7180	WASHER	1		13 X 37 X 3 MM
16	28H1720	BUSHING	1		0.423" X 0.675" X 27/32"
17	AH141808	AIR DUCT	1		
18	14M7298	FLANGE NUT	2		M8
19	03M7183	BOLT	2		M8 X 16
20	H144692	LABEL	1		
21	37H143	SCREW	16		
22	19M7774	SCREW	6		M6 X 12
23	24M7207	WASHER	7		8.400 X 24 X 2 MM
24	H169733	KNIFE	1		
25	H149088	DECAL	1		
26	J16931	SPRING LOCKING PIN	2		

1B8

RADIATOR SHELL AND SEALS

HP8326 -UN-07JUN99



HP8326

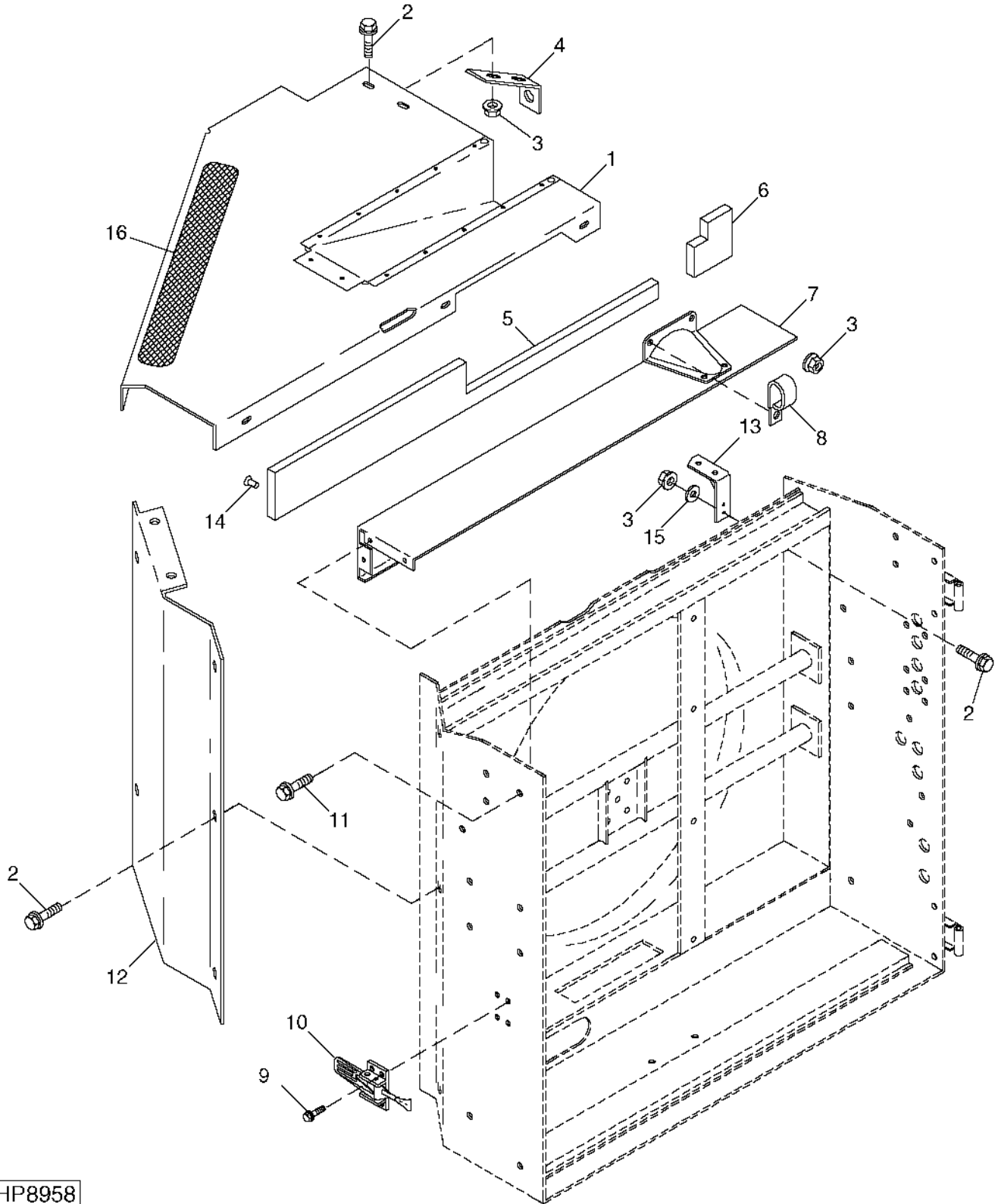
1B9

RADIATOR SHELL AND SEALS - CONTINUED

KEY	PART NO.	PART NAME	QTY	SERIAL NO.	REMARKS
1	SEAL	4		(CUT FROM H86775) TWO PIECES AT 1440 MM, ONE PIECE AT 135 MM. ONE PIECE AT 765 MM0
2	19M7864	SCREW	3		M8 X 12
3	AH161455	FRAME	1		
4	H146260	CHANNEL	1		
5	19M7865	SCREW	1		M8 X 16
	14M7298	FLANGE NUT	1		M8
	24M7207	WASHER	2		8.400 X 24 X 2 MM
6	AH131965	ISOLATOR	1		
7	R66718	GROMMET	1		
8	H116740	PLUG	9		
9	H134520	SEAL	1		
10	AH140967	ACOUSTICAL UPHOLSTERY	1		PRECUT
11	24M7207	WASHER	3		8.400 X 24 X 2 MM
12	H128502	SEAL	1		
13	H168083	AIR DUCT	1		

1B10

RADIATOR SHELL AND SEALS
HP8958 -UN-25AUG99



HP8958

1B11

ENGINE ACCESSORIES

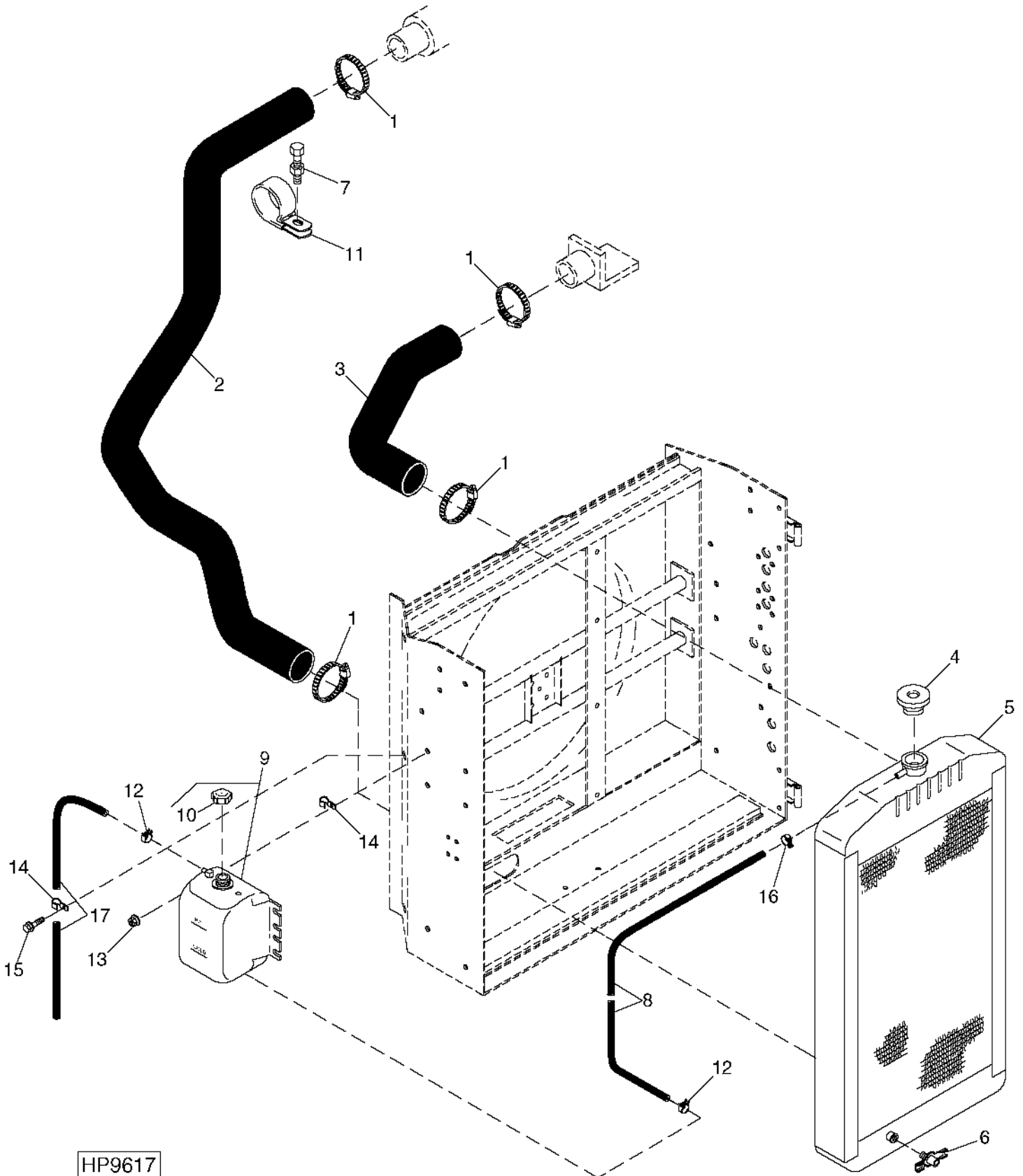
RADIATOR SHELL AND SEALS - CONTINUED

KEY	PART NO.	PART NAME	QTY	SERIAL NO.	REMARKS
1	AH160085	SHEET	1		
2	19M7865	SCREW	5	M8 X 16	
3	14M7298	FLANGE NUT	5		
4	H167159	BRACKET	1		
5	H154195	SEAL	1		
6	H166395	SEAL	1		
7	AH161456	CHANNEL	1		
8	AH96317	CLIP	1		
9	37M7060	SCREW	AR		
10	AH87272	LATCH	1		
11	19M7865	SCREW	1	M8 X 16	
12	H134527	SHEET	1		
13	H162138	BRACKET	1		
14	H116740	PLUG	1		
15	24M7207	WASHER	2	8.400 X 24 X 2 MM	
16	H136013	MAT	1		
..	M84971	NUT	1	8 MM, CLAMP-ON (ADD TO 11.7 HOLE, BOTTOM OF COOLER, PROTRUDING THREADS AWAY FROM INLET)	

1B12

RADIATOR AND COOLANT RECOVERY TANK

HP9617 -UN-15MAR00



HP9617

1B13

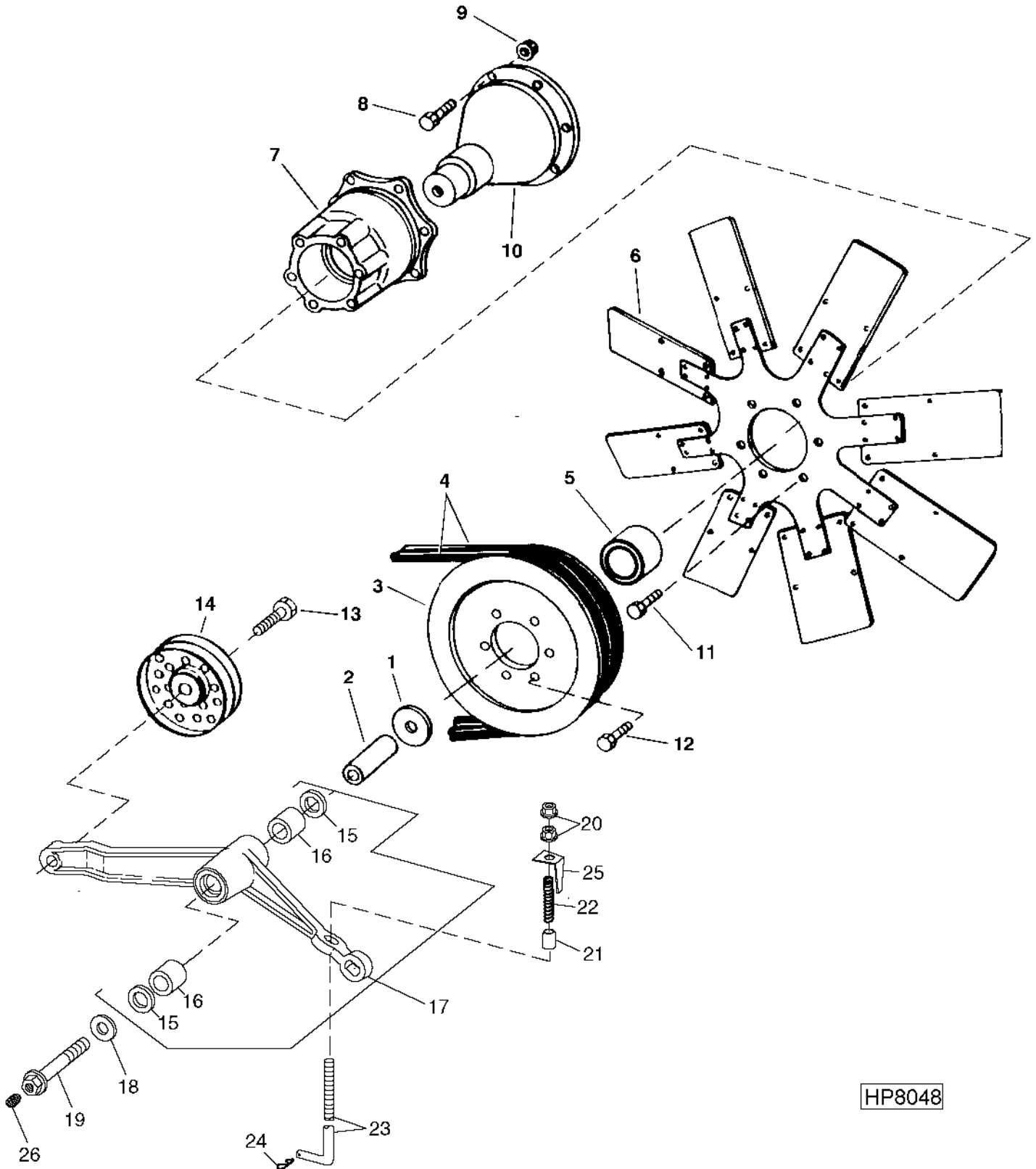
ENGINE ACCESSORIES

RADIATOR AND COOLANT RECOVERY TANK - CONTINUED

KEY	PART NO.	PART NAME	QTY	SERIAL NO.	REMARKS
1	AR21999	HOSE CLAMP	4		
2	AH160197	RADIATOR HOSE	1	-091442	LOWER (2" WATER PUMP INLET)
	AH167558	RADIATOR HOSE	1	091443-	LOWER (2.5" WATER PUMP INLET)
3	AH140930	HOSE	1		
4	AH148649	FILLER CAP	1		10 PSI
5	AH144719	RADIATOR	1		4 FPI, 6 ROW
	AH128257	RADIATOR	1		5 FPI, 5 ROW
6	AT13740	DRAIN VALVE	1		
7	19M7873	SCREW	1		M8 X 110
8	H168752	HOSE	1		VACUUM
9	AT162597	TANK	1		
10	AT106413	CAP	1		
11	H123297	CLAMP	1		
12	AR48236	CLAMP	3		
13	14M7298	FLANGE NUT	4		M8
14	AH89557	CLIP	3		
15	19M7865	SCREW	3		M8 X 16
16	H145832	CLAMP	1		
17	H168751	HOSE	1		OVERFLOW

1B14

ENGINE FAN AND DRIVES
HP8048 -UN-20NOV98



HP8048

1B15

ENGINE ACCESSORIES

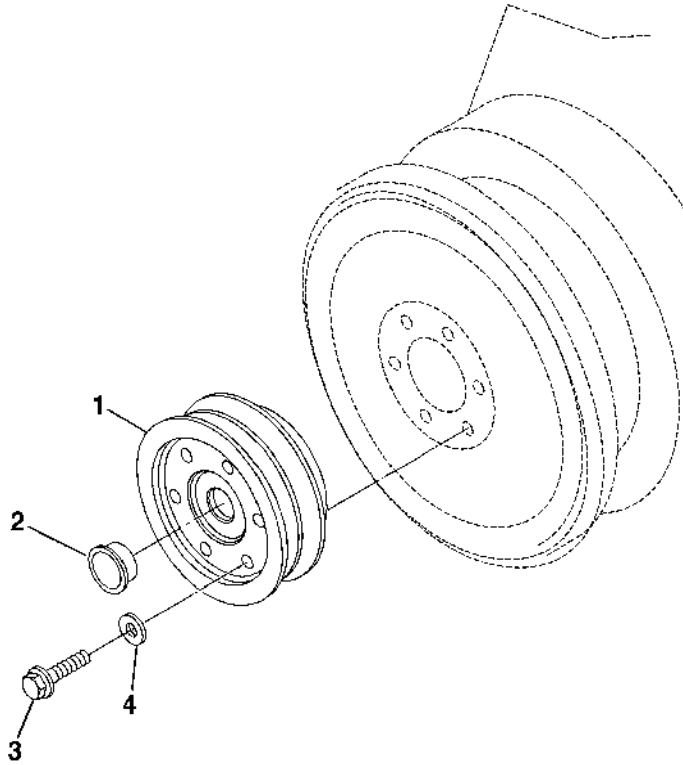
ENGINE FAN AND DRIVES - CONTINUED

KEY	PART NO.	PART NAME	QTY	SERIAL NO.	REMARKS
1	H125466	WASHER	1		13.500 X 48 X 8 MM
2	H125467	BUSHING	1		13 X 25.310 X 90 MM
3	H160368	SHEAVE	1		
4	H160405	BELT	1		
5	AH120815	ROLLER BEARING	1		
6	AH125673	SUCTION FAN	1		
7	H134143	HUB	1		
8	19M7786	SCREW	4		M10 X 30
9	14M7400	LOCK NUT	4		M10
10	H134144	SUPPORT	1		
11	19M7866	SCREW	6		M8 X 20
12	19M7868	SCREW	6		M8 X 30
13	19M8306	SCREW	1		M12 X 50
14	AH155122	IDLER	1		
15	AA5607R	SEAL	2		
16	H99147	BUSHING	2		(SUB H171061)
	H171061	BEARING	2		
17	AH155079	ARM	1		
18	24M7180	WASHER	1		13 X 37 X 3 MM
19	H140848	SET SCREW	1		M12 X 120, 1/4" - TAPPED BOLT
20	14M7296	FLANGE NUT	2		M10
21	H134214	GUIDE	1		
22	H93399	SPRING	1		
23	H164612	BOLT	1		
24	J16931	SPRING LOCKING PIN	1		
25	H162004	GAUGE	1		
26	JD7788	LUBRICATION FITTING	1		

1B16

ENGINE DRIVE

HP6789 -UN-18AUG97



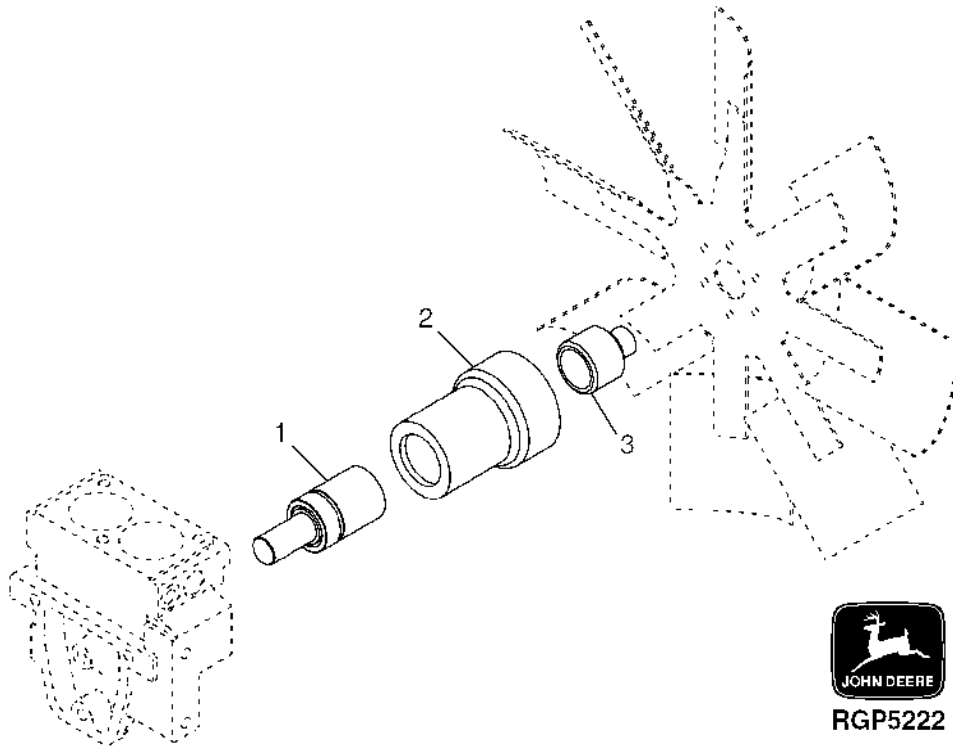
HP6789

KEY	PART NO.	PART NAME	QTY	SERIAL NO.	REMARKS
1	H160367	SHEAVE	1		
2	B2984R	PLUG	1		
3	19H3175	CAP SCREW	6	3/8" X 3-5/8"	
4	24M7239	WASHER	6	10.700 X 21 X 2.500 MM	

1B17

FAN DRIVE

RGP5222 -UN-16JUN99



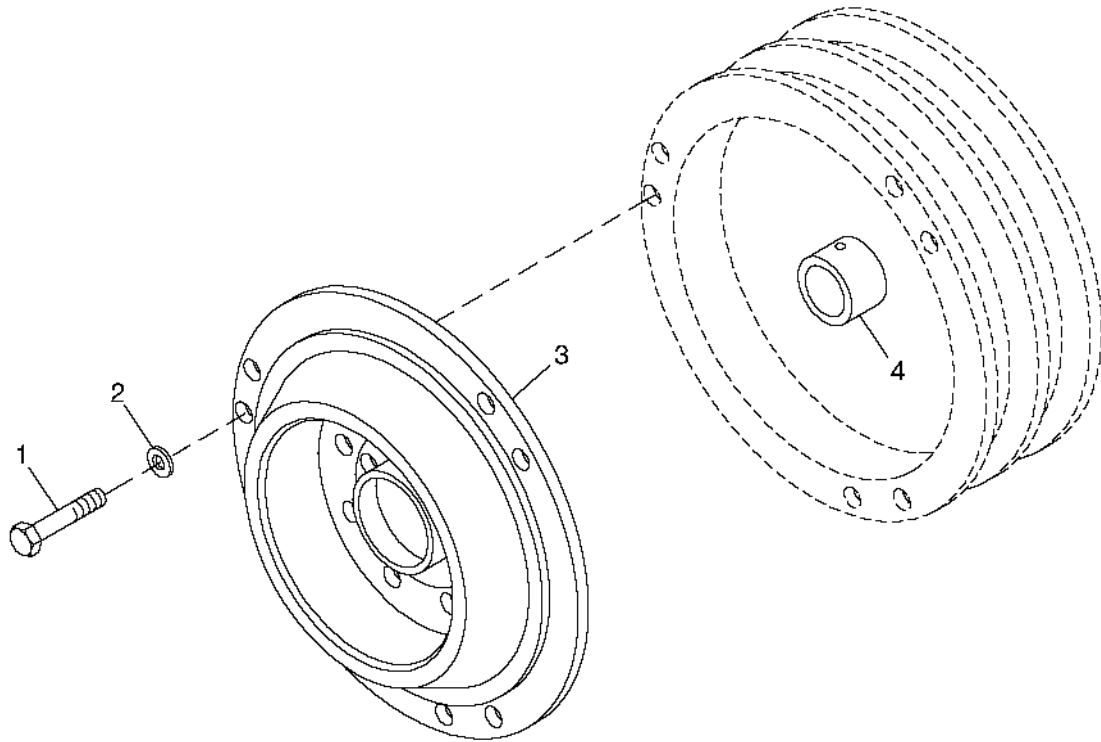
KEY	PART NO.	PART NAME	QTY	ENGINE SERIAL NO.	REMARKS
1	JD10058	BEARING	1		
2	R131949	HUB	1		
3	R131950	SPACER	1		

1B18

ENGINE ACCESSORIES

ENGINE GEARCASE COUPLING WITH HUB

HP8168 -UN-05MAR99



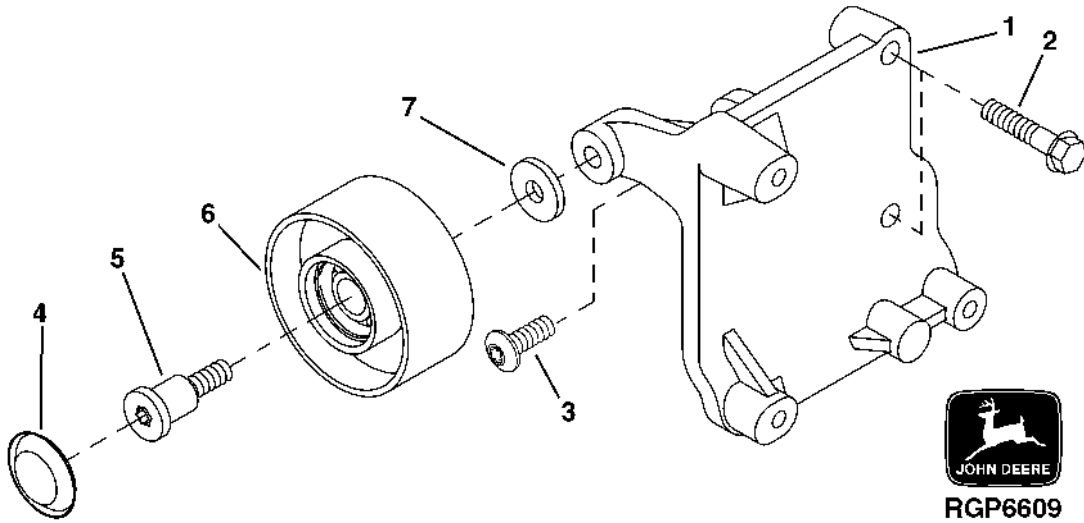
HP8168

KEY	PART NO.	PART NAME	QTY	SERIAL NO.	REMARKS
1	R57725	SCREW	6		
2	R42729	WASHER	6		
3	AH168456	COUPLING	1		(SUB FOR AH155217)
4	JD7147	BALL BEARING	1		

1B19

ENGINE ACCESSORIES

AIR CONDITIONER SUPPORT
RGP6609 -UN-28APR00



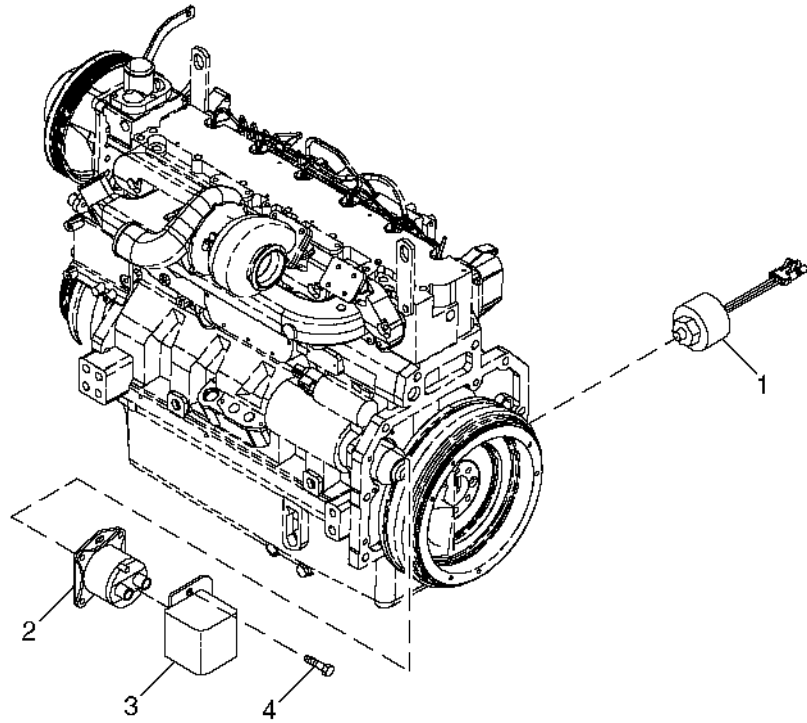
KEY	PART NO.	PART NAME	QTY	ENGINE SERIAL NO.	REMARKS
1	R135728	SUPPORT	1		
2	19H3772	CAP SCREW	2	3/8" X 1-3/4"	
3	R124963	SCREW	1		
4	R99590	COVER	1		
5	R128893	BOLT	1		
6	RE155577	PULLEY	1		
7	R53436	WASHER	1		

1B20

ENGINE ACCESSORIES

START RELAY AND OIL PRESSURE SENSOR

HP8423 -UN-04JUN99



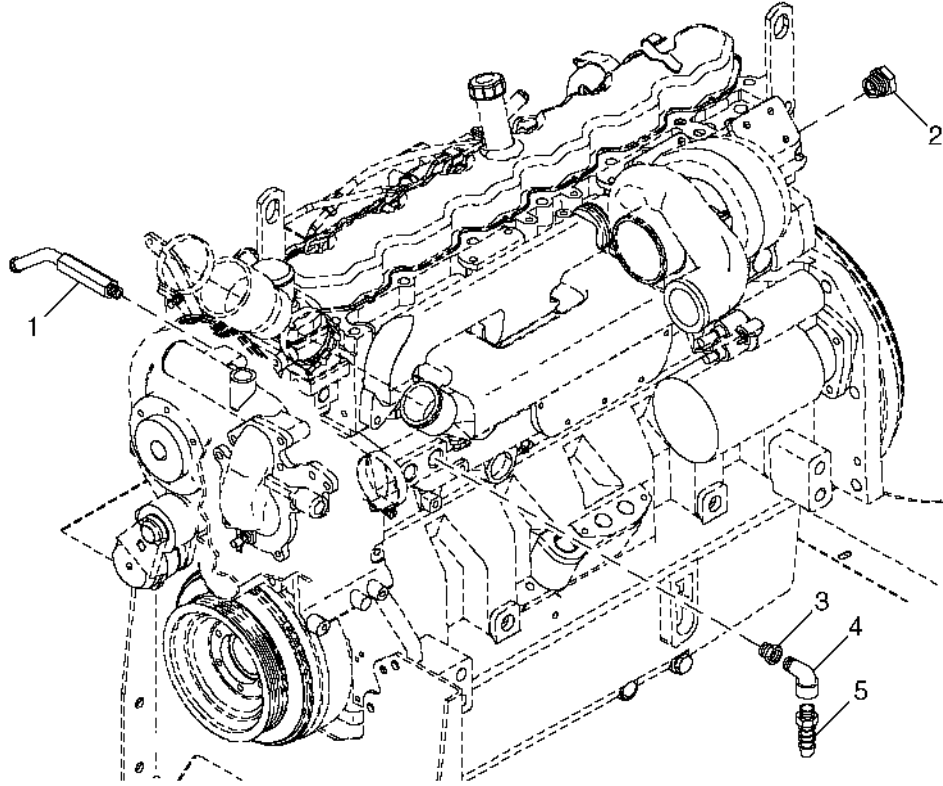
HP8423

KEY	PART NO.	PART NAME	QTY	SERIAL NO.	REMARKS
1	AH133896	SWITCH	1		PRESSURE
2	AH160279	RELAY	1		
3	R113164	COVER	1		
4	37H147	SCREW	2		

1B21

ENGINE HEATER HOSE CONNECTORS

HP8937 -UN-26AUG99

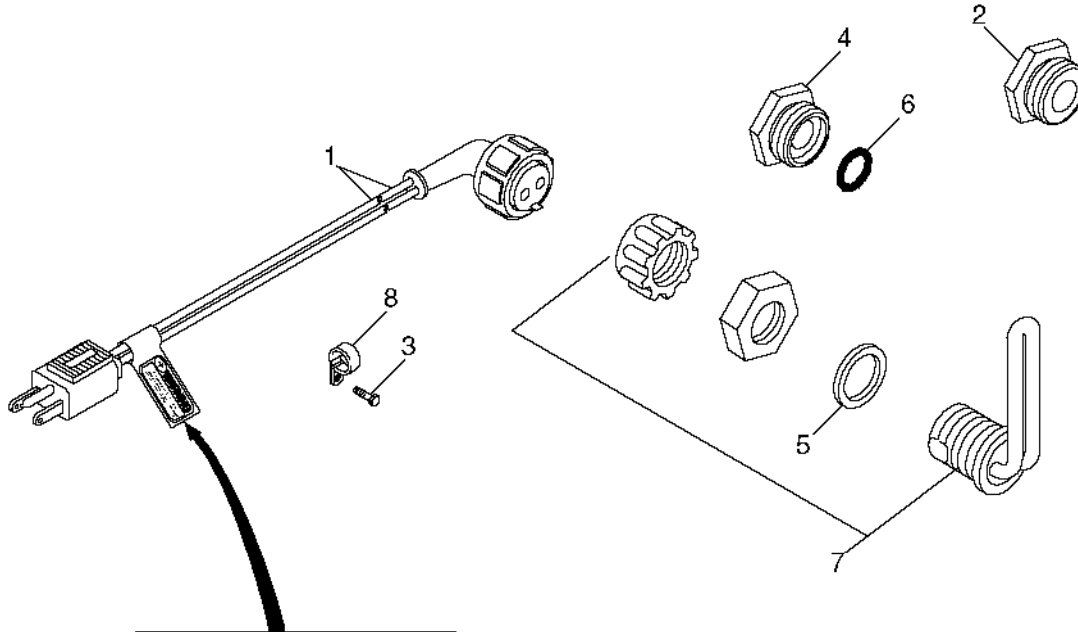


HP8937

KEY	PART NO.	PART NAME	QTY	SERIAL NO.	REMARKS
1	H164854	ADAPTER	1		
2	H163652	FITTING	1		
3	15H515	PIPE BUSHING	1		
4	15H200	ELBOW FITTING	1		
5	H23196	FITTING	1		

1B22

ENGINE BLOCK COOLANT HEATER AND EXT. CORD
HP8293 -UN-17AUG99



⚡ WARNING
To prevent shock,
always use a grounded
3-wire extension cord

HP8293

1B23

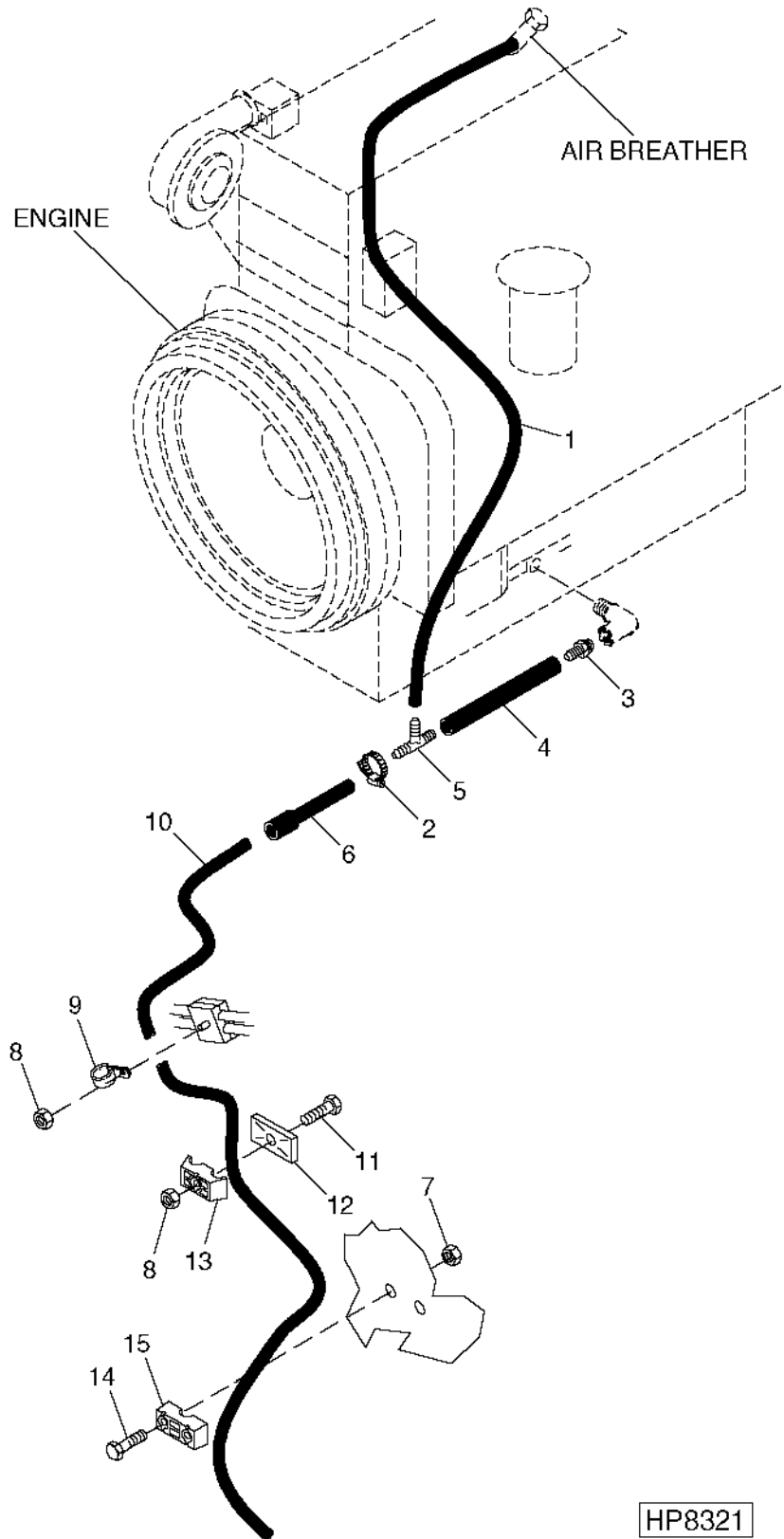
ENGINE ACCESSORIES

ENGINE BLOCK COOLANT HEATER AND EXT. CORD - CONTINUED

KEY	PART NO.	PART NAME	QTY	SERIAL NO.	REMARKS
1	AT73296	POWER CORD	1	12', 110 VOLT	
	AH151458	POWER CORD	1	4', 220 VOLT	
2	R39741	DRAIN PLUG	1		USE WITHOUT COOLANT HEATER
3	37M7083	SCREW	1		
4	R54123	ADAPTER	1		
5	R47693	GASKET	1		
6	U13639	O-RING	1	37.465 X 2.997 MM	
7	RE504122	COOLANT HEATER	1	110 VOLT	
	RE504121	HEATER	1	240 VOLT	
8	H75541	CLAMP	1		

1B24

ENGINE CRANKCASE OIL DRAIN
HP8321 -UN-04JUN99



HP8321

1B25

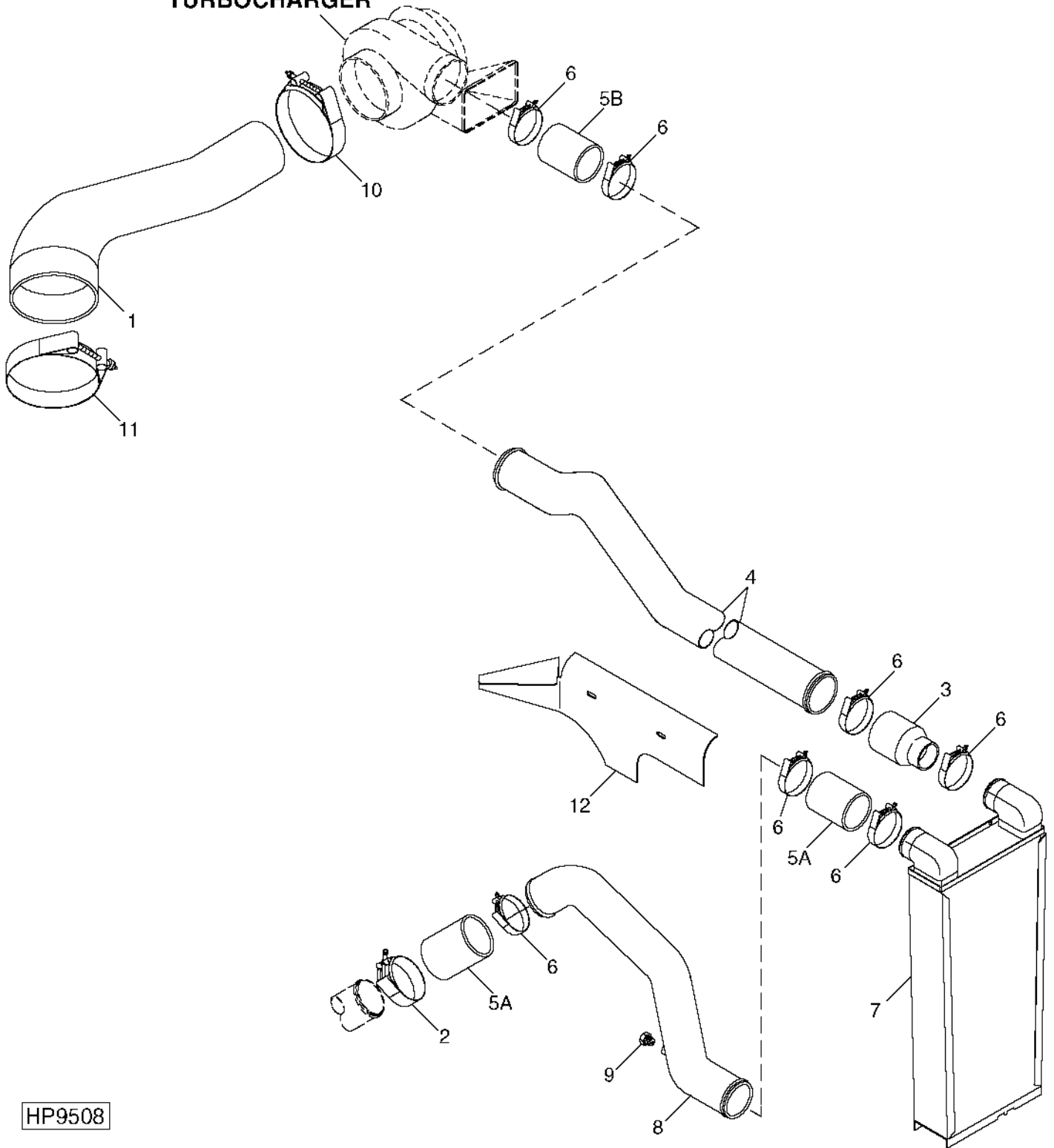
ENGINE ACCESSORIES

ENGINE CRANKCASE OIL DRAIN - CONTINUED

KEY	PART NO.	PART NAME	QTY	SERIAL NO.	REMARKS
1	H152868	HOSE	1		
2	AT18904	CLAMP	5		
3	A27238	HOSE FITTING	1		
4	TY22424	HOSE	1		
5	A24915	TEE FITTING	1		
6	H160024	HOSE	1		
7	14M7303	FLANGE NUT	2	M6	
8	14M7298	FLANGE NUT	2	M8	
9	T27550	CLIP	1		
10	H161155	TUBE	1		
11	19M7801	SCREW	1	M8 X 60	
12	H112567	PLATE	2		
13	H114897	CLAMP	2		
14	03M7280	BOLT	2	M6 X 45	
15	H114432	CLAMP	2		

INTERCOOLER
HP9508 -UN-20JAN00

TURBOCHARGER



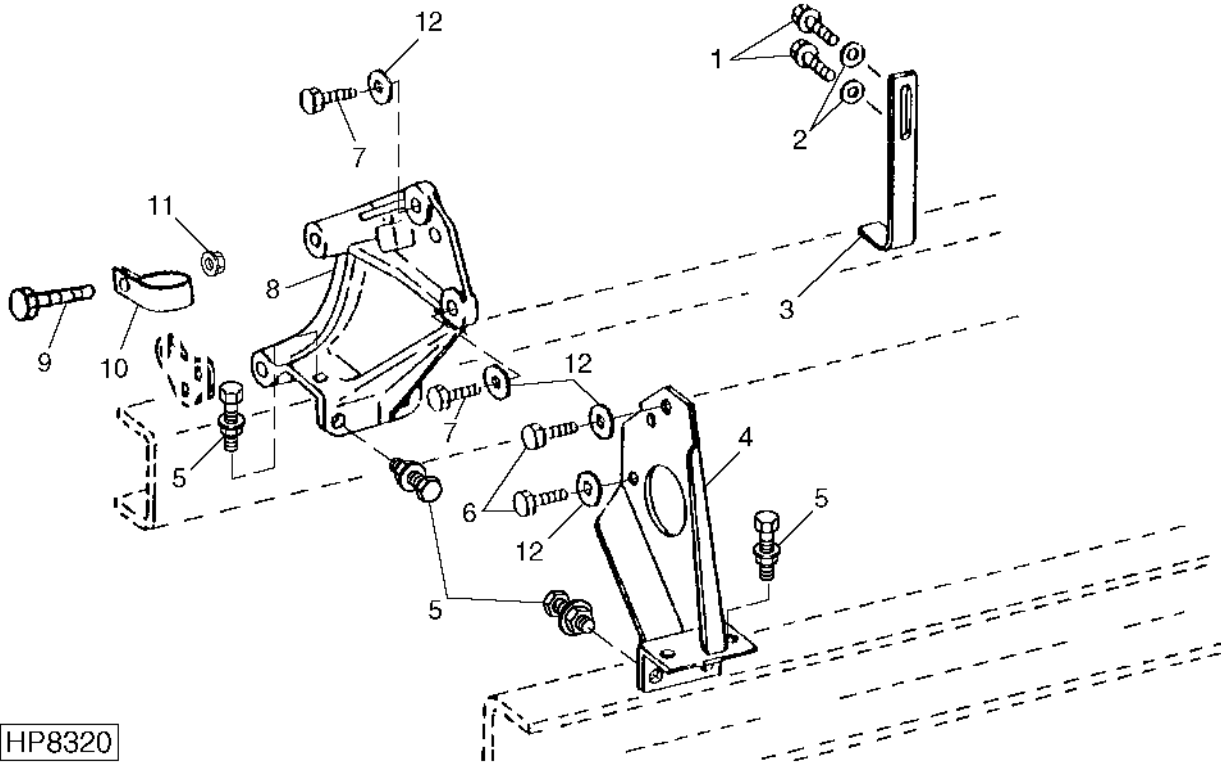
HP9508

INTERCOOLER - CONTINUED

KEY	PART NO.	PART NAME	QTY	SERIAL NO.	REMARKS
1	AH153659	TUBE	1		
2	AT39141	HOSE CLAMP	1		
3	H152403	HOSE	1		
4	H161575	TUBE	1		
5A	H133051	HOSE	2	2.5"	
5B	H154825	HOSE	1		(SUB H168359) 3" (USE WITH AT37476 (CLAMP))
	H168359	HOSE	1		(USE WITH AT37476 (CLAMP) OR RE52702 CLAMP)
6	AT37476	HOSE CLAMP	7		(USE WITH H154825)
	RE52702	CLAMP	7		(USE WITH H154825 OR H168359)
7	AN273814	OIL COOLER	1		
8	AH155055	LINE	1		
9	R71210	ADAPTER	1		
10	AT112176	HOSE CLAMP	1		
11	AT131716	HOSE CLAMP	1		
12	H169173	DEFLECTOR	1		

1C3

ENGINE MOUNTS AND REAR SUPPORT
HP8320 -UN-04JUN99

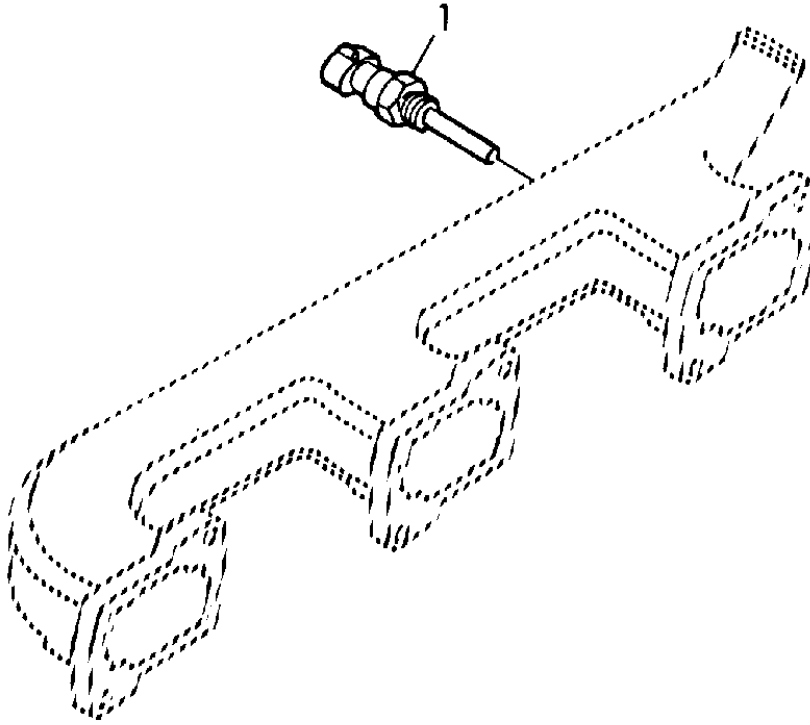


HP8320

KEY	PART NO.	PART NAME	QTY	SERIAL NO.	REMARKS
1	19H1824	CAP SCREW	2	5/8" X 2-1/4"	
2	24H1373	WASHER	2	21/32" X 1-9/16" X 0.180"	
3	H134856	BRACKET	1	REAR	
4	AH148106	SUPPORT	1		
5	19M7786	SCREW	8	M10 X 30	
	14M7296	FLANGE NUT	8	M10	
6	19H1792	CAP SCREW	2	1/2" X 1"	
7	19H2473	CAP SCREW	2	1/2" X 1-3/4"	
8	H147115	SUPPORT	1	R.H.	
9	19M7865	SCREW	1	M8 X 16	
10	H143757	HOSE CLAMP	1		
11	14M7298	FLANGE NUT	1	M8	
12	12H301	LOCK WASHER	4	12.700 MM (1/2")	

1C4

TEMPERATURE SENSOR
ZX016683 -UN-25FEB99



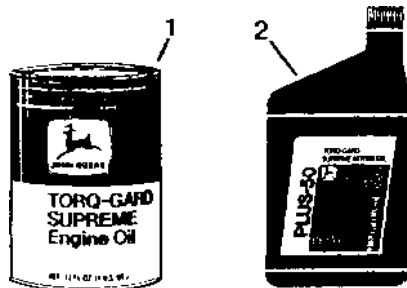
ZX 016683

KEY	PART NO.	PART NAME	QTY	SERIAL NO.	REMARKS
1	AH156145	SENSOR	1		

MEMORANDA

TORQ-GARD SUPREME AND PLUS-50 ENGINE OIL

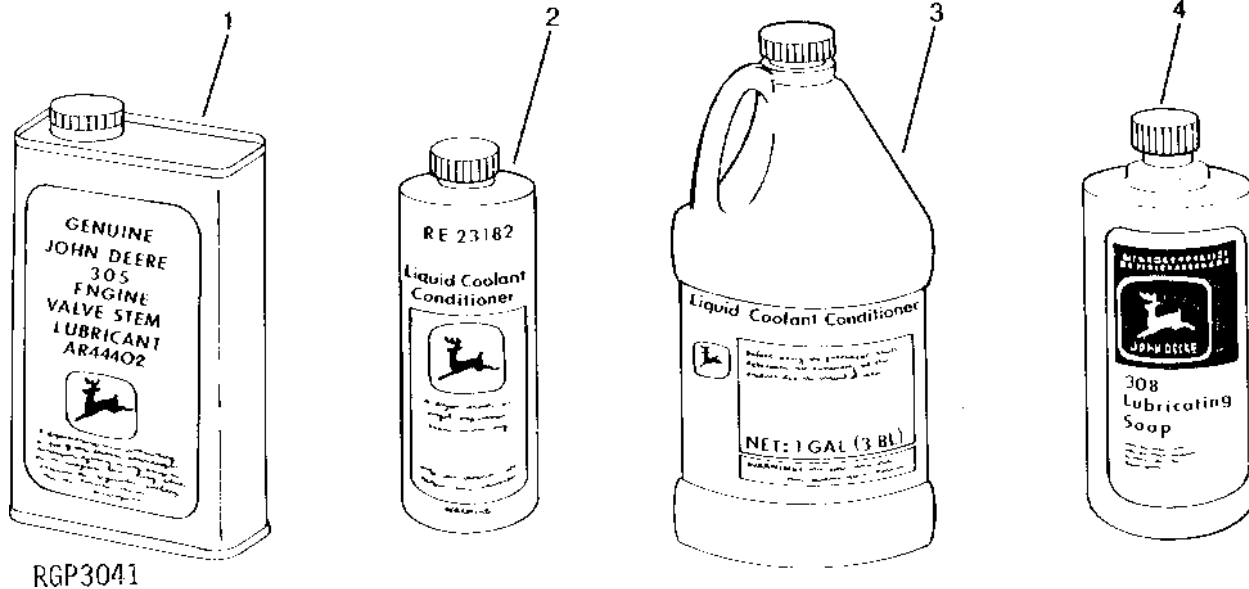
RGP3291 -UN-01JAN94



RGP 3291

KEY	PART NO.	PART NAME	QTY	ENGINE SERIAL NO.	REMARKS	
1	TY22064	OIL	1	(SAE 5W/30), 0.9L (1 QT)		
	TY22065	OIL	1	(SAE 5W/30), 19L (5 GAL)		
	TY22066	OIL	1	(SAE 5W/30), 208L (55 GAL)		
	TY6364	OIL	1	(SAE 10W/30), 0.9L (1 QT) (BREAKIN)		
	TY22067	OIL	1	(SAE 10W), .9L (1 GAL)		
	TY22068	OIL	1	(SAE 10W), 19L (5 GAL)		
	TY22069	OIL	1	(SAE 10W), 208L (55 GAL)		
	TY22070	OIL	1	(SAE 30W), 0.9L (1 GAL)		
	TY22073	OIL	1	(SAE 30W), 19L (5 GAL)		
	TY6280	OIL	1	(SAE 30W), 114L (30 GAL)		
2	TY22074	OIL	1	(SAE 30W), 208L (55 GAL)		
	TY6389	OIL	1	(SAE 15W/40), 0.9 L (1 QT)		
	TY22008	OIL	1	(SAE 15W/40), 3.8 L (1 GAL)		
	TY6390	OIL	1	(SAE 15W/40), 19 L (5 GAL)		
	TY22010	OIL	1	(SAE 15W/40), 113.6 L (30 GAL)		
	TY6391	OIL	1	(SAE 15W/40), 208 L (55 GAL)		
	TY6392	OIL	1	(SAE 30W), 0.9 L (1 QT)		
	TY22007	OIL	1	(SAE 30W), 3.8 L (1 GAL)		
	TY6393	OIL	1	(SAE 30W), 19 L (5 GAL)		
	TY22011	OIL	1	(SAE 30W), 113.6 L (30 GAL)		
	TY6394	OIL	1	(SAE 30W), 208 L (55 GAL)		
	..	TY22041	OIL	1	(SAE 10W/30), 3.8 L (1 GAL) (BREAKIN)	
	..	TY22042	OIL	1	(SAE 10W/30), 208 L (55 GAL) (BREAKIN)	

ACCESSORY PARTS
RGP3041 -UN-01JAN94



RGP3041

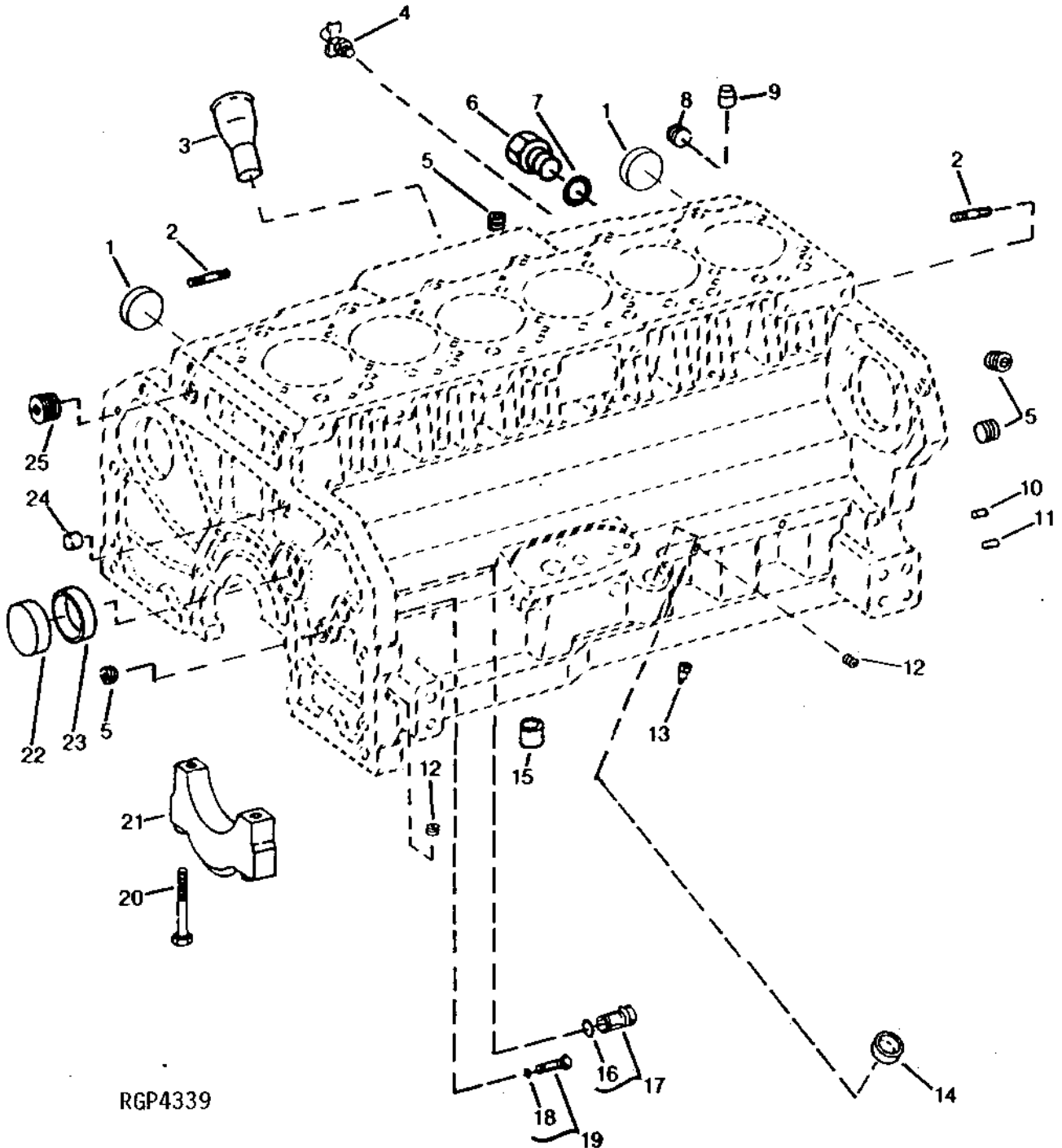
KEY	PART NO.	PART NAME	QTY	ENGINE SERIAL NO.	REMARKS
1	AR44402	OIL	1		0.9 L (1 QT)
2	TY16004	ENGINE COOLANT CONDITIONER	1		0.472 L (16 OZ)
3	TY16005	ENGINE COOLANT CONDITIONER	1		3.8 L (1 GAL)
4	AR54749	LUBRICANT	1		0.9 L (1 QT)
..	AT66865	LUBRICANT	1		(ELECTRICAL CONNECTIONS)
..	AR41785	KIT	1		0.9 L (1 QT)
..	AR21969	KIT	1		(CAP PLUG)
..	DS0251	KIT	1		(COOLANT SCAN TEST)
..	IPSKIT1	KIT	1		(OIL SCAN TEST)
..	DS0557	VALVE	1		(SAMPLING SYSTEM)
..	TY16423	INDICATOR	1		(COOLANT EYE - FILL OR FLUSHING PORT)

MEMORANDA

1C10

ENGINE

CYLINDER BLOCK FITTINGS
RGP4339 -UN-01JAN94



RGP4339

1C11

ENGINE

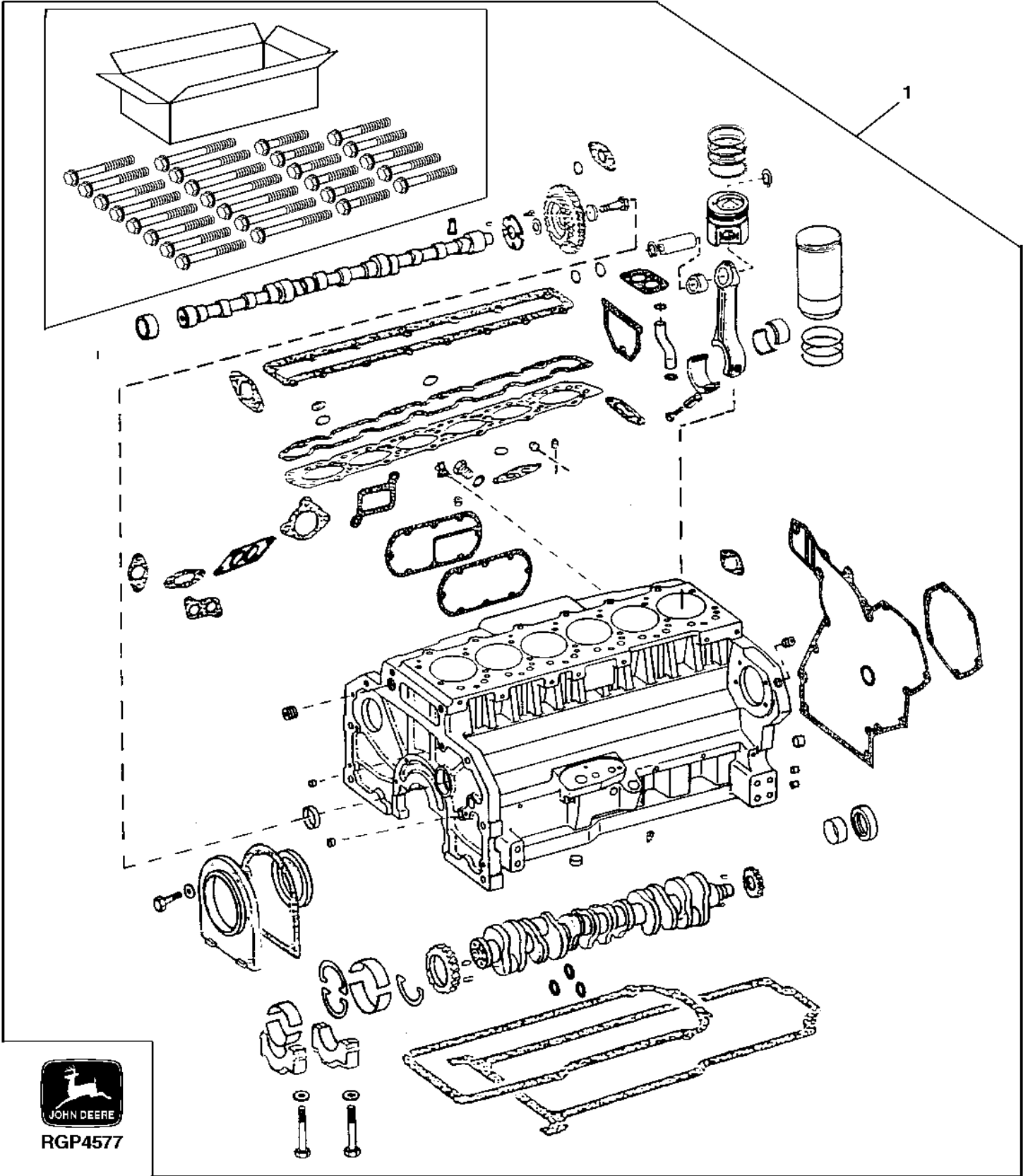
CYLINDER BLOCK FITTINGS - CONTINUED

KEY	PART NO.	PART NAME	QTY	ENGINE SERIAL NO.	REMARKS
1	R43409	CAP	2		
2	R114130	STUD	5		
3	R121765	DIPSTICK TUBE	1		
4	AT13740	DRAIN VALVE	1		
5	R36599	PLUG	3		1/2 ", (NOT AS SHOWN)
6	R39741	DRAIN PLUG	1		
7	U13639	O-RING	1		
8	15H690	PIPE PLUG	1		3/4"
9	R42340	BUSHING	2		
10	R1612R	DOWEL PIN	2		
11	F1743R	DOWEL PIN	2		
12	R104592	PIPE PLUG	6		
13	R43621	ORIFICE	6		
14	T35390	CAP	1		(OIL FILL HOLE NOT USED)
15	R500642	BUSHING	2		
16	R27149	O-RING	1		
17	AR61533	PLUG	1		
18	A4365R	O-RING	1		
19	AR61589	PLUG	1		
20	R122364	BOLT	14		
21	R120953	BEARING CAP	6		(MAIN)
	R120954	BEARING CAP	1		(THRUST)
22	R82007	CAP	1		
23	R87561	BUSHING	4		
24	R61288	DOWEL PIN	1		
25	15H562	PIPE PLUG	1		1"
..	15H686	PIPE PLUG	1		1", (CYLINDER BLOCK REAR COOLANT OPENING)
..	CYLINDER BLOCK	NA		(NOT AVAILABLE)

1C12

ENGINE

ENGINE SHORT BLOCK
RGP4577 -UN-02NOV95



1C13

ENGINE

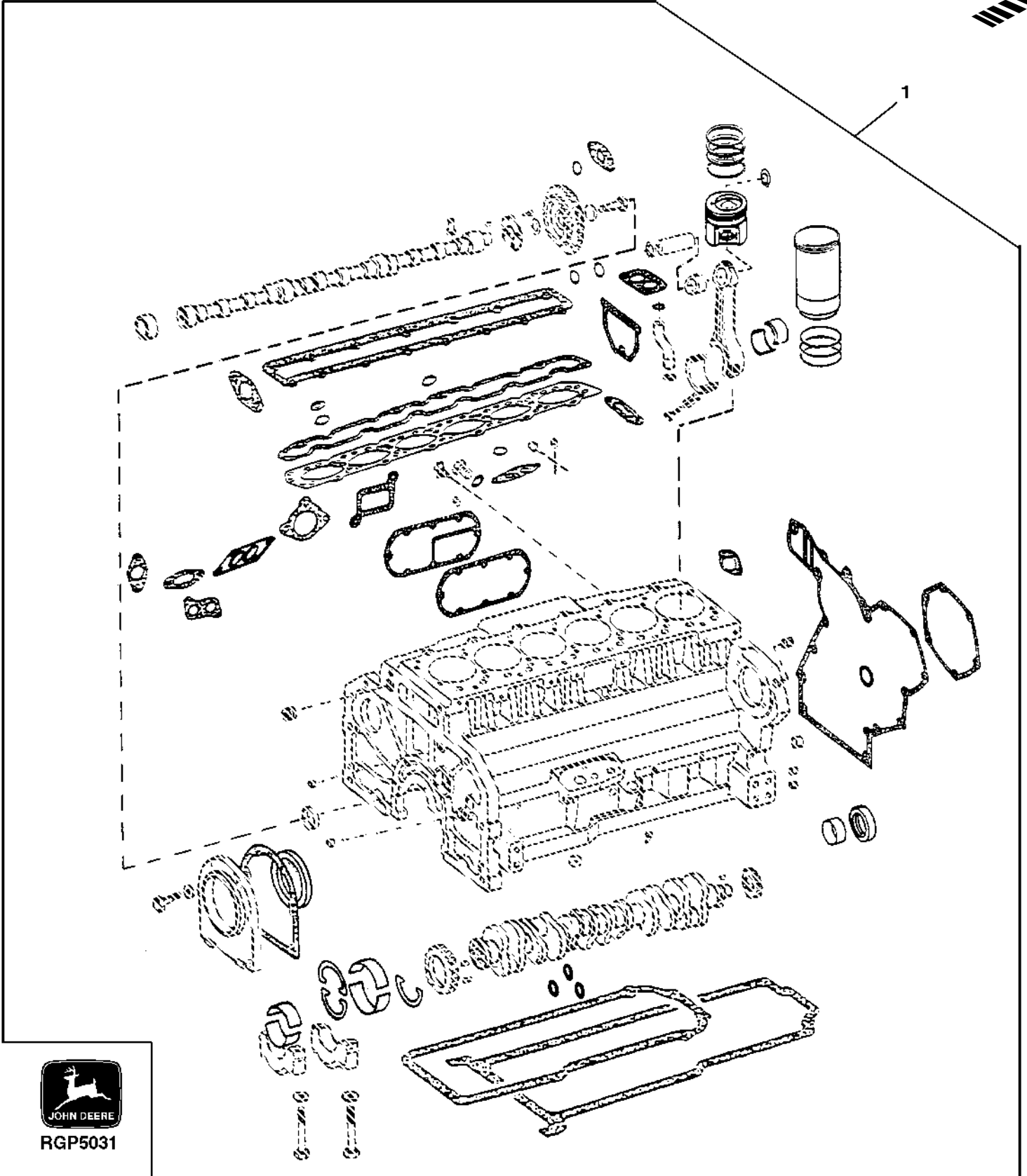
ENGINE SHORT BLOCK - CONTINUED

KEY	PART NO.	PART NAME	QTY	ENGINE SERIAL NO.	REMARKS
1	RE504203	SHORT BLOCK ASSEMBLY	1		(LOW COMPRESSION RE70689 PISTON) (MARKED R115471) (ALSO ORDER R121765)

1C14

ENGINE

ENGINE OVERHAUL KIT
RGP5031 -UN-11MAY98



RGP5031

1C15

ENGINE

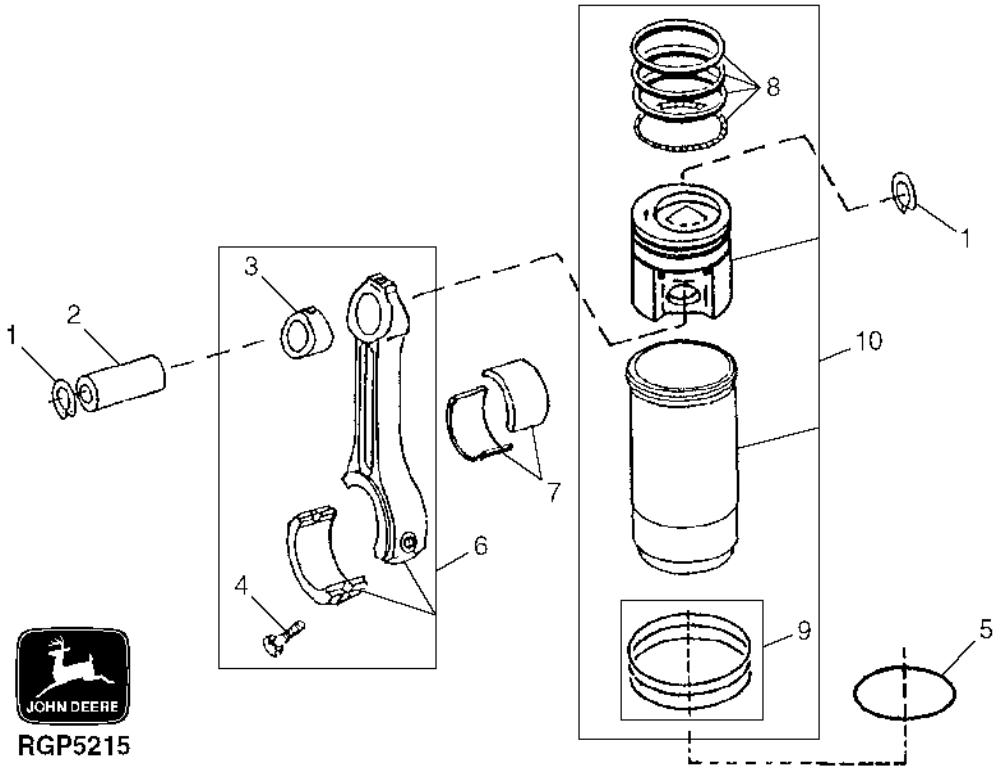
ENGINE OVERHAUL KIT - CONTINUED

KEY	PART NO.	PART NAME	QTY	ENGINE SERIAL NO.	REMARKS
1	RE504202	ENGINE OVERHAUL KIT	1		(CONTAINS (6) RE62791 PISTON/LINERS, GASKET KIT, STD BEARINGS, FRONT/REAR SEALS, AND SNAP RINGS) (ALSO ORDER R501035 ROD BOLTS) (CONTAINS LOW COMPRESSION PISTONS MARKED RE70689)

1C16

ENGINE

PISTON / CONNECTING RODS / CYLINDER LINER
RGP5215 -UN-16JUN99

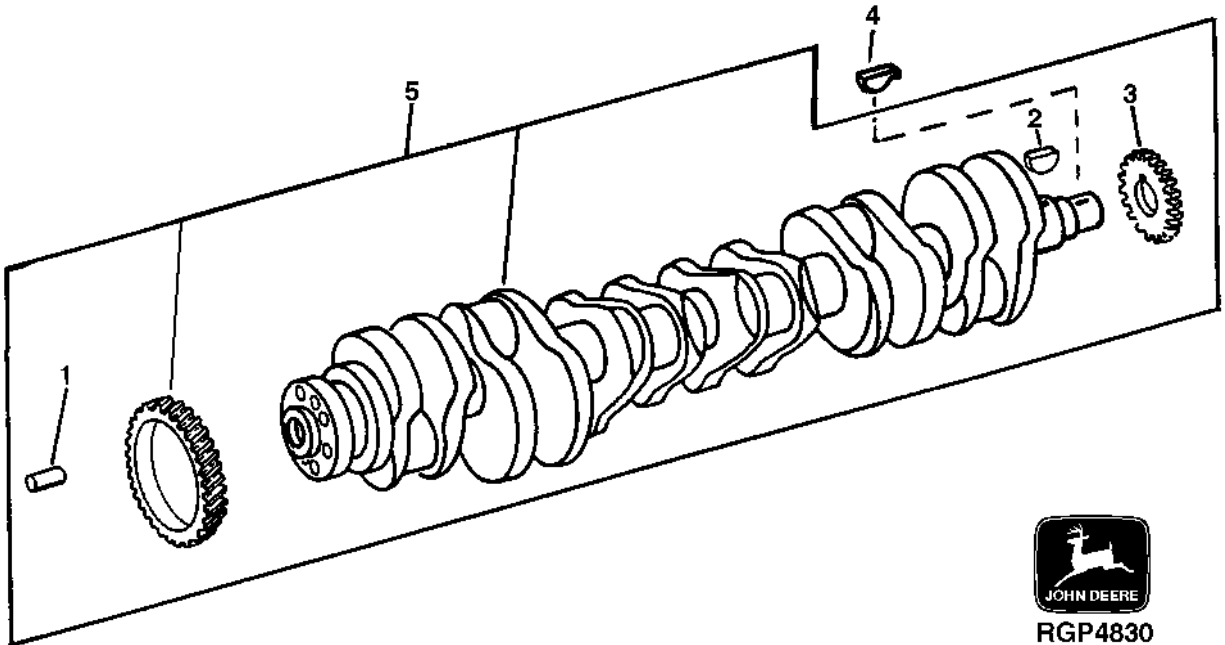


KEY	PART NO.	PART NAME	QTY	ENGINE SERIAL NO.	REMARKS
1	E1343FN	SNAP RING	12		
2	R57771	PISTON PIN	6		
3	R74008	BUSHING	6		
4	R501035	CAP SCREW	12		
5	R93948	SHIM	2	0.05MM (.002") (MAX.)	
6	RE501513	CONNECTING ROD	6	(MARKED R501034)	
7	R116081	BEARING	AR	STD PKG (2)	
	RE57167	BEARING	AR	0.292MM (.011") (UNDERSIZE) (PKG OF (2)	
				R121338)	
8	RE503528	PISTON RING	6		
9	AR98850	KIT	6		
10	RE62791	KIT	6	(LOW COMPRESSION) (MARKED RE65407)	

1C17

ENGINE

CRANKSHAFT
RGP4830 -UN-02DEC96

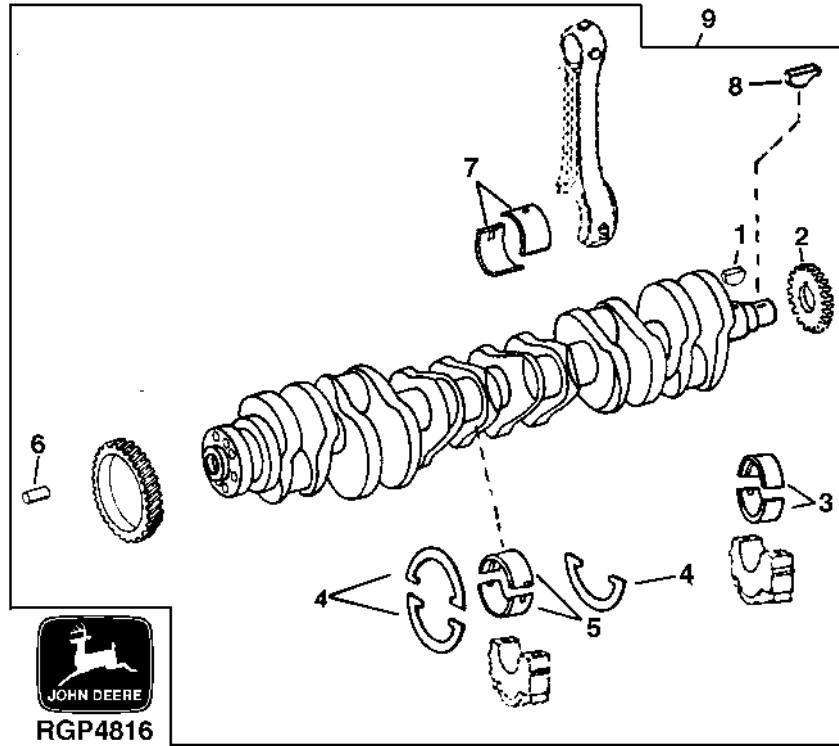


KEY	PART NO.	PART NAME	QTY	ENGINE SERIAL NO.	REMARKS
1	R41934	DOWEL PIN	1		
2	R120752	KEY	1	1/8" X 0.625"	
3	R104587	GEAR	1		
4	R116311	KEY	1		
5	RE55522	CRANKSHAFT	1	(MARKED RE55522)	

1C18

ENGINE

UNDERSIZE CRANKSHAFT/BEARINGS, KIT
RGP4816 -UN-21OCT96



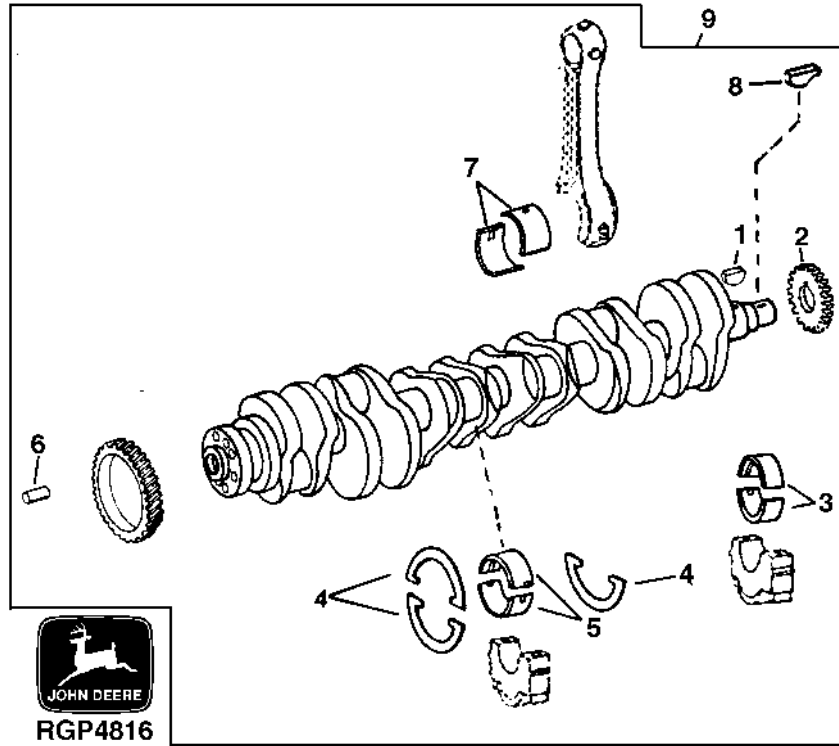
KEY	PART NO.	PART NAME	QTY	ENGINE SERIAL NO.	REMARKS
1	R120752	KEY	1		
2	R104587	GEAR	1		
3	RE504195	BEARING	6	STD	
4	RE61253	THRUST WASHER	1	STD (PKG R116084 AND, R116085)	
5	RE504198	THRUST BEARING	1	STD (PKG R116085)	
6	R41934	DOWEL PIN	1		
7	RE57167	BEARING	6	.292 MM (.011") US (PKG (2) R121338)	
8	R116311	KEY	1		
9	RE61267	CRANKSHAFT	1	.292 MM (.011") US, (MARKED RE58780 OR R122653)	

1C19

ENGINE

UNDERSIZE MAIN BEARING CRANKSHAFT AND BEARING KIT

RGP4816 -UN-21OCT96



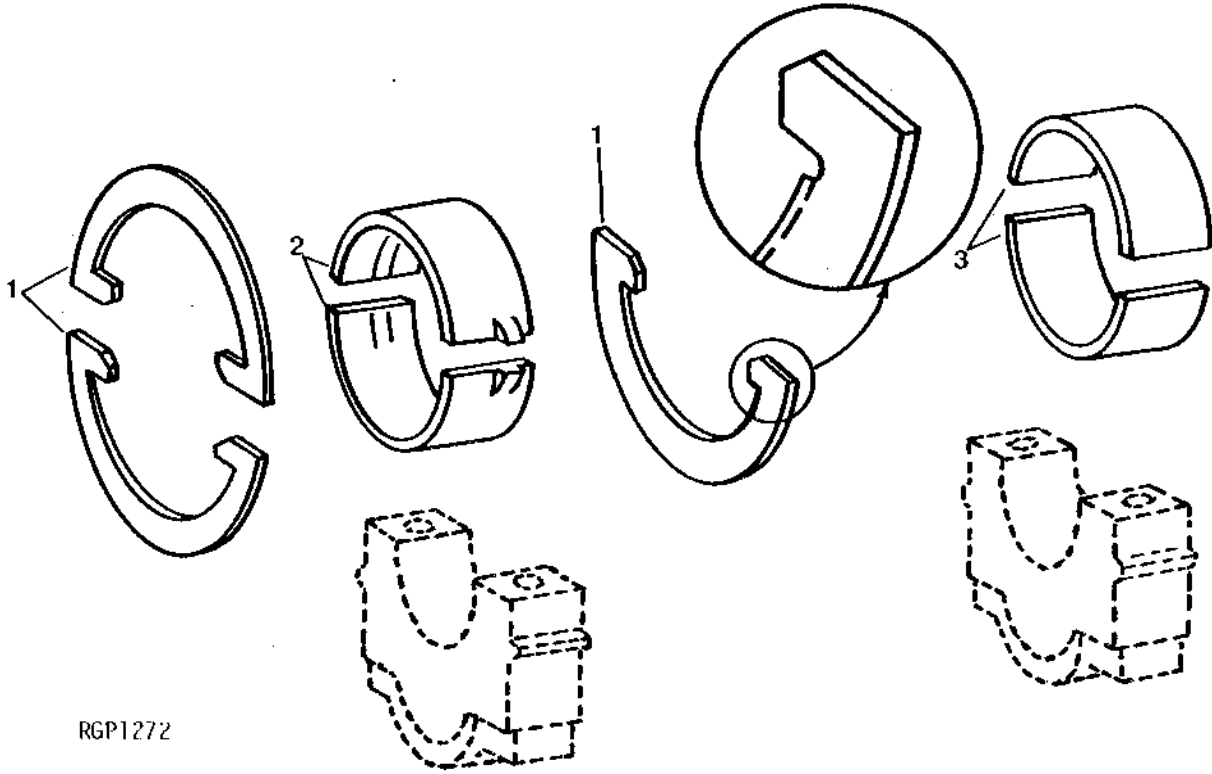
KEY	PART NO.	PART NAME	QTY	ENGINE SERIAL NO.	REMARKS
1	R120752	KEY	1	1/8" X 0.625"	
2	R104587	GEAR	1		
3	RE57172	BEARING	6	.292 MM (.011") US (PKG R121342 AND, R121346)	
4	RE61851	THRUST WASHER	1	0.18MM (.007") OS FLANGE (PKG (3) R124842)	
5	RE57177	THRUST BEARING	1	.292 MM (.011") US (PKG R121350 AND, R121354)	
6	R41934	DOWEL PIN	1		
7	R116081	BEARING	6	STD	
8	R116311	KEY	1		
9	RE61268	CRANKSHAFT	1	(MARKED R122654 OR RE58781)	

1C20

ENGINE

MAIN BEARINGS

RGP1272 -UN-01JAN94



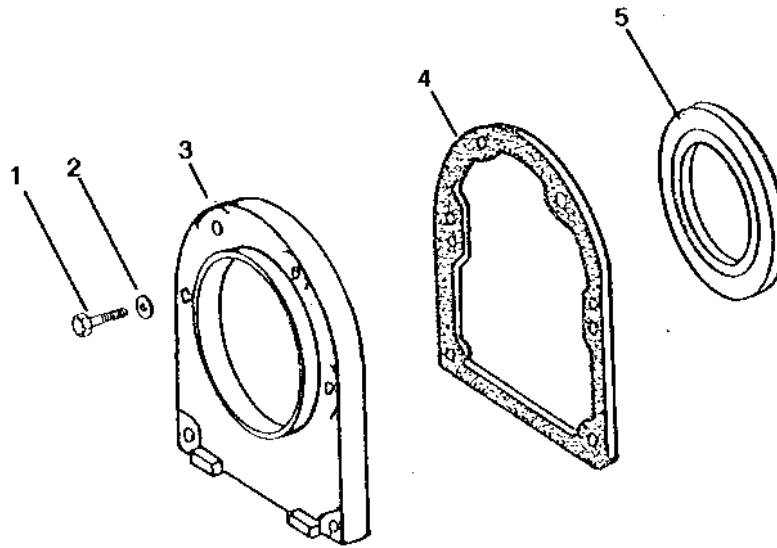
KEY	PART NO.	PART NAME	QTY	ENGINE SERIAL NO.	REMARKS
1	RE61253	THRUST WASHER	1		STD (PKG (3) R124381)
	RE61851	THRUST WASHER	1		0.18 MM (.007") (PKG (3) R124842)
2	RE57175	THRUST BEARING	1		STD (PKG R116084 AND R116085)
	RE57177	THRUST BEARING	1		0.292 MM (.011") (PKG R121350 AND R121354)
3	RE57178	THRUST BEARING	1		0.552 MM (.022") (PKG R121351 AND R121355)
	RE57170	BEARING	AR		STD (PKG R116082 AND R116083)
	RE57172	BEARING	AR		0.292 MM (.011") (PKG R121342 AND R121346)
	RE57173	BEARING	AR		0.552 MM (.022") (PKG R121343 AND R121347)

1C21

ENGINE

CRANKSHAFT OIL SEAL AND HOUSING

RGP2382 -UN-01JAN94



RGP2382

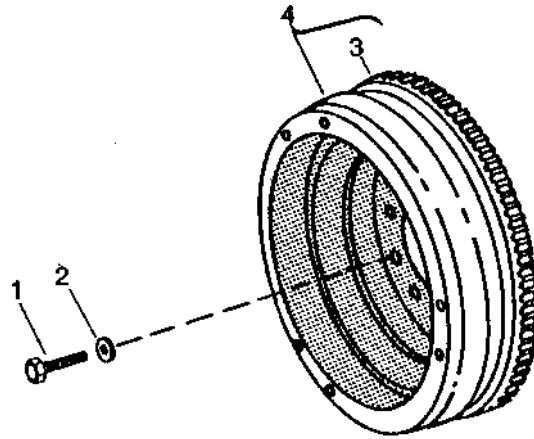
KEY	PART NO.	PART NAME	QTY	ENGINE SERIAL NO.	REMARKS
1	19H2117	CAP SCREW	6		
2	T27860	WASHER	6		5/16" X 1-1/8"
3	R125027	HOUSING	1		11/32" X 11/16" X 0.065"
4	R26058	GASKET	1		
5	RE22764	SEAL	1		

1C22

ENGINE

FLYWHEEL

RGP198 -UN-01JAN94



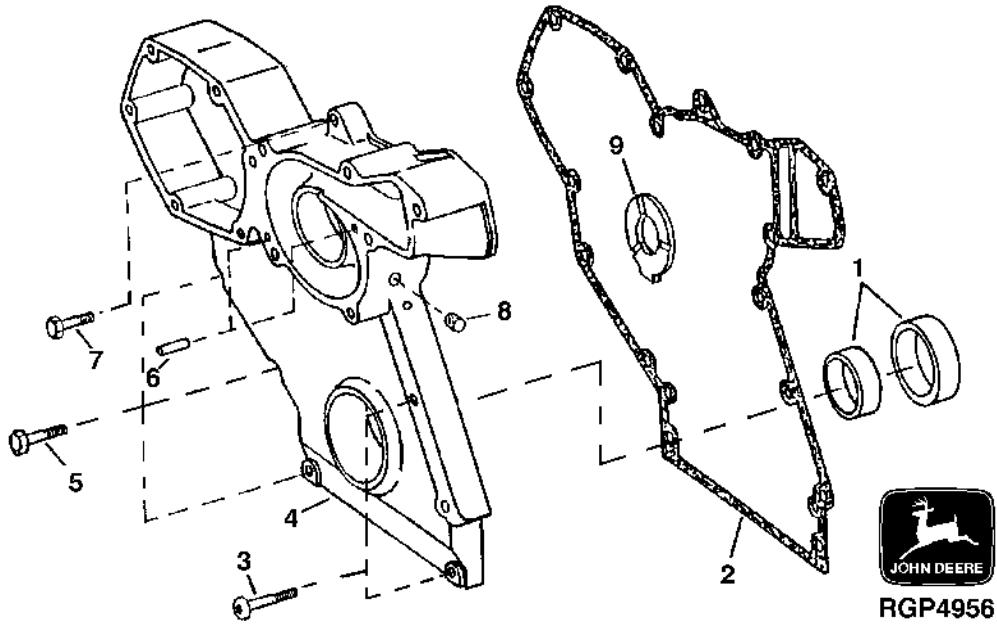
RGP198

KEY	PART NO.	PART NAME	QTY	ENGINE SERIAL NO.	REMARKS
1	R93238	CAP SCREW	6		
2	T21242	WASHER	6		
3	R28811	RING GEAR	1		
4	RE502510	FLYWHEEL	1	(MARKED R501414)	

1C23

ENGINE

TIMING GEAR COVER
RGP4956 -UN-20AUG97



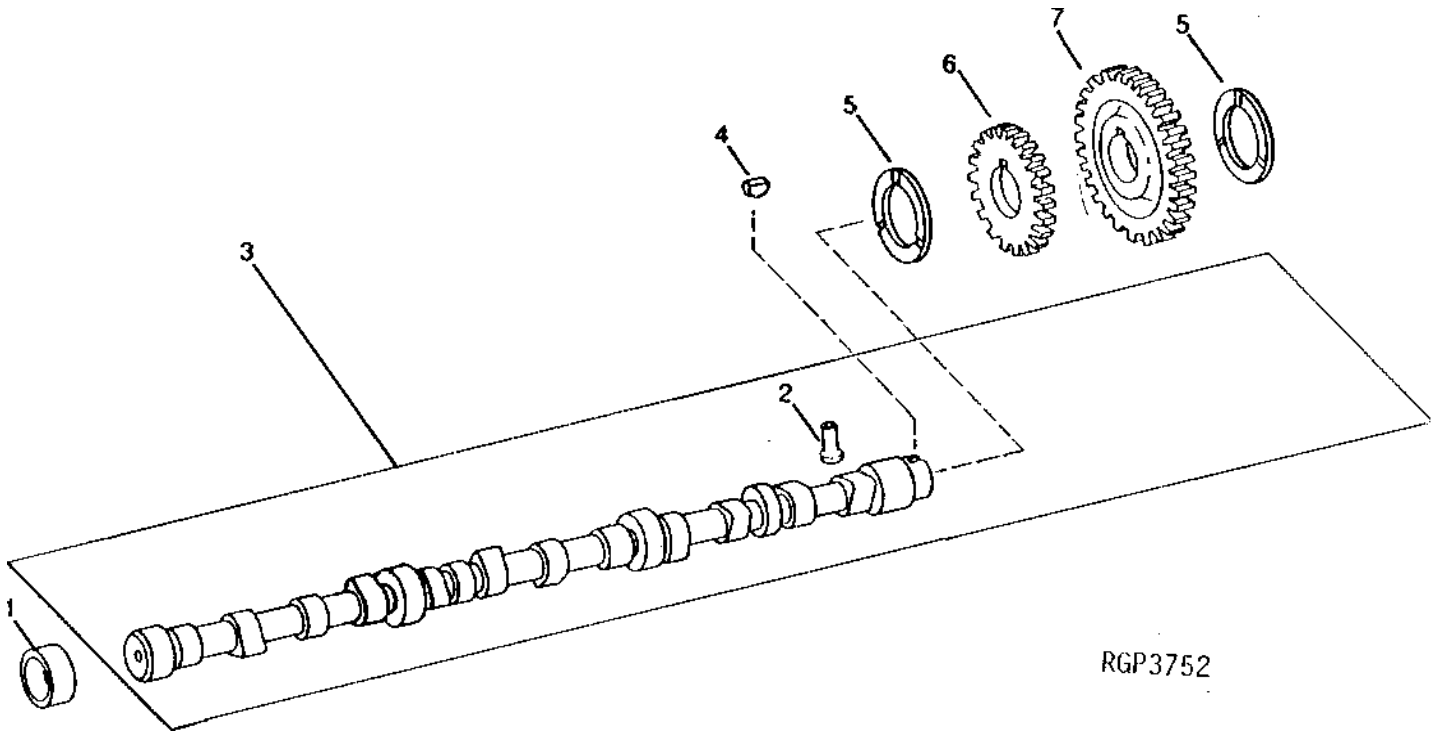
KEY	PART NO.	PART NAME	QTY	ENGINE SERIAL NO.	REMARKS
1	AR49025	SEAL	1		
2	R119384	GASKET	1		
3	R115129	CAP SCREW	3		
4	R502081	COVER	1		
5	R104859	CAP SCREW	3		
6	R11086	DOWEL PIN	2		
7	19H3693	CAP SCREW	1	3/8" X 1-1/4"	
8	R98527	FILTER	1	(WATER PUMP)	
9	R104656	THRUST WASHER	1		

1C24

ENGINE

CAMSHAFT
RGP3752

-UN-01JAN94



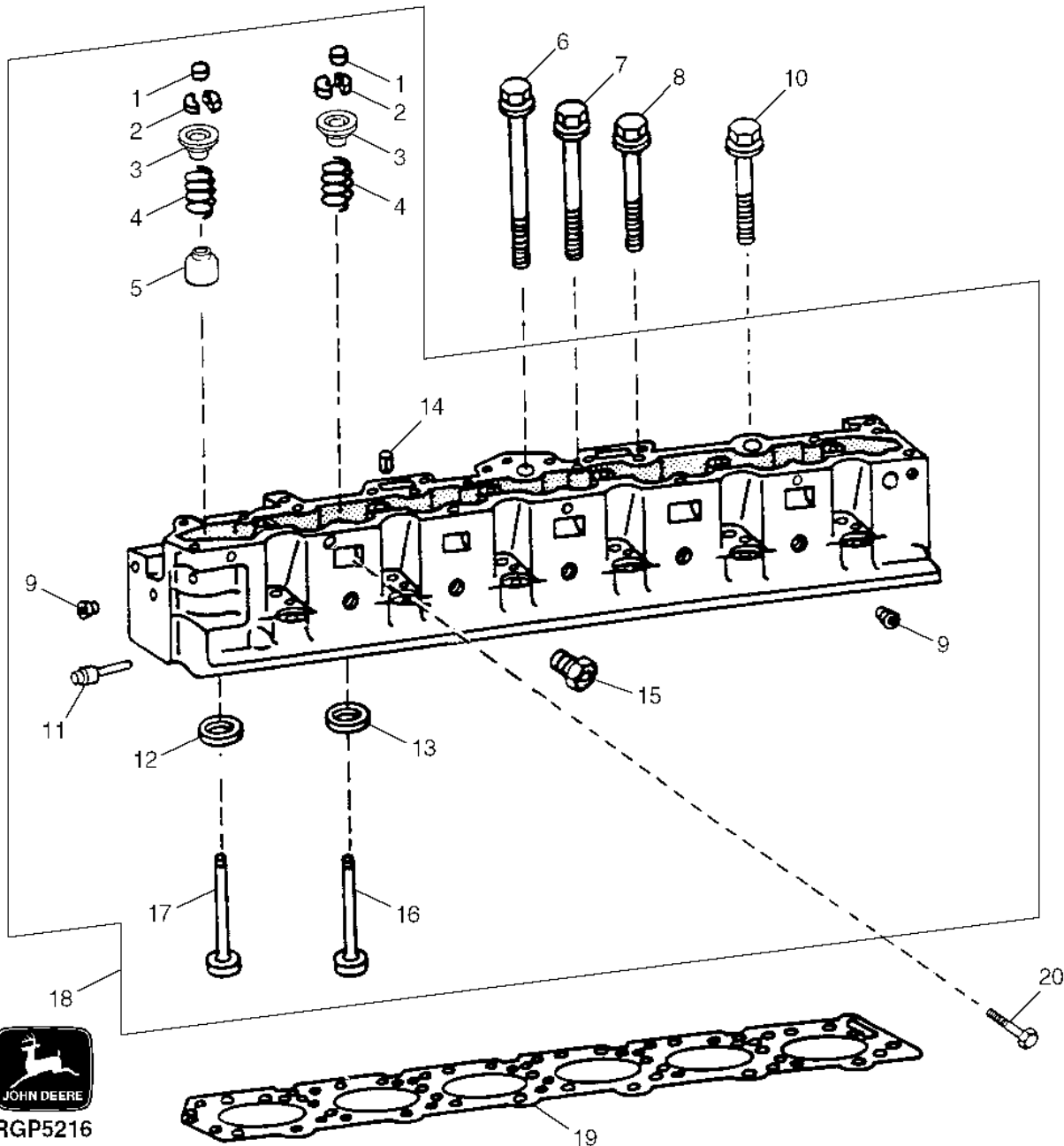
KEY	PART NO.	PART NAME	QTY	ENGINE SERIAL NO.	REMARKS
1	R87561	BUSHING	4		
2	R110126	CAM FOLLOWER	12		
3	RE57054	CAMSHAFT	1		(MARKED R120872)
4	26H91	SHAFT KEY	1		3/16" X 1-1/4"
5	R104656	THRUST WASHER	1		
6	R104589	GEAR	1		
7	R112053	GEAR	1		

MEMORANDA

1D1

ENGINE

CYLINDER HEAD
RGP5216 -UN-16JUN99



1D2

ENGINE

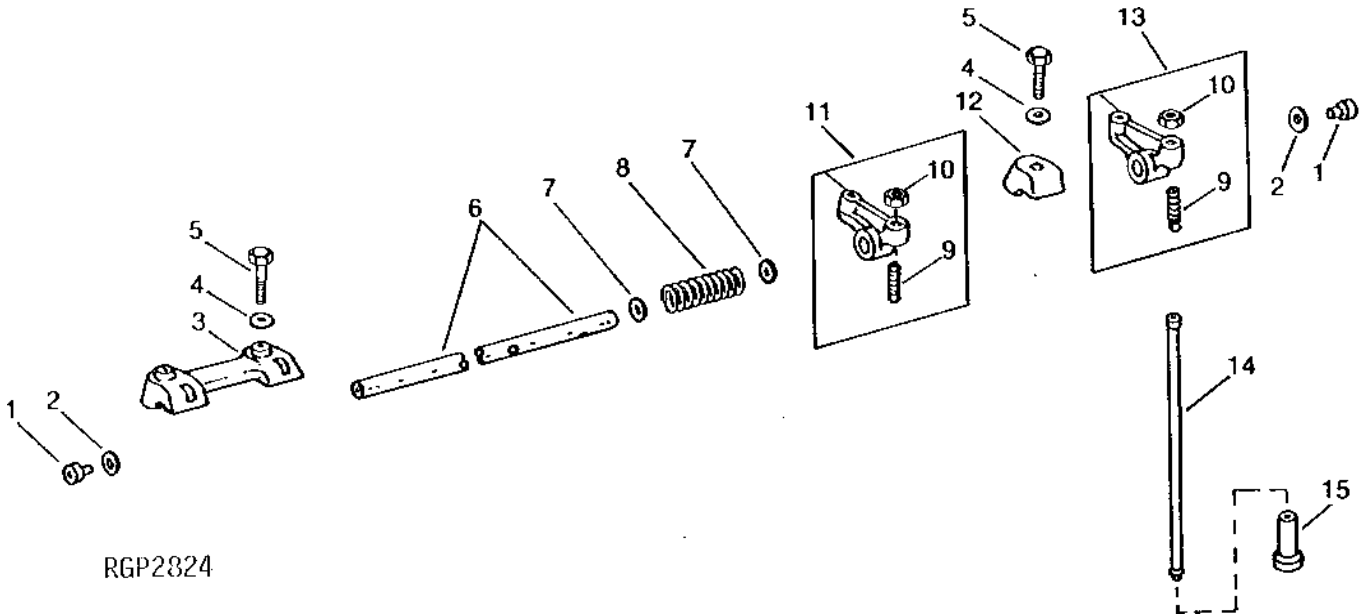
CYLINDER HEAD - CONTINUED

KEY	PART NO.	PART NAME	QTY	ENGINE SERIAL NO.	REMARKS
1	T20129	CAP	12		
2	T20077	RETAINER	24		
3	R136320	CAP	12		
4	R91822	SPRING	12		
5	R102882	SHIELD	6		(EXHAUST VALVES ONLY)
6	R121491	CAP SCREW	7		203 MM (8.0") (MARKED "SPECIAL")
7	R121490	CAP SCREW	8		175 MM (6.9") (MARKED "SPECIAL")
8	R121320	CAP SCREW	6		134 MM (5.3") (MARKED "SPECIAL")
9	15H690	PIPE PLUG	10		3/4"
10	R121489	CAP SCREW	5		149 MM (5.9") (MARKED "SPECIAL")
11	AT107509	PLUG	1		
12	R119132	VALVE SEAT INSERT	6		EXHAUST
13	R121193	VALVE SEAT INSERT	6		INTAKE
14	34H387	SPRING PIN	1		3/16" X 3/4"
15	RE501737	PIPE PLUG	1		
16	R84618	INTAKE VALVE	6		STD
	R93308	INTAKE VALVE	AR		0.08MM (.003") OS
	R93312	INTAKE VALVE	AR		0.38MM (.015") OS
	R93314	INTAKE VALVE	AR		0.76MM (.030") OS
17	R84619	EXHAUST VALVE	6		STD
	R93311	EXHAUST VALVE	AR		0.08MM (.003") OS
	R93313	EXHAUST VALVE	AR		0.38MM (.015") OS
	R93315	EXHAUST VALVE	AR		0.76MM (.030") OS
18	RE57750	CYLINDER HEAD	1		(MARKED R122419 OR R122492)
19	RE55475	ENGINE CYLINDER HEAD GASKET	1		
20	19H2367	CAP SCREW	1		5/8" X 3/4"
..	RG24026	KIT	1		(CONTAINS (26) "SPECIAL" HEAD BOLTS)

1D3

ENGINE

ROCKER ARM SHAFT
RGP2824 -UN-01JAN94



RGP2824

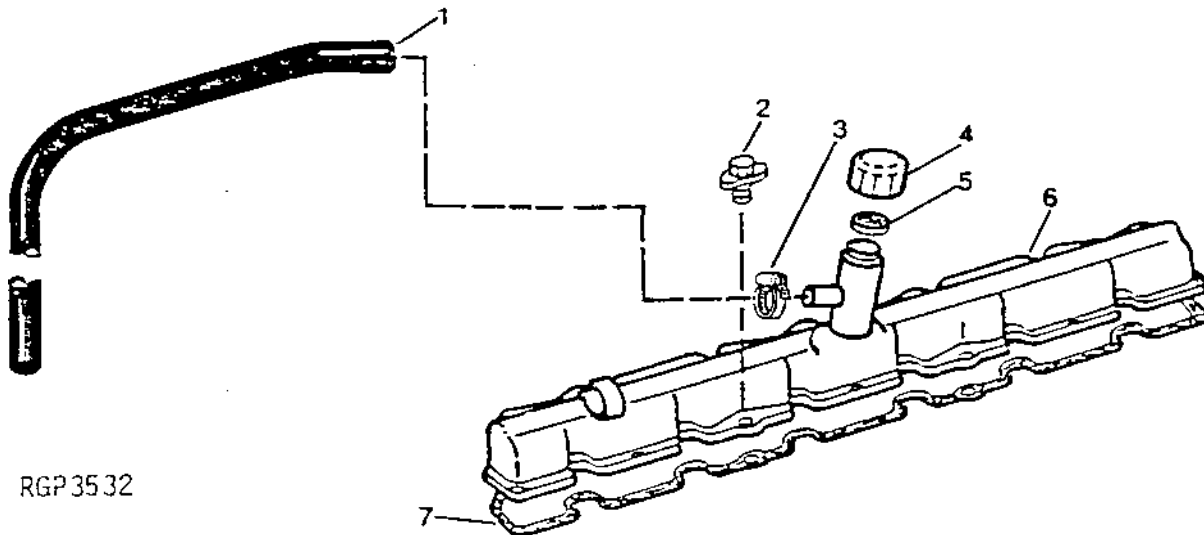
KEY	PART NO.	PART NAME	QTY	ENGINE SERIAL NO.	REMARKS
1	R54565	PLUG	2		
2	R26081	WASHER	2		
3	R136083	CLAMP	2		
4	R26559	WASHER	6		
5	19H1740	CAP SCREW	6	7/16" X 1-3/4"	
6	R70826	ROCKER ARM SHAFT	1		
7	R71208	WASHER	10		
8	R26079	SPRING	5		
9	R27443	SET SCREW	12		
10	14H1080	NUT	12	3/8"	
11	RE24045	ROCKER ARM	6	(A) (1E, 2I, 3E, 4I, 5E, 6I) (RH)	
12	R26748	CLAMP	2		
13	RE24046	ROCKER ARM	6	(A) (1I, 2E, 3I, 4E, 5I, 6E) (LH)	
14	R85027	PUSH ROD	12		
15	R110126	CAM FOLLOWER	12		

(A) - E (EXHAUST VALVE) - I (INTAKE VALVE)

1D4

ENGINE

ROCKER ARM COVER
RGP3532 -UN-01JAN94



RGP 35 32

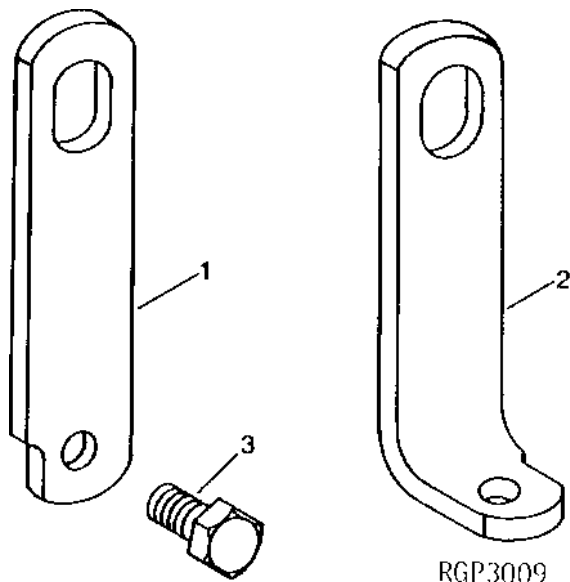
KEY	PART NO.	PART NAME	QTY	ENGINE SERIAL NO.	REMARKS
1	BULK HOSE	AR	(BULK)	
2	AR100124	SCREW, WITH WASHER	8		
3	TY22467	CLAMP	1		
4	T20294	CAP	1		
5	T20328	GASKET	1		
6	AR93173	COVER	1		
7	R49866	GASKET	1		
..	TY24446	ADHESIVE	1		

1D5

ENGINE

LIFT STRAPS

RGP3009 -UN-01JAN94



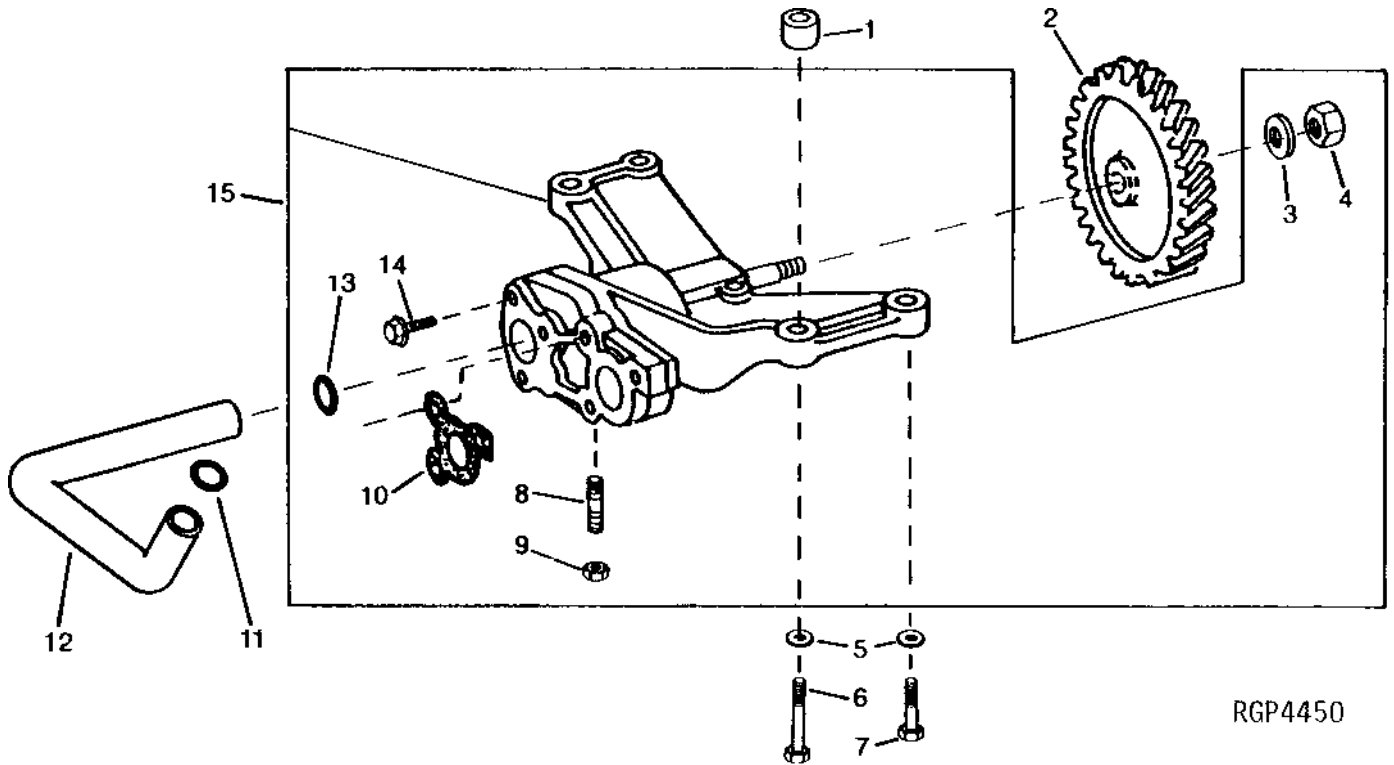
KEY	PART NO.	PART NAME	QTY	ENGINE SERIAL NO.	REMARKS
1	R61497	STRAP	1		
2	R86571	ANGLE	1		
3	19H1756	CAP SCREW	2	5/8" X 1-1/2"	

MEMORANDA

1D6

ENGINE

OIL PUMP
RGP4450 -UN-03MAR95



RGP4450

1D7

ENGINE

OIL PUMP - CONTINUED

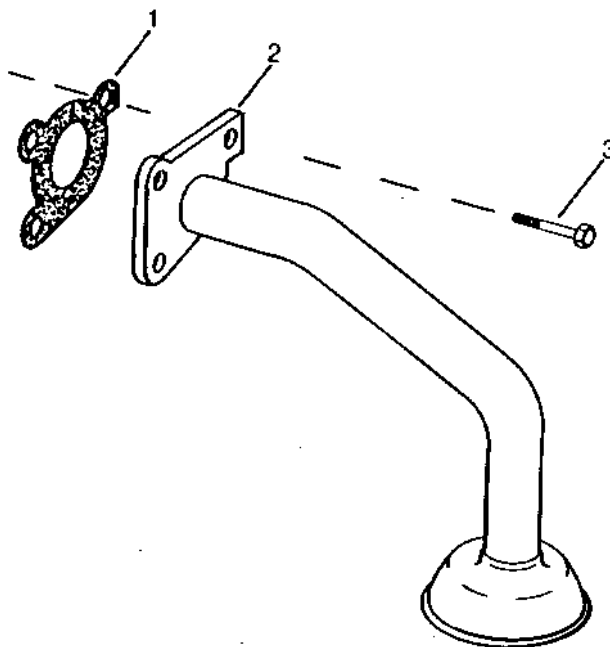
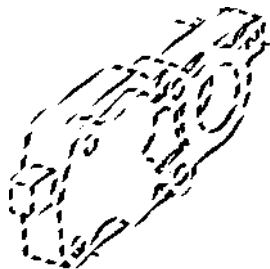
KEY	PART NO.	PART NAME	QTY	ENGINE SERIAL NO.	REMARKS
1	R500642	BUSHING	2		
2	R62938	GEAR	1		
3	T21242	WASHER	1		
4	14H826	NUT	1	1/2"	
5	R57696	WASHER	4		
6	19H2549	CAP SCREW	2	3/8" X 1-7/8"	
7	19H3219	CAP SCREW	2	3/8" X 1-3/8"	
8	22H1040	SET SCREW	1	5/16" X 1-1/4"	
9	14H785	NUT	1	5/16"	
10	R100569	GASKET	1		
11	R71732	O-RING	1		
12	R116718	OIL TUBE	1		
13	R71732	O-RING	1		
14	R104628	CAP SCREW	5		
15	RE60622	OIL PUMP	1	(MARKED R124328)	

1D8

ENGINE

ENGINE OIL PUMP INTAKE

RGP3629 -UN-01JAN94



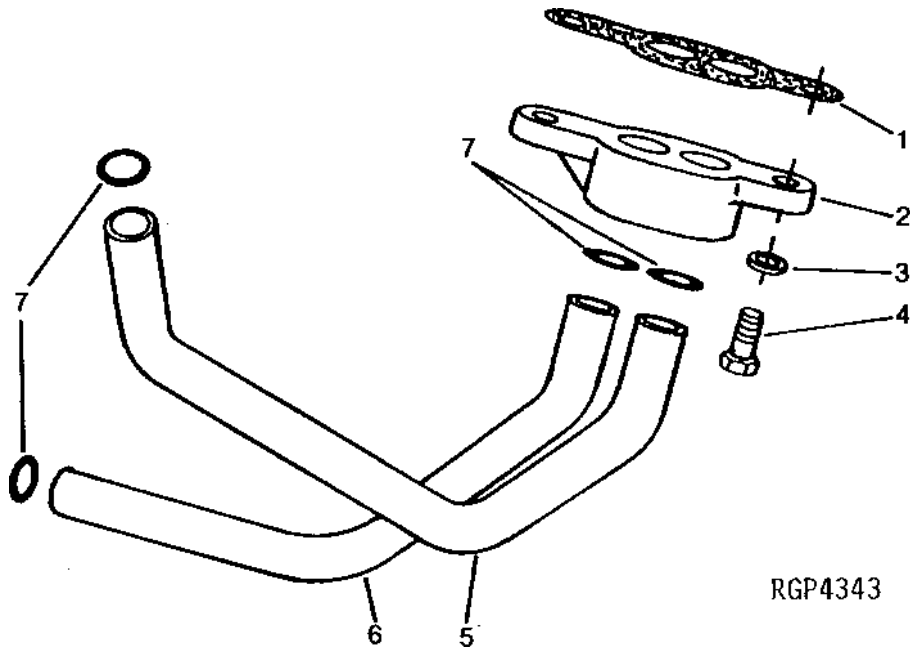
RGP3629

KEY	PART NO.	PART NAME	QTY	ENGINE SERIAL NO.	REMARKS
1	R100569	GASKET	1		
2	RE60546	OIL PUMP INTAKE	1		
3	R104628	CAP SCREW	3		

1D9

ENGINE

OIL COOLER BYPASS VALVE
RGP4343 -UN-01JAN94



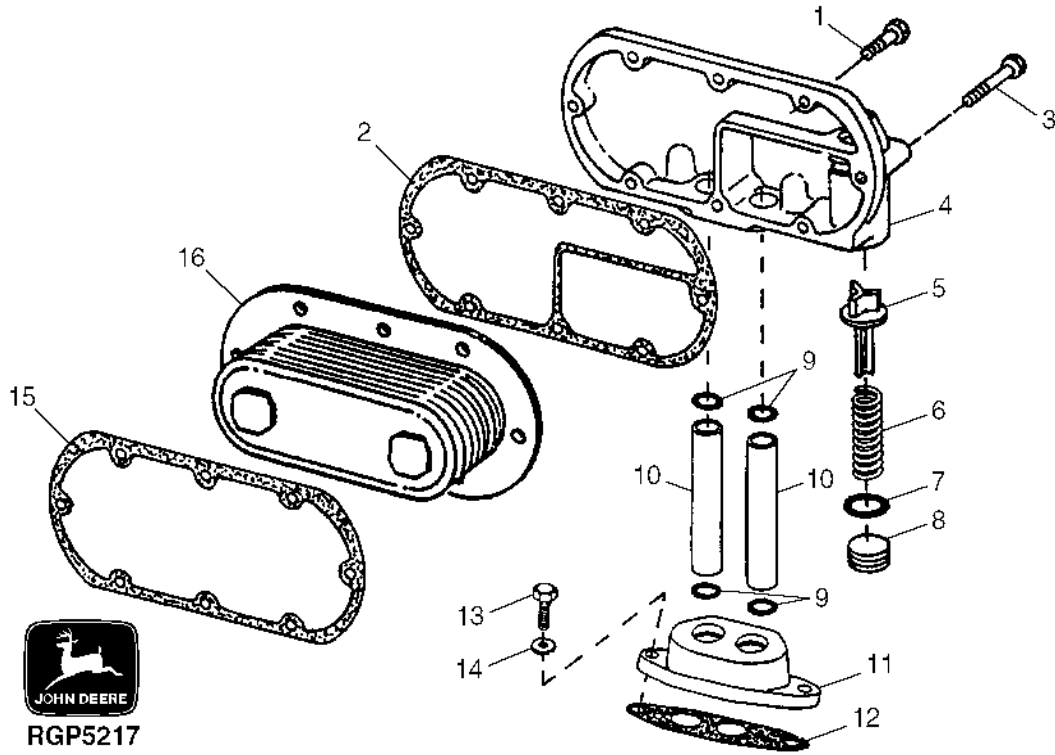
KEY	PART NO.	PART NAME	QTY	ENGINE SERIAL NO.	REMARKS
1	R109625	GASKET	1		
2	R116233	ADAPTER	1		
3	24M7096	WASHER	2	10.500 X 18 X 1.600 MM	
4	R40236	CAP SCREW	2		
5	R126337	OIL TUBE	1		
6	R116718	OIL TUBE	1		
7	R71732	O-RING	4		

1D10

ENGINE

OIL COOLER

RGP5217 -UN-16JUN99



KEY	PART NO.	PART NAME	QTY	ENGINE SERIAL NO.	REMARKS
1	19H3768	CAP SCREW	5		5/16" X 1-3/8"
2	R132396	GASKET	1		
3	19H3769	CAP SCREW	3		5/16" X 2-1/2"
4	R134602	COVER	1		
5	R500055	VALVE	1		
6	R98064	SPRING	1		
7	U17409	O-RING	1		
8	R121163	FITTING PLUG	1		
9	R47153	O-RING	4		
10	R51053	OIL TUBE	2		
11	R127297	ADAPTER	1		
12	R50424	GASKET	2		
13	19H3483	CAP SCREW	2		3/8" X 1-1/8"
14	24M7096	WASHER	2		10.500 X 18 X 1.600 MM
15	AR58952	GASKET	1		
16	AR55394	OIL COOLER	1		

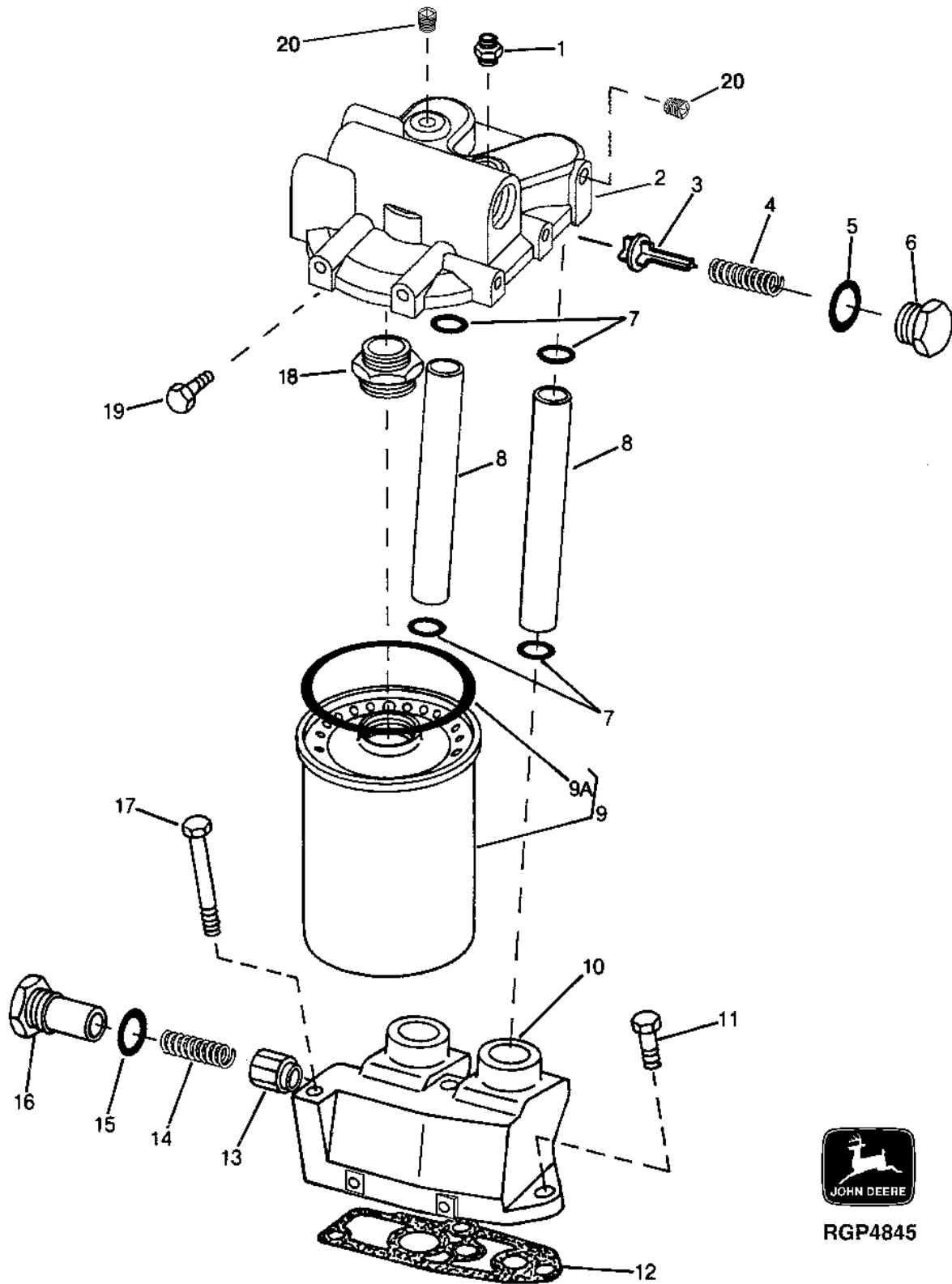
MEMORANDA

1D11

ENGINE

OIL FILTER
RGP4845

-UN-18DEC96



RGP4845

1D12

ENGINE

OIL FILTER - CONTINUED

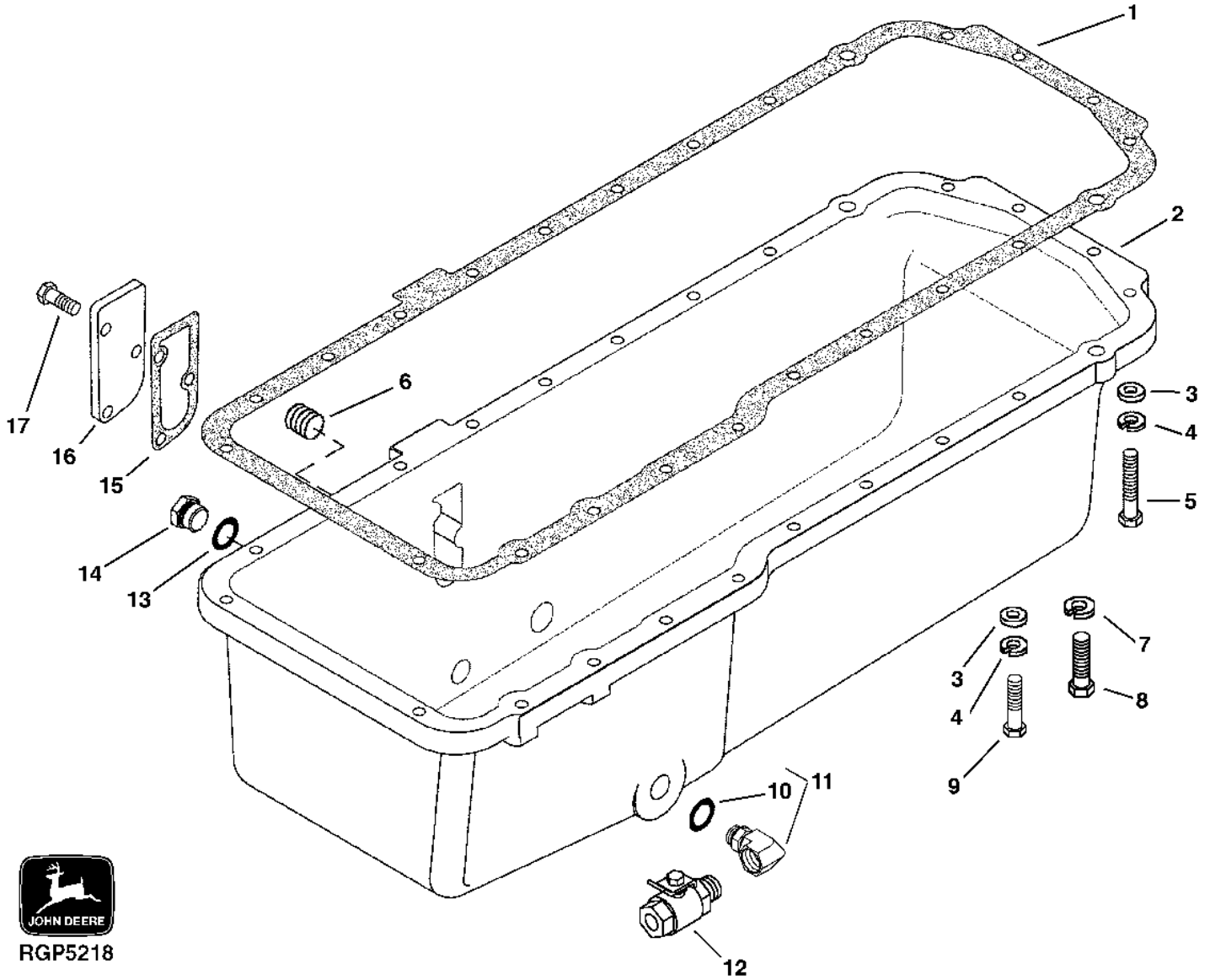
KEY	PART NO.	PART NAME	QTY	ENGINE SERIAL NO.	REMARKS
1	RE57561	CONNECTOR	1		
2	R128694	BASE	1		
3	R500055	VALVE	1		
4	R98064	SPRING	1		
5	U17409	O-RING	1		
6	R117073	FITTING PLUG	1		
7	R47153	O-RING	4		
8	R86063	TUBE	2		
9	RE57394	OIL FILTER	1		(MARKED RE57394)
9A	R43660	PACKING	1		
10	R129820	HOUSING	1		
11	19H3239	CAP SCREW	1		3/8" X 1-1/4"
12	R119847	GASKET	1		
13	R124186	RELIEF VALVE	1		
14	R500330	SPRING	1		
15	U17409	O-RING	1		
16	R129821	FITTING PLUG	1		
17	19H3445	CAP SCREW	2		3/8" X 3-3/4"
18	R104621	ADAPTER	1		
19	19H3104	CAP SCREW	2		7/16" X 1-1/4"
20	RE71255	PIPE PLUG	2		

1D13

ENGINE

OIL PAN
RGP5218

-UN-16JUN99



RGP5218

1D14

ENGINE

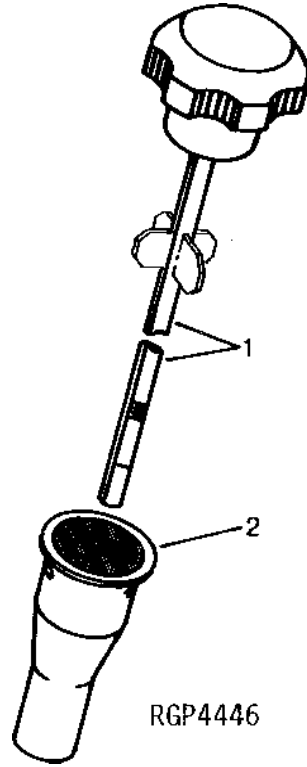
OIL PAN - CONTINUED

KEY	PART NO.	PART NAME	QTY	ENGINE SERIAL NO.	REMARKS
1	R49376	GASKET	1		
2	R500354	PAN	1		(SHALLOW SUMP) (ORDER R500355, R127873, RE63439 AND (3) 19H1731)
	R500355	PAN	1		(SHALLOW SUMP) (SERVICE ONLY)
3	24H1305	WASHER	22		13/32" X 13/16" X 0.065"
4	M72490	WASHER	22		0.406" X 0.827" X 0.098"
5	19H3485	CAP SCREW	4		3/8" X 2"
6	15H690	PIPE PLUG	1		3/4"
7	R135895	WASHER	2		
8	19H2473	CAP SCREW	2		1/2" X 1-3/4"
9	19H1651	CAP SCREW	18		3/8" X 1-1/2"
10	R47151	O-RING	1		
11	RE500318	ELBOW FITTING	1		
12	RE32856	VALVE	1		
13	R47151	O-RING	1		
14	R27474	DRAIN PLUG	1		
15	RE63439	GASKET	1		(USE WITH R500355)
16	R127873	COVER	1		(USE WITH R500355)
17	19H1731	CAP SCREW	3		3/8" X 1", (USE WITH R500355)

1D15

ENGINE

ENGINE OIL DIPSTICK
RGP4446 -UN-03MAR95



KEY	PART NO.	PART NAME	QTY	ENGINE SERIAL NO.	REMARKS
1	RE500216	DIPSTICK	1		
2	R121765	DIPSTICK TUBE	1	141.5 MM (5.57")	

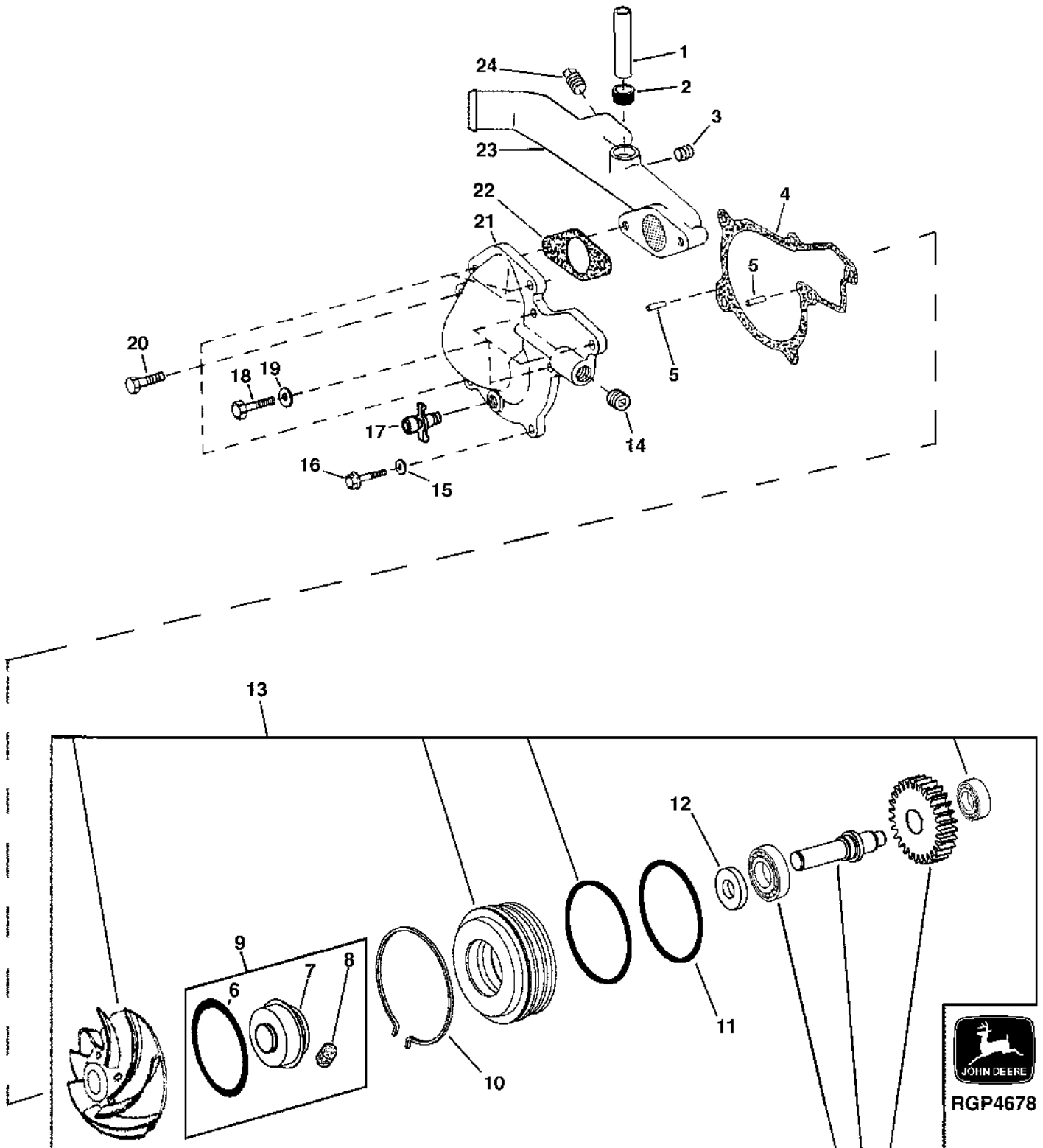
MEMORANDA

1D16

ENGINE

WATER PUMP

RGP4678 -UN-27OCT98



1D17

ENGINE

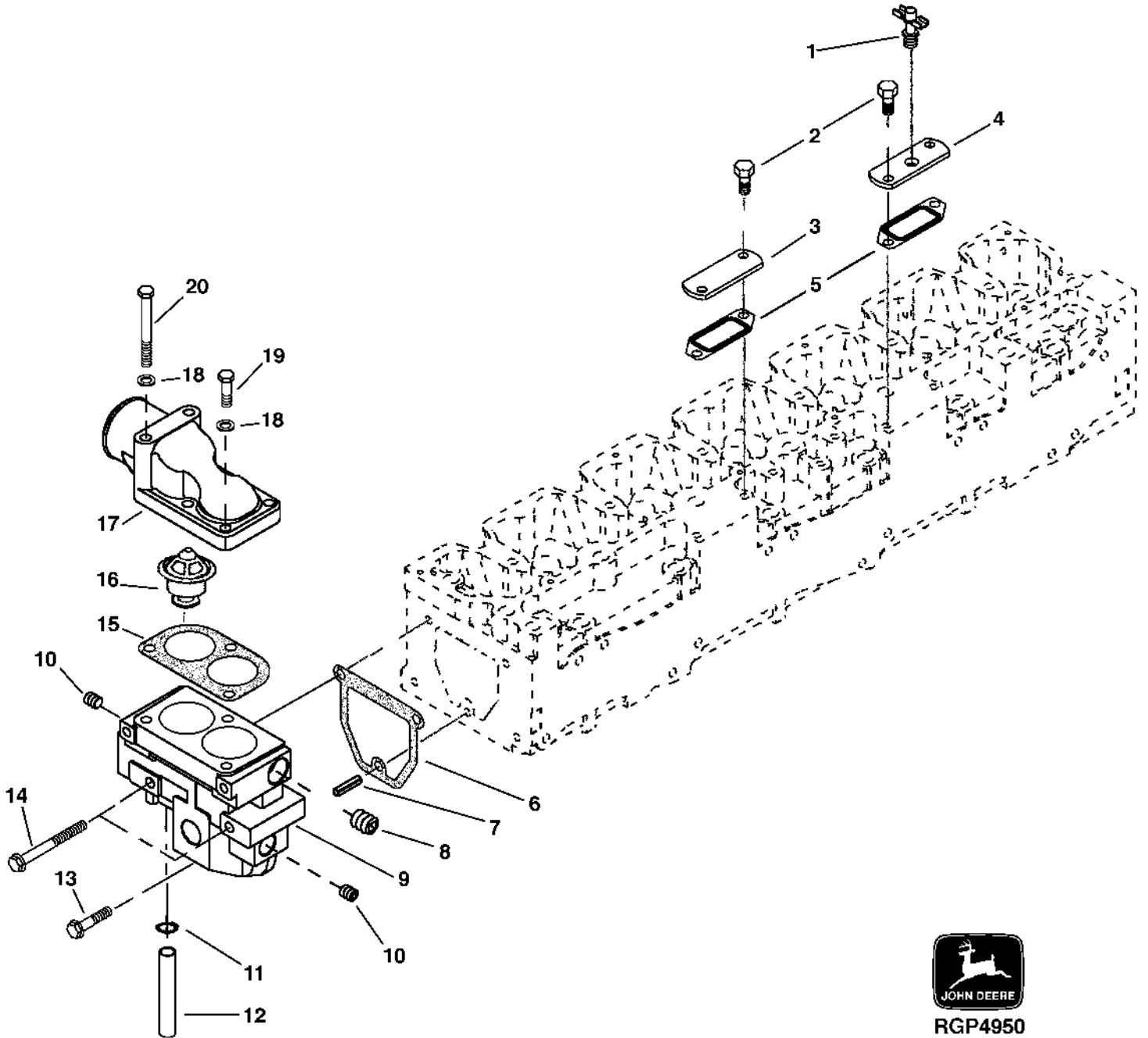
WATER PUMP - CONTINUED

KEY	PART NO.	PART NAME	QTY	ENGINE SERIAL NO.	REMARKS
1	R125025	TUBE	1		
2	RE57190	SEAL	1		
3	15H685	PIPE PLUG	1		1/4"
4	R119383	GASKET	1		
5	R11086	DOWEL PIN	2		
6	O-RING	NA		
7	SEAL KIT	NA		
8	R98527	FILTER	1		
9	RE69844	KIT	1		(WATER PUMP SEAL) (SUB RE502154, THIS APPLICATION)
10	R121316	RING	1		(RETAINING)
11	R122430	O-RING	2		
	RE502154	KIT	1		(CONTAINS RETAINING RING AND (2) O-RINGS)
12	RE39134	SEAL	1		(OIL)
13	RE57154	WATER PUMP	1		Z = 16 (LOW FLOW) (MARKED R119795)
14	15H685	PIPE PLUG	1		1/4"
15	24H1136	WASHER	1		11/32" X 11/16" X 0.065"
16	19H1897	CAP SCREW	1		5/16" X 3-3/4"
17	AT13740	DRAIN VALVE	1		
18	19H1854	CAP SCREW	3		3/8" X 3-3/4"
19	24M7096	WASHER	3		10.500 X 18 X 1.600 MM
20	19H3411	CAP SCREW	2		3/8" X 1-1/8", (WATER PUMP COVER TO TIMING GEAR COVER)
21	R124741	COVER	1		(RIGHT HAND)
22	R125072	GASKET	1		
23	R501465	HOUSING	1		
24	15H584	PIPE PLUG	1		1/2"
..	15H624	PIPE PLUG	1		1/2", (HEATER COOLANT OUTLET)

1D18

ENGINE

WATER MANIFOLD/THERMOSTAT
RGP4950 -UN-15AUG97



1D19

ENGINE

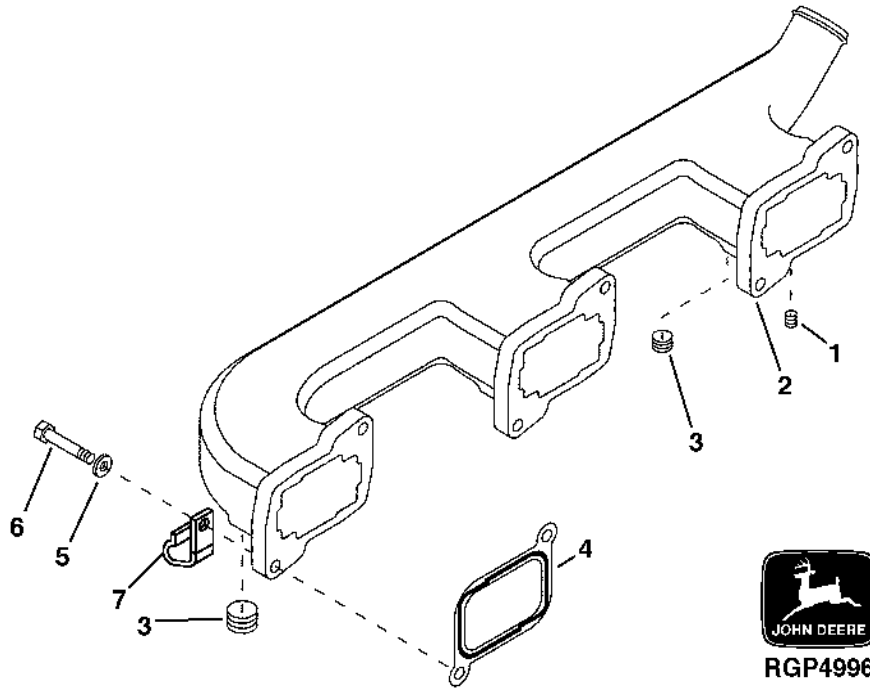
WATER MANIFOLD/THERMOSTAT - CONTINUED

KEY	PART NO.	PART NAME	QTY	ENGINE SERIAL NO.	REMARKS
1	AT13740	DRAIN VALVE	1		
2	T53268	BOLT	4		
3	R86061	STRAP	1		
4	R114160	COVER	1		
5	R88397	GASKET	2		
6	R124211	GASKET	1		
7	34H329	SPRING PIN	1	5/16" X 1-1/4"	
8	15H690	PIPE PLUG	1	3/4"	
9	R500197	MANIFOLD	1		
10	15H624	PIPE PLUG	2	1/2"	
11	R72328	O-RING	2		
12	R125025	TUBE	1		
13	19H3772	CAP SCREW	1	3/8" X 1-3/4"	
14	R133998	CAP SCREW	2		
15	R124607	GASKET	1		
16	RE69581	THERMOSTAT	2		
17	R89439	COVER	1		
18	24H1302	WASHER	3	13/32" X 11/16" X 0.035"	
19	19H3239	CAP SCREW	2	3/8" X 1-1/4"	
20	19H2639	CAP SCREW	1	3/8" X 3-3/8"	
..	N102039	CAP	1	(BEARING BORE)	

1D20

ENGINE

INTAKE MANIFOLD
RGP4996 -UN-25MAR98



KEY	PART NO.	PART NAME	QTY	ENGINE SERIAL NO.	REMARKS
1	R104592	PIPE PLUG	1		
2	R132290	INTAKE MANIFOLD	1		
3	15H666	PIPE PLUG	1	3/8", (FRONT)	
	15H690	PIPE PLUG	1	3/4", (REAR)	
4	R130573	GASKET	3		
5	24H1682	WASHER	6	13/32" X 7/8" X 0.120"	
6	19H1651	CAP SCREW	6	3/8" X 1-1/2"	
7	T32231	CLAMP	1		

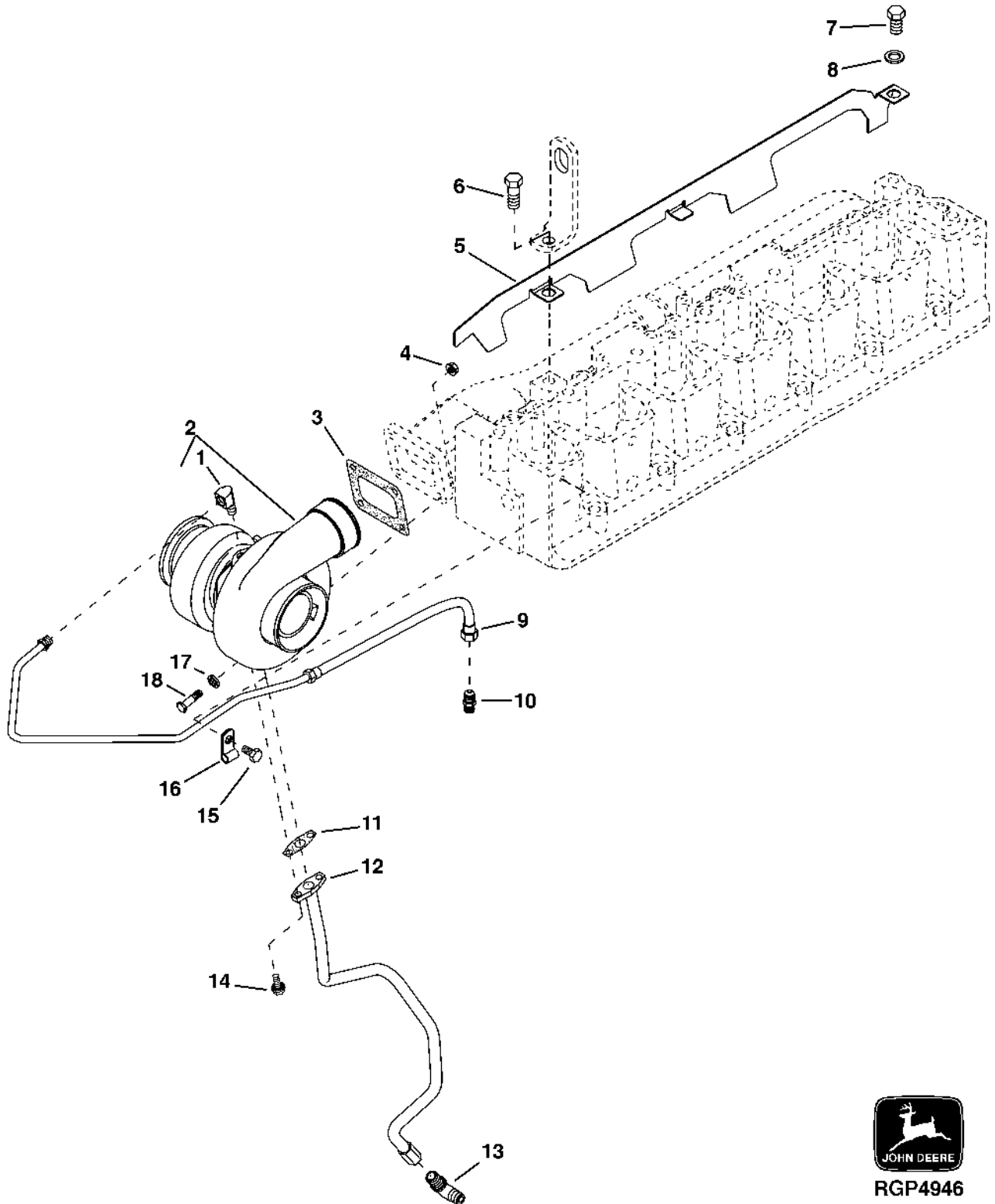
MEMORANDA

1D21

ENGINE

TURBOCHARGER AND OIL LINES

RGP4946 -UN-15AUG97



RGP4946

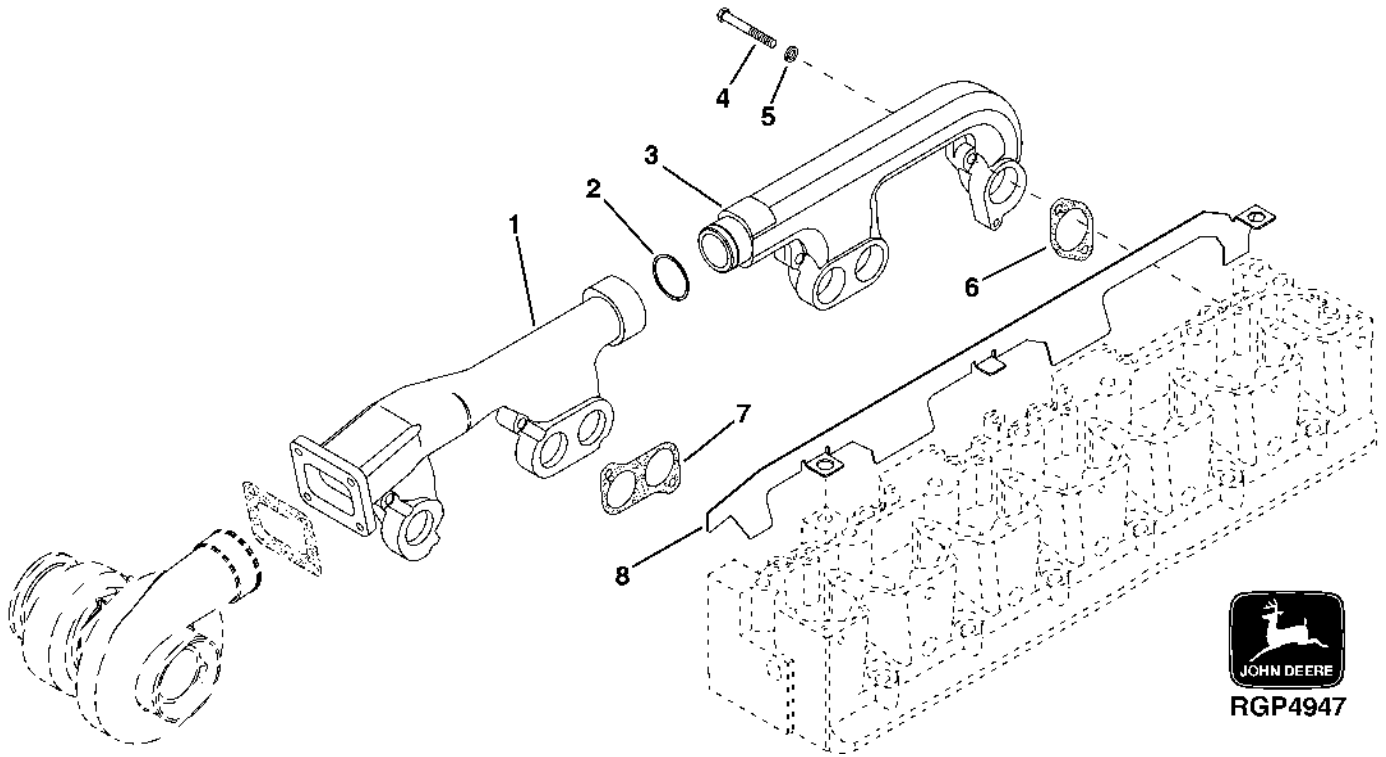
TURBOCHARGER AND OIL LINES - CONTINUED

KEY	PART NO.	PART NAME	QTY	ENGINE SERIAL NO.	REMARKS
1	T11180	ELBOW FITTING	1		
2	RE66351	TURBOCHARGER	1		(REMANUFACTURED) (SCHWITZER) (MARKED RE64767)
3	R92097	GASKET	1		
4	E55662	FLANGE NUT	4		
5	RE68767	HEAT SHIELD	1		
6	19H1756	CAP SCREW	1		5/8" X 1-1/2"
7	19H1916	CAP SCREW	1		5/8" X 1"
8	24H1658	WASHER	1		21/32" X 1" X 0.060"
9	RE68844	OIL LINE	1		
10	RE57561	CONNECTOR	1		
11	R105346	GASKET	1		
12	RE64134	OIL LINE	1		
13	R120187	ELBOW FITTING	1		
14	R122618	SCREW	2		
15	19H1936	CAP SCREW	1		3/8" X 3/4"
16	T28862	CLAMP	1		
17	24H1305	WASHER	4		13/32" X 13/16" X 0.065"
18	R100747	SELF-LOCKING SCREW	4		

1D23

ENGINE

EXHAUST MANIFOLD
RGP4947 -UN-26AUG97



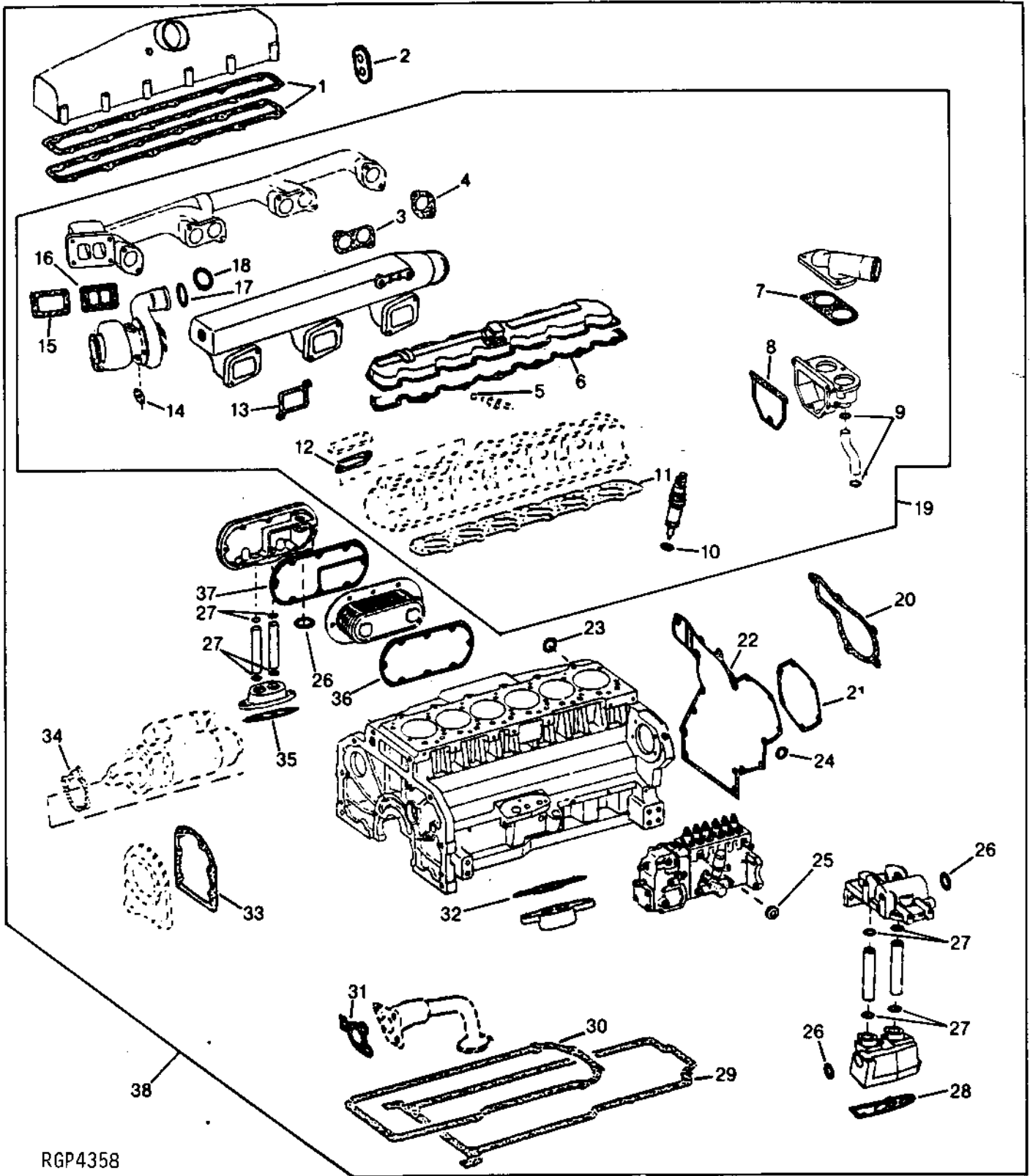
KEY	PART NO.	PART NAME	QTY	ENGINE SERIAL NO.	REMARKS
1	R91519	MANIFOLD	1		
2	R122595	RING	1		
3	R69936	EXHAUST MANIFOLD	1		
4	19H2458	CAP SCREW	8	3/8" X 3"	
5	R63845	WASHER	8		
6	R83021	GASKET	2		
7	R83020	GASKET	2		
8	RE68767	HEAT SHIELD	1		

MEMORANDA

1D24

ENGINE

ENGINE GASKET SET
RGP4358 -UN-17SEP99



RGP4358

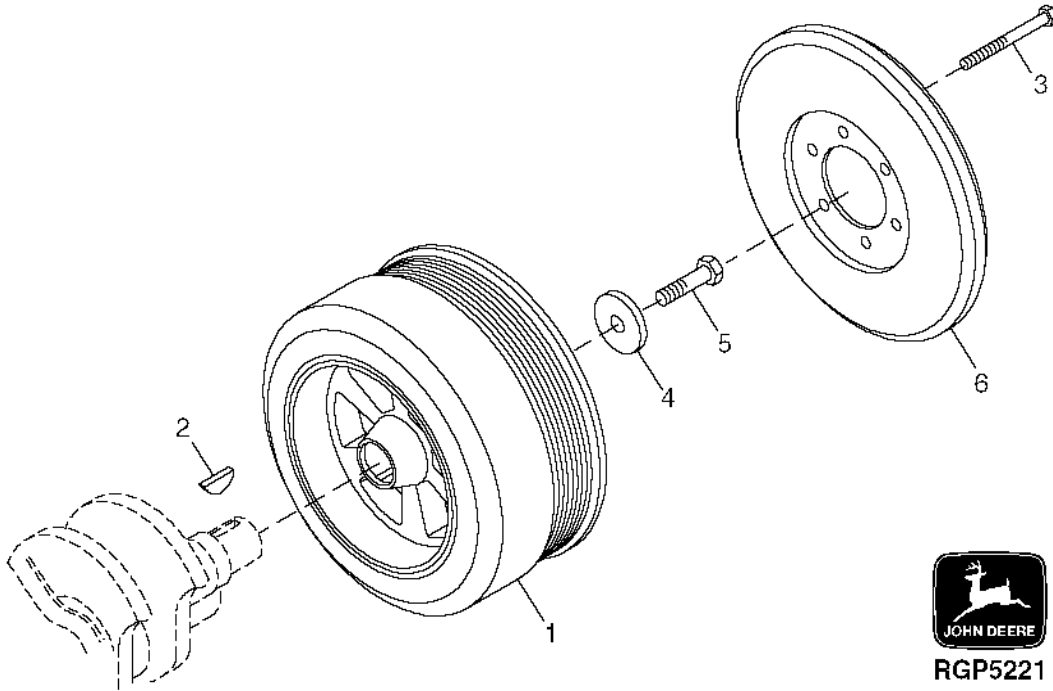
1D25

ENGINE

ENGINE GASKET SET - CONTINUED

KEY	PART NO.	PART NAME	QTY	ENGINE SERIAL NO.	REMARKS
1	R88993	GASKET	NA		
2	R100911	SEAL	NA		
3	RE62776	GASKET	2		
4	RE62777	GASKET	2		
5	R77551	O-RING	6		
6	R49866	GASKET	1		
7	R124607	GASKET	1		
8	R124211	GASKET	1		
9	R72328	O-RING	1		
10	R84472	WASHER	6		
11	RE55475	ENGINE CYLINDER HEAD GASKET	1		
12	R88397	GASKET	2		
13	R120646	GASKET	3		
14	R105346	GASKET	1		
15	R92097	GASKET	NA		
16	R89879	GASKET	1		
17	R86743	O-RING	1		
18	R50405	O-RING	NA		
19	RE57186	GASKET KIT	1		CYLINDER HEAD
20	R119383	GASKET	1		
21	R50390	GASKET	1		
22	R119384	GASKET	1		
23	U13639	O-RING	1		
24	R54856	O-RING	1		
25	R53899	WASHER	1		(USE WITH R83489)
26	U17409	O-RING	3		
27	R47153	O-RING	4		
28	R119847	GASKET	1		
29	GASKET	1		
30	R49377	GASKET	1		(USE WITH ALUMINIUM OIL PAN)
31	R100569	GASKET	1		
32	R109625	GASKET	1		
33	R26058	GASKET	1		
34	R53108	GASKET	1		
35	R50424	GASKET	1		
36	AR58952	GASKET	1		
37	R117060	GASKET	1		
38	RE57187	GASKET KIT	1		ENGINE REBUILD
..	R124030	GASKET	1		

CRANKSHAFT PULLEY
RGP5221 -UN-16JUN99



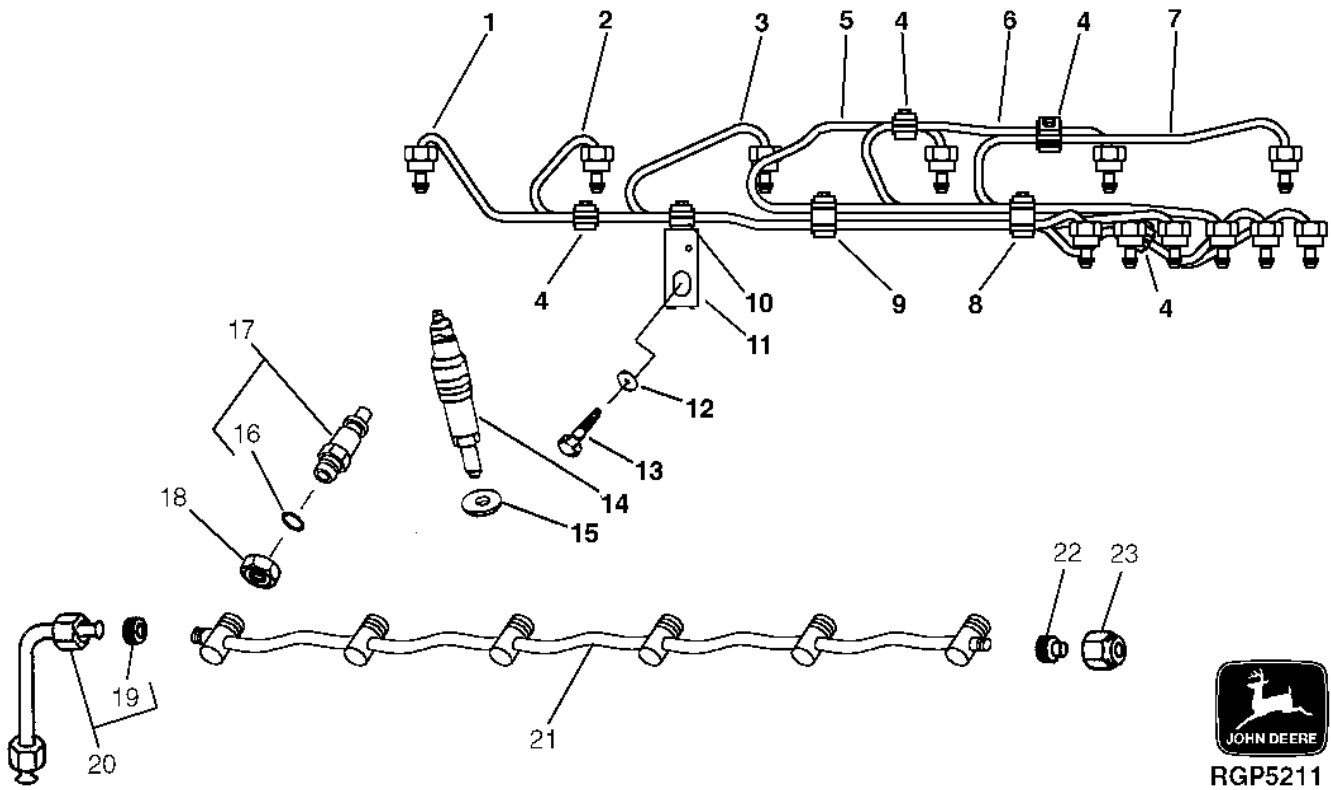
KEY	PART NO.	PART NAME	QTY	ENGINE SERIAL NO.	REMARKS
1	RE500934	TORSIONAL DAMPENER	1		
2	R116311	KEY	1		
3	19H3771	CAP SCREW	6	3/8" X 1"	
4	R26333	WASHER	1		
5	R79846	CAP SCREW	1		
6	RE57604	TORSIONAL DAMPENER	1	(FINS AWAY FROM ENGINE)	

MEMORANDA

1E4

FUEL AND AIR

FUEL INJECTION NOZZLES / FUEL LINES
RGP5211 -UN-25MAY99



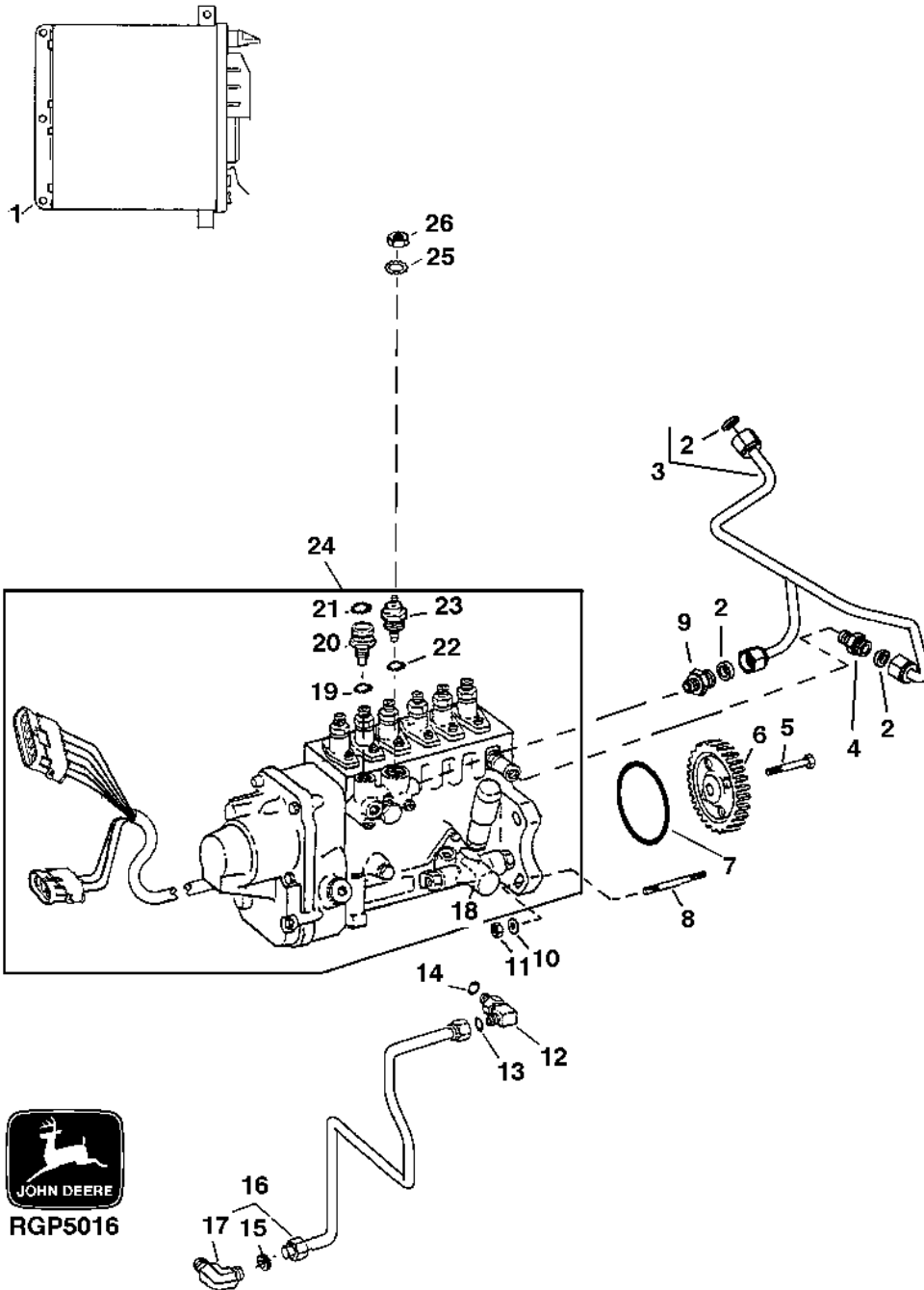
FUEL INJECTION NOZZLES/FUEL LINES - CONTINUED

KEY	PART NO.	PART NAME	QTY	ENGINE SERIAL NO.	REMARKS
1	RE57151	FUEL LINE	1	NO. 6	
2	RE57150	FUEL LINE	1	NO. 5	
3	RE57149	FUEL LINE	1	NO. 4	
4	R59305	STRAP	AR		
	R58186	CLAMP	AR		
	R61144	STRAP	AR		
	21H1463	CAP SCREW	AR	0.190" X 7/8"	
5	RE57148	FUEL LINE	1	NO. 3	
6	RE502933	FUEL LINE	1	NO. 2	
7	RE502932	FUEL LINE	1	NO. 1	
8	R59298	STRAP	AR		
	R59297	HALF CLAMP	AR		
	21H1463	CAP SCREW	AR	0.190" X 7/8"	
9	R59298	STRAP	AR		
	R71212	CLAMP	AR		
	R61145	STRAP	AR		
	R71398	SCREW	AR	0.190" X 1-1/2"	
10	R59305	STRAP	AR		
	R58186	CLAMP	AR		
	R74030	CLAMP	AR		
	R74804	CLAMP	AR		
	R61144	STRAP	AR		
	R71398	SCREW	AR	0.190" X 1-1/2"	
11	RE47120	ABSORBER	1		
12	24H1884	WASHER	1	13/32" X 13/16" X 0.120"	
13	19M7166	CAP SCREW	1	M10 X 20	
14	RE57152	INJECTION NOZZLE	6	(ROBERT BOSCH) (2 ORANGE DOTS)	
15	R84472	WASHER	6		
16	T44604	O-RING	6		
17	RE501970	CONNECTOR	6		
18	R79604	TUBE NUT	6		
19	R51936	PACKING	11		
20	RE503256	FUEL LINE	1		
21	RE500803	FUEL LINE	1		
22	AR85519	PLUG	1		
23	R51937	TUBE NUT	1		

1E6

FUEL INJECTION PUMP, LUBE LINE AND ENGINE CONTROLLER

RGP5016 -UN-15APR98



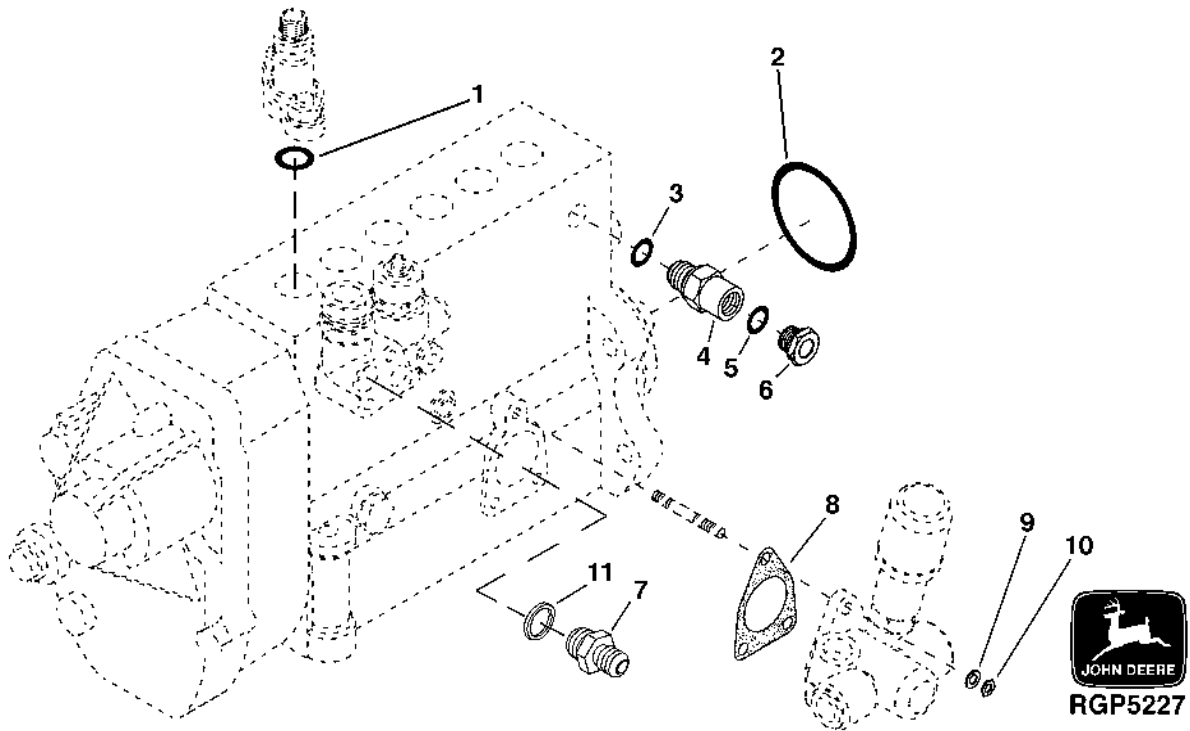
FUEL INJECTION PUMP, LUBE LINE AND ENGINE CONTROLLER - CONTINUED

KEY	PART NO.	PART NAME	QTY	ENGINE SERIAL NO.	REMARKS
1	RE503234	ENGINE CONTROLLER	1		(HH010) (MARKED RE502404)
2	RE504635	FUEL LINE	3		
3	RE66000	FUEL LINE	1		
4	R63604	FITTING	1		
5	R121195	CAP SCREW	1		
6	R121164	GEAR	1		
7	R76358	O-RING	1		
8	R114130	STUD	4		
9	RE67934	CONNECTOR	1		
10	M72490	WASHER	4		
11	14H1090	NUT	4	3/8"	
12	AR88903	ELBOW FITTING	1		
13	R67264	PACKING	2		
14	R79060	O-RING	1		
15	R67264	PACKING	1		
16	RE60577	OIL LINE	1		
17	T18012	ELBOW FITTING	1		
18	FUEL PUMP	1		
19	R53899	WASHER	1		
20	RE28217	FUEL TEMPERATURE SENSOR	1		(TEMPERATURE)
21	R98500	O-RING	1		
22	R99047	O-RING	1		
23	R89014	SOLENOID	1		(SHUT-OFF HOUSING)
24	RE61658	FUEL INJECTION PUMP	1		(A) (HH010) (ROBERT BOSCH)
25	12H296	WASHER	1		5.486 MM (0.216")
26	14M7297	NUT	1		M5

(A) "SEE YOUR AUTHORIZED PUMP REPAIR STATION FOR PARTS NOT LISTED"

FUEL INJECTION PUMP HOUSING CONNECTORS

RGP5227 -UN-17JUN99



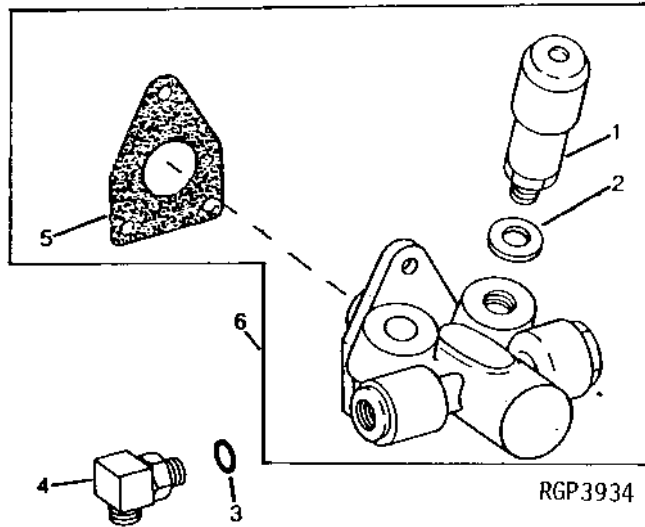
KEY	PART NO.	PART NAME	QTY	ENGINE SERIAL NO.	REMARKS
1	T24210	O-RING	6		
2	R76358	O-RING	1		
3	R53899	WASHER	1		
4	RE36151	CONTROL VALVE	1		
5	R53901	WASHER	1		
6	R63016	ADAPTER	1		
7	R83489	FITTING	1		
8	R67879	GASKET	1		
9	12H296	WASHER	3	0.216"	
10	14M7297	NUT	3	M5	
11	R93008	WASHER	1		

1E9

FUEL AND AIR

FUEL TRANSFER PUMP (ROBERT BOSCH)

RGP3934 -UN-01JAN94



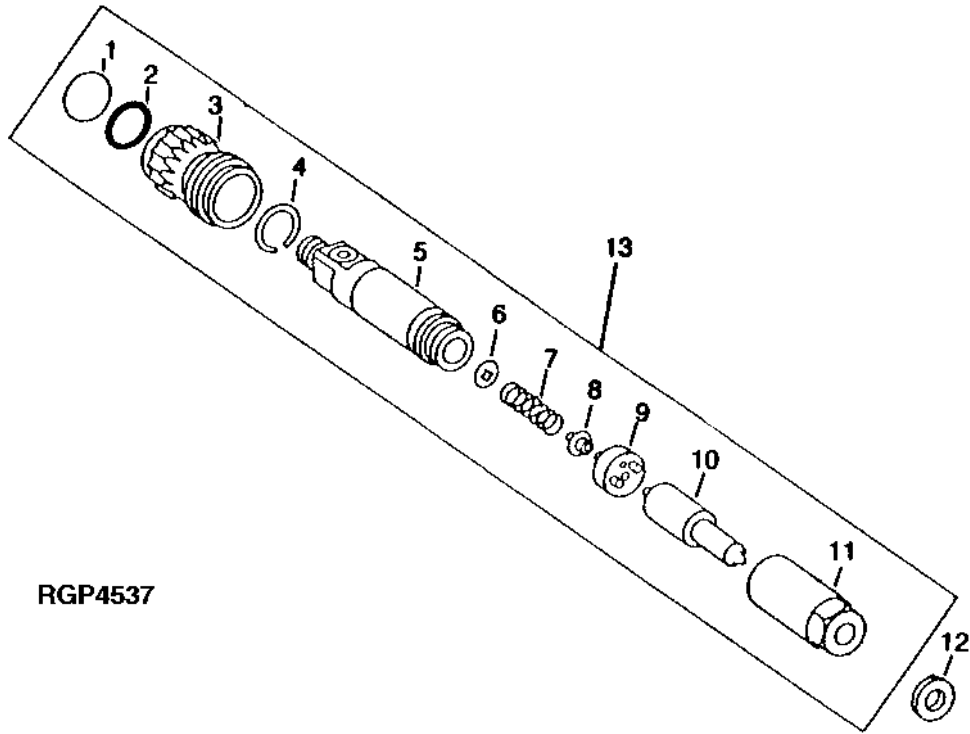
KEY	PART NO.	PART NAME	QTY	ENGINE SERIAL NO.	REMARKS
1	RE65265	HAND PRIMER	1		
2	R54025	WASHER	1		
3	R26448	O-RING	2		
4	RE10258	ELBOW FITTING	1		(OUTLET)
	RE34128	ELBOW FITTING	1		(INLET)
5	R67879	GASKET	1		
6	RE46375	FUEL PUMP	1		

1E10

FUEL AND AIR

FUEL INJECTION NOZZLE (ROBERT BOSCH)

RGP4537 -UN-30AUG95



RGF4537

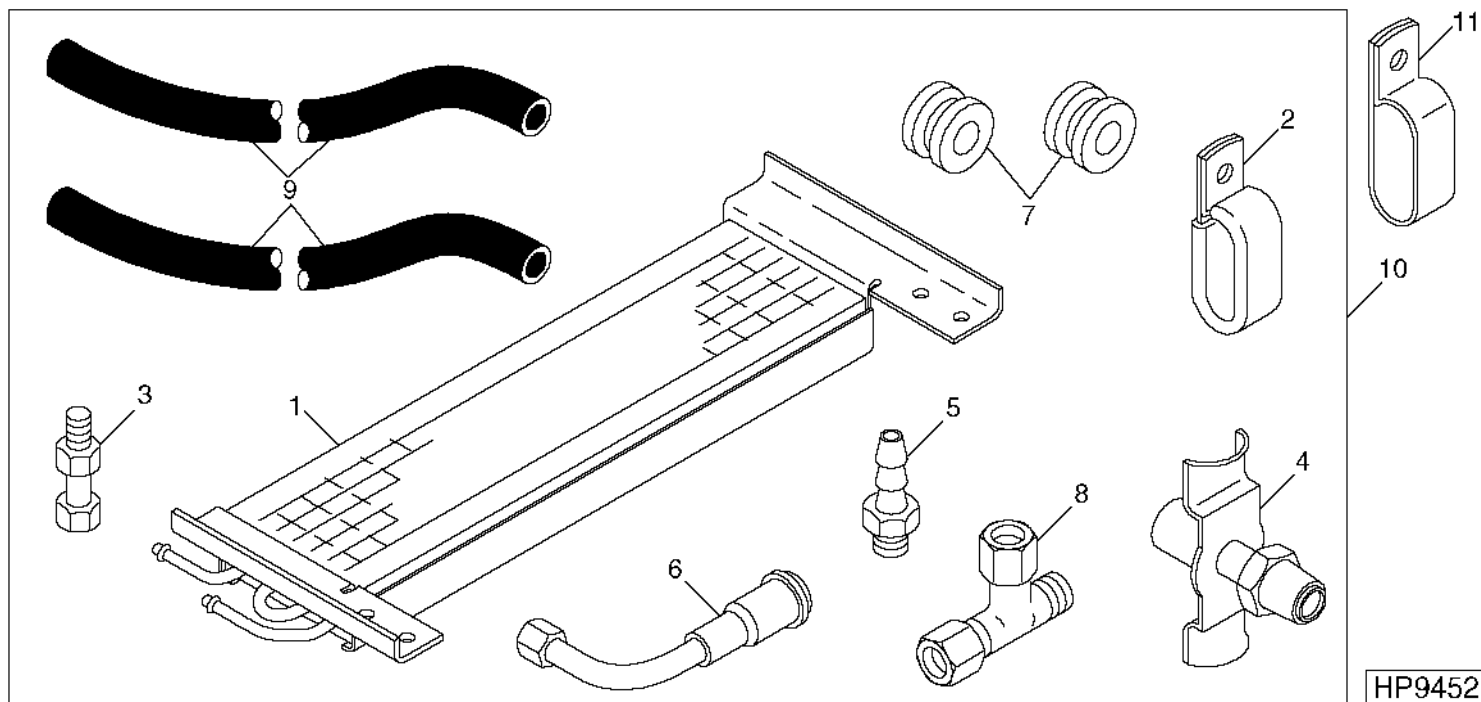
KEY	PART NO.	PART NAME	QTY	ENGINE SERIAL NO.	REMARKS
1	R60277	SNAP RING	1		
2	R51603	O-RING	1		
3	R60279	NUT	1		
4	R60278	SNAP RING	1		
5	NOZZLE HOLDER	1	(SUB RE57152)	
6	R83720	WASHER	1	1.02 MM (.0402")	
	R83721	WASHER	1	1.08 MM (.0425")	
	R83722	WASHER	1	1.12 MM (.0441")	
	R83723	WASHER	1	1.18 MM (.0465")	
	R83724	WASHER	1	1.22 MM (.0480")	
	R83725	WASHER	1	1.28 MM (.0504")	
	R83726	WASHER	1	1.30 MM (.0512")	
	R83727	WASHER	1	1.38 MM (.0543")	
	R83728	WASHER	1	1.42 MM (.0559")	
	R83729	WASHER	1	1.48 MM (.0583")	
	R83730	WASHER	1	1.50 MM (.0591")	
	R83731	WASHER	1	1.58 MM (.0622")	
	R83732	WASHER	1	1.60 MM (.0630")	
	R83733	WASHER	1	1.68 MM (.0661")	
	R83734	WASHER	1	1.70 MM (.0669")	
	R83735	WASHER	1	1.78 MM (.0701")	
	R83736	WASHER	1	1.82 MM (.0717")	
	R83737	WASHER	1	1.88 MM (.0740")	
	R83738	WASHER	1	1.90 MM (.0748")	
	R83739	WASHER	1	1.98 MM (.0780")	
7	R108699	SPRING	1		
8	R108700	SEAT	1		
9	R108701	PLATE	1		
10	RE57153	INJECTION NOZZLE	1	(7 X 0.236)	
11	R127181	NUT	1		
12	R84472	WASHER	1		
13	RE57152	INJECTION NOZZLE	6	(ROBERT BOSCH) (2 ORANGE DOTS)	

1E11

FUEL AND AIR

FUEL COOLER

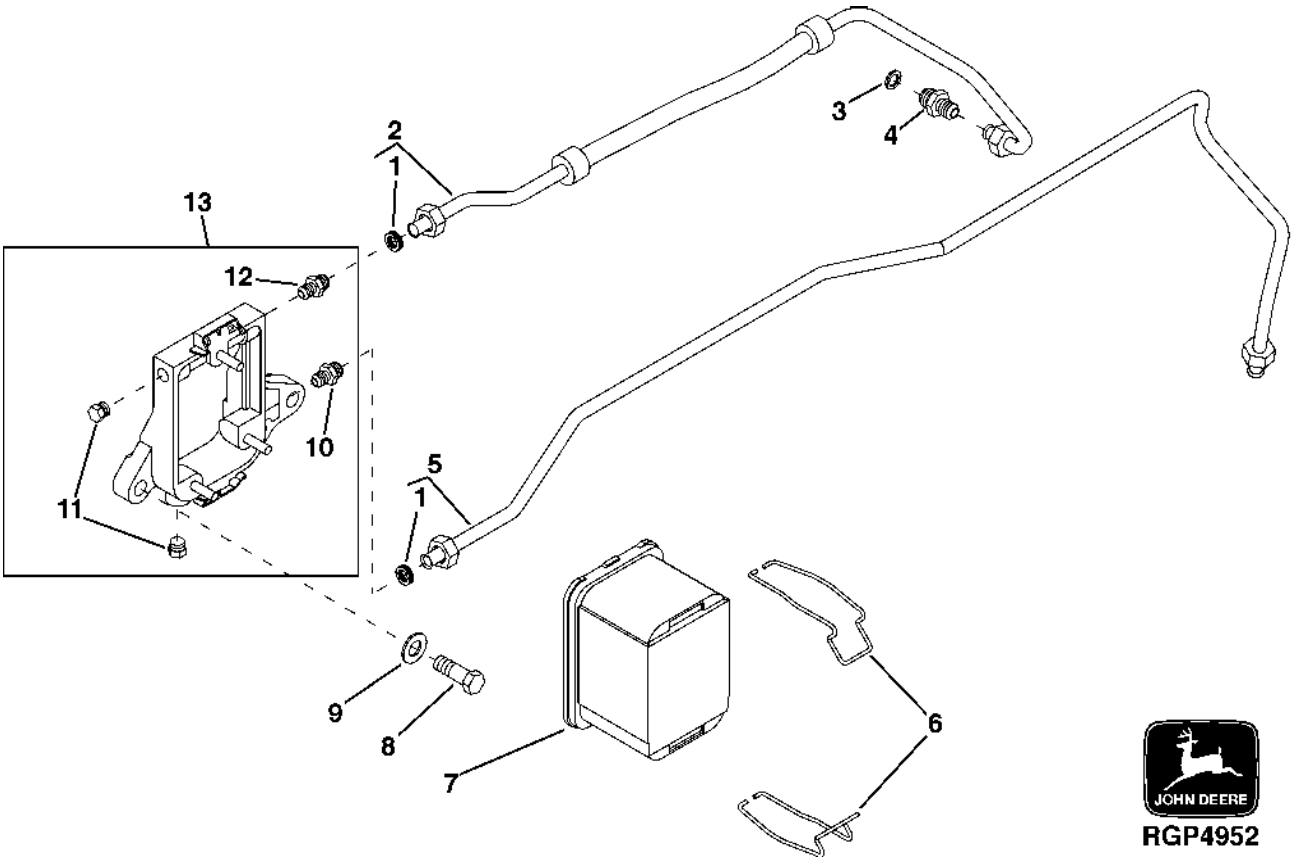
HP9452 -UN-05JAN00



KEY	PART NO.	PART NAME	QTY	ENGINE SERIAL NO.	REMARKS
1	AH162723	CORE	1		
2	AH97280	CLIP	1		
3	19M7775	SCREW	1	M6 X 16	
	14M7397	LOCK NUT	1	M6	
4	AT13740	DRAIN VALVE	1		
5	A60341	FITTING	1		
6	RE503256	FUEL LINE	1		
7	R71351	GROMMET	2		
8	T17568	TEE FITTING	1		
9	H169549	HOSE	2		
10	AH163373	KIT	1		
11	H117952	CLAMP	1		

1E12

FUEL FILTER
RGP4952 -UN-22AUG97



RGP4952

1E13

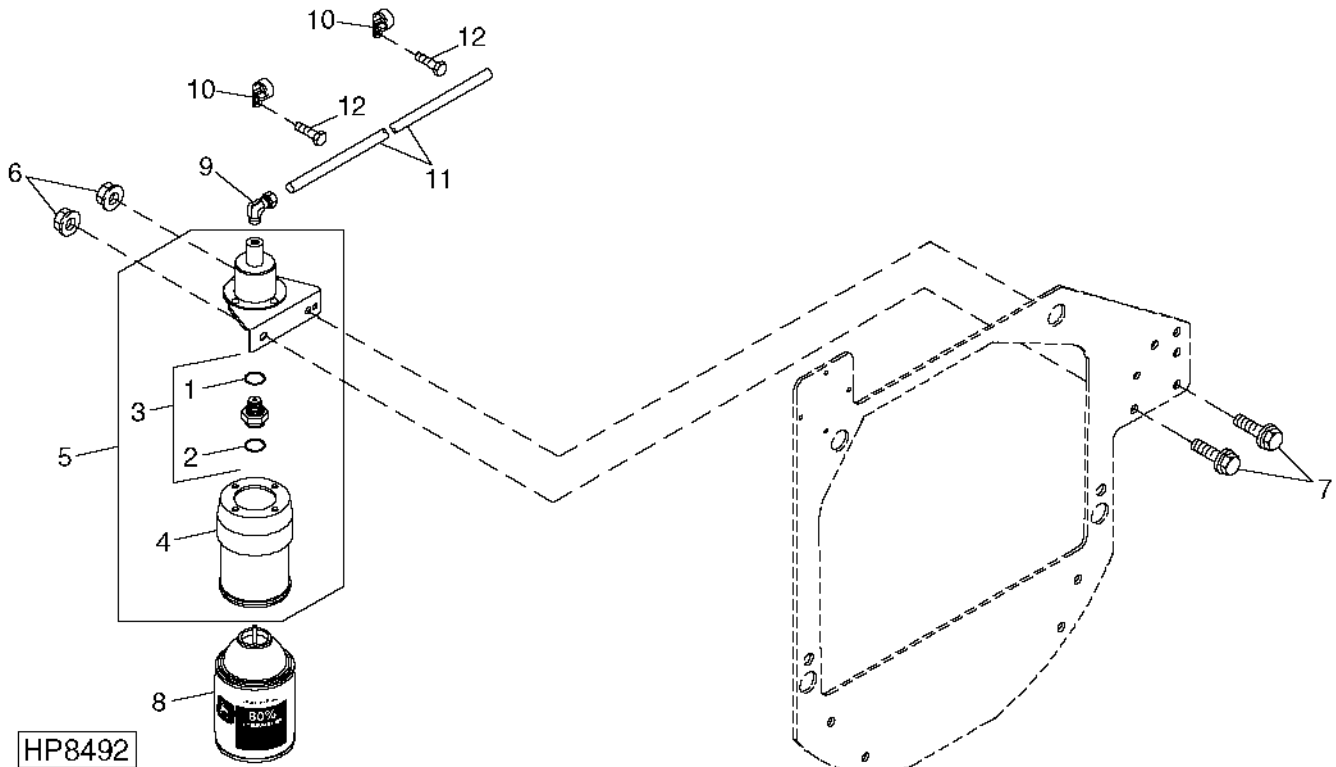
FUEL AND AIR

FUEL FILTER - CONTINUED

KEY	PART NO.	PART NAME	QTY	ENGINE SERIAL NO.	REMARKS
1	R67092	SEAL	2		
2	RE504139	FUEL LINE	1		
3	R93008	WASHER	1		
4	R83489	FITTING	1		
5	RE65787	FUEL LINE	1		
6	R89927	CLAMP	2		
7	AR86745	FILTER ELEMENT	1		
8	19H3104	CAP SCREW	2		7/16" X 1-1/4"
9	24H1325	WASHER	2		15/32" X 59/64" X 0.065"
10	RE54244	CHECK VALVE	1		
11	R119223	PLUG	2		
12	RE54245	FITTING	1		
13	RE61693	BASE	1		

1E14

COLD WEATHER STARTING AID
HP8492 -UN-01JUN99

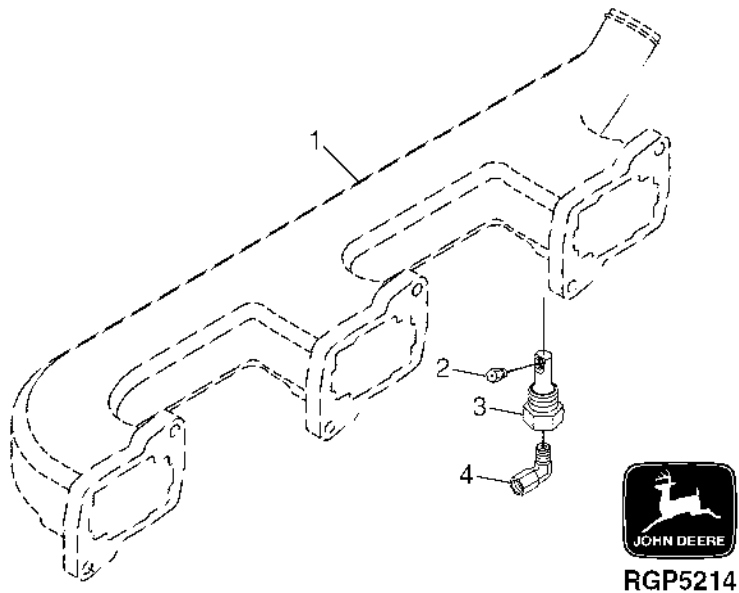


KEY	PART NO.	PART NAME	QTY	SERIAL NO.	REMARKS
1	T15712	O-RING	1		
2	T13119	O-RING	1		
3	RE48321	ADAPTER	1		
4	R73498	CONTAINER	1		
5	RE48310	STARTING AID SOLENOID	1		
6	14M7298	FLANGE NUT	2		
7	19M7865	SCREW	2		
8	RE33636	STARTING FLUID	1		
9	RE21790	ELBOW FITTING	1		
10	CLAMP	AR		
11	H169549	HOSE	1		
12	19M7774	SCREW	2		

1E15

ETHER AID

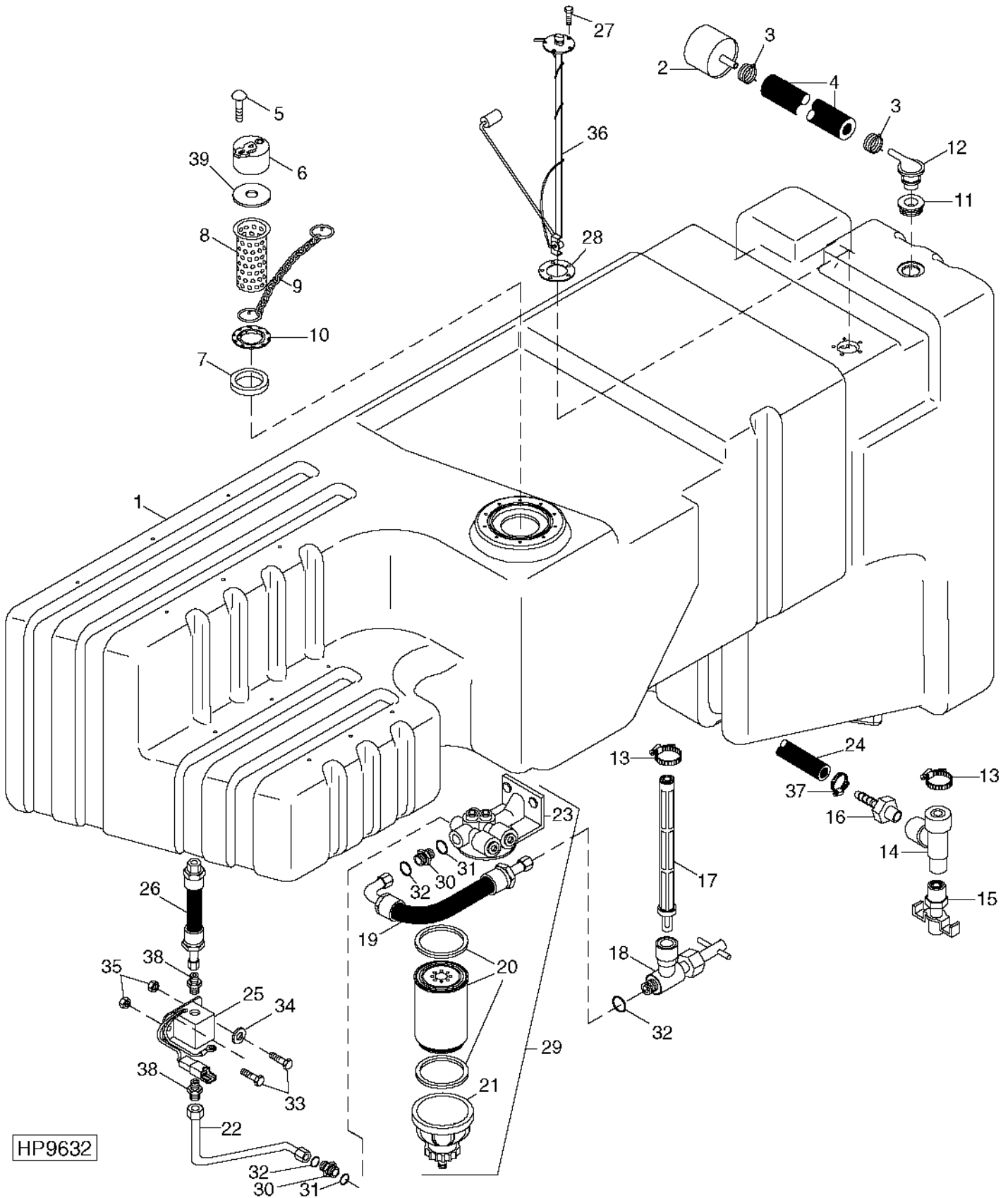
RGP5214 -UN-11JUN99



KEY	PART NO.	PART NAME	QTY	ENGINE SERIAL NO.	REMARKS
1	INTAKE MANIFOLD	1		
2	T155858	NOZZLE	1		
3	R47160	NOZZLE HOLDER	1		
4	RE21790	ELBOW FITTING	1		

1E16

FUEL TANK AND FITTINGS
HP9632 -UN-24MAR00



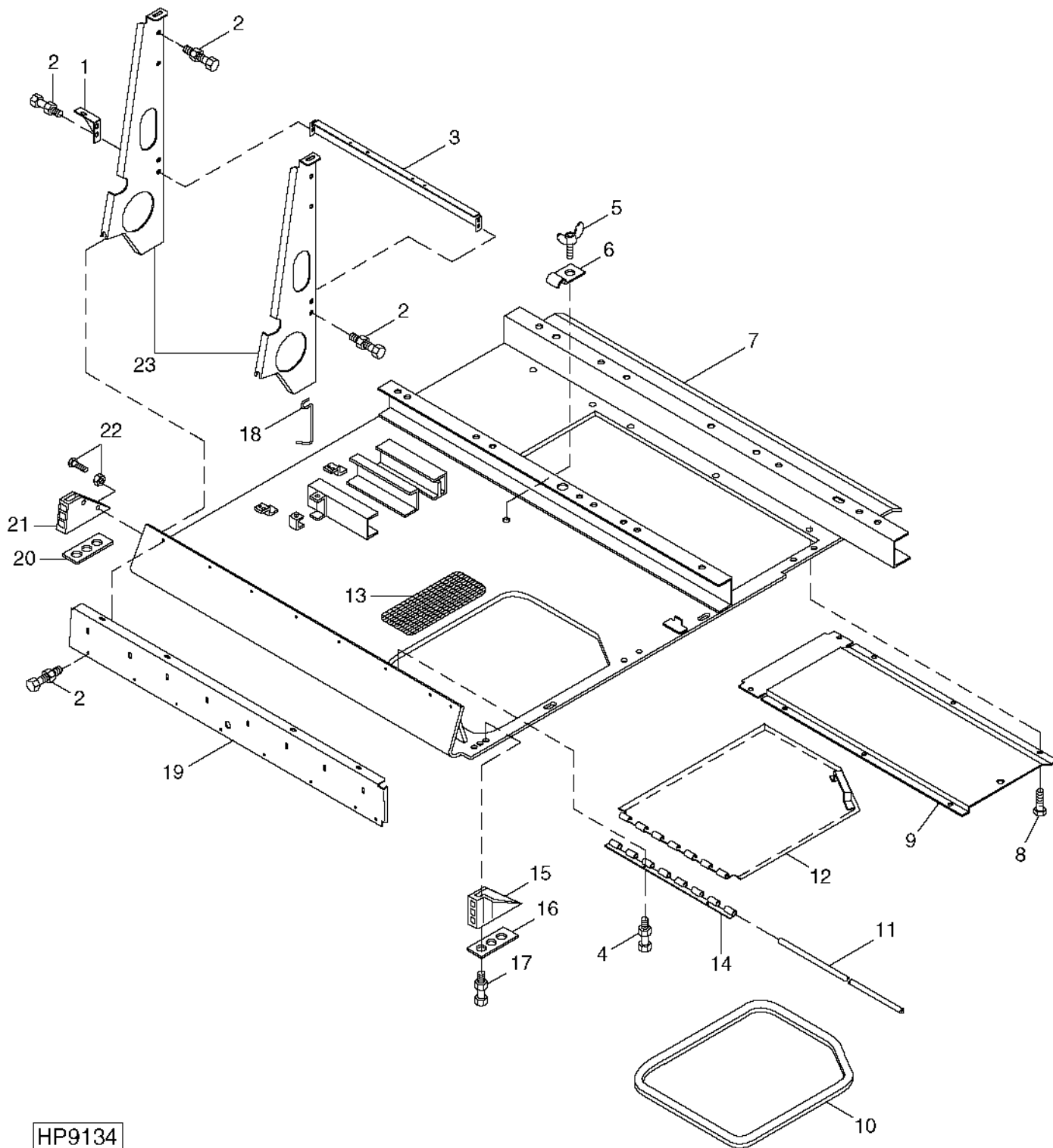
HP9632

FUEL TANK AND FITTINGS - CONTINUED

KEY	PART NO.	PART NAME	QTY	SERIAL NO.	REMARKS
1	AH158721	FUEL TANK	1		
2	RE52504	BREATHER	1		
3	R56101	CLIP	2		
4	TY22551	HOSE	1		(CUT TO 524MM)
5	21M7278	SCREW	10		M5 X 10
6	AH163173	FILLER CAP	1		
7	H165678	O-RING	1		
8	AH159447	STRAINER	1		
9	AH159448	LINK CHAIN	1		
10	AH159573	RING	1		
11	R114023	GROMMET	1		
12	R114022	VENT	1	-6DEC99	
	H174011	VENT	1	6DEC99-	
13	AT18904	CLAMP	2		
14	T17568	TEE FITTING	1		6.350 MM
15	AT13740	DRAIN VALVE	1		
16	A60341	FITTING	1		
17	AH106982	SCREEN	1		
18	AH129056	VALVE	1		
19	AH162666	HOSE	1		
20	RE500186	FUEL FILTER	1		
21	RE500187	SEDIMENT BOWL	1		
22	AH162665	LINE	1		
23	BRACKET	1		
24	HOSE	1		(CUT TO 2900MM W/FUEL COOLER, 3200MM W/O FUEL COOLER)
25	AH130127	PUMP	1		
26	AH146788	HYDRAULIC HOSE	1		
27	21M7265	SCREW	1		
28	H168724	GASKET	1		FUEL SENDER
29	AH162210	FILTER	1		
30	38H1160	ADAPTER	2		
31	R26448	O-RING	2		
32	T77613	O-RING	2		
33	03M7221	BOLT	2		
34	12M7081	LOCK WASHER	1		
35	14M7303	FLANGE NUT	2		
36	AH166949	FUEL SENDER	1		
37	AR77962	CLAMP	1		
38	H127578	ADAPTER	2		
39	H148166	WASHER	1		

1E18

ENGINE PLATFORM
HP9134 -UN-05OCT99



HP9134

1E19

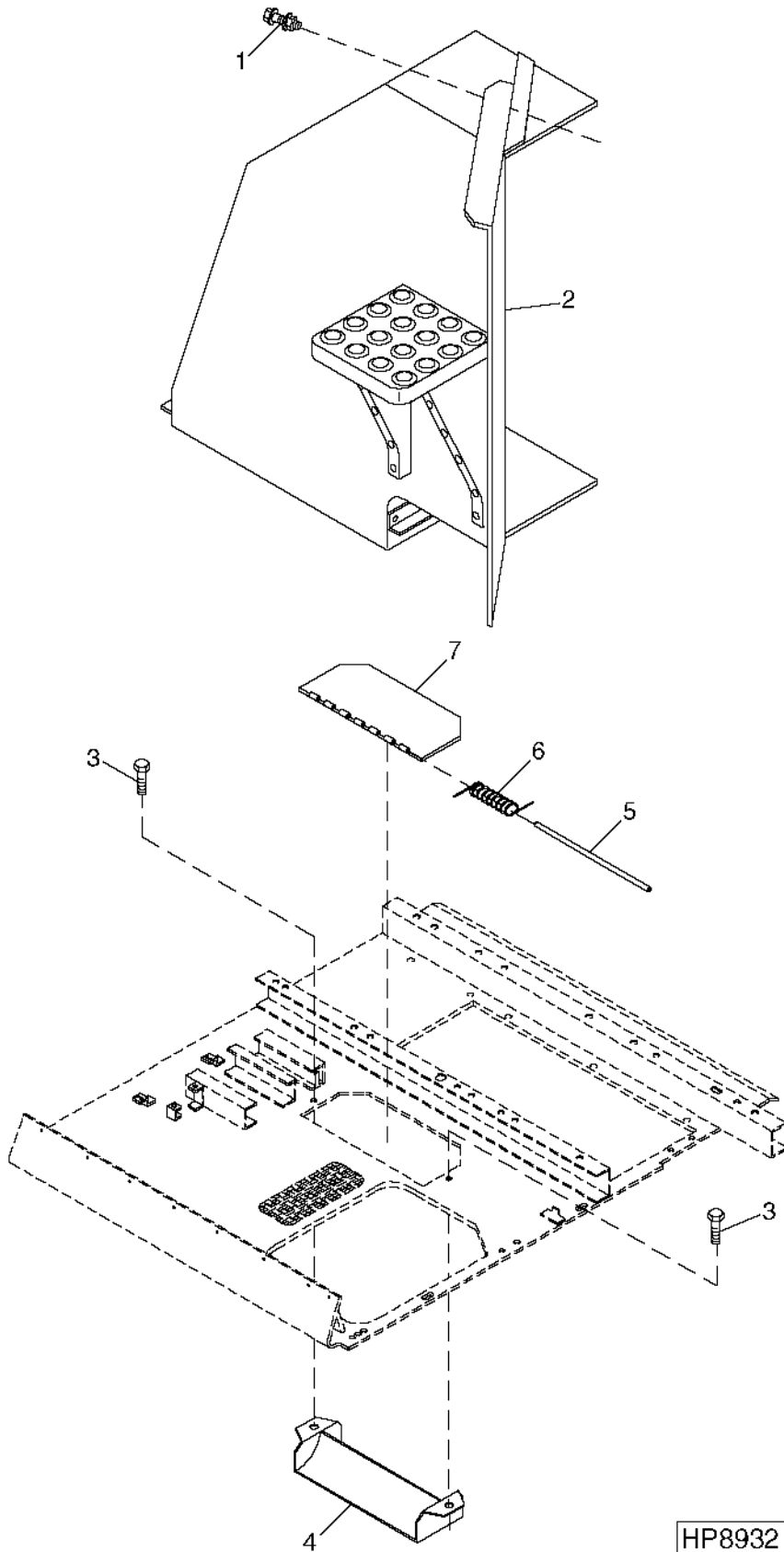
FUEL AND AIR

ENGINE PLATFORM - CONTINUED

KEY	PART NO.	PART NAME	QTY	SERIAL NO.	REMARKS
1	H134105	GUSSET	1		
2	19M7865	SCREW	AR	M8 X 16	
	14M7298	FLANGE NUT	AR	M8	
3	H162011	CHANNEL	1		
4	19M7867	SCREW	2		
	14M7298	FLANGE NUT	2		
5	21M7243	WING SCREW	1	M8 X 16	
6	H135148	HALF CLAMP	1		
7	AH166244	FRAME	1		
8	19M7865	SCREW	8	M8 X 16	
9	H161354	COVER	1		
10	AH122244	ISOLATOR	1		
11	H134464	PIN	1		
12	AH130506	DOOR	1		
13	H131743	MAT	3		
14	H134506	HINGE	1		
15	H165585	SUPPORT	1	R.H.	
16	H135393	STRAP	1		
17	19M7806	SCREW	6	M10 X 50	
	14M7296	FLANGE NUT	6	M10	
18	H135245	HOOK	1		
19	H158067	PANEL	1	(SUB H174162) LOWER REAR	
	H174162	PANEL	1		
20	H135392	STRAP	1		
21	H165587	SUPPORT	1	L.H.	
22	19M7866	SCREW	4	M8 X 20	
	14M7298	FLANGE NUT	4	M8	
23	H173035	GUSSET	2	(SUB FOR H161834)	

1E20

ENGINE COMPARTMENT
HP8932 -UN-18AUG99



HP8932

1E21

FUEL AND AIR

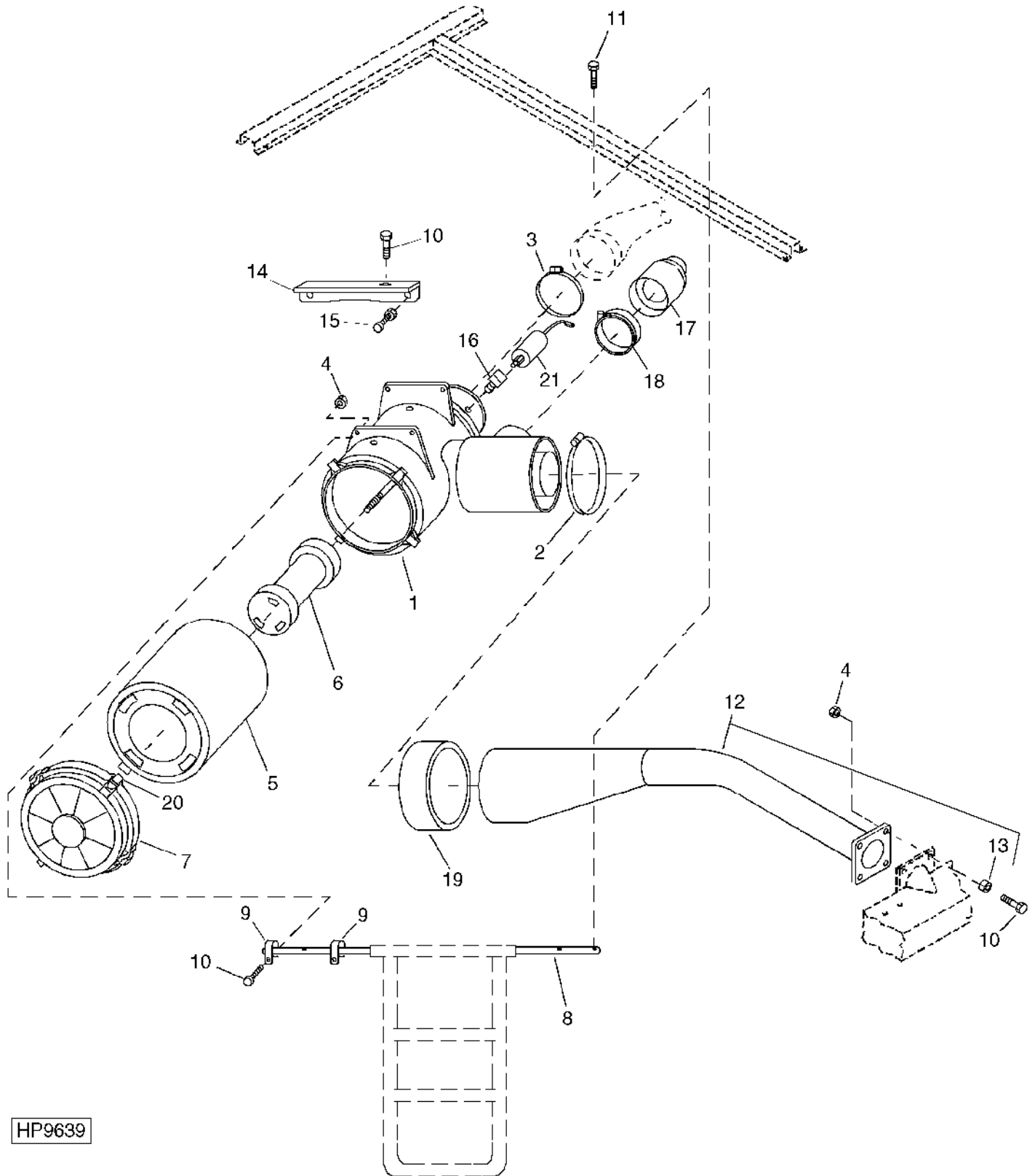
ENGINE COMPARTMENT - CONTINUED

KEY	PART NO.	PART NAME	QTY	SERIAL NO.	REMARKS
1	19M7865	SCREW	1		M8 X 16, INTO WELD NUT
	14M7298	FLANGE NUT	1		M8
2	AH162371	AIR DUCT	1		
3	37M7058	SCREW	2		SELF-TAPPING, INTO WELD NUT
4	AH137859	DEFLECTOR	1		
5	H144077	PIN	1		
6	H35712	SPRING	2		
7	H144034	HINGE	1		DOOR

1E22

FUEL AND AIR

AIR CLEANER AND INTAKE TUBES
HP9639 -UN-31MAR00



HP9639

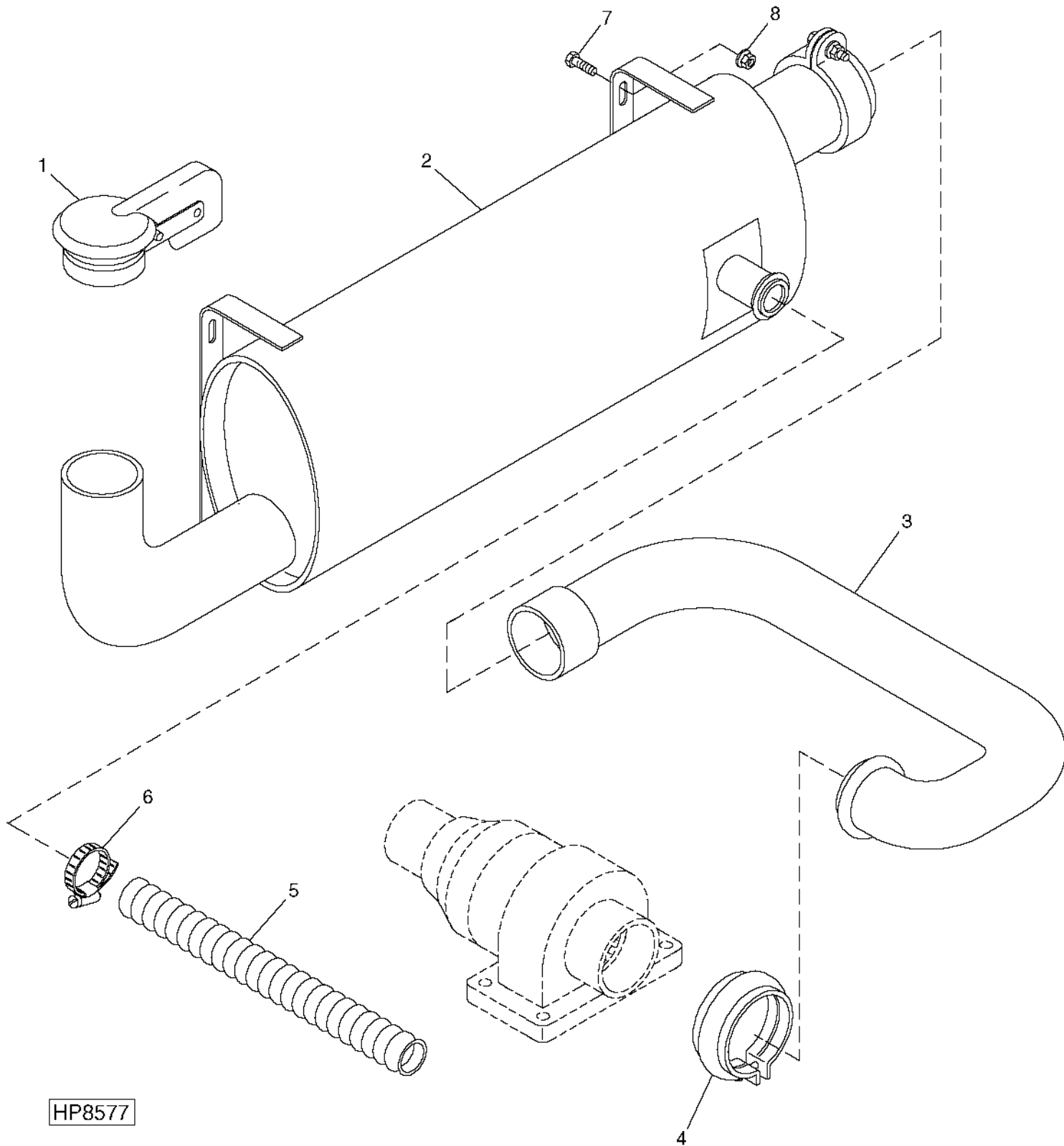
AIR CLEANER AND INTAKE TUBES - CONTINUED

KEY	PART NO.	PART NAME	QTY	SERIAL NO.	REMARKS
1	AH148879	AIR CLEANER	1		INCLUDES PARTS MARKED (A)
2	AH130230	HOSE CLAMP	1		
3	AC15595	CLAMP	2		
4	14M7298	FLANGE NUT	10	M8	
5	AH148880	FILTER ELEMENT	1	(A)	
6	RE63932	FILTER ELEMENT	1	(A)	
7	AH157555	COVER	1	(A)	
8	H135147	TUBE	1		
9	H157866	CLAMP	2		
10	19M8318	SCREW	6	M8 X 45	
11	19M8290	SCREW	3	M6 X 35	
12	AH163594	AIR DUCT	1		
13	H148776	SPACER	4		
14	AH158321	BRACKET	1	(A)	
15	19M7786	SCREW	2	M10 X 30	
	14M7296	FLANGE NUT	2	M10	
16	H164849	ELBOW FITTING	1	(A)	
17	AH158673	CHECK VALVE	1	(A)	
18	AN130930	HOSE CLAMP	1	(A)	
19	H164771	SLEEVE	1		
20	AH157554	LATCH	1	(A)	
21	AH148259	SWITCH	1	VACUUM SENSOR	

1E24

MUFFLER AND EXHAUST PIPE

HP8577 -UN-13AUG99



HP8577

1E25

FUEL AND AIR

MUFFLER AND EXHAUST PIPE - CONTINUED

KEY	PART NO.	PART NAME	QTY	SERIAL NO.	REMARKS
1	AT74407	EXHAUST CAP	1		
2	AH161463	MUFFLER	1		
3	AH128977	EXHAUST PIPE	1		
4	RE40048	CLAMP	1		
5	H134117	HOSE	1		
6	AR21839	CLAMP	2		
7	19M7868	SCREW	4		M8 X 30
8	14M7298	FLANGE NUT	4		M8

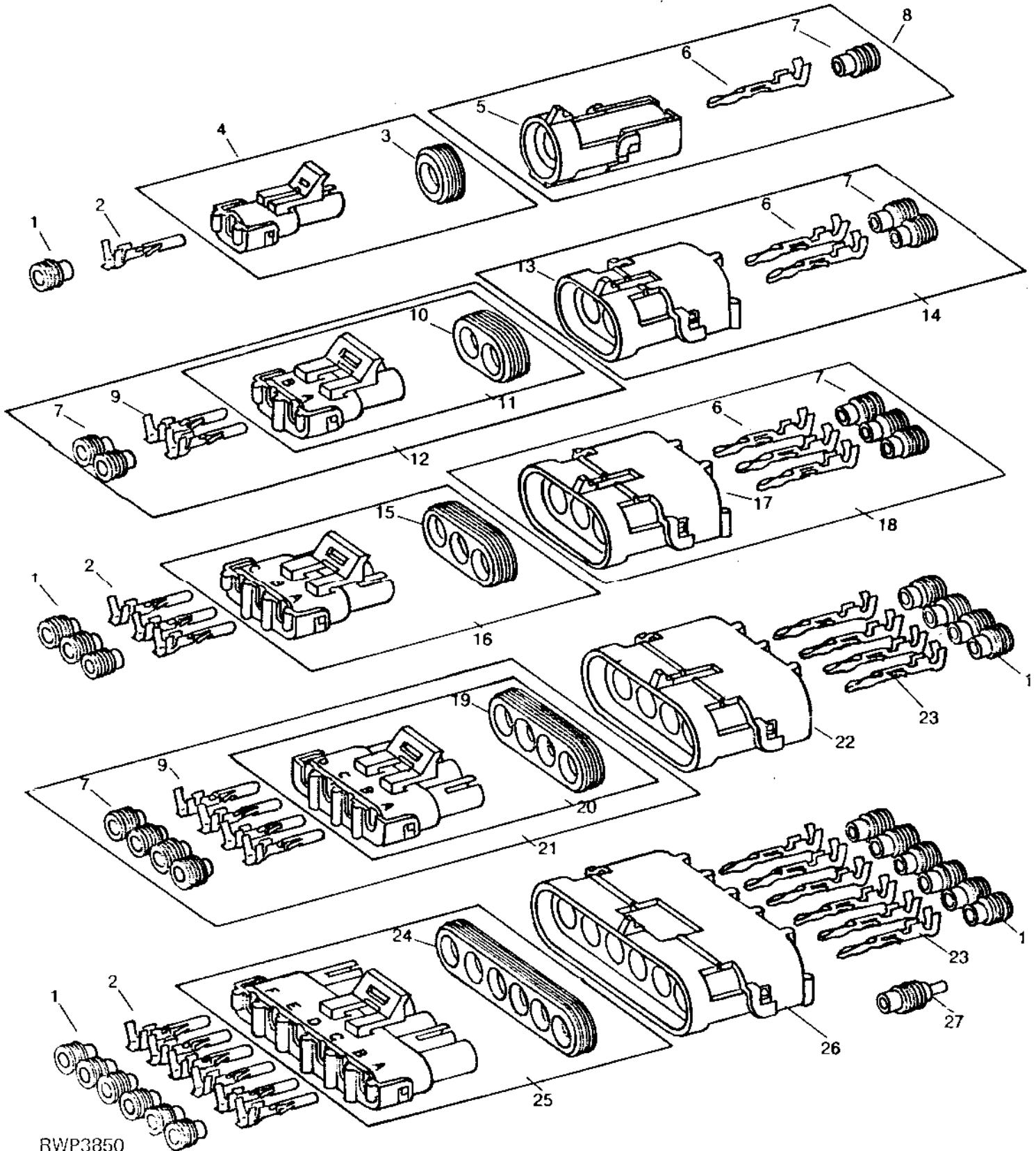
MEMORANDA

MEMORANDA

1F4

ELECTRICAL

WEATHERPACK TERMINALS AND CONNECTORS
RWP3850 -UN-01JAN94



WEATHERPACK TERMINALS AND CONNECTORS - CONTINUED

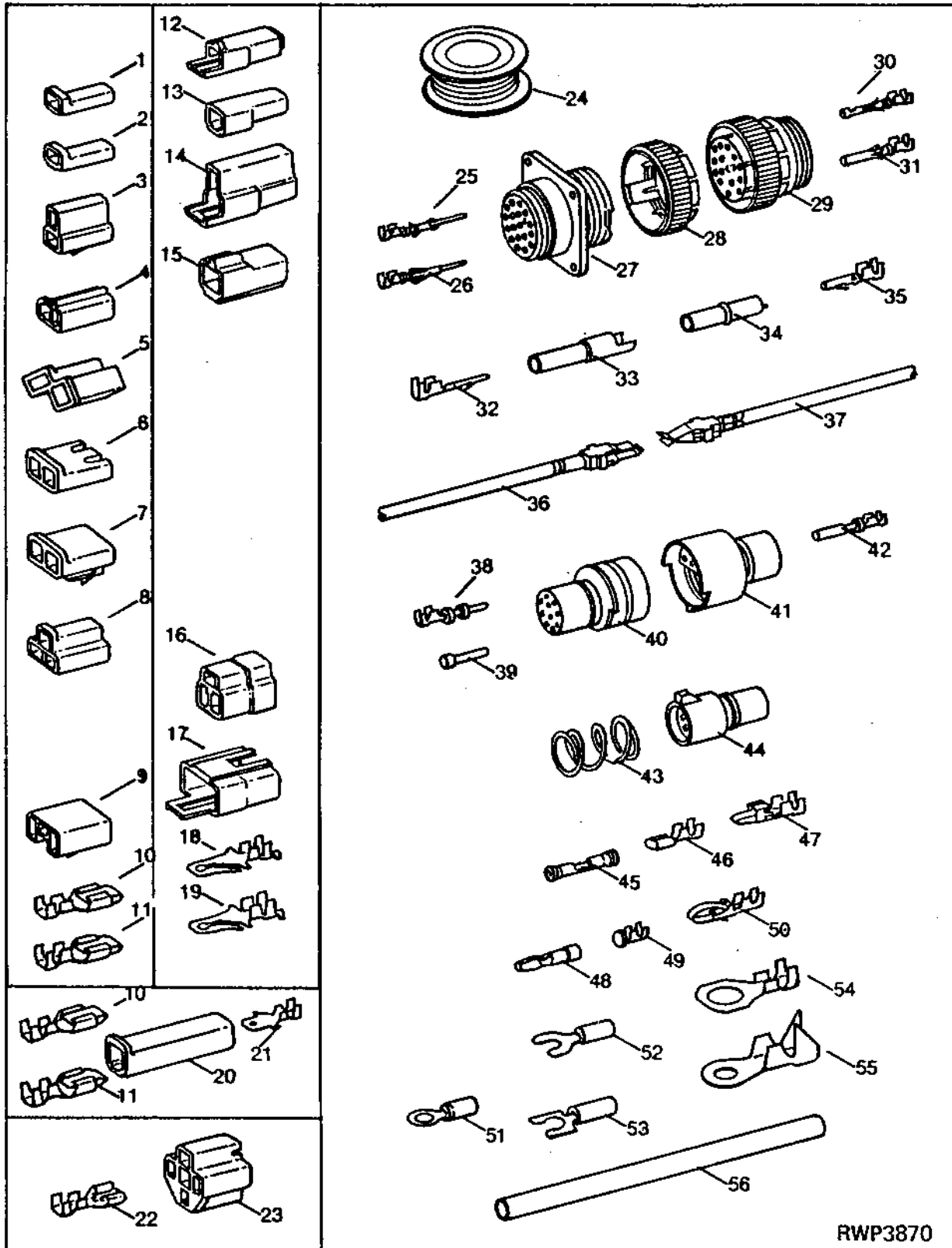
KEY	PART NO.	PART NAME	QTY	ENGINE SERIAL NO.	REMARKS
1	R78063	TERMINAL NIPPLE	1	(D) (16 GA. WIRE) (GRAY)	
	R78059	ELECTRICAL PLUG	1	(D) (18 OR 20 GA. WIRE) (GREEN)	
	R78062	TERMINAL NIPPLE	1	(D) (14 GA. WIRE) (BLUE)	
2	R78057	SOCKET CONTACT	1	(D) (18 OR 20 GA. WIRE) (NO. 19)	
	R78060	SOCKET CONTACT	1	(D) (14 OR 16 GA. WIRE) (NO. 15)	
3	R78047	SEAL	1	(C)	
4	RE12362	CONNECTOR	1	(B)	
5	R78052	PIN CONTACT CONNECTOR BODY	1	(B)	
6	R78061	PIN CONTACT	1	(D) (14 OR 16 GA. WIRE) (NO. 15)	
7	R78063	TERMINAL NIPPLE	1	(D) (16 GA. WIRE) (GRAY)	
8	RE12334	CONNECTOR	1		
9	R78060	SOCKET CONTACT	1	(D) (14 OR 16 GA. WIRE) (NO. 15)	
10	R78048	TERMINAL NIPPLE	1	(C)	
11	RE12363	CONNECTOR	1	(B)	
12	RE12331	CONNECTOR	1		
13	R78053	PIN CONTACT CONNECTOR BODY	1	(B)	
14	RE12330	CONNECTOR	1		
15	R78049	SEAL	1	(C)	
16	RE12364	SOCKET CONT.CONNECTOR BODY	1	(B)	
17	R78054	PIN CONTACT CONNECTOR BODY	1	(B)	
18	RE12332	CONNECTOR	1		
19	R78050	SEAL	1	(C)	
20	RE12365	CONNECTOR	1	(A)	
21	RE12333	CONNECTOR	1		
22	R78055	PIN CONTACT CONNECTOR BODY	1	(A)	
23	R78061	PIN CONTACT	1	(D) (14 OR 16 GA. WIRE) (NO. 15)	
	R78058	PIN CONTACT	1	(D) (18 OR 20 GA. WIRE) (NO. 19)	
24	R78051	SEAL	1	(C)	
25	RE12366	CONNECTOR	1	(A)	
26	R78056	PIN CONTACT CONNECTOR BODY	1	(A)	
27	R78064	ELECTRICAL PLUG	1	(D)	

- (A) PKG OF 2
- (B) PKG OF 3
- (C) PKG OF 5
- (D) PKG OF 40

1F6

ELECTRICAL

ELECTRICAL CONNECTOR SERVICE KIT
RWP3870 -UN-01JAN94



ELECTRICAL CONNECTOR SERVICE KIT - CONTINUED

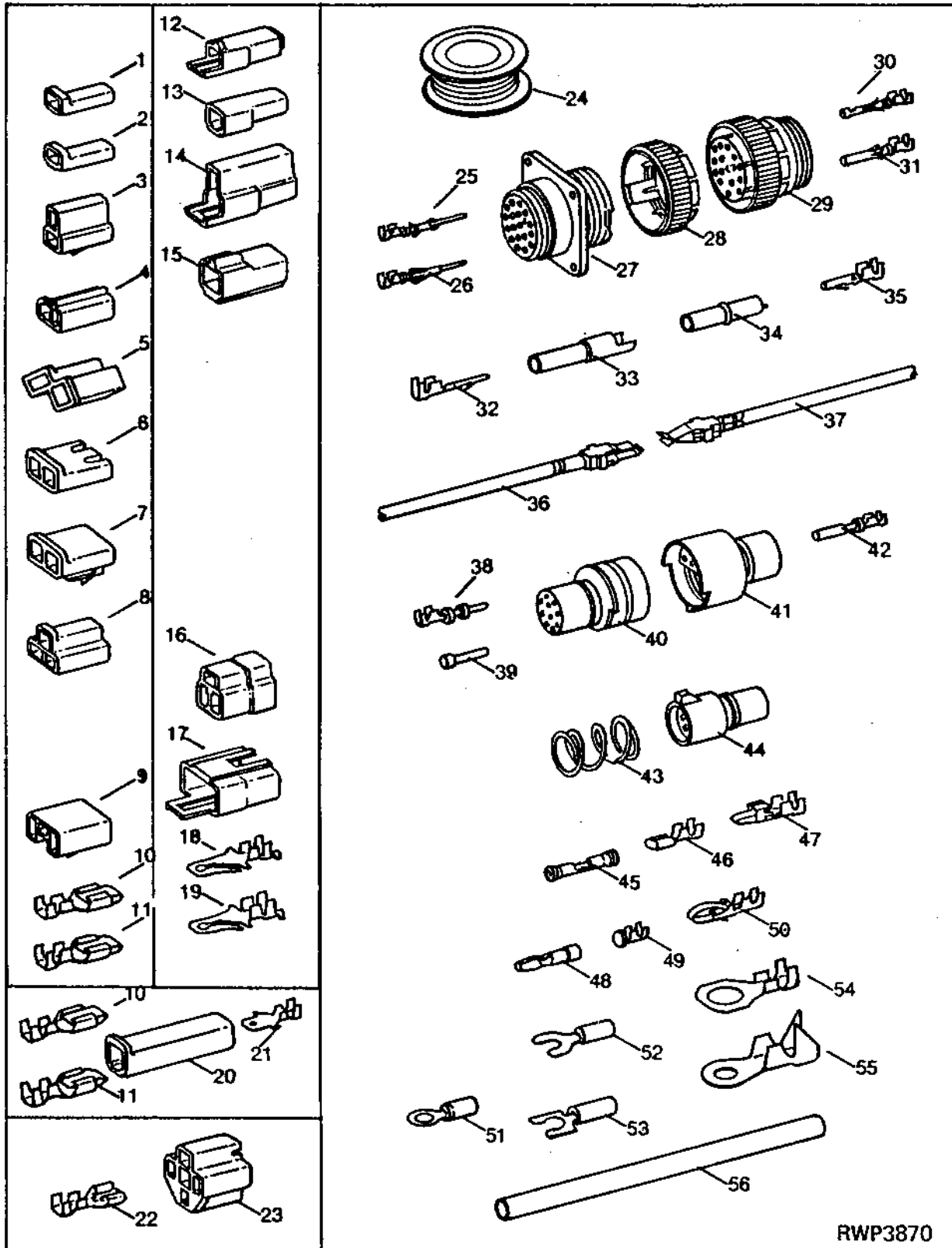
KEY	PART NO.	PART NAME	QTY	SERIAL NO.	REMARKS
1	T28583	RECEPTACLE CONNECTOR BODY	1	(B)	
2	M43835	FLAT CONNECTOR	1	(B)	
3	R77476	CONNECTOR	1	(A)	
4	R77477	RECEPTACLE CONNECTOR BODY	1	(A)	
5	R77479	CONNECTOR	1	(A)	
6	R77480	RECEPTACLE CONNECTOR BODY	1	(A)	
7	R77481	CONNECTOR	1	(A)	
8	R77482	CONNECTOR	1		
9	H104855	RECEPTACLE CONNECTOR BODY	1		
10	U46662	TERMINAL	1	(E) (F)	
11	N115096	TERMINAL	1	(G) (PKG. OF 15)	
12	T28585	TAB CONNECTOR BODY	1	(B)	
13	R77475	CONNECTOR	1	(B)	
14	T28586	CONNECTOR	1	(A)	
15	R77478	CONNECTOR	1	(A)	
16	R77483	CONNECTOR	1		
17	R48887	TAB CONNECTOR BODY	1		
18	T34067	TERMINAL	1	(E) (F)	
19	R77484	TERMINAL	1	(G) (PKG. OF 15)	
20	U46370	CONNECTOR	1	(B)	
21	R77485	TAB	1	(C) (F)	
22	R77486	TERMINAL	1	(E)	
23	R77487	CONNECTOR	1	(B)	
24	R66321	WIRING LEAD	1	15M (50 FT.) 10 GA.	
	R66320	WIRING LEAD	1	30.5M (100 FT.) 12 GA.	
	R77501	WIRE	1	30.5M (100 FT.) 14 GA.	
	R77500	WIRE	1	30.5M (100 FT.) 16 GA.	
	TY16086	WIRE	1	(SUB FOR R77499) 30.5M (100FT.) 18 GA.	
	R77498	WIRE	1	30.5M (100 FT.) 20 GA.	
25	R77462	PIN CONTACT	1	(PKG. OF 40) 20-22 OR 24 GA. WIRE	
26	R77464	PIN CONTACT	1	(H) (PKG. OF 50)	
27	R77456	RECEPTACLE	1	(37 WAY)	
28	R77458	CONNECTOR	1	(A) SIZE 23	
	R77459	CONNECTOR	1	(A) SIZE 17	
	R77460	CONNECTOR	1	(A) SIZE 13	
	R77461	CONNECTOR	1	(A) SIZE 11	
29	R77457	ELECTRICAL PLUG	1	37 WAY	
30	R77463	SOCKET CONTACT	1	(PKG. OF 40) 20-22 OR 24 GA. WIRE	
31	R77465	SOCKET CONTACT	1	(H) (PKG. OF 50)	
32	R77468	TERMINAL	1	(PKG. OF 5) 18 GA.	
33	R77466	CONNECTOR	1	(A)	
34	R77467	CONNECTOR	1	(A)	

- (A) PKG. OF 2
- (B) PKG. OF 3
- (C) PKG. OF 10
- (D) PKG. OF 20
- (E) PKG. OF 25
- (F) 14 OR 16 GA. WIRE
- (G) 10 OR 12 GA. WIRE
- (H) 14-16 OR 18 GA. WIRE

1F8

ELECTRICAL

ELECTRICAL CONNECTOR SERVICE KIT
RWP3870 -UN-01JAN94



RWP3870

ELECTRICAL CONNECTOR SERVICE KIT - CONTINUED

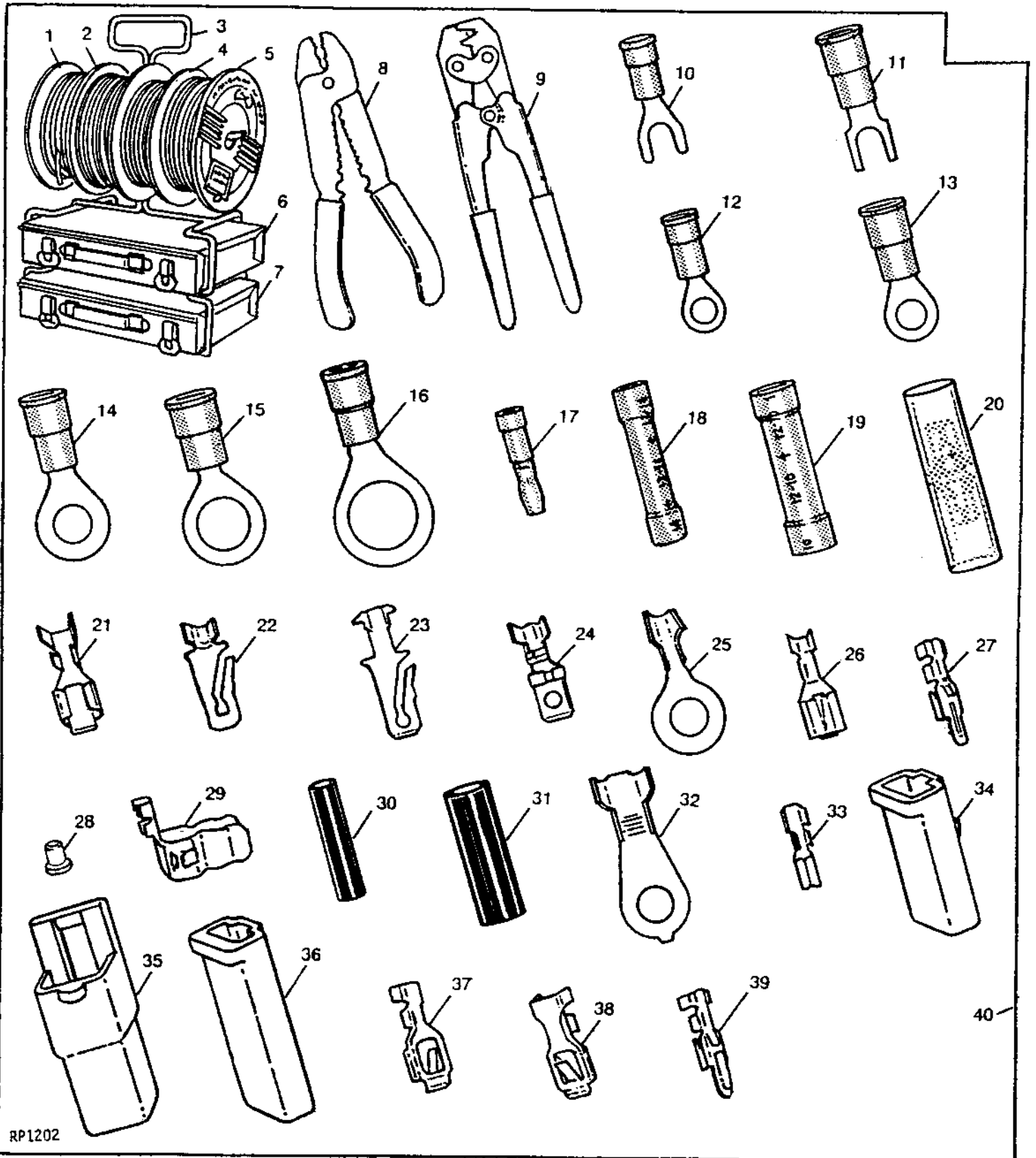
KEY	PART NO.	PART NAME	QTY	SERIAL NO.	REMARKS
35	R77469	TERMINAL	1	(PKG. OF 5) 18 GA.	
36	RE11156	TERMINAL	1	(B) MALE	
37	RE11157	TERMINAL	1	(B) FEMALE	
38	R70222	PIN CONTACT	1	(D) (H)	
39	R70221	ELECTRICAL PLUG	1	(E)	
40	R70219	PLUG	1	(PKG. OF (2) R70218 AND (2) R70219) 10 WAY	
	R70217	PLUG	1	(PKG. OF (2) R70216 AND (2) R70217) 7 WAY	
	R70215	PLUG	1	(PKG. OF (2) R70214 AND (2) R70215) 4 WAY	
	R70213	PIN CONTACT CONNECTOR BODY	1	(PKG. OF (2) R70212 AND (2) R70213) 3 WAY	
	R70211	CONNECTOR	1	(PKG. OF (2) R70210 AND (2) R70211) 2 WAY	
41	R70218	RECEPTACLE	1	ORDER R70219 WHICH CONTAINS (2) R70218 AND (2) R70219	
	R70216	RECEPTACLE	1	ORDER R70217 WHICH CONTAINS (2) R70216 AND (2) R70217	
	R70214	RECEPTACLE	1	ORDER R70215 WHICH CONTAINS (2) R70214 AND (2) R70215	
	R70212	RECEPTACLE	1	ORDER R70213 WHICH CONTAINS (2) R70212 AND (2) R70213	
	R70210	RECEPTACLE	1	(ORDER R70211) ORDER R70211 WHICH CONTAINS (2) R70210 AND (2) R70211	
42	AR91793	SOCKET CONTACT	1	(D)	
43	R30378	SPRING	1	(C)	
44	R77474	CONNECTOR	1	(A) 6 WAY	
45	R77470	TERMINAL	1	SPLICE (PKG. OF 15) 16-18-20 OR 22 GA. WIRE	
	R77471	TERMINAL	1	(C) (G) SPLICE	
	R77472	TERMINAL	1	(A) SPLICE (8 GA. WIRE)	
	R77473	TERMINAL	1	(A) SPLICE (6 GA. WIRE)	
46	R65607	TERMINAL	1	(C) (18 OR 20 GA. WIRE)	
47	U46664	TERMINAL	1	(C) (F)	
48	R32026	TERMINAL	1	(D) (F)	
49	R65602	SOCKET CONTACT	1	(C) 16 OR 18 GA. WIRE	
50	R70220	TERMINAL	1	(C) 18 OR 20 GA. WIRE	
51	R77489	TERMINAL	1	(D) 14-16-18 OR 20 GA. WIRE; NO. 10 EYELET	
	R77493	TERMINAL	1	(D) (G) NO. 10 EYELET	
	R77488	TERMINAL	1	(D) 14-16-18 OR 20 GA. WIRE; 3/8" EYELET	
	R77490	TERMINAL	1	(D) (G) (1/2" EYELET)	
52	R77496	TERMINAL	1	(D) (F) NO. 8 SPADE	
	R77495	TERMINAL	1	(D) 18 GA. WIRE; NO. 10 SPADE	
53	R77497	TERMINAL	1	(D) (F) NO. 6 SPADE	
54	R77491	TERMINAL	1	(D) (G) 3/8" EYELET	
	R77492	TERMINAL	1	(D) (G) 1/4" EYELET	
55	R77494	TERMINAL	1	(D) 6 OR 8 GA. WIRE; 1/4" EYELET	
56	R77502	TUBE	1	(PKG. OF 8) 3/8", HEAT SHRINK	
	R77503	TUBE	1	(PKG. OF 8) 3/16", HEAT SHRINK	
57	PM797NA	KIT	1		

- (A) PKG. OF 2
- (B) PKG. OF 3
- (C) PKG. OF 10
- (D) PKG. OF 20
- (E) PKG. OF 25
- (F) 14 OR 16 GA. WIRE
- (G) 10 OR 12 GA. WIRE
- (H) 14-16 OR 18 GA. WIRE

1F10

ELECTRICAL

TERMINAL AND WIRING KIT
RP1202 -UN-12SEP95



RP1202

TERMINAL AND WIRING KIT - CONTINUED

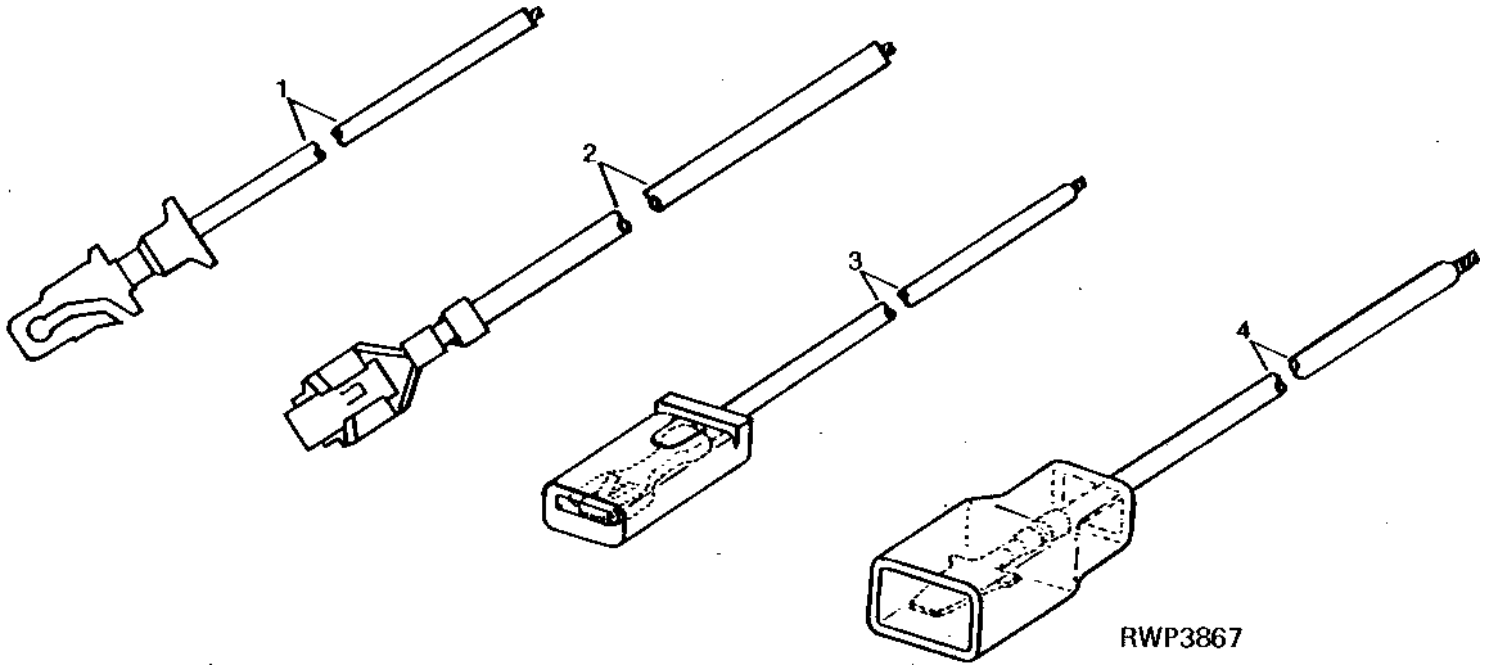
KEY	PART NO.	PART NAME	QTY	SERIAL NO.	REMARKS
1	R66319	WIRING LEAD	1		PRIMARY, 14 GA., 30,480 MM (100') (1 SPOOL)
2	R65593	WIRING LEAD	1		PRIMARY, 16 GA., 30,480 MM (100') (1 SPOOL)
3	R65608	RACK	1		
4	R66321	WIRING LEAD	1		PRIMARY, 10 GA., 15,240 MM (50') (1 SPOOL)
5	R66320	WIRING LEAD	1		PRIMARY, 12 GA., 30,480 MM (100') (1 SPOOL)
6	R65609	CONTAINER	1		32 COMPARTMENT
7	R65610	CONTAINER	1		11 COMPARTMENT
8	R32011	TOOL	1		WIRING, STRIPPING
9	R65594	TOOL	1		WIRING, CRIMPING
10	R32016	TERMINAL	1		PRIMARY, 14-16 GA., NO. 10 SPADE
11	R32017	TERMINAL	1		PRIMARY, 10-12 GA., NO. 10 SPADE
12	R32018	TERMINAL	1		PRIMARY, 14-16 GA., NO. 10 EYELET
13	R32019	TERMINAL	1		PRIMARY, 10-12 GA., NO. 10 EYELET
14	R32021	TERMINAL	1		PRIMARY, 10-12 GA., 1/4" EYELET
15	R32022	TERMINAL	1		PRIMARY, 10-12 GA., 3/8" EYELET
16	R32023	TERMINAL	1		PRIMARY, 10-12 GA., 1/2" EYELET
17	R32026	TERMINAL	1		MALE BULLET
18	R32027	CONNECTOR	1		SPLICE, 14-16 GA.
19	R32028	TERMINAL	1		SPLICE, 10-12 GA.
20	AL2976T	CONNECTOR	1		2-WIRE BULLET CONNECTOR
21	R65595	TERMINAL	1		FEMALE, 10 GA.
22	R65596	TERMINAL	1		MALE, 10 GA., OR TWO 14 GA. CABLES
23	R65597	TERMINAL	1		MALE, 14-16 GA.
24	R65598	TERMINAL	1		MALE, SHORT, 14-16 GA.
25	R65599	TERMINAL	1		14-16 GA., 1/4" EYELET
26	R65600	TERMINAL	1		FEMALE, 14-16 GA.
27	R65601	TERMINAL	1		TWIN-LOCK, TWO 16 GA. CABLES
28	R65602	SOCKET CONTACT	1		BULB SOCKET, 16-18 GA.
29	R65603	TERMINAL NIPPLE	1		FUSE
30	R65604	INSULATING SLEEVE	1		14-18 GA.
31	R65605	INSULATING SLEEVE	1		8-12 GA.
32	R65606	TERMINAL	1		6-8 GA., 1/4" EYELET
33	R65607	TERMINAL	1		18-20 GA.
34	T28583	RECEPTACLE CONNECTOR BODY	1		ONE CONTACT LOCK-TYPE, MALE
35	T28585	TAB CONNECTOR BODY	1		ONE CONTACT LOCK-TYPE, FEMALE
36	U46370	CONNECTOR	1		ONE CONTACT SINGLE BODY, MALE
37	U46662	TERMINAL	1		CONNECTOR, ONE CONTACT SINGLE BODY, MALE
38	U46663	TERMINAL	1		MALE
39	U46664	TERMINAL	1		MALE
40	PM797NA	KIT	1		

1F12

ELECTRICAL

SUPPLEMENTARY TERMINALS AND CONNECTORS

RWP3867 -UN-01JAN94



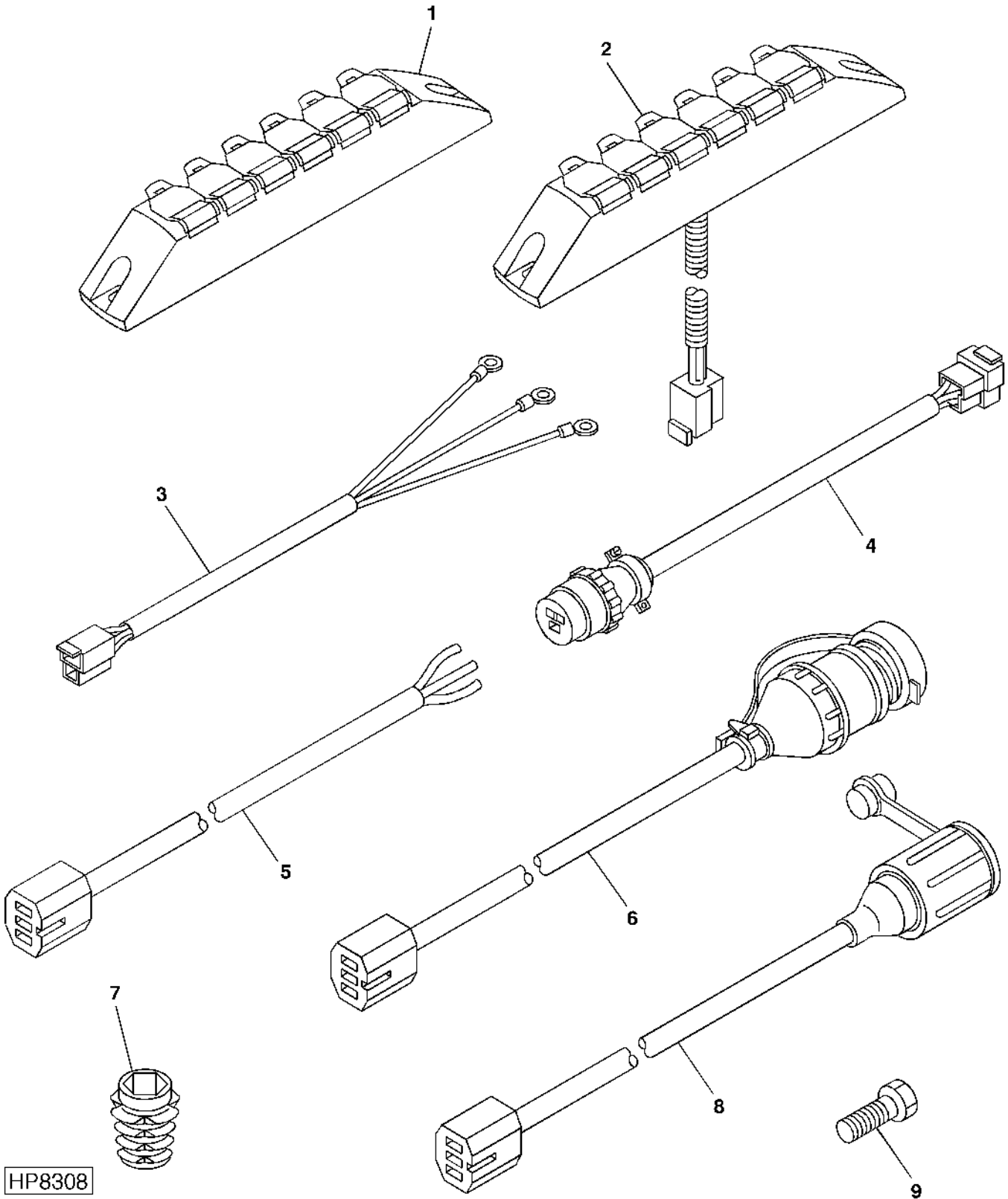
KEY	PART NO.	PART NAME	QTY	SERIAL NO.	REMARKS
1	AR65005	TERMINAL	1		
2	AR65006	TERMINAL	1		
3	R32024	WIRING LEAD	1		
4	R32025	WIRING LEAD	1		

MEMORANDA

1F13

ELECTRICAL

KIT-CONVENIENCE OUTLET
HP8308 -UN-10MAR99



HP8308

1F14

ELECTRICAL

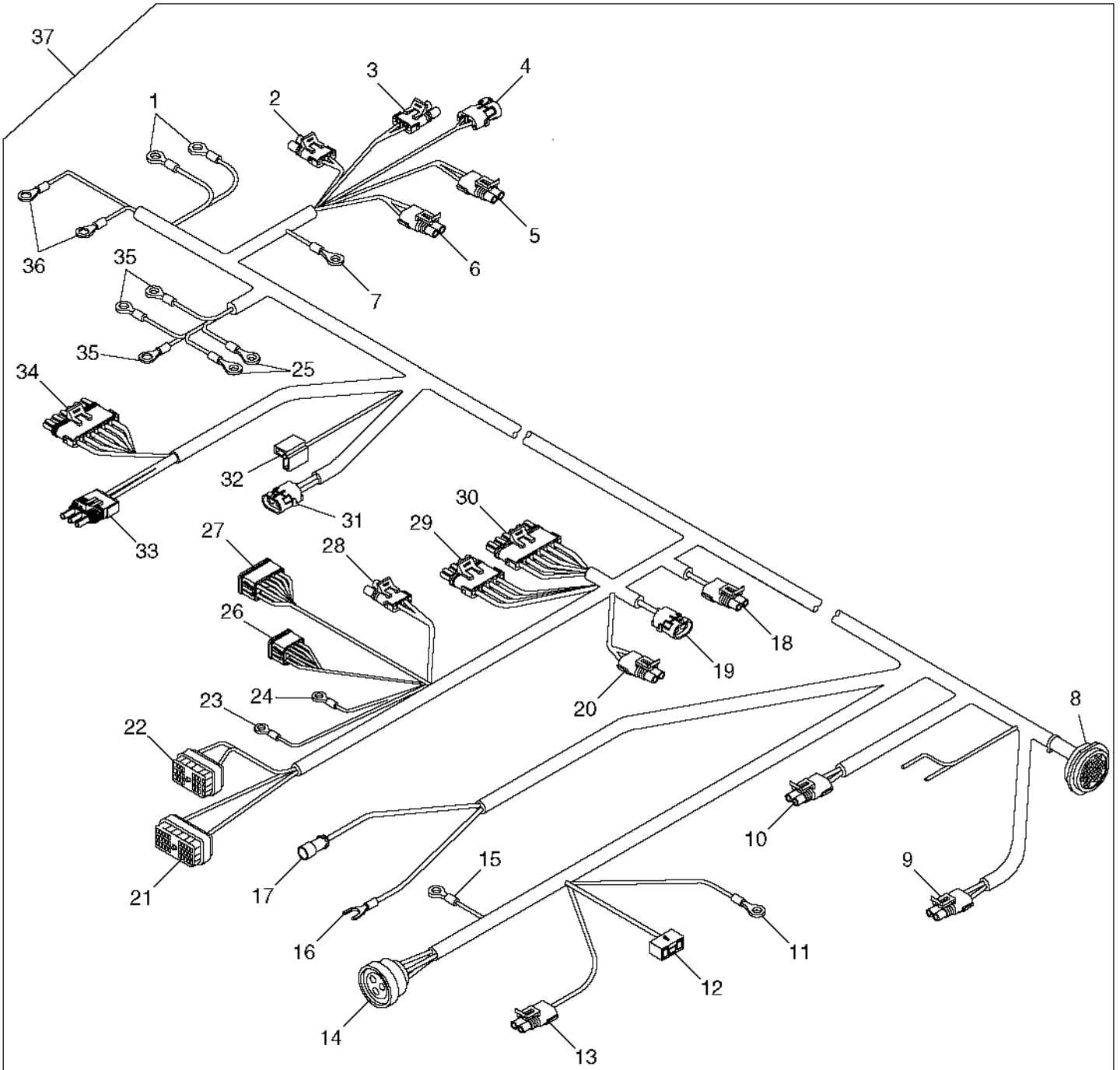
CONVENIENCE OUTLET - CONTINUED

KEY	PART NO.	PART NAME	QTY	SERIAL NO.	REMARKS
1	RE68495	STRIP	1		
2	AH152668	TERMINAL	1		
3	AH153311	WIRING HARNESS	1		POWER STRIP
4	AH153133	WIRING HARNESS	1		ADAPTER POWER STRIP
5	RE67013	ELECTRICAL PLUG	1		AUXILIARY POWER
6	RE67015	ADAPTER	1		
7	H159806	INSERT	1		
8	RE67014	ADAPTER	1		CIGARETTE LIGHTER
9	21M7296	SCREW	2		M6 X 20

1F15

ELECTRICAL

ENGINE WIRING HARNESS
HP8165 -UN-07JUL99



HP8165

1F16

ELECTRICAL

ENGINE WIRING HARNESS - CONTINUED

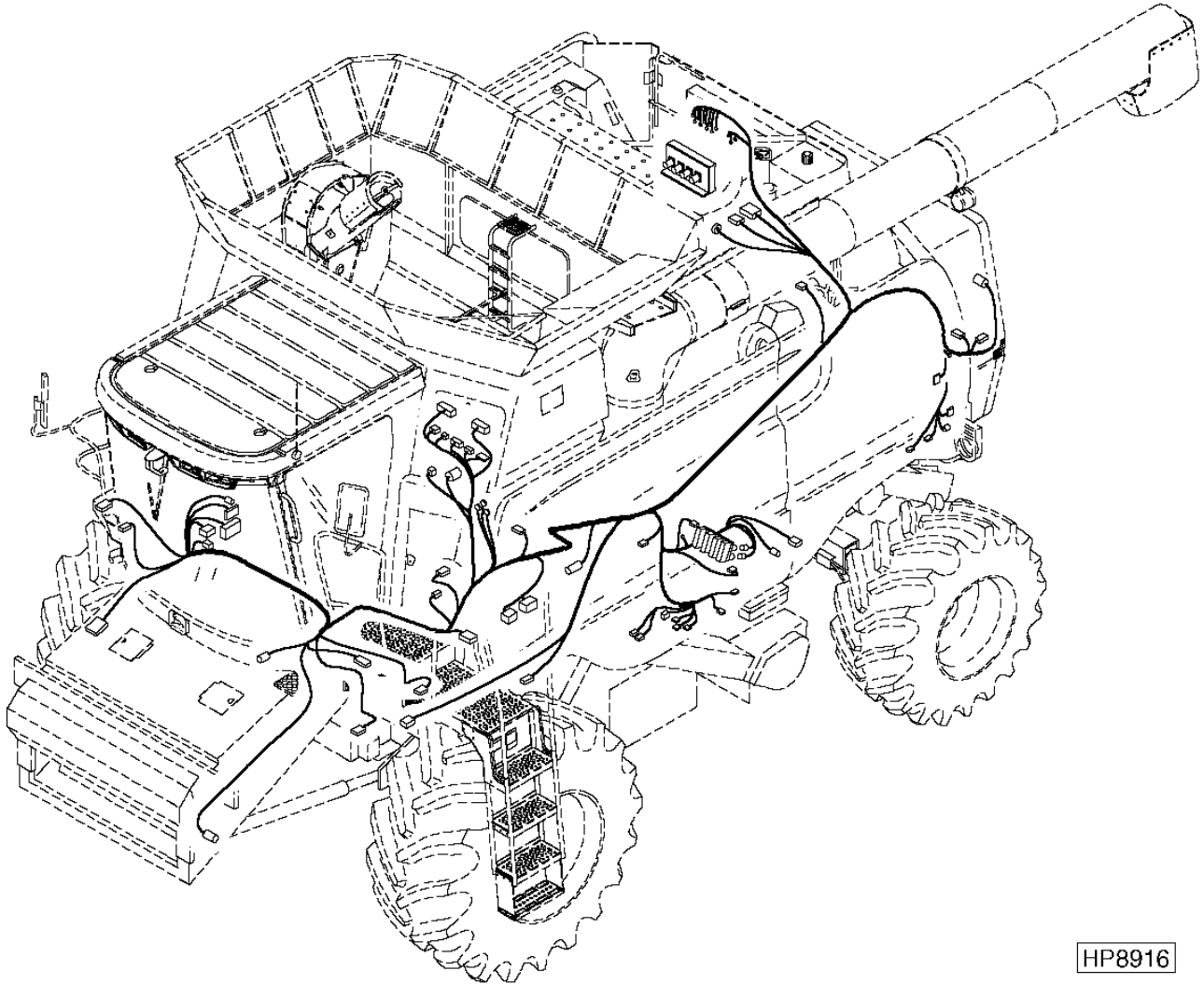
KEY	PART NO.	PART NAME	QTY	SERIAL NO.	REMARKS
1	57M7118	TERMINAL	2		START RELAY
	57M7030	TERMINAL	1		
2	R12363	CONNECTOR	1		UNLOADING AUGER ENGAGE
3	R12363	CONNECTOR	1		SEPERATOR ENGAGE
4	R78053	PIN CONTACT CONNECTOR BODY	1		SEPERATOR DRIVE PRESS
5	57M7850	RECEPTACLE CONNECTOR BODY	1		SEPERATOR DRIVE TEMPERATURE
6	57M7850	RECEPTACLE CONNECTOR BODY	1		ENGINE COOLANT SWITCH/SENSOR
7	R77489	TERMINAL	3		SEPERATOR DRIVE FILTER
8	57M7667	ELECTRICAL PLUG	1		R.H. MAIN WIRING HARNESS
9	R12363	CONNECTOR	1		A/C HIGH PRESS
10	57M7850	RECEPTACLE CONNECTOR BODY	1		INLET AIR TEMPERATURE
11	TERMINAL	1		GROUND
12	H104855	RECEPTACLE CONNECTOR BODY	1		ALTERNATOR FIELD
13	57M7850	RECEPTACLE CONNECTOR BODY	1		AUXILIARY ENGINE SPEED
14	CONNECTOR	1		FUEL TEMPERATURE
15	R77489	TERMINAL	1		FUEL SHUTOFF
16	R32017	TERMINAL	1		A/C COMPRESSOR GROUND
17	57M7293	PIN CONTACT CONNECTOR BODY	1		A/C COMPRESSOR CLUTCH
18	R12363	CONNECTOR	1		ENGINE AIR FILTER
19	R78053	PIN CONTACT CONNECTOR BODY	1		ENGINE SERVICE LIGHT
20	57M7850	RECEPTACLE CONNECTOR BODY	1		HYDRO OIL TEMPERATURE
21	57M7275	CONNECTOR	1		ECU 1
22	57M7279	CONNECTOR	1		ECU 2
23	57M7030	TERMINAL	1		CONTROL POWER
24	57M7030	TERMINAL	1		ECU
25	57M7118	TERMINAL	2		MAIN GROUND
26	57M7696	RECEPTACLE CONNECTOR BODY	1		L.H. MAIN
27	57M7634	ELECTRICAL PLUG	1		L.H. MAIN WIRING HARNESS
28	R78053	PIN CONTACT CONNECTOR BODY	1		WALKER PLUG SWITCH
29	RE12365	CONNECTOR	1		DIAGNOSTIC CONNECTOR
30	R78056	PIN CONTACT CONNECTOR BODY	1		DIAGNOSTIC CONNECTOR
31	R78053	PIN CONTACT CONNECTOR BODY	1		ENGINE OIL PRESS
32	R77479	CONNECTOR	1		START AID
33	RE21364	CONNECTOR	1		INJECTOR PUMP
34	RE12366	CONNECTOR	101		INJECTOR PUMP
35	57M7572	TERMINAL	3		MAIN GROUND
36	R32023	TERMINAL	2		STARTER
37	AH154195	WIRING HARNESS	1		ENGINE

MEMORANDA

1F17

ELECTRICAL

L.H. MAIN WIRING HARNESS - REFERENCE
HP8916 -UN-13SEP99

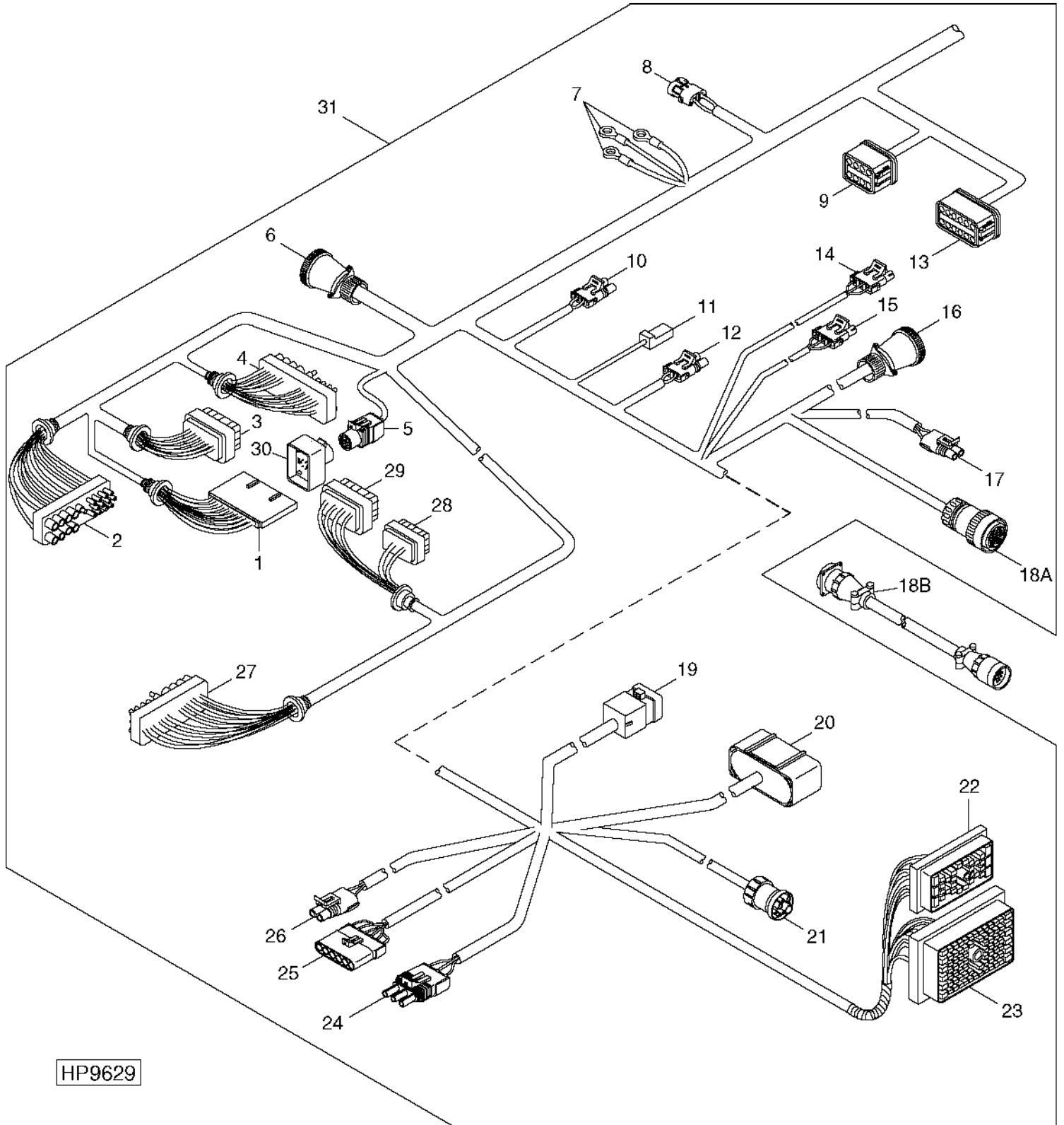


KEY	PART NO.	PART NAME	QTY	SERIAL NO.	REMARKS
1	AH166988	WIRING HARNESS	1	(SUB FOR AH164771)	L.H. MAIN

1F18

ELECTRICAL

L.H. MAIN WIRING HARNESS
HP9629 -UN-24MAR00



HP9629

1F19

ELECTRICAL

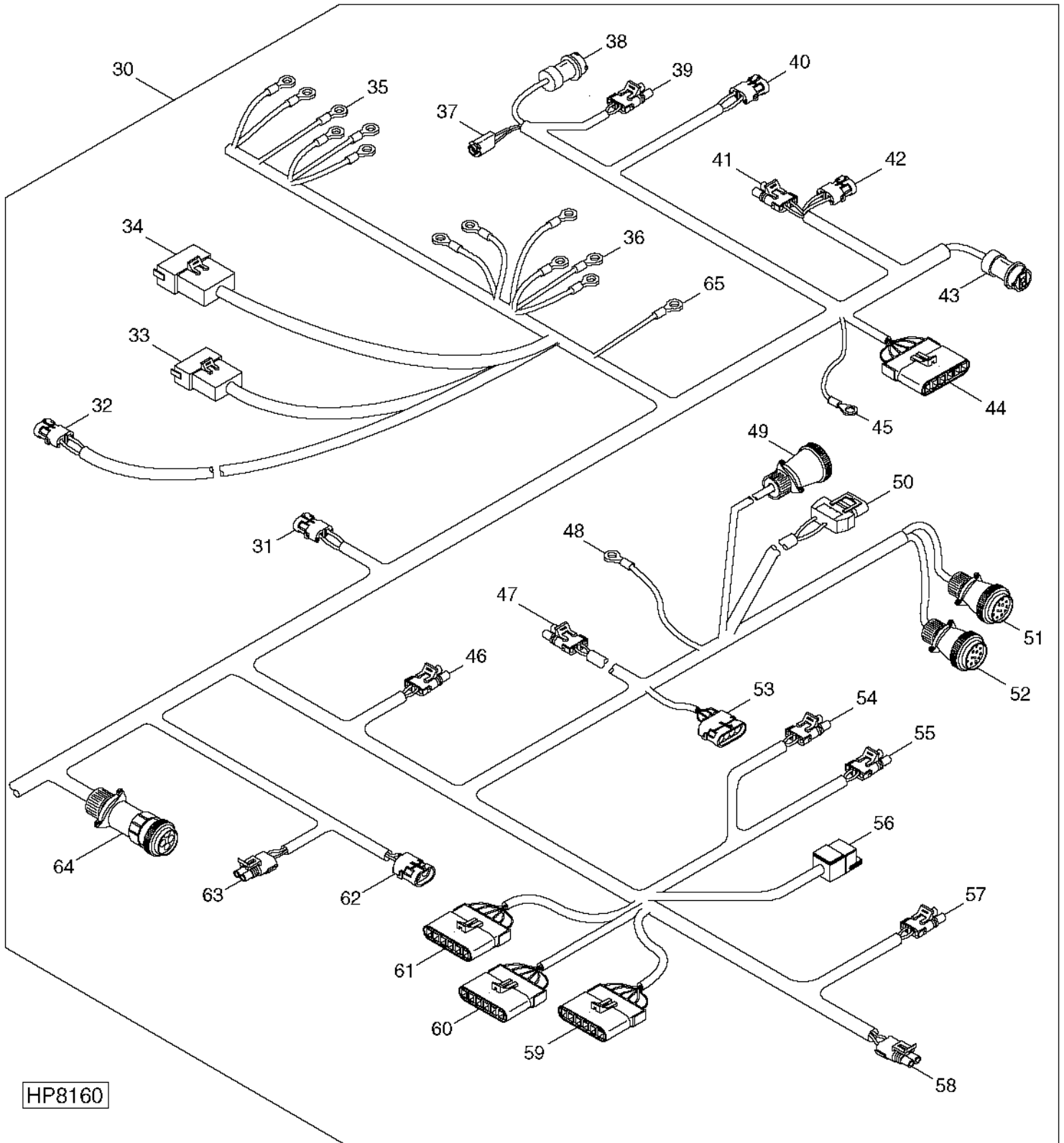
L.H. MAIN WIRING HARNESS - CONTINUED

KEY	PART NO.	PART NAME	QTY	SERIAL NO.	REMARKS
1	57M7818	ELECTRICAL PLUG	1		DASH
2	H132513	CONNECTOR	1		CEB POWER DISTRIBUTION BOARD
3	57M7253	RECEPTACLE	1		RELAY PANEL 1
4	H132513	CONNECTOR	1		POWER BOARD
5	57M7538	RECEPTACLE CONNECTOR BODY	1		TERMINATOR
6	AH135787	ELECTRICAL PLUG	1		GRAIN TANK
7	57M7572	TERMINAL	2		GRAIN TANK GROUND
	57M7118	TERMINAL	2		GROUND
8	R78053	PIN CONTACT CONNECTOR BODY	1		GULLWING SERVICE LIGHTS
9	57M7632	ELECTRICAL PLUG	1		SLAVE TAILING SENSOR
10	RE12363	CONNECTOR	1		CLUTCH
11	M47293	TERMINAL	1		WINDSHIELD WASHER PUMP
12	RE12363	CONNECTOR	1		TAILINGS ELEVATOR LSSM
13	57M7634	ELECTRICAL PLUG	1		MASTER TAILING SENSOR
14	RE12364	SOCKET CONT.CONNECTOR BODY	1		FEEDER HOUSE POSITION SENSOR
15	RE12364	SOCKET CONT.CONNECTOR BODY	1		L.H. TURNING SIGNAL/WARNING LAMP
16	AH135787	ELECTRICAL PLUG	1		STEERING COLUMN
17	R78053	PIN CONTACT CONNECTOR BODY	1		L.H. COMBINE STUBBLE LIGHT
18A	57M7661	ELECTRICAL PLUG	1		HEADER WIRING HARNESS
18B	AH168232	WIRING HARNESS	1		HEADER WIRING HARNESS REPAIR KIT (INCLUDES MATING CONNECTOR AND TERMINALS)
19	57M7697	CONNECTOR	1		R.H. MAIN WIRING HARNESS
20	CONNECTOR	1		R.H. MAIN WIRING HARNESS
21	57M7652	ELECTRICAL PLUG	1		AIR CONDITIONING WIRING HARNESS
22	57M7854	CONNECTOR	1		ARMREST
23	57M7693	RECEPTACLE CONNECTOR BODY	1		CAB MAIN
24	CONNECTOR	1		R.H. TURNING SIGNAL/WARNING LAMP
25	R78056	PIN CONTACT CONNECTOR BODY	1		HEADER R.H. SENSOR WIRING HARNESS
26	RE12363	CONNECTOR	1		R.H. COMBINE STUBBLE LIGHT
27	H132513	CONNECTOR	1		CEB POWER DISTRIBUTION BOARD
28	57M7279	CONNECTOR	1		HEADER CONTROL J2
29	57M7253	RECEPTACLE	1		HEADER CONTROL J1
30	RE70773	DEVICE	1		CAN TERMINATOR (6 PIN)
31	AH166988	WIRING HARNESS	1		(SUB FOR AH164771) L.H. MAIN

1F20

ELECTRICAL

L.H. MAIN WIRING HARNESS - CONTINUED
HP8160 -UN-06JUL99



HP8160

L.H. MAIN WIRING HARNESS - CONTINUED

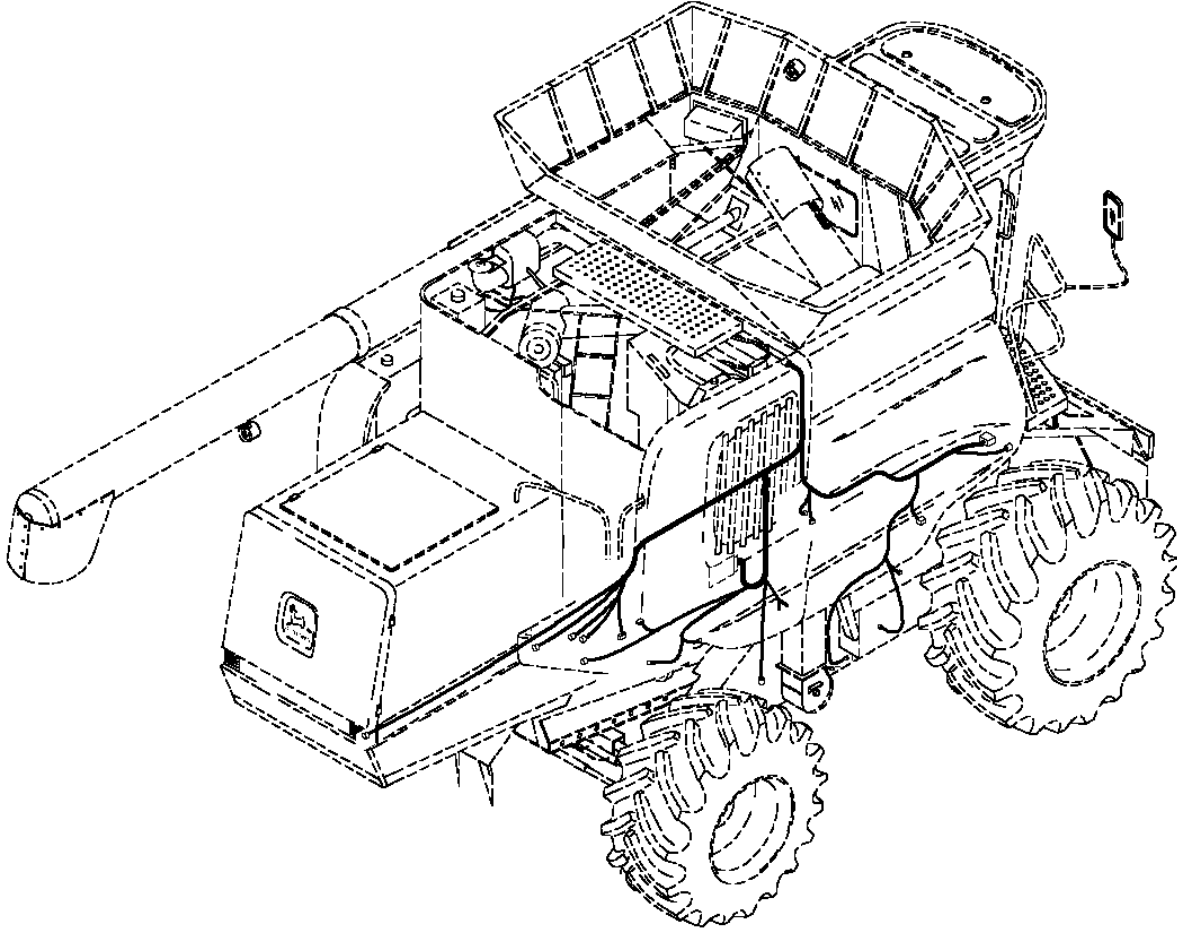
KEY	PART NO.	PART NAME	QTY	SERIAL NO.	REMARKS
30	AH166988	WIRING HARNESS	1		(SUB FOR AH164771) L.H. MAIN
31	R78053	PIN CONTACT CONNECTOR BODY	1		HYDRO CHARGE PRESS
32	AH165526	MODULE	1		
33	57M7697	CONNECTOR	1		ENGINE WIRING HARNESS
34	57M7633	RECEPTACLE	1		ENGINE WIRING HARNESS
35	57M7030	TERMINAL	3		RELAY PANEL
	57M7732	ELECTRICAL PLUG	4		
	57M7132	TERMINAL	2		
36	57M7572	TERMINAL	2		RELAY PANEL
	57M7732	ELECTRICAL PLUG	1		
37	SOCKET CONTACT	1		(ORDER AH140120) L.H. REAR SIDE MARKER LAMP
38	CONNECTOR	1		L.H. REAR TAIL/TURN LAMP
39	RE12363	CONNECTOR	1		L.H. WARNING LAMP
	H141411	CAP	1		
40	R78053	PIN CONTACT CONNECTOR BODY	1		REAR LIGHT
41	R78053	PIN CONTACT CONNECTOR BODY	1		STRAW CHOPPER LSSM
42	RE12363	CONNECTOR	1		CHOPPER LSSM SHORTING PLUG
43	CONNECTOR	1		L.H. TAIL/BRAKE SIGNAL
44	CONNECTOR	1		
45	CONNECTOR	1		L.H. REAR SIDE SHEET GROUND
46	RE12363	CONNECTOR	1		WALKER SPEED LSSM
47	RE12363	CONNECTOR	1		COIL
48	57M7572	TERMINAL	1		VALVE STACK GROUND
49	CONNECTOR	1		DIODE MODULE
	AH165984	MODULE	1		DIODE
50	CONNECTOR	1		L.H. SHOE LAMP
51	H118426	CONNECTOR	1		VALVE STACK
52	H118426	CONNECTOR	1		VALVE STACK
53	R78055	PIN CONTACT CONNECTOR BODY	1		SIDEHILL WIRING HARNESS
54	RE12363	CONNECTOR	1		GULLWING SWITCH
55	RE12363	CONNECTOR	1		SHOE LIGHT SWITCH
56	Z62206	ELECTRICAL PLUG	1		FAN SPEED ACTUATOR
57	RE12363	CONNECTOR	1		POWERED REAR WHEELS
58	RE12363	CONNECTOR	1		CLEAN GRAIN ELEVATOR LSSM
59	CONNECTOR	1		
60	CONNECTOR	1		
61	CONNECTOR	1		
62	R78053	PIN CONTACT CONNECTOR BODY	1		GROUND SPEED SENSOR
63	RE12363	CONNECTOR	1		CONVEYOR AUGER LSSM
64	AE44392	CONNECTOR	1		REEL SPEED ACTUATOR
65	TERMINAL	1		RELAY PANEL GROUND

MEMORANDA

1F22

ELECTRICAL

R.H. MAIN WIRING HARNESS, WITHOUT GREENSTAR - REFERENCE
HP8964 -UN-13SEP99



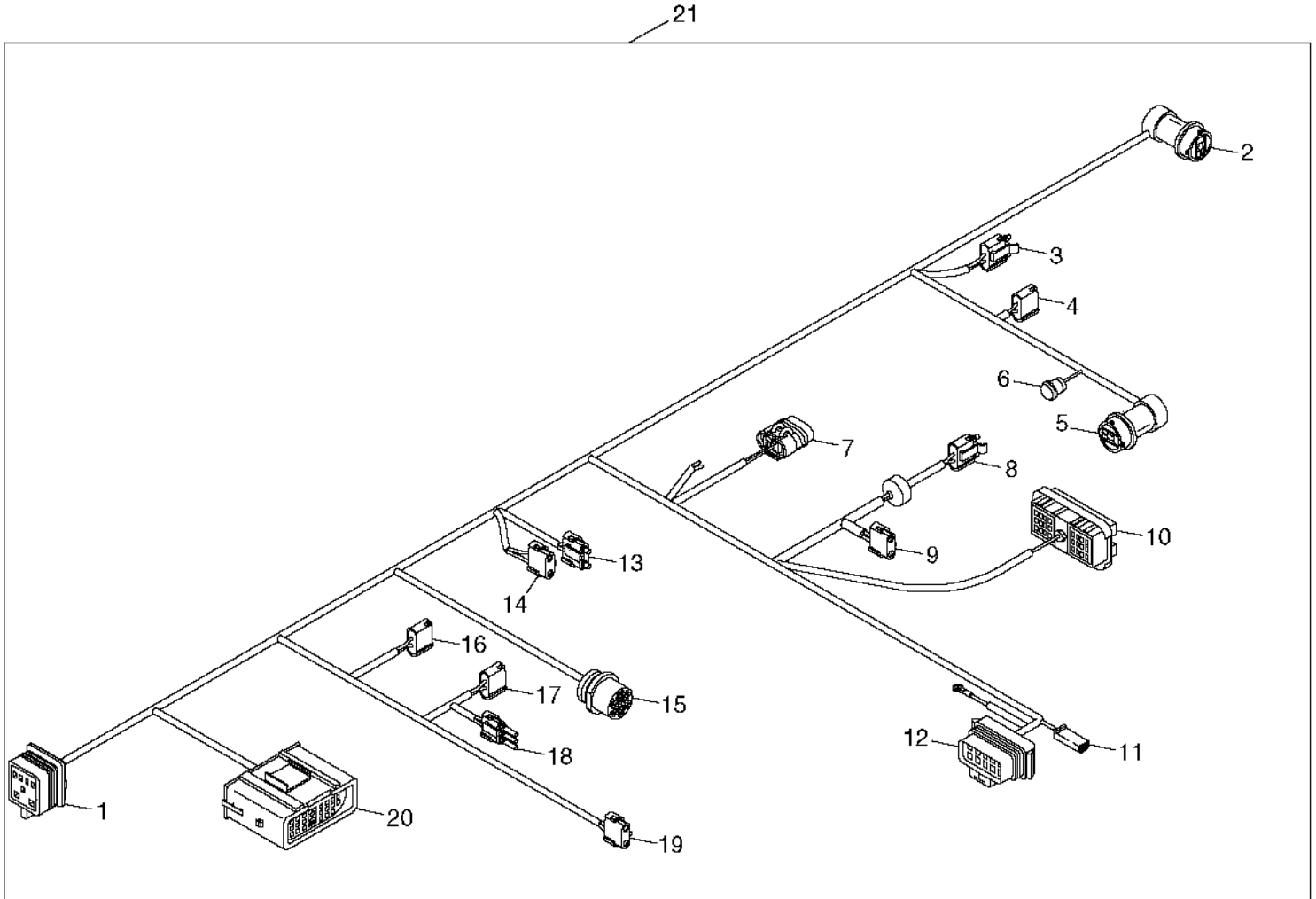
HP8964

KEY	PART NO.	PART NAME	QTY	SERIAL NO.	REMARKS
1	AH165008	WIRING HARNESS	1		R.H. MAIN, LESS GREENSTAR

1F23

ELECTRICAL

R.H. MAIN WIRING HARNESS, W/O GREENSTAR
HP8166 -UN-26JAN99



HP8166

R.H. MAIN WIRING HARNESS, W/O GREENSTAR - CONTINUED

KEY	PART NO.	PART NAME	QTY	SERIAL NO.	REMARKS
1	57M7696	RECEPTACLE CONNECTOR BODY	1		L.H. MAIN WIRING HARNESS
	57M7698	INSULATING SLEEVE	1		
2	CONNECTOR	1		R.H. REAR TURN SIGNAL LIGHT
3	RE12363	CONNECTOR	1		ENGINE SERVICE LIGHT SWITCH
4	R78053	PIN CONTACT CONNECTOR BODY	1		REAR DISCHARGE LIGHT
5	CONNECTOR	1		R.H. REAR WARNING LIGHT
6	SOCKET CONTACT	1		(ORDER AH140120) R.H. CENTER SIDE MARKER LIGHT
7	CONNECTOR	1		SHOE LIGHT
8	RE12363	CONNECTOR	1		R.H. WARNING LIGHT
9	RE12363	CONNECTOR	1		ROTARY SCREEN SERVICE LIGHT
10	57M7276	CONNECTOR	1		HARVESTRAK PRE-AMP
11	T28583	RECEPTACLE CONNECTOR BODY	1		FUEL PUMP
12	57M7262	RECEPTACLE CONNECTOR BODY	1		HARVESTRAK SENSOR HARNESS
13	57M7813	RECEPTACLE	1		FUEL LEVEL
14	R78053	PIN CONTACT CONNECTOR BODY	1		GULLWING LIGHTS
15	57M7666	RECEPTACLE	1		ENGINE HARNESS
16	R78053	PIN CONTACT CONNECTOR BODY	1		CONCAVE SPEED SENSOR
17	R78053	PIN CONTACT CONNECTOR BODY	1		CONCAVE ADJUST ACTUATOR
18	RE12364	SOCKET CONT.CONNECTOR BODY	1		CONCAVE SENSOR
19	R78053	PIN CONTACT CONNECTOR BODY	1		FAN SPEED SENSOR
20	CONNECTOR	1		L.H. MAIN CONNECTOR
21	AH165008	WIRING HARNESS	1		R.H. MAIN (W/O GREENSTAR)
..	H117952	CLAMP	6		
..	AH140120	KIT	1		LIGHT REPAIR

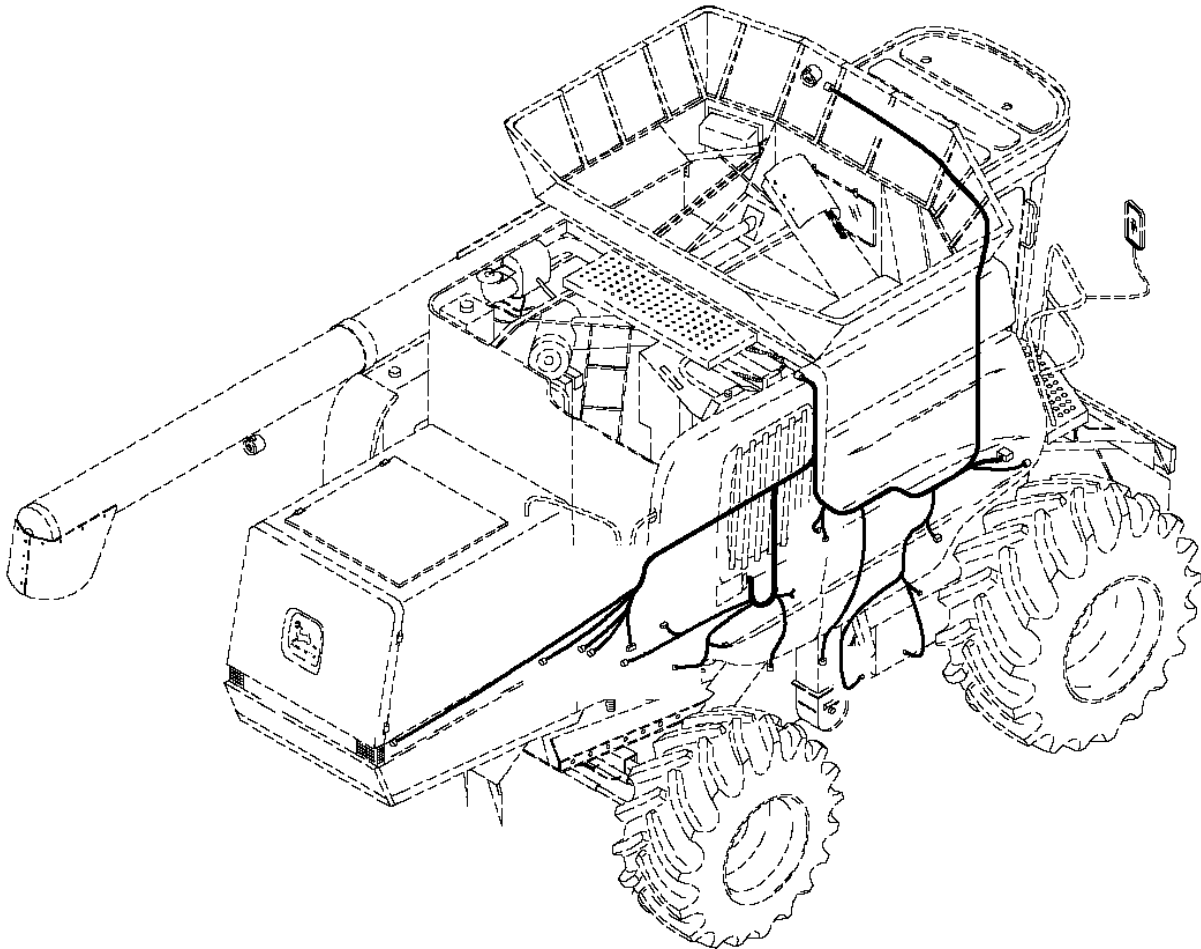
MEMORANDA

1F25

ELECTRICAL

R.H. MAIN WIRING HARNESS W/GREENSTAR - REFERENCE

HP9018 -UN-13SEP99



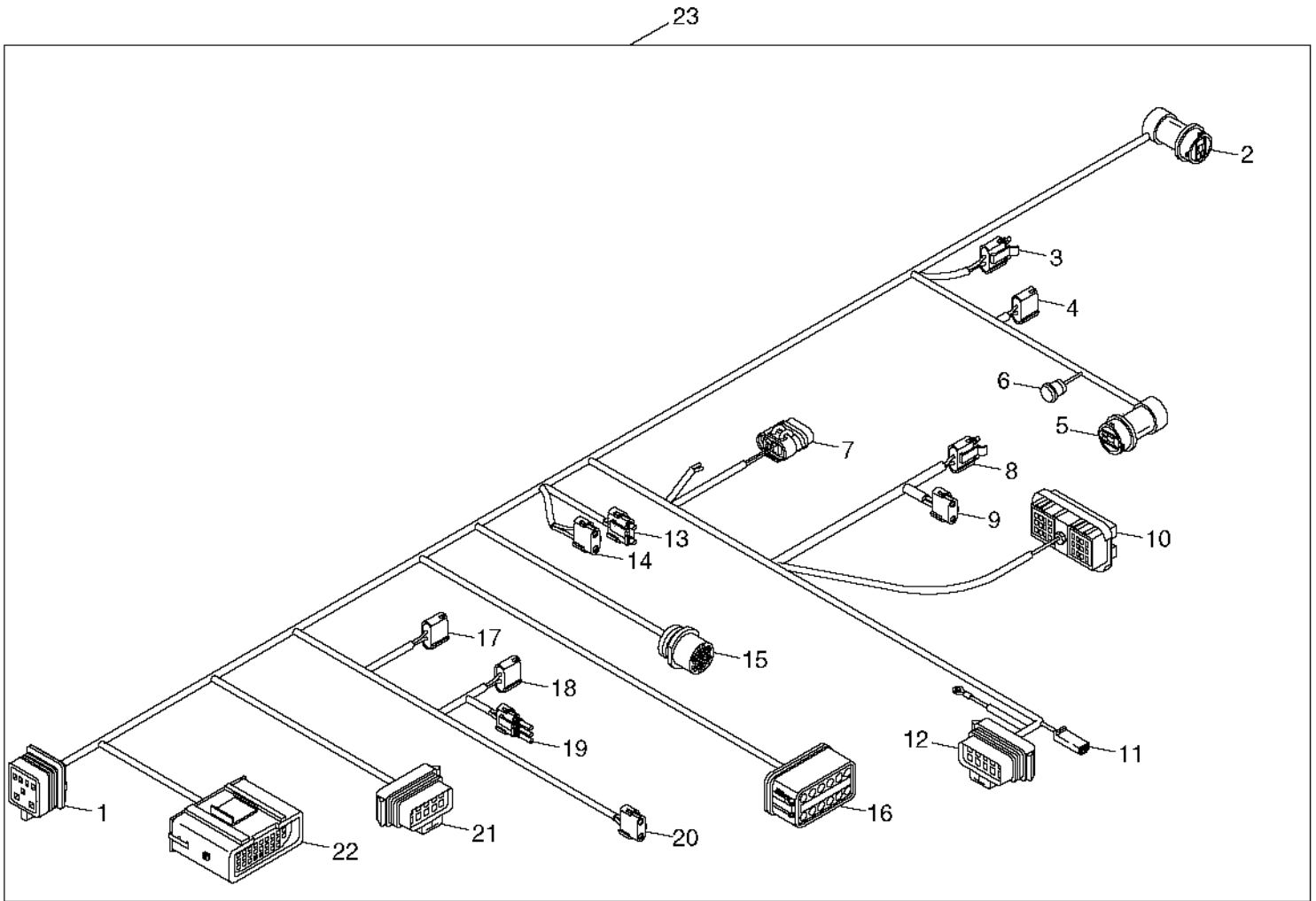
HP9018

KEY	PART NO.	PART NAME	QTY	SERIAL NO.	REMARKS
1	AH165007	WIRING HARNESS	1		R.H. MAIN W/GREENSTAR

1G1

ELECTRICAL

R.H. MAIN WIRING HARNESS, W/GREENSTAR
HP8169 -UN-26JAN99



HP8169

R.H. MAIN WIRING HARNESS, W/GREENSTAR - CONTINUED

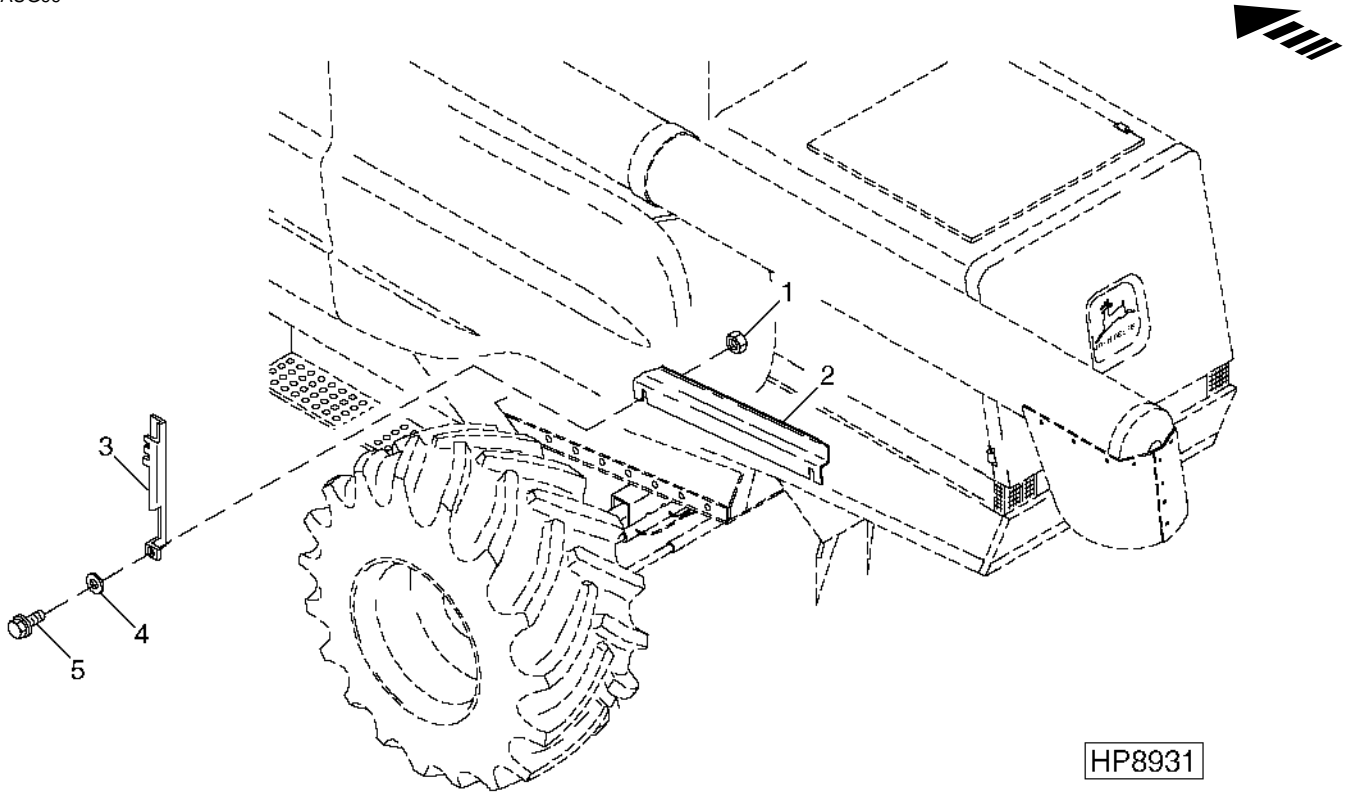
KEY	PART NO.	PART NAME	QTY	SERIAL NO.	REMARKS
1	57M7696	RECEPTACLE CONNECTOR BODY	1		L.H. MAIN WIRING HARNESS
	57M7698	INSULATING SLEEVE	1		
2	CONNECTOR	1		R.H. REAR TURN SIGNAL LIGHT
3	RE12363	CONNECTOR	1		ENGINE SERVICE LIGHT SWITCH
4	R78053	PIN CONTACT CONNECTOR BODY	1		REAR DISCHARGE LIGHT
5	CONNECTOR	1		R.H. REAR WARNING LIGHT
6	SOCKET CONTACT	1		(ORDER AH140120) R.H. CENTER SIDE MARKER LIGHT
7	CONNECTOR	1		SHOE LIGHT
8	RE12363	CONNECTOR	1		R.H. WARNING LIGHT
9	RE12363	CONNECTOR	1		ROTARY SCREEN SERVICE LIGHT
10	57M7276	CONNECTOR	1		HARVESTRAK PRE-AMP
11	T28583	RECEPTACLE CONNECTOR BODY	1		FUEL PUMP
12	57M7262	RECEPTACLE CONNECTOR BODY	1		HARVESTRAK SENSOR HARNESS
13	57M7813	RECEPTACLE	1		FUEL LEVEL
14	R78053	PIN CONTACT CONNECTOR BODY	1		GULLWING LIGHTS
15	57M7666	RECEPTACLE	1		ENGINE HARNESS
16	CONNECTOR	1		MOISTURE SENSOR EXTENSION
	AH163400	WIRING HARNESS	1		DUST CAP (12-WAY W/JUMPER)
17	R78053	PIN CONTACT CONNECTOR BODY	1		CONCAVE SPEED SENSOR
18	R78053	PIN CONTACT CONNECTOR BODY	1		CONCAVE ADJUST ACTUATOR
19	RE12364	SOCKET CONT.CONNECTOR BODY	1		CONCAVE SENSOR
20	R78053	PIN CONTACT CONNECTOR BODY	1		FAN SPEED SENSOR
21	CONNECTOR	1		POSITON SENSOR
22	CONNECTOR	1		L.H. MAIN CONNECTOR
23	AH165007	WIRING HARNESS	1		R.H. MAIN (W/GREENSTAR)
..	H117952	CLAMP	6		
..	AH140120	KIT	1		LIGHT REPAIR

1G3

ELECTRICAL

REAR HOOD AND MODULE WIRING HARNESES

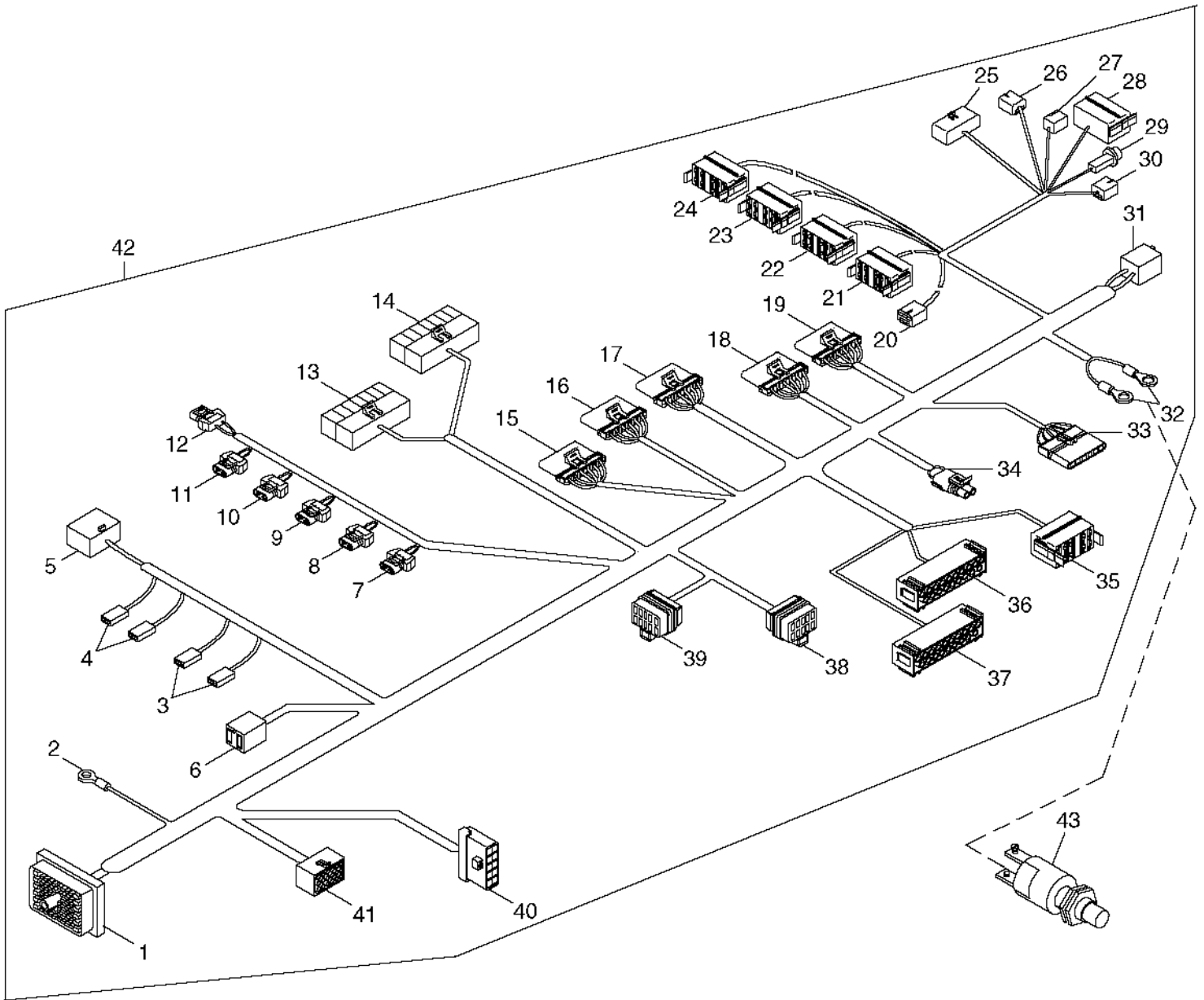
HP8931 -UN-19AUG99



KEY	PART NO.	PART NAME	QTY	SERIAL NO.	REMARKS
1	14M7298	FLANGE NUT	2	M8	
2	H139557	SHIELD	1		
3	H139558	SHIELD	1		
4	24H1909	WASHER	1	13/32" X 1-3/8" X 1/4"	
5	19M8291	SCREW	2	M8 X 35	

MEMORANDA

MAIN CAB WIRING HARNESS
HP8137 -UN-19FEB99



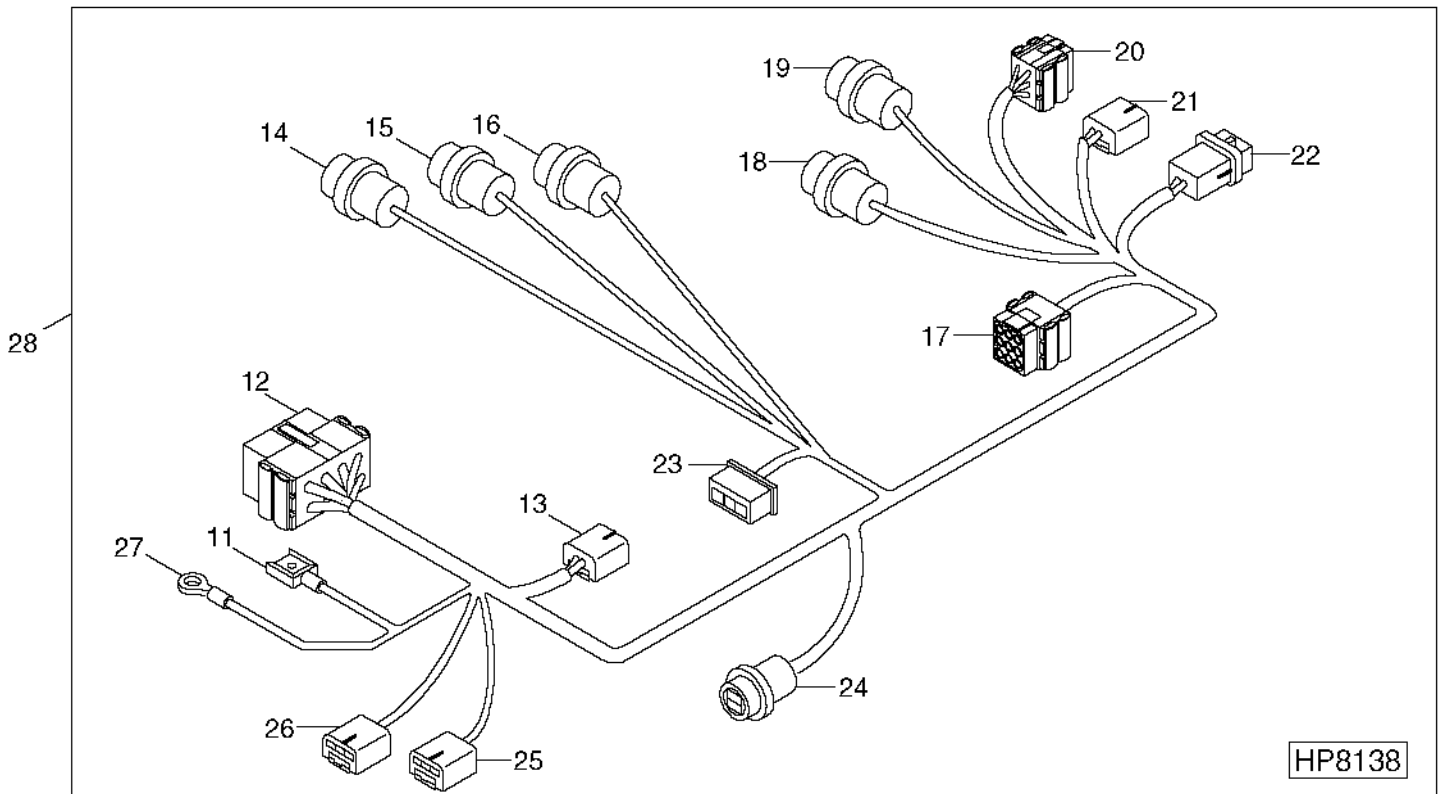
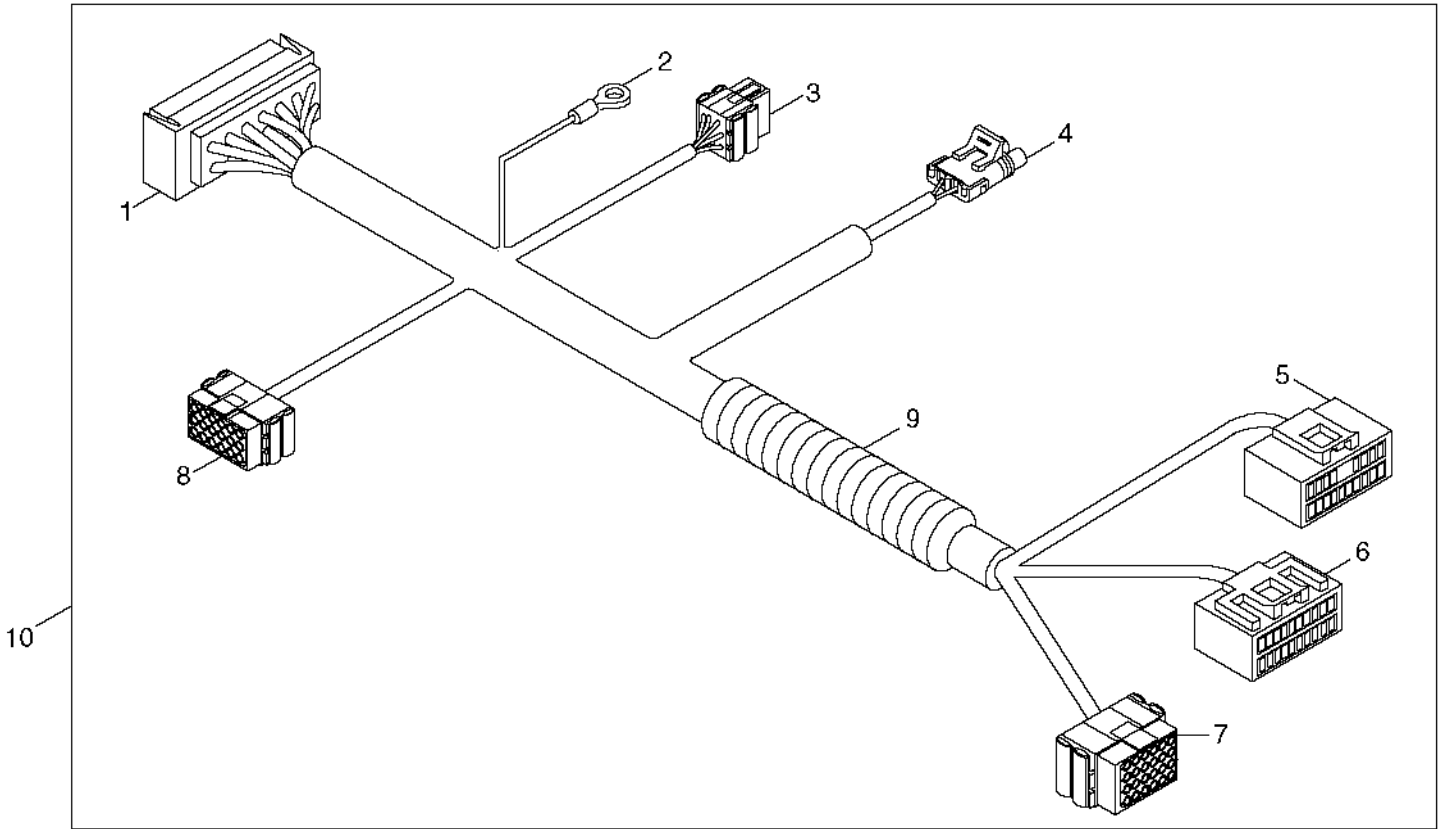
HP8137

MAIN CAB WIRING HARNESS - CONTINUED

KEY	PART NO.	PART NAME	QTY	SERIAL NO.	REMARKS
1	57M7692	PIN CONTACT CONNECTOR BODY	1		LEFT MAIN HARNESS
	57M7695	INSULATING SLEEVE	2		
2	CONNECTOR	1		CAB GROUND
3	CONNECTOR	2		PANEL LAMP
4	CONNECTOR	2		DOME LAMP
5	R48887	TAB CONNECTOR BODY	1		DOME LAMP SWITCH
6	R104927	ELECTRICAL PLUG	1		RIGHT SPEAKER
7	CONNECTOR	1		RIGHT OUTSIDE ROAD LAMP
8	CONNECTOR	1		RIGHT SIDE FIELD LAMP
9	CONNECTOR	1		RIGHT INSIDE ROAD LAMP
10	CONNECTOR	1		LEFT INSIDE ROAD LAMP
11	CONNECTOR	1		LEFT SIDE FIELD LAMP
12	CONNECTOR	1		LEFT OUTSIDE ROAD LAMP
13	CONNECTOR	1		R.H. CORNERPOST
14	57M7471	CONNECTOR	1		R.H. CORNERPOST
15	CONNECTOR	1		
16	CONNECTOR	1		
17	CONNECTOR	1		
18	CONNECTOR	1		
19	CONNECTOR	1		
20	CONNECTOR	1		LAMP DIMMER
	57M7726	ELECTRICAL PLUG	1		
21	CONNECTOR	1		HAZARD SWITCH
22	CONNECTOR	1		ROAD SWITCH
23	CONNECTOR	1		FIELD SWITCH
24	CONNECTOR	1		STUBBLE/CHOPPER SWITCH
25	57M7488	RECEPTACLE CONNECTOR BODY	1		RADIO
26	CONNECTOR	1		FAN SPEED
27	57M7785	RECEPTACLE	1		AXLE FAN SWITCH
	57M7724	ELECTRICAL PLUG	1		
28	CONNECTOR	1		MODE
29	57M7792	ELECTRICAL PLUG	1		DIAGNOSTIC LED
30	CONNECTOR	1		TEMP SET
31	R104927	ELECTRICAL PLUG	1		LEFT SPEAKER
32	CONNECTOR	1		DOOR SWITCH
33	CONNECTOR	1		
34	RE12363	CONNECTOR	1		WIPER MOTOR
35	CONNECTOR	1		WIPER SWITCH
36	Z55270	TERMINAL	1		WARNING DISPLAY PANEL J2
37	Z55270	TERMINAL	1		WARNING DISPLAY PANEL J1
38	57M7262	RECEPTACLE CONNECTOR BODY	1		GREENSTAR DISPLAY
39	CONNECTOR	1		MAPPING COMPUTER
40	57M7792	ELECTRICAL PLUG	1		A/C HARNESS
41	CONNECTOR	1		ARMREST HARNESS
42	AH166145	CAB WIRING HARNESS	1		MAIN CAB, W/GREENSTAR
43	RE51234	DOOR LIGHT SWITCH	1		

1G6

ARMREST WIRING HARNESS
HP8138 -UN-08APR99



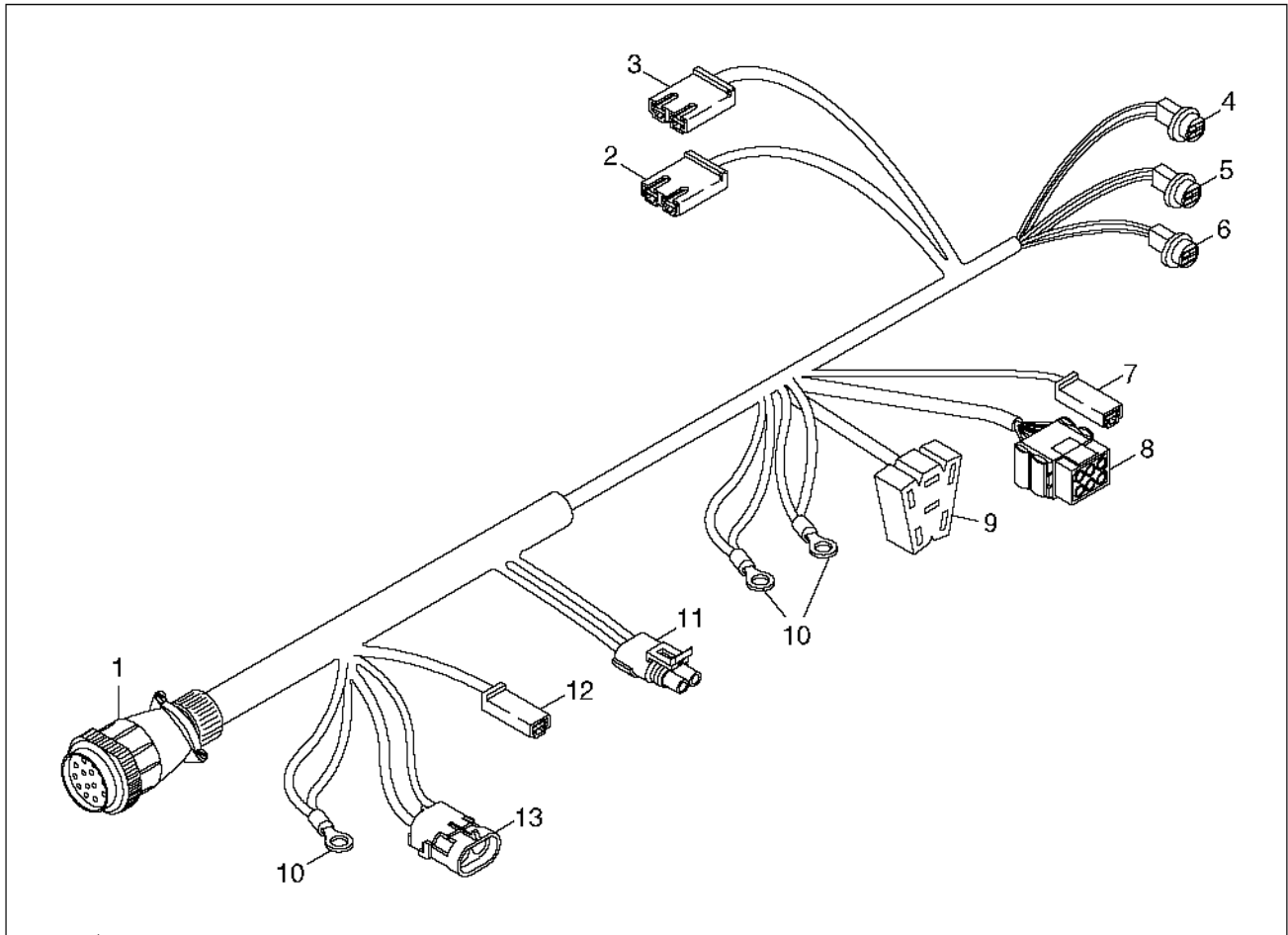
HP8138

ARMREST WIRING HARNESS - CONTINUED

KEY	PART NO.	PART NAME	QTY	SERIAL NO.	REMARKS
1	57M7853	CONNECTOR	1		LEFT MAIN HARNESS
2	57M7572	TERMINAL	1		CAB GROUND
3	R77738	CONNECTOR	1		TO A/C HARNESS CAN BUS
4	RE12363	CONNECTOR	1		SEAT SWITCH
5	CONNECTOR	1		CONNECTOR J7
6	CONNECTOR	1		CONNECTOR J6-2
7	57M7817	ELECTRICAL PLUG	1		MINI ARMREST HARNESS
8	CONNECTOR	1		CAB MAIN HARNESS
9	N218670	HOSE	1		
10	AH162785	WIRING HARNESS	1		ARMREST MAIN
11	U46662	TERMINAL	1		CIGAR LIGHTER GROUND
12	CONNECTOR	1		ARM REST MAIN HARNESS
13	57M7785	RECEPTACLE	1		NEUTRAL GATE REVERSE
	57M7724	ELECTRICAL PLUG	1		
14	CONNECTOR	1		BACKLIGHT NO. 4
15	CONNECTOR	1		BACKLIGHT NO. 3
16	CONNECTOR	1		BACKLIGHT NO. 2
17	CONNECTOR	1		ARMREST BOARD
18	CONNECTOR	1		BACKLIGHT NO. 5
19	CONNECTOR	1		BACKLIGHT NO. 6
20	AH116902	CONNECTOR	1		DIAL-A-SPEED
21	57M7726	ELECTRICAL PLUG	1		HEIGHT CONTROL ENCODER
22	57M7723	ELECTRICAL PLUG	1		SOLAR SENSOR
23	CONNECTOR	1		MEMBRANE SWITCH, GRD PLN
24	CONNECTOR	1		BACKLIGHT NO. 1
25	57M7726	ELECTRICAL PLUG	1		RATE ADJUST
26	57M7726	ELECTRICAL PLUG	1		SENSITIVITY ADJUST
27	CONNECTOR	1		CIGAR LIGHTER POWER
28	AH161601	WIRING HARNESS	1		MINI ARMREST

STEERING COLUMN WIRING HARNESS

HP8150 -UN-20JAN99



14

HP8150

1G9

ELECTRICAL

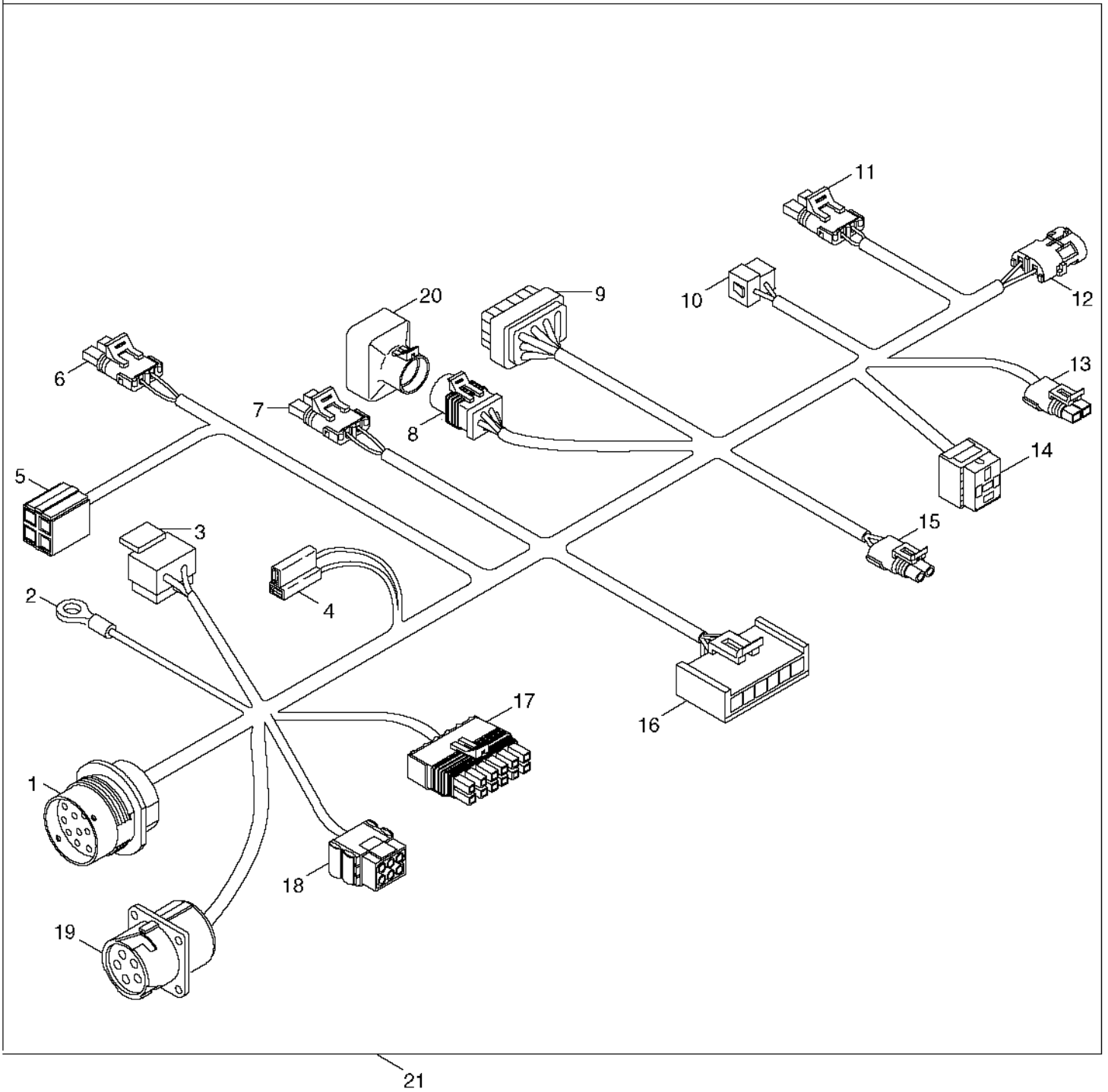
STEERING COLUMN WIRING HARNESS - CONTINUED

KEY	PART NO.	PART NAME	QTY	SERIAL NO.	REMARKS
1	H140664	CONNECTOR	1		L.H. MAIN WIRING HARNESS
	AN152467	CONNECTOR	1		
2	R77480	RECEPTACLE CONNECTOR BODY	1		HORN SWITCH
3	R77480	RECEPTACLE CONNECTOR BODY	1		STARTING AID SWITCH
4	CONNECTOR	1		MAX TILT INDICATOR
5	CONNECTOR	1		RIGHT TURN INDICATOR
6	CONNECTOR	1		LEFT TURN INDICATOR
7	T28583	RECEPTACLE CONNECTOR BODY	1		IGNITION
8	57M7820	RECEPTACLE	1		TURN SIGNAL
9	L38238	TEE FITTING	1		IGNITION SWITCH
10	57M7112	TERMINAL	2		GROUND
	R65599	TERMINAL	1		GROUND
11	RE12363	CONNECTOR	1		PARK BRAKE
12	57M7462	CONNECTOR	1		HORN
13	R78053	PIN CONTACT CONNECTOR BODY	1		FLOAT GAUGE LIGHT
14	AH165583	WIRING HARNESS	1		STEERING COLUMN

1G10

ELECTRICAL

AIR CONDITIONING WIRING HARNESS
HP9273 -UN-12NOV99



HP9273

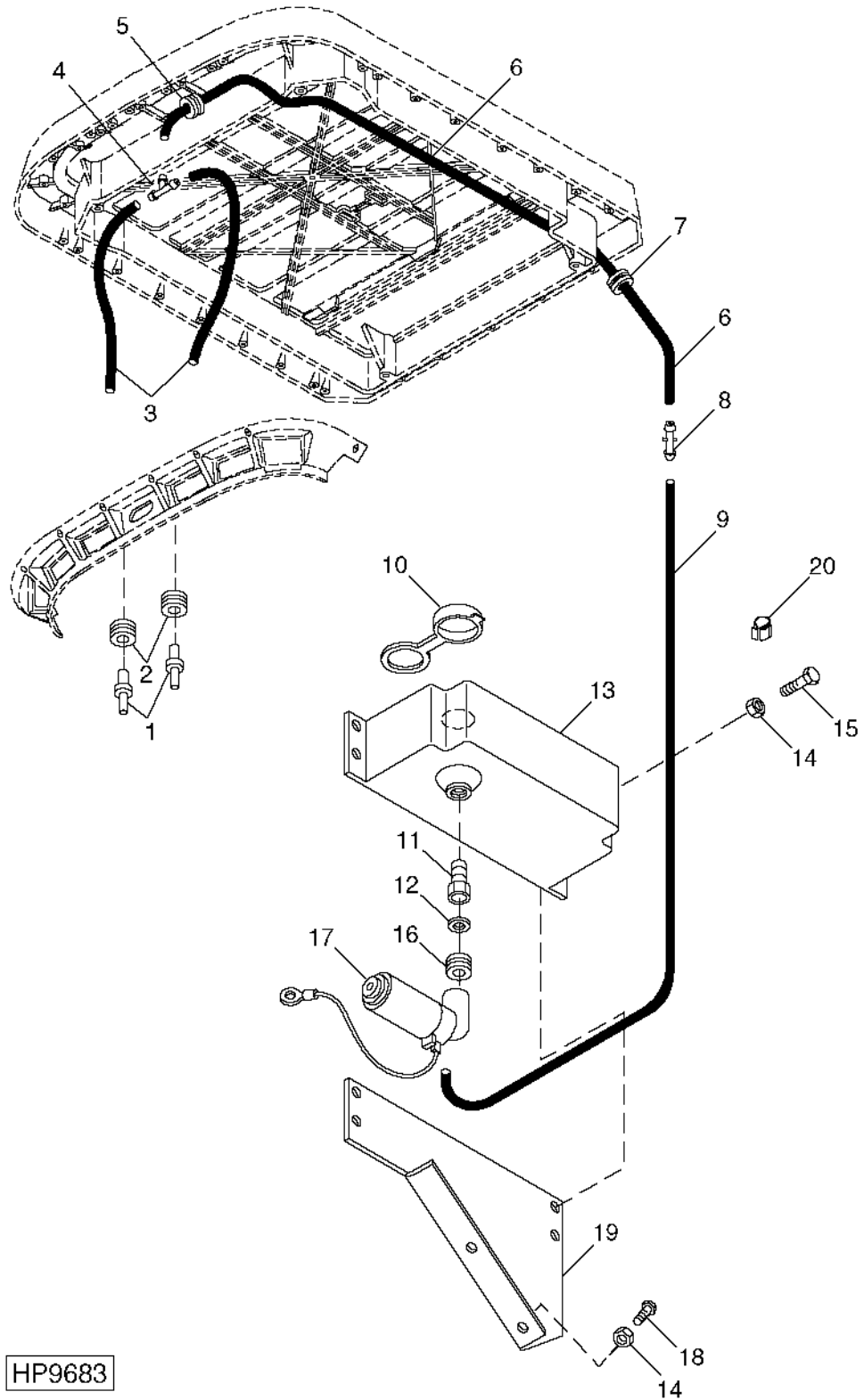
AIR CONDITIONING WIRING HARNESS - CONTINUED

KEY	PART NO.	PART NAME	QTY	SERIAL NO.	REMARKS
1	57M8044	RECEPTACLE	1		CAB WALL CONNECTOR
2	57M7118	TERMINAL	1		MAIN GROUNDS
	57M7572	TERMINAL	1		
3	T106409	CONNECTOR	1		CONVENIENCE OUTLET
4	57M7144	RECEPTACLE CONNECTOR BODY	1		AIR RIDE SEAT
5	CONNECTOR	1		RECIRCULATING FAN MOTOR DRIVER
6	57M7813	RECEPTACLE	1		OUTLET TEMPERATURE SENSOR
7	57M7813	RECEPTACLE	1		AMBIENT AIR TEMPERATURE SENSOR
8	57M7538	RECEPTACLE CONNECTOR BODY	1		CAN BUS TERMINATOR
	57M7540	INSULATING CAPSULE	1		
9	CONNECTOR	1		CONTROL MODULE
10	57M7144	RECEPTACLE CONNECTOR BODY	1		PRESSURIZER FAN
11	57M7254	RECEPTACLE CONNECTOR BODY	1		CORE TEMPERATURE PROBE
12	R78053	PIN CONTACT CONNECTOR BODY	1		LOW PRESSURE SWITCH
13	57M7813	RECEPTACLE	1		INLET AIR TEMPERATURE CONNECTOR
14	ET15766	CONNECTOR BODY,(PIN&SOCKET)	1		PRESSURIZER FAN RELAY
15	RE12363	CONNECTOR	1		DIAGNOSTIC SELECT
16	CONNECTOR	1		WATER VALVE
17	CONNECTOR	1		CAB MAIN
18	Z55272	ELECTRICAL PLUG	1		ARMREST CAN BUS
19	57M7919	RECEPTACLE	1		CAN BUS DIAGNOSTIC
	57M7923	INSULATING SLEEVE	1		
20	RE70773	DEVICE	1		CAN TERMINATOR (6 PIN)
21	AH166144	WIRING HARNESS	1		AIR CONDITIONING

1G12

ELECTRICAL

WINDSHIELD WASHER
HP9683 -UN-07APR00



HP9683

1G13

ELECTRICAL

WINDSHIELD WASHER - CONTINUED

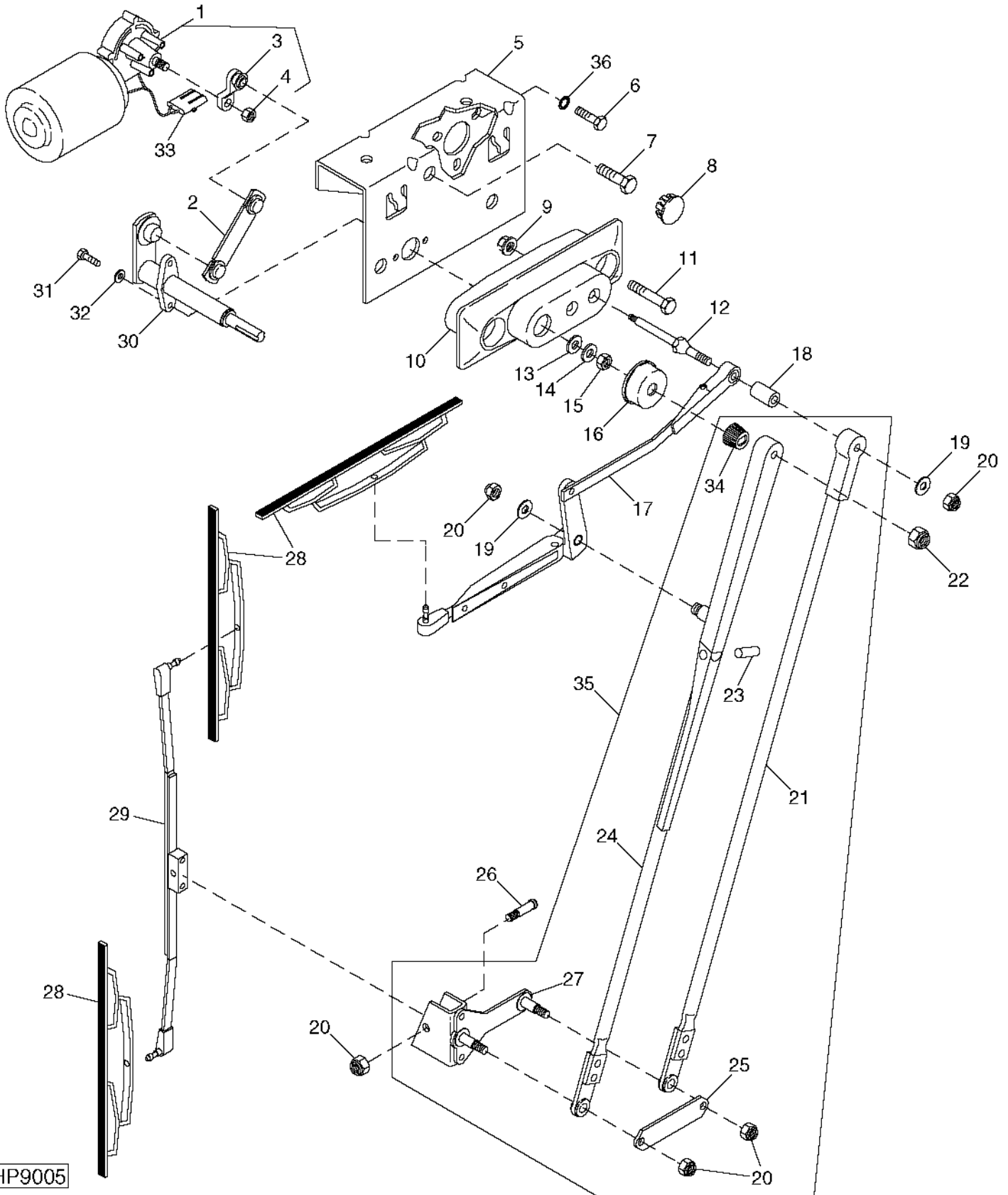
KEY	PART NO.	PART NAME	QTY	SERIAL NO.	REMARKS
1	AH165691	NOZZLE	2		
2	H145221	GROMMET	2		
3	R54445	HOSE	2		(200MM, L.H.)(600MM, R.H.)
4	H171555	TEE FITTING	1		
5	M68701	GROMMET	1		
6	R54445	HOSE	1		CUT TO LENGTH
7	H987R	GROMMET	1		
8	H132597	FITTING	1		
9	R54445	HOSE	1		1380MM
10	R64060	CAP	1		
11	AR79550	FILTER	1		
12	R64059	WASHER	1		
13	R64056	RESERVOIR	1		
14	14M7303	FLANGE NUT	6		M6
15	19M7775	SCREW	4		M6 X 16
16	R64058	GROMMET	1		
17	AR79549	PUMP	1		
18	19M7774	SCREW	2		M6 X 12
19	H131595	BRACKET	1		
20	H172197	HOSE CLAMP	AR		
..	BH81578	COMPLETE GOODS/SHIP. BUNDLE	1		WINDSHIELD WASHER

1G14

ELECTRICAL

WINDSHIELD WIPER (OPT. LONG)

HP9005 -UN-02SEP99



1G15

ELECTRICAL

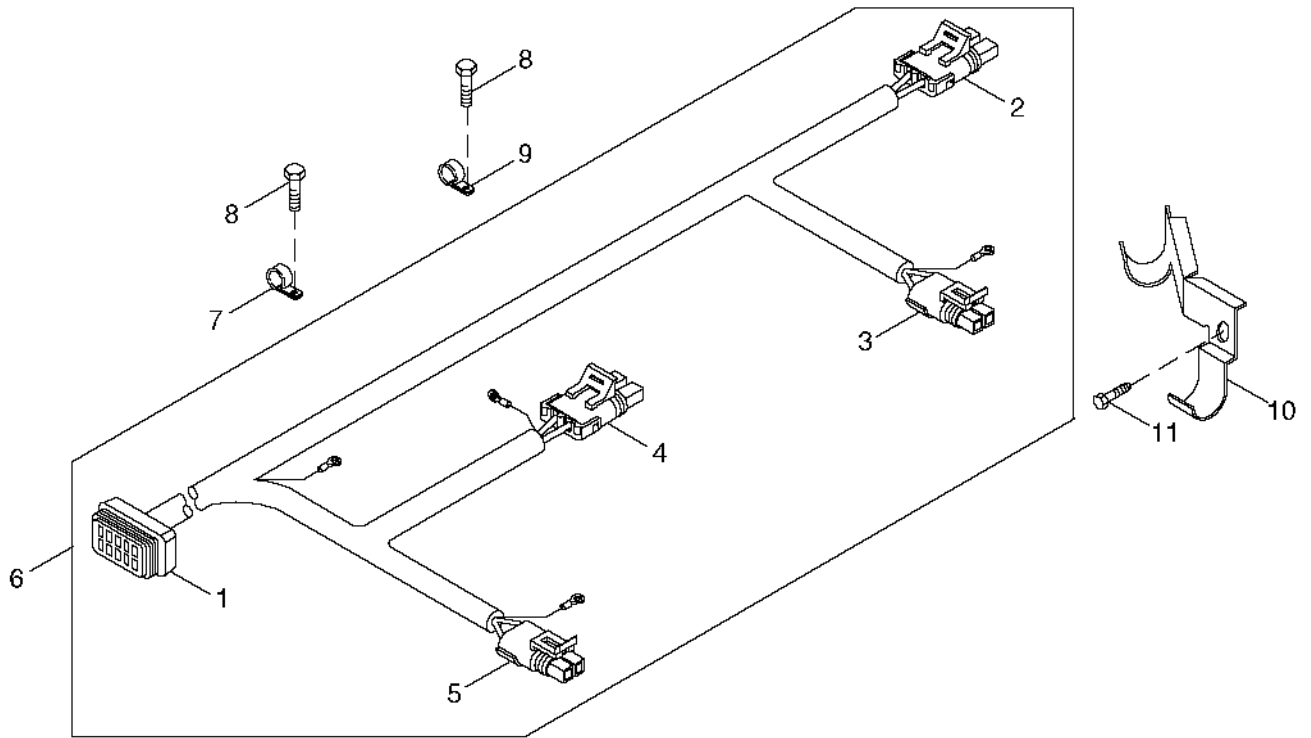
WINDSHIELD WIPER (OPT. LONG) - CONTINUED

KEY	PART NO.	PART NAME	QTY	SERIAL NO.	REMARKS
1	AH149835	WIPER MOTOR	1		
2	AH123902	LINK	1		
3	AH149834	CRANK	1		
4	LOCK NUT	1		
5	AH154278	BRACKET	1		WIPER MOTOR
6	19M7774	SCREW	3		M6 X 12
7	19M7865	SCREW	1		M8 X 16
8	M61266	PLUG	1		
9	14M7303	FLANGE NUT	1		M6
10	H128820	SUPPORT	1		WIPER
11	19M8317	SCREW	2		M8 X 40
12	H128821	STUD	1		
13	R63666	WASHER	1		
14	R63667	WASHER	1		
15	R63668	NUT	1		17.475 MM
16	R63669	CAP	1		
17	AH123908	WIPER ARM	1		
18	H128841	SPACER	1		6.500 X 12 X 20 MM
19	T32255	SHIM	2		
20	T531T	LOCK NUT	5		4.775 MM
21	ARM	1		
22	F3220R	LOCK NUT	1		9.525 MM
23	PIN	1		FOR SHIPPING ONLY
24	AH123905	ARM	1		
25	H128823	STRAP	1		
26	H128859	SCREW	1		4.826 X 22.280 MM
27	AH123910	BRACKET	1		
28	TY16302	WIPER BLADE	3		
29	AH123911	WIPER ARM	1		
30	AH149833	SHAFT	1		
31	21M7265	SCREW	2		M5 X 12, M5 X 12
32	12M7060	WASHER	2		5.300 MM
33	R78053	PIN CONTACT CONNECTOR BODY	1		(PKG. OF 3)
	R78058	PIN CONTACT	1		(PKG. OF 40)
	R78063	TERMINAL NIPPLE	1		(PKG. OF 40)
34	R63670	WELD NUT	1		KNURLED DRIVER
35	AH123904	WIPER ARM	1		
36	12H356	LOCK WASHER	3		6.350 MM
..	BH71948	COMPLETE GOODS/SHIP. BUNDLE	1		WINDSHIELD WIPER - LONG

1G16

ELECTRICAL

HARVESTRAK WIRING HARNESS
 HP8145 -UN-13APR99



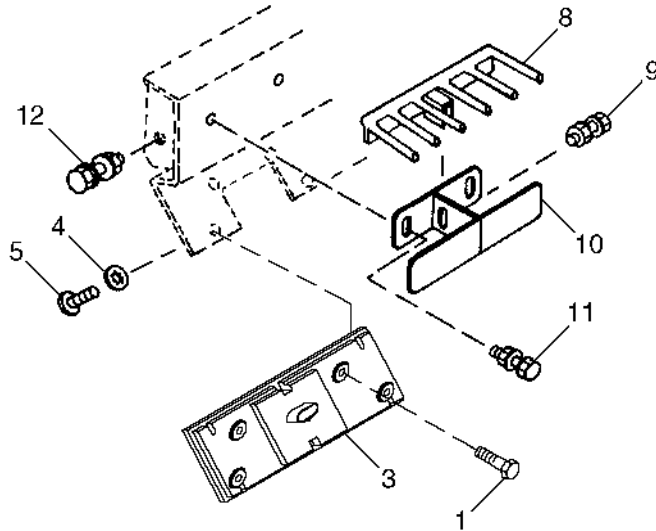
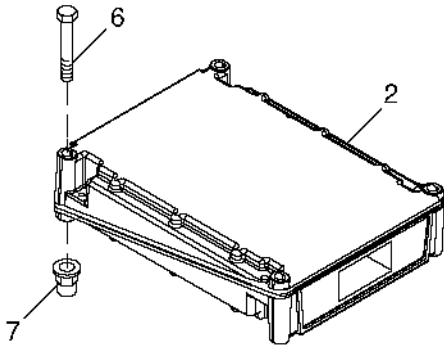
HP8145

KEY	PART NO.	PART NAME	QTY	SERIAL NO.	REMARKS
1	57M7265	PIN CONTACT CONNECTOR BODY	1		R.H. MAIN
2	57M5309	CONNECTOR	1		LEFT SHOE
3	57M5309	CONNECTOR	1		RIGHT SHOE
4	57M5309	CONNECTOR	1		SEPARATOR MODULE
5	57M5309	CONNECTOR	1		SEPARATOR MODULE
6	AH154857	WIRING HARNESS	1		HARVESTRAK
7	AH77724	CLIP	6		
8	19M7865	SCREW	11		M8 X 16
9	AH89557	CLIP	5		
10	H132812	RETAINER	1		R.H.
	H132813	RETAINER	1		L.H.
11	37M7083	SCREW	2		M8 X 12

1G17

ELECTRICAL

GRAIN LOSS MONITOR SYSTEM
HP8314 -UN-21APR99



HP8314

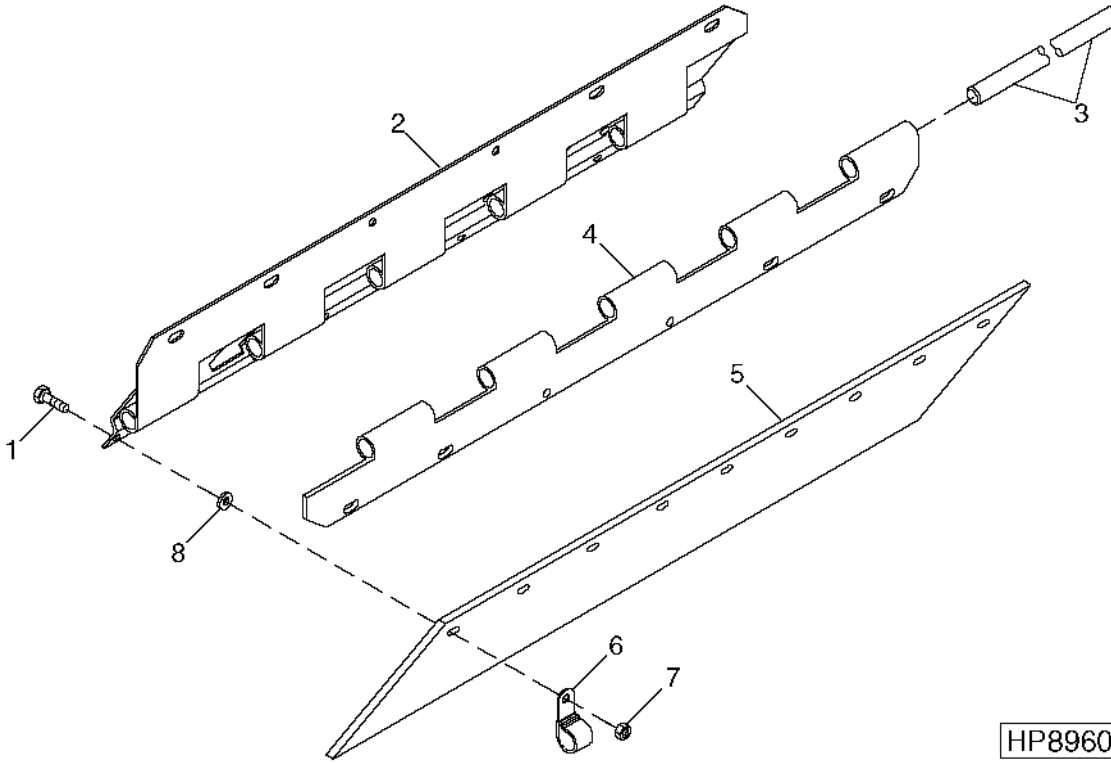
KEY	PART NO.	PART NAME	QTY	SERIAL NO.	REMARKS
1	03M7183	BOLT	8	M8 X 16	
	14M7298	FLANGE NUT	9	M8	
2	AH165536	CONTROL	1		(SUB AH167722) GRAIN LOSS MONITOR
	AH167722	CONTROL	1		
3	AH166546	SENSOR	2		(SUB FOR AH126272)
4	12H295	LOCK WASHER	16		
5	21H1427	SCREW	16	0.190" X 1/2"	
6	19M7685	CAP SCREW	4	M6 X 70	
7	Z51633	NUT	4		
8	H114411	FINGER	2		
9	19M7862	SCREW	2	M6 X 20	
	14M7303	FLANGE NUT	2	M6	
10	AH125672	DEFLECTOR	2		
11	19M7865	SCREW	4	M8 X 16	
	14M7298	FLANGE NUT	4	M8	
12	19M7865	SCREW	8	M8 X 16	
	14M7298	FLANGE NUT	8	M8	
..	AH139904	WIRING HARNESS	1		

1G18

ELECTRICAL

DEFLECTOR AND SEAL ASSEMBLY - REAR MODULE

HP8960 -UN-27AUG99



HP8960

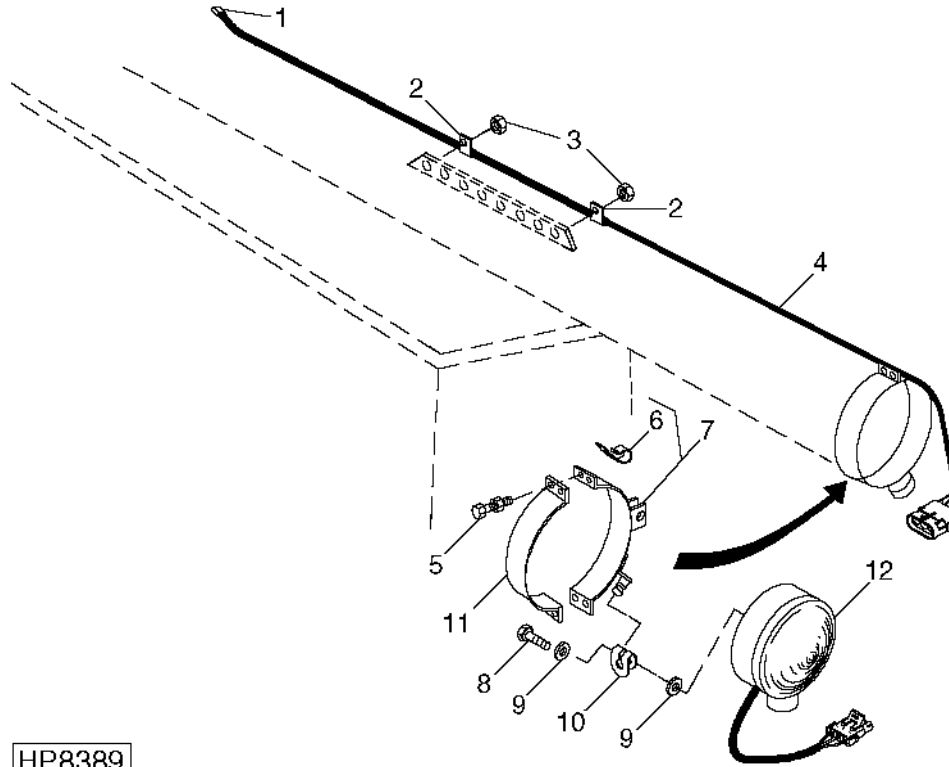
KEY	PART NO.	PART NAME	QTY	SERIAL NO.	REMARKS
1	03M7185	BOLT	8		M8 X 25
2	AH139990	DEFLECTOR	1		
3	H143679	PIN	1		
4	H146045	HINGE	1		
5	H155750	SEAL	1		
6	AH89557	CLIP	4		
7	14M7298	FLANGE NUT	8		M8
8	24H1296	WASHER	8		8.738 X 34.925 X 3.404 MM

1G19

ELECTRICAL

UNLOADING AUGER LIGHT AND WIRING HARNESS

HP8389 -UN-27JUL99



HP8389

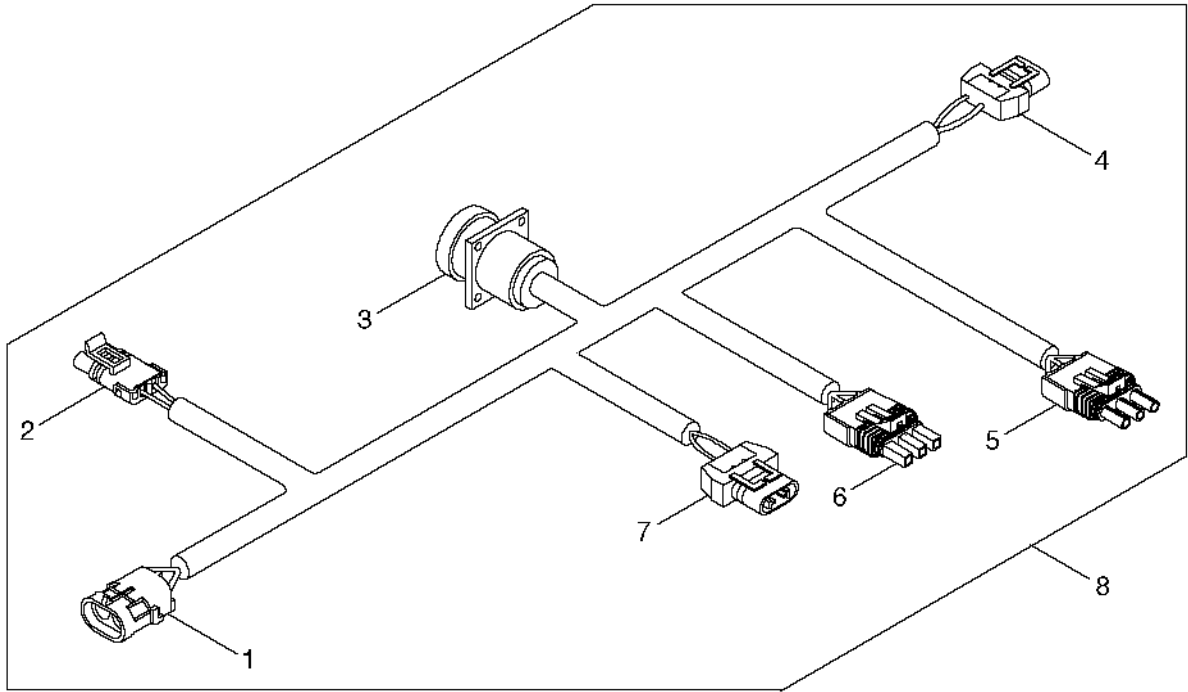
KEY	PART NO.	PART NAME	QTY	SERIAL NO.	REMARKS
1	RE12363	CONNECTOR	1	(PKG OF 3)	
	R78048	TERMINAL NIPPLE	1	(PKG OF 5)	
	R78060	SOCKET CONTACT	1	(PKG OF 40)	
2	AH89557	CLIP	2		
3	14M7298	FLANGE NUT	2	M8	
4	AH160058	WIRING HARNESS	1	FOR ALL AUGER LENGTHS	
5	19M7800	SCREW	4	M8 X 50	
	14M7396	LOCK NUT	4	M8	
6	AH89557	CLIP	1		
7	AH126541	CLAMP	1		
8	19H1831	CAP SCREW	1	1/2" X 2"	
9	24H1111	WASHER	2		
10	R67377	CLAMP	1		
11	H133178	CLAMP	1		
12	AH148210	HEADLIGHT	1	AUGER	

1G20

ELECTRICAL

GRAIN TANK WIRING HARNESS

HP8146 -UN-13JAN99



HP8146

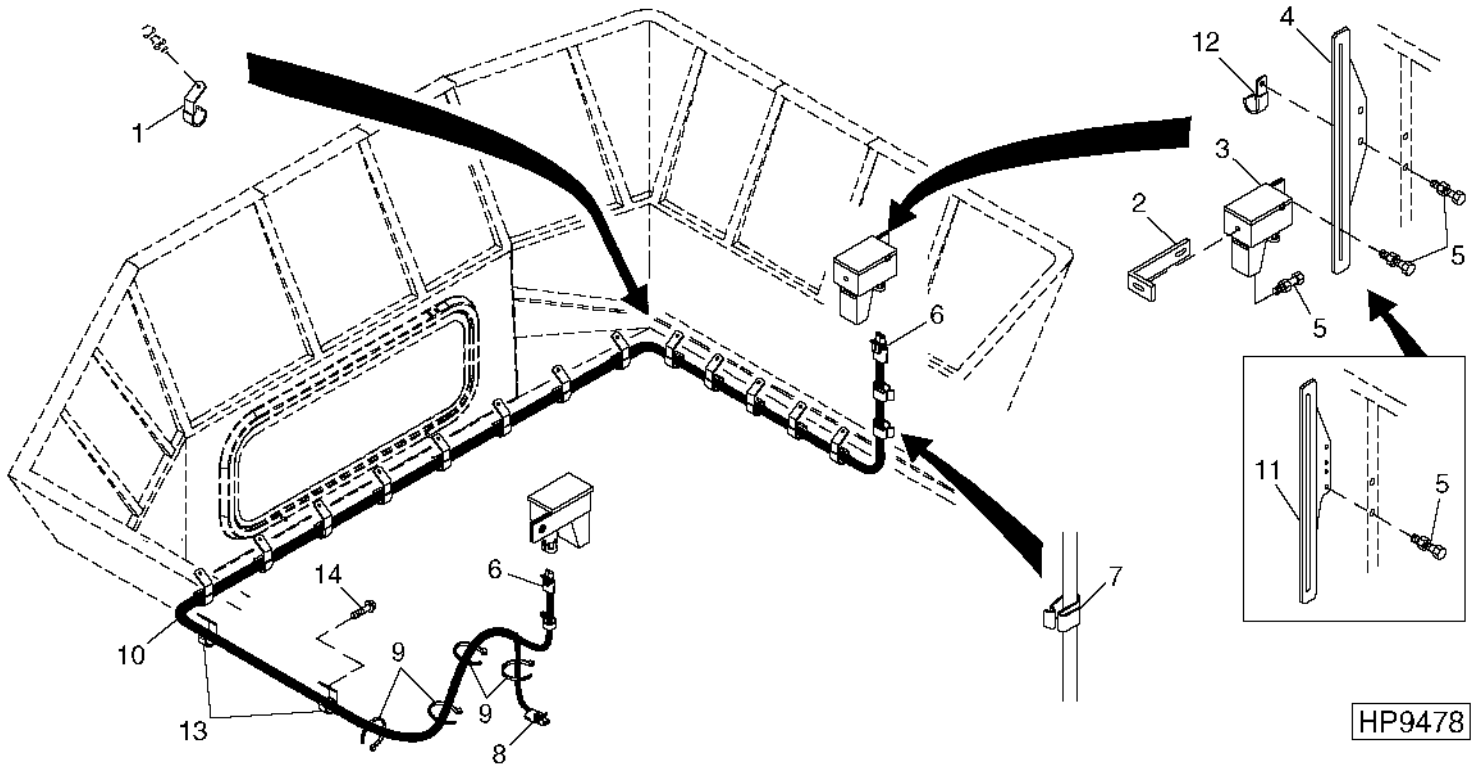
KEY	PART NO.	PART NAME	QTY	SERIAL NO.	REMARKS
1	R78053	PIN CONTACT CONNECTOR BODY	1		UNLOADING AUGER HARNESS
2	RE12363	CONNECTOR	1		GRAIN TANK FULL SENSOR
3	H140664	CONNECTOR	1		L.H. MAIN HARNESS
4	CONNECTOR	1		R.H. ROW FINDER LAMP
5	R12365	CONNECTOR	1		MASS FLOW RATE
6	57M7280	CONNECTOR	1		GRAIN TANK LAMP
7	CONNECTOR	1		L.H. ROW FINDER LAMP
8	AH162091	WIRING HARNESS	1		GRAIN TANK

1G21

ELECTRICAL

GRAIN TANK FULL BIN SENSOR WIRING HARNESS

HP9478 -UN-07JAN00

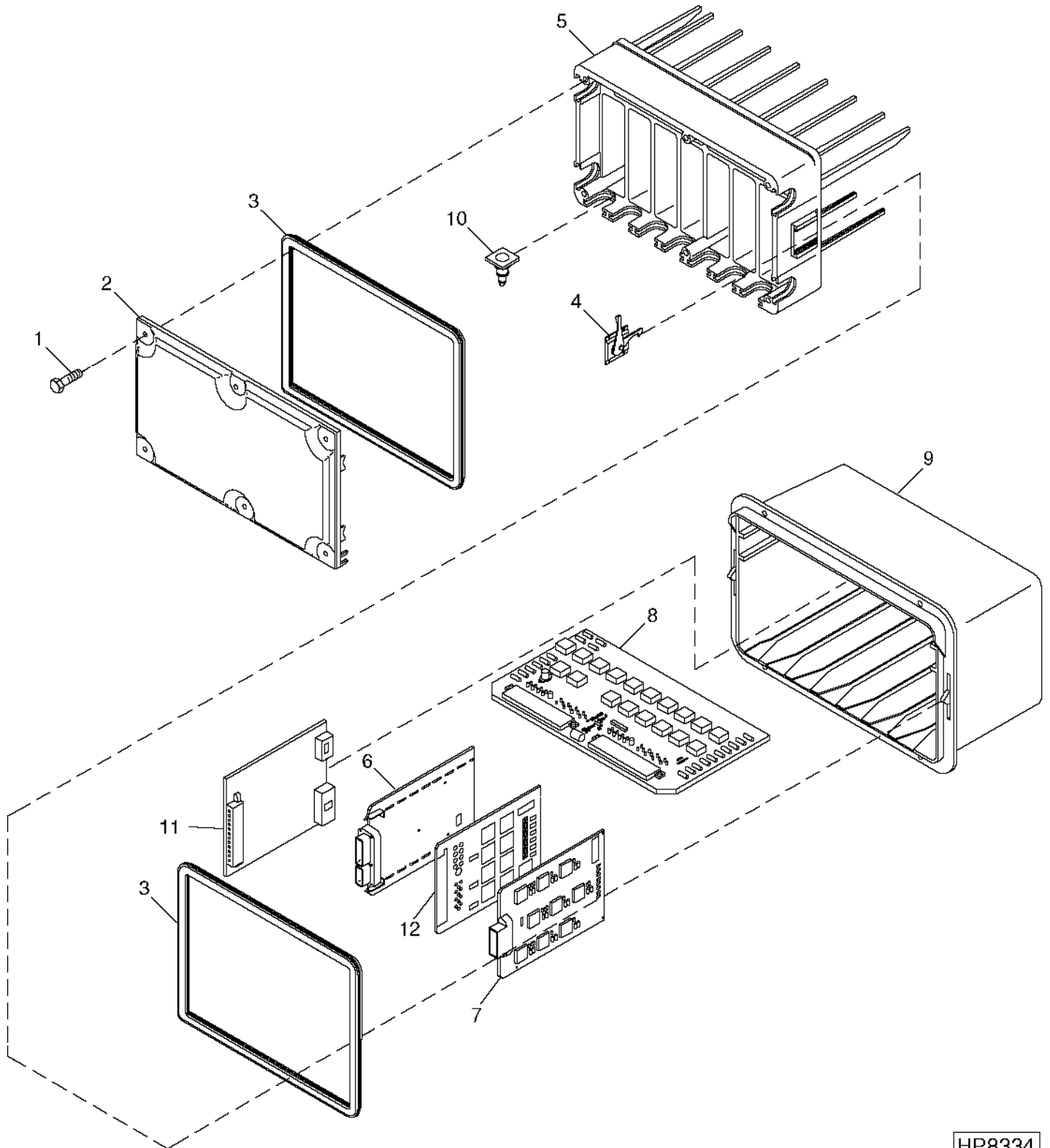


KEY	PART NO.	PART NAME	QTY	SERIAL NO.	REMARKS
1	H130637	CLAMP	7		
2	H133645	REINFORCEMENT	1		
3	AH121475	SENSOR	1		FULL BIN
4	H133824	BRACKET	1		LEVEL SENSOR
5	19M7775	SCREW	4		M6 X 16
	14M7303	FLANGE NUT	4		M6
6	RE12363	CONNECTOR	1		(PKG OF 3)
	R78048	TERMINAL NIPPLE	1		(PKG OF 5)
	R78057	SOCKET CONTACT	1		(PKG OF 40)
7	H76064	CLIP	9		
8	R78053	PIN CONTACT CONNECTOR BODY	1		(PKG OF 3)
	R78063	TERMINAL NIPPLE	1		(PKG OF 40)
	R78058	PIN CONTACT	1		(PKG OF 40)
9	R44302	TIE BAND	7		
10	AH128986	WIRING HARNESS	1		FULL BIN SENSOR
11	H164536	BRACKET	1		LEVEL SENSOR
12	T32231	CLAMP	1		
13	AH117301	CLAMP	2		
14	37M7058	SCREW	2		M8 X 20
..	BH78464	COMPLETE GOODS/SHIP. BUNDLE	1		GRAIN TANK LEVEL MONITOR

1G22

ELECTRICAL

CENTRAL ELECTRONICS MODULE AND CIRCUIT BOARDS
HP8334 -UN-31MAR99



HP8334

CENTRAL ELECTRONICS MODULE AND CIRCUIT BOARDS - CONTINUED

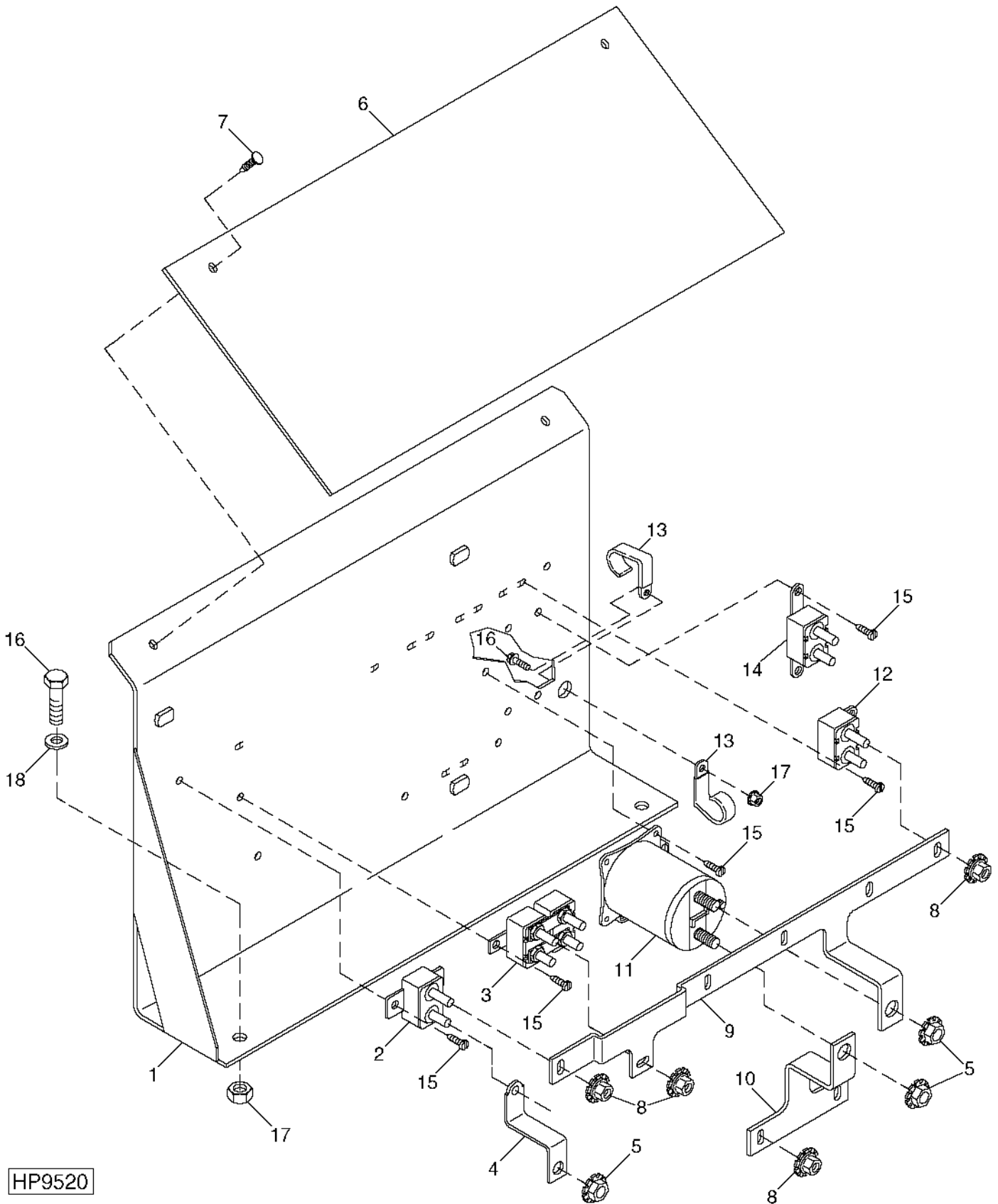
KEY	PART NO.	PART NAME	QTY	SERIAL NO.	REMARKS
1	19M7862	SCREW	6		
2	H142168	COVER	2		
3	H144242	SEAL	2		
4	AH115943	LATCH	2		
5	H142167	COVER	1		
6	AH166125	ELECTRONIC CONTROL UNIT	1		(SUB FOR RE160421) (SUB AH167769) AUTO HEADER
	AH167769	ELECTRONIC CONTROL UNIT	1		(WITHOUT LATERAL TILT)
	AH166126	ELECTRONIC CONTROL UNIT	1		ACTIVE HEADER WITHOUT LATERAL TILT
	AH167770	ELECTRONIC CONTROL UNIT	1		(SUB AH167770) (SUB FOR RE160416) AUTO HEADER
	AH166124	ELECTRONIC CONTROL UNIT	1		WITH LATERAL TILT
	AH167770	ELECTRONIC CONTROL UNIT	1		AUTO HEADER WITH LATERAL TILT
	AH166124	ELECTRONIC CONTROL UNIT	1		(SUB FOR RE160425) (SUB AH167768) RETURN TO
	AH167768	ELECTRONIC CONTROL UNIT	1		CUT ONLY
7	AH161474	CIRCUIT BOARD	1		RETURN TO CUT ONLY
	AH168939	KIT	1		(SUB AH168939) RELAY
8	AH157232	CIRCUIT BOARD	1		
	AH148758	RELAY	13		POWER
	57M7120	FUSE	8		20 AMP
	57M7146	FUSE	10		30 AMP
9	H124205	BOX	1		
10	H142169	BOOT	6		
11	AH145964	CIRCUIT BOARD	1		DASH, REEL SPEED
12	AH167108	KIT	1		(OPTIONAL POWER)

1G24

ELECTRICAL

CIRCUIT BREAKER AND RELAY PANEL

HP9520 -UN-28JAN00



HP9520

1G25

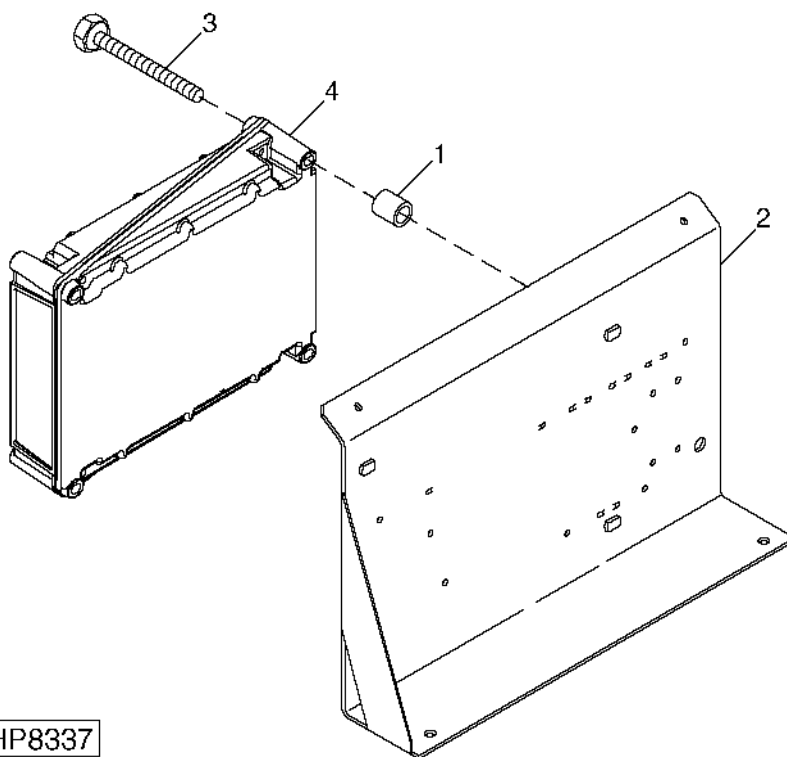
ELECTRICAL

CIRCUIT BREAKER AND RELAY PANEL - CONTINUED

KEY	PART NO.	PART NAME	QTY	SERIAL NO.	REMARKS
1	AH160291	PANEL	1		
2	AH112189	CIRCUIT BREAKER	5	50 AMP	
3	AH159105	CIRCUIT BREAKER	1	DUAL 50 AMP	
4	H125347	STRAP	2		
5	H164872	NUT	4	7.925 MM	
6	H162132	FLAP	1	RUBBER	
7	H116740	PLUG	2		
8	R32176	NUT	10		
9	H166499	STRAP	1		
10	H165411	STRAP	1		
11	AH160278	RELAY	3		
12	AH160628	CIRCUIT BREAKER	2	30 AMP	
13	AH90990	CLIP	2		
14	AH159110	CIRCUIT BREAKER	1	10 AMP	
15	37H147	SCREW	AR		
16	19M7865	SCREW	3	M8 X 16	
17	14M7298	FLANGE NUT	3	M8	
18	H158845	WASHER	2		

ELECTRONIC CONTROL UNIT (ECU) MOUNTING SUPPORT

HP8337 -UN-15JUL99



HP8337

KEY	PART NO.	PART NAME	QTY	SERIAL NO.	REMARKS
1	28H1882	SPACER	4		0.269" X 0.405" X 1/2"
2	AH160291	PANEL	1		
3	19M7721	CAP SCREW	4		M6 X 65
4	RE503234	ENGINE CONTROLLER	1		(MARKED RE502404)
..	H116160	SEALANT	1		3 OZ. TUBE

MEMORANDA

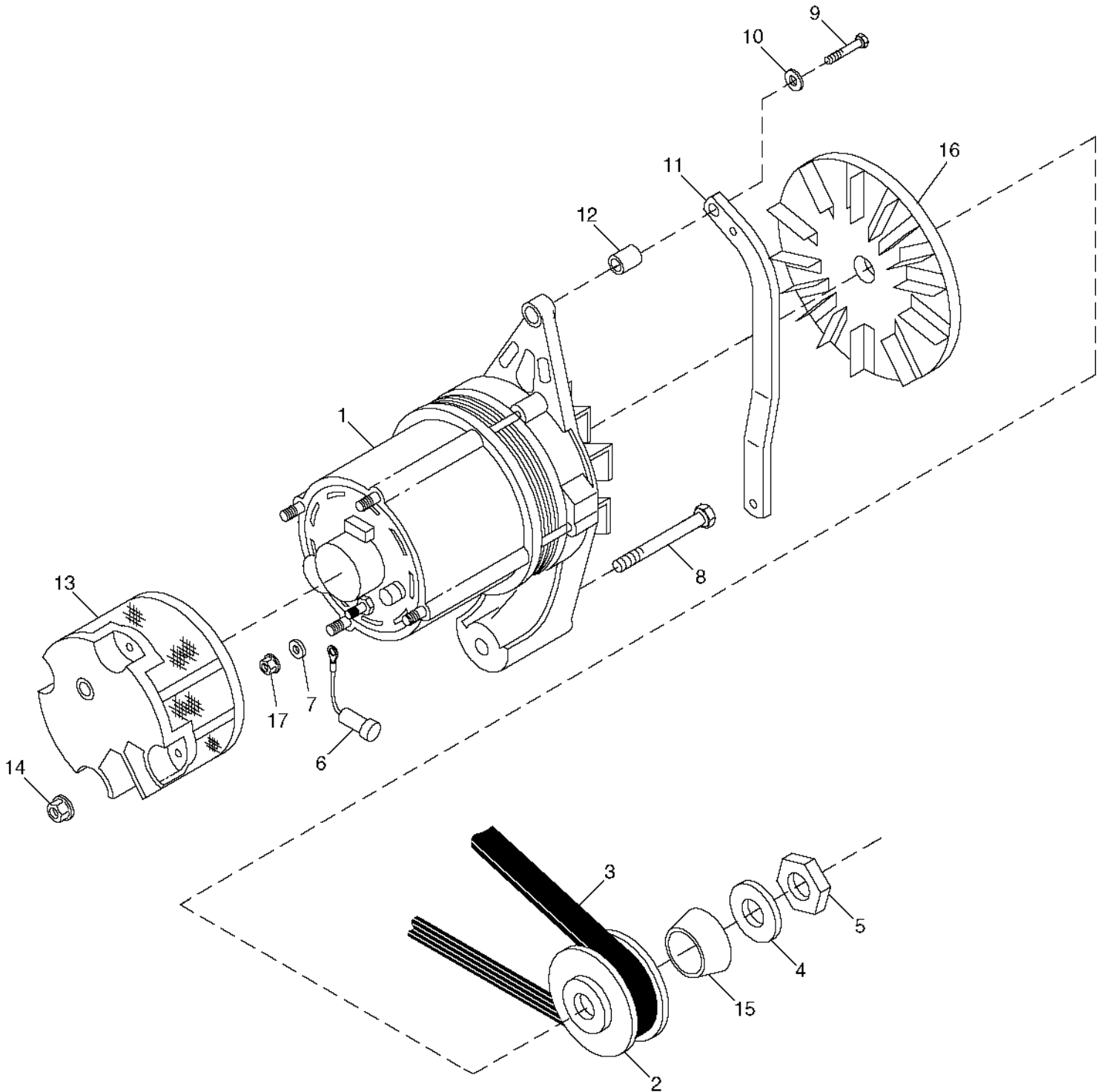
1H2

ELECTRICAL

ALTERNATOR, SHEAVE AND BELT

BOSCH (95 AMP)

HP8336 -UN-29JUL99



HP8336

1H3

ELECTRICAL

**ALTERNATOR, SHEAVE AND BELT - CONTINUED
BOSCH (95 AMP)**

KEY	PART NO.	PART NAME	QTY	SERIAL NO.	REMARKS
1	TY24485	ALTERNATOR	1		(SUB FOR TY6750) REMANUFACTURED
2	R94350	SHEAVE	1		
3	H163515	BELT	1		
4	T10745	WASHER	1		
5	14M7158	NUT	1	M16	
6	AN220289	WIRING HARNESS	1	(SUB AH169733)	
	AH169733	WIRING HARNESS	1		
7	24M7207	WASHER	1		
8	19M7944	SCREW	1	M10 X 120	
9	19M7867	SCREW	1	M8 X 25	
10	24M7047	WASHER	1		
11	R500413	STRAP	1	ALTERNATOR	
12	24M7180	WASHER	1		
13	AH138291	SCREEN	1	(USE WITH TY6750)	
	AT207952	COVER	1	(USE WITH TY24485)	
14	14M7375	FLANGE NUT	4	M5	
15	R94351	BUSHING	1		
16	T158584	FAN	1		
17	14M7297	NUT	1	M5	
18	AH154383	WIRING HARNESS	1	GROUND	

1H4

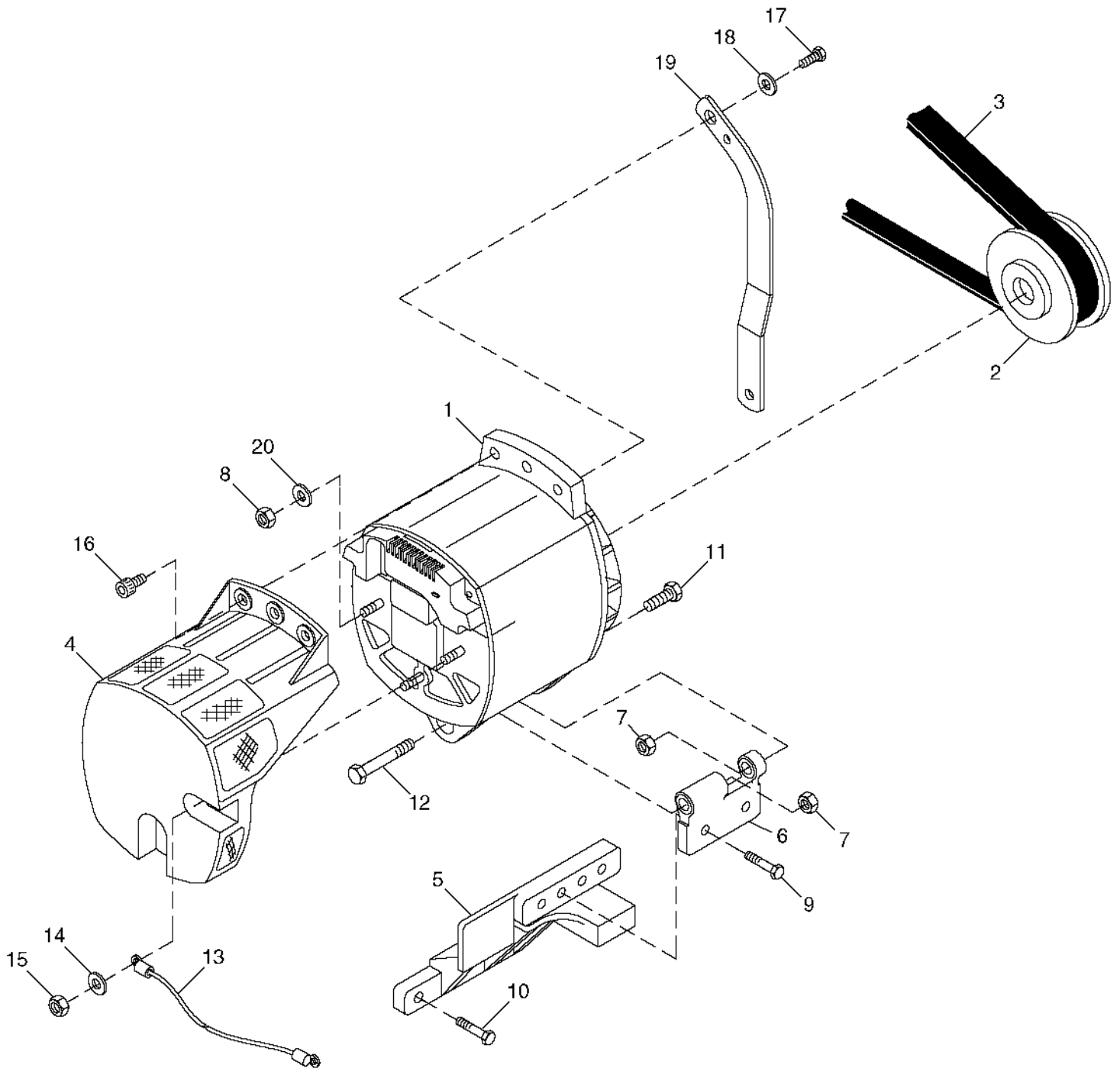
ELECTRICAL

ALTERNATOR, SHEAVE AND BELT

(185 AMP)

HP9547

-UN-07FEB00



HP9547

1H5

ELECTRICAL

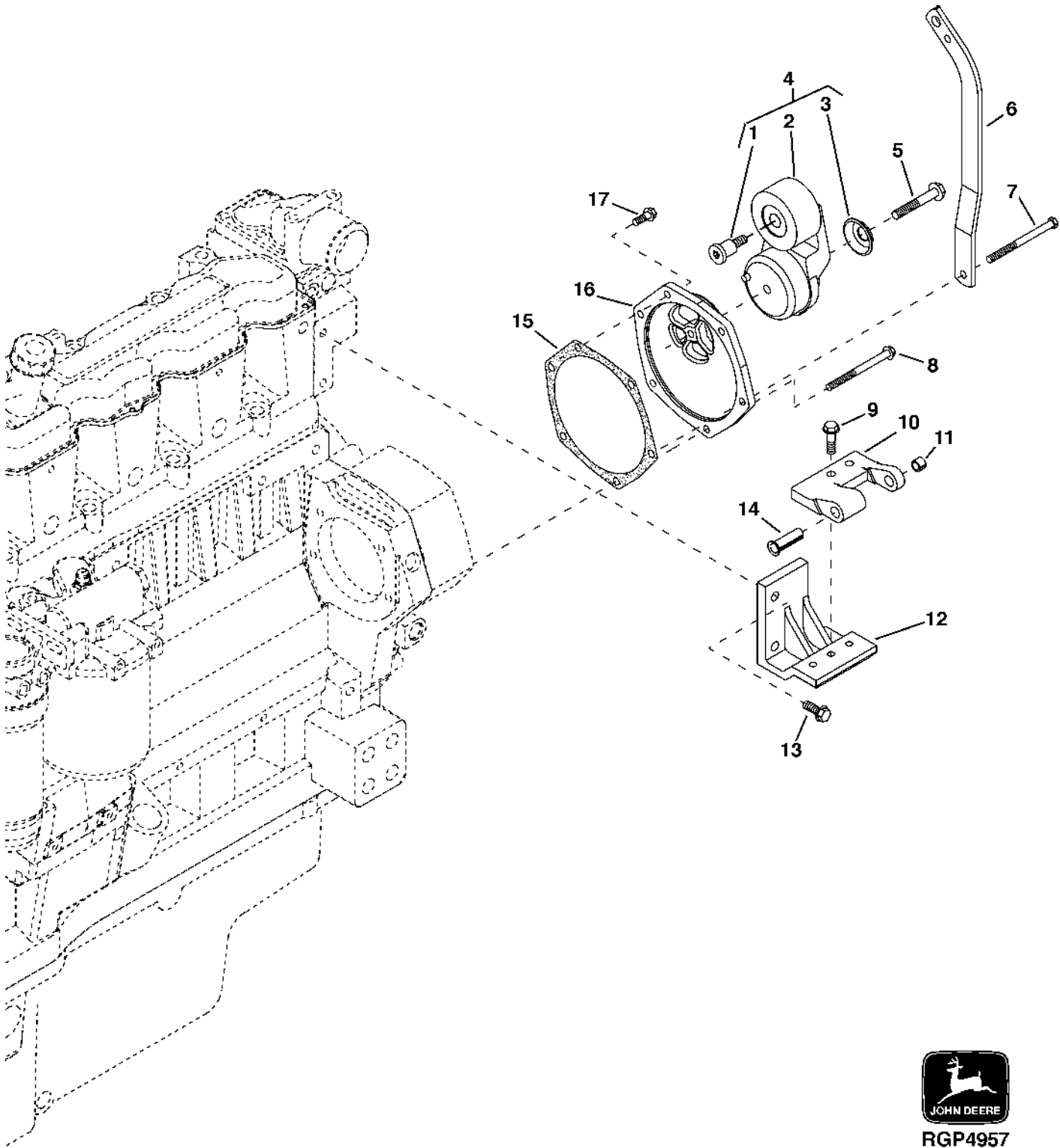
**ALTERNATOR, SHEAVE AND BELT - CONTINUED
(185 AMP)**

KEY	PART NO.	PART NAME	QTY	SERIAL NO.	REMARKS
1	AH148633	ALTERNATOR	1		REMANUFACTURED
2	H166878	PULLEY	1		
3	H166870	BELT	1		
4	AH163488	SCREEN	1		
5	R132981	SUPPORT	1		
6	R502288	BRACKET	1		
7	14H1069	NUT	1	1/2"	
8	14H650	NUT	1		
9	19M7786	SCREW	2	M10 X 30	
10	19M7817	SCREW	1	M12 X 70	
11	19H3560	CAP SCREW	1	1/2" X 1-1/2"	
12	19H3494	CAP SCREW	1	12.700 X 82.550 MM	
13	AH154383	WIRING HARNESS	1		
14	12H302	LOCK WASHER	1	1/4"	
15	14H860	NUT	1	1/4"	
16	19H2934	SCREW	1	1/2" X 3/4"	
17	19H2472	CAP SCREW	1	1/2" X 1"	
18	24M7047	WASHER	1	13 X 24 X 2.500 MM	
19	R500413	STRAP	1		
20	24H1776	WASHER	1	5/16" X 47/64" X 0.065"	
..	AH167604	VOLTAGE REGULATOR	1		
..	BH81599	COMPLETE GOODS/SHIP. BUNDLE	1		185 AMP ALTERNATOR CONVERSION

1H6

ELECTRICAL

ALTERNATOR BRACKETS
RGP4957 -UN-22AUG97



RGP4957

1H7

ELECTRICAL

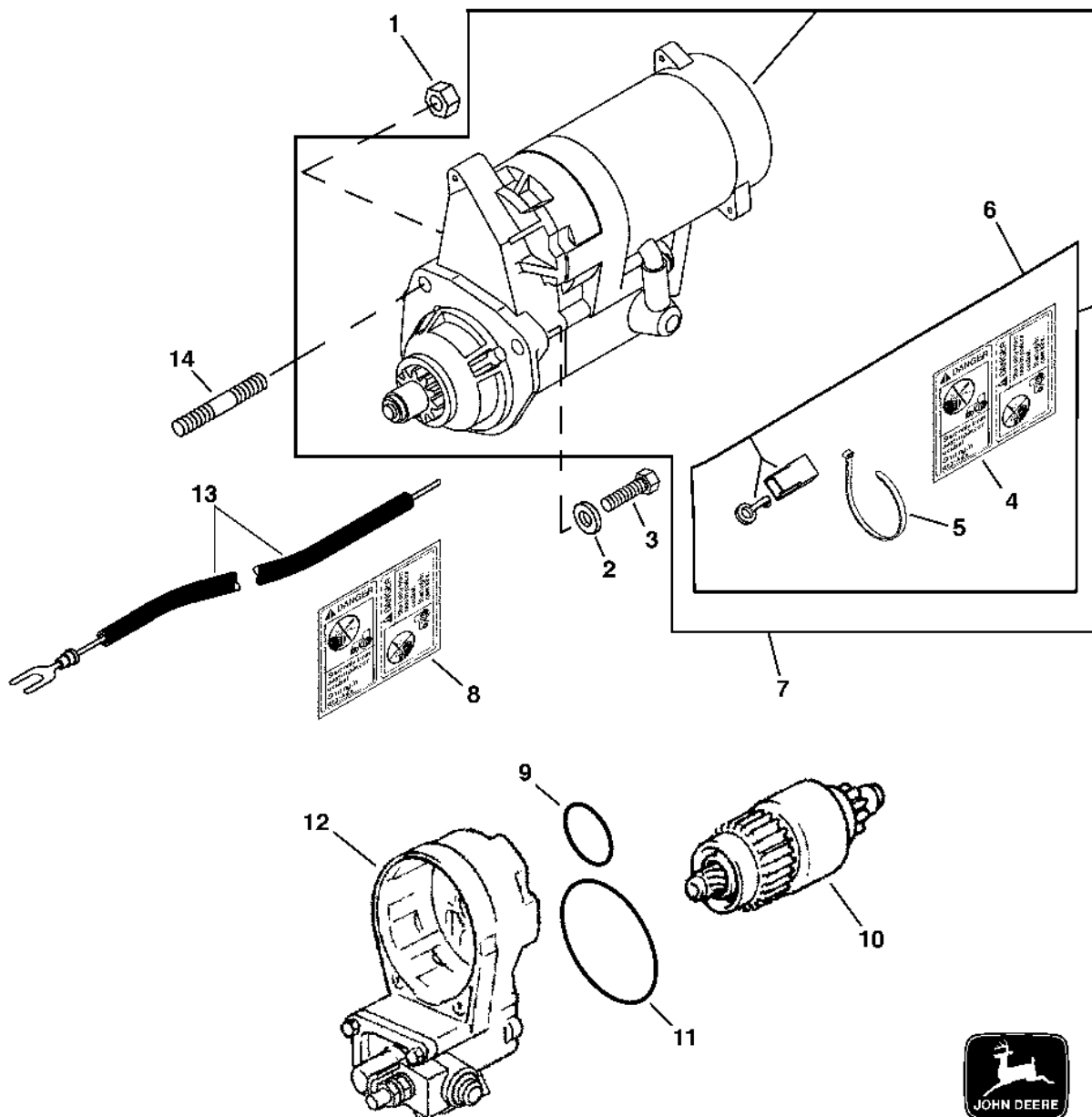
ALTERNATOR BRACKETS - CONTINUED

KEY	PART NO.	PART NAME	QTY	ENGINE SERIAL NO.	REMARKS
1	R98250	BOLT	1		
2	RE68722	PULLEY	1		
3	R114837	DUST SHIELD	1		
4	RE68715	TIGHTENER	1		
5	19M7810	SCREW	1	M10 X 80	
6	R500413	STRAP	1		
7	19H2852	CAP SCREW	1	5/16" X 4"	
8	19H3300	CAP SCREW	4		
	24H1136	WASHER	1		
9	19H3693	CAP SCREW	1	3/8" X 1-1/4"	
10	R131003	BRACKET	1		
11	R135423	BUSHING	1		
12	R131002	SUPPORT	1		
13	19H3771	CAP SCREW	2	3/8" X 1"	
14	R134010	BUSHING	1		
15	R502011	GASKET	1		
16	R131890	COVER	1		
17	R112268	CAP SCREW	1		

1H8

ELECTRICAL

STARTING MOTOR (12-VOLT)
RGP4871 -UN-14MAR97



RGP4871

1H9

ELECTRICAL

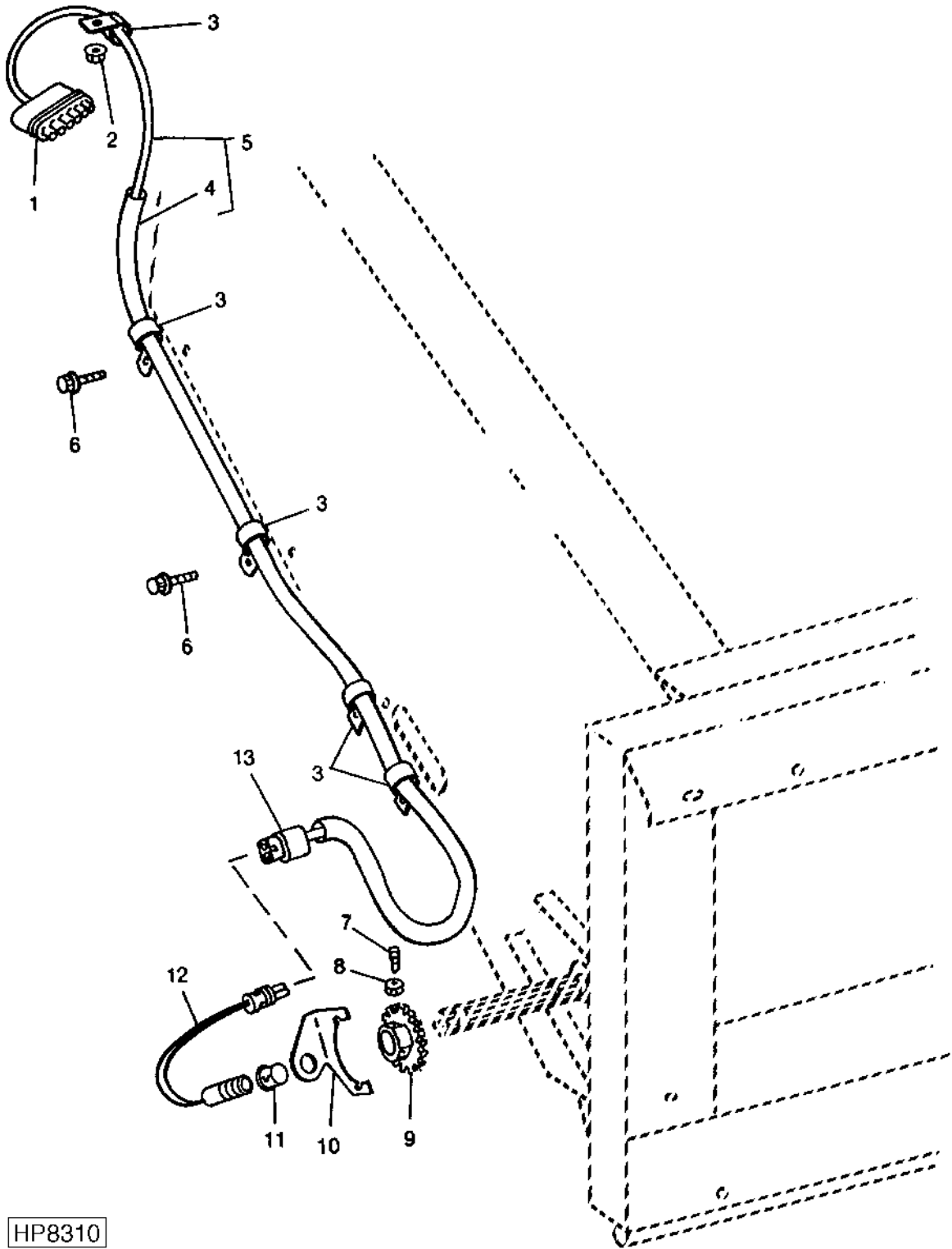
STARTING MOTOR (12-VOLT) - CONTINUED

KEY	PART NO.	PART NAME	QTY	ENGINE SERIAL NO.	REMARKS
1	E55662	FLANGE NUT	1		
2	24H1303	WASHER	2	13/32" X 11/16" X 0.065"	
3	19H3219	CAP SCREW	2	3/8" X 1-3/8"	
4	T146102	LABEL	1	(ENGLISH)	
5	R96703	TIE BAND	1		
6	RE70756	KIT	1		
7	RE70957	STARTER MOTOR KIT	1	(MARKED RE69704) (D228000-6530)	
8	T146517	SAFETY SIGN	1	(SPANISH)	
	T146104	SAFETY SIGN	1	(FRENCH)	
	T146515	SAFETY SIGN	1	(GERMAN)	
	T146516	SAFETY SIGN	1	(ITALIAN)	
	T146517	SAFETY SIGN	1	(ENGLISH-FRENCH)	
9	R135510	O-RING	1		
10	RE70487	CLUTCH	1		
11	R135509	SEAL	1		
12	RE70486	SWITCH	1		
13	AH155483	WIRING LEAD	1		
14	R114130	STUD	1		

1H10

ELECTRICAL

FEEDER HOUSE BACKSHAFT SPEED SENSOR
HP8310 -UN-08MAR99



HP8310

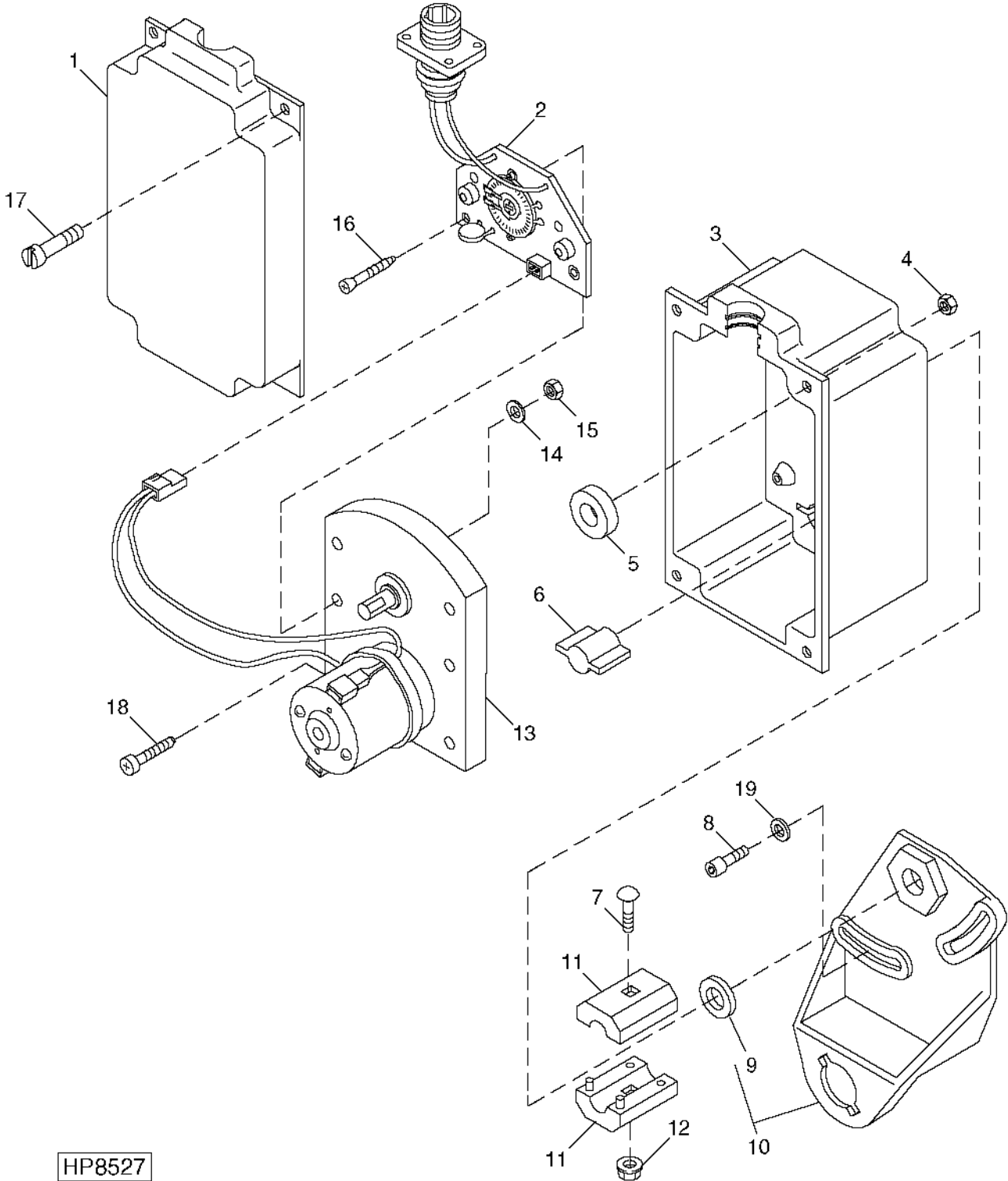
FEEDER HOUSE BACKSHAFT SPEED SENSOR - CONTINUED

KEY	PART NO.	PART NAME	QTY	SERIAL NO.	REMARKS
1	RE12366	CONNECTOR	1	(PKG OF 2)	
	R78051	SEAL	1	(PKG OF 5)	
	R78060	SOCKET CONTACT	1	(PKG OF 40)	
2	14M7299	FLANGE NUT	1	M12	
3	AH77279	CLIP	5		
4	H132800	HOSE	1		
5	AH165250	WIRING HARNESS	1	LEVEL LAND	
	AH162464	WIRING HARNESS	1	CONTOUR MASTER	
6	37M7083	SCREW	2	M8 X 12	
7	A50743	BOLT	2	M6 X 16	
8	14M7272	NUT	2	M6	
9	H170634	WHEEL	1		
10	H135773	BRACKET	1		
11	H160880	CLIP	1		
12	AH116104	SENSOR	1	BACKSHAFT SPEED	
13	R78053	PIN CONTACT CONNECTOR BODY	1	(PKG OF 3)	
	R78063	TERMINAL NIPPLE	1	(PKG OF 40)	

1H12

ELECTRICAL

REEL SPEED MOTOR AND BRACKET HP8527 -UN-27APR99



HP8527

1H13

ELECTRICAL

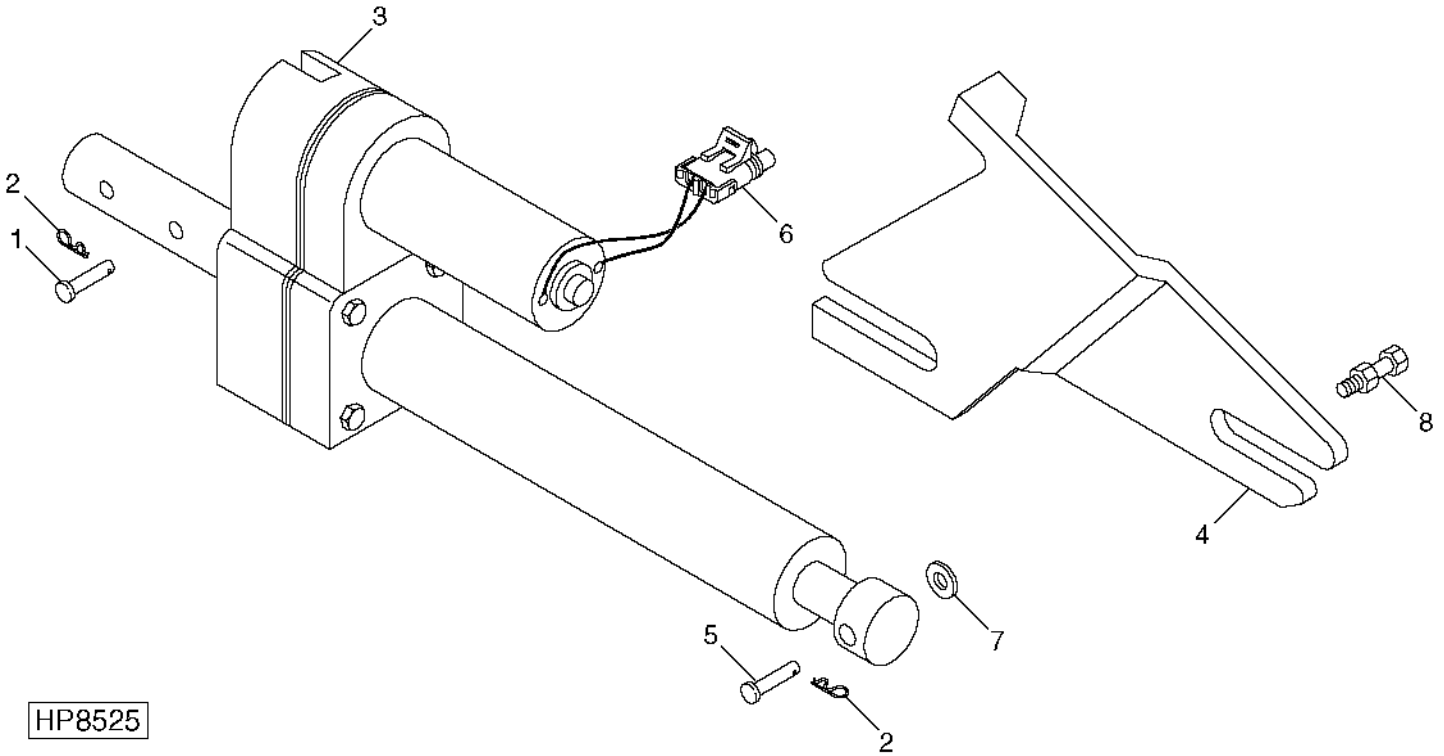
REEL SPEED MOTOR AND BRACKET - CONTINUED

KEY	PART NO.	PART NAME	QTY	SERIAL NO.	REMARKS
1	H133852	HOUSING	1		UPPER
2	AH139987	PRINTED CIRCUIT	1		
3	H133851	HOUSING	1		LOWER
4	14M7100	NUT	4		M4
5	WASHER	1		FELT
6	H133981	SEAL	1		
7	03M7290	BOLT	1		M6 X 30
8	19H2925	SCREW	2		1/4" X 1/2"
9	H146950	WASHER	1		9.500 X 19 X 1.600 MM, FELT
10	AH141813	KIT	1		ALIGNMENT BRACKET
11	H114020	HALF CLAMP	2		
12	14M7397	LOCK NUT	1		M6
13	AH128865	ELECTRIC MOTOR	1		
14	12H314	LOCK WASHER	2		0.138"
15	14H1026	NUT	2		0.138"
16	21H1348	SCREW	2		0.138" X 1-1/8"
17	21M7250	SCREW	4		M4 X 12
18	H144032	SCREW	4		
19	24M7027	WASHER	2		5.300 X 10 X 1 MM

1H14

ELECTRICAL

CONCAVE ADJUSTING MOTOR
HP8525 -UN-27JUL99



HP8525

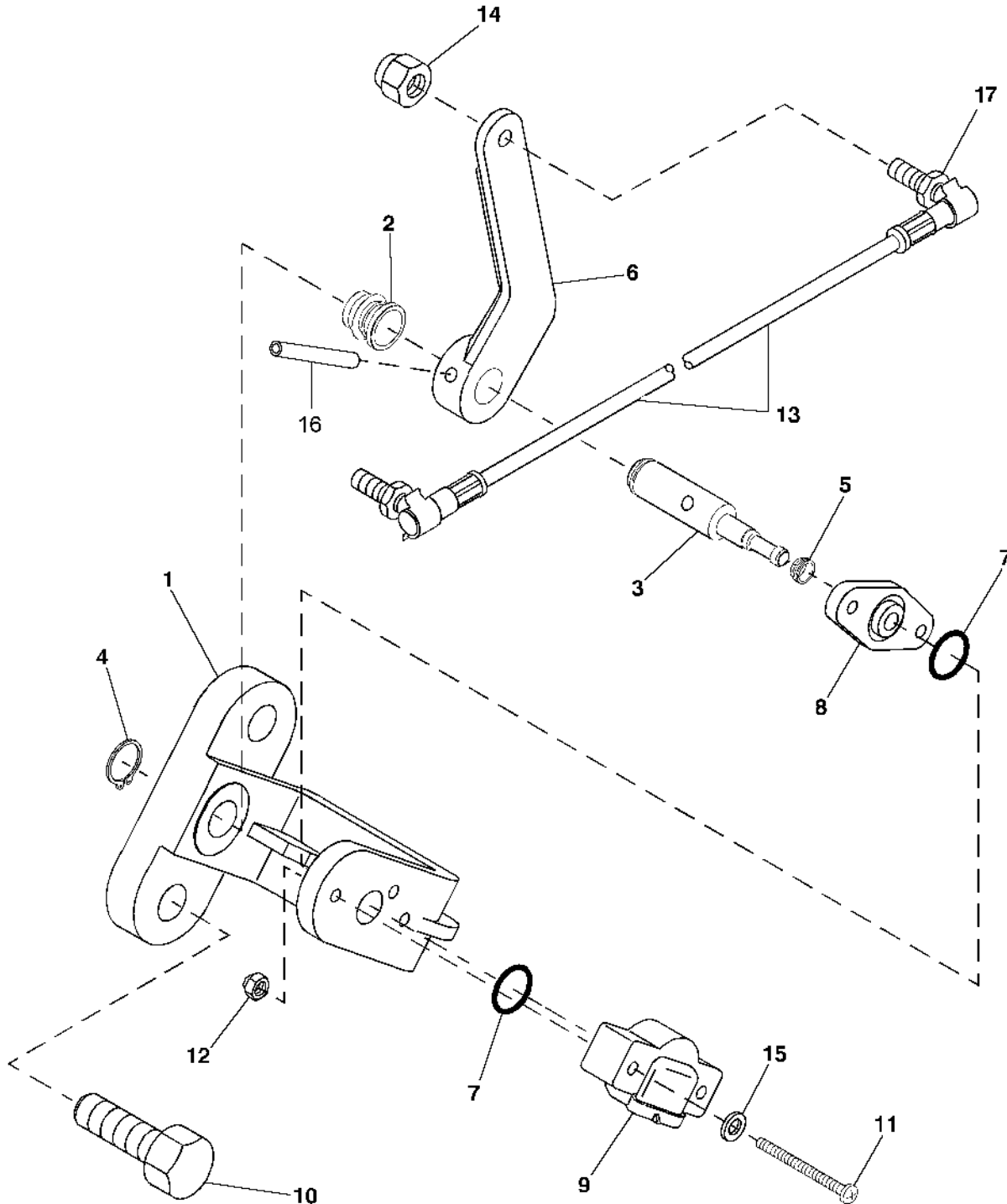
KEY	PART NO.	PART NAME	QTY	SERIAL NO.	REMARKS
1	H148340	PIN	1	12.700 X 60.500 MM	
2	B32630	SPRING LOCKING PIN	2		
3	AH160107	ACTUATOR	1		
4	H146730	STOP	1	CASTING	
5	H148340	PIN	1		
6	RE12363	CONNECTOR	1	(PKG OF 3)	
	R78048	TERMINAL NIPPLE	1	(PKG OF 5)	
	R78060	SOCKET CONTACT	1	(PKG OF 40)	
7	24H1654	WASHER	1	9/16" X 1-15/32" X 0.105"	
8	19M7812	SCREW	2	M10 X 100	

MEMORANDA

1H15

ELECTRICAL

CONCAVE INDICATOR
HP8003 -UN-21APR99



HP8003

1H16

ELECTRICAL

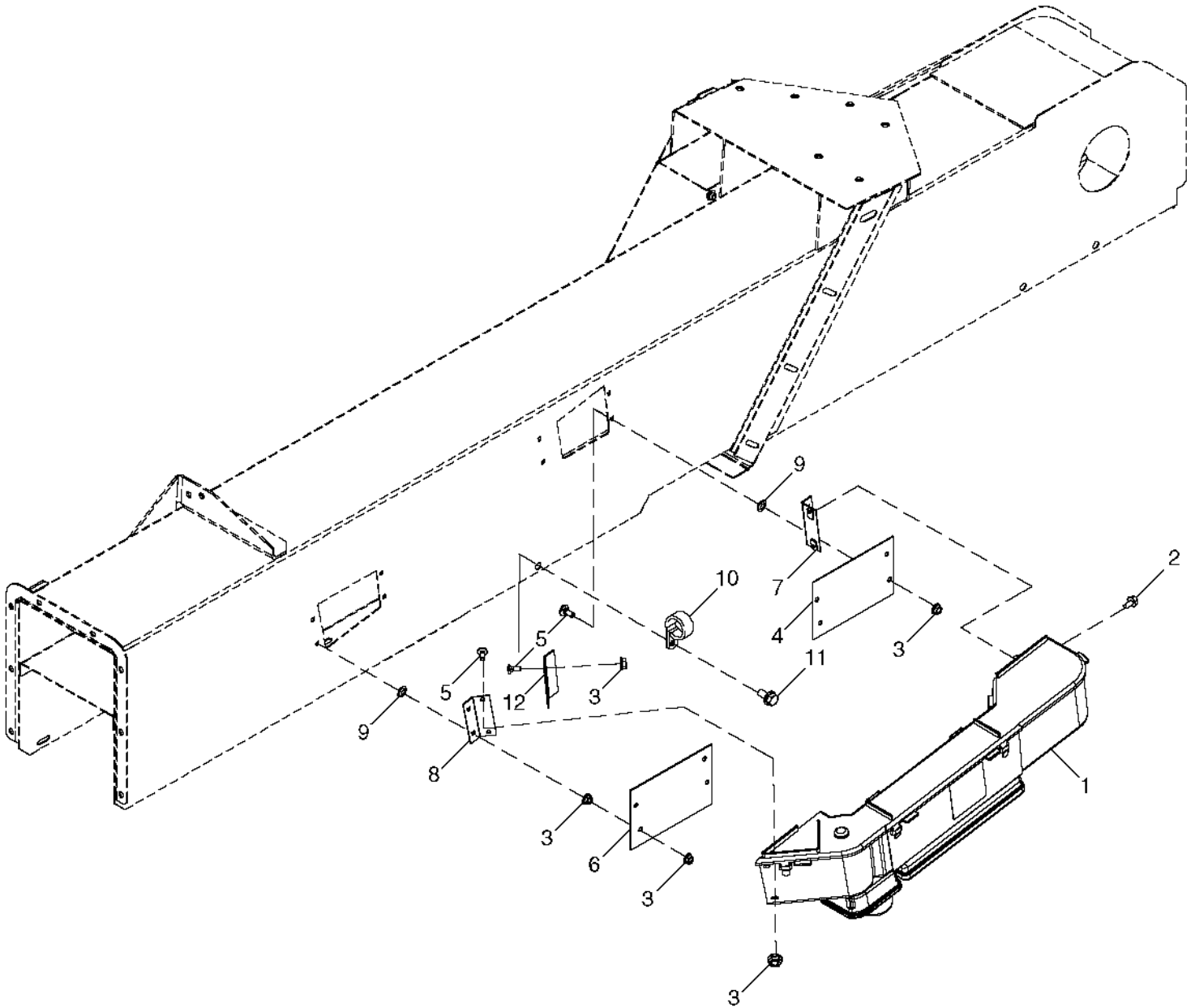
CONCAVE INDICATOR - CONTINUED

KEY	PART NO.	PART NAME	QTY	SERIAL NO.	REMARKS
1	H156936	BRACKET	1		
2	R41076	GROMMET	1		
3	R111692	SHAFT	1		
4	R26871	SNAP RING	1		
5	R112679	SEAL	1		
6	R40915	LEVER	1		
7	P48347	O-RING	2		
8	R86457	SUPPORT	1		
9	RE56165	SENSOR	1		
10	37M7084	SCREW	2	M8 X 25	
11	21M7261	SCREW	2	M5 X 45	
12	14M7297	NUT	2		
13	AH150499	BALL JOINT	1		SPIKE TOOTH, LONG LINK (AS SHOWN)
	AH150498	BALL JOINT	1		(INCLUDES H168732) CORN AND SMALL GRAIN, SHORT LINK
	AH166038	LINKAGE	1		(INCLUDES H168732) REGULAR CONCAVE
14	14M7397	LOCK NUT	1	M6	
15	12M7060	WASHER	2	5.300 MM	
16	34H305	SPRING PIN	1		
17	H168732	BALL STUD	1		

1H17

ELECTRICAL

MOISTURE SENSOR
HP8339 -UN-10MAR99



HP8339

1H18

ELECTRICAL

MOISTURE SENSOR - CONTINUED

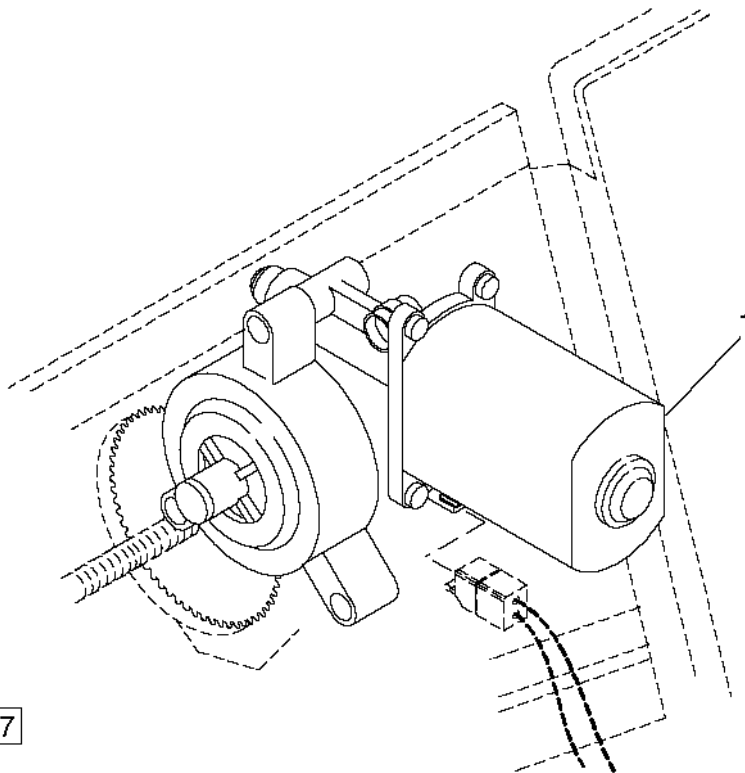
KEY	PART NO.	PART NAME	QTY	SERIAL NO.	REMARKS
1	PF80152	MOISTURE SENSOR MODULE	1		
2	19M7774	SCREW	2	M6 X 12	
3	14M7303	FLANGE NUT	12	M6	
4	PF80173	COVER	1		
5	03M7221	BOLT	12	M6 X 16	
6	PF80174	COVER	1		
7	PF80022	BRACKET	1		
8	PF10106	BRACKET	1		
9	M80082	NUT	1		
10	AH96317	CLIP	1		
11	19M7865	SCREW	1		
12	PF10218	BRACKET	1		
..	AH163684	WIRING HARNESS	1		

1H19

ELECTRICAL

SEPARATOR FAN DRIVE ADJUSTING MOTOR

HP9407 -UN-04JAN00



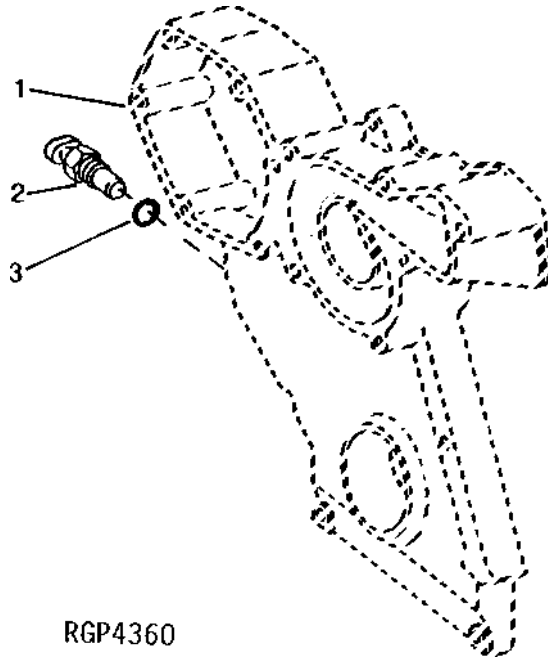
HP9407

KEY	PART NO.	PART NAME	QTY	SERIAL NO.	REMARKS
1	AH143903	ELECTRIC MOTOR	1	(USE WITH AH143904, 19M8321 AND 14M7165)	

1H20

ELECTRICAL

MAGNETIC PICK-UP
RGP4360 -UN-01JAN94



RGP4360

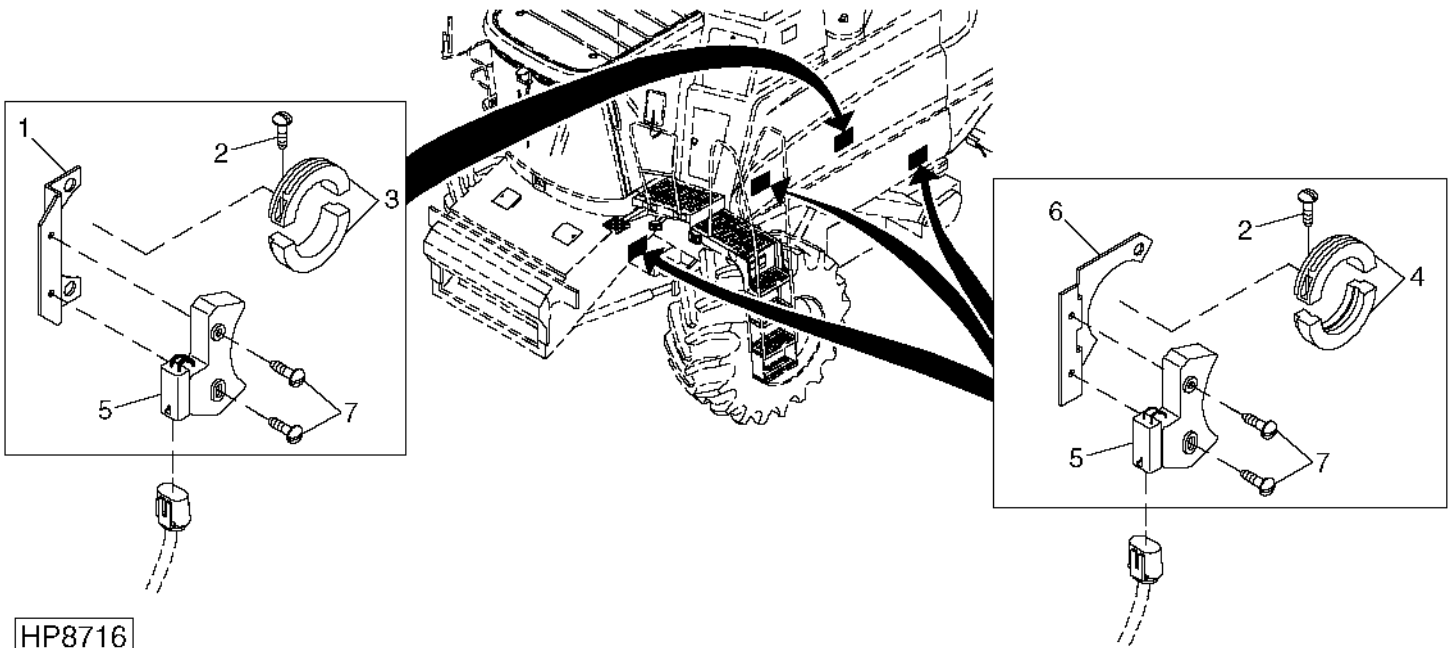
KEY	PART NO.	PART NAME	QTY	ENGINE SERIAL NO.	REMARKS
1	COVER	1		
2	RE71121	SENSOR	1		
3	51M7044	O-RING	1	17.300 X 2.200 MM	

1H21

ELECTRICAL

LOW SHAFT SPEED SENSORS AND BRACKETS

HP8716 -UN-25JUN99

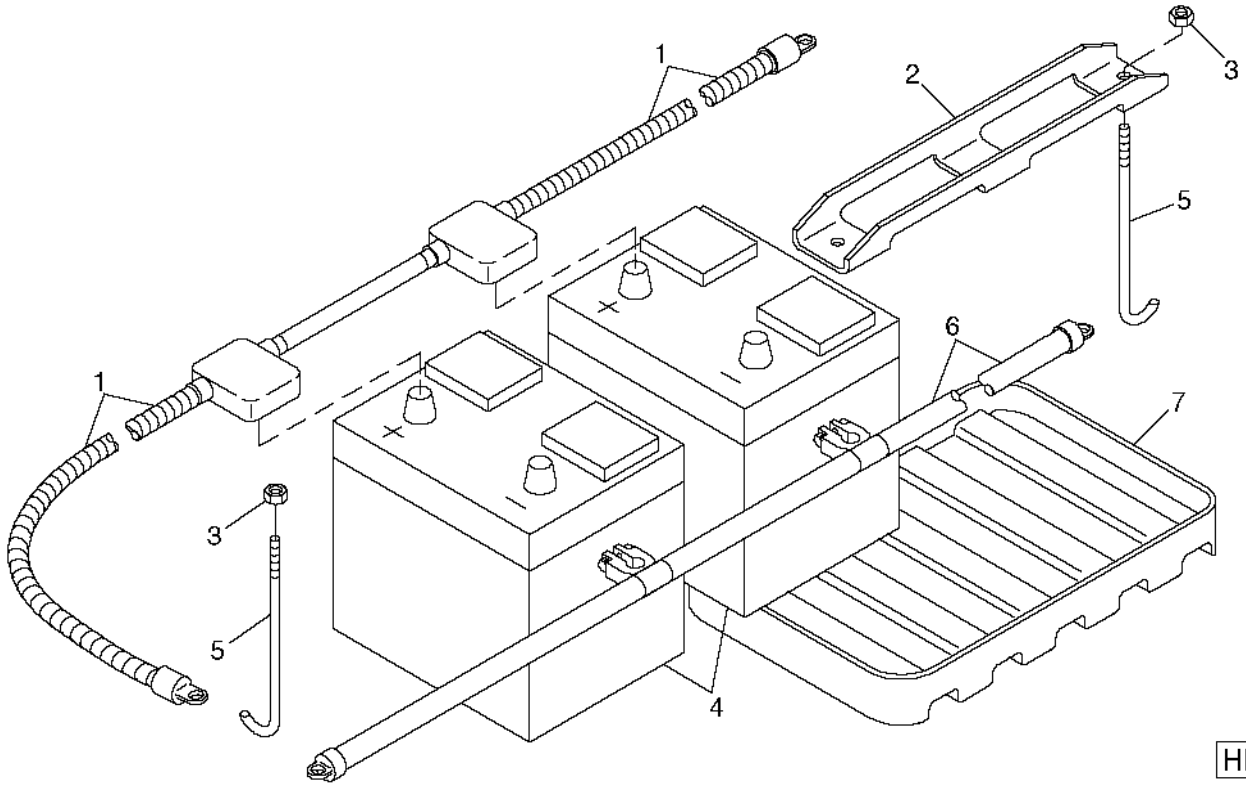


KEY	PART NO.	PART NAME	QTY	SERIAL NO.	REMARKS
1	H148270	BRACKET	2		
2	H168924	SCREW	AR		
3	AH161839	MAGNET	1		LARGE
4	AH161838	MAGNET	1		LARGE MAGNETIC
5	AH131320	SWITCH	5		
6	H148271	BRACKET	3		
7	37M7077	SCREW	10		4.8 X 32 MM (.1890" X 1.2598")

1H22

ELECTRICAL

BATTERIES AND CABLES
HP8185 -UN-16AUG99



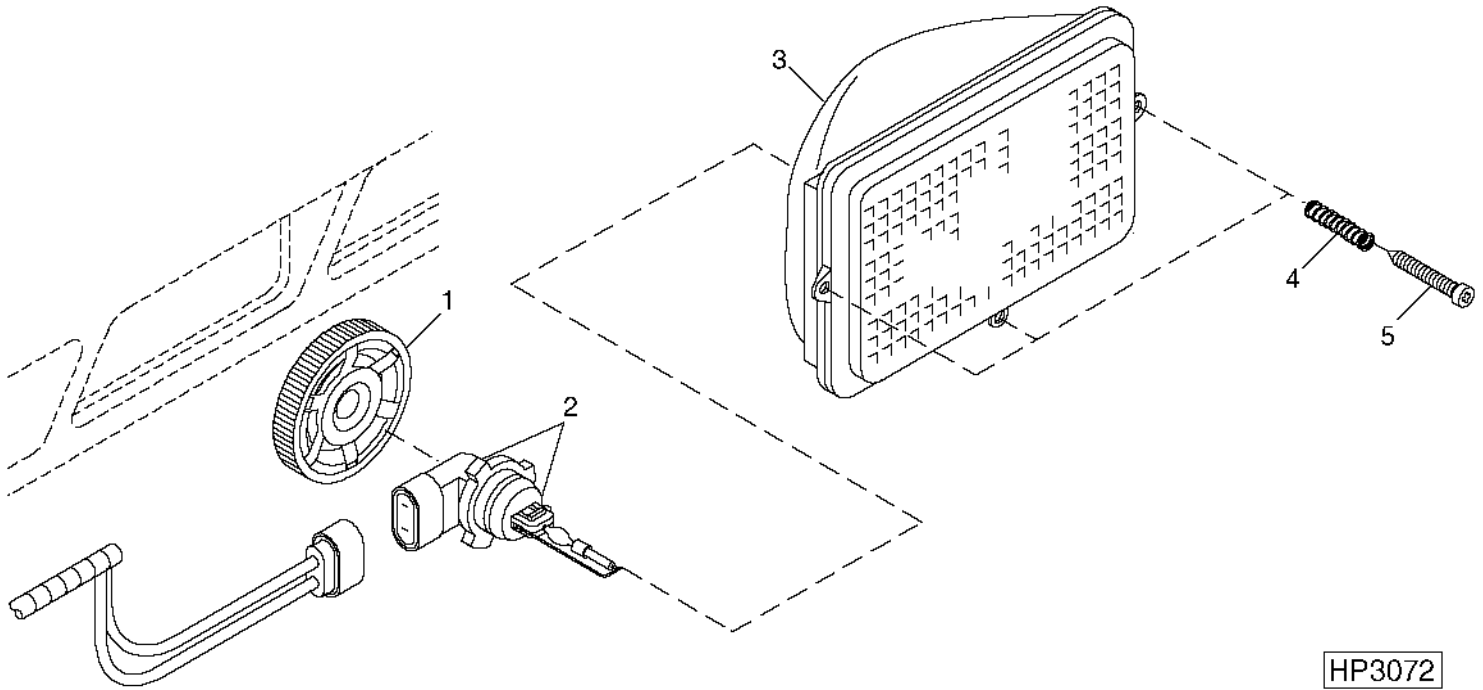
HP8185

KEY	PART NO.	PART NAME	QTY	SERIAL NO.	REMARKS
1	AH149801	CABLE	1		POSITIVE
2	H134000	CLAMP	1		
3	14M7396	LOCK NUT	2		M8
4	TY21765	BATTERY	2		650 COLD CRANKING AMPS AT 0°F (-18°C), 120-MINUTE RESERVE CAPACITY AT 25 AMPS
5	H158292	HOOK BOLT	2		
6	AH164189	CABLE	1		NEGATIVE
7	H144256	TRAY	2		

1H23

ELECTRICAL

CAB ROOF LIGHTS
 HP3072 -UN-24AUG99



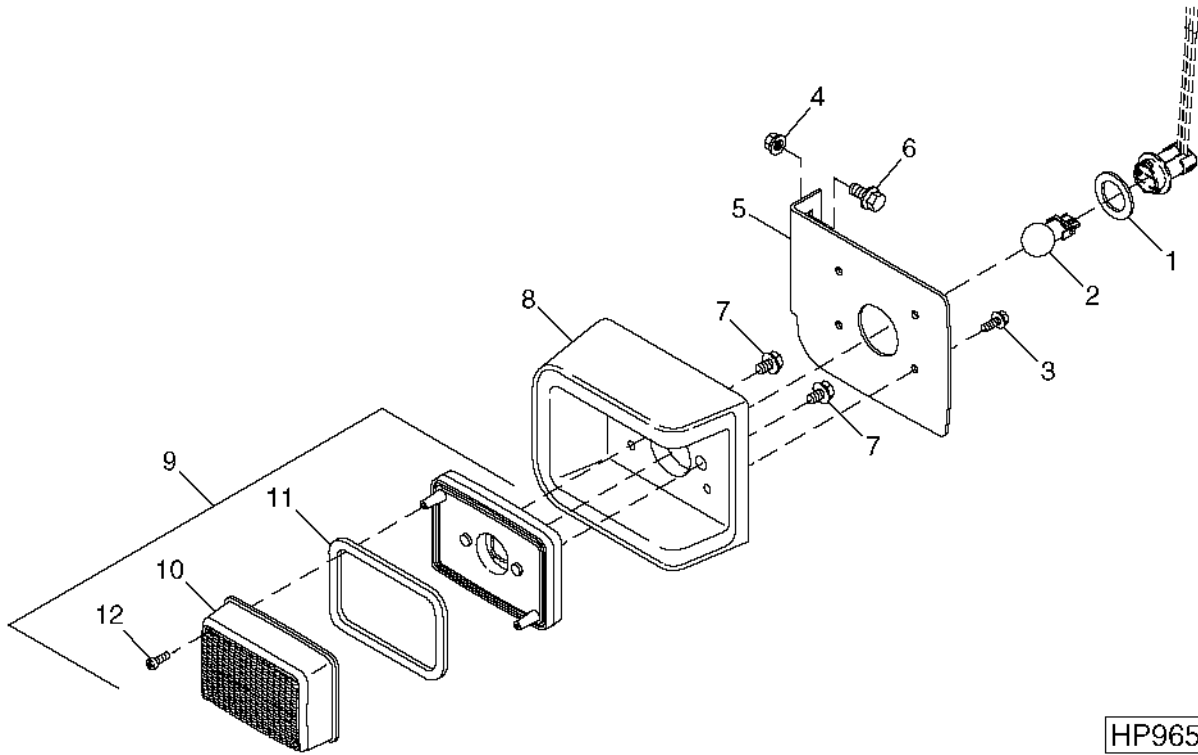
HP3072

KEY	PART NO.	PART NAME	QTY	SERIAL NO.	REMARKS
1	H132900	RETAINER	1		
2	AH162232	BULB	1		
3	AH159333	LENS	1		CENTER
	AH159332	LENS	1		OUTSIDE
4	H130299	SPRING	3		
5	H130298	SCREW	3		

1H24

ELECTRICAL

LIGHT (L.H. FRONT)
HP9653 -UN-29MAR00

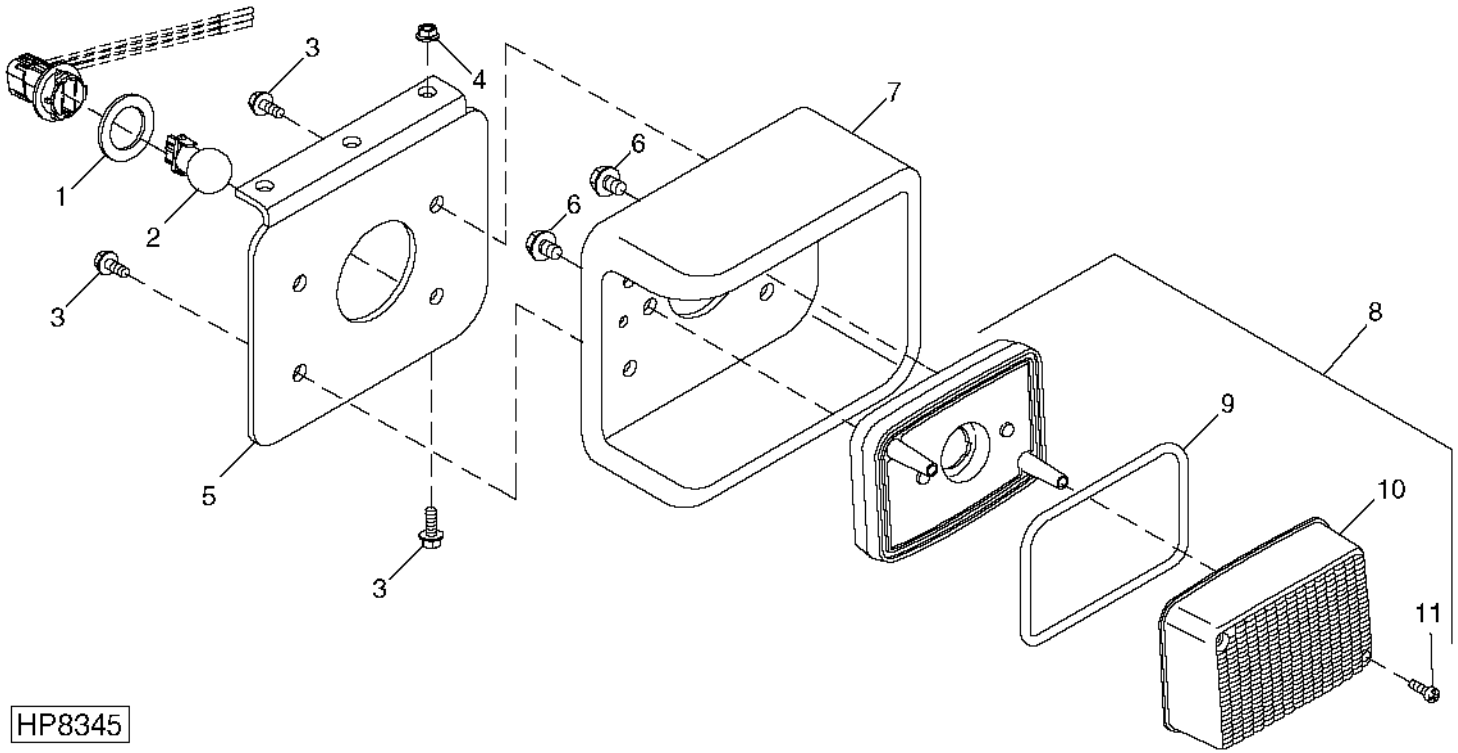


KEY	PART NO.	PART NAME	QTY	SERIAL NO.	REMARKS
1	H141955	SEAL	1		
2	H133384	BULB	1		
3	19M7775	SCREW	4	M6 X 16	
4	14M7296	FLANGE NUT	2	M10	
5	H161128	BRACKET	1		
6	19M7784	SCREW	2	M10 X 20	
7	19M7864	SCREW	2	M8 X 12	
8	AH154504	HOUSING	1		
9	AA45032	TURN SIGNAL LAMP	1		
10	A63124	LENS	1	AMBER	
11	A63127	GASKET	1		
12	A63635	SCREW	2		
..	AH168190	WIRING HARNESS	1	(SUB FOR AH154914) TURN SIGNAL/WARNING LIGHT, L.H.	

1H25

ELECTRICAL

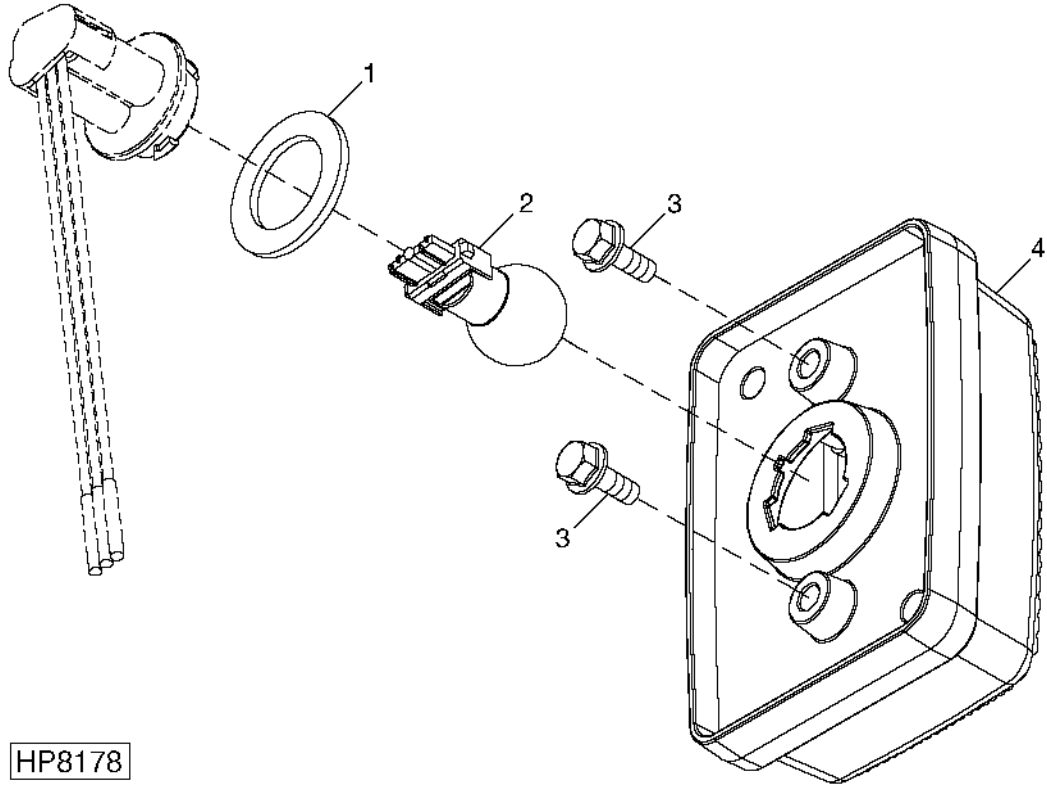
LIGHT (R.H. FRONT)
 HP8345 -UN-04JUN99



HP8345

KEY	PART NO.	PART NAME	QTY	SERIAL NO.	REMARKS
1	H141955	SEAL	1		
2	H133384	BULB	1		
3	19M7775	SCREW	7	M6 X 16	
4	14M7303	FLANGE NUT	3	M6	
5	H161130	BRACKET	1		
6	19M7864	SCREW	2		
7	AH154504	HOUSING	1		
8	AA45032	TURN SIGNAL LAMP	1		
9	A63127	GASKET	1		
10	A63124	LENS	1	AMBER	
11	A63635	SCREW	2		

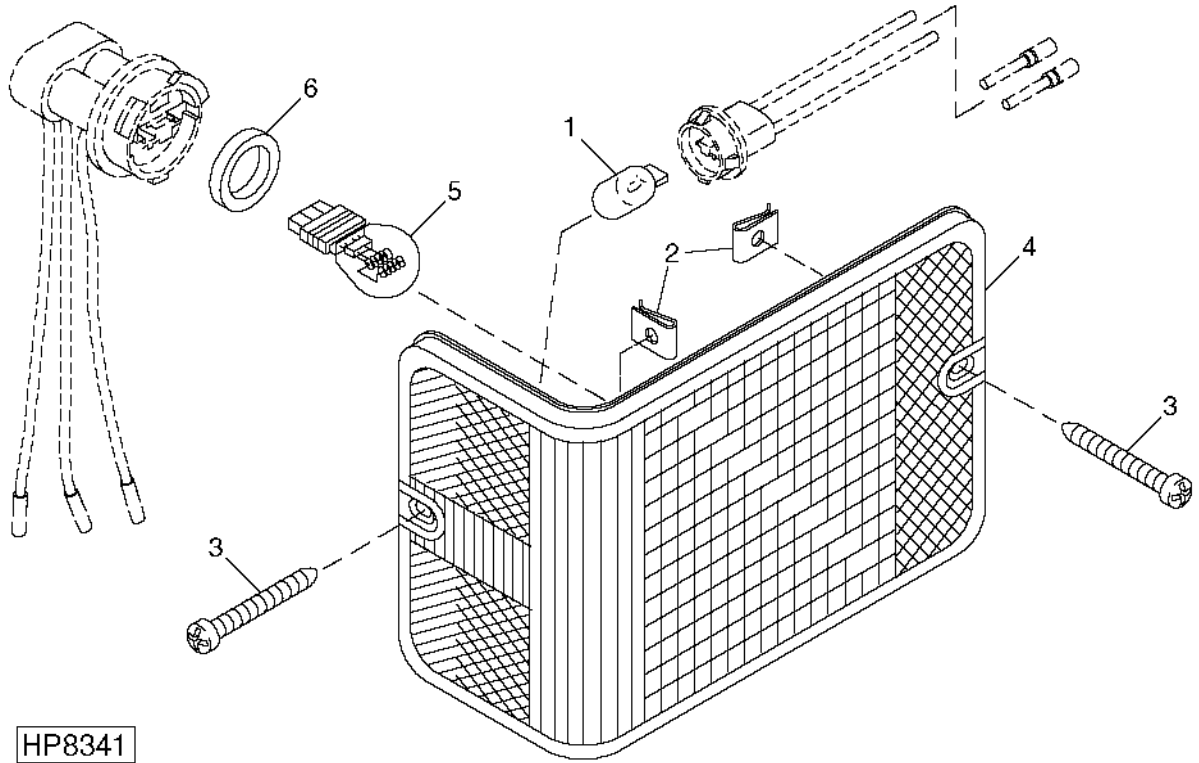
REAR LIGHT - AMBER
 HP8178 -UN-20JAN99



HP8178

KEY	PART NO.	PART NAME	QTY	SERIAL NO.	REMARKS
1	H141955	SEAL	1		
2	H133384	BULB	1		
3	19M7775	SCREW	2	M6 X 16	
4	AA45032	TURN SIGNAL LAMP	1		

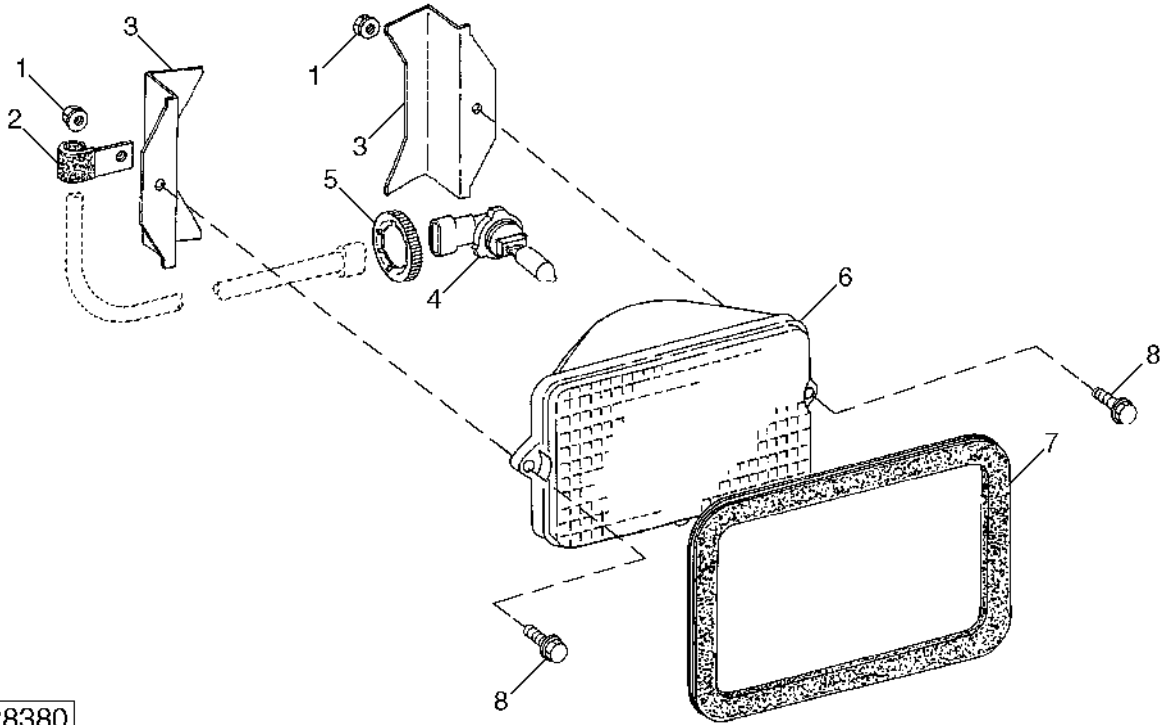
REAR TURN AND TAIL LIGHTS
HP8341 -UN-10MAR99



HP8341

KEY	PART NO.	PART NAME	QTY	SERIAL NO.	REMARKS
1	AR62407	BULB	1		
2	H140628	NUT	2		
3	H140627	SCREW	2		
4	AH123016	LAMP	1	RED	
5	H133384	BULB	2		
6	H141955	SEAL	1		

SIDE FINDER LIGHTS
HP8380 -UN-27JUL99

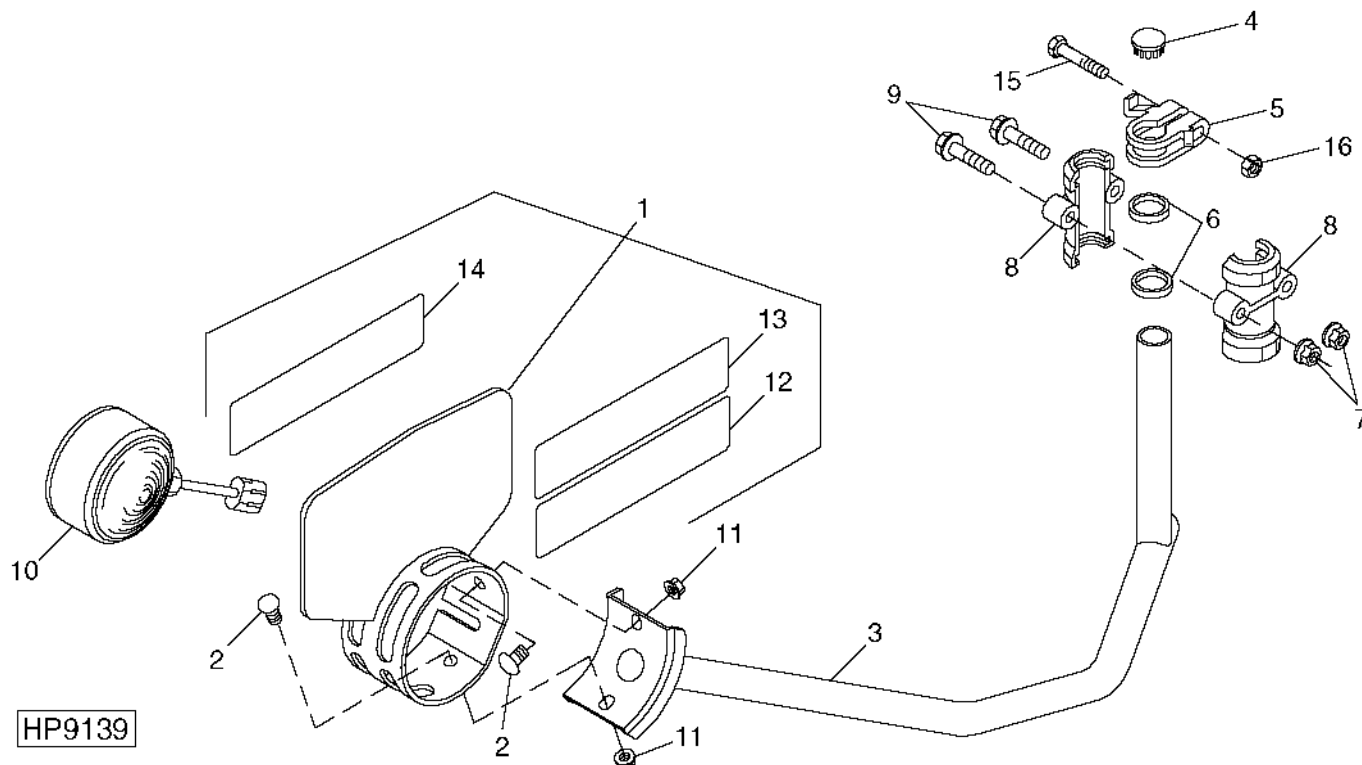


HP8380

KEY	PART NO.	PART NAME	QTY	SERIAL NO.	REMARKS
1	14M7303	FLANGE NUT	8	M6	
2	AH89557	CLIP	2		
3	H132687	RETAINER	4		
4	AH162231	BULB	2		
5	H132900	RETAINER	2		
6	AH128328	FLOODLAMP	4		
7	H132686	GROMMET	2		SHOE LIGHT
	H165252	GROMMET	2		ROW FINDER LIGHT
8	19M7774	SCREW	4		M6 X 12

TRANSPORT WARNING LIGHTS

HP9139 -UN-26OCT99

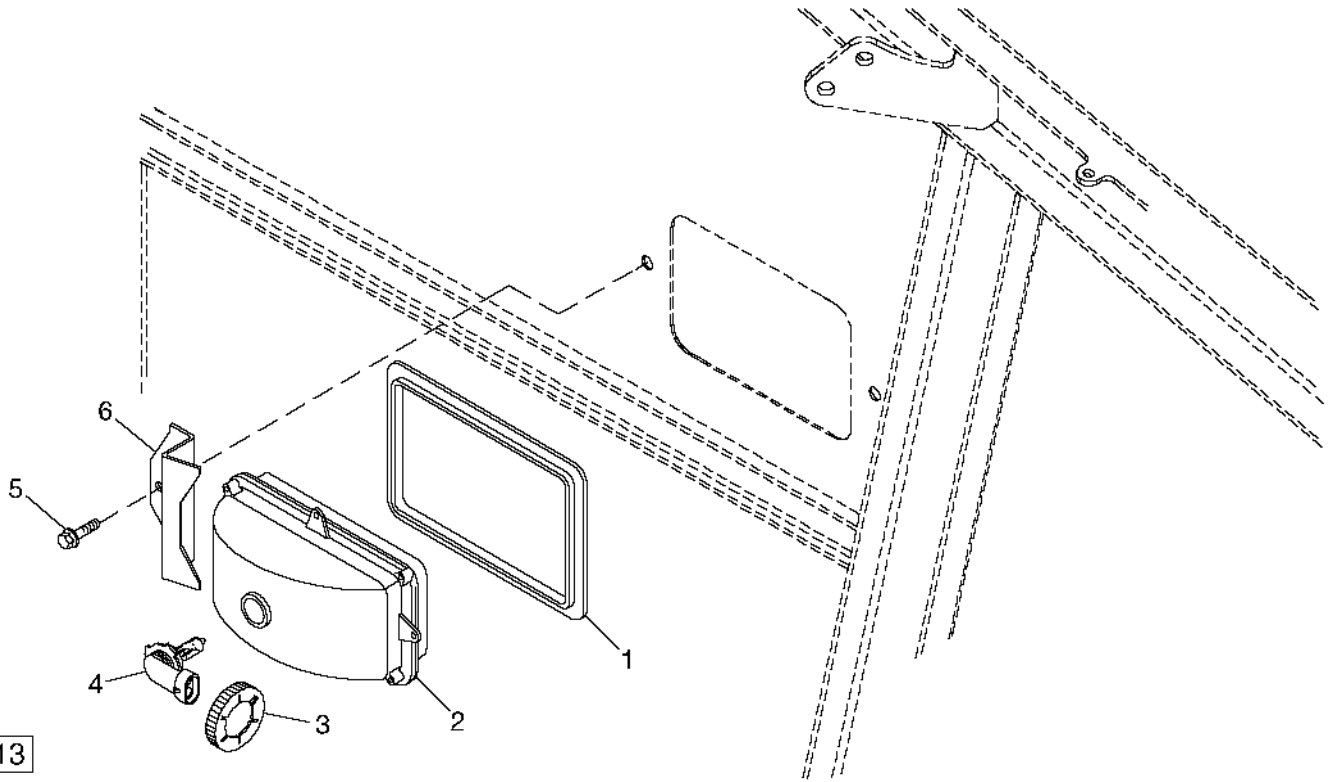


HP9139

KEY	PART NO.	PART NAME	QTY	SERIAL NO.	REMARKS
1	AH163048	SHIELD	1		L.H., LONG ARM & EXTRA LONG
	AH163049	SHIELD	1		R.H., LONG ARM & EXTRA LONG
2	03M7183	BOLT	4		M8 X 16
3	AH166000	TUBE	1		R.H., SHORT
	AH160218	TUBE	1		L.H., SHORT
	AH166001	TUBE	1		R.H., LONG
	AH160219	TUBE	1		L.H., LONG
4	H106000	PLUG	2		
5	H172549	CLAMP	1		L.H.
	AT18904	CLAMP	1		R.H.
6	H136110	ISOLATOR	2		
7	14M7296	FLANGE NUT	4		M10
8	H161618	HOUSING	4		
9	19M7809	SCREW	4		M10 X 70
10	AH164497	LAMP	2		
11	14M7298	FLANGE NUT	4		M8
12	JD5922	REFLECTOR	2		ORANGE
13	JD5920	REFLECTOR	2		RED
14	JD5921	REFLECTOR	2		YELLOW
15	19M7801	SCREW	1		
16	14M7298	FLANGE NUT	1		
..	BH81586	COMPLETE GOODS/SHIP. BUNDLE	1		(1260) LONG LIGHT ARM CONVERSION

CLEANING SHOE INSPECTION LIGHTS

HP9513 -UN-25JAN00



HP9513

KEY	PART NO.	PART NAME	QTY	SERIAL NO.	REMARKS
1	H165252	GROMMET	1		
2	AH128328	FLOODLAMP	1		
3	H132900	RETAINER	1		
4	AH162231	BULB	1		
5	14M7303	FLANGE NUT	2	M6	
6	H132687	RETAINER	2		

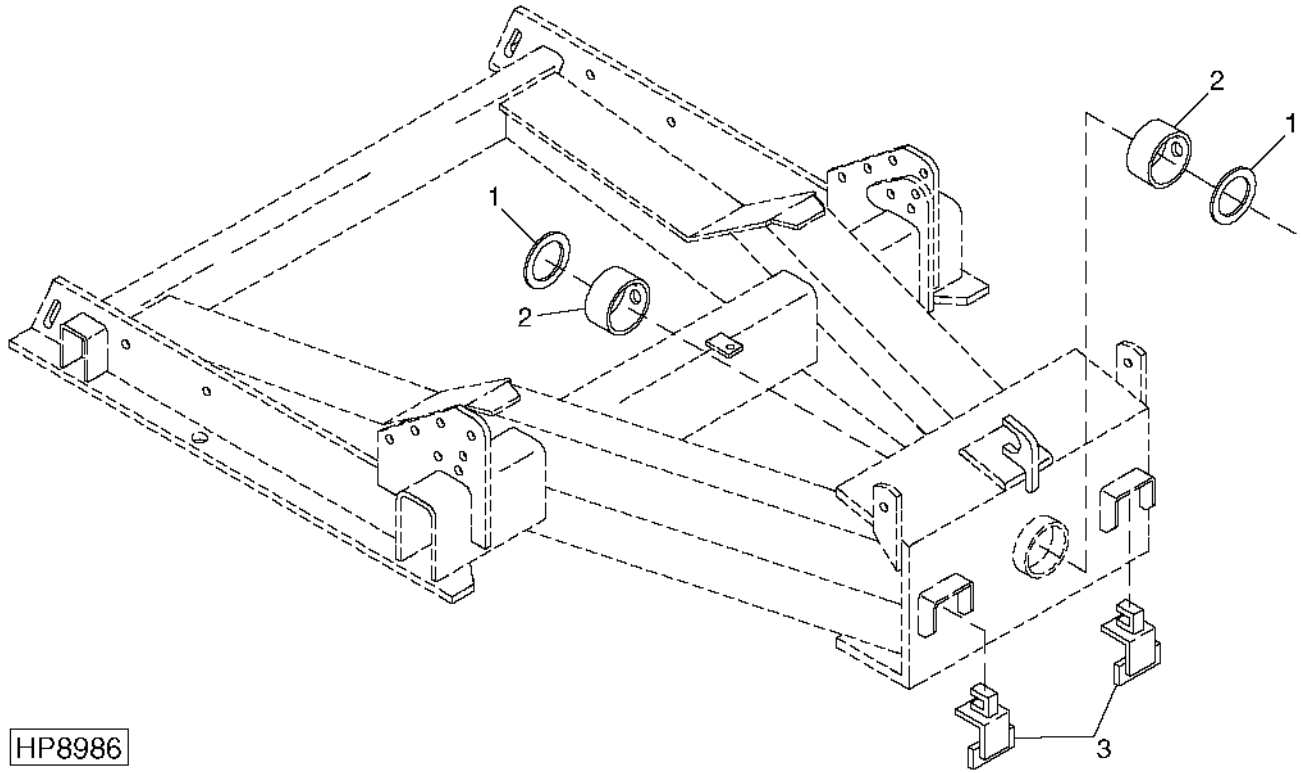
NOTE: QUANTITIES SHOWN ARE FOR ONE UNIT. TWO UNITS USED PER MACHINE

MEMORANDA

2B4

POWER TRAIN

REAR AXLE SUPPORT
 HP8986 -UN-02SEP99



HP8986

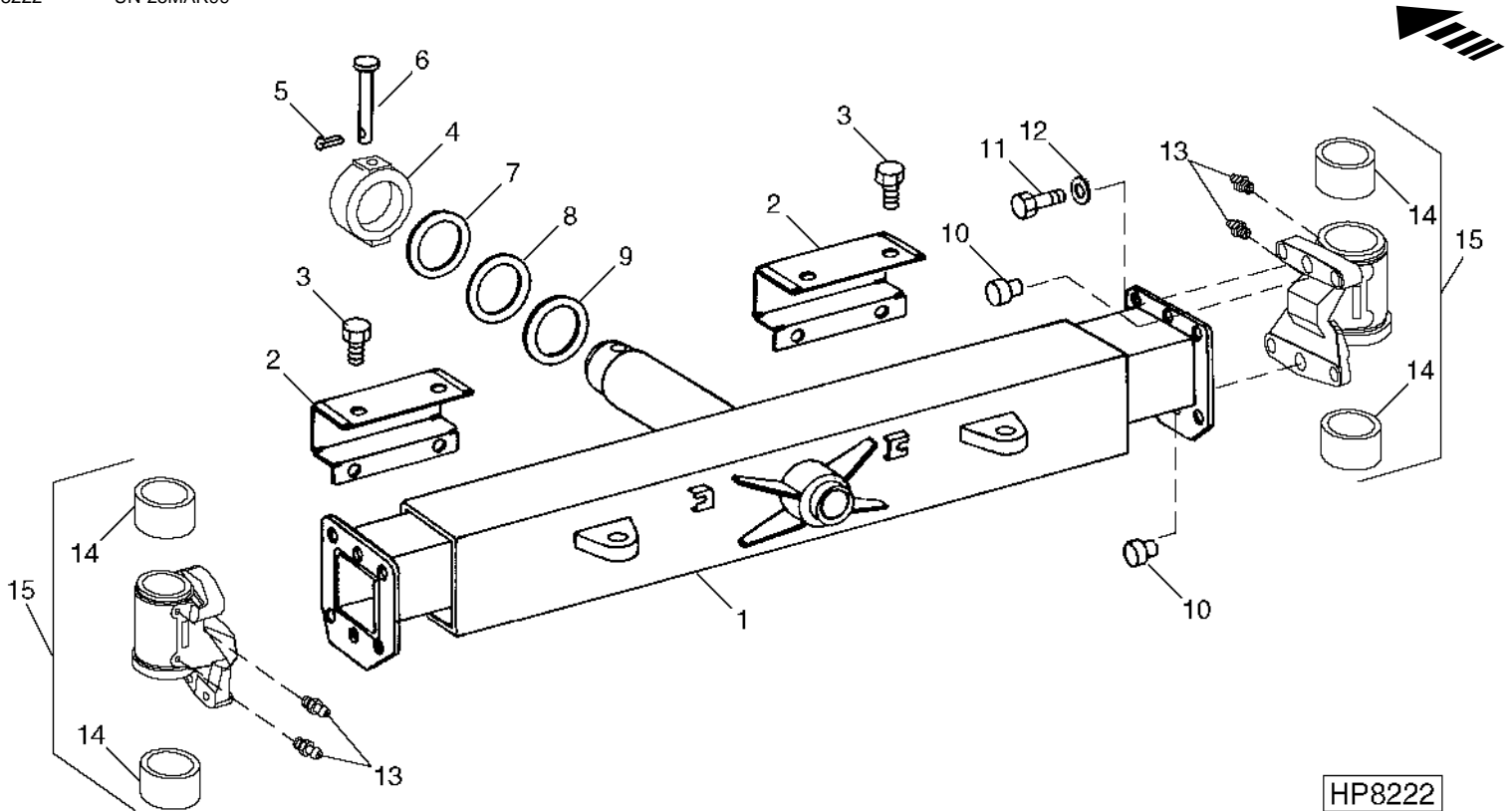
KEY	PART NO.	PART NAME	QTY	SERIAL NO.	REMARKS
1	AH112284	SEAL	2		
2	H146281	BUSHING	2		(HEAT TREATED)
3	H151739	REINFORCEMENT	2		
..	BH81801	COMPLETE GOODS/SHIP. BUNDLE	1		AXLE STOP BLOCK

2B5

POWER TRAIN

FIXED REAR AXLE AND SPINDLE HOUSING (REGULAR DUTY SPINDLE)

HP8222 -UN-25MAR99

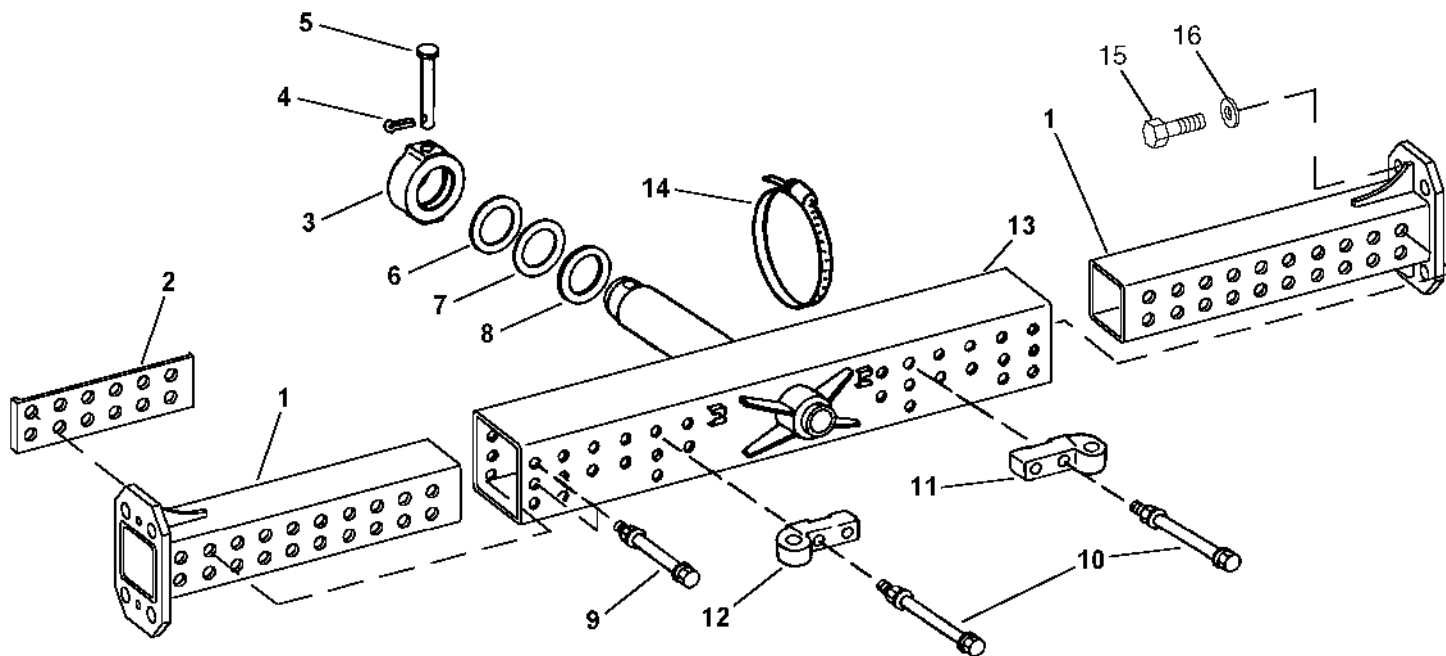


KEY	PART NO.	PART NAME	QTY	SERIAL NO.	REMARKS
1	AH134814	AXLE	1		
2	H136115	SHIELD	2		(4-WHEEL DRIVE ONLY)
3	37M7086	SCREW	8		M10 X 20 (4-WHEEL DRIVE ONLY)
4	H134547	BUSHING	1		
5	11M7028	COTTER PIN	1		5 X 32 MM
6	H142107	PIN	1		
7	H129709	WASHER	AR		
8	H115140	SHIM	AR		
9	H134548	WASHER	1		
10	H75423	PIN	4		
11	19M8002	CAP SCREW	8		M20 X 55
12	H166431	WASHER	8		(SUB H174025)
	H174025	SPACER	8		
13	JD7759	LUBRICATION FITTING	2		
14	H158884	BUSHING	4		
15	AH162576	HOUSING	2		SPINDLE
..	C16071	ADHESIVE	1		
..	BH78882	COMPLETE GOODS/SHIP. BUNDLE	1		SHIELDS

2B6

POWER TRAIN

REAR AXLE, ADJUSTABLE
HP8221 -UN-07MAY99

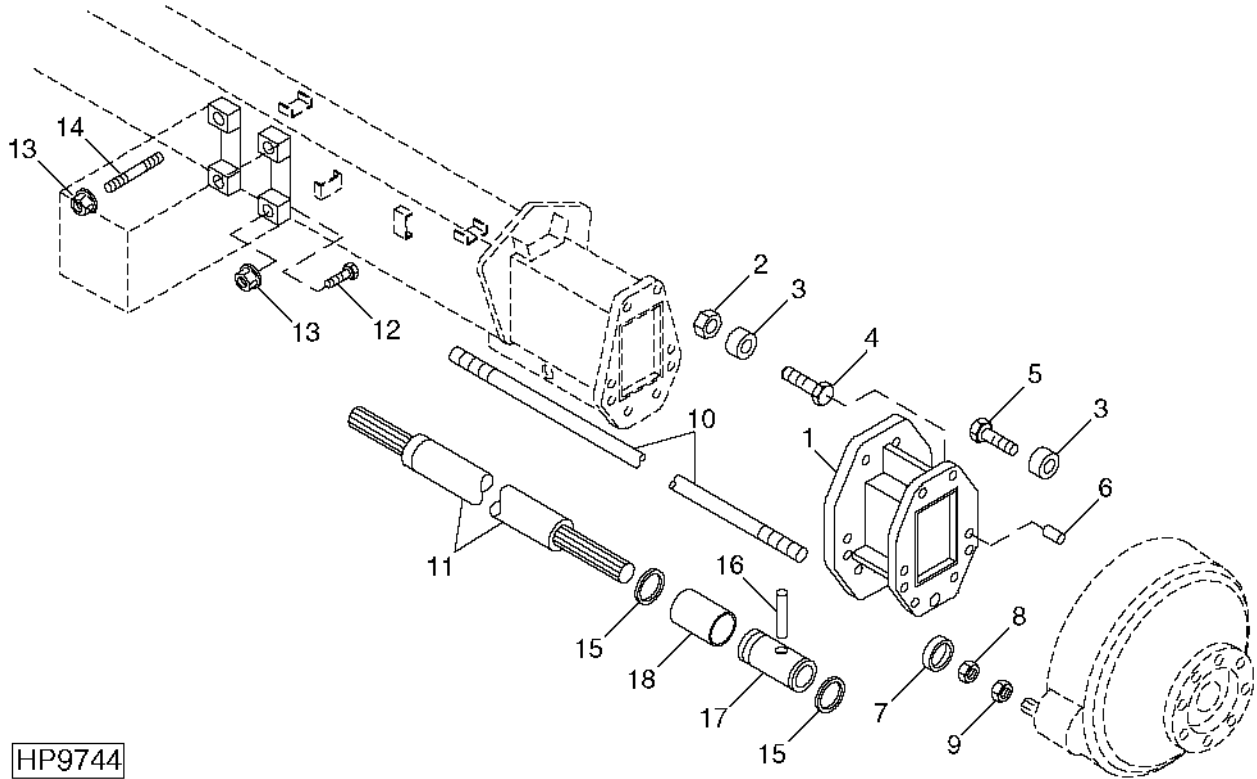


HP8221

KEY	PART NO.	PART NAME	QTY	SERIAL NO.	REMARKS
1	AH156773	TUBE	2		
2	H134549	PLATE	2		
3	H134547	BUSHING	1		
4	11M7028	COTTER PIN	1	5 X 32 MM	
5	H142107	PIN	1	20 X 180 MM	
6	H129709	WASHER	AR		
7	H115140	SHIM	AR		
8	H134548	WASHER	1		
9	19M7921	CAP SCREW	AR	M20 X 150	
	24M7242	WASHER	8	21.400 X 42 X 5 MM	
	H121472	BOLT	4	(4-WHEEL DRIVE) (CONVERSION)	
	14M7300	FLANGE NUT	8	M20	
10	19M7645	SCREW	4	M20 X 200	
	14M7300	FLANGE NUT	4	M20	
11	H130224	ANCHOR	1	(R.H.)	
12	H130223	ANCHOR	1	(L.H.)	
13	AH134813	REAR AXLE	1		
14	AH130230	HOSE CLAMP	2		
15	19H3126	CAP SCREW	4	3/4" X 2-1/4"	
16	H144293	WASHER	4		

AXLE SPACERS

HP9744 -UN-05MAY00



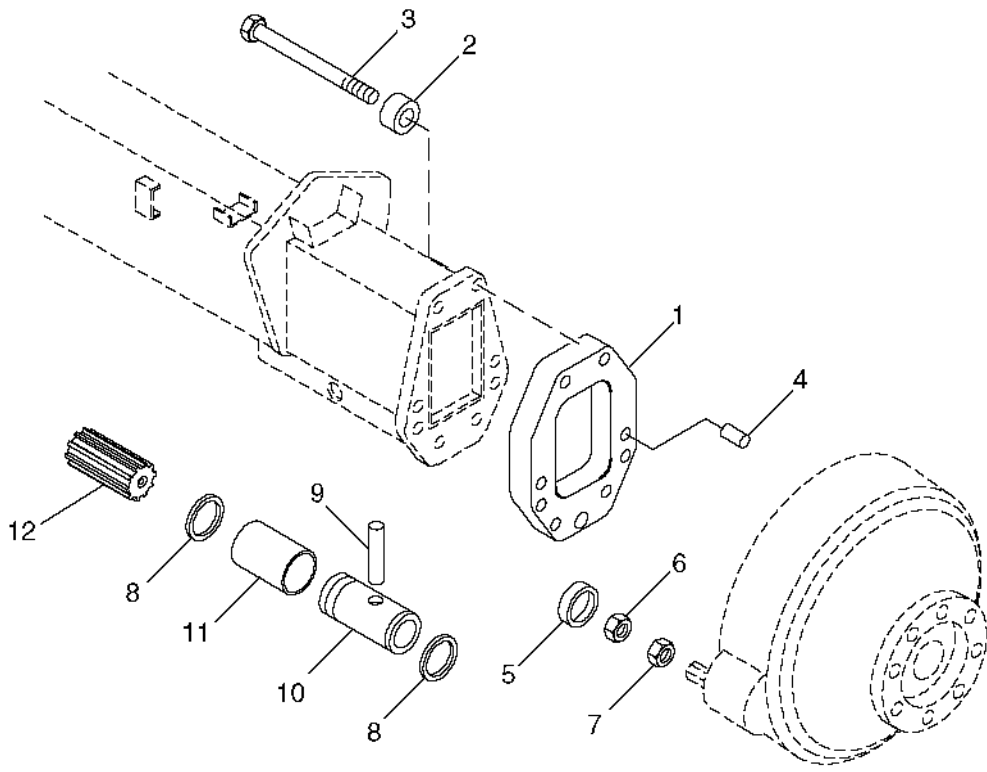
HP9744

KEY	PART NO.	PART NAME	QTY	SERIAL NO.	REMARKS
1	H168744	SPACER	2	(300 MM)	
	H168166	SPACER	2	(400 MM)	
2	14M7300	FLANGE NUT	12	M20	
3	H156127	SLEEVE	12	(A) 21.500 X 45 X 22 MM	
	H163561	SPACER	12	(B) 25.400 X 45 X 18 MM, HEAVY DUTY	
4	19M7963	CAP SCREW	12	(A) M20 X 100	
	19M8288	CAP SCREW	12	(B) M24 X 90	
5	19M7892	CAP SCREW	12	(A) M20 X 80	
	19M8287	CAP SCREW	12	M24 X 80	
6	H87691	BUSHING	8		
7	H130287	SPACER	2		
8	H130288	NUT	2		
9	14M7431	NUT	2	M30	
10	H144998	STUD	1	(300 MM)	
11	H165662	SHAFT	2	300 MM	
	H165663	SHAFT	2	400 MM	
12	H107504	BOLT	2		
13	14M7291	FLANGE NUT	4	M16	
14	42M7028	STUD	2		
15	H133229	SNAP RING	4		
16	H131754	PIN	2		
17	H165510	SPLINED COUPLING	2		
18	H134444	SLEEVE	2		
..	BH81705	COMPLETE GOODS/SHIP. BUNDLE	2	(300 MM) AXLE SPACER	
..	BH81704	COMPLETE GOODS/SHIP. BUNDLE	2	(400 MM) AXLE SPACER	

(A) REGULAR DUTY
(B) HEAVY DUTY

2B8

AXLE SPACERS, 105MM (SOLID)
 HP9777 -UN-25MAY00



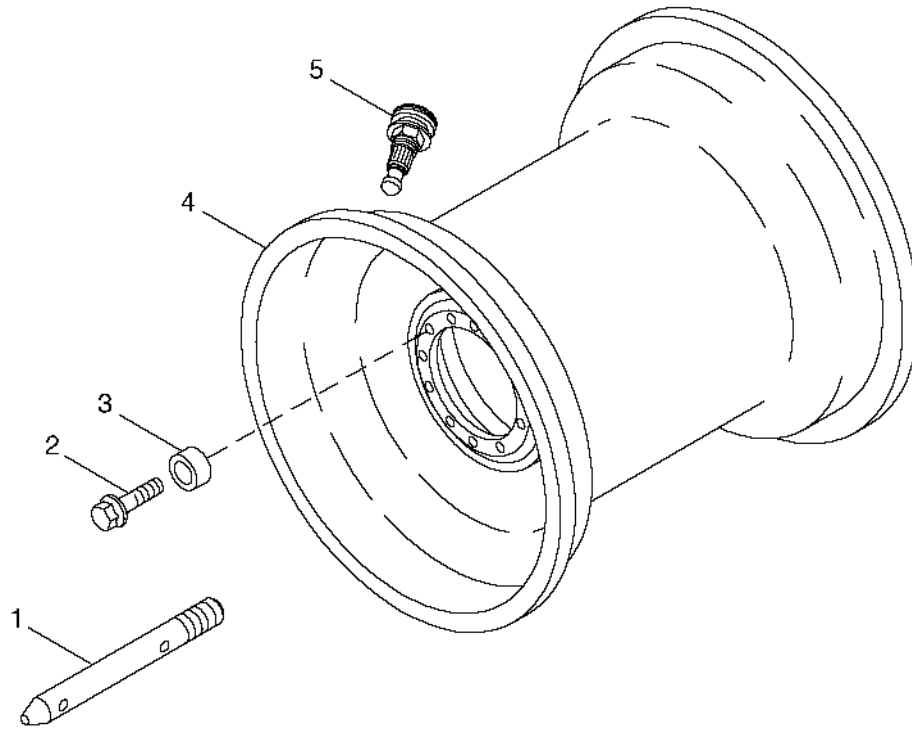
HP9777

KEY	PART NO.	PART NAME	QTY	SERIAL NO.	REMARKS
1	AH170484	SPACER	2		
2	24M7243	WASHER	12		25.400 X 50 X 6 MM, HEAVY DUTY FINALS
	24M7242	WASHER	2		21.400 X 42 X 5 MM, REGULAR DUTY FINALS
3	19M7782	CAP SCREW	12		M24 X 180, HEAVY DUTY FINALS
	19M8100	CAP SCREW	12		M20 X 180, REGULAR DUTY FINALS
4	H87691	BUSHING	8		
5	H130287	SPACER	2		
6	H130288	NUT	2		
7	14M7431	NUT	2	M30	
8	H133229	SNAP RING	4		
9	H131754	PIN	2		
10	H165510	SPLINED COUPLING	2		18 TEETH
11	H134444	SLEEVE	2		
12	H176465	SHAFT	2		
..	BH81867	COMPLETE GOODS/SHIP. BUNDLE	2		(105MM) AXLE SPACER
..	BH81871	COMPLETE GOODS/SHIP. BUNDLE	2		(105MM) AXLE SPACER BOLTS HEAVY DUTY FINALS
..	BH81868	COMPLETE GOODS/SHIP. BUNDLE	2		(105MM) AXLE SPACER BOLTS REGULAR DUTY FINALS
..	BH81875	COMPLETE GOODS/SHIP. BUNDLE	2		(105MM) SPACER

2B9

DRIVE WHEELS

HP5527 -UN-23AUG99



KEY	PART NO.	PART NAME	QTY	SERIAL NO.	REMARKS
1	H138607	STUD	1		USE FOR WHEEL MOUNTING ONLY
2	H170072	SCREW	10		
3	H134114	SPACER	10		
4	AH156626	WHEEL	1		(32XDW27" 12" BC) (REGULAR DUTY FINAL DRIVES)
	AH154848	WHEEL	1		(32XDW27" 335 BC) (HEAVY DUTY FINAL DRIVES)
	AH130625	WHEEL	1		(32-DH27) (HEAVY DUTY FINAL DRIVES)
	AH127656	WHEEL	1		(32-DH31) (HEAVY DUTY FINAL DRIVES)
5	AT25226	TIRE VALVE STEM	1		
..	BH79234	COMPLETE GOODS/SHIP. BUNDLE	1		TIRE/WHEEL-RH 35.5LX32 12PLY
..	BH79235	COMPLETE GOODS/SHIP. BUNDLE	1		TIRE/WHEEL-LH 35.5LX32 12PLY

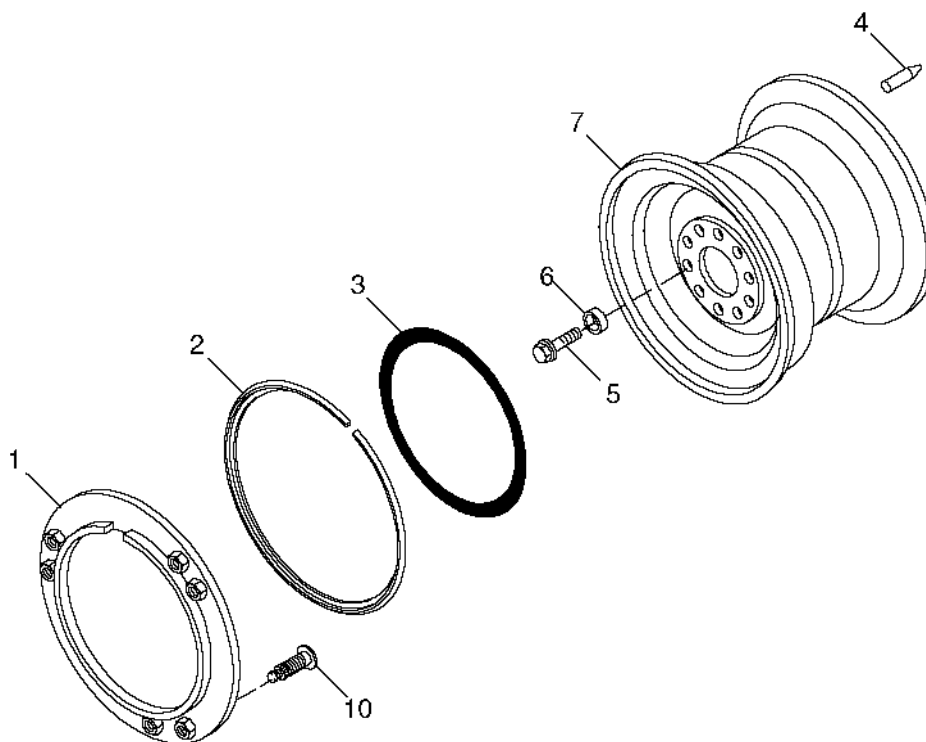
NOTE: REFERENCE SECTION 170 FOR TIRE/WHEEL LABELS AND DECALS
 NOTE: QUANTITIES SHOWN ARE FOR ONE UNIT. TWO UNITS USED PER MACHINE.

2B10

HIGH FLOATATION DRIVE WHEELS

HEAVY DUTY FINAL DRIVE

HP9718 -UN-18APR00



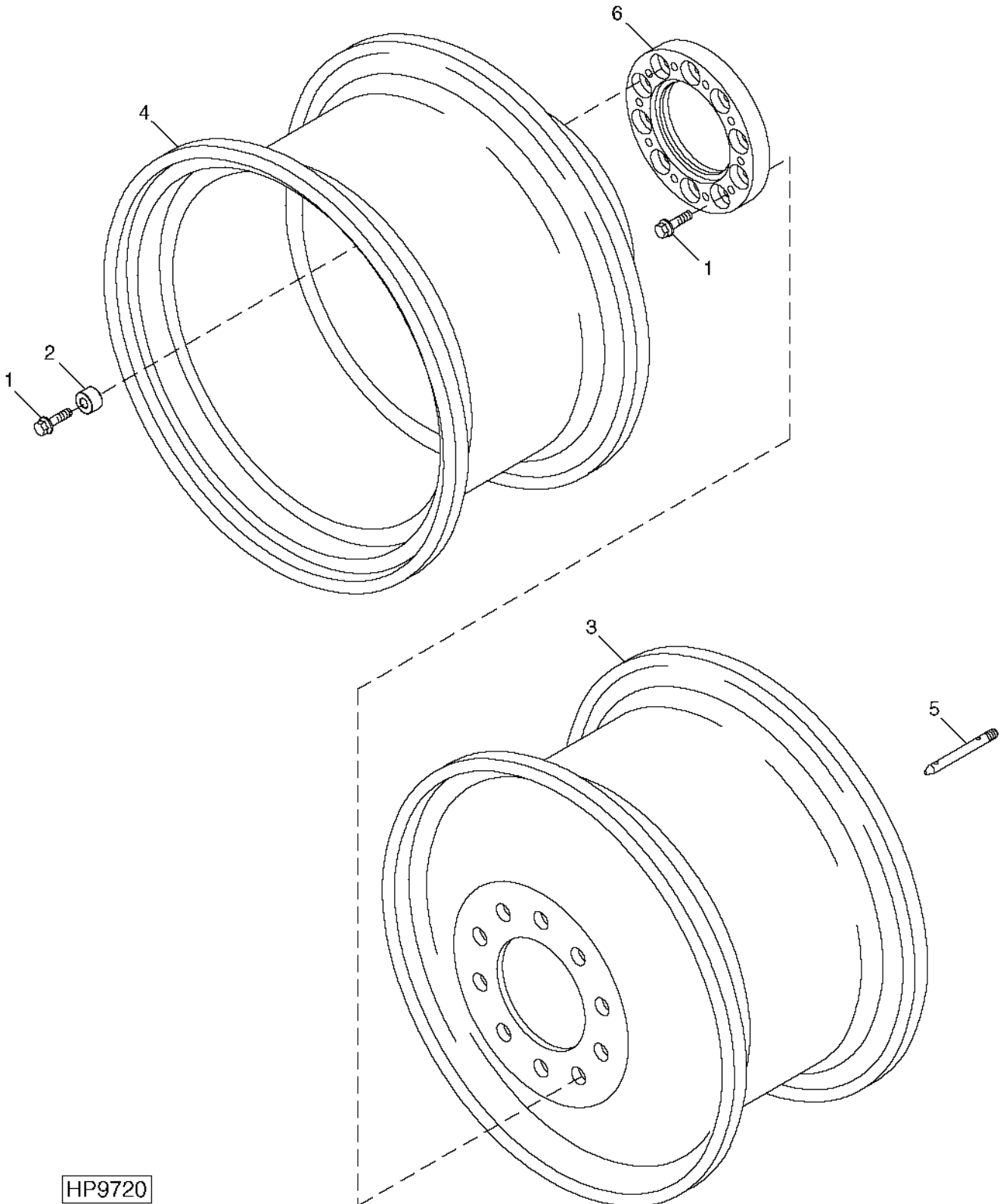
HP9718

KEY	PART NO.	PART NAME	QTY	SERIAL NO.	REMARKS
1	AH147544	FLANGE	1		
2	H105822	RING	1		
3	H111500	O-RING	1		
4	H138607	STUD	1		
5	H170072	SCREW	10		
6	H134114	SPACER	10		
7	AH147545	WHEEL	1	(32X44) (REGULAR DUTY FINAL DRIVE)	
	AH147546	WHEEL	1	(32X44) (HEAVY DUTY FINAL DRIVE)	
8	AT36212	TIRE VALVE STEM	1		
..	BH81148	COMPLETE GOODS/SHIP. BUNDLE	1		TIRE/WHEEL
..	BH81149	COMPLETE GOODS/SHIP. BUNDLE	1		TIRE/WHEEL
..	BH81146	COMPLETE GOODS/SHIP. BUNDLE	1		L.H. TIRE/WHEEL (68 X 50 - 32)
..	BH81147	COMPLETE GOODS/SHIP. BUNDLE	1		R.H. TIRE/WHEEL (68 X 50 - 32)
..	BH81537	COMPLETE GOODS/SHIP. BUNDLE	1		WHEEL BOLTS FLOTATION TIRES

NOTE: REFERENCE SECTION 170 FOR TIRE/WHEEL LABELS AND DECALS
 NOTE: QUANTITIES SHOWN ARE FOR ONE UNIT. TWO UNITS USED PER MACHINE.

2B11

WIDE-SPACED DUAL WHEELS
HP9720 -UN-18APR00



HP9720

WIDE-SPACED DUAL WHEELS - CONTINUED

KEY	PART NO.	PART NAME	QTY	SERIAL NO.	REMARKS
1	H170072	SCREW	10		
	H138606	CAP SCREW	10		
2	H134114	SPACER	10		
3	AH130627	WHEEL	1		(38 W16L)(REGULAR DUTY FINAL DRIVE)
	AH130626	WHEEL	1		(42-DDWL 16")(HEAVY DUTY FINAL DRIVE)
	AH140253	WHEEL	1		(38-WH18A)(REGULAR DUTY FINAL DRIVE)
	AH145348	WHEEL	1		(42XDDWL18)(HEAVY DUTY FINAL DRIVE)
	AH163172	WHEEL	1		(38XWH18A)(HEAVY DUTY FINAL DRIVE)
4	AH150343	WHEEL	1		(38XWH16)(REGULAR DUTY FINAL DRIVE)
	AH150345	WHEEL	1		(42XDD16)(HEAVY DUTY FINAL DRIVE)
	AH150344	WHEEL	1		(38XWH18A)(REGULAR DUTY FINAL DRIVE)
	AH150346	WHEEL	1		(42XDD 18)(HEAVY DUTY FINAL DRIVE)
	AH163171	WHEEL AND TIRE ASSEMBLY	1		(38XWH18A)(HEAVY DUTY FINAL DRIVE)
5	H138607	STUD	1		USE FOR WHEEL MOUNTING ONLY
6	N276699	SPACER	1		(REGULAR DUTY FINAL DRIVE)
	H157698	SPACER	1		(HEAVY DUTY FINAL DRIVE)
..	BH81539	COMPLETE GOODS/SHIP. BUNDLE	1		WHEEL BOLTS (INNER DUALS)
..	BH81751	COMPLETE GOODS/SHIP. BUNDLE	1		L.H. INNER TIRE/WHEEL 18.4R38 R1
..	BH81752	COMPLETE GOODS/SHIP. BUNDLE	1		R.H. INNER TIRE/WHEEL 18.4R38 R1
..	BH81376	COMPLETE GOODS/SHIP. BUNDLE	1		WHEEL BOLTS (DUAL WHEELS)
..	BH81749	COMPLETE GOODS/SHIP. BUNDLE	1		L.H. OUTER TIRE/WHEEL 18.4R38 R1
..	BH81750	COMPLETE GOODS/SHIP. BUNDLE	1		R.H. OUTER TIRE/WHEEL 18.4R38 R1
..	BH81538	COMPLETE GOODS/SHIP. BUNDLE	1		WHEEL BOLTS (CONVERSION TO DUALS)
..	BH81774	COMPLETE GOODS/SHIP. BUNDLE	1		L.H. INNER TIRE/WHEEL (CONVERSION TO DUALS)
..	BH81775	COMPLETE GOODS/SHIP. BUNDLE	1		L.H. OUTER TIRE/WHEEL (CONVERSION TO DUALS)
..	BH81776	COMPLETE GOODS/SHIP. BUNDLE	1		R.H. INNER TIRE/WHEEL (CONVERSION TO DUALS)
..	BH81777	COMPLETE GOODS/SHIP. BUNDLE	1		R.H. OUTER TIRE/WHEEL (CONVERSION TO DUALS)
..	BH81211	COMPLETE GOODS/SHIP. BUNDLE	1		L.H. OUTER TIRE/WHEEL 20.8R38 R2
..	BH81212	COMPLETE GOODS/SHIP. BUNDLE	1		R.H. OUTER TIRE/WHEEL 20.8R38 R2
..	BH81240	COMPLETE GOODS/SHIP. BUNDLE	1		R.H. TIRE/WHEEL 20.8X38 R2
..	BH81241	COMPLETE GOODS/SHIP. BUNDLE	1		L.H. TIRE/WHEEL 20.8X38 R2
..	BH81209	COMPLETE GOODS/SHIP. BUNDLE	1		L.H. OUTER TIRE/WHEEL 20.8R38 R1
..	BH81210	COMPLETE GOODS/SHIP. BUNDLE	1		R.H. OUTER TIRE/WHEEL 20.8R38 R1
..	BH81238	COMPLETE GOODS/SHIP. BUNDLE	1		L.H. TIRE/WHEEL 20.8X38 R1
..	BH81239	COMPLETE GOODS/SHIP. BUNDLE	1		R.H. TIRE/WHEEL 20.8X38 R1
..	BH81242	COMPLETE GOODS/SHIP. BUNDLE	1		L.H. TIRE/WHEEL 20.8X42
..	BH81243	COMPLETE GOODS/SHIP. BUNDLE	1		R.H. TIRE/WHEEL 20.8X42
..	BH81543	COMPLETE GOODS/SHIP. BUNDLE	1		L.H. INNER TIRE/WHEEL 20.8R38
..	BH81544	COMPLETE GOODS/SHIP. BUNDLE	1		R.H. INNER TIRE/WHEEL 20.8R38
..	BH81545	COMPLETE GOODS/SHIP. BUNDLE	1		L.H. OUTER TIRE/WHEEL 20.8R38
..	BH81546	COMPLETE GOODS/SHIP. BUNDLE	1		R.H. OUTER TIRE/WHEEL 20.8R38
..	BH81215	COMPLETE GOODS/SHIP. BUNDLE	1		L.H. OUTER TIRE/WHEEL 18.4R42 R1
..	BH81216	COMPLETE GOODS/SHIP. BUNDLE	1		R.H. OUTER TIRE/WHEEL 18.4R42 R1
..	BH81236	COMPLETE GOODS/SHIP. BUNDLE	1		L.H. TIRE/WHEEL 18.4R42
..	BH81237	COMPLETE GOODS/SHIP. BUNDLE	1		R.H. TIRE/WHEEL 18.4R42
..	BH81217	COMPLETE GOODS/SHIP. BUNDLE	1		L.H. OUTER TIRE/WHEEL 20.8R42 R1
..	BH81218	COMPLETE GOODS/SHIP. BUNDLE	1		R.H. OUTER TIRE/WHEEL 20.8R42 R1
..	BH81557	COMPLETE GOODS/SHIP. BUNDLE	1		L.H. INNER TIRE/WHEEL 20.8R38 R2
..	BH81558	COMPLETE GOODS/SHIP. BUNDLE	1		R.H. INNER TIRE/WHEEL 20.8R38 R2
..	BH81559	COMPLETE GOODS/SHIP. BUNDLE	1		L.H. OUTER TIRE/WHEEL 20.8R38 R2
..	BH81560	COMPLETE GOODS/SHIP. BUNDLE	1		R.H. OUTER TIRE/WHEEL 20.8R38 R2

NOTE: REFERENCE SECTION 170 FOR TIRE/WHEEL LABELS AND DECALS

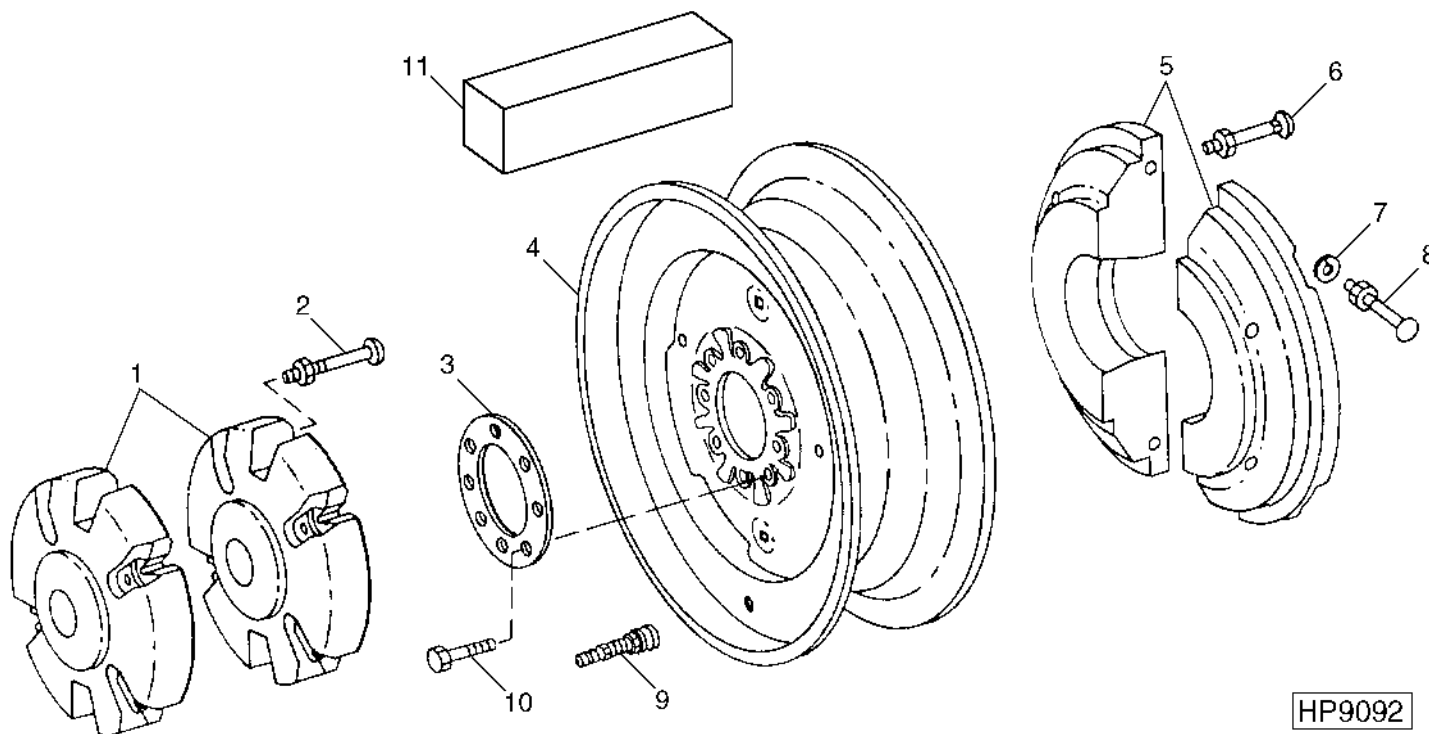
NOTE: QUANTITIES SHOWN ARE FOR ONE UNIT. TWO UNITS USED PER MACHINE.

2B13

POWER TRAIN

REAR WHEELS AND WHEEL WEIGHTS

HP9092 -UN-22SEP99



HP9092

KEY	PART NO.	PART NAME	QTY	SERIAL NO.	REMARKS
1	H174140	WEIGHT	AR		OUTSIDE, (SUB FOR H103543)
2	03H1858	BOLT	4		5/8" X 3-1/2"
	12H294	LOCK WASHER	4		5/8"
	14H1039	NUT	4		5/8"
3	H84375	RING	1		
4	AH122100	WHEEL	1		(W12H-24)
	AH167434	WHEEL	1		(DW14-26)
	AH144695	WHEEL	1		(26XDW25A) (SUB AH167584)
	AH167584	WHEEL	1		(26XDW25A)
5	H95547	WEIGHT	2		INSIDE
6	03H1605	BOLT	4		5/8" X 4" (WITH INSIDE WEIGHTS)
	03H1860	BOLT	4		5/8" X 6" (WITH INSIDE AND OUTSIDE WEIGHTS)
	12H294	LOCK WASHER	4		5/8"
	14H1039	NUT	4		5/8"
7	24H1111	WASHER	2		17/32" X 1-1/16" X 0.090"
8	03H1852	BOLT	2		1/2" X 4"
	12H301	LOCK WASHER	2		1/2"
	14H1040	NUT	2		1/2"
9	AT25226	TIRE VALVE STEM	1		
10	H168476	SCREW	8		
11	H159791	BAR	1		
..	BH81792	COMPLETE GOODS/SHIP. BUNDLE	1		L.H. TIRE/WHEEL (28 X 26 10 PLY)
..	BH81793	COMPLETE GOODS/SHIP. BUNDLE	1		R.H. TIRE/WHEEL (28 X 26 10 PLY)
..	BH81794	COMPLETE GOODS/SHIP. BUNDLE	1		L.H. TIRE/WHEEL (28 X 26 12 PLY)
..	BH81795	COMPLETE GOODS/SHIP. BUNDLE	1		R.H. TIRE/WHEEL (28 X 26 12 PLY)
..	BH81801	COMPLETE GOODS/SHIP. BUNDLE	1		AXLE STOP BLOCK

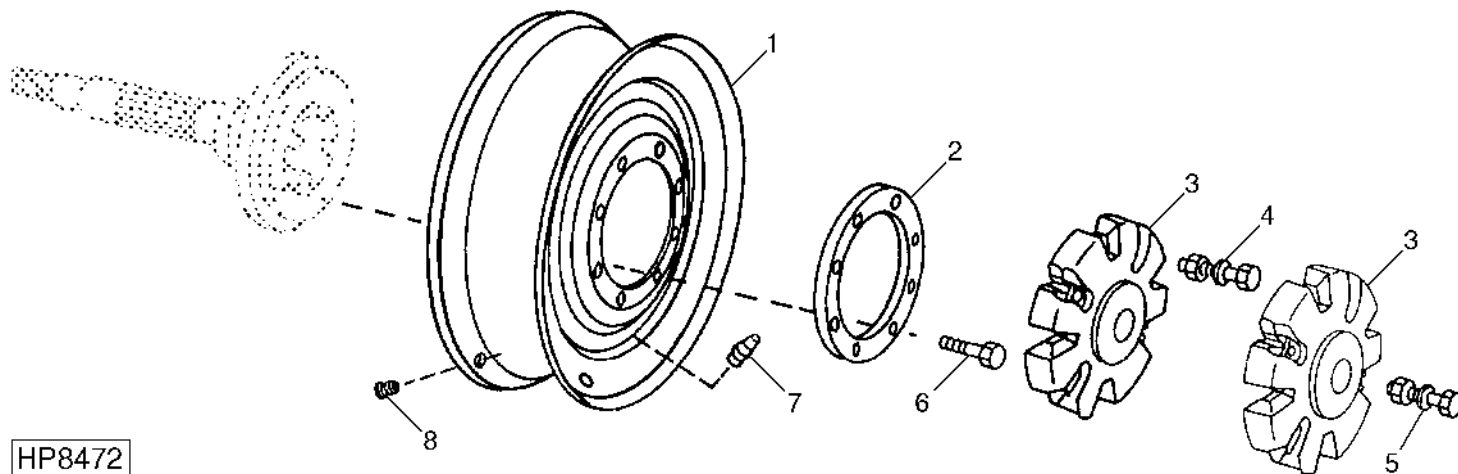
NOTE: QUANTITIES SHOWN ARE FOR ONE UNIT. TWO UNITS USED PER MACHINE.

NOTE: REFERENCE SECTION 170 FOR TIRE/WHEEL LABELS AND DECALS

2B14

REAR WHEELS
(4-WHEEL DRIVE / CAM LOBE MOTOR)

HP8472 -UN-21APR99

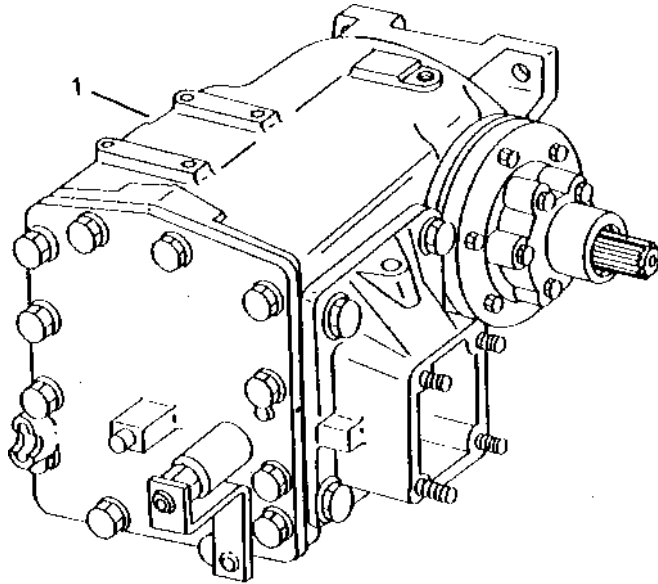


KEY	PART NO.	PART NAME	QTY	SERIAL NO.	REMARKS
1	AH64610	WHEEL	1	(DW16X26) (SUB AH167582)	
	AH167582	WHEEL CENTER	1	(DW16X26)	
	AH138809	WHEEL	1	(DW16X30)	
2	H84375	RING	1		
3	H174140	WEIGHT	AR	(SUB FOR H103543)	
4	03H2075	BOLT	4	5/8" X 3"	
	12H294	LOCK WASHER	4	5/8"	
	14H1039	NUT	4	5/8"	
5	03H1858	BOLT	4	5/8" X 3-1/2"	
	12H294	LOCK WASHER	4	5/8"	
	14H1039	NUT	4	5/8"	
6	H163491	CAP SCREW	8		
7	AT25226	TIRE VALVE STEM	1		
8	AH86866	PLUG	1		
..	BH81592	COMPLETE GOODS/SHIP. BUNDLE	1	WHEEL BOLTS - POWERED REAR AXLE	
..	BH81796	COMPLETE GOODS/SHIP. BUNDLE	1	L.H. TIRE/WHEEL (18.4 X 26 6P)	
..	BH81797	COMPLETE GOODS/SHIP. BUNDLE	1	R.H. TIRE/WHEEL (18.4 X 26 6P)	
..	BH81798	COMPLETE GOODS/SHIP. BUNDLE	1	L.H. TIRE/WHEEL (18.4 X 26 6PR2)	
..	BH81799	COMPLETE GOODS/SHIP. BUNDLE	1	R.H. TIRE/WHEEL (18.4 X 26 6PR2)	
..	BH79700	COMPLETE GOODS/SHIP. BUNDLE	1	L.H. TIRE/WHEEL (18.4 X 30 6PR2)	
..	BH79701	COMPLETE GOODS/SHIP. BUNDLE	1	R.H. TIRE/WHEEL (18.4 X 30 6PR2)	

NOTE: QUANTITIES SHOWN ARE FOR ONE UNIT. TWO UNITS USED PER MACHINE.
 NOTE: REFERENCE SECTION 170 FOR TIRE/WHEEL LABELS AND DECALS

2B15

TRANSMISSION
HP5722 -UN-01JAN94



HP5722

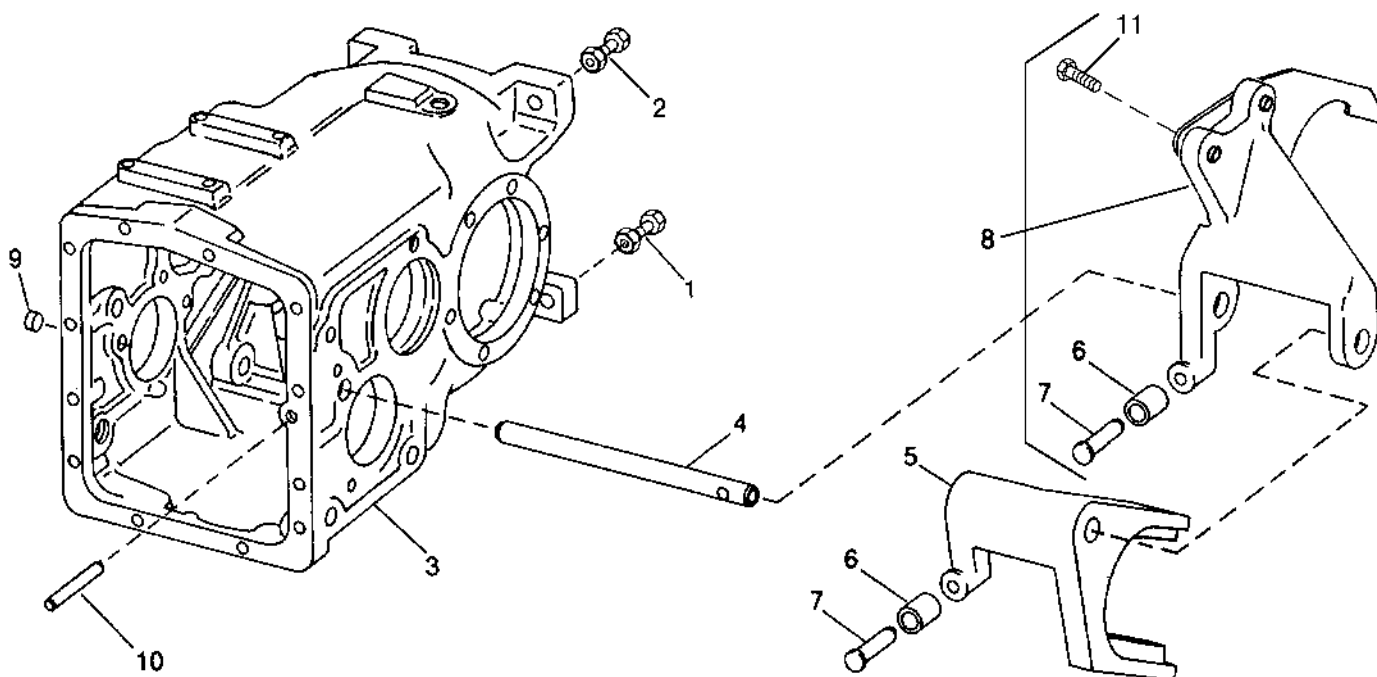
KEY	PART NO.	PART NAME	QTY	SERIAL NO.	REMARKS
1	AH167499	TRANSMISSION	1		SINGLE REDUCTION W/O HYDRO (REMANUFACTURED)

2B16

POWER TRAIN

TRANSMISSION AND SHIFTER FORKS

HP8036 -UN-27JUL99



HP8036

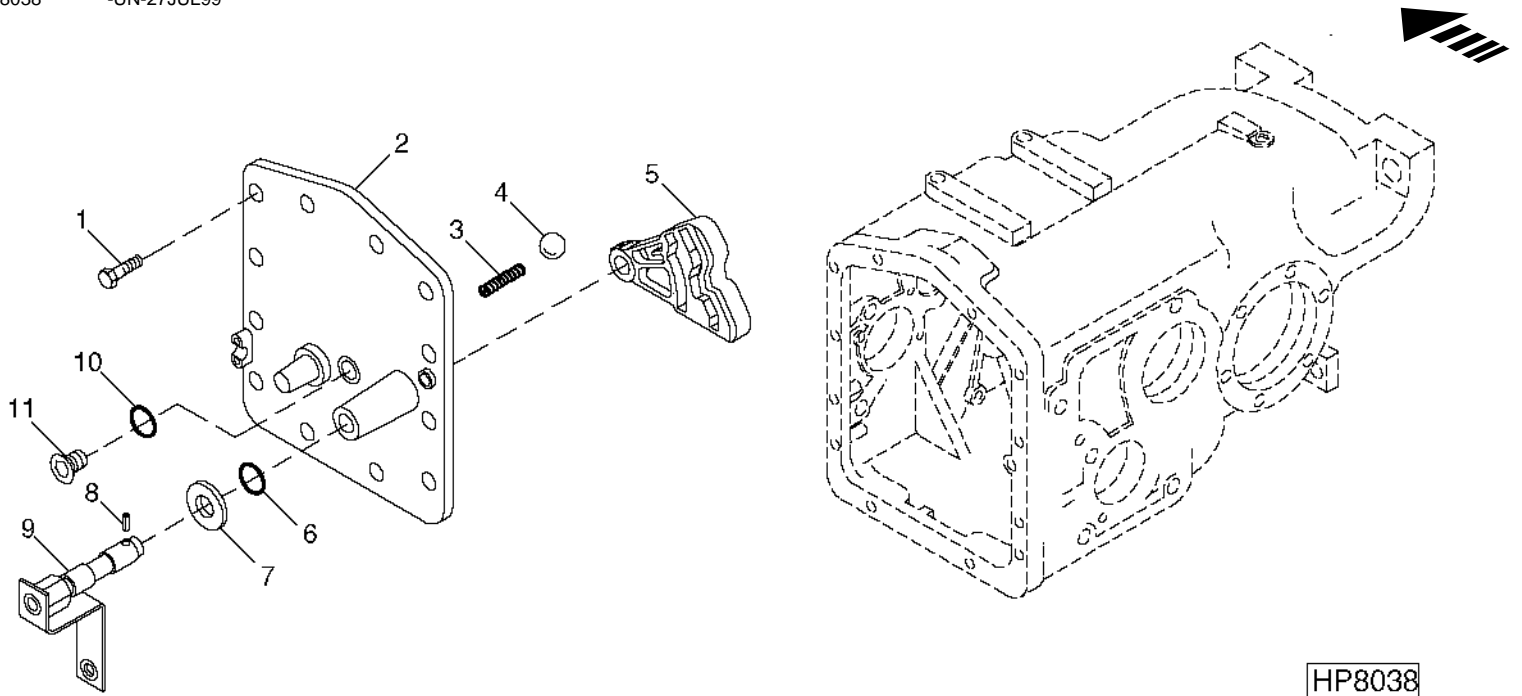
KEY	PART NO.	PART NAME	QTY	SERIAL NO.	REMARKS
1	H107504	BOLT	2		M16 X 70, NOT USED ON HEAVY DUTY
	14M7291	FLANGE NUT	2		M16
2	42M7028	STUD	2		
	14M7291	FLANGE NUT	2		M16
3	HOUSING	1		(ORDER AH140410)
4	H146640	RAIL	1		
5	H135112	SHIFTER	1		
6	R26207	ROLLER	2		
7	H76152	PIN	2		9.512 X 27.686 MM
8	AH122575	SHIFTER	1		
9	N102039	CAP	1		
10	T76836	PIN	1		10 X 74 MM
11	19M7785	SCREW	3		M10 X 25
..	TY9371	ADHESIVE	1		6 ML (0.2 OZ.) TUBE, HIGH STRENGTH
..	TY6304	SEALANT	1		
..	AH167499	TRANSMISSION	1		REMANUFACTURED
..	AH140410	KIT	1		TRANSMISSION REPAIR KIT

2B17

POWER TRAIN

TRANSMISSION AND DIFFERENTIAL HOUSING COVER, AND SHIFTER CAM

HP8038 -UN-27JUL99



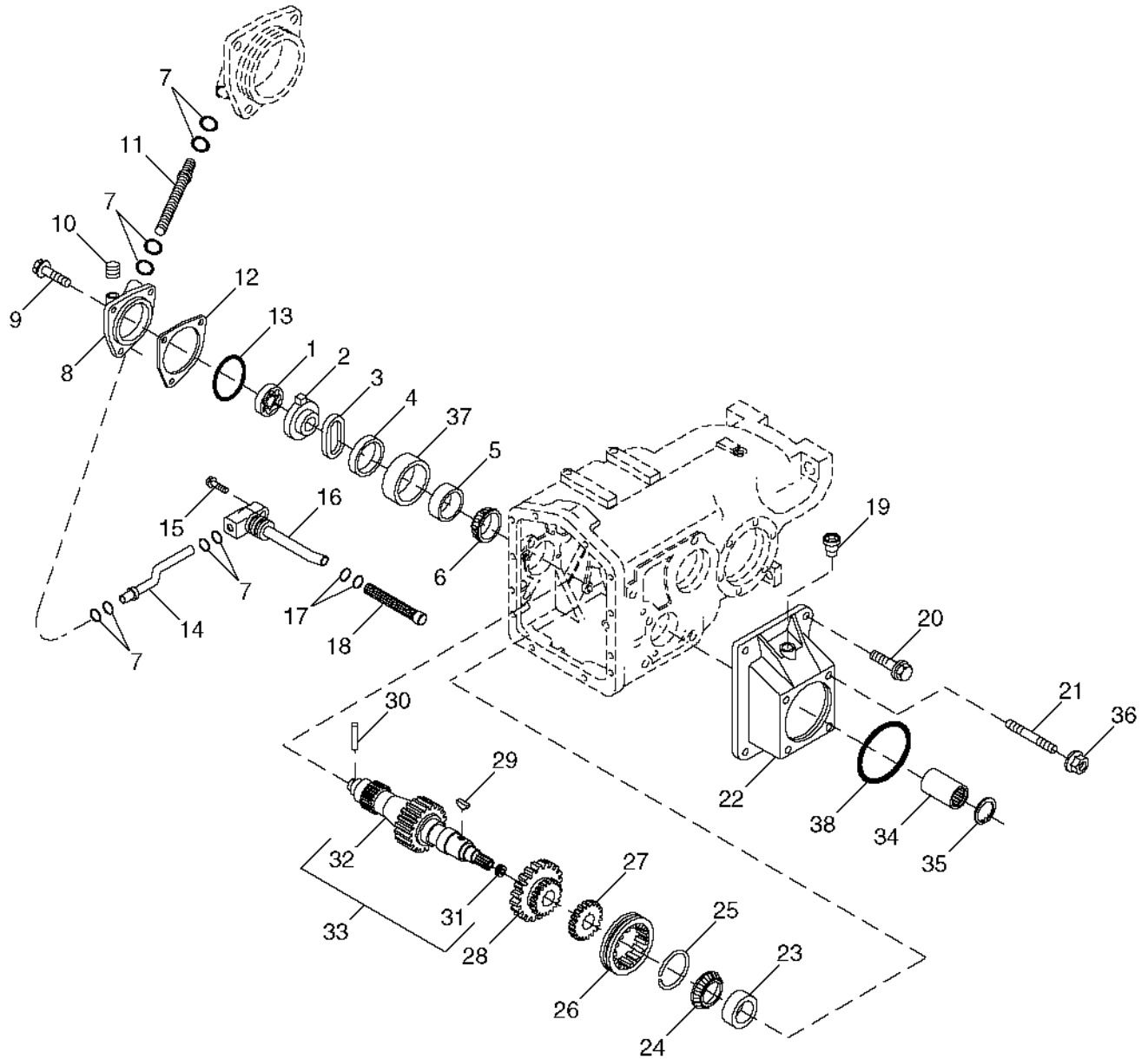
KEY	PART NO.	PART NAME	QTY	SERIAL NO.	REMARKS
1	19M7786	SCREW	12	M10 X 30	
2	N199920	COVER	1		
3	T27888	SPRING	1		
4	R1818R	BALL	1	19.050 MM	
5	H167375	CAM	1		
6	R71144	O-RING	1	20.295 X 2.616 MM	
7	H75700	WASHER	1	25.806 X 44.298 X 3.404 MM	
8	CE18374	SPRING PIN	1		
9	AH128267	ARM	1		
10	R26375	O-RING	1	16.358 X 2.210 MM	
11	R33138	FITTING	1		
..	AH167499	TRANSMISSION	1	REMANUFACTURED	

MEMORANDA

2B18

TRANSMISSION INPUT SHAFT, GEARS, LUBE PUMP AND BEARINGS

HP8013 -UN-05MAY99



HP8013

2B19

POWER TRAIN

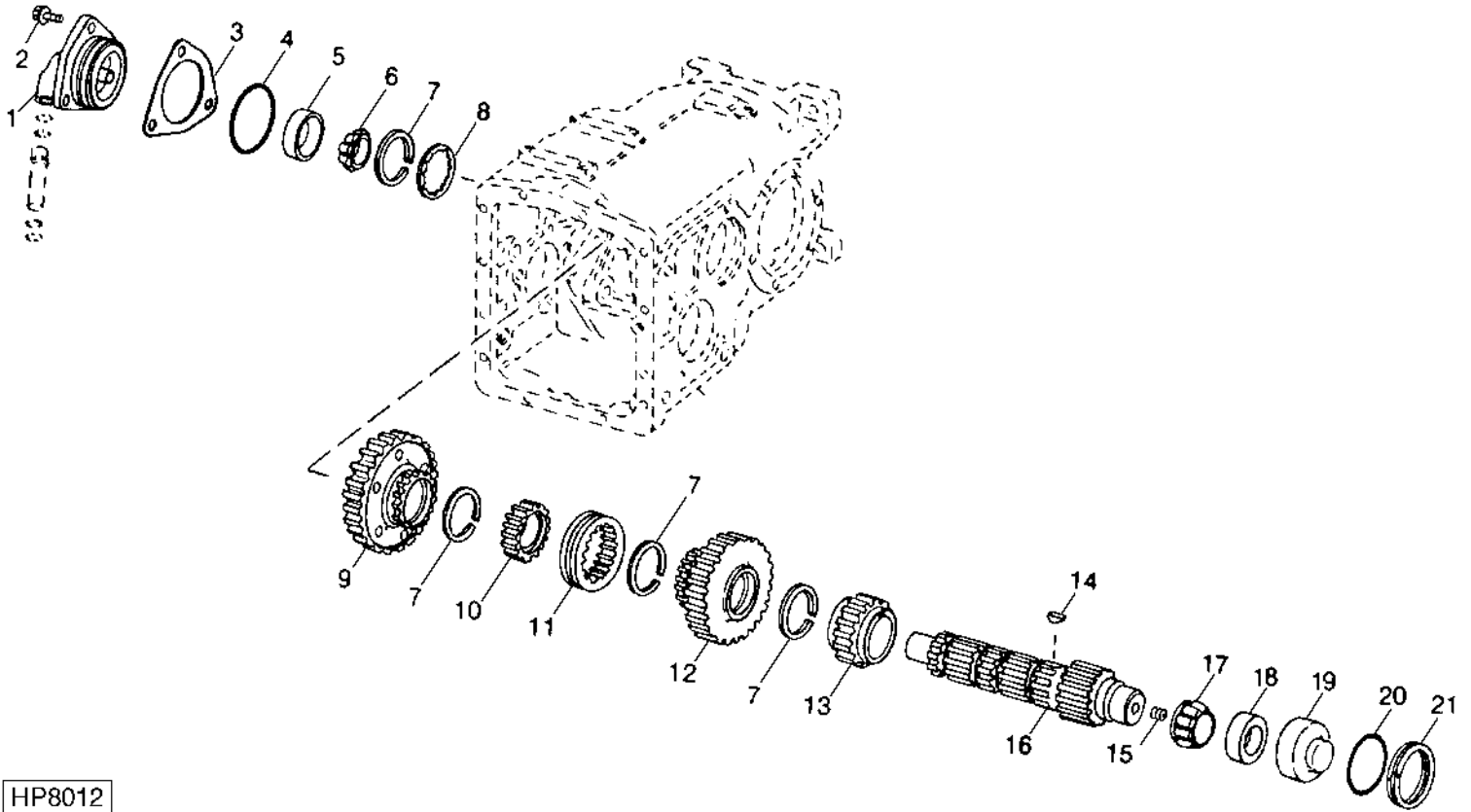
TRANSMISSION INPUT SHAFT, GEARS, LUBE PUMP AND BEARINGS - CONTINUED

KEY	PART NO.	PART NAME	QTY	SERIAL NO.	REMARKS
1	AH128528	ROTOR	1		
2	H82234	PLATE	1		LUBE PUMP PORT
3	H82232	WASHER	1		54.610 X 63.119 X 0.889 MM, (WAVE TYPE)
4	H82233	BUSHING	1		
5	JD8257	BEARING CUP	1		
6	AR94761	BEARING CONE	1		
7	R394R	O-RING	8		12.370 X 2.616 MM
8	H142030	HOUSING	1		
9	19M7786	SCREW	3		M10 X 30
10	15H638	PIPE PLUG	1		
11	H131296	OIL TUBE	1		
12	H132892	SHIM	AR		0.076 (.003) THICK
	H132893	SHIM	AR		0.127 (.005") THICK
	H132894	SHIM	AR		0.508 (.02") THICK
13	TY6304	SEALANT	1		PLASTIC GASKET
14	H131297	OIL TUBE	1		
15	19M8162	CAP SCREW	1		M10 X 40
16	AH125228	FITTING	1		
17	R495R	O-RING	2		21.819 X 3.531 MM
18	AH121580	SCREEN	1		
19	AH20868	BREATHER	1		
20	19M7844	SCREW	4		M16 X 45
21	42M7029	STUD	4		
22	H133165	BRACKET	1		
23	JD8237	BEARING CUP	1		
24	JD10182	BEARING CONE	1		
25	P43969	SNAP RING	1		
26	H129564	SHIFT COLLAR	1		
27	H129565	SHIFT COLLAR	1		THIRD GEAR
28	H135943	GEAR	1		(36 TOOTH)
29	26M4228	SHAFT KEY	1		
30	H75358	DOWEL PIN	1		
31	H110539	ORIFICE	1		
32	SHAFT	1		
33	AH131861	PINION SHAFT	1		
34	H129525	SPLINED COUPLING	1		
35	M41029	SNAP RING	2		
36	14M7299	FLANGE NUT	4		M12
37	H142031	SLEEVE	1		
38	R63308	O-RING	1		
..	TY9371	ADHESIVE	1		HIGH STRENGTH 6 ML (0.2 OZ) TUBE
..	TY6304	SEALANT	1		
..	AH167499	TRANSMISSION	1		REMANUFACTURED

2B20

TRANSMISSION PINION SHAFT, GEARS AND BEARINGS

HP8012 -UN-12JUL99



HP8012

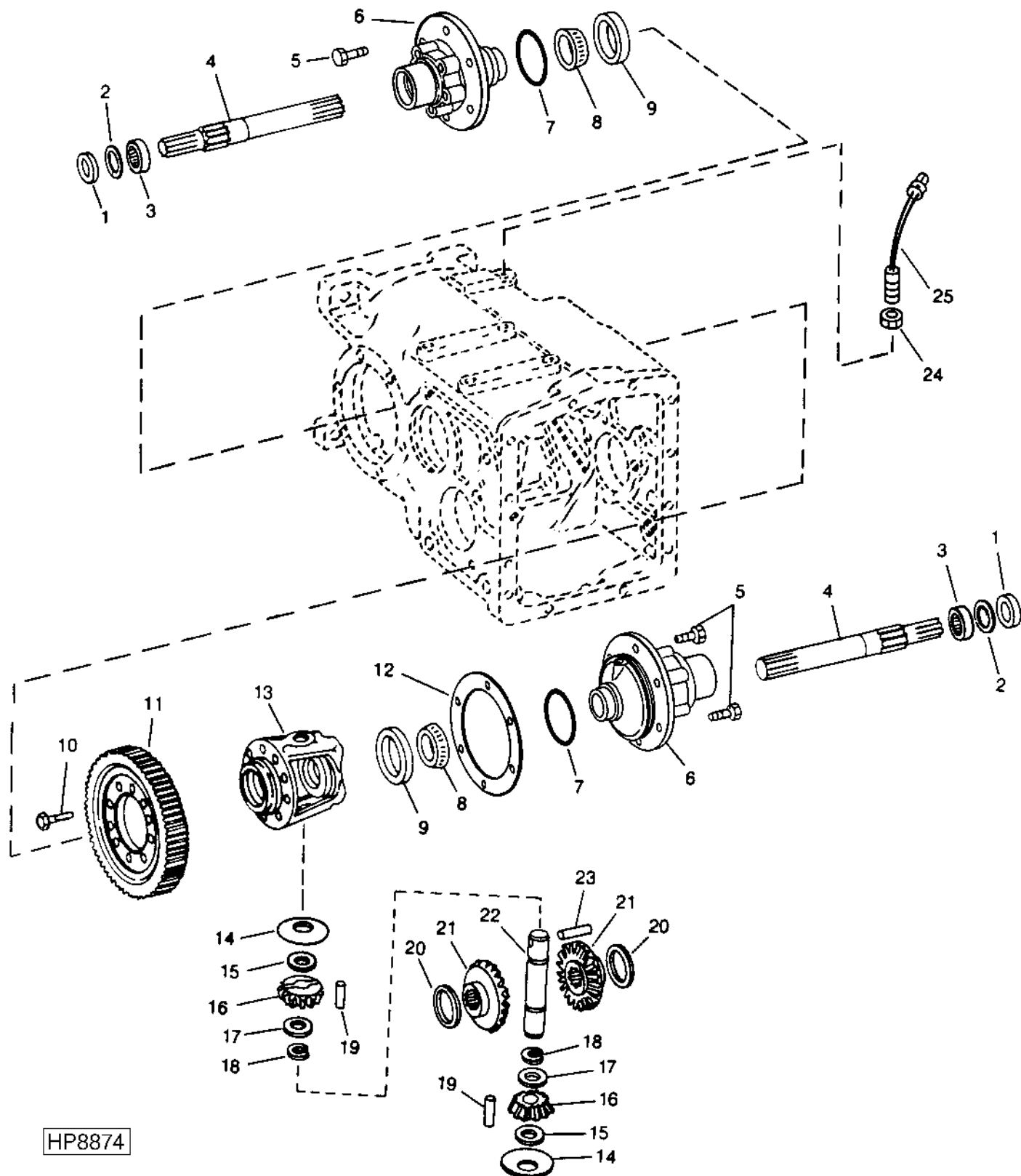
TRANSMISSION PINION SHAFT, GEARS AND BEARINGS - CONTINUED

KEY	PART NO.	PART NAME	QTY	SERIAL NO.	REMARKS
1	CE18201	PLANET PINION CARRIER	1		
2	19M7786	SCREW	3	M10 X 30	
3	H132892	SHIM	AR	0.076MM	
	H132893	SHIM	AR	0.127	
	H132894	SHIM	AR	0.508	
4	U10776	O-RING	1	82.144 X 3.531 MM	
5	JD8267	BEARING CUP	1		
6	JD8979	BEARING	1		
7	R26265	SNAP RING	4		
8	H103167	WASHER	1		
9	H135944	GEAR	1	(43 TOOTH)	
10	H133010	SHIFT COLLAR	1	(DRIVE)	
11	H129564	SHIFT COLLAR	1		
12	H135942	GEAR	1	(32-TOOTH)	
	H143408	GEAR	1	29T (EXPORT ONLY - AUSTRALIA)	
13	H132618	GEAR	1	(24 TOOTH), FOR 3RD GEAR	
14	26M4228	SHAFT KEY	1	8 X 28 MM	
15	H110539	ORIFICE	1		
16	CE18223	PINION	1	(13 TOOTH) HEAVY DUTY	
	H133160	PINION	1	(12 TOOTH) REG DUTY	
17	JD8182	BEARING CONE	1		
18	JD8223	BEARING CUP	1		
19	H144385	BEARING CAP	1		
20	U10746	O-RING	1	107.544 X 3.531 MM	
21	H129558	SNAP RING	1		
..	AH167499	TRANSMISSION	1	REMANUFACTURED	

2B22

TRANSMISSION DIFFERENTIAL GEARS AND SHAFTS

HP8874 -UN-29JUL99



HP8874

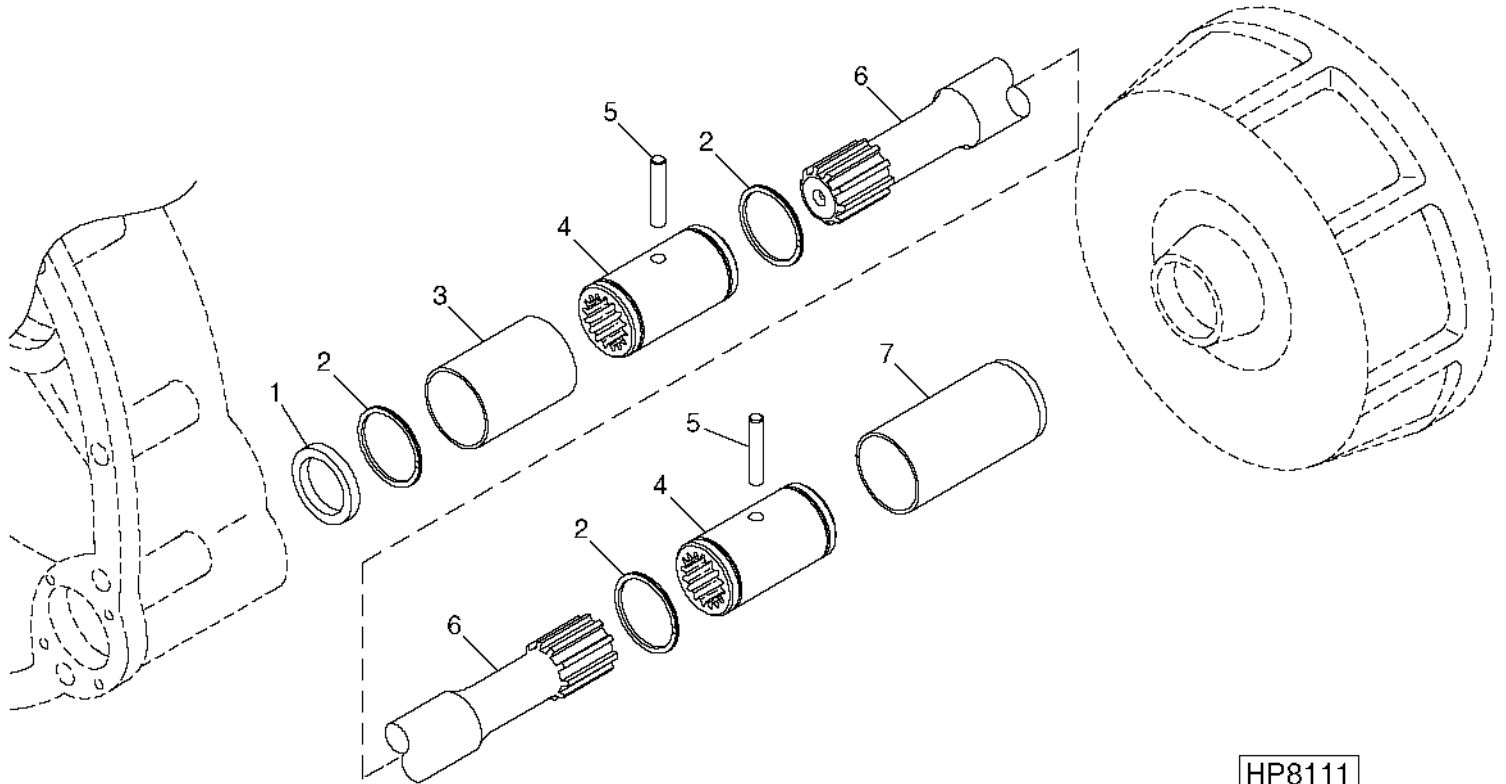
TRANSMISSION DIFFERENTIAL GEARS AND SHAFTS - CONTINUED

KEY	PART NO.	PART NAME	QTY	SERIAL NO.	REMARKS
1	AT40603	SEAL	2		
2	C3936E	SNAP RING	2		
3	JD7502	ROLLER BEARING	2		
4	H165508	SHAFT	2		
5	19M7844	SCREW	12	M16 X 45	
6	H130407	CRADLE	2		
7	R27796	O-RING	2	158.344 X 3.531 MM	
8	JD8147	BEARING CONE	2		
9	JD7425	BEARING CUP	2		
10	19M7985	SCREW	14	M12 X 35	
11	CE18224	GEAR	1	(60 TOOTH) HEAVY DUTY	
	H132554	GEAR	1	(62 TOOTH) REG DUTY	
12	H126572	SHIM	AR	0.076MM THICK	
	H126573	SHIM	AR	0.127MM THICK	
	H126575	SHIM	AR	0.508 THICK	
13	N197422	HOUSING	1		
14	H133202	THRUST WASHER	2	32 X 70 X 1.650 MM	
15	R70112	THRUST WASHER	2	31.480 X 38 X 2.500 MM	
16	Z12964	PINION	2		
17	R70113	THRUST WASHER	2		
18	R70114	SNAP RING	2		
19	R70115	NEEDLE ROLLER	52		
20	H164794	WASHER	2		
21	H92308	GEAR	2		
22	H146646	PIN	1		
23	34M7073	SPRING PIN	1	10 X 65 MM	
24	H104418	NUT	1	19.050 MM	
25	AH116104	SENSOR	1	GROUND SPEED	
..	AH167499	TRANSMISSION	1	REMANUFACTURED	

2B24

POWER TRAIN

DRIVE SHAFT, FINAL DRIVE
HP8111 -UN-13AUG99



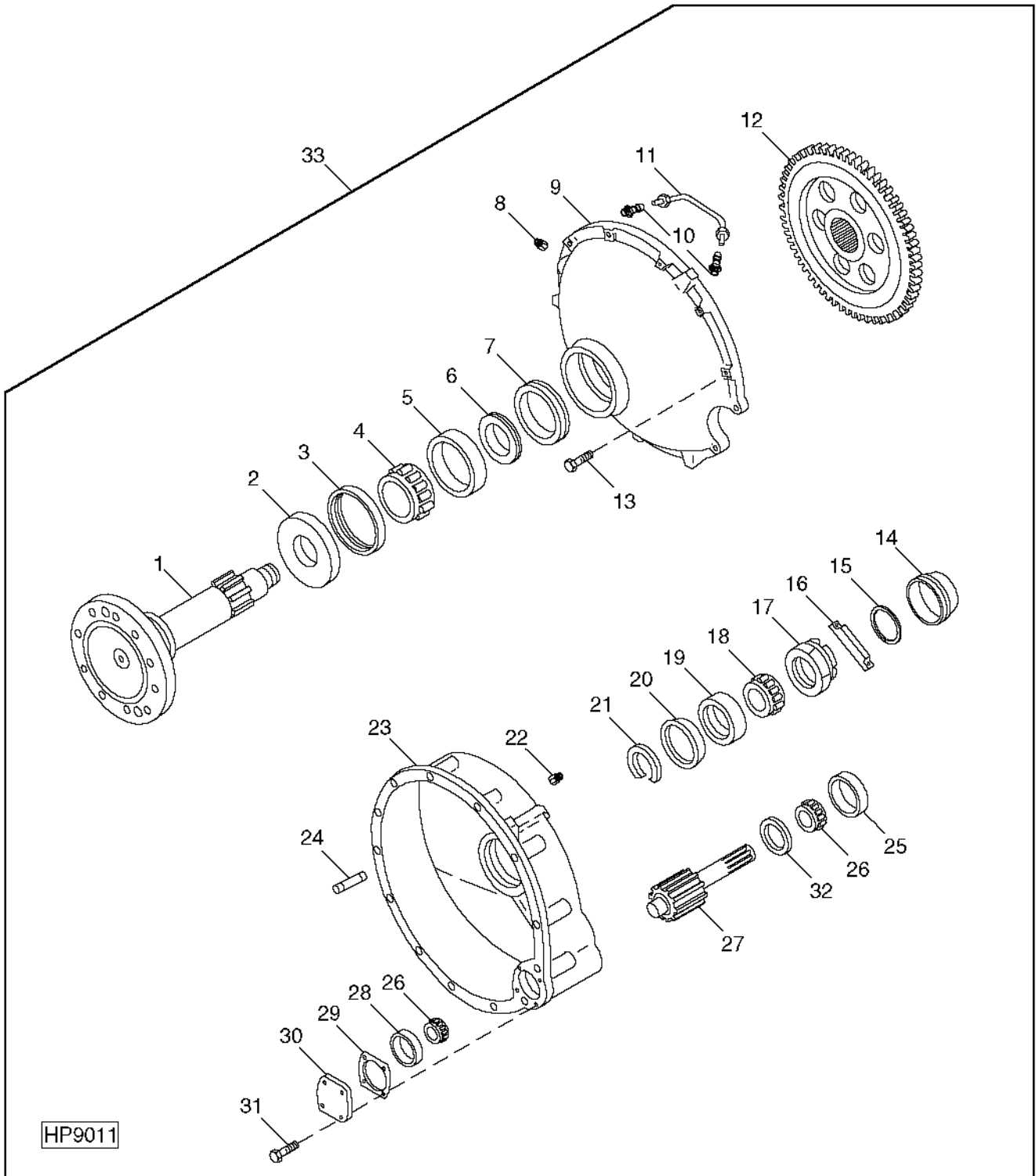
HP8111

KEY	PART NO.	PART NAME	QTY	SERIAL NO.	REMARKS
1	AH128391	SEAL	1		
2	H133229	SNAP RING	3		
3	H134444	SLEEVE	1		
4	H165510	SPLINED COUPLING	2		
5	H131754	PIN	2		10 X 52 MM
6	H165667	SHAFT	1		R.H.
	H165668	SHAFT	1		L.H.
7	H166201	SLEEVE	1		

MEMORANDA

2C1

FINAL DRIVE, SINGLE REDUCTION
HP9011 -UN-07SEP99



FINAL DRIVE, SINGLE REDUCTION - CONTINUED

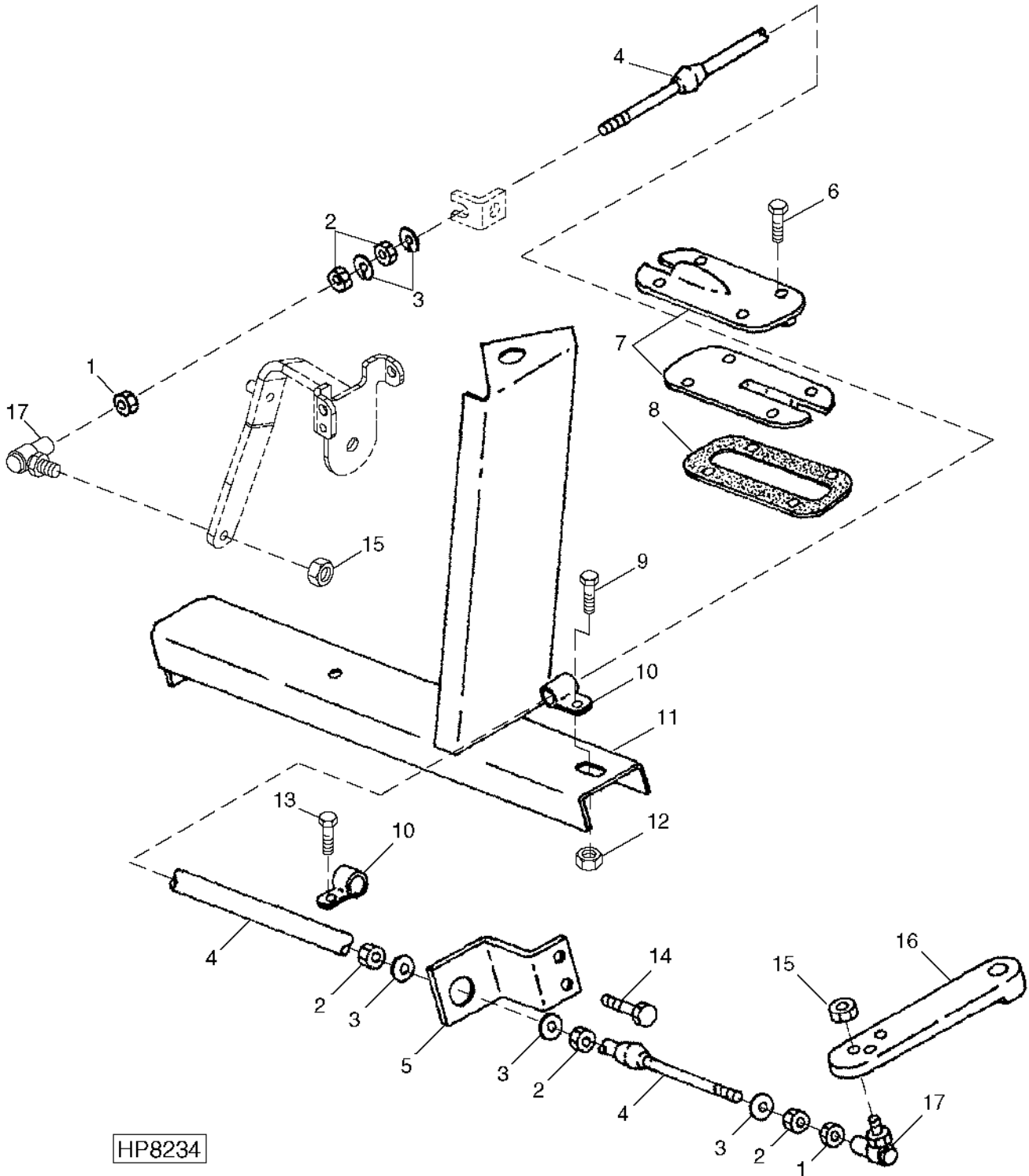
KEY	PART NO.	PART NAME	QTY	SERIAL NO.	REMARKS
1	H133094	SPINDLE	1	(A)	
	H161534	SPINDLE	1	(B) (C)	
2	AH112402	SEAL	1	(A)	
	AH112401	SEAL	1	(B) (C)	
3	R52015	SEAL	1	(A)	
	R90080	OIL CUP	1	(B) (C)	
4	JD9092	BEARING CONE	1	(A)	
	JD10134	BEARING CONE	1	(B) (C)	
5	JD9147	BEARING CUP	1	(A)	
	JD10135	BEARING CUP	1	(B) (C)	
6	R99244	V-RING SEAL	1	(A)	
	H161871	V-RING SEAL	1	(B) (C)	
7	AH125233	SEAL	1	(A)	
	AH155232	V-RING SEAL	1	(B) (C)	
8	JD7760	LUBRICATION FITTING	1		
9	H133092	HOUSING	1	(A) (OUTER)	
	H163694	HOUSING	1	(B) (C) (OUTER)	
10	R35352	FITTING	2		
11	AH120736	OIL LINE	1	(A)	
	AH156971	LINE	1	(B) (C)	
12	H167723	GEAR	1	(A) (B) 95 TOOTH	
	H137672	GEAR	1	(C)	
13	19M7824	SCREW	12	M16 X 60	
14	H154720	PLUG	1		
15	H22784	SNAP RING	1		
16	H125330	SHAFT KEY	1		
17	H129854	NUT	1		
18	JD10266	BEARING CONE	1		
19	JD7298	BEARING CUP	1		
20	H129557	SPACER	1		
21	H118882	SNAP RING	1		
22	15H584	PIPE PLUG	2	1/2"	
	P46369	FITTING	1	1/2", VENT PLUG	
23	N276475	HOUSING	1	(A) L.H.	
	H163692	HOUSING	1	(B) R.H.	
	N276474	HOUSING	1	(A) R.H.	
	H163693	HOUSING	1	(B) L.H.	
	H167970	HOUSING	1	(C)	
	H167971	HOUSING	1	(C)	
24	R54380	DOWEL PIN	2		
25	T79098	BEARING CUP	1	(A)	
	JD7278	BEARING CUP	1	(B) (C)	
26	JD10401	BEARING CONE	2	(A)	
	JD7228	BEARING CONE	2	(B)	
27	H168898	PINION	1	(A) 10 TOOTH	
	H167722	PINION	1	(B) 10 TOOTH	
	H161629	PINION	1	(C)	
28	JD8222	BEARING CUP	1	(A)	
	JD7278	BEARING CUP	1	(B) (C)	
29	H133096	SHIM	AR	(A) 0.50 MM (STEEL)	
	H133097	SHIM	AR	(A) 0.25 MM (STEEL)	
	H133098	SHIM	AR	(A) 0.13 MM (PLASTIC) (BLUE)	
	H161541	SHIM	2	(B) (C)	
	H161542	SHIM	1	(B) (C)	
	H161543	SHIM	2	(B) (C)	
	H163745	SHIM	2	(B) (C)	
30	H133089	CAP	1	(A)	
	H161540	CAP	1	(B)	
31	19M7835	SCREW	4	M10 X 35	
32	AH128391	SEAL	1		
33	AH163026	DRIVE	1	(A)	
	AH163027	DRIVE	1	(A)	
	AH163029	DRIVE	1	(B) R.H.	
	AH163028	DRIVE	1	(B) L.H.	
	AH155006	DRIVE	1	(B) L.H. (HI CLEARANCE)	
	AH155005	DRIVE	1	(B) R.H. (HI CLEARANCE)	

(A)REGULAR DUTY (B)HEAVY DUTY (C)HEAVY DUTY - HIGH CLEARANCE

NOTE: QUANTITIES SHOWN ARE FOR ONE UNIT. TWO UNITS USED PER MACHINE.

2C3

HYDROSTATIC DRIVE CONTROL CABLE
HP8234 -UN-23JUL99



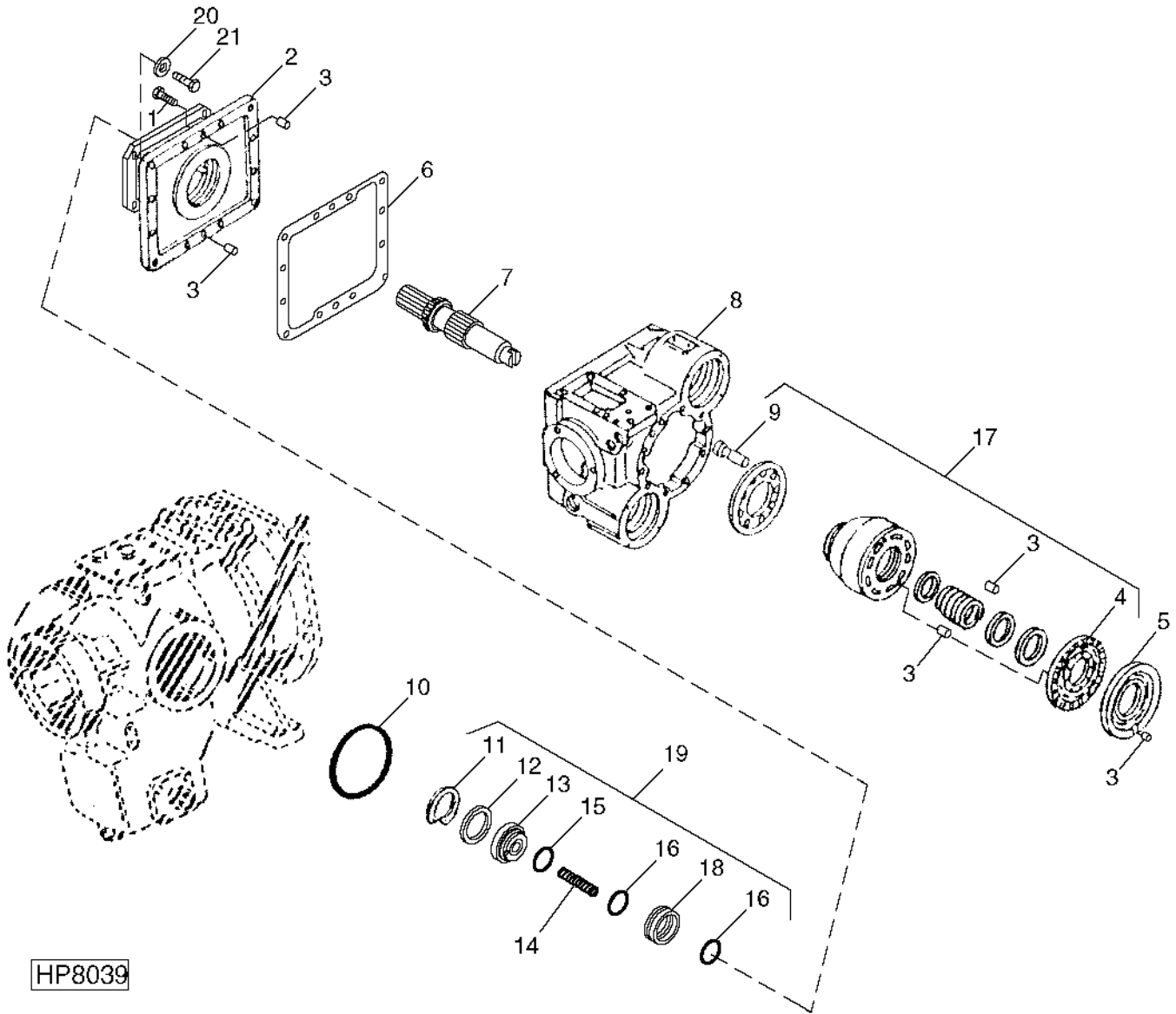
HP8234

HYDROSTATIC DRIVE CONTROL CABLE - CONTINUED

KEY	PART NO.	PART NAME	QTY	SERIAL NO.	REMARKS
1	14M7272	NUT	2	M6	
2	14M7260	NUT	5	M16	
3	24M7241	WASHER	5	17 X 34 X 4 MM	
4	AH138048	CABLE	1		
5	H142044	SUPPORT	1	HEAVY DUTY	
	H142045	SUPPORT	1	REGULAR DUTY	
6	37M7131	SCREW	4	M6 X 20	
7	H126124	CLAMP	2		
8	H126123	GASKET	1		
9	19M7868	SCREW	1	M8 X 30	
10	AH80916	CLIP	3		
11	AH136362	SUPPORT	1		
12	14M7298	FLANGE NUT	1	M8	
13	37M7058	SCREW	1	M8 X 20	
14	19M7867	SCREW	2	M8 X 25	
15	H168961	LOCK NUT	1		
16	H168988	LEVER	2		
17	AH106933	BALL JOINT	2		

HYDROSTATIC DRIVE PUMP, FRONT COVER AND SHAFT

HP8039 -UN-26MAR99



HP8039

2C6

HYDROSTATIC DRIVE PUMP, FRONT COVER AND SHAFT - CONTINUED

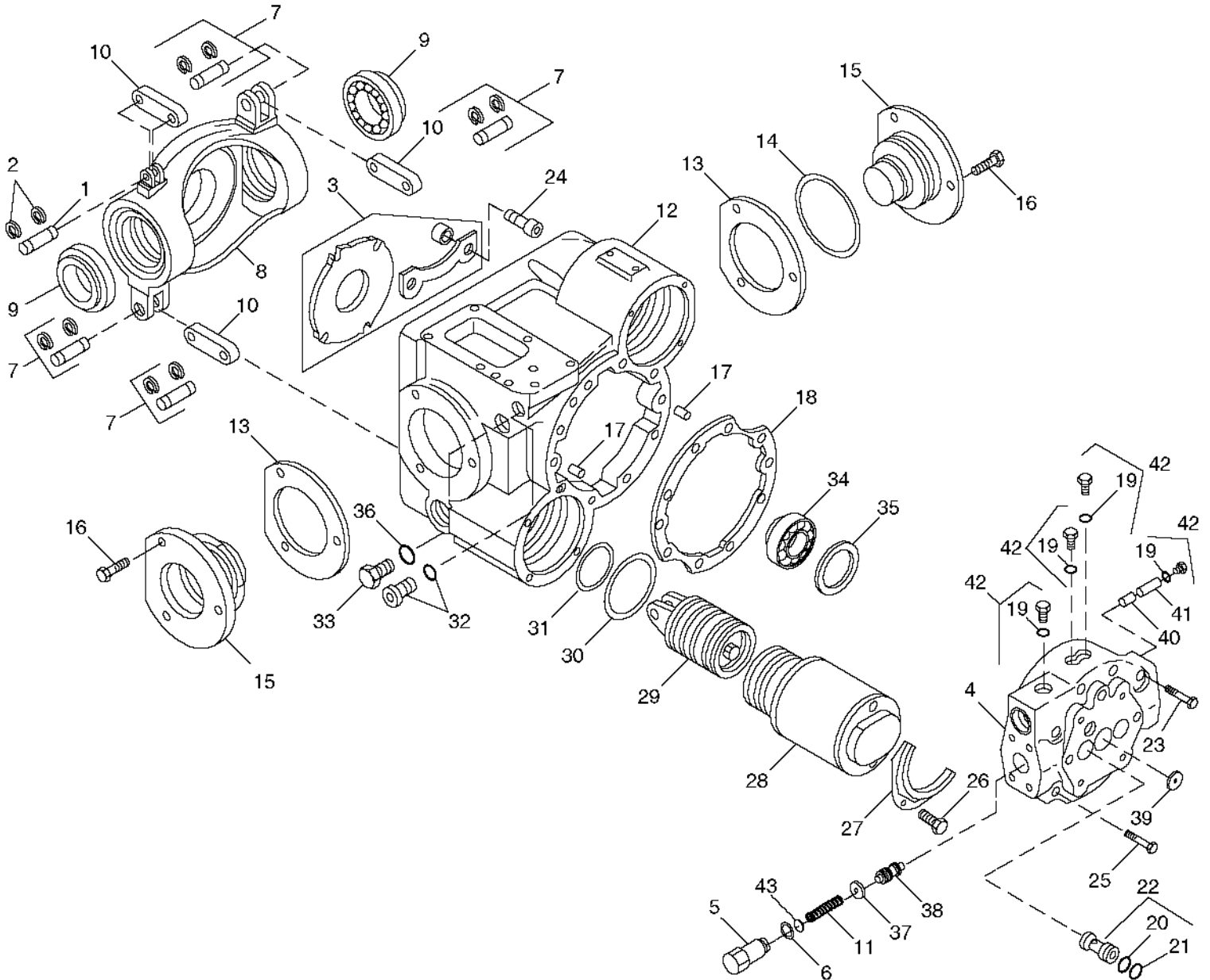
KEY	PART NO.	PART NAME	QTY	SERIAL NO.	REMARKS
1	19H1731	CAP SCREW	12	(A) 3/8" X 1"	
	19H1821	CAP SCREW	12	(B) 7/16" X 1-1/4"	
2	FLANGE	1		
3	H63271	PIN	5		
4	H135500	PLATE	1	(A)	
	H135700	PLATE	1	(B)	
5	H135499	PLATE	1	(A)	
	H138900	PLATE	1	(B)	
6	N126585	GASKET	1	(A)	
	H115060	GASKET	1	(B)	
7	AH133660	SHAFT	1	(A)	
	AH133663	SHAFT	1	(B)	
8	HOUSING	1		
9	AH131169	PISTON	1	(A) (INCLUDES 9 PISTONS)	
	AH131388	PISTON	1	(B) (INCLUDES 9 PISTONS)	
10	R63308	O-RING	1	120.015 X 5.334 MM	
11	N126612	SNAP RING	1		
12	R112857	O-RING	1	64.770 X 2.616 MM	
13	RETAINER	1	(KIT AN193085)	
14	N191174	SPRING	6		
15	U15415	O-RING	1	34.646 X 1.778 MM	
16	N196034	O-RING	2	42.520 X 2.616 MM	
17	AH131171	KIT	1	(A)	
	AH131387	KIT	1	(B)	
18	SEAL KIT	1		
19	AN193085	SEAL KIT	1		
20	T29342	WASHER	4		
21	19M7493	CAP SCREW	4	M12 X 40	
..	AH164935	HYDRAULIC PUMP	1	REMANUFACTURED (75CC)	
..	AH164940	HYDRAULIC PUMP	1	REMANUFACTURED (105CC)	

(A) 75CC
(B) 105CC

2C7

HYDROSTATIC DRIVE PUMP, HOUSING, SWASHPLATE, AND SERVO CYLINDERS

HP8037 -UN-12JUL99



HP8037

HYDROSTATIC DRIVE PUMP, HOUSING, SWASHPLATE, AND SERVO CYLINDERS - CONTINUED

KEY	PART NO.	PART NAME	QTY	SERIAL NO.	REMARKS
1	N126603	PIN	1		6.350 X 22.606 MM
2	M48000	SNAP RING	2		
3	AH131391	KIT	1		HOLD DOWN
4	COVER	1		
5	H135215	HOLDER	1		
6	R26906	O-RING	1		
7	AN274375	PIN	2		
8	SWASH PLATE	1		
9	JD9076	BEARING CONE	2		
	JD9133	BEARING CUP	2		
10	N126600	LINK	2		
11	H135211	COMPRESSION SPRING	1		
12	HOUSING	1		
13	AN122506	SHIM	AR		(A) FOUR, .002", .005", .010" AND .015"
	AH112680	SHIM	AR		(B) SIX, .002", FOUR, .005", .010", .015" AND .025"
14	T14065	O-RING	2		(A) 66.269 X 3.531 MM
	M4237T	O-RING	2		(B) 75.794 X 3.531 MM
15	TRUNNION	2		
16	19H2284	CAP SCREW	6		(A) 3/8" X 7/8"
	19H2666	CAP SCREW	6		(B) 7/16" X 7/8"
17	H63271	PIN	2		
18	N126584	GASKET	1		(A)
	H115049	GASKET	1		(B)
19	R30903	O-RING	1		
20	32246	O-RING	2		13.945 X 2.616 MM
21	W23690	BACK-UP RING	2		
22	AN122502	CHECK VALVE	2		
23	19H1944	CAP SCREW	6		(A) 3/8" X 2-3/4"
	19H2347	CAP SCREW	6		(B) 7/16" X 3"
24	19H3053	SCREW	4		5/16" X 1"
	19H3352	SCREW	4		5/16" X 1-1/4"
25	19H1800	CAP SCREW	2		(A) 3/8" X 1-1/2"
	19H1899	CAP SCREW	2		(B) 7/16" X 2"
26	19H3176	SCREW	6		0.164" X 0.380"
27	N126602	RETAINER	2		(A)
	H115052	RETAINER	2		(B)
28	AN122493	SLEEVE	2		(A)
	AH112668	KIT	2		(B)
29	AH131172	PISTON	2		(A)
	AH112675	PISTON	2		(B)
30	R53543	O-RING	2		(A) 67.945 X 2.619 MM
	P48403	O-RING	2		(B) 85.319 X 3.531 MM
31	M43518	O-RING	2		61.595 X 2.616 MM
32	AN122518	FITTING	1		
33	R51031	FITTING	1		
34	AN122507	ROLLER BEARING	1		(A)
	AH65358	BEARING	1		(B)
35	AN122509	SHIM	1		(A) FIVE, .002", .005", .010" AND .015"
	AH112678	SHIM	1		(B) SIX, .003", .005", .010", .015", .020" AND .030"
36	R28782	O-RING	2		8.915 X 1.829 MM
37	H135213	WASHER	1		
38	H135214	VALVE SPOOL	1		
39	H135567	ORIFICE	1		(A)
	N126644	ORIFICE	1		(B)
40	H135503	NEEDLE ROLLER	1		(A)
	H135212	NEEDLE ROLLER	1		(B)
41	H135504	NEEDLE ROLLER	1		(A)
	H135695	NEEDLE ROLLER	1		(B)
42	AT63272	FITTING	4		
43	AH129278	KIT	1		SHIM
..	AH164935	HYDRAULIC PUMP	1		(75CC) REMANUFACTURED
..	AH164940	HYDRAULIC PUMP	1		(105CC) REMANUFACTURED

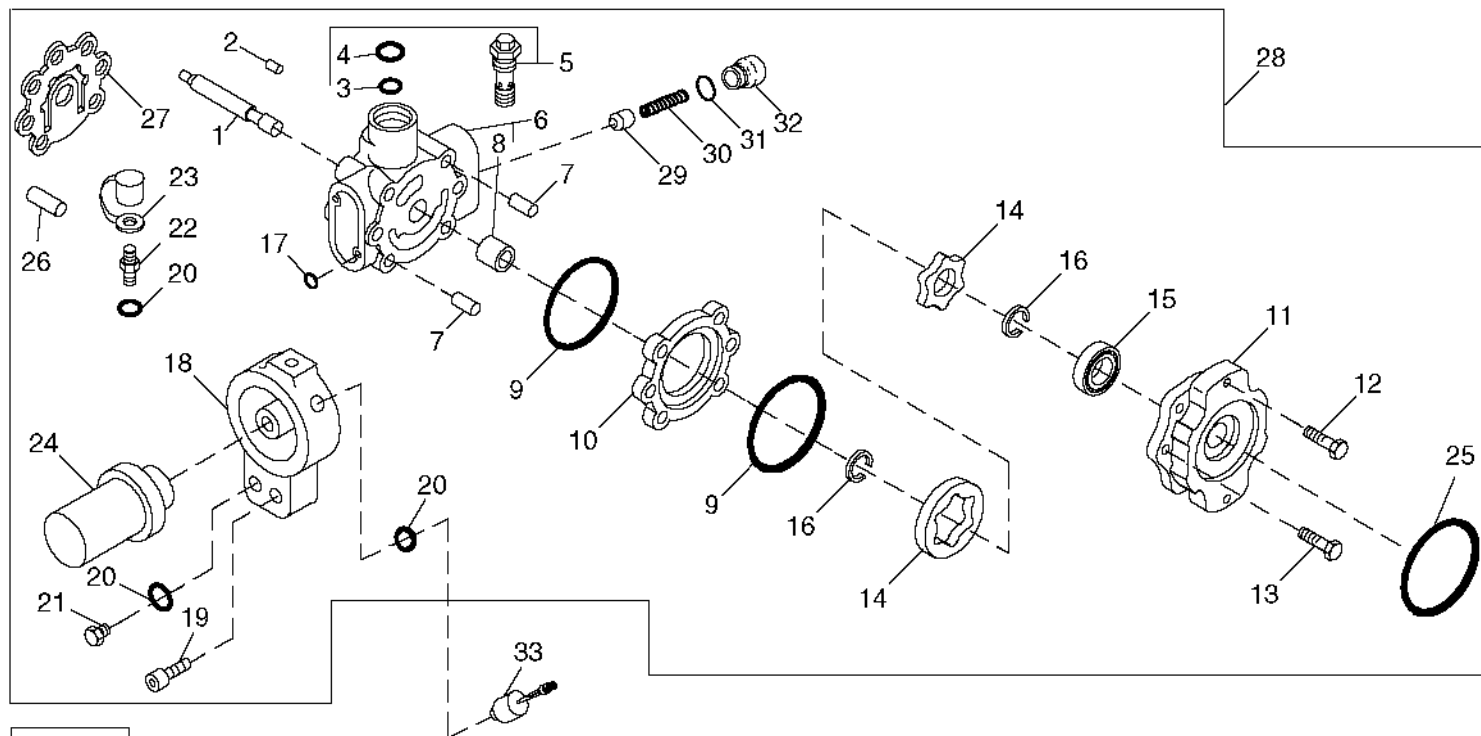
(A) 75CC
(B) 105CC

2C9

POWER TRAIN

HYDROSTATIC DRIVE CHARGE PUMP

HP8228 -UN-27JUL99



HP8228

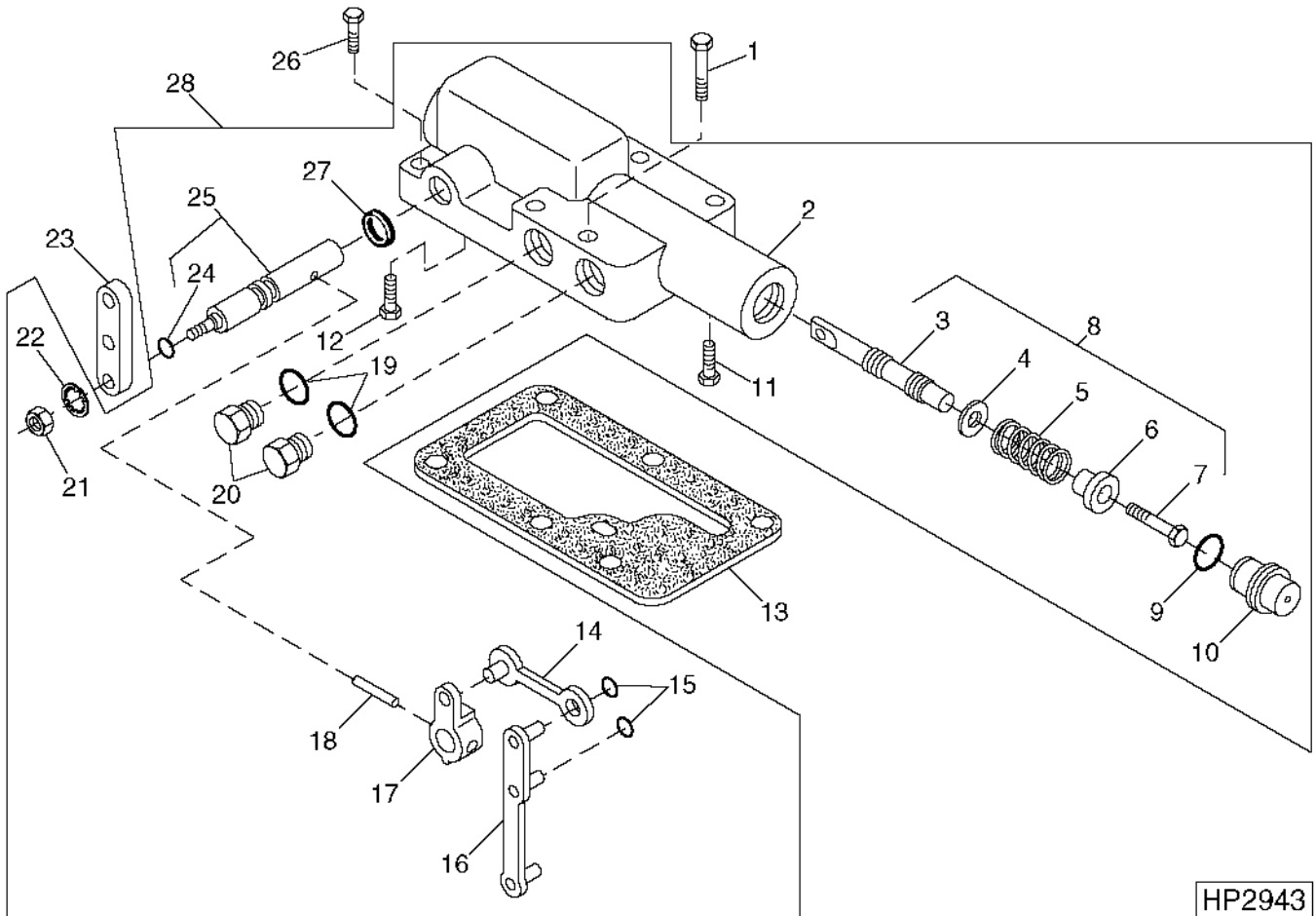
KEY	PART NO.	PART NAME	QTY	SERIAL NO.	REMARKS
1	DRIVE SHAFT	1		
2	H135706	PIN	1		
3	H63289	O-RING	1		20.295 X 2.616 MM
4	U17409	O-RING	1		26.619 X 2.946 MM
5	AN122498	RELIEF VALVE	1		
6	HOUSING	1		
7	N126601	BUSHING	1		
8	NEEDLE BEARING	1		
9	H135570	O-RING	1		78.994 X 1.778 MM
10	SPACER	1		
11	COVER	1		
12	19H1875	CAP SCREW	2		5/16" X 1-3/4"
13	SCREW	4		
14	OIL PUMP	1		
15	BALL BEARING	1		
16	SNAP RING	2		
17	P48347	O-RING	2		
18	H171116	FILTER HEAD	1		
19	19H3111	SCREW	2		9.525 X 35.052 MM
20	R26448	O-RING	3		11.887 X 1.981 MM
21	R27218	FITTING PLUG	1		(2WD ONLY)
22	AH125760	HYD. QUICK-CONNECT COUPLER	1		
23	R77175	COVER	1		
24	AH128449	HYDRAULIC FILTER	1		
25	E65288	O-RING	1		
26	H63271	PIN	2		
27	H135497	GASKET	1		
28	AH165115	HYDRAULIC PUMP	1		(75CC)
	AH165120	HYDRAULIC PUMP	1		(105CC)
29	POPPET	1		
30	SPRING	1		
31	U12547	O-RING	1		
32	PLUG	1		
33	AH128929	SWITCH	1		

MEMORANDA

2C10

HYDROSTATIC DRIVE DISPLACEMENT CONTROL VALVE

HP2943 -UN-13AUG99

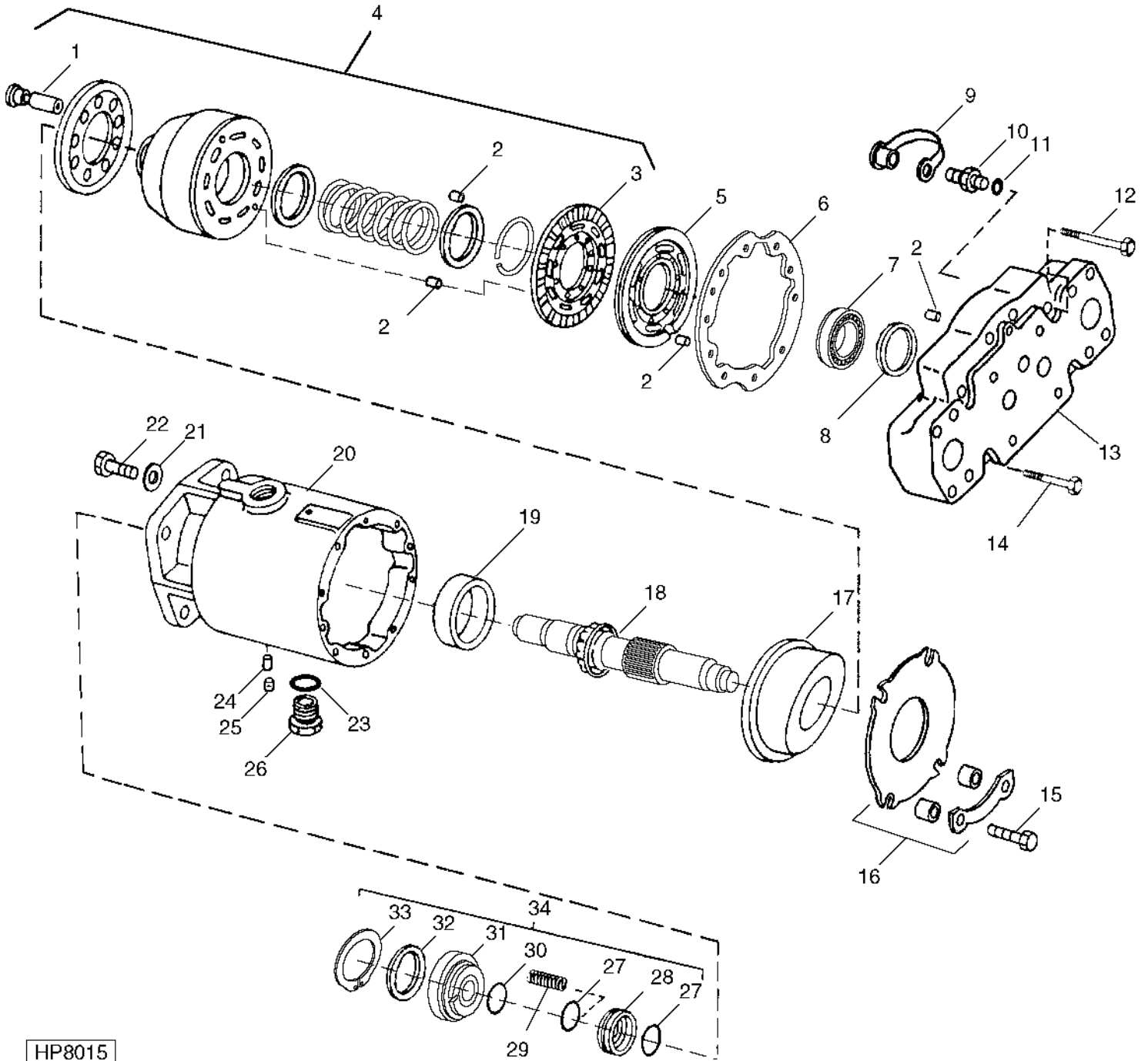


HYDROSTATIC DRIVE DISPLACEMENT CONTROL VALVE - CONTINUED

KEY	PART NO.	PART NAME	QTY	SERIAL NO.	REMARKS
1	19H1875	CAP SCREW	2		5/16" X 1-3/4"
2	HOUSING	1		
3	SPOOL	1		
4	WASHER	1		
5	SPRING	1		
6	RETAINER	1		
7	CAP SCREW	1		
8	AH129284	KIT	1		
9	R27166	O-RING	1		15.596 X 1.778 MM
10	N126641	SCREW	1		
11	AN122494	BOLT	1		
12	AN122499	BOLT	1		
13	N126586	GASKET	1		
14	LINK	1		
15	M48000	SNAP RING	2		
16	LINK	1		
17	CONNECTOR	1		
18	34H311	SPRING PIN	1		1/4" X 7/8"
19	R26448	O-RING	2		11.887 X 1.981 MM
20	R27218	FITTING PLUG	2		
21	14H785	NUT	1		5/16"
22	12M7032	LOCK WASHER	1		8.400 MM
23	H168988	LEVER	1		
24	A3917R	O-RING	1		9.246 X 1.778 MM
25	AN193084	SHAFT	1		
26	19H1905	CAP SCREW	4		5/16" X 1"
27	H136163	SEAL	1		
28	AH131168	CONTROL VALVE	1		

2C12

HYDROSTATIC DRIVE MOTOR
HP8015 -UN-03MAR99



HP8015

HYDROSTATIC DRIVE MOTOR - CONTINUED

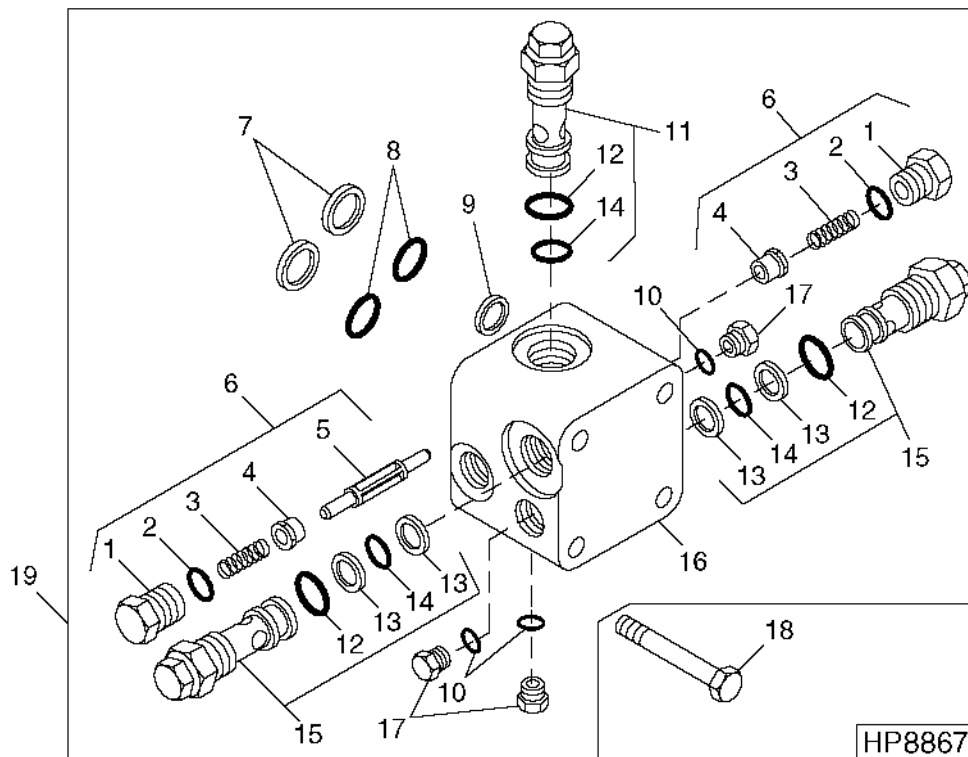
KEY	PART NO.	PART NAME	QTY	SERIAL NO.	REMARKS
1	AH131169	PISTON	1	(A)	
	AH131388	PISTON	1	(B)	
2	H63271	PIN	5		
3	H135500	PLATE	1	(A)	
	H135700	PLATE	1	(B)	
4	AH131171	KIT	1	(A)	
	AH131387	KIT	1	(B)	
5	H135509	PLATE	1	(A)	
	H138901	PLATE	1	(B)	
6	H135508	GASKET	1	(A)	
	H135702	GASKET	1	(B)	
7	AN122507	ROLLER BEARING	1	(A)	
	AH65358	BEARING	1	(B)	
8	AN122509	SHIM	1	(A)	
	AH112678	SHIM	1	(B)	
9	R77175	COVER	2		
10	AH125760	HYD. QUICK-CONNECT COUPLER	2		
11	R26448	O-RING	2		
12	19H1944	CAP SCREW	6	(A) 3/8" X 2-3/4"	
	19H2347	CAP SCREW	6	(B) 7/16" X 3"	
13	COVER	1		
14	19H1800	CAP SCREW	2	(A) 3/8" X 1-1/2"	
	19H1899	CAP SCREW	2	(B) 7/16" X 2"	
15	19H3053	SCREW	4	(A) 5/16" X 1"	
	19H3352	SCREW	4	(B) 5/16" X 1-1/4"	
16	AH131391	KIT	1	(A)	
	AH131392	KIT	1	(B)	
17	SWASH PLATE	1		
18	AH133661	SHAFT	1	(A)	
	AH133662	SHAFT	1	(B)	
19	JD9113	BEARING CUP	1	(A)	
	JD7297	BEARING CUP	1	(B)	
20	HOUSING	1		
21	H135571	SEALING WASHER	2		
22	19H3192	SCREW	2		
23	U12547	O-RING	1		
24	H64813	DOWEL PIN	1		
25	15H558	PIPE PLUG	1	1/8"	
26	R27175	DRAIN PLUG	1		
27	N196034	O-RING	2		
28	SEAL	1		
29	N191174	SPRING	6		
30	U15415	O-RING	1		
31	SEAL	1		
32	R112857	O-RING	1	(A)	
	T19832	O-RING	1	(B)	
33	N126612	SNAP RING	1		
34	AN193085	SEAL KIT	1		
..	AH131310	HYDRAULIC MOTOR	1		(INCLUDES AH141811) 75CC REMANUFACTURED
..	AH131390	HYDRAULIC MOTOR	1		(INCLUDES AH141811) 105CC REMANUFACTURED

(A) 75CC
(B) 105CC

2C14

HYDROSTATIC MOTOR VALVE

HP8867 -UN-27JUL99



KEY	PART NO.	PART NAME	QTY	SERIAL NO.	REMARKS
1	R27175	DRAIN PLUG	2		
2	R26906	O-RING	2	19.177 X 2.464 MM	
3	SPRING	2		
4	N126654	VALVE	2	SHUTTLE	
5	N128541	SPOOL	1	SHUTTLE	
6	AH131308	KIT	1		
7	U40729	BACK-UP RING	2		
8	N130510	O-RING	2	21.895 X 2.616 MM	
9	AN272356	SEAL KIT	1		
10	R28782	O-RING	3	8.915 X 1.829 MM	
11	AN122497	RELIEF VALVE	1	LOW PRESSURE	
12	U17409	O-RING	3	26.619 X 2.946 MM	
13	H63288	RING	4		
14	H63289	O-RING	3	20.295 X 2.616 MM	
15	AH131174	RELIEF VALVE	2	HIGH PRESSURE	
16	CASE	1		
17	R51031	FITTING	3		
18	19H2228	CAP SCREW	4	3/8" X 4"	
19	AH141811	VALVE	1		

MEMORANDA

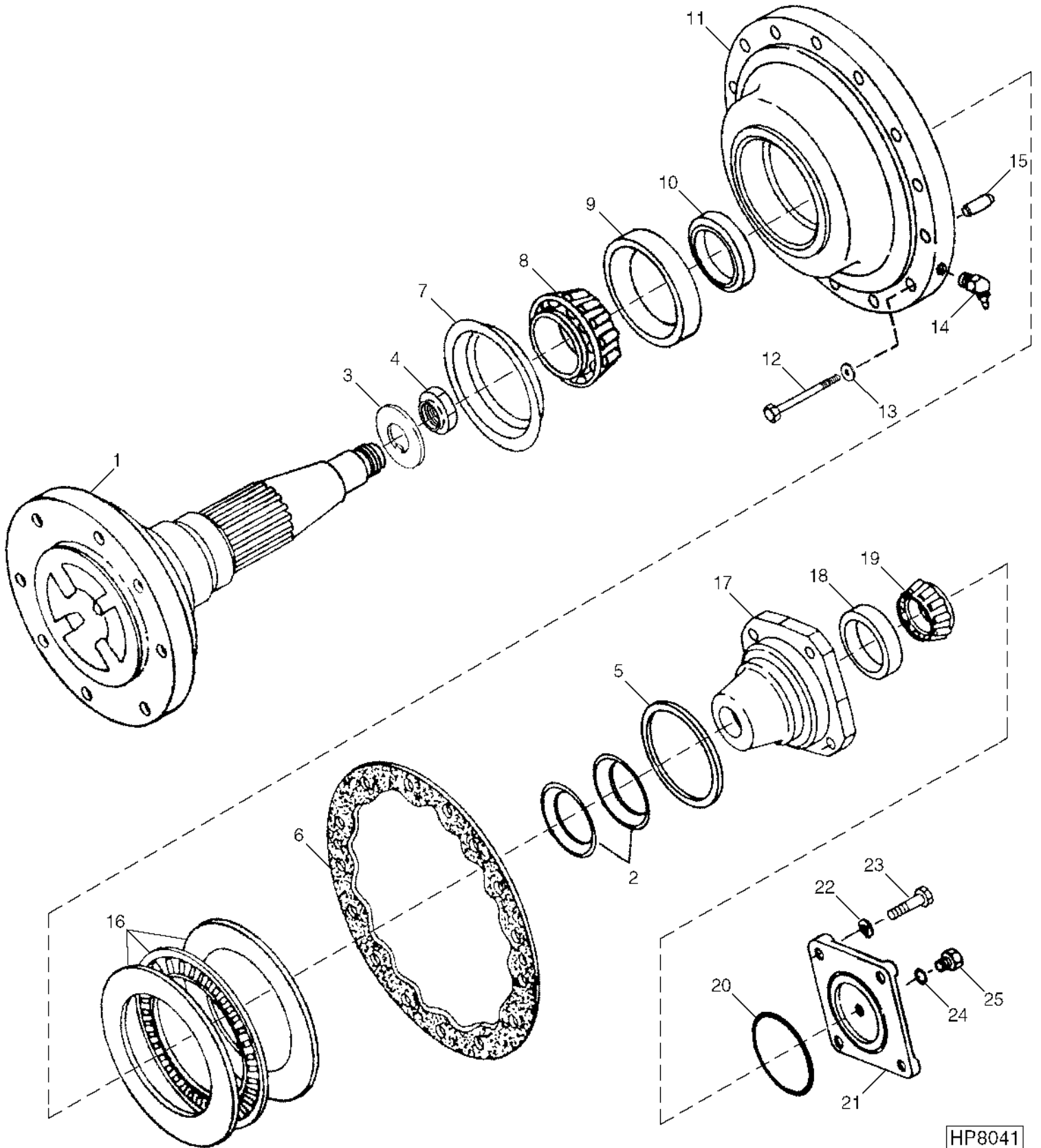
2C15

POWER TRAIN

SHAFT, COVERS, QUILL, BEARINGS AND SEALS

CAM LOBE MOTOR

HP8041 -UN-20NOV98



HP8041

2C16

POWER TRAIN

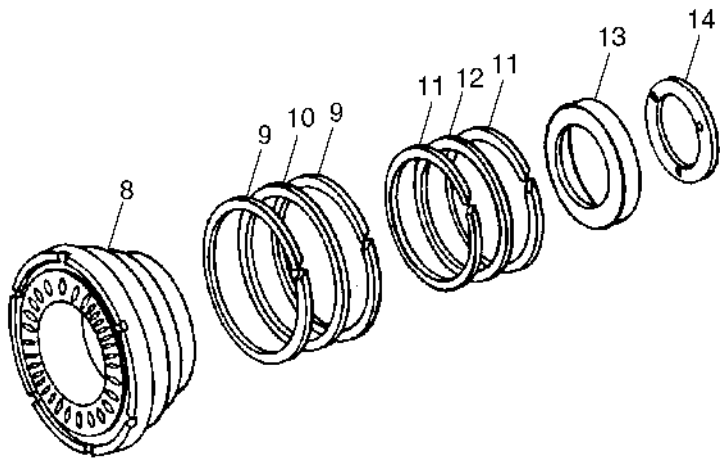
SHAFT, COVERS, QUILL, BEARINGS AND SEALS - CONTINUED
CAM LOBE MOTOR

KEY	PART NO.	PART NAME	QTY	SERIAL NO.	REMARKS
1	R111995	SPINDLE	1		
	RE49243	SEAL	1		
2	R85588	WASHER	2		78.700 X 112 X 1.780 MM
3	R93180	WASHER	1		
4	R92160	NUT	1		
5	R39876	PACKING	1		
6	R93142	GASKET	1		
7	R57269	OIL CUP	1		
8	JD10462	BEARING CONE	1		
9	JD7448	BEARING CUP	1		
10	RE32824	SEAL	1		
11	R88829	COVER	1		
12	R89610	CAP SCREW	15		1/2" X 6"
13	R32214	WASHER	15		13.106 X 22.225 X 2.286 MM
14	JD7847	LUBRICATION FITTING	1		
15	R26650	DOWEL PIN	2		
16	RE22642	THRUST BEARING	1		
17	R92104	BEARING HOUSING W/O BEARING	1		
18	JD9109	BEARING CUP	1		
19	JD9043	BEARING CONE	1		
20	E55758	O-RING	1		113.970 X 2.616 MM
21	R100727	COVER	1		
22	R69536	WASHER	6		10.500 X 18.500 X 3 MM
23	19H3065	CAP SCREW	6		3/8" X 2"
24	R28782	O-RING	1		8.915 X 1.829 MM
25	R51031	FITTING	1		
..	RE33336	MOTOR	1		(1200CC) R.H.
..	RE33337	MOTOR	1		(1200CC) L.H.
..	RE33338	MOTOR	1		(1600CC) R.H.
..	RE33339	MOTOR	1		(1600CC) L.H.

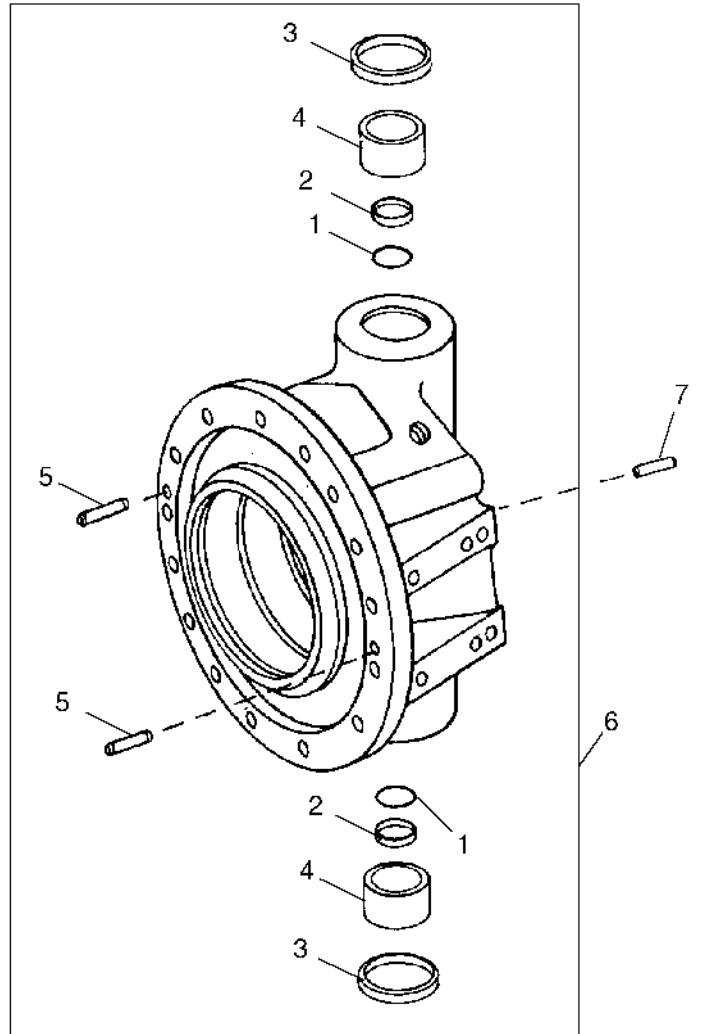
2C17

INNER COVER, MANIFOLD AND PACKING

HP8043 -UN-29JUL99



HP8043



2C18

POWER TRAIN

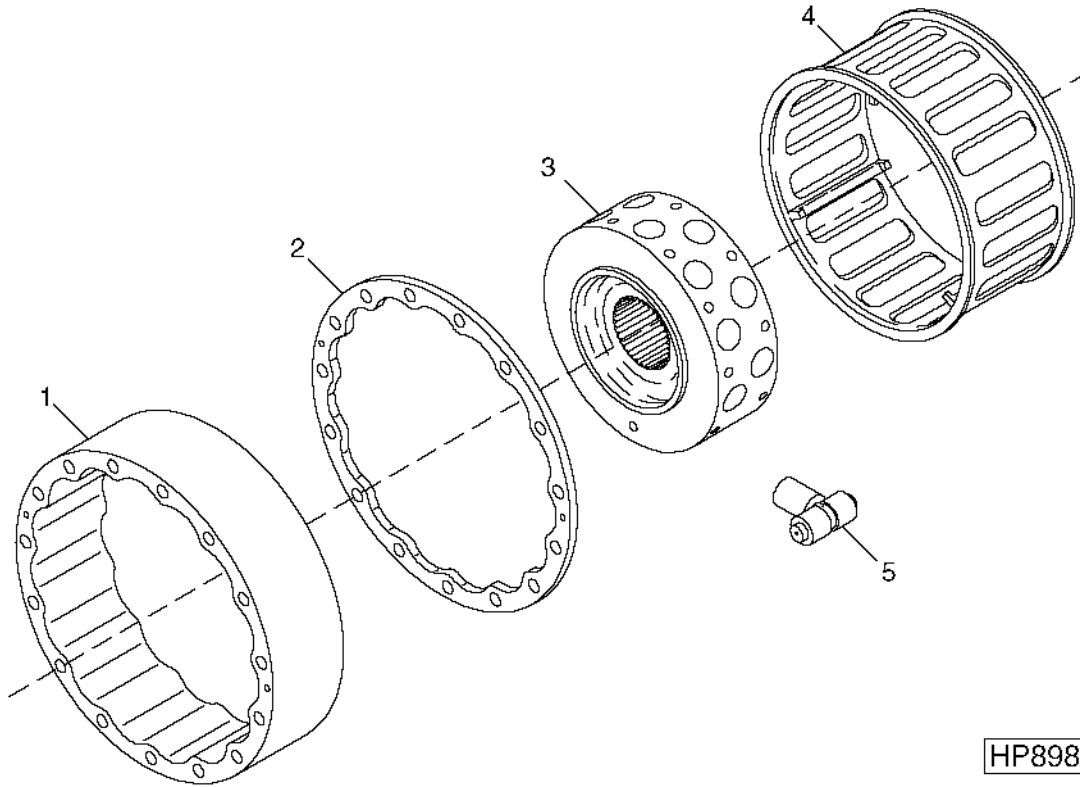
INNER COVER, MANIFOLD AND PACKING - CONTINUED

KEY	PART NO.	PART NAME	QTY	SERIAL NO.	REMARKS
1	U11647	O-RING	2		21.819 X 3.531 MM
2	R73102	WASHER	2		22.300 X 28.300 X 1.270 MM
3	AR86539	SEAL	2		
4	R68102	BUSHING	2		
5	R26650	DOWEL PIN	2		
6	RE39131	COVER	1		(MARKED R93105)
7	R71711	DOWEL PIN	1		6.337 X 29 MM
8	R99377	MANIFOLD	1		
9	R74690	BACK-UP RING	2		
10	R74696	WASHER	1		
11	R74689	BACK-UP RING	2		
12	R74697	WASHER	1		
13	R74693	PACKING	1		ALSO FURNISH R74694
14	R74694	BACK-UP RING	1		ALSO FURNISH R74693
..	RE33336	MOTOR	1		(1200CC) R.H.
..	RE33337	MOTOR	1		(1200CC) L.H.
..	RE33338	MOTOR	1		(1600CC) R.H.
..	RE33339	MOTOR	1		(1600CC) L.H.

2C19

POWER TRAIN

CARRIER, PISTONS AND CAM
HP8982 -UN-31AUG99



HP8982

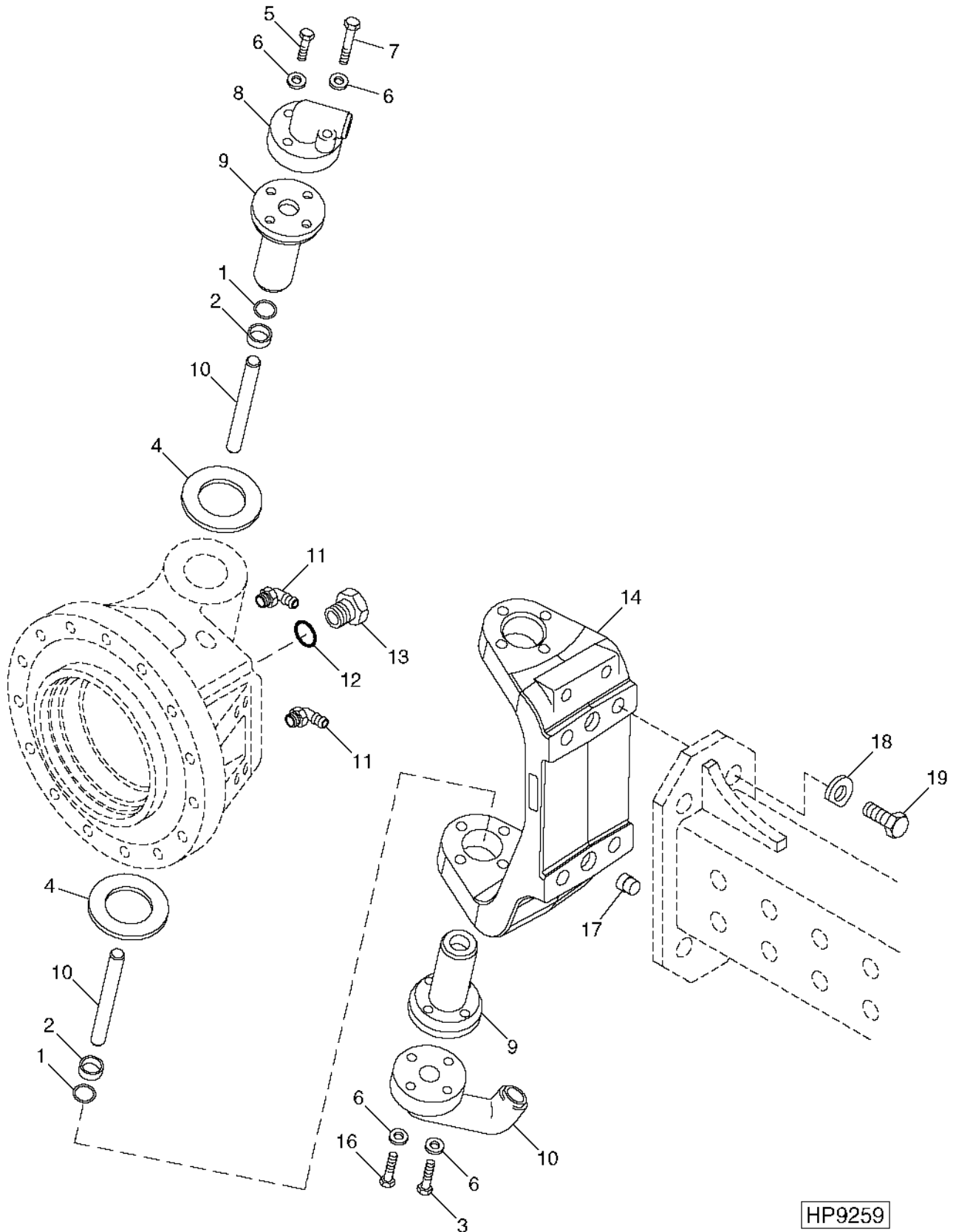
KEY	PART NO.	PART NAME	QTY	SERIAL NO.	REMARKS
1	R92148	CAM	1		
2	R93142	GASKET	1		
3	R88959	HYD. MOTOR PISTON CARRIER	1	(A)	
	R88960	PLANET PINION CARRIER	1	(B)	
4	R92979	GUIDE	1	(A)	
	R89012	GUIDE	1	(B)	
5	RE27837	HYD. MOTOR PISTON CARRIER	18	(A)	
	RE27837	HYD. MOTOR PISTON CARRIER	24	(B)	

(A) 1200CC
(B) 1600CC

MEMORANDA

2C20

YOKE, PIVOTS AND CAPS
HP9259 -UN-12NOV99



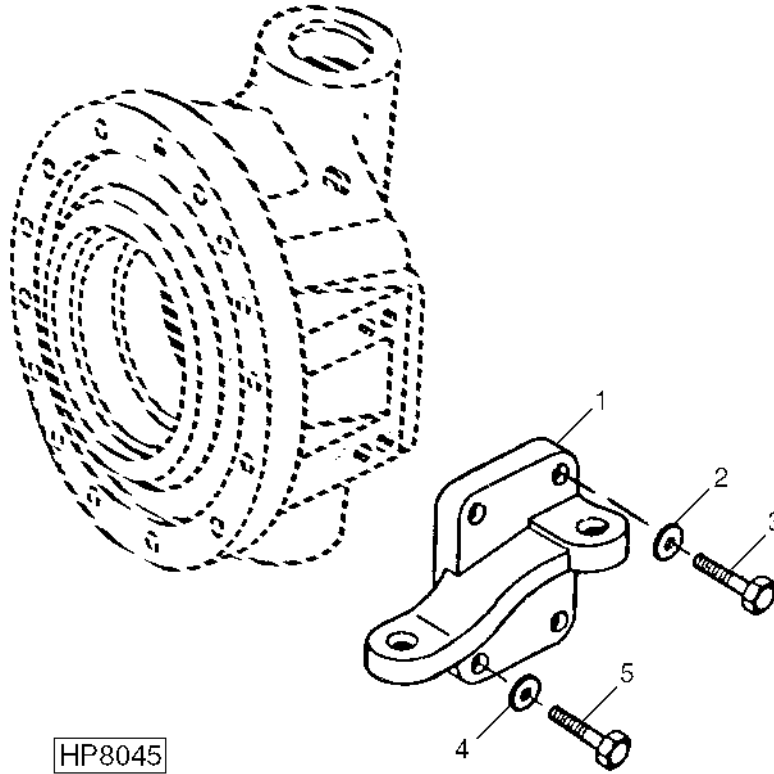
HP9259

YOKE, PIVOTS AND CAPS - CONTINUED

KEY	PART NO.	PART NAME	QTY	SERIAL NO.	REMARKS
1	U11647	O-RING	2		21.819 X 3.531 MM
2	R73102	WASHER	2		22.300 X 28.300 X 1.270 MM
3	19H3031	CAP SCREW	2		3/8" X 2-1/2"
4	R60239	THRUST WASHER	2		51.500 X 101.500 X 3.040 MM
5	19H3267	CAP SCREW	2		3/8" X 1-5/8"
6	R53668	THRUST WASHER	8		9.525 MM
7	19H2855	CAP SCREW	2		3/8" X 3-1/4"
8	R85374	CAP	1		
9	R85376	PIN	2		
10	R85378	TUBE	2		
11	JD7799	LUBRICATION FITTING	3		65° X 0.840" LONG
12	R26375	O-RING	1		16.358 X 2.210 MM
13	R39112	FITTING	1		
14	R89015	YOKE	1		
15	R85373	CAP	1		
16	19H3267	CAP SCREW	2		3/8" X 1-5/8"
17	H75423	PIN	4		
18	H166431	WASHER	8		(SUB H174025)
	H174025	SPACER	8		
19	19M8002	CAP SCREW	8		M20 X 55

STEERING ARMS

HP8045 -UN-20NOV98



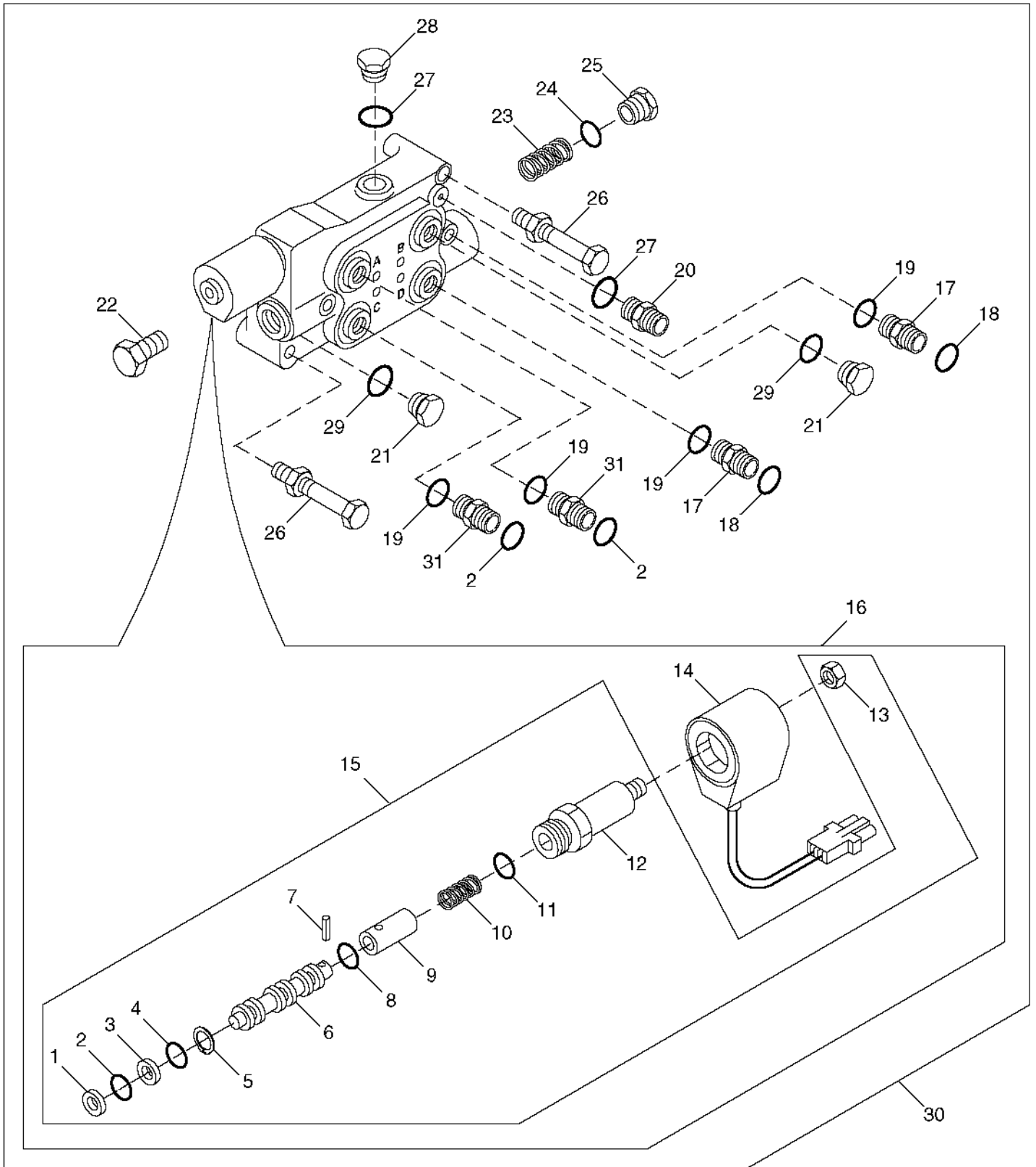
HP8045

KEY	PART NO.	PART NAME	QTY	SERIAL NO.	REMARKS
1	R92977	STEERING ARM	1		L.H.
	R92978	STEERING ARM	1		R.H.
2	U41353	WASHER	2		16.662 X 25.400 X 1.524 MM
3	19H2710	CAP SCREW	2		5/8" X 1-3/4"
4	R32214	WASHER	2		13.106 X 22.225 X 2.286 MM
5	19H2993	CAP SCREW	2		1/2" X 1-1/2"

MEMORANDA

2C23

CONTROL VALVE
HP8031 -UN-12FEB99



HP8031

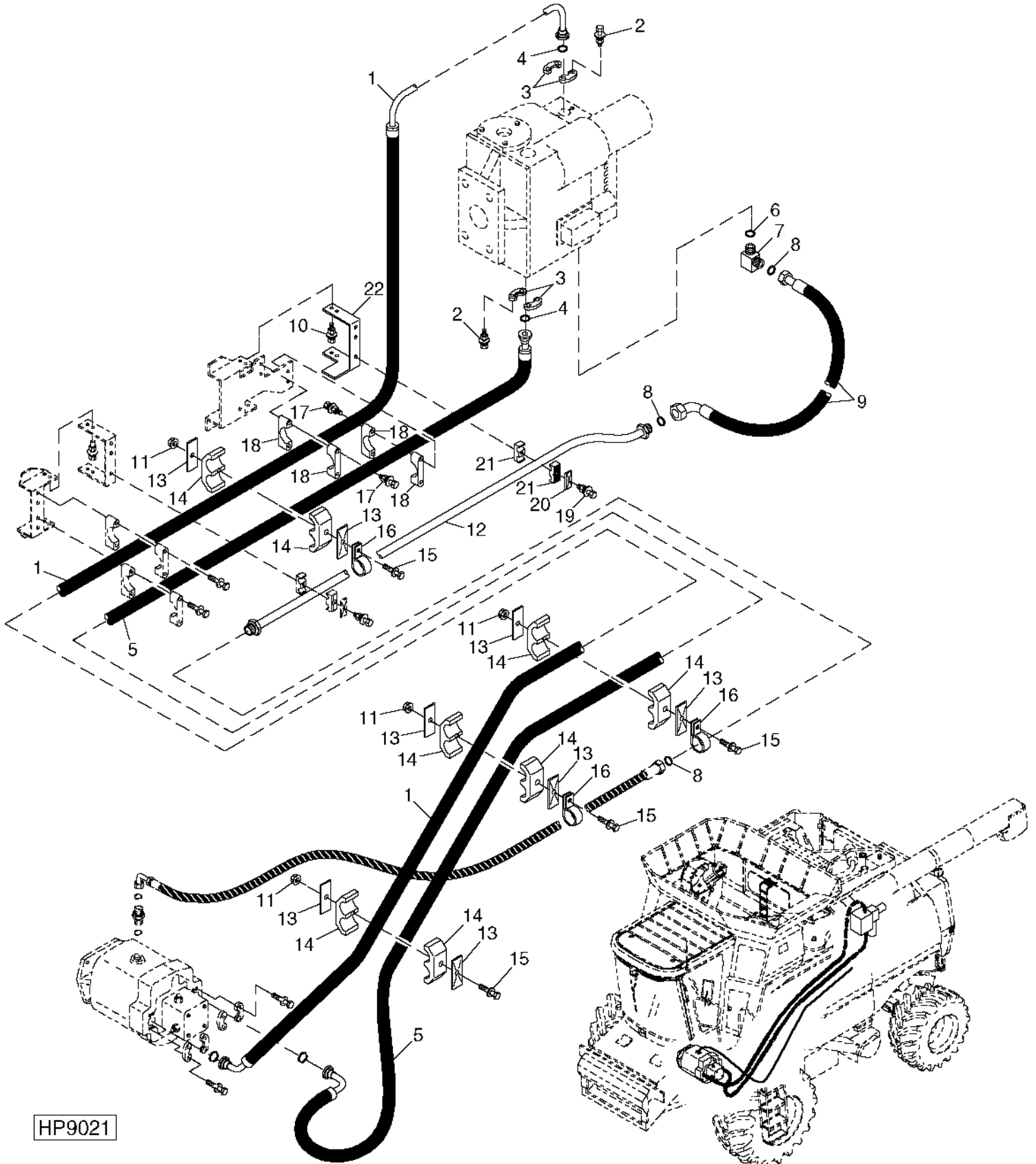
CONTROL VALVE - CONTINUED

KEY	PART NO.	PART NAME	QTY	SERIAL NO.	REMARKS
1	R42926	BACK-UP RING	1		
2	T77857	O-RING	3	12.421 X 1.778 MM	
3	R45187	BACK-UP RING	1		
4	R45638	O-RING	1	15.596 X 1.778 MM	
5	R46701	SNAP RING	1		
6	VALVE SPOOL	1		
7	34H227	SPRING PIN	1	2.388 X 12.700 MM	
8	N31772	O-RING	1	18.771 X 1.778 MM	
9	PLUNGER	1		
10	R64698	SPRING	1		
11	U12547	O-RING	1	23.470 X 2.946 MM	
12	GUIDE	1		
13	M63707	LOCK NUT	1	6.350 MM	
14	AH128654	ELECTRICAL COIL	1		
	R78053	PIN CONTACT CONNECTOR BODY	1	(PKG OF 3)	
	R78059	ELECTRICAL PLUG	1	(PKG OF 40)	
	R78061	PIN CONTACT	1	(PKG OF 40)	
15	AH130949	SOLENOID VALVE	1		
16	AH128655	SOLENOID VALVE	1		
17	38H1329	ADAPTER	2	PORTS B AND D	
18	T77932	O-RING	4	15.596 X 1.778 MM	
19	U12547	O-RING	5	23.470 X 2.946 MM	
20	38H1168	ADAPTER	1		
21	R51031	FITTING	2		
22	AU40993	FITTING	1		
23	R45182	SPRING	1		
24	R31674	O-RING	1	25.070 X 2.616 MM	
25	AH84695	FITTING	1		
26	19M7803	SCREW	3	M8 X 70	
	14M7298	FLANGE NUT	3	M8	
27	R26448	O-RING	2	11.887 X 1.981 MM	
28	R27218	FITTING PLUG	1		
29	R28782	O-RING	2	8.915 X 1.829 MM	
30	AH128672	VALVE	1	CONTROL WITH SOLENOID	
31	38H1175	ADAPTER	2	PORTS A AND C	
..	BH81623	COMPLETE GOODS/SHIP. BUNDLE	1	POWER VALVE ASSEMBLY AND AXLE HOSES	

2D1

HYDROSTATIC DRIVE OIL LINES AND HOSES, LOWER (TWO WHEEL DRIVE)

HP9021 -UN-13SEP99



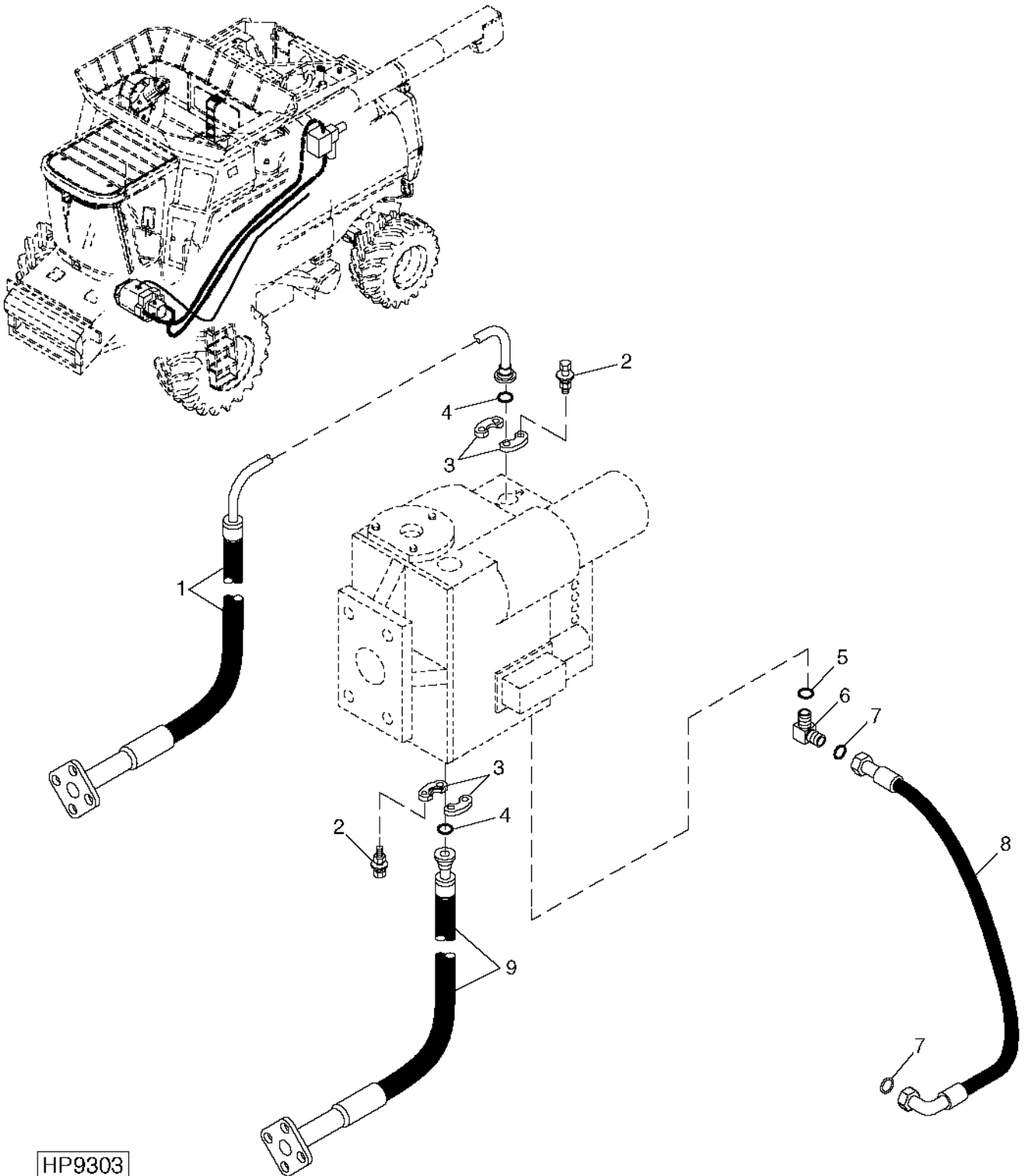
HP9021

**HYDROSTATIC DRIVE OIL LINES AND HOSES, LOWER - CONTINUED
(TWO WHEEL DRIVE)**

KEY	PART NO.	PART NAME	QTY	SERIAL NO.	REMARKS
1	AH143035	HYDRAULIC HOSE	1		1" X 5 000 MM X 1", (REVERSE PRESSURE)
2	19H1740	CAP SCREW	8		7/16" X 1-3/4"
	12H293	LOCK WASHER	8		7/16"
3	H122182	EXTERNAL HALF COUPLER	4		
4	T78313	O-RING	2		32.918 X 3.531 MM
5	AH143352	HYDRAULIC HOSE	1		1" X 5 175 MM X 1", (FORWARD PRESSURE)
6	U12547	O-RING	1		0.924" X 0.116"
7	38H1007	ELBOW FITTING	1		
8	T77858	O-RING	3		18.771 X 1.778 MM
9	AH124008	HYDRAULIC HOSE	1		1-3/16" X 725 MM X 1-3/16", (UPPER DRAIN HOSE)
10	19M7866	SCREW	4		M8 X 20
	14M7396	LOCK NUT	4		M8
11	14M7298	FLANGE NUT	4		M8
12	AH152743	LINE	1		
13	H114901	PLATE	8		
14	H150222	HOSE CLAMP	8		
15	19M7970	SCREW	4		M8 X 100
16	T72393	CLAMP	3		
17	19M8039	SCREW	4		M8 X 80
	14M7298	FLANGE NUT	4		M8
18	H150223	HOSE CLAMP	4		
19	19M7979	SCREW	1		M8 X 55
	14M7298	FLANGE NUT	1		M8
20	H112567	PLATE	1		
21	H111730	CLAMP	2		
22	H133659	BRACKET	1		

**HYDROSTATIC DRIVE HOSES, UPPER
(FOUR WHEEL DRIVE)**

HP9303 -UN-23NOV99



HP9303

2D4

POWER TRAIN

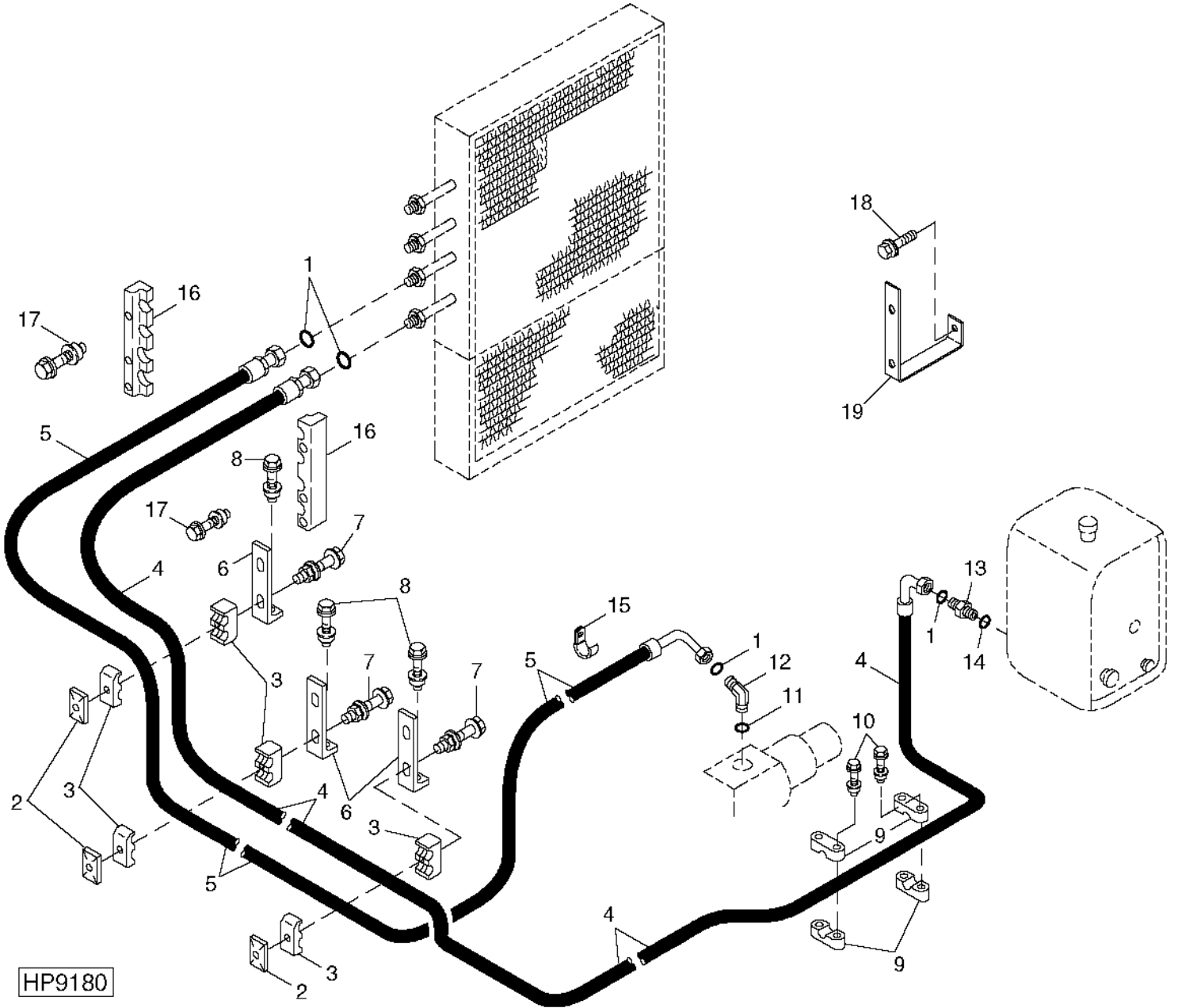
**HYDROSTATIC DRIVE HOSES, UPPER - CONTINUED
(FOUR WHEEL DRIVE)**

KEY	PART NO.	PART NAME	QTY	SERIAL NO.	REMARKS
1	AH144192	HYDRAULIC HOSE	1	1" X 975 MM X 1"	
2	19H1740	CAP SCREW	8	7/16" X 1-3/4"	
	12H293	LOCK WASHER	8	7/16"	
3	H122182	EXTERNAL HALF COUPLER	4		
4	T78313	O-RING	2	32.918 X 3.531 MM	
5	U12547	O-RING	1	23.470 X 2.946 MM	
6	38H1007	ELBOW FITTING	1		
7	T77858	O-RING	2	18.771 X 1.778 MM	
8	AH124008	HYDRAULIC HOSE	1	1-3/16" X 725 MM X 1-3/16"	(UPPER CASE DRAIN)
9	AH141544	HYDRAULIC HOSE	1	1-7/16" X 700 MM X 1-7/16"	(PRESSURE)(FOR POWERED REAR WHEELS)
..	BH81286	COMPLETE GOODS/SHIP. BUNDLE	1	FOUR WHEEL DRIVE CONVERSION	

2D5

HYDROSTATIC OIL COOLER LINES AND HOSES

HP9180 -UN-13OCT99



2D6

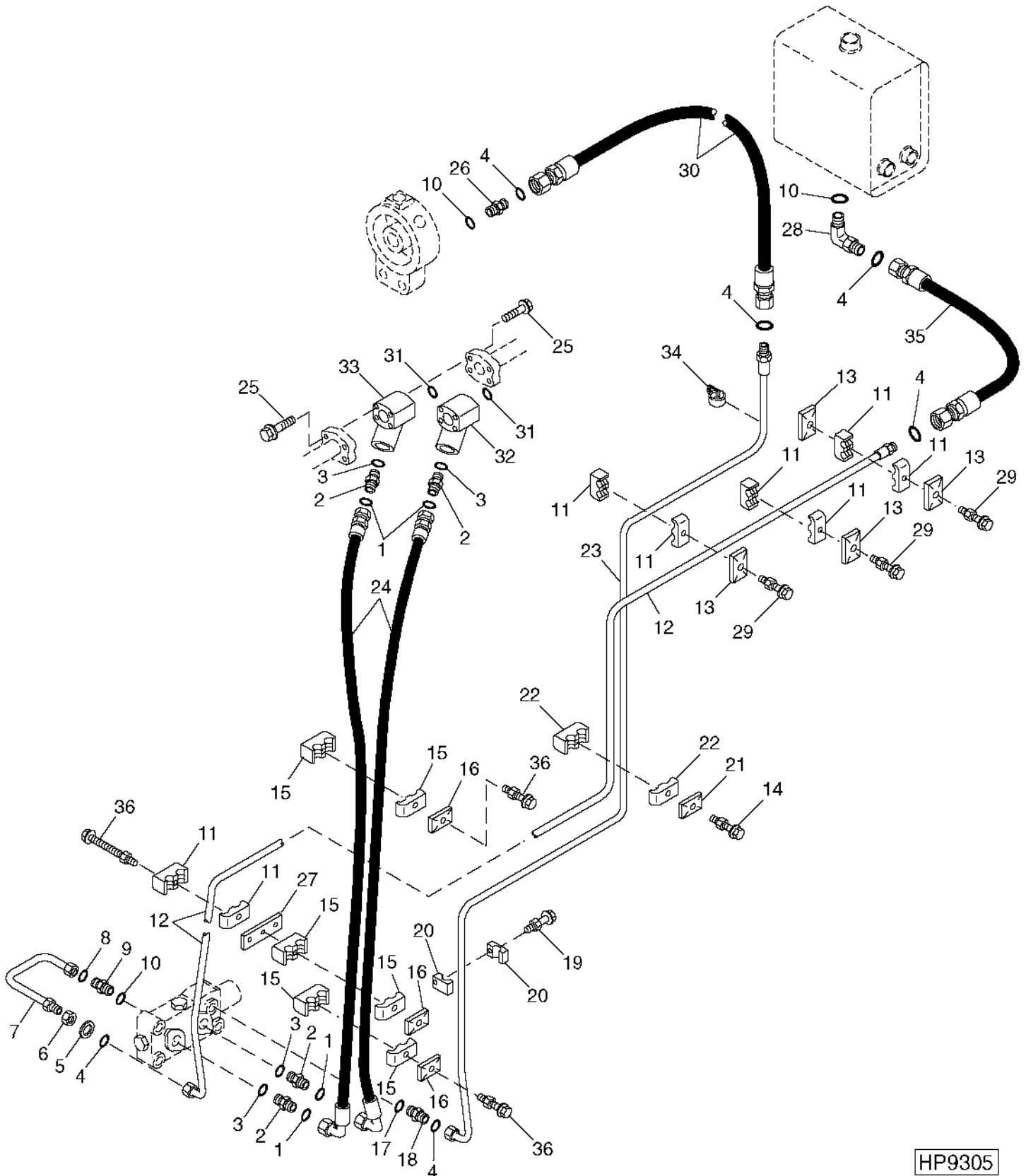
HYDROSTATIC OIL COOLER LINES AND HOSES - CONTINUED

KEY	PART NO.	PART NAME	QTY	SERIAL NO.	REMARKS
1	T77858	O-RING	4		
2	H114901	PLATE	3		
3	H150982	CLAMP	6		
4	AH145235	HYDRAULIC HOSE	1		IN
5	AH145237	HYDRAULIC HOSE	1		OUT
6	H150980	BRACKET	3		
7	19M8039	SCREW	3		M8 X 80
	14M7298	FLANGE NUT	3		M8
8	19M7866	SCREW	3		M8 X 20
	14M7298	FLANGE NUT	3		M8
9	H145247	HALF CLAMP	4		
10	19M7801	SCREW	4		M8 X 60
	14M7298	FLANGE NUT	4		M8
11	U12547	O-RING	1		23.470 X 2.946 MM
12	38H1163	ADAPTER	1		
13	38H1194	ADAPTER	1		
14	R29936	O-RING	1		29.743 X 2.946 MM
15	AH90990	CLIP	1		
16	H151585	CLAMP	2		
17	19M8318	SCREW	6		M8 X 45
	14M7298	FLANGE NUT	6		M8
18	N14822	SELF-LOCKING SCREW	1		
19	H163211	BRACKET	1		

2D7

4-WHEEL DRIVE HYDRAULIC LINES AND HOSES, L.H. SIDE

HP9305 -UN-23NOV99



HP9305

4-WHEEL DRIVE HYDRAULIC LINES AND HOSES, L.H. SIDE - CONTINUED

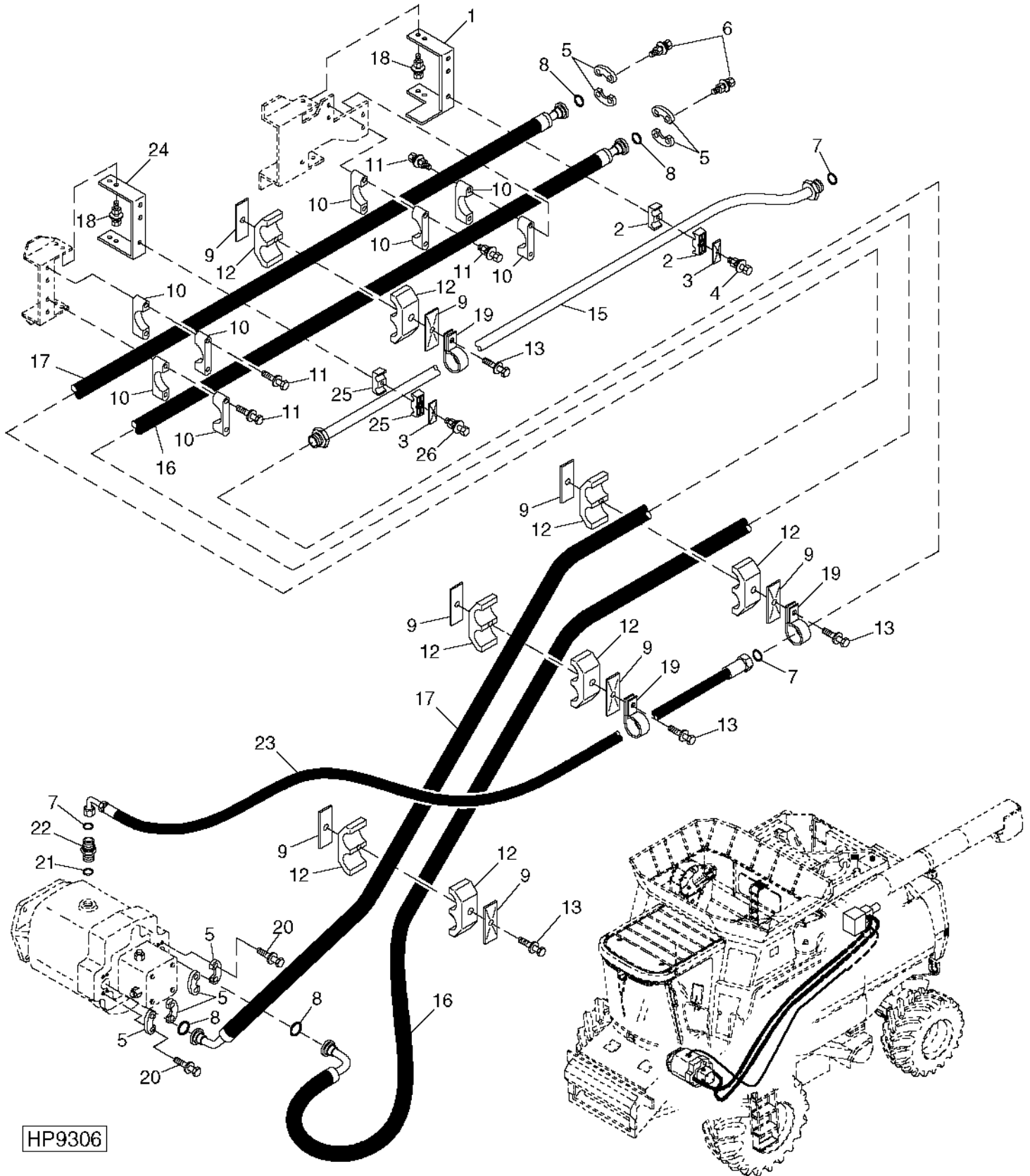
KEY	PART NO.	PART NAME	QTY	SERIAL NO.	REMARKS
1	T77858	O-RING	4		18.771 X 1.778 MM
2	38H1163	ADAPTER	4		
3	U12547	O-RING	4		23.470 X 2.946 MM
4	T77613	O-RING	6		9.246 X 1.778 MM
5	24M7114	WASHER	1		19 X 30 X 4 MM
6	T81029	NUT	1		17.475 MM
7	AH130611	HYDRAULIC LINE	1		
8	T77814	O-RING	1		7.645 X 1.778 MM
9	38H1168	ADAPTER	1		
10	R26448	O-RING	3		11.887 X 1.981 MM
11	H114865	CLAMP	8		
12	AH152671	HYDRAULIC LINE	1		(RETURN)
13	H112567	PLATE	4		
14	03M7187	BOLT	1		M8 X 35
	14M7298	FLANGE NUT	1		M8
15	H114898	CLAMP	6		
16	H114901	PLATE	3		
17	R28782	O-RING	1		8.915 X 1.829 MM
18	38H1309	ADAPTER	1		
19	19M8317	SCREW	1		M8 X 40
	14M7298	FLANGE NUT	1		M8
20	H127589	CLAMP	2		
21	H121163	COVER	1		
22	H128515	CLAMP	2		
23	AH152672	HYDRAULIC LINE	1		(PRESSURE)
24	AH139802	HYDRAULIC HOSE	2		1-3/16" X 1 575 MM X 1-3/16"
25	19M8162	CAP SCREW	16		M10 X 40
26	38H1160	ADAPTER	1		
27	H131163	STRAP	1		
28	38H1004	ELBOW FITTING	1		
29	19M7801	SCREW	3		M8 X 60
	14M7298	FLANGE NUT	3		M8
30	AH128894	HYDRAULIC HOSE	1		11/16" X 505 MM X 11/16"
31	T78313	O-RING	2		32.918 X 3.531 MM
32	AH133941	MANIFOLD	1		42 GPM, FWD PRESS.
33	AH133942	MANIFOLD	1		30 GPM, REV PRESS.
34	AH76882	CLIP	1		
35	AH155648	HYDRAULIC HOSE	1		11/16" X 950 MM X 11/16"
36	19M8039	SCREW	3		M8 X 80
	14M7298	FLANGE NUT	3		M8
..	BH81286	COMPLETE GOODS/SHIP. BUNDLE	1		FOUR WHEEL DRIVE CONVERSION

2D9

HYDROSTATIC DRIVE OIL LINES AND HOSES, LOWER

(FOUR WHEEL DRIVE)

HP9306 -UN-22NOV99



HP9306

2D10

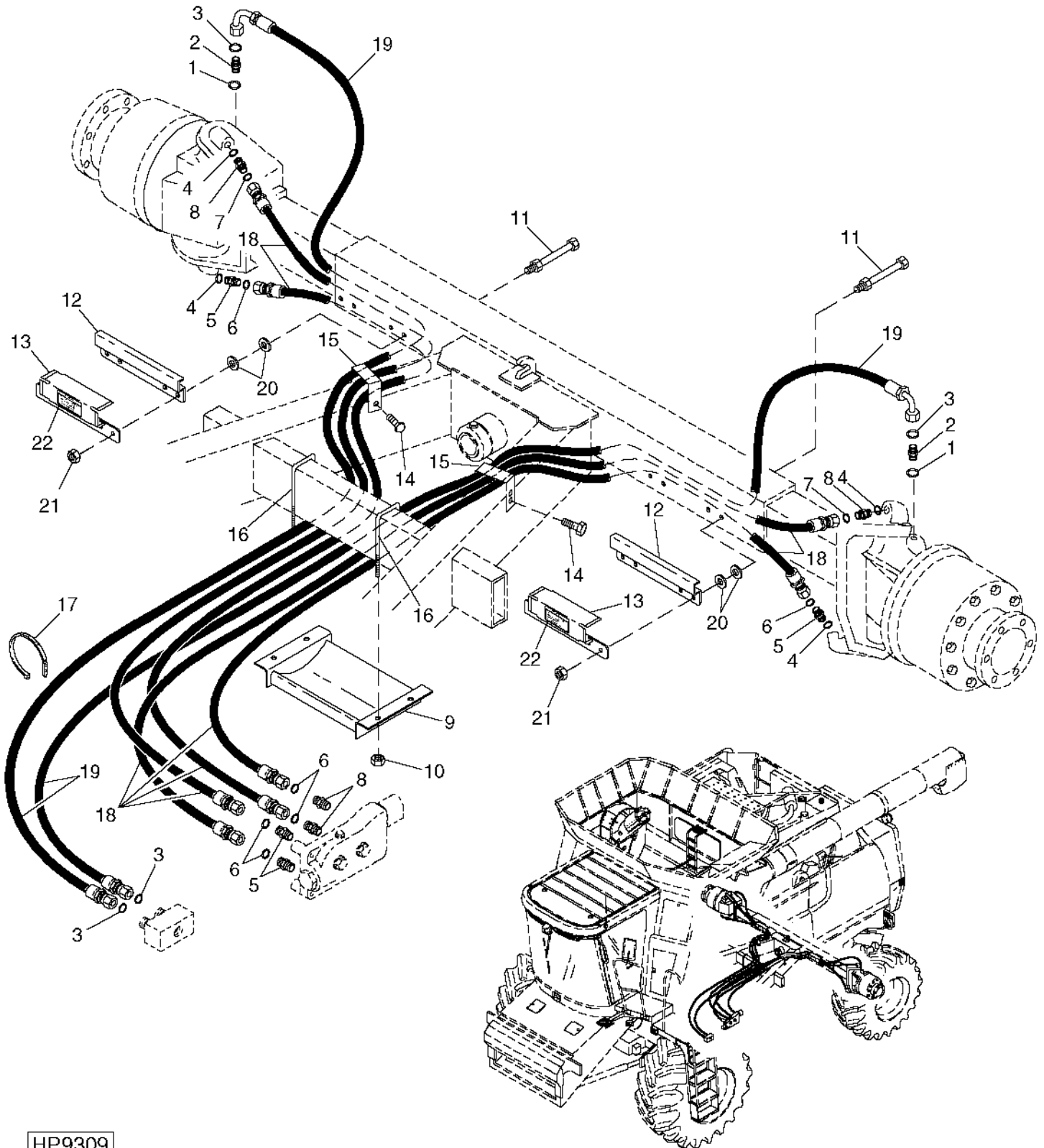
POWER TRAIN

**HYDROSTATIC DRIVE OIL LINES AND HOSES, LOWER - CONTINUED
(FOUR WHEEL DRIVE)**

KEY	PART NO.	PART NAME	QTY	SERIAL NO.	REMARKS
1	H133659	BRACKET	1		
2	H111730	CLAMP	2		
3	H112567	PLATE	2		
4	19M7979	SCREW	1	M8 X 55	
	14M7298	FLANGE NUT	1	M8	
5	H122182	EXTERNAL HALF COUPLER	8		
6	19M8162	CAP SCREW	8	M10 X 40	
7	T77858	O-RING	3		
8	T78313	O-RING	4		
9	H114901	PLATE	8		
10	H150223	HOSE CLAMP	8		
11	19M8039	SCREW	8	M8 X 80	
	14M7298	FLANGE NUT	8	M8	
12	H150222	HOSE CLAMP	8		
13	19M7970	SCREW	4	M8 X 100	
14	14M7298	FLANGE NUT	4	M8	
15	AH152743	LINE	1		
16	AH143353	HYDRAULIC HOSE	1		1" X 4 375 MM X 1", FORWARD PRESSURE
17	AH142758	HYDRAULIC HOSE	1		1" X 3 875 MM X 1", REVERSE PRESSURE
18	19M7866	SCREW	8	M8 X 20	
	14M7396	LOCK NUT	8	M8	
19	T72393	CLAMP	3		
20	19H1740	CAP SCREW	8	7/16" X 1-3/4"	
	12H293	LOCK WASHER	8	7/16"	
21	U12547	O-RING	1	0.924" X 0.116"	
22	38H1163	ADAPTER	1		
23	AH142611	HYDRAULIC HOSE	1		1-3/16" X 75-3/4" X 1-3/16" (CASE DRAIN)
24	H131115	BRACKET	1		
25	H114897	CLAMP	2		
26	19M7913	SCREW	1	M8 X 90	
	14M7298	FLANGE NUT	1	M8	

4-WHEEL DRIVE LINES AND HOSES (FROM FLOW CONTROL VALVE TO CAM LOBE MOTORS)

HP9309 -UN-22NOV99



HP9309

4-WHEEL DRIVE LINES AND HOSES - CONTINUED
(FROM FLOW CONTROL VALVE TO CAM LOBE MOTORS)

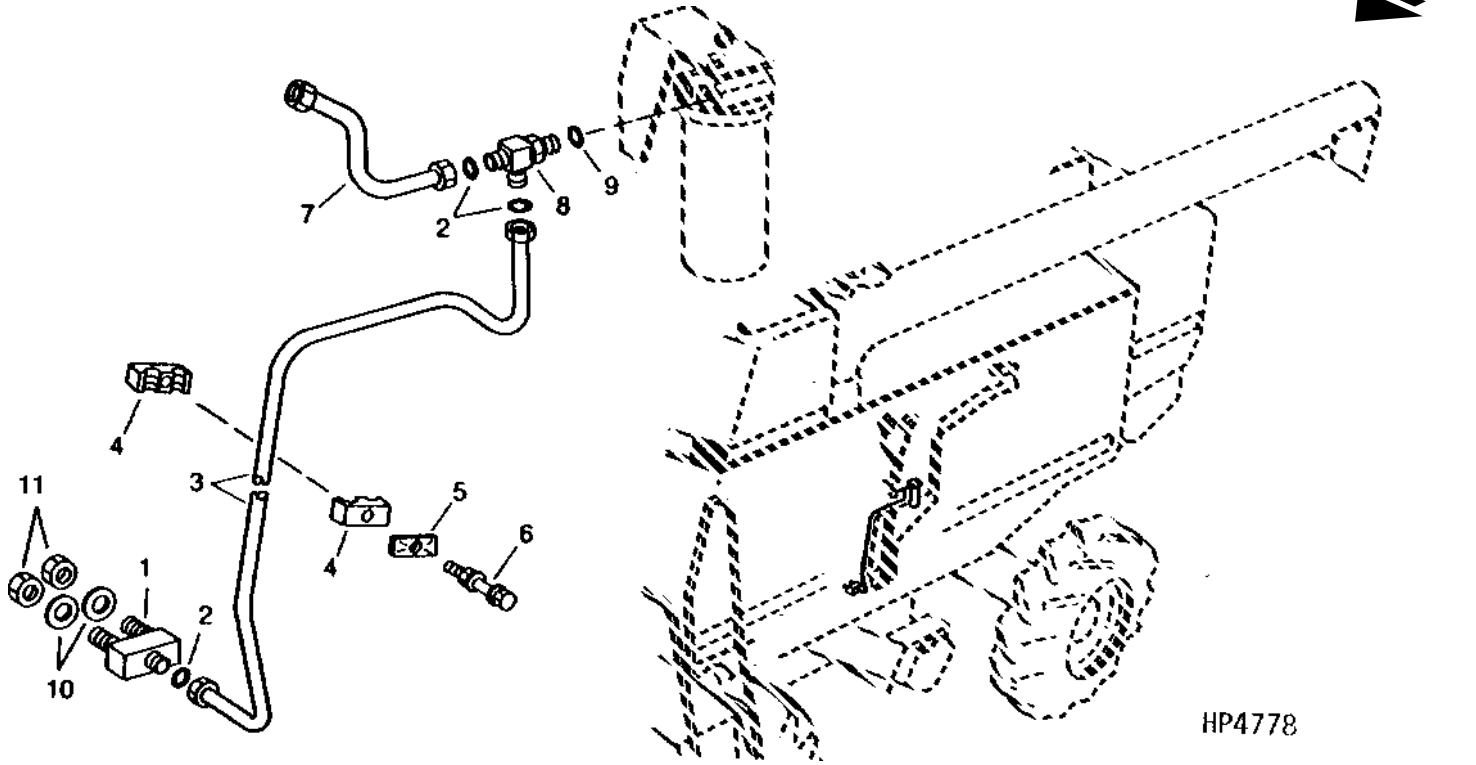
KEY	PART NO.	PART NAME	QTY	SERIAL NO.	REMARKS
1	R26375	O-RING	2		
2	38H1178	ADAPTER	2		
3	T77858	O-RING	4		
4	U12547	O-RING	8		
5	38H1329	ADAPTER	4		
6	T77932	O-RING	4		
7	T77857	O-RING	4		
8	38H1175	ADAPTER	4		
9	AH128757	SHIELD	1		
10	14M7296	FLANGE NUT	4	M10	
11	H121472	BOLT	4		
	14M7300	FLANGE NUT	4	M20	
12	H154755	SHIELD	2		
	H131996	SHIELD	2	(CONVERSION)	
13	H154756	SHIELD	2		
	H133671	SHIELD	2	(CONVERSION)	
14	37M7058	SCREW	6	M8 X 20	
15	AH117418	STRAP	2		
16	H133669	U-BOLT	2		
17	H113196	TIE BAND	1		
18	AH164755	HYDRAULIC HOSE	4		
19	AH164484	HYDRAULIC HOSE	2	(CASE DRAIN)	
20	24M7242	WASHER	8	21.400 X 42 X 5 MM	
21	14M7300	FLANGE NUT	4	M20	
22	H170211	SIGN	2		
..	BH78881	COMPLETE GOODS/SHIP. BUNDLE	1	SHIELDS	
..	BH81286	COMPLETE GOODS/SHIP. BUNDLE	1	FOUR WHEEL DRIVE CONVERSION	
..	BH81623	COMPLETE GOODS/SHIP. BUNDLE	1	POWER VALVE ASSEMBLY AND AXLE HOSES	

2D13

POWER TRAIN

4-WHEEL DRIVE CASE DRAIN HYDRAULIC LINES

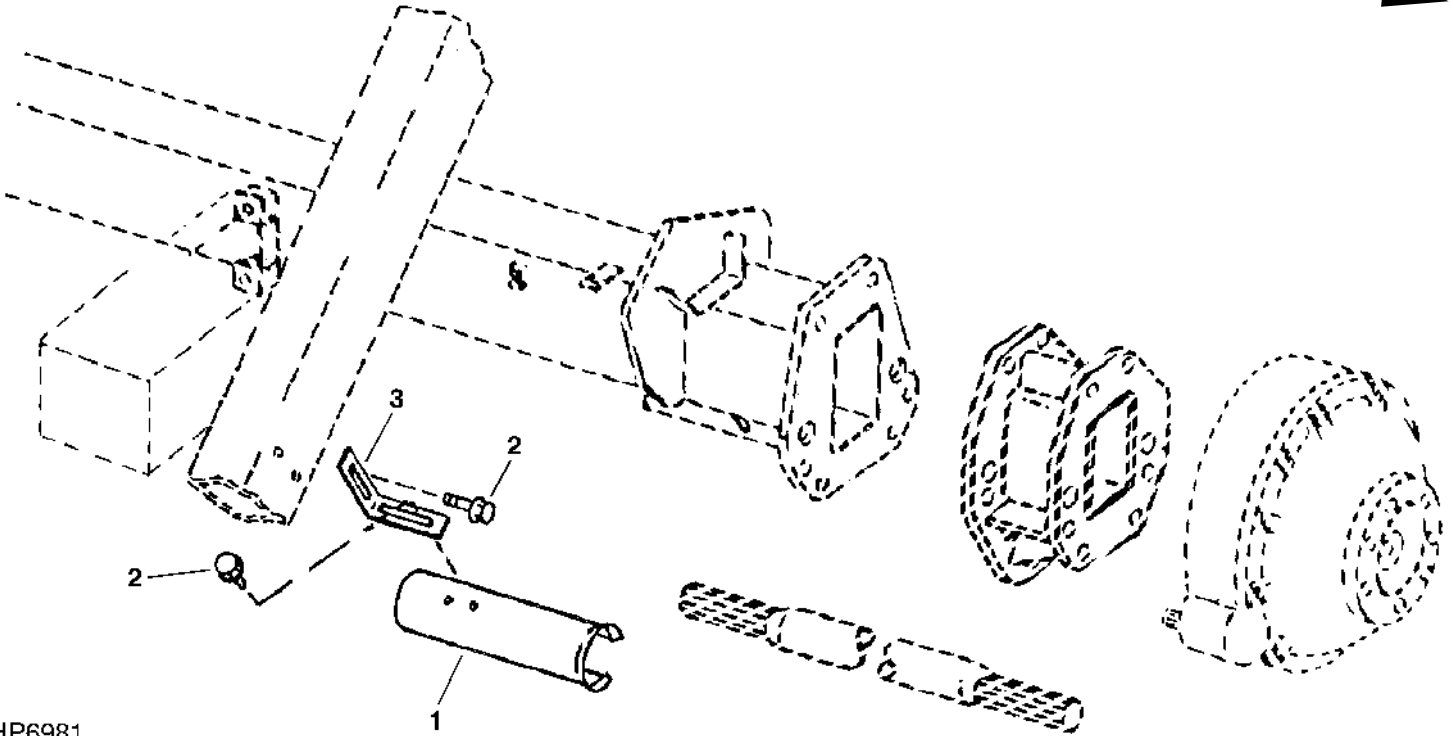
HP4778 -UN-01JAN94



HP4778

KEY	PART NO.	PART NAME	QTY	SERIAL NO.	REMARKS
1	AH128692	MANIFOLD	1		(CASE DRAIN)
2	T77858	O-RING	3		18.771 X 1.778 MM
3	AH130449	HYDRAULIC LINE	1		(CASE DRAIN RETURN)
4	H114865	CLAMP	2		
5	H112567	PLATE	1		
6	03M7245	BOLT	1		M8 X 55
	14M7298	FLANGE NUT	1		M8
7	AH126169	OIL LINE	1		(RETURN) (FROM VALVE STACK TO HYD FILTER)
8	38H1438	TEE FITTING	1		
9	R29936	O-RING	1		29.743 X 2.946 MM
10	28H1152	BUSHING	2		1.278" X 1.660" X 3/8"
11	T78707	NUT	2		30.175 MM
..	BH81286	COMPLETE GOODS/SHIP. BUNDLE	1		FOUR WHEEL DRIVE CONVERSION

**FINAL DRIVE SHAFT SHIELDS - (SINGLE REDUCTION)
(FOR RICE ONLY)
(LEFT-HAND SIDE ILLUSTRATED)**
HP6981 -UN-22SEP97

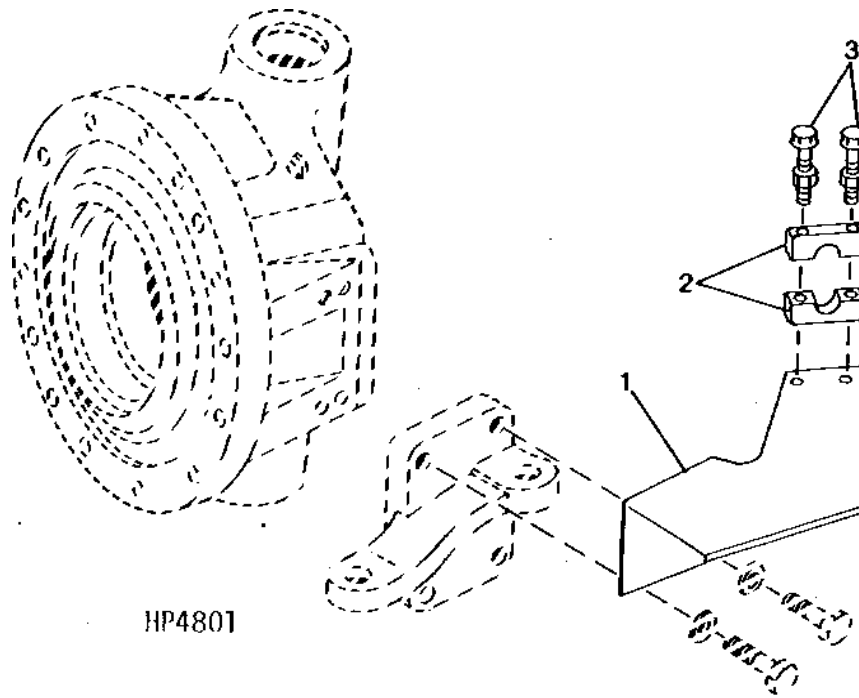


HP6981

KEY	PART NO.	PART NAME	QTY	SERIAL NO.	REMARKS
1	AH132239	POWERSHAFT SHIELD	2		(USE WITH NO AXLE SPACER)(INCLUDES DIRECTION)
	AH132238	POWERSHAFT SHIELD	2		(USE WITH 300 MM AXLE SPACER)
	AH139897	POWERSHAFT SHIELD	2		(USE WITH 400 MM AXLE SPACER)
2	19M7783	SCREW	4		M10 X 16
3	H147490	ANGLE	2		
	H166375	BRACKET	2		(FOR RICE ONLY)

MUD SHIELDS-POWERED REAR WHEELS

HP4801 -UN-01JAN94



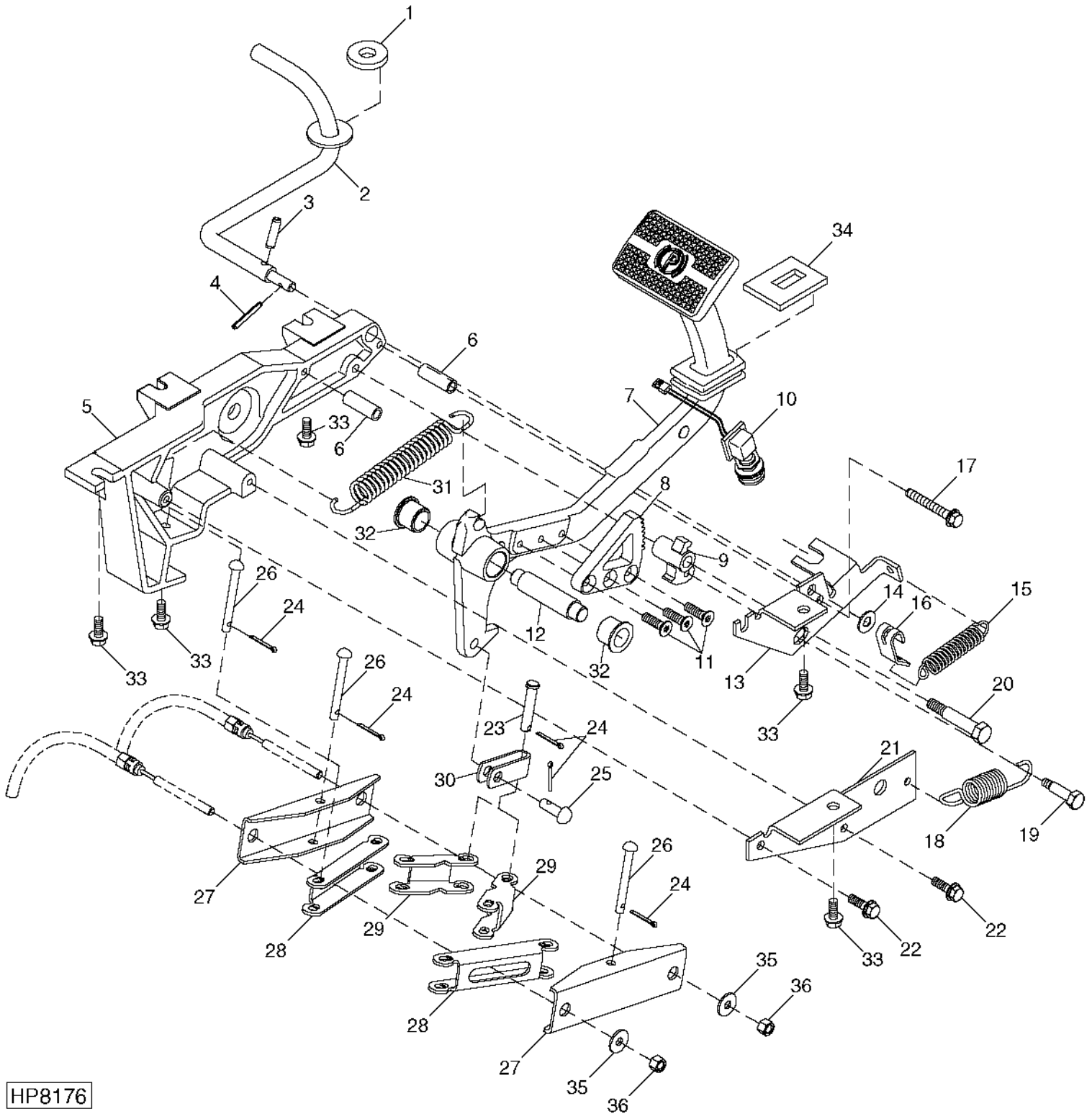
KEY	PART NO.	PART NAME	QTY	SERIAL NO.	REMARKS
1	H146088	SHIELD	1	LEFT-HAND	
	H146089	SHIELD	1	RIGHT-HAND	
2	H142721	CLAMP	2		
3	19M7801	SCREW	2	M8 X 60	
	14M7298	FLANGE NUT	2	M8	

MEMORANDA

2D18

PARKING BRAKE PEDAL AND SEAL

HP8176 -UN-08JUL99



HP8176

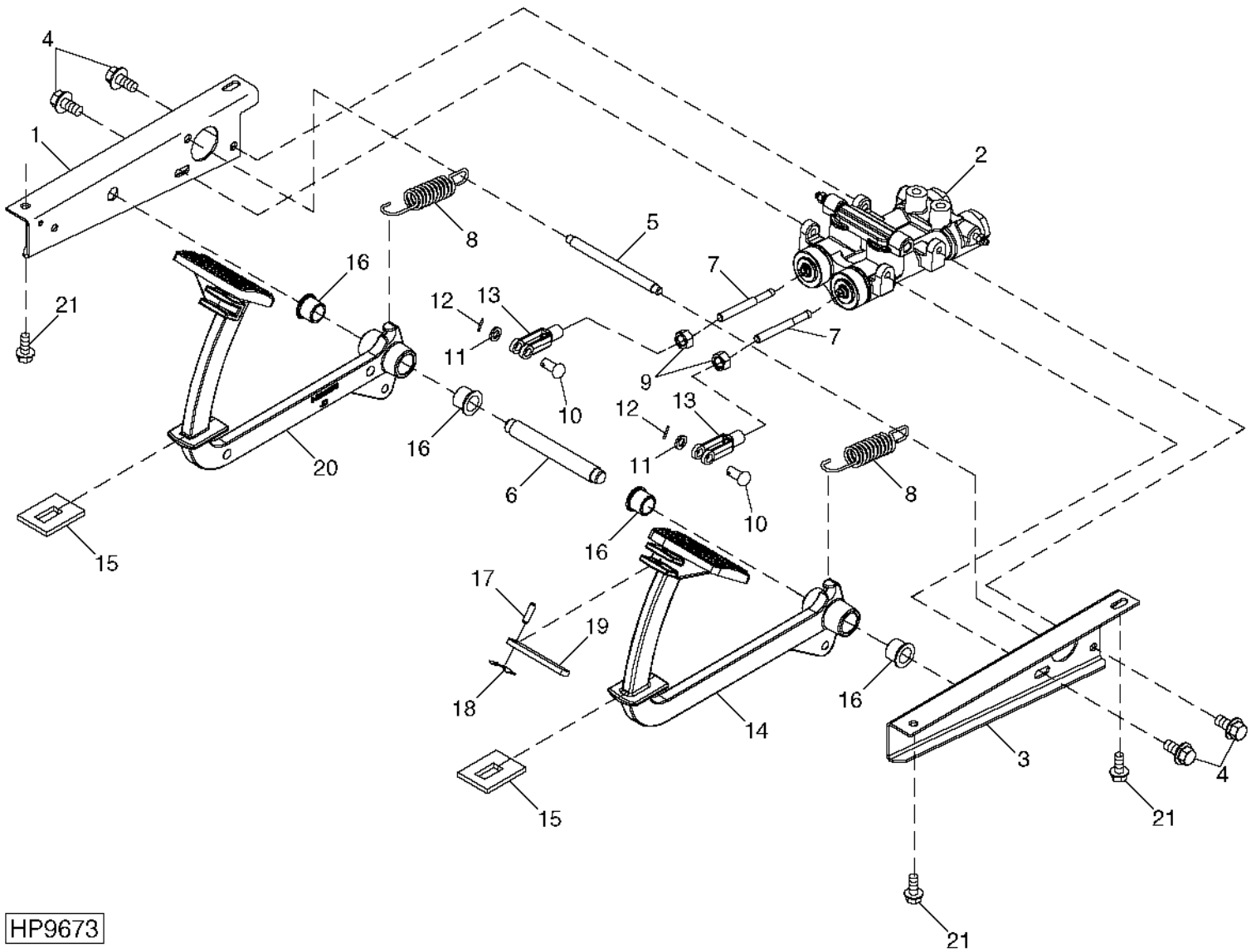
PARKING BRAKE PEDAL AND SEAL - CONTINUED

KEY	PART NO.	PART NAME	QTY	SERIAL NO.	REMARKS
1	H145847	ISOLATOR	1		
2	AH146492	ARM	1		
3	34M7124	SPRING PIN	1		8 X 30 MM
4	34M7116	SPRING PIN	1		3 X 24 MM
5	H140595	FRAME	1		
6	28H1633	BUSHING	2		9.246 X 13.716 X 39.675 MM
7	H152164	PEDAL	1		
8	H140746	RATCHET	1		
9	H140747	PAWL	1		
10	AH140605	SWITCH	1		
11	H140692	SCREW	3		M8 X 30
12	H140708	PIN	1		20 X 92 MM
13	H146327	PLATE	1		
14	H110232	WASHER	1		10.310 X 22.600 X 1.500 MM
15	R60730	SPRING	1		
16	H141069	HOOK	1		
17	19M7801	SCREW	2		M8 X 60
18	H124258	SPRING	1		
19	H140715	BOLT	1		M8 X 40
20	H140712	BOLT	1		M10 X 67
21	H140691	PLATE	1		
22	19M7867	SCREW	2		M8 X 25
23	M43649	PIN	1		9.525 X 48.260 MM
24	11M7059	COTTER PIN	5		3.200 X 20 MM
25	RV702A	PIN	1		9.525 X 28.575 MM
26	H109716	PIN	3		8 X 69.850 MM
27	H140694	BALANCER	2		
28	H140695	LINK	2		
29	H140696	LINK	2		
30	H140713	CLEVIS	1		
31	H104075	SPRING	1		
32	H105005	BUSHING	2		
33	19M7866	SCREW	5		M8 X 20
34	H141422	SEAL	1		
35	24M7207	WASHER	2		8.400 X 24 X 2 MM
36	E64256	LOCK NUT	2		

2D20

BRAKE PEDALS AND MASTER CYLINDERS

HP9673 -UN-03APR00

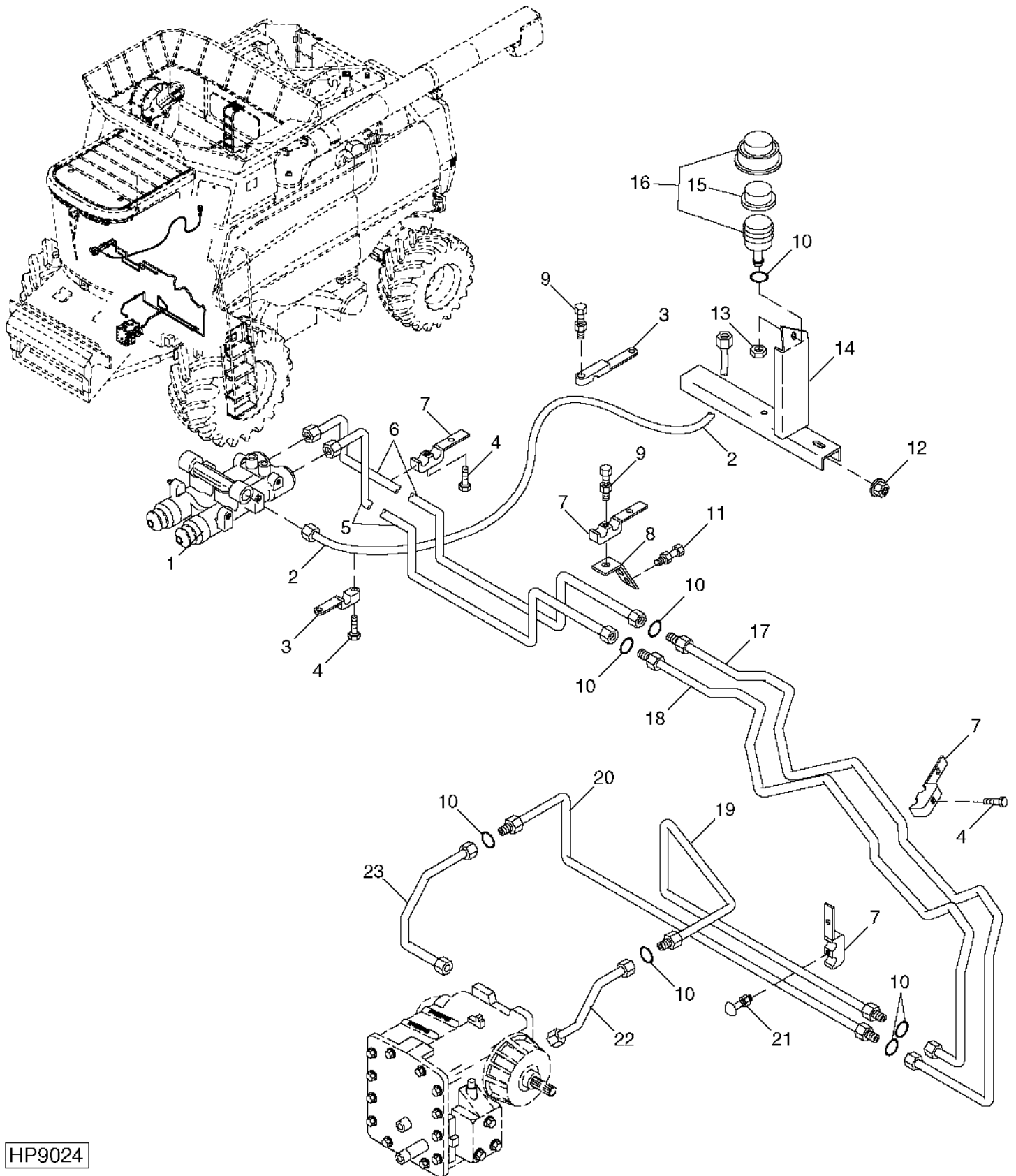


HP9673

BRAKE PEDALS AND MASTER CYLINDERS - CONTINUED

KEY	PART NO.	PART NAME	QTY	SERIAL NO.	REMARKS
1	H156514	SUPPORT	1		R.H.
2	AH155787	CYLINDER	1		
3	H156513	SUPPORT	1		L.H.
4	19M7784	SCREW	4		M10 X 20
5	H120389	PIN	1		
6	H120388	PIN	1		
7	H124259	PUSH ROD	2		
8	H124258	SPRING	2		
9	14M7274	NUT	2		M10
10	45M7118	PIN	2		(SUB FOR H114331)
11	24M7028	WASHER	2		10.500 X 20 X 2 MM
12	11M7059	COTTER PIN	2		3.200 X 20 MM
13	H114330	YOKE	2		
14	H172924	PEDAL	1		(SUB FOR H152166) L.H.
15	H111234	SEAL	2		
16	H105005	BUSHING	4		
17	34H312	SPRING PIN	1		1/4" X 1"
18	H95902	SPRING	1		
19	H99264	STRAP	1		
20	H172923	PEDAL	1		(SUB FOR H152165) R.H.
21	19M7866	SCREW	4		M8 X 20
..	AH162545	KIT	1		PISTON ASSEMBLY AND SNAP RING

BRAKE LINES, MASTER CYLINDER AND RESERVOIR
HP9024 -UN-13SEP99



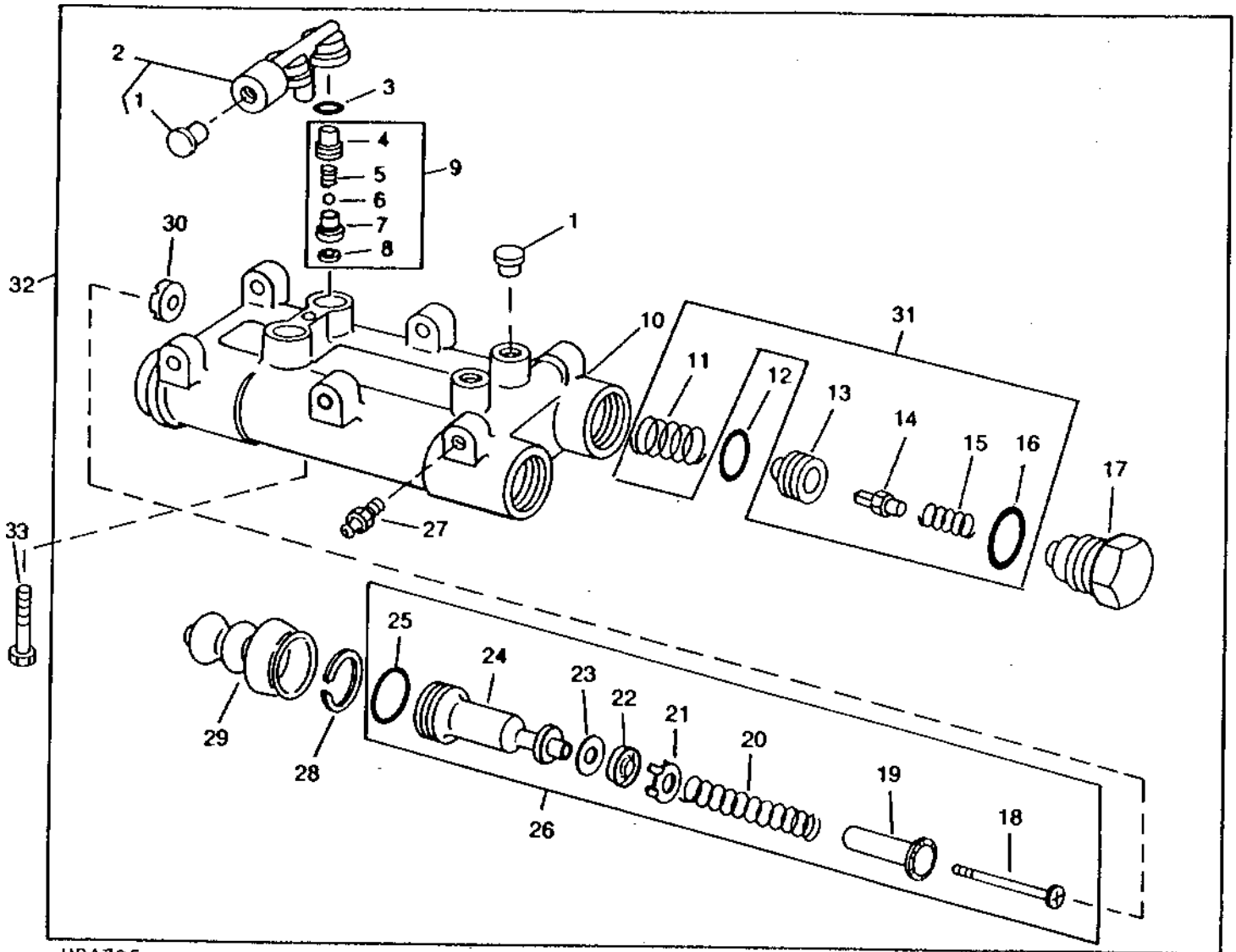
HP9024

BRAKE LINES, MASTER CYLINDER AND RESERVOIR - CONTINUED

KEY	PART NO.	PART NAME	QTY	SERIAL NO.	REMARKS
1	AH155787	CYLINDER	1		
2	AH141794	OIL LINE	1		
3	H112911	CLAMP	4		
4	37M7131	SCREW	9	M6 X 20	
5	AH141686	OIL LINE	1	L.H.	
6	AH141687	OIL LINE	1	R.H.	
7	H112910	CLAMP	9		
8	H134343	BRACKET	1		
9	19M7775	SCREW	6	M6 X 16	
	14M7303	FLANGE NUT	6	M6	
10	H127752	O-RING	7	7.645 X 1.778 MM	
11	AH128843	OIL LINE	1		
12	14M7296	FLANGE NUT	2	M10	
13	14H832	NUT	1	9/16"	
14	AH136362	SUPPORT	1		
15	H109254	DIAPHRAGM	1		
16	AH130605	RESERVOIR	1		
17	AH130612	OIL LINE	1	R.H.	
18	AH130613	OIL LINE	1	L.H.	
19	AH130412	OIL LINE	1	L.H.	
20	AH130413	OIL LINE	1	R.H.	
21	03M7290	BOLT	3	M6 X 30	
	14M7303	FLANGE NUT	3	M6	
22	AH128842	OIL LINE	1		

2D24

BRAKE MASTER CYLINDER
HP4735 -UN-01JAN94



HP4735

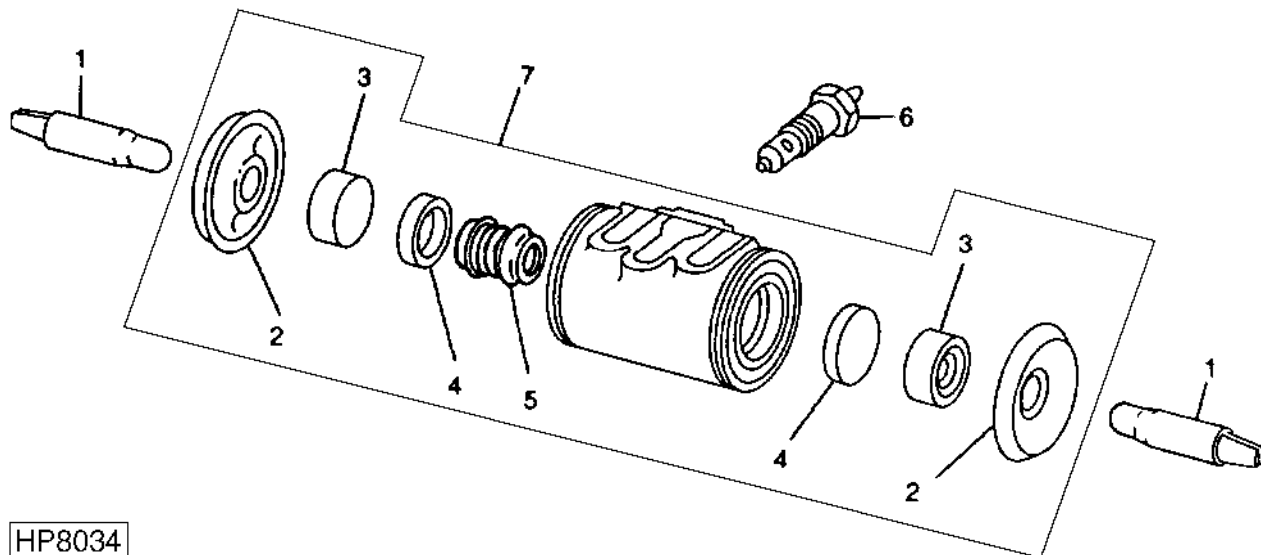
2D25

BRAKE MASTER CYLINDER - CONTINUED

KEY	PART NO.	PART NAME	QTY	SERIAL NO.	REMARKS
1	SEAT	3		
2	AH136305	DEVICE	1		
3	O-RING	2	(A)	
4	VALVE	2	(D)	
5	SPRING	2	(D)	
6	BALL	2	(D)	
7	VALVE SEAT	2	(D)	
8	SEAL	2	(D)	
9	AH133126	VALVE	2		INCLUDES PARTS MARKED (D)
10	HOUSING	1		
11	H141869	SPRING	2	(C)	
12	O-RING	2	(A)	
13	BEARING	2	(C)	
14	POPPET	2	(C)	
15	SPRING	2	(C)	
16	O-RING	2	(C)	
17	H167988	DRAIN PLUG	2		
18	SCREW	2	(B)	
19	RETAINER	2	(B)	
20	SPRING	2	(B)	
21	RETAINER	2	(B)	
22	OIL CUP	2	(B)	
23	RETAINER	2	(B)	
24	PISTON	2	(B)	
25	O-RING	2	(B)	
26	AH162545	KIT	2		INCLUDES PARTS MARKED (B)
27	R21612	BLEED SCREW	1		
28	SNAP RING	2	(A) (B)	
29	BOOT	2	(A)	
30	H81461	RETAINER	2		
31	AH161485	KIT	1		INCLUDES PARTS MARKED (C)
32	AH155787	CYLINDER	1		
33	BOLT	1	(A)	
..	AH133128	KIT	1		INCLUDES PARTS MARKED (A)

BRAKE SLAVE CYLINDER (HEAVY DUTY)

HP8034 -UN-18DEC98

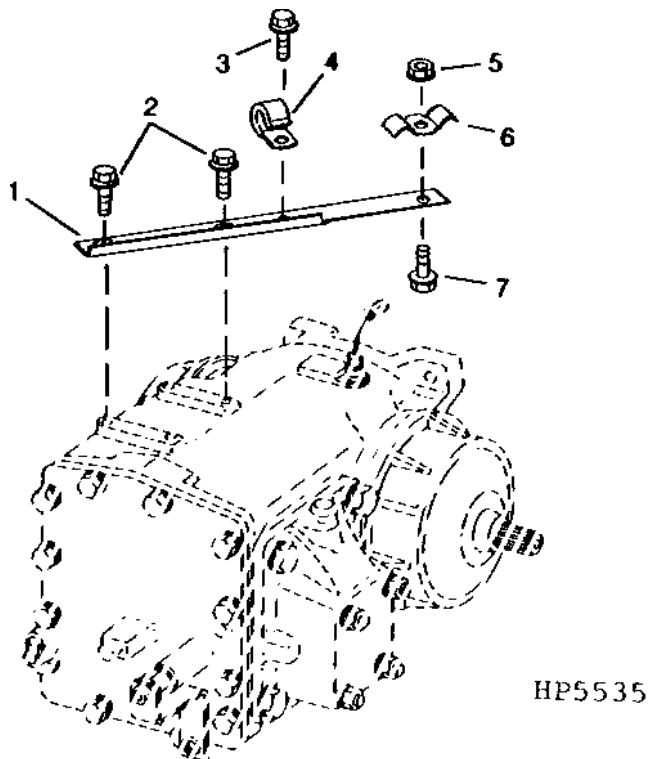


HP8034

KEY	PART NO.	PART NAME	QTY	SERIAL NO.	REMARKS
1	H140135	LINK	2		
2	BOOT	2		
3	PISTON	2		
4	SEAL	2		
5	SPRING	1		
6	W15277	BLEED SCREW	1		REG DUTY
	H168933	SCREW	1		HEAVY DUTY
7	AH160677	CYLINDER	1		R.H. (1.25)
	AH160676	CYLINDER	1		L.H. (1.25)

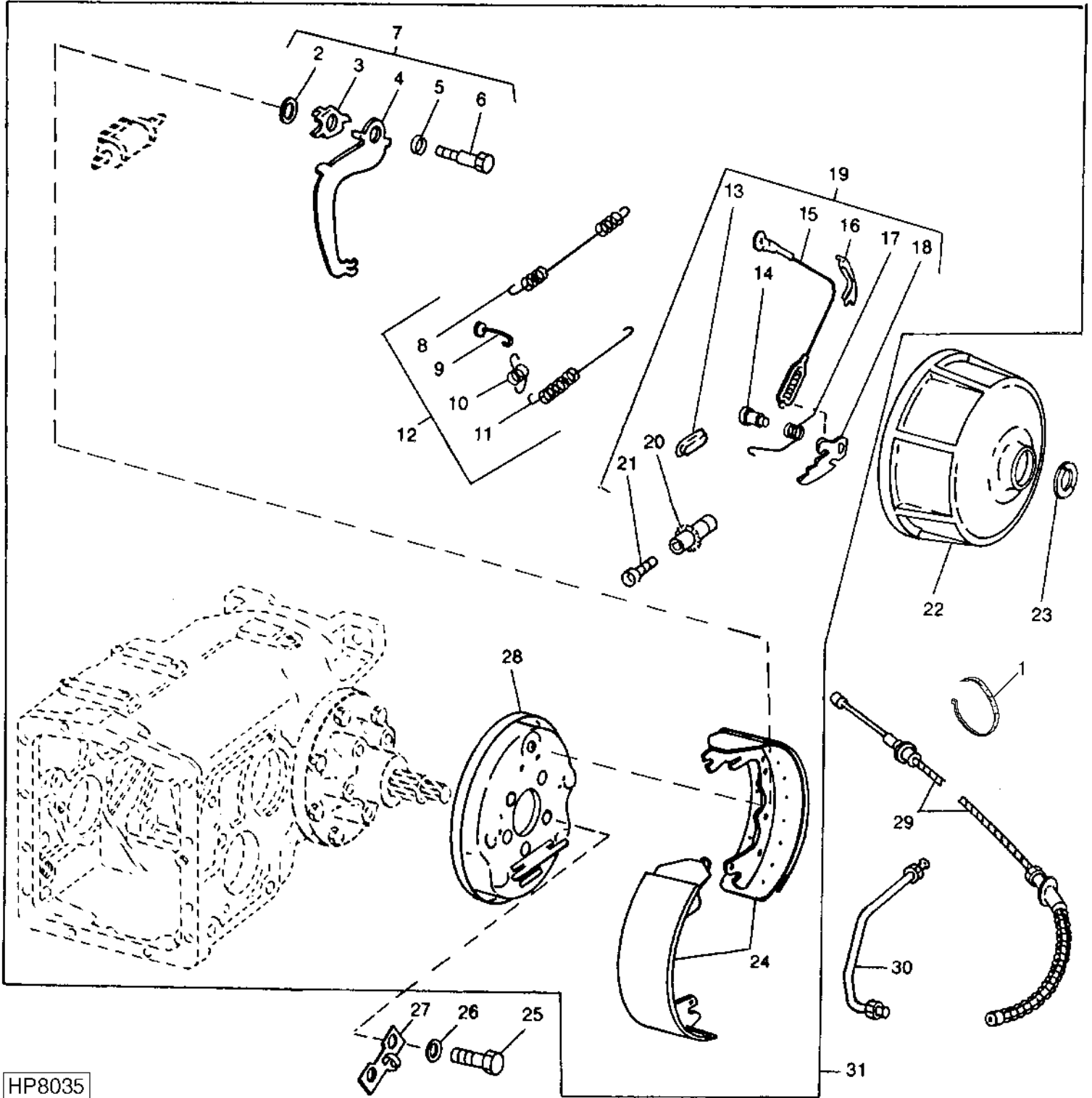
BRAKE CABLE SUPPORT BRACKET

HP5535 -UN-01JAN94



KEY	PART NO.	PART NAME	QTY	SERIAL NO.	REMARKS
1	H147004	SUPPORT	1		
2	19M7865	SCREW	2	M8 X 16	
3	37M7083	SCREW	1	M8 X 12	
4	AH89557	CLIP	1		
5	14M7298	FLANGE NUT	1	M8	
6	R42009	CLAMP	1		
7	19M7867	SCREW	1	M8 X 25	

BRAKE SHOES AND DRUM
(L.H. ILLUSTRATED)
HP8035 -UN-18DEC98



HP8035

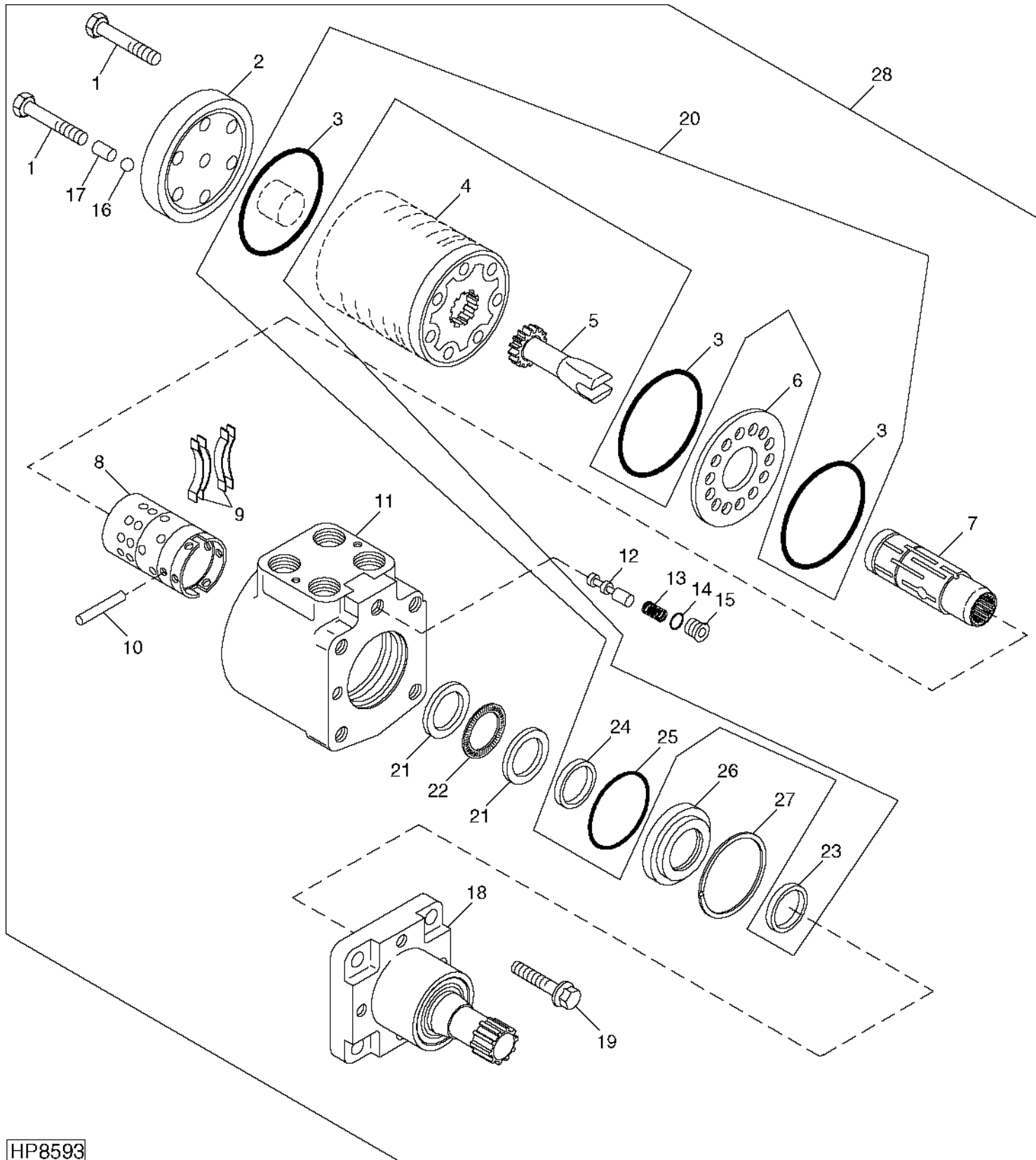
BRAKE SHOES AND DRUM - CONTINUED
(L.H. ILLUSTRATED)

KEY	PART NO.	PART NAME	QTY	SERIAL NO.	REMARKS
1	R44302	TIE BAND	1		
2	WASHER	1		
3	CAM	1		
4	LEVER	1		
5	SPRING	1		
6	BOLT	1		(ANCHOR PIN)
7	AH131058	KIT	1		R.H.
	AH131059	KIT	1		L.H.
8	SPRING	1		(UPPER SHOE-TO-SHOE)
9	H140135	LINK	2		
10	SPRING	2		(LOWER SHOE-TO-SHOE)
11	SPRING	2		(HOLD DOWN)
12	AH131051	KIT	1		
13	COVER	1		(RUBBER)
14	PIN	1		
15	CABLE	1		
16	GUIDE	1		
17	SPRING	1		
18	PAWL	1		(ADJUSTER)
19	AH131054	KIT	1		R.H.
	AH131055	KIT	1		L.H.
20	WHEEL	1		
21	SCREW	1		
22	CE18206	BRAKE DRUM	2		
23	B32564	RING	2		
24	AH132840	BRAKE SHOE	1		REG DUTY
	AH143333	BRAKE SHOE	1		HEAVY DUTY
25	19M7597	CAP SCREW	5		M20 X 50
26	N12679	WASHER	5		20.625 X 38.100 X 3.404 MM
27	H133351	GUIDE	2		
28	AH149829	KIT	1		REG DUTY
	AH162419	KIT	1		HEAVY DUTY
29	AH141582	CABLE	1		
30	AH128842	OIL LINE	1		L.H.
	AH128843	OIL LINE	1		R.H.
31	AH134304	BRAKE	1		R.H. 12 X 2 1/2" (REG DUTY)
	AH134305	BRAKE	1		L.H. 12 X 2 1/2" (REG DUTY)
	AH155785	BRAKE	1		R.H. (HEAVY DUTY)
	AH155786	BRAKE	1		L.H. (HEAVY DUTY)

NOTE: QUANTITIES SHOWN ARE FOR ONE UNIT. TWO UNITS USED PER MACHINE.

2E5

STEERING PUMP
HP8593 -UN-24AUG99



HP8593

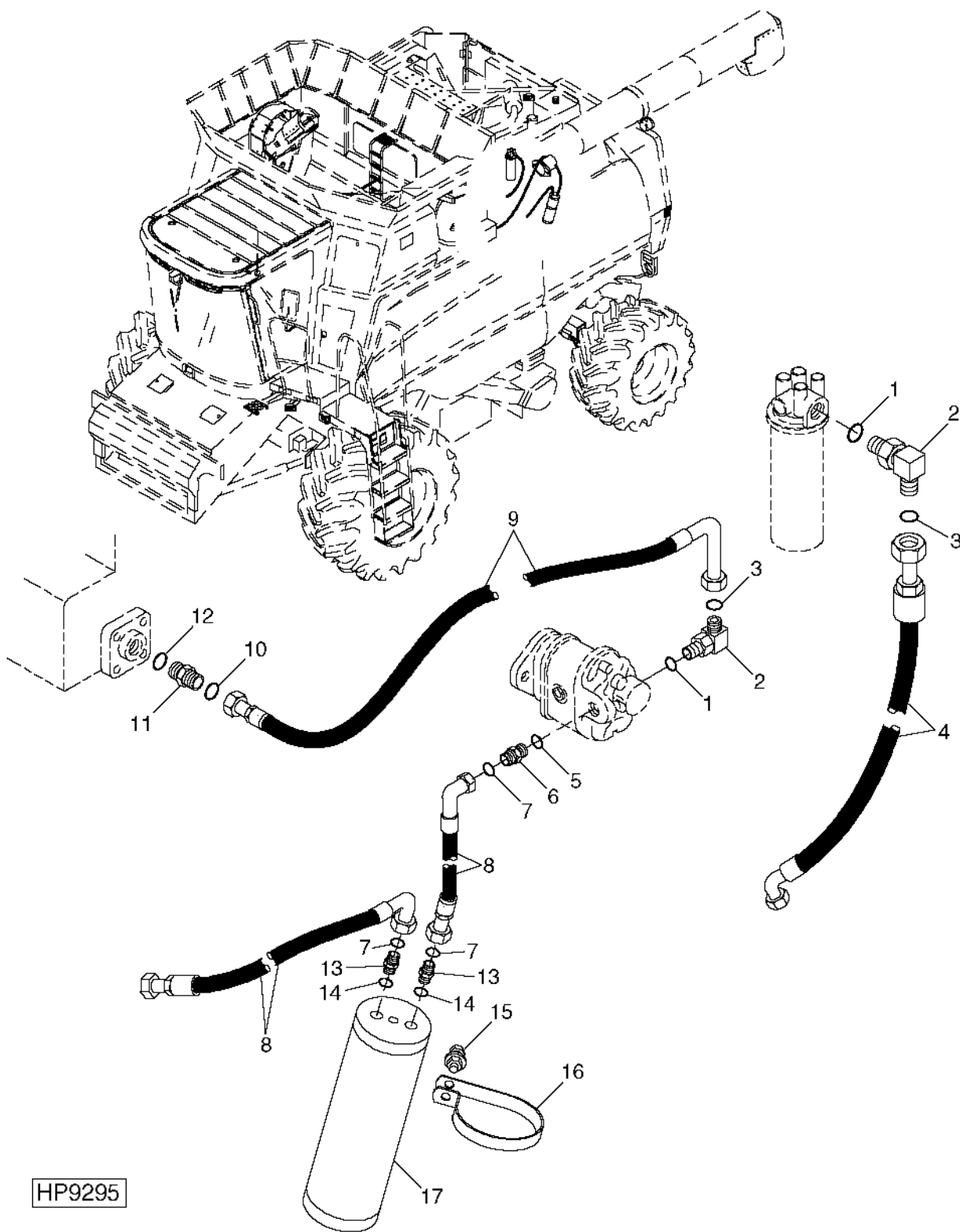
2E6

STEERING PUMP - CONTINUED

KEY	PART NO.	PART NAME	QTY	SERIAL NO.	REMARKS
1	SCREW	7		
2	CAP	1		
3	SEAL	3	(A)	
4	ROTATOR	1		
5	DRIVE	1		
6	SPACER	1		
7	SPOOL	1		
8	SLEEVE	1		
9	SPRING ASSEMBLY	1		
10	PIN	1		
11	CONTROL	1		
12	PLUNGER	1		
13	SPRING	1		
14	O-RING	1		
15	CAP	1		
16	BALL CHECK	1		
17	ROD	1	(A)	
18	HOUSING	1		
19	SCREW	1		
20	AH142893	SEAL KIT	1		INCLUDES PARTS MARKED (A)
21	BEARING	2		
22	NEEDLE BEARING	1		
23	SEAL	1	(A)	
24	SEAL	1	(A)	
25	SEAL	1	(A)	
26	BUSHING	1		
27	SNAP RING	1		
28	AH142441	PUMP	1		

HYDRAULIC STEERING HOSES, UPPER AND ATTENUATOR

HP9295 -UN-19NOV99

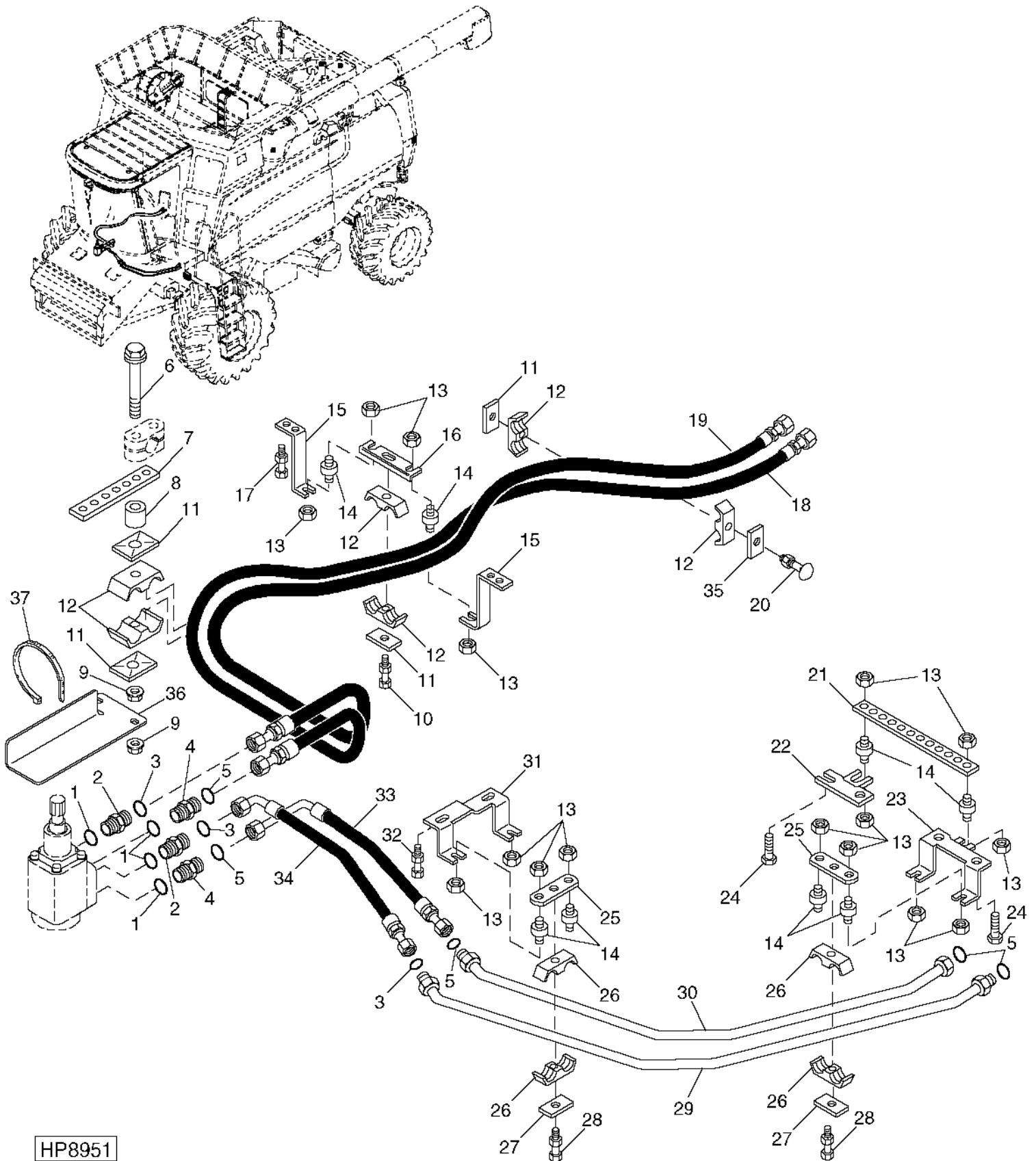


HP9295

HYDRAULIC STEERING HOSES, UPPER AND ATTENUATOR - CONTINUED

KEY	PART NO.	PART NAME	QTY	SERIAL NO.	REMARKS
1	U12547	O-RING	2		
2	38H1007	ELBOW FITTING	2		
3	T77858	O-RING	2		23.470 X 2.946 MM
4	AH126254	HYDRAULIC HOSE	1		18.771 X 1.778 MM
5	R26375	O-RING	1		1-3/16" X 600 MM X 1" (RETURN)
6	38H1161	ADAPTER	1		16.358 X 2.210 MM
7	T77857	O-RING	3		
8	AH133752	HYDRAULIC HOSE	2		12.421 X 1.778 MM
9	AH147935	HYDRAULIC HOSE	1		13/16" X 530 MM X 13/16" (PRESSURE)
10	T76938	O-RING	1		(SUCTION)
11	38H1164	ADAPTER	1		23.520 X 1.778 MM
12	R29936	O-RING	1		
13	38H1173	ADAPTER	2		29.743 X 2.946 MM
14	R26448	O-RING	2		
15	14M7298	FLANGE NUT	2		11.887 X 1.981 MM
	03M7223	BOLT	2		M8
16	R35794	CLAMP	2		M8 X 60
17	AR75693	ATTENUATOR	1		

STEERING HOSES AND LINES, FRONT
HP8951 -UN-15SEP99



2E10

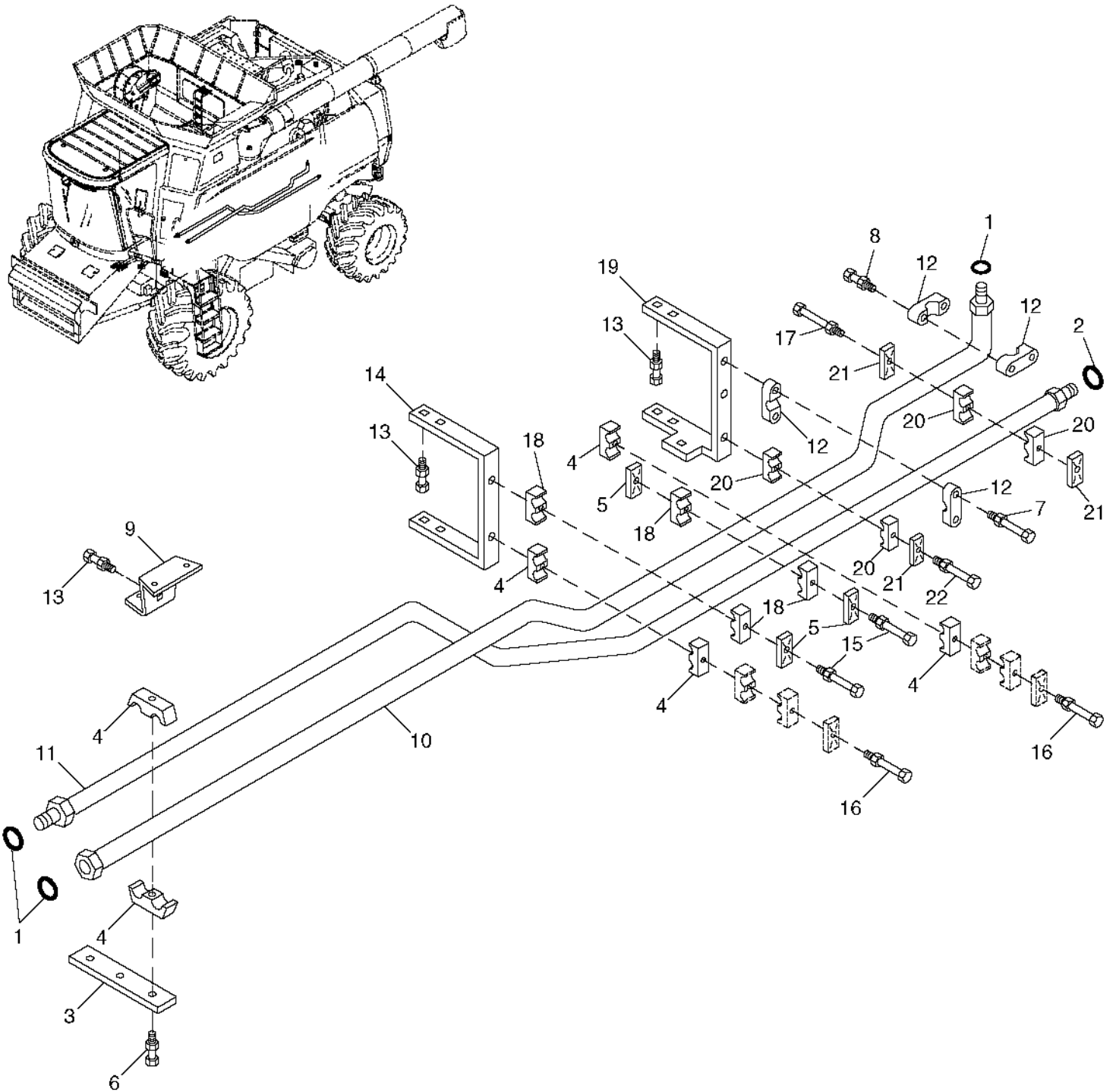
STEERING AND BRAKES

STEERING HOSES AND LINES, FRONT - CONTINUED

KEY	PART NO.	PART NAME	QTY	SERIAL NO.	REMARKS
1	R26375	O-RING	4		
2	38H1161	ADAPTER	2		
3	T77857	O-RING	3		
4	38H1317	FITTING	2		
5	T77932	O-RING	5		
6	19M8006	SCREW	1	M8 X 120	
7	H134558	STRAP	1		
8	H133060	SLEEVE	1		
9	14M7298	FLANGE NUT	2	M8	
10	19M7801	SCREW	1	M8 X 60	
	14M7396	LOCK NUT	1	M8	
11	H112567	PLATE	4		
12	H135155	CLAMP	6		
13	N10217	LOCK NUT	16	6.350 MM (1/4")	
14	AH126657	ISOLATOR	8		
15	H135608	BRACKET	2		
16	H134470	STRAP	1		
17	19M7865	SCREW	4	M8 X 16	
	14M7298	FLANGE NUT	4	M8	
18	AH131546	HYDRAULIC HOSE	1	11/16" X 1 800 MM (70-3/4") X 1", RIGHT	
19	AH131545	HYDRAULIC HOSE	1	13/16" X 1 800 MM (70-3/4") X 13/16", LEFT	
20	03M7224	BOLT	1	M8 X 65	
	14M7298	FLANGE NUT	1	M8	
21	H134426	STRAP	1		
22	H134427	BRACKET	1		
23	H134424	BRACKET	1		
24	37M7058	SCREW	4	M8 X 20	
25	H134425	STRAP	2		
26	H120847	CLAMP	4		
27	H121168	PLATE	2		
28	19M8318	SCREW	2	M8 X 45	
	14M7298	FLANGE NUT	2	M8	
29	AH131382	HYDRAULIC LINE	1	(RETURN)	
30	AH131381	HYDRAULIC LINE	1	(PRESSURE)	
31	H135619	BRACKET	1		
32	19M7865	SCREW	2	M8 X 16	
	14M7298	FLANGE NUT	2	M8	
33	AH133161	HYDRAULIC HOSE	1	1" X 600 MM (23-1/2") X 1"	
34	AH133160	HYDRAULIC HOSE	1	13/16" X 690 MM (27-1/4") X 13/16"	
35	24H1347	WASHER	1	13.487 X 50.800 X 4.928 MM (17/32" X 2" X 0.194")	
36	H171998	BRACKET	1		
37	R44302	TIE BAND	1		

2E11

STEERING LINES, L.H. SIDE
HP9302 -UN-18NOV99



HP9302

2E12

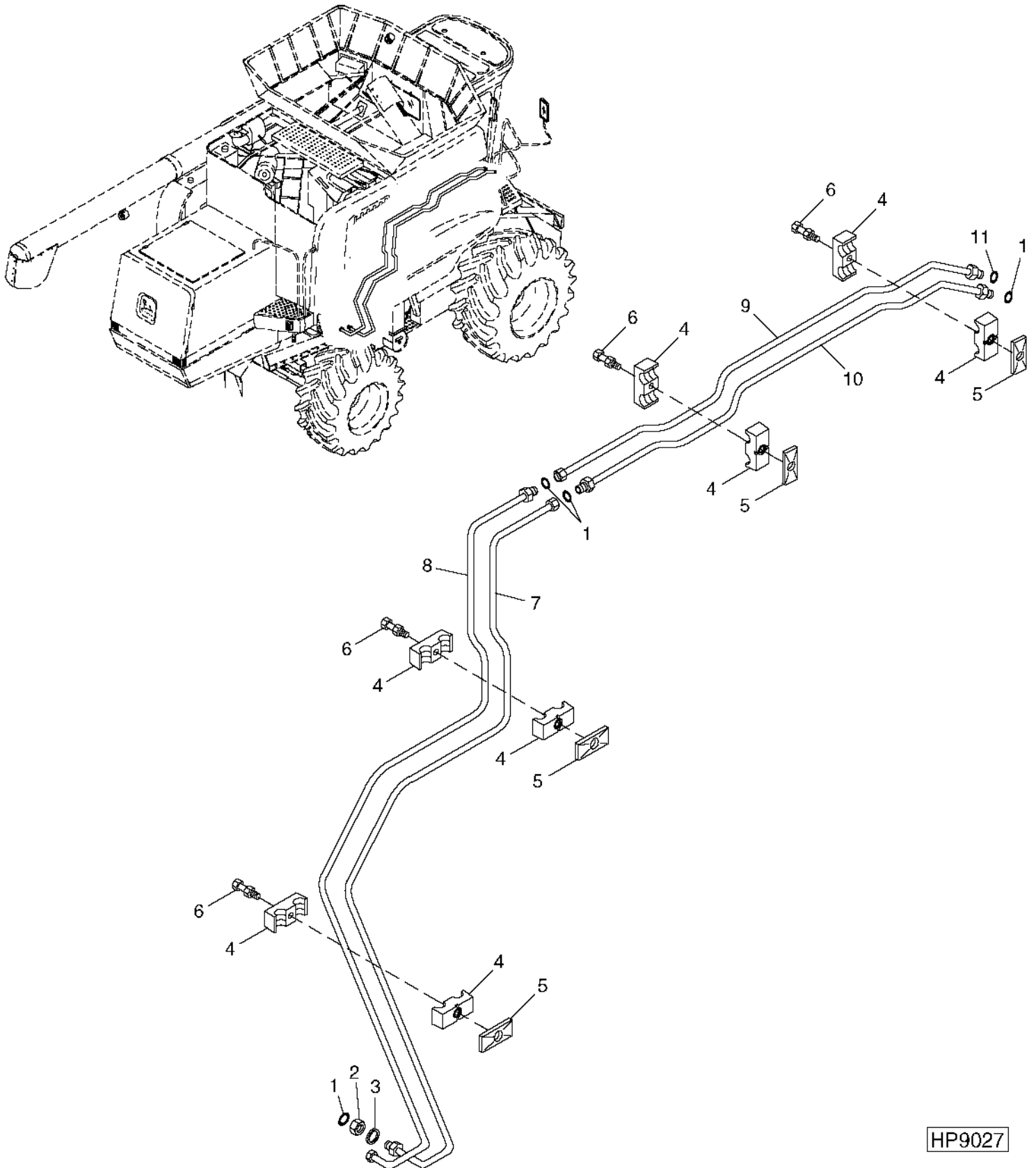
STEERING AND BRAKES

STEERING LINES, L.H. SIDE - CONTINUED

KEY	PART NO.	PART NAME	QTY	SERIAL NO.	REMARKS
1	T77932	O-RING	3		
2	T77857	O-RING	1		
3	H131163	STRAP	1		
4	H120847	CLAMP	6		
5	H121168	PLATE	3		W/O REEL FORE/AFT
6	19M8303	CAP SCREW	1		M14 X 160
	14M7298	FLANGE NUT	1		M8
7	19M8318	SCREW	2		M8 X 45
8	03M7216	BOLT	2		M8 X 50
	14M7298	FLANGE NUT	2		M8
9	H147067	BRACKET	1		
10	AH131302	OIL LINE	1		(RETURN)
11	AH131316	HYDRAULIC LINE	1		(PRESSURE)
12	H115533	CLAMP	4		
	14M7298	FLANGE NUT	2		M8
13	19M7866	SCREW	8		M8 X 20
	14M7396	LOCK NUT	8		M8
14	H131115	BRACKET	1		
15	19M8319	SCREW	2		M8 X 50, W/O REEL FORE/AFT
	19M7803	SCREW	2		M8 X 70, W/ REEL FORE/AFT
	14M7298	FLANGE NUT	2		M8
16	19M7913	SCREW	2		M8 X 90
	14M7298	FLANGE NUT	2		M8
17	19M7801	SCREW	2		M8 X 60
	14M7298	FLANGE NUT	2		M8
18	H109046	CLAMP	4		
19	H133659	BRACKET	1		
20	H111730	CLAMP	4		
21	H112567	PLATE	3		
22	19M7979	SCREW	1		M8 X 55
	14M7298	FLANGE NUT	1		M8

2E13

STEERING LINES, R.H. SIDE
HP9027 -UN-13SEP99



HP9027

2E14

STEERING AND BRAKES

STEERING LINES, R.H. SIDE - CONTINUED

KEY	PART NO.	PART NAME	QTY	SERIAL NO.	REMARKS
1	T77613	O-RING	4		9.246 X 1.778 MM
2	T81029	NUT	1		17.475 MM, (BULKHEAD)
3	24M7114	WASHER	1		19 X 30 X 4 MM
4	H128515	CLAMP	8		
5	H121163	COVER	4		
6	03M7188	BOLT	4		M8 X 40
	14M7298	FLANGE NUT	4		M8
7	AH140715	HYDRAULIC LINE	1		R.H.
8	AH140714	HYDRAULIC LINE	1		L.H.
9	AH133988	OIL LINE	1		L.H.
10	AH133987	OIL LINE	1		R.H.
11	T77857	O-RING	1		12.421 X 1.778 MM

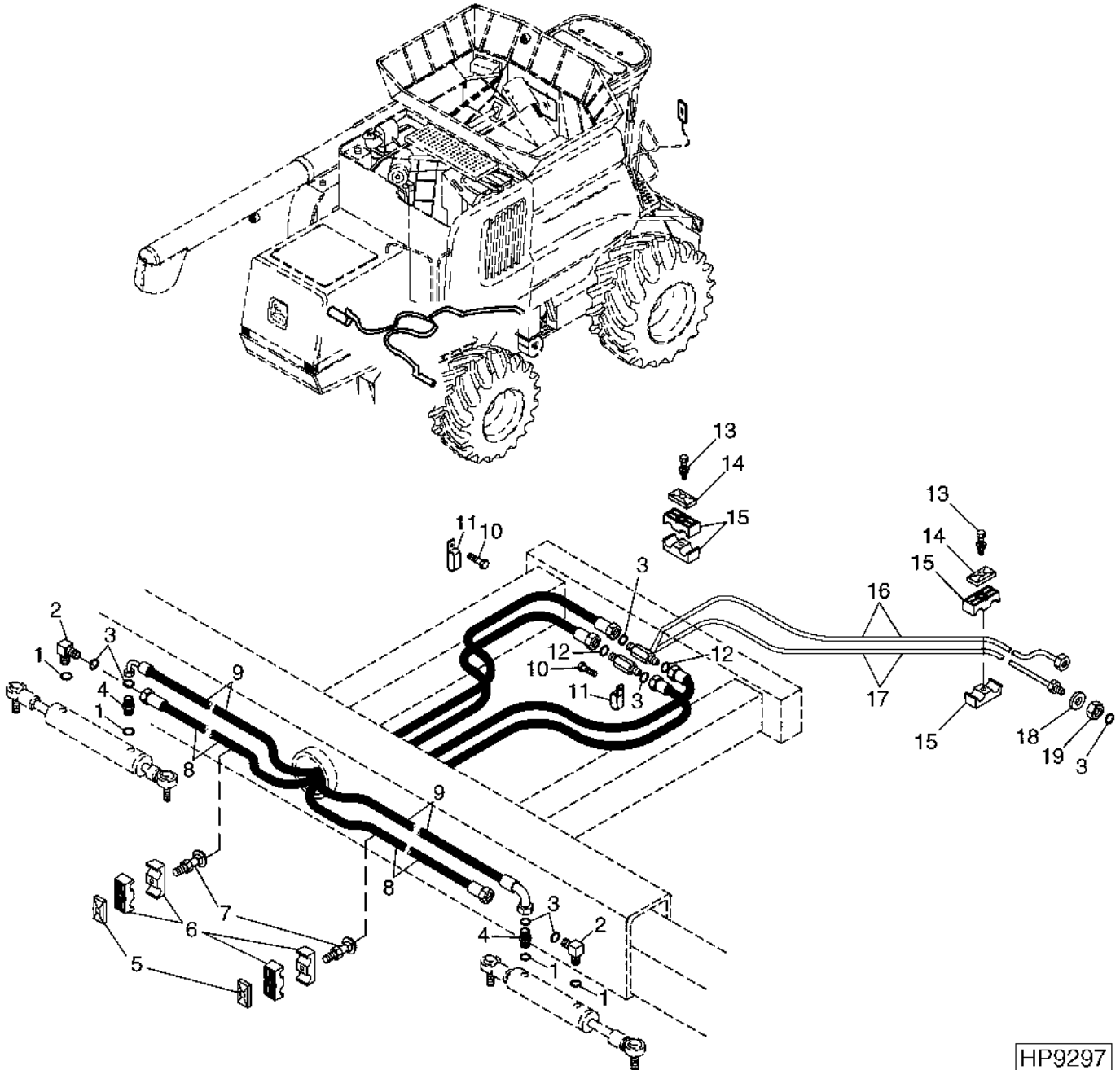
2E15

STEERING LINES AND HOSES, REAR

(DUAL CYLINDER)

HP9297

-UN-19NOV99



HP9297

2E16

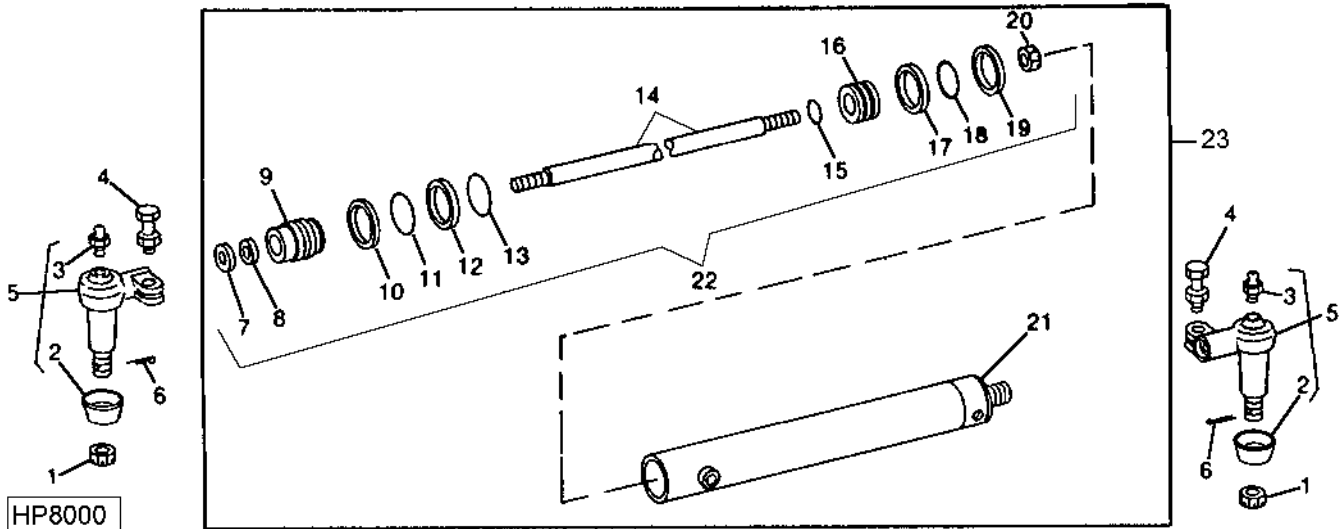
STEERING AND BRAKES

**STEERING LINES AND HOSES, REAR - CONTINUED
(DUAL CYLINDER)**

KEY	PART NO.	PART NAME	QTY	SERIAL NO.	REMARKS
1	R26448	O-RING	4		11.887 X 1.981 MM
2	38H1004	ELBOW FITTING	2		
3	T77613	O-RING	7		9.246 X 1.778 MM
4	38H1160	ADAPTER	2		
5	H121168	PLATE	2		
6	H135156	CLAMP	4		
7	03M7280	BOLT	2		M6 X 45
	14M7303	FLANGE NUT	2		M6
8	AH130890	HYDRAULIC HOSE	2		9/16" X 2 452 MM X 11/16"
9	AH130119	HYDRAULIC HOSE	2		
10	37M7058	SCREW	2		M8 X 20
11	AH97280	CLIP	2		
12	T77814	O-RING	2		7.645 X 1.778 MM
13	19M8317	SCREW	2		M8 X 40
	14M7298	FLANGE NUT	2		M8
14	H121163	COVER	2		
15	H128515	CLAMP	4		
16	AH120872	OIL LINE	1		R.H.
17	AH120876	OIL LINE	1		L.H.
18	24M7114	WASHER	1		19 X 30 X 4 MM
19	T81029	NUT	1		17.475 MM

2E17

STEERING CYLINDER
HP8000 -UN-06JAN99



KEY	PART NO.	PART NAME	QTY	SERIAL NO.	REMARKS
1	14H902	NUT	2	3/4"	
2	R78027	COVER	2		
3	JD7797	LUBRICATION FITTING	2		
4	19H1765	CAP SCREW	2	3/8" X 1-3/4" (USE WITH O.AND S.)	
	H99923	LOCK NUT	2	9.525 MM (3/8") (USE WITH O.AND S.)	
	19H1740	CAP SCREW	2	7/16" X 1-3/4" (USE WITH TRW)	
	H80440	LOCK NUT	2	11.125 MM (7/16") (USE WITH TRW)	
5	AH117566	TIE ROD END	2		
6	11M7092	COTTER PIN	2	3.200 X 40 MM	
7	SEAL	1		
8	SEAL	1		
9	GUIDE	1		
10	SNAP RING	1		
11	RING	1		
12	WASHER	1		
13	O-RING	1		
14	ROD	1		
15	O-RING	1		
16	PISTON	1		
17	PISTON RING	1		
18	O-RING	1		
19	WEAR RING	1		
20	LOCK NUT	1		
21	HYDRAULIC CYLINDER BARREL	1		
22	AH101202	KIT	1	SEAL REPAIR	
23	AH125658	HYDRAULIC CYLINDER	1		

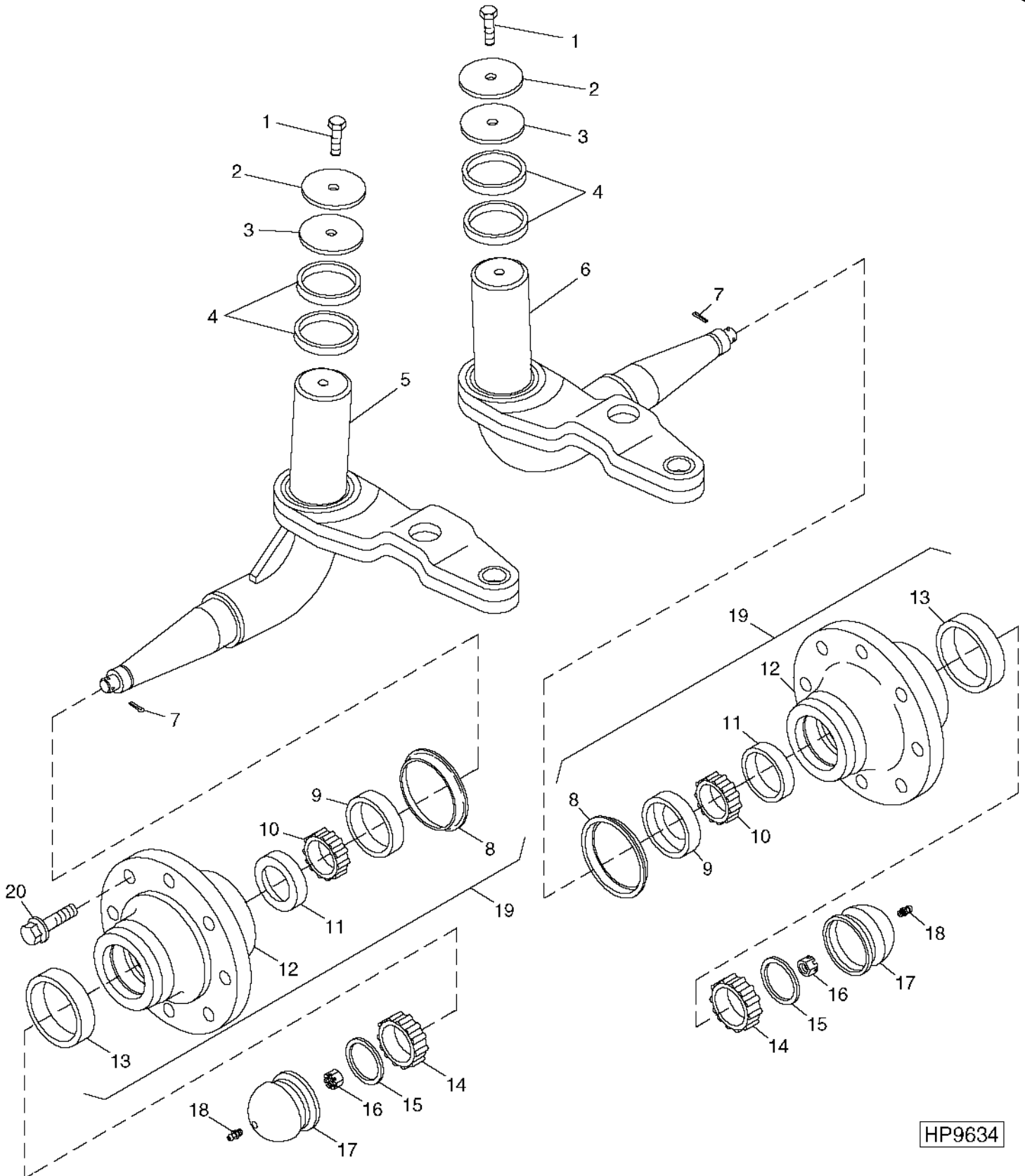
NOTE: QUANTITIES SHOWN ARE FOR ONE UNIT. TWO UNITS USED PER MACHINE.

MEMORANDA

2E18

REAR AXLE SPINDLES (REGULAR DUTY)
(FIXED AND ADJUSTABLE REAR AXLE)

HP9634 -UN-24MAR00



HP9634

2E19

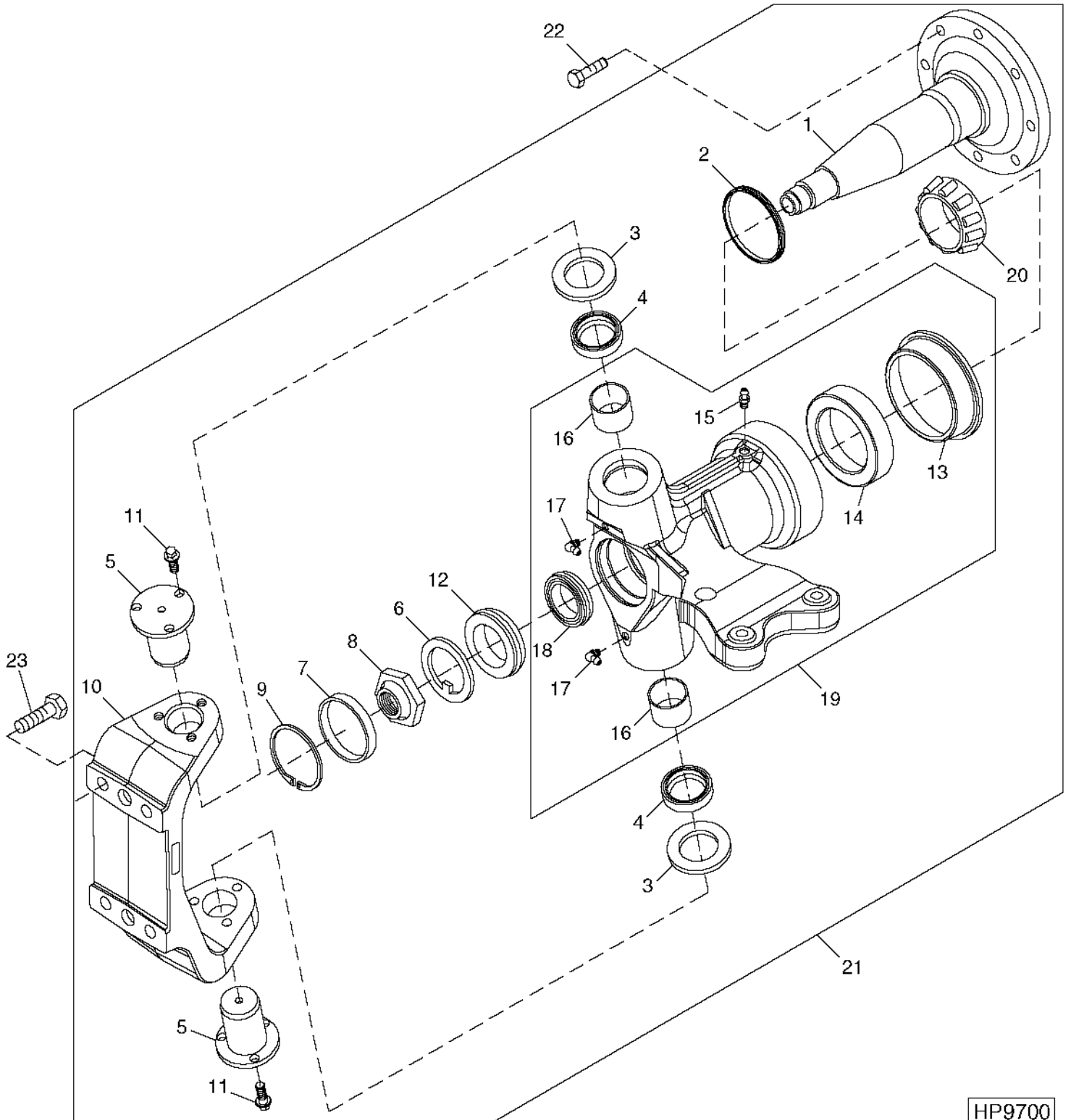
STEERING AND BRAKES

**REAR AXLE SPINDLES (REGULAR DUTY) - CONTINUED
(FIXED AND ADJUSTABLE REAR AXLE)**

KEY	PART NO.	PART NAME	QTY	SERIAL NO.	REMARKS
1	19M8017	CAP SCREW	2		
2	24H1916	WASHER	2		
3	H96869	CAP	2		
4	H102206	THRUST BEARING	4		
5	AH162571	SPINDLE	1		L.H.
6	AH162572	SPINDLE	1		R.H.
7	11M7030	COTTER PIN	2		5 X 40 MM
8	H94951	SLEEVE	2		
9	AH93892	SEAL	2		
10	JD8952	BEARING	2		
11	JD8258	BEARING CUP	2		
12	HUB	2		
13	JD8237	BEARING CUP	2		
14	JD8902	BEARING CONE	2		
15	R30399	WASHER	2		
16	14H920	NUT	2		1"
17	H94950	CAP	2		
18	JD7759	LUBRICATION FITTING	2		STRAIGHT, 1/8"
19	AH162573	HUB	2		
20	H168476	SCREW	8		

2E20

REAR AXLE SPINDLES (HEAVY DUTY) HP9700 -UN-12APR00



HP9700

2E21

STEERING AND BRAKES

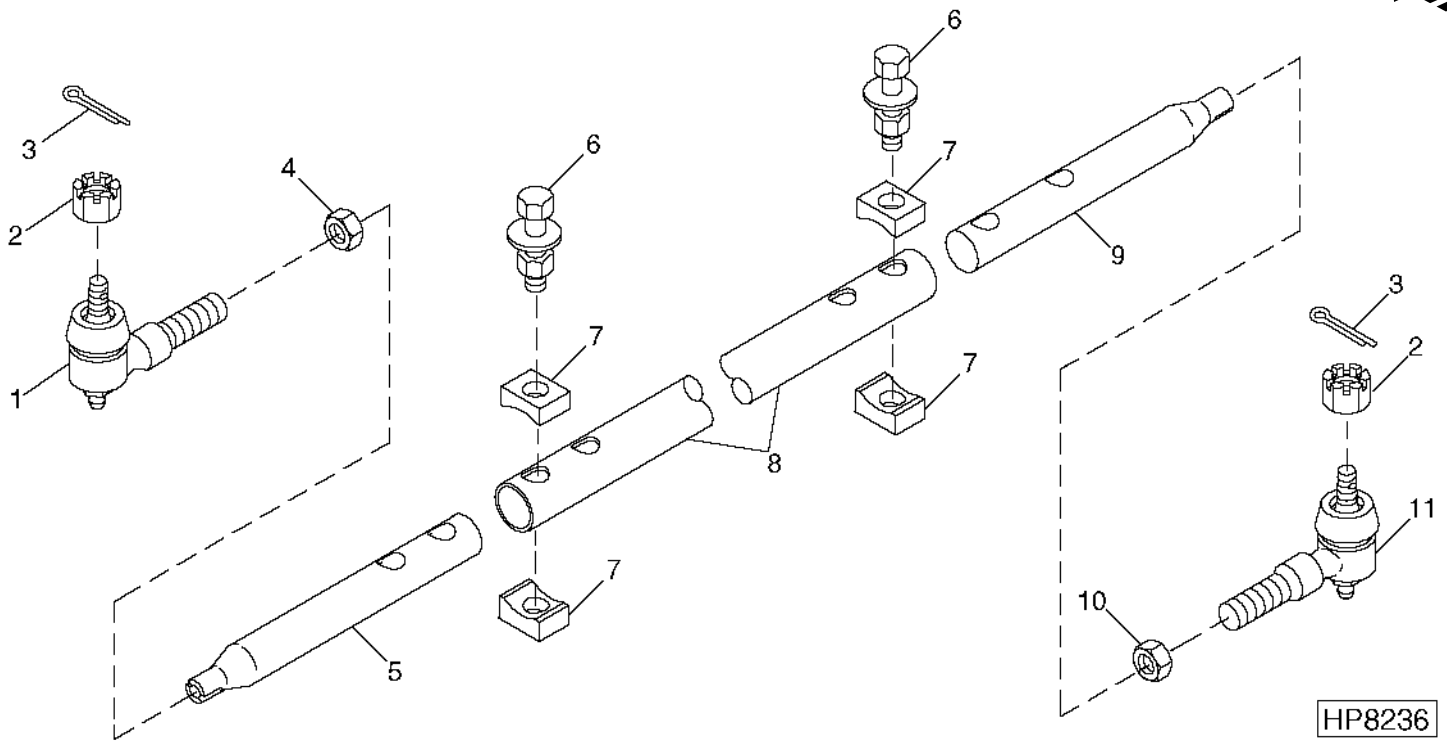
REAR AXLE SPINDLES (HEAVY DUTY) - CONTINUED

KEY	PART NO.	PART NAME	QTY	SERIAL NO.	REMARKS
1	H164559	SPINDLE	1		
2	RE49243	SEAL	1		
3	R60239	THRUST WASHER	2		
4	AR86539	SEAL	2		
5	H164561	PIN	2		
6	H169128	WASHER	1		
7	T12529	CAP	2		
8	H174361	NUT	1		
9	40M7117	SNAP RING	1		
10	H174081	YOKE	1		(SUB FOR H164562)
11	19M7786	SCREW	6		M10 X 30
12	JD9043	BEARING CONE	1		
13	R57269	OIL CUP	1		
14	JD7448	BEARING CUP	1		
15	JD7798	LUBRICATION FITTING	1		
16	R68102	BUSHING	2		
17	JD7799	LUBRICATION FITTING	2		
18	JD9109	BEARING CUP	1		
19	AH162466	SPINDLE	1		R.H.
	AH162467	SPINDLE	1		L.H.
20	JD10462	BEARING CONE	1		
21	AH162146	SPINDLE	1		R.H.
	AH162147	SPINDLE	1		L.H.
22	H168476	SCREW	8		M16 X 55
23	19M8002	CAP SCREW	4		M20 X 55

2E22

**STEERING TIE RODS
(ADJUSTABLE REAR AXLE)**

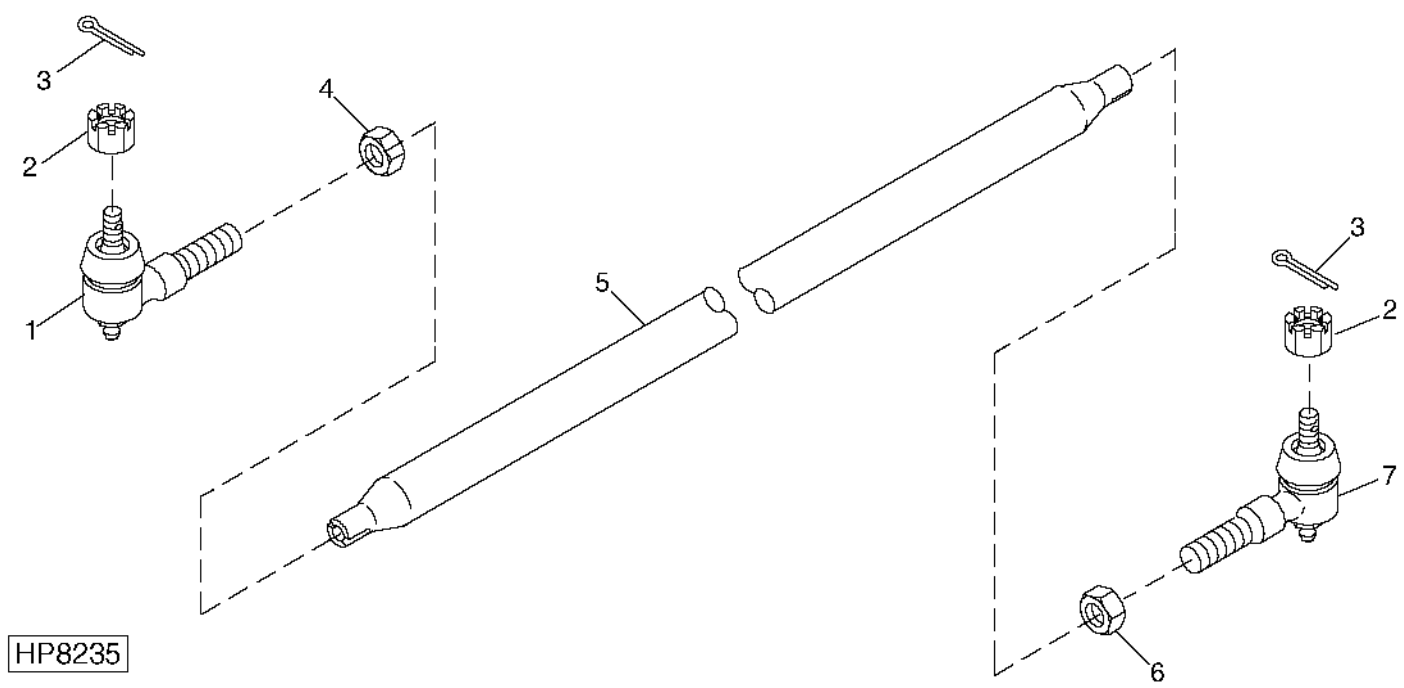
HP8236 -UN-24FEB99



KEY	PART NO.	PART NAME	QTY	SERIAL NO.	REMARKS
1	RE12326	TIE ROD END	1		(L.H. THREAD)
2	14H902	NUT	2		
3	11M7087	COTTER PIN	2		
4	R78026	NUT	1		(L.H.)
	14M7401	LOCK NUT	4		M12
5	H136335	TUBE	1		L.H. (4-WHEEL DRIVE REAR AXLE) (ILLUSTRATED)
	H130227	TUBE	1		L.H. (ADJUSTABLE REAR AXLE)
6	19M7820	SCREW	4		M12 X 100
7	H139807	CLAMP	8		
8	H140382	TUBE	1		CENTER (ADJUSTABLE REAR AXLE) (ILLUSTRATED)
	H140383	TUBE	1		CENTER (4-WHEEL DRIVE REAR AXLE)
9	H136334	TUBE	1		R.H. (4-WHEEL DRIVE REAR AXLE) (ILLUSTRATED)
	H130228	TUBE	1		R.H. (ADJUSTABLE REAR AXLE)
10	R78025	LOCK NUT	1		(R.H.)
11	RE12325	TIE ROD END	1		(R.H. THREAD)

2E23

**STEERING TIE RODS
(FIXED REAR AXLE)**
HP8235 -UN-21APR99



HP8235

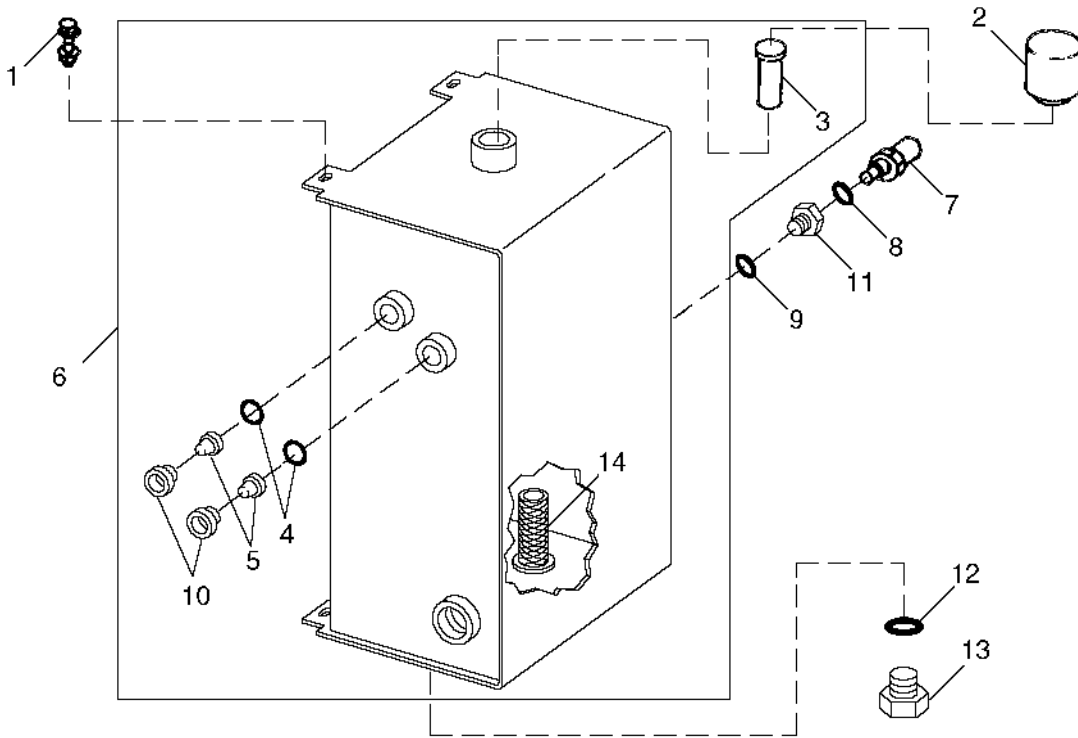
KEY	PART NO.	PART NAME	QTY	SERIAL NO.	REMARKS
1	RE12326	TIE ROD END	1	(L.H.THREAD)	
2	14H902	NUT	2		
3	11M7087	COTTER PIN	2		
4	R78026	NUT	1	(L.H.)	
5	H134557	TUBE	1		
	H173218	TUBE	1	HEAVY DUTY	
6	R78025	LOCK NUT	1	(R.H.)	
7	RE12325	TIE ROD END	1	(R.H.THREAD)	
..	BH79199	COMPLETE GOODS/SHIP. BUNDLE	1	POWERED REAR AXLE CONVERSION (TIE ROD)	

MEMORANDA

2F4

HYDRAULICS

HYDRAULIC / HYDROSTATIC OIL RESERVOIR AND MOUNTINGS
 HP9079 -UN-20SEP99



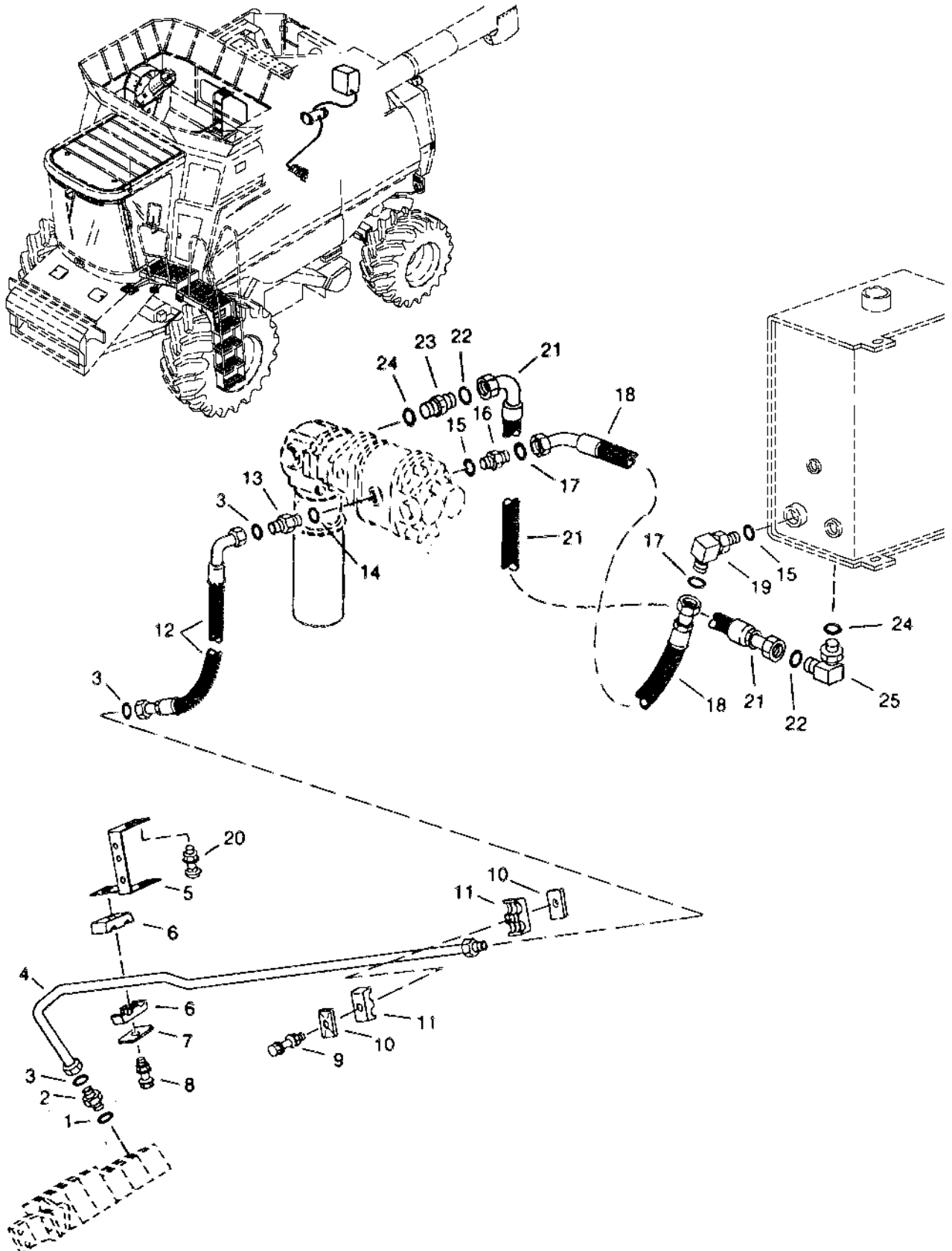
HP9079

KEY	PART NO.	PART NAME	QTY	SERIAL NO.	REMARKS
1	19M7866	SCREW	4	M8 X 20	
	14M7298	FLANGE NUT	4	M8	
2	AZ49144	CAP	1		
3	AH135064	STRAINER	1		
4	P48347	O-RING	2		
5	N209312	LENS	2		OIL LEVEL
6	AH157973	HYDRAULIC RESERVOIR	1		
7	AH156144	SENSOR	1		TEMPERATURE
8	51M7040	O-RING	1		
9	R26375	O-RING	1		16.358 X 2.210 MM
10	N205022	RETAINER	2		
11	T28256	COUPLING	1		
12	R26448	O-RING	1		
13	R27218	FITTING PLUG	1		2-WHEEL DRIVE
14	AH131334	SCREEN	1		

2F5

HYDRAULIC PRESSURE LINES AND HOSES

HP9029 -UN-20SEP99



HP9029

2F6

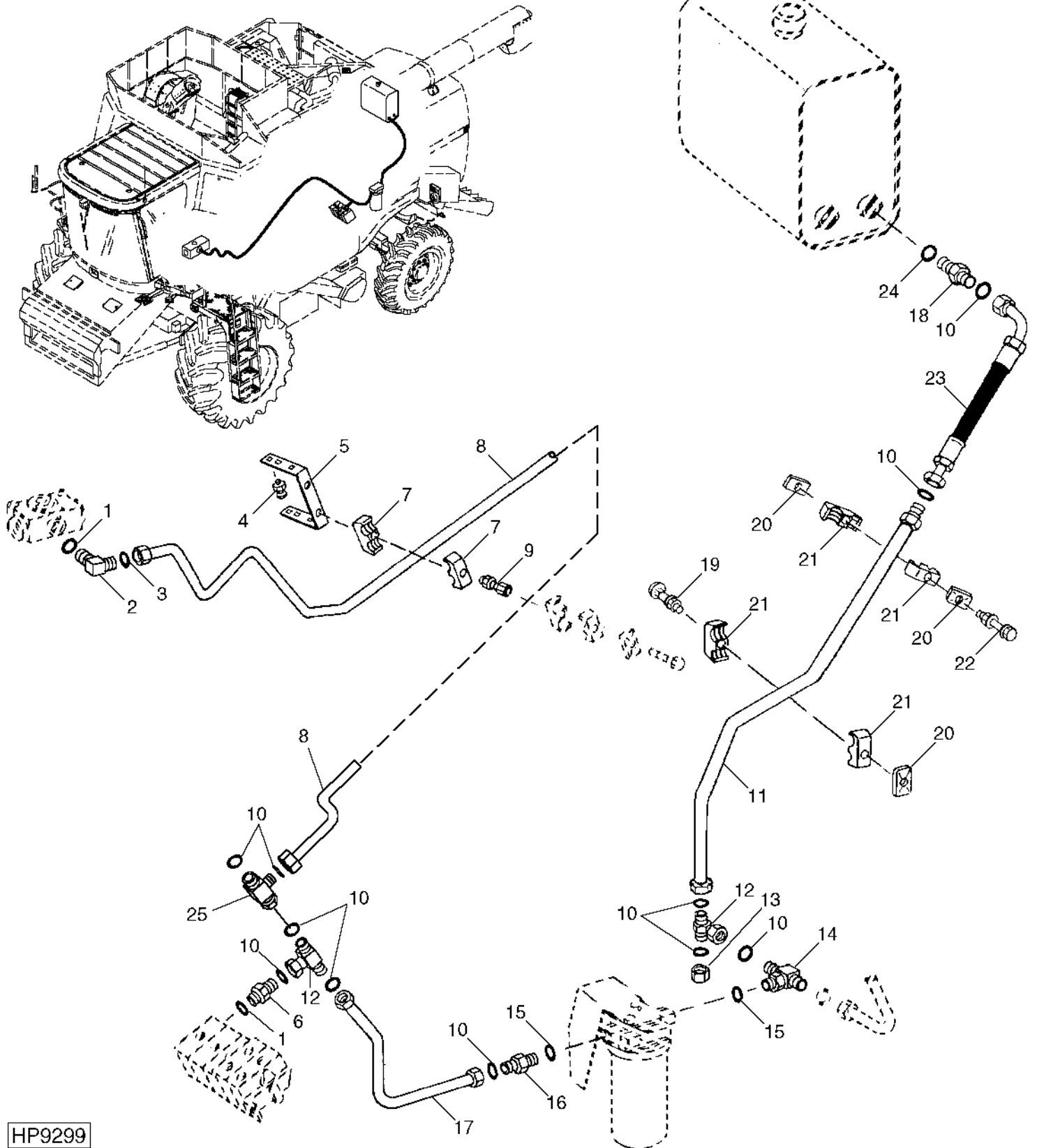
HYDRAULICS

HYDRAULIC PRESSURE LINES AND HOSES - CONTINUED

KEY	PART NO.	PART NAME	QTY	SERIAL NO.	REMARKS
1	R26375	O-RING	1		
2	38H1317	FITTING	1		
3	T77932	O-RING	3		16.358 X 2.210 MM
4	AH161714	LINE	1		
5	H133659	BRACKET	1		
6	H109046	CLAMP	2		
7	H121168	PLATE	1		
8	19M8318	SCREW	1		M8 X 45
	14M7298	FLANGE NUT	1		M8
9	19M7801	SCREW	1		M8 X 60
	14M7298	FLANGE NUT	1		M8
10	H112567	PLATE	2		
11	H111730	CLAMP	2		
12	AH166953	HYDRAULIC HOSE	1		
13	38H1162	ADAPTER	1		
14	R26906	O-RING	1		19.177 X 2.464 MM
15	R29936	O-RING	2		29.743 X 2.946 MM
16	38H1164	ADAPTER	1		
17	T76938	O-RING	2		23.520 X 1.778 MM
18	AH126240	HYDRAULIC HOSE	1		1-7/16" X 600 MM X 1-7/16"
19	38H1037	ELBOW FITTING	1		
20	03M7184	BOLT	4		M8 X 20 (RD. HEAD)
	14M7396	LOCK NUT	4		M8
21	AH126242	HYDRAULIC HOSE	1		1-7/16" X 730 MM X 1-7/16"
22	T76938	O-RING	2		23.520 X 1.778 MM
23	38H1164	ADAPTER	1		
24	R29936	O-RING	2		29.743 X 2.946 MM
25	38H1037	ELBOW FITTING	1		

HYDRAULIC RESERVOIR LINES AND HOSES

HP9299 -UN-19NOV99



HP9299

2F8

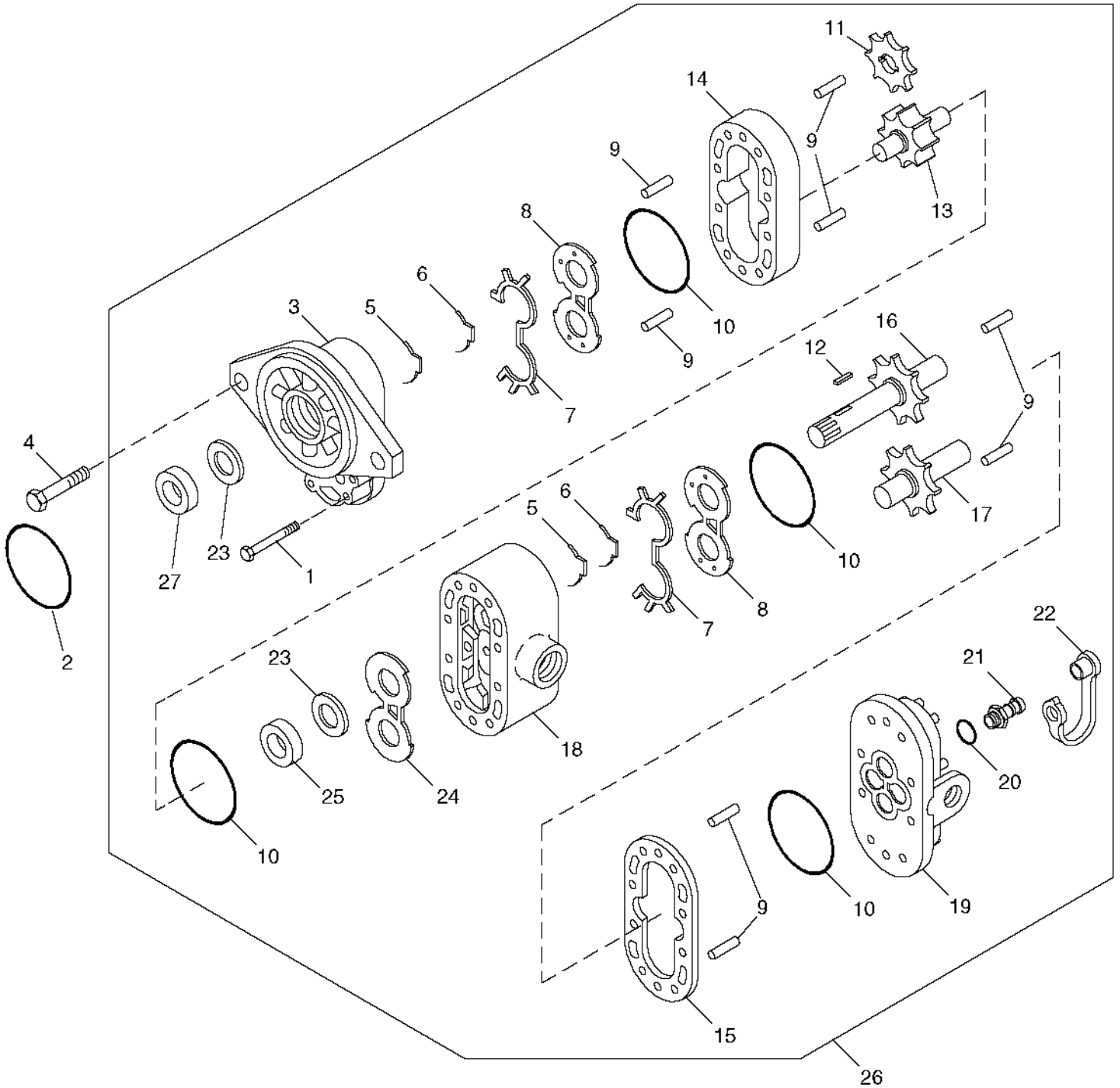
HYDRAULICS

HYDRAULIC RESERVOIR LINES AND HOSES - CONTINUED

KEY	PART NO.	PART NAME	QTY	SERIAL NO.	REMARKS
1	R26906	O-RING	2		
2	38H1006	ELBOW FITTING	1		
3	T77932	O-RING	1		
4	03M7184	BOLT	4	M8 X 20	
5	H131115	BRACKET	1	(RD. HEAD)	
6	38H1193	ADAPTER	1		
7	H120847	CLAMP	2		
8	AH144345	LINE	1	(REEL RETURN)	
9	19M7913	SCREW	1	M8 X 90	
	14M7298	FLANGE NUT	1	M8	
10	T77858	O-RING	11	18.771 X 1.778 MM, (UPPER RETURN)	
11	AH152665	LINE	1	(RETURN)	
12	38H1041	TEE FITTING	2		
13	38H1418	FITTING PLUG	1		
14	38H1437	TEE FITTING	1		
15	R29936	O-RING	2		
16	38H1194	ADAPTER	1		
17	AH126122	HYDRAULIC LINE	1	(RETURN)	
18	38H1163	ADAPTER	1		
19	03M7245	BOLT	1	M8 X 55	
	14M7298	FLANGE NUT	1	M8	
20	H112567	PLATE	3		
21	H114865	CLAMP	4		
22	19M7801	SCREW	1	M8 X 60	
	14M7298	FLANGE NUT	1	M8	
23	AH152666	HYDRAULIC HOSE	1	1-3/16" X 785 MM X 1-3/16", (UPPER RETURN)	
24	U12547	O-RING	1	(RETURN)	
25	38H1033	TEE FITTING	1		

2F9

MAIN HYDRAULIC PUMP
HP8298 -UN-16AUG99



HP8298

2F10

HYDRAULICS

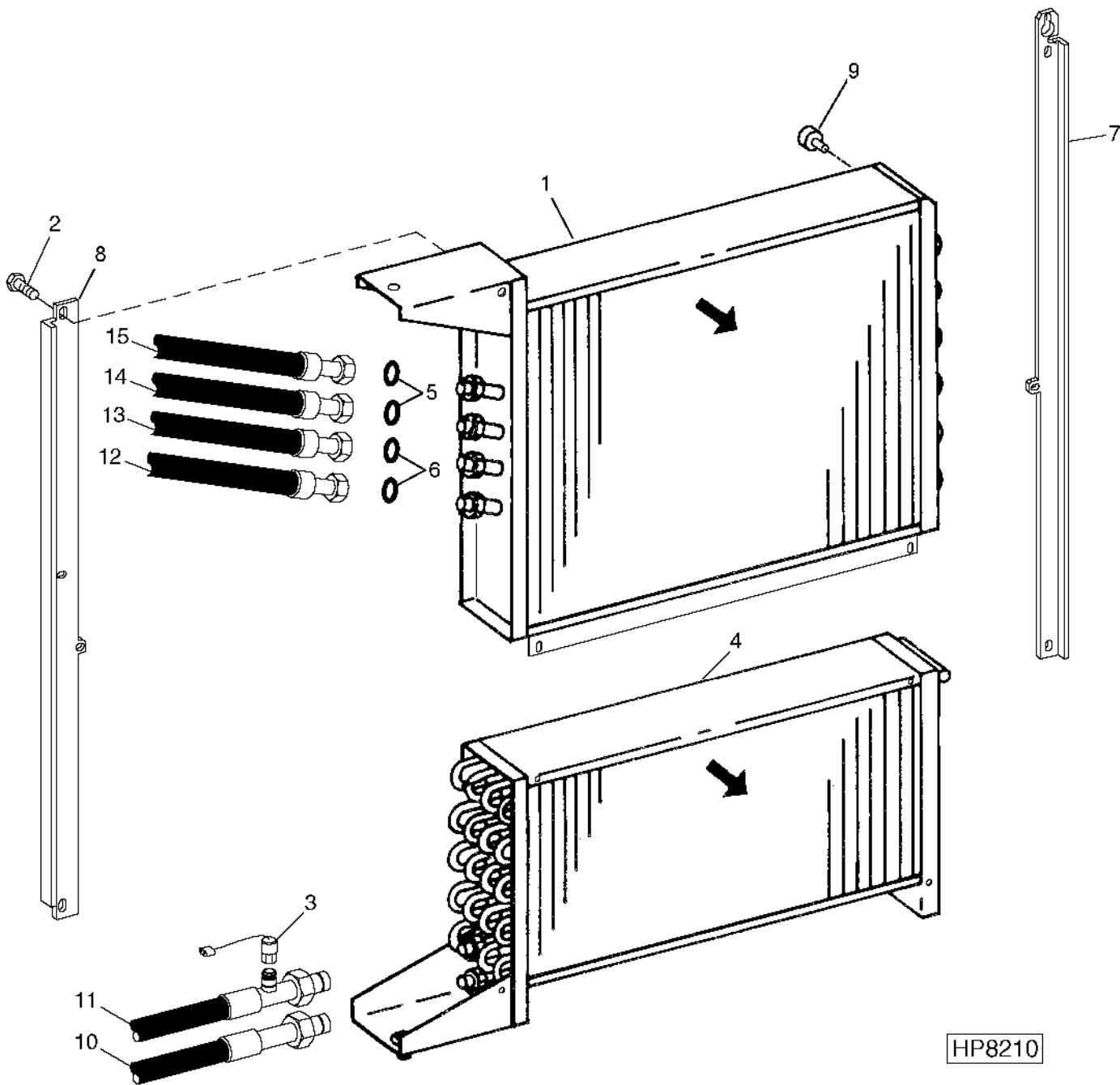
MAIN HYDRAULIC PUMP - CONTINUED

KEY	PART NO.	PART NAME	QTY	SERIAL NO.	REMARKS
1	GG310-30411 H135569	SCREW CAP SCREW	8 8		REGULAR DUTY FINAL DRIVE W/2-1/8" CYLINDER 7.925 X 133.350 MM, HEAVY DUTY FINAL DRIVE W/2-3/8" LIFT CYLINDER
2	E65288	O-RING	1		
3	PLATE	1		
4	19H1732 12H304	CAP SCREW LOCK WASHER	2 2		3/8" X 1-1/4" 3/8"
5	SEAL	2		(A)
6	GASKET	2		(A)
7	GASKET	2		(A)
8	WEAR PLATE	2		(A)
9	H116213	DOWEL PIN	8		
10	H80821	O-RING	4		(A) 75.921 X 1.778 MM
11	PARALLEL SHAFT GEAR DRIVE	1		
12	H125929 H135566	SHAFT KEY KEY	1 1		REGULAR DUTY FINAL DRIVE HEAVY DUTY FINAL DRIVE
13	GEAR	1		
14	HOUSING	1		
15	LINK BODY	1		
16	GEAR	1		
17	GEAR	1		
18	PLATE	1		
19	PLATE	1		
20	R26448	O-RING	1		(A) 11.887 X 1.981 MM
21	AH125760	HYD. QUICK-CONNECT COUPLER	1		
22	R77175	COVER	1		
23	M48869	WASHER	2		(A) 19.215 X 25.337 X 0.813 MM
24	PLATE	1		(A)
25	SEAL	1		(A)
26	AH131183	HYDRAULIC PUMP	1		REMANUFACTURED (EATON R25381-RAH) REGULAR DUTY FINAL DRIVE W/2-1/8" LIFT CYLINDER
	AH161647	HYDRAULIC PUMP	1		REMANUFACTURED (EATON R25389-RAN) HEAVY DUTY FINAL DRIVE W/2-1/8" LIFT CYLINDER
	AH131175	HYDRAULIC PUMP	1		REMANUFACTURED (EATON R25382-RAN) HEAVY DUTY FINAL DRIVE W/2-3/8" LIFT CYLINDER
27	SEAL	1		(A)
..	AH162145	SEAL KIT	1		INCLUDES PARTS MARKED (A)

2F11

OIL COOLER AND A/C CONDENSER

HP8210 -UN-03MAR99



HP8210

2F12

HYDRAULICS

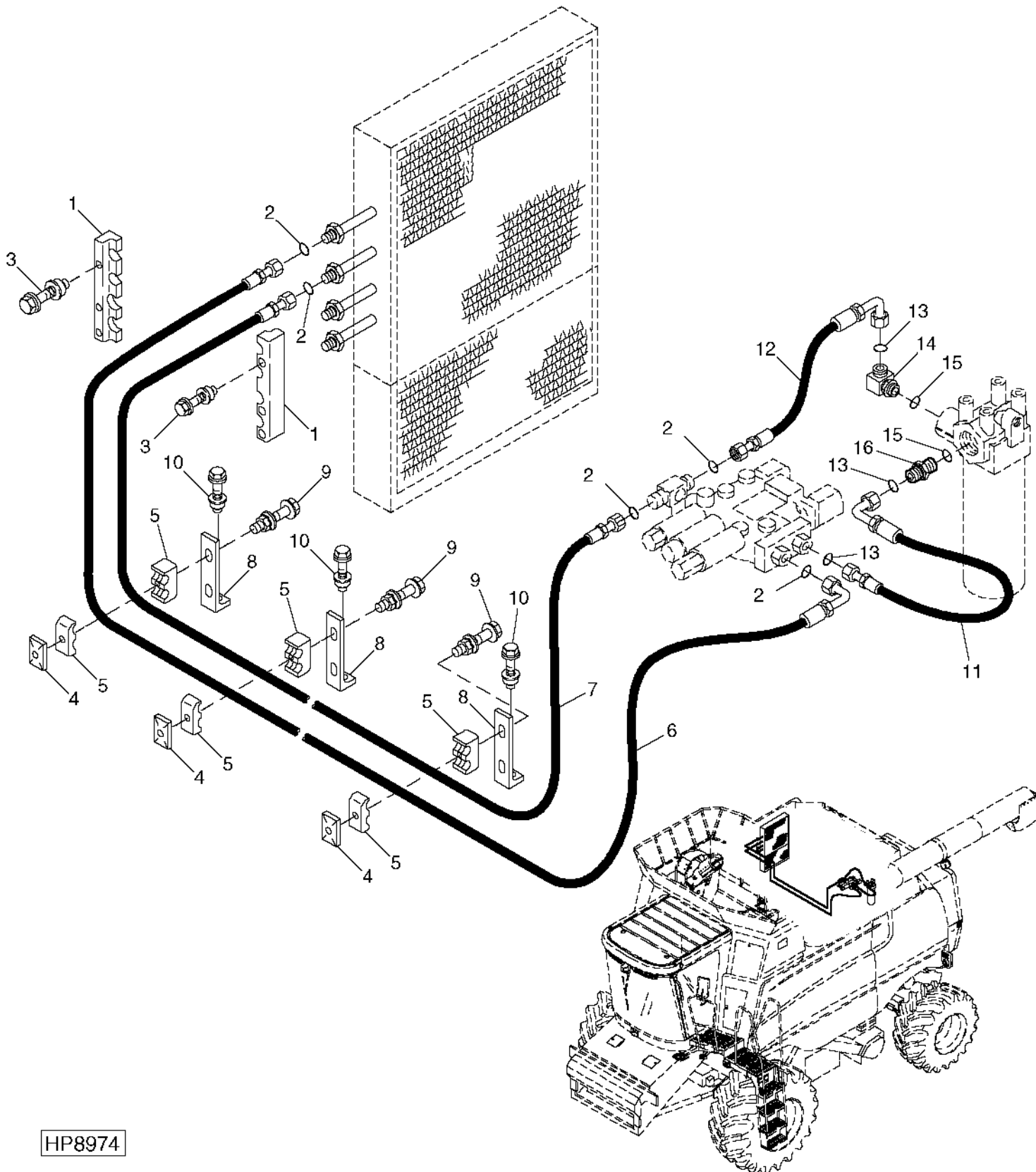
OIL COOLER AND A/C CONDENSER - CONTINUED

KEY	PART NO.	PART NAME	QTY	SERIAL NO.	REMARKS
1	AH149226	OIL COOLER	1		WITH FUEL COOLER
2	19M7774	SCREW	4		M6 X 12
3	RE24307	HIGH PRESSURE SWITCH	4		
4	AH163522	VAPOR CONDENSER	1		WITH FUEL COOLER
5	T77932	O-RING	2		0.614" X 0.070"
6	T77858	O-RING	2		0.739" X 0.070"
7	H162584	BRACKET	1		R.H.
8	H162585	BRACKET	1		L.H.
9	H158596	STOP	1		
10	AH159026	REFRIGERANT HOSE	1		
11	AH159078	REFRIGERANT HOSE	1		
12	AH145235	HYDRAULIC HOSE	1		
13	AH145237	HYDRAULIC HOSE	1		
14	AH145239	HYDRAULIC HOSE	1		
15	AH145241	HYDRAULIC HOSE	1		

2F13

WET CLUTCH OIL COOLER LINES AND HOSES

HP8974 -UN-13SEP99



HP8974

2F14

HYDRAULICS

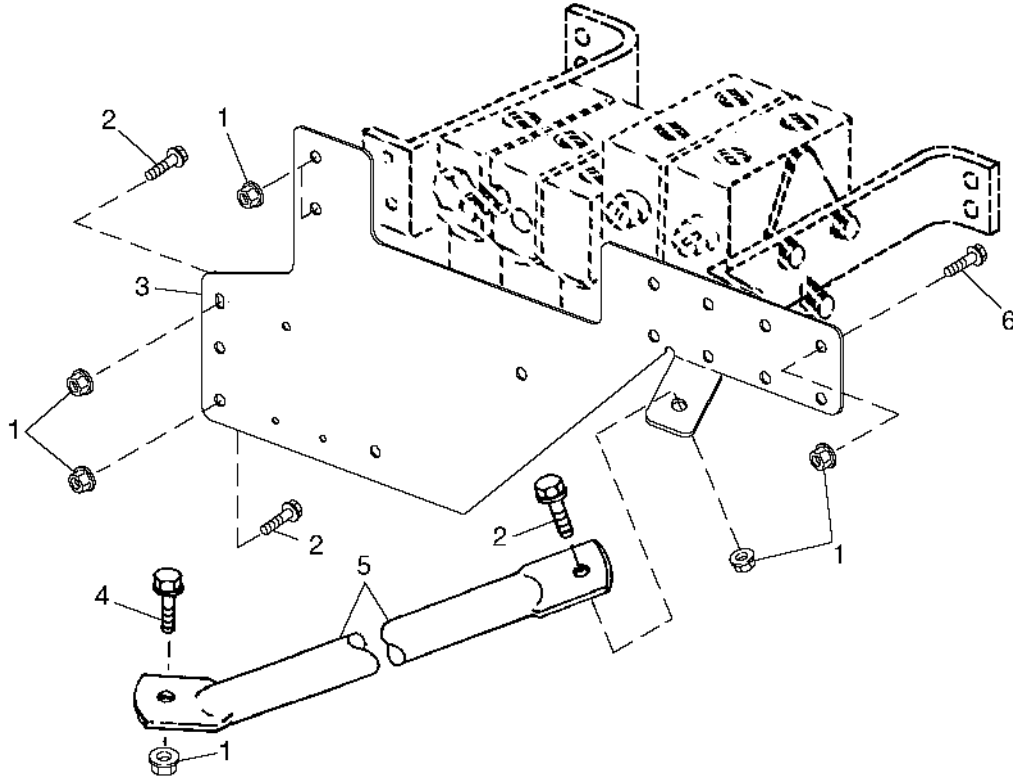
WET CLUTCH OIL COOLER LINES AND HOSES - CONTINUED

KEY	PART NO.	PART NAME	QTY	SERIAL NO.	REMARKS
1	H151585	CLAMP	2		
2	T77932	O-RING	5		15.596 X 1.778 MM
3	19M8317	SCREW	6		M8 X 40
	14M7298	FLANGE NUT	6		M8
4	H112567	PLATE	3		
5	H150983	CLAMP	6		
6	AH145241	HYDRAULIC HOSE	1		
7	AH145239	HYDRAULIC HOSE	1		
8	H150980	BRACKET	3		
9	19M7979	SCREW	3		M8 X 55
	14M7298	FLANGE NUT	3		M8
10	19M7866	SCREW	3		M8 X 20
	14M7298	FLANGE NUT	3		M8
11	AH128780	HYDRAULIC HOSE	1		13/16" X 725 MM X 13/16"
12	AH128779	HYDRAULIC HOSE	1		1" X 275 MM X 13/16"
13	T77857	O-RING	3		12.421 X 1.778 MM
14	38H1013	ELBOW FITTING	1		
15	U12547	O-RING	2		23.470 X 2.946 MM
16	38H1175	ADAPTER	1		

2F15

HYDRAULICS

SOLENOID CONTROL VALVE BRACKETS
 HP8082 -UN-03MAR99



HP8082

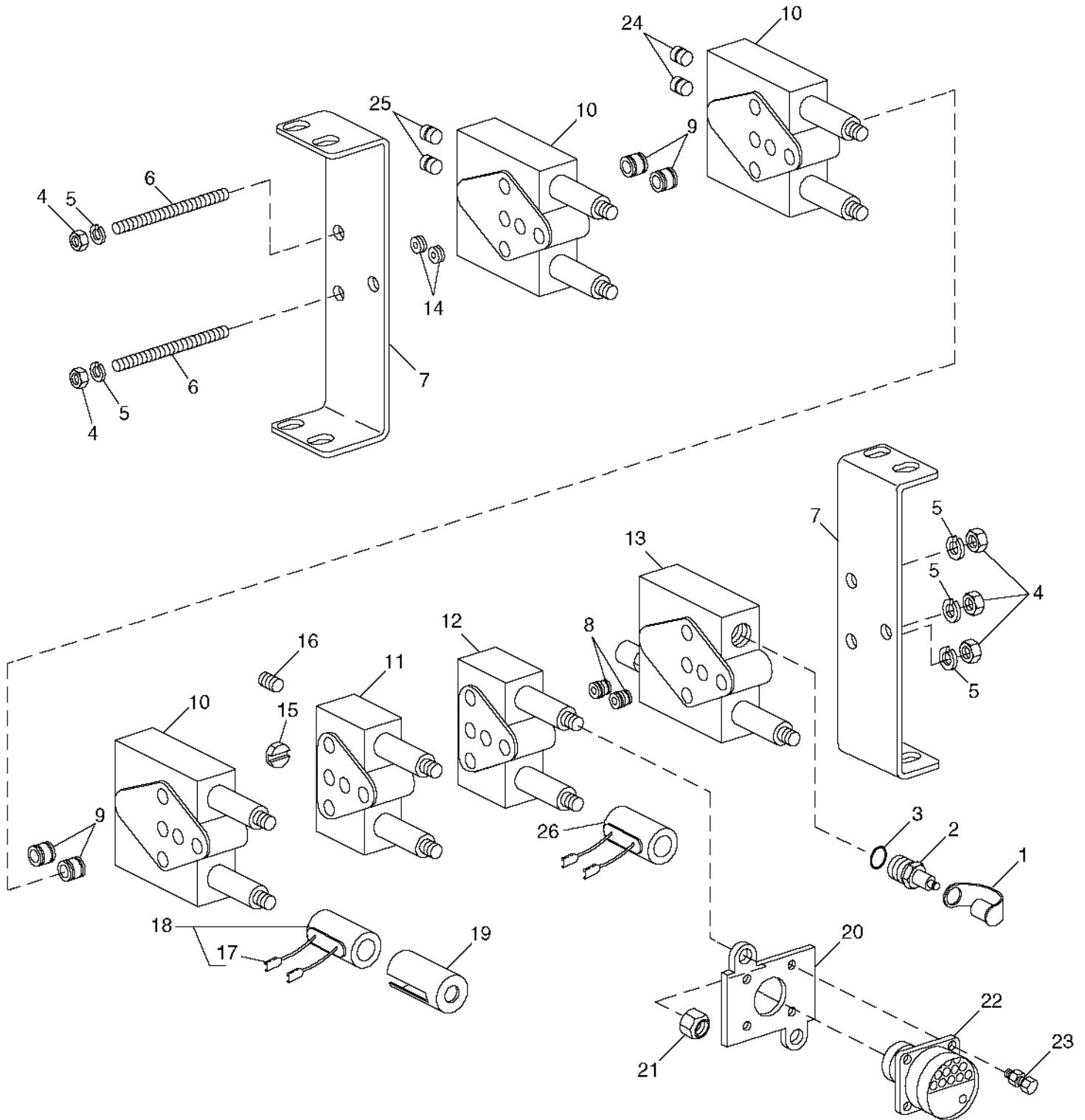
KEY	PART NO.	PART NAME	QTY	SERIAL NO.	REMARKS
1	14M7298	FLANGE NUT	8	M8	
2	19M7866	SCREW	2	M8 X 20	
3	H166148	BRACKET	1		
4	19M7803	SCREW	1	M8 X 70	
5	H158638	BRACE	1		
6	19M7897	SCREW	4	M8 X 35	

MEMORANDA

2F16

SIX STACK SOLENOID CONTROL VALVE MODULE ASSEMBLY AND MOUNTINGS

HP9499 -UN-14JAN00



HP9499

2F17

HYDRAULICS

**SOLENOID CONTROL VALVE MODULE ASSEMBLY AND MOUNTINGS - CONTINUED
SIX STACK**

KEY	PART NO.	PART NAME	QTY	SERIAL NO.	REMARKS
1	R77175	COVER	1		PLATE
2	AH125760	HYD. QUICK-CONNECT COUPLER	1		
3	R26448	O-RING	1		11.887 X 1.981 MM
4	14H786	NUT	6		1/4"
5	12H297	LOCK WASHER	6		1/4"
6	E62892	STUD	3		1/4" X 11-3/4" (CUT TO LENGTH)
7	H168170	BRACKET	2		
8	AZ50073	SEAL	2		(WITH O-RING)
9	AH161527	SEAL	8		(WITH O-RING)
10	AH161526	VALVE	3		(1) REEL FORE/AFT (1) AUGER SWING (1) CONTOUR MASTER
11	AH139060	VALVE	1		REEL LIFT/VSC
12	AH147084	VALVE	1		HEADER LIFT
13	AH164450	VALVE	1		UNLOAD (RELIEF)
14	AH161529	SEAL	2		
15	H145051	APERTURE	1		.940 MM DIA.
16	AH164500	ORIFICE	1		.457 MM DIA.
17	R77464	PIN CONTACT	AR		(PACKAGE OF 50)
18	AH161530	ELECTRICAL COIL	7		(USE ON MODULES 10 AND 13)
19	E62942	COVER	11		
20	H168171	COVER	2		
21	A4655R	NUT	7		12.700 MM
22	57M7199	RECEPTACLE	2		(24 WAY)
23	21H1290	SCREW	8		0.138" X 1/2"
	14H1026	NUT	8		0.138"
24	H135777	ORIFICE	2		0.76MM DIA.
25	Z60904	ORIFICE	2		0.66 MM DIA.
26	AH124731	ELECTRICAL COIL	4		(USE ON MODULES 11 AND 12)

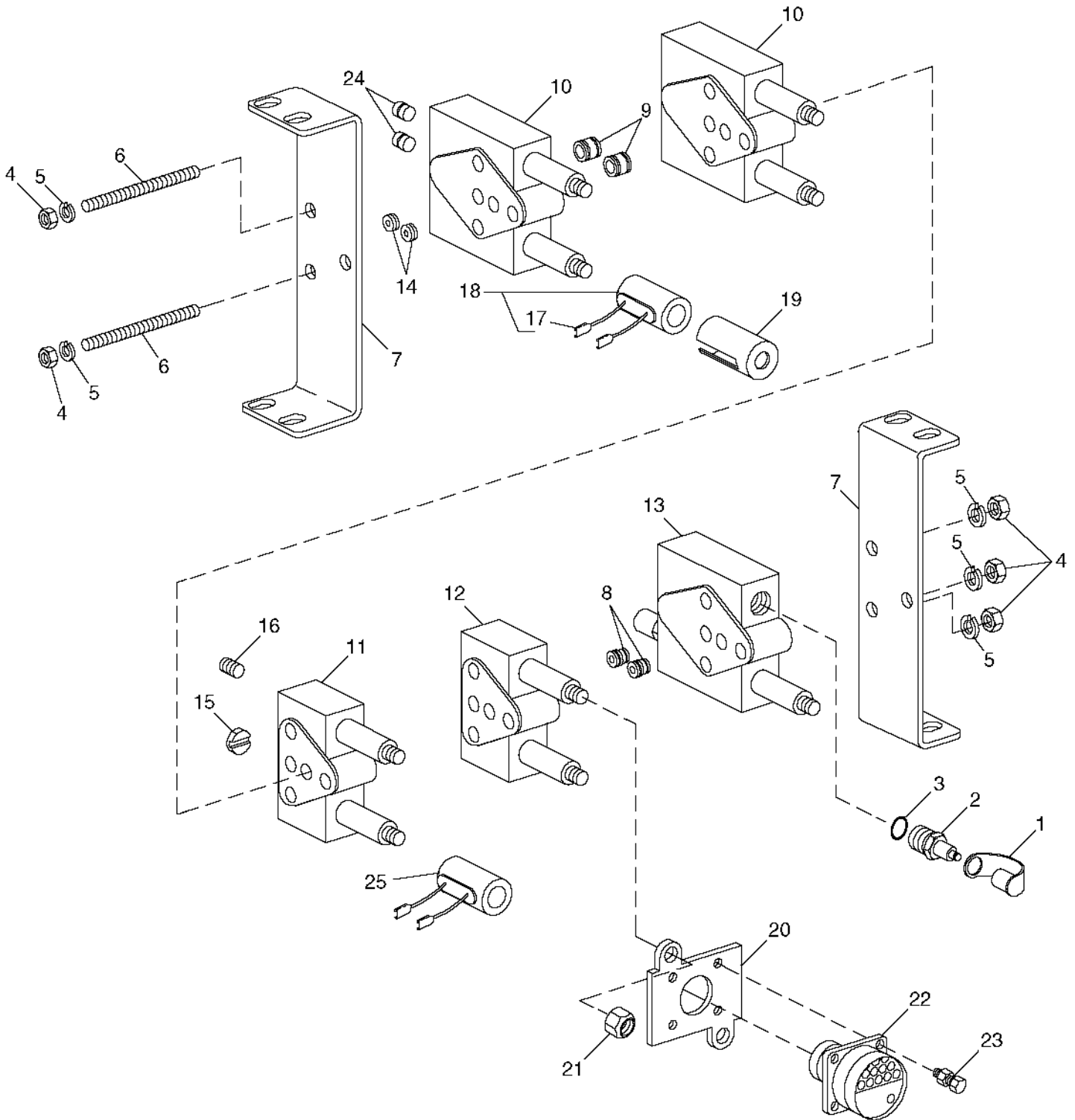
2F18

HYDRAULICS

SOLENOID CONTROL VALVE MODULE ASSEMBLY AND MOUNTINGS

FIVE STACK

HP9498 -UN-14JAN00



HP9498

2F19

HYDRAULICS

**SOLENOID CONTROL VALVE MODULE ASSEMBLY AND MOUNTINGS - CONTINUED
FIVE STACK**

KEY	PART NO.	PART NAME	QTY	SERIAL NO.	REMARKS
1	R77175	COVER	1		
2	AH125760	HYD. QUICK-CONNECT COUPLER	1		
3	R26448	O-RING	1		11.887 X 1.981 MM
4	14H786	NUT	6		1/4"
5	12H297	LOCK WASHER	6		1/4"
6	E62892	STUD	3		1/4" X 11-3/4" (CUT TO LENGTH)
7	H168170	BRACKET	2		
8	AZ50073	SEAL	2		(WITH O-RING)
9	AH161527	SEAL	6		(WITH O-RING)
10	AH161526	VALVE	2		REEL FORE/AFT AND AUGER EXTEND/RETRACT
11	AH139060	VALVE	1		REEL LIFT/VSC
12	AH147084	VALVE	1		HEADER LIFT
13	AH164450	VALVE	1		UNLOAD (RELIEF)
14	AH161529	SEAL	2		
15	H145051	APERTURE	1		.940 MM DIA.
16	AH164500	ORIFICE	1		.457 MM DIA.
17	R77464	PIN CONTACT	AR		(PACKAGE OF 50)
18	AH161530	ELECTRICAL COIL	5		(USE ON MODULES 10 AND 13)
19	E62942	COVER	9		
20	H168171	COVER	2		PLATE
21	A4655R	NUT	7		12.700 MM
22	57M7199	RECEPTACLE	2		(24 WAY)
23	21H1290	SCREW	8		0.138" X 1/2"
	14H1026	NUT	8		0.138"
24	H135777	ORIFICE	2		0.76MM DIA.
25	AH124731	ELECTRICAL COIL	4		(USE ON MODULES 11 AND 12)

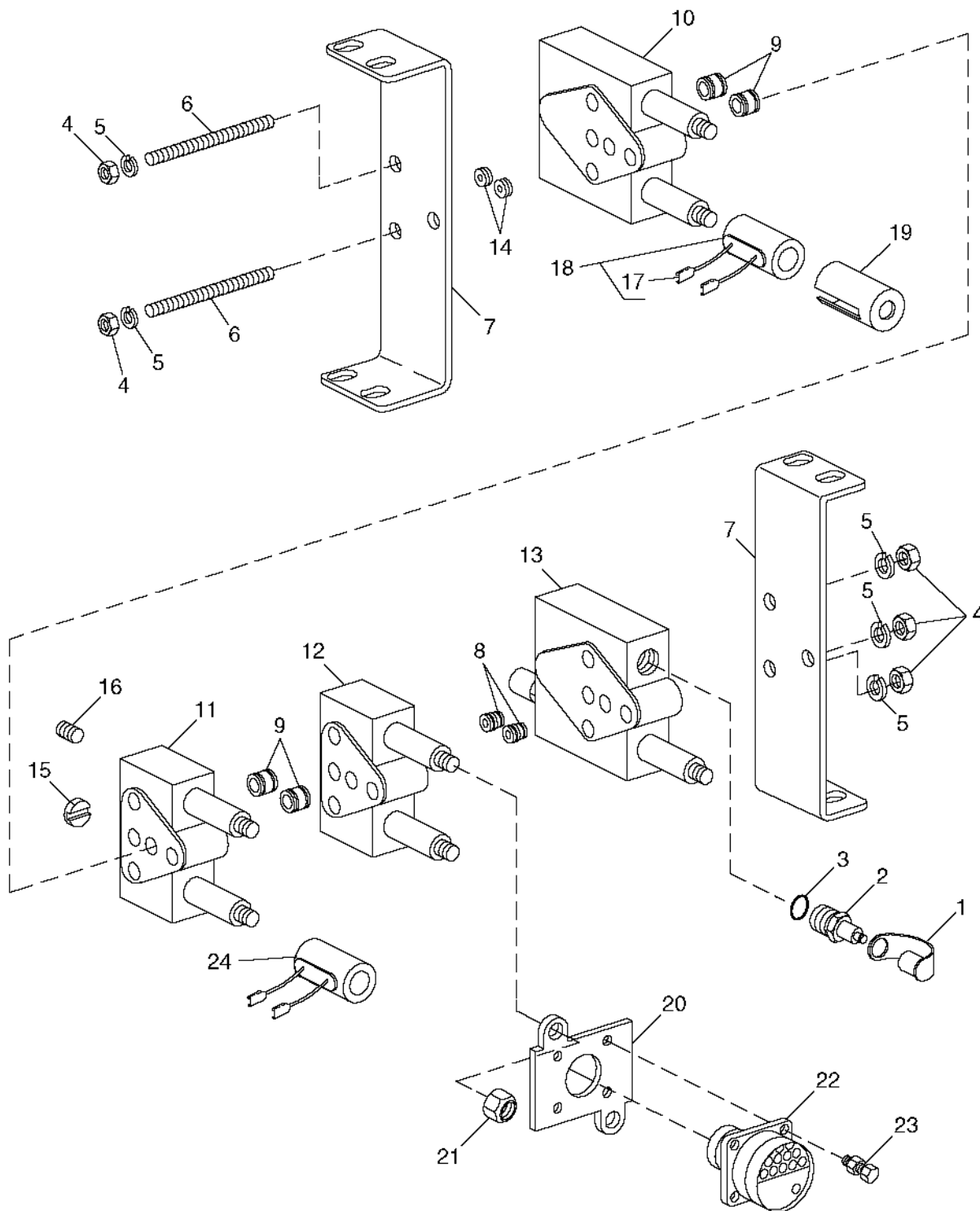
2F20

HYDRAULICS

SOLENOID CONTROL VALVE MODULE ASSEMBLY AND MOUNTINGS

FOUR STACK

HP9497 -UN-14JAN00



HP9497

2F21

HYDRAULICS

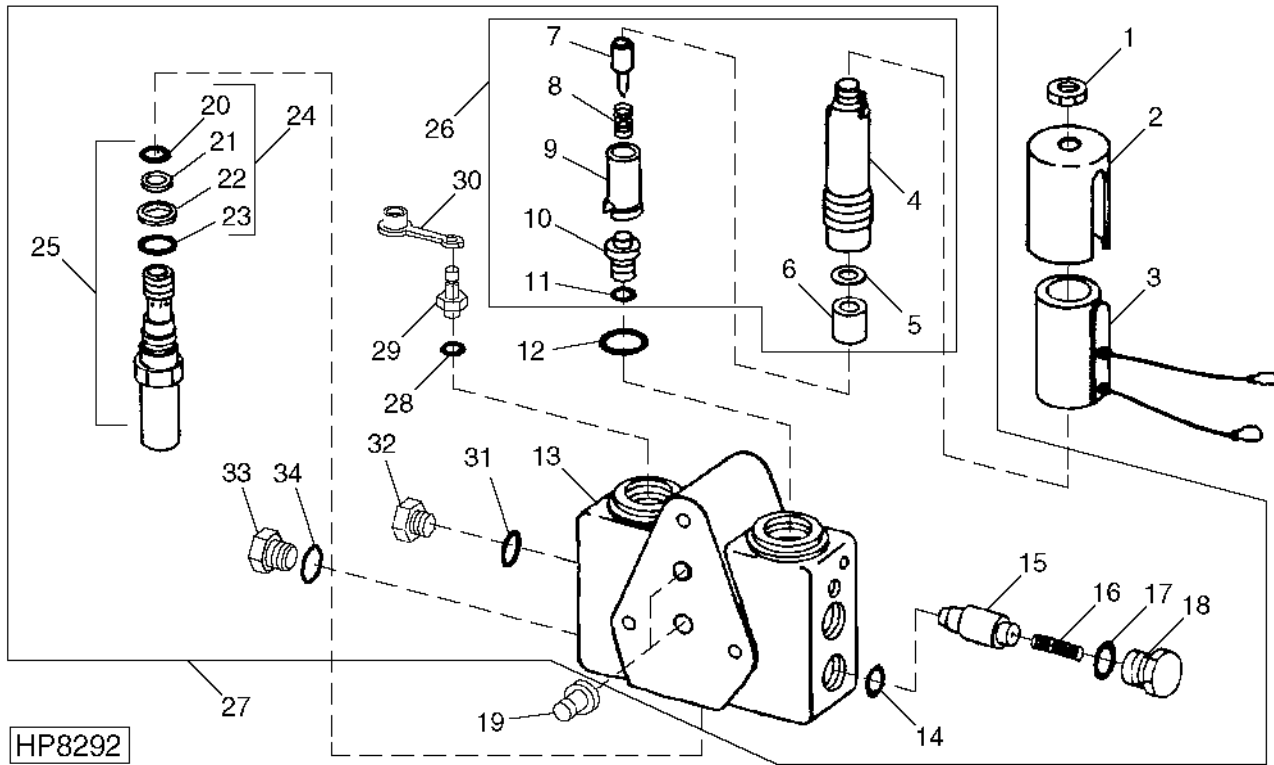
**SOLENOID CONTROL VALVE MODULE ASSEMBLY AND MOUNTINGS - CONTINUED
FOUR STACK**

KEY	PART NO.	PART NAME	QTY	SERIAL NO.	REMARKS
1	R77175	COVER	1		
2	AH125760	HYD. QUICK-CONNECT COUPLER	1		
3	R26448	O-RING	1		11.887 X 1.981 MM
4	14H786	NUT	6		1/4"
5	12H297	LOCK WASHER	6		1/4"
6	E62892	STUD	3		1/4" X 11-3/4" (CUT TO LENGTH)
7	H168170	BRACKET	2		
8	AZ50073	SEAL	2		(WITH O-RING)
9	AH161527	SEAL	4		(WITH O-RING)
10	AH161526	VALVE	1		AUGER SWING
11	AH139060	VALVE	1		REEL LIFT/VSC
12	AH147084	VALVE	1		HEADER LIFT
13	AH164450	VALVE	1		UNLOAD (RELIEF)
14	AH161529	SEAL	2		
15	H145051	APERTURE	1		.940 MM DIA.
16	AH164500	ORIFICE	1		.457 MM DIA.
17	R77464	PIN CONTACT	AR		(PACKAGE OF 50)
18	AH161530	ELECTRICAL COIL	3		(USE ON MODULES 10 AND 13)
19	E62942	COVER	7		
20	H168171	COVER	2		PLATE
21	A4655R	NUT	7		12.700 MM
22	57M7199	RECEPTACLE	2		(24 WAY)
23	21H1290	SCREW	8		0.138" X 1/2"
	14H1026	NUT	8		0.138"
24	AH124731	ELECTRICAL COIL	4		(USE ON MODULES 11 AND 12)

2F22

HYDRAULICS

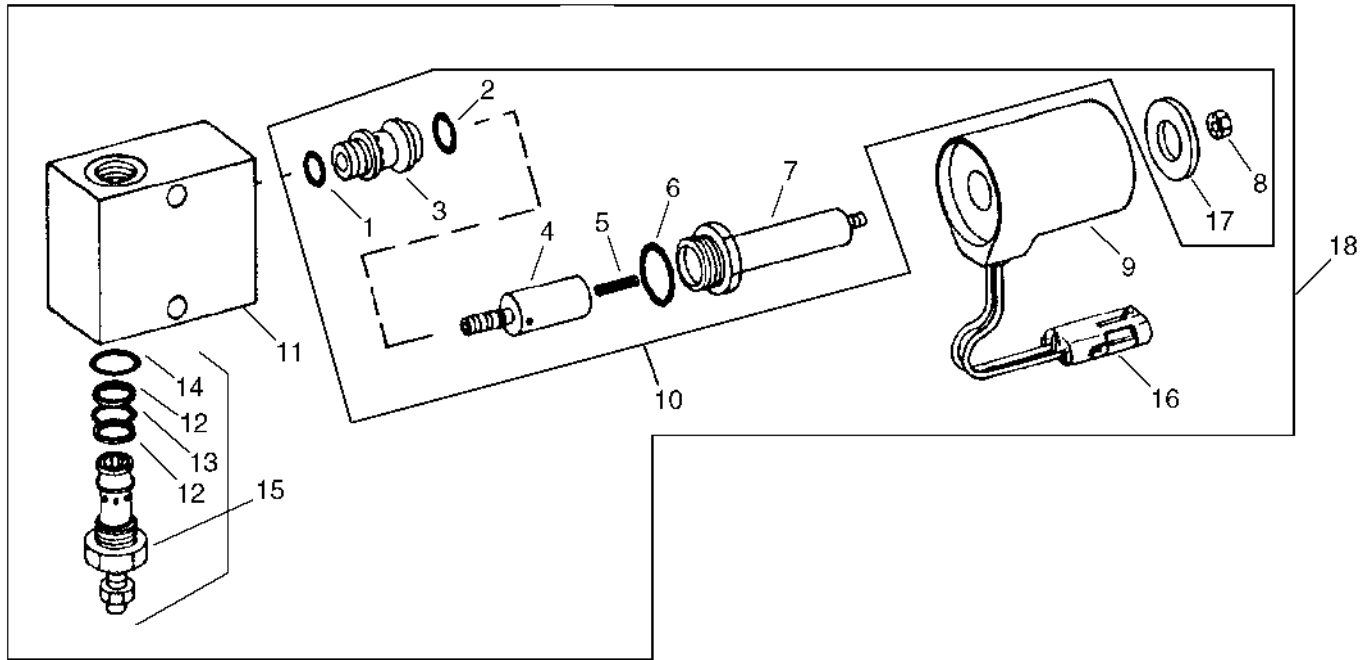
SOLENOID CONTROL RELIEF VALVE MODULE
 HP8292 -UN-02JUL99



KEY	PART NO.	PART NAME	QTY	SERIAL NO.	REMARKS
1	A4655R	NUT	1		12.700 MM
2	E62942	COVER	1		
3	AH161530	ELECTRICAL COIL	1		
4	SLEEVE	1		
5	WASHER	1		
6	ARMATURE	1		
7	POPPET	1		
8	SPRING	1		
9	GUIDE	1		
10	ORIFICE	1		
11	U40962	O-RING	1		6.071 X 1.778 MM
12	T75984	O-RING	1		
13	HOUSING	1		
14	R27564	O-RING	1		
15	POPPET	1		
16	SPRING	1		
17	R26906	O-RING	1		19.177 X 2.464 MM
18	PIPE PLUG	1		
19	AZ50073	SEAL	2		(WITH O-RINGS)
20	SEAL	1		
21	O-RING	1		
22	O-RING	1		
23	SEAL	1		
24	AH148472	SEAL KIT	1		
25	AH147085	RELIEF VALVE	1		
26	AH134833	KIT	1		
27	AH164450	VALVE	1		SOLENOID UNLOAD (RELIEF)
28	R26448	O-RING	1		
29	AH125760	HYD. QUICK-CONNECT COUPLER	1		
30	R77175	COVER	1		
31	R28782	O-RING	1		
32	R51031	FITTING	1		
33	R26906	O-RING	1		
34	R27474	DRAIN PLUG	1		

2F23

ACTIVE HEADER HEIGHT CONTROL VALVE
 HP8033 -UN-21APR99

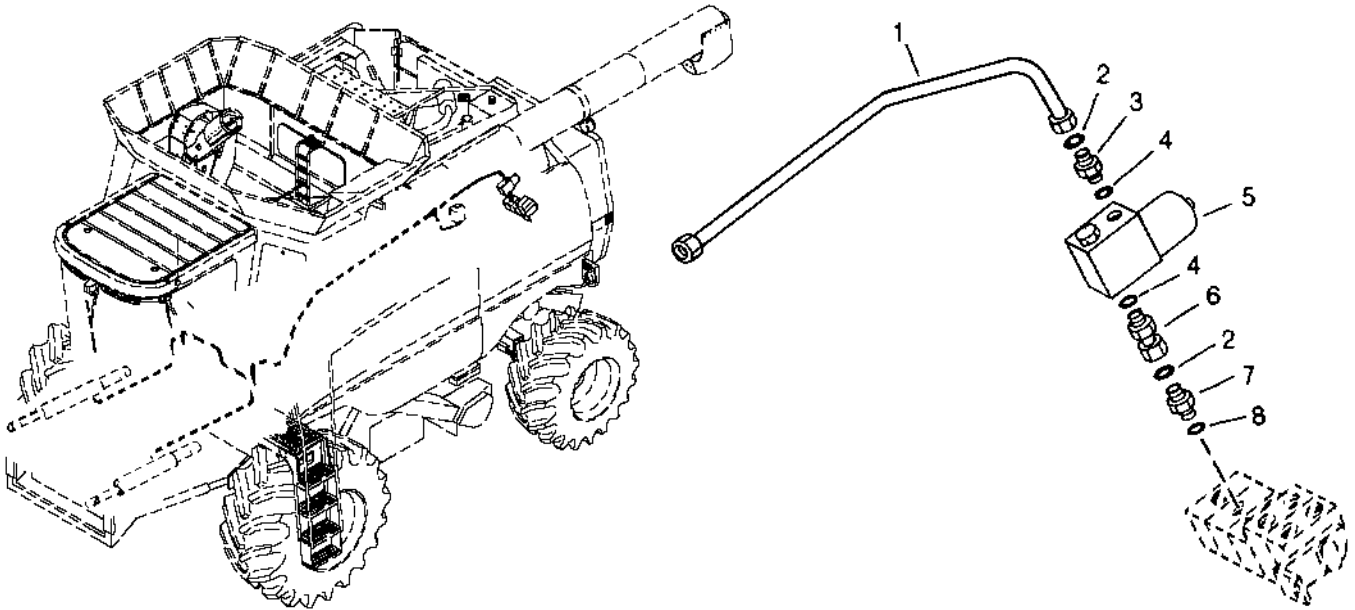


HP8033

KEY	PART NO.	PART NAME	QTY	SERIAL NO.	REMARKS
1	R28776	O-RING	1	12.421 X 1.778 MM	
2	T75984	O-RING	1	20.345 X 1.778 MM	
3	VALVE SPOOL	1		
4	PLUNGER	1		
5	SPRING	1		
6	R27928	O-RING	1	23.520 X 1.778 MM	
7	GUIDE	1		
8	14H866	NUT	1	5/8"	
9	AH131572	ELECTRICAL COIL	1		
10	AH131571	VALVE	1		
11	H135964	HOUSING	1		
12	BACK-UP RING	2		
13	O-RING	1		
14	R26906	O-RING	1	19.177 X 2.464 MM	
15	AH131570	VALVE	1		
16	R78053	PIN CONTACT CONNECTOR BODY	1	(PKG OF 3)	
	R78059	ELECTRICAL PLUG	1	(PKG OF 40)	
	R78061	PIN CONTACT	1	(PKG OF 40)	
17	24H1368	WASHER	1	21/32" X 1-5/16" X 0.090"	
18	AH125910	SOLENOID VALVE	1		

**HYDRAULIC LINE AND VALVE BLOCK
(ACTIVE HEADER HEIGHT CONTROL)**

HP9032 -UN-13SEP99



HP9032

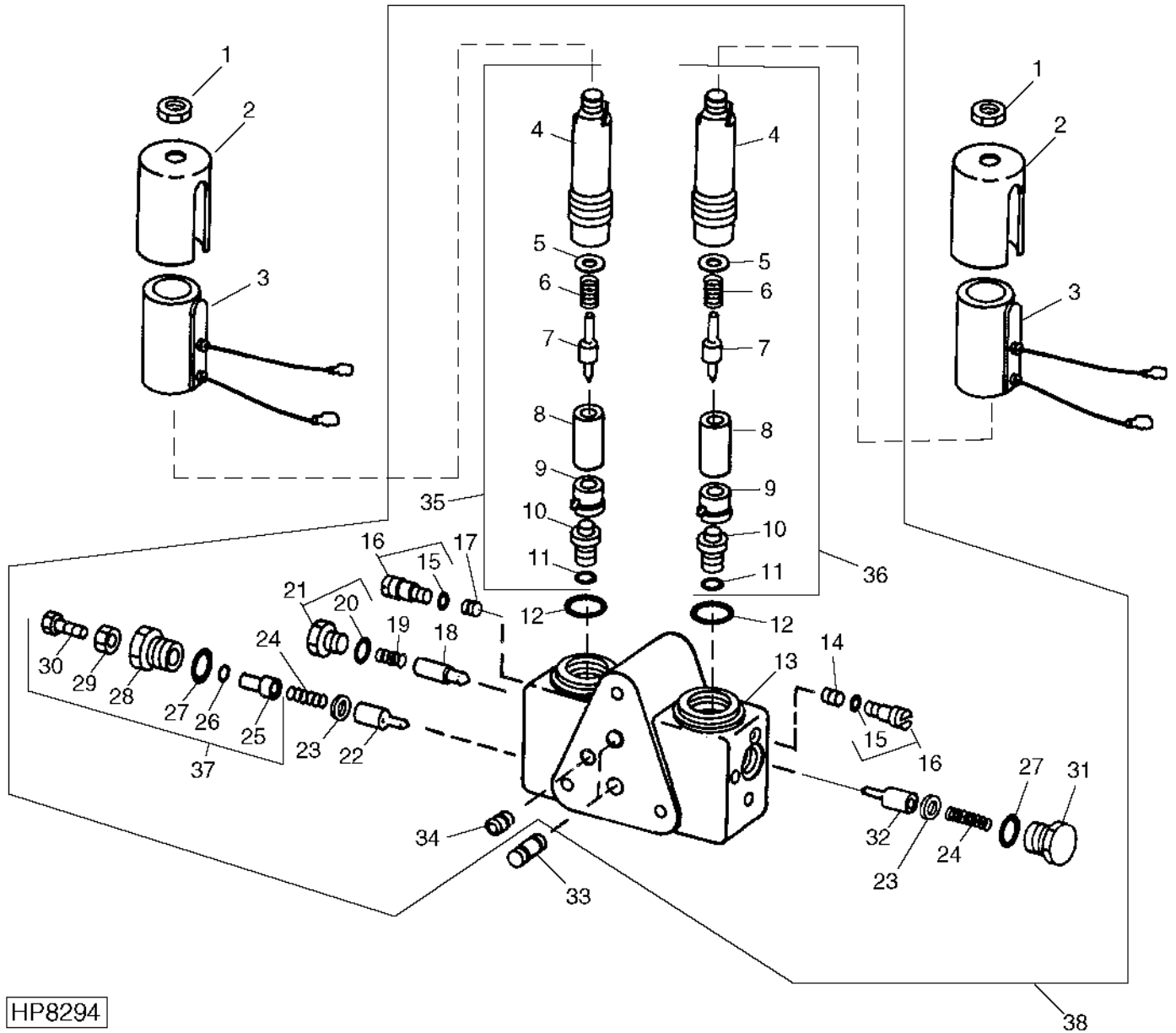
KEY	PART NO.	PART NAME	QTY	SERIAL NO.	REMARKS
1	AH128727	HYDRAULIC LINE	1		
2	T77857	O-RING	2	12.421 X 1.778 MM	
3	38H1161	ADAPTER	1		
4	R26375	O-RING	2	16.358 X 2.210 MM	
5	AH125910	SOLENOID VALVE	1		
6	38H1068	ADAPTER	1		
7	38H1173	ADAPTER	1		
8	R26448	O-RING	1	11.887 X 1.981 MM	

MEMORANDA

2G1

SOLENOID CONTROL VALVE FOR HEADER LIFT MODULE

HP8294 -UN-05MAR99



HP8294

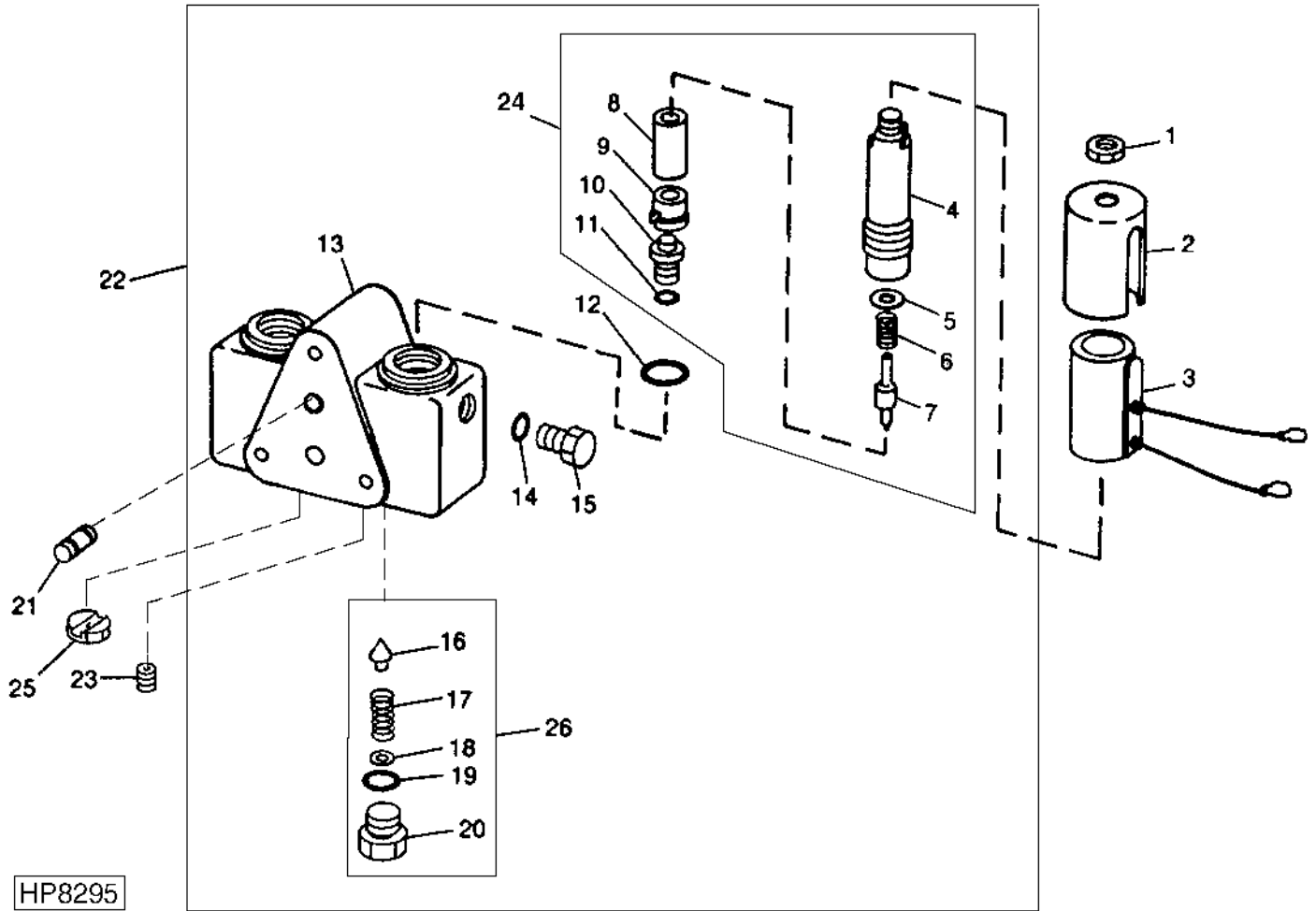
SOLENOID CONTROL VALVE FOR HEADER LIFT MODULE - CONTINUED

KEY	PART NO.	PART NAME	QTY	SERIAL NO.	REMARKS
1	A4655R	NUT	2		
2	E62942	COVER	2		
3	AH161530	ELECTRICAL COIL	2		
4	SLEEVE	2	(A)	
5	WASHER	2	(A)	
6	E62089	SPRING	2	(A)	
7	POPPET	2	(A)	
8	ARMATURE	2	(A)	
9	SOLENOID	2	(A)	
10	ORIFICE	2	(A)	
11	U40962	O-RING	2	(A)	6.071 X 1.778 MM
12	T75984	O-RING	2	(A)	20.345 X 1.778 MM
13	HOUSING	1		
14	ORIFICE	1		
15	T26257	O-RING	2		2.565 X 1.778 MM
16	AE38734	PLUG	1		
17	ORIFICE	1		
18	E83620	CHECK VALVE	1	(A)	
19	E66619	SPRING	1		
20	R28782	O-RING	1		8.915 X 1.829 MM
21	AN122518	FITTING	1		
22	H142183	CHECK VALVE	1	(A)	
23	H148775	O-RING	2	(A)	10.668 X 13.716 X 1.524 MM
24	E66618	SPRING	2		
25	STOP	1		
26	U42902	RING	1		4.470 X 1.778 MM
27	R26448	O-RING	2		11.887 X 1.981 MM
28	CAP	1		
29	14H850	NUT	1		1/4"
30	19H1914	CAP SCREW	1		1/4" X 1"
31	CAP	1		
32	POPPET	1		
33	AH161527	SEAL	2		(WITH O-RING)
34	AH161529	SEAL	1		(WITH O-RING)
35	AE50995	POPPET	1		LOWER PILOT
36	AZ51851	GUIDE	1		RAISE PILOT
37	AE38021	KIT	1		
38	AH147084	VALVE	1		
..	AH151400	SEAL KIT	1		KIT INCLUDES PARTS MARKED (A)

2G3

SOLENOID CONTROL VALVE FOR REEL LIFT / VARIABLE AND CYLINDER SPEED

HP8295 -UN-12JUL99



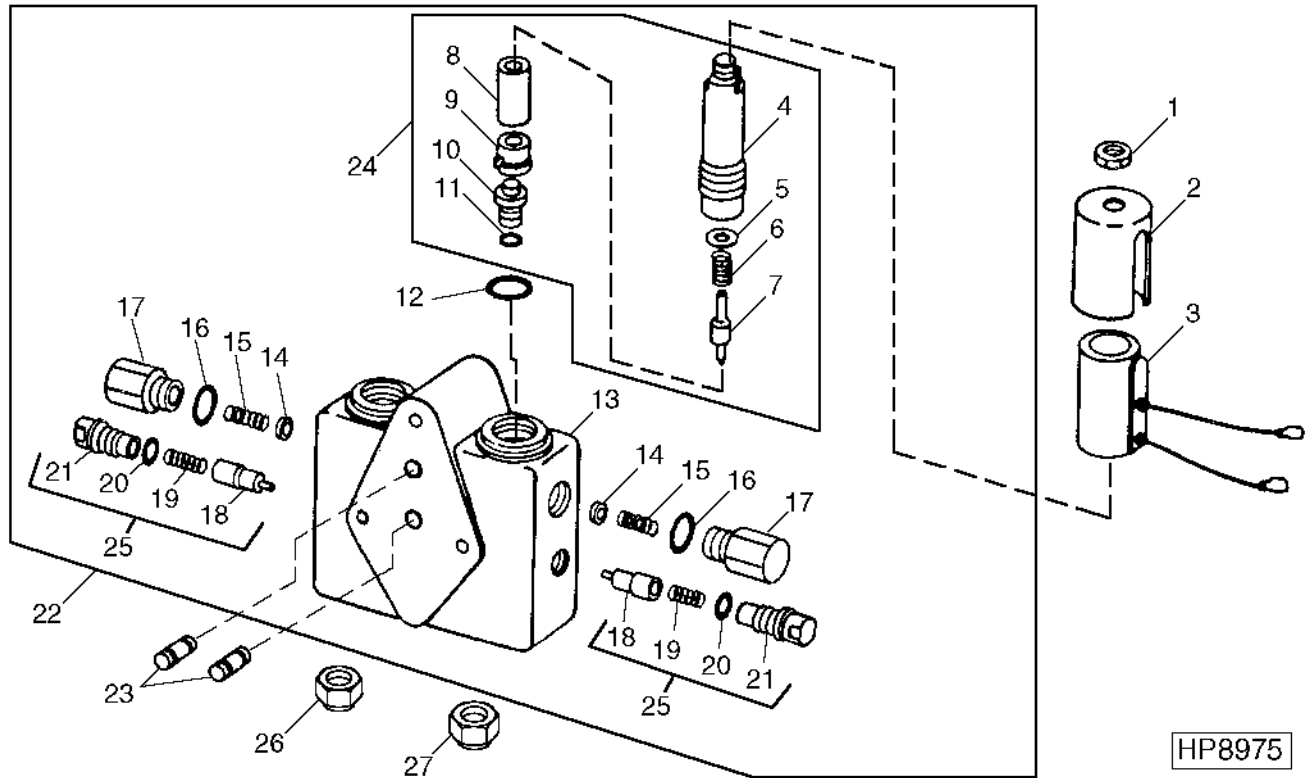
SOLENOID CONTROL VALVE FOR REEL LIFT / VARIABLE AND CYLINDER SPEED - CONTINUED

KEY	PART NO.	PART NAME	QTY	SERIAL NO.	REMARKS
1	A4655R	NUT	2		
2	E62942	COVER	2		
3	AH124731	ELECTRICAL COIL	2		
4	SLEEVE	2		
5	WASHER	2		
6	E62089	SPRING	2		
7	POPPET	2		
8	ARMATURE	2		
9	SOLENOID	2		
10	ORIFICE	2		
11	U40962	O-RING	2		6.071 X 1.778 MM
12	T75984	O-RING	2		20.345 X 1.778 MM
13	HOUSING	2		
14	R30903	O-RING	1		6.071 X 1.626 MM
15	FITTING	1		(SAE-2)
16	POPPET	1		
17	SPRING	1		
18	SHIM	AR		
19	R28782	O-RING	1		8.915 X 1.829 MM
20	PLUG	1		
21	AH161527	SEAL	2		(WITH O-RING)
22	AH139060	VALVE	1		LESS COILS,CONNECTING TUBES AND ORIFICE
23	AH164500	ORIFICE	1		.457 MM DIA.
24	AH131420	SEAT KIT	2		
25	H145051	APERTURE	1		.940 MM DIA.
26	AH131421	SEAT KIT	1		

2G5

HYDRAULICS

SOLENOID CONTROL VALVE FOR AUGER SWING
SOLENOID CONTROL VALVE FOR REEL FORE/AFT
 HP8975 -UN-17SEP99



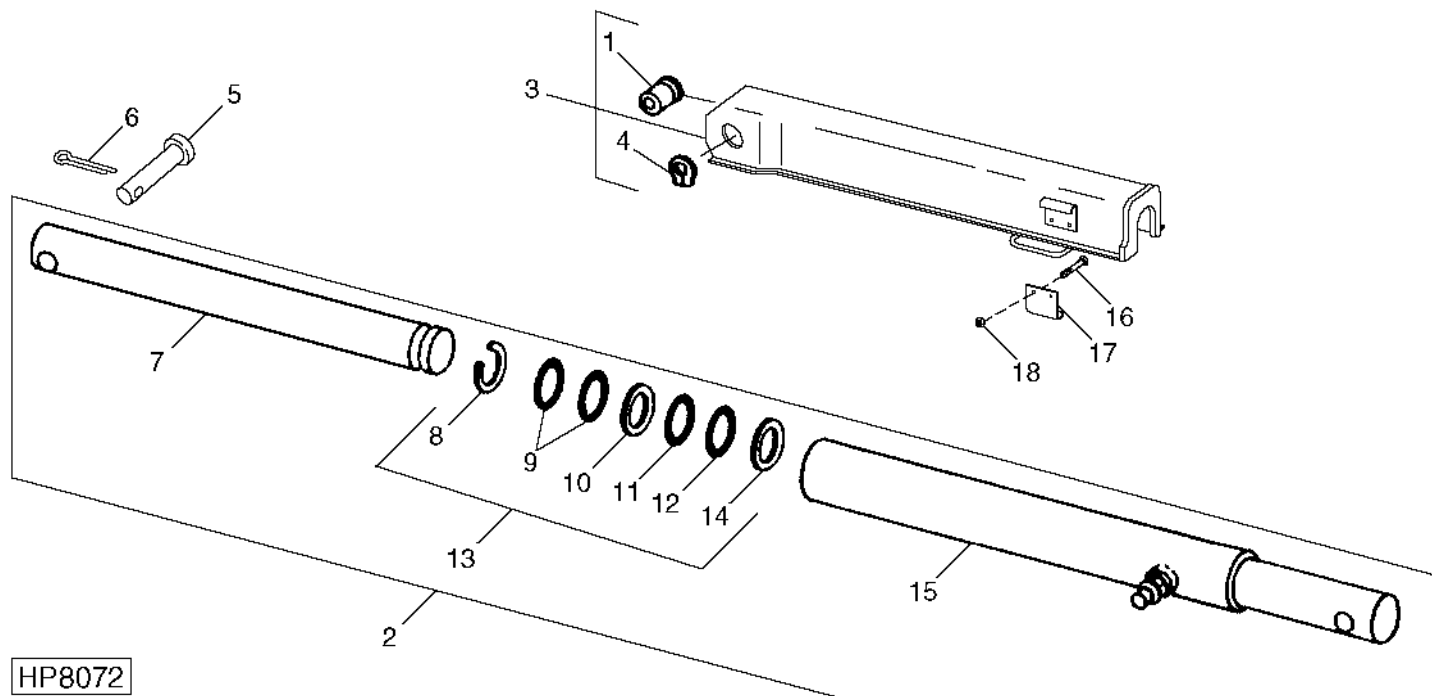
KEY	PART NO.	PART NAME	QTY	SERIAL NO.	REMARKS
1	A4655R	NUT	2		12.700 MM
2	E62942	COVER	2		
3	AH161530	ELECTRICAL COIL	2		
4	SLEEVE	2		
5	WASHER	2		
6	E62089	SPRING	2		
7	POPPET	2		
8	ARMREST	2		
9	SOLENOID	2		
10	ORIFICE	2		
11	U40962	O-RING	2		6.071 X 1.778 MM
12	T75984	O-RING	2		20.345 X 1.778 MM
13	HOUSING	1		
14	E62094	WASHER	2		7.620 X 17.526 X 2.388 MM
15	SPRING	2		
16	R26906	O-RING	2		19.177 X 2.464 MM
17	PIPE PLUG	2		
18	POPPET	2		
19	SPRING	2		
20	U40745	O-RING	2		15.545 X 2.616 MM
21	CAP	2		
22	AH161526	VALVE	1		
23	AH161527	SEAL	2		(WITH O-RINGS)
24	AZ51851	GUIDE	2		
25	AH142731	KIT	2		
26	38H1414	FITTING PLUG	1		(SMALL PORT)
27	38H1415	FITTING PLUG	1		(LARGE PORT)

2G6

HYDRAULICS

HEADER LIFT HYDRAULIC CYLINDER

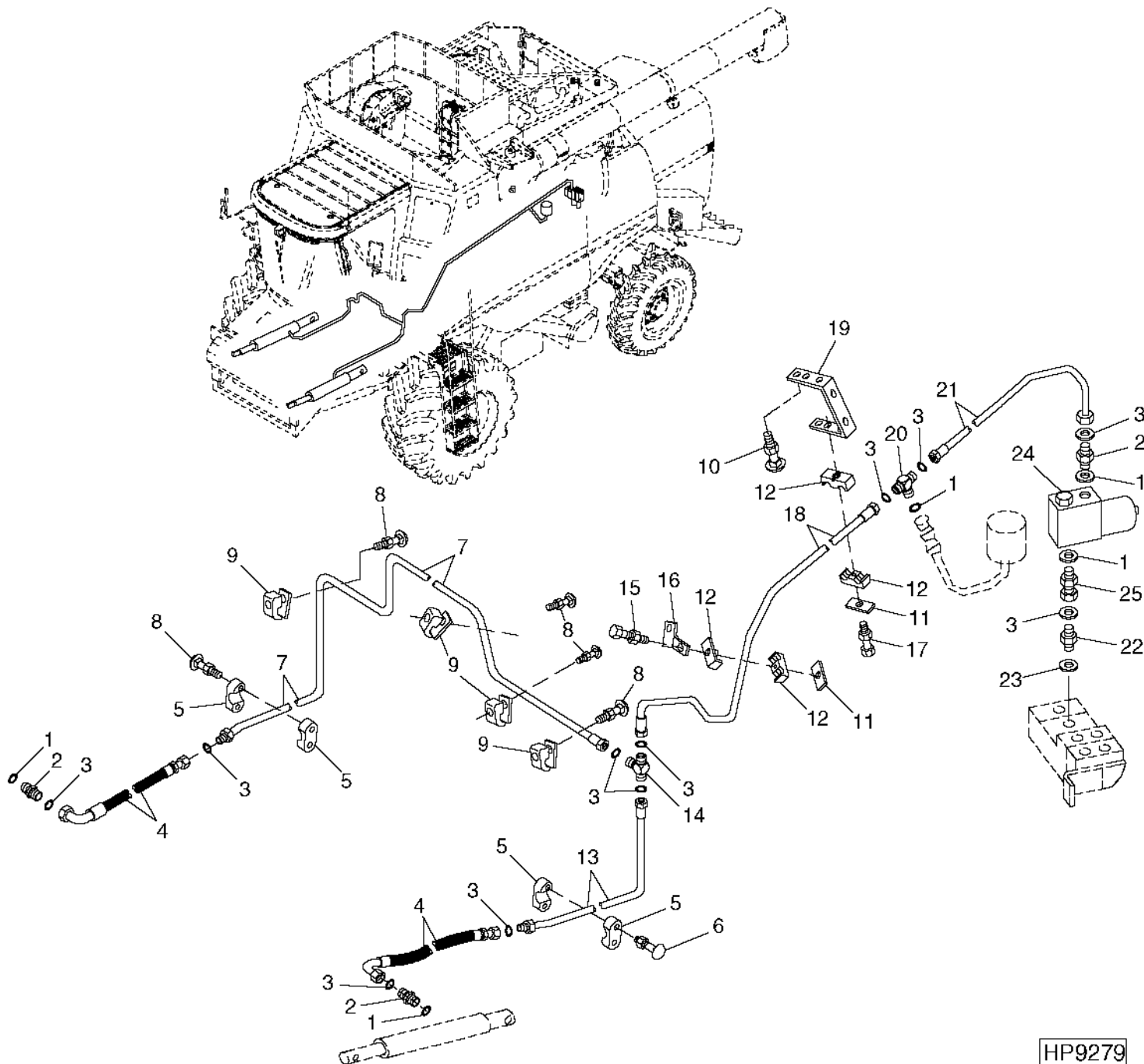
HP8072 -UN-08JUL99



KEY	PART NO.	PART NAME	QTY	SERIAL NO.	REMARKS
1	H150054	BUSHING	2		
2	AH155264	HYDRAULIC CYLINDER	1	53.98MM	
	AH155265	HYDRAULIC CYLINDER	1	60.33MM	
3	AH157492	STOP	1		
4	40M1835	SNAP RING	2		
5	H166421	PIN	2		
6	H167311	COTTER PIN	2		
7	ROD	1		
8	SNAP RING	1		
9	WEAR RING	2		
10	SEAL	1		
11	SEAL	1		
12	SEAL	1		
13	AH161885	HYDRAULIC CYLINDER KIT	1	53.98MM	
	AH162432	HYDRAULIC CYLINDER KIT	1	60.33MM	
14	RING	1		
15	HYDRAULIC CYLINDER BARREL	1		
16	03M7183	BOLT	2	M8 X 16	
17	H150055	SUPPORT	1		
18	14M7298	FLANGE NUT	2	M8	

HEADER LIFT HYDRAULIC LINES AND HOSES

HP9279 -UN-17NOV99



HP9279

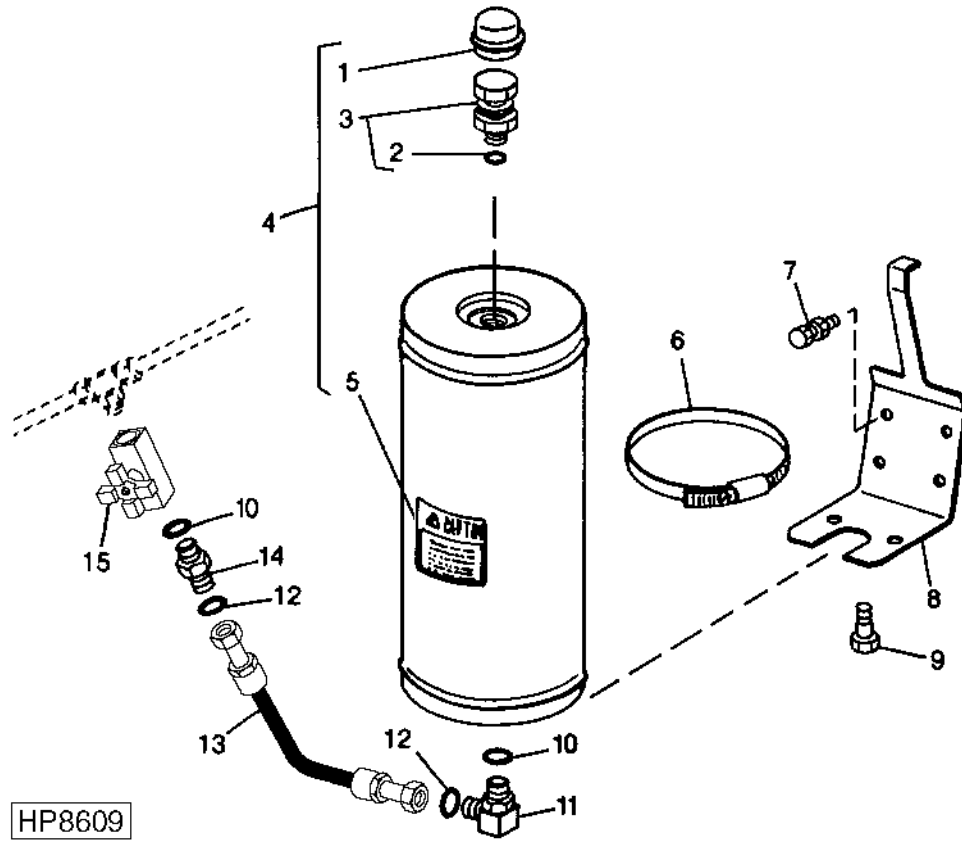
HEADER LIFT HYDRAULIC LINES AND HOSES - CONTINUED

KEY	PART NO.	PART NAME	QTY	SERIAL NO.	REMARKS
1	R26375	O-RING	5		
2	38H1161	ADAPTER	3		
3	T77857	O-RING	11		
4	AH121605	HYDRAULIC HOSE	2		16.358 X 2.210 MM
5	H117937	CLAMP	4		
6	03M7189	BOLT	4		12.421 X 1.778 MM
	14M7298	FLANGE NUT	4		13/16" X 515 MM X 13/16"
7	AH131378	OIL LINE	1		
8	03M7280	BOLT	4		M8 X 45
	14M7303	FLANGE NUT	4		M8
9	H116706	CLAMP	4		
10	03M7184	BOLT	4		M6 X 45
	14M7396	LOCK NUT	4		M6
11	H121168	PLATE	2		
12	H135156	CLAMP	4		
13	AH130113	HYDRAULIC LINE	1		
14	38H1206	TEE FITTING	1		
15	19M8317	SCREW	1		M8 X 40
	14M7298	FLANGE NUT	1		M8
16	H135974	BRACKET	1		
17	19M8318	SCREW	1		M8 X 45
	14M7298	FLANGE NUT	1		M8
18	AH131576	HYDRAULIC LINE	1		
19	H131115	BRACKET	1		
20	38H1017	TEE FITTING	1		
21	AH128727	HYDRAULIC LINE	1		
22	38H1173	ADAPTER	1		
23	R26448	O-RING	1		11.887 X 1.981 MM
24	AH125910	SOLENOID VALVE	1		
25	38H1068	ADAPTER	1		

2G9

ONE HALF GALLON ACCUMULATOR AND MOUNTING

HP8609 -UN-28MAY99



2G10

HYDRAULICS

ONE HALF GALLON ACCUMULATOR AND MOUNTING - CONTINUED

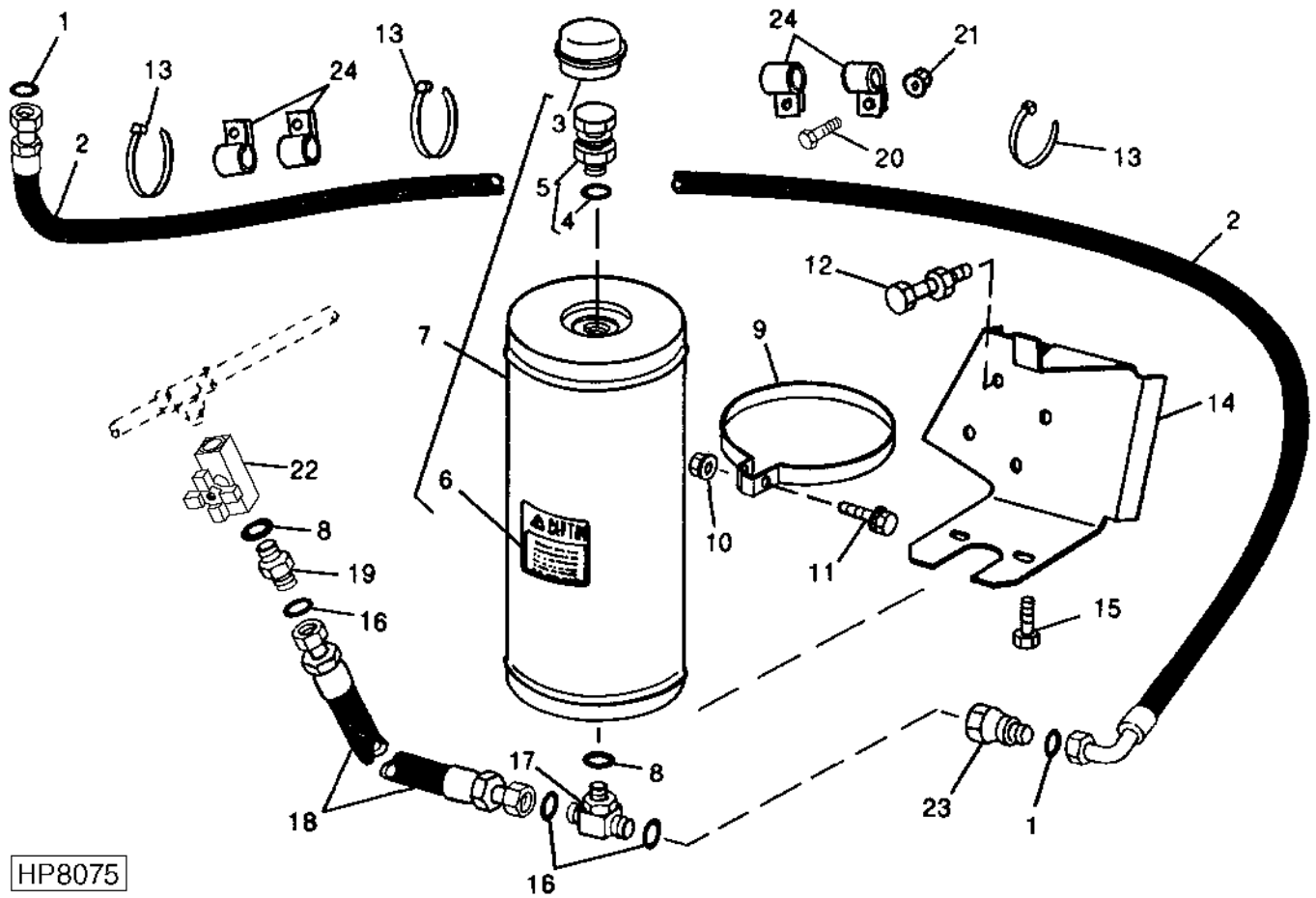
KEY	PART NO.	PART NAME	QTY	SERIAL NO.	REMARKS
1	J2375M	CAP	1		
2	H135641	RING	1		7.650 X 1.630 MM
3	AH131250	BLEED VALVE	1		
4	AH133265	ACCUMULATOR	1		
5	H149092	LABEL	1		"CAUTION"
6	C16054	CLAMP	1		
7	19M7866	SCREW	4		M8 X 20
	14M7298	FLANGE NUT	4		M8
8	H137593	BRACKET	1		
9	19M7864	SCREW	2		M8 X 12
10	R26375	O-RING	2		16.358 X 2.210 MM
11	38H1005	ELBOW FITTING	1		
12	T77857	O-RING	2		12.421 X 1.778 MM
13	AH148124	HYDRAULIC HOSE	1		
14	38H1161	ADAPTER	1		
15	AH131535	VALVE	1		

2G11

HYDRAULICS

ONE GALLON ACCUMULATOR, HOSE, LINE AND MOUNTING

HP8075 -UN-14DEC98



HP8075

2G12

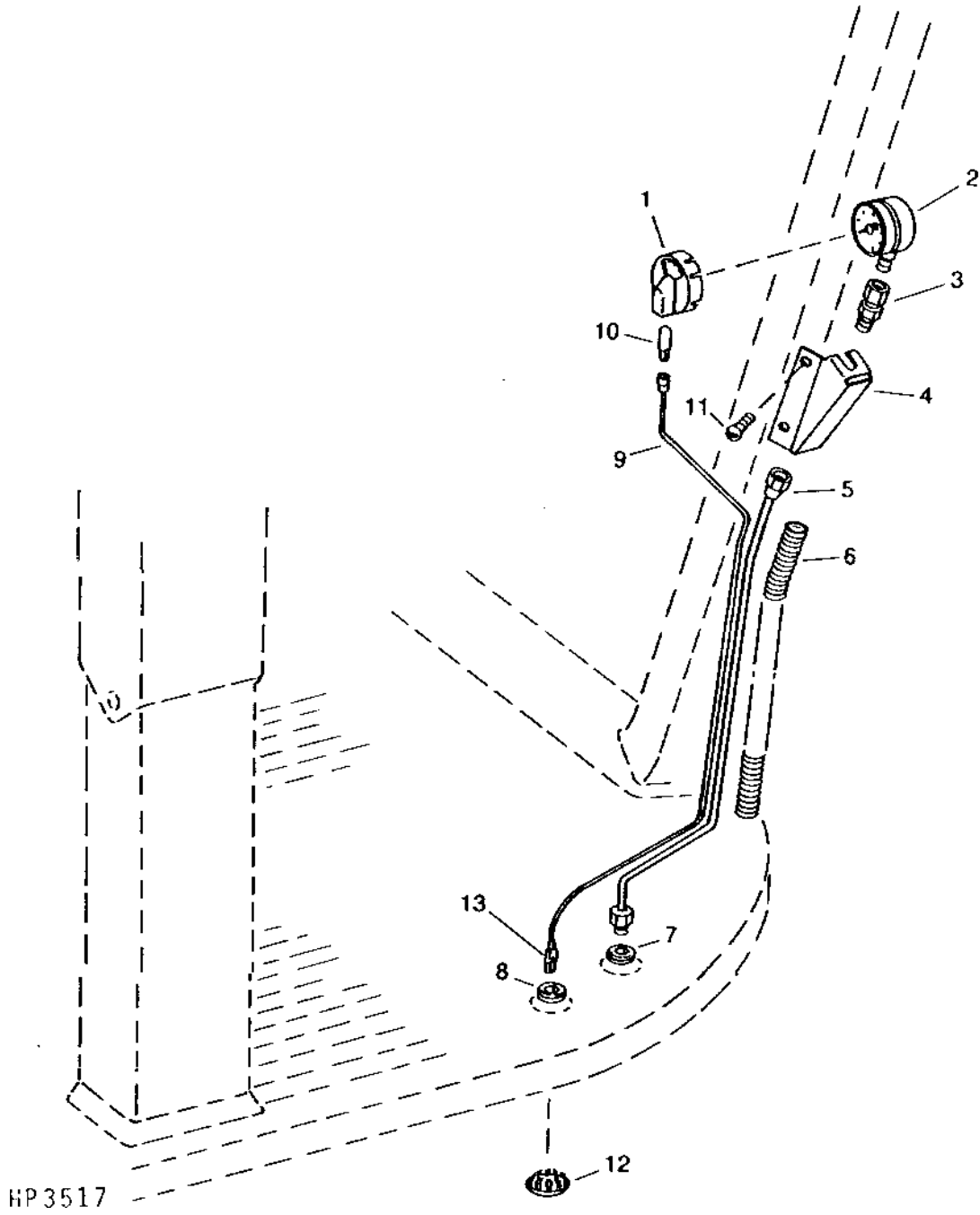
HYDRAULICS

ONE GALLON ACCUMULATOR, HOSE, LINE AND MOUNTING - CONTINUED

KEY	PART NO.	PART NAME	QTY	SERIAL NO.	REMARKS
1	T77613	O-RING	2		9.246 X 1.778 MM
2	AH133151	HYDRAULIC HOSE	1		11/16" X 3 940 MM X 11/16"
3	J2375M	CAP	1		
4	H135641	RING	1		7.650 X 1.630 MM
5	AH131250	BLEED VALVE	1		
6	H149092	LABEL	1		"CAUTION"
7	AH143455	ACCUMULATOR	1		
8	R26375	O-RING	2		16.358 X 2.210 MM
9	R77178	CLAMP	1		
10	14M7296	FLANGE NUT	1		M10
11	03M7196	BOLT	1		M10 X 50
12	19M7866	SCREW	4		M8 X 20
	14M7298	FLANGE NUT	4		M8
13	R44302	TIE BAND	3		
14	H148366	BRACKET	1		
15	19M7864	SCREW	2		M8 X 12
16	T77857	O-RING	3		12.421 X 1.778 MM
17	38H1017	TEE FITTING	1		
18	AH148124	HYDRAULIC HOSE	1		13/16" X 460 MM X 13/16"
19	38H1161	ADAPTER	1		
20	03M7183	BOLT	1		M8 X 16
21	14M7298	FLANGE NUT	1		M8
22	AH131535	VALVE	1		
23	38H1481	REDUCER	1		
24	AH89557	CLIP	4		

2G13

ACCUMULATOR PRESSURE GAUGE AND WIRING HARNESS
HP3517 -UN-01JAN94



2G14

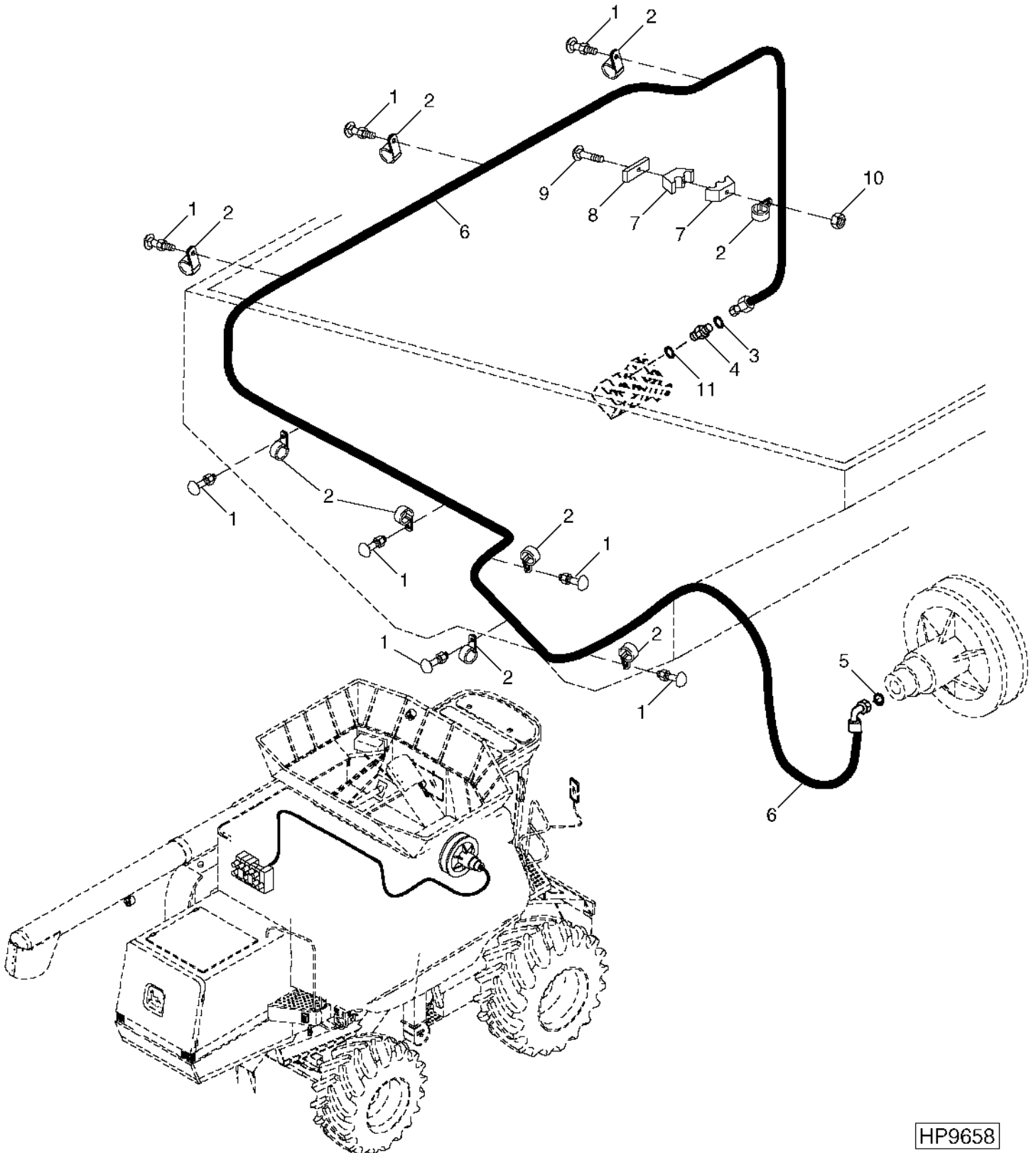
HYDRAULICS

ACCUMULATOR PRESSURE GAUGE AND WIRING HARNESS - CONTINUED

KEY	PART NO.	PART NAME	QTY	SERIAL NO.	REMARKS
1	H111378	COVER	1		
2	AH108080	PRESSURE GAUGE	1		
3	AB18206	ADAPTER	1		(WITH JAM NUT)
4	AH132832	BRACKET	1		
5	AH132027	OIL LINE	1		
6	H137523	CONDUIT	1		
7	T65643	GROMMET	1		
8	T63817	GROMMET	1		
9	AH134205	WIRING LEAD	1		
10	AH108380	BULB	1		
11	H165691	SCREW	2		M6 X 20
12	R32239	PLUG	2		USE WITHOUT ACCUM. GAUGE
13	RE12363	CONNECTOR	1		(PKG OF 3)
	R78048	TERMINAL NIPPLE	1		(PKG OF 5)

2G15

CYLINDER SPEED HYDRAULIC HOSE
HP9658 -UN-31MAR00



HP9658

2G16

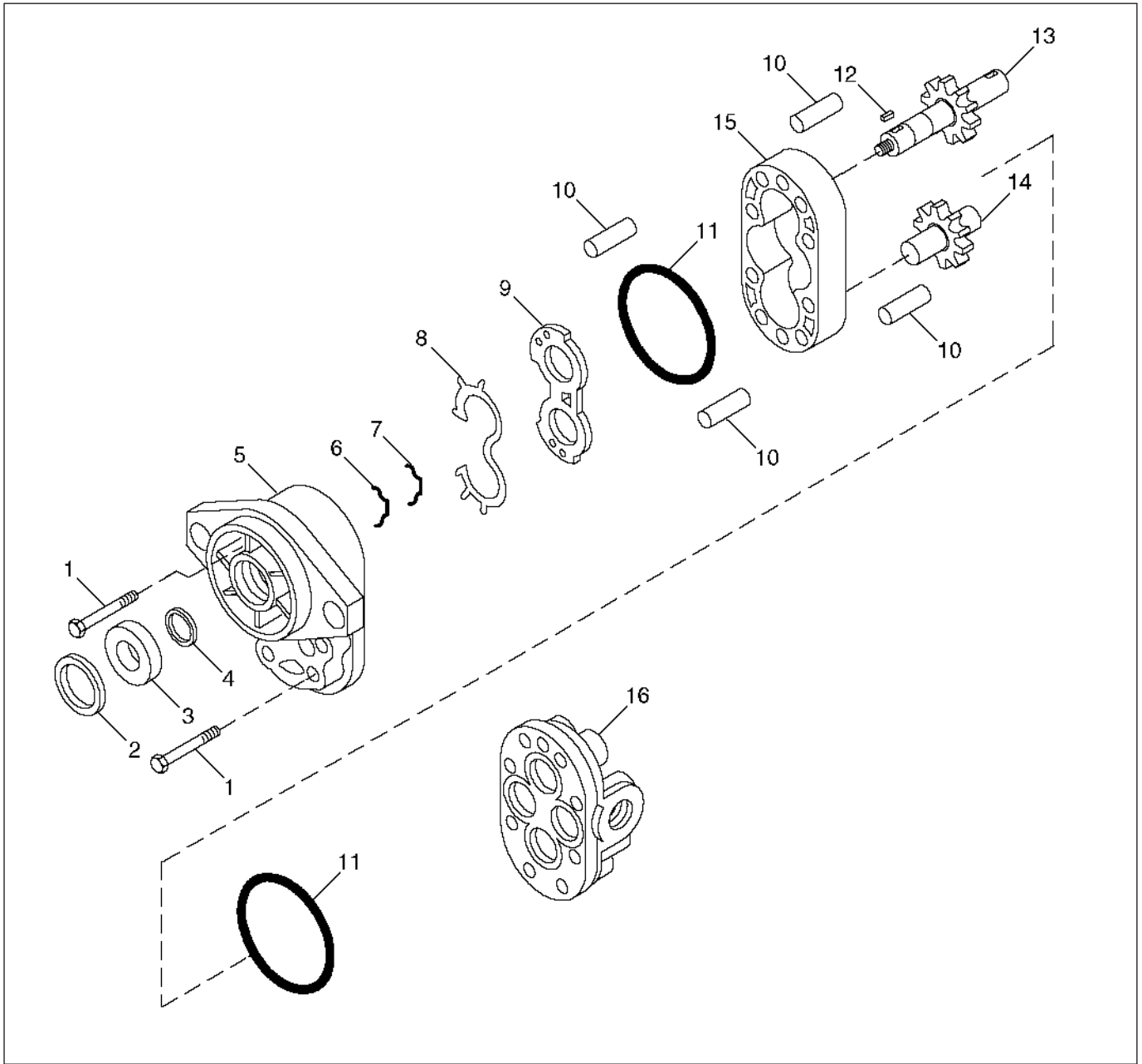
HYDRAULICS

CYLINDER SPEED HYDRAULIC HOSE - CONTINUED

KEY	PART NO.	PART NAME	QTY	SERIAL NO.	REMARKS
1	19M7865	SCREW	8		
	14M7298	FLANGE NUT	8	M8 X 16	
2	H75541	CLAMP	9	M8	
3	T77613	O-RING	1		
4	38H1160	ADAPTER	1		
5	T77814	O-RING	1		
6	AH158927	HYDRAULIC HOSE	1		1 1/16" X 5 500 MM X 9/16"
7	H128515	CLAMP	2		
8	H121163	COVER	1		
9	19M8317	SCREW	1		M8 X 40
10	14M7298	FLANGE NUT	1	M8	
11	R26448	O-RING	1		

2G17

REEL / BELT PICKUP DRIVE, CHAFF SPREADER PUMP
HP8488 -UN-20APR99



HP8488

2G18

HYDRAULICS

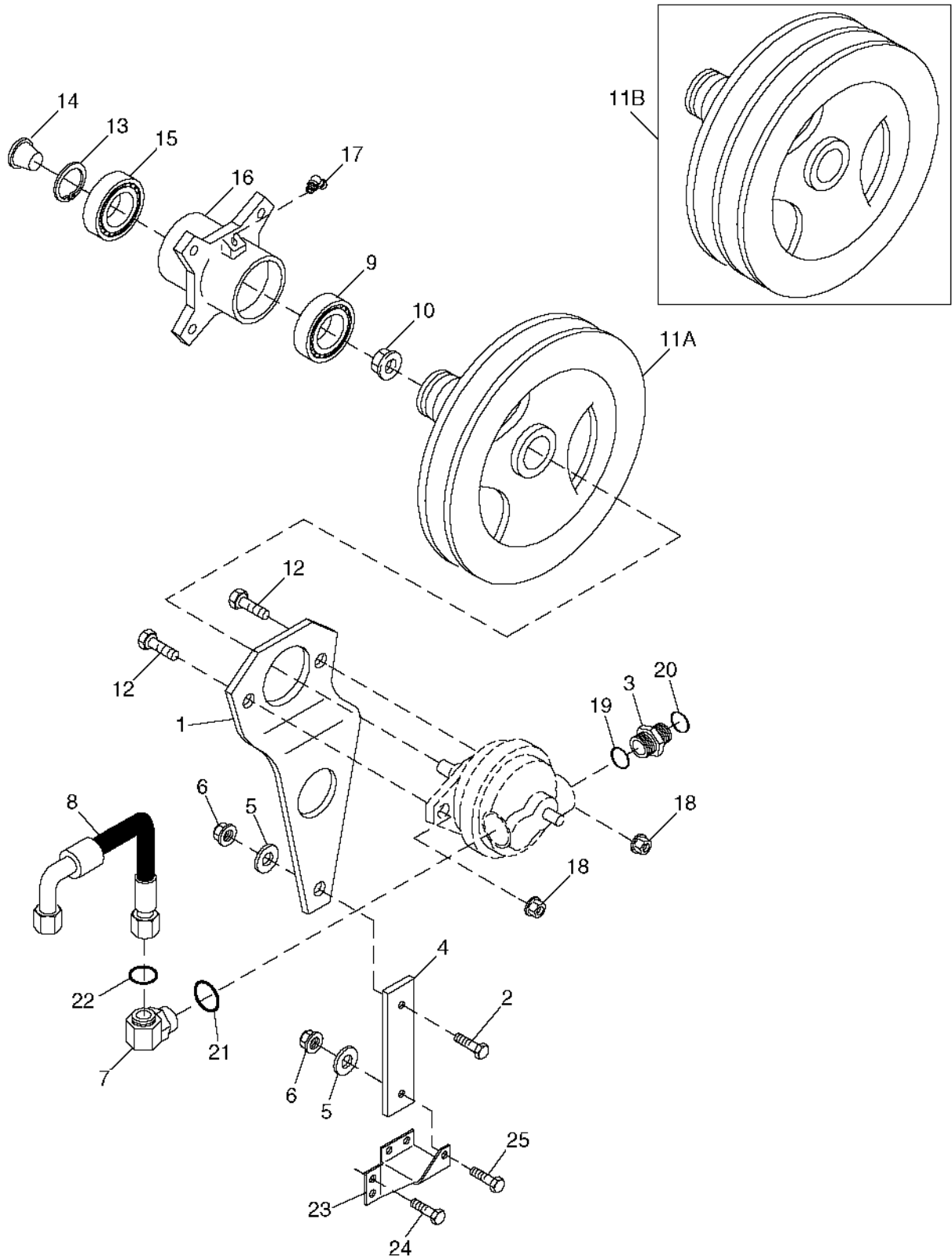
REEL / BELT PICKUP DRIVE, CHAFF SPREADER PUMP - CONTINUED

KEY	PART NO.	PART NAME	QTY	SERIAL NO.	REMARKS
1	E61791	BOLT	8	7.925 X 69.850 MM	
2	M41029	SNAP RING	1	(A)	
3	AH131842	SEAL	1	(A)	
4	M48869	WASHER	1	(A) 19.215 X 25.337 X 0.813 MM	
5	PLATE	1		
6	SEAL	1	(A)	
7	GASKET	1	(A)	
8	GASKET	1	(A)	
9	WEAR PLATE	1	(A)	
10	H116213	DOWEL PIN	4		
11	H80821	O-RING	2	(A) 75.921 X 1.778 MM	
12	N34986	SHAFT KEY	1		
13	AH131304	SHAFT	1		
14	GEAR	1		
15	HOUSING	1		
16	PLATE	1		
17	AH131178	HYDRAULIC PUMP	1	(EATON R25305-RAK) - REMANUFACTURED	
..	AH131176	SEAL KIT	1	INCLUDES PARTS MARKED (A)	

2G19

HYDRAULICS

REEL / BELT PICKUP PUMP MOUNTING AND SHEAVE
HP8971 -UN-26AUG99



HP8971

2G20

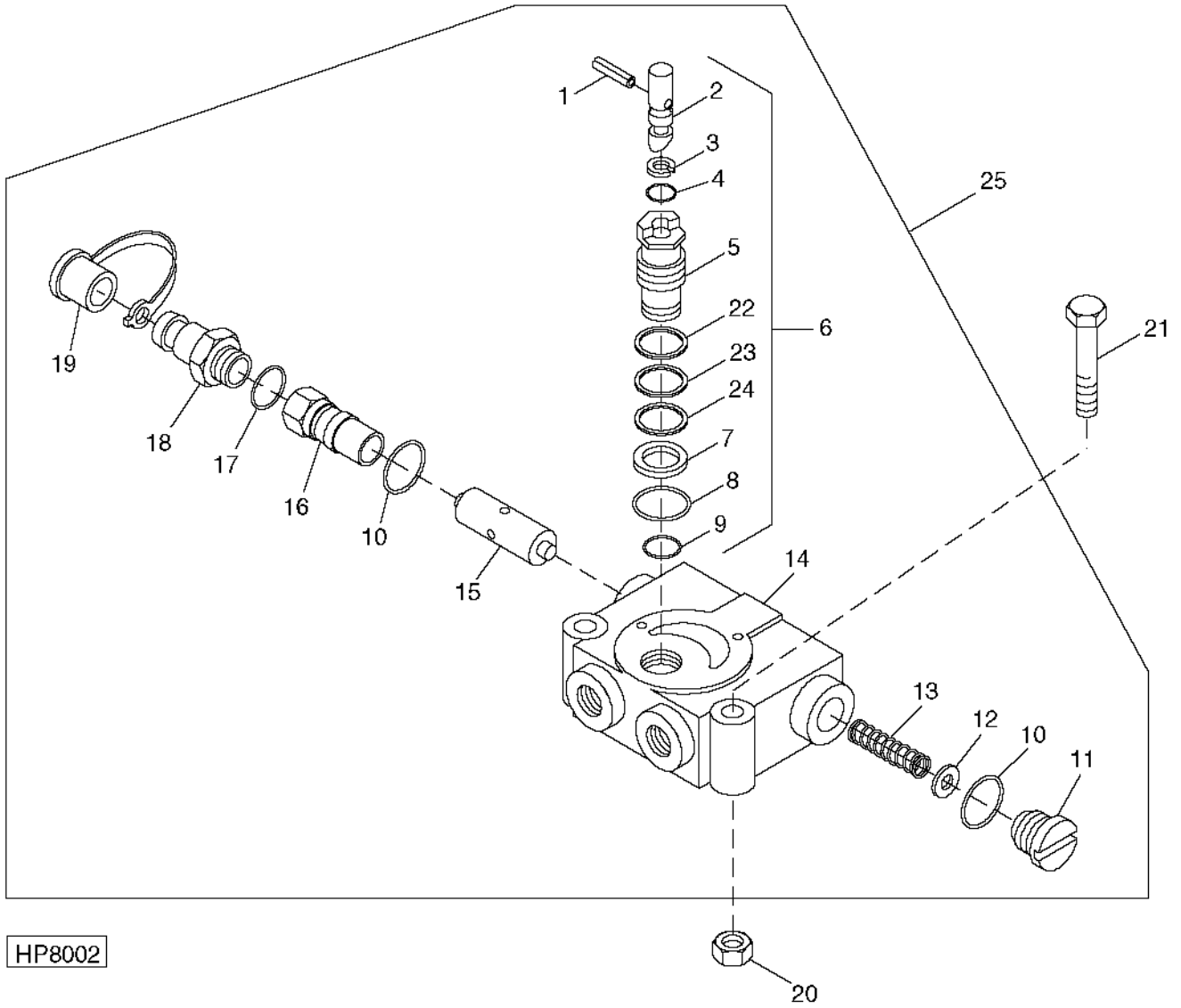
HYDRAULICS

REEL / BELT PICKUP PUMP MOUNTING AND SHEAVE - CONTINUED

KEY	PART NO.	PART NAME	QTY	SERIAL NO.	REMARKS
1	H157102	ARM	1		
2	03M7185	BOLT	1	M8 X 25	
3	38H1174	ADAPTER	1		
4	H78340	STRAP	1		
5	24M7207	WASHER	2	8.400 X 24 X 2 MM	
6	14M7298	FLANGE NUT	2		
7	38H1052	ELBOW FITTING	1		
8	AH128584	HYDRAULIC HOSE	1		
9	JD10312	BALL BEARING	1		
10	E59406	FLANGE NUT	1	3/8"	
11A	H132937	SHEAVE	1	STANDARD CAPACITY	
11B	H157101	SHEAVE	1	HI CAPACITY	
12	03M7186	BOLT	2	M8 X 30	
13	BP13616	SNAP RING	1		
14	B2984R	PLUG	1		
15	AZ20216	BALL BEARING	1		
16	H132938	HUB	1		
17	JD7788	LUBRICATION FITTING	1		
18	14M7396	LOCK NUT	2		
19	R26906	O-RING	1		
20	T77857	O-RING	1		
21	T77858	O-RING	1		
22	R29936	O-RING	1		
23	H128111	BRACKET	1		
24	19M7865	SCREW	4	M8 X 16	
25	19M7867	SCREW	1	M8 X 25	

2G21

REEL DRIVE FLOW CONTROL VALVE
HP8002 -UN-02MAR99



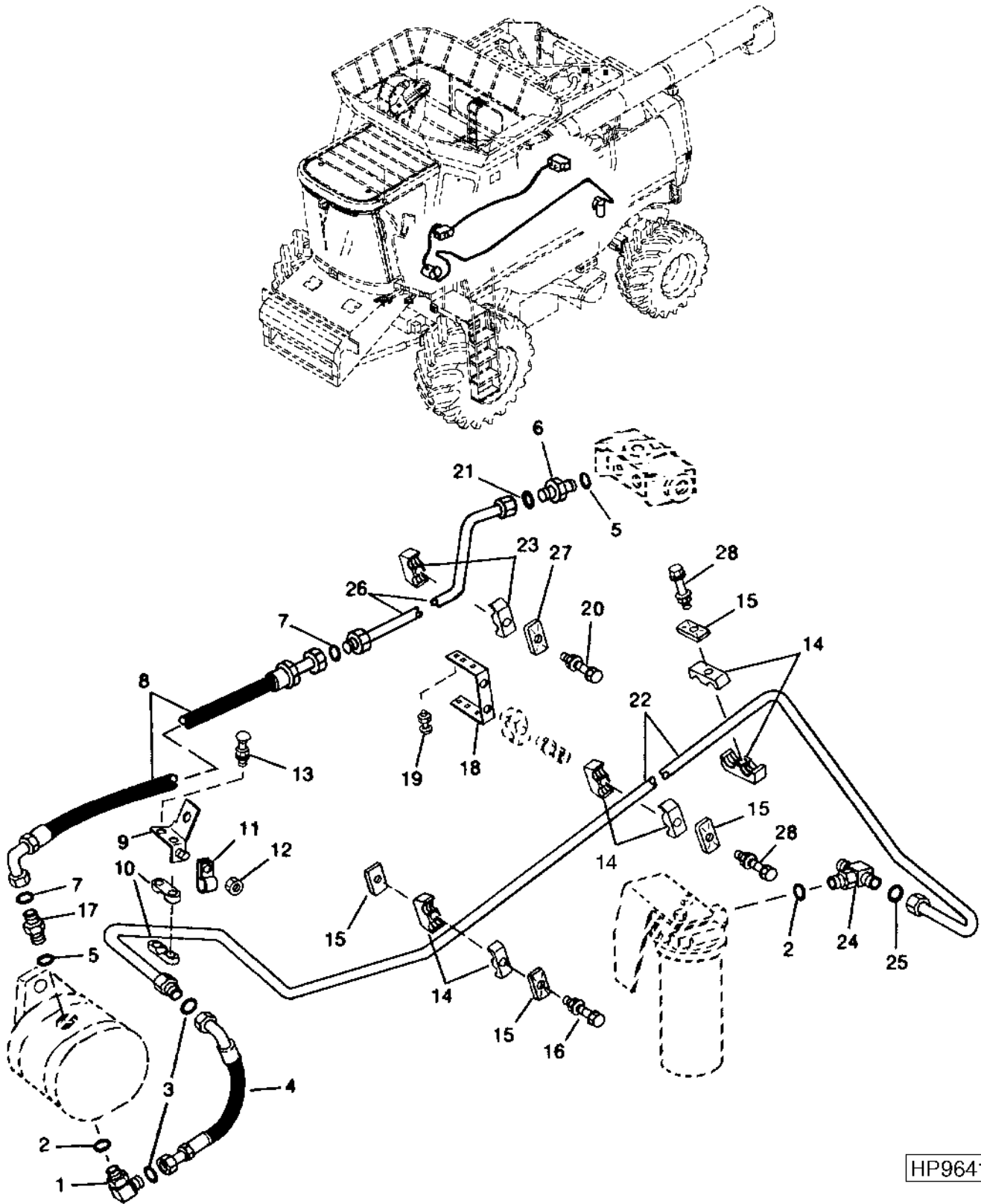
REEL DRIVE FLOW CONTROL VALVE - CONTINUED

KEY	PART NO.	PART NAME	QTY	SERIAL NO.	REMARKS
1	GROOVE PIN	1		
2	STEM	1		
3	BACK-UP RING	1	(A)	
4	O-RING	1	(A)	
5	PLUG	1		
6	AH140903	KIT	1		
7	BACK-UP RING	1	(A)	
8	O-RING	1	(A)	
9	O-RING	1	(A)	
10	H63289	O-RING	2	(A)	20.295 X 2.616 MM
11	PLUG	1		
12	SHIM	1		
13	SPRING	1		
14	HOUSING	1		
15	SPOOL	1		
16	PLUG	1		
17	R26448	O-RING	1	(A)	11.887 X 1.981 MM
18	AH125760	HYD. QUICK-CONNECT COUPLER	1		DIAGNOSTIC
19	R77175	COVER	1		
20	14M7298	FLANGE NUT	2		M8
21	19M7801	SCREW	2		M8 X 60
22	SHIM	AR		
23	SHIM	AR		
24	SHIM	AR		
25	AH140968	CHECK VALVE	1		
..	AH136248	SEAL KIT	1		INCLUDES PARTS MARKED (A)

2G23

HYDRAULICS

REEL PUMP HYDRAULIC LINES AND HOSES
HP9641 -UN-28MAR00



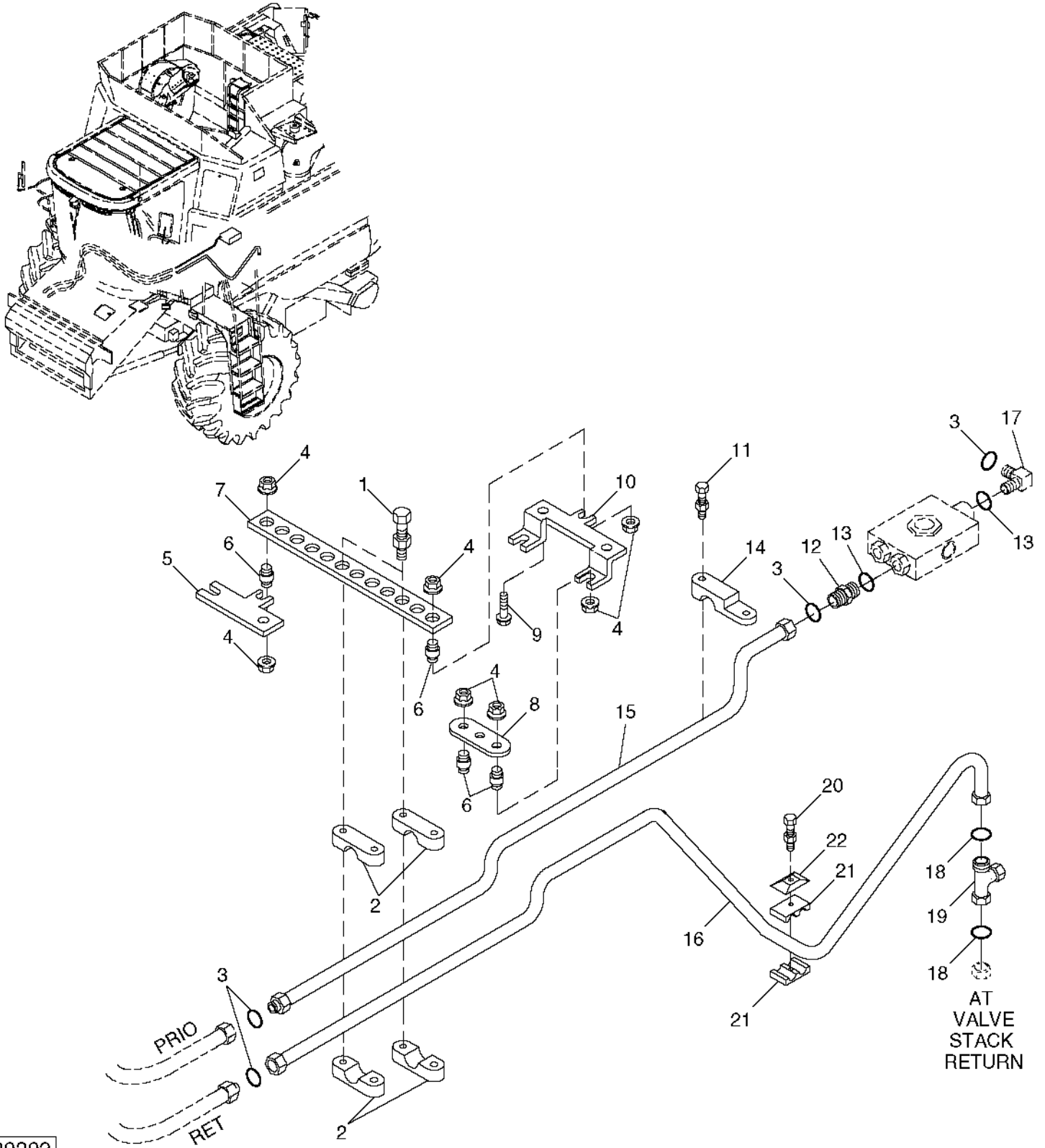
HP9641

REEL PUMP HYDRAULIC LINES AND HOSES - CONTINUED

KEY	PART NO.	PART NAME	QTY	SERIAL NO.	REMARKS
1	38H1052	ELBOW FITTING	1		
2	R29936	O-RING	2		29.743 X 2.946 MM (1.171" X 0.116")
3	T77858	O-RING	2		18.771 X 1.778 MM (0.739" X 0.070")
4	AH128584	HYDRAULIC HOSE	1		1-3/16" X 390 MM (15-1/4") X 1-3/16" (REEL PUMP SUCTION)
5	R26906	O-RING	2		19.177 X 2.464 MM (0.755" X 0.097")
6	38H1162	ADAPTER	1		
7	T77857	O-RING	2		12.421 X 1.778 MM (0.489" X 0.070")
8	AH140832	HYDRAULIC HOSE	1		13/16" X 1 050 MM (41-1/4") X 13/16" (REEL PUMP PRESSURE)
9	AH126389	BRACKET	1		
10	H114432	CLAMP	2		
11	R46667	CLAMP	1		
12	14M7298	FLANGE NUT	1		M8
13	03M7280	BOLT	2		M6 X 45 (RD. HEAD)
	14M7303	FLANGE NUT	2		M6
14	H114897	CLAMP	6		
15	H112567	PLATE	4		
16	19M7801	SCREW	1		M8 X 60
	14M7298	FLANGE NUT	1		M8
17	38H1174	ADAPTER	2		
18	H131115	BRACKET	1		
19	19M7866	SCREW	4		M8 X 20 (RD. HEAD)
	14M7396	LOCK NUT	4		M8
20	19M8319	SCREW	1		M8 X 50
	14M7298	FLANGE NUT	1		M8
21	T77932	O-RING	1		
22	AH128859	OIL LINE	1		(REEL PUMP SUCTION)
23	H120847	CLAMP	1		
24	38H1437	TEE FITTING	1		
25	T76938	O-RING	1		23.520 X 1.778 MM (0.926" X 0.070")
26	AH140932	OIL LINE	1		PRESSURE
27	H121168	PLATE	1		
28	19M7913	SCREW	2		M8 X 90
	14M7298	FLANGE NUT	2		M8

2H1

REEL DRIVE HYDRAULIC LINES AND HOSES, L.H. SIDE
HP9292 -UN-19NOV99



HP9292

2H2

HYDRAULICS

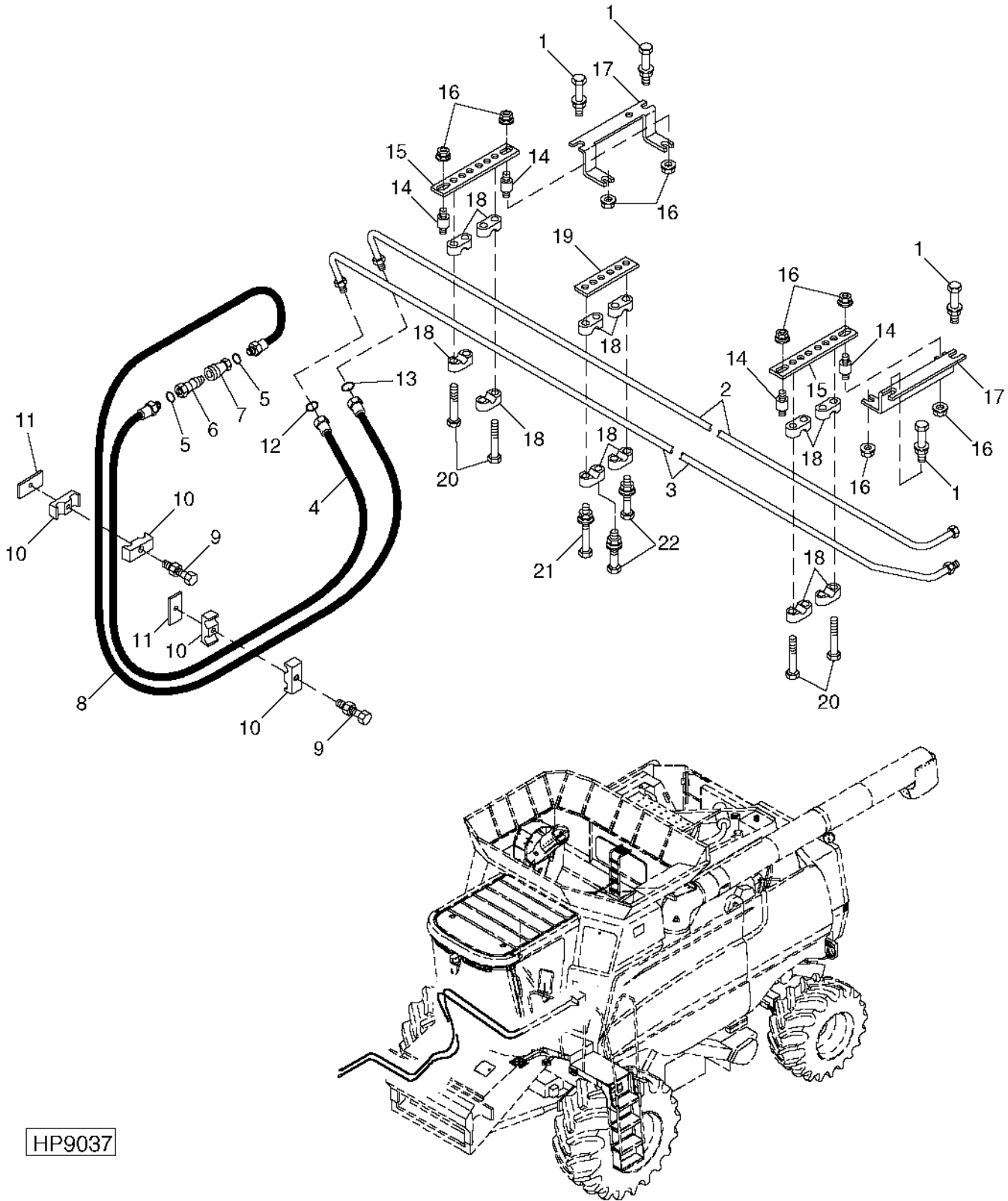
REEL DRIVE HYDRAULIC LINES AND HOSES, L.H. SIDE - CONTINUED

KEY	PART NO.	PART NAME	QTY	SERIAL NO.	REMARKS
1	03M7189	BOLT	4	M8 X 45	
	14M7298	FLANGE NUT	4	M8	
2	H115533	CLAMP	4		
3	T77932	O-RING	4	15.596 X 1.778 MM	
4	N10217	LOCK NUT	8	6.350 MM	
5	H134427	BRACKET	1		
6	AH126657	ISOLATOR	4		
7	H140298	STRAP	1		
8	H134425	STRAP	1		
9	37M7058	SCREW	4	M8 X 20	
10	H140298	STRAP	1		
11	19M7801	SCREW	1	M8 X 60	
	14M7298	FLANGE NUT	1	M8	
12	38H1162	ADAPTER	1		
13	R26906	O-RING	2	19.177 X 2.464 MM	
14	H112162	CLAMP	1		
15	AH140934	OIL LINE	1	(PRESSURE)	
16	AH143436	LINE	1	(RETURN)	
17	38H1006	ELBOW FITTING	1		
18	T77858	O-RING	2		
19	38H1033	TEE FITTING	1		
20	19M8318	SCREW	1	M8 X 45	
	14M7298	FLANGE NUT	1	M8	
21	H109046	CLAMP	2		
22	H121168	PLATE	1		

2H3

REEL DRIVE HYDRAULIC LINES AND HOSES, FRONT

HP9037 -UN-13SEP99



HP9037

2H4

HYDRAULICS

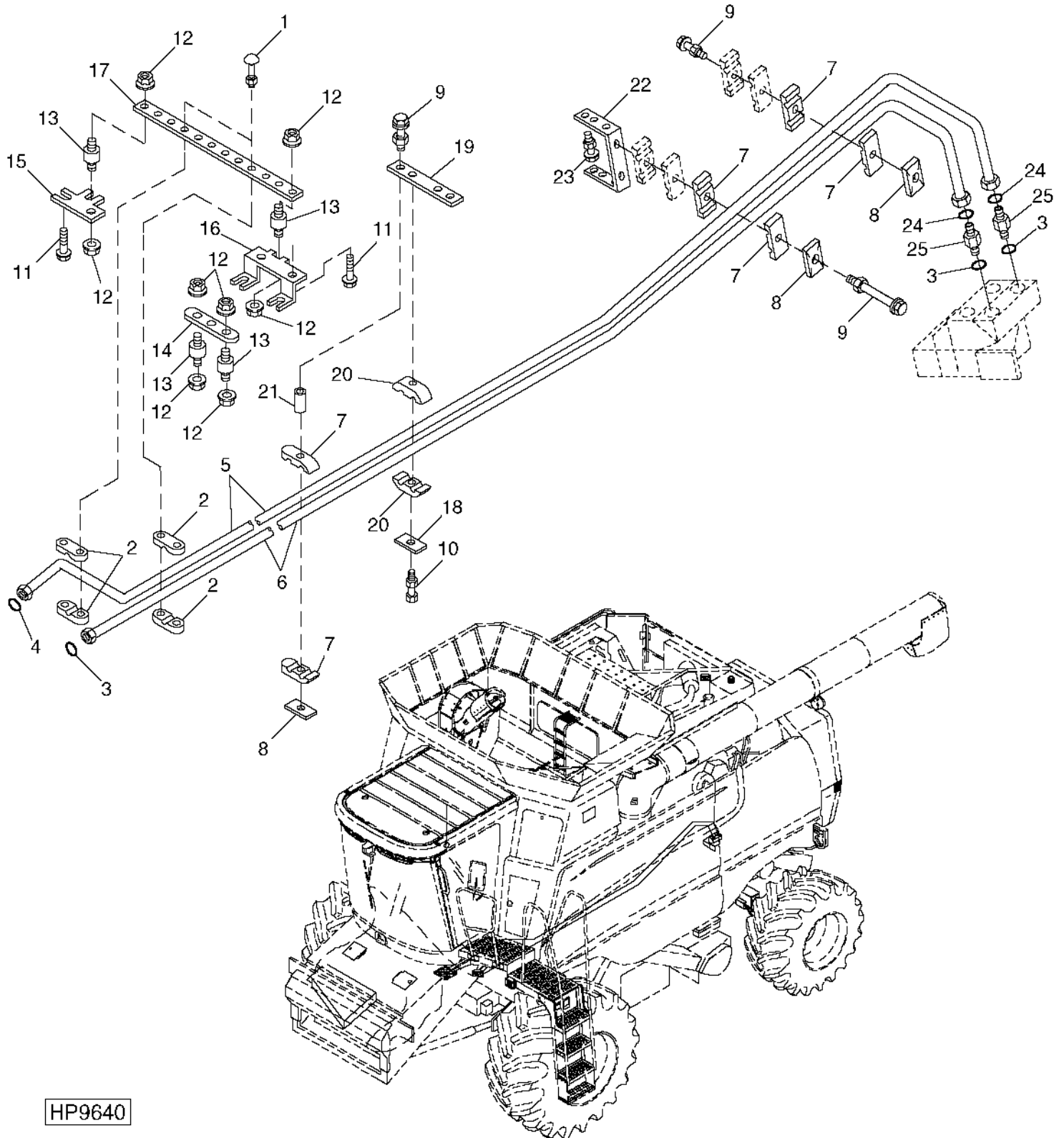
REEL DRIVE HYDRAULIC LINES AND HOSES, FRONT - CONTINUED

KEY	PART NO.	PART NAME	QTY	SERIAL NO.	REMARKS
1	19M7865	SCREW	4	M8 X 16	
	14M7298	FLANGE NUT	4	M8	
2	AH135686	HYDRAULIC LINE	1		
3	AH135684	HYDRAULIC LINE	1		
4	AH162140	HYDRAULIC HOSE	1	3/4" X 3 240 MM X 1" (RETURN)	
5	R26375	O-RING	2	16.358 X 2.210 MM	
6	AR94522	INTERNAL HALF COUPLER	1		
7	AH75167	HYD. QUICK-CONNECT COUPLER	1		
8	AH162142	HYDRAULIC HOSE	1	3/4" X 3 075 MM X 13/16" (PRESSURE)	
9	03M7245	BOLT	2	M8 X 55	
	14M7298	FLANGE NUT	2	M8	
10	H122772	CLAMP	4		
11	H112567	PLATE	2		
12	T77932	O-RING	1	15.596 X 1.778 MM	
13	T77857	O-RING	1	12.421 X 1.778 MM	
14	AH126657	ISOLATOR	4		
15	H134429	STRAP	2		
16	N10217	LOCK NUT	8	6.350 MM	
17	H135618	BRACKET	2		
18	H115533	CLAMP	12		
19	H134558	STRAP	1		
20	37M7102	SCREW	8	M8 X 40	
21	19M8006	SCREW	1	M8 X 120	
	14M7298	FLANGE NUT	1	M8	
22	19M8318	SCREW	3	M8 X 45	
	14M7298	FLANGE NUT	3	M8	

2H5

REEL FORE-AND-AFT HYDRAULIC LINES, L.H. SIDE (OPTIONAL)

HP9640 -UN-03APR00



HP9640

2H6

HYDRAULICS

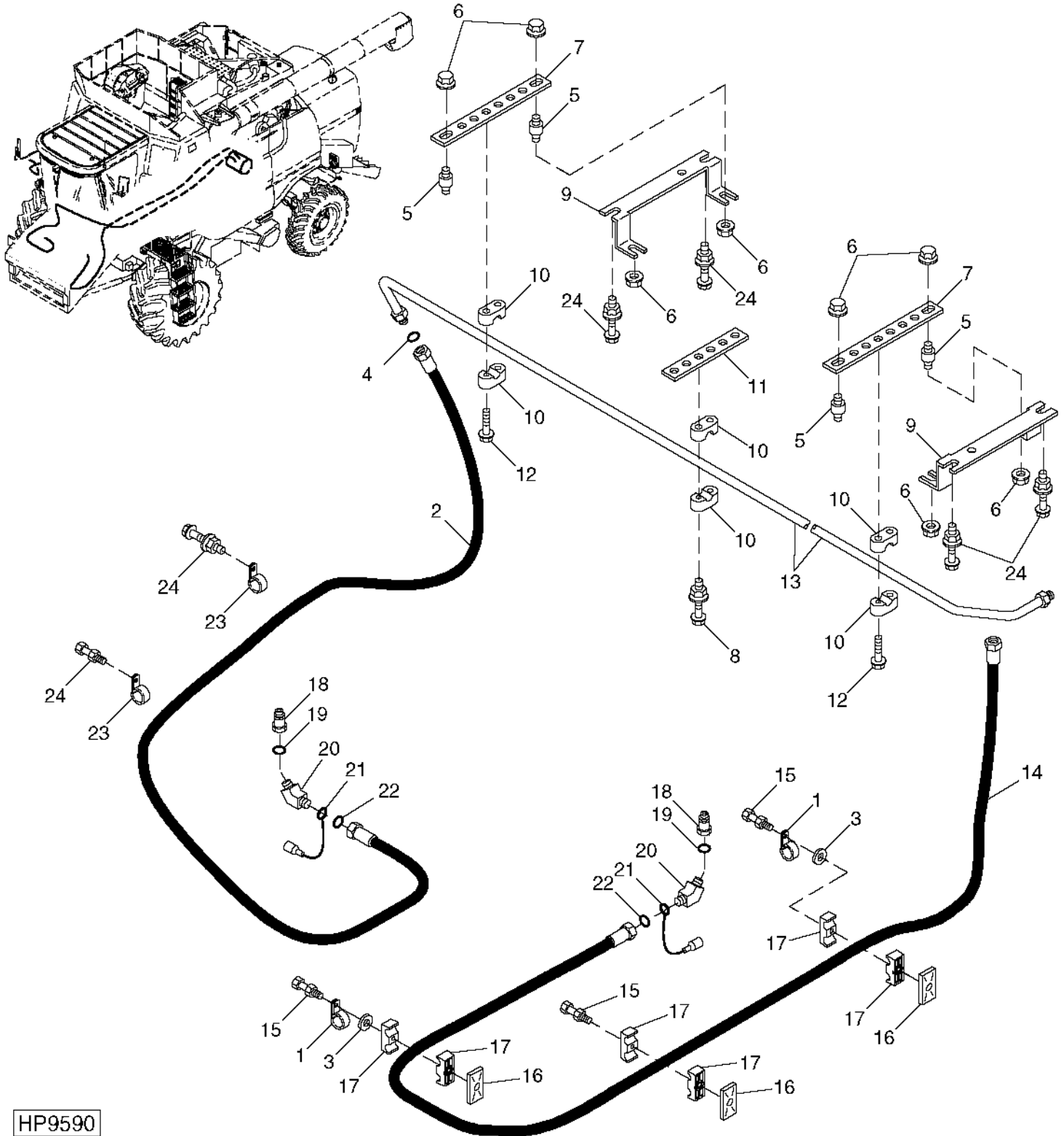
REEL FORE-AND-AFT HYDRAULIC LINES, L.H. SIDE - CONTINUED
(OPTIONAL)

KEY	PART NO.	PART NAME	QTY	SERIAL NO.	REMARKS
1	03M7188	BOLT	4	M8 X 40	
	14M7298	FLANGE NUT	4	M8	
2	H116717	CLAMP	4		
3	R26375	O-RING	2	16.358 X 2.210 MM	
4	T77814	O-RING	1	7.645 X 1.778 MM	
5	AH156365	HYDRAULIC LINE	1	(RETRACT)	
6	AH131311	HYDRAULIC LINE	1	(EXTEND)	
7	H128515	CLAMP	6		
8	H121163	COVER	3		
9	19M7803	SCREW	3	M8 X 70	
	14M7298	FLANGE NUT	3	M8	
10	19M8318	SCREW	1	M8 X 45	
	14M7298	FLANGE NUT	1	M8	
11	03M7184	BOLT	4	M8 X 20	
12	N10217	LOCK NUT	8	6.350 MM	
13	AH126657	ISOLATOR	4		
14	H134425	STRAP	1		
15	H134427	BRACKET	1		
16	H134424	BRACKET	1		
17	H140298	STRAP	1		
18	H121168	PLATE	1		
19	H131163	STRAP	1		
20	H109046	CLAMP	2		
21	28H1941	BUSHING	1		
22	H131115	BRACKET	1		
23	19M7866	SCREW	4	M8 X 20	
	14M7396	LOCK NUT	4	M8	
24	T77613	O-RING	3		
25	38H1171	ADAPTER	2		

2H7

REEL FORE-AND-AFT HYDRAULIC LINES AND HOSES, FRONT (OPTIONAL)

HP9590 -UN-22FEB00



HP9590

2H8

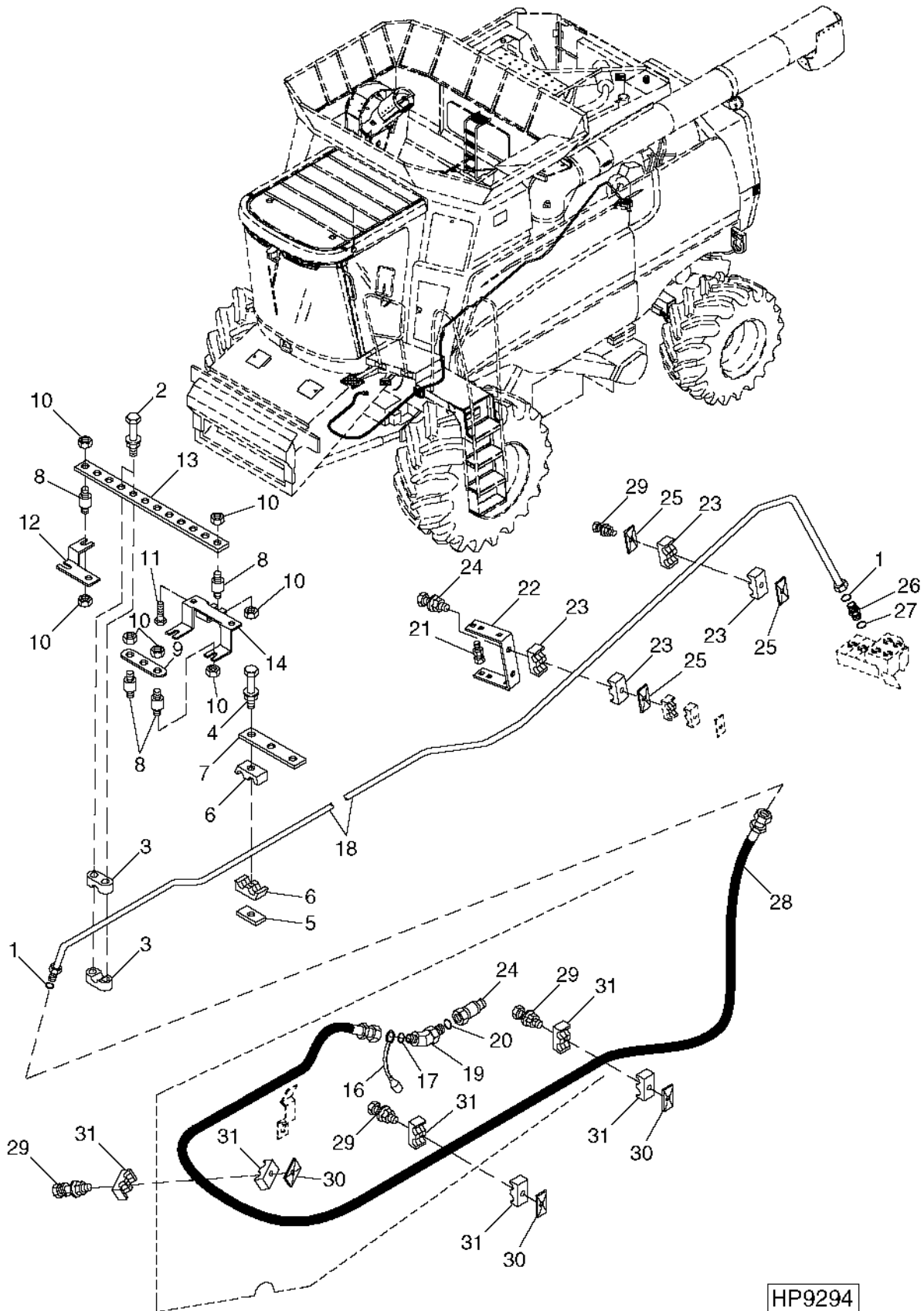
HYDRAULICS

**REEL FORE AND AFT HYDRAULIC LINES AND HOSES, FRONT - CONTINUED
(OPTIONAL)**

KEY	PART NO.	PART NAME	QTY	SERIAL NO.	REMARKS
1	AH96317	CLIP	3		
2	AH162138	HYDRAULIC HOSE	1	9/16" X 3 194 MM X 11/16"	
3	12M7032	LOCK WASHER	3	8.400 MM	
4	T77814	O-RING	1	7.645 X 1.778 MM	
5	AH126657	ISOLATOR	4		
6	N10217	LOCK NUT	8	6.350 MM	
7	H134429	STRAP	2		
8	19M8317	SCREW	2	M8 X 40	
	14M7298	FLANGE NUT	2	M8	
9	H135618	BRACKET	2		
10	H116717	CLAMP	6		
11	H134558	STRAP	1		
12	37M7102	SCREW	4	M8 X 40	
13	AH135682	HYDRAULIC LINE	1		
14	AH130560	HYDRAULIC HOSE	1	9/16" X 3 286 MM X 11/16" (RETRACT)	
15	19M8319	SCREW	3	M8 X 50	
	14M7298	FLANGE NUT	3	M8	
16	H121168	PLATE	3		
17	H120847	CLAMP	6		
18	AH116632	HYD. QUICK-CONNECT COUPLER	2		
19	R26448	O-RING	2	11.887 X 1.981 MM	
20	38H1045	ELBOW FITTING	2		
21	AH124832	CAP	2		
22	T77613	O-RING	2	9.246 X 1.778 MM	
23	AH78125	CLIP	1		
24	19M7866	SCREW	6	M8 X 20	
	14M7298	FLANGE NUT	6	M8	

2H9

REEL LIFT LINES AND HOSES
HP9294 -UN-19NOV99



HP9294

2H10

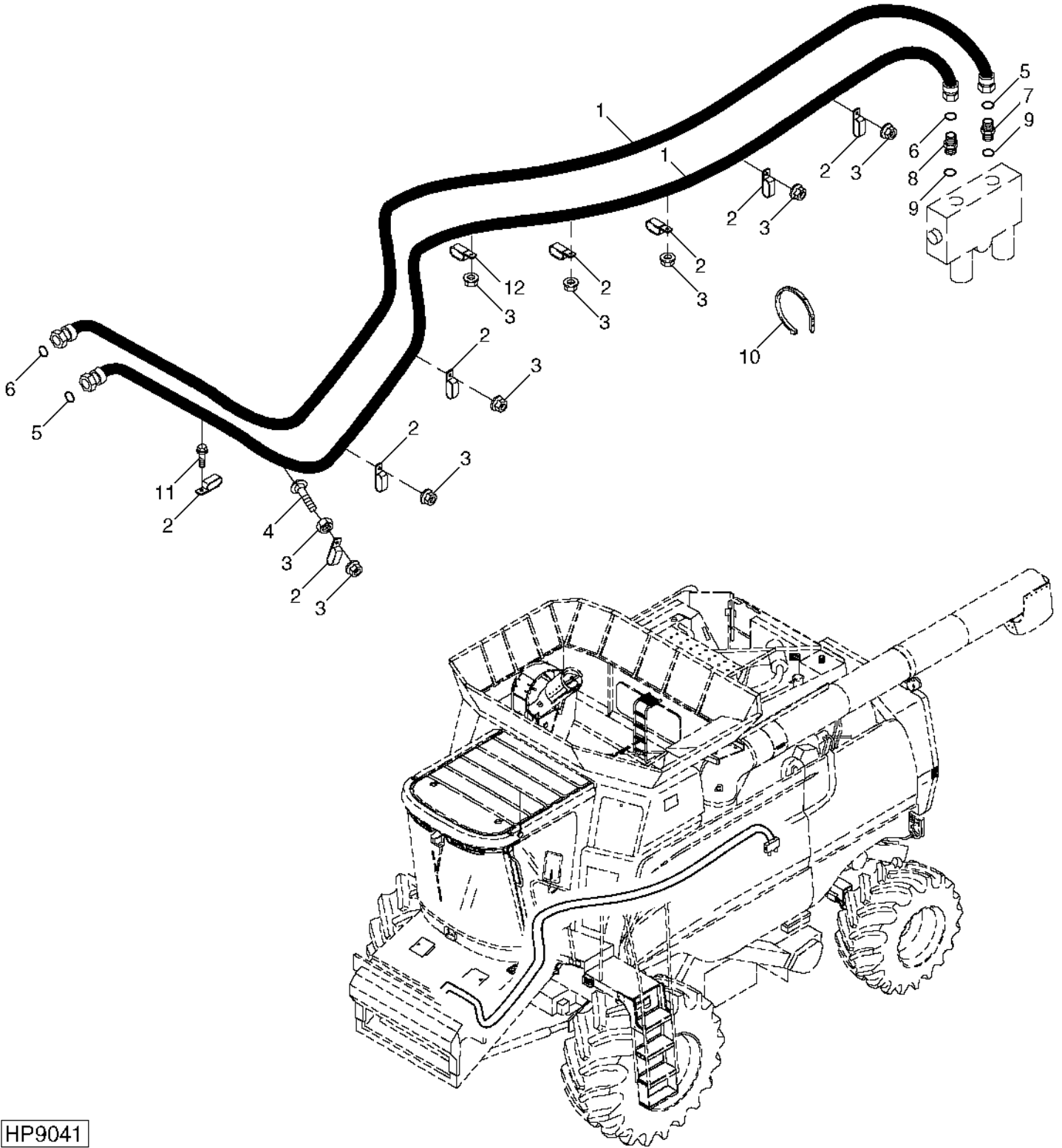
HYDRAULICS

REEL LIFT LINES AND HOSES - CONTINUED

KEY	PART NO.	PART NAME	QTY	SERIAL NO.	REMARKS
1	T77613	O-RING	2		9.246 X 1.778 MM
2	03M7188	BOLT	2		M8 X 40
	14M7298	FLANGE NUT	2		M8
3	H116717	CLAMP	2		
4	19M7803	SCREW	1		M8 X 70
	14M7298	FLANGE NUT	1		M8
5	H121163	COVER	1		W/ REEL FORE/AFT OPTION
6	H128515	CLAMP	2		W/ REEL FORE/AFT OPTION
	H127589	CLAMP	2		W/O REEL FORE/AFT OPTION
7	H131163	STRAP	1		
8	AH126657	ISOLATOR	4		
9	H134425	STRAP	1		
10	N10217	LOCK NUT	8		6.350 MM
11	37M7058	SCREW	4		M8 X 20
12	H134427	BRACKET	1		
13	H140298	STRAP	1		
14	H134424	BRACKET	1		
15	28H1941	BUSHING	1		
16	A15898	CAP	1		
17	T77857	O-RING	1		12.421 X 1.778 MM
18	AH156364	HYDRAULIC LINE	1		
19	38H1046	ELBOW FITTING	1		
20	R26375	O-RING	1		
21	19M7866	SCREW	4		M8 X 20
	14M7396	LOCK NUT	4		M8
22	H131115	BRACKET	1		
23	H109046	CLAMP	4		
24	AR94522	INTERNAL HALF COUPLER	1		
25	H121168	PLATE	3		
26	38H1160	ADAPTER	1		
27	R26448	O-RING	1		11.887 X 1.981 MM
28	AH130562	HYDRAULIC HOSE	1		11/16" X 3 286 MM X 13/16"
29	19M8319	SCREW	5		M8 X 50, W/O REEL FORE/AFT OPTION
	14M7298	FLANGE NUT	5		M8
30	H121168	PLATE	3		
31	H120847	CLAMP	6		

2H11

CONTOUR MASTER HYDRAULIC HOSES, L.H. SIDE (OPTIONAL)
HP9041 -UN-13SEP99



HP9041

2H12

HYDRAULICS

CONTOUR MASTER HYDRAULIC HOSES, L.H. SIDE (OPTIONAL) - CONTINUED

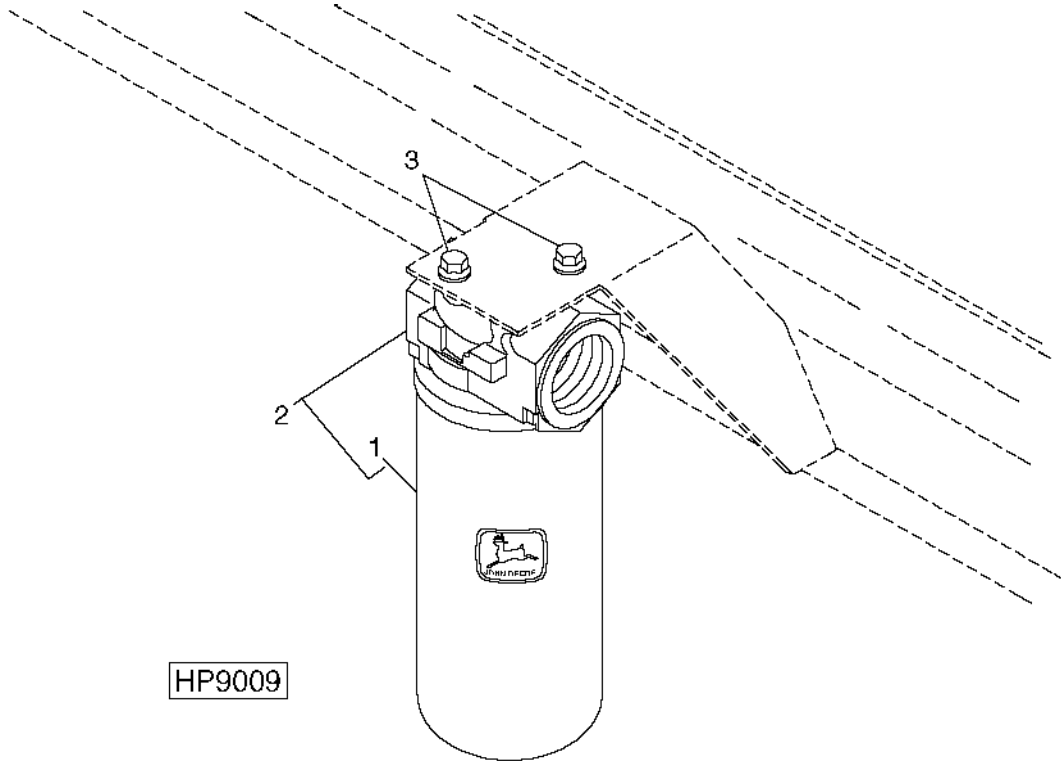
KEY	PART NO.	PART NAME	QTY	SERIAL NO.	REMARKS
1	AH143682	HYDRAULIC HOSE	2		
2	AH97280	CLIP	10		
3	14M7298	FLANGE NUT	10	M8	
4	03M7185	BOLT	1	M8 X 25	
5	T77613	O-RING	2		9.246 X 1.778 MM, CONNECT HOSE TO PISTON END OF CYLINDER
6	T77814	O-RING	2		7.645 X 1.778 MM, CONNECT HOSE TO ROD END OF CYLINDER
7	38H1445	ADAPTER	1		TO BOTTOM PORT OF VALVE
8	38H1171	ADAPTER	1		TO TOP PORT OF VALVE
9	R26375	O-RING	2		16.358 X 2.210 MM
10	R44302	TIE BAND	1		171 MM (6-3/4")
11	37M7084	SCREW	1	M8 X 25	
12	AH77869	CLIP	1		

2H13

HYDRAULICS

MAIN HYDRAULIC FILTER ASSEMBLY

HP9009 -UN-03SEP99



HP9009

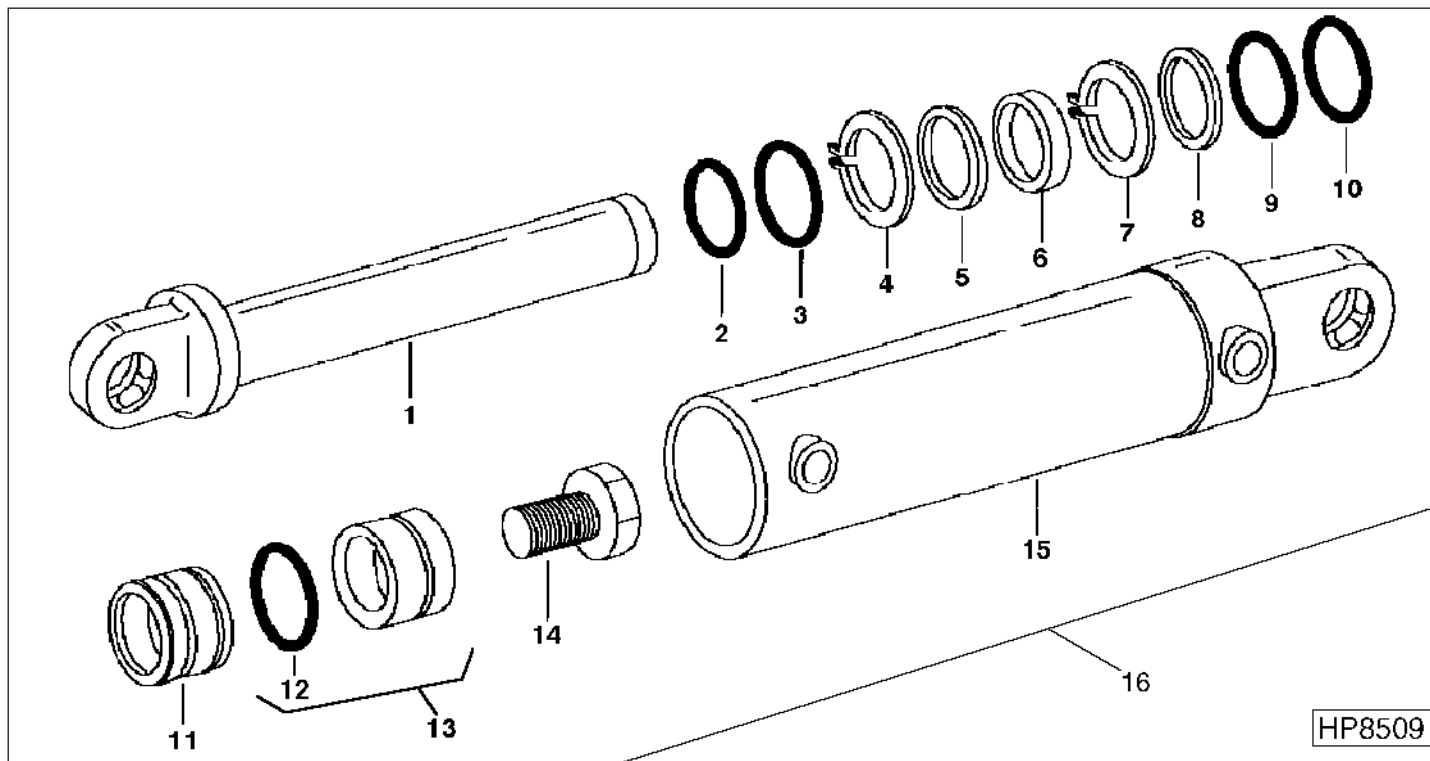
KEY	PART NO.	PART NAME	QTY	SERIAL NO.	REMARKS
1	AH128449	HYDRAULIC FILTER	1		
2	AH125733	FILTER HEAD	1		
3	19M7784	SCREW	2	M10 X 20	

2H14

HYDRAULICS

TILT CYLINDER - CONTOUR MASTER

HP8509 -UN-21APR99



KEY	PART NO.	PART NAME	QTY	SERIAL NO.	REMARKS
1	AH144482	ROD	1		
2	P45750	O-RING	1		
	T22828	O-RING	1	(A)	
3	H150411	SEAL	1	(A)	
4	R90565	SNAP RING	1		
5	H169509	BACK-UP RING	1	(A)	
6	H150412	SEAL	1	(A)	
7	R82571	SNAP RING	1		
8	H151629	WEAR RING	1	(A)	
9	R79117	WASHER	1	(A)	
10	H158942	O-RING	1	(A)	
11	H151694	HYDR. CYLINDER ROD GUIDE	1		
12	H144342	PISTON RING	1	(A)	
13	AH138200	PISTON	1		
14	19H2672	CAP SCREW	1	15.875 X 50.800 MM	
15	AH144480	HYDRAULIC CYLINDER BARREL	1		
16	AH143322	HYDRAULIC CYLINDER	1		
..	AH167553	HYDRAULIC CYLINDER KIT	1	INCLUDES PARTS MARKED (A)	

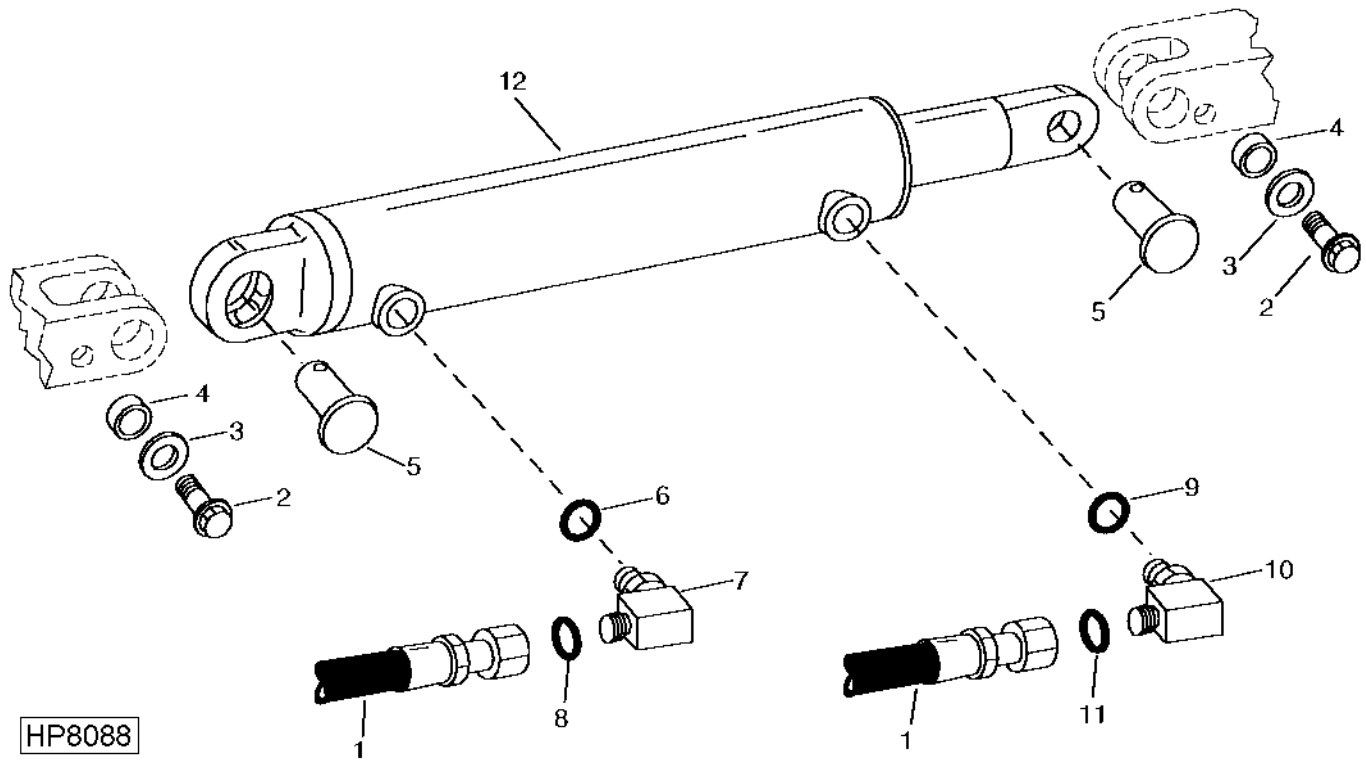
MEMORANDA

2H15

HYDRAULICS

TILT CYLINDER HOSES AND FITTINGS - CONTOUR MASTER

HP8088 -UN-15DEC98

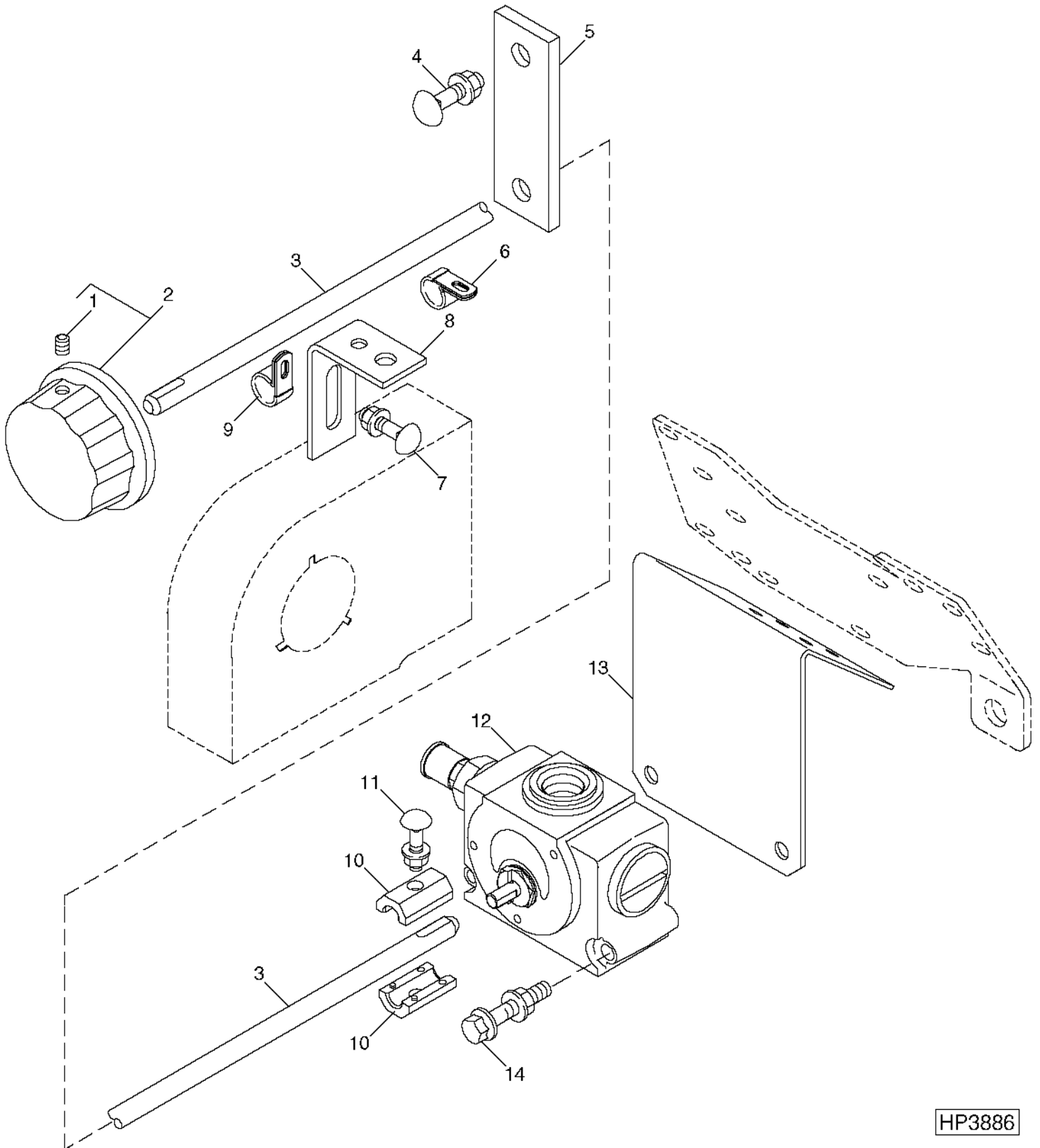


KEY	PART NO.	PART NAME	QTY	SERIAL NO.	REMARKS
1	AH143682	HYDRAULIC HOSE	2		
2	19M7866	SCREW	2	M8 X 20	
3	24H1291	WASHER	2	8.331 X 37.313 X 2.769 MM	
4	28H1511	WASHER	2	9.246 X 13.716 X 6.350 MM	
5	R56930	PIN	2	18.948 X 69.850 MM	
6	R28782	O-RING	1	8.915 X 1.829 MM	
7	38H1003	ELBOW FITTING	1		
8	T77814	O-RING	1	7.645 X 1.778 MM	
9	R26448	O-RING	1	11.887 X 1.981 MM	
10	38H1004	ELBOW FITTING	1		
11	T77613	O-RING	1	9.246 X 1.778 MM	
12	AH143322	HYDRAULIC CYLINDER	1		

2H16

HYDRAULICS

CHAFF SPREADER CONTROL, CHECK VALVE, ROD AND KNOB
HP3886 -UN-24AUG99



HP3886

2H17

HYDRAULICS

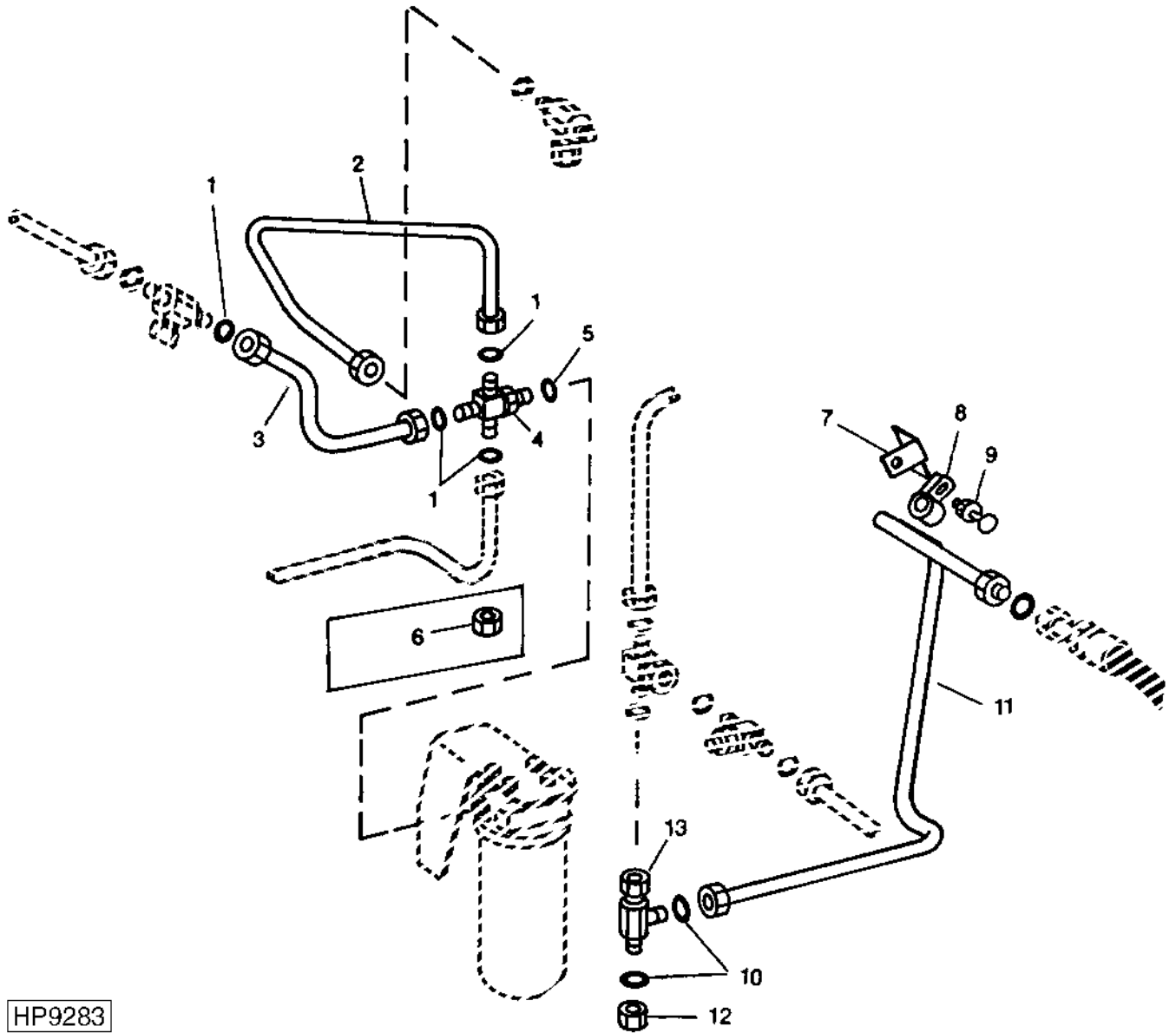
CHAFF SPREADER CONTROL, CHECK VALVE, ROD AND KNOB - CONTINUED

KEY	PART NO.	PART NAME	QTY	SERIAL NO.	REMARKS
1	SET SCREW	2		
2	AH132988	KNOB	1		
3	H144896	PIN	1		
4	03M7184	BOLT	1		
	14M7298	FLANGE NUT	1	M8	
5	H139006	STRAP	1		
6	H75541	CLAMP	1		
7	03M7290	BOLT	1	M6 X 30	
	14M7303	FLANGE NUT	1	M6	
8	H137866	BRACKET	1		
9	AH76882	CLIP	1		
10	H114020	HALF CLAMP	2		
11	19M7775	SCREW	1	M6 X 16	
	14M7303	FLANGE NUT	1	M6	
12	AH140902	CHECK VALVE	1		
13	H137865	BRACKET	1		
14	19M7801	SCREW	2	M8 X 60	
	14M7298	FLANGE NUT	2	M8	

2H18

CHAFF SPREADER LINES AND FITTINGS

HP9283 -UN-17NOV99



HP9283

2H19

HYDRAULICS

CHAFF SPREADER LINES AND FITTINGS - CONTINUED

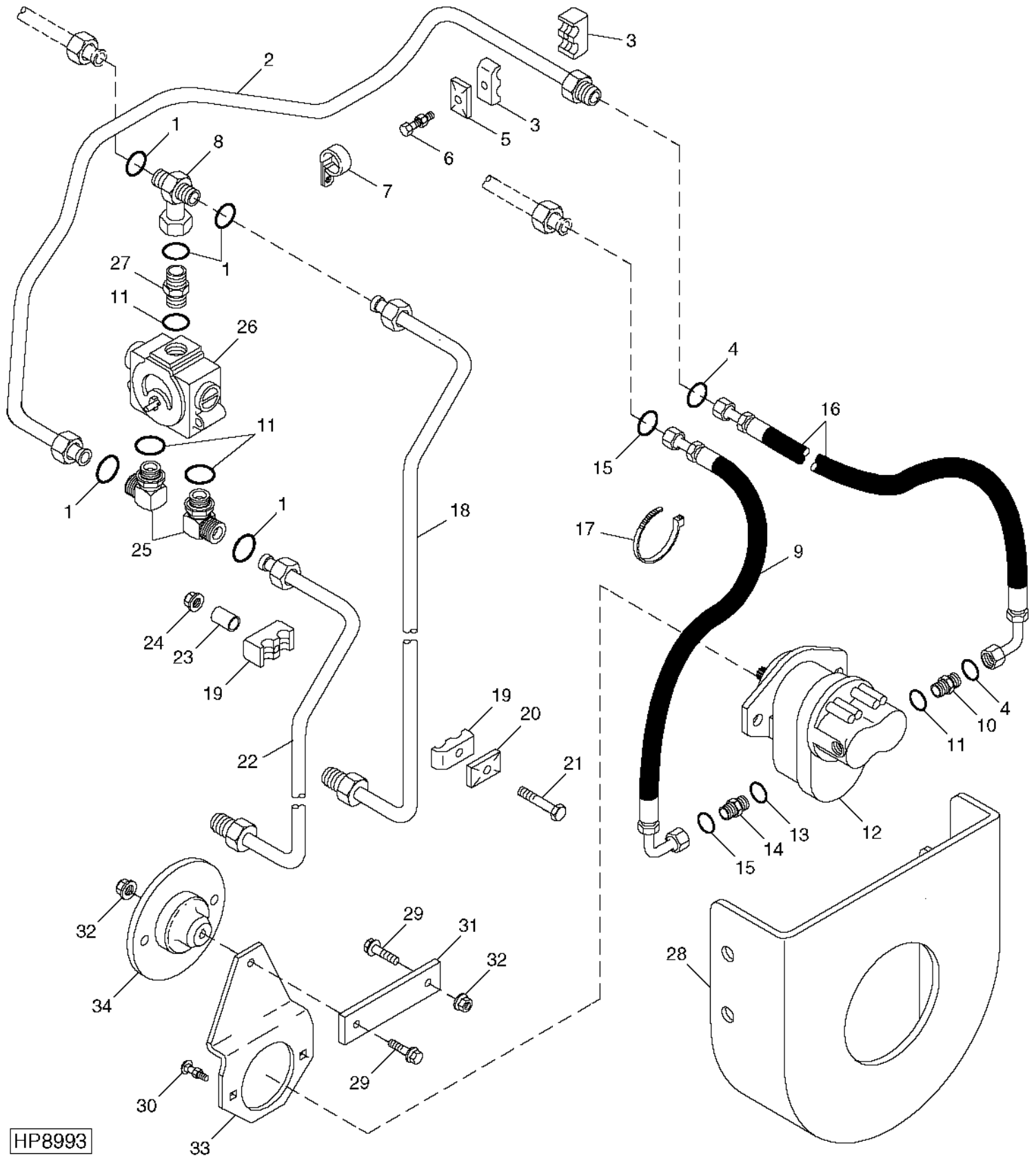
KEY	PART NO.	PART NAME	QTY	SERIAL NO.	REMARKS
1	T77858	O-RING	5		
2	AH166345	LINE	1		
3	AH126169	OIL LINE	1		
4	AH132031	FITTING	1		
5	R29936	O-RING	1		
6	38H1418	FITTING PLUG	1		W/O POWERED REAR WHEELS
7	H139964	BRACKET	1		
8	R72659	CLAMP	1		
9	03M7183	BOLT	1		M8 X 16
	14M7298	FLANGE NUT	1		M8
10	T76938	O-RING	2		
11	AH133770	LINE	1		
12	38H1419	FITTING PLUG	1		
13	38H1467	TEE FITTING	1		
..	BH79568	COMPLETE GOODS/SHIP. BUNDLE	1		CHAFF SPREADER PLUMBING

2H20

HYDRAULICS

CHAFF SPREADER LINES, HOSES, VALVE AND PUMP

HP8993 -UN-01SEP99



HP8993

2H21

HYDRAULICS

CHAFF SPREADER LINES, HOSES, VALVE AND PUMP - CONTINUED

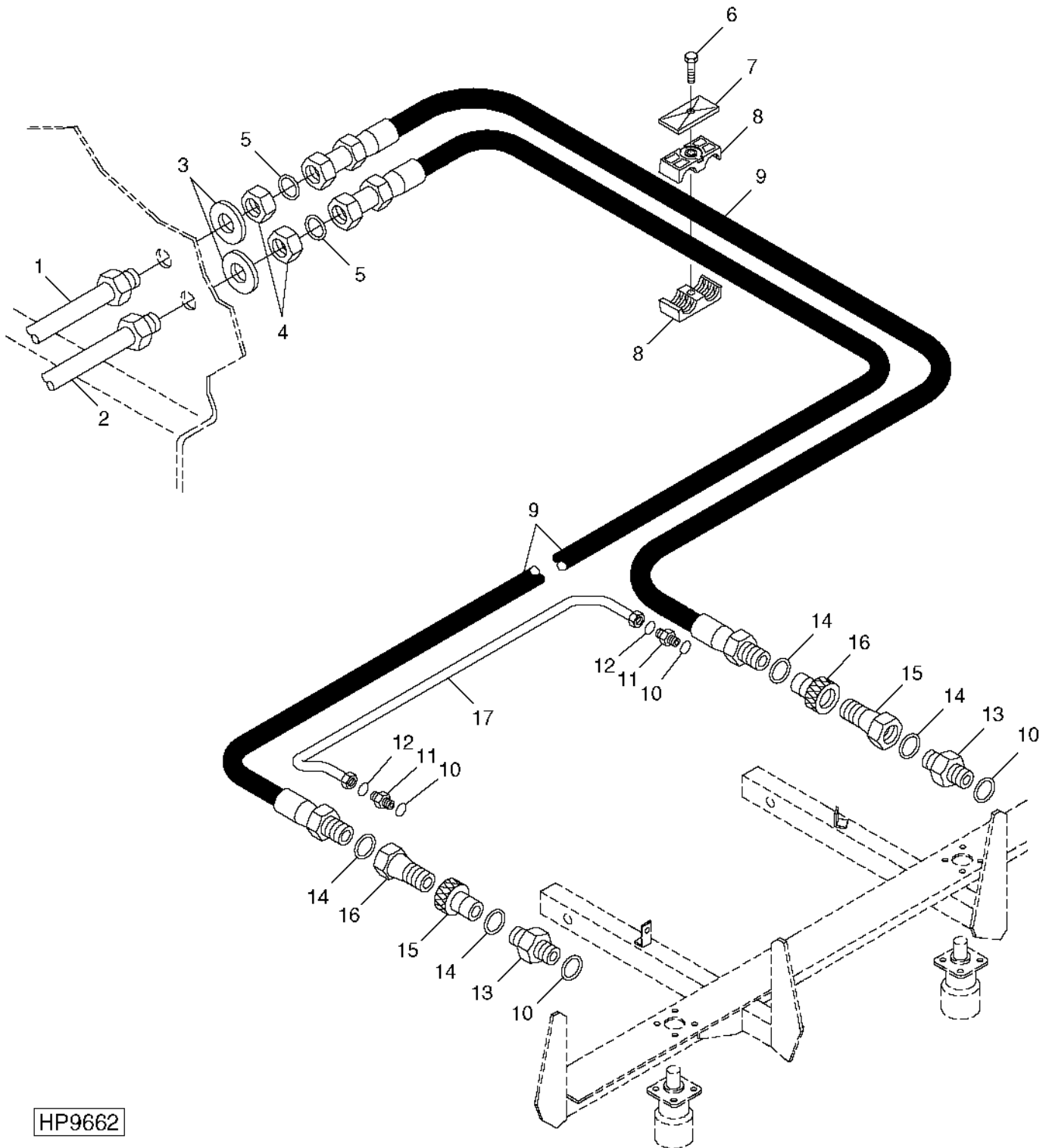
KEY	PART NO.	PART NAME	QTY	SERIAL NO.	REMARKS
1	T77932	O-RING	5		
2	AH133758	OIL LINE	1		
3	H120362	CLAMP	2		
4	T77857	O-RING	2		
5	H112567	PLATE	1		
6	19M7801	SCREW	1		M8 X 60
	14M7298	FLANGE NUT	1		M8
7	T27523	CLAMP	1		
8	38H1040	TEE FITTING	1		
9	AH132200	HYDRAULIC HOSE	1		1-3/16" X 975 MM (38-1/2") X 1-3/16", (SUCTION)
10	38H1174	ADAPTER	1		
11	R26906	O-RING	4		
12	AH131178	HYDRAULIC PUMP	1		REMANUFACTURED (EATON R25305-RAK)
13	R29936	O-RING	1		
14	38H1194	ADAPTER	1		
15	T77858	O-RING	2		
16	AH135333	HYDRAULIC HOSE	1		13/16" X 1 390 MM (54-3/4") X 13/16", (PRESSURE)
17	H77698	TIE BAND	1		
18	AH133949	OIL LINE	1		
19	H120847	CLAMP	2		
20	H121168	PLATE	1		
21	19M7873	SCREW	1		M8 X 110
22	AH133948	OIL LINE	1		
23	L3483N	BUSHING	1		USED W/O 4-WHEEL DRIVE
24	14M7298	FLANGE NUT	1		M8
25	38H1006	ELBOW FITTING	2		
26	AH140902	CHECK VALVE	1		
27	38H1162	ADAPTER	1		
28	H137603	SHIELD	1		
29	19M7867	SCREW	2		M8 X 25
30	03M7186	BOLT	1		M8 X 30
	14M7298	FLANGE NUT	2		M8
31	H78340	STRAP	1		
32	14M7298	FLANGE NUT	2		M8
33	H137602	ARM	1		

2H22

HYDRAULICS

CHAFF SPREADER HOSES AND LINES (DUAL MOTOR)

HP9662 -UN-31MAR00



HP9662

2H23

HYDRAULICS

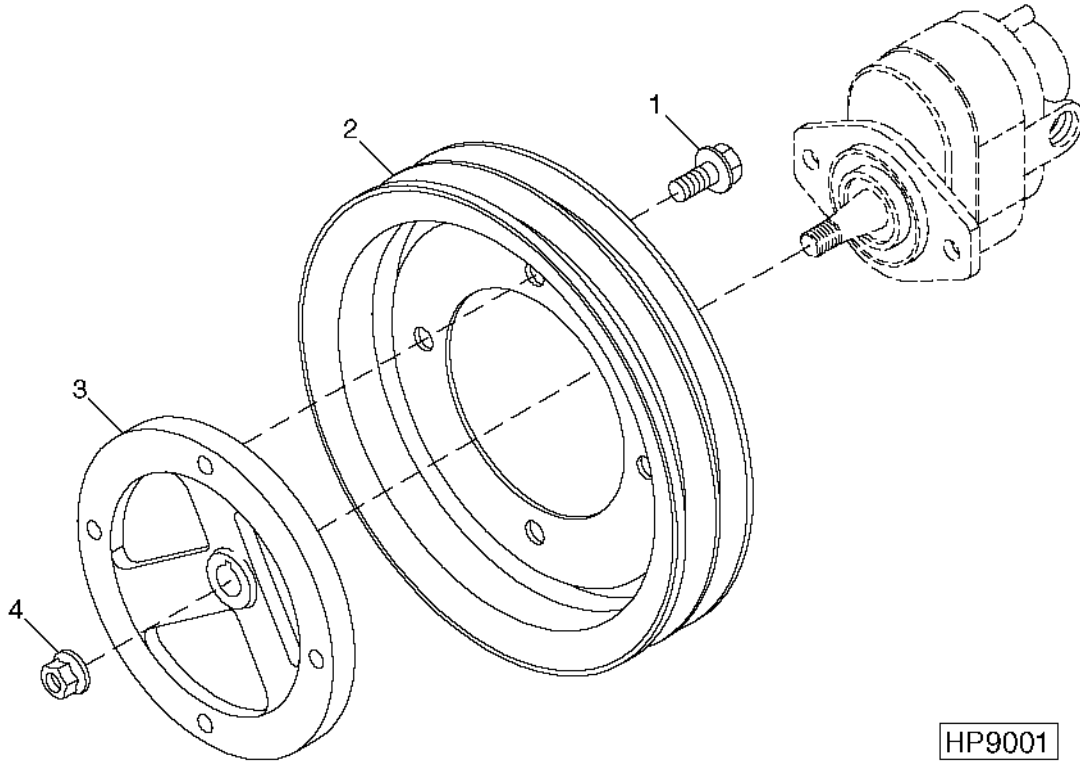
CHAFF SPREADER HOSES AND LINES - CONTINUED

KEY	PART NO.	PART NAME	QTY	SERIAL NO.	REMARKS
1	AH133948	OIL LINE	1		PRESSURE
2	AH133949	OIL LINE	1		RETURN
3	24M7051	WASHER	2		21 X 37 X 3 MM
4	T78716	NUT	2		
5	T77857	O-RING	2		
6	19M7913	SCREW	1		M8 X 90
7	H112567	PLATE	1		
8	H122772	CLAMP	2		
9	AH138718	HYDRAULIC HOSE	2		3/4" X 2 800 MM (110-1/4") X 13/16"
10	R26906	O-RING	4		
11	38H1162	ADAPTER	2		
12	T77932	O-RING	2		
13	T62843	ADAPTER	2		
14	R26375	O-RING	4		
15	AH75167	HYD. QUICK-CONNECT COUPLER	2		(INCLUDES INTERNAL O-RING)
16	AR94522	INTERNAL HALF COUPLER	2		
17	AH137986	OIL LINE	1		

2H24

HYDRAULICS

CHAFF SPREADER DRIVE
HP9001 -UN-03SEP99

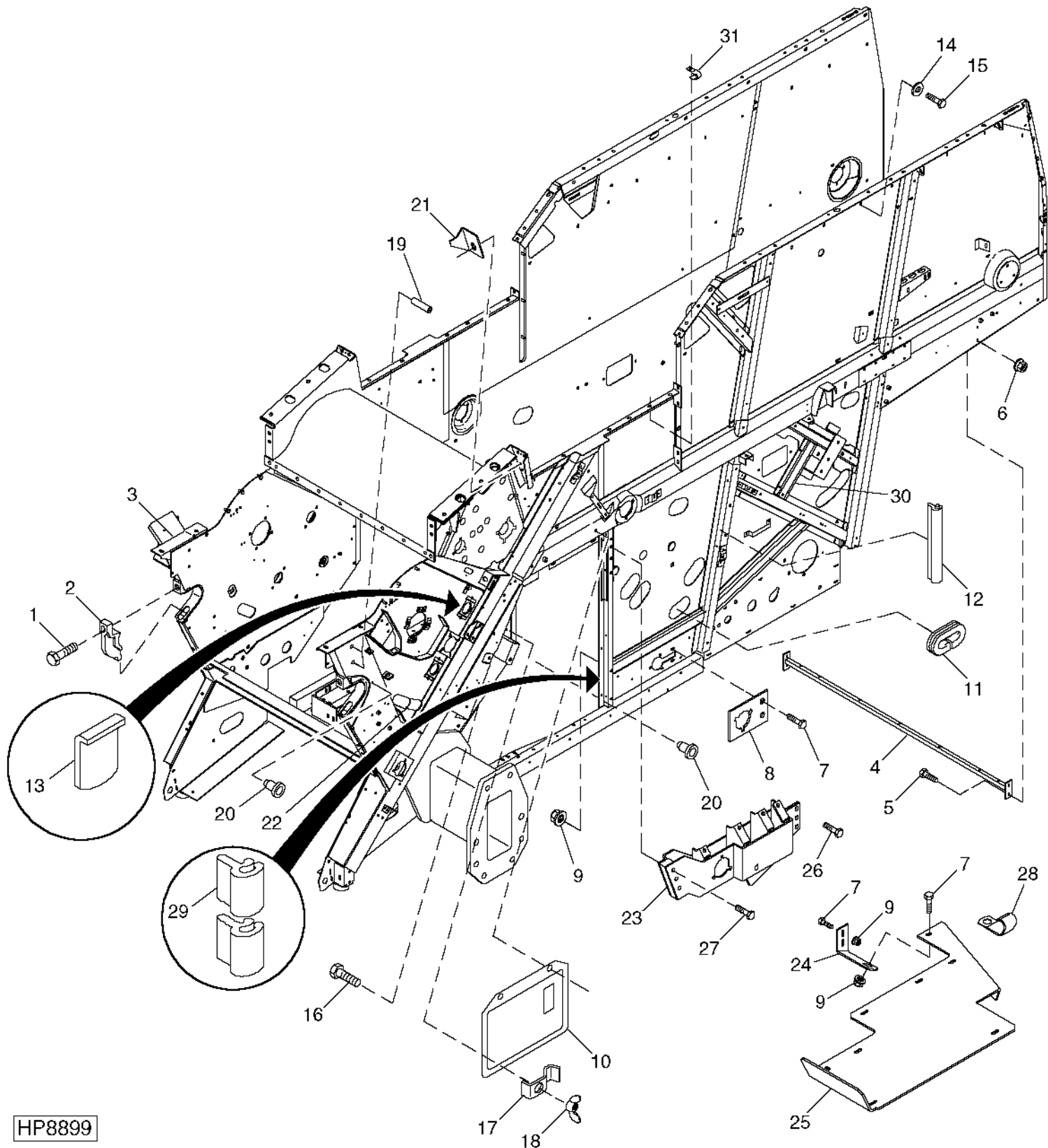


HP9001

KEY	PART NO.	PART NAME	QTY	SERIAL NO.	REMARKS
1	19M7788	SCREW	4	M12 X 25	
2	H166461	SHEAVE	1		
3	H169518	HUB	1		
4	E59406	FLANGE NUT	1		

MEMORANDA

SEPARATOR FRAME
HP8899 -UN-07SEP99



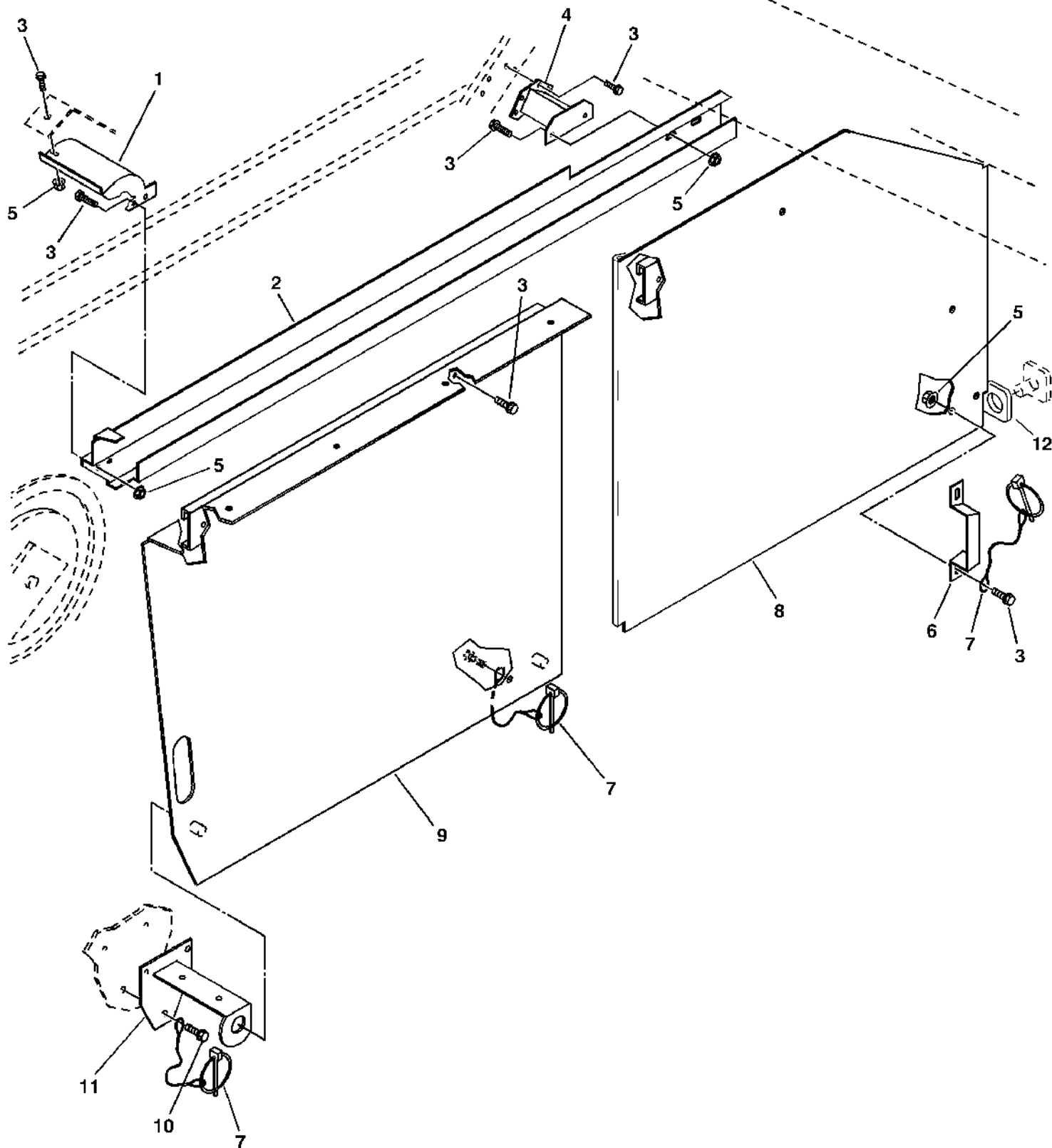
HP8899

SEPARATOR FRAME- CONTINUED

KEY	PART NO.	PART NAME	QTY	SERIAL NO.	REMARKS
1	19M7831	SCREW	2		
2	H158749	RETAINER	2		
3	FRAME	1		
4	AH132360	CROSSBAR	2		
5	19M7811	SCREW	8		M10 X 90
6	14M7296	FLANGE NUT	8		M10
7	19M7865	SCREW	8		M8 X 16
8	H132539	COVER	1		
9	14M7298	FLANGE NUT	8		M8
10	H171059	COVER	2		
11	SEAL	2		(CUT FROM AH133091)
12	SEAL	2		(CUT FROM AH133091)
13	H89544	DOOR	4		
14	24M7178	WASHER	10		10.500 X 30 X 2.500 MM
15	37M7080	SCREW	10		M10 X 30
16	03M7185	BOLT	4		M8 X 25
17	P47159	CLAMP	4		
18	14M7020	WING NUT	4		M8
19	H120379	SPACER	4		
20	H132926	PLUG	4		
21	H140866	CLAMP	1		
22	H148000	PLUG	1		(FOR CONVERSION TO RICE)
23	AH165625	BRACKET	1		L. H.
	AH165624	BRACKET	1		R.H.
24	H167325	BRACKET	1		
25	H167329	SHIELD	1		
26	19M7785	SCREW	3		M10 X 25
27	19M8292	SCREW	3		M10 X 50
28	AH89557	CLIP	1		
29	SEAL	1		(180 MM) (CUT FROM AH133091)
30	H160265	REINFORCEMENT	2		
31	AH130222	CLAMP	2		

LEFT SIDE FRONT SHIELD

HP7403 -UN-11FEB98

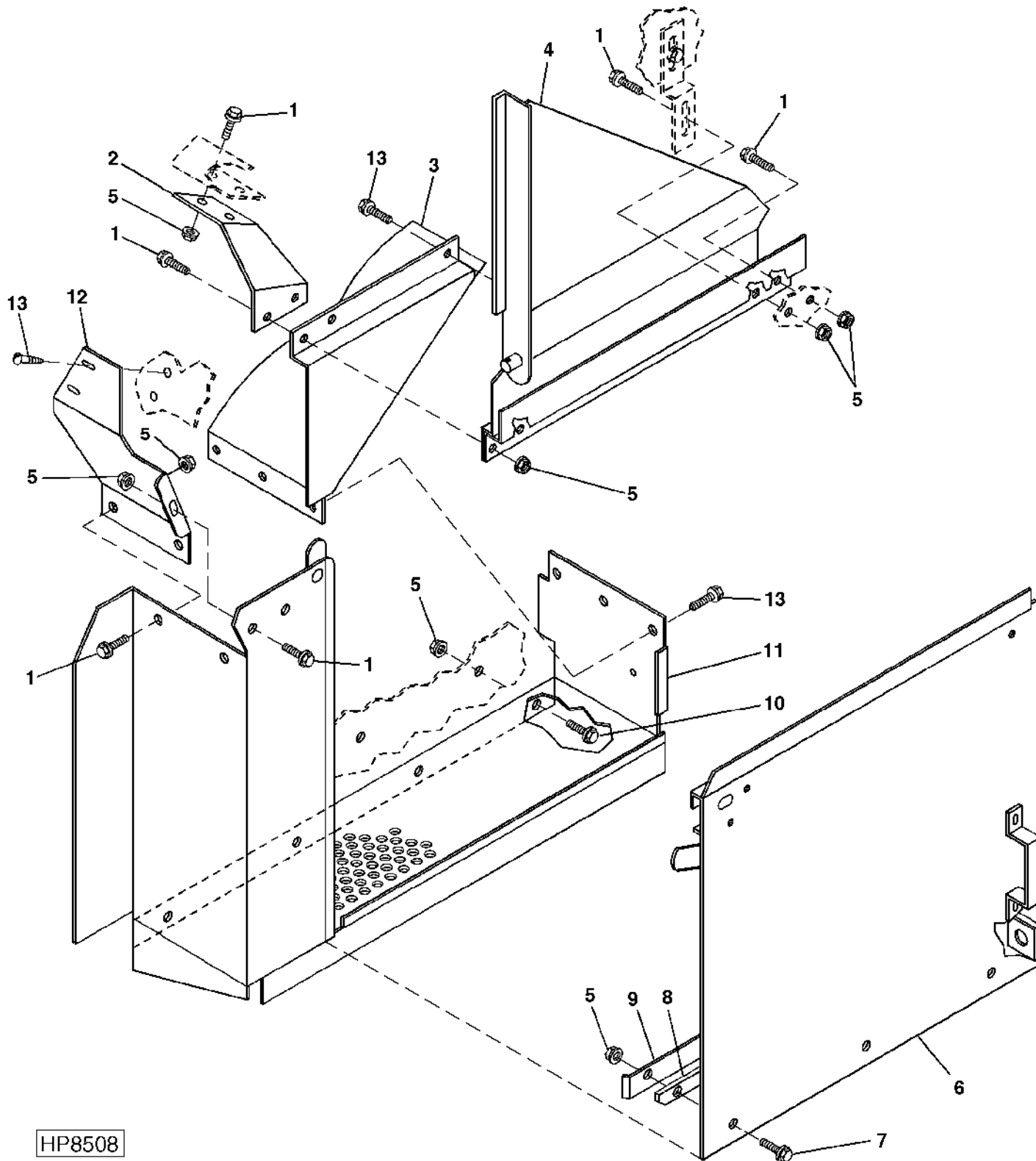


HP7403

LEFT SIDE FRONT SHIELD - CONTINUED

KEY	PART NO.	PART NAME	QTY	SERIAL NO.	REMARKS
1	AH166873	BRACKET	1		
2	AH166872	CHANNEL	1		
3	19M7865	SCREW	10	M8 X 16	
4	AH151339	BRACKET	1		
5	14M7298	FLANGE NUT	8	M8	
6	H85184	HANDLE	1		
7	AH135290	QUICK LOCK PIN	3		
8	AH158151	SHIELD	1	L.H. REAR UPPER	
9	AH151340	SHIELD	1		
10	37M7058	SCREW	3	M8 X 20	
11	AH151338	BRACKET	1		
12	H164508	ANGLE	1	SHIELD CLOSURE	

LEFT SIDE SHIELD ASSEMBLY
HP8508 -UN-21APR99

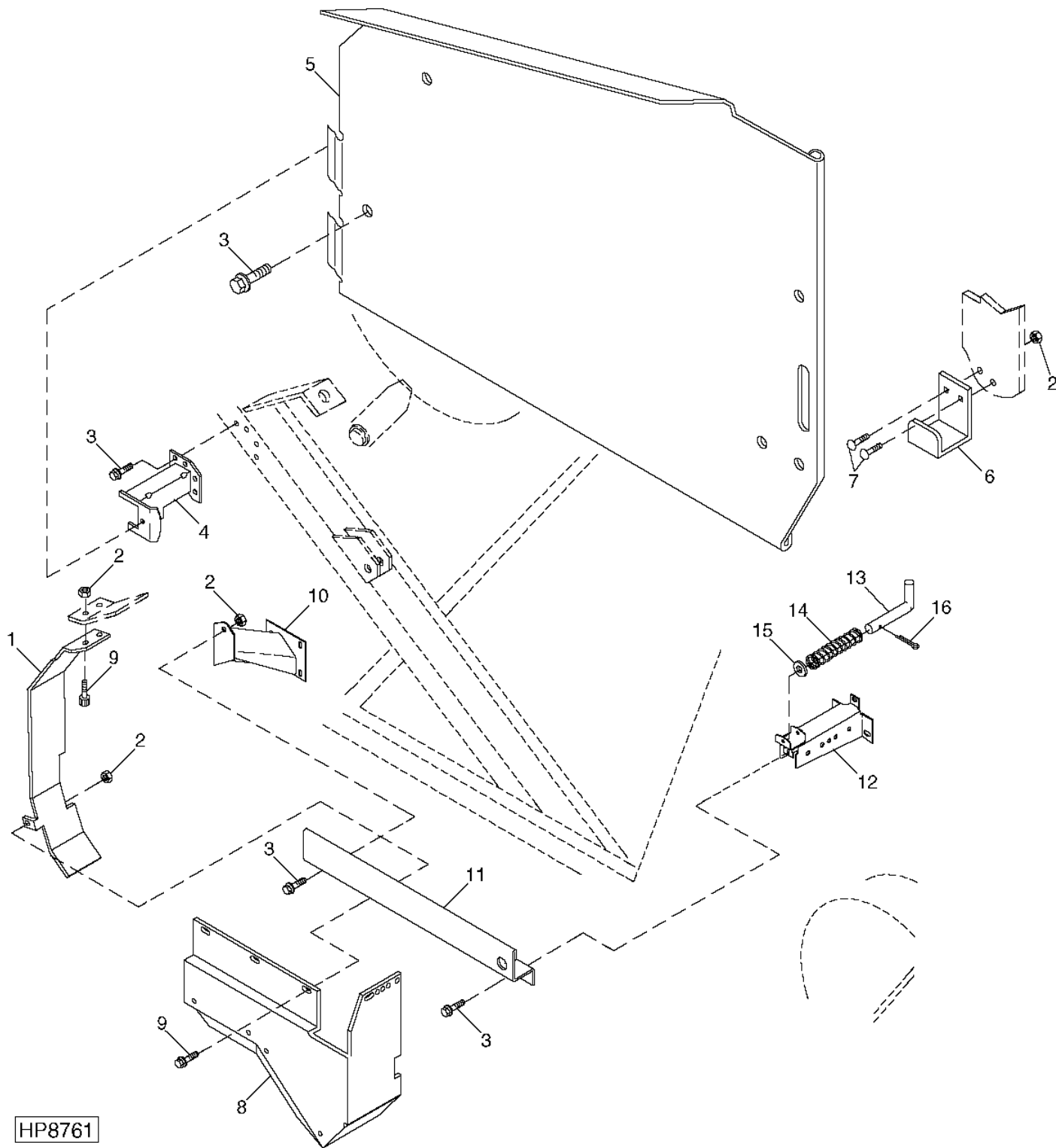


HP8508

LEFT SIDE SHIELD ASSEMBLY - CONTINUED

KEY	PART NO.	PART NAME	QTY	SERIAL NO.	REMARKS
1	19M7865	SCREW	9		
2	H158614	BRACKET	1		
3	H158633	SHIELD	1		
4	AH151347	SUPPORT	1		
5	14M7298	FLANGE NUT	17		M8
6	AH151342	SHIELD	1		
7	19M7866	SCREW	3		M8 X 20
8	H160733	STRIP	1		
9	H158627	CHANNEL	1		
10	37M7086	SCREW	4		M10 X 20
11	AH151343	SHIELD	1		
12	H158616	SHIELD	1		
13	37M7058	SCREW	6		M8 X 20

RIGHT SIDE FRONT SHIELD ASSEMBLY
HP8761 -UN-08JUL99



HP8761

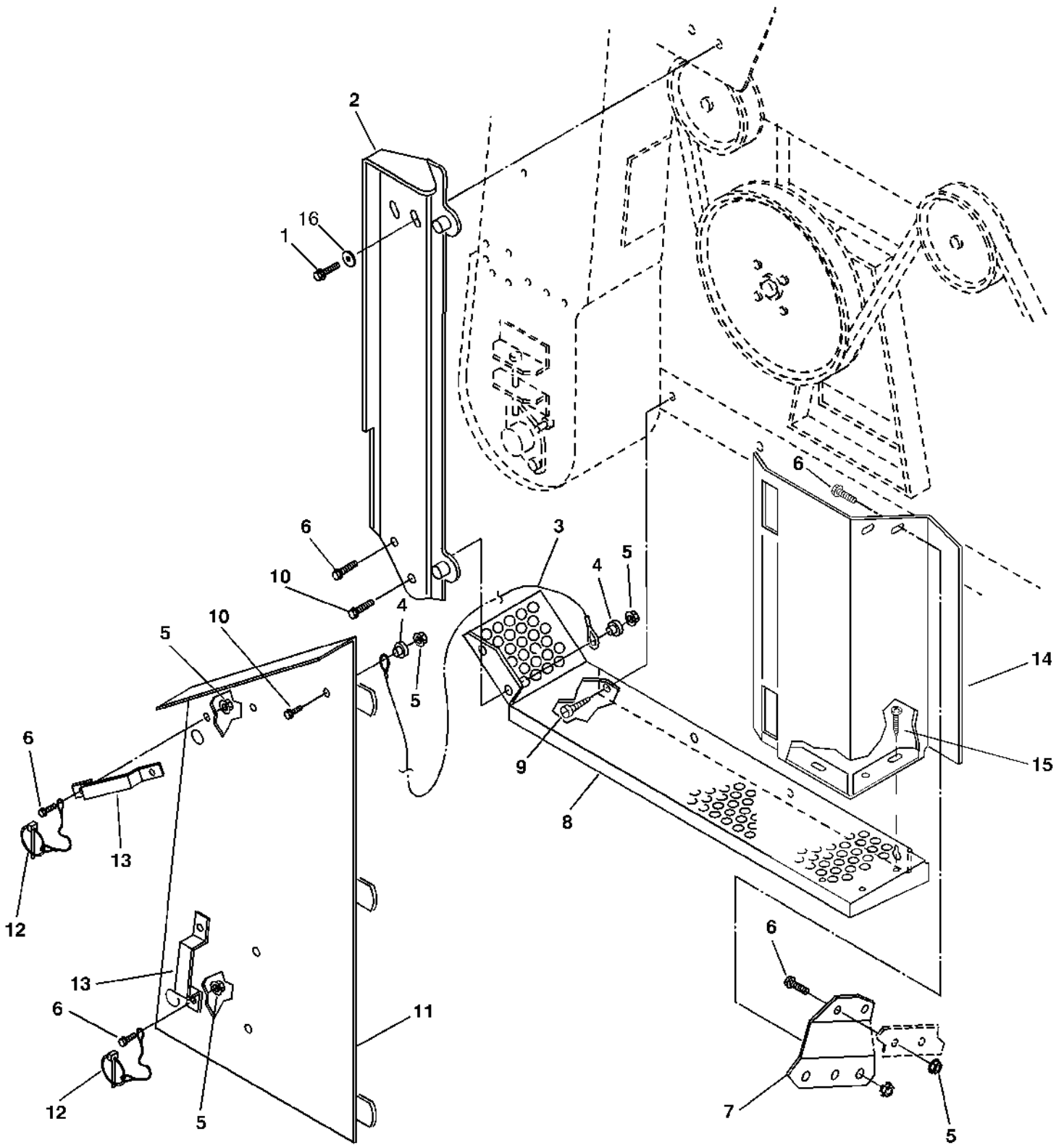
2110

BODY AND SHIELDS

RIGHT SIDE FRONT SHIELD ASSEMBLY - CONTINUED

KEY	PART NO.	PART NAME	QTY	SERIAL NO.	REMARKS
1	H160978	SHIELD	1		
2	14M7298	FLANGE NUT	8	M8	
3	19M7865	SCREW	12	M8 X 16	
4	AH151352	BRACKET	1		
5	AH151349	SHIELD	1		
6	H160187	GUIDE	1		
7	03M7184	BOLT	2	M8 X 20	
8	AH154567	SHIELD	1		
9	19M7866	SCREW	3	M8 X 20	
10	AH155669	BRACKET	1		
11	H152135	GUIDE	1		
12	AH136285	BRACKET	1		
13	H150746	PIN	1		
14	HZ5621H	SPRING	1		
15	24H1305	WASHER	1	13/32" X 13/16" X 0.065"	
16	11M1383	COTTER PIN	1	3.200 X 20 MM	

RIGHT SIDE SHIELD ASSEMBLY
HP9179 -UN-13OCT99



HP9179

2112

BODY AND SHIELDS

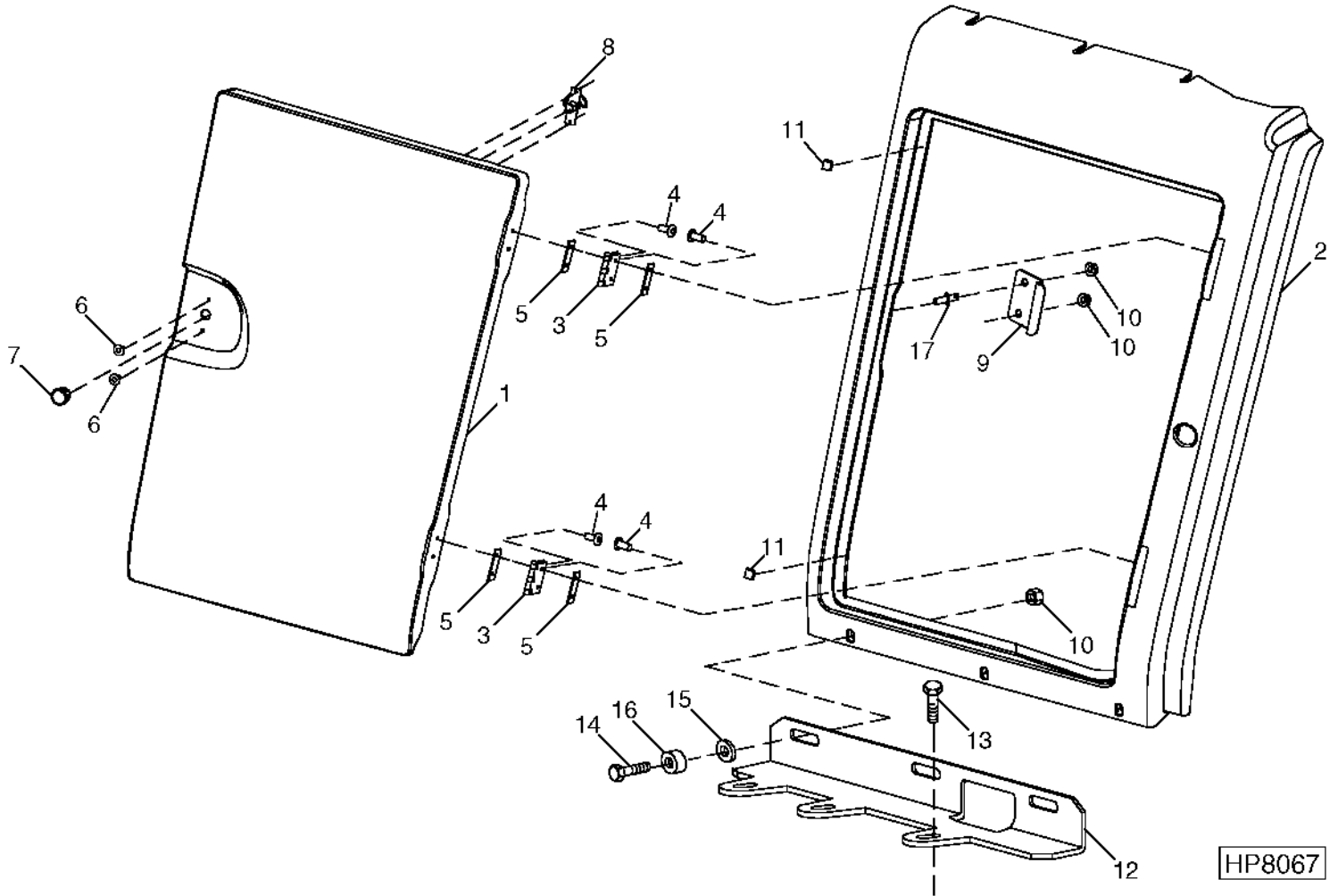
RIGHT SIDE SHIELD ASSEMBLY - CONTINUED

KEY	PART NO.	PART NAME	QTY	SERIAL NO.	REMARKS
1	19M7866	SCREW	2		
2	AH151454	SHIELD	1		
3	AH151353	CABLE	1		
4	M93425	SPACER	2		
5	14M7298	FLANGE NUT	5	M8	
6	19M7865	SCREW	7	M8 X 16	
7	H158646	SHIELD	1		
8	AH159061	SHIELD	1		R.H. LOWER
9	37M7086	SCREW	4	M10 X 20	
10	19M7868	SCREW	1	M8 X 30	
11	AH151455	SHIELD	1		
12	AH135290	QUICK LOCK PIN	2		
13	H85184	HANDLE	2		
14	H165320	SHIELD	1		R.H.
15	37M7058	SCREW	3	M8 X 20	
16	24M7207	WASHER	2	8.400 X 24 X 2 MM	

2113

LEFT FRONT PANEL AND DOOR

HP8067 -UN-27JUL99

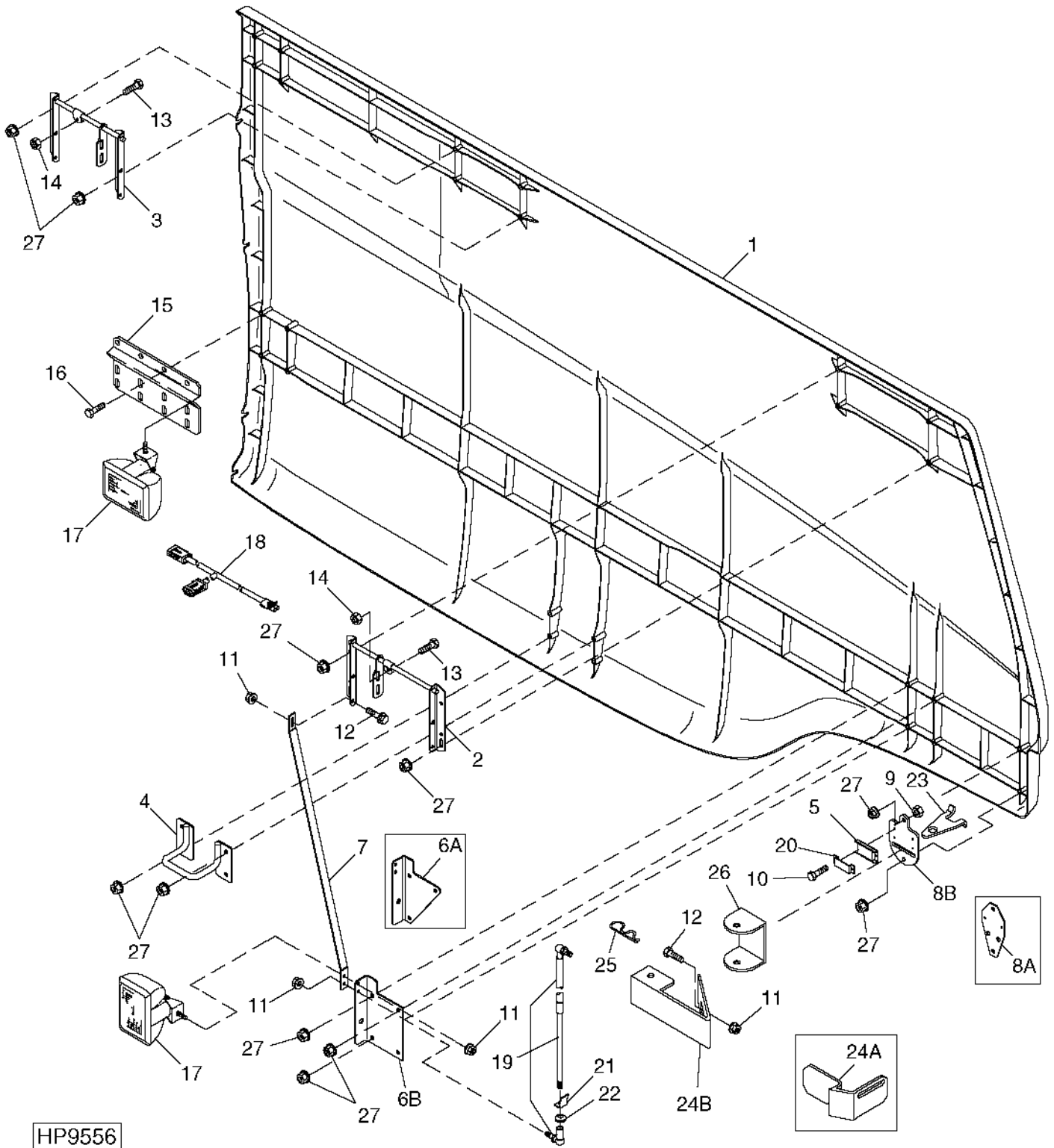


LEFT FRONT PANEL AND DOOR - CONTINUED

KEY	PART NO.	PART NAME	QTY	SERIAL NO.	REMARKS
1	AH151787	PANEL	1		
2	AH151786	PANEL	1		(INCLUDES (2) H170272)
3	AH166538	HINGE	2		
4	H172258	RIVET	8		
5	H161171	STRAP	4		
6	H161297	RIVET	2		
7	H121391	KNOB	1		
8	AH125644	LATCH	1		
9	H164572	BRACKET	1		
10	14M7396	LOCK NUT	5		M8
11	N206575	ISOLATOR	2		
12	H159280	BRACKET	1		
13	37M7058	SCREW	3		M8 X 20
14	19M7798	SCREW	3		M8 X 40
15	T25122	WASHER	3		
16	24M7207	WASHER	3		
17	H170272	STUD	2		

2115

GULLWING DOOR (L.H.)
HP9556 -UN-14FEB00



HP9556

2116

BODY AND SHIELDS

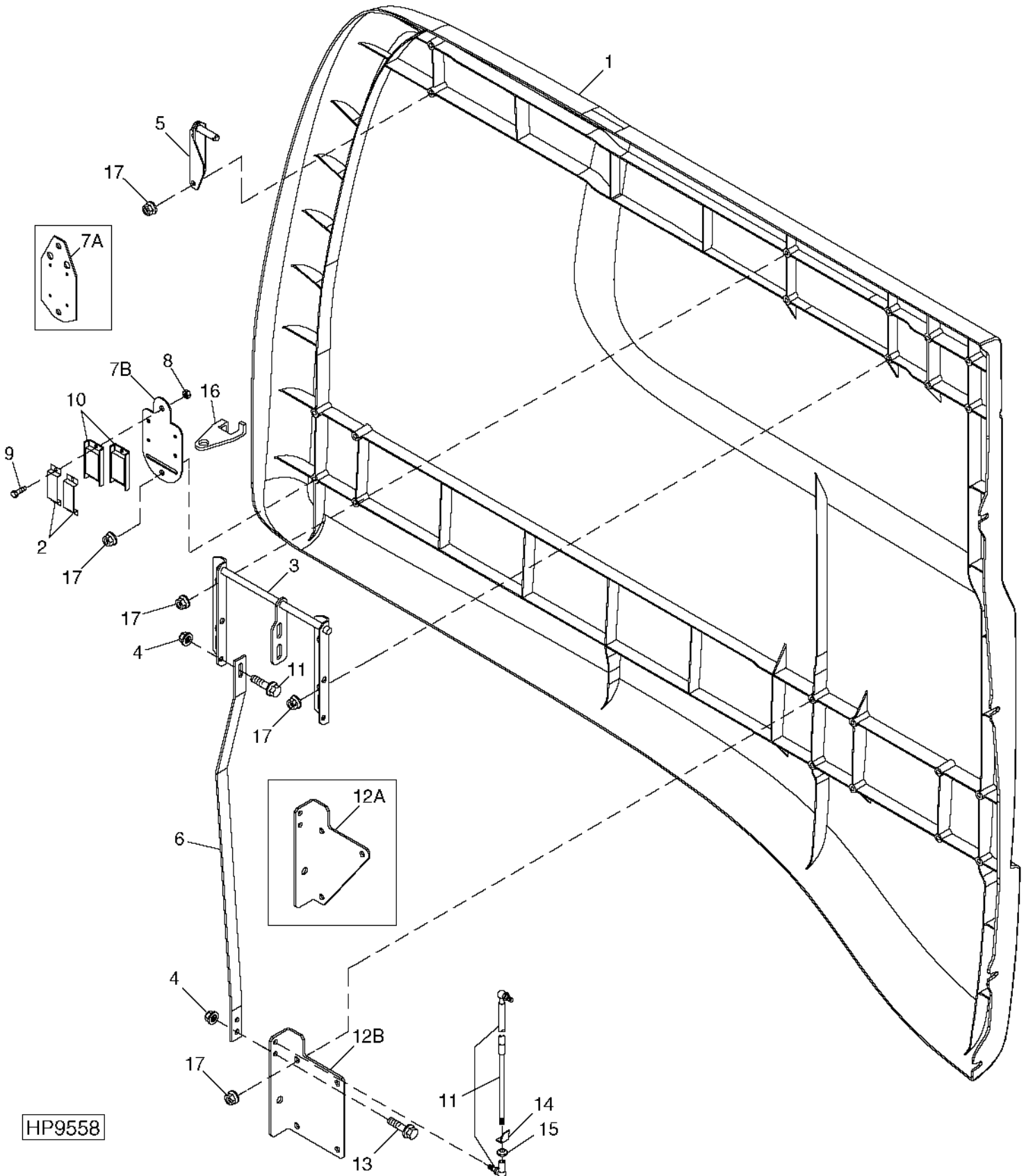
GULLWING DOOR (L.H.) - CONTINUED

KEY	PART NO.	PART NAME	QTY	SERIAL NO.	REMARKS
1	AH151780	DOOR	1		LEFT
2	AH157617	HINGE	1		
3	AH157618	HINGE	1		
4	AH163305	HANDLE	1		
5	AM102170	MAGNET	2		
6A	H165444	BRACKET	1		(SUB H173460)
6B	H173460	BRACKET	1		
7	H168726	STRAP	1		
8A	H171963	PLATE	1		(SUB H173742)
8B	H173742	PLATE	1		
9	14M7139	NUT	2		M4
10	19M7598	CAP SCREW	2		M4 X 10
11	14M7298	FLANGE NUT	AR		M8
12	19M7866	SCREW	AR		M8 X 20
13	19M7077	CAP SCREW	2		M6 X 20
14	14M7272	NUT	2		M6
15	H159083	BRACKET	2		
16	19M7867	SCREW	4		M8 X 25
17	AH163668	LAMP	2		(SUB AH168385)
	AH168385	LAMP	2		
	AH166909	BULB	1		
18	AH154911	WIRING HARNESS	1		L.H., SERVICE LIGHT
19	AH128597	GAS OPERATED CYLINDER	1		
20	M91405	SHIELD	2		
21	H135965	STOP	1		
22	M68701	GROMMET	1		
23	H173743	BRACKET	1		
24A	H167728	BRACKET	1		(SUB H173784)
24B	H173784	HINGE	1		
25	J16931	SPRING LOCKING PIN	1		
26	H173257	BRACKET	1		
27	14M7396	LOCK NUT	AR		M8
..	BH81522	COMPLETE GOODS/SHIP. BUNDLE	1		SERVICE LIGHTS CONVERSION

2117

LEFT REAR GULLWING DOOR

HP9558 -UN-14FEB00

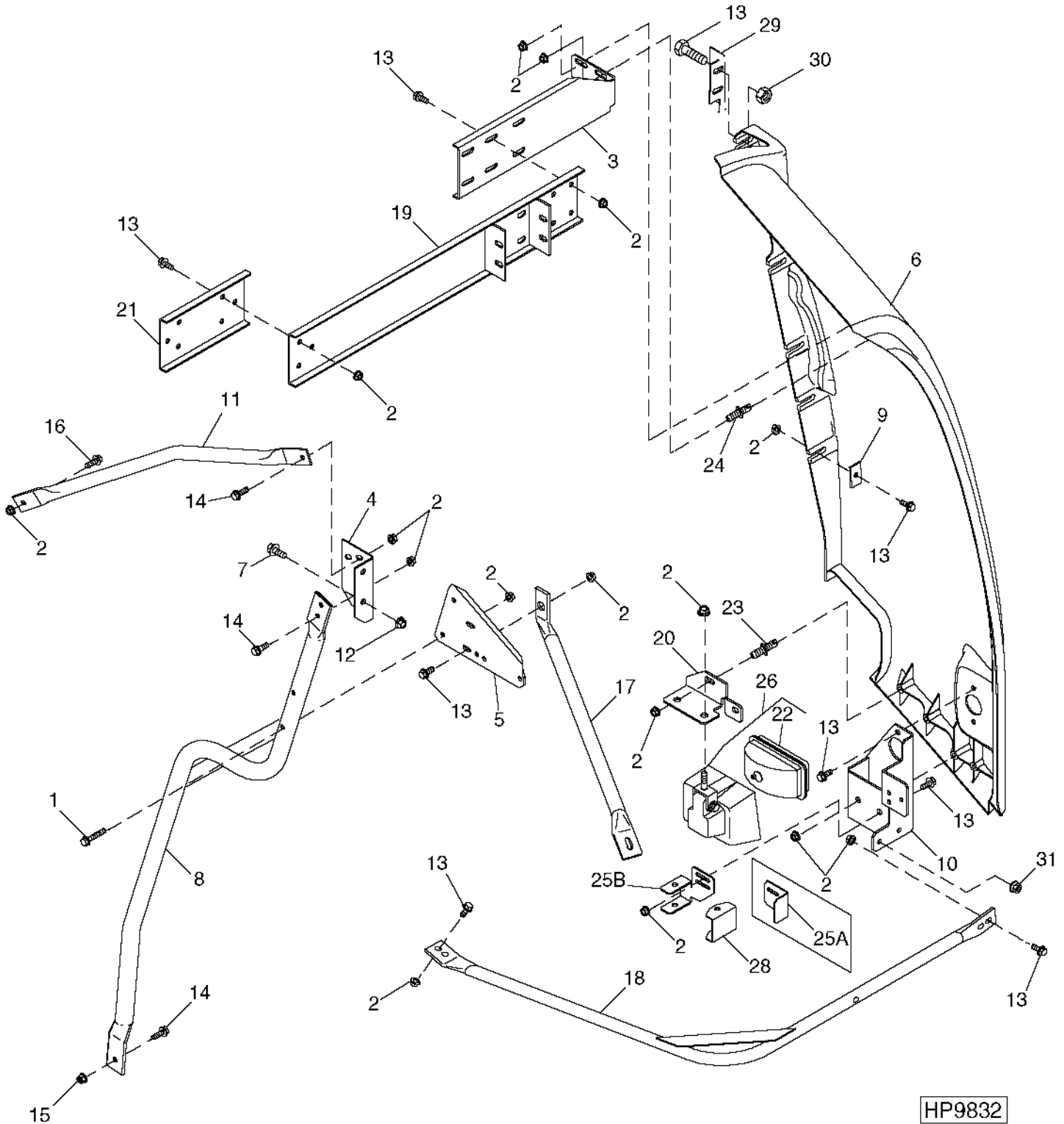


HP9558

LEFT REAR GULLWING DOOR - CONTINUED

KEY	PART NO.	PART NAME	QTY	SERIAL NO.	REMARKS
1	AH160228	DOOR	1		
2	M91405	SHIELD	2		
3	AH157618	HINGE	1		
4	14M7298	FLANGE NUT	AR	M8	
5	AH160826	PIVOT	1		
6	H168809	STRAP	1		
7A	H171963	PLATE	1	(SUB H173742)	
7B	H173742	PLATE	1		
8	14M7139	NUT	4	M4	
9	19M7598	CAP SCREW	4	M4 X 10	
10	AM102170	MAGNET	2		
11	19M7866	SCREW	2	M8 X 20	
12A	H165444	BRACKET	1	(SUB H173460)	
12B	H173460	BRACKET	1		
13	AH161391	SPRING ASSEMBLY	1		
14	H135965	STOP	1		
15	M68701	GROMMET	1		
16	H173743	BRACKET	1		
17	14M7396	LOCK NUT	AR	M8	

LEFT REAR CORNER PANEL AND REAR LAMP ASSEMBLY
HP9832 -UN-14JUN00

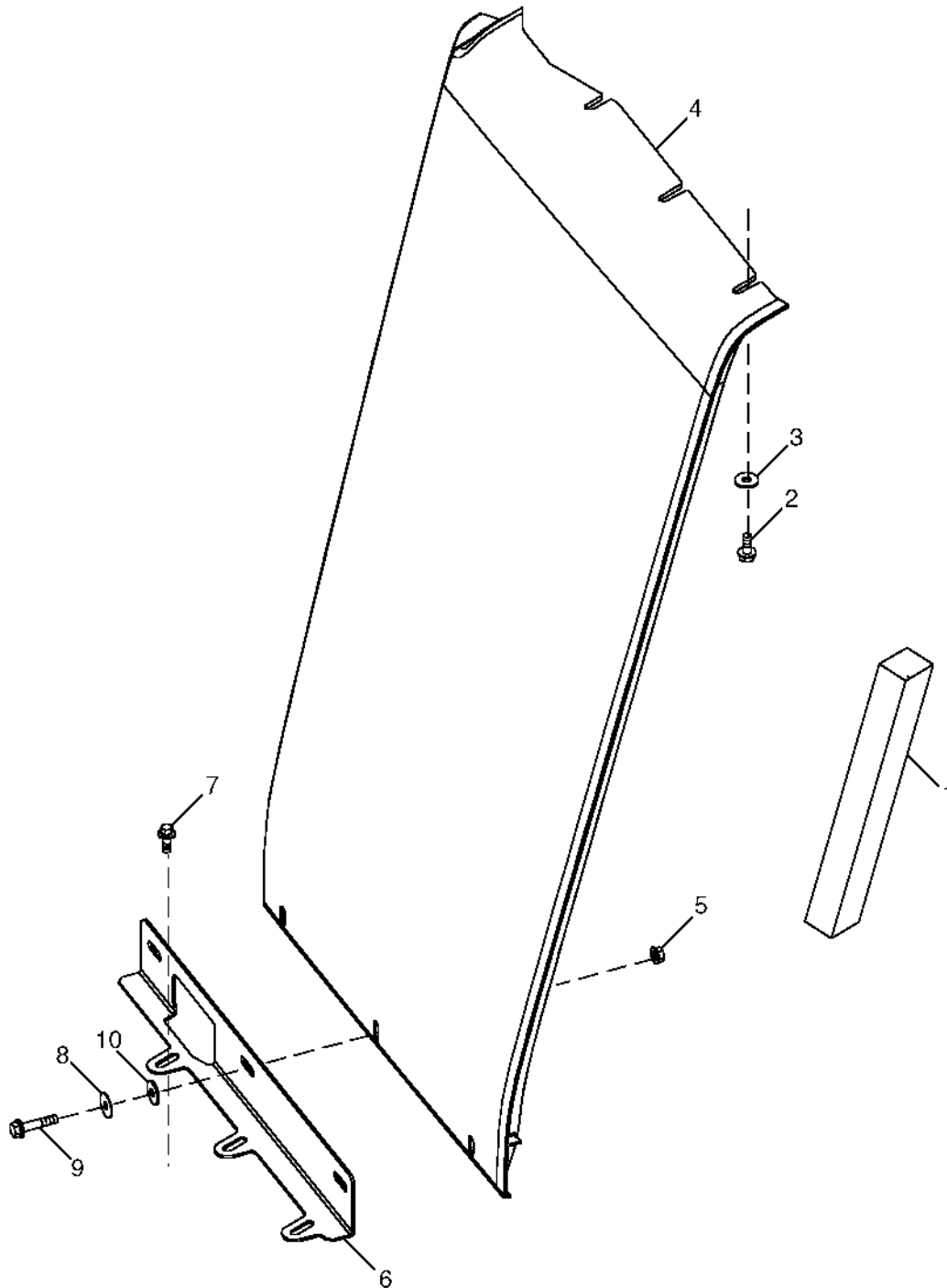


HP9832

LEFT REAR CORNER PANEL AND REAR LAMP ASSEMBLY - CONTINUED

KEY	PART NO.	PART NAME	QTY	SERIAL NO.	REMARKS
1	19M8318	SCREW	2		
2	14M7298	FLANGE NUT	AR		M8 X 45
3	H165155	BRACKET	1		M8
4	H131543	BRACKET	2		
5	H172742	BRACKET	1		
6	AH154746	PANEL	1		(INCLUDES (2) H169900 AND (5) H170272)
7	19M7785	SCREW	2		M10 X 25
8	AH137807	BRACE	1		
9	H137534	STRAP	3		
10	AH168476	BRACKET	1		(SUB FOR AH164136)
11	H140858	SUPPORT	1		
12	14M7296	FLANGE NUT	2		M10
13	19M7866	SCREW	AR		M8 X 20
14	19M7867	SCREW	5		M8 X 25
15	14M7396	LOCK NUT	1		M8
16	19M7868	SCREW	2		M8 X 30
17	H165700	TUBE	1		
18	AH159467	TUBE	1		
19	AH160715	CHANNEL	1		
20	H172205	BRACKET	1		L.H. REAR DISCHARGE LIGHT
21	H132008	CHANNEL	1		
22	AH165877	BULB	1		
23	H169900	STUD	2		
24	H170272	STUD	5		
25A	H170484	BRACKET	1		(SUB H173258) DOOR STOP
25B	H173258	BRACKET	1		
26	AH158038	FLOODLAMP	1		
27	J16931	SPRING LOCKING PIN	1		
28	H173257	BRACKET	1		
29	H174047	ANGLE	1		
30	14M7298	FLANGE NUT	3		
31	14M7296	FLANGE NUT	2		M10

RIGHT FRONT PANEL
HP8064 -UN-08JAN99

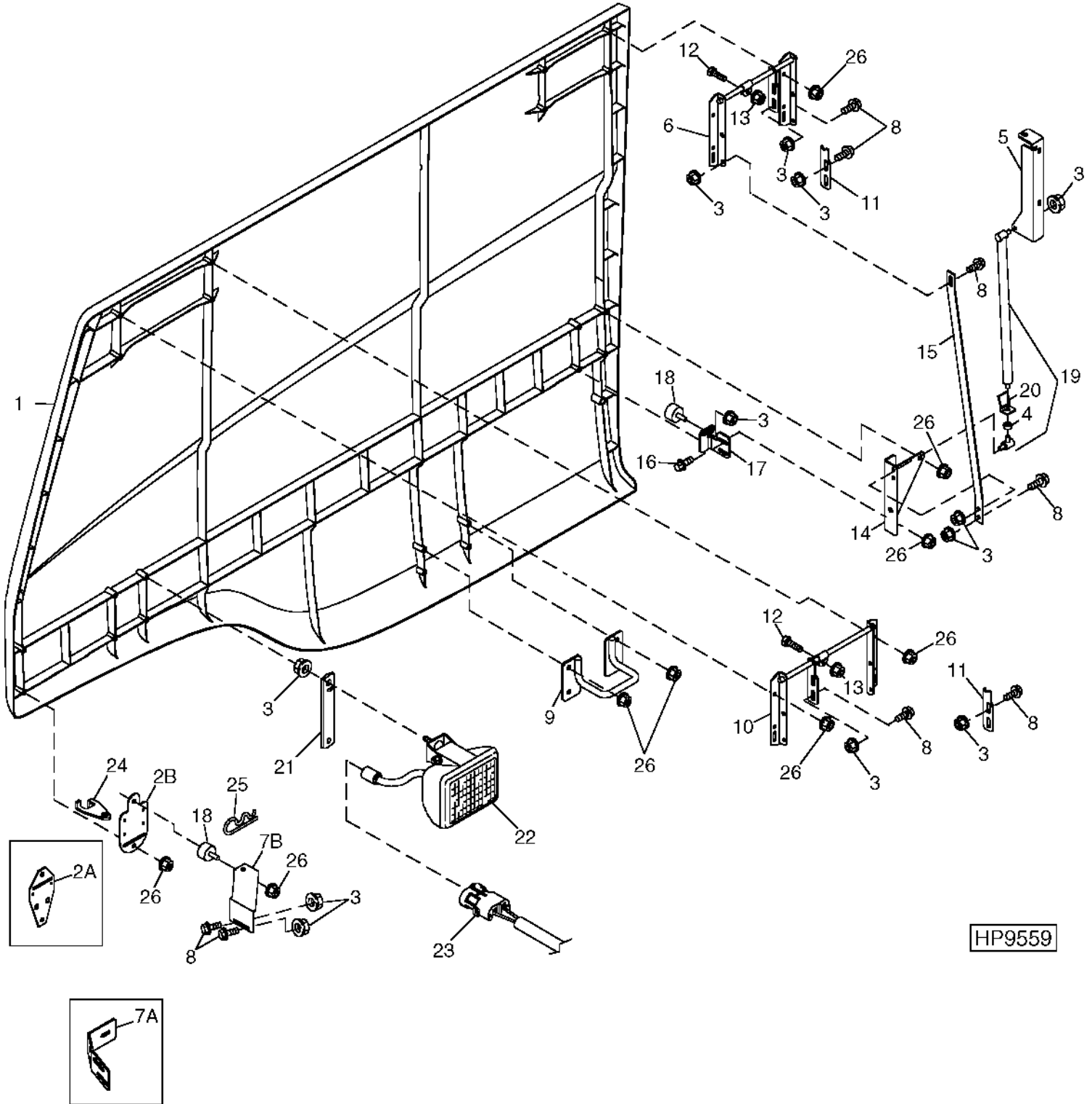


HP8064

RIGHT FRONT PANEL - CONTINUED

KEY	PART NO.	PART NAME	QTY	SERIAL NO.	REMARKS
1	AH139393	SEAL	1		
2	19M7866	SCREW	3	M8 X 20	
3	24H1291	WASHER	3	8.331 X 37.313 X 2.769 MM	
4	AH151788	PANEL	1	NARROW	
5	14M7298	FLANGE NUT	3	M8	
6	H159281	BRACKET	1		
7	37M7058	SCREW	3	M8 X 20	
8	24M7207	WASHER	3	8.400 X 24 X 2 MM	
9	19M7798	SCREW	3	M8 X 40	
10	T25122	WASHER	3		

GULLWING DOOR (R.H.)
HP9559 -UN-14FEB00



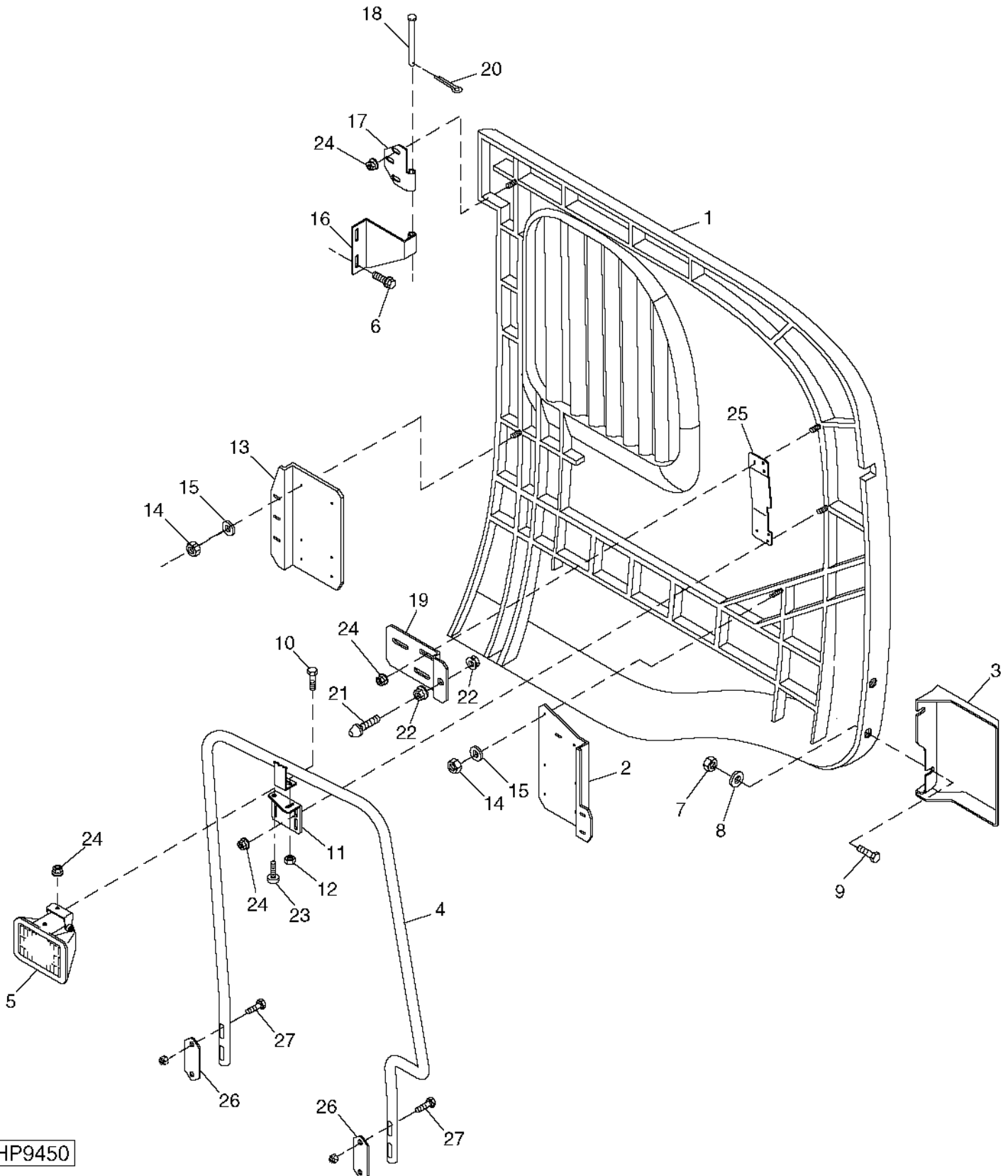
HP9559

GULLWING DOOR (R.H.) - CONTINUED

KEY	PART NO.	PART NAME	QTY	SERIAL NO.	REMARKS
1	AH151779	DOOR	1		
2A	H171963	PLATE	1		RIGHT
2B	H173742	PLATE	1		(SUB H173742)
3	14M7298	FLANGE NUT	AR		M8
4	M68701	GROMMET	1		
5	H168811	BRACKET	1		
6	AH157618	HINGE	1		
7A	H167686	BRACKET	1		(SUB H174283)
7B	H174283	BRACKET	1		
8	19M7866	SCREW	12		M8 X 20
9	AH163305	HANDLE	1		
10	AH157617	HINGE	1		
11	H159011	PLATE	2		
12	19M7077	CAP SCREW	2		M6 X 20
13	14M7303	FLANGE NUT	2		M6
14	H165444	BRACKET	1		
15	H168812	STRAP	1		
16	37M7058	SCREW	2		
17	H167830	BRACKET	1		
18	AH154566	BUMPER	2		
19	AH161391	SPRING ASSEMBLY	1		
20	H135965	STOP	1		
21	H169896	BRACKET	1		
22	AH163668	LAMP	1		(SUB AH168385) SERVICE LIGHT
	AH168385	LAMP	1		
	AH166909	BULB	1		
23	AH154912	WIRING HARNESS	1		R.H., SERVICE LIGHT
24	H173743	BRACKET	1		
25	J16931	SPRING LOCKING PIN	1		
26	14M7396	LOCK NUT	AR		M8

2J1

RADIATOR DOOR
HP9450 -UN-22DEC99



HP9450

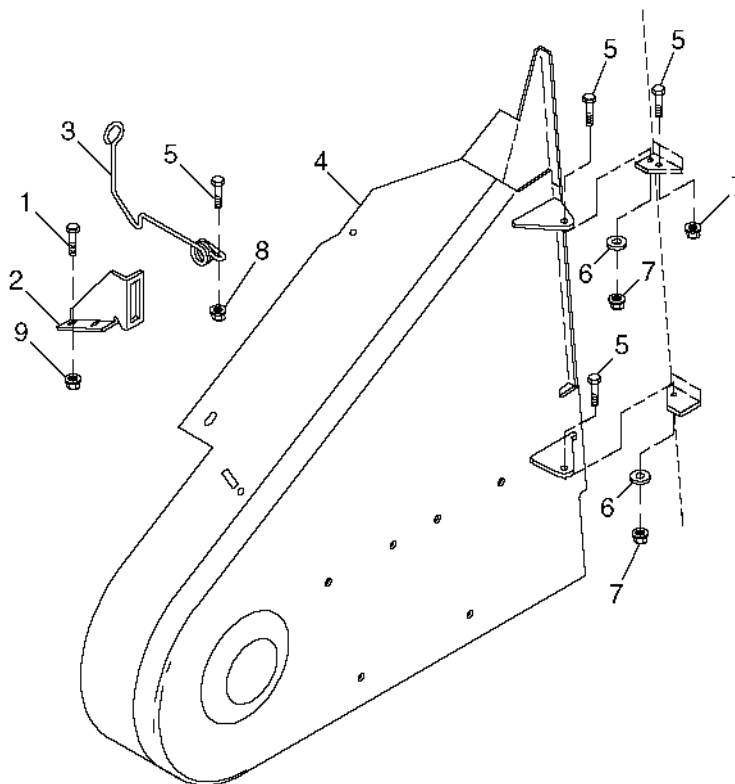
RADIATOR DOOR - CONTINUED

KEY	PART NO.	PART NAME	QTY	SERIAL NO.	REMARKS
1	AH151781	DOOR	1		RADIATOR
2	H159304	BRACKET	1		
3	AH160443	PANEL	1		
4	AH157036	HANDRAIL	1		
5	AH163668	LAMP	1		(SUB AH168385)
	AH168385	LAMP	1		
6	19M7784	SCREW	2		M10 X 20
7	14M7296	FLANGE NUT	AR		M10
8	24M7207	WASHER	AR		
9	19M7866	SCREW	AR		M8 X 20
10	03M7091	BOLT	AR		M6 X 40
11	H170577	ANGLE	1		
12	14M7272	NUT	AR		M6
13	H159305	BRACKET	1		RADIATOR DOOR, FRONT
14	H141123	NUT	AR		10 MM
15	24M7207	WASHER	AR		
16	H172308	PLATE	1		
17	H172309	HINGE	1		
18	45M7048	PIN	1		HINGE
19	H170578	ANGLE	1		
20	11M7059	COTTER PIN	1		
21	H133042	PIN	1		
22	14M7299	FLANGE NUT	2		M12
23	19M7785	SCREW	1		
24	14M7296	FLANGE NUT	AR		M10
25	H174129	PLATE	1		
26	H173723	STRAP	2		
27	19M7805	SCREW	4		M10 X 45

2J3

DRIVE SHIELD (R.H. REAR)

HP9017 -UN-13SEP99

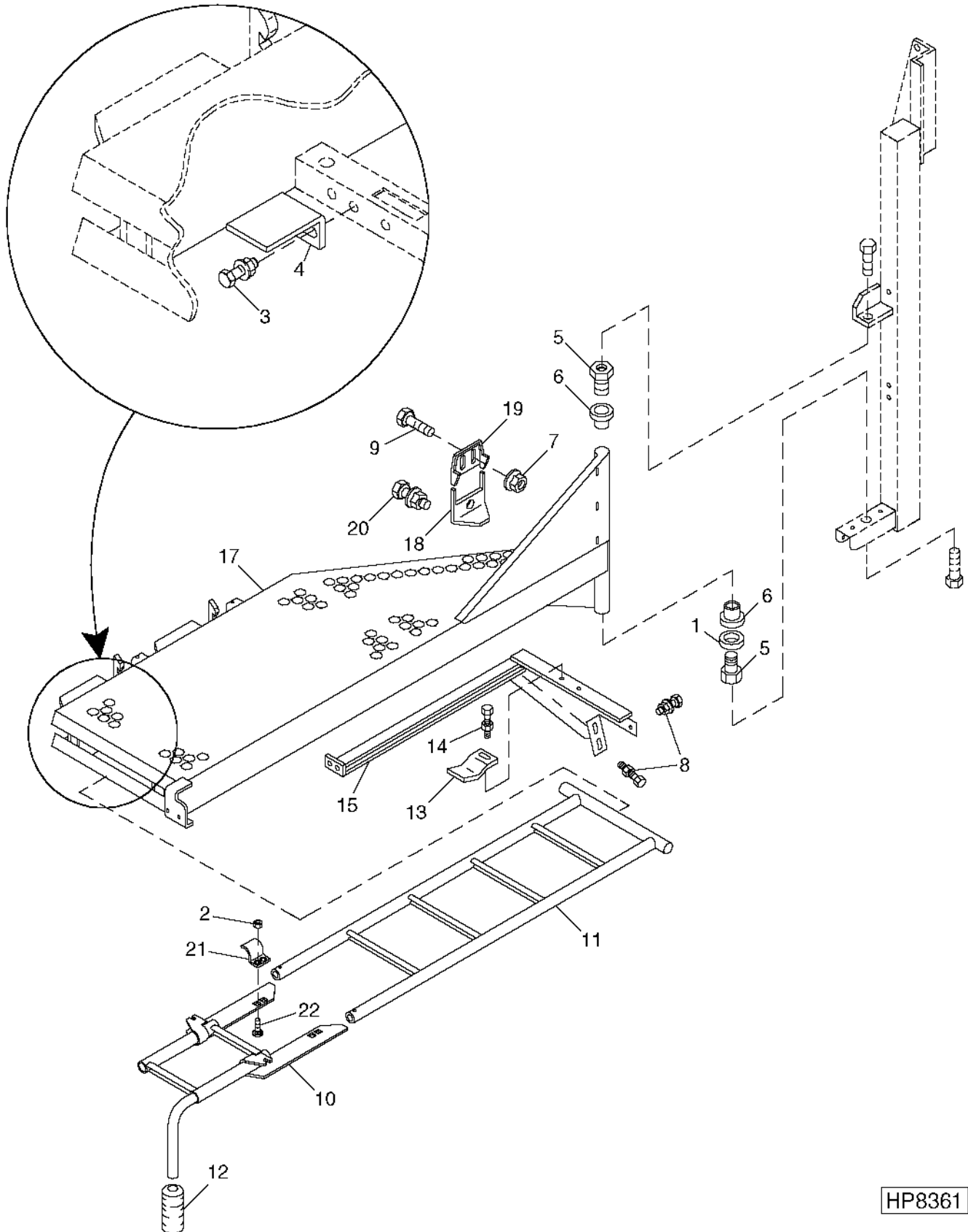


HP9017

KEY	PART NO.	PART NAME	QTY	SERIAL NO.	REMARKS
1	19M7866	SCREW	2	M8 X 20	
2	H141813	BRACKET	1		
3	H130930	SPRING	1		
4	AH150239	SHIELD	1		
5	19M7785	SCREW	3	M10 X 25	
6	24M7028	WASHER	2	10.500 X 20 X 2 MM	
7	14M7400	LOCK NUT	1	M10	
8	14M7296	FLANGE NUT	1	M10	
9	14M7298	FLANGE NUT	2	M8	
..	H160249	SHIELD	1		

2J4

REAR LANDING AND LADDER
HP8361 -UN-19JUL99



HP8361

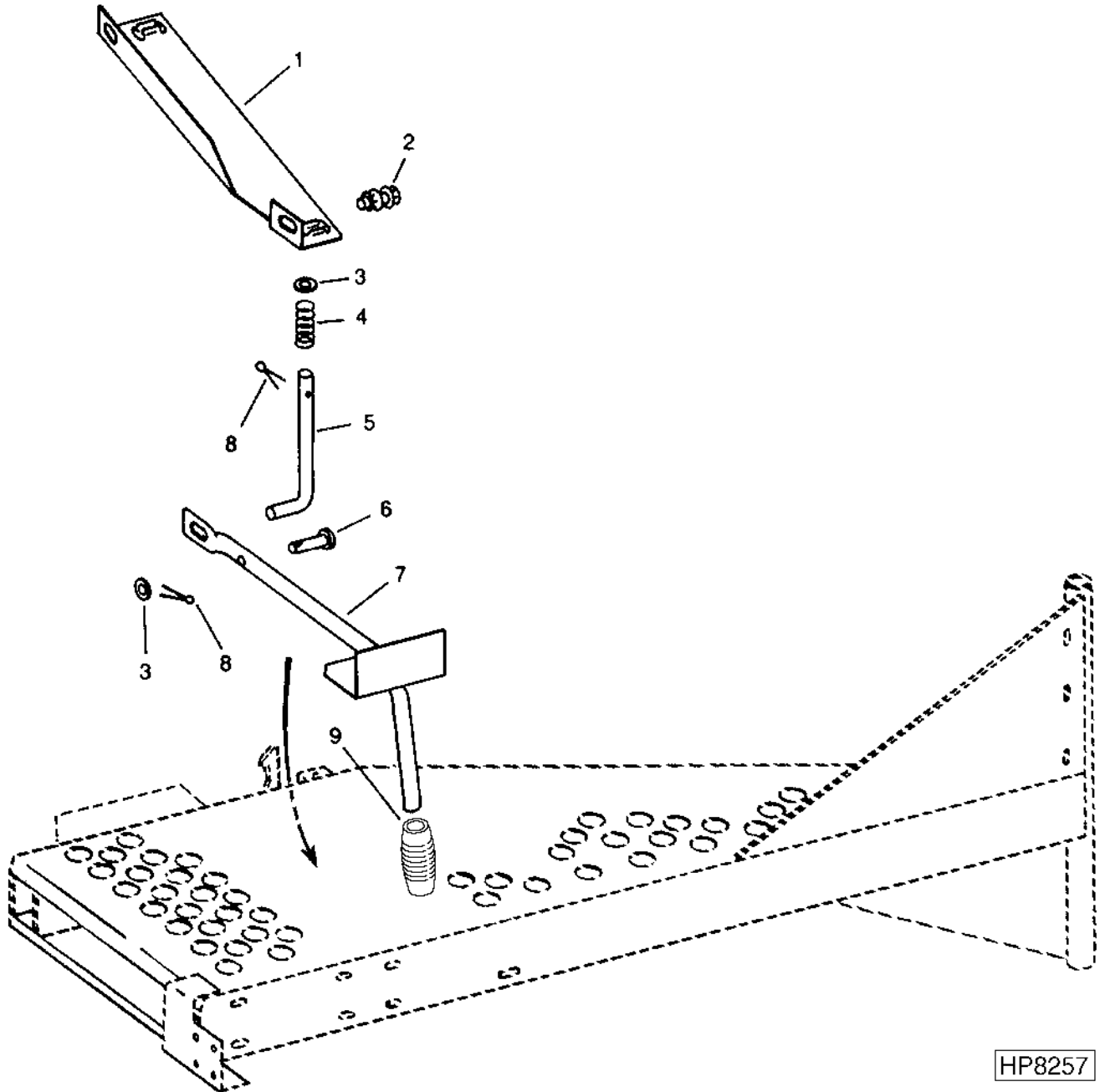
2J5

BODY AND SHIELDS

REAR LANDING AND LADDER - CONTINUED

KEY	PART NO.	PART NAME	QTY	SERIAL NO.	REMARKS
1	Z39386	WASHER	4		
2	37M7060	SCREW	4	M4 X 10	
3	19M7775	SCREW	2	M6 X 16	
	14M7303	FLANGE NUT	2		
4	H167134	ANGLE	2		
5	H119411	PIN	2		
6	T40867	BUSHING	2		
7	14M7296	FLANGE NUT	7		
8	19M7865	SCREW	4	M8 X 16	
	14M7298	FLANGE NUT	4	M8	
9	03M7190	BOLT	2	M10 X 20	
10	AH160432	LADDER	1		REAR LOWER EXTENSION
11	AH140111	LADDER	1		REAR
12	C3203E	GRIP	1		
13	H120082	LATCH	1		
14	19M7774	SCREW	2	M6 X 12	
	14M7303	FLANGE NUT	2	M6	
15	AH130193	CHANNEL	1		
17	AH160152	LADDER	1		LANDING ASSEMBLY
18	H142035	CATCH	1		
19	H133152	BRACKET	1		
20	03M7190	BOLT	2	M10 X 20	
	24M7178	WASHER	2		
	14M7296	FLANGE NUT	2	M10	
21	H167133	BRACKET	2		
22	03M7184	BOLT	4	M8 X 20	
..	AH160406	TAPE	8		

REAR LADDER LANDING LATCH ARM
HP8257 -UN-24FEB99



2J7

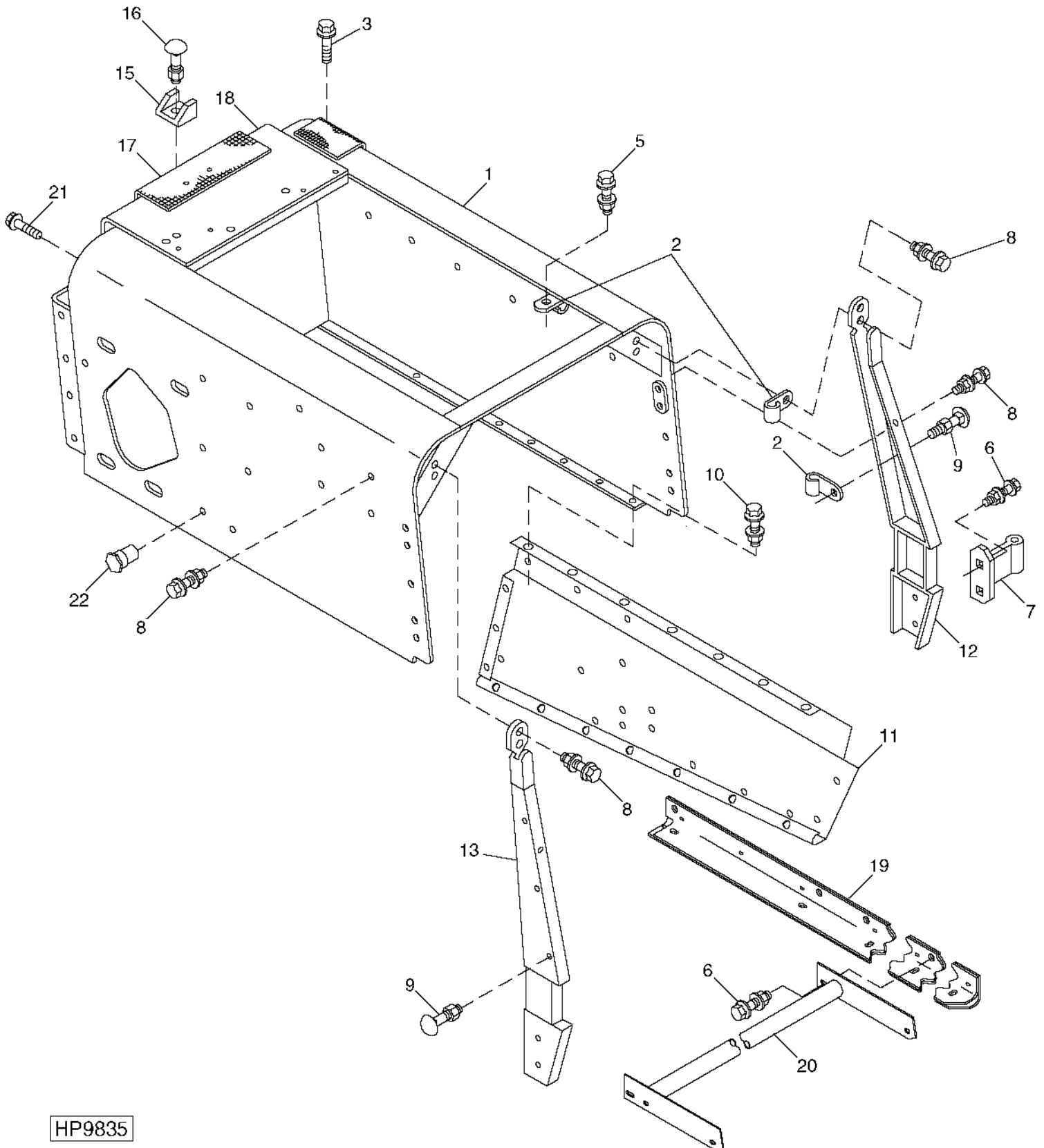
BODY AND SHIELDS

REAR LADDER LANDING LATCH ARM - CONTINUED

KEY	PART NO.	PART NAME	QTY	SERIAL NO.	REMARKS
1	H140881	CATCH	1		
2	19M7784	SCREW	2	M10 X 20	
	14M7296	FLANGE NUT	2	M10	
3	24H1341	WASHER	2	17/32" X 15/16" X 0.060"	
4	Y3082BN	SPRING	1		
5	H140872	PIN	1		
6	45M7054	PIN	1	10 X 50 MM	
7	AH167563	ARM	1	(SUB FOR AH163354)	
8	11M7059	COTTER PIN	2	3.200 X 20 MM	
9	C3203E	GRIP	1		

2J8

REAR HOOD
HP9835 -UN-15JUN00



HP9835

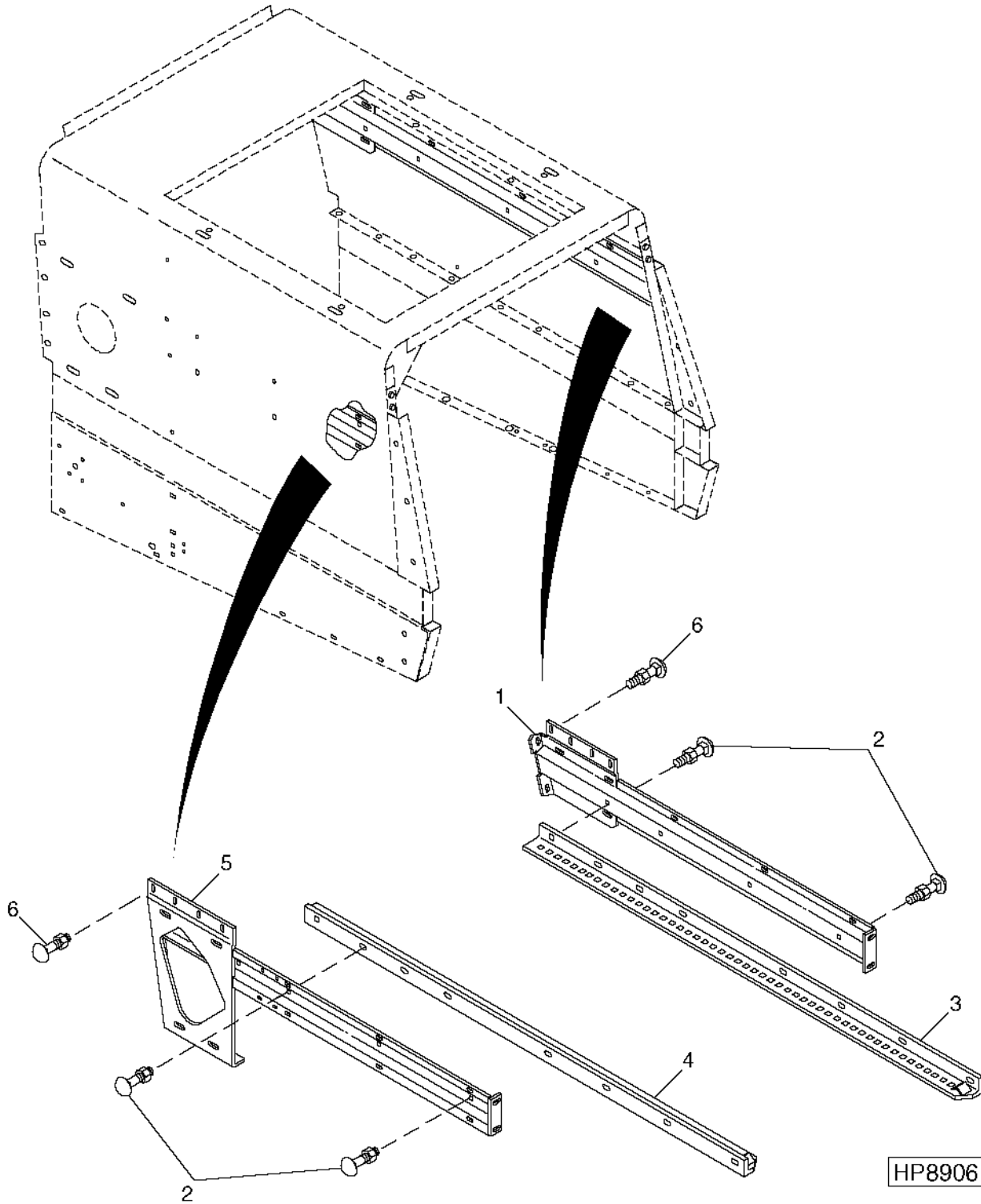
REAR HOOD - CONTINUED

KEY	PART NO.	PART NAME	QTY	SERIAL NO.	REMARKS
1	AH163646	HOOD	1		
2	AH89557	CLIP	5		WIRING HARNESS
3	19M7867	SCREW	2		M8 X 25 M10
4	19M7808	SCREW	2		M10 X 65
	24M7207	WASHER	2		8.400 X 24 X 2 MM
5	19M7866	SCREW	3		M8 X 20
	14M7298	FLANGE NUT	3		M8
6	19M7835	SCREW	8		M10 X 35
	14M7296	FLANGE NUT	8		M10
7	AH138317	HINGE	2		REAR DOOR UPPER
8	19M7785	SCREW	4		M10 X 25
	14M7296	FLANGE NUT	4		M10
9	03M7191	BOLT	7		M10 X 25
	14M7296	FLANGE NUT	7		M10
10	19M7867	SCREW	15		M8 X 25
	14M7298	FLANGE NUT	15		M8
	19M7810	SCREW	3		M10 X 80
	14M7400	LOCK NUT	3		M10
11	H138453	SHEET	1		LOWER R.H.
	H138452	SHEET	1		LOWER L.H.
12	AH138292	SUPPORT	1		R.H. UPRIGHT
13	AH141864	SUPPORT	1		L.H. UPRIGHT
15	H141659	BRACKET	2		DOOR MOUNTING
16	03M7307	BOLT	2		M10 X 25
	14M7296	FLANGE NUT	2		M10
17	H136014	MAT	1		CLEAT
18	H136015	MAT	1		CLEAT
19	AH154086	SUPPORT	1		
	AH154083	SUPPORT	1		
20	AH140943	BRACKET	1		
21	H171977	SCREW	6		
22	H154071	NUT	4		

2J10

BODY AND SHIELDS

MODULE MOUNTING TRACKS AND SUPPORTS
HP8906 -UN-13AUG99



2J11

BODY AND SHIELDS

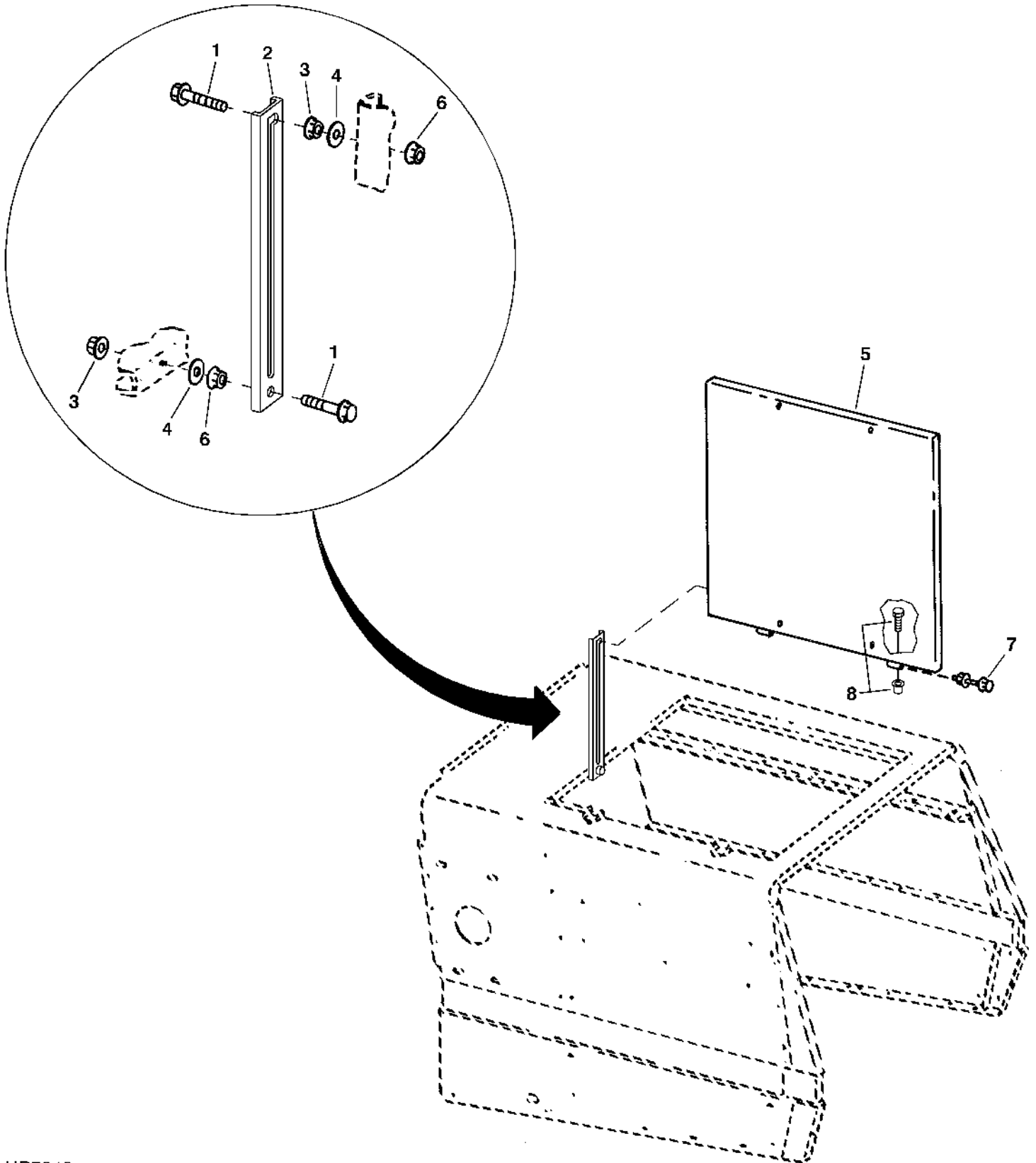
MODULE MOUNTING TRACKS AND SUPPORT - CONTINUED

KEY	PART NO.	PART NAME	QTY	SERIAL NO.	REMARKS
1	AH133303	SUPPORT	1		R.H.
2	03M7307	BOLT	23		M10 X 25
	14M7296	FLANGE NUT	23		M10
3	AH137408	ANGLE	1		R.H.
4	AH137409	ANGLE	1		L.H.
5	AH155809	SUPPORT	1		L.H.
6	03M7307	BOLT	8		M10 X 25
	H141123	NUT	8		

2J12

REAR HOOD ACCESS DOOR AND STOP

HP7346 -UN-08JAN98



HP7346

2J13

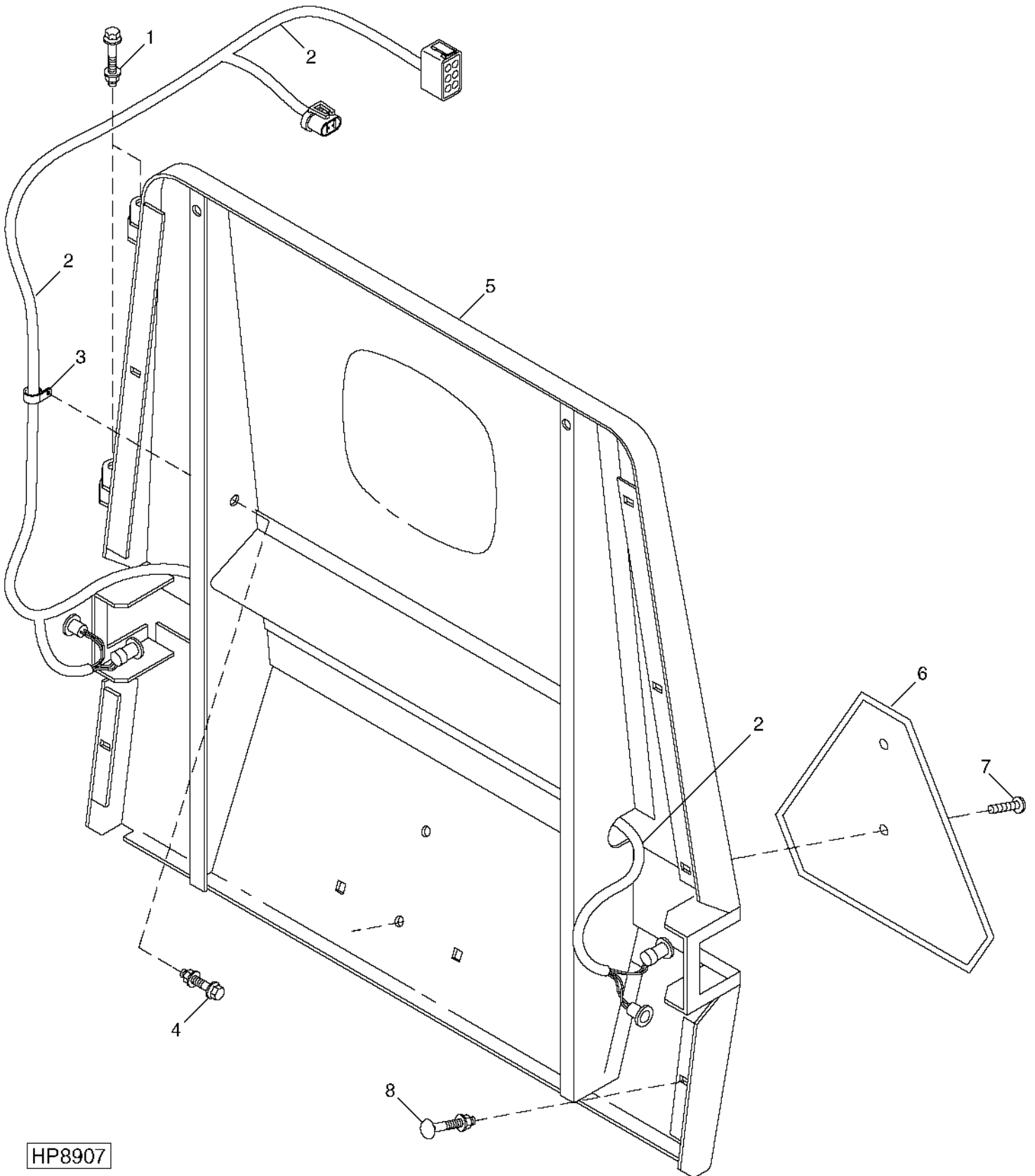
BODY AND SHIELDS

REAR HOOD ACCESS DOOR AND STOP - CONTINUED

KEY	PART NO.	PART NAME	QTY	SERIAL NO.	REMARKS
1	19M7868	SCREW	2		
2	H132511	STOP	1		M8 X 30
3	14M7298	FLANGE NUT	2		M8
4	24M7207	WASHER	2		8.400 X 24 X 2 MM
5	AH139202	DOOR	1		TOP ACCESS
6	14M7396	LOCK NUT	2		M8
7	19M7808	SCREW	2		M10 X 65
	14M7400	LOCK NUT	2		M10
8	19M7808	SCREW	2		M10 X 65
	RIVET	2		

2J14

REAR HOOD DOOR
HP8907 -UN-30AUG99



HP8907

2J15

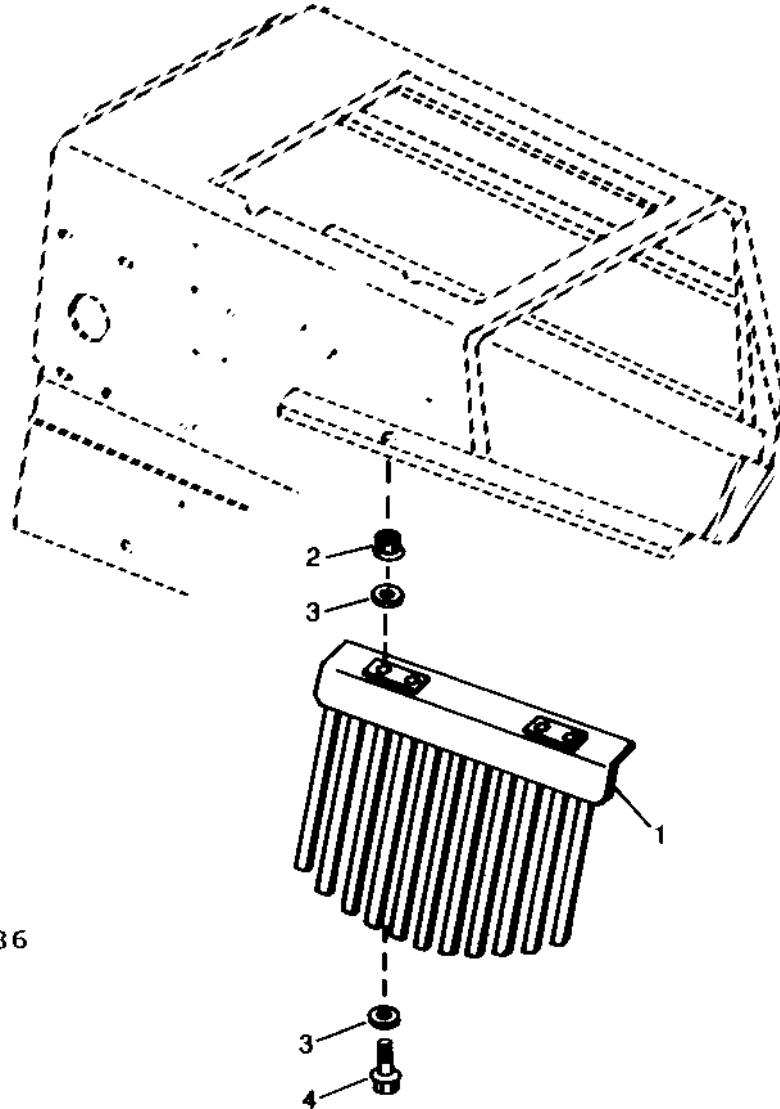
BODY AND SHIELDS

REAR HOOD DOOR - CONTINUED

KEY	PART NO.	PART NAME	QTY	SERIAL NO.	REMARKS
1	19M7808	SCREW	2		M10 X 65
	H135891	LOCK NUT	2		M10
2	AH159235	WIRING HARNESS	1		REAR DOOR
3	AH89557	CLIP	2		
4	19M7867	SCREW	1		M8 X 25
	14M7298	FLANGE NUT	1		M8
5	AH141865	DOOR	1		REAR
6	H134667	DEFLECTOR	1		
7	37M7131	SCREW	2		M6 X 20
8	03M7183	BOLT	2		M8 X 16
	14M7298	FLANGE NUT	2		M8

2J16

WINDROW ATTACHMENT
HP6186 -UN-05OCT95



HP6186

2J17

BODY AND SHIELDS

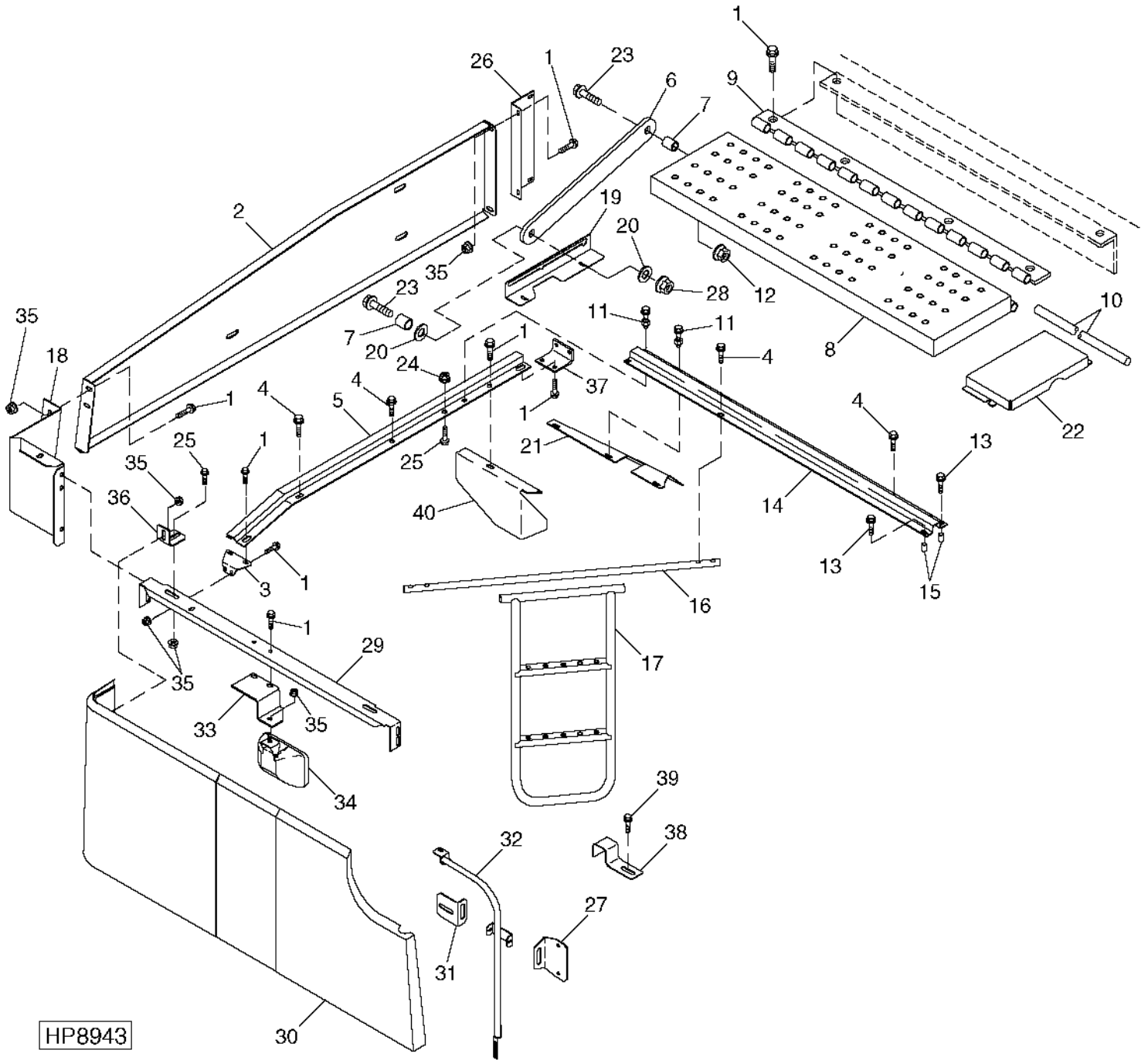
WINDROW ATTACHMENT - CONTINUED

KEY	PART NO.	PART NAME	QTY	SERIAL NO.	REMARKS
1	AH147061	BRACKET	2		
2	14M7296	FLANGE NUT	4	M10	
3	24M7180	WASHER	8	13 X 37 X 3 MM (0.512" X 1.457" X 0.118")	
4	19M7805	SCREW	4	M10 X 45	
..	BH81126	COMPLETE GOODS/SHIP. BUNDLE	1		WINDROW FORMING BUNDLE

2J18

BODY AND SHIELDS

ENGINE COMPARTMENT
HP8943 -UN-07SEP99



HP8943

2J19

BODY AND SHIELDS

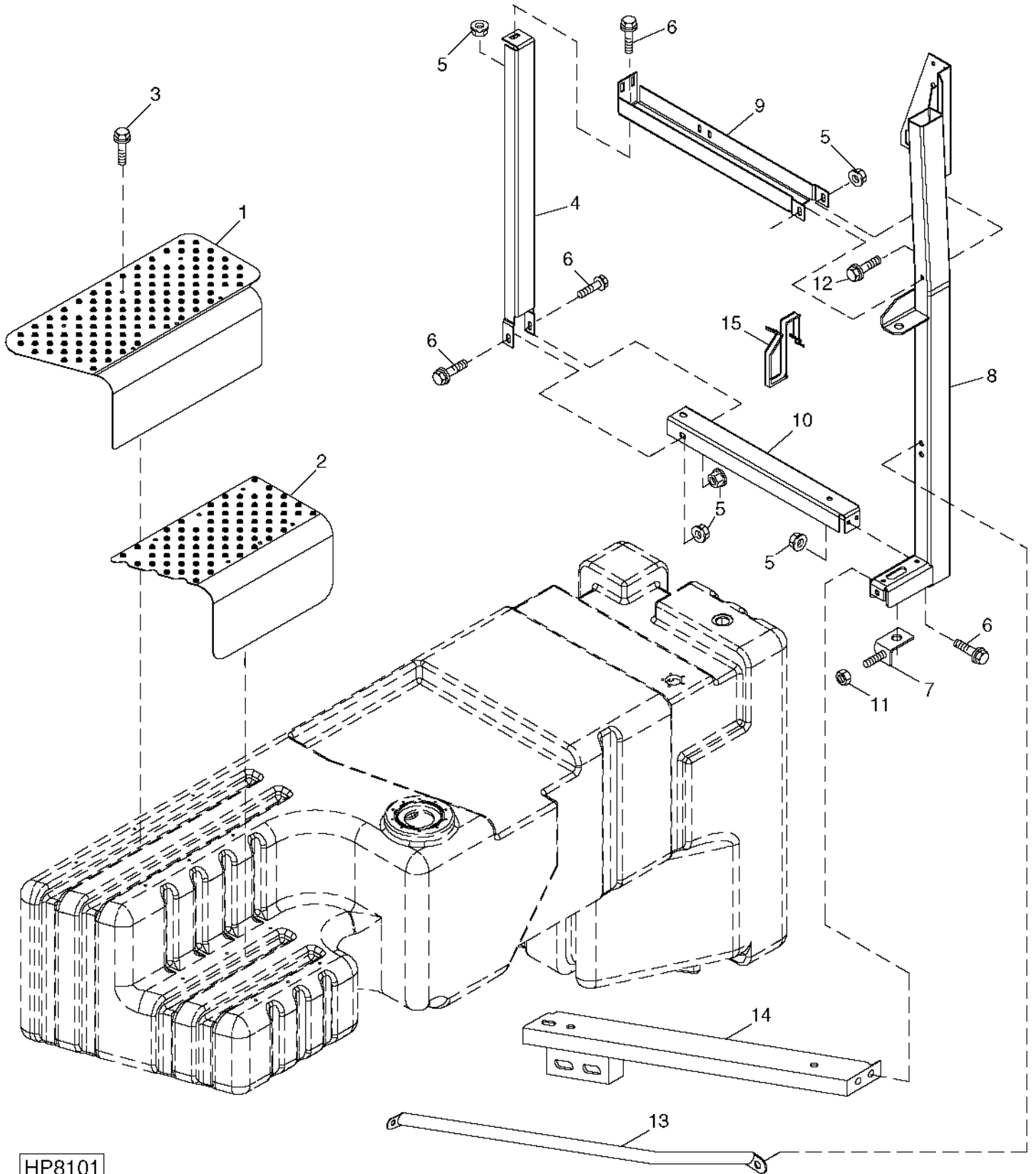
ENGINE COMPARTMENT - CONTINUED

KEY	PART NO.	PART NAME	QTY	SERIAL NO.	REMARKS
1	19M7865	SCREW	112	M8 X 16	
	14M7298	FLANGE NUT	112	M8	
2	H167092	PANEL	1		
3	H161524	ANGLE	1		
4	19M8290	SCREW	4	M6 X 35	
5	AH159205	CHANNEL	1		
6	H168984	STRAP	1		
7	28H3381	SPACER	2	0.493" X 0.675" X 5/8"	
8	AH136455	DOOR	1		
9	H134738	HINGE	1		
10	H134930	PIN	1	8 X 1385 MM (.3179" X 54.5276") MAKE FROM H99599, CUT TO 1385 MM LONG	
11	03M7183	BOLT	4	M8 X 16	
	14M7298	FLANGE NUT	4	M8	
12	14M7396	LOCK NUT	1	M8	
13	37M7102	SCREW	2	M8 X 40	
14	AH160640	CHANNEL	1		
15	H141836	BUSHING	2		
16	H135147	TUBE	1		
17	AH155975	LADDER	1		
18	H158443	BRACKET	1		
19	H168985	PLATE	1		
20	H158845	WASHER	2		
21	H169292	DEFLECTOR	1		
22	H167164	COVER	1		
23	H140715	BOLT	2		
24	14M7298	FLANGE NUT	2	M8	
25	19M7866	SCREW	4	M8 X 20	
26	H167091	ANGLE	1		
27	H167006	ANGLE	1		
28	14M7396	LOCK NUT	1	M8	
29	H172665	CHANNEL	1	(SUB FOR H158423)	
30	AH160446	PANEL	1		
31	H172736	ANGLE	1		
32	AH166969	HANDRAIL	1	(SUB FOR AH151143)	
33	H173644	BRACKET	1	(SUB FOR H166834)	
34	AH163668	LAMP	1	(SUB AH168385)	
	AH168385	LAMP	1		
35	14M7298	FLANGE NUT	5	M8	
36	H172664	ANGLE	2	(SUB FOR H169989)	
37	H164218	ANGLE	1		
38	H167171	RETAINER	1		
39	37M7089	SCREW	1	M6 X 12	
40	H135610	DEFLECTOR	1		

2J20

FUEL TANK STEPS AND MOUNTING BRACKETS

HP8101 -UN-17MAR99

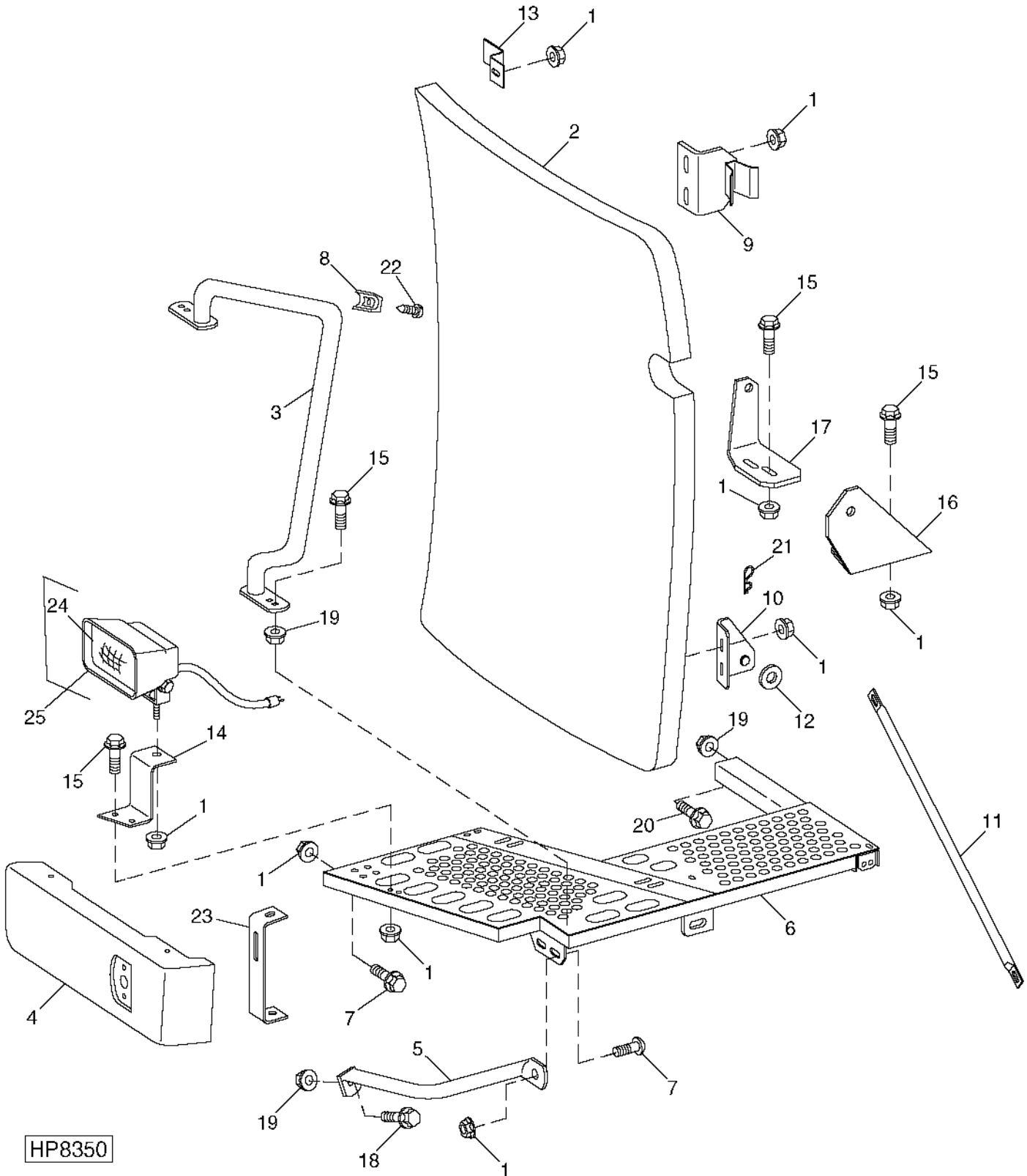


HP8101

FUEL TANK STEPS AND MOUNTING BRACKETS - CONTINUED

KEY	PART NO.	PART NAME	QTY	SERIAL NO.	REMARKS
1	H165731	STEP	1		
2	H165732	STEP	1		
3	19M7774	SCREW	12		M6 X 12
4	H134298	CHANNEL	1		
5	14M7400	LOCK NUT	7		M10
6	19M7785	SCREW	7		M10 X 25
7	AH120216	ADJUSTER	1		
8	AH155103	SUPPORT	1		
9	H169794	CHANNEL	1		
10	H169793	CHANNEL	1		
11	A31867	LOCK NUT	1		M12
12	19M7812	SCREW	1		M10 X 100
13	H129839	BRACE	1		
14	AH136147	CHANNEL	1		
15	H64612	CLIP	4		

ENGINE ACCESS PLATFORM AND REAR LAMP ASSEMBLY
HP8350 -UN-13MAY99



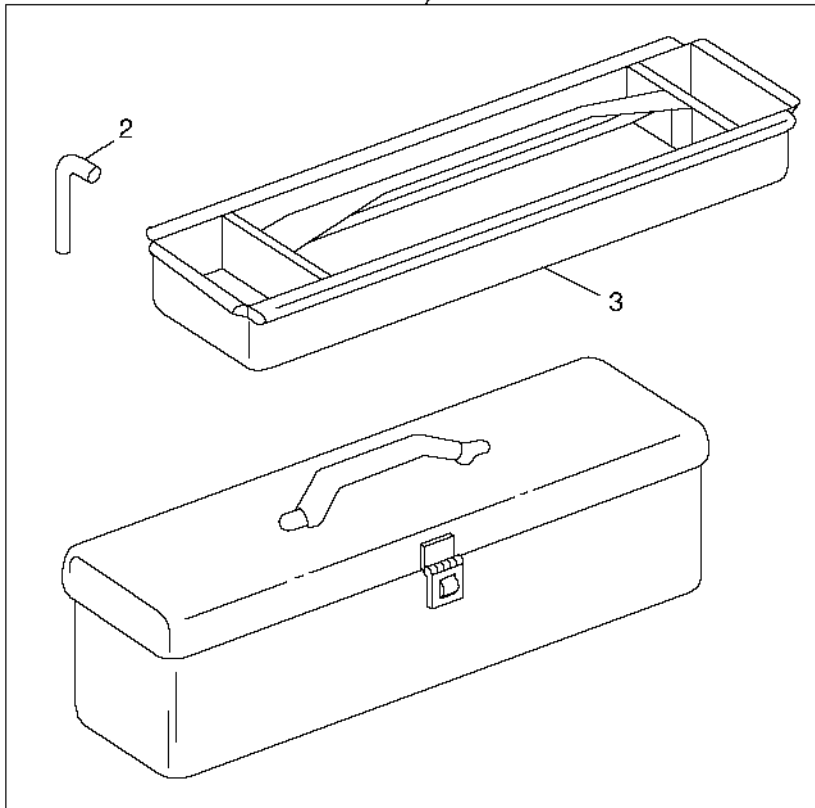
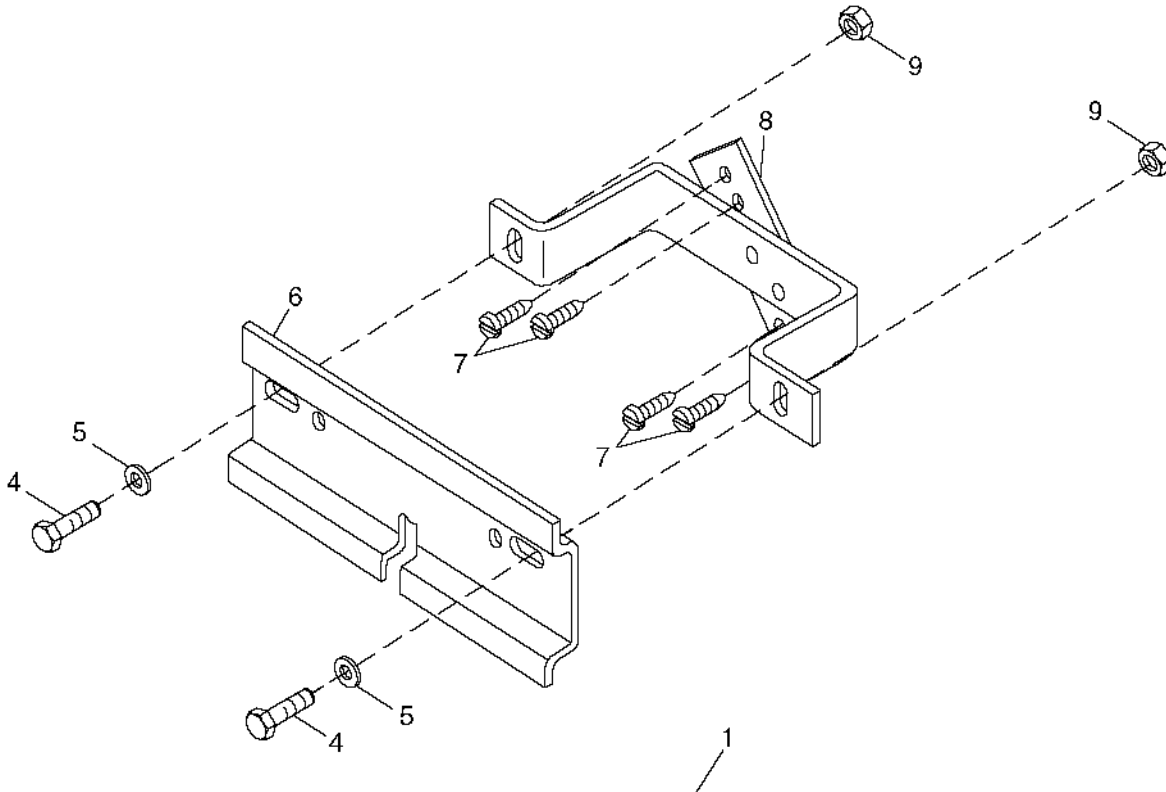
HP8350

ENGINE ACCESS PLATFORM AND REAR LAMP ASSEMBLY - CONTINUED

KEY	PART NO.	PART NAME	QTY	SERIAL NO.	REMARKS
1	14M7298	FLANGE NUT	11		
2	AH160445	DOOR	1		
3	AH157425	TUBE	1		
4	AH151811	PANEL	1		
5	H130432	BRACE	1		
6	AH166836	PLATFORM	1		
7	03M7185	BOLT	1		
8	AH163347	BUMPER	1		
9	AH166970	ANGLE	1		
10	AH157105	PIVOT	2		
11	H165282	TUBE	1		
12	24M7180	WASHER	2		
13	H167223	ANGLE	1		
14	H169070	BRACKET	1		
15	19M7866	SCREW	6		
16	H163841	ANGLE	1		
17	H163845	ANGLE	1		
18	19M7785	SCREW	1		
19	14M7296	FLANGE NUT	1		
20	19M7844	SCREW	1		
21	11M7012	COTTER PIN	1		
22	37M7046	SCREW	1		
23	H168374	STRAP	2		
24	AH165877	BULB	1		
25	AH163667	LAMP	1	(SUB AH168403)	
	AH168403	LAMP	1		

2J24

TOOL BOX
HP8819 -UN-15JUL99



HP8819

2J25

BODY AND SHIELDS

TOOL BOX - CONTINUED

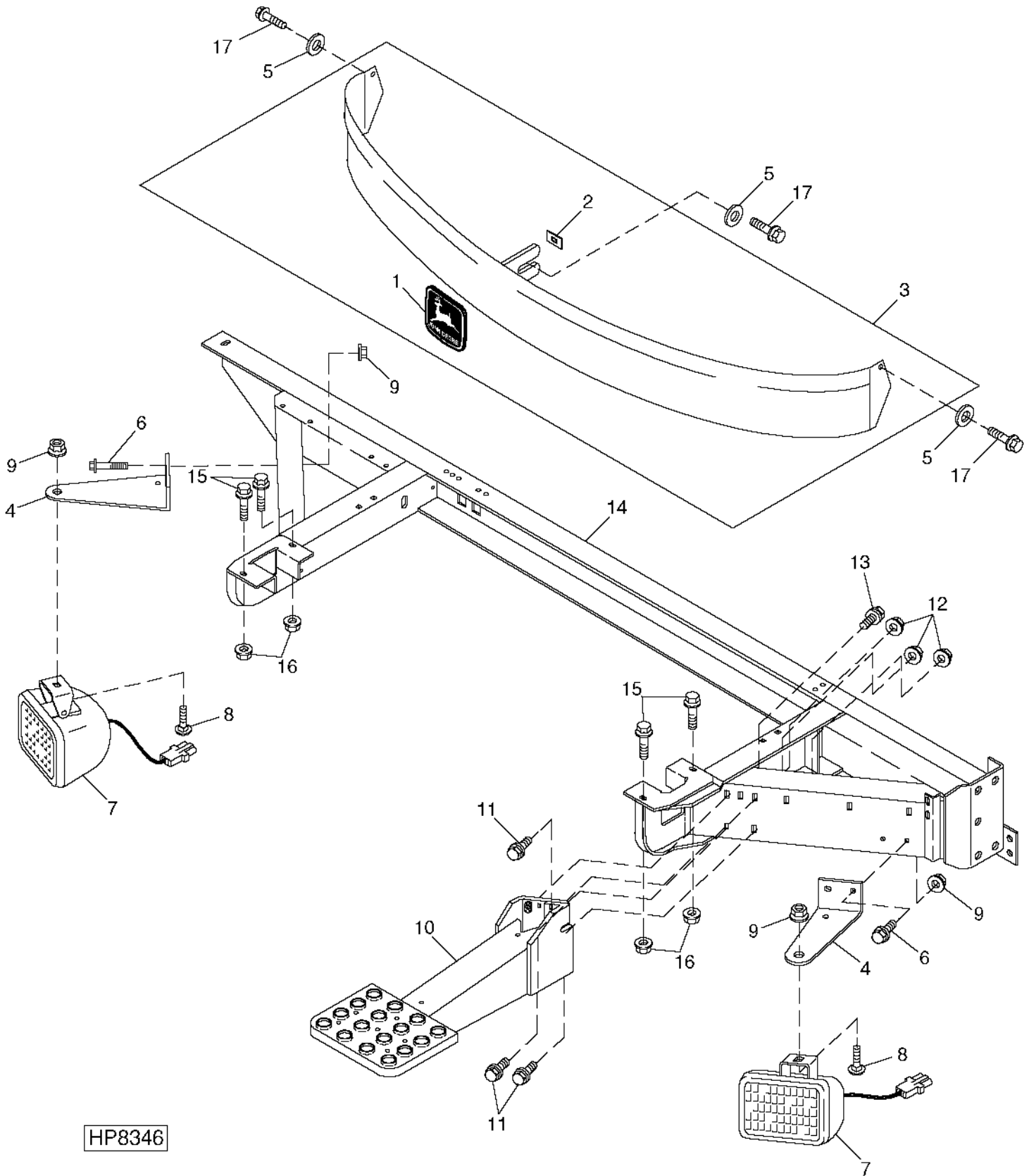
KEY	PART NO.	PART NAME	QTY	SERIAL NO.	REMARKS
1	AT22070	TOOLBOX	1		
2	T23027	PIN	1		
3	AT22073	HOLDER	1		
4	19M7785	SCREW	2	M10 X 25	
5	24M7178	WASHER	2	10.500 X 30 X 2.500 MM (0.413" X 1.181" X 0.098")	
6	T23033	BRACKET	1		
7	37M7058	SCREW	4	M8 X 20	
8	AH145157	BRACKET	1		
9	14M7296	FLANGE NUT	2	M10	

MEMORANDA

MEMORANDA

3B4

CAB SUPPORT
HP8346 -UN-09JUL99



HP8346

3B5

OPERATOR'S STATION

CAB SUPPORT - CONTINUED

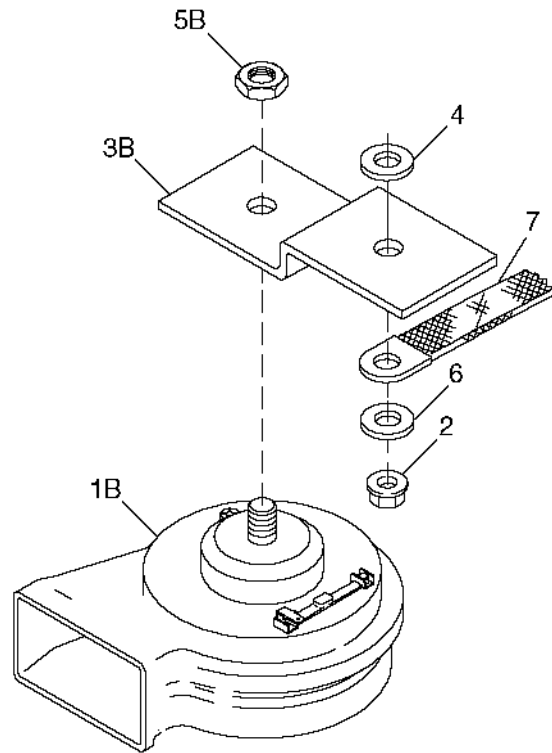
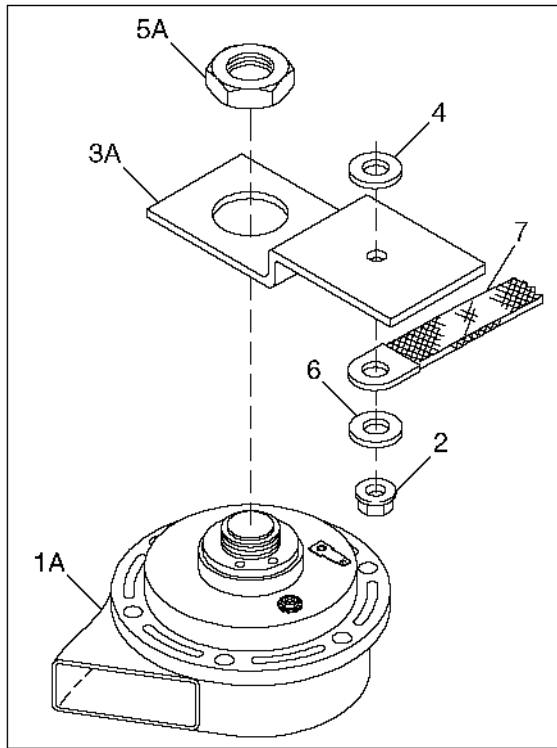
KEY	PART NO.	PART NAME	QTY	SERIAL NO.	REMARKS
1	H149480	LABEL	1		
2	H98111	NUT	8		
3	AH154509	SHIELD	1		
4	H172003	BRACKET	2		
5	24M7207	WASHER	3	8.400 X 24 X 2 MM	
6	19M7865	SCREW	6	M8 X 16	
7	AH163667	LAMP	2	STUBBLE LIGHT	
	AH166909	BULB	1		
8	03M7183	BOLT	2	M8 X 16	
9	14M7298	FLANGE NUT	8	M8	
10	AH130594	STEP	1		
11	19M7785	SCREW	3	M10 X 25	
12	14M7296	FLANGE NUT	3	M10	
13	19M7784	SCREW	1	M10 X 20	
14	AH149583	SUPPORT	1		
15	19M7789	SCREW	4	M12 X 30	
16	14M7299	FLANGE NUT	4	M12	
17	37M7058	SCREW	3	M8 X 20	

MEMORANDA

3B6

OPERATOR'S STATION

HORN ASSEMBLY
HP9236 -UN-11NOV99



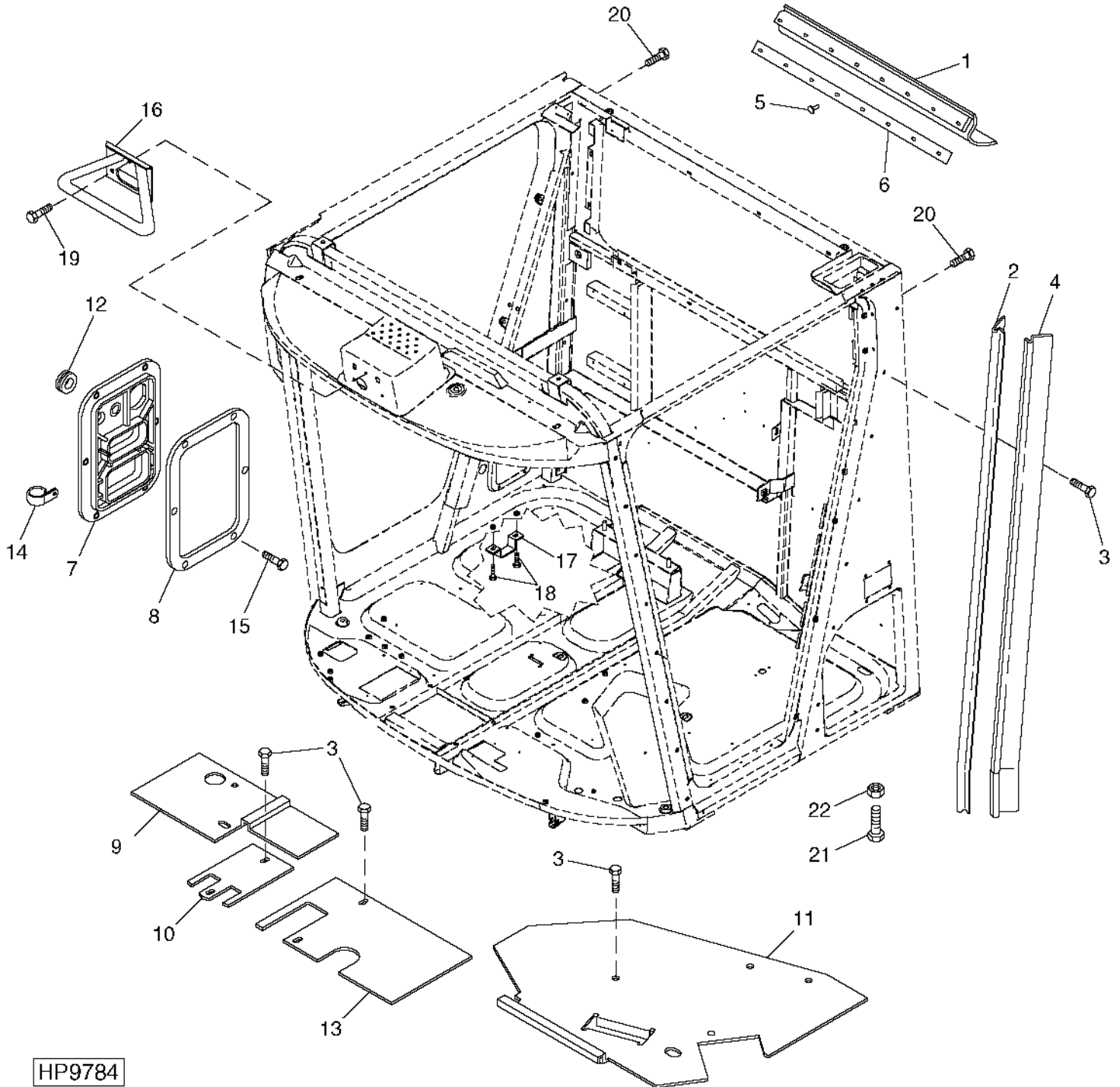
HP9236

KEY	PART NO.	PART NAME	QTY	SERIAL NO.	REMARKS
1A	AT39043	HIGH NOTE HORN	1		(SUB AH166260, H160476 AND 14M7303)
1B	AH166260	HORN	1		(USE WITH H160476 AND 14M7303)
2	14M7303	FLANGE NUT	1		M6
3A	H125930	BRACKET	1		
3B	H160476	BRACKET	1		(USE WITH AH166260 AND 14M7303)
4	PT2314	WASHER	1		
5A	R11278	NUT	1		
5B	14M7303	FLANGE NUT	1		(USE WITH AH166260 AND H160476)
6	24M7139	WASHER	1		6.400 X 18 X 1.600 MM
7	AH165023	JUMPER	1		CAB

3B7

OPERATOR'S STATION

CAB REAR, SIDE AND FLOOR PANELS
HP9784 -UN-06JUN00



HP9784

3B8

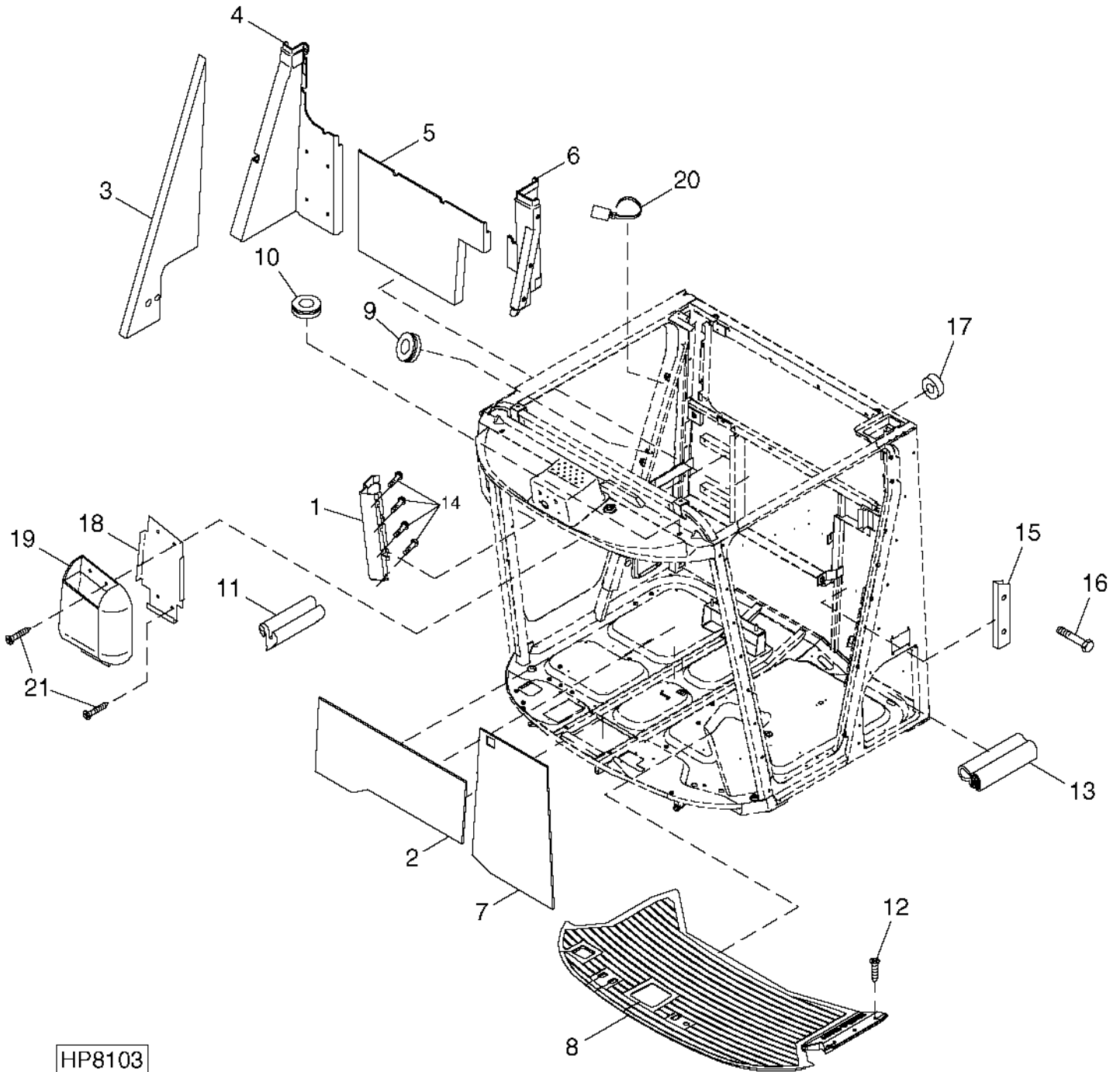
OPERATOR'S STATION

CAB REAR, SIDE AND FLOOR PANELS - CONTINUED

KEY	PART NO.	PART NAME	QTY	SERIAL NO.	REMARKS
1	H135614	SEAL	2		
2	H133391	BRACKET	1		
3	37M7089	SCREW	14		M6 X 12
4	AH141774	SEAL	1		
5	H85233	RIVET	16		
6	H135615	RETAINER	2		
7	H169194	PLATE	1		
8	H169613	SEAL	1		
9	H133665	SHEET	1		
10	H124260	PLATE	1		
11	H133666	SHEET	1		
12	H131300	GROMMET	1		
13	H141292	PLATE	1		
14	AH90990	CLIP	1		
15	37M7131	SCREW	6		M6 X 20
16	AH162746	HANDLE	1		
17	H131574	RETAINER	1		
18	19M7865	SCREW	2		
19	H162748	SCREW	3		
20	19M7268	CAP SCREW	2		M12 X 25
21	19M2972	CAP SCREW	1		M8 X 45
22	14M7259	NUT	1		M16

3B9

CAB INTERIOR PANELS, SEALS AND FLOOR MAT
HP8103 -UN-08JUL99



HP8103

3B10

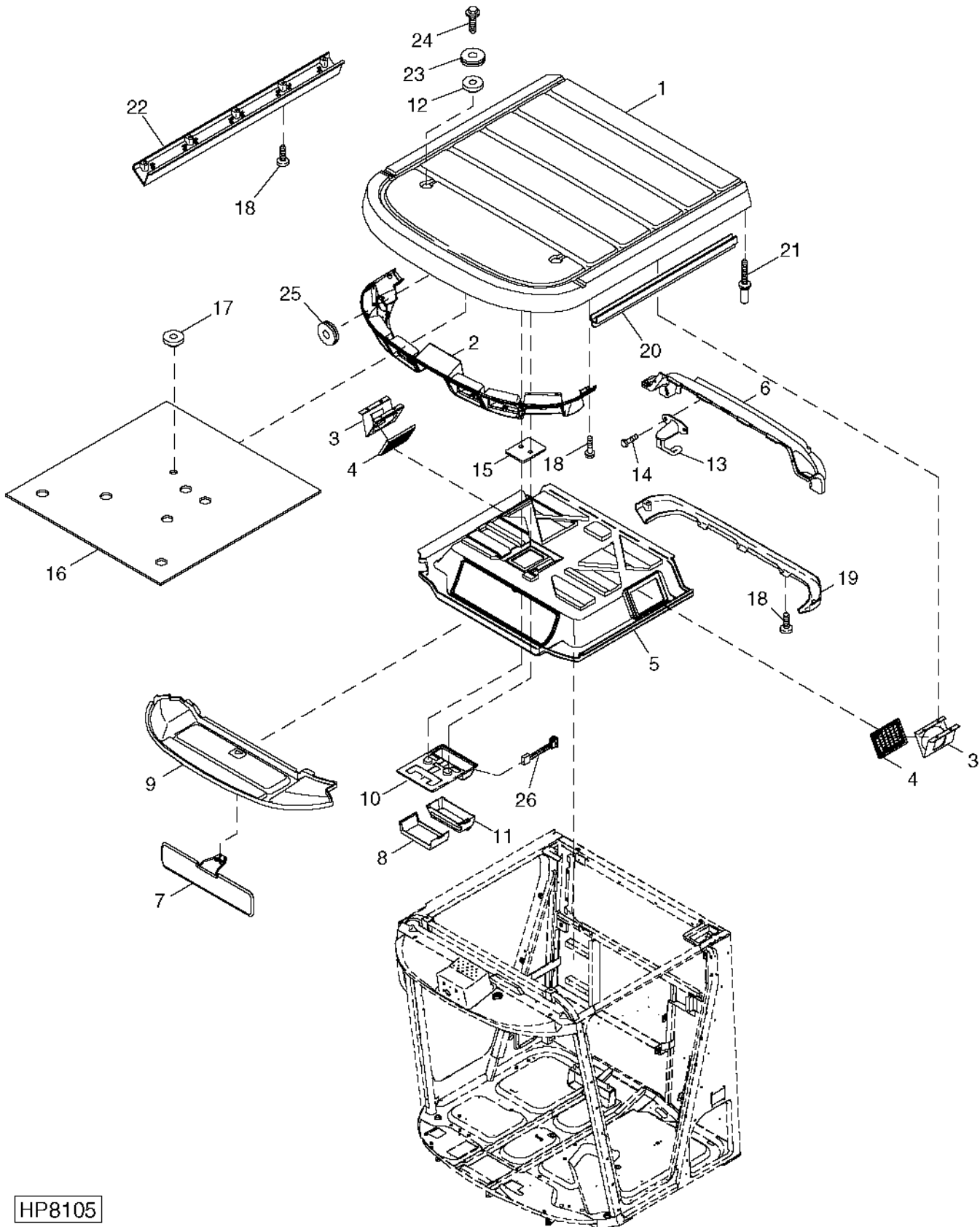
OPERATOR'S STATION

CAB INTERIOR PANELS, SEALS AND FLOOR MAT - CONTINUED

KEY	PART NO.	PART NAME	QTY	SERIAL NO.	REMARKS
1	AH155929	BRACKET	1		
2	AH159716	BARRIER	1	R.H.	
3	H125511	FOAM PAD	1	R.H.	
	AH127674	BARRIER	1	L.H.	
4	AH156943	PANEL	1		
5	AH146854	PANEL	1		
6	AH120891	PANEL	1		
7	AH159715	BARRIER	1	L.H.	
8	AH165073	MAT	1		
9	R50456	GROMMET	1	SMALL	
10	H36221	GROMMET	1	LARGE	
11	AH106010	WEATHERSTRIP	1	R.H. SIDE WINDOW	
12	37M7160	SCREW	3		
13	AH80335	WEATHERSTRIP	1		
14	37M7089	SCREW	4		
15	H124210	COVER	2		
16	H132451	CAP SCREW	6	M6 X 50	
17	H987R	GROMMET	1		
18	H165215	PANEL	1		
19	H161126	CONTAINER	1		
20	H138297	TIE BAND	1	EMERGENCY EXIT HANDLE	
21	H165249	SCREW	4	M6 X 20	

3B11

INTERIOR CAB ROOF
HP8105 -UN-08JUL99



HP8105

3B12

OPERATOR'S STATION

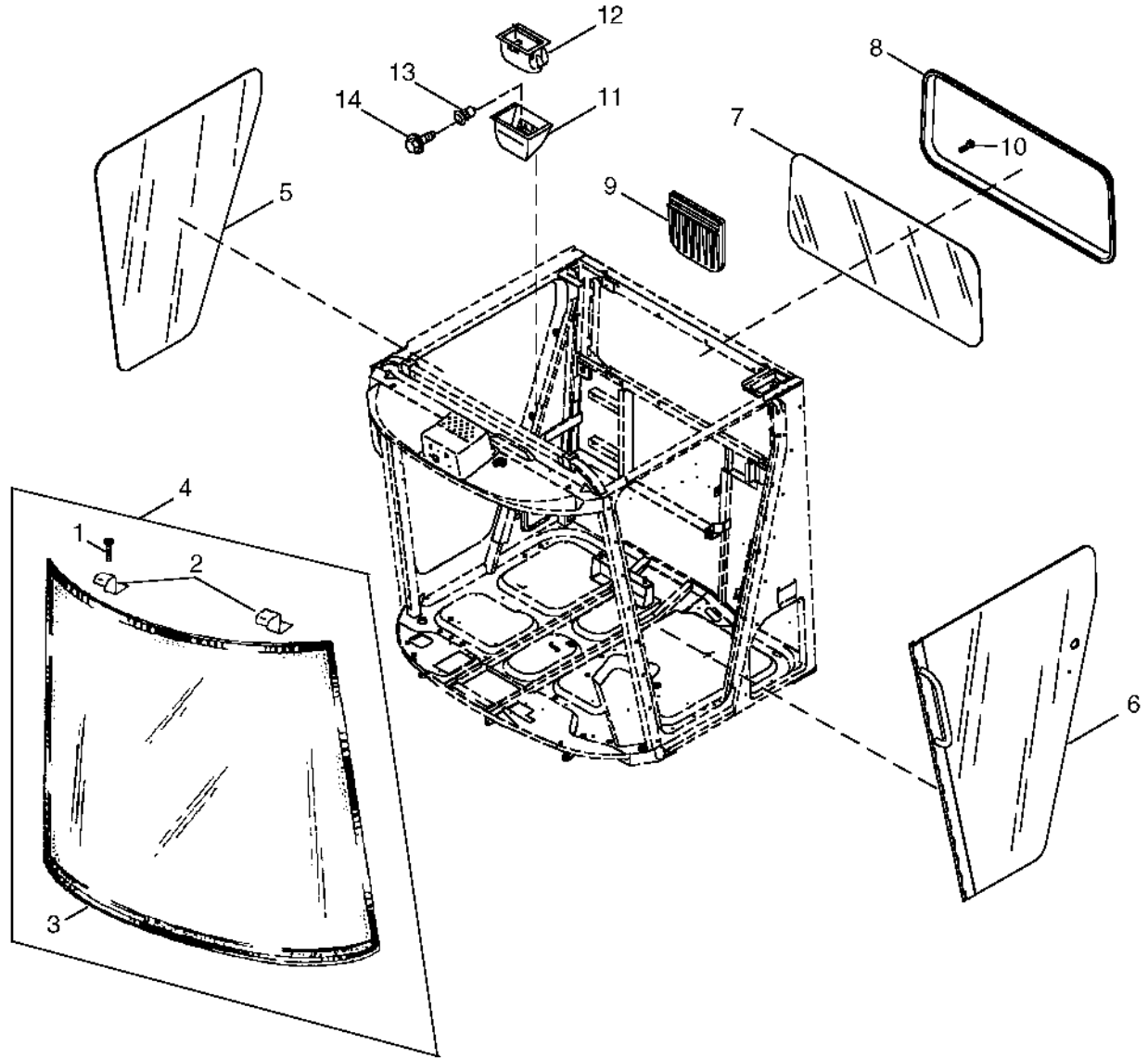
INTERIOR CAB ROOF - CONTINUED

KEY	PART NO.	PART NAME	QTY	SERIAL NO.	REMARKS
1	AH153796	ROOF	1		
2	H165400	HOUSING	1		
3	H144472	SUPPORT	2		
4	H153352	GRILLE	2		SPEAKER
	H145264	ISOLATOR	2		FOAM PAD, SPEAKER GRILLE
5	AH159236	HEADLINER	1		
6	AH146852	HEADLINER	1		
7	AH151123	SUN VISOR	1		
8	H131982	LENS	1		DOMELIGHT
9	AH159238	HEADLINER	1		
10	H160729	BASE	1		DOMELIGHT
	57M7173	BULB	2		DOMELIGHT
11	AH154218	COVER	1		DOMELIGHT
12	H123991	SEALING WASHER	2		
13	L113023	HOOK	1		
14	37M7074	SCREW	2		
15	H169512	SHEET	1		
16	AH160592	PLANE	1		
17	24M7178	WASHER	1		
18	H123995	SCREW	23		
19	H143460	COVER	1		
20	AH120541	SEAL	1		
21	H123740	STUD	4		
22	H130301	COVER	2		
23	24M7051	WASHER	2		
24	19M7789	SCREW	2		M12 X 30
25	H123796	GROMMET	1		
26	AH153910	SWITCH	1		
..	AH160591	CABLE	1		COAX, WITH ANTENNA MOUNT

3B13

OPERATOR'S STATION

CAB GLASS AND DOOR
HP8102 -UN-14MAY99



HP8102

3B14

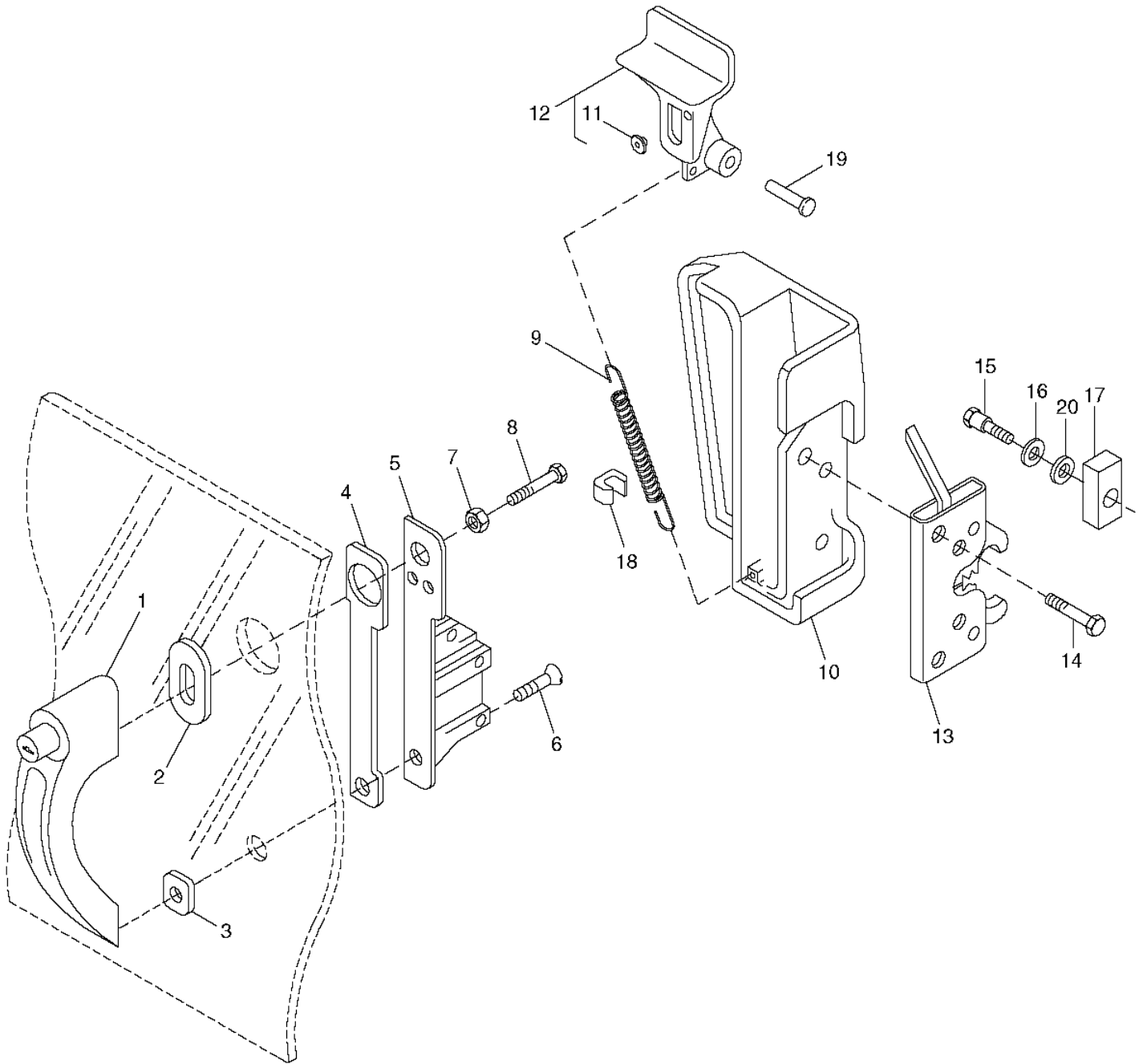
OPERATOR'S STATION

CAB GLASS AND DOOR - CONTINUED

KEY	PART NO.	PART NAME	QTY	SERIAL NO.	REMARKS
1	19M7866	SCREW	2		
2	AH132819	BRACKET	2		
3	WINDSHIELD	1		
4	AH166648	KIT	1		GLASS REPLACEMENT
5	H123794	WINDOWPANE	1		
6	AH154280	DOOR	1		
7	H125769	WINDOWPANE	1		
8	H153394	BEZEL	1		
9	H169403	PAD	1		
10	H165689	SCREW	12		
11	H165490	HOUSING	1		
12	AH104259	ASHTRAY	1		
13	H169634	NUT	2		
14	37M7160	SCREW	2		

3B15

CAB DOOR LATCH
HP8513 -UN-23APR99



HP8513

3B16

OPERATOR'S STATION

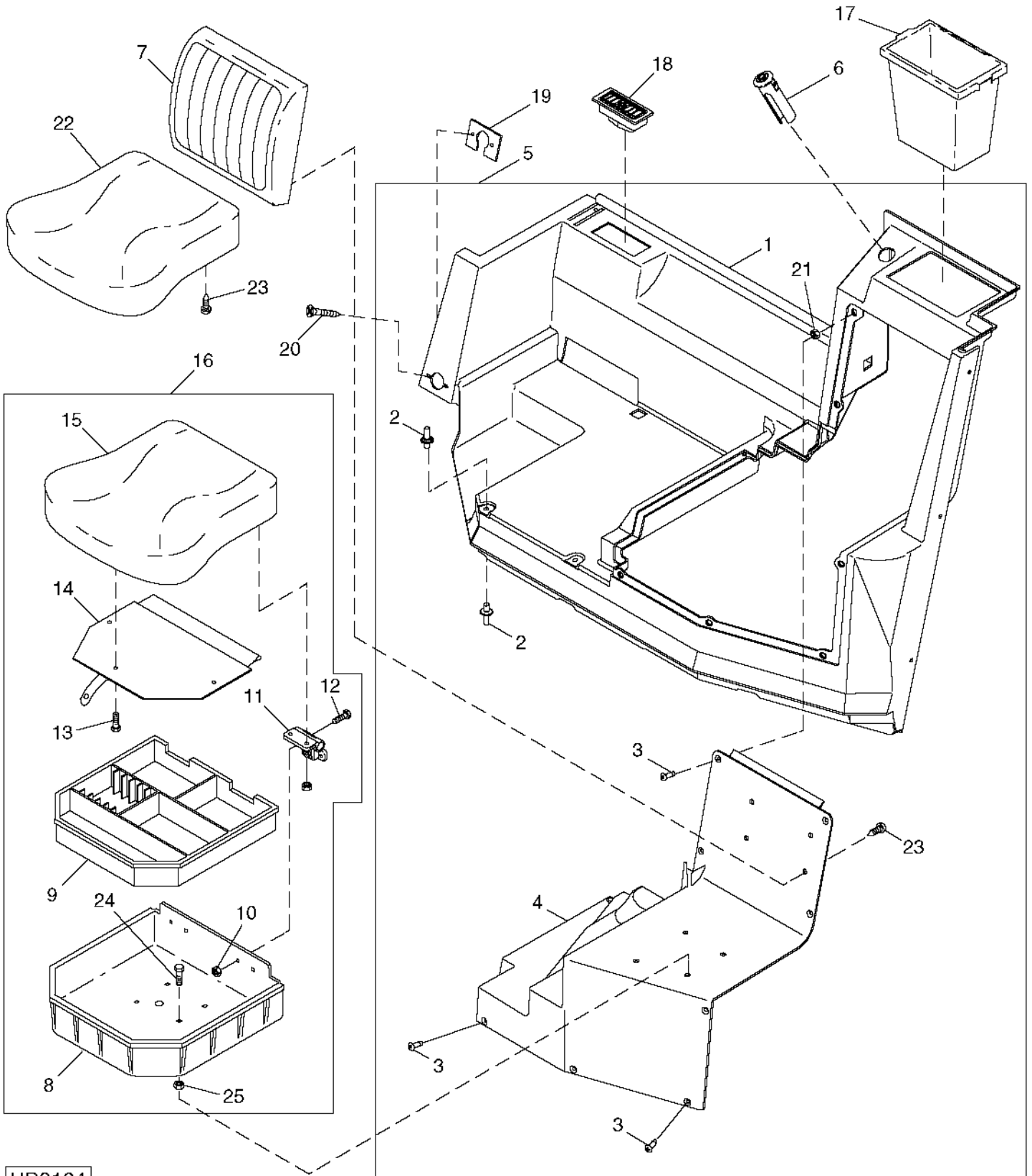
CAB DOOR LATCH - CONTINUED

KEY	PART NO.	PART NAME	QTY	SERIAL NO.	REMARKS
1	RE35161	HANDLE	1		
2	H126081	BEZEL	1		
3	H126082	BEZEL	1		
4	H126083	ISOLATOR	1		
5	H133414	SUPPORT	1		
6	21M7334	SCREW	3		M6 X 25
7	14H786	NUT	1		1/4"
8	19H1898	CAP SCREW	1		1/4" X 1-1/2"
9	H134671	EXTENSION SPRING	1		
10	H150047	HOUSING	1		
11	H145893	BUMPER	1		
12	AH140838	HANDLE	1		
13	AH128585	LATCH	1		
14	19M8326	CAP SCREW	3		M6 X 35
15	H136589	BOLT	1		7/16" X 1.567"
16	24H1219	WASHER	AR		7/16" X 1" X 0.083"
17	H133219	ADJUSTING STRAP	1		
18	H107566	ISOLATOR	1		
19	H136056	PIN	1		0.236" X 1.457"
20	H136590	DISK SPRING	2		0.415" X 0.945" X 0.118"
..	TY9370	ADHESIVE	1		6 OZ. MEDIUM STRENGTH

3B17

OPERATOR'S STATION

SEAT CONSOLE
HP8104 -UN-09JUL99



HP8104

3B18

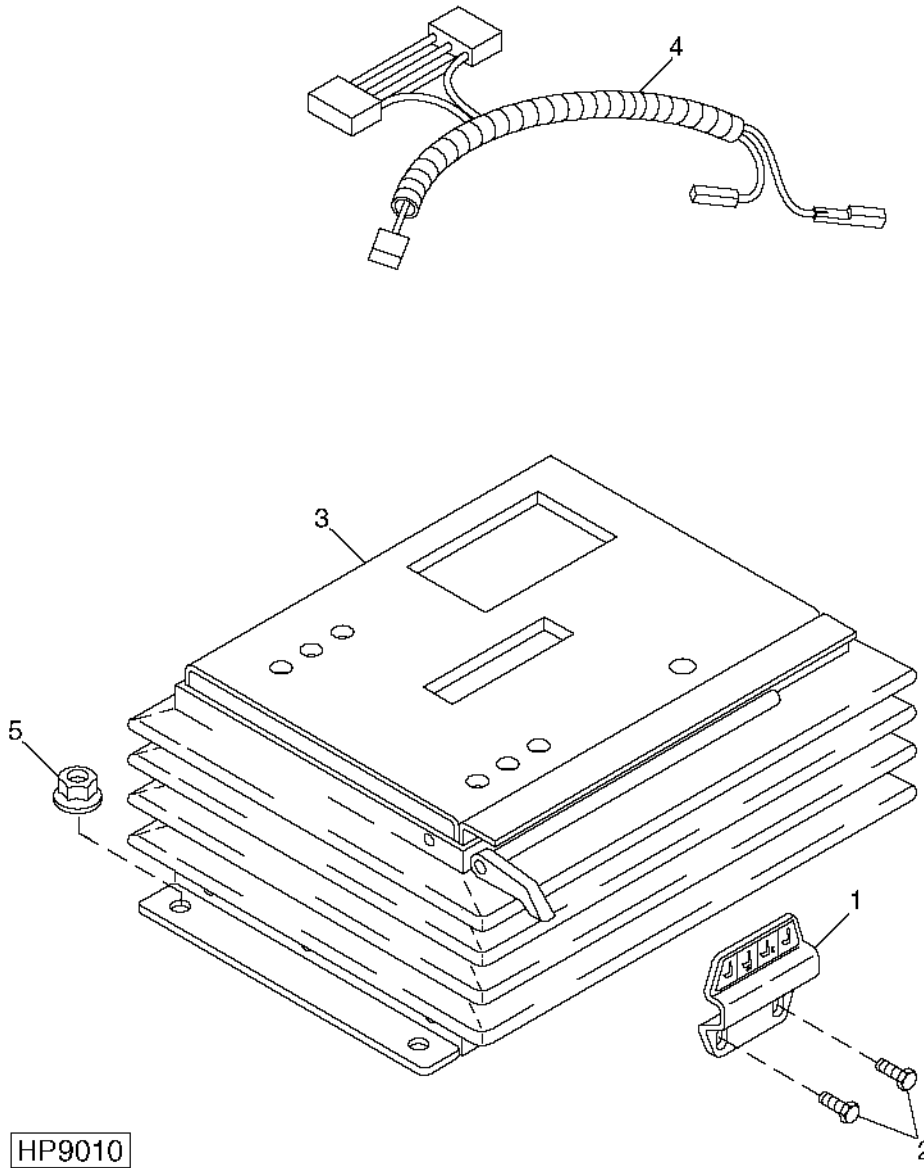
OPERATOR'S STATION

SEAT CONSOLE - CONTINUED

KEY	PART NO.	PART NAME	QTY	SERIAL NO.	REMARKS
1	CONSOLE	1		
2	H168781	STUD	6		
3	H165691	SCREW	8		M6 X 20
4	H167912	SPINDLE	1		
5	AH161348	CONSOLE	1		
6	H161023	FITTING	1		
7	AH147173	SEAT	1		
8	H169083	PAN	1		
9	H169082	TRAY	1		
10	14M7303	FLANGE NUT	8		M6
11	AH162559	HINGE	2		
12	03M7221	BOLT	4		M6 X 16
13	37M7214	SCREW	3		4.8MM DIA. X 9.5MM
14	AH165634	FOLDER	1		
15	AH161755	SEAT	1		
16	AH155276	SEAT	1		W/FIELD OFFICE
17	H168433	CONTAINER	1		
18	AH134724	LOUVER	1		
19	H167337	BRACKET	1		
20	37M7155	SCREW	2		4.8 X 13 MM (0.1890" X 0.5118")
21	H169634	NUT	8		
22	AH161754	SEAT	1		
23	19M8331	CAP SCREW	8		M8 X 20
24	03M7184	BOLT	4		M8 X 20
25	14M7298	FLANGE NUT	4		M8

3B19

AIR SEAT SUSPENSION
HP9010 -UN-03SEP99



3B20

OPERATOR'S STATION

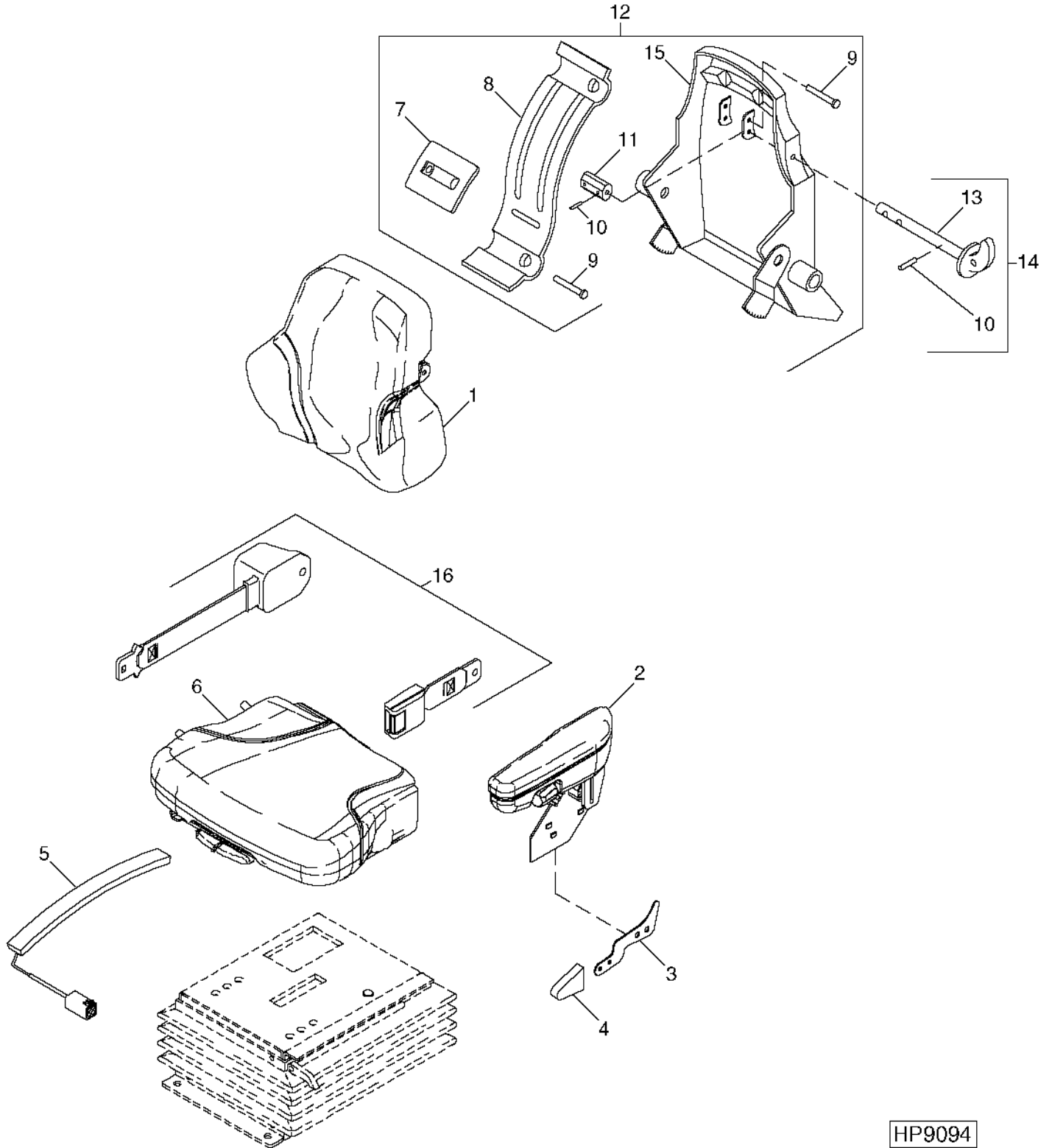
AIR SEAT SUSPENSION - CONTINUED

KEY	PART NO.	PART NAME	QTY	SERIAL NO.	REMARKS
1	AH144778	PANEL	1		
2	37M7089	SCREW	2	M6 X 12	
3	AH162503	SEAT SUSPENSION	1		
4	AH146032	WIRING HARNESS	1	ADAPTER	
5	H137859	FLANGE NUT	4		

3B21

OPERATOR'S SEAT AND BACKREST

HP9094 -UN-21SEP99



HP9094

3B22

OPERATOR'S STATION

OPERATOR'S SEAT AND BACKREST - CONTINUED

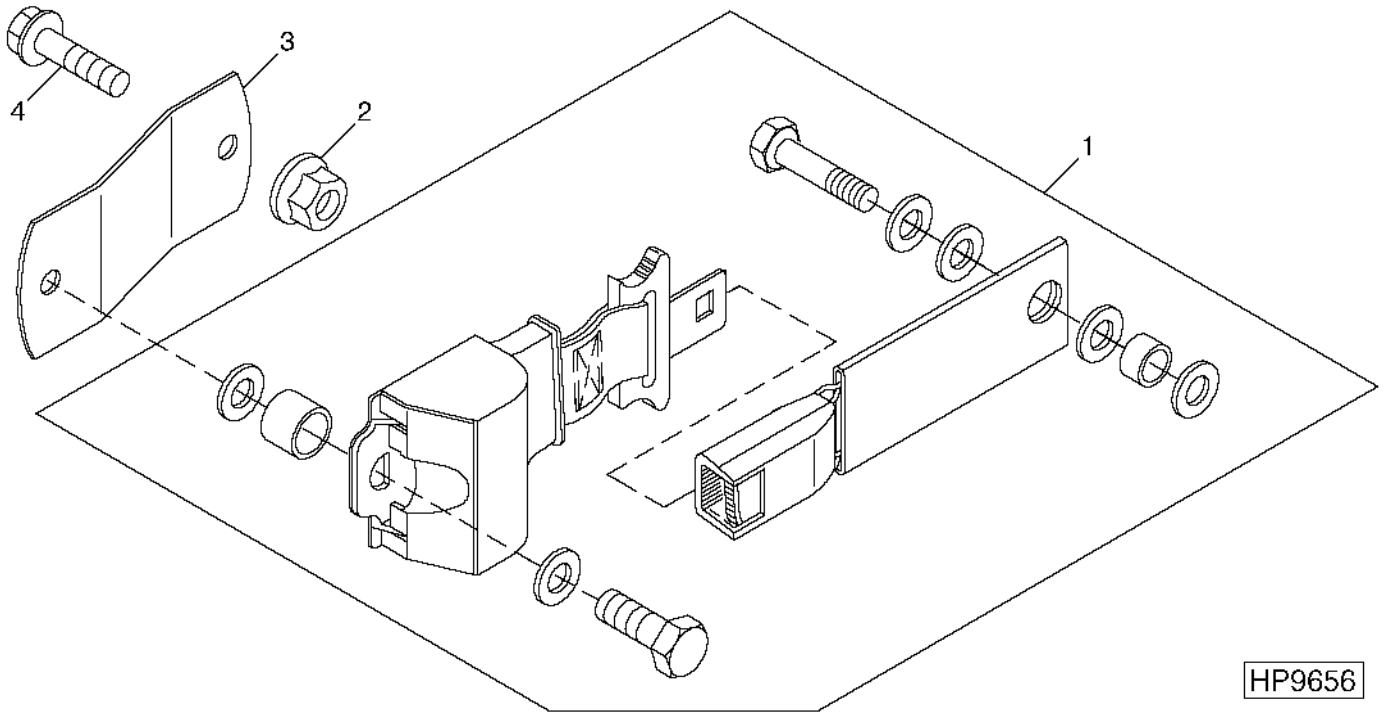
KEY	PART NO.	PART NAME	QTY	SERIAL NO.	REMARKS
1	AT209015	CUSHION	1		BACK
2	AH164889	ARMREST	1		L.H.
3	AT209225	KIT	1		RECLINER
4	AT209025	KIT	1		GRIP
	37H121	SCREW	2		
5	RE43526	SWITCH	1		
6	AH161679	CUSHION	1		SEAT
7	ISOLATOR	1		
8	SUPPORT	1		
9	PIN	2		
10	34H387	SPRING PIN	1		3/16" X 3/4"
11	CAM	1		
12	AT209026	KIT	1		(LUMBAR)
13	KNOB	1		AND SHAFT
14	AT209024	KIT	1		(LUMBAR KNOB)
15	SEAT BACK	1		
16	RE151331	SEAT BELT	1		

MEMORANDA

3B23

OPERATOR'S STATION

TRAINING SEAT SEATBELT
HP9656 -UN-30MAR00

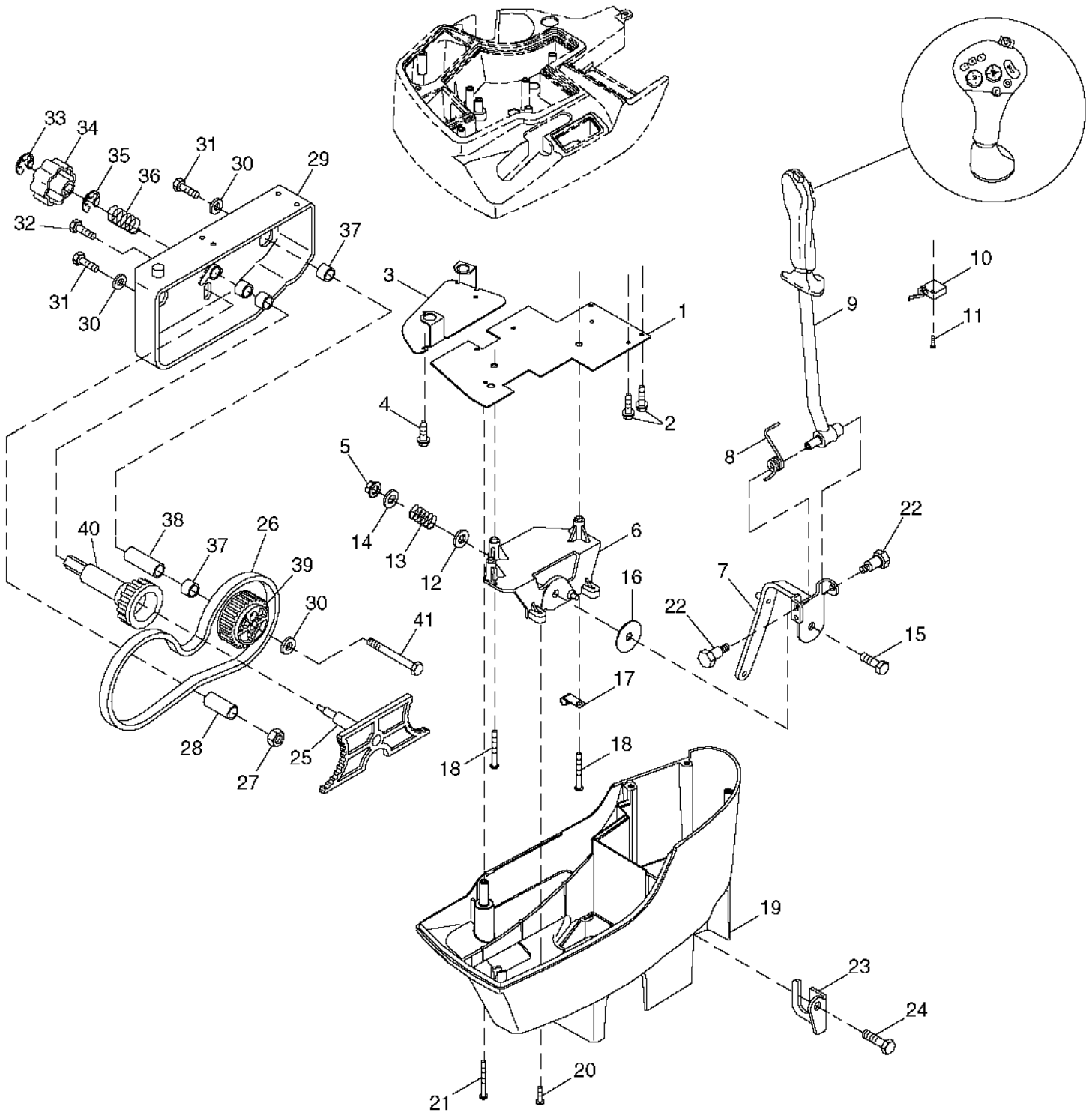


KEY	PART NO.	PART NAME	QTY	SERIAL NO.	REMARKS
1	AH147153	SEAT BELT	1		
2	H135891	LOCK NUT	1		
3	AH147030	STRAP	1		
4	19M7835	SCREW	1	M10 X 35	

3B24

OPERATOR'S STATION

ARMREST CONTROL PANEL
HP9075 -UN-21SEP99



HP9075

3B25

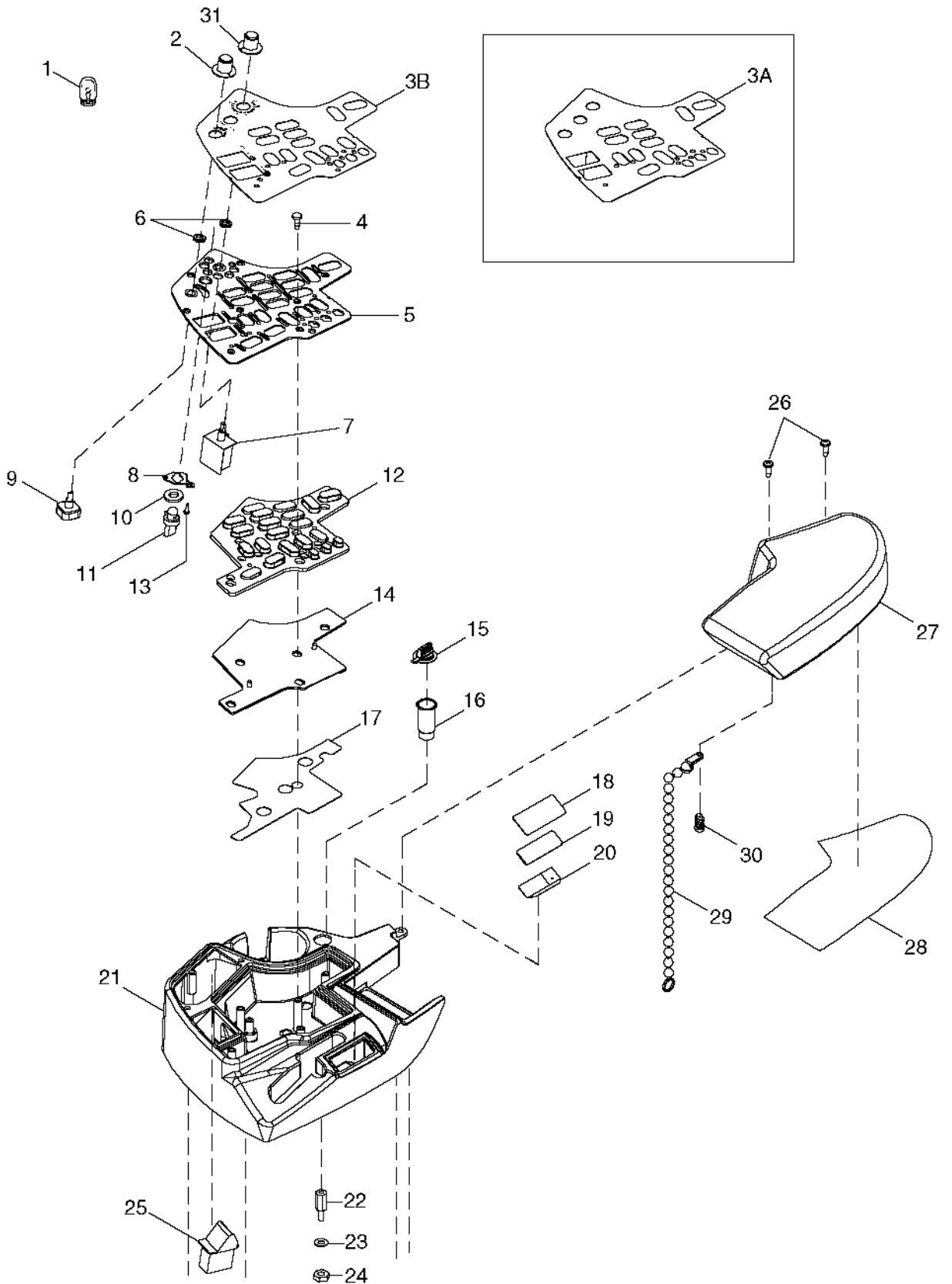
OPERATOR'S STATION

ARMREST CONTROL PANEL - CONTINUED

KEY	PART NO.	PART NAME	QTY	SERIAL NO.	REMARKS
1	AH159994	CIRCUIT BOARD	1		
2	H111364	SCREW	5		
3	H165728	COVER	1		
4	H111364	SCREW	3		
5	14M7396	LOCK NUT	1	M8	
6	H152673	BRACKET	1		
7	AH146744	ARM	1		
8	H154937	SPRING	1		
9	AH163913	HANDLE	1		(SUB AH168439) WITH CONTOUR MASTER
	AH168439	HANDLE	1		
	AH163914	HANDLE	1		(SUB AH168440) WITHOUT CONTOUR MASTER
	AH168440	HANDLE	1		
10	AH161154	SWITCH	1		
11	37M7066	SCREW	2		
12	24H1305	WASHER	1		13/32" X 13/16" X 0.065"
13	122SE	SPRING	1		
14	24M7207	WASHER	1		8.400 X 24 X 2 MM
15	H119007	SCREW	1		
16	R113364	WASHER	1		
17	R114203	CLAMP	1		
18	R124859	SCREW	3		
19	R134138	HOUSING	1		
20	R117569	SCREW	2		
21	R124859	SCREW	1		
22	H131424	BOLT	2		
23	H152664	SUPPORT	1		
24	19M8319	SCREW	1	M8 X 50	
25	R150660	PAWL	1		
26	R124898	BELT	1		
27	14M7416	FLANGE NUT	1	M8	
28	R128232	BUSHING	1		
29	R130990	HOUSING	1		
30	24M7028	WASHER	2		10.500 X 20 X 2 MM
31	19M7875	CAP SCREW	2		M10 X 70
32	19M7799	SCREW	1		M8 X 45
33	40M7088	SNAP RING	1		
34	R127224	KNOB	1		
35	F2863	RING	1		
36	R73094	SPRING	1		
37	R130988	BUSHING	10		
38	R124903	SHAFT	2		
39	R130989	CAM	2		
40	R150659	DRIVER	1		
41	19M7875	CAP SCREW	2		M10 X 70

3C1

ARMREST CONTROL PANEL
HP9811 -UN-15JUN00



HP9811

ARMREST CONTROL PANEL - CONTINUED

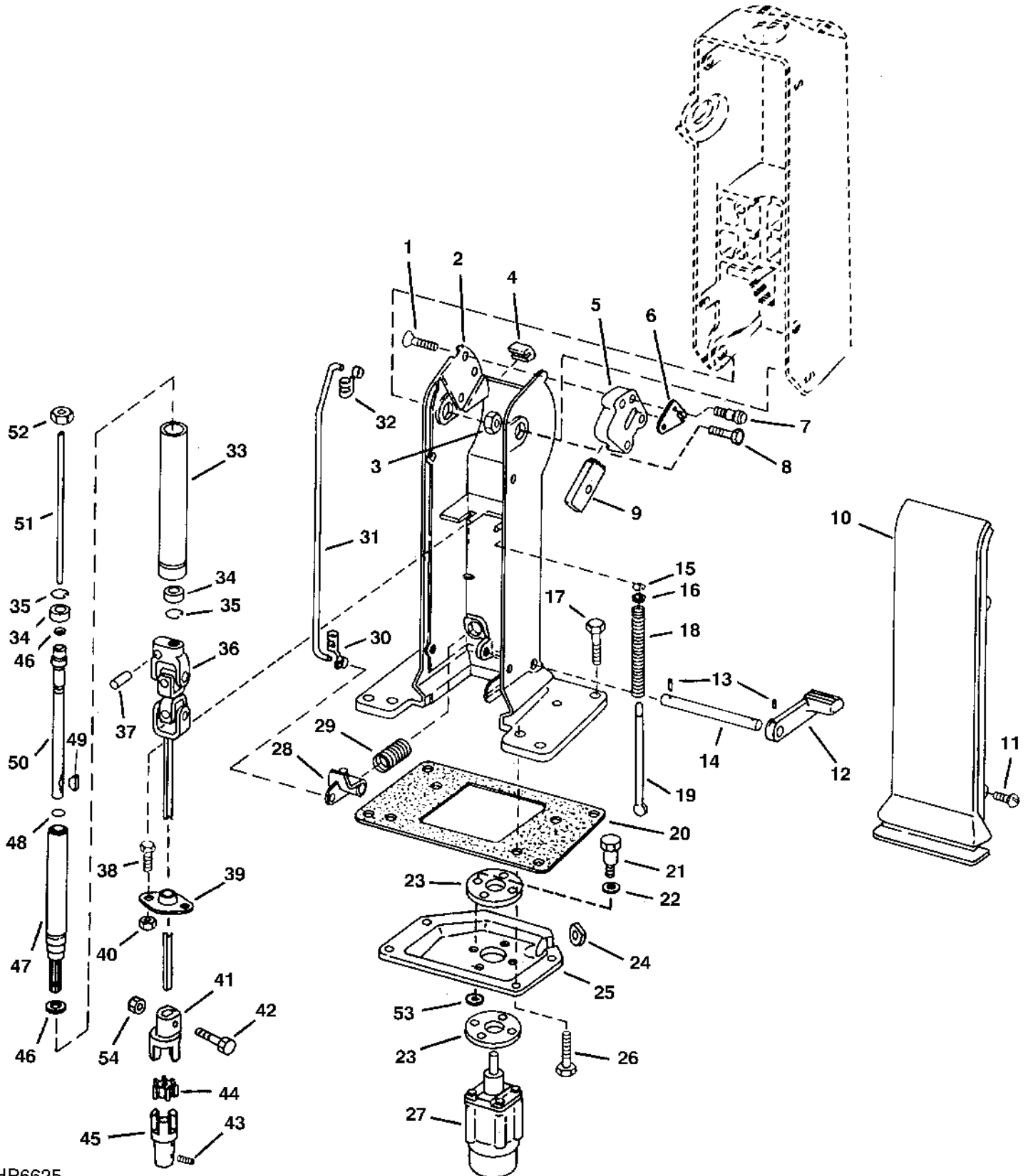
KEY	PART NO.	PART NAME	QTY	SERIAL NO.	REMARKS
1	AA27536	BULB	6		
2	H169864	KNOB	1		
3A	H170912	PANEL	1	-690400	
3B	H174192	PANEL	1	690401-	
4	H118166	SCREW	8		
5	AH163000	BEZEL	1		
6	H106246	LOCK NUT	2		
7	AH121190	SWITCH	1		
8	H160799	CLIP	1		
9	AH159180	SWITCH	1		
10	H172760	WASHER	1		
11	RE65816	SENSOR	1		
12	AH159241	PAD	1	-690400	
	AH164278	PAD	1	690401-	
13	H111364	SCREW	1		
14	AH154407	SWITCH	1		
15	H170373	PLUG	1		
16	AR56766	HOUSING	1		
17	H156363	LABEL	1		
18	H153453	LABEL	1		
19	H153457	LENS	1		
20	H168133	LIGHT BAR	1		
21	H153443	COVER	1		
22	H129367	SPACER	1		
23	12M7084	LOCK WASHER	1		
24	14H605	NUT	1		
25	AH155007	SWITCH	2		
26	R126355	SCREW	2		
27	AH147170	CUSHION	1		
28	H170073	LABEL	1		START SEQUENCE AND SEAT SAFETY
29	AR27940	LINK CHAIN	1		
30	H111706	SCREW	2		
31	AH126811	KNOB	1		
..	H171224	INSTRUCTIONS	1		

3C3

OPERATOR'S STATION

STEERING COLUMN (LOWER)

HP6625 -UN-27JAN97



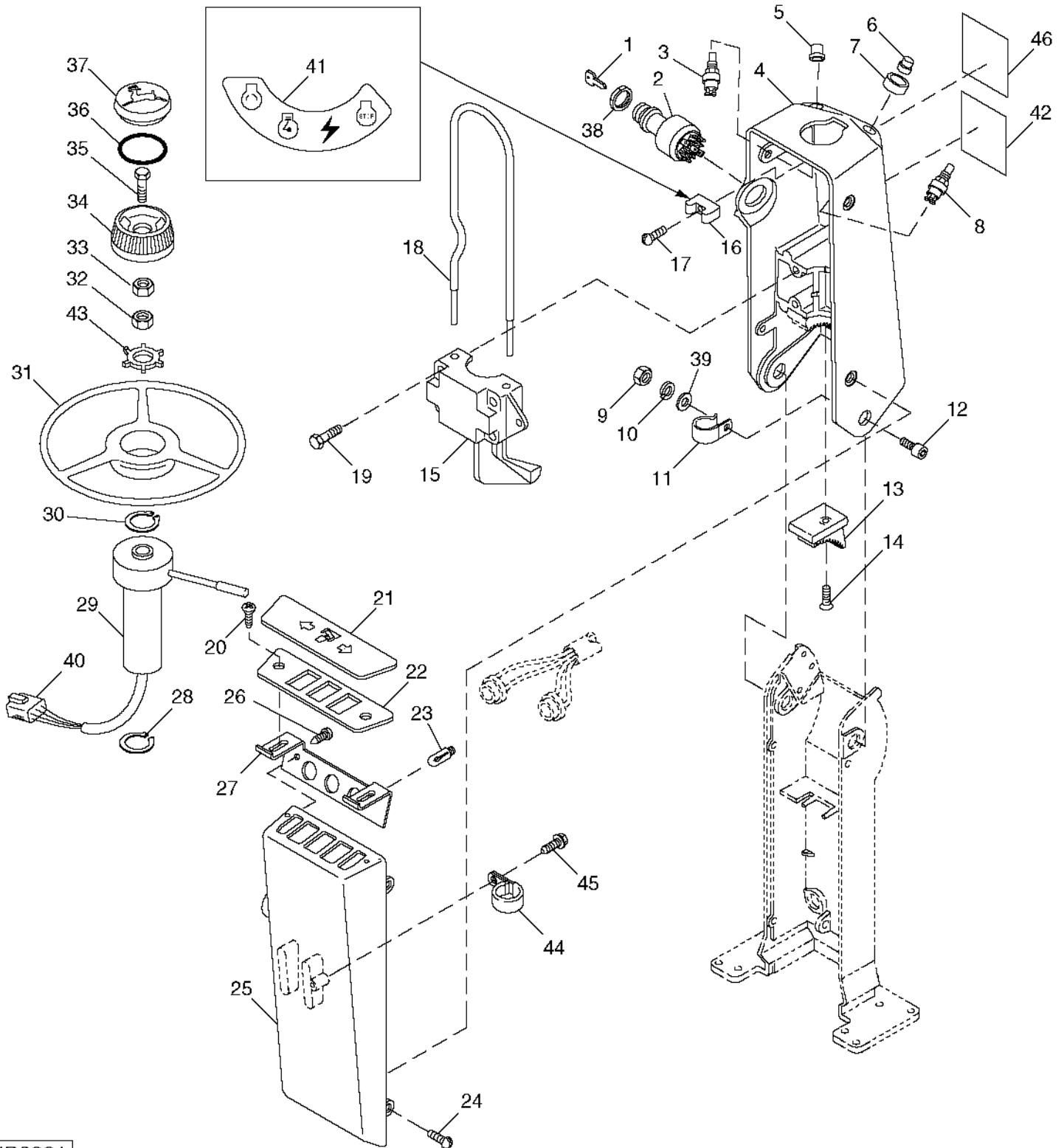
HP6625

STEERING COLUMN (LOWER) - CONTINUED

KEY	PART NO.	PART NAME	QTY	SERIAL NO.	REMARKS
1	H133205	SCREW	3		
2	H152173	HOUSING	1		
3	14M7274	NUT	2	M10	
4	H107566	ISOLATOR	1		
5	H110310	HOUSING	1		
6	H110229	CRANK	1		
7	H170382	BOLT	2		
8	H107687	SCREW	2		
9	H141327	PAWL	1		
10	H152172	COVER	1		
11	H165693	SCREW	4		
12	H152174	PEDAL	1		
13	34M7102	SPRING PIN	2	5 X 26 MM	
14	H113864	PIN	1		
15	H133106	SNAP RING	1		
16	24M7055	WASHER	1	8.400 X 16 X 1.600 MM	
17	19M7800	SCREW	4	M8 X 50	
18	H113404	SPRING	1		
19	H113402	ROD	1		
20	H123874	SEAL	1		
21	H110700	BOLT	4		
22	24M7028	WASHER	4	10.500 X 20 X 2 MM	
23	H134353	ISOLATOR	2		
24	H108725	GROMMET	1		
25	H123875	SUPPORT	1		
26	19M7867	SCREW	4	M8 X 25	
27	AH142441	PUMP	1		
28	H107582	ARM	1		
29	H107584	SPRING	1		
30	R26501	CLIP	1		
31	H131186	ROD	1		
32	R26524	CLIP	1		
33	H107567	HOUSING	1		
34	AH97920	BALL BEARING	2		
35	H80753	SNAP RING	2		
36	AH139065	UNIVERSAL JOINT, WITH SHAFT	1		
37	34M7124	SPRING PIN	1	8 X 30 MM	
38	19M7866	SCREW	2		
39	AH129236	BEARING	1		
40	14M7166	LOCK NUT	2	M8	
41	H162569	COUPLING	1		
42	H162055	SCREW	1	M8 X 40	
43	22M7072	SET SCREW	2	M6 X 10	
44	H134624	ISOLATOR	1		
45	H134623	SPLINED COUPLING	1		
46	H99294	WASHER	2		
47	AH130429	STEERING SHAFT	1		
48	H36256	O-RING	1		
49	H137667	SHAFT KEY	1		
50	H107570	STEERING SHAFT	1		
51	H107586	PIN	1		
52	14M7257	NUT	1	M20	
53	H141946	WASHER	4		
54	14M7396	LOCK NUT	1	M8	

3C5

STEERING COLUMN (UPPER) HP8991 -UN-01SEP99



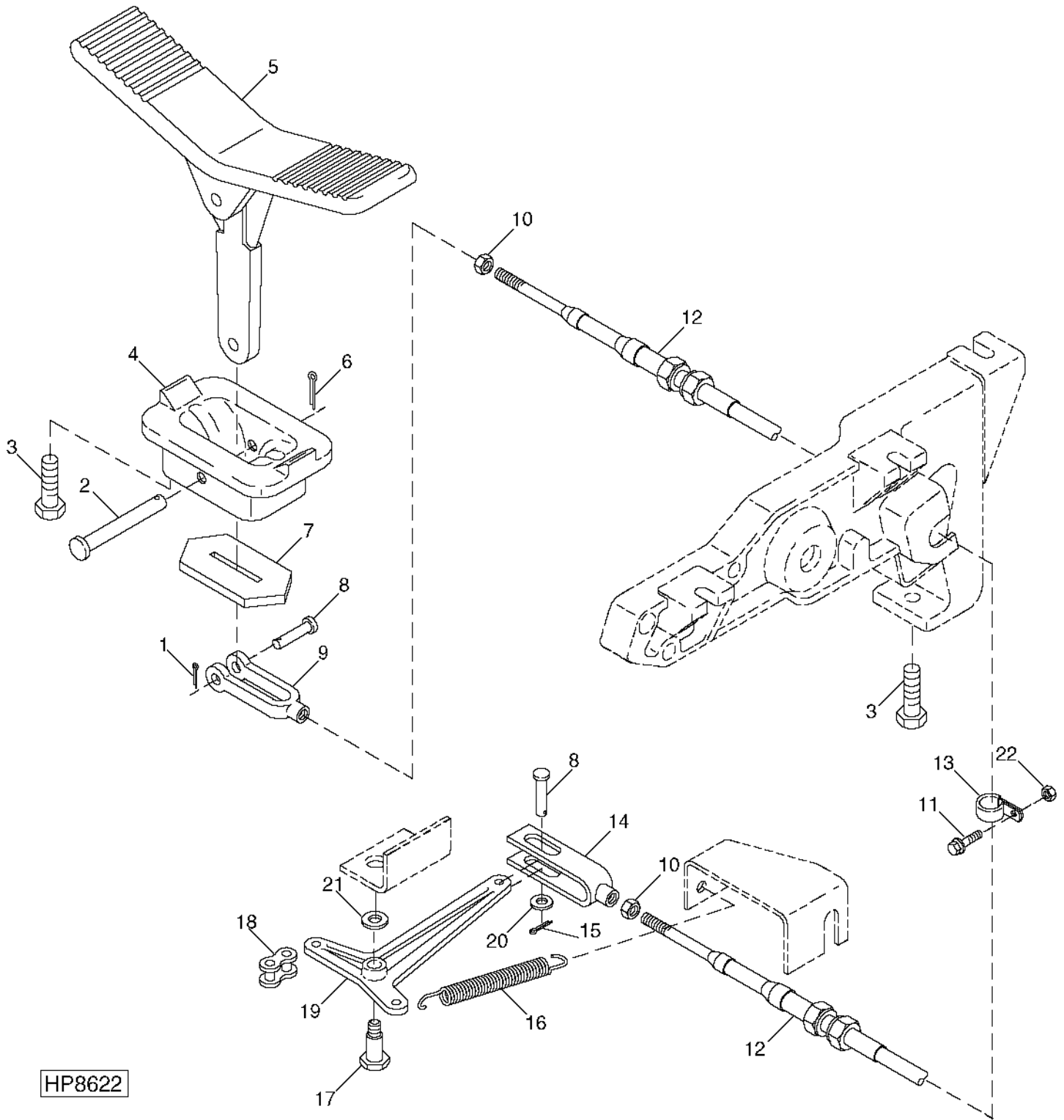
HP8991

STEERING COLUMN (UPPER) - CONTINUED

KEY	PART NO.	PART NAME	QTY	SERIAL NO.	REMARKS
1	AR51481	KEY	1		
2	AH108816	SWITCH	1		KEY START SWITCH
3	R39554	SWITCH	1		HORN BUTTON
4	H152171	HOUSING	1		
5	T55501	CAP	1		
6	T55585	CAP	1		
7	H132895	GUARD	1		
8	R39554	SWITCH	1		EITHER AID START BUTTON
9	14M7274	NUT	2		M10
10	12M7066	LOCK WASHER	2		10.200 MM
11	AH89486	CLIP	1		
12	H107687	SCREW	2		STEERING COLUMN PIVOT
13	H110812	GEAR	1		
14	H133205	SCREW	2		M8 X 25
15	H150383	CLAMP	1		
16	H113863	GUIDE	1		
17	37M7071	SCREW	1		
18	AH129255	GUARD	1		
19	19M7800	SCREW	4		M8 X 50
20	H132899	SCREW	1		
21	H146392	PANEL	1		
22	H146391	PANEL	1		
23	AA27536	BULB	1		
24	H165693	SCREW	4		M6 X 12
25	H152170	COVER	1		
26	37H6	SCREW	2		
27	H132897	RETAINER	1		
28	R26192	SNAP RING	1		
29	AH121340	TURN SIGNAL CONTROLLER	1		TURN SIGNAL
	T23529	SNAP RING	1		
30	R26192	SNAP RING	1		
31	RE46962	STEERING WHEEL	1		
32	14M7257	NUT	1		M20
33	14M7273	NUT	1		M8
34	H108822	KNOB	1		
35	19M7164	CAP SCREW	1		M8 X 50
36	B3690R	O-RING	1		47.219 X 3.531 MM
37	R47998	CAP	1		
38	R44342	NUT	1		25.400 MM
39	24M7028	WASHER	1		10.500 X 20 X 2 MM
40	AH116902	CONNECTOR	1		
41	H146042	LABEL	1		FOR IGNITION SWITCH
42	H156390	LABEL	1		
43	T17148	LOCK WASHER	1		
44	AH89557	CLIP	1		
45	37M7083	SCREW	1		M8 X 12
46	H155510	SIGN	1		SEATBELT

FEEDER HOUSE REVERSER FOOT CONTROL

HP8622 -UN-07JUN99



HP8622

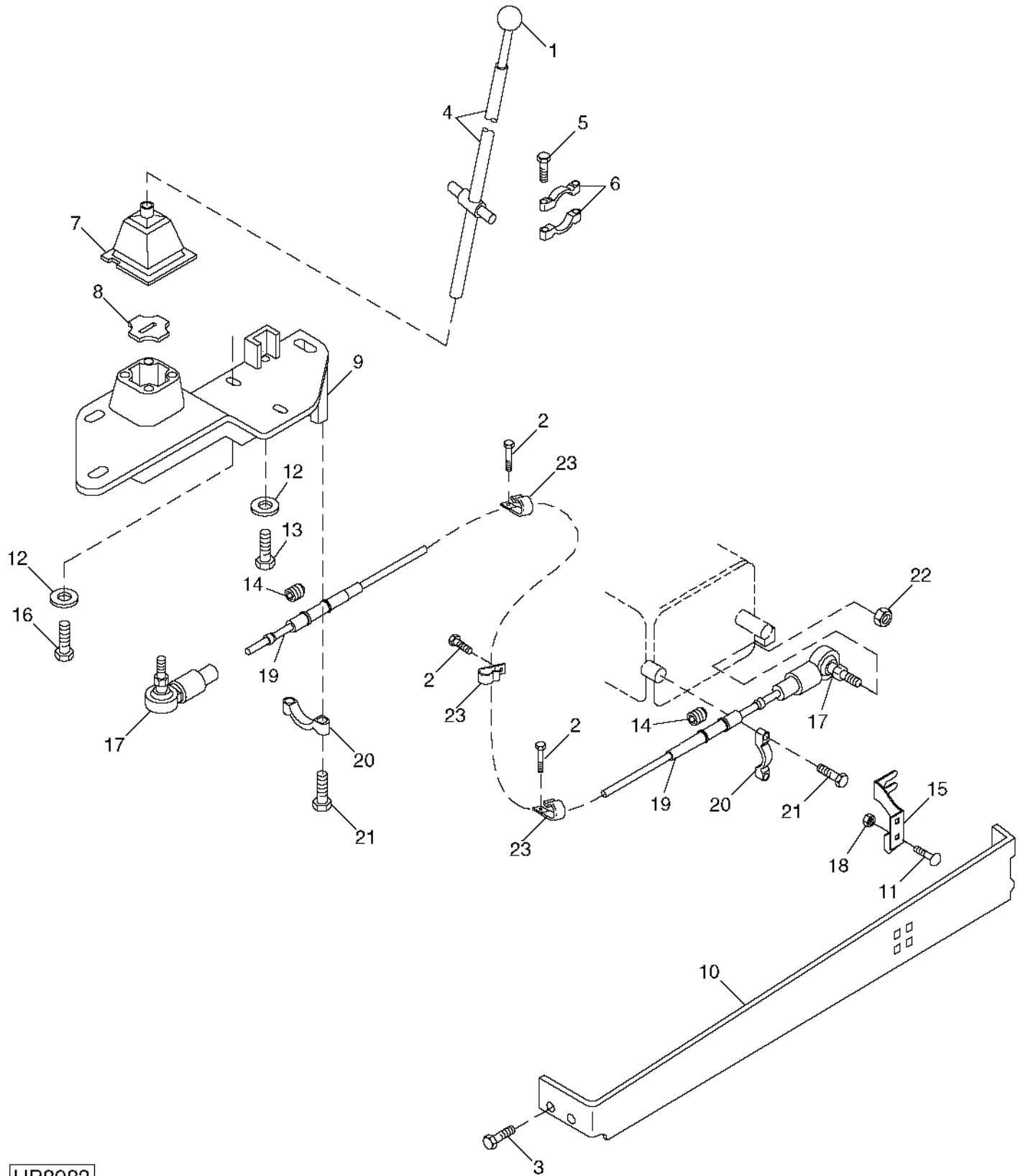
FEEDER HOUSE REVERSER FOOT CONTROL - CONTINUED

KEY	PART NO.	PART NAME	QTY	SERIAL NO.	REMARKS
1	11M7082	COTTER PIN	1	2.500 X 25 MM	
2	R65569	PIN	1	9.398 X 49.479 MM	
3	19M7866	SCREW	2	M8 X 20	
4	H153480	BEZEL	1		
5	H153479	PEDAL	1		
6	11M7081	COTTER PIN	1	2.500 X 20 MM	
7	H133210	SEAL	1		
8	T16193	PIN	2	6.248 X 29.362 MM	
9	H130646	YOKE	1		
10	14M7273	NUT	2	M8	
11	19M7791	SCREW	1	M12 X 40	
12	AH128452	PUSH PULL CABLE	1		
13	R73384	CLAMP	1		
14	AH127383	YOKE	1		
15	11M7082	COTTER PIN	1	2.500 X 25 MM	
16	H84948	SPRING	1		
17	H127749	BOLT	1	M12 X 45	
18	AE23791	CHAIN LINK	1		
19	H140836	BELLCRANK	1		
20	24M7054	WASHER	1	6.400 X 12 X 1.600 MM	
21	24M7047	WASHER	1	13 X 24 X 2.500 MM	
22	14M7299	FLANGE NUT	1	M12	

3C9

GEARSHIFT LEVER AND LINKAGE

HP8983 -UN-31AUG99



HP8983

3C10

OPERATOR'S STATION

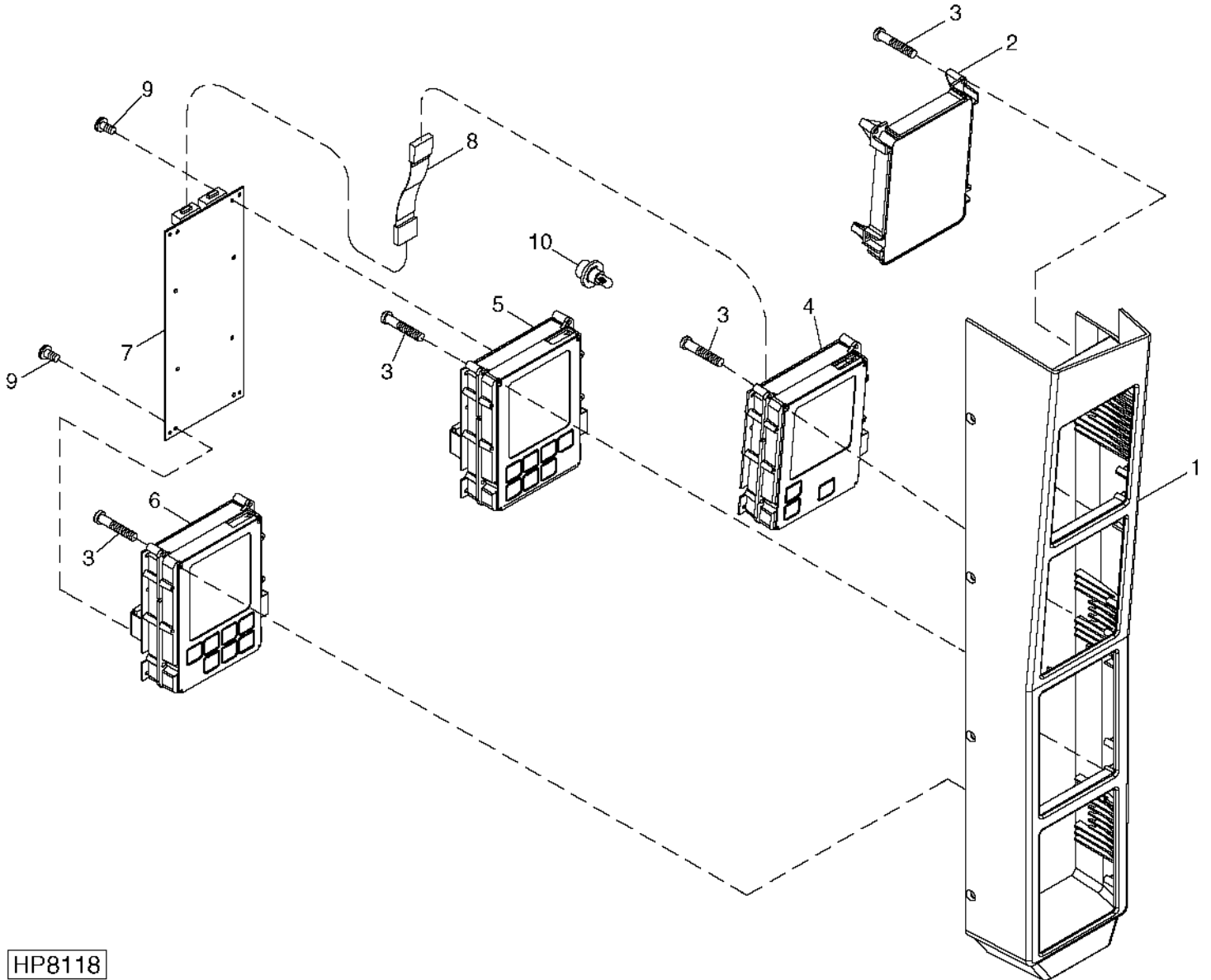
GEARSHIFT LEVER AND LINKAGE - CONTINUED

KEY	PART NO.	PART NAME	QTY	SERIAL NO.	REMARKS
1	H125518	KNOB	1		
2	37M7058	SCREW	3	M8 X 20	
3	19M7789	SCREW	1	M12 X 30	
4	AH138707	ROD	1		
5	19M8318	SCREW	4	M8 X 45	
6	H131040	BEARING	4		
7	H131041	BOOT	1		
8	H133660	SEAL	1		
9	H133636	HOUSING	1		
10	H148225	GUARD	1		
11	03M7190	BOLT	2	M10 X 20	
12	24H1296	WASHER	5	11/32" X 1-3/8" X 0.134"	
13	19M8319	SCREW	1	M8 X 50	
14	H133662	ISOLATOR	2		
15	H141315	BRACKET	1		
16	19M7867	SCREW	4	M8 X 25	
17	AH125958	BALL JOINT	2		
18	H135891	LOCK NUT	1		
19	AH128357	CABLE	1		
20	H133047	CLAMP	2		
21	19M8291	SCREW	4	M8 X 35	
22	14M7296	FLANGE NUT	1	M10	
23	AH77724	CLIP	3		
..	TY9371	ADHESIVE	1	6 ML HIGH STRENGTH	

3C11

OPERATOR'S STATION

R.H. CORNERPOST DISPLAY PANEL
HP8118 -UN-08JUL99



HP8118

3C12

OPERATOR'S STATION

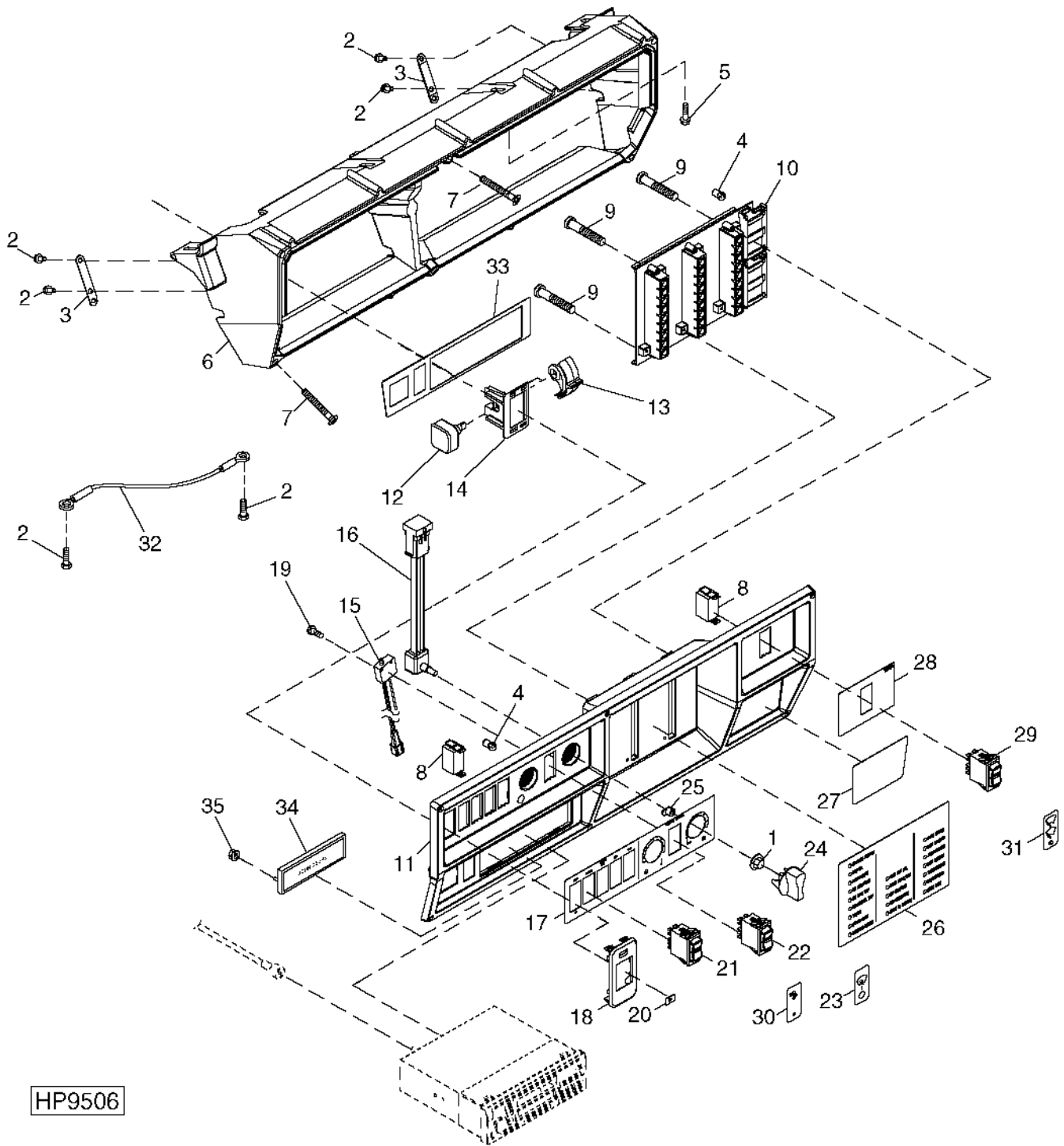
R.H. CORNERPOST DISPLAY PANEL - CONTINUED

KEY	PART NO.	PART NAME	QTY	SERIAL NO.	REMARKS
1	H162559	HOUSING	1		
2	H162560	PANEL	1		
3	H171285	BOLT	16		
4	AH161969	MODULE	1		AUTOMATIC HEADER HEIGHT CONTROL
5	AH155933	MODULE	1		GRAIN LOSS DISPLAY
6	AH155932	MODULE	1		TACHOMETER DISPLAY
7	AH161864	CIRCUIT BOARD	1		
8	AH161865	WIRING HARNESS	1		
9	21M7268	SCREW	8	M3 X 6	
10	R107890	BULB	6		

3C13

OPERATOR'S STATION

OVERHEAD CONSOLE
HP9506 -UN-21JAN00



HP9506

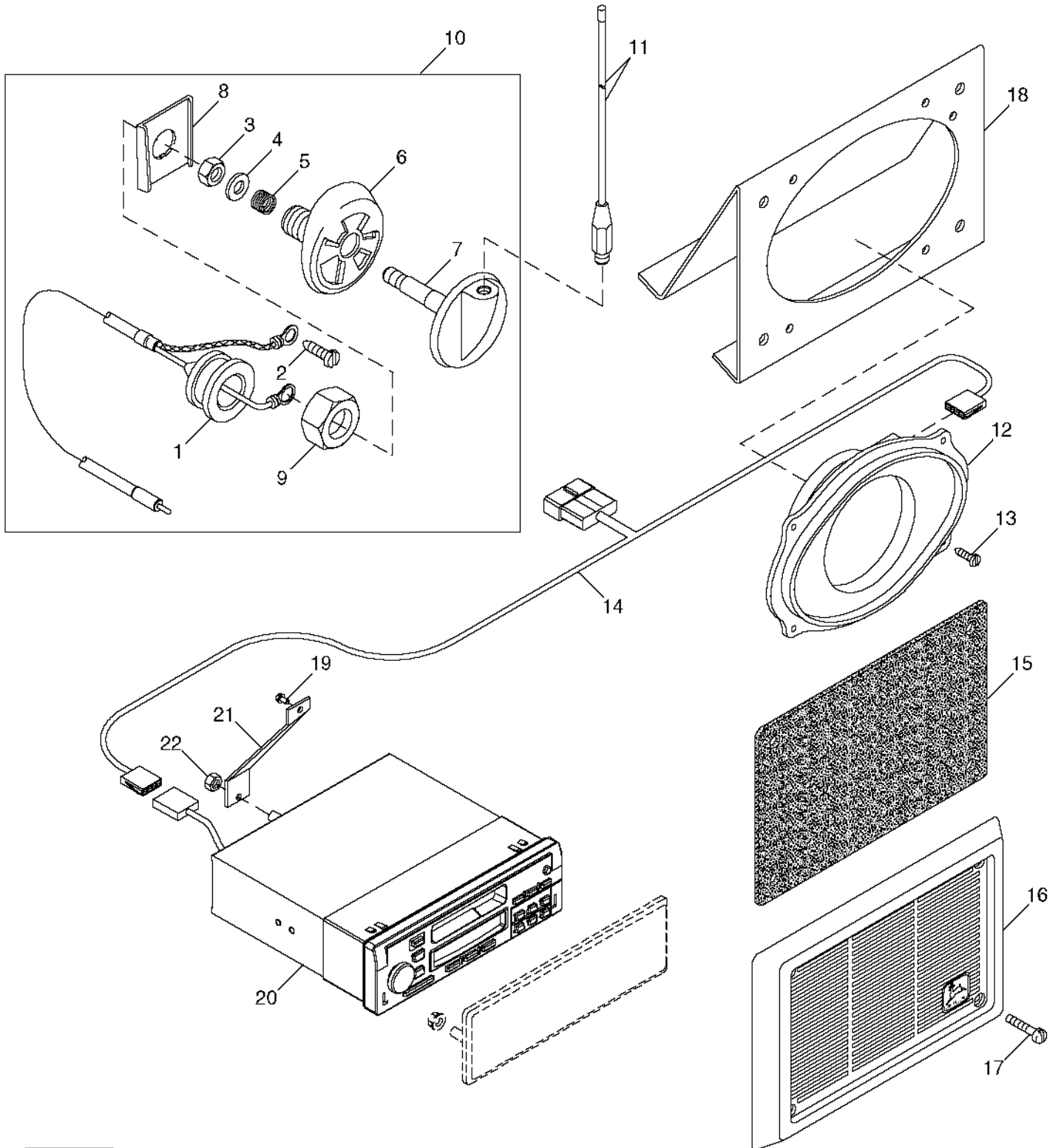
OVERHEAD CONSOLE - CONTINUED

KEY	PART NO.	PART NAME	QTY	SERIAL NO.	REMARKS
1	H106246	LOCK NUT	2		
2	H114038	SCREW	9		
3	H164952	STRAP	3		
4	AH108380	BULB	28		
5	H116188	SCREW	4		
6	AH154696	SUPPORT	1		
7	H165690	SCREW	6		
8	CONNECTOR	6		
9	H110842	SCREW	6		
10	AH166773	KIT	1		(SUB FOR AH159037) WARNING DISPLAY PANEL
11	H161550	CONSOLE	1		
12	AH160236	SENSOR	1		
13	H166839	WHEEL	1		
14	H166840	FRAME	1		
15	AH162163	SWITCH	1		
16	AH154221	POTENTIOMETER	2		
17	H161163	GRAPHICS PANEL	1		
18	H176083	PANEL	1		(SUB FOR H166838)
19	37M7066	SCREW	2		WITH AM/FM/CD/WEATHERBAND & AM/FM/CASS/WEATHERBAND ONLY
20	H166959	LABEL	1		
21	AH158288	ROCKER SWITCH	1		
22	AH158290	ROCKER SWITCH	2		
23	H169067	LABEL	1		
24	H168755	KNOB	2		
25	H168757	CAM	2		
26	H139214	PANEL	1		
27	H161167	GRAPHICS PANEL	1		
28	H161165	GRAPHICS PANEL	1		
29	AH158291	ROCKER SWITCH	1		
30	H161937	LABEL	1		HAZARD LIGHTS
	H161938	LABEL	1		ROAD LIGHTS
	H161939	LABEL	1		FIELD LIGHTS
	H161940	LABEL	1		WORK LIGHTS
31	H164260	LABEL	1		
32	AH124882	CABLE	1		
33	H161166	GRAPHICS PANEL	1		
34	H153358	PANEL	1		COVER (WHERE RADIO IS NOT INSTALLED)
35	H117239	FLANGE NUT	2		

3C15

RADIO, SPEAKER, AND ANTENNA (OPTIONAL)

HP9505 -UN-21JAN00



HP9505

3C16

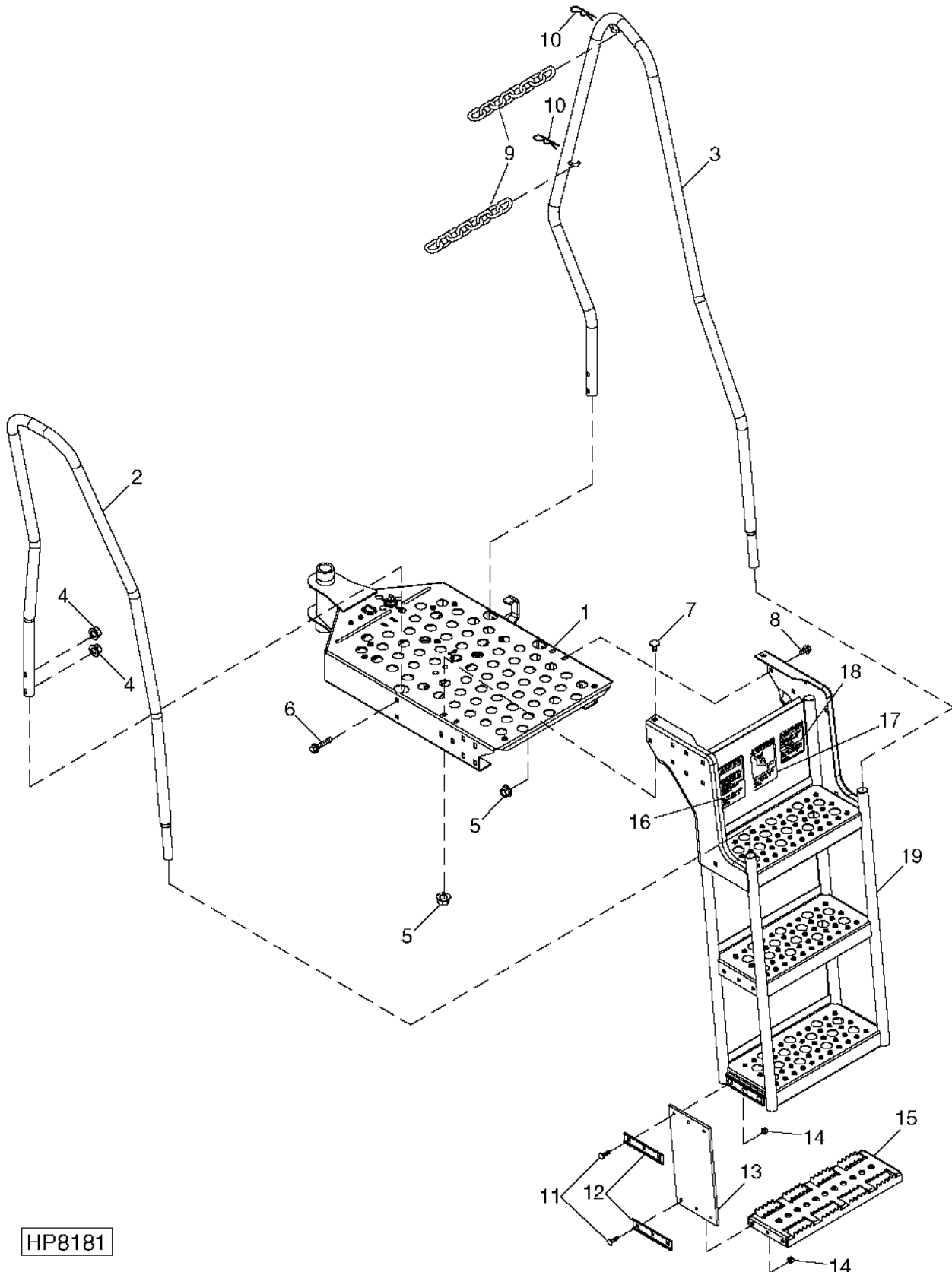
OPERATOR'S STATION

RADIO, SPEAKER, AND ANTENNA - CONTINUED

KEY	PART NO.	PART NAME	QTY	SERIAL NO.	REMARKS
1	WIRING LEAD	1	(A)	
2	37M7089	SCREW	1	(A) M6 X 12	
3	14M7152	NUT	1	(A) M10	
4	24M7096	WASHER	1	(A) 10.500 X 18 X 1.600 MM	
5	SPRING	1	(A)	
6	FLANGE	1	(A)	
7	BASE	1	(A)	
8	SPACER	1	(A)	
9	14M7309	NUT	1	(A) M24	
10	AH141012	KIT	1		ANTENNA INCLUDES PARTS MARKED (A)
11	AR104516	ANTENNA	1		
12	AH138098	SPEAKER	2		
13	37M7215	SCREW	4		
14	AH166980	JUMPER	1		
15	H145264	ISOLATOR	1		
16	H153352	GRILLE	2		
17	37M7100	SCREW	4		
18	H144472	SUPPORT	1		
19	H114038	SCREW	1		
20	RADIO	1		AM/FM/WB STEREO (ORDER FROM DELCO)
	RADIO	1		AM/FM/CASS/WB STEREO (ORDER FROM DELCO)
	RADIO	1		AM/FM/CD/WB STEREO (ORDER FROM DELCO)
21	H171011	BRACKET	1		
22	14M7375	FLANGE NUT	1	M5	

3C17

LADDERS, HANDRAILS AND EXTENSIONS
HP8181 -UN-07JUN99



HP8181

LADDERS, HANDRAILS AND EXTENSION - CONTINUED

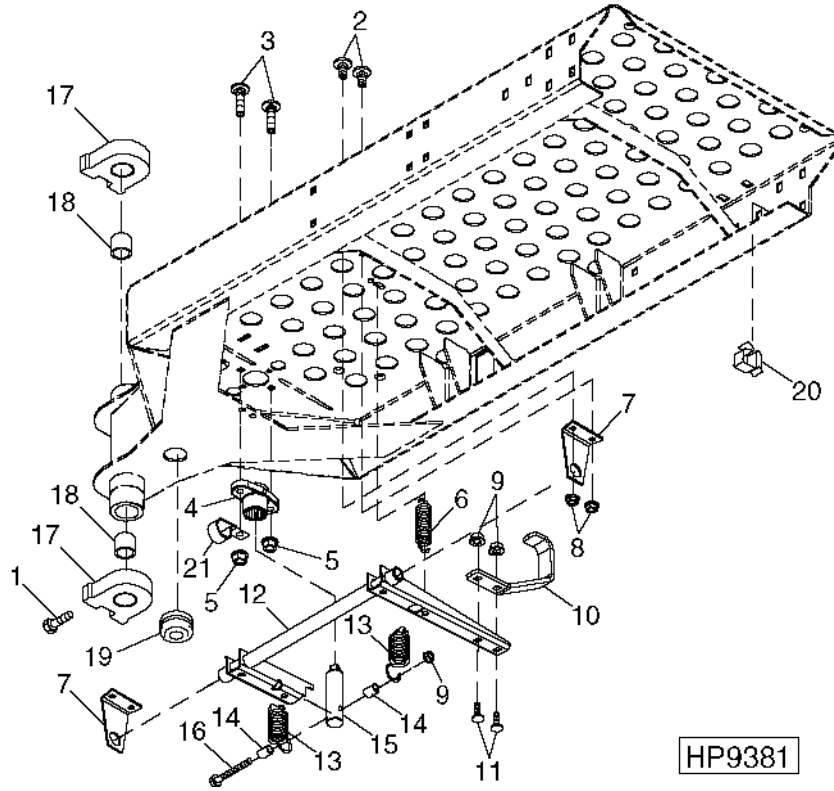
KEY	PART NO.	PART NAME	QTY	SERIAL NO.	REMARKS
1	AH159185	EXTENSION	1	(810)	
	AH159186	EXTENSION	1	(940)	
	AH157053	EXTENSION	1	(1070)	
	AH159187	EXTENSION	1	(1260)	
	AH159188	EXTENSION	1	(1390)	
2	H167173	HANDRAIL	1	(810)	
	H167174	HANDRAIL	1	(940)	
	AH160471	HANDRAIL	1	(1070)	
	AH160469	HANDRAIL	1	(1260)	
	AH160470	HANDRAIL	1	(1390)	
3	AH160472	HANDRAIL	1	(810)	
	AH160473	HANDRAIL	1	(940)	
	AH160476	HANDRAIL	1	(1070)	
	AH160474	HANDRAIL	1	(1260)	
	AH160475	HANDRAIL	1	(1390)	
4	14M7400	LOCK NUT	AR		
5	14M7296	FLANGE NUT	8	M10	
6	19M8292	SCREW	8	M10 X 50	
7	03M7191	BOLT	2	M10 X 25	
8	19M7784	SCREW	6	M10 X 20	
9	AH146041	SAFETY CHAIN	2		
10	B32630	SPRING LOCKING PIN	2		
11	03M7186	BOLT	12	M8 X 30	
12	H136127	PLATE	4		
13	H136126	HANGER	2		
14	14M7396	LOCK NUT	12	M8	
15	H136011	STEP	1		
16	H149064	LABEL	1		
17	H170654	SAFETY SIGN	1		
18	E82510	LABEL	1		
19	AH165990	LADDER	1		
..	BH80683	COMPLETE GOODS/SHIP. BUNDLE	1		(1390) LADDER EXTENSION AND WARNING LIGHTS
..	BH81585	COMPLETE GOODS/SHIP. BUNDLE	1		(1390) LADDER EXTENSION ASSEMBLY

MEMORANDA

3C19

OPERATOR'S STATION

LADDER EXTENSION ASSEMBLY
HP9381 -UN-02DEC99

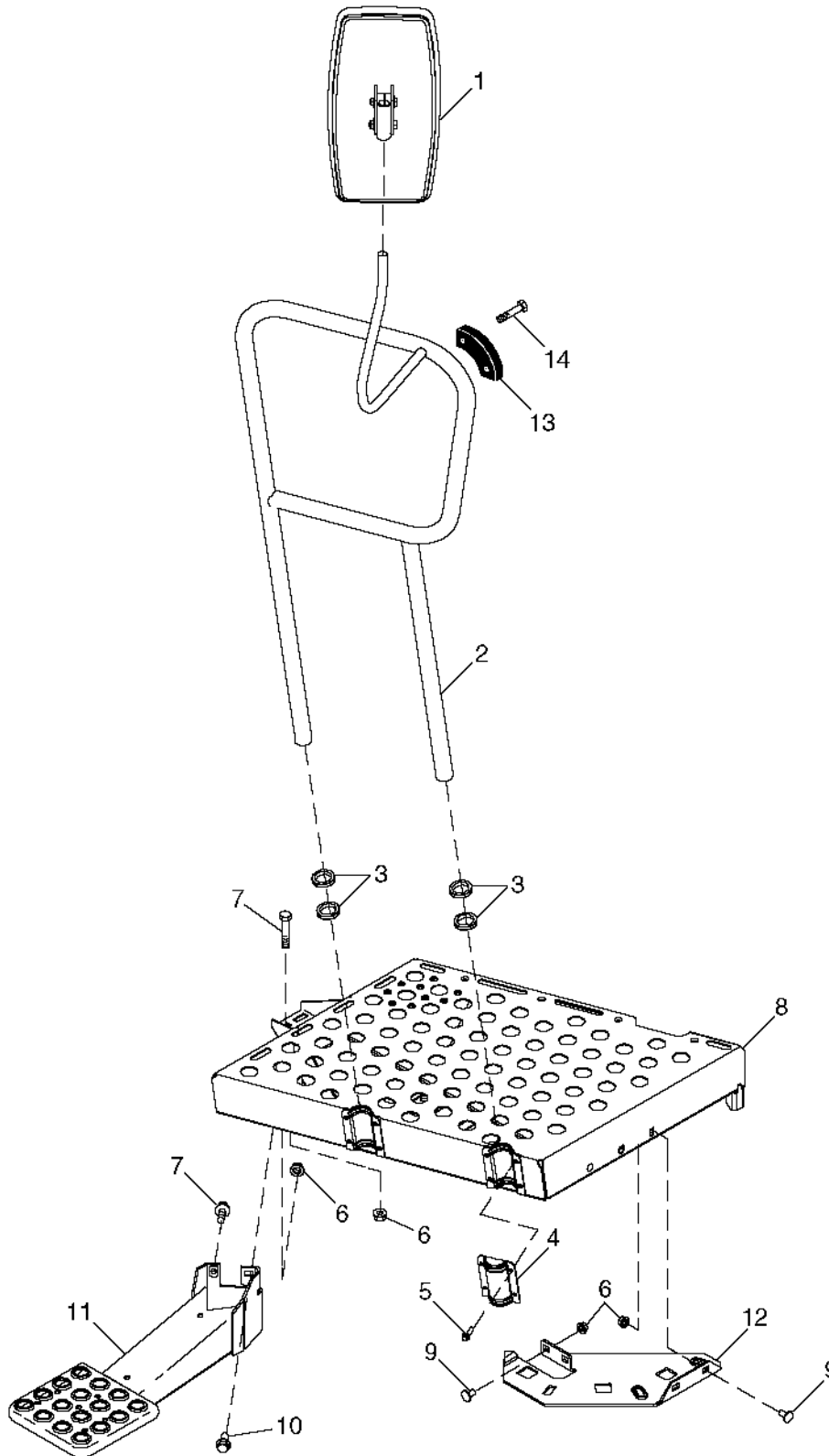


HP9381

KEY	PART NO.	PART NAME	QTY	SERIAL NO.	REMARKS
1	19M7792	SCREW	4	M16 X 30	
2	03M7251	BOLT	4	M6 X 12	
3	03M7186	BOLT	2	M8 X 30	
4	H129761	BUSHING	1		
5	14M7396	LOCK NUT	2	M8	
6	R60730	SPRING	1		
7	H129763	BRACKET	2		
8	14M7303	FLANGE NUT	4	M6	
9	14M7298	FLANGE NUT	1	M8	
10	H133514	LEVER	1		
11	03M7185	BOLT	2	M8 X 25	
12	AH128610	LATCH	1		
13	H137360	EXTENSION SPRING	2		
14	28H1686	SPACER	2	0.364" X 0.540" X 5/8"	
15	H129760	PIN	1		
16	19M7803	SCREW	1	M8 X 70	
17	H129610	BUSHING	2		
18	H111478	SLEEVE	2		
19	H114603	GROMMET	1		
20	H172197	HOSE CLAMP	6		
21	T32231	CLAMP	1		

3C20

LANDING AND MIRROR (L.H.)
HP8183 -UN-08JUL99



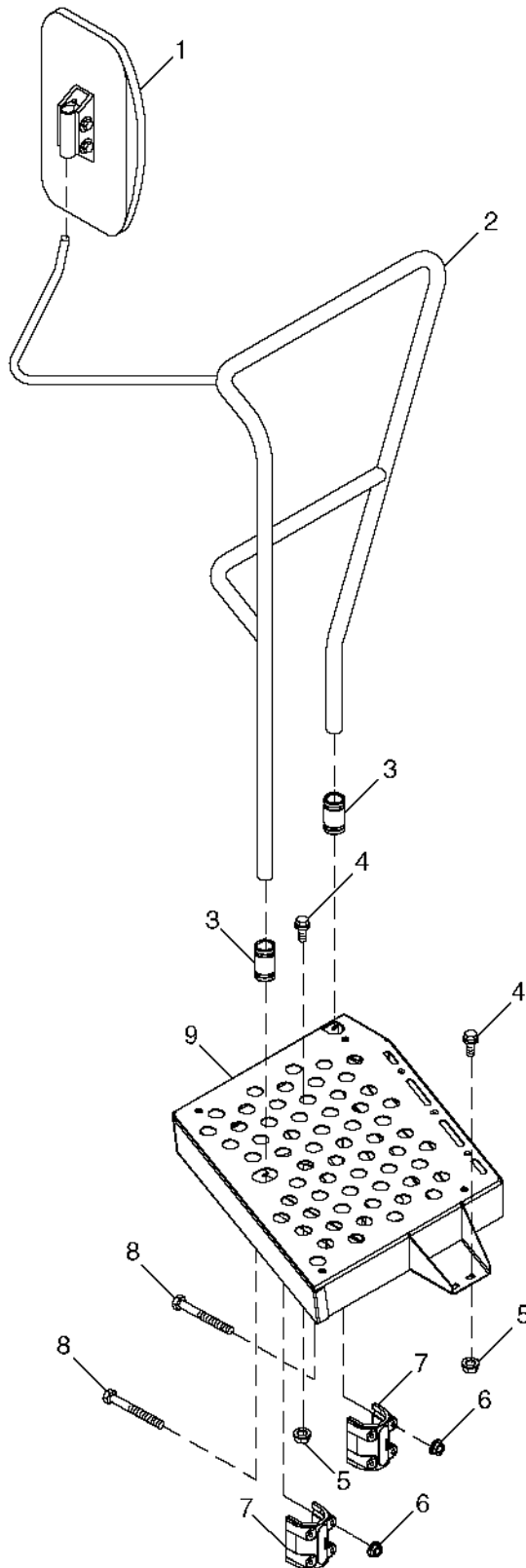
HP8183

LANDING AND MIRROR (L.H.) - CONTINUED

KEY	PART NO.	PART NAME	QTY	SERIAL NO.	REMARKS
1	AH142404	REAR VIEW MIRROR	1		
2	AH160115	HANDRAIL	1		
3	H136110	ISOLATOR	4		
4	H161289	CLAMP	2		
5	37M7131	SCREW	8	M6 X 20	
6	14M7296	FLANGE NUT	15	M10	
7	19M7784	SCREW	9	M10 X 20	
8	AH155210	PLATFORM	1		
9	03M7190	BOLT	4		
10	19M7786	SCREW	3	M10 X 30	
11	AH130594	STEP	1		
12	H173616	PLATE	1	(SUB FOR H172944)	
13	AH122099	BUMPER	1		
14	37M7046	SCREW	2		

3C22

LANDING AND MIRROR (R.H.)
HP8182 -UN-07JUN99



HP8182

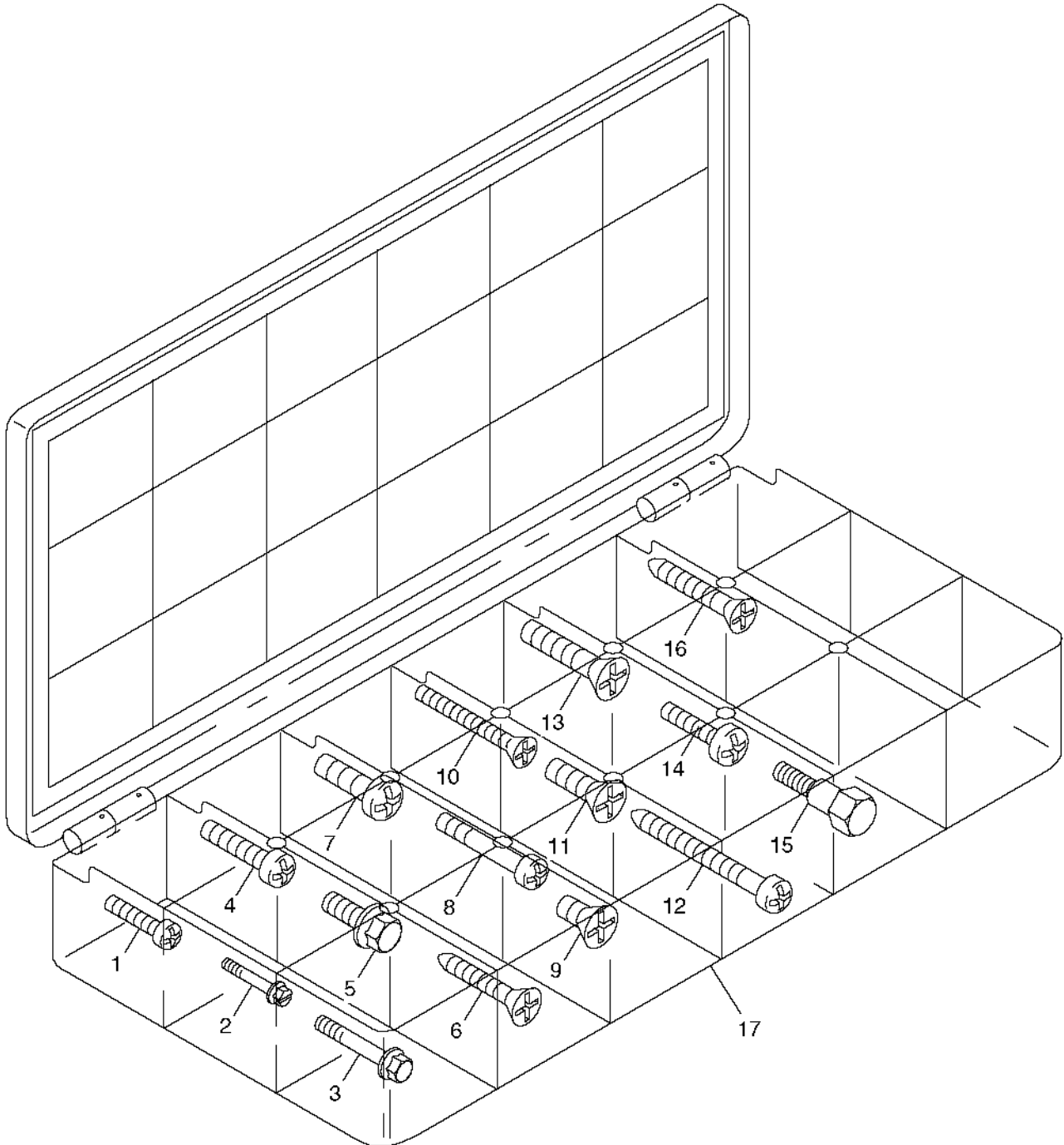
LANDING AND MIRROR (R.H.) - CONTINUED

KEY	PART NO.	PART NAME	QTY	SERIAL NO.	REMARKS
1	AH142404	REAR VIEW MIRROR	1		
2	AH160113	HANDRAIL	1		
3	H167680	ISOLATOR	2		
4	19M7784	SCREW	6		M10 X 20
5	14M7296	FLANGE NUT	6		M10
6	14M7303	FLANGE NUT	8		M6
7	H167681	CLAMP	2		
8	19M8040	SCREW	8		M6 X 60
9	AH159740	PLATFORM	1		

3C24

OPERATOR'S STATION

CAB HARDWARE KIT
HP3731 -UN-01SEP99



HP3731

3C25

OPERATOR'S STATION

CAB HARDWARE KIT - CONTINUED

KEY	PART NO.	PART NAME	QTY	SERIAL NO.	REMARKS
1	H110842	SCREW	10		
2	H111364	SCREW	10		
3	H111705	SCREW	10		
4	H111706	SCREW	10		
5	H114038	SCREW	5		
6	H165689	SCREW	10		
7	H123995	SCREW	10		
8	H128859	SCREW	5		
9	H165693	SCREW	5		
10	H165690	SCREW	10		
11	H163401	SCREW	5		
12	H130298	SCREW	3		
13	H165691	SCREW	10		
14	H140627	SCREW	10		
15	H131424	BOLT	3		
16	H132899	SCREW	5		
17	AH151362	KIT	1		

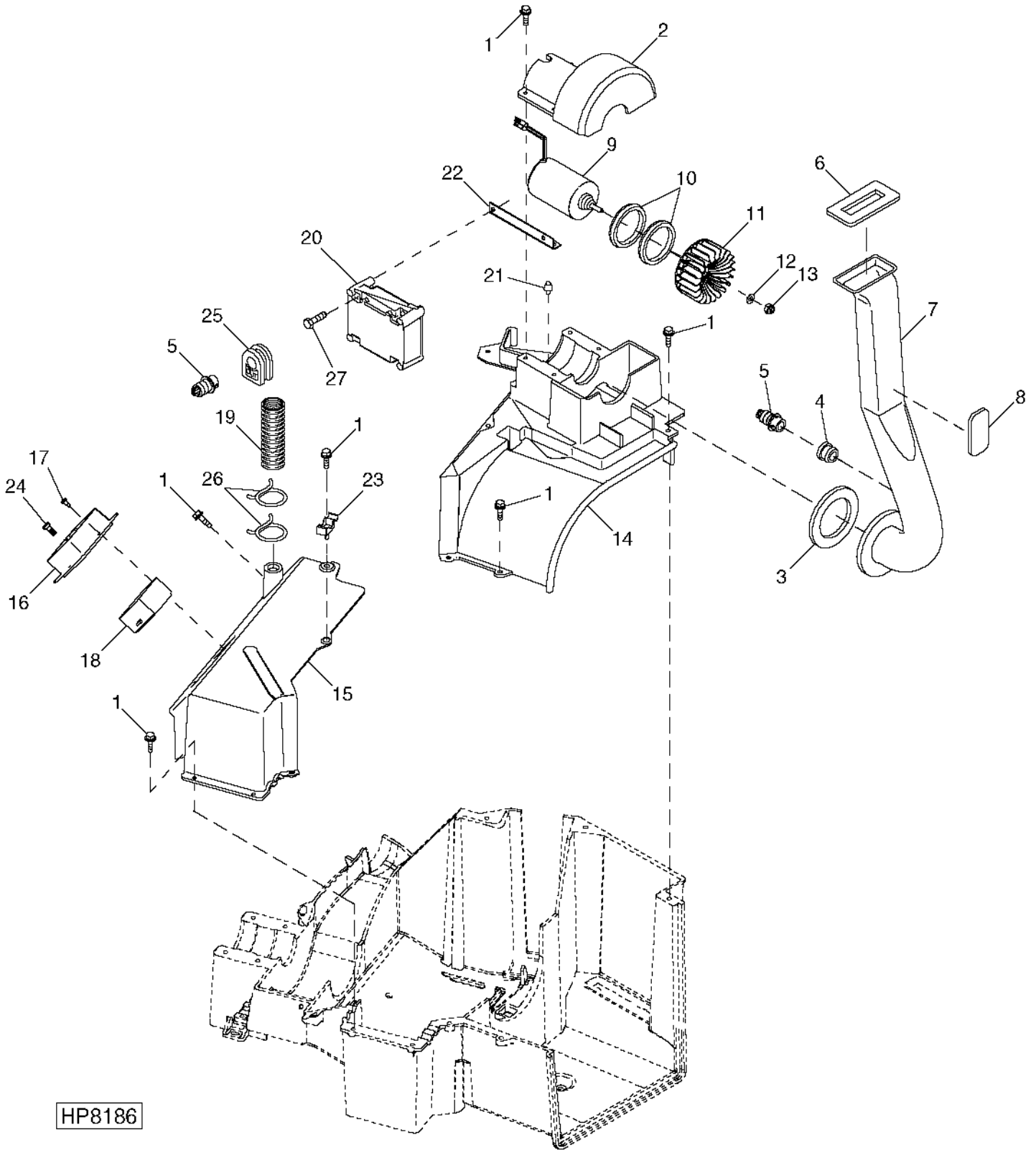
MEMORANDA

MEMORANDA

3D2

AIR CONDITIONING AND HEATER HOUSING, UPPER

HP8186 -UN-23JUL99



HP8186

3D3

AIR CONDITIONING AND HEATING

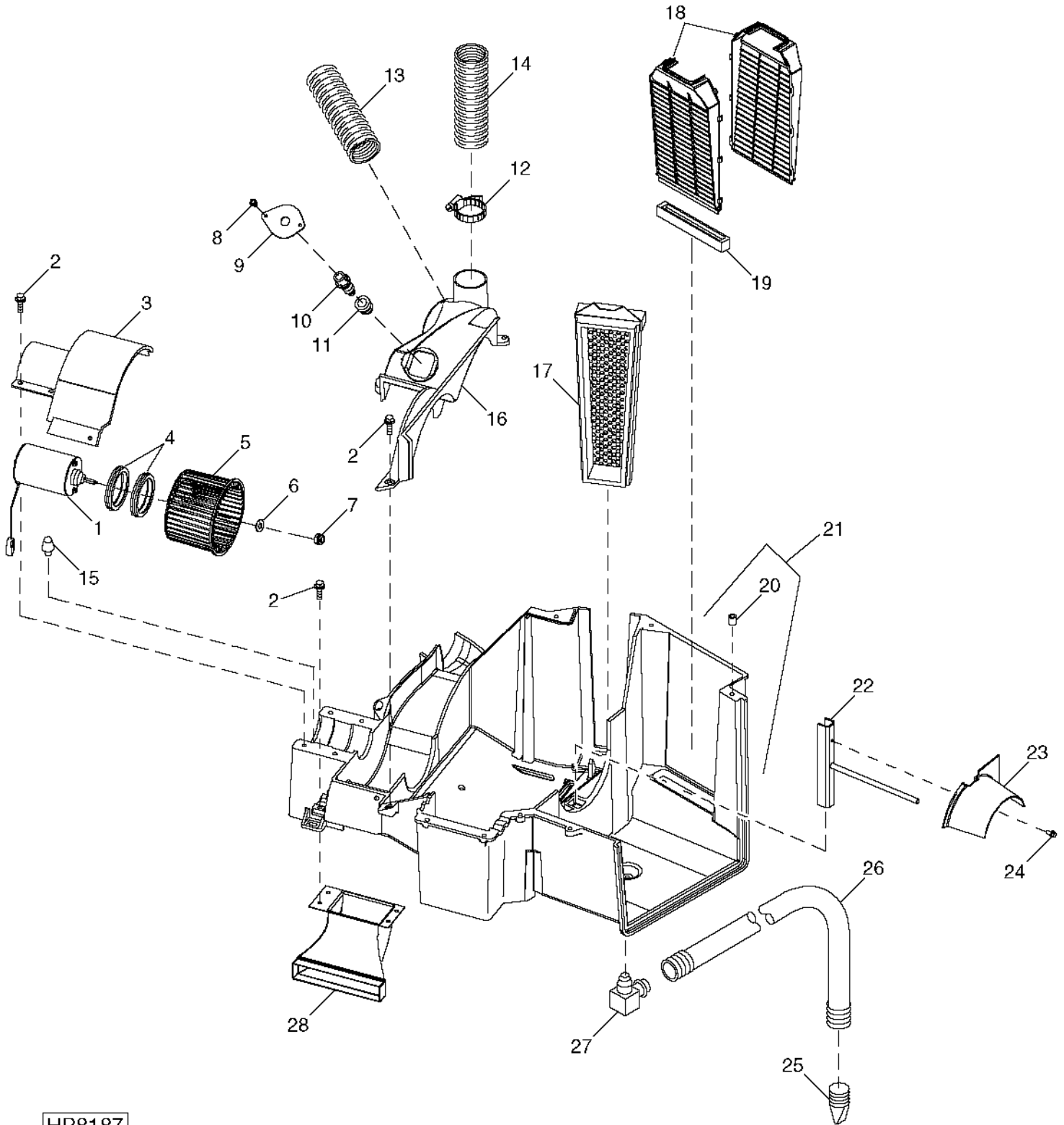
AIR CONDITIONING AND HEATER HOUSING, UPPER - CONTINUED

KEY	PART NO.	PART NAME	QTY	SERIAL NO.	REMARKS
1	19M7862	SCREW	AR	M6 X 20	
	19M7796	SCREW	AR	M6 X 30	
2	H115031	COVER	1	PRESSURE BLOWER	
3	H163397	SEAL	1		
4	H159144	GROMMET	1		
5	RE65815	SENSOR	2	TEMPERATURE	
6	H153438	SEAL	1	(CUT FROM H88773)	
7	H166179	AIR DUCT	1	INTAKE	
8	H159743	FOAM PAD	1		
9	AH128925	BLOWER MOTOR	1	PRESSURE BLOWER	
10	H115521	ISOLATOR	2		
11	H124185	FAN	1		
12	24M7117	WASHER	AR		
13	14M7264	LOCK NUT	AR	M4	
14	AH163596	HOUSING	1	UPPER, L.H.	
15	H168986	HOUSING	1	UPPER, CENTER	
16	H169087	FRAME	1	BLOWER MOTOR DRIVER	
17	37M7067	SCREW	3		
18	RE153074	DRIVER	1	MOTOR	
19	H164702	HOSE	1	AMBIENT AIR	
20	AH165591	CONTROL	1	(SUB AH169642) ATC	
	AH169642	CONTROL	1		
21	H129887	ISOLATOR	1	MOTOR GUIDE	
22	H163498	BRACKET	1	ATC CONTROLLER MTG	
23	H158830	CLIP	1		
24	21M7250	SCREW	2	M4 X 12	
25	H170833	GROMMET	1		
26	M18356	CLAMP	2		
27	19M8786	SCREW	2	M6 X 70	

3D4

AIR CONDITIONING AND HEATER HOUSING, LOWER

HP8187 -UN-08JUL99



HP8187

3D5

AIR CONDITIONING AND HEATING

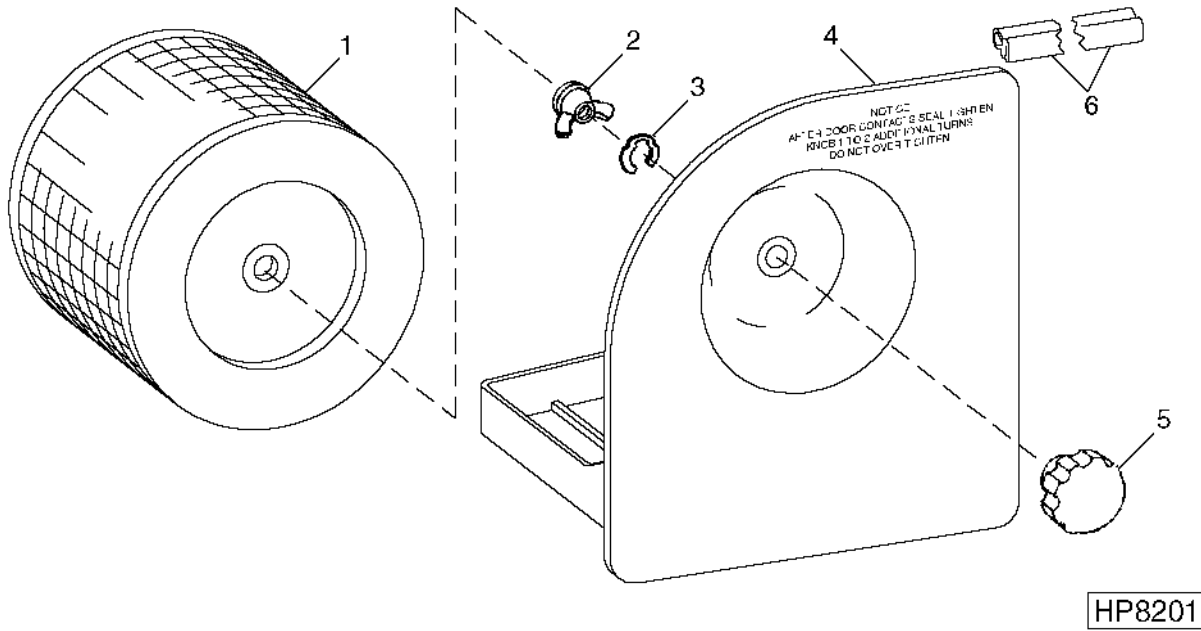
AIR CONDITIONING AND HEATER HOUSING, LOWER - CONTINUED

KEY	PART NO.	PART NAME	QTY	SERIAL NO.	REMARKS
1	AH155852	BLOWER MOTOR	1		RECIRCULATION BLOWER
2	19M7862	SCREW	AR		
3	H126590	COVER	1		RECIRCULATION BLOWER
4	H115521	ISOLATOR	2		
5	H114046	BLOWER FAN	1		
6	24M7117	WASHER	AR		
7	14M7264	LOCK NUT	AR		M4
8	H123998	SCREW	AR		
9	H153349	PLATE	1		MOUNTING
10	RE65815	SENSOR	1		TEMPERATURE
11	R159807	GROMMET	1		
12	AR21999	HOSE CLAMP	2		
13	H118871	LINE	1		R.H.
14	H118872	LINE	1		REAR
15	H129887	ISOLATOR	AR		
16	H158525	HOUSING	1	-686122	EVAPORATOR, UPPER R.H.
	H173793	HOUSING	1	686123-	
17	AH115836	AIR FILTER	1		RECIRCULATION
18	H114142	PRESCREENER	2		
19	H118619	SEAL	1		
20	H119362	INSERT	21		
21	AH163317	HOUSING	1		LOWER
22	AH134884	SUPPORT	1		FILTER
23	H127978	DUST SHIELD	1		
24	37M7089	SCREW	AR		M6 X 12
25	H150385	CHECK VALVE	1		
26	H159636	TUBE	1		
27	H146429	FITTING	1		
28	H126589	AIR DUCT	1		BLOWER

3D6

AIR CONDITIONING AND HEATING

CAB AIR FILTER AND HOUSING
 HP8201 -UN-27JUL99

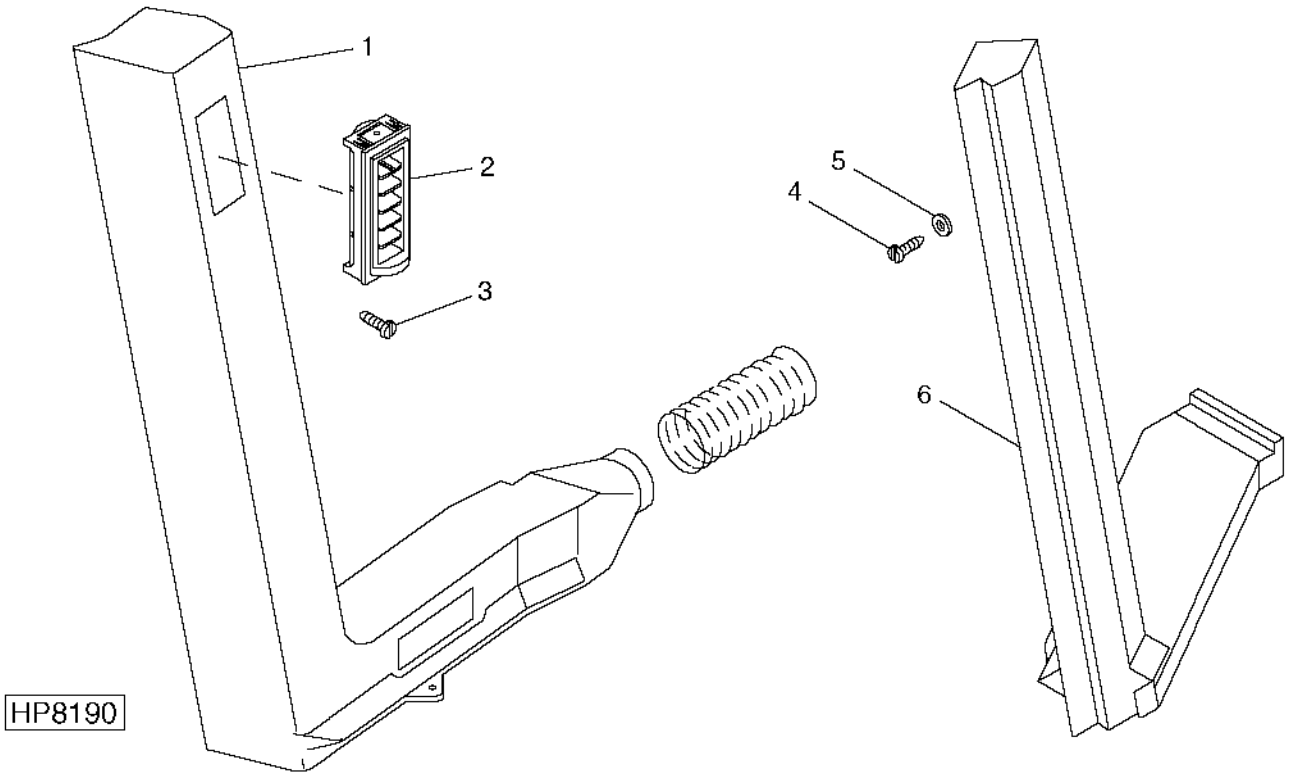


KEY	PART NO.	PART NAME	QTY	SERIAL NO.	REMARKS
1	AH115833	AIR FILTER	1		
	AH168783	AIR FILTER	1	HEAVY DUTY	
2	AH132783	NUT	1	M10	
3	R58806	SNAP RING	1		
4	AH120419	DOOR	1		DECAL IS NOW EMBOSSED RIGHT ON DOOR
5	AH120446	KNOB	1		
6	AH80335	WEATHERSTRIP	1		
..	H150119	LABEL	1		"CHECK PRECLEANER AND PRECLEANER OPENING IN FLOOR (50 HRS)"

3D7

AIR CONDITIONING AND HEATER DUCTS

HP8190 -UN-27JUL99



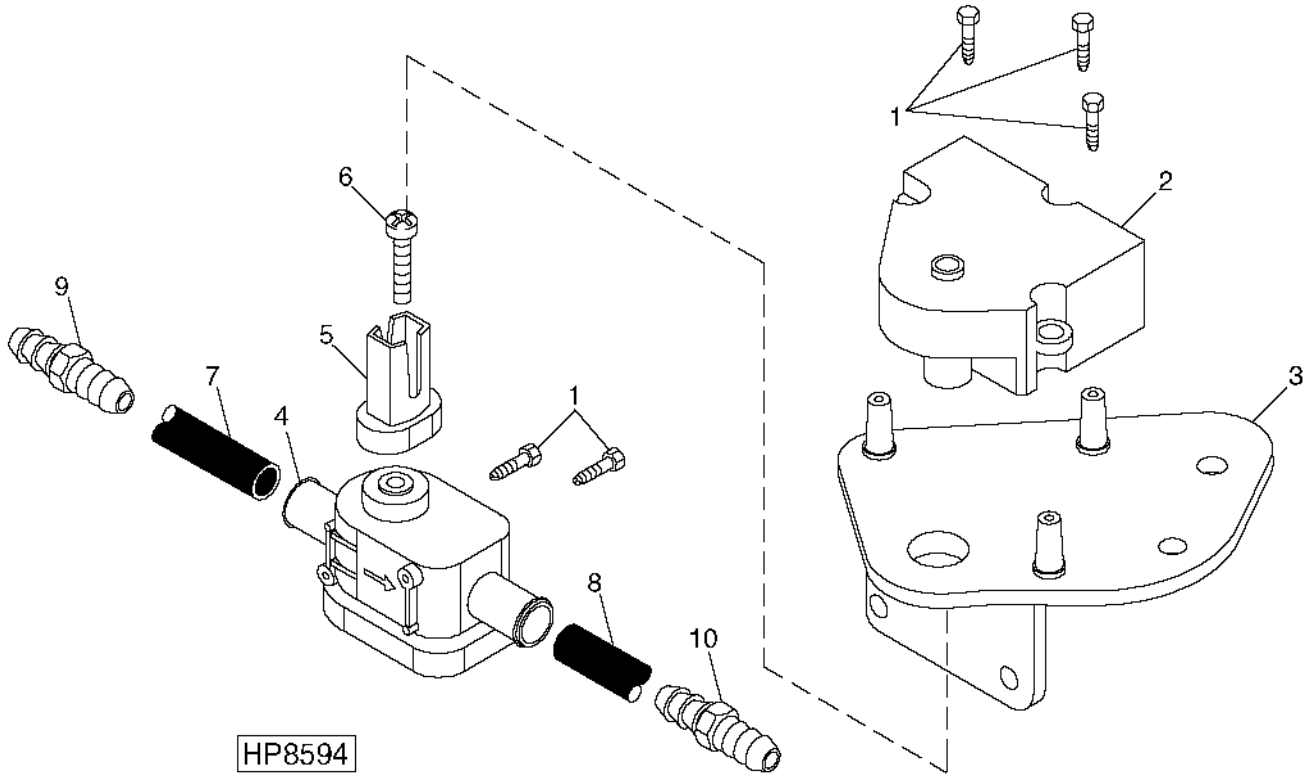
KEY	PART NO.	PART NAME	QTY	SERIAL NO.	REMARKS
1	H168870	AIR DUCT	1		R.H.
2	AH149228	LOUVER	6		
3	37M7160	SCREW	1		M6 X 16
4	H165691	SCREW	1		M6 X 20
5	H91315	WASHER	1		5.842 X 14.224 X 2.540 MM
6	H168871	HOUSING	1		L.H.

3D8

AIR CONDITIONING AND HEATING

AIR CONDITIONING SYSTEM - WATER VALVE ASSEMBLY

HP8594 -UN-20MAY99



HP8594

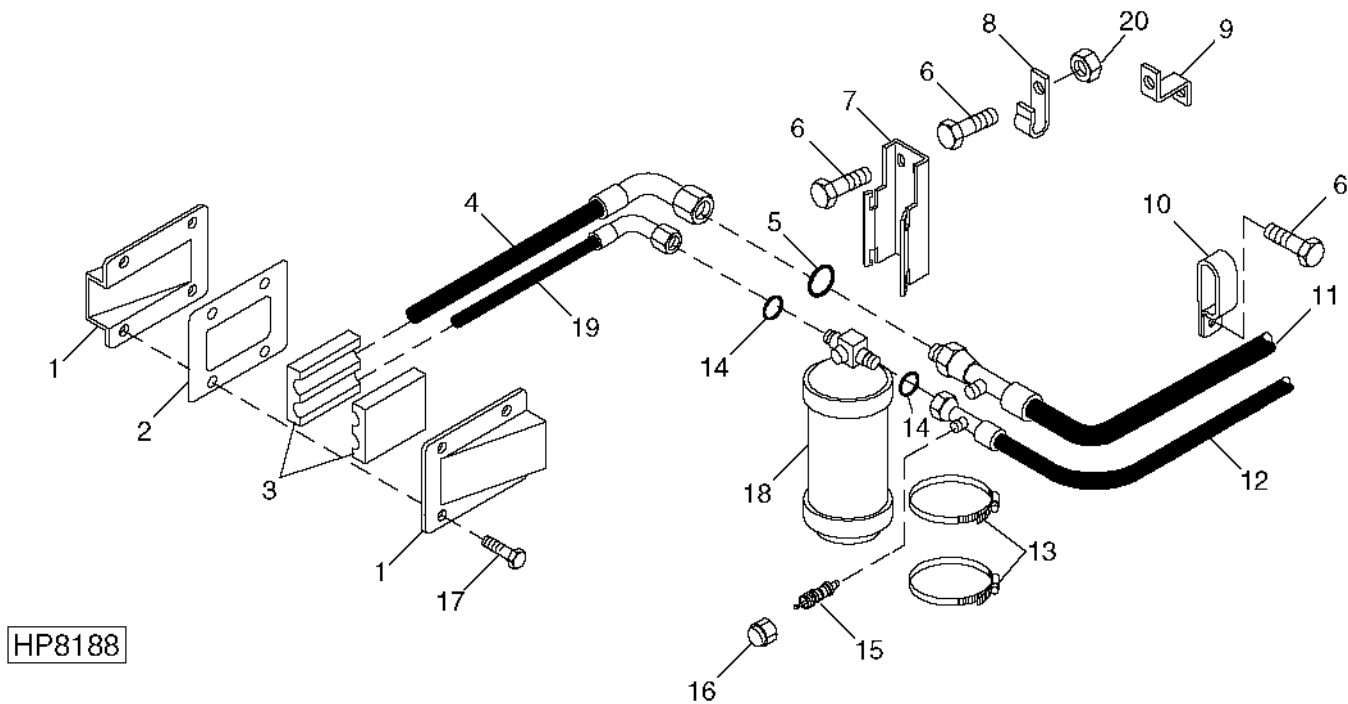
KEY	PART NO.	PART NAME	QTY	SERIAL NO.	REMARKS
1	37H43	SCREW	5		
2	RE154319	ACTUATOR	1		
3	H163391	BRACKET	1		
4	RE154318	VALVE	1		
5	R154320	ADAPTER	1		
6	H110842	SCREW	1		
7	H153888	HYDRAULIC HOSE	1		
8	H153889	HOSE	1		
9	H153721	COUPLING	1		
10	H153722	COUPLING	1		

3D9

AIR CONDITIONING AND HEATING

AIR CONDITIONING SYSTEM - RECEIVER-DRYER

HP8188 -UN-28MAY99



HP8188

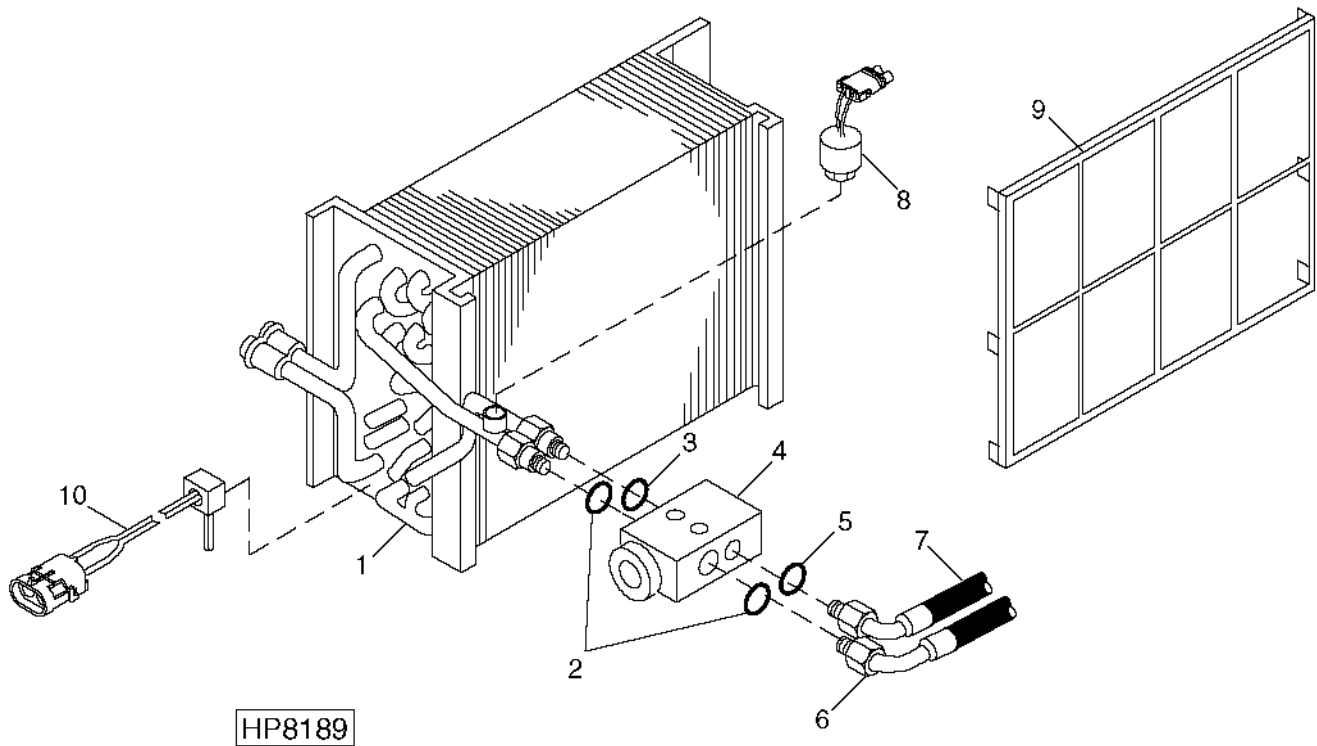
KEY	PART NO.	PART NAME	QTY	SERIAL NO.	REMARKS
1	H129606	RETAINER	2		
2	H114525	GASKET	1		
3	H114523	SEAL	2		
4	AH127685	HOSE	1		7/8" X 912 MM X 7/8", SUCTION
5	R33259	O-RING	1		0.551" X 0.070"
6	19M7865	SCREW	4		M8 X 16
7	H136541	HOSE SUPPORT	1		
8	AH77724	CLIP	1		
9	H132538	HOSE SUPPORT	1		
10	AH77869	CLIP	1		
11	AH158180	HOSE	1		A/C SUCTION
12	AH159026	REFRIGERANT HOSE	1		A/C/ LIQUID
13	AR21842	CLAMP	2		
14	R10093	O-RING	1		7.645 X 1.778 MM
15	R60170	VALVE	1		
16	R60172	NUT	1		
17	37M7090	SCREW	4		M6 X 16
18	AH137486	RECEIVER-DRYER	2		
19	AH127684	HOSE	1		LIQUID
20	14M7298	FLANGE NUT	4		M8

3D10

AIR CONDITIONING AND HEATING

AIR CONDITIONING SYSTEM - EVAPORATOR HEATER

HP8189 -UN-01FEB99



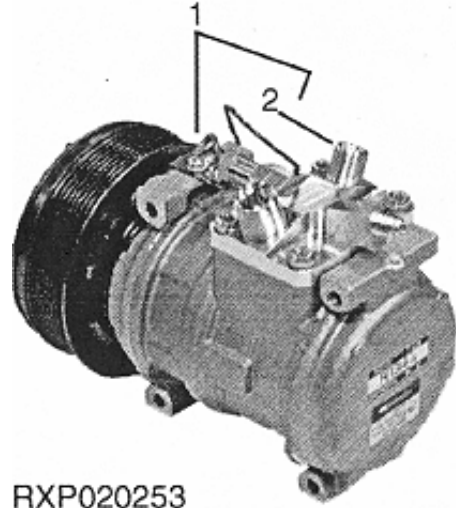
HP8189

KEY	PART NO.	PART NAME	QTY	SERIAL NO.	REMARKS
1	AH150260	EVAPORATOR	1	HEATER	
2	R33259	O-RING	2	0.551" X 0.070"	
3	R113050	RING	1		
4	AH137702	VALVE	1		
5	R10093	O-RING	1		
6	AH127684	HOSE	1		
7	AH127685	HOSE	1		
8	AH144084	SWITCH	1	LOW PRESSURE, A/C	
9	AH120547	FILTER	1	EVAPORATOR HEATER	
10	RE65814	SENSOR	1	EVAPORATOR TEMPERATURE	

3D11

AIR CONDITIONING COMPRESSOR (FOR R134A REFRIGERANT)

RXP020253 -UN-01JAN94



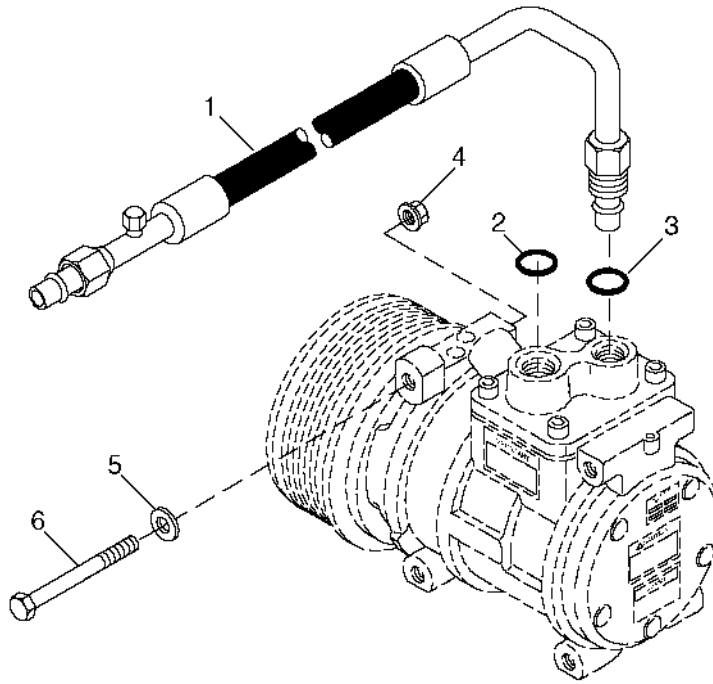
RXP020253

KEY	PART NO.	PART NAME	QTY	SERIAL NO.	REMARKS
1	RE52454	COMPRESSOR	1		(WITHOUT CLUTCH)
2	RE51052	MANIFOLD	1		(WITH SEAL)
..	R115742	SEAL	1		
..	TY22101	OIL	1		(SUB FOR TY22025)
..	TY15949	REFRIGERANT	1		12 LBS
..	TY15950	REFRIGERANT	1		15 LBS
..	TY15951	REFRIGERANT	1		30 LBS
..	RE46609	COMPRESSOR	1		COMPLETE
..	TY6764	COMPRESSOR	1		(REMANUFACTURED)

3D12

AIR CONDITIONING AND HEATING

AIR CONDITIONING COMPRESSOR HOSE
HP9077 -UN-17SEP99



HP9077

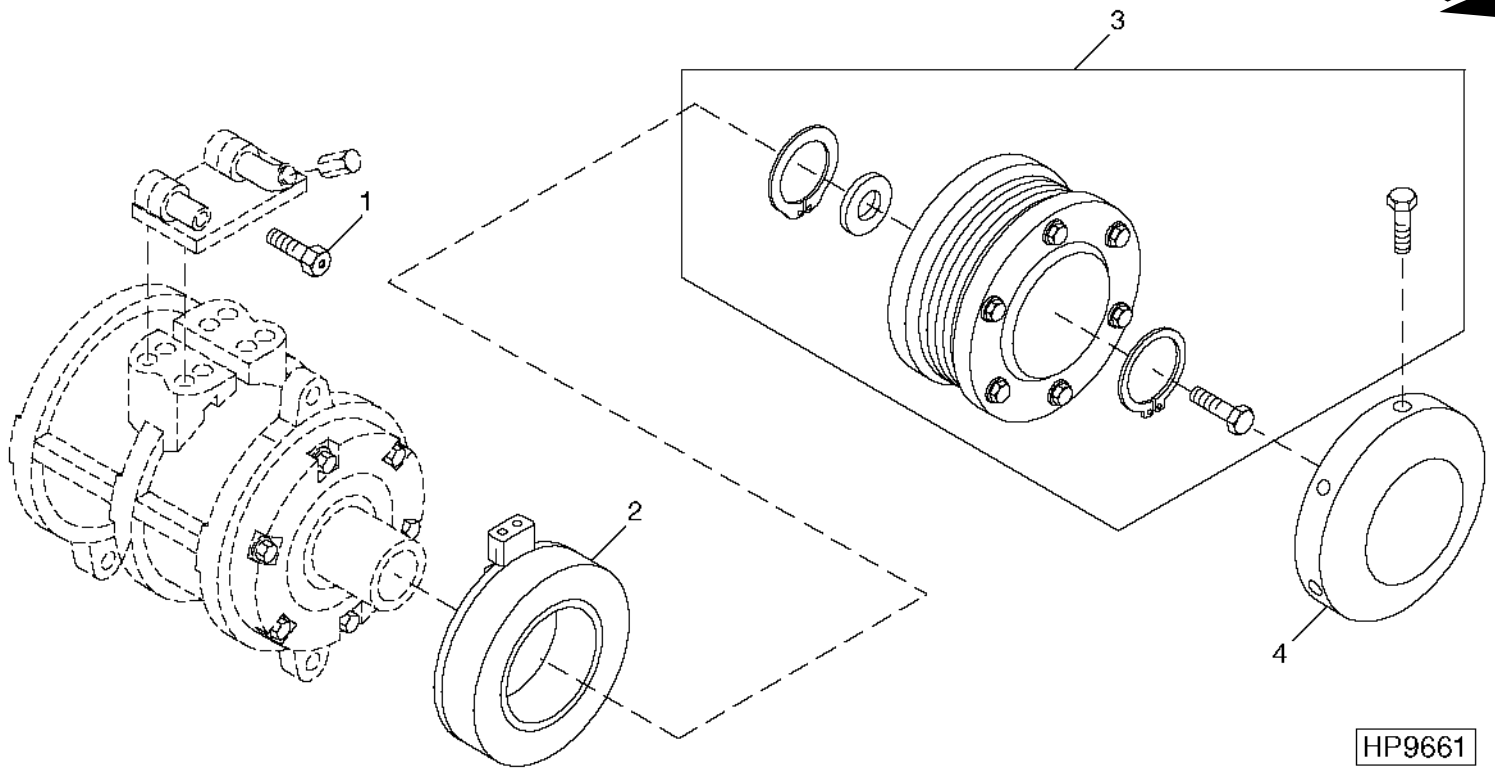
KEY	PART NO.	PART NAME	QTY	SERIAL NO.	REMARKS
1	AH159078	REFRIGERANT HOSE	1		A/C PRESSURE
2	R113050	RING	AR		ON PRESSURE PORT
3	R33259	O-RING	AR		ON SUCTION PORT
4	34M7189	SPRING PIN	3		11 X 8 MM
5	24M7238	WASHER	3		8.700 X 17 X 2 MM
6	19M7913	SCREW	3		M8 X 90

3D13

AIR CONDITIONING AND HEATING

COMPRESSOR CLUTCH AND SERVICE VALVES (FOR R134A REFRIGERANT)

HP9661 -UN-30MAR00



HP9661

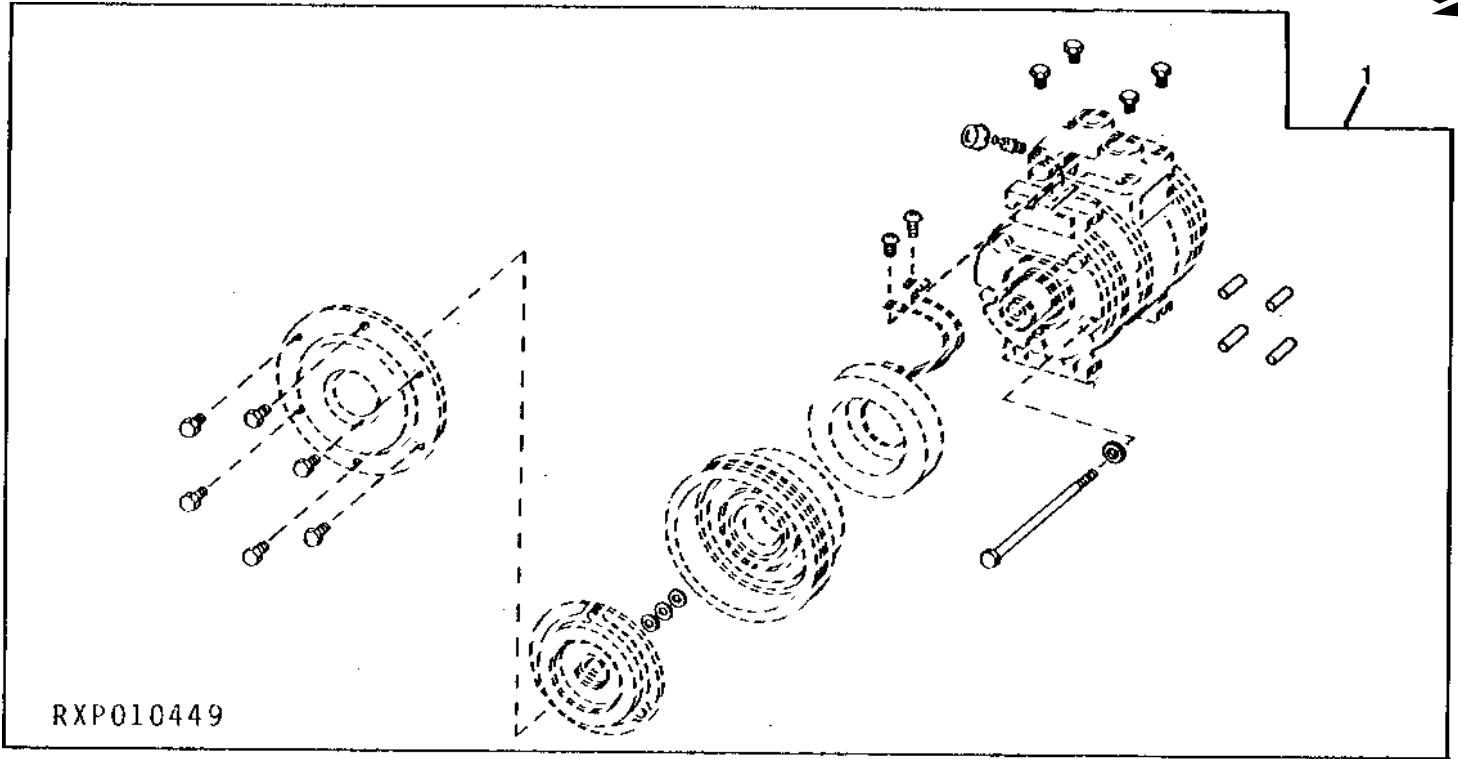
KEY	PART NO.	PART NAME	QTY	SERIAL NO.	REMARKS
1	RE52506	VALVE	1		(WITH O-RING)
2	RE52510	STATOR	1		
3	RE52508	KIT	4		CLUTCH
4	R115743	COVER	1		

3D14

AIR CONDITIONING AND HEATING

COMPRESSOR HARDWARE SET (FOR R134A REFRIGERANT)

RXP010449 -UN-01JAN94



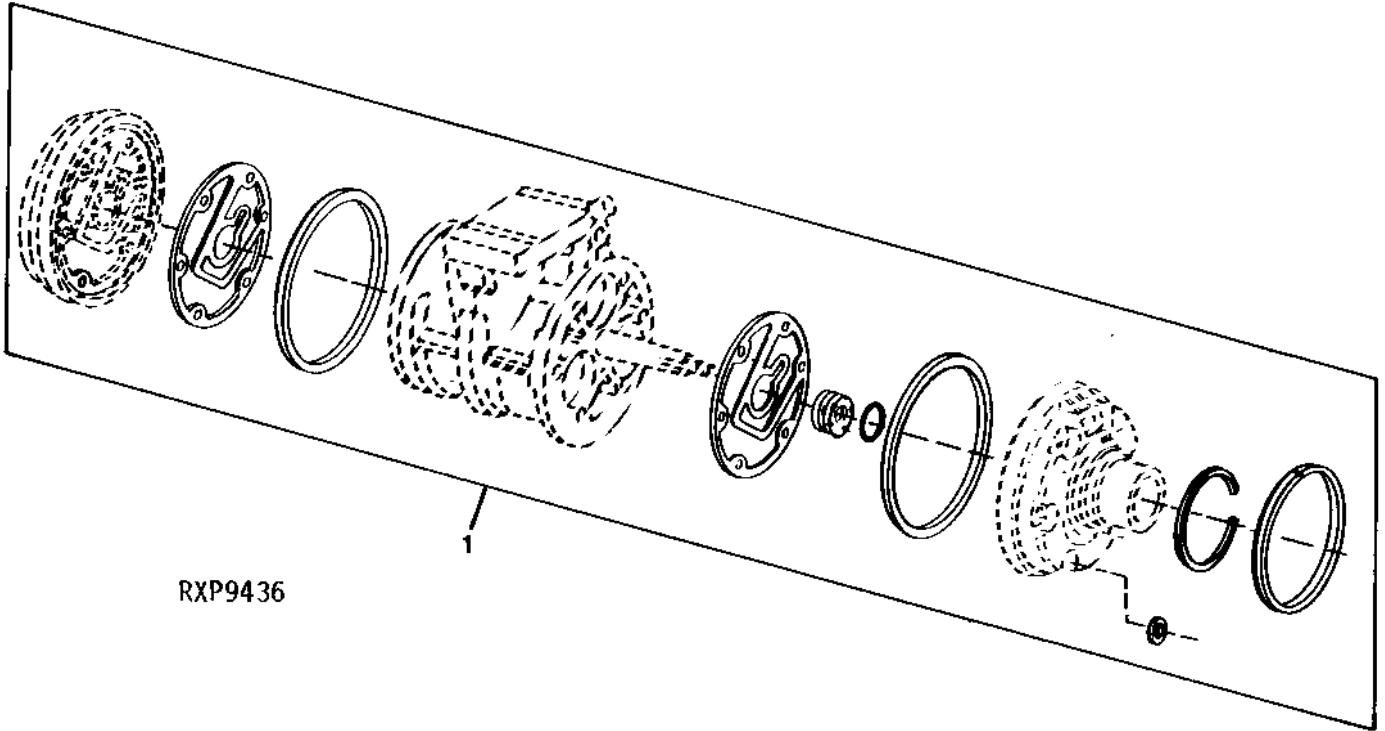
KEY	PART NO.	PART NAME	QTY	SERIAL NO.	REMARKS
1	RE52507	KIT	1		

3D15

AIR CONDITIONING AND HEATING

COMPRESSOR PARTS (FOR R134A REFRIGERANT)

RXP9436 -UN-01JAN94



RXP9436

KEY	PART NO.	PART NAME	QTY	SERIAL NO.	REMARKS
1	RE52509	SEAL KIT	1		

MEMORANDA

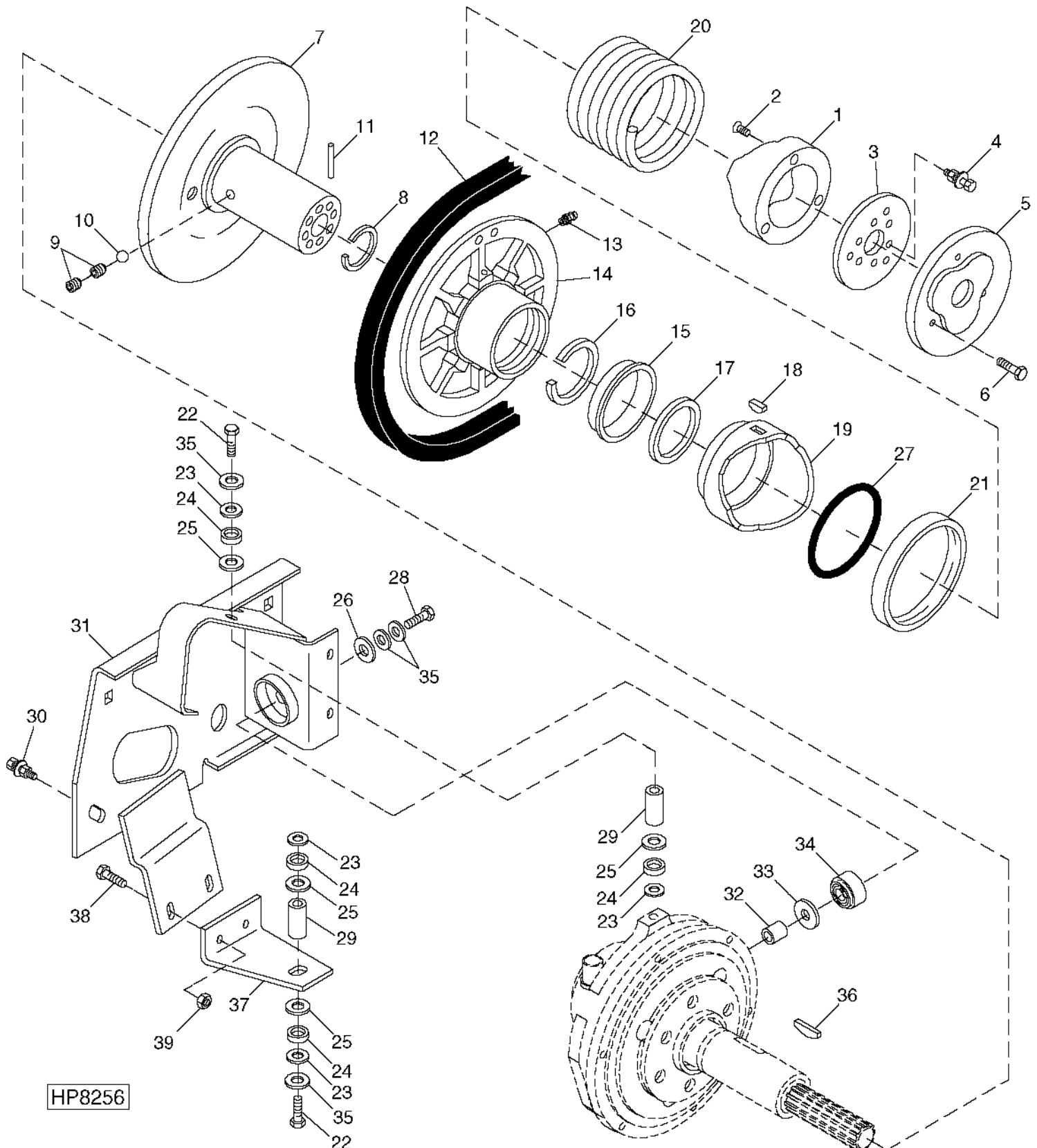
MEMORANDA

3D18

FEEDER HOUSE

FRONT VARIABLE DRIVE SHEAVE AND MOUNTINGS

HP8256 -UN-12JUL99



FRONT VARIABLE DRIVE SHEAVE AND MOUNTINGS - CONTINUED

KEY	PART NO.	PART NAME	QTY	SERIAL NO.	REMARKS
1	CAM	1	(A) OUTER	
2	32243	PLUG	1		
3	H170645	SPACER	1		
4	19M7938	CAP SCREW	6	M10 X 20	
	12M7135	LOCK WASHER	6	10.200 MM	
5	H155459	RETAINER	1		
6	19M9042	CAP SCREW	3	(A) M10 X 80	
	12M7135	LOCK WASHER	3	(A) 10.200 MM	
7	H158575	SHEAVE	1	(H) 318 MM	
	H168126	SHEAVE	1	(S) 318 MM	
8	B3118R	SNAP RING	1		
9	22H775	SET SCREW	2		
10	H110922	BALL	1		
11	34M7255	SPRING PIN	1	6 X 50 MM	
12	H156863	BELT	1	(H)	
	H161648	BELT	1	(S)	
13	JD7798	LUBRICATION FITTING	2		
14	AH160615	SHEAVE	1	(H)	
	AH157933	SHEAVE	1	(S)	
15	H110728	RETAINER	1		
16	H97308	SNAP RING	1		
17	AH108161	SEAL	1		
18	26H104	SHAFT KEY	2	(H)	
	26H104	SHAFT KEY	1	(S)	
19	CAM	1	(A) INNER	
20	H172267	SPRING	1		
21	AH96345	SEAL	1		
22	19M7826	SCREW	2	(H) M16 X 70	
	19M7826	SCREW	1	(S) M16 X 70	
23	H163726	WASHER	5	(H)	
	H163726	WASHER	3	(S)	
24	H148132	BUSHING	4	(H)	
	H148132	BUSHING	2	(S)	
25	H148133	RETAINER	4	(H)	
	H148133	RETAINER	2	(S)	
26	14M7299	FLANGE NUT	2	(H)	
27	GASKET	1		
28	19M7845	SCREW	1	M16 X 90	
29	H148134	SPACER	1		
30	03M7191	BOLT	4	M10 X 25	
	14M7296	FLANGE NUT	5	M10	
	03M7192	BOLT	1	M10 X 30	
31	AH150451	SUPPORT	1		
32	H95417	SPACER	1		
33	H97410	WASHER	1		
34	R62502	SUPPORT	1		
35	24M7241	WASHER	4	(H)	
	24M7241	WASHER	2	(S)	
36	Z61818	SHAFT KEY	1	(H)	
	26H104	SHAFT KEY	2	(S)	
37	H159818	BRACKET	1	(H)	
38	03M7198	BOLT	2	(H) M12 X 30	
..	TY6333	GREASE	1	14 OZ. TUBE	
..	AH154890	KIT	1	INCLUDES PARTS MARKED (A)	

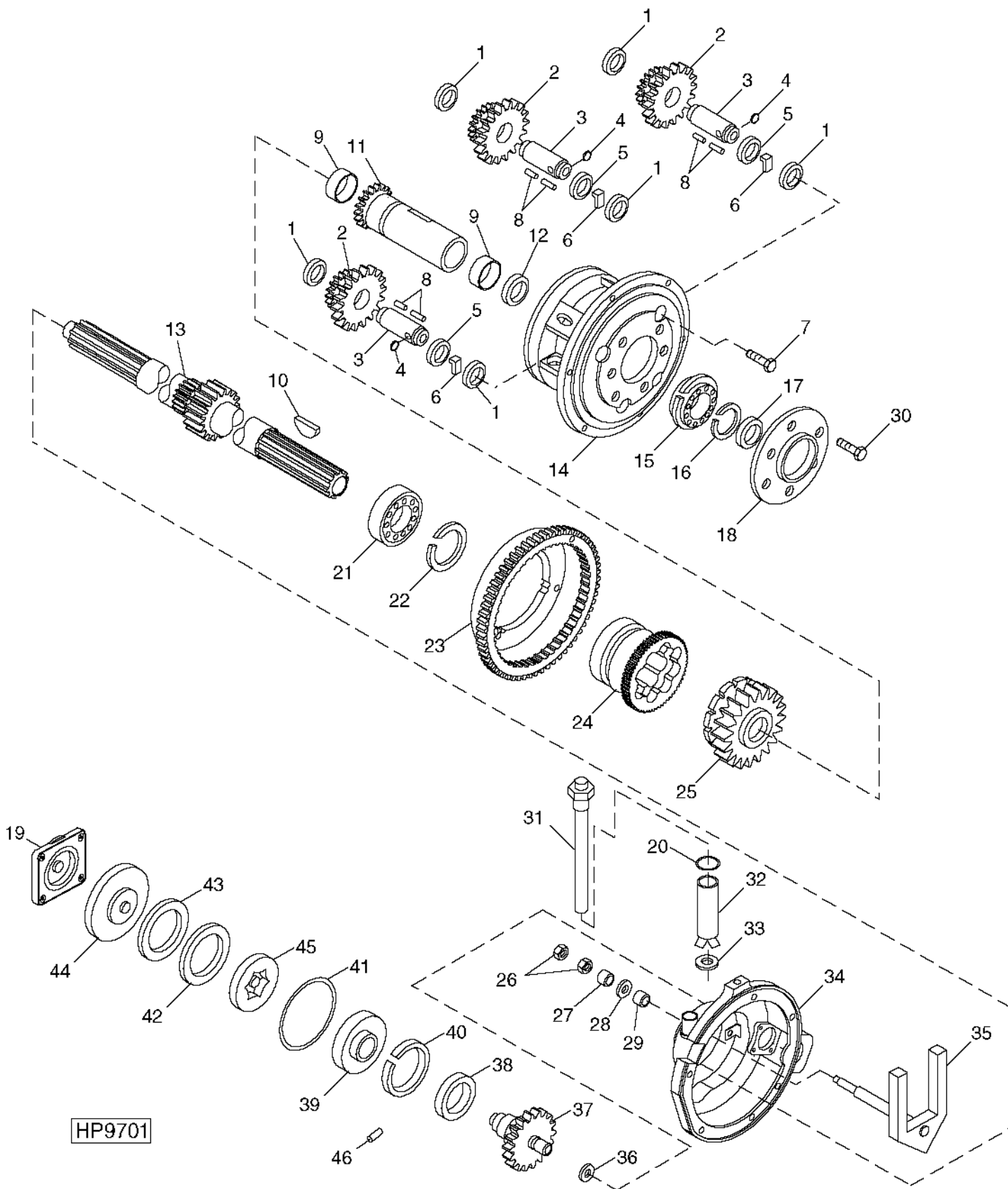
(H) HI CAPACITY
(S) STANDARD CAPACITY

3D20

FEEDER HOUSE

REVERSER GEAR BOX (HI CAPACITY)

HP9701 -UN-17APR00



3D21

FEEDER HOUSE

REVERSER GEAR BOX (HI CAPACITY) - CONTINUED

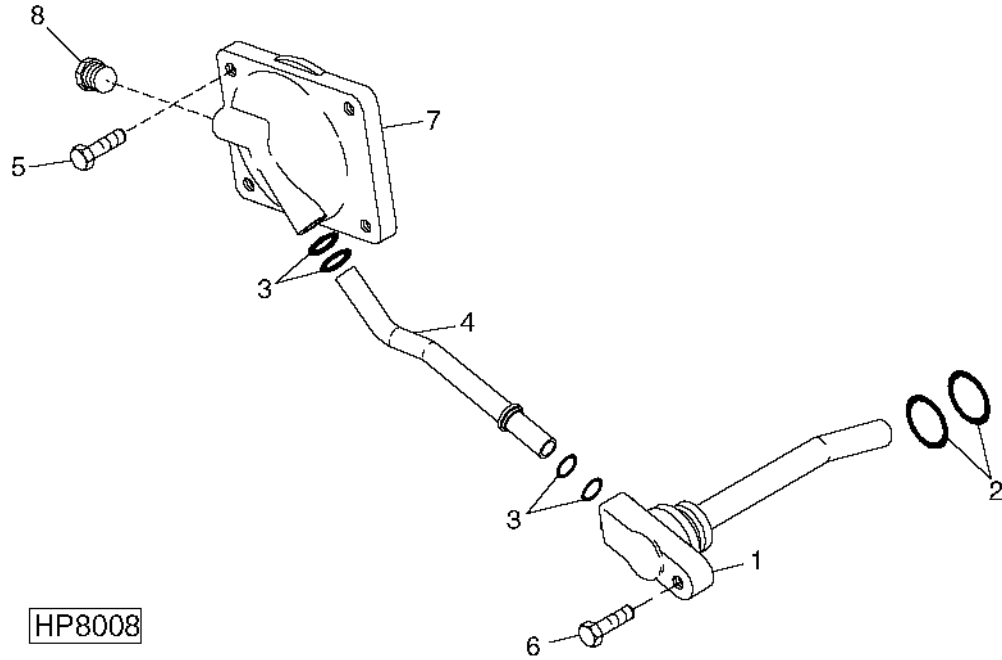
KEY	PART NO.	PART NAME	QTY	SERIAL NO.	REMARKS
1	R66197	THRUST WASHER	6		
2	Z12714	RING GEAR	3		
3	Z61813	SHAFT	3		
4	H871R	BALL	3		
5	R33088	WASHER	3		
6	H89617	SPACER	3		
7	19M7166	CAP SCREW	6		M10 X 20
8	Z61817	PIN	174		(6 SETS OF 29)
9	AH150686	NEEDLE BEARING	2		
10	Z61818	SHAFT KEY	1		WOODRUFF
11	H160953	GEAR	1		INPUT
12	E53699	SEAL	1		
13	AH168046	SHAFT	1		(SUB FOR AH163895)
14	H156091	COVER	1		
15	AZ49013	BALL BEARING	1		
16	R39081	SNAP RING	2		
17	AZ49370	SEAL	2		
18	Z12851	COVER	1		
19	H156095	HOUSING	1		
20	R26375	O-RING	1		
21	AZ49371	BALL BEARING	1		
22	Z62549	SNAP RING	1		
23	AH148894	RING GEAR	1		
24	Z62147	COUPLING	1		
25	H170781	GEAR	1		OUTPUT
26	14H832	NUT	2		9/16"
27	28H2499	BUSHING	1		18.847 X 26.670 X 15.875 MM
28	24H1378	WASHER	1		11/16" X 1-15/32" X 0.134"
29	AN113330	SEAL	1		
30	19M7810	SCREW	6		M10 X 80
31	AH167602	DIPSTICK	1		
32	H140195	SPACER	1		
33	R26906	O-RING	1		
34	H156090	HOUSING	1		
35	AZ51438	SHIFTER	1		
36	M800578	BALL BEARING	1		
37	H165464	SPUR GEAR	1		
38	JD7678	BALL BEARING	1		
39	H165463	BEARING	1		
40	M1007T	SNAP RING	1		
41	U10776	O-RING	1		
42	H82233	BUSHING	1		
43	H82232	WASHER	1		
44	H82234	PLATE	1		
45	AH128528	ROTOR	1		
46	H75358	DOWEL PIN	1		
..	TY9371	ADHESIVE	1		3 OZ. SIZE
..	AH159170	GEAR CASE	1		

3D22

FEEDER HOUSE

REVERSER GEAR BOX (HI CAPACITY) - CONTINUED

HP8008 -UN-14JAN99



HP8008

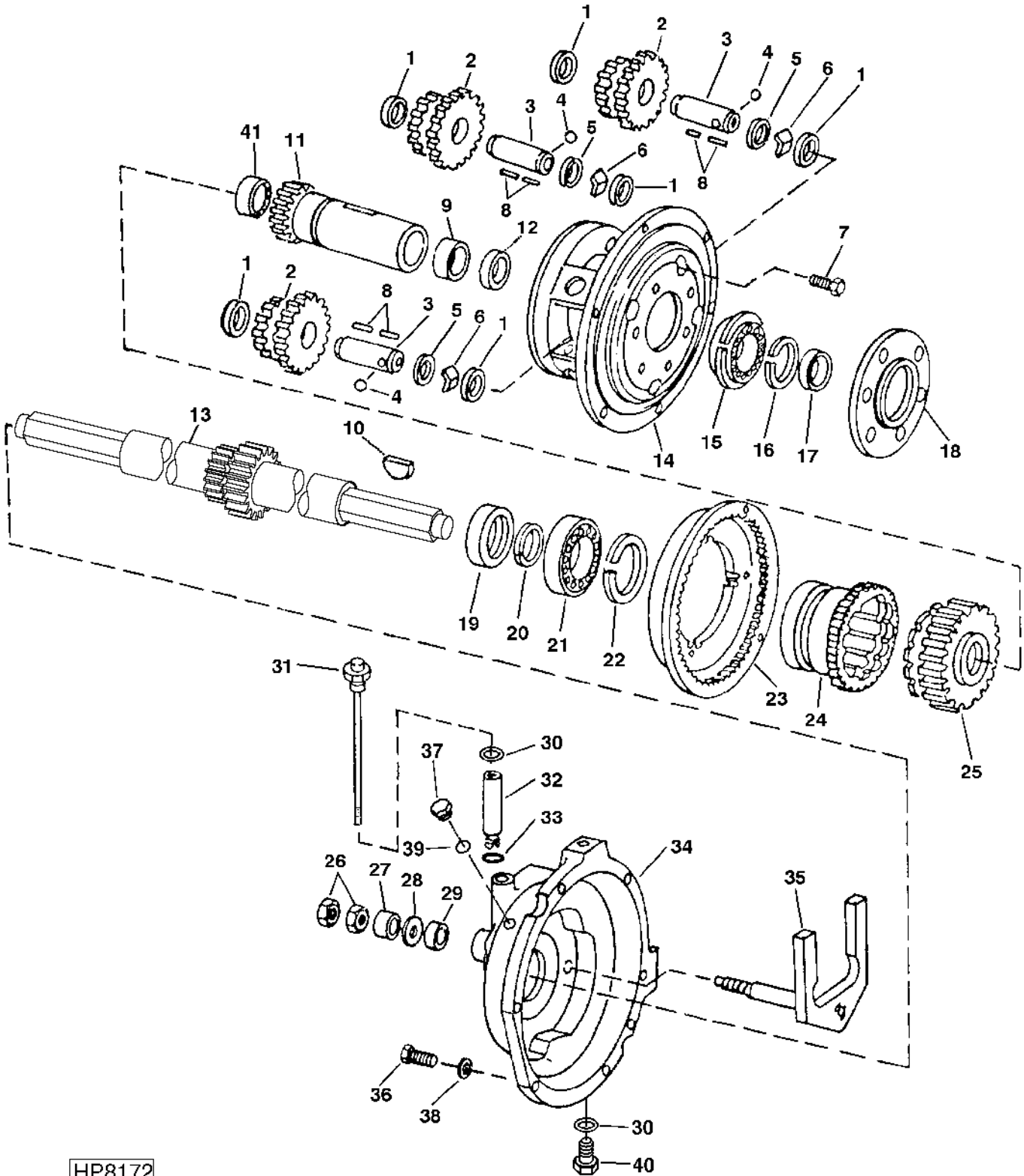
KEY	PART NO.	PART NAME	QTY	SERIAL NO.	REMARKS
1	AH125228	FITTING	1		
2	R495R	O-RING	2		
3	R394R	O-RING	4		
4	H156096	TUBE	1		
5	19M7866	SCREW	4	M8 X 20	
6	19M8162	CAP SCREW	1	M10 X 40	
7	H156095	HOUSING	1		
8	R39112	FITTING	2		
..	AH159170	GEAR CASE	1		

MEMORANDA

3D23

FEEDER HOUSE

REVERSER GEAR BOX (STANDARD) HP8172 -UN-20JAN99



HP8172

3D24

FEEDER HOUSE

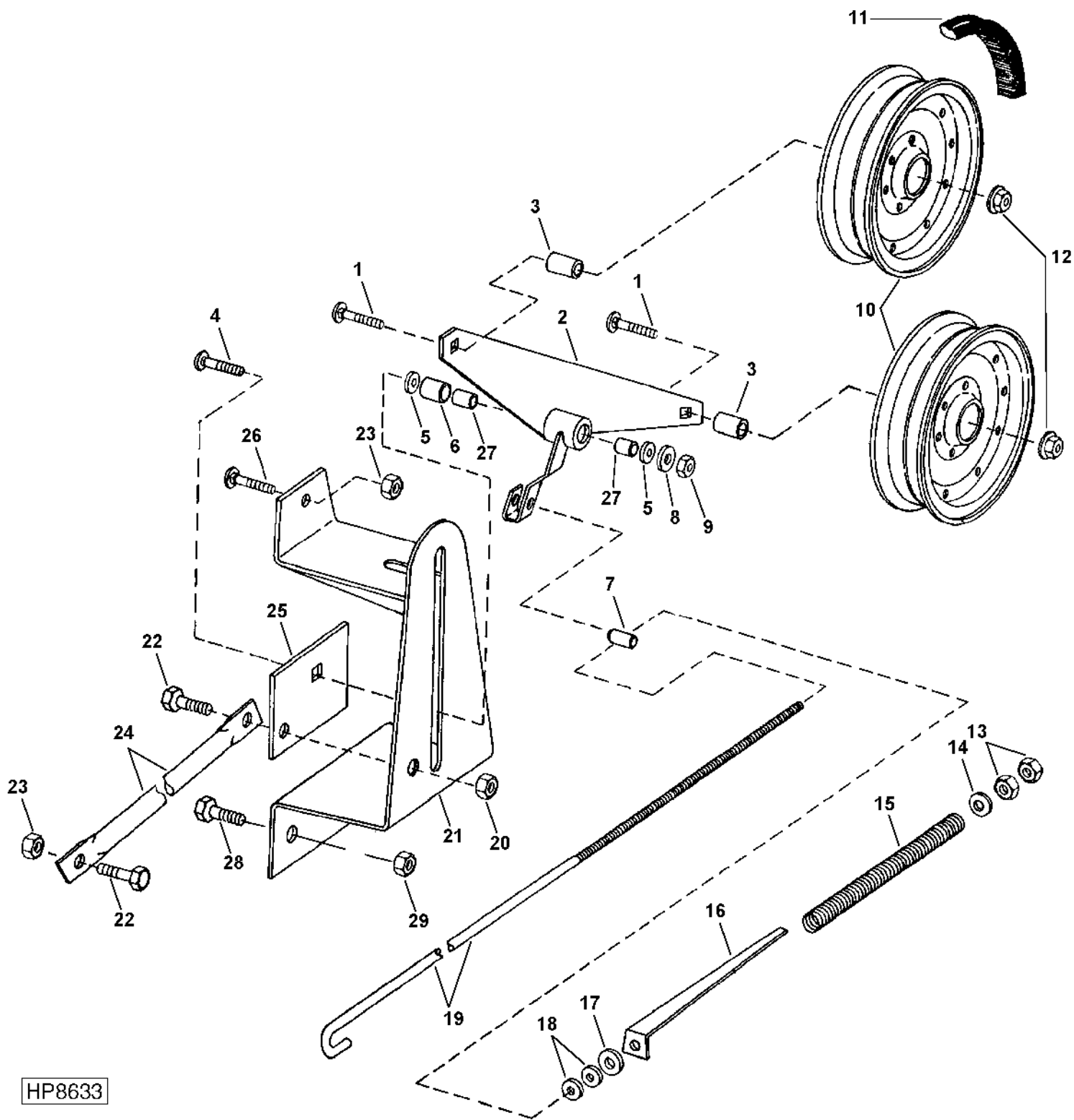
REVERSER GEAR BOX (STANDARD) - CONTINUED

KEY	PART NO.	PART NAME	QTY	SERIAL NO.	REMARKS
1	R66197	THRUST WASHER	6		
2	H168994	PINION	3		
3	R33079	PIN	3		
4	H871R	BALL	3		
5	R33088	WASHER	3		
6	H89617	SPACER	3		
7	19M7938	CAP SCREW	6		M10 X 20
8	R33058	NEEDLE ROLLER	186		(6 SETS OF 31)
9	AH150686	NEEDLE BEARING	1		
10	26H104	SHAFT KEY	1		5/16" X 2-1/8", WOODRUFF
11	H166216	GEAR	1		INPUT
12	E53699	SEAL	1		
13	AH152937	SHAFT	1		
14	H168125	COVER	1		
15	JD10010	BALL BEARING	1		
16	R39081	SNAP RING	1		
17	AH144715	SEAL	1		
18	H150662	BEARING HOUSING W/O BEARING	1		
19	AH140185	SEAL	1		
20	N71922	SNAP RING	1		
21	JD10011	BALL BEARING	1		
22	BP13620	SNAP RING	1		
23	AH105040	GEAR	1		
24	H132328	SHIFT COLLAR	1		
25	H106073	GEAR	1		OUTPUT
26	14H832	NUT	2		9/16"
27	28H2499	BUSHING	1		18.847 X 26.670 X 15.875 MM
28	24H1378	WASHER	1		11/16" X 1-15/32" X 0.134"
29	AN113330	SEAL	1		
30	R26906	O-RING	2		
31	AH140615	INDICATOR LIGHT	1		
32	H140195	SPACER	1		
33	R26375	O-RING	1		
34	AH159233	HOUSING	1		
35	AH93110	SHIFTER	1		
36	19M7402	CAP SCREW	6		M10 X 25
37	R27218	FITTING PLUG	1	-685417	
	R39112	FITTING	1	685418-	
38	12M7135	LOCK WASHER	6		10.200 MM
39	R26448	O-RING	1	-685417	
	R26375	O-RING	1	685418-	
40	R39112	FITTING	1		
41	JD8819	NEEDLE BEARING	1		
..	TY15130	SEALANT	1		3 OZ. SIZE

3E1

FIXED SPEED FEEDER HOUSE DRIVE TIGHTENER

HP8633 -UN-14JUN99



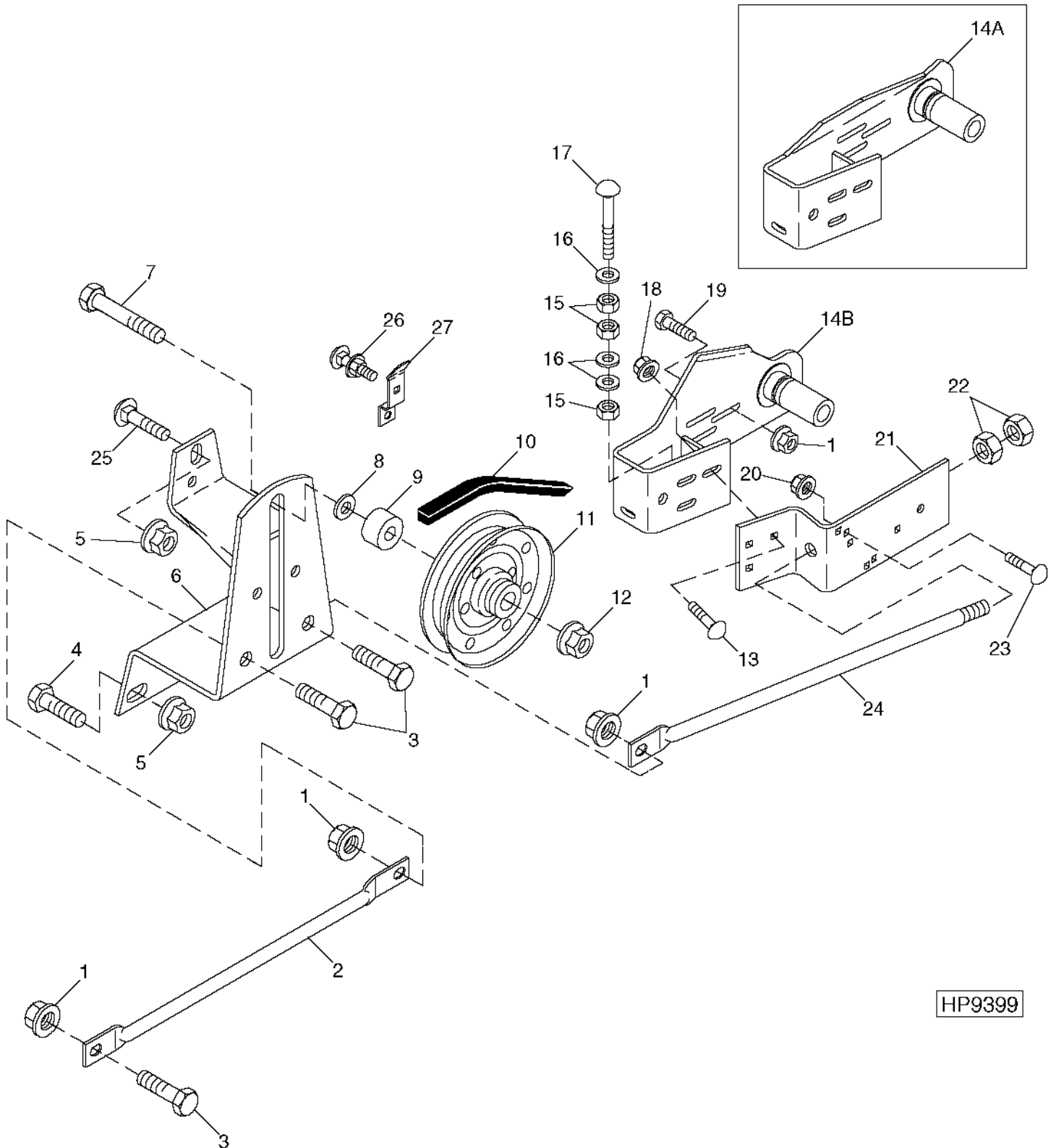
HP8633

FIXED SPEED FEEDER HOUSE DRIVE TIGHTENER - CONTINUED

KEY	PART NO.	PART NAME	QTY	SERIAL NO.	REMARKS
1	03M7211	BOLT	2	M16 X 70	
2	AH97340	ARM	1		
3	L1730N	BUSHING	4		
4	03M7248	BOLT	1	M12 X 90	
5	24H1413	WASHER	2	57/64" X 1-3/8" X 0.048"	
6	H89297	BUSHING	1	13.487 X 22.200 X 53.340 MM	
7	H132825	PIVOT	1		
8	24H1748	WASHER	1	1/2" X 1-1/4" X 0.105"	
9	A31867	LOCK NUT	1	M12	
10	AH94450	IDLER	2		
11	H126345	BELT	1		
12	14M7291	FLANGE NUT	2	M16	
13	14M7275	NUT	2	M12	
14	24H1789	WASHER	1	17/32" X 1-1/4" X 0.105"	
15	A25695	SPRING	1		
16	H95499	GAUGE	1		
17	24H1748	WASHER	1	1/2" X 1-1/4" X 0.105"	
18	24M7240	WASHER	2	13 X 25 X 3 MM	
19	H126346	BOLT	1		
20	14M7299	FLANGE NUT	1	M12	
21	AH147476	BRACKET	1		
22	19M7789	SCREW	2	M12 X 30	
23	14M7299	FLANGE NUT	2	M12	
24	H126371	BRACE	1	FRONT	
25	H126370	REINFORCEMENT	1		
26	03M7198	BOLT	1	M12 X 30	
27	H98655	BUSHING	2		
28	19M7789	SCREW	2	M12 X 30	
29	14M7299	FLANGE NUT	2	M12	

3E3

VARIABLE SPEED DRIVE TIGHTENER
HP9399 -UN-07DEC99



HP9399

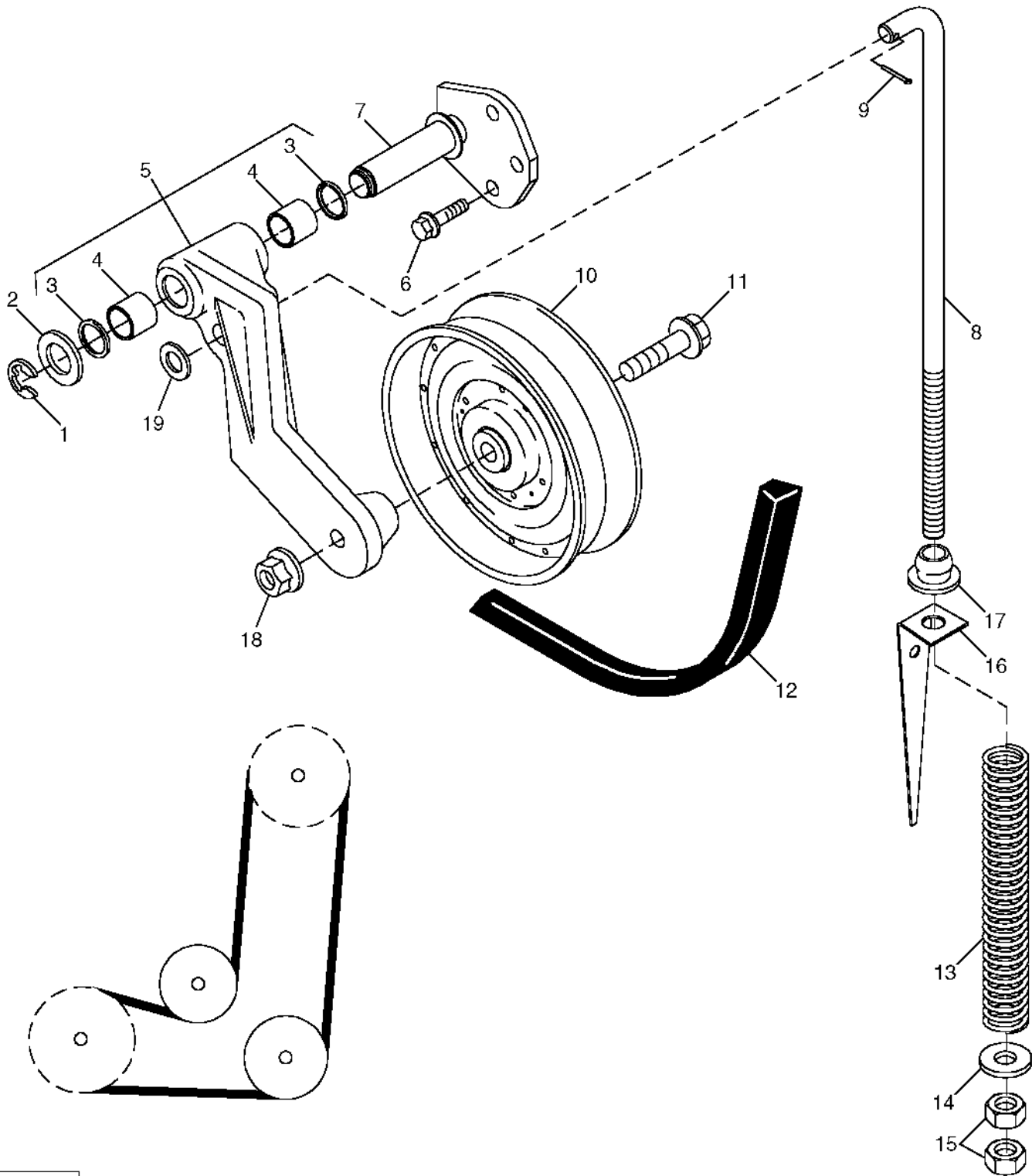
VARIABLE SPEED DRIVE TIGHTENER - CONTINUED

KEY	PART NO.	PART NAME	QTY	SERIAL NO.	REMARKS
1	14M7299	FLANGE NUT	6	M12	
2	H126371	BRACE	1		
3	19M7789	SCREW	3	M12 X 30	
4	19M7789	SCREW	2	M12 X 30	
5	14M7299	FLANGE NUT	3	M12	
6	AH147476	BRACKET	1		
7	19M7845	SCREW	1	M16 X 90	
8	24H1698	WASHER	1	21/32" X 1-5/8" X 1/4"	
9	H156850	SPACER	1		
10	H161648	BELT	1	(STANDARD CAPACITY)	
	H156863	BELT	1	(HIGH CAPACITY)	
11	AH166439	PULLEY	1		
12	14M7291	FLANGE NUT	1	M16	
13	03M7192	BOLT	3	M10 X 30	
14A	AH162787	STRAP	1	(SUB AH167579)	
14B	AH167579	STRAP	1		
15	14H821	NUT	3	5/8"	
16	24M7053	WASHER	3	17 X 30 X 3 MM	
17	03H2308	BOLT	1	5/8" X 3-1/4"	
18	14M7296	FLANGE NUT	3	M10	
19	19M7790	SCREW	3	M12 X 35	
20	14M7298	FLANGE NUT	2	M8	
21	H166971	STRAP	1		
22	14M7277	NUT	2	M20	
23	03M7185	BOLT	2	M8 X 25	
24	AH142407	BRACE	1		
25	03M7198	BOLT	1	M12 X 30	
26	03M7183	BOLT	1	M8 X 16	
	14M7298	FLANGE NUT	1	M8	
27	H136336	HOSE CLAMP	1		

3E5

FEEDER HOUSE

FEEDER HOUSE DRIVE TIGHTENER
HP9479 -UN-23FEB00



HP9479

3E6

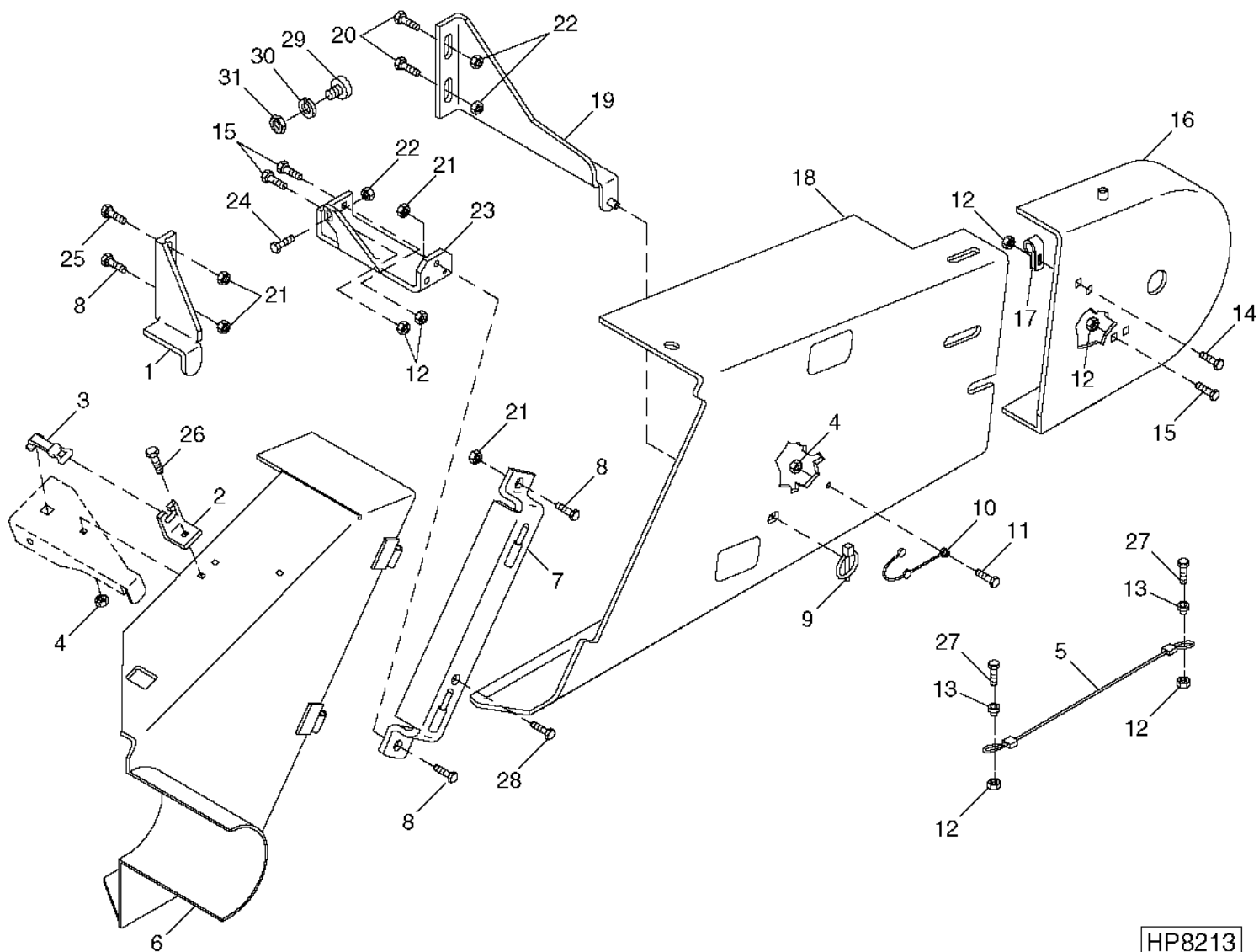
FEEDER HOUSE

FEEDER HOUSE DRIVE TIGHTENER - CONTINUED

KEY	PART NO.	PART NAME	QTY	SERIAL NO.	REMARKS
1	P46402	SNAP RING	1		
2	24M7091	WASHER	1	26 X 44 X 4 MM	
3	AA5607R	SEAL	2		
4	H99147	BUSHING	2	(SUB H171061)	
	H171061	BEARING	2		
5	AH168397	ARM	1	(SUB FOR AH156843 AND H163557)	
6	19M7784	SCREW	3	M10 X 20	
7	AH156051	SPRING PIN	1		
8	H126169	BOLT	1		
9	11M7028	COTTER PIN	1	5 X 32 MM	
10	AH166439	IDLER	1		
11	19M7824	SCREW	1	M16 X 60	
12	H151952	BELT	1		
13	N61654	SPRING	1		
14	24H1373	WASHER	1	21/32" X 1-9/16" X 0.180"	
15	14M7276	NUT	2	M16	
16	H116862	GAUGE	1		
17	H129208	PIVOT	1		
18	14M7291	FLANGE NUT	1	M16	
19	24M7053	WASHER	1	17 X 30 X 3 MM	

LEFT HAND DRIVE SHIELD - WITHOUT AIRFLOW

HP8213 -UN-10JUN99



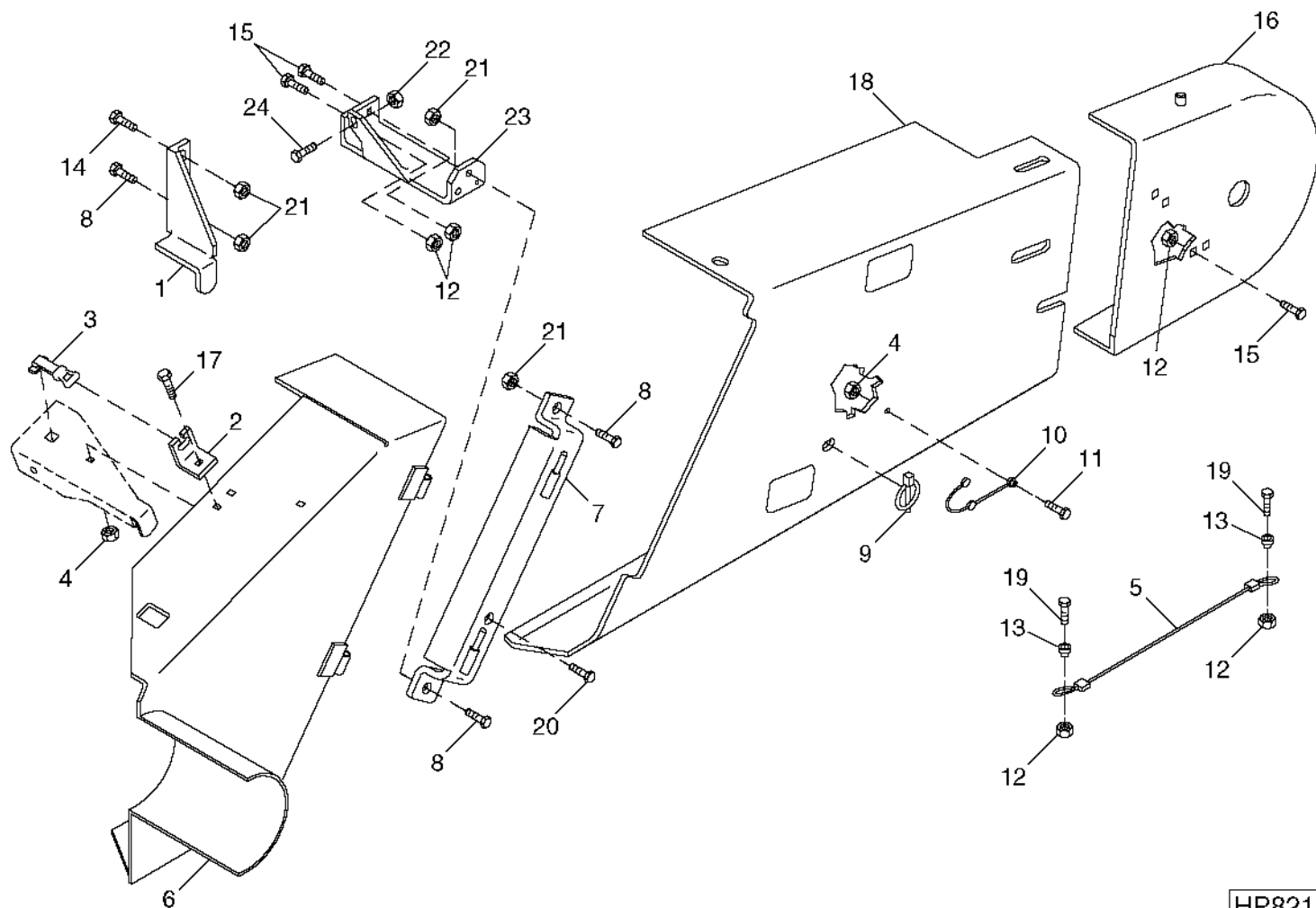
HP8213

LEFT HAND DRIVE SHIELD - WITHOUT AIRFLOW - CONTINUED

KEY	PART NO.	PART NAME	QTY	SERIAL NO.	REMARKS
1	H167451	SUPPORT	1		
2	H141549	CLAMP	1		
3	A44990	LATCH	1		
4	14M7303	FLANGE NUT	2	M6	
5	AH134121	CABLE	1		
6	AH161063	SHIELD	1	LEVEL LAND	
7	AH160798	SUPPORT	1		
8	19M7788	SCREW	3	M12 X 25	
9	M72598	QUICK LOCK PIN	1		
10	H167815	STRAP	1		
11	21M7246	SCREW	1	M6 X 16	
12	14M7298	FLANGE NUT	4	M8	
13	M93425	SPACER	2		
14	03M7185	BOLT	1	M8 X 25	
15	03M7184	BOLT	3	M8 X 20	
16	AH162340	SHIELD	1		
17	T27523	CLAMP	1		
18	H167655	SHIELD	1		
19	AH160799	SUPPORT	1		
20	03M7190	BOLT	2	M10 X 20	
21	14M7299	FLANGE NUT	4	M12	
22	14M7296	FLANGE NUT	3	M10	
23	H162401	BRACKET	1		
24	19M7785	SCREW	1	M10 X 25	
25	19M7789	SCREW	1	M12 X 30	
26	03M7251	BOLT	1	M6 X 12	
27	21M7125	SCREW	2	M8 X 25	
28	37M7089	SCREW	1	M6 X 12, L.H, LEVEL LAND, WIDE	
29	57M7766	INSULATING CAPSULE	1		
30	57M7765	LOCK WASHER	1		
31	E73240	NUT	1		

LEFT HAND DRIVE SHIELD - WITH AIRFLOW

HP8214 -UN-23JUL99



HP8214

3E10

FEEDER HOUSE

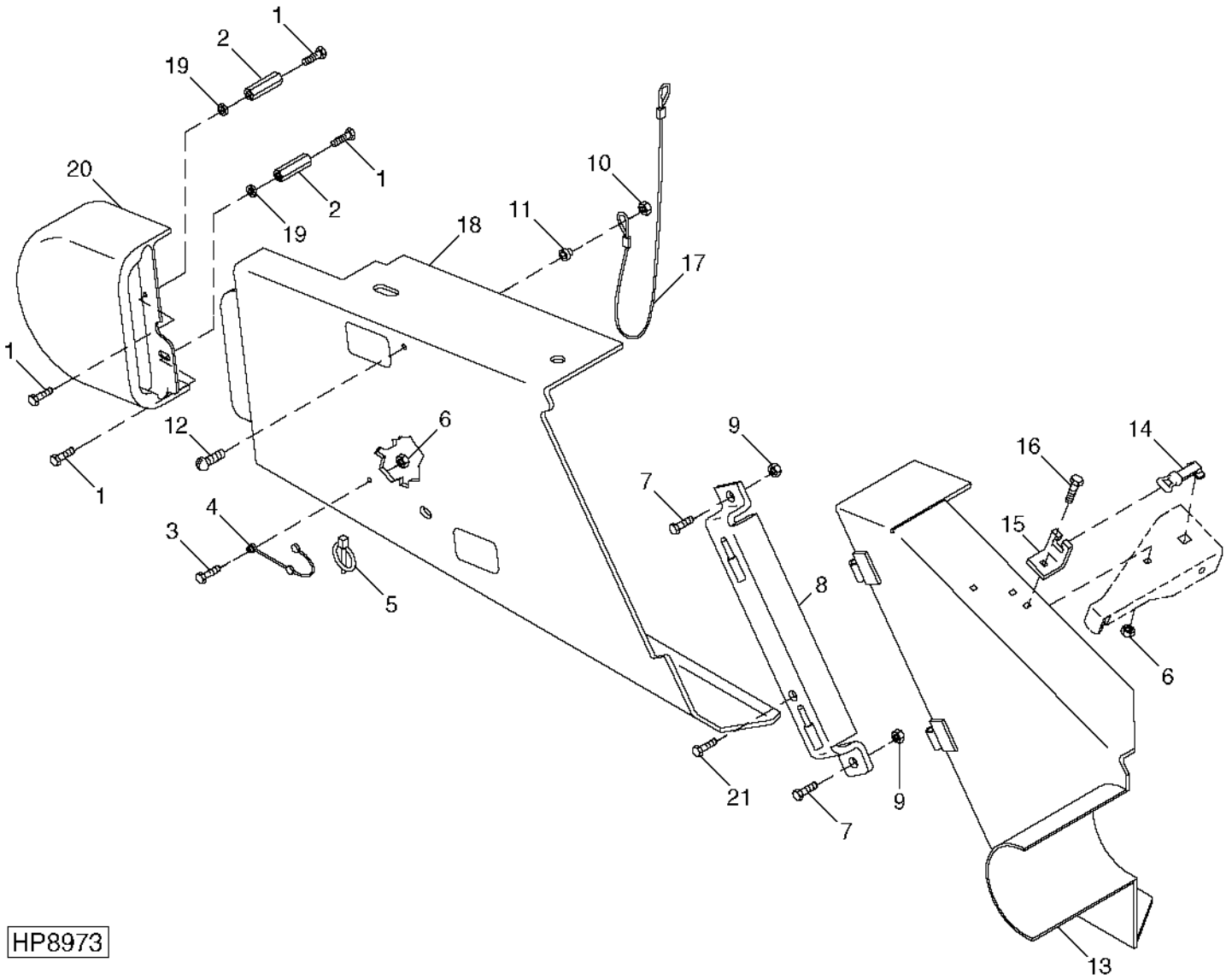
LEFT HAND DRIVE SHIELD - WITH AIRFLOW - CONTINUED

KEY	PART NO.	PART NAME	QTY	SERIAL NO.	REMARKS
1	H167451	SUPPORT	1		
2	H141549	CLAMP	1		
3	A44990	LATCH	1		
4	14M7303	FLANGE NUT	2	M6	
5	AH134121	CABLE	1		
6	AH161063	SHIELD	1	LEVEL LAND	
7	AH160798	SUPPORT	1		
8	19M7788	SCREW	3	M12 X 25	
9	M72598	QUICK LOCK PIN	1		
10	H167815	STRAP	1		
11	21M7246	SCREW	1	M6 X 16	
12	14M7298	FLANGE NUT	4	M8	
13	M93425	SPACER	2		
14	19M7789	SCREW	1	M12 X 30	
15	03M7184	BOLT	3	M8 X 20	
16	AH162340	SHIELD	1		
17	03M7251	BOLT	1	M6 X 12	
18	H167655	SHIELD	1		
19	21M7125	SCREW	1	M8 X 25	
20	03M7191	BOLT	1	M10 X 25	
21	14M7299	FLANGE NUT	4	M12	
22	14M7296	FLANGE NUT	3	M10	
23	H162401	BRACKET	1		
24	19M7785	SCREW	2	M10 X 25	

3E11

FEEDER HOUSE

RIGHT HAND DRIVE SHIELD
HP8973 -UN-27AUG99



HP8973

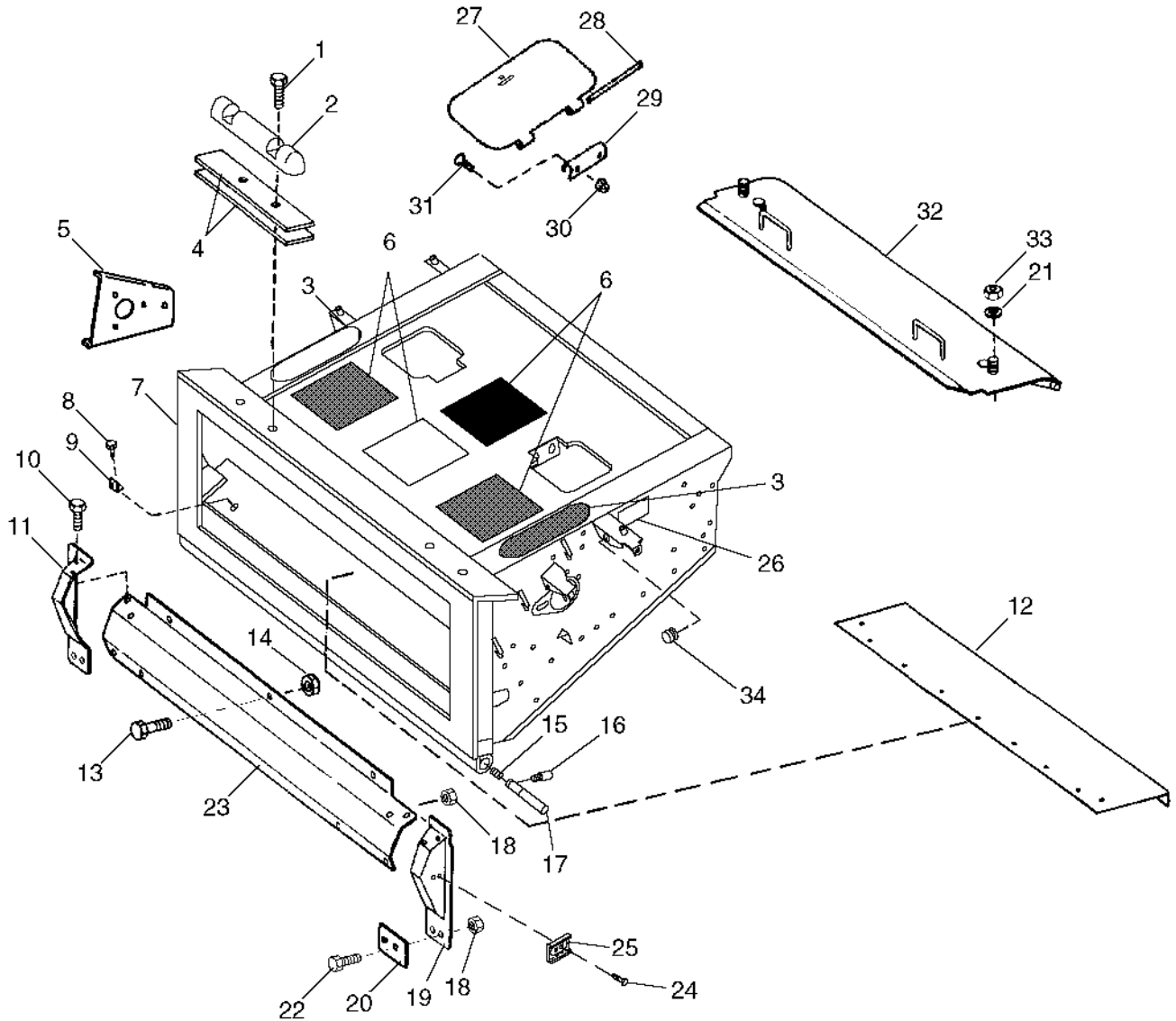
RIGHT HAND DRIVE SHIELD - CONTINUED

KEY	PART NO.	PART NAME	QTY	SERIAL NO.	REMARKS
1	19M7785	SCREW	4		
2	H143489	BUSHING	2		
3	21M7246	SCREW	1		M6 X 16
4	H167815	STRAP	1		
5	M72598	QUICK LOCK PIN	1		
6	14M7303	FLANGE NUT	2		M6
7	19M7788	SCREW	2		M12 X 25
8	AH160798	SUPPORT	1		
9	14M7299	FLANGE NUT	2		M12
10	14M7298	FLANGE NUT	2		M8
11	M93425	SPACER	2		
12	21M7125	SCREW	2		M8 X 25
13	AH161062	SHIELD	1		
14	A44990	LATCH	1		
15	H141549	CLAMP	1		
16	03M7251	BOLT	1		M6 X 12
17	AH134121	CABLE	1		
18	H167654	SHIELD	1		
19	24H1311	WASHER	2		10.312 X 31.750 X 5.588 MM
20	H146766	POWERSHAFT SHIELD	1		
21	37M7089	SCREW	1		M6 X 12

3E13

FEEDER HOUSE

FEEDER HOUSE FRAME
HP9692 -UN-12APR00



HP9692

3E14

FEEDER HOUSE

FEEDER HOUSE FRAME - CONTINUED

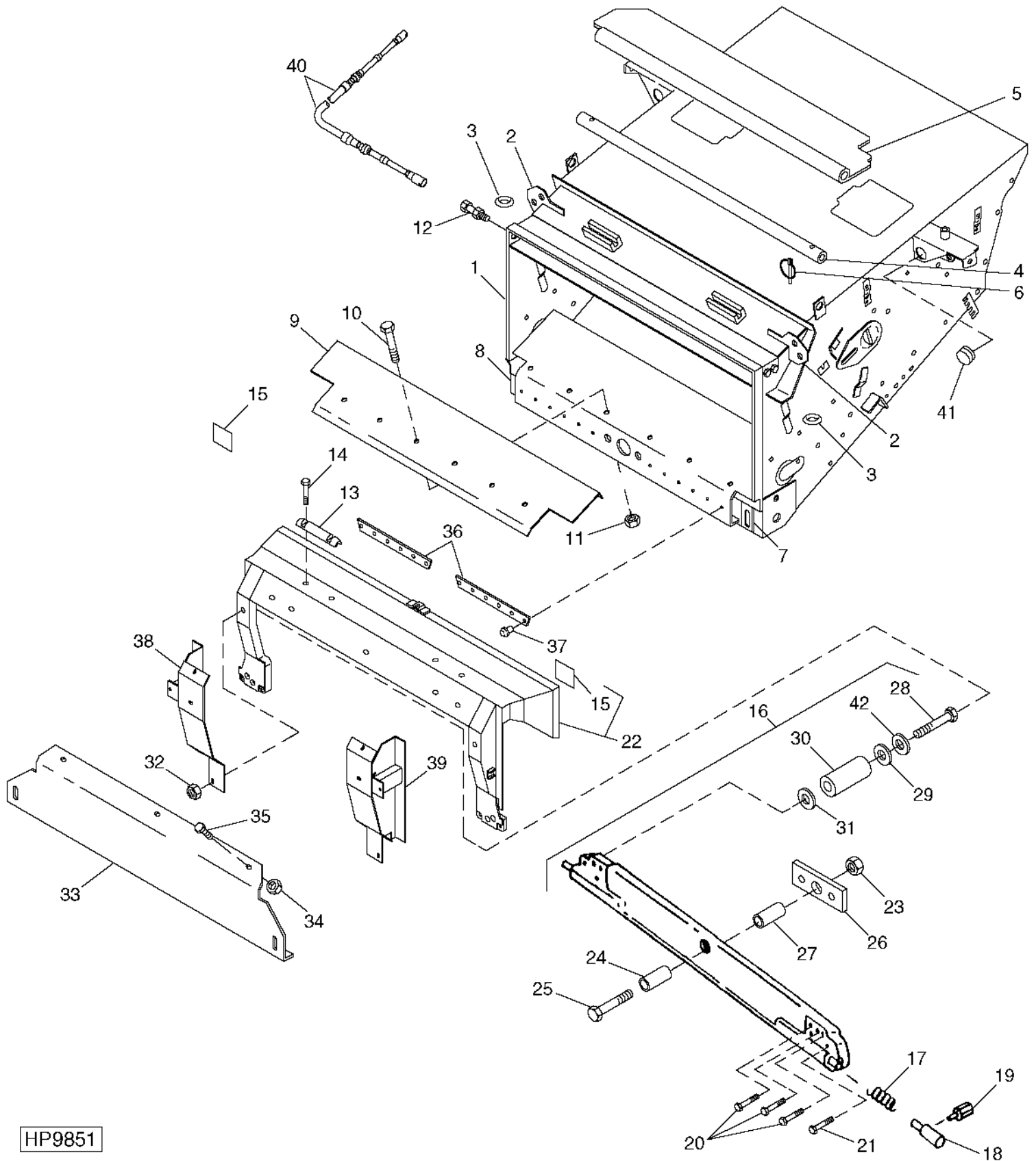
KEY	PART NO.	PART NAME	QTY	SERIAL NO.	REMARKS
1	19M7814	SCREW	4	-685568	M12 X 50
	19M7824	SCREW	4	685569-	M16 X 60
2	H159975	BLOCK CLAMP	2	-685568	
	H175547	SUPPORT	2	685569-	
3	H136013	MAT	1		
4	H175703	SHIM	4		(SUB FOR H133843)
5	H141835	REINFORCEMENT	2		
6	H136014	MAT	3		
7	AH169503	FRAME	1		(SUB FOR AH152356) (STANDARD)
	AH169506	FRAME	1		(SUB FOR AH160392) (FIXED SPEED) (ILLUSTRATED)
	AH169505	FRAME	1		(SUB FOR AH152358) (HIGH RISE)
	AH169508	FRAME	1		(SUB FOR AH160394) HIGH RISE W/O AIR FLOW (NARROW)
8	03M7192	BOLT	4		M10 X 30
9	H144063	ANGLE	2		
10	03M7190	BOLT	1		M10 X 20
11	H159533	DEFLECTOR	1		
12	H144052	WEAR PLATE	1		
	H143456	WEAR PLATE	1		RICE
13	19M7784	SCREW	6		M10 X 20
14	14M7296	FLANGE NUT	6		M10
15	124424	SPRING	2		
16	H134140	BOLT	2		
17	H130826	PIN	2		25.400 X 415.500 MM
18	14M7296	FLANGE NUT	4		M10
19	H159534	DEFLECTOR	1		
20	H143407	WEAR PLATE	2		DOMESTIC AND EXPORT - FRANCE
21	24M7047	WASHER	1		13 X 24 X 2.500 MM
22	19M7784	SCREW	7		M10 X 20
23	H123633	SHIELD	1		
24	03M7184	BOLT	4		
25	H158951	STRIPPER	2		
26	H149063	LABEL	2		
27	H152062	DOOR	1		
28	PIN	1		6.88", (MAKE FROM H76083)
29	H133989	HINGE	1		
30	14M7298	FLANGE NUT	1		
31	03M7183	BOLT	1		
32	AH126417	DOOR	1		
33	14M7401	LOCK NUT	1		
34	H173451	CAP	1		

3E15

FEEDER HOUSE

FEEDER HOUSE SHELL, WEAR PLATES AND SEALS - CONTOUR MASTER

HP9851 -UN-12JUN00



HP9851

3E16

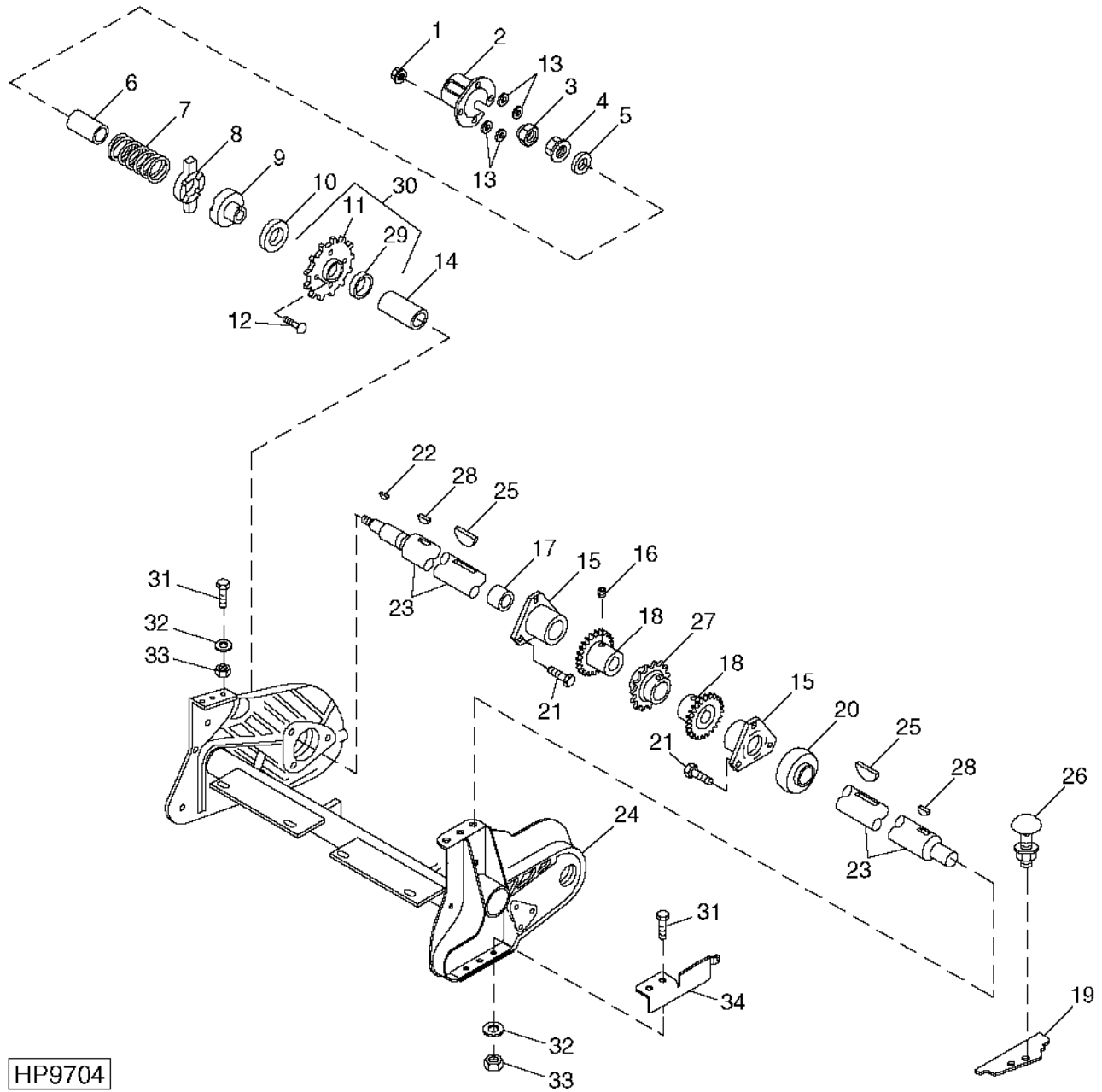
FEEDER HOUSE

FEEDER HOUSE SHELL, WEAR PLATES AND SEALS - CONTOUR MASTER - CONTINUED

KEY	PART NO.	PART NAME	QTY	SERIAL NO.	REMARKS
1	AH152360	FRAME	1		AIR FLOW
	AH160395	FRAME	1		WITHOUT AIR FLOW (ILLUSTRATED)
2	H149461	WEAR PLATE	2		
3	R495R	O-RING	2		(USE WITH H149461)
4	H144825	PIPE	1		
5	H148998	SEAL	1		
6	M72598	QUICK LOCK PIN	2		
7	H149459	WEAR PLATE	1		L.H. LOWER
8	H149460	WEAR PLATE	1		R.H. LOWER
9	H142861	PLATE	1		
10	03M7184	BOLT	6		M8 X 20
11	14M7298	FLANGE NUT	7		M8
12	19M7790	SCREW	4		M12 X 35
	14M7299	FLANGE NUT	4		M12
13	H159975	BLOCK CLAMP	2	-685568	
	H175547	SUPPORT	2	685569-	
14	19M7790	SCREW	4	-685568	M12 X 35
	19M7844	SCREW	4	685569-	M16 X 45
15	H151607	SIGN	4		"CAUTION" HEADER TILT
16	AH162724	FRAME	1		
17	124424	SPRING	2		
18	H130040	PIN	2		
19	H149523	BOLT	2		
20	19M7844	SCREW	6		M16 X 45, (USE LOCTITE)
21	19M7815	SCREW	1		M12 X 60, (USE LOCTITE)
22	AH145281	FRAME	1	-685568	
	AH169869	ASSEMBLY LINE PARTS	1	685569-	
23	14M7300	FLANGE NUT	1		M20
24	H142870	BUSHING	1		
25	19M7921	CAP SCREW	1		M20 X 150
26	H149518	STRAP	1		
27	H149517	PIN	1		
28	19M7820	SCREW	2		M12 X 100
29	E81185	WASHER	2		
30	28H3320	BUSHING	2		0.546" X 0.840" X 1-3/16"
31	24H1252	WASHER	2		1/2" X 1-1/2" X 0.060"
32	14M7299	FLANGE NUT	2		M12
33	H142869	WEATHER ENCLOSURE	1		
34	H135891	LOCK NUT	7		
35	19M7784	SCREW	7		M10 X 20
36	H162410	STRIP	2		
37	M64720	RIVET	14		
38	AH143362	SHIELD	1		
39	AH143361	SHIELD	1		
40	AH162586	CABLE	1		WITHOUT AIRFLOW
	AH162587	CABLE	1		WITH AIRFLOW
41	H173451	CAP	1		
42	24M7240	WASHER	1		13 X 25 X 3 MM

3E17

FEEDER HOUSE UPPER SHAFT AND SLIP CLUTCH HP9704 -UN-18APR00



HP9704

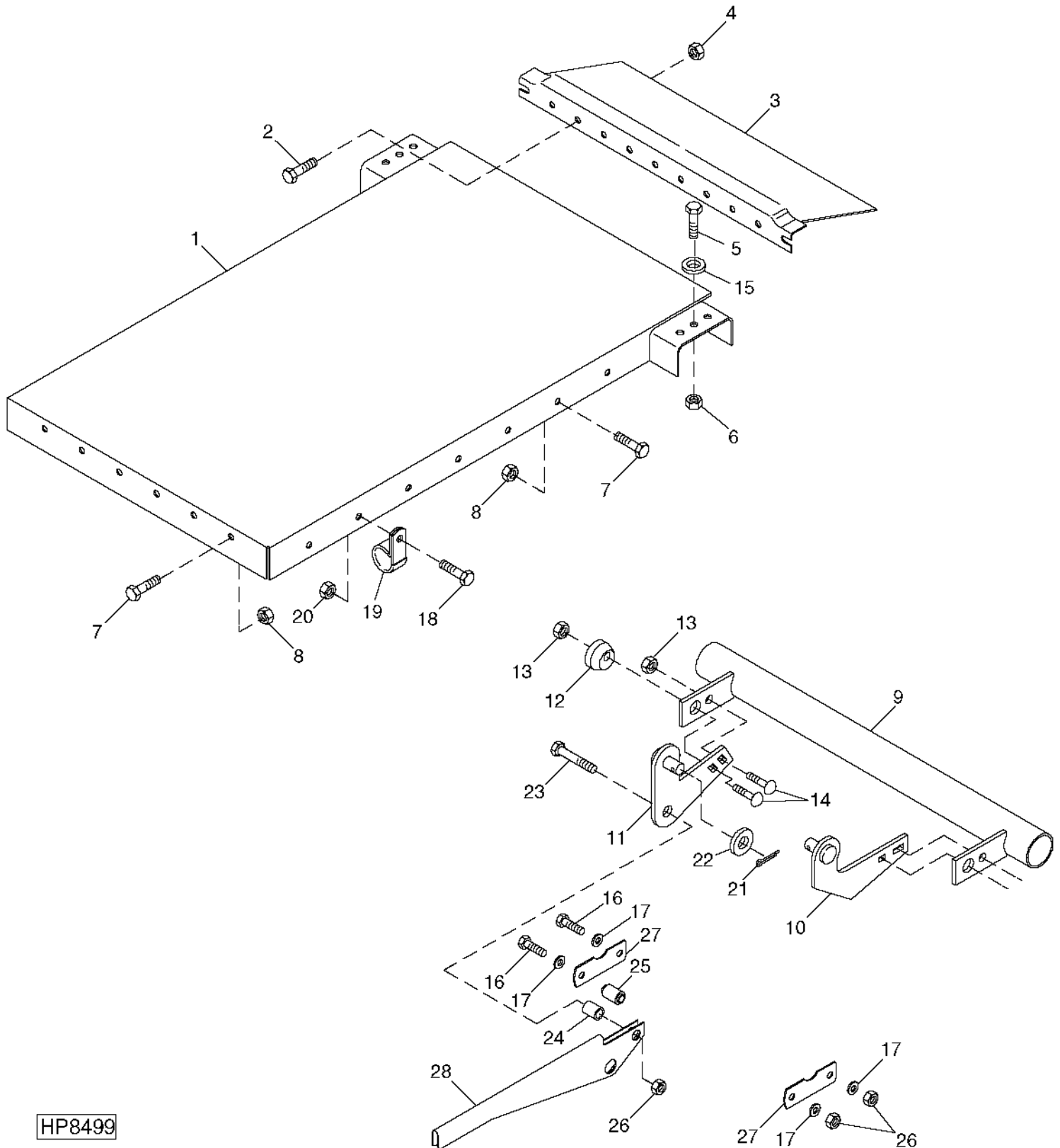
FEEDER HOUSE UPPER SHAFT - CONTINUED

KEY	PART NO.	PART NAME	QTY	SERIAL NO.	REMARKS
1	14M7299	FLANGE NUT	4	M12	
2	H119710	HOUSING	1		
3	A31871	LOCK NUT	1		
4	14M7278	NUT	1	M24	
5	R90521	WASHER	1	24.500 X 37 X 6.200 MM	
6	H129659	SPACER	1	30.140 X 38.100 X 48 MM	
7	H109855	SPRING	1		
8	H101677	JAW	1		
9	H105590	HUB	1		
10	H99303	WASHER	1	46.736 X 90.424 X 3.404 MM	
11	H119709	CHAIN SPROCKET	1		
12	03M7200	BOLT	4	M12 X 40	
13	24H1341	WASHER	4	17/32" X 15/16" X 0.060"	
14	H143354	SPACER	1		
15	H147593	HOUSING	2		
16	H156580	SET SCREW	8	M12 X 16	
17	JD10020	BALL BEARING	1		
18	H159613	CHAIN SPROCKET	2		
19	H147482	BRACKET	2		
20	JD9373	BALL BEARING	1		
21	19M7789	SCREW	6	M12 X 30	
22	26H103	SHAFT KEY	1	1/4" X 2-1/8"	
23	H156576	SHAFT	1		
24	AH141399	TUBE	1	(SUB AH167126)	
	AH167126	TUBE	1		
25	H156579	SHAFT KEY	2		
26	03M7191	BOLT	4	M10 X 25	
	14M7296	FLANGE NUT	4	M10	
27	H159614	CHAIN SPROCKET	1		
28	H156578	SHAFT KEY	2		
29	H105584	BUSHING	1		
30	AH116232	CHAIN SPROCKET	1		
31	19M8002	CAP SCREW	12	M20 X 55	
32	24M7242	WASHER	12	21.400 X 42 X 5 MM	
33	14M7300	FLANGE NUT	12	M20	
34	H172667	BRACKET	1		
35	H168732	BALL STUD	1		

3E19

FEEDER HOUSE

FEEDER HOUSE FLOOR AND LATCH HANDLE
HP8499 -UN-13JUL99



HP8499

3E20

FEEDER HOUSE

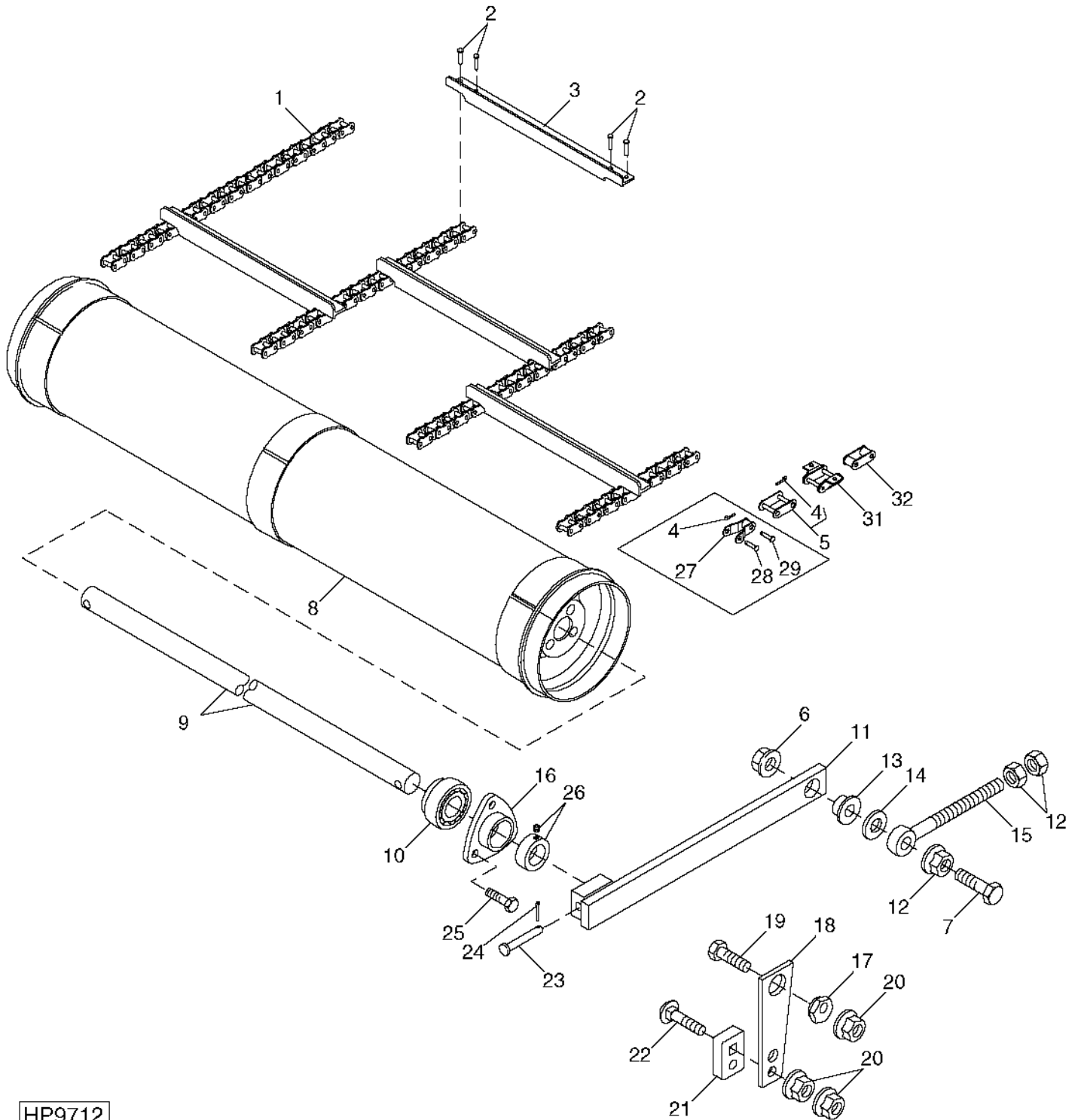
FEEDER HOUSE FLOOR AND LATCH HANDLE - CONTINUED

KEY	PART NO.	PART NAME	QTY	SERIAL NO.	REMARKS
1	AH159703	FLOOR	1		
2	03M7190	BOLT	10	M10 X 20	
3	H173904	SEAL	1	(SUB FOR H170737)	
4	14M7296	FLANGE NUT	10	M10	
5	19M8002	CAP SCREW	6	M20 X 55	
6	14M7300	FLANGE NUT	6	M20	
7	19M7789	SCREW	18	M12 X 30	
8	14M7299	FLANGE NUT	18	M12	
9	AH161016	SUPPORT	1		
10	AH141782	ARM	1	L.H.	
11	AH141781	ARM	1	R.H.	
12	H97322	CAM	1		
13	14M7299	FLANGE NUT	4	M12	
14	19M7790	SCREW	4	M12 X 35	
15	24M7242	WASHER	6		
16	19M8318	SCREW	2	M8 X 45	
17	24M7207	WASHER	4	8.400 X 24 X 2 MM	
18	19M7784	SCREW	2	M10 X 20	
19	AH77279	CLIP	1		
20	14M7296	FLANGE NUT	2	M10	
21	11M7028	COTTER PIN	2	5 X 32 MM	
22	24M7053	WASHER	2	17 X 30 X 3 MM	
23	19M8291	SCREW	1	M8 X 35	
24	H133060	SLEEVE	1		
25	H132988	BUSHING	1		
26	14M7396	LOCK NUT	3	M8	
27	H136144	ADJUSTING STRAP	2		
28	H132986	HANDLE	1		

3E21

FEEDER HOUSE

FEEDER CONVEYOR IDLER SHAFT, DRUM AND CHAIN HP9712 -UN-26APR00



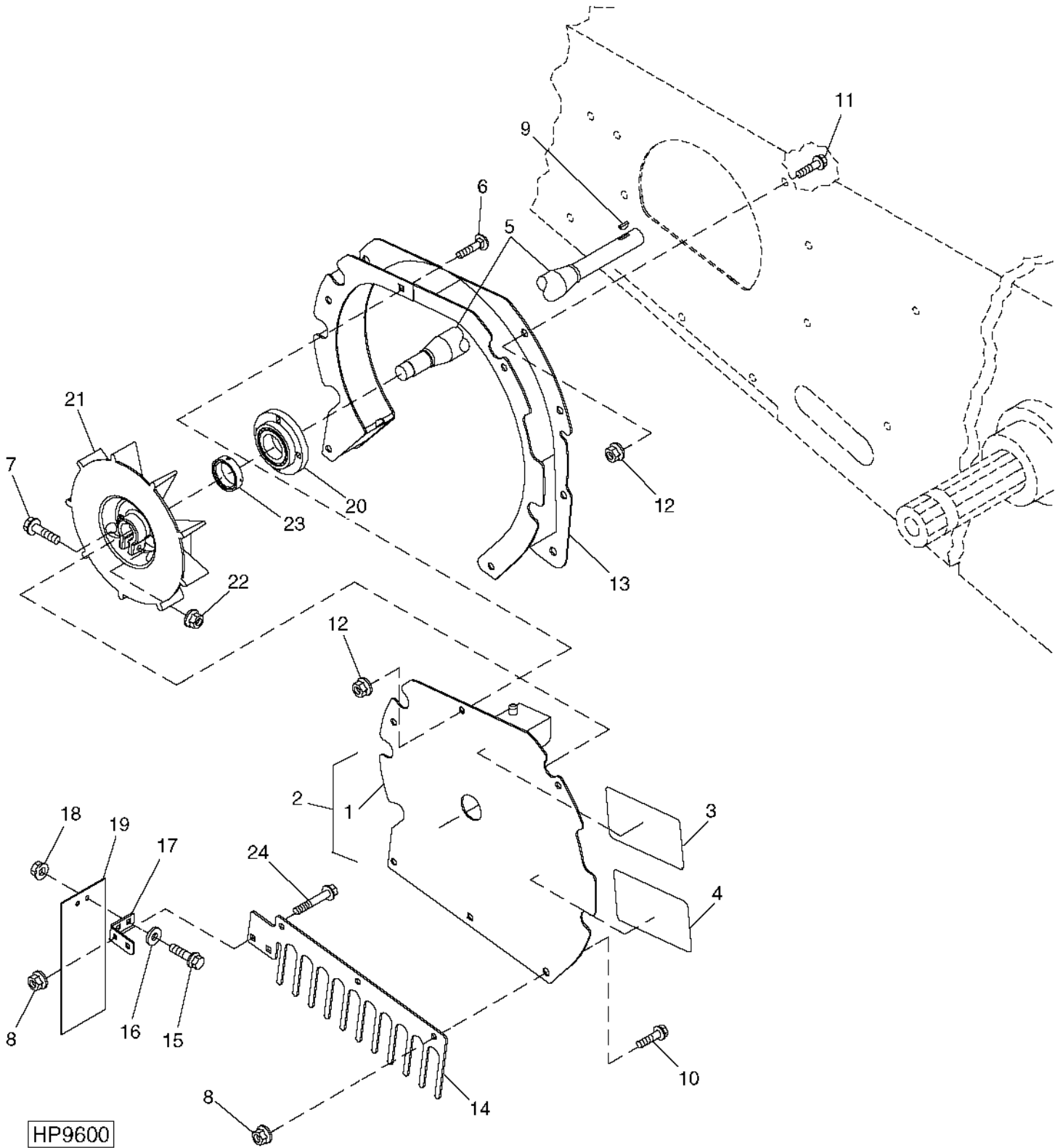
HP9712

FEEDER CONVEYOR IDLER SHAFT, DRUM AND CHAIN - CONTINUED

KEY	PART NO.	PART NAME	QTY	SERIAL NO.	REMARKS
1	AH138187	CONVEYOR	1		
2	16H1083	RIVET	296		5/16" X 5/8"
3	H134002	SLAT	AR		
4	H84026	HOOK	8		
5	AH137630	CHAIN LINK	4		
6	W39621	NUT	2		M16
7	19M7399	CAP SCREW	2		M16 X 85
8	AH142394	DRUM	1		
9	H123734	SHAFT	1		
10	JD8552	BALL BEARING	2		
11	AH126091	ARM	2		
12	14M7291	FLANGE NUT	6		M16
13	H131087	BUSHING	2		16.500 X 25.600 X 17 MM
14	24H1368	WASHER	2		21/32" X 1-5/16" X 0.090"
15	H131088	EYEBOLT	2		
16	H138753	HOUSING	2		
17	H97322	CAM	2		
18	H84942	PLATE	2		
19	H139098	BOLT	2		
20	14M7299	FLANGE NUT	6		M12
21	H144201	ADJUSTING STRAP	2		
22	H154331	BOLT	2		
23	45M7040	PIN	2		10 X 60 MM
24	11M7059	COTTER PIN	2		3.200 X 20 MM
25	19M7790	SCREW	6		M12 X 35
26	JD8551	ECCENTRIC LOCKING COLLAR	2		
27	LINK	1		
28	PIN	1		
29	PIN	1		
30	AH137631	CHAIN LINK	1		
31	AH158328	LINK	1		
32	AH158635	CHAIN LINK	1		

3E23

R.H. SIDE FEEDER HOUSE DUST FAN
HP9600 -UN-09MAR00



R.H. SIDE FEEDER HOUSE DUST FAN - CONTINUED

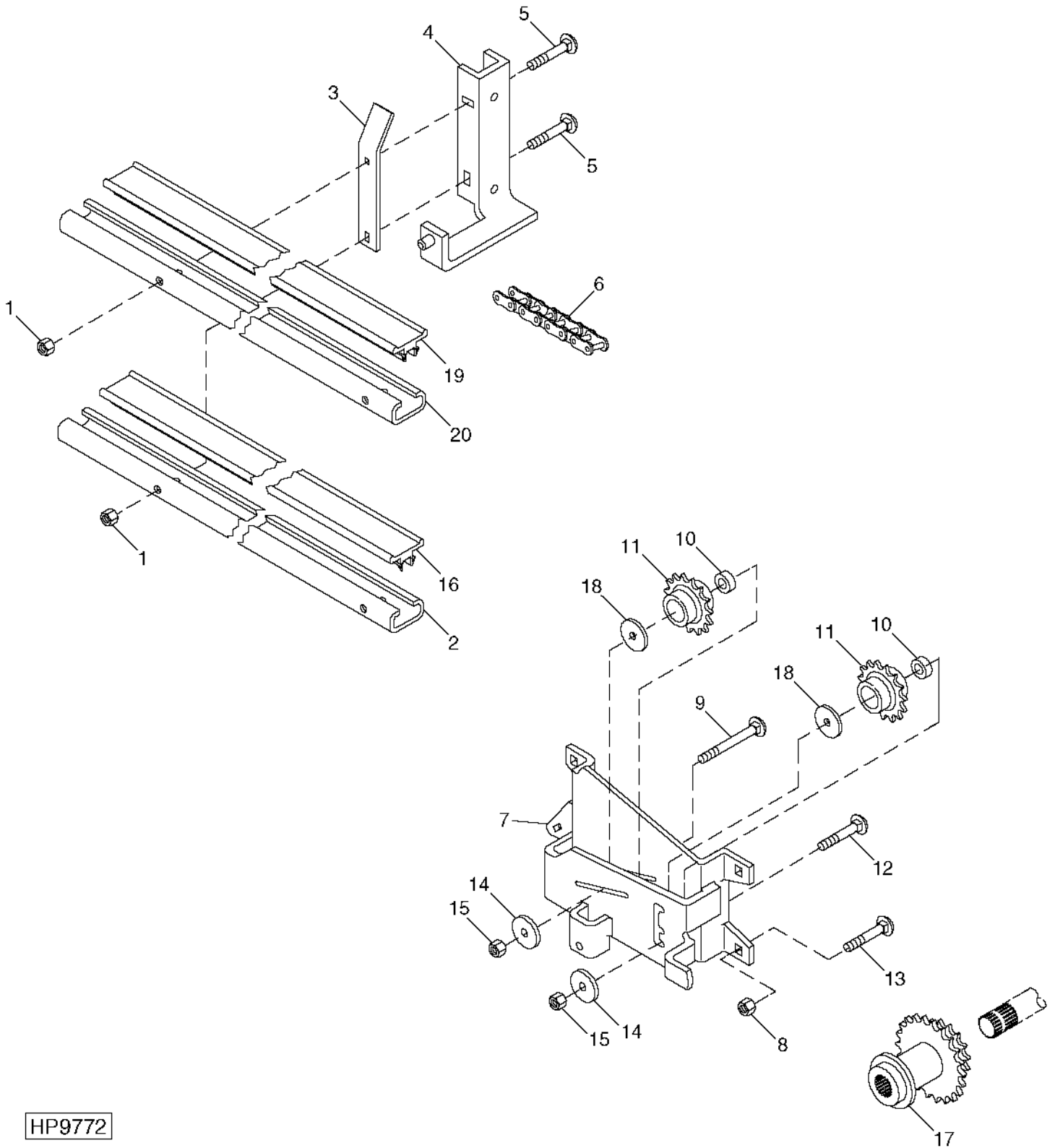
KEY	PART NO.	PART NAME	QTY	SERIAL NO.	REMARKS
1	H171318	COVER	1		
2	AH155936	COVER	1	R.H.	
3	H149063	LABEL	1		
4	H164537	SIGN	1		
5	H171636	SHAFT	1		WIDE AIRFLOW
6	19M7789	SCREW	1		M12 X 30
7	19M7806	SCREW	1		M10 X 50
8	14M7296	FLANGE NUT	7		M10
9	26M6787	SHAFT KEY	3		10 X 32 MM
10	19M7784	SCREW	3		M10 X 20
11	03M7198	BOLT	6		M12 X 30
12	14M7299	FLANGE NUT	7		M12
13	AH155659	PLATE	1		R.H.
14	H172177	FINGER	1		
15	03M7191	BOLT	4		M10 X 25
16	24M7178	WASHER	4		10.500 X 30 X 2.500 MM
17	H164009	BRACKET	1		
18	14M7400	LOCK NUT	4		M10
19	H164018	LIMIT CURTAIN	1		
20	AH157168	BEARING	1		
	AZ19427	BALL BEARING	1		
21	AH157415	FAN	1		
22	H135891	LOCK NUT	1		
23	AH133191	ECCENTRIC LOCKING COLLAR	1		

3F1

FEEDER HOUSE

FEEDER CONVEYOR DRIVE CHAIN AND IDLER BRACKET

HP9772 -UN-24MAY00



HP9772

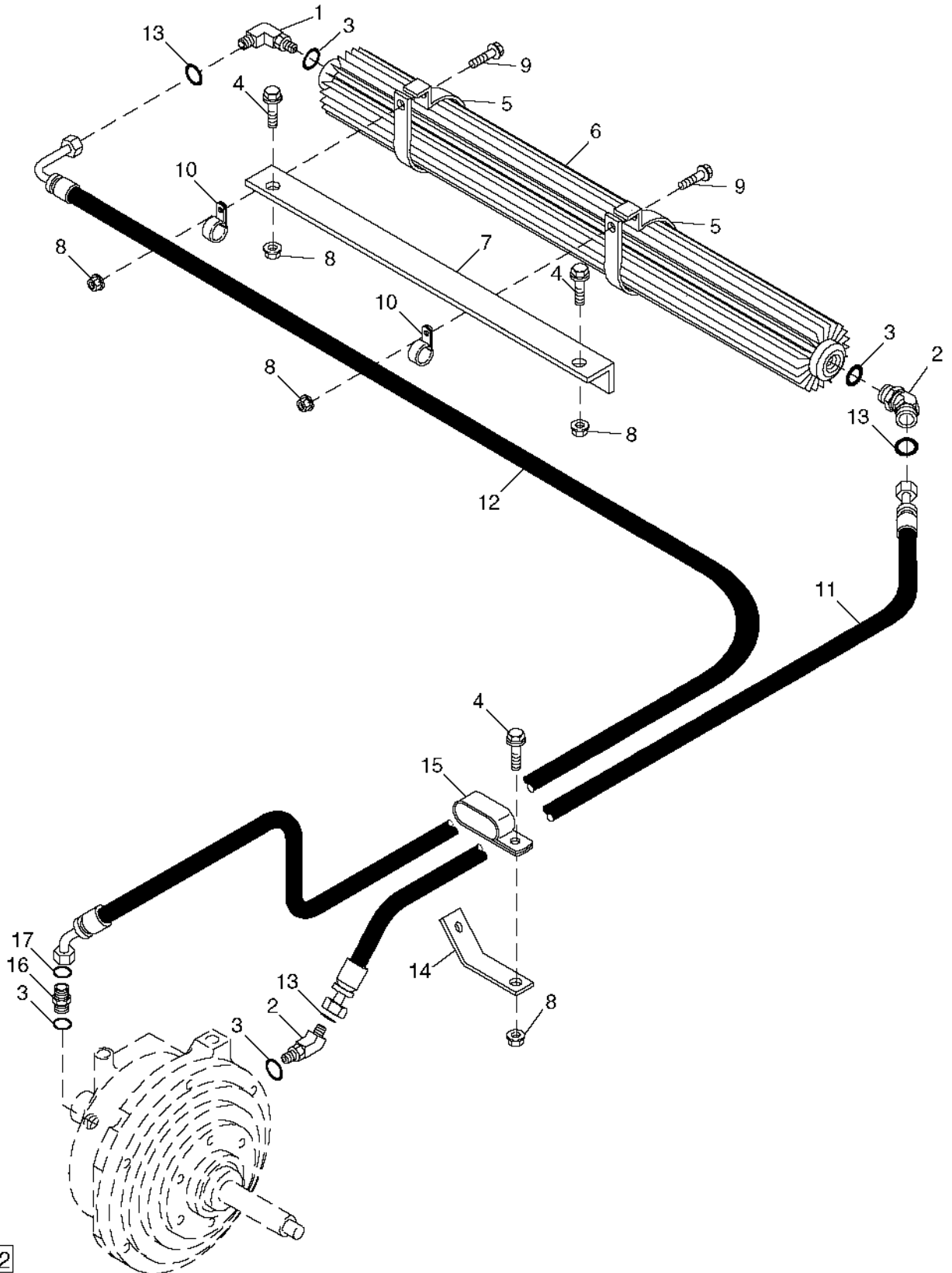
FEEDER CONVEYOR DRIVE CHAIN AND IDLER BRACKET - CONTINUED

KEY	PART NO.	PART NAME	QTY	SERIAL NO.	REMARKS
1	14M7400	LOCK NUT	4	M10	
2	H172471	SUPPORT	1	656MM	
3	H162320	PLATE	1		
4	AH160796	BRACKET	1		
5	03M7233	BOLT	4	M10 X 70	
6	AH118228	LINK CHAIN	1		ROLLER, TYPE 60, 19 MM (3/4") 220 LINKS (SMALL SPROCKET) AND 223 LINKS (LARGE SPROCKET); (OR ASSEMBLE FROM (4) AB1288H AND AB1289H)
7	AH155666	BRACKET	1		
8	14M7299	FLANGE NUT	4	M12	
9	03M7211	BOLT	1	M16 X 70	
10	H84374	BUSHING	2		16.662 X 34.925 X 12.700 MM
11	AE27909	CHAIN SPROCKET	2		
12	19M7826	SCREW	1	M16 X 70	
13	03M7197	BOLT	4	M12 X 25	
14	24M7103	WASHER	2	17.500 X 56 X 5 MM	
15	14M7291	FLANGE NUT	2	M16	
16	H172474	GUIDE	1	656MM	
17	AH149349	DRIVE SPROCKET	1		
18	H129716	WASHER	2		
19	H172473	GUIDE	1	935MM	
20	H172470	SUPPORT	1	935MM	

3F3

FEEDER HOUSE

FEEDER HOUSE GEARCASE OIL COOLER AND HOSES
HP8052 -UN-09MAR99



HP8052

3F4

FEEDER HOUSE

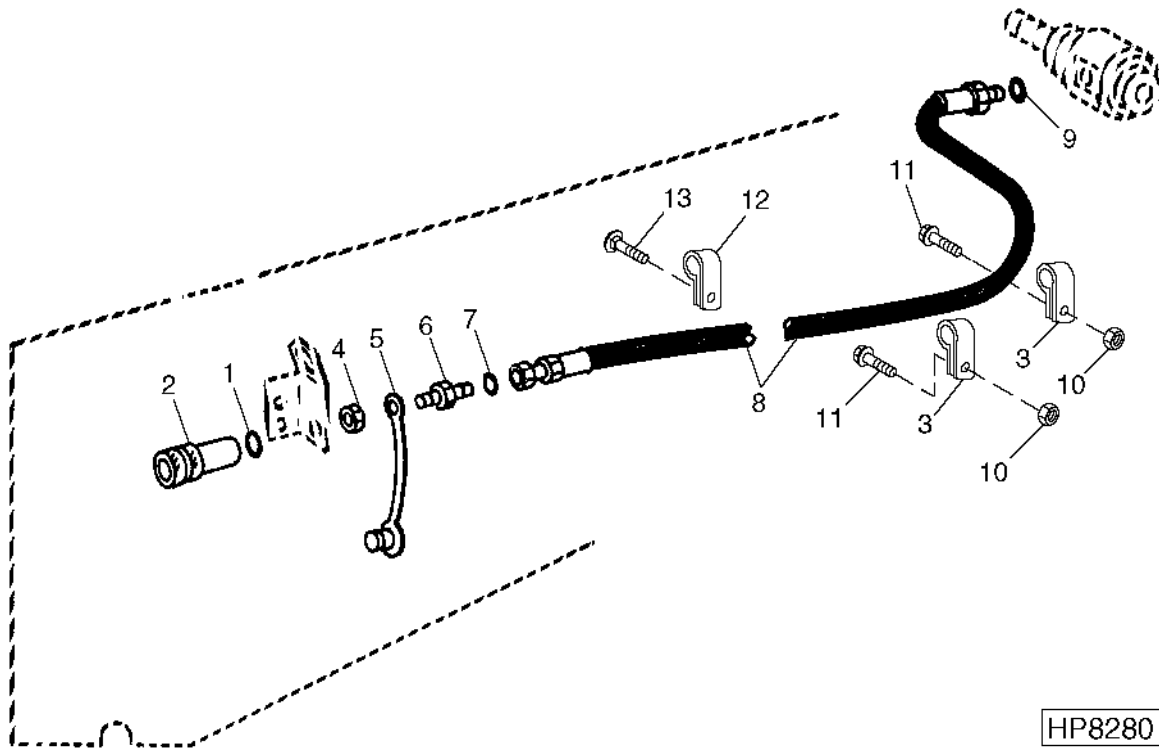
FEEDER HOUSE GEARCASE OIL COOLER AND HOSES - CONTINUED

KEY	PART NO.	PART NAME	QTY	SERIAL NO.	REMARKS
1	38H1005	ELBOW FITTING	1		
2	38H1046	ELBOW FITTING	2		
3	R26375	O-RING	4		
4	19M7866	SCREW	3	M8 X 20	
5	R111156	CLIP	2		
6	AH150687	OIL COOLER	1		
7	H163182	ANGLE	1		
8	14M7298	FLANGE NUT	5	M8	
9	19M7800	SCREW	2	M8 X 50	
10	AH89486	CLIP	2		
11	AH156475	HYDRAULIC HOSE	1		
12	AH156476	HYDRAULIC HOSE	1		
13	T77857	O-RING	3		
14	H163604	BRACKET	1		
15	AH97280	CLIP	1		
16	38H1171	ADAPTER	1		
17	T77613	O-RING	1		

3F5

FEEDER HOUSE

FEEDER HOUSE VARIABLE DRIVE HYDRAULIC HOSE
 HP8280 -UN-23JUL99



KEY	PART NO.	PART NAME	QTY	SERIAL NO.	REMARKS
1	R26375	O-RING	1		16.358 X 2.210 MM
2	AH75167	HYD. QUICK-CONNECT COUPLER	1		(INCLUDES INTERNAL O-RING)
3	T27523	CLAMP	2		
4	T81029	NUT	1		17.475 MM
5	H125403	PLUG	1		
6	AH121643	ORIFICE	1		
7	T77613	O-RING	1		9.246 X 1.778 MM
8	AH165964	HYDRAULIC HOSE	1		
9	R28782	O-RING	1		8.915 X 1.829 MM
10	14M7299	FLANGE NUT	2		M12
11	19M7790	SCREW	2		M12 X 35
12	T27523	CLAMP	1		
13	03M7192	BOLT	1		M10 X 30
	14M7298	FLANGE NUT	1		M8

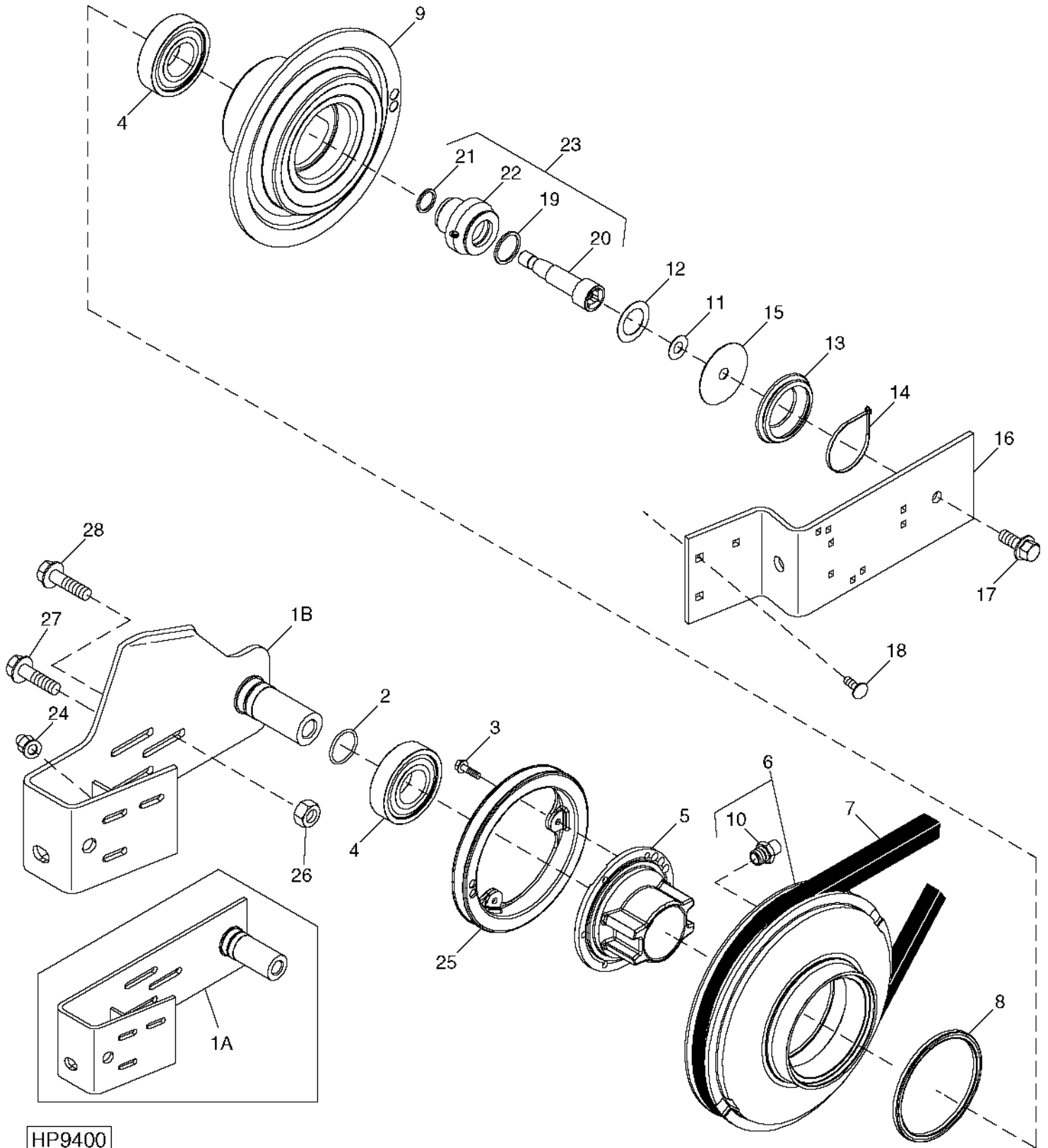
MEMORANDA

3F6

FEEDER HOUSE

VARIABLE DRIVE UPPER COUNTERSHAFT, SHEAVES AND SUPPORTS

HP9400 -UN-07DEC99



HP9400

3F7

FEEDER HOUSE

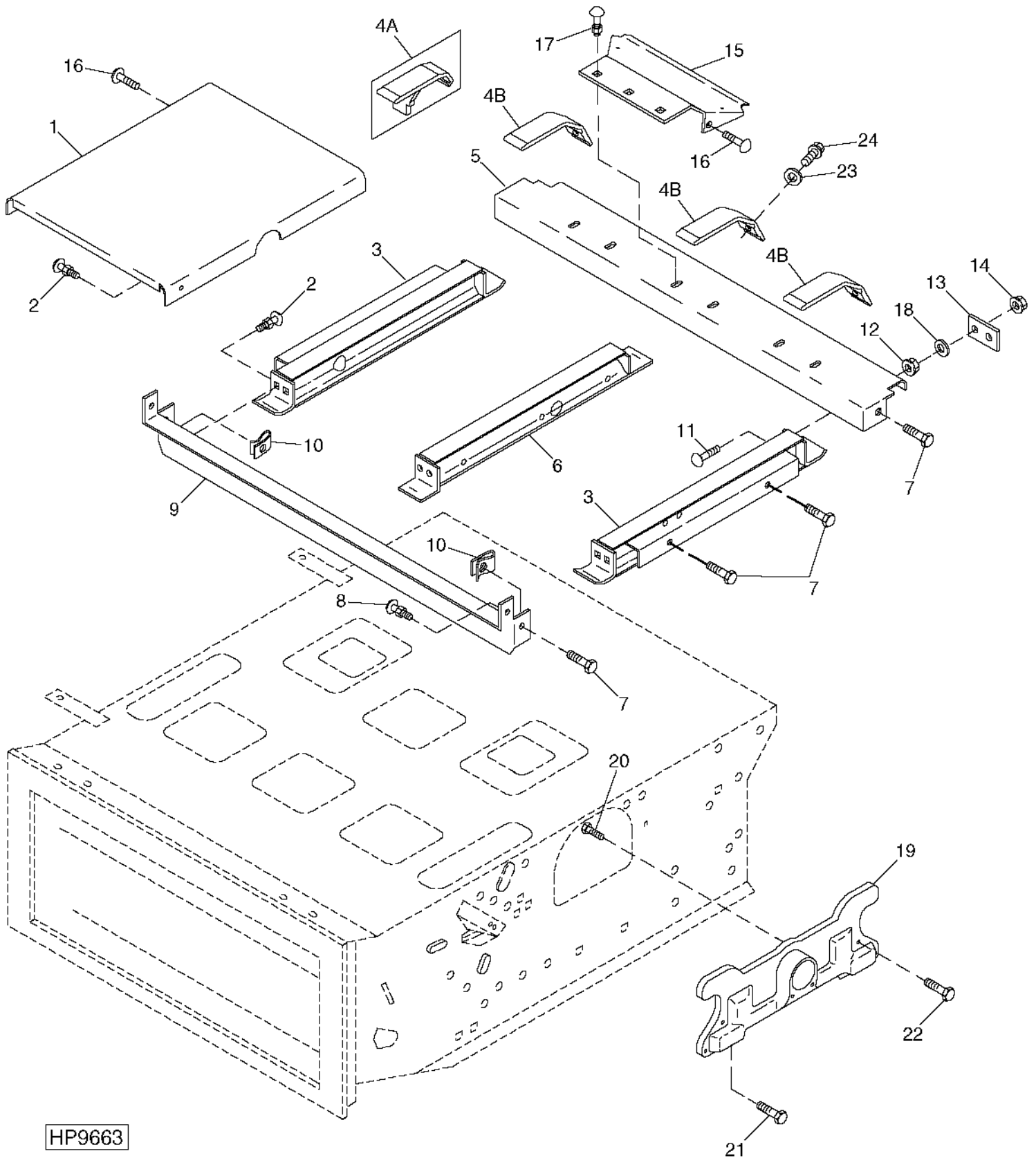
VARIABLE DRIVE UPPER COUNTERSHAFT, SHEAVES AND SUPPORTS - CONTINUED

KEY	PART NO.	PART NAME	QTY	SERIAL NO.	REMARKS
1A	AH162787	STRAP	1		
1B	AH167579	STRAP	1		(SUB AH167579)
2	R31378	O-RING	1		
3	19M7868	SCREW	6		M8 X 30
4	JD10018	BEARING	2		
5	H97378	HUB	1		W/O AIR FLOW
	H171206	HUB	1		WITH AIR FLOW
6	AH165220	SHEAVE	1		360 MM (14-15/64") DIA. (STANDARD CAPACITY)
	AH165221	SHEAVE	1		380 MM (14-61/64") DIA. (HIGH CAPACITY)
7	H151952	BELT	1		
8	AH136497	SEAL	1		
9	H160869	HALF SHEAVE	1		318 MM (12-35/64") DIA. (STANDARD CAPACITY)
	H158578	SHEAVE	1		380 MM (14-61/64") DIA. (HIGH CAPACITY)
10	JD7759	LUBRICATION FITTING	2		STRAIGHT, 1/8"
11	24H1740	WASHER	AR		21/32" X 1-3/8" X 0.032", STRAIGHT, 1/4"
12	H101448	WASHER	AR		38.500 X 60 X 0.800 MM (SPECIAL)
13	H93084	BOOT	1		
14	H77698	TIE BAND	1		SELF-LOCKING
15	H161388	WASHER	1		
16	H166971	STRAP	1		
17	19M7793	SCREW	1		M16 X 40
18	03M7192	BOLT	3		M10 X 30
19	H100247	SEAL	1		
20	H161544	PISTON	1		
21	H100246	SEAL	1		
22	H100245	BARREL	1		
23	AH154960	CYLINDER	1		
24	14M7296	FLANGE NUT	3		M10
25	H171312	SHEAVE	1		
26	14M7299	FLANGE NUT	3		M12
27	19M7814	SCREW	2		M12 X 50
28	19M7790	SCREW	3		M12 X 35

3F8

FEEDER HOUSE

FEEDER HOUSE RETURN FLOOR
HP9663 -UN-31MAR00



HP9663

3F9

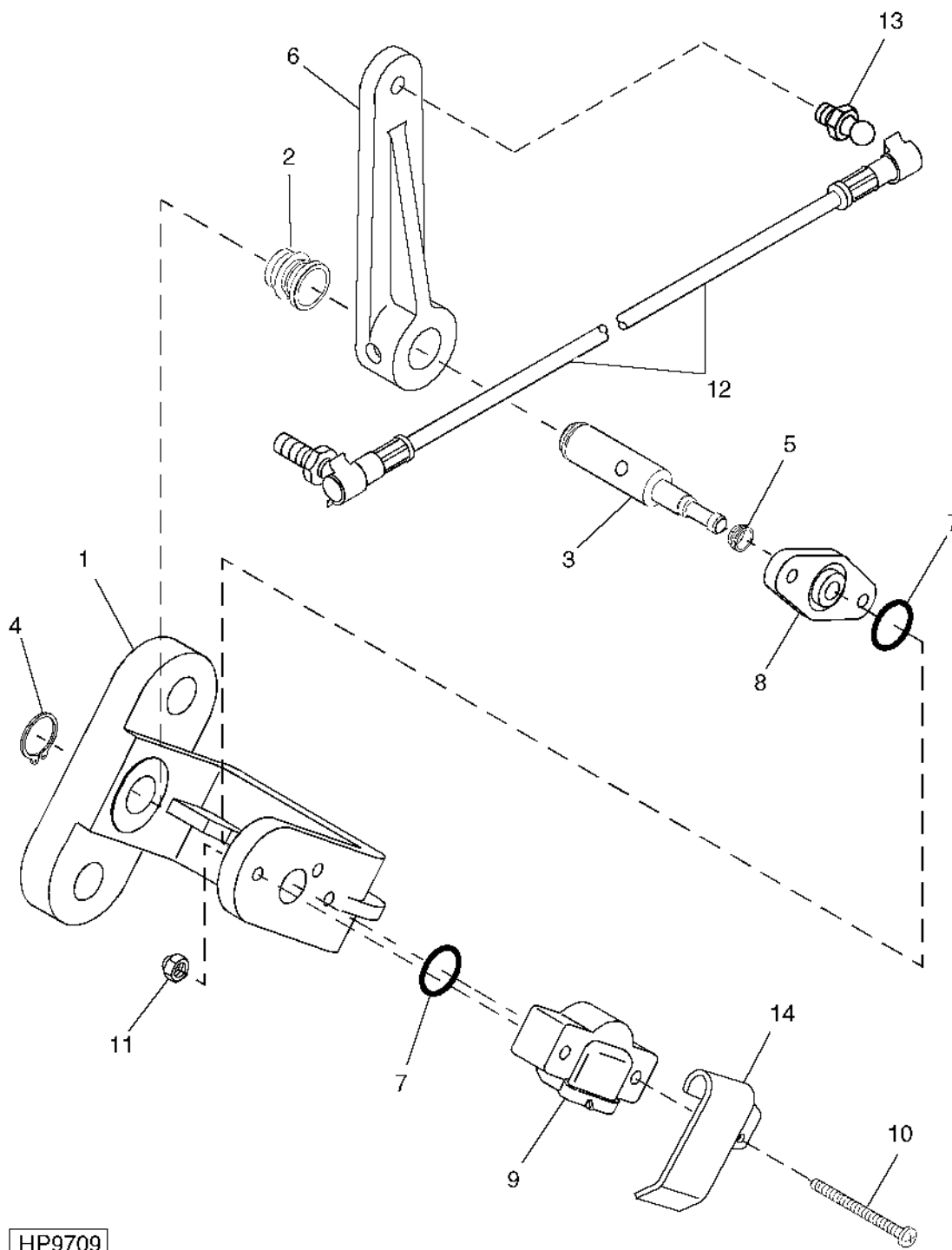
FEEDER HOUSE

FEEDER HOUSE RETURN FLOOR - CONTINUED

KEY	PART NO.	PART NAME	QTY	SERIAL NO.	REMARKS
1	AH155650	FLOOR	1		
2	03M7190	BOLT	10		M10 X 20
	14M7296	FLANGE NUT	10		M10
3	AH139243	RUNNER	2		OUTSIDE RUNNER
4A	H148187	ANGLE	3	-685496	
4B	H171960	STRIP	3	685497-	
5	AH141861	SUPPORT	1		
6	AH157942	RUNNER	2		INSIDE RUNNER
7	19M7784	SCREW	8		M10 X 20
8	03M7191	BOLT	2		M10 X 25
	14M7296	FLANGE NUT	2		M10
9	H143358	CHANNEL	1		
10	H146457	NUT	2		10 MM
11	03M7194	BOLT	6	-685496	M10 X 40
	03M7190	BOLT	6	685497-	M10 X 20
12	14M7296	FLANGE NUT	8		M10
13	H150458	STRAP	3	-685496	
14	14M7400	LOCK NUT	6	-685496	M10
15	H145464	STRIPPER	3		STRIPPER - TOP SHAFT
16	19M7785	SCREW	6		M10 X 25
17	03M7191	BOLT	6		M10 X 25
	14M7296	FLANGE NUT	6		M10
18	24M7028	WASHER	6	-685496	10.500 X 20 X 2 MM
19	H168278	SCOOP	2		
20	H165317	SCREW	2		
21	03M7198	BOLT	2		M12 X 30
22	03M7197	BOLT	4		M12 X 25
23	24M7101	WASHER	3	685497-	11 X 34 X 3 MM
24	H172222	SCREW	3	685497-	

3F10

FEEDER HOUSE POSITION SENSOR HP9709 -UN-18APR00



HP9709

3F11

FEEDER HOUSE

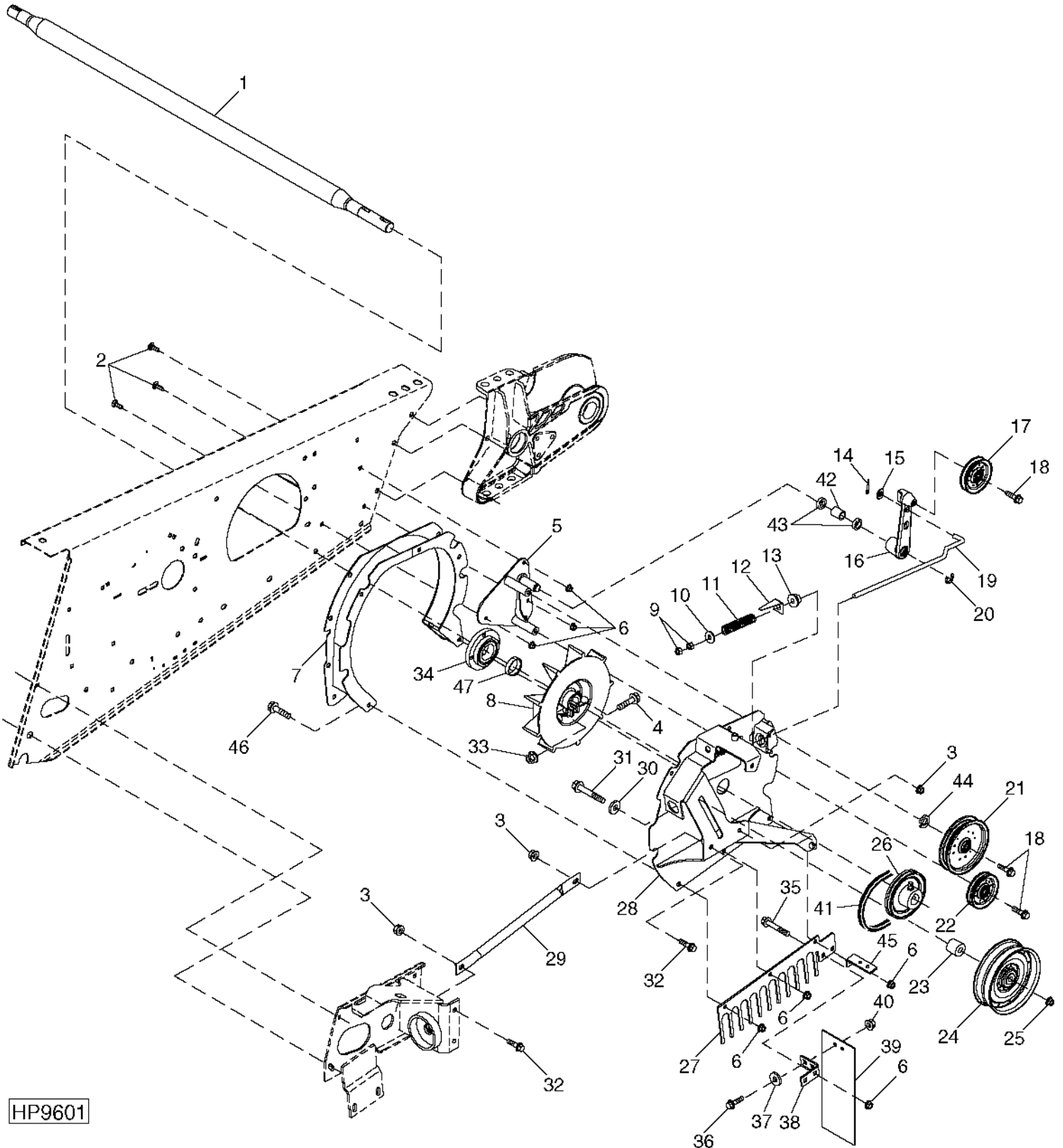
FEEDER HOUSE POSITION SENSOR - CONTINUED

KEY	PART NO.	PART NAME	QTY	SERIAL NO.	REMARKS
1	H156936	BRACKET	1		
2	R41076	GROMMET	1		
3	R111692	SHAFT	1		
4	R26871	SNAP RING	1		
5	R112679	SEAL	1		
6	H166313	LEVER	1		
7	P48347	O-RING	2		
8	R86457	SUPPORT	1		
9	RE56165	SENSOR	1		
10	21M7261	SCREW	2	M5 X 45	
11	14M7297	NUT	2	M5	
12	AH166038	LINKAGE	1		SPIKE TOOTH, LONG LINK (AS SHOWN)
13	H168732	BALL STUD	1		
14	H172460	BRACKET	1		

3F12

FEEDER HOUSE

L.H. SIDE FEEDER HOUSE DUST FAN
HP9601 -UN-09MAR00



HP9601

3F13

FEEDER HOUSE

L.H. SIDE FEEDER HOUSE DUST FAN - CONTINUED

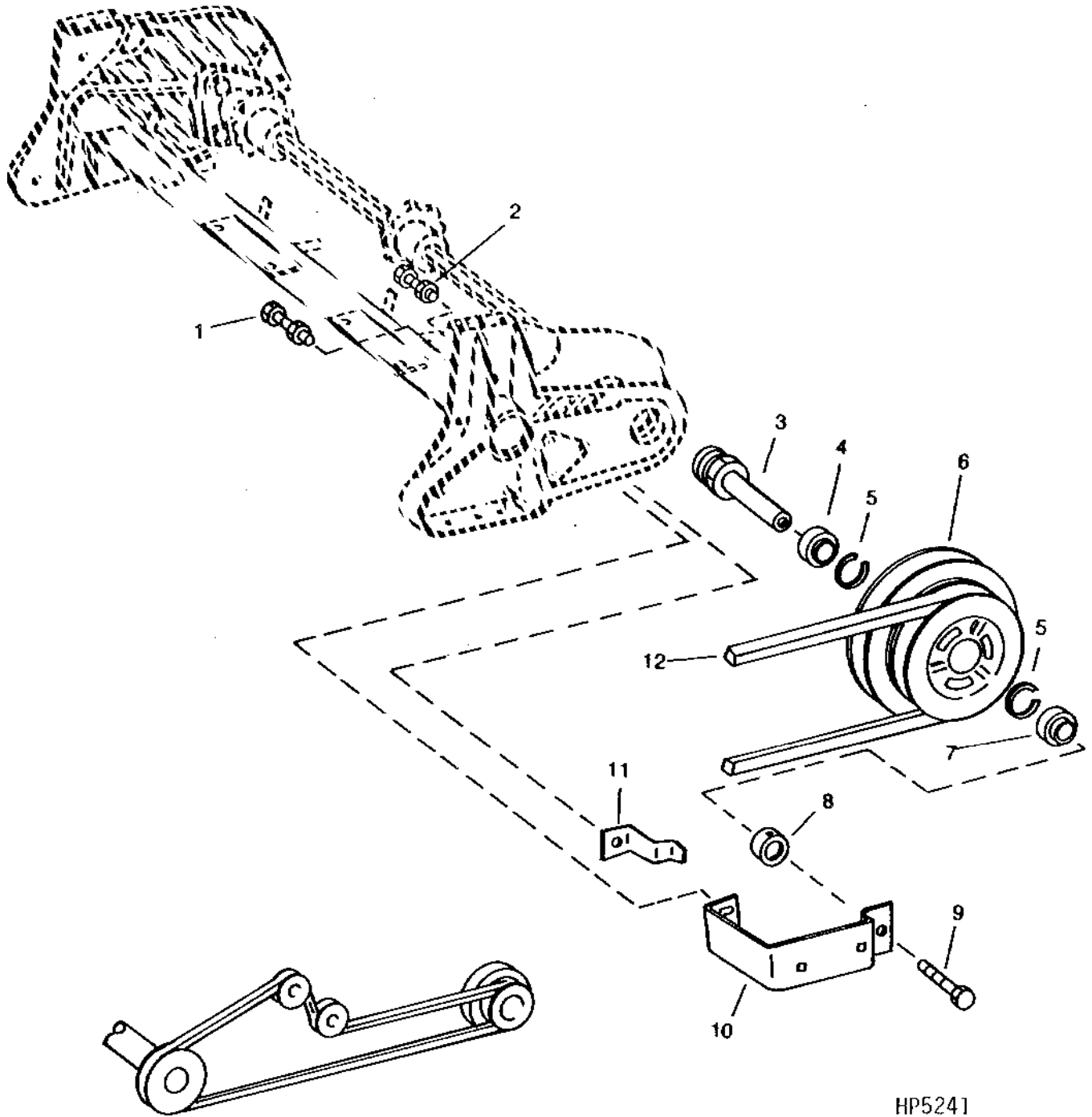
KEY	PART NO.	PART NAME	QTY	SERIAL NO.	REMARKS
1	H171636	SHAFT	1		
2	03M7192	BOLT	3	M10 X 30	
3	14M7299	FLANGE NUT	AR	M12	
4	19M7806	SCREW	1	M10 X 50	
5	AH165762	BRACKET	1		
6	14M7296	FLANGE NUT	5	M10	
7	AH155657	PLATE	1		
8	AH157415	FAN	1		
9	14M7275	NUT	2	M12	
10	24M7180	WASHER	1	13 X 37 X 3 MM	
11	H173508	SPRING	1		
12	H155062	GAUGE	1		
13	H129207	PIVOT	1		
14	11M7021	COTTER PIN	1	4 X 25 MM	
15	24M7047	WASHER	1	13 X 24 X 2.500 MM	
16	AH165787	ARM	1		
17	AH165788	SHEAVE	1		
18	19M7813	SCREW	3	M12 X 45	
19	H171533	BOLT	1		
20	P46402	SNAP RING	1		
21	AH14097	SHEAVE	1		
22	AH165788	SHEAVE	1		
23	H156850	SPACER	1		
24	AH166439	PULLEY	1		
25	14M7291	FLANGE NUT	1	M16	
26	AH155706	SHEAVE	1		
27	H172177	FINGER	1		
28	AH165496	COVER	1		
29	H126371	BRACE	1		
30	24H1698	WASHER	1	16.662 X 41.275 X 6.350 MM	
31	19M7828	SCREW	1	M16 X 100	
32	19M7789	SCREW	2	M12 X 30	
33	H135891	LOCK NUT	1		
34	AH157168	BEARING	1		
	AZ19427	BALL BEARING	1		
35	19M7845	SCREW	1	M16 X 90	
36	03M7191	BOLT	4	M10 X 25	
37	24M7178	WASHER	4	10.500 X 30 X 2.500 MM	
38	H164009	BRACKET	1		
39	H164018	LIMIT CURTAIN	1		
40	14M7400	LOCK NUT	4	M10	
41	H171386	BELT	1		
42	H98654	BUSHING	1		
43	AA5607R	SEAL	2		
44	24M7180	WASHER	1	13 X 37 X 3 MM	
45	H171513	BRACKET	1		
46	19M7784	SCREW	3	M10 X 20	
47	AH133191	ECCENTRIC LOCKING COLLAR	1		

3F14

FEEDER HOUSE

UPPER DRIVE SHAFT, SHEAVE AND MOUNTINGS (FIXED SPEED WITH REVERSER)

HP5241 -UN-01JAN94



HP5241

3F15

FEEDER HOUSE

UPPER DRIVE SHAFT, SHEAVE AND MOUNTINGS - CONTINUED
(FIXED SPEED WITH REVERSER)

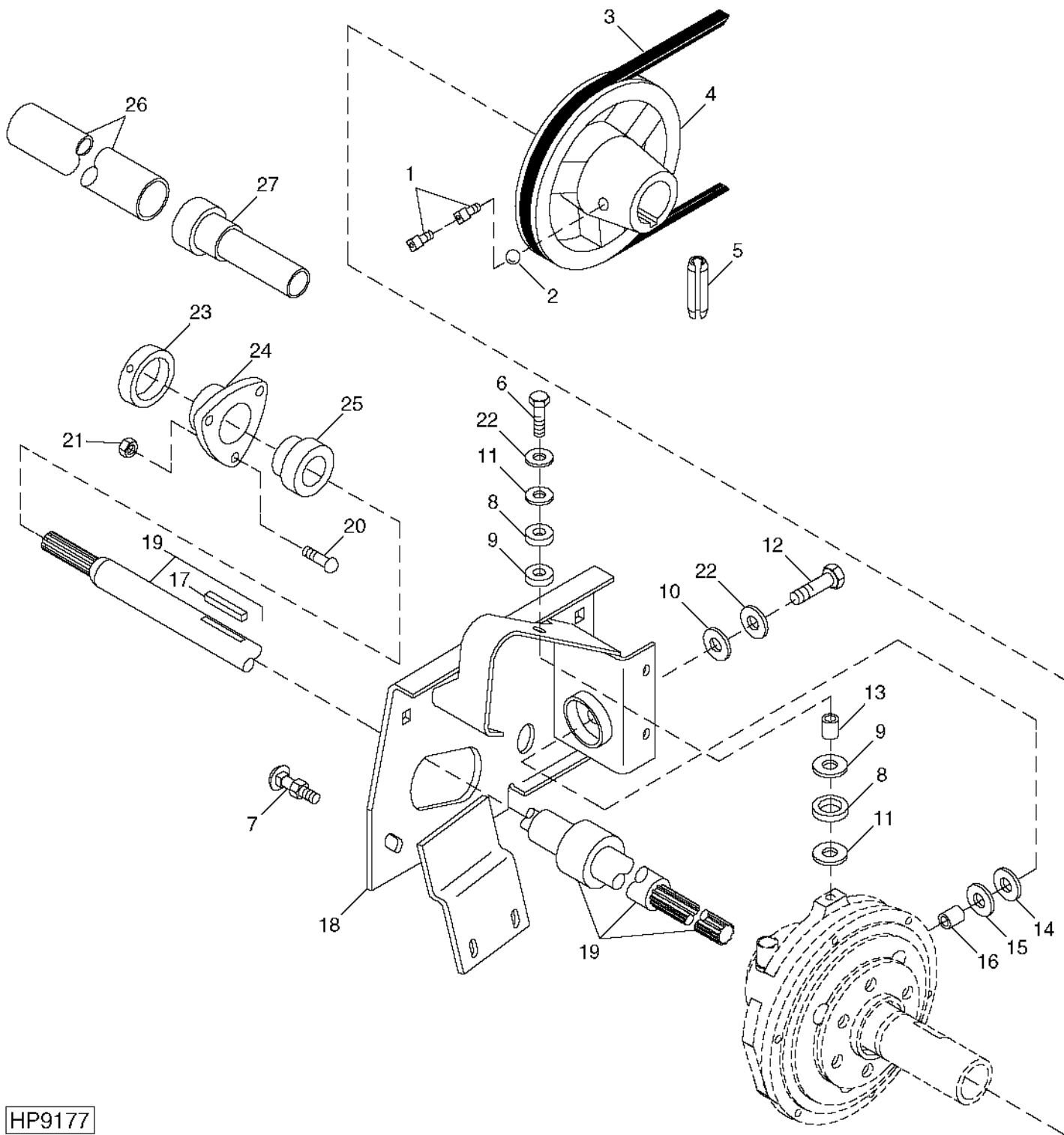
KEY	PART NO.	PART NAME	QTY	SERIAL NO.	REMARKS
1	19M7790	SCREW	1	M12 X 35	
	14M7299	FLANGE NUT	1	M12	
2	19M7789	SCREW	1	M12 X 30	
	14M7299	FLANGE NUT	1	M12	
3	AH125454	SHAFT	1		
4	JD9301	BALL BEARING	1		
5	P46874	SNAP RING	2		
6	H126261	SHEAVE	1		
7	JD9356	BALL BEARING	1		
8	JD8576	ECCENTRIC LOCKING COLLAR	1		
9	19M7790	SCREW	1	M12 X 35	
10	H172142	STRAP	1		
11	H126302	SCRAPER	1		
12	H126345	BELT	1		

3F16

FEEDER HOUSE

FRONT DRIVE SHAFT, SHEAVE AND MOUNTINGS (FIXED SPEED WITH REVERSER)

HP9177 -UN-15OCT99



HP9177

3F17

FEEDER HOUSE

**FRONT DRIVE SHAFT, SHEAVE AND MOUNTINGS - CONTINUED
(FIXED SPEED WITH REVERSER)**

KEY	PART NO.	PART NAME	QTY	SERIAL NO.	REMARKS
1	22H775	SET SCREW	2		
2	H110922	BALL	1		
3	H126345	BELT	1		
4	H108889	SHEAVE	1		
5	34H305	SPRING PIN	1		7/32" X 2"
6	19M7826	SCREW	1		M16 X 70
7	03M7191	BOLT	4		M10 X 25
	14M7296	FLANGE NUT	5		M10
	03M7192	BOLT	1		M10 X 30
8	H148132	BUSHING	2		
9	H148133	RETAINER	2		
10	T55761	SUPPORT	1		
11	H163726	WASHER	3		
12	19M7845	SCREW	1		M16 X 90
13	H148134	SPACER	1		
14	R62502	SUPPORT	1		
15	H97410	WASHER	1		
16	H95417	SPACER	1		
17	26H104	SHAFT KEY	1		5/16" X 2-1/8"
18	AH150451	SUPPORT	1		
19	AH152937	SHAFT	1		(WIDE)
20	03M7192	BOLT	3		M10 X 30
21	14M7296	FLANGE NUT	3		M10
22	24M7241	WASHER	2		17 X 34 X 4 MM
23	JD9201	ECCENTRIC LOCKING COLLAR	1		
24	H93927	HOUSING	1		
25	JD9202	BALL BEARING	1		
26	H127604	TUBE	1		(GRAIN)
27	AH122495	SHIELD	1		(GRAIN)

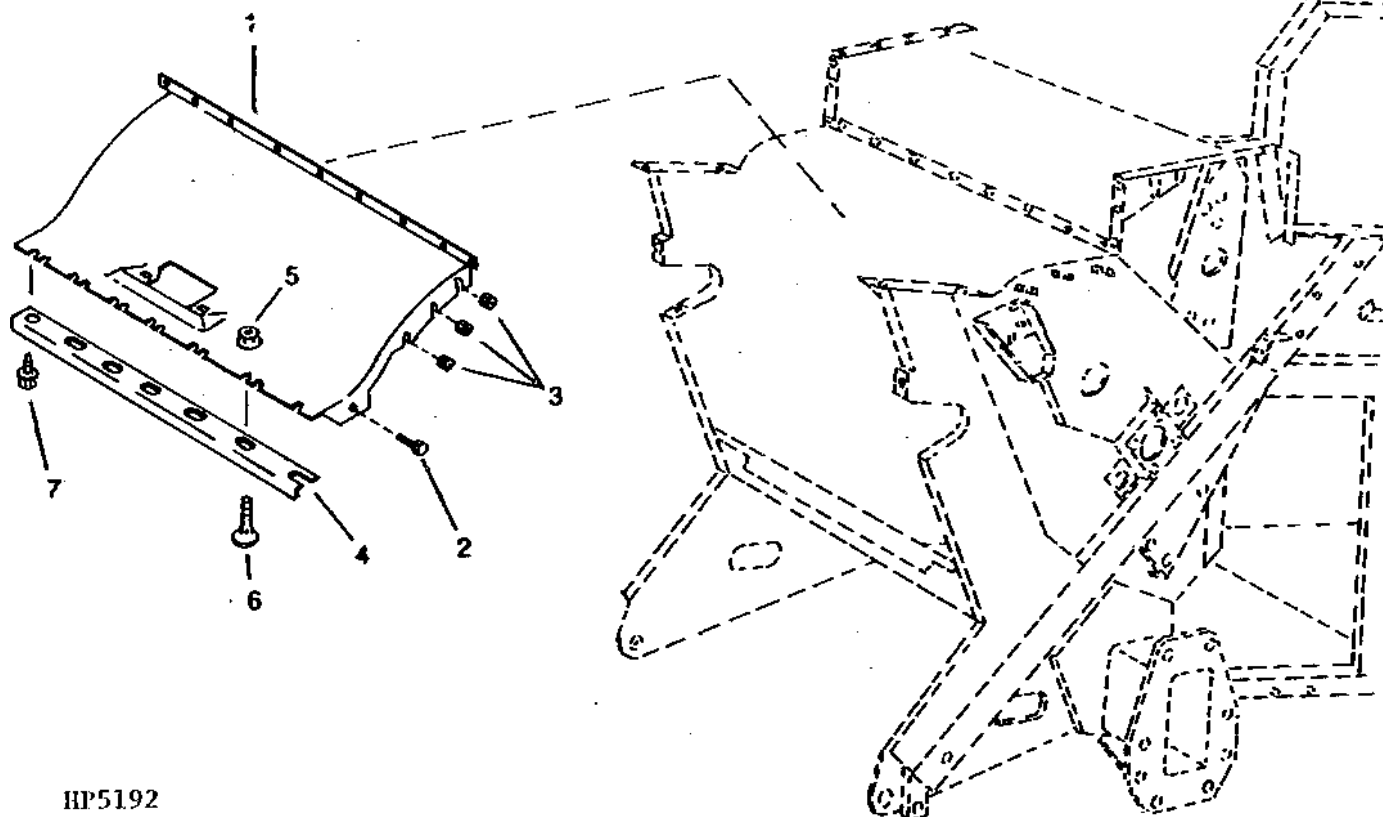
MEMORANDA

3F20

THRESHING AND SEPARATION

THRESHING CYLINDER COVER

HP5192 -UN-01JAN94



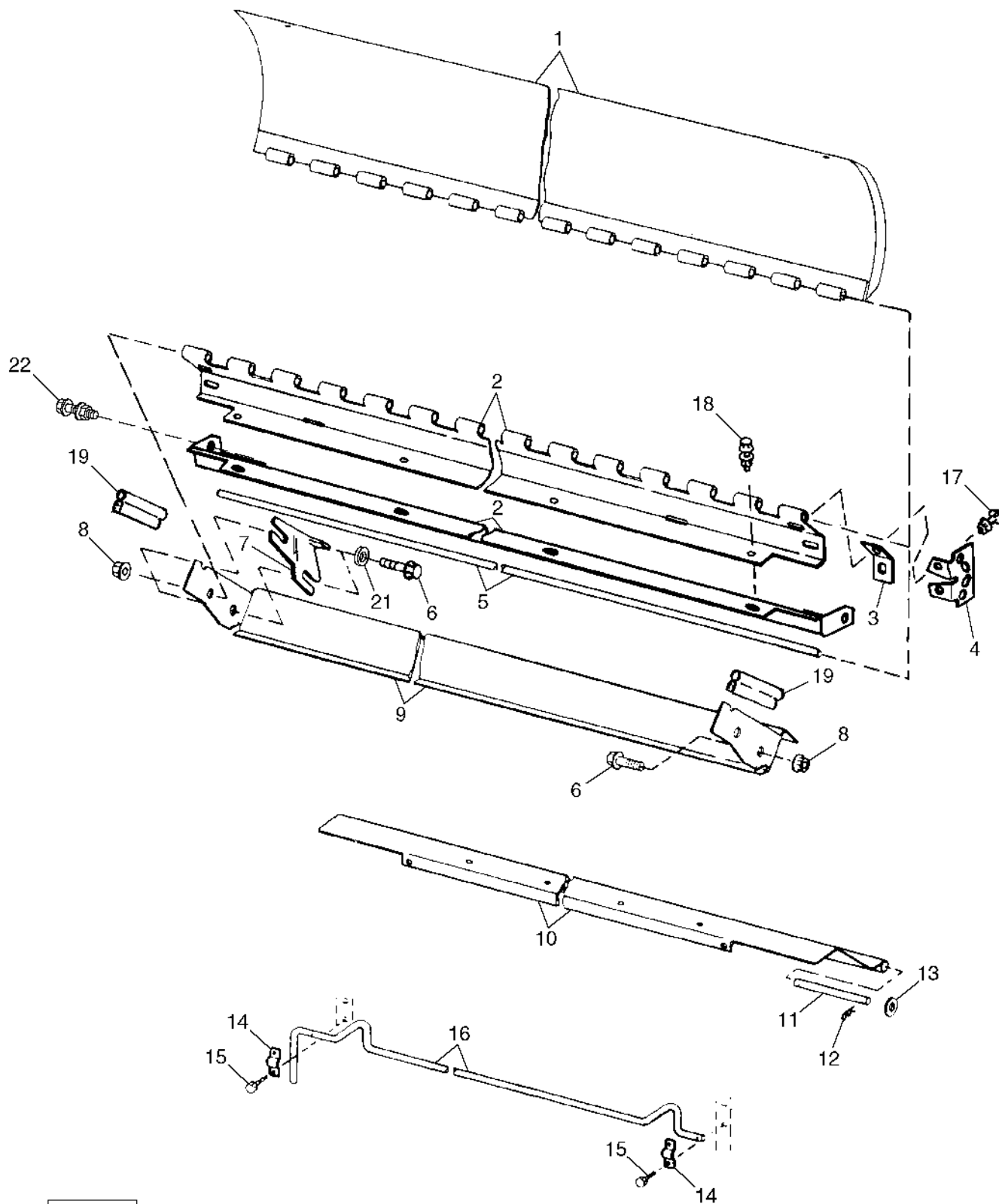
HP5192

KEY	PART NO.	PART NAME	QTY	SERIAL NO.	REMARKS
1	H147845	COVER	1		
2	19M7785	SCREW	2	M10 X 25	
3	14M7296	FLANGE NUT	8	M10	
4	H134168	SEAL	1	CORN ONLY	
5	14M7298	FLANGE NUT	6	M8	
6	19M7866	SCREW	6	M8 X 20	
7	37M7058	SCREW	1	M8 X 20	

3F21

SEPARATOR / FEEDER HOUSE SEAL, STONE TRAP AND DOOR

HP9791 -UN-01JUN00



HP9791

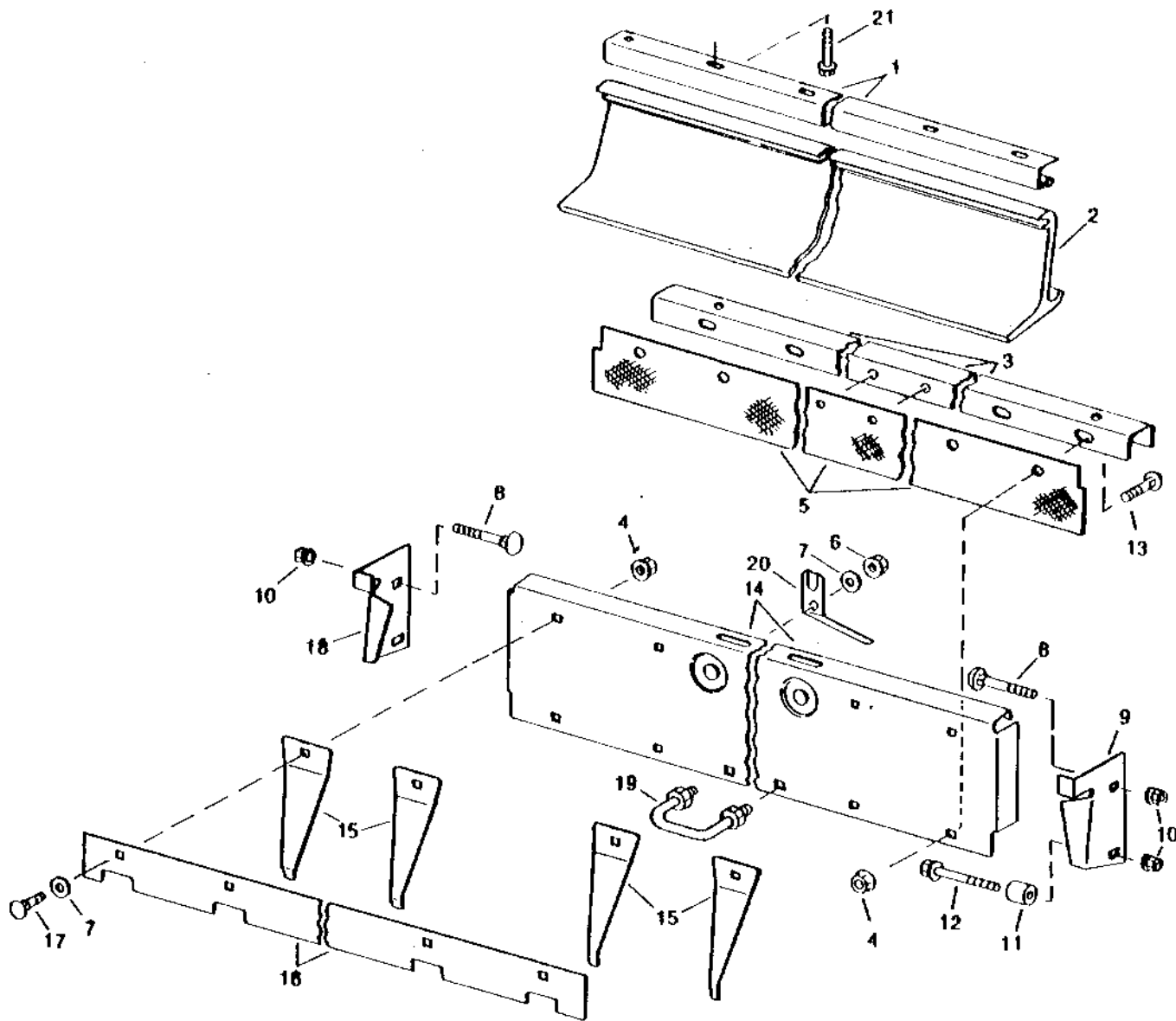
3F22

THRESHING AND SEPARATION

SEPARATOR / FEEDER HOUSE SEAL, STONE TRAP AND DOOR - CONTINUED

KEY	PART NO.	PART NAME	QTY	SERIAL NO.	REMARKS
1	AH160604	PLATE	1		
2	AH161812	HINGE	1		
3	H148019	REINFORCEMENT	2		
4	H148018	SUPPORT	2		
5	H117953	PIN	1		
6	19M7812	SCREW	6	M10 X 100	
7	H146730	STOP	1	CASTING	
8	14M7296	FLANGE NUT	6	M10	
9	H151067	DEFLECTOR	1		
10	H134335	DOOR	1		
11	H148925	PIN	2		
12	11M7030	COTTER PIN	4	5 X 40 MM	
13	24M7051	WASHER	2	21 X 37 X 3 MM	
14	H134339	BRACKET	2		
15	37M7080	SCREW	4	M10 X 30	
16	H134338	ROD	1		
17	19M7785	SCREW	4	M10 X 25	
	14M7296	FLANGE NUT	4	M10	
18	19M7866	SCREW	4	(A) M8 X 20	
	14M7298	FLANGE NUT	4	(A) M8	
19	H151068	SHIELD	2		
20	H148023	ANGLE	1	(A)	
21	24M7178	WASHER	2	10.500 X 30 X 2.500 MM	
22	19M7812	SCREW	2	(A) M10 X 100	
	14M7296	FLANGE NUT	2	(A) M10	
..	AH142780	ANGLE	1	INCLUDES PARTS MARKED (A)	

CYLINDER DOOR
(GRAIN AND RICE)
HP5678 -UN-01JAN94



HP5678

3F24

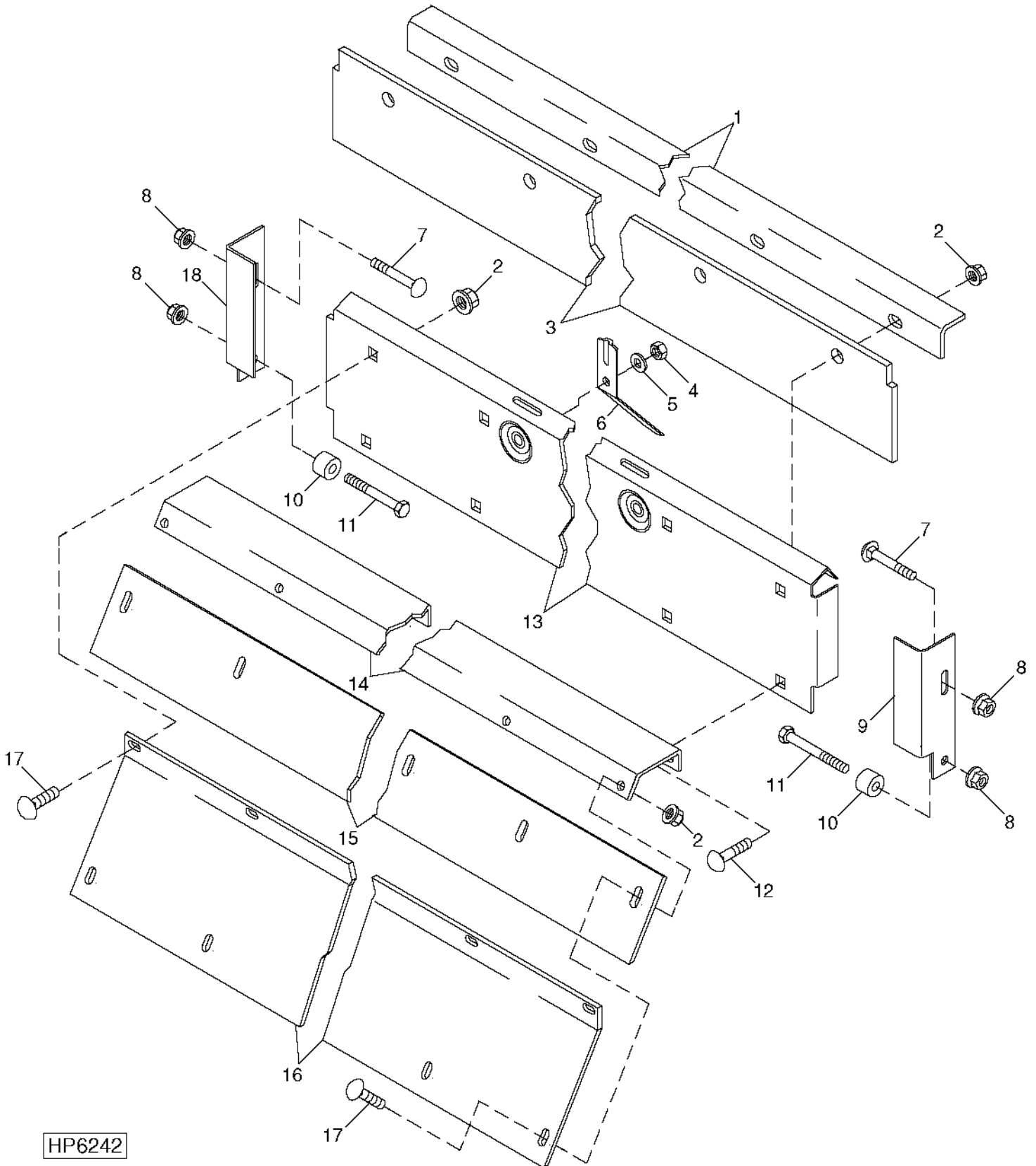
THRESHING AND SEPARATION

**CYLINDER DOOR - CONTINUED
(GRAIN AND RICE)**

KEY	PART NO.	PART NAME	QTY	SERIAL NO.	REMARKS
1	H150128	HINGE	1		
2	AH144104	DEFLECTOR	1		
	H150134	SEAL	2		
3	H150130	SUPPORT	1		
4	14M7298	FLANGE NUT	16	M8	
5	H150133	SEAL	1		
6	14M7396	LOCK NUT	2	M8	
7	24M7047	WASHER	2	13 X 24 X 2.500 MM	
8	03M7247	BOLT	2	M10 X 90	
9	SUPPORT	1		(ORDER AH144609) (INCLUDES BOTH R.H. AND L.H. SUPPORTS)
10	14M7296	FLANGE NUT	4	M10	
11	E50096	BUSHING	2		
12	19M7944	SCREW	2	M10 X 120	
13	03M7184	BOLT	9	M8 X 20	
14	AH130202	DOOR	1		
15	H148058	SPRING	5		
16	H148066	STRIP	1		
17	03M7183	BOLT	7	M8 X 16	
18	SUPPORT	1		(ORDER AH144609) (INCLUDES BOTH R.H. AND L.H. SUPPORTS)
19	H150131	U-BOLT	1		
	14H785	NUT	4	5/16"	
20	H134654	HANDLE	2		
21	19M7866	SCREW	7	M8 X 20	

3G1

CYLINDER DOOR (CORN)
HP6242 -UN-24AUG99



HP6242

3G2

THRESHING AND SEPARATION

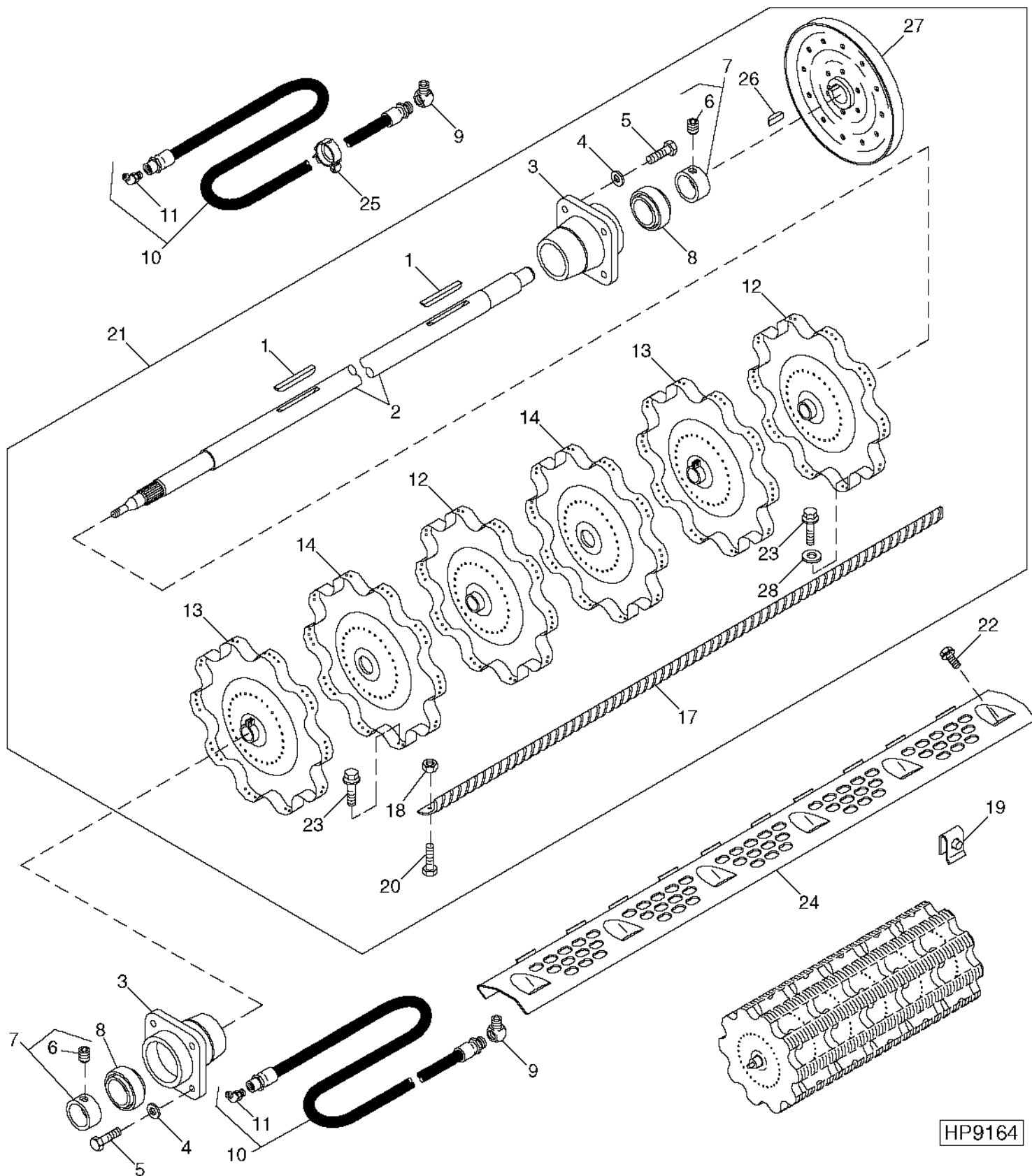
CYLINDER DOOR (CORN) - CONTINUED

KEY	PART NO.	PART NAME	QTY	SERIAL NO.	REMARKS
1	H148063	SUPPORT	1		
2	14M7298	FLANGE NUT	27	M8	
3	H150133	SEAL	1		
4	14M7396	LOCK NUT	2	M8	
5	24M7207	WASHER	2	8.400 X 24 X 2 MM	
6	H134654	HANDLE	2		
7	03M7247	BOLT	2	M10 X 90	
8	14M7296	FLANGE NUT	4	M10	
9	H134165	SUPPORT	1		
10	E50096	BUSHING	2		
11	19M7944	SCREW	2	M10 X 120	
12	03M7185	BOLT	9	M8 X 25	
13	AH130202	DOOR	1		
14	H134154	REINFORCEMENT	1		
15	H134163	SEAL	1		
16	H134151	ISOLATOR	1		
17	03M7183	BOLT	18	M8 X 16	
18	H134164	SUPPORT	1		

3G3

THRESHING AND SEPARATION

RASP BAR THRESHING CYLINDER
HP9164 -UN-11OCT99



HP9164

3G4

THRESHING AND SEPARATION

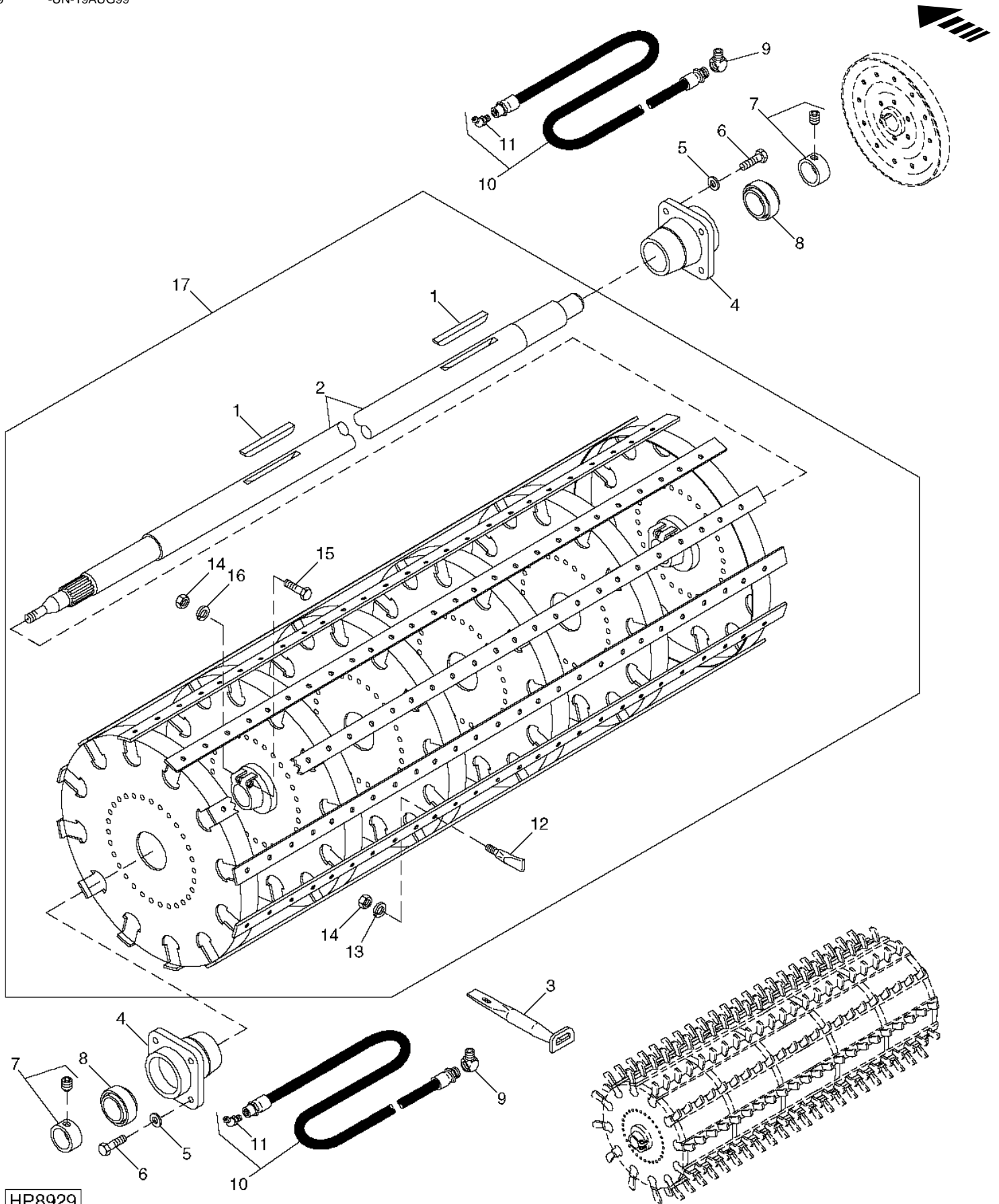
RASP BAR THRESHING CYLINDER - CONTINUED

KEY	PART NO.	PART NAME	QTY	SERIAL NO.	REMARKS
1	SHAFT KEY	2		(CUT FROM H64376) IN AH64587 KEY STOCK KIT
2	H140043	SHAFT	1		DUAL RANGE
	H145970	SHAFT	1		SINGLE RANGE
3	H99149	HOUSING	2		
4	12H304	LOCK WASHER	8	3/8"	
5	19M7785	SCREW	8	M10 X 25	
6	SET SCREW	2		
7	JD10342	ECCENTRIC LOCKING COLLAR	2		
8	JD10343	BALL BEARING	2		
9	JD7845	ELBOW FITTING	2		
10	AH121009	HOSE	2	1/8" X 910 MM (35-3/4") X 1/8"	
11	JD7759	LUBRICATION FITTING	2		
12	AH126720	THRESHING CYLINDER HEAD	2		WITH PILOT HUB
13	AH126719	THRESHING CYLINDER HEAD	2		WITH KEYED HUB
14	H131878	THRESHING CYLINDER HEAD	3		
15	19M7753	CAP SCREW	2	M12 X 70	
16	14M7401	LOCK NUT	2	M12	
17	AH161400	RASP BAR	1		L.H. CHROME (PKG 5)
	AH161405	RASP BAR	1		R.H. CHROME (PKG 5)
	AH161407	RASP BAR	1		L.H. BLACK (PKG 5)
	AH161409	RASP BAR	1		R.H. BLACK (PKG 5)
	AH161410	RASP BAR	1		SMOOTH (PKG 2)
18	H135891	LOCK NUT	AR	M10	
19	H146457	NUT	AR		WITH DEFLECTOR
20	19M7402	CAP SCREW	AR	M10 X 25	
21	AH162827	RASP-BAR CYLINDER	1		
	AH162833	RASP-BAR CYLINDER	1		
22	H145773	SELF-LOCKING SCREW	AR		
23	19M7783	SCREW	AR	M10 X 16	
24	H150837	DEFLECTOR	10	PERFORATED	
25	H140149	HOLD-DOWN CLIP	1		
26	H153524	KEY	1		
27	AH134597	SHEAVE	1		
28	24M7028	WASHER	2	10.500 X 20 X 2 MM, QUANTITY PER RASP BAR	
..	AH163920	KIT	1	(INCLUDES (35) H135891, (35) 19M7402 AND (35) 19M7783) METRIC	
..	AH140417	PACKAGE OF PARTS	1	INCLUDES (60) H145773, (60) H146457, AND (60) 24H1308	
..	H150837	DEFLECTOR	1		
..	BH81162	COMPLETE GOODS/SHIP. BUNDLE	1		PERFORATED FILLER PLATES

3G5

THRESHING AND SEPARATION

SPIKE TOOTH THRESHING CYLINDER
HP8929 -UN-19AUG99



HP8929

3G6

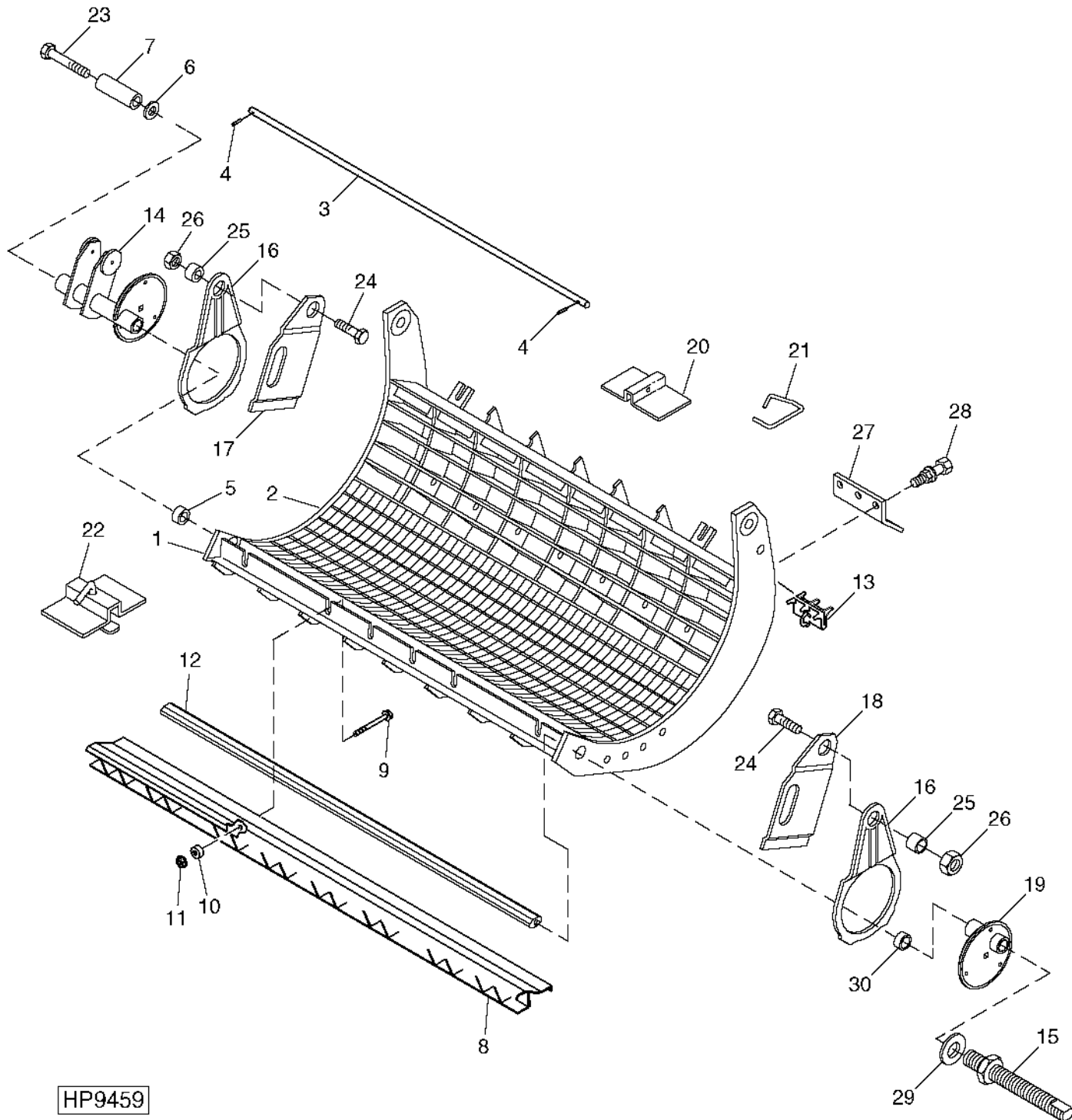
THRESHING AND SEPARATION

SPIKE TOOTH THRESHING CYLINDER - CONTINUED

KEY	PART NO.	PART NAME	QTY	SERIAL NO.	REMARKS
1	SHAFT KEY	2		(CUT FROM H64376) IN AH64587 KEY STOCK KIT
2	H140043	SHAFT	1		DUAL RANGE
	H145970	SHAFT	1		SINGLE RANGE
3	P5403H	TOOL	1		TOOTH STRAIGHTENER
4	H99149	HOUSING	2		
5	12H304	LOCK WASHER	8		3/8"
6	19H2633	CAP SCREW	8		3/8" X 1-1/2"
7	JD10342	ECCENTRIC LOCKING COLLAR	2		
8	JD10343	BALL BEARING	2		
9	JD7845	ELBOW FITTING	2		
10	AH121009	HOSE	2		1/8" X 910 MM (35-3/4") X 1/8"
11	JD7759	LUBRICATION FITTING	2		
12	H132057	TOOTH	378		(A)
13	12H301	LOCK WASHER	378		(A) 1/2"
14	14H809	NUT	2		1/2", (INTO HEADER WITH KEYED HUB)
	14H1040	NUT	380		(A) 1/2"
15	19H1820	CAP SCREW	2		1/2" X 3"
16	12H301	LOCK WASHER	2		1/2"
17	AH134662	SPIKE-TOOTH CYLINDER	1		
	14M7396	LOCK NUT	AR		M8, (USE AS REQUIRED FOR BALANCING)
	19M7513	CAP SCREW	AR		M8 X 30, (USE AS REQUIRED FOR BALANCING)

3G7

CONCAVE ASSEMBLY HP9459 -UN-06JAN00



HP9459

3G8

THRESHING AND SEPARATION

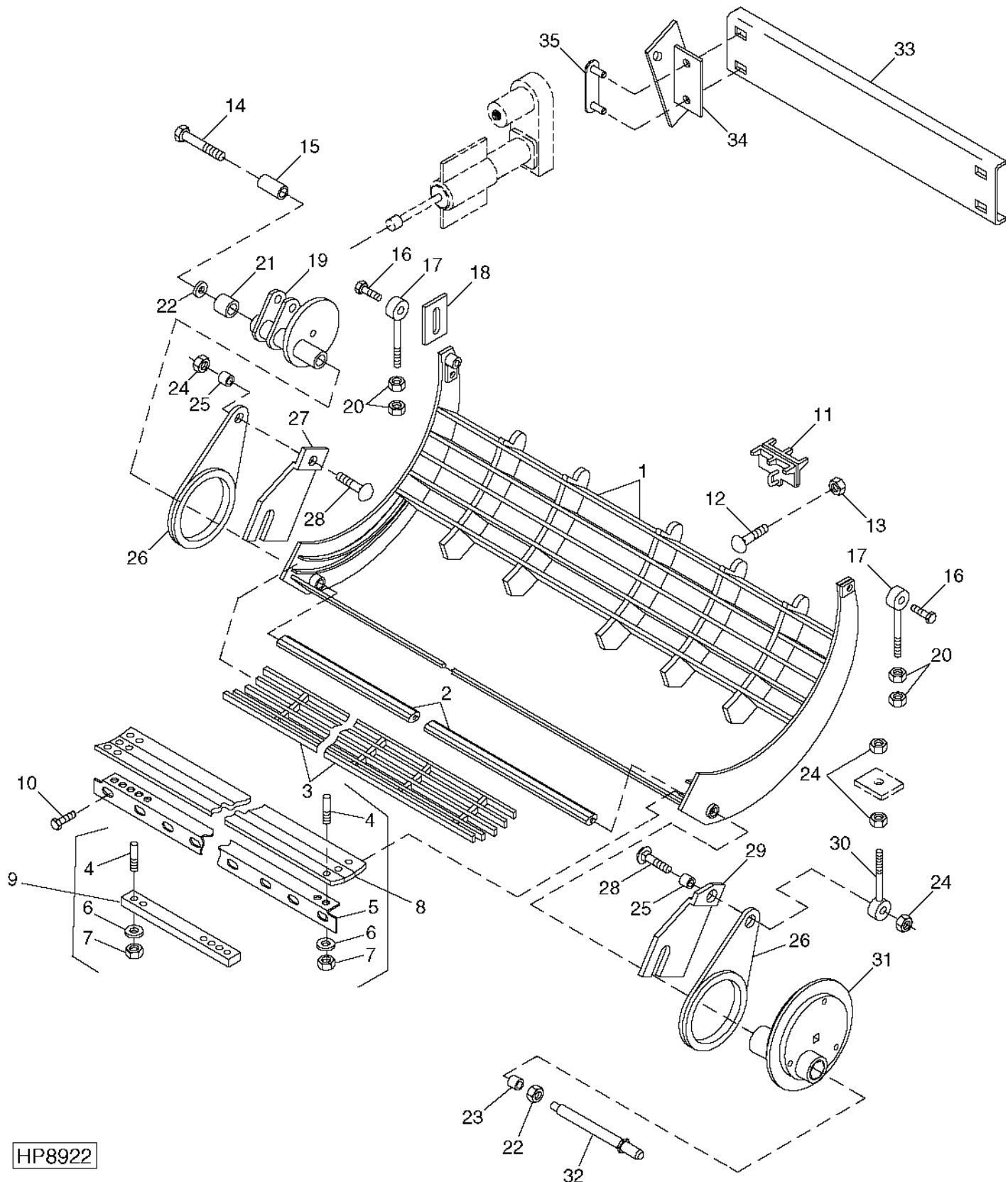
CONCAVE ASSEMBLY - CONTINUED

KEY	PART NO.	PART NAME	QTY	SERIAL NO.	REMARKS
1	AH150497	CONCAVE	1		13 BAR NARROW
2	H157967	NAIL	58		
3	H140803	PIN	1		
4	11M7015	COTTER PIN	2		
5	28H1601	BUSHING	1		0.546" X 0.840" X 4-1/8"
6	24H1351	WASHER	2		9/16" X 1-1/2" X 0.164"
7	H140458	WASHER	1		
8	AH151119	ANGLE	1		
9	H139098	BOLT	8		M12 X 51.5
10	E47782	SPACER	8		
11	14M7401	LOCK NUT	8		M12
12	H145639	SHAFT	1		
13	AH153688	INSERT	20		CONCAVE GRID
14	AH133156	CAM	1		
15	H147468	ROD	1		(SUB H174617)
	H174617	ROD	1		
16	H151484	LINK	2		
17	H131988	COVER	1		FOR SPIKE TO RASP CONVERSION
18	H131989	COVER	1		FOR SPIKE TO RASP CONVERSION
19	AH133157	CAM	1		
20	H134418	COVER	1		
21	H134420	RETAINER	1		
22	AH130465	COVER	1		
23	H132541	SCREW	1		
24	H137203	BOLT	2		
25	H137204	BUSHING	2		
26	14M7300	FLANGE NUT	2		M20
27	H160994	STRIP	8		
28	19M7786	SCREW	16		M10 X 30
	H135891	LOCK NUT	16		
..	BH78486	COMPLETE GOODS/SHIP. BUNDLE	1		CONCAVE COVERS
..	BH81336	COMPLETE GOODS/SHIP. BUNDLE	1		CONCAVE INSERTS

3G9

THRESHING AND SEPARATION

SPIKE-TOOTH CONCAVE
HP8922 -UN-17AUG99



HP8922

3G10

THRESHING AND SEPARATION

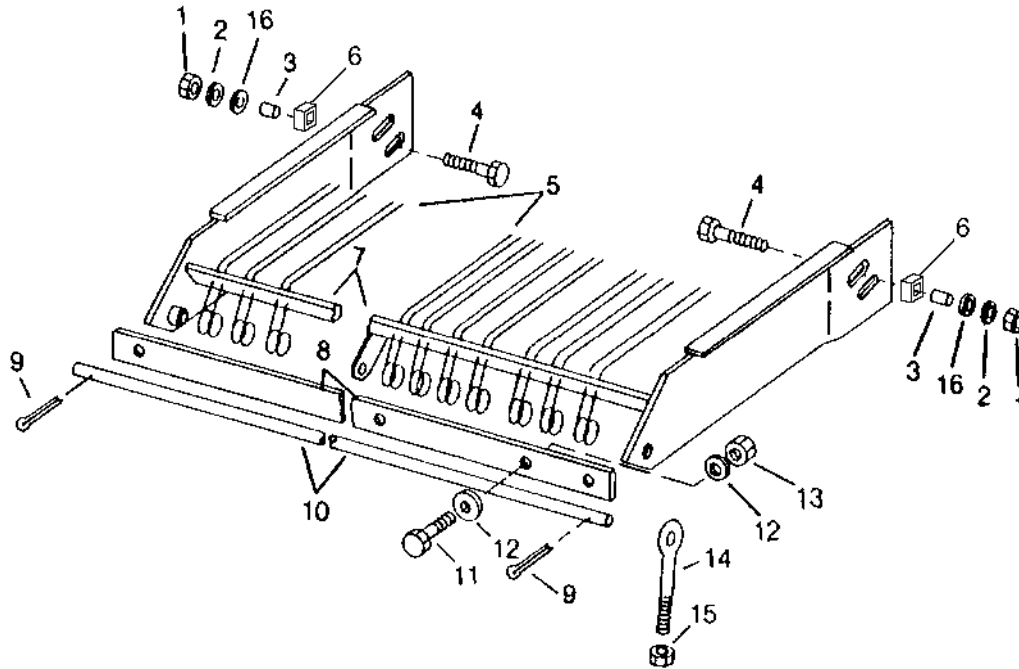
SPIKE-TOOTH CONCAVE - CONTINUED

KEY	PART NO.	PART NAME	QTY	SERIAL NO.	REMARKS
1	AH135647	CONCAVE	1		
2	H145639	SHAFT	1		
3	AH131331	GRATE	1		
4	H132057	TOOTH	AR		
5	H145257	ANGLE	1		
6	12H301	LOCK WASHER	AR	1/2"	
7	14H809	NUT	AR	1/2"	
8	AH139246	BAR	AR		
9	AH126871	BAR	6		
	AH127963	BAR	6		
10	19M7786	SCREW	8	M10 X 30	
11	AH153688	INSERT	20	(SHORT WIRE)	
12	03M7222	BOLT	2	M6 X 20	
13	14M7303	FLANGE NUT	2	M6	
14	H132541	SCREW	1		
15	28H1597	WASHER	1	0.546" X 0.840" X 3/8"	
16	19M7597	CAP SCREW	2	M20 X 50	
17	H143610	EYEBOLT	2		
18	H146318	ADJUSTING STRAP	1		
19	AH135240	CAM	1		
20	14M7296	FLANGE NUT	4	M10	
21	H134816	SPACER	1		
22	24H1351	WASHER	2	9/16" X 1-1/2" X 0.164"	
23	28H2642	SPACER	1	0.546" X 0.840" X 2-1/2"	
24	14M7300	FLANGE NUT	4	M20	
25	H137204	BUSHING	4		
26	AH127829	LINK	2		
27	H131986	COVER	1	LEFT-HAND	
28	H137203	BOLT	2	M20 X 65	
29	H131987	COVER	1		
30	H164222	EYEBOLT	1		
31	AH133157	CAM	1		
32	H147468	ROD	1	(SUB H174617)	
	H174617	ROD	1		
33	H140936	CHANNEL	1		
34	AH135335	BRACKET	1	R.H.	
	AH135336	BRACKET	1	L.H.	
35	AH135337	STRAP	1		
..	BH71876	COMPLETE GOODS/SHIP. BUNDLE	1	RASPBAR TO SPIKE TOOTH CONVERSION	
..	BH81381	COMPLETE GOODS/SHIP. BUNDLE	1	CONCAVE INSERT, BOX OF 20	

3G11

THRESHING AND SEPARATION

SPIKE-TOOTH FINGER GRATE
HP8528 -UN-29APR99



HP8528

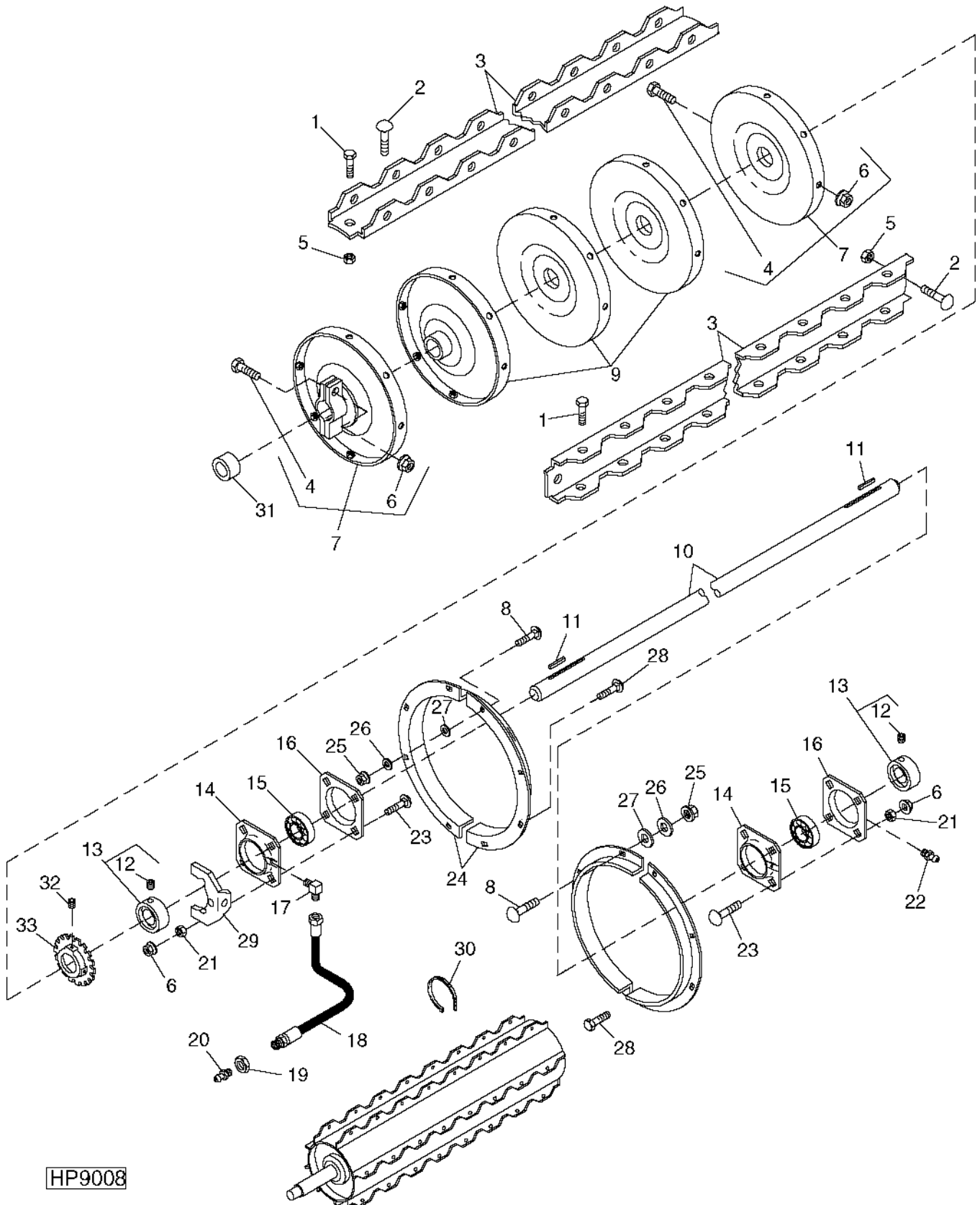
KEY	PART NO.	PART NAME	QTY	SERIAL NO.	REMARKS
1	14M7299	FLANGE NUT	2	M12	
2	12H301	LOCK WASHER	2	1/2"	
3	M44269	BUSHING	2		
4	19M7813	SCREW	2	M12 X 45	
5	H134758	FINGER	AR		
6	H140804	BUSHING	2		
7	AH130906	SUPPORT	1		
8	H135158	COVER	1		
9	11M7015	COTTER PIN	2	3.200 X 25 MM	
10	H134757	PIN	1		
11	03M7193	BOLT	4	M10 X 35	
12	24H1311	WASHER	8	13/32" X 1-1/4" X 0.220"	
13	14M7296	FLANGE NUT	4	M10	
14	H144742	EYEBOLT	2		
15	14M7400	LOCK NUT	2	M10	
16	24H1226	WASHER	2	1/2" X 1-1/4" X 0.083"	

MEMORANDA

3G12

THRESHING AND SEPARATION

BEATER, SHAFT AND DRIVE BELT
HP9008 -UN-07SEP99



HP9008

3G13

THRESHING AND SEPARATION

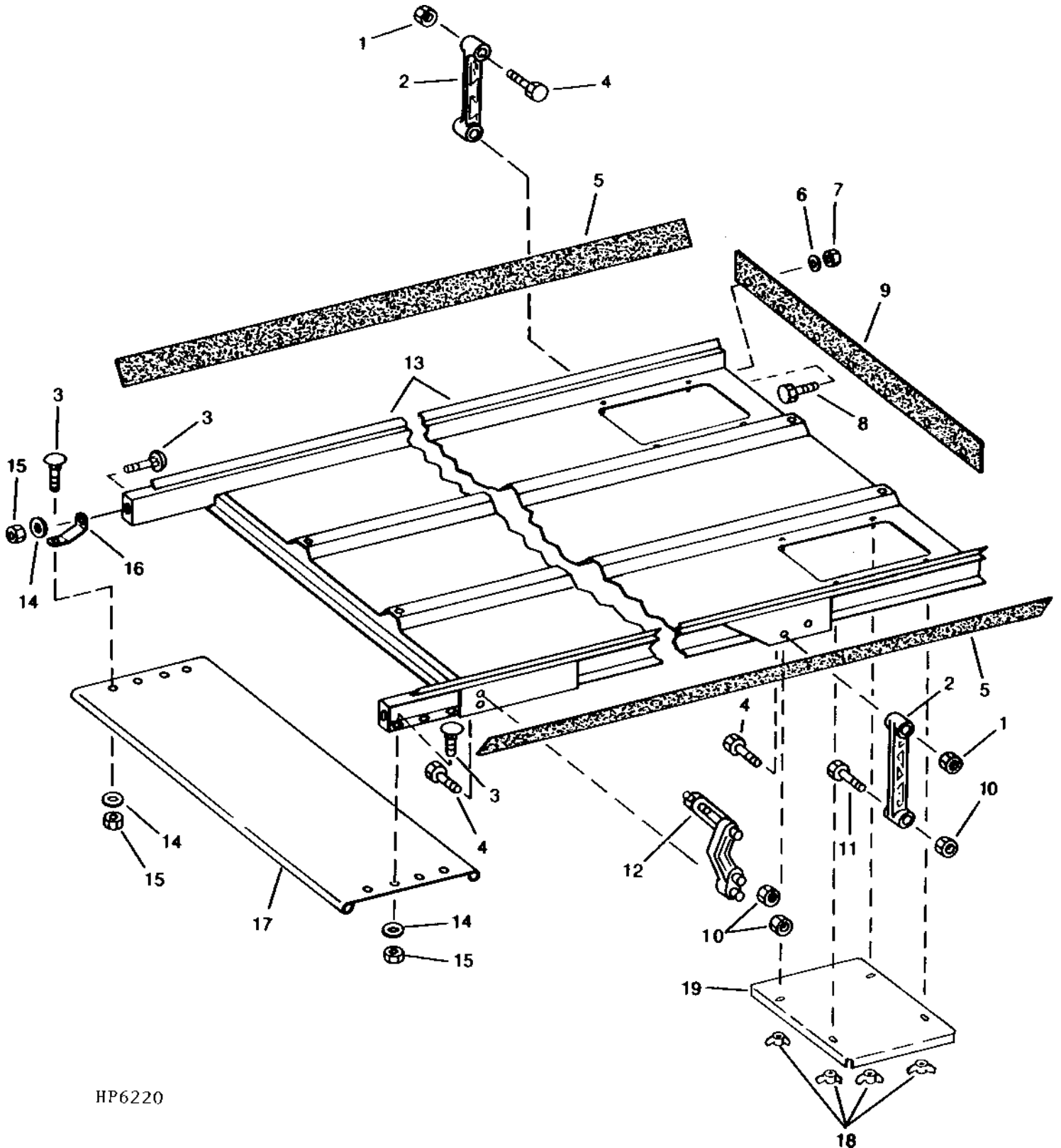
BEATER, SHAFT AND DRIVE BELT - CONTINUED

KEY	PART NO.	PART NAME	QTY	SERIAL NO.	REMARKS
1	19M7784	SCREW	2	M10 X 20	
2	03M7190	BOLT	68	M10 X 20	
3	H154221	TINE	8		
4	03M7201	BOLT	2	M12 X 45	
5	14M7296	FLANGE NUT	68	M10	
6	14M7299	FLANGE NUT	2	M12	
7	AH128360	BEATER HEAD	2		
8	03M7185	BOLT	24	M8 X 25	
9	AH128361	BEATER HEAD	3		
10	H146326	SHAFT	1		
11	49M4121	SHAFT KEY	2		
12	22H979	SET SCREW	1	3/8" X 3/8"	
13	JD9201	ECCENTRIC LOCKING COLLAR	2		
14	H113625	PRESSED FLANGED HOUSING	2		
15	JD9434	BEARING	2		
16	H113626	PRESSED FLANGED HOUSING	2		
17	JD7845	ELBOW FITTING	2	L.H.	
18	AH142001	HOSE	2	1/8" X 1 041 MM (41") X 1/8"	
19	E12379	NUT	2	L.H.	
20	JD7759	LUBRICATION FITTING	2	L.H.	
21	H143731	NUT	8		
22	JD7788	LUBRICATION FITTING	1	R.H.	
23	03M7197	BOLT	8	M12 X 25	
24	H130572	SEAL	4		
25	14M7298	FLANGE NUT	24	M8	
26	12H303	LOCK WASHER	24	5/16"	
27	24M7055	WASHER	16	8.400 X 16 X 1.600 MM	
28	37M7058	SCREW	6	M8 X 20	
29	H140134	BRACKET	1		
30	H140149	HOLD-DOWN CLIP	1		
31	H139922	BUSHING	1		
32	22M7027	SET SCREW	1	M6 X 16	
33	H135772	WHEEL	1		

3G14

THRESHING AND SEPARATION

SHAKER PAN
HP6220 -UN-04JAN96



HP6220

3G15

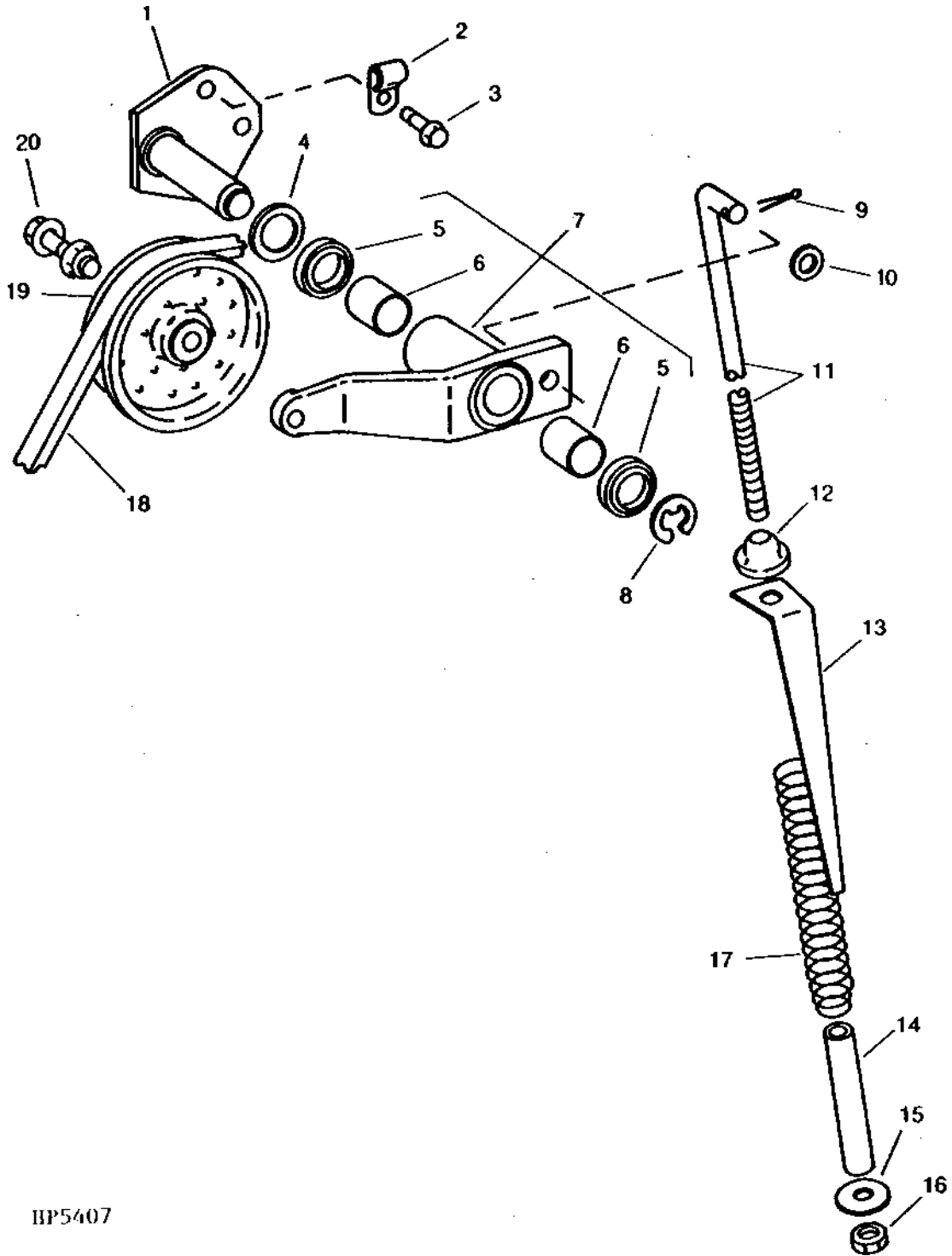
THRESHING AND SEPARATION

SHAKER PAN - CONTINUED

KEY	PART NO.	PART NAME	QTY	SERIAL NO.	REMARKS
1	14M7275	NUT	5	M12	
2	AH138230	LINK	2		
3	03M7183	BOLT	10	M8 X 16	
4	19M7821	SCREW	2	M12 X 120	
5	H175590	SEAL	2	(SUB FOR H133768)	
6	24H1299	WASHER	7	3/8" X 1-1/4" X 0.065"	
7	14M7298	FLANGE NUT	7	M8	
8	03M7184	BOLT	7	M8 X 20	
9	H133789	SEAL	1		
10	14M7275	NUT	4	M12	
11	19M7819	SCREW	2	M12 X 90	
12	AH125970	ARM	1	R.H.	
	AH125969	ARM	1	L.H.	
13	AH148142	GRAIN PAN	1		
14	M84309	NUT	10	7.925 MM (5/16")	
15	14M7396	LOCK NUT	10	M8	
16	H149468	BEAM	2		
17	H149467	SHEET	1		
18	14M7020	WING NUT	8	M8	
19	H154808	PANEL	2		

3G16

STRIPPER BEATER DRIVE IDLER HP5407 -UN-01JAN94



HP5407

3G17

THRESHING AND SEPARATION

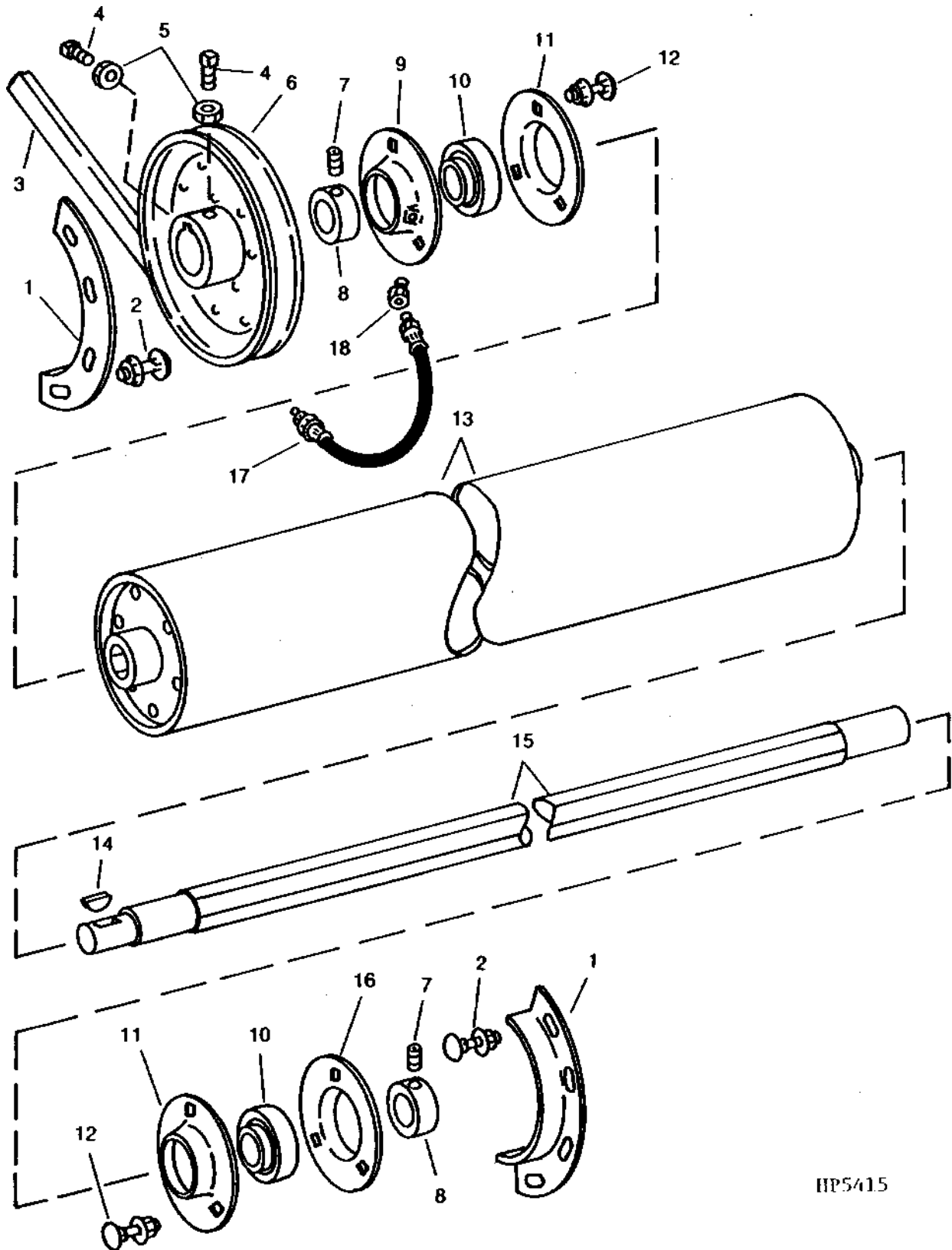
STRIPPER BEATER DRIVE IDLER - CONTINUED

KEY	PART NO.	PART NAME	QTY	SERIAL NO.	REMARKS
1	AH156051	SPRING PIN	1		
2	AH89557	CLIP	1		
3	19M7784	SCREW	3		M10 X 20
4	24M7091	WASHER	1		26 X 44 X 4 MM
5	AA5607R	SEAL	2		
6	H99147	BUSHING	2		(SUB H171061)
	H171061	BEARING	2		
7	AH134778	ARM	1		
8	P46402	SNAP RING	1		
9	11H211	COTTER PIN	1		1/8" X 3/4"
10	24M7047	WASHER	1		13 X 24 X 2.500 MM
11	H158387	BOLT	1		
12	H129207	PIVOT	1		
13	H135512	GAUGE	1		
14	TY22326	BULK HOSE	1		
15	24M7180	WASHER	1		13 X 37 X 3 MM
16	14M7275	NUT	2		M12
17	N165696	SPRING	1		
18	H139963	BELT	1		
19	AH93171	IDLER	1		
20	19M8306	SCREW	1		M12 X 50
	14M7299	FLANGE NUT	1		M12

3G18

THRESHING AND SEPARATION

STRIPPER BEATER
HP5415 -UN-01JAN94



HP5415

3G19

THRESHING AND SEPARATION

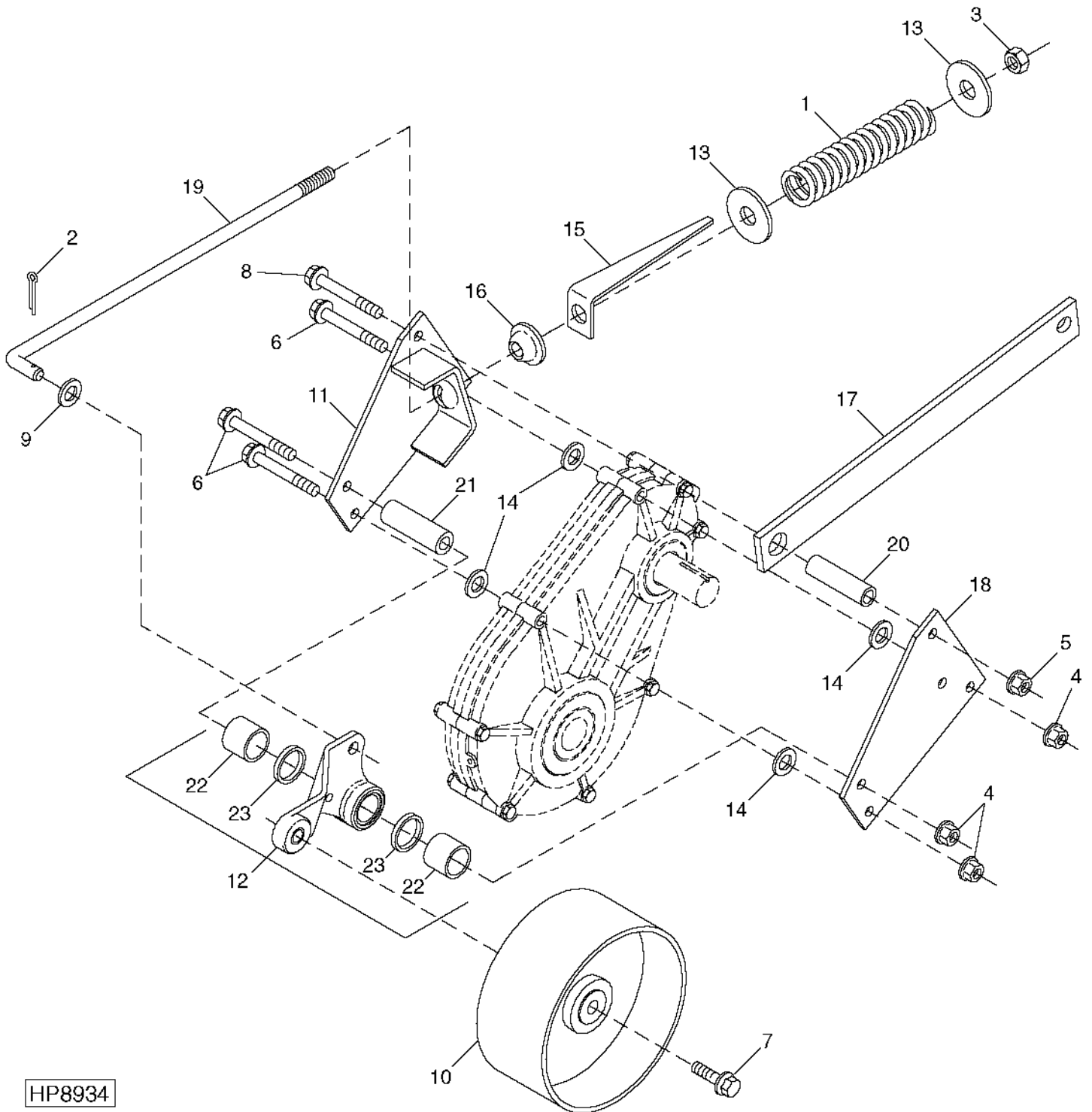
STRIPPER BEATER - CONTINUED

KEY	PART NO.	PART NAME	QTY	SERIAL NO.	REMARKS
1	H140156	SEAL	2		
2	03M7184	BOLT	8		M8 X 20
	14M7298	FLANGE NUT	8		M8
3	H139963	BELT	1		
4	H138435	SET SCREW	2		
5	14M7274	NUT	2		M10
6	AH130964	SHEAVE	1		(1" ID X 6.5" OD)
7	22M7080	SET SCREW	2		M8 X 8
8	AZ10045	ECCENTRIC LOCKING COLLAR	2		
9	H93864	PRESSED FLANGED HOUSING	1		
10	JD10285	BEARING CONE	2		
11	E76584	PRESSED FLANGED HOUSING	2		
12	03M7191	BOLT	6		M10 X 25
	14M7296	FLANGE NUT	6		M10
13	AH135063	TUBE	1		
14	26H22	SHAFT KEY	1		1/4" X 1"
15	H140470	SHAFT	1		
16	AE46699	PRESSED FLANGED HOUSING	1		
17	AH142000	HOSE	1		1/8" X 686 MM (27") X 1/8"
18	JD7845	ELBOW FITTING	1		

3G20

THRESHING AND SEPARATION

BEATER DRIVE BELT IDLER
HP8934 -UN-09SEP99



HP8934

3G21

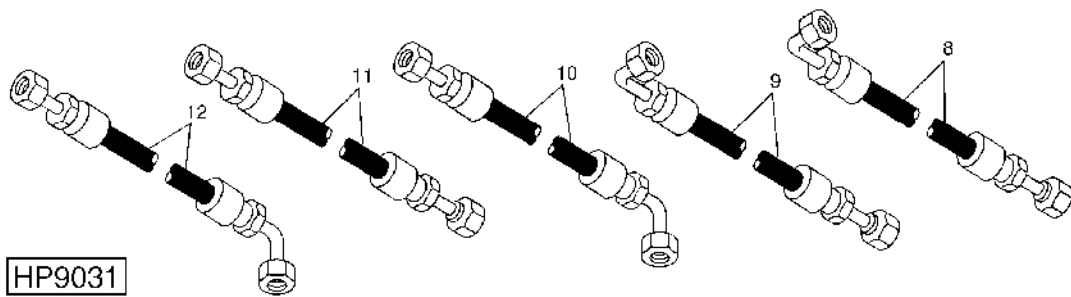
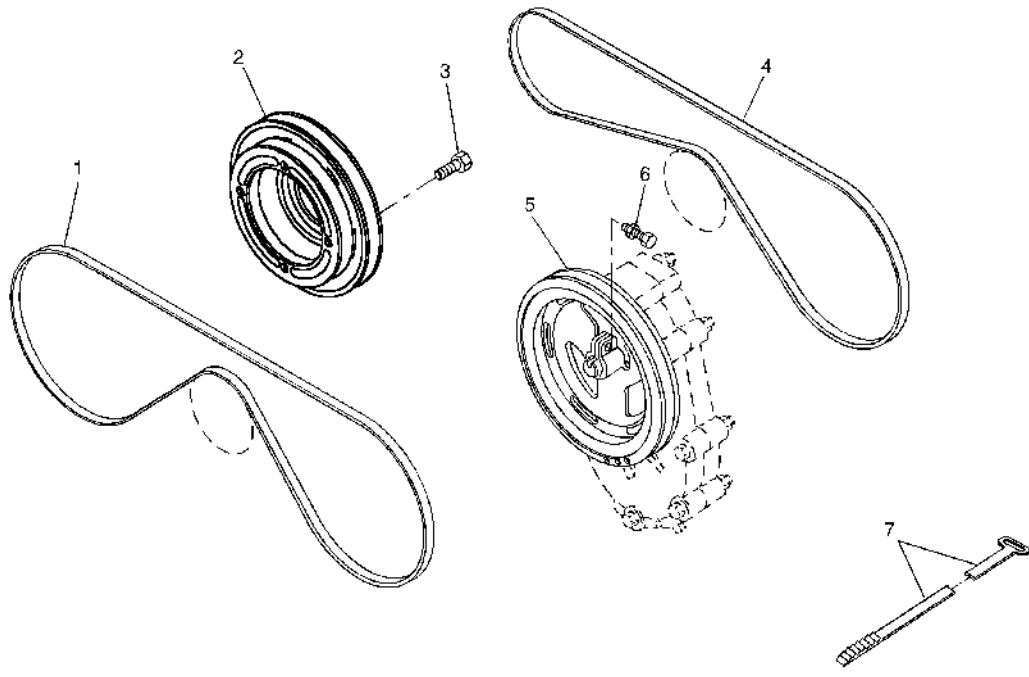
THRESHING AND SEPARATION

BEATER DRIVE BELT IDLER - CONTINUED

KEY	PART NO.	PART NAME	QTY	SERIAL NO.	REMARKS
1	14262	SPRING	1		
2	11M7021	COTTER PIN	1	4 X 25 MM	
3	14M7275	NUT	2	M12	
4	14M7296	FLANGE NUT	3	M10	
5	14M7299	FLANGE NUT	1	M12	
6	19M7811	SCREW	3		
7	19M7815	SCREW	1		
8	19M7819	SCREW	1		
9	24M7047	WASHER	1	13 X 24 X 2.500 MM	
10	AH93318	IDLER	1		
11	AH139365	PLATE	1		
12	AH160022	ARM	1		
13	H33456	WASHER	2		
14	H88355	WASHER	4		
15	H116650	GAUGE	1		
16	H129207	PIVOT	1		
17	H145394	ADJUSTING STRAP	1		
18	H145396	PLATE	1		
19	H176871	BOLT	1	(SUB FOR H150803)	
20	H165542	SPACER	1		
21	H172162	SPACER	1		
22	H99147	BUSHING	2	(SUB H171061)	
	H171061	BEARING	2		
23	AA5607R	SEAL	2		

3G22

DUAL SPEED BEATER DRIVE CONVERSION (OPTIONAL) 770/400 RPM
HP9031 -UN-08SEP99



3G23

THRESHING AND SEPARATION

DUAL SPEED BEATER DRIVE CONVERSION (OPTIONAL) 770/400 RPM - CONTINUED

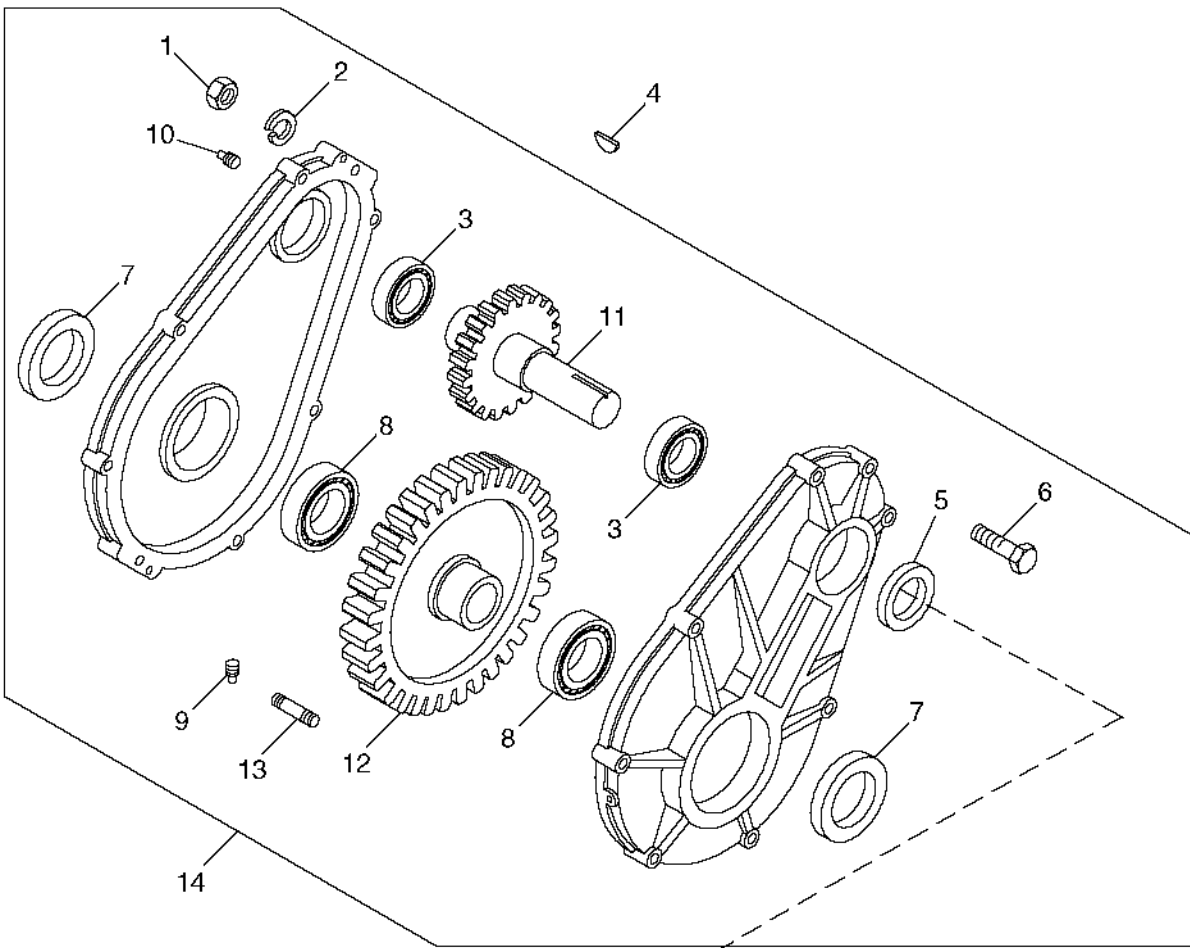
KEY	PART NO.	PART NAME	QTY	SERIAL NO.	REMARKS
1	N121116	BELT	1		
2	H153953	SHEAVE	1		
3	19M7820	SCREW	4		M12 X 100
4	E16774	BELT	1		
5	AH147588	SHEAVE	1		
6	19M7805	SCREW	1		M10 X 45
	14M7296	FLANGE NUT	1		M10
7	H77698	TIE BAND	10		
8	AH147654	HYDRAULIC HOSE	1		
9	AH147653	HYDRAULIC HOSE	1		
10	AH147652	HYDRAULIC HOSE	1		
11	AH147651	HYDRAULIC HOSE	1		
12	AH147650	HYDRAULIC HOSE	1		

3G24

THRESHING AND SEPARATION

BEATER GEARCASE AND SHEAVE

HP8921 -UN-18AUG99



HP8921

3G25

THRESHING AND SEPARATION

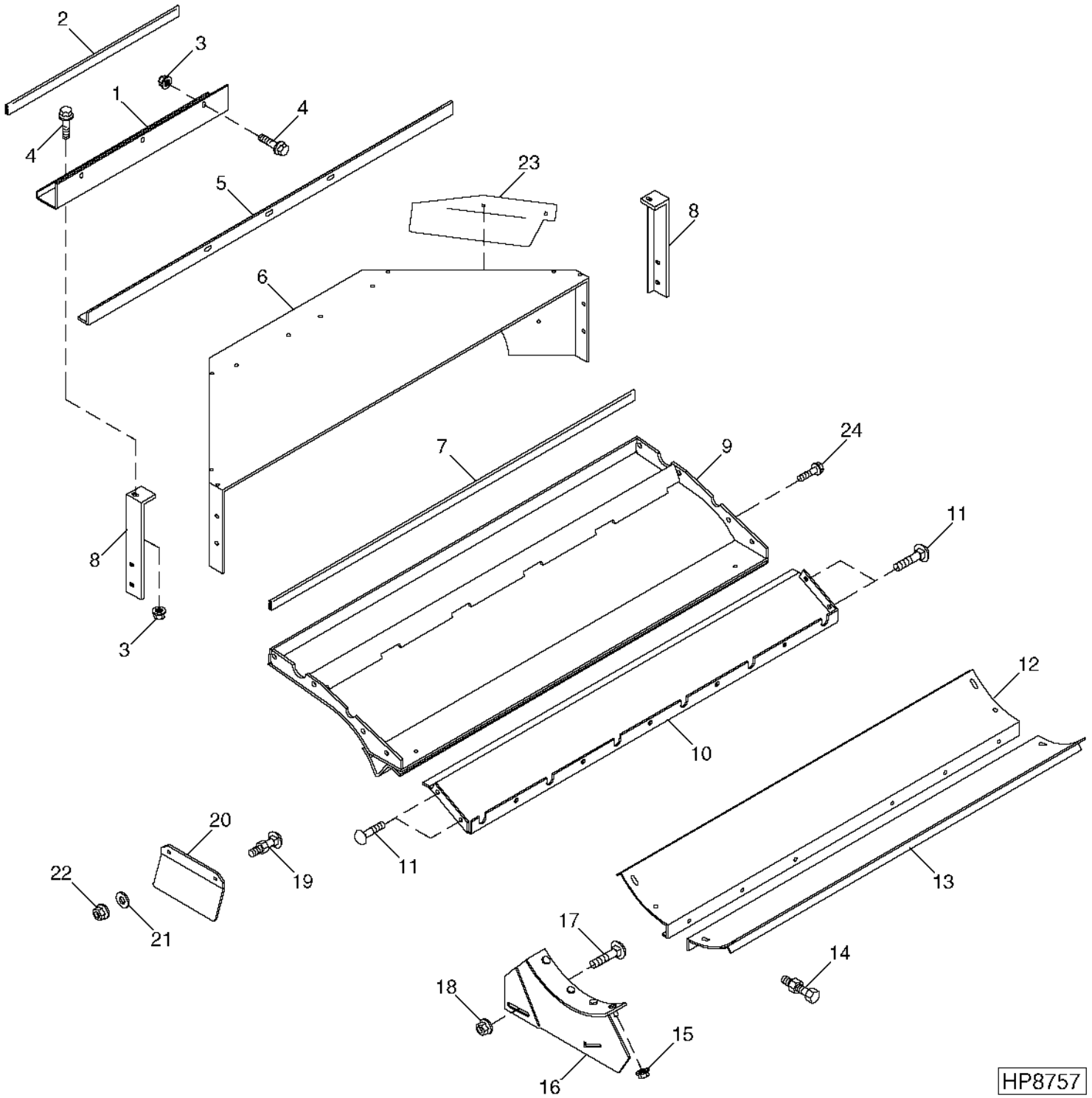
BEATER GEARCASE AND SHEAVE - CONTINUED

KEY	PART NO.	PART NAME	QTY	SERIAL NO.	REMARKS
1	14M7274	NUT	8	M10	
2	12M7066	LOCK WASHER	8	10.200 MM	
3	JD7681	BALL BEARING	2		
4	26M4228	SHAFT KEY	1	8 X 28 MM (0.315" X 1.102")	
5	DE17852	SEAL	1		
6	19M7875	CAP SCREW	8	M10 X 70	
7	DE17853	SEAL	2		
8	DE17851	BALL BEARING	2		
9	15H255	PIPE PLUG	2		
10	15H253	PIPE PLUG	1		
11	GEAR	1	30 TOOTH, WITH GEARCASE ONLY	
12	GEAR	1	54 TOOTH, WITH GEARCASE ONLY	
13	44M7086	DOWEL PIN	2		
14	AH140944	GEAR CASE	1	COMPLETE	
15	H165708	BELT	1		
16	14M7296	FLANGE NUT	2	M10	
17	19M7806	SCREW	2	M10 X 50	
18	AH160049	HUB	1		
19	H166136	SHEAVE	1		
20	19M7791	SCREW	4	M12 X 40	

3H1

THRESHING AND SEPARATION

BEATER COVER
HP8757 -UN-29JUL99



HP8757

3H2

THRESHING AND SEPARATION

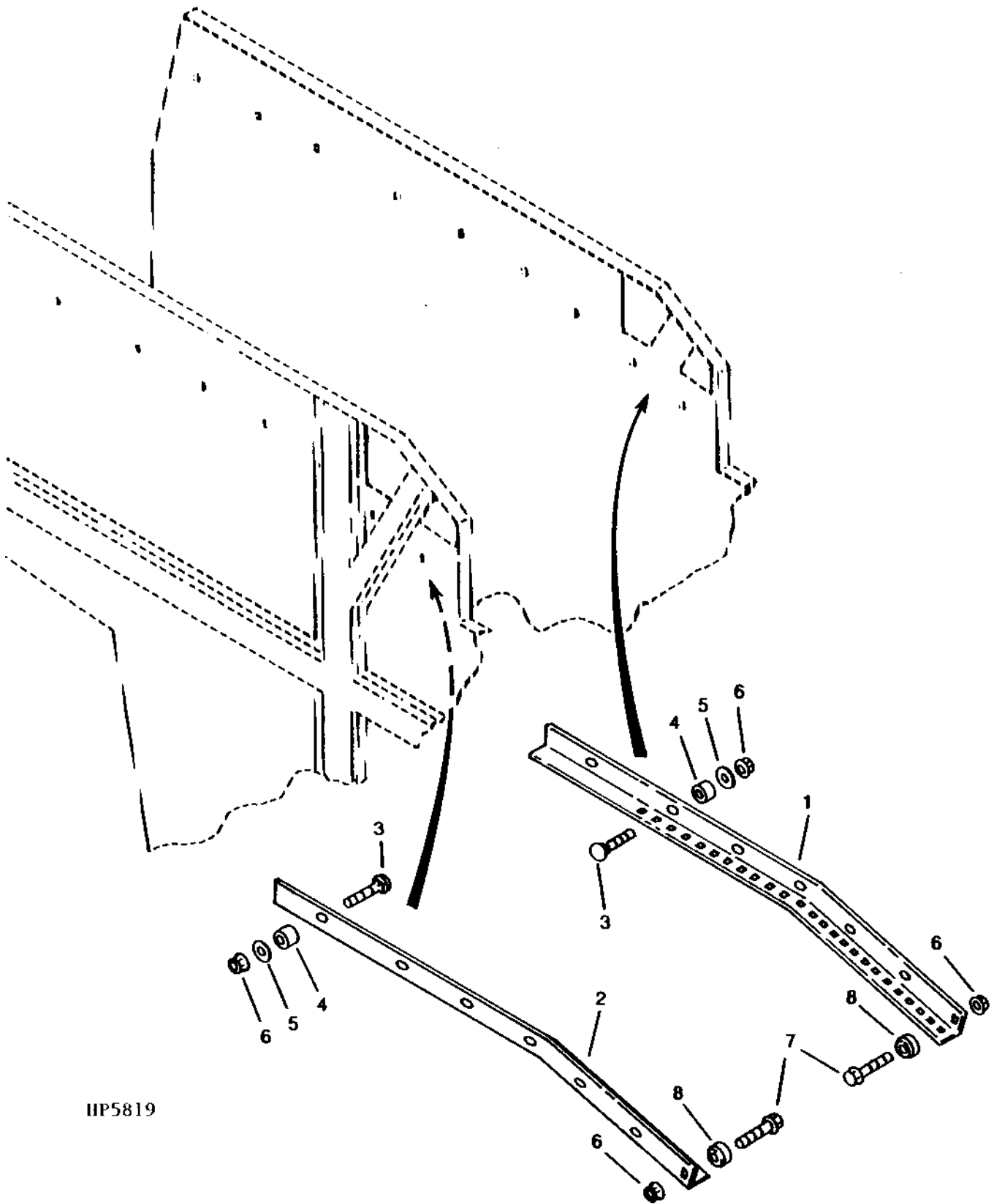
BEATER COVER - CONTINUED

KEY	PART NO.	PART NAME	QTY	SERIAL NO.	REMARKS
1	H143586	CHANNEL	1		
2	AH131965	ISOLATOR	1		
3	14M7296	FLANGE NUT	5	M10	
4	19M7784	SCREW	5	M10 X 20	
5	H143495	ANGLE	1		
6	AH137419	COVER	1		
7	AH140044	ISOLATOR	1		
8	H145819	SUPPORT	2		
9	AH139683	COVER	1		
10	AH134774	COVER	1		
11	37M7058	SCREW	2	M8 X 20	
12	H146695	COVER	1		
13	AH140576	COVER	1		
14	19M7868	SCREW	AR	M8 X 30	
15	14M7298	FLANGE NUT	AR	M8	
16	AH140578	BRACKET	1	R.H.	
	AH140579	BRACKET	1	L.H.	
17	03M7185	BOLT	AR	M8 X 25	
18	14M7298	FLANGE NUT	AR	M8	
19	03M7251	BOLT	6	M6 X 12	
20	H146166	LEAF SPRING	1		
21	24H1288	WASHER	6	9/32" X 1" X 1/16"	
22	14M7303	FLANGE NUT	6	M6	
23	H146023	LEAF SPRING	1	R.H.	
	H146022	LEAF SPRING	1	L.H.	
24	H145773	SELF-LOCKING SCREW	5	(3 ON L.H. SIDE; 2 ON R.H. SIDE)	

3H3

TINE SEPARATOR MODULE RAILS

HP5819 -UN-01JAN94



HP5819

3H4

THRESHING AND SEPARATION

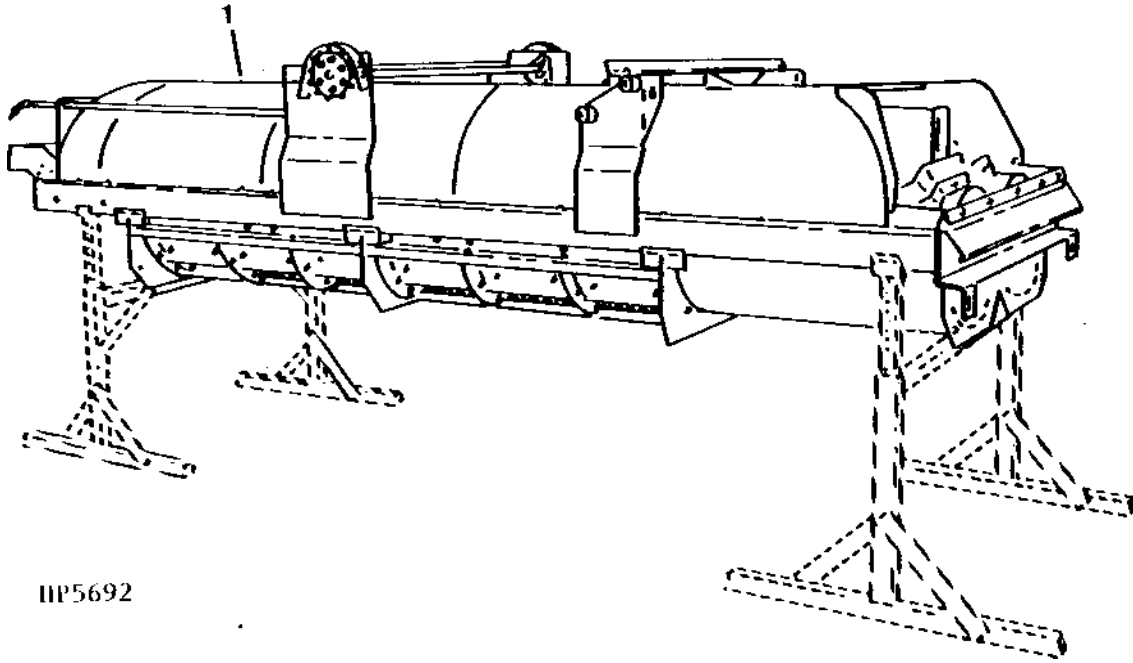
TINE SEPARATOR MODULE RAILS - CONTINUED

KEY	PART NO.	PART NAME	QTY	SERIAL NO.	REMARKS
1	H143585	ANGLE	1		L.H.
2	H143584	ANGLE	1		R.H.
3	03M7339	BOLT	14		M10 X 50
4	H123918	SPACER	14		
5	24M7239	WASHER	14		10.700 X 21 X 2.500 MM (0.421" X 0.827" X 0.098")
6	14M7296	FLANGE NUT	16		M10
7	19M7807	SCREW	2		M10 X 60
8	H145716	RAMP	2		

3H5

THRESHING AND SEPARATION

MODULE ASSEMBLY
HP5692 -UN-01JAN94

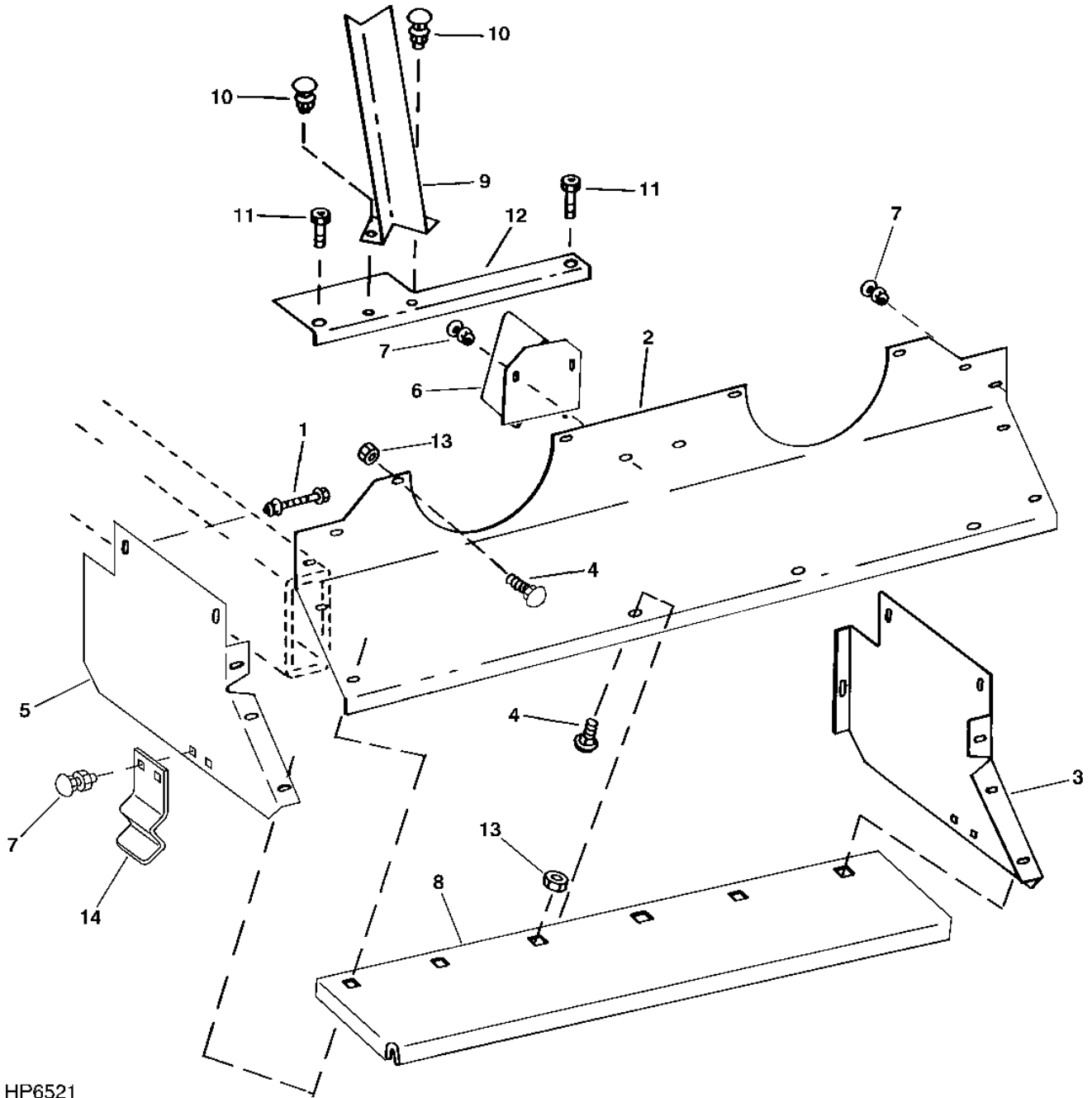


KEY	PART NO.	PART NAME	QTY	SERIAL NO.	REMARKS
1	AH154565	MODULE	1	(GRAIN)	
	AH160205	MODULE	1	(RICE)	

MEMORANDA

3H6

MODULE REAR SHIELDS
HP6521 -UN-15JUL96



HP6521

3H7

THRESHING AND SEPARATION

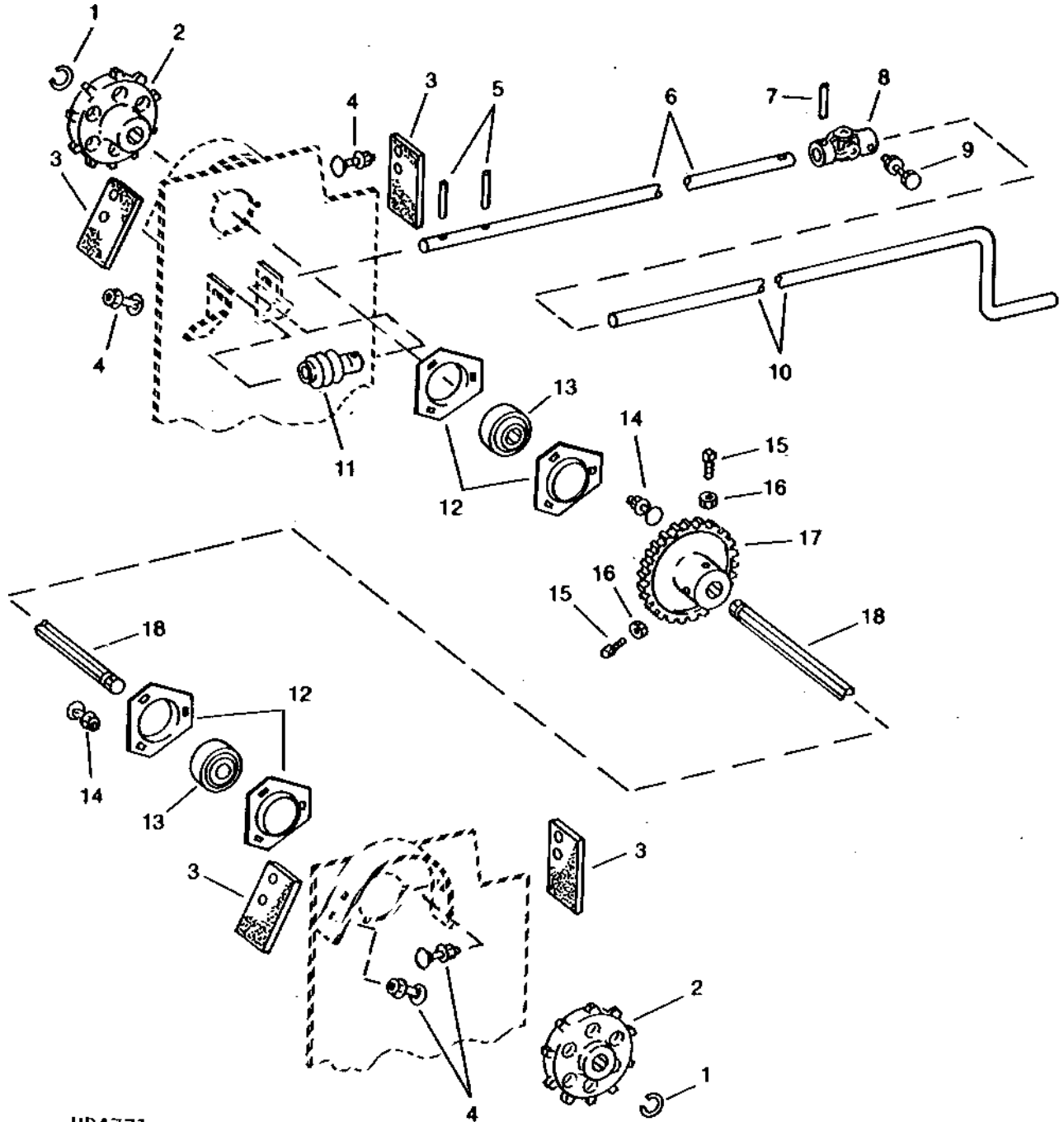
MODULE REAR SHIELDS - CONTINUED

KEY	PART NO.	PART NAME	QTY	SERIAL NO.	REMARKS
1	19M7809	SCREW	4	M10 X 70	
	14M7296	FLANGE NUT	4	M10	
2	H147125	SHEET	1		
3	H148674	SHIELD	1	R.H.	
4	03M7183	BOLT	20	M8 X 16	
5	H148673	SHIELD	1	L.H.	
6	AH141024	PANEL	1	FOR STRAW SPREADER	
	AH143405	FLOW DIVIDER	1	FOR STRAW CHOPPER	
7	03M7183	BOLT	10	M8 X 16	
	14M7298	FLANGE NUT	10	M8	
8	H147520	SHIELD	1		
9	H147153	SHIELD	1	(CORN CONVERSION)	
10	03M7190	BOLT	2	M10 X 20, (CORN CONVERSION)	
	14M7296	FLANGE NUT	2	M10, (CORN CONVERSION)	
11	19M7787	SCREW	2	M12 X 20, (CORN CONVERSION)	
12	H147519	SHIELD	1	(CORN CONVERSION)	
13	14M7298	FLANGE NUT	14	M8	
14	H147496	LATCH	2		
..	AH89557	CLIP	1	(FOR L.H. REAR DISCHARGE LIGHT)	
..	BH80132	COMPLETE GOODS/SHIP. BUNDLE	1	CORN CONVERSION	

3H8

THRESHING AND SEPARATION

MODULE CRANK OUT SYSTEM
HP4771 -UN-01JAN94



HP4771

3H9

THRESHING AND SEPARATION

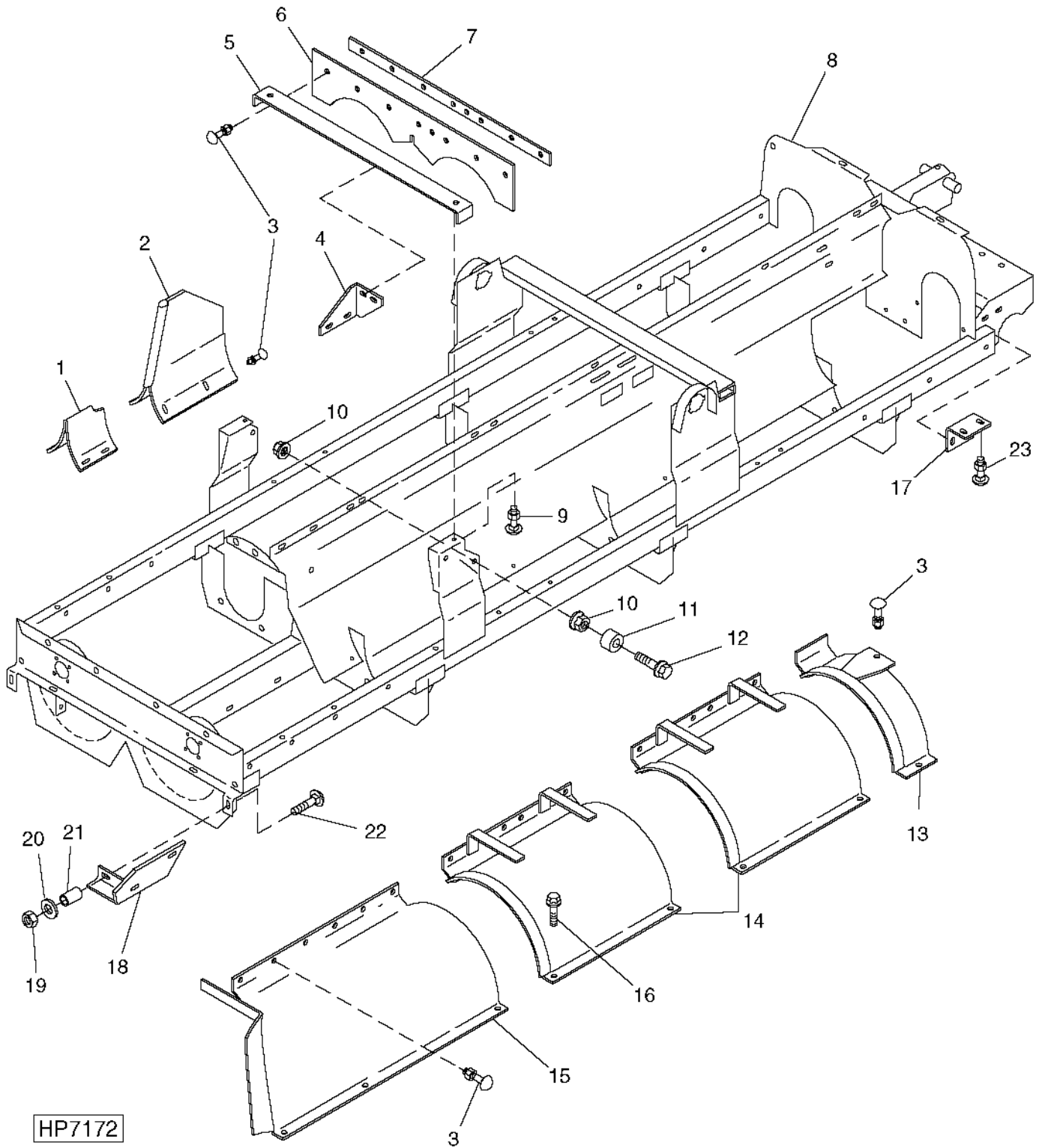
MODULE CRANK OUT SYSTEM - CONTINUED

KEY	PART NO.	PART NAME	QTY	SERIAL NO.	REMARKS
1	H80926	SNAP RING	2		
2	H143543	CHAIN SPROCKET	2		
3	H141282	BLADE	2		FRONT OF TRANSPORT RING GEARS
	H147838	BLADE	2		REAR OF TRANSPORT RING GEARS
4	03M7185	BOLT	4		M8 X 25
	14M7298	FLANGE NUT	4		M8
	24M7207	WASHER	4		8.400 X 24 X 2 MM
5	34H105	SPRING PIN	2		
6	H158737	SHAFT	1		
7	34H105	SPRING PIN	1		
8	AH135160	UNIVERSAL JOINT	1		
9	19M7595	CAP SCREW	1		M6 X 50
	14M7272	NUT	1		M6
10	H145792	CRANK	1		
11	H158712	GEAR	1		
12	H103265	PRESSED FLANGED HOUSING	4		
13	AN102010	BEARING	2		
14	03M7191	BOLT	6		M10 X 25
	14M7296	FLANGE NUT	6		M10
15	H138435	SET SCREW	2		
16	14M7152	NUT	2		M10
17	H143542	HELICAL GEAR	1		
18	H142138	SHAFT	1		

3H10

THRESHING AND SEPARATION

MODULE FRAME AND COVERS
HP7172 -UN-13AUG99



3H11

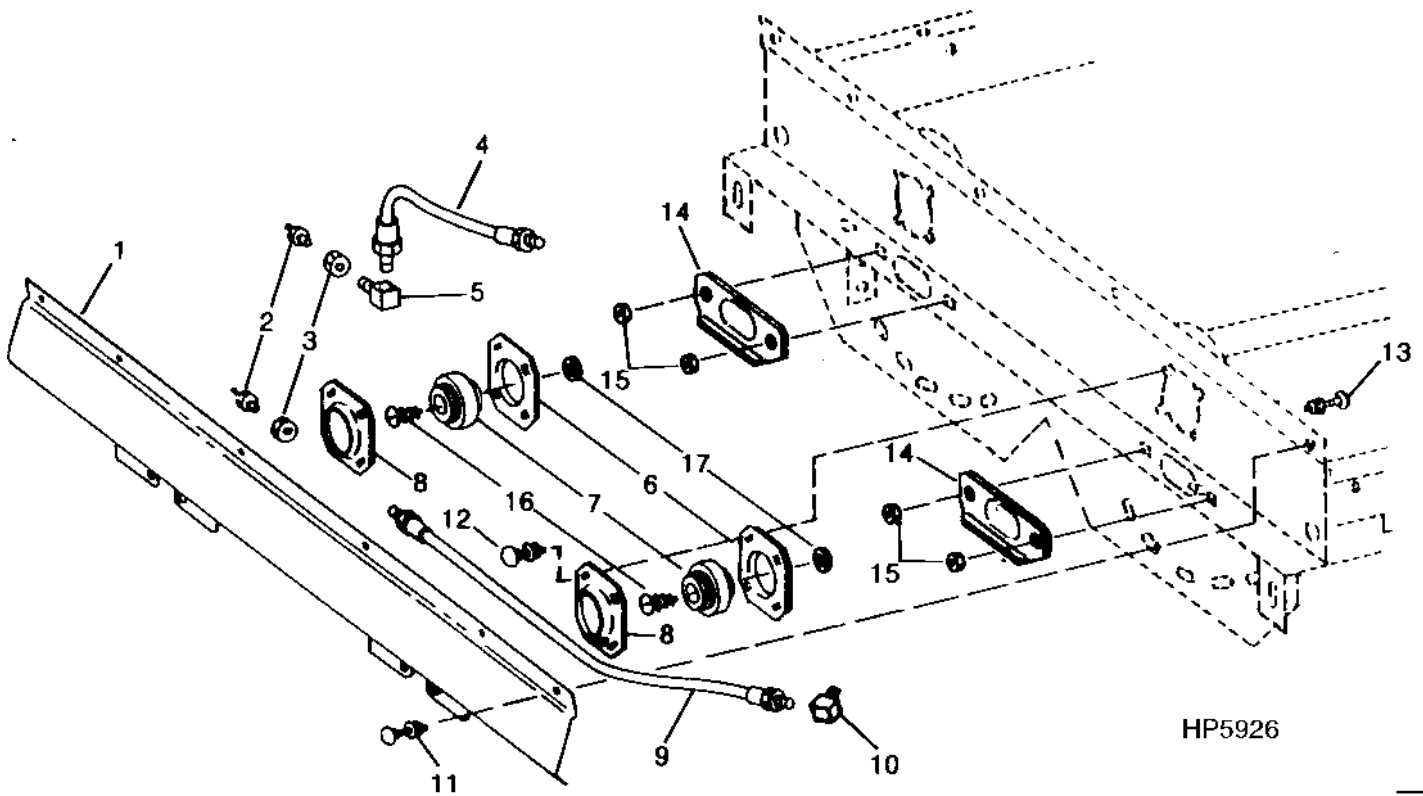
THRESHING AND SEPARATION

MODULE FRAME AND COVERS - CONTINUED

KEY	PART NO.	PART NAME	QTY	SERIAL NO.	REMARKS
1	H145089	CROP DIVIDER	1		
2	AH148526	CROP DIVIDER	1		
3	03M7192	BOLT	30	M10 X 30	
	14M7296	FLANGE NUT	30	M10	
4	H144265	BRACKET	1		
5	H144264	ANGLE	1		
6	H144267	SEAL	1		
7	H144266	STRIP	1		
8	AH154403	FRAME	1		
9	19M7789	SCREW	AR	M12 X 30	
	14M7299	FLANGE NUT	AR	M12	
10	14M7291	FLANGE NUT	4	M16	
11	H113892	SHIFT COLLAR	4		
12	19M7417	CAP SCREW	4	M16 X 65	
13	AH147953	COVER	1	L.H. (REAR)	
	AH147952	COVER	1	R.H. (REAR)	
14	AH137671	COVER	2	L.H. (20 DEGREE VANES)	
	AH137677	COVER	2	L.H.-CORN ONLY (10° VANES)	
	AH137672	COVER	2	R.H. (20 DEGREE VANES)	
	AH137678	COVER	2	R.H.-CORN ONLY (10° VANES)	
15	AH139280	COVER	1	R.H. (FRONT)	
	AH139281	COVER	1	L.H. (FRONT)	
16	03M7233	BOLT	AR	M10 X 70	
17	H143574	ANGLE	2		
18	AH137374	STOP	1	L.H.	
	AH137373	STOP	1	R.H.	
19	14M7299	FLANGE NUT	2	M12	
20	24M7240	WASHER	2	13 X 25 X 3 MM	
21	N61709	BUSHING	2	13.487 X 25.400 X 18.110 MM (17/32" X 1" X 0.713")	
22	03M7205	BOLT	1	M16 X 40	
23	03M7198	BOLT	2	M12 X 30	

3H12

MODULE FRONT BEARINGS AND LUBE LINES
HP5926 -UN-04MAY95



HP5926

3H13

THRESHING AND SEPARATION

MODULE FRONT BEARINGS AND LUBE LINES - CONTINUED

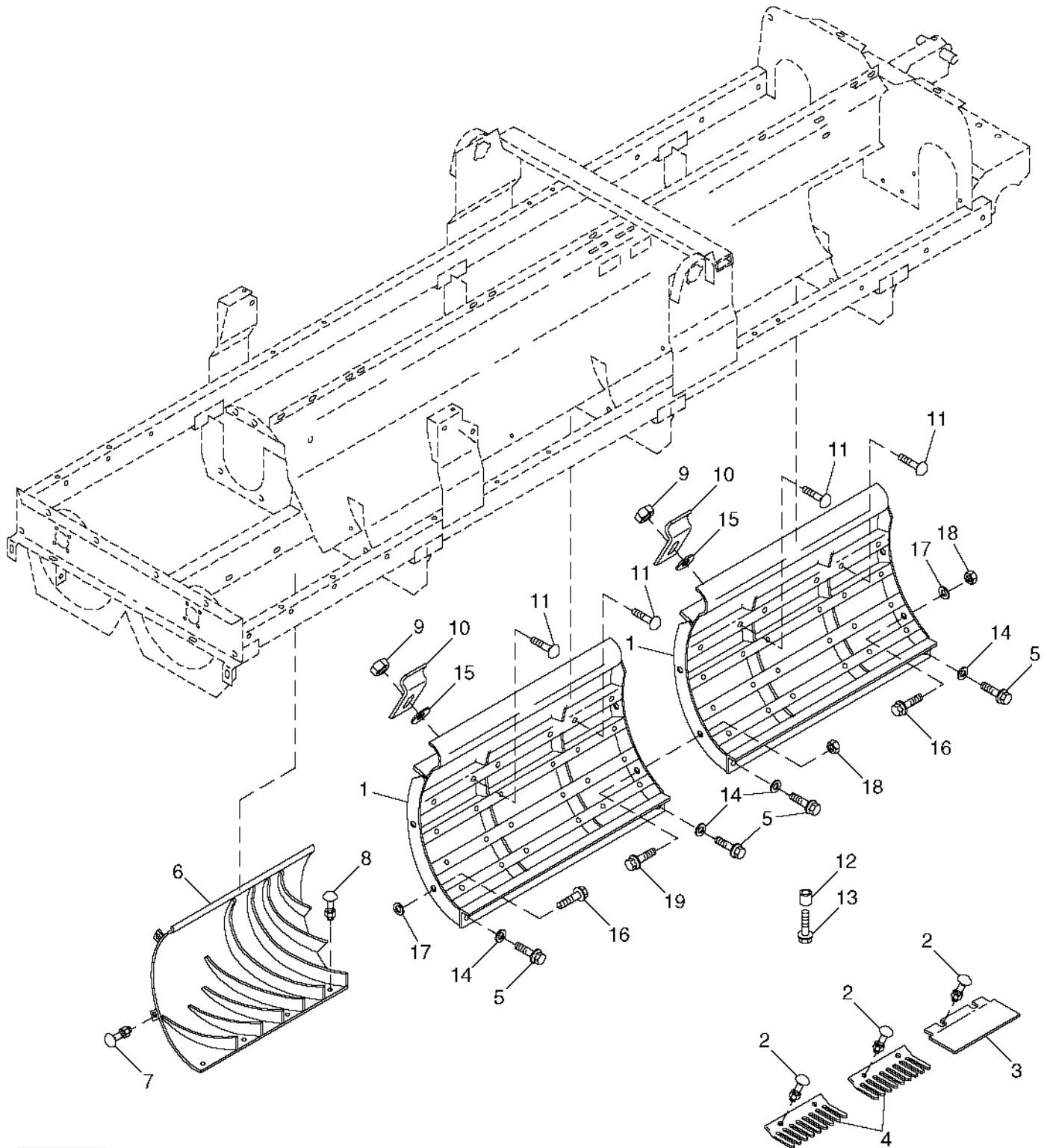
KEY	PART NO.	PART NAME	QTY	SERIAL NO.	REMARKS
1	H145845	COVER	1		
2	JD7797	LUBRICATION FITTING	2		
3	E12379	NUT	2		3.175 MM
4	H98301	HYDRAULIC HOSE	1		
5	E12378	ELBOW FITTING	2		
6	H113626	PRESSED FLANGED HOUSING	2		
7	JD9434	BEARING	2		
8	H113625	PRESSED FLANGED HOUSING	2		
9	AH142000	HOSE	1		
10	JD7845	ELBOW FITTING	1		
11	03M7198	BOLT	6		M12 X 30
	14M7299	FLANGE NUT	6		M12
12	03M7198	BOLT	8		M12 X 30
	14M7299	FLANGE NUT	8		M12
13	03M7201	BOLT	8		M12 X 45
	14M7299	FLANGE NUT	8		M12
14	AH146364	PLATE	2		
15	14M7396	LOCK NUT	1		M8
16	19M7843	SCREW	2		M16 X 35
17	N72306	WASHER	2		16.662 X 50.800 X 6.350 MM

3H14

THRESHING AND SEPARATION

MODULE GRATE ASSEMBLY, FINGER BAR AND FILLER PLATE

HP9682 -UN-11APR00



HP9682

3H15

THRESHING AND SEPARATION

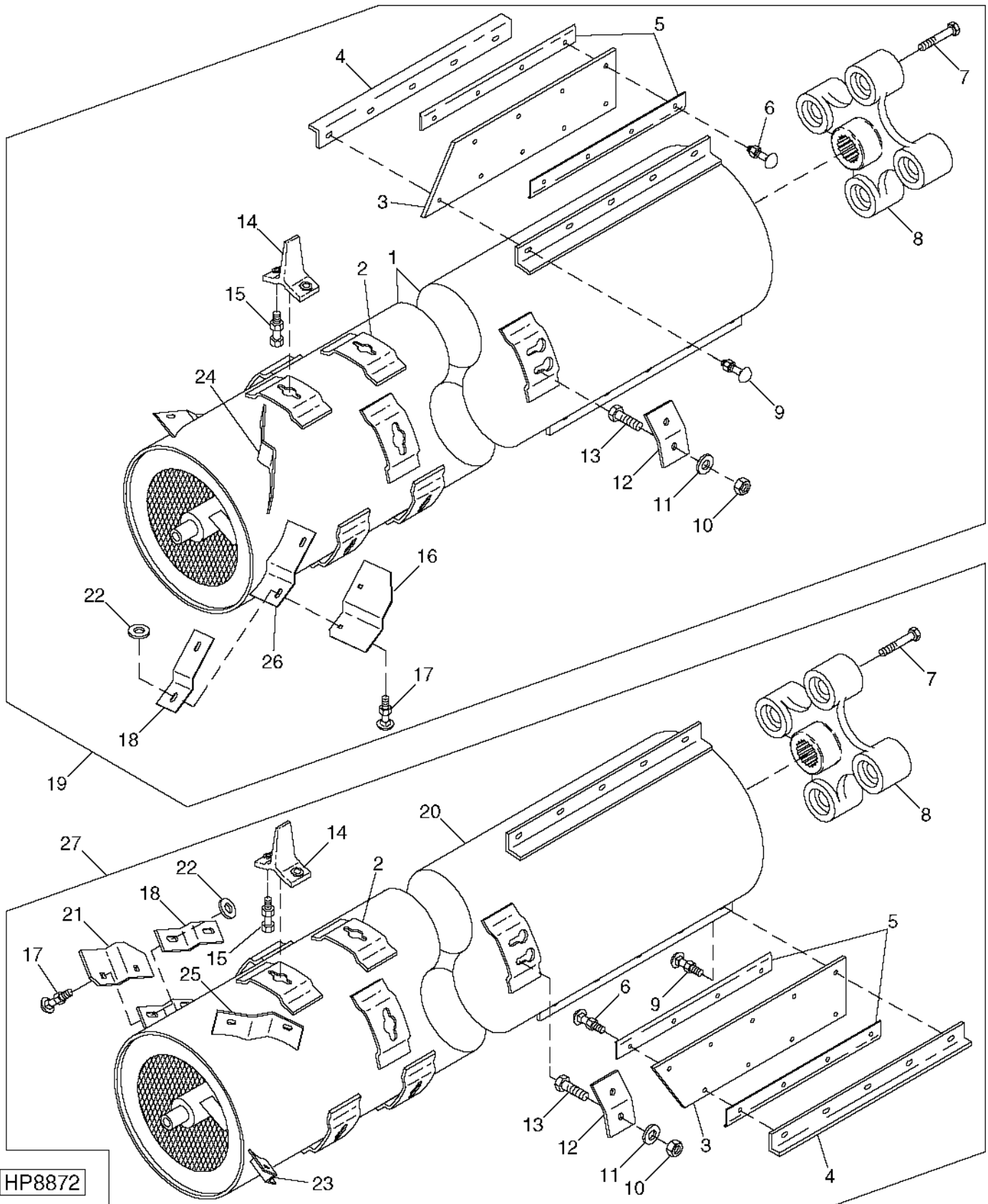
MODULE GRATE ASSEMBLY, FINGER BAR AND FILLER PLATE - CONTINUED

KEY	PART NO.	PART NAME	QTY	SERIAL NO.	REMARKS
1	AH167146	FINGER GRATE	4		(SUB FOR AH138228) (RICE)
	AH140766	GRATE	4		(GRAIN)
2	03M7238	BOLT	AR		M10 X 35
	14M7296	FLANGE NUT	AR		M10
3	H173009	PLATE	18		(RICE)
	H150752	PLATE	12		(GRAIN)
	AH146360	COVER	AR		(GRAIN)
4	H147132	FINGER	36		(RICE)
	H150142	FINGER	72		(GRAIN)
5	19M7790	SCREW	AR		M12 X 35
6	AH139236	HOUSING	1		L.H.
	AH139237	HOUSING	1		R.H.
7	03M7191	BOLT	2		M10 X 25
	14M7296	FLANGE NUT	2		M10
8	03M7233	BOLT	2		M10 X 70
	03M7238	BOLT	AR		M10 X 35
	14M7296	FLANGE NUT	2		M10
9	14M7296	FLANGE NUT	AR		M10
10	H147286	CLIP	8		
11	03M7339	BOLT	8		M10 X 50
12	H146752	BUSHING	AR		(CORN CONVERSION)
13	19M7816	SCREW	AR		M12 X 65, (CORN CONVERSION)
14	24H1850	WASHER	AR		17/32" X 1-1/4" X 0.180"
15	24M7028	WASHER	AR		10.500 X 20 X 2 MM
	24M7178	WASHER	AR		10.500 X 30 X 2.500 MM, 1ST ROW
16	19M7835	SCREW	AR		M10 X 35
17	24M7178	WASHER	AR		10.500 X 30 X 2.500 MM
18	H135891	LOCK NUT	AR		
19	19M8162	CAP SCREW	AR		M10 X 40
..	BH80132	COMPLETE GOODS/SHIP. BUNDLE	1		CORN CONVERSION
..	BH79980	COMPLETE GOODS/SHIP. BUNDLE	1		COVER ASSEMBLY, 7-ROW GRATE

3H16

THRESHING AND SEPARATION

MODULE TINE SEPARATORS
HP8872 -UN-29JUL99



HP8872

3H17

THRESHING AND SEPARATION

MODULE TINE SEPARATORS - CONTINUED

KEY	PART NO.	PART NAME	QTY	SERIAL NO.	REMARKS
1	TUBE	1		RIGHT-HAND
2	H146453	BRACKET	44		
3	H145364	PADDLE	2		
4	H145366	ANGLE	2		R.H.
	H145370	ANGLE	2		L.H.
5	H145363	STRIP	4		
6	03M7186	BOLT	8		M8 X 30
	14M7396	LOCK NUT	8		M8
7	19M7819	SCREW	4		M12 X 90
8	AH153126	COUPLING	1		
9	03M7238	BOLT	10		M10 X 35
	H135891	LOCK NUT	10		M10
10	14M7396	LOCK NUT	AR		M8
11	24H1297	WASHER	AR		11/32" X 2" X 0.065", (MAY BE USED IN LIEU OF WEIGHT)
12	H147230	WEIGHT	AR		1.6 MM THICK
	H147231	WEIGHT	AR		3 MM THICK
	H147232	WEIGHT	AR		4.5 MM THICK
	H147233	WEIGHT	AR		6 MM THICK
	H147234	WEIGHT	AR		8 MM THICK
13	03M7185	BOLT	AR		M8 X 25
14	H146455	TINE	16		(FROM FRONT TO REAR, FIRST FOUR ROWS)
	H146454	TINE	28		
15	19M7790	SCREW	88		M12 X 35
	14M7401	LOCK NUT	88		M12
16	H168073	FLOW DIVIDER	4		R.H.
17	H168080	BOLT	8		M12 X 40
	14M7299	FLANGE NUT	8		M12
18	H168074	WEIGHT	AR		
	H168075	WEIGHT	AR		
	H168076	WEIGHT	AR		
	H168077	WEIGHT	AR		
	H168078	WEIGHT	AR		
19	AH154432	TUBE	1		R.H.
20	HOUSING	1		L.H.
21	H168072	FLOW DIVIDER	4		
22	24H1790	WASHER	AR		17/32" X 1-1/2" X 0.164", (MAY BE USED IN LIEU OF WEIGHT)
23	H168068	BRACKET	1		
24	H168069	BRACKET	2		
25	H168070	BRACKET	2		
26	H168071	SUPPORT	2		
27	AH154431	TUBE	1		L.H.

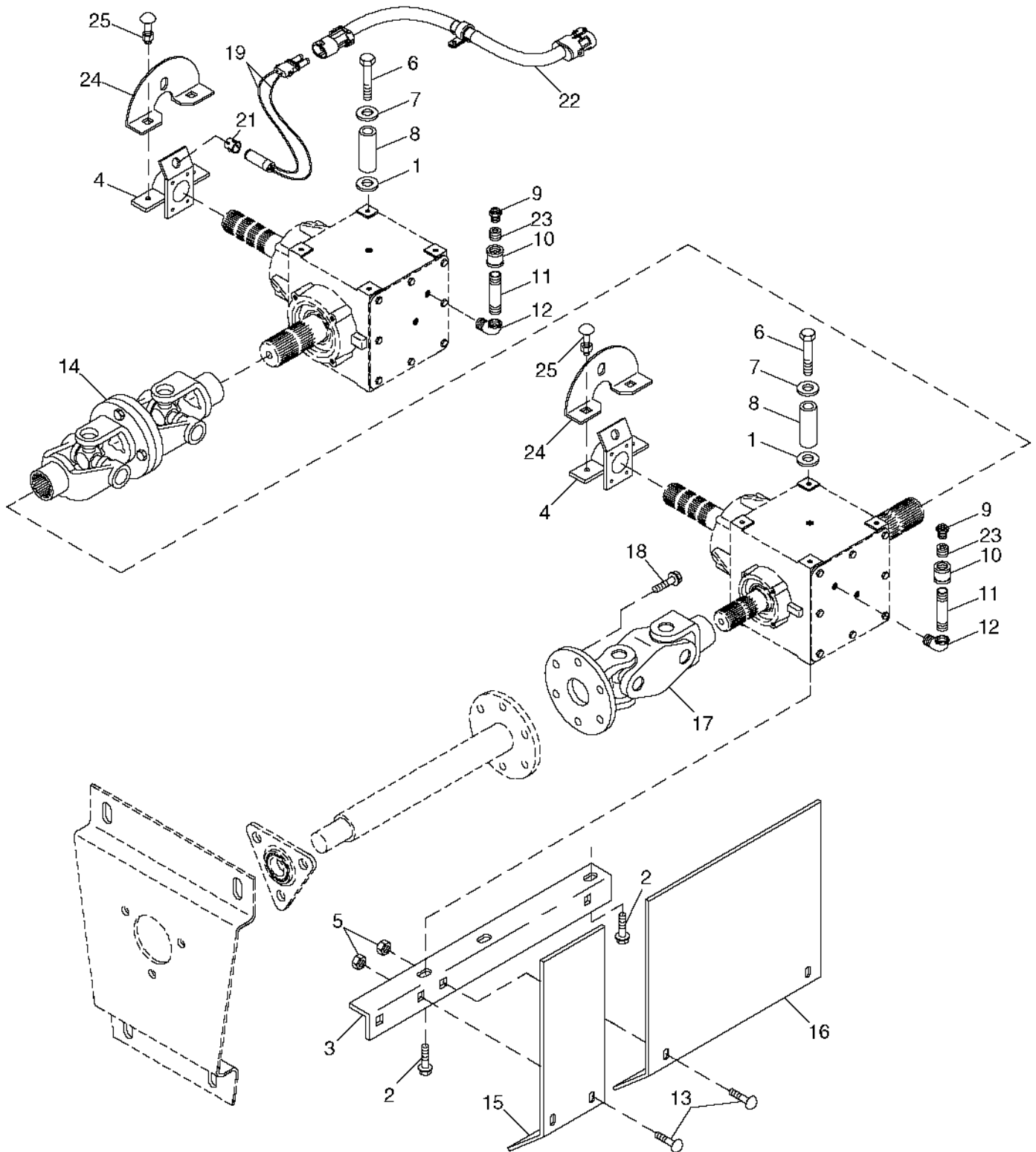
NOTE: QUANTITIES SHOWN ARE FOR ONE HOUSING ASSEMBLY ONLY.

3H18

THRESHING AND SEPARATION

MODULE GEARBOX, SHAFT AND COUPLING

HP8919 -UN-31AUG99



HP8919

3H19

THRESHING AND SEPARATION

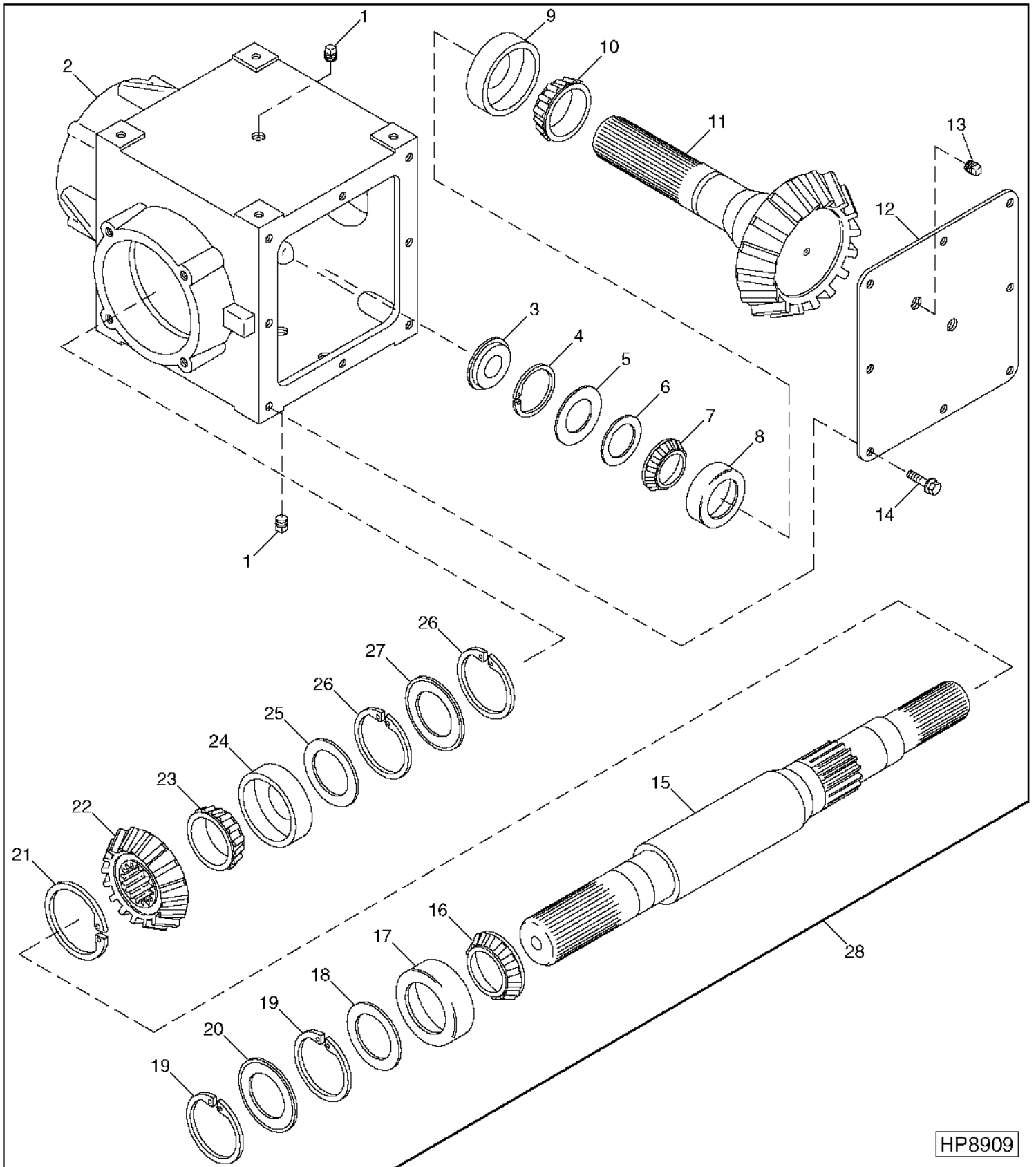
MODULE GEARBOX, SHAFT AND COUPLING - CONTINUED

KEY	PART NO.	PART NAME	QTY	SERIAL NO.	REMARKS
1	24H1849	WASHER	AR	17/32" X 1" X 0.036"	
2	19M7787	SCREW	3	M12 X 20	
3	H160989	ANGLE	1		
4	AH153165	SHIELD	2		
5	14M7296	FLANGE NUT	4	M10	
6	19M7837	SCREW	8	M12 X 110	
7	24H1850	WASHER	8	17/32" X 1-1/4" X 0.180"	
8	A25994	SPACER	8	9/16" X 1" X 3.100"	
9	E14814	BREATHER	2		
10	15H579	COUPLING	2	3/8"	
11	29H592	THREADED NIPPLE	2	1/2"	
12	15H602	ELBOW FITTING	2	1/2"	
13	03M7190	BOLT	4	M10 X 20	
14	AH154342	UNIVERSAL JOINT YOKE	1	(SUB FOR H140083)	
15	H160991	SHIELD	1	L.H.	
16	H160990	SHIELD	1		
17	AH154343	UNIVERSAL JOINT YOKE	1		
18	19M7872	CAP SCREW	3	M12 X 25	
19	AH116104	SENSOR	1		
20	H168924	SCREW	2	0.190" X 1"	
21	H160880	CLIP	1		
22	AH156714	WIRING HARNESS	1		
23	15H511	PIPE BUSHING	2		
24	H159825	SHIELD	2		
25	03M7221	BOLT	4	M6 X 16	
	14M7303	FLANGE NUT	4	M6	

3H20

THRESHING AND SEPARATION

MODULE GEARCASE L.H.
HP8909 -UN-13AUG99



HP8909

3H21

THRESHING AND SEPARATION

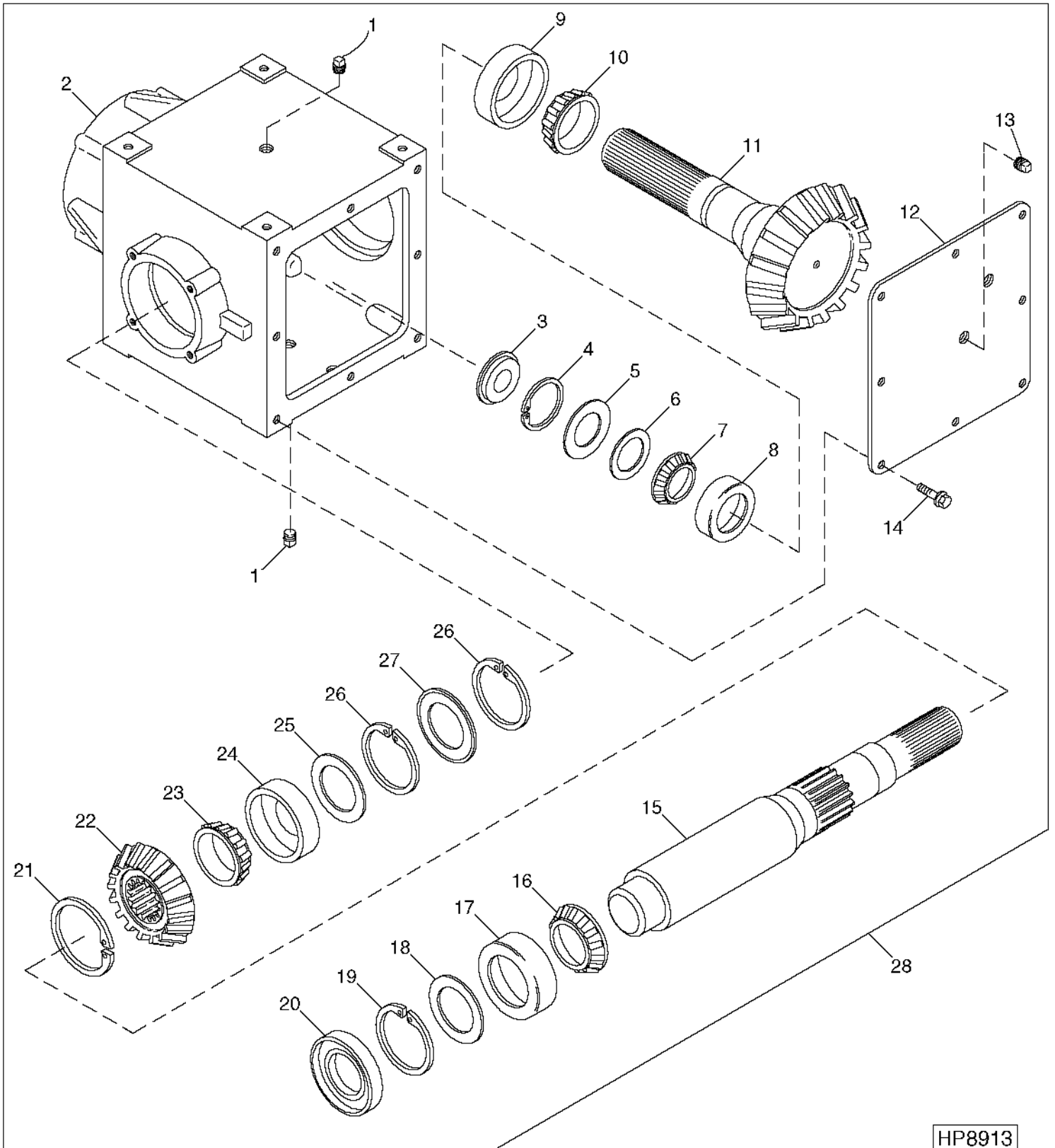
MODULE GEARCASE L.H. - CONTINUED

KEY	PART NO.	PART NAME	QTY	SERIAL NO.	REMARKS
1	15H287	PIPE PLUG	2		
2	H160814	HOUSING	1		
3	AH154236	SEAL	1		
4	40M7204	SNAP RING	1		
5	H161062	SHIM	5		
	H161063	SHIM	2		
	H161064	SHIM	1		
6	H159958	WASHER	1		
7	JD8103	BEARING CONE	1		
8	JD7425	BEARING CUP	1		
9	R112195	BEARING CUP	1		
10	RE49266	BEARING CONE	1		
11	GEAR	1		MATCHED SET (ORDER DE19052)
12	H160810	COVER	1		
13	15H584	PIPE PLUG	2		
14	19M7866	SCREW	10		
15	H160791	DRIVE SHAFT	1		
16	JD9076	BEARING CONE	1		
17	JD9133	BEARING CUP	1		
18	H160777	SHIM	2		
	H160776	SHIM	2		
	H160775	SHIM	1		
	H160774	SHIM	3		
19	40M5099	SNAP RING	1		
20	AH154270	SEAL	1		
21	T61226	SNAP RING	1		
22	GEAR	1		MATCHED SET (ORDER DE19052)
23	JD8228	BEARING CUP	1		
24	JD8182	BEARING CONE	1		
25	H160781	SHIM	2		
	H160780	SHIM	2		
	H160779	SHIM	1		
	H160778	SHIM	3		
26	40M1872	SNAP RING	2		
27	AH154267	SEAL	1		
28	AH154316	GEAR CASE	1		
..	DE19052	PINION SHAFT	1		MATCHED SET - GEARS

3H22

THRESHING AND SEPARATION

MODULE GEARCASE R.H.
HP8913 -UN-13AUG99



HP8913

3H23

THRESHING AND SEPARATION

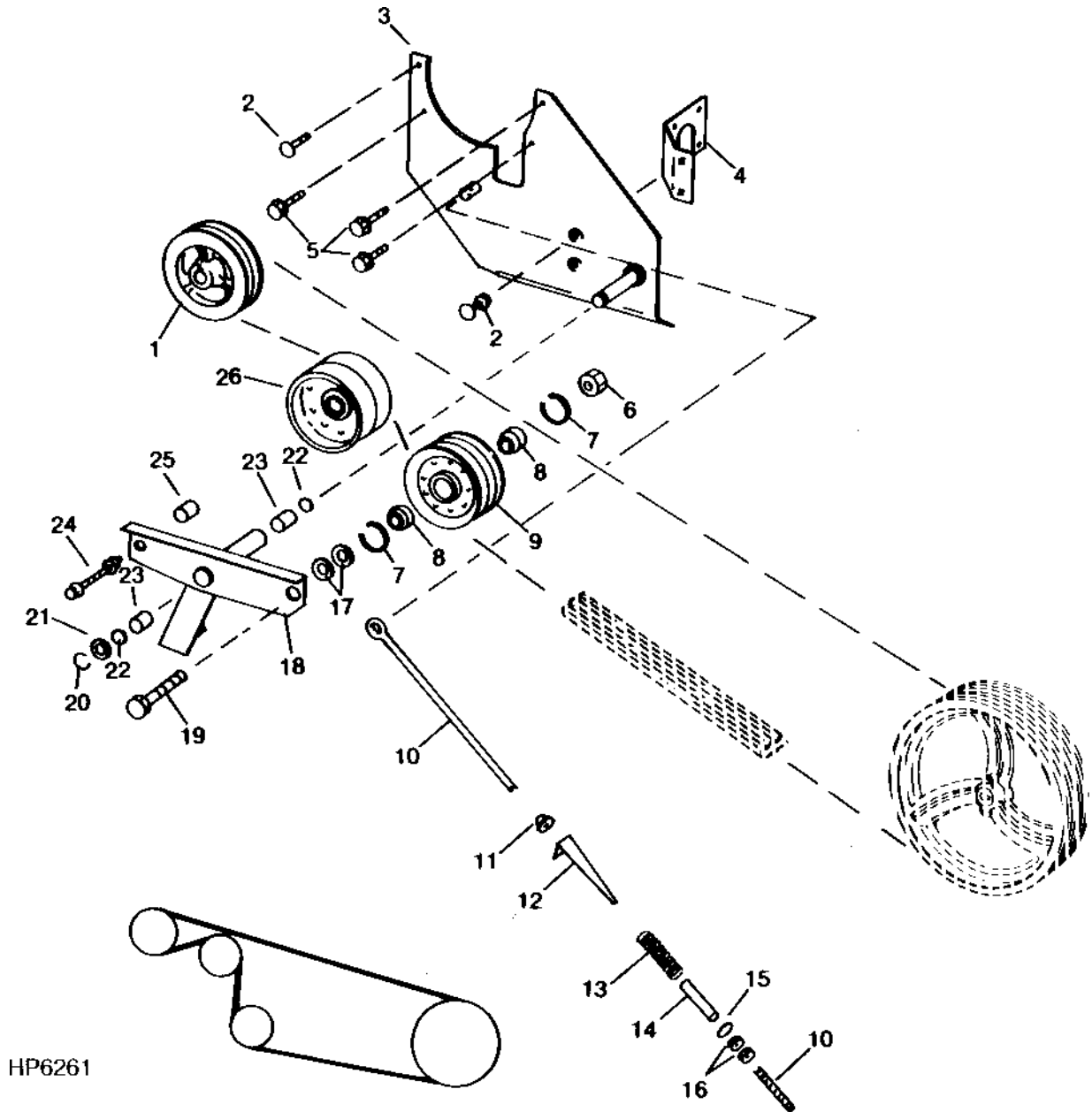
MODULE GEARCASE R.H. - CONTINUED

KEY	PART NO.	PART NAME	QTY	SERIAL NO.	REMARKS
1	15H584	PIPE PLUG	2		
2	H160814	HOUSING	1		
3	AH154236	SEAL	1		
4	40M7204	SNAP RING	1		
5	H161062	SHIM	5		
	H161063	SHIM	2		
	H161064	SHIM	1		
6	H159958	WASHER	1		
7	JD8103	BEARING CONE	1		
8	JD7425	BEARING CUP	1		
9	RE49266	BEARING CONE	1		
10	R112195	BEARING CUP	1		
11	GEAR	1		MATCHED SET (ORDER DE19052)
12	H160810	COVER	1		
13	15H287	PIPE PLUG	2		
14	19M7866	SCREW	10		
15	H160805	DRIVE SHAFT	1		
16	JD9076	BEARING CONE	1		
17	JD9133	BEARING CUP	1		
18	H160777	SHIM	2		
	H160776	SHIM	2		
	H160775	SHIM	1		
	H160774	SHIM	3		
19	40M5099	SNAP RING	1		
20	H160808	CAP	1		
21	T61226	SNAP RING	1		
22	GEAR	1		MATCHED SET (ORDER DE19052)
23	JD8182	BEARING CONE	1		
24	JD8228	BEARING CUP	1		
25	H160781	SHIM	2		
	H160780	SHIM	2		
	H160779	SHIM	1		
	H160778	SHIM	3		
26	40M1872	SNAP RING	2		
27	AH154267	SEAL	1		
28	AH154317	GEAR CASE	1		
..	DE19052	PINION SHAFT	1		MATCHED SET - GEARS

3H24

THRESHING AND SEPARATION

ENGINE GEARBOX TO MODULE DRIVES
HP6261 -UN-23JAN96



HP6261

3H25

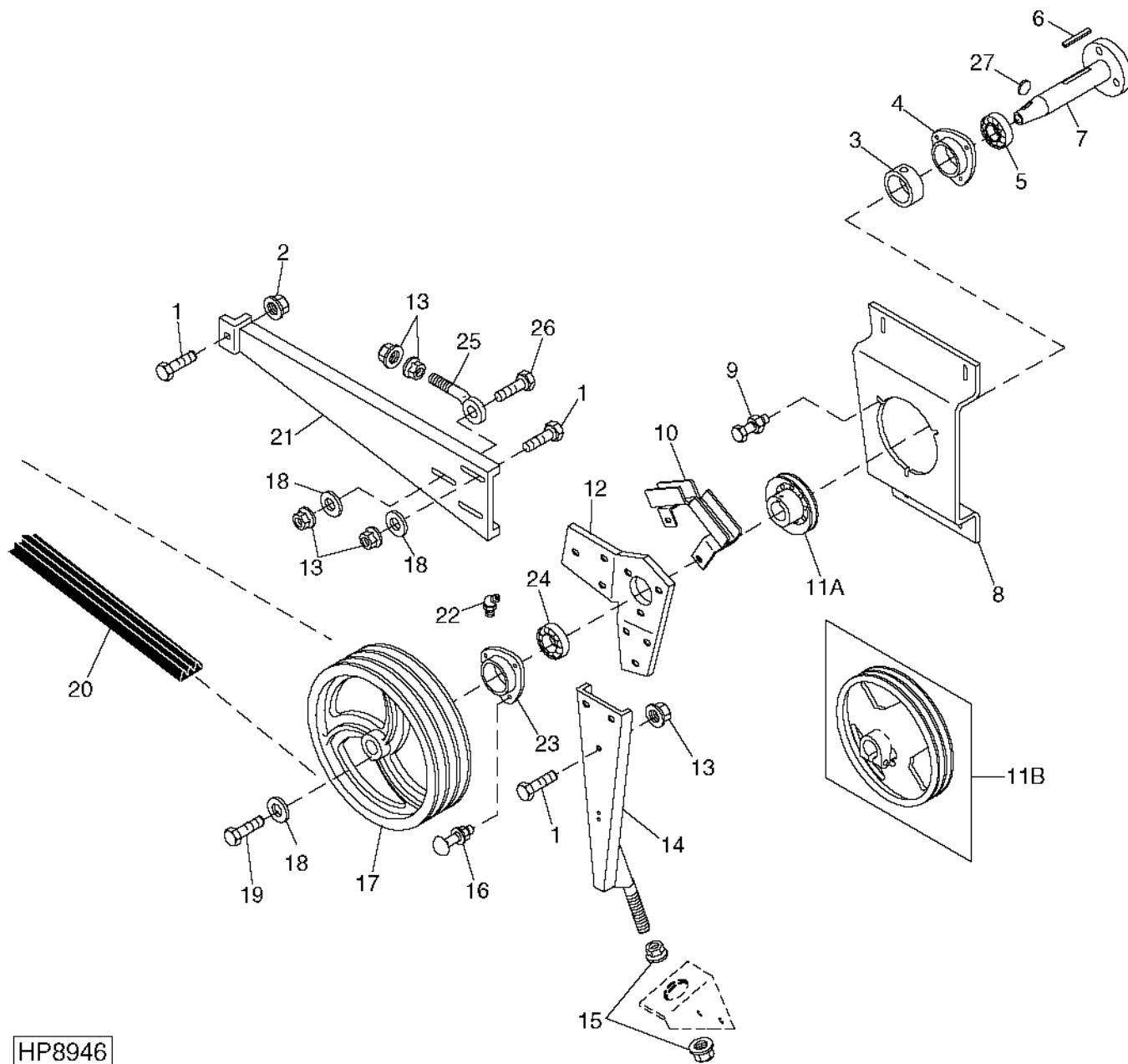
THRESHING AND SEPARATION

ENGINE GEARBOX TO MODULE DRIVES - CONTINUED

KEY	PART NO.	PART NAME	QTY	SERIAL NO.	REMARKS
1	H141399	SHEAVE	1		
2	03M7191	BOLT	3	M10 X 25	
	14M7296	FLANGE NUT	3	M10	
3	AH155072	PLATE	1		
4	H141445	SUPPORT	1		
5	19M7786	SCREW	3	M10 X 30	
	14M7296	FLANGE NUT	3	M10	
6	14H830	NUT	1	7/8"	
7	J13683	SNAP RING	2		
8	JD8662	BALL BEARING	2		
9	H147128	SHEAVE	1		
10	H143311	EYEBOLT	1		
11	H129208	PIVOT	1		
12	H116862	GAUGE	1		
13	H86783	SPRING	1		
14	TY22329	BULK HOSE	AR		
15	24H1373	WASHER	1	21/32" X 1-9/16" X 0.180"	
16	14M7276	NUT	2	M16	
17	24H1429	WASHER	2		
18	AH137195	ARM	1		
19	19H2279	CAP SCREW	1		
20	P46402	SNAP RING	1		
21	24M7091	WASHER	1	26 X 44 X 4 MM	
22	AA5607R	SEAL	2		
23	H99147	BUSHING	2	(SUB H171061)	
	H171061	BEARING	2		
24	19M7819	SCREW	1	M12 X 90	
	14M7299	FLANGE NUT	1	M12	
25	H141448	BUSHING	1		
26	AH93318	IDLER	1		

ENGINE GEARBOX TO MODULE DRIVES - CONTINUED

HP8946 -UN-25AUG99



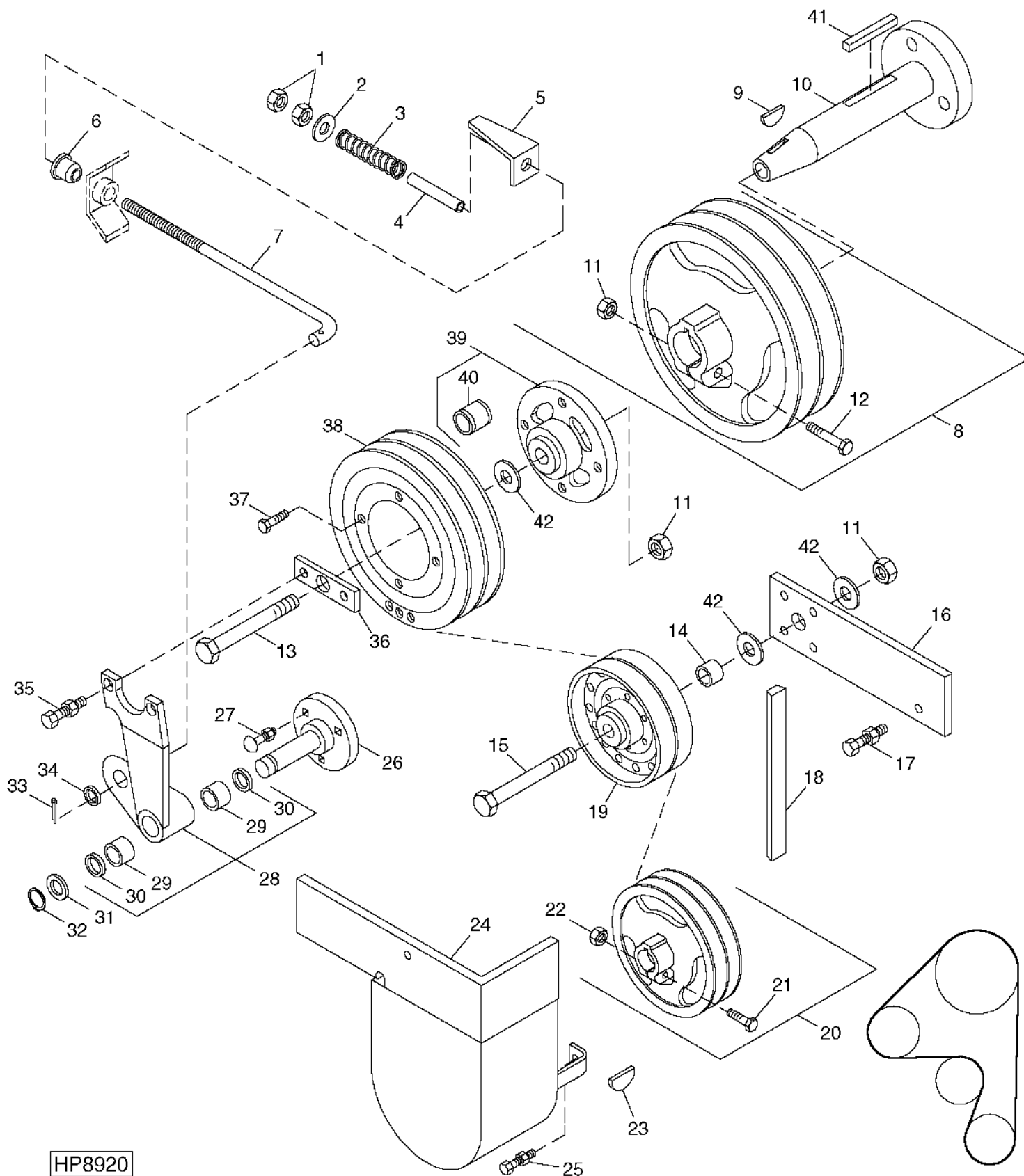
HP8946

ENGINE GEARBOX TO MODULE DRIVES - CONTINUED

KEY	PART NO.	PART NAME	QTY	SERIAL NO.	REMARKS
1	19M7789	SCREW	2	M12 X 30	
2	14M7299	FLANGE NUT	1	M12	
3	JD9201	ECCENTRIC LOCKING COLLAR	1		
4	H162686	HOUSING	1		
5	JD9276	BALL BEARING	1		
6	SHAFT KEY	1		(MAKE FROM H64376 KEY STOCK)
7	H162812	SHAFT	1		
8	H162704	PLATE	1		
9	19M7897	SCREW	3	M8 X 35	
10	AH146394	TROUGH	1		
11	AH156086	SHEAVE	1		STRAW CHOPPER
	AH137260	SHEAVE	1		STRAW SPREADER (ILLUSTRATED)
12	H162994	PLATE	1		
13	14M7296	FLANGE NUT	7	M10	
14	AH160822	BRACE	1		
15	14M7300	FLANGE NUT	2	M20	
16	03M7193	BOLT	3	M10 X 35	
	14M7296	FLANGE NUT	3	M10	
17	H146292	SHEAVE	1		760 RPM STANDARD
	H147294	SHEAVE	1		500 RPM CORN
18	T20217	WASHER	3		12.954 X 43.942 X 6.350 MM (0.510" X 1.730" X 1/4")
19	19M7788	SCREW	1	M12 X 25	
20	H163106	BELT	1		
21	AH135952	BRACE	1		
22	JD7788	LUBRICATION FITTING	1		
23	H144383	HOUSING	1		
24	DC30395	BALL BEARING	1		
25	H116065	EYEBOLT	1		
26	19M8112	SCREW	1	M12 X 55	
27	26M6787	SHAFT KEY	1		

STRAW CHOPPER DRIVES

HP8920 -UN-27SEP99



HP8920

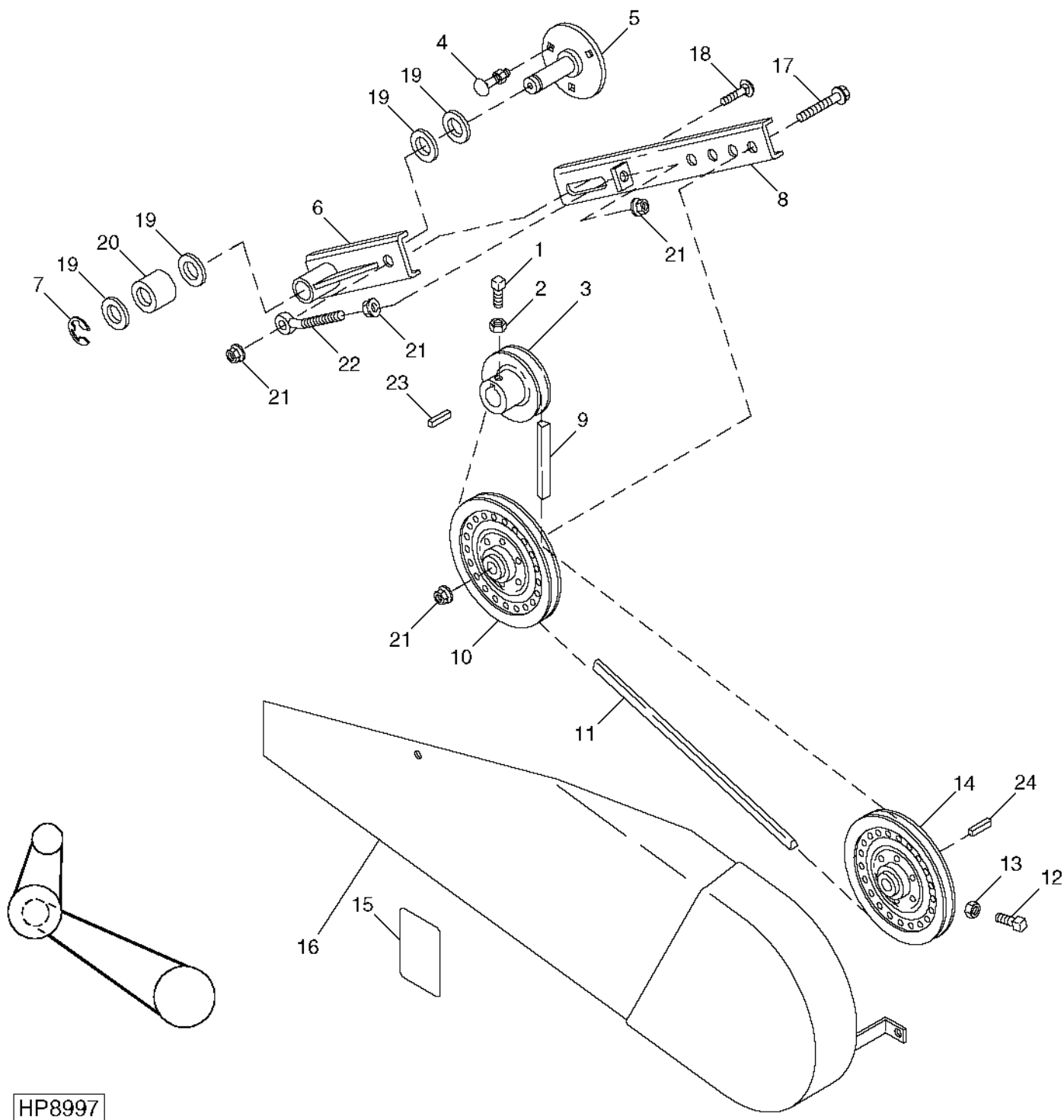
STRAW CHOPPER DRIVES - CONTINUED

KEY	PART NO.	PART NAME	QTY	SERIAL NO.	REMARKS
1	14M7276	NUT	2	M16	
2	24H1373	WASHER	1	21/32" X 1-9/16" X 0.180"	
3	H86783	SPRING	1		
4	TY22329	BULK HOSE	1		3/4 X 120", (SERVICE FOR H141447)
5	H116862	GAUGE	1		
6	H129208	PIVOT	1		
7	H163866	BOLT	1		
8	AH156086	SHEAVE	1		
9	26M6787	SHAFT KEY	1	10 X 32 MM	
10	H162812	SHAFT	1		
11	14M7299	FLANGE NUT	3	M12	
12	19M8306	SCREW	1	M12 X 50	
13	19M7819	SCREW	1	M12 X 90	
14	H141448	BUSHING	1		
15	19M7820	SCREW	1	M12 X 100	
16	H171092	PLATE	1		
17	19M7785	SCREW	5	M10 X 25	
	14M7296	FLANGE NUT	5	M10	
18	H162727	BELT	1		
19	AH93318	IDLER	1		
20	AH156083	SHEAVE	1		(STANDARD CHOPPER)
	AH156084	SHEAVE	1		(FINE CUT CHOPPER)
21	19M7805	SCREW	1	M10 X 45	
22	14M7296	FLANGE NUT	1	M10	
23	26H103	SHAFT KEY	1	1/4" X 2-1/8"	
24	AH149236	SHIELD	1		
25	19M7866	SCREW	1	M8 X 20	
	14M7298	FLANGE NUT	1	M8	
26	AH157458	PIN	1		
27	03M7191	BOLT	3	M10 X 25	
	14M7296	FLANGE NUT	3	M10	
28	AH162899	ARM	1		
29	H99147	BUSHING	2		(SUB H171061)
	H171061	BEARING	2		
30	AA5607R	SEAL	2		
31	24M7091	WASHER	1	26 X 44 X 4 MM	
32	P46402	SNAP RING	1		
33	11M7021	COTTER PIN	1	4 X 25 MM	
34	24M7053	WASHER	1	17 X 30 X 3 MM	
35	19M7835	SCREW	2	M10 X 35	
	14M7296	FLANGE NUT	2	M10	
36	H140617	STRAP	1		
37	19M7788	SCREW	4	M12 X 25	
38	H166461	SHEAVE	1		
39	AH159712	HUB	1		
40	AH115444	BALL BEARING	1		
41	KEY	1		MAKE FROM H64376 KEY STOCK
42	H140469	LOCK WASHER	3		
..	BH81626	COMPLETE GOODS/SHIP. BUNDLE	1		STRAW CHOPPER DRIVES

MEMORANDA

MEMORANDA

STRAW SPREADER DRIVES
HP8997 -UN-27SEP99

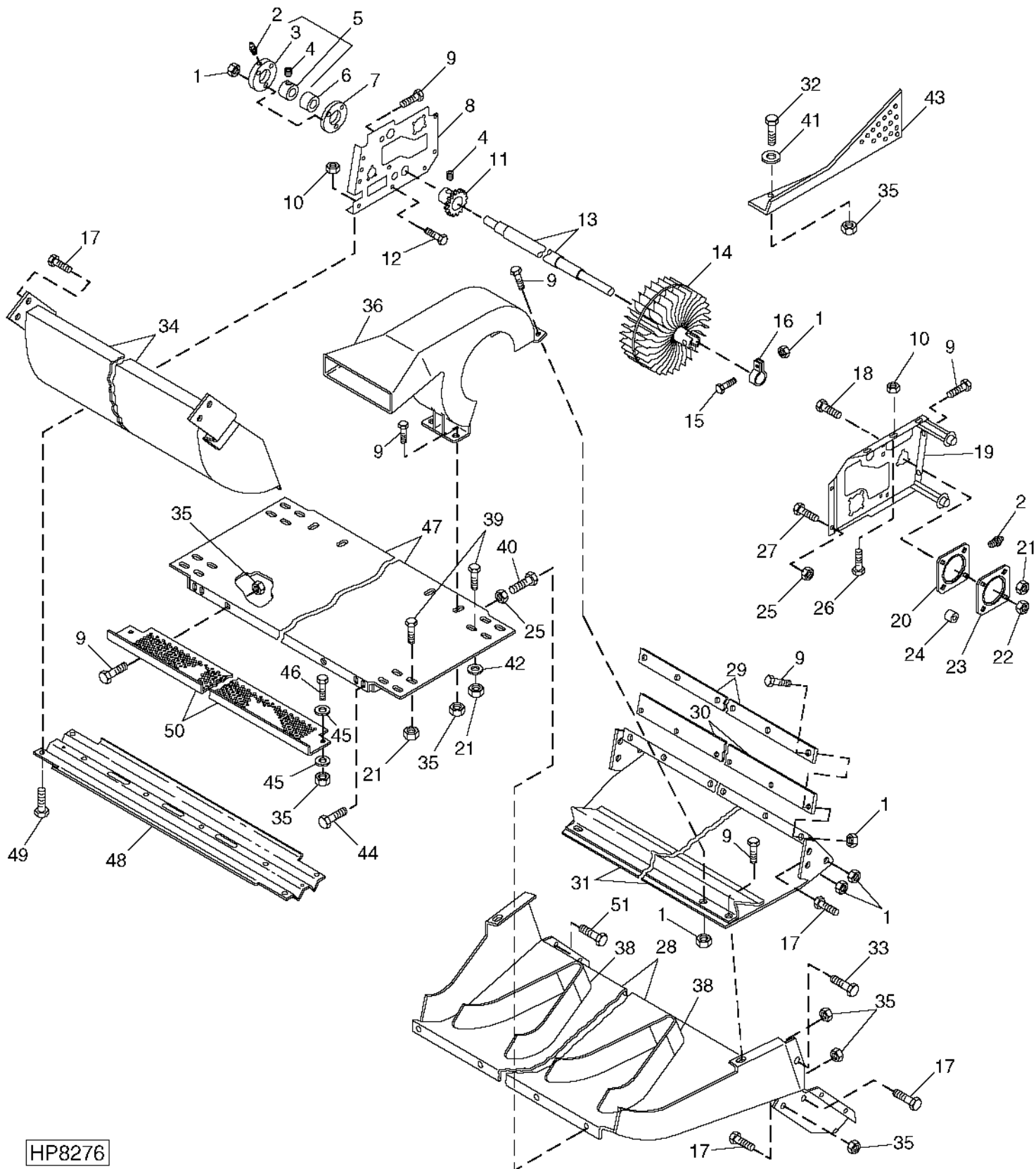


STRAW SPREADER DRIVES - CONTINUED

KEY	PART NO.	PART NAME	QTY	SERIAL NO.	REMARKS
1	H138435	SET SCREW	2	M10 X 25	
2	14M7274	NUT	2	M10	
3	AH137260	SHEAVE	1		
4	03M7191	BOLT	3		
	14M7296	FLANGE NUT	3		
5	AH157458	PIN	1		
6	AH139982	ARM	1		
7	P46402	SNAP RING	1		
8	AH138746	CHANNEL	1		
9	H164870	BELT	1		
10	AH158737	SHEAVE	1		
11	P49604	BELT	1		
12	H138435	SET SCREW	2		
13	14M7274	NUT	2	M10	
14	AH137261	SHEAVE	1		
15	H149096	LABEL	1		"PROJECTILE WARNING" ON R.H. REAR HOOD
16	AH147698	SHIELD	1		
17	19M7818	SCREW	1	M12 X 80	
18	03M7200	BOLT	1	M12 X 40	
19	24M7091	WASHER	4	26 X 44 X 4 MM	
20	28H468	BUSHING	1	1.049" X 1.315" X 1-1/8"	
21	14M7299	FLANGE NUT	4	M12	
22	H116065	EYEBOLT	1		
23	120408	SHAFT KEY	1		
24	H167587	KEY	1		

CLEANING FAN AND SHROUDS

HP8276 -UN-06MAY99



HP8276

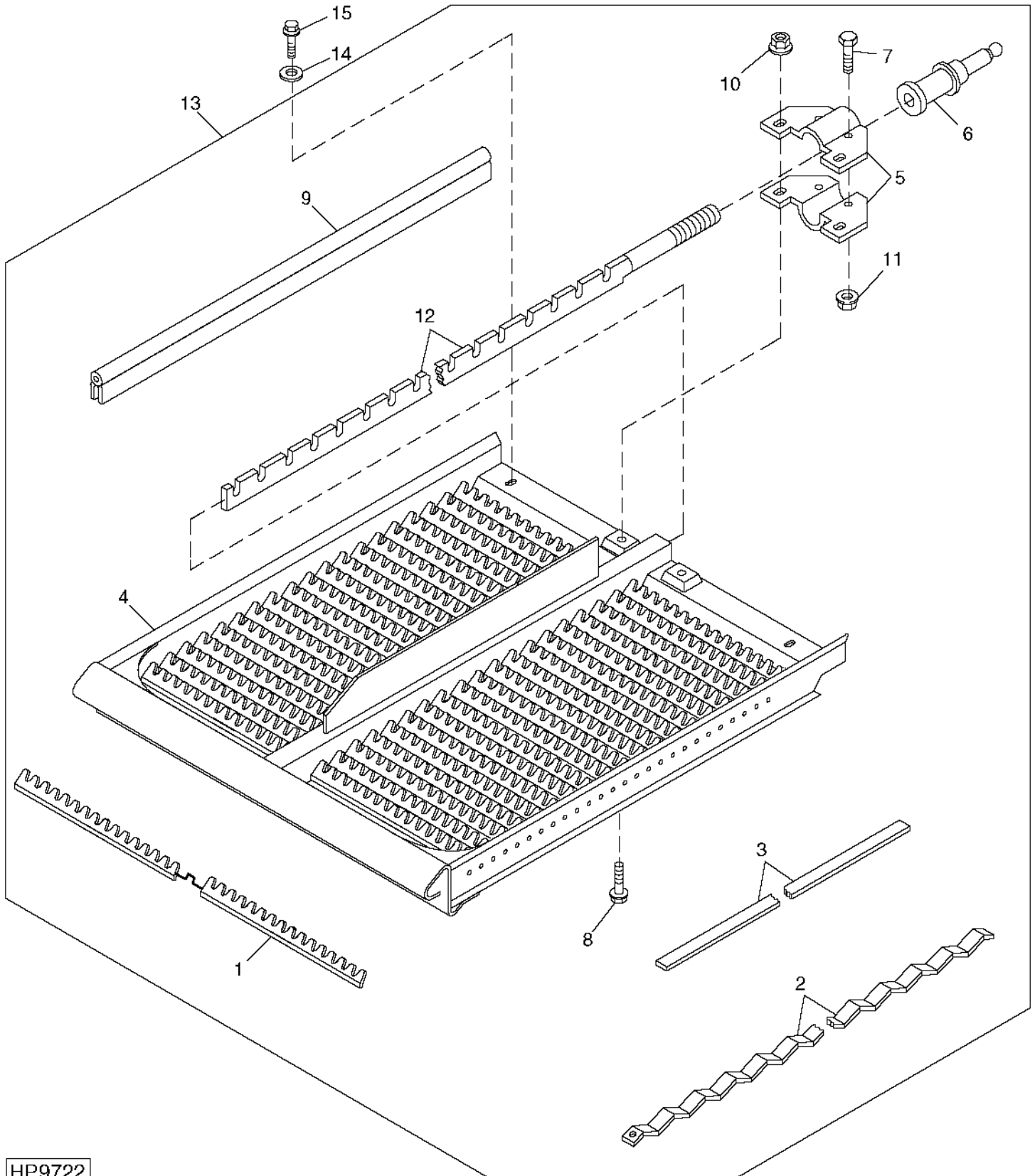
CLEANING FANS AND SHROUDS - CONTINUED

KEY	PART NO.	PART NAME	QTY	SERIAL NO.	REMARKS
1	14M7396	LOCK NUT	AR	M8	
2	JD7788	LUBRICATION FITTING	2		
3	AE26118	PRESSED FLANGED HOUSING	1		
4	22M7027	SET SCREW	2	M6 X 16	
5	AZ10044	ECCENTRIC LOCKING COLLAR	1		
6	JD9490	BALL BEARING	1		
7	N52258	PRESSED FLANGED HOUSING	1		
8	H150091	BRACKET	1	R.H.	
9	19M7865	SCREW	AR	M8 X 16	
10	14M7400	LOCK NUT	4	M10	
11	H122372	WHEEL	2		
12	03M7185	BOLT	3	M8 X 25	
13	H135396	SHAFT	1		
14	H130355	ROTOR	4		
15	03M7188	BOLT	8	M8 X 40	
16	H130695	CLAMP	8		
17	19M7867	SCREW	AR	M8 X 25	
18	03M7198	BOLT	4	M12 X 30	
19	H150092	BRACKET	1	L.H.	
20	H113625	PRESSED FLANGED HOUSING	1		
21	14M7299	FLANGE NUT	AR	M12	
22	AL14674	ECCENTRIC LOCKING COLLAR	1		
23	H113626	PRESSED FLANGED HOUSING	1		
24	AH139297	BALL BEARING	1		
25	14M7396	LOCK NUT	AR	M8	
26	19M7944	SCREW	4	M10 X 120	
27	19M7803	SCREW	4	M8 X 70	
28	AH130477	AIR DUCT	1		
29	H134308	REINFORCEMENT	1		
30	H133081	SEAL	1		
31	AH128313	AIR DUCT	1		
32	19M7801	SCREW	2	M8 X 60	
33	19M7800	SCREW	1	M8 X 50	
	19M7867	SCREW	1	M8 X 25	
34	AH126214	AIR DUCT	1		
35	14M7298	FLANGE NUT	AR	M8	
36	AH163762	HOUSING	4		
37	19M7865	SCREW	AR	M8 X 16	
38	AH138384	COVER	1	VANE, (CONTAINS 3 COVERS)	
39	19M7818	SCREW	AR	M12 X 80	
40	19M7866	SCREW	AR	M8 X 20	
41	24H1296	WASHER	2	8.738 X 34.925 X 3.404 MM	
42	28H2611	SPACER	18	0.546" X 0.840" X 2"	
43	H145950	SHIELD	1	R.H.	
	H145949	SHIELD	1	L.H.	
44	19M7789	SCREW	4	M12 X 30	
45	24M7207	WASHER	4	8.400 X 24 X 2 MM	
46	19M7868	SCREW	2	M8 X 30	
47	AH149879	SUPPORT	1		
48	H157282	PLATE	1		
	H137389	PLATE	1		
49	19M7898	SCREW	4	M10 X 130	
50	H144558	SHIELD	1		
51	19M8039	SCREW	AR	M8 X 80	

3110

CLEANING SHOE

PRECLEANING CHAFFER
HP9722 -UN-20APR00



HP9722

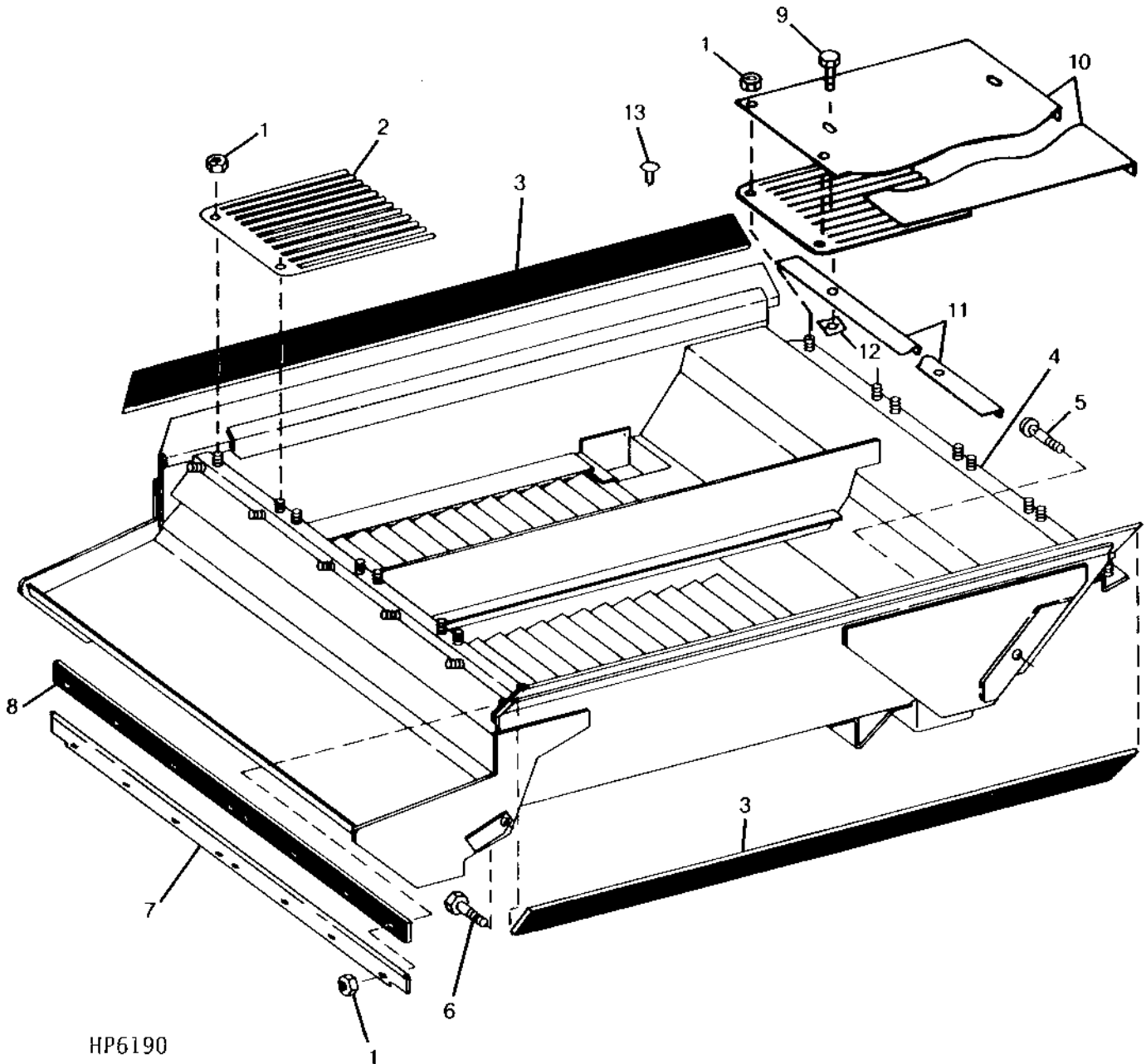
PRECLEANING CHAFFER - CONTINUED

KEY	PART NO.	PART NAME	QTY	SERIAL NO.	REMARKS
1	AH130185	LOUVER	12		PRECLEANER LOUVER
	AH127465	LOUVER	1		SEMI-DEEP TOOTH LOUVER
2	H132291	LEAF SPRING	1		
3	H132288	STRIP	1		
4	FRAME	1		
5	H156800	RETAINER	2		
6	H156801	ACTUATOR	1		
7	19M7775	SCREW	2		M6 X 16
8	19M7784	SCREW	2		M10 X 20
9	AH140044	ISOLATOR	1		CUT TO LENGTH
10	H135891	LOCK NUT	2		M10
11	14M7397	LOCK NUT	2		M6
12	STRIP	1		
13	AH149547	PRESCREENER	2		ADJUSTABLE
14	24H1308	WASHER	4		13/32" X 1" X 0.134"
15	19M7785	SCREW	4		M10 X 25

3112

CLEANING SHOE

PRECLEANER CHAFFER FRAME
HP6190 -UN-03OCT95



HP6190

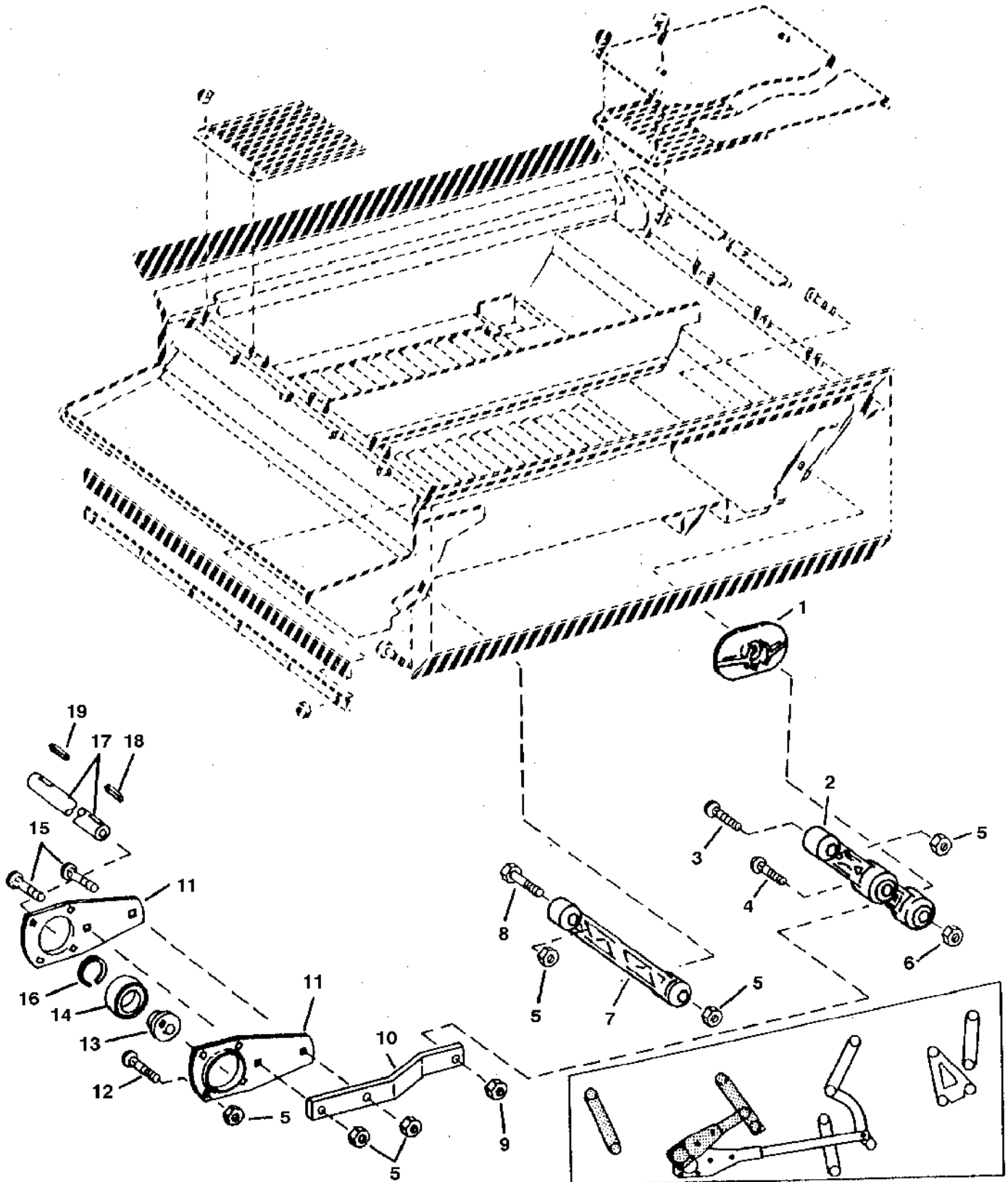
PRECLEANER CHAFFER FRAME - CONTINUED

KEY	PART NO.	PART NAME	QTY	SERIAL NO.	REMARKS
1	14M7396	LOCK NUT	AR	M8	
2	H132161	FINGER	4	15 FINGER (FRONT)	
	H156717	FINGER	2	12 FINGER	
	H156718	FINGER	4	15 FINGER (REAR)	
3	H152232	SEAL	2	(ILLUSTRATED)	
4	AH153808	FRAME	1		
5	03M7281	BOLT	2	M16 X 180	
6	19M7758	CAP SCREW	2	M12 X 130	
7	H152617	STRIP	1		
8	H152616	SEAL	1		
9	19M7868	SCREW	AR	M8 X 30	
10	H136609	SHEET	1		
11	H136611	ANGLE	1		
12	R87345	LOCK NUT	AR		
13	R55326	RIVET	6		

3114

CLEANING SHOE

PRECLEANER CHAFFER FRAME ARMS
HP6891 -UN-18AUG97



HP6891

3115

CLEANING SHOE

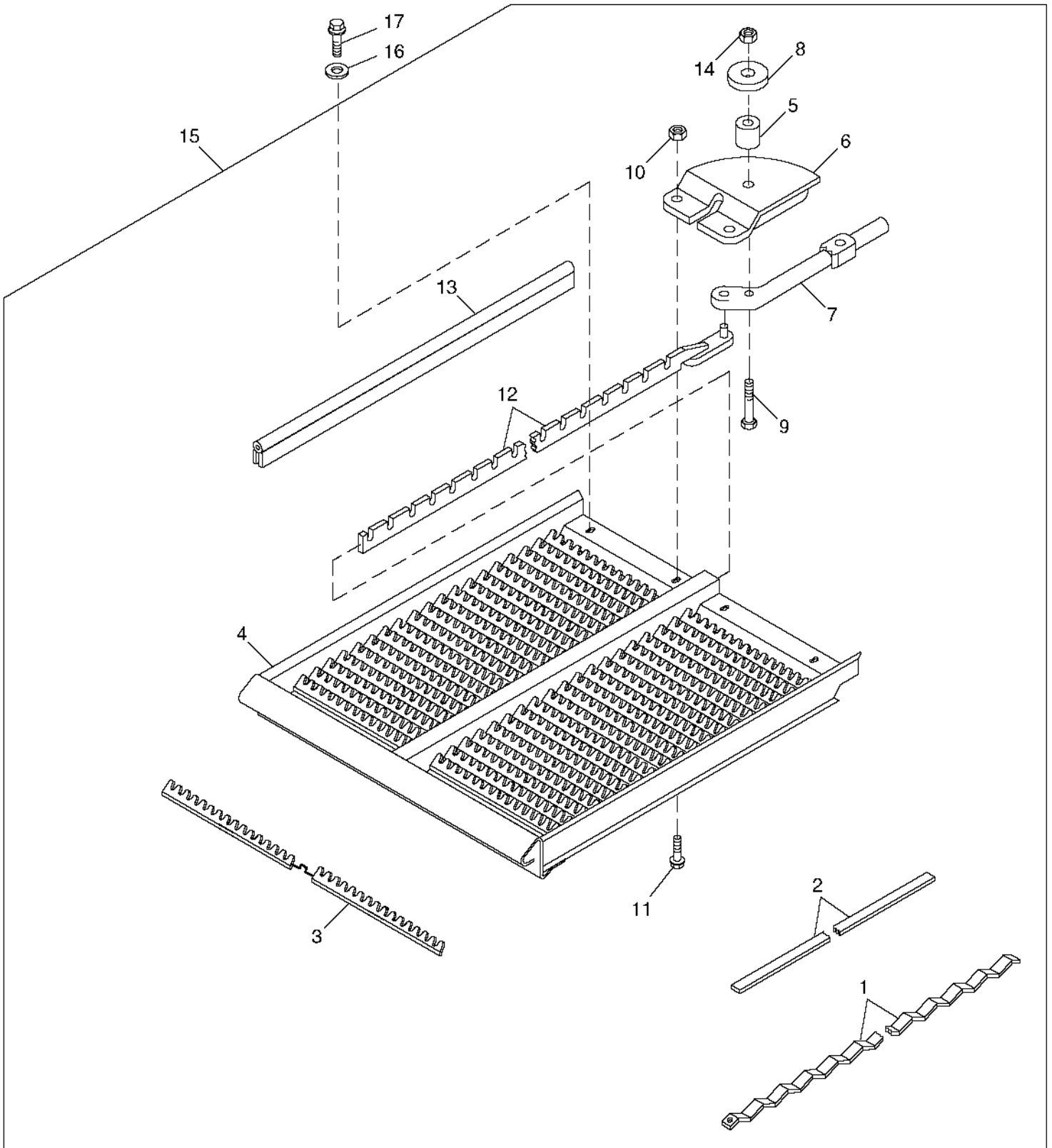
PRECLEANER CHAFFER FRAME ARMS - CONTINUED

KEY	PART NO.	PART NAME	QTY	SERIAL NO.	REMARKS
1	H146672	SEAL	2		
2	AH138234	LINK	2	CAST	
3	03M7248	BOLT	2	M12 X 90	
4	19M8043	CAP SCREW	2	M16 X 140	
5	14M7299	FLANGE NUT	AR	M12	
6	14M7276	NUT	2	M16	
7	AH138231	LINK	2	CAST	
8	19M7818	SCREW	1	M12 X 80	
9	14M7291	FLANGE NUT	2	M16	
10	H130922	PITMAN	2		
11	H134118	PRESSED FLANGED HOUSING	4		
12	03M7197	BOLT	AR	M12 X 25	
13	H133599	CAM	1	L.H.	
	H133602	CAM	1	R.H.	
14	AH125975	BALL BEARING	2		
15	03M7200	BOLT	AR	M12 X 40	
16	R43383	SNAP RING	2		
17	H133598	SHAFT	1	CLEANING SHOE SHAFT	
18	SHAFT KEY	1	6 X 50 MM (IN AH141142 KEY STOCK KIT) (CUT FROM H150268)	
19	SHAFT KEY	1	6 X 100 MM (IN AH141142 KEY STOCK KIT) (CUT FROM H150268)	

3116

CLEANING SHOE

CHAFFER ELEMENT
HP9724 -UN-20APR00



HP9724

3117

CLEANING SHOE

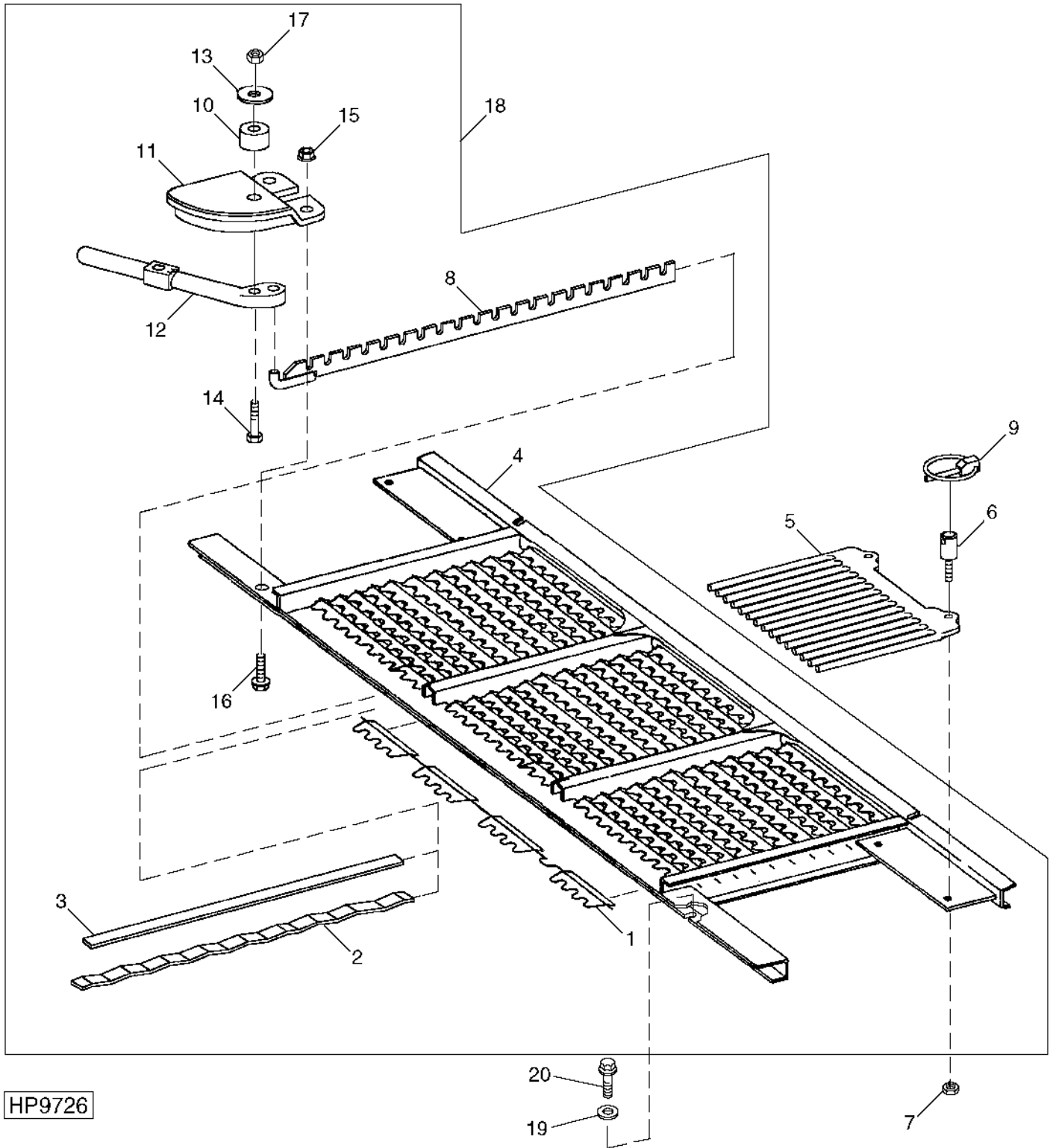
CHAFFER ELEMENT - CONTINUED

KEY	PART NO.	PART NAME	QTY	SERIAL NO.	REMARKS
1	H132291	LEAF SPRING	2		
2	H132288	STRIP	2		
3	AH132787	LOUVER	26		GENERAL PURPOSE LOUVERS
	AH127466	LOUVER	27		SEMI-DEEP TOOTH LOUVERS
4	FRAME	1		FIXED LOUVER
5	A37576	PAD	1		
6	H157740	BRACKET	1		
7	H157743	HANDLE	1		
8	24H1695	WASHER	1		
9	19M7177	CAP SCREW	1	M6 X 35	
10	14M7296	FLANGE NUT	2	M10	
11	19M7784	SCREW	2	M10 X 20	
12	AH150167	STRIP	1		
13	AH140044	ISOLATOR	1		CUT TO LENGTH
14	14M7397	LOCK NUT	1	M6	
15	AH149551	CHAFFER	2		GENERAL PURPOSE, ADJUSTABLE
	AH130486	CHAFFER	2		FIXED LOUVER, NONADJUSTABLE
16	24H1308	WASHER	4		13/32" X 1" X 0.134"
17	19M7785	SCREW	4	M10 X 25	

3118

CLEANING SHOE

CHAFFER EXTENSION ELEMENT
HP9726 -UN-20APR00



HP9726

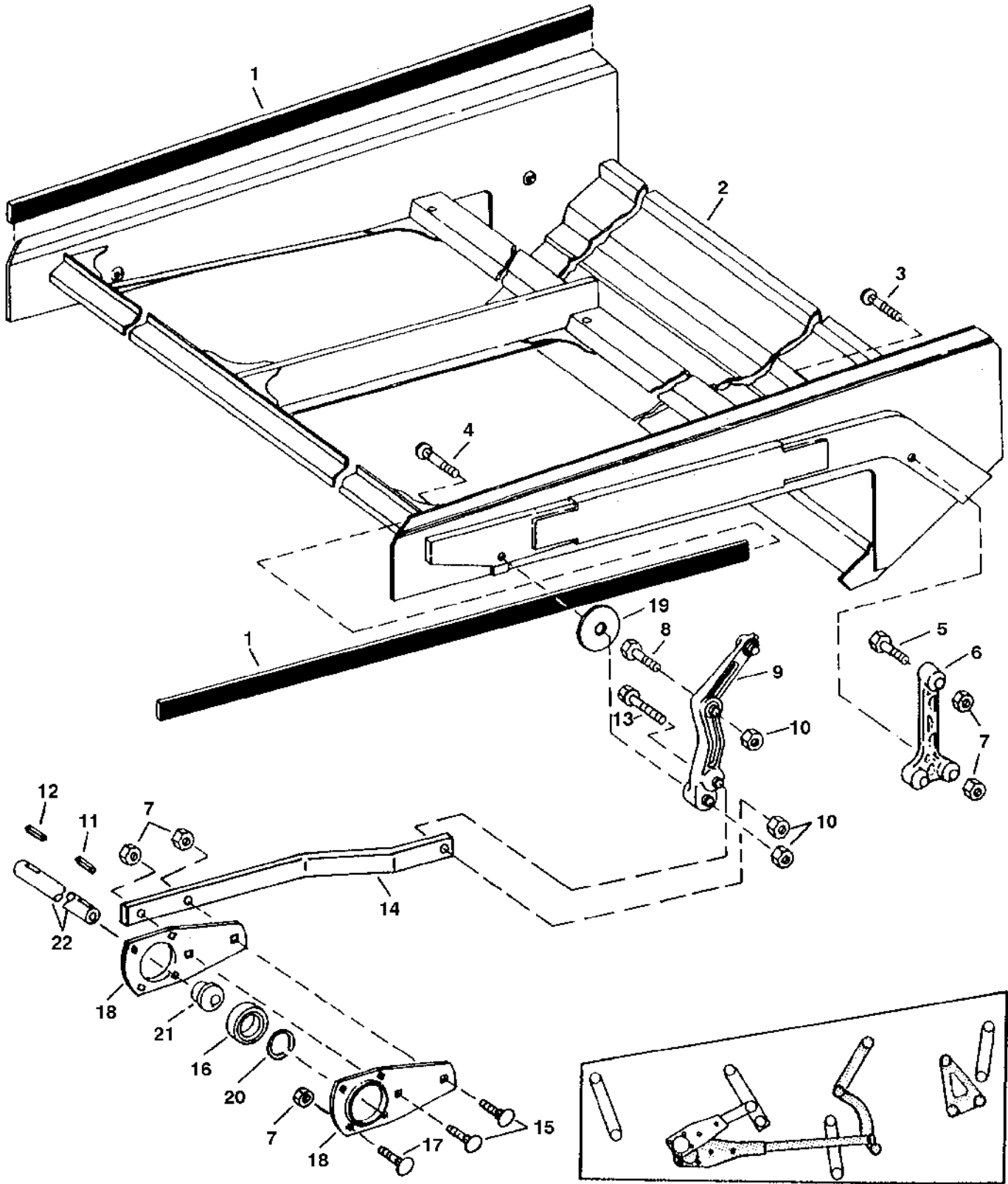
CHAFFER EXTENSION ELEMENT - CONTINUED

KEY	PART NO.	PART NAME	QTY	SERIAL NO.	REMARKS
1	AH127465	LOUVER	12		
2	H132293	LEAF SPRING	3		
3	H132290	STRIP	3		
4	AH130996	CHAFFER	1		FIXED ELEMENT
5	H132161	FINGER	2		15 FINGERS
	H132160	FINGER	2		FOR FIXED LOUVER
6	H157752	STUD	2		
7	14M7298	FLANGE NUT	2		M8
8	AH150169	STRIP	1		
9	M72598	QUICK LOCK PIN	2		
10	A37576	PAD	1		
11	H157740	BRACKET	1		
12	H157743	HANDLE	1		
13	24H1695	WASHER	1		9/32" X 1-3/8" X 0.065"
14	19M7177	CAP SCREW	1		M6 X 35
15	14M7296	FLANGE NUT	2		M10
16	19M7784	SCREW	2		M10 X 20
17	14M7397	LOCK NUT	1		M6
18	AH149555	EXTENSION	1		GENERAL PURPOSE
	AH130996	CHAFFER	1		FIXED LOUVER, NONADJUSTABLE
19	24H1308	WASHER	2		13/32" X 1" X 0.134"
20	19M7785	SCREW	2		M10 X 25

3120

CLEANING SHOE

CHAFFER FRAME
HP8232 -UN-10FEB99



HP8232

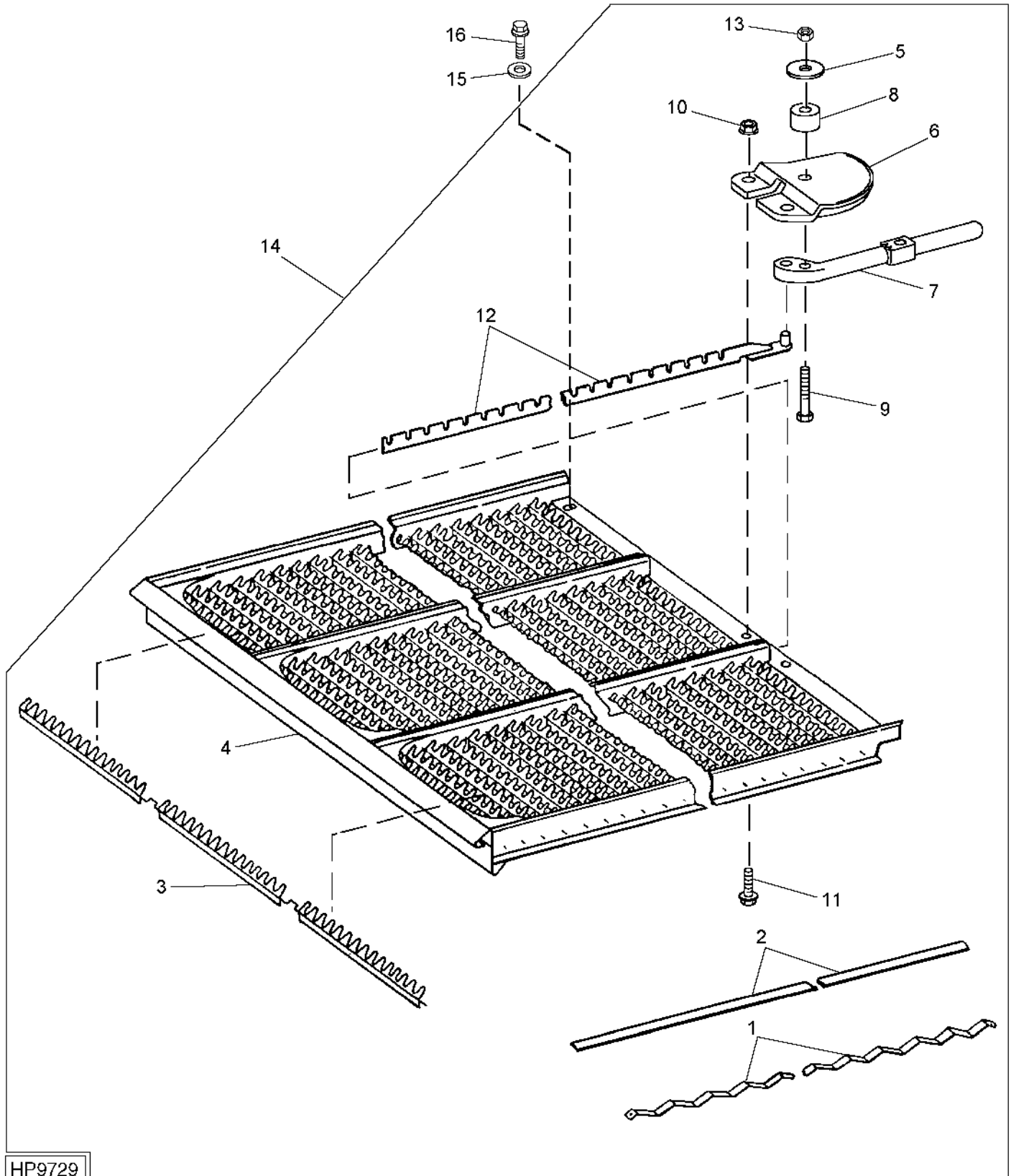
CHAFFER FRAME - CONTINUED

KEY	PART NO.	PART NAME	QTY	SERIAL NO.	REMARKS
1	H175540	SEAL	2		(SUB FOR H131319)
2	AH151971	FRAME	1		
3	19M7943	CAP SCREW	2		M12 X 90
4	19M7732	CAP SCREW	2		M16 X 130
5	03M7248	BOLT	2		M12 X 90
6	AH138232	LINK	2		
7	14M7299	FLANGE NUT	AR		M12
8	H154929	BOLT	2		M16 X 130
9	AH125969	ARM	1		L.H.
	AH125970	ARM	1		R.H.
10	14M7291	FLANGE NUT	AR		M16
11	SHAFT KEY	1		6 X 100 MM (IN AH141142 KEY STOCK KIT) (CUT FROM H150268)
12	SHAFT KEY	1		6 X 50 MM (IN AH141142 KEY STOCK KIT) (CUT FROM H150268)
13	19M8486	CAP SCREW	2		M16 X 180
14	H150034	BAR	2		
15	03M7198	BOLT	AR		M12 X 30
	03M7200	BOLT	AR		M12 X 40
16	AH125975	BALL BEARING	2		
17	03M7198	BOLT	AR		M12 X 30
18	H134118	PRESSED FLANGED HOUSING	4		
19	H137188	SEAL	2		
20	R43383	SNAP RING	2		
21	H133600	CAM	1		L.H.
	H133601	CAM	1		R.H.
22	H133597	SHAFT	1		

3122

CLEANING SHOE

SIEVE ELEMENT
HP9729 -UN-20APR00



HP9729

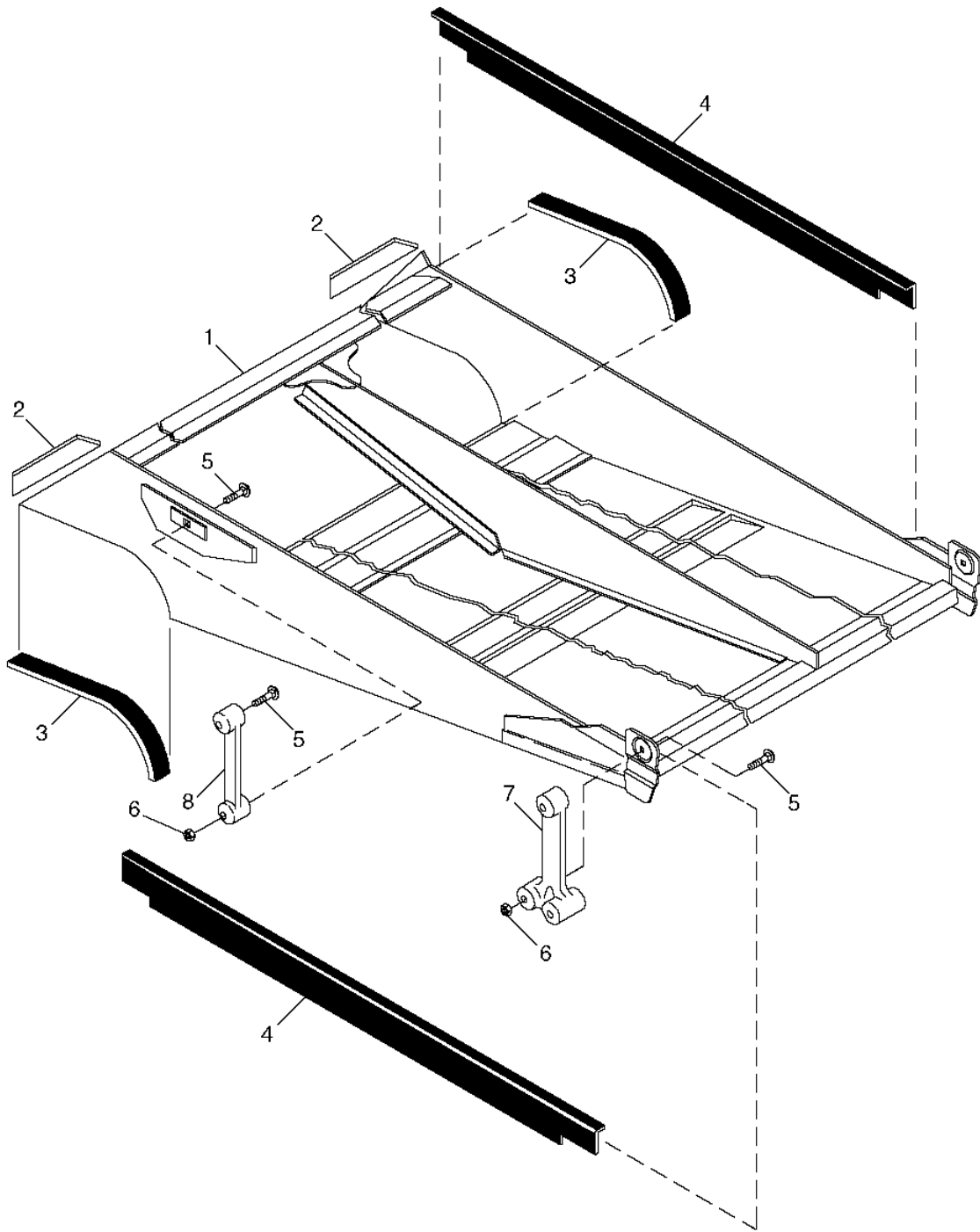
SIEVE ELEMENT - CONTINUED

KEY	PART NO.	PART NAME	QTY	SERIAL NO.	REMARKS
1	H132292	LEAF SPRING	1		
2	H132289	STRIP	1		
3	AH154420	LOUVER	40		L.H.
	AH154400	LOUVER	1		
4	FRAME	2		
5	24H1695	WASHER	1		9/32" X 1-3/8" X 0.065"
6	H157742	BRACKET	1		L.H.
	H157741	BRACKET	1		R.H.
7	H157744	HANDLE	1		
8	A37576	PAD	1		
9	19M7177	CAP SCREW	1		M6 X 35
10	14M7296	FLANGE NUT	2		M10
11	19M7784	SCREW	2		
12	AH150168	STRIP	1		
13	14M7397	LOCK NUT	1		M6
14	AH149558	SIEVE	1		R.H.
	AH149559	SIEVE	1		L.H.
15	24H1308	WASHER	2		10.312 X 25.400 X 3.404 MM
16	19M7785	SCREW	2		M10 X 25

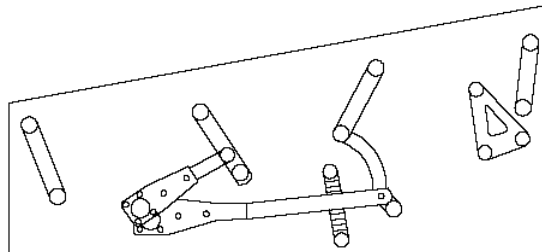
3124

CLEANING SHOE

SIEVE FRAME
HP8500 -UN-21APR99



HP8500



3125

CLEANING SHOE

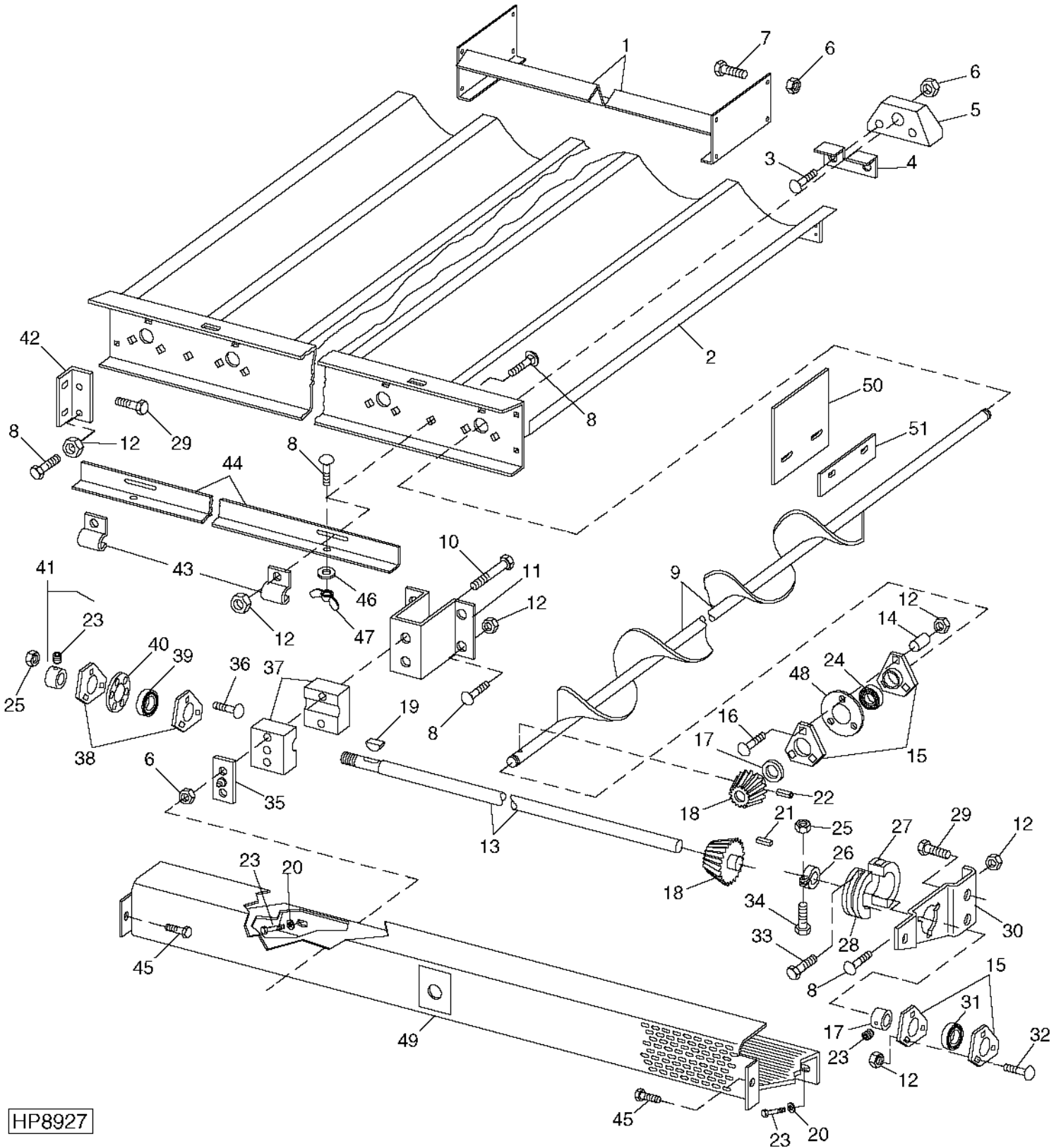
SIEVE FRAME - CONTINUED

KEY	PART NO.	PART NAME	QTY	SERIAL NO.	REMARKS
1	AH149701	FRAME	1		
2	H133288	SEAL	2		
3	AH159365	SEAL	2		CUT 340 MM (12-1/2 ") (50 FT. ROLL)
4	H133287	SEAL	2		
5	H154928	BOLT	6		M12 X 90
6	14M7299	FLANGE NUT	6		M12
7	AH138232	LINK	2		
8	AH138230	LINK	2		

3J1

CLEANING SHOE

SHOE GRAIN SUPPLY AUGERS AND HOUSING
HP8927 -UN-27AUG99



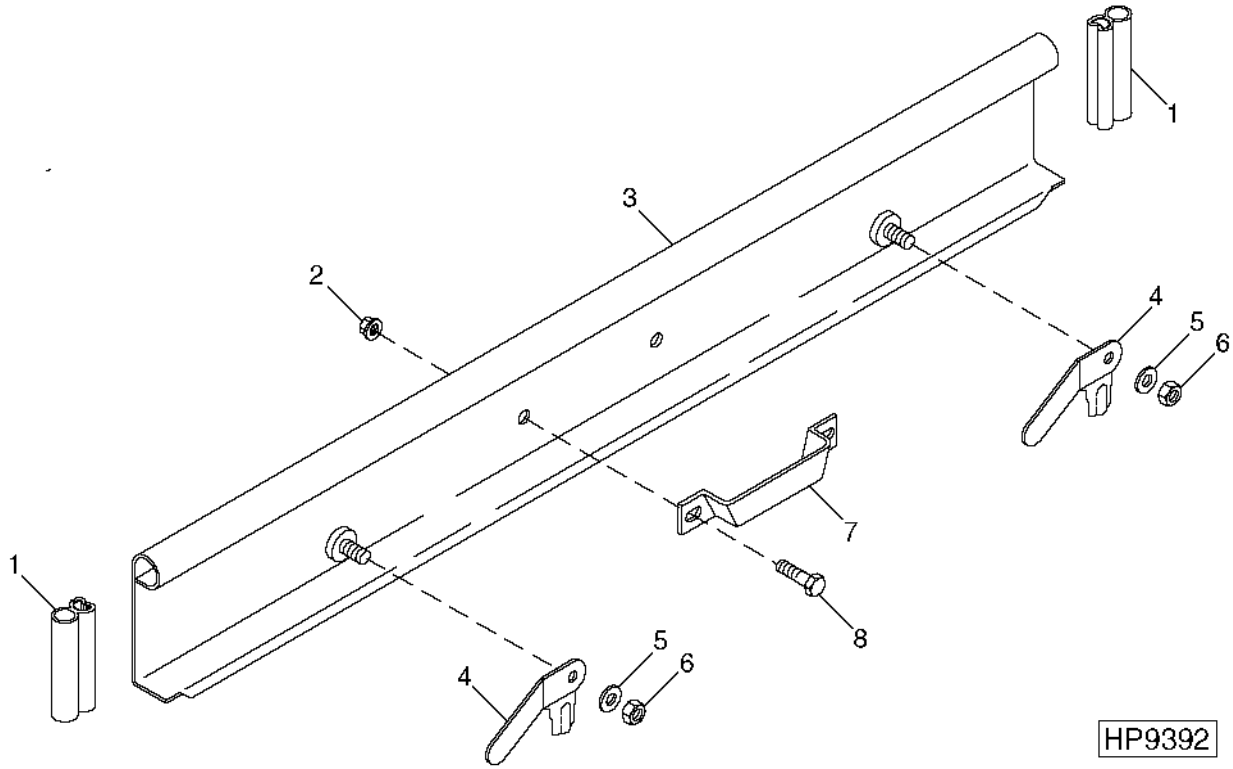
HP8927

SHOE GRAIN SUPPLY AUGERS AND HOUSING - CONTINUED

KEY	PART NO.	PART NAME	QTY	SERIAL NO.	REMARKS
1	AH141647	SUPPORT	1		
2	AH146655	TROUGH	1		
3	03M7267	BOLT	AR	M8 X 80	
4	H142189	STRIPPER	1		
5	H142188	BEARING	AR	USE WITH TY6333 GREASE	
6	14M7396	LOCK NUT	21	M8	
7	19M7867	SCREW	4	M8 X 25	
8	03M7183	BOLT	AR	M8 X 16	
9	AH130424	AUGER	3	R.H. FLIGHTING	
	AH130425	AUGER	3	L.H. FLIGHTING	
10	19M7803	SCREW	2	M8 X 70	
11	H91205	BRACKET	1		
12	14M7298	FLANGE NUT	AR	M8	
13	H135422	DRIVE SHAFT	1		
14	28H1720	BUSHING	AR	0.423" X 0.675" X 27/32"	
15	H103264	PRESSED FLANGED HOUSING	16		
16	03M7189	BOLT	AR	M8 X 45	
17	JD8554	ECCENTRIC LOCKING COLLAR	8		
18	H137215	GEAR	12		
19	26M4226	SHAFT KEY	2	5 X 19 MM, WOODRUFF	
20	24M7178	WASHER	2	10.500 X 30 X 2.500 MM	
21	SHAFT KEY	AR	1/4 X 3/4 IN. (MAKE FROM H64374)	
22	E63018	SPRING PIN	AR		
23	37M7086	SCREW	2	M10 X 20	
24	JD9273	BALL BEARING	AR		
25	14M7296	FLANGE NUT	10	M10	
26	H145112	CLAMP	7		
27	H104795	ACTUATOR	1		
28	H104796	ACTUATOR	1		
29	37M7096	SCREW	4	M8 X 35	
30	H127524	BRACKET	1		
31	JD8665	BALL BEARING	1		
32	03M7184	BOLT	3	M8 X 20	
33	H168924	SCREW	1	0.190" X 1"	
34	19M7572	CAP SCREW	AR		
35	AH155275	FITTING	1		
36	03M7191	BOLT	3	M10 X 25	
37	H135475	BEARING	2		
38	E10018	PRESSED FLANGED HOUSING	2		
39	AH129451	BALL BEARING	1		
40	H102533	SHIM	1		
41	AH129452	ECCENTRIC LOCKING COLLAR	1		
42	H127525	ANGLE	1		
43	H94167	CLAMP	2		
44	H134025	SHEET	1		
45	37M7058	SCREW	2	M8 X 20	
46	24M7139	WASHER	2	6.400 X 18 X 1.600 MM	
47	14M7019	WING NUT	2	M6	
48	H36155	SHIM	1	0.762 MM	
49	H164494	SHIELD	1		
50	H147656	SLAT	1	ON TWO CENTER AUGERS	
51	H147657	STRAP	1	ON TWO CENTER AUGERS	

SHOE GRAIN SUPPLY AUGER CLEANOUT DOOR, HANDLE AND LATCHES

HP9392 -UN-06DEC99

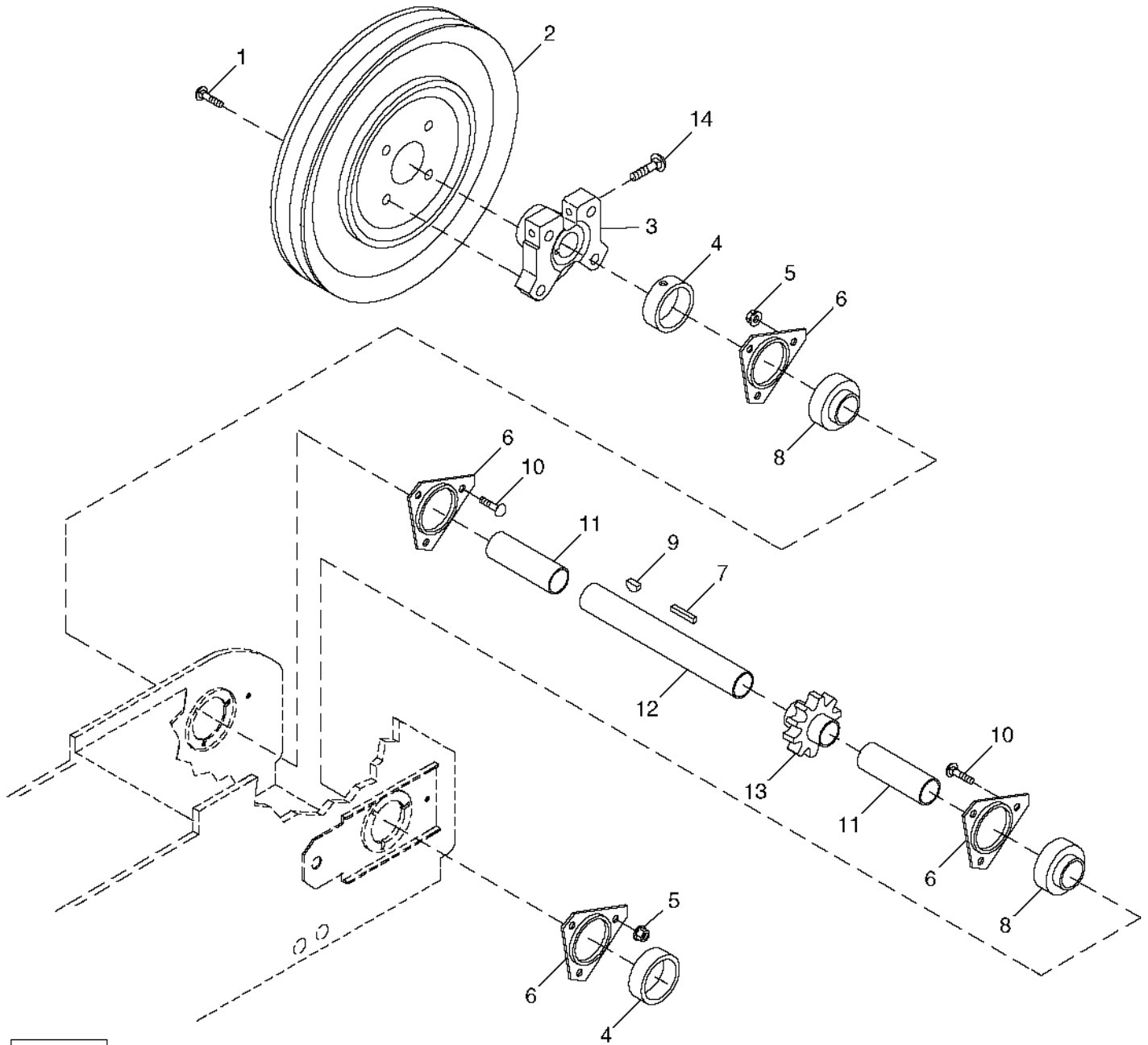


KEY	PART NO.	PART NAME	QTY	SERIAL NO.	REMARKS
1	H131108	ISOLATOR	2		
2	14M7298	FLANGE NUT	2	M8	
3	AH160486	DOOR	1		
4	H127532	HANDLE	2		
5	24M7207	WASHER	2	8.400 X 24 X 2 MM	
6	14M7396	LOCK NUT	2	M8	
7	H85184	HANDLE	1		
8	19M7865	SCREW	2	M8 X 16	

MEMORANDA

3J6

UPPER CLEAN GRAIN ELEVATOR SHAFT, SPROCKET AND SHEAVE HP9514 -UN-25JAN00



HP9514

3J7

ELEVATORS

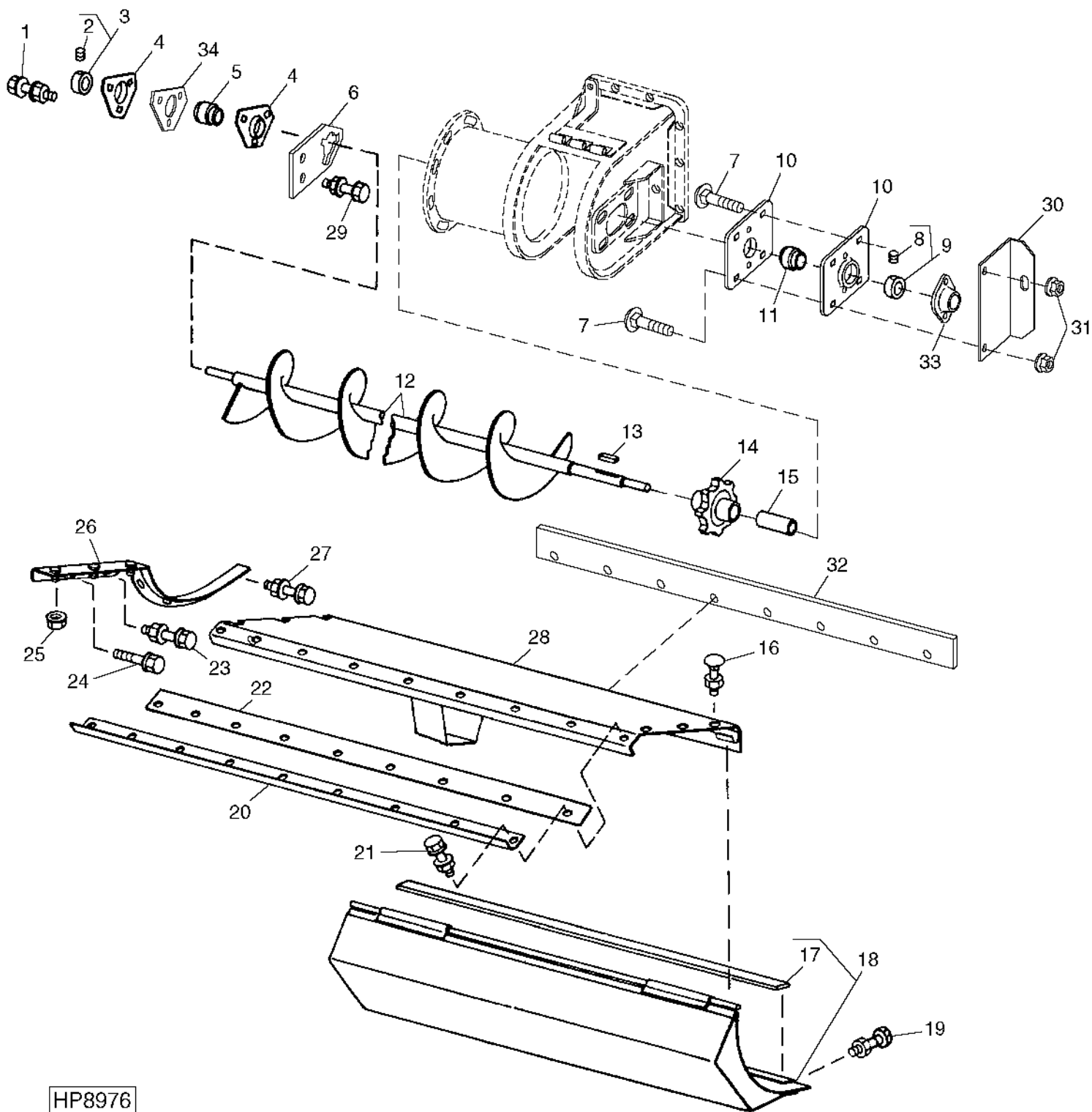
UPPER CLEAN GRAIN ELEVATOR SHAFT, SPROCKET AND SHEAVE - CONTINUED

KEY	PART NO.	PART NAME	QTY	SERIAL NO.	REMARKS
1	19M7784	SCREW	4		
2	AH135463	SHEAVE	1		M10 X 20
3	H134760	HUB	1		
4	AZ10045	ECCENTRIC LOCKING COLLAR	2		
5	14M7296	FLANGE NUT	6		M10
6	E10018	PRESSED FLANGED HOUSING	4		
7	49M6480	SHAFT KEY	1		8 X 7 X 50 MM
8	JD10384	BEARING	2		
9	26M4228	SHAFT KEY	1		
10	03M7190	BOLT	6		M10 X 20
11	H157044	SPACER	2		
12	H157043	SHAFT	1		
13	H164796	SPROCKET SEGMENTS	1		
14	19M7663	CAP SCREW	1		M8 X 70

3J8

ELEVATORS

CLEAN GRAIN LOWER AUGER AND HINGED DOOR
HP8976 -UN-27AUG99



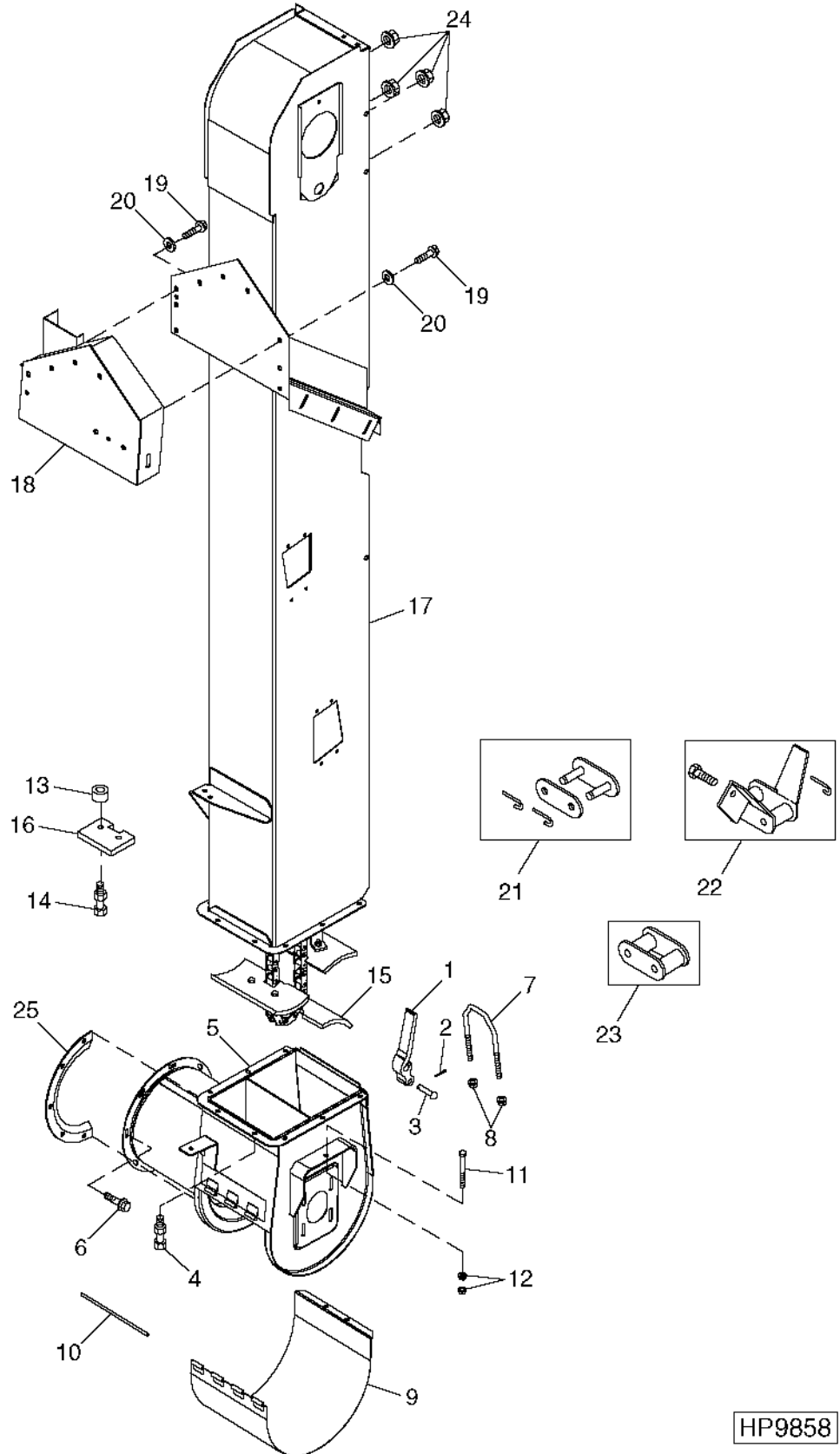
HP8976

CLEAN GRAIN LOWER AUGER AND HINGED DOOR - CONTINUED

KEY	PART NO.	PART NAME	QTY	SERIAL NO.	REMARKS
1	19M7867	SCREW	3	M8 X 25	
	14M7298	FLANGE NUT	3	M8	
2	22M7079	SET SCREW	1	M6 X 6	
3	AZ10044	ECCENTRIC LOCKING COLLAR	1		
4	H103264	PRESSED FLANGED HOUSING	2		
5	JD39102	BALL BEARING	1		
6	H153521	PLATE	1		
7	03M7193	BOLT	3	M10 X 35	
	Z36140	WASHER	3		
	14M7296	FLANGE NUT	3	M10	
8	22M7080	SET SCREW	1	M8 X 8	
9	AZ10045	ECCENTRIC LOCKING COLLAR	1		
10	H152916	PRESSED FLANGED HOUSING	2		
11	JD39106	BALL BEARING	1		
12	AH162154	AUGER	1		
13	SHAFT KEY	1	8 X 7 X 40 MM (IN AH141142 KEY STOCK KIT) (CUT FROM H150269)	
14	H133143	CHAIN SPROCKET	1		
15	H156711	SPACER	1		
16	03M7183	BOLT	3	M8 X 16	
	14M7298	FLANGE NUT	3	M8	
17	H88773	ISOLATOR	AR	CUT TO 1290 MM, 61-5/8". USE ONLY ON DOOR WITH PROTECTIVE PLATE.	
18	AH139388	DOOR	1	SOLID	
	AH139391	DOOR	1	SOLID, WITH PROTECTIVE PLATE	
19	19M7799	SCREW	5	M8 X 45	
	14M7396	LOCK NUT	5	M8	
20	H134308	REINFORCEMENT	1		
21	19M7866	SCREW	10	M8 X 20	
	14M7298	FLANGE NUT	10	M8	
22	H75952	SEAL	1		
23	19M7865	SCREW	2	M8 X 16	
	14M7298	FLANGE NUT	2	M8	
24	19M7865	SCREW	1	M8 X 16	
25	14M7298	FLANGE NUT	3	M8	
26	AH122506	REINFORCEMENT	1		
27	19M8039	SCREW	3	M8 X 80	
	24M7055	WASHER	3	8.400 X 16 X 1.600 MM	
	14M7298	FLANGE NUT	3	M8	
28	AH165652	HINGE	1		
29	19M7865	SCREW	2	M8 X 16	
	14M7298	FLANGE NUT	2	M8	
30	H152914	BRACKET	1	CHAIN ADJUSTMENT	
31	14M7296	FLANGE NUT	7	M10	
32	H75952	SEAL	1		
33	H155968	COVER	1		
34	H152940	GASKET	1		

3J10

CLEAN GRAIN ELEVATOR AND CONVEYOR CHAIN
HP9858 -UN-21JUN00



HP9858

3J11

ELEVATORS

CLEAN GRAIN ELEVATOR AND CONVEYOR CHAIN - CONTINUED

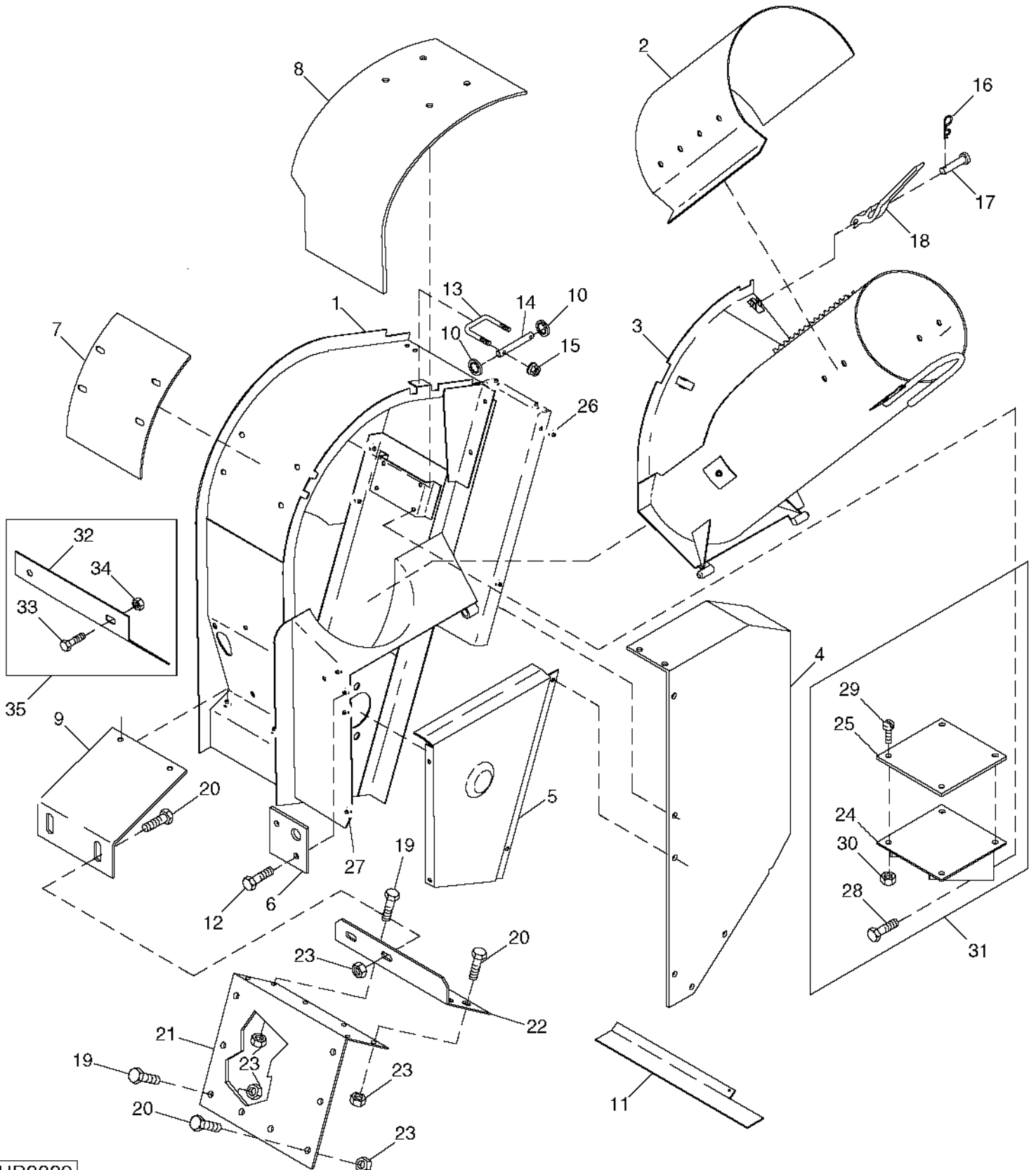
KEY	PART NO.	PART NAME	QTY	SERIAL NO.	REMARKS
1	H161342	LEVER	1		
2	11M7081	COTTER PIN	1		
3	RV810A	PIN	1		
4	19M7866	SCREW	8	M8 X 20	
	14M7298	FLANGE NUT	8	M8	
5	AH171008	BOOT	1	(SUB FOR AH148999)	
6	37M7058	SCREW	8	M8 X 20	
7	H128877	U-BOLT	1		
8	14M7396	LOCK NUT	2	M8	
9	AH138426	DOOR	1	SOLID	
10	H76083	PIN	1		
11	19M8241	CAP SCREW	1	M10 X 100	
12	14M7296	FLANGE NUT	3	M10	
13	H168578	SPACER	66		
14	19M7867	SCREW	66	M8 X 25	
	E64256	LOCK NUT	66		
15	AH162058	LINK CHAIN	1		
16	H144667	PADDLE	33	(USE WITH AH162058)	
17	AH149626	ELEVATOR	1		
	AH160427	ELEVATOR	1	STAINLESS STEEL	
18	AH166572	SUPPORT	1		
19	19M7786	SCREW	5	M10 X 30	
20	24H1308	WASHER	5	13/32" X 1" X 0.134"	
21	AH166638	CHAIN LINK	1		
22	AH166639	CHAIN LINK	1		
23	AH166640	CHAIN LINK	1		
24	H154071	NUT	4	M8	
25	H175330	REINFORCEMENT	1	WELD ON	

3J12

ELEVATORS

UPPER CLEAN GRAIN LOADING AUGER HOUSING

HP9839 -UN-22JUN00



HP9839

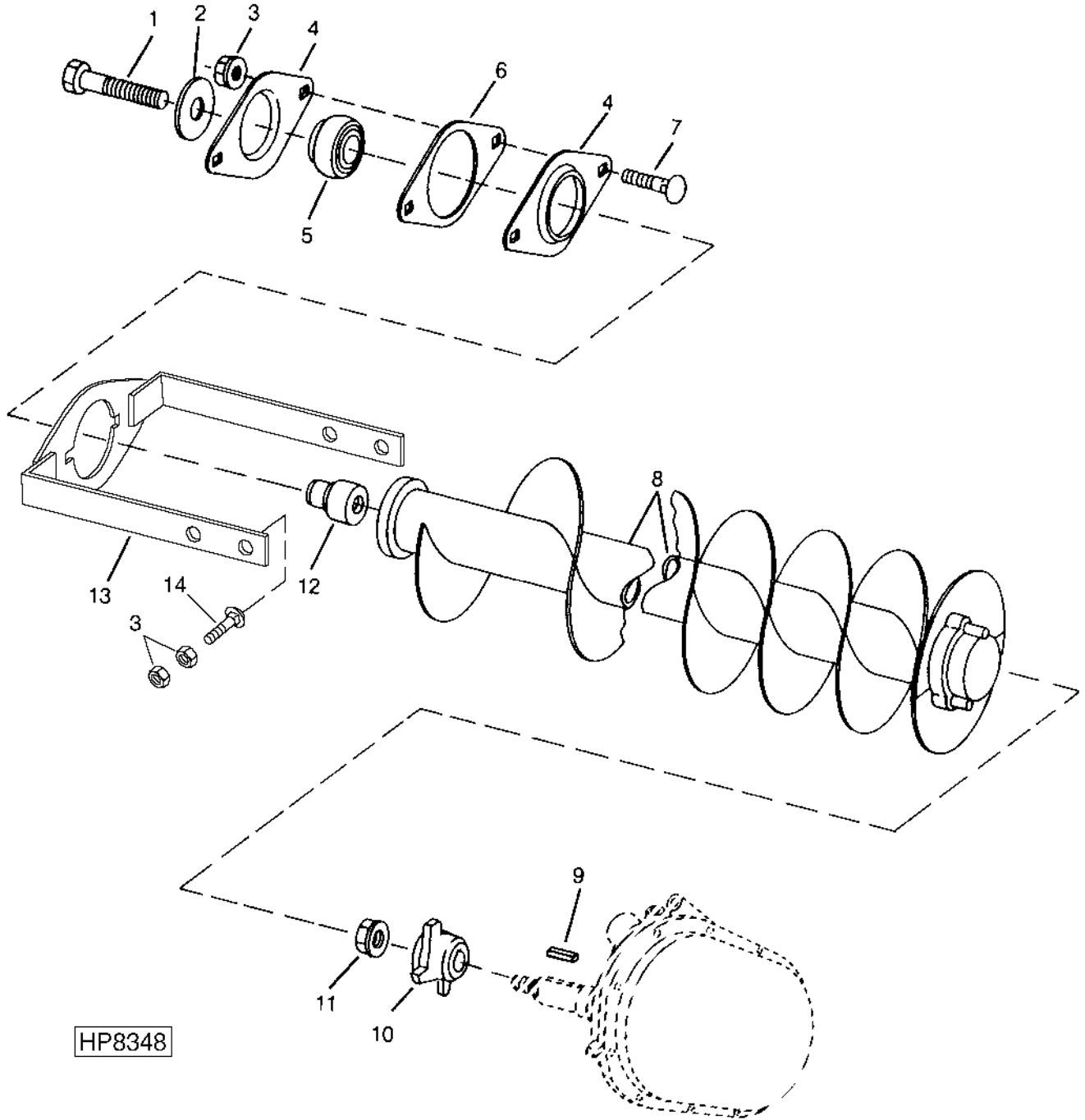
UPPER CLEAN GRAIN LOADING AUGER HOUSING - CONTINUED

KEY	PART NO.	PART NAME	QTY	SERIAL NO.	REMARKS
1	AH149889	HOUSING	1		
	AH160428	HOUSING	1		STAINLESS STEEL
2	H157192	DEFLECTOR	1		
3	AH150237	TUBE	1		
	AH160429	TUBE	1		STAINLESS STEEL
4	AH150173	SHIELD	1		
5	AH150174	SHIELD	1		
6	H157762	PLATE	1		
7	H171004	COVER	1		WITHOUT GREENSTAR
8	H167716	SHEET	1		WITHOUT GREENSTAR
	H167717	SHEET	1		WITH GREENSTAR
9	H157515	SUPPORT	1		
10	H143731	NUT	2		
11	H157196	SEAL	1		FRONT
12	19M7785	SCREW	2		M10 X 25
13	H161346	U-BOLT	1		
14	H161581	PIN	1		
15	14M7165	LOCK NUT	2		M6
16	11M7081	COTTER PIN	1		2.500 X 20 MM
17	RV810A	PIN	1		
18	H161342	LEVER	1		
19	19M7868	SCREW	2		M8 X 30
20	19M7866	SCREW	12		M8 X 20
21	H167667	COVER	1		
22	H169023	PLATE	1		
23	14M7298	FLANGE NUT	14		M8
24	AH165187	DEFLECTOR	1		WITH GREENSTAR
25	H171184	SHEET	1		WITH GREENSTAR
26	H154071	NUT	6		M8
27	H154370	NUT	6		M10
28	19M7866	SCREW	4		M8 X 20
29	03M7184	BOLT	4		M8 X 20
30	14M7298	FLANGE NUT	4		M8
31	AH171007	DEFLECTOR	1		
32	H172045	DEFLECTOR	1		
33	19M7774	SCREW	2		M6 X 12
34	14M7303	FLANGE NUT	2		M6
35	AH170085	DEFLECTOR	1		
..	BH81742	COMPLETE GOODS/SHIP. BUNDLE	1		YIELD MAPPING FIELD CONVERSION
..	BH81758	COMPLETE GOODS/SHIP. BUNDLE	1		MAPPING CONVERSION KIT
..	BH81760	COMPLETE GOODS/SHIP. BUNDLE	1		MONITOR CONVERSION KIT

3J14

ELEVATORS

CLEAN GRAIN LOADING AUGER
HP8348 -UN-09JUL99



HP8348

3J15

ELEVATORS

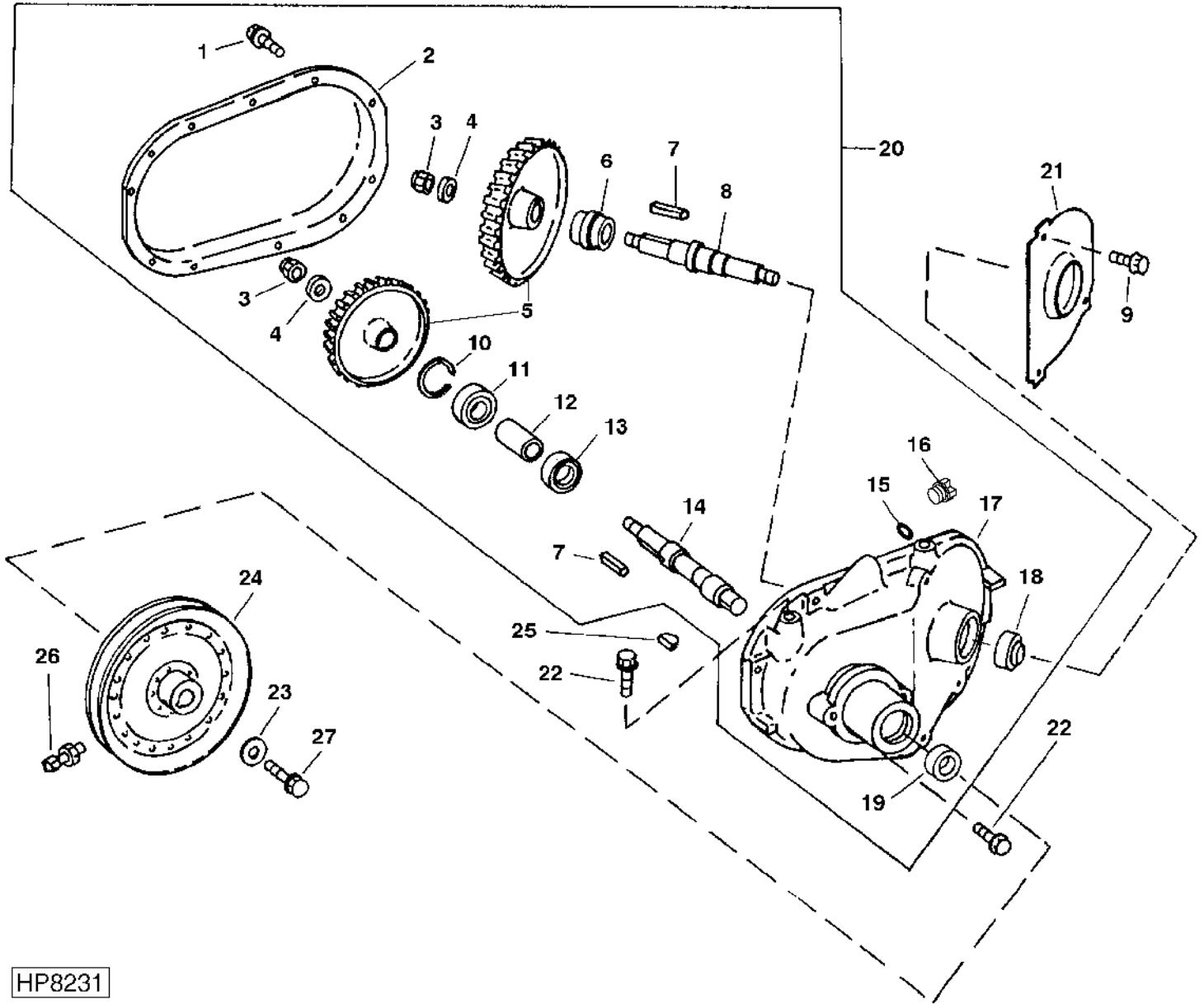
CLEAN GRAIN LOADING AUGER - CONTINUED

KEY	PART NO.	PART NAME	QTY	SERIAL NO.	REMARKS
1	19M7818	SCREW	1	M12 X 80	
2	24M7180	WASHER	1	13 X 37 X 3 MM	
3	14M7296	FLANGE NUT	10	M10	
4	N15764	PRESSED FLANGED HOUSING	2		
5	JD9219	BALL BEARING	1		
6	H137916	SHIM	2		
7	03M7307	BOLT	2	M10 X 25	
8	AH154330	AUGER	1		
9	49M4821	SHAFT KEY	1		
10	H136186	AUGER	1		
11	14M7291	FLANGE NUT	1	M16	
12	H137919	BUSHING	1		
13	AH146834	SUPPORT	1		
14	03M7193	BOLT	4	M10 X 35	

3J16

ELEVATORS

CLEAN GRAIN ELEVATOR GEARCASE AND SHEAVE
HP8231 -UN-15MAR99

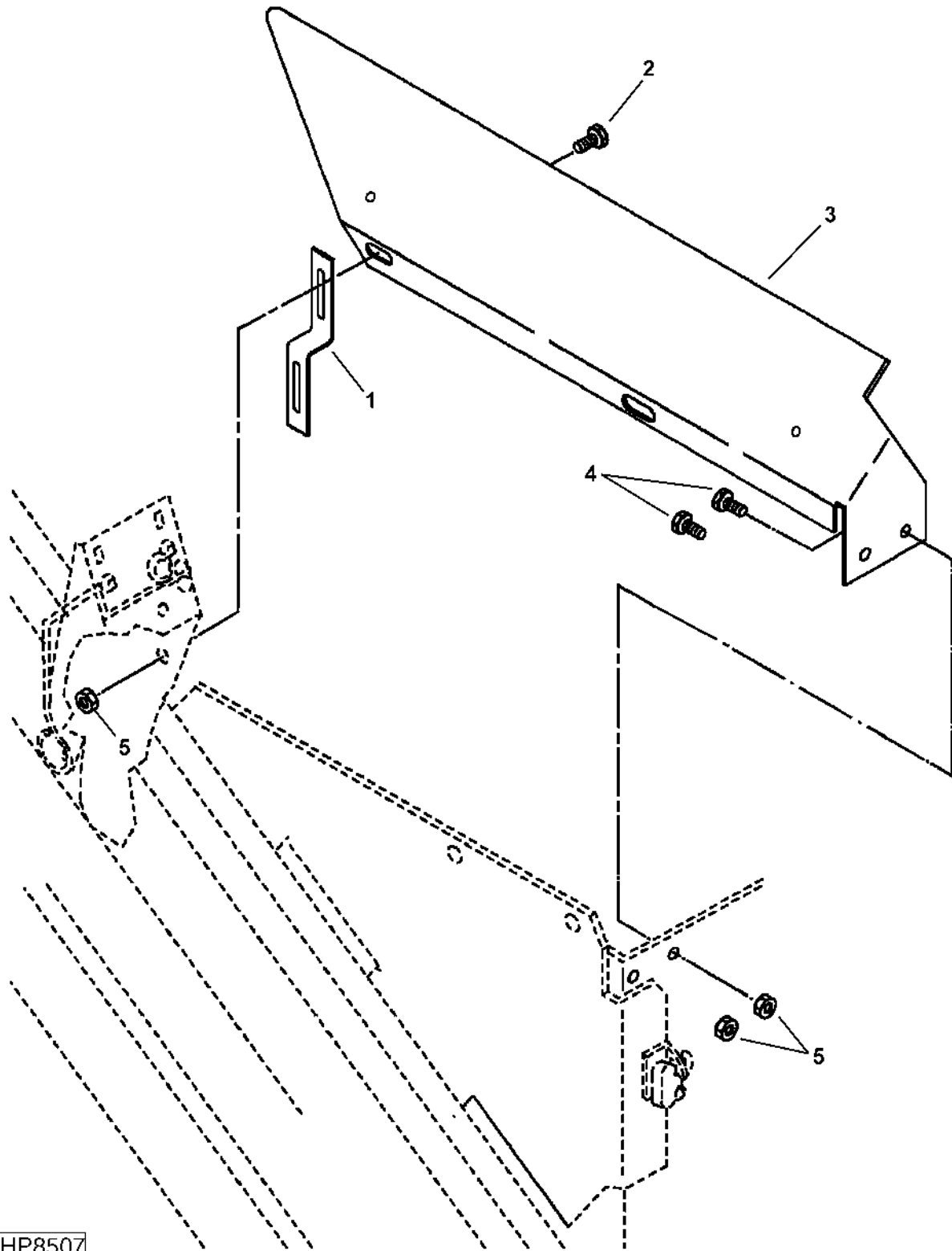


HP8231

CLEAN GRAIN ELEVATOR GEARCASE AND SHEAVE - CONTINUED

KEY	PART NO.	PART NAME	QTY	SERIAL NO.	REMARKS
1	19M7407	CAP SCREW	11		M8 X 25
	24H1685	WASHER	22		8.738 X 18.644 X 2.108 MM
2	H135454	COVER	1		
3	W39621	NUT	2		M16, (USE WITH H135452)
4	24H1825	WASHER	2		11/16" X 1-1/2" X 0.194"
5	AH162230	KIT	1		MATCHED SET (46 TEETH, 53 TEETH)
6	AE42998	BALL BEARING	1		
7	49M4821	SHAFT KEY	2		6 X 6 X 32 MM
8	H136209	SHAFT	1		
9	19M7866	SCREW	3		M8 X 20
10	P46874	SNAP RING	1		
11	JD7689	BALL BEARING	1		
12	28H3054	BUSHING	1		1.278" X 1.660" X 2-15/32"
13	JD7681	BALL BEARING	1		
14	H135452	SHAFT	1	-685522	(USE WITH AH140127)
	H170967	SHAFT	1	685523-	(USE WITH DE19111)
15	R26375	O-RING	1		16.358 X 2.210 MM (0.644" X 0.087")
16	H139966	HANDLE	1		
17	CE18015	HOUSING	1		
18	AH131860	SEAL	1		
19	AH21815	SEAL	1		
20	AH140127	GEAR CASE	1	-685522	(SUB DE19111) (ALSO ORDER AH164868, 26M7008 AND H170967)
	DE19111	GEAR CASE	1	685523-	
21	H137606	PLATE	1		
22	19M7789	SCREW	4		M12 X 30
23	24M7101	WASHER	1		11 X 34 X 3 MM
24	AH132372	SHEAVE	1	-685522	(USE WITH AH140127) 11-INCH
	AH164868	SHEAVE	1	685523-	(USE WITH DE19111)
25	26H85	SHAFT KEY	1	-685522	1/4" X 1", (USE WITH AH140127)
	26M7008	SHAFT KEY	1	685523-	(USE WITH DE19111)
26	22H836	SET SCREW	2		3/8" X 1"
	14H732	NUT	2		3/8"
27	19M7786	SCREW	1		M10 X 30
..	TY15130	SEALANT	1		(03 OZ. TUBE) (CANADA PART NO TY9484)
..	TY6341	GREASE	1		(14 OZ.) MULTI-PURPOSE

REAR LEFT SIDE TAILINGS SHIELD
HP8507 -UN-21APR99



HP8507

3J19

ELEVATORS

REAR LEFT SIDE TAILINGS SHIELD - CONTINUED

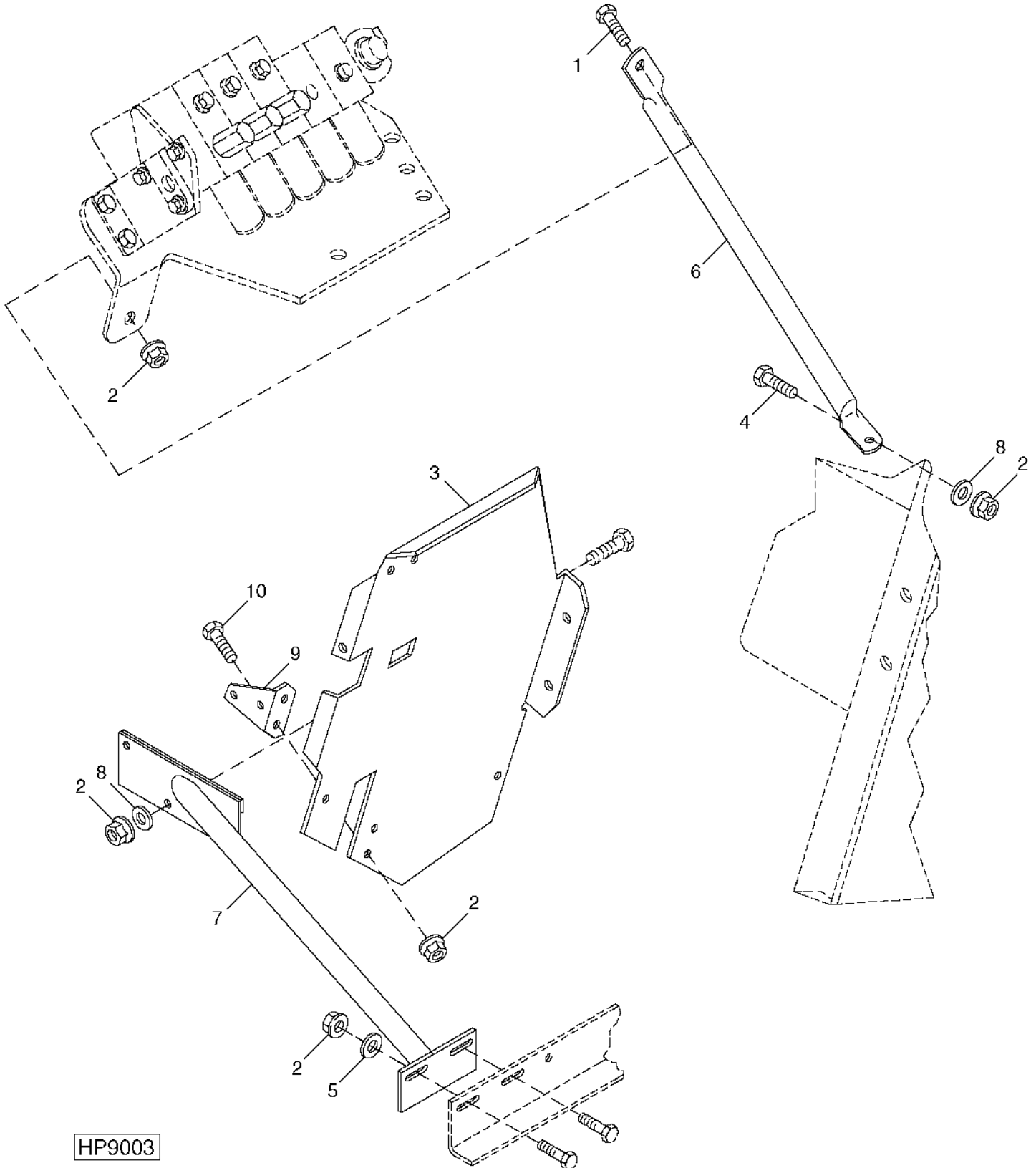
KEY	PART NO.	PART NAME	QTY	SERIAL NO.	REMARKS
1	H163757	BRACKET	1		
2	19M7866	SCREW	1	M8 X 20	
3	H164556	SHIELD	1	L.H. REAR	
4	19M7865	SCREW	2	M8 X 16	
5	14M7298	FLANGE NUT	3	M8	

3J20

ELEVATORS

UPPER REAR TAILINGS SHEILD

HP9003 -UN-07SEP99



HP9003

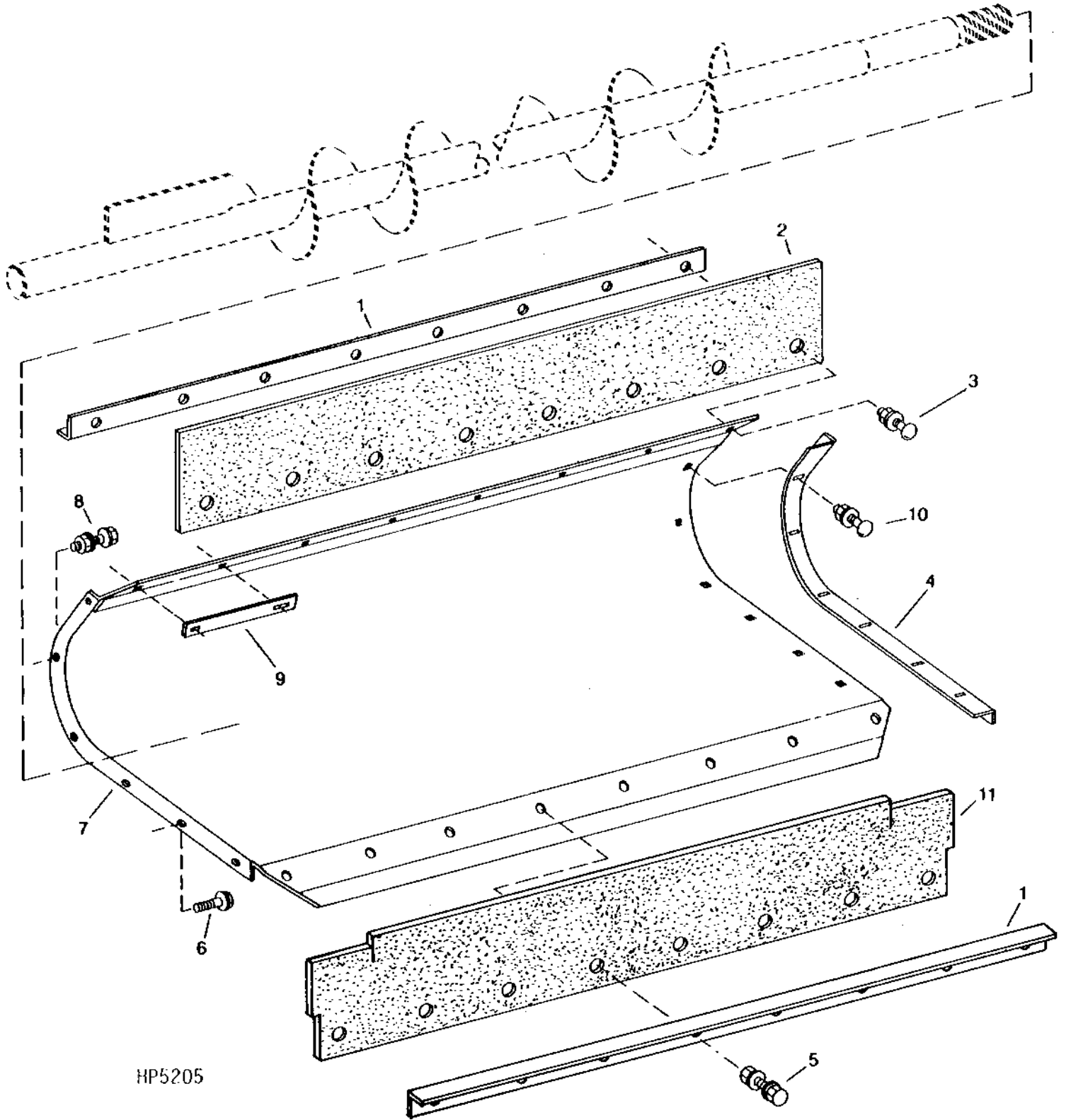
UPPER REAR TAILINGS SHEILD - CONTINUED

KEY	PART NO.	PART NAME	QTY	SERIAL NO.	REMARKS
1	19M7866	SCREW	1		M8 X 20
2	14M7298	FLANGE NUT	4		M8
3	H172116	SHIELD	1		
4	19M7803	SCREW	1		M8 X 70
5	24M7241	WASHER	2		17 X 34 X 4 MM
6	H158638	BRACE	1		
7	AH151354	SUPPORT	1		
8	24M7207	WASHER	1		8.400 X 24 X 2 MM
9	H158615	ANGLE	1		
10	19M7865	SCREW	2		

3J22

ELEVATORS

LOWER TAILINGS AUGER TROUGH
HP5205 -UN-01JAN94



HP5205

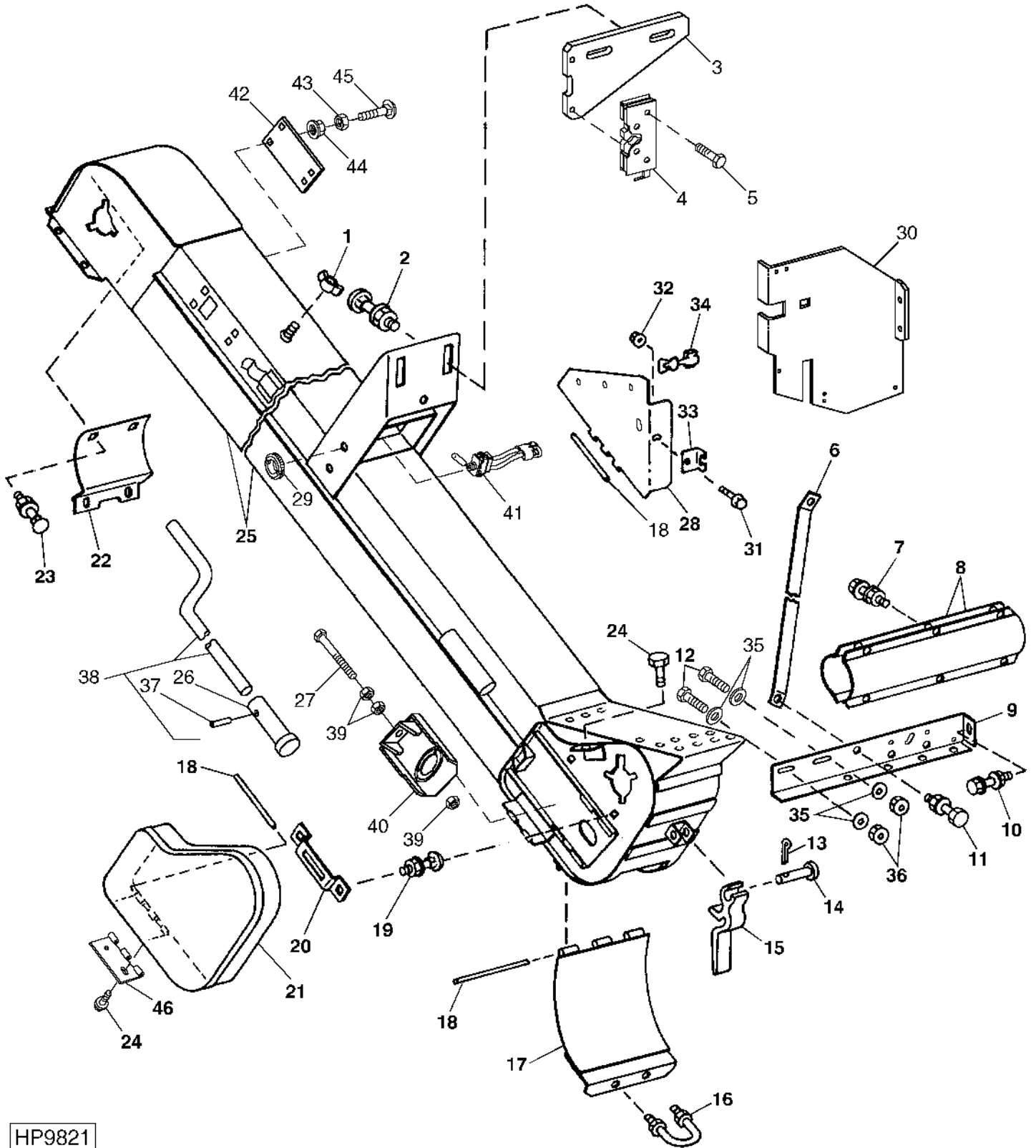
LOWER TAILINGS AUGER TROUGH - CONTINUED

KEY	PART NO.	PART NAME	QTY	SERIAL NO.	REMARKS
1	H134308	REINFORCEMENT	2		
2	H134314	STRAP	1		
3	19M7865	SCREW	AR	M8 X 16	
	14M7298	FLANGE NUT	AR	M8	
4	H134317	SUPPORT	1		
5	19M7865	SCREW	AR	M8 X 16	
	14M7298	FLANGE NUT	AR	M8	
6	19M7866	SCREW	2	M8 X 20	
7	AH138655	TROUGH	1		
8	19M7866	SCREW	4	M8 X 20	
	14M7298	FLANGE NUT	4	M8	
9	H137585	STRAP	1		
10	03M7183	BOLT	AR	M8 X 16	
	14M7298	FLANGE NUT	AR	M8	
11	H147660	SEAL	1		

3J24

ELEVATORS

TAILINGS ELEVATOR HOUSING
HP9821 -UN-20JUN00

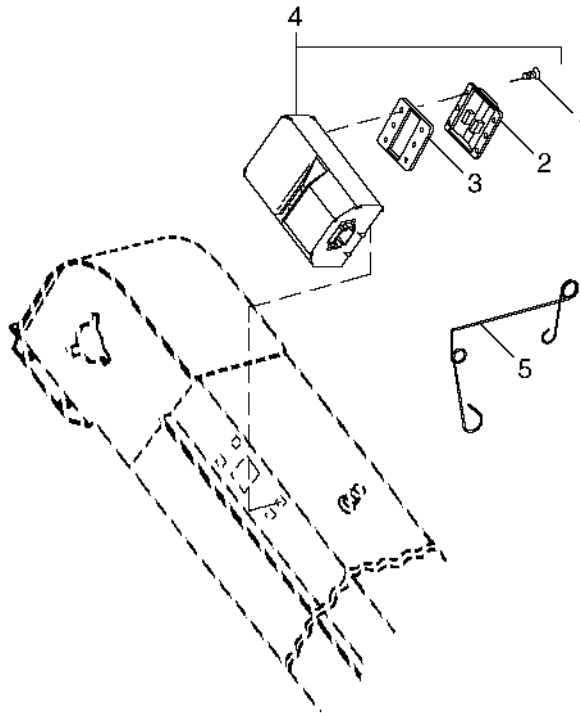


HP9821

TAILINGS ELEVATOR HOUSING - CONTINUED

KEY	PART NO.	PART NAME	QTY	SERIAL NO.	REMARKS
1	14M7020	WING NUT	1	M8	
2	19M7784	SCREW	2	M10 X 20	
	14M7296	FLANGE NUT	2	M10	
3	H167941	PLATE	1	L.H.	
	H169652	PLATE	1	R.H.	
4	AH167030	LATCH	1		
	H169865	PLUG	1		
5	19M7796	SCREW	2	M6 X 30	
	14M7303	FLANGE NUT	2	M6	
6	H146536	SUPPORT	1		
7	19M7868	SCREW	AR	M8 X 30	
	14M7298	FLANGE NUT	AR	M8	
8	H136054	HOUSING	2	SOLID	
9	H171006	SUPPORT	1	ELEVATOR	
10	19M7785	SCREW	2	M10 X 25	
	14M7296	FLANGE NUT	2	M10	
11	19M7865	SCREW	2	M8 X 16	
	14M7298	FLANGE NUT	2	M8	
12	19M7785	SCREW	2	M10 X 25	
13	11M7081	COTTER PIN	1	2.500 X 20 MM	
14	RV810A	PIN	1		
15	H101297	LEVER	1		
16	H105519	U-BOLT	1		
	24M7139	WASHER	2	6.400 X 18 X 1.600 MM	
	14M7397	LOCK NUT	2	M6	
17	AH130892	DOOR	1	SOLID	
18	H76083	PIN	2		
19	03M7184	BOLT	2	M8 X 20	
	14M7298	FLANGE NUT	2	M8	
20	H130661	BRACKET	1		
21	AH130886	SHIELD	1	METAL, (SUB AH166698)	
	AH166698	SHIELD	1	PLASTIC	
22	H147846	DEFLECTOR	1		
23	03M7183	BOLT	2	M8 X 16	
	14M7298	FLANGE NUT	2	M8	
24	19M7865	SCREW	AR	M8 X 16	
25	AH169233	KIT	1	COMPLETE TAILINGS ELEVATOR HOUSING INCLUDES PARTS MARKED (A)	
26	SOCKET	1		
27	19M7596	CAP SCREW	2	M16 X 160	
28	H160715	SHIELD	1	UPPER DOOR	
29	H140248	NUT	1		
30	H172116	SHIELD	1		
31	19M7775	SCREW	1	M6 X 16	
32	14M7303	FLANGE NUT	1	M6	
33	H141549	CLAMP	1		
34	A44990	LATCH	1		
35	24M7239	WASHER	4	10.700 X 21 X 2.500 MM	
36	14M7296	FLANGE NUT	2	M10	
37	34M7027	SPRING PIN	1	4 X 20 MM, FRENCH GRAIN ONLY	
38	AH149543	CRANK	1		
39	14M7276	NUT	6	M16	
40	AH130884	BRACKET	2		
41	AH158310	TOGGLE SWITCH	1		
42	H168019	COVER	2	(A)	
43	M80082	NUT	8	(A)	
44	14M7303	FLANGE NUT	8	(A) M6	
45	03M7221	BOLT	8	(A) M6 X 16	
46	H172528	HINGE	1	USE WITH PLASTIC COVER	

TAILING ELEVATOR MATERIAL SENSOR AND COVER
 HP9768 -UN-18MAY00



HP9768

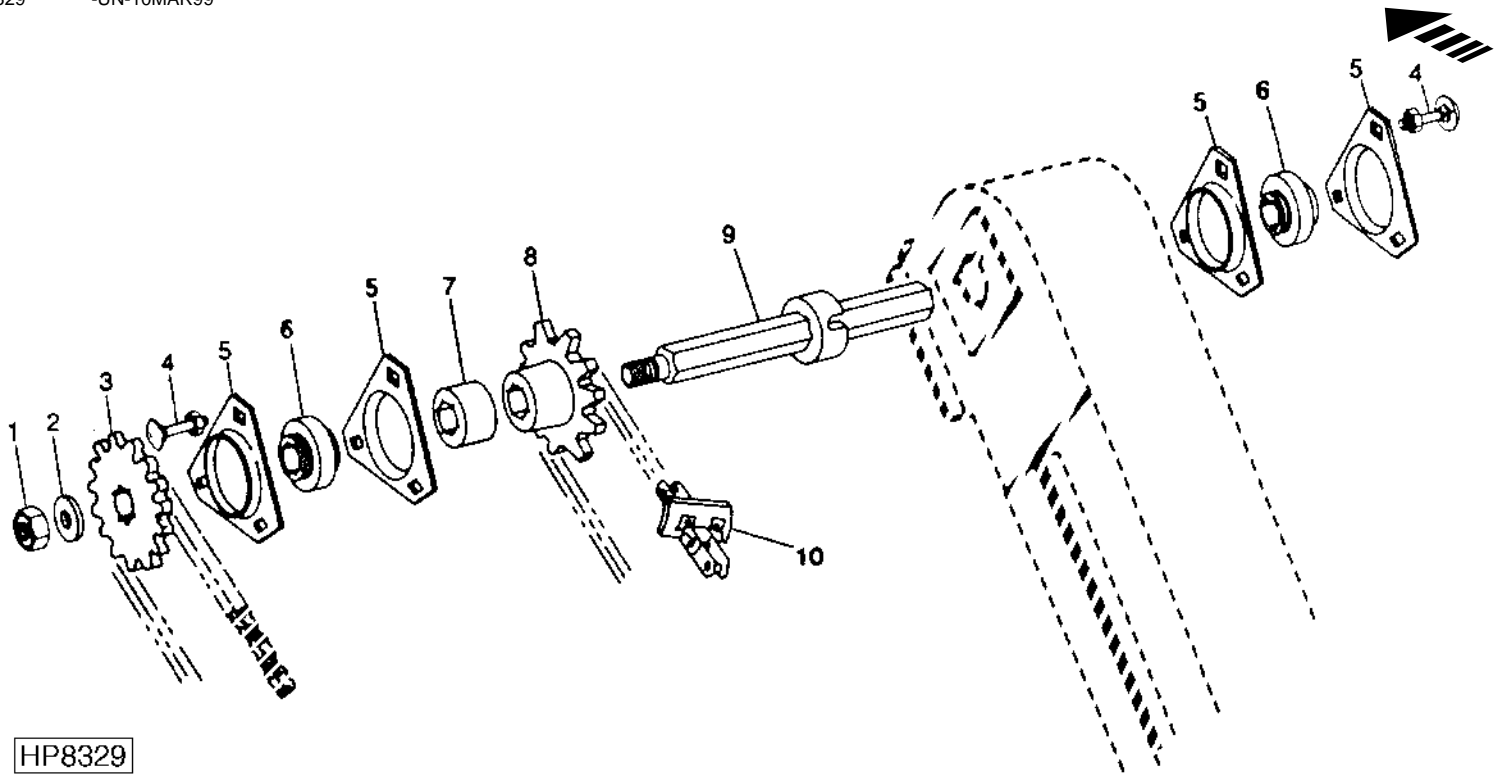
KEY	PART NO.	PART NAME	QTY	SERIAL NO.	REMARKS
1	M71770	SCREW	AR		2.9MM DIA. X 8MM
2	H167390	LENS	2		
3	H170344	GASKET	2		
4	AH158580	MODULE	1		MASTER (12 PIN CONNECTOR)
	AH158581	MODULE	1		SLAVE (8 PIN CONNECTOR)
5	H164896	SPRING	1		

3K2

ELEVATORS

TAILINGS ELEVATOR CONVEYOR CHAIN, SPROCKETS AND BEARINGS

HP8329 -UN-10MAR99



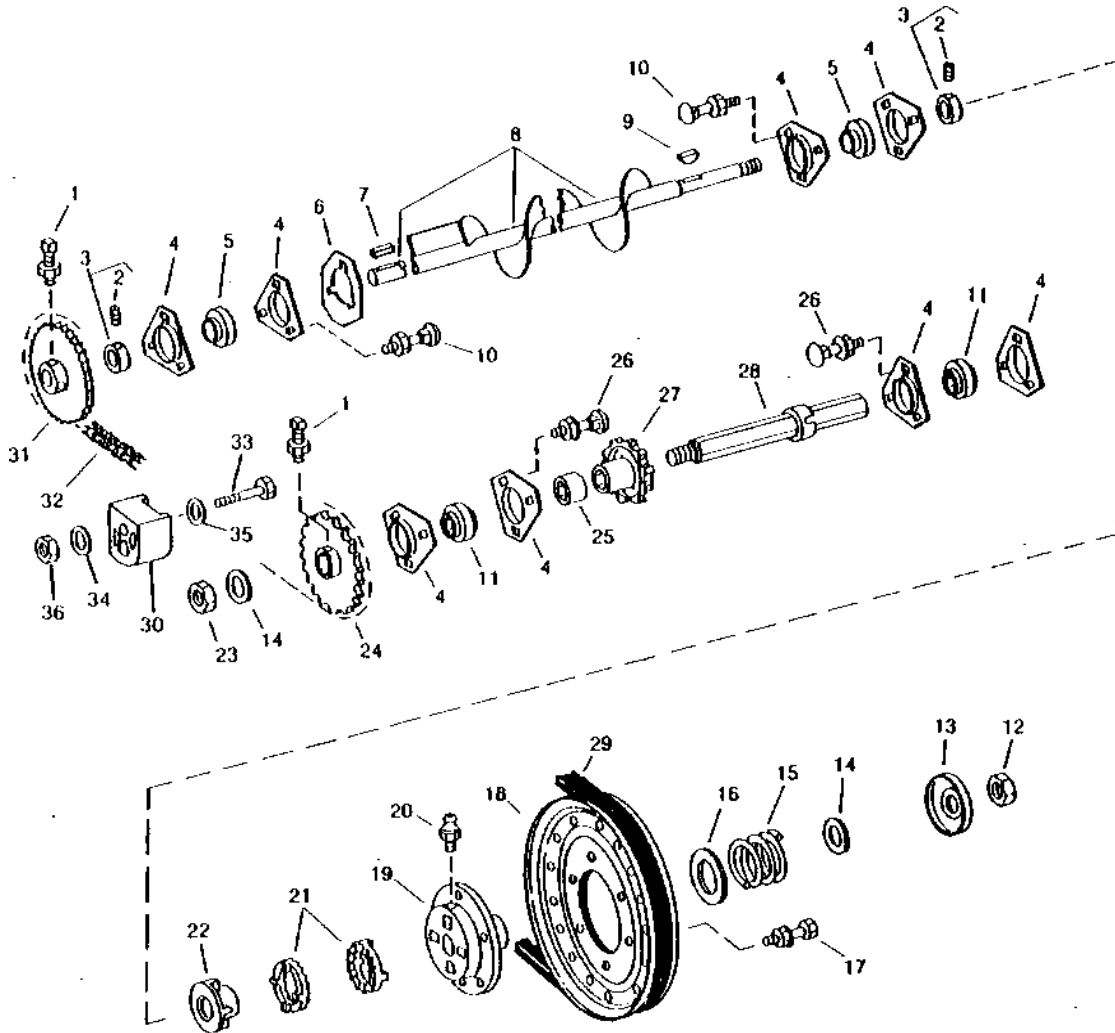
HP8329

KEY	PART NO.	PART NAME	QTY	SERIAL NO.	REMARKS
1	14M7277	NUT	1	M20	
2	24M7277	WASHER	1	21 X 60 X 4 MM	
3	AH130571	CHAIN SPROCKET	1	30 TOOTH, DRIVE	
4	03M7190	BOLT	AR	M10 X 20	
	14M7296	FLANGE NUT	AR	M10	
5	E10018	PRESSED FLANGED HOUSING	4		
6	JD9313	BALL BEARING	2		
7	H134606	SPACER	1		
8	H134603	CHAIN SPROCKET	1	8 TOOTH (CONVEYOR)	
9	AH130570	SHAFT	1	UPPER CONVEYOR	
10	AH131074	LINK CHAIN	1	(CA550 ROLLER CHAIN) (25 PADDLES)	
	AH137630	CHAIN LINK	1		
	H135235	PADDLE	25	RUBBER	
	H86760	PADDLE	1	STEEL CLEANING	

3K3

LOWER TAILINGS AUGER, SHAFT AND TIGHTENER

HP5817 -UN-01JAN94



HP5817

LOWER TAILINGS AUGER, SHAFT AND TIGHTENER - CONTINUED

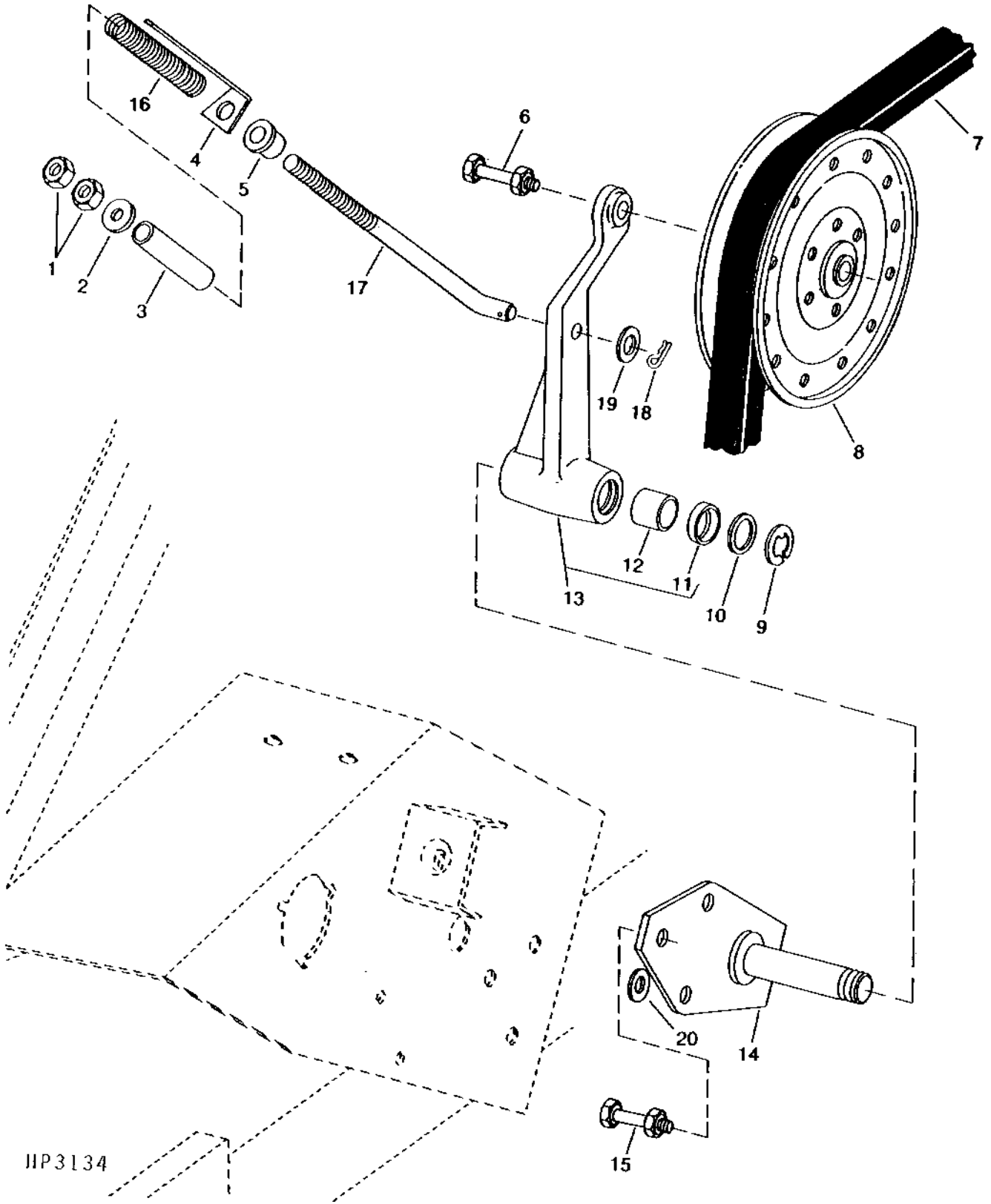
KEY	PART NO.	PART NAME	QTY	SERIAL NO.	REMARKS
1	H138435	SET SCREW	AR		
	14M7274	NUT	AR	M10	
2	22M7080	SET SCREW	2	M8 X 8	
3	AZ10045	ECCENTRIC LOCKING COLLAR	2		
4	E10018	PRESSED FLANGED HOUSING	AR		
5	JD39103	BALL BEARING	2		
6	H132906	PLATE	1		
7	49M4111	SHAFT KEY	1		
8	AH146322	AUGER	1	(LOWER)	
9	26H82	SHAFT KEY	1	1/4" X 7/8"	
10	03M7191	BOLT	AR	M10 X 25	
	14M7296	FLANGE NUT	AR	M10	
11	JD9313	BALL BEARING	2		
12	14M7300	FLANGE NUT	1	M20	
13	AH126677	CAP	1		
14	24M7051	WASHER	2	21 X 37 X 3 MM	
15	J21022	SPRING	1		
16	24M7176	WASHER	1	56 X 72 X 3 MM	
17	19M7867	SCREW	AR	M8 X 25	
	14M7298	FLANGE NUT	AR	M8	
18	AH126388	SHEAVE	1		
19	H97574	HUB	1		
20	JD7797	LUBRICATION FITTING	1	1/4" STRAIGHT	
21	H128265	SLIP CLUTCH	2		
22	H85015	HUB	1		
23	A31870	LOCK NUT	1	M20	
24	AH130572	CHAIN SPROCKET	1	18-TOOTH	
25	H134605	SPACER	1		
26	03M7190	BOLT	AR	M10 X 20	
	14M7296	FLANGE NUT	AR	M10	
27	H134603	CHAIN SPROCKET	1	8-TOOTH	
28	AH130570	SHAFT	1	LOWER CONVEYOR	
29	N110085	BELT	1		
30	H136582	TIGHTENER	1		
31	AH121047	CHAIN SPROCKET	1	18-TOOTH	
32	AH126239	ROLLER CHAIN	1	ROLLER, TYPE 50	
33	03M7245	BOLT	1	M8 X 55	
	14M7298	FLANGE NUT	1	M8	
34	24M7207	WASHER	1	8.400 X 24 X 2 MM	
35	H75716	LOCK WASHER	1	13.220 MM	
36	14M7298	FLANGE NUT	1	M8	

3K5

ELEVATORS

LOWER TAILINGS AUGER DRIVE TIGHTENER

HP3134 -UN-01JAN94



HP3134

3K6

ELEVATORS

LOWER TAILINGS AUGER DRIVE TIGHTENER - CONTINUED

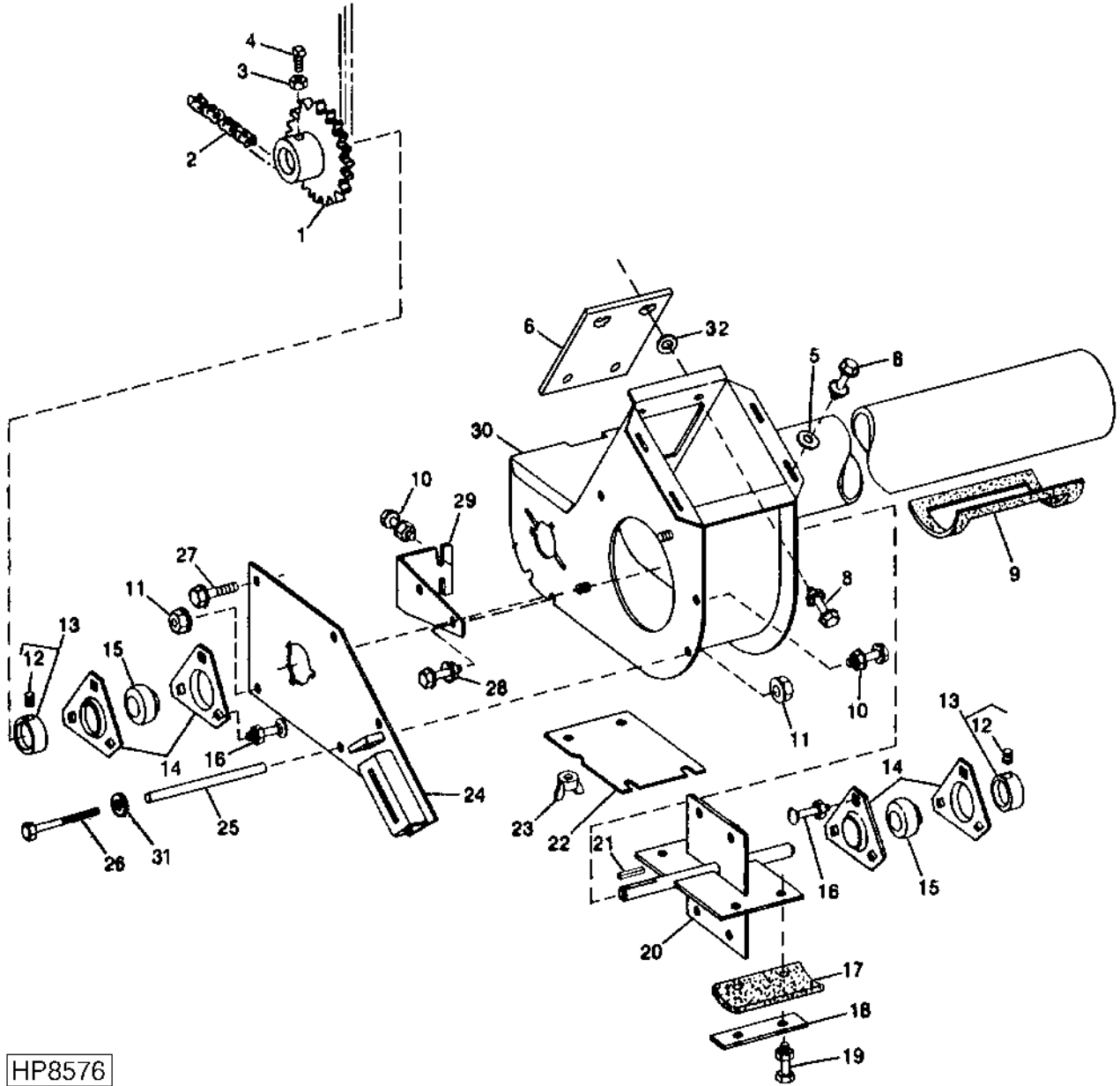
KEY	PART NO.	PART NAME	QTY	SERIAL NO.	REMARKS
1	14M7275	NUT	2	M12	
2	24M7180	WASHER	1	13 X 37 X 3 MM	
3	TY22326	BULK HOSE	AR		
4	H127872	GAUGE	1		
5	H129207	PIVOT	1		
6	19M7824	SCREW	1	M16 X 60	
	14M7291	FLANGE NUT	1	M16	
7	N110085	BELT	1		
8	AH85276	PULLEY	1		
9	P46402	SNAP RING	1		
10	24M7091	WASHER	1	26 X 44 X 4 MM	
11	AA5607R	SEAL	2		
12	H99147	BUSHING	2	(SUB H171061)	
	H171061	BEARING	2		
13	AH126865	ARM	1	ELEVATOR DRIVE	
14	AH156051	SPRING PIN	1		
15	19M7785	SCREW	3	M10 X 25	
	14M7296	FLANGE NUT	3	M10	
16	H26552	SPRING	1		
17	H118948	HOOK BOLT	1	IDLER	
18	11M7021	COTTER PIN	1	4 X 25 MM	
19	24M7047	WASHER	1	13 X 24 X 2.500 MM	
20	24M7178	WASHER	AR	10.500 X 30 X 2.500 MM, (USE AS NEEDED IF REALIGNMENT IS NECESSARY)	

3K7

ELEVATORS

UPPER TAILINGS AUGER HOUSING AND PADDLE ASSEMBLY

HP8576 -UN-26MAY99



HP8576

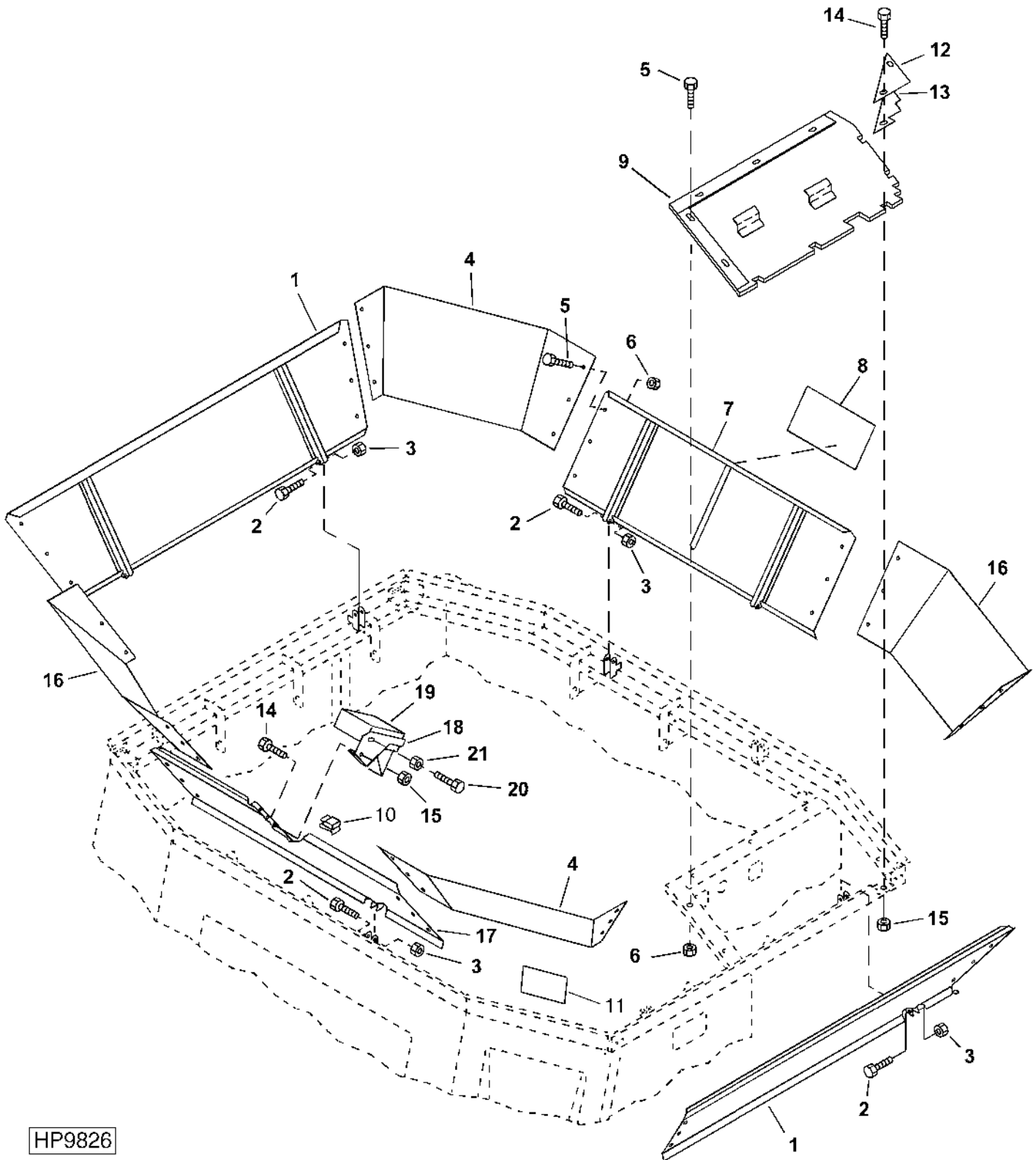
UPPER TAILINGS AUGER HOUSING AND PADDLE ASSEMBLY - CONTINUED

KEY	PART NO.	PART NAME	QTY	SERIAL NO.	REMARKS
1	AH126008	CHAIN SPROCKET	1		
2	AH126007	ROLLER CHAIN	1		
3	14M7274	NUT	2	M10	
4	H138435	SET SCREW	2		
5	24M7207	WASHER	4	8.400 X 24 X 2 MM	
6	H170823	COVER	1		
7	19M7775	SCREW	1	M6 X 16	
8	19M7866	SCREW	8	M8 X 20	
	14M7298	FLANGE NUT	8	M8	
9	H143735	SEAL	1		
10	19M7866	SCREW	3	M8 X 20	
	14M7298	FLANGE NUT	3	M8	
11	14M7298	FLANGE NUT	3	M8	
12	22M7080	SET SCREW	2	M8 X 8	
13	AZ10045	ECCENTRIC LOCKING COLLAR	2		
14	E10018	PRESSED FLANGED HOUSING	AR		
15	JD39103	BALL BEARING	2		
16	03M7191	BOLT	AR	M10 X 25	
	14M7296	FLANGE NUT	AR	M10	
17	H131639	PADDLE	4	RUBBER	
18	H131638	STRAP	4		
19	19M7868	SCREW	AR	M8 X 30	
	14M7396	LOCK NUT	AR	M8	
20	AH128663	PADDLE	1		
21	SHAFT KEY	AR	8 X 7 X 40 MM (IN AH141142 KEY STOCK KIT) (CUT FROM H150269)	
22	H135309	COVER	1	CLEAN OUT	
23	14M7020	WING NUT	AR	M8	
24	AH128664	SUPPORT	1	IDLER	
	H148633	END PLATE	1		
25	H140467	BUSHING	1		
26	19M8404	CAP SCREW	1	M8 X 130	
27	19M7864	SCREW	1	M8 X 12	
28	19M7862	SCREW	2	M6 X 20	
	14M7303	FLANGE NUT	2	M6	
29	H147967	SUPPORT	1		
30	AH149180	TUBE	1		
31	24M7055	WASHER	1	8.400 X 16 X 1.600 MM	
32	M84309	NUT	4		

3K9

ELEVATORS

GRAIN TANK EXTENSIONS
HP9826 -UN-07JUN00



HP9826

3K10

ELEVATORS

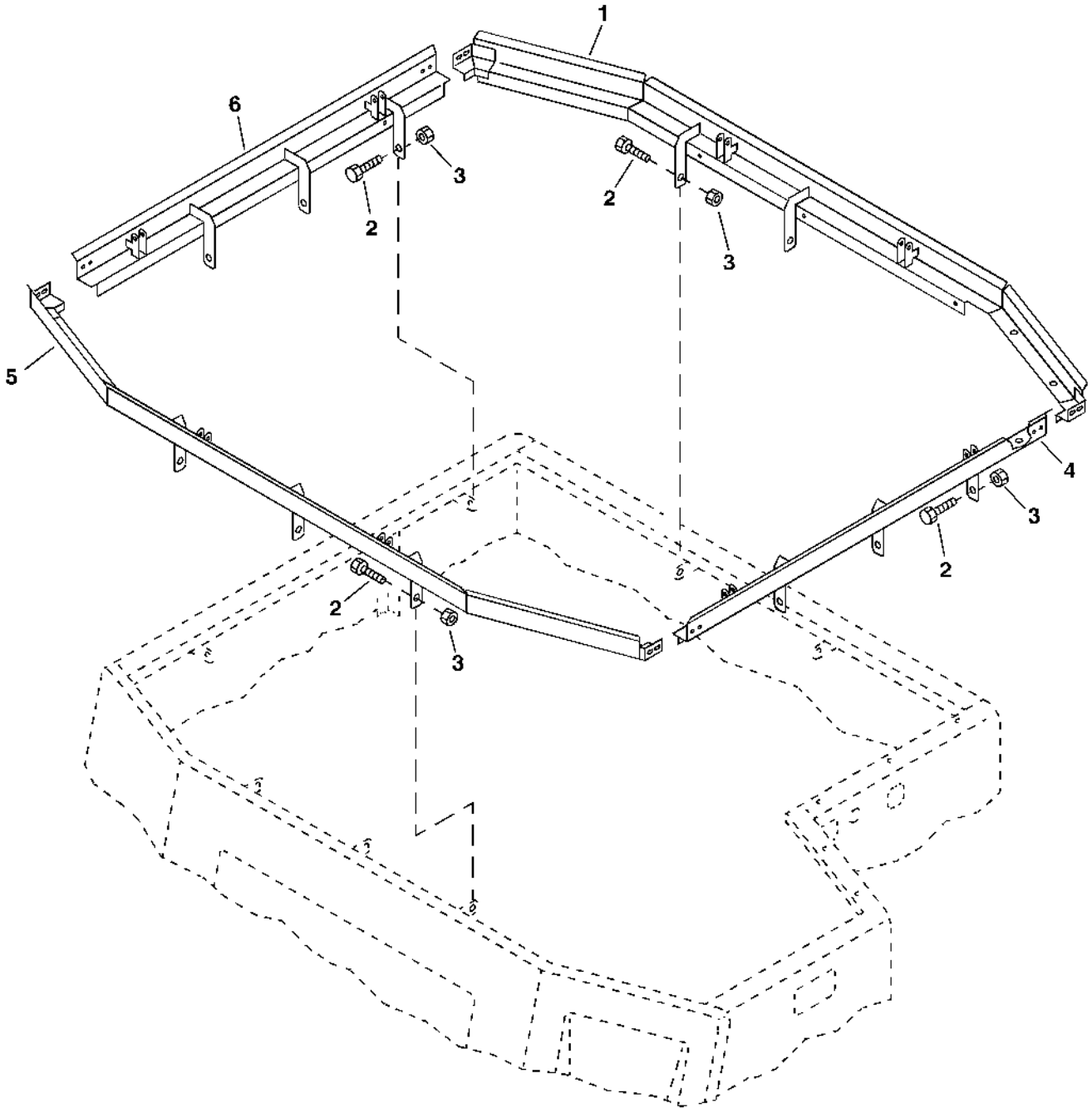
GRAIN TANK EXTENSIONS - CONTINUED

KEY	PART NO.	PART NAME	QTY	SERIAL NO.	REMARKS
1	AH154486	PANEL	2		
2	19M7801	SCREW	8	M8 X 60	
3	14M7396	LOCK NUT	8	M8	
4	AH156868	PANEL	2		
5	19M7867	SCREW	34	M8 X 25	
6	14M7296	FLANGE NUT	34	M10	
7	AH154703	PANEL	1		
8	H136015	MAT	1		
9	AH163181	PANEL	1		
10	H64612	CLIP	1		
11	H149066	LABEL	1		
12	H163921	PLATE	1		
13	H163920	SPACER	1		
14	19M7867	SCREW	3	M8 X 25	
15	14M7298	FLANGE NUT	3	M8	
16	AH156867	PANEL	2		
17	AH154487	PANEL	1		
18	H161088	BRACKET	1		
19	AH121475	SENSOR	1		
20	19M7775	SCREW	2	M6 X 16	
21	14M7303	FLANGE NUT	2	M6	
22	19H2351	CAP SCREW	1	1/2" X 1/2"	
23	24M7180	WASHER	1	13 X 37 X 3 MM	
24	AH148210	HEADLIGHT	1		

3K11

ELEVATORS

GRAIN TANK EXTENSION SUPPORT ANGLES
HP6945 -UN-01OCT97



HP6945

3K12

ELEVATORS

GRAIN TANK EXTENSION SUPPORT ANGLES - CONTINUED

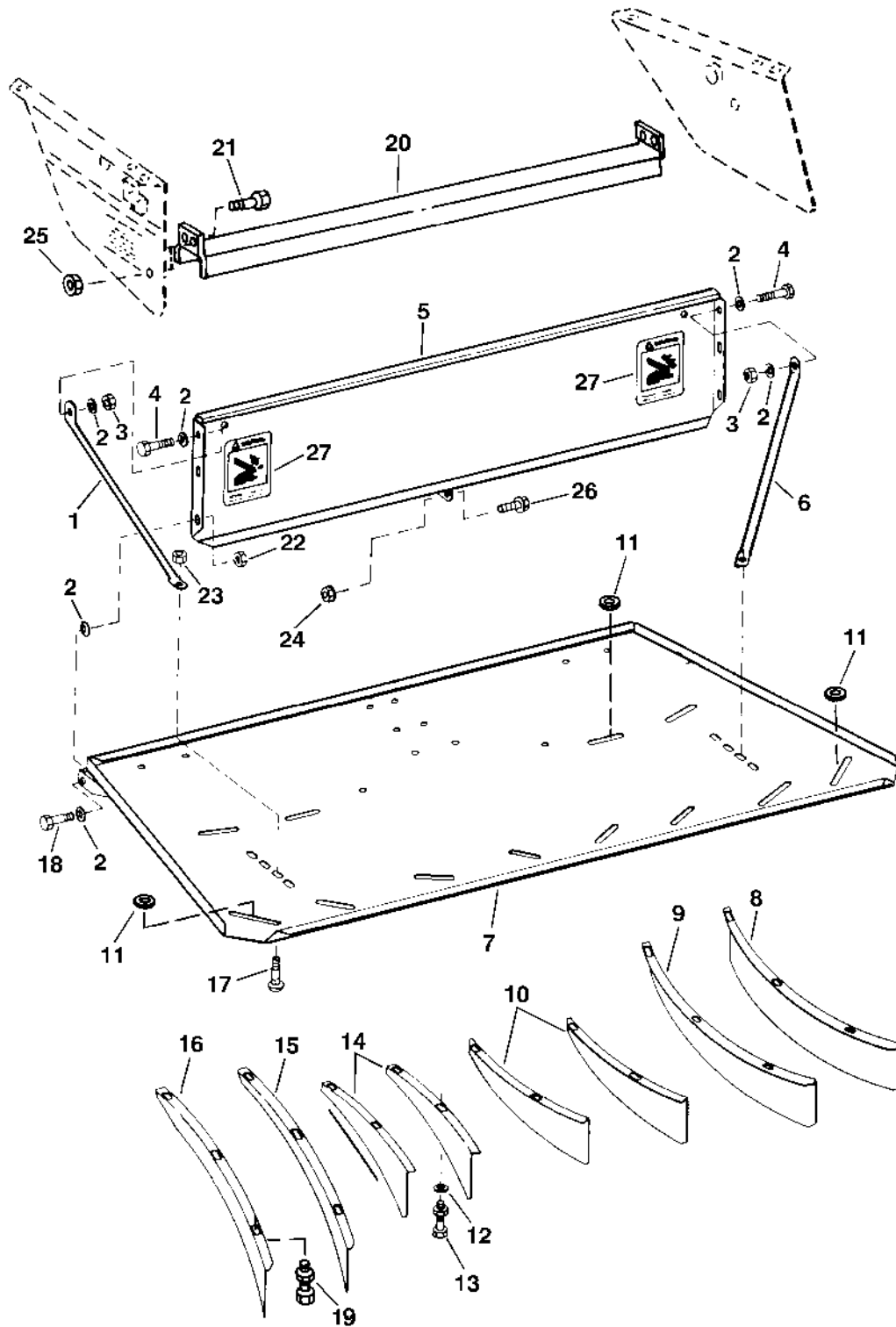
KEY	PART NO.	PART NAME	QTY	SERIAL NO.	REMARKS
1	AH154484	ANGLE	1		
2	19M7867	SCREW	11	M8 X 25	
3	14M7298	FLANGE NUT	11	M8	
4	AH154483	ANGLE	1		
5	AH154482	ANGLE	1		
6	AH154485	ANGLE	1		

MEMORANDA

MEMORANDA

4B3

TAIL BOARD SUPPORTS AND VANES
HP8956 -UN-25AUG99



HP8956

4B4

RESIDUE DISPOSAL

TAIL BOARD SUPPORTS AND VANES - CONTINUED

KEY	PART NO.	PART NAME	QTY	SERIAL NO.	REMARKS
1	H126335	PIPE	1		
	H151182	PIPE	1	(B)	
2	H126334	LOCK WASHER	2	11.230 X 22.230 X 1.140 MM	
3	A51212	LOCK NUT	2	M10	
4	19M7835	SCREW	2	M10 X 35	
5	AH139791	SHEET	1	(A)	
	AH144478	SHEET	1	(B)	
6	H126336	PIPE	1	(A)	
	H151181	PIPE	1	(B)	
7	AH137792	SUPPORT	1		
8	H130949	VANE	1	(A)	
	H150401	DEFLECTOR	1	(B)	
9	H114535	VANE	1	(A)	
	H150401	DEFLECTOR	1	(B)	
10	H114537	VANE	2	(A)	
	H150403	DEFLECTOR	2	(B)	
11	H128083	WASHER	4	9 X 50.800 X 5 MM	
12	24M7207	WASHER	12	8.400 X 24 X 2 MM	
13	03M7183	BOLT	12	M8 X 16	
	14M7396	LOCK NUT	12	M8	
14	H114538	VANE	2	(A)	
	H150404	DEFLECTOR	2	(B)	
15	H114536	VANE	1	(A)	
	H150402	DEFLECTOR	1	(B)	
16	H130948	VANE	1	(A)	
	H150402	DEFLECTOR	1	(B)	
17	03M7191	BOLT	2	M10 X 25	
18	19M7167	CAP SCREW	2	M10 X 25	
19	03M7184	BOLT	4	M8 X 20, USE WITH H128083 WASHER	
	14M7396	LOCK NUT	4	M8	
	H128083	WASHER	4		
20	H150408	SHEET	1	(A)	
	H157109	SHEET	1	(B)	
21	19M7866	SCREW	2	M8 X 20	
22	14M7400	LOCK NUT	1	M10	
23	14M7296	FLANGE NUT	1	M10	
24	14M7396	LOCK NUT	1		
25	14M7298	FLANGE NUT	2	M8	
26	19M7866	SCREW	1	M8 X 20	
27	H149102	DECAL	2	"WARNING" CHOPPER POSTION	

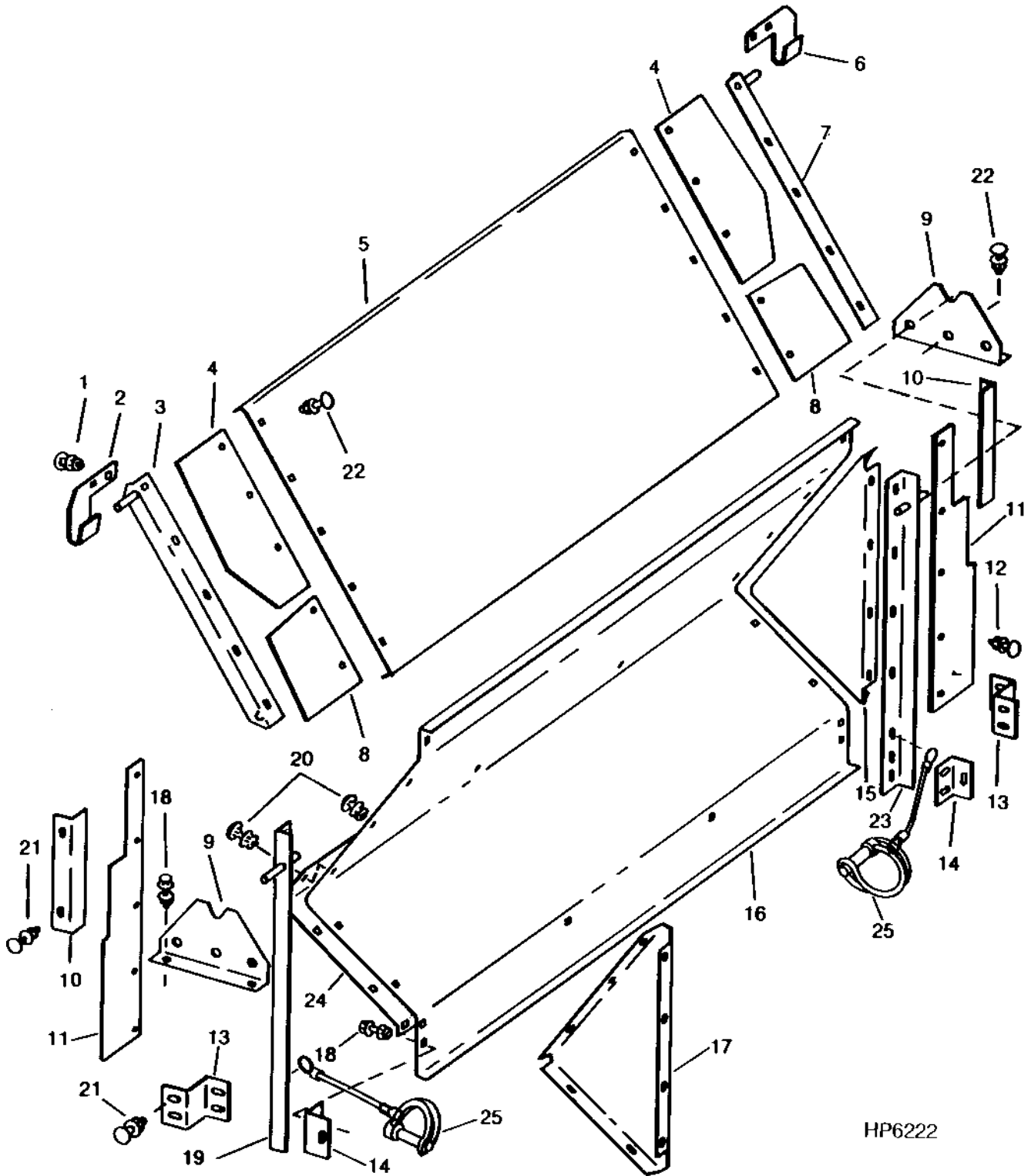
- (A) REGULAR CHOPPER
- (B) WIDE SPREAD CHOPPER

4B5

RESIDUE DISPOSAL

STRAW CHOPPER UPPER REAR DOOR

HP6222 -UN-23JAN96



HP6222

4B6

RESIDUE DISPOSAL

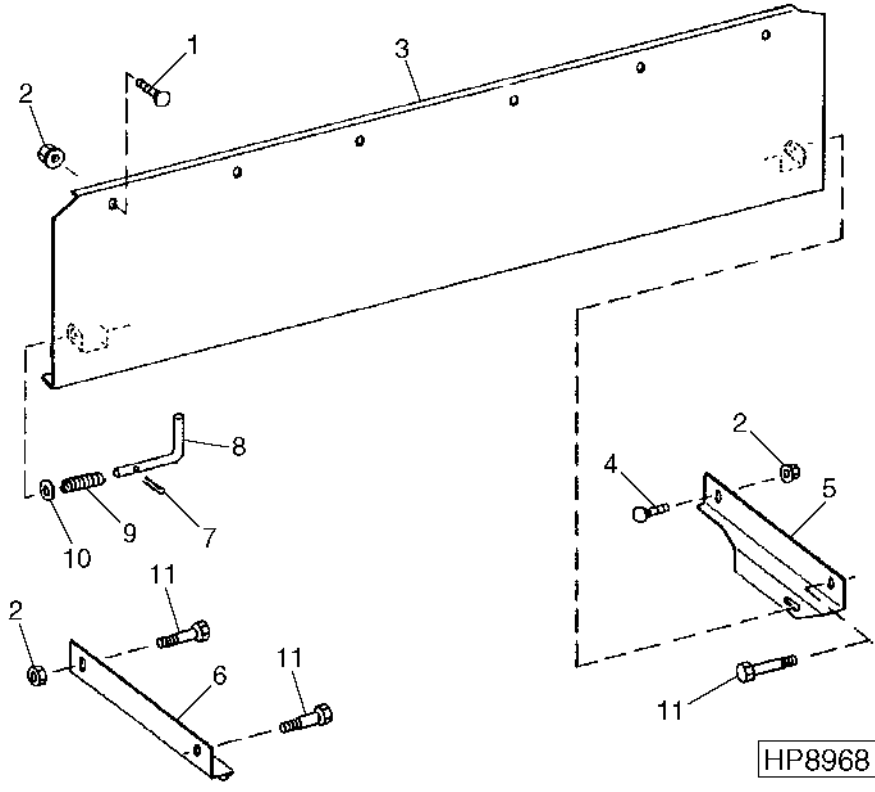
STRAW CHOPPER UPPER REAR DOOR - CONTINUED

KEY	PART NO.	PART NAME	QTY	SERIAL NO.	REMARKS
1	03M7183	BOLT	AR	M8 X 16	
	14M7396	LOCK NUT	AR	M8	
2	H145689	BRACKET	1		
3	AH139596	ANGLE	1		
4	H145686	STRAP	2		
5	H145683	DOOR	1		
6	H145688	BRACKET	1		
7	AH139595	ANGLE	1		
8	H145687	STRAP	2		
9	H147073	BRACKET	2		
10	H145695	ANGLE	2		
11	H147072	STRAP	2		
12	19M7866	SCREW	AR	M8 X 20	
	14M7396	LOCK NUT	AR	M8	
13	H147105	BRACKET	2		
14	H147106	ANGLE	2		
15	H145693	COVER	1		
16	H147104	DOOR	1		
17	H145694	COVER	1		
18	19M7866	SCREW	AR	M8 X 20	
	14M7396	LOCK NUT	AR	M8	
19	AH140995	ANGLE	1		
20	03M7184	BOLT	AR	M8 X 20	
	14M7396	LOCK NUT	AR	M8	
21	03M7183	BOLT	AR	M8 X 16	
	14M7298	FLANGE NUT	AR	M8	
22	03M7184	BOLT	AR	M8 X 20	
23	AH140994	ANGLE	1		
24	H147319	REINFORCEMENT	1		(CORN CONVERSION)
25	AH148578	PIN	2		
..	BH71999	COMPLETE GOODS/SHIP. BUNDLE	1		GRAIN CHOPPER WITH DRIVE
..	BH80226	COMPLETE GOODS/SHIP. BUNDLE	1		GRAIN CHOPPER WITH DRIVES - ITALY
..	BH79670	COMPLETE GOODS/SHIP. BUNDLE	1		CHOPPER DOORS
..	BH81625	COMPLETE GOODS/SHIP. BUNDLE	1		MISC STRAW CHOPPER PARTS

4B7

RESIDUE DISPOSAL

STRAW CHOPPER LOWER DOOR
HP8968 -UN-25AUG99



HP8968

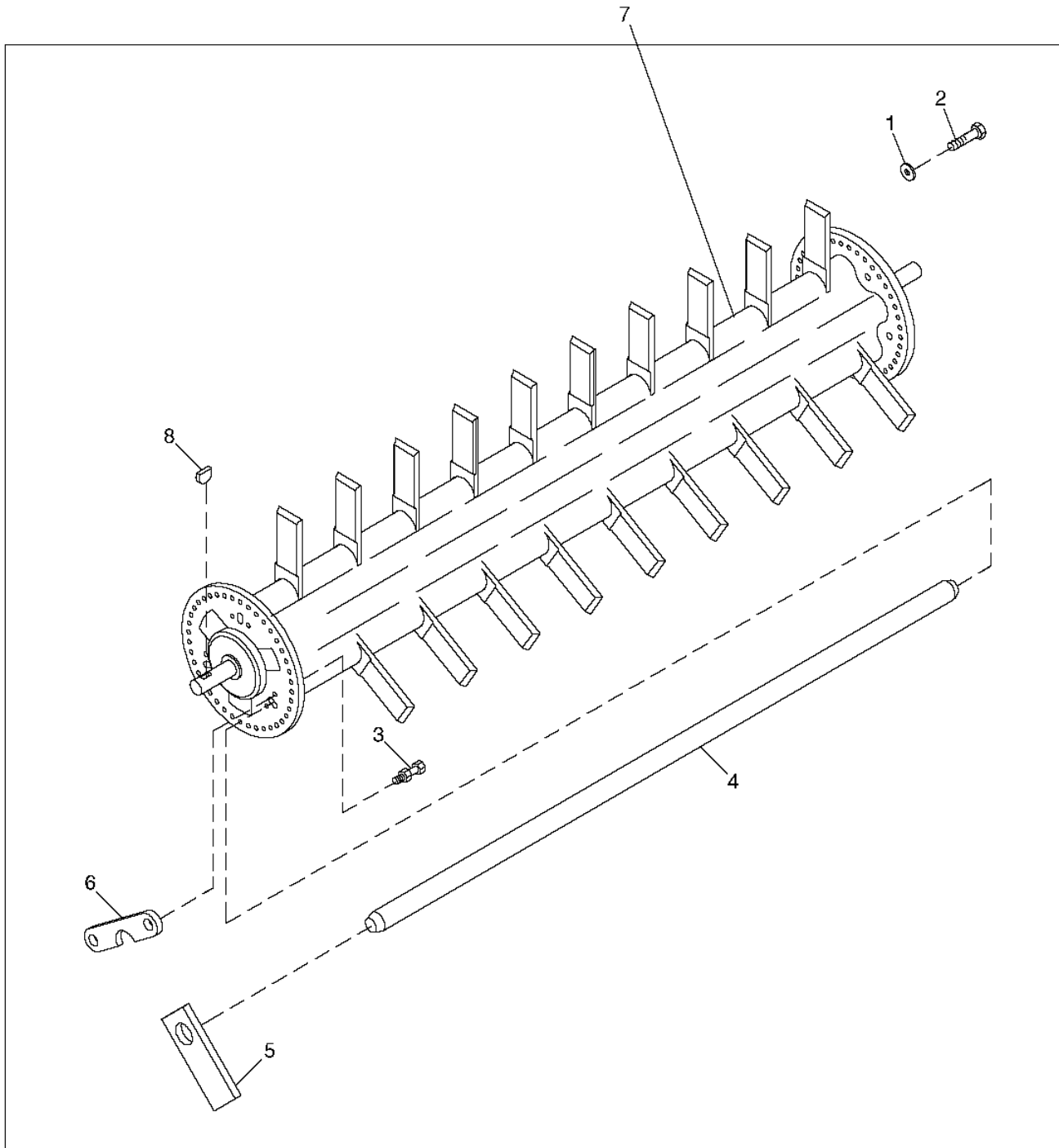
KEY	PART NO.	PART NAME	QTY	SERIAL NO.	REMARKS
1	03M7191	BOLT	6	M10 X 25	
2	14M7298	FLANGE NUT	10	M8	
3	AH139988	DOOR	1		
4	03M7185	BOLT	2	M8 X 25	
5	H146047	SUPPORT	1	R.H.	
6	H146046	SUPPORT	1	L.H.	
7	11M7059	COTTER PIN	2	3.200 X 20 MM	
8	H136179	PIN	2		
9	B28970	SPRING	2		
10	24H1342	WASHER	2	17/32" X 1-1/4" X 0.036"	
11	19M7866	SCREW	1	M8 X 20	
..	BH81280	COMPLETE GOODS/SHIP. BUNDLE	1	CHOPPER SLIDE DOOR	

MEMORANDA

4B8

RESIDUE DISPOSAL

TRI-ROD CHOPPER
HP8629 -UN-14JUN99



HP8629

4B9

RESIDUE DISPOSAL

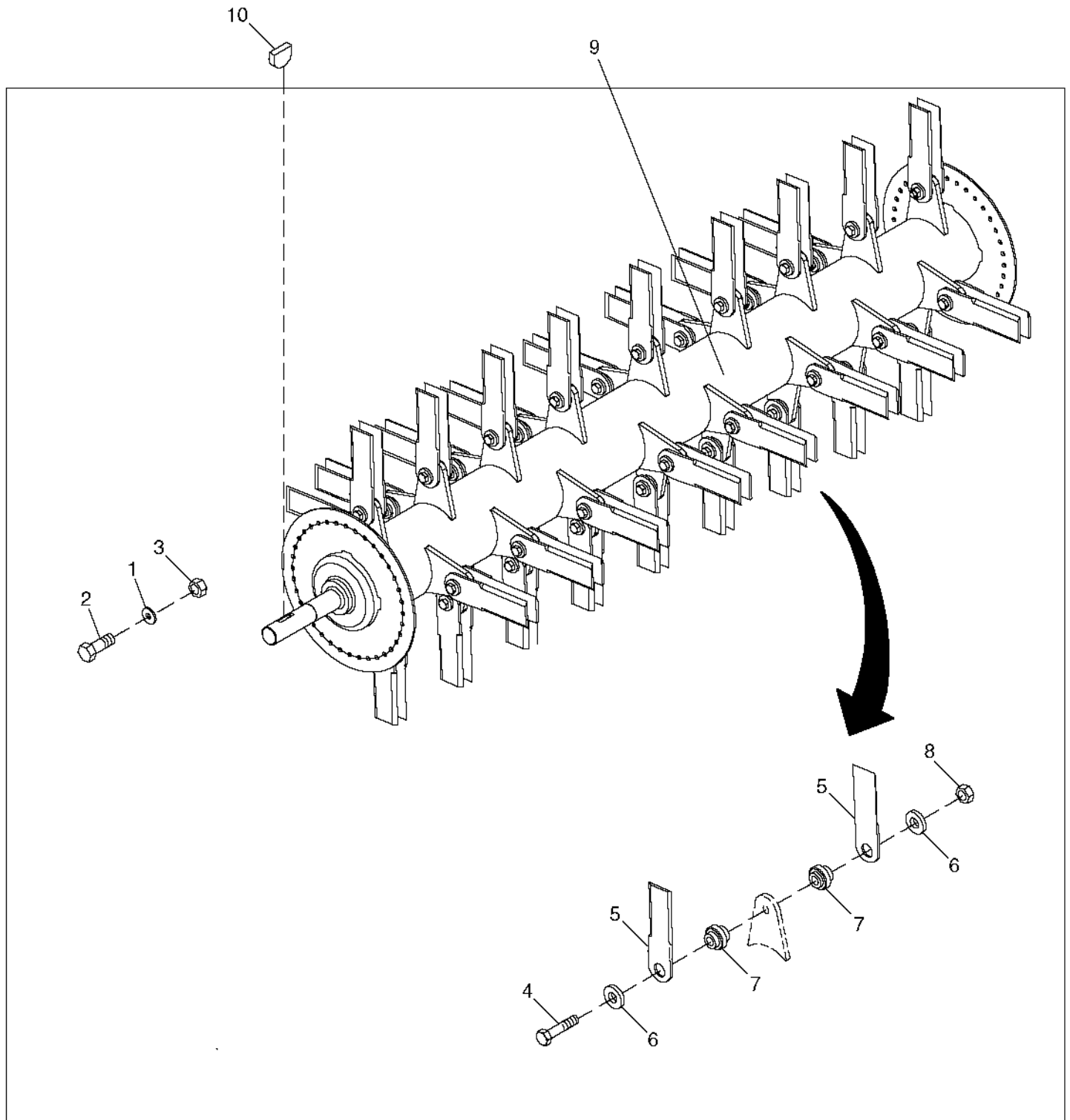
TRI-ROD CHOPPER - CONTINUED

KEY	PART NO.	PART NAME	QTY	SERIAL NO.	REMARKS
1	H128080	WASHER	AR		9 X 19 X 1.5; (USED FOR BALANCING SHAFT)
	H128081	WASHER	AR		
	H128082	WASHER	AR		
	H128083	WASHER	AR		
2	H147302	BOLT	AR		9 X 31.8 X 1.5
	H128357	CAP SCREW	AR		9X 34.9 X 3
	H128358	CAP SCREW	AR		9 X 50.8 X 5
	H128359	CAP SCREW	AR		3/4"
3	H128357	CAP SCREW	AR		1"
	H143332	LOCK NUT	13		
	H149401	PIN	3		
5	AH124635	BLADE	1		SET OF 6 BLADES
	AH128359	BLADE	1		SET OF 36 BLADES
6	H146414	RETAINER	3		
7	AH165773	ROTOR	1		CHROME
	AH168948	ROTOR	1		
8	26H103	SHAFT KEY	1		

4B10

RESIDUE DISPOSAL

STRAIGHT BLADE, FINE CUT ROTOR CHOPPER
HP8375 -UN-14JUN99



HP8375

4B11

RESIDUE DISPOSAL

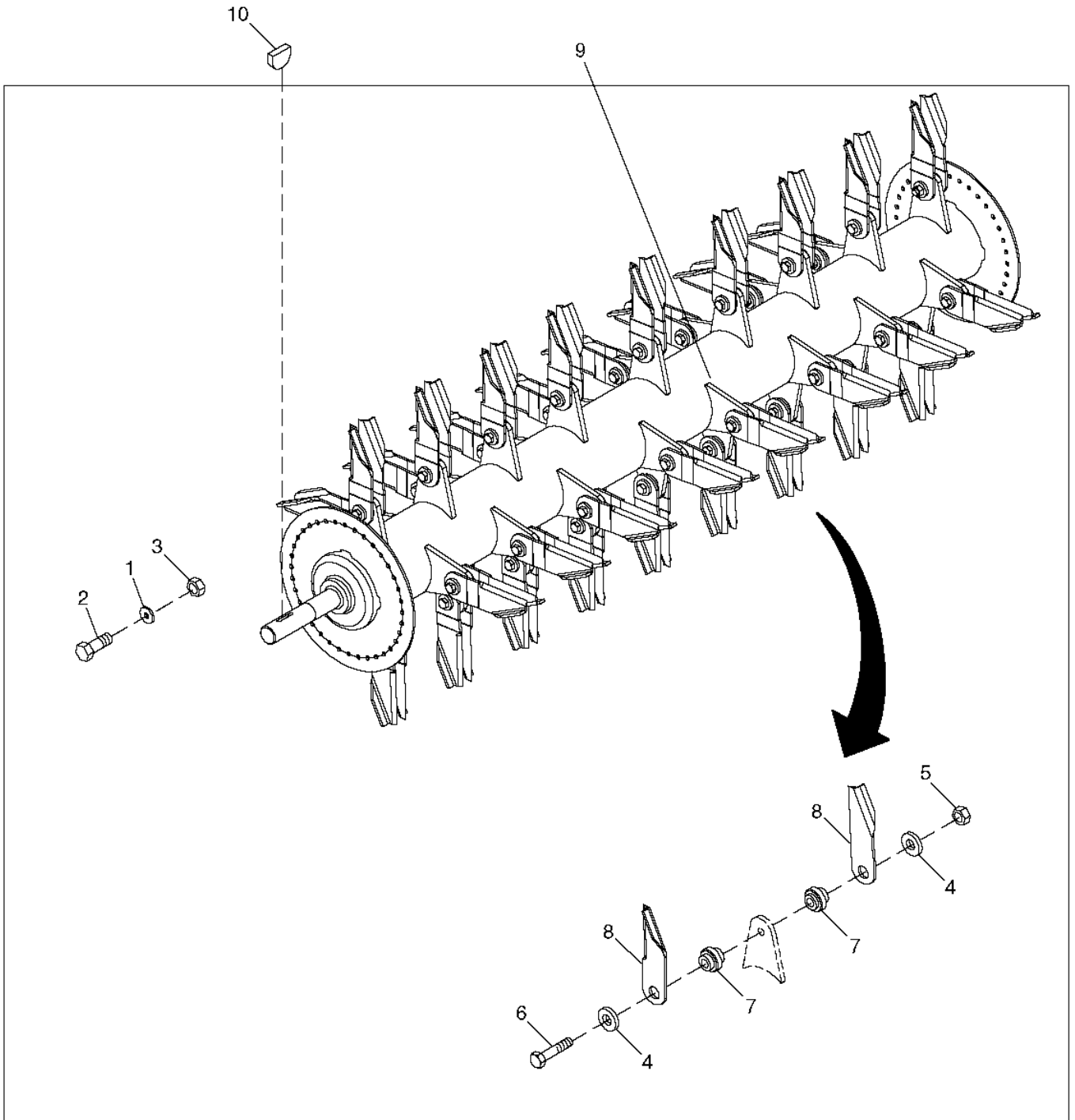
STAIGHT BLADE, FINE CUT ROTOR CHOPPER - CONTINUED

KEY	PART NO.	PART NAME	QTY	SERIAL NO.	REMARKS
1	H128080	WASHER	AR		
	H128081	WASHER	AR		
	H128082	WASHER	AR		
2	H128083	WASHER	AR		
	H147304	WASHER	AR		
	H147302	BOLT	AR	3/4"	
	H128357	CAP SCREW	AR	1"	
	H128358	CAP SCREW	AR	1-1/4"	
	H128359	CAP SCREW	AR	1-1/2"	
3	H143332	LOCK NUT	AR	5/16"	
4	19M7935	CAP SCREW	34	M10 X 55	
5	H156098	BLADE	68		
6	H156101	WASHER	68		
7	H156100	BUSHING	68		
8	A51212	LOCK NUT	34	M10	
9	AH151537	ROTOR	1		
10	26H103	SHAFT KEY	1		

4B12

RESIDUE DISPOSAL

PADDLED BLADE, FINE CUT ROTOR CHOPPER
HP8376 -UN-14JUN99



HP8376

4B13

RESIDUE DISPOSAL

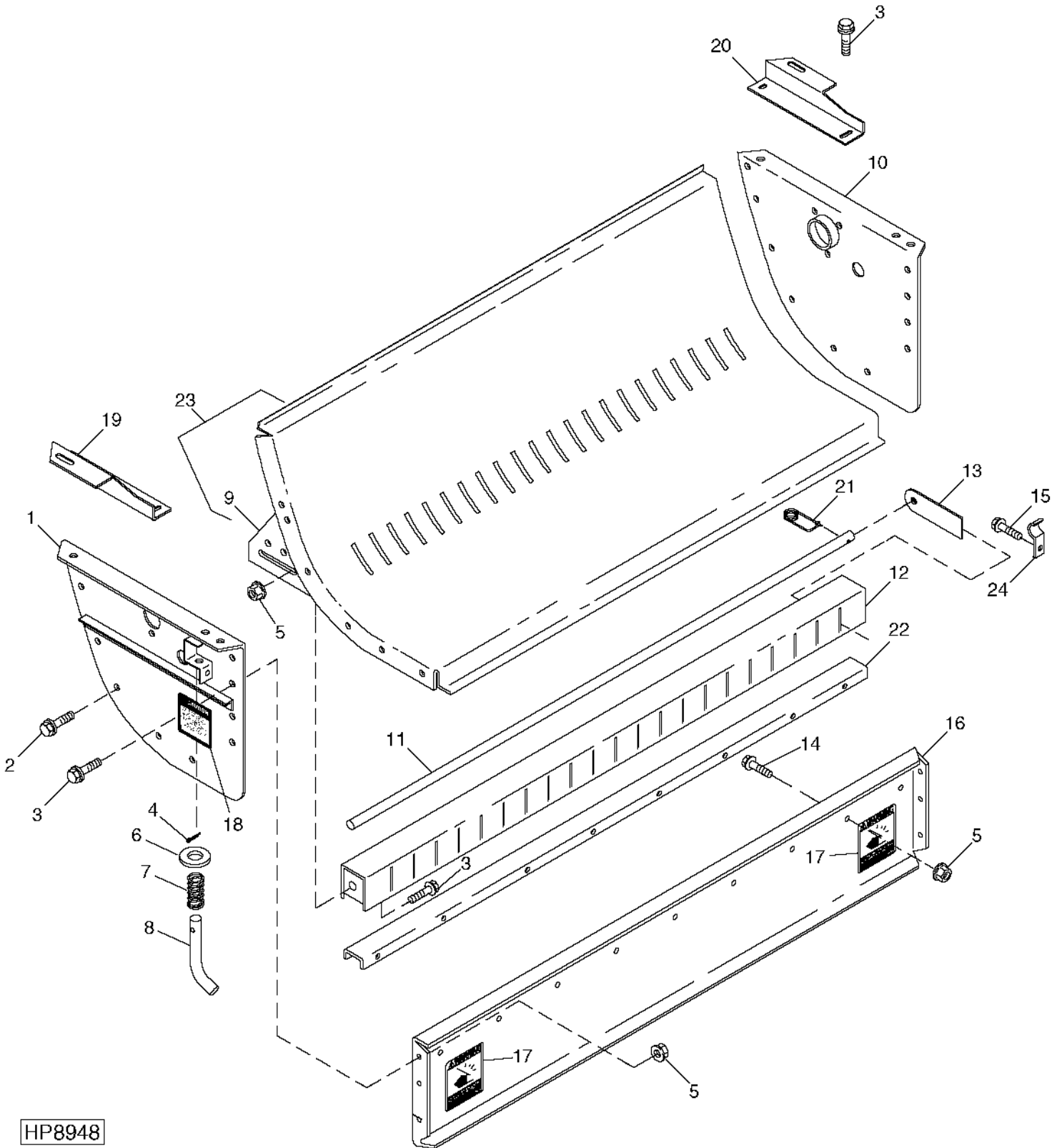
PADDLED BLADE, FINE CUT ROTOR CHOPPER - CONTINUED

KEY	PART NO.	PART NAME	QTY	SERIAL NO.	REMARKS
1	H128080	WASHER	AR	9 X 19 X 1.5	
	H128081	WASHER	AR	9 X 31.8 X 1.5	
	H128082	WASHER	AR	9X 34.9 X 3	
2	H128083	WASHER	AR	9 X 50.8 X 5	
	H147304	WASHER	AR	9 X 34.9 X 5	
	H147302	BOLT	AR	3/4"	
	H128357	CAP SCREW	AR	1"	
	H128358	CAP SCREW	AR	1-1/4"	
	H128359	CAP SCREW	AR	1-1/2"	
3	H143332	LOCK NUT	AR	5/16"	
4	H156101	WASHER	68	10.300 X 28.600 X 4.800 MM	
5	A51212	LOCK NUT	34		
6	19M8499	CAP SCREW	34	M10 X 60	
7	H167127	BUSHING	68		
8	AH160606	BLADE	17	REPAIR KIT (SET OF 4)	
9	AH160426	ROTOR	1		
10	26H103	SHAFT KEY	1		

4B14

RESIDUE DISPOSAL

CHOPPER HOUSING AND KNIFEBANK
HP8948 -UN-24AUG99



HP8948

4B15

RESIDUE DISPOSAL

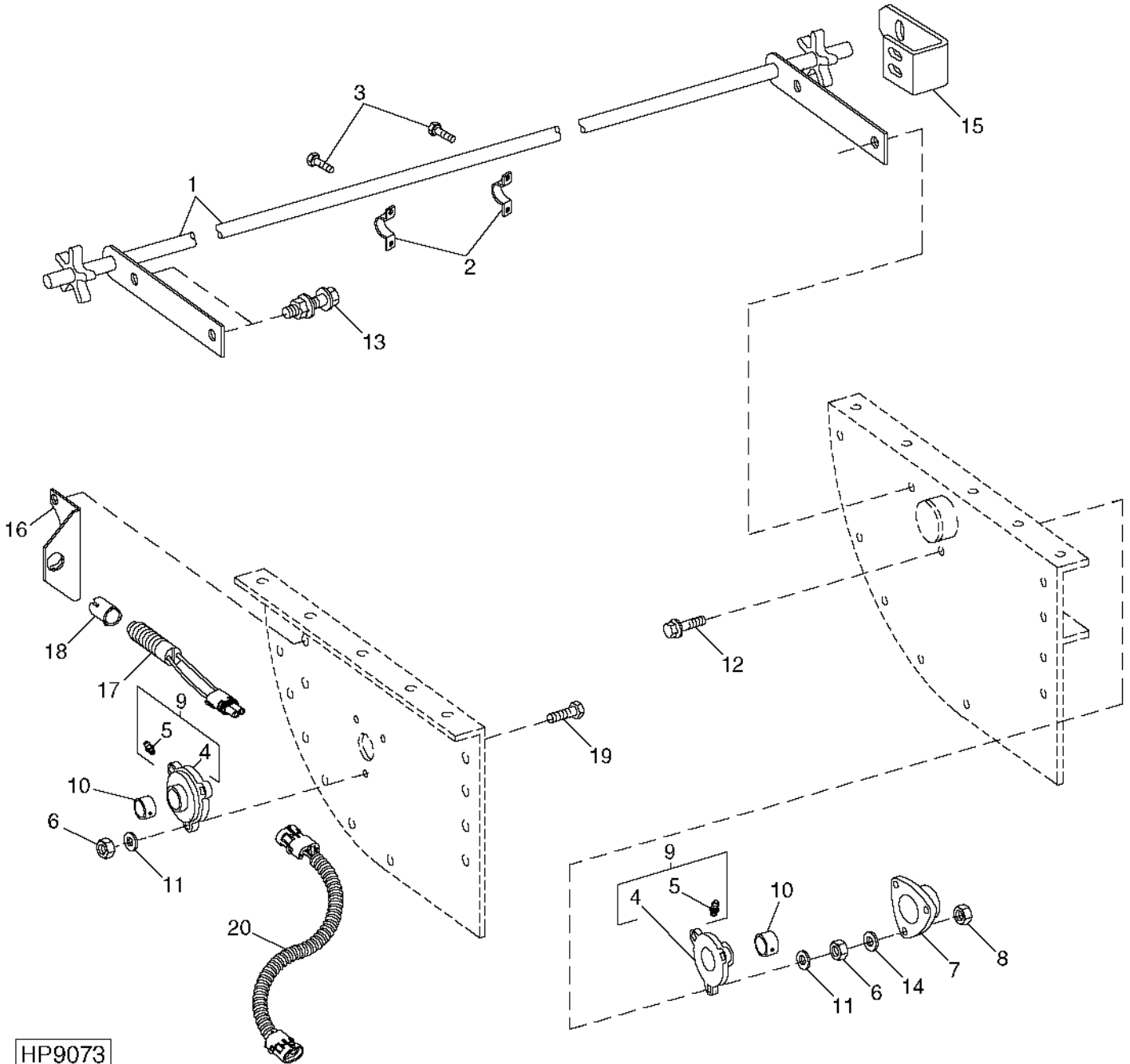
CHOPPER HOUSING AND KNIFEBANK - CONTINUED

KEY	PART NO.	PART NAME	QTY	SERIAL NO.	REMARKS
1	AH138156	SHEET	1	(SUB AH165937)	L.H.
	AH165937	SHEET	1		L.H.
2	19M7866	SCREW	AR		M8 X 20
3	19M7785	SCREW	4		M10 X 25
4	11M7059	COTTER PIN	2		3.200 X 20 MM
5	14M7298	FLANGE NUT	AR		M8
6	24H1341	WASHER	2		17/32" X 15/16" X 0.060"
7	B28970	SPRING	2		
8	H136179	PIN	2		
9	H149026	SUPPORT	1		R.H.
	H149027	SUPPORT	1		L.H.
10	AH138157	SHEET	1		(SUB AH165936) R.H.
	AH165936	SHEET	1		R.H.
11	H172439	PIN	1		
12	AH140129	CHANNEL	1		REGULAR CHOPPER
	AH158821	CHANNEL	1		FINE CUT CHOPPER
13	H142141	KNIFE	35		
14	19M7866	SCREW	AR		M8 X 20
15	19M7867	SCREW	14		M8 X 25
16	AH139791	SHEET	1		REGULAR CHOPPER
	AH144478	SHEET	1		WIDESPREAD CHOPPER
17	H149102	DECAL	2		"WARNING" CHOPPER POSITION
18	H145857	LABEL	2		
19	H146046	SUPPORT	1		L.H.
20	H146047	SUPPORT	1		R.H.
21	H114001	QUICK LOCK PIN	1		
22	H157042	SUPPORT	1		FINE CUT CHOPPER
23	AH143048	SHEET	1		
24	H157103	CLIP	7		FINE CUT ONLY
..	BH81627	COMPLETE GOODS/SHIP. BUNDLE	1		STRAW CHOPPER NARROW - CTS
..	BH80735	COMPLETE GOODS/SHIP. BUNDLE	1		CHOPPER W/DRIVES

4B16

RESIDUE DISPOSAL

CHOPPER TRANSPORT SPROCKETS
HP9073 -UN-16SEP99



HP9073

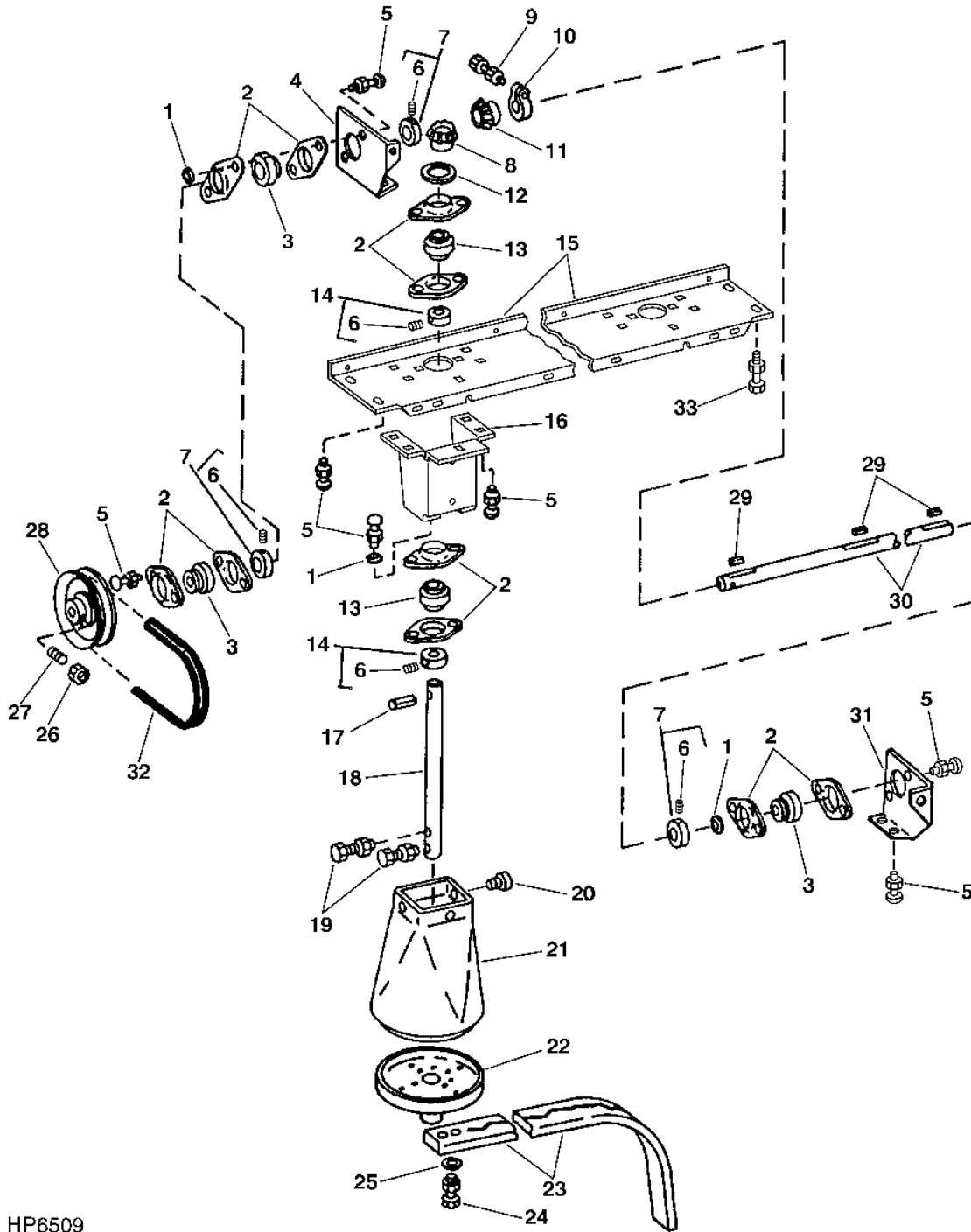
CHOPPER TRANSPORT SPROCKETS - CONTINUED

KEY	PART NO.	PART NAME	QTY	SERIAL NO.	REMARKS
1	AH135837	DRIVE SPROCKET	1		
2	H84990	CLAMP	2		
3	03M7184	BOLT	2	M8 X 20	
4	JD10387	BALL BEARING	2		
5	JD7844	LUBRICATION FITTING	2		
6	14M7517	LOCK NUT	3	M10	
7	H145319	COVER	1		
8	14M7274	NUT	3	M10	
	A51212	LOCK NUT	6	(USE WITH 19M7805 AND 19M7835) WIDE FINE CHOPPER	
9	AH139260	BEARING	2		
10	JD8576	ECCENTRIC LOCKING COLLAR	2		
11	24M7239	WASHER	4	10.700 X 21 X 2.500 MM, (3-R.H., 1-L.H.)	
12	19M7805	SCREW	3	M10 X 45	
13	19M7867	SCREW	4	M8 X 25	
	14M7298	FLANGE NUT	4	M8	
14	24M7028	WASHER	4	10.500 X 20 X 2 MM	
	24M7239	WASHER	3	10.700 X 21 X 2.500 MM, WIDE FINE CHOPPER	
15	H141388	SHIELD	1		
16	H165243	BRACKET	1		
17	AH116104	SENSOR	1		
18	H160880	CLIP	1		
19	19M7835	SCREW	3	M10 X 35	
20	AH162377	WIRING HARNESS	1		

4B18

RESIDUE DISPOSAL

STRAW SPREADER
HP6509 -UN-15JUL96



HP6509

4B19

RESIDUE DISPOSAL

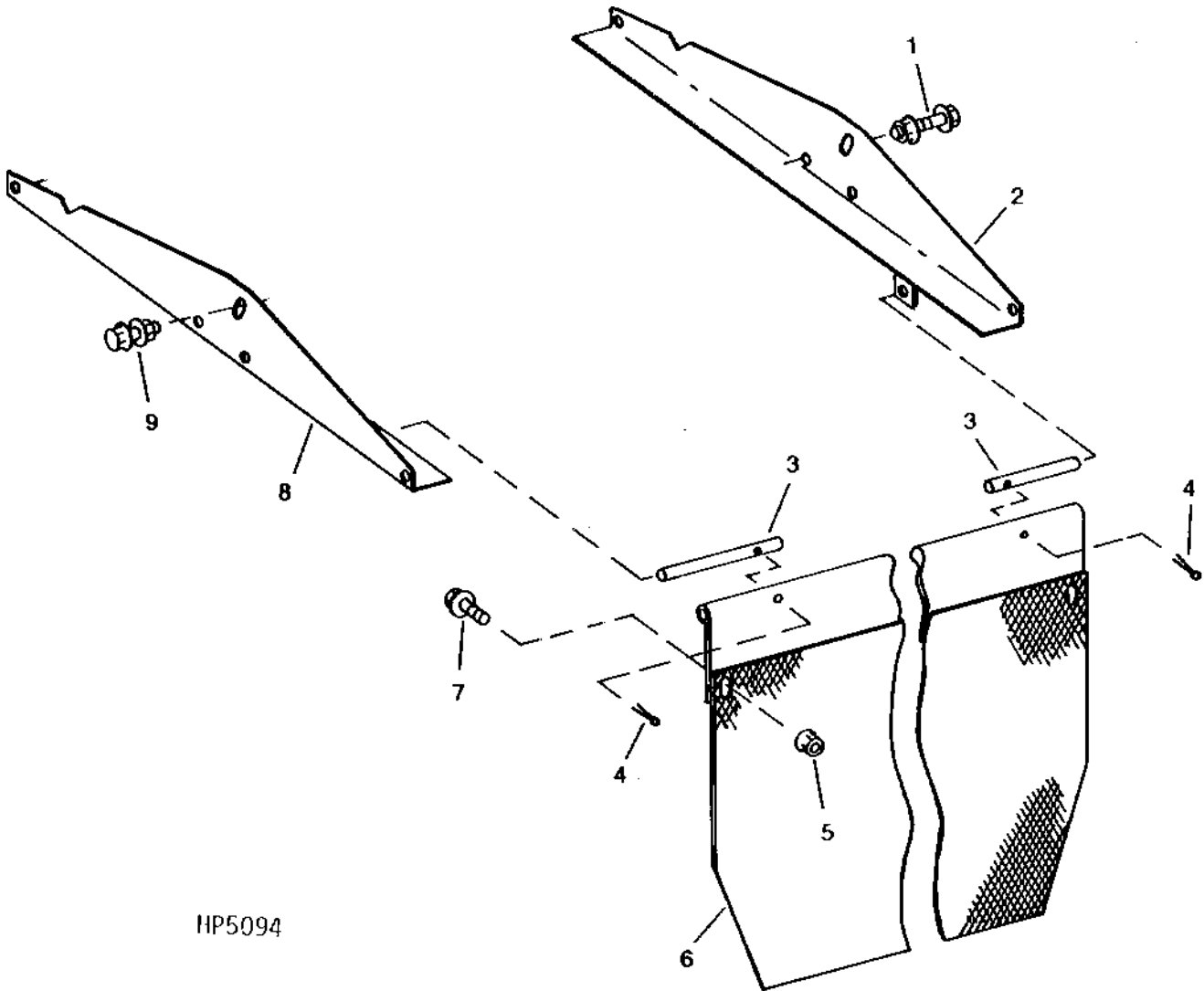
STRAW SPREADER - CONTINUED

KEY	PART NO.	PART NAME	QTY	SERIAL NO.	REMARKS
1	24M7238	WASHER	10		8.700 X 17 X 2 MM
2	P44439	PRESSED FLANGED HOUSING	14		
3	JD8665	BALL BEARING	1		
4	H141000	BRACKET	1		
5	03M7184	BOLT	20		M8 X 20
	14M7298	FLANGE NUT	20		M8
6	SET SCREW	1		1/4"-20 X 1/4"
7	JD8554	ECCENTRIC LOCKING COLLAR	4		
8	H91228	GEAR	2		
9	19M7572	CAP SCREW	2		M10 X 45
	14M7296	FLANGE NUT	2		M10
10	H145112	CLAMP	2		
11	H91796	GEAR	1		
12	24H1433	WASHER	2		29/32" X 2-1/4" X 1/4"
13	JD9442	BALL BEARING	4		
14	JD8563	ECCENTRIC LOCKING COLLAR	4		
15	H145919	SUPPORT	1		
16	AH131166	SUPPORT	2		
17	25H1182	GROOVE PIN	2		
18	H135494	PIN	2		
19	19M8318	SCREW	2		M8 X 45
	14M7396	LOCK NUT	2		M8
20	37M7058	SCREW	6		M8 X 20
21	H83795	GUARD	2		
22	AH141184	CAP	2		
23	H76933	BLADE	8		
24	19M7322	CAP SCREW	16		M8 X 35
	14M7396	LOCK NUT	16		M8
25	24M7207	WASHER	16		8.400 X 24 X 2 MM
26	14M7274	NUT	2		M10
27	H138435	SET SCREW	2		M10 X 25
28	AH137261	SHEAVE	1		
29	H64374	SHAFT KEY	3		(SUB FOR M15973)
30	H143852	SHAFT	1		
31	H141161	BRACKET	1		
32	H128234	BELT	1		
33	19M7784	SCREW	4		M10 X 20
	14M7296	FLANGE NUT	4		M10
..	BH79677	COMPLETE GOODS/SHIP. BUNDLE	1		STRAW SPREADER
..	BH81610	COMPLETE GOODS/SHIP. BUNDLE	1		SPREADER
..	BH80605	COMPLETE GOODS/SHIP. BUNDLE	1		SPREADER W/DRIVES

4B20

RESIDUE DISPOSAL

SPREADER CURTAIN
HP5094 -UN-01JAN94



HP5094

4B21

RESIDUE DISPOSAL

SPREADER CURTAIN - CONTINUED

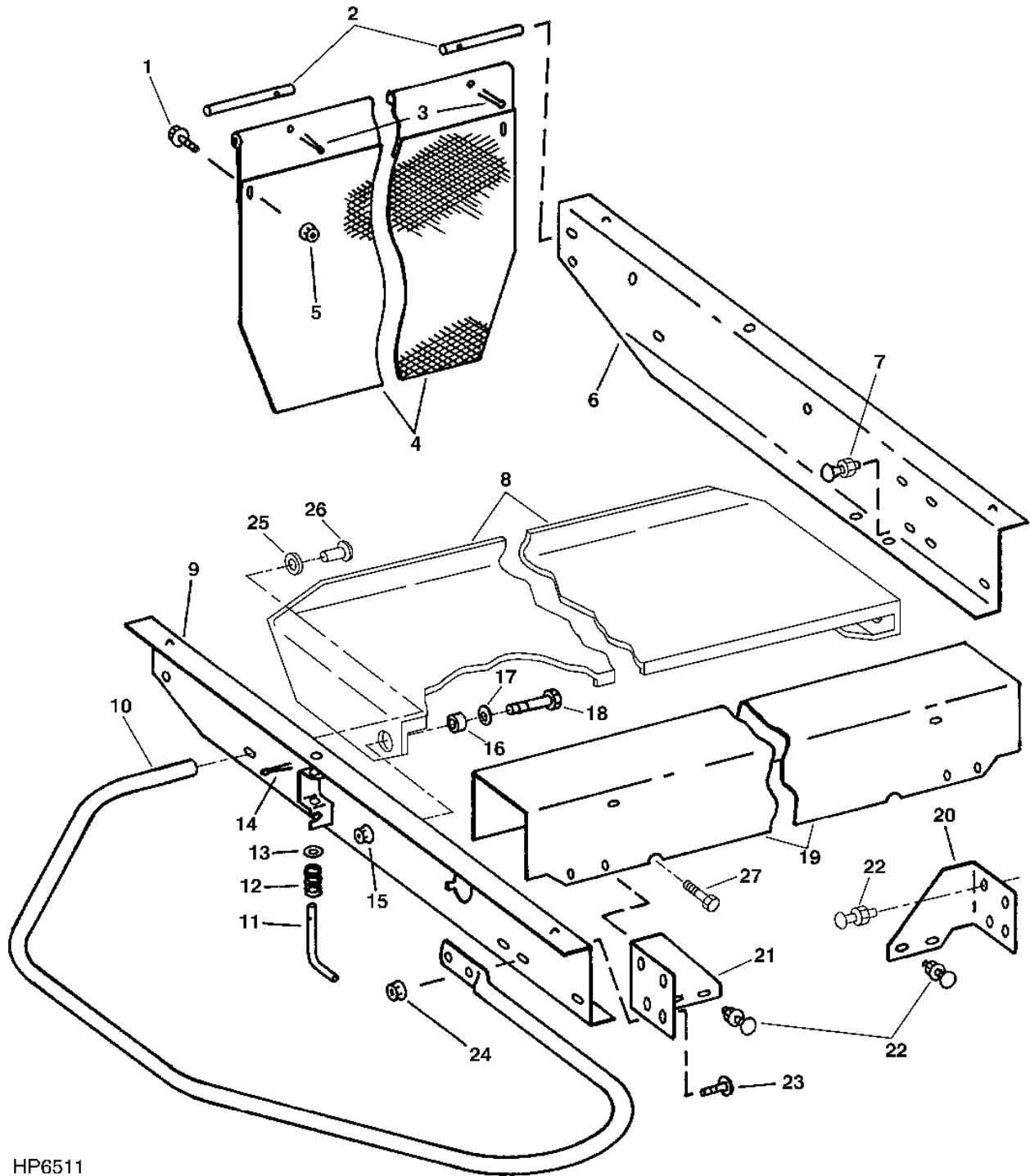
KEY	PART NO.	PART NAME	QTY	SERIAL NO.	REMARKS
1	19M7809	SCREW	4	M10 X 70	
	14M7296	FLANGE NUT	4	M10	
2	AH138971	REINFORCEMENT	1		
3	H131865	PIN	2		
4	11M7086	COTTER PIN	2	2.500 X 50 MM	
5	14M7298	FLANGE NUT	2	M8	
6	AH135658	LIMIT CURTAIN	1		
7	19M7865	SCREW	2	M8 X 16	
8	AH138972	REINFORCEMENT	1		
9	19M7785	SCREW	1	M10 X 25	
	14M7296	FLANGE NUT	1	M10	

4B22

RESIDUE DISPOSAL

STRAW SPREADER FRAME AND LOWER CURTAIN

HP6511 -UN-15JUL96



HP6511

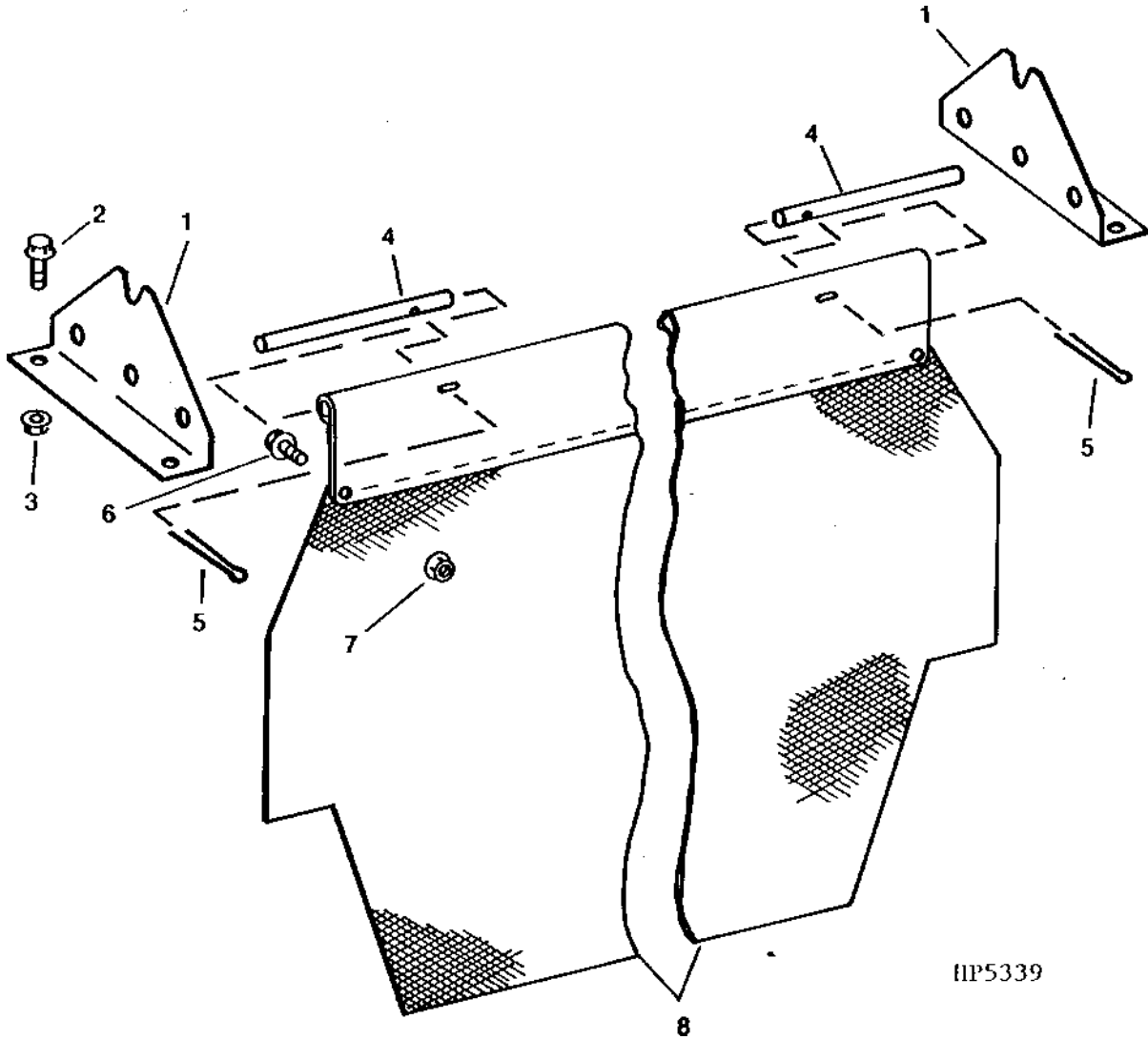
STRAW SPREADER FRAME AND LOWER CURTAIN - CONTINUED

KEY	PART NO.	PART NAME	QTY	SERIAL NO.	REMARKS
1	19M7865	SCREW	2		
2	H131865	PIN	2		
3	11M7086	COTTER PIN	2		
4	AH135658	LIMIT CURTAIN	1		
5	14M7298	FLANGE NUT	2		M8
6	AH141355	PLATE	1		
7	03M7188	BOLT	2		M8 X 40
	14M7298	FLANGE NUT	2		M8
8	AH141216	PLATFORM	1		
9	AH141356	PLATE	1		
10	AH137688	GUARD	2		
11	H136179	PIN	2		
12	B28970	SPRING	2		
13	24H1341	WASHER	2		17/32" X 15/16" X 0.060"
14	11M7059	COTTER PIN	2		
15	14M7299	FLANGE NUT	2		M12
16	M40613	BUSHING	2		
17	24M7180	WASHER	2		
18	19M7791	SCREW	2		
19	H145922	CHANNEL	1		
20	H145920	BRACE	1		
21	H145921	BRACE	1		
22	03M7184	BOLT	8		M8 X 20
	14M7298	FLANGE NUT	8		M8
23	03M7185	BOLT	4		M8 X 25
24	14M7298	FLANGE NUT	6		M8
25	24M7180	WASHER	2		
26	19H1792	CAP SCREW	2		1/2" X 1"
27	37M7058	SCREW	6		
..	BH80117	COMPLETE GOODS/SHIP. BUNDLE	1		CHAFF SPREADER W/FOUR WHEEL DRIVE

4B24

RESIDUE DISPOSAL

UPPER SPREADER CURTAIN
HP5339 -UN-01JAN94



HP5339

4B25

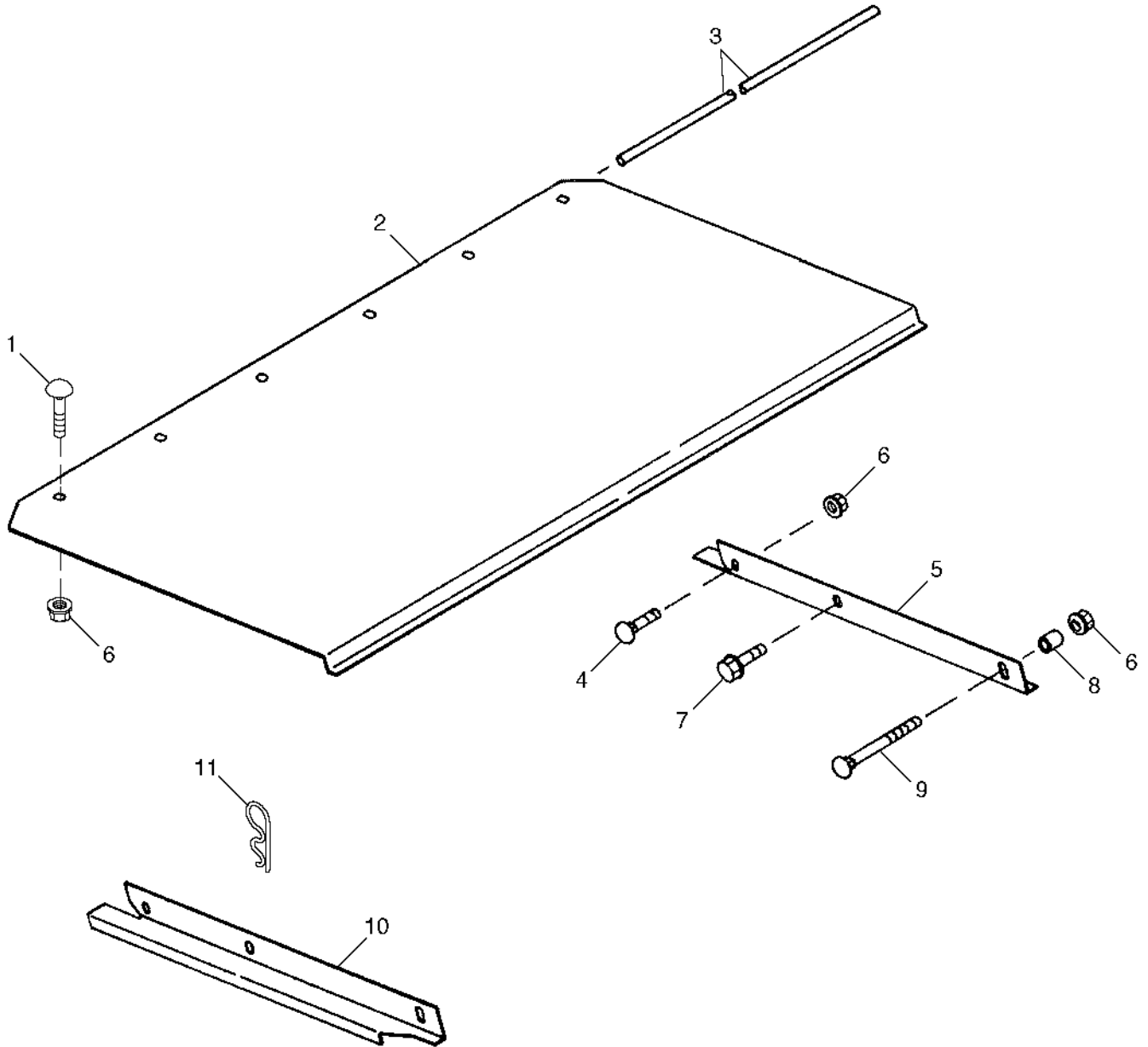
RESIDUE DISPOSAL

UPPER SPREADER CURTAIN - CONTINUED

KEY	PART NO.	PART NAME	QTY	SERIAL NO.	REMARKS
1	H147073	BRACKET	2		
2	19M7866	SCREW	4	M8 X 20	
3	14M7298	FLANGE NUT	4	M8	
4	H131865	PIN	2		
5	11M7086	COTTER PIN	2	2.500 X 50 MM	
6	19M7865	SCREW	2	M8 X 16	
7	14M7298	FLANGE NUT	2	M8	
8	AH140051	LIMIT CURTAIN	1		
..	BH80117	COMPLETE GOODS/SHIP. BUNDLE	1		CHAFF SPREADER W/FOUR WHEEL DRIVE

4C1

STRAW SPREADER DOOR
HP8990 -UN-01SEP99



HP8990

4C2

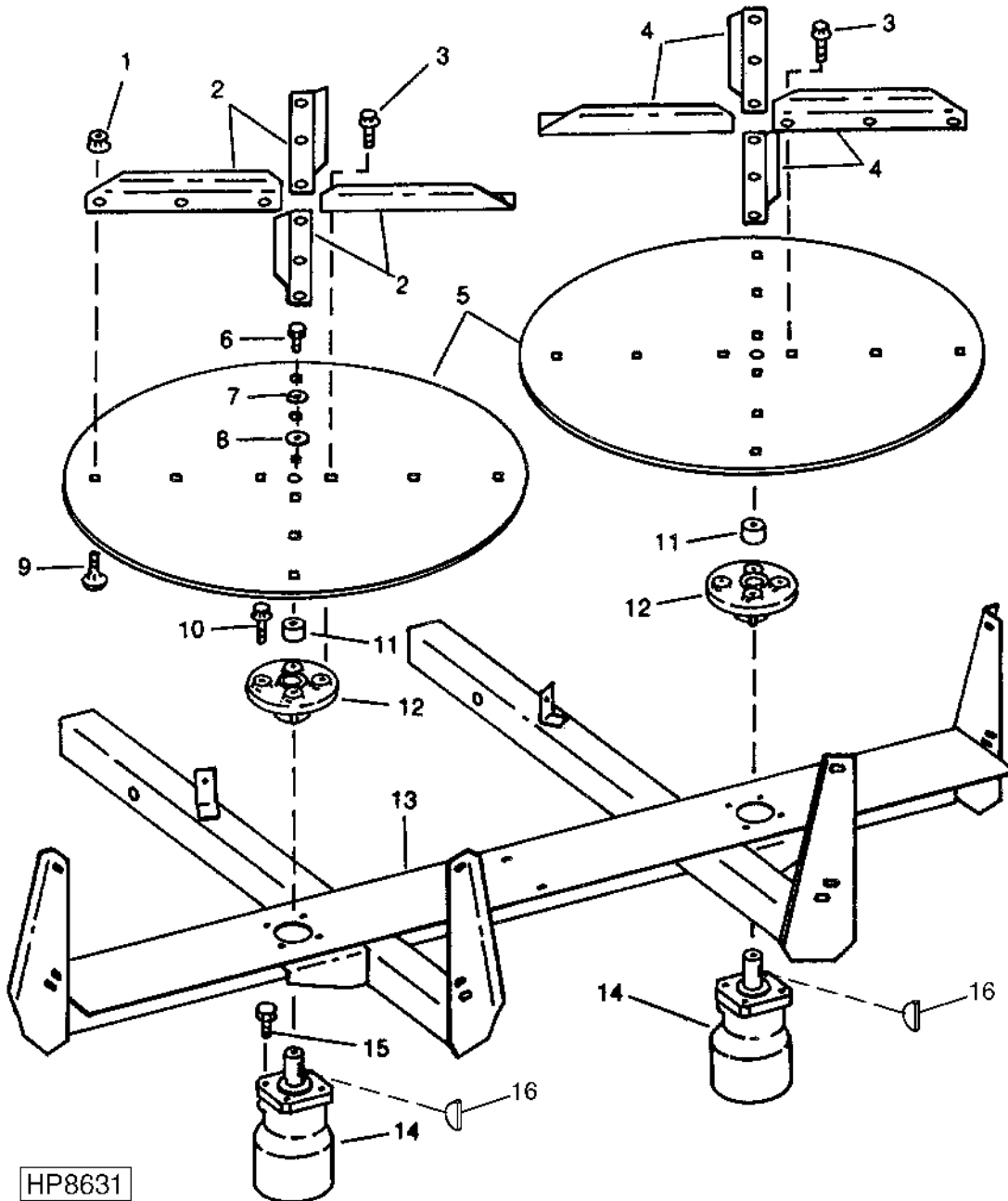
RESIDUE DISPOSAL

STRAW SPREADER DOOR - CONTINUED

KEY	PART NO.	PART NAME	QTY	SERIAL NO.	REMARKS
1	03M7191	BOLT	6		
2	AH139989	DOOR	1		M10 X 25
3	H143679	PIN	1		
4	03M7185	BOLT	2		M8 X 25
5	H146049	SUPPORT	1		R.H.
6	14M7298	FLANGE NUT	10		M8
7	19M7866	SCREW	2		
8	28H1635	SPACER	2		0.493" X 0.675" X 2-1/8"
9	03M7267	BOLT	2		M8 X 80
10	H146048	SUPPORT	1		L.H.
11	A15146	SPRING LOCKING PIN	2		
..	BH80117	COMPLETE GOODS/SHIP. BUNDLE	1		CHAFF SPREADER W/FOUR WHEEL DRIVE

4C3

CHAFF SPREADER DISC
HP8631 -UN-15JUN99



HP8631

4C4

RESIDUE DISPOSAL

CHAFF SPREADER DISC - CONTINUED

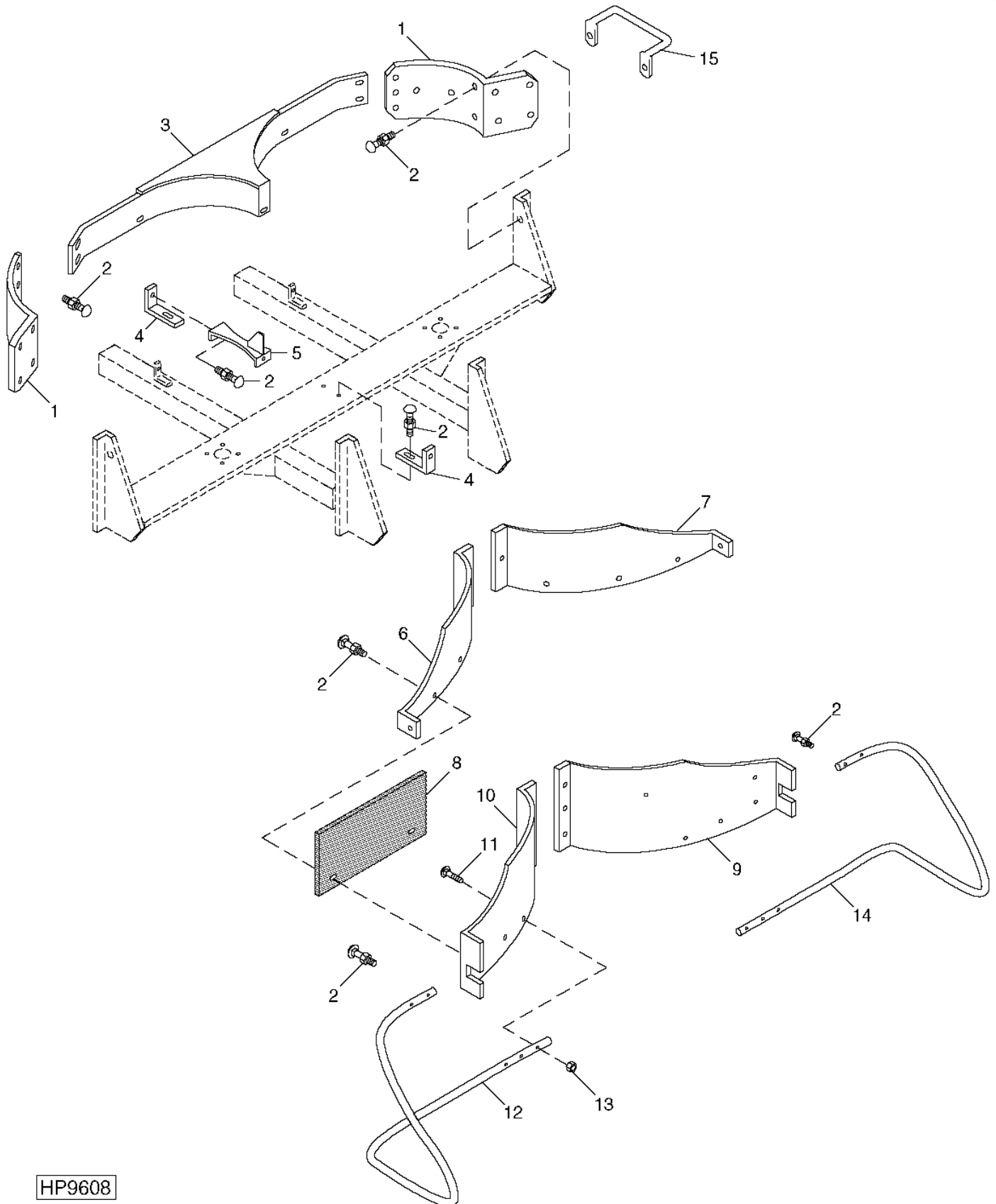
KEY	PART NO.	PART NAME	QTY	SERIAL NO.	REMARKS
1	14M7396	LOCK NUT	16		
2	H140162	ANGLE	4		M8
3	19M7865	SCREW	8		M8 X 16
4	H140161	ANGLE	4		
5	H136257	DISK	2		
6	19H1898	CAP SCREW	2		1/4" X 1-1/2"
7	12H302	LOCK WASHER	2		1/4"
8	24H1287	WASHER	2		9/32" X 5/8" X 0.065"
9	03M7184	BOLT	16		M8 X 20
10	19M7784	SCREW	8		M10 X 20
11	H123918	SPACER	2		
12	H143955	HUB	2		
13	AH137752	FRAME	1		
14	AH148944	HYDRAULIC MOTOR	1		
	AH163801	SEAL KIT	1		
15	19M7784	SCREW	8		M10 X 20
16	26H22	SHAFT KEY	2		1/4" X 1"
..	BH80617	COMPLETE GOODS/SHIP. BUNDLE	1		CTS - CHAFF SPREADER

4C5

RESIDUE DISPOSAL

CHAFF SPREADER SHIELDS AND HANDLES

HP9608 -UN-08MAR00



HP9608

4C6

RESIDUE DISPOSAL

CHAFF SPREADER SHIELDS AND HANDLES - CONTINUED

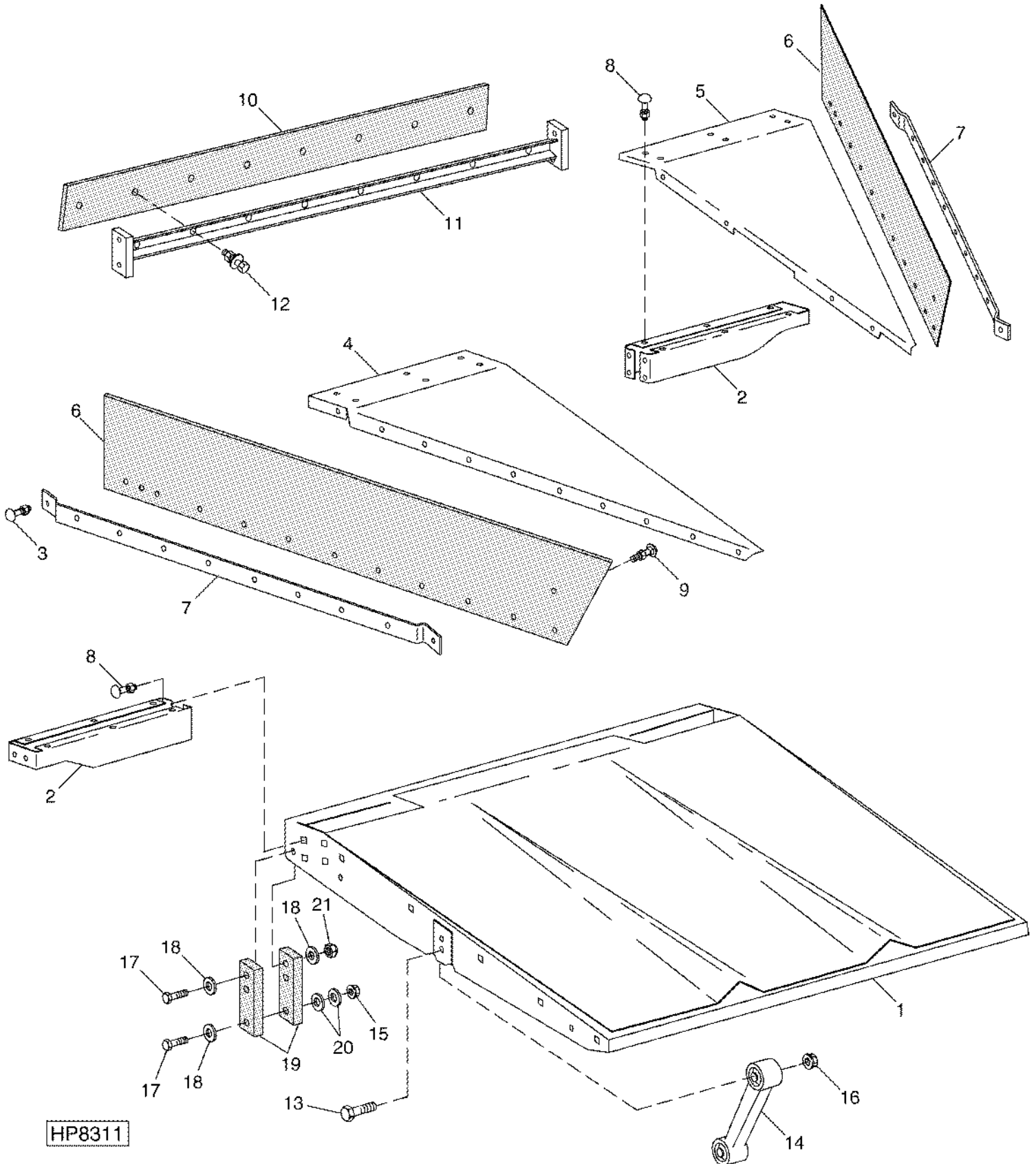
KEY	PART NO.	PART NAME	QTY	SERIAL NO.	REMARKS
1	H146011	SHIELD	2		
2	03M7184	BOLT	28	M8 X 20	
	14M7298	FLANGE NUT	28	M8	
3	AH137753	SHIELD	1		
4	H143948	BRACKET	2		
5	AH141652	DUST SHIELD	1		
6	H145096	SHIELD	1	L.H.	
7	H145095	SHIELD	1	R.H.	
8	H148107	DUST SHIELD	1		
9	H143950	SHIELD	1	R.H.	
10	H143949	SHIELD	1	L.H.	
11	03M7223	BOLT	6	M8 X 60	
12	H143952	TUBE	1	L.H.	
13	14M7298	FLANGE NUT	6	M8	
14	H143951	TUBE	1	R.H.	
15	M112639	STOP	2		
..	BH81636	COMPLETE GOODS/SHIP. BUNDLE	1	CHAFF SPREADER AND MOUNTING	

4C7

RESIDUE DISPOSAL

CHAFF SPREADER PAN, WINGS AND SEALS

HP8311 -UN-22APR99



HP8311

4C8

RESIDUE DISPOSAL

CHAFF SPREADER PAN, WINGS AND SEALS - CONTINUED

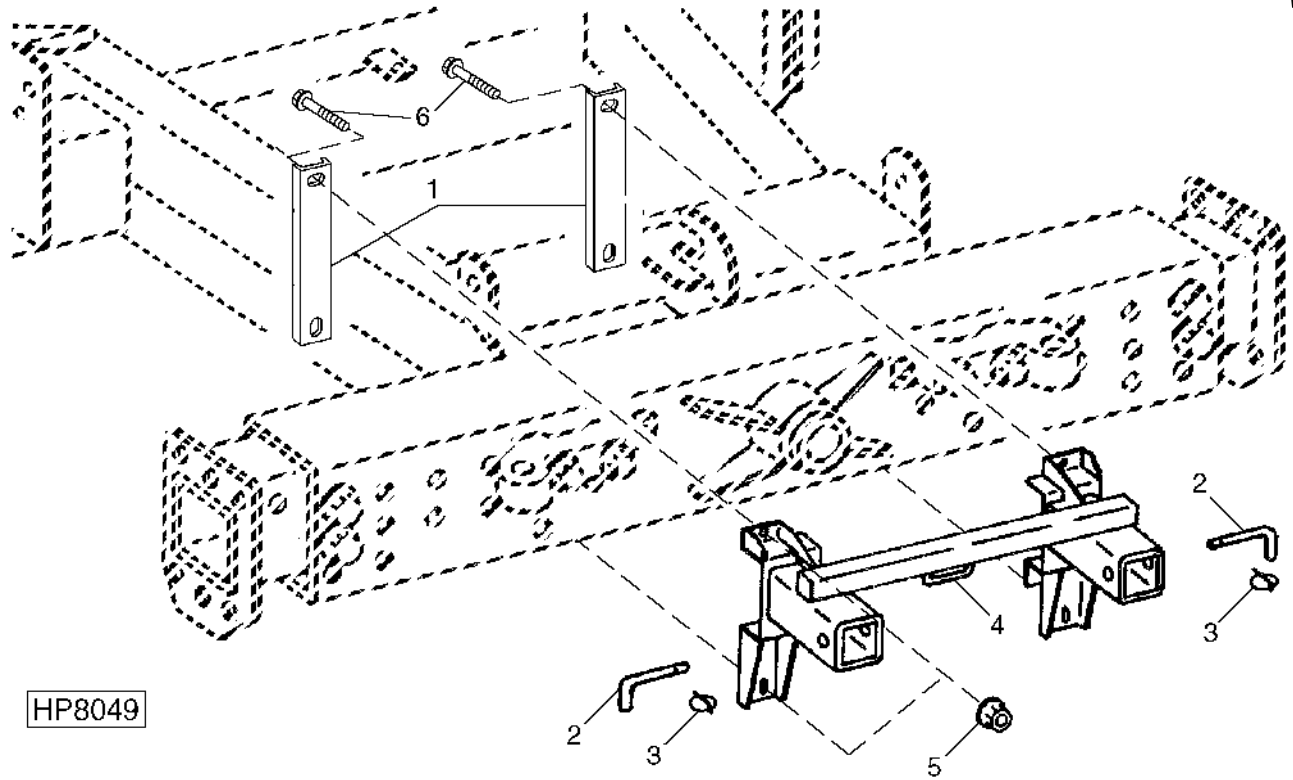
KEY	PART NO.	PART NAME	QTY	SERIAL NO.	REMARKS
1	AH137975	FRAME	1		
2	H144161	SUPPORT	2		
3	03M7184	BOLT	20	M8 X 20	
	14M7396	LOCK NUT	20	M8	
4	H144157	SHEET	1		
5	H144158	SHEET	1		
6	H148025	DEFLECTOR	2		
7	H144163	STRAP	2		
8	03M7184	BOLT	28	M8 X 20	
	14M7298	FLANGE NUT	28	M8	
9	03M7184	BOLT	2	M8 X 20	
	24M7207	WASHER	2	8.400 X 24 X 2 MM	
	14M7396	LOCK NUT	2	M8	
10	H135844	FLAP	1		
11	AH132361	CROSSBAR	1		
12	19M7863	SCREW	9	M6 X 25	
	24M7207	WASHER	9	8.400 X 24 X 2 MM	
	14M7303	FLANGE NUT	9	M6	
13	19M7819	SCREW	2	M12 X 90	
14	AH138233	LINK	2		
15	14M7296	FLANGE NUT	4		
16	14M7299	FLANGE NUT	1		
17	19M8292	SCREW	6		
18	24M7178	WASHER	6		
19	H130388	STRAP	4		
20	24M7180	WASHER	4		
21	14M7400	LOCK NUT	2		
..	BH79815	COMPLETE GOODS/SHIP. BUNDLE	1	CHAFF PAN WING AND EXTENSION	

4C9

RESIDUE DISPOSAL

CHAFF SPREADER MOUNTING SUPPORT

HP8049 -UN-23JUL99



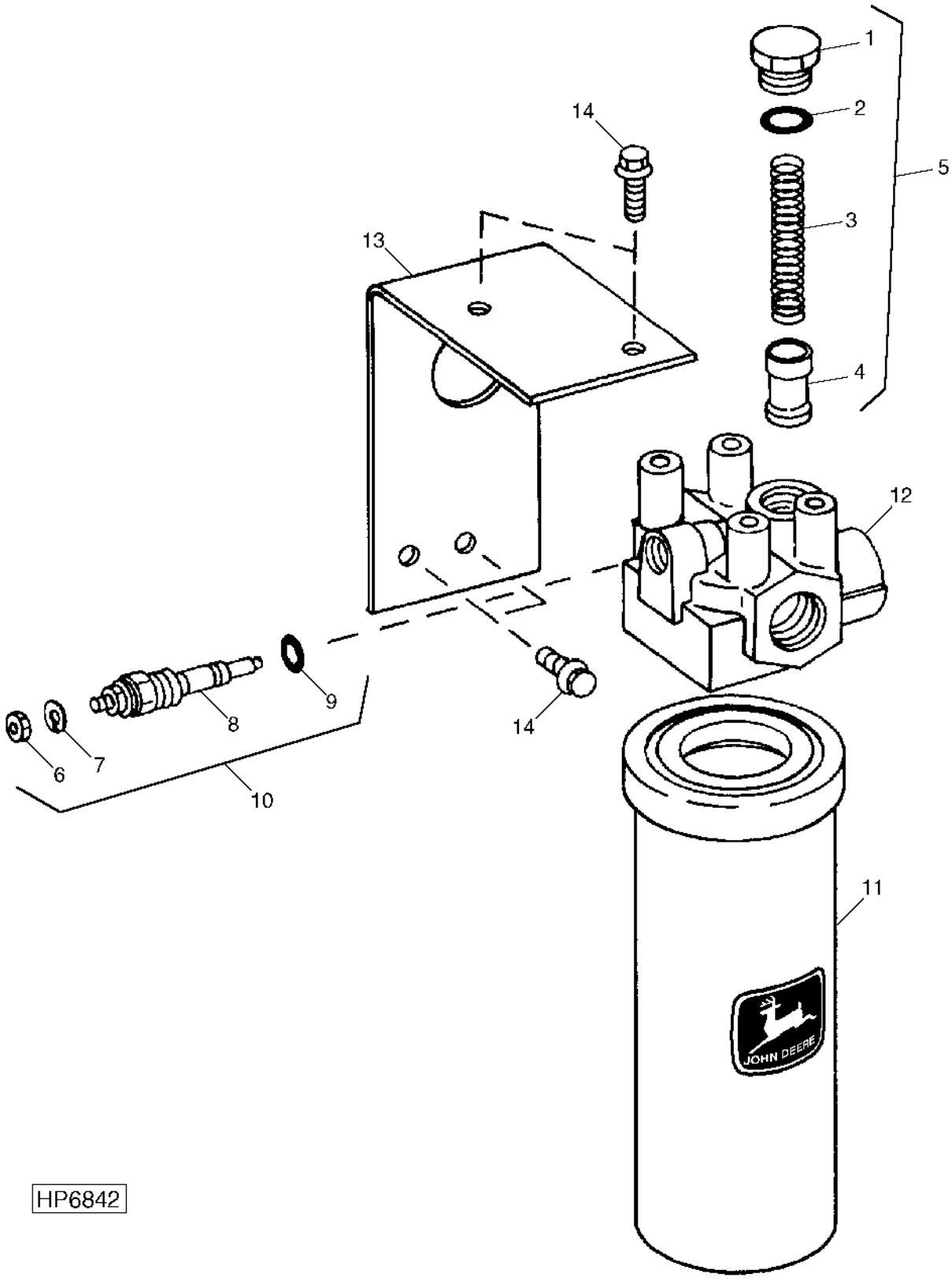
KEY	PART NO.	PART NAME	QTY	SERIAL NO.	REMARKS
1	H164605	CHANNEL	2		
2	H139005	PIN	2		
3	M72598	QUICK LOCK PIN	2		
4	AH137751	SUPPORT	1		
5	14M7299	FLANGE NUT	4	M12	
6	19M7822	SCREW	4	M12 X 160	

MEMORANDA

4C12

DRIVES

ENGINE GEARCASE OIL FILTER ASSEMBLY
HP6842 -UN-27JUL99



HP6842

4C13

DRIVES

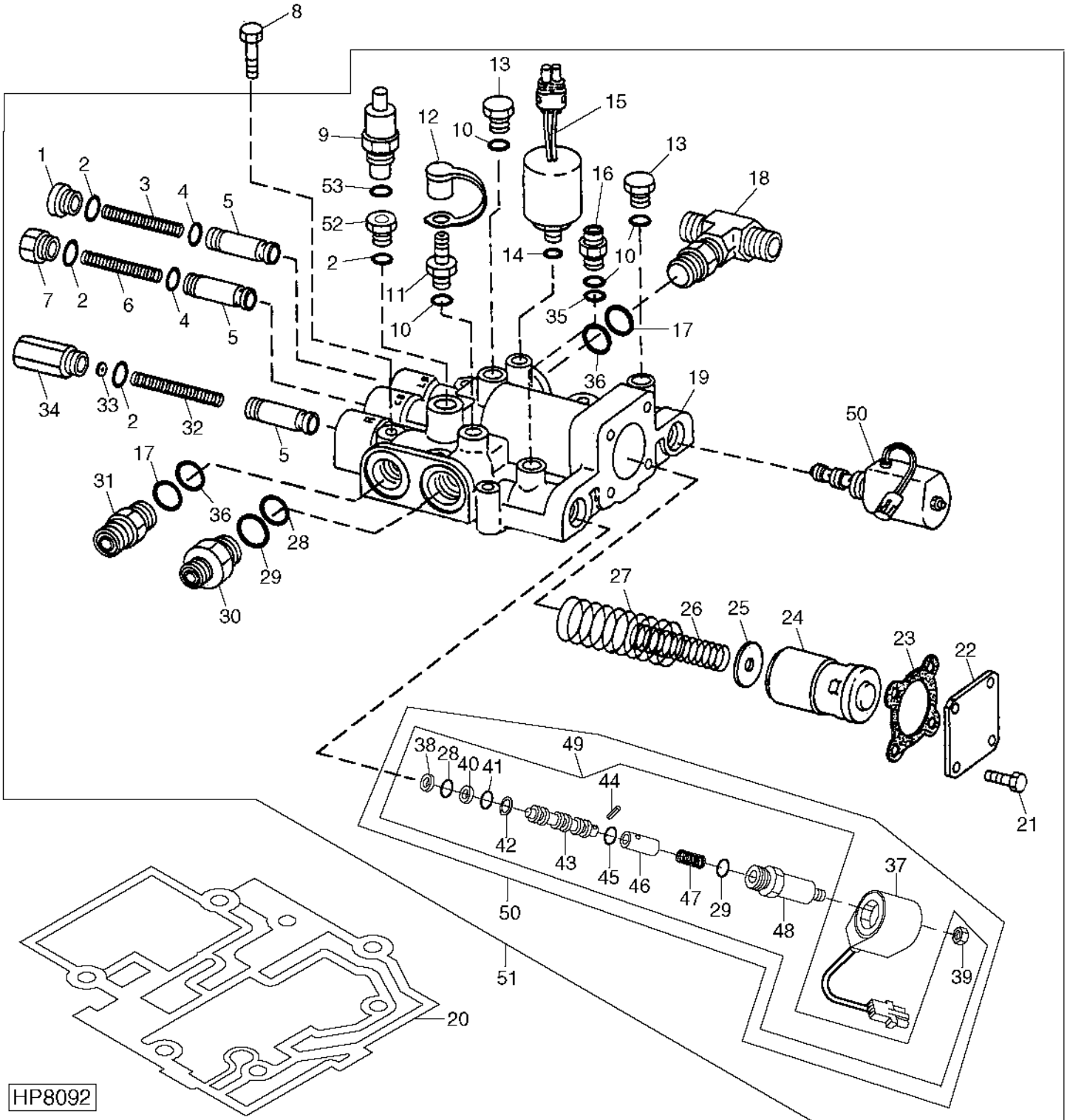
ENGINE GEARCASE OIL FILTER ASSEMBLY - CONTINUED

KEY	PART NO.	PART NAME	QTY	SERIAL NO.	REMARKS
1	PLUG	1		
2	R26906	O-RING	1		19.177 X 2.464 MM
3	SPRING	1		
4	PISTON	1		
5	AH128451	VALVE	1		
6	14H631	NUT	1		0.190"
7	12H295	LOCK WASHER	1		0.190"
8	SENDER	1		
9	R26448	O-RING	1		11.887 X 1.981 MM
10	AH128450	TOUCH SWITCH	1		
11	AH128449	HYDRAULIC FILTER	1		
12	AH139434	HYDRAULIC FILTER	1		
13	H133675	BRACKET	1		
14	19M7784	SCREW	4		M10 X 20

4C14

DRIVES

ENGINE GEARCASE PRESSURE REGULATOR HP8092 -UN-03MAR99



HP8092

4C15

DRIVES

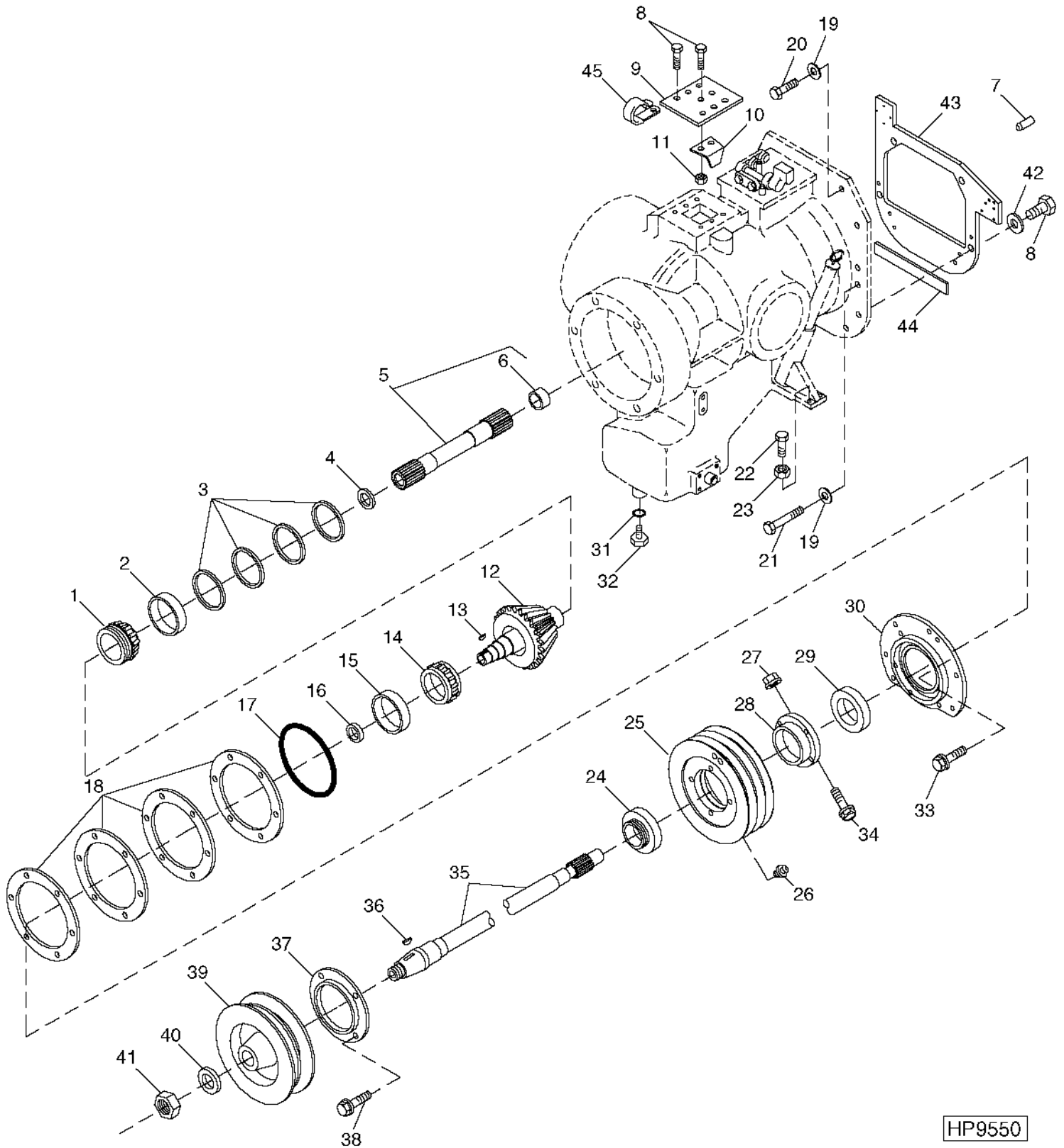
ENGINE GEARCASE PRESSURE REGULATOR - CONTINUED

KEY	PART NO.	PART NAME	QTY	SERIAL NO.	REMARKS
1	R33138	FITTING	1		
2	R26375	O-RING	4	16.358 X 2.210 MM	
3	H89241	SPRING	1		
4	R28776	O-RING	2	12.421 X 1.778 MM	
5	R63980	VALVE	3		
6	R56782	SPRING	1		
7	H126026	FITTING	1		
8	19M7979	SCREW	7	M8 X 55	
9	AH156144	COOLANT TEMPERATURE SENSOR	1	GEARCASE TEMPERATURE SWITCH (REGULAR DUTY)	
10	R26448	O-RING	4	11.887 X 1.981 MM	
11	AH125760	HYD. QUICK-CONNECT COUPLER	1		
12	R77175	COVER	1		
13	R27218	FITTING PLUG	2		
14	R28782	O-RING	1	8.915 X 1.829 MM	
15	AH135744	SWITCH	1		
	RE12363	CONNECTOR	1	(PKG OF 40)	
	R78063	TERMINAL NIPPLE	1		
	R78060	SOCKET CONTACT	1		
16	38H1160	ADAPTER	1		
17	R26906	O-RING	2	19.177 X 2.464 MM	
18	38H1018	TEE FITTING	1		
19	H132970	HOUSING	1		
20	H129328	GASKET	1		
21	19M7867	SCREW	4	M8 X 25	
22	H118906	COVER	1		
23	H129765	GASKET	1		
24	T77514	PISTON	1		
25	24M7101	WASHER	1	0.433" X 1.339" X 0.118"	
26	R47449	SPRING	1		
27	T45132	SPRING	1		
28	T77857	O-RING	3		
29	U12547	O-RING	3	23.470 X 2.946 MM	
30	38H1175	ADAPTER	1		
31	38H1162	ADAPTER	1		
32	T60314	SPRING	1		
33	R33521	SHIM	AR		
34	H126028	FITTING	1		
35	T77613	O-RING	1		
36	T77932	O-RING	2		
37	AH128654	ELECTRICAL COIL	1		
38	R42926	BACK-UP RING	1		
39	M63707	LOCK NUT	1		
40	R45187	BACK-UP RING	1		
41	R45638	O-RING	1		
42	R46701	SNAP RING	1		
43	SPOOL	1		
44	34H227	SPRING PIN	1		
45	N31772	O-RING	1		
46	PLUNGER	1		
47	R64698	SPRING	1		
48	GUIDE	1		
49	AH130949	SOLENOID VALVE	1		
50	AH128655	SOLENOID VALVE	2		
51	AH165248	SHUT-OFF VALVE	1	PRESSURE REGULATOR (REGULAR DUTY)	
	AH128785	SHUT-OFF VALVE	1	PRESSURE REGULATOR (HEAVY DUTY)	
52	T28256	COUPLING	1	(REGULAR DUTY)	
53	51M7040	O-RING	1	9.300 X 2.200 MM, (REGULAR DUTY)	

4C16

DRIVES

MAIN GEARCASE
HP9550 -UN-07FEB00



HP9550

4C17

DRIVES

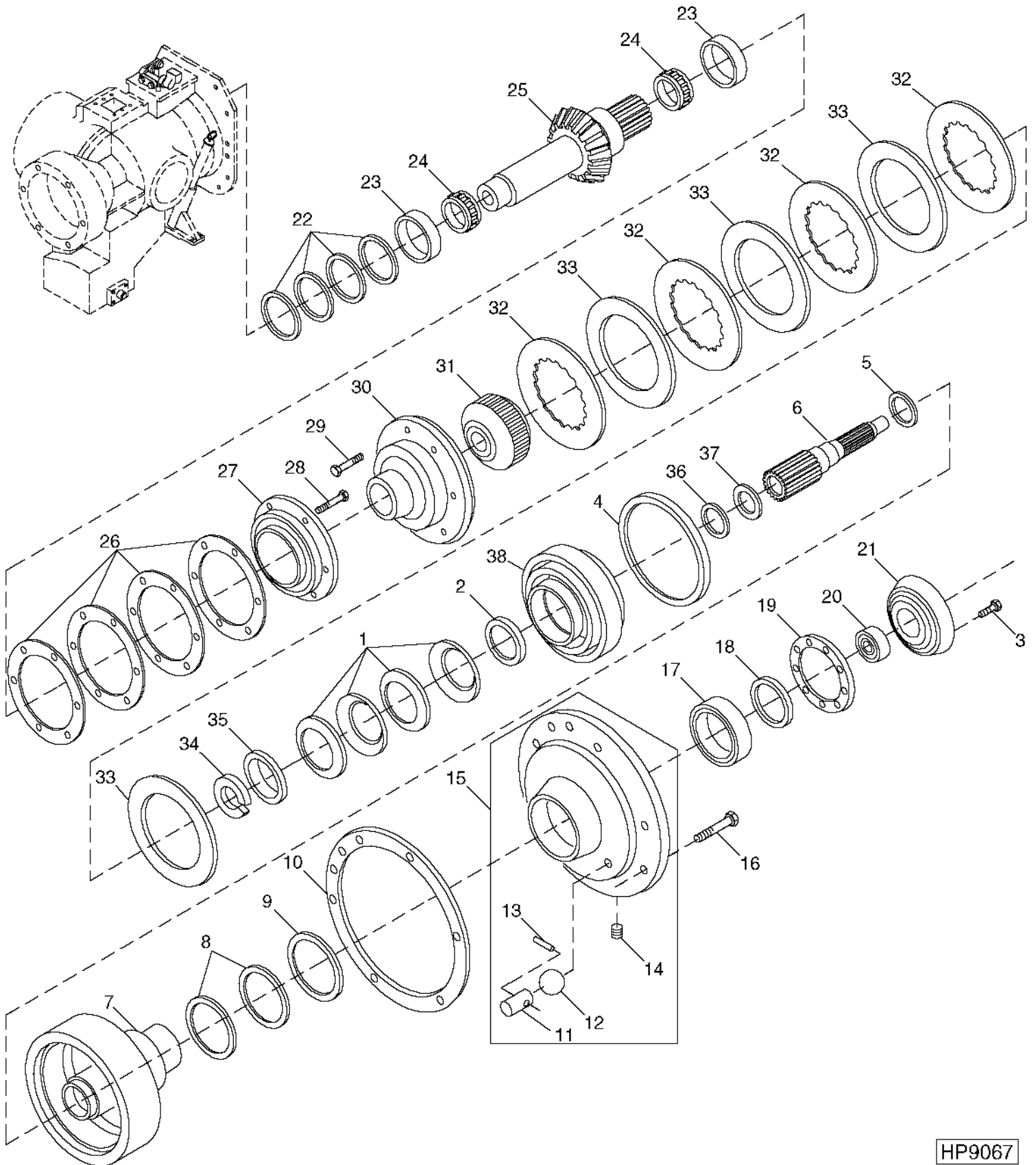
MAIN GEARCASE - CONTINUED

KEY	PART NO.	PART NAME	QTY	SERIAL NO.	REMARKS
1	DE18609	ROLLER BEARING	1		
2	CE18403	ROLLER BEARING	1		
3	L29041	SHIM	1	0.08(MM)	
	L29042	SHIM	AR	0.13(MM)	
	L29043	SHIM	AR	0.25(MM)	
	L29044	SHIM	AR	0.50(MM)	
4	P46770	SNAP RING	1		
5	AH139118	SHAFT	1		
6	R43305	BUSHING	1		
7	H79910	DOWEL PIN	2		
8	19M7866	SCREW	10	M8 X 20	
9	H127159	COVER	1	USE TY24345	
10	H130140	TROUGH	1		
11	14M7396	LOCK NUT	2	M8	
12	DE18718	GEAR	1	(MATCHED SET, 37 TEETH, 56 TEETH)	
13	26H105	SHAFT KEY	1	3/8" X 2-1/8"	
14	JD8162	BEARING CONE	1		
15	JD8206	BEARING CUP	1		
16	AT28975	SEAL	1		
17	H125838	O-RING	1	177.165 X 5.334 MM	
18	H125740	SHIM	1	0.08(MM)	
	H125741	SHIM	AR	0.13(MM)	
	H125742	SHIM	AR	0.25(MM)	
	H125743	SHIM	AR	0.50(MM)	
19	24M7242	WASHER	4	21.400 X 42 X 5 MM	
20	19H1782	CAP SCREW	2	3/4" X 2-1/4"	
21	19H2000	CAP SCREW	2	3/4" X 5"	
22	19M7791	SCREW	4	M12 X 40	
23	14M7299	FLANGE NUT	4	M12	
24	AH151653	BALL BEARING	1		
25	H152924	SHEAVE	1		
26	JD7797	LUBRICATION FITTING	1		
27	14M7296	FLANGE NUT	2	M10	
28	H101878	HUB	1		
29	AH117643	SEAL	1		
30	H144834	HOUSING	1		
31	R26906	O-RING	1	19.177 X 2.464 MM	
32	R27474	DRAIN PLUG	1		
33	19M7835	SCREW	6	M10 X 35	
34	19M7812	SCREW	2	M10 X 100	
35	H129934	SHAFT	1		
36	26M6787	SHAFT KEY	1	10 X 32 MM	
37	H75385	PRESSED FLANGED HOUSING	1		
38	19M8306	SCREW	4	M12 X 50	
39	H129935	SHEAVE	1		
40	24H1481	WASHER	1	1-5/32" X 2" X 0.134"	
41	H82619	LOCK NUT	1	28.575 MM	
42	24M7055	WASHER	4	8.400 X 16 X 1.600 MM	
43	H170303	COVER	1		
44	H88771	ISOLATOR	1		
45	AH90990	CLIP	1		
..	TY24345	LIQUID GASKET	1	(3 OZ.)	
..	DE18715	GEAR CASE	1	USE WITH REGULAR DUTY HYDRO, LESS DIPSTICK	
..	DE18919	GEAR CASE	1	USE WITH HEAVY DUTY HYDRO, LESS DIPSTICK	

4C18

DRIVES

MAIN GEARCASE
HP9067 -UN-14SEP99



HP9067

4C19

DRIVES

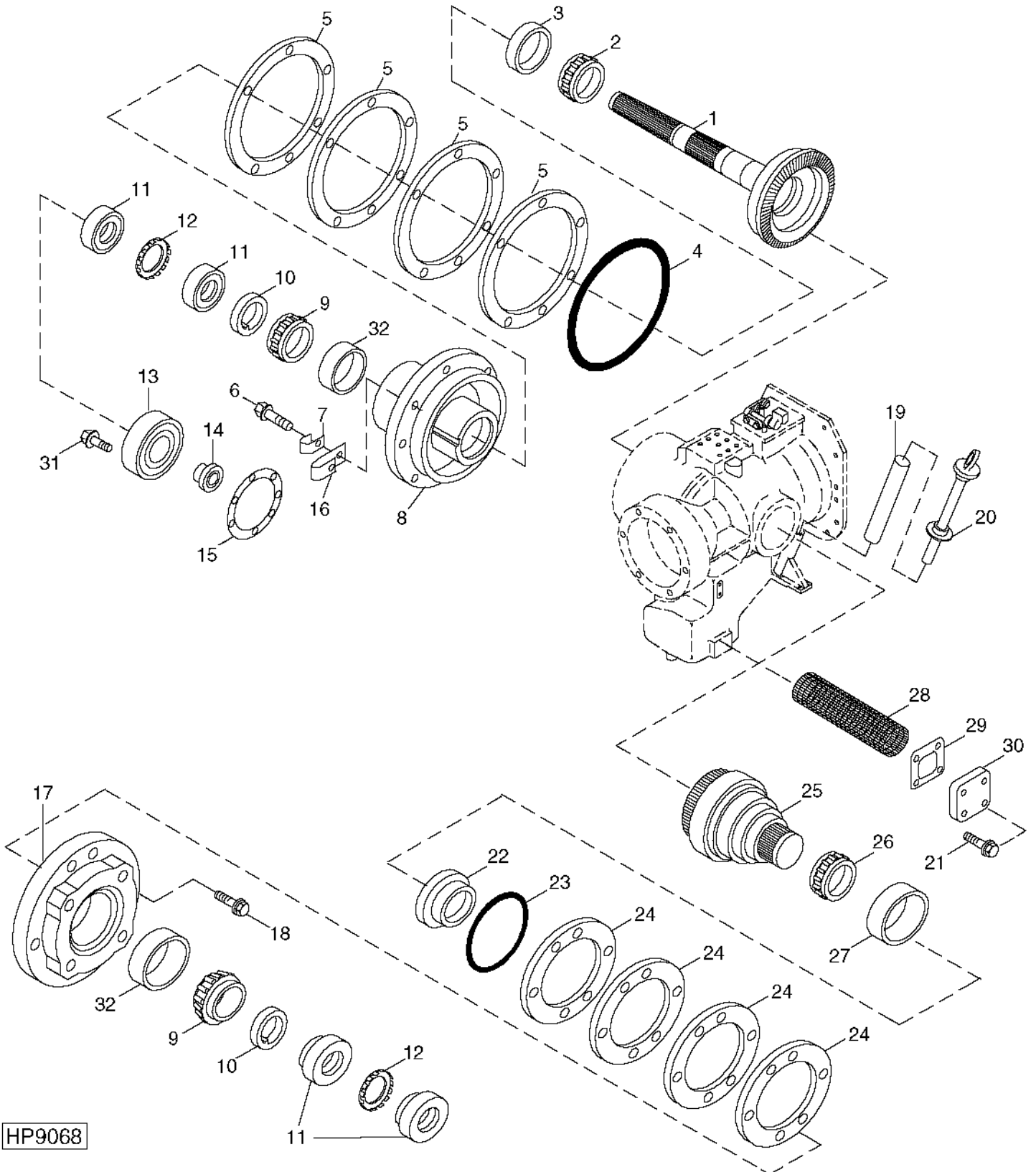
MAIN GEARCASE - CONTINUED

KEY	PART NO.	PART NAME	QTY	SERIAL NO.	REMARKS
1	T50415	DISK SPRING	4	(REGULAR DUTY)	
	T50415	DISK SPRING	5	(HEAVY DUTY)	
2	T62508	WASHER	1		
3	19M7863	SCREW	8	M6 X 25	
4	T62509	WASHER	1	(REGULAR DUTY)	
	CE17900	WASHER	1	(HEAVY DUTY)	
5	CE17940	SNAP RING	1		
6	CE17888	DRIVE SHAFT	1		
7	CE18181	DRUM	1	(REGULAR DUTY)	
	CE17886	DRUM	1	(HEAVY DUTY)	
8	R77764	RING	2		
9	R76937	WASHER	1		
10	H125354	GASKET	1		
11	R68824	SEAT	1		
12	400R	BALL	1		
13	H111474	PIN	1		
14	15H559	PIPE PLUG	1		
15	AH120737	HOUSING	1		
16	19M7835	SCREW	6	M10 X 35	
17	JD8676	BALL BEARING	1		
18	T14323	SNAP RING	1		
19	H125356	GASKET	1		
20	AH158595	SEAL	1		
21	H148769	HOUSING	1		
22	H119028	SHIM	1	0.08(MM)	
	H119029	SHIM	AR	0.13(MM)	
	H119030	SHIM	AR	0.25(MM)	
	H119031	SHIM	AR	0.50(MM)	
23	JD8206	BEARING CUP	2		
24	JD8162	BEARING CONE	2		
25	DE18568	GEAR	1	(MATCHED SET, 22 TEETH, 33 TEETH) USE WITH REG DUTY HYDRO	
	DE18571	GEAR	AR	(MATCHED SET, 26 TEETH, 35 TEETH) USE WITH HEAVY DUTY HYDRO	
26	H125740	SHIM	AR	0.08 (MM)	
	H125741	SHIM	AR	0.13 (MM)	
	H125742	SHIM	1	0.25 (MM)	
	H125743	SHIM	4	0.50 (MM)	
27	H125733	HOUSING	1		
28	19M7835	SCREW	6	M10 X 35	
29	19M7786	SCREW	6	M10 X 30	
30	H144762	HUB	1	(REGULAR DUTY)	
	CE17885	HUB	1	(HEAVY DUTY)	
31	DE19018	HUB	1	(REGULAR DUTY)	
	DE18734	HUB	1	(HEAVY DUTY)	
32	AH125490	CLUTCH DISK	3	(REGULAR DUTY)	
	AH125490	CLUTCH DISK	4	(HEAVY DUTY)	
33	T70309	PLATE	3	(REGULAR DUTY)	
	T70309	PLATE	4	(HEAVY DUTY)	
34	T50409	SNAP RING	1		
35	T49676	RETAINER	1		
36	40M7090	SNAP RING	1		
37	CE18399	WASHER	1		
38	H128937	PISTON	1	(REGULAR DUTY)	
	CE17887	PISTON	1	(HEAVY DUTY)	
..	TY9374	SEALANT	1	(6 ML)	
..	DE18715	GEAR CASE	1	USE WITH REGULAR DUTY HYDRO, LESS DIPSTICK	
..	DE18919	GEAR CASE	1	USE WITH HEAVY DUTY HYDRO, LESS DIPSTICK	

4C20

DRIVES

MAIN GEARCASE
HP9068 -UN-14SEP99



HP9068

MAIN GEARCASE - CONTINUED

KEY	PART NO.	PART NAME	QTY	SERIAL NO.	REMARKS
1	DE18718	GEAR	1		(MATCHED SET, 37 TEETH, 56 TEETH)
2	JD9075	BEARING CONE	1		
3	JD9132	BEARING CUP	1		
4	H125839	O-RING	1		
5	CE17450	SHIM	1	0.08(MM)	
	CE17451	SHIM	AR	0.13(MM)	
	CE17452	SHIM	AR	0.25(MM)	
	CE17453	SHIM	AR	0.50(MM)	
6	19M7790	SCREW	7	M12 X 35	
7	AH96317	CLIP	1		
8	CE17844	HOUSING	1		
9	JD9007	BEARING CONE	2		
10	H110800	LOCK WASHER	2		
11	H122650	LOCK NUT	4		
12	H110801	LOCK WASHER	2		
13	H148769	HOUSING	1		
14	AH158595	SEAL	1		
15	H125356	GASKET	1		
16	AH117301	CLAMP	1		
17	H125738	HOUSING	1		
18	19M7805	SCREW	5	M10 X 45	
19	H132995	TUBE	1		
20	AH151652	DIPSTICK	1		
21	19M7868	SCREW	4	M8 X 30	
22	H125837	OIL CUP	1		
23	R72032	O-RING	1		
24	H125734	SHIM	1	0.08(MM)	
	H125735	SHIM	AR	0.13(MM)	
	H125736	SHIM	AR	0.25(MM)	
	H125737	SHIM	AR	0.50(MM)	
25	DE18568	GEAR	1		(MATCHED SET, 22 TEETH, 33 TEETH) USE WITH REGULAR DUTY HYDRO
	DE18571	GEAR	1		(MATCHED SET, 26 TEETH, 35 TEETH) USE WITH HEAVY DUTY HYDRO
26	JD9075	BEARING CONE	1		
27	JD9132	BEARING CUP	1		
28	CE18104	SCREEN	1		
29	H126792	GASKET	1		
30	H126793	COVER	1		
31	19M7863	SCREW	8	M6 X 25	
32	JD8206	BEARING CUP	2		
..	DE18715	GEAR CASE	1		USE WITH REGULAR DUTY HYDRO, LESS DIPSTICK
..	DE18919	GEAR CASE	1		USE WITH HEAVY DUTY HYDRO, LESS DIPSTICK

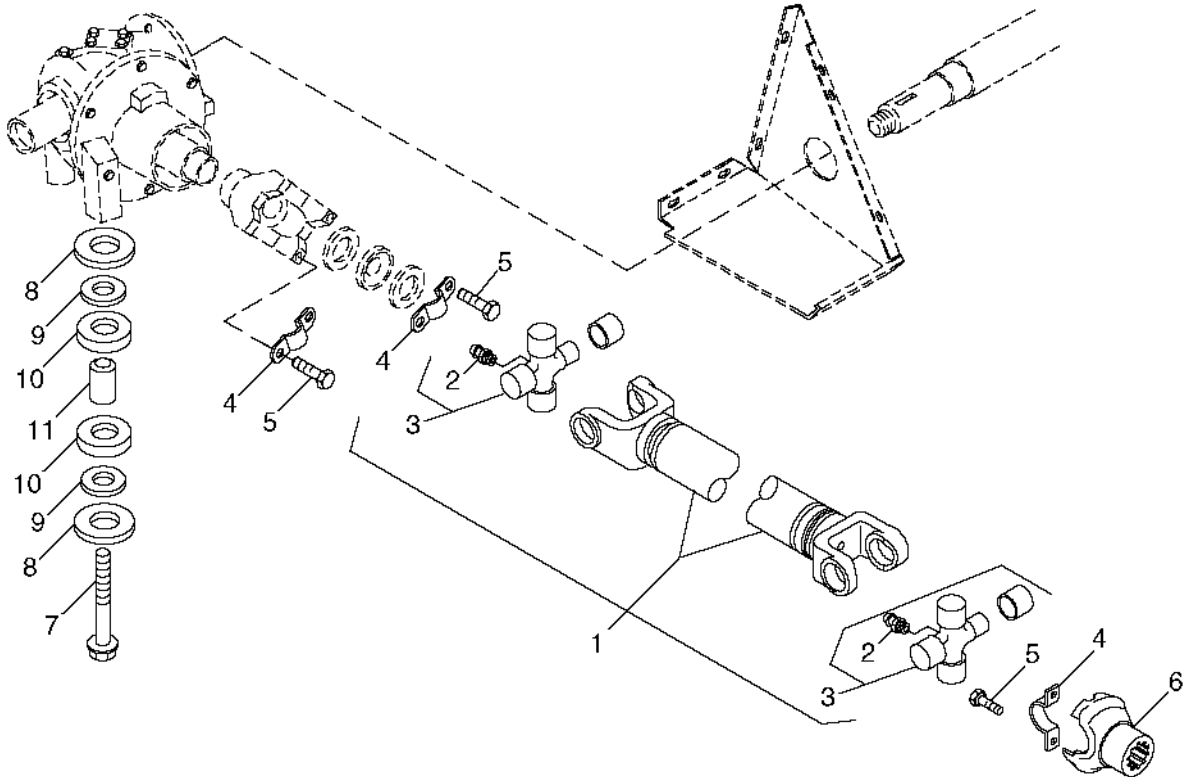
MEMORANDA

4C22

DRIVES

PRIMARY COUNTERSHAFT SUPPORT AND GEARCASE MOUNTING

HP8954 -UN-30AUG99



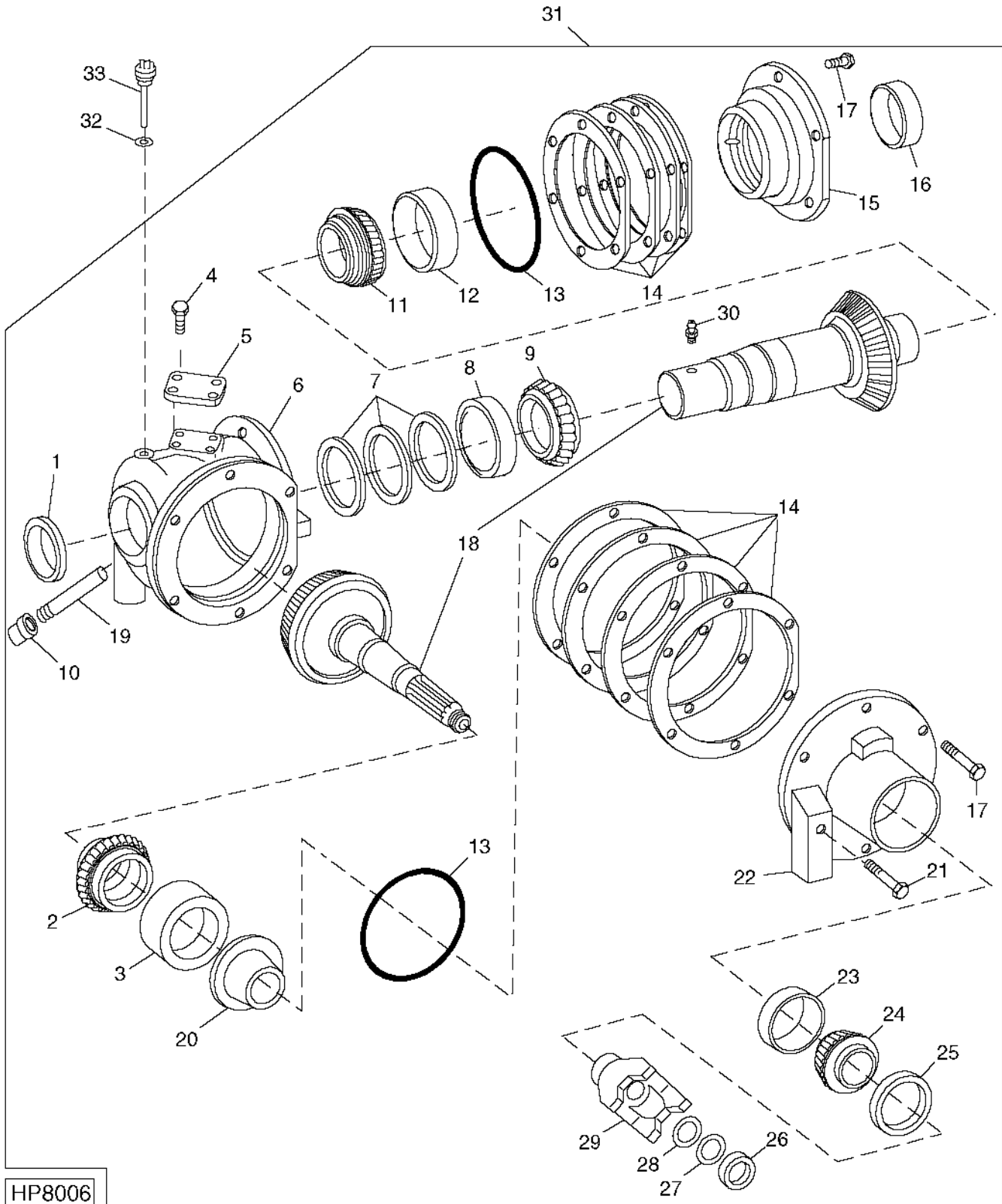
HP8954

KEY	PART NO.	PART NAME	QTY	SERIAL NO.	REMARKS
1	AH125688	DRIVE SHAFT	1		
2	JD7797	LUBRICATION FITTING	2		
3	AH122018	UNIVERSAL JOINT	2		
4	R85168	CLAMP	4		
5	R85169	SELF-LOCKING SCREW	8		9.525 X 19.050 MM (3/8" X 3/4")
6	H121681	YOKE	1		
7	19M7827	SCREW	2		M16 X 80
8	H163726	WASHER	2		16.250 X 76 X 5 MM (0.640" X 2.992" X 0.197")
9	H148132	BUSHING	4		
10	H148133	RETAINER	4		
11	H148134	SPACER	2		16.130 X 19.930 X 41.900 MM (0.635" X 0.785" X 1.650")

4C23

DRIVES

PRIMARY COUNTERSHAFT GEARCASE
HP8006 -UN-29APR99



PRIMARY COUNTERSHAFT GEARCASE - CONTINUED

KEY	PART NO.	PART NAME	QTY	SERIAL NO.	REMARKS
1	AH137772	SEAL	1		
2	JD9078	BEARING CONE	1		
3	JD8255	BEARING CUP	1		
4	19M7866	SCREW	4	M8 X 20	
5	H75267	COVER	1		
6	H145001	GEAR CASE	1		
7	T34354	SHIM	AR	0.05MM (0.002")	
	T34355	SHIM	AR	0.13MM (0.005")	
	T34356	SHIM	AR	0.25MM (0.010")	
8	JD8210	BEARING CUP	1		
9	R120461	BEARING CONE	1		
10	15H3	FITTING	1	1/2"	
11	JD7378	BEARING CONE	1		
12	JD7292	BEARING CUP	1		
13	H125838	O-RING	1		
14	H114226	SHIM	2	0.080MM (0.003")	ONE PER SIDE
	H114227	SHIM	AR	0.13MM (0.005")	
	H114228	SHIM	AR	0.25MM (0.010")	
	H118927	SHIM	AR	0.50MM (0.020")	
15	H126564	HOUSING	1		
16	E56866	SEAL	1		
17	19M7786	SCREW	6	M10 X 30	
18	AH154701	GEAR	1	(MATCHED SET, 41 TEETH, 41 TEETH)	
19	29H217	THREADED NIPPLE	1	1/2"	
20	H129844	RETAINER	1		
21	19M7807	SCREW	1	M10 X 60	
22	CE18400	HOUSING	1		
23	JD7418	BEARING CUP	1		
24	JD7395	BEARING CONE	1		
25	AH137771	SEAL	1		
26	N139123	NUT	1		
27	H118920	LOCK WASHER	1		
28	H118919	LOCK WASHER	1		
29	H121681	YOKE	1		
30	JD7797	LUBRICATION FITTING	1		
31	AH154768	GEAR CASE	1	LESS DIPSTICK	
32	R26375	O-RING	1		
33	AH141022	DIPSTICK	1		
..	25M3827	GROOVE PIN	1	3 X 8 MM, (INSERT THROUGH SERIAL NUMBER PLATE AND INTO GEARCASE)	
..	TY24345	LIQUID GASKET	1		
..	T43512	SEALANT	1		

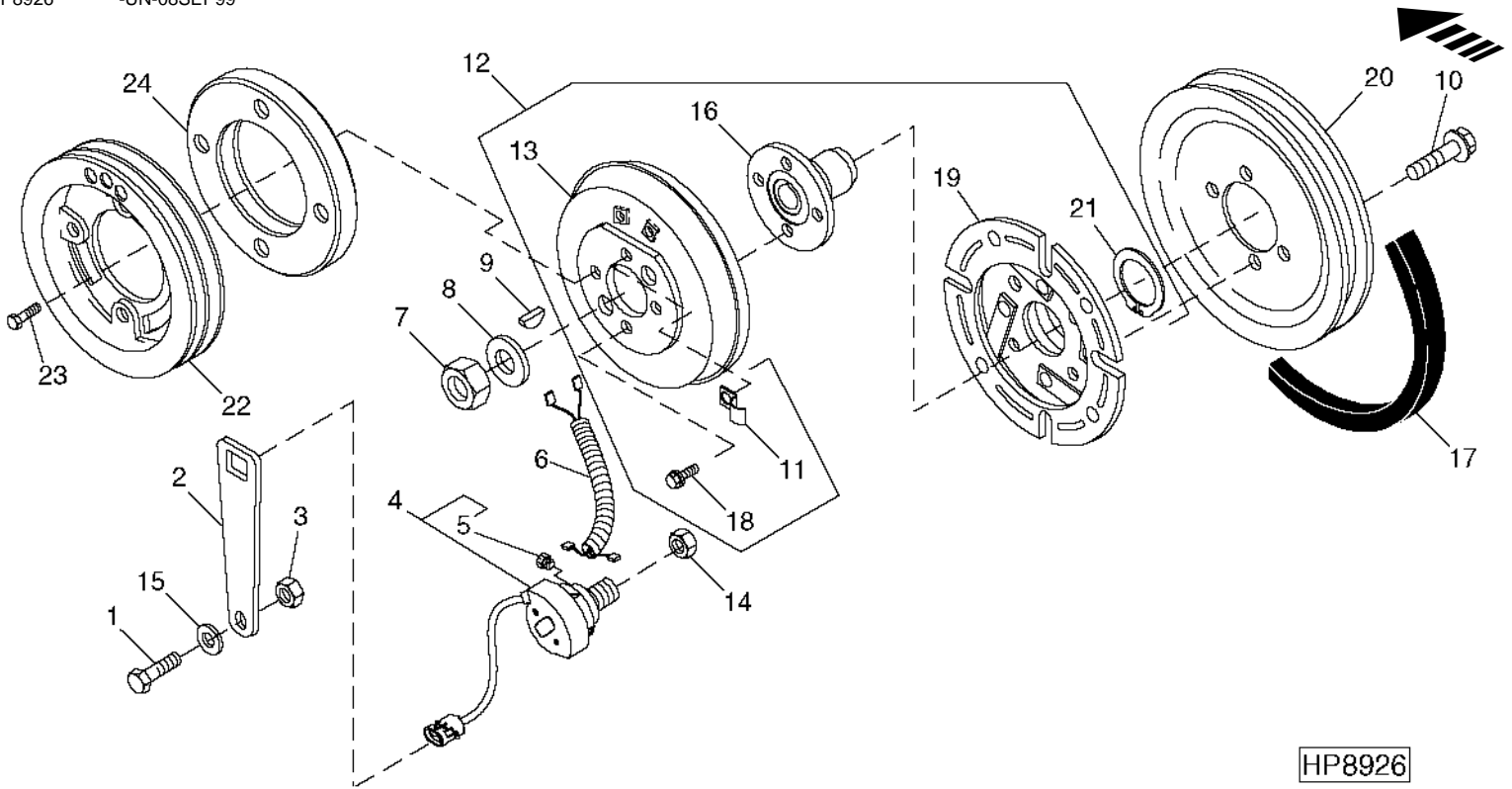
MEMORANDA

4C25

DRIVES

HEADER ELECTROMAGNETIC CLUTCH

HP8926 -UN-08SEP99



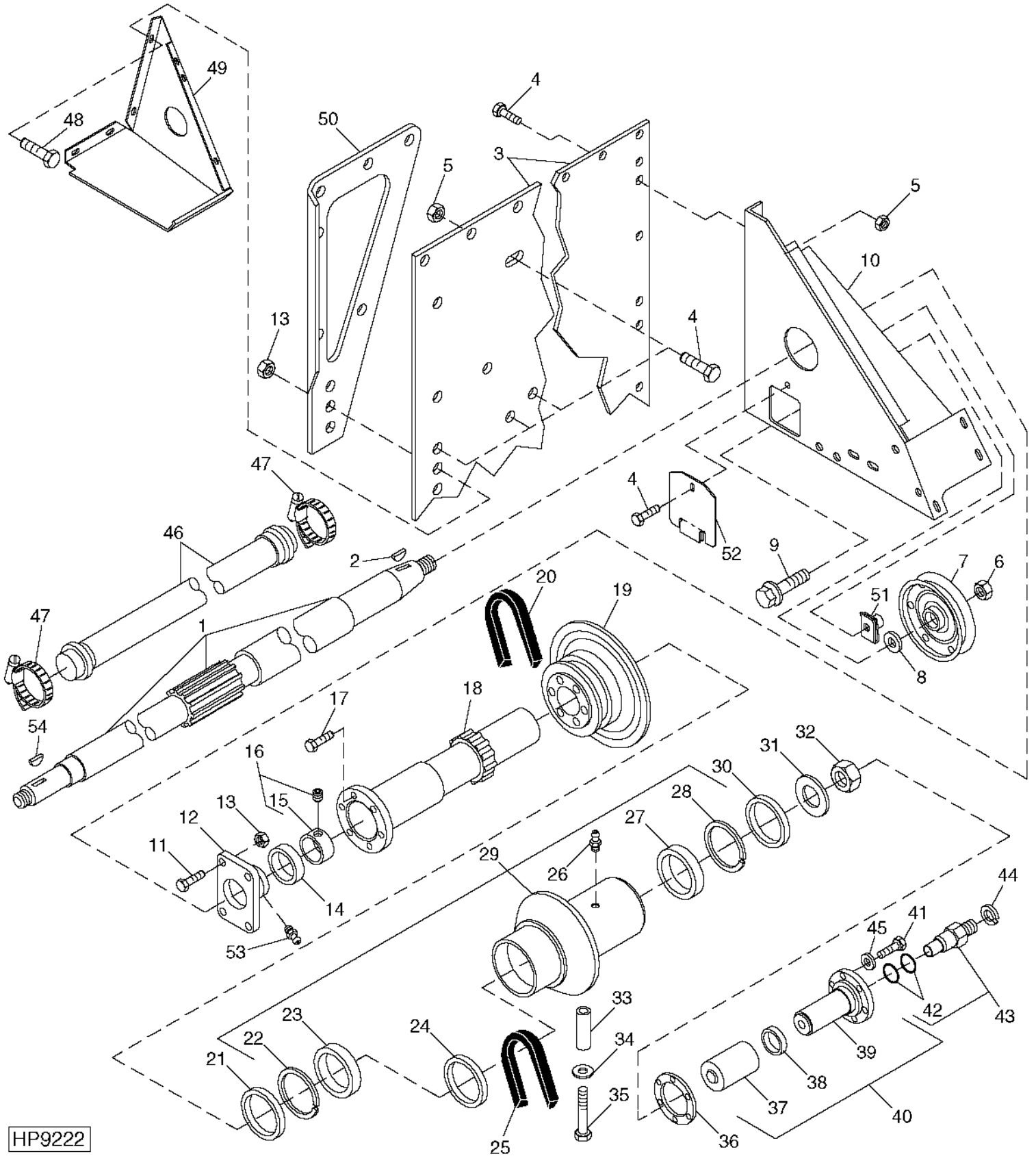
KEY	PART NO.	PART NAME	QTY	SERIAL NO.	REMARKS
1	19M7775	SCREW	1	M6 X 16	
2	H171030	STRAP	1		
3	14M7303	FLANGE NUT	1	M6	
4	AH162068	CARBON BRUSH HOLDER	1		
5	N10145	FITTING PLUG	1		
6	AH134207	WIRING HARNESS	1		
7	H165447	LOCK NUT	1	M30	
8	24H1668	WASHER	1	1-17/64" X 2-1/4" X 0.134"	
9	26H105	SHAFT KEY	1	WOODRUFF	
10	19M7788	SCREW	4	M12 X 25	
11	AH77279	CLIP	1		
12	AH167942	CLUTCH	1	(SUB FOR AH154805)	
13	AH121658	FIELD WINDING COIL	1		
14	14H809	NUT	1	1/2"	
15	24M7207	WASHER	1	8.400 X 24 X 2 MM	
16	H168499	HUB	1		
17	H151952	BELT	1	STANDARD CAPACITY	
	H155998	BELT	1	HI CAPACITY	
18	19M7788	SCREW	4	M12 X 25	
19	AH161981	ARMATURE	1	(SUB AH167942)	
20	H161270	SHEAVE	1	STANDARD CAPACITY	
	H161293	SHEAVE	1	HI CAPACITY	
21	T44824	SNAP RING	1		
22	H166137	SHEAVE	1		
23	19M7815	SCREW	4	M12 X 60	
24	H168067	PLATE	1		

4D1

DRIVES

PRIMARY COUNTERSHAFT DRIVE SHAFT AND VARIABLE SHEAVE

HP9222 -UN-29OCT99



HP9222

4D2

DRIVES

PRIMARY COUNTERSHAFT DRIVE SHAFT AND VARIABLE SHEAVE - CONTINUED

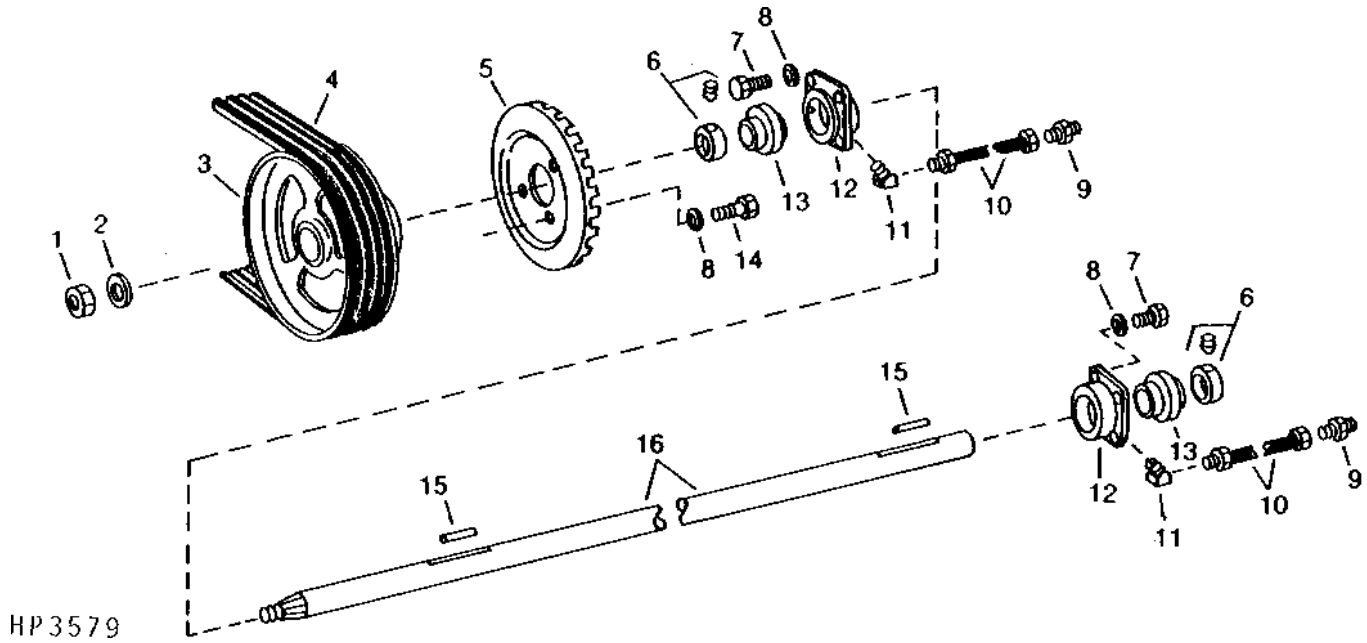
KEY	PART NO.	PART NAME	QTY	SERIAL NO.	REMARKS
1	H163279	SHAFT	1		
2	26H114	SHAFT KEY	1	1/2" X 2-3/4"	
3	H147911	SHEET	1		
4	19M7866	SCREW	AR	M8 X 20	
5	14M7298	FLANGE NUT	AR	M8	
6	14M7291	FLANGE NUT	1	M16	
7	AH97031	IDLER	1		
8	24M7053	WASHER	2	17 X 30 X 3 MM	
9	19M7794	SCREW	1	M16 X 50	
10	AH154391	SHEET	1		
11	19M7786	SCREW	4	M10 X 30	
12	H115930	HOUSING	1		
13	14M7296	FLANGE NUT	9	M10	
14	JD8669	BALL BEARING	1		
15	22H821	SET SCREW	1	1/2" X 1/2"	
16	JD8668	ECCENTRIC LOCKING COLLAR	1		
17	19M7835	SCREW	6	M10 X 35	
18	H127196	HOUSING	1		
19	H115755	HALF SHEAVE	1		
20	H128010	BELT	1		PRIMARY TO SECONDARY COUNTERSHAFT DRIVE
21	AH94853	SEAL	1		
22	H93631	SNAP RING	1		
23	H93630	BUSHING	1		
24	H118617	BUMPER	1		USED FOR SLOW SPEED CYLINDER DRIVE ONLY
25	H162629	BELT	1		
26	JD7798	LUBRICATION FITTING	2		
27	H148131	BUSHING	1		
28	P48691	SNAP RING	1		
29	AH141820	HALF SHEAVE	1		
	AH141821	HALF SHEAVE	1		EXTENDED RANGE
30	AH87141	SEAL	1		
31	24H1668	WASHER	1	1-17/64" X 2-1/4" X 0.134"	
32	H165447	LOCK NUT	1	M30	
33	H110237	PIN	1		
34	24M7178	WASHER	2	10.500 X 30 X 2.500 MM	
35	19M7784	SCREW	2	M10 X 20	
36	H102533	SHIM	AR	0.762 MM (0.030")	
37	BARREL	1		
38	H97306	SEAL	1		
39	PISTON	1		
40	AH125193	CYLINDER	1		
41	19H1732	CAP SCREW	6	3/8" X 1-1/4"	
42	R27564	O-RING	2		
43	AH139238	UNION FITTING	1		
44	H135292	SNAP RING	1		
45	12H304	LOCK WASHER	6	3/8"	
46	AH163802	KIT	1	(INCLUDES (2) TY22494) FOR COUNTERSHAFT DIRT PROTECTION	
47	TY22494	HOSE CLAMP	1		
48	19M7785	SCREW	5	M10 X 25	
49	AH135565	SHEET	1		
50	H131228	ANGLE	1		
51	H156360	NUT	1		
52	H163123	DOOR	1		
53	JD7788	LUBRICATION FITTING	1		
54	26H105	SHAFT KEY	1	3/8" X 2-1/8"	

MEMORANDA

4D3

DRIVES

SINGLE RANGE CYLINDER DRIVE
HP3579 -UN-01JAN94

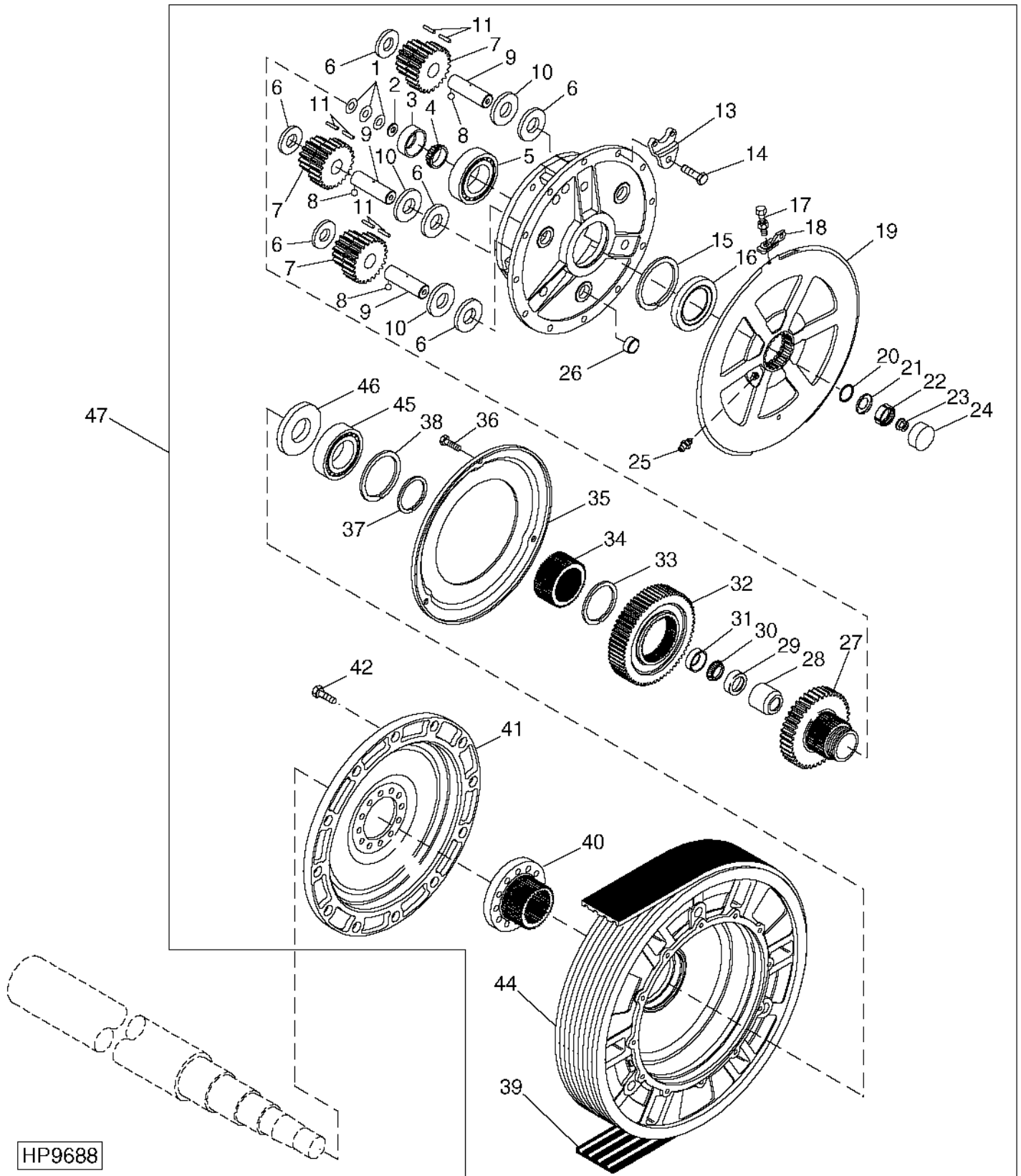


KEY	PART NO.	PART NAME	QTY	SERIAL NO.	REMARKS
1	H138085	LOCK NUT	1		
2	24H1509	WASHER	1	1-25/64" X 2-1/2" X 0.194"	
3	H93645	SHEAVE	1		
4	H115881	BELT	1		
5	H128297	WHEEL	1		
6	JD10342	ECCENTRIC LOCKING COLLAR	1		
7	19H1732	CAP SCREW	4	3/8" X 1-1/4"	
8	12H304	LOCK WASHER	4	3/8"	
9	JD7759	LUBRICATION FITTING	2		
10	AH121009	HOSE	2	1/8" X 910 MM (35-3/4") X 1/8"	
11	JD7845	ELBOW FITTING	2		
12	H99149	HOUSING	2		
13	JD10343	BALL BEARING	2		
14	19H1936	CAP SCREW	3	3/8" X 3/4"	
15	SHAFT KEY	2	(CUT FROM H64376) IN AH64587 KEY STOCK KIT	
16	H148241	SHAFT	1		

4D4

DRIVES

DUAL-RANGE CYLINDER DRIVE GEAR CASE
HP9688 -UN-11APR00



HP9688

4D5

DRIVES

DUAL-RANGE CYLINDER DRIVE GEAR CASE - CONTINUED

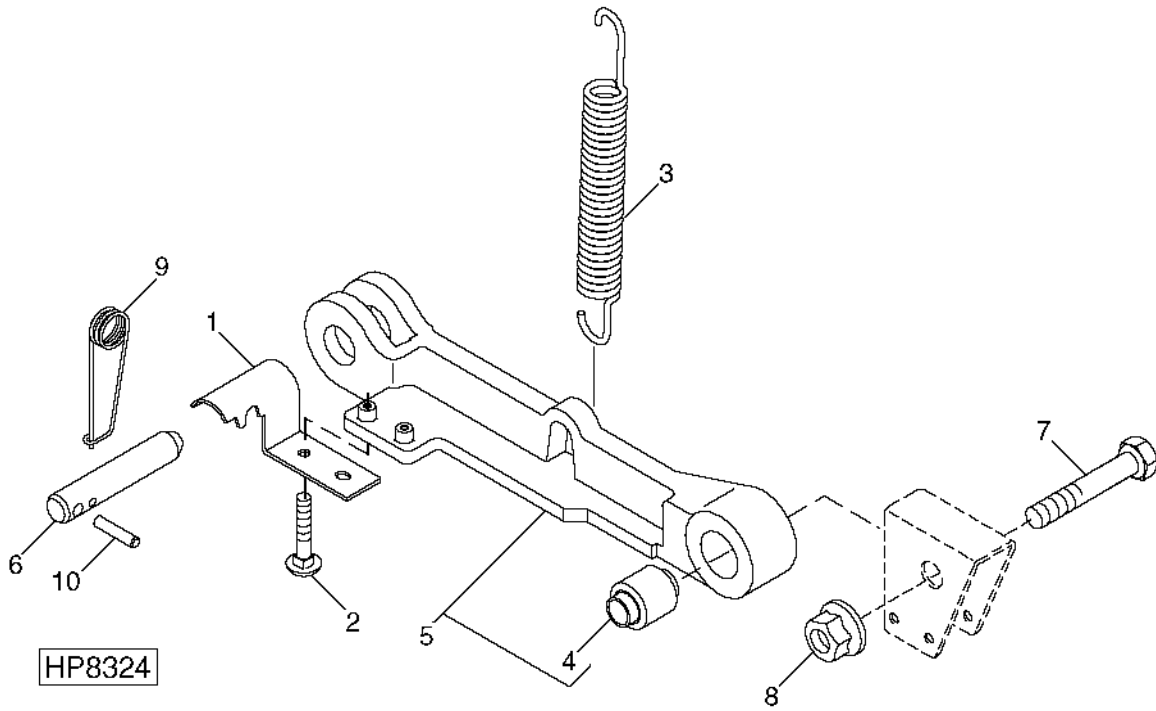
KEY	PART NO.	PART NAME	QTY	SERIAL NO.	REMARKS
1	H111260	SHIM	AR	0.05 THICK	
	H111261	SHIM	AR	0.10 THICK	
	H111262	SHIM	AR	0.25 THICK	
2	H111041	WASHER	1		
3	JD8239	BEARING CUP	1		
4	JD8960	BEARING CONE	1		
5	AH108801	BALL BEARING	1		
6	R71758	THRUST WASHER	6		
7	H113947	PINION	3		
8	H871R	BALL	3		
9	H113627	PINION SHAFT	3		
10	R71756	WASHER	3		
11	R84261	PIN	132		
12	H118082	COVER	1		
13	H127855	RETAINER	3		
14	19M8162	CAP SCREW	12	M10 X 40	
	12H304	LOCK WASHER	9	3/8"	
15	H117703	SHIM	1		
16	AH112883	SEAL	1		
17	19H2151	CAP SCREW	1	1/4" X 3"	
	H120490	BOLT	1		SLOW SPEED CYLINDER DRIVE OPTION
	M63707	LOCK NUT	1		
18	H127590	LUG	1		
19	H113208	WHEEL	1		
20	U10063	O-RING	1		
21	H112877	LOCK WASHER	1		
22	E12305	NUT	1		
23	H113238	FLANGE NUT	1		
24	H110521	CAP	1		
25	JD7797	LUBRICATION FITTING	1		
26	H110462	PLUG	3		
27	H113063	GEAR	1		
28	H111042	SPACER	1		
29	JD7441	BEARING	1		
30	JD10214	BEARING CONE	1		
31	AH110887	SEAL	1		
32	H113946	GEAR	1		
33	T47836	SNAP RING	1		
34	H114687	BEARING HOUSING W/O BEARING	1		
35	H110337	RING	1		
36	R38131	CAP SCREW	3		
37	R80R	SNAP RING	1		
38	H114688	SNAP RING	1		
39	H115881	BELT	1		
	H118618	BELT	1		SLOW SPEED CYLINDER DRIVE OPTION
40	H126829	HUB	1		
41	H126722	SHEAVE	1		
42	H144962	SCREW	8	M10 X 25	
43	AH109056	PIPE PLUG	1		
44	H114689	SHEAVE	1		
45	JD10032	BALL BEARING	1		
46	AF1466R	SEAL	1		
47	AH134859	GEAR CASE	1		
..	TY24345	LIQUID GASKET	1	SIZE: 8 OZ.	
..	TY6304	SEALANT	1	(CANADA PART NO. TY9483)	
..	TY6341	GREASE	1	SIZE- 14 OZ. TUBE	

MEMORANDA

4D6

DRIVES

DUAL-RANGE LOCKOUT ARM
HP8324 -UN-19AUG99



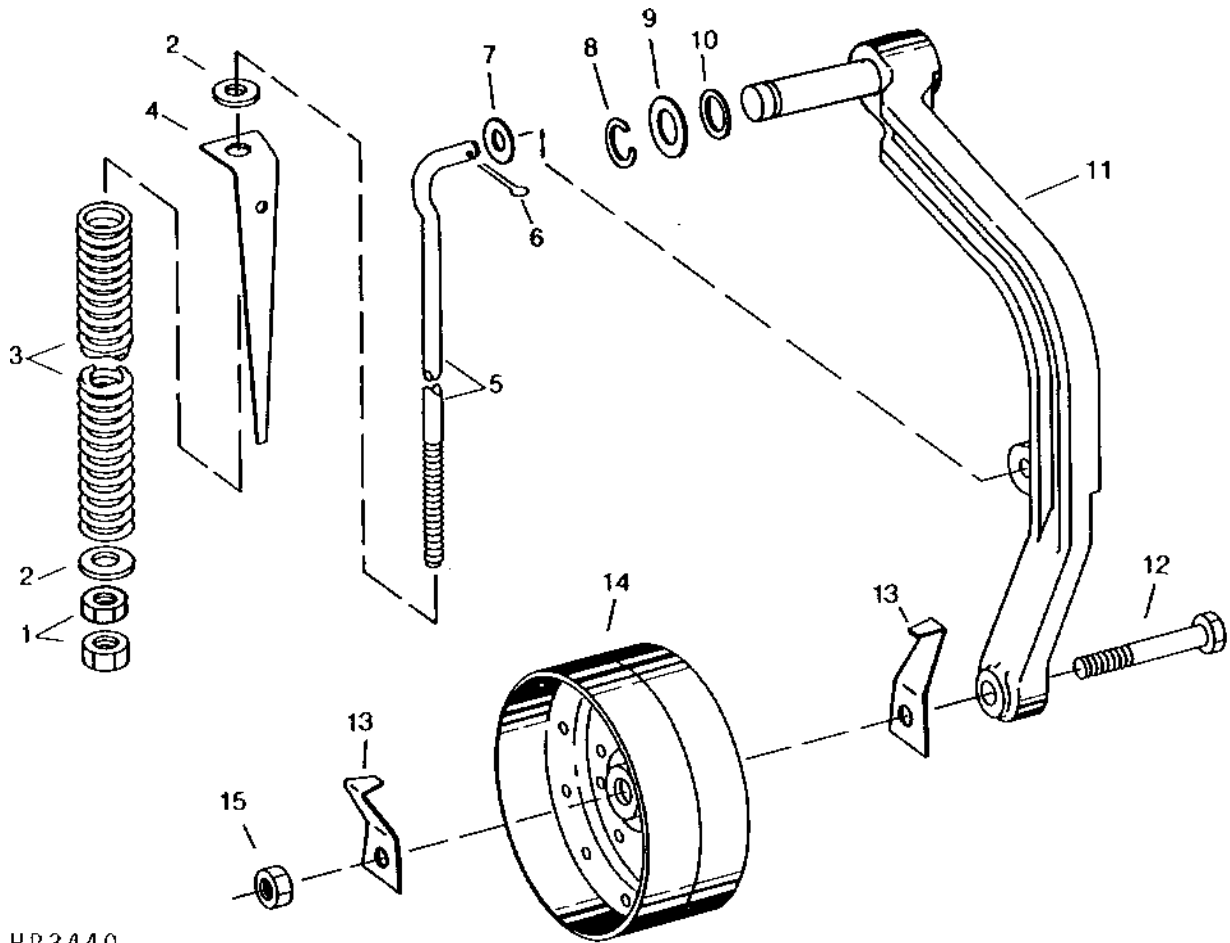
KEY	PART NO.	PART NAME	QTY	SERIAL NO.	REMARKS
1	H139709	RETAINER	1		
2	19M7867	SCREW	2	M8 X 25	
3	M45123	EXTENSION SPRING	1		
4	AH143746	RUBBER MOUNT	1		
5	AH143747	ARM	1		
6	H110542	PIN	1	0.787" X 4.528"	
7	19M7826	SCREW	1	M16 X 70	
8	14M7291	FLANGE NUT	1	M16	
9	H114001	QUICK LOCK PIN	1		
10	34M7036	SPRING PIN	1	5 X 45 MM	

4D7

DRIVES

DUAL-RANGE CYLINDER DRIVE TIGHTENER

HP3440 -UN-01JAN94



HP 3440

4D8

DRIVES

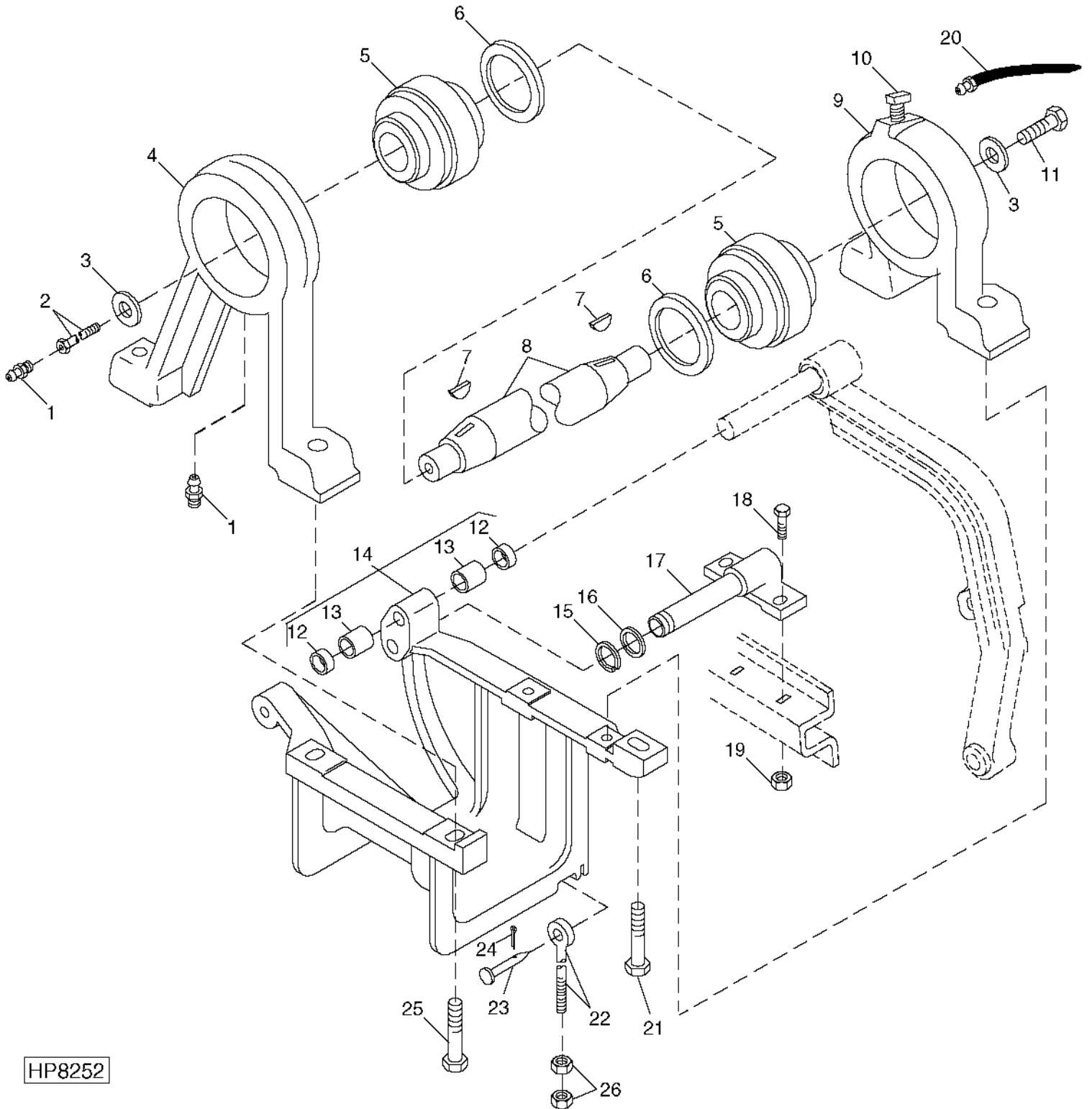
DUAL-RANGE CYLINDER DRIVE TIGHTENER - CONTINUED

KEY	PART NO.	PART NAME	QTY	SERIAL NO.	REMARKS
1	14M7276	NUT	1	M16	
2	24H1373	WASHER	2	21/32" X 1-9/16" X 0.180"	
3	N61654	SPRING	1		
4	H116862	GAUGE	1		
5	H116861	HOOK BOLT	1		
6	11M7028	COTTER PIN	1	5 X 32 MM	
7	24M7053	WASHER	1	17 X 30 X 3 MM	
8	P46402	SNAP RING	1		
9	24H1447	WASHER	AR	1-1/32" X 1-1/2" X 0.036"	(USE FOUR OR LESS)
10	24H1448	WASHER	1	1-1/32" X 1-1/2" X 0.120"	
11	AH113139	ARM	1		
12	19M7818	SCREW	1	M12 X 80	
13	H94386	BRACKET	2		
14	AH141762	IDLER	1		
15	14M7299	FLANGE NUT	1	M12	

4D9

DRIVES

DUAL-RANGE CYLINDER DRIVE INTERMEDIATE SHAFT MOUNTING
HP8252 -UN-23APR99



HP8252

4D10

DRIVES

DUAL-RANGE CYLINDER DRIVE INTERMEDIATE SHAFT MOUNTING - CONTINUED

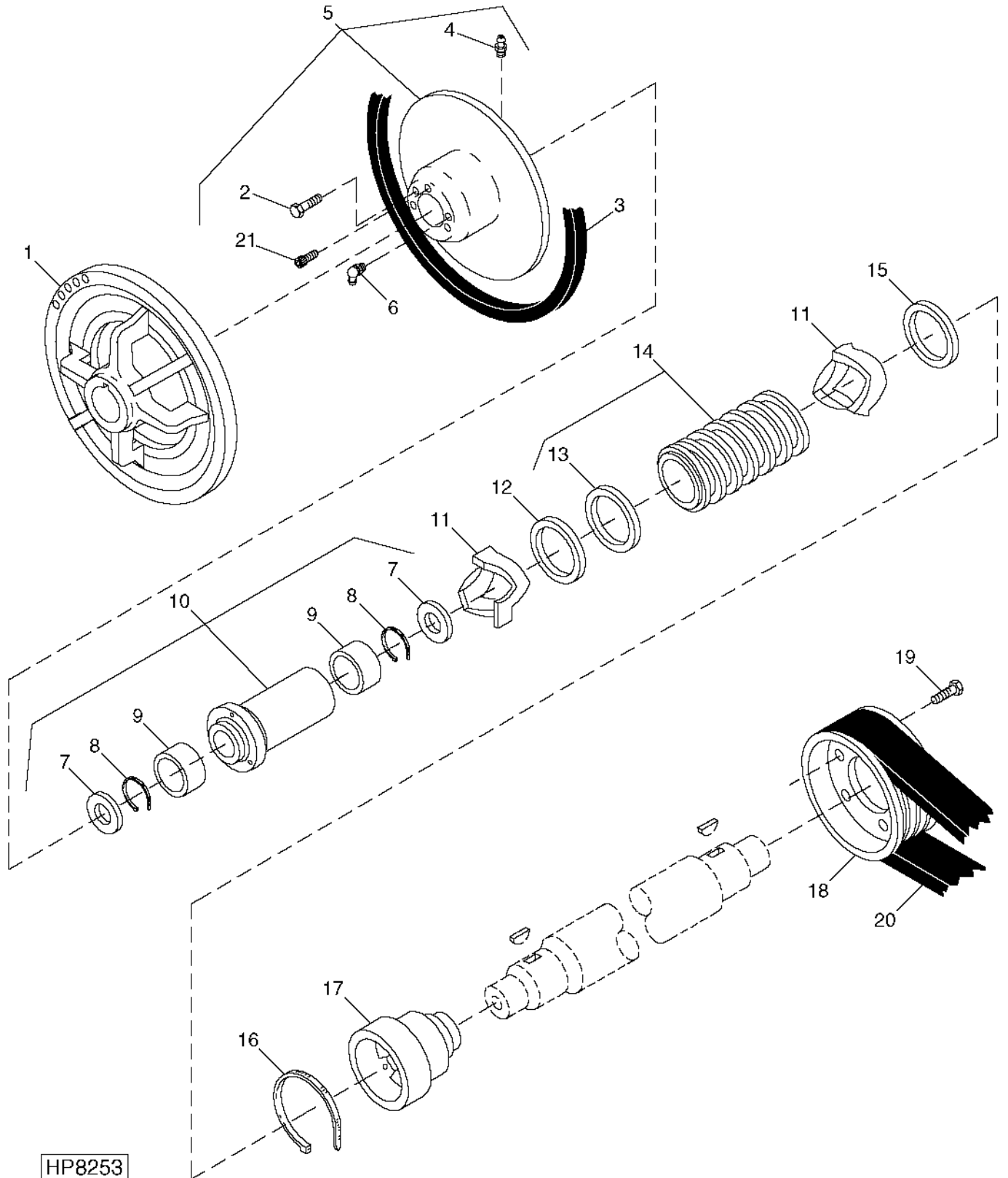
KEY	PART NO.	PART NAME	QTY	SERIAL NO.	REMARKS
1	JD7759	LUBRICATION FITTING	2		
2	H110168	SCREW	1		1/8" STRAIGHT
3	R20135	WASHER	2		M16 X 60
4	H121134	HOUSING	1		
5	AH108813	BALL BEARING	2		
6	E18993	WASHER	2		
7	26M6787	SHAFT KEY	2		10 X 32 MM
8	H148241	SHAFT	1		
9	H119210	HOUSING	1		
10	JD7839	LUBRICATION FITTING	1		18" - 90 DEGREE
11	19M7793	SCREW	1		M16 X 40
12	AA5607R	SEAL	2		
13	H99147	BUSHING	2		(SUB H171061)
	H171061	BEARING	2		
14	AH122451	SUPPORT	1		
15	M2353T	SNAP RING	1		
16	24H1513	WASHER	1		1-13/32" X 2" X 0.060"
17	H127596	PIN	1		
18	19M7898	SCREW	2		M10 X 130
19	14M7296	FLANGE NUT	2		M10
20	AH121007	HOSE	1		1/8" X 1 400 MM (55") X 1/8"
21	19H3057	CAP SCREW	2		1/2" X 2-3/4"
22	H127583	EYEBOLT	1		
23	T22714	PIN	1		15.748 X 66.040 MM (0.620" X 2.600")
24	11M7028	COTTER PIN	1		5 X 32 MM
25	19M8306	SCREW	2		M12 X 50
26	14M7291	FLANGE NUT	2		M16

4D11

DRIVES

DUAL-RANGE CYLINDER DRIVE INTERMEDIATE SHEAVE

HP8253 -UN-01JUL99



HP8253

4D12

DRIVES

DUAL-RANGE CYLINDER DRIVE INTERMEDIATE SHEAVE - CONTINUED

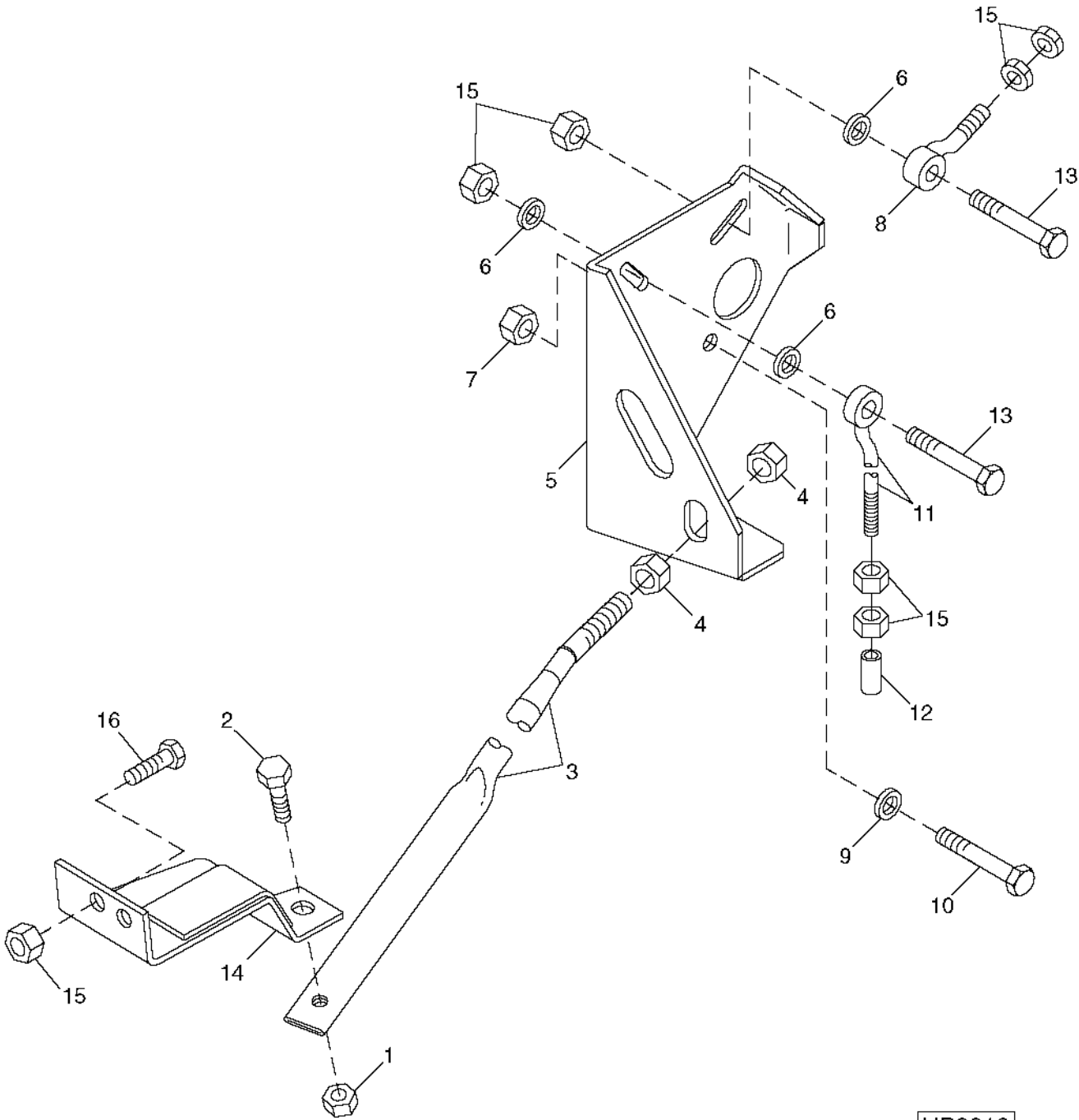
KEY	PART NO.	PART NAME	QTY	SERIAL NO.	REMARKS
1	H145955	SHEAVE	1		
2	19M7789	SCREW	3	M12 X 30	
3	H162629	BELT	1		
4	JD7759	LUBRICATION FITTING	1		
5	AH141973	HALF SHEAVE	1		INCS H144038 SHEAVE, AH106296 BREATHER, JD7759 ZERK, & JD7788 ZERK WITH ASSY BALANCED 45 DEGREE
6	JD7788	LUBRICATION FITTING	1		
7	AH106110	SEAL	2		
8	B3118R	SNAP RING	2		
9	H125528	BUSHING	2		
10	AH120907	HUB	1		
11	H145243	CAM	2		
12	H96227	WASHER	1		
13	H96232	WASHER	1		
14	AH148893	SPRING ASSEMBLY	1	(INCLUDES H96226)	
15	AH136497	SEAL	1		
16	H107389	RING	1		
17	H146394	HUB	1		
	H141588	HUB	1	(A)	
18	H125391	SHEAVE	1		
	H118616	SHEAVE	1	(A)	
19	19M7818	SCREW	3	M12 X 80	
	19M8162	CAP SCREW	3	(A) M10 X 40	
20	H115881	BELT	1		
	H118618	BELT	1	(A)	
21	AE38448	RELIEF VALVE	1		
22	19M8017	CAP SCREW	3	(A) M12 X 20	

(A) SLOW SPEED CYLINDER DRIVE OPTION

4D13

DRIVES

DUAL-RANGE CYLINDER DRIVE ADJUSTING BRACKET
HP9019 -UN-08SEP99



HP9019

4D14

DRIVES

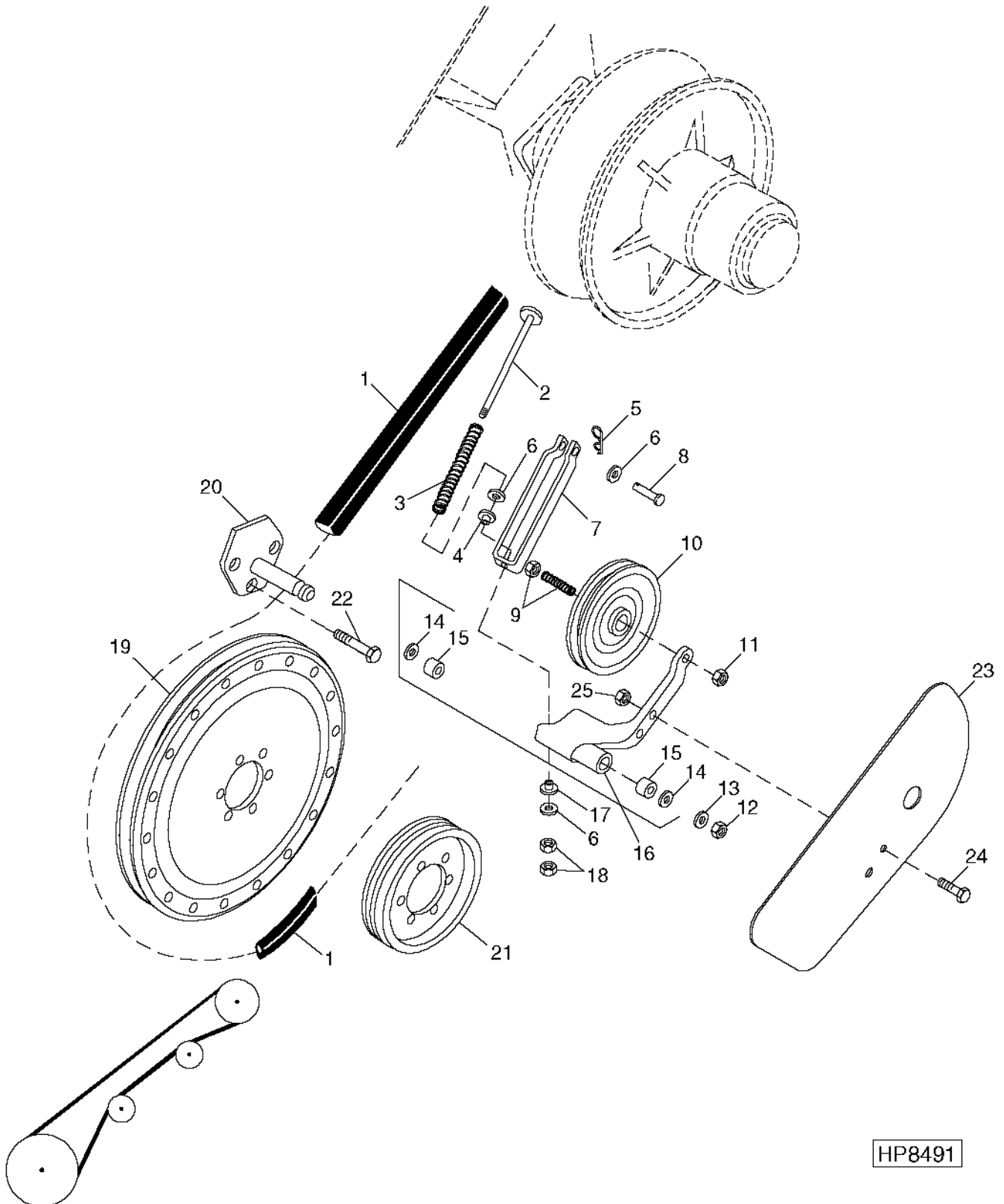
DUAL-RANGE CYLINDER DRIVE ADJUSTING BRACKET - CONTINUED

KEY	PART NO.	PART NAME	QTY	SERIAL NO.	REMARKS
1	W39621	NUT	1	M16	
2	19M7843	SCREW	1	M16 X 35	
3	AH161546	BRACE	1		
4	14M7300	FLANGE NUT	2	M20	
5	H131482	SUPPORT	1		
6	24M7240	WASHER	3	13 X 25 X 3 MM	
7	14M7291	FLANGE NUT	1	M16	
8	H116065	EYEBOLT	1		
9	24M7053	WASHER	1	17 X 30 X 3 MM	
10	19M8046	CAP SCREW	1	M16 X 70	
11	H131485	EYEBOLT	1		
12	R50770	PLUG	1		
13	19M7791	SCREW	2	M12 X 40	
14	AH155661	STRAP	1		
15	14M7299	FLANGE NUT	8	M12	
16	19M7837	SCREW	2	M12 X 110	

4D15

DRIVES

SECONDARY COUNTERSHAFT DRIVE
HP8491 -UN-26APR99



4D16

DRIVES

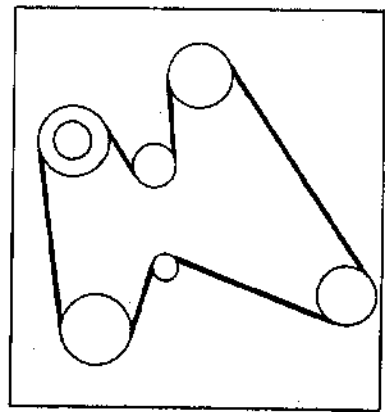
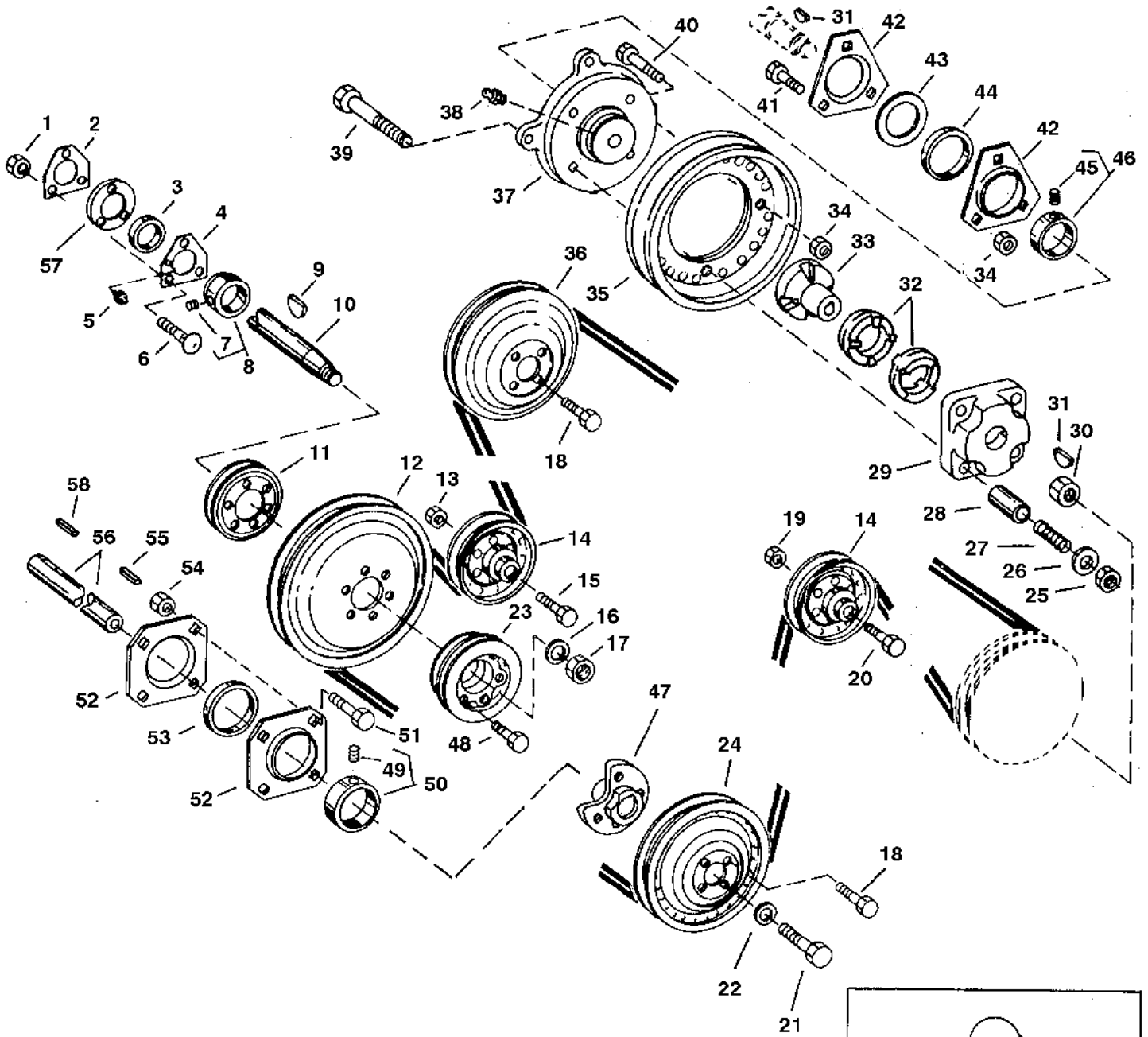
SECONDARY COUNTERSHAFT DRIVE - CONTINUED

KEY	PART NO.	PART NAME	QTY	SERIAL NO.	REMARKS
1	H128010	BELT	1		
2	AH124826	STUD	1		
3	B10604	SPRING	1		
4	H97513	BUSHING	1		
5	11M7028	COTTER PIN	1	5 X 32 MM	
6	24M7047	WASHER	3	13 X 24 X 2.500 MM	
7	H133667	CLEVIS	1		
8	H748DA	PIN	1		
9	19M7824	SCREW	1	M16 X 60	
10	AH97031	IDLER	1		
11	14M7291	FLANGE NUT	1	M16	
12	P46402	SNAP RING	1		
13	24M7091	WASHER	1	26 X 44 X 4 MM	
14	AA5607R	SEAL	2		
15	H99147	BUSHING	2	(SUB H171061)	
	H171061	BEARING	2		
16	AH124828	ARM	1		
17	H129207	PIVOT	1		
18	14M7275	NUT	2	M12	
19	H159815	SHEAVE	1		
20	AH139816	PIN	1		
21	H142143	SHEAVE	1		
22	19M7784	SCREW	3	M10 X 20	
23	H141772	SHIELD	1		
24	19M7163	CAP SCREW	2	M8 X 25	
25	14M7298	FLANGE NUT	2	M8	

4D17

DRIVES

CONVEYOR AUGERS, SIEVE AND CHAFFER DRIVE
HP6902 -UN-18AUG97



HP6902

4D18

DRIVES

CONVEYOR AUGERS, SIEVE AND CHAFFER DRIVE - CONTINUED

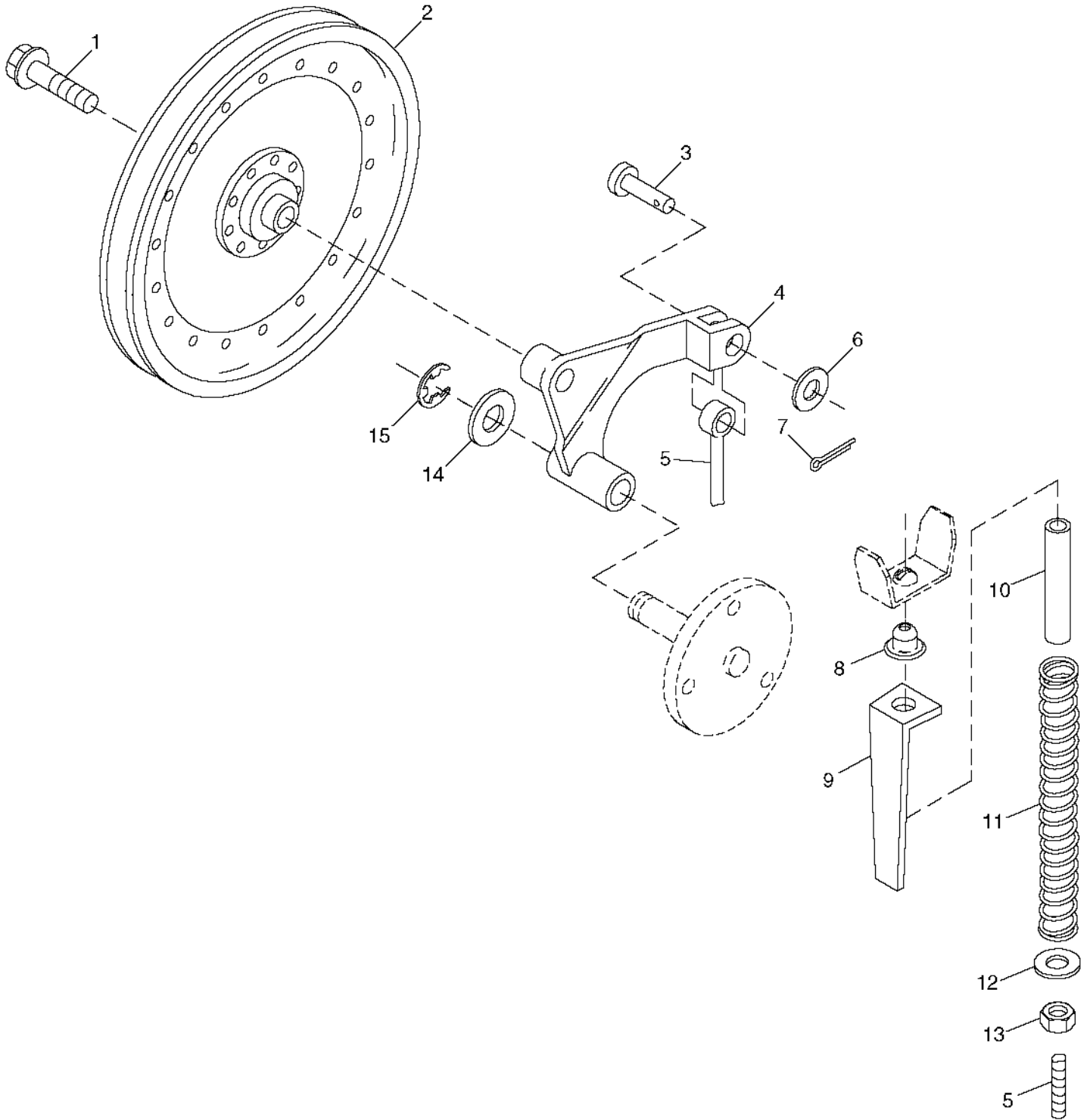
KEY	PART NO.	PART NAME	QTY	SERIAL NO.	REMARKS
1	14M7296	FLANGE NUT	3	M10	
2	H135410	PRESSED FLANGED HOUSING	1		
3	AH139296	BALL BEARING	1		
4	AH129420	PRESSED FLANGED HOUSING	1		
5	JD7846	LUBRICATION FITTING	1		
6	03M7191	BOLT	3	M10 X 25	
7	22M7081	SET SCREW	1	M10 X 10	
8	AH133191	ECCENTRIC LOCKING COLLAR	1		
9	H153524	KEY	1	WOODRUFF (HARDENED)	
10	H132208	JACKSHAFT	1		
11	H131170	SHEAVE	1		
12	H159815	SHEAVE	1		
13	14M7291	FLANGE NUT	1	M16	
14	AH94450	IDLER	2		
15	19M7824	SCREW	1	M16 X 60	
16	24M7091	WASHER	1	26 X 44 X 4 MM	
17	14M7413	LOCK NUT	1	M24	
18	19M7784	SCREW	8	M10 X 20	
19	14M7291	FLANGE NUT	1	M16	
20	19M7824	SCREW	1	M16 X 60	
21	19M8035	CAP SCREW	1	M16 X 35	
22	T119912	WASHER	2		
23	H142143	SHEAVE	1		
24	AH126188	SHEAVE	1		
25	14M7400	LOCK NUT	4	M10	
26	24M7101	WASHER	4	11 X 34 X 3 MM	
27	R56722	SPRING	4		
28	H87206	SPACER	4		
29	H89525	RETAINER	1		
30	14M7300	FLANGE NUT	1	M20	
31	26M4226	SHAFT KEY	1	5 X 19 MM	
32	H128265	SLIP CLUTCH	2		
33	H131098	HUB	1		
34	14M7296	FLANGE NUT	4	M10	
35	AH126094	SHEAVE	1		
36	AH134596	SHEAVE	1		
37	H135423	HUB	1		
38	JD7797	LUBRICATION FITTING	1		
39	19M8166	CAP SCREW	4	M10 X 110	
40	19M7786	SCREW	4	M10 X 30	
41	03M7191	BOLT	3	M10 X 25	
42	E10018	PRESSED FLANGED HOUSING	2		
43	H102533	SHIM	5		
44	AH129451	BALL BEARING	1		
45	SET SCREW	1		
46	AH129452	ECCENTRIC LOCKING COLLAR	1		
47	H133603	HUB	1		
48	19M7810	SCREW	6	M10 X 80	
49	22M7081	SET SCREW	2		
50	AL14674	ECCENTRIC LOCKING COLLAR	2		
51	03M7198	BOLT	8	M12 X 30	
52	H133621	PRESSED FLANGED HOUSING	4		
53	JD39109	BALL BEARING	2		
54	14M7299	FLANGE NUT	16	M12	
55	49M5606	SHAFT KEY	1		
56	H133597	SHAFT	1	CLEANING SHOE SHAFT	
57	H105578	SHIM	1		
58	49M7040	SHAFT KEY	1		
..	H131169	BELT	1		

4D19

DRIVES

CLEANING SHOE AND CONVEYOR AUGER PIVOT ARM DRIVE TIGHTENER

HP8961 -UN-30AUG99



HP8961

4D20

DRIVES

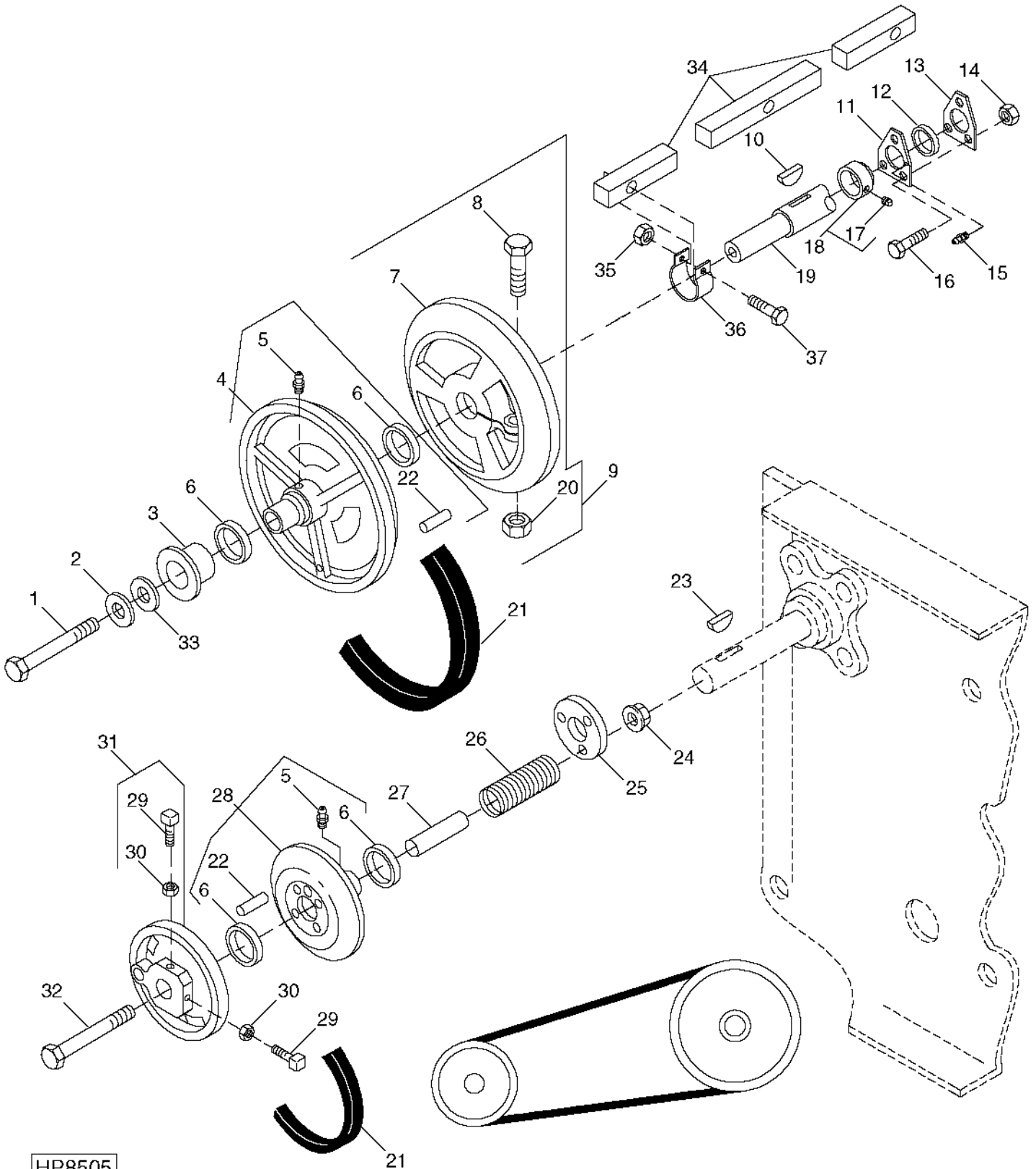
CLEANING SHOE AND CONVEYOR AUGER PIVOT ARM DRIVE TIGHTENER - CONTINUED

KEY	PART NO.	PART NAME	QTY	SERIAL NO.	REMARKS
1	19M7794	SCREW	1		
2	AH134596	SHEAVE	1		
3	Z9135H	PIN	1		
4	AH140600	ARM	1		
5	H129311	EYEBOLT	1		
6	24M7047	WASHER	1		13 X 24 X 2.500 MM
7	11M7015	COTTER PIN	1		3.200 X 25 MM
8	H129207	PIVOT	1		
9	H135512	GAUGE	1		
10	H116916	HOSE	1		
11	N165696	SPRING	1		
12	24M7180	WASHER	1		13 X 37 X 3 MM
13	14M7275	NUT	1		M12
14	24M7091	WASHER	1		26 X 44 X 4 MM
15	P46402	SNAP RING	1		

4D21

DRIVES

SEPARATOR FAN DRIVE
HP8505 -UN-21APR99



HP8505

4D22

DRIVES

SEPARATOR FAN DRIVE - CONTINUED

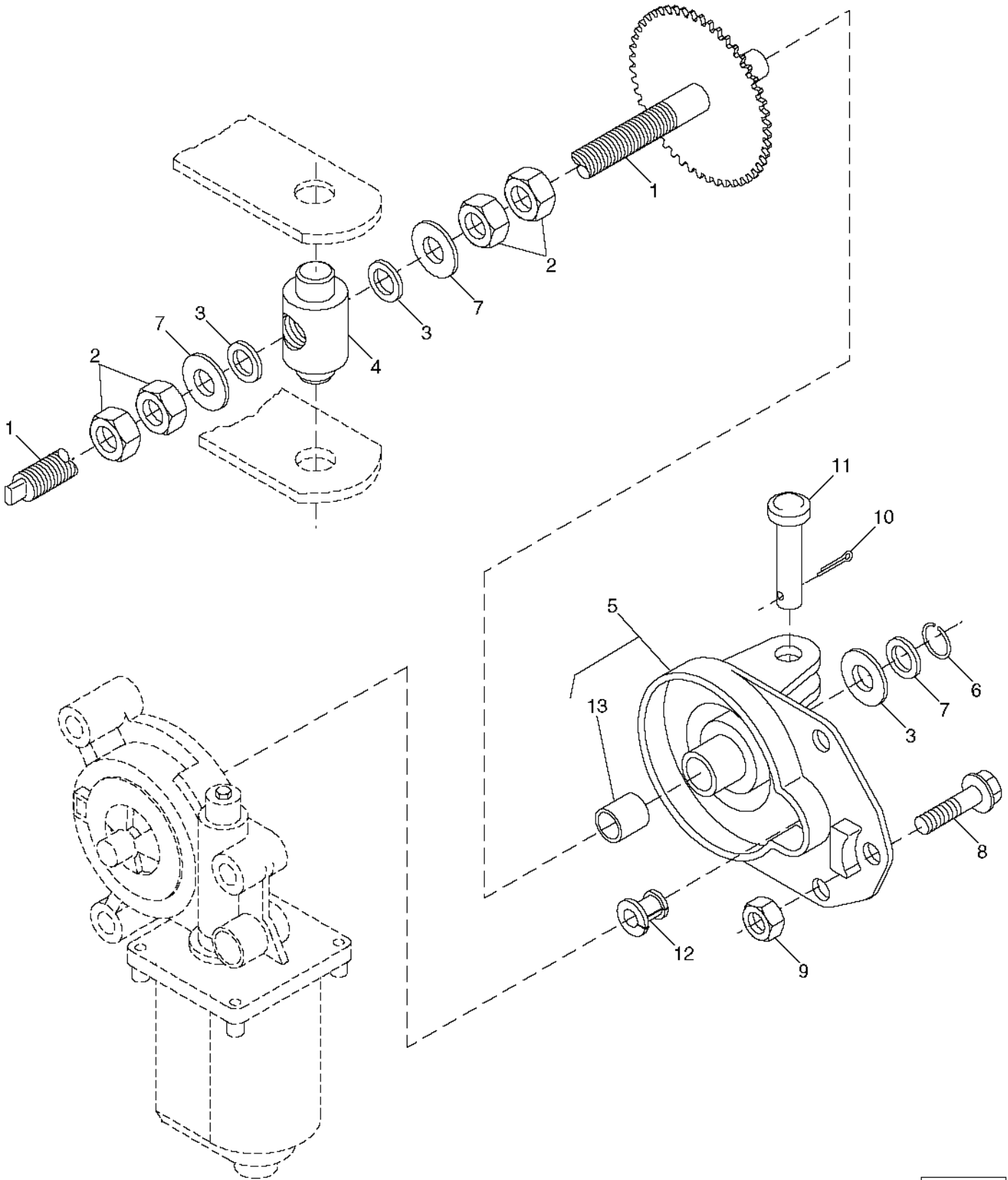
KEY	PART NO.	PART NAME	QTY	SERIAL NO.	REMARKS
1	19M7786	SCREW	1	M10 X 30	
2	24H1314	WASHER	1	13/32" X 1-3/4" X 7/64"	
3	AH124050	THROW-OUT BEARING	1		
4	AH146463	HALF SHEAVE	1	460 MM O.D. (750-1350 RPM)	OUTER DRIVE
	AH153040	SHEAVE	1	(490 - 980 RPM)	
5	JD7759	LUBRICATION FITTING	2	1/8" STRAIGHT	
6	AH14080	SEAL	4		
7	SHEAVE	1		
8	19M8112	SCREW	1	M12 X 55	
9	AH149356	HALF SHEAVE	1	(750 - 1350 RPM)	INNER DRIVE
	AH149357	HALF SHEAVE	1	(490 - 980 RPM)	INNER DRIVE
10	H153524	KEY	1	WOODRUFF (HARDENED)	
11	AH129420	PRESSED FLANGED HOUSING	1		
12	AH139296	BALL BEARING	1		
13	H135410	PRESSED FLANGED HOUSING	1		
14	14M7296	FLANGE NUT	3	M10	
15	JD7846	LUBRICATION FITTING	1	45 DEGREE	
16	03M7191	BOLT	3	M10 X 25	
17	22M7081	SET SCREW	1	M10 X 10	
18	AH133191	ECCENTRIC LOCKING COLLAR	1		
19	H132208	JACKSHAFT	1		
20	14M7299	FLANGE NUT	1	M12	
21	H152146	BELT	1	(750-1350 RPM)	
	H152180	BELT	1	(490-980 RPM)	
22	R1964R	DOWEL PIN	2		
23	26M6731	SHAFT KEY	1	6 X 25 MM, WOODRUFF	
24	14M7396	LOCK NUT	4	M8	
25	H135599	WASHER	1		
26	H93399	SPRING	4		
27	H133489	BUSHING	4		
28	AH157219	HALF SHEAVE	1	INNER DRIVE	
29	H138435	SET SCREW	2	M10 X 25	
30	14M7152	NUT	2	M10	
31	AH146462	HALF SHEAVE	1	OUTER DRIVE	
32	19M7873	SCREW	4	M8 X 110	
33	24H1307	WASHER	AR	13/32" X 1" X 1/16"	
34	H137816	STRIPPER	1		
35	14M7397	LOCK NUT	6	M6	
36	H137815	CLAMP	6		
37	19M7862	SCREW	6	M6 X 20	
..	BH81191	COMPLETE GOODS/SHIP. BUNDLE	1	SLOW SPEED FAN DRIVE	

4D23

DRIVES

FAN DRIVE SPEED CONTROL LINKAGE

HP7550 -UN-16AUG99



HP7550

4D24

DRIVES

FAN DRIVE SPEED CONTROL LINKAGE - CONTINUED

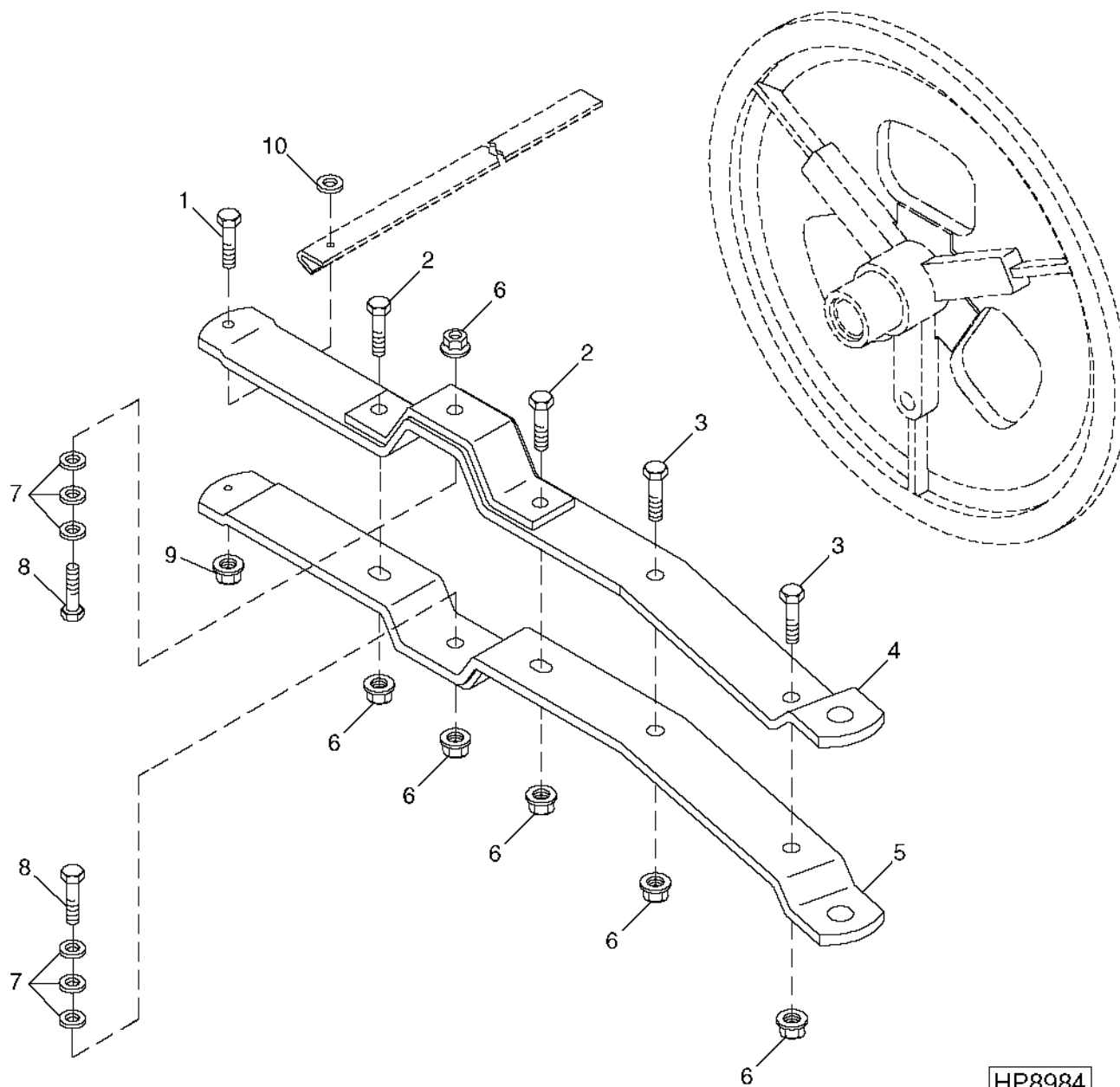
KEY	PART NO.	PART NAME	QTY	SERIAL NO.	REMARKS
1	AH128384	SHAFT	1		
2	14M7382	NUT	4	M16	
3	H140397	THRUST WASHER	3		
4	H133199	TRUNNION	1		
5	AH143904	SUPPORT	1		
6	H25099	SNAP RING	1		
7	H139132	SPACER	3		
8	19M8321	SCREW	3	M6 X 45	
9	14M7165	LOCK NUT	3	M6	
10	11M7059	COTTER PIN	1	3.200 X 20 MM	
11	45M7045	PIN	1	12 X 90 MM	
12	H89515	WASHER	1		
13	H91788	BUSHING	1		

4E1

DRIVES

FAN DRIVE SPEED CONTROL SHEAVE LINKAGE

HP8984 -UN-01SEP99



4E2

DRIVES

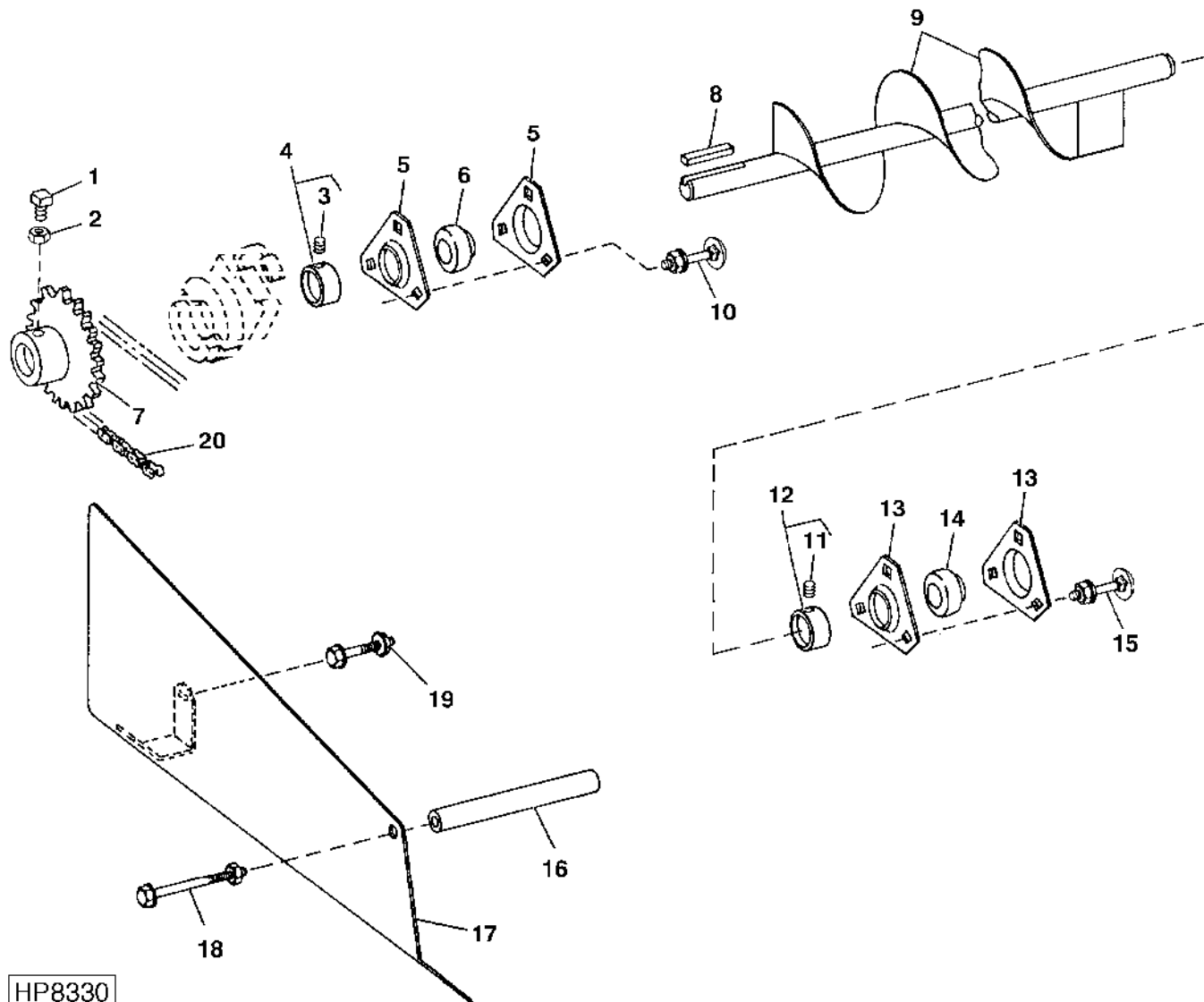
FAN DRIVE SPEED CONTROL SHEAVE LINKAGE - CONTINUED

KEY	PART NO.	PART NAME	QTY	SERIAL NO.	REMARKS
1	19M7868	SCREW	1		M8 X 30
2	19M7790	SCREW	2		M12 X 35
3	19M7788	SCREW	2		M12 X 25
4	AH134729	ARM	1		
5	AH134730	ARM	1		
6	14M7299	FLANGE NUT	6		M12
7	24H1882	WASHER	6		17/32" X 3/4" X 0.060"
8	19M8169	SCREW	2		M12 X 30
9	14M7298	FLANGE NUT	1		M8
10	28H1511	WASHER	1		0.364" X 0.540" X 1/4"

4E3

UPPER TAILINGS AUGER, DRIVE AND SHIELD

HP8330 -UN-05MAR99



UPPER TAILINGS AUGER, DRIVE AND SHIELD - CONTINUED

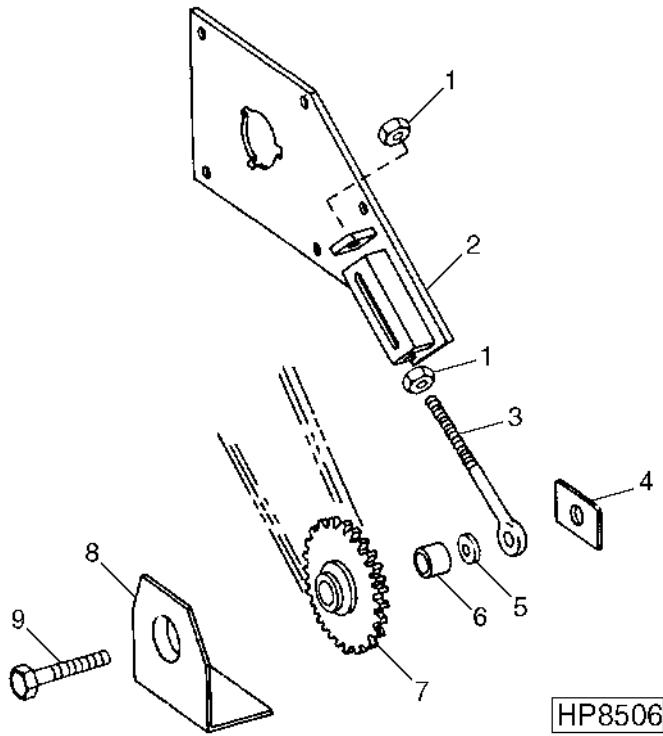
KEY	PART NO.	PART NAME	QTY	SERIAL NO.	REMARKS
1	H138435	SET SCREW	2		
2	14M7274	NUT	2	M10	
3	22M7079	SET SCREW	1	M6 X 6	
4	AZ10044	ECCENTRIC LOCKING COLLAR	1		
5	H103264	PRESSED FLANGED HOUSING	2		
6	JD39102	BALL BEARING	1		
7	AH121046	CHAIN SPROCKET	1	22 TOOTH	
8	49M4111	SHAFT KEY	1	8 X 7 X 40 MM	
9	AH125895	AUGER	1		
10	03M7184	BOLT	AR	M8 X 20	
	14M7298	FLANGE NUT	AR	M8	
11	22M7079	SET SCREW	1	M6 X 6	
12	AZ10044	ECCENTRIC LOCKING COLLAR	1		
13	H103264	PRESSED FLANGED HOUSING	2		
14	JD39102	BALL BEARING	1		
15	03M7184	BOLT	3	M8 X 20	
	14M7298	FLANGE NUT	3	M8	
16	H140467	BUSHING	1	9.246 X 13.716 X 104.775 MM (0.364" X 0.540" X 4-1/8")	
17	AH160994	SHIELD	1		
18	19M8404	CAP SCREW	1	M8 X 130	
	14M7298	FLANGE NUT	1	M8	
	24M7055	WASHER	1	8.400 X 16 X 1.600 MM	
19	19M7862	SCREW	1	M6 X 20	
	14M7303	FLANGE NUT	1	M6	
20	AH126007	ROLLER CHAIN	1	ROLLER, TYPE 50, 124 LINKS	

MEMORANDA

4E5

DRIVES

UPPER TAILINGS DRIVE CHAIN TIGHTENER
 HP8506 -UN-21APR99



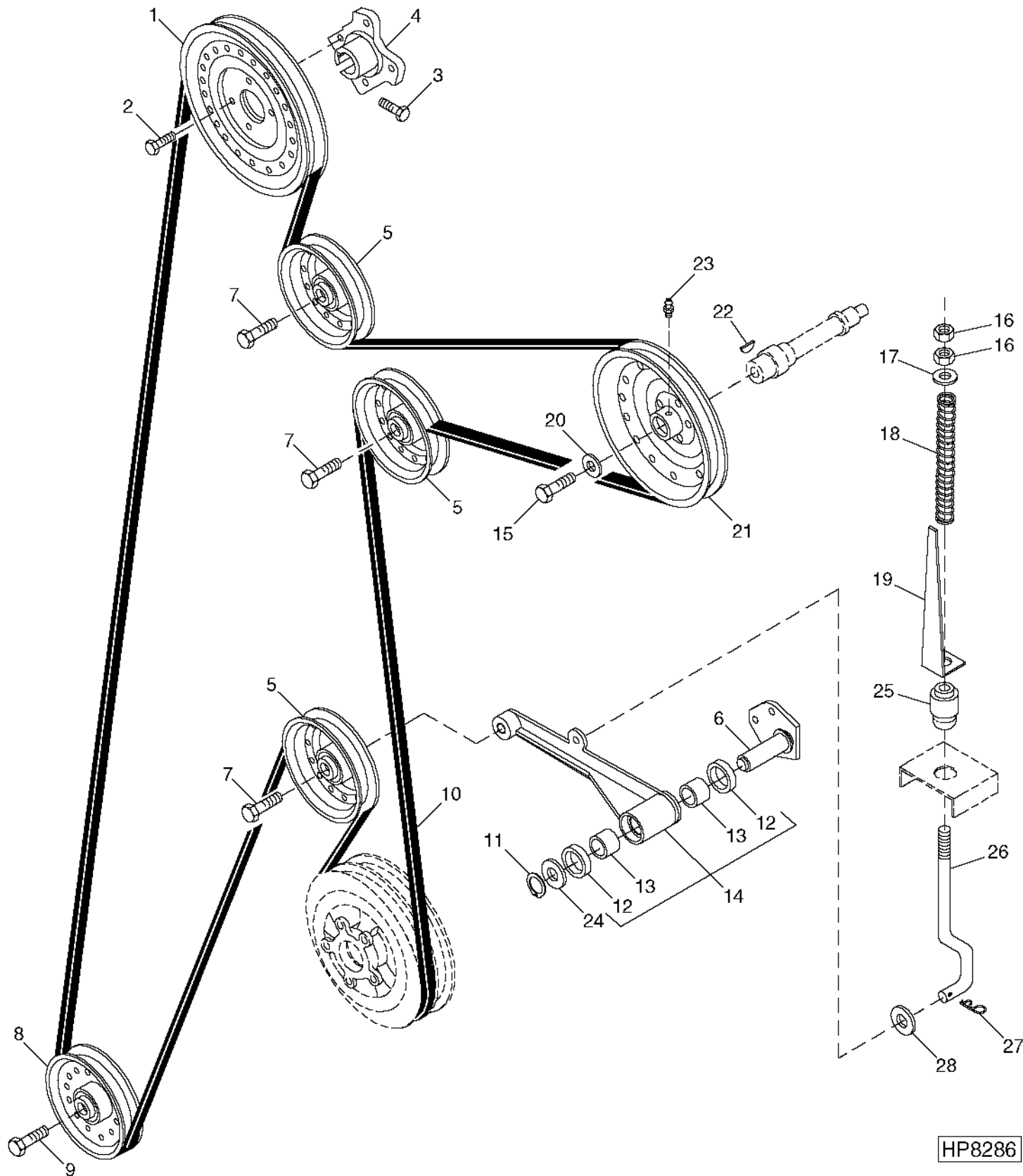
KEY	PART NO.	PART NAME	QTY	SERIAL NO.	REMARKS
1	14H809	NUT	2	1/2"	
2	AH128664	SUPPORT	1	IDLER	
3	H130956	EYEBOLT	1		
4	H130957	NUT	1	M12	
5	24M7047	WASHER	1		
6	28H1597	WASHER	1		
7	AH98176	CHAIN SPROCKET	1	17 TOOTH	
8	H133031	SHIELD	1		
9	19M7363	CAP SCREW	1	M12 X 60	

4E6

DRIVES

CLEAN GRAIN ELEVATOR DRIVE TIGHTENER AND IDLER

HP8286 -UN-23JUL99



HP8286

CLEAN GRAIN ELEVATOR DRIVE TIGHTENER AND IDLER - CONTINUED

KEY	PART NO.	PART NAME	QTY	SERIAL NO.	REMARKS
1	AH135463	SHEAVE	1		
2	19M7784	SCREW	4	M10 X 20	
3	19M7663	CAP SCREW	1	M8 X 70	
4	H134760	HUB	1		
5	AH94450	IDLER	3		
6	AH156051	SPRING PIN	1		
7	19M7824	SCREW	3	M16 X 60	
8	AN15237	IDLER	1		
9	19M7824	SCREW	1	M16 X 60	
10	H141166	BELT	1		
11	P46402	SNAP RING	1		
12	AA5607R	SEAL	2		
13	H99147	BUSHING	2	(SUB H171061)	
	H171061	BEARING	2		
14	AH146552	ARM	1		
15	19M7786	SCREW	2	M10 X 30	
16	14M7275	NUT	2	M12	
17	24M7180	WASHER	1	13 X 37 X 3 MM	
18	H86783	SPRING	1		
19	H170143	GAUGE	1		
20	24H1351	WASHER	1	14.275 X 38.100 X 4.166 MM	
21	AH132372	SHEAVE	1	GEARCASE, 11-INCH	
22	26M4228	SHAFT KEY	1	8 X 28 MM	
23	22H836	SET SCREW	2	3/8" X 1"	
	14H732	NUT	2	3/8"	
24	24M7091	WASHER	1	26 X 44 X 4 MM	
25	H170141	PIVOT	1		
26	H155307	BOLT	1		
27	11M7021	COTTER PIN	1	4 X 25 MM	
28	24M7047	WASHER	1	13 X 24 X 2.500 MM	

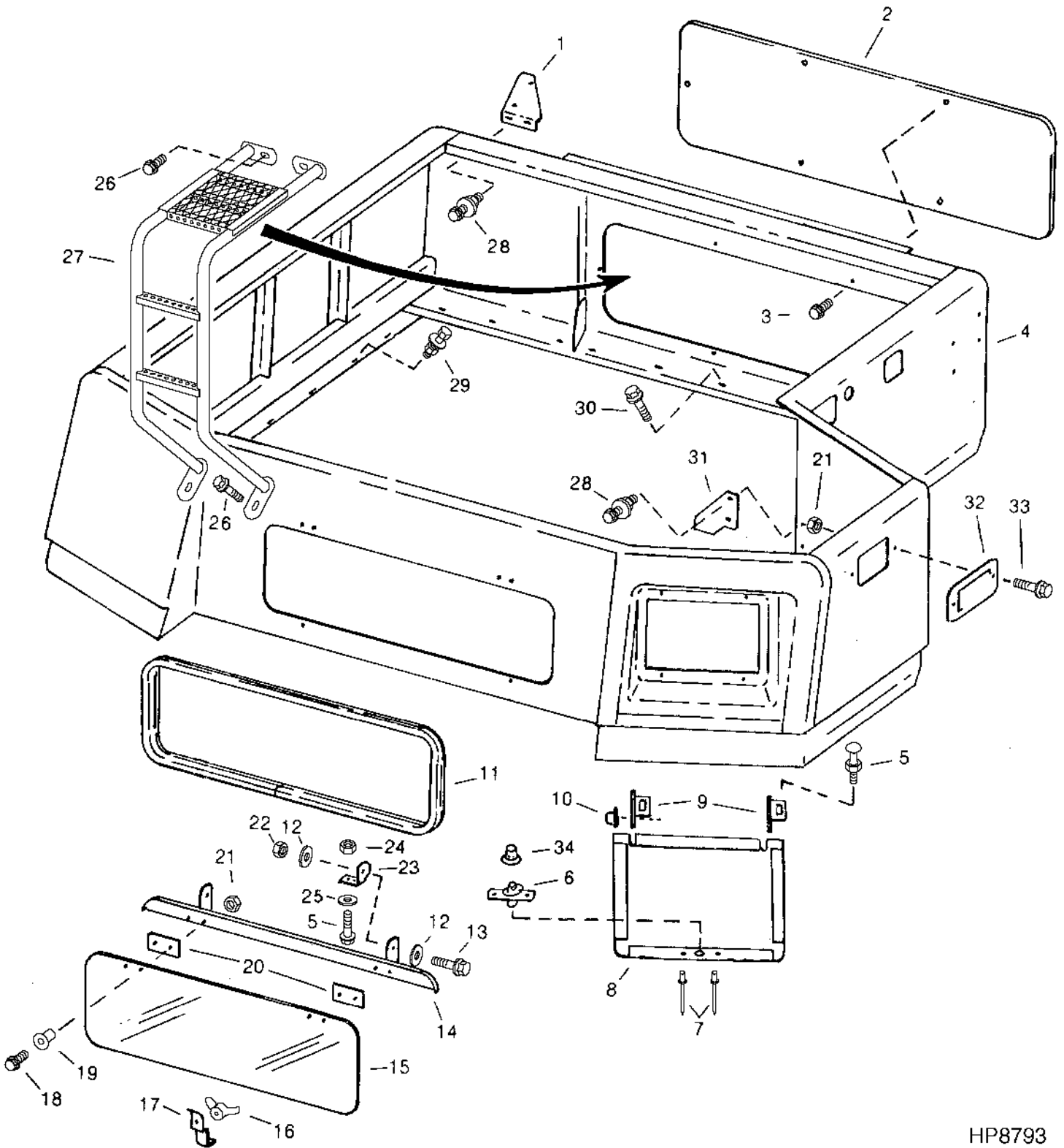
MEMORANDA

MEMORANDA

4E10

GRAIN TANK AND UNLOADING AUGER

GRAIN TANK TOP
HP8793 -UN-09JUL99



HP8793

4E11

GRAIN TANK AND UNLOADING AUGER

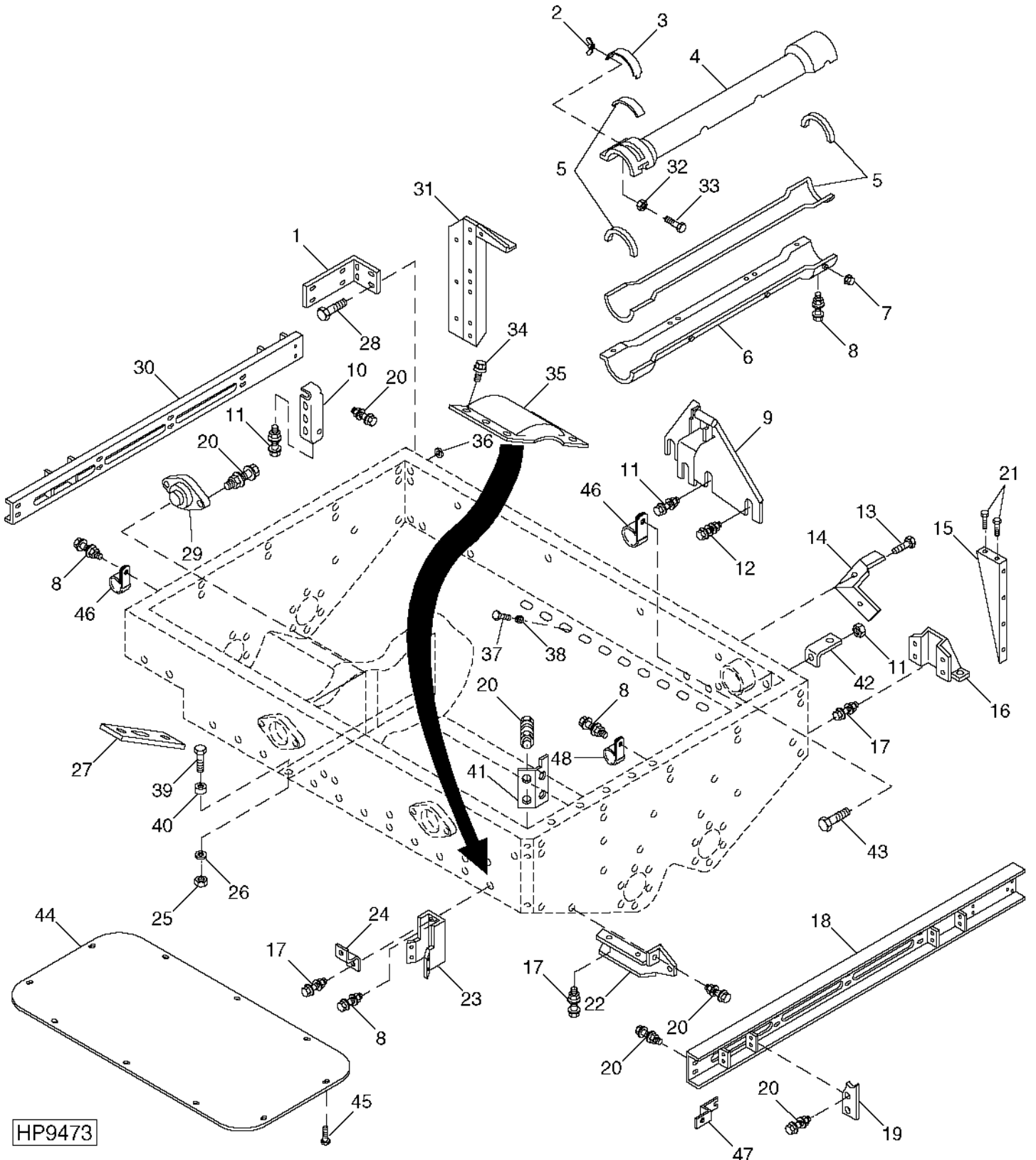
GRAIN TANK TOP - CONTINUED

KEY	PART NO.	PART NAME	QTY	SERIAL NO.	REMARKS
1	H164404	BRACKET	1		
2	H127638	PANEL	1		
3	19M7865	SCREW	6	M8 X 16	
4	AH161171	TANK	1	TOP	
5	03M7183	BOLT	6	M8 X 16	
	14M7298	FLANGE NUT	2	M8	
6	AH125644	LATCH	1		
7	H64584	RIVET	2		
8	AH122507	DOOR	1		
9	H132024	HINGE	2		
10	H120499	NUT	2		
11	AH80335	WEATHERSTRIP	AR		
12	B27370	WASHER	4	0.328" X 3/4" X 0.036"	
13	19M7866	SCREW	2	M8 X 20	
14	AH126619	REINFORCEMENT	1		
15	H131675	WINDOWPANE	1		
16	14M7019	WING NUT	2	M6	
17	H131674	LATCH	2		
18	19M7862	SCREW	4	M6 X 20	
19	R50642	WASHER	4		
20	H131673	GASKET	2		
21	14M7303	FLANGE NUT	8	M6	
22	14M7396	LOCK NUT	2	M8	
23	H132542	ANGLE	2		
24	14M7298	FLANGE NUT	4	M8	
25	M84309	NUT	4	7.925 MM	
26	19M7866	SCREW	4	M8 X 20 M8	
27	AH160622	LADDER	1		
28	19M7866	SCREW	AR	M8 X 20	
	14M7298	FLANGE NUT	AR	M8	
29	19M7865	SCREW	13	M8 X 16	
	14M7298	FLANGE NUT	15	M8	
30	37M7058	SCREW	19	M8 X 20	
31	H130262	PANEL	1		
32	H132666	PLATE	2		
33	19M7774	SCREW	4	M6 X 12, (USED ONLY WITHOUT ROW LIGHTS)	
34	H121391	KNOB	1		

4E12

GRAIN TANK AND UNLOADING AUGER

GRAIN TANK BASE
HP9473 -UN-13JAN00



4E13

GRAIN TANK AND UNLOADING AUGER

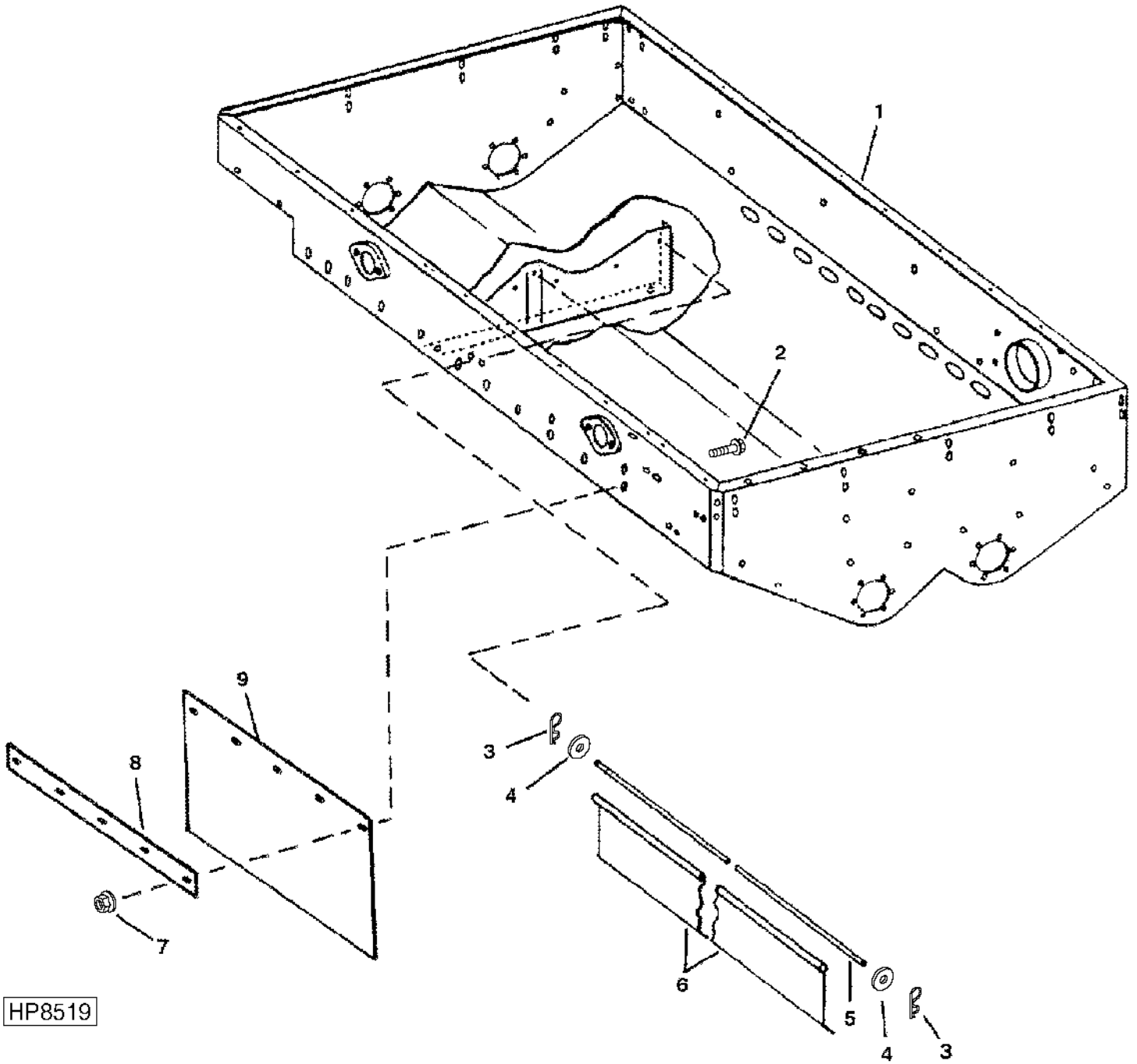
GRAIN TANK BASE - CONTINUED

KEY	PART NO.	PART NAME	QTY	SERIAL NO.	REMARKS
1	H129885	ANGLE	1		
2	14M7020	WING NUT	1	M8	
3	H131264	COVER	1		
4	H131230	HOUSING	1	UPPER	
5	H81330	ISOLATOR	AR		
6	AH126279	DUST SHIELD	1	LOWER	
7	14M7298	FLANGE NUT	4	M8	
8	19M7865	SCREW	AR	M8 X 16	
	14M7298	FLANGE NUT	AR	M8	
9	AH128037	BRACKET	1		
10	H168811	BRACKET	1		
11	19M7788	SCREW	6	M12 X 25	
	14M7299	FLANGE NUT	7	M12	
12	19M7787	SCREW	6	M12 X 20	
	24M7180	WASHER	5	13 X 37 X 3 MM	
	14M7299	FLANGE NUT	5	M12	
13	37M7083	SCREW	2		
14	H131227	DEFLECTOR	1		
15	H147299	SUPPORT	1		
16	H129588	BRACKET	1		
17	19M7866	SCREW	AR	M8 X 20	
	14M7298	FLANGE NUT	AR	M8	
18	AH166714	CHANNEL	1	LEFT-HAND	
19	H159011	PLATE	4		
20	19M7784	SCREW	AR	M10 X 20	
	14M7296	FLANGE NUT	AR	M10	
21	19M7788	SCREW	2	M12 X 25, (SUB FOR H131628)	
22	H127677	BRACKET	1	LEFT-HAND	
23	H136541	HOSE SUPPORT	1		
24	H132538	HOSE SUPPORT	1		
25	14M7299	FLANGE NUT	4	M12	
26	24M7240	WASHER	4	13 X 25 X 3 MM	
27	H139972	PLATE	1		
28	19M7785	SCREW	3		
29	AH108299	RUBBER MOUNT	2	CAB ISOLATION	
30	AH166713	CHANNEL	1	RIGHT-HAND	
31	AH155088	SUPPORT	1		
32	M84309	NUT	1		
33	03M7184	BOLT	1	M8 X 20	
34	H145773	SELF-LOCKING SCREW	2	M10 X 35	
35	AH126275	HOUSING	1		
36	H141123	NUT	5	10 MM	
37	37M7080	SCREW	5	M10 X 30	
38	24H1347	WASHER	5	17/32" X 2" X 0.194"	
39	19M8112	SCREW	4	M12 X 55	
40	N61709	BUSHING	4		
41	AH125814	SUPPORT	1		
42	H132662	BRACKET	1		
43	19M7789	SCREW	1	M12 X 30	
44	H162572	PANEL	1		
45	37M7058	SCREW	10		
46	AH89557	CLIP	AR		
47	H131628	BRACKET	1		
48	AH117301	CLAMP	2		

4E14

GRAIN TANK AND UNLOADING AUGER

GRAIN TANK AND CURTAINS
HP8519 -UN-28APR99



HP8519

4E15

GRAIN TANK AND UNLOADING AUGER

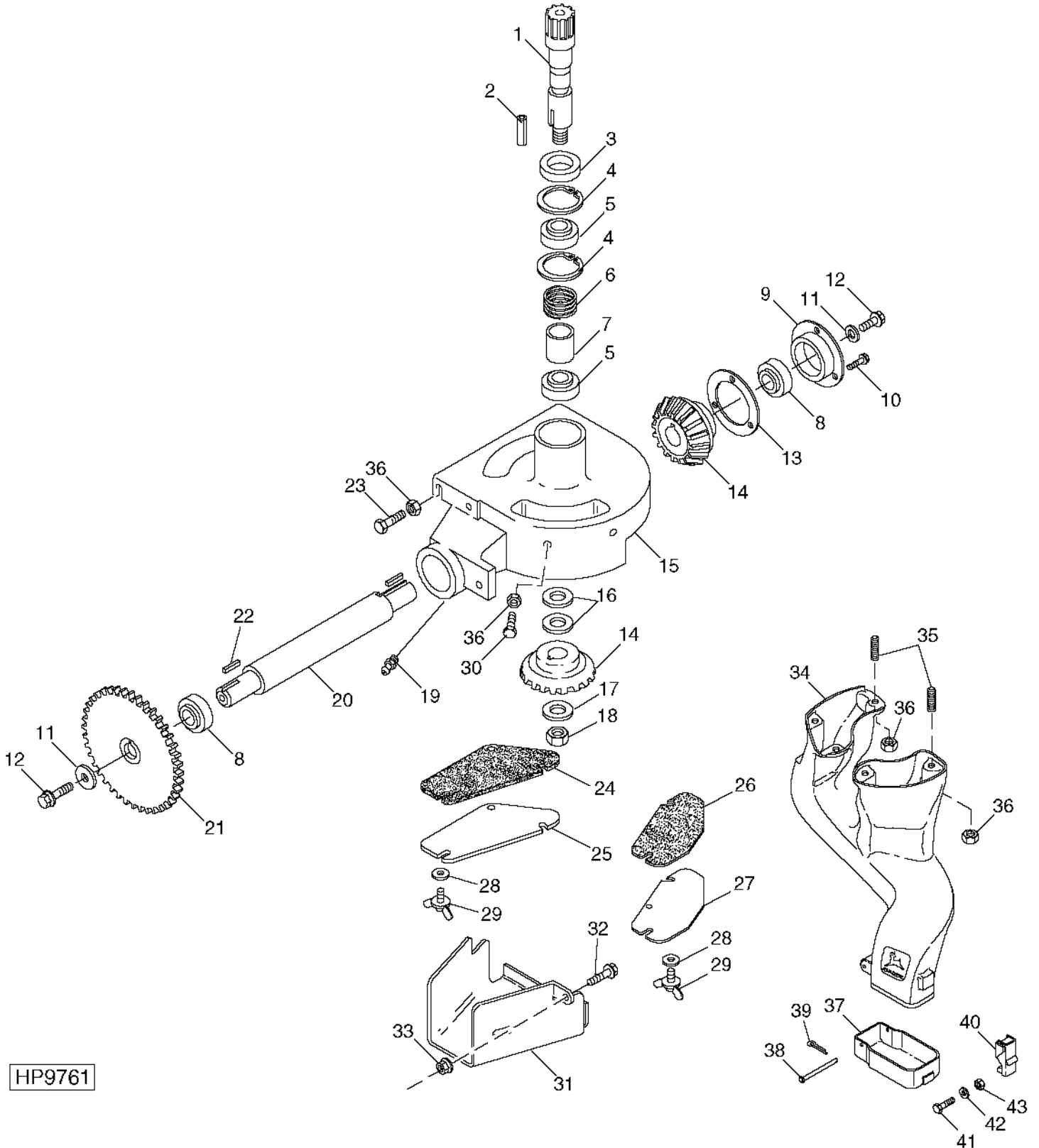
GRAIN TANK AND CURTAINS - CONTINUED

KEY	PART NO.	PART NAME	QTY	SERIAL NO.	REMARKS
1	AH157683	TANK	1		BASE
2	03M7193	BOLT	6		M10 X 35
3	A15147	SPRING LOCKING PIN	2		
4	T20217	WASHER	2		12.954 X 43.942 X 6.350 MM
5	H144825	PIPE	1		(USE WITH H144823)
	H76863	PIN	1		(USE WITH H145516)
6	H144823	LIMIT CURTAIN	1		RUBBER (CORN AND GRAIN)
	H145516	DEFLECTOR	1		STEEL (RICE)
7	14M7400	LOCK NUT	1		M10
8	H148116	PLATE	1		
9	H148056	LIMIT CURTAIN	1		
..	AH168093	KIT	1		STAINLESS STEEL TROUGH LINER

4E16

GRAIN TANK AND UNLOADING AUGER

VERTICAL AUGER LOWER GEAR CASE
HP9761 -UN-23MAY00



HP9761

4E17

GRAIN TANK AND UNLOADING AUGER

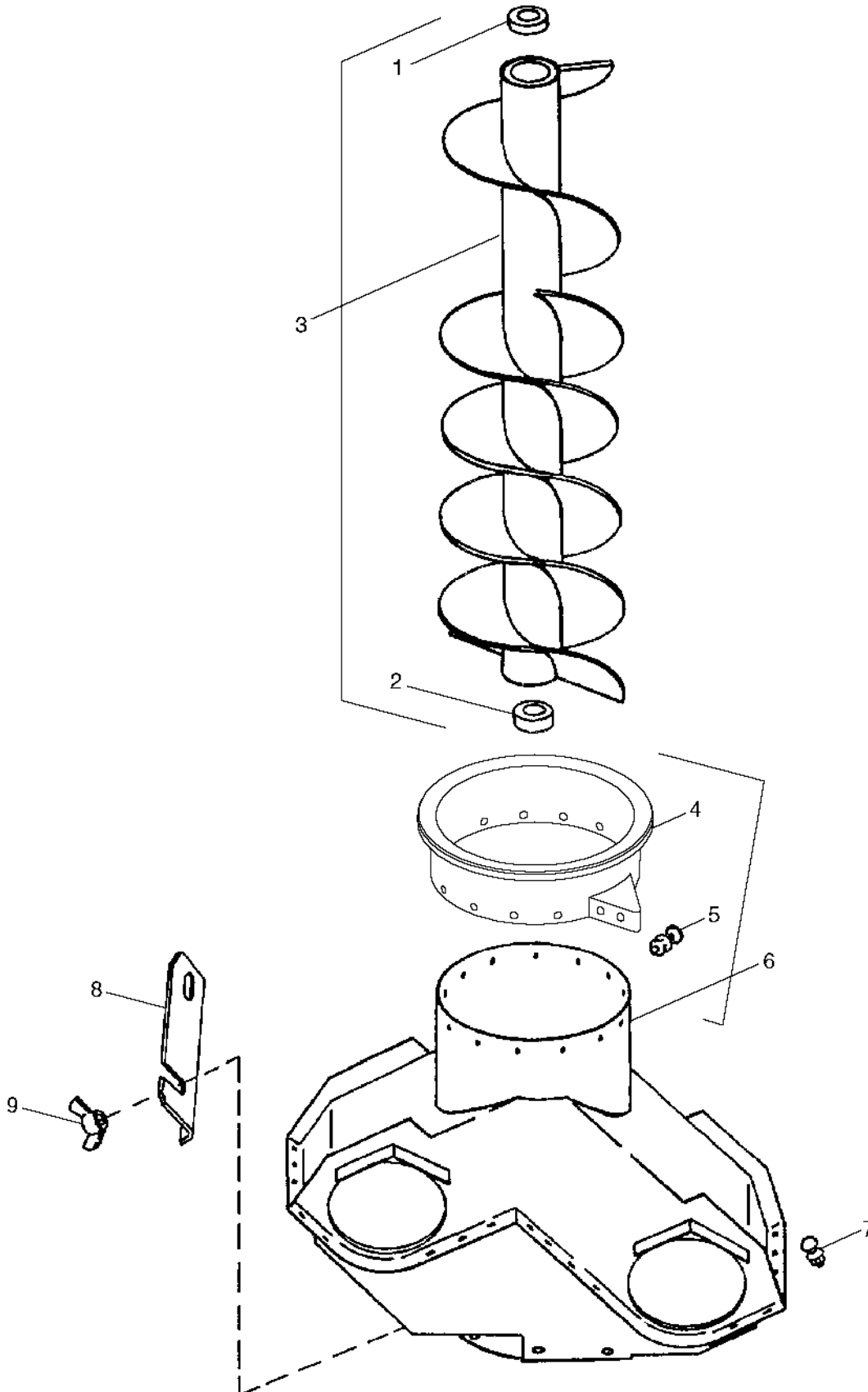
VERTICAL AUGER LOWER GEAR CASE - CONTINUED

KEY	PART NO.	PART NAME	QTY	SERIAL NO.	REMARKS
1	H96169	SHAFT	1		LOWER
2	KEY	2		10 MM X 10 MM 32 MM (3/8" X 3/8" X 1-1/4") (CUT FROM H64376 IN AH64587 KEY STOCK KIT)
3	AH90963	SEAL	1		
4	N71921	SNAP RING	2		
5	AH96585	BEARING	2		
6	H96267	SPRING	1		
7	H96149	BUSHING	1		
8	JD8524	BEARING	2		
9	H113053	BEARING HOUSING W/O BEARING	1		
10	19M7785	SCREW	3		M10 X 25
11	H129716	WASHER	2		17 X 58 X 8 MM
12	19M7843	SCREW	2		M16 X 35
13	AH138955	KIT	1		SHIM
14	H96294	GEAR	2		23 TOOTH
15	H130137	CASE	1		
16	24H1533	SHIM	2		0.018"
17	24H1433	WASHER	1		29/32" X 2-1/4" X 1/4"
18	H113238	FLANGE NUT	1		
19	JD7759	LUBRICATION FITTING	1		STRAIGHT
20	H129653	SHAFT	1		
21	AH125080	DRIVE SPROCKET	1		REGULAR SPEED (46 TOOTH)
	AH146352	DRIVE SPROCKET	1		SLOW SPEED (40 TOOTH)
22	KEY	1		10 MM X 10 MM X 38 MM (3/8" X 3/8" X 1-1/2") (CUT FROM H64376 IN AH64587 KEY STOCK)
23	19M7835	SCREW	1		M10 X 35
24	H135192	SEAL	1		FRONT
25	H136572	COVER	1		FRONT
26	H135193	SEAL	1		REAR
27	H136573	COVER	1		REAR
28	24M7178	WASHER	5		10.500 X 30 X 2.500 MM
29	21M7236	WING SCREW	5		M10 X 16
30	19M7786	SCREW	8		M10 X 30
31	H171385	SHIELD	1		
32	19M7789	SCREW	1		M12 X 30
33	14M7299	FLANGE NUT	1		M12
34	AH167433	CHUTE	1		
35	22M7149	SET SCREW	5		M10 X 30
36	14M7296	FLANGE NUT	14		M10
37	H173223	CAP	1		
38	M112271	PIN	1		
39	J16931	SPRING LOCKING PIN	1		
40	AH168300	LATCH	1		
41	21M7284	SCREW	4		M3 X 16
42	24M7029	SHIM	4		
43	14M7196	NUT	4		M3

4E18

GRAIN TANK AND UNLOADING AUGER

VERTICAL UNLOADING AUGER AND CHARGE HOUSING
HP8269 -UN-13JUL99



HP8269

4E19

GRAIN TANK AND UNLOADING AUGER

VERTICAL UNLOADING AUGER AND CHARGE HOUSING - CONTINUED

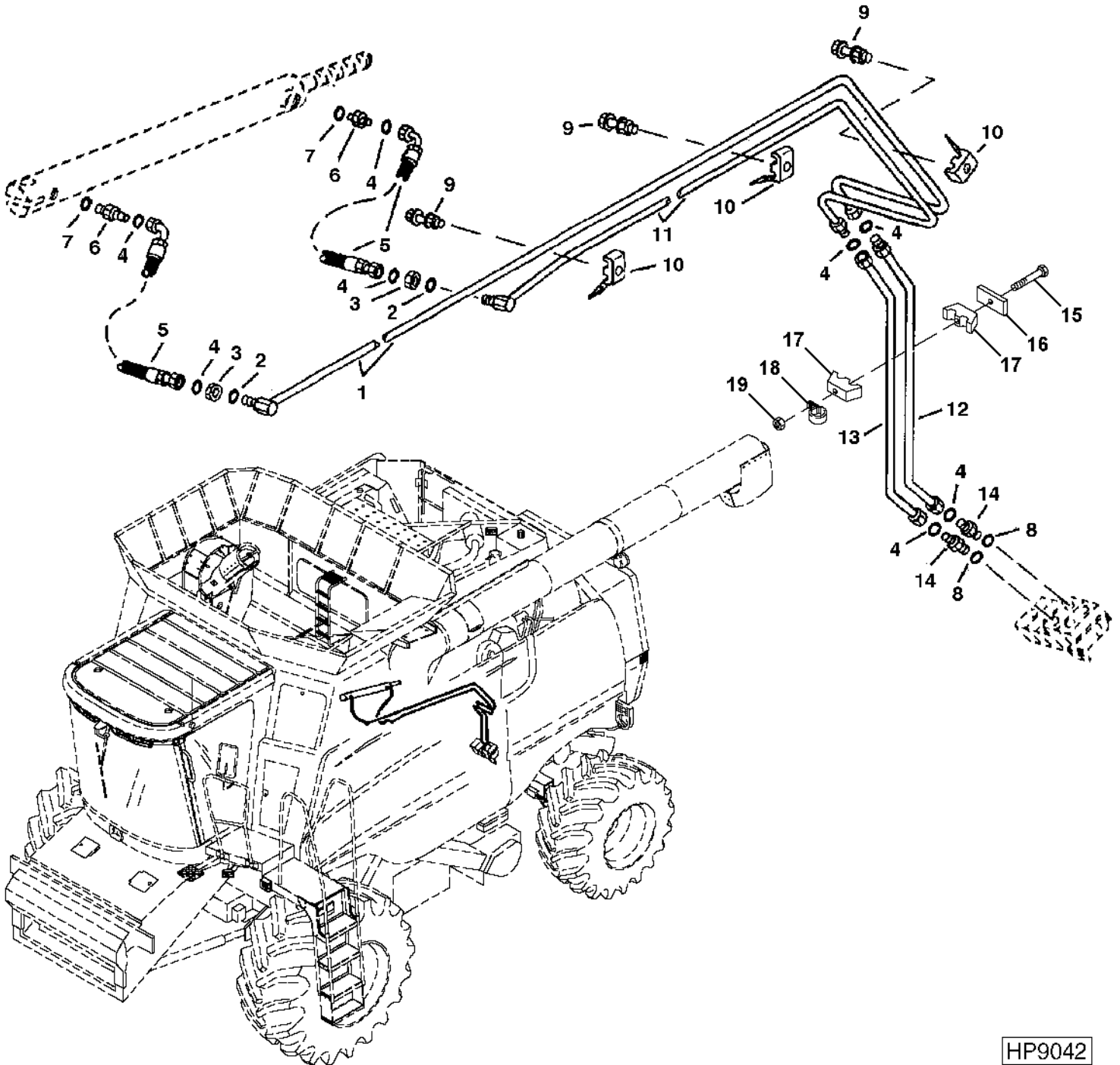
KEY	PART NO.	PART NAME	QTY	SERIAL NO.	REMARKS
1	H128861	SPLINED COUPLING	1		
2	AH124878	EXTERNAL HALF COUPLER	1		
3	AH124852	AUGER	1		REGULAR
	AH140081	AUGER	1		GRASS
	AH154962	AUGER	1		(HIGH WEAR)
4	H146775	RING	1		
5	03M7198	BOLT	12		M12 X 30
	14M7299	FLANGE NUT	12		M12
6	AH140713	HOUSING	1		
7	03M7190	BOLT	30		M10 X 20
	14M7296	FLANGE NUT	30		M10
8	H130771	PLATE	1		
9	14M7020	WING NUT	2		M8

4E20

GRAIN TANK AND UNLOADING AUGER

UNLOADING AUGER SWING CYLINDER LINES AND HOSES

HP9042 -UN-13SEP99



HP9042

4E21

GRAIN TANK AND UNLOADING AUGER

UNLOADING AUGER SWING CYLINDER LINES AND HOSES - CONTINUED

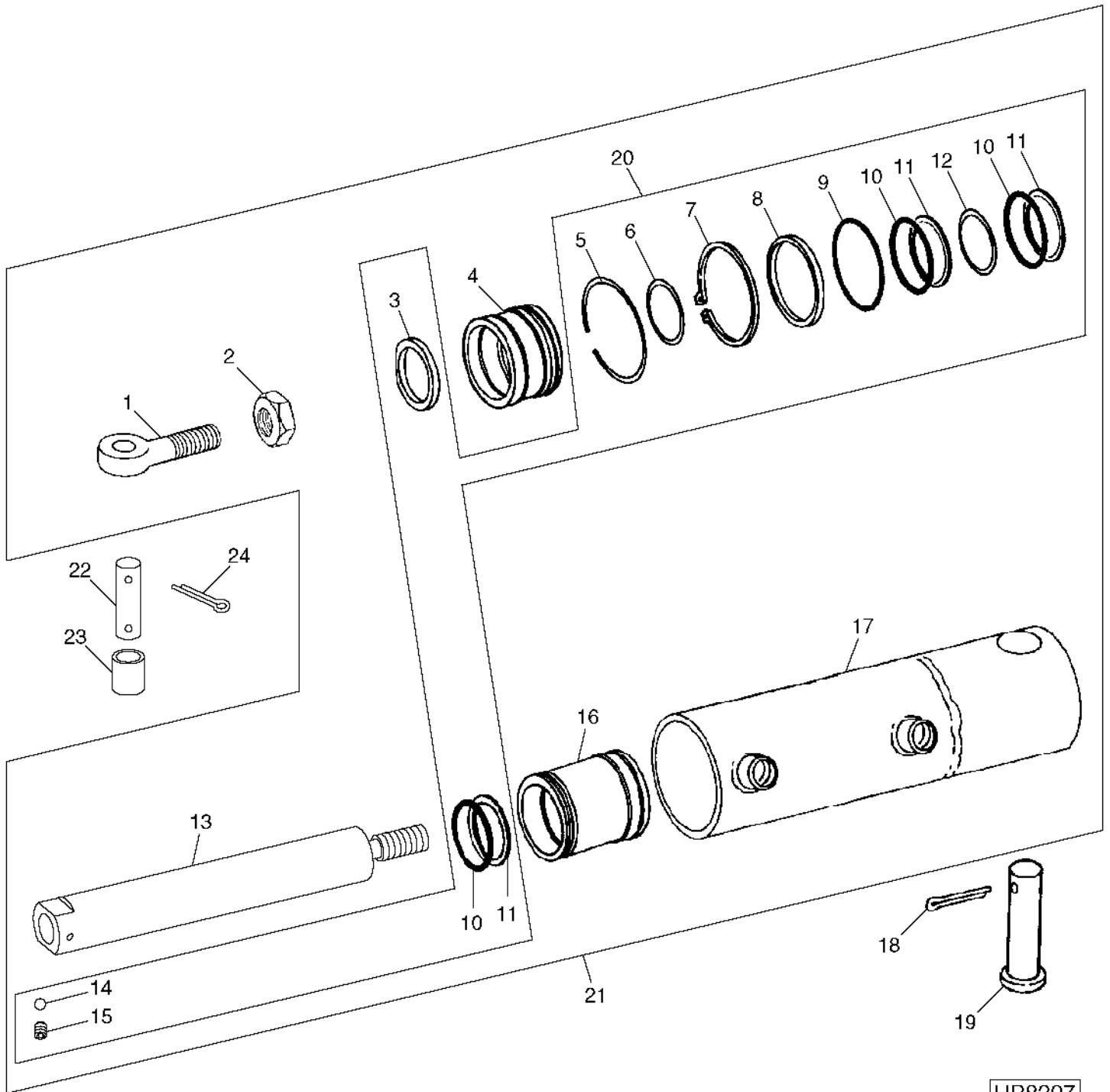
KEY	PART NO.	PART NAME	QTY	SERIAL NO.	REMARKS
1	AH128641	HYDRAULIC LINE	1		(EXTEND)
2	24M7114	WASHER	2		19 X 30 X 4 MM
3	T81029	NUT	2		17.475 MM
4	T77613	O-RING	8		9.246 X 1.778 MM
5	AH130581	HYDRAULIC HOSE	2		11/16" X 780 MM X 11/16"
6	38H1160	ADAPTER	2		
7	R26448	O-RING	2		11.887 X 1.981 MM
8	R26375	O-RING	2		16.358 X 2.210 MM
9	19M7868	SCREW	3		M8 X 30
	14M7298	FLANGE NUT	3		M8
10	H108745	CLAMP	3		
11	AH128642	HYDRAULIC LINE	1		(RETRACT)
12	AH128855	HYDRAULIC LINE	1		(EXTEND)
13	AH128854	HYDRAULIC LINE	1		(RETRACT)
14	38H1171	ADAPTER	2		
15	19M8317	SCREW	1		M8 X 40
16	H121163	COVER	1		
17	H128515	CLAMP	1		
18	H75541	CLAMP	1		
19	14M7298	FLANGE NUT	1		M8

4E22

GRAIN TANK AND UNLOADING AUGER

UNLOADING AUGER SWING CYLINDER AND MOUNTING

HP8297 -UN-02JUN99



HP8297

4E23

GRAIN TANK AND UNLOADING AUGER

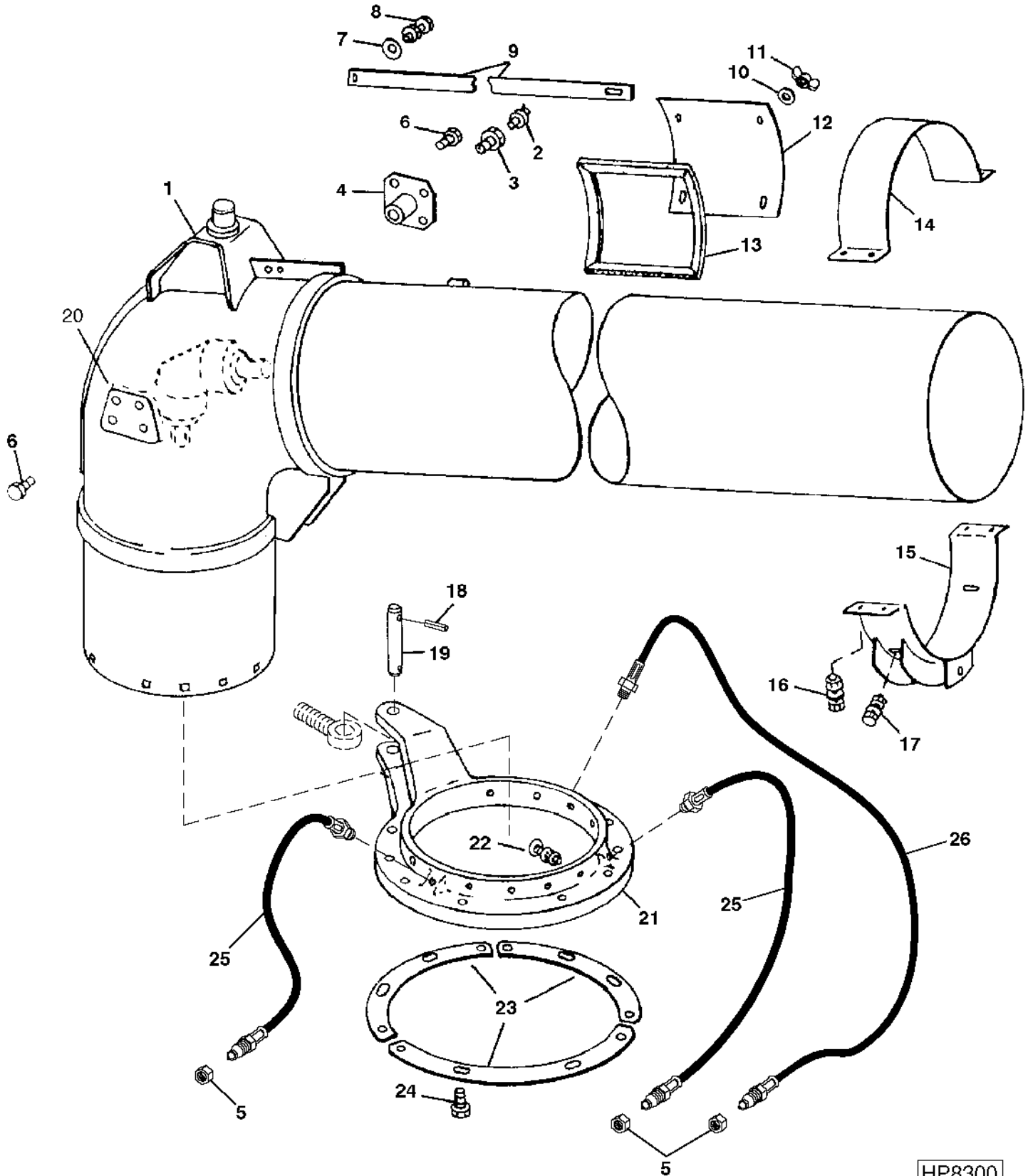
UNLOADING AUGER SWING CYLINDER AND MOUNTING - CONTINUED

KEY	PART NO.	PART NAME	QTY	SERIAL NO.	REMARKS
1	H150926	EYEBOLT	1		
2	14H904	NUT	1	19.050 MM	
3	SEAL	1		
4	BEARING	1		
5	SNAP RING	1		
6	SEAL	1		
7	RING	1		
8	WASHER	1		
9	O-RING	1		
10	O-RING	1		
11	RING	1		
12	O-RING	1		
13	H150920	ROD	1		
14	L36230	BALL	1	4.500 MM	
15	22H897	SET SCREW	1	6.350 X 6.350 MM	
16	PISTON	1		
17	HYDRAULIC CYLINDER BARREL	1		
18	11H218	COTTER PIN	1		
19	R56930	PIN	1		
20	AH146043	KIT	1		
21	AH145030	HYDRAULIC CYLINDER	1		
22	H138930	PIN	1		
23	M131544	SPACER	1		
24	11M7038	COTTER PIN	2	6.300 X 40 MM	

4E24

GRAIN TANK AND UNLOADING AUGER

HORIZONTAL UNLOADING AUGER SWIVEL
HP8300 -UN-21JUL99



HP8300

4E25

GRAIN TANK AND UNLOADING AUGER

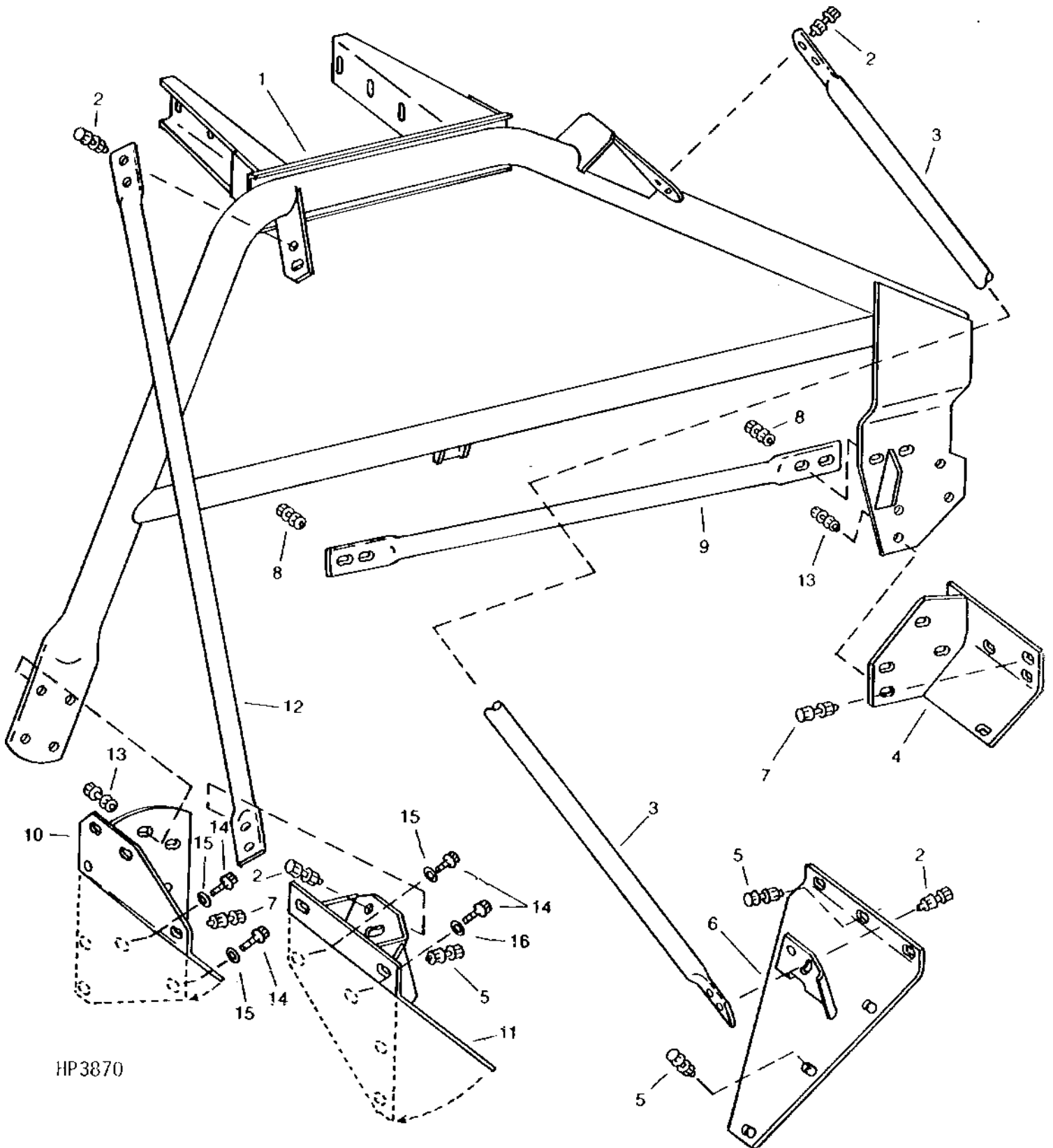
HORIZONTAL UNLOADING AUGER SWIVEL - CONTINUED

KEY	PART NO.	PART NAME	QTY	SERIAL NO.	REMARKS
1	AH162400	HOUSING	1		
2	JD7781	LUBRICATION FITTING	1		90° X 21.336 MM LONG (0.840" LONG) 90 DEGREE
3	H110168	SCREW	1		
4	AH123912	SUPPORT	1		
5	E12379	NUT	6	1/8"	
6	19M7785	SCREW	8	M10 X 25	
7	24H1305	WASHER	1	13/32" X 13/16" X 0.065"	
8	19H1732	CAP SCREW	1	3/8" X 1-1/4"	
	E55662	FLANGE NUT	1	3/8"	
9	H116351	STRAP	1		
10	24M7207	WASHER	4	8.400 X 24 X 2 MM	
11	14H785	NUT	4	5/16"	
12	H96652	DOOR	1		
13	WEATHERSTRIP	AR		(CUT FROM H81330)
14	H133178	CLAMP	1		
15	AH136153	STRAP	1		
16	19M7786	SCREW	4	M10 X 30	
	24H1311	WASHER	4	13/32" X 1-1/4" X 0.220"	
	14M7296	FLANGE NUT	4	M10	
17	03M7190	BOLT	2	M10 X 20	
	14M7296	FLANGE NUT	2	M10	
18	A15147	SPRING LOCKING PIN	2		
19	H138930	PIN	1	22.070 X 118 MM (0.869" X 4.646")	
20	H147752	PLATE	1		
21	H137227	RING	1		
22	03M7353	BOLT	12	M12 X 30	
	14M7299	FLANGE NUT	12	M12	
23	H131356	SECTOR	3		
24	19M7784	SCREW	8	M10 X 20	
	19M7783	SCREW	4	M10 X 16	
25	AH136553	HOSE	2	1/8" X 63" X 1/8"	
26	AH136554	HOSE	1	1/8" X 80-3/4" X 1/8"	

4F1

GRAIN TANK AND UNLOADING AUGER

AUGER SWIVEL SUPPORT AND BRACES
HP3870 -UN-01JAN94



HP3870

4F2

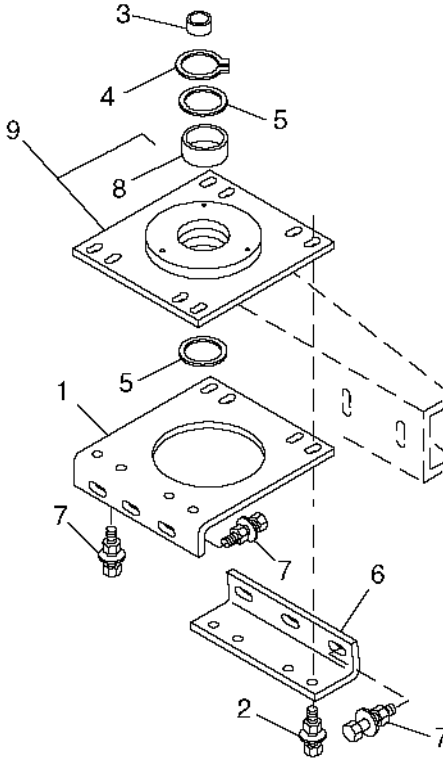
GRAIN TANK AND UNLOADING AUGER

AUGER SWIVEL SUPPORT AND BRACES - CONTINUED

KEY	PART NO.	PART NAME	QTY	SERIAL NO.	REMARKS
1	AH140790	FRAME	1		
2	19M7793	SCREW	12	M16 X 40	
	14M7291	FLANGE NUT	12	M16	
3	H131256	BRACE	1		
4	AH126281	ANCHOR	1	L.H. FRONT	
5	19M7789	SCREW	6	M12 X 30	
	14M7299	FLANGE NUT	6	M12	
6	AH126283	ANCHOR	1	R.H. FRONT	
7	19M7788	SCREW	6	M12 X 25	
	14M7299	FLANGE NUT	6	M12	
8	19M7843	SCREW	4	M16 X 35	
	14M7291	FLANGE NUT	4	M16	
9	H131261	BRACE	1	CHARGE HOUSING	
10	AH126282	ANCHOR	1	L.H. REAR	
11	AH126284	ANCHOR	1	R.H. REAR	
12	H131259	BRACE	1		
13	19M7793	SCREW	8	M16 X 40	
	14M7291	FLANGE NUT	8	M16	
14	19M7791	SCREW	4	M12 X 40	
15	24H1347	WASHER	3	17/32" X 2" X 0.194"	
16	24H1380	WASHER	1	11/16" X 1-3/4" X 0.194", R.H. OUTER	

4F3

HORIZONTAL UNLOADING AUGER HUB SUPPORT
HP9589 -UN-18FEB00



HP9589

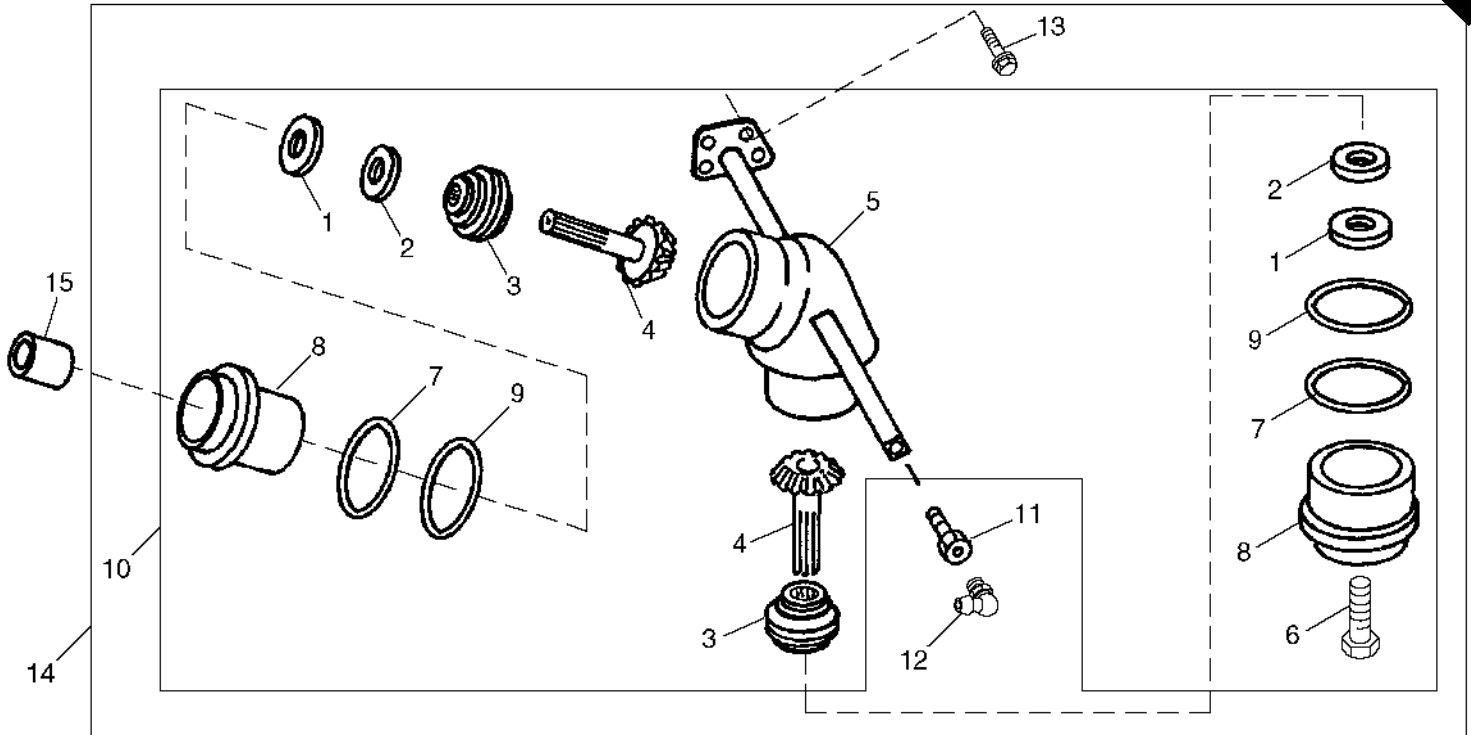
KEY	PART NO.	PART NAME	QTY	SERIAL NO.	REMARKS
1	H131263	SUPPORT	1		
2	19M7791	SCREW	4	M12 X 40	
	24M7180	WASHER	4	13 X 37 X 3 MM	
	14M7299	FLANGE NUT	4	M12	
3	28H3377	BUSHING	2		
4	40M7166	SNAP RING	1		
5	H132097	WASHER	2	52 X 64 X 2 MM (2.047" X 2.520" X 0.079")	
6	H131262	ANGLE	1	HUB MOUNTING	
7	19M7790	SCREW	10	M12 X 35	
	24M7180	WASHER	10	13 X 37 X 3 MM	
	14M7299	FLANGE NUT	10	M12	
8	H128479	BUSHING	1	50.800 X 55.580 X 25.400 MM (2" X 2.188" X 1")	
9	AH123602	HUB	1		

4F4

GRAIN TANK AND UNLOADING AUGER

HORIZONTAL UNLOADING AUGER DRIVE GEAR CASE

HP8241 -UN-27JUL99



HP8241

KEY	PART NO.	PART NAME	QTY	SERIAL NO.	REMARKS
1	AH98118	SEAL	2		
2	H99613	WASHER	2		31.707 X 44.450 X 9.525 MM
3	DE18970	BEARING	2		
4	CE18278	PINION SHAFT	2		
5	CE18401	HOUSING	1		
6	19M7881	SCREW	6		M8 X 20
7	CE16800	O-RING	2		77 X 2 MM
8	CE18074	SLEEVE	1		
9	CE18075	SHIM	2		
10	DE19067	GEAR CASE	1		
11	H110168	SCREW	1		M16 X 60
12	JD7781	LUBRICATION FITTING	1		
13	19M7785	SCREW	4		M10 X 25
14	AH164609	GEAR CASE	1		
15	N72989	BUSHING	1		

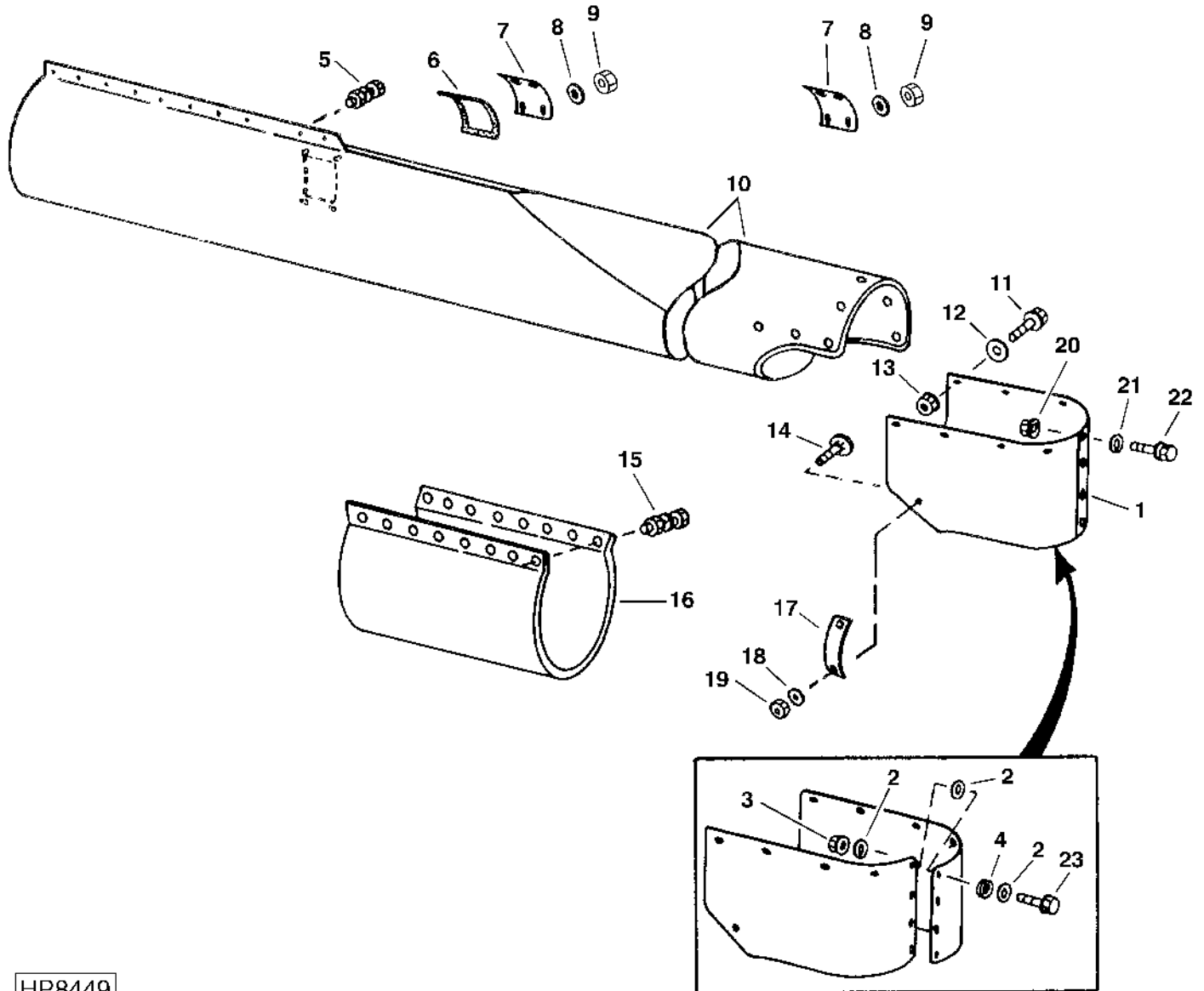
4F5

GRAIN TANK AND UNLOADING AUGER

HORIZONTAL UNLOADING AUGER HOUSING

(17 AND 20 FT.)

HP8449 -UN-09APR99



HP8449

4F6

GRAIN TANK AND UNLOADING AUGER

HORIZONTAL UNLOADING AUGER HOUSING - CONTINUED (17 AND 20 FT.)

KEY	PART NO.	PART NAME	QTY	SERIAL NO.	REMARKS
1	H149780	SPOUT	1		(USE WITH 17FT AND 20FT AUGERS)
2	28H5	WASHER	3		0.269" X 0.405" X 1/4"
3	14M7303	FLANGE NUT	3		M6
4	24H1291	WASHER	9		
5	19M7868	SCREW	11		M8 X 30
	14M7396	LOCK NUT	11		M8
6	WEATHERSTRIP	1		CUT FROM H81330 (USE WITH THE 20FT AUGER)
7	H96652	DOOR	2		(USE WITH THE 20FT AUGER)
8	24M7207	WASHER	8		(USE WITH THE 20FT AUGER)
9	14H785	NUT	8		5/16", (USE WITH THE 20FT AUGER)
10	AH145049	HOUSING	1		5.2M RIGID
	AH140335	HOUSING	1		(17FT. AUGER) (PERFORATED, 3670MM LONG)
	AH145050	HOUSING	1		6.1M RIGID
	AH113392	HOUSING	1		(20FT. AUGER) (PERFORATED, 4585MM LONG)
11	19M7867	SCREW	8		M8 X 25
12	24M7207	WASHER	8		
13	14M7298	FLANGE NUT	8		M8
14	03M7184	BOLT	2		M8 X 20
15	19M7897	SCREW	10		M8 X 35
	14M7298	FLANGE NUT	10		M8
16	H127998	COVER	1		(17FT. AUGER) (USE WITH PERFORATED AUGER HOUSING)
	H100027	COVER	1		(20FT. AUGER) (USE WITH PERFORATED AUGER HOUSING)
17	H141450	STRAP	1		
18	24H1291	WASHER	4		
19	14M7298	FLANGE NUT	2		M8
20	14M7298	FLANGE NUT	1		M8
21	24H1291	WASHER	1		
22	19M7867	SCREW	2		M8 X 25
23	19M7863	SCREW	3		M6 X 25
	19M7796	SCREW	3		M6 X 30

4F7

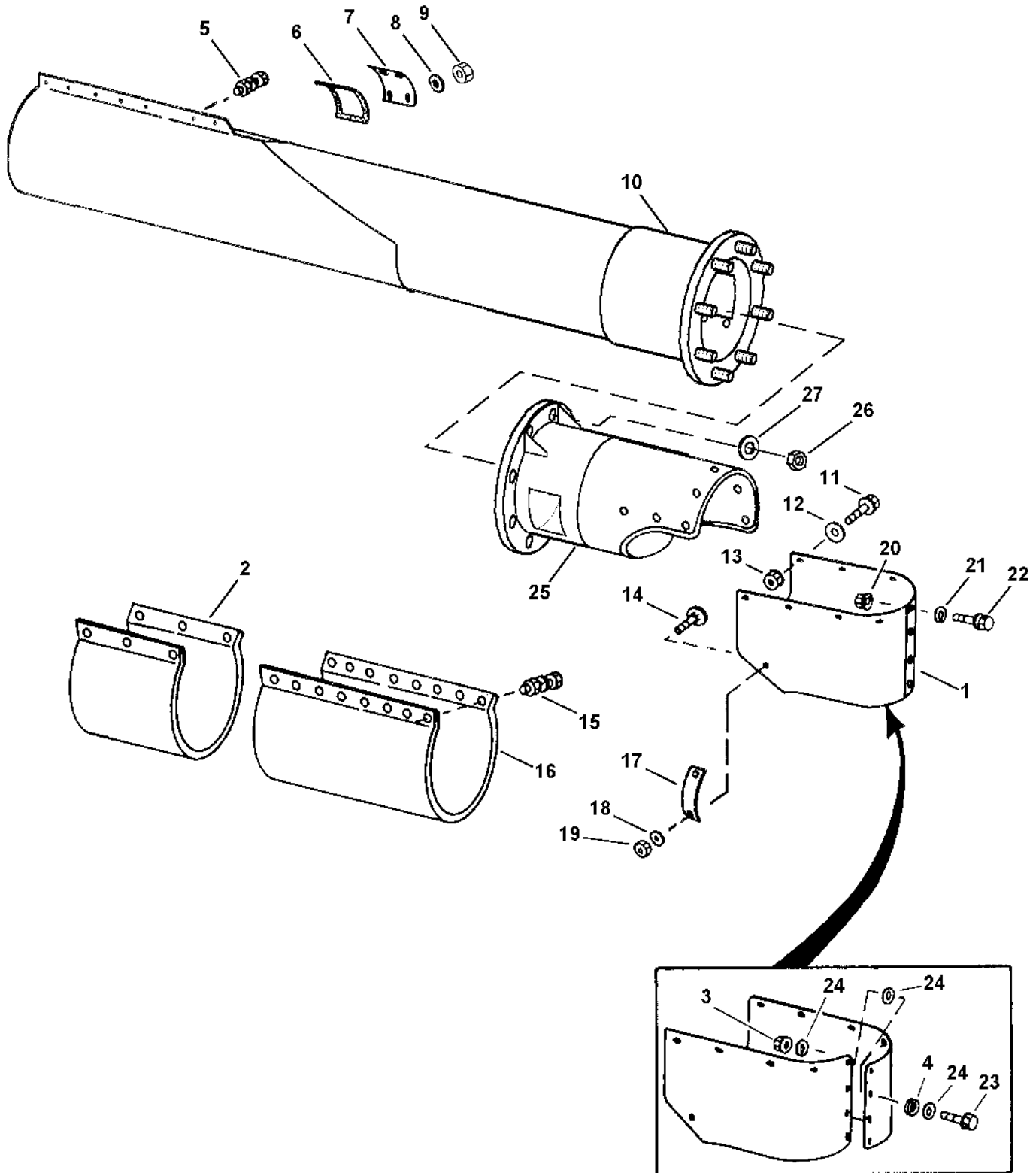
GRAIN TANK AND UNLOADING AUGER

HORIZONTAL UNLOADING AUGER HOUSING (EXPORT)

(17 AND 20 FT.)

HP7526

-UN-04MAY98



HP7526

4F8

GRAIN TANK AND UNLOADING AUGER

HORIZONTAL UNLOADING AUGER HOUSING (EXPORT) - CONTINUED (17 AND 20 FT.)

KEY	PART NO.	PART NAME	QTY	SERIAL NO.	REMARKS
1	H149780	SPOUT	1		USE WITH 17FT AND 20FT AUGERS
2	H159784	COVER	1		UNLOADING AUGER
3	14M7303	FLANGE NUT	3		M6
4	24H1291	WASHER	9		21/64" X 1-15/32" X 7/64"
5	19M7868	SCREW	11		M8 X 30
	14M7396	LOCK NUT	11		M8
6	WEATHERSTRIP	1		CUT FROM H81330 (USE WITH THE 20FT AUGER)
7	H96652	DOOR	2		USE WITH THE 20FT AUGER
8	24M7207	WASHER	8		8.400 X 24 X 2 MM, USE WITH THE 20FT AUGER
9	14H785	NUT	8		5/16", USE WITH THE 20FT AUGER
10	AH151407	HOUSING	1		INNER
	AH151411	HOUSING	1		6.1M RIGID, OUTER
11	19M7867	SCREW	8		M8 X 25
12	24M7207	WASHER	8		8.400 X 24 X 2 MM
13	14M7298	FLANGE NUT	8		M8
14	03M7184	BOLT	2		M8 X 20
15	19M7897	SCREW	10		M8 X 35
	14M7298	FLANGE NUT	10		M8
16	H127998	COVER	1		(17FT. AUGER) USE WITH PERFORATED AUGER HOUSING
	H100027	COVER	1		(20FT. AUGER) USE WITH PERFORATED AUGER HOUSING
17	H141450	STRAP	1		
18	24H1291	WASHER	4		21/64" X 1-15/32" X 7/64"
19	14M7298	FLANGE NUT	2		M8
20	14M7298	FLANGE NUT	1		M8
21	24H1291	WASHER	1		21/64" X 1-15/32" X 7/64"
22	19M7867	SCREW	2		M8 X 25
23	19M7863	SCREW	3		M6 X 25
	19M7796	SCREW	3		M6 X 30
24	28H5	WASHER	3		0.269" X 0.405" X 1/4"
25	AH151408	HOUSING	1		5.2M PERFORATED, INNER
	AH151409	HOUSING	1		6.1M PERFORATED, OUTER
	AH151410	HOUSING	1		5.2M RIGID, OUTER
26	14M7296	FLANGE NUT	8		M10
27	24M7207	WASHER	8		8.400 X 24 X 2 MM

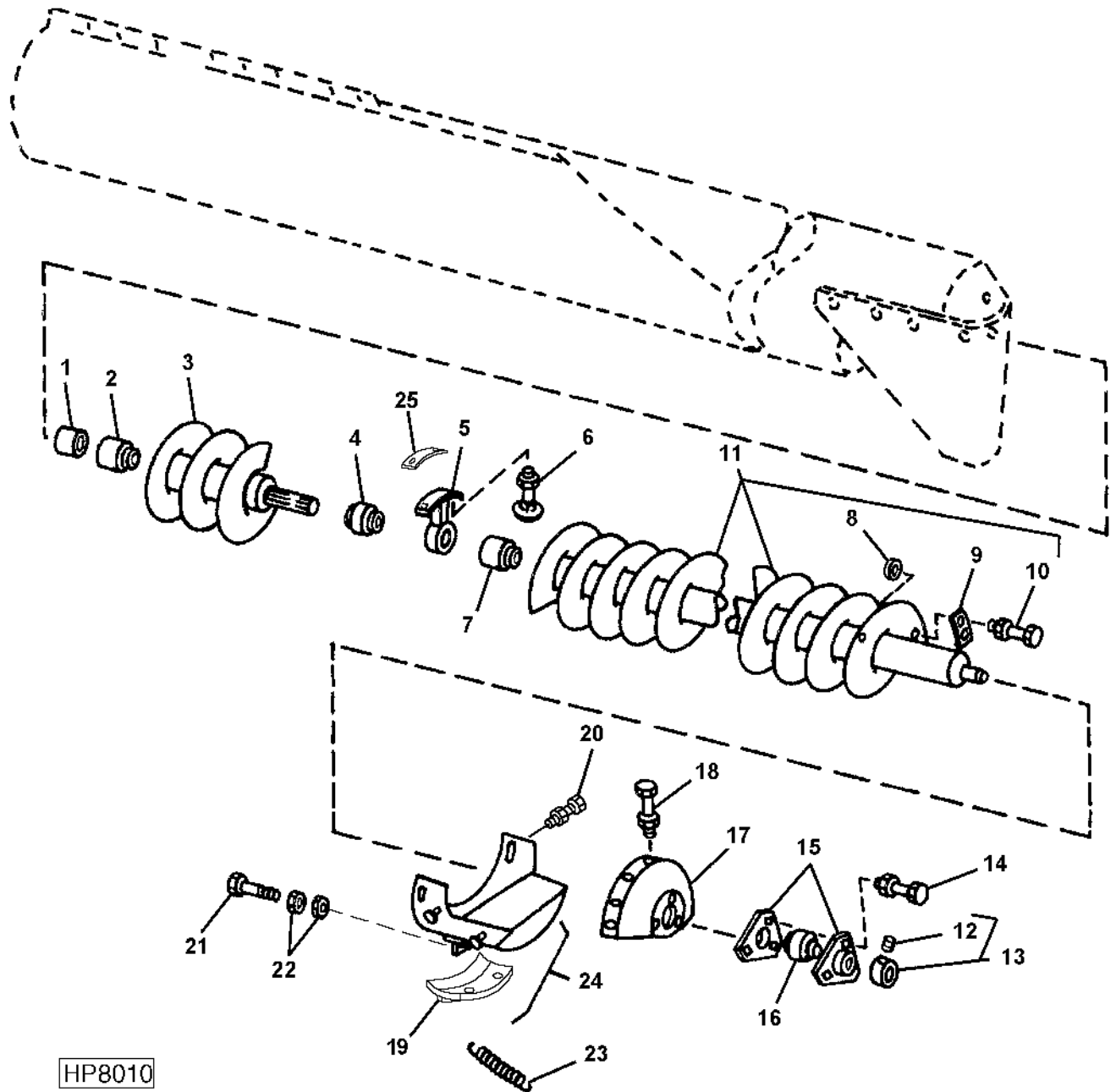
4F9

GRAIN TANK AND UNLOADING AUGER

HORIZONTAL UNLOADING AUGER

(17- AND 20-FT.)

HP8010 -UN-27JUL99



HP8010

4F10

GRAIN TANK AND UNLOADING AUGER

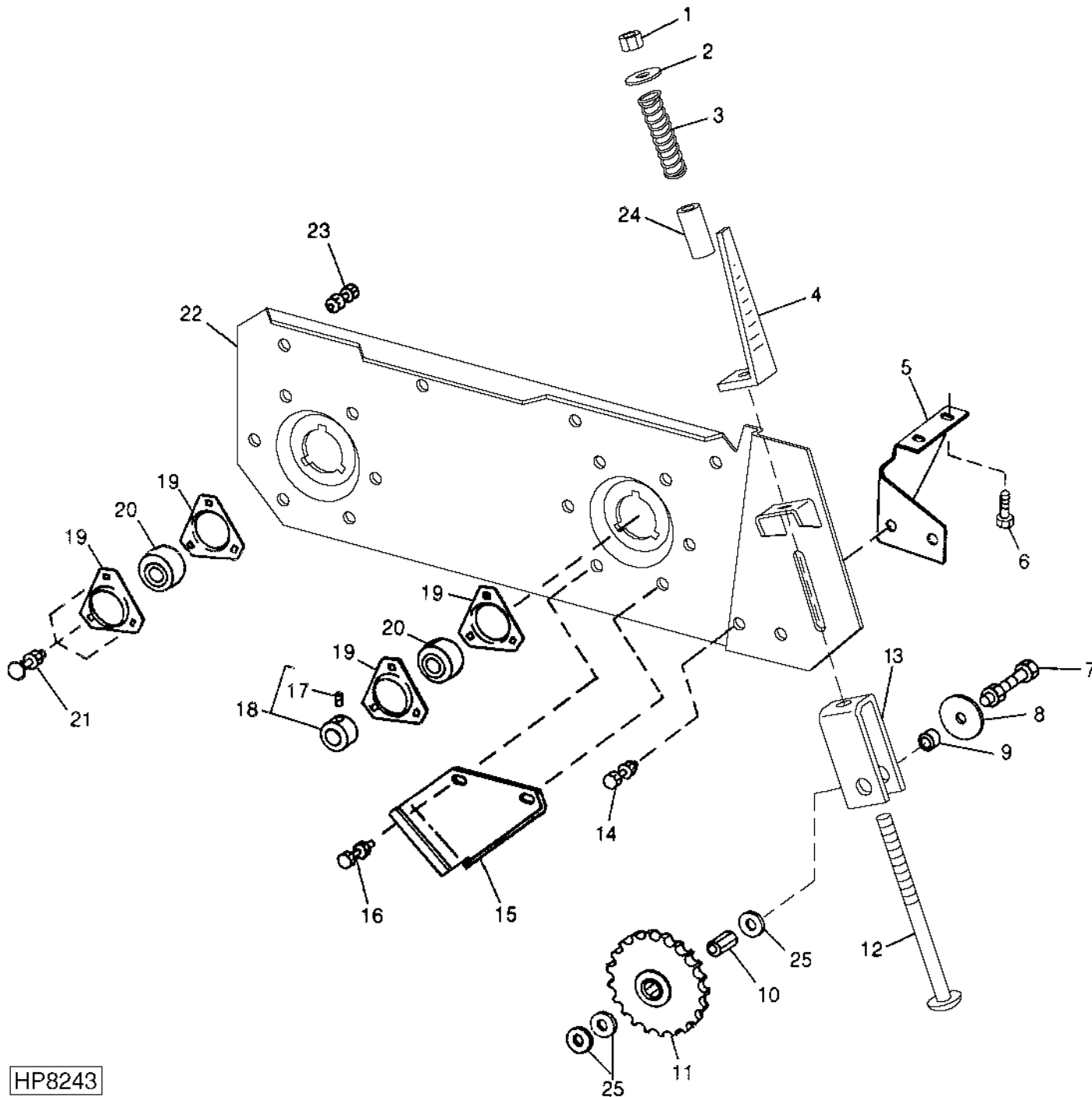
HORIZONTAL UNLOADING AUGER - CONTINUED (17- AND 20- FT.)

KEY	PART NO.	PART NAME	QTY	SERIAL NO.	REMARKS
1	N72989	BUSHING	1		
2	AH122717	GUDGEON	1		
3	AH112435	AUGER	1		(5.2M & 6.1M AUGER)
	AH151413	AUGER	1		(5.2M OUTER, EXPORT ONLY)
	AH151414	AUGER	1		(6.1M OUTER, EXPORT ONLY)
4	JD9373	BALL BEARING	1		
5	H114873	HOUSING	1		
6	03M7193	BOLT	2		M10 X 35
	14M7296	FLANGE NUT	2		M10
7	AH122717	GUDGEON	1		
8	24H1300	WASHER	6		9.931 X 50.800 X 5.588 MM
	24H1311	WASHER	6		10.312 X 31.750 X 5.588 MM
9	H119566	STRIP	2		100 MM (4") LONG
	H119567	STRIP	2		125 MM (5") LONG
	H119568	STRIP	4		150 MM (6") LONG
10	03H1495	BOLT	2		9.525 X 38.100 MM
	03H1557	BOLT	2		9.525 X 31.750 MM
	K40003	LOCK NUT	4		9.525 MM
11	AH143727	AUGER	1		(5.2M OUTER, INCLUDES BALANCE WEIGHT)
	AH143731	AUGER	1		(6.1 OUTER - INCLUDES BALANCE WEIGHT)
	AH151403	AUGER	1		(5.2M & 6.1M, INNER, EXPORT ONLY)
12	22H897	SET SCREW	1		1/4" X 1/4"
13	JD8554	ECCENTRIC LOCKING COLLAR	1		
14	03M7184	BOLT	3		M8 X 20
	14M7298	FLANGE NUT	3		M8
15	H103264	PRESSED FLANGED HOUSING	2		
16	JD8665	BALL BEARING	1		
17	H96645	CAP	1		
18	19M7866	SCREW	5		M8 X 20
	14M7298	FLANGE NUT	5		M8
19	Z24604	HINGE	1		(USE WITH AH132230)
20	03M7183	BOLT	2		M8 X 16
	14M7298	FLANGE NUT	2		M8
21	19M7868	SCREW	1		M8 X 30
22	14M7298	FLANGE NUT	2		M8
23	J18468	SPRING	2		
24	AH132230	DOOR	1		(INCLUDES Z24604)
25	H158817	PLATE	1		(EXPORT ONLY)

4F11

GRAIN TANK AND UNLOADING AUGER

CROSS AUGER BEARING PLATE - L.H.
HP8243 -UN-05MAR99



HP8243

4F12

GRAIN TANK AND UNLOADING AUGER

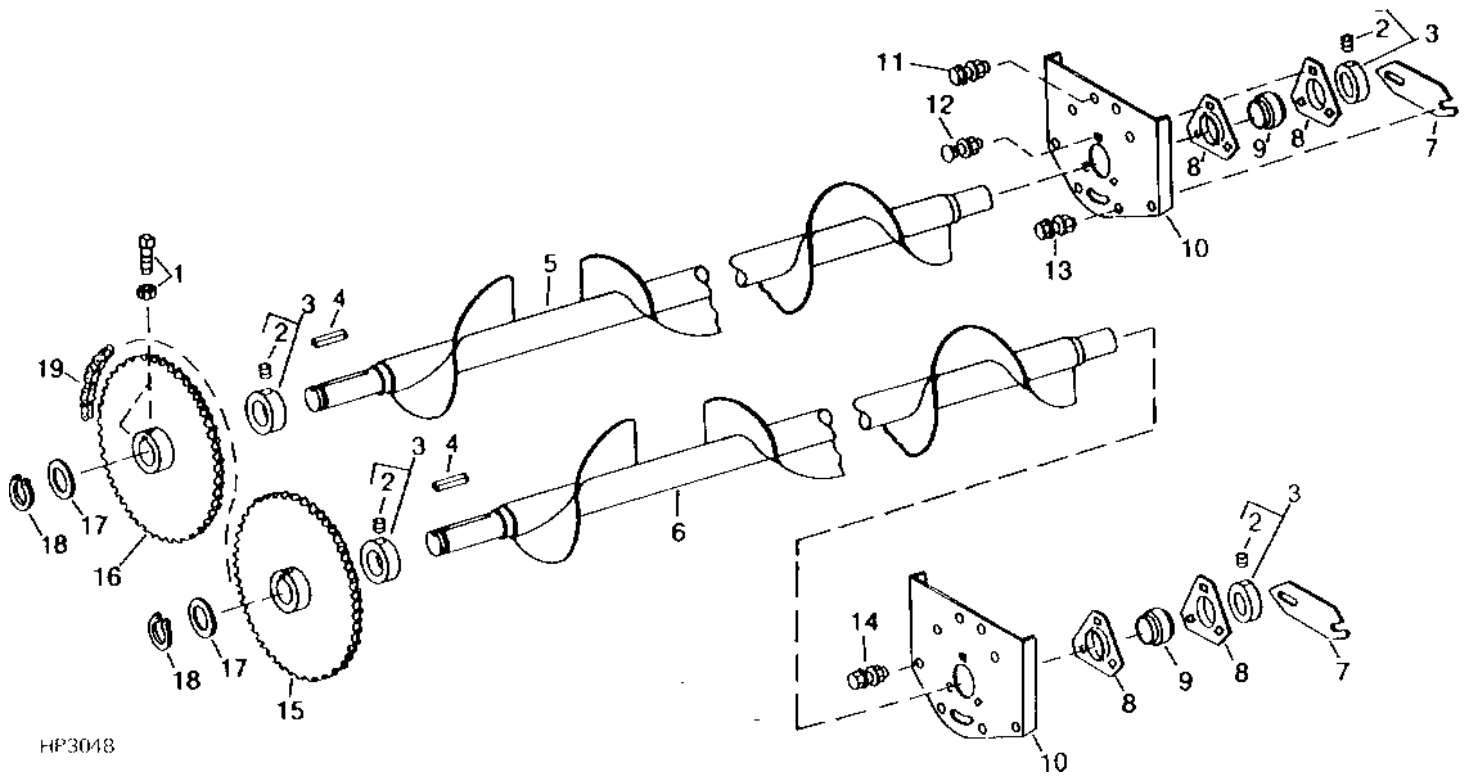
CROSS AUGER BEARING PLATE - L.H. - CONTINUED

KEY	PART NO.	PART NAME	QTY	SERIAL NO.	REMARKS
1	14M7275	NUT	1	M12	
2	24H1346	WASHER	1	17/32" X 1-3/4" X 0.120"	
3	R35542	SPRING	1		
4	H127923	GAUGE	1		
5	H127922	REINFORCEMENT	1		
6	19M7784	SCREW	2	M10 X 20	
7	19M7364	CAP SCREW	1	M12 X 80	
	14M7299	FLANGE NUT	1	M12	
8	24H1916	WASHER	1	17/32" X 3-1/2" X 0.180"	
9	A22724	WASHER	1	0.510" X 3/4" X 0.210"	
10	H114395	SPACER	1		
11	AH106606	CHAIN SPROCKET	1	24-TOOTH	
12	H163787	BOLT	1		
13	H119996	CHANNEL	1	IDLER SUPPORT	
14	19M7866	SCREW	2	M8 X 20	
	14M7298	FLANGE NUT	2	M8	
15	H133579	STOP	1		
16	19M7866	SCREW	4	M8 X 20	
	14M7396	LOCK NUT	4	M8	
17	22M7081	SET SCREW	2	M10 X 10	
18	AH133191	ECCENTRIC LOCKING COLLAR	2		
19	H161529	PRESSED FLANGED HOUSING	4		
20	JD39104	BALL BEARING	2		
21	03M7191	BOLT	6	M10 X 25	
	14M7296	FLANGE NUT	6	M10	
22	AH157074	PLATE	1		
23	19M7784	SCREW	12	M10 X 20	
	14M7296	FLANGE NUT	12	M10	
24	TY22326	BULK HOSE	AR	BULK HOSE, CUT TO LENGTH	
25	24M7242	WASHER	3	21.400 X 42 X 5 MM	

4F13

GRAIN TANK AND UNLOADING AUGER

GRAIN TANK CROSS AUGERS
HP3048 -UN-01JAN94



HP3048

4F14

GRAIN TANK AND UNLOADING AUGER

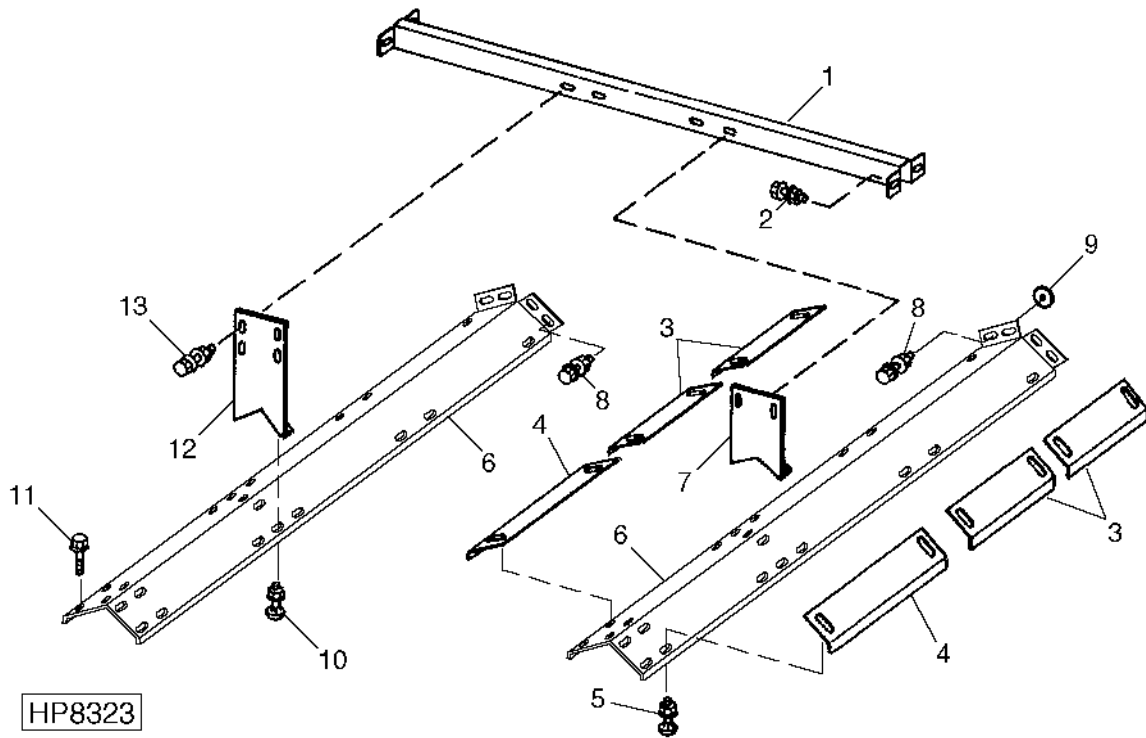
GRAIN TANK CROSS AUGERS - CONTINUED

KEY	PART NO.	PART NAME	QTY	SERIAL NO.	REMARKS
1	H138435	SET SCREW	4	M10 X 25	
	14M7152	NUT	4	M10	
2	22M7081	SET SCREW	4	M10 X 10	
3	AH133191	ECCENTRIC LOCKING COLLAR	4		
4	49M4120	SHAFT KEY	2	10 X 8 X 40 MM	
5	AH167847	AUGER	1	(SUB FOR AH154965)	FRONT
6	AH167848	AUGER	1	(SUB FOR AH154966)	REAR
7	H102909	COVER	2		
8	H161529	PRESSED FLANGED HOUSING	4		
9	JD39104	BALL BEARING	2		
10	H126280	REINFORCEMENT	2	BEARING PLATE - R.H.	
11	19M7784	SCREW	8	M10 X 20	
	14M7296	FLANGE NUT	8	M10	
12	03M7190	BOLT	3	M10 X 20	
	14M7296	FLANGE NUT	3	M10	
13	19M7866	SCREW	4	M8 X 20	
	14M7396	LOCK NUT	4	M8	
14	19M7866	SCREW	4	M8 X 20	
	14M7298	FLANGE NUT	4	M8	
15	AH125070	CHAIN SPROCKET	1	49-TOOTH (REAR), REGULAR	
	AH140001	CHAIN SPROCKET	1	60-TOOTH (REAR), SLOW DOWN	
16	AH125070	CHAIN SPROCKET	1	49-TOOTH (FRONT), REGULAR	
	AH146352	DRIVE SPROCKET	1	40-TOOTH (REAR), SLOW DOWN	
17	24H1511	WASHER	AR	1-13/32" X 1-3/4" X 0.060"	
18	40M7046	SNAP RING	1		
19	AH157083	CHAIN LINK	1	ROLLER, TYPE 60H - 19 MM (3/4") PITCH, 198 LINKS (REGULAR SPEED)	
	AH157084	CHAIN LINK	1	ROLLER, TYPE 60H - 19 MM (3/4") PITCH, 206 LINKS (SLOW DOWN SPEED)	

4F15

GRAIN TANK AND UNLOADING AUGER

CROSS AUGER COVERS AND CHANNEL
HP8323 -UN-09JUL99



KEY	PART NO.	PART NAME	QTY	SERIAL NO.	REMARKS
1	H126801	CHANNEL	1		
2	19M7784	SCREW	4	M10 X 20	
	14M7296	FLANGE NUT	4	M10	
3	H129472	COVER	7	SMALL ADJUSTABLE	
4	H129471	COVER	4	LARGE ADJUSTABLE	
5	03M7183	BOLT	20	M8 X 16	
	14M7298	FLANGE NUT	20	M8	
6	H152874	COVER	2	AUGER	
7	H126802	SUPPORT	1	REAR COVER	
8	19M7784	SCREW	4	M10 X 20	
	14M7296	FLANGE NUT	4	M10	
9	H141123	NUT	8		
10	03M7183	BOLT	8	M8 X 16	
	14M7298	FLANGE NUT	8	M8	
11	37M7058	SCREW	8	M8 X 20	
12	H126804	SUPPORT	1	FRONT COVER	
13	19M7865	SCREW	4	M8 X 16	
	14M7298	FLANGE NUT	4	M8	

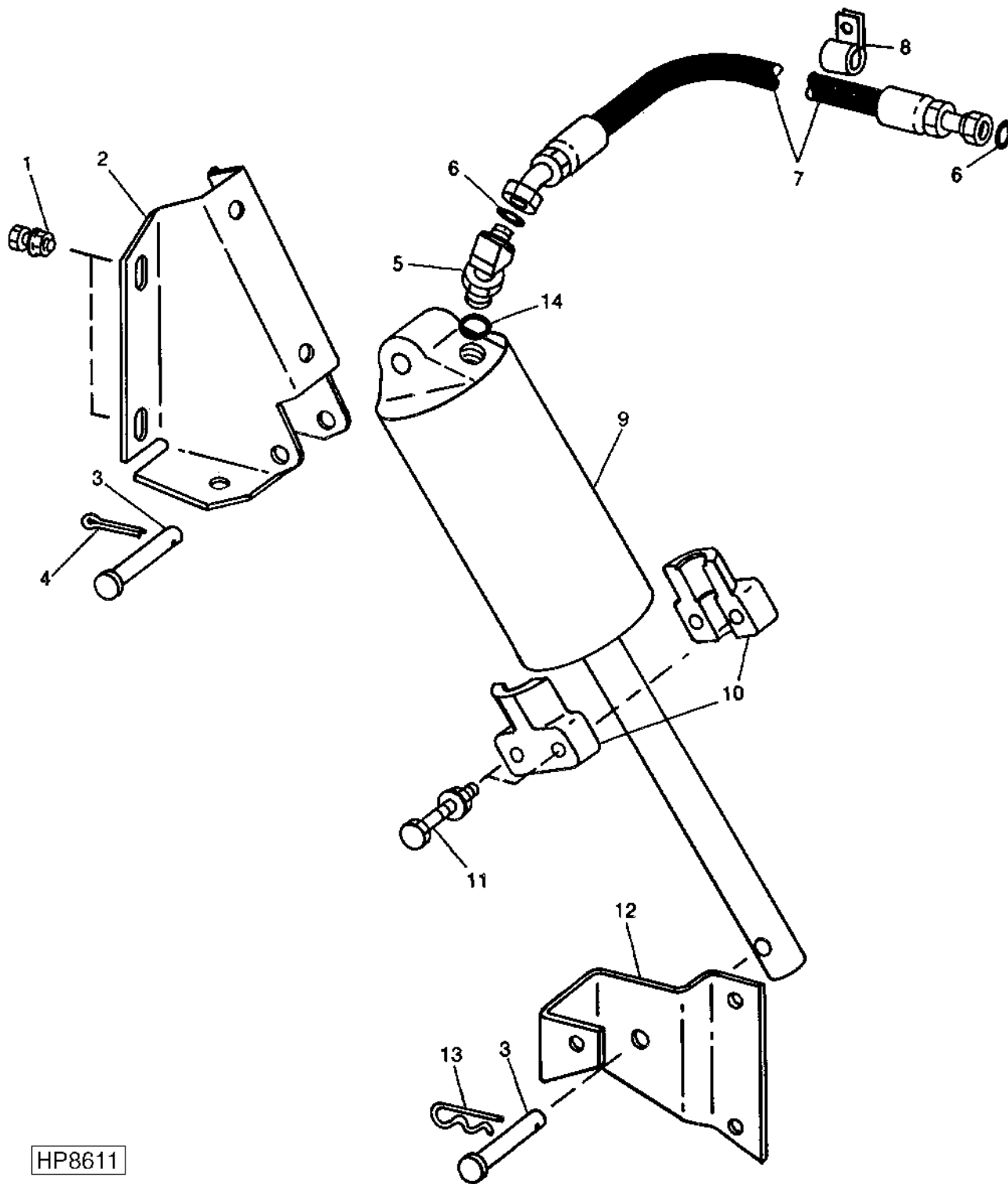
MEMORANDA

4F16

GRAIN TANK AND UNLOADING AUGER

GRAIN TANK UNLOADING DRIVE CYLINDER WITH MOUNTING AND HOSE

HP8611 -UN-02JUN99



HP8611

4F17

GRAIN TANK AND UNLOADING AUGER

GRAIN TANK UNLOADING DRIVE CYLINDER WITH MOUNTING AND HOSE - CONTINUED

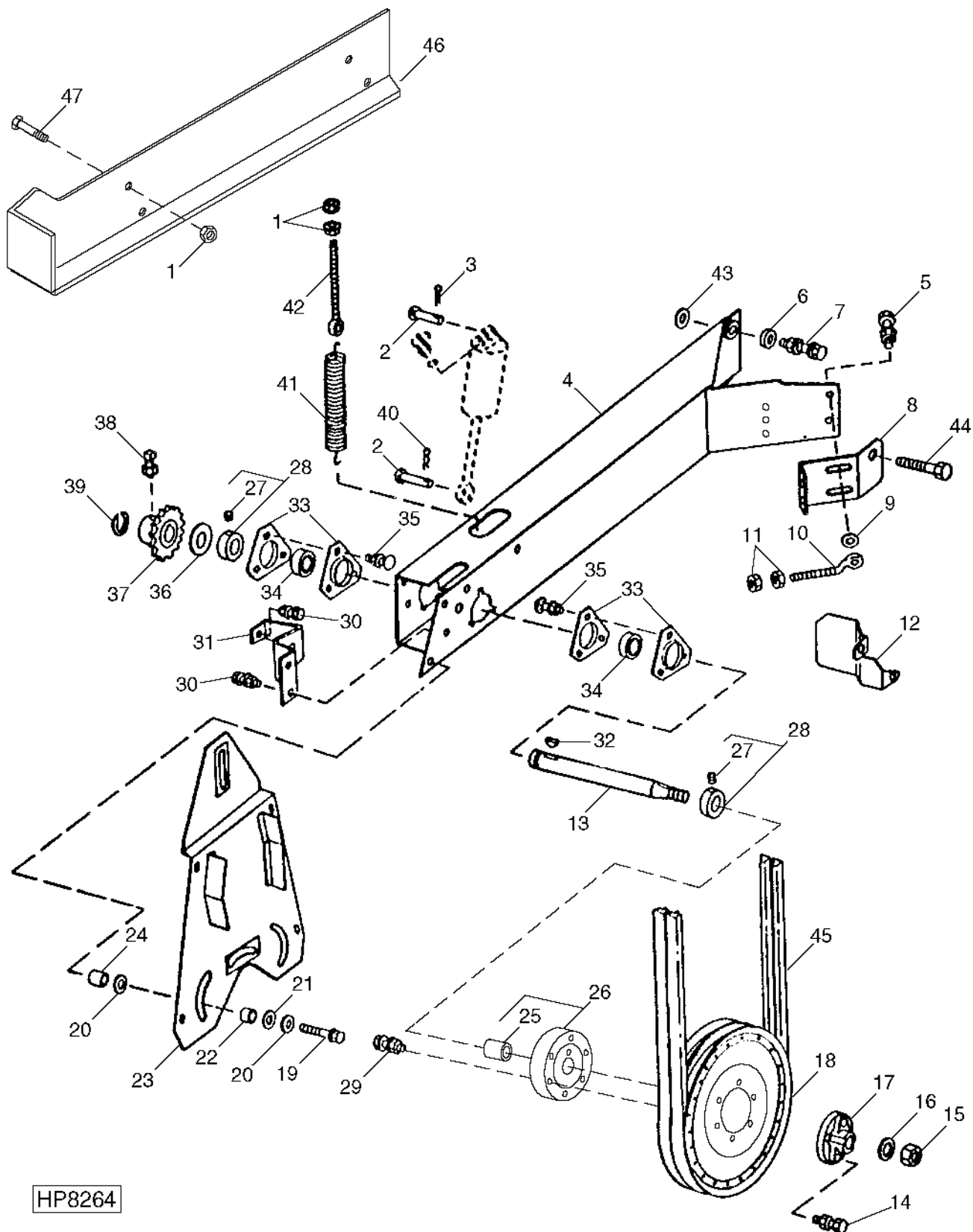
KEY	PART NO.	PART NAME	QTY	SERIAL NO.	REMARKS
1	19M7866	SCREW	4	M8 X 20	
	14M7298	FLANGE NUT	4	M8	
2	H129588	BRACKET	1		
3	H148340	PIN	2		
4	11M7059	COTTER PIN	1	3.200 X 20 MM	
5	38H1045	ELBOW FITTING	1		
6	T77613	O-RING	2	9.246 X 1.778 MM	
7	AH120160	HYDRAULIC HOSE	1	11/16" X 1 050 MM X 11/16"	
8	AH96317	CLIP	1		
9	AH116006	HYDRAULIC CYLINDER	1		
10	H133688	STOP	2		
11	19M8319	SCREW	2	M8 X 50	
	14M7298	FLANGE NUT	2	M8	
12	H133690	BRACKET	1		
13	J16931	SPRING LOCKING PIN	1		
14	R26448	O-RING	1	11.887 X 1.981 MM	

4F18

GRAIN TANK AND UNLOADING AUGER

UNLOADING AUGER COUNTERSHAFT DRIVE

HP8264 -UN-23FEB99



HP8264

4F19

GRAIN TANK AND UNLOADING AUGER

UNLOADING AUGER COUNTERSHAFT DRIVE - CONTINUED

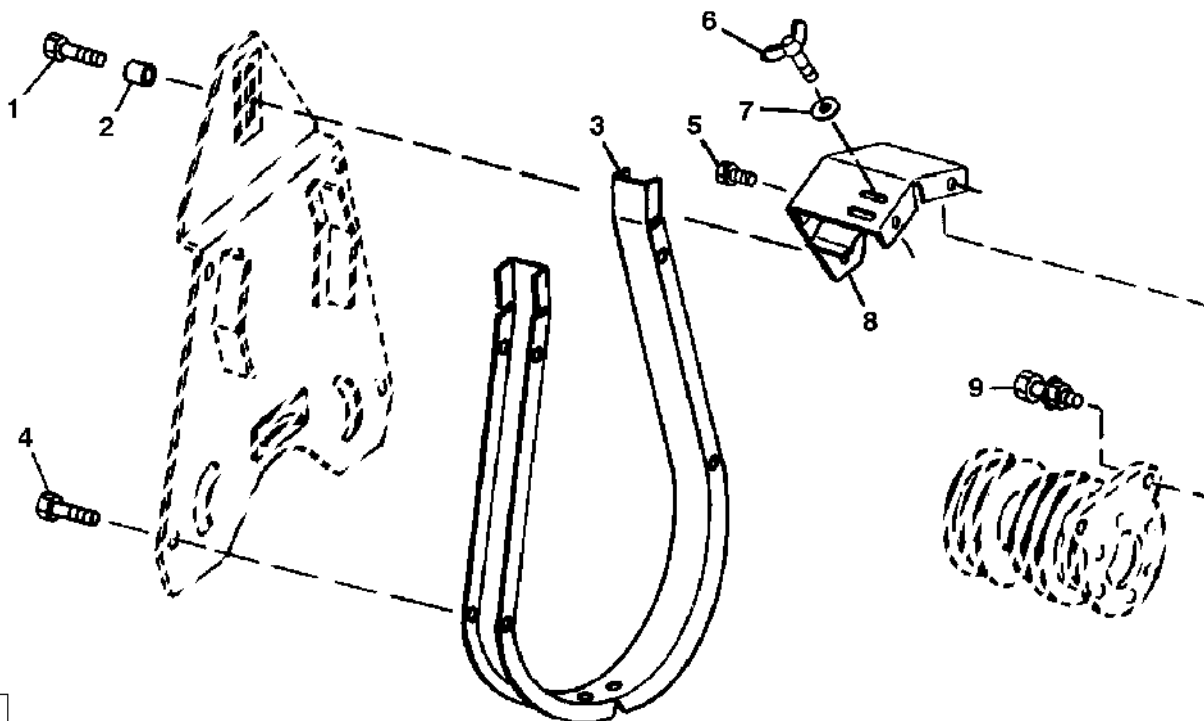
KEY	PART NO.	PART NAME	QTY	SERIAL NO.	REMARKS
1	14M7296	FLANGE NUT	2	M10	
2	H148340	PIN	2	1/2" X 2.382"	
3	11M7059	COTTER PIN	1	3.200 X 20 MM	
4	AH164841	ARM	1		
5	19M7835	SCREW	2	M10 X 35	
	14M7296	FLANGE NUT	2	M10	
6	Z33404	SPACER	2		
7	19M7794	SCREW	1	M16 X 50	
	A31869	LOCK NUT	2	M16	
8	AH118993	BRACKET	1		
9	24M7178	WASHER	2	10.500 X 30 X 2.500 MM	
10	H116262	EYEBOLT	2		
11	14M7274	NUT	4	M10	
12	H137869	SHIELD	1		
13	H164212	JACKSHAFT	1		
14	19M7185	CAP SCREW	1	M8 X 60	
	E64256	LOCK NUT	1	M8	
15	A31871	LOCK NUT	1	M24	
16	24M7091	WASHER	1	26 X 44 X 4 MM	
17	H133026	HUB	1		
18	H161415	SHEAVE	1		
19	19M8318	SCREW	3	M8 X 45	
20	24M7207	WASHER	6	8.400 X 24 X 2 MM	
21	24H1357	WASHER	2	19/32" X 1-5/32" X 0.090"	
22	28H1511	WASHER	3	0.364" X 0.540" X 1/4"	
23	AH140901	GUARD	2		
24	28H2531	BUSHING	3	0.546" X 0.840" X 7/8"	
25	H164213	BUSHING	1		
26	AH155812	HUB	1		
27	22M7081	SET SCREW	2	M10 X 10	
28	AH133191	ECCENTRIC LOCKING COLLAR	2		
29	19M8317	SCREW	6	M8 X 40	
	14M7298	FLANGE NUT	6	M8	
30	19M7866	SCREW	3	M8 X 20	
	14M7298	FLANGE NUT	3	M8	
31	H133690	BRACKET	1		
32	26M6787	SHAFT KEY	2	10 X 32 MM	
33	H161529	PRESSED FLANGED HOUSING	4	(SUB FOR H103265, THIS APPLICATION)	
34	JD39104	BALL BEARING	2		
35	03M7190	BOLT	6	M10 X 20	
	14M7296	FLANGE NUT	6	M10	
36	24H1510	WASHER	2	1-13/32" X 1-3/4" X 0.120"	
37	AH128075	CHAIN SPROCKET	1	19 TOOTH	
	AH128074	CHAIN SPROCKET	1	(RICE ONLY) 17 TOOTH	
38	H138435	SET SCREW	2	M10 X 25	
	14M7274	NUT	2	M10	
39	40M7046	SNAP RING	1		
40	J16931	SPRING LOCKING PIN	1		
41	H173011	LEAF SPRING	1		
42	H114738	EYEBOLT	1		
43	24H1684	WASHER	2	11/16" X 2" X 0.105"	
44	19M7824	SCREW	1	M16 X 60	
45	AH158880	BELT SET	1		
46	H170670	SHIELD	1		
47	19M7786	SCREW	2		

4F20

GRAIN TANK AND UNLOADING AUGER

UNLOADING AUGER DRIVE BELT GUIDE

HP8335 -UN-07APR99



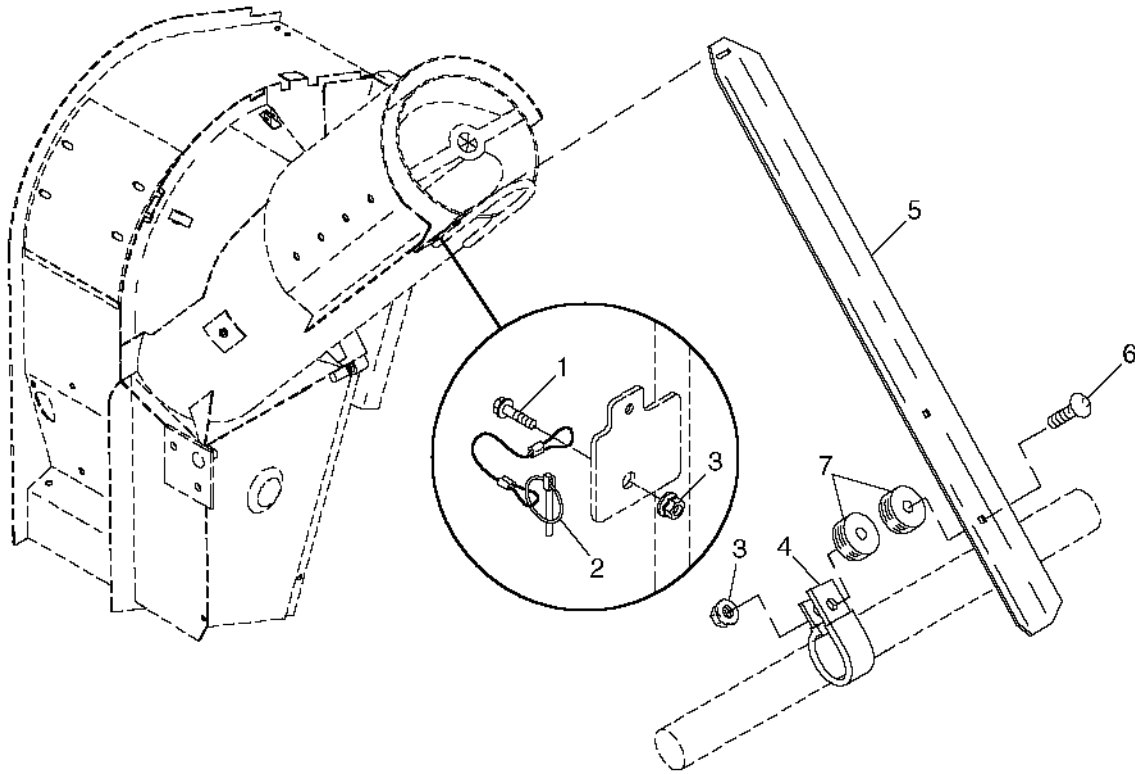
HP8335

KEY	PART NO.	PART NAME	QTY	SERIAL NO.	REMARKS
1	19M7866	SCREW	1	M8 X 20	
2	H159104	WASHER	1	0.364" X 0.540" X 0.375"	
3	AH116390	GUIDE	1		
4	19M7865	SCREW	6	M8 X 16, (INTO WELDNUTS)	
5	37M7058	SCREW	2	M8 X 20	
6	21M7269	WING SCREW	2	M8 X 20	
7	24M7207	WASHER	2	8.400 X 24 X 2 MM	
8	AH163260	SUPPORT	1		
9	19M7785	SCREW	2	M10 X 25	
	14M7296	FLANGE NUT	2	M10	

4F21

GRAIN TANK AND UNLOADING AUGER

GRAIN TANK SAMPLING TROUGH
HP8503 -UN-23APR99



HP8503

KEY	PART NO.	PART NAME	QTY	SERIAL NO.	REMARKS
1	03M7184	BOLT	1	M8 X 20	
2	AH135290	QUICK LOCK PIN	1		
3	14M7396	LOCK NUT	1	M8	
4	AH77714	CLIP	1		
5	H152923	TROUGH	1		
6	03M7188	BOLT	1	M8 X 40	
7	H28031	WASHER	2		

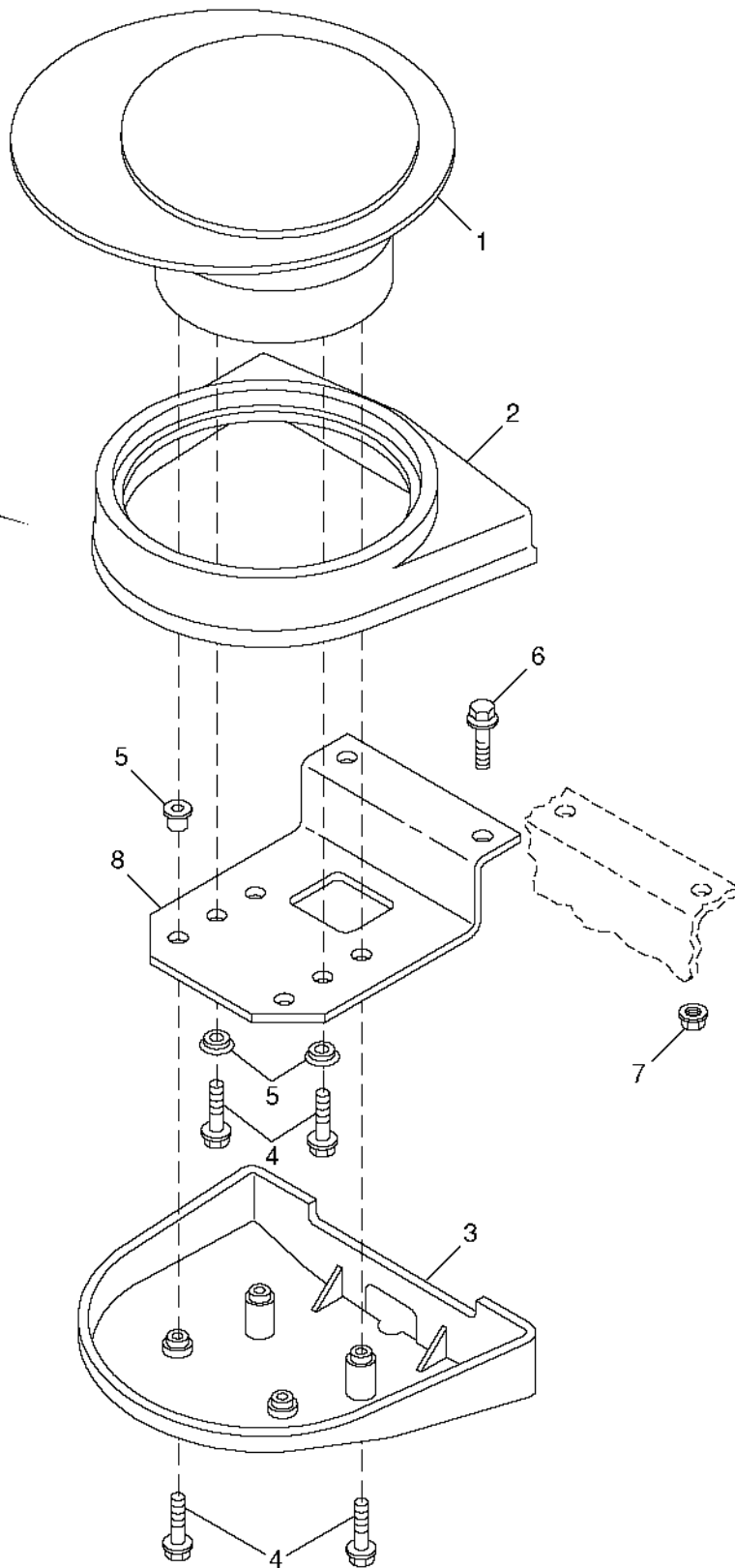
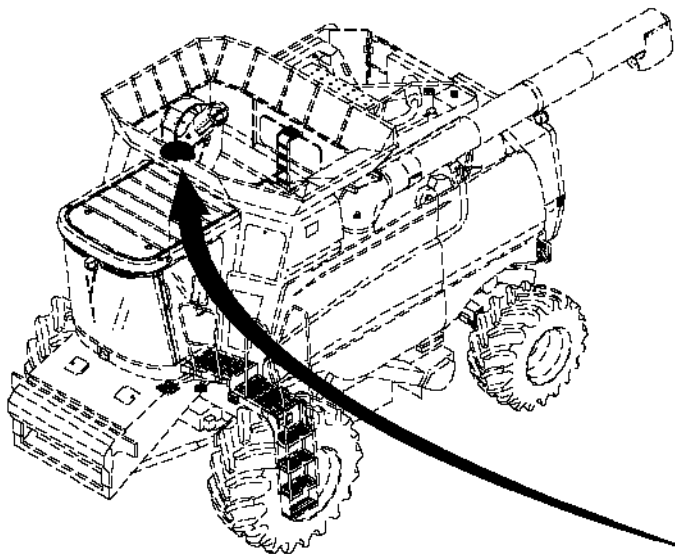
MEMORANDA

MEMORANDA

4F23

GREENSTAR YIELD MAPPING AND MONITOR SYSTEMS

POSITION RECEIVER
HP9642 -UN-31MAR00



HP9642

4F24

GREENSTAR YIELD MAPPING AND MONITOR SYSTEMS

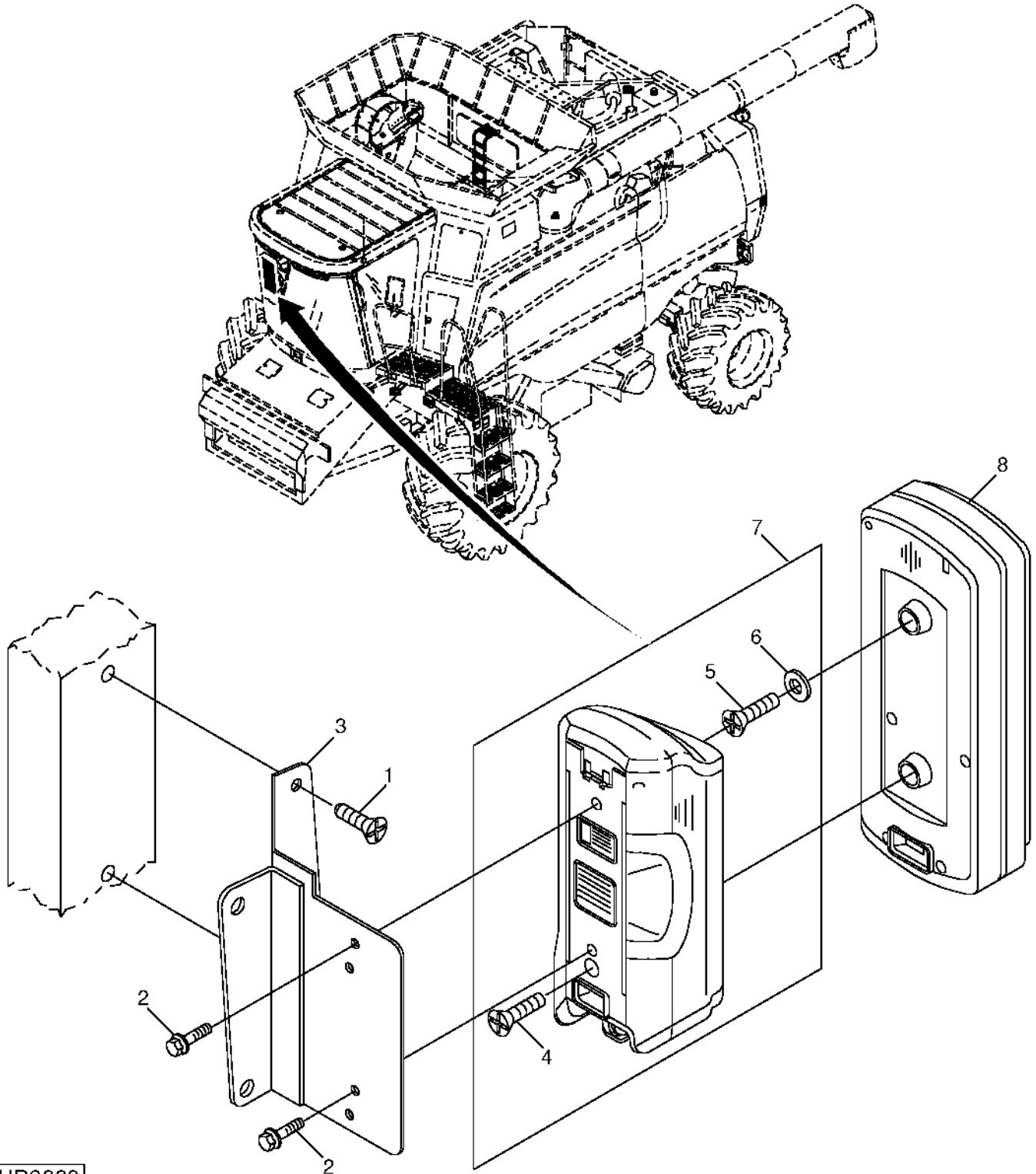
POSITION RECEIVER - CONTINUED

KEY	PART NO.	PART NAME	QTY	SERIAL NO.	REMARKS
1	PF80314	POSITION RECEIVER	1		
2	PF10134	COVER	1		
3	PF10135	COVER	1		
4	21M7267	SCREW	6	(A) M6 X 20	
5	PF10240	WASHER	6	(A)	
6	19M7865	SCREW	2	(A) M8 X 16	
7	14M7298	FLANGE NUT	2	(A) M8	
8	PF10123	BRACKET	1		
..	PF80016	PACKAGE OF PARTS	1		INCLUDES PARTS MARKED (A)

4G1

GREENSTAR YIELD MAPPING AND MONITOR SYSTEMS

GREENSTAR™ DISPLAY AND MOBILE PROCESSOR
HP9660 -UN-31MAR00



HP9660

4G2

GREENSTAR YIELD MAPPING AND MONITOR SYSTEMS

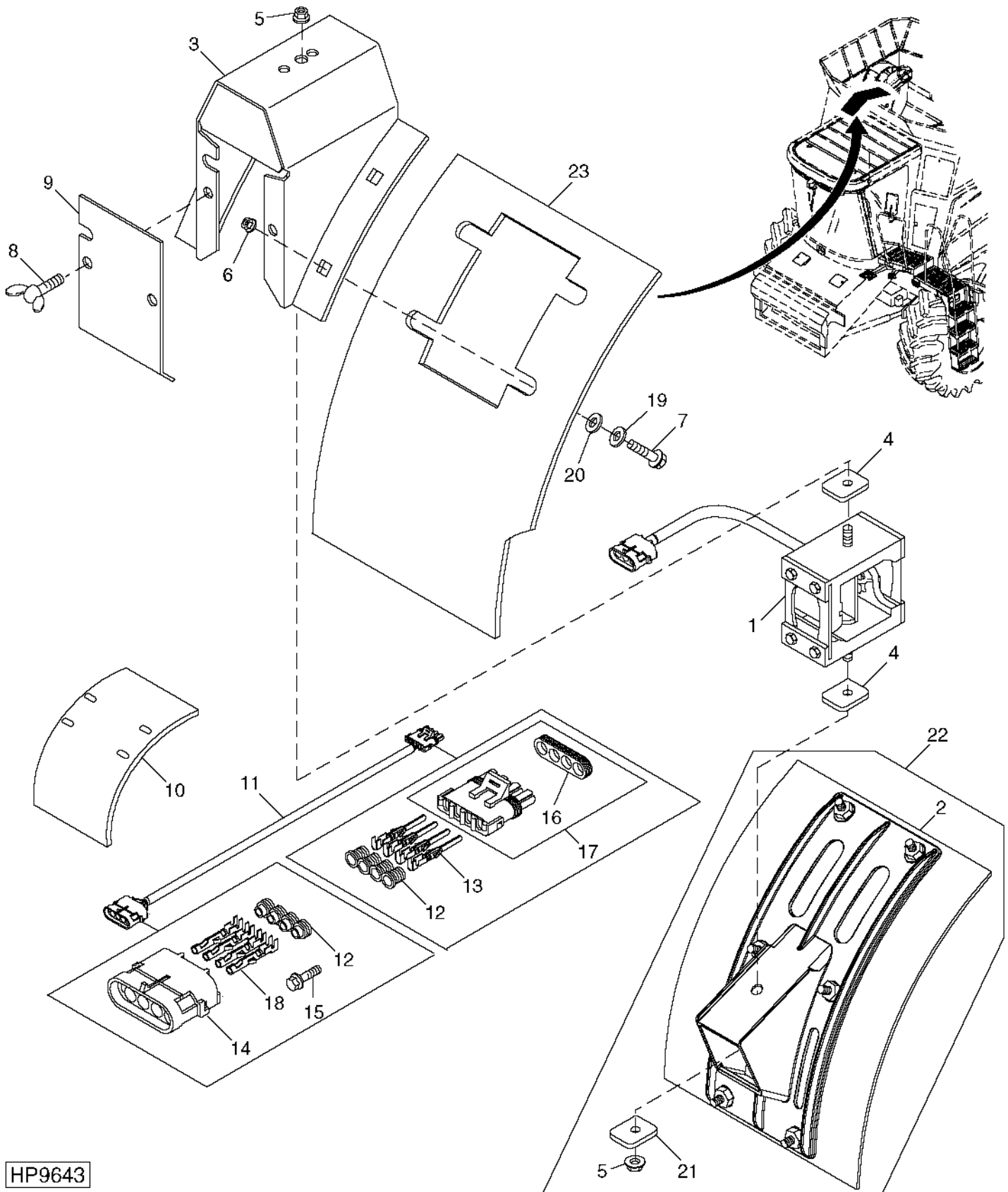
GREENSTAR™ DISPLAY AND MOBILE PROCESSOR - CONTINUED

KEY	PART NO.	PART NAME	QTY	SERIAL NO.	REMARKS
1	H168424	SCREW	2		
2	19M7774	SCREW	2	M6 X 12	
3	PF80209	BRACKET	1		
4	21M7327	SCREW	1	M6 X 35	
5	21M7305	SCREW	1	M6 X 12	
6	24M7100	WASHER	1	6.600 X 22 X 2 MM	
7	PF80316	MOBILE PROCESSOR MODULE	1	(SUB FOR PF80156)	
8	PF80370	GREENSTAR DISPLAY MODULE	1	(SUB FOR PF80150)	
..	PF90091	GREENSTAR DISPLAY MODULE	1	KIT FOR THE CONVERSION OF 2.5V AND 4.5V GREENSTAR™ DISPLAYS TO DUAL CAN	
..	BH81758	COMPLETE GOODS/SHIP. BUNDLE	1	MAPPING CONVERSION KIT	
..	BH81760	COMPLETE GOODS/SHIP. BUNDLE	1	MONITOR CONVERSION KIT	

4G3

GREENSTAR YIELD MAPPING AND MONITOR SYSTEMS

MASS FLOW SENSOR
HP9643 -UN-31MAR00



HP9643

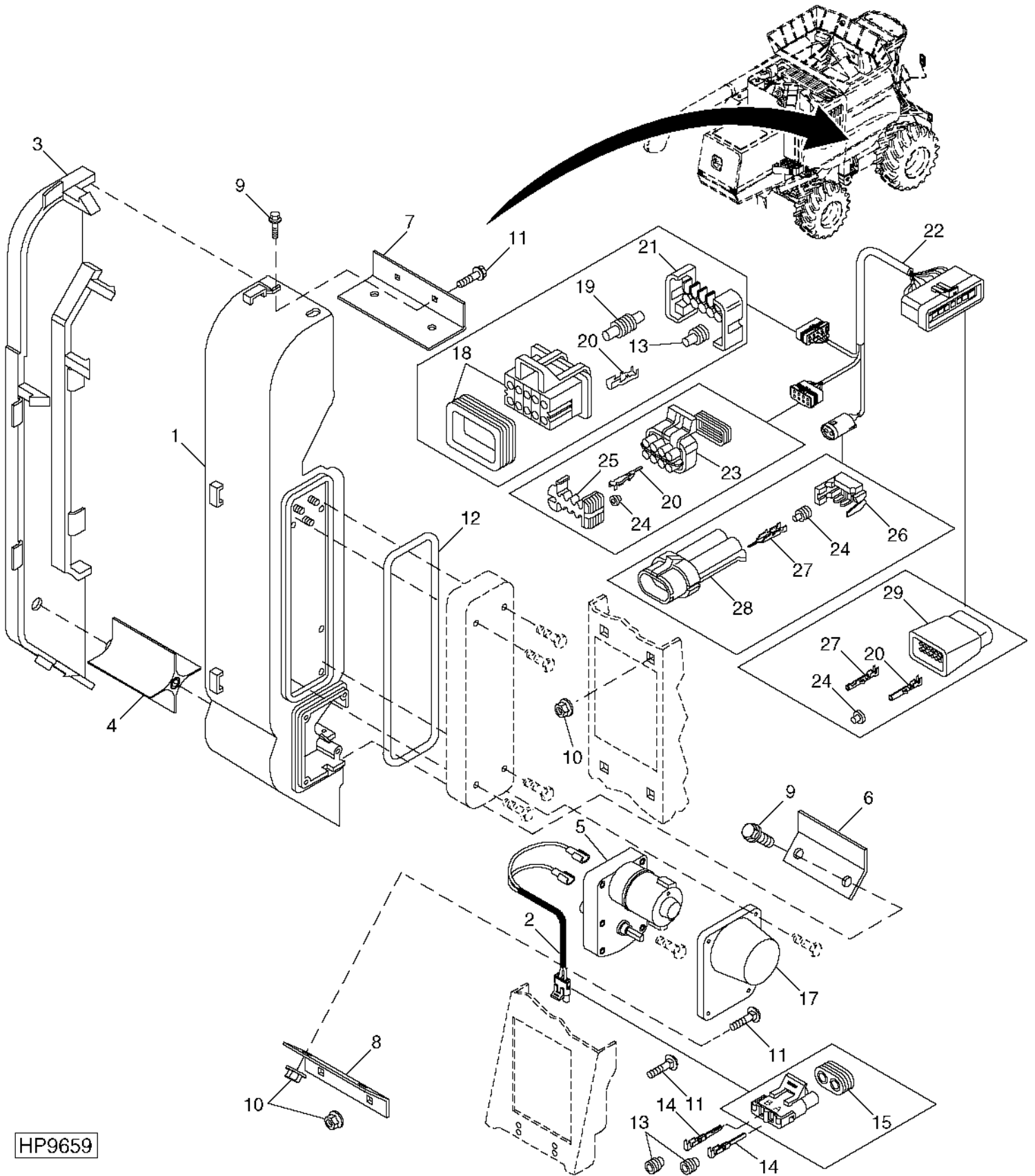
MASS FLOW SENSOR - CONTINUED

KEY	PART NO.	PART NAME	QTY	SERIAL NO.	REMARKS
1	AH163359	SENSOR	1		(SUB FOR PF80000)
2	AH165256	BRACKET	1	-685559	
	AH164349	BRACKET	1	685560-	
3	PF80047	BRACKET	1		
4	PF10350	SPACER	2		
5	H135891	LOCK NUT	AR		
6	14M7303	FLANGE NUT	4	M6	
7	03M7190	BOLT	4	M10 X 20	
8	21M1690	WING SCREW	2	M6 X 16	
9	PF10173	COVER	1		
10	H171004	COVER	1		WHEN MASS-FLOW SENSOR IS NOT USED
11	AH165189	WIRING HARNESS	1		
12	R78059	ELECTRICAL PLUG	1		(PKG. OF 40) (18 OR 20 GA. WIRE) (GREEN)
13	R78057	SOCKET CONTACT	1		(PKG. OF 40) (18 OR 20 GA. WIRE) (NO. 19)
14	R78055	PIN CONTACT CONNECTOR BODY	1		(PKG. OF 2)
15	R78064	ELECTRICAL PLUG	1		(PKG. OF 40)
16	R78049	SEAL	1		(PKG. OF 5)
17	RE12364	SOCKET CONT.CONNECTOR BODY	1		(PKG. OF 3)
18	R78058	PIN CONTACT	1		(PKG. OR 40) (18 OR 20 GA. WIRE) (NO. 19)
19	Z36140	WASHER	4		
20	24H1313	WASHER	4		13/32" X 1-3/4" X 0.065"
21	PF10350	SPACER	1	-685559	
	H172113	SPACER	1	685560-	
22	AH164288	MASS FLOW SENSOR MODULE	1	685560-	
23	H167717	SHEET	1		
..	BH81742	COMPLETE GOODS/SHIP. BUNDLE	1		YIELD MAP KIT
..	BH81758	COMPLETE GOODS/SHIP. BUNDLE	1		MAPPING CONVERSION KIT
..	BH81760	COMPLETE GOODS/SHIP. BUNDLE	1		MONITOR CONVERSION KIT

4G5

GREENSTAR YIELD MAPPING AND MONITOR SYSTEMS

MOISTURE SENSOR
HP9659 -UN-03APR00



HP9659

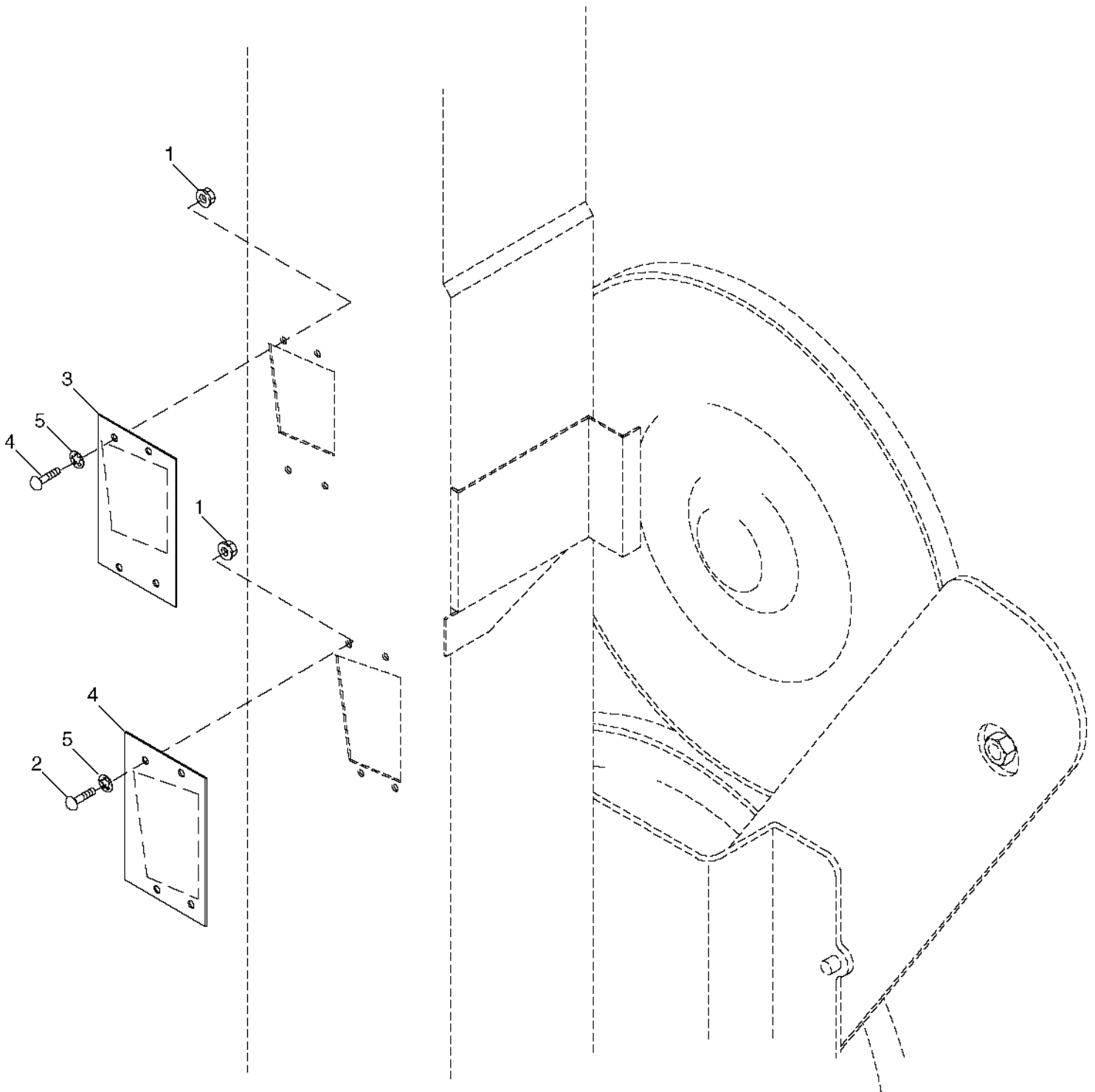
4G6

GREENSTAR YIELD MAPPING AND MONITOR SYSTEMS

MOISTURE SENSOR - CONTINUED

KEY	PART NO.	PART NAME	QTY	SERIAL NO.	REMARKS
1	PF80152	MOISTURE SENSOR MODULE	1	-685559	
	AH167407	SENSOR	1	685560-	
2	PF80058	MOTOR WIRING HARNESS	1		
3	PF10034	COVER	1		
4	PF80045	PADDLE WHEEL ASSEMBLY	1		
5	AH128865	ELECTRIC MOTOR	1		
6	PF10218	BRACKET	1		MIDDLE
7	PF80022	BRACKET	1		TOP
8	PF10106	BRACKET	1		BOTTOM
9	19M7774	SCREW	2		M6 X 12
10	14M7303	FLANGE NUT	8		M6
11	03M7221	BOLT	8		M6 X 16
12	PF10349	O-RING	1		
13	R78063	TERMINAL NIPPLE	1		(PKG. OF 40) (16 GA. WIRE) (GRAY)
14	R78060	SOCKET CONTACT	1		(PKG. OF 40) (14 OR 16 GA. WIRE) (NO. 15)
15	R78048	TERMINAL NIPPLE	1		(PKG. OF 5)
16	RE12363	CONNECTOR	1		(PKG. OF 3)
17	PF10035	COVER	1		
18	57M7262	RECEPTACLE CONNECTOR BODY	1		
19	57M7259	ELECTRICAL PLUG	1		
20	R104846	SOCKET CONTACT	1		(PKG. OF 10) (16 GA WIRE)
21	57M7281	CONNECTOR	1		
22	AH163684	WIRING HARNESS	1		
23	57M7261	RECEPTACLE CONNECTOR BODY	1		
24	57M7258	ELECTRICAL PLUG	1		
25	57M7296	CONNECTOR	1		
26	57M7316	CONNECTOR	1		
27	R104919	PIN CONTACT	1		
28	57M7256	PIN CONTACT CONNECTOR BODY	1		
29	CONNECTOR	1		
..	BH81742	COMPLETE GOODS/SHIP. BUNDLE	1		YIELD MAP KIT

MOISTURE SENSOR COVERS
WHEN MOISTURE SENSOR IS NOT USED
HP9465 -UN-14FEB00



HP9465

4G8

GREENSTAR YIELD MAPPING AND MONITOR SYSTEMS

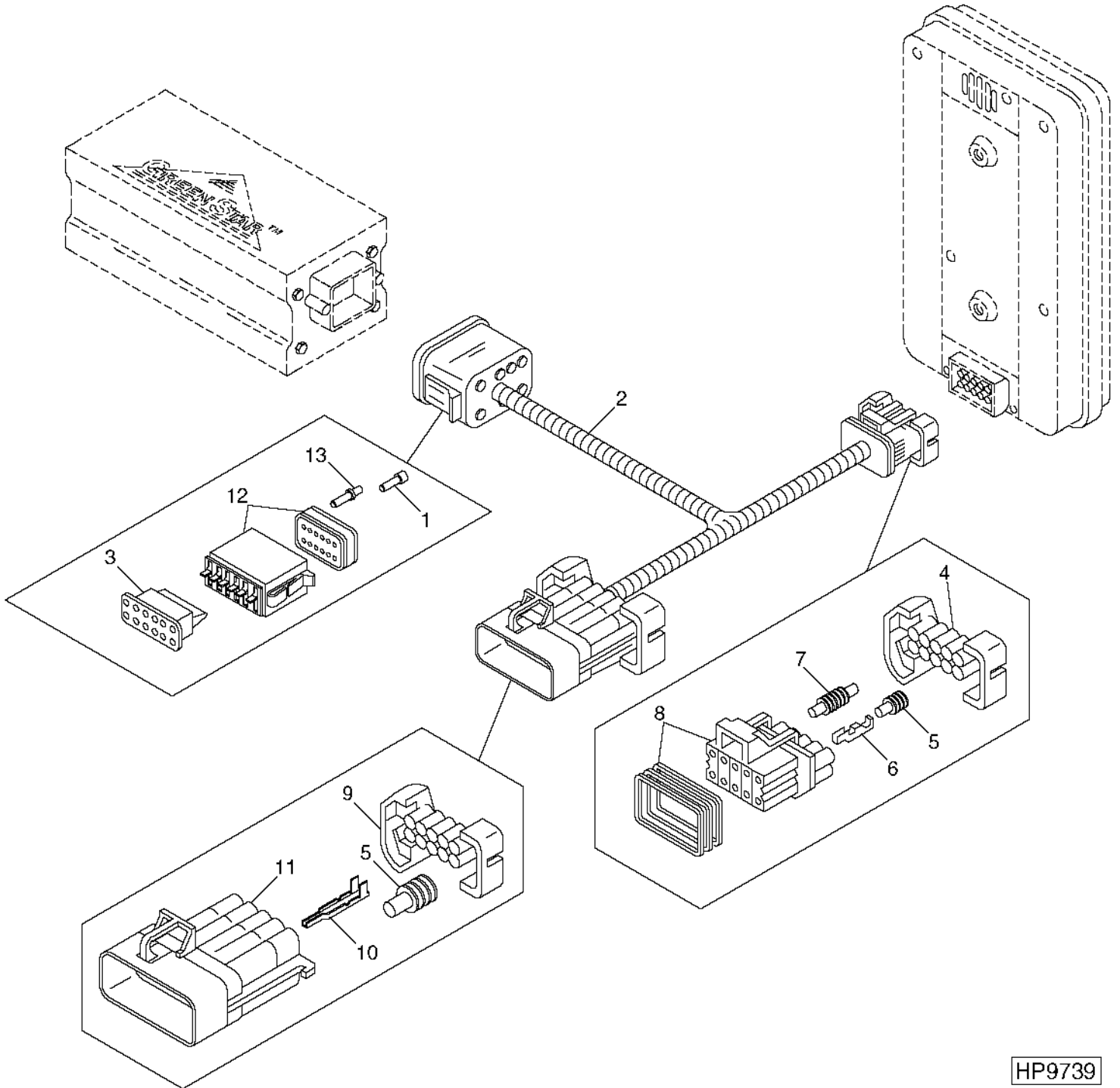
**MOISTURE SENSOR COVERS
WHEN MOISTURE SENSOR IS NOT USED**

KEY	PART NO.	PART NAME	QTY	SERIAL NO.	REMARKS
1	14M7303	FLANGE NUT	8	M6	
2	03M7221	BOLT	8	M6 X 16	
3	PF80173	COVER	1	UPPER	
4	PF80174	COVER	1	LOWER	
5	M80082	NUT	8		

4G9

GREENSTAR YIELD MAPPING AND MONITOR SYSTEMS

DATASTORE HARNESS
HP9739 -UN-28APR00



HP9739

4G10

GREENSTAR YIELD MAPPING AND MONITOR SYSTEMS

DATASTORE HARNESS - CONTINUED

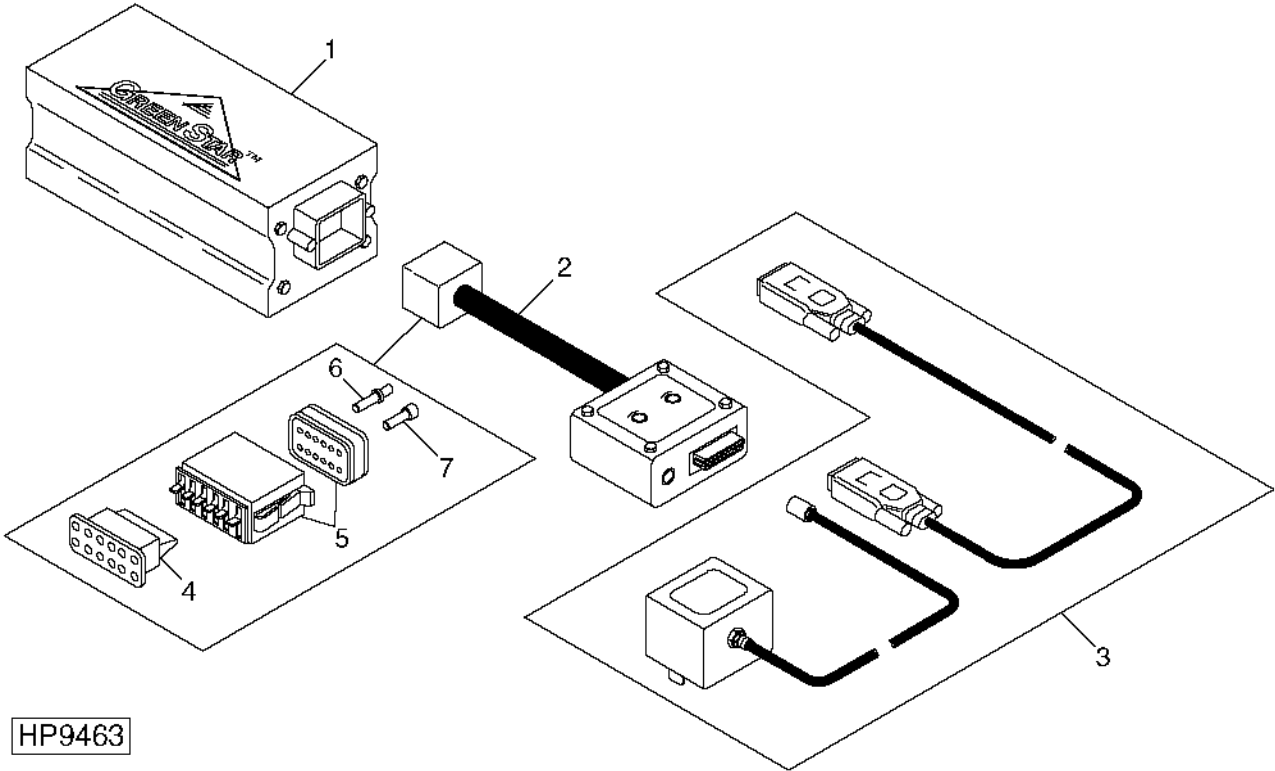
KEY	PART NO.	PART NAME	QTY	SERIAL NO.	REMARKS
1	R78069	ELECTRICAL PLUG	1		
2	PF80136	WIRING HARNESS	1		
3	57M7681	INSULATING SLEEVE	1		
4	57M7281	CONNECTOR	1		
5	R78063	TERMINAL NIPPLE	1		
6	R104846	SOCKET CONTACT	1		(PKG. OF 10) (16 GA. WIRE)
7	57M7259	ELECTRICAL PLUG	1		
8	RE42195	CONNECTOR	1		
9	57M7281	CONNECTOR	1		
10	R104919	PIN CONTACT	1		
11	RE42196	CONNECTOR	1		
12	57M8039	ELECTRICAL PLUG	1		
13	R78965	FITTING	1		

4G11

GREENSTAR YIELD MAPPING AND MONITOR SYSTEMS

DATASTORE

HP9463 -UN-10JAN00



HP9463

KEY	PART NO.	PART NAME	QTY	SERIAL NO.	REMARKS
1	PF80335	MODULE	1		(SUB FOR PF80139)
2	PF80334	MODULE	1		(SUB FOR PF80137)
3	PF80338	POWER SUPPLY	1		
4	57M7681	INSULATING SLEEVE	1		
5	57M8039	ELECTRICAL PLUG	1		
6	R78965	FITTING	1		
7	R78069	ELECTRICAL PLUG	1		

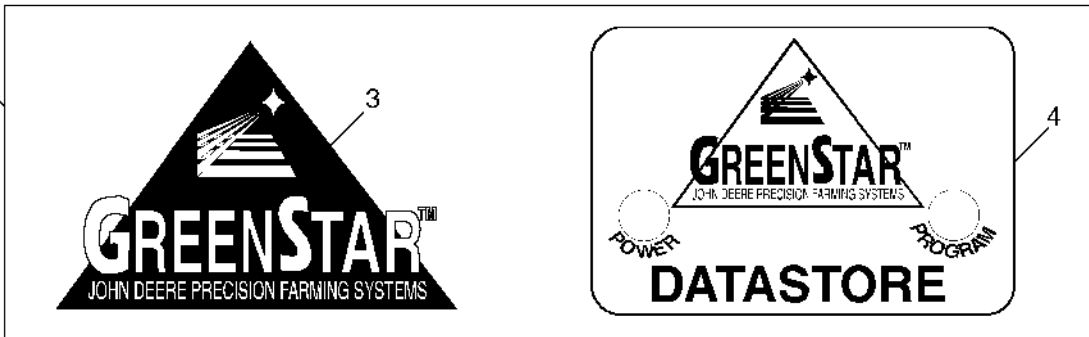
4G12

GREENSTAR YIELD MAPPING AND MONITOR SYSTEMS

DECALS

HP9461

-UN-11JAN00



HP9461

KEY	PART NO.	PART NAME	QTY	SERIAL NO.	REMARKS
1	PF10144	DECAL	1		MOISTURE SENSOR
2	H163216	LABEL	2		COMBINE GREENSTAR
3	DECAL	1		(ORDER PF80339) DATASTORE UNIT
4	DECAL	1		(ORDER PF80339) DATASTORE INTERFACE
5	PF80339	DECAL	1		DATA STOR DECAL KIT

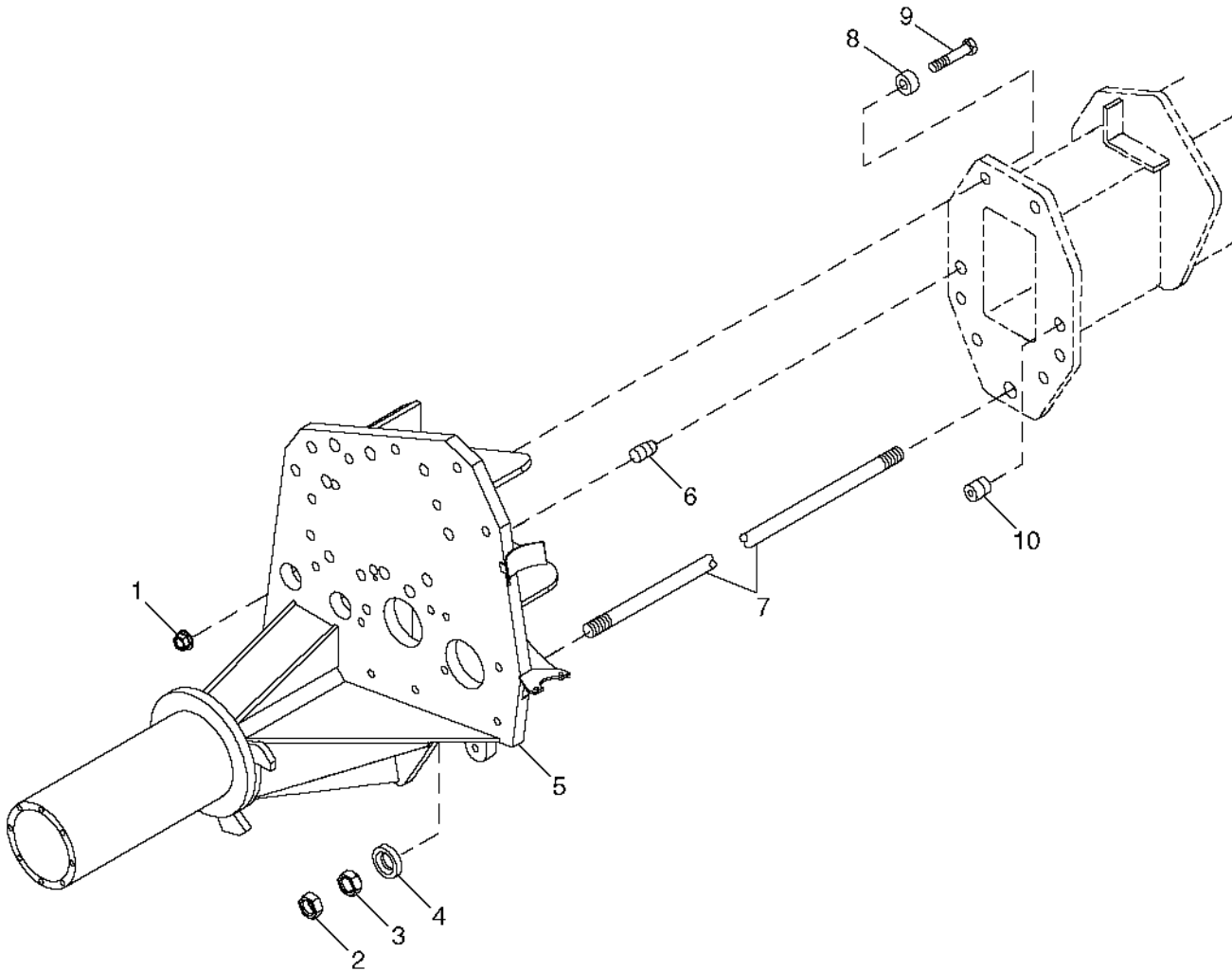
MEMORANDA

MEMORANDA

4G14

RUBBER TRACK SYSTEM

TRACK FRAME MOUNTING
HP8805 -UN-08JUL99



HP8805

4G15

RUBBER TRACK SYSTEM

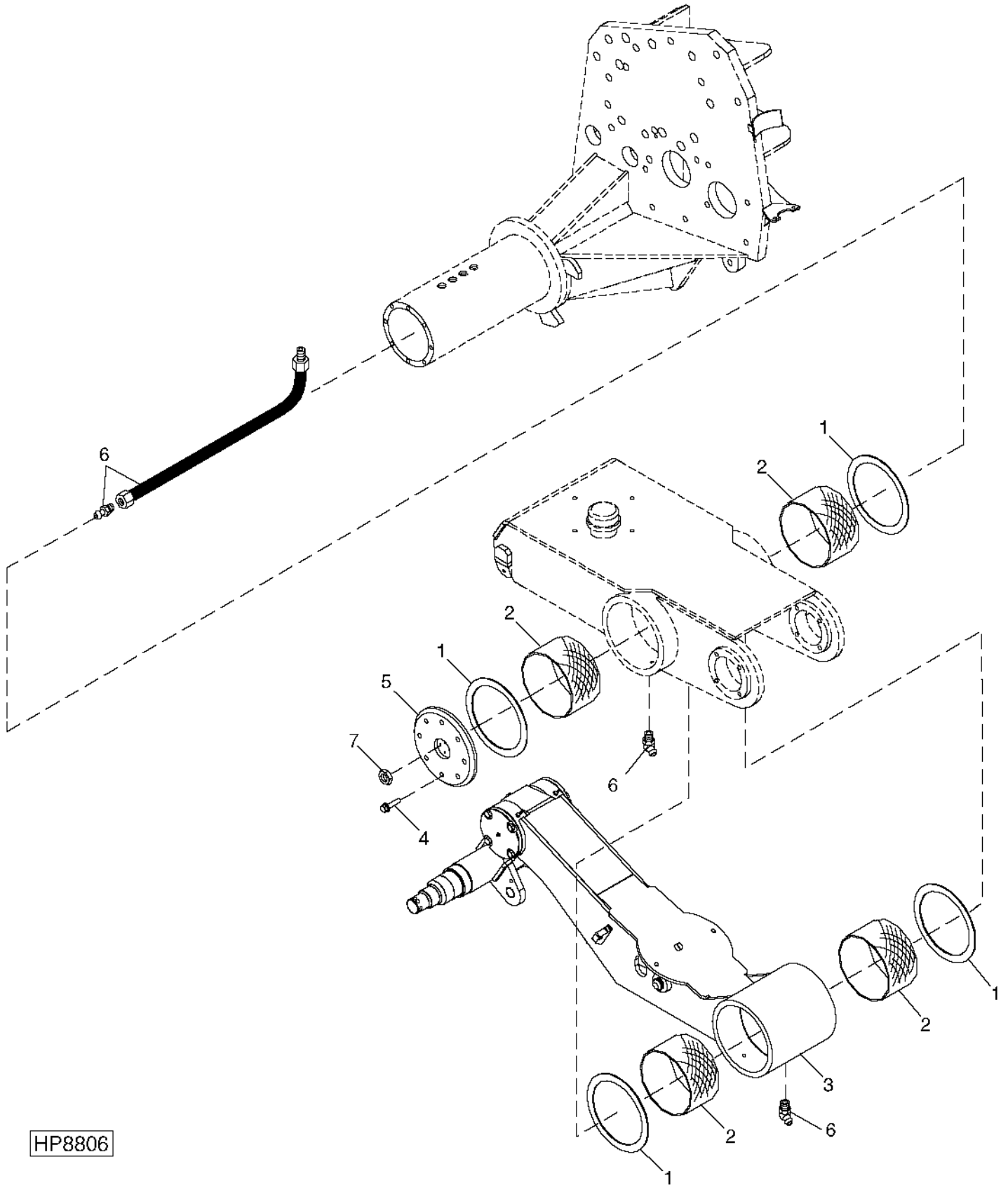
TRACK FRAME MOUNTING - CONTINUED

KEY	PART NO.	PART NAME	QTY	SERIAL NO.	REMARKS
1	14M7300	FLANGE NUT	12		M20, SINGLE REDUCTION FINAL DRIVE
2	14M7431	NUT	2		M30
3	H130288	NUT	2		M30
4	H130287	SPACER	2		36 X 69.850 X 14 MM
5	AH164391	FRAME	1		R.H.
	AH165202	FRAME	1		L.H.
6	H146868	DOWEL PIN	4		SINGLE REDUCTION FINAL DRIVE
7	H133635	ROD	1		
8	H156127	SLEEVE	12		
9	19M7963	CAP SCREW	12		M20 X 100
10	H87691	BUSHING	2		
..	AH150593	COMPLETE GOODS/SHIP. BUNDLE	1		SHIPPING FRAME

4G16

RUBBER TRACK SYSTEM

MAIN FRAME PIVOT BUSHINGS
HP8806 -UN-09JUL99



HP8806

4G17

RUBBER TRACK SYSTEM

MAIN FRAME PIVOT BUSHINGS - CONTINUED

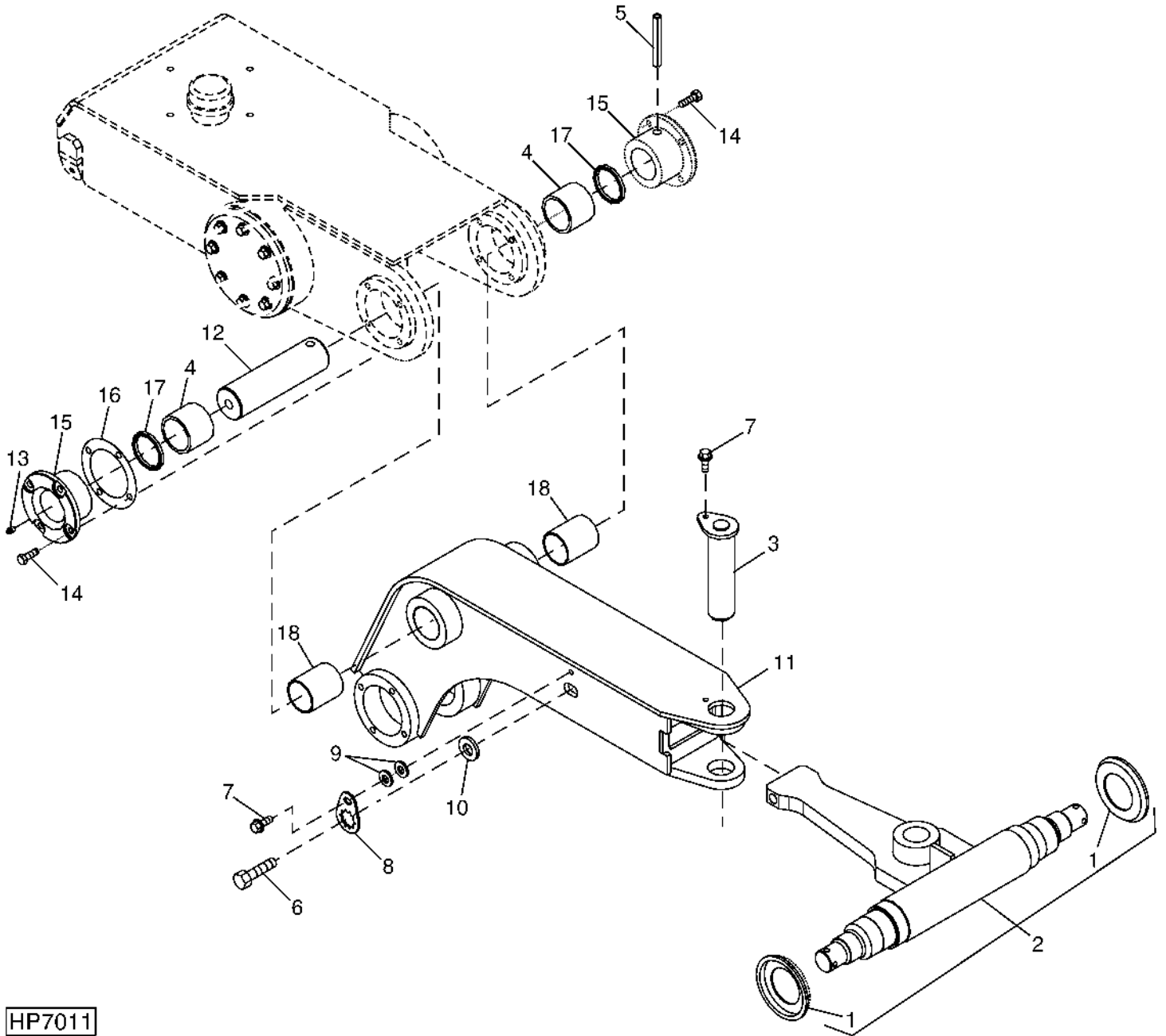
KEY	PART NO.	PART NAME	QTY	SERIAL NO.	REMARKS
1	H152745	WASHER	4		
2	H170357	BUSHING	4		
3	JD7763	LUBRICATION FITTING	4		
4	19M7814	SCREW	8	M12 X 50	
5	AH163817	CAP	1		
6	AT184336	HYDRAULIC HOSE	4		
7	E12379	NUT	4		

4G18

RUBBER TRACK SYSTEM

FRONT ARM AND ADJUSTABLE IDLER ASSEMBLY

HP7011 -UN-15JUL97



HP7011

4G19

RUBBER TRACK SYSTEM

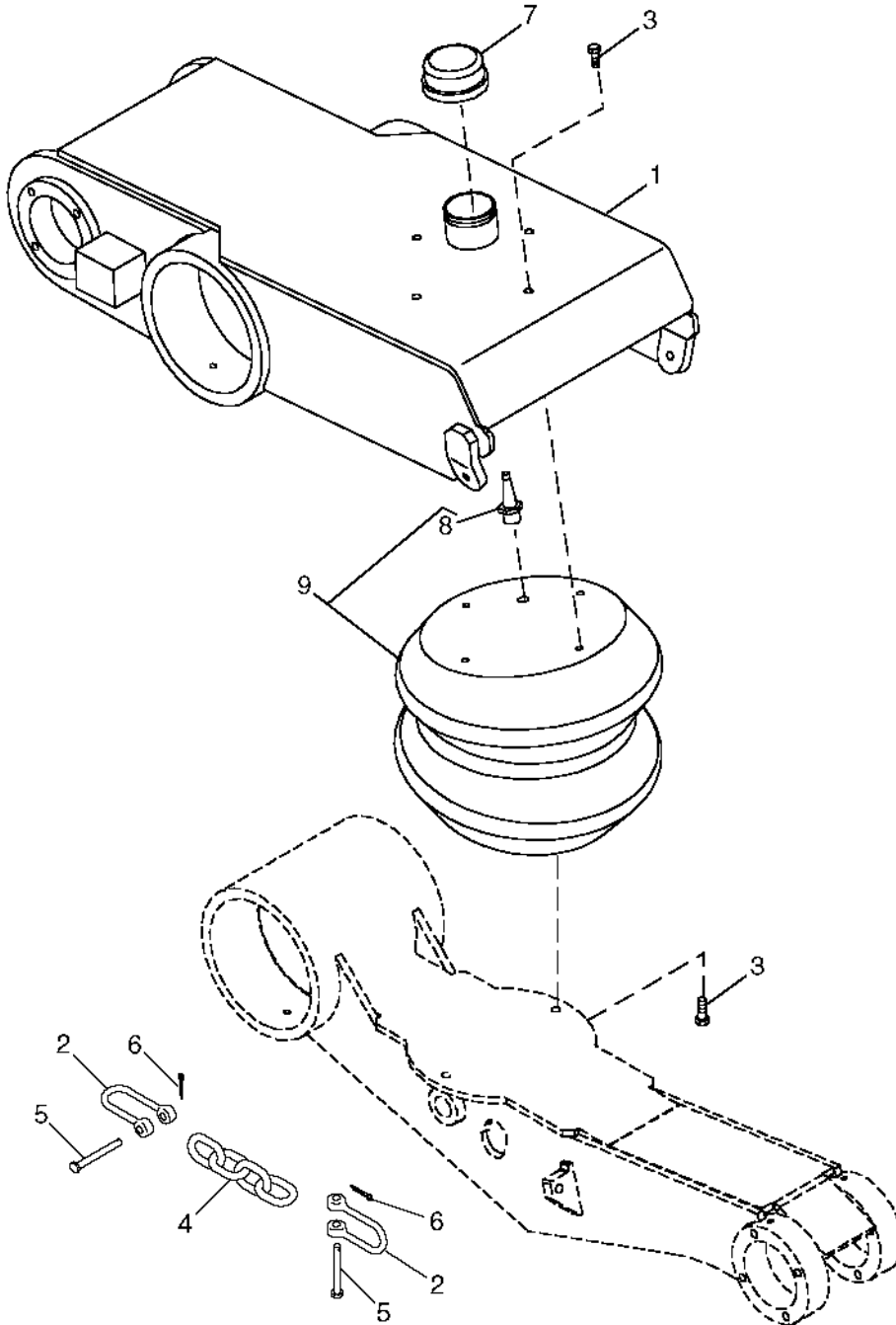
FRONT ARM AND ADJUSTABLE IDLER ASSEMBLY - CONTINUED

KEY	PART NO.	PART NAME	QTY	SERIAL NO.	REMARKS
1	H152741	RETAINER	2		
2	AH146864	AXLE	1		
3	AH149752	KINGPIN	1		
4	T122720	BUSHING	2	(A)	
5	34M7254	SPRING PIN	1	(A) 16 X 90 MM	
6	19M8639	CAP SCREW	2	M20 X 70	
7	19M7785	SCREW	3	M10 X 25	
8	H157868	RETAINER	2		
9	24M7028	WASHER	4	10.500 X 20 X 2 MM	
10	H170552	WASHER	2		
11	AH165222	SUPPORT	1		
12	H163999	PIN	1	(A)	
13	JD7759	LUBRICATION FITTING	1	(A)	
14	19M8011	CAP SCREW	8	(A) M12 X 30	
15	H164001	BEARING CAP	2	(A)	
16	H157615	SHIM	AR	(A) .508 MM	
	H157616	SHIM	AR	(A) .254 MM	
	H157617	SHIM	AR	(A) .127 MM	
	H157696	WASHER	AR	(A) 1.0 MM	
17	T68818	SEAL	2	(A)	
18	H164002	SLEEVE	2	(A) REQUIRES TY15969 MAXIMUM STRENGTH RETAINING COMPOUND FOR INSTALLATION	
..	TY15969	ADHESIVE	1	MAXIMUM STRENGTH RETAINING COMPOUND; REQUIRED FOR INSTALLATION OF SLEEVES H164002	
..	AH157937	KIT	1	TRACK DRIVE BUSHING REPLACEMENT KIT; INCLUDES ALL PARTS MARKED (A)	

4G20

RUBBER TRACK SYSTEM

AIR SUSPENSION
HP8807 -UN-08JUL99



HP8807

4G21

RUBBER TRACK SYSTEM

AIR SUSPENSION - CONTINUED

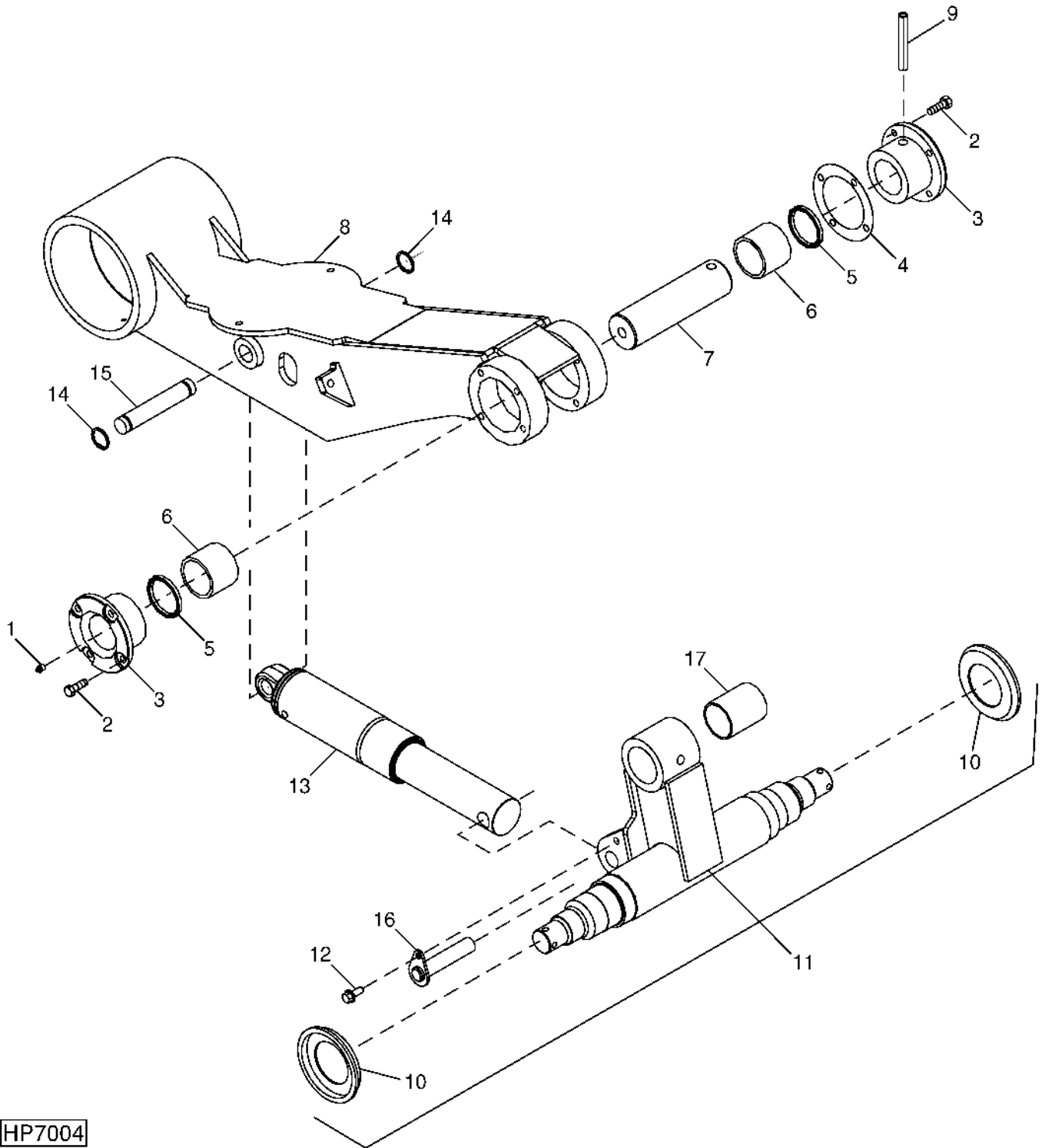
KEY	PART NO.	PART NAME	QTY	SERIAL NO.	REMARKS
1	AH146871	HOUSING	1		R.H.
	AH147118	HOUSING	1		L.H.
2	H170718	CLEVIS	8		
3	19H2676	CAP SCREW	6		3/8" X 1"
4	AH146979	LINK CHAIN	2		
5	A15719	PIN	4		11.125 X 50.800 MM
6	11M7084	COTTER PIN	4		5 X 25 MM
7	15H658	FITTING	1		
8	AH150490	TIRE VALVE STEM	1		
9	AH168710	ABSORBER	1		(SUB FOR AH145385)

4G22

RUBBER TRACK SYSTEM

REAR ARM, TENSION CYLINDER AND IDLER AXLE

HP7004 -UN-15JUL97



HP7004

4G23

RUBBER TRACK SYSTEM

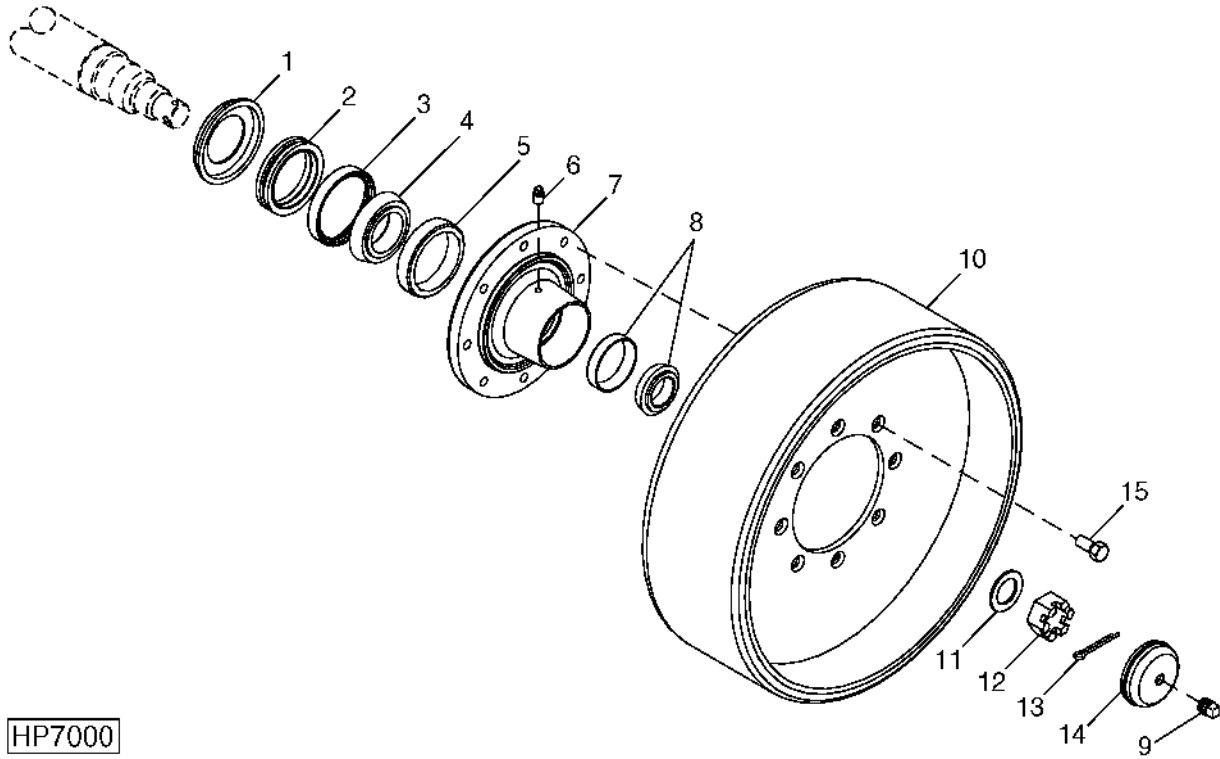
REAR ARM, TENSION CYLINDER AND IDLER AXLE - CONTINUED

KEY	PART NO.	PART NAME	QTY	SERIAL NO.	REMARKS
1	JD7759	LUBRICATION FITTING	1	(A)	
2	19M8011	CAP SCREW	8	(A)	M12 X 30
3	H164001	BEARING CAP	2	(A)	
4	H157615	SHIM	AR	(A)	.508 MM
	H157616	SHIM	AR	(A)	.254 MM
	H157617	SHIM	AR	(A)	.127 MM
	H157696	WASHER	AR	(A)	1.0 MM
5	T68818	SEAL	2	(A)	
6	T122720	BUSHING	2	(A)	
7	H164000	PIN	1	(A)	
8	AH165223	CYLINDER	1		
9	34M7254	SPRING PIN	1	(A)	16 X 90 MM
10	H152741	RETAINER	2		
11	AH164289	AXLE	1		
12	19M7785	SCREW	1		M10 X 25
13	AH149862	HYDRAULIC CYLINDER	1		
14	T140425	SNAP RING	2		
15	H159887	PIN	1		
16	AH150166	PIN	1		
17	H164002	SLEEVE	1		(A) REQUIRES TY15969 MAXIMUM STRENGTH RETAINING COMPOUND FOR INSTALLATION
..	TY15969	ADHESIVE	1		MAXIMUM STRENGTH RETAINING COMPOUND; REQUIRED FOR INSTALLATION OF SLEEVE H164002

4G24

RUBBER TRACK SYSTEM

IDLER WHEEL ASSEMBLY
HP7000 -UN-11SEP97



HP7000

KEY	PART NO.	PART NAME	QTY	SERIAL NO.	REMARKS
1	H152741	RETAINER	1		
2	RE62719	SEAL	1		
3	H152740	RETAINER	1		
4	JD10266	BEARING CONE	1		
5	JD7298	BEARING CUP	1		
6	15H638	PIPE PLUG	2	1/8"	
7	H152409	HUB	1		
8	AT121137	ROLLER BEARING	1	MATCHED SET	
9	15H254	PIPE PLUG	1	1/4"	
10	AH146764	WHEEL	1		
11	CA25242	WASHER	1		
12	T46438	NUT	1		
13	11H227	COTTER PIN	1		
14	AH160573	BEARING CAP	1		
15	R35192	WHEEL BOLT	8		

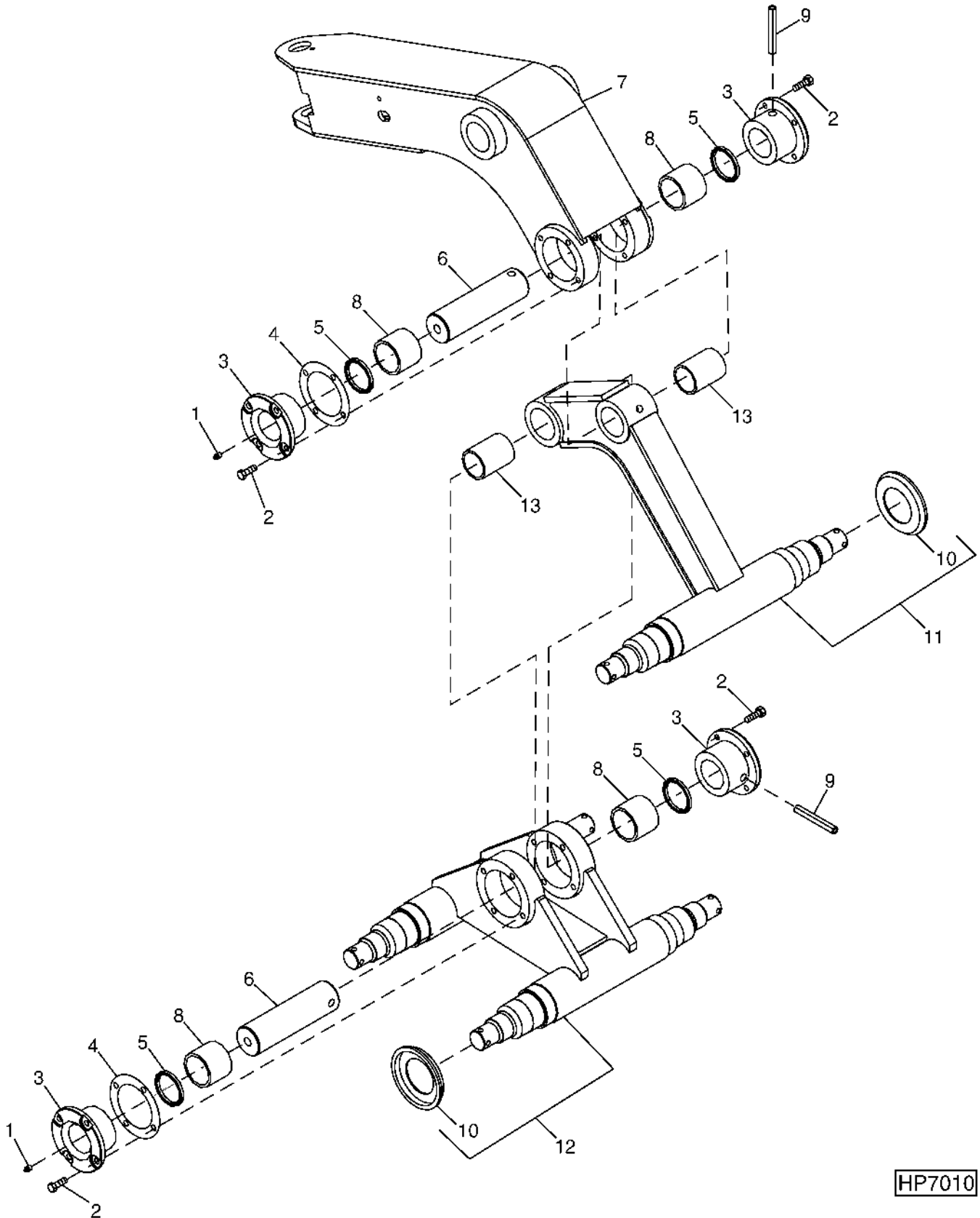
NOTE: QUANTITIES SHOWN FOR ONE ASSEMBLY.

MEMORANDA

4H1

RUBBER TRACK SYSTEM

BOGEY WHEEL AXLES
HP7010 -UN-15JUL97



HP7010

4H2

RUBBER TRACK SYSTEM

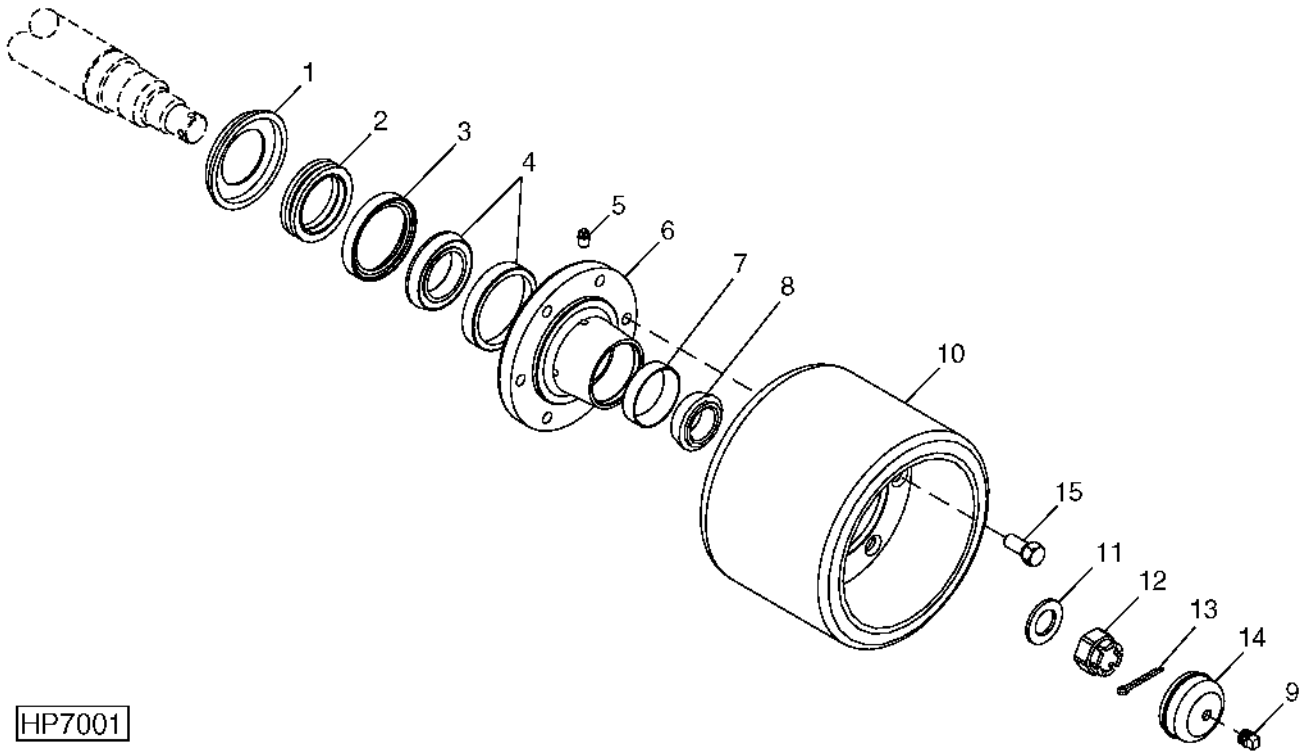
BOGEY WHEEL AXLES - CONTINUED

KEY	PART NO.	PART NAME	QTY	SERIAL NO.	REMARKS
1	JD7759	LUBRICATION FITTING	2	(A)	
2	19M8011	CAP SCREW	16	(A) M12 X 30	
3	H164001	BEARING CAP	4	(A)	
4	H157615	SHIM	AR	(A) 0.50 MM	
	H157616	SHIM	AR	(A) 0.25 MM	
	H157617	SHIM	AR	(A) 0.13 MM	
5	T68818	SEAL	4	(A)	
6	H164000	PIN	2	(A)	
7	AH165222	SUPPORT	1		
8	T122720	BUSHING	4	(A)	
9	34M7254	SPRING PIN	2	(A) 16 X 90 MM	
10	H152743	RETAINER	6	0.50 MM	
11	AH164228	AXLE KNEE	1		
12	AH164304	SPOUT	1		
13	H164002	SLEEVE	2	(A) REQUIRES TY15969 MAXIMUM STRENGTH RETAINING COMPOUND FOR INSTALLATION	
..	TY15969	ADHESIVE	1	MAXIMUM STRENGTH RETAINING COMPOUND; REQUIRED FOR INSTALLATION OF SLEEVES H164002	

4H3

RUBBER TRACK SYSTEM

BOGEY WHEEL ASSEMBLY
HP7001 -UN-11SEP97



HP7001

KEY	PART NO.	PART NAME	QTY	SERIAL NO.	REMARKS
1	H152743	RETAINER	1		
2	RE62718	SEAL	1		
3	H152742	RETAINER	1		
4	JD37125	ROLLER BEARING	1		MATCHED SET
5	15H638	PIPE PLUG	2		
6	H152410	HUB	1		
7	JD9121	BEARING CUP	1		
8	JD9058	BEARING CONE	1		
9	15H254	PIPE PLUG	1		
10	AH146765	WHEEL	1		
11	24M7230	WASHER	1		
12	14M7419	NUT	1		
13	11M7085	COTTER PIN	1		
14	AH160572	BEARING CAP	1		
15	R35192	WHEEL BOLT	6		

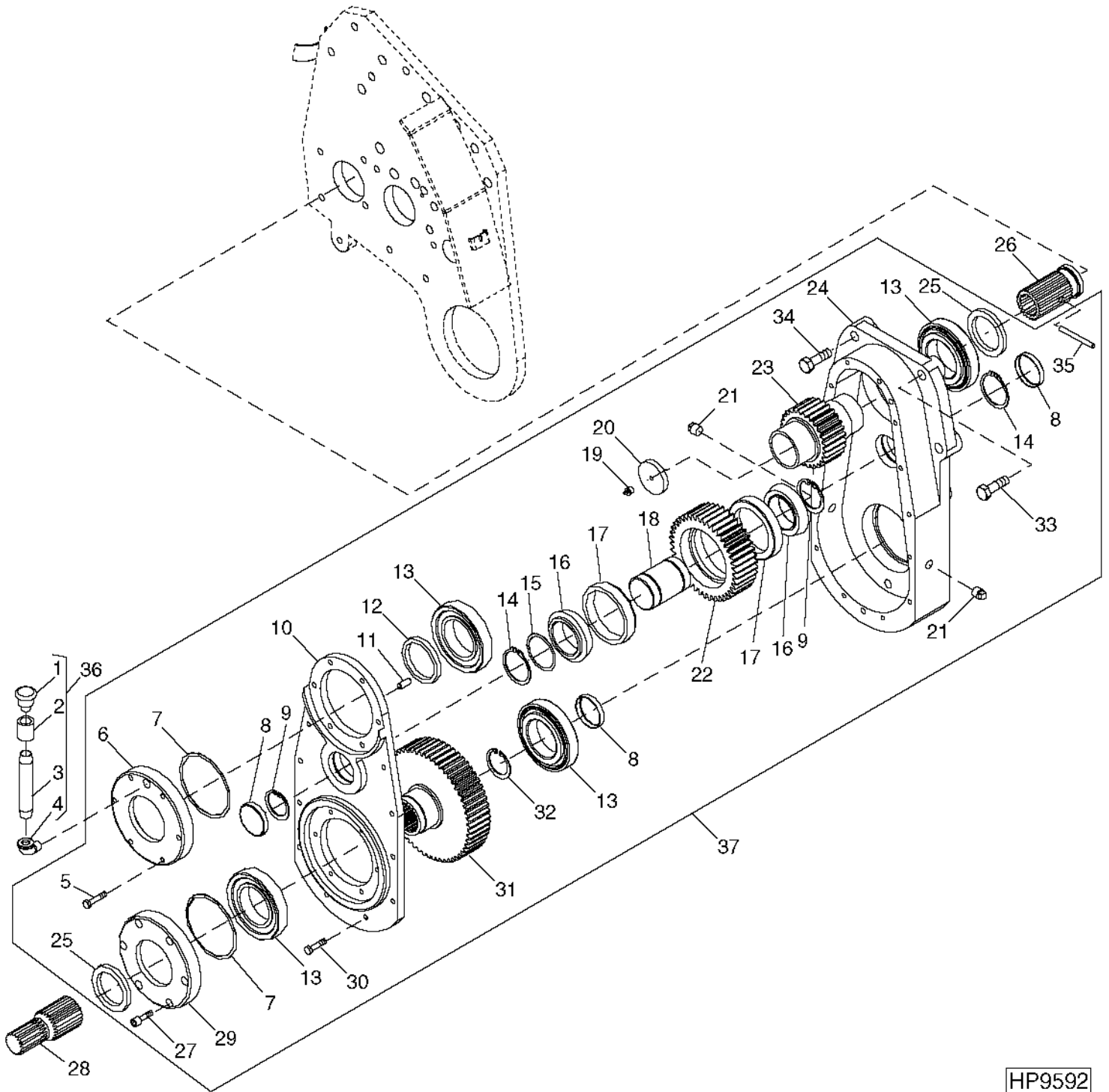
NOTE: QUANTITIES SHOWN FOR ONE ASSEMBLY.

MEMORANDA

4H4

RUBBER TRACK SYSTEM

TRANSFER GEAR CASE
HP9592 -UN-25FEB00



HP9592

4H5

RUBBER TRACK SYSTEM

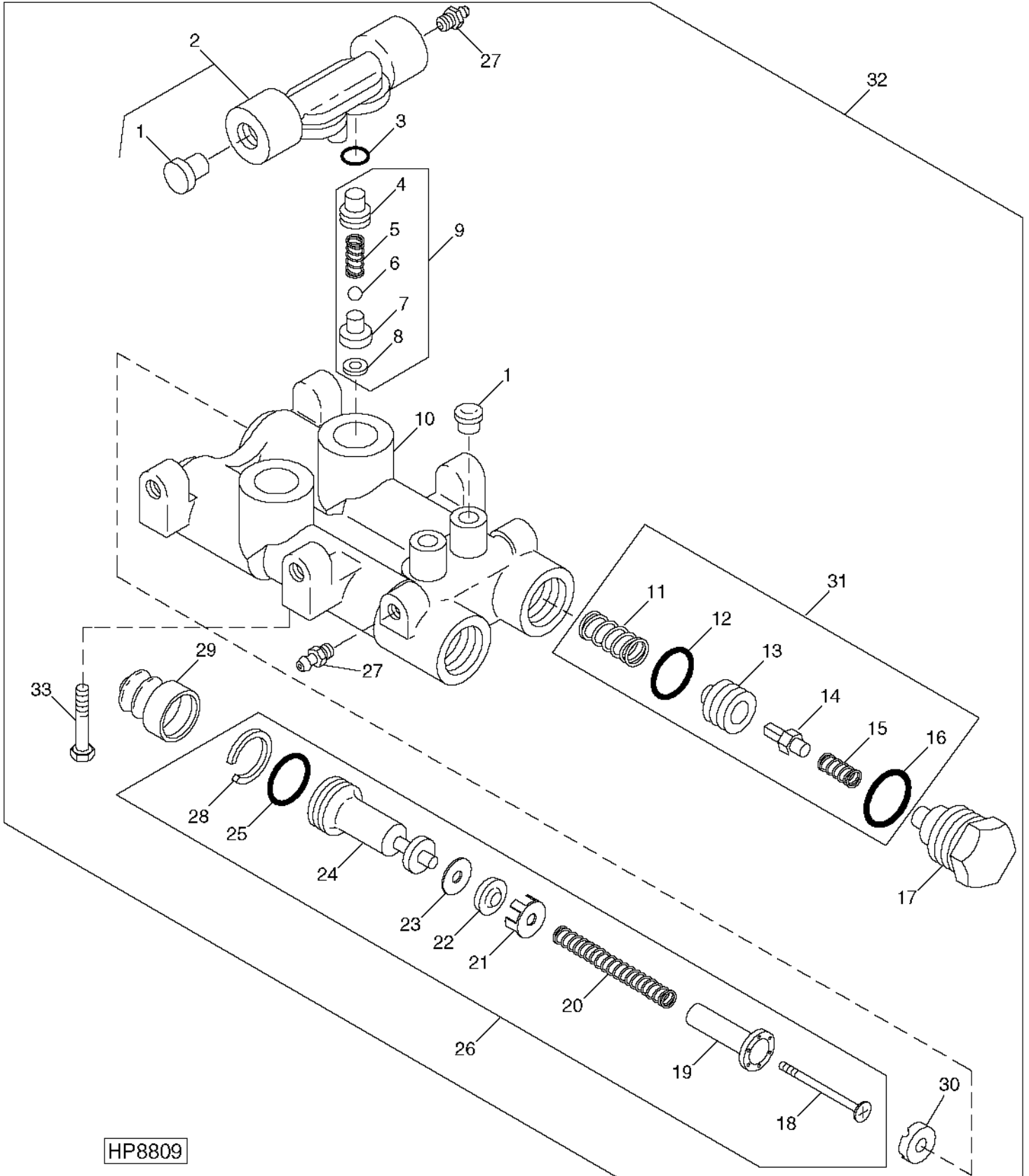
TRANSFER GEAR CASE - CONTINUED

KEY	PART NO.	PART NAME	QTY	SERIAL NO.	REMARKS
1	AH20868	BREATHER	1		
2	15H579	COUPLING	1	3/8"	
3	29H217	THREADED NIPPLE	1	1/2"	
4	CE17939	ELBOW FITTING	1		
5	19M7981	CAP SCREW	4	M8 X 55	
	19M7922	CAP SCREW	2	M8 X 40	
6	CE17916	BEARING CAP	1		
7	CE17923	SHIM	AR	.05	
	CE17924	SHIM	AR	.01	
	CE17925	SHIM	AR	.03	
	CE17926	SHIM	AR	.50	
8	CE17685	PLUG	3		
9	40M7229	SNAP RING	2		
10	CE17915	CAP	1		
11	R26650	DOWEL PIN	2	3/8" X 1"	
12	DE18750	SEAL	1		
13	JD37125	ROLLER BEARING	4		
14	40M7048	SNAP RING	2		
15	CE16825	SHIM	AR	.20	
	CE16623	SHIM	AR	.30	
	CE16624	SHIM	AR	.40	
	CE16625	SHIM	AR	.50	
16	JD7366	BEARING CONE	2		
17	JD8206	BEARING CUP	2		
18	CE17918	JACKSHAFT	1		
19	JD7798	LUBRICATION FITTING	1		
20	CE17922	PLUG	1		
21	15H255	PIPE PLUG	3	3/8"	
22	CE17920	SPUR GEAR	1		
23	CE17919	SPUR GEAR	1		
24	CE17914	HOUSING	1		
25	AB4462R	SEAL	2		
26	H151608	SPUR GEAR	1		FOR SINGLE REDUCTION FINAL DRIVE
27	CE17927	CAP SCREW	6		
28	H152256	SPUR GEAR	1		FOR SINGLE REDUCTION FINAL DRIVE
29	CE17917	BEARING CAP	1		
30	19M8008	CAP SCREW	10	M8 X 35	
31	CE17921	SPUR GEAR	1		
32	40M7216	SNAP RING	1		
33	19M8306	SCREW	1	M12 X 50, FOR PLANETARY FINAL DRIVE	
34	19M7794	SCREW	5	M16 X 50, FOR PLANETARY FINAL DRIVE	
35	CE18118	PIN	1		
36	DE19160	MOUNTING PARTS	1		
37	DE19159	GEAR CASE	1		SUB FOR DE18748; ALSO NEED DE19160 AND KEYS 26 AND 28.

4H6

RUBBER TRACK SYSTEM

FINAL DRIVE MOUNTING
(SINGLE REDUCTION)
HP8809 -UN-08JUL99



4H7

RUBBER TRACK SYSTEM

**FINAL DRIVE MOUNTING - CONTINUED
(SINGLE REDUCTION)**

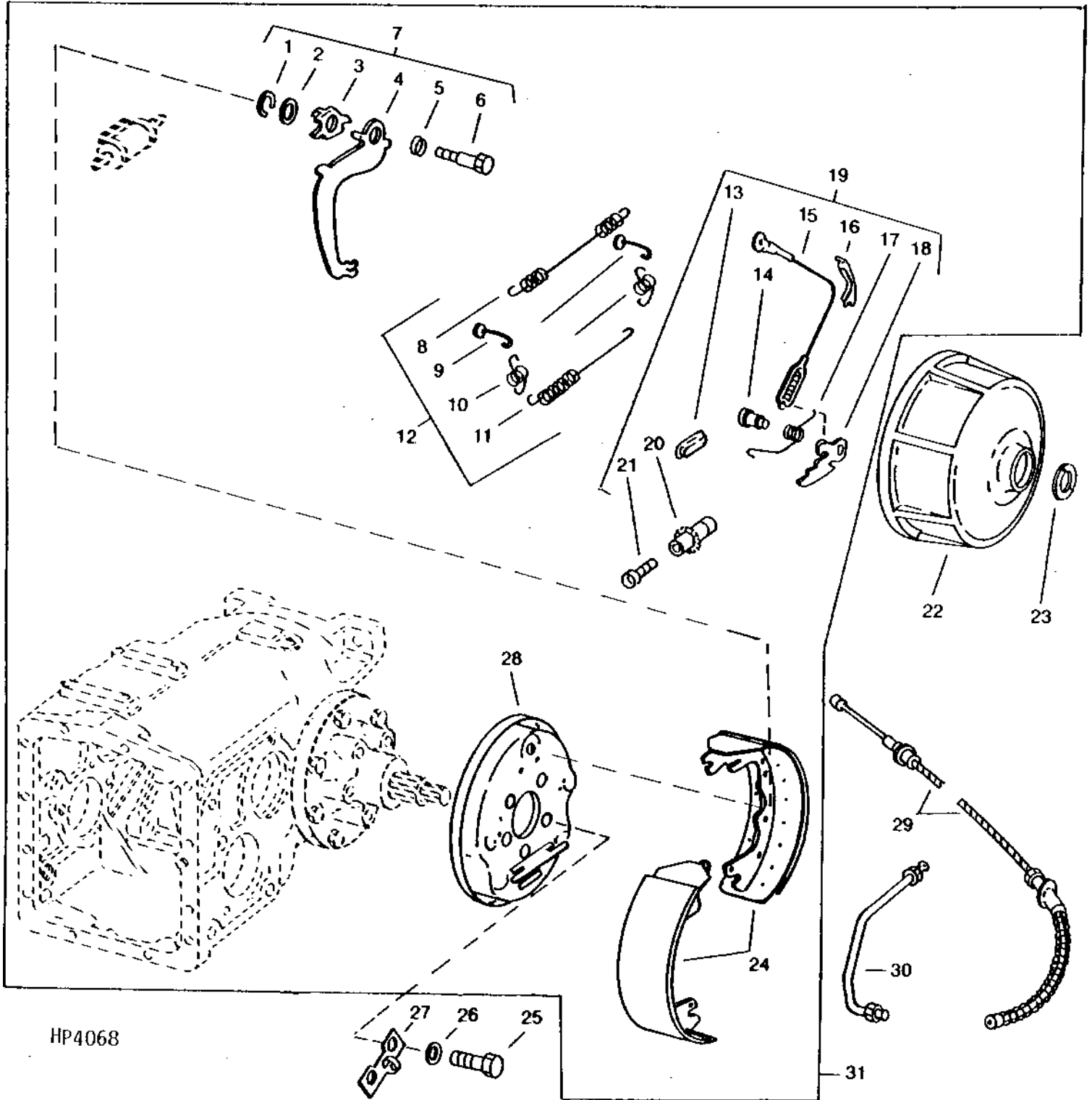
KEY	PART NO.	PART NAME	QTY	SERIAL NO.	REMARKS
1	AH163026	DRIVE	1		L.H.
	AH163027	DRIVE	1		R.H.
2	AH146183	BREATHER	1		
3	H87691	BUSHING	2		
4	15H561	PIPE PLUG	1		1/2"
5	H156127	SLEEVE	6		
6	19M7892	CAP SCREW	6		M20 X 80

NOTE: REFER TO APPROPRIATE COMBINE PARTS CATALOG FOR INDIVIDUAL REPAIR PARTS.

4H8

RUBBER TRACK SYSTEM

BRAKE SHOES AND DRUM
(L.H. ILLUSTRATED)
HP4068 -UN-01JAN94



HP4068

4H9

RUBBER TRACK SYSTEM

BRAKE SHOES AND DRUM - CONTINUED (L.H. ILLUSTRATED)

KEY	PART NO.	PART NAME	QTY	SERIAL NO.	REMARKS
1	SNAP RING	1		
2	WASHER	1		
3	CAM	1		
4	LEVER	1		
5	SPRING	1		
6	BOLT	1		(ANCHOR PIN)
7	AH131058	KIT	1		R.H.
	AH131059	KIT	1		L.H.
8	SPRING	1		(UPPER SHOE-TO-SHOE)
9	H140315	LINK	2		
10	SPRING	2		(LOWER SHOE-TO-SHOE)
11	SPRING	2		(HOLD DOWN)
12	AH131051	KIT	1		
13	COVER	1		(RUBBER)
14	PIN	1		
15	CABLE	1		
16	GUIDE	1		
17	SPRING	1		
18	PAWL	1		(ADJUSTER)
19	AH131054	KIT	1		R.H.
	AH131055	KIT	1		L.H.
20	WHEEL	1		
21	SCREW	1		
22	CE18206	BRAKE DRUM	2		
23	B32564	RING	2		
24	AH143333	BRAKE SHOE	1		R.H. AND L.H. (SET OF 4); FOR USE WITH RUBBER TRACK SYSTEM ONLY
25	19M7597	CAP SCREW	5		M20 X 50
26	N12679	WASHER	5		
27	H133351	GUIDE	2		
28	AH149829	PLATE	1		
29	AH141582	CABLE	1		
30	AH128842	OIL LINE	1		L.H.
	AH128843	OIL LINE	1		R.H.
31	AH134304	BRAKE	1		(A) R.H.
	AH134305	BRAKE	1		(A) L.H.

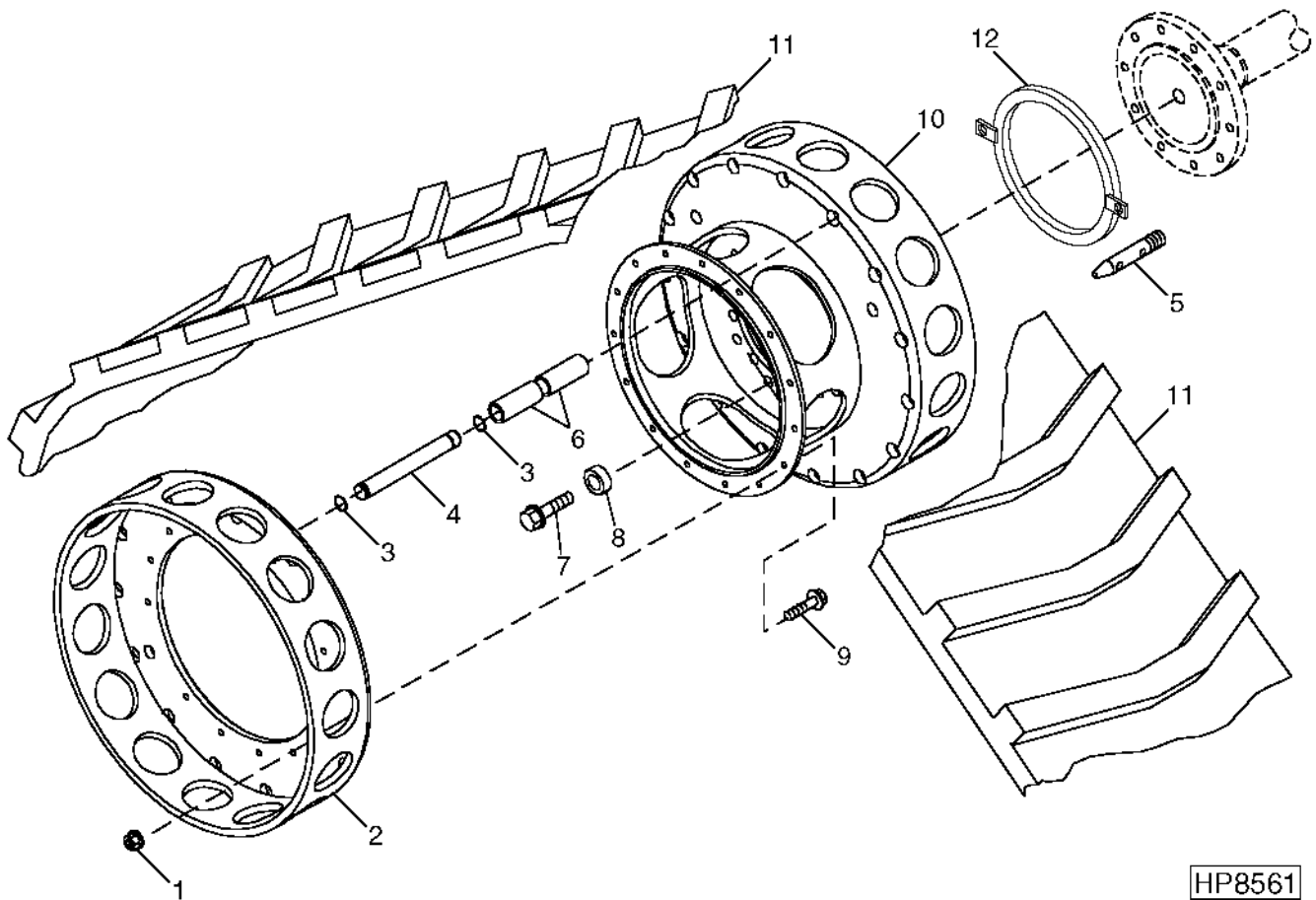
(A) DOES NOT INCLUDE AH143333 BRAKE SHOES REQUIRED FOR TRACK SYSTEM. ORDER SEPARATELY.

NOTE: QUANTITIES SHOWN ARE FOR ONE UNIT. TWO UNITS USED PER MACHINE.

4H10

RUBBER TRACK SYSTEM

DRIVE WHEEL AND BELT
HP8561 -UN-07MAY99



HP8561

4H11

RUBBER TRACK SYSTEM

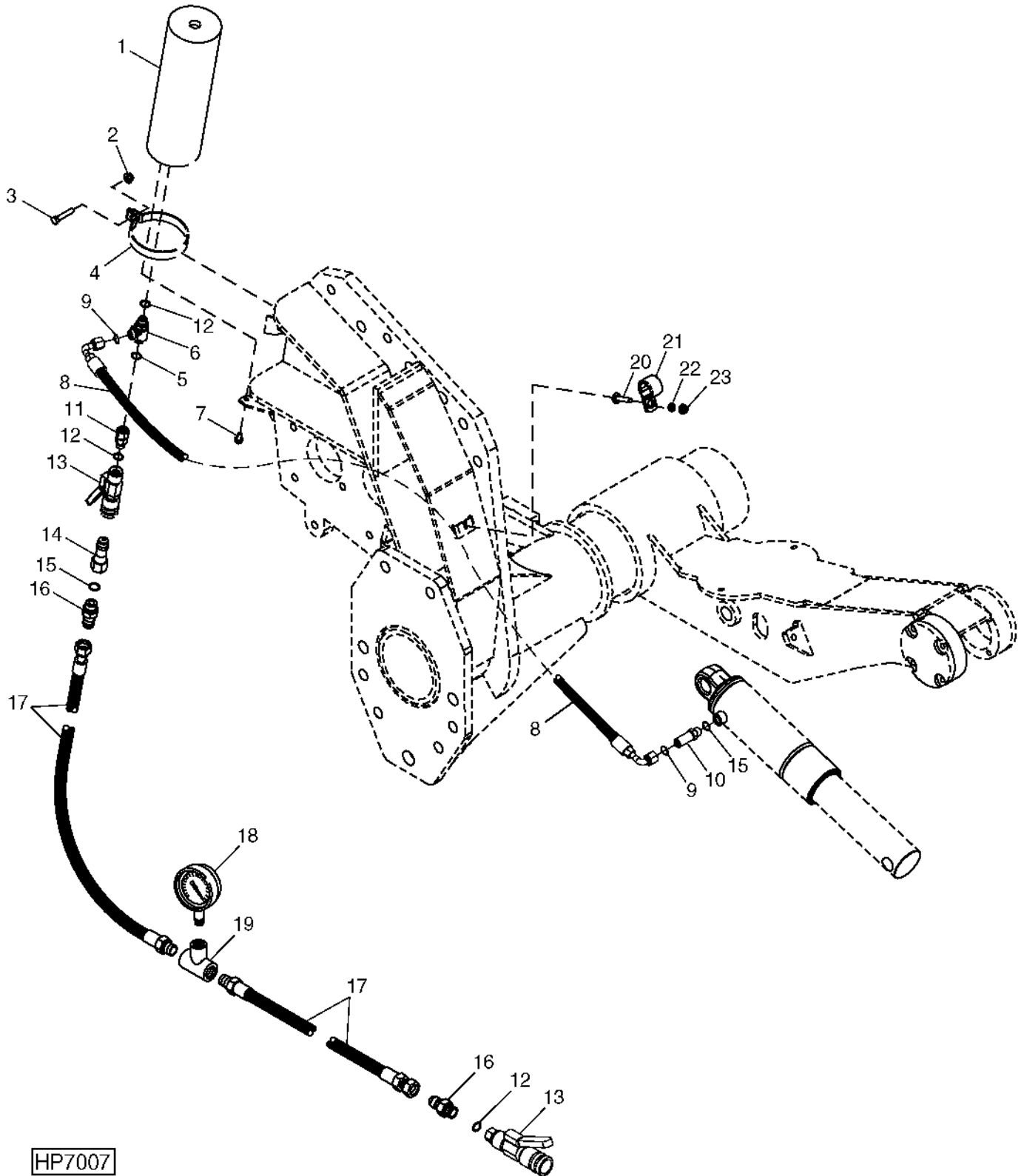
DRIVE WHEEL AND BELT - CONTINUED

KEY	PART NO.	PART NAME	QTY	SERIAL NO.	REMARKS
1	14M7299	FLANGE NUT	15	M12	
2	AH150171	WHEEL	1		
3	T30424	O-RING	30	28.296 X 1.778 MM	
4	H157716	PIN	15		
5	H138607	STUD	1	(USE FOR WHEEL MOUNTING ONLY)	
6	H157718	BUSHING	30		
7	H170072	SCREW	10		
8	H134114	SPACER	10	21.500 X 50 X 28 MM	
9	19M7791	SCREW	15	M12 X 40	
10	AH150172	WHEEL	1		
11	BELT	1		NFS; 30" X 276" X 46 PITCH; CONTACT FIRESTONE FOR PART INFORMATION AT 1-800-745-1739
	BELT	1		NFS; 34" X 276" X 46 PITCH; CONTACT FIRESTONE FOR PART INFORMATION AT 1-800-745-1739
12	AH160669	RING	1		

4H12

RUBBER TRACK SYSTEM

TENSION CYLINDER HYDRAULICS
HP7007 -UN-10OCT97



HP7007

4H13

RUBBER TRACK SYSTEM

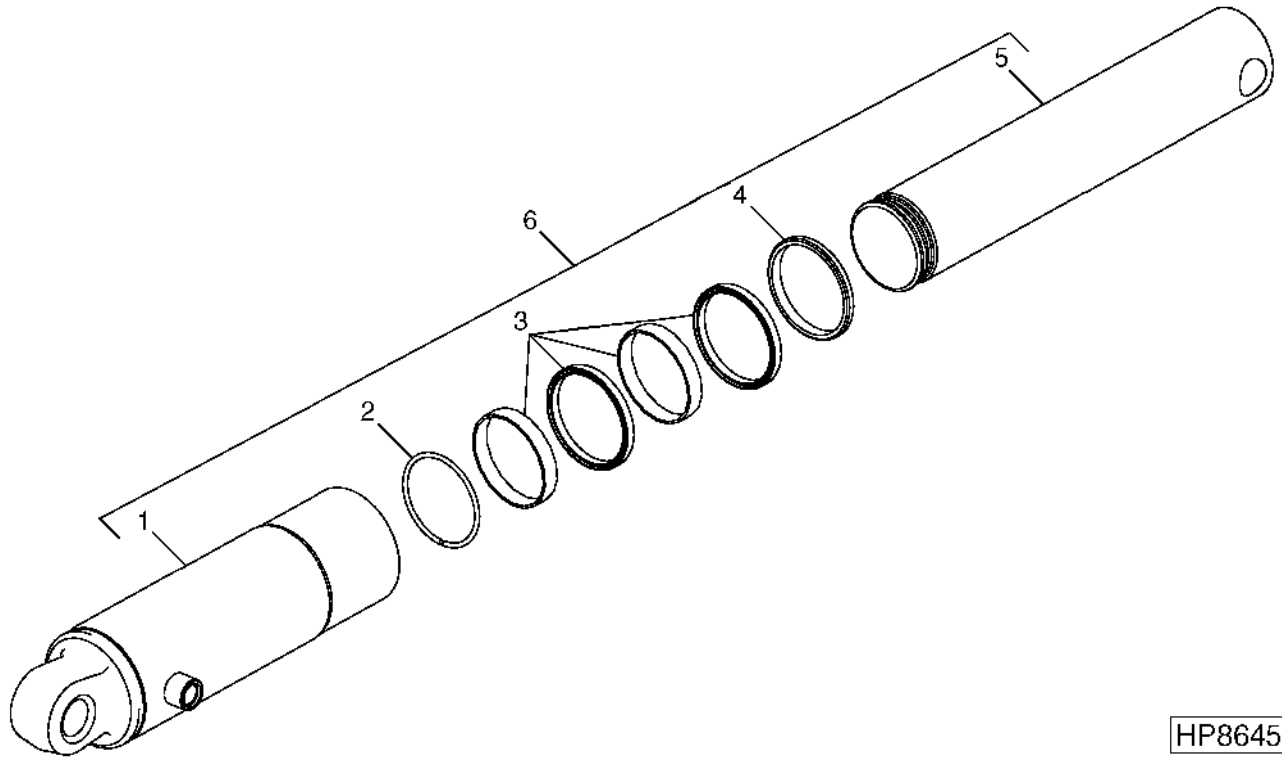
TENSION CYLINDER HYDRAULICS - CONTINUED

KEY	PART NO.	PART NAME	QTY	SERIAL NO.	REMARKS
1	AH133265	ACCUMULATOR	1		
2	14M7296	FLANGE NUT	1	M10	
3	19M8162	CAP SCREW	1	M10 X 40	
4	R77178	CLAMP	1		
5	T77857	O-RING	1	0.489" X 0.070"	
6	38H1024	TEE FITTING	1		
7	19M7865	SCREW	2	M8 X 16	
8	AT135291	HYDRAULIC HOSE - FABRICATE	1	13/16" X 1 925 MM (75-3/4") X 13/16"	
9	T77857	O-RING	2	0.489" X 0.070"	
10	38H1213	ADAPTER	1		
11	38H1068	ADAPTER	1		
12	R21722	O-RING	2		
13	AH128241	HYD. QUICK-CONNECT COUPLER	2		
14	AR94522	INTERNAL HALF COUPLER	1		
15	R26375	O-RING	2	0.644" X 0.087"	
16	R36426	FITTING	2		
17	AH112931	HYDRAULIC HOSE	2	9/16" X 2 300 MM (90-1/2") X 1/4"	
18	AH108080	PRESSURE GAUGE	1		
19	15H689	TEE FITTING	1		
20	03M7232	BOLT	1	M6 X 25	
21	T72393	CLAMP	1		
22	24M7054	WASHER	1	6.400 X 12 X 1.600 MM	
23	14M7303	FLANGE NUT	1	M6	

4H14

RUBBER TRACK SYSTEM

TENSION CYLINDER
 HP8645 -UN-11JUN99

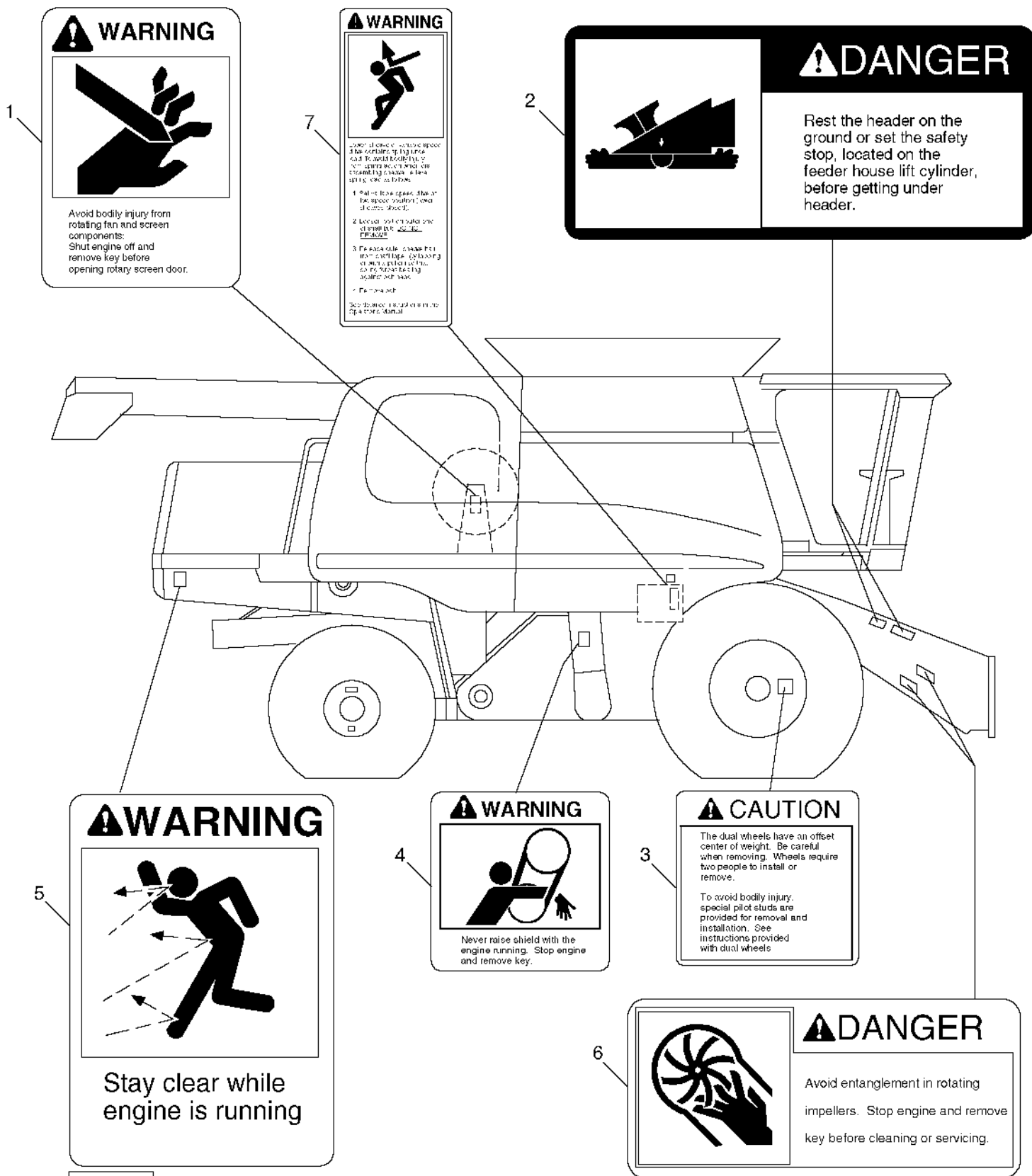


HP8645

KEY	PART NO.	PART NAME	QTY	SERIAL NO.	REMARKS
1	HYDRAULIC CYLINDER BARREL	1		
2	H145548	SNAP RING	1		
3	AH140063	HYDRAULIC CYLINDER KIT	1		
4	F3450R	O-RING	1		
5	ROD	1		
6	AH149862	HYDRAULIC CYLINDER	1		

MEMORANDA

SAFETY DECALS AND LOCATIONS
HP9631 -UN-24MAR00



WARNING

Avoid bodily injury from rotating fan and screen components:
Shut engine off and remove key before opening rotary screen door.

WARNING

General safety instructions for combine harvester:
1. Read the operator's manual.
2. Do not drink alcohol or use drugs before operating the combine harvester.
3. Do not operate the combine harvester if you are tired or under the influence of alcohol or drugs.
4. Do not drink alcohol or use drugs before operating the combine harvester.
5. Do not drink alcohol or use drugs before operating the combine harvester.
6. Do not drink alcohol or use drugs before operating the combine harvester.
7. Do not drink alcohol or use drugs before operating the combine harvester.

DANGER

Rest the header on the ground or set the safety stop, located on the feeder house lift cylinder, before getting under header.

WARNING

Stay clear while engine is running

WARNING

Never raise shield with the engine running. Stop engine and remove key.

CAUTION

The dual wheels have an offset center of weight. Be careful when removing. Wheels require two people to install or remove.

To avoid bodily injury, special pilot studs are provided for removal and installation. See instructions provided with dual wheels.

DANGER

Avoid entanglement in rotating impellers. Stop engine and remove key before cleaning or servicing.

HP9631

4H17

DECALS

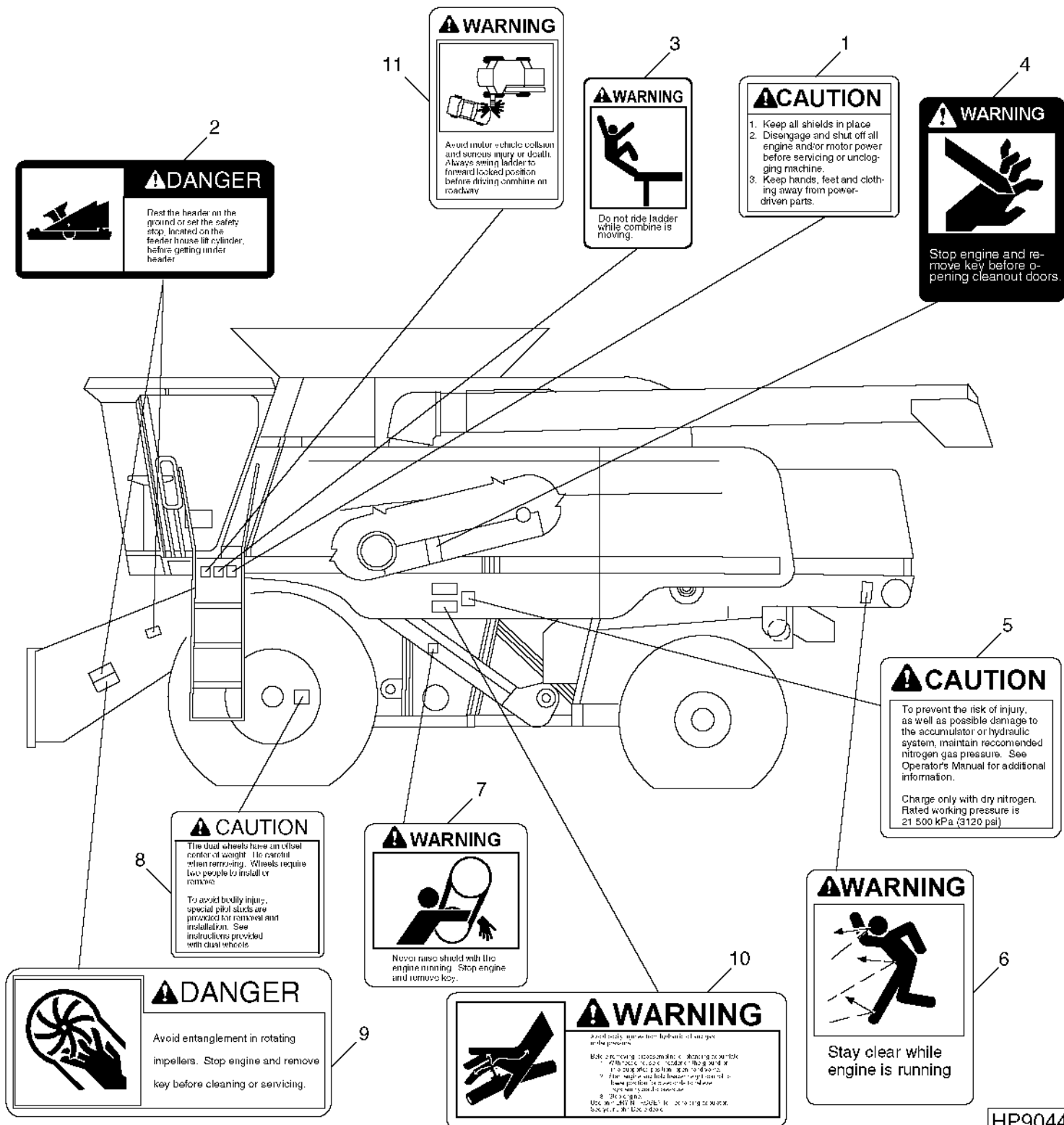
SAFETY DECALS AND LOCATIONS - CONTINUED

KEY	PART NO.	PART NAME	QTY	SERIAL NO.	REMARKS
1	H149088	DECAL	1		ROTARY SCREEN
2	H149063	LABEL	2		HEADER
3	H158975	DECAL	1		DUAL WHEELS
4	H149099	DECAL	1		CLEAN GRAIN ELEVATOR
5	H149096	LABEL	1		PROJECTILE
6	H164537	SIGN	2		AIR FLOW
7	H173241	SAFETY SIGN	1		(SUB FOR H149037) COMPRESSED SPRING

4H18

SAFETY DECALS AND LOCATIONS

HP9044 -UN-13SEP99



HP9044

4H19

DECALS

SAFETY DECALS AND LOCATIONS - CONTINUED

KEY	PART NO.	PART NAME	QTY	SERIAL NO.	REMARKS
1	E82510	LABEL	1		GENERAL RULES
2	H149063	LABEL	2		HEADER
3	H149064	LABEL	1		LADDER
4	H149066	LABEL	1		CLEANOUT DOOR
5	H149092	LABEL	1		ACCUMULATOR
6	H149096	LABEL	1		PROJECTILE
7	H149099	DECAL	1		SHIELD REMOVAL
8	H158975	DECAL	1		DUAL WHEELS
9	H164537	SIGN	2		FEEDERHOUSE & FAN HOUSING COVER
10	H149067	LABEL	1		FLUID INJECTION
11	H170654	SAFETY SIGN	1		INSTRUCTION

4H20

SAFETY DECALS AND LOCATIONS
HP9263 -UN-12NOV99



HP9263

4H21

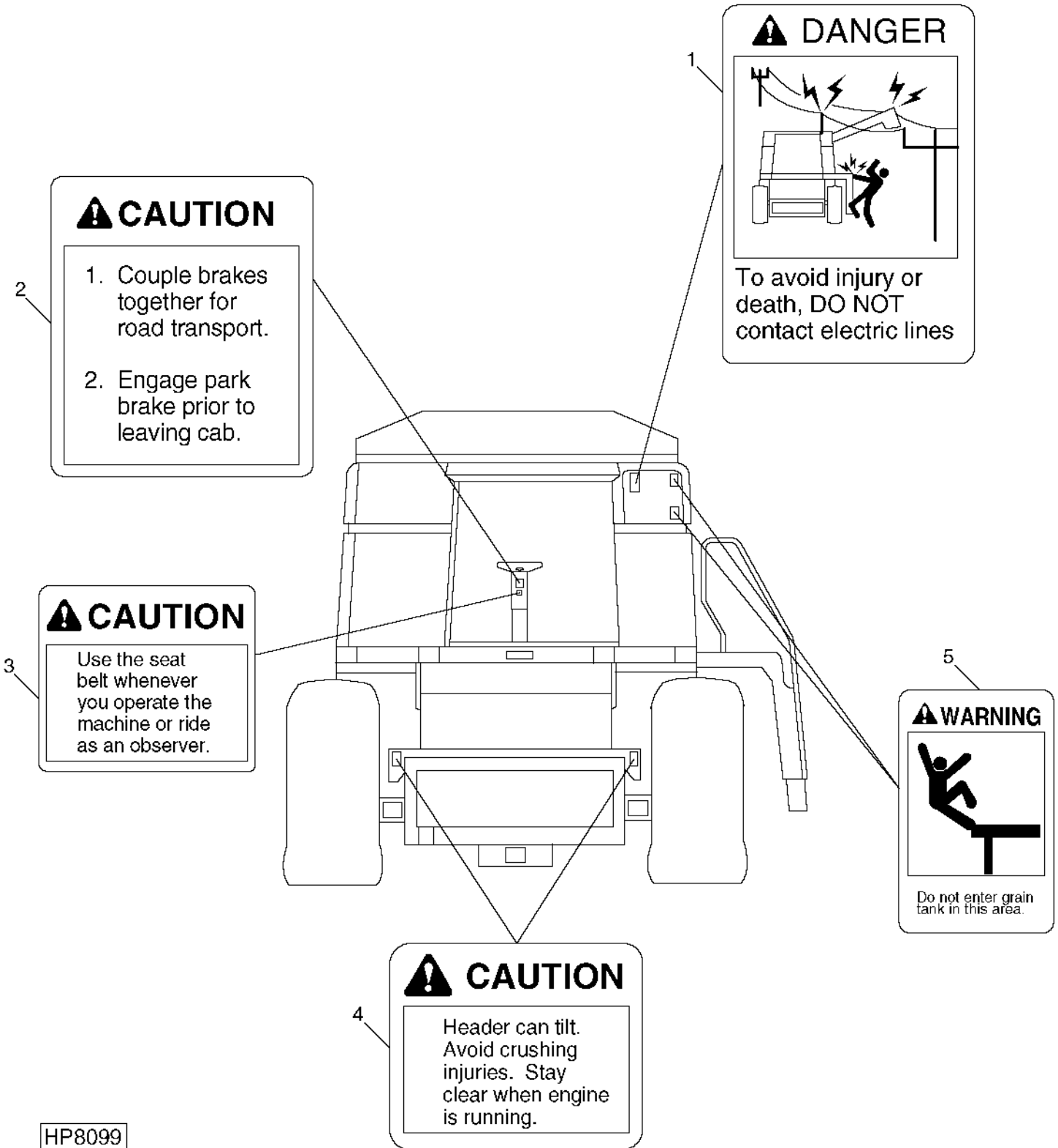
DECALS

SAFETY DECALS AND LOCATIONS - CONTINUED

KEY	PART NO.	PART NAME	QTY	SERIAL NO.	REMARKS
1	H149062	DECAL	1		GRAIN TANK
2	H149088	DECAL	1		ROTARY SCREEN
3	H169516	SAFETY SIGN	1		CAUTION (COMBINE FIRES)
4	H149064	LABEL	1		LADDER
5	H149096	LABEL	1		PROJECTILE
6	H149102	DECAL	2		CHOPPER (EXCEPT WIDE SPREAD CHOPPER)
7	JD5927	SMV EMBLEM	1		EMBLEM (SLOW MOVING VEHICLE)
8	H149102	DECAL	2		WIDE SPREAD CHOPPER (ONLY)
9	H149101	LABEL	1		MODULE REMOVAL
10	H149104	LABEL	1		ENTANGLEMENT
11	H144279	LABEL	1		MODULE SERVICE

4H22

SAFETY DECALS AND LOCATIONS
HP8099 -UN-04JAN99



4H23

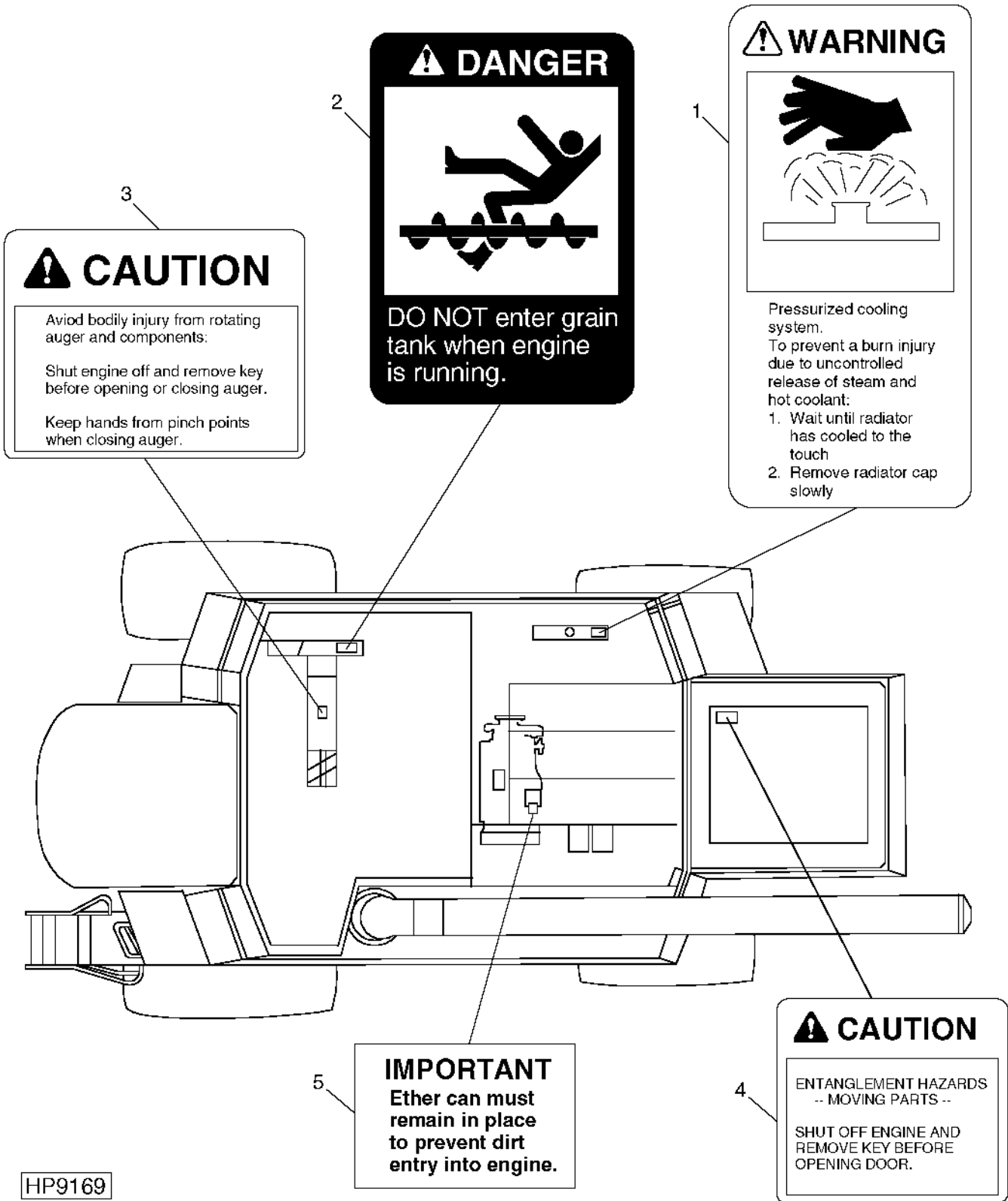
DECALS

SAFETY DECALS AND LOCATIONS - CONTINUED

KEY	PART NO.	PART NAME	QTY	SERIAL NO.	REMARKS
1	H149090	LABEL	1		POWERLINE CONTACT
2	H156390	LABEL	1		BRAKE TRANSPORT INFORMATION
3	H155510	SIGN	1		SEAT BELT
4	H151607	SIGN	4		CAUTION HEADER (CONTOUR MASTER)
5	H149065	LABEL	2		GRAIN TANK

4H24

SAFETY DECALS AND LOCATIONS
HP9169 -UN-11OCT99



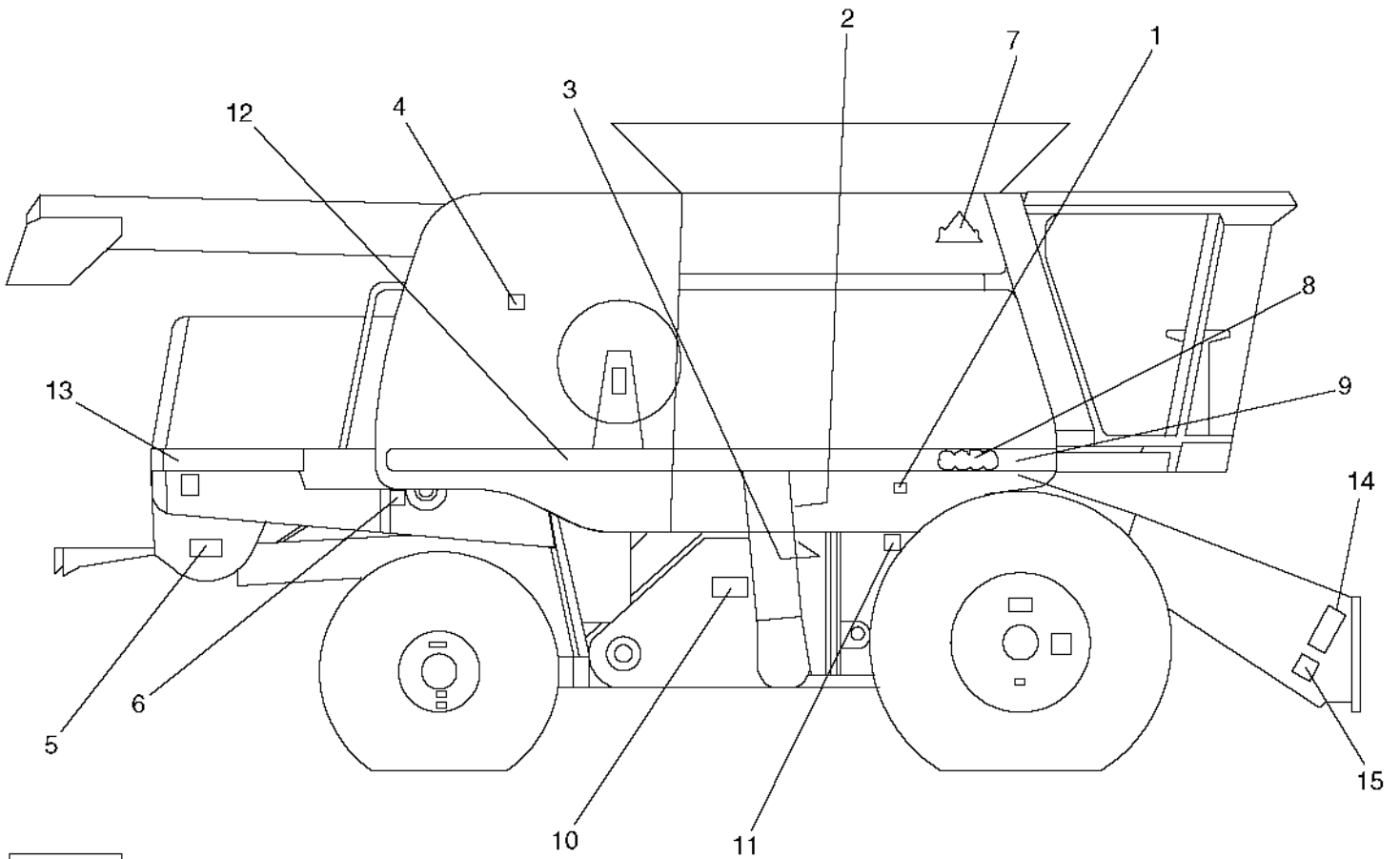
4H25

DECALS

SAFETY DECALS AND LOCATIONS - CONTINUED

KEY	PART NO.	PART NAME	QTY	SERIAL NO.	REMARKS
1	H169344	DECAL	1		PRESSURIZED COOLING SYSTEM
2	H149062	DECAL	1		GRAIN TANK
3	H151397	SIGN	1		FOLDING AUGER
4	H149104	LABEL	1		ENTANGLEMENT
5	H86896	DECAL	1		ETHER CAN

RIGHT-HAND DECALS
HP9250 -UN-10NOV99

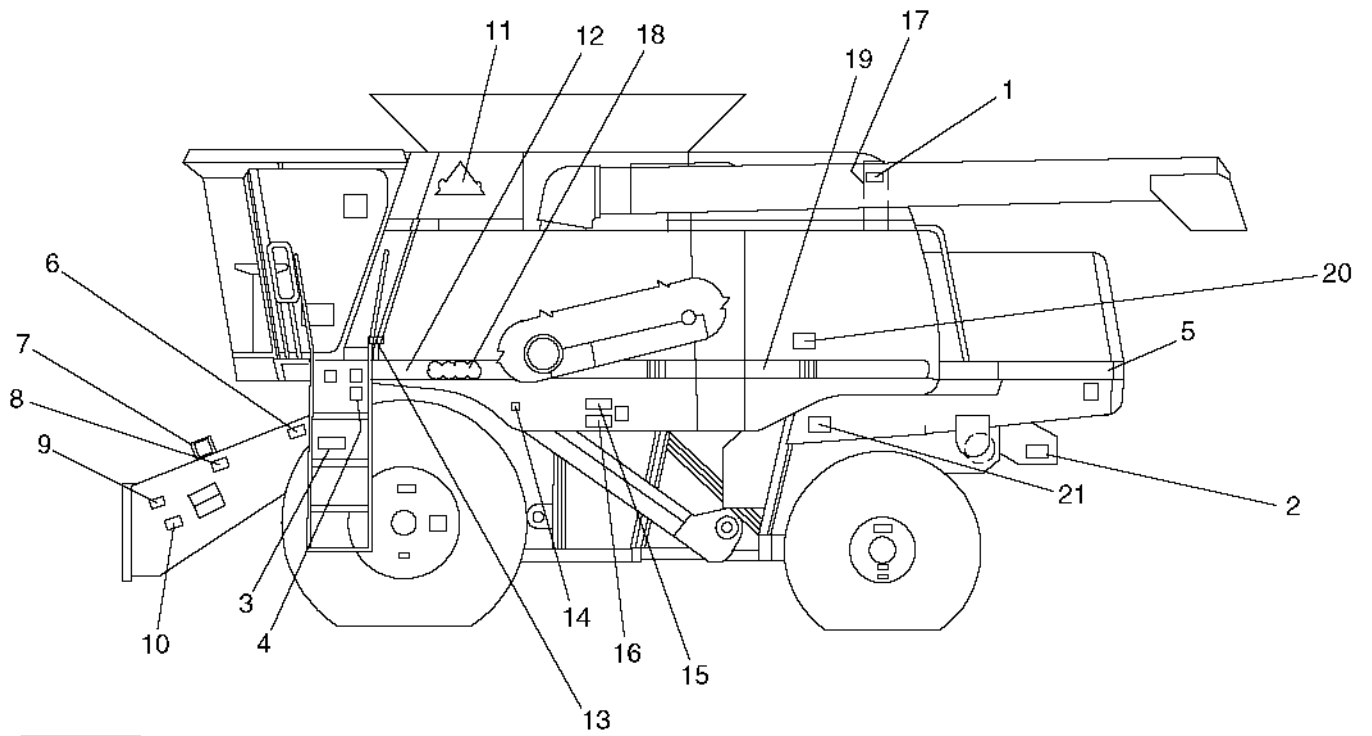


HP9250

RIGHT-HAND DECALS - CONTINUED

KEY	PART NO.	PART NAME	QTY	SERIAL NO.	REMARKS
1	H151318	SIGN	1		IMPORTANT (BEATER CURTAIN REMOVAL)
2	H139393	LABEL	1		INSTRUCTION (SHOE, WALKERS, AUGERS BELT ROUTING DIAGRAM)
3	H163235	LABEL	1		INSTRUCTION (CLEAN GRAIN ELEVATOR BELT ROUTING DIAGRAM)
4	H144692	LABEL	1		INSTRUCTION (ROTARY SCREEN BELT ROUTING DIAGRAM)
5	H171093	LABEL	1		IMPORTANT (CHOPPER POSITION)
6	H167691	LABEL	1		LIGHT SWITCH
7	H163216	LABEL	1		GREENSTAR
8	H168461	LABEL	1		"9650CTS"
9	H167835	LABEL	1		GULLWING
10	H144254	LABEL	1		LUBRICATION CHART (CTS)
11	H114270	DECAL	1		INSTRUCTION (CYLINDER GEARBOX)
12	H167719	LABEL	1		"JOHN DEERE"
13	H167842	LABEL	1		REAR HOOD
14	H123351	LABEL	1		FEEDER DRUM HEIGHT ADJUSTMENT
15	H150434	LABEL	1		IMPORTANT (LUBRICATE UNIVERSAL)

LEFT-HAND DECALS
HP9251 -UN-10NOV99

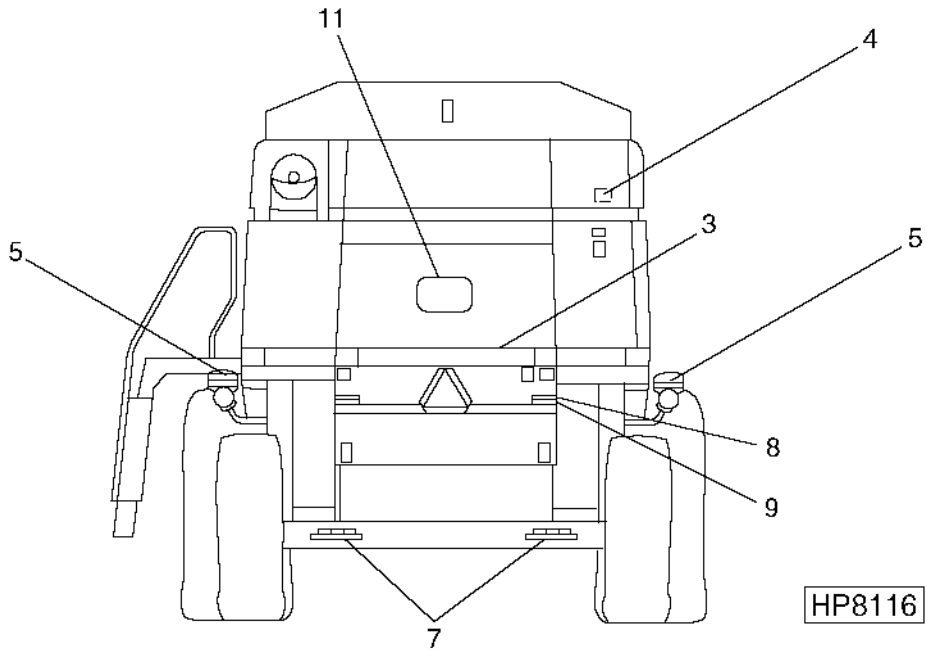
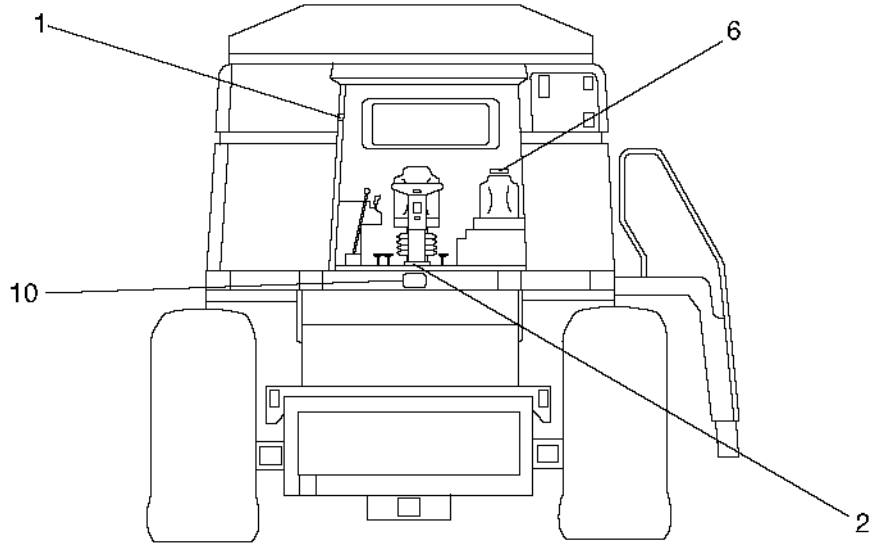


HP9251

LEFT-HAND DECALS - CONTINUED

KEY	PART NO.	PART NAME	QTY	SERIAL NO.	REMARKS
1	H110923	LABEL	1		IMPORTANT (CHECK HYD. OIL LEVEL)
2	H165247	LABEL	1		IMPORTANT (CHOPPER POSITION)
3	H169348	DECAL	1		LUBRICATION CHART-LH
4	H173111	LABEL	1		(SUB FOR H169493) IMPORTANT (TIRE LOADING)
5	H167843	LABEL	1		REAR HOOD
6	H158840	LABEL	1		SERVICE (LUBE VARIABLE SPEED DRIVE)
7	H160701	LABEL	1		IMPORTANT (FEEDERHOUSE CHAIN ADJUSTMENT)
8	H137939	LABEL	1		IMPORTANT (HARNESS & HOSE STORAGE)
9	H123351	LABEL	1		INSTRUCTION (DRUM ADJUSTMENT)
10	H150434	LABEL	1		IMPORTANT (LUBRICATE UNIVERSAL)
11	H163216	LABEL	1		GREENSTAR
12	H167838	LABEL	1		GULLWING
13	H150119	LABEL	1		SERVICE (CAB AIR PRECLEANER)
14	H151318	SIGN	1		IMPORTANT (BEATER CURTAIN REMOVAL)
15	H171624	LABEL	1		INSTRUCTION (ACCUMULATOR SETTINGS)
16	H166949	LABEL	1		LABEL (LIGHT SWITCH)
17	H128315	LABEL	1		INSTRUCTION (DIAGNOSTIC PORTS)
18	H168461	LABEL	1		"9650CTS"
19	H167840	LABEL	1		"JOHN DEERE"
20	H171311	DECAL	1		INSTRUCTION (VALVE STACK DIAGNOSTICS)
21	H169765	DECAL	1		INSTRUCTION (CLEANING SHOE SETTINGS)

FRONT AND REAR DECALS
HP8116 -UN-03JUN99



HP8116

FRONT & REAR DECALS - CONTINUED

KEY	PART NO.	PART NAME	QTY	SERIAL NO.	REMARKS
1	H134535	LABEL	1		INSTRUCTION (EMERGENCY EXIT)
2	H137823	PANEL	1		INSTRUCTION (FEEDERHOUSE REVERSER)
3	H169447	LABEL	1		STYLING
4	H137201	DECAL	1		IMPORTANT (COOLING PACKAGE CLEANOUT)
5	JD5921	REFLECTOR	2		YELLOW (ON FRONT OF MOUNTING PLATE)
	JD5920	REFLECTOR	2		RED (ON REAR OF MOUNTING PLATE)
	JD5922	REFLECTOR	2		ORANGE (ON REAR OF MOUNTING PLATE)
6	H136583	LABEL	1		FRENCH "CLEAN FILTER"
7	H170211	SIGN	2		INSTRUCTION (HOSE ADJUSTMENT)
8	JD5920	REFLECTOR	2		RED
9	JD5922	REFLECTOR	2		ORANGE
10	H149480	LABEL	1		LEAPING DEER
11	JD5592	DECAL	1		LEAPING DEER

CAUTION

To prevent the risk of injury, as well as possible damage to the accumulator or hydraulic system, maintain recommended nitrogen gas pressure. See Operator's Manual for additional information.

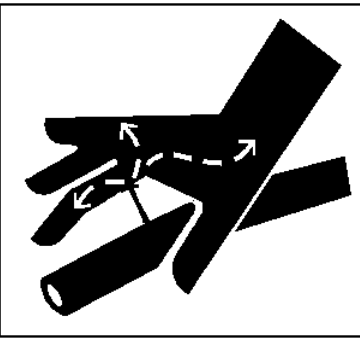
Charge only with dry nitrogen.
Rated working pressure is 21 500 kPa (3120 psi)

WARNING



Avoid crushing injuries.
Do not stand near track when combine is running.

WARNING



Avoid bodily injuries from hydraulic oil and gas under pressure.

Before removing, disassembling or changing accumulator :

1. Release track belt tension by removing pressure with the reel lift hydraulics.
2. Stop engine.

Use only DRY NITROGEN for recharging accumulator.
See your John Deere dealer.

IMPORTANT

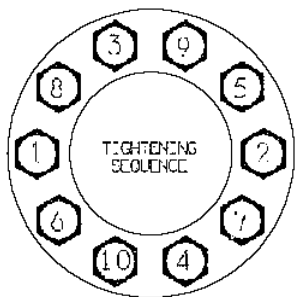
Do not exceed 965 kPa (140psi) air bag pressure.

Check that air bag pressure is set to a minimum of 620 kPa (90 psi) before operating machine. See Operators Manual for proper operating pressure.

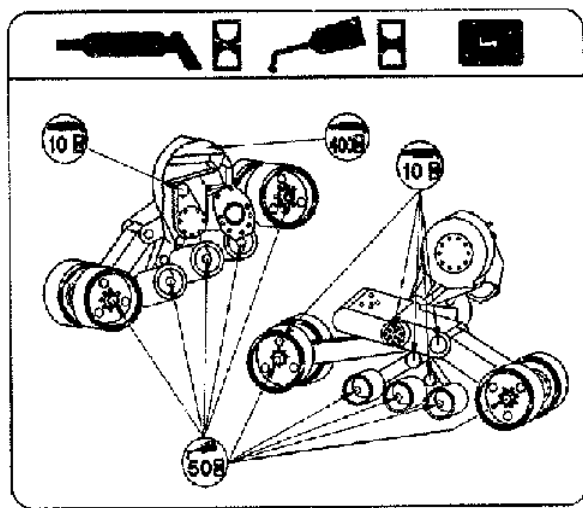
IMPORTANT

Repeat the following procedure on front 20 mm wheel bolts each time wheel is replaced:

1. Snug each wheel bolt.
2. Torque each wheel bolt to 200 Nm (150 lb.-ft.)
3. Turn each wheel bolt clockwise another 90°.



TIGHTENING SEQUENCE



IMPORTANT

Torque all idler and bogey wheel bolts to 400 Nm (300 lb.-ft.)

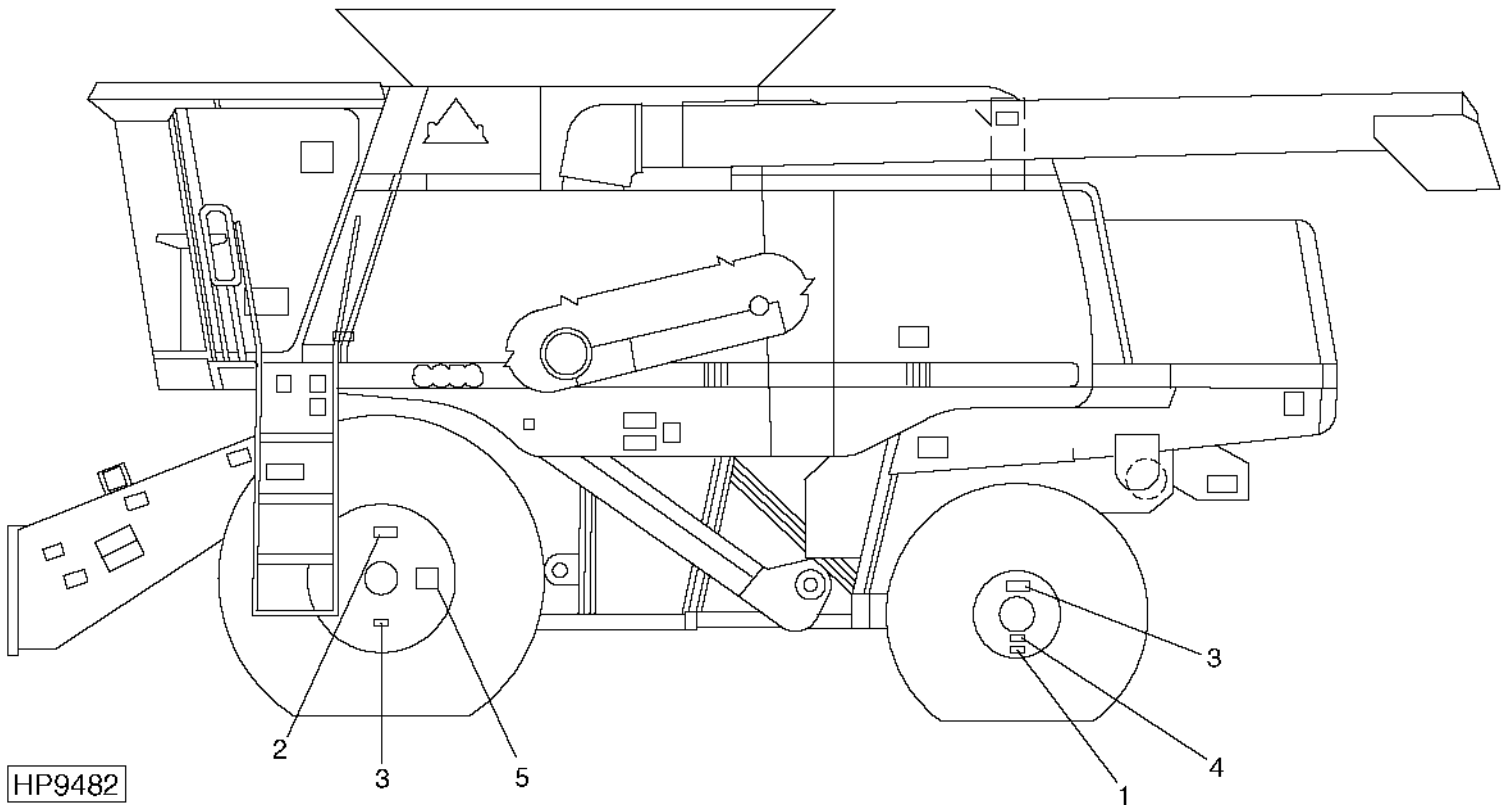
Retorque after (1) hour of operation. See Operators Manual for bolt tightening sequence.

HP8704

RUBBER TRACK SAFETY DECALS AND LABELS - CONTINUED

KEY	PART NO.	PART NAME	QTY	SERIAL NO.	REMARKS
1	H149092	LABEL	1		"CAUTION" - LOCATED ON ACCUMULATOR
2	H171360	DECAL	1		"WARNING" - LOCATED ON MAIN FRAME PIVOT
3	H171339	LABEL	1		"WARNING" - LOCATED ON ACCUMULATOR
4	H171383	LABEL	1		AIR BAG PRESSURE
5	H134442	LABEL	1		BOLT TORQUE (DRIVE WHEEL)
6	H170982	LABEL	2		BOLT TORQUE (IDLER AND BOGEY WHEELS)
7	H171325	LABEL	1		LUBE LABEL (LOCATED ON MAIN FRAME PIVOT)

FRONT AND REAR TIRE/WHEEL DECALS
HP9482 -UN-12JAN00



FRONT AND REAR TIRE/WHEEL DECALS - CONTINUED

KEY	PART NO.	PART NAME	QTY	SERIAL NO.	REMARKS
1	H174266	LABEL	2		(SUB FOR H151575) TIRE CLEARANCE
	H153728	LABEL	2		AXLE STOP AND TIRE CLEARANCE
2	H134442	LABEL	2		IMPORTANT (WHEEL BOLT TORQUE)
3	H150646	DECAL	2		IMPORTANT (TIRE PRESSURE 15 PSI)
	H108604	LABEL	2		IMPORTANT (TIRE PRESSURE 20 PSI)
	H108605	LABEL	2		IMPORTANT (TIRE PRESSURE 24 PSI)(FRONT)
	H140709	LABEL	2		IMPORTANT (TIRE PRESSURE 26 PSI)
	H140749	LABEL	2		IMPORTANT (TIRE PRESSURE 26 PSI) FRENCH
	H116639	DECAL	2		IMPORTANT (TIRE PRESSURE 28 PSI)(FRONT)
	H111538	LABEL	2		IMPORTANT (TIRE PRESSURE 30 PSI)
	H116640	LABEL	2		IMPORTANT (TIRE PRESSURE 32 PSI)
	H140710	LABEL	2		IMPORTANT (TIRE PRESSURE 34 PSI)(FRONT)
	H140711	LABEL	2		IMPORTANT (TIRE PRESSURE 36 PSI)(REAR)
	H111541	LABEL	2		IMPORTANT (TIRE PRESSURE 40 PSI)(FRONT)
4	H145995	LABEL	2		IMPORTANT (WHEEL BOLT TORQUE)
5	H158975	DECAL	2		DUAL WHEELS

FRENCH CANADIAN DECALS AND LABELS

KEY	PART NO.	PART NAME	QTY	SERIAL NO.	REMARKS
..	H170105	LABEL	1		(SAFETY) PRESSURE COOLING SYSTEM
..	H173824	LABEL	1		BRAKE
..	E82575	LABEL	1		(CAUTION)
..	H134620	LABEL	1		EXIT
..	H173293	SAFETY SIGN	1		(SAFETY)
..	H149076	DECAL	2		(DANGER) GRAIN TANK
..	H149077	DECAL	4		(DANGER) HEADER
..	H149075	LABEL	2		(WARNING) FRONT ENTRY
..	H149074	LABEL	2		(WARNING) FRONT ENTRY
..	H149078	LABEL	1		(DANGER) AUGER
..	H149079	LABEL	1		(WARNING) ACCUMULATOR
..	H149089	SIGN	2		(WARNING) ROTARY SCREEN FAN
..	H149091	LABEL	1		(DANGER) POWER LINE
..	H149098	LABEL	1		(CAUTION) ACCUMULATOR
..	H149097	LABEL	3		(WARNING) PROJECTILE
..	H149100	LABEL	2		(WARNING)
..	H170117	LABEL	1		(CAUTION) FOLDING AUGER
..	H169283	LABEL	1		(CAUTION) SEAT BELT
..	H170115	LABEL	1		(CAUTION)
..	H173702	LABEL	1		(WARNING)
..	H114320	DECAL	1		(INSTRUTION)
..	H140768	LABEL	2		TIRE PRESSURE (46 PSI)
..	H127073	LABEL	2		TIRE PRESSURE (40 PSI)
..	H140751	LABEL	2		TIRE PRESSURE (36 PSI)
..	H140750	LABEL	2		TIRE PRESSURE (34 PSI)
..	H127075	LABEL	2		TIRE PRESSURE (32 PSI)
..	H127070	LABEL	2		TIRE PRESSURE (30 PSI)
..	H127074	LABEL	2		TIRE PRESSURE (28 PSI)
..	H140749	LABEL	2		TIRE PRESSURE (26 PSI)
..	H127068	LABEL	2		TIRE PRESSURE (24 PSI)
..	H127067	LABEL	2		TIRE PRESSURE (20 PSI)
..	H135141	LABEL	4		WHEEL BOLT TORQUE
..	H145996	LABEL	2		REAR WHEEL BOLT TORQUE
..	H129094	LABEL	2		FEEDERHOUSE DRUM HEIGHT ADJUSTMENT
..	H129099	LABEL	1		DIAGNOSTIC LOCATIONS
..	H173849	LABEL	1		HYDRAULIC DIAGNOSTICS
..	H127078	LABEL	1		HYDRAULIC RESERVIOR
..	H174086	LABEL	1		ACCUMULATOR ADJUSTMENT
..	H173336	LABEL	1		TIRE LOADING
..	H160795	LABEL	1		FEEDERHOUSE CHAIN ADJUSTMENT
..	H137940	LABEL	1		HARNESS AND HOSE STORAGE
..	H136583	LABEL	2		RECIRCULATING FILTER TRAY
..	H135167	LABEL	1		FILTER DOOR
..	H137364	DECAL	1		COOLING PACKAGE CLEANOUT
..	H95273	DECAL	1		(INSTRUCTION)
..	H174078	LABEL	1		CLEANING SHOE
..	H149103	DECAL	3		(WARNING) CHOPPER POSITION
..	H145858	LABEL	2		CHOPPER POSITION
..	H169230	LABEL	4		(DANGER) IMPELLERS
..	H173885	LABEL	2		(CAUTION) DUAL WHEELS
..	H173917	LABEL	1		(DANGER) MODULE REMOVAL
..	H173918	LABEL	2		(CAUTION)
..	H173916	LABEL	1		MODULE SERVICE
..	H173908	LABEL	4		(CAUTION) HEADER TILT
..	H161112	GRAPHICS PANEL	1		GRAPHICS PANEL
..	AH167852	KIT	1		FRENCH CANADIAN

PORTUGUESE DECALS AND LABELS

KEY	PART NO.	PART NAME	QTY	SERIAL NO.	REMARKS
..	H152240	MEDALLION	1		RADIATOR
..	H165170	LABEL	1		(CAUTION)
..	H152238	MEDALLION	1		CYLINDER SPRING
..	H161209	LABEL	1		EXIT
..	H151671	LABEL	4		REEL LIFT
..	H152243	MEDALLION	1		HYDRAULIC
..	H161208	LABEL	1		(CAUTION) BRAKES
..	H152239	MEDALLION	1		ELECTRIC SHOCK
..	H165174	LABEL	1		(CAUTION) ACCUMULATOR
..	H154128	LABEL	5		LATERAL TILT
..	H165175	LABEL	1		(CAUTION) SEAT BELT
..	H173574	LABEL	1		(CAUTION)
..	H174284	LABEL	1		(WARNING)
..	H165176	DECAL	1		(INSTRUCTION) TWO-SPEED GEARBOX
..	H165177	LABEL	1		CLEAN GRAIN ELEVATOR BELT
..	H165178	LABEL	1		WALKER, SHOE, AND AUGER DRIVE
..	H165179	LABEL	1		ROTARY SCREEN DRIVE
..	H165180	LABEL	4		TIRE PRESSURE (26 PSI)
..	H170800	LABEL	2		TIRE PRESSURE (24 PSI)
..	H170799	LABEL	4		TIRE PRESSURE (15 PSI)
..	H165181	LABEL	4		WHEEL BOLT TORQUE
..	H165182	LABEL	2		REAR WHEEL BOLT TORQUE
..	H165183	LABEL	2		FEEDERHOUSE DRUM ADJUSTMENT
..	H165184	LABEL	1		DIAGNOSTIC PORTS
..	H173597	LABEL	1		HYDRAULIC DIAGNOSTICS
..	H165186	LABEL	1		HYDRAULIC RESERVIOR
..	H165188	LABEL	1		ACCUMULATOR
..	H173337	LABEL	1		TIRE LOADING
..	H173630	LABEL	1		TIRE CLEARANCE
..	H165190	LABEL	1		FEEDERHOUSE ADJUSTMENT
..	H165191	LABEL	1		HARNES AND HOSE STORAGE
..	H165285	LABEL	2		LUBE
..	H165192	LABEL	2		RECIRCULATING FILTER TRAY
..	H165193	LABEL	1		FILTER DOOR
..	H165570	LABEL	1		CLOSE DOOR FILTER
..	H165571	LABEL	1		PRECLEANER FILTER CHECK
..	H165197	SIGN	2		BEATER GRATE CURTAIN
..	H173578	LABEL	1		CLEANING SHOE
..	H173634	LABEL	2		CHOPPER POSITION
..	H152241	MEDALLION	1		MODULE REMOVAL
..	H152242	LABEL	2		MODULE DRIVE
..	H165284	DECAL	1		STARTING AID
..	H165199	DECAL	1		COOLING PACKAGE CLEANOUT
..	Z60327	LABEL	2		GRAIN TANK ENTANGLEMENT
..	L64995	LABEL	3		LANDING LADDER
..	Z60326	LABEL	2		BELT ENTANGLEMENT
..	Z59868	LABEL	3		DISENGAGE POWER
..	H170804	LABEL	1		MODULE SERVICE
..	Z60329	LABEL	3		STRAW CHOPPER DISCHARGE

ROMANIAN DECALS AND LABELS

KEY	PART NO.	PART NAME	QTY	SERIAL NO.	REMARKS
..	H161206	BRACKET	1		(CAUTION) BRAKES
..	H161209	LABEL	1		EXIT
..	H171079	SIGN	1		(CAUTION) SEAT BELT
..	H144254	LABEL	1		R.H. LUBE CHART
..	H151671	LABEL	4		REEL LIFT
..	H152238	MEDALLION	1		CYLINDER SPRING
..	H152239	MEDALLION	1		ELECTRIC SHOCK
..	H152240	MEDALLION	1		RADIATOR
..	H152241	MEDALLION	1		MODULE REMOVAL
..	H152242	LABEL	2		MODULE DRIVE
..	H152243	MEDALLION	1		HYDRAULIC
..	H154128	LABEL	1		LATERAL TILT
..	H158840	LABEL	1		FEEDERHOUSE VARIABLE SPEED DRIVE
..	H167691	LABEL	1		ENGINE LIGHT
..	H169348	DECAL	1		L.H. LUBE CHART
..	H171081	SIGN	1		(WARNING) ACCUMULATOR
..	H171082	LABEL	1		(CAUTION)
..	H174284	LABEL	1		(WARNING)
..	Z60332	LABEL	7		HAND ENTANGLEMENT

RUSSIAN DECALS AND LABELS

KEY	PART NO.	PART NAME	QTY	SERIAL NO.	REMARKS
..	H157916	SIGN	1		(CAUTION) SEAT BELT
..	H158044	LABEL	1		FILTER DOOR
..	H158046	DECAL	1		FILTER SERVICE
..	H158048	LABEL	2		RECIRCULATING FILTER TRAY
..	H158053	LABEL	1		FILTER DOOR
..	H161208	LABEL	1		(CAUTION) BRAKES
..	H161209	LABEL	1		EXIT
..	H137823	PANEL	1		FEEDERHOUSE REVERSER
..	H144254	LABEL	1		R.H. LUBE CHART
..	H151671	LABEL	4		REEL LIFT
..	H152238	MEDALLION	1		CYLINDER SPRING
..	H152239	MEDALLION	1		ELECTRIC SHOCK
..	H152240	MEDALLION	1		RADIATOR
..	H152241	MEDALLION	1		MODULE REMOVAL
..	H152242	LABEL	2		MODULE DRIVE
..	H152243	MEDALLION	1		HYDRAULIC
..	H154128	LABEL	5		LATERAL TILT
..	H157293	LABEL	1		DIAGNOSTIC LOCATION
..	H157313	LABEL	1		(CAUTION)
..	H157319	SIGN	2		BEATER GRATE CURTAIN
..	H157321	LABEL	2		TIRE PRESSURE (26 PSI)
..	H157323	LABEL	2		REAR WHEEL BOLT TORQUE
..	H157327	LABEL	1		ROTARY SCREEN DRIVE
..	H157329	LABEL	1		WALKER, SHOE, AND AUGER DRIVE
..	H157331	LABEL	1		CLEAN GRAIN ELEVATOR BELT
..	H157333	DECAL	1		COOLING PACKAGE CLEANOUT
..	H157335	LABEL	1		HARNES AND HOSE STORAGE
..	H157341	LABEL	4		WHEEL BOLT TORQUE
..	H157345	LABEL	2		FEEDERHOUSE DRUM HIEGHT ADJUSTMENT
..	H157349	LABEL	1		HYDRAULIC RESERVIOR
..	H157351	DECAL	1		(INSTRUCTION) TWO-SPEED GEARBOX
..	H157985	SIGN	1		(WARNING) ACCUMULATOR
..	H158011	DECAL	1		(INSTRUCTION)
..	H158840	LABEL	1		FEEDERHOUSE VARIABLE SPEED DRIVE
..	H160269	LABEL	4		TIRE PRESSURE (32 PSI)
..	H160270	LABEL	2		TIRE PRESSURE (20 PSI)
..	H160448	LABEL	2		TIRE CLEARANCE
..	H160797	LABEL	1		FEEDERHOUSE CHAIN ADJUSTMENT
..	H167446	INSTRUCTION PLATE	2		LATERAL TILT FEEDERHOUSE LUBE
..	H167691	LABEL	1		ENGINE LIGHT
..	H169348	DECAL	1		L.H. LUBE CHART
..	H173334	LABEL	1		TIRE LOADING
..	H174284	LABEL	1		(WARNING)
..	Z60332	LABEL	7		HAND ENTANGLEMENT

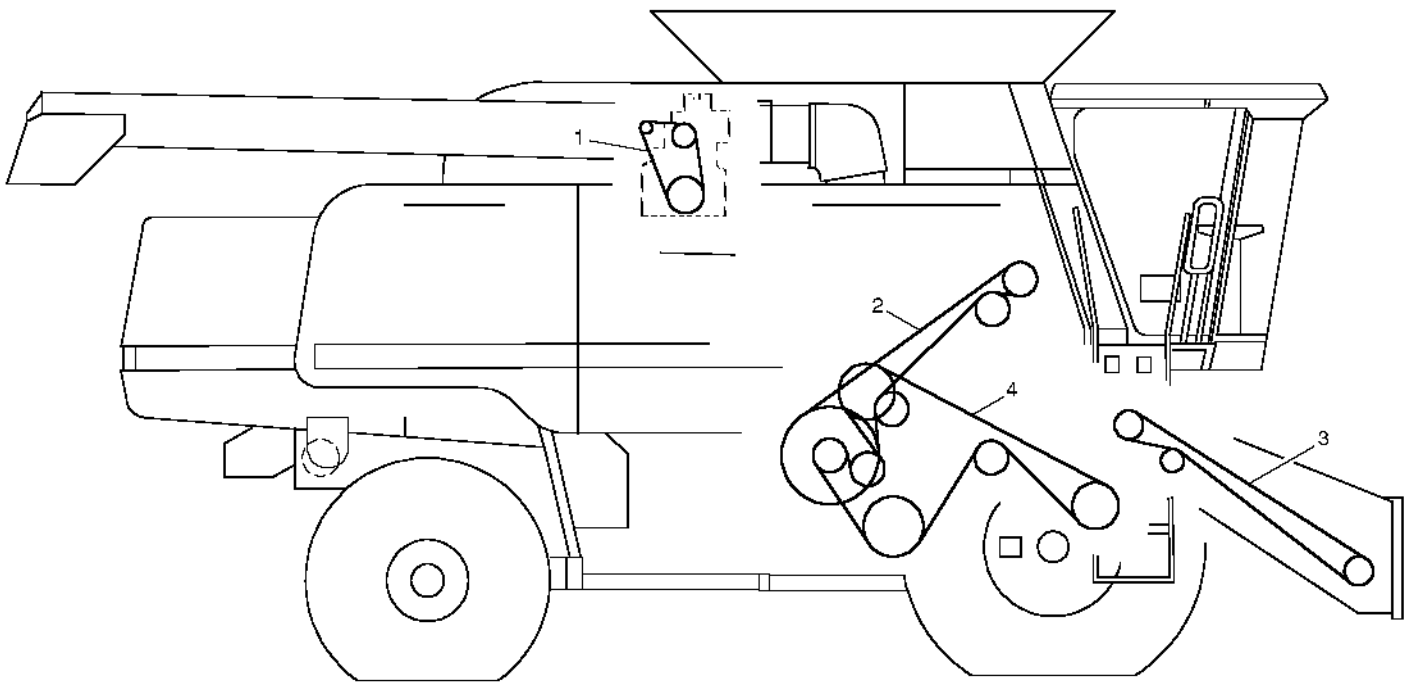
SPANISH DECALS AND LABELS

KEY	PART NO.	PART NAME	QTY	SERIAL NO.	REMARKS
..	H173075	LABEL	1		(CAUTION) BRAKES
..	H156224	LABEL	1		EXIT
..	H156226	SIGN	1		(DANGER) POWER LINE
..	H159348	SIGN	1		(CAUTION) SEAT BELT
..	H173072	LABEL	4		WHEEL BOLT TORQUE
..	H173071	LABEL	2		REAR WHEEL BOLT TORQUE
..	H173088	DECAL	2		FEEDERHOUSE DRUM HIEGHT ADJUSTMENT
..	H173102	LABEL	2		TIRE CLEARANCE
..	H173103	LABEL	2		AXLE STOP AND TIRE CLEARANCE
..	H159349	SIGN	2		DUAL WHEELS
..	H156223	SIGN	4		
..	H173087	LABEL	2		LATERAL TILT FEEDERHOUSE
..	H173090	LABEL	1		HARNES AND HOSE STORAGE
..	H173094	LABEL	1		FEEDERHOUSE ADJUSTMENT
..	H173106	SERIAL NUMBER PLATE	1		LADDER TRANSPORT POSITION
..	H159347	SIGN	4		(CAUTION) HEADER TILT
..	H173101	LABEL	1		TIRE LOADING
..	H156231	LABEL	1		(CAUTION)
..	H173096	DECAL	1		FILTER SERVICE
..	H173083	DECAL	1		HYDRAULIC DIAGNOSTICS
..	H156230	SIGN	2		(WARNING)
..	H156229	SIGN	1		(WARNING) ACCUMULATOR
..	H173093	DECAL	1		ACCUMULATOR ADJUSTMENT
..	H173082	LABEL	1		DIAGNOSTIC PORTS
..	H173081	LABEL	1		HYDRAULIC RESERVIOR
..	H156228	SIGN	1		(WARNING) ACCUMULATOR
..	H156222	SIGN	1		(DANGER) AUGER
..	H156234	SIGN	2		FAN AND ROTARY SCREEN
..	H173084	DECAL	1		(INSTRUCTION)
..	H173099	DECAL	1		COOLING PACKAGE CLEANOUT
..	H170116	SAFETY SIGN	1		(CAUTION)
..	H173104	DECAL	1		POWER HOSE ADJUSTMENT
..	H156232	SIGN	2		(WARNING) LADDER
..	H156225	SIGN	2		(DANGER) GRAIN TANK
..	H170118	SIGN	1		(CAUTION) FOLDING AUGER
..	H156221	SIGN	3		(WARNING) PROJECTILE
..	H170106	DECAL	1		(SAFETY) PRESSURE COOLING SYSTEM
..	H156227	SIGN	1		(WARNING) FRONT ENTRY
..	H173086	LABEL	2		CHOPPER POSITION
..	H173098	DECAL	1		(INSTRUCTION)
..	H173100	LABEL	1		MODULE SERVICE
..	H159342	SIGN	1		(DANGER) MODULE REMOVAL
..	H159343	SIGN	4		(WARNING) CHOPPER POSITION
..	H169231	SIGN	4		(DANGER) IMPELLERS
..	H159344	SIGN	2		(CAUTION)
..	H173077	SIGN	2		BEATER GRATE CURTAIN
..	H173080	DECAL	1		CLEANING SHOE SETTINGS
..	AH167573	KIT	1		SPANISH DECALS
..	H174357	LABEL	2		AXLE STOP
..	H173294	SAFETY SIGN	1		WARNING

UKRAINIAN DECALS AND LABELS

KEY	PART NO.	PART NAME	QTY	SERIAL NO.	REMARKS
..	H157915	SIGN	1		(CAUTION) SEAT BELT
..	H158043	LABEL	1		FILTER DOOR
..	H158045	DECAL	1		FILTER SERVICE
..	H158047	LABEL	2		RECIRCULATING FILTER TRAY
..	H158052	LABEL	1		FILTER DOOR
..	H161208	LABEL	1		(CAUTION) BRAKES
..	H161209	LABEL	1		EXIT
..	H137823	PANEL	1		FEEDERHOUSE REVERSER
..	H144254	LABEL	1		R.H. LUBE CHART
..	H151318	SIGN	2		BEATER GRATE CURTAIN
..	H151671	LABEL	4		REEL LIFT
..	H152238	MEDALLION	1		CYLINDER SPRING
..	H152239	MEDALLION	1		ELECTRIC SHOCK
..	H152240	MEDALLION	1		RADIATOR
..	H152241	MEDALLION	1		MODULE REMOVAL
..	H152242	LABEL	2		MODULE DRIVE
..	H152243	MEDALLION	1		HYDRAULIC
..	H154128	LABEL	5		LATERAL TILT
..	H157292	LABEL	1		DIAGNOSTIC PORTS
..	H157312	LABEL	1		(CAUTION)
..	H157320	LABEL	4		TIRE PRESSURE
..	H157322	LABEL	2		REAR WHEEL BOLT TORQUE
..	H157326	LABEL	1		ROTARY SCREEN DRIVE
..	H157328	LABEL	1		WALKER, SHOE, AND AUGER DRIVE
..	H157330	LABEL	1		CLEAN GRAIN ELEVATOR BELT
..	H157332	DECAL	1		COOLING PACKAGE CLEANOUT
..	H157334	LABEL	1		HARNES AND HOSE STORAGE
..	H157340	LABEL	4		WHEEL BOLT TORQUE
..	H157344	LABEL	2		FEEDERHOUSE DRUM HIEGHT ADJUSTMENT
..	H157348	LABEL	1		HYDRAULIC RESERVIOR
..	H157350	DECAL	1		(INSTRUCTION)
..	H157984	SIGN	1		(WARNING) ACCUMULATOR
..	H158010	DECAL	1		(INSTRUCTION)
..	H158840	LABEL	1		FEEDERHOUSE VARIABLE SPEED DRIVE
..	H160796	LABEL	1		FEEDERHOUSE CHAIN ADJUSTMENT
..	H167447	INSTRUCTION PLATE	2		LATERAL TILT FEEDERHOUSE LUBE
..	H167691	LABEL	1		ENGINE LIGHT
..	H169348	DECAL	1		L.H. LUBE CHART
..	H173335	LABEL	1		TIRE LOADING
..	H174284	LABEL	1		(WARNING)
..	Z60332	LABEL	7		HAND ENTANGLEMENT

R.H. BELT ROUTINGS REFERENCE
HP9056 -UN-13SEP99



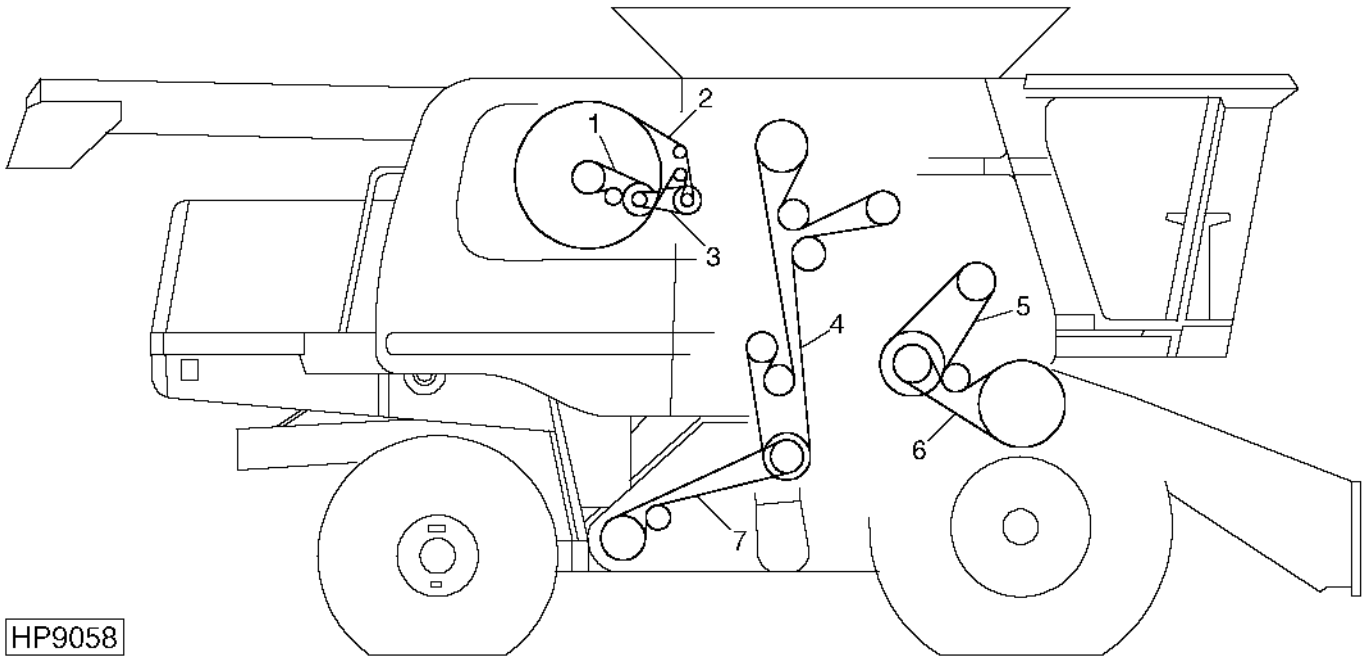
HP9056

R.H. BELT ROUTINGS REFERENCE - CONTINUED

KEY	PART NO.	PART NAME	QTY	SERIAL NO.	REMARKS
1	H163515	BELT	1		ALTERNATOR (95 AMP)
	H166870	BELT	1		ALTERNATOR (185 AMP)
2	H128010	BELT	1		SECONDARY COUNTERSHAFT
3	AH118228	LINK CHAIN	1		FEEDER CONVEYOR
4	H131169	BELT	1		CONVEYOR AUGER, SIEVE, AND CHAFFER

4119

R.H. BELT ROUTINGS REFERENCE
HP9058 -UN-09SEP99

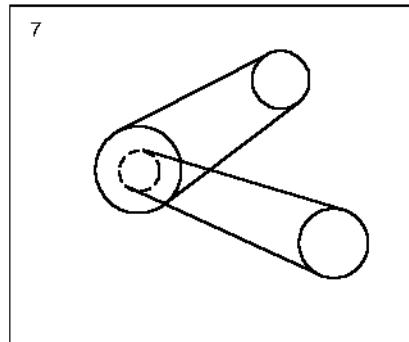
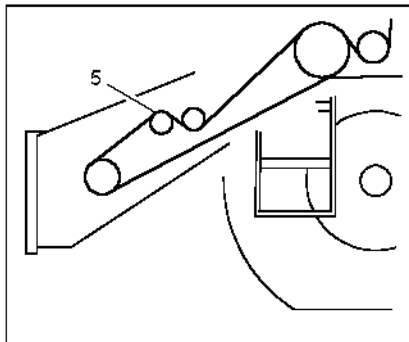
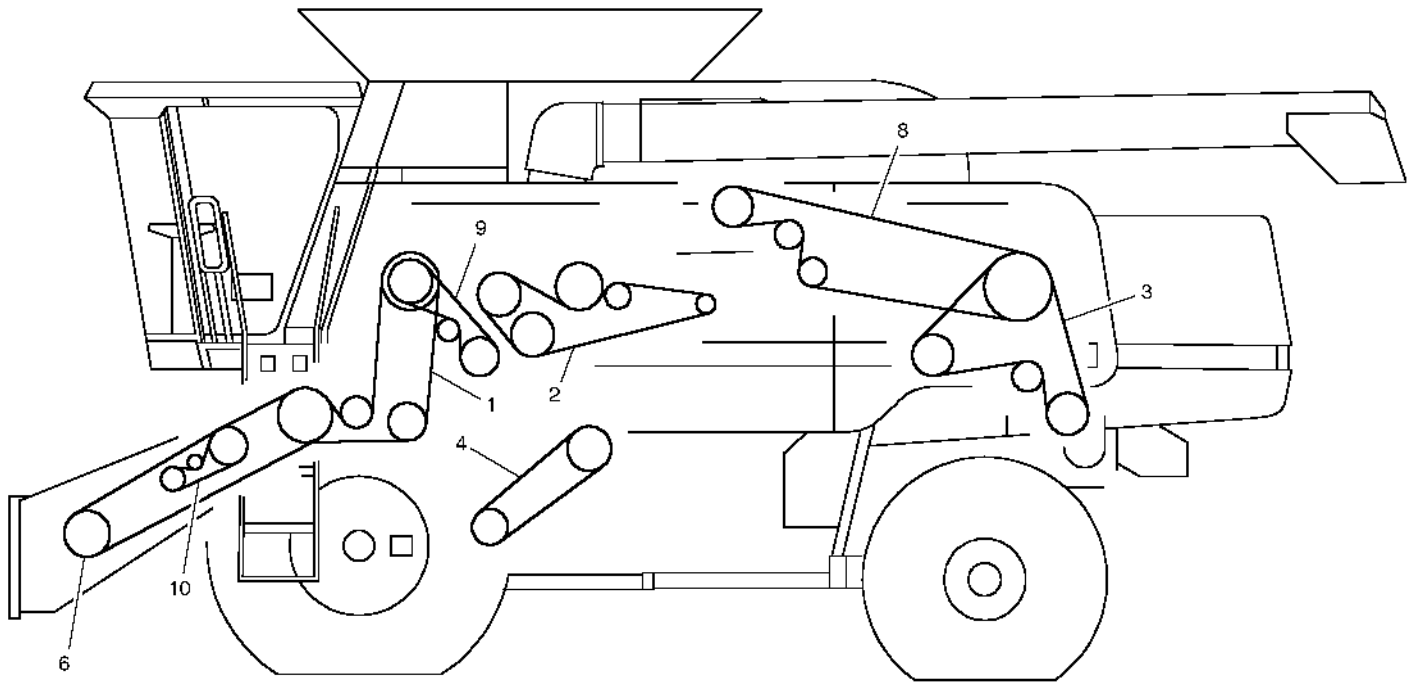


HP9058

R.H. BELT ROUTINGS REFERENCE - CONTINUED

KEY	PART NO.	PART NAME	QTY	SERIAL NO.	REMARKS
1	H160405	BELT	1		COOLING FAN
2	H145158	BELT	1		ROTARY SCREEN
3	H160406	BELT	1		ROTARY SCREEN DRIVE
4	H141166	BELT	1		CLEAN GRAIN ELEVATOR
5	H162629	BELT	1		CYLINDER INTERMEDIATE DRIVE (2290 E.L.)
	H137670	BELT	1		CYLINDER INTERMEDIATE DRIVE (2270 E.L.)
6	H145994	BELT	1		CYLINDER DRIVE (2270 E.L.)
	H118618	BELT	1		CYLINDER DRIVE (2700 E.L.)
	H115881	BELT	1		CYLINDER DRIVE (2830 E.L.)
7	N110085	BELT	1		LOWER TAILINGS AUGER AND ELEVATOR

L.H. BELT ROUTINGS REFERENCE
HP9060 -UN-13SEP99

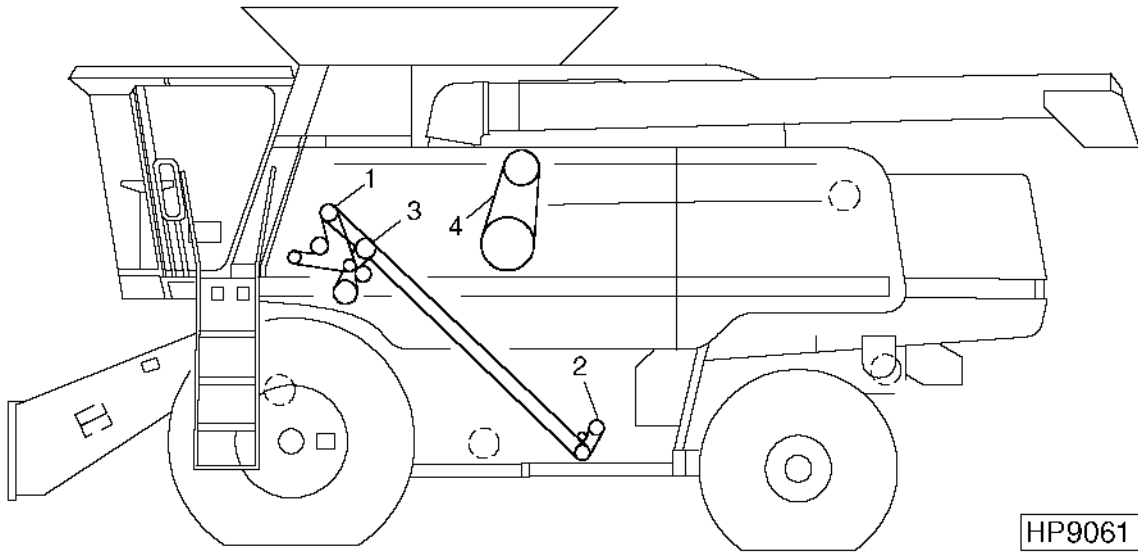


HP9060

L.H. BELT ROUTINGS REFERENCE - CONTINUED

KEY	PART NO.	PART NAME	QTY	SERIAL NO.	REMARKS
1	H151952	BELT	1		HEADER AND REEL PUMP (STANDARD CAPACITY)
	H155998	BELT	1		HEADER AND REEL PUMP (HI CAPACITY)
2	AH157083	CHAIN LINK	1		UNLOADING AUGERS (REGULAR SPEED)
	AH157084	CHAIN LINK	1		UNLOADING AUGERS (SLOW SPEED)
3	H162727	BELT	1		CHOPPER DRIVE
4	H152146	BELT	1		CLEANING FAN (750 - 1350 RPM)
	H152180	BELT	1		CLEANING FAN (490 - 980 RPM)
5	H126345	BELT	1		FIXED SPEED FEEDER HOUSE W/REVERSER
6	H156863	BELT	1		VARIABLE SPEED FEEDER HOUSE (HI CAPACITY)
	H161648	BELT	1		VARIABLE SPEED FEEDER HOUSE (STANDARD CAPACITY)
7	H164870	BELT	1		STRAW SPREADER (UPPER)
	P49604	BELT	1		STRAW SPREADER (LOWER)
8	H163106	BELT	1		TINE SEPARATOR DRIVE
9	H139963	BELT	1		OVERSHOT BEATER DRIVE
10	H171386	BELT	1		AIR FLOW DRIVE

L.H. BELT ROUTINGS REFERENCE
HP9061 -UN-09SEP99



L.H. BELT ROUTINGS REFERENCE - CONTINUED

KEY	PART NO.	PART NAME	QTY	SERIAL NO.	REMARKS
1	AH126007	ROLLER CHAIN	1		UPPER TAILINGS AUGER
2	AH126239	ROLLER CHAIN	1		LOWER TAILINGS AUGER
3	H165708	BELT	1		STRIPPER BEATER DRIVE
4	AH158880	BELT SET	1		UNLOADING SYSTEM

MEMORANDA

1K16

9650 CTS SELF-PROPELLED COMBINE

NUMERICAL INDEX

PART NO.	GRID	KEY	PAGE	PART NO.	GRID	KEY	PAGE	PART NO.	GRID	KEY	PAGE
AA27536	3C2	1	90-27	AH115639	1B5	29	20-3	AH123910	1G15	27	40-43
AA27536	3C6	23	90-31	AH115833	3D6	1	95-6	AH123911	1G15	29	40-43
AA45032	1H24	9	40-79	AH115836	3D5	17	95-5	AH123912	4E25	4	150-17
AA45032	1H25	8	40-80	AH115943	1G23	4	40-51	AH124008	2D2	9	50-53
AA45032	1I1	4	40-81	AH116006	4F17	9	150-35	AH124008	2D4	8	50-55
AA5607R	1B5	47	20-3	AH116104	1H11	12	40-65	AH124050	4D22	3	140-41
AA5607R	1B15	15	20-13	AH116104	2B23	25	50-21	AH124635	4B9	5	130-9
AA5607R	3E6	3	100-15	AH116104	3H19	19	110-51	AH124731	2F17	26	70-15
AA5607R	3F13	43	100-47	AH116104	4B17	17	130-17	AH124731	2F19	25	70-17
AA5607R	3G17	5	110-23	AH116232	3E18	30	100-27	AH124731	2F21	24	70-19
AA5607R	3G21	23	110-27	AH116390	4F20	3	150-38	AH124731	2G4	3	70-27
AA5607R	3H25	22	110-57	AH116632	2H8	18	70-55	AH124826	4D16	2	140-35
AA5607R	3I4	30	110-61	AH116902	1G7	20	40-35	AH124828	4D16	16	140-35
AA5607R	3K6	11	125-27	AH116902	3C6	40	90-31	AH124832	2H8	21	70-55
AA5607R	4D10	12	140-29	AH117301	1G21	13	40-49	AH124852	4E19	3	150-11
AA5607R	4D16	14	140-35	AH117301	4C21	16	140-11	AH124878	4E19	2	150-11
AA5607R	4E7	12	140-51	AH117301	4E13	48	150-5	AH124882	3C14	32	90-39
AB18206	2G14	3	70-37	AH117418	2D12	15	50-63	AH125070	4F14	15	150-31
AB4462R	4H5	25	160-19	AH117566	2E17	5	60-26	AH125070	4F14	16	150-31
AC15595	1E23	3	30-21	AH117643	4C17	29	140-7	AH125080	4E17	21	150-9
AE23791	3C8	18	90-33	AH118228	3F2	6	100-35	AH125193	4D2	40	140-19
AE26118	3I9	3	120-5	AH118228	4I18	3	170-29	AH125228	2B19	16	50-17
AE27909	3F2	11	100-35	AH118993	4F19	8	150-37	AH125228	3D22	1	100-6
AE38021	2G2	37	70-25	AH120160	4F17	7	150-35	AH125233	2C2	7	50-25
AE38448	4D12	21	140-31	AH120216	2J21	7	80-45	AH125454	3F15	3	100-49
AE38734	2G2	16	70-25	AH120419	3D6	4	95-6	AH125490	4C19	32	140-9
AE42998	3J17	6	125-13	AH120446	3D6	5	95-6	AH125644	2I14	8	80-13
AE44392	1F21	64	40-21	AH120541	3B12	20	90-11	AH125644	4E11	6	150-3
AE46699	3G19	16	110-25	AH120547	3D10	9	95-10	AH125658	2E17	23	60-26
AE50995	2G2	35	70-25	AH120736	2C2	11	50-25	AH125672	1G17	10	40-45
AF1466R	4D5	46	140-23	AH120737	4C19	15	140-9	AH125673	1B15	6	20-13
AH101202	2E17	22	60-26	AH120815	1B15	5	20-13	AH125688	4C22	1	140-13
AH104259	3B14	12	90-13	AH120872	2E16	16	60-25	AH125733	2H13	2	70-60
AH105040	3D24	23	100-9	AH120876	2E16	17	60-25	AH125760	2C9	22	50-32
AH106010	3B10	11	90-9	AH120891	3B10	6	90-9	AH125760	2C13	10	50-37
AH106110	4D12	7	140-31	AH120907	4D12	10	140-31	AH125760	2F10	21	70-7
AH106606	4F12	11	150-29	AH121007	4D10	20	140-29	AH125760	2F17	2	70-15
AH106933	2C4	17	50-27	AH121009	3G4	10	110-9	AH125760	2F19	2	70-17
AH106982	1E17	17	30-15	AH121009	3G6	10	110-11	AH125760	2F21	2	70-19
AH108080	2G14	2	70-37	AH121009	4D3	10	140-21	AH125760	2F22	29	70-20
AH108080	4H13	18	160-27	AH121046	4E4	7	140-47	AH125760	2G22	18	70-45
AH108161	3D19	17	100-3	AH121047	3K4	31	125-25	AH125760	4C15	11	140-5
AH108299	4E13	29	150-5	AH121190	3C2	7	90-27	AH125814	4E13	41	150-5
AH108380	2G14	10	70-37	AH121340	3C6	29	90-31	AH125895	4E4	9	140-47
AH108380	3C14	4	90-39	AH121475	1G21	3	40-49	AH125910	2F23	18	70-21
AH108801	4D5	5	140-23	AH121475	3K10	19	125-31	AH125910	2F24	5	70-22
AH108813	4D10	5	140-29	AH121580	2B19	18	50-17	AH125910	2G8	24	70-31
AH108816	3C6	2	90-31	AH121605	2G8	4	70-31	AH125958	3C10	17	90-35
AH10888	1B5	16	20-3	AH121643	3F5	6	100-38	AH125969	3G15	12	110-21
AH109056	4D5	43	140-23	AH121658	4C25	13	140-17	AH125969	3I21	9	120-17
AH109788	1B7	9	20-5	AH122018	4C22	3	140-13	AH125970	3G15	12	110-21
AH110887	4D5	31	140-23	AH122099	3C21	13	90-47	AH125970	3I21	9	120-17
AH112189	1G25	2	40-53	AH122100	2B13	4	50-10	AH125975	3I15	14	120-11
AH112284	2B4	1	50-1	AH122244	1E19	10	30-17	AH125975	3I21	16	120-17
AH112401	2C2	2	50-25	AH122451	4D10	14	140-29	AH126007	3K8	2	125-29
AH112402	2C2	2	50-25	AH122495	3F17	27	100-51	AH126007	4E4	20	140-47
AH112435	4F10	3	150-27	AH122506	3J9	26	125-5	AH126007	4I24	1	170-35
AH112668	2C8	28	50-31	AH122507	4E11	8	150-3	AH126008	3K8	1	125-29
AH112675	2C8	29	50-31	AH122575	2B16	8	50-13	AH126091	3E22	11	100-31
AH112678	2C8	35	50-31	AH122717	4F10	2	150-27	AH126094	4D18	35	140-37
AH112678	2C13	8	50-37	AH122717	4F10	7	150-27	AH126122	2F8	17	70-5
AH112680	2C8	13	50-31	AH123016	1I2	4	40-82	AH126169	2D13	7	50-64
AH112883	4D5	16	140-23	AH123602	4F3	9	150-20	AH126169	2H19	3	70-67
AH112931	4H13	17	160-27	AH123902	1G15	2	40-43	AH126188	4D18	24	140-37
AH113139	4D8	11	140-27	AH123904	1G15	35	40-43	AH126214	3I9	34	120-5
AH113392	4F6	10	150-23	AH123905	1G15	24	40-43	AH126239	3K4	32	125-25
AH115444	3I4	40	110-61	AH123908	1G15	17	40-43	AH126239	4I24	2	170-35

NUMERICAL INDEX - CONTINUED

PART NO.	GRID	KEY	PAGE	PART NO.	GRID	KEY	PAGE	PART NO.	GRID	KEY	PAGE
AH126240	2F6	18	70 - 3	AH128610	3C19	12	90 - 45	AH130570	3K2	9	125 - 23
AH126242	2F6	21	70 - 3	AH128641	4E21	1	150 - 13	AH130570	3K4	28	125 - 25
AH126254	2E8	4	60 - 17	AH128642	4E21	11	150 - 13	AH130571	3K2	3	125 - 23
AH126272	1G17	3	40 - 45	AH128654	2C24	14	50 - 51	AH130572	3K4	24	125 - 25
AH126275	4E13	35	150 - 5	AH128654	4C15	37	140 - 5	AH130581	4E21	5	150 - 13
AH126279	4E13	6	150 - 5	AH128655	2C24	16	50 - 51	AH130594	3B5	10	90 - 3
AH126281	4F2	4	150 - 19	AH128655	4C15	50	140 - 5	AH130594	3C21	11	90 - 47
AH126282	4F2	10	150 - 19	AH128663	3K8	20	125 - 29	AH130605	2D23	16	60 - 7
AH126283	4F2	6	150 - 19	AH128664	3K8	24	125 - 29	AH130611	2D8	7	50 - 59
AH126284	4F2	11	150 - 19	AH128664	4E5	2	140 - 49	AH130612	2D23	17	60 - 7
AH126388	3K4	18	125 - 25	AH128672	2C24	30	50 - 51	AH130613	2D23	18	60 - 7
AH126389	2G24	9	70 - 47	AH128692	2D13	1	50 - 64	AH130625	2B9	4	50 - 6
AH126417	3E14	32	100 - 23	AH128727	2F24	1	70 - 22	AH130626	2B12	3	50 - 9
AH126541	1G19	7	40 - 47	AH128727	2G8	21	70 - 31	AH130627	2B12	3	50 - 9
AH126619	4E11	14	150 - 3	AH128757	2D12	9	50 - 63	AH130884	3J25	40	125 - 21
AH126657	2E10	14	60 - 19	AH128779	2F14	12	70 - 11	AH130886	3J25	21	125 - 21
AH126657	2H2	6	70 - 49	AH128780	2F14	11	70 - 11	AH130890	2E16	8	60 - 25
AH126657	2H4	14	70 - 51	AH128785	4C15	51	140 - 5	AH130892	3J25	17	125 - 21
AH126657	2H6	13	70 - 53	AH128842	2D23	22	60 - 7	AH130906	3G11	7	110 - 16
AH126657	2H8	5	70 - 55	AH128842	2E4	30	60 - 13	AH130949	2C24	15	50 - 51
AH126657	2H10	8	70 - 57	AH128842	4H9	30	160 - 23	AH130949	4C15	49	140 - 5
AH126677	3K4	13	125 - 25	AH128843	2D23	11	60 - 7	AH130964	3G19	6	110 - 25
AH126719	3G4	13	110 - 9	AH128843	2E4	30	60 - 13	AH130996	3I19	4	120 - 15
AH126720	3G4	12	110 - 9	AH128843	4H9	30	160 - 23	AH130996	3I19	18	120 - 15
AH126811	3C2	31	90 - 27	AH128854	4E21	13	150 - 13	AH131051	2E4	12	60 - 13
AH126865	3K6	13	125 - 27	AH128855	4E21	12	150 - 13	AH131051	4H9	12	160 - 23
AH126871	3G10	9	110 - 15	AH128859	2G24	22	70 - 47	AH131054	2E4	19	60 - 13
AH127383	3C8	14	90 - 33	AH128865	1H13	13	40 - 67	AH131054	4H9	19	160 - 23
AH127465	3I11	1	120 - 7	AH128865	4G6	5	155 - 9	AH131055	2E4	19	60 - 13
AH127465	3I19	1	120 - 15	AH128894	2D8	30	50 - 59	AH131055	4H9	19	160 - 23
AH127466	3I17	3	120 - 13	AH128925	3D3	9	95 - 3	AH131058	2E4	7	60 - 13
AH127656	2B9	4	50 - 6	AH128929	2C9	33	50 - 32	AH131058	4H9	7	160 - 23
AH127674	3B10	3	90 - 9	AH128977	1E25	3	30 - 23	AH131059	2E4	7	60 - 13
AH127684	3D9	19	95 - 9	AH128986	1G21	10	40 - 49	AH131059	4H9	7	160 - 23
AH127684	3D10	6	95 - 10	AH129056	1E17	18	30 - 15	AH131074	3K2	10	125 - 23
AH127685	3D9	4	95 - 9	AH129236	3C4	39	90 - 29	AH131166	4B19	16	130 - 19
AH127685	3D10	7	95 - 10	AH129255	3C6	18	90 - 31	AH131168	2C11	28	50 - 35
AH127829	3G10	26	110 - 15	AH129278	2C8	43	50 - 31	AH131169	2C6	9	50 - 29
AH127963	3G10	9	110 - 15	AH129284	2C11	8	50 - 35	AH131169	2C13	1	50 - 37
AH128037	4E13	9	150 - 5	AH129420	4D18	4	140 - 37	AH131171	2C6	17	50 - 29
AH128074	4F19	37	150 - 37	AH129420	4D22	11	140 - 41	AH131171	2C13	4	50 - 37
AH128075	4F19	37	150 - 37	AH129451	3J2	39	120 - 23	AH131172	2C8	29	50 - 31
AH128241	4H13	13	160 - 27	AH129451	4D18	44	140 - 37	AH131174	2C14	15	50 - 38
AH128257	1B13	5	20 - 11	AH129452	3J2	41	120 - 23	AH131175	2F10	26	70 - 7
AH128267	2B17	9	50 - 14	AH129452	4D18	46	140 - 37	AH131176	2G18	..	70 - 41
AH128313	3I9	31	120 - 5	AH130113	2G8	13	70 - 31	AH131178	2G18	17	70 - 41
AH128328	1I3	6	40 - 83	AH130119	2E16	9	60 - 25	AH131178	2H21	12	70 - 69
AH128328	1I5	2	40 - 85	AH130127	1E17	25	30 - 15	AH131183	2F10	26	70 - 7
AH128357	3C10	19	90 - 35	AH130185	3I11	1	120 - 7	AH131250	2G10	3	70 - 33
AH128359	4B9	5	130 - 9	AH130193	2J5	15	80 - 29	AH131250	2G12	5	70 - 35
AH128360	3G13	7	110 - 19	AH130202	3F24	14	110 - 5	AH131302	2E12	10	60 - 21
AH128361	3G13	9	110 - 19	AH130202	3G2	13	110 - 7	AH131304	2G18	13	70 - 41
AH128384	4D24	1	140 - 43	AH130222	2I4	31	80 - 3	AH131308	2C14	6	50 - 38
AH128391	2B24	1	50 - 22	AH130230	1E23	2	30 - 21	AH131310	2C13	..	50 - 37
AH128391	2C2	32	50 - 25	AH130230	2B6	14	50 - 3	AH131311	2H6	6	70 - 53
AH128449	2C9	24	50 - 32	AH130412	2D23	19	60 - 7	AH131316	2E12	11	60 - 21
AH128449	2H13	1	70 - 60	AH130413	2D23	20	60 - 7	AH131320	1H21	5	40 - 76
AH128449	4C13	11	140 - 3	AH130424	3J2	9	120 - 23	AH131331	3G10	3	110 - 15
AH128450	4C13	10	140 - 3	AH130425	3J2	9	120 - 23	AH131334	2F4	14	70 - 1
AH128451	4C13	5	140 - 3	AH130429	3C4	47	90 - 29	AH131378	2G8	7	70 - 31
AH128452	3C8	12	90 - 33	AH130449	2D13	3	50 - 64	AH131381	2E10	30	60 - 19
AH128528	2B19	1	50 - 17	AH130465	3G8	22	110 - 13	AH131382	2E10	29	60 - 19
AH128528	3D21	45	100 - 5	AH130477	3I9	28	120 - 5	AH131387	2C6	17	50 - 29
AH128584	2G20	8	70 - 43	AH130486	3I17	15	120 - 13	AH131387	2C13	4	50 - 37
AH128584	2G24	4	70 - 47	AH130506	1E19	12	30 - 17	AH131388	2C6	9	50 - 29
AH128585	3B16	13	90 - 15	AH130560	2H8	14	70 - 55	AH131388	2C13	1	50 - 37
AH128597	2I16	19	80 - 15	AH130562	2H10	28	70 - 57	AH131390	2C13	..	50 - 37

NUMERICAL INDEX - CONTINUED

PART NO.	GRID	KEY	PAGE	PART NO.	GRID	KEY	PAGE	PART NO.	GRID	KEY	PAGE
AH131391	2C8	3	50-31	AH133949	2H21	18	70-69	AH137260	3I2	11	110-59
AH131391	2C13	16	50-37	AH133949	2H23	2	70-71	AH137260	3I7	3	120-3
AH131392	2C13	16	50-37	AH133987	2E14	10	60-23	AH137261	3I7	14	120-3
AH131420	2G4	24	70-27	AH133988	2E14	9	60-23	AH137261	4B19	28	130-19
AH131421	2G4	26	70-27	AH134121	3E8	5	100-17	AH137373	3H11	18	110-43
AH131535	2G10	15	70-33	AH134121	3E10	5	100-19	AH137374	3H11	18	110-43
AH131535	2G12	22	70-35	AH134121	3E12	17	100-21	AH137408	2J11	3	80-35
AH131545	2E10	19	60-19	AH134205	2G14	9	70-37	AH137409	2J11	4	80-35
AH131546	2E10	18	60-19	AH134207	4C25	6	140-17	AH137419	3H2	6	110-33
AH131570	2F23	15	70-21	AH134304	2E4	31	60-13	AH137486	3D9	18	95-9
AH131571	2F23	10	70-21	AH134304	4H9	31	160-23	AH137630	3E22	5	100-31
AH131572	2F23	9	70-21	AH134305	2E4	31	60-13	AH137630	3K2	10	125-23
AH131576	2G8	18	70-31	AH134305	4H9	31	160-23	AH137631	3E22	30	100-31
AH131842	2G18	3	70-41	AH134596	4D18	36	140-37	AH137671	3H11	14	110-43
AH131860	3J17	18	125-13	AH134596	4D20	2	140-39	AH137672	3H11	14	110-43
AH131861	2B19	33	50-17	AH134597	3G4	27	110-9	AH137677	3H11	14	110-43
AH131965	1B9	6	20-7	AH134642	1B7	7	20-5	AH137678	3H11	14	110-43
AH131965	3H2	2	110-33	AH134662	3G6	17	110-11	AH137688	4B23	10	130-23
AH132027	2G14	5	70-37	AH134724	3B18	18	90-17	AH137702	3D10	4	95-10
AH132031	2H19	4	70-67	AH134729	4E2	4	140-45	AH137751	4C9	4	130-34
AH132200	2H21	9	70-69	AH134730	4E2	5	140-45	AH137752	4C4	13	130-29
AH132230	4F10	24	150-27	AH134774	3H2	10	110-33	AH137753	4C6	3	130-31
AH132238	2D14	1	50-65	AH134778	3G17	7	110-23	AH137771	4C24	25	140-15
AH132239	2D14	1	50-65	AH134813	2B6	13	50-3	AH137772	4C24	1	140-15
AH132360	2I4	4	80-3	AH134814	2B5	1	50-2	AH137792	4B4	7	130-3
AH132361	4C8	11	130-33	AH134833	2F22	26	70-20	AH137807	2I20	8	80-19
AH132372	3J17	24	125-13	AH134859	4D5	47	140-23	AH137859	1E21	4	30-19
AH132372	4E7	21	140-51	AH134884	3D5	22	95-5	AH137975	4C8	1	130-33
AH132783	3D6	2	95-6	AH135035	1B5	4	20-3	AH137986	2H23	17	70-71
AH132787	3I17	3	120-13	AH135063	3G19	13	110-25	AH138048	2C4	4	50-27
AH132819	3B14	2	90-13	AH135064	2F4	3	70-1	AH138098	3C16	12	90-41
AH132832	2G14	4	70-37	AH135160	3H9	8	110-41	AH138156	4B15	1	130-15
AH132840	2E4	24	60-13	AH135240	3G10	19	110-15	AH138157	4B15	10	130-15
AH132988	2H17	2	70-65	AH135290	2I6	7	80-5	AH138187	3E22	1	100-31
AH133091	2I4	11	80-3	AH135290	2I12	12	80-11	AH138200	2H14	13	70-61
AH133091	2I4	12	80-3	AH135290	4F21	2	150-39	AH138228	3H15	1	110-47
AH133091	2I4	29	80-3	AH135333	2H21	16	70-69	AH138230	3G15	2	110-21
AH133126	2D25	9	60-9	AH135335	3G10	34	110-15	AH138230	3I25	8	120-21
AH133128	2D25	..	60-9	AH135336	3G10	34	110-15	AH138231	3I15	7	120-11
AH133151	2G12	2	70-35	AH135337	3G10	35	110-15	AH138232	3I21	6	120-17
AH133156	3G8	14	110-13	AH135463	3J7	2	125-3	AH138232	3I25	7	120-21
AH133157	3G8	19	110-13	AH135463	4E7	1	140-51	AH138233	4C8	14	130-33
AH133157	3G10	31	110-15	AH135565	4D2	49	140-19	AH138234	3I15	2	120-11
AH133160	2E10	34	60-19	AH135647	3G10	1	110-15	AH138257	1B7	6	20-5
AH133161	2E10	33	60-19	AH135658	4B21	6	130-21	AH138291	1H3	13	40-57
AH133191	3E24	23	100-33	AH135658	4B23	4	130-23	AH138292	2J9	12	80-33
AH133191	3F13	47	100-47	AH135682	2H8	13	70-55	AH138317	2J9	7	80-33
AH133191	4D18	8	140-37	AH135684	2H4	3	70-51	AH138384	3I9	38	120-5
AH133191	4D22	18	140-41	AH135684	2H4	2	70-51	AH138426	3J11	9	125-7
AH133191	4F12	18	150-29	AH135744	4C15	15	140-5	AH138655	3J23	7	125-19
AH133191	4F14	3	150-31	AH135787	1F19	6	40-19	AH138707	3C10	4	90-35
AH133191	4F19	28	150-37	AH135787	1F19	16	40-19	AH138718	2H23	9	70-71
AH133265	2G10	4	70-33	AH135837	4B17	1	130-17	AH138746	3I7	8	120-3
AH133265	4H13	1	160-27	AH135952	3I2	21	110-59	AH138809	2B14	1	50-11
AH133303	2J11	1	80-35	AH136147	2J21	14	80-45	AH138955	4E17	13	150-9
AH133660	2C6	7	50-29	AH136153	4E25	15	150-17	AH138971	4B21	2	130-21
AH133661	2C13	18	50-37	AH136248	2G22	..	70-45	AH138972	4B21	8	130-21
AH133662	2C13	18	50-37	AH136285	2I10	12	80-9	AH139060	2F17	11	70-15
AH133663	2C6	7	50-29	AH136305	2D25	2	60-9	AH139060	2F19	11	70-17
AH133752	2E8	8	60-17	AH136362	2C4	11	50-27	AH139060	2F21	11	70-19
AH133758	2H21	2	70-69	AH136362	2D23	14	60-7	AH139060	2G4	22	70-27
AH133770	2H19	11	70-67	AH136455	2J19	8	80-43	AH139065	3C4	36	90-29
AH133896	1B20	1	20-18	AH136497	3F7	8	100-41	AH139118	4C17	5	140-7
AH133941	2D8	32	50-59	AH136497	4D12	15	140-31	AH139202	2J13	5	80-37
AH133942	2D8	33	50-59	AH136553	4E25	25	150-17	AH139236	3H15	6	110-47
AH133948	2H21	22	70-69	AH136554	4E25	26	150-17	AH139237	3H15	6	110-47
AH133948	2H23	1	70-71	AH137195	3H25	18	110-57	AH139238	4D2	43	140-19

NUMERICAL INDEX - CONTINUED

PART NO.	GRID	KEY	PAGE	PART NO.	GRID	KEY	PAGE	PART NO.	GRID	KEY	PAGE
AH139243	3F9	3	100 - 43	AH140832	2G24	8	70 - 47	AH143322	2H14	16	70 - 61
AH139246	3G10	8	110 - 15	AH140838	3B16	12	90 - 15	AH143322	2H15	12	70 - 63
AH139260	4B17	9	130 - 17	AH140901	4F19	23	150 - 37	AH143333	2E4	24	60 - 13
AH139280	3H11	15	110 - 43	AH140902	2H17	12	70 - 65	AH143333	4H9	24	160 - 23
AH139281	3H11	15	110 - 43	AH140902	2H21	26	70 - 69	AH143352	2D2	5	50 - 53
AH139296	4D18	3	140 - 37	AH140903	2G22	6	70 - 45	AH143353	2D10	16	50 - 61
AH139296	4D22	12	140 - 41	AH140930	1B13	3	20 - 11	AH143361	3E16	39	100 - 25
AH139297	3I9	24	120 - 5	AH140932	2G24	26	70 - 47	AH143362	3E16	38	100 - 25
AH139365	3G21	11	110 - 27	AH140934	2H2	15	70 - 49	AH143405	3H7	6	110 - 39
AH139388	3J9	18	125 - 5	AH140943	2J9	20	80 - 33	AH143436	2H2	16	70 - 49
AH139391	3J9	18	125 - 5	AH140944	3G25	14	110 - 31	AH143455	2G12	7	70 - 35
AH139393	2I22	1	80 - 21	AH140967	1B9	10	20 - 7	AH143682	2H12	1	70 - 59
AH139434	4C13	12	140 - 3	AH140968	2G22	25	70 - 45	AH143682	2H15	1	70 - 63
AH139595	4B6	7	130 - 5	AH14097	3F13	21	100 - 47	AH143727	4F10	11	150 - 27
AH139596	4B6	3	130 - 5	AH140994	4B6	23	130 - 5	AH143731	4F10	11	150 - 27
AH139683	3H2	9	110 - 33	AH140995	4B6	19	130 - 5	AH143746	4D6	4	140 - 25
AH139791	4B4	5	130 - 3	AH141012	3C16	10	90 - 41	AH143747	4D6	5	140 - 25
AH139791	4B15	16	130 - 15	AH141022	4C24	33	140 - 15	AH143903	1H19	1	40 - 74
AH139802	2D8	24	50 - 59	AH141024	3H7	6	110 - 39	AH143904	1H19	1	40 - 74
AH139816	4D16	20	140 - 35	AH141142	3I15	18	120 - 11	AH143904	4D24	5	140 - 43
AH139897	2D14	1	50 - 65	AH141142	3I15	19	120 - 11	AH144084	3D10	8	95 - 10
AH139904	1G17	..	40 - 45	AH141184	4B19	22	130 - 19	AH144104	3F24	2	110 - 5
AH139982	3I7	6	120 - 3	AH141216	4B23	8	130 - 23	AH144192	2D4	1	50 - 55
AH139987	1H13	2	40 - 67	AH141355	4B23	6	130 - 23	AH144345	2F8	8	70 - 5
AH139988	4B7	3	130 - 6	AH141356	4B23	9	130 - 23	AH144478	4B4	5	130 - 3
AH139989	4C2	2	130 - 27	AH141399	3E18	24	100 - 27	AH144478	4B15	16	130 - 15
AH139990	1G18	2	40 - 46	AH141544	2D4	9	50 - 55	AH144480	2H14	15	70 - 61
AH140001	4F14	15	150 - 31	AH141582	2E4	29	60 - 13	AH144482	2H14	1	70 - 61
AH140044	3H2	7	110 - 33	AH141582	4H9	29	160 - 23	AH144609	3F24	9	110 - 5
AH140044	3I11	9	120 - 7	AH141647	3J2	1	120 - 23	AH144609	3F24	18	110 - 5
AH140044	3I17	13	120 - 13	AH141652	4C6	5	130 - 31	AH144695	2B13	4	50 - 10
AH140051	4B25	8	130 - 25	AH141671	1B7	11	20 - 5	AH144715	3D24	17	100 - 9
AH140063	4H14	3	160 - 28	AH141686	2D23	5	60 - 7	AH144719	1B13	5	20 - 11
AH140081	4E19	3	150 - 11	AH141687	2D23	6	60 - 7	AH144778	3B20	1	90 - 19
AH140111	2J5	11	80 - 29	AH141762	4D8	14	140 - 27	AH145030	4E23	21	150 - 15
AH140118	1B7	2	20 - 5	AH141774	3B8	4	90 - 7	AH145049	4F6	10	150 - 23
AH140119	1B5	2	20 - 3	AH141781	3E20	11	100 - 29	AH145050	4F6	10	150 - 23
AH140120	1F21	37	40 - 21	AH141782	3E20	10	100 - 29	AH145157	2J25	8	80 - 49
AH140120	1F24	6	40 - 25	AH141794	2D23	2	60 - 7	AH145235	2D6	4	50 - 57
AH140120	1F24	..	40 - 25	AH141808	1B7	17	20 - 5	AH145235	2F12	12	70 - 9
AH140120	1G2	6	40 - 29	AH141811	2C13	..	50 - 37	AH145237	2D6	5	50 - 57
AH140120	1G2	..	40 - 29	AH141811	2C14	19	50 - 38	AH145237	2F12	13	70 - 9
AH140127	3J17	14	125 - 13	AH141813	1H13	10	40 - 67	AH145239	2F12	14	70 - 9
AH140127	3J17	20	125 - 13	AH141820	4D2	29	140 - 19	AH145239	2F14	7	70 - 11
AH140127	3J17	24	125 - 13	AH141821	4D2	29	140 - 19	AH145241	2F12	15	70 - 9
AH140127	3J17	25	125 - 13	AH141849	1B7	8	20 - 5	AH145241	2F14	6	70 - 11
AH140129	4B15	12	130 - 15	AH141861	3F9	5	100 - 43	AH145281	3E16	22	100 - 25
AH140170	1B5	18	20 - 3	AH141864	2J9	13	80 - 33	AH145348	2B12	3	50 - 9
AH140185	3D24	19	100 - 9	AH141865	2J15	5	80 - 39	AH145385	4G21	9	160 - 9
AH140253	2B12	3	50 - 9	AH141973	4D12	5	140 - 31	AH145964	1G23	11	40 - 51
AH140335	4F6	10	150 - 23	AH142000	3G19	17	110 - 25	AH146032	3B20	4	90 - 19
AH140410	2B16	3	50 - 13	AH142000	3H13	9	110 - 45	AH146041	3C18	9	90 - 43
AH140410	2B16	..	50 - 13	AH142001	3G13	18	110 - 19	AH146043	4E23	20	150 - 15
AH140417	3G4	..	110 - 9	AH142394	3E22	8	100 - 31	AH146183	4H7	2	160 - 21
AH140497	1B5	31	20 - 3	AH142404	3C21	1	90 - 47	AH146322	3K4	8	125 - 25
AH140576	3H2	13	110 - 33	AH142404	3C23	1	90 - 49	AH146352	4E17	21	150 - 9
AH140578	3H2	16	110 - 33	AH142407	3E4	24	100 - 13	AH146352	4F14	16	150 - 31
AH140579	3H2	16	110 - 33	AH142441	2E6	28	60 - 15	AH146360	3H15	3	110 - 47
AH140600	4D20	4	140 - 39	AH142441	3C4	27	90 - 29	AH146364	3H13	14	110 - 45
AH140605	2D19	10	60 - 3	AH142527	1B7	14	20 - 5	AH146394	3I2	10	110 - 59
AH140615	3D24	31	100 - 9	AH142611	2D10	23	50 - 61	AH146462	4D22	31	140 - 41
AH140713	4E19	6	150 - 11	AH142731	2G5	25	70 - 28	AH146463	4D22	4	140 - 41
AH140714	2E14	8	60 - 23	AH142758	2D10	17	50 - 61	AH146492	2D19	2	60 - 3
AH140715	2E14	7	60 - 23	AH142780	3F22	..	110 - 3	AH146552	4E7	14	140 - 51
AH140766	3H15	1	110 - 47	AH142893	2E6	20	60 - 15	AH146655	3J2	2	120 - 23
AH140790	4F2	1	150 - 19	AH143035	2D2	1	50 - 53	AH146744	3B25	7	90 - 25
AH14080	4D22	6	140 - 41	AH143048	4B15	23	130 - 15	AH146764	4G24	10	160 - 12

NUMERICAL INDEX - CONTINUED

PART NO.	GRID	KEY	PAGE	PART NO.	GRID	KEY	PAGE	PART NO.	GRID	KEY	PAGE
AH146765	4H3	10	160 - 16	AH149626	3J11	17	125 - 7	AH151779	2I24	1	80 - 23
AH146788	1E17	26	30 - 15	AH149701	3I25	1	120 - 21	AH151780	2I16	1	80 - 15
AH146834	3J15	13	125 - 11	AH149752	4G19	3	160 - 7	AH151781	2J2	1	80 - 25
AH146852	3B12	6	90 - 11	AH149801	1H22	1	40 - 77	AH151786	2I14	2	80 - 13
AH146854	3B10	5	90 - 9	AH149829	2E4	28	60 - 13	AH151787	2I14	1	80 - 13
AH146864	4G19	2	160 - 7	AH149829	4H9	28	160 - 23	AH151788	2I22	4	80 - 21
AH146871	4G21	1	160 - 9	AH149833	1G15	30	40 - 43	AH151811	2J23	4	80 - 47
AH146979	4G21	4	160 - 9	AH149834	1G15	3	40 - 43	AH151971	3I21	2	120 - 17
AH147030	3B23	3	90 - 23	AH149835	1G15	1	40 - 43	AH152356	3E14	7	100 - 23
AH147061	2J17	1	80 - 41	AH149862	4G23	13	160 - 11	AH152358	3E14	7	100 - 23
AH147084	2F17	12	70 - 15	AH149862	4H14	6	160 - 28	AH152360	3E16	1	100 - 25
AH147084	2F19	12	70 - 17	AH149879	3I9	47	120 - 5	AH152665	2F8	11	70 - 5
AH147084	2F21	12	70 - 19	AH149889	3J13	1	125 - 9	AH152666	2F8	23	70 - 5
AH147084	2G2	38	70 - 25	AH150166	4G23	16	160 - 11	AH152668	1F14	2	40 - 13
AH147085	2F22	25	70 - 20	AH150167	3I17	12	120 - 13	AH152671	2D8	12	50 - 59
AH147118	4G21	1	160 - 9	AH150168	3I23	12	120 - 19	AH152672	2D8	23	50 - 59
AH147153	3B23	1	90 - 23	AH150169	3I19	8	120 - 15	AH152743	2D2	12	50 - 53
AH147170	3C2	27	90 - 27	AH150171	4H11	2	160 - 25	AH152743	2D10	15	50 - 61
AH147173	3B18	7	90 - 17	AH150172	4H11	10	160 - 25	AH152937	3D24	13	100 - 9
AH147476	3E2	21	100 - 11	AH150173	3J13	4	125 - 9	AH152937	3F17	19	100 - 51
AH147476	3E4	6	100 - 13	AH150174	3J13	5	125 - 9	AH153040	4D22	4	140 - 41
AH147544	2B10	1	50 - 7	AH150237	3J13	3	125 - 9	AH153126	3H17	8	110 - 49
AH147545	2B10	7	50 - 7	AH150239	2J3	4	80 - 27	AH153133	1F14	4	40 - 13
AH147546	2B10	7	50 - 7	AH150260	3D10	1	95 - 10	AH153165	3H19	4	110 - 51
AH147588	3G23	5	110 - 29	AH150343	2B12	4	50 - 9	AH153311	1F14	3	40 - 13
AH147650	3G23	12	110 - 29	AH150344	2B12	4	50 - 9	AH153659	1C2	1	20 - 25
AH147651	3G23	11	110 - 29	AH150345	2B12	4	50 - 9	AH153688	3G8	13	110 - 13
AH147652	3G23	10	110 - 29	AH150346	2B12	4	50 - 9	AH153688	3G10	11	110 - 15
AH147653	3G23	9	110 - 29	AH150451	3D19	31	100 - 3	AH153796	3B12	1	90 - 11
AH147654	3G23	8	110 - 29	AH150451	3F17	18	100 - 51	AH153808	3I13	4	120 - 9
AH147698	3I7	16	120 - 3	AH150490	4G21	8	160 - 9	AH153910	3B12	26	90 - 11
AH147935	2E8	9	60 - 17	AH150497	3G8	1	110 - 13	AH154083	2J9	19	80 - 33
AH147952	3H11	13	110 - 43	AH150498	1H16	13	40 - 71	AH154086	2J9	19	80 - 33
AH147953	3H11	13	110 - 43	AH150499	1H16	13	40 - 71	AH154195	1F16	37	40 - 15
AH148106	1C3	4	20 - 26	AH150593	4G15	...	160 - 3	AH154218	3B12	11	90 - 11
AH148124	2G10	13	70 - 33	AH150686	3D21	9	100 - 5	AH154221	3C14	16	90 - 39
AH148124	2G12	18	70 - 35	AH150686	3D24	9	100 - 9	AH154236	3H21	3	110 - 53
AH148142	3G15	13	110 - 21	AH150687	3F4	6	100 - 37	AH154236	3H23	3	110 - 55
AH148210	1G19	12	40 - 47	AH151119	3G8	8	110 - 13	AH154267	3H21	27	110 - 53
AH148210	3K10	24	125 - 31	AH151123	3B12	7	90 - 11	AH154267	3H23	27	110 - 55
AH148259	1E23	21	30 - 21	AH151143	2J19	32	80 - 43	AH154270	3H21	20	110 - 53
AH148472	2F22	24	70 - 20	AH151338	2I6	11	80 - 5	AH154278	1G15	5	40 - 43
AH148526	3H11	2	110 - 43	AH151339	2I6	4	80 - 5	AH154280	3B14	6	90 - 13
AH148578	4B6	25	130 - 5	AH151340	2I6	9	80 - 5	AH154316	3H21	28	110 - 53
AH148633	1H5	1	40 - 59	AH151342	2I8	6	80 - 7	AH154317	3H23	28	110 - 55
AH148649	1B13	4	20 - 11	AH151343	2I8	11	80 - 7	AH154330	3J15	8	125 - 11
AH148758	1G23	8	40 - 51	AH151347	2I8	4	80 - 7	AH154342	3H19	14	110 - 51
AH148879	1E23	1	30 - 21	AH151349	2I10	5	80 - 9	AH154343	3H19	17	110 - 51
AH148880	1E23	5	30 - 21	AH151352	2I10	4	80 - 9	AH154383	1H3	18	40 - 57
AH148893	4D12	14	140 - 31	AH151353	2I12	3	80 - 11	AH154383	1H5	13	40 - 59
AH148894	3D21	23	100 - 5	AH151354	3J21	7	125 - 17	AH154391	4D2	10	140 - 19
AH148944	4C4	14	130 - 29	AH151362	3C25	17	90 - 51	AH154400	3I23	3	120 - 19
AH148999	3J11	5	125 - 7	AH151400	2G2	...	70 - 25	AH154403	3H11	8	110 - 43
AH149180	3K8	30	125 - 29	AH151403	4F10	11	150 - 27	AH154407	3C2	14	90 - 27
AH149226	2F12	1	70 - 9	AH151407	4F8	10	150 - 25	AH154420	3I23	3	120 - 19
AH149228	3D7	2	95 - 7	AH151408	4F8	25	150 - 25	AH154431	3H17	27	110 - 49
AH149236	3I4	24	110 - 61	AH151409	4F8	25	150 - 25	AH154432	3H17	19	110 - 49
AH149349	3F2	17	100 - 35	AH151410	4F8	25	150 - 25	AH154482	3K12	5	125 - 33
AH149356	4D22	9	140 - 41	AH151411	4F8	10	150 - 25	AH154483	3K12	4	125 - 33
AH149357	4D22	9	140 - 41	AH151413	4F10	3	150 - 27	AH154484	3K12	1	125 - 33
AH149543	3J25	38	125 - 21	AH151414	4F10	3	150 - 27	AH154485	3K12	6	125 - 33
AH149547	3I11	13	120 - 7	AH151454	2I12	2	80 - 11	AH154486	3K10	1	125 - 31
AH149551	3I17	15	120 - 13	AH151455	2I12	11	80 - 11	AH154487	3K10	17	125 - 31
AH149555	3I19	18	120 - 15	AH151458	1B23	1	20 - 21	AH154504	1H24	8	40 - 79
AH149558	3I23	14	120 - 19	AH151537	4B11	9	130 - 11	AH154504	1H25	7	40 - 80
AH149559	3I23	14	120 - 19	AH151652	4C21	20	140 - 11	AH154509	3B5	3	90 - 3
AH149583	3B5	14	90 - 3	AH151653	4C17	24	140 - 7	AH154565	3H5	1	110 - 36

NUMERICAL INDEX - CONTINUED

PART NO.	GRID	KEY	PAGE	PART NO.	GRID	KEY	PAGE	PART NO.	GRID	KEY	PAGE
AH154566	2I24	18	80 - 23	AH156364	2H10	18	70 - 57	AH159078	2F12	11	70 - 9
AH154567	2I10	8	80 - 9	AH156365	2H6	5	70 - 53	AH159078	3D12	1	95 - 12
AH154696	3C14	6	90 - 39	AH156475	3F4	11	100 - 37	AH159105	1G25	3	40 - 53
AH154701	4C24	18	140 - 15	AH156476	3F4	12	100 - 37	AH159110	1G25	14	40 - 53
AH154703	3K10	7	125 - 31	AH156626	2B9	4	50 - 6	AH159170	3D21	..	100 - 5
AH154746	2I20	6	80 - 19	AH156714	3H19	22	110 - 51	AH159170	3D22	..	100 - 6
AH154768	4C24	31	140 - 15	AH156773	2B6	1	50 - 3	AH159180	3C2	9	90 - 27
AH154805	4C25	12	140 - 17	AH156843	3E6	5	100 - 15	AH159185	3C18	1	90 - 43
AH154848	2B9	4	50 - 6	AH156867	3K10	16	125 - 31	AH159186	3C18	1	90 - 43
AH154857	1G16	6	40 - 44	AH156868	3K10	4	125 - 31	AH159187	3C18	1	90 - 43
AH154890	3D19	..	100 - 3	AH156943	3B10	4	90 - 9	AH159188	3C18	1	90 - 43
AH154911	2I16	18	80 - 15	AH156971	2C2	11	50 - 25	AH159205	2J19	5	80 - 43
AH154912	2I24	23	80 - 23	AH157036	2J2	4	80 - 25	AH159233	3D24	34	100 - 9
AH154914	1H24	..	40 - 79	AH157053	3C18	1	90 - 43	AH159235	2J15	2	80 - 39
AH154960	3F7	23	100 - 41	AH157074	4F12	22	150 - 29	AH159236	3B12	5	90 - 11
AH154962	4E19	3	150 - 11	AH157083	4F14	19	150 - 31	AH159238	3B12	9	90 - 11
AH154965	4F14	5	150 - 31	AH157083	4I22	2	170 - 33	AH159241	3C2	12	90 - 27
AH154966	4F14	6	150 - 31	AH157084	4F14	19	150 - 31	AH159332	1H23	3	40 - 78
AH155005	2C2	33	50 - 25	AH157084	4I22	2	170 - 33	AH159333	1H23	3	40 - 78
AH155006	2C2	33	50 - 25	AH157105	2J23	10	80 - 47	AH159365	3I25	3	120 - 21
AH155007	3C2	25	90 - 27	AH157168	3E24	20	100 - 33	AH159447	1E17	8	30 - 15
AH155055	1C2	8	20 - 25	AH157168	3F13	34	100 - 47	AH159448	1E17	9	30 - 15
AH155072	3H25	3	110 - 57	AH157219	4D22	28	140 - 41	AH159467	2I20	18	80 - 19
AH155079	1B15	17	20 - 13	AH157232	1G23	8	40 - 51	AH159573	1E17	10	30 - 15
AH155088	4E13	31	150 - 5	AH157415	3E24	21	100 - 33	AH159703	3E20	1	100 - 29
AH155103	2J21	8	80 - 45	AH157415	3F13	8	100 - 47	AH159712	3I4	39	110 - 61
AH155122	1B15	14	20 - 13	AH157425	2J23	3	80 - 47	AH159715	3B10	7	90 - 9
AH155210	3C21	8	90 - 47	AH157458	3I4	26	110 - 61	AH159716	3B10	2	90 - 9
AH155217	1B18	3	20 - 16	AH157458	3I7	5	120 - 3	AH159740	3C23	9	90 - 49
AH155232	2C2	7	50 - 25	AH157492	2G6	3	70 - 29	AH159991	1B5	39	20 - 3
AH155264	2G6	2	70 - 29	AH157554	1E23	20	30 - 21	AH159992	1B5	34	20 - 3
AH155265	2G6	2	70 - 29	AH157555	1E23	7	30 - 21	AH159994	3B25	1	90 - 25
AH155275	3J2	35	120 - 23	AH157617	2I16	2	80 - 15	AH160022	3G21	12	110 - 27
AH155276	3B18	16	90 - 17	AH157617	2I24	10	80 - 23	AH160049	3G25	18	110 - 31
AH155483	1H9	13	40 - 63	AH157618	2I16	3	80 - 15	AH160058	1G19	4	40 - 47
AH155648	2D8	35	50 - 59	AH157618	2I18	3	80 - 17	AH160085	1B11	1	20 - 9
AH155650	3F9	1	100 - 43	AH157618	2I24	6	80 - 23	AH160107	1H14	3	40 - 68
AH155657	3F13	7	100 - 47	AH157683	4E15	1	150 - 7	AH160113	3C23	2	90 - 49
AH155659	3E24	13	100 - 33	AH157933	3D19	14	100 - 3	AH160115	3C21	2	90 - 47
AH155661	4D14	14	140 - 33	AH157937	4G19	..	160 - 7	AH160152	2J5	17	80 - 29
AH155666	3F2	7	100 - 35	AH157942	3F9	6	100 - 43	AH160197	1B13	2	20 - 11
AH155669	2I10	10	80 - 9	AH157973	2F4	6	70 - 1	AH160205	3H5	1	110 - 36
AH155706	3F13	26	100 - 47	AH158038	2I20	26	80 - 19	AH160218	1I4	3	40 - 84
AH155785	2E4	31	60 - 13	AH158151	2I6	8	80 - 5	AH160219	1I4	3	40 - 84
AH155786	2E4	31	60 - 13	AH158180	3D9	11	95 - 9	AH160228	2I18	1	80 - 17
AH155787	2D21	2	60 - 5	AH158288	3C14	21	90 - 39	AH160236	3C14	12	90 - 39
AH155787	2D23	1	60 - 7	AH158290	3C14	22	90 - 39	AH160278	1G25	11	40 - 53
AH155787	2D25	32	60 - 9	AH158291	3C14	29	90 - 39	AH160279	1B20	2	20 - 18
AH155809	2J11	5	80 - 35	AH158310	3J25	41	125 - 21	AH160291	1G25	1	40 - 53
AH155812	4F19	26	150 - 37	AH158321	1E23	14	30 - 21	AH160291	1H1	2	40 - 54
AH155852	3D5	1	95 - 5	AH158328	3E22	31	100 - 31	AH160392	3E14	7	100 - 23
AH155929	3B10	1	90 - 9	AH158580	3K1	4	125 - 22	AH160394	3E14	7	100 - 23
AH155932	3C12	6	90 - 37	AH158581	3K1	4	125 - 22	AH160395	3E16	1	100 - 25
AH155933	3C12	5	90 - 37	AH158595	4C19	20	140 - 9	AH160406	2J5	..	80 - 29
AH155936	3E24	2	100 - 33	AH158595	4C21	14	140 - 11	AH160426	4B13	9	130 - 13
AH155975	2J19	17	80 - 43	AH158635	3E22	32	100 - 31	AH160427	3J11	17	125 - 7
AH156051	3E6	7	100 - 15	AH158673	1E23	17	30 - 21	AH160428	3J13	1	125 - 9
AH156051	3G17	1	110 - 23	AH158721	1E17	1	30 - 15	AH160429	3J13	3	125 - 9
AH156051	3K6	14	125 - 27	AH158737	3I7	10	120 - 3	AH160432	2J5	10	80 - 29
AH156051	4E7	6	140 - 51	AH158821	4B15	12	130 - 15	AH160443	2J2	3	80 - 25
AH156083	3I4	20	110 - 61	AH158880	4F19	45	150 - 37	AH160445	2J23	2	80 - 47
AH156084	3I4	20	110 - 61	AH158880	4I24	4	170 - 35	AH160446	2J19	30	80 - 43
AH156086	3I2	11	110 - 59	AH158927	2G16	6	70 - 39	AH160469	3C18	2	90 - 43
AH156086	3I4	8	110 - 61	AH159026	2F12	10	70 - 9	AH160470	3C18	2	90 - 43
AH156144	2F4	7	70 - 1	AH159026	3D9	12	95 - 9	AH160471	3C18	2	90 - 43
AH156144	4C15	9	140 - 5	AH159037	3C14	10	90 - 39	AH160472	3C18	3	90 - 43
AH156145	1C4	1	20 - 27	AH159061	2I12	8	80 - 11	AH160473	3C18	3	90 - 43

NUMERICAL INDEX - CONTINUED

PART NO.	GRID	KEY	PAGE	PART NO.	GRID	KEY	PAGE	PART NO.	GRID	KEY	PAGE
AH160474	3C18	3	90-43	AH161647	2F10	26	70-7	AH163029	2C2	33	50-25
AH160475	3C18	3	90-43	AH161679	3B22	6	90-21	AH163048	1I4	1	40-84
AH160476	3C18	3	90-43	AH161714	2F6	4	70-3	AH163049	1I4	1	40-84
AH160486	3J3	3	120-24	AH161754	3B18	22	90-17	AH163171	2B12	4	50-9
AH160572	4H3	14	160-16	AH161755	3B18	15	90-17	AH163172	2B12	3	50-9
AH160573	4G24	14	160-12	AH161812	3F22	2	110-3	AH163173	1E17	6	30-15
AH160591	3B12	..	90-11	AH161838	1H21	4	40-76	AH163181	3K10	9	125-31
AH160592	3B12	16	90-11	AH161839	1H21	3	40-76	AH163260	4F20	8	150-38
AH160604	3F22	1	110-3	AH161864	3C12	7	90-37	AH163305	2I16	4	80-15
AH160606	4B13	8	130-13	AH161865	3C12	8	90-37	AH163305	2I24	9	80-23
AH160615	3D19	14	100-3	AH161885	2G6	13	70-29	AH163317	3D5	21	95-5
AH160622	4E11	27	150-3	AH161969	3C12	4	90-37	AH163347	2J23	8	80-47
AH160628	1G25	12	40-53	AH161981	4C25	19	140-17	AH163354	2J7	7	80-31
AH160640	2J19	14	80-43	AH162058	3J11	15	125-7	AH163359	4G4	1	155-7
AH160669	4H11	12	160-25	AH162058	3J11	16	125-7	AH163373	1E11	10	30-9
AH160676	2E1	7	60-10	AH162068	4C25	4	140-17	AH163400	1G2	16	40-29
AH160677	2E1	7	60-10	AH162091	1G20	8	40-48	AH163488	1H5	4	40-59
AH160715	2I20	19	80-19	AH162138	2H8	2	70-55	AH163522	2F12	4	70-9
AH160796	3F2	4	100-35	AH162140	2H4	4	70-51	AH163594	1E23	12	30-21
AH160798	3E8	7	100-17	AH162142	2H4	8	70-51	AH163596	3D3	14	95-3
AH160798	3E10	7	100-19	AH162145	2F10	..	70-7	AH163646	2J9	1	80-33
AH160798	3E12	8	100-21	AH162146	2E21	21	60-31	AH163667	2J23	25	80-47
AH160799	3E8	19	100-17	AH162147	2E21	21	60-31	AH163667	3B5	7	90-3
AH160822	3I2	14	110-59	AH162154	3J9	12	125-5	AH163668	2I16	17	80-15
AH160826	2I18	5	80-17	AH162163	3C14	15	90-39	AH163668	2I24	22	80-23
AH160994	4E4	17	140-47	AH162210	1E17	29	30-15	AH163668	2J2	5	80-25
AH161016	3E20	9	100-29	AH162230	3J17	5	125-13	AH163668	2J19	34	80-43
AH161062	3E12	13	100-21	AH162231	1I3	4	40-83	AH163684	1H18	..	40-73
AH161063	3E8	6	100-17	AH162231	1I5	4	40-85	AH163684	4G6	22	155-9
AH161063	3E10	6	100-19	AH162232	1H23	2	40-78	AH163762	3I9	36	120-5
AH161154	3B25	10	90-25	AH162340	3E8	16	100-17	AH163801	4C4	14	130-29
AH161171	4E11	4	150-3	AH162340	3E10	16	100-19	AH163802	4D2	46	140-19
AH161348	3B18	5	90-17	AH162371	1E21	2	30-19	AH163817	4G17	5	160-5
AH161391	2I18	13	80-17	AH162377	4B17	20	130-17	AH163895	3D21	13	100-5
AH161391	2I24	19	80-23	AH162400	4E25	1	150-17	AH163913	3B25	9	90-25
AH161400	3G4	17	110-9	AH162419	2E4	28	60-13	AH163914	3B25	9	90-25
AH161405	3G4	17	110-9	AH162432	2G6	13	70-29	AH163920	3G4	..	110-9
AH161407	3G4	17	110-9	AH162464	1H11	5	40-65	AH164136	2I20	10	80-19
AH161409	3G4	17	110-9	AH162466	2E21	19	60-31	AH164189	1H22	6	40-77
AH161410	3G4	17	110-9	AH162467	2E21	19	60-31	AH164228	4H2	11	160-15
AH161455	1B9	3	20-7	AH162503	3B20	3	90-19	AH164278	3C2	12	90-27
AH161456	1B11	7	20-9	AH162545	2D21	..	60-5	AH164288	4G4	22	155-7
AH161463	1E25	2	30-23	AH162545	2D25	26	60-9	AH164289	4G23	11	160-11
AH161474	1G23	7	40-51	AH162559	3B18	11	90-17	AH164304	4H2	12	160-15
AH161485	2D25	31	60-9	AH162571	2E19	5	60-29	AH164349	4G4	2	155-7
AH161526	2F17	10	70-15	AH162572	2E19	6	60-29	AH164391	4G15	5	160-3
AH161526	2F19	10	70-17	AH162573	2E19	19	60-29	AH164450	2F17	13	70-15
AH161526	2F21	10	70-19	AH162576	2B5	15	50-2	AH164450	2F19	13	70-17
AH161526	2G5	22	70-28	AH162586	3E16	40	100-25	AH164450	2F21	13	70-19
AH161527	2F17	9	70-15	AH162587	3E16	40	100-25	AH164450	2F22	27	70-20
AH161527	2F19	9	70-17	AH162665	1E17	22	30-15	AH164484	2D12	19	50-63
AH161527	2F21	9	70-19	AH162666	1E17	19	30-15	AH164497	1I4	10	40-84
AH161527	2G2	33	70-25	AH162723	1E11	1	30-9	AH164500	2F17	16	70-15
AH161527	2G4	21	70-27	AH162724	3E16	16	100-25	AH164500	2F19	16	70-17
AH161527	2G5	23	70-28	AH162746	3B8	16	90-7	AH164500	2F21	16	70-19
AH161529	2F17	14	70-15	AH162785	1G7	10	40-35	AH164500	2G4	23	70-27
AH161529	2F19	14	70-17	AH162787	3E4	14A	100-13	AH164609	4F4	14	150-21
AH161529	2F21	14	70-19	AH162787	3F7	1A	100-41	AH164755	2D12	18	50-63
AH161529	2G2	34	70-25	AH162827	3G4	21	110-9	AH164771	1F17	1	40-17
AH161530	2F17	18	70-15	AH162833	3G4	21	110-9	AH164771	1F19	31	40-19
AH161530	2F19	18	70-17	AH162899	3I4	28	110-61	AH164771	1F21	30	40-21
AH161530	2F21	18	70-19	AH163000	3C2	5	90-27	AH164841	4F19	4	150-37
AH161530	2F22	3	70-20	AH163026	2C2	33	50-25	AH164868	3J17	20	125-13
AH161530	2G2	3	70-25	AH163026	4H7	1	160-21	AH164868	3J17	24	125-13
AH161530	2G5	3	70-28	AH163027	2C2	33	50-25	AH164889	3B22	2	90-21
AH161546	4D14	3	140-33	AH163027	4H7	1	160-21	AH164935	2C6	..	50-29
AH161601	1G7	28	40-35	AH163028	2C2	33	50-25	AH164935	2C8	..	50-31

NUMERICAL INDEX - CONTINUED

PART NO.	GRID	KEY	PAGE	PART NO.	GRID	KEY	PAGE	PART NO.	GRID	KEY	PAGE
AH164940	2C6	..	50 - 29	AH166648	3B14	4	90 - 13	AH168476	2I20	10	80 - 19
AH164940	2C8	..	50 - 31	AH166698	3J25	21	125 - 21	AH168710	4G21	9	160 - 9
AH165007	1F25	1	40 - 27	AH166713	4E13	30	150 - 5	AH168783	3D6	1	95 - 6
AH165007	1G2	23	40 - 29	AH166714	4E13	18	150 - 5	AH168939	1G23	7	40 - 51
AH165008	1F22	1	40 - 23	AH166773	3C14	10	90 - 39	AH168948	4B9	7	130 - 9
AH165008	1F24	21	40 - 25	AH166836	2J23	6	80 - 47	AH169233	3J25	25	125 - 21
AH165023	3B6	7	90 - 5	AH166872	2I6	2	80 - 5	AH169503	3E14	7	100 - 23
AH165073	3B10	8	90 - 9	AH166873	2I6	1	80 - 5	AH169505	3E14	7	100 - 23
AH165115	2C9	28	50 - 32	AH166909	2I16	17	80 - 15	AH169506	3E14	7	100 - 23
AH165120	2C9	28	50 - 32	AH166909	2I24	22	80 - 23	AH169508	3E14	7	100 - 23
AH165187	3J13	24	125 - 9	AH166909	3B5	7	90 - 3	AH169642	3D3	20	95 - 3
AH165189	4G4	11	155 - 7	AH166949	1E17	36	30 - 15	AH169733	1H3	6	40 - 57
AH165202	4G15	5	160 - 3	AH166953	2F6	12	70 - 3	AH169869	3E16	22	100 - 25
AH165220	3F7	6	100 - 41	AH166969	2J19	32	80 - 43	AH170085	3J13	35	125 - 9
AH165221	3F7	6	100 - 41	AH166970	2J23	9	80 - 47	AH170484	2B8	1	50 - 5
AH165222	4G19	11	160 - 7	AH166980	3C16	14	90 - 41	AH171007	3J13	31	125 - 9
AH165222	4H2	7	160 - 15	AH166988	1F17	1	40 - 17	AH171008	3J11	5	125 - 7
AH165223	4G23	8	160 - 11	AH166988	1F19	31	40 - 19	AH20868	2B19	19	50 - 17
AH165248	4C15	51	140 - 5	AH166988	1F21	30	40 - 21	AH20868	4H5	1	160 - 19
AH165250	1H11	5	40 - 65	AH167030	3J25	4	125 - 21	AH21815	3J17	19	125 - 13
AH165256	4G4	2	155 - 7	AH167108	1G23	12	40 - 51	AH64610	2B14	1	50 - 11
AH165496	3F13	28	100 - 47	AH167126	3E18	24	100 - 27	AH65358	2C8	34	50 - 31
AH165526	1F21	32	40 - 21	AH167146	3H15	1	110 - 47	AH65358	2C13	7	50 - 37
AH165536	1G17	2	40 - 45	AH167407	4G6	1	155 - 9	AH75167	2H4	7	70 - 51
AH165583	1G9	14	40 - 37	AH167433	4E17	34	150 - 9	AH75167	2H23	15	70 - 71
AH165591	3D3	20	95 - 3	AH167434	2B13	4	50 - 10	AH75167	3F5	2	100 - 38
AH165624	2I4	23	80 - 3	AH167499	2B15	1	50 - 12	AH76882	2D8	34	50 - 59
AH165625	2I4	23	80 - 3	AH167499	2B16	..	50 - 13	AH76882	2H17	9	70 - 65
AH165634	3B18	14	90 - 17	AH167499	2B17	..	50 - 14	AH77279	1H11	3	40 - 65
AH165652	3J9	28	125 - 5	AH167499	2B19	..	50 - 17	AH77279	3E20	19	100 - 29
AH165691	1G13	1	40 - 41	AH167499	2B21	..	50 - 19	AH77279	4C25	11	140 - 17
AH165762	3F13	5	100 - 47	AH167499	2B23	..	50 - 21	AH77714	4F21	4	150 - 39
AH165773	4B9	7	130 - 9	AH167553	2H14	..	70 - 61	AH77724	1G16	7	40 - 44
AH165787	3F13	16	100 - 47	AH167558	1B13	2	20 - 11	AH77724	3C10	23	90 - 35
AH165788	3F13	17	100 - 47	AH167563	2J7	7	80 - 31	AH77724	3D9	8	95 - 9
AH165788	3F13	22	100 - 47	AH167573	4I15	..	170 - 26	AH77869	2H12	12	70 - 59
AH165877	2I20	22	80 - 19	AH167579	3E4	14A	100 - 13	AH77869	3D9	10	95 - 9
AH165877	2J23	24	80 - 47	AH167579	3E4	14B	100 - 13	AH78125	2H8	23	70 - 55
AH165936	4B15	10	130 - 15	AH167579	3F7	1A	100 - 41	AH80335	3B10	13	90 - 9
AH165937	4B15	1	130 - 15	AH167579	3F7	1B	100 - 41	AH80335	3D6	6	95 - 6
AH165964	3F5	8	100 - 38	AH167582	2B14	1	50 - 11	AH80335	4E11	11	150 - 3
AH165984	1F21	49	40 - 21	AH167584	2B13	4	50 - 10	AH80916	2C4	10	50 - 27
AH165990	3C18	19	90 - 43	AH167602	3D21	31	100 - 5	AH84695	2C24	25	50 - 51
AH166000	1I4	3	40 - 84	AH167604	1H5	..	40 - 59	AH85276	3K6	8	125 - 27
AH166001	1I4	3	40 - 84	AH167722	1G17	2	40 - 45	AH86866	2B14	8	50 - 11
AH166038	1H16	13	40 - 71	AH167768	1G23	6	40 - 51	AH87141	4D2	30	140 - 19
AH166038	3F11	12	100 - 45	AH167769	1G23	6	40 - 51	AH87272	1B11	10	20 - 9
AH166124	1G23	6	40 - 51	AH167770	1G23	6	40 - 51	AH89486	3C6	11	90 - 31
AH166125	1G23	6	40 - 51	AH167847	4F14	5	150 - 31	AH89486	3F4	10	100 - 37
AH166126	1G23	6	40 - 51	AH167848	4F14	6	150 - 31	AH89557	1B13	14	20 - 11
AH166144	1G11	21	40 - 39	AH167852	4I11	..	170 - 22	AH89557	1G16	9	40 - 44
AH166145	1G5	42	40 - 33	AH167942	4C25	12	140 - 17	AH89557	1G18	6	40 - 46
AH166244	1E19	7	30 - 17	AH167942	4C25	19	140 - 17	AH89557	1G19	2	40 - 47
AH166260	3B6	1A	90 - 5	AH168046	3D21	13	100 - 5	AH89557	1G19	6	40 - 47
AH166260	3B6	1B	90 - 5	AH168093	4E15	..	150 - 7	AH89557	1I3	2	40 - 83
AH166260	3B6	3B	90 - 5	AH168190	1H24	..	40 - 79	AH89557	2E2	4	60 - 11
AH166260	3B6	5B	90 - 5	AH168232	1F19	18B	40 - 19	AH89557	2G12	24	70 - 35
AH166345	2H19	2	70 - 67	AH168300	4E17	40	150 - 9	AH89557	2I4	28	80 - 3
AH166439	3E4	11	100 - 13	AH168385	2I16	17	80 - 15	AH89557	2J9	2	80 - 33
AH166439	3E6	10	100 - 15	AH168385	2I24	22	80 - 23	AH89557	2J15	3	80 - 39
AH166439	3F13	24	100 - 47	AH168385	2J2	5	80 - 25	AH89557	3C6	44	90 - 31
AH166538	2I14	3	80 - 13	AH168385	2J19	34	80 - 43	AH89557	3G17	2	110 - 23
AH166546	1G17	3	40 - 45	AH168397	3E6	5	100 - 15	AH89557	3H7	..	110 - 39
AH166572	3J11	18	125 - 7	AH168403	2J23	25	80 - 47	AH89557	4E13	46	150 - 5
AH166638	3J11	21	125 - 7	AH168439	3B25	9	90 - 25	AH90963	4E17	3	150 - 9
AH166639	3J11	22	125 - 7	AH168440	3B25	9	90 - 25	AH90990	1G25	13	40 - 53
AH166640	3J11	23	125 - 7	AH168456	1B18	3	20 - 16	AH90990	2D6	15	50 - 57

NUMERICAL INDEX - CONTINUED

PART NO.	GRID	KEY	PAGE	PART NO.	GRID	KEY	PAGE	PART NO.	GRID	KEY	PAGE
AH90990	3B8	14	90-7	AR21999	3D5	12	95-5	AT39141	1C2	2	20-25
AH90990	4C17	45	140-7	AR27940	3C2	29	90-27	AT40603	2B23	1	50-21
AH93110	3D24	35	100-9	AR41785	1C9	..	25-2	AT63272	2C8	42	50-31
AH93171	3G17	19	110-23	AR44402	1C9	1	25-2	AT66865	1C9	4	25-2
AH93318	3G21	10	110-27	AR48236	1B13	12	20-11	AT73296	1B23	1	20-21
AH93318	3H25	26	110-57	AR49025	1C23	1	25-17	AT74407	1E25	1	30-23
AH93318	3I4	19	110-61	AR51481	3C6	1	90-31	AU40993	2C24	22	50-51
AH93892	2E19	9	60-29	AR54749	1C9	4	25-2	AZ10044	1B5	36	20-3
AH94450	3E2	10	100-11	AR55394	1D10	16	25-30	AZ10044	3I9	5	120-5
AH94450	4D18	14	140-37	AR56766	3C2	16	90-27	AZ10044	3J9	3	125-5
AH94450	4E7	5	140-51	AR58952	1D10	15	25-30	AZ10044	4E4	4	140-47
AH94853	4D2	21	140-19	AR58952	1D25	36	25-49	AZ10044	4E4	12	140-47
AH96317	1B11	8	20-9	AR61533	1C11	17	25-5	AZ10045	3G19	8	110-25
AH96317	1H18	10	40-73	AR61589	1C11	19	25-5	AZ10045	3J7	4	125-3
AH96317	2H8	1	70-55	AR62407	1I2	1	40-82	AZ10045	3J9	9	125-5
AH96317	4C21	7	140-11	AR65005	1F12	1	40-10	AZ10045	3K4	3	125-25
AH96317	4F17	8	150-35	AR65006	1F12	2	40-10	AZ10045	3K8	13	125-29
AH96345	3D19	21	100-3	AR75693	2E8	17	60-17	AZ19427	3E24	20	100-33
AH96585	4E17	5	150-9	AR77962	1E17	37	30-15	AZ19427	3F13	34	100-47
AH97031	4D2	7	140-19	AR79549	1G13	17	40-41	AZ20216	2G20	15	70-43
AH97031	4D16	10	140-35	AR79550	1G13	11	40-41	AZ49013	3D21	15	100-5
AH97280	1E11	2	30-9	AR85519	1E5	22	30-3	AZ49144	2F4	2	70-1
AH97280	2E16	11	60-25	AR86539	2C18	3	50-43	AZ49370	3D21	17	100-5
AH97280	2H12	2	70-59	AR86539	2E21	4	60-31	AZ49371	3D21	21	100-5
AH97280	3F4	15	100-37	AR86745	1E13	7	30-11	AZ50073	2F17	8	70-15
AH97340	3E2	2	100-11	AR88903	1E7	12	30-5	AZ50073	2F19	8	70-17
AH97920	3C4	34	90-29	AR91793	1F9	42	40-7	AZ50073	2F21	8	70-19
AH98118	4F4	1	150-21	AR93173	1D4	6	25-23	AZ50073	2F22	19	70-20
AH98176	4E5	7	140-49	AR94522	2H4	6	70-51	AZ51438	3D21	35	100-5
AL14674	3I9	22	120-5	AR94522	2H10	24	70-57	AZ51851	2G2	36	70-25
AL14674	4D18	50	140-37	AR94522	2H23	16	70-71	AZ51851	2G5	24	70-28
AL2976T	1F11	20	40-9	AR94522	4H13	14	160-27	A15146	4C2	11	130-27
AM102170	2I16	5	80-15	AR94761	2B19	6	50-17	A15147	4E15	3	150-7
AM102170	2I18	10	80-17	AR98850	1C16	9	25-10	A15147	4E25	18	150-17
AN102010	3H9	13	110-41	AT106413	1B13	10	20-11	A15719	4G21	5	160-9
AN113330	3D21	29	100-5	AT107509	1D2	11	25-21	A15898	2H10	16	70-57
AN113330	3D24	29	100-9	AT112176	1C2	10	20-25	A22724	4F12	9	150-29
AN122493	2C8	28	50-31	AT121137	4G24	8	160-12	A24915	1B25	5	20-23
AN122494	2C11	11	50-35	AT131716	1C2	11	20-25	A25695	3E2	15	100-11
AN122497	2C14	11	50-38	AT135291	4H13	8	160-27	A25994	3H19	8	110-51
AN122498	2C9	5	50-32	AT13740	1B13	6	20-11	A27238	1B25	3	20-23
AN122499	2C11	12	50-35	AT13740	1C11	4	25-5	A31867	2J21	11	80-45
AN122502	2C8	22	50-31	AT13740	1D17	17	25-39	A31867	3E2	9	100-11
AN122506	2C8	13	50-31	AT13740	1D19	1	25-41	A31869	4F19	7	150-37
AN122507	2C8	34	50-31	AT13740	1E11	4	30-9	A31870	3K4	23	125-25
AN122507	2C13	7	50-37	AT13740	1E17	15	30-15	A31871	3E18	3	100-27
AN122509	2C8	35	50-31	AT162597	1B13	9	20-11	A31871	4F19	15	150-37
AN122509	2C13	8	50-37	AT184336	4G17	6	160-5	A37576	3I17	5	120-13
AN122518	2C8	32	50-31	AT18904	1B25	2	20-23	A37576	3I19	10	120-15
AN122518	2G2	21	70-25	AT18904	1E17	13	30-15	A37576	3I23	8	120-19
AN130930	1E23	18	30-21	AT18904	1I4	5	40-84	A3917R	2C11	24	50-35
AN15237	4E7	8	140-51	AT207952	1H3	13	40-57	A4365R	1C11	18	25-5
AN152467	1G9	1	40-37	AT209015	3B22	1	90-21	A44990	3E8	3	100-17
AN193084	2C11	25	50-35	AT209024	3B22	14	90-21	A44990	3E10	3	100-19
AN193085	2C6	13	50-29	AT209025	3B22	4	90-21	A44990	3E12	14	100-21
AN193085	2C6	19	50-29	AT209026	3B22	12	90-21	A44990	3J25	34	125-21
AN193085	2C13	34	50-37	AT209225	3B22	3	90-21	A4655R	2F17	21	70-15
AN220289	1H3	6	40-57	AT22070	2J25	1	80-49	A4655R	2F19	21	70-17
AN272356	2C14	9	50-38	AT22073	2J25	3	80-49	A4655R	2F21	21	70-19
AN273814	1C2	7	20-25	AT25226	2B9	5	50-6	A4655R	2F22	1	70-20
AN274375	2C8	7	50-31	AT25226	2B13	9	50-10	A4655R	2G2	1	70-25
AR100124	1D4	2	25-23	AT25226	2B14	7	50-11	A4655R	2G4	1	70-27
AR104516	3C16	11	90-41	AT28975	4C17	16	140-7	A4655R	2G5	1	70-28
AR21839	1E25	6	30-23	AT36212	2B10	8	50-7	A50743	1H11	7	40-65
AR21842	3D9	13	95-9	AT37476	1C2	5B	20-25	A50744	1B5	27	20-3
AR21969	1C9	..	25-2	AT37476	1C2	6	20-25	A51212	4B4	3	130-3
AR21999	1B13	1	20-11	AT39043	3B6	1A	90-5	A51212	4B11	8	130-11

1K25

9650 CTS SELF-PROPELLED COMBINE

NUMERICAL INDEX - CONTINUED

PART NO.	GRID	KEY	PAGE	PART NO.	GRID	KEY	PAGE	PART NO.	GRID	KEY	PAGE
A51212	4B13	5	130 - 13	BH81381	3G10	..	110 - 15	B3118R	3D19	8	100 - 3
A51212	4B17	8	130 - 17	BH81522	2I16	..	80 - 15	B3118R	4D12	8	140 - 31
A60341	1E11	5	30 - 9	BH81537	2B10	..	50 - 7	B32564	2E4	23	60 - 13
A60341	1E17	16	30 - 15	BH81538	2B12	..	50 - 9	B32564	4H9	23	160 - 23
A63124	1H24	10	40 - 79	BH81539	2B12	..	50 - 9	B32630	1H14	2	40 - 68
A63124	1H25	10	40 - 80	BH81543	2B12	..	50 - 9	B32630	3C18	10	90 - 43
A63127	1H24	11	40 - 79	BH81544	2B12	..	50 - 9	B3690R	3C6	36	90 - 31
A63127	1H25	9	40 - 80	BH81545	2B12	..	50 - 9	CA25242	4G24	11	160 - 12
A63635	1H24	12	40 - 79	BH81546	2B12	..	50 - 9	CE16623	4H5	15	160 - 19
A63635	1H25	11	40 - 80	BH81557	2B12	..	50 - 9	CE16624	4H5	15	160 - 19
BH71876	3G10	..	110 - 15	BH81558	2B12	..	50 - 9	CE16625	4H5	15	160 - 19
BH71948	1G15	..	40 - 43	BH81559	2B12	..	50 - 9	CE16800	4F4	7	150 - 21
BH71999	4B6	..	130 - 5	BH81560	2B12	..	50 - 9	CE16825	4H5	15	160 - 19
BH78464	1G21	..	40 - 49	BH81578	1G13	..	40 - 41	CE17450	4C21	5	140 - 11
BH78486	3G8	..	110 - 13	BH81585	3C18	..	90 - 43	CE17451	4C21	5	140 - 11
BH78881	2D12	..	50 - 63	BH81586	1I4	..	40 - 84	CE17452	4C21	5	140 - 11
BH78882	2B5	..	50 - 2	BH81592	2B14	..	50 - 11	CE17453	4C21	5	140 - 11
BH79199	2E23	..	60 - 33	BH81599	1H5	..	40 - 59	CE17685	4H5	8	160 - 19
BH79234	2B9	..	50 - 6	BH81610	4B19	..	130 - 19	CE17844	4C21	8	140 - 11
BH79235	2B9	..	50 - 6	BH81623	2C24	..	50 - 51	CE17885	4C19	30	140 - 9
BH79568	2H19	..	70 - 67	BH81623	2D12	..	50 - 63	CE17886	4C19	7	140 - 9
BH79670	4B6	..	130 - 5	BH81625	4B6	..	130 - 5	CE17887	4C19	38	140 - 9
BH79677	4B19	..	130 - 19	BH81626	3I4	..	110 - 61	CE17888	4C19	6	140 - 9
BH79700	2B14	..	50 - 11	BH81627	4B15	..	130 - 15	CE17900	4C19	4	140 - 9
BH79701	2B14	..	50 - 11	BH81636	4C6	..	130 - 31	CE17914	4H5	24	160 - 19
BH79815	4C8	..	130 - 33	BH81704	2B7	..	50 - 4	CE17915	4H5	10	160 - 19
BH79980	3H15	..	110 - 47	BH81705	2B7	..	50 - 4	CE17916	4H5	6	160 - 19
BH80117	4B23	..	130 - 23	BH81742	3J13	..	125 - 9	CE17917	4H5	29	160 - 19
BH80117	4B25	..	130 - 25	BH81742	4G4	..	155 - 7	CE17918	4H5	18	160 - 19
BH80117	4C2	..	130 - 27	BH81742	4G6	..	155 - 9	CE17919	4H5	23	160 - 19
BH80132	3H7	..	110 - 39	BH81749	2B12	..	50 - 9	CE17920	4H5	22	160 - 19
BH80132	3H15	..	110 - 47	BH81750	2B12	..	50 - 9	CE17921	4H5	31	160 - 19
BH80226	4B6	..	130 - 5	BH81751	2B12	..	50 - 9	CE17922	4H5	20	160 - 19
BH80605	4B19	..	130 - 19	BH81752	2B12	..	50 - 9	CE17923	4H5	7	160 - 19
BH80617	4C4	..	130 - 29	BH81758	3J13	..	125 - 9	CE17924	4H5	7	160 - 19
BH80683	3C18	..	90 - 43	BH81758	4G2	..	155 - 5	CE17925	4H5	7	160 - 19
BH80735	4B15	..	130 - 15	BH81758	4G4	..	155 - 7	CE17926	4H5	7	160 - 19
BH81126	2J17	..	80 - 41	BH81760	3J13	..	125 - 9	CE17927	4H5	27	160 - 19
BH81146	2B10	..	50 - 7	BH81760	4G2	..	155 - 5	CE17939	4H5	4	160 - 19
BH81147	2B10	..	50 - 7	BH81760	4G4	..	155 - 7	CE17940	4C19	5	140 - 9
BH81148	2B10	..	50 - 7	BH81774	2B12	..	50 - 9	CE18015	3J17	17	125 - 13
BH81149	2B10	..	50 - 7	BH81775	2B12	..	50 - 9	CE18074	4F4	8	150 - 21
BH81162	3G4	..	110 - 9	BH81776	2B12	..	50 - 9	CE18075	4F4	9	150 - 21
BH81191	4D22	..	140 - 41	BH81777	2B12	..	50 - 9	CE18104	4C21	28	140 - 11
BH81209	2B12	..	50 - 9	BH81792	2B13	..	50 - 10	CE18118	4H5	35	160 - 19
BH81210	2B12	..	50 - 9	BH81793	2B13	..	50 - 10	CE18181	4C19	7	140 - 9
BH81211	2B12	..	50 - 9	BH81794	2B13	..	50 - 10	CE18201	2B21	1	50 - 19
BH81212	2B12	..	50 - 9	BH81795	2B13	..	50 - 10	CE18206	2E4	22	60 - 13
BH81215	2B12	..	50 - 9	BH81796	2B14	..	50 - 11	CE18206	4H9	22	160 - 23
BH81216	2B12	..	50 - 9	BH81797	2B14	..	50 - 11	CE18223	2B21	16	50 - 19
BH81217	2B12	..	50 - 9	BH81798	2B14	..	50 - 11	CE18224	2B23	11	50 - 21
BH81218	2B12	..	50 - 9	BH81799	2B14	..	50 - 11	CE18278	4F4	4	150 - 21
BH81236	2B12	..	50 - 9	BH81801	2B4	..	50 - 1	CE18374	2B17	8	50 - 14
BH81237	2B12	..	50 - 9	BH81801	2B13	..	50 - 10	CE18399	4C19	37	140 - 9
BH81238	2B12	..	50 - 9	BH81867	2B8	..	50 - 5	CE18400	4C24	22	140 - 15
BH81239	2B12	..	50 - 9	BH81868	2B8	..	50 - 5	CE18401	4F4	5	150 - 21
BH81240	2B12	..	50 - 9	BH81871	2B8	..	50 - 5	CE18403	4C17	2	140 - 7
BH81241	2B12	..	50 - 9	BH81875	2B8	..	50 - 5	C16054	2G10	6	70 - 33
BH81242	2B12	..	50 - 9	BP13616	2G20	13	70 - 43	C16071	2B5	..	50 - 2
BH81243	2B12	..	50 - 9	BP13620	3D24	22	100 - 9	C3203E	2J5	12	80 - 29
BH81280	4B7	..	130 - 6	B10604	4D16	3	140 - 35	C3203E	2J7	9	80 - 31
BH81286	2D4	..	50 - 55	B27370	4E11	12	150 - 3	C3936E	2B23	2	50 - 21
BH81286	2D8	..	50 - 59	B28970	4B7	9	130 - 6	DC30395	3I2	24	110 - 59
BH81286	2D12	..	50 - 63	B28970	4B15	7	130 - 15	DE17851	3G25	8	110 - 31
BH81286	2D13	..	50 - 64	B28970	4B23	12	130 - 23	DE17852	3G25	5	110 - 31
BH81336	3G8	..	110 - 13	B2984R	1B16	2	20 - 14	DE17853	3G25	7	110 - 31
BH81376	2B12	..	50 - 9	B2984R	2G20	14	70 - 43	DE18568	4C19	25	140 - 9

NUMERICAL INDEX - CONTINUED

PART NO.	GRID	KEY	PAGE	PART NO.	GRID	KEY	PAGE	PART NO.	GRID	KEY	PAGE
DE18568	4C21	25	140 - 11	E62892	2F21	6	70 - 19	H106000	114	4	40 - 84
DE18571	4C19	25	140 - 9	E62942	2F17	19	70 - 15	H106073	3D24	25	100 - 9
DE18571	4C21	25	140 - 11	E62942	2F19	19	70 - 17	H106246	3C2	6	90 - 27
DE18609	4C17	1	140 - 7	E62942	2F21	19	70 - 19	H106246	3C14	1	90 - 39
DE18715	4C17	..	140 - 7	E62942	2F22	2	70 - 20	H107389	4D12	16	140 - 31
DE18715	4C19	..	140 - 9	E62942	2G2	2	70 - 25	H107504	2B7	12	50 - 4
DE18715	4C21	..	140 - 11	E62942	2G4	2	70 - 27	H107504	2B16	1	50 - 13
DE18718	4C17	12	140 - 7	E62942	2G5	2	70 - 28	H107566	3B16	18	90 - 15
DE18718	4C21	1	140 - 11	E63018	3J2	22	120 - 23	H107566	3C4	4	90 - 29
DE18734	4C19	31	140 - 9	E64256	2D19	36	60 - 3	H107567	3C4	33	90 - 29
DE18750	4H5	12	160 - 19	E64256	3J11	14	125 - 7	H107570	3C4	50	90 - 29
DE18919	4C17	..	140 - 7	E64256	4F19	14	150 - 37	H107582	3C4	28	90 - 29
DE18919	4C19	..	140 - 9	E65288	2C9	25	50 - 32	H107584	3C4	29	90 - 29
DE18919	4C21	..	140 - 11	E65288	2F10	2	70 - 7	H107586	3C4	51	90 - 29
DE18970	4F4	3	150 - 21	E66618	2G2	24	70 - 25	H107687	3C4	8	90 - 29
DE19018	4C19	31	140 - 9	E66619	2G2	19	70 - 25	H107687	3C6	12	90 - 31
DE19052	3H21	11	110 - 53	E73240	3E8	31	100 - 17	H108604	4I10	3	170 - 21
DE19052	3H21	22	110 - 53	E76584	3G19	11	110 - 25	H108605	4I10	3	170 - 21
DE19052	3H21	..	110 - 53	E81185	3E16	29	100 - 25	H108725	3C4	24	90 - 29
DE19052	3H23	11	110 - 55	E82510	3C18	18	90 - 43	H108745	4E21	10	150 - 13
DE19052	3H23	22	110 - 55	E82510	4H19	1	170 - 5	H108822	3C6	34	90 - 31
DE19052	3H23	..	110 - 55	E82575	4I11	..	170 - 22	H108889	3F17	4	100 - 51
DE19067	4F4	10	150 - 21	E83620	2G2	18	70 - 25	H109046	2E12	18	60 - 21
DE19111	3J17	14	125 - 13	F1743R	1C11	11	25 - 5	H109046	2F6	6	70 - 3
DE19111	3J17	20	125 - 13	F2863	3B25	35	90 - 25	H109046	2H2	21	70 - 49
DE19111	3J17	24	125 - 13	F3220R	1G15	22	40 - 43	H109046	2H6	20	70 - 53
DE19111	3J17	25	125 - 13	F3450R	4H14	4	160 - 28	H109046	2H10	23	70 - 57
DE19159	4H5	37	160 - 19	GG310-30411	2F10	1	70 - 7	H109254	2D23	15	60 - 7
DE19160	4H5	36	160 - 19	HZ5621H	2I10	14	80 - 9	H109716	2D19	26	60 - 3
DS0251	1C9	..	25 - 2	H100027	4F6	16	150 - 23	H109855	3E18	7	100 - 27
DS0557	1C9	..	25 - 2	H100027	4F8	16	150 - 25	H110168	4D10	2	140 - 29
ET15766	1G11	14	40 - 39	H100245	3F7	22	100 - 41	H110168	4E25	3	150 - 17
E10018	3J2	38	120 - 23	H100246	3F7	21	100 - 41	H110168	4F4	11	150 - 21
E10018	3J7	6	125 - 3	H100247	3F7	19	100 - 41	H110229	3C4	6	90 - 29
E10018	3K2	5	125 - 23	H101297	3J25	15	125 - 21	H110232	2D19	14	60 - 3
E10018	3K4	4	125 - 25	H101448	3F7	12	100 - 41	H110237	4D2	33	140 - 19
E10018	3K8	14	125 - 29	H101677	3E18	8	100 - 27	H110310	3C4	5	90 - 29
E10018	4D18	42	140 - 37	H101878	4C17	28	140 - 7	H110337	4D5	35	140 - 23
E12305	4D5	22	140 - 23	H102206	2E19	4	60 - 29	H110462	4D5	26	140 - 23
E12378	3H13	5	110 - 45	H102533	3J2	40	120 - 23	H110521	4D5	24	140 - 23
E12379	3G13	19	110 - 19	H102533	4D2	36	140 - 19	H110539	2B19	31	50 - 17
E12379	3H13	3	110 - 45	H102533	4D18	43	140 - 37	H110539	2B21	15	50 - 19
E12379	4E25	5	150 - 17	H102909	4F14	7	150 - 31	H110542	4D6	6	140 - 25
E12379	4G17	7	160 - 5	H103167	2B21	8	50 - 19	H110700	3C4	21	90 - 29
E1343FN	1C16	1	25 - 10	H103264	1B5	37	20 - 3	H110728	3D19	15	100 - 3
E14814	3H19	9	110 - 51	H103264	3J2	15	120 - 23	H110800	4C21	10	140 - 11
E16774	3G23	4	110 - 29	H103264	3J9	4	125 - 5	H110801	4C21	12	140 - 11
E18993	4D10	6	140 - 29	H103264	4E4	5	140 - 47	H110812	3C6	13	90 - 31
E47782	3G8	10	110 - 13	H103264	4E4	13	140 - 47	H110842	3C14	9	90 - 39
E50096	3F24	11	110 - 5	H103264	4F10	15	150 - 27	H110842	3C25	1	90 - 51
E50096	3G2	10	110 - 7	H103265	3H9	12	110 - 41	H110842	3D8	6	95 - 8
E53699	3D21	12	100 - 5	H103265	4F19	33	150 - 37	H110922	3D19	10	100 - 3
E53699	3D24	12	100 - 9	H103543	2B13	1	50 - 10	H110922	3F17	2	100 - 51
E55662	1D22	4	25 - 45	H103543	2B14	3	50 - 11	H110923	4I4	1	170 - 15
E55662	1H9	1	40 - 63	H104075	2D19	31	60 - 3	H111041	4D5	2	140 - 23
E55662	4E25	8	150 - 17	H104418	2B23	24	50 - 21	H111042	4D5	28	140 - 23
E55758	2C16	20	50 - 41	H104795	3J2	27	120 - 23	H111234	2D21	15	60 - 5
E56866	4C24	16	140 - 15	H104796	3J2	28	120 - 23	H111260	4D5	1	140 - 23
E59406	2G20	10	70 - 43	H104855	1F7	9	40 - 5	H111261	4D5	1	140 - 23
E59406	2H24	4	70 - 72	H104855	1F16	12	40 - 15	H111262	4D5	1	140 - 23
E61791	2G18	1	70 - 41	H105005	2D19	32	60 - 3	H111364	3B25	2	90 - 25
E62089	2G2	6	70 - 25	H105005	2D21	16	60 - 5	H111364	3B25	4	90 - 25
E62089	2G4	6	70 - 27	H105519	3J25	16	125 - 21	H111364	3C2	13	90 - 27
E62089	2G5	6	70 - 28	H105578	4D18	57	140 - 37	H111364	3C25	2	90 - 51
E62094	2G5	14	70 - 28	H105584	3E18	29	100 - 27	H111378	2G14	1	70 - 37
E62892	2F17	6	70 - 15	H105590	3E18	9	100 - 27	H111474	4C19	13	140 - 9
E62892	2F19	6	70 - 17	H105822	2B10	2	50 - 7	H111478	3C19	18	90 - 45

NUMERICAL INDEX - CONTINUED

PART NO.	GRID	KEY	PAGE	PART NO.	GRID	KEY	PAGE	PART NO.	GRID	KEY	PAGE
H111500	2B10	3	50-7	H114432	2G24	10	70-47	H117703	4D5	15	140-23
H111538	4I10	3	170-21	H114523	3D9	3	95-9	H117937	2G8	5	70-31
H111541	4I10	3	170-21	H114525	3D9	2	95-9	H117952	1E11	11	30-9
H111705	3C25	3	90-51	H114535	4B4	9	130-3	H117952	1F24	..	40-25
H111706	3C2	30	90-27	H114536	4B4	15	130-3	H117952	1G2	..	40-29
H111706	3C25	4	90-51	H114537	4B4	10	130-3	H117953	3F22	5	110-3
H111730	2D2	21	50-53	H114538	4B4	14	130-3	H118082	4D5	12	140-23
H111730	2D10	2	50-61	H114603	3C19	19	90-45	H118166	3C2	4	90-27
H111730	2E12	20	60-21	H114687	4D5	34	140-23	H118426	1F21	51	40-21
H111730	2F6	11	70-3	H114688	4D5	38	140-23	H118426	1F21	52	40-21
H112162	2H2	14	70-49	H114689	4D5	44	140-23	H118616	4D12	18	140-31
H112567	1B25	12	20-23	H114738	4F19	42	150-37	H118617	4D2	24	140-19
H112567	2D2	20	50-53	H114865	2D8	11	50-59	H118618	4D5	39	140-23
H112567	2D8	13	50-59	H114865	2D13	4	50-64	H118618	4D12	20	140-31
H112567	2D10	3	50-61	H114865	2F8	21	70-5	H118618	4I20	6	170-31
H112567	2D13	5	50-64	H114873	4F10	5	150-27	H118619	3D5	19	95-5
H112567	2E10	11	60-19	H114897	1B25	13	20-23	H118871	3D5	13	95-5
H112567	2E12	21	60-21	H114897	2D10	25	50-61	H118872	3D5	14	95-5
H112567	2F6	10	70-3	H114897	2G24	14	70-47	H118882	2C2	21	50-25
H112567	2F8	20	70-5	H114898	2D8	15	50-59	H118906	4C15	22	140-5
H112567	2F14	4	70-11	H114901	2D2	13	50-53	H118919	4C24	28	140-15
H112567	2G24	15	70-47	H114901	2D6	2	50-57	H118920	4C24	27	140-15
H112567	2H4	11	70-51	H114901	2D8	16	50-59	H118927	4C24	14	140-15
H112567	2H21	5	70-69	H114901	2D10	9	50-61	H118948	3K6	17	125-27
H112567	2H23	7	70-71	H115031	3D3	2	95-3	H119007	3B25	15	90-25
H112877	4D5	21	140-23	H115049	2C8	18	50-31	H119028	4C19	22	140-9
H112910	2D23	7	60-7	H115052	2C8	27	50-31	H119029	4C19	22	140-9
H112911	2D23	3	60-7	H115060	2C6	6	50-29	H119030	4C19	22	140-9
H113053	4E17	9	150-9	H115140	2B5	8	50-2	H119031	4C19	22	140-9
H113063	4D5	27	140-23	H115140	2B6	7	50-3	H119210	4D10	9	140-29
H113196	2D12	17	50-63	H115521	3D3	10	95-3	H119362	3D5	20	95-5
H113208	4D5	19	140-23	H115521	3D5	4	95-5	H119411	2J5	5	80-29
H113238	4D5	23	140-23	H115533	2E12	12	60-21	H119566	4F10	9	150-27
H113238	4E17	18	150-9	H115533	2H2	2	70-49	H119567	4F10	9	150-27
H113402	3C4	19	90-29	H115533	2H4	18	70-51	H119568	4F10	9	150-27
H113404	3C4	18	90-29	H115755	4D2	19	140-19	H119709	3E18	11	100-27
H113625	3G13	14	110-19	H115881	4D3	4	140-21	H119710	3E18	2	100-27
H113625	3H13	8	110-45	H115881	4D5	39	140-23	H119996	4F12	13	150-29
H113625	3I9	20	120-5	H115881	4D12	20	140-31	H120082	2J5	13	80-29
H113626	3G13	16	110-19	H115881	4I20	6	170-31	H120362	2H21	3	70-69
H113626	3H13	6	110-45	H115930	4D2	12	140-19	H120379	2I4	19	80-3
H113626	3I9	23	120-5	H116065	3I2	25	110-59	H120388	2D21	6	60-5
H113627	4D5	9	140-23	H116065	3I7	22	120-3	H120389	2D21	5	60-5
H113863	3C6	16	90-31	H116065	4D14	8	140-33	H120490	4D5	17	140-23
H113864	3C4	14	90-29	H116160	1H1	..	40-54	H120499	4E11	10	150-3
H113892	3H11	11	110-43	H116188	3C14	5	90-39	H120847	2E10	26	60-19
H113946	4D5	32	140-23	H116213	2F10	9	70-7	H120847	2E12	4	60-21
H113947	4D5	7	140-23	H116213	2G18	10	70-41	H120847	2F8	7	70-5
H114001	4B15	21	130-15	H116262	4F19	10	150-37	H120847	2G24	23	70-47
H114001	4D6	9	140-25	H116351	4E25	9	150-17	H120847	2H8	17	70-55
H114020	1H13	11	40-67	H116639	4I10	3	170-21	H120847	2H10	31	70-57
H114020	2H17	10	70-65	H116640	4I10	3	170-21	H120847	2H21	19	70-69
H114038	3C14	2	90-39	H116650	3G21	15	110-27	H121134	4D10	4	140-29
H114038	3C16	19	90-41	H116706	2G8	9	70-31	H121163	2D8	21	50-59
H114038	3C25	5	90-51	H116717	2H6	2	70-53	H121163	2E14	5	60-23
H114046	3D5	5	95-5	H116717	2H8	10	70-55	H121163	2E16	14	60-25
H114142	3D5	18	95-5	H116717	2H10	3	70-57	H121163	2G16	8	70-39
H114226	4C24	14	140-15	H116740	1B9	8	20-7	H121163	2H6	8	70-53
H114227	4C24	14	140-15	H116740	1B11	14	20-9	H121163	2H10	5	70-57
H114228	4C24	14	140-15	H116740	1G25	7	40-53	H121163	4E21	16	150-13
H114270	4I2	11	170-13	H116861	4D8	5	140-27	H121168	2E10	27	60-19
H114320	4I11	..	170-22	H116862	3E6	16	100-15	H121168	2E12	5	60-21
H114330	2D21	13	60-5	H116862	3H25	12	110-57	H121168	2E16	5	60-25
H114331	2D21	10	60-5	H116862	3I4	5	110-61	H121168	2F6	7	70-3
H114395	4F12	10	150-29	H116862	4D8	4	140-27	H121168	2G8	11	70-31
H114411	1G17	8	40-45	H116916	4D20	10	140-39	H121168	2G24	27	70-47
H114432	1B25	15	20-23	H117239	3C14	35	90-39	H121168	2H2	22	70-49

NUMERICAL INDEX - CONTINUED

PART NO.	GRID	KEY	PAGE	PART NO.	GRID	KEY	PAGE	PART NO.	GRID	KEY	PAGE
H121168	2H6	18	70 - 53	H125769	3B14	7	90 - 13	H127872	3K6	4	125 - 27
H121168	2H8	16	70 - 55	H125837	4C21	22	140 - 11	H127922	4F12	5	150 - 29
H121168	2H10	25	70 - 57	H125838	4C17	17	140 - 7	H127923	4F12	4	150 - 29
H121168	2H10	30	70 - 57	H125838	4C24	13	140 - 15	H127978	3D5	23	95 - 5
H121168	2H21	20	70 - 69	H125839	4C21	4	140 - 11	H127998	4F6	16	150 - 23
H121391	2I14	7	80 - 13	H125929	2F10	12	70 - 7	H127998	4F8	16	150 - 25
H121391	4E11	34	150 - 3	H125930	3B6	3A	90 - 5	H128010	4D2	20	140 - 19
H121472	2B6	9	50 - 3	H126026	4C15	7	140 - 5	H128010	4D16	1	140 - 35
H121472	2D12	11	50 - 63	H126028	4C15	34	140 - 5	H128010	4I18	2	170 - 29
H121681	4C22	6	140 - 13	H126081	3B16	2	90 - 15	H128080	4B9	1	130 - 9
H121681	4C24	29	140 - 15	H126082	3B16	3	90 - 15	H128080	4B11	1	130 - 11
H122182	2D2	3	50 - 53	H126083	3B16	4	90 - 15	H128080	4B13	1	130 - 13
H122182	2D4	3	50 - 55	H126123	2C4	8	50 - 27	H128081	4B9	1	130 - 9
H122182	2D10	5	50 - 61	H126124	2C4	7	50 - 27	H128081	4B11	1	130 - 11
H122372	3I9	11	120 - 5	H126169	3E6	8	100 - 15	H128081	4B13	1	130 - 13
H122650	4C21	11	140 - 11	H126261	3F15	6	100 - 49	H128082	4B9	1	130 - 9
H122772	2H4	10	70 - 51	H126280	4F14	10	150 - 31	H128082	4B11	1	130 - 11
H122772	2H23	8	70 - 71	H126302	3F15	11	100 - 49	H128082	4B13	1	130 - 13
H123297	1B13	11	20 - 11	H126334	4B4	2	130 - 3	H128083	4B4	11	130 - 3
H123351	4I2	14	170 - 13	H126335	4B4	1	130 - 3	H128083	4B4	19	130 - 3
H123351	4I4	9	170 - 15	H126336	4B4	6	130 - 3	H128083	4B9	1	130 - 9
H123633	3E14	23	100 - 23	H126345	3E2	11	100 - 11	H128083	4B11	1	130 - 11
H123734	3E22	9	100 - 31	H126345	3F15	12	100 - 49	H128083	4B13	1	130 - 13
H123740	3B12	21	90 - 11	H126345	3F17	3	100 - 51	H128111	2G20	23	70 - 43
H123794	3B14	5	90 - 13	H126345	4I22	5	170 - 33	H128234	4B19	32	130 - 19
H123796	3B12	25	90 - 11	H126346	3E2	19	100 - 11	H128265	3K4	21	125 - 25
H123874	3C4	20	90 - 29	H126370	3E2	25	100 - 11	H128265	4D18	32	140 - 37
H123875	3C4	25	90 - 29	H126371	3E2	24	100 - 11	H128297	4D3	5	140 - 21
H123918	3H4	4	110 - 35	H126371	3E4	2	100 - 13	H128315	4I4	17	170 - 15
H123918	4C4	11	130 - 29	H126371	3F13	29	100 - 47	H128357	4B9	2	130 - 9
H123991	3B12	12	90 - 11	H126564	4C24	15	140 - 15	H128357	4B9	3	130 - 9
H123995	3B12	18	90 - 11	H126572	2B23	12	50 - 21	H128357	4B11	2	130 - 11
H123995	3C25	7	90 - 51	H126573	2B23	12	50 - 21	H128357	4B13	2	130 - 13
H123998	3D5	8	95 - 5	H126575	2B23	12	50 - 21	H128358	4B9	2	130 - 9
H124185	3D3	11	95 - 3	H126589	3D5	28	95 - 5	H128358	4B11	2	130 - 11
H124205	1G23	9	40 - 51	H126590	3D5	3	95 - 5	H128358	4B13	2	130 - 13
H124210	3B10	15	90 - 9	H126722	4D5	41	140 - 23	H128359	4B9	2	130 - 9
H124258	2D19	18	60 - 3	H126792	4C21	29	140 - 11	H128359	4B11	2	130 - 11
H124258	2D21	8	60 - 5	H126793	4C21	30	140 - 11	H128359	4B13	2	130 - 13
H124259	2D21	7	60 - 5	H126801	4F15	1	150 - 32	H128479	4F3	8	150 - 20
H124260	3B8	10	90 - 7	H126802	4F15	7	150 - 32	H128502	1B9	12	20 - 7
H125330	2C2	16	50 - 25	H126804	4F15	12	150 - 32	H128515	2D8	22	50 - 59
H125347	1G25	4	40 - 53	H126829	4D5	40	140 - 23	H128515	2E14	4	60 - 23
H125354	4C19	10	140 - 9	H127067	4I11	..	170 - 22	H128515	2E16	15	60 - 25
H125356	4C19	19	140 - 9	H127068	4I11	..	170 - 22	H128515	2G16	7	70 - 39
H125356	4C21	15	140 - 11	H127070	4I11	..	170 - 22	H128515	2H6	7	70 - 53
H125391	4D12	18	140 - 31	H127073	4I11	..	170 - 22	H128515	2H10	6	70 - 57
H125403	3F5	5	100 - 38	H127074	4I11	..	170 - 22	H128515	4E21	17	150 - 13
H125466	1B15	1	20 - 13	H127075	4I11	..	170 - 22	H128820	1G15	10	40 - 43
H125467	1B15	2	20 - 13	H127078	4I11	..	170 - 22	H128821	1G15	12	40 - 43
H125511	3B10	3	90 - 9	H127159	4C17	9	140 - 7	H128823	1G15	25	40 - 43
H125518	3C10	1	90 - 35	H127196	4D2	18	140 - 19	H128841	1G15	18	40 - 43
H125528	4D12	9	140 - 31	H127524	3J2	30	120 - 23	H128859	1G15	26	40 - 43
H125733	4C19	27	140 - 9	H127525	3J2	42	120 - 23	H128859	3C25	8	90 - 51
H125734	4C21	24	140 - 11	H127532	3J3	4	120 - 24	H128861	4E19	1	150 - 11
H125735	4C21	24	140 - 11	H127578	1E17	38	30 - 15	H128877	3J11	7	125 - 7
H125736	4C21	24	140 - 11	H127583	4D10	22	140 - 29	H128937	4C19	38	140 - 9
H125737	4C21	24	140 - 11	H127589	2D8	20	50 - 59	H129094	4I11	..	170 - 22
H125738	4C21	17	140 - 11	H127589	2H10	6	70 - 57	H129099	4I11	..	170 - 22
H125740	4C17	18	140 - 7	H127590	4D5	18	140 - 23	H129207	3F13	13	100 - 47
H125740	4C19	26	140 - 9	H127596	4D10	17	140 - 29	H129207	3G17	12	110 - 23
H125741	4C17	18	140 - 7	H127604	3F17	26	100 - 51	H129207	3G21	16	110 - 27
H125741	4C19	26	140 - 9	H127638	4E11	2	150 - 3	H129207	3K6	5	125 - 27
H125742	4C17	18	140 - 7	H127677	4E13	22	150 - 5	H129207	4D16	17	140 - 35
H125742	4C19	26	140 - 9	H127749	3C8	17	90 - 33	H129207	4D20	8	140 - 39
H125743	4C17	18	140 - 7	H127752	2D23	10	60 - 7	H129208	3E6	17	100 - 15
H125743	4C19	26	140 - 9	H127855	4D5	13	140 - 23	H129208	3H25	11	110 - 57

NUMERICAL INDEX - CONTINUED

PART NO.	GRID	KEY	PAGE	PART NO.	GRID	KEY	PAGE	PART NO.	GRID	KEY	PAGE
H129208	3I4	6	110 - 61	H130956	4E5	3	140 - 49	H132024	4E11	9	150 - 3
H129311	4D20	5	140 - 39	H130957	4E5	4	140 - 49	H132057	3G6	12	110 - 11
H129328	4C15	20	140 - 5	H131040	3C10	6	90 - 35	H132057	3G10	4	110 - 15
H129367	3C2	22	90 - 27	H131041	3C10	7	90 - 35	H132097	4F3	5	150 - 20
H129471	4F15	4	150 - 32	H131087	3E22	13	100 - 31	H132160	3I19	5	120 - 15
H129472	4F15	3	150 - 32	H131088	3E22	15	100 - 31	H132161	3I13	2	120 - 9
H129525	2B19	34	50 - 17	H131098	4D18	33	140 - 37	H132161	3I19	5	120 - 15
H129557	2C2	20	50 - 25	H131108	3J3	1	120 - 24	H132208	4D18	10	140 - 37
H129558	2B21	21	50 - 19	H131115	2D10	24	50 - 61	H132208	4D22	19	140 - 41
H129564	2B19	26	50 - 17	H131115	2E12	14	60 - 21	H132288	3I11	3	120 - 7
H129564	2B21	11	50 - 19	H131115	2F8	5	70 - 5	H132288	3I17	2	120 - 13
H129565	2B19	27	50 - 17	H131115	2G8	19	70 - 31	H132289	3I23	2	120 - 19
H129588	4E13	16	150 - 5	H131115	2G24	18	70 - 47	H132290	3I19	3	120 - 15
H129588	4F17	2	150 - 35	H131115	2H6	22	70 - 53	H132291	3I11	2	120 - 7
H129606	3D9	1	95 - 9	H131115	2H10	22	70 - 57	H132291	3I17	1	120 - 13
H129610	3C19	17	90 - 45	H131163	2D8	27	50 - 59	H132292	3I23	1	120 - 19
H129653	4E17	20	150 - 9	H131163	2E12	3	60 - 21	H132293	3I19	2	120 - 15
H129659	3E18	6	100 - 27	H131163	2H6	19	70 - 53	H132328	3D24	24	100 - 9
H129709	2B5	7	50 - 2	H131163	2H10	7	70 - 57	H132451	3B10	16	90 - 9
H129709	2B6	6	50 - 3	H131169	4D18	..	140 - 37	H132511	2J13	2	80 - 37
H129716	3F2	18	100 - 35	H131169	4I18	4	170 - 29	H132513	1F19	2	40 - 19
H129716	4E17	11	150 - 9	H131170	4D18	11	140 - 37	H132513	1F19	4	40 - 19
H129760	3C19	15	90 - 45	H131186	3C4	31	90 - 29	H132513	1F19	27	40 - 19
H129761	3C19	4	90 - 45	H131227	4E13	14	150 - 5	H132538	3D9	9	95 - 9
H129763	3C19	7	90 - 45	H131228	4D2	50	140 - 19	H132538	4E13	24	150 - 5
H129765	4C15	23	140 - 5	H131230	4E13	4	150 - 5	H132539	2I4	8	80 - 3
H129839	2J21	13	80 - 45	H131256	4F2	3	150 - 19	H132541	3G8	23	110 - 13
H129844	4C24	20	140 - 15	H131259	4F2	12	150 - 19	H132541	3G10	14	110 - 15
H129854	2C2	17	50 - 25	H131261	4F2	9	150 - 19	H132542	4E11	23	150 - 3
H129885	4E13	1	150 - 5	H131262	4F3	6	150 - 20	H132554	2B23	11	50 - 21
H129887	3D3	21	95 - 3	H131263	4F3	1	150 - 20	H132597	1G13	8	40 - 41
H129887	3D5	15	95 - 5	H131264	4E13	3	150 - 5	H132618	2B21	13	50 - 19
H129934	4C17	35	140 - 7	H131296	2B19	11	50 - 17	H132662	4E13	42	150 - 5
H129935	4C17	39	140 - 7	H131297	2B19	14	50 - 17	H132666	4E11	32	150 - 3
H130040	3E16	18	100 - 25	H131300	3B8	12	90 - 7	H132686	1I3	7	40 - 83
H130137	4E17	15	150 - 9	H131319	3I21	1	120 - 17	H132687	1I3	3	40 - 83
H130140	4C17	10	140 - 7	H131356	4E25	23	150 - 17	H132687	1I5	6	40 - 85
H130223	2B6	12	50 - 3	H131424	3B25	22	90 - 25	H132800	1H11	4	40 - 65
H130224	2B6	11	50 - 3	H131424	3C25	15	90 - 51	H132812	1G16	10	40 - 44
H130227	2E22	5	60 - 32	H131482	4D14	5	140 - 33	H132813	1G16	10	40 - 44
H130228	2E22	9	60 - 32	H131485	4D14	11	140 - 33	H132825	3E2	7	100 - 11
H130262	4E11	31	150 - 3	H131543	2I20	4	80 - 19	H132892	2B19	12	50 - 17
H130287	2B7	7	50 - 4	H131574	3B8	17	90 - 7	H132892	2B21	3	50 - 19
H130287	2B8	5	50 - 5	H131595	1G13	19	40 - 41	H132893	2B19	12	50 - 17
H130287	4G15	4	160 - 3	H131628	4E13	21	150 - 5	H132893	2B21	3	50 - 19
H130288	2B7	8	50 - 4	H131628	4E13	47	150 - 5	H132894	2B19	12	50 - 17
H130288	2B8	6	50 - 5	H131638	3K8	18	125 - 29	H132894	2B21	3	50 - 19
H130288	4G15	3	160 - 3	H131639	3K8	17	125 - 29	H132895	3C6	7	90 - 31
H130298	1H23	5	40 - 78	H131673	4E11	20	150 - 3	H132897	3C6	27	90 - 31
H130298	3C25	12	90 - 51	H131674	4E11	17	150 - 3	H132899	3C6	20	90 - 31
H130299	1H23	4	40 - 78	H131675	4E11	15	150 - 3	H132899	3C25	16	90 - 51
H130301	3B12	22	90 - 11	H131743	1E19	13	30 - 17	H132900	1H23	1	40 - 78
H130355	3I9	14	120 - 5	H131754	2B7	16	50 - 4	H132900	1I3	5	40 - 83
H130388	4C8	19	130 - 33	H131754	2B8	9	50 - 5	H132900	1I5	3	40 - 85
H130407	2B23	6	50 - 21	H131754	2B24	5	50 - 22	H132906	3K4	6	125 - 25
H130432	2J23	5	80 - 47	H131865	4B21	3	130 - 21	H132926	2I4	20	80 - 3
H130572	3G13	24	110 - 19	H131865	4B23	2	130 - 23	H132937	2G20	11A	70 - 43
H130637	1G21	1	40 - 49	H131865	4B25	4	130 - 25	H132938	2G20	16	70 - 43
H130646	3C8	9	90 - 33	H131878	3G4	14	110 - 9	H132970	4C15	19	140 - 5
H130661	3J25	20	125 - 21	H131949	1B5	22	20 - 3	H132986	3E20	28	100 - 29
H130695	3I9	16	120 - 5	H131982	3B12	8	90 - 11	H132988	3E20	25	100 - 29
H130771	4E19	8	150 - 11	H131986	3G10	27	110 - 15	H132995	4C21	19	140 - 11
H130826	3E14	17	100 - 23	H131987	3G10	29	110 - 15	H133010	2B21	10	50 - 19
H130922	3I15	10	120 - 11	H131988	3G8	17	110 - 13	H133026	4F19	17	150 - 37
H130930	2J3	3	80 - 27	H131989	3G8	18	110 - 13	H133031	4E5	8	140 - 49
H130948	4B4	16	130 - 3	H131996	2D12	12	50 - 63	H133042	2J2	21	80 - 25
H130949	4B4	8	130 - 3	H132008	2I20	21	80 - 19	H133047	3C10	20	90 - 35

NUMERICAL INDEX - CONTINUED

PART NO.	GRID	KEY	PAGE	PART NO.	GRID	KEY	PAGE	PART NO.	GRID	KEY	PAGE
H133051	1C2	5A	20 - 25	H133789	3G15	9	110 - 21	H134547	2B5	4	50 - 2
H133060	2E10	8	60 - 19	H133824	1G21	4	40 - 49	H134547	2B6	3	50 - 3
H133060	3E20	24	100 - 29	H133843	3E14	4	100 - 23	H134548	2B5	9	50 - 2
H133081	3I9	30	120 - 5	H133851	1H13	3	40 - 67	H134548	2B6	8	50 - 3
H133089	2C2	30	50 - 25	H133852	1H13	1	40 - 67	H134549	2B6	2	50 - 3
H133092	2C2	9	50 - 25	H133981	1H13	6	40 - 67	H134557	2E23	5	60 - 33
H133094	2C2	1	50 - 25	H133989	3E14	29	100 - 23	H134558	2E10	7	60 - 19
H133096	2C2	29	50 - 25	H134000	1H22	2	40 - 77	H134558	2H4	19	70 - 51
H133097	2C2	29	50 - 25	H134002	3E22	3	100 - 31	H134558	2H8	11	70 - 55
H133098	2C2	29	50 - 25	H134025	3J2	44	120 - 23	H134603	3K2	8	125 - 23
H133106	3C4	15	90 - 29	H134105	1E19	1	30 - 17	H134603	3K4	27	125 - 25
H133143	3J9	14	125 - 5	H134114	2B9	3	50 - 6	H134605	3K4	25	125 - 25
H133152	2J5	19	80 - 29	H134114	2B10	6	50 - 7	H134606	3K2	7	125 - 23
H133160	2B21	16	50 - 19	H134114	2B12	2	50 - 9	H134620	4I11	..	170 - 22
H133165	2B19	22	50 - 17	H134114	4H11	8	160 - 25	H134623	3C4	45	90 - 29
H133178	1G19	11	40 - 47	H134117	1E25	5	30 - 23	H134624	3C4	44	90 - 29
H133178	4E25	14	150 - 17	H134118	3I15	11	120 - 11	H134654	3F24	20	110 - 5
H133199	4D24	4	140 - 43	H134118	3I21	18	120 - 17	H134654	3G2	6	110 - 7
H133202	2B23	14	50 - 21	H134140	3E14	16	100 - 23	H134667	2J15	6	80 - 39
H133205	3C4	1	90 - 29	H134143	1B15	7	20 - 13	H134671	3B16	9	90 - 15
H133205	3C6	14	90 - 31	H134144	1B15	10	20 - 13	H134738	2J19	9	80 - 43
H133210	3C8	7	90 - 33	H134151	3G2	16	110 - 7	H134757	3G11	10	110 - 16
H133219	3B16	17	90 - 15	H134154	3G2	14	110 - 7	H134758	3G11	5	110 - 16
H133229	2B7	15	50 - 4	H134163	3G2	15	110 - 7	H134760	3J7	3	125 - 3
H133229	2B8	8	50 - 5	H134164	3G2	18	110 - 7	H134760	4E7	4	140 - 51
H133229	2B24	2	50 - 22	H134165	3G2	9	110 - 7	H134816	3G10	21	110 - 15
H133287	3I25	4	120 - 21	H134168	3F20	4	110 - 1	H134856	1C3	3	20 - 26
H133288	3I25	2	120 - 21	H134214	1B5	25	20 - 3	H134930	2J19	10	80 - 43
H133351	2E4	27	60 - 13	H134214	1B15	21	20 - 13	H135112	2B16	5	50 - 13
H133351	4H9	27	160 - 23	H134298	2J21	4	80 - 45	H135141	4I11	..	170 - 22
H133384	1H24	2	40 - 79	H134308	3I9	29	120 - 5	H135147	1E23	8	30 - 21
H133384	1H25	2	40 - 80	H134308	3J9	20	125 - 5	H135147	2J19	16	80 - 43
H133384	1I1	2	40 - 81	H134308	3J23	1	125 - 19	H135148	1E19	6	30 - 17
H133384	1I2	5	40 - 82	H134314	3J23	2	125 - 19	H135155	2E10	12	60 - 19
H133391	3B8	2	90 - 7	H134317	3J23	4	125 - 19	H135156	2E16	6	60 - 25
H133414	3B16	5	90 - 15	H134335	3F22	10	110 - 3	H135156	2G8	12	70 - 31
H133489	4D22	27	140 - 41	H134338	3F22	16	110 - 3	H135158	3G11	8	110 - 16
H133514	3C19	10	90 - 45	H134339	3F22	14	110 - 3	H135167	4I11	..	170 - 22
H133579	4F12	15	150 - 29	H134343	2D23	8	60 - 7	H135192	4E17	24	150 - 9
H133597	3I21	22	120 - 17	H134353	3C4	23	90 - 29	H135193	4E17	26	150 - 9
H133597	4D18	56	140 - 37	H134418	3G8	20	110 - 13	H135211	2C8	11	50 - 31
H133598	3I15	17	120 - 11	H134420	3G8	21	110 - 13	H135212	2C8	40	50 - 31
H133599	3I15	13	120 - 11	H134424	2E10	23	60 - 19	H135213	2C8	37	50 - 31
H133600	3I21	21	120 - 17	H134424	2H6	16	70 - 53	H135214	2C8	38	50 - 31
H133601	3I21	21	120 - 17	H134424	2H10	14	70 - 57	H135215	2C8	5	50 - 31
H133602	3I15	13	120 - 11	H134425	2E10	25	60 - 19	H135235	3K2	10	125 - 23
H133603	4D18	47	140 - 37	H134425	2H2	8	70 - 49	H135245	1E19	18	30 - 17
H133621	4D18	52	140 - 37	H134425	2H6	14	70 - 53	H135292	4D2	44	140 - 19
H133635	4G15	7	160 - 3	H134425	2H10	9	70 - 57	H135309	3K8	22	125 - 29
H133636	3C10	9	90 - 35	H134426	2E10	21	60 - 19	H135392	1E19	20	30 - 17
H133645	1G21	2	40 - 49	H134427	2E10	22	60 - 19	H135393	1E19	16	30 - 17
H133659	2D2	22	50 - 53	H134427	2H2	5	70 - 49	H135396	3I9	13	120 - 5
H133659	2D10	1	50 - 61	H134427	2H6	15	70 - 53	H135410	4D18	2	140 - 37
H133659	2E12	19	60 - 21	H134427	2H10	12	70 - 57	H135410	4D22	13	140 - 41
H133659	2F6	5	70 - 3	H134429	2H4	15	70 - 51	H135422	3J2	13	120 - 23
H133660	3C10	8	90 - 35	H134429	2H8	7	70 - 55	H135423	4D18	37	140 - 37
H133662	3C10	14	90 - 35	H134442	4I8	5	170 - 19	H135452	3J17	3	125 - 13
H133665	3B8	9	90 - 7	H134442	4I10	2	170 - 21	H135452	3J17	14	125 - 13
H133666	3B8	11	90 - 7	H134444	2B7	18	50 - 4	H135454	3J17	2	125 - 13
H133667	4D16	7	140 - 35	H134444	2B8	11	50 - 5	H135475	3J2	37	120 - 23
H133669	2D12	16	50 - 63	H134444	2B24	3	50 - 22	H135494	4B19	18	130 - 19
H133671	2D12	13	50 - 63	H134464	1E19	11	30 - 17	H135497	2C9	27	50 - 32
H133675	4C13	13	140 - 3	H134470	2E10	16	60 - 19	H135499	2C6	5	50 - 29
H133688	4F17	10	150 - 35	H134506	1E19	14	30 - 17	H135500	2C6	4	50 - 29
H133690	4F17	12	150 - 35	H134520	1B9	9	20 - 7	H135500	2C13	3	50 - 37
H133690	4F19	31	150 - 37	H134527	1B11	12	20 - 9	H135503	2C8	40	50 - 31
H133768	3G15	5	110 - 21	H134535	4I6	1	170 - 17	H135504	2C8	41	50 - 31

NUMERICAL INDEX - CONTINUED

PART NO.	GRID	KEY	PAGE	PART NO.	GRID	KEY	PAGE	PART NO.	GRID	KEY	PAGE
H135508	2C13	6	50-37	H136179	4B15	8	130-15	H138453	2J9	11	80-33
H135509	2C13	5	50-37	H136179	4B23	11	130-23	H138606	2B12	1	50-9
H135512	3G17	13	110-23	H136186	3J15	10	125-11	H138607	2B9	1	50-6
H135512	4D20	9	140-39	H136209	3J17	8	125-13	H138607	2B10	4	50-7
H135566	2F10	12	70-7	H136257	4C4	5	130-29	H138607	2B12	5	50-9
H135567	2C8	39	50-31	H136334	2E22	9	60-32	H138607	4H11	5	160-25
H135569	2F10	1	70-7	H136335	2E22	5	60-32	H138753	3E22	16	100-31
H135570	2C9	9	50-32	H136336	3E4	27	100-13	H138900	2C6	5	50-29
H135571	2C13	21	50-37	H136541	3D9	7	95-9	H138901	2C13	5	50-37
H135599	4D22	25	140-41	H136541	4E13	23	150-5	H138930	4E23	22	150-15
H135608	2E10	15	60-19	H136572	4E17	25	150-9	H138930	4E25	19	150-17
H135610	2J19	40	80-43	H136573	4E17	27	150-9	H139005	4C9	2	130-34
H135614	3B8	1	90-7	H136582	3K4	30	125-25	H139006	2H17	5	70-65
H135615	3B8	6	90-7	H136583	4I6	6	170-17	H139098	3E22	19	100-31
H135618	2H4	17	70-51	H136583	4I11	..	170-22	H139098	3G8	9	110-13
H135618	2H8	9	70-55	H136589	3B16	15	90-15	H139132	4D24	7	140-43
H135619	2E10	31	60-19	H136590	3B16	20	90-15	H139214	3C14	26	90-39
H135641	2G10	2	70-33	H136609	3I13	10	120-9	H139393	4I2	2	170-13
H135641	2G12	4	70-35	H136611	3I13	11	120-9	H139557	1G3	2	40-30
H135695	2C8	41	50-31	H137188	3I21	19	120-17	H139558	1G3	3	40-30
H135700	2C6	4	50-29	H137201	4I6	4	170-17	H139709	4D6	1	140-25
H135700	2C13	3	50-37	H137203	3G8	24	110-13	H139807	2E22	7	60-32
H135702	2C13	6	50-37	H137203	3G10	28	110-15	H139922	3G13	31	110-19
H135706	2C9	2	50-32	H137204	3G8	25	110-13	H139963	3G17	18	110-23
H135772	3G13	33	110-19	H137204	3G10	25	110-15	H139963	3G19	3	110-25
H135773	1H11	10	40-65	H137215	3J2	18	120-23	H139963	4I22	9	170-33
H135777	2F17	24	70-15	H137227	4E25	21	150-17	H139964	2H19	7	70-67
H135777	2F19	24	70-17	H137360	3C19	13	90-45	H139966	3J17	16	125-13
H135844	4C8	10	130-33	H137364	4I11	..	170-22	H139972	4E13	27	150-5
H135891	2J15	1	80-39	H137389	3I9	48	120-5	H140043	3G4	2	110-9
H135891	3B23	2	90-23	H137523	2G14	6	70-37	H140043	3G6	2	110-11
H135891	3C10	18	90-35	H137534	2I20	9	80-19	H140083	3H19	14	110-51
H135891	3E16	34	100-25	H137585	3J23	9	125-19	H140134	3G13	29	110-19
H135891	3E24	22	100-33	H137593	2G10	8	70-33	H140135	2E1	1	60-10
H135891	3F13	33	100-47	H137602	2H21	33	70-69	H140135	2E4	9	60-13
H135891	3G4	18	110-9	H137603	2H21	28	70-69	H140149	3G4	25	110-9
H135891	3G4	..	110-9	H137606	3J17	21	125-13	H140149	3G13	30	110-19
H135891	3G8	28	110-13	H137667	3C4	49	90-29	H140156	3G19	1	110-25
H135891	3H15	18	110-47	H137670	4I20	5	170-31	H140161	4C4	4	130-29
H135891	3H17	9	110-49	H137672	2C2	12	50-25	H140162	4C4	2	130-29
H135891	3I11	10	120-7	H137815	4D22	36	140-41	H140195	3D21	32	100-5
H135891	4G4	5	155-7	H137816	4D22	34	140-41	H140195	3D24	32	100-9
H135942	2B21	12	50-19	H137823	4I6	2	170-17	H140248	3J25	29	125-21
H135943	2B19	28	50-17	H137823	4I14	..	170-25	H140298	2H2	7	70-49
H135944	2B21	9	50-19	H137823	4I16	..	170-27	H140298	2H2	10	70-49
H135964	2F23	11	70-21	H137859	3B20	5	90-19	H140298	2H6	17	70-53
H135965	2I16	21	80-15	H137865	2H17	13	70-65	H140298	2H10	13	70-57
H135965	2I18	14	80-17	H137866	2H17	8	70-65	H140315	4H9	9	160-23
H135965	2I24	20	80-23	H137869	4F19	12	150-37	H140380	1B7	12	20-5
H135974	2G8	16	70-31	H137916	3J15	6	125-11	H140382	2E22	8	60-32
H136011	3C18	15	90-43	H137919	3J15	12	125-11	H140383	2E22	8	60-32
H136013	1B11	16	20-9	H137939	4I4	8	170-15	H140397	4D24	3	140-43
H136013	3E14	3	100-23	H137940	4I11	..	170-22	H140458	3G8	7	110-13
H136014	2J9	17	80-33	H138085	4D3	1	140-21	H140467	3K8	25	125-29
H136014	3E14	6	100-23	H138297	3B10	20	90-9	H140467	4E4	16	140-47
H136015	2J9	18	80-33	H138435	3G19	4	110-25	H140469	3I4	42	110-61
H136015	3K10	8	125-31	H138435	3H9	15	110-41	H140470	3G19	15	110-25
H136054	3J25	8	125-21	H138435	3I7	1	120-3	H140595	2D19	5	60-3
H136056	3B16	19	90-15	H138435	3I7	12	120-3	H140617	3I4	36	110-61
H136110	1I4	6	40-84	H138435	3K4	1	125-25	H140627	1I2	3	40-82
H136110	3C21	3	90-47	H138435	3K8	4	125-29	H140627	3C25	14	90-51
H136115	2B5	2	50-2	H138435	4B19	27	130-19	H140628	1I2	2	40-82
H136126	3C18	13	90-43	H138435	4D22	29	140-41	H140664	1G9	1	40-37
H136127	3C18	12	90-43	H138435	4E4	1	140-47	H140664	1G20	3	40-48
H136144	3E20	27	100-29	H138435	4F14	1	150-31	H140691	2D19	21	60-3
H136163	2C11	27	50-35	H138435	4F19	38	150-37	H140692	2D19	11	60-3
H136179	4B7	8	130-6	H138452	2J9	11	80-33	H140694	2D19	27	60-3

NUMERICAL INDEX - CONTINUED

PART NO.	GRID	KEY	PAGE	PART NO.	GRID	KEY	PAGE	PART NO.	GRID	KEY	PAGE
H140695	2D19	28	60-3	H142035	2J5	18	80-29	H144264	3H11	5	110-43
H140696	2D19	29	60-3	H142044	2C4	5	50-27	H144265	3H11	4	110-43
H140708	2D19	12	60-3	H142045	2C4	5	50-27	H144266	3H11	7	110-43
H140709	4I10	3	170-21	H142107	2B5	6	50-2	H144267	3H11	6	110-43
H140710	4I10	3	170-21	H142107	2B6	5	50-3	H144279	4H21	11	170-7
H140711	4I10	3	170-21	H142138	3H9	18	110-41	H144293	2B6	16	50-3
H140712	2D19	20	60-3	H142141	4B15	13	130-15	H144342	2H14	12	70-61
H140713	2D19	30	60-3	H142143	4D16	21	140-35	H144383	3I2	23	110-59
H140715	1B5	11	20-3	H142143	4D18	23	140-37	H144385	2B21	19	50-19
H140715	2D19	19	60-3	H142167	1G23	5	40-51	H144472	3B12	3	90-11
H140715	2J19	23	80-43	H142168	1G23	2	40-51	H144472	3C16	18	90-41
H140746	2D19	8	60-3	H142169	1G23	10	40-51	H144558	3I9	50	120-5
H140747	2D19	9	60-3	H142183	2G2	22	70-25	H144667	3J11	16	125-7
H140749	4I10	3	170-21	H142188	3J2	5	120-23	H144692	1B7	20	20-5
H140749	4I11	..	170-22	H142189	3J2	4	120-23	H144692	4I2	4	170-13
H140750	4I11	..	170-22	H142721	2D15	2	50-66	H144742	3G11	14	110-16
H140751	4I11	..	170-22	H142861	3E16	9	100-25	H144762	4C19	30	140-9
H140768	4I11	..	170-22	H142869	3E16	33	100-25	H144823	4E15	5	150-7
H140803	3G8	3	110-13	H142870	3E16	24	100-25	H144823	4E15	6	150-7
H140804	3G11	6	110-16	H143311	3H25	10	110-57	H144825	3E16	4	100-25
H140836	3C8	19	90-33	H143332	4B9	3	130-9	H144825	4E15	5	150-7
H140848	1B15	19	20-13	H143332	4B11	3	130-11	H144834	4C17	30	140-7
H140858	2I20	11	80-19	H143332	4B13	3	130-13	H144896	2H17	3	70-65
H140866	2I4	21	80-3	H143354	3E18	14	100-27	H144962	4D5	42	140-23
H140872	2J7	5	80-31	H143358	3F9	9	100-43	H144998	2B7	10	50-4
H140881	2J7	1	80-31	H143407	3E14	20	100-23	H145001	4C24	6	140-15
H140936	3G10	33	110-15	H143408	2B21	12	50-19	H145051	2F17	15	70-15
H141000	4B19	4	130-19	H143456	3E14	12	100-23	H145051	2F19	15	70-17
H141069	2D19	16	60-3	H143460	3B12	19	90-11	H145051	2F21	15	70-19
H141123	2J2	14	80-25	H143489	3E12	2	100-21	H145051	2G4	25	70-27
H141123	2J11	6	80-35	H143495	3H2	5	110-33	H145089	3H11	1	110-43
H141123	4E13	36	150-5	H143542	3H9	17	110-41	H145095	4C6	7	130-31
H141123	4F15	9	150-32	H143543	3H9	2	110-41	H145096	4C6	6	130-31
H141161	4B19	31	130-19	H143574	3H11	17	110-43	H145112	3J2	26	120-23
H141166	4E7	10	140-51	H143584	3H4	2	110-35	H145112	4B19	10	130-19
H141166	4I20	4	170-31	H143585	3H4	1	110-35	H145158	1B5	5	20-3
H141282	3H9	3	110-41	H143586	3H2	1	110-33	H145158	4I20	2	170-31
H141292	3B8	13	90-7	H143610	3G10	17	110-15	H145221	1G13	2	40-41
H141315	3C10	15	90-35	H143679	1G18	3	40-46	H145243	4D12	11	140-31
H141327	3C4	9	90-29	H143679	4C2	3	130-27	H145247	2D6	9	50-57
H141388	4B17	15	130-17	H143731	3G13	21	110-19	H145257	3G10	5	110-15
H141399	3H25	1	110-57	H143731	3J13	10	125-9	H145264	3B12	4	90-11
H141411	1F21	39	40-21	H143735	3K8	9	125-29	H145264	3C16	15	90-41
H141422	2D19	34	60-3	H143757	1C3	10	20-26	H145319	4B17	7	130-17
H141445	3H25	4	110-57	H143852	4B19	30	130-19	H145363	3H17	5	110-49
H141448	3H25	25	110-57	H143948	4C6	4	130-31	H145364	3H17	3	110-49
H141448	3I4	14	110-61	H143949	4C6	10	130-31	H145366	3H17	4	110-49
H141450	4F6	17	150-23	H143950	4C6	9	130-31	H145370	3H17	4	110-49
H141450	4F8	17	150-25	H143951	4C6	14	130-31	H145394	3G21	17	110-27
H141549	3E8	2	100-17	H143952	4C6	12	130-31	H145396	3G21	18	110-27
H141549	3E10	2	100-19	H143955	4C4	12	130-29	H145464	3F9	15	100-43
H141549	3E12	15	100-21	H144032	1H13	18	40-67	H145516	4E15	5	150-7
H141549	3J25	33	125-21	H144034	1E21	7	30-19	H145516	4E15	6	150-7
H141588	4D12	17	140-31	H144052	3E14	12	100-23	H145548	4H14	2	160-28
H141659	2J9	15	80-33	H144063	3E14	9	100-23	H145639	3G8	12	110-13
H141772	4D16	23	140-35	H144077	1E21	5	30-19	H145639	3G10	2	110-15
H141813	2J3	2	80-27	H144157	4C8	4	130-33	H145683	4B6	5	130-5
H141835	3E14	5	100-23	H144158	4C8	5	130-33	H145686	4B6	4	130-5
H141836	2J19	15	80-43	H144161	4C8	2	130-33	H145687	4B6	8	130-5
H141869	2D25	11	60-9	H144163	4C8	7	130-33	H145688	4B6	6	130-5
H141946	3C4	53	90-29	H144201	3E22	21	100-31	H145689	4B6	2	130-5
H141955	1H24	1	40-79	H144242	1G23	3	40-51	H145693	4B6	15	130-5
H141955	1H25	1	40-80	H144254	4I2	10	170-13	H145694	4B6	17	130-5
H141955	1I1	1	40-81	H144254	4I13	..	170-24	H145695	4B6	10	130-5
H141955	1I2	6	40-82	H144254	4I14	..	170-25	H145716	3H4	8	110-35
H142030	2B19	8	50-17	H144254	4I16	..	170-27	H145773	3G4	22	110-9
H142031	2B19	37	50-17	H144256	1H22	7	40-77	H145773	3H2	24	110-33

NUMERICAL INDEX - CONTINUED

PART NO.	GRID	KEY	PAGE	PART NO.	GRID	KEY	PAGE	PART NO.	GRID	KEY	PAGE
H145773	4E13	34	150 - 5	H147072	4B6	11	130 - 5	H148241	4D10	8	140 - 29
H145792	3H9	10	110 - 41	H147073	4B6	9	130 - 5	H148270	1H21	1	40 - 76
H145819	3H2	8	110 - 33	H147073	4B25	1	130 - 25	H148271	1H21	6	40 - 76
H145832	1B13	16	20 - 11	H147104	4B6	16	130 - 5	H148340	1H14	1	40 - 68
H145845	3H13	1	110 - 45	H147105	4B6	13	130 - 5	H148340	1H14	5	40 - 68
H145847	2D19	1	60 - 3	H147106	4B6	14	130 - 5	H148340	4F17	3	150 - 35
H145857	4B15	18	130 - 15	H147115	1C3	8	20 - 26	H148340	4F19	2	150 - 37
H145858	4I11	..	170 - 22	H147125	3H7	2	110 - 39	H148366	2G12	14	70 - 35
H145893	3B16	11	90 - 15	H147128	3H25	9	110 - 57	H148633	3K8	24	125 - 29
H145919	4B19	15	130 - 19	H147132	3H15	4	110 - 47	H148673	3H7	5	110 - 39
H145920	4B23	20	130 - 23	H147153	3H7	9	110 - 39	H148674	3H7	3	110 - 39
H145921	4B23	21	130 - 23	H147230	3H17	12	110 - 49	H148769	4C19	21	140 - 9
H145922	4B23	19	130 - 23	H147231	3H17	12	110 - 49	H148769	4C21	13	140 - 11
H145949	3I9	43	120 - 5	H147232	3H17	12	110 - 49	H148775	2G2	23	70 - 25
H145950	3I9	43	120 - 5	H147233	3H17	12	110 - 49	H148776	1E23	13	30 - 21
H145955	4D12	1	140 - 31	H147234	3H17	12	110 - 49	H148925	3F22	11	110 - 3
H145970	3G4	2	110 - 9	H147286	3H15	10	110 - 47	H148998	3E16	5	100 - 25
H145970	3G6	2	110 - 11	H147294	3I2	17	110 - 59	H149026	4B15	9	130 - 15
H145994	4I20	6	170 - 31	H147299	4E13	15	150 - 5	H149027	4B15	9	130 - 15
H145995	4I10	4	170 - 21	H147302	4B9	2	130 - 9	H149037	4H17	7	170 - 3
H145996	4I11	..	170 - 22	H147302	4B11	2	130 - 11	H149062	4H21	1	170 - 7
H146011	4C6	1	130 - 31	H147302	4B13	2	130 - 13	H149062	4H25	2	170 - 11
H146022	3H2	23	110 - 33	H147304	4B11	1	130 - 11	H149063	3E14	26	100 - 23
H146023	3H2	23	110 - 33	H147304	4B13	1	130 - 13	H149063	3E24	3	100 - 33
H146042	3C6	41	90 - 31	H147319	4B6	24	130 - 5	H149063	4H17	2	170 - 3
H146045	1G18	4	40 - 46	H147468	3G8	15	110 - 13	H149063	4H19	2	170 - 5
H146046	4B7	6	130 - 6	H147468	3G10	32	110 - 15	H149064	3C18	16	90 - 43
H146046	4B15	19	130 - 15	H147482	3E18	19	100 - 27	H149064	4H19	3	170 - 5
H146047	4B7	5	130 - 6	H147490	2D14	3	50 - 65	H149064	4H21	4	170 - 7
H146047	4B15	20	130 - 15	H147496	3H7	14	110 - 39	H149065	4H23	5	170 - 9
H146048	4C2	10	130 - 27	H147519	3H7	12	110 - 39	H149066	3K10	11	125 - 31
H146049	4C2	5	130 - 27	H147520	3H7	8	110 - 39	H149066	4H19	4	170 - 5
H146064	1B5	14	20 - 3	H147593	3E18	15	100 - 27	H149067	4H19	10	170 - 5
H146088	2D15	1	50 - 66	H147656	3J2	50	120 - 23	H149074	4I11	..	170 - 22
H146089	2D15	1	50 - 66	H147657	3J2	51	120 - 23	H149075	4I11	..	170 - 22
H146166	3H2	20	110 - 33	H147660	3J23	11	125 - 19	H149076	4I11	..	170 - 22
H146260	1B9	4	20 - 7	H147752	4E25	20	150 - 17	H149077	4I11	..	170 - 22
H146281	2B4	2	50 - 1	H147838	3H9	3	110 - 41	H149078	4I11	..	170 - 22
H146292	3I2	17	110 - 59	H147845	3F20	1	110 - 1	H149079	4I11	..	170 - 22
H146318	3G10	18	110 - 15	H147846	3J25	22	125 - 21	H149088	1B7	25	20 - 5
H146326	3G13	10	110 - 19	H147911	4D2	3	140 - 19	H149088	4H17	1	170 - 3
H146327	2D19	13	60 - 3	H147967	3K8	29	125 - 29	H149088	4H21	2	170 - 7
H146391	3C6	22	90 - 31	H148000	2I4	22	80 - 3	H149089	4I11	..	170 - 22
H146392	3C6	21	90 - 31	H148018	3F22	4	110 - 3	H149090	4H23	1	170 - 9
H146394	4D12	17	140 - 31	H148019	3F22	3	110 - 3	H149091	4I11	..	170 - 22
H146414	4B9	6	130 - 9	H148023	3F22	20	110 - 3	H149092	2G10	5	70 - 33
H146429	3D5	27	95 - 5	H148025	4C8	6	130 - 33	H149092	2G12	6	70 - 35
H146453	3H17	2	110 - 49	H148056	4E15	9	150 - 7	H149092	4H19	5	170 - 5
H146454	3H17	14	110 - 49	H148058	3F24	15	110 - 5	H149092	4I8	1	170 - 19
H146455	3H17	14	110 - 49	H148063	3G2	1	110 - 7	H149096	3I7	15	120 - 3
H146457	3F9	10	100 - 43	H148066	3F24	16	110 - 5	H149096	4H17	5	170 - 3
H146457	3G4	19	110 - 9	H148107	4C6	8	130 - 31	H149096	4H19	6	170 - 5
H146536	3J25	6	125 - 21	H148116	4E15	8	150 - 7	H149096	4H21	5	170 - 7
H146640	2B16	4	50 - 13	H148131	4D2	27	140 - 19	H149097	4I11	..	170 - 22
H146646	2B23	22	50 - 21	H148132	3D19	24	100 - 3	H149098	4I11	..	170 - 22
H146672	3I15	1	120 - 11	H148132	3F17	8	100 - 51	H149099	4H17	4	170 - 3
H146695	3H2	12	110 - 33	H148132	4C22	9	140 - 13	H149099	4H19	7	170 - 5
H146730	1H14	4	40 - 68	H148133	3D19	25	100 - 3	H149100	4I11	..	170 - 22
H146730	3F22	7	110 - 3	H148133	3F17	9	100 - 51	H149101	4H21	9	170 - 7
H146752	3H15	12	110 - 47	H148133	4C22	10	140 - 13	H149102	4B4	27	130 - 3
H146766	3E12	20	100 - 21	H148134	3D19	29	100 - 3	H149102	4B15	17	130 - 15
H146767	1B5	24	20 - 3	H148134	3F17	13	100 - 51	H149102	4H21	6	170 - 7
H146775	4E19	4	150 - 11	H148134	4C22	11	140 - 13	H149102	4H21	8	170 - 7
H146868	4G15	6	160 - 3	H148166	1E17	39	30 - 15	H149103	4I11	..	170 - 22
H146950	1H13	9	40 - 67	H148187	3F9	4A	100 - 43	H149104	4H21	10	170 - 7
H147004	2E2	1	60 - 11	H148225	3C10	10	90 - 35	H149104	4H25	4	170 - 11
H147067	2E12	9	60 - 21	H148241	4D3	16	140 - 21	H149401	4B9	4	130 - 9

NUMERICAL INDEX - CONTINUED

PART NO.	GRID	KEY	PAGE	PART NO.	GRID	KEY	PAGE	PART NO.	GRID	KEY	PAGE
H149459	3E16	7	100-25	H151318	4I16	..	170-27	H152740	4G24	3	160-12
H149460	3E16	8	100-25	H151397	4H25	3	170-11	H152741	4G19	1	160-7
H149461	3E16	2	100-25	H151484	3G8	16	110-13	H152741	4G23	10	160-11
H149461	3E16	3	100-25	H151575	4I10	1	170-21	H152741	4G24	1	160-12
H149467	3G15	17	110-21	H151585	2D6	16	50-57	H152742	4H3	3	160-16
H149468	3G15	16	110-21	H151585	2F14	1	70-11	H152743	4H2	10	160-15
H149480	3B5	1	90-3	H151607	3E16	15	100-25	H152743	4H3	1	160-16
H149480	4I6	10	170-17	H151607	4H23	4	170-9	H152745	4G17	1	160-5
H149517	3E16	27	100-25	H151608	4H5	26	160-19	H152868	1B25	1	20-23
H149518	3E16	26	100-25	H151629	2H14	8	70-61	H152874	4F15	6	150-32
H149523	3E16	19	100-25	H151671	4I12	..	170-23	H152914	3J9	30	125-5
H149780	4F6	1	150-23	H151671	4I13	..	170-24	H152916	3J9	10	125-5
H149780	4F8	1	150-25	H151671	4I14	..	170-25	H152923	4F21	5	150-39
H150034	3I21	14	120-17	H151671	4I16	..	170-27	H152924	4C17	25	140-7
H150047	3B16	10	90-15	H151694	2H14	11	70-61	H152940	3J9	34	125-5
H150054	2G6	1	70-29	H151739	2B4	3	50-1	H153349	3D5	9	95-5
H150055	2G6	17	70-29	H151952	3E6	12	100-15	H153352	3B12	4	90-11
H150091	3I9	8	120-5	H151952	3F7	7	100-41	H153352	3C16	16	90-41
H150092	3I9	19	120-5	H151952	4C25	17	140-17	H153358	3C14	34	90-39
H150119	3D6	..	95-6	H151952	4I22	1	170-33	H153394	3B14	8	90-13
H150119	4I4	13	170-15	H152062	3E14	27	100-23	H153438	3D3	6	95-3
H150128	3F24	1	110-5	H152135	2I10	11	80-9	H153443	3C2	21	90-27
H150130	3F24	3	110-5	H152146	4D22	21	140-41	H153453	3C2	18	90-27
H150131	3F24	19	110-5	H152146	4I22	4	170-33	H153457	3C2	19	90-27
H150133	3F24	5	110-5	H152164	2D19	7	60-3	H153479	3C8	5	90-33
H150133	3G2	3	110-7	H152165	2D21	20	60-5	H153480	3C8	4	90-33
H150134	3F24	2	110-5	H152166	2D21	14	60-5	H153521	3J9	6	125-5
H150142	3H15	4	110-47	H152170	3C6	25	90-31	H153524	3G4	26	110-9
H150222	2D2	14	50-53	H152171	3C6	4	90-31	H153524	4D18	9	140-37
H150222	2D10	12	50-61	H152172	3C4	10	90-29	H153524	4D22	10	140-41
H150223	2D2	18	50-53	H152173	3C4	2	90-29	H153721	3D8	9	95-8
H150223	2D10	10	50-61	H152174	3C4	12	90-29	H153722	3D8	10	95-8
H150268	3I15	18	120-11	H152180	4D22	21	140-41	H153728	4I10	1	170-21
H150268	3I15	19	120-11	H152180	4I22	4	170-33	H153888	3D8	7	95-8
H150383	3C6	15	90-31	H152232	3I13	3	120-9	H153889	3D8	8	95-8
H150385	3D5	25	95-5	H152238	4I12	..	170-23	H153953	3G23	2	110-29
H150401	4B4	8	130-3	H152238	4I13	..	170-24	H154071	2J9	22	80-33
H150401	4B4	9	130-3	H152238	4I14	..	170-25	H154071	3J11	24	125-7
H150402	4B4	15	130-3	H152238	4I16	..	170-27	H154071	3J13	26	125-9
H150402	4B4	16	130-3	H152239	4I12	..	170-23	H154128	4I12	..	170-23
H150403	4B4	10	130-3	H152239	4I13	..	170-24	H154128	4I13	..	170-24
H150404	4B4	14	130-3	H152239	4I14	..	170-25	H154128	4I14	..	170-25
H150408	4B4	20	130-3	H152239	4I16	..	170-27	H154128	4I16	..	170-27
H150411	2H14	3	70-61	H152240	4I12	..	170-23	H154195	1B11	5	20-9
H150412	2H14	6	70-61	H152240	4I13	..	170-24	H154221	3G13	3	110-19
H150434	4I2	15	170-13	H152240	4I14	..	170-25	H154331	3E22	22	100-31
H150434	4I4	10	170-15	H152240	4I16	..	170-27	H154370	3J13	27	125-9
H150458	3F9	13	100-43	H152241	4I12	..	170-23	H154720	2C2	14	50-25
H150646	4I10	3	170-21	H152241	4I13	..	170-24	H154755	2D12	12	50-63
H150662	3D24	18	100-9	H152241	4I14	..	170-25	H154756	2D12	13	50-63
H150746	2I10	13	80-9	H152241	4I16	..	170-27	H154808	3G15	19	110-21
H150752	3H15	3	110-47	H152242	4I12	..	170-23	H154825	1C2	5B	20-25
H150803	3G21	19	110-27	H152242	4I13	..	170-24	H154825	1C2	6	20-25
H150837	3G4	24	110-9	H152242	4I14	..	170-25	H154928	3I25	5	120-21
H150837	3G4	..	110-9	H152242	4I16	..	170-27	H154929	3I21	8	120-17
H150920	4E23	13	150-15	H152243	4I12	..	170-23	H154937	3B25	8	90-25
H150926	4E23	1	150-15	H152243	4I13	..	170-24	H155062	3F13	12	100-47
H150980	2D6	6	50-57	H152243	4I14	..	170-25	H155307	4E7	26	140-51
H150980	2F14	8	70-11	H152243	4I16	..	170-27	H155459	3D19	5	100-3
H150982	2D6	3	50-57	H152256	4H5	28	160-19	H155510	3C6	46	90-31
H150983	2F14	5	70-11	H152403	1C2	3	20-25	H155510	4H23	3	170-9
H151067	3F22	9	110-3	H152409	4G24	7	160-12	H155750	1G18	5	40-46
H151068	3F22	19	110-3	H152410	4H3	6	160-16	H155968	3J9	33	125-5
H151181	4B4	6	130-3	H152616	3I13	8	120-9	H155998	4C25	17	140-17
H151182	4B4	1	130-3	H152617	3I13	7	120-9	H155998	4I22	1	170-33
H151318	4I2	1	170-13	H152664	3B25	23	90-25	H156090	3D21	34	100-5
H151318	4I4	14	170-15	H152673	3B25	6	90-25	H156091	3D21	14	100-5

NUMERICAL INDEX - CONTINUED

PART NO.	GRID	KEY	PAGE	PART NO.	GRID	KEY	PAGE	PART NO.	GRID	KEY	PAGE
H156095	3D21	19	100 - 5	H157329	4I14	..	170 - 25	H158616	2I8	12	80 - 7
H156095	3D22	7	100 - 6	H157330	4I16	..	170 - 27	H158627	2I8	9	80 - 7
H156096	3D22	4	100 - 6	H157331	4I14	..	170 - 25	H158633	2I8	3	80 - 7
H156098	4B11	5	130 - 11	H157332	4I16	..	170 - 27	H158638	2F15	5	70 - 12
H156100	4B11	7	130 - 11	H157333	4I14	..	170 - 25	H158638	3J21	6	125 - 17
H156101	4B11	6	130 - 11	H157334	4I16	..	170 - 27	H158646	2I12	7	80 - 11
H156101	4B13	4	130 - 13	H157335	4I14	..	170 - 25	H158712	3H9	11	110 - 41
H156127	2B7	3	50 - 4	H157340	4I16	..	170 - 27	H158737	3H9	6	110 - 41
H156127	4G15	8	160 - 3	H157341	4I14	..	170 - 25	H158749	2I4	2	80 - 3
H156127	4H7	5	160 - 21	H157344	4I16	..	170 - 27	H158817	4F10	25	150 - 27
H156221	4I15	..	170 - 26	H157345	4I14	..	170 - 25	H158830	3D3	23	95 - 3
H156222	4I15	..	170 - 26	H157348	4I16	..	170 - 27	H158840	4I4	6	170 - 15
H156223	4I15	..	170 - 26	H157349	4I14	..	170 - 25	H158840	4I13	..	170 - 24
H156224	4I15	..	170 - 26	H157350	4I16	..	170 - 27	H158840	4I14	..	170 - 25
H156225	4I15	..	170 - 26	H157351	4I14	..	170 - 25	H158840	4I16	..	170 - 27
H156226	4I15	..	170 - 26	H157515	3J13	9	125 - 9	H158845	1B3	6	20 - 1
H156227	4I15	..	170 - 26	H157615	4G19	16	160 - 7	H158845	1B5	9	20 - 3
H156228	4I15	..	170 - 26	H157615	4G23	4	160 - 11	H158845	1G25	18	40 - 53
H156229	4I15	..	170 - 26	H157615	4H2	4	160 - 15	H158845	2J19	20	80 - 43
H156230	4I15	..	170 - 26	H157616	4G19	16	160 - 7	H158884	2B5	14	50 - 2
H156231	4I15	..	170 - 26	H157616	4G23	4	160 - 11	H158942	2H14	10	70 - 61
H156232	4I15	..	170 - 26	H157616	4H2	4	160 - 15	H158951	3E14	25	100 - 23
H156234	4I15	..	170 - 26	H157617	4G19	16	160 - 7	H158975	4H17	3	170 - 3
H156360	4D2	51	140 - 19	H157617	4G23	4	160 - 11	H158975	4H19	8	170 - 5
H156363	3C2	17	90 - 27	H157617	4H2	4	160 - 15	H158975	4I10	5	170 - 21
H156390	3C6	42	90 - 31	H157696	4G19	16	160 - 7	H159011	2I24	11	80 - 23
H156390	4H23	2	170 - 9	H157696	4G23	4	160 - 11	H159011	4E13	19	150 - 5
H156513	2D21	3	60 - 5	H157698	2B12	6	50 - 9	H159083	2I16	15	80 - 15
H156514	2D21	1	60 - 5	H157716	4H11	4	160 - 25	H159104	4F20	2	150 - 38
H156576	3E18	23	100 - 27	H157718	4H11	6	160 - 25	H159144	3D3	4	95 - 3
H156578	3E18	28	100 - 27	H157740	3I17	6	120 - 13	H159224	1B3	5	20 - 1
H156579	3E18	25	100 - 27	H157740	3I19	11	120 - 15	H159224	1B5	44	20 - 3
H156580	3E18	16	100 - 27	H157741	3I23	6	120 - 19	H159280	2I14	12	80 - 13
H156711	3J9	15	125 - 5	H157742	3I23	6	120 - 19	H159281	2I22	6	80 - 21
H156717	3I13	2	120 - 9	H157743	3I17	7	120 - 13	H159304	2J2	2	80 - 25
H156718	3I13	2	120 - 9	H157743	3I19	12	120 - 15	H159305	2J2	13	80 - 25
H156800	3I11	5	120 - 7	H157744	3I23	7	120 - 19	H159342	4I15	..	170 - 26
H156801	3I11	6	120 - 7	H157752	3I19	6	120 - 15	H159343	4I15	..	170 - 26
H156850	3E4	9	100 - 13	H157762	3J13	6	125 - 9	H159344	4I15	..	170 - 26
H156850	3F13	23	100 - 47	H157866	1E23	9	30 - 21	H159347	4I15	..	170 - 26
H156863	3D19	12	100 - 3	H157868	4G19	8	160 - 7	H159348	4I15	..	170 - 26
H156863	3E4	10	100 - 13	H157915	4I16	..	170 - 27	H159349	4I15	..	170 - 26
H156863	4I22	6	170 - 33	H157916	4I14	..	170 - 25	H159533	3E14	11	100 - 23
H156936	1H16	1	40 - 71	H157967	3G8	2	110 - 13	H159534	3E14	19	100 - 23
H156936	3F11	1	100 - 45	H157984	4I16	..	170 - 27	H159613	3E18	18	100 - 27
H157042	4B15	22	130 - 15	H157985	4I14	..	170 - 25	H159614	3E18	27	100 - 27
H157043	3J7	12	125 - 3	H158010	4I16	..	170 - 27	H159636	3D5	26	95 - 5
H157044	3J7	11	125 - 3	H158011	4I14	..	170 - 25	H159743	3D3	8	95 - 3
H157101	2G20	11B	70 - 43	H158043	4I16	..	170 - 27	H159784	4F8	2	150 - 25
H157102	2G20	1	70 - 43	H158044	4I14	..	170 - 25	H159791	2B13	11	50 - 10
H157103	4B15	24	130 - 15	H158045	4I16	..	170 - 27	H159806	1F14	7	40 - 13
H157109	4B4	20	130 - 3	H158046	4I14	..	170 - 25	H159815	4D16	19	140 - 35
H157192	3J13	2	125 - 9	H158047	4I16	..	170 - 27	H159815	4D18	12	140 - 37
H157196	3J13	11	125 - 9	H158048	4I14	..	170 - 25	H159818	3D19	37	100 - 3
H157282	3I9	48	120 - 5	H158052	4I16	..	170 - 27	H159825	3H19	24	110 - 51
H157292	4I16	..	170 - 27	H158053	4I14	..	170 - 25	H159887	4G23	15	160 - 11
H157293	4I14	..	170 - 25	H158067	1E19	19	30 - 17	H159958	3H21	6	110 - 53
H157312	4I16	..	170 - 27	H158292	1H22	5	40 - 77	H159958	3H23	6	110 - 55
H157313	4I14	..	170 - 25	H158387	3G17	11	110 - 23	H159975	3E14	2	100 - 23
H157319	4I14	..	170 - 25	H158423	2J19	29	80 - 43	H159975	3E16	13	100 - 25
H157320	4I16	..	170 - 27	H158443	2J19	18	80 - 43	H160024	1B25	6	20 - 23
H157321	4I14	..	170 - 25	H158525	3D5	16	95 - 5	H160187	2I10	6	80 - 9
H157322	4I16	..	170 - 27	H158575	3D19	7	100 - 3	H160249	2J3	..	80 - 27
H157323	4I14	..	170 - 25	H158578	3F7	9	100 - 41	H160265	2I4	30	80 - 3
H157326	4I16	..	170 - 27	H158596	2F12	9	70 - 9	H160269	4I14	..	170 - 25
H157327	4I14	..	170 - 25	H158614	2I8	2	80 - 7	H160270	4I14	..	170 - 25
H157328	4I16	..	170 - 27	H158615	3J21	9	125 - 17	H160367	1B16	1	20 - 14

NUMERICAL INDEX - CONTINUED

PART NO.	GRID	KEY	PAGE	PART NO.	GRID	KEY	PAGE	PART NO.	GRID	KEY	PAGE
H160368	1B15	3	20 - 13	H161167	3C14	27	90 - 39	H162812	3I2	7	110 - 59
H160405	1B15	4	20 - 13	H161171	2I14	5	80 - 13	H162812	3I4	10	110 - 61
H160405	4I20	1	170 - 31	H161206	4I13	..	170 - 24	H162994	3I2	12	110 - 59
H160406	1B5	45	20 - 3	H161208	4I12	..	170 - 23	H163106	3I2	20	110 - 59
H160406	4I20	3	170 - 31	H161208	4I14	..	170 - 25	H163106	4I22	8	170 - 33
H160448	4I14	..	170 - 25	H161208	4I16	..	170 - 27	H163123	4D2	52	140 - 19
H160476	3B6	1A	90 - 5	H161209	4I12	..	170 - 23	H163133	1B3	4	20 - 1
H160476	3B6	1B	90 - 5	H161209	4I13	..	170 - 24	H163182	3F4	7	100 - 37
H160476	3B6	3B	90 - 5	H161209	4I14	..	170 - 25	H163211	2D6	19	50 - 57
H160476	3B6	5B	90 - 5	H161209	4I16	..	170 - 27	H163216	4G12	2	155 - 15
H160701	4I4	7	170 - 15	H161270	4C25	20	140 - 17	H163216	4I2	7	170 - 13
H160715	3J25	28	125 - 21	H161289	3C21	4	90 - 47	H163216	4I4	11	170 - 15
H160729	3B12	10	90 - 11	H161293	4C25	20	140 - 17	H163235	4I2	3	170 - 13
H160733	2I8	8	80 - 7	H161297	2I14	6	80 - 13	H163279	4D2	1	140 - 19
H160774	3H21	18	110 - 53	H161342	3J11	1	125 - 7	H163391	3D8	3	95 - 8
H160774	3H23	18	110 - 55	H161342	3J13	18	125 - 9	H163397	3D3	3	95 - 3
H160775	3H21	18	110 - 53	H161346	3J13	13	125 - 9	H163401	3C25	11	90 - 51
H160775	3H23	18	110 - 55	H161354	1E19	9	30 - 17	H163491	2B14	6	50 - 11
H160776	3H21	18	110 - 53	H161388	3F7	15	100 - 41	H163498	3D3	22	95 - 3
H160776	3H23	18	110 - 55	H161415	4F19	18	150 - 37	H163515	1H3	3	40 - 57
H160777	3H21	18	110 - 53	H161524	2J19	3	80 - 43	H163515	4I18	1	170 - 29
H160777	3H23	18	110 - 55	H161529	4F12	19	150 - 29	H163557	3E6	5	100 - 15
H160778	3H21	25	110 - 53	H161529	4F14	8	150 - 31	H163561	2B7	3	50 - 4
H160778	3H23	25	110 - 55	H161529	4F19	33	150 - 37	H163604	3F4	14	100 - 37
H160779	3H21	25	110 - 53	H161534	2C2	1	50 - 25	H163652	1B21	2	20 - 19
H160779	3H23	25	110 - 55	H161540	2C2	30	50 - 25	H163692	2C2	23	50 - 25
H160780	3H21	25	110 - 53	H161541	2C2	29	50 - 25	H163693	2C2	23	50 - 25
H160780	3H23	25	110 - 55	H161542	2C2	29	50 - 25	H163694	2C2	9	50 - 25
H160781	3H21	25	110 - 53	H161543	2C2	29	50 - 25	H163726	3D19	23	100 - 3
H160781	3H23	25	110 - 55	H161544	3F7	20	100 - 41	H163726	3F17	11	100 - 51
H160791	3H21	15	110 - 53	H161550	3C14	11	90 - 39	H163726	4C22	8	140 - 13
H160795	4I11	..	170 - 22	H161575	1C2	4	20 - 25	H163745	2C2	29	50 - 25
H160796	4I16	..	170 - 27	H161581	3J13	14	125 - 9	H163757	3J19	1	125 - 15
H160797	4I14	..	170 - 25	H161618	1I4	8	40 - 84	H163787	4F12	12	150 - 29
H160799	3C2	8	90 - 27	H161629	2C2	27	50 - 25	H163841	2J23	16	80 - 47
H160805	3H23	15	110 - 55	H161648	3D19	12	100 - 3	H163845	2J23	17	80 - 47
H160808	3H23	20	110 - 55	H161648	3E4	10	100 - 13	H163866	3I4	7	110 - 61
H160810	3H21	12	110 - 53	H161648	4I22	6	170 - 33	H163920	3K10	13	125 - 31
H160810	3H23	12	110 - 55	H161834	1E19	23	30 - 17	H163921	3K10	12	125 - 31
H160814	3H21	2	110 - 53	H161871	2C2	6	50 - 25	H163999	4G19	12	160 - 7
H160814	3H23	2	110 - 55	H161937	3C14	30	90 - 39	H164000	4G23	7	160 - 11
H160869	3F7	9	100 - 41	H161938	3C14	30	90 - 39	H164000	4H2	6	160 - 15
H160880	1H11	11	40 - 65	H161939	3C14	30	90 - 39	H164001	4G19	15	160 - 7
H160880	3H19	21	110 - 51	H161940	3C14	30	90 - 39	H164001	4G23	3	160 - 11
H160880	4B17	18	130 - 17	H162004	1B15	25	20 - 13	H164001	4H2	3	160 - 15
H160953	3D21	11	100 - 5	H162011	1E19	3	30 - 17	H164002	4G19	18	160 - 7
H160978	2I10	1	80 - 9	H162055	3C4	42	90 - 29	H164002	4G23	17	160 - 11
H160989	3H19	3	110 - 51	H162132	1G25	6	40 - 53	H164002	4H2	13	160 - 15
H160990	3H19	16	110 - 51	H162138	1B11	13	20 - 9	H164009	3E24	17	100 - 33
H160991	3H19	15	110 - 51	H162320	3F2	3	100 - 35	H164009	3F13	38	100 - 47
H160994	3G8	27	110 - 13	H162401	3E8	23	100 - 17	H164018	3E24	19	100 - 33
H161023	3B18	6	90 - 17	H162401	3E10	23	100 - 19	H164018	3F13	39	100 - 47
H161062	3H21	5	110 - 53	H162410	3E16	36	100 - 25	H164212	4F19	13	150 - 37
H161062	3H23	5	110 - 55	H162559	3C12	1	90 - 37	H164213	4F19	25	150 - 37
H161063	3H21	5	110 - 53	H162560	3C12	2	90 - 37	H164218	2J19	37	80 - 43
H161063	3H23	5	110 - 55	H162569	3C4	41	90 - 29	H164222	3G10	30	110 - 15
H161064	3H21	5	110 - 53	H162572	4E13	44	150 - 5	H164260	3C14	31	90 - 39
H161064	3H23	5	110 - 55	H162584	2F12	7	70 - 9	H164404	4E11	1	150 - 3
H161088	3K10	18	125 - 31	H162585	2F12	8	70 - 9	H164494	3J2	49	120 - 23
H161112	4I11	..	170 - 22	H162629	4D2	25	140 - 19	H164508	2I6	12	80 - 5
H161126	3B10	19	90 - 9	H162629	4D12	3	140 - 31	H164536	1G21	11	40 - 49
H161128	1H24	5	40 - 79	H162629	4I20	5	170 - 31	H164537	3E24	4	100 - 33
H161130	1H25	5	40 - 80	H162686	3I2	4	110 - 59	H164537	4H17	6	170 - 3
H161155	1B25	10	20 - 23	H162704	3I2	8	110 - 59	H164537	4H19	9	170 - 5
H161163	3C14	17	90 - 39	H162727	3I4	18	110 - 61	H164556	3J19	3	125 - 15
H161165	3C14	28	90 - 39	H162727	4I22	3	170 - 33	H164559	2E21	1	60 - 31
H161166	3C14	33	90 - 39	H162748	3B8	19	90 - 7	H164561	2E21	5	60 - 31

NUMERICAL INDEX - CONTINUED

PART NO.	GRID	KEY	PAGE	PART NO.	GRID	KEY	PAGE	PART NO.	GRID	KEY	PAGE
H164562	2E21	10	60 - 31	H165662	2B7	11	50 - 4	H167446	4I14	..	170 - 25
H164572	2I14	9	80 - 13	H165663	2B7	11	50 - 4	H167447	4I16	..	170 - 27
H164605	4C9	1	130 - 34	H165667	2B24	6	50 - 22	H167451	3E8	1	100 - 17
H164612	1B15	23	20 - 13	H165668	2B24	6	50 - 22	H167451	3E10	1	100 - 19
H164702	3D3	19	95 - 3	H165678	1E17	7	30 - 15	H167587	3I7	24	120 - 3
H164771	1E23	19	30 - 21	H165689	3B14	10	90 - 13	H167654	3E12	18	100 - 21
H164794	2B23	20	50 - 21	H165689	3C25	6	90 - 51	H167655	3E8	18	100 - 17
H164796	3J7	13	125 - 3	H165690	3C14	7	90 - 39	H167655	3E10	18	100 - 19
H164808	1B5	8	20 - 3	H165690	3C25	10	90 - 51	H167667	3J13	21	125 - 9
H164849	1E23	16	30 - 21	H165691	2G14	11	70 - 37	H167680	3C23	3	90 - 49
H164854	1B21	1	20 - 19	H165691	3B18	3	90 - 17	H167681	3C23	7	90 - 49
H164870	3I7	9	120 - 3	H165691	3C25	13	90 - 51	H167686	2I24	7A	80 - 23
H164870	4I22	7	170 - 33	H165691	3D7	4	95 - 7	H167691	4I2	6	170 - 13
H164872	1G25	5	40 - 53	H165693	3C4	11	90 - 29	H167691	4I13	..	170 - 24
H164896	3K1	5	125 - 22	H165693	3C6	24	90 - 31	H167691	4I14	..	170 - 25
H164952	3C14	3	90 - 39	H165693	3C25	9	90 - 51	H167691	4I16	..	170 - 27
H165155	2I20	3	80 - 19	H165700	2I20	17	80 - 19	H167716	3J13	8	125 - 9
H165170	4I12	..	170 - 23	H165708	3G25	15	110 - 31	H167717	3J13	8	125 - 9
H165174	4I12	..	170 - 23	H165708	4I24	3	170 - 35	H167717	4G4	23	155 - 7
H165175	4I12	..	170 - 23	H165728	3B25	3	90 - 25	H167719	4I2	12	170 - 13
H165176	4I12	..	170 - 23	H165731	2J21	1	80 - 45	H167722	2C2	27	50 - 25
H165177	4I12	..	170 - 23	H165732	2J21	2	80 - 45	H167723	2C2	12	50 - 25
H165178	4I12	..	170 - 23	H166136	3G25	19	110 - 31	H167728	2I16	24A	80 - 15
H165179	4I12	..	170 - 23	H166137	4C25	22	140 - 17	H167815	3E8	10	100 - 17
H165180	4I12	..	170 - 23	H166148	2F15	3	70 - 12	H167815	3E10	10	100 - 19
H165181	4I12	..	170 - 23	H166179	3D3	7	95 - 3	H167815	3E12	4	100 - 21
H165182	4I12	..	170 - 23	H166201	2B24	7	50 - 22	H167830	2I24	17	80 - 23
H165183	4I12	..	170 - 23	H166216	3D24	11	100 - 9	H167835	4I2	9	170 - 13
H165184	4I12	..	170 - 23	H166313	3F11	6	100 - 45	H167838	4I4	12	170 - 15
H165186	4I12	..	170 - 23	H166375	2D14	3	50 - 65	H167840	4I4	19	170 - 15
H165188	4I12	..	170 - 23	H166395	1B11	6	20 - 9	H167842	4I2	13	170 - 13
H165190	4I12	..	170 - 23	H166421	2G6	5	70 - 29	H167843	4I4	5	170 - 15
H165191	4I12	..	170 - 23	H166431	2B5	12	50 - 2	H167912	3B18	4	90 - 17
H165192	4I12	..	170 - 23	H166431	2C21	18	50 - 47	H167941	3J25	3	125 - 21
H165193	4I12	..	170 - 23	H166437	1B5	42	20 - 3	H167970	2C2	23	50 - 25
H165197	4I12	..	170 - 23	H166461	2H24	2	70 - 72	H167971	2C2	23	50 - 25
H165199	4I12	..	170 - 23	H166461	3I4	38	110 - 61	H167988	2D25	17	60 - 9
H165215	3B10	18	90 - 9	H166499	1G25	9	40 - 53	H168019	3J25	42	125 - 21
H165243	4B17	16	130 - 17	H166834	2J19	33	80 - 43	H168067	4C25	24	140 - 17
H165247	4I4	2	170 - 15	H166838	3C14	18	90 - 39	H168068	3H17	23	110 - 49
H165249	3B10	21	90 - 9	H166839	3C14	13	90 - 39	H168069	3H17	24	110 - 49
H165252	1I3	7	40 - 83	H166840	3C14	14	90 - 39	H168070	3H17	25	110 - 49
H165252	1I5	1	40 - 85	H166870	1H5	3	40 - 59	H168071	3H17	26	110 - 49
H165282	2J23	11	80 - 47	H166870	4I18	1	170 - 29	H168072	3H17	21	110 - 49
H165284	4I12	..	170 - 23	H166878	1H5	2	40 - 59	H168073	3H17	16	110 - 49
H165285	4I12	..	170 - 23	H166949	4I4	16	170 - 15	H168074	3H17	18	110 - 49
H165317	3F9	20	100 - 43	H166959	3C14	20	90 - 39	H168075	3H17	18	110 - 49
H165320	2I12	14	80 - 11	H166971	3E4	21	100 - 13	H168076	3H17	18	110 - 49
H165400	3B12	2	90 - 11	H166971	3F7	16	100 - 41	H168077	3H17	18	110 - 49
H165411	1G25	10	40 - 53	H167006	2J19	27	80 - 43	H168078	3H17	18	110 - 49
H165444	2I16	6A	80 - 15	H167091	2J19	26	80 - 43	H168080	3H17	17	110 - 49
H165444	2I18	12A	80 - 17	H167092	2J19	2	80 - 43	H168083	1B9	13	20 - 7
H165444	2I24	14	80 - 23	H167127	4B13	7	130 - 13	H168125	3D24	14	100 - 9
H165447	4C25	7	140 - 17	H167133	2J5	21	80 - 29	H168126	3D19	7	100 - 3
H165447	4D2	32	140 - 19	H167134	2J5	4	80 - 29	H168133	3C2	20	90 - 27
H165463	3D21	39	100 - 5	H167159	1B11	4	20 - 9	H168166	2B7	1	50 - 4
H165464	3D21	37	100 - 5	H167164	2J19	22	80 - 43	H168170	2F17	7	70 - 15
H165490	3B14	11	90 - 13	H167171	2J19	38	80 - 43	H168170	2F19	7	70 - 17
H165508	2B23	4	50 - 21	H167173	3C18	2	90 - 43	H168170	2F21	7	70 - 19
H165510	2B7	17	50 - 4	H167174	3C18	2	90 - 43	H168171	2F17	20	70 - 15
H165510	2B8	10	50 - 5	H167223	2J23	13	80 - 47	H168171	2F19	20	70 - 17
H165510	2B24	4	50 - 22	H167311	2G6	6	70 - 29	H168171	2F21	20	70 - 19
H165542	3G21	20	110 - 27	H167325	2I4	24	80 - 3	H168256	1B5	41	20 - 3
H165570	4I12	..	170 - 23	H167329	2I4	25	80 - 3	H168278	3F9	19	100 - 43
H165571	4I12	..	170 - 23	H167337	3B18	19	90 - 17	H168359	1C2	5B	20 - 25
H165585	1E19	15	30 - 17	H167375	2B17	5	50 - 14	H168359	1C2	6	20 - 25
H165587	1E19	21	30 - 17	H167390	3K1	2	125 - 22	H168374	2J23	23	80 - 47

NUMERICAL INDEX - CONTINUED

PART NO.	GRID	KEY	PAGE	PART NO.	GRID	KEY	PAGE	PART NO.	GRID	KEY	PAGE
H168424	4G2	1	155-5	H169634	3B14	13	90-13	H171061	3G17	6	110-23
H168433	3B18	17	90-17	H169634	3B18	21	90-17	H171061	3G21	22	110-27
H168461	4I2	8	170-13	H169652	3J25	3	125-21	H171061	3H25	23	110-57
H168461	4I4	18	170-15	H169733	1B7	24	20-5	H171061	3I4	29	110-61
H168476	2B13	10	50-10	H169765	4I4	21	170-15	H171061	3K6	12	125-27
H168476	2E19	20	60-29	H169793	2J21	10	80-45	H171061	4D10	13	140-29
H168476	2E21	22	60-31	H169794	2J21	9	80-45	H171061	4D16	15	140-35
H168499	4C25	16	140-17	H169864	3C2	2	90-27	H171061	4E7	13	140-51
H168578	3J11	13	125-7	H169865	3J25	4	125-21	H171079	4I13	..	170-24
H168724	1E17	28	30-15	H169896	2I24	21	80-23	H171081	4I13	..	170-24
H168726	2I16	7	80-15	H169900	2I20	6	80-19	H171082	4I13	..	170-24
H168732	1H16	13	40-71	H169900	2I20	23	80-19	H171092	3I4	16	110-61
H168732	1H16	17	40-71	H169989	2J19	36	80-43	H171093	4I2	5	170-13
H168732	3E18	35	100-27	H170072	2B9	2	50-6	H171116	2C9	18	50-32
H168732	3F11	13	100-45	H170072	2B10	5	50-7	H171184	3J13	25	125-9
H168744	2B7	1	50-4	H170072	2B12	1	50-9	H171206	3F7	5	100-41
H168751	1B13	17	20-11	H170072	4H11	7	160-25	H171224	3C2	..	90-27
H168752	1B13	8	20-11	H170073	3C2	28	90-27	H171285	3C12	3	90-37
H168755	3C14	24	90-39	H170105	4I11	..	170-22	H171311	4I4	20	170-15
H168757	3C14	25	90-39	H170106	4I15	..	170-26	H171312	3F7	25	100-41
H168781	3B18	2	90-17	H170115	4I11	..	170-22	H171318	3E24	1	100-33
H168809	2I18	6	80-17	H170116	4I15	..	170-26	H171325	4I8	7	170-19
H168811	2I24	5	80-23	H170117	4I11	..	170-22	H171339	4I8	3	170-19
H168811	4E13	10	150-5	H170118	4I15	..	170-26	H171360	4I8	2	170-19
H168812	2I24	15	80-23	H170141	4E7	25	140-51	H171383	4I8	4	170-19
H168870	3D7	1	95-7	H170143	4E7	19	140-51	H171385	4E17	31	150-9
H168871	3D7	6	95-7	H170211	2D12	22	50-63	H171386	3F13	41	100-47
H168898	2C2	27	50-25	H170211	4I6	7	170-17	H171386	4I22	10	170-33
H168924	1H21	2	40-76	H170272	2I14	2	80-13	H171513	3F13	45	100-47
H168924	3H19	20	110-51	H170272	2I14	17	80-13	H171533	3F13	19	100-47
H168924	3J2	33	120-23	H170272	2I20	6	80-19	H171555	1G13	4	40-41
H168933	2E1	6	60-10	H170272	2I20	24	80-19	H171624	4I4	15	170-15
H168961	2C4	15	50-27	H170303	4C17	43	140-7	H171636	3E24	5	100-33
H168984	2J19	6	80-43	H170344	3K1	3	125-22	H171636	3F13	1	100-47
H168985	2J19	19	80-43	H170357	4G17	2	160-5	H171960	3F9	4B	100-43
H168986	3D3	15	95-3	H170373	3C2	15	90-27	H171963	2I16	8A	80-15
H168988	2C4	16	50-27	H170382	3C4	7	90-29	H171963	2I18	7A	80-17
H168988	2C11	23	50-35	H170484	2I20	25A	80-19	H171963	2I24	2A	80-23
H168994	3D24	2	100-9	H170552	4G19	10	160-7	H171977	2J9	21	80-33
H169023	3J13	22	125-9	H170577	2J2	11	80-25	H171998	2E10	36	60-19
H169067	3C14	23	90-39	H170578	2J2	19	80-25	H172003	3B5	4	90-3
H169070	2J23	14	80-47	H170634	1H11	9	40-65	H172045	3J13	32	125-9
H169082	3B18	9	90-17	H170645	3D19	3	100-3	H172113	4G4	21	155-7
H169083	3B18	8	90-17	H170654	3C18	17	90-43	H172116	3J21	3	125-17
H169087	3D3	16	95-3	H170654	4H19	11	170-5	H172116	3J25	30	125-21
H169128	2E21	6	60-31	H170670	4F19	46	150-37	H172142	3F15	10	100-49
H169173	1C2	12	20-25	H170718	4G21	2	160-9	H172162	3G21	21	110-27
H169194	3B8	7	90-7	H170737	3E20	3	100-29	H172177	3E24	14	100-33
H169230	4I11	..	170-22	H170781	3D21	25	100-5	H172177	3F13	27	100-47
H169231	4I15	..	170-26	H170799	4I12	..	170-23	H172197	1G13	20	40-41
H169283	4I11	..	170-22	H170800	4I12	..	170-23	H172197	3C19	20	90-45
H169292	2J19	21	80-43	H170804	4I12	..	170-23	H172205	2I20	20	80-19
H169344	4H25	1	170-11	H170823	3K8	6	125-29	H172222	3F9	24	100-43
H169348	4I4	3	170-15	H170833	3D3	25	95-3	H172258	2I14	4	80-13
H169348	4I13	..	170-24	H170912	3C2	3A	90-27	H172267	3D19	20	100-3
H169348	4I14	..	170-25	H170967	3J17	14	125-13	H172308	2J2	16	80-25
H169348	4I16	..	170-27	H170967	3J17	20	125-13	H172309	2J2	17	80-25
H169403	3B14	9	90-13	H170982	4I8	6	170-19	H172337	1B7	1	20-5
H169447	4I6	3	170-17	H171004	3J13	7	125-9	H172439	4B15	11	130-15
H169493	4I4	4	170-15	H171004	4G4	10	155-7	H172460	3F11	14	100-45
H169509	2H14	5	70-61	H171006	3J25	9	125-21	H172470	3F2	20	100-35
H169512	3B12	15	90-11	H171011	3C16	21	90-41	H172471	3F2	2	100-35
H169516	4H21	3	170-7	H171030	4C25	2	140-17	H172473	3F2	19	100-35
H169518	2H24	3	70-72	H171059	2I4	10	80-3	H172474	3F2	16	100-35
H169549	1E11	9	30-9	H171061	1B5	48	20-3	H172528	3J25	46	125-21
H169549	1E14	11	30-12	H171061	1B15	16	20-13	H172549	1I4	5	40-84
H169613	3B8	8	90-7	H171061	3E6	4	100-15	H172664	2J19	36	80-43

NUMERICAL INDEX - CONTINUED

PART NO.	GRID	KEY	PAGE	PART NO.	GRID	KEY	PAGE	PART NO.	GRID	KEY	PAGE
H172665	2J19	29	80 - 43	H173742	2I18	7A	80 - 17	H63289	2G22	10	70 - 45
H172667	3E18	34	100 - 27	H173742	2I18	7B	80 - 17	H64374	3J2	21	120 - 23
H172736	2J19	31	80 - 43	H173742	2I24	2A	80 - 23	H64374	4B19	29	130 - 19
H172742	2I20	5	80 - 19	H173742	2I24	2B	80 - 23	H64376	3G4	1	110 - 9
H172760	3C2	10	90 - 27	H173743	2I16	23	80 - 15	H64376	3G6	1	110 - 11
H172923	2D21	20	60 - 5	H173743	2I18	16	80 - 17	H64376	4D3	15	140 - 21
H172924	2D21	14	60 - 5	H173743	2I24	24	80 - 23	H64376	4E17	2	150 - 9
H172944	3C21	12	90 - 47	H173784	2I16	24A	80 - 15	H64584	4E11	7	150 - 3
H173009	3H15	3	110 - 47	H173784	2I16	24B	80 - 15	H64612	2J21	15	80 - 45
H173011	4F19	41	150 - 37	H173793	3D5	16	95 - 5	H64612	3K10	10	125 - 31
H173035	1E19	23	30 - 17	H173824	4I11	..	170 - 22	H64813	2C13	24	50 - 37
H173071	4I15	..	170 - 26	H173849	4I11	..	170 - 22	H748DA	4D16	8	140 - 35
H173072	4I15	..	170 - 26	H173885	4I11	..	170 - 22	H75267	4C24	5	140 - 15
H173075	4I15	..	170 - 26	H173904	3E20	3	100 - 29	H75358	2B19	30	50 - 17
H173077	4I15	..	170 - 26	H173908	4I11	..	170 - 22	H75358	3D21	46	100 - 5
H173080	4I15	..	170 - 26	H173916	4I11	..	170 - 22	H75385	4C17	37	140 - 7
H173081	4I15	..	170 - 26	H173917	4I11	..	170 - 22	H75423	2B5	10	50 - 2
H173082	4I15	..	170 - 26	H173918	4I11	..	170 - 22	H75423	2C21	17	50 - 47
H173083	4I15	..	170 - 26	H174011	1E17	12	30 - 15	H75541	1B23	8	20 - 21
H173084	4I15	..	170 - 26	H174025	2B5	12	50 - 2	H75541	2G16	2	70 - 39
H173086	4I15	..	170 - 26	H174025	2C21	18	50 - 47	H75541	2H17	6	70 - 65
H173087	4I15	..	170 - 26	H174047	2I20	29	80 - 19	H75541	4E21	18	150 - 13
H173088	4I15	..	170 - 26	H174078	4I11	..	170 - 22	H75700	2B17	7	50 - 14
H173090	4I15	..	170 - 26	H174081	2E21	10	60 - 31	H75716	3K4	35	125 - 25
H173093	4I15	..	170 - 26	H174086	4I11	..	170 - 22	H75952	3J9	22	125 - 5
H173094	4I15	..	170 - 26	H174129	2J2	25	80 - 25	H75952	3J9	32	125 - 5
H173096	4I15	..	170 - 26	H174140	2B13	1	50 - 10	H76064	1G21	7	40 - 49
H173098	4I15	..	170 - 26	H174140	2B14	3	50 - 11	H76083	3E14	28	100 - 23
H173099	4I15	..	170 - 26	H174162	1E19	19	30 - 17	H76083	3J11	10	125 - 7
H173100	4I15	..	170 - 26	H174192	3C2	3B	90 - 27	H76083	3J25	18	125 - 21
H173101	4I15	..	170 - 26	H174266	4I10	1	170 - 21	H76152	2B16	7	50 - 13
H173102	4I15	..	170 - 26	H174283	2I24	7A	80 - 23	H76863	4E15	5	150 - 7
H173103	4I15	..	170 - 26	H174283	2I24	7B	80 - 23	H76933	4B19	23	130 - 19
H173104	4I15	..	170 - 26	H174284	4I12	..	170 - 23	H77698	2H21	17	70 - 69
H173106	4I15	..	170 - 26	H174284	4I13	..	170 - 24	H77698	3F7	14	100 - 41
H173111	4I4	4	170 - 15	H174284	4I14	..	170 - 25	H77698	3G23	7	110 - 29
H173218	2E23	5	60 - 33	H174284	4I16	..	170 - 27	H78340	2G20	4	70 - 43
H173223	4E17	37	150 - 9	H174357	4I15	..	170 - 26	H78340	2H21	31	70 - 69
H173241	4H17	7	170 - 3	H174361	2E21	8	60 - 31	H79910	4C17	7	140 - 7
H173257	2I16	26	80 - 15	H174617	3G8	15	110 - 13	H80440	2E17	4	60 - 26
H173257	2I20	28	80 - 19	H174617	3G10	32	110 - 15	H80753	3C4	35	90 - 29
H173258	2I20	25A	80 - 19	H175330	3J11	25	125 - 7	H80821	2F10	10	70 - 7
H173258	2I20	25B	80 - 19	H175540	3I21	1	120 - 17	H80821	2G18	11	70 - 41
H173293	4I11	..	170 - 22	H175547	3E14	2	100 - 23	H80926	3H9	1	110 - 41
H173294	4I15	..	170 - 26	H175547	3E16	13	100 - 25	H81330	4E13	5	150 - 5
H173334	4I14	..	170 - 25	H175590	3G15	5	110 - 21	H81461	2D25	30	60 - 9
H173335	4I16	..	170 - 27	H175703	3E14	4	100 - 23	H82232	2B19	3	50 - 17
H173336	4I11	..	170 - 22	H176083	3C14	18	90 - 39	H82232	3D21	43	100 - 5
H173337	4I12	..	170 - 23	H176465	2B8	12	50 - 5	H82233	2B19	4	50 - 17
H173451	3E14	34	100 - 23	H176871	3G21	19	110 - 27	H82233	3D21	42	100 - 5
H173451	3E16	41	100 - 25	H22784	2C2	15	50 - 25	H82234	2B19	2	50 - 17
H173460	2I16	6A	80 - 15	H23196	1B21	5	20 - 19	H82234	3D21	44	100 - 5
H173460	2I16	6B	80 - 15	H25099	4D24	6	140 - 43	H82619	4C17	41	140 - 7
H173460	2I18	12A	80 - 17	H26552	3K6	16	125 - 27	H83285	1B7	10	20 - 5
H173460	2I18	12B	80 - 17	H28031	4F21	7	150 - 39	H83795	4B19	21	130 - 19
H173508	3F13	11	100 - 47	H33456	3G21	13	110 - 27	H84026	3E22	4	100 - 31
H173574	4I12	..	170 - 23	H35712	1E21	6	30 - 19	H84374	3F2	10	100 - 35
H173578	4I12	..	170 - 23	H36155	3J2	48	120 - 23	H84375	2B13	3	50 - 10
H173597	4I12	..	170 - 23	H36221	3B10	10	90 - 9	H84375	2B14	2	50 - 11
H173616	3C21	12	90 - 47	H36256	3C4	48	90 - 29	H84942	3E22	18	100 - 31
H173630	4I12	..	170 - 23	H63271	2C6	3	50 - 29	H84948	3C8	16	90 - 33
H173634	4I12	..	170 - 23	H63271	2C8	17	50 - 31	H84990	4B17	2	130 - 17
H173644	2J19	33	80 - 43	H63271	2C9	26	50 - 32	H85015	3K4	22	125 - 25
H173702	4I11	..	170 - 22	H63271	2C13	2	50 - 37	H85184	2I6	6	80 - 5
H173723	2J2	26	80 - 25	H63288	2C14	13	50 - 38	H85184	2I12	13	80 - 11
H173742	2I16	8A	80 - 15	H63289	2C9	3	50 - 32	H85184	3J3	7	120 - 24
H173742	2I16	8B	80 - 15	H63289	2C14	14	50 - 38	H85233	3B8	5	90 - 7

NUMERICAL INDEX - CONTINUED

PART NO.	GRID	KEY	PAGE	PART NO.	GRID	KEY	PAGE	PART NO.	GRID	KEY	PAGE
H86760	3K2	10	125 - 23	H97410	3F17	15	100 - 51	JD5592	4I6	11	170 - 17
H86775	1B9	1	20 - 7	H97513	4D16	4	140 - 35	JD5920	1I4	13	40 - 84
H86783	3H25	13	110 - 57	H97574	3K4	19	125 - 25	JD5920	4I6	5	170 - 17
H86783	3I4	3	110 - 61	H98111	3B5	2	90 - 3	JD5920	4I6	8	170 - 17
H86783	4E7	18	140 - 51	H98301	3H13	4	110 - 45	JD5921	1I4	14	40 - 84
H86896	4H25	5	170 - 11	H98654	3F13	42	100 - 47	JD5921	4I6	5	170 - 17
H871R	3D21	4	100 - 5	H98655	3E2	27	100 - 11	JD5922	1I4	12	40 - 84
H871R	3D24	4	100 - 9	H987R	1G13	7	40 - 41	JD5922	4I6	5	170 - 17
H871R	4D5	8	140 - 23	H987R	3B10	17	90 - 9	JD5922	4I6	9	170 - 17
H87206	4D18	28	140 - 37	H99147	1B5	48	20 - 3	JD5927	4H21	7	170 - 7
H87691	2B7	6	50 - 4	H99147	1B15	16	20 - 13	JD7147	1B18	4	20 - 16
H87691	2B8	4	50 - 5	H99147	3E6	4	100 - 15	JD7228	2C2	26	50 - 25
H87691	4G15	10	160 - 3	H99147	3G17	6	110 - 23	JD7278	2C2	25	50 - 25
H87691	4H7	3	160 - 21	H99147	3G21	22	110 - 27	JD7278	2C2	28	50 - 25
H88355	3G21	14	110 - 27	H99147	3H25	23	110 - 57	JD7292	4C24	12	140 - 15
H88771	4C17	44	140 - 7	H99147	3I4	29	110 - 61	JD7297	2C13	19	50 - 37
H88773	3D3	6	95 - 3	H99147	3K6	12	125 - 27	JD7298	2C2	19	50 - 25
H88773	3J9	17	125 - 5	H99147	4D10	13	140 - 29	JD7298	4G24	5	160 - 12
H89241	4C15	3	140 - 5	H99147	4D16	15	140 - 35	JD7366	4H5	16	160 - 19
H89297	3E2	6	100 - 11	H99147	4E7	13	140 - 51	JD7378	4C24	11	140 - 15
H89515	4D24	12	140 - 43	H99149	3G4	3	110 - 9	JD7395	4C24	24	140 - 15
H89525	4D18	29	140 - 37	H99149	3G6	4	110 - 11	JD7418	4C24	23	140 - 15
H89544	2I4	13	80 - 3	H99149	4D3	12	140 - 21	JD7425	2B23	9	50 - 21
H89617	3D21	6	100 - 5	H99264	2D21	19	60 - 5	JD7425	3H21	8	110 - 53
H89617	3D24	6	100 - 9	H99294	3C4	46	90 - 29	JD7425	3H23	8	110 - 55
H91205	3J2	11	120 - 23	H99303	3E18	10	100 - 27	JD7441	4D5	29	140 - 23
H91228	4B19	8	130 - 19	H99613	4F4	2	150 - 21	JD7448	2C16	9	50 - 41
H91315	3D7	5	95 - 7	H99923	2E17	4	60 - 26	JD7448	2E21	14	60 - 31
H91788	4D24	13	140 - 43	IPSKIT1	1C9	..	25 - 2	JD7502	2B23	3	50 - 21
H91796	4B19	11	130 - 19	JD10010	3D24	15	100 - 9	JD7678	3D21	38	100 - 5
H92308	2B23	21	50 - 21	JD10011	3D24	21	100 - 9	JD7681	3G25	3	110 - 31
H93084	3F7	13	100 - 41	JD10018	3F7	4	100 - 41	JD7681	3J17	13	125 - 13
H93399	1B15	22	20 - 13	JD10020	3E18	17	100 - 27	JD7689	3J17	11	125 - 13
H93399	4D22	26	140 - 41	JD10032	4D5	45	140 - 23	JD7759	2B5	13	50 - 2
H93630	4D2	23	140 - 19	JD10058	1B17	1	20 - 15	JD7759	2E19	18	60 - 29
H93631	4D2	22	140 - 19	JD10134	2C2	4	50 - 25	JD7759	3F7	10	100 - 41
H93645	4D3	3	140 - 21	JD10135	2C2	5	50 - 25	JD7759	3G4	11	110 - 9
H93864	3G19	9	110 - 25	JD10182	2B19	24	50 - 17	JD7759	3G6	11	110 - 11
H93927	3F17	24	100 - 51	JD10214	4D5	30	140 - 23	JD7759	3G13	20	110 - 19
H94167	3J2	43	120 - 23	JD10266	2C2	18	50 - 25	JD7759	4D3	9	140 - 21
H94386	4D8	13	140 - 27	JD10266	4G24	4	160 - 12	JD7759	4D10	1	140 - 29
H94950	2E19	17	60 - 29	JD10285	3G19	10	110 - 25	JD7759	4D12	4	140 - 31
H94951	2E19	8	60 - 29	JD10312	2G20	9	70 - 43	JD7759	4D22	5	140 - 41
H95273	4I11	..	170 - 22	JD10342	3G4	7	110 - 9	JD7759	4E17	19	150 - 9
H95417	3D19	32	100 - 3	JD10342	3G6	7	110 - 11	JD7759	4G19	13	160 - 7
H95417	3F17	16	100 - 51	JD10342	4D3	6	140 - 21	JD7759	4G23	1	160 - 11
H95499	3E2	16	100 - 11	JD10343	3G4	8	110 - 9	JD7759	4H2	1	160 - 15
H95547	2B13	5	50 - 10	JD10343	3G6	8	110 - 11	JD7760	2C2	8	50 - 25
H95902	2D21	18	60 - 5	JD10343	4D3	13	140 - 21	JD7763	4G17	3	160 - 5
H96149	4E17	7	150 - 9	JD10384	3J7	8	125 - 3	JD7781	4E25	2	150 - 17
H96169	4E17	1	150 - 9	JD10387	4B17	4	130 - 17	JD7781	4F4	12	150 - 21
H96226	4D12	14	140 - 31	JD10401	2C2	26	50 - 25	JD7788	1B15	26	20 - 13
H96227	4D12	12	140 - 31	JD10462	2C16	8	50 - 41	JD7788	2G20	17	70 - 43
H96232	4D12	13	140 - 31	JD10462	2E21	20	60 - 31	JD7788	3G13	22	110 - 19
H96267	4E17	6	150 - 9	JD37125	4H3	4	160 - 16	JD7788	3I2	22	110 - 59
H96294	4E17	14	150 - 9	JD37125	4H5	13	160 - 19	JD7788	3I9	2	120 - 5
H96645	4F10	17	150 - 27	JD39102	1B5	38	20 - 3	JD7788	4D2	53	140 - 19
H96652	4E25	12	150 - 17	JD39102	3J9	5	125 - 5	JD7788	4D12	6	140 - 31
H96652	4F6	7	150 - 23	JD39102	4E4	6	140 - 47	JD7797	2E17	3	60 - 26
H96652	4F8	7	150 - 25	JD39102	4E4	14	140 - 47	JD7797	3H13	2	110 - 45
H96869	2E19	3	60 - 29	JD39103	3K4	5	125 - 25	JD7797	3K4	20	125 - 25
H97306	4D2	38	140 - 19	JD39103	3K8	15	125 - 29	JD7797	4C17	26	140 - 7
H97308	3D19	16	100 - 3	JD39104	4F12	20	150 - 29	JD7797	4C22	2	140 - 13
H97322	3E20	12	100 - 29	JD39104	4F14	9	150 - 31	JD7797	4C24	30	140 - 15
H97322	3E22	17	100 - 31	JD39104	4F19	34	150 - 37	JD7797	4D5	25	140 - 23
H97378	3F7	5	100 - 41	JD39106	3J9	11	125 - 5	JD7797	4D18	38	140 - 37
H97410	3D19	33	100 - 3	JD39109	4D18	53	140 - 37	JD7798	2E21	15	60 - 31

NUMERICAL INDEX - CONTINUED

PART NO.	GRID	KEY	PAGE	PART NO.	GRID	KEY	PAGE	PART NO.	GRID	KEY	PAGE
JD7798	3D19	13	100 - 3	JD9076	2C8	9	50 - 31	M41029	2G18	2	70 - 41
JD7798	4D2	26	140 - 19	JD9076	3H21	16	110 - 53	M4237T	2C8	14	50 - 31
JD7798	4H5	19	160 - 19	JD9076	3H23	16	110 - 55	M43518	2C8	31	50 - 31
JD7799	2C21	11	50 - 47	JD9078	4C24	2	140 - 15	M43649	2D19	23	60 - 3
JD7799	2E21	17	60 - 31	JD9092	2C2	4	50 - 25	M43835	1F7	2	40 - 5
JD7839	4D10	10	140 - 29	JD9109	2C16	18	50 - 41	M44269	3G11	3	110 - 16
JD7844	4B17	5	130 - 17	JD9109	2E21	18	60 - 31	M45123	4D6	3	140 - 25
JD7845	3G4	9	110 - 9	JD9113	2C13	19	50 - 37	M47293	1F19	11	40 - 19
JD7845	3G6	9	110 - 11	JD9121	4H3	7	160 - 16	M48000	2C8	2	50 - 31
JD7845	3G13	17	110 - 19	JD9132	4C21	3	140 - 11	M48000	2C11	15	50 - 35
JD7845	3G19	18	110 - 25	JD9132	4C21	27	140 - 11	M48869	2F10	23	70 - 7
JD7845	3H13	10	110 - 45	JD9133	2C8	9	50 - 31	M48869	2G18	4	70 - 41
JD7845	4D3	11	140 - 21	JD9133	3H21	17	110 - 53	M61266	1G15	8	40 - 43
JD7846	4D18	5	140 - 37	JD9133	3H23	17	110 - 55	M63707	2C24	13	50 - 51
JD7846	4D22	15	140 - 41	JD9147	2C2	5	50 - 25	M63707	4C15	39	140 - 5
JD7847	2C16	14	50 - 41	JD9201	3F17	23	100 - 51	M63707	4D5	17	140 - 23
JD8103	3H21	7	110 - 53	JD9201	3G13	13	110 - 19	M64720	3E16	37	100 - 25
JD8103	3H23	7	110 - 55	JD9201	3I2	3	110 - 59	M68701	1G13	5	40 - 41
JD8147	2B23	8	50 - 21	JD9202	3F17	25	100 - 51	M68701	2I16	22	80 - 15
JD8162	4C17	14	140 - 7	JD9219	3J15	5	125 - 11	M68701	2I18	15	80 - 17
JD8162	4C19	24	140 - 9	JD9273	3J2	24	120 - 23	M68701	2I24	4	80 - 23
JD8182	2B21	17	50 - 19	JD9276	3I2	5	110 - 59	M71770	3K1	1	125 - 22
JD8182	3H21	24	110 - 53	JD9301	3F15	4	100 - 49	M72490	1D14	4	25 - 35
JD8182	3H23	23	110 - 55	JD9313	3K2	6	125 - 23	M72490	1E7	10	30 - 5
JD8206	4C17	15	140 - 7	JD9313	3K4	11	125 - 25	M72598	3E8	9	100 - 17
JD8206	4C19	23	140 - 9	JD9356	3F15	7	100 - 49	M72598	3E10	9	100 - 19
JD8206	4C21	32	140 - 11	JD9373	3E18	20	100 - 27	M72598	3E12	5	100 - 21
JD8206	4H5	17	160 - 19	JD9373	4F10	4	150 - 27	M72598	3E16	6	100 - 25
JD8210	4C24	8	140 - 15	JD9434	3G13	15	110 - 19	M72598	3I19	9	120 - 15
JD8222	2C2	28	50 - 25	JD9434	3H13	7	110 - 45	M72598	4C9	3	130 - 34
JD8223	2B21	18	50 - 19	JD9442	4B19	13	130 - 19	M800578	3D21	36	100 - 5
JD8228	3H21	23	110 - 53	JD9490	3I9	6	120 - 5	M80082	1H18	9	40 - 73
JD8228	3H23	24	110 - 55	J13683	3H25	7	110 - 57	M80082	3J25	43	125 - 21
JD8237	2B19	23	50 - 17	J16931	1B5	21	20 - 3	M80082	4G8	5	155 - 11
JD8237	2E19	13	60 - 29	J16931	1B7	26	20 - 5	M84309	3G15	14	110 - 21
JD8239	4D5	3	140 - 23	J16931	1B15	24	20 - 13	M84309	3K8	32	125 - 29
JD8255	4C24	3	140 - 15	J16931	2I16	25	80 - 15	M84309	4E11	25	150 - 3
JD8257	2B19	5	50 - 17	J16931	2I20	27	80 - 19	M84309	4E13	32	150 - 5
JD8258	2E19	11	60 - 29	J16931	2I24	25	80 - 23	M84971	1B11	..	20 - 9
JD8267	2B21	5	50 - 19	J16931	4E17	39	150 - 9	M90451	1B5	46	20 - 3
JD8524	4E17	8	150 - 9	J16931	4F17	13	150 - 35	M91405	2I16	20	80 - 15
JD8551	3E22	26	100 - 31	J16931	4F19	40	150 - 37	M91405	2I18	2	80 - 17
JD8552	3E22	10	100 - 31	J18468	4F10	23	150 - 27	M93425	2I12	4	80 - 11
JD8554	3J2	17	120 - 23	J21022	3K4	15	125 - 25	M93425	3E8	13	100 - 17
JD8554	4B19	7	130 - 19	J2375M	2G10	1	70 - 33	M93425	3E10	13	100 - 19
JD8554	4F10	13	150 - 27	J2375M	2G12	3	70 - 35	M93425	3E12	11	100 - 21
JD8563	4B19	14	130 - 19	K40003	4F10	10	150 - 27	N10145	4C25	5	140 - 17
JD8576	3F15	8	100 - 49	L113023	3B12	13	90 - 11	N102039	1D19	..	25 - 41
JD8576	4B17	10	130 - 17	L1730N	3E2	3	100 - 11	N102039	2B16	9	50 - 13
JD8662	3H25	8	110 - 57	L29041	4C17	3	140 - 7	N10217	2E10	13	60 - 19
JD8665	3J2	31	120 - 23	L29042	4C17	3	140 - 7	N10217	2H2	4	70 - 49
JD8665	4B19	3	130 - 19	L29043	4C17	3	140 - 7	N10217	2H4	16	70 - 51
JD8665	4F10	16	150 - 27	L29044	4C17	3	140 - 7	N10217	2H6	12	70 - 53
JD8668	4D2	16	140 - 19	L3483N	2H21	23	70 - 69	N10217	2H8	6	70 - 55
JD8669	4D2	14	140 - 19	L36230	4E23	14	150 - 15	N10217	2H10	10	70 - 57
JD8676	4C19	17	140 - 9	L38238	1G9	9	40 - 37	N110085	3K4	29	125 - 25
JD8819	3D24	41	100 - 9	L64995	4I12	..	170 - 23	N110085	3K6	7	125 - 27
JD8902	2E19	14	60 - 29	M1007T	3D21	40	100 - 5	N110085	4I20	7	170 - 31
JD8952	2E19	10	60 - 29	M111701	1B5	20	20 - 3	N115096	1F7	11	40 - 5
JD8960	4D5	4	140 - 23	M112271	4E17	38	150 - 9	N121116	3G23	1	110 - 29
JD8979	2B21	6	50 - 19	M112639	4C6	15	130 - 31	N126584	2C8	18	50 - 31
JD9007	4C21	9	140 - 11	M131544	4E23	23	150 - 15	N126585	2C6	6	50 - 29
JD9043	2C16	19	50 - 41	M15973	4B19	29	130 - 19	N126586	2C11	13	50 - 35
JD9043	2E21	12	60 - 31	M18356	3D3	26	95 - 3	N126600	2C8	10	50 - 31
JD9058	4H3	8	160 - 16	M2353T	4D10	15	140 - 29	N126601	2C9	7	50 - 32
JD9075	4C21	2	140 - 11	M40613	4B23	16	130 - 23	N126602	2C8	27	50 - 31
JD9075	4C21	26	140 - 11	M41029	2B19	35	50 - 17	N126603	2C8	1	50 - 31

NUMERICAL INDEX - CONTINUED

PART NO.	GRID	KEY	PAGE	PART NO.	GRID	KEY	PAGE	PART NO.	GRID	KEY	PAGE
N126612	2C6	11	50-29	PF80152	4G6	1	155-9	RE12363	1F21	46	40-21
N126612	2C13	33	50-37	PF80156	4G2	7	155-5	RE12363	1F21	47	40-21
N126641	2C11	10	50-35	PF80173	1H18	4	40-73	RE12363	1F21	54	40-21
N126644	2C8	39	50-31	PF80173	4G8	3	155-11	RE12363	1F21	55	40-21
N126654	2C14	4	50-38	PF80174	1H18	6	40-73	RE12363	1F21	57	40-21
N12679	2E4	26	60-13	PF80174	4G8	4	155-11	RE12363	1F21	58	40-21
N12679	4H9	26	160-23	PF80209	4G2	3	155-5	RE12363	1F21	63	40-21
N128541	2C14	5	50-38	PF80314	4F24	1	155-3	RE12363	1F24	3	40-25
N130510	2C14	8	50-38	PF80316	4G2	7	155-5	RE12363	1F24	8	40-25
N139123	4C24	26	140-15	PF80334	4G11	2	155-14	RE12363	1F24	9	40-25
N14822	2D6	18	50-57	PF80335	4G11	1	155-14	RE12363	1G2	3	40-29
N15764	3J15	4	125-11	PF80338	4G11	3	155-14	RE12363	1G2	8	40-29
N165696	3G17	17	110-23	PF80339	4G12	3	155-15	RE12363	1G2	9	40-29
N165696	4D20	11	140-39	PF80339	4G12	4	155-15	RE12363	1G5	34	40-33
N191174	2C6	14	50-29	PF80339	4G12	5	155-15	RE12363	1G7	4	40-35
N191174	2C13	29	50-37	PF80370	4G2	8	155-5	RE12363	1G9	11	40-37
N196034	2C6	16	50-29	PF90091	4G2	..	155-5	RE12363	1G11	15	40-39
N196034	2C13	27	50-37	PM797NA	1F9	57	40-7	RE12363	1G19	1	40-47
N197422	2B23	13	50-21	PM797NA	1F11	40	40-9	RE12363	1G20	2	40-48
N199920	2B17	2	50-14	PT2314	3B6	4	90-5	RE12363	1G21	6	40-49
N205022	2F4	10	70-1	P43969	2B19	25	50-17	RE12363	1H14	6	40-68
N206575	2I14	11	80-13	P44439	4B19	2	130-19	RE12363	2G14	13	70-37
N209312	2F4	5	70-1	P45750	2H14	2	70-61	RE12363	4C15	15	140-5
N218670	1G7	9	40-35	P46369	2C2	22	50-25	RE12363	4G6	16	155-9
N276474	2C2	23	50-25	P46402	3E6	1	100-15	RE12364	1F5	16	40-3
N276475	2C2	23	50-25	P46402	3F13	20	100-47	RE12364	1F19	14	40-19
N276699	2B12	6	50-9	P46402	3G17	8	110-23	RE12364	1F19	15	40-19
N31772	2C24	8	50-51	P46402	3H25	20	110-57	RE12364	1F24	18	40-25
N31772	4C15	45	140-5	P46402	3I4	32	110-61	RE12364	1G2	19	40-29
N34986	2G18	12	70-41	P46402	3I7	7	120-3	RE12364	4G4	17	155-7
N52258	3I9	7	120-5	P46402	3K6	9	125-27	RE12365	1F5	20	40-3
N61654	3E6	13	100-15	P46402	4D8	8	140-27	RE12365	1F16	29	40-15
N61654	4D8	3	140-27	P46402	4D16	12	140-35	RE12366	1F5	25	40-3
N61709	3H11	21	110-43	P46402	4D20	15	140-39	RE12366	1F16	34	40-15
N61709	4E13	40	150-5	P46402	4E7	11	140-51	RE12366	1H11	1	40-65
N71921	4E17	4	150-9	P46770	4C17	4	140-7	RE151331	3B22	16	90-21
N71922	3D24	20	100-9	P46874	3F15	5	100-49	RE153074	3D3	18	95-3
N72306	3H13	17	110-45	P46874	3J17	10	125-13	RE154318	3D8	4	95-8
N72989	4F4	15	150-21	P47159	2I4	17	80-3	RE154319	3D8	2	95-8
N72989	4F10	1	150-27	P48347	1H16	7	40-71	RE155577	1B19	6	20-17
PF10034	4G6	3	155-9	P48347	2C9	17	50-32	RE160416	1G23	6	40-51
PF10035	4G6	17	155-9	P48347	2F4	4	70-1	RE160421	1G23	6	40-51
PF10106	1H18	8	40-73	P48347	3F11	7	100-45	RE160425	1G23	6	40-51
PF10106	4G6	8	155-9	P48403	2C8	30	50-31	RE21364	1F16	33	40-15
PF10123	4F24	8	155-3	P48691	4D2	28	140-19	RE21790	1E14	9	30-12
PF10134	4F24	2	155-3	P49604	3I7	11	120-3	RE21790	1E15	4	30-13
PF10135	4F24	3	155-3	P49604	4I22	7	170-33	RE22642	2C16	16	50-41
PF10144	4G12	1	155-15	P5403H	3G6	3	110-11	RE22764	1C21	5	25-15
PF10173	4G4	9	155-7	RE10258	1E9	4	30-7	RE24045	1D3	11	25-22
PF10218	1H18	12	40-73	RE11156	1F9	36	40-7	RE24046	1D3	13	25-22
PF10218	4G6	6	155-9	RE11157	1F9	37	40-7	RE24307	2F12	3	70-9
PF10240	4F24	5	155-3	RE12325	2E22	11	60-32	RE27837	2C19	5	50-44
PF10349	4G6	12	155-9	RE12325	2E23	7	60-33	RE28217	1E7	20	30-5
PF10350	4G4	4	155-7	RE12326	2E22	1	60-32	RE32824	2C16	10	50-41
PF10350	4G4	21	155-7	RE12326	2E23	1	60-33	RE32856	1D14	12	25-35
PF80000	4G4	1	155-7	RE12330	1F5	14	40-3	RE33336	2C16	..	50-41
PF80016	4F24	..	155-3	RE12331	1F5	12	40-3	RE33336	2C18	..	50-43
PF80022	1H18	7	40-73	RE12332	1F5	18	40-3	RE33337	2C16	..	50-41
PF80022	4G6	7	155-9	RE12333	1F5	21	40-3	RE33337	2C18	..	50-43
PF80045	4G6	4	155-9	RE12334	1F5	8	40-3	RE33338	2C16	..	50-41
PF80047	4G4	3	155-7	RE12362	1F5	4	40-3	RE33338	2C18	..	50-43
PF80058	4G6	2	155-9	RE12363	1F5	11	40-3	RE33339	2C16	..	50-41
PF80136	4G10	2	155-13	RE12363	1F19	10	40-19	RE33339	2C18	..	50-43
PF80137	4G11	2	155-14	RE12363	1F19	12	40-19	RE33636	1E14	8	30-12
PF80139	4G11	1	155-14	RE12363	1F19	26	40-19	RE34128	1E9	4	30-7
PF80150	4G2	8	155-5	RE12363	1F21	39	40-21	RE35161	3B16	1	90-15
PF80152	1H18	1	40-73	RE12363	1F21	42	40-21	RE36151	1E8	4	30-6

NUMERICAL INDEX - CONTINUED

PART NO.	GRID	KEY	PAGE	PART NO.	GRID	KEY	PAGE	PART NO.	GRID	KEY	PAGE
RE39131	2C18	6	50-43	RE57152	1E10	5	30-8	RE69844	1D17	9	25-39
RE39134	1D17	12	25-39	RE57152	1E10	13	30-8	RE70486	1H9	12	40-63
RE40048	1E25	4	30-23	RE57153	1E10	10	30-8	RE70487	1H9	10	40-63
RE42195	4G10	8	155-13	RE57154	1D17	13	25-39	RE70689	1C13	1	25-7
RE42196	4G10	11	155-13	RE57167	1C16	7	25-10	RE70689	1C15	1	25-9
RE43526	3B22	5	90-21	RE57167	1C18	7	25-12	RE70756	1H9	6	40-63
RE46375	1E9	6	30-7	RE57170	1C20	3	25-14	RE70773	1F19	30	40-19
RE46609	3D11	..	95-11	RE57172	1C19	3	25-13	RE70773	1G11	20	40-39
RE46962	3C6	31	90-31	RE57172	1C20	3	25-14	RE70957	1H9	7	40-63
RE47120	1E5	11	30-3	RE57173	1C20	3	25-14	RE71121	1H20	2	40-75
RE48310	1E14	5	30-12	RE57175	1C20	2	25-14	RE71255	1D12	20	25-33
RE48321	1E14	3	30-12	RE57177	1C19	5	25-13	RG24026	1D2	..	25-21
RE49243	2C16	1	50-41	RE57177	1C20	2	25-14	RV702A	2D19	25	60-3
RE49243	2E21	2	60-31	RE57178	1C20	2	25-14	RV810A	3J11	3	125-7
RE49266	3H21	10	110-53	RE57186	1D25	19	25-49	RV810A	3J13	17	125-9
RE49266	3H23	9	110-55	RE57187	1D25	38	25-49	RV810A	3J25	14	125-21
RE500186	1E17	20	30-15	RE57190	1D17	2	25-39	R100569	1D7	10	25-27
RE500187	1E17	21	30-15	RE57394	1D12	9	25-33	R100569	1D8	1	25-28
RE500216	1D15	1	25-36	RE57561	1D12	1	25-33	R100569	1D25	31	25-49
RE500318	1D14	11	25-35	RE57561	1D22	10	25-45	R100727	2C16	21	50-41
RE500803	1E5	21	30-3	RE57604	1E1	6	25-50	R100747	1D22	18	25-45
RE500934	1E1	1	25-50	RE57750	1D2	18	25-21	R100911	1D25	2	25-49
RE501513	1C16	6	25-10	RE58780	1C18	9	25-12	R10093	3D9	14	95-9
RE501737	1D2	15	25-21	RE58781	1C19	9	25-13	R10093	3D10	5	95-10
RE501970	1E5	17	30-3	RE60546	1D8	2	25-28	R102882	1D2	5	25-21
RE502154	1D17	9	25-39	RE60577	1E7	16	30-5	R104587	1C17	3	25-11
RE502154	1D17	11	25-39	RE60622	1D7	15	25-27	R104587	1C18	2	25-12
RE502404	1E7	1	30-5	RE61253	1C18	4	25-12	R104587	1C19	2	25-13
RE502510	1C22	4	25-16	RE61253	1C20	1	25-14	R104589	1C24	6	25-18
RE502932	1E5	7	30-3	RE61267	1C18	9	25-12	R104592	1C11	12	25-5
RE502933	1E5	6	30-3	RE61268	1C19	9	25-13	R104592	1D20	1	25-42
RE503234	1E7	1	30-5	RE61658	1E7	24	30-5	R104621	1D12	18	25-33
RE503234	1H1	4	40-54	RE61693	1E13	13	30-11	R104628	1D7	14	25-27
RE503256	1E5	20	30-3	RE61851	1C19	4	25-13	R104628	1D8	3	25-28
RE503256	1E11	6	30-9	RE61851	1C20	1	25-14	R104656	1C23	9	25-17
RE503528	1C16	8	25-10	RE62718	4H3	2	160-16	R104656	1C24	5	25-18
RE504121	1B23	7	20-21	RE62719	4G24	2	160-12	R104846	4G6	20	155-9
RE504122	1B23	7	20-21	RE62776	1D25	3	25-49	R104846	4G10	6	155-13
RE504139	1E13	2	30-11	RE62777	1D25	4	25-49	R104859	1C23	5	25-17
RE504195	1C18	3	25-12	RE62791	1C15	1	25-9	R104919	4G6	27	155-9
RE504198	1C18	5	25-12	RE62791	1C16	10	25-10	R104919	4G10	10	155-13
RE504202	1C15	1	25-9	RE63439	1D14	2	25-35	R104927	1G5	6	40-33
RE504203	1C13	1	25-7	RE63439	1D14	15	25-35	R104927	1G5	31	40-33
RE504635	1E7	2	30-5	RE63932	1E23	6	30-21	R105346	1D22	11	25-45
RE51052	3D11	2	95-11	RE64134	1D22	12	25-45	R105346	1D25	14	25-49
RE51234	1G5	43	40-33	RE64767	1D22	2	25-45	R107890	3C12	10	90-37
RE52454	3D11	1	95-11	RE65265	1E9	1	30-7	R108699	1E10	7	30-8
RE52504	1E17	2	30-15	RE65407	1C16	10	25-10	R108700	1E10	8	30-8
RE52506	3D13	1	95-13	RE65787	1E13	5	30-11	R108701	1E10	9	30-8
RE52507	3D14	1	95-14	RE65814	3D10	10	95-10	R109625	1D9	1	25-29
RE52508	3D13	3	95-13	RE65815	3D3	5	95-3	R109625	1D25	32	25-49
RE52509	3D15	1	95-15	RE65815	3D5	10	95-5	R110126	1C24	2	25-18
RE52510	3D13	2	95-13	RE65816	3C2	11	90-27	R110126	1D3	15	25-22
RE52702	1C2	6	20-25	RE66000	1E7	3	30-5	R11086	1C23	6	25-17
RE54244	1E13	10	30-11	RE66351	1D22	2	25-45	R11086	1D17	5	25-39
RE54245	1E13	12	30-11	RE67013	1F14	5	40-13	R111156	3F4	5	100-37
RE55475	1D2	19	25-21	RE67014	1F14	8	40-13	R111692	1H16	3	40-71
RE55475	1D25	11	25-49	RE67015	1F14	6	40-13	R111692	3F11	3	100-45
RE55522	1C17	5	25-11	RE67934	1E7	9	30-5	R111995	2C16	1	50-41
RE56165	1H16	9	40-71	RE68495	1F14	1	40-13	R112053	1C24	7	25-18
RE56165	3F11	9	100-45	RE68715	1H7	4	40-61	R112195	3H21	9	110-53
RE57054	1C24	3	25-18	RE68722	1H7	2	40-61	R112195	3H23	10	110-55
RE57148	1E5	5	30-3	RE68767	1D22	5	25-45	R112268	1H7	17	40-61
RE57149	1E5	3	30-3	RE68767	1D23	8	25-46	R112679	1H16	5	40-71
RE57150	1E5	2	30-3	RE68844	1D22	9	25-45	R112679	3F11	5	100-45
RE57151	1E5	1	30-3	RE69581	1D19	16	25-41	R11278	3B6	5A	90-5
RE57152	1E5	14	30-3	RE69704	1H9	7	40-63	R112857	2C6	12	50-29

NUMERICAL INDEX - CONTINUED

PART NO.	GRID	KEY	PAGE	PART NO.	GRID	KEY	PAGE	PART NO.	GRID	KEY	PAGE
R112857	2C13	32	50 - 37	R121347	1C20	3	25 - 14	R131950	1B17	3	20 - 15
R113050	3D10	3	95 - 10	R121350	1C19	5	25 - 13	R132290	1D20	2	25 - 42
R113050	3D12	2	95 - 12	R121350	1C20	2	25 - 14	R132396	1D10	2	25 - 30
R113164	1B20	3	20 - 18	R121351	1C20	2	25 - 14	R132981	1H5	5	40 - 59
R113364	3B25	16	90 - 25	R121354	1C19	5	25 - 13	R133998	1D19	14	25 - 41
R114022	1E17	12	30 - 15	R121354	1C20	2	25 - 14	R134010	1H7	14	40 - 61
R114023	1E17	11	30 - 15	R121355	1C20	2	25 - 14	R134138	3B25	19	90 - 25
R114130	1C11	2	25 - 5	R121489	1D2	10	25 - 21	R134602	1D10	4	25 - 30
R114130	1E7	8	30 - 5	R121490	1D2	7	25 - 21	R135423	1H7	11	40 - 61
R114130	1H9	14	40 - 63	R121491	1D2	6	25 - 21	R135509	1H9	11	40 - 63
R114160	1D19	4	25 - 41	R121765	1C11	3	25 - 5	R135510	1H9	9	40 - 63
R114203	3B25	17	90 - 25	R121765	1C13	1	25 - 7	R135728	1B19	1	20 - 17
R114837	1H7	3	40 - 61	R121765	1D15	2	25 - 36	R135895	1D14	7	25 - 35
R115129	1C23	3	25 - 17	R122364	1C11	20	25 - 5	R136083	1D3	3	25 - 22
R115471	1C13	1	25 - 7	R122419	1D2	18	25 - 21	R136320	1D2	3	25 - 21
R115742	3D11	..	95 - 11	R122430	1D17	11	25 - 39	R150659	3B25	40	90 - 25
R115743	3D13	4	95 - 13	R122492	1D2	18	25 - 21	R150660	3B25	25	90 - 25
R116081	1C16	7	25 - 10	R122595	1D23	2	25 - 46	R154320	3D8	5	95 - 8
R116081	1C19	7	25 - 13	R122618	1D22	14	25 - 45	R159807	3D5	11	95 - 5
R116082	1C20	3	25 - 14	R122653	1C18	9	25 - 12	R1612R	1C11	10	25 - 5
R116083	1C20	3	25 - 14	R122654	1C19	9	25 - 13	R1818R	2B17	4	50 - 14
R116084	1C18	4	25 - 12	R12363	1F16	2	40 - 15	R1964R	4D22	22	140 - 41
R116084	1C20	2	25 - 14	R12363	1F16	3	40 - 15	R20135	4D10	3	140 - 29
R116085	1C18	4	25 - 12	R12363	1F16	9	40 - 15	R21612	2D25	27	60 - 9
R116085	1C18	5	25 - 12	R12363	1F16	18	40 - 15	R21722	4H13	12	160 - 27
R116085	1C20	2	25 - 14	R12365	1G20	5	40 - 48	R26058	1C21	4	25 - 15
R116233	1D9	2	25 - 29	R124030	1D25	..	25 - 49	R26058	1D25	33	25 - 49
R116311	1C17	4	25 - 11	R124186	1D12	13	25 - 33	R26079	1D3	8	25 - 22
R116311	1C18	8	25 - 12	R124211	1D19	6	25 - 41	R26081	1D3	2	25 - 22
R116311	1C19	8	25 - 13	R124211	1D25	8	25 - 49	R26192	3C6	28	90 - 31
R116311	1E1	2	25 - 50	R124328	1D7	15	25 - 27	R26192	3C6	30	90 - 31
R116718	1D7	12	25 - 27	R124381	1C20	1	25 - 14	R26207	2B16	6	50 - 13
R116718	1D9	6	25 - 29	R124607	1D19	15	25 - 41	R26265	2B21	7	50 - 19
R117060	1D25	37	25 - 49	R124607	1D25	7	25 - 49	R26333	1E1	4	25 - 50
R117073	1D12	6	25 - 33	R124741	1D17	21	25 - 39	R26375	2B17	10	50 - 14
R117569	3B25	20	90 - 25	R124842	1C19	4	25 - 13	R26375	2C21	12	50 - 47
R119132	1D2	12	25 - 21	R124842	1C20	1	25 - 14	R26375	2D12	1	50 - 63
R119223	1E13	11	30 - 11	R124859	3B25	18	90 - 25	R26375	2E8	5	60 - 17
R119383	1D17	4	25 - 39	R124859	3B25	21	90 - 25	R26375	2E10	1	60 - 19
R119383	1D25	20	25 - 49	R124898	3B25	26	90 - 25	R26375	2F4	9	70 - 1
R119384	1C23	2	25 - 17	R124903	3B25	38	90 - 25	R26375	2F6	1	70 - 3
R119384	1D25	22	25 - 49	R124963	1B19	3	20 - 17	R26375	2F24	4	70 - 22
R119795	1D17	13	25 - 39	R125025	1D17	1	25 - 39	R26375	2G8	1	70 - 31
R119847	1D12	12	25 - 33	R125025	1D19	12	25 - 41	R26375	2G10	10	70 - 33
R119847	1D25	28	25 - 49	R125027	1C21	3	25 - 15	R26375	2G12	8	70 - 35
R120187	1D22	13	25 - 45	R125072	1D17	22	25 - 39	R26375	2H4	5	70 - 51
R120461	4C24	9	140 - 15	R126337	1D9	5	25 - 29	R26375	2H6	3	70 - 53
R120646	1D25	13	25 - 49	R126355	3C2	26	90 - 27	R26375	2H10	20	70 - 57
R120752	1C17	2	25 - 11	R127181	1E10	11	30 - 8	R26375	2H12	9	70 - 59
R120752	1C18	1	25 - 12	R127224	3B25	34	90 - 25	R26375	2H23	14	70 - 71
R120752	1C19	1	25 - 13	R127297	1D10	11	25 - 30	R26375	3D21	20	100 - 5
R120872	1C24	3	25 - 18	R127873	1D14	2	25 - 35	R26375	3D24	33	100 - 9
R120953	1C11	21	25 - 5	R127873	1D14	16	25 - 35	R26375	3D24	39	100 - 9
R120954	1C11	21	25 - 5	R128232	3B25	28	90 - 25	R26375	3F4	3	100 - 37
R121163	1D10	8	25 - 30	R128662	1B3	8	20 - 1	R26375	3F5	1	100 - 38
R121164	1E7	6	30 - 5	R128694	1D12	2	25 - 33	R26375	3J17	15	125 - 13
R121193	1D2	13	25 - 21	R128893	1B19	5	20 - 17	R26375	4C15	2	140 - 5
R121195	1E7	5	30 - 5	R129820	1D12	10	25 - 33	R26375	4C24	32	140 - 15
R121316	1D17	10	25 - 39	R129821	1D12	16	25 - 33	R26375	4E21	8	150 - 13
R121320	1D2	8	25 - 21	R130573	1D20	4	25 - 42	R26375	4H13	15	160 - 27
R121338	1C16	7	25 - 10	R130988	3B25	37	90 - 25	R26448	1E9	3	30 - 7
R121338	1C18	7	25 - 12	R130989	3B25	39	90 - 25	R26448	1E17	31	30 - 15
R121342	1C19	3	25 - 13	R130990	3B25	29	90 - 25	R26448	2C9	20	50 - 32
R121342	1C20	3	25 - 14	R131002	1H7	12	40 - 61	R26448	2C11	19	50 - 35
R121343	1C20	3	25 - 14	R131003	1H7	10	40 - 61	R26448	2C13	11	50 - 37
R121346	1C19	3	25 - 13	R131890	1H7	16	40 - 61	R26448	2C24	27	50 - 51
R121346	1C20	3	25 - 14	R131949	1B17	2	20 - 15	R26448	2D8	10	50 - 59

NUMERICAL INDEX - CONTINUED

PART NO.	GRID	KEY	PAGE	PART NO.	GRID	KEY	PAGE	PART NO.	GRID	KEY	PAGE
R26448	2E8	14	60 - 17	R28776	4C15	4	140 - 5	R38131	4D5	36	140 - 23
R26448	2E16	1	60 - 25	R28782	2C8	36	50 - 31	R39081	3D21	16	100 - 5
R26448	2F4	12	70 - 1	R28782	2C14	10	50 - 38	R39081	3D24	16	100 - 9
R26448	2F10	20	70 - 7	R28782	2C16	24	50 - 41	R39112	2C21	13	50 - 47
R26448	2F17	3	70 - 15	R28782	2C24	29	50 - 51	R39112	3D22	8	100 - 6
R26448	2F19	3	70 - 17	R28782	2D8	17	50 - 59	R39112	3D24	37	100 - 9
R26448	2F21	3	70 - 19	R28782	2F22	31	70 - 20	R39112	3D24	40	100 - 9
R26448	2F22	28	70 - 20	R28782	2G2	20	70 - 25	R394R	2B19	7	50 - 17
R26448	2F24	8	70 - 22	R28782	2G4	19	70 - 27	R394R	3D22	3	100 - 6
R26448	2G2	27	70 - 25	R28782	2H15	6	70 - 63	R39554	3C6	3	90 - 31
R26448	2G8	23	70 - 31	R28782	3F5	9	100 - 38	R39554	3C6	8	90 - 31
R26448	2G16	11	70 - 39	R28782	4C15	14	140 - 5	R39741	1B23	2	20 - 21
R26448	2G22	17	70 - 45	R28811	1C22	3	25 - 16	R39741	1C11	6	25 - 5
R26448	2H8	19	70 - 55	R29936	2D6	14	50 - 57	R39876	2C16	5	50 - 41
R26448	2H10	27	70 - 57	R29936	2D13	9	50 - 64	R40236	1D9	4	25 - 29
R26448	2H15	9	70 - 63	R29936	2E8	12	60 - 17	R40915	1H16	6	40 - 71
R26448	3D24	39	100 - 9	R29936	2F6	15	70 - 3	R41076	1H16	2	40 - 71
R26448	4C13	9	140 - 3	R29936	2F6	24	70 - 3	R41076	3F11	2	100 - 45
R26448	4C15	10	140 - 5	R29936	2F8	15	70 - 5	R41934	1C17	1	25 - 11
R26448	4E21	7	150 - 13	R29936	2G20	22	70 - 43	R41934	1C18	6	25 - 12
R26448	4F17	14	150 - 35	R29936	2G24	2	70 - 47	R41934	1C19	6	25 - 13
R26501	3C4	30	90 - 29	R29936	2H19	5	70 - 67	R42009	2E2	6	60 - 11
R26524	3C4	32	90 - 29	R29936	2H21	13	70 - 69	R42340	1C11	9	25 - 5
R26559	1D3	4	25 - 22	R30378	1F9	43	40 - 7	R42729	1B18	2	20 - 16
R26650	2C16	15	50 - 41	R30399	2E19	15	60 - 29	R42926	2C24	1	50 - 51
R26650	2C18	5	50 - 43	R30903	2C8	19	50 - 31	R42926	4C15	38	140 - 5
R26650	4H5	11	160 - 19	R30903	2G4	14	70 - 27	R43305	4C17	6	140 - 7
R26748	1D3	12	25 - 22	R31378	3F7	2	100 - 41	R43383	3I15	16	120 - 11
R26871	1H16	4	40 - 71	R31674	2C24	24	50 - 51	R43383	3I21	20	120 - 17
R26871	3F11	4	100 - 45	R32011	1F11	8	40 - 9	R43409	1C11	1	25 - 5
R26906	2C8	6	50 - 31	R32016	1F11	10	40 - 9	R43621	1C11	13	25 - 5
R26906	2C14	2	50 - 38	R32017	1F11	11	40 - 9	R43660	1D12	9A	25 - 33
R26906	2F6	14	70 - 3	R32017	1F16	16	40 - 15	R44302	1G21	9	40 - 49
R26906	2F8	1	70 - 5	R32018	1F11	12	40 - 9	R44302	2E4	1	60 - 13
R26906	2F22	17	70 - 20	R32019	1F11	13	40 - 9	R44302	2E10	37	60 - 19
R26906	2F22	33	70 - 20	R32021	1F11	14	40 - 9	R44302	2G12	13	70 - 35
R26906	2F23	14	70 - 21	R32022	1F11	15	40 - 9	R44302	2H12	10	70 - 59
R26906	2G5	16	70 - 28	R32023	1F11	16	40 - 9	R44342	3C6	38	90 - 31
R26906	2G20	19	70 - 43	R32023	1F16	36	40 - 15	R45182	2C24	23	50 - 51
R26906	2G24	5	70 - 47	R32024	1F12	3	40 - 10	R45187	2C24	3	50 - 51
R26906	2H2	13	70 - 49	R32025	1F12	4	40 - 10	R45187	4C15	40	140 - 5
R26906	2H21	11	70 - 69	R32026	1F9	48	40 - 7	R45638	2C24	4	50 - 51
R26906	2H23	10	70 - 71	R32026	1F11	17	40 - 9	R45638	4C15	41	140 - 5
R26906	3D21	33	100 - 5	R32027	1F11	18	40 - 9	R46667	2G24	11	70 - 47
R26906	3D24	30	100 - 9	R32028	1F11	19	40 - 9	R46701	2C24	5	50 - 51
R26906	4C13	2	140 - 3	R32176	1G25	8	40 - 53	R46701	4C15	42	140 - 5
R26906	4C15	17	140 - 5	R32214	2C16	13	50 - 41	R47151	1D14	10	25 - 35
R26906	4C17	31	140 - 7	R32214	2C22	4	50 - 48	R47151	1D14	13	25 - 35
R27149	1C11	16	25 - 5	R32239	2G14	12	70 - 37	R47153	1D10	9	25 - 30
R27166	2C11	9	50 - 35	R33058	3D24	8	100 - 9	R47153	1D12	7	25 - 33
R27175	2C13	26	50 - 37	R33079	3D24	3	100 - 9	R47153	1D25	27	25 - 49
R27175	2C14	1	50 - 38	R33088	3D21	5	100 - 5	R47160	1E15	3	30 - 13
R27218	2C9	21	50 - 32	R33088	3D24	5	100 - 9	R47449	4C15	26	140 - 5
R27218	2C11	20	50 - 35	R33138	2B17	11	50 - 14	R47693	1B23	5	20 - 21
R27218	2C24	28	50 - 51	R33138	4C15	1	140 - 5	R47998	3C6	37	90 - 31
R27218	2F4	13	70 - 1	R33259	3D9	5	95 - 9	R48887	1F7	17	40 - 5
R27218	3D24	37	100 - 9	R33259	3D10	2	95 - 10	R48887	1G5	5	40 - 33
R27218	4C15	13	140 - 5	R33259	3D12	3	95 - 12	R49376	1D14	1	25 - 35
R27443	1D3	9	25 - 22	R33521	4C15	33	140 - 5	R49377	1D25	30	25 - 49
R27474	1D14	14	25 - 35	R35192	4G24	15	160 - 12	R495R	2B19	17	50 - 17
R27474	2F22	34	70 - 20	R35192	4H3	15	160 - 16	R495R	3D22	2	100 - 6
R27474	4C17	32	140 - 7	R35352	2C2	10	50 - 25	R495R	3E16	3	100 - 25
R27564	2F22	14	70 - 20	R35542	4F12	3	150 - 29	R49866	1D4	7	25 - 23
R27564	4D2	42	140 - 19	R35794	2E8	16	60 - 17	R49866	1D25	6	25 - 49
R27796	2B23	7	50 - 21	R36119	1B5	17	20 - 3	R500055	1D10	5	25 - 30
R27928	2F23	6	70 - 21	R36426	4H13	16	160 - 27	R500055	1D12	3	25 - 33
R28776	2F23	1	70 - 21	R36599	1C11	5	25 - 5	R500197	1D19	9	25 - 41

NUMERICAL INDEX - CONTINUED

PART NO.	GRID	KEY	PAGE	PART NO.	GRID	KEY	PAGE	PART NO.	GRID	KEY	PAGE
R500330	1D12	14	25-33	R59298	1E5	8	30-3	R66718	1B9	7	20-7
R500354	1D14	2	25-35	R59298	1E5	9	30-3	R67092	1E13	1	30-11
R500355	1D14	2	25-35	R59305	1E5	4	30-3	R67264	1E7	13	30-5
R500355	1D14	15	25-35	R59305	1E5	10	30-3	R67264	1E7	15	30-5
R500355	1D14	16	25-35	R60170	3D9	15	95-9	R67377	1G19	10	40-47
R500355	1D14	17	25-35	R60172	3D9	16	95-9	R67879	1E8	8	30-6
R500413	1H3	11	40-57	R60239	2C21	4	50-47	R67879	1E9	5	30-7
R500413	1H5	19	40-59	R60239	2E21	3	60-31	R68102	2C18	4	50-43
R500413	1H7	6	40-61	R60277	1E10	1	30-8	R68102	2E21	16	60-31
R500642	1C11	15	25-5	R60278	1E10	4	30-8	R68824	4C19	11	140-9
R500642	1D7	1	25-27	R60279	1E10	3	30-8	R69536	2C16	22	50-41
R501034	1C16	6	25-10	R60730	2D19	15	60-3	R69936	1D23	3	25-46
R501035	1C15	1	25-9	R60730	3C19	6	90-45	R70112	2B23	15	50-21
R501035	1C16	4	25-10	R61144	1E5	4	30-3	R70113	2B23	17	50-21
R501414	1C22	4	25-16	R61144	1E5	10	30-3	R70114	2B23	18	50-21
R501465	1D17	23	25-39	R61145	1E5	9	30-3	R70115	2B23	19	50-21
R502011	1H7	15	40-61	R61288	1C11	24	25-5	R70210	1F9	40	40-7
R502081	1C23	4	25-17	R61497	1D5	1	25-24	R70210	1F9	41	40-7
R502288	1H5	6	40-59	R62502	3D19	34	100-3	R70211	1F9	40	40-7
R50390	1D25	21	25-49	R62502	3F17	14	100-51	R70211	1F9	41	40-7
R50405	1D25	18	25-49	R62938	1D7	2	25-27	R70212	1F9	40	40-7
R50424	1D10	12	25-30	R63016	1E8	6	30-6	R70212	1F9	41	40-7
R50424	1D25	35	25-49	R63308	2B19	38	50-17	R70213	1F9	40	40-7
R50456	3B10	9	90-9	R63308	2C6	10	50-29	R70214	1F9	40	40-7
R50642	4E11	19	150-3	R63604	1E7	4	30-5	R70214	1F9	41	40-7
R50770	4D14	12	140-33	R63666	1G15	13	40-43	R70215	1F9	40	40-7
R51031	2C8	33	50-31	R63667	1G15	14	40-43	R70216	1F9	40	40-7
R51031	2C14	17	50-38	R63668	1G15	15	40-43	R70216	1F9	41	40-7
R51031	2C16	25	50-41	R63669	1G15	16	40-43	R70217	1F9	40	40-7
R51031	2C24	21	50-51	R63670	1G15	34	40-43	R70218	1F9	40	40-7
R51031	2F22	32	70-20	R63845	1D23	5	25-46	R70218	1F9	41	40-7
R51053	1D10	10	25-30	R63980	4C15	5	140-5	R70219	1F9	40	40-7
R51603	1E10	2	30-8	R64056	1G13	13	40-41	R70220	1F9	50	40-7
R51936	1E5	19	30-3	R64058	1G13	16	40-41	R70221	1F9	39	40-7
R51937	1E5	23	30-3	R64059	1G13	12	40-41	R70222	1F9	38	40-7
R52015	2C2	3	50-25	R64060	1G13	10	40-41	R70826	1D3	6	25-22
R53108	1D25	34	25-49	R64698	2C24	10	50-51	R71144	2B17	6	50-14
R53436	1B19	7	20-17	R64698	4C15	47	140-5	R71208	1D3	7	25-22
R53543	2C8	30	50-31	R65569	3C8	2	90-33	R71210	1C2	9	20-25
R53668	2C21	6	50-47	R65593	1F11	2	40-9	R71212	1E5	9	30-3
R53899	1D25	25	25-49	R65594	1F11	9	40-9	R71351	1E11	7	30-9
R53899	1E7	19	30-5	R65595	1F11	21	40-9	R71398	1E5	9	30-3
R53899	1E8	3	30-6	R65596	1F11	22	40-9	R71398	1E5	10	30-3
R53901	1E8	5	30-6	R65597	1F11	23	40-9	R71711	2C18	7	50-43
R54025	1E9	2	30-7	R65598	1F11	24	40-9	R71732	1D7	11	25-27
R54123	1B23	4	20-21	R65599	1F11	25	40-9	R71732	1D7	13	25-27
R54380	2C2	24	50-25	R65599	1G9	10	40-37	R71732	1D9	7	25-29
R54445	1G13	3	40-41	R65600	1F11	26	40-9	R71756	4D5	10	140-23
R54445	1G13	6	40-41	R65601	1F11	27	40-9	R71758	4D5	6	140-23
R54445	1G13	9	40-41	R65602	1F9	49	40-7	R72032	4C21	23	140-11
R54565	1D3	1	25-22	R65602	1F11	28	40-9	R72328	1D19	11	25-41
R54856	1D25	24	25-49	R65603	1F11	29	40-9	R72328	1D25	9	25-49
R55326	3I13	13	120-9	R65604	1F11	30	40-9	R72659	2H19	8	70-67
R56101	1E17	3	30-15	R65605	1F11	31	40-9	R73094	3B25	36	90-25
R56722	4D18	27	140-37	R65606	1F11	32	40-9	R73102	2C18	2	50-43
R56782	4C15	6	140-5	R65607	1F9	46	40-7	R73102	2C21	2	50-47
R56930	2H15	5	70-63	R65607	1F11	33	40-9	R73384	3C8	13	90-33
R56930	4E23	19	150-15	R65608	1F11	3	40-9	R73498	1E14	4	30-12
R57269	2C16	7	50-41	R65609	1F11	6	40-9	R74008	1C16	3	25-10
R57269	2E21	13	60-31	R65610	1F11	7	40-9	R74030	1E5	10	30-3
R57696	1D7	5	25-27	R66197	3D21	1	100-5	R74689	2C18	11	50-43
R57725	1B18	1	20-16	R66197	3D24	1	100-9	R74690	2C18	9	50-43
R57771	1C16	2	25-10	R66319	1F11	1	40-9	R74693	2C18	13	50-43
R58186	1E5	4	30-3	R66320	1F7	24	40-5	R74694	2C18	14	50-43
R58186	1E5	10	30-3	R66320	1F11	5	40-9	R74696	2C18	10	50-43
R58806	3D6	3	95-6	R66321	1F7	24	40-5	R74697	2C18	12	50-43
R59297	1E5	8	30-3	R66321	1F11	4	40-9	R74804	1E5	10	30-3

NUMERICAL INDEX - CONTINUED

PART NO.	GRID	KEY	PAGE	PART NO.	GRID	KEY	PAGE	PART NO.	GRID	KEY	PAGE
R76358	1E7	7	30-5	R77501	1F7	24	40-5	R78059	1F5	1	40-3
R76358	1E8	2	30-6	R77502	1F9	56	40-7	R78059	2C24	14	50-51
R76937	4C19	9	140-9	R77503	1F9	56	40-7	R78059	2F23	16	70-21
R77175	2C9	23	50-32	R77551	1D25	5	25-49	R78059	4G4	12	155-7
R77175	2C13	9	50-37	R77738	1G7	3	40-35	R78060	1F5	2	40-3
R77175	2F10	22	70-7	R77764	4C19	8	140-9	R78060	1F5	9	40-3
R77175	2F17	1	70-15	R78025	2E22	10	60-32	R78060	1G19	1	40-47
R77175	2F19	1	70-17	R78025	2E23	6	60-33	R78060	1H11	1	40-65
R77175	2F21	1	70-19	R78026	2E22	4	60-32	R78060	1H14	6	40-68
R77175	2F22	30	70-20	R78026	2E23	4	60-33	R78060	4C15	15	140-5
R77175	2G22	19	70-45	R78027	2E17	2	60-26	R78060	4G6	14	155-9
R77175	4C15	12	140-5	R78047	1F5	3	40-3	R78061	1F5	6	40-3
R77178	2G12	9	70-35	R78048	1F5	10	40-3	R78061	1F5	23	40-3
R77178	4H13	4	160-27	R78048	1G19	1	40-47	R78061	2C24	14	50-51
R77456	1F7	27	40-5	R78048	1G21	6	40-49	R78061	2F23	16	70-21
R77457	1F7	29	40-5	R78048	1H14	6	40-68	R78062	1F5	1	40-3
R77458	1F7	28	40-5	R78048	2G14	13	70-37	R78063	1F5	1	40-3
R77459	1F7	28	40-5	R78048	4G6	15	155-9	R78063	1F5	7	40-3
R77460	1F7	28	40-5	R78049	1F5	15	40-3	R78063	1G15	33	40-43
R77461	1F7	28	40-5	R78049	4G4	16	155-7	R78063	1G21	8	40-49
R77462	1F7	25	40-5	R78050	1F5	19	40-3	R78063	1H11	13	40-65
R77463	1F7	30	40-5	R78051	1F5	24	40-3	R78063	4C15	15	140-5
R77464	1F7	26	40-5	R78051	1H11	1	40-65	R78063	4G6	13	155-9
R77464	2F17	17	70-15	R78052	1F5	5	40-3	R78063	4G10	5	155-13
R77464	2F19	17	70-17	R78053	1F5	13	40-3	R78064	1F5	27	40-3
R77464	2F21	17	70-19	R78053	1F16	4	40-15	R78064	4G4	15	155-7
R77465	1F7	31	40-5	R78053	1F16	19	40-15	R78069	4G10	1	155-13
R77466	1F7	33	40-5	R78053	1F16	28	40-15	R78069	4G11	7	155-14
R77467	1F7	34	40-5	R78053	1F16	31	40-15	R78965	4G10	13	155-13
R77468	1F7	32	40-5	R78053	1F19	8	40-19	R78965	4G11	6	155-14
R77469	1F9	35	40-7	R78053	1F19	17	40-19	R79060	1E7	14	30-5
R77470	1F9	45	40-7	R78053	1F21	31	40-21	R79117	2H14	9	70-61
R77471	1F9	45	40-7	R78053	1F21	40	40-21	R79604	1E5	18	30-3
R77472	1F9	45	40-7	R78053	1F21	41	40-21	R79846	1E1	5	25-50
R77473	1F9	45	40-7	R78053	1F21	62	40-21	R80R	4D5	37	140-23
R77474	1F9	44	40-7	R78053	1F24	4	40-25	R82007	1C11	22	25-5
R77475	1F7	13	40-5	R78053	1F24	14	40-25	R82571	2H14	7	70-61
R77476	1F7	3	40-5	R78053	1F24	16	40-25	R83020	1D23	7	25-46
R77477	1F7	4	40-5	R78053	1F24	17	40-25	R83021	1D23	6	25-46
R77478	1F7	15	40-5	R78053	1F24	19	40-25	R83489	1D25	25	25-49
R77479	1F7	5	40-5	R78053	1G2	4	40-29	R83489	1E8	7	30-6
R77479	1F16	32	40-15	R78053	1G2	14	40-29	R83489	1E13	4	30-11
R77480	1F7	6	40-5	R78053	1G2	17	40-29	R83720	1E10	6	30-8
R77480	1G9	2	40-37	R78053	1G2	18	40-29	R83721	1E10	6	30-8
R77480	1G9	3	40-37	R78053	1G2	20	40-29	R83722	1E10	6	30-8
R77481	1F7	7	40-5	R78053	1G9	13	40-37	R83723	1E10	6	30-8
R77482	1F7	8	40-5	R78053	1G11	12	40-39	R83724	1E10	6	30-8
R77483	1F7	16	40-5	R78053	1G15	33	40-43	R83725	1E10	6	30-8
R77484	1F7	19	40-5	R78053	1G20	1	40-48	R83726	1E10	6	30-8
R77485	1F7	21	40-5	R78053	1G21	8	40-49	R83727	1E10	6	30-8
R77486	1F7	22	40-5	R78053	1H11	13	40-65	R83728	1E10	6	30-8
R77487	1F7	23	40-5	R78053	2C24	14	50-51	R83729	1E10	6	30-8
R77488	1F9	51	40-7	R78053	2F23	16	70-21	R83730	1E10	6	30-8
R77489	1F9	51	40-7	R78054	1F5	17	40-3	R83731	1E10	6	30-8
R77489	1F16	7	40-15	R78055	1F5	22	40-3	R83732	1E10	6	30-8
R77489	1F16	15	40-15	R78055	1F21	53	40-21	R83733	1E10	6	30-8
R77490	1F9	51	40-7	R78055	4G4	14	155-7	R83734	1E10	6	30-8
R77491	1F9	54	40-7	R78056	1F5	26	40-3	R83735	1E10	6	30-8
R77492	1F9	54	40-7	R78056	1F16	30	40-15	R83736	1E10	6	30-8
R77493	1F9	51	40-7	R78056	1F19	25	40-19	R83737	1E10	6	30-8
R77494	1F9	55	40-7	R78057	1F5	2	40-3	R83738	1E10	6	30-8
R77495	1F9	52	40-7	R78057	1G21	6	40-49	R83739	1E10	6	30-8
R77496	1F9	52	40-7	R78057	4G4	13	155-7	R84261	4D5	11	140-23
R77497	1F9	53	40-7	R78058	1F5	23	40-3	R84472	1D25	10	25-49
R77498	1F7	24	40-5	R78058	1G15	33	40-43	R84472	1E5	15	30-3
R77499	1F7	24	40-5	R78058	1G21	8	40-49	R84472	1E10	12	30-8
R77500	1F7	24	40-5	R78058	4G4	18	155-7	R84618	1D2	16	25-21

NUMERICAL INDEX - CONTINUED

PART NO.	GRID	KEY	PAGE	PART NO.	GRID	KEY	PAGE	PART NO.	GRID	KEY	PAGE
R84619	1D2	17	25-21	R99047	1E7	22	30-5	TY6750	1H3	1	40-57
R85027	1D3	14	25-22	R99244	2C2	6	50-25	TY6750	1H3	13	40-57
R85168	4C22	4	140-13	R99377	2C18	8	50-43	TY6764	3D11	..	95-11
R85169	4C22	5	140-13	R99590	1B19	4	20-17	TY9370	3B16	..	90-15
R85373	2C21	15	50-47	TY15130	3D24	..	100-9	TY9371	2B16	..	50-13
R85374	2C21	8	50-47	TY15130	3J17	..	125-13	TY9371	2B19	..	50-17
R85376	2C21	9	50-47	TY15949	3D11	..	95-11	TY9371	3C10	..	90-35
R85378	2C21	10	50-47	TY15950	3D11	..	95-11	TY9371	3D21	..	100-5
R85588	2C16	2	50-41	TY15951	3D11	..	95-11	TY9374	4C19	..	140-9
R86061	1D19	3	25-41	TY15969	4G19	..	160-7	T106409	1G11	3	40-39
R86063	1D12	8	25-33	TY15969	4G23	..	160-11	T10745	1H3	4	40-57
R86457	1H16	8	40-71	TY15969	4H2	..	160-15	T11180	1D22	1	25-45
R86457	3F11	8	100-45	TY16004	1C9	2	25-2	T119912	4D18	22	140-37
R86571	1D5	2	25-24	TY16005	1C9	3	25-2	T122720	4G19	4	160-7
R86743	1D25	17	25-49	TY16086	1F7	24	40-5	T122720	4G23	6	160-11
R87345	3I13	12	120-9	TY16302	1G15	28	40-43	T122720	4H2	8	160-15
R87561	1C11	23	25-5	TY16423	1C9	..	25-2	T12529	2E21	7	60-31
R87561	1C24	1	25-18	TY21765	1H22	4	40-77	T13119	1E14	2	30-12
R88397	1D19	5	25-41	TY22007	1C8	2	25-1	T140425	4G23	14	160-11
R88397	1D25	12	25-49	TY22008	1C8	2	25-1	T14065	2C8	14	50-31
R88829	2C16	11	50-41	TY22010	1C8	2	25-1	T14323	4C19	18	140-9
R88959	2C19	3	50-44	TY22011	1C8	2	25-1	T146102	1H9	4	40-63
R88960	2C19	3	50-44	TY22025	3D11	..	95-11	T146104	1H9	8	40-63
R88993	1D25	1	25-49	TY22041	1C8	..	25-1	T146515	1H9	8	40-63
R89012	2C19	4	50-44	TY22042	1C8	..	25-1	T146516	1H9	8	40-63
R89014	1E7	23	30-5	TY22064	1C8	1	25-1	T146517	1H9	8	40-63
R89015	2C21	14	50-47	TY22065	1C8	1	25-1	T155858	1E15	2	30-13
R89439	1D19	17	25-41	TY22066	1C8	1	25-1	T15712	1E14	1	30-12
R89610	2C16	12	50-41	TY22067	1C8	1	25-1	T158584	1H3	16	40-57
R89879	1D25	16	25-49	TY22068	1C8	1	25-1	T16193	3C8	8	90-33
R89927	1E13	6	30-11	TY22069	1C8	1	25-1	T17148	3C6	43	90-31
R90080	2C2	3	50-25	TY22070	1C8	1	25-1	T17568	1E11	8	30-9
R90521	3E18	5	100-27	TY22073	1C8	1	25-1	T17568	1E17	14	30-15
R90565	2H14	4	70-61	TY22074	1C8	1	25-1	T18012	1E7	17	30-5
R91519	1D23	1	25-46	TY22101	3D11	..	95-11	T19832	2C13	32	50-37
R91822	1D2	4	25-21	TY22326	3G17	14	110-23	T20077	1D2	2	25-21
R92097	1D22	3	25-45	TY22326	3K6	3	125-27	T20129	1D2	1	25-21
R92097	1D25	15	25-49	TY22326	4F12	24	150-29	T20217	3I2	18	110-59
R92104	2C16	17	50-41	TY22329	3H25	14	110-57	T20217	4E15	4	150-7
R92148	2C19	1	50-44	TY22329	3I4	4	110-61	T20294	1D4	4	25-23
R92160	2C16	4	50-41	TY22424	1B25	4	20-23	T20328	1D4	5	25-23
R92977	2C22	1	50-48	TY22467	1D4	3	25-23	T21242	1C22	2	25-16
R92978	2C22	1	50-48	TY22494	4D2	46	140-19	T21242	1D7	3	25-27
R92979	2C19	4	50-44	TY22494	4D2	47	140-19	T22714	4D10	23	140-29
R93008	1E8	11	30-6	TY22551	1E17	4	30-15	T22828	2H14	2	70-61
R93008	1E13	3	30-11	TY24345	4C17	..	140-7	T23027	2J25	2	80-49
R93105	2C18	6	50-43	TY24345	4C24	..	140-15	T23033	2J25	6	80-49
R93142	2C16	6	50-41	TY24345	4D5	..	140-23	T23529	3C6	29	90-31
R93142	2C19	2	50-44	TY24446	1D4	..	25-23	T24210	1E8	1	30-6
R93180	2C16	3	50-41	TY24485	1H3	1	40-57	T25122	2I14	15	80-13
R93238	1C22	1	25-16	TY24485	1H3	13	40-57	T25122	2I22	10	80-21
R93308	1D2	16	25-21	TY6280	1C8	1	25-1	T26257	2G2	15	70-25
R93311	1D2	17	25-21	TY6304	2B16	..	50-13	T27523	2H21	7	70-69
R93312	1D2	16	25-21	TY6304	2B19	13	50-17	T27523	3E8	17	100-17
R93313	1D2	17	25-21	TY6304	2B19	..	50-17	T27523	3F5	3	100-38
R93314	1D2	16	25-21	TY6304	4D5	..	140-23	T27523	3F5	12	100-38
R93315	1D2	17	25-21	TY6333	3D19	..	100-3	T27550	1B25	9	20-23
R93948	1C16	5	25-10	TY6333	3J2	5	120-23	T27860	1C21	2	25-15
R94350	1H3	2	40-57	TY6341	3J17	..	125-13	T27888	2B17	3	50-14
R94351	1H3	15	40-57	TY6341	4D5	..	140-23	T28256	2F4	11	70-1
R96703	1H9	5	40-63	TY6364	1C8	1	25-1	T28256	4C15	52	140-5
R98064	1D10	6	25-30	TY6389	1C8	2	25-1	T28583	1F7	1	40-5
R98064	1D12	4	25-33	TY6390	1C8	2	25-1	T28583	1F11	34	40-9
R98250	1H7	1	40-61	TY6391	1C8	2	25-1	T28583	1F24	11	40-25
R98500	1E7	21	30-5	TY6392	1C8	2	25-1	T28583	1G2	11	40-29
R98527	1C23	8	25-17	TY6393	1C8	2	25-1	T28583	1G9	7	40-37
R98527	1D17	8	25-39	TY6394	1C8	2	25-1	T28585	1F7	12	40-5

NUMERICAL INDEX - CONTINUED

PART NO.	GRID	KEY	PAGE	PART NO.	GRID	KEY	PAGE	PART NO.	GRID	KEY	PAGE
T28585	1F11	35	40-9	T77613	3F4	17	100-37	T78716	2H23	4	70-71
T28586	1F7	14	40-5	T77613	3F5	7	100-38	T79098	2C2	25	50-25
T28862	1D22	16	25-45	T77613	4C15	35	140-5	T81029	2D8	6	50-59
T29342	2C6	20	50-29	T77613	4E21	4	150-13	T81029	2E14	2	60-23
T30424	4H11	3	160-25	T77613	4F17	6	150-35	T81029	2E16	19	60-25
T32231	1D20	7	25-42	T77814	2D8	8	50-59	T81029	3F5	4	100-38
T32231	1G21	12	40-49	T77814	2E16	12	60-25	T81029	4E21	3	150-13
T32231	3C19	21	90-45	T77814	2G16	5	70-39	U10063	4D5	20	140-23
T32255	1G15	19	40-43	T77814	2H6	4	70-53	U10746	2B21	20	50-19
T34067	1F7	18	40-5	T77814	2H8	4	70-55	U10776	2B21	4	50-19
T34354	4C24	7	140-15	T77814	2H12	6	70-59	U10776	3D21	41	100-5
T34355	4C24	7	140-15	T77814	2H15	8	70-63	U11647	2C18	1	50-43
T34356	4C24	7	140-15	T77857	2C24	2	50-51	U11647	2C21	1	50-47
T35390	1C11	14	25-5	T77857	2D12	7	50-63	U12547	2C9	31	50-32
T40867	2J5	6	80-29	T77857	2E8	7	60-17	U12547	2C13	23	50-37
T43512	4C24	..	140-15	T77857	2E10	3	60-19	U12547	2C24	11	50-51
T44604	1E5	16	30-3	T77857	2E12	2	60-21	U12547	2C24	19	50-51
T44824	4C25	21	140-17	T77857	2E14	11	60-23	U12547	2D2	6	50-53
T45132	4C15	27	140-5	T77857	2F14	13	70-11	U12547	2D4	5	50-55
T46438	4G24	12	160-12	T77857	2F24	2	70-22	U12547	2D6	11	50-57
T47836	4D5	33	140-23	T77857	2G8	3	70-31	U12547	2D8	3	50-59
T49676	4C19	35	140-9	T77857	2G10	12	70-33	U12547	2D10	21	50-61
T50409	4C19	34	140-9	T77857	2G12	16	70-35	U12547	2D12	4	50-63
T50415	4C19	1	140-9	T77857	2G20	20	70-43	U12547	2E8	1	60-17
T531T	1G15	20	40-43	T77857	2G24	7	70-47	U12547	2F8	24	70-5
T53268	1D19	2	25-41	T77857	2H4	13	70-51	U12547	2F14	15	70-11
T55501	3C6	5	90-31	T77857	2H10	17	70-57	U12547	4C15	29	140-5
T55585	3C6	6	90-31	T77857	2H21	4	70-69	U13639	1B23	6	20-21
T55761	3F17	10	100-51	T77857	2H23	5	70-71	U13639	1C11	7	25-5
T60314	4C15	32	140-5	T77857	3F4	13	100-37	U13639	1D25	23	25-49
T61226	3H21	21	110-53	T77857	4C15	28	140-5	U15415	2C6	15	50-29
T61226	3H23	21	110-55	T77857	4H13	5	160-27	U15415	2C13	30	50-37
T62508	4C19	2	140-9	T77857	4H13	9	160-27	U17409	1D10	7	25-30
T62509	4C19	4	140-9	T77858	2D2	8	50-53	U17409	1D12	5	25-33
T62843	2H23	13	70-71	T77858	2D4	7	50-55	U17409	1D12	15	25-33
T63817	2G14	8	70-37	T77858	2D6	1	50-57	U17409	1D25	26	25-49
T65643	2G14	7	70-37	T77858	2D8	1	50-59	U17409	2C9	4	50-32
T68818	4G19	17	160-7	T77858	2D10	7	50-61	U17409	2C14	12	50-38
T68818	4G23	5	160-11	T77858	2D12	3	50-63	U40729	2C14	7	50-38
T68818	4H2	5	160-15	T77858	2D13	2	50-64	U40745	2G5	20	70-28
T70309	4C19	33	140-9	T77858	2E8	3	60-17	U40962	2F22	11	70-20
T72393	2D2	16	50-53	T77858	2F8	10	70-5	U40962	2G2	11	70-25
T72393	2D10	19	50-61	T77858	2F12	6	70-9	U40962	2G4	11	70-27
T72393	4H13	21	160-27	T77858	2G20	21	70-43	U40962	2G5	11	70-28
T75984	2F22	12	70-20	T77858	2G24	3	70-47	U41353	2C22	2	50-48
T75984	2F23	2	70-21	T77858	2H2	18	70-49	U42902	2G2	26	70-25
T75984	2G2	12	70-25	T77858	2H19	1	70-67	U46370	1F7	20	40-5
T75984	2G4	12	70-27	T77858	2H21	15	70-69	U46370	1F11	36	40-9
T75984	2G5	12	70-28	T77932	2C24	18	50-51	U46662	1F7	10	40-5
T76836	2B16	10	50-13	T77932	2D12	6	50-63	U46662	1F11	37	40-9
T76938	2E8	10	60-17	T77932	2E10	5	60-19	U46662	1G7	11	40-35
T76938	2F6	17	70-3	T77932	2E12	1	60-21	U46663	1F11	38	40-9
T76938	2F6	22	70-3	T77932	2F6	3	70-3	U46664	1F9	47	40-7
T76938	2G24	25	70-47	T77932	2F8	3	70-5	U46664	1F11	39	40-9
T76938	2H19	10	70-67	T77932	2F12	5	70-9	W15277	2E1	6	60-10
T77514	4C15	24	140-5	T77932	2F14	2	70-11	W23690	2C8	21	50-31
T77613	1E17	32	30-15	T77932	2G24	21	70-47	W39621	3E22	6	100-31
T77613	2D8	4	50-59	T77932	2H2	3	70-49	W39621	3J17	3	125-13
T77613	2E14	1	60-23	T77932	2H4	12	70-51	W39621	4D14	1	140-33
T77613	2E16	3	60-25	T77932	2H21	1	70-69	Y3082BN	2J7	4	80-31
T77613	2G12	1	70-35	T77932	2H23	12	70-71	Z12714	3D21	2	100-5
T77613	2G16	3	70-39	T77932	4C15	36	140-5	Z12851	3D21	18	100-5
T77613	2H6	24	70-53	T78313	2D2	4	50-53	Z12964	2B23	16	50-21
T77613	2H8	22	70-55	T78313	2D4	4	50-55	Z24604	4F10	19	150-27
T77613	2H10	1	70-57	T78313	2D8	31	50-59	Z33404	4F19	6	150-37
T77613	2H12	5	70-59	T78313	2D10	8	50-61	Z36140	3J9	7	125-5
T77613	2H15	11	70-63	T78707	2D13	11	50-64	Z36140	4G4	19	155-7

1L25

9650 CTS SELF-PROPELLED COMBINE

NUMERICAL INDEX - CONTINUED

PART NO.	GRID	KEY	PAGE	PART NO.	GRID	KEY	PAGE	PART NO.	GRID	KEY	PAGE
Z39386	2J5	1	80 - 29								
Z51633	1G17	7	40 - 45								
Z55270	1G5	36	40 - 33								
Z55270	1G5	37	40 - 33								
Z55272	1G11	18	40 - 39								
Z59868	4I12	..	170 - 23								
Z60326	4I12	..	170 - 23								
Z60327	4I12	..	170 - 23								
Z60329	4I12	..	170 - 23								
Z60332	4I13	..	170 - 24								
Z60332	4I14	..	170 - 25								
Z60332	4I16	..	170 - 27								
Z60904	2F17	25	70 - 15								
Z61813	3D21	3	100 - 5								
Z61817	3D21	8	100 - 5								
Z61818	3D19	36	100 - 3								
Z61818	3D21	10	100 - 5								
Z62147	3D21	24	100 - 5								
Z62206	1F21	56	40 - 21								
Z62549	3D21	22	100 - 5								
Z9135H	4D20	3	140 - 39								
120408	3I7	23	120 - 3								
122SE	3B25	13	90 - 25								
124424	3E14	15	100 - 23								
124424	3E16	17	100 - 25								
14262	3G21	1	110 - 27								
32243	3D19	2	100 - 3								
32246	2C8	20	50 - 31								
400R	4C19	12	140 - 9								