

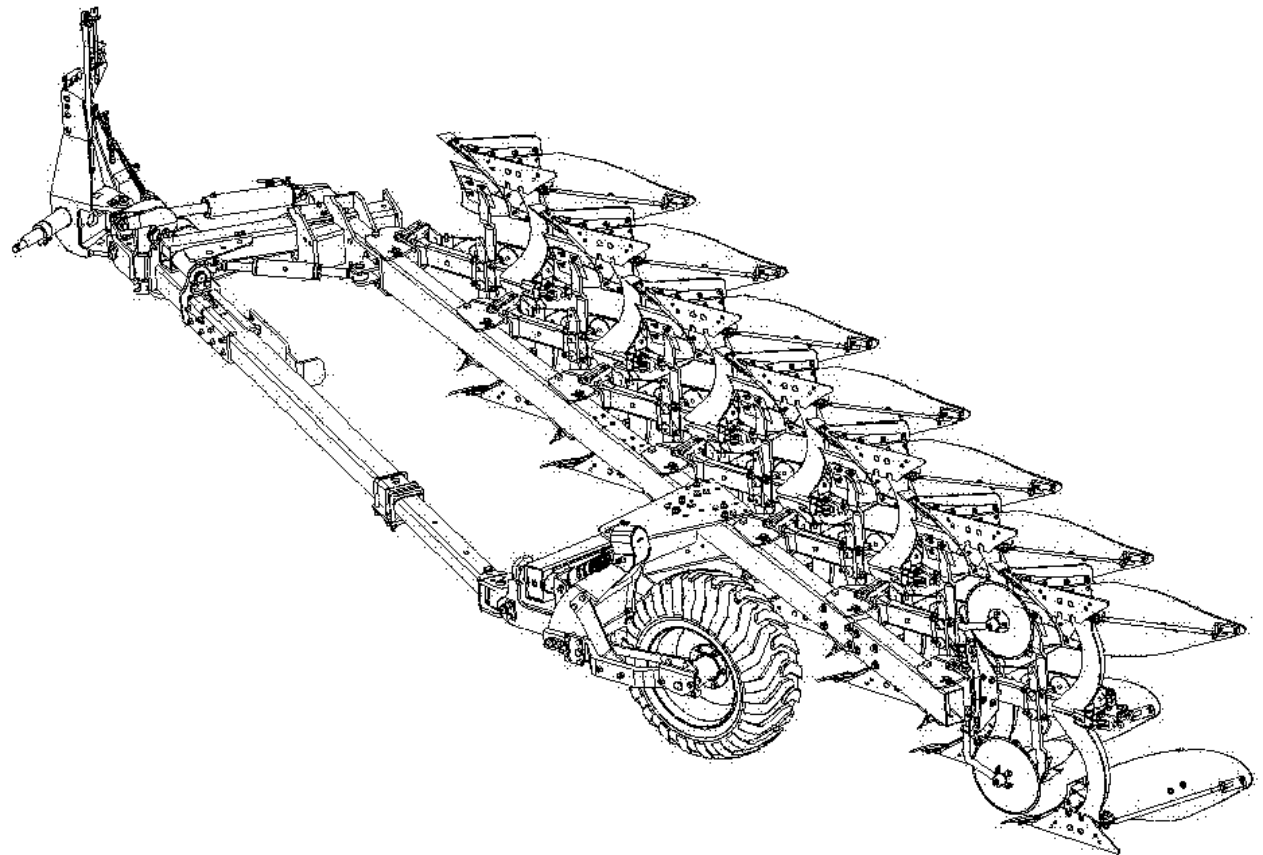
PN/RN

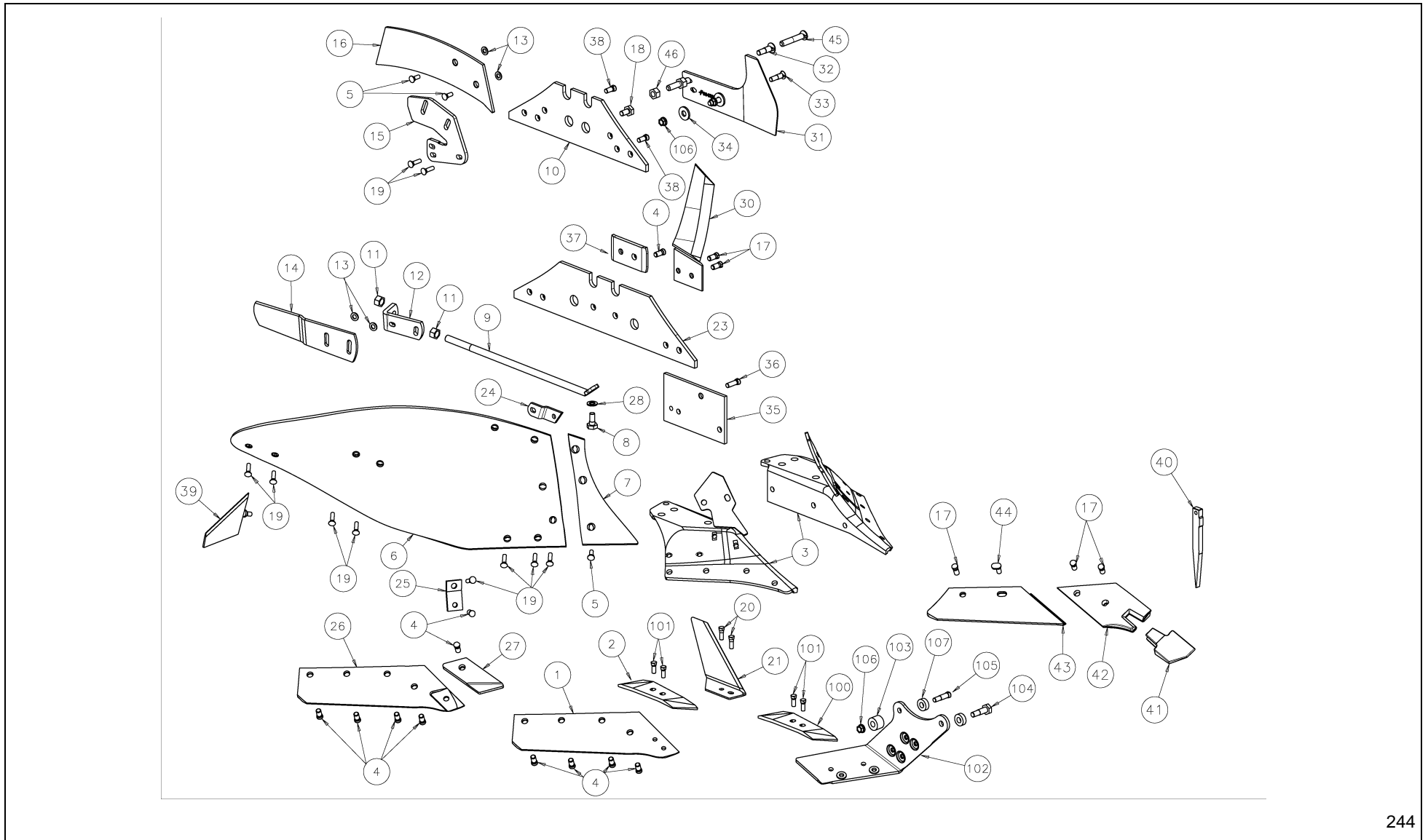
Spare Parts Manual

Article number: KK733042_2008
Language: EN
Production year (from): 2008
Prod. Series nr (from):
PN687 < Mach. ID <= RN403->

PN/RN / Table of Contents

PosNo.	Assembly group	Page
Body	BODY - 8, 9, 28	1
--	BODY - 12, 15, 19	2
--	BODY - 14 (PLASTIC)	3
--	BODY - 30	4
Beam	BEAM (AUTO RESET)	5
--	BEAM (SHEAR BOLT)	6
--	BEAM (VIBROMAT)	7
--	BEAM SUPPORT STEPWISE	8
--	BEAM HOLDER	9
Coulter	DISC COULTER - AUTO-RESET BEAM	10
--	DISC COULTER 99 - AUTO RESET BEAM	11
--	DISC COULTER - SHEAR BOLT BEAM	12
Skimmer	SKIMMER	13
Frame	FRONT FRAME	14
--	MAIN FRAME	15
Wheel	WHEEL WAGON	16
--	WHEEL	17
Hydr	HYDRAULICS TURN-OVER	18
--	RELIEF VALVE KIT	19
--	HYDRAULICS WHEEL LIFTING	20
--	HYDRAULICS FRONT FURROW WIDTH ADJUSTMENT	21
--	CYLINDER D100-D50X697+400(354712)	22
--	CYLINDER D100X190 + STOP (FROM 01.07.00)	23
--	CYLINDER D90X150 (353580)	24
--	CYLINDER D50X200 (FROM 01.04.01)	25
Light	LIGHTS (MOUNTING FRAME)	26
--	LIGHTS AND REFLEXES	27
--	LIGHTS (SIDE MOUNTED)	28
--	PACER ARM- RELEASER CYLINDER(354220)	29
Packer	HYDRAULIC FOR SOIL PACKER PG/RG-PN/RN-PB/RB	30
--	SOIL PACKER ARM	31
Transfer	TRANSFERS	32

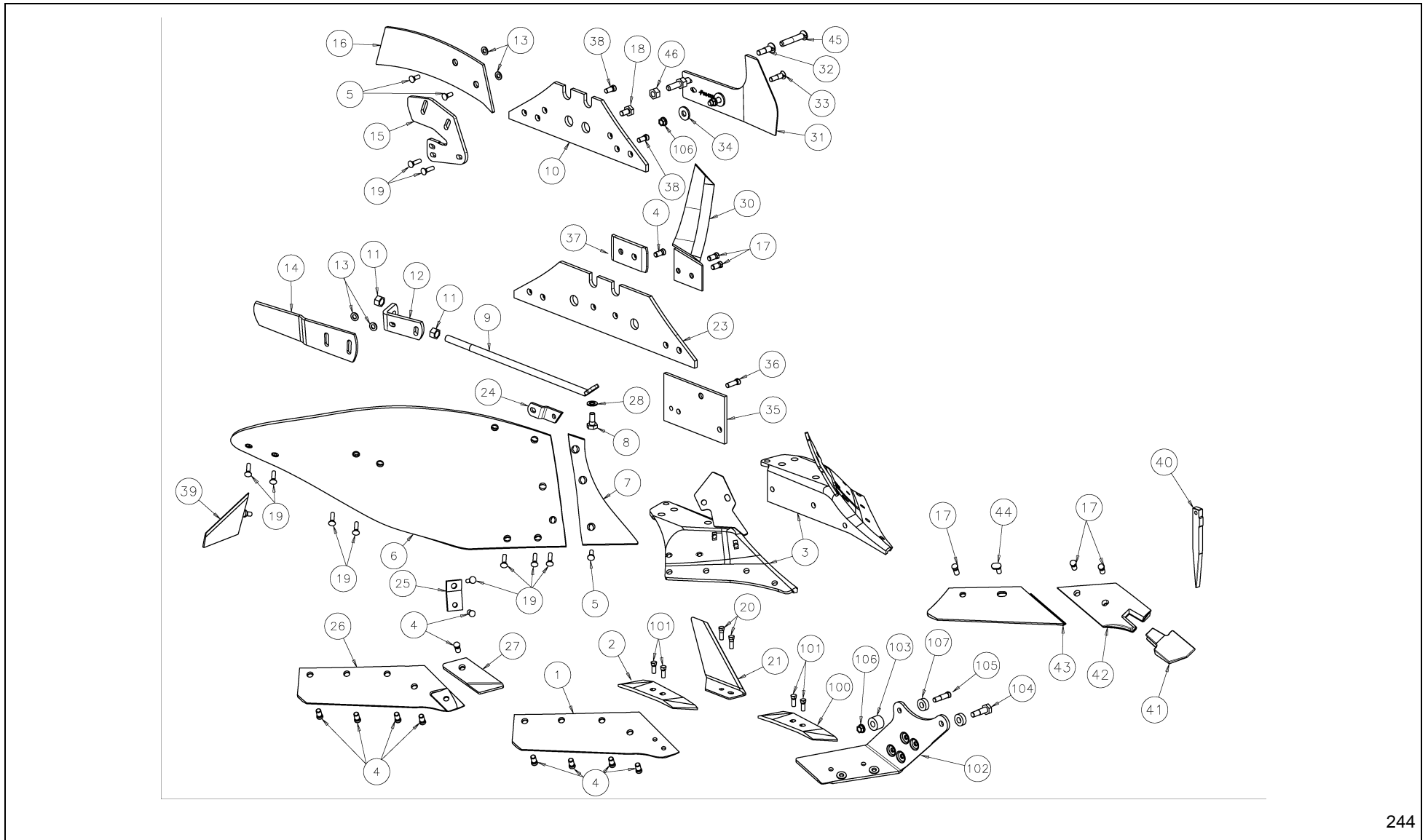




PN/RN / BODY - 8, 9, 28



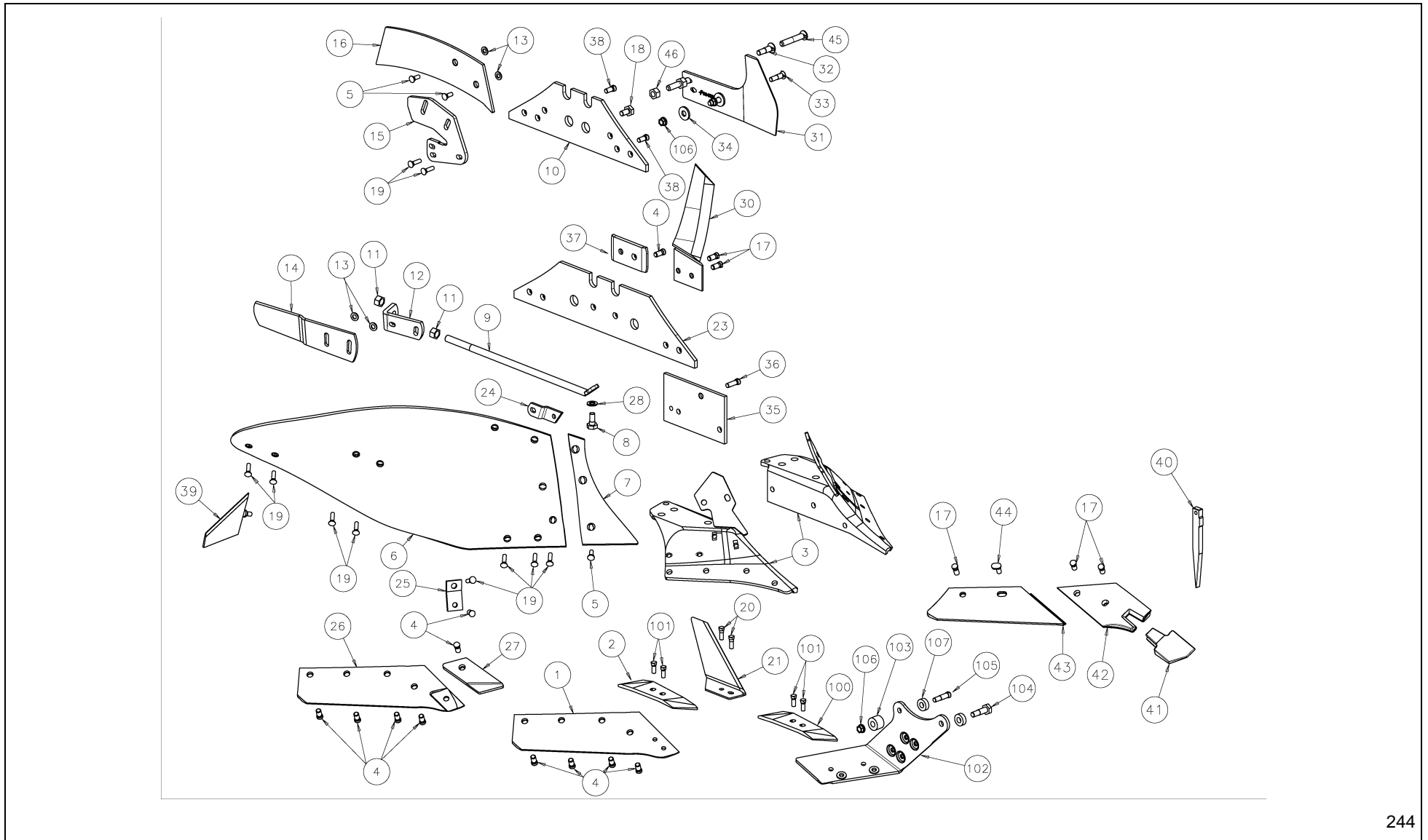
PosNo.	Part No.	Qty.	Description	Remark
1	KK073000		SHARE 12 F/REV.POINT RIGHT	(30 cm)
1	KK073001		SHARE 12 F/REV.POINT LEFT	(30 cm)
1	KK073002		SHARE 14 F/REV.POINT RIGHT	(35 cm)
1	KK073003		SHARE 14 F/REV.POINT LEFT	(35 cm)
1	KK073004		SHARE 16 F/REV.POINT RIGHT	(40 cm)
1	KK073005		SHARE 16 F/REV.POINT LEFT	(40 cm)
1	KK073006		SHARE 18 F/REV.POINT RIGHT	(45 cm)
1	KK073007		SHARE 18 F/REV.POINT LEFT	(45 cm)
1	KK073008		SHARE 20 F/REV.POINT RIGHT	(50 cm)
1	KK073009		SHARE 20 F/REV.POINT LEFT	(50 cm)
2	KK053090		REVERSIBLE POINT RIGHT	
2	KK063090		REVERSIBLE POINT LEFT	
3	KK073406		SADDLE W/SUPPORT RIGHT	(for E-saddle)
3	KK073411		SADDLE A RIGHT	(for A-saddle)
4	KK013332		CONE SCREW M14 X 34 12.9	
5	KK033100R		CS BOLT M12X32 (AA35634)	
6	KK073260		MOULDBOARD 12"-18" NO.6, R	(Before 01.01.05)
6	KK073261		MOULDBOARD 12-16 NO.6 LEFT	(Before 01.01.05)
6	KK073263		MOULDBOARD 12-14 NO.7 RIGHT	(Before 01.01.05)
6	KK073264R		MOULDBOARD 12"-1 W / BOLTS	(Before 01.01.05)
6	KK073280		MOULDBOARD 12 NO.8 RIGHT	
6	KK073281		MOULDBOARD 12 NO.8 LEFT	
6	KK073286		MOULDBOARD 14-18 NO.8 RIGHT	
6	KK073287		MOULDBOARD 14-18 NO.8 LEFT	
6	KK073290		MOULDBOARD 14-20 NO.9&19 RIGHT	
6	KK073291		MOULDBOARD 14-20 NO.9&19 LEFT	
6	KK083228		MOULDBOARD BODY NO 28 RIGHT	(From 01.03.03)
6	KK083229		MOULDBOARD BODY NO 28 LEFT	(From 01.03.03)
7	KK073250R		SHINPIECE R.	no. 8 (and no. 28 from 01.03.03)
7	KK073251R		SHINPIECE L.	no. 8 (and no. 28 from 01.03.03)
7	KK073256R		SHINPIECE R.	no. 9 (and no. 6 before 01.01.05)
7	KK073257R		SHINPIECE L.	no. 9 (and no. 6 before 01.01.05)
8	KK032735		HEX BOLT M16X35 10.9	
9	KK063801R		STAY	L = 550; Body nr. 8 (and nr. 6, 7 before 01.01.05 and nr. 9 before 01.12.95)
9	KK073803		STAY A-SADDLE R/L	L = 560; Body nr. 8 (and nr. 6, 7 before 01.01.05 and nr. 9 before 01.12.95)
9	KK073831		STAY E-SADDLE R/L	(no. 9 and 19; from 01.12.95)
9	KK073830		STAY A-SADDLE R/L	(no. 9; from 01.12.95)
9	KK063801R		STAY	(Additional stay no. 9; from 01.12.95)



PN/RN / BODY - 8, 9, 28



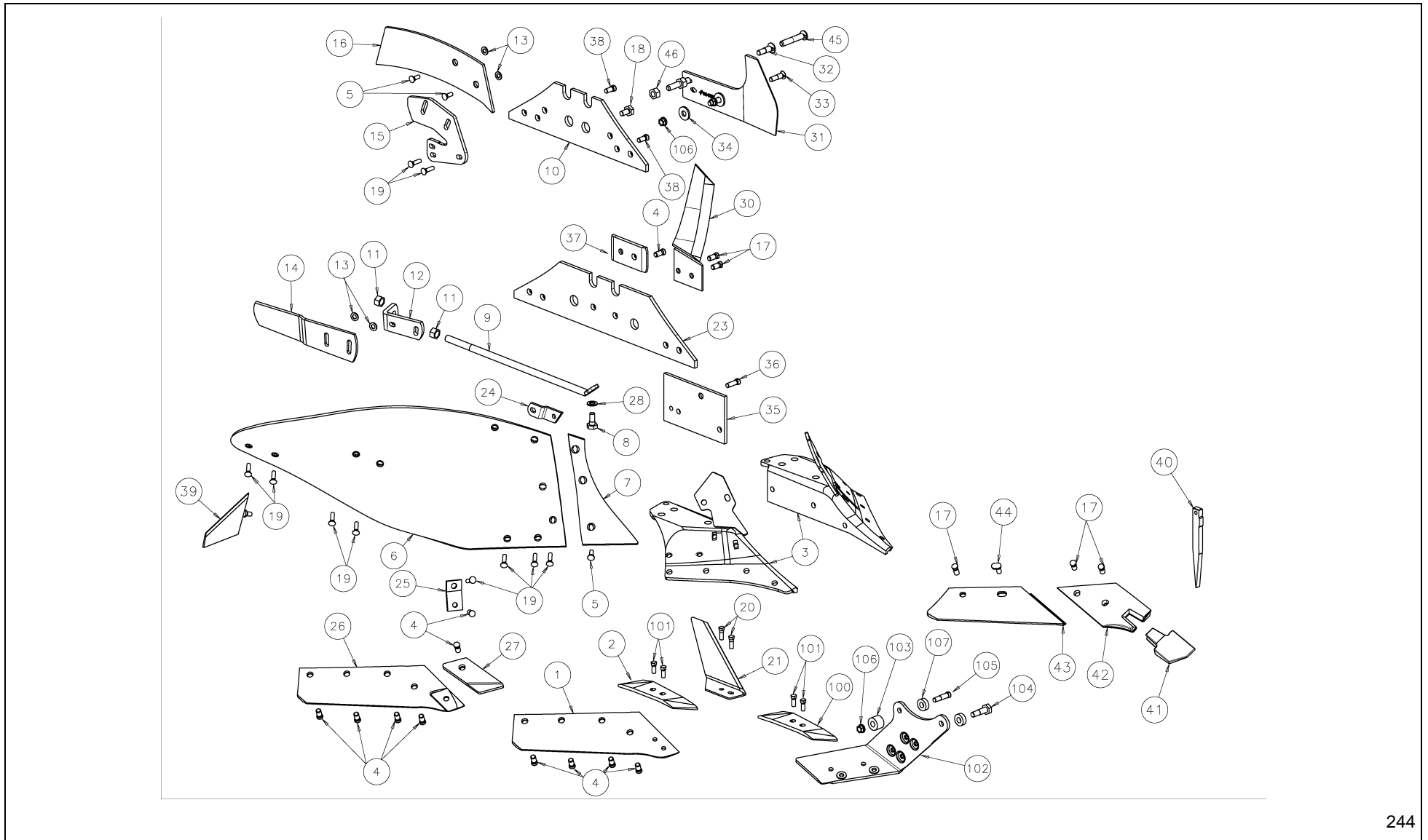
PosNo.	Part No.	Qty.	Description	Remark
9	KK070394		ADD.STAY BODY NO. 9 CPL. R.E-SADDLE	(pos. 12) (From 01.12.95)
9	KK070395		ADD.STAY BODY NO. 9 CPL. L.E-SADDLE	(pos. 12) (From 01.12.95)
9	KK073803		STAY A-SADDLE R/L	(Additional stay no. 9; from 01.12.95)
9	KK070390		ADD.STAY BODY NO 9 CPL. R. A-SADDLE	(pos. 12) (From 01.12.95)
9	KK070391		ADD.STAY BODY NO. 9 CPL. L.A-SADDLE	(pos. 12) (From 01.12.95)
9	KK083809		STAY A-SADDLE R/L	(no. 28; from 01.03.03)
9	KK083810		STAY E-SADDLE BODY NO 28	(no. 28; from 01.03.03)
9	KK080980		ADD.STAY BODY NO 28 R A-SADDLE	cpl. with bracket (from 01.01.03)
9	KK080981		ADD.STAY BODY NO 28 L A-SADDLE	cpl. with bracket (from 01.01.03)
9	KK080982		ADD.STAY BODY NO 28 R E-SADDLE	cpl. with bracket (from 01.01.03)
9	KK080983		ADD.STAY BODY NO 28 L E-SADDLE	cpl. with bracket (from 01.01.03)
10	KK073608		LANDSIDE SHORT R/L	
11	KK015834		NUT M20	
12	KK073800		BRACKET FOR STAY RIGHT	no. 8 (and no. 6, 7 before 01.01.05 and nr. 9 before 01.12.95)
12	KK073801		BRACKET FOR STAY LEFT	no. 8 (and no. 6, 7 before 01.01.05 and nr. 9 before 01.12.95) And no. 9 before 01.12.95)
12	KK073807		BRACKET FOR EXTRA STAY RIGHT	no. 9 (From 01.12.95)
12	KK073808		BRACKET FOR EXTRA STAY LEFT	no. 9 (From 01.12.95)
13	KK012919		WASHER D13.0XD24.0X2.50	
14	KK053387R		MOULDBOARDEXTENSION R. PAINTED	
14	KK063388R		MOULDBOARDEXTENS	
15	KK073310		BRACKET FOR TRASHBOARD RIGHT	
15	KK073311		BRACKET FOR TRASHBOARD LEFT	
16	KK073300R		TRASHBOARD R	
16	KK073301R		TRASHBOARD L.	
16	KK070640		TRASHBOARD CPL R BODY 6, 8, 9 & 19	
16	KK070641		TRASHBOARD CPL L BODY 6, 8, 9 & 19	
16	KK070642		TRASHBOARD CPL R/L BODY 6, 8, 9 & 19	
17	KK013332		CONE SCREW M14 X 34 12.9	
18	KK032725		HEX BOLT M16X27 10.9	
19	KK033107R		BOLT M12X35 W/NUT	
20	KK013234R		SHAREBOLT M12X38	
21	KK073091		SHARE KNIFE R	
21	KK073092		SHARE KNIFE L	
21	KK063091		SHARE KNIFE R	(For Sweden)
21	KK063092		SHARE KNIF L	(For Sweden)
23	KK073609		LANDSIDE LONG R/L	
24	KK073266		CONNECTING PIECE NO. 19 R	no. 9 (and no. 6 before 01.01.05)
24	KK073267		CONNECTING PIECE NO. 19 L	no. 9 (and no. 6 before 01.01.05)



PN/RN / BODY - 8, 9, 28



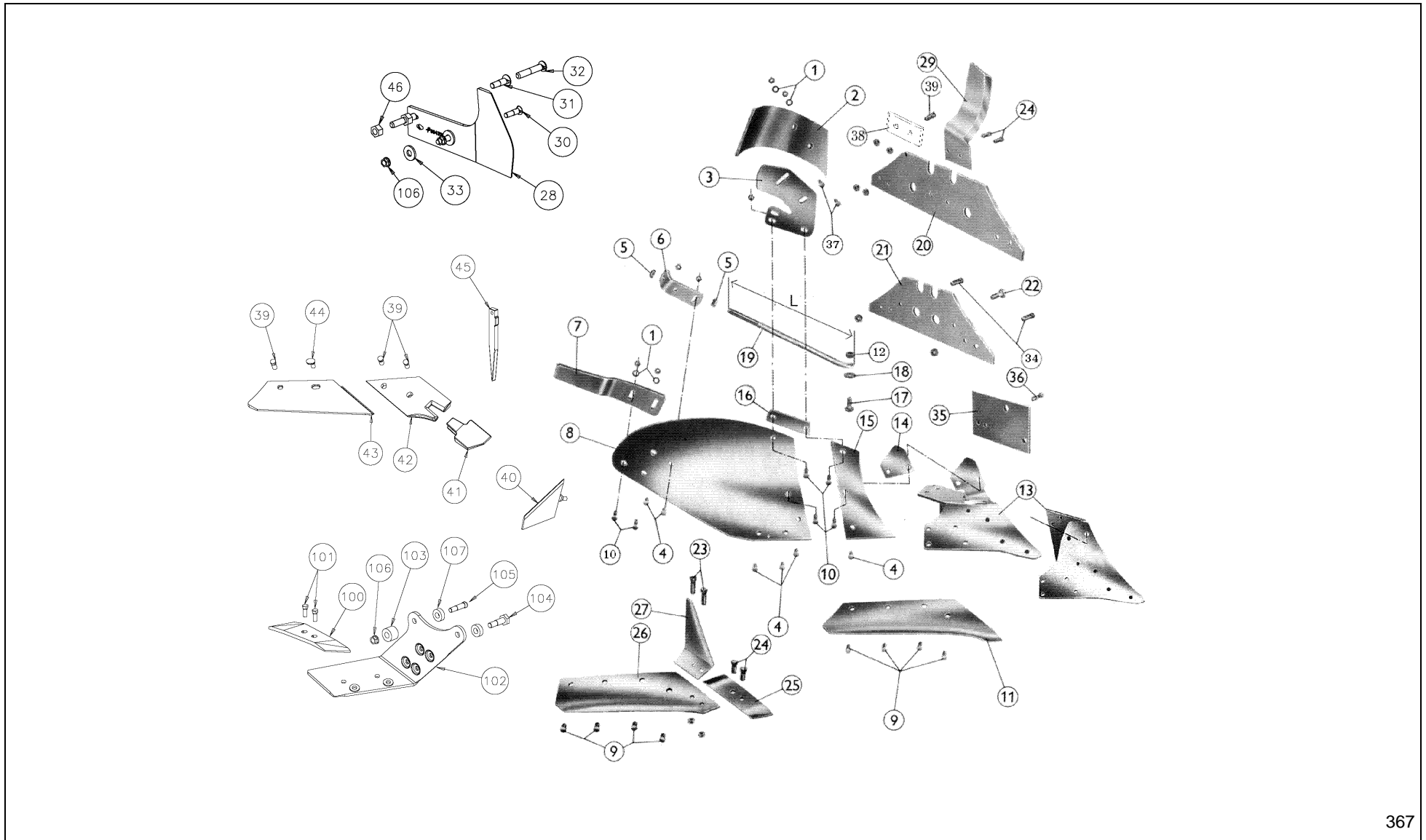
PosNo.	Part No.	Qty.	Description	Remark
25	KK073415		CONNECTING PIECE NO.9 LEFT	
26	KK073040		FLUSH FIT SHARE 12 R	
26	KK073041		FLUSH FIT SHARE 12 L	
26	KK073042		FLUSH FIT SHARE 14 R	
26	KK073043		FLUSH FIT SHARE 14 L	
26	KK073044		FLUSH FIT SHARE 16 R	
26	KK073045		FLUSH FIT SHARE 16 L	
27	KK073030		FLUSHPOINT RIGHT	
27	KK073031R		FLUSHPOINT L	
28	KK012927		WASHER D17.0XD30X3	(for use with two stays)
30	KK073615R		FURROW OPENER R.	
30	KK073616R		FURROW OPENER L.	
31	KK084320R		LANDSIDE KNIFE R.H.	
31	KK084321R		LANDSIDE KNIFE L.H.	
32	KK033256		OVAL SCREW M16X55 12.9	(Before 01.02.00; for E-saddle)
32	KK033256		OVAL SCREW M16X55 12.9	(From 01.02.00; for E-saddle)
32	KK033295		OVAL SCREW M16X95 12.9	(From 01.02.00; for A-saddle)
33	KK033175		OVAL SCREW M14X50 10.9 EZ GUL	
34	KK012922		WASHER D17-D40X4.58	
35	KK063607R		PLATE	
35	KK073607		PLATE CPL.	
36	KK013346		CONE SCREW M14X45 GALV.	
37	KK073614R		WEARING PIECE FOR 073609	
38	KK013333		CONE SCREW M14X34	
39	KK083235R		FURROW SPLITTER W/BOLT	(From 01.12.01)
40	KK083091		EJECTOR KEY	(bodies no. 8, 9 and 28)
41	KK083090R		POINT QFS	(bodies no. 8, 9 and 28)
42	KK083010R		HOLDR FOR POINT RH	(bodies no. 8, 9 and 28)
42	KK083011R		HOLDR FOR POINT LH	(bodies no. 8, 9 and 28)
43	KK083016R		SHARE QFS 14" R	(bodies no. 8, 9 and 28)
43	KK083017R		SHARE QFS 14" L	(bodies no. 8, 9 and 28)
43	KK083018R		SHARE QFS 16" R	(bodies no. 8, 9 and 28)
43	KK083019R		SHARE QFS 16" L	(bodies no. 8, 9 and 28)
43	KK083020R		SHARE QFS 18" R	(bodies no. 8, 9 and 28)
43	KK083021R		SHARE QFS 18" L	(bodies no. 8, 9 and 28)
43	KK083022R		QUICK FIT REAR SHARE RIGHT 20 INCH	(bodies no. 8, 9 and 28)
43	KK083023R		QUICK FIT REAR SHARE LEFT 20 INCH	(bodies no. 8, 9 and 28)
44	KK013334		CONE SCREW M14X34 OVAL HEAD	(bodies no. 8, 9 and 28)
45	KK033295		OVAL SCREW M16X95 12.9	(From 01.02.00; for A-saddle)
46	KK015825		NUT M16	



PN/RN / BODY - 8, 9, 28



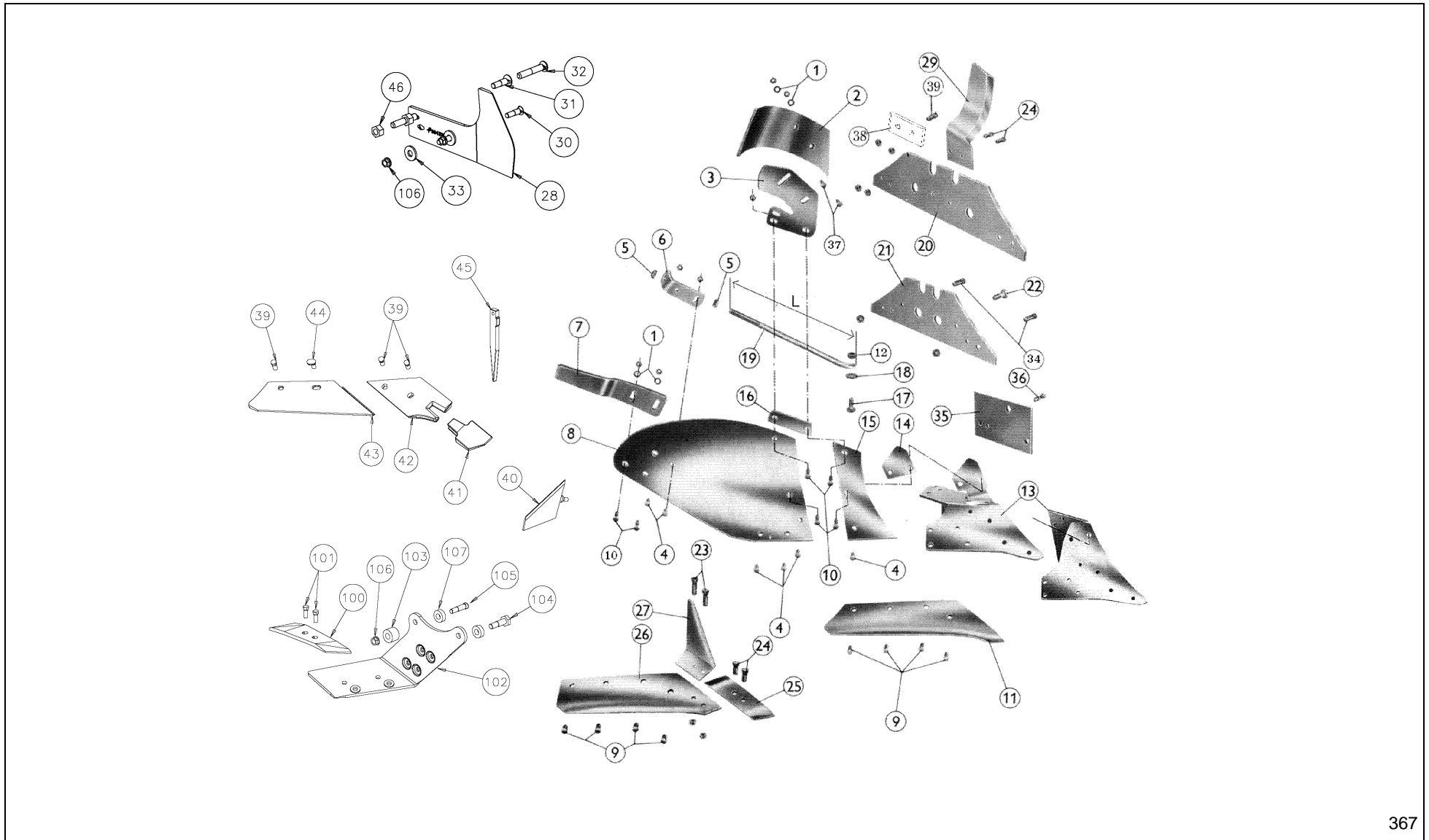
PosNo.	Part No.	Qty.	Description	Remark
100	KK053090		REVERSIBLE POINT RIGHT	
100	KK063090		REVERSIBLE POINT LEFT	
101	KK013228R		CS BOLT M12X34	
102	KK073634		ECO SHARE RIGHT	
102	KK073635		ECO SHARE LEFT	
103	KK010155		BUSHING D17- D38X27	(for A-saddle)
103	KK010156		BUSHING D17-D38X40	(for MZ, AB, AD, BB, DA, DC, CC, BE)
104	KK032740		HEX BOLT M16X40 10.9	(for E-saddle) (Before 01.03.00)
104	KK032750		HEX BOLT M16X50 10.9	(for E-saddle) (From 01.03.00)
104	KK032765		HEX BOLT M16X65 10.9	(for A-saddle)
104	KK032775		HEX BOLT M16X75 10.9	(for MZ, AB, AD, BB, DA, DC, CC, BE)
105	KK013346		CONE SCREW M14X45 GALV.	(for E-saddle) (Before 01.03.00)
105	KK013361		CONE SCREW M14X60 12.9	(for E-saddle) (From 01.03.00)
105	KK013385		CONE SCREW M14X85 10.9 GALV	(for A-saddle)
106	KK016015		FLANGE NUT M14 GALV.	
107	KK012929		WASHER D16.5XD35.0X12.0	(From 01.03.00)



PN/RN / BODY - 12, 15, 19



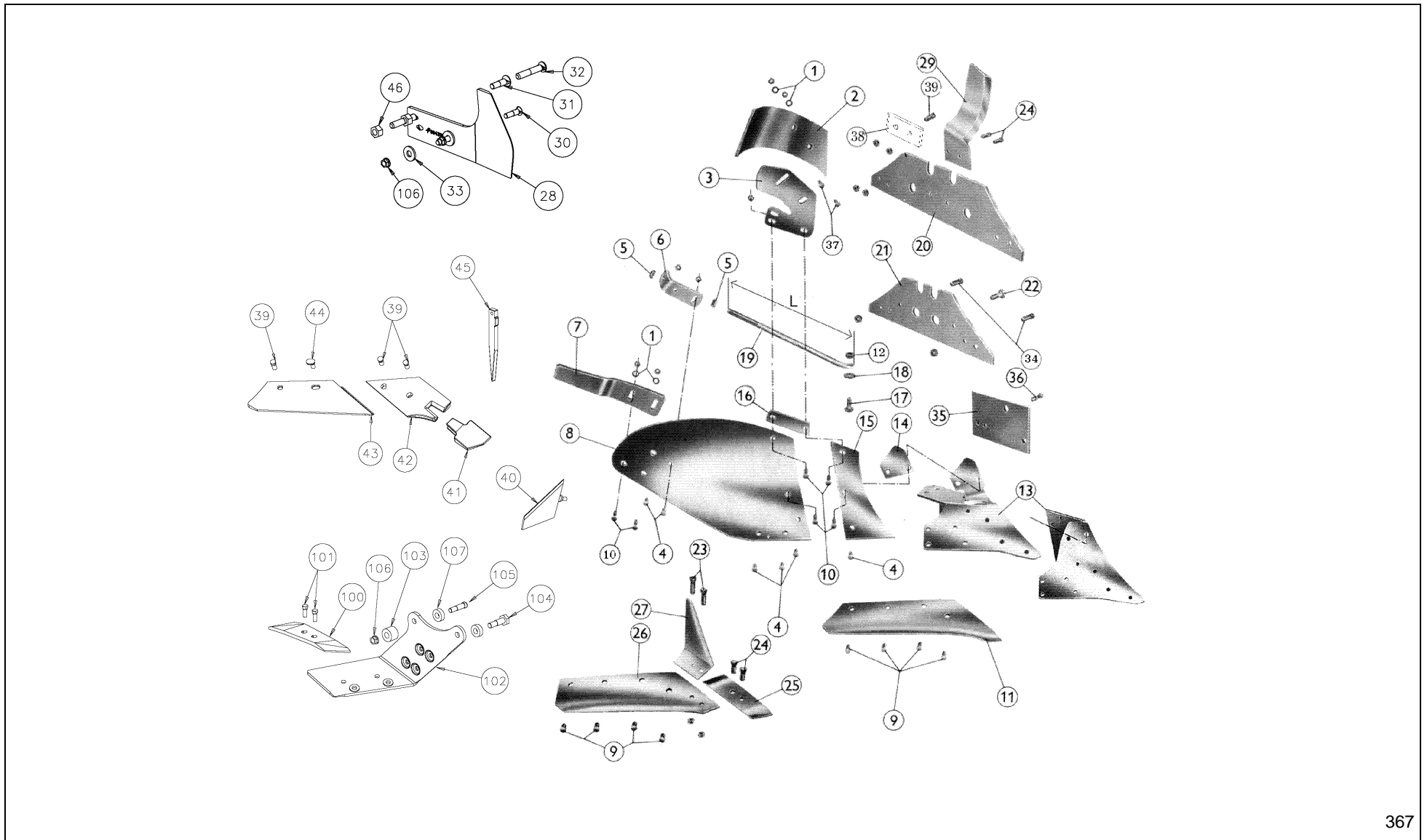
PosNo.	Part No.	Qty.	Description	Remark
1	KK012919		WASHER D13.0XD24.0X2.50	
2	KK073300R		TRASHBOARD R	
2	KK073301R		TRASHBOARD L.	
2	KK070640		TRASHBOARD CPL R BODY 6, 8, 9 & 19	
2	KK070641		TRASHBOARD CPL L BODY 6, 8, 9 & 19	
2	KK070642		TRASHBOARD CPL R/L BODY 6, 8, 9 & 19	
3	KK073310		BRACKET FOR TRASHBOARD RIGHT	
3	KK073311		BRACKET FOR TRASHBOARD LEFT	
4	KK033100R		CS BOLT M12X32 (AA35634)	
5	KK015834		NUT M20	
6	KK073800		BRACKET FOR STAY RIGHT	
6	KK073801		BRACKET FOR STAY LEFT	
7	KK053387R		MOULDBOARDEXTENSION R. PAINTED	
7	KK063388R		MOULDBOARDEXTENS	
8	KK073236		MOULDBOARD NO.12 RIGHT	
8	KK073237		MOULDBOARD NO.12 LEFT	
8	KK073224		MOULDBOARD NO.15 RIGHT	
8	KK073225		MOULDBOARD NO.15 LEFT	
8	KK073290		MOULDBOARD 14-20 NO.9&19 RIGHT	
8	KK073291		MOULDBOARD 14-20 NO.9&19 LEFT	
9	KK013332		CONE SCREW M14 X 34 12.9	
10	KK033107R		BOLT M12X35 W/NUT	
11	KK073062		SHARE 14 FIXED POINT RIGHT	
11	KK073063		SHARE 14 FIXED POINT LEFT	
11	KK073064		SHARE 16 FIXED POINT RIGHT	
11	KK073065		SHARE 16 FIXED POINT LEFT	
12	KK062025		ADJUSTABLE NUT M16 GALV.	
13	KK073435		SADDLE E NO.12-15-19 RIGHT	
13	KK073436		SADDLE E NO.12-15-19 LEFT	
13	KK073440		SADDLE A NO.12-15-19 RIGHT	
13	KK073441		SADDLE A NR.12-15-19 LEFT	
14	KK073417		EXTENSION PIECE RIGHT	
14	KK073418		EXTENTION PIECE LEFT	
15	KK073241R		SHINPIECE R.	
15	KK073242R		SHINPIECE L.	
15	KK073227R		SHINPIECE R.	
15	KK073228R		SHINPIECE L.	
15	KK073230R		SHINPIECE R. NO.19	
15	KK073231R		SHINPIECE WITH BOLTS FOR BODY NO. 19	
16	KK073239R		CONNECTING PIECE R	



PN/RN / BODY - 12, 15, 19



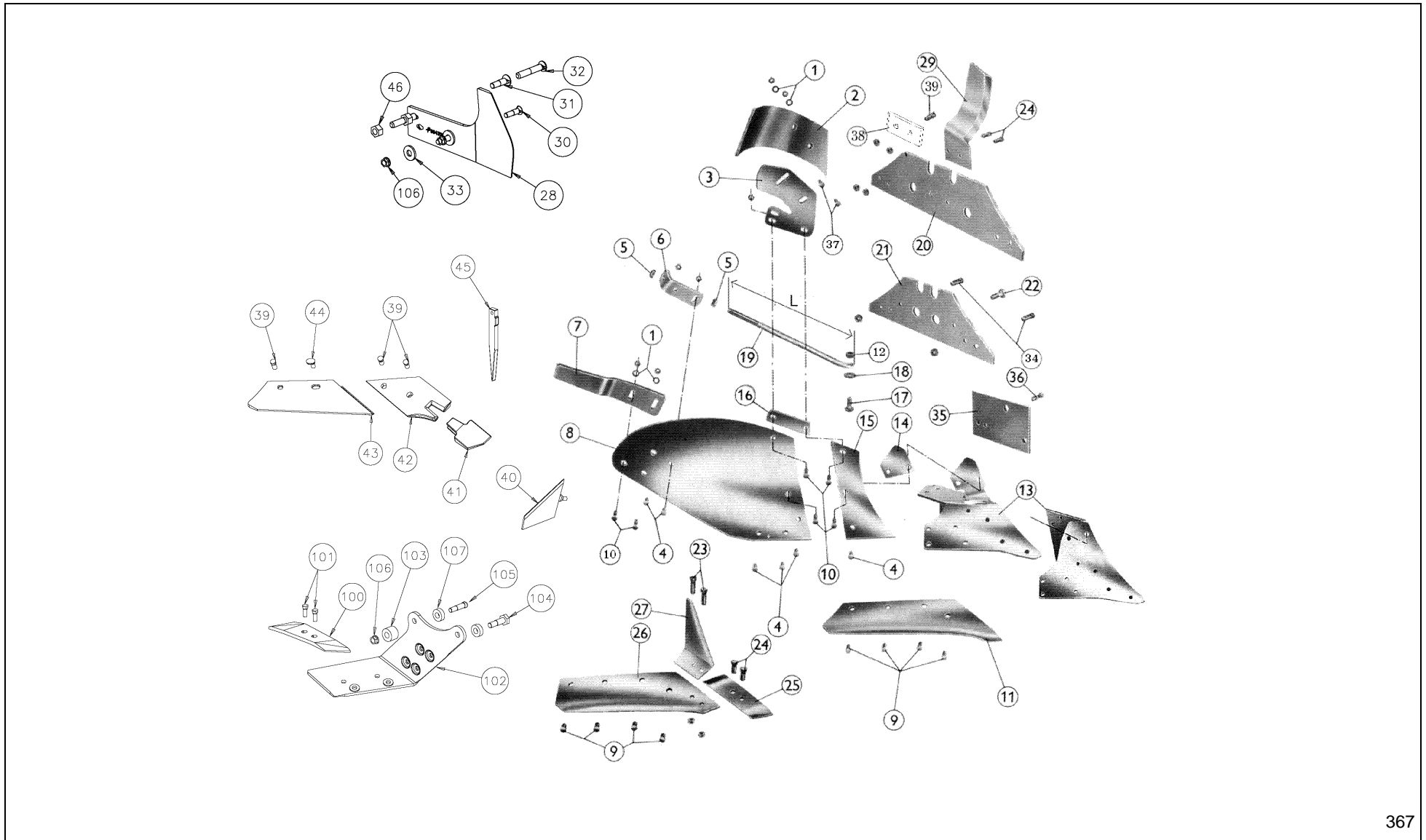
PosNo.	Part No.	Qty.	Description	Remark
16	KK073240R		CONNECTING PIECE L	
16	KK073266		CONNECTING PIECE NO. 19 R	
16	KK073267		CONNECTING PIECE NO. 19 L	
17	KK032750		HEX BOLT M16X50 10.9	(for use with two stays)
17	KK032735		HEX BOLT M16X35 10.9	(for use with one stay only)
18	KK012927		WASHER D17.0XD30X3	(for use with two stays)
19	KK073805		STAY FOR E-SADDLE R/L	(no. 12 and 15; and no. 19 before 12.01.95)
19	KK073831		STAY E-SADDLE R/L	(no. 19; from 12.01.95)
19	KK073804		STAY A-SADDLE R/L	(no. 12 and 15; and no. 19 before 12.01.95)
19	KK073826		STAY A-SADDLE R/L	(no. 19; from 12.01.95)
19	KK073826		STAY A-SADDLE R/L	(Additional stay no. 19; from 01.12.96)
19	KK070388		STAY CPL. R A-SADDLE	(Additional stay no. 15)(pos. 6) (From 01.12.96)
19	KK070389		STAY CPL. L A-SADDLE	(Additional stay no. 15)(pos. 6) (From 01.12.96)
19	KK073829		STAY E-SADDLE R/L	(no. 19; from 01.12.96)
19	KK070398		ADD.STAY CPL. R E-SADDLE	(Additional stay no. 15)(pos. 6) (From 01.12.96)
19	KK070399		ADD.STAY CPL. L E-SADDLE	(Additional stay no. 15)(pos. 6) (From 01.12.96)
19	KK073842		STAY E-SADDLE R/L	(no. 19; from 01.12.95)
19	KK070396		ADD.STAY BODY NO. 19 CPL. R.E-SADDLE	(pos. 6) (From 01.12.95)
19	KK070397		ADD.STAY BODY NO 19 CPL. L.E-SADDLE	(pos. 6) (From 01.12.95)
19	KK073804		STAY A-SADDLE R/L	(Additional stay no. 19)(From 01.12.95)
19	KK070392		ADD.STAY BODY NO. 19 CPL. R.A-SADDLE	(pos. 6) (From 01.12.95)
19	KK070393		ADD.STAY BODY NO. 19 CPL. L.A-SADDLE	(pos. 6) (From 01.12.95)
20	KK073609		LANDSIDE LONG R/L	
21	KK073608		LANDSIDE SHORT R/L	
22	KK032725		HEX BOLT M16X27 10.9	
23	KK013234R		SHAREBOLT M12X38	
24	KK013228R		CS BOLT M12X34	
25	KK053090		REVERSIBLE POINT RIGHT	
25	KK063090		REVERSIBLE POINT LEFT	
26	KK073054		SHARE 14 REVERSIBLE POINT RIGHT	
26	KK073055		SHARE 14 REVERSIBLE POINT LEFT	
26	KK073056		SHARE 16 REVERSIBLE POINT RIGHT	
26	KK073057		SHARE 16 REVERSIBLE POINT LEFT	
26	KK073080		SHARE 18 REVERSIBLE POINT RIGHT	
26	KK073081		SHARE 18 REVERSIBLE POINT LEFT	
27	KK073091		SHARE KNIFE R	
27	KK073092		SHARE KNIFE L	
28	KK084320R		LANDSIDE KNIFE R.H.	R
28	KK084321R		LANDSIDE KNIFE L.H.	L
29	KK073615R		FURROW OPENER R.	



PN/RN / BODY - 12, 15, 19



PosNo.	Part No.	Qty.	Description	Remark
29	KK073616R		FURROW OPENER L.	
30	KK033175		OVAL SCREW M14X50 10.9 EZ GUL	
31	KK033256		OVAL SCREW M16X55 12.9	(for E-saddle) (Before 01.02.00)
31	KK033256		OVAL SCREW M16X55 12.9	(for E-saddle) (From 01.02.00)
32	KK033295		OVAL SCREW M16X95 12.9	(for A-saddle) (From 01.02.00)
33	KK012922		WASHER D17-D40X4.58	
34	KK013333		CONE SCREW M14X34	
35	KK063607R		PLATE	
35	KK073607		PLATE CPL.	
36	KK013346		CONE SCREW M14X45 GALV.	
37	KK033107R		BOLT M12X35 W/NUT	
38	KK073614R		WEARING PIECE FOR 073609	
39	KK013332		CONE SCREW M14 X 34 12.9	
40	KK083235R		FURROW SPLITTER W/BOLT	(From 01.12.01)
41	KK083090R		POINT QFS	Body nr. 19 only
42	KK083012R		HALTER RE. FÜR QF-W-SPITZE (19,30)	Body nr. 19 only
42	KK083013R		HALTER LI. FÜR QF-W-SPITZE (19,30)	Body nr. 19 only
43	KK083016R		SHARE QFS 14" R	Body nr. 19 only
43	KK083017R		SHARE QFS 14" L	Body nr. 19 only
43	KK083018R		SHARE QFS 16" R	Body nr. 19 only
43	KK083019R		SHARE QFS 16" L	Body nr. 19 only
43	KK083020R		SHARE QFS 18" R	Body nr. 19 only
43	KK083021R		SHARE QFS 18" L	Body nr. 19 only
43	KK083022R		QUICK FIT REAR SHARE RIGHT 20 INCH	Body nr. 19 only
43	KK083023R		QUICK FIT REAR SHARE LEFT 20 INCH	Body nr. 19 only
44	KK013334		CONE SCREW M14X34 OVAL HEAD	Body nr. 19 only
45	KK083091		EJECTOR KEY	Body nr. 19 only
46	KK015825		NUT M16	
100	KK053090		REVERSIBLE POINT RIGHT	
100	KK063090		REVERSIBLE POINT LEFT	
101	KK013228R		CS BOLT M12X34	
102	KK073634		ECO SHARE RIGHT	
102	KK073635		ECO SHARE LEFT	
103	KK010155		BUSHING D17- D38X27	(for A-saddle)
103	KK010156		BUSHING D17-D38X40	(for MZ, AB, AD, BB, DA, DC, CC, BE)
104	KK032740		HEX BOLT M16X40 10.9	(for E-saddle; Before 01.03.00)
104	KK032750		HEX BOLT M16X50 10.9	(for E-saddle; From 01.03.00)
104	KK032765		HEX BOLT M16X65 10.9	(for A-saddle)
104	KK032775		HEX BOLT M16X75 10.9	(for MZ, AB, AD, BB, DA, DC, CC, BE)
105	KK013346		CONE SCREW M14X45 GALV.	(for E-saddle) (Before 01.03.00)

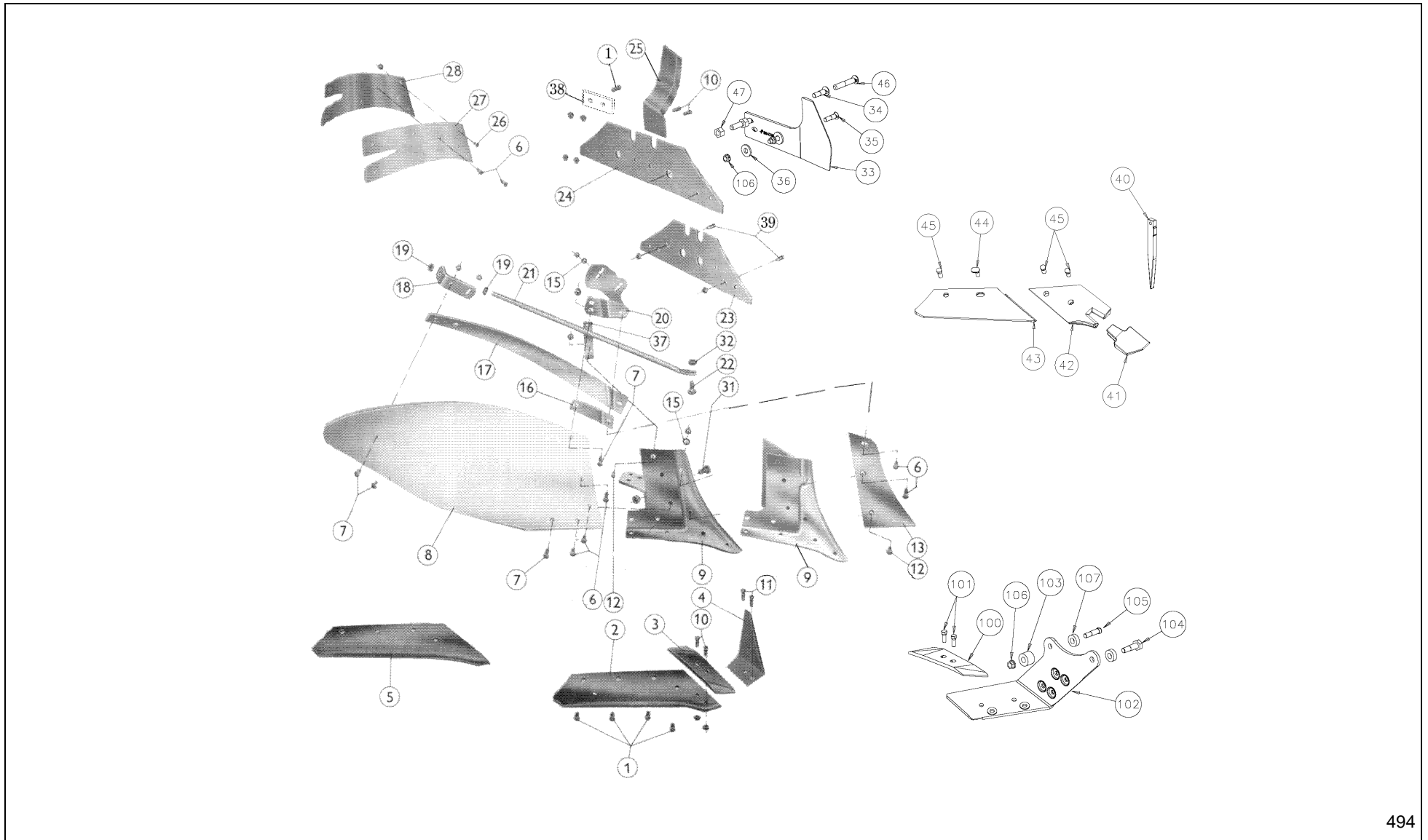


PN/RN / BODY - 12, 15, 19



PosNo.	Part No.	Qty.	Description	Remark
105	KK013361		CONE SCREW M14X60 12.9	(for E-saddle; From 01.03.00)
105	KK013385		CONE SCREW M14X85 10.9 GALV	(for A-saddle)
106	KK016015		FLANGE NUT M14 GALV.	
107	KK012929		WASHER D16.5XD35.0X12.0	(for E-saddle; From 01.03.00)

PN/RN / BODY - 14 (PLASTIC)

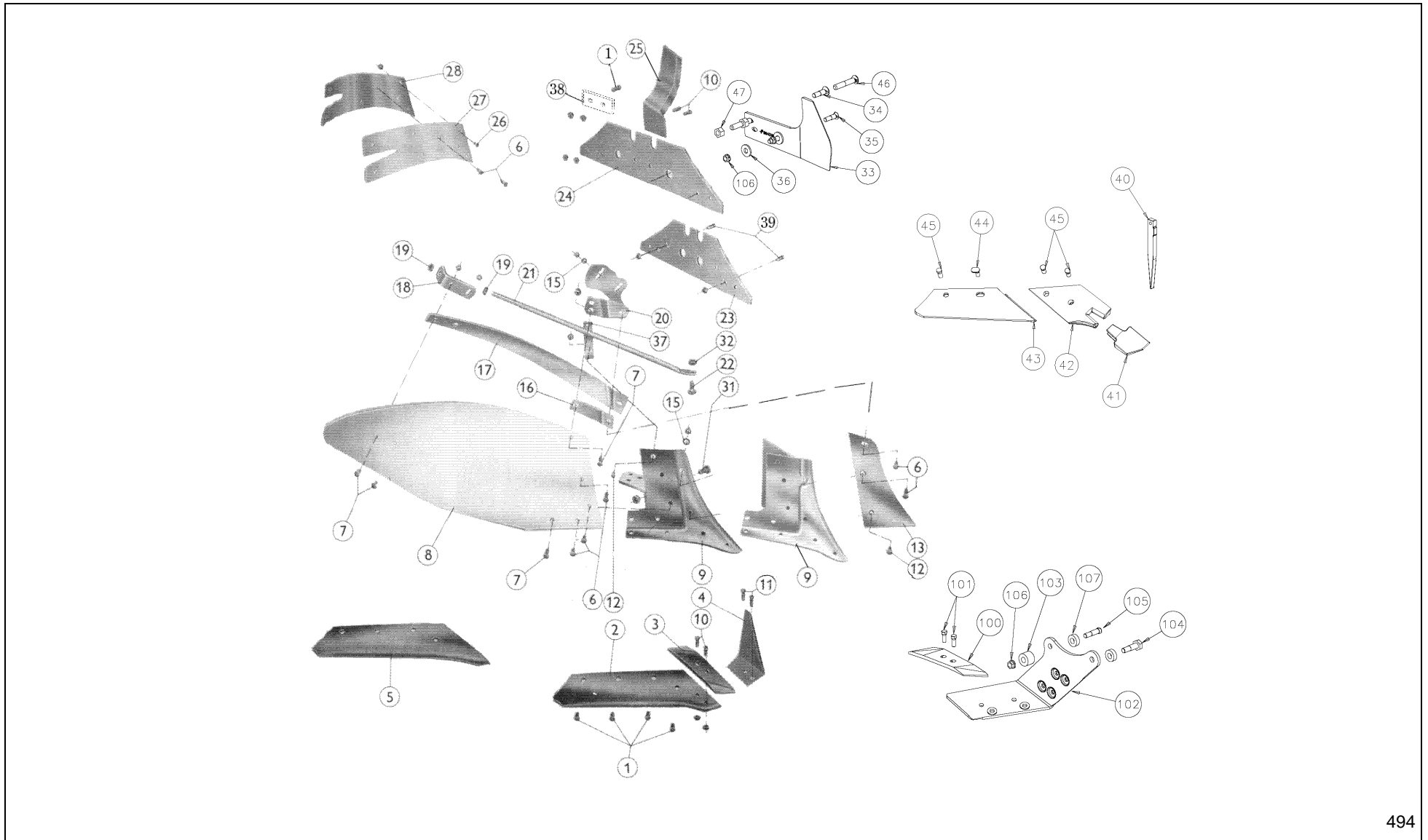


PN/RN / BODY - 14 (PLASTIC)



PosNo.	Part No.	Qty.	Description	Remark
1	KK013332		CONE SCREW M14 X 34 12.9	
2	KK073054		SHARE 14 REVERSIBLE POINT RIGHT	
2	KK073055		SHARE 14 REVERSIBLE POINT LEFT	
2	KK073056		SHARE 16 REVERSIBLE POINT RIGHT	
2	KK073057		SHARE 16 REVERSIBLE POINT LEFT	
2	KK073080		SHARE 18 REVERSIBLE POINT RIGHT	
2	KK073081		SHARE 18 REVERSIBLE POINT LEFT	
3	KK053090		REVERSIBLE POINT RIGHT	
3	KK063090		REVERSIBLE POINT LEFT	
4	KK073091		SHARE KNIFE R	
4	KK073092		SHARE KNIFE L	
5	KK073062		SHARE 14 FIXED POINT RIGHT	
5	KK073063		SHARE 14 FIXED POINT LEFT	
5	KK073064		SHARE 16 FIXED POINT RIGHT	
5	KK073065		SHARE 16 FIXED POINT LEFT	
6	KK033118		OVAL SCREW M12X40 GALV.	
7	KK033119		OVAL SCREW M12X50 GALV.	
8	KK073278R		MOULDBOARD	
8	KK073279R		MOULDBOARD NR. 14 L	
9	KK073470		SADDLE E NO.14&20 RIGHT	
9	KK073471		SADDLE E NO.14&20 LEFT	
9	KK073464		SADDLE A NO.14&20 RIGHT	
9	KK073465		SADDLE A NO.14&20 LEFT	
10	KK013228R		CS BOLT M12X34	(for A-saddle)
11	KK013234R		SHAREBOLT M12X38	
12	KK033100R		CS BOLT M12X32 (AA35634)	
13	KK073272R		SHINPIECE NO.20	
13	KK073273R		SHINPIECE NO.20	
15	KK012919		WASHER D13.0XD24.0X2.50	
16	KK073275		CONNECTING PIECE NR.20 RIGHT	
16	KK073276		CONNECTING PIECE NR.20 LEFT	
17	KK073338		SUPPORT NO.14 RIGHT	
17	KK073339		SUPPORT NO.14 LEFT	
18	KK073800		BRACKET FOR STAY RIGHT	
18	KK073801		BRACKET FOR STAY LEFT	
19	KK015834		NUT M20	
20	KK073328		BRACKET FOR TRASHBOARD RIGHT	
20	KK073329		BRACKET FOR TRASHBOARD LEFT	
21	KK073829		STAY E-SADDLE R/L	
21	KK073826		STAY A-SADDLE R/L	

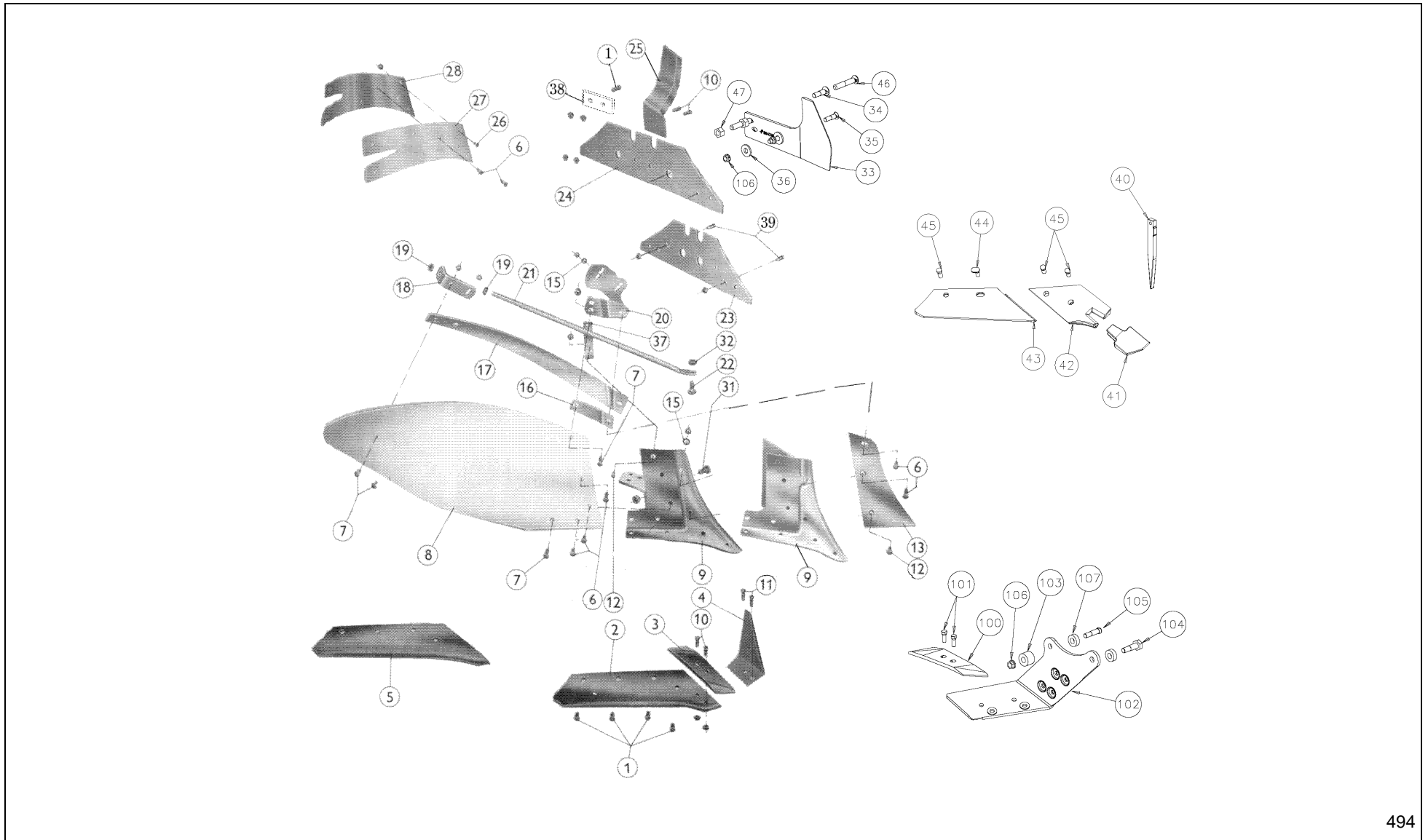
PN/RN / BODY - 14 (PLASTIC)



PN/RN / BODY - 14 (PLASTIC)

PosNo.	Part No.	Qty.	Description	Remark
22	KK032735		HEX BOLT M16X35 10.9	
23	KK073608		LANDSIDE SHORT R/L	
24	KK073609		LANDSIDE LONG R/L	
25	KK073615R		FURROW OPENER R.	
25	KK073616R		FURROW OPENER L.	
26	KK033004		OVAL SCREW M10X20 GALV.	
27	KK073350R		TRASHBOARD	
27	KK073351R		PLASTIC TRASHBOARD LH JAPAN	
28	KK073352		SUPPORT PLATE RIGHT	
28	KK073353		SUPPORT PLATE LEFT	
29	KK053387R		MOULDBOARDEXTENSION R. PAINTED	
29	KK063388R		MOULDBOARDEXTENS	
31	KK032730		HEX BOLT M16X30 10.9	
32	KK062025		ADJUSTABLE NUT M16 GALV.	
33	KK084320R		LANDSIDE KNIFE R.H.	
33	KK084321R		LANDSIDE KNIFE L.H.	
34	KK033256		OVAL SCREW M16X55 12.9	(for E-saddle; Before 01.02.00)
34	KK033256		OVAL SCREW M16X55 12.9	(for E-saddle; From 01.02.00)
35	KK033175		OVAL SCREW M14X50 10.9 EZ GUL	
36	KK012922		WASHER D17-D40X4.58	
37	KK073354		SUPPORT FOR BRACKET RIGHT & LEFT	
38	KK073614R		WEARING PIECE FOR 073609	
39	KK013333		CONE SCREW M14X34	
40	KK083091		EJECTOR KEY	
41	KK083090R		POINT QFS	
42	KK083012R		HALTER RE. FÜR QF-W-SPITZE (19,30)	
42	KK083013R		HALTER LI. FÜR QF-W-SPITZE (19,30)	
43	KK083016R		SHARE QFS 14" R	
43	KK083017R		SHARE QFS 14" L	
43	KK083018R		SHARE QFS 16" R	
43	KK083019R		SHARE QFS 16" L	
44	KK013334		CONE SCREW M14X34 OVAL HEAD	
45	KK013332		CONE SCREW M14 X 34 12.9	
46	KK033295		OVAL SCREW M16X95 12.9	(for A-saddle; From 01.02.00)
47	KK015825		NUT M16	
100	KK053090		REVERSIBLE POINT RIGHT	
100	KK063090		REVERSIBLE POINT LEFT	
101	KK013228R		CS BOLT M12X34	
102	KK073634		ECO SHARE RIGHT	
102	KK073635		ECO SHARE LEFT	

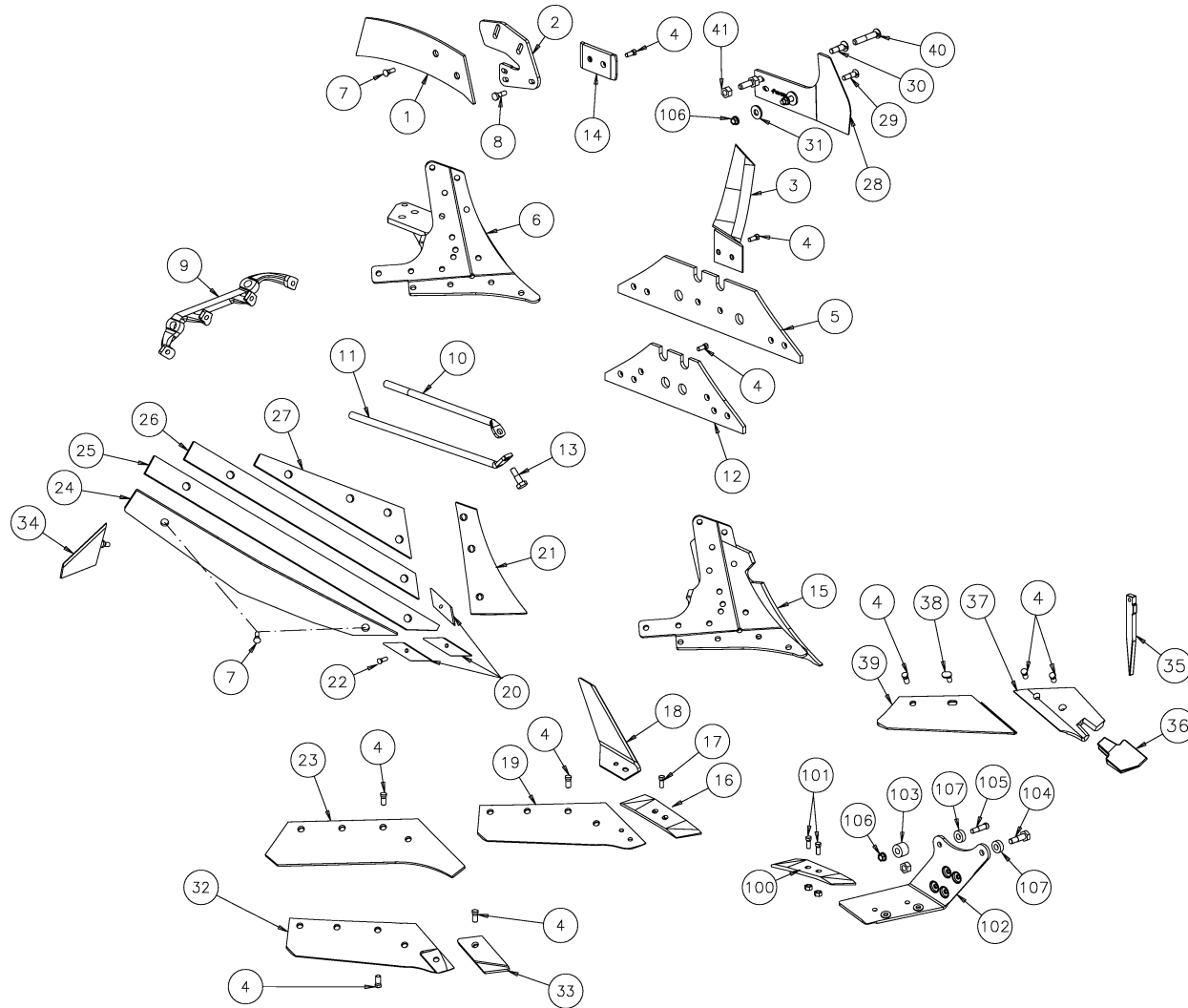
PN/RN / BODY - 14 (PLASTIC)



PN/RN / BODY - 14 (PLASTIC)



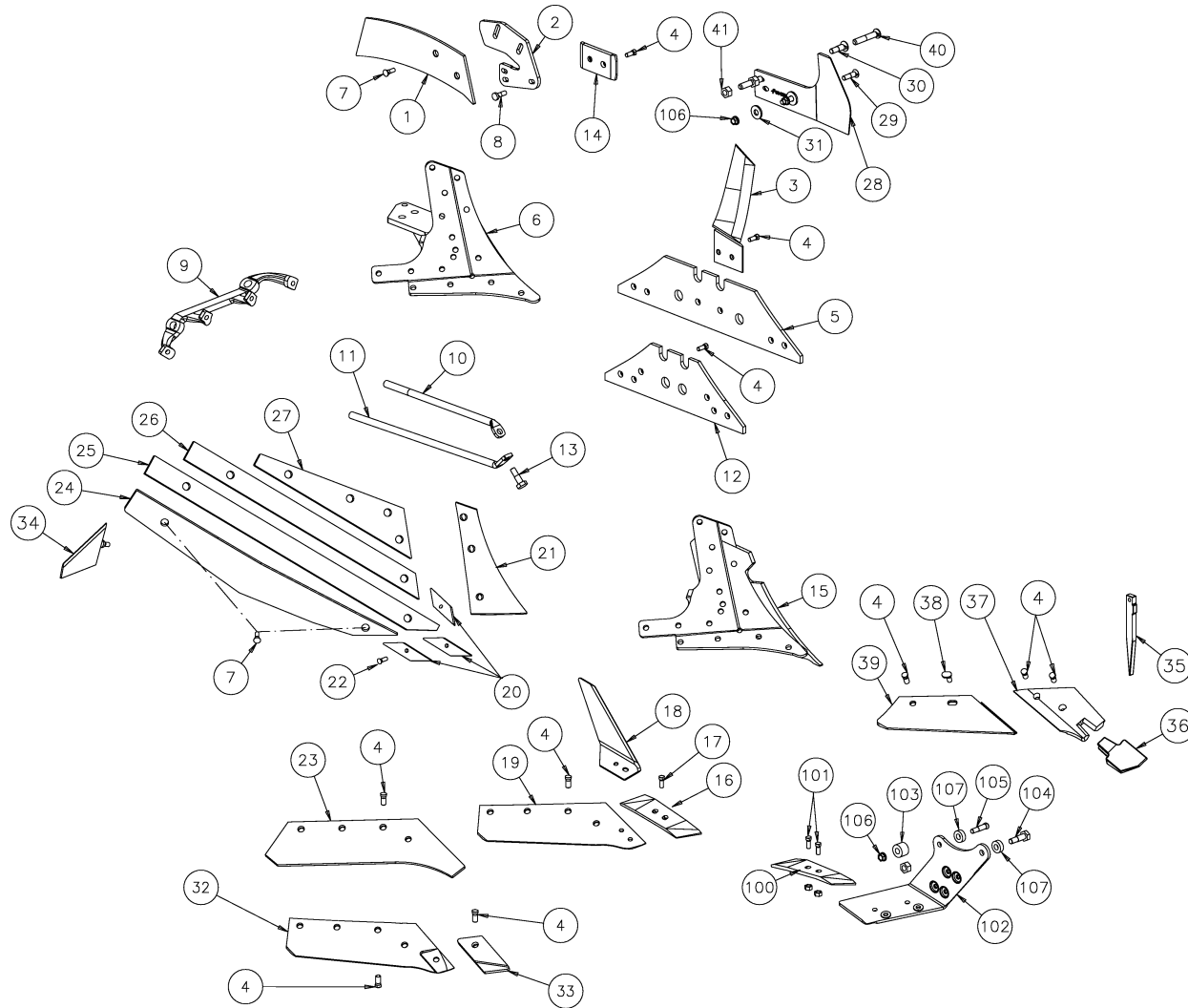
PosNo.	Part No.	Qty.	Description	Remark
103	KK010155		BUSHING D17- D38X27	(for A-saddle)
103	KK010156		BUSHING D17-D38X40	(for MZ, AB, AD, BB, DA, DC, CC, BE)
104	KK032740		HEX BOLT M16X40 10.9	(for E-saddle; Before 01.03.00)
104	KK032750		HEX BOLT M16X50 10.9	(for E-saddle; From 01.03.00)
104	KK032765		HEX BOLT M16X65 10.9	(for A-saddle)
104	KK032775		HEX BOLT M16X75 10.9	(for MZ, AB, AD, BB, DA, DC, CC, BE)
105	KK013346		CONE SCREW M14X45 GALV.	(for E-saddle; Before 01.03.00)
105	KK013361		CONE SCREW M14X60 12.9	(for E-saddle; From 01.03.00)
105	KK013385		CONE SCREW M14X85 10.9 GALV	(for A-saddle)
106	KK016015		FLANGE NUT M14 GALV.	
107	KK012929		WASHER D16.5XD35.0X12.0	(for E-saddle; From 01.03.00)



PN/RN / BODY - 30



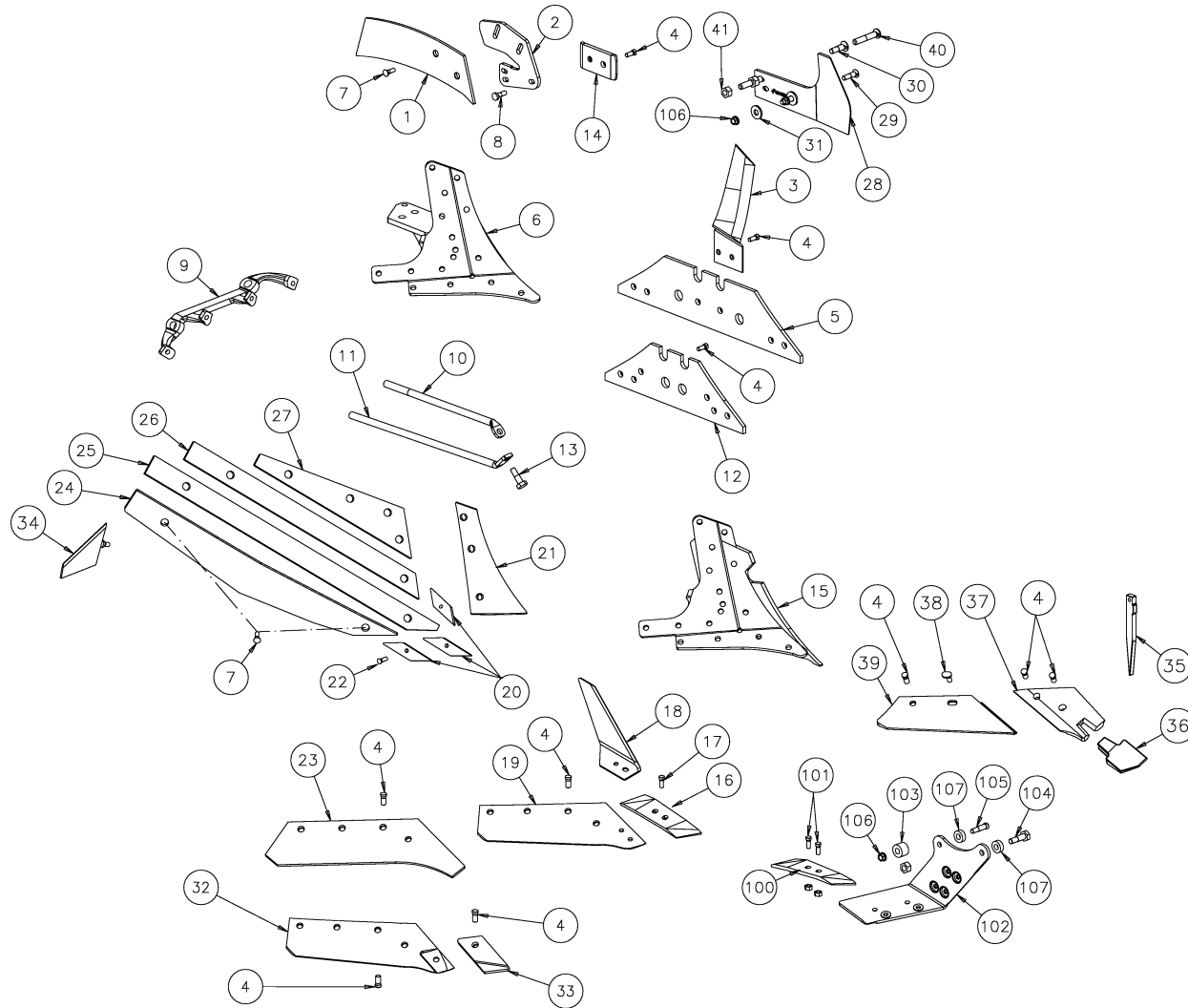
PosNo.	Part No.	Qty.	Description	Remark
1	KK073300R		TRASHBOARD R	
1	KK073301R		TRASHBOARD L.	
2	KK083300		TRASHBOARD BRACKET R BODY NO 30	
2	KK083301		TRASHBOARD BRACKET L BODY NO 30	
3	KK073615R		FURROW OPENER R.	
3	KK073616R		FURROW OPENER L.	
4	KK013332		CONE SCREW M14 X 34 12.9	
4	KK016013		FLANGE NUT M14 KEY19	
5	KK073609		LANDSIDE LONG R/L	
6	KK083417		E-SADDLE WE RIGHT BODY NO 29	
6	KK083418		E-SADDLE WE LEFT BODY NO 29	
6	KK083408		E-SADDLE WE RIGHT BODY NO 30	
6	KK083409		E-SADDLE WE LEFT BODY NO 30	
7	KK033116		OVAL SCREW M12X35	
7	KK015817		NUT M12 GALV.	
7	KK033107R		BOLT M12X35 W/NUT	(for body no. 30; Before 01.01.01)
7	KK015817		NUT M12 GALV.	
8	KK033117		OVAL SCREW M12X45	
8	KK015817		NUT M12 GALV.	
8	KK033111		OVAL SCREW M12X45 GALV.	(for body no. 30; Before 01.01.01)
8	KK015817		NUT M12 GALV.	
9	KK083210		SLAT SUPPORT RIGHT	
9	KK083220		SLAT SUPPORT LEFT	
10	KK083803		STAY NO 2 SADDLE A&E BODY NO 30	
11	KK083805R		STAY NO. 1 A-SADDLE BODY NO 29	
11	KK083806R		STAY NO. 2 A-SADDLE BODY NO 29	
11	KK083802		STAY NO 1 A-SADDLE BODY NO 30	
11	KK083807		STAY NO. 1 E-SADDLE BODY NO 29	
11	KK083808		STAY NO. 2 E-SADDLE BODY NO 29	
11	KK083804		STAY NO 1 SADDLE E BODY 30 R&L	
12	KK073608		LANDSIDE SHORT R/L	
13	KK032750		HEX BOLT M16X50 10.9	
13	KK015825		NUT M16	
14	KK073614R		WEARING PIECE FOR 073609	
15	KK083415		A-SADDLE WE RIGHT BODY NO 29	
15	KK083416		A-SADDLE WE LEFT BODY NO 29	
15	KK083406		A-SADDLE WE RIGHT BODY NO 30	
15	KK083407		A-SADDLE WE LEFT BODY NO 30	
16	KK053090		REVERSIBLE POINT RIGHT	
16	KK063090		REVERSIBLE POINT LEFT	



PN/RN / BODY - 30



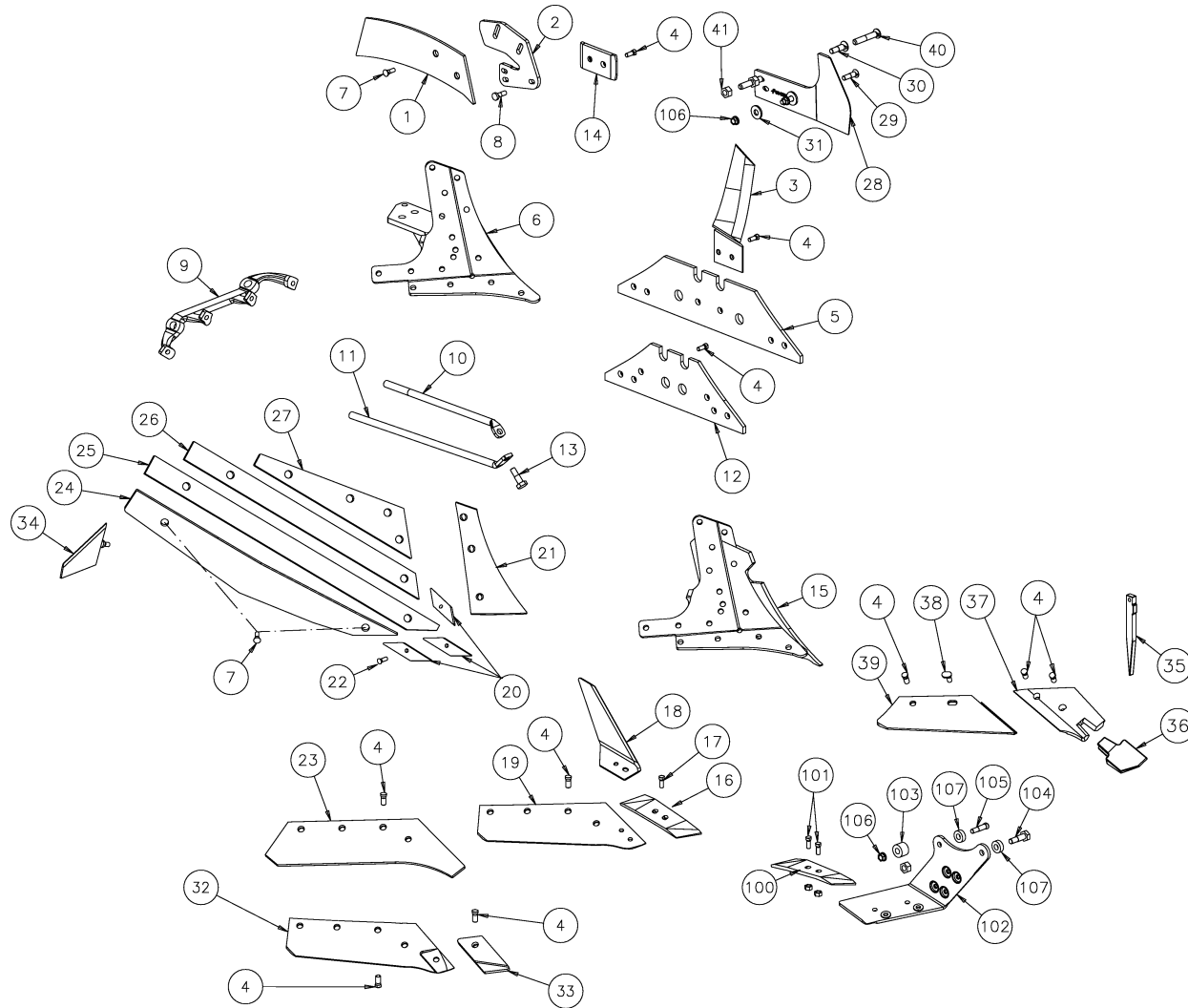
PosNo.	Part No.	Qty.	Description	Remark
17	KK013228R		CS BOLT M12X34	
17	KK015817		NUT M12 GALV.	
18	KK073091		SHARE KNIFE R	
18	KK073092		SHARE KNIFE L	
18	KK063091		SHARE KNIFE R	(for Sweden)
18	KK063092		SHARE KNIF L	(for Sweden)
19	KK073002		SHARE 14 F/REV.POINT RIGHT	(for body no. 29)
19	KK073003		SHARE 14 F/REV.POINT LEFT	(for body no. 29)
19	KK073054		SHARE 14 REVERSIBLE POINT RIGHT	(for body no. 30)
19	KK073055		SHARE 14 REVERSIBLE POINT LEFT	(for body no. 30)
19	KK073004		SHARE 16 F/REV.POINT RIGHT	(for body no. 29)
19	KK073005		SHARE 16 F/REV.POINT LEFT	(for body no. 29)
19	KK073056		SHARE 16 REVERSIBLE POINT RIGHT	(for body no. 30)
19	KK073057		SHARE 16 REVERSIBLE POINT LEFT	(for body no. 30)
19	KK073006		SHARE 18 F/REV.POINT RIGHT	(for body no. 29)
19	KK073007		SHARE 18 F/REV.POINT LEFT	(for body no. 29)
19	KK073080		SHARE 18 REVERSIBLE POINT RIGHT	(for body no. 30)
19	KK073081		SHARE 18 REVERSIBLE POINT LEFT	(for body no. 30)
20	KK083215R		PLASTICSPACER 1/2 R/L NO 30 W/BOLT	(for slat 1-2)
20	KK083218		CONNECTING PIECE NO.2 BODY NO 29	(for slat 2; for body no. 29)
20	KK083216R		PLASTICSPACER 2/3 R/L NO 30 W/BOLT	(for slat 2-3; for body no. 30)
20	KK083217R		PLASTICSPACER 3/4 R/L NO 30 W/BOLT	(for slat 3-4)
21	KK073256R		SHINPIECE R.	(for body no. 29)
21	KK073257R		SHINPIECE L.	(for body no. 29)
21	KK073230R		SHINPIECE R. NO.19	(for body no. 30)
21	KK073231R		SHINPIECE WITH BOLTS FOR BODY NO. 19	(for body no. 30)
22	KK033006R		BOLT M10X30	(for body no. 29)
22	KK015813		NUT M10 GALV.	
22	KK033016		OVAL SCREW M10X30 GALV.	(for body no. 30)
22	KK015813		NUT M10 GALV.	
23	KK073062		SHARE 14 FIXED POINT RIGHT	(for body no. 30)
23	KK073063		SHARE 14 FIXED POINT LEFT	(for body no. 30)
23	KK073064		SHARE 16 FIXED POINT RIGHT	(for body no. 30)
23	KK073065		SHARE 16 FIXED POINT LEFT	(for body no. 30)
24	KK083211R		FINGER NO 1 R.H BODY NO 30 W/BOLT	
24	KK083221		SLAT NO.1 LEFT	
25	KK083212R		FINGER NO 2 R.H BODY NO 30 W/BOLT	
25	KK083222R		FINGER NO 2 L.H BODY NO 30 W/BOLT	
26	KK083213R		FINGER NO 3 R.H BODY NO 30 W/BOLT	
26	KK083223		SLAT NO.3 LEFT	



PN/RN / BODY - 30



PosNo.	Part No.	Qty.	Description	Remark
27	KK083214R		FINGER NO 4 R.H BODY NO 30 W/BOLT	
27	KK083224R		FINGER NO 4 L.H BODY NO 30 W/BOLT	
28	KK084320R		LANDSIDE KNIFE R.H.	
28	KK084321R		LANDSIDE KNIFE L.H.	
29	KK033175		OVAL SCREW M14X50 10.9 EZ GUL	
30	KK033256		OVAL SCREW M16X55 12.9	(for E-saddle) (Before 01.02.00)
30	KK033256		OVAL SCREW M16X55 12.9	(for E-saddle) (From 01.02.00)
31	KK012922		WASHER D17-D40X4.58	
32	KK073042		FLUSH FIT SHARE 14 R	(for body no. 29)
32	KK073043		FLUSH FIT SHARE 14 L	(for body no. 29)
32	KK073044		FLUSH FIT SHARE 16 R	(for body no. 29)
32	KK073045		FLUSH FIT SHARE 16 L	(for body no. 29)
33	KK073030		FLUSHPOINT RIGHT	(Before 01.01.05)
33	KK073031R		FLUSHPOINT L	(Before 01.01.05)
34	KK083235R		FURROW SPLITTER W/BOLT	(From 01.12.01)
35	KK083091		EJECTOR KEY	
36	KK083090R		POINT QFS	
37	KK083012R		HALTER RE. FÜR QF-W-SPITZE (19,30)	
37	KK083013R		HALTER LI. FÜR QF-W-SPITZE (19,30)	
38	KK013334		CONE SCREW M14X34 OVAL HEAD	
39	KK083016R		SHARE QFS 14" R	
39	KK083017R		SHARE QFS 14" L	
39	KK083018R		SHARE QFS 16" R	
39	KK083019R		SHARE QFS 16" L	
39	KK083020R		SHARE QFS 18" R	
39	KK083021R		SHARE QFS 18" L	
39	KK083022R		QUICK FIT REAR SHARE RIGHT 20 INCH	
39	KK083023R		QUICK FIT REAR SHARE LEFT 20 INCH	
40	KK033295		OVAL SCREW M16X95 12.9	(for A-saddle) (From 01.02.00)
41	KK015825		NUT M16	
100	KK053090		REVERSIBLE POINT RIGHT	
100	KK063090		REVERSIBLE POINT LEFT	
101	KK013228R		CS BOLT M12X34	
101	KK015817		NUT M12 GALV.	
102	KK073634		ECO SHARE RIGHT	
102	KK073635		ECO SHARE LEFT	
103	KK010155		BUSHING D17- D38X27	(for A-saddle)
103	KK010156		BUSHING D17-D38X40	(for MZ, AB, AD, BB, DA, DC, CC, BE)
104	KK032740		HEX BOLT M16X40 10.9	(for E-saddle) (Before 01.03.00)
104	KK032750		HEX BOLT M16X50 10.9	(for E-saddle) (From 01.03.00)

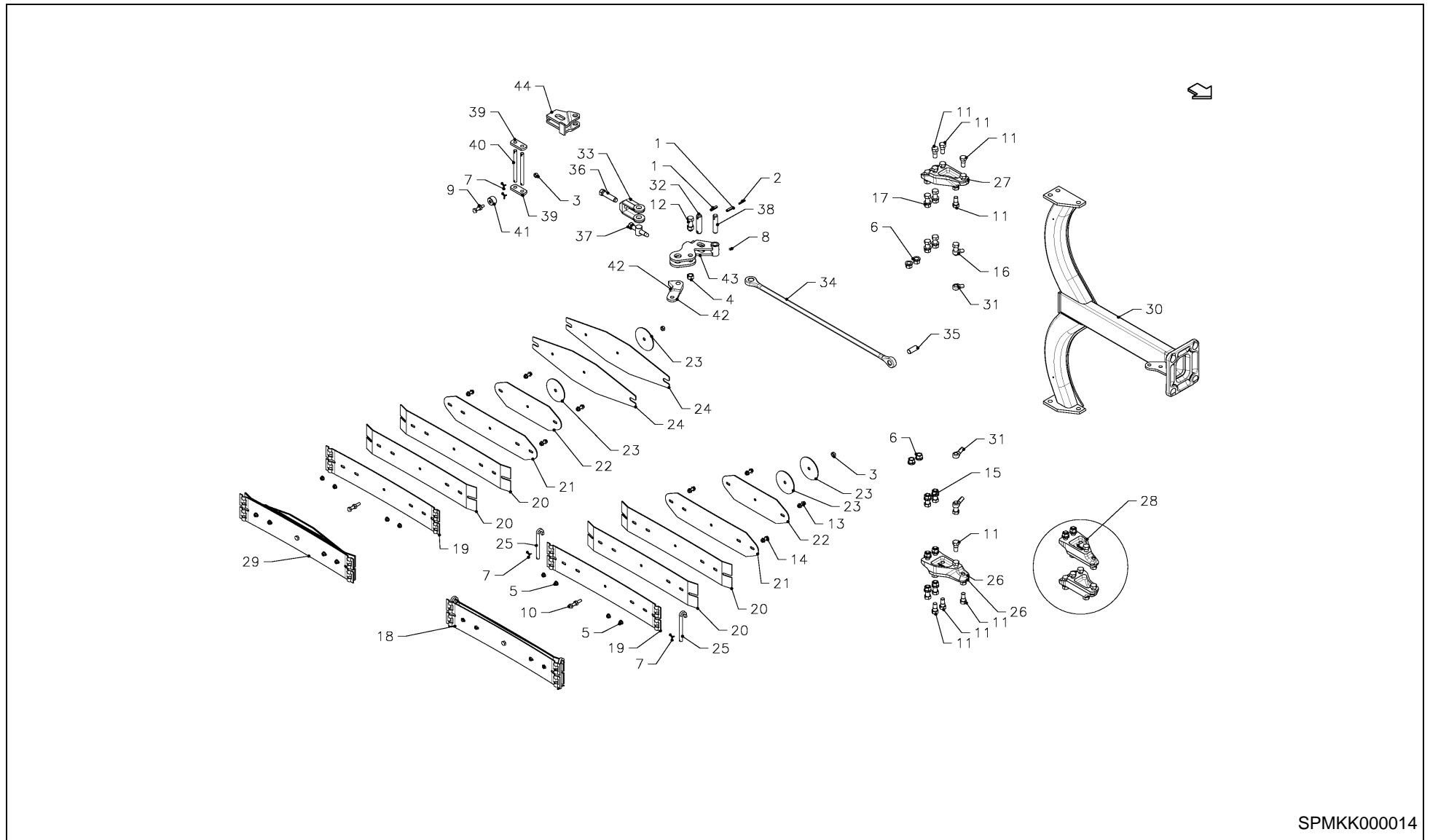


PN/RN / BODY - 30



PosNo.	Part No.	Qty.	Description	Remark
104	KK015825		NUT M16	
104	KK032765		HEX BOLT M16X65 10.9	(for A-saddle)
104	KK015825		NUT M16	
104	KK032775		HEX BOLT M16X75 10.9	(for MZ, AB, AD, BB, DA, DC, CC, BE)
104	KK015825		NUT M16	
105	KK013346		CONE SCREW M14X45 GALV.	(for E-saddle) (Before 01.03.00)
105	KK013361		CONE SCREW M14X60 12.9	(for E-saddle) (From 01.03.00)
105	KK013385		CONE SCREW M14X85 10.9 GALV	(for A-saddle)
106	KK016015		FLANGE NUT M14 GALV.	
107	KK012929		WASHER D16.5XD35.0X12.0	(for E-saddle) (From 01.03.00)

PN/RN / BEAM (AUTO RESET)

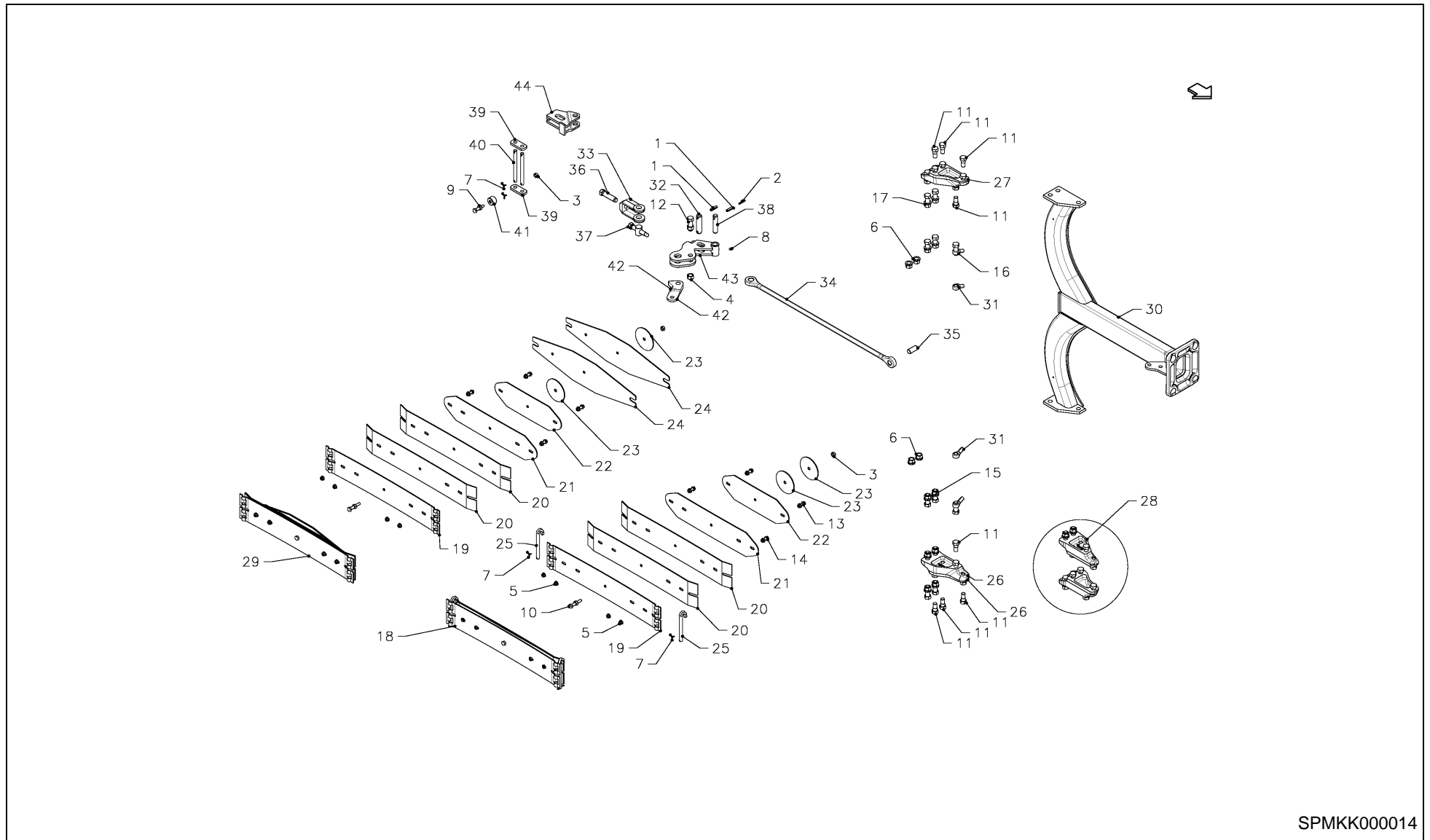


SPMKK000014

PN/RN / BEAM (AUTO RESET)

PosNo.	Part No.	Qty.	Description	Remark
1	KK011037		ROLL PIN D10X40 GALV.	
2	KK011042		ROLL PIN D6X40 DIN 1481 GALV.	
3	KK015817		NUT M12 GALV.	
4	KK015830		NUT M20	
5	KK016007		FLANGE NUT M10	
6	KK016012		FLANGE NUT M20	
7	KK029727		SPLIT PIN D2X32	
8	KK029920		GREASE NIPPLE M8X1 STRAIGHT	
9	KK032655		HEX BOLT M12 X 55	
10	KK032665		HEX BOLT M12X65 GL40	
11	KK032840		HEX BOLT M20X40 10.9	
12	KK032860		HEX BOLT M20X60 10.9	
13	KK035020R		BOLT M10X34	
14	KK035021R		BOLT M10X30.5	
15	KK035165		HEX BOLT M20X50 W/FLANGE NUT	
16	KK035209		HEX BOLT M20X50 W/THREADED PIECE	
17	KK035210		HEX SCREW M20 X 55 W/FLANGE NUT	
18	KK050706		SPRING ALT 1	
19	KK057063		MAIN SPRING BLADE	
20	KK057064		SPRING BLADE NO. 1	
21	KK057065		SPRING BLADE NO. 2	
22	KK057066		SPRING BLADE NO. 3	
23	KK057067		SPRING BLADE NO. 4	
24	KK057068		LEAF 5 ADDITIONAL AUTO-RESET SYSTEM	
25	KK057089		SPRING BOLT	
26	KK060108		DISTANCE BRACKET CPL. RIGHT	
27	KK060109		DISTANCE BRACKET CPL. LEFT	
28	KK060119		SPACER KIT W/ HEX SCREWS R & L CPL.	
29	KK060703		SPRING HD CPL. WITHOUT REGULATOR	
30	KK061280R		TURN-OVER 1979 BEAM ENAMELLED	
31	KK061291		THREADED PIECE	
32	KK067016R		BOLT Ø25 FOR CLEVIS	
33	KK067025		CLEVIS FOR TIE ROD D25	
34	KK067026R		TIE ROD D22 WITH D22 & D25 HOLES	
35	KK067031R		MAINBOLT	
36	KK067039R		SCREW	
37	KK067051		ADJUST SCREW W/THREADED PIECE	
38	KK067059R		AXLE	
39	KK067075		SHACKLE	
40	KK067076		BOLT D15.7-D5.5X168-D5.5	

PN/RN / BEAM (AUTO RESET)



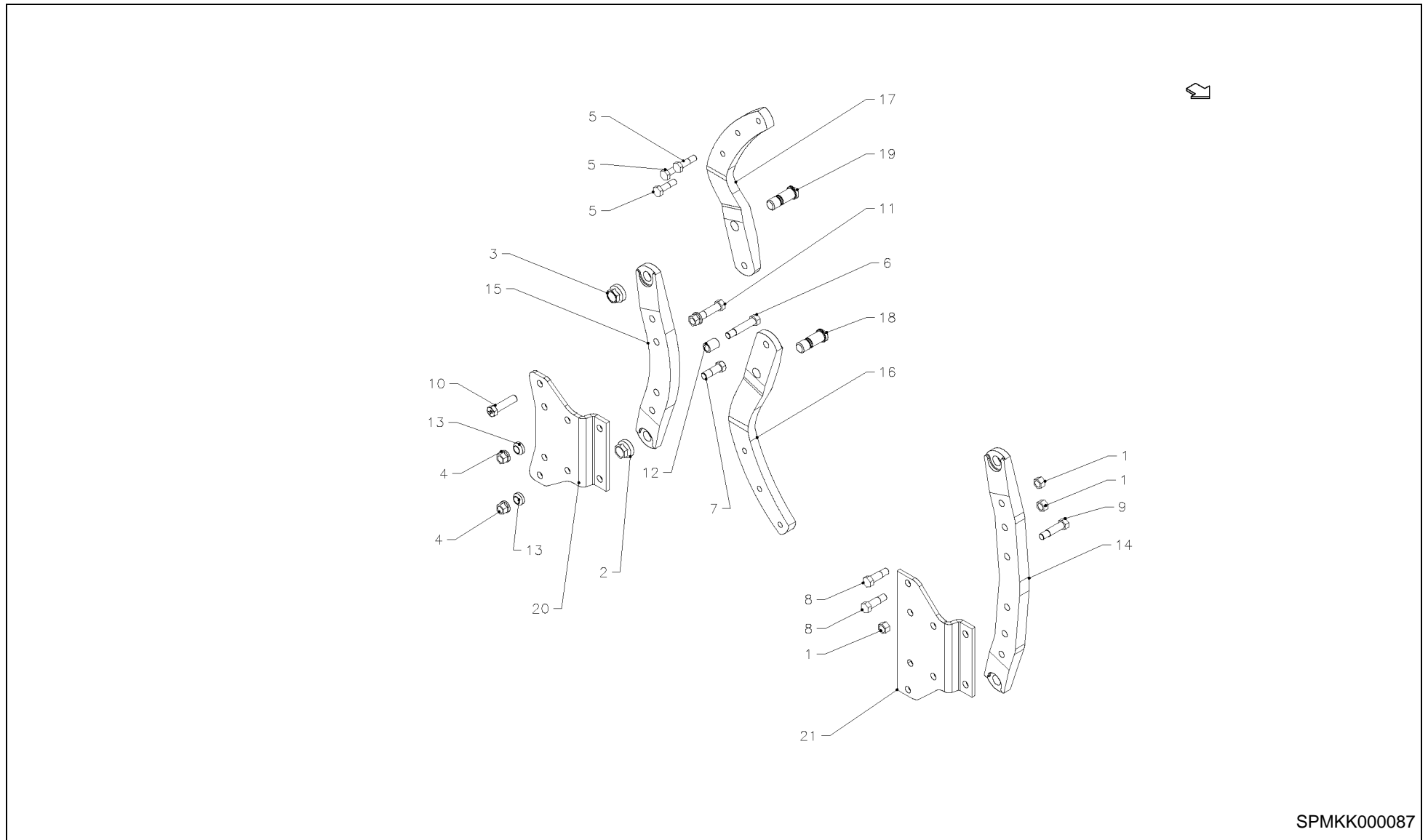
SPMKK000014

PN/RN / BEAM (AUTO RESET)



PosNo.	Part No.	Qty.	Description	Remark
41	KK067077		DISTANCE TUBE ADDITIONAL SPRING PACK	
42	KK067080		SPRING RETAINER REAR	
43	KK067090R		REGULATOR ARM WELDED FOR D25 BOLT	
44	KK067092		LOCK PIECE FOR D25 BOLT	

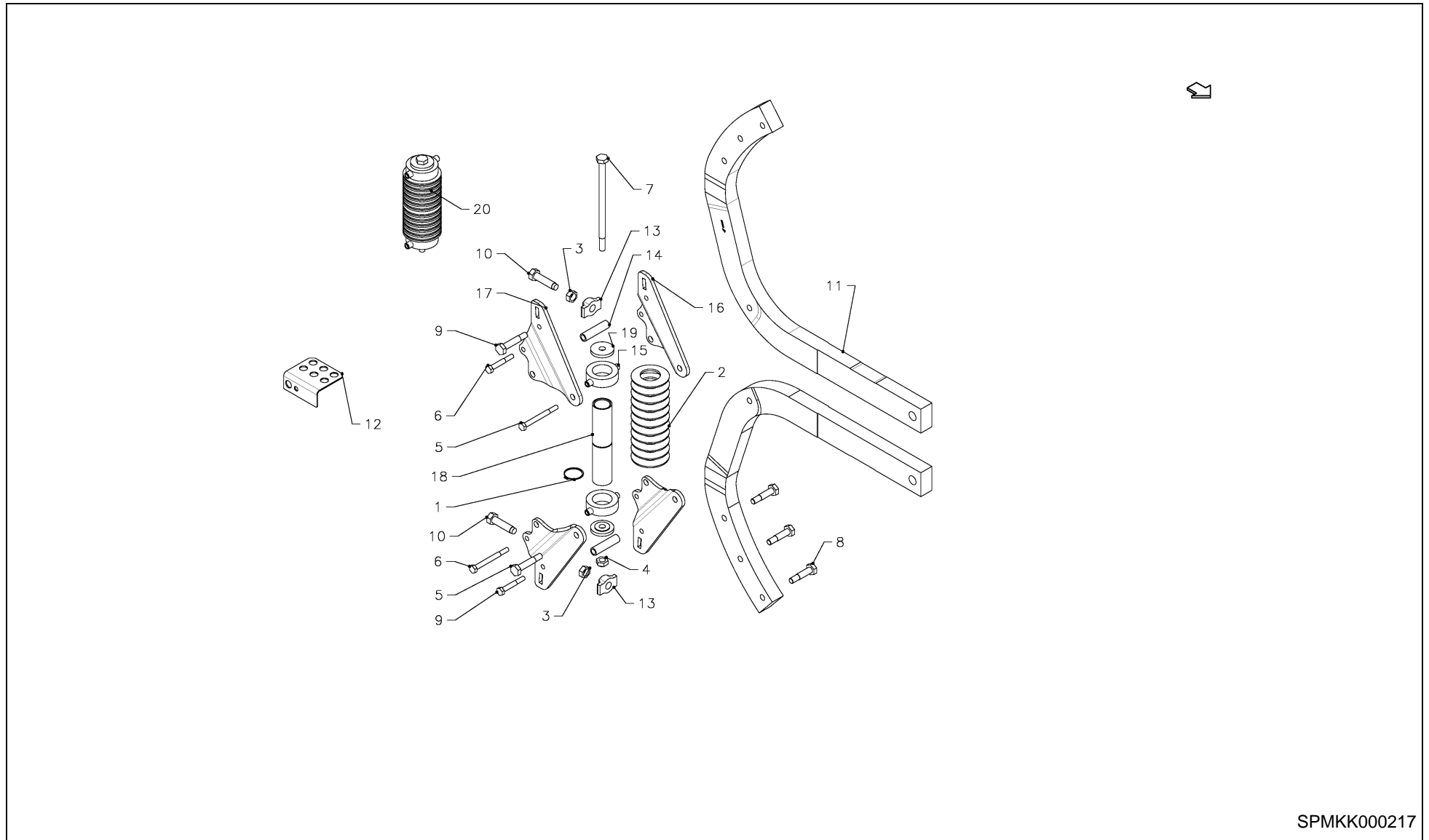
PN/RN / BEAM (SHEAR BOLT)



SPMKK000087

PN/RN / BEAM (SHEAR BOLT)

PosNo.	Part No.	Qty.	Description	Remark
1	KK015830		NUT M20	
2	KK016022		FLANGE NUT M30 10 KEY36	
3	KK016045		FLANGE NUT M30 LEFT KEY 36	
4	KK016049		FLANGE NUT M20 WITH LOCK	
5	KK032762		HEX BOLT M16X60 12.9	
6	KK032807		HEX BOLT M20X100 10.9	
7	KK032860		HEX BOLT M20X60 10.9	
8	KK032865		HEX BOLT M20X65 10.9	
9	KK032880		HEX BOLT M20X80 10.9	
10	KK035072R		SHEAR BOLT M20X88 W/NUT	
11	KK035215		HEX BOLT M20X80 W/NUT	
12	KK061515		BUSHING D20.5-D28X35.2	
13	KK062020		WASHER D20-D35X14 CONVEX	
14	KK071270R		CENTER SECT. SHEARBOLT BEAM H=800	
15	KK071271R		CENTER SECT. SHEARBOLT BEAM H=700	
16	KK071272R		RIGHT SECTION SHEARBOLT BEAM	
17	KK071273R		LEFT SECTION SHEARBOLT BEAM	
18	KK071274		BOLT M30 R.HAND THREAD L=84	
19	KK071275		BOLT M30 L.HAND THREAD L= 84	
20	KK071508		PLATE FOR BEAM H=700	
21	KK071529		SIDE PLATE SHEARBOLT BEAM H=800	

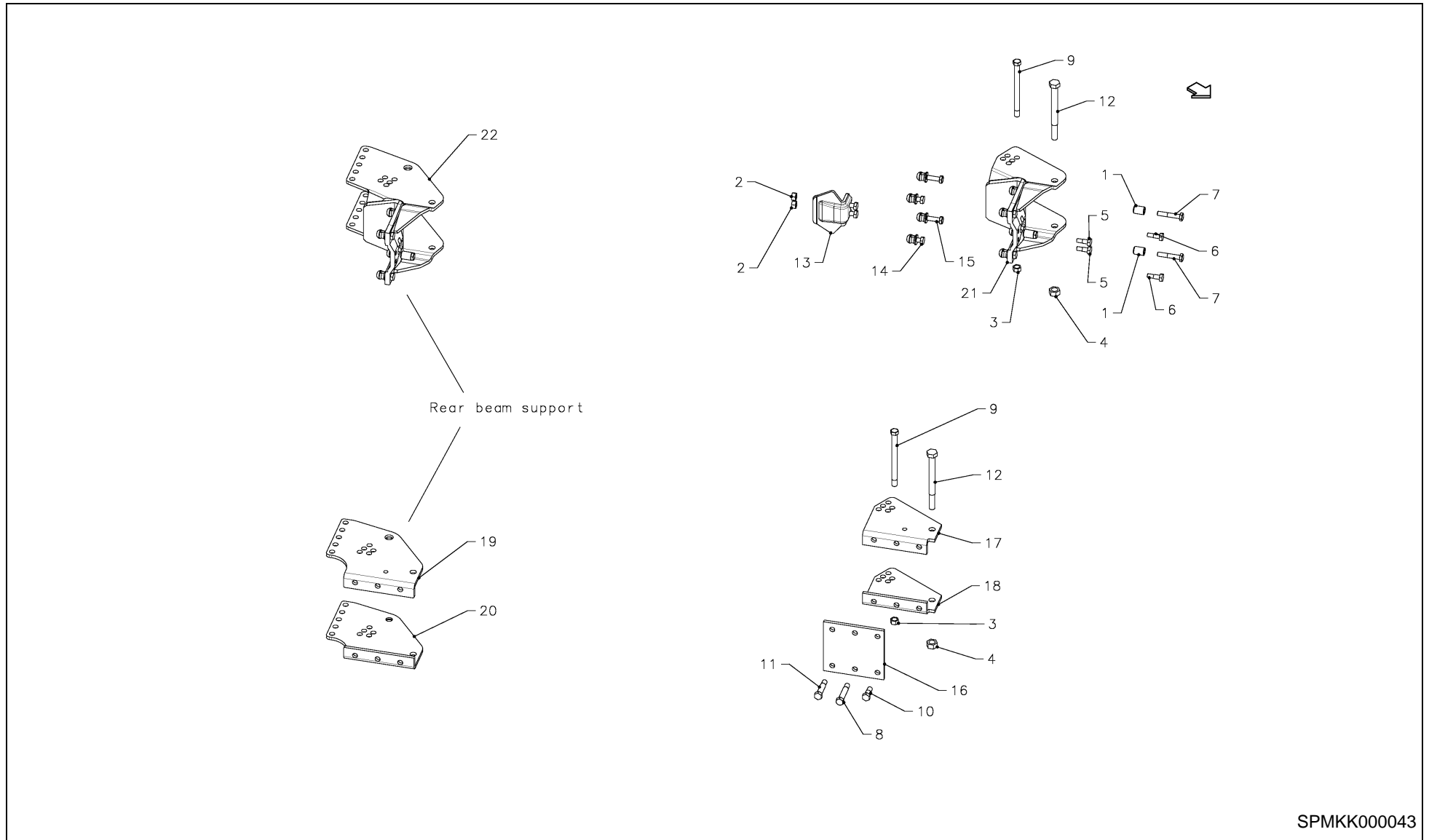


SPMKK000217

PN/RN / BEAM (VIBROMAT)

PosNo.	Part No.	Qty.	Description	Remark
1	KK011269		CIRCLIP 50X2 NS5143	
2	KK012874		CUP SPRING D97XD51X4.58	
3	KK015834		NUT M20	
4	KK016025		LOCK NUT M16	
5	KK032604		HEX SCREW M12 X120	
6	KK032680		HEX BOLT M12X80	
7	KK032728		HEX BOLT M16X280 10.9	
8	KK032774		HEX BOLT M16X70 12.9 THREAD L=40	
9	KK032785		HEX BOLT M16X85 10.9	
10	KK067042		ADJUST SCREW M20X75 GALV 10.9	
11	KK072757		BEAM RIGHT&LEFT H=700 SL	
12	KK072769		HOLDER FOR SHEAR BOLTS	
13	KK072771		THREADED PIECE M20	
14	KK072773		BUSHING D14.8 X D21.3 X 85	
15	KK072819		HOLDER FOR SPRING SL SHOCKABS.	
16	KK072820		LINK R	
17	KK072821		LINK L	
18	KK072822		BUSHING INNER IN SPRING PACKAGE	
19	KK072824		COVER	
20	KK072825		SPRINGS PACKAGE ASSEMBLED SL	

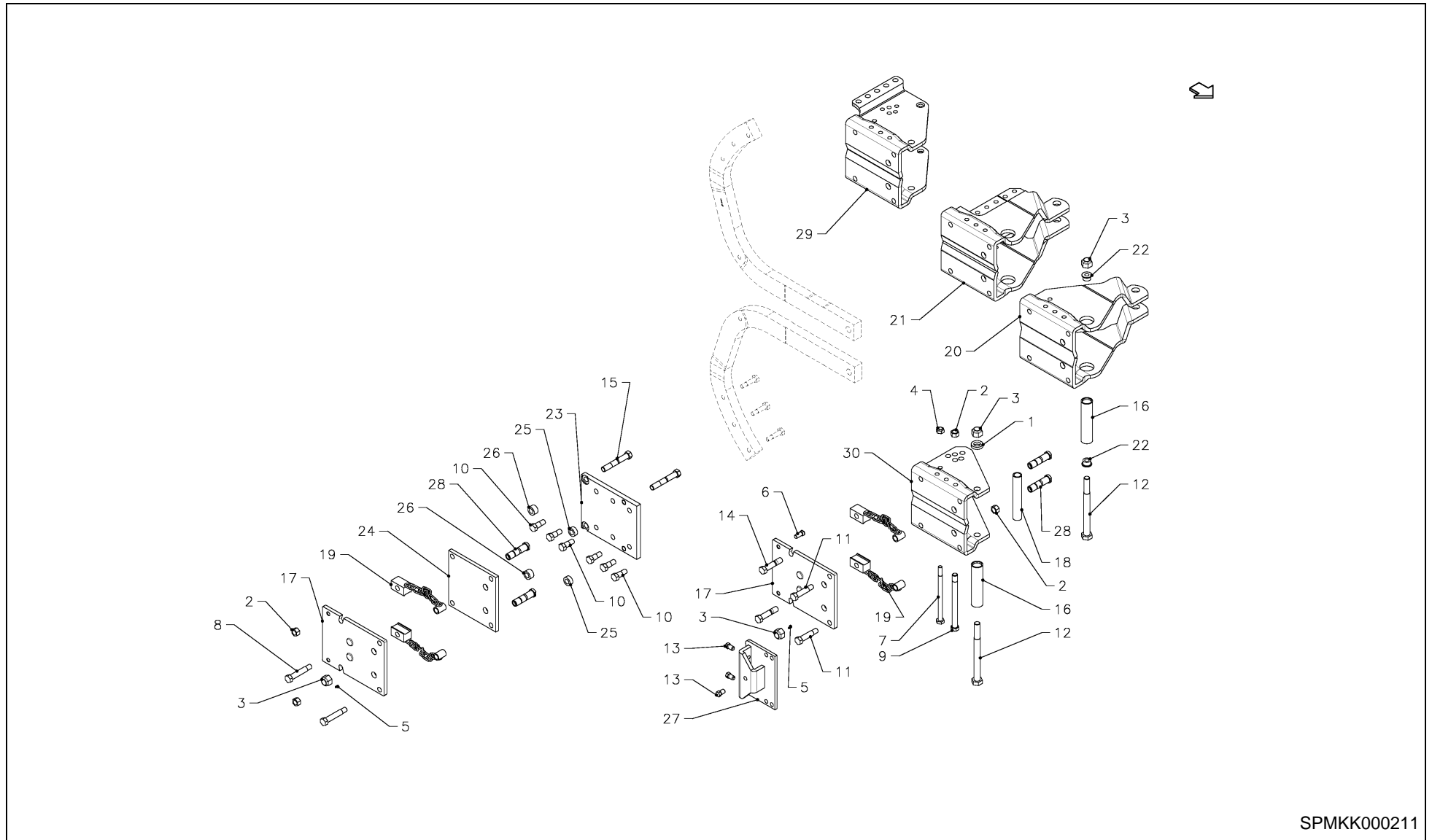
PN/RN / BEAM SUPPORT STEPWISE



SPMKK000043

PN/RN / BEAM SUPPORT STEPWISE

PosNo.	Part No.	Qty.	Description	Remark
1	KK010168		BUSHING D16.25XD30X41	
2	KK015825		NUT M16	
3	KK015830		NUT M20	
4	KK015841		NUT M24 GALV.	
5	KK032745		HEX BOLT M16X45 10.9	
6	KK032752		HEX BOLT M16X50 12.9	
7	KK032792		HEX BOLT M16X90 12.9	
8	KK032824		HEX BOLT M20X105 10.9	
9	KK032846		HEX BOLT M20 X 245	
10	KK032850		HEX BOLT M20X50 10.9	
11	KK032890		HEX BOLT M20X90 10.9	
12	KK032925		HEX BOLT M24X250 10.9	
13	KK061637R		STEERING PLATE	
14	KK071256		2 BALLS M16X50	
15	KK071259		2 BALLS M16X90 WITH LOCTITE	
16	KK071670		PLATE FOR BEAM SUPPORT	
17	KK083660		BEAM HOLDER PLATE UPPER	
18	KK083661		BEAM HOLDER PLATE LOWER	
19	KK083662		BEAMHOLDER REAR UPPER D20	
20	KK083663		BEAMHOLDER REAR LOWER D20	
21	KK083690		BEAM SUPPORT W/BALLS	
22	KK083692		BEAM SUPPORT REAR WITH BALLS	



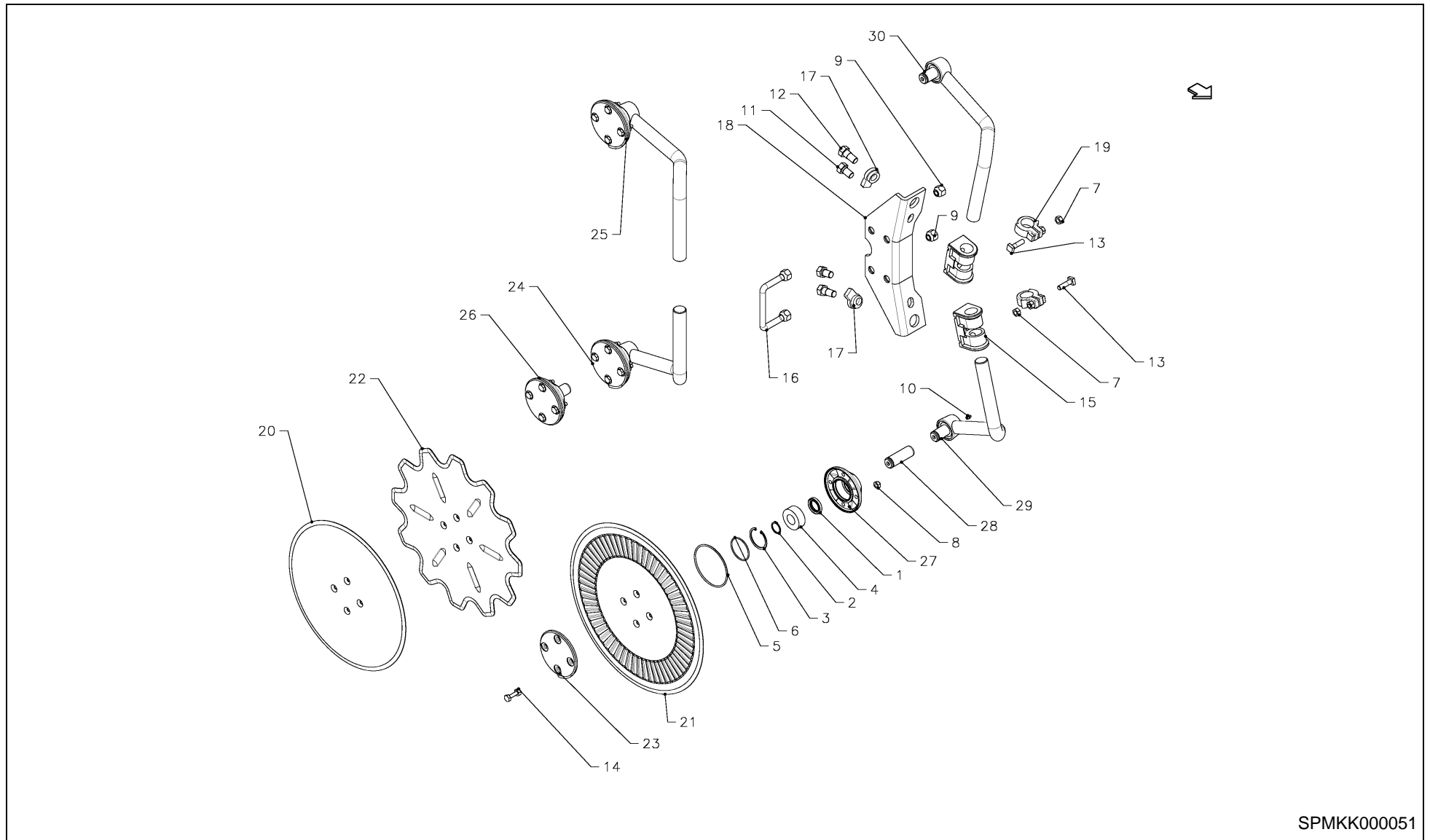
SPMKK000211

PN/RN / BEAM HOLDER



PosNo.	Part No.	Qty.	Description	Remark
1	KK013000		WASHER D26-D45X10	
2	KK015830		NUT M20	
3	KK016001		LOCK NUT M24 10 GALV.	
4	KK016025		LOCK NUT M16	
5	KK029918		GREASE NIPPLE M6	
6	KK031941		CONE BOLT M16X40 GALV. 12.9	
7	KK032724		HEX BOLT M16X250 10.9	
8	KK032803		HEX BOLT M20X110	
9	KK032846		HEX BOLT M20 X 245	
10	KK032850		HEX BOLT M20X50 10.9	
11	KK032890		HEX BOLT M20X90 10.9	
12	KK032926		HEX BOLT M24X265 10.9	
13	KK034225		SET SCREW M16X25	
14	KK035087		SHEAR BOLT M20X90	
15	KK035093		SHARE BOLT M20 X 130	
16	KK071417		BUSHING D34.5-D44.5X186	
17	KK072759		PLATE OUTHER BEAM SUPPORT	
18	KK072760		BUSHING D27.7-D33.8X202	
19	KK072761		SPACER	
20	KK072788		BEAM SUPPORT LB-SL	
21	KK072789		REAR BEAM SUPPORT LB-SL	
22	KK072792		SLIDE BEARING W-FLANGE D16.25X19-D30/16	
23	KK072831		ADAPTER PLATE FOR VIBROMAT BEAM	
24	KK072832		SUPPORT PLATE FOR VIBROMAT BEAM	
25	KK072833		BUSHING D35 X D20,5 X 15	
26	KK072834		BUSHING D35 X D20,5 X 20	
27	KK076873		BRACKET FOR MANURE SKIMMER SL	
28	KK077021		BEARING BOLT	
29	KK082640		BEAM SUPPORT REAR WE	
30	KK083649		BEAM HOLDER VIBROMAT RN	

PN/RN / DISC COULTER - AUTO-RESET BEAM

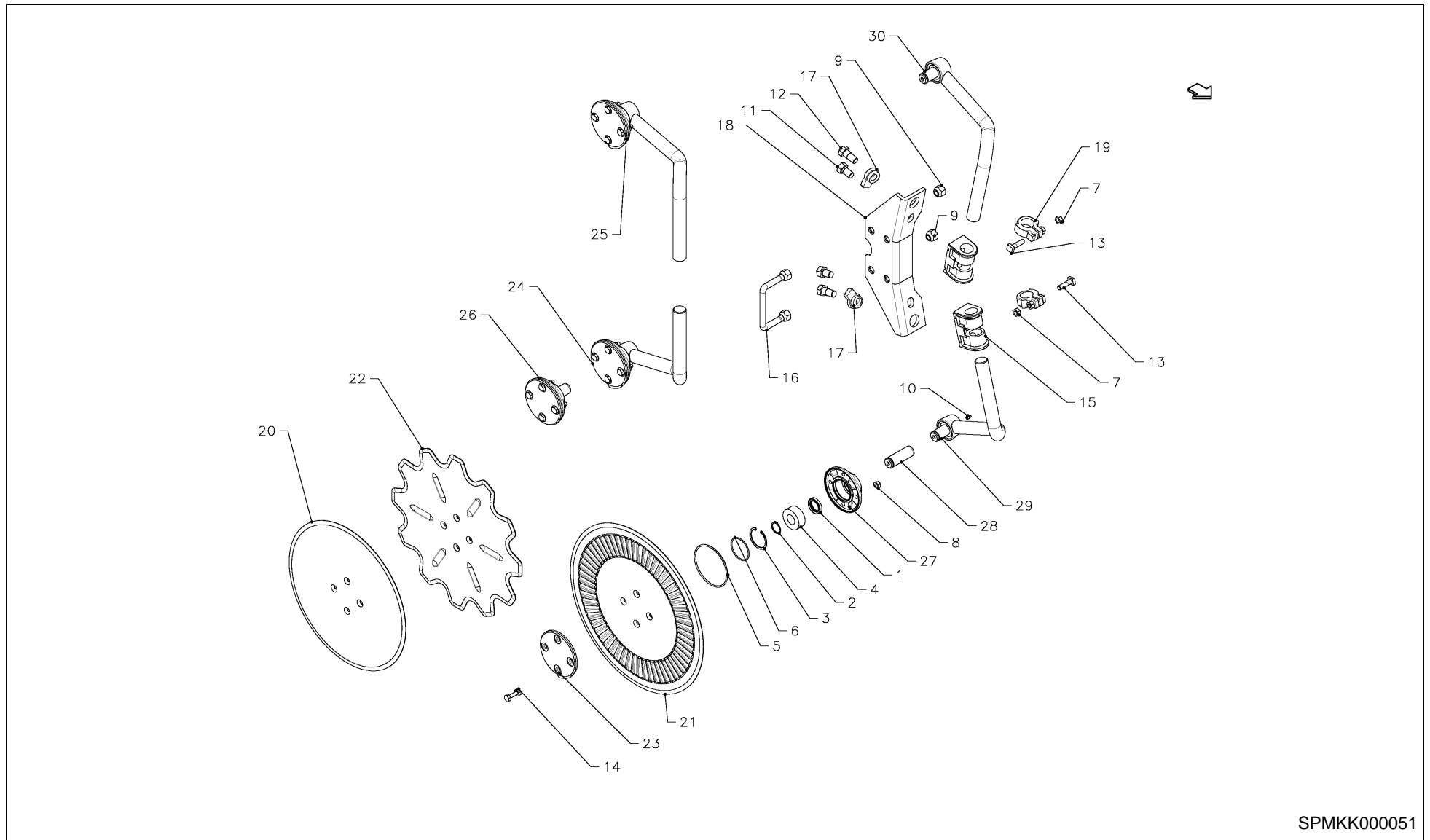


SPMKK000051

PN/RN / DISC COULTER - AUTO-RESET BEAM

PosNo.	Part No.	Qty.	Description	Remark
1	KG00017500		RADIAL SHAFT SEAL - A 30X47X7	
2	KG01108862		CIRCLIP-A 30 X 1.5	
3	KG01129800		CIRCLIP-B 62 X 2	
4	KK010572		TWO ROW ANGLE CONTACT BALL-BEARING 3206B	
5	KK011750		O-RING D124.5X3 70 SHORE	
6	KK011866		O-RING D67X3 70 SHORE	
7	KK015817		NUT M12 GALV.	
8	KK016004		LOCK NUT M10 METAL LOCKING	
9	KK016031		CONE NUT M16 KEY27 H25	
10	KK029920		GREASE NIPPLE M8X1 STRAIGHT	
11	KK032830		HEX BOLT M20X30 10.9	
12	KK032840		HEX BOLT M20X40 10.9	
13	KK035031R		BOLT M12X40	
14	KK035114		HEX BOLT M10X40 W/LOCK NUT	
15	KK066185		DISC COULTER BRACKET W/SCREW	
16	KK066175R		U-BOLT	
17	KK066178		ECCENTRIC FOR DISC COULTER BRACKET	
18	KK066182		DISC COULTER BRACKET 20	
18	KK066189		BRACKET FOR DISC COULTER 18 INCH	
19	KK066190R		STOP JOURNAL	
20	KK076406R		DISC 18"	
21	KK076407R		DISC COULTER 20	
22	KK076409R		DISC 18" NOTCHED	
22	KK076410R		DISC COULTER 20 NOTCHED	
23	KK076499R		REINFORCMENT PLATE	
24	KK086092		DISC COULTER 18" MOD99 CPL.	
24	KK086093		RULLEKN.18"V SLETT U/FESTE E-ÅS MOD 99	
24	KK086190		DISC COULTER 20" MOD99 CLP. R	
24	KK086084BOM		DISC COULT ARM 20 R W BEARING	
25	KK086081		DISC COULT ARM 18 L W BEAR E-BEAM	
25	KK086191		DISC COULTER 20" MOD99 CPL. L	
25	KK086085BOM		DISC COULT ARM 20 R W BEARING	
26	KK086087R		REP. SET FOR BEARING HOUSE KK076097	
27	KK086100		BEARING HOUSING DISC COULTER	
28	KK086101R		AXLE FOR DISC COULTER	
29	KK086170		ARM WITH AXLE 18" R	
29	KK086172		ARM WITH AXLE 20" R	
29	KK086174		ARM WITH AXLE 20" LOWERED	
30	KK086171		ARM WITH AXLE 18" L	
30	KK086173		ARM WITH AXLE 20" L	

PN/RN / DISC COULTER - AUTO-RESET BEAM



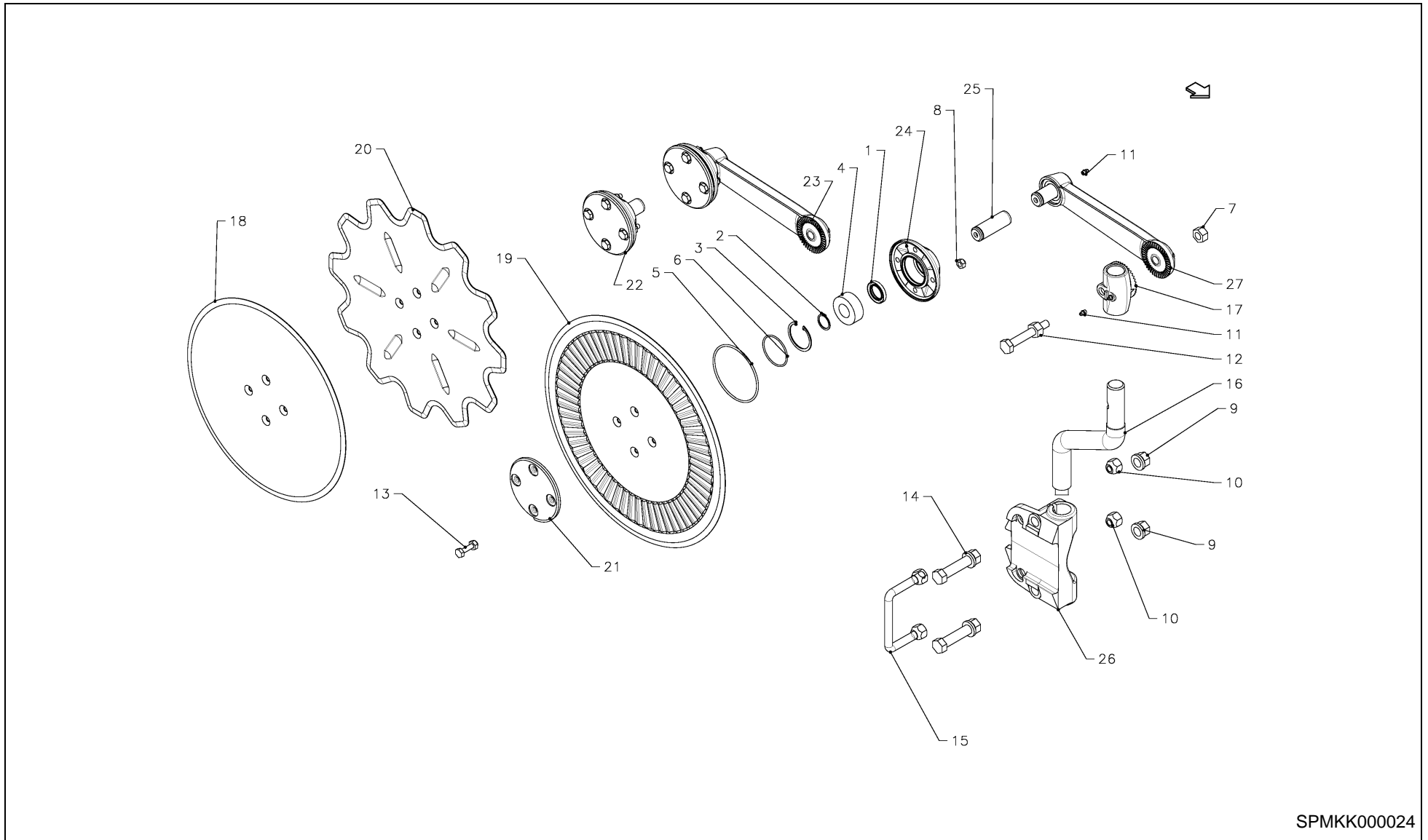
SPMKK000051

PN/RN / DISC COULTER - AUTO-RESET BEAM



PosNo.	Part No.	Qty.	Description	Remark
30	KK086175		ARM WITH AXLE 20" L LOWERED	

PN/RN / DISC COULTER 99 - AUTO RESET BEAM



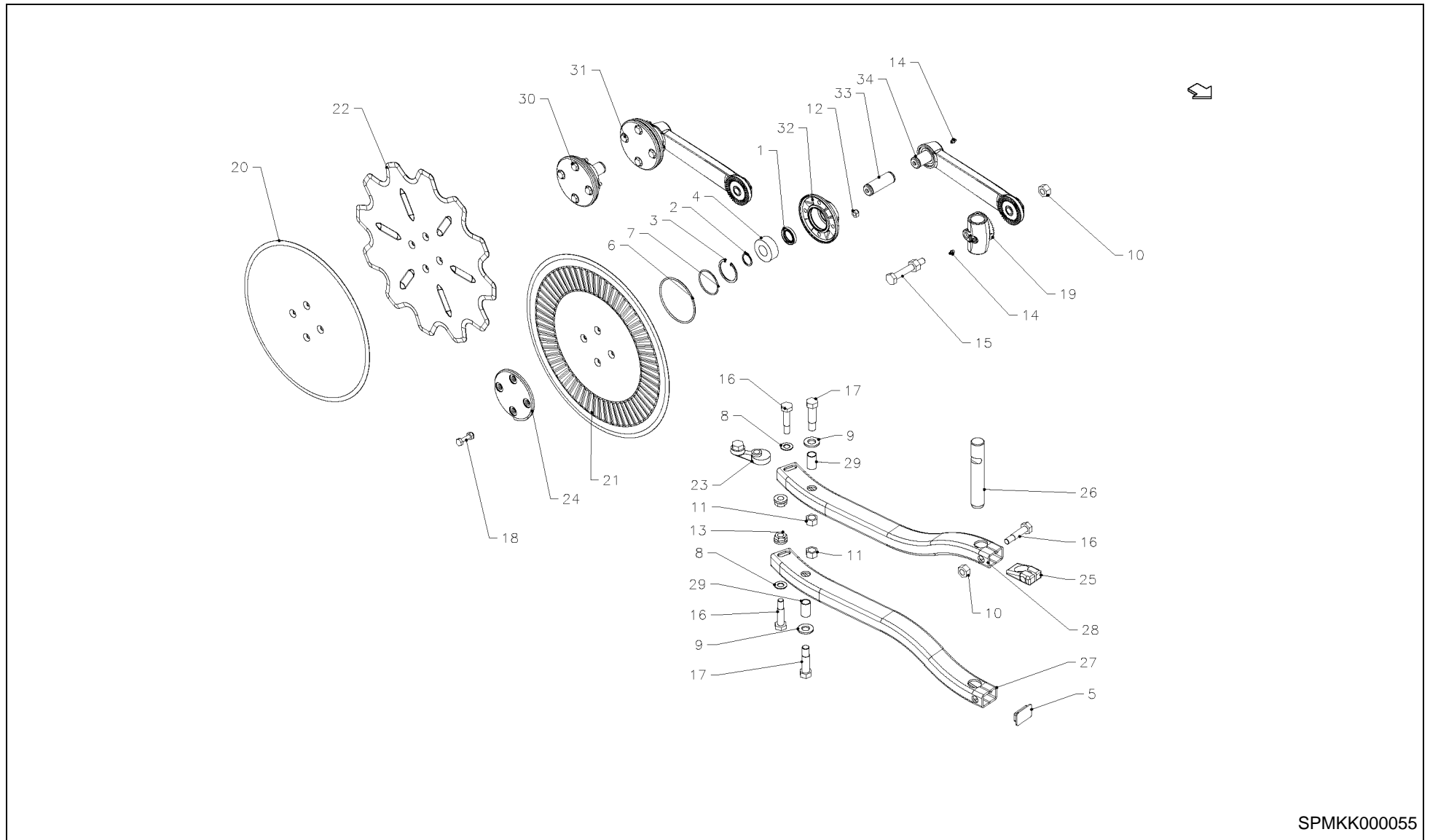
SPMKK000024

PN/RN / DISC COULTER 99 - AUTO RESET BEAM



PosNo.	Part No.	Qty.	Description	Remark
1	KG00017500		RADIAL SHAFT SEAL - A 30X47X7	
2	KG01108862		CIRCLIP-A 30 X 1.5	
3	KG01129800		CIRCLIP-B 62 X 2	
4	KK010572		TWO ROW ANGLE CONTACT BALL-BEARING 3206B	
5	KK011750		O-RING D124.5X3 70 SHORE	
6	KK011866		O-RING D67X3 70 SHORE	
7	KK015825		NUT M16	
8	KK016004		LOCK NUT M10 METAL LOCKING	
9	KK016012		FLANGE NUT M20	
10	KK016031		CONE NUT M16 KEY27 H25	
11	KK029920		GREASE NIPPLE M8X1 STRAIGHT	
12	KK032702		HEX BOLT M16X110	
13	KK035114		HEX BOLT M10X40 W/LOCK NUT	
14	KK035175		HEX BOLT M20X100 W/FLANGE NUT	
15	KK066175R		U-BOLT	
16	KK076063		STEM FOR DISC COULTER	
17	KK076400R		SUPPORT	
18	KK076406R		DISC 18"	
19	KK076407R		DISC COULTER 20	
20	KK076410R		DISC COULTER 20 NOTCHED	
21	KK076499R		REINFORCMENT PLATE	
22	KK086087R		REP. SET FOR BEARING HOUSE KK076097	
23	KK086091		ARM WITH BEARING AND AXLE 18" & 20"	
24	KK086100		BEARING HOUSING DISC COULTER	
25	KK086101R		AXLE FOR DISC COULTER	
26	KK086103R		DISC COULTER BRACKET E-BEAM CASTED	
27	KK086167		ARM WITH AXLE 18" & 20"	

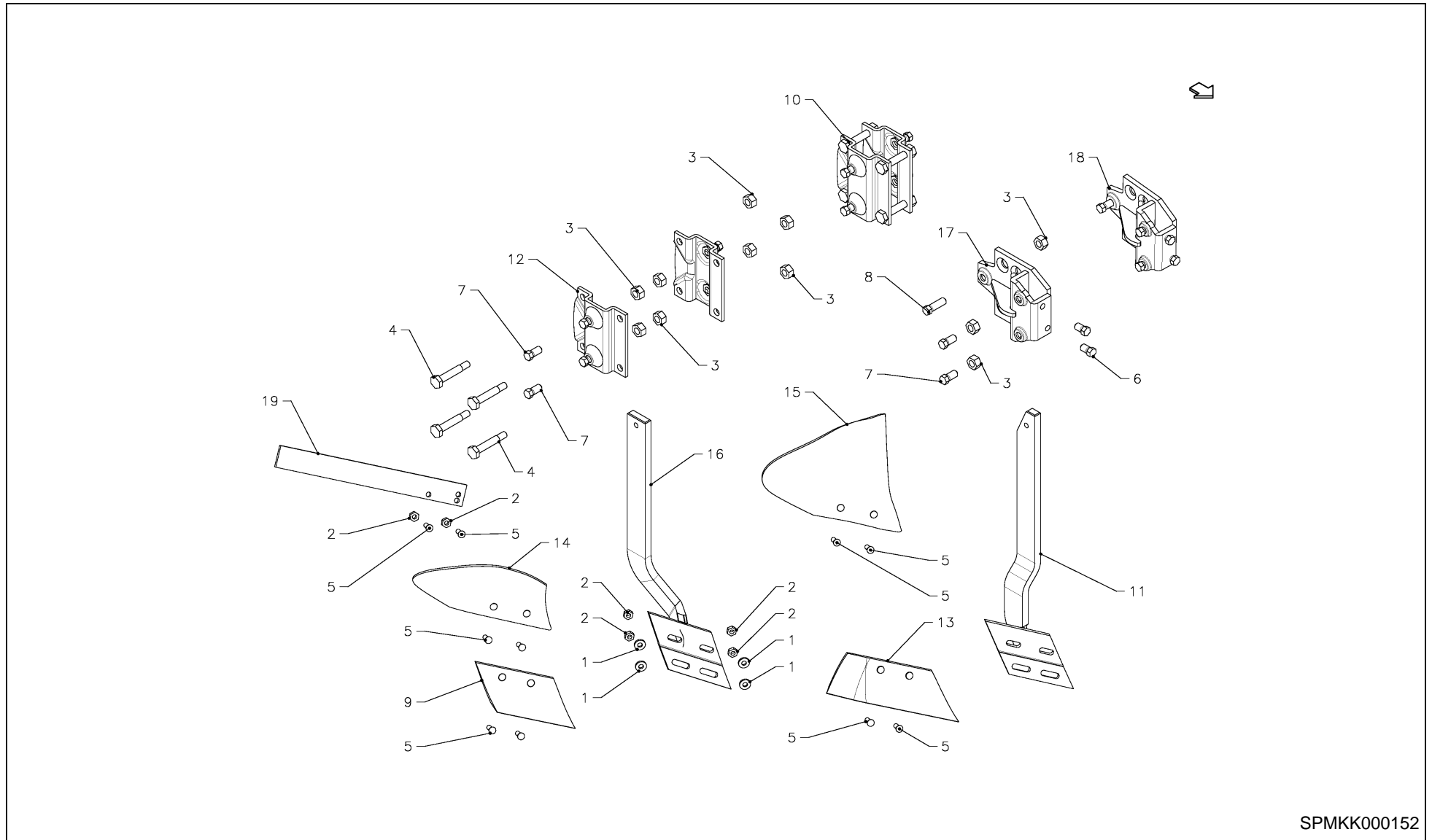
PN/RN / DISC COULTER - SHEAR BOLT BEAM



SPMKK000055

PN/RN / DISC COULTER - SHEAR BOLT BEAM

PosNo.	Part No.	Qty.	Description	Remark
1	KG00017500		RADIAL SHAFT SEAL - A 30X47X7	
2	KG01108862		CIRCLIP-A 30 X 1.5	
3	KG01129800		CIRCLIP-B 62 X 2	
4	KK010572		TWO ROW ANGLE CONTACT BALL-BEARING 3206B	
5	KK010909		PLASTIC COVER SQUARE TUBE 60X40X5	
6	KK011750		O-RING D124.5X3 70 SHORE	
7	KK011866		O-RING D67X3 70 SHORE	
8	KK012923		WASHER D16.5-D31.5X1.8	
9	KK012960		WASHER D20-D40X4	
10	KK015825		NUT M16	
11	KK015830		NUT M20	
12	KK016004		LOCK NUT M10 METAL LOCKING	
13	KK016058		FLANGE NUT M16 GALV.	
14	KK029920		GREASE NIPPLE M8X1 STRAIGHT	
15	KK032702		HEX BOLT M16X110	
16	KK032775		HEX BOLT M16X75 10.9	
17	KK032875		HEX BOLT M20X75 10.9	
18	KK035114		HEX BOLT M10X40 W/LOCK NUT	
19	KK076400R		SUPPORT	
20	KK076406R		DISC 18"	
21	KK076407R		DISC COULTER 20	
21	KK076294R		DISC 22"	
22	KK076409R		DISC 18" NOTCHED	
22	KK076410R		DISC COULTER 20 NOTCHED	
22	KK076295R		DISC COULTER 22" NOTCHED	
23	KK076427		EXCENTER GALV.	
24	KK076499R		REINFORCMENT PLATE	
25	KK076515		SUPPORT	
26	KK076527R		AXLE F. DISC COULTER MOD 92	
27	KK076532R		TUBE RIGHT FOR BEAM PAINTED	
28	KK076533R		TUBE LEFT FOR BEAM PAINTED	
29	KK076537		BUSHING D20.25-D4X39.3	
30	KK086087R		REP. SET FOR BEARING HOUSE KK076097	
31	KK086091		ARM WITH BEARING AND AXLE 18" & 20"	
31	KK086166		ARM WITH BEARING AND AXLE 22"	
32	KK086100		BEARING HOUSING DISC COULTER	
33	KK086101R		AXLE FOR DISC COULTER	
34	KK086167		ARM WITH AXLE 18" & 20"	
34	KK086168		ARM WITH AXLE 22"	



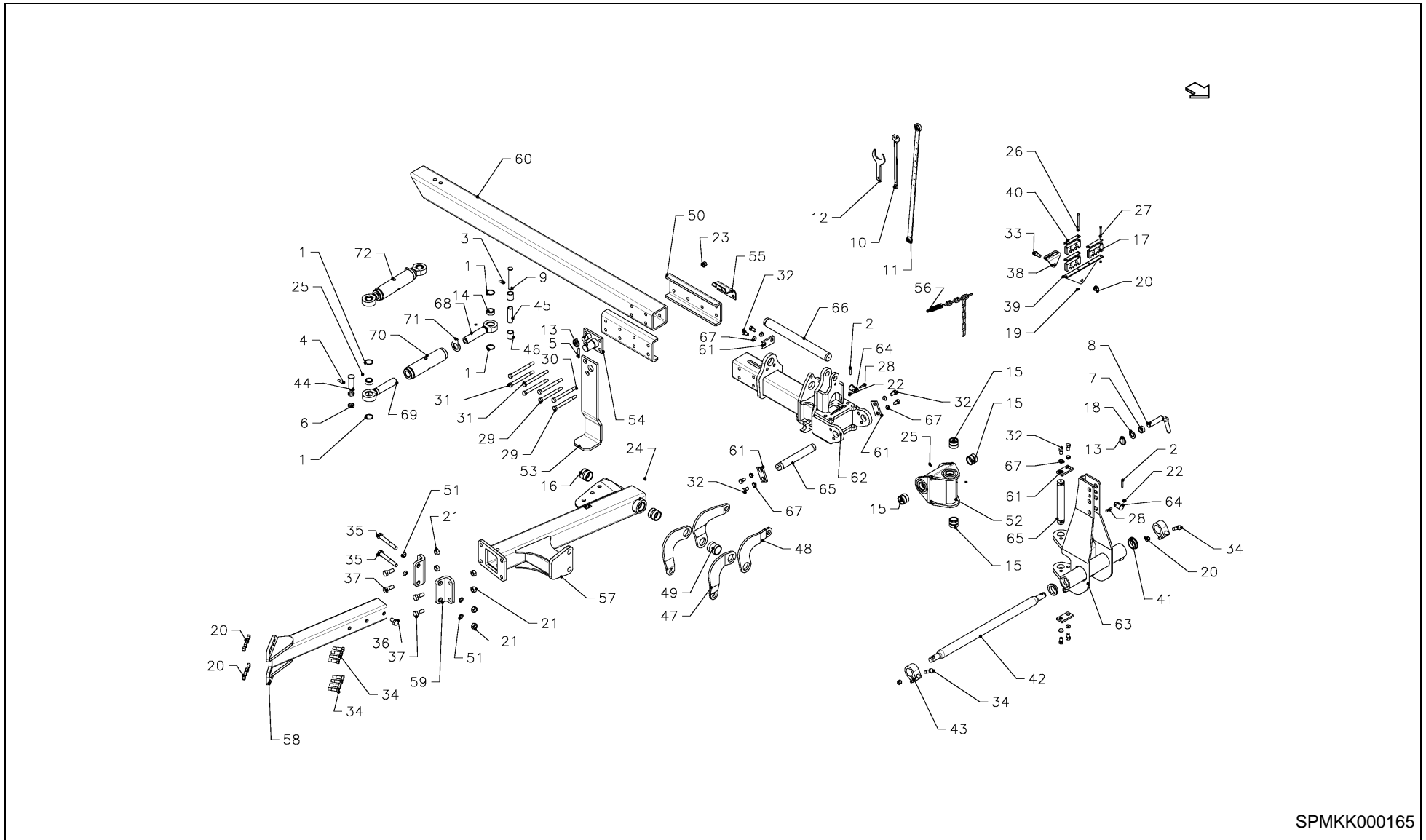
SPMKK000152

PN/RN / SKIMMER



PosNo.	Part No.	Qty.	Description	Remark
1	KK012906		WASHER D11-D25X3.5	
2	KK015813		NUT M10 GALV.	
3	KK015825		NUT M16	
4	KK032795		HEX BOLT M16X95 10.9	
5	KK033006		OVAL SCREW M10X30	
6	KK034225		SET SCREW M16X25	
7	KK034228		SET SCREW M16X32 GALV.	
8	KK034250		SET SCREW M16 X 50 GALV.	
9	KK056873R		SHARE	
9	KK066873R		SHARE	SHARE W/SCREW
9	KK066869R		SHARE L.	
9	KK066868R		SHARE R.	
10	KK060657		BRACKET FOR SKIMMER CLP.	
11	KK066811		ARM FOR SKIMMER R H=700	
11	KK066812		ARM FOR SKIMMER L H=700	
11	KK076858		ARM FOR SKIMMER R H=750	
11	KK076859		ARM FOR SKIMMER L H=750	
12	KK066860		BRACKET	
13	KK066868R		SHARE R.	
14	KK066880R		MOULDBOARD	
14	KK066881R		MOULDBOARD	
14	KK076943		PLASTIC MOULDBOARD SKIMMER RIGHT	
14	KK076944		PLASTIC MOULDBOARD SKIMMER LEFT	
15	KK076812R		MOULDBOARD R.	
16	KK076817		SKIMMERARM RIGHT H=700	
16	KK076818		SKIMMERARM LEFT H=700	
16	KK076825		SKIMMERARM RIGHT H=800	
16	KK076826		SKIMMERARM LEFT H=800	
17	KK076829		SKIMMER BRACKET WELD.VD-VD LIGHT	
18	KK076872		BRACKET FOR SKIMMER ASSEMBLED	
19	KK086801		EXTENSION PIECE SKIMMER	

PN/RN / FRONT FRAME

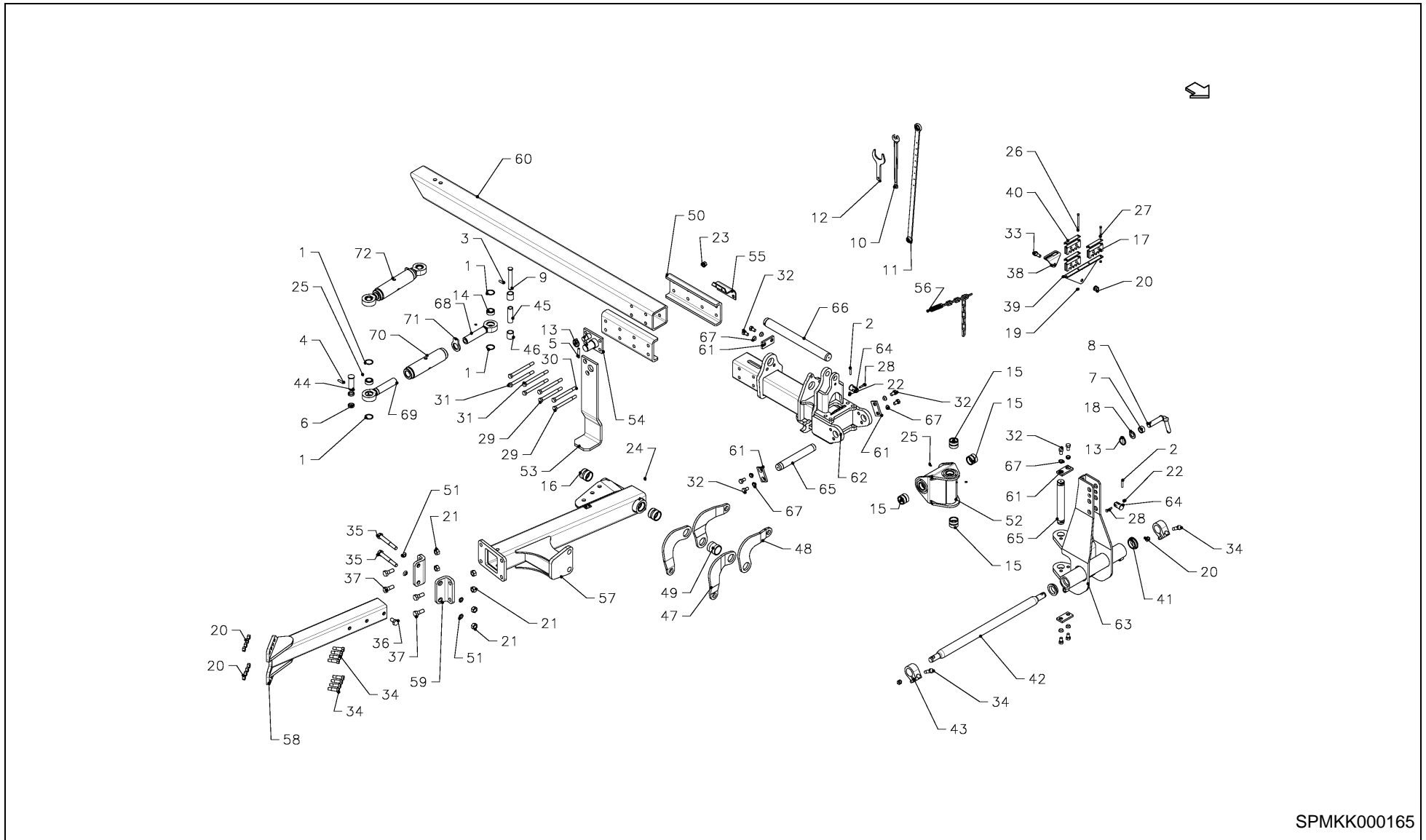


SPMKK000165

PN/RN / FRONT FRAME

PosNo.	Part No.	Qty.	Description	Remark
1	KG01129300		CIRCLIP-B 55 X 2	
2	KG01194200		TENSION PIN 10X60	
3	KG01195400		TENSION PIN 12X40	
4	KG01195500		TENSION PIN 12X50	
5	KG01195800		TENSION PIN 12X80	
6	KK010149		BUSHING D35-D42.5X10	
7	KK010158		BUSHING D44.5XD32.5X23	
8	KK010293		TOP LINK U-BOLT CAT.II & III HEADST.200	
9	KK010335		BOLT W/HEAD D25.3X155	
10	KK010606		SPANNER NV27-19 L450	
11	KK010650		UNIVERSAL SPANNER NV 27-36	
12	KK010655		SPANNER FOR TURNOVER CYLINDER	
13	KK010700		PIN D12 NS 555	
14	KK011223R		SPHERICAL BEARING GE 35 DO	
15	KK011682R		STEEL BUSHING D50X62X50	
16	KK011691R		STEEL BUSHING D60XD72X60	
17	KK012185		HOSE HOLDER 2 TUBE RUBBER	
18	KK012942		WASHER D32.5-D55X4.58	
19	KK015811		NUT M8	
20	KK015830		NUT M20	
21	KK015841		NUT M24 GALV.	
22	KK016006		LOCK NUT M10 NYLON	
23	KK016012		FLANGE NUT M20	
24	KK029920		GREASE NIPPLE M8X1 STRAIGHT	
25	KK029927		GREASE NIPPLE M8X1 45 DG	
26	KK032403		HEX BOLT M8X130 DIN 931	
27	KK032475		HEX BOLT M8X75	
28	KK032545		HEX BOLT M10X45	
29	KK032820		HEX BOLT M20X200 10.9	
30	KK032821		HEX BOLT M20X210 10.9	
31	KK032828		HEX BOLT M20X220	
32	KK032830		HEX BOLT M20X30 10.9	
33	KK032840		HEX BOLT M20X40 10.9	
34	KK032865		HEX BOLT M20X65 10.9	
35	KK032918		HEX BOLT M24X180	
36	KK032940		HEX BOLT M24X40 10.9	
37	KK032960		HEX BOLT M24X60 S=13+3	
38	KK062500		SPANNER HOLDER	
39	KK062505		CLAMP FOR HOSE-BRACKET	
40	KK062506		CLAMP-PIECE FOR HOSE-BRACKET	

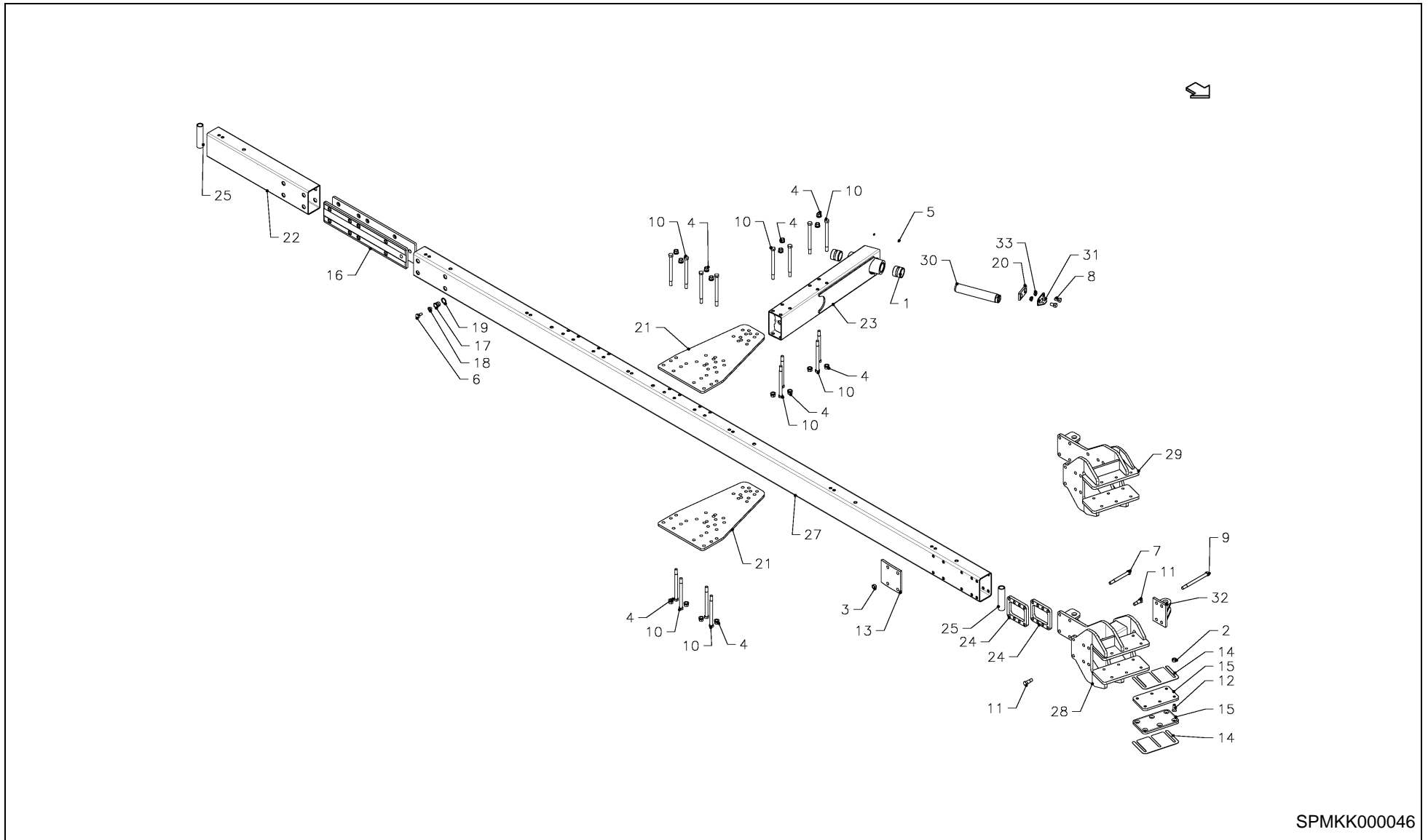
PN/RN / FRONT FRAME



SPMKK000165

PN/RN / FRONT FRAME

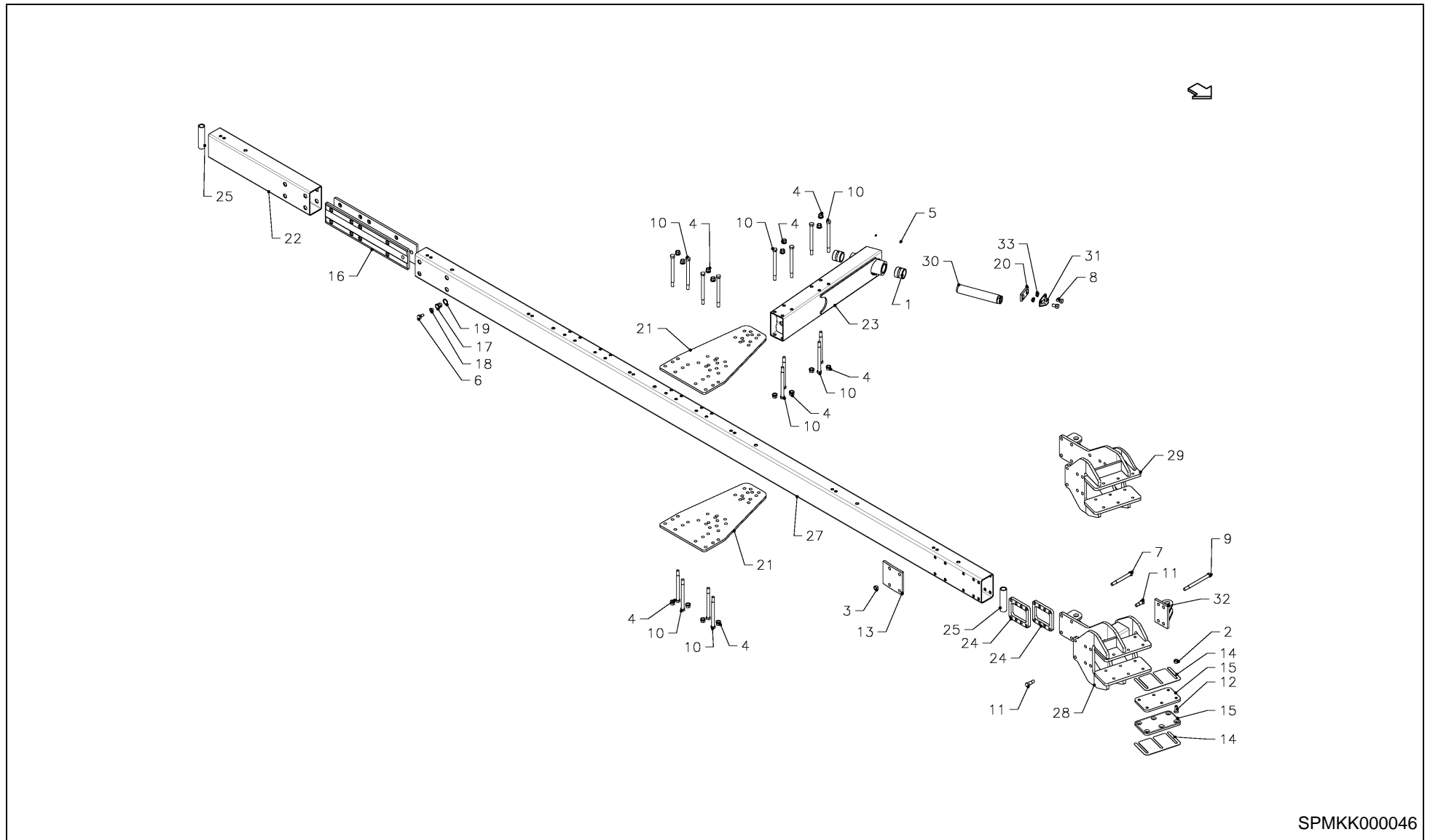
PosNo.	Part No.	Qty.	Description	Remark
41	KK064317		BUSHING FOR CROSS SHAFT	
42	KK064321		CROSS-SHAFT D60 CAT 3 L=965	
43	KK064360		STOP RING D60	
44	KK071794		BOLT W/HEAD D35X90	
45	KK077026		BUSHING D26-D35X118	
46	KK077027		BUSHING	
47	KK077280		PRESS ARM	
48	KK077281		PRESS ARM	
49	KK078550		BUSHING D60-D66X70	
50	KK078564		CONNECTION PLATE	
51	KK079596		SPRING WASHER D24	
52	KK079765		UNIVERSAL JOINT W BUSHINGS PXRX	
53	KK079824		STAND H650	
54	KK081085		FIXING FOR MACHINE STAND	
55	KK081098		PLATE FOR HOSES	
56	KK082177		CHAIN W SPRING	
57	KK088002		TURNING ARM W BUSHINGS	
58	KK088005		PACKER ARM PN	
59	KK088009		PLATE BENDED PACKER PN	
60	KK088025		TOWING TUBE OUTER SHORT PN RN	ALL OTHERS MODELS
60	KK088026		TOWING TUBE OUTER LONG PN RN	PN/RN-100, 7&8 FURROW
61	KK088151R		LOCKPLATE	
62	KK088802		TOWING PIECE PAINTED	
63	KK088807		HEADSTOCK CAT 3	
64	KK088811		AXLE FOR CHAIN	
65	KK088812R		AXLE D50X355	
66	KK088820R		AXLE D60X620	
67	KK301223		CONE D20.5-D32X12	
68	KK351204		TUBE WITH THREADS AND BALL RIGHT	
69	KK351206		TUBE WITH THREADS AND BALL LEFT	
70	KK351210		TUBE WELDED WITH NUTS	
71	KK351212		LOCK PLATE	
72	KK361140		TURNBUCKLE WITH BALLS L520-720	



SPMKK000046

PN/RN / MAIN FRAME

PosNo.	Part No.	Qty.	Description	Remark
1	KK011691R		STEEL BUSHING D60XD72X60	
2	KK015825		NUT M16	
3	KK015830		NUT M20	
4	KK016012		FLANGE NUT M20	
5	KK029920		GREASE NIPPLE M8X1 STRAIGHT	
6	KK032735		HEX BOLT M16X35 10.9	
7	KK032818		HEX BOLT M20X180 10.9	
8	KK032830		HEX BOLT M20X30 10.9	
9	KK032836		HEX BOLT M20X240 10.9	
10	KK032843		HEX BOLT M20X250 10.9	
11	KK032855		HEX BOLT M20X55 10.9	
12	KK035088		COUNTERSUNK SCREW M16X50	
13	KK071672		PLATE	
14	KK077128		PLATE	
15	KK077133		WEARING PLATE	
16	KK082630		SUPPORT WE EXT KIT	
17	KK082646		CONICAL BUSHING D32	
18	KK082647		INNER CONE FOR M16 SCREW	
19	KK082648		WASHER D33-D44.5X1.5 EL GALV	
20	KK088151		LOCKPLATE FOR D70 TURNING ARM PT/RT	
21	KK088287		MAIN FRAME PLATE 200X200 PN	
22	KK088293		EXTENSION TUBE PN 100	
22	KK089249		EXTENSION TUBE 200X200 PN L = 1000	
22	KK088785		EXTENSION TUBE PN 115	
23	KK088702		FIXING BRACKET WITH BEARINGS PN/RN	
24	KK088717		THREADED PLATE	
25	KK088729		TUBE D44XD34X182	
27	KK088796		MAIN FRAME 5X100 200X120 PN	
27	KK088797		MAIN FRAME 6X100 200X120 PN	
27	KK088798		MAIN FRAME 7X100 200X120 PN	
27	KK088799		MAIN FRAME 8X100 200X200 PN	
27	KK089068		MAIN FRAME 6X100 200X200 RN	VIBROMAT ONLY
27	KK089069		MAIN FRAME 7X100 200X200 RN	VIBROMAT ONLY
27	KK089248		MAIN FRAME 9(8+1)X100 200X200 PN	
27	KK088782		MAIN FRAME PN 115 5 FURROW	
27	KK088783		MAIN FRAME PN 115 6 FURROW	
27	KK088784		MAIN FRAME PN 115 7 FURROW	
28	KK088808		SLIDE 200X120	
29	KK088809		SLIDE 200X200	
30	KK088813R		AXLE D60X330WITH HOLE	

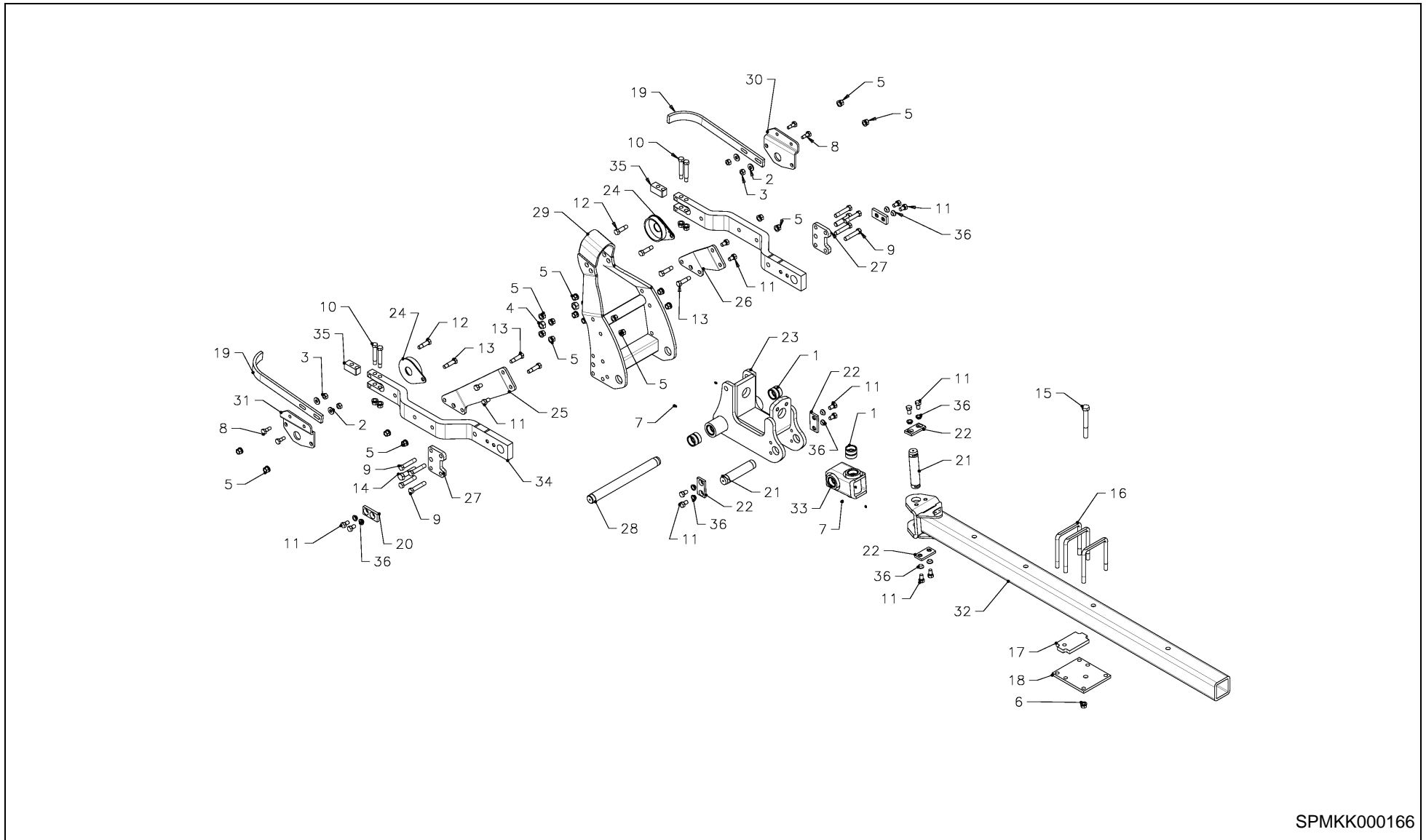


SPMKK000046

PN/RN / MAIN FRAME



PosNo.	Part No.	Qty.	Description	Remark
31	KK088814		FIX FOR HOSE	
32	KK088848		CYLINDER FIX	
33	KK301223		CONE D20.5-D32X12	

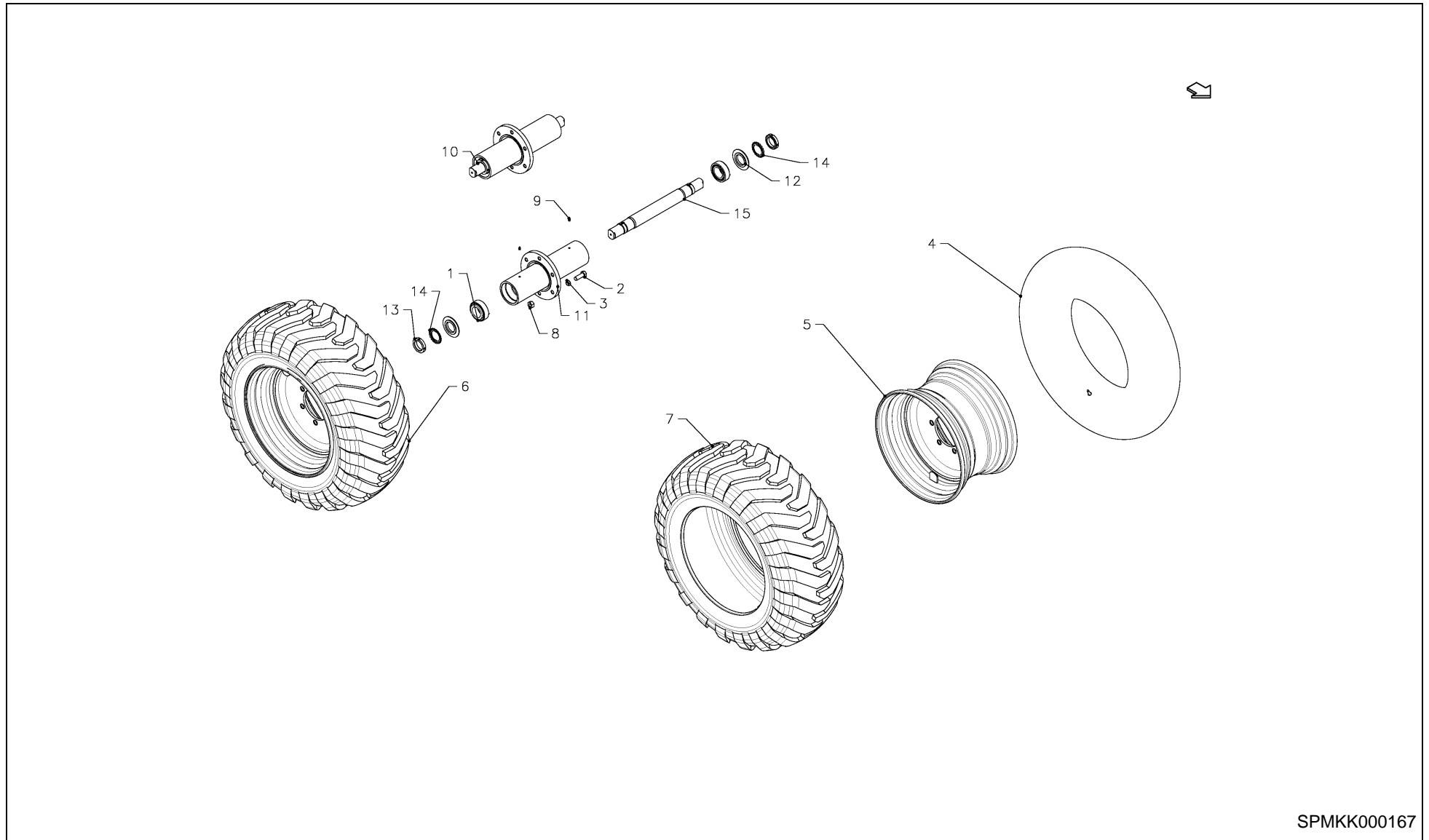


SPMKK000166

PN/RN / WHEEL WAGON



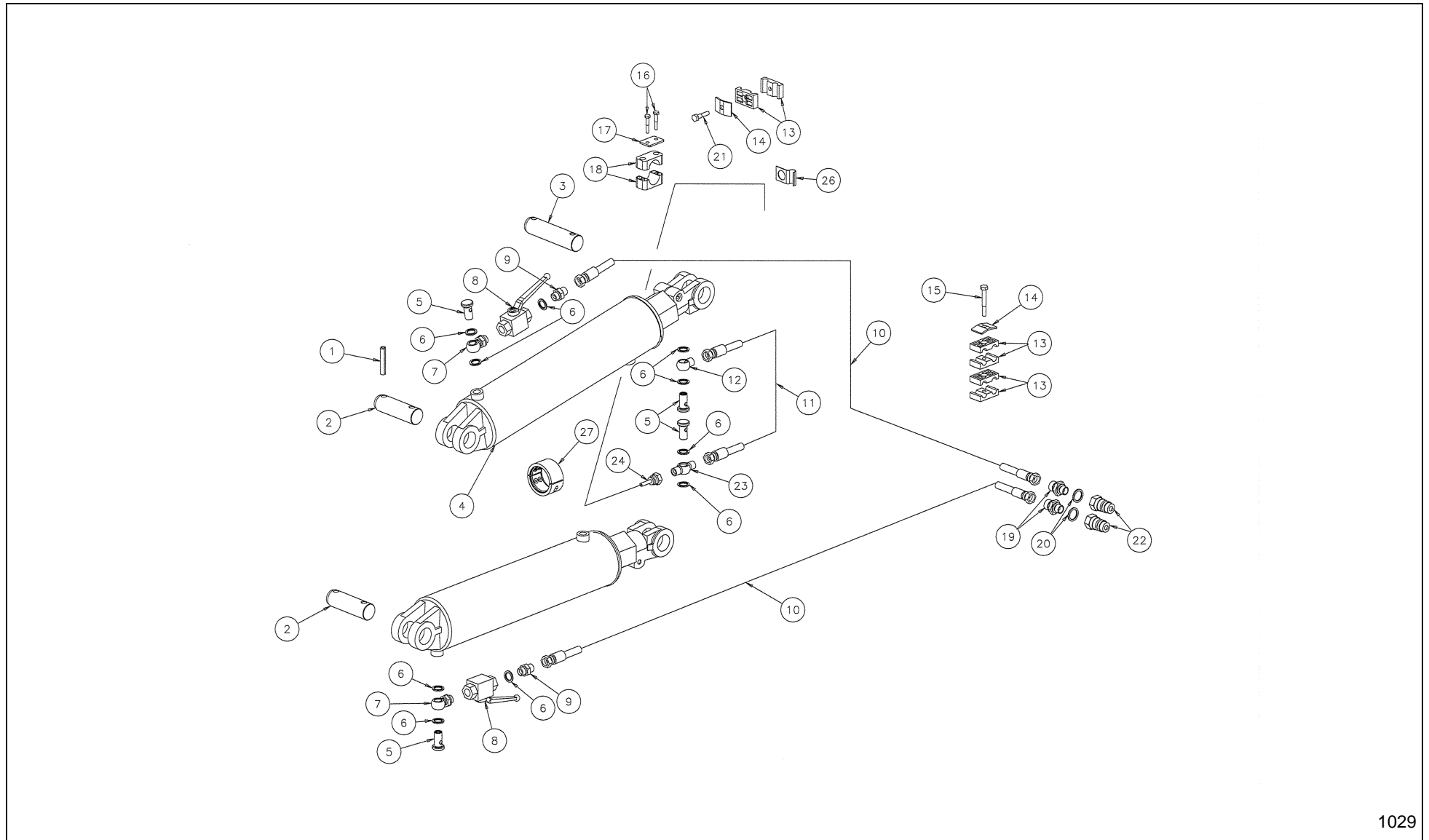
PosNo.	Part No.	Qty.	Description	Remark
1	KK011682R		STEEL BUSHING D50X62X50	
2	KK012922		WASHER D17-D40X4.58	
3	KK015825		NUT M16	
4	KK015841		NUT M24 GALV.	
5	KK016012		FLANGE NUT M20	
6	KK016049		FLANGE NUT M20 WITH LOCK	
7	KK029920		GREASE NIPPLE M8X1 STRAIGHT	
8	KK032745		HEX BOLT M16X45 10.9	
9	KK032807		HEX BOLT M20X100 10.9	
10	KK032805		HEX BOLT M20X120 10.9	
11	KK032830		HEX BOLT M20X30 10.9	
12	KK032870		HEX BOLT M20X70 10.9	
13	KK032875		HEX BOLT M20X75 10.9	
14	KK032900		HEX BOLT M24X10010.9	
15	KK032919		HEX. BOLT M24 X190 ELFORS. 10.9	
16	KK062270		U-BOLT M20-SQ153-195	
17	KK078849		SHIM FOR MAIN FRAME	
18	KK078956		CLAMPING PLATE FOR MAIN FRAME	
19	KK081142		SCRAPER	
20	KK081979R		LOCK PLATE	
21	KK088034R		AXLE	
22	KK088151R		LOCKPLATE	
23	KK088704		FIXING BRACKET PN/RN	
24	KK088760R		DUST PROTECTOR	
25	KK088763R		STIFFENING PLATE WHEEL ARM R	
26	KK088764R		STIFFENING PLATE WHEEL ARM L	
27	KK088766R		LOCK PLATE WHEEL ARM	
28	KK088767R		AXLE	
29	KK088770R		CYLINDER BRACKET PAINTED	
30	KK088780R		FIX FOR SCRAPER RIGHT	
31	KK088781R		FIX FOR SCRAPER LEFT	
32	KK088795		TOWING TUBE	
33	KK088803		UNIVERSAL JOINT WITH BUSHING	
34	KK088817R		WHEEL ARM	
35	KK088818		LOCK PLATE	
36	KK301223		CONE D20.5-D32X12	



SPMKK000167

PN/RN / WHEEL

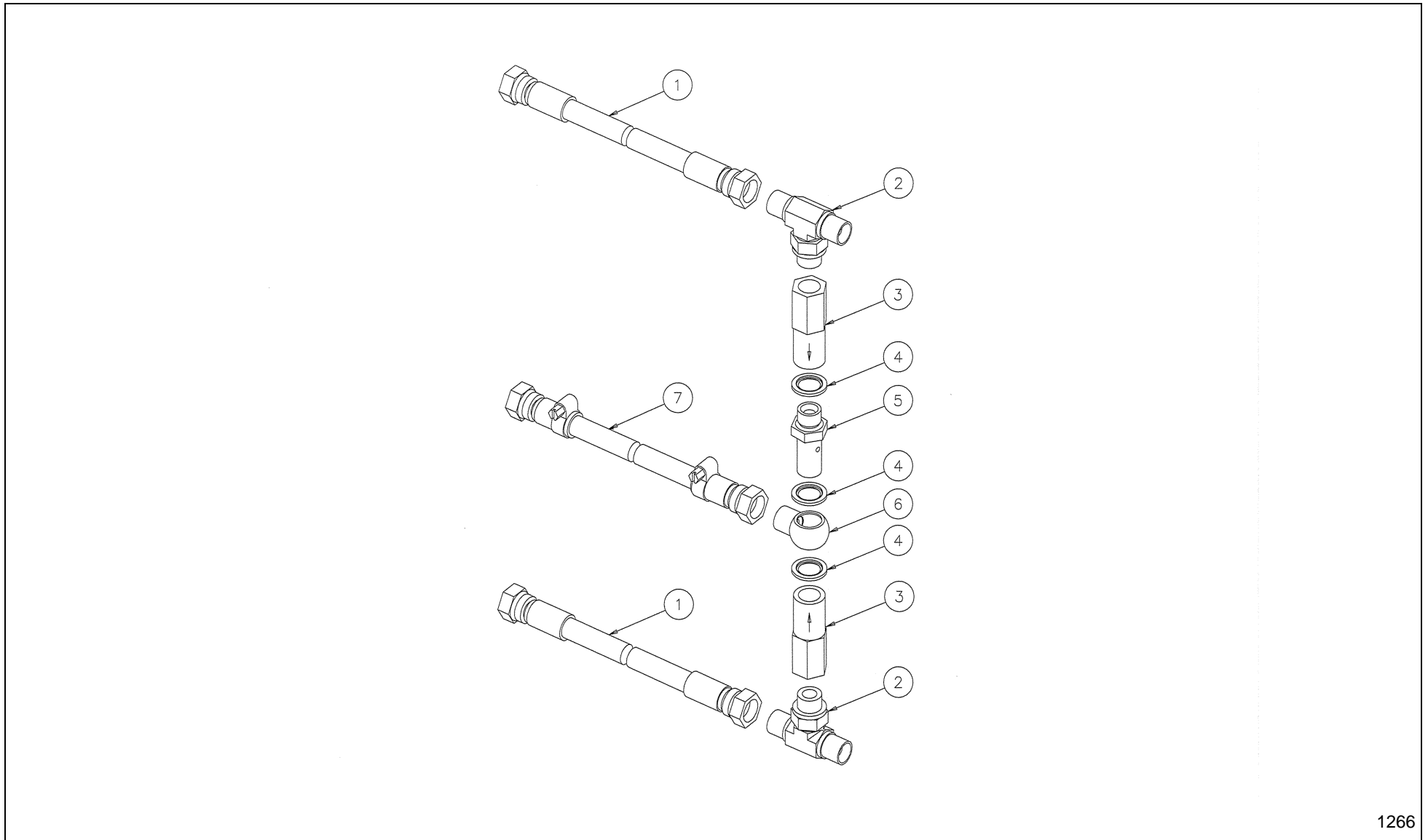
PosNo.	Part No.	Qty.	Description	Remark
1	KG01802700		TAPER ROLLER BEARING 33211	
2	KK011162		HEX BOLT M18X50 COMP.THREADDIN 933 10.9	
3	KK011163		CONICAL SPRING WASHER D18.5 DIN 74361 GA	
4	KK011369		INNER TYRE 400-22.5	
4	KK011473		INNER TYRE 14.9X24	
4	KK011452		INNER TYRE 500/45X22.5	
5	KK011370		RIM 400-22.5	
5	KK011453		RIM 16X22.5 FOR 500/45X22.5	
5	KK011474		RIM 13X24 FOR 14.9X24	
6	KK011408		WHEEL RUB 400X22.5/14 L *SE	
7	KK011414		TYRE 400X22.5 14PLY	
7	KK011451		TYRE 500/45X22.5 8PLY	
7	KK011472		TYRE 14.9 X 24 8PLY	
8	KK015858		HEX NUT M 18 FORS. KV.6	
9	KK029920		GREASE NIPPLE M8X1 STRAIGHT	
10	KK088706		WHEEL HUB ASSEMBLED	
11	KK088755R		RUBBER LIP MOUNTED	
12	KK088758R		LOCK NUT M55X2	
13	KK088759R		LOCK RING M55X3	
14	KK088819R		AXLE D60X610	
15	KK088909		WHEELHUB WITH BEARING	



PN/RN / HYDRAULICS TURN-OVER

PosNo.	Part No.	Qty.	Description	Remark
1	KK011059		ROLL PIN D10X60 GALV.	
2	KK079724		AXLE W 2 HOLES D35X88	
3	KK078583		BOLT D35-D10.2/113/D10.2	
4	KK354712		CYLINDER D100-D50X697+400	FROM 15.02.06
5	KK012551		BANJO BOLT 3/8X31 WITH FILTER	
6	KK011585		SEAL RING R 3/8(INNER D17)	
7	KK012548		BANJO G3/8 WITH ADJUSTABLE END	
8	KK012723		VALVE R3/8 WITH HANDLE	
9	KK012261		COUPLING 3/8-3/8	
10	KK012796		HOSE 3/8X5000 R-SV/R-SV	
11	KK012655		HOSE 3/8X 350 R-SV/R-SV	
12	KK012062		BANJO G3/8- SHORT-H=17	
13	KK012522		PLASTIC TUBE CLAMP CF2-2TUBE D18	
14	KK012324		COVER TUBE CLAMP	
15	KK032460		HEX BOLT M8 X 60 8.8	
16	KK032335		HEX BOLT M6 X 35 PARTLY THREAD	
17	KK012069		COVER	
18	KK012068		PLASTIC PART TUBE CLAMP	
19	KK012060		COUPLING 3/8-1/2 U/INNER	
20	KK011565		SEAL RING R 1/2 (INNER D21)	
21	KK032435		HEX BOLT 8 X 35 PARTLY THREAD	
22	KK012158		QUICK COUPLING 1/2-3/8 W-COUP.	
23	KK012570		DOUBLE BANJO 3/8-3/8 H=17	
24	KK013518		COUPLING 1/4X3/8 BSP FEMALE	
25	KK013522		HOSE D6X1800 NITRIK	
26	KK012700		CLAMP FOR 1/4HOSE - D20	
27	KK352246		SPACER D70-D50X35	
Not ill.	KK013520		HOSE CLAMP SIZE 04 (11-17)	

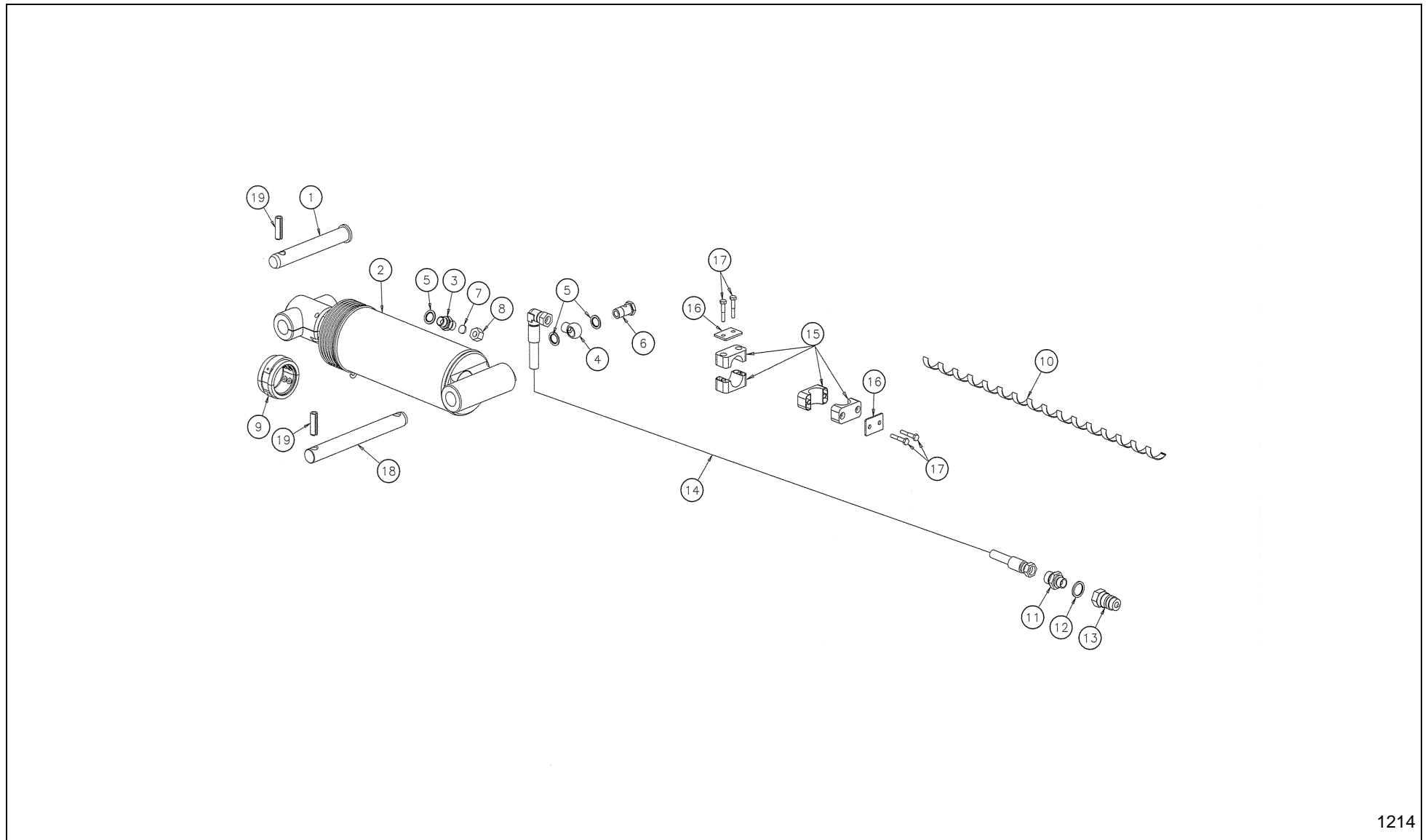
PN/RN / RELIEF VALVE KIT



1266

PN/RN / RELIEF VALVE KIT

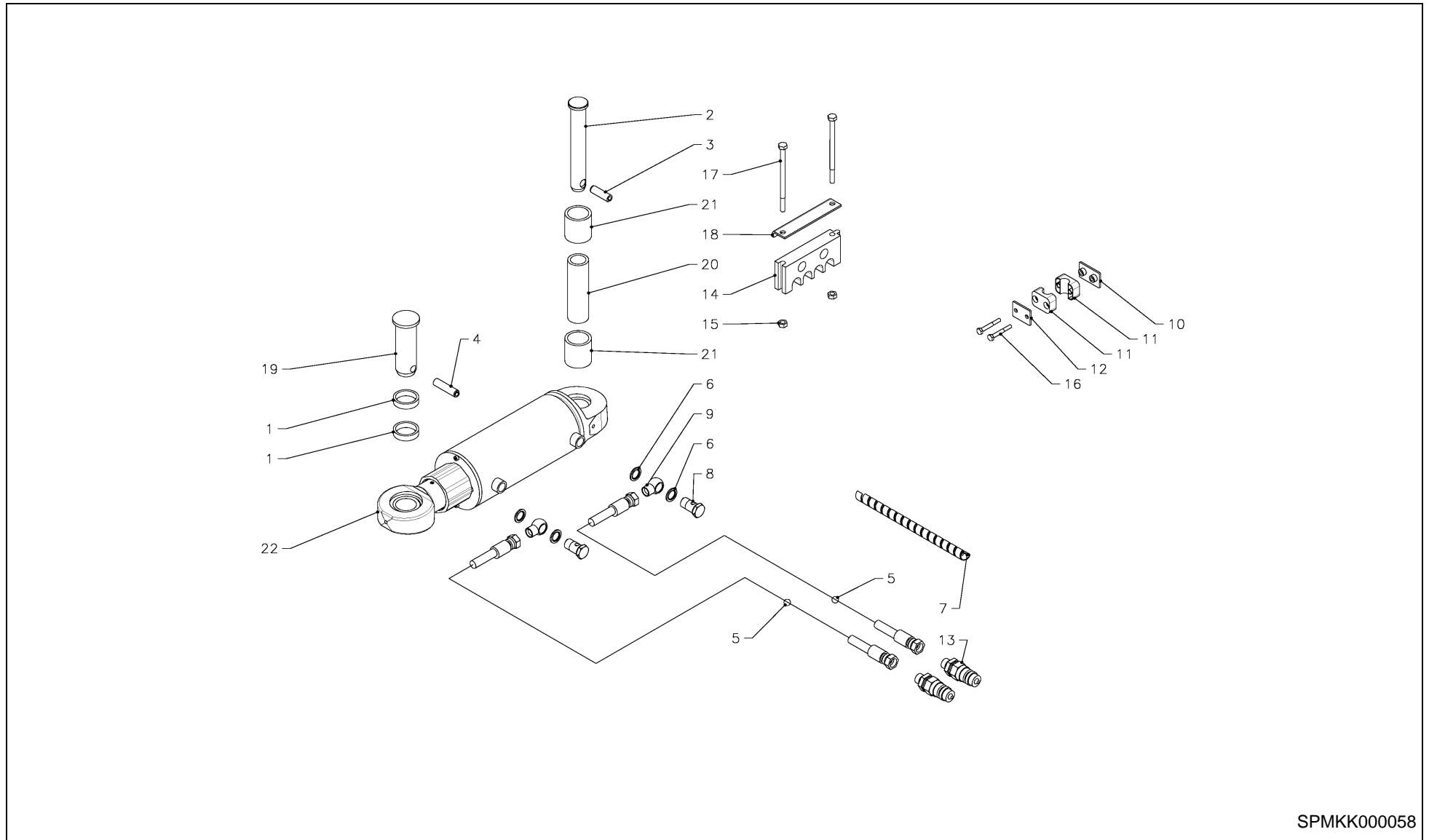
PosNo.	Part No.	Qty.	Description	Remark
1	KK012655		HOSE 3/8X 350 R-SV/R-SV	
2	KK012325		T-COUPLING 3X3/8 COUNTER NUT 7414	
3	KK013517		PRESS. RELIEVE VALVE 250 BAR G3/8	
4	KK011585		SEAL RING R 3/8(INNER D17)	
5	KK012307		BANJO BOLT3/8X31 WITH 3/8OUTLET	
6	KK012062		BANJO G3/8- SHORT-H=17	
7	KK013519		HOSE D6X1000 NITRIK	



PN/RN / HYDRAULICS WHEEL LIFTING

PosNo.	Part No.	Qty.	Description	Remark
1	KK010337		BOLT W/HEAD D25.3X180	
2	KK353635		CYL. D100-D50X435+190 STOP+BELLOW	(see plate no. 1130)
3	KK012261		COUPLING 3/8-3/8	
4	KK012062		BANJO G3/8- SHORT-H=17	
5	KK011585		SEAL RING R 3/8(INNER D17)	
6	KK012059		BANJO BOLT G3/8X31	
7	KK010961		BRASS FILTER R3/8-D14.5X3	
8	KK010960		BRASS FILTER SCREW 3/8 F.FLT. 14.5X3	
9	KK352246		SPACER D70-D50X35	
10	KK012116		HOSE WRAPPER D12.5X600	
11	KK012060		COUPLING 3/8-1/2 U/INNER	
12	KK011565		SEAL RING R 1/2 (INNER D21)	
13	KK012158		QUICK COUPLING 1/2-3/8 W-COUP.	
14	KK012780		HOSE 3/8X8000 R-SV/R-SV	
14	KK012781		HOSE 3/8X9000 R-SV/R-SV	
14	KK012658		HOSE 3/8X9400 R-SV/90-SV	
15	KK012068		PLASTIC PART TUBE CLAMP	
16	KK012069		COVER	
17	KK032335		HEX BOLT M6 X 35 PARTLY THREAD	
18	KK010413		BOLT D25.3-D12X210-D12	
19	KG01195400		TENSION PIN 12X40	

PN/RN / HYDRAULICS FRONT FURROW WIDTH ADJUSTMENT

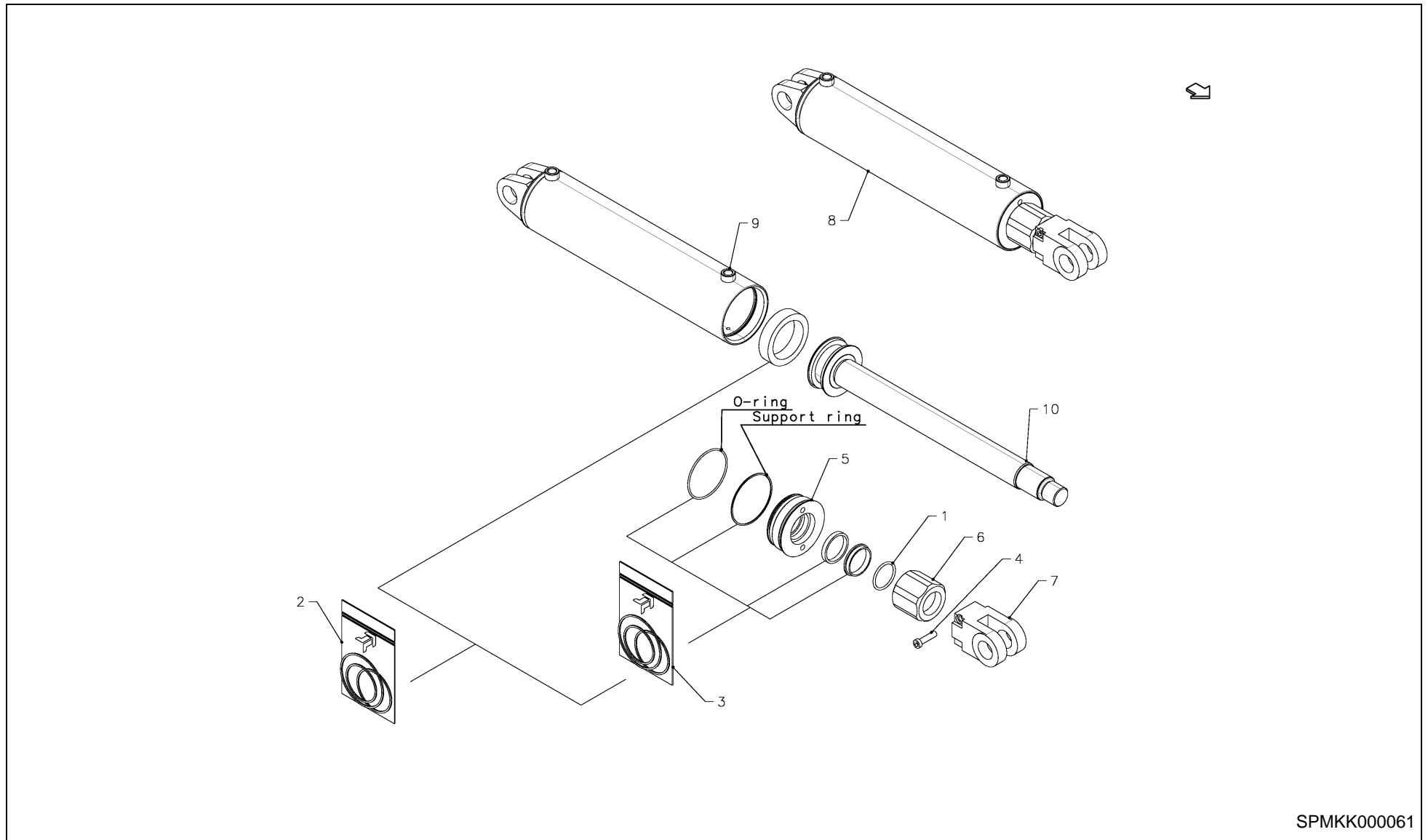


SPMKK000058

PN/RN / HYDRAULICS FRONT FURROW WIDTH ADJUSTMENT



PosNo.	Part No.	Qty.	Description	Remark
1	KK010149		BUSHING D35-D42.5X10	
2	KK010335		BOLT W/HEAD D25.3X155	
3	KG01195400		TENSION PIN 12X40	
4	KK011021		ROLL PIN D12X50 GALV.	
5	KK011512		HOSE 3/8X4500 R-SV/R-SV	
6	KK011585		SEAL RING R 3/8(INNER D17)	
7	KK011596		HOSE WRAPPER D12.5X250	
8	KK012059		BANJO BOLT G3/8X31	
9	KK012062		BANJO G3/8- SHORT-H=17	
10	KK012067		WELD BRACKET GALV.	
11	KK012068		PLASTIC PART TUBE CLAMP	
12	KK012069		COVER	
13	KK012158		QUICK COUPLING 1/2-3/8 W-COUPPL.	
14	KK012185		HOSE HOLDER 2 TUBE RUBBER	
15	KK015811		NUT M8	
16	KK032345		HEX BOLT M6X45 PARTLY THREAD	
17	KK032403		HEX BOLT M8X130 DIN 931	
18	KK062506		CLAMP-PIECE FOR HOSE-BRACKET	
19	KK071794		BOLT W/HEAD D35X90	
20	KK077026		BUSHING D26-D35X118	
21	KK077027		BUSHING	
22	KK353580		CYL.D90-D35X385+150	

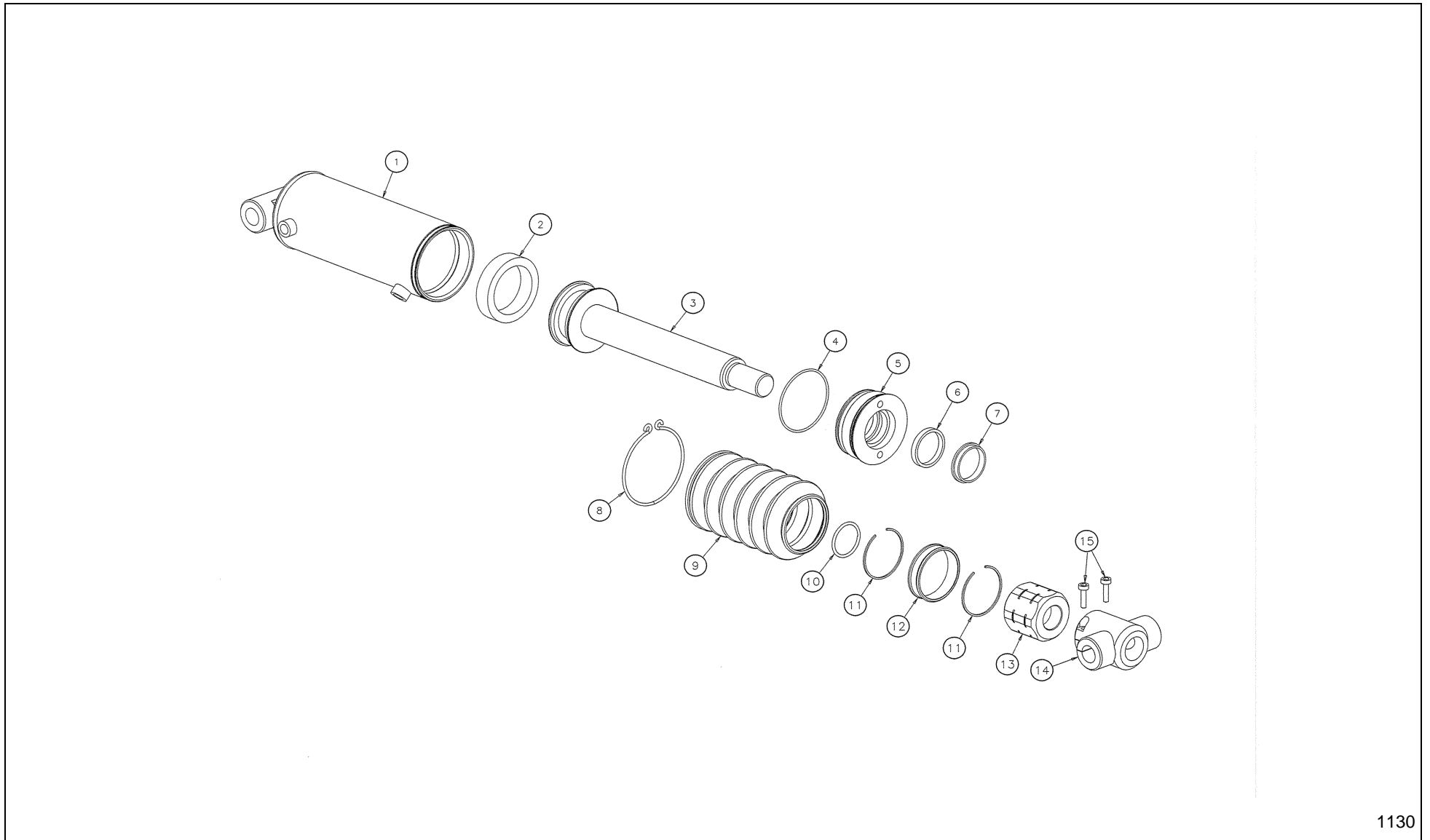


SPMKK000061

PN/RN / CYLINDER D100-D50X697+400(354712)



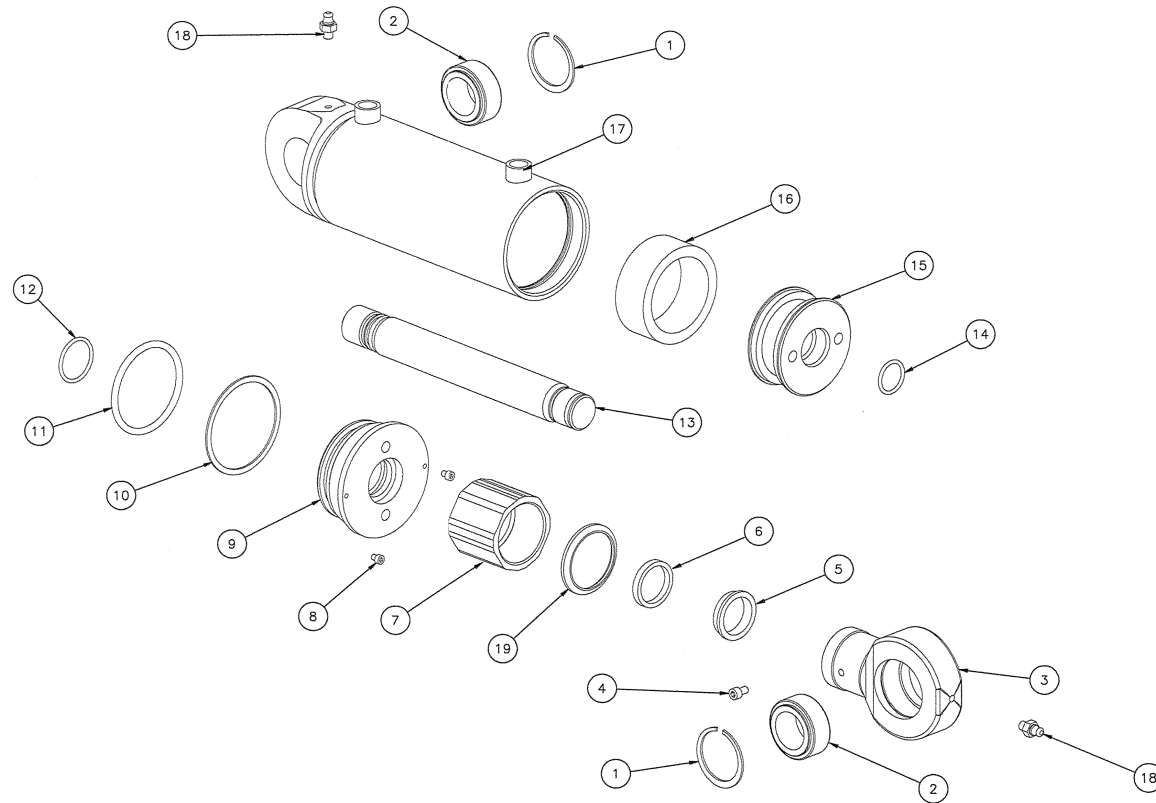
PosNo.	Part No.	Qty.	Description	Remark
1	KK012619		O-RING D50X4	
2	KK016592		SEAL KIT D100-D50	
3	KK016601		SEAL KIT D100-D50	
4	KK032040		CHEESE HEAD SCREW W.INNER HEX M10X40	
5	KK353559R		FRONT GABLE Ø 100/50 F.353537	
6	KK354585		NUT	
7	KK354586R		CLEVIS M36X2 D35,1	
8	KK354712		CYLINDER D100-D50X697+400	
9	KK354760R		CYLINDER TUBE D100X400	
10	KK354763R		PISTON ROD W PISTON D100-D50X400	



PN/RN / CYLINDER D100X190 + STOP (FROM 01.07.00)



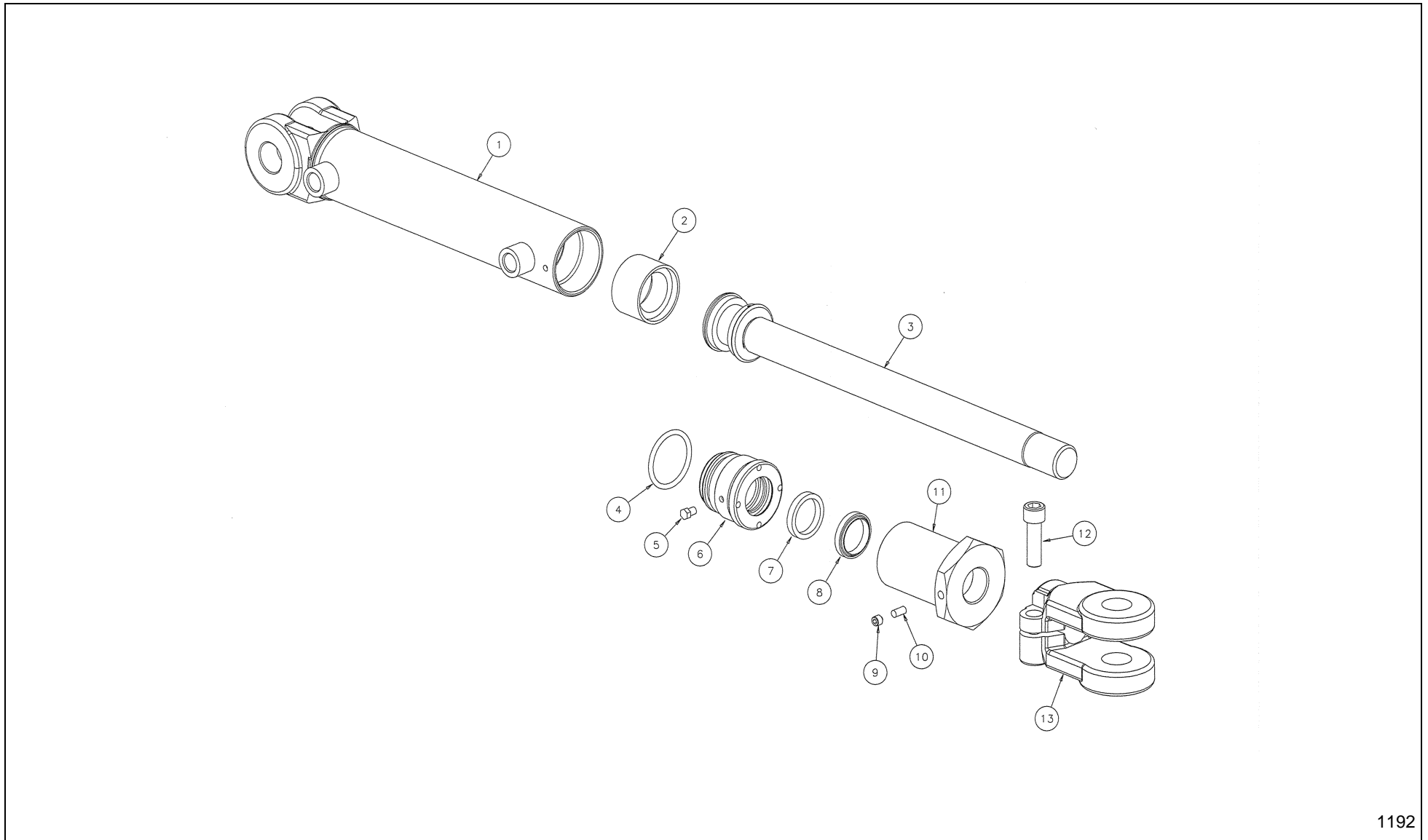
PosNo.	Part No.	Qty.	Description	Remark
1	KK353557		CYLINDER TUBE D100	
2	KK011908		PISTON ROD PACKING D65-D100X22.4	
3	KK353558		ROD W.PISTON D100-D50	
4	KK011806		O-RING D94X3 70 SHORE OR	
5	KK353559		ROD CAP D100-D50 W.SEAL	
6	KK012637		ROD PACKING KI310-50-58X8	
7	KK012039		SCRAPER 50X60X7-10	
8	KK013597		THREAD CLAMP D110	
9	KK013595		BELLOW D80-D110	
10	KK012619		O-RING D50X4	
11	KK013705		CIRCLIP D75	
12	KK013594		RING FOR BELLOW POM	
13	KK354530		STOP NUT W.GROOVE FOR LOCK RING	
14	KK353561		ROD HEAD D26 - M36X2	
15	UH825235		CYLINDER SCREW M8X35-12.9	
Not ill.	KK012640		SEAL KIT D50-D100-435	
Not ill.	KK353635		CYL. D100-D50X435+190 STOP+BELLOW	



PN/RN / CYLINDER D90X150 (353580)



PosNo.	Part No.	Qty.	Description	Remark
1	KG01129300		CIRCLIP-B 55 X 2	
2	KK011223R		SPHERICAL BEARING GE 35 DO	
3	KK353596		ROD HEAD FOR D35 SPHERIC.BEARING	
4	KK032002		SET SCREW HEX HOLE M6X10	
5	KK016522		SCRAPER AS 35X45X7-10	
6	KK016523		PISTON ROD PACKING KI310 35-43-6	
7	KK353597		STOP NUT W.SCRAPER	
8	KK032007		SET SCREW M5X6 HEX HOLE	
9	KK353593		ROD CAP D90-D35 W.SEAL	
10	KK016525		SUPPORT RING D80XD90X1.7	
11	KK016524		O-RING D79.2X5.7	
12	KK011737		O-RING D35X3 70 SHORE	
13	KK353595		PISTON ROD D35	
14	KK016526		O-RING D28X3	
15	KK353594		PISTON D90	
16	KK016527		PISTON PACKING SIMKO 5X2 90-70-33.8	
17	KK353592		CYLINDER TUBE D90	
18	KK029918		GREASE NIPPLE M6	
19	KK353677		SCRAPER RING D35 FOR STOP NUT	
Not ill.	KK013602		SEAL KIT D35-D90	
Not ill.	KK353580		CYL.D90-D35X385+150	

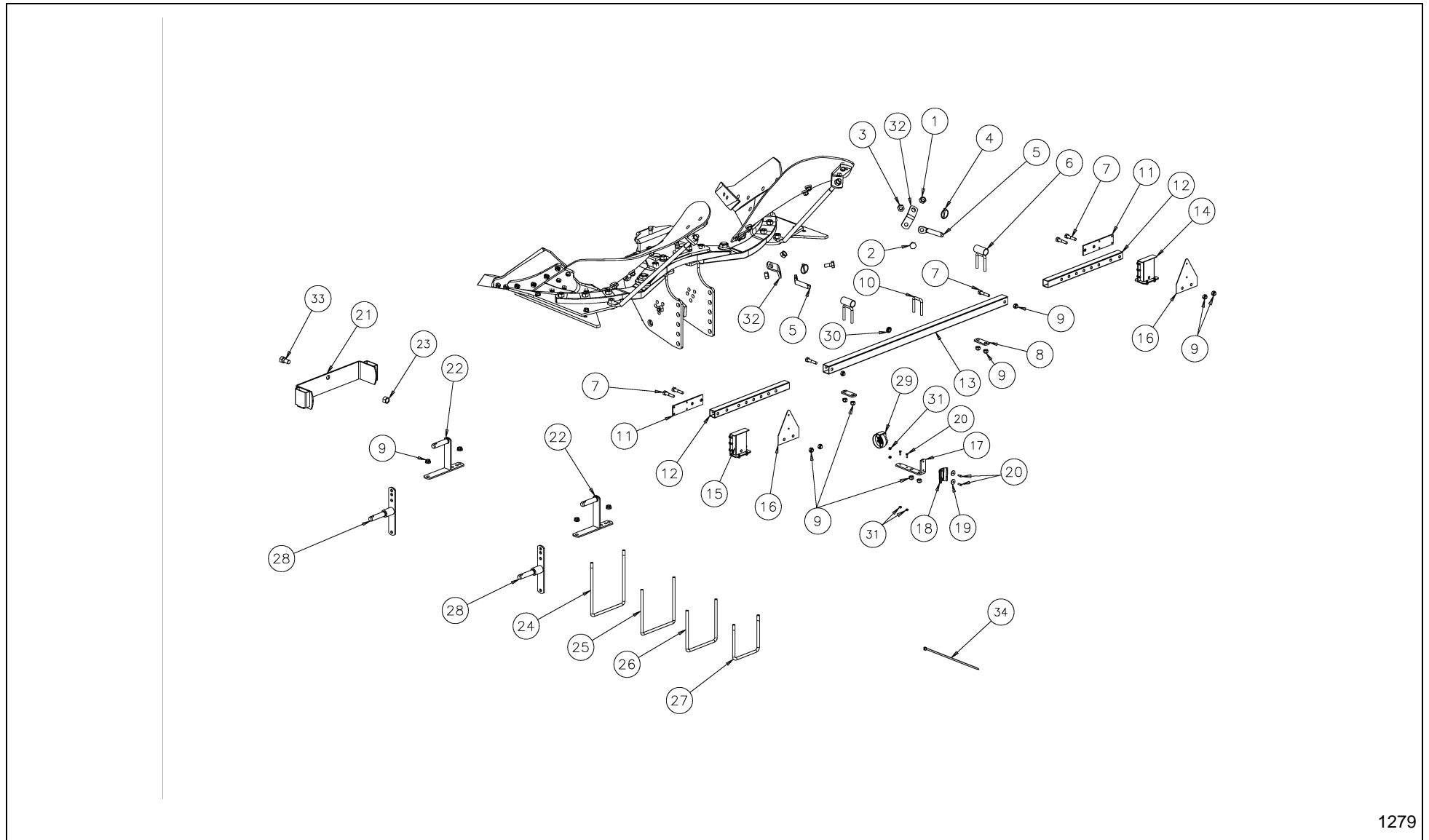


PN/RN / CYLINDER D50X200 (FROM 01.04.01)



PosNo.	Part No.	Qty.	Description	Remark
1	KK353934		CYLINDER TUBE D50	(for cylinder KK 35 39 01 and KK 35 39 02)
1	KK353935		CYLINDER TUBE D50 ANGLED 50 DEG.	(for cylinder KK 35 39 03)
2	KK013090		SEAL FOR PISTON D 20 WO, 50-34-18.4	
3	KK353936		ROD D30 W.PISTON D50 SHORT THREAD (35MM)	(for cylinder KK 35 39 01 and KK 35 39 03)
3	KK353937		ROD D30 LONG THREAD(120MM) W.PISTON D50	(for cylinder KK 35 39 02)
4	KK016517		O-RING D42X4	
5	KK033306		HEX BOLT M6X8	
6	KK353926		ROD CAP D50-D30 W.SEAL	
7	KK013091		PISTON SEALING NI 300. 30-38-6	
8	KK013089		SCRAPER A 30X38X7-5	
9	KK032110		SET SCREW M8X8	
10	KK353946		PLASTIC STOP	(for cylinder KK 35 39 02)
11	KK353944		STOP NUT CPL.	(for cylinder KK 35 39 02)
12	UH825640		CYLINDER SCREW M12X40-12.9	(for cylinder KK 35 39 02)
13	KK353922		CLEVIS D25.5 FOR D30 ROD	
Not ill.	KK013086		SEAL KIT D30-D50	
Not ill.	KK353901		CYLINDER D50-D30X520+200	
Not ill.	KK353902		CYL.D50-D30X520+200 W.STOP NUT	
Not ill.	KK353903		CYL. D50-D30X520+200 OFFSET 90 DEG	

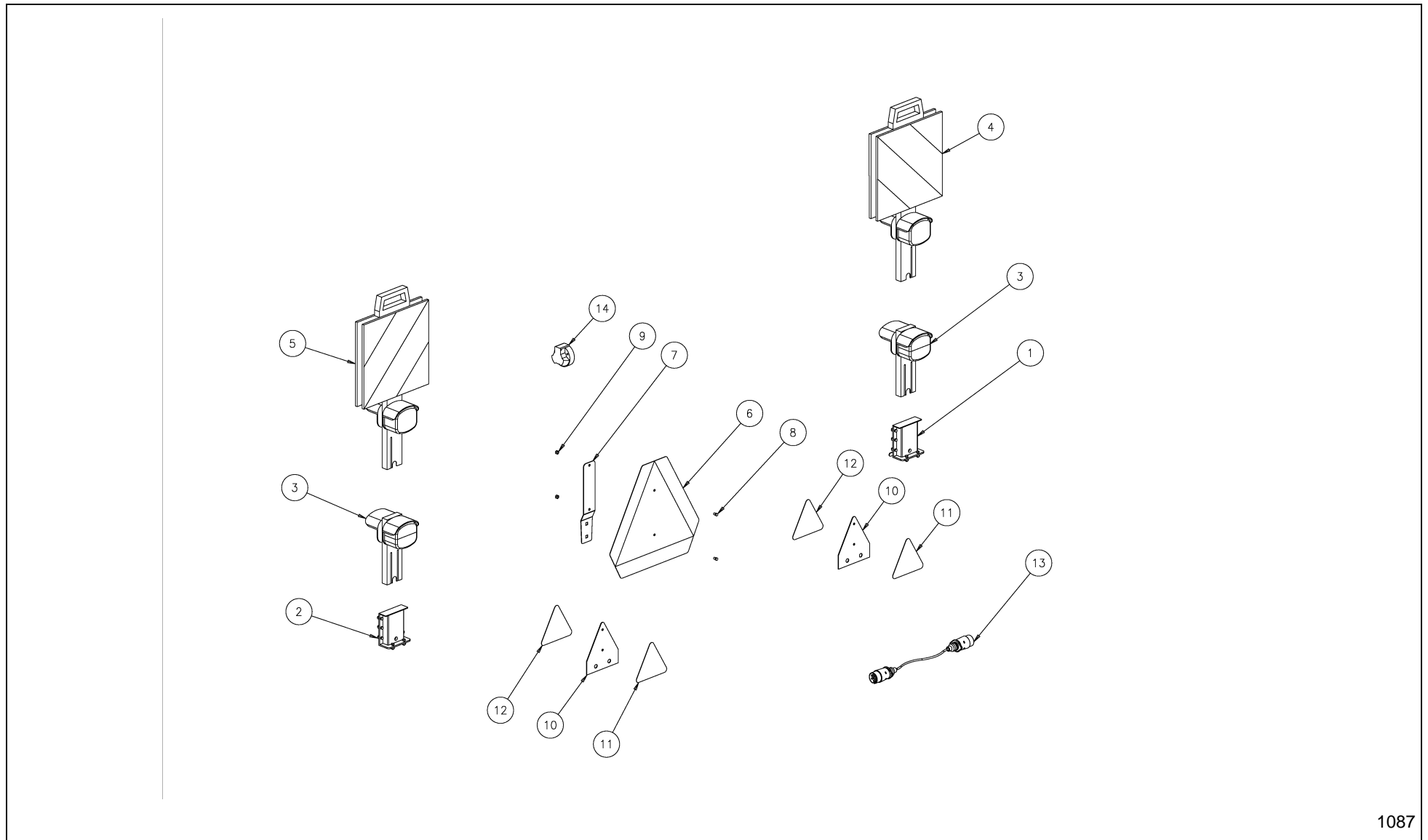
PN/RN / LIGHTS (MOUNTING FRAME)



1279

PN/RN / LIGHTS (MOUNTING FRAME)

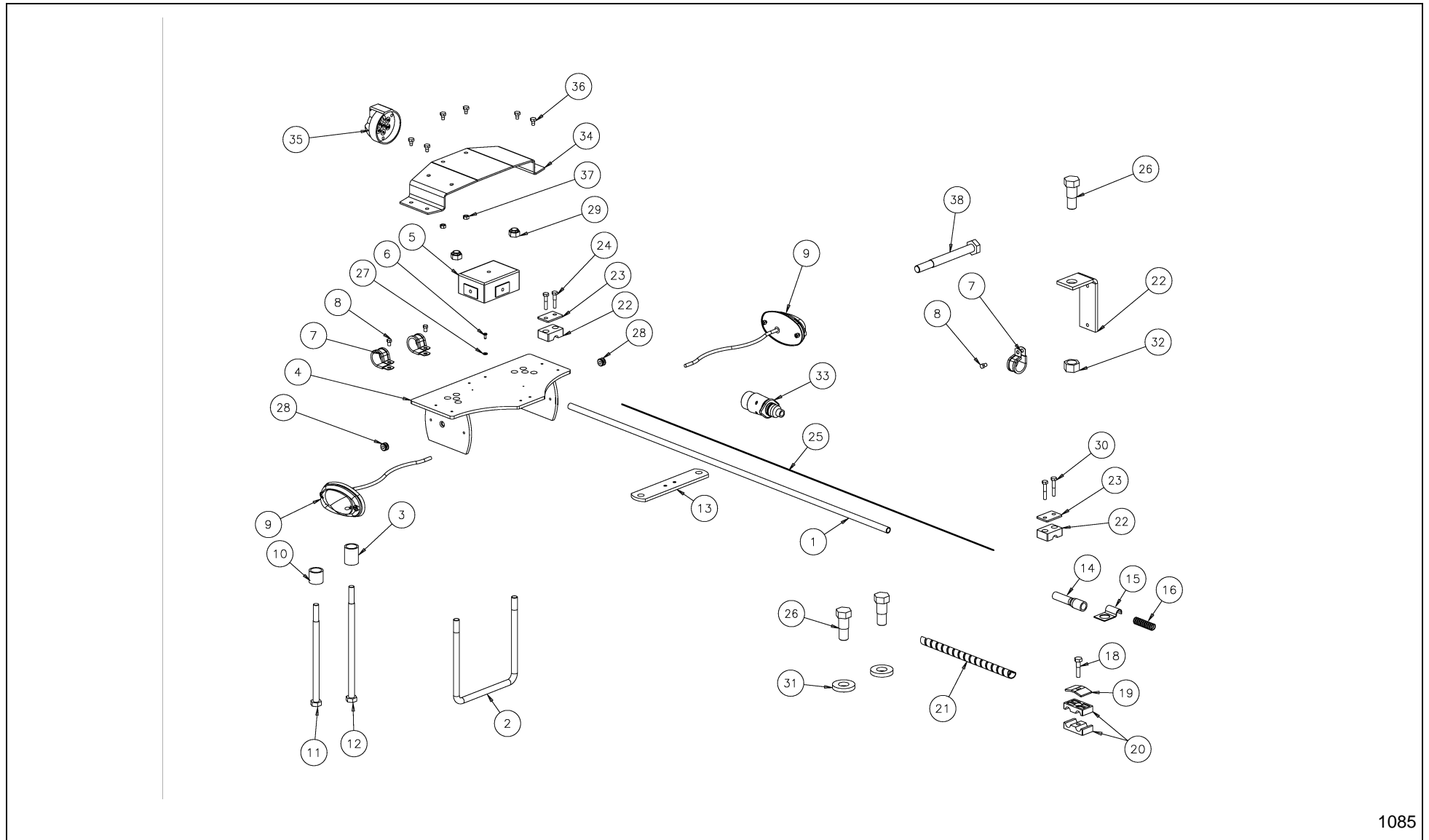
PosNo.	Part No.	Qty.	Description	Remark
1	KK015834		NUT M20	
2	KK032735		HEX BOLT M16X35 10.9	
3	KK015825		NUT M16	
4	KK010702		PIN D6 NS 555	
5	KK354314		FIXING PIN FOR LIGHTS	
6	KK354320		CLEVIS WITH BUSHING	
7	KK032655		HEX BOLT M12 X 55	
8	KK354318		PLATE WITH 2 HOLES	
9	KK016008		NYLOC NUT M12	
10	KK199788		CLEVIS M12-4SQ41-70	
11	KK354008		PLATE FOR PLUG	
12	KK354316		TUBE 35X35X2X500 END LIGHTS	
13	KK354315		TUBE FOR LIGHTS	
14	KK354347		LIGHT SOCKET RIGHT L = 1500	
15	KK354348		LIGHT SOCKET LEFT L = 1500	
16	KK354011		PLATE FOR TRIANGLE REFLEX	
17	KK354317		FIX FOR TRIANGLE AND SOCKET	
18	KK354325		FIXING BRACKET FOR TRIANGLE	
19	KK012904		WASHER D6.4-D24X3	
20	KK033315		HEX BOLT M6X15	
21	KK354310		DOCKING STATION WELDED	
22	KK354321		TOP PARKING LIGHTS	
23	KK015830		NUT M20	
24	KK088169		CLEVIS M12 FOR TUBE 250X200	
25	KK071493		CLEVIS M12 FOR TUBE 200X200	
26	KK354018		CLEVIS M12 FOR TUBE 180X180	
27	KK354017		CLEVIS M12 FOR TUBE 150X150	
28	KK354327		SIDE PARKING LIGHTS HOLDER WELDED	
29	KK354403		PIN PLUG 7-PINS W/GASKET	
30	KK354328		RUBBER PROTECTION	
31	KK015806		NUT M6	
32	KK354313		FIXING PLATE	
33	KK032835		HEX BOLT M20X35 10.9	
34	KK012735		STRIP FOR MARKING 5X200 RED	



PN/RN / LIGHTS AND REFLEXES

PosNo.	Part No.	Qty.	Description	Remark
1	KK354347		LIGHT SOCKET RIGHT L = 1500	
2	KK354348		LIGHT SOCKET LEFT L = 1500	
3	UH414213		DOUBLE LIGHT KIT	(for Denmark)
4	UH414216		REAR LIGHT W/DUBLE REFLEX PLATE RH	(for Germany)
5	UH414217		REAR LIGHT W/DUBLE REFLEX PLATE LH	(for Germany)
6	KK354040		REFLEX TRIANGLE	
7	KK354326		BACK PLATE TO TRIANGLE LIGHTS	
8	KK033306		HEX BOLT M6X8	
9	KK015806		NUT M6	
10	KK354011		PLATE FOR TRIANGLE REFLEX	
11	KK709980		KLISTERM.REFLEX VARS.TRK.RØD	
12	KK709982		KLISTERMERKE REFLEX HVIT	
13	KK354090		CABLE W 2 PLUGS 20M	
13	KK354064		CABLE W PLUGS 8 METRES	
13	KK354063		CABLE W PLUGS 13 METRES	
13	UH440775		CONNECTING WIRE TRACTOR	
13	KK354046		CABLE W 2 PLUGS 6M	
14	KK354403		PIN PLUG 7-PINS W/GASKET	

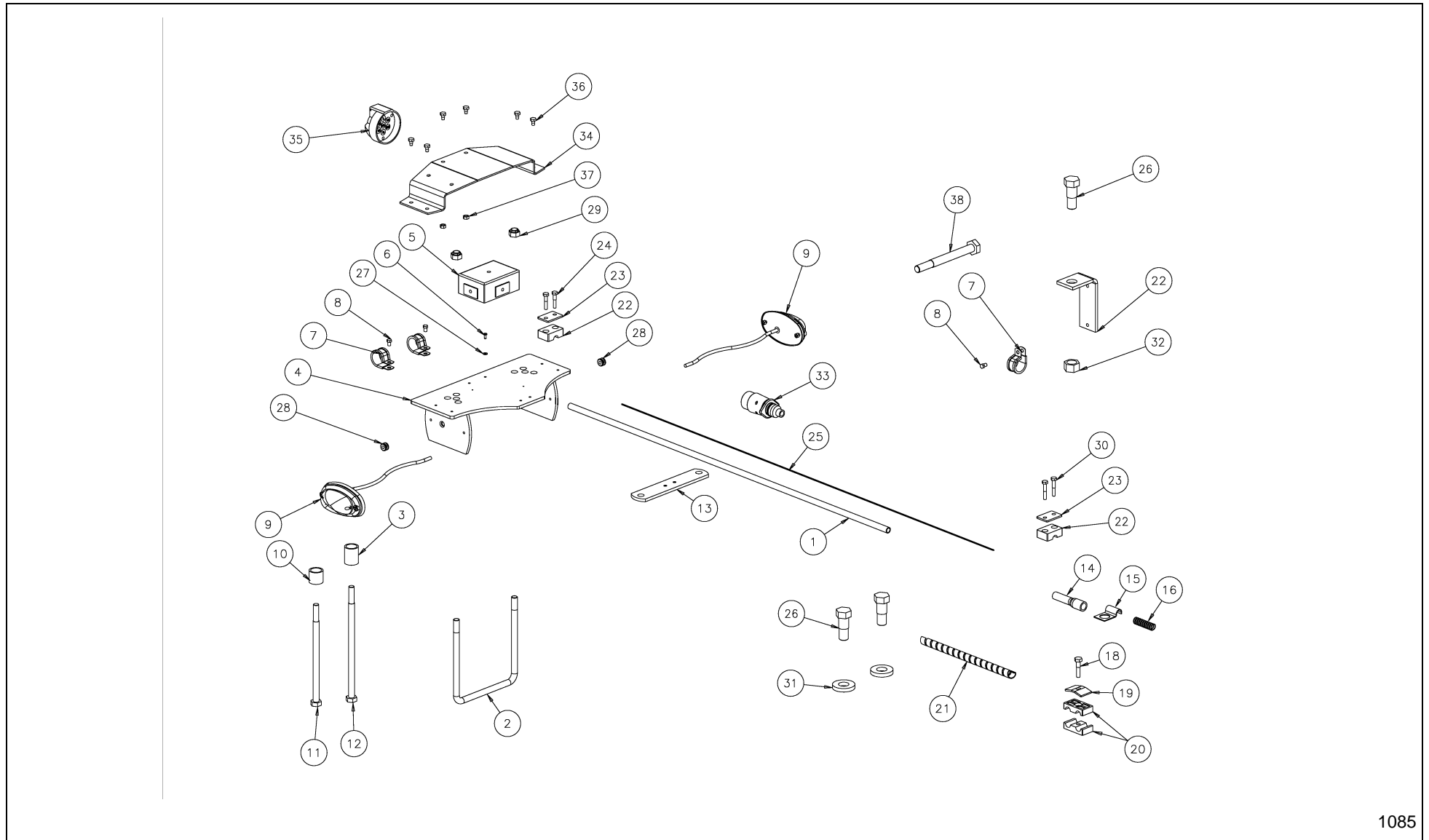
PN/RN / LIGHTS (SIDE MOUNTED)



PN/RN / LIGHTS (SIDE MOUNTED)

PosNo.	Part No.	Qty.	Description	Remark
1	KK012718		OIL TUBE D12X1800	
1	KK012719		OIL TUBE D12X900	
1	KK068689		OIL TUBE L=1100	
1	KK068690		OIL TUBE L=1950	
1	KK068691		OIL TUBE L=2800	
1	KK078389		OIL TUBE D12X3000	
2	KK354017		CLEVIS M12 FOR TUBE 150X150	(for tube 150 x 150 mm)
2	KK354018		CLEVIS M12 FOR TUBE 180X180	(for tube 180 x 180 mm)
2	KK071492		U-BOLT M12-4SQ203-145	(for tube 120 x 200 mm)
2	KK071493		CLEVIS M12 FOR TUBE 200X200	(for tube 200 x 200 mm)
3	KK010036		TUBE	(for PB/RB)
4	KK354014		BRACKET FOR SIDE LIGHTS	
5	UH333791		JUNCTION BOX	
6	KK031019		MACHINE SCREW M4 X 10 DIN 84	
7	KK012737		HOSE CLAMP 1/4 RUBBER/STEEL	
8	KK033306		HEX BOLT M6X8	
9	KK354094		SIDE-LIGHT WITH CABLE	
10	KK010064		SPACING	(for PB/RB)
11	KK032624		HEX BOLT M12 X 210	
12	KK032623		HEX BOLT M12 X 240	
13	KK354029		ORVEL FOR LIGHT TUBE 150X150	(for tube 150 x 150 mm)
13	KK354028		ORVEL FOR LIGHT TUBE 180X180	(for tube 180 x 180 mm)
13	KK354030		ORVEL FOR LIGHT TUBE 200X200	(for tube 200 x 200 mm)
14	KK354042		RUBBER PROTECTION 140332-12	
15	KK012700		CLAMP FOR 1/4HOSE - D20	
16	KK354041		ELEKTROFLEX D10XD14X3700	(3.7 m; PG/RG)
16	KK354092		ELEKTROFLEX 10 X 14.6 X 5M.	(5.0 m; PL/RL)
17	KK061947		BRACKET FOR 3 HOSES H=70	
18	KK032435		HEX BOLT 8 X 35 PARTLY THREAD	(for PL plough only)
18	KK032460		HEX BOLT M8 X 60 8.8	
19	KK012324		COVER TUBE CLAMP	(for PL plough only)
20	KK012323		PLASTIC PART TUBE CLAMP	(for PL plough only)
21	KK012116		HOSE WRAPPER D12.5X600	(for PG plough only)
22	KK012092		PLASTIC PART TUBE CLAMP	
23	KK012069		COVER	
24	KK032330		HEX BOLT M6X30 PARTLY THREAD	
25	KK354048		CABLE 5 X 0.75 X 4500	4.5 m
25	KK354047		CABLE 5 X 0.75 X 6000	6.0 m
25	KK354077		CABLE 2X0.75X8000	8.0 m
25	KK354078		CABLE 2X0.75X10000	10.0 m

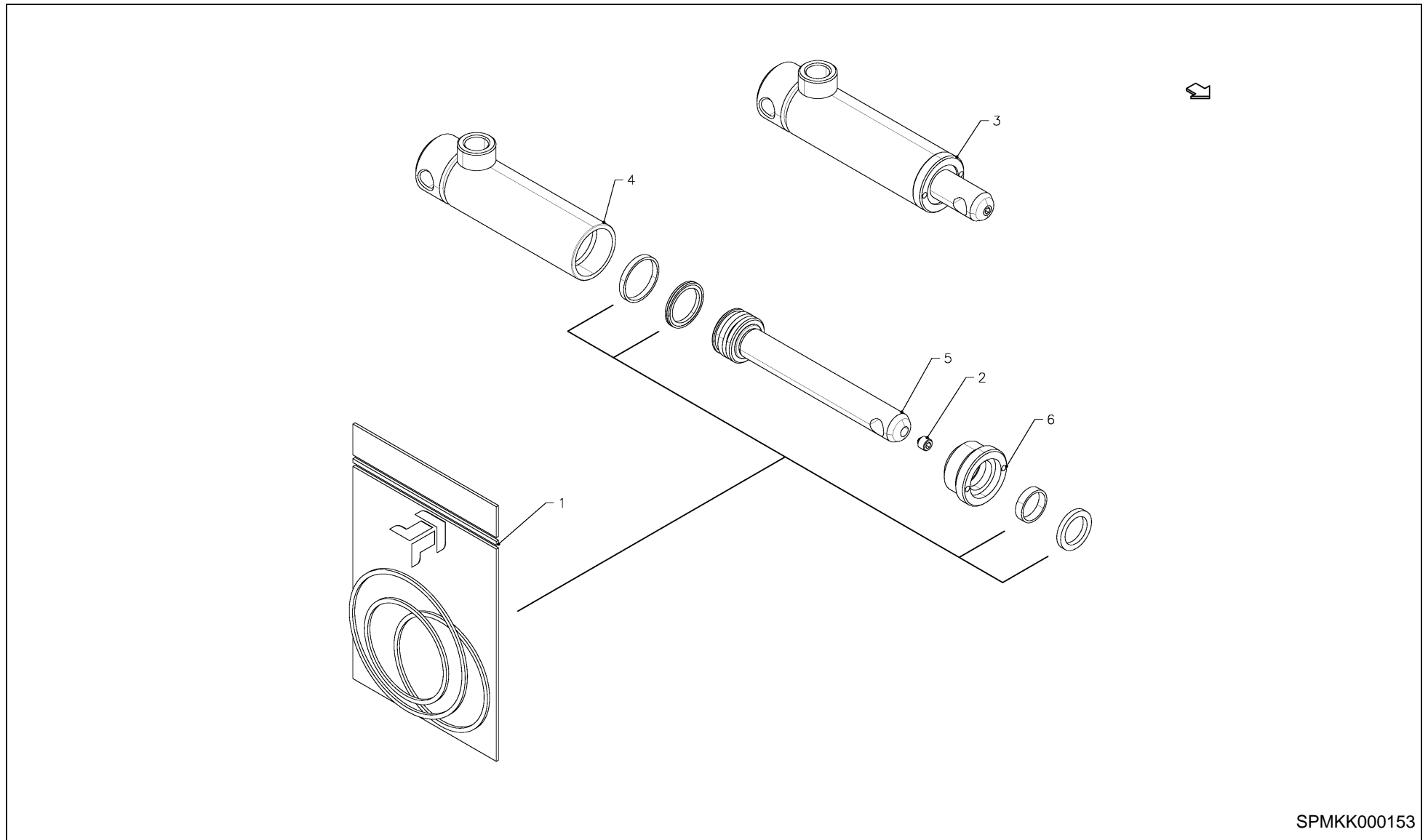
PN/RN / LIGHTS (SIDE MOUNTED)



PN/RN / LIGHTS (SIDE MOUNTED)

PosNo.	Part No.	Qty.	Description	Remark
25	KK354049		CABEL ÖLFLEX CLASSIC 110 5 X 0.75 X 13M	13.0 m
25	KK354340		CABEL ÖLFLEX CLASSIC 110 5 X 0.75 X 15M	15.0 m
25	KK354091		CABEL ÖLFLEX CLASSIC 110 5X0.75X20M	20.0 m
26	KK032850		HEX BOLT M20X50 10.9	
27	KK012852		WASHER D4.3-D9.0X0.6 GALV.	
28	KK354096		CABLE GLAND D6-D8.5X4	
29	KK016008		NYLOC NUT M12	
30	KK032335		HEX BOLT M6 X 35 PARTLY THREAD	
31	KK012968		WASHER D21XD45 7.5 GALV.	
32	KK015830		NUT M20	
33	KK012503		PLUG 7-PINS FOR TRAILER	
34	KK354324		COVERPLATE LIGHTS	
35	KK354403		PIN PLUG 7-PINS W/GASKET	
36	KK032310		HEX BOLT M6X10	
37	KK015806		NUT M6	
38	KK032710		HEX BOLTM16X155	
Not ill.	KK012735		STRIP FOR MARKING 5X200 RED	

PN/RN / PACER ARM- RELEASER CYLINDER(354220)



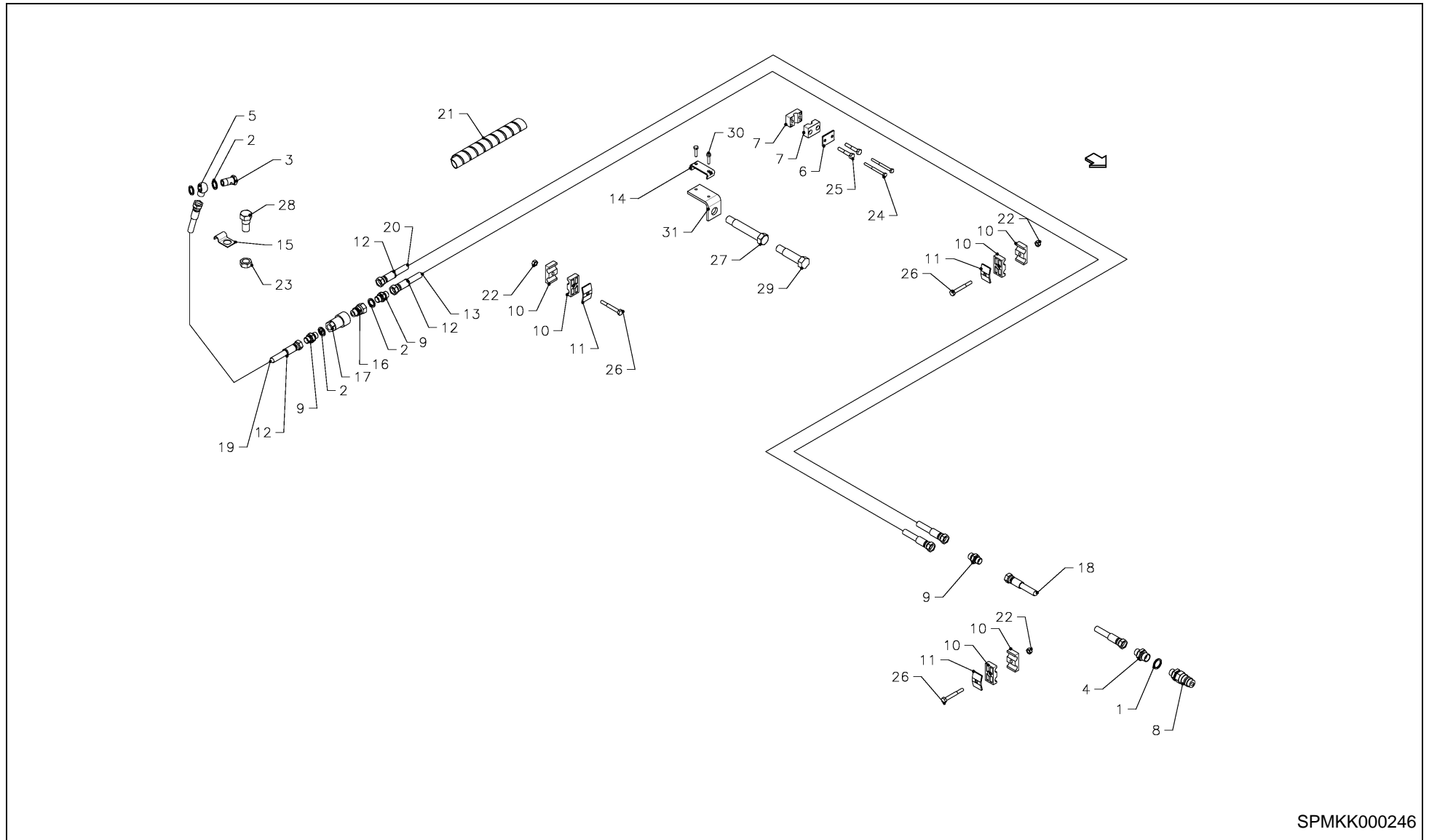
SPMKK000153

PN/RN / PACER ARM- RELEASER CYLINDER(354220)



PosNo.	Part No.	Qty.	Description	Remark
1	KK016576		SEALING KIT FOR D32-D20	
2	KK032110		SET SCREW M8X8	
3	KK354520		CYLINDER D32/D20 X 165 + 75	
4	KK354587R		CYLINDER TUBE	
5	KK354588R		PISTON ROD	
6	KK354589R		END CAP	

PN/RN / HYDRAULIC FOR SOIL PACKER PG/RG-PN/RN-PB/RB

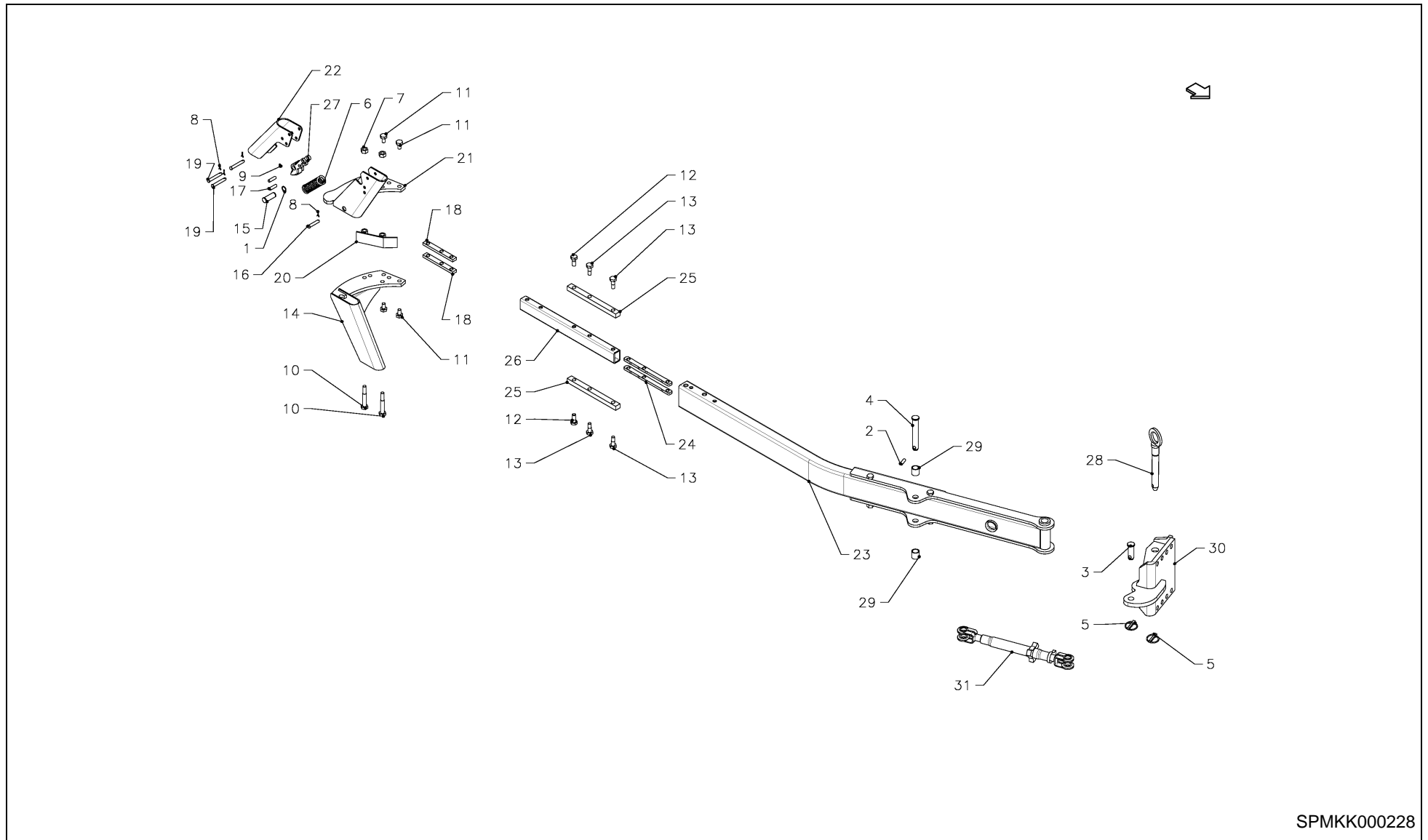


SPMKK000246

PN/RN / HYDRAULIC FOR SOIL PACKER PG/RG-PN/RN-PB/RB

PosNo.	Part No.	Qty.	Description	Remark
1	KK011565		SEAL RING R 1/2 (INNER D21)	
2	KK011585		SEAL RING R 3/8(INNER D17)	
3	KK012059		BANJO BOLT G3/8X31	
4	KK012060		COUPLING 3/8-1/2 U/INNER	
5	KK012062		BANJO G3/8- SHORT-H=17	
6	KK012069		COVER	
7	KK012092		PLASTIC PART TUBE CLAMP	
8	KK012158		QUICK COUPLING 1/2-3/8 W-COUP.	
9	KK012261		COUPLING 3/8-3/8	
10	KK012323		PLASTIC PART TUBE CLAMP	
11	KK012324		COVER TUBE CLAMP	
12	KK012326		STRIP FOR LABELLING 5X200 WHITE	
13	KK012367		HOSE 1/4X5000 R-SV/R-SV	PB/RB
14	KK012520		CLAMP FOR 3X1/4-HOSE	
15	KK012700		CLAMP FOR 1/4HOSE - D20	
16	KK012705		QUICK COUPLING 3/8 PLUGG	
17	KK012706		QUICK COUPLING 3/8 BASE	
18	KK012761		HOSE 1/4X1600 R-SV/90-SV	PB/RB
19	KK012776		HOSE 1/4X2750 R-SV/R-SV	
20	KK012791		HOSE 1/4X6000 R-SV/R-SV	PG/RG-PN/RN
21	KK013500		HOSE WRAPPER D32X250	
22	KK015811		NUT M8	
23	KK015834		NUT M20	
24	KK032370		HEX BOLT M6X70 PARTLY THREAD	
25	KK032445		HEX BOLT M8 X 45	
26	KK032465		HEX BOLT M8 X 65	
27	KK032805		HEX BOLT M20X120 10.9	
28	KK032840		HEX BOLT M20X40 10.9	
29	KK032885		HEX BOLT M20X85 10.9	
30	KK033325		HEX BOLT M6X25 GALV.	
31	KK061943		BRACKET FOR 3 HOSES H=55	

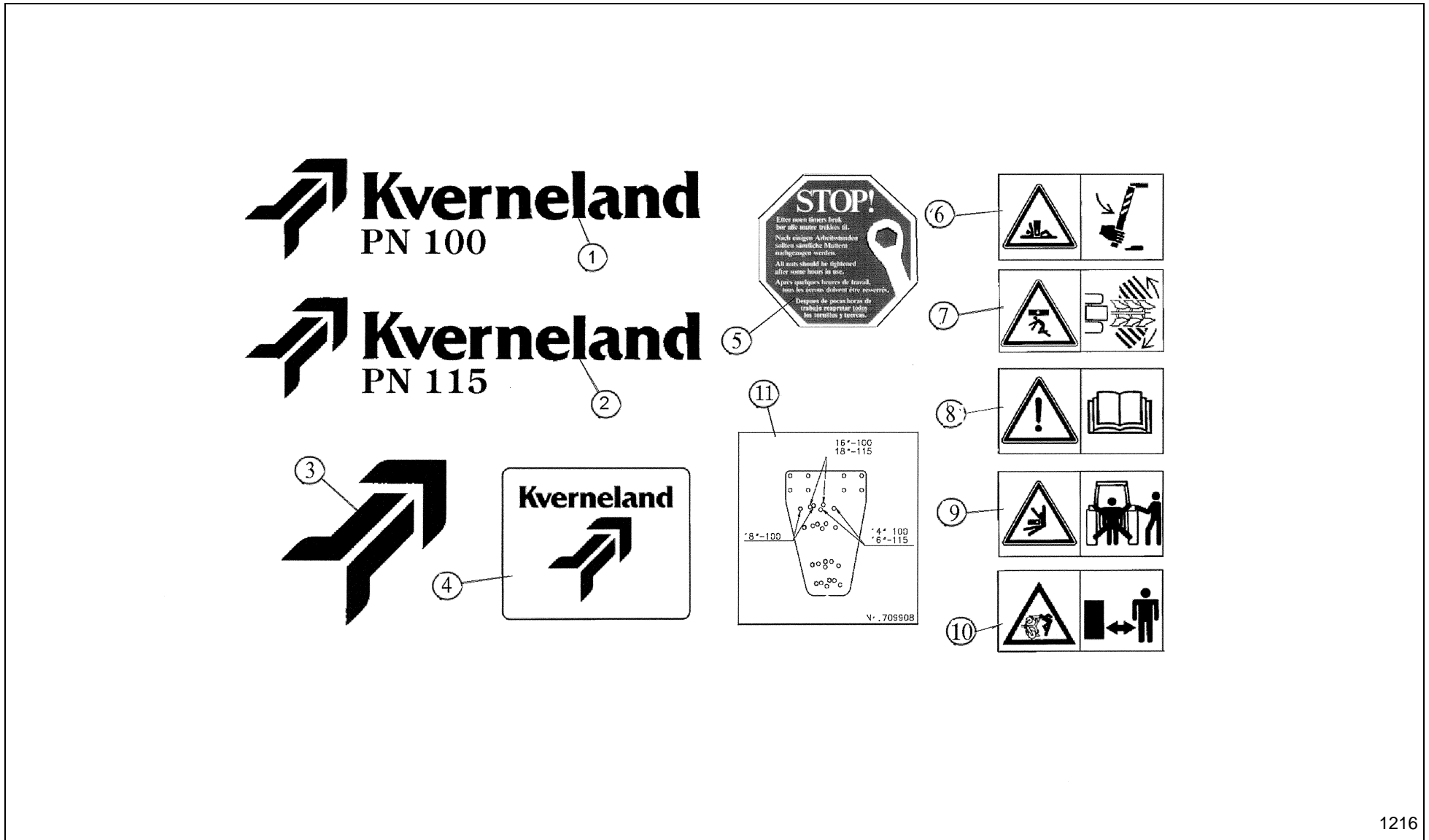
PN/RN / SOIL PACKER ARM



PN/RN / SOIL PACKER ARM



PosNo.	Part No.	Qty.	Description	Remark
1	KG01108000		CIRCLIP-A 22 X 2	
2	KG01195400		TENSION PIN 12X40	
3	KK010315		BOLT W/ HEAD D25.3X60	
4	KK010335		BOLT W/HEAD D25.3X155	
5	KK010700		PIN D12 NS 555	
6	KK013701		STRETCH SPRING D7.5-D32.5X175	
7	KK015825		NUT M16	
8	KK029715		SPILT PIN D4X25	
9	KK029920		GREASE NIPPLE M8X1 STRAIGHT	
10	KK032702		HEX BOLT M16X110	
11	KK032725		HEX BOLT M16X27 10.9	
12	KK032740		HEX BOLT M16X40 10.9	
13	KK032745		HEX BOLT M16X45 10.9	
14	KK076310R		PICKUP ARM LOWER	
15	KK076318		BOLT W/HEAD D22X58	
16	KK076319		BOLT W/HEAD D12X58	
17	KK076320		AXLE D12X42	
18	KK076351		PLATE W M16 HOLES	
19	KK076652		BOLT W/HEAD D12X72	
20	KK076682		REJECTOR	
21	KK076711R		UPPER PICKUP ARM	
22	KK076716R		SCREEN ON PICKUP ARM 2000	
23	KK076742		PACKER ARM CURVED EO-LO	
24	KK076762		THREADED PLATE	
25	KK076763		PLATE	
26	KK076764		TUBE	
27	KK077013R		HOOK FOR PICK-UP ARM	
28	KK077587		AXLE FOR QUICK COUPLING	
29	KK077590		BUSHING D27.3-D33.8X33	
30	KK082190		FIXING BRACKET	
31	KK361116		TURNBUCKLE 520-720	



PN/RN / TRANSFERS

PosNo.	Part No.	Qty.	Description	Remark
1	KK709996		DEKAL FOR PN 100	
1	KK709998		DEKAL FOR RN 100	
2	KK709997		DEKAL FOR PN 115	
2	KK709999		DEKAL FOR RN 115	
3	KK709737		ARROW	
4	KK709831		TRANSFER	
5	KK709479		INFO: NUTS	
6	KK709843		SAFTY SIGN, PARKING SUPPORT	
7	KK709842		SAFTY SIGN, REVERSIBLE PLOUGH	
8	KK709844		SAFTY SIGN, READ INSTRUCTION MANUAL	
9	KK709841		SAFTY SIGN, DANGER, TRACTOR/IMPLEMENT	
10	KK709895		SAFTY SIGN, SHARP EDGES	
11	KK709908		KLISTERM. HJULINNSTILLING PN/RN	

PN/RN / Part No Index



Part No.	Page	Pos No	Part No.	Page	Pos No	Part No.	Page	Pos No	Part No.	Page	Pos No
KG00017500	10	1	KK010168	8	1	KK011451	17	7	KK012060	18	19
KG00017500	11	1	KK010293	14	8	KK011452	17	4	KK012060	20	11
KG00017500	12	1	KK010315	31	3	KK011453	17	5	KK012060	30	4
KG01108000	31	1	KK010335	14	9	KK011472	17	7	KK012062	18	12
KG01108862	10	2	KK010335	21	2	KK011473	17	4	KK012062	19	6
KG01108862	11	2	KK010335	31	4	KK011474	17	5	KK012062	20	4
KG01108862	12	2	KK010337	20	1	KK011512	21	5	KK012062	21	9
KG01129300	14	1	KK010413	20	18	KK011565	18	20	KK012062	30	5
KG01129300	24	1	KK010572	10	4	KK011565	20	12	KK012067	21	10
KG01129800	10	3	KK010572	11	4	KK011565	30	1	KK012068	18	18
KG01129800	11	3	KK010572	12	4	KK011585	18	6	KK012068	20	15
KG01129800	12	3	KK010606	14	10	KK011585	19	4	KK012068	21	11
KG01194200	14	2	KK010650	14	11	KK011585	20	5	KK012069	18	17
KG01195400	14	3	KK010655	14	12	KK011585	21	6	KK012069	20	16
KG01195400	20	19	KK010700	14	13	KK011585	30	2	KK012069	21	12
KG01195400	21	3	KK010700	31	5	KK011596	21	7	KK012069	28	23
KG01195400	31	2	KK010702	26	4	KK011682R	14	15	KK012069	30	6
KG01195500	14	4	KK010909	12	5	KK011682R	16	1	KK012092	28	22
KG01195800	14	5	KK010960	20	8	KK011691R	14	16	KK012092	30	7
KG01802700	17	1	KK010961	20	7	KK011691R	15	1	KK012116	20	10
KK010036	28	3	KK011021	21	4	KK011737	24	12	KK012116	28	21
KK010064	28	10	KK011037	5	1	KK011750	10	5	KK012158	18	22
KK010149	14	6	KK011042	5	2	KK011750	11	5	KK012158	20	13
KK010149	21	1	KK011059	18	1	KK011750	12	6	KK012158	21	13
KK010155	1	103	KK011162	17	2	KK011806	23	4	KK012158	30	8
KK010155	2	103	KK011163	17	3	KK011866	10	6	KK012185	14	17
KK010155	3	103	KK011223R	14	14	KK011866	11	6	KK012185	21	14
KK010155	4	103	KK011223R	24	2	KK011866	12	7	KK012261	18	9
KK010156	1	103	KK011269	7	1	KK011908	23	2	KK012261	20	3
KK010156	2	103	KK011369	17	4	KK012039	23	7	KK012261	30	9
KK010156	3	103	KK011370	17	5	KK012059	20	6	KK012307	19	5
KK010156	4	103	KK011408	17	6	KK012059	21	8	KK012323	28	20
KK010158	14	7	KK011414	17	7	KK012059	30	3	KK012323	30	10

PN/RN / Part No Index



Part No.	Page	Pos No	Part No.	Page	Pos No	Part No.	Page	Pos No	Part No.	Page	Pos No
KK012324	18	14	KK012781	20	14	KK013228R	3	10	KK013385	3	105
KK012324	28	19	KK012791	30	20	KK013228R	3	101	KK013385	4	105
KK012324	30	11	KK012796	18	10	KK013228R	4	101	KK013500	30	21
KK012325	19	2	KK012852	28	27	KK013228R	4	17	KK013517	19	3
KK012326	30	12	KK012874	7	2	KK013234R	1	20	KK013518	18	24
KK012367	30	13	KK012904	26	19	KK013234R	2	23	KK013519	19	7
KK012503	28	33	KK012906	13	1	KK013234R	3	11	KK013520	18	Not ill.
KK012520	30	14	KK012919	1	13	KK013332	1	17	KK013522	18	25
KK012522	18	13	KK012919	2	1	KK013332	1	4	KK013594	23	12
KK012548	18	7	KK012919	3	15	KK013332	2	39	KK013595	23	9
KK012551	18	5	KK012922	1	34	KK013332	2	9	KK013597	23	8
KK012570	18	23	KK012922	2	33	KK013332	3	1	KK013602	24	Not ill.
KK012619	22	1	KK012922	3	36	KK013332	3	45	KK013701	31	6
KK012619	23	10	KK012922	4	31	KK013332	4	4	KK013705	23	11
KK012637	23	6	KK012922	16	2	KK013333	1	38	KK015806	26	31
KK012640	23	Not ill.	KK012923	12	8	KK013333	2	34	KK015806	27	9
KK012655	18	11	KK012927	1	28	KK013333	3	39	KK015806	28	37
KK012655	19	1	KK012927	2	18	KK013334	1	44	KK015811	14	19
KK012658	20	14	KK012929	1	107	KK013334	2	44	KK015811	21	15
KK012700	18	26	KK012929	2	107	KK013334	3	44	KK015811	30	22
KK012700	28	15	KK012929	3	107	KK013334	4	38	KK015813	4	22
KK012700	30	15	KK012929	4	107	KK013346	1	105	KK015813	4	22
KK012705	30	16	KK012942	14	18	KK013346	1	36	KK015813	13	2
KK012706	30	17	KK012960	12	9	KK013346	2	105	KK015817	4	101
KK012718	28	1	KK012968	28	31	KK013346	2	36	KK015817	4	17
KK012719	28	1	KK013000	9	1	KK013346	3	105	KK015817	4	7
KK012723	18	8	KK013086	25	Not ill.	KK013346	4	105	KK015817	4	7
KK012735	26	34	KK013089	25	8	KK013361	1	105	KK015817	4	8
KK012735	28	Not ill.	KK013090	25	2	KK013361	2	105	KK015817	4	8
KK012737	28	7	KK013091	25	7	KK013361	3	105	KK015817	5	3
KK012761	30	18	KK013228R	1	101	KK013361	4	105	KK015817	10	7
KK012776	30	19	KK013228R	2	101	KK013385	1	105	KK015825	1	46
KK012780	20	14	KK013228R	2	24	KK013385	2	105	KK015825	2	46

PN/RN / Part No Index



Part No.	Page	Pos No	Part No.	Page	Pos No	Part No.	Page	Pos No	Part No.	Page	Pos No
KK015825	3	47	KK016001	9	3	KK016527	24	16	KK032403	21	17
KK015825	4	104	KK016004	10	8	KK016576	29	1	KK032435	18	21
KK015825	4	104	KK016004	11	8	KK016592	22	2	KK032435	28	18
KK015825	4	104	KK016004	12	12	KK016601	22	3	KK032445	30	25
KK015825	4	13	KK016006	14	22	KK029715	31	8	KK032460	18	15
KK015825	4	41	KK016007	5	5	KK029727	5	7	KK032460	28	18
KK015825	8	2	KK016008	26	9	KK029918	9	5	KK032465	30	26
KK015825	11	7	KK016008	28	29	KK029918	24	18	KK032475	14	27
KK015825	12	10	KK016012	5	6	KK029920	5	8	KK032545	14	28
KK015825	13	3	KK016012	11	9	KK029920	10	10	KK032604	7	5
KK015825	15	2	KK016012	14	23	KK029920	11	11	KK032623	28	12
KK015825	16	3	KK016012	15	4	KK029920	12	14	KK032624	28	11
KK015825	26	3	KK016012	16	5	KK029920	14	24	KK032655	5	9
KK015825	31	7	KK016013	4	4	KK029920	15	5	KK032655	26	7
KK015830	5	4	KK016015	1	106	KK029920	16	7	KK032665	5	10
KK015830	6	1	KK016015	2	106	KK029920	17	9	KK032680	7	6
KK015830	8	3	KK016015	3	106	KK029920	31	9	KK032702	11	12
KK015830	9	2	KK016015	4	106	KK029927	14	25	KK032702	12	15
KK015830	12	11	KK016022	6	2	KK031019	28	6	KK032702	31	10
KK015830	14	20	KK016025	7	4	KK031941	9	6	KK032710	28	38
KK015830	15	3	KK016025	9	4	KK032002	24	4	KK032724	9	7
KK015830	26	23	KK016031	10	9	KK032007	24	8	KK032725	1	18
KK015830	28	32	KK016031	11	10	KK032040	22	4	KK032725	2	22
KK015834	1	11	KK016045	6	3	KK032110	25	9	KK032725	31	11
KK015834	2	5	KK016049	6	4	KK032110	29	2	KK032728	7	7
KK015834	3	19	KK016049	16	6	KK032310	28	36	KK032730	3	31
KK015834	7	3	KK016058	12	13	KK032330	28	24	KK032735	1	8
KK015834	26	1	KK016517	25	4	KK032335	18	16	KK032735	2	17
KK015834	30	23	KK016522	24	5	KK032335	20	17	KK032735	3	22
KK015841	8	4	KK016523	24	6	KK032335	28	30	KK032735	15	6
KK015841	14	21	KK016524	24	11	KK032345	21	16	KK032735	26	2
KK015841	16	4	KK016525	24	10	KK032370	30	24	KK032740	1	104
KK015858	17	8	KK016526	24	14	KK032403	14	26	KK032740	2	104

PN/RN / Part No Index



Part No.	Page	Pos No	Part No.	Page	Pos No	Part No.	Page	Pos No	Part No.	Page	Pos No
KK032740	3	104	KK032820	14	29	KK032918	14	35	KK033256	4	30
KK032740	4	104	KK032821	14	30	KK032919	16	15	KK033295	1	32
KK032740	31	12	KK032824	8	8	KK032925	8	12	KK033295	1	45
KK032745	8	5	KK032828	14	31	KK032926	9	12	KK033295	2	32
KK032745	16	8	KK032830	10	11	KK032940	14	36	KK033295	3	46
KK032745	31	13	KK032830	14	32	KK032960	14	37	KK033295	4	40
KK032750	1	104	KK032830	15	8	KK033004	3	26	KK033306	25	5
KK032750	2	104	KK032830	16	11	KK033006	13	5	KK033306	27	8
KK032750	2	17	KK032835	26	33	KK033006R	4	22	KK033306	28	8
KK032750	3	104	KK032836	15	9	KK033016	4	22	KK033315	26	20
KK032750	4	104	KK032840	5	11	KK033100R	1	5	KK033325	30	30
KK032750	4	13	KK032840	10	12	KK033100R	2	4	KK034225	9	13
KK032752	8	6	KK032840	14	33	KK033100R	3	12	KK034225	13	6
KK032762	6	5	KK032840	30	28	KK033107R	1	19	KK034228	13	7
KK032765	1	104	KK032843	15	10	KK033107R	2	10	KK034250	13	8
KK032765	2	104	KK032846	8	9	KK033107R	2	37	KK035020R	5	13
KK032765	3	104	KK032846	9	9	KK033107R	4	7	KK035021R	5	14
KK032765	4	104	KK032850	8	10	KK033111	4	8	KK035031R	10	13
KK032774	7	8	KK032850	9	10	KK033116	4	7	KK035072R	6	10
KK032775	1	104	KK032850	28	26	KK033117	4	8	KK035087	9	14
KK032775	2	104	KK032855	15	11	KK033118	3	6	KK035088	15	12
KK032775	3	104	KK032860	5	12	KK033119	3	7	KK035093	9	15
KK032775	4	104	KK032860	6	7	KK033175	1	33	KK035114	10	14
KK032775	12	16	KK032865	6	8	KK033175	2	30	KK035114	11	13
KK032785	7	9	KK032865	14	34	KK033175	3	35	KK035114	12	18
KK032792	8	7	KK032870	16	12	KK033175	4	29	KK035165	5	15
KK032795	13	4	KK032875	12	17	KK033256	1	32	KK035175	11	14
KK032803	9	8	KK032875	16	13	KK033256	1	32	KK035209	5	16
KK032805	16	10	KK032880	6	9	KK033256	2	31	KK035210	5	17
KK032805	30	27	KK032885	30	29	KK033256	2	31	KK035215	6	11
KK032807	6	6	KK032890	8	11	KK033256	3	34	KK050706	5	18
KK032807	16	9	KK032890	9	11	KK033256	3	34	KK053090	1	100
KK032818	15	7	KK032900	16	14	KK033256	4	30	KK053090	1	2

PN/RN / Part No Index



Part No.	Page	Pos No	Part No.	Page	Pos No	Part No.	Page	Pos No	Part No.	Page	Pos No
KK053090	2	100	KK062505	14	39	KK066812	13	11	KK070396	2	19
KK053090	2	25	KK062506	14	40	KK066860	13	12	KK070397	2	19
KK053090	3	100	KK062506	21	18	KK066868R	13	13	KK070398	2	19
KK053090	3	3	KK063090	1	100	KK066868R	13	9	KK070399	2	19
KK053090	4	100	KK063090	1	2	KK066869R	13	9	KK070640	1	16
KK053090	4	16	KK063090	2	100	KK066873R	13	9	KK070640	2	2
KK053387R	1	14	KK063090	2	25	KK066880R	13	14	KK070641	1	16
KK053387R	2	7	KK063090	3	100	KK066881R	13	14	KK070641	2	2
KK053387R	3	29	KK063090	3	3	KK067016R	5	32	KK070642	1	16
KK056873R	13	9	KK063090	4	100	KK067025	5	33	KK070642	2	2
KK057063	5	19	KK063090	4	16	KK067026R	5	34	KK071256	8	14
KK057064	5	20	KK063091	1	21	KK067031R	5	35	KK071259	8	15
KK057065	5	21	KK063091	4	18	KK067039R	5	36	KK071270R	6	14
KK057066	5	22	KK063092	1	21	KK067042	7	10	KK071271R	6	15
KK057067	5	23	KK063092	4	18	KK067051	5	37	KK071272R	6	16
KK057068	5	24	KK063388R	1	14	KK067059R	5	38	KK071273R	6	17
KK057089	5	25	KK063388R	2	7	KK067075	5	39	KK071274	6	18
KK060108	5	26	KK063388R	3	29	KK067076	5	40	KK071275	6	19
KK060109	5	27	KK063607R	1	35	KK067077	5	41	KK071417	9	16
KK060119	5	28	KK063607R	2	35	KK067080	5	42	KK071492	28	2
KK060657	13	10	KK063801R	1	9	KK067090R	5	43	KK071493	26	25
KK060703	5	29	KK063801R	1	9	KK067092	5	44	KK071493	28	2
KK061280R	5	30	KK064317	14	41	KK068689	28	1	KK071508	6	20
KK061291	5	31	KK064321	14	42	KK068690	28	1	KK071529	6	21
KK061515	6	12	KK064360	14	43	KK068691	28	1	KK071670	8	16
KK061637R	8	13	KK066175R	10	16	KK070388	2	19	KK071672	15	13
KK061943	30	31	KK066175R	11	15	KK070389	2	19	KK071794	14	44
KK061947	28	17	KK066178	10	17	KK070390	1	9	KK071794	21	19
KK062020	6	13	KK066182	10	18	KK070391	1	9	KK072757	7	11
KK062025	2	12	KK066185	10	15	KK070392	2	19	KK072759	9	17
KK062025	3	32	KK066189	10	18	KK070393	2	19	KK072760	9	18
KK062270	16	16	KK066190R	10	19	KK070394	1	9	KK072761	9	19
KK062500	14	38	KK066811	13	11	KK070395	1	9	KK072769	7	12

PN/RN / Part No Index



Part No.	Page	Pos No	Part No.	Page	Pos No	Part No.	Page	Pos No	Part No.	Page	Pos No
KK072771	7	13	KK073031R	1	27	KK073065	2	11	KK073256R	1	7
KK072773	7	14	KK073031R	4	33	KK073065	3	5	KK073256R	4	21
KK072788	9	20	KK073040	1	26	KK073065	4	23	KK073257R	1	7
KK072789	9	21	KK073041	1	26	KK073080	2	26	KK073257R	4	21
KK072792	9	22	KK073042	1	26	KK073080	3	2	KK073260	1	6
KK072819	7	15	KK073042	4	32	KK073080	4	19	KK073261	1	6
KK072820	7	16	KK073043	1	26	KK073081	2	26	KK073263	1	6
KK072821	7	17	KK073043	4	32	KK073081	3	2	KK073264R	1	6
KK072822	7	18	KK073044	1	26	KK073081	4	19	KK073266	1	24
KK072824	7	19	KK073044	4	32	KK073091	1	21	KK073266	2	16
KK072825	7	20	KK073045	1	26	KK073091	2	27	KK073267	1	24
KK072831	9	23	KK073045	4	32	KK073091	3	4	KK073267	2	16
KK072832	9	24	KK073054	2	26	KK073091	4	18	KK073272R	3	13
KK072833	9	25	KK073054	3	2	KK073092	1	21	KK073273R	3	13
KK072834	9	26	KK073054	4	19	KK073092	2	27	KK073275	3	16
KK073000	1	1	KK073055	2	26	KK073092	3	4	KK073276	3	16
KK073001	1	1	KK073055	3	2	KK073092	4	18	KK073278R	3	8
KK073002	1	1	KK073055	4	19	KK073224	2	8	KK073279R	3	8
KK073002	4	19	KK073056	2	26	KK073225	2	8	KK073280	1	6
KK073003	1	1	KK073056	3	2	KK073227R	2	15	KK073281	1	6
KK073003	4	19	KK073056	4	19	KK073228R	2	15	KK073286	1	6
KK073004	1	1	KK073057	2	26	KK073230R	2	15	KK073287	1	6
KK073004	4	19	KK073057	3	2	KK073230R	4	21	KK073290	1	6
KK073005	1	1	KK073057	4	19	KK073231R	2	15	KK073290	2	8
KK073005	4	19	KK073062	2	11	KK073231R	4	21	KK073291	1	6
KK073006	1	1	KK073062	3	5	KK073236	2	8	KK073291	2	8
KK073006	4	19	KK073062	4	23	KK073237	2	8	KK073300R	1	16
KK073007	1	1	KK073063	2	11	KK073239R	2	16	KK073300R	2	2
KK073007	4	19	KK073063	3	5	KK073240R	2	16	KK073300R	4	1
KK073008	1	1	KK073063	4	23	KK073241R	2	15	KK073301R	1	16
KK073009	1	1	KK073064	2	11	KK073242R	2	15	KK073301R	2	2
KK073030	1	27	KK073064	3	5	KK073250R	1	7	KK073301R	4	1
KK073030	4	33	KK073064	4	23	KK073251R	1	7	KK073310	1	15

PN/RN / Part No Index



Part No.	Page	Pos No	Part No.	Page	Pos No	Part No.	Page	Pos No	Part No.	Page	Pos No
KK073310	2	3	KK073609	3	24	KK073807	1	12	KK076499R	10	23
KK073311	1	15	KK073609	4	5	KK073808	1	12	KK076499R	11	21
KK073311	2	3	KK073614R	1	37	KK073826	2	19	KK076499R	12	24
KK073328	3	20	KK073614R	2	38	KK073826	2	19	KK076515	12	25
KK073329	3	20	KK073614R	3	38	KK073826	3	21	KK076527R	12	26
KK073338	3	17	KK073614R	4	14	KK073829	2	19	KK076532R	12	27
KK073339	3	17	KK073615R	1	30	KK073829	3	21	KK076533R	12	28
KK073350R	3	27	KK073615R	2	29	KK073830	1	9	KK076537	12	29
KK073351R	3	27	KK073615R	3	25	KK073831	1	9	KK076652	31	19
KK073352	3	28	KK073615R	4	3	KK073831	2	19	KK076682	31	20
KK073353	3	28	KK073616R	1	30	KK073842	2	19	KK076711R	31	21
KK073354	3	37	KK073616R	2	29	KK076063	11	16	KK076716R	31	22
KK073406	1	3	KK073616R	3	25	KK076294R	12	21	KK076742	31	23
KK073411	1	3	KK073616R	4	3	KK076295R	12	22	KK076762	31	24
KK073415	1	25	KK073634	1	102	KK076310R	31	14	KK076763	31	25
KK073417	2	14	KK073634	2	102	KK076318	31	15	KK076764	31	26
KK073418	2	14	KK073634	3	102	KK076319	31	16	KK076812R	13	15
KK073435	2	13	KK073634	4	102	KK076320	31	17	KK076817	13	16
KK073436	2	13	KK073635	1	102	KK076351	31	18	KK076818	13	16
KK073440	2	13	KK073635	2	102	KK076400R	11	17	KK076825	13	16
KK073441	2	13	KK073635	3	102	KK076400R	12	19	KK076826	13	16
KK073464	3	9	KK073635	4	102	KK076406R	10	20	KK076829	13	17
KK073465	3	9	KK073800	1	12	KK076406R	11	18	KK076858	13	11
KK073470	3	9	KK073800	2	6	KK076406R	12	20	KK076859	13	11
KK073471	3	9	KK073800	3	18	KK076407R	10	21	KK076872	13	18
KK073607	1	35	KK073801	1	12	KK076407R	11	19	KK076873	9	27
KK073607	2	35	KK073801	2	6	KK076407R	12	21	KK076943	13	14
KK073608	1	10	KK073801	3	18	KK076409R	10	22	KK076944	13	14
KK073608	2	21	KK073803	1	9	KK076409R	12	22	KK077013R	31	27
KK073608	3	23	KK073803	1	9	KK076410R	10	22	KK077021	9	28
KK073608	4	12	KK073804	2	19	KK076410R	11	20	KK077026	14	45
KK073609	1	23	KK073804	2	19	KK076410R	12	22	KK077026	21	20
KK073609	2	20	KK073805	2	19	KK076427	12	23	KK077027	14	46

PN/RN / Part No Index



Part No.	Page	Pos No	Part No.	Page	Pos No	Part No.	Page	Pos No	Part No.	Page	Pos No
KK077027	21	21	KK083011R	1	42	KK083023R	2	43	KK083408	4	6
KK077128	15	14	KK083012R	2	42	KK083023R	4	39	KK083409	4	6
KK077133	15	15	KK083012R	3	42	KK083090R	1	41	KK083415	4	15
KK077280	14	47	KK083012R	4	37	KK083090R	2	41	KK083416	4	15
KK077281	14	48	KK083013R	2	42	KK083090R	3	41	KK083417	4	6
KK077587	31	28	KK083013R	3	42	KK083090R	4	36	KK083418	4	6
KK077590	31	29	KK083013R	4	37	KK083091	1	40	KK083649	9	30
KK078389	28	1	KK083016R	1	43	KK083091	2	45	KK083660	8	17
KK078550	14	49	KK083016R	2	43	KK083091	3	40	KK083661	8	18
KK078564	14	50	KK083016R	3	43	KK083091	4	35	KK083662	8	19
KK078583	18	3	KK083016R	4	39	KK083210	4	9	KK083663	8	20
KK078849	16	17	KK083017R	1	43	KK083211R	4	24	KK083690	8	21
KK078956	16	18	KK083017R	2	43	KK083212R	4	25	KK083692	8	22
KK079596	14	51	KK083017R	3	43	KK083213R	4	26	KK083802	4	11
KK079724	18	2	KK083017R	4	39	KK083214R	4	27	KK083803	4	10
KK079765	14	52	KK083018R	1	43	KK083215R	4	20	KK083804	4	11
KK079824	14	53	KK083018R	2	43	KK083216R	4	20	KK083805R	4	11
KK080980	1	9	KK083018R	3	43	KK083217R	4	20	KK083806R	4	11
KK080981	1	9	KK083018R	4	39	KK083218	4	20	KK083807	4	11
KK080982	1	9	KK083019R	1	43	KK083220	4	9	KK083808	4	11
KK080983	1	9	KK083019R	2	43	KK083221	4	24	KK083809	1	9
KK081085	14	54	KK083019R	3	43	KK083222R	4	25	KK083810	1	9
KK081098	14	55	KK083019R	4	39	KK083223	4	26	KK084320R	1	31
KK081142	16	19	KK083020R	1	43	KK083224R	4	27	KK084320R	2	28
KK081979R	16	20	KK083020R	2	43	KK083228	1	6	KK084320R	3	33
KK082177	14	56	KK083020R	4	39	KK083229	1	6	KK084320R	4	28
KK082190	31	30	KK083021R	1	43	KK083235R	1	39	KK084321R	1	31
KK082630	15	16	KK083021R	2	43	KK083235R	2	40	KK084321R	2	28
KK082640	9	29	KK083021R	4	39	KK083235R	4	34	KK084321R	3	33
KK082646	15	17	KK083022R	1	43	KK083300	4	2	KK084321R	4	28
KK082647	15	18	KK083022R	2	43	KK083301	4	2	KK086081	10	25
KK082648	15	19	KK083022R	4	39	KK083406	4	15	KK086084BOM	10	24
KK083010R	1	42	KK083023R	1	43	KK083407	4	15	KK086085BOM	10	25

PN/RN / Part No Index



Part No.	Page	Pos No	Part No.	Page	Pos No	Part No.	Page	Pos No	Part No.	Page	Pos No
KK086087R	10	26	KK088151	15	20	KK088807	14	63	KK353580	24	Not ill.
KK086087R	11	22	KK088151R	14	61	KK088808	15	28	KK353592	24	17
KK086087R	12	30	KK088151R	16	22	KK088809	15	29	KK353593	24	9
KK086091	11	23	KK088169	26	24	KK088811	14	64	KK353594	24	15
KK086091	12	31	KK088287	15	21	KK088812R	14	65	KK353595	24	13
KK086092	10	24	KK088293	15	22	KK088813R	15	30	KK353596	24	3
KK086093	10	24	KK088702	15	23	KK088814	15	31	KK353597	24	7
KK086100	10	27	KK088704	16	23	KK088817R	16	34	KK353635	20	2
KK086100	11	24	KK088706	17	10	KK088818	16	35	KK353635	23	Not ill.
KK086100	12	32	KK088717	15	24	KK088819R	17	14	KK353677	24	19
KK086101R	10	28	KK088729	15	25	KK088820R	14	66	KK353901	25	Not ill.
KK086101R	11	25	KK088755R	17	11	KK088848	15	32	KK353902	25	Not ill.
KK086101R	12	33	KK088758R	17	12	KK088909	17	15	KK353903	25	Not ill.
KK086103R	11	26	KK088759R	17	13	KK089068	15	27	KK353922	25	13
KK086166	12	31	KK088760R	16	24	KK089069	15	27	KK353926	25	6
KK086167	11	27	KK088763R	16	25	KK089248	15	27	KK353934	25	1
KK086167	12	34	KK088764R	16	26	KK089249	15	22	KK353935	25	1
KK086168	12	34	KK088766R	16	27	KK199788	26	10	KK353936	25	3
KK086170	10	29	KK088767R	16	28	KK301223	14	67	KK353937	25	3
KK086171	10	30	KK088770R	16	29	KK301223	15	33	KK353944	25	11
KK086172	10	29	KK088780R	16	30	KK301223	16	36	KK353946	25	10
KK086173	10	30	KK088781R	16	31	KK351204	14	68	KK354008	26	11
KK086174	10	29	KK088782	15	27	KK351206	14	69	KK354011	26	16
KK086175	10	30	KK088783	15	27	KK351210	14	70	KK354011	27	10
KK086190	10	24	KK088784	15	27	KK351212	14	71	KK354014	28	4
KK086191	10	25	KK088785	15	22	KK352246	18	27	KK354017	26	27
KK086801	13	19	KK088795	16	32	KK352246	20	9	KK354017	28	2
KK088002	14	57	KK088796	15	27	KK353557	23	1	KK354018	26	26
KK088005	14	58	KK088797	15	27	KK353558	23	3	KK354018	28	2
KK088009	14	59	KK088798	15	27	KK353559	23	5	KK354028	28	13
KK088025	14	60	KK088799	15	27	KK353559R	22	5	KK354029	28	13
KK088026	14	60	KK088802	14	62	KK353561	23	14	KK354030	28	13
KK088034R	16	21	KK088803	16	33	KK353580	21	22	KK354040	27	6

PN/RN / Part No Index

Part No.	Page	Pos No	Part No.	Page	Pos No	Part No.	Page	Pos No
KK354041	28	16	KK354348	27	2	UH414213	27	3
KK354042	28	14	KK354403	26	29	UH414216	27	4
KK354046	27	13	KK354403	27	14	UH414217	27	5
KK354047	28	25	KK354403	28	35	UH440775	27	13
KK354048	28	25	KK354520	29	3	UH825235	23	15
KK354049	28	25	KK354530	23	13	UH825640	25	12
KK354063	27	13	KK354585	22	6			
KK354064	27	13	KK354586R	22	7			
KK354077	28	25	KK354587R	29	4			
KK354078	28	25	KK354588R	29	5			
KK354090	27	13	KK354589R	29	6			
KK354091	28	25	KK354712	18	4			
KK354092	28	16	KK354712	22	8			
KK354094	28	9	KK354760R	22	9			
KK354096	28	28	KK354763R	22	10			
KK354310	26	21	KK361116	31	31			
KK354313	26	32	KK361140	14	72			
KK354314	26	5	KK709479	32	5			
KK354315	26	13	KK709737	32	3			
KK354316	26	12	KK709831	32	4			
KK354317	26	17	KK709841	32	9			
KK354318	26	8	KK709842	32	7			
KK354320	26	6	KK709843	32	6			
KK354321	26	22	KK709844	32	8			
KK354324	28	34	KK709895	32	10			
KK354325	26	18	KK709908	32	11			
KK354326	27	7	KK709980	27	11			
KK354327	26	28	KK709982	27	12			
KK354328	26	30	KK709996	32	1			
KK354340	28	25	KK709997	32	2			
KK354347	26	14	KK709998	32	1			
KK354347	27	1	KK709999	32	2			
KK354348	26	15	UH333791	28	5			



PN/RN

PN687 < Mach. ID <= RN403->

Kverneland Group Operation Norway AS
Kverneland Group Klepp AS
N-4355 Kverneland
\nNorway
+47 51429000
+47 51429001

© Kverneland Group

All rights reserved. No parts of this book may be reproduced, stored in a database or retrieval system, or published in any form or in any way, electronically, mechanically, optically, by print, photo print, microfilm (including micro and macro fiche), or any other means, including all video and CD systems, without prior written permission from the publisher.

Print date: 2008-09-11

