



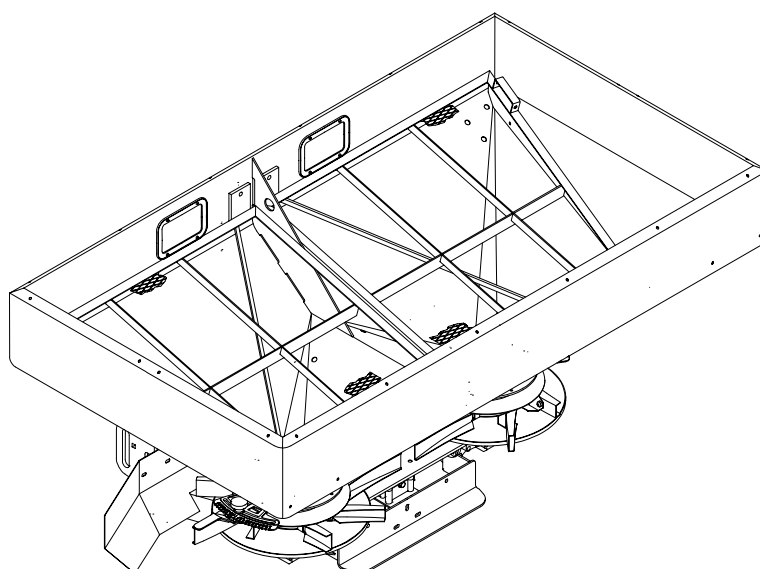
---

Руководство по эксплуатации

---

# RS-M 1050/1700

---





E?) +C/ ! =3+

1"b& ,>4, @F@H, HF&44 ..... 2  
 ?\$V,, @B4F'>4, ..... 3  
 AD\*4F: @&4, ..... 3  
 G, N>4R, F84, "\*">>Z, ..... 4  
 AD'&4 " H N>484 \$, 2@B'F>@FH ..... 6  
 AD'&4 " H N>484 \$, 2@B'F>@FH ..... 8

A?) ' ?G?%?! 7 Q #?G+, C+' I 93C?%? 3 3 AQ %39! ] 7EA9! G O33 ..... 9  
 ="& F8' >" HD'8FD ..... 9  
 A@F@\*4>, >4, 8(4\*D@F4FH<, ..... 10  
 AD4F@\*4>, >4, 8'D'">>@&:" ..... 11  
 I 8@D'R4&'>4, 8'D'">>@&:" ..... 11  
 7@HD@ \ BD \*@ND'>4H: \>@<JLHZ ..... 11  
 '@D4@H: \>"bJFH>@8' ..... 12  
 C, (J: 4D@84 B, D, \* &, F, >4, < J\* @SD >46 ..... 12  
 C'\$@R'b T 4D4"> &, F, >4b ..... 13  
 C, (J: 4D@88' \*@Z &, F, >4b 4 &ZN@>@(@@&, DFH4b H8@ "BD'&4H: b ..... 14  
 C'\$@Z F 8@<B, 8@< \*: bJFH>@84 &, F, >4b<": ZN\*@ ..... 16  
 AD@>"b>"FD@68' ..... 17  
 C'\$@H' D'FF, 4&'H: b>" &, F, >44 J\*@SD >46 ..... 19  
 A@D@Z "(D ("H' 4D'FF, 4&'>4, >" 8D" B@ b ..... 20  
 %>, F, >4, >" 8D" B@ b BD4 D'\$@H \*&N\*4F8@ ..... 22  
 %>, F, >4, >" 8D" B@ b BD4 D'\$@H @>@(@\*4F8' ..... 23  
 MD'8HD4FH48' D'FBD \*, :, >4bJ\*@SD >46 BD4 4FB@ \2&'>44 V 4H8'-(D'>4R4H: b ..... 24  
 ="FD@68' V 4H8'-(D'>4R4H: b ..... 24  
 %>, F, >4, >" 8D" B@ b @>4< \*4F8@ 2' \* &' BD@N@ " F@V 4H8@-(D'>4R4H: , < (<, H@ ! ) ..... 25  
 %>, F, >4, >" 8D" B@ b \*&J<b\*4F8'<4 BD4 @>@< BD@N@, F@V 4H8@-(D'>4R4H: , < (<, H@ %) ..... 25

?Q3EG7! , E+C%3E 3 G+M= 3Q+E7?+ ?#E9I / 3% =3+ ..... 26  
 C, (J: 4D@88' 2'F: @84 \*@24D' V, (@JFH@6FH&' ..... 28  
 7@HD@ \ 4D, (J: 4D@88' \*@24D' V 4N@&, DFH46 ..... 28  
 7@HD@ \ D, (J: 4D@84 &ZN@>@(@@&, DFH4b \*@24D' V, (@JFH@6FH&' ..... 29  
 G, FHZ \*: b@P, >84 8'R, FH&' D'FBD \*, :, >4bJ\*@SD >46 (\*@B@ >4H: \>@ @SD\*@&'>4, ) ..... 30  
 I 8'2'>4b 8H FHJ \*@Z &, F, >4bJ\*@SD >46 ..... 30  
 AD@, \*, >4, H FH' >" @BD \*, :, >4, N'D'8HD4FH484 D'FBD \*, :, >4bJ\*@SD >46 ..... 31  
 ?P, >8' N'D'8HD4FH484 D'FBD \*, :, >4b ..... 31

? \$@D\*@&'>4, \*@B@ >4H: \>@ ..... 32

%@2@>Z, >, 4FBD'&@FH 4 FB@F@Z 4NJFD'>, >4b ..... 33

1! a%9+= 3+ ? E??G%+GEG%33

\*4D 8-H& +] E 89 / 392 / +] E

; Z, Kverneland Nieuw-Vennep B.V.  
Hoofdweg 1278  
NL-2153 LR Nieuw-Vennep

@Xb& b, < FB@ >@6 @H, H-H& >>@FH` , RH@>"T BD@ J8H  
D'FF, 4&'H: 4 <4>, D': \>ZNJ\* @D, >46 H4B' <@, :, , 6

RS-M 1050 / 1350 / 1700

B@ >@FH` F@H, H-H&J, HH, \$@&'>4b< >40, JB@<b>JHZN>@<  
4: 4 >@<"H4&Z < \* @BJ<, >H<  
EN292-2, EN294, prEN745 (<"6 1992),  
F@H, H-H&J` V 4NB@ @, >46 \* 4D 8-H&89 / 392 / +] E 491 / 368 / +] E.



Nieuw-Vennep, 1 b>&'Db 2001

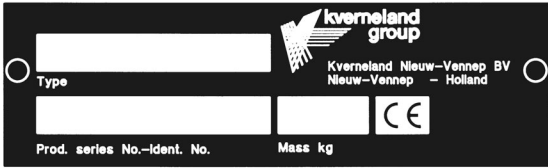
CJ8&@ 4H: \ BD@42&@ FH& >>@(@F&, H'

] H@DJ8&@ FH@4 &Fb &, F, >>"b &>, (@4>L @<"P4b 4 4 : ` FH'D'P44 2'V 4V , >Z F@: "F>@  
"&H@F8@<J BD'&J. 7"O\*@ BD4<, >, >4, 4N&, (D'>4P"&H@F8@(@BD'&' \$, 2B4F<, >>@(@  
F@: "F4b 42"H: b b& b, Hf b 8'H) (@4R, F84 >, \* @BJFH4<Z <. ] H@<H@<F4Hf b, &R'FH@<FH4, 8  
&Fb8@<@D@" D'2>@, >4b<, B, D, &@"<, <48D@'8D'>42'P4b<, &8 ` R'b <48D@ 4T 84 4  
<"8D@ 4T 84, " H'80, 8 2'(D)28, 4/4: 4 @SD'\$@B, &^, 8HD@>ZN4 @BHR, F84NF4FH<"N  
&8 ` R'b &F, &4\*, @F4FH<Z 4 F4FH<Z : "2D>@(@\* 4F8'.

?#U ++ ?A3E! = 3+

C'FF, 4&'H: \ <4>, D': \>Z NJ\* @SD >46 L 4D<Z %48@ b& b, Hfb >'& F>@6 >" HD'8HD <"T 4>@6 F  
BD48@ @ @H&': " @H@D' <@V>@FH, 4<, , H\* &' D'FF, 4&' V 4N\* 4F8' F &@, <\ : @B'HB' <4  
8'O\*Z6 ) 4F84 <@HDI' Hfb &@>@6 B @F8@FH, RH@@, FB, R4&', HD'FBD \*, , >4, J\* @SD >46  
D' &@, D>Z < (@D42@H: \>Z < B@H8@ >"\* B@, <. = "\*" \* @2DI' V 4<4 \* 4F8' <4 D'2<, V, >Z  
\* @2DI' V 4, JFH-D@6FH&' J\* @SD >46, D (J: 4DI' V 4, \* @Z &Z F, &' J\* @SD >46; @' \* @2DI' V 4N  
JFH-D@6FH&' >"N@ bHfb HR>@>"\* &Z BJF8>@6 HDJ\$@6 HJ8@ "BD'&4H: b ; 4>, D': \>Z, J\* @SD >4b  
B@B' \* " H>" &D'V " V 4, Fb D'FF, 4&' V 4, \* 4F84, BD4 'H@ HR8' B@B' \* " >4b (D'>J: >"  
D'FF, 4&' V 4, : @B'HB4 \* 4F8&&D (J: 4DI, Hfb B@ @, >4, < HJ8@ "BD'&4H: b 322' 'H@  
(D'>J: Z >"N@ bHfb &F@H@>44 &D'V, >4b, 8@ (" @4 F@BD48'F" Hfb: @B'HB' <4  
D'FF, 4&' V, (@\* 4F8'.

): b @, FB, R, >4b HR>@6 D (J: 4D@84 >" HD \$J, <J' \* @Z &, F, >4b <"T 4>" @>"V, >" F  
@SD'H@6 FH@>Z \* @J <bD (J: 4D@84 >Z <4 T H'> (" <4, FB@ @/\` 8@H@Z NJBD'& b' H  
2'F: @8@6 \* @2DI' V, (@JFH-D@6FH&' ?H@Z H, 4 2'8DZ H, 'H@6 2'F: @84 &Z B@ >b, Hfb F  
B@ @/\` (4\* D'& 484 428' \$4>Z HD'8HD'. GD'8HD \* @ O, > \$Z H @>"V. > (4\* D'& 4R, F84<  
& >H: , < \* @6 @@\*, 6FH4b = " : , @6 4 BD'8@6 FH@>"N <"T 4>Z >"N@ bHfb DZ R' (4\* : b  
D (J: 4D@84 B@ @, >4b &Z BJF8>@(@@&, DFH4b HJ8@ "BD'&4H: b ] H' JFH>@88' &Z BJF8>@  
@& DFH4b HJ8@ "BD'&4H: b BD@42@ 4 Hfb & 2'&4F4 <@FH @H&4\*" J\* @SD >46 4 \* @Z &, F, >4b  
>" (, 8HD4 &Z B@ >b, Hfb &F@&H, HF&44 F D (J: 4D@84 >@6 H'\$: 4P, 6 AD4 42<, >, >44 \* @Z  
&, F, >4b 4: 4 &4\*" J\* @SD >46 (BD4 @ 4>"8@6 D'\$@R, 6 T 4D4>, &, F, >4b 4 F8@DFH  
\* &40, >4b (D ("H') >, @N@ 4<@D (J: 4D@8' H H@ \8@B@ @, >4, 2'F: @84 \* @2DI' V, (@  
JFH-D@6FH&' 4 &@>@ B@ @, >4, &Z BJF8>@(@@&, DFH4b HJ8@ "BD'&4H: b



Дата приобретения

-	-
---	---

AC+) 3E9?%3+

] HDJ8@&@ FH&@B@^8FB J"HP44 D'FF, 4&'H: b  
<4>, D': \>Z NJ\* @SD >46 L 4D<Z %48@ %Z \* @ O>Z &4<"H: \>@BD@4HH. 1\*, F\ %Z >"6\*. H  
&F, J8'2'>4b B@D (J: 4D@88' < 4 HN>4R, F8@J @F: JO4&'>4 <"T 4>Z, " H'80,  
D, 8@, >"P44 B@JFH'D'>, >4 >, 4FBD'&@FH 6

AD@4H'6H &4<"H: \>@DJ8@&@ FH&@B@^8FB J"HP44 4D 8@, >"P44 B@HN>48  
\$, 2@B'F>@FH BD, O\*, , R, < <"T 4>J && FH& @^8FB J"HP4 . A@2\$@HFA @H@, RH@Z  
8'O\*Z6 8@B\$J\*, HD'\$@H'H >" <"T 4>, 2": DJ8@&@ FH&@B@^8FB J"HP44.

+F: 4%Z 4<, , H @BD@Z 4: 4 B@, : ">4b B@%T, 6 <"T 4>, @SD'V"6HF, B@": J6FH, 8  
%T, <J HD(@@>J BD) \*FH&4H: ` L 4D<Z %48@. ?> @SJR, >L 4D<@6 4 B@H@J 8@B, H>H>  
>?> D'FB@ (" , HH'80, @D4(4": \>Z <4 2'B'F>Z <4 R'Fh<4 4 F@@& HF@J' V 4< 4>FHJ<, >H@,  
@N@>@4 \$Z FH-D@B@ @, H%'<.

= " %T, 6 <"T 4>, BD48D, B, >" H'\$ 4R8' F, . F, D46>Z < >@, D@. %>, F4H 'H@>@, D&%T  
("D'>H6>Z 6H: @ 4 ND'>4H , (@&&, FH F\*DJ(4<4 \* @J<, >H' <4 B@'H@6 <"T 4>.,

] H4 \* ">>Z, <@JHED4(@ 4Hfb B@2>, , BD4 &@>@>@6 B, D, B4F8, B@<"T 4>, 4 BD4 2'8'2  
2'B'F>Z NR'FH 6

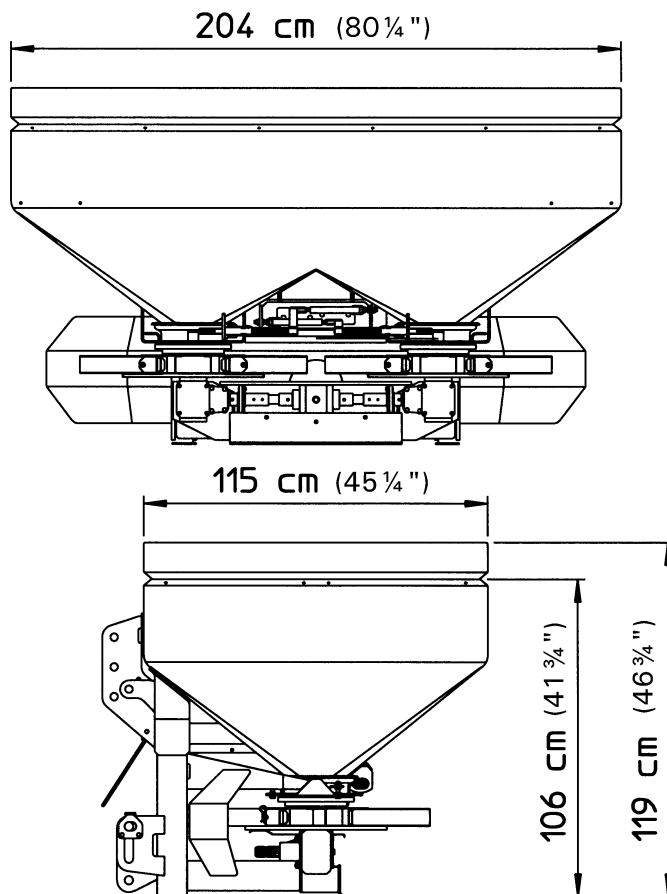
**G+M= 3Q+E73+ )! ==Y +**

; ?) +9[	RS-M 1050	RS-M 1350	RS-M 1700
+<8@H (* <³)	1050	1350	1700
1"(DJ2@R>"b&ZF@H(F<)	106	119	129
S 4D4"> \$J>8 D'(F<)	204	204	226
): 4>" \$J>8 D'(F<)	199	199	221
E@FH& >>"b<"FF'(8)	300	324	330
) @BFFH<"b 2'(DJ2B'(8)	1700	1700	1700

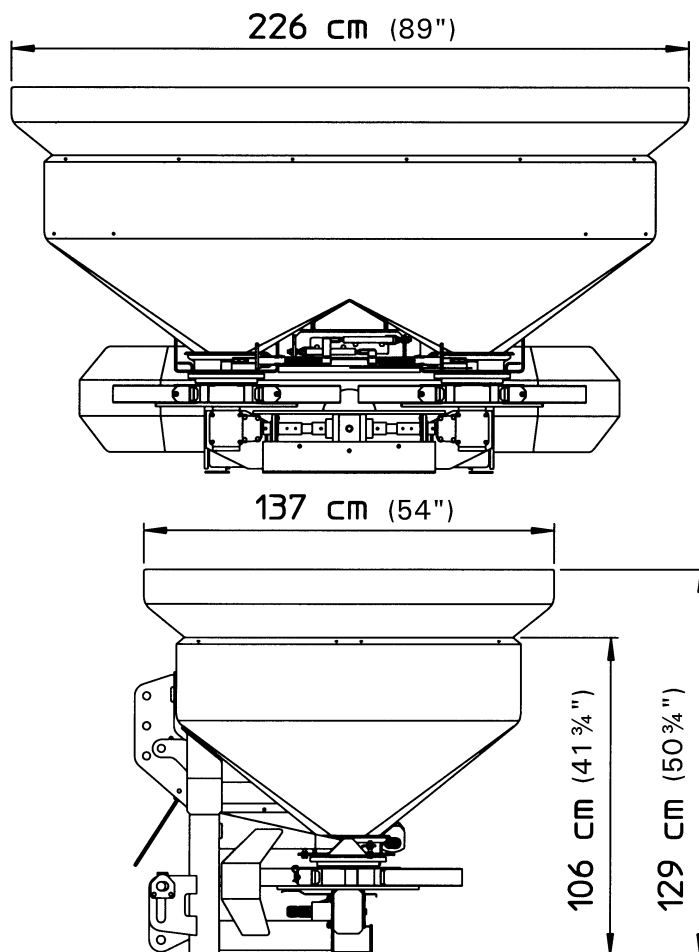
**I %E+M; ?) +9+5**

A@ "R" * @2DJ` V, (@JFH@GFH&'(8 / <4>)	10- 280
G4B>"& F>@ @JFH@GFH&'	7"H (@D4b
? \$@GH Z %?; (@\$/ <4>)	540
S 4D4"> &, F, >4b J* @SD >46 (<)	10, 12, 15/16, 18, 20/21, 24, 27/28
%<, FH<@FH B@F<"2B, D *J8HD' BD4&" D'FF, 4&" V 4N* 4F8&(F<³)	180 + 20 Gear grease EP 00/000
%<, FH<@FH B@F<"2B, P, >HD': \>@ @D *J8HD' (F<³)	200 + 20 Gear grease EP 00/000
%>, T >46 T J< {dB (A)}	<75

RS-M  
 smal  
 small  
 étroit  
 Schmal  
 estrecho  
 stretto  
 estreito  
 smal  
 maly  
 úzký  
 ВИА сбоку



RS-M  
 breed  
 wide  
 large  
 Breit  
 ancho  
 largo  
 bred  
 vid  
 duzy  
 s'iroký  
 ВИА сзаАи



AG %39! G+M=373 #+1?A! E=?EG3



?A! E=?EG: +F: 4%Z &4\* 4H ^H4F4<8@ c ^H< BD \*JED O\*, >4 <, H@Y@@"R", H R@ FJV, F@, H@H'D'b @F'>@H \*: b042-442 @@@bR: @, 8' 40484+ZN

I 7! 1! =3+: ] H@BD \*JED O\*, >4, J8'Z &, H>" @<@>J @F'>@H JV, D@ <"T 4"<, D'FJ>4b, 2">4b< 4H\*: " H80, >" @<@>Z, L 4">F@Z, 4/4 4` D4\* 4R, F84, BD@, <Z ("D'>H@ @& H@& >>@H 4H B).

%=3; ! =3+: E@` \*, >4, ^HN2<, R'>46\*, : " HD'\$@J :, (R, : JRT, 4\$, 2@F'>, ,

A, D \* @&@ & ^8FB J"HP4 <"T 4>Z R4H'6H DJ8@& F@&B@^8FB J"HP44 4 &Z B@ >b6H &F, J8'2'>4b, F@, DO"V 4, Fb & DJ8@& F@.

?\$V, , HD \$@>4 :

E@&F, <4 BD'&4 : <4 HN-484 \$, 2@F'>@H4 >, @N@ 4<@@"8@ 4H \*DJ(4NB@ \2@&'H: , 6

AG %39! G+M=373 #+1?A! E=?EG3 AC3 %=+E+=33 I ) ?#C+=35

- GD'8@D'<4F>"&F>Z<4<"T 4"<4<@JHBD'& bH H@ \8@: ` \*4F18 : , H ; @@Z, : ` \*4&@D'FJ @H16 \*@17 : , H\* @O>Z 4<, H @& 4H: \F8@ J\* @F@& D, >4, >" JED'& , >4, HD'8@D@ 4<@JHD'\$@H H@ \8@&\* , &@ 8D <b
- 1"BJF8 \* &4("H: b 4 @D@Z &'>4, "(D ("H >48@\*" >, : \2b BD@2@ 4H & 2'8DZ H NB@, V, >4bN422' @F'>@H @D'& , >4b &ZN @>Z<4 ("2'<4
- : "T 4>J 4HD'8@D>, @N@ 4<@BD@, D@H B, D \* 8'O\*Z< BD4<, >, >4, <>" F@&H, H@&4, HD \$@>'>4b< HN-484 \$, 2@F'>@H 4 \* @D>@(\*&40, >4b
- = "D'J F@FB, P4L 4R, F84<4J8'2'>4b<4 ^H@DJ8@& F@& B@^8FB J"HP44 >, @N@ 4<@F@& ` \*\*H @V 4, HD \$@>'>4b HN-484 \$, 2@F'>@H 4 4>FHDJ8P44 BD \*JED O\*, >4b>, FR'F@Z NF: JR', & ; "T 4>J >, @N@ 4<@ F@, DO"H & R4H@H 4>" J\*": , >44 @<4<, D': \>Z NJ\* @D >46, R@&J\*, HF@&@F@&H 4 B@ "D">@ \$, 2@F'>@H
- =, @N@ 4<@FHD@&F@& ` \*\*H &'O>Z, J8'2'>4b, F@, DO"V 4, Fb &>"8 , , >>ZN>" <"T 4>, H\$ 4R8'N ^@ &'O>@: b \$, 2@F'>@H BD \*BD4H@b 4NF@& ` \*, >4, F: JO4H%'T, 6F@&F@& >>@ \$, 2@F'>@H!
- AD4 4FB@ \2@&'>44 @V, F@& >>ZN\* @D@ F@& ` \*\*6H \* , 6F@& V 4, BD'&4 " \* @D>@(\*&40, >4b
- ? 2"8@ \H F B, D \* @&@ <"T 4>Z & ^8FB J"HP4 F@&F, <4 F4FJ <"<44" (D ("H <4, 4NLJ>8P4b<4, " H80, F BD'&4 : <4 @F: JO48'>4b AD4 D'\$@J >" <"T 4>, ^@<@, H\$Z H F: 4T 8@ B@Z >@
- ? \* , O\* " @, D'HD' B@ \2@&'H: b \* @O>" B @&@BD4 , ("H 8, (@H: J, >@>, FJF>bH F8@&J , (@\* &40, >46 3@, ("6H F8@& >@&@ , O\*Z!
- A@>4H, R@B@F: , &Z 8` R, >4b BD4@&" D'\$@R4, @(">Z BD@&O" H@D'V "H@D #J\* \H &4<"H: \>Z 4 \* @\* 4H F B@ >@&@H >@84 D'F, 48" V 4N\* 4F8@&(F<@D4 H80, B J>8H45)!
- A, D \* HD@>'>4, <F<, F@ 4B, D \* @& ` R, >4, <<"T 4>Z BD@& DH \$ 40"6T , , @DJ0, >4, <"T 4>Z 4 HD'8@D"! ?D'H@H &4<">4, >" \* , H@ #J\* \H BD \*JF<@D4H: \>Z!
- 1"BD V, >@>"N@ 4H Fb>" <"T 4>, BD4 D'\$@J 4 BD4 B, D, 2"N
- ) @& >4H: \>Z, BD4>": , O>@H 2'8D B b6H H@ \8@F@: "F>@4>FHDJ8P44 4H@ \8@>" BD \*JF<@D >>ZN \*: b ^H@BD4FB@& , >4bN @D'V "6H &4<">4, >" >": , O>@H \$ @34D@84
- AD4 >&F8 >" HD'8@D4 @P, B@ <"T 4>Z BD@& b6H @&@J @FHD@>@H! AD4<, >b6H >40>46 F@\* >4H: \>Z 6^ , <, >HF BD \*JF<@D >>@L 48F4DJ` V, 6BDJ04>@6 4H@ \8@B@H' & b, <Z 6 4 4 D'&@P, >>Z 6^, DN>46 BD4F@ \* 4>4H: \>Z 6^ , <, >H
- AD@& D@6H HD'>FB@H>Z, BD4>": , O>@H , >"BD4<, D BD4\$@Z @F& V, >4b, BD \*JED O\*" V 4, >"\* B4F4, H\$ 4PZ 4H B, F@&H, H@&J` V 4, 2'V 4H>Z, JFHD@&F@& 4 BD4>, @N@ 4<@H JFH>@4H 4N
- ; "T 4>J B, D \* HD'>FB@H>Z < B, D, 2@< B, D @& 4H & HD'>FB@H@ B@ @, >4, 4 &F@&H, H@&4F 4>FHDJ8P4, 6L 48F4DJ6H.
- = 48@\*" >, B@34\*" 6H <, F@& @& 4H: b @&8D <b \* &40, >4b" (D ("H!
- %Z \$4D'6H F8@&H \* &40, >4b & 2'&4F4<@H @UF: @46<, F@&@H 4 D: \, L"! AD4 \* &40, >44 >" 8DJFZN B@X <"N4F8 @>"N D'\$@J B@, D 8F8 @>" >48@\*" >, \* , : "6H D, 284NB@&D4@&
- A@>4H, R@>"&F>Z, @D \* 4b FJV, F@& >>@& 4b H>" JF@&R48@&H \* &40, >4b, JBD'& b, <@H 4 HD<@>Z, F@&@F@& " (D ("H! ?D'V "6H &4<">4, B@Y@<J >" 8'R, F@&@JBD'& , >4b 4 HD<@, >4b, BD4>, @N@ 4<@H JFH>@4H \* @& >4H: \>Z, \$": : "F@&Z, (DJZ FB, D \* 4 HD'8@D'!
- I R4H' &'6H BD4 B@&@&H N\$@ \T J` T 4D4 J 4\*: 4>J >"&F>@@" (D ("H (\$@ \T 46D' \* 4JF B@&@&H) 4/4 4 \$@ \T J` , (@<"FFJ, F, \* @&'H: \>@ \$@ \T J` 4, DP4@>@H!
- AD4<, >b6H H@ \8@B@>@H ` 4FBD'&J` <"T 4>J, J8@<B, 8@& >>J` 2'V 4H>Z <4 BD4FB@& , >4b<4! 1"V 4H>Z, @D'O\* , >4b D'F, 48" V 4N\* 4F8@&BD \* @D'V" H\* @HJB & @F'>Z, 2@>Z 4 B@Y@<J >JO>@ F@, DO"H 4N & N@D@ , <F@H@>44 ?>4F: JO"H": b %T, 6 \$, 2@F'>@H 4 \* DJ (@@B, DF@": "
- = 48@>, \* @O, >>"N@ 4H Fb & D'\$@R, 6 2@, D'F, 48'>4b J\* @D >46 <"T 4>@ ] H@&F'>@



22. AD,O\*, R, < B@84>JH 8'S\$4>J HD'8HD' B@ >@FH` &Z 8` R4H BD48@ <"T 4>Z!) &4("H: \ 2'(: JT 4H 4 &Z > \ H 8` R422' <8' 2'O4(" >4b
23. =48@ >, <@, H>"N@ 4HFb <, O\*J <"T 4>@ 4HD'8HD@, \*@HNBD@B@8' >, \$J\*, H88` R, >FH@ >@R>Z 6 HD <@244: 44F8` R, >" &@<@>@FH @B'H 2' FR HBD4<, >, >4b BD4H8@4B'HZ NJFH D@FH&
24. A, D, \* >" & T 48' >4, < <"T 4>Z >" HD, NH, R, R, J` >" & F, J` F4FH <J HD'8HD' DZR' (JBD' &, >4b (4\*D@B@X <>48@ JFH>@4H & H'8@ B@ @, >4, R@Z 4F8` R4H F' <@D@42@ \>@ @BJF8' >4, (@4: 4 B@X <.
25. 7"H (@4b >" & F>@(<, N' >42" <"T 4>Z \* @ O>" F@8' \* "H F 8'H (@D4, 6 >" & F84HD'8HD'; <"T 4>J BD48@ bH & F@@ &, H'84, F HD'8HD@!
26. A@ >4H, R@ & 2@, F4FH <Z H@ (4 DZR' (@HD NH, R, R, @ >" & F>@ F4FH <Z >" N@ 4HFb >" 4\$@, , @B'F" b @ "FH B@ JR, >4b HD' &.
27. AD4HN 4R, F8@ @F: JO48' >44 >" & F>@ F4FH <Z HD'8HD' &, 8'S\$4>Z >: \ 2b >" N@ 4HFb <, O\*J HD'8HD@ 4 <"T 4>@
28. ? \$, FB, R48' 6H, R@Z <"T 4>" & HD' >FB@H@ B@ @, >44 &F, (\* "SZ: " >" \* . O>@2'L 48F4D@ >".
29. AD4 \* &4O, >44 B@ \* @@, F <"T 4>@ >" N@ bV, 6Fb & HD' >FB@H@ B@ @, >44, DZR' (JBD' &, >4b (4\*D@4: 4 \* D@ B@X <" \* @ O, > \$ZH >" \* . O>@2'L 48F4D@ > BD4H8@BJF8' >4b
30. A, D, \* BD4<, >, >4, < HV "H: \ >@BD@ DH, HN 4R, F8@ F@FH@ >4, D'FF, 48'H: b <4>, D': \ >Z NJ \* @D >46
31. A, D, \* D' \$@ <4 B@BD@, D8, HN 4R, F8@ @F@FH@ >4b & Z 8` R4H &: @ \$@ <@ / >@FH BD48@ " D'FF, 48'H: b & Z 8` R4H \* &4("H: \ 4J \*": 4H 8` R422' <8' 2'O4(" >4b



?A! E=?EG: @H@Z 42, O"H F' <@D@42@ \>@(@\* &4O, >4b <"T 4>Z, \* @Z N@" 428'\$4>Z J\$, \* 4HF & B@ >@ @FH >@8, ("D ("H (F@D4H8O, BJ>8H45)



32. A@D, O\*, >4b 4>, 4FD' & @FH FD' 2J HD' >6H, BD, O\*, R, < <"T 4>J F>@8' 88` R'H & D'\$4J.
33. ?A! E=?EG: AD4FB@ \ 2@ >44 >4D'HF@, DO"V 4N <4>, D': \ >Z NJ \* @D >46 FJV, FHJ, H@B'F >@FH & Z &, , F: 4 @ 4 \$J \* JHB@ & D >JH 8@, 6FH4 @BDZ H@ @ @ > A@Y@ J B, D \* D <@H@ F@D@R >Z < 4 4 D OJV 4 < @D \* @ >4, < @b2'H: \ >@J \*": 4H F <"T 4>Z @FH B4 <4>, D': \ >Z NJ \* @D >46 & H@ R4F: , 42 J(: J\$, >46 4HDJ\$

AC3%?) ?G% 9! ?G#?Q ; ?U =?EG3 3 AC3%?) Q+C+1 7! Q! ==Y 5 % 9

34. AD@, DH 8'D' >>Z 6&': B, D, \* D, O4@ < D' \$@Z >" &@<@>Z, \*, L, 8Z 442@FZ.
35. 3FB@ \ 26H H@ \ 8@BD \* B4F' >>Z 642 @ @4H: , < 8'D' >>Z 6&': .
36. 1"V 4H Z 68@JN8'D' >>@(@&: " 4BD \* @D' >4H: \ >Z 6V 4H8&: " @ \$@ <@ / >@FH \* @ O >Z \$ZH F <@HD@ >Z & BD' &4 \ >@ F@FH >44!
37. ? \$D'H4H & 4" >4, >" BD' &4 \ >@FH F@: ` \*, >4b BD \* B4F' >>@(@B, D 8DZ H@ B@ J@, 6T "D >4D' 4HDJ\$ 2'V 4H @ @8@JN' 8'D' >>@(@&: " 8'8 & HD' >FB@H@ B@ @, >44, H'84 & D' \$@R < B@ @, >44
38. I FH >@8J 4 \*, <@H O 8'D' >>@B, D, \* "R4 <@ >@BD@42@ 4H H@ \ 8@BD4 & Z 8` R, >>@ \* &4("H: , HD'8HD' 4 & Z >H@ 422' <8' 8` R, 2'O4(" >4b
39. ? \$D'H4H & 4" >4, >" BD' &4 \ >@FH @H O, \$ 2@B'F >@FH 4L 48F'P4 8'D' >>@(@&: " .
40. 1"V 4H Z 68@JN8'D' >>@(@&: " B@FD \* FH@ B@ & F >@P, B4 \* @ O, > \$ZH 2'8D B, > @ BD@D'R48' >4b
41. A, D, \* 88` R, >4, < &: " @ \$@ <@ / >@FH BD@, DH F@@ &, H'84, >" BD' &, >4b, (@8D'V, >4b >" BD' &, >4 8D'V, >4b BD48@ >@(<, N' >42" <"T 4>Z! O'FH@ 8D'V, >4b &: " @ \$@ <@ / >@FH >, <@, H >4 & 8@ < F: JR', BD, & Z T "H. 540 @D@42@ <4>JH.
42. =48@ (\* >, 88` R' 6H &: @ \$@ <@ / >@FH BD4 & Z 8` R, >>@ \* &4("H: , !
43. E: , \* 4H 2' H <, R@Z BD4 88` R, >>@ &: , @ \$@ <@ / >@FH >48@ >, >" N@ 4 Fb & 2@, D' \$@T V, (@ &: " @ \$@ <@ / >@FH 4 4 8'D' >>@(@&: " !
44. %Z 8` R' 6H &: @ \$@ <@ / >@FH &F, (\* , 8@ (\* 8'D' >>Z, T "D >4DZ \$J \* JH42 4T >, B, D, 8@, >Z 4 4 8@ (\* &, (@D' \$4H >, H>, @N@ 4 < @FH!
45. ?A! E=?EG: A@, & Z 8` R, >4b &: " @ \$@ <@ / >@FH 4<, , H@B'F >@FH, R@D' \$@R4, @ " >Z <"T 4>Z \$J \* JH8D'V "H Fb @4, DP44 =, B@ N@ 4H \$ 428@8 <"T 4>, \* @, . B@ >@ @FH >@84, D' \$@Z B@JN@ J <@ >@Z B@ >H H@ \ 8@B@F: , B@ >@ @FH >@84!
46. ; , N' >42 >Z FBD48@ @ @H&: " @ \$@ <@ / >@FH 4 8'D' >>Z, &: Z R4FH H F <"Z &" H4 4 JFH >" & 48" H, F: 4 &: @ \$@ <@ / >@FH @B` R, >, \* &4("H: \ & Z 8` R, >4 \$Z: J \*": , > 422' <8' 8` R 2'O4(" >4b
47. I 8 "Z & 6H \* , <@HD@ >>Z 6 8'D' >>Z 6&': & BD \* JF <@D >>Z, \*: b ^H @ <, FH 8D B, >4b >" <"T 4> , !
48. = " \* &4(" 6H 2'V 4H Z 68@JNB@F: , @P, B84 8'D' >>@(@&: " >" N@FH @48&: " @ \$@ <@ / >@FH!



I 7! 1! = 3+: C'FF, 48'H: \ H'8F8@FDJ4D@ >, R@ <@, HB, D, 8@2H FH@ @ @D \* , , >>Z 6 & F, @ >, BD \* >" 2" R, >, R@Z HD' >FB@HD@ "H 42ZHR" <"FF! A@Y@ J <, O\*J >" D@ >Z, E+ BD \* B4F' >4b 2'BD, V" H4FB@ \ 2@ "H D'FF, 48'H: \ J \* @D >46 & 8'R, FH, "8H@ 2" ; @H O FP, B @ @JFH D@FH@ BD4 &, \* , H8 \* , L, 8H < & <"T 4>, . Kverneland >, BD >4< " , H >48' 8@ @ & H@ >>@FH 2' & @ <@ >Z, BD4R4, >>Z, &F: , \* FH4, ^H @ JZ HB4



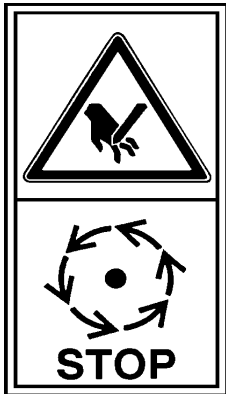
1

2

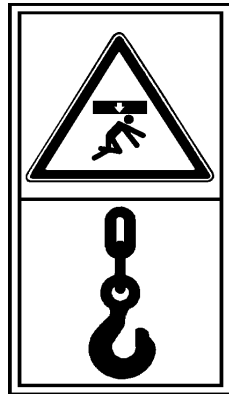
3

4

5



6



7

A?aE=+=3a 7 =! 79+57! ; A? ?A! E=Y; E3G! O3a;

1. ) &4("H: \ @FH>"& 4& H4\*, : " H>, &2<O>Z<  
>@Z 6BJF8&8D) <b D'\$4Z F <"T 4>@  
G'84< @D' 2< 42, (" H@B'F>Z N\*: bO42>4F4J"P46,  
8@H4Z, &2>48" H, F, 4<"T 4>" &, 2'B@  
2'D'\$@H, H\$J\*, H2'BJV, >"). J<"GH H'80, @F. JR'6>@  
4 4 @ 4\$R>@< 88 ` R,>44, 8@H@< @, HF: JR4HFb  
BD4 D'\$@H` V, < \* &4("H: , HD'8'@D'!

2. ' 4'D@>"&F>J' F4FH<J HD'8'@D' BD4>"&F8  
<"T 4>Z >" HD'8'@D'@F. JO4&" HH@ V8@&,  
@B'F>@< 2>Z!  
G@H 8'@>"N@ 4HFb<, O\*J HD'8'@D'@< 4<"T 4>@  
B@& D", HFb @B'F>@FH \$ZH 2'O"HZ <(4'D@>"&F8@  
HD'8'@D'. A@Y@<J BD4>"&F8 <"T 4>Z >" HD'8'@D'  
@F. JO4&" V 46 B, DF@": \* @, >>"N@ 4HFb &,  
@B'F>@< 2>Z!

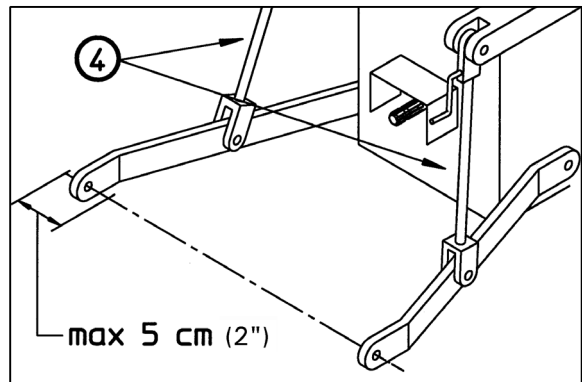
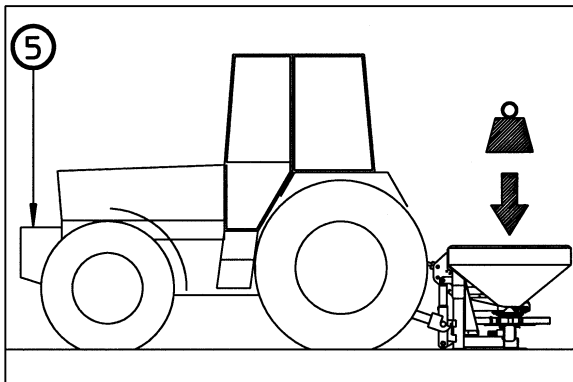
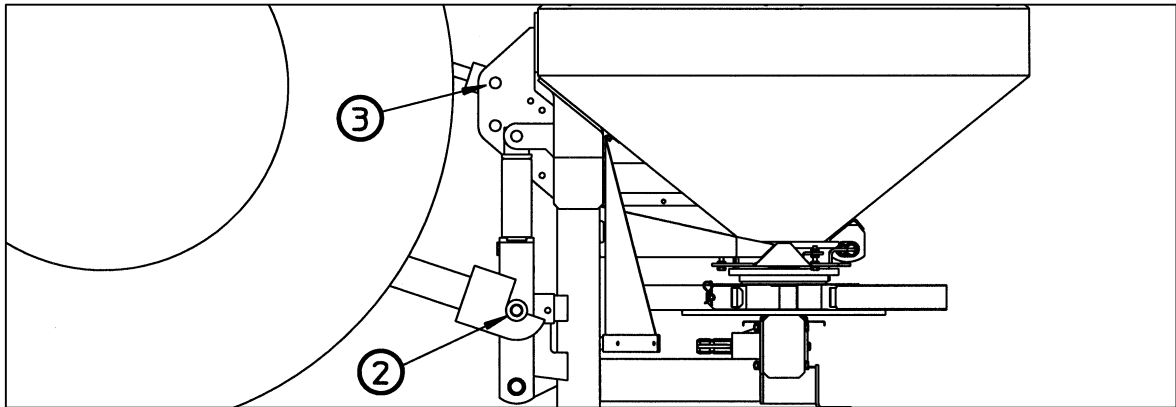
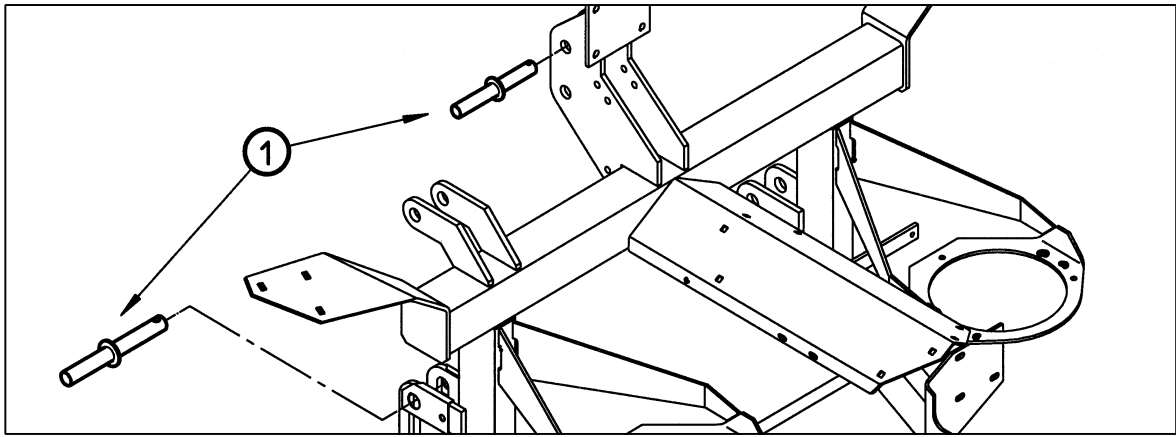
3. =, : \2>"N@ 4HFb &2@, @B4'Z&" V 4Fb\*, H:, 6  
<"T 4>Z.  
G'84, \*, H: 4<@JH>, @D4\*">>@4F\$@ \T @F4: @ (422'  
F@FH&, >>@&F' 4(4'D'& 4R, F8@F4: Z) \* &4("HFb  
&42 %Z 8 ` R >>Z 6 \* &4("H: \>, BD \* @BD'V", H&F,  
"&D44 (4'D'& 48', V, <@, H>"N@ 4HFb B@ \*"&, >4, <  
4>, : \2 BD4>P4B4": \>@4F8 ` R4H \*, 6FH&4, F4: Z &F'!

4. ), DO4H 4-HD&': : <@JH@ \$D'FZ &'HFb 4>@<>Z,  
H: " !  
AD4FB, P4': \>@< BD4<, >, >44 <"T 4>Z <@JH  
@ \$D'FZ &'HFb 8'<>4 4 B@ @<>Z, BD \* <, HZ. = 48@ \* " >,  
>"N@ 4HFb B@Y@<J &@B'F>@< 2@, . ? FH@D>@FH  
F@& ` \* "GH, BD, O\*, &F, (@ BD4 BD4<, >, >44 <"T 4>Z  
& 424 \* @@ 4 \* @@ A@F: , &Z 8 ` R >4b <"T 4>Z  
8@<@<@< 8D) <b BD@IFN@ 4H4>, DP4@>Z 6 &Z \$, (;  
\* @\* 4HFb B@ >@< @FH>@<84 <"T 4>Z!

5. =, N@'H'6H 2' <, FH, &8@H@Z N4<, ` HFb 8D, B, >4b  
4 2O4<Z, \* @HNB@DB@&' H< @F, : \>Z, \*, H: 4  
<@JHB, D \* &4("HFb  
] H' @B'F>@FH FJV, FHJ, H &R'FH>@FH, BD4 BD4& \*, >44 &  
\*, 6FH&4, (4'D@P4 4>D@&

6. =, B@N@ 4H 8<"T 4>, \* @HNB@DB@&' @"  
B@>@FH ` >, @FH>@<4Fb  
C'\$@H` V "b <"T 4>" >48@ \* " >, @FH>"& 4&, HFb FD'2, "  
BD@<@O", H \* &4("HFb, V, >, 8@H@< 8D) <b ) @HNB@D  
B@&' <"T 4>", V, D'\$@H, H 8D'V" V 4, Fb \*, H: 4 @B'F>Z  
4 4 8@&V, >, &4\* >Z. ? FH'&6HFb &FH@&, @H<"T 4>Z  
\* @HNB@D B@&' \*, 6FH&4H: \>@>48'8'b \*, H: \ \$@ \T, >,  
\* &4(" HFb

7. A@>4<"GH <"T 4>J H@ V8@2' B@X, <>Z,  
BD@T 4>Z!  
>F: 4<"T 4>J >, @N@ 4<@BD4B@>bH, H@F: \*, J, H  
2'R': 4&'H, . H@ V8@2' B@X <>Z, BD@T 4>Z (B, H 4) &  
B@X, <>Z NJT 8'N >, >"N@ 4HFb B@ 2'R': , >>Z <(DJ 2@<  
(%Z JR4HZ &'GH H'80, &2<@<Z, - O, : " , <Z, 4 4 >,  
O, : " , <Z, - \$@&Z, \* &4O, >4b BD4B@>bH@ (DJ 2')!



A?) ' ?G?%#! 7 Q #?G+, C+' I 93C?%# 3,  
 =! EGC?573 3 AQ %39!  
 ]7EA9! G O33

=! %&E7! =! GQ 7G?C

C'FF, 4&'H: \ <4, D': \>ZNU\* @D >46L4D<Z %48@ <@, H  
 >"& T 4&'HfB>, B@D \*F& >>@>" HJ NfR, R-J >"& F>J  
 F4FH<J HD'8fD'.

C'FF, 4&'H: \ \*: b>"& F84>" >40>4, BD@ @ \>Z, 4  
 P, >HD': \>J Hb(J >"& F84HD'8fD' @F>"V. >>"& F>Z <4  
 JfH-D@FfR<4 8'H @D4 || 4F@fH, HfR-J V 4<4 B': \P' <4(1).  
 G'88'8T "D&Z, T "D'4DZ @ @&B>"& F84  
 &2'4<@<, >b, <Z, H@BD4, >b6H &f, (" T "DZ >, @N@ 4<@6  
 8'H @D4.

- C'FF, 4&'H: \ L48f4D' H"> >40>4NBD@ @ \>ZN  
 Hb('N2).

I 7! 1! = 3+: ): bED \*Bf, &@ @&, F, >4bJ\* @D >46 4  
 B@ 8@>84 >42B@Df: ZND'fH >46  
 >, @N@ 4<@4FB@ \2&'H & D>4,  
 BD4f@ \*4>4H: \>Z, HfR84 = 40>4, HfR84  
 BD4f@ \*4, >4b ED, \*Jf<@D >Z \*: b  
 B@ 8@>84 & \$@, B@>4, Ff\* 44D' 24HfB  
 D'fH >46, 8@\*" H, Hb \$@, &Z F@B@  
 D'fB@ @, >4, <"T 4Z.

- O, >HD': \>J Hb(J L48f4D'6H 8'8B@8'2'>@>"  
 FN<, (3).  
 3FB@ \26H D'f8@Z 4: 4@D'>4R4H: \>Z, P, B4  
 >"& F84HD'8fD', RfBZ @D'>4R4&'H \$@B@B@  
 D'f8'R4&'>4, <"T 4Z(4).

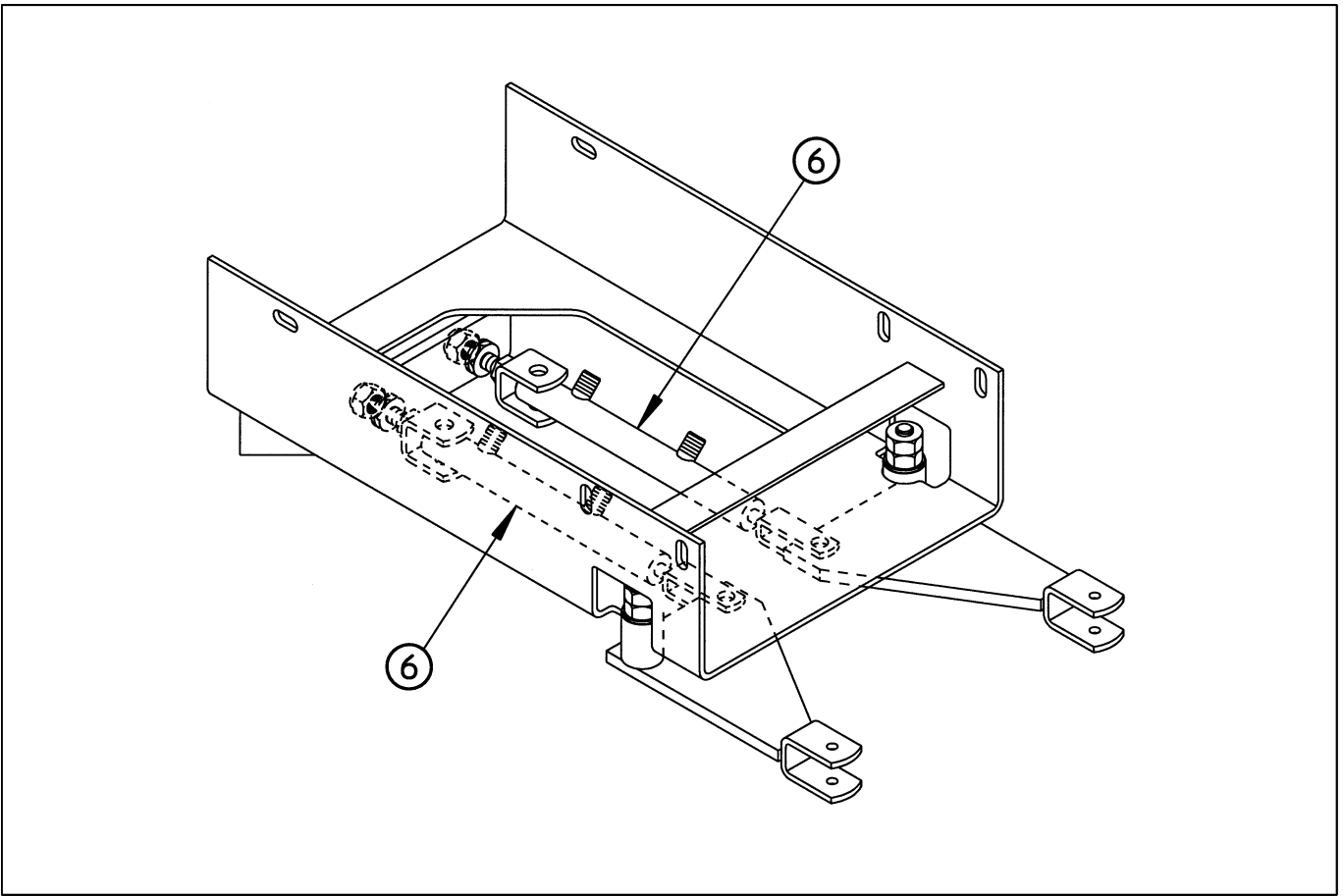
%P: @ \$@B@ B, D<, V, >4, <"T 4Z >" >"& F8 >, \*@ O>@  
 BD &ZT "H 5 F<.

I 7! 1! = 3+: ?(D'>4R4H: \>Z, P, B4 >, \*@ O>Z \$ZH  
 >"H>JfZ H'8 RfBZ <, N'>42< >"& F84 \$Z:  
 O, FfB4k.

%2'&f4<@fH @HfB' HD'8fD' <@, H@>D \$@&'HfB D'2<, FfHf  
 &B D \*4, (@\$': "fH>Z 6 (D'25). AD \*Jf<@D4H 'H@ &8'O\* <  
 F: JR', B@>J RfB>"B@ >, >>"bJ\* @D >4b<4, <8fH \$J>8 D'  
 FfB@>fHf, Hf4 \>@D'2D'2B, B, D \*), @<@H HD'8fD' 4  
 F@&f, HfB, >>@<@, HUN\* T 4H &, Ff) FfH <, @JBD' & b <@fH.

- ; @HD'6H 8'D">>Z 6&: &f, (" &8@P, >"& F84 <"T 4Z  
 >" HD'8fD'4 \* , <@HD'6H , (@&>"R': , BD4 @P, B8  
 D'fF, 4&'H: b  
 - 1"8D B b6H \* , <@HD'6H >>Z 6 8'D">>Z 6&: &f, (" >"  
 BD \*Jf<@D >>ZN\*: b 'H@&, DO"H: bN

%-3; ! = 3+: AD4 >"& F8 <"T 4Z >" HD'8fD'BD4, >b6H  
 H@ \8@>D4(4": \>Z, BD4f@ \*4>4H: \>Z,  
 8@>B@, >fZ >"& F84 4 B': \PZ FL48f'HD' <4



A?) E?+) 3=+=3+ 7 ' 3) C?E3EG+; +

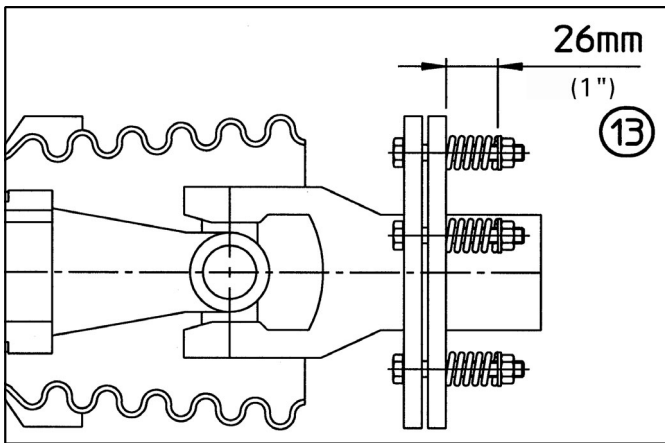
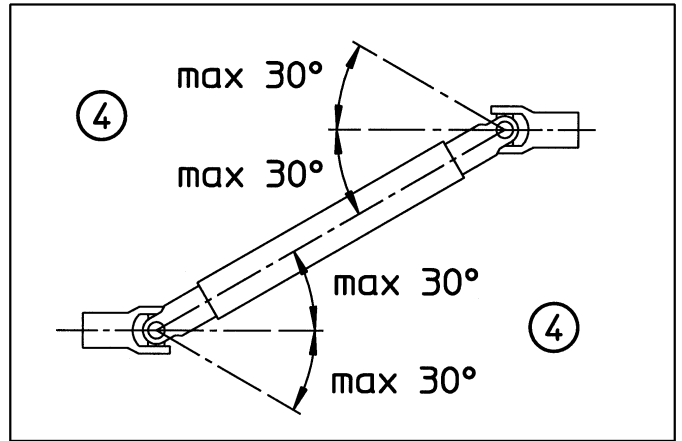
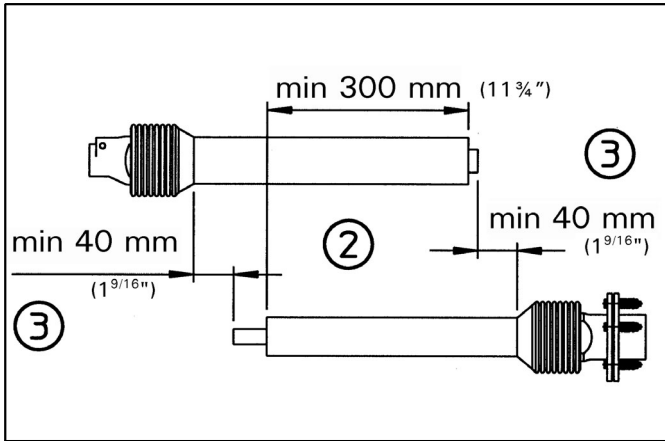
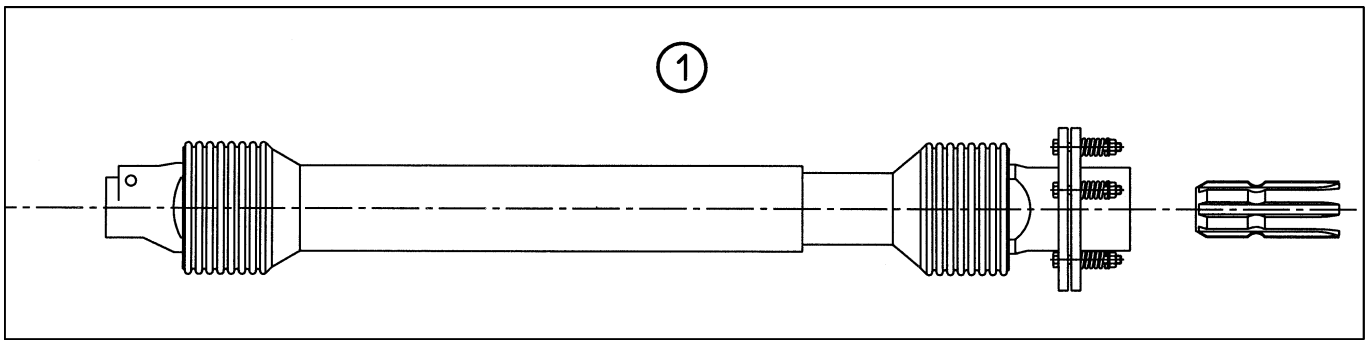
; "T 4" 4<, H\* &' (4\*D@P4 4>\*D' (6) \*: b@4BDZHb 4  
 2'8DZHb @ \$@N2'F: @ @3 \* @2IDJ` V 4NJFH D@6FH & ) : b  
 ED4F@ \* 4>, >4b ^HIN(4\*D@P4: 4>\*D@&\* @ @6>@(@  
 \*, 6FH&4b BD) \*JF<@D) >Z \* & (4\*D' & 4R F84, <JLHZ.  
 ?\$' P4: 4>\*D' BD4F@ \* 4>b' HbH84< @SD' 2@, R@SZ  
 @ \$' P4: 4>\*D' BD4@ 4: 4F \ &\*, 6FH&4, @ >@SD, <, >>@  
 @ >@6 DJ8@H@6 D'FBD) \*, : 4H: b(4\*D' & 4R F8@6  
 F4FH <Z HD'8@D'. AD4F@ \* 4>4H T: ">(4P4: 4>\*D@&8  
 & >H: ` (4\*D@F4FH <Z \* @ @6>@(@\*, 6FH&4b HD'8@D'.  
 A@O, : ">4' B@8JB'H: b<@O, H\$ZH B@FH &, >  
 \* @ @6>@6 \* @JN@ @ @6 SD'> \*: bD'2', : \>@(@JD' &, >4b  
 @ \$@4<4P4: 4>\*D' <4

I 7! 1! =3+: ' 4\*D' & 4R F8@ @ @D' @&'>4, B, D \*  
 8'O \*Z < BD4, >, >4, < \* @ O>@ \$ZH  
 4FBZ H>@>' B@D, O\*, >4b 4HR4  
 ' 4\*D' & 4R F84, T: ">(4B@F: , @P, B84  
 <"T 4>Z 2'8D) B b6H >"  
 BD) \*JF<@D) >>ZN\*: b ^H@(@SD) B, >4bN

%=3; ! =3+ : ' 4\*D' & 4R F84, T: ">(4>48@\*" >,  
 <@JHB@ & D" Hf b D' Fh b(4&" V 4<  
 >"(DJ28' <, & H@ R4F: , 4 BD4  
 <"8F4<": \>@BD4B@ >bH@ 4 4  
 <4>4<": \>@BJV, >>@ B@ @O, >44  
 <"T 4>Z. ) @ O>@ \$ZH @ \$, FB, R, >@  
 R@SZ T: ">(4>, <@: 4  
 8@H'8@HD@&' H F 8@. F' <4 HD'8@D'  
 4: 4 \*DJ(4<4B@ &4O>Z <4\*, H: b<4



?A! E=?EG: AD4B@X <, 4 @JF8'>44  
 <"T 4>Z (4\*D@ " & F8@6 >48@>, \* @ O, >  
 >"N@ 4Hf b, O \*J HD'8@D@ <4<"T 4>@6  
 422' @ \$' >@H \$ZH 2O'HZ < 4B@ JR4H  
 HD' & J.



**AC3E?+) 3=+=3+ 7! Q! ==?' ? % 9!**

- ): b @D\* , ; >4b\* : 4Z 8'D'">>@&": " <"T 4" \*@O>" \$ZH >"&T , >"> HD'8'HD
- AD48@>@6&": <"T 4Z 4&": @4@D' <@/>@H HD'8'HD' > @N@ 4@D'2, FHH F@F>@ (1), " F@H&Z, R'RH H: , F8@4R, F8@@8'D'">>@&": " B@ @4H B'D': , \>@D\* @, > , & &4("bH: , F8@4R, F8J' R'RH &HJ\$(2). AD4'@< BD' \*ND'>4H: \>"b <JLH' \*@O>" >"N@ 4Hf@F@H@Z <"T 4Z.
- AD@, DAH HB, D\* : 4J &": (3): HJ\$Z H: , F8@4R, F8@@F@ \*4> , >4b\* @O>Z B, D, 8DZ &H \*DJ( \*DJ(" B@&@<@>@H 8'8<@>@\$@ \T , @, FB, R4&'b BD4'@< <4>4<": \>Z 6'2'2@DB@8@P'< & 40 << A, D, 8DZ H, HJ\$ 2'V 4H@&@JN' @'D'O\* , >4b \*@O>@F@H' & bH 8'8<4>4<J< 300 <<!

%=3; !=3+: I (@ BD: @: , >4b &T "D'4D'ND'\$@H' V, (@ 8'D'">>@&": " (9) > , <@, HBD, &T "H. 30 (D' \*JF@ (B@ @, >4, FH: 84R'F@&10 B@F: , 9). A@H@<J BD4<"8'4<": \>@ B@X <, 4 4 @JF8'>44 <"T 4Z &F, (\*" >JO>@&Z 8' R'H &": @4@D' <@/>@H.

**I 7?Q Q3% =3+ 7! Q! ==?' ? % 9!**

CJ8@&@ F@J 6H F@ BD4 &Z B@ > , >44'@<6 BD@P, \*JDX &F, <4 @H@<V 4<4Fb 8> , 6J8'2'>4b<4.

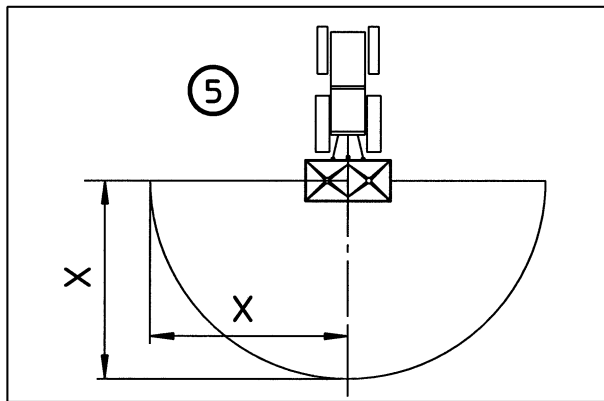
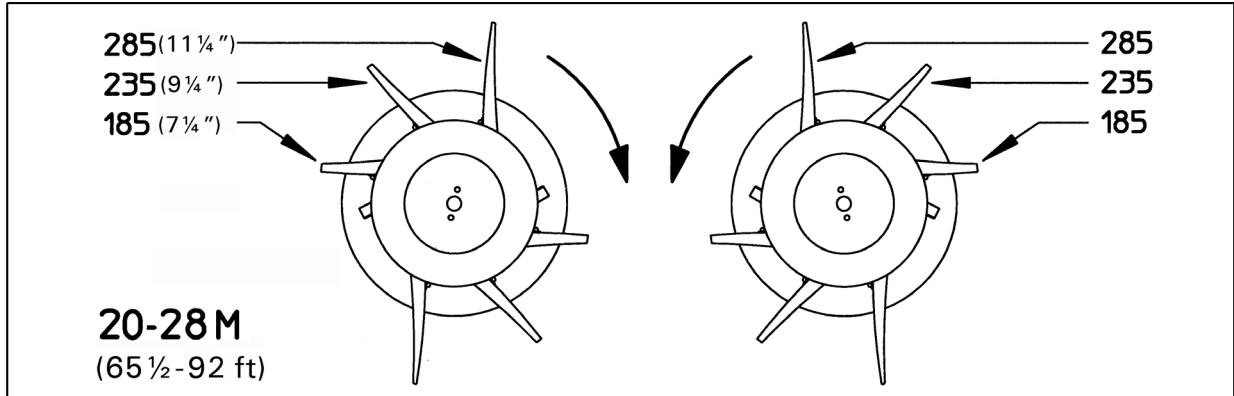
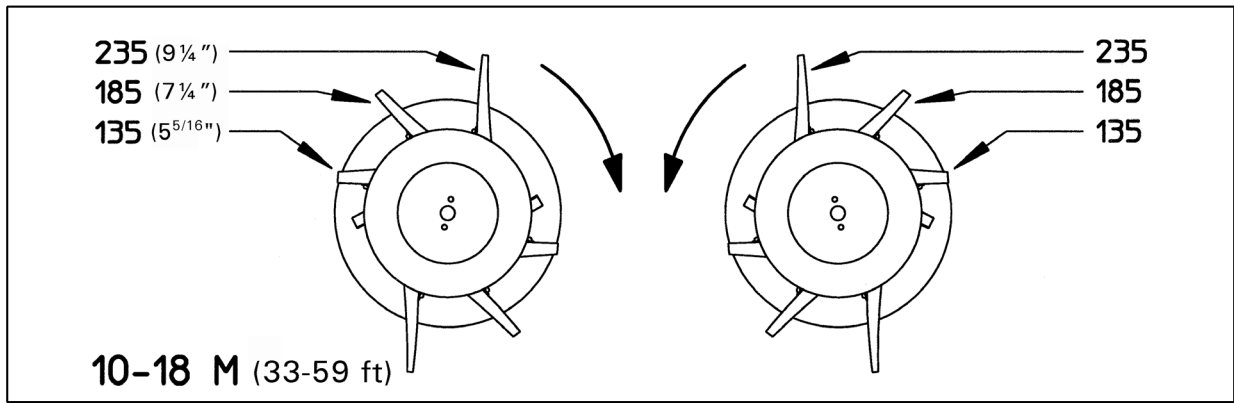
**7?=GC?9[ AC+) ?M@ =3G+9[=?5 ; I KGY**

=, 8@4DZ, HD'8'HD 4<, ` HHD<@>Z, F4H<Z &": " @4@D' <@/>@H, 8@4DZ, D 2B@HD<@>H 4 4 @4@D' \*@&'>Z (4'D' & 4R, F84< BD48@<@ &": " @4@D' <@/>@H, A@H@<J F, D46>Z 6 8'D'">>Z 6&": @>"V. > BD' \*ND'>4H: \>@ BD@F8' \Z &" V, 6<JLH@< C, (J: bD@4H V" H: \>@ 4FBZ &'6H &>"R": , F, 2@" & F, >4bJ\* @D' >46LJ>8P4 4 D' \$@4FB@&@>@H BD' \*ND'>4H: \>@ <JLH 8'D'">>@&": " 322' &@Z, 6FH4b &@Z 4<4<, D': \>Z NJ\* @D' >46 \$Z FH@<@, H B@&4Hf@ 8@D'2@b &F, \*FH4 R, (@BD' \*ND'>4H: \>"b <JLH' <@, H&Z 6H F@H@<@ ) : b BD@, D84 D' \$@4FB@&@>@H <JLH %Z >JO"" , HF &'4<"<@, HD4R, F8@< 8' R, 8DjHV, (@<@, >H, 8@4DZ 6JFH>@ , >>" 400 = <(40 &.<). AD4'@< 2"R >44 FH'HR, F8@@BDjHV, (@<@, >H <JLH' \*@O>" BD@F8' \Z &'H. AD4'@< \* : 4" BDjO4< BD' \*ND'>4H: \>@ <JLH 8'D'">>@&": " F@H' & bH 26 << (13).

%=3; !=3+: 7"D'">>Z 6&": B, D\* 8'O\*Z < BD4<, > , >4< >"\* @BD@, D@H >">": 4R4, B@D O\* , >46 <48@<D V 4> 4H@<J B@&@>.

%=3; !=3+: +F: 4%Z > , &"", H > , @N@ 4<Z < 4FHJ<, >H@< \* : b &Z B@ > , >4b &ZT, JB@<b>JH@&@<H@<b, H@&@D'H@H F 8 %T, <J FB P4': 424D@&'>>@<J H@&@<J B'D'>, DJ #, 2BD R@< LJ>8P4@<4D@&'>4, BD' \*ND'>4H: \>@ <JLH 8'D'6, &'O>@\* : b %T, 6<"T 4Z!





**Q #?Q a S 3C3=! %-+E+=3a**

C'\$@R` T 4D4J &, F, >4bJ\*\$@D >46D (J: 4D J HB@F, JH>@84: @B'H@B>" D'FF, 4&" V 4, \*4F84 7 <"T 4>, 8 8'O\* @J D'FF, 4&" V, <J \*4F8J BD4 "( " HfbB@R, HZD HB' : @B'H@B\*: 4>@6 135, 185, 235 4285 <<.

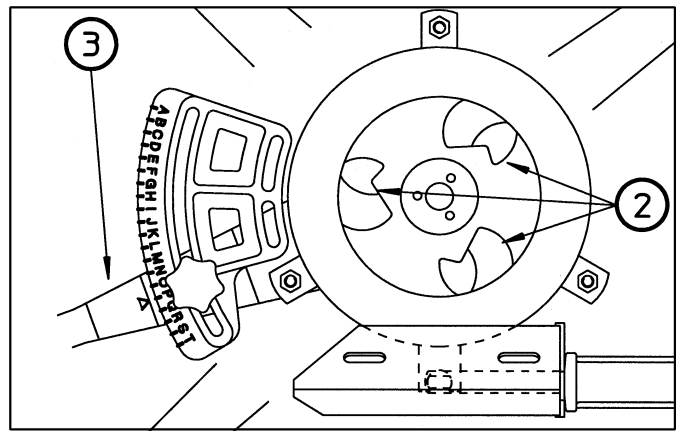
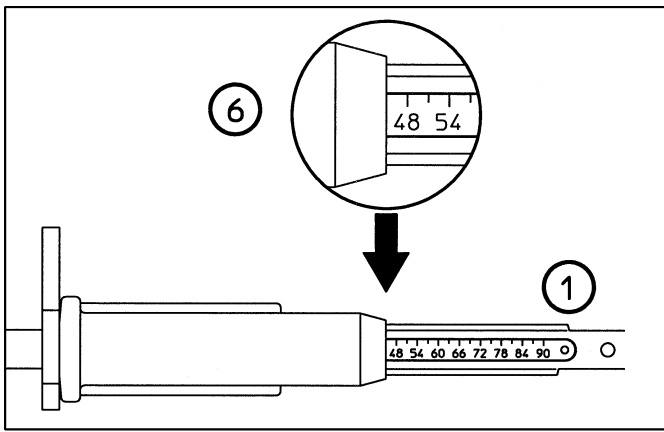
%>4O, D'FB@ @, >>@6H\$ 4P, BD4&, >Z &@2 @>Z, 8@<\$4>"P44\*: 4>: @B'H@B\*: b@, FB, R, >4bO, :", <@6 D'\$@R, 6T 4D4>Z &, F, >4b

= " F, \*J` V, 6FH'D'>4P, F<@D4H B@F, \*@&'H: \>@FH D'2, V, >4b D'FF, 4&" V 4N: @B'H@B

I 7! 1! =3+:  
=, @N@4<"bR'FH@H 8D'V, >4b&:" @F@D' <@/ >@FH &F, (\*" \*@O>" F@FH& bH 540 @ / <4>.

%-3; !=3+:  
32&Z\$D'>>@6D'\$@R, 6T 4D4>Z &, F, >4b(X) H'8O, F, \*J, H 8'8\*\*:, 8@<4>, D': \>Z, J\*\$@D >4b \$J\*JHD'2D'FZ &'HfB >":, &@ >"BD'&@4 >'2\* (5).

C'\$@R'b T 4D4>" (<)	7@<\$4>"P4b: @B'H@B*: 4>@6 (<<)
10 - 18	135 - 185 - 235
20 - 28	185 - 235 - 285



NPK 17-17-17	ФРАКЦИОННЫЙ СОСТАВ			
	< 2	2-3,3	3,3-4,75	>4,75
	10%	70%	18%	2%
НАСЫПНАЯ ПЛОТНОСТЬ		1,07 KG/L		

РАБОЧАЯ ШИРИНА ВНЕСЕНИЯ	18 МЕТРОВ (4)	ЛОПАТКИ	135 / 185 / 235
-------------------------	---------------	---------	-----------------

КОЛИЧЕСТВО	ОТВЕРСТИЕ ВЫПУСКНОЕ	КГ/МИН	СКОРОСТЬ				
			km/h;	km/h;	km/h;	km/h;	km/h;
			6	8	10	12	14
			ДОЗА КГ/ГА				
18	P	12	67	50	40	33	29
21	P	17	96	72	58	48	41
24	P	23	126	94	76	63	54
27	P	28	156	117	93	78	67
30	P	33	185	139	111	93	79
33	P	39	215	161	129	107	92
36	P	44	244	183	147	122	105
39	P	54	297	223	178	149	127
42	P	63	350	263	210	175	150
(5) 45	P	73	403	302	242	201	173
48	N	82	456	342	273	228	195

С+ I 93C?%?! ) ?1Y % = +E += 3a I ) ?#C+ = 35 3 %/ M? ) = ?' ? ?G% = EG3a G 7? = ! AС 1%3G+9a

E @D'H@6FH@Z <"T 4>Z >"N@bHb\* & D, (J: 4D@R>Z, TH>(4(1), FB@&V\` 8@H@Z NJFH>"& 4&," Hb <"FF" \*@2D, <Z NJ\* @D >46 7"O\*"b TH>(" 4<," H<"FH H\$>J T 8": J @H0 \*@90. ; "FF" J \* @D >46 D, (J: 4D, Hb @H@Z H, < 2F: @8@6H) N@& DFH@6 \* @2D V, < \* 4F8 (2), D'2, D 8@H@Z NJFH>"& 4&" HB, D, < V, >4, < D, (J: 4D@R>@ TH>(4F L 48F4D V, 6 ("68@ = " : , @6 4 BD' @6 FH@Z, <"T 4>Z <@>@DZ R'(@ (3) JFH>"& 4&"H 2\*\*>>J B@2P4 B@"R4 <4, D': \>Z NJ\* @D >46 >" D'FF, 4&" V 4, \* 4F84 B H < 42, >, >4b B@ @, >4b 8Z N@ >@ @ @ & DFH@b H 8@ "BD'4H: b = , @N@ 4<"b B@2P4 b DZ R'(" @D \*, : b, Hb 84\* @ J \* @D >46 T 4D4 @6 &, F, >4b 4 \* @2@ &, F, >4b J \* @D >46 & 8 / <4>.

E B@&V\` D, (J: 4D@R>Z NH\$ 4P <@>@JFH>@4H HD, \$J, <J \* @2 &, F, >4b J \* @D >46 C'FF<@D4< BD4<, D

) @JFH<, R@%Z N@H H D'FF, H, NPK 17-17-17 BD4 F, \*J V 4NJF: @4bN

- 2\*\*>>"b \* @2 &, F, >4b 300 8 / >" (, 8HD
- D' \$R' b T 4D4 >" &, F, >4b 18 <
- F8@FH "(D ("H 8 </R

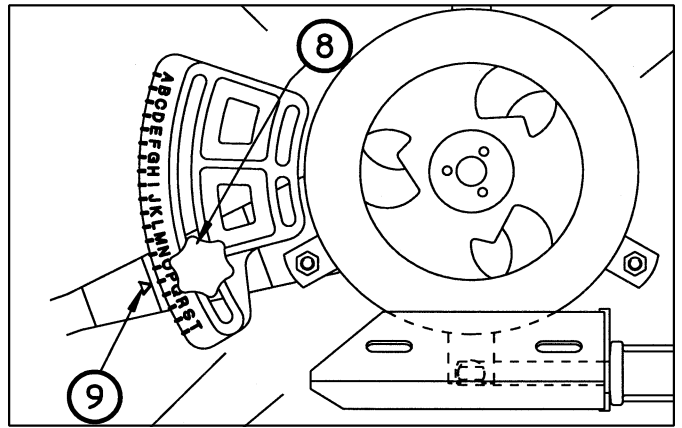
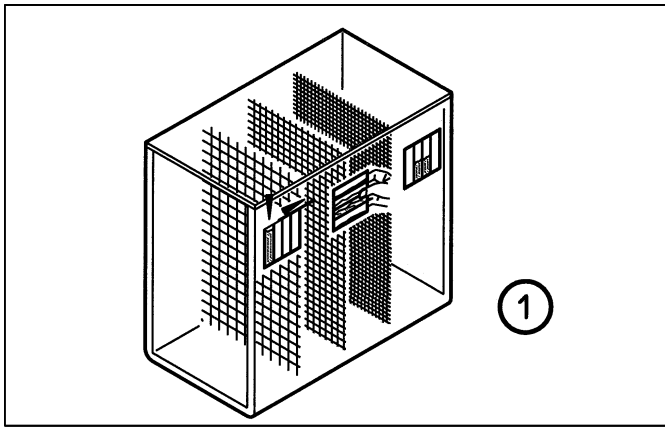
- 3V 4H & D, (J: 4D@R>@6 H\$ 4P, &, F, >4b 2"R, >4b \*: b (D'>J: 4D@>>Z NNPK-17-17-17 BD4 D' \$R, 6 T 4D4 >, &, F, >4b 18 < (4).
- % FH@ \$P, 8-8</R%Z 4V, H HB, D, O, : ", <J \* @2 & 300 8 / (" : >" : , @6 FH@Z, H\$ 4PZ <@>@J&4\*, H, R@ T 8": " D, (J: 4D@R>@6 TH>(4 \* @ O>" \$Z H, JFH>@, >" >" B@2P4 45 (5). 1\*, F, BD' \* FH &, >" H'80, BD@JF8 "b FB@&@FH & 8 & <4> JH, 8@H@b HD, \$J, Hb BD4 O, : ", <@6 \* @2 &, F, >4b J \* @D >46
- = " D, (J: 4D@R>@6 TH>(, JFH>"& 4&, < B@2P4 45 (6).

I 7! 1! = 3+:

I FH>@, >>@ B@ @, >4, >"FH@684>" \* @2 &, F, >4b 8F, (" \* @ O>@BD@, D b H, Fb BD@ @6 >"FH@68@6 = " FH'D'>4P, 17 ^H@BD@P, FF @4FZ &, Hb

): b B@ JR, >4b <": ZN\* @2&, F, >4b F, <b, BD4 D' &, >>@ @ 2D \*": b J: 4F84 4 <": ZN\* @2\* D J (4N<"HD4": @ D 8@, >\*J, Hb BD4<, >H, F@&H H@V 46 8@<B, 8H @D J \* @' >4b \*: b \* @2D@>>4b <": ZN>@< (F<@D4H FH'D'>4PJ 16).





NPK 17-17-17	ФРАКЦИОННЫЙ СОСТАВ			
	< 2	2-3,3	3,3-4,75	>4,75
	10%	70%	18%	2%
НАСЫПНАЯ ПЛОТНОСТЬ		1,07 KG/L		

РАБОЧАЯ ШИРИНА ВНЕСЕНИЯ	18 МЕТРОВ	ЛОПАТКИ	135 / 185 / 235
-------------------------	-----------	---------	-----------------

КОЛИЧЕСТВО	ОТВЕРСТИЕ ВЫПУСКНОЕ	КГ/МИН	СКОРОСТЬ				
			км/ч;	км/ч;	км/ч;	км/ч;	км/ч;
			6	8	10	12	14
			ДОЗА КГ/ГА				
18	P	12	67	50	40	33	29
21	P	17	96	72	58	48	41
24	P	23	126	94	76	63	54
27	P	28	156	117	93	78	67
30	P	33	185	139	111	93	79
33	P	39	215	161	129	107	92
36	P	44	244	183	147	122	105
39	P	54	297	223	178	149	127
42	P	63	350	263	210	175	150
45	P	73	403	302	242	201	173
48	N	82	456	342	273	228	195

% 3; ! = 3+:

7"O\*"b\*@2D J V"b 2'F: @8' \*@2D J V, (@JH-D@6F#&'  
 @>"V, >" D (J: 4D@R->@6T H>(@6F@T 8': @6 S H>(4  
 <@JH@>@D<, >>@B, D<, V"H Fb (4'D'& 48@, " 4N@  
 @D'>4R, >JB@D: QH@Z @, FB, R4H, @ 4"8@J' >@<J  
 &Z"R4J\*@D>46BD'&Z< 4:, &Z<\*@2D J V 4<4  
 JH-D@6F#&'<4, @, D (J: 4D@R->Z, T H>(4\*@O>Z \$Z H  
 JH T>@, >Z >" @>44H O, 2"R, >4bT 8': Z.

AD'&4 \>J' B@2P4 @R, DFHb &Z N@" J\*@D>46<@>@  
 FR4H Z &'H @&H@D< F#& \$P, D (J: 4D@R->@6H \$ 4PZ (7)  
 F, \*J' V 4< @D'2@:

- CJR8J L 48F'HD' (8) >, @N@ 4<@@F: "\$4H 4B, D<, FH#H  
 B@F, 8HD J D (J: 4D@R->Z 6DZR' (JH T>@84B@2P44  
 &Z N@>@(@@R, DFHb H 8@ "BD'&4H: b H 8@< @D'2@,  
 R#&Z J8'2'H: \ (9) >"N@ 4 Fb H@R @BD@H@&@2"R, >4b  
 \$J&Z, J8'2'>>@6D (J: 4D@R->@6H \$ 4P; : P (10).
- 1"H<>"\*@N@D@ @2'8D, B4H, DZR' (L 48F'HD@.

% 3; ! = 3+:

QH@Z D 2: \H H Z D' \$@Z D'FF, 4&'H: b \$Z: 4B@F#&>@  
 N@D@ 4<4, D (J: 4D@R->Z, DZR' (4\*@2D J V, (@  
 JH-D@6F#&' \*@O>Z F@N'D'>b H Fb @& 4"8@&6B@2P44

% 3; ! = 3+:

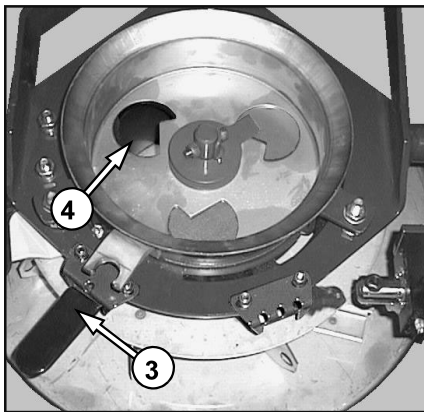
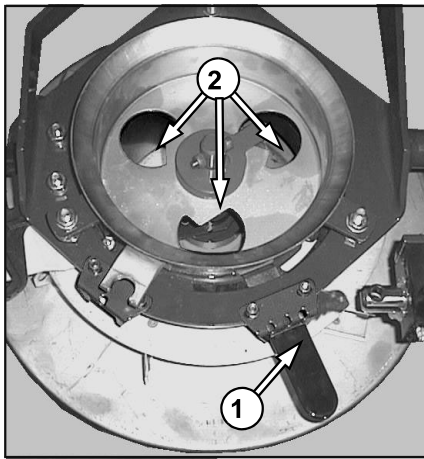
?F@, >>@H V" H: \>@, @N@ 4<@8@H@D@ 4D@H  
 N'D'8H D4F#8J D'FBD', ; , >4b J\*@D>46BD4>"FH@68  
 D'FF, 4&'H: b >" \$@ \T J' D' \$@R J' T 4D4-J &, F, >4b  
 7"DH J D'FBD', ; , >4b<@>@8@H@D@ 4D@H  
 B@ \2@'H: ` F'<@<J F B@&@/\ ` <H FH' 8@ 4R, F#&'  
 D'FF, 4&'H, <Z N J\*@D>46 (F<. ?@D J\*@&'>4,  
 \*@&&>4H: \>@, F.29) G'80, 'H@H FH': b %F<@JH  
 BD@& 4H @ 4P4': \>@\*@B V, >>Z, 4FBZ H H: \>Z,  
 @(">42'P44

I 7! ! = 3+:

%BD' \*4F: @44 8D (J: 4D@R->Z< H \$ 4P'< JB@<4" Hf  
 , V, >, F8@ \8@B@, 2-ZN J8'2'>46@<, H@ "N4Z, D>4b  
 LD'8P4@>@(@F@H T' J\* @D>46(1) 44N>"FZ B@  
 B @+@FH

% 3; ! = 3+:

CJR8J L 48F'HD' (8) D (J: 4D@R->@@DZR' (" B@<, >\T, 6  
 <, D D'2@(@>, @N@ 4<@\*, <@H@D@'H 4, . D 2\$J B@  
 >@&&J F<"Z &'H, O4D@&6F<" 28@



НПК		ФРАКЦИОННЫЙ СОСТАВ					
		< 2	2-3,3	3,3-4,75	>4,75		
		0 %	20 %	80 %	0 %		
		НАСЫПНАЯ ПЛОТНОСТЬ		KG/L 0,96			
РАБОЧАЯ ШИРИНА ВНЕСЕНИЯ		18 МЕТРОВ	ЛОПАТКИ	135 / 185 / 235			
КОЛИЧЕСТВО	ОТВЕРСТИЕ ВЫПУСКНОЕ	КГ/МИН	СКОРОСТЬ				
			km/h; 6	km/h; 8	km/h; 10	km/h; 12	km/h; 14
			ДОЗА КГ/ГА				
18	O	13	72	54	43	36	31
21	O	18	102	76	61	51	44
24	O	24	131	99	79	66	56
30	O	29	161	121	97	81	69
33	O	34	191	143	114	95	82
<del>36</del>	O	40	220	165	132	110	94
<del>39</del>	O	45	249	188	150	125	107
42	O	54	299	224	179	150	128
45	O	63	348	261	209	174	149
48	O	72	397	298	238	199	170
51	O	80	446	335	268	223	191
54	O	89	495	372	297	248	212
57	O	98	544	408	327	274	233
60	M	110	610	458	366	305	262
63	M	122	676	507	406	338	290
<del>66</del>	M	134	742	556	445	371	318
69	M	145	807	606	484	404	346
72	M	157	873	655	524	437	374
	M	169	939	704	563	469	402

Q #?G E 7?; A9+7G?; ) 9a  
 I EG =?%73 % +E+=3a; ! 9Y M) ?1

AD4D'F8@B, 8H@, F, >4b<": ZN\* @\* 42HD N  
 @& DF#6 \* @2D' V, (@JHDF#H' B, D 8DZ &" Hb, R#B@ @ b, H  
 H@>@4\$, 2BD@, < D'FB@, ;: bH D'FF, 48', <Z 6<"HD4": F  
 <4>4-": \ @6 BD@BF8-@6 FB@ @>@H' (&8 / <4>). G' 84<  
 FB@ @< @JHD'FB@, ;: bH@b

- B@, @ 2D@4 42D@\*: bJ: 4H8
- >424, >@Z J\* @D >46 (BD@BF8-"b FB@ @>@H' <, , , 50 8 / <4>)
- &4' Z J\* @D >46 J<, D, >>@@8'R, H@' 4 4F 8ZF@3< F@, DO">4, < "2H', <">4b 4 4S0,

): b>@<": \ @ @Z BF8' <4>, D': \>ZNU\* @D >46 R, D 28F, HD4  
 \* @2D' V 4N@& DF#6 \* @2D' V, (@\* 4F8' JHT"> & 48', Hb & B@ @, >4, BD@H@  
 H, H, 6BD@ 2I >" 8D' F, 8HD' \*, DO"H: b(1), %'H@ B@ @, >44,  
 F: 4JHT>@, >" <"8F4-": \ @8@<@>"b \* @' & F, >4b, 8F,  
 @& DF#6 \* @2D' V, (@\* 4F8' (2) B@ >@H' @8DZ H.

+F: 4 4FB@ \2, Hb 8@B, 8H@, F, >4b<": ZN\* @ H@Z R'(  
 @8DZ H@ @& DF#6 \* @2D' V, (@\* 4F8' JHT"> & 48' H@L 48F' H@  
 & B@ @, >44, 84@ @ @ @ "R, >@H@ \8@ @ >6 BD@ 2' >"  
 F, 8HD (3). G' 88' 8 & H' 8@ B@ @, >44 4FB@ \2, Hb H@ \8@ @ >  
 \* @2D' V, @& DF#6 (4), H@ \* @ O" F@ @, H@ & >>@J<, >T "H@b &  
 HD4 D'2' \* @' & F, >4b & D'FR H >" (, 8HD(5).

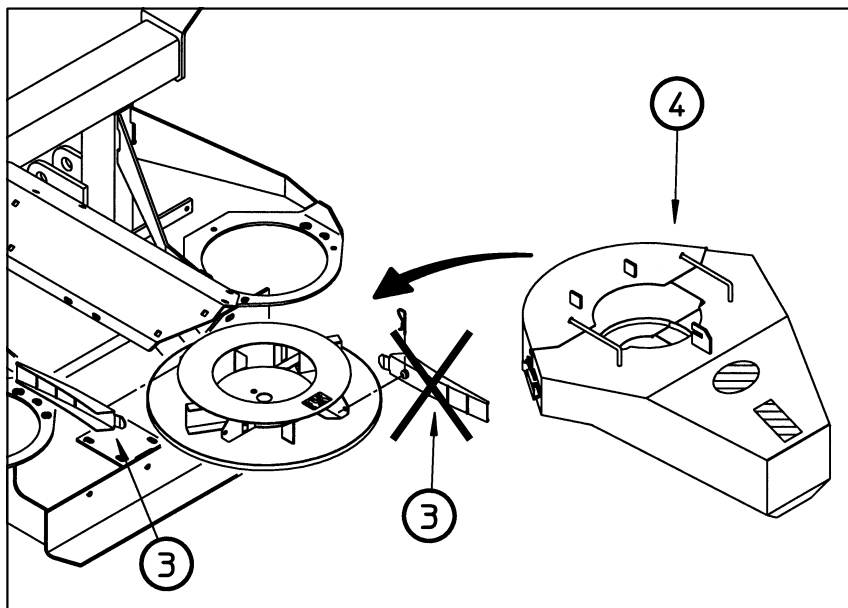
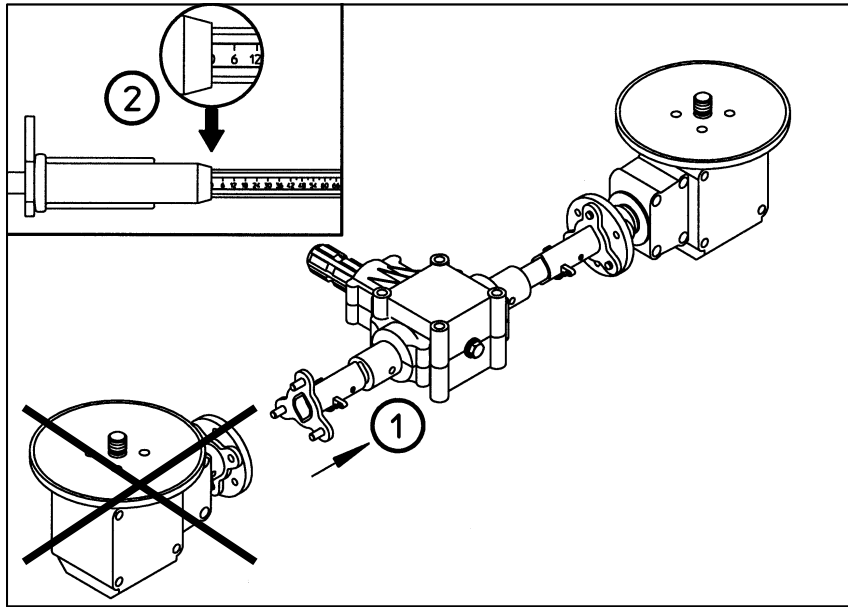
) @ & F, >4b BD4 4FB@ \2@> 448@B, 8H @, F, >4b<": ZN\* @  
 JHT"> & 48' 6H H8:

- %Z \$, D4H >, @N@ 4<J' D (J: 4D@ @>J' H\$ 4PJ. E<@H4H 8D@,  
 H@J8' 2' >4b & H\$ 4P' N>"HD@84
- 1" >>J' \* @J @, F, >4b J<>@ \H >" HD4(5), @H@bV, , Fb 8'H@6  
 \* @ 2"R, >4, B@ @, >4b D, (J: 4D@ @>6 T H' >(4(6) FR4Z & 6H F  
 H\$ 4PZ 4JHT>@4H T H' >(J & H' 8@ B@ @, >44
- AD@ @ 4H BD@ @>J' >"HD@68J F@: "F>@@4F">4' & DJ8@ @>@H@, B@  
 \8F J'HP44 (EH'D' >4P' 17)
- %Z \$, D4H @H@bV J' Fb 8'H@6 \* @ (&8 / <4>) B@2P4 \$J8Z (7)  
 \*: b>"HD@684 D, (J: 4D@ @>@<DZ R'(" B@ @, >4b @& DF#6  
 H8@ "BD' & H: b

AD4<, D  
 %4' J\* @D >46 >4HD'H' <<@&4b  
 C' \$@R' b T 4D' > & F, >4b 18 <  
 ) @' & F, >4b 150 8 / ('  
 E8@ @H' "D ("H 10 8<R  
 C' F@ J\* @D >46 150 8 / (" BD4 10 8<R = 45 8 / <4>

AD4D'F8@, <, , , R < 50 8 / <4> 8@B, 8H@, F, >4b<": ZN\* @ \* @, >  
 @52'H: \ @4FB@ \2@> H@b

- A@ @, >4, T 8': Z \* @2D' V, 6D (J: 4D@ @>6 T H' >(4= 63 (150 8 / (" x 3) (5)
- BZ R' (@8DZ H@ @& DF#6 \* @2D' V, (@\* 4F8' & \*, DO"H: , F@ >@6 BD@ 2' (3)
- AD4 2"R >44 B@ @, >4b D, (J: 4D@ @>6 T H' >(4= 63 D'F@ J' @D >46 F@H' & b, H@Z R->134 8 / <4>, " F 8@B, 8H@ & F, >4b <": ZN\* @& HD4 D'2' <, >T, - 45 8 / <4>
- A@2P4b \$J8Z \*: b>"HD@684 D, (J: 4D@ @>@<DZ R'(" B@ @, >4b @& DF#6 H8@ "BD' & H: b BD445 8 / <4> F@ @, H@ & H@, H0 (7)
- AD@ @> b BD@ @>J' >"HD@68J (2' 40 F'D'F@ J\* @D >46 \* @ O, > F@H' & H' 15 8)
- AD4 >, @N@ 4<@H@ 8@D, 8HD' H@ @ @, >4, D, (J: 4D@ @>6 T H' >(4



**AC?#=#! a=#! EGC?57!**

C, (J: 4D@Z, H\$: 4PZ >"FD684" \* @Z &, F, >4bJ\* @D >46  
 F@?": 4\ F 4FB@ \2@ >4 < &ZF@B'R, F@, >>ZN  
 BD'S#8 <@, H\$ZH, F4H"P4b, R@%T 4BD@2@ F@, >>Z,  
 JF: @4b @H 4R' Hb @H4H"P44 H FHD@ >4b BD4 8@H@6  
 %48@ JFH>@4 2">R >4b\*: bD (J: 4D@Z ZNH\$: 4P. E  
 B@:@/\ BD@ @6 >"FD684 <@>@JFH>@4H @2 @>Z,  
 D'2 4R4b &N'D'8HD4F#8 <4, D': \>ZNJ\* @D >46 4  
 &@>48" V 4, 422' 'H@ @B @, >4b \* @2&, F, >4b  
 F8@D 8HD@'H F@H, H@H' V 4<4 FB@F@ <4



**?A! E=?EG!:**

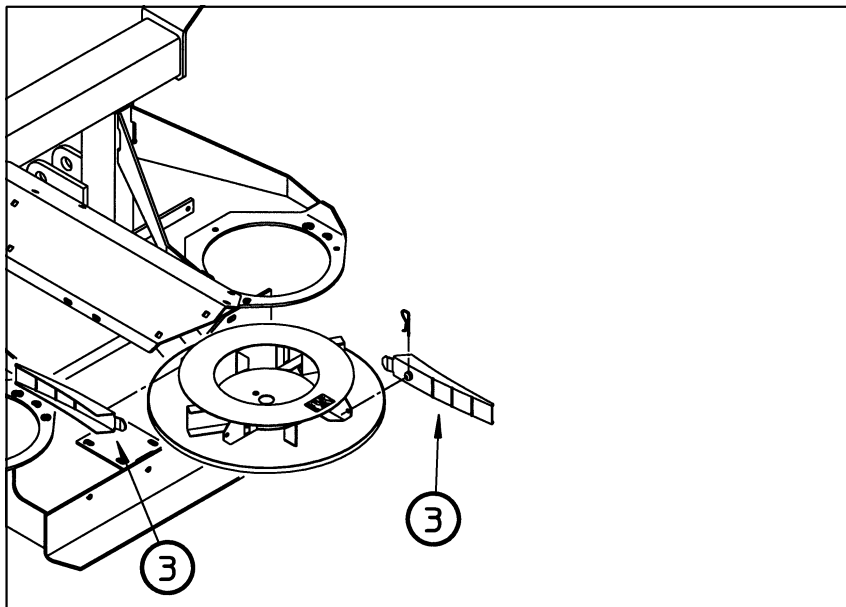
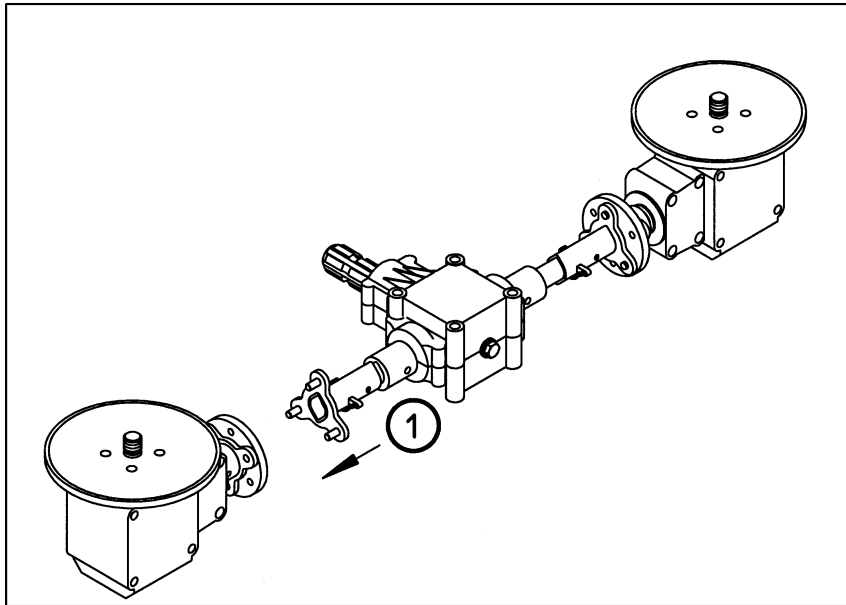
A, D \* 2'(D)2@6 \$J>8 D' <"T 4Z  
 <4, D': \>Z<4J\* @D >4b<4  
 BD@H4H 6H @b2'H: \>@  
 D 8@, >"P44 4Z @B4H: bB@  
 BD'84 "< H@H484 \$, 2B'F>@H;  
 BD4, @N@ 4<@H 4FB@ \26H  
 FB, P4': \>J 2V4HJ @, O\*J.

AD@J' >"FD684 <@>@BD@ @4H 8'8ED'@ @H84: , @ @  
 \* @2D' V, (@JH@6H@. = 40, @4FZ &, Hb B@F, \* @'H: \>@H  
 &ZB@ >, >4b BD@ @6 >"FD684 \*: bBD'8@6 F@D@Z <"T 4Z.

- ?HB`R4H &: BD4@?": , @ @\*4F8' (1) 4BD4F' <@  
 8@D4B@B@2P44, (@F>@: 2'L 4F4D6H. G, B, D  
 F@\*4, >4, <O\*J: , &Z < D'F, 4&" V4< \*4F8@ 4, (@  
 BD4@ @ @ BD, D@' >@

- 9, 8' D (J: 4D@Z J TH>(J F@T 8': @JFH>@4H &  
 B@ @, >4, 0 (2), H8R@Z >": , &Z 6\*4F8@@D <bBD@ @6  
 >"FD684 >, B@H@B': 4J\* @D >4b
- 9@'H84 (3) BD'8@ @D'F, 4&" V, (@\*4F8' F>4<4H.  
 G, B, D, JFH>@4H >" BD'8Z 6\*4F8B, P4': \>Z 6  
 J: "& 4&" V 46 \$J>8 D (4).
- AD@B@HD@ 4D6H \$ @4D@ >4, 8@JN' (5).  
 %HHD\*4D (J: 4D@Z ZNH\$ 4P >"FD684" \* @Z  
 &, F, >4bJ\* @D >46 B@ \$, D4H F8@6 &4\* J\* @D >46 4D'\$@J'  
 T 4D4J &, F, >4b
- %D (J: 4D@Z @6H\$ 4P, >"FD684 &Z \$, D4H F@ @ \$, PF  
 > @N@ 4<@6F8@ @H' D'\$@Z "(D ("H.  
 %'H@ F@ \$P, H\$ 4PZ >"6'4H O, :", <J' \* @Z &, F, >4b  
 J\* @D >46" ( 8HD  
 \* @D'6, <: , @ @ F@ \$P, <@>@BD@4H H BD@H@O, :", <@  
 \* @Z >, @N@ 4<@ B@ @, >4, T 8': Z D (J: 4D@Z @6  
 TH>(4  
 #J>8 DD'F, 4&"H: b >"B@ @4J >"B@ >4H <4, D': \>Z <4  
 J\* @D >4b<4

I 7! 1! = 3+: AD4F&O, >"B@ >, >>@ \$J>8 D <@JH  
 BD@FN@ 4H >,\$@ \T 4, @B @, >4b BD4  
 @D \*, : , >44 BD@JF8 @6 FB@ @ @H# >" &ZF, &  
 <4, D': \>ZNJ\* @D >46 ) : bB@ JR >4b H@Z  
 D 2: V H@D 8@, >\*J, Hb, R@Z <"T 4" \*  
 BD@ \*, >4b 42, D >46 BD@ @6 >"FD684  
 B, D@ @'R': \>@BD@ \$@T: " BD4<, D @10 F.



- 1" H < 2" BIF8" H < "T 4-J & D' \$@H J" @ > J < 4> JH (BD4 \$@ \ T 4N\* @'N&, F, > 4b BD@ @ 04H: \ > @H @Z H' @ @ > @ J < , > \ T 4H \* @30 F, 8J> \* ) 4F8 2'D' > , BD4& @ bH& @ 8D'V , > 4, (BD4R'FH&H) 8D'V , > 4b & : " @ \$@ ' @ / > @H 4 540 @ \$ / < 4 > .
- 1" H < @ 8DZ & " H2'F: @ 8J B@HJB , > 4b J\* @D > 46 > " \* 4F8
- A@: , 2' 8DZ Hb 2'F: @ 84 \* 4F8' & & T 4& " HF@D' > Z , < 4 > , D' : \ > Z , J\* @D > 4b
- AD \* FH& , > Z , & D (J: 4D& @ 6H\$ 4P, 2" R > 4b J < > @ " H > " \* & " (> " 2 D'FF, 4& " V 4N\* 4F8' ) . ] H@b & b, Hb 2" R > 4, < BD@BIF8 @ 6B@ @ > @H (B@ "R4) & 8 / < 4 > \* : b & F, 6 < " T 4-Z (BD4 BD@ @ 04H: \ > @H @Z H' 30 F, 8J> \* 42, D > > @ 2" R > 4, J < > @ " , Hb > , > " 2, " > " 4 ) .
- A@: , BD@ @ > " FH@ 684: @ ' H4 (3) < @ H D J' HF > @ > " \* 4F8 , 8' 8BD \* JF @ @ D > @ H \$ 4P, 6 4 BD4F @ \* 4b H BD4& @ > @ & : , & @ @ \* 4F8' 8L: " > PJ D \* J8@D' (1) .

AD4, D %Z N@H D'FF, bH (D'J: 4D& > Z, J\* @D > 4b Rhe-Ka-Phos-Granulat 17-17-17 > " D' \$@R, 6T 4D4, 18 < BD4 @ &, F, > 4b 450 8 / (" 4F8 @ @H " (D' (" H' 8 & -/R

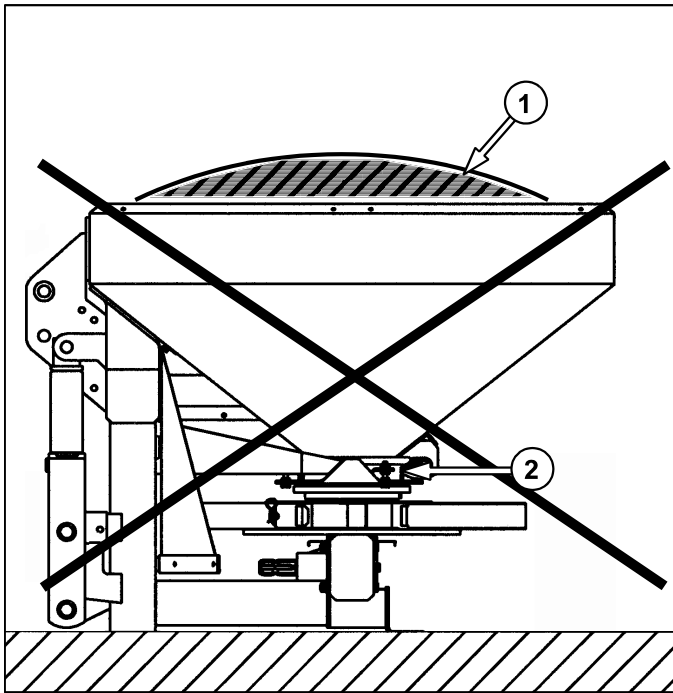
- C (J: 4D& @ " b TH < (" \* @Z & , F, > 4b JH > @ , > " > " B@ 2P44 45. ] H@ " . H73 8 / < 4 > BD4 D' \$@H \* & JN\* 4F8 @ 4 4 36,5 8 / < 4 > BD4 D' \$@H @ > @ @ \* 4F8' . ] H@F@H, H@H, H B@HJB , > 4 18,3 8 J\* @D > 46 > " @ 4 \* 4F8 2' 30 F, 8J> \* .
- AD& \* < BD@ J' > " FH@ 68J BD@ @ 04H: \ > @H ' 30 F, 8J> \* .

- % FZ B@S' 2: 4 2' 30 F, 8J> \* @Z H' 8@ 4R, FH @ Z \* " > Z N J\* @D > 46 16 8 ( ' H@F@H, H@H, H32 8 / < 4 > " \* 4F8 " \* : b \* & JN\* 4F8 @ 2" R > 4, \$J\* , HF@H & bH 64 8 / < 4 > .
- 1 > " R > 4, < " FZ F@D' > Z NBD4 > " FH@ 68, J\* @D > 46 BD4& \* , > @ & D (J: 4D& @ > 6H\$ 4P, > " HD4 FHJB, > 4 > 40, , H , BD4 \* DJ @ @ D (J: 4D& @ .
- C'FF, 4& ' H: \ D (J: 4DJ' H8' 8J8' 2' > @ & H \$ 4P, > " 3 FHJB, > 4 & T, 4 B@ @ @ D b HF > @ & ' BD@ @ J' > " FH@ 68J .



? A! E = ? EG: % F, (" BD4& @ > @ 6 & : , & @ D'FF, 4& ' H: b > " @ BD4& , FH & @ B ` R > > @ J8@D, > @ F@H > 4, (1), BD, O\*, R, < BD4FHJB4H 8BD@ , JD > " FH@ 684 H88' 8: , & Z 6 D'FF, 4& ' H: \ @ @ D < b BD@ @ > " FH@ 684 > , \* @ O, > D' \$@H . ) & (" H: \ H D' 8 @ D' 2' BIF8' 6H H@ \ 8 @ H \* " , 8 @ " % Z J & D > Z, FH@ J: " & 4& " V 46 \$J > 8 DJH > @ , > BD' & 4 \ > @

AD@ @ " b > " FH@ 68' 4: , & @ @ D'FF, 4& " V, (@ \* 4F8' @ @ , H BD@ @ 4H b H' 84 < O, < , H@ @ .



Q #7G Q EE+3% G+9a =I % +E+= 33 I) ?#C+=35

%-3; ! =3+: C'FF, 48'H: \ F >"B@, >>Z < \$J>8 D@ >48@\*" >, @FH & b6H >" ND' >, >4, (1). = 48@\*" >, \*BJF8'6H 8D'V, >4b D'FF, 48" V 4N\*4F8@, F. 4 \$J>8 D <"T 4-Z R'FH-R @2'B@ >, > J\*@D >4b <4 4 <"T 4" F@4H>" (D) >H, R@Z >, B@D \*4H & ZBJF8-Z, HDJZ (2). +F: 4 D'FF, 48'H: \ HD' >FB@HDJ, Hb >" BD4P, B, H@H \8@D' <J <@>@BD@-@BD48D) B bH 8@>@>4 (B@J) HD' >FB@H@>@FD \*FH'. #J>8 D>, : \2b F4 \>@BD4H(48'H FH@B' <4 422' @S'F>@FH B@D) \*4H \*"HR484 <"FFZ.

- 1"F: @84 \*2DJ V, (@JFH@FH@ \* @O>Z \$ZH 2'8DZH FB@>\ (4'D@4FH <Z HD'8@D) \* @2'B@ >, >4b \$J>8 D' J\* @D >4b <4 AD@, DH, 8'8JFH>@, >" @B4">"b DJT. HB' & \$J>8 D.
- ; 4, D': \>Z, J\* @D >4b 2'(DJ0"6H & \$J>8 DH@ \8@ >, 2\* @ (@\* @4N@, F, >4b
- ; 4, D': \>Z, J\* @D >4b D'FBD \* , : b6H & \$J>8 D D' & @, D@ " @2@>Z, 8@84 \* @O>Z 42, : \R4HFb BD4 BD@N@ \* , >44 R, D 2@B4 >J' DJT. HBJ. #J>8 D <"T 4-Z >, >"B@ >b6H >48@\*" H'8 & F@B@ R@Z J\* @D >4b HDx 4F \ BD4 HD' >FB@HD@8.
- A@\*, D@48'6H \* @O>J' & F@H D'FF, 48" V 4N\*4F8@ & D'\$@R, < B@ @, >44 4JFH"> & 48'6H D'FF, 48'H: \ FH@>@& @42@H: \>@ B@ @, >44 (8'8BD4 84\*, F@B, H'84 BD4 @<@H) F2\*4 (F<. FH'D' >4PJ 12 «C+ I 93C?%7 3 A+C) % +E+= 3+; I) ?#C+= 35»).

- %': @FH@ <@/>@FH HD'8@D' >" B@, D'Z @b6H B " @\* @540 @ / <4.

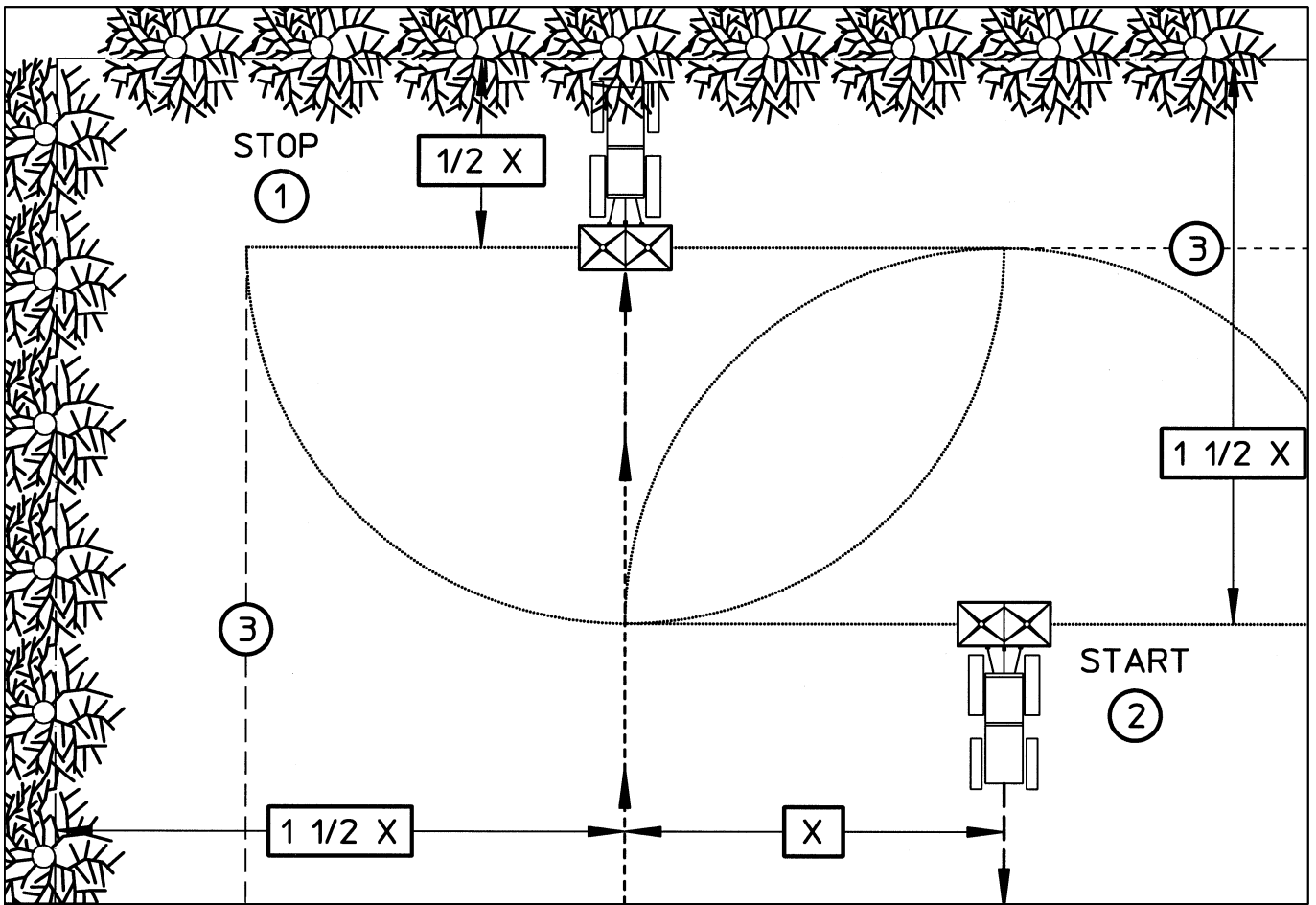
I 7! ! =3+: C'FF, 48" V 4, \*4F84 BD4 2'8DZH N2F: @8'N \*2DJ V 4NJR@FH & 42 4T >, >, D'Z @b6H, R@Z 42, O'H 42 4T >, @42, : \R, >4b (D' >J: <4, D': \>Z NJ\* @D >46

- 1"F: @8J \*2DJ V, (@JFH@FH@ @BDZH & >"R: , \* &40, >4b "(D ("H 4R'FH@ 8D'V, >4b D'FF, 48" V 4N\*4F8@\*, D@4H B@H@>@

+F: 4 \*2DJ@ >4, J\* @D >46 @8D <b \* &40, >4b "(D ("H HD \$J, Hb >, <@>@42, >4H, >"BD4, D ^<B4DR F84JFH>@, >@ R@>" @D \* , : >Z NJR'FH'NB@, >JO", Hb & \$@ \T, < 4 4 >, <@>@ <, >T, < 8@ 4R, FH@, <4, D': \>Z NJ\* @D >46 H@<@>@ - \$@, : \$FH@, N'H, 8F, \*FH@, R (@L "8HR, F8'b @' @ & @4-ZN J\* @D >46 >" (, 8HDJ <, >T 4FH; - \$@, : < \* : , >>@, N'H, 8F, \*FH@, R (@L "8HR, F8'b @' @ & @4-ZN J\* @D >46 >" (, 8HDJ & : 4R4Hb

AD4 'H@ R'FH@ 8D'V, >4b \*4("H: bHD'8@D' (4 &, FH FH < 8': " @FH@ <@/>@FH) \* @O>" @FH & H'Fb 8F, (" B@H@>@6 (\*: b @, FB, R, >4b D' & @, D@>@B@B, D R@>@D'FBD) \* , : >4b <4, D': \>Z NJ\* @D >46. E8@FH \* &40, >4b "(D ("H <@>@ 42, >4H H@ \8@B, D 8' R, >4 < >" DJ (J' FHJ, >8 @84 B, D \*R

I 7! ! =3+: 322' D'2 4R-ZN@>ZNF@>FH & B@, DV@FH B@ b <@, HBD@FH@ 4H, D'2 @ \$JF@>4, 8@. FH'D'8@D', 8@H@ B@ 4b, H>" F8@FH "(D ("H 4H <F' <Z < H'80, >" L "8HR, F8' \* @ & @4-ZN>" (, 8HDJ \* @D >46



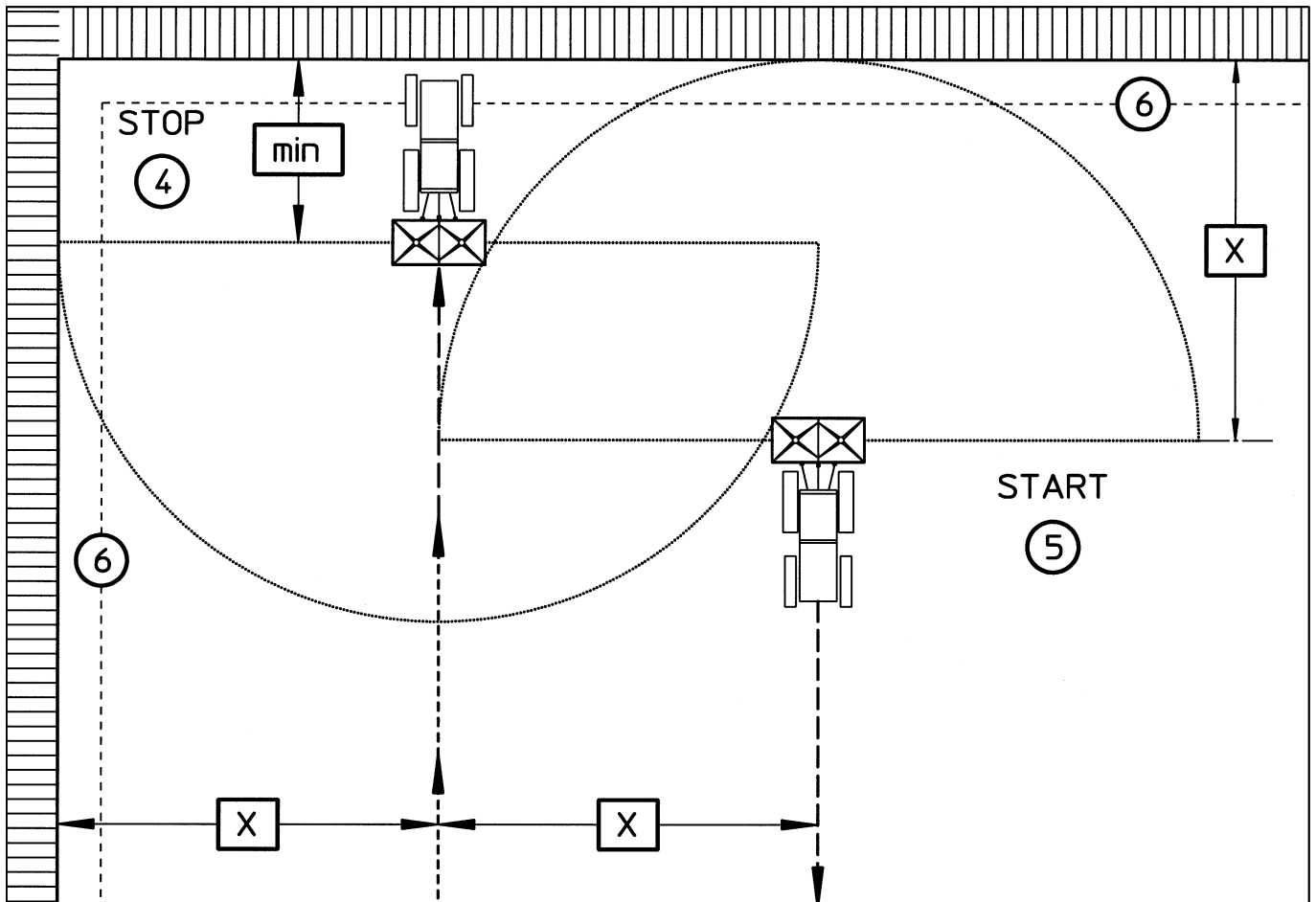
A?%C?GY !'C'!G 3D EE+3% =3+ =! 7D \_ A?9a

7"8%Z \*@O>Z @H>'& 4&'HfB>" 8D" B@b 4  
 B@D'R4&'H, 2'4F4H@H@(@ BD4FN@ 4H: 4&, F,>4, >"  
 8D" B@b(F>"8 @>@B@H&, >>@<"T 4@) 4: 4  
 BD 8D'V, >@&, F,>4, @H>@8@&@>@(\*4F8' 4  
 BD4<, >4, < V 4F8': @D'>4R4H: b(@>@4F8@&  
 B@D'>4R>@ &, F,>4,).

+F: 4<"T 4" \$J\*, H>"8 @>@B@H&, >" \*: b&, F,>4b >"  
 8D" B@b 4: 4, F: 4\$J\*, H D'\$@H 2' \* &' BD@N@" F@  
 V 4F8@->@D'>4R4H: <, >JO>@F@& ` \*H.F., \*J` V, ,:

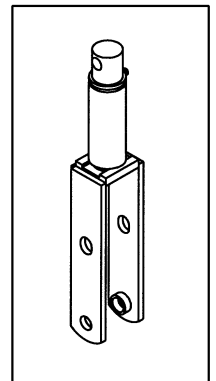
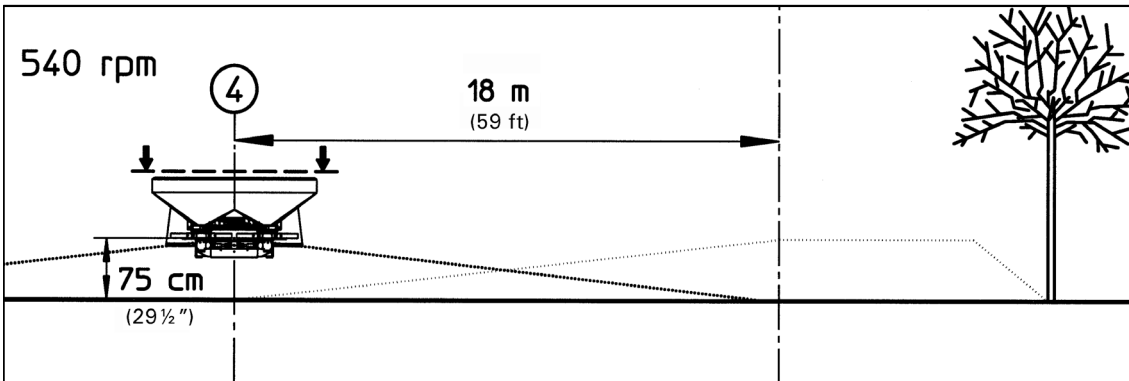
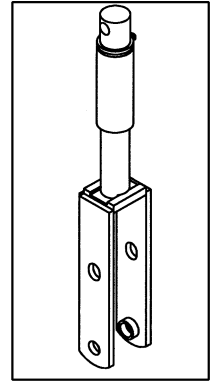
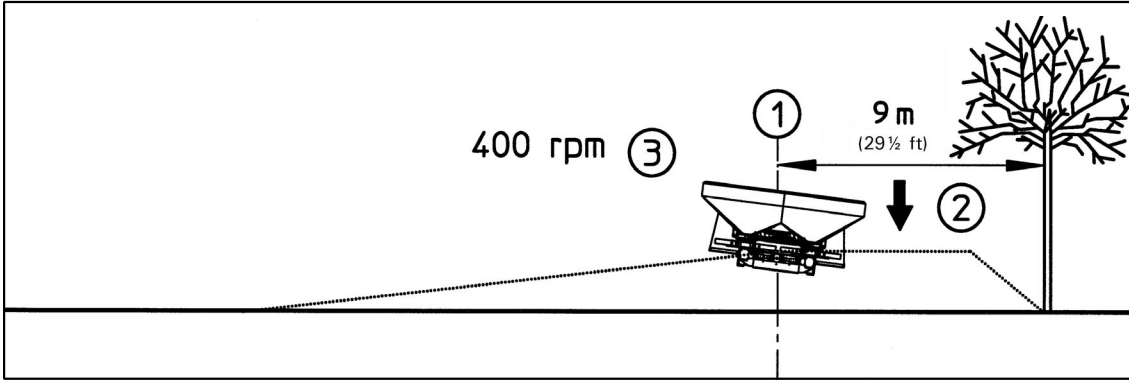
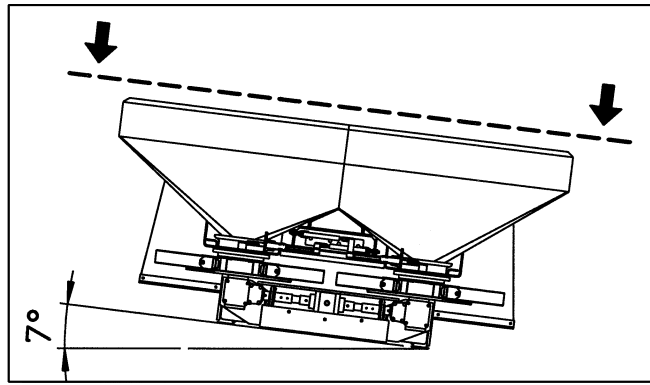
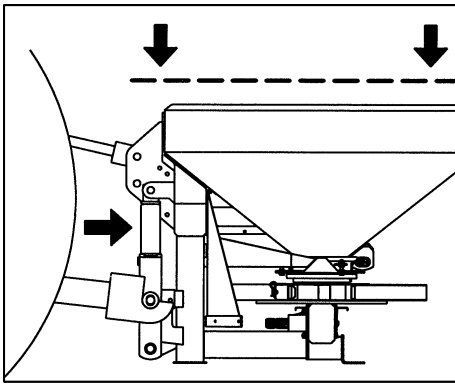
- =" D'FH@>44, D'@& D'\$@R, 6T 4D>, 2'N'H, \*8D'b  
 B@b@>R4&'6H BD@, FF &, F,>4b BfH< 2'8Z Hb  
 2'F: @84\* @21D' V, (@JH@&F@&' <"T 4Z (1).  
 - C'fF, 4&" V 46\* 4F8>, &Z 8` R'6H (@ BD@&@O", H  
 8D'V"HfB).

- A@&:, D'2@D@H <"T 4Z 2'F: @8J \* @21D' V, (@\*4F8'  
 >, @N@ 4<@B@H @BZ H B@&:, J"": ,>4b"(D ("H @H  
 8D'bB@b>" D'FH@>4, D'@& B@H@Z D'\$@R,  
 T 4D@Z (2).  
 - AD4 @D'\$@B 8D'bB@b 4: 4, (@>"R: " >"8 @>@  
 JH>@&, >>@<"T 4@&F., \*J, HDJ8@&F@&HfB  
 @B4F'>4 < @%&, F,>4, >" 8D" B@bBD4 D'\$@H \* &N  
 \*4F8@& >" FH@>4P, 22 4: 4@%&, F,>4, >" 8D" B@bBD4  
 D'\$@H @>@(\*4F8'>, <, H@ ! >" FH@>4P, 25 (3). AD4  
 4F8@ \2@&'>44 <, H@ ! 8D'6B@b\*@O, >  
 @D'\$@H&'HfB, V. D'2



+F: 4 4FB@ \2, HfV 4H8@D'>4R4H: \ \*: b@D'>4R, >4b  
 T 4D4Z &, F, >4b >" 8D" B@ bB@<, H@ J B, 8'8@B4F'>@  
 >" HD'>4P, 24, >JO>@D'\$@H.H.F., \*J' V4< @D'2@:

- A@&FH"(D ("HB@&@&@>@FH 8'8<@>@\$ 40, 8  
 8D" B@ b 4 BD 8D'H4H &, F, >4, J\*@D >46  
 >, B@D \*FH & >>@B, D \* D'2@D@& B4H < 2'8DZ H4b  
 2'F: @84 \*@24D' V, (@JFH@&FH@ (4).
- C'FF, 4&" V4, \*4F84>, @FH"& 4&'H: @4BD@&O" H  
 8D'V"HfB.
- Z A@, D'2@D4', 8@\*" "(D ("H@X, \* H@H8D'bB@ b>"  
 D'FFH>4, D'&@ B@ >@6D'\$@R, 6T 4D4, 2'N@'H  
 D'FF, 4&'H: b \*@24D' VJ' 2'F: @84 F>@&' @BZ H (5).
- 7@, P4 4>'R': @8D'bB@ b@D'\$'H&'H B@&,  
 @FH>@84D'FF, 4&" V4N\*4F8@4JFH>@84V4Hb-  
 @D'>4R4H: b 8'8@B4F'>@&D'2, :, <@%, F, >4, >" 8D"  
 B@ bBD4D'\$@H @>@(@\*4F8'), <, H@ ! >" HD'>4P, 23  
 (6).



%+E+=3+=! 7Q \_ A?9a AC3 Q #?G+) % M) 3E7?%

+F. 4>, @N@ 4<@BD42, FH4 BD4P, FF &, F, >4b BD4 FJO, >><  
 (<, >, JFH>@, >>@D' \$@R, 6T 4D4-Z 2'N&'H) BD4N@,  
 "D ("H, H@<@>@8D'6 B@ b @D' \$@FH BD4 B, D@< BD4N@,  
 "D ("H &@ \ (D'>4PZ B@ b ] H@<@>@\* @FH<@JH. 2' FR H  
 >"8 @> D'FF, 4&'H: b &HJ FH@>J, F 8@>D@\* @ O>"  
 F@D'H4HfT 4D4" &, F, >4b G'84< @D' 2@ &F, (D'>: Z  
 J\* @D) >46 D'FBD \*, : b Hfb>" FH@>, F<, >T, 6T 4D4->  
 &, F, >4b 4 'H@>, @H'D'O", Hfb>" FD \*) , 6 \* @2 &, F, >4b >"  
 (, 8TD I FH>@88' <"T 4-Z B@ J(: @ <@, HJ\* @>  
 BD42@ 4HfB 428' \$4-Z HD'8 H@' FB@<@\ P4: 4\* D' J(: "  
 JFH>@84 >"8 @> <"T 4-Z, 8@>Z 6 B@FH & b, Hfb  
 B@ \2@>'H: ` B@, (@O, :>"4 . ) @2D@88' 4D(J: 4D@88'  
 B@ @, >4b &Z N@>@<@&@, DH4b HJ8@>"BD' &H: b BD4 'H@<  
 <, H@, B@>'4R>@<@&, F, >4b>, 42<, >b Hfb.

%#3; ! = 3+:  
 ; 4, D': \>Z, J\* @D) >4b &Z \$D'FZ &" Hfb F: , &@ FH@>Z  
 <"T 4-Z F@H@>4H: \>@ \$@ \T @6 F4 @6 O H@SZ @>'>4R4H \* @  
 <4>4J<" @B'F>@FH B@>D O\*, >4b D'FH>46, >, @N@ 4<@BD4  
 B@2>, 6 B@>8@<8, F@&@, HfN' V 4ND'FH>46 BD4<, >bH  
 V 4H@3 @>'>4R4H: \, 8@>Z 6 B@FH & b, Hfb B@FB, P4': \>@ J  
 2'8'2.

AD4 D' \$@R, 6T 4D4, &, F, >4b 18 <>JO>@\*, 6FH@&'H  
 F, \*J' V 4< @D' 2@:  
 - A, D&Z 6 BD4N@ >"R4">H. >" D'FH@>449 < @H@D'b B@ b(1).

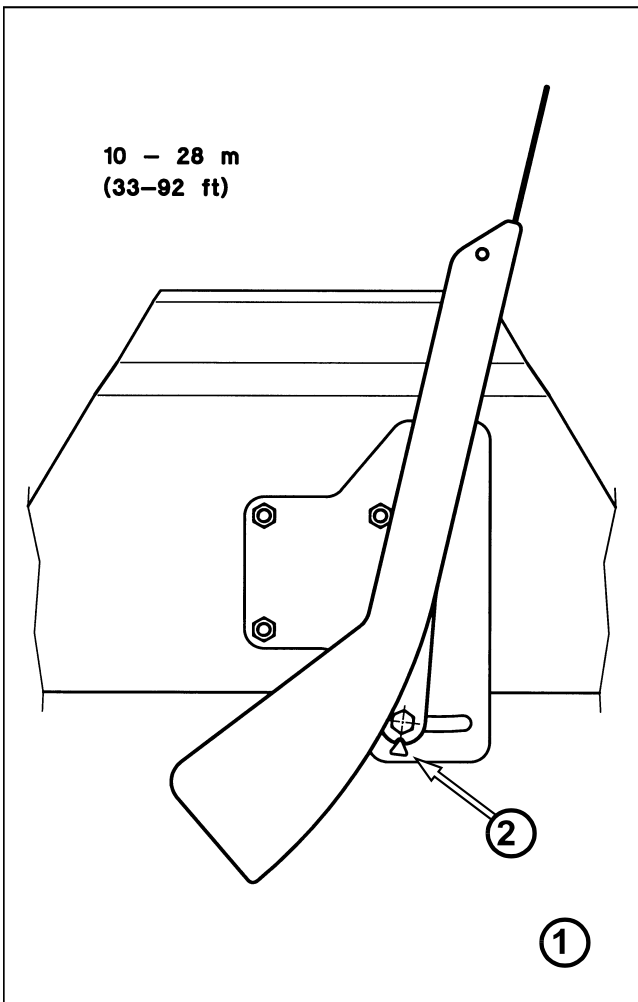
- ; "T 4>J >"8 @>4H (2) (TH@8P4 4\* D' B@ >@FH' &Z \* &4>JH.

I 7I ! = 3+:  
 O'FH@J 8D'V, >4b \* 4F8@D'FF, 4&'H: , 6>JO>@&Z \$D'H 4FN@ b  
 42&@2-@>@6J(D@Z \*: bR: @& 8' 4 @DJO" V, 6 FD \*Z H84<  
 @D' 2@, R@&Z >48'84, (D'>: Z >, B@B'": 4 2' 8D'6 B@ b  
 E>"R": " R'FH@H 8D'V, >4b &: " @ \$@D' <@/ >@FH \* @ O>" \$ZH  
 @@ @400 @ / <4> (3) BD4 B@ >@FH' &Z \* &4>JH@ TH@8  
 P4: 4\* D' JFH>@84J(: " >"8 @>. S H@8P4: 4\* D' <@>@  
 >, <>@&@&4>JH, , F. 4 B@D \$J, Hfb \* @B>4H: \>@&, FH4  
 J\* @D) >4b &@& "FH. 8D'b B@ b 7 @>" P4: 4\* DJFH>@84J(: "  
 & 84("H, H@J&: 4R4&'6H R'FH@J 8D'V, >4b &: " @ \$@D'  
 <@/ >@FH.

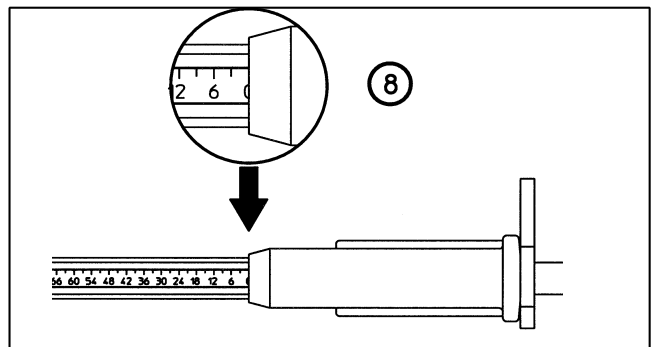
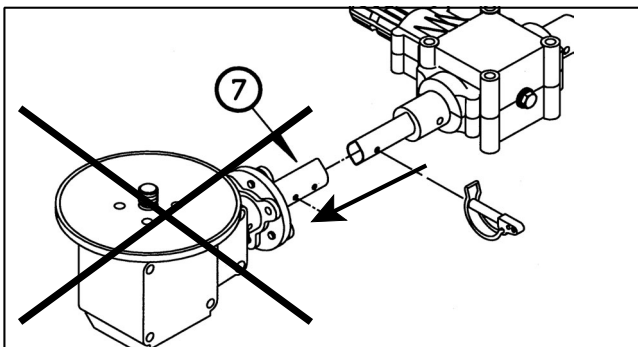
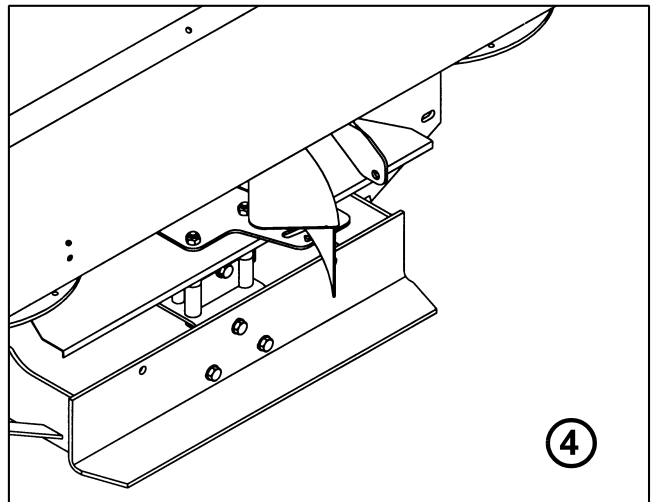
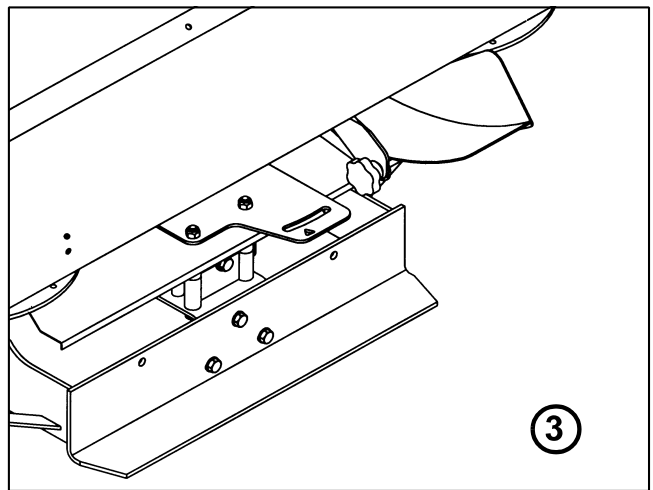
- ): b B@F: \*J' V 4NBD4N@ @>"(D ("H JFH>@4H <"T 4>J  
 F>@&' (@42@H: \>@ B@ @, >4, 8'8 & B@B, D, R@<, H84 &  
 BD@ @ \>@ >"BD' &, >44, R'FH@J 8D'V, >4b &: " @ \$@D'  
 <@/ >@FH \* @, \*4H \* @540 @ / <4> 4 D'FF, 4&'6H J\* @D) >4b  
 FF4<, HD4R>@6 N'D'8H D4FH8@>D'FBD \*, : , >4b F  
 4>H D@: @ 18 < @HB, D@<@BD4N@" (4).

%#3; ! = 3+:  
 AD4 B@2> 4NB@>8@<8'N4 BD4 \$@ \T @  
 T 4D4, &, F, >4b &B@>'>4R>@< D O4<,  
 D' \$@Z <"T 4" \* @ O>" \$ZH >"8 @>, >" \* @8  
 (D' \* JF@&8, D \* (F<@D4 D(J: 4D@&@>Z,  
 H \$ 4PZ).





10 - 28 m  
(33-92 ft)



**10 - 28 m (33-92 ft)**

1. Attach the blade to the handle using the provided hardware. Tighten the bolts to the specified torque.

- A. Torque the blade bolts to 25 Nm (18 ft-lb).
- B. Torque the handle bolts to 25 Nm (18 ft-lb).

2. Check the blade alignment and adjust if necessary.

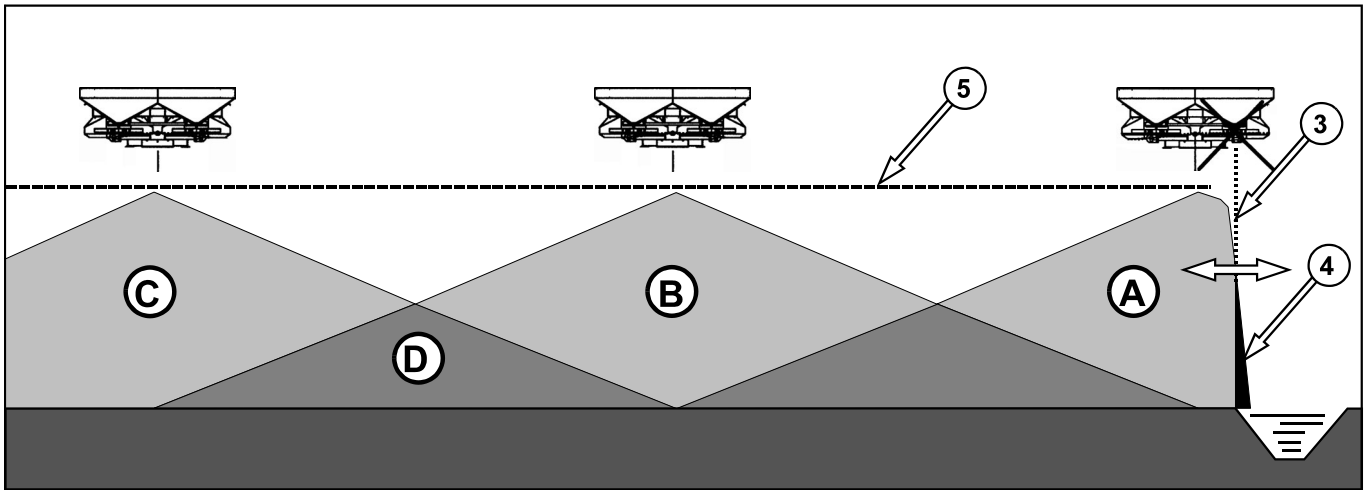
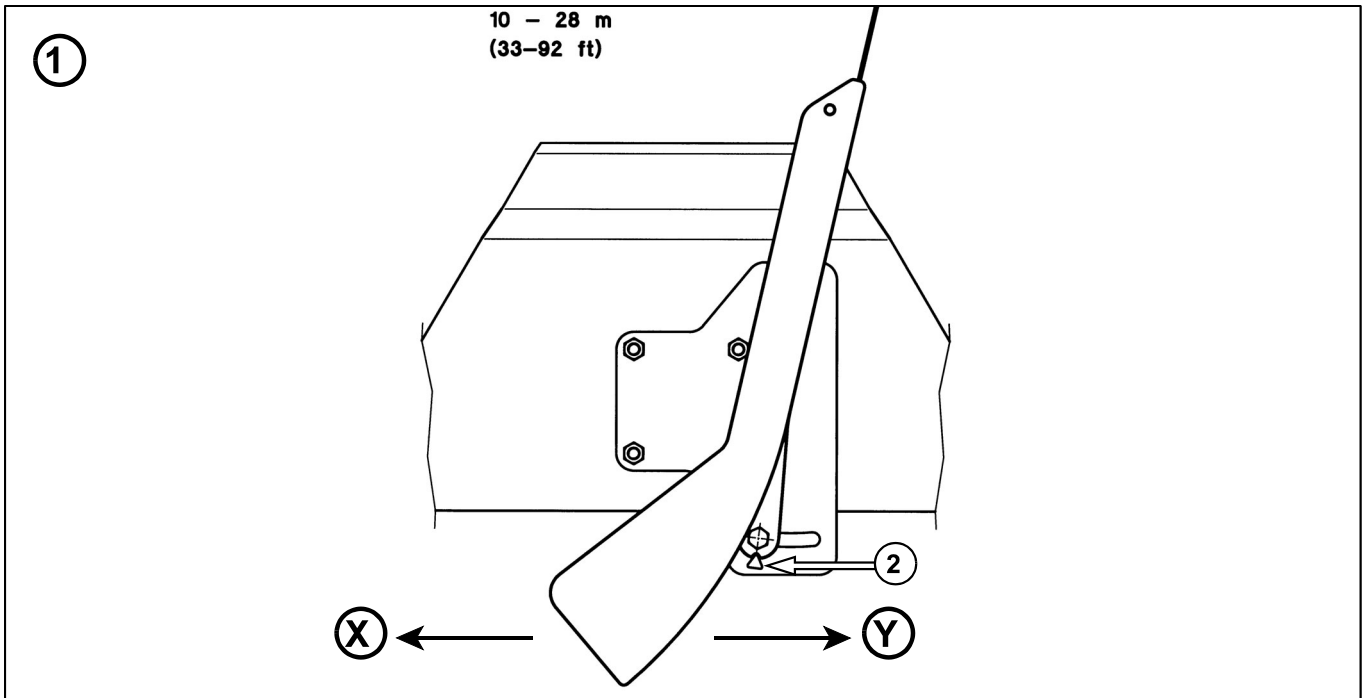
3. Insert the blade into the housing and secure it with the provided hardware.

4. Tighten the housing bolts to the specified torque.

**Warning:** Do not touch the blade during assembly. The blade is sharp and can cause injury.

5. Check the blade alignment and adjust if necessary.

6. Final inspection and testing of the assembly.



M Q 7G-C3EG37! Q EAC+) +9+= 3a l )?#C+= 35  
AC3 3EA?9[ 1?% = 33 U 3G7! -?' Q = 3Q3G+9a

#, 2V 4B'-@D'>4R4H: b N'D'8J D4F#8' D'FBD\* , ; , >4b  
D'FF, 48'>4bJ\* @D >46 4<, H&4\*, BD \*FH& , >>Z 6HD J(@ \>48'< 4  
(B) 4(C) = "8 \*\*Z& V 4, Fb \*DJ (> " \*DJ (" @& "FH4(D)  
D'FBD\* , ; , >4bJ\* @D >46\* @O>Z FJ<<4D&H Fb A@ JR >>" b  
H'84< FB@ @& @V "b N'D'8J D4F#8' D'FBD\* , ; , >4b D'FF, 48' , <ZN  
J\* @D >46 BD \*FH& , > " : 4-44 (5). G'8'8'8>" BD' &6 F#D@,  
D'FF, 48'H: b(3) >, H>48'8@ @B, D 8DZ Hb H@HD \$J, Hf b 88D" B@ b  
&, FH4 >, F8@ \8@ \$@ \T , , 8@ 4R, FH@ J\* @D >46 FH@Z &Z D@& bH  
8'DH4-J D'FBD\* , ; , >4b 7D@, H@ @: 4-4b (D'L 4R, F84  
@D'O" V "b N'D'8J D4F#8' D'FBD\* , ; , >4bJ\* @D >46 BD' &6  
FH@ @< "T 4-Z, \* @O" J 8D'b B@ b Fb "H 8'8< @> @ \$@ , ,  
8DIR, (\$ 40, 8 & D'H8' : 4).

J H@ @< @> @& FH4 (>H, , F 4>" @> @6 4H60, B D "R, H D'8HD'  
4>, <, >b D (J: 4D@84 B@ @& D@& >4 J<, >T 4H R'FH4  
8D'V, >4b &: " @& @< @> FH4 F540 \* @400 @ / < 4 (\$@ , ,  
<, \*, >> @, N'H!).

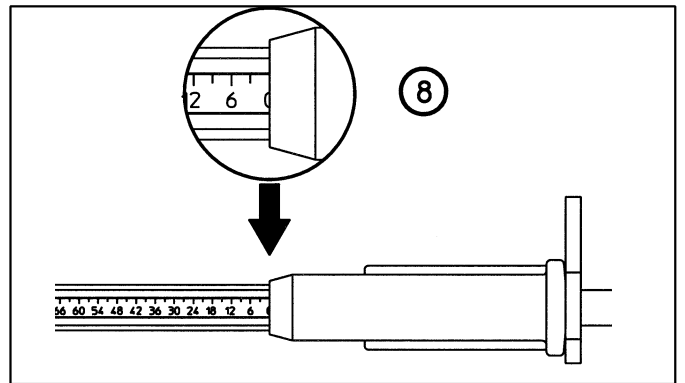
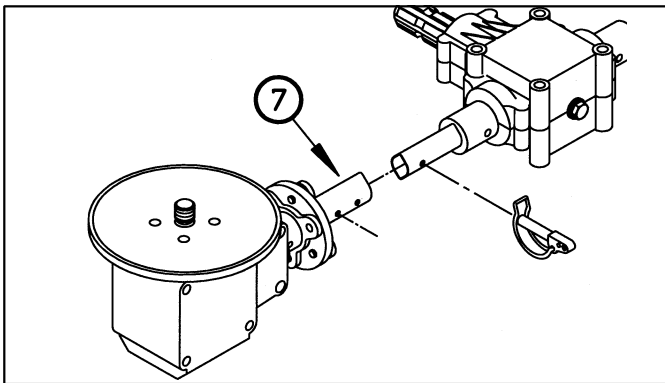
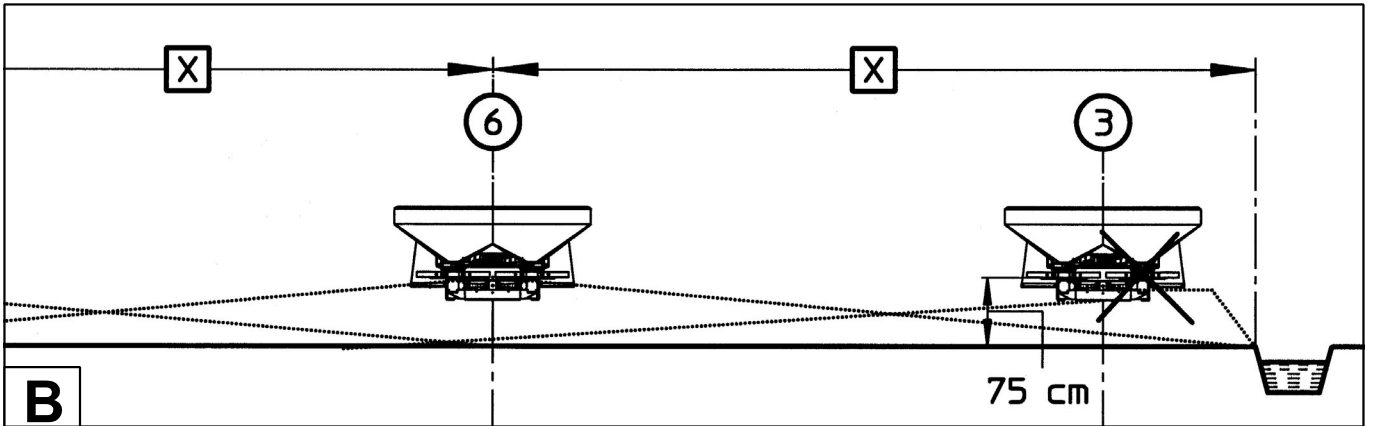
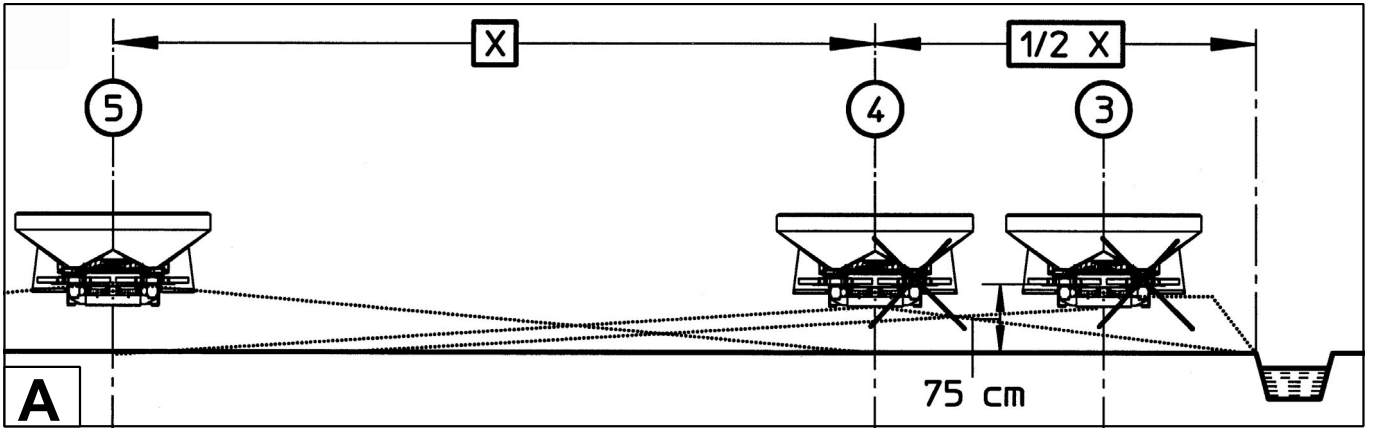
=! EGC?57! U 3G7! -?' Q = 3Q3G+9a

C 8@, >J, <" b B@2P4b\*: b V 4B'-@D'>4R4H: b(1) <" D84D@& ">  
HJ J(@ \>48@ (2).  
E B@ @& \& BD@ 24 & 8D B, >44 V 4B'-@D'>4R4H: b < @> @>  
42, >bH, (@B@2P4 B@ < D >" @& @& FH4.

A@ @, >4, &" &4\*, 8DZ T 4' (F<, V, >4, &" BD' &, >44 X)  
AJH < F<, V, >4b V 4B'-@D'>4R4H: b &" BD' &, >44 M8DIH' b  
FH@ @& " N'D'8J D4F#84 (3) F<, V", Hf b >, F8@ \8@ & , &@  
3Z H@ @ 8@ 4R, FH@ J\* @D >46 & 2@, (4) J<, >T ", Hf b >@  
D'2<, Hf b B@ @& @& Z D' & 48' >4b N'D'8J D4F#84  
D'FBD\* , ; , >4b >" 8D" B@ b >, BD@ FN@ 4H

A@ @, >4, &ZN@" (F<, V, >4, &" BD' &, >44 Y)  
AJH < F<, V, >4b V 4B'-@D'>4R4H: b &" BD' &, >44 Y 8DIH' b  
FH@ @& " N'D'8J D4F#84 D'FBD\* , ; , >4bJ\* @D >46 F<, V", Hf b  
>, F8@ \8@ 8BD' & @ Z D' & 48' >4, D'FBD\* , ; , >4bJ\* @D >46 &  
& "FH4 8D'b B@ b J: JRT ", Hf b 3Z H@ @ 8@ 4R, FH@  
J\* @D >46 & 2@, (4) >, F8@ \8@ J@: 4R4&, Hf b

%4<">4:  
A@ "4Z H@ >Z < 8@ 4R, FH@ J\* @D >46 & 2@ " B@ D'2<, &" H<" FFJ J\* @D >46 8@ 8D'b D'FF, 48', Hf b 2' 8D'6  
B@ b AD4 @& H<: \>@ & Z D' & 48' >44 J\* @D >46 \* @D'b B@ b  
<" FF' D'FBD\* , ; , >>Z NB@ B@, DV @& H J\* @D >46 & 84 @D' <<" N  
>" <, HD F@ & Hf b, HJFD \* > >> @ > @<, B@ & F, 6J\* @D b, < @  
B@ @' "41 (@ >" 8 @& " V 4B'-@D'>4R4H: b < @> @42<, >bH 2'  
FR HB' 2' & 8D B, >44 C T " V 4< 4L " 8HD' < 4\*: b BD' & 4 \& 6  
JH' > @84 b & b Hf b >" D'b J F D' FH@ > 4b < < O\* J D'FF, 48'H: , <  
4 8D', < B@ b H' 8D, &4 4FB@ \2, <Z NJ\* @D >46 D' \$@ R' b  
T 4D4" &, F, >4b, F8@ @& H 4 >" BD' &, >4, & HD'.



% , F, >4 >" 8D' B@ b@>4 \*4F8@  
 1!) % AC?M)! E? U 3G7?; -?' Q = 3Q3G+9+; (<, H# !)

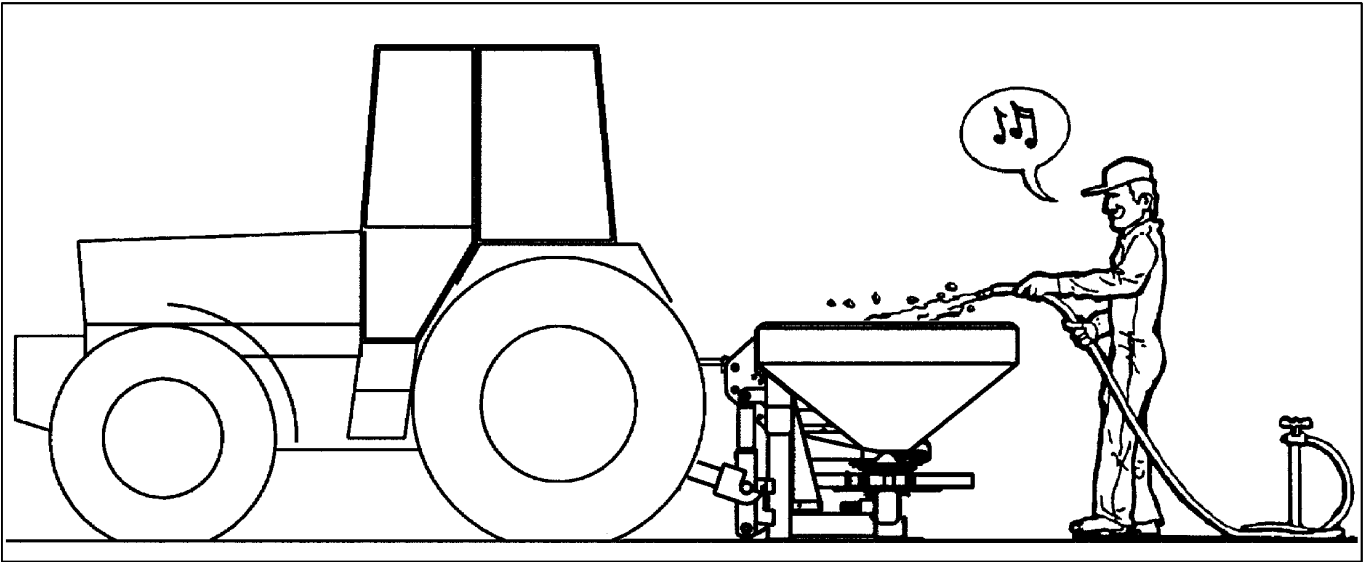
- AD4B, D@< BD@, J (D')>4PZ B@ b (3) 4-HD@: <, O\*J HD'8@< 48D', < B@ b\*@O, >F@H& bH BD4\$ 42H: \>@3 < (<"T 4" BD4'H@< @>"V, >"V 4B@< @D'>4R4H: , <, " &: @>@' @>@H# HD'8@< 8D'V", H@ BD4 400 @/ <4>).
- AD4 &HD@ BD@, &HD@6 D'FF, 4&" V 46 \*4F8F>@' 2'\$ @84@> (7), @>"8@V 4H@B @D'>4R4H: \F>bH" "(D ("H' \*&4("H@b>"\*@B@B, D@<J BD@>J BD4 @>@H#N%?; (4) 540 @ / <4>.
- AD4HD'H, < BD@, D'FF, 4&">4, BD@2@ 4Hb &2@, J\*@> @>@BD4 &HD@< BD@, (5). ) @2D' V 4, @& DFHb (8) @B `R >>@D'FF, 4&" V, (@\*4F8' \*@O>Z \$ZH @bH @D (J: 4D@>Z &F@& H#&44F D (J: 4D@>@6H\$ 4P, 6

I 7! 1! = 3+:  
 G'88'88'R, H@D'F@D \*, , >4bJ\*@>468@, \$, H@b & 2'&4F4<@H@<@H@D'H J\*@>46 >, @N@ 4<@BD4 4FB@ \2@>44 <"T 4-Z F@V 4B@< @D'>4R4H: , < >" & F, >44J\*@>46 >" 8D' B@ b@Z \$4D'H H@B @@O, >4 V 4B', BD4 8@HD@ \$J\*, H BD \*@HD'V" H@b @Z: , H(D'>J: J\*@>46 2' 8D'6B@ b(A 4B). J H@2'&4F4@H8'R, H@&4FB@ \2, <Z N%'<4<4>, D': \>Z N J\*@>46 " H80, @HD'@R, 6T 4D4>Z &, F, >4b 4 N'D'8H D4H#84 & HD'.

% , F, >4 >" 8D' B@ b\* & <b\*4F8' <4  
 AC3 ?) = ?; AC?M)! + E? U 3G7?; -?' Q = 3Q3G+9+; (<, H# B)

- AD4B, D@< BD@, J (D')>4PZ B@ b (3) 4-HD@: <, O\*J HD'8@< 48D', < B@ b\*@O, >F@H& bH BD4\$ 42H: \>@3 < (<"T 4" @>"V, >"V 4B@< @D'>4R4H: , <, " &: @>@' @>@H# 8D'V", H@ BD4 400 @/ <4>).
- I <"T 4-Z B@F, D'@>Z >" 8D' B@ b @>H#>" & 4&" H D (J: 4D@>Z: b 4FB@ \2@>4b & @>@< D O 4, : ) @2D' V 4, @& DFHb (8) @B `R >>@D'FF, 4&" V, (@\*4F8' \*@O>Z \$ZH @bH @D (J: 4D@>Z &F@& H#&44F D (J: 4D@>@6H\$ 4P, 6
- %ZB@ >b H@HD@6 BD@> &4-HD@: , B@ @>Z D'@R, 6 T 4D4>Z &, F, >4b @HD' b B@ b (6). %Z \$D'>>J' D'@R' T 4D4>J &, F, >4b 4JH#>@, >>J' T 4D4>J D'FF, 4&">4b F@D'>b' H I H#>@, >>J' T 4D4>J D'FF, 4&">4b @>@D'Z, H#H 8@ZT 8'<4

I 7! 1! = 3+:  
 ) @2D' V 4, @& DFHb (A 4B) \*@O>Z \$ZH B@>@H' 2'8DZ H 2'F: @8'<4 4 &'H@< B@ @, >44 2'F: @84>, 6 @>@' b T 8': " D (J: 4D@>@6H#>(4(8) \*@O>Z >"N@ 4H@b>" B@2P44. A @ O, : ">4 B@HD \$4H: b <"T 4" <@, H@Z H J@<B, 8@>Z > (4'D' & 4R, F84 \* &JN@>@Z < 8D'>@< 2x2 (F< «? \$D'@>4, \*@> >4H: \>@», F.32), FB@>@\ 8@HD@<@>@B@>, : \>@H 2'8DZ &H: , & 4 4ED' & 2'F: @8J \*@2D' V, (@JH@>@H#>.



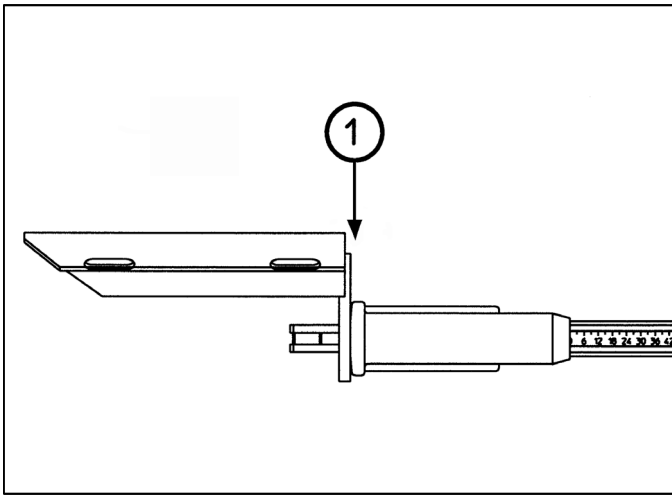
?Q3EG7! , E+C%3E 3 G+M= 3Q+E7?+  
 ?#E9I / 3% = 3+

+O, \*, &@  
 #J>8 D<"T 4>Z >, @N@ 4<@B@F, D'\$@Z , O, \*>, &@  
 @R4V "H @J\* @D >46 ? FHH84J\* @D >46 <@JH  
 &ZBJF8'Hf@&<@HDI, <Z 6J: "& 4&" V 46 \$J>8 DR, D 2  
 : , &Z 6 4 4 BD' &Z 6 D'FF, 4&" V 46 \*4F8 ; "T 4>J  
 @<Z &" H&@ @F@T: ">(" AD4 BD4<, >44 @R4H-B4  
 &ZF@@(@\*" & , >4b>, : \2>"BD' & bH fHJ" &@Z  
 >, B@D \*F& >>@>" B@T 4B>484 4F": \>484 BD4&@ @&  
 ; "T 4>J >, @N@ 4<@&Z FJT 4H 4F<"2'H >, F@, DO"V 4<  
 84F: @Z O4D@ (&R'fH @fH, @BDZH, \$, 22V 4H@(@  
 B@BDZHb<, fH). G'80, @D'\$@T6H >, \$@ \T 4<  
 8@ 4R, fH@< F<"284>"DJO>Z, fH@>Z B@T 4B>48&  
 BD4&@ @&

%=3; ! = 3+: AD4 @R4H-B <"T 4> @@D\* @&'>4 < &ZF@@@  
 \*\*& , >4b>4 &8@ < F: JR' , >, BD4<, >b6H \*\*& , >4  
 \$@ , , R< 3 \$'D'.



?A! E=?EG: +F: 4%Z >"<, D&, HF B@B'fH B@  
 D'ff, 4&'H: \, Rf&Z 2'<, >4H 2\$R'HZ, 8@, F' 4 4  
 &ZB@ >4H H< \*D(4, D'\$@Z, H@&@2H: \>@  
 B@fH&H <"T 4>J >" @@Z.



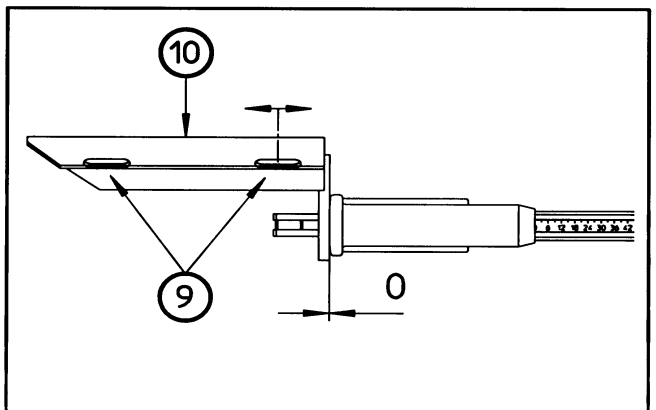
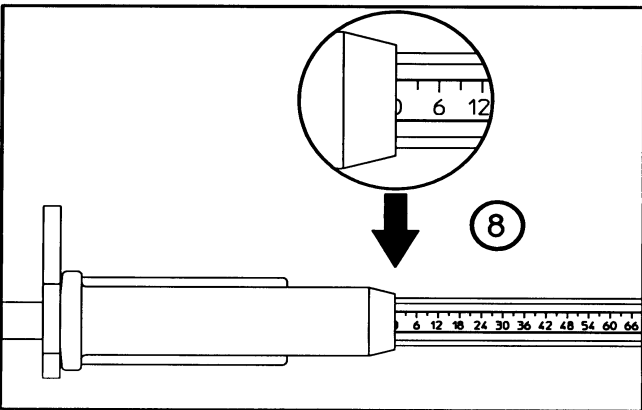
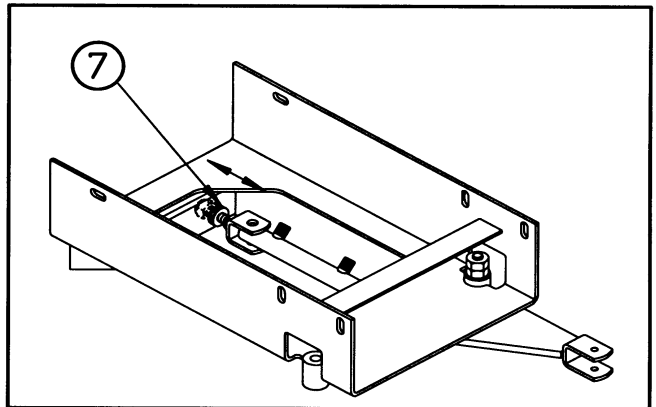
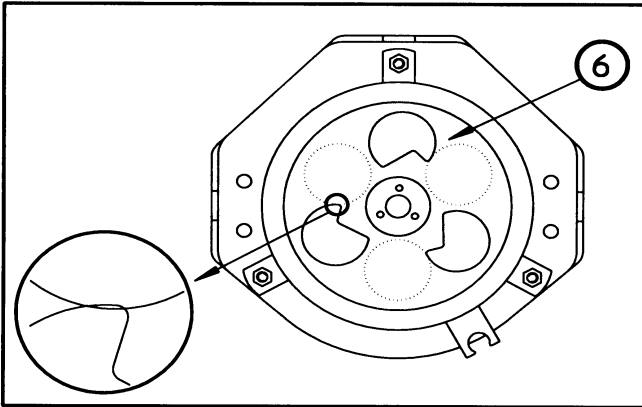
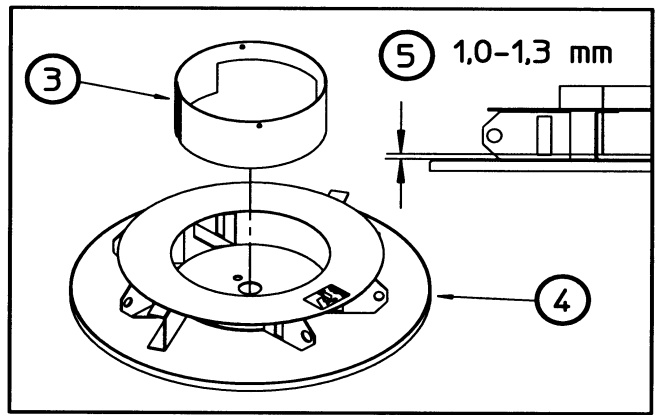
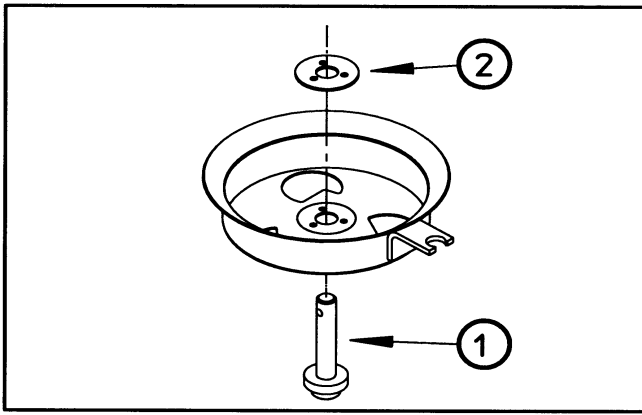
?\*4 D'2&F, 2@;  
 ; Z D 8@, >\*J, <%', R H&Z %Z @>@&'H: \>@BD&, D4 4  
 D'FF, 4&'D: \<4, D': \>Z NJ\* @D >46 B, D \* >"R": @ F, 2@  
 B@, &ZND'\$@H: 4 B@F, &, F, >4b J\* @D >46 >" B @/'\* 4  
 500 (".), L, 8+Z, 4 B@D O\*, >>Z, \*, H: 4 >, @N@ 4-<@  
 @D <@HD&'H 4 4 2'<, >4H, &D 2: \H H R, (@42\$, O4H  
 @B' 2&&HR, >4, F, 2@".  
 E<"Z &'>4, 4 @F: JO4&'>4, 8'D\*">>@&": " \* @ O>@  
 &Z B@ >bH Fb F@(: "F>@J 8'2'>4b< 42@H&4H: b; &Z B@ >b6H  
 F<"2@R Z, D'\$@Z, H<>, <,>,,, R'V,,, F: 4 8'D\*">>Z 6&':  
 R'F@^8FB J"HDI, Hb BD4J(:, \$@,,, R, < 20 (D'\*JF&

KJ>8P4b BD, \*@ND'>4H: \>@6 <JLH Z H'80, \*@ O>"  
 BD&, D b H Fb @ 4 D'2&F, 2@, 8'8@B4F'>@>" FH'D'>4P, 11.

%=3; !=3+:  
 A@F, B D&Z N8 R'F&D'\$@Z >, @N@ 4-<@BD@>HD@ 4D&'H  
 8'8F@&H, H H W, H>"FH D@68, D (J: 4D&8' \*@24D' V, (@  
 JH D@6H R', 8'8@B4F'>@>" FH'D'>4P, 28, 4D (J: 4D&8'  
 @& DFH b &Z N@" J\* @D >46 8'8@B4F'>@>" FH'D'>4P, 29.  
 %'O>@BD@>HD@ 4D&'H, &BD'&4 \>@<: 4 B@ @, >44  
 >"N@ 4H b JB@DD (J: 4D&@>@T H>(4(1); Z D 8@, >\*J, <  
 B&@H D b H ^H H @>HD@ \ 8'O\*Z 6F, 2@ 4: 4R, D, 2100 R'F&  
 D, O4<" D'\$@Z.



?A! E=?EG: A, D\* D'\$@H<4B@HN>4R, F8@J  
 @F: JO4&'>4 4 4D<@H D'FF, 4&'H: b&H'D'8HD  
 BD4@&H&\*, 6H&4, FH@>@Z 6HD<@24&F, (\*"  
 &Z 8`R" H\* &4("H: \ EH&H JB@DB@ B, D \*>`  
 R'FH <"T 4Z, R H&Z BD \*JBD, \*4H, . B"\* ,>4. A, D\*  
 F&'D@>Z <4D'\$@H<4<"T 4" \*@ O>" @>@&'H: \>  
 @4W "H Fb BD4>": 4R44>4HD@ F@, DO"V 4N  
 <4, D': \>Z NJ\* @D >46 FJV, F H W, H?A! E=?EG  
 %ICY %!



**C+ I 93C?%! 1! E9?=73) ?13Q \_ U +? I EG?5EG%**

- ?\$! \* @21D' V 4N JH D@FH@ \* @O>Z >"N@ 4HFb H@ @>" D'FF, 4&" V 4<4 \*4F8<4 AD@, DAH, @4>"8@ : 4 D'FF@>4, <, O\*J BD4@>Z < 8': @ (1) 4<@HDI, <Z < 8@ \P@ (2) F@&F, NFHD@; BD4@>@6 8': 4 8@ \P@\* @O>Z B, D<, V"H.Fb \*D( @H@4H: \>@\*D( " F@&@>@ \$, 2 2', \*\*">46
- AD@, DAH H80, , >, 8'F" Hb: 4 D'FF, 4&" V 4N\* 4F8@ &Z BJF8>Z, HDI\$Z \* @21D' V, (@JH D@FH@. 1"2@ (5) <, O\*J &Z BJF8>@6 HDI\$@6 (3) 4 D'FF, 4&" V 4< \*4F8@ (4) \* @O, > F@H & bH @H, 1,0 \* @1,3 << F@&F, NFHD@. ] H@H 2'2@: JRT, &F, (@JH>" & 4&" H.F b@ \\' VJB'.

**7?=GC?9[ 3 C+ I 93C?%! ) ?13Q \_ U 3M?G%4CEG35**

- 1"8D@H B@ >@H' 2'F @84 \* @21D' V, (@JH D@FH@' (4' D' & 48@6 HD' 8'@D' (T H@84 P4 4>\*D@&\* @O>Z \$Z H B@ >@H' & b>JHZ <4.) @21D' V 4, @&, DFHb \* @O>Z \$Z H BD' 8'HR, F84 B@ >@H' 2'8DZHZ, ^@2-"R4H R@ BD@<"HD4&, Hb <"; , >\846 BD@&, H(F8, H@&'bV, ; \) (6). +F: 4 ^@6 V, : 4>, H H@P4 4>\*D>, @N@ 4<@ FHD@&' H B, D<, V, >4, < ('684(7), \*@HNB@DB@&' \* @21D' V, , @&, DFH, \$J\*, HB, D 8DZ H@FF@ND'>, >4 < J8'2'>@6 V, : 4

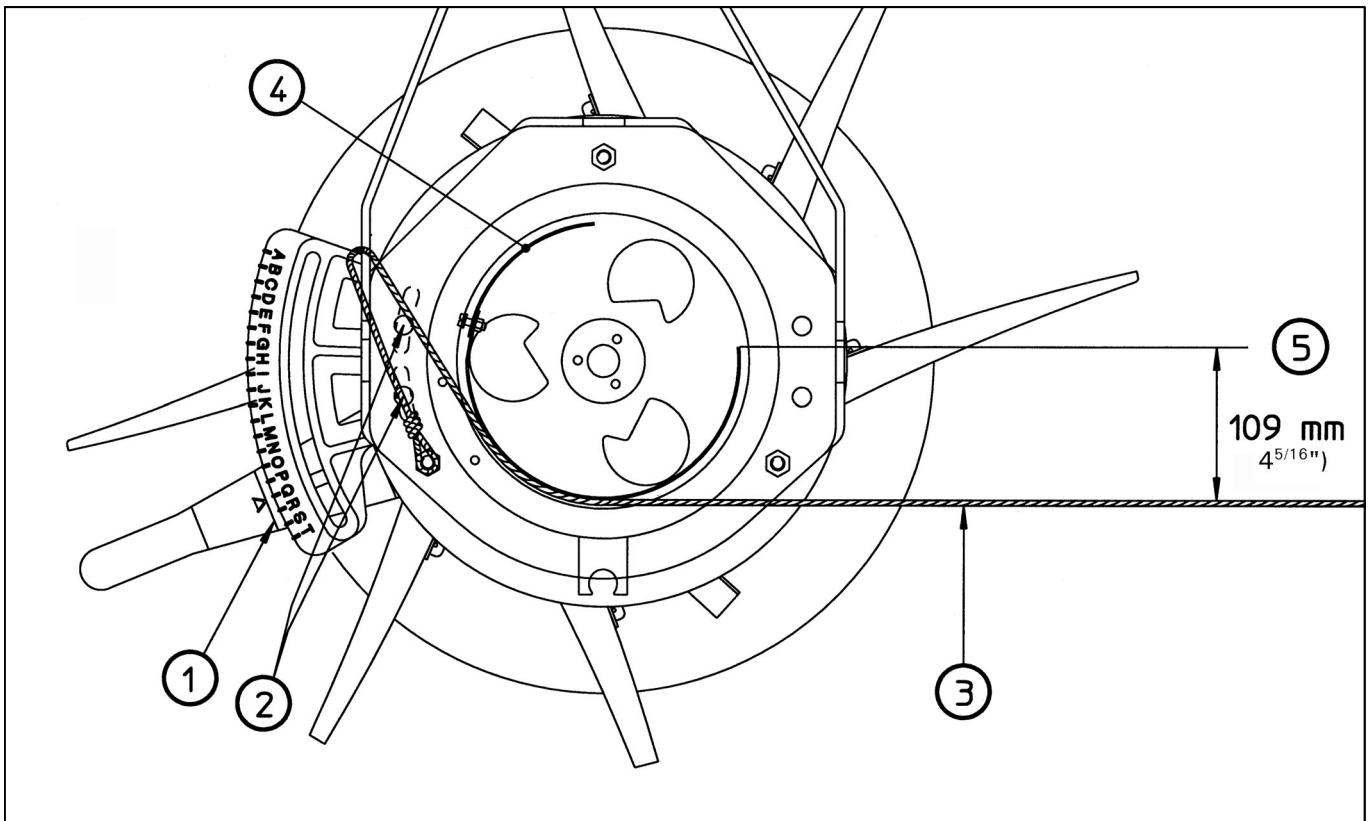
A @&H@>Z < @BZ H, < 4 2'8DZ H, < \* @21D' V, 6 2'F. @84 8@>HDZ 4D' H F@&F, H@&H, H: 4L "8'HR, F8'b D (J: 4D@&8' J8'2'>>Z < HD \$@&'>4b<.

- I FH>" & 4&" HT 8': J D (J: 4D@&R @ @DZ R' (" (8) >" B@21P44 0. 1" FR HB, D<, V, >4b JB@D' (10) &B' 2'N(9) <@>@ D (J: 4D@&R>Z 6DZ R' (JH>" & 4&" H 84< @D' 2@, R@T 8': " DZ R' (" \$J\*, H>"N@ 4H.Fb >" B@21P440, JB4D' bF, H@R @&JB@D

7D@, H@ @ \* @B@ >4H: \>@<@>@8@>HD@ 4D@&' H, @BZ &' Hb: 4 \* @21D' V 4, @&, DFHb @ >@&D, >>@ 8'8 J8'2'>@>40, :

- C, (J: 4D@&R>Z 6DZ R' (JH>" & 4&" H>" B@21P4 36 4 @BZ &' H \* @21D' V 4, @&, DFHb (4' D' & 48@6 HD' 8'@D'. ?H @, >4, <, O\*J: , &Z < 4 BD' &Z < @&, DFHb <4>, <@, H B@ &Z T "H, 0,5 <<.

I 7! 1! =3+: %T FB, P4: \>Z 6HD @Z 6B'DH. D2", H BD' &4 " , 8'8 &Z B@ >4H ^H D (J: 4D@&8J 48'8', BD@&H@ 4D@&' H.



7? = GC? 9[ C+ I 93C? %/ 3 %/ MP) = ?' ? ? G% + CEG3a  
 ) ? 13Q \_ U + ? I EGC? 5EG%

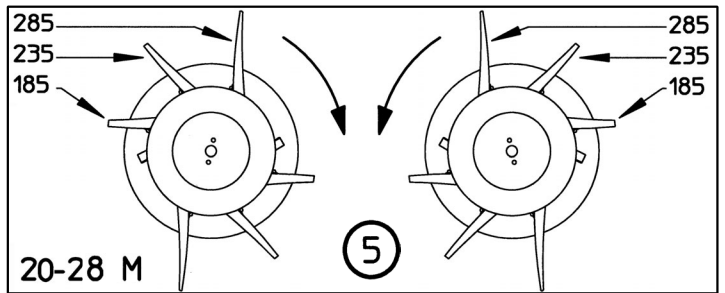
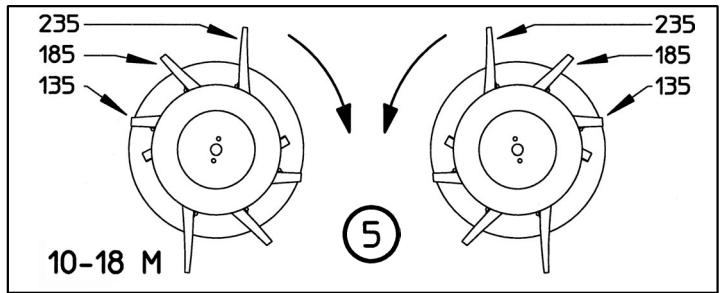
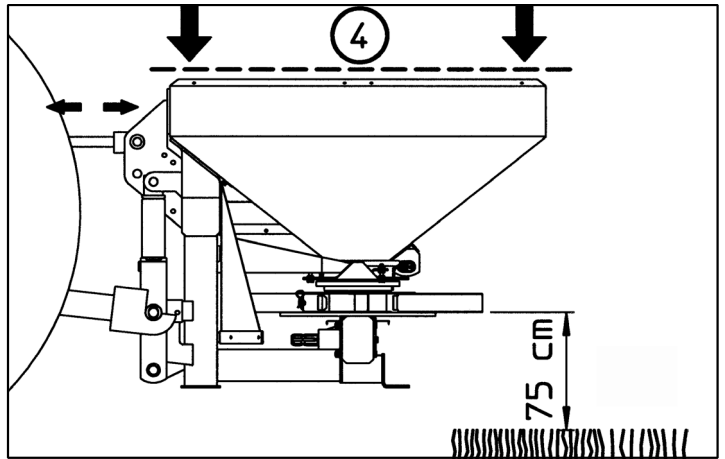
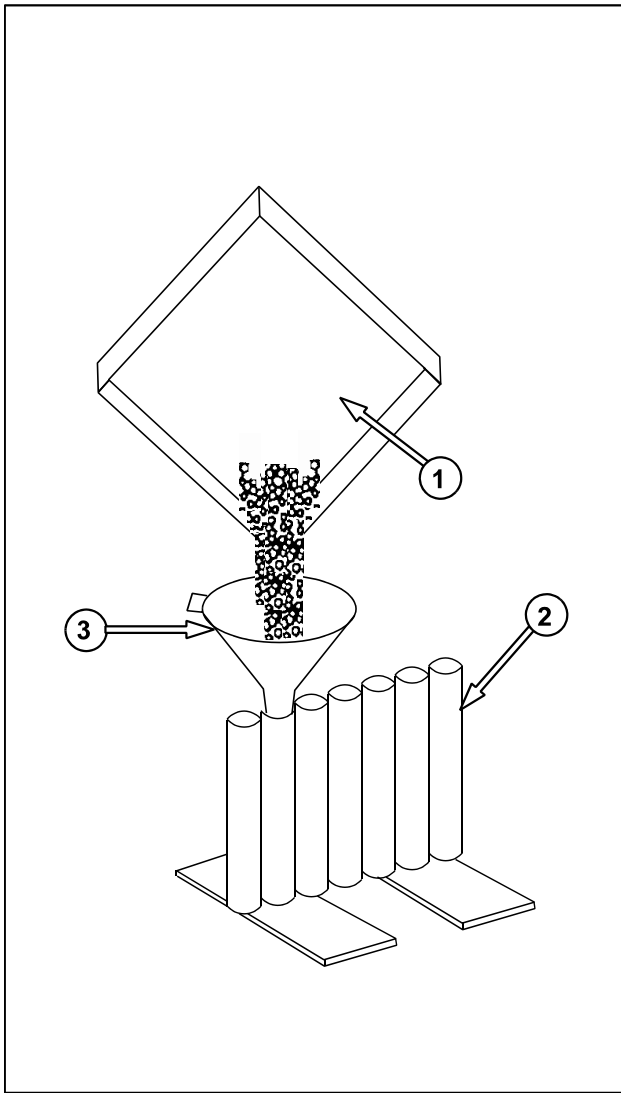
+ F: 4 > " \* @ BD@ @ HD@ 4D@ H 4 BD4 > , @ N@ 4 < @ FH  
 @ D (J: 4D@ H B@ @ , > 4 , @ 4N&Z B/F@ > ZNHDJ\$ \* @ 2DJ V , (@  
 JF-D@ FH@ , H@ F , \* J , HB@ FH B' H F , \* J V 4 < @ D' 2@ :

- E > " R : " D (J: 4DJ H2F @ 8J \* @ 2DJ V , (@ JF-D@ FH@  
 (F < @ D4 " C+ I 93C? %/ I ! E9? = 73) ? 13Q \_ U + ?  
 I EGC? 5EG% " > " FH' > 4P , 28).
- I FH > " & 48" HDZR' ( D (J: 4D@ 84 B@ @ , > 4b & ZN@ > @ @  
 @ & , DF-Hb > " B@ 2P4 0 (1).
- % 4-HZ (2) @ F: "\$ b H
- % & Z B/F@ > ZNHDJ\$ ' N(4) B@ , V " H > 4H (3).
- 3 > HD@ : (5) < , O \* J > 4H 4 2 \* > 4 < 8D' , < (@ D 2@ )  
 @ & , DF-Hb & & Z B/F@ > Z , HDJ\$ \* @ O , > F@ FH & bH 109 << .
- % 4-HZ (2) F > @ B@ O4 < " H

] H D (J: 4D@ 8' \* @ O > " BD@ 2@ 4H Fb 8' 8 > : , & @ , H84 > "  
 BD' & @ \* @ 2DJ V 4NJF-D@ FH@ N

I 7! 1! = 3+:

% T FB P4' : \ > Z 6HD (@ Z 6B' D+ . D 2" , HBD' & 4 " , 8' 8  
 & Z B@ > 4H ' H J D (J: 4D@ 8J 4 8' 8 , . BD@ @ HD@ 4D@ H .



G+EGY ) 9a ?O+=73 7! Q+EGM Q EAC+) +9+=3a  
I) ?#C+=35 (F\*E@>4H:\>Z<@D)\*@>4,<)

322' \$@ \T 4ND'2 4R46<, O\*J @+:\>Z<4B'DHb<4  
J\* @D>46 4>@\* " @ O>" BD@ 4HfD (J: 4D@8' D'\$@R, 6  
T 4D>Z D'FBD\*, :>4bJ\* @D>46 D'FF, 4&'H: , <.) : b' H@%Z  
<@, H @D'V "HfB 8ED \*BD4bH' B@HfH@>4  
D'FF, 4&'H: , 6, 8@4@ @ &'T, 6 @ "HfH BD@ 4H  
8@ 4R, F@>Z, HfH. ] HfL 4D:Z FB, P4": 424D@>Z >"  
@F: JO4&'>44 <"T 4> \*: b&, F, >4bJ\* @D>46 4 D'FB@ (" H  
\$@ \T 4< @ZH@: D'\$@Z F D'FF, 4&'H: b<4 4 4&"<4J\* @D>46  
>Z D 8@>J, <, F@Z ED4 @>48 @>44 BD@, < 4 8@D@&  
F@Z &: 4 F' H<4 @ (">42P4b<4

?\*>8@%Z <@, H 8@HD@ 4D@&'H F@6 D'FF, 4&'H: \J\* @D>46  
H'80, F'<4 ) : b' H@ @BD\*, (" HfB \*B@>4H: \>@  
@D)\* @>4, \*: b&Z B@ >, >4b" HfH' \*@Z &, F, >4bJ\* @D>46'.  
] H@ @D)\* @>4, J\* @, H@b, H@f, < , 8@, 6F84< HJ \$@&'>4b<  
4 ED) \*B4F'>4b<.

%4">4:

?ZR@BD'&4 \>"bD (J: 4D@8' <@, HBD@42@ 4HfB  
4FB@ \2@>4 <D (J: 4D@&Z NH\$ 4P, F: 4BD4<, >H  
F@&, Hf@B@H & b<Z, 42, D4H: \>Z, BD\$@Z 4, F: 4Z:  
@D)\* :>J\* : \>Z 6 & FJ\* @D>46 %Z SD'>>"bB@'H< "\*">Z<  
D (J: 4D@& "bH\$ 4P' \* @ O>" F: JO4H &f, (" 4FN@>Z<  
Bj>8@& \*: b" HfH' \*@Z &, F, >4bJ\* @D>46'.

) : b&Z B@ >, >4b" HfH' \*@Z &, F, >4bJ\* @D>46' HJ \$@, HfB  
F, \*J' V, :

- 7 B@\* @&(1)
- 7 D, T, H@
- 7 42, D4H: \>Z NHJ\$ @B(2)
- 1 @@&' (3)
- C]8@& F@B@B@' @FB J"HP44

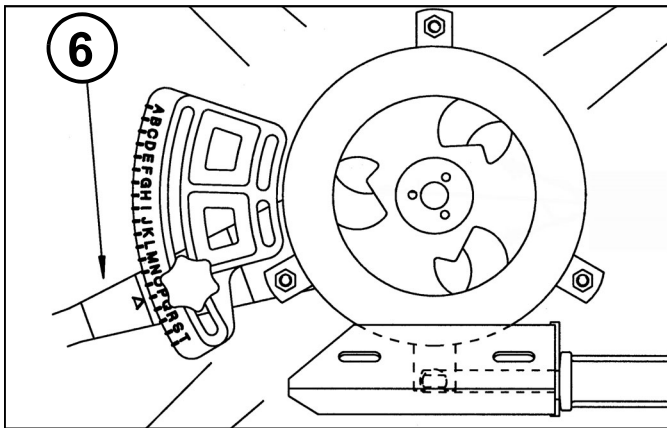
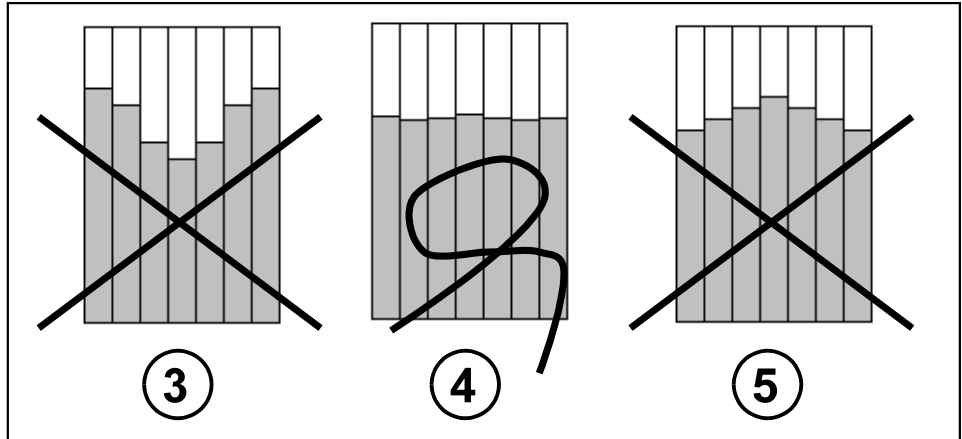
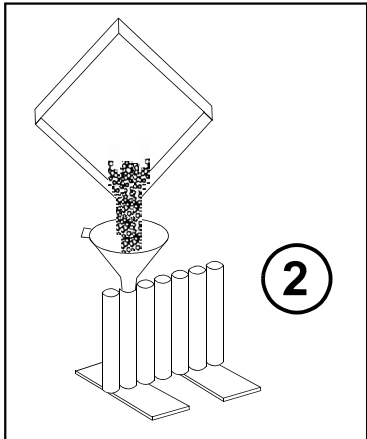
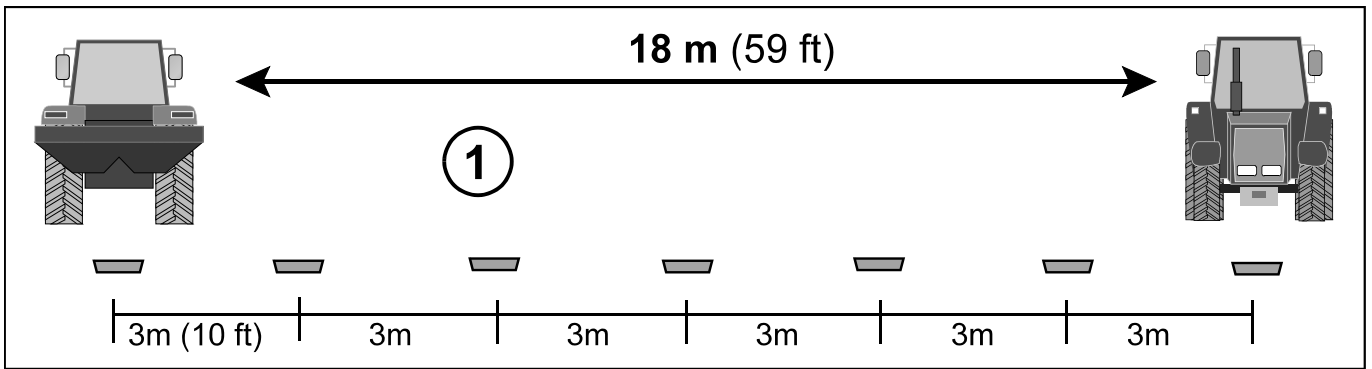
%4">4:

A@@" @'Z &, H\$@ \T @ & 4b>4, >" N'D'8H D4HfH@  
D'FBD)\* :>4bJ\* @D>46 ] H@ @+@4HfB H'80, 48 @G HJ \*@Z  
&, F, >4bJ\* @D>46'.

I 7! 1! =3a 7 G+EGI ) ?1Y %-+E+=3a I) ?#C+=35

- AD@, DH R'F@H @D'V, >4b&: " @\* @' <@/ >@H H'D'8@D'.
- AD@, DH B@ @, >4 : @'H@8>" D'FF, 4&' V 4N' 4F8'N(5).
- AD@, DH BD'&4 \>@H >" F84 D'FF, 4&'H: b>" H'D'8@D(4)  
(@42@H: \>@H BD@ @B SJ>8 D', &Z F@H D'FB@ @, >4b>"  
B@, D'@H' 4\*D).
- E8@D@H & H'D' BD4 HfH@>44 >, \* @ O>" BD @Z T "H 3 </c.
- =48@\*" >: \2b BD@ 4H HfH>" @D)\* :>4 \*@Z &, F, >4b  
BD4 @\*, H'88'8&F, \*F@4, 'H@J\* @D>4, &B@\* @'N<@, H  
BD4 4B JH, R@RL": \F4L 4P4D@: @Z 42, D>4b
- G Hf'@Z &, F, >4bJ\* @D>46 >48@\*" >: \2b BD@ 4H BD4  
8D'6, &Z F@B@ & "O>@H @Z JN', H'88'84&F, \*F@4, 'H@  
J\* @D>4, &B@\* @'N<@, HBD4 4B JH, R@RL": \F4L 4P4D, H  
D 2: \HfH 42, D>46





AC?%) +=3+ G+EG =! ?AC+) +9+=3+ M Q 7G+C3EG373 Q EAC+) +9+=3a I) ?#C+=35

- %B ""Z&" HD T, HB4 & B@\* @-Z.
- 3Z, D4H: \>Z, HDJ\$84 & ZFH & b' H@>J & @, \*DJ(@ I FH"> 4&" HB@\* @ 1 <, O\*J 8@ . F'<4HD'8'ED' BD4 B, D&@ BD@N@ ; B@\* @ 7 JFH"> 4&" H&2@, <, O\*J 8@ . F'<4HD'8'ED' F<, O>@ @BD@N@"
- ?FH: \>Z, 5 B@\* @ @JFH"> 4&" HF D' & @, D-Z < 4-HD&': @ DJ( @H DJ(" <, O\*J F<, O>Z <4BD@N@"" <4 HD'8'ED' (1).
- GD'8'ED' Z 6 "(D ("H">R4">, H\* &4O, >4, & B, D&@ BD@N@, 4 2' >, F8@ \8@<, HD&\*@ @FH@O, >4b: 4>44 B@\* @ @ &8 & R" HD'FF, 4&H: \&D'\$@H. +F: 4D'\$@R'b T 4D4"& F, >4b FH & b, H 8ED4<, DJ, 18 <, H@BD@, FF D'FF, 4& >4b J\*@ @D >46 <@, H\$Z H @ @R, >H@ \8@B@F, H@ @ 8'8" (D ("H\$J", H">N@ 4Hf b >" D'FF @ >44 <4>4 J< 18 < @HB@\* @ @
- E<, O>Z 6BD@N@ 8B@\* @ < &Z B@ > b' H& @D'H @ >"BD' & , >44 AD4 '4@ B, D \* 4 2' B@\* @ @ 7 >" @ 4"&8@ @ &4FH>P44 @HB@\* @ "FH & Hf, >>@88 & R" H4 &Z 8 & R" HD'FF, 4&H: \
- I\*@ @D >4 428'O @ @B@\* @ " B, D, FZB" HR, D 2@ @-8J & F@ & Hf VJ` 42, D4H: \>J` HDJ\$8J (2). I D@ >4 J\*@ @D >46 @ @F, N42, D4H: \>Z NHDI\$8' NBD, \*FH & b' H F@ @ L "8HR, F8J` N'D'8'H, D4FH@8J D'FBD, \*, :, >4b J\*@ @D >46

?O+=7! M Q 7G+C3EG373 Q EAC+) +9+=3a

I D& > \J\*@ @D >46 & HDJ\$8'N>, \* @ O, > @H 4R'Hf b \$ @ \T, R, < 15 % @H FD \* >, 6 & : 4R4>Z. AD4 @, >8, @ @ @ @ > @ @F D, H Hf b FHD, < b F4H"P4 b < 4

- (3) %@ (JHb & 42N'D'8'H, D4FH@8J D'FBD, \*, :, >4b J\*@ @D >46 S 4D4" D'FBD, \*, :, >4b @R, > \J23'b 1" HD'8'ED' D'FBD, \*, :, b, Hf b 42 4T >, 8@ 4R, FH@ < 4, D': \>Z NJ\*@ @D >46 MD'8'H, D4FH@8J D'FBD, \*, :, >4b J\*@ @D >46 < @ @ @ J: JRT 4H Bf H < B@FH B, > @ @ B, D <, V, >4b DZ R' (" D (J: 4D@84 B@ @, >4b &Z Bf f8-ZNHDI\$ \* @DJ` V, @JH-D@FH@ R, D 2' & \* \*, :, >4b T 8': Z >"BD' & , >44 \$J8Z A (6), B@F, R, @ >" @B@H-D4H Hf H
- (4) 7 @D, 8' b N'D'8'H, D4FH@8J D'FBD, \*, :, >4b J\*@ @D >46 ?H @, >4b JD@ > bNJ\*@ @D >46 & HDJ\$8'N<, >, R, < 15 %. %T D'FF, 4&H: \ @D (J: 4D@ > BD'84: \ @
- (5) %Z Bf 8 "b & DN'D'8'H, D4FH@8J D'FBD, \*, :, >4b J\*@ @D >46 S 4D4" & F, >4b J\*@ @D >46 F: 4T 8@: \$ @ \T "b ? R, > \ \$ @ \T @ B, D, 8Z H, JR'f b' BD4 F<, O>Z NBD@N@ "N 2' HD'8'ED' D'FBD, \*, :, b, Hf b, \* @FH@R @ 8@ 4R, FH@ < 4, D': \>Z NJ\*@ @D >46 MD'8'H, D4FH@8J D'FBD, \*, :, >4b J\*@ @D >46 < @ @ @ J: JRT 4H Bf H < B@FH B, > @ @ B, D <, V, >4b DZ R' (" D (J: 4D@84 B@ @, >4b &Z Bf f8-ZNHDI\$ \* @DJ` V, @JH-D@FH@ R, D 2' & \* \*, :, >4b T 8': Z & >"BD' & , >44 \$J8Z G (6), B@F, R, @ >" @B@H-D4H Hf H

I 7! 11 = 3+ ; >4<": \>b \* @' & F, >4b BD4 Hf H-D@ >44 >" @D \*, :, >4 N'D'8'H, D4FH@84 D'FBD, \*, :, >4b J\*@ @D >46 \* @ O>" FH & b H 250 8 / (" +F. 4O, :, <" b \* @' <, >T, J8'2' >> @, H@Hf H' @ O, > B@H-D4Hf b \* @ H NBD @ B@8' & B@\* @ "N", @8'O, Hf b 8@ 4R, FH@ J\*@ @D >46 F@ & Hf V, < >4<": \> @ \* @' & F, >4b BD4 Hf H-D@ >44 >" 8'R, FH@ D'FBD, \*, :, >4b (250 8 / ("



Q1; ?/ =Y + +=3EAQ %-?EG3 3 EA?E?#Y 3M EGI =+=3a

AD&, <"	ADIR4"	EBF&Z JFH', >4b	EHD
?T 4\$@>@ *24D&'>4,	) @24D&'>4, JFH'>@, >@ 4\$@>@ >48'8& BD&'>@>"FH&684>, BD&'*, >@  E: 4T 8& \$@ \T "b 4 4F: 4T 8& <": "bF&D&H *840, >4b "(D ("H  S 4D4-" BD&N@" (D'\$@R'bT 4D4-" &, F, >4b) & 4\$@>"b  7@B, 8H*: bJFH'>@84 &, F, >4b <": ZN*@ JFH'>@, >, BD'&4 \>@  =@'b'B'D'HbJ*@\$D>46 D'FF, 4&' HfBBD4 D (J: 4D&8'N<"T 4Z >" &, F, >4, BD *Z*JV, 6 B'D'H4  ="DJT, >B@&8J*@\$D>46	I FH'>@8J *@Z &F, (** 8@H& 4D16H B&F) *F&@ BD&'>@ >"FH&684  3FB@ \216H *: b 8@H& bF&D&H'FB4*@&, HZ 4 4*"H484 &@D4&  A, D * D'FF, 4&'>4, < &F, (** D'2, R'6H BD&N@Z "(D ("H  AD&, DAH D (J: 4D&8J 8@B, 8H *: bJFH'>@84 &, F, >4b <": ZN*@  7"R, F&@B'D'H6 <4, D': \>ZNU*@\$D>46 <@, HFJV, F& >@& D'2 4R'HfB 4B@Y&J >*"@ ( @ &F, (** 8@H& 4D&8'H, " *24D' V,, JFH&6F&@2'>@&>"FH'D'4&'H  ?F>@&'H: \>@&V"6H <"T 4J B&F, 8'O* @BD4<, >, >4b 32@, >>Z, B@&40>Z, *, H: 4 F&@ 8D<, >>@2'<, >b6H	17  14  20  16  15  26
C'2-Z, *@Z &, F, >4b J*@\$D>46: , &Z < 4BD'Z < *4F8&	C (J: 4D&@R-Z, TH>(4 8@ 4R, F&' J*@\$D>46 JFH'>@, >Z B&D'2@<J  E<, V. >JB&D (J: 4D&@R>@6 TH>(4 8@ 4R, F&' J*@\$D>46  A@&8J*@\$D>46>" @>@6 FH&@, >"DJT, >	A, D BD&, DAH JFH'>@8J D (J: 4D&@R-Z NT H>( )  I FH'>@4H JB&DB@>@&<J  ?F>@&'H: \>@&V"6H <"T 4J B&F, 8'O* @BD4<, >, >4b 32@, >>Z, B@&40>Z, *, H: 4F&@ 8D<, >>@2'<, >b6H	14  28  25
E4: \>@ @D'2&'>4, BZ: 4 BD4 D'FF, 4&'>44 J*@\$D>46	=, &ZF&@ 8'R, F&@J*@\$D>46 (F: 4T 8& <>@& (D'2DJT, >>ZN(D'>: 4HB)  >@&(D'>: D'2, D& <, >, R <2 <<  7@ 4R, F&@&@D&@&D'FF, 4&' V 4N* 4F8& F: 4T 8& \$@ \T @  32<: \R >4 J*@\$D>46 B@&40>Z <4*, H: b<4 <"T 4Z. 1"F: @8' *24D' V, (@JFH&6F&' \$Z: " F: 4T 8& * @ (2'8DZ'H BD4&8 `R, >>@& &': , @&@' <@/ >@&H	? \$D'HfH 8%T, <J B&F'H& 48J J*@\$D>46 ; 4, D': \>Z, J*@\$D>4b>, B@ >@, >>Z, 4>, J*@, H&@4H: \>@ND'>4: 4F  ? \$D'HfH 8%T, <J B&F'H& 48J J*@\$D>46  AD&@H& 4D16H 8@ 4R, F&@&@D&@&D'FF: " @&@' <@/ >@&H  %: @&@' <@/ >@&H FD'2J O, &Z 8 `R'6H B&F, 2'8DZ'Hb 2'F: @84 *24D' V, (@JFH&6F&' B@&40>Z, *, H: 4 8@H& 4D16H >" &@&@&@&@&@ O*, >4bJ*@\$D>46	15  13  19
?R, &4'>@ &, F, >4, J*@\$D>46 B@ @' <4	I *@\$D>4b>, &ZF&@&@8'R, F&'  AD4<, >, >4, F<, F4J*@\$D>46 (Blend).  =@'b'B'D'HbJ*@\$D>46 D'FF, 4&' HfB D (J: 4D&8'<4 <"T 4Z >" &, F, >4, BD *Z*JV, 6 B'D'H4  3FB@ \2&'>4, >, F&@&H'V, 6D (J: 4D&@R>@ H\$ 4PZ  C'FF, 4&'>4, J*@\$D>46 BD4 B @&@B@&@,  I FH'>@, >@ 4\$@>@ 2"R >4, B, D 8DZ'Hb  > "T 4" >, BD'&4 \>@&'&T, >" >" H'D'8&D  C'\$@R'bT 4D4-" &, F, >4b>, BD'&4 \>@JFH'>@, >"  32@, >>Z, D'FF, 4&' V 4: @'H84 4 44N >, 8@B, 8H&H  C'2 4R4b &*"&, >44T 4> H'D'8&D'  A** >4 R4F: " @&@&@D'\$@4N@(" >@422' >, 4FBD'&@&H BD *ND'>4H: \>@&<JLH	AD *B&Z: 8&*: bND@, (@D 2: \H'H & F, >4b b& b HfB, R&80% (D'>: J*@\$D>46 4<, `H'4'<, HD<, O*J 2 44,75 <<. 7@H& 4D16H J*@\$D>4b 42<, D >4, < 4NL D'8P4@>@& F&H&'  I R4Z&'6H, F&@BD4T 4D4', D'FF, 4&'>4b \$@,, R <15 < F, F4J*@\$D>46 D'FBD *, : b HfB>, D'&@, D@  7"R, F&@B'D'H6 <4, D': \>ZNU*@\$D>46 <@, H FJV, F& >@&D'2 4R'HfB 4B@Y&J *@O>@&F, (** 8@H& 4D&8'HfB " *24D' V,, JFH&6F&@ -B D >"FH'D'4&'HfB  C (J: 4D&@R-J H\$ 4PJ >JO>@&Z \$4D'H &2'4F4<@&H @H D'2, D' (D'>: 4J*, : \>@&@& F' J*@\$D>46 8@H& 4D16H 'H4B'D'<, HZ  =, : \>2 D'FF, 4&'H J*@\$D>4b BD4 &ZF&@&@ "O>@&H &@JN', *@*, 8D'6, &ZF&@&@H <B, D'HJ, 4F4 \>@& &HD (\$@,, 5 <F)  A, D * D'FF, 4&'>4, < &F, (** D'2, R'6H >" B@, BD&N@Z "(D ("H  AD&, DAH, F& `*, >": 4 (@42@H: \>@&H <"T 4Z & BD@ @ \>@ 4B&@, D R@& >"BD'&, >44 (F: 4 & D (J: 4D&@R-Z NH\$ 4P'N>, BD *JF<@D >@*DJ(@); BD&@H& 4D16H &ZF&@J D'FB@ @, >4b D'FF, 4&' V 4N *4F8&  7@H& 4D16H BD'&4 \>@&H JFH'>@84 D (J: 4D&@R>@ TH>(4 >"BD4H&S&@&(F, &' 4 FBD'&') >" F, 8&D, &@>V, >4, : @'H8'<4 4 8@ 4R, F&@&@D&@&D'FF: " @&@' <@/ >@&H  7@H& 4D16H : @'H84  7@H& 4D16H **&, >4, &T 4>'N  7@H& 4D16H D'FF, 4&' V 4, *4F84 >" <": ZN@&@&H4 BD&, D&6H BD *ND'>4H: \>J <JLH, BD4>, @N@ 4<@&H D <@&H4D16H	15  15  15  20  12  13  14  17  11

; "T 4" BD@4Z@4H @R H 4&Z 6 B@H@D@>46 T J<	C'FF, 4&" V 4, *4F84 2*, &" H2' &ZBF8>Z, HDJ\$Z *@24D' V, (@JFH@&FF& C'FF, 4&"H: \ @H& , > BD4 &B ` R >>@& &": , @&\$@' <@/ >@H# C'FF, 4&" V 4, *4F84 *, L@<4D&&'>Z, 4<, ` H *4F\$: ">F =": 4B'>4, <4>, D': \>Z NJ* @D >46 >" B@ &40>Z, *, H: 4 4/4 4 >" D'FF, 4&" V 4, *4F84	?H) (J: 4D16H B@ @, >4, &ZBF8>Z NHDI\$(2'2@&H1,0 *@ 1,3 <<) = 48@*" >, @H& b6H D'FF, 4&"H: \ F >"B@ >, >>Z < \$J>8 D@< 7@<HD@ 4D16H D'FF, 4&" V 4, *4F84 >" >": 4R4, B&&D O*, >46 4J8@<B , 8-@&&'>>@H &F, <4 >, @&N@ 4<Z <4 : @'H'<4 I *": 4H >": 4BT 4, @H H84J* @D >46 ; "T 4J @>@&'H: \>@ @R4V"6H B@F, 8'O* @&@4FB@ \2&&'>4b	28 19 15 26
?VJV", Hb F4 \>"b &4\$D'P4b <"T 4>Z	EQ 11 %Y 79 Q3G+ % 9?G#?Q ; ?U=?EG3! E4 \>Z 6 *4F\$: ">F D'FF, 4&" V 4N*4F8& ), L@<4D&&'>>Z, &": Z BD4&@ @&4 4B&&D O*, >>Z, B@ &40>Z, *, H: 4 ="DJT, >Z *@BJFH<Z, 2"R>4b D'\$@R4N J(: @& 8'D">>@&@&": "	AD *@&D'V"6H B&&D O*, >4b JH'D'>b6H BD4R4>Z! 7@<HD@ 4D16H D'FF, 4&" V 4, *4F84 4D'FF, 4&" V 4, : @'H84 1"<, >4H *, L@<4D&&'>>Z, &": Z BD4&@ @& B&&D O*, >>Z, B@ &40>Z, *, H: 4 =, *@BJF8'H D'\$@R46 J(@ 8'D">>@&@&": " \$@,, R, < 30 (D*'JF&	15 28 11





---

Руководство по эксплуатации

KVERNELAND NIEUW-VENNEP B.V.  
Hoofdweg 1278  
NL-2153 LR Nieuw-Venep  
The Netherlands

---

**Prod. series nr 77151**  
Эффективный от ident.nr (PIN)  
**0001**

**70.050.405**

---