

KV-PENTON RS-M

Spare parts manual

Article number: 70009948

Production year: 2008

Effective: 01001 ≥Mach ID

Prod. Series nr: 77501-00

AANHAALMOMENTEN / TORQUES / ANZUGSMOMENTE / COUPLES DE SERRAGE / PARES DE APRIETE / MOMENTI DI TORSIONE / BINÁRIOS DE APERTO / TILSTRAMMINGSMOMENTER / TILSPÆNDINGSMOMENTER

- NL** Richtlijnen voor aanhaalmomenten (in Nm) voor zelfborgende moeren, zeskantbouten en moeren. **EN** Guidelines for torques (in Nm) for self-locking nuts, hexagon bolts and nuts.
DE Richtlinien für Anzugsmomente (in Nm) für selbstsichernde Muttern, Sechskantschrauben und -mutter. **FR** Directives pour les couples de serrage (en Nm) pour écrous à autobloquants, boulons à six pans et écrous.
ES Directrices para los pares de apriete (en Nm) para las tuercas autoblocantes, los tornillos hexagonales, los tornillos hexagonales y las tuercas. **PT** Directrizes para os binários de aperto (em Nm) para porcas autobloqueadoras, parafusos hexagonais e porcas.
IT Direttive per momenti di torsione (espressi in Nm) per dadi autobloccanti, bulloni esagonali e dadi. **DA** Retningslinjer for tilstrammingsmomenter (i Nm) for selvslåsende møtrikker, sekskantbolte og møtrikker.
NO Retningslinjer for tilstrammingsmomenter (i Nm) for selvslåsende muttere, sekskantbolter og muttere.

	4.6		8.8		10.9		12.9	
	0,10	0,13	0,10	0,13	0,10	0,13	0,10	0,13
Wrijving / Friction / Reibung / Fricción / Atrito / Attrito / Friktion / Friksjon *								
Schroefdraad / Thread / Gewinde / Filetage								
Rosca / Filettatura / Gewind / Skruvegjenge								
M5	1,7	2	5	6	7	9	8	10
M6	3	4	9	10	13	15	15	18
M8	8	9	21	25	31	36	36	42
M10	16	19	40	50	60	70	70	85
M12	27	32	70	85	105	120	120	145
M14	42	50	115	135	165	195	195	230
M16	65	76	175	210	260	300	300	350
M18	90	110	250	290	350	420	410	490
M20	125	150	350	420	500	600	580	700
M22	170	200	470	560	670	800	780	930
M24	210	250	600	710	860	1020	1000	1180

- * **NL** De wrijvingscoëfficiënt van 0,10 geldt voor geoliede plaat, gietijzer, geharde vlakken, vette schroefdraad, etc. De hogere waarde van 0,13 geldt voor een droge plaat. Uitzonderingen op deze tabel zijn vermeld in het onderdeel- en/of instructieboek. Aanhaalmomenten voor bouten en moeren met gekarteide onderkant, zoals Tensilock en Whizlock, 10% extra.
* **EN** The friction coefficient of 0,10 applies to oiled sheet, cast iron, hardened surfaces, greasy thread, etc. The higher value of 0,13 applies to dry sheet. Exceptions to this table are stated in the parts- and /or instruction manual. Torques for bolts and nuts with a knurled underside, like Tensilock and Whizlock, 10% extra.
* **DE** Der Reibungskoeffizient von 0,10 gilt für geölte Flächen, Gußeisen, gehärtete Flächen, gefettetes Gewinde usw. Der höhere Wert von 0,13 gilt für trockene Flächen. Ausnahmen zu dieser Tabelle sind im Ersatzteilhit und/oder in der Betriebsanleitung. Anzugsmomente für Schrauben und Muttern mit gerändelter Unterseite, wie Tensilock und Whizlock, zuzüglich 10% extra.
* **FR** Le coefficient de frottement de 0,10 s'applique aux surfaces huilées, à la fonte, aux surfaces trempées, aux filetages grassés etc. Le coefficient de 0,13 aux surfaces sèches. Les exceptions à se tableau sont mentionnées dans la nomenclature des pièces et/ou dans le manuel d'emploi. Ajoutez 10% pour les boulons et écrous à partie inférieure crénelée, comme les Tensilock et les Whizlock.
* **ES** El coeficiente de fricción de 0,10 es indicado para planchas lubricadas, hierro fundido, superficies endurecidas, rosca grasienta, etc. El valor más alto de 0,13 es para planchas secas. Las excepciones a este cuadro se mencionan en el libro de repuestos y/o manual de instrucciones. Los pares de apriete para tornillos y tuercas con cara inferior dentada, como los Tensilock y Whizlock, 10% extra.
* **PT** O coeficiente de atrito de 0,10 aplica-se às superfícies oleadas, ao ferro fundido, às superfícies temperadas, às rosca emassadas etc. O coeficiente de 0,13 às superfícies secas. As exceções a este quadro estão mencionadas na nomenclatura das peças e/ou no manual de instruções. Os binários de aperto para porcas e parafusos cujas bases sejam serradas (Tensilock, Whizlock) devem ser aumentados em 10%.
* **IT** Il coefficiente di frizione pari a 0,10 si riferisce a superfici oliate, alla ghisa, a superfici temprate, a filettature spesse ecc. Il valore più alto, pari a 0,13, si riferisce a superfici asciutte. Tutte le eccezioni a quanto riportato in questa tabella, si trovano nel libretto dei pezzi o nel libretto delle istruzioni. I momenti torcenti per bulloni e dadi la cui parte inferiore è zigrinata, come i Tensilock (K 100) e Whizlock, sono superiori del 10%.
* **DA** Friktionskoefficienten på 0,10 gælder for smurte flader, støbejern, hærdede overflader, fedtholdige gevind etc. Den højere værdi på 0,13 gælder for tørre flader. Undtagelser til tabellen er angivet i reservedels- og/eller instruktionsbog. Når det drejer sig om momenter for bolte og møtrikkers med en riflet underside, som Tensilock (K100) og Whizlock, skal der tilføjes 10% ekstra.
* **NO** Friksjonskoeffisienten på 0,10 gjelder for smurt plate, støpejern, herdede flater, innfettete gjenger etc. Den høyere verdien på 0,13 gjelder for tørr plate. Unntak fra denne tabellen er angitt i deleboken og/eller i instruksjonsboken. Tiltrekkingmomenter for skruer og mutre med riflet underkant, som Tensilock (K100) og Whizlock 10% tillegg.

VRIDMOMENT / MOMENTY OBROTOWE / УТАНОВАЦИ МОМЕНТИ / ПРИВЈАЈНИ МОМЕНТИ / MOMENT ZATYAGIVANIYA / PRIVIJALNI MOMENTI / MEGHÚZÁSI NYOMATÉKOK

- SV** Anvisningar för vridmoment (i Nm) för självåsande muttrar, sexkantiga bultar och muttrar. **PL** Wyuczne dotyczące momentów obrotowych (w Nm) nakrętek samozabezpieczających, śrub z łbem sześciokątnym i nakrętek.
- CS** Směrnice pro utahovací momenty (v Nm) pro samosvorné matice, šrouby a matice s šestihran hlavou **RU** Указания для моментов затягивающей (в Нм) для самоблокирующихся гаек, шестигранных болтов и гаек.
- SL** Navodila za privijalne (navorne) momente (v Nm) za matice in vijake. **HU** Előírt meghúzási nyomatékok (Nm-ben) az önzáró anyákhoz, hatlapfejű csavarokhoz és anyákhoz.

	4.6		8.8		10.9		12.9	
	0,10	0,13	0,10	0,13	0,10	0,13	0,10	0,13
Kvalitet / Jakość / Jakost / Качество / Kvaliteta / Minőség								
Friktion / Tarcie / Třeni / Трение / Trenje / Súrlódás *								
Gänga / Gwint / Závit / Резьба Navoj / Menet								
M5	1,7	2	5	6	7	9	8	10
M6	3	4	9	10	13	15	15	18
M8	8	9	21	25	31	36	36	42
M10	16	19	40	50	60	70	70	85
M12	27	32	70	85	105	120	120	145
M14	42	50	115	135	165	195	195	230
M16	65	76	175	210	260	300	300	350
M18	90	110	250	290	350	420	410	490
M20	125	150	350	420	500	600	580	700
M22	170	200	470	560	670	800	780	930
M24	210	250	600	710	860	1020	1000	1180

- * **SV** Friktionskoefficienten 0,10 gäller oljad plåt, gjutjärn, hårdade ytor, smorda gängor etc. Det högre värdet 0,13 gäller torr plåt. Undantag från denna tabell anges i reservdels- och/eller instruktionsboken. **PL** Atragningsmoment för räfflade bultar och muttrar, som Tensilock och Whizlock 10% extra.
- * **PL** Współczynnik tarcia 0,10 dotyczy płyty oliwionej, żeliwa, powierzonej hartowanych, nasmarowanych gwintów, itp. Wyższy współczynnik 0,13 dotyczy płyty suchej. Wyjątki od niniejszej tabeli podano w katalogu części /lub instrukcji. Momenty obrotowe zwiększają się o dodatkowe 10% w przypadku śrub i nakrętek z radełkowanym spodem, jak na przykład, Tensilock (K100) o Whizlock.
- * **CS** Koefficient třeni 0,10 platí pro naolejovaný plech, litinu, kalené povrchy, namazaný závit a tak dále. Vyšší hodnota 0,13 platí pro suchý plech. Výjimky z této tabulky jsou uvedeny v seznamu náhradních dílů a/nebo v provozním návodu. Utahovací momenty pro šrouby a matice s ruhovanou spodní stranou 10% navíc, jako např. Tensilock (K100), Whizlock.
- * **RU** Коэффициент трения в 0,10 относится к смазаным плитам, чугуны, затвердевшим поверхностям резьбы с нанесенной смазкой и т.д. Более высокое значение в 0,13 относится к сухим плитам. Исключения для данной таблицы указаны в брошюре с описанием рабочих деталей и/или инструкции по эксплуатации. Моменты затягивания для болтов и гаек с зазубренной стороной выше на 10% для таких как, Tensilock (k 100) и Whizlock.
- * **SL** Koefficient trenja 0,10 velja za naoljene površine, litino, kovane površine, namažane navoje itd. Višja vrednost 0,13 velja za suhe površine. Izjeme v tej tabeli so v zvezku rezervnih delov ali pa v navodilu o uporabi navedene. Navornim momentom za vijake in matice z naribano spodnjo površino, kot so Tensilock (K100) in Whizlock, dodamo 10%.
- * **HU** A 0,10 súrlódási tényező az olajozott lemezekre, öntöttvasra, edzett felületekre, zsírozott menetre, stb alkalmazható. A 0,13 asmagasabb érték a száraz lemezekre alkalmazható. E táblázat alól kivételt képező tételek az alkatrészeknél és/vagy a gépkönyvekben vannak felsorolva. A meghúzási nyomaték az alsó peremen bordázott csavarok és anyák esetében 10%-kal nagyobb, pl. Tensilock (K100) és Whizlock.

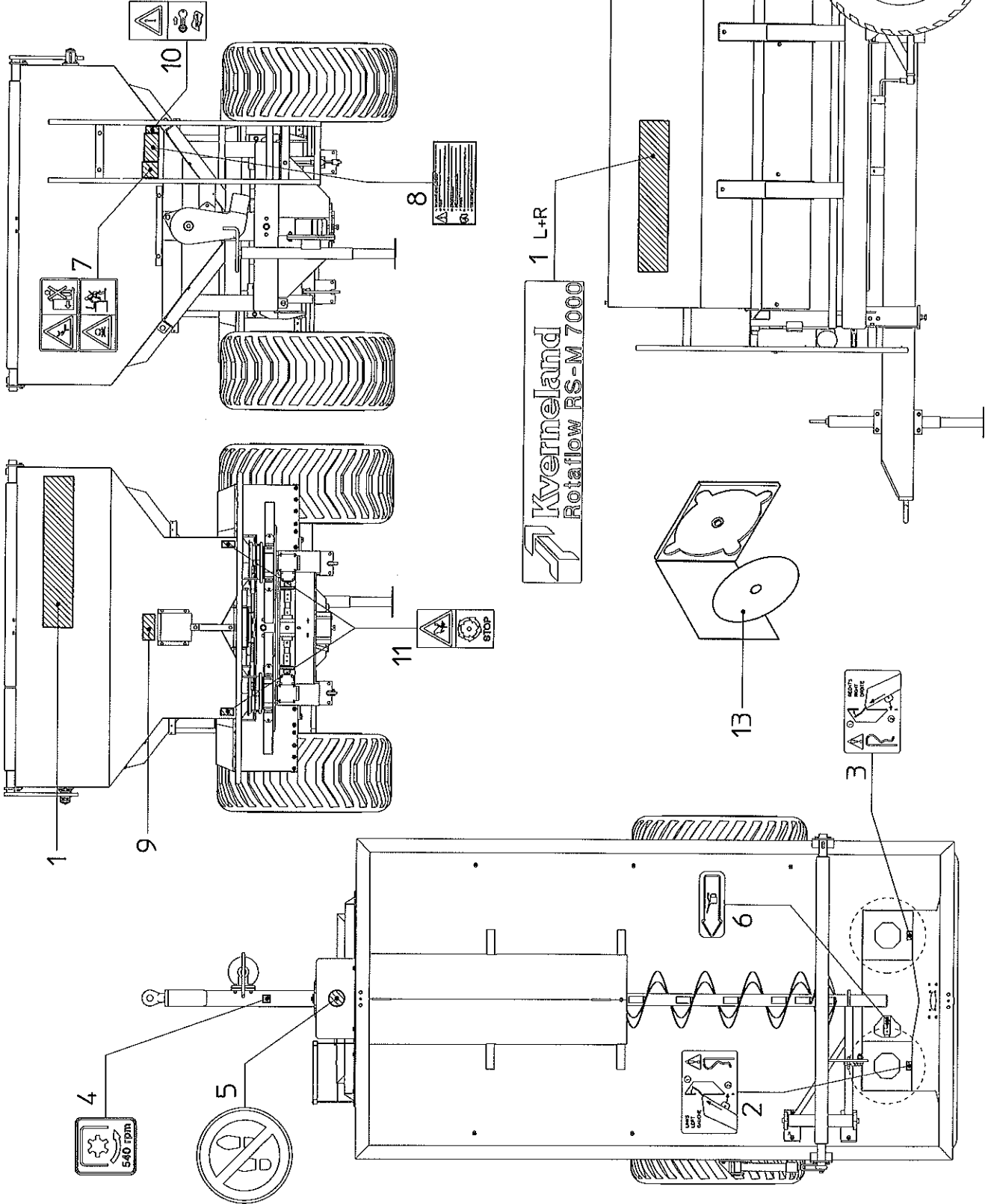
serial number 77501

C16

PENTON RS-M

bestelnnummer
 ordernummer
 num. a commander
 Bestellnummer

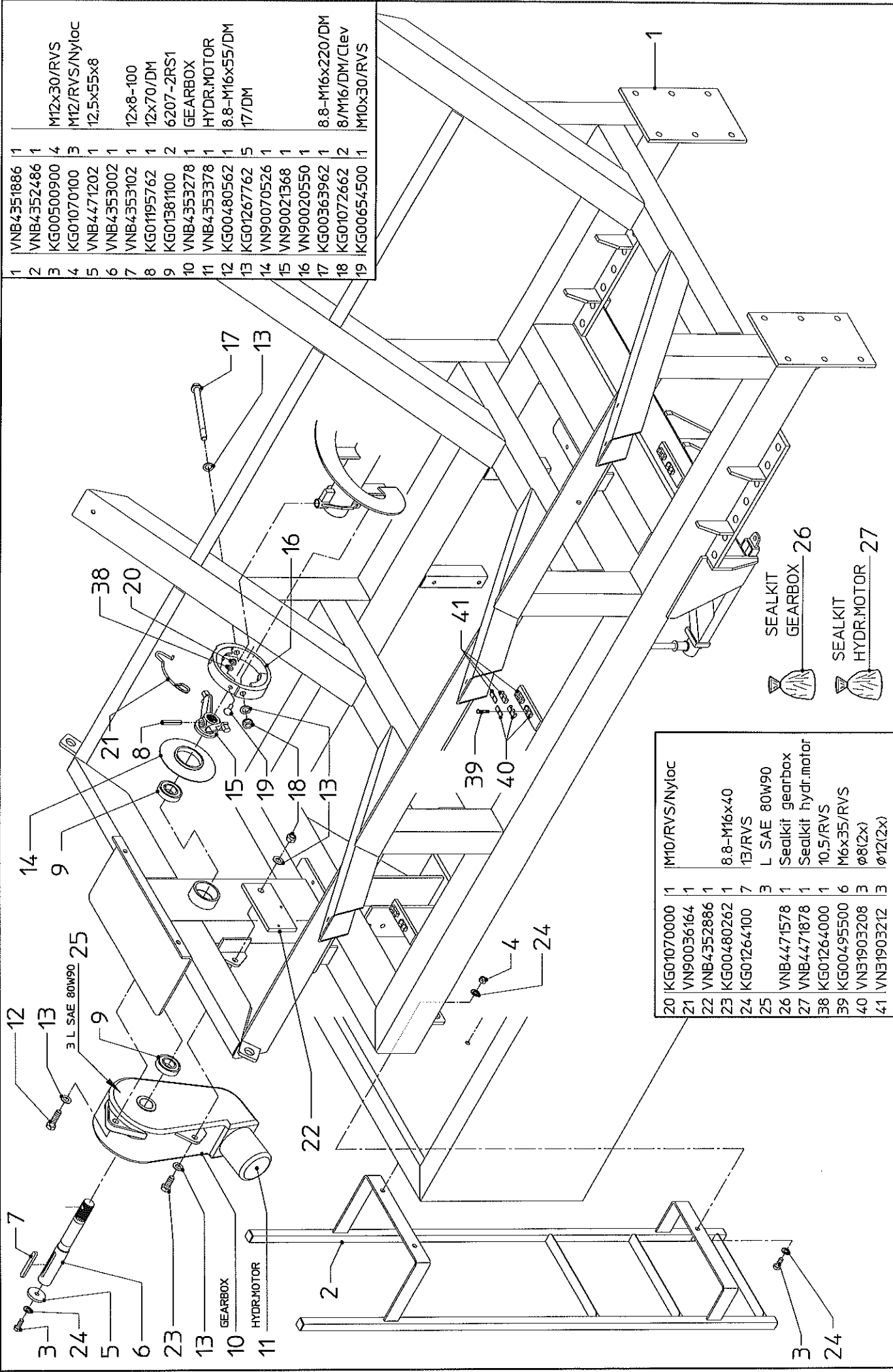
1	VNB4336774	3
2	VNB1194874	1
3	VNB1181374	1
4	VNB1310474	1
5	VNB3861874	1
6	VN90090191	2
7	RG00052288	1
8	VGTR61	1
9	VGTR1010	3
10	VGTR2005	1
11	VGTR2023	2
12	VGTR2059	1
13	KK742357	1



serial number 77501

F1

PENTON RS-M



1	VNB4351886	1
2	VNB4352486	1
3	KG00500900	4
4	KG01070100	3
5	VNB4471202	1
6	VNB4353002	1
7	VNB4353102	1
8	KG01195762	1
9	KG01381100	2
10	VNB4353278	1
11	VNB4353378	1
12	KG00480562	1
13	KG01267762	5
14	VN90070526	1
15	VN90021368	1
16	VN90020550	1
17	KG00363962	1
18	KG01072662	2
19	KG00654500	1

20	KG01070000	1	M10/RVS/Nyloc
21	VN90036164	1	
22	VNB4352886	1	
23	KG00480262	1	8.8-M16x40
24	KG01264100	7	13/RVS
25		3	L SAE 80W90
26	VNB4471578	1	Sealkit gearbox
27	VNB4471878	1	Sealkit hydr.motor
38	KG01264000	1	10.5/RVS
39	KG00495500	6	M6x35/RVS
40	VNB1903208	3	ø8(2x)
41	VNB1903212	3	ø12(2x)

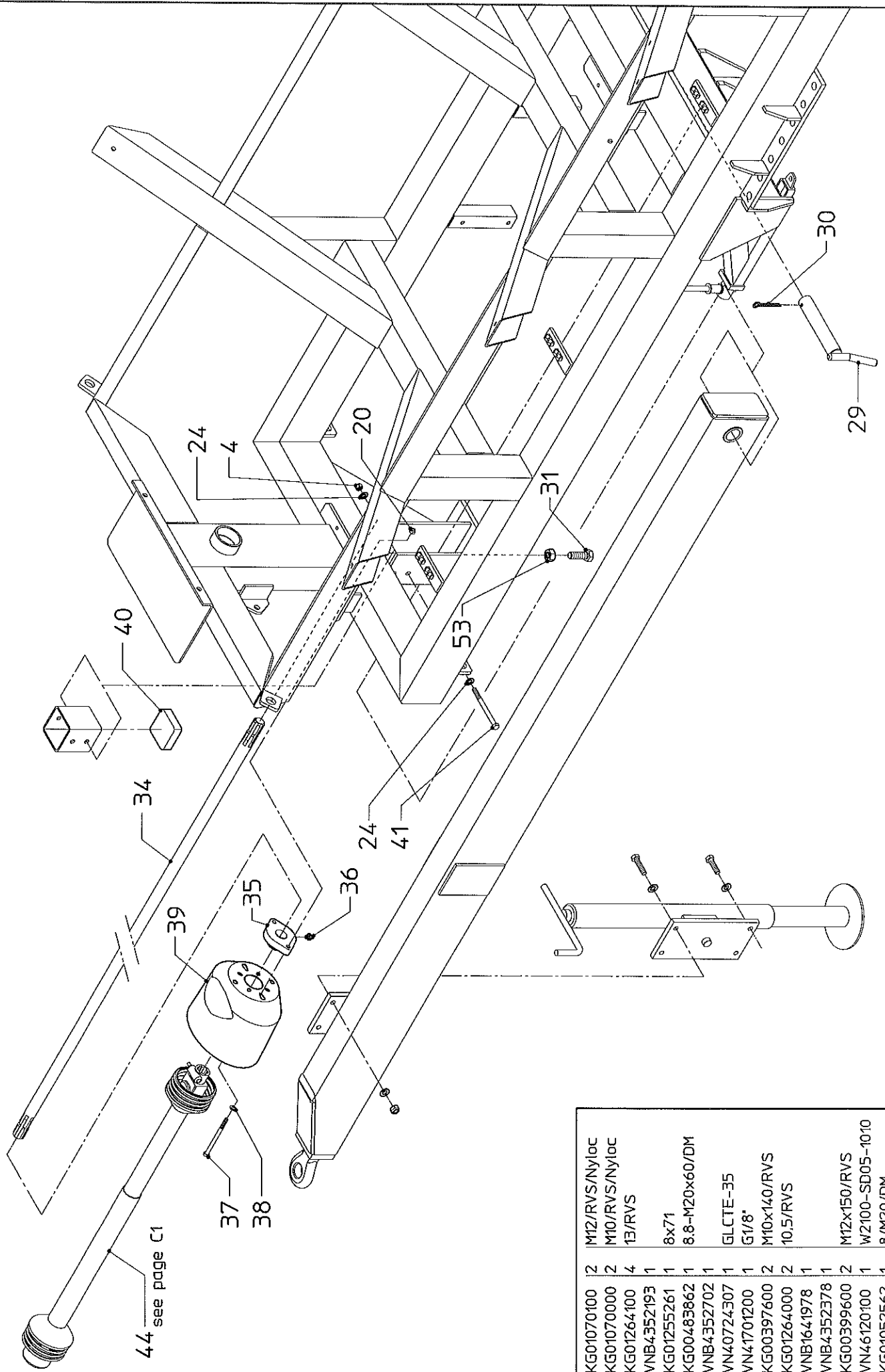
SEALKIT
GEARBOX 26

SEALKIT
HYDR.MOTOR 27

serial number 77501

F2

PENTON RS-M

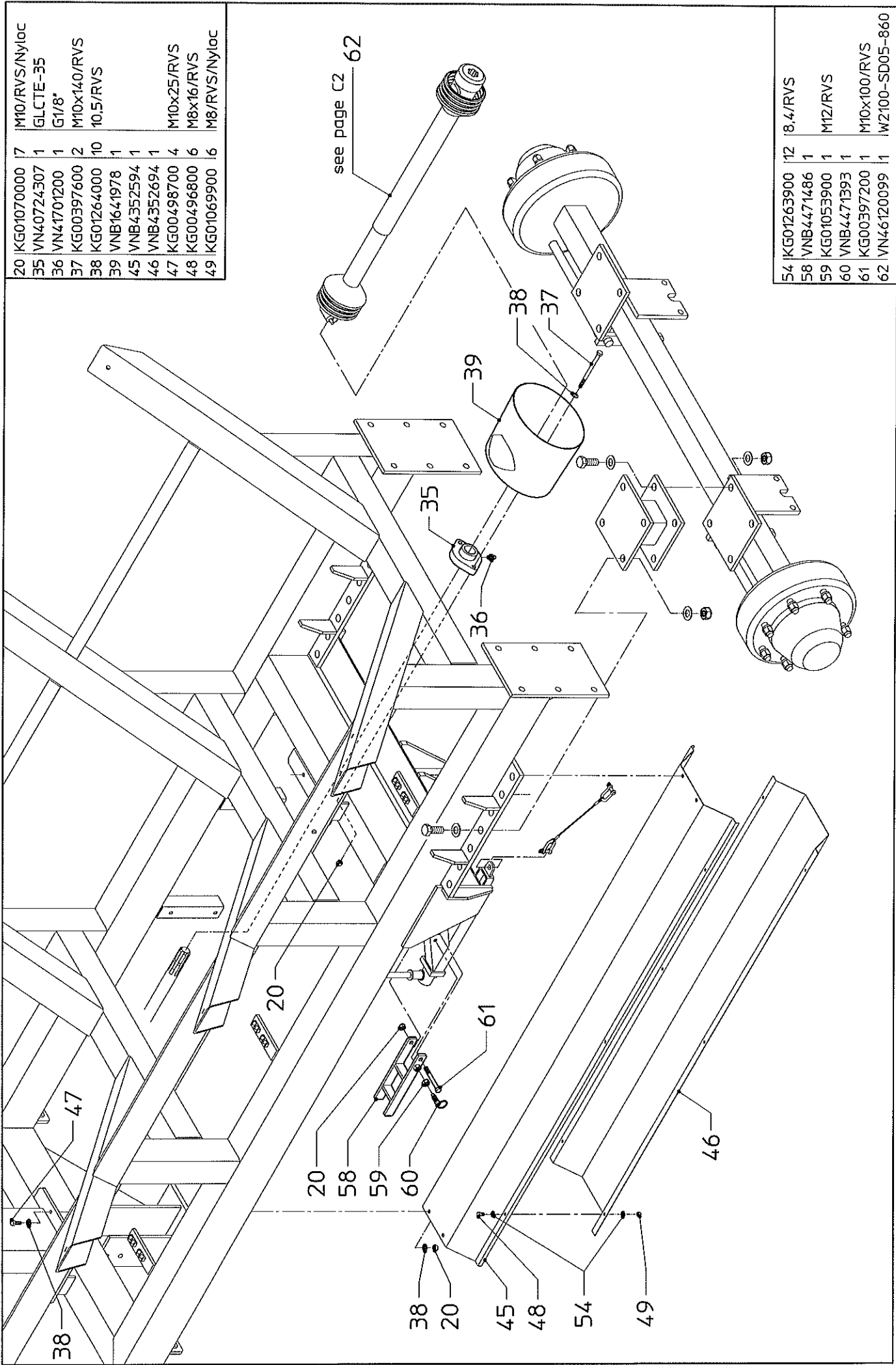


4	KG01070100	2	M12/RVS/Nyloc
20	KG01070000	2	M10/RVS/Nyloc
24	KG01264100	4	13/RVS
29	VNB4352193	1	8x71
30	KG01255261	1	8.8-M20x60/DM
31	KG00483862	1	GLCTE-35
34	VNB4352702	1	G1/8"
35	VN40724307	1	M10x140/RVS
36	VN41701200	1	10.5/RVS
37	KG00397600	2	
38	KG01264000	2	
39	VNB1641978	1	
40	VNB4352378	1	
41	KG00399600	2	M12x150/RVS
44	VN46120100	1	W2100-SD05-1010
53	KG01052562	1	8/M20/DM

serial number 77501

F3

PENTON RS-M



20	KG01070000	7	M10/RVS/Nyloc
35	VN40724307	1	GLCTE-35
36	VN41701200	1	G1/8"
37	KG00397600	2	M10x140/RVS
38	KG01264000	10	10.5/RVS
39	VNB1641978	1	
45	VNB4352594	1	M10x25/RVS
46	VNB4352694	1	M8x16/RVS
47	KG00498700	4	
48	KG00496800	6	
49	KG01069900	16	M8/RVS/Nyloc

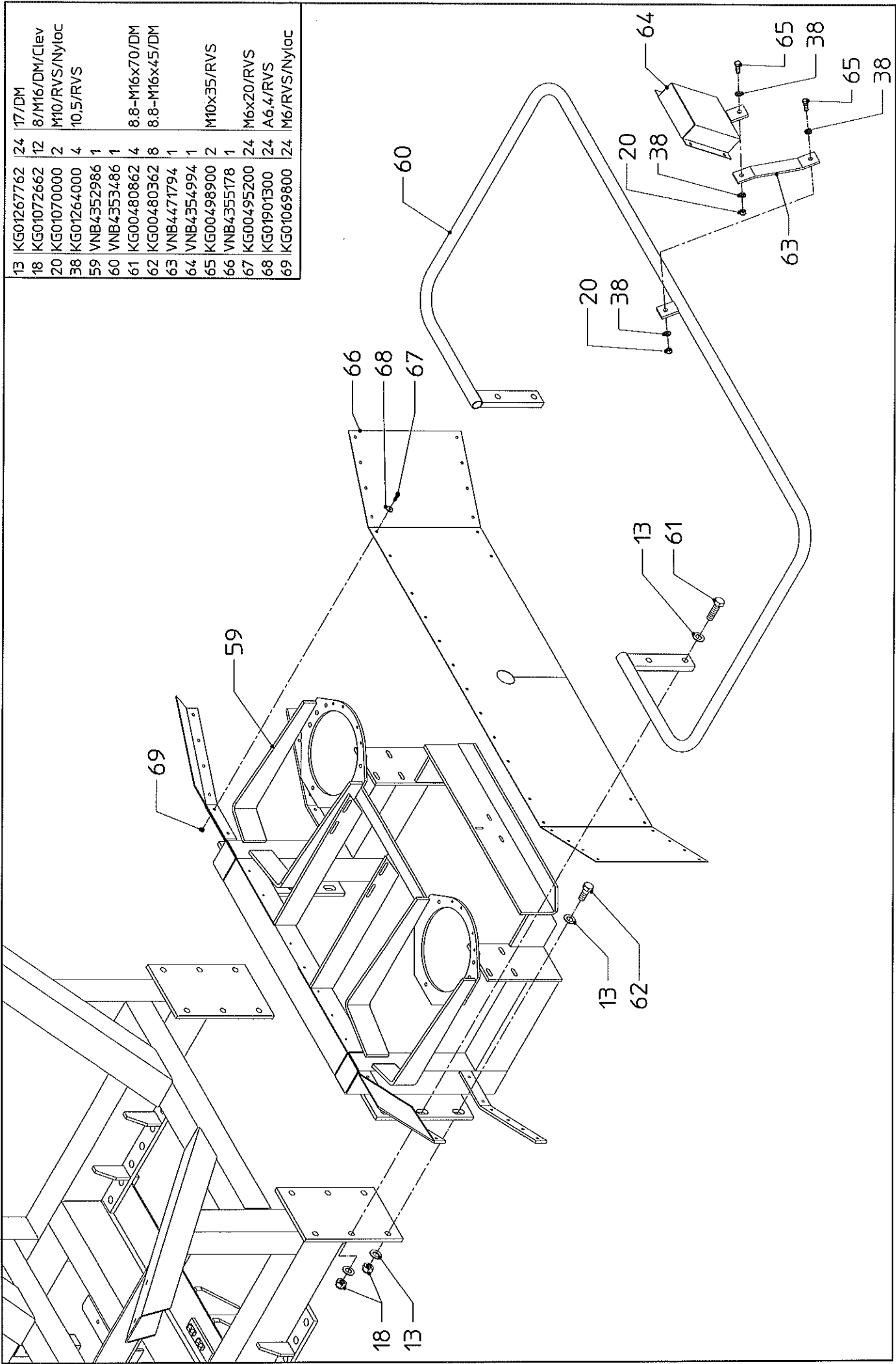
54	KG01263900	12	8.4/RVS
58	VNB4471486	1	
59	KG01053900	1	M12/RVS
60	VNB4471393	1	
61	KG00397200	1	M10x100/RVS
62	VN46120099	1	W2100-SD05-860

serial number 77501

F4

PENTON RS-M

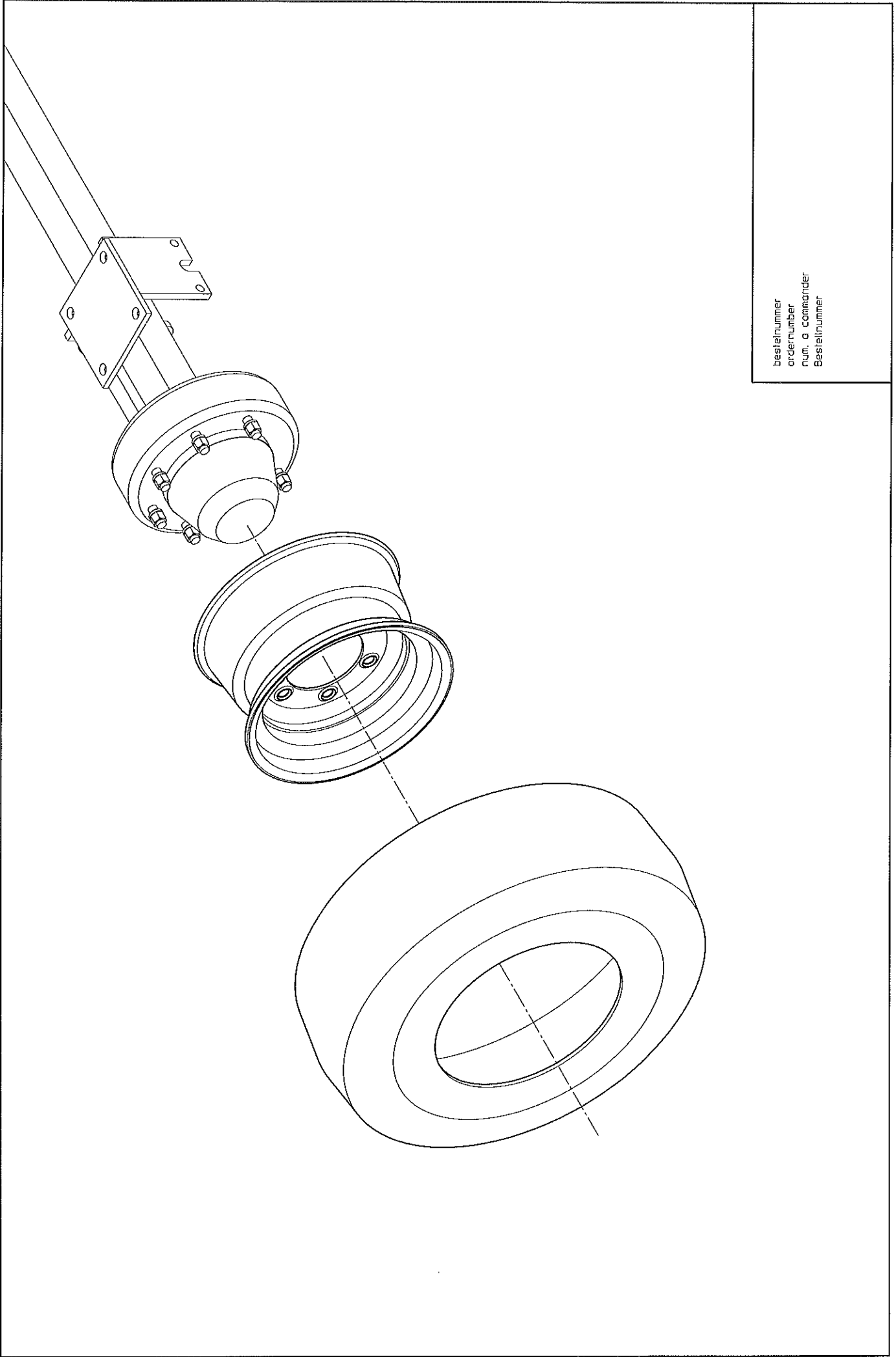
13	KG01267762	24	17/DM
18	KG01072662	12	8/M16/DM/Clev
20	KG01070000	2	M10/RVS/Nyloc
38	KG01264000	4	10.5/RVS
59	VNB4352986	1	
60	VNB4353486	1	
61	KG00480862	4	8.8-M16x70/DM
62	KG00480362	8	8.8-M16x45/DM
63	VNB4471794	1	
64	VNB4354994	1	
65	KG00498900	2	M10x35/RVS
66	VNB4355178	1	
67	KG00495200	24	M6x20/RVS
68	KG01901300	24	A6.4/RVS
69	KG01069800	24	M6/RVS/Nyloc



serial number 77501

F5

PENTON RS-M

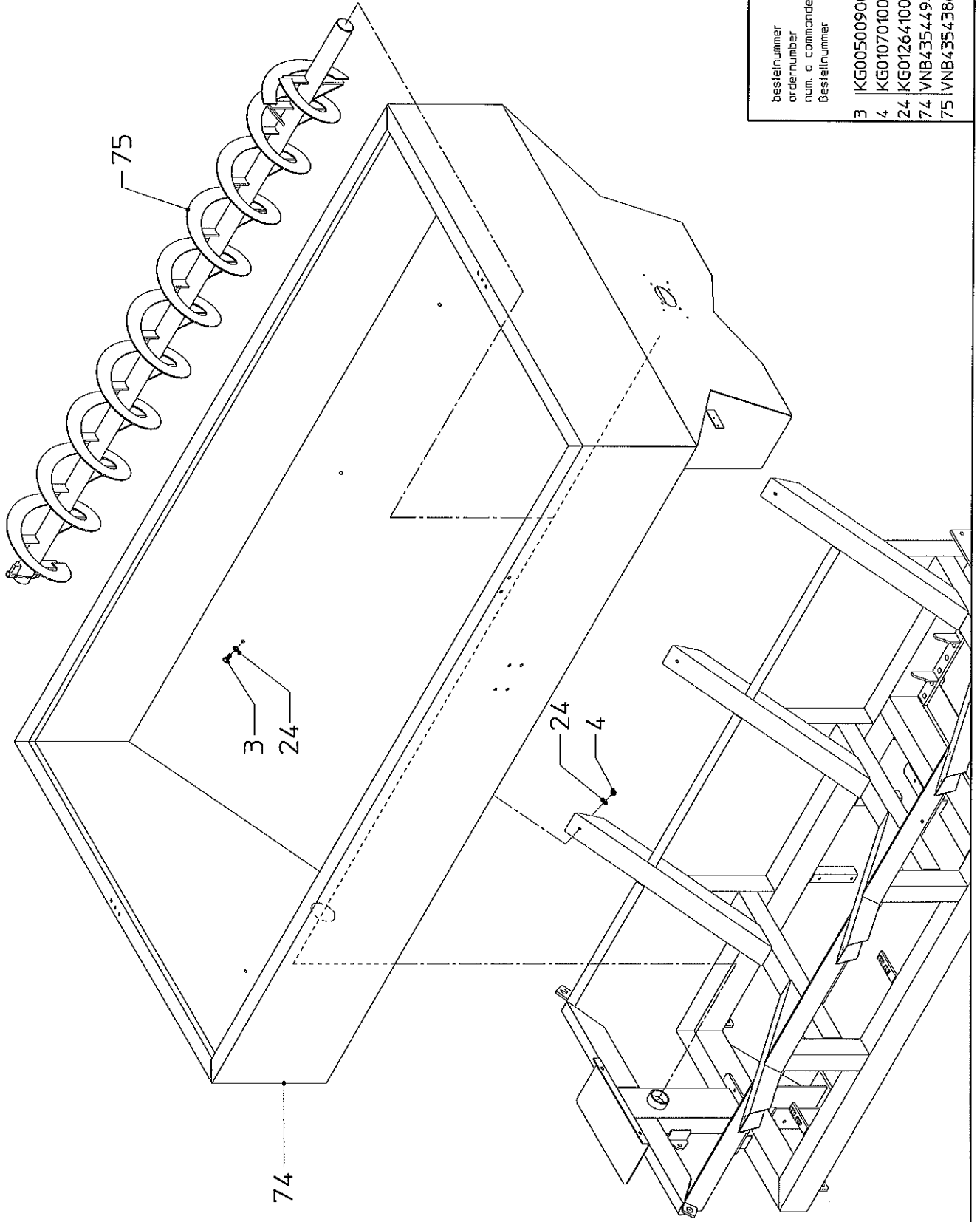


bestellnummer
ordernummer
num. o commander
Bestellnummer

serial number 77501

F6

PENTON RS-M



bestelnummer
order number
num. a commander
Bestellnummer

3	KG00500900	16	M12x30/RVS
4	KG01070100	12	M12/RVS/Nylac
24	KG01264100	6	13/RVS
74	VNB4354494	1	
75	VNB4354386	1	

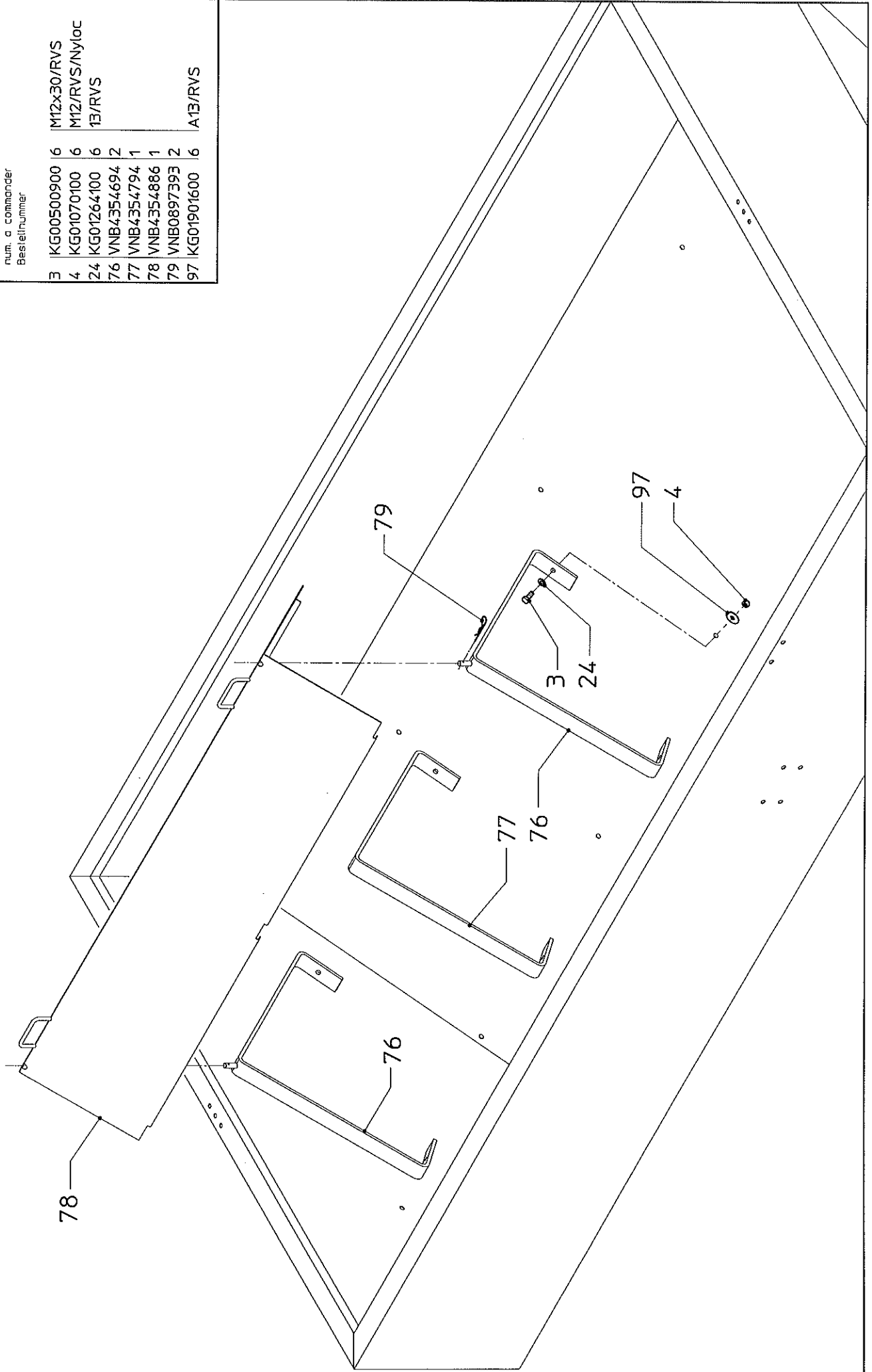
serial number 77501

F7

PENTON RS-M

bestelnnummer
ordernummer
num. a commander
Bestelnnummer

3	KG00500900	6	M12x30/RVS
4	KG01070100	6	M12/RVS/Nyloc
24	KG01264100	6	13/RVS
76	VNB4354694	2	
77	VNB4354794	1	
78	VNB4354886	1	
79	VNB0897393	2	
97	KG01901600	6	A13/RVS



serial number 77501

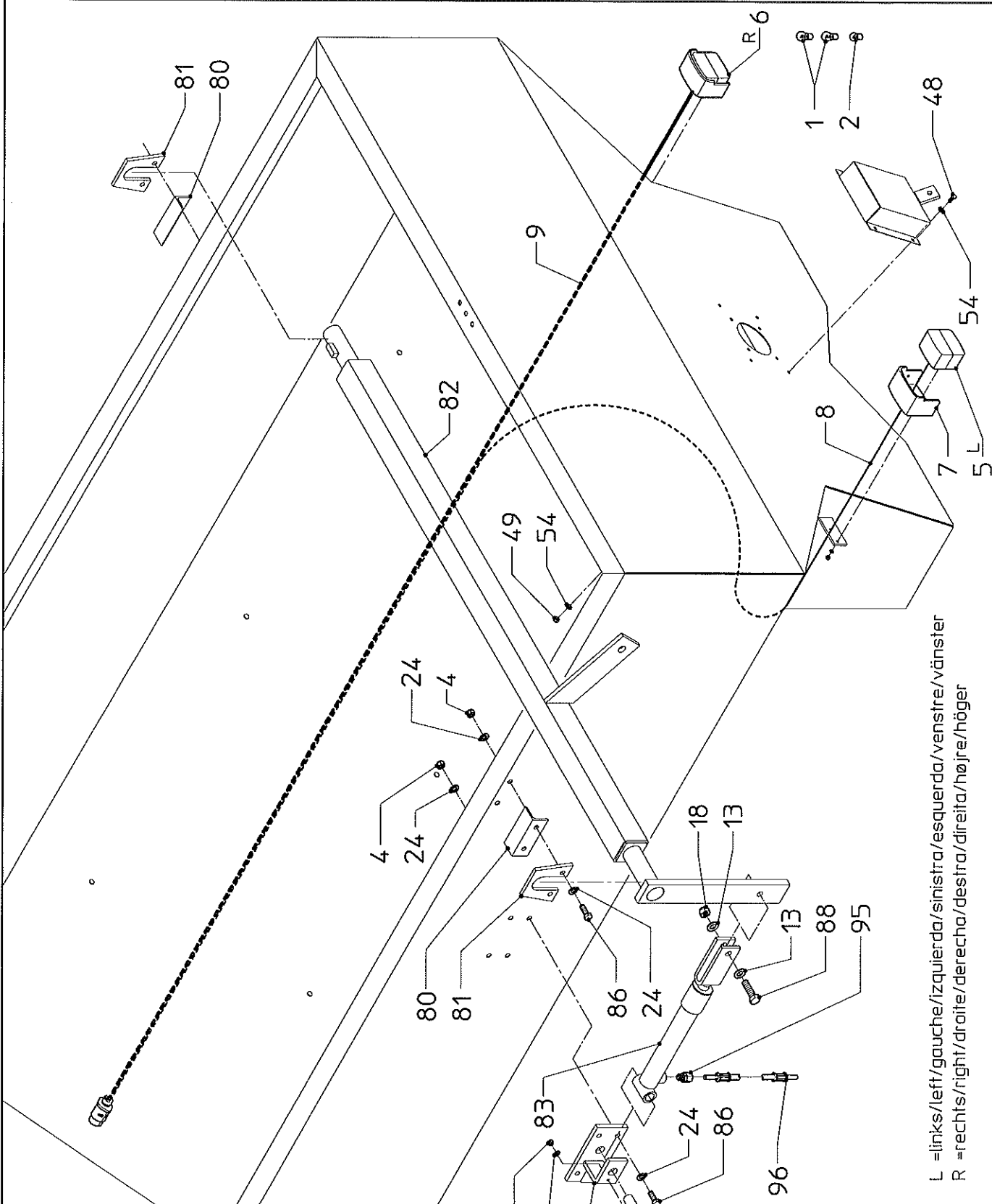
F8

PENTON RS-M

bestellnummer
ordernumber
num. a commander
Bestellnummer

1	VN48523002	4	12V/121W
2	VN48523001	2	12V/10W
4	KG01070100	8	M12/RVS/Nyloc
5	VNB3452478	1	L
6	VNB3452378	1	R
7	VNB3620578	2	
8	VNB1128178	X	5-p/m
9	VNB1128078	X	7-p/m
13	KG01267762	2	17/DM
18	KG01072662	1	8/M16/DM/Clev
24	KG01264100	16	13/RVS
48	KG00496800	4	M8x16/RVS
49	KG01069900	5	M6/RVS/Nyloc
54	KG01263900	10	8.4/RVS
80	VNB4353586	2	
81	VNB4353686	2	

82	VNB4353786	1	M12x35/RVS
83	VNB4353878	1	M8x20/RVS
84	VNB4353986	1	8.8-M16x60/DM
85	VNB4354086	1	GEV-12L-R3/8"
86	KG00501000	8	3/8"-L=750
87	KG00496900	1	
88	KG00480662	1	
95	VN38820159	1	
96	VNB4470978	1	

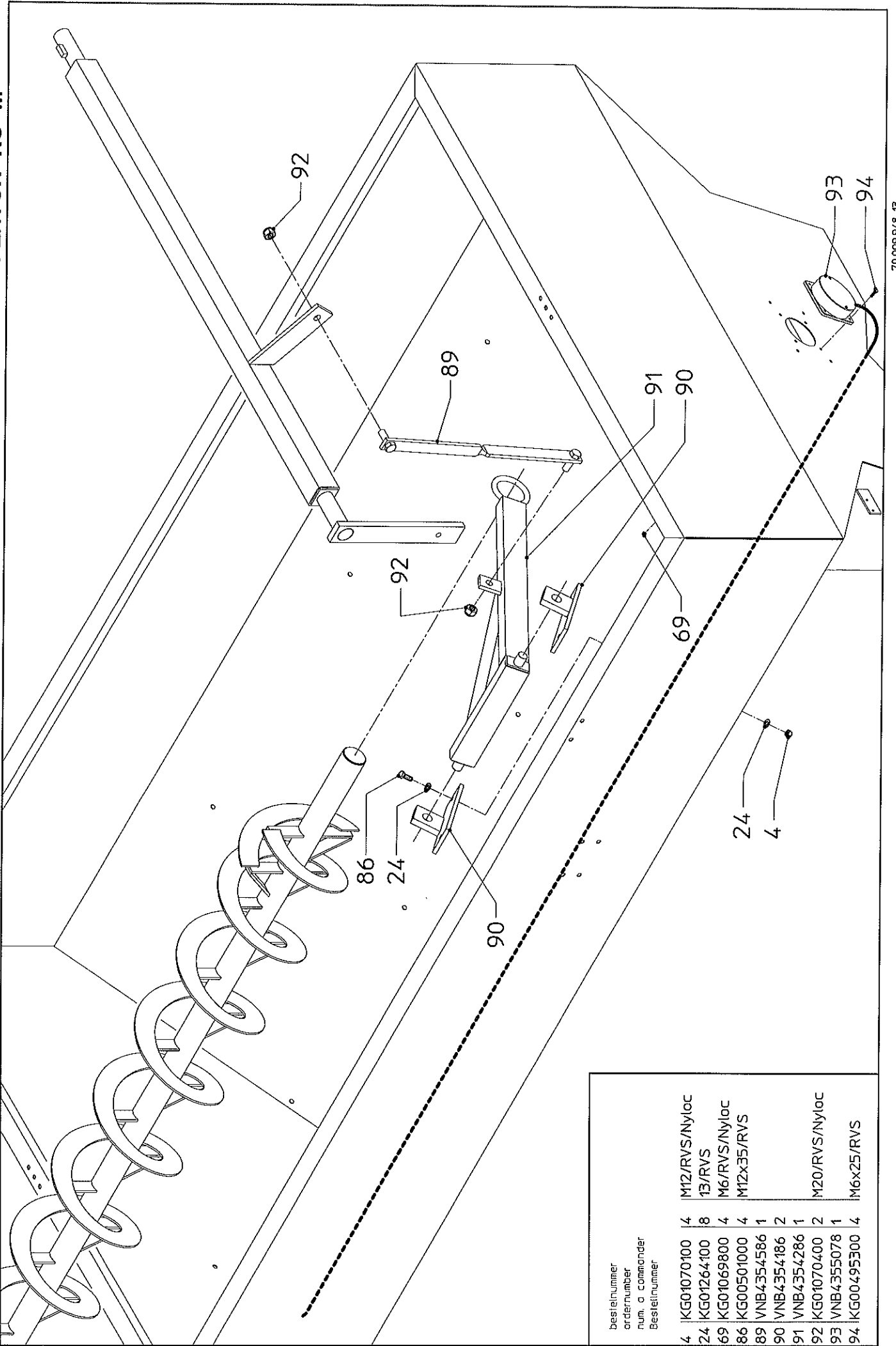


L =links/left/gauche/sinistra/esquerda/venstre/vänster
R =rechts/right/droite/derecha/destra/direita/højre/höger

serial number 77501

F9

PENTON RS-M

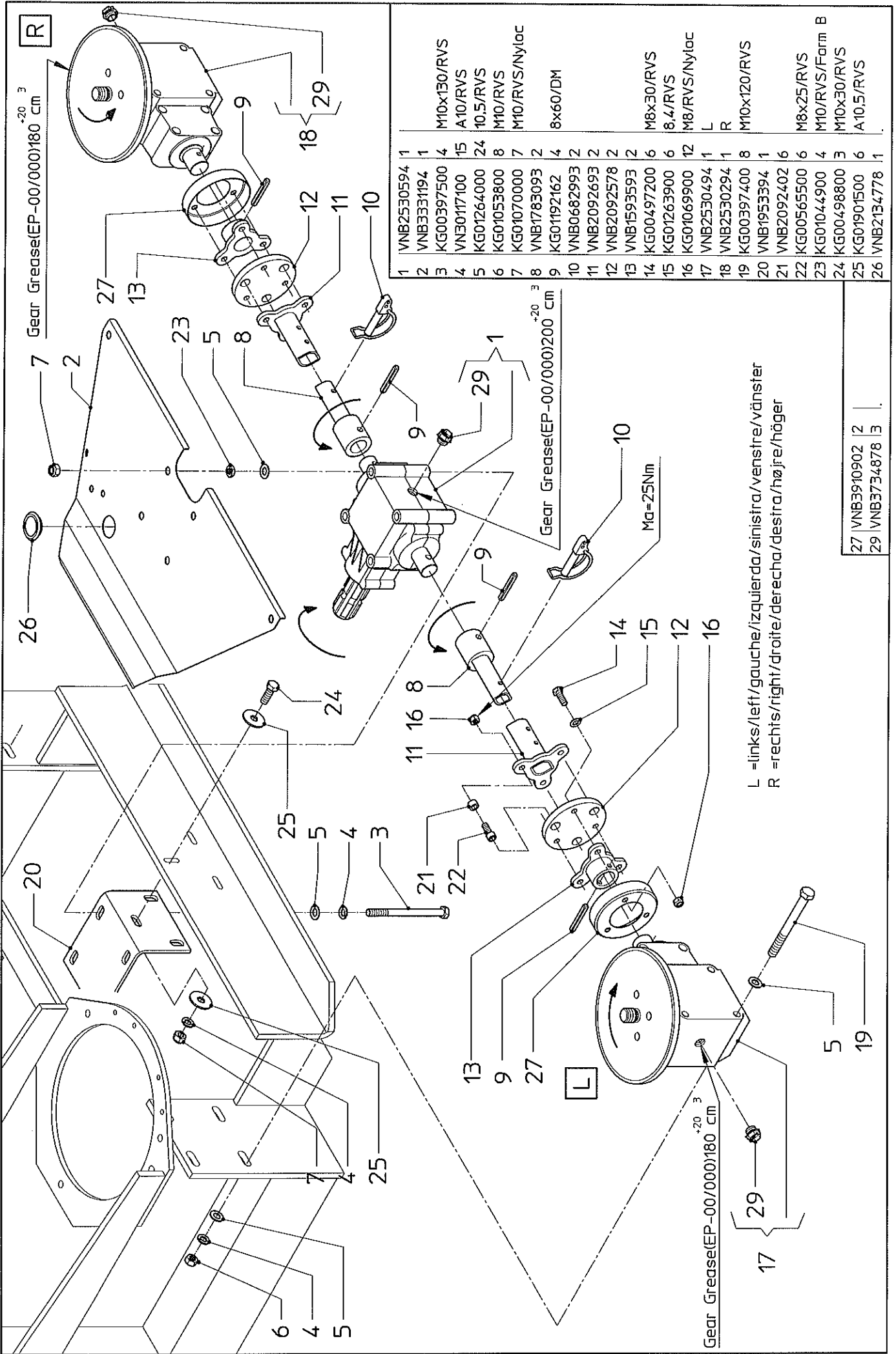


bestelnummer ordernumber num. o commander Bestellnummer		M12/RVS/Nylac 13/RVS M6/RVS/Nylac M12x35/RVS
4	KG01070100	4
24	KG01264100	8
69	KG01069800	4
86	KG00501000	4
89	VNB4354586	1
90	VNB4354186	2
91	VNB4354286	1
92	KG01070400	2
93	VNB4355078	1
94	KG00495300	4

serial number 77501

F10

PENTON RS-M



1	VNB2530594	1	M10x130/RVS
2	VNB333194	1	A10/RVS
3	KG00397500	4	10.5/RVS
4	VN30117100	15	M10/RVS
5	KG01264000	24	M10/RVS/Nylac
6	KG01053800	8	8x60/DM
7	KG01070000	7	M8x30/RVS
8	VNB1783093	2	8.4/RVS
9	KG0192162	4	M8/RVS/Nylac
10	VNB0682993	2	L
11	VNB2092693	2	R
12	VNB2092578	2	M10x120/RVS
13	VNB1593593	2	M8x25/RVS
14	KG00497200	6	M10/RVS/Farm B
15	KG01263900	6	M10x30/RVS
16	KG01069900	12	A10.5/RVS
17	VNB2530494	1	
18	VNB2530294	1	
19	KG00397400	8	
20	VNB1953394	1	
21	VNB2092402	6	
22	KG00565500	6	
23	KG01044900	4	
24	KG00498800	3	
25	KG01901500	6	
26	VNB2134778	1	

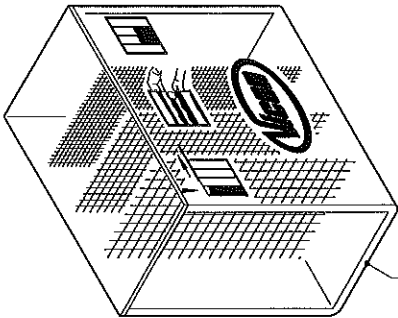
L =links/left/gauche/izquierda/sinistra/venstre/vänster
R =rechts/right/droite/derecha/destra/højre/höger

27	VNB3910902	2
29	VNB3734878	3

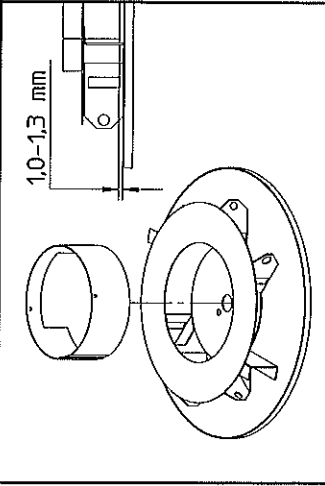
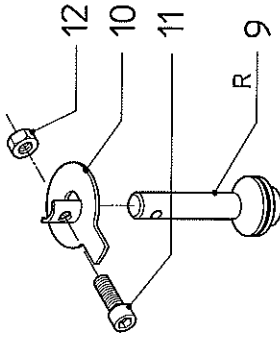
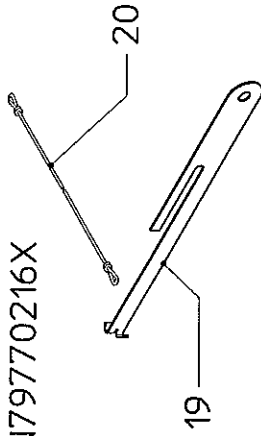
serial number 77501

F11

PENTON RS-M

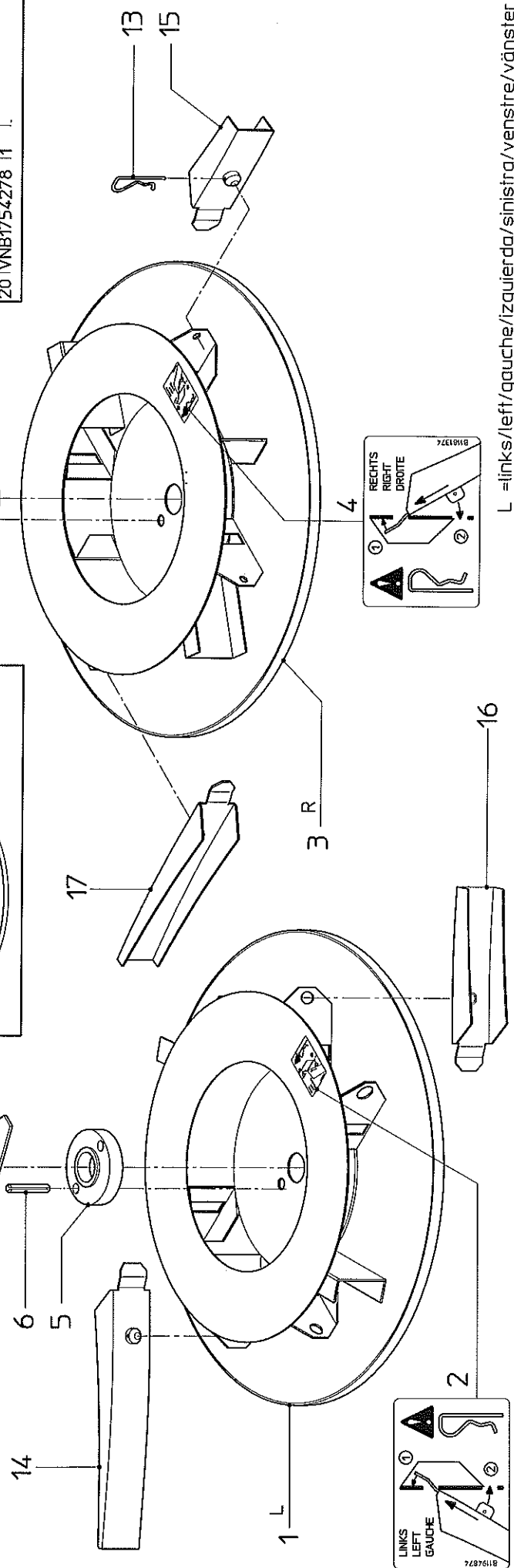


ACCESSOIRE
VN79770216X



1	VNB4255402	1	L
2	VNB1194874	1	L
3	VNB4255502	1	R
4	VNB181374	1	R
5	VNB1077665	2	10x30
6	KG01204600	4	
7	VNB1077702	2	L
8	VNB1654565	1	R
9	VNB1654465	1	
10	VNB2333794	2	
11	KG00565700	2	M8x35/RVS
12	KG01069900	2	M8/RVS/Nyloc
13	VNB1082102	12	
14	VNB1060002	4	L=285
15	VNB1998902	4	L=135
16	VNB1999002	4	L=185
17	VNB1999102	4	L=235
18	VN79770150	1	

19	VN79770216X1	ACCESSOIRE
20	VNB1709302	1
20	VNB1754278	1

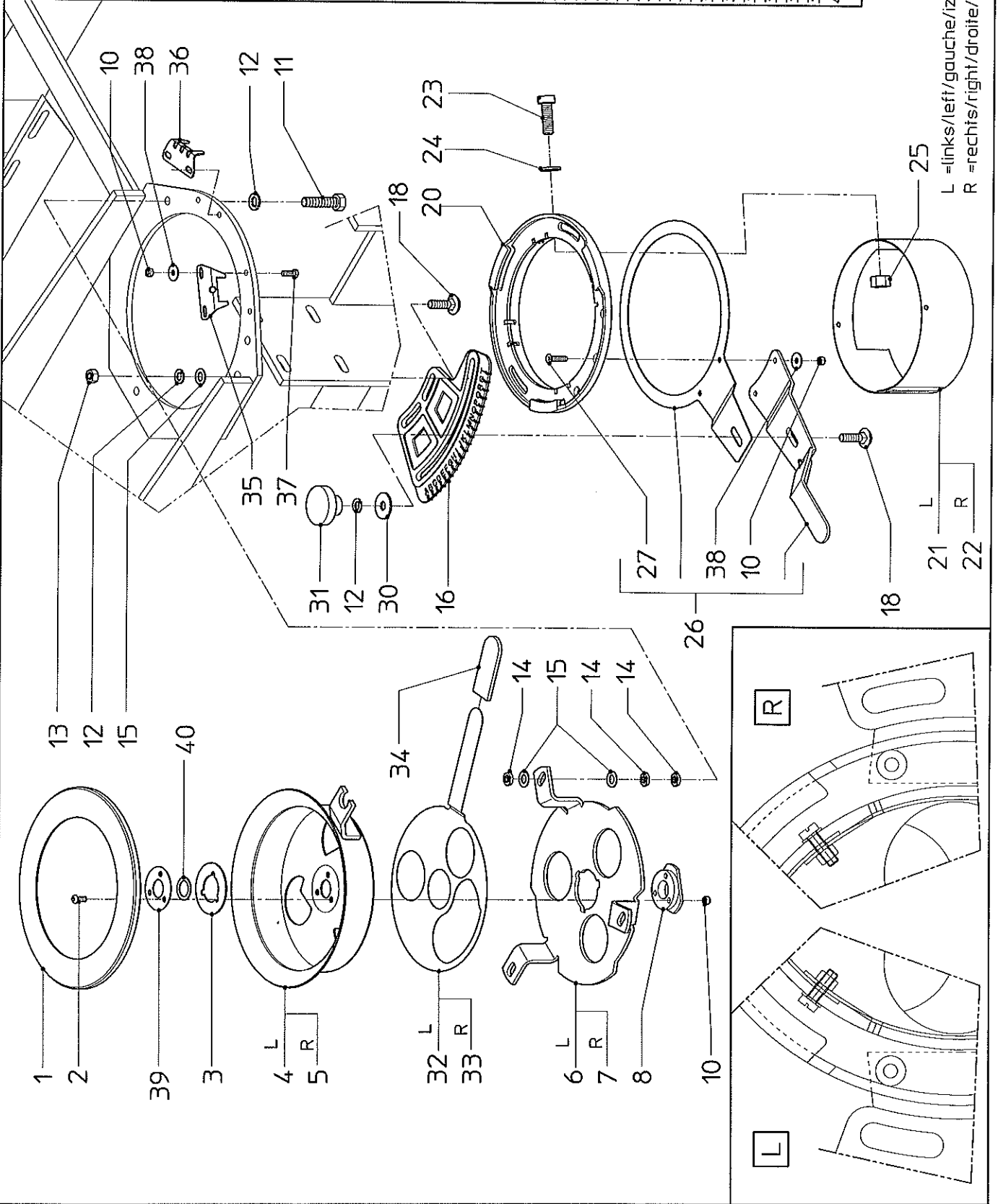


L =links/left/gauche/izquierda/sinistra/venstre/vänster
R =rechts/right/droite/derecha/desira/højre/höger

serial number 77501

F12

PENTON RS-M



bestellnummer
order number
num. o commander
Bestellnummer

1	VNB2333878	12	M6x16/RVS
2	KG00738100	6	L
3	VNB4061702	2	R
4	VNB1578602	1	L
5	VNB1578502	1	R
6	VNB1616886	1	L
7	VNB1616786	1	R
8	VNB4073178	2	M6/RVS/Nyloc
10	KG01069800	18	M10x50/RVS
11	KG00499200	6	A10
12	VNB0117100	12	M10/RVS
13	KG01053800	4	M10/RVS/Form B
14	KG01044900	18	10.5/RVS
15	KG01264000	16	M10x30/RVS
16	VNB2068678	2	L
18	KG00654500	6	R
20	VNB1617078	2	M5x16/RVS
21	VNB1774102	1	5.3/RVS
22	VNB1774002	8	M5/RVS/Nyloc
23	KG00713700	1	M6x20/RVS
24	KG01263700	8	A10.5/RVS
25	KG01069700	8	L
26	VNB4300978	2	R
27	KG00870200	4	L
30	KG01901500	2	R
31	VN17856588	2	M6x16/RVS
32	VNB2544402	1	A6.4/RVS
33	VNB2544502	1	L
34	VNB2544378	2	R
35	VNB2544102	2	L
36	VNB2544002	2	R
37	KG00495100	8	M6x16/RVS
38	KG01901300	12	A6.4/RVS
39	VNB4059402	2	L
40	VNB4061978	2	R

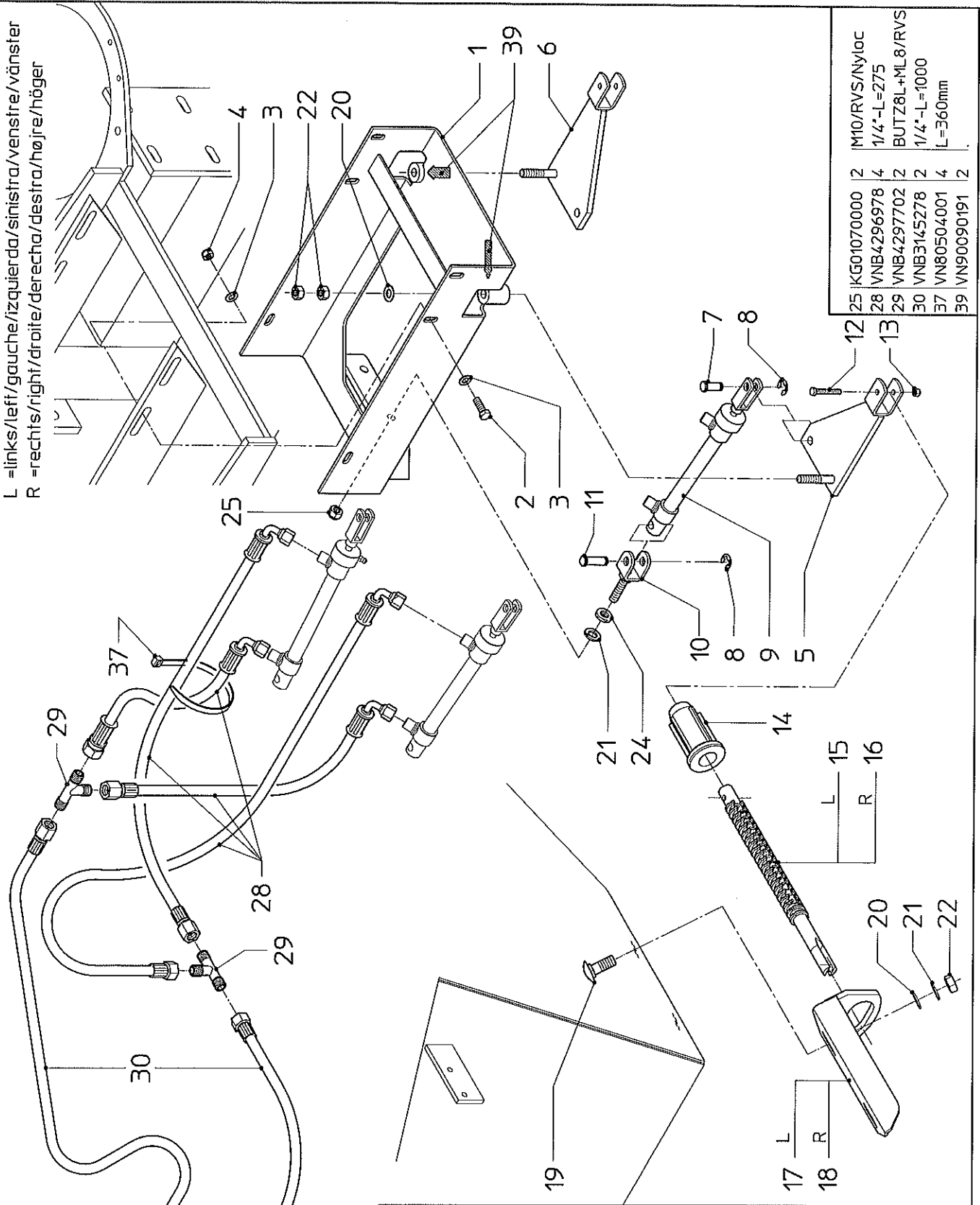
L =links/lefi/gauche/izquierda/sinistra/venstre/vänster
R =rechts/right/droite/derecha/destra/højre/höger

serial number 77501

F13

PENTON RS-M

L = links/lefi/gauche/izquierda/sinistra/venstre/vänster
 R = rechts/right/droite/derecha/destra/højre/höger



bestellnummer ordernummer num. o commander Bestellnummer	
1	VNB2024694
2	KG00497100
3	KG01263900
4	KG01069900
5	VNB2024094
6	VNB2024194
7	VNB0736102
8	VNB0116090
9	VNB4423078
10	VNB1773794
11	VNB1226902
12	KG00495600
13	KG01069800
14	VNB1761578
15	VNB1838978
16	VNB1839078
17	VNB1632794
18	VNB1632694
19	KG00654300
20	KG01264000
21	VNB0117100
22	KG01053800
24	KG01044900
25	KG01070000
28	VNB4296978
29	VNB4297702
30	VNB3145278
37	VNB80504001
39	VNB90090191

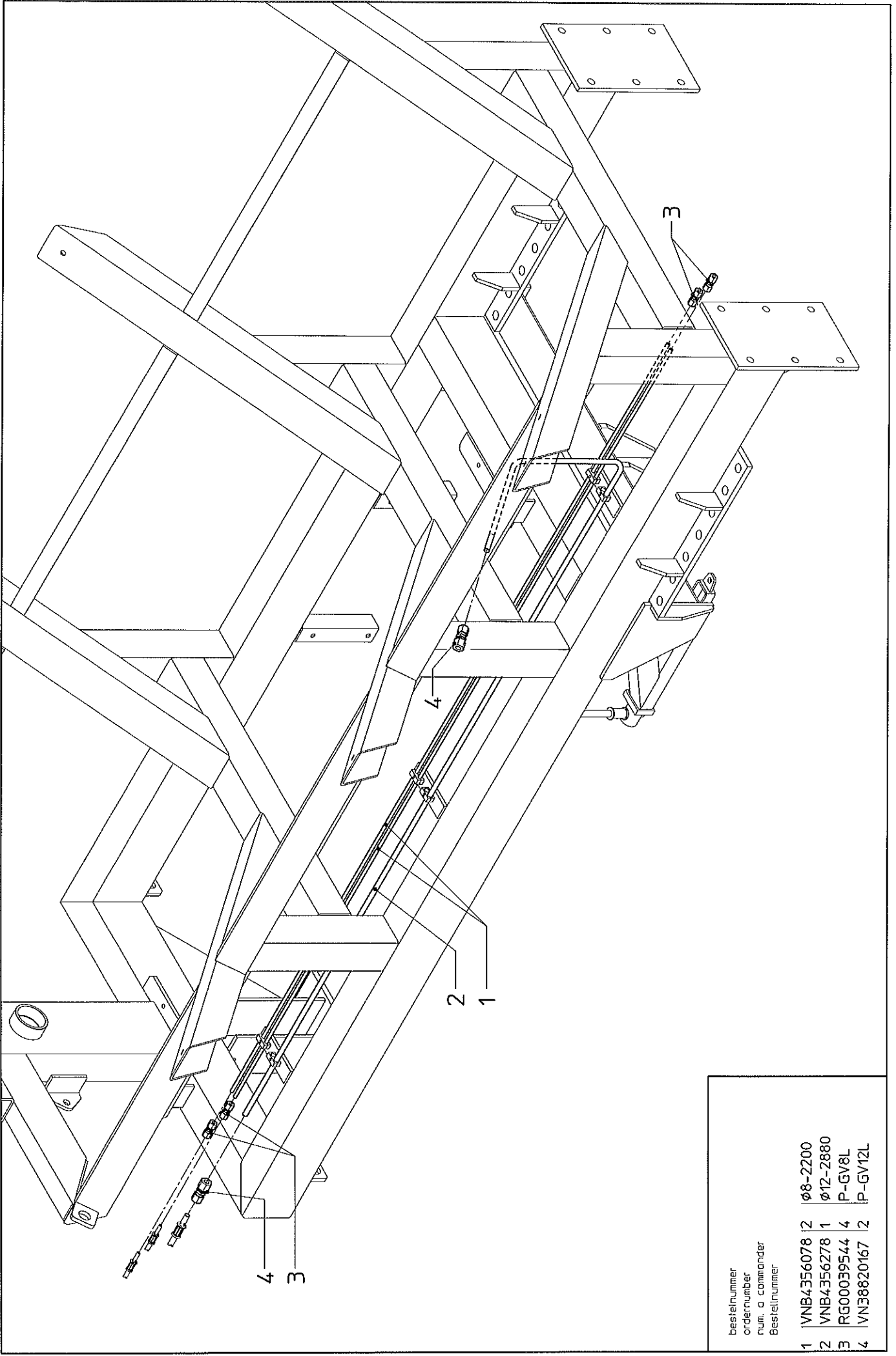
M8x25/RVS	1
8.4/RVS	6
M8/RVS/Nyloc	10
φ10-L=28mm	6
9/RVS	1
φ10-L=40mm	1
M6x40/RVS	2
M6/RVS/Nyloc	2
L	2
R	2
L	1
R	1
M10x20/RVS	4
10.5/RVS	4
A10/RVS	6
M10/RVS	6
M10/RVS	8
M10/RVS	2

M10/RVS/Nyloc	2
1/4"-L=275	4
BUTZ8L+ML8/RVS	2
1/4"-L=1000	2
L=360mm	4
	2

serial number 77501

F14

PENTON RS-M



bestelnummer	order number	num. a commander	Bestelnummer
1	VNB4356078	2	ø8-2200
2	VNB4356278	1	ø12-2880
3	RG00039544	4	P-GV8L
4	VN38820167	2	P-GV12L

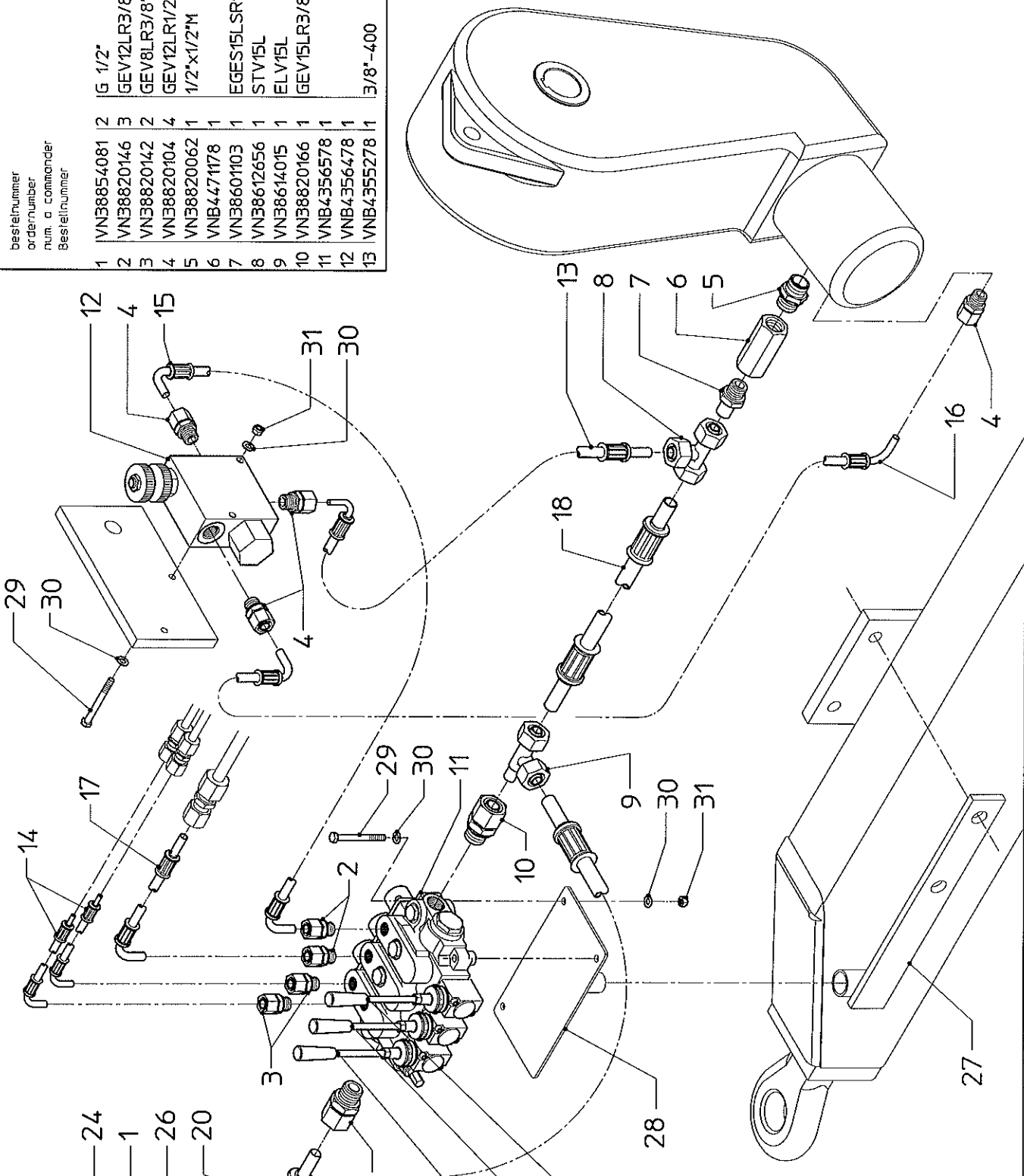
serial number 77501

F15

PENTON RS-M

bestelnummer
order number
num. o commander
Bestelnummer

1	VN38854081	2	G 1/2"
2	VN38820146	3	GEV12LR3/8"
3	VN38820142	2	GEV8LR3/8"
4	VN38820104	4	GEV12LR1/2"
5	VN38820062	1	1/2"x1/2"M
6	VNB4471178	1	EGES15LSR12WD
7	VN38601103	1	STV15L
8	VN38612656	1	ELV15L
9	VN38614015	1	GEV15LR3/8"
10	VN38820166	1	
11	VNB4356578	1	
12	VNB4356478	1	
13	VNB4355278	1	3/8"-400

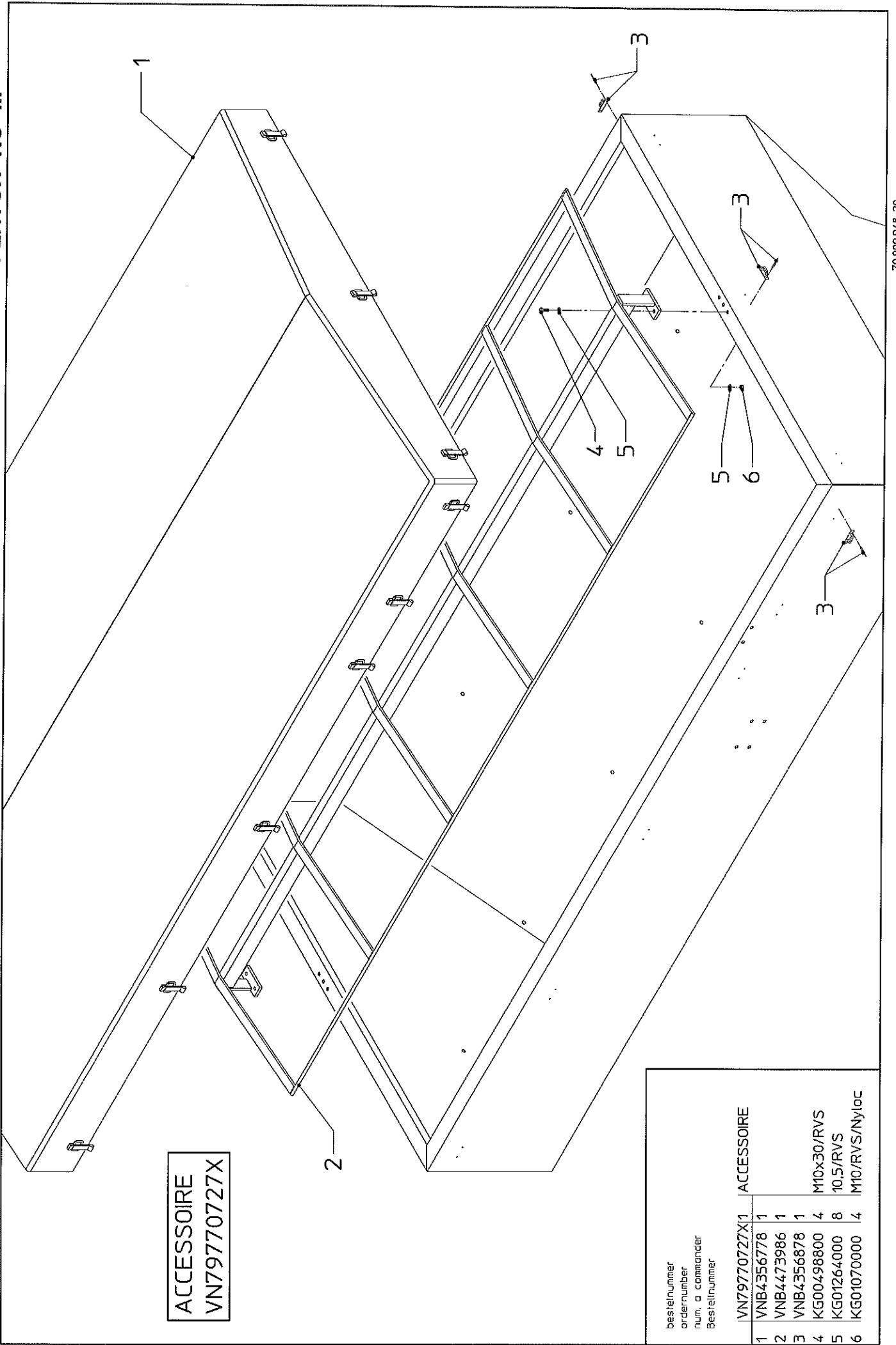


14	VNB4355978	2	1/4"-2500
15	VNB4355878	1	3/8"-2250
16	VNB4355378	1	3/8"-650
17	VNB4470878	1	3/8"-2850
18	VNB4355778	1	1/2"-2070
19	VNB4355578	1	1/2"-1550
20	VNB4355678	1	3/8"-1550
21	VNB4477678	1	DOSING
22	VNB4477678	1	AUGER
23	VNB4477678	1	HYDRO-MOTOR
24	VN38854581	2	1/2"
25	VNB0817978	1	P
26	VNB0818078	1	T
27	VNB4471986	1	
28	VNB4472094	1	
29	KG00393000	5	M6x60/RVS
30	KG01263800	10	6.4/RVS
31	KG01069800	5	M6/RVS/Nyloc

serial number 77501

F16

PENTON RS-M



ACCESSOIRE
VN79770727X

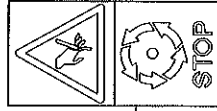
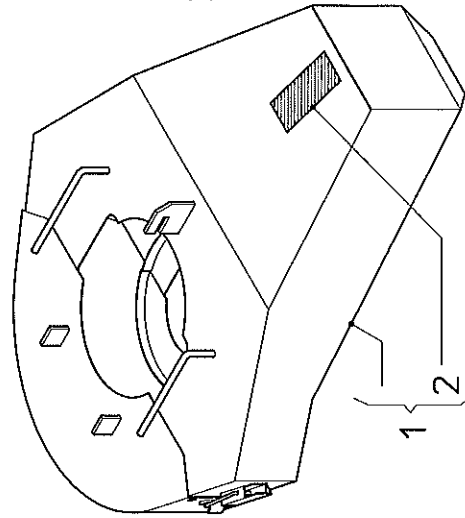
bestelnnummer order number num. a commander Bestellnummer		ACCESSOIRE	
1	VN79770727X1	1	ACCESSOIRE
2	VNB4356778	1	
3	VNB4473986	1	
4	VNB4356878	4	M10x30/RVS
5	KG00498800	8	10.5/RVS
6	KG01264000	4	M10/RVS/Nyloc

serial number 77501

G1

PENTON RS-M

ACCESSOIRE
VNB1885578

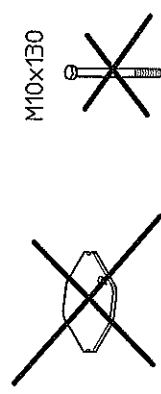


2

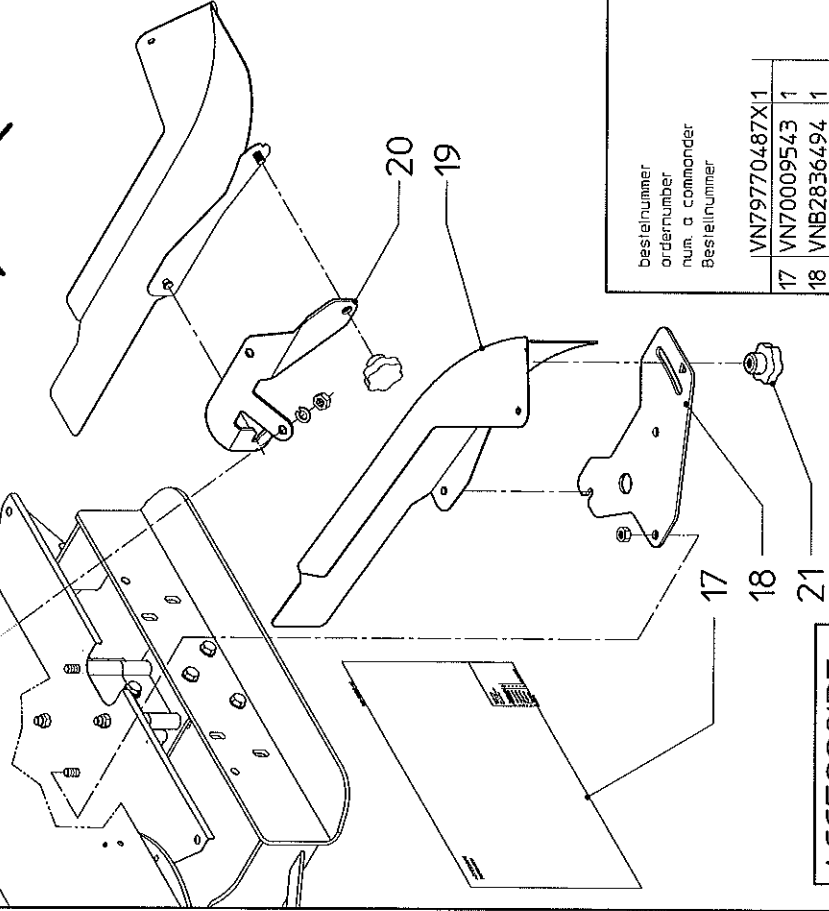
bestelnnummer	VNB1885578	1
ordernummer		
num. a commander		
Bestellnummer	VGTR2023	1

1	VNB1885578	1
2	VGTR2023	1

22



M10x130



ACCESSOIRE
VN79770487X

bestelnnummer	VN79770487X1
ordernummer	VN70009543
num. a commander	VNB2836494
Bestellnummer	VNB2836894
	VNB2836994
	VN17856588
	IK500654400
	M10x25/RVS

17	VN70009543	1
18	VNB2836494	1
19	VNB2836894	1
20	VNB2836994	1
21	VN17856588	1
22	IK500654400	2
	M10x25/RVS	

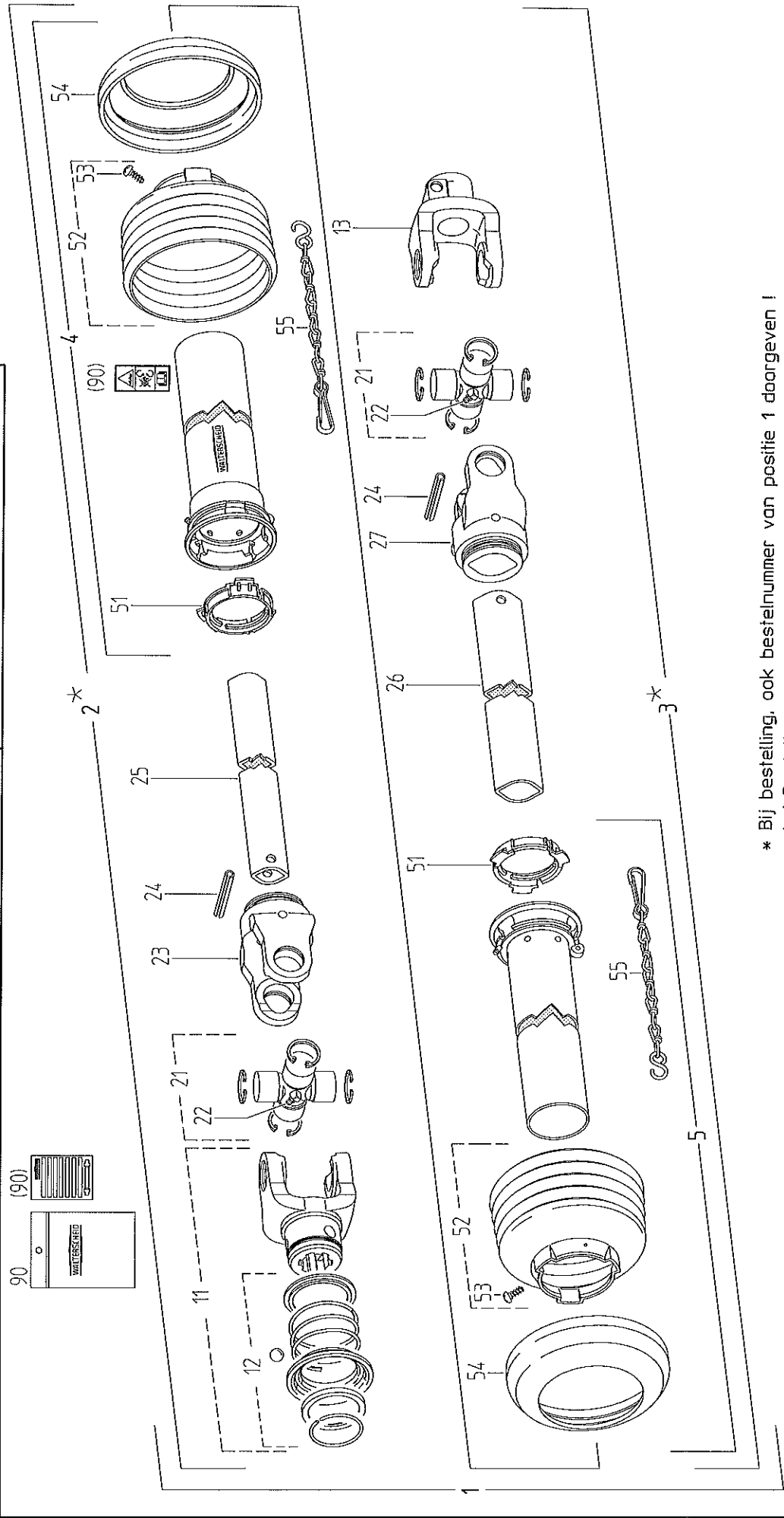
70.009.948-21

serial number 77501

C1

PENTON RS-M

1	Walterscheid VN46120100	W2100-SD05-1010 WH2100-SD05 WH2100-SD05	11 VG10.83.40 12 VGagraset 173 13 VG10.22.284 21 VG10.01.00 22 VG63.27.00 23 VG10.48.00	AZG2100-1 3/8" (6) NG2100-φ30 BM8x1 RG2100-00a	24 VG61.04.01 25 VG75.02.102 26 VG75.12.115 27 VG10.49.00 51 VG83.09.01 52 VG85.05.06	ISO8752-8x50 00c-14.00 0a-14.00 RG2100-0a n=RP6	53 VG365305 3,5x9,5 54 VG83.10.03 55 VG82.36.03 90 VGagraset 207 l.
---	----------------------------	---	--	---	--	---	--



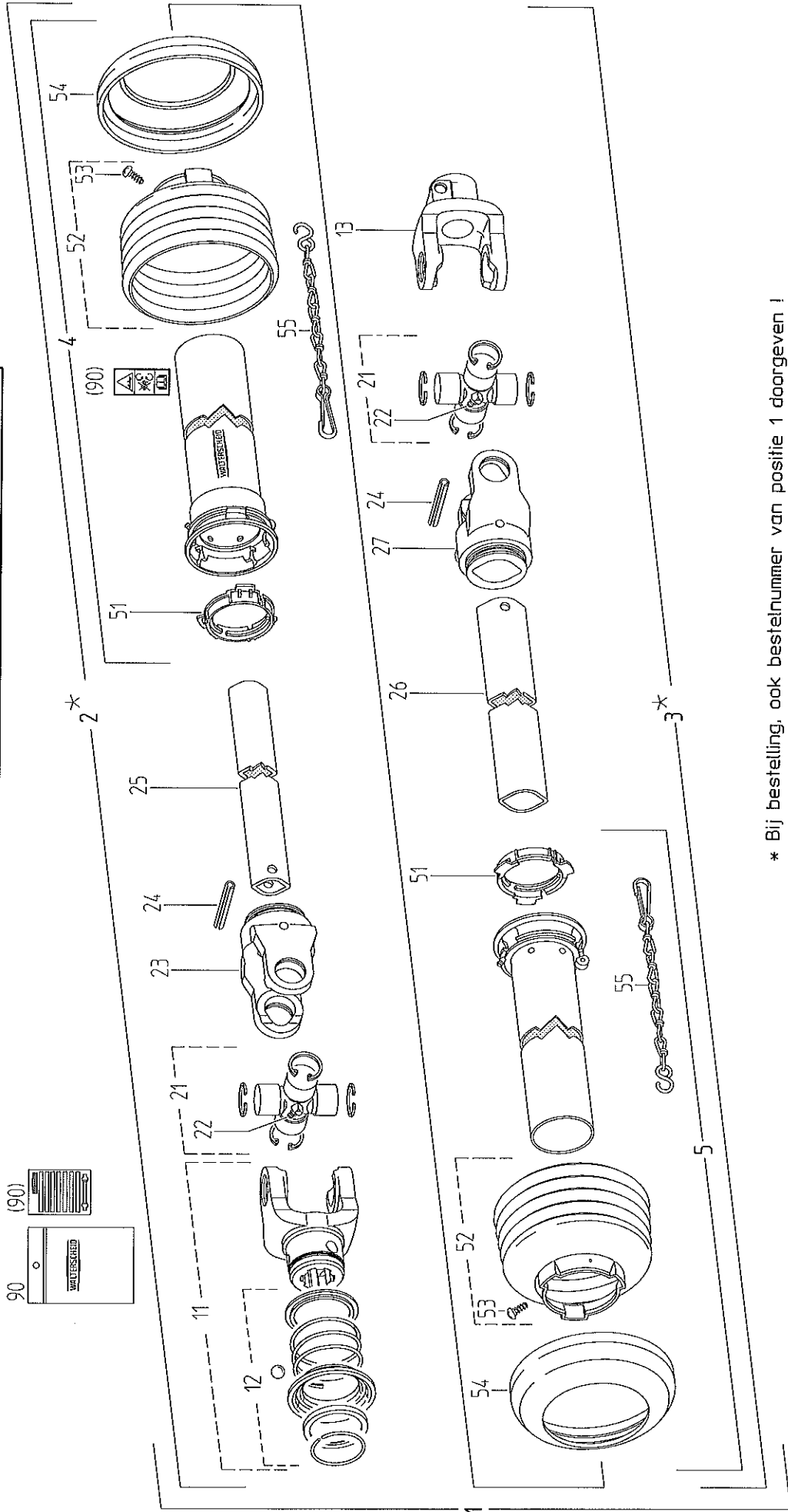
- * Bij bestelling, ook bestelnnummer van positie 1 doorgeven !
- * bei Bestellung zusätzlich Bestell-Nr. der Position 1 angeben !
- * When ordering, part No. of item 1 must also be indicated !
- * En cas de commande, indiquer aussi la référence du repère 1 !

serial number 77501

C2

PENTON RS-M

Walterscheid	WZ100-SD05-860	VG10.83.40	AZG2100-1 3/8"(6)	IS08752-8x50	53 VG365305	3.5x9.5
1 VN46120099	WH2100-SD05	12 VGagrasef 173	NG2100-φ30	00c-800	54 VG83.10.03	
2 *	WH2100-SD05	13 VG10.22.284	BM8x1	0a-800	55 VG82.36.03	
3 *	SDH05-A550-850506-K	21 VG10.01.00	RG2100-00a	RG2100-0a	90 VGagrasef 207 l.	
4 VG85.005	SDH05-I550-850506-K	22 VG63.27.00		n=RP6		
5 VG85.004		23 VG10.48.00				



- * Bij bestelling, ook bestelnummer van positie 1 doorgeven !
- * bei Bestellung zusätzlich Bestell-Nr. der Position 1 angeben !
- * When ordering, part No. of item 1 must also be indicated !
- * En cas de commande, indiquer aussi la référence du repère 1 !

Part.no.	Page	Teile-nr.	Seite	Nom. de pza	Page	Onderd.nr.	Pagina	No. de ref.	Pagina	F11	F10		
KG00363962	F01	KG00870200	F12	KG01263700	F12	VG10.83.40	C02	VN38601103	F15	VNB1077702	F11	VNB2092578	F10
KG00393000	F15	KG01044900	F10	KG01263800	F15	VG365305	C01	VN38612656	F15	VNB1082102	F11	VNB2092693	F10
KG00397200	F03	KG01044900	F12	KG01263900	F03	VG365305	C02	VN38614015	F15	VNB1128078	F08	VNB2134778	F10
KG00397400	F10	KG01044900	F13	KG01263900	F08	VG61.04.01	C01	VN38820062	F15	VNB1128178	F08	VNB2333794	F11
KG00397500	F10	KG01052562	F02	KG01263900	F10	VG61.04.01	C02	VN38820104	F15	VNB1181374	C16	VNB2333878	F12
KG00397600	F02	KG01053800	F10	KG01263900	F13	VG63.27.00	C01	VN38820142	F15	VNB1181374	F11	VNB2530294	F10
KG00397600	F03	KG01053800	F12	KG01264000	F01	VG63.27.00	C02	VN38820146	F15	VNB1194874	C16	VNB2530494	F10
KG00399600	F02	KG01053800	F13	KG01264000	F02	VG75.02.102	C01	VN38820159	F08	VNB1194874	F10	VNB2530594	F10
KG00480262	F01	KG01053900	F03	KG01264000	F03	VG75.02.15	C02	VN38820166	F15	VNB1226902	F13	VNB2544002	F12
KG00480362	F04	KG01069700	F12	KG01264000	F04	VG75.12.115	C01	VN38820167	F14	VNB1310474	C16	VNB2544102	F12
KG00480562	F01	KG01069800	F04	KG01264000	F10	VG75.12.15	C02	VN38854081	F15	VNB1578502	F12	VNB2544378	F12
KG00480662	F08	KG01069800	F09	KG01264000	F12	VG82.36.03	C01	VN38854581	F15	VNB1578602	F12	VNB2544402	F12
KG00480862	F04	KG01069800	F12	KG01264000	F13	VG82.36.03	C02	VN40724307	F02	VNB1593593	F10	VNB2544502	F12
KG00483862	F02	KG01069800	F13	KG01264000	F16	VG83.09.01	C01	VN40724307	F03	VNB1616786	F12	VNB2836494	G01
KG00495100	F12	KG01069800	F15	KG01264100	F01	VG83.09.01	C02	VN41701200	F02	VNB1616886	F12	VNB2836894	G01
KG00495200	F04	KG01069900	F03	KG01264100	F02	VG83.10.03	C01	VN41701200	F03	VNB1617078	F12	VNB2836994	G01
KG00495300	F09	KG01069900	F08	KG01264100	F06	VG83.10.03	C02	VN46120099	C02	VNB1632694	F13	VNB3145278	F13
KG00495500	F01	KG01069900	F10	KG01264100	F07	VG85.004	C01	VN46120099	F03	VNB1632794	F13	VNB3331194	F10
KG00495600	F13	KG01069900	F11	KG01264100	F08	VG85.004	C02	VN46120100	C01	VNB1641978	F02	VNB3452378	F08
KG00496800	F03	KG01069900	F13	KG01264100	F09	VG85.005	C01	VN46120100	F02	VNB1641978	F03	VNB3452478	F08
KG00496800	F08	KG01070000	F01	KG01267762	F01	VG85.005	C02	VN48523001	F08	VNB1654465	F11	VNB3620578	F08
KG00496900	F08	KG01070000	F02	KG01267762	F04	VG85.05.06	C01	VN48523002	F08	VNB1654565	F10	VNB3734878	F10
KG00497100	F13	KG01070000	F03	KG01267762	F08	VG85.05.06	C02	VN70009543	G01	VNB1709302	F11	VNB3861874	C16
KG00497200	F10	KG01070000	F04	KG01381100	F01	VGAGRASET 1	C01	VN79770150	F11	VNB1754278	F11	VNB3910902	F10
KG00498700	F03	KG01070000	F10	KG01901300	F04	VGAGRASET 1	C02	VN79770216	F11	VNB1761578	F13	VNB4059402	F12
KG00498800	F10	KG01070000	F13	KG01901300	F12	VGAGRASET 2	C01	VN79770487	G01	VNB1773794	F13	VNB4061702	F12
KG00498800	F16	KG01070000	F16	KG01901500	F10	VGAGRASET 2	C02	VN79770727	F16	VNB1774002	F12	VNB4061978	F12
KG00499200	F12	KG01070100	F01	KG01901500	F12	VGTR1010	C16	VN80504001	F13	VNB1774102	F12	VNB4073178	F12
KG00500900	F01	KG01070100	F02	KG01901600	F07	VGTR2005	C16	VN90020550	F01	VNB1783093	F10	VNB4255402	F11
KG00500900	F06	KG01070100	F06	KG742357	C16	VGTR2023	C16	VN900201368	F01	VNB1838978	F13	VNB4255502	F11
KG00500900	F07	KG01070100	F07	RG00039544	F14	VGTR2023	G01	VN90036164	F01	VNB1839078	F13	VNB4296978	F13
KG00501000	F08	KG01070100	F08	RG00052288	C16	VGTR2059	C16	VN90070526	F01	VNB1885578	G01	VNB4297702	F13
KG00501000	F09	KG01070100	F09	VG10.01.00	C01	VGTR61	C16	VN90090191	C16	VNB1953394	F10	VNB4300978	F12
KG00505500	F10	KG01070400	F09	VG10.01.00	C02	VN17856588	F12	VN90090191	F13	VNB1998902	F11	VNB4336774	C16
KG00565700	F11	KG01072662	F01	VG10.22.284	C01	VN17856588	G01	VNB0682993	F10	VNB1999002	F11	VNB4351886	F01
KG00654300	F13	KG01072662	F04	VG10.22.284	C02	VN30116090	F13	VNB0736102	F13	VNB1999102	F11	VNB4352193	F02
KG00654400	G01	KG01072662	F08	VG10.48.00	C01	VN30117100	F10	VNB0817978	F15	VNB2024094	F13	VNB4352378	F02
KG00654500	F01	KG01192162	F10	VG10.48.00	C02	VN30117100	F12	VNB0818078	F15	VNB2024194	F13	VNB4352486	F01
KG00654500	F12	KG01195762	F01	VG10.49.00	C01	VN30117100	F13	VNB0897393	F07	VNB2024694	F13	VNB4352594	F03
KG00713700	F12	KG01204600	F11	VG10.49.00	C02	VN31903208	F01	VNB1060002	F11	VNB2068678	F12	VNB4352694	F03
KG00738100	F12	KG01255261	F02	VG10.83.40	C01	VN31903212	F01	VNB1077665	F11	VNB2092402	F10	VNB4352702	F02

PENTON

01

<i>Part.no.</i>	<i>Page</i>
<i>Teile-nr.</i>	<i>Seite</i>
<i>Nom. de pza</i>	<i>Page</i>
<i>Onderd.nr.</i>	<i>Pagina</i>
<i>No. de ref.</i>	<i>Pagina</i>
VNB4352886	F01
VNB4352986	F04
VNB4353002	F01
VNB4353102	F01
VNB4353278	F01
VNB4353378	F01
VNB4353486	F04
VNB4353586	F08
VNB4353686	F08
VNB4353786	F08
VNB4353878	F08
VNB4353986	F08
VNB4354086	F08
VNB4354186	F09
VNB4354286	F09
VNB4354386	F06
VNB4354494	F06
VNB4354586	F09
VNB4354694	F07
VNB4354794	F07
VNB4354886	F07
VNB4355078	F09
VNB4355178	F04
VNB4355278	F15
VNB4355378	F15
VNB4355578	F15
VNB4355678	F15
VNB4355778	F15
VNB4355878	F15
VNB4355978	F15
VNB4356078	F14
VNB4356278	F14
VNB4356478	F15
VNB4356578	F15
VNB4356778	F16
VNB4356878	F16
VNB4423078	F13
VNB4470878	F15
VNB4470978	F08
VNB4471178	F15
VNB4471202	F01
VNB4471393	F03



KV-PENTON RS-M

01001 ≥Mach ID

Kverneland Group Nieuw-Vennep
B.V.
Hoofdweg 1278
NL-2153 LR Nieuw-Vennep
The Netherlands

© Kverneland group

All rights reserved. No part of this book may be reproduced, stored in a database or retrieval system, or published in any form or in any way, electronically, mechanically, optically, by print, photo print, microfilm (including micro and macro fiche), or any other means, including all video and CD systems, without prior written permission from the publisher.

