

RS-XL 1650/3200

Spare parts manual

Article number: 70009893

Production year:
Effective:
Prod. Series nr:

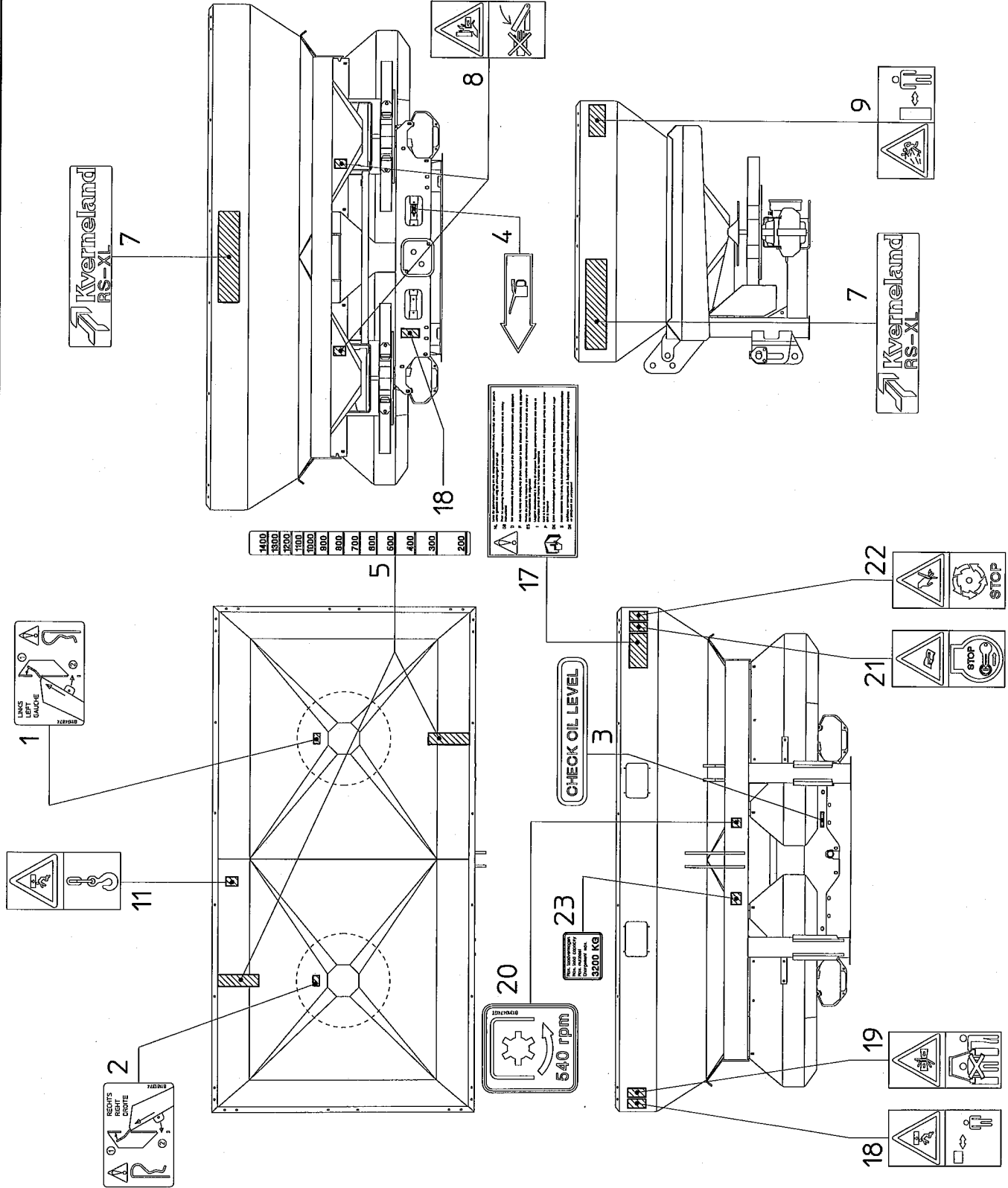
2007
01876 ≥Mach ID
77304-3

AANHAALMOMENTEN/TORQUES/ANZUGSMOMENTE/COUPLES DE SERRAGE/PARES DE APRIETE/I MOMENTI TORCENTI/ATDRAGNINGSMOMENT/MOMENTER/TILTREKKINGSMOMENTER

- NL** Richtlijnen voor aanhaalmomenten (in Nm) voor zelfborgende moeren, zeskantbouten en moeren. **GB** Directives for torques (in Nm) for self-locking nuts, hexagonal bolts and nuts.
D Richtlinien für Anzugsmomente (in Nm) für selbstsichernde Mutterm, Sechskantschrauben und Mutterm. **F** Directives relatives aux couples de serrage (en Nm) pour les écrous à auto-bloccage, les boulons à six et les écrous.
ES Directrices para los pares de apriete (en Nm) para tuercas autobloccantes, tornillos hexagonales y tuercas. **I** Linee guida riguardanti i momenti torcenti (espressi in Nm) per dadi autobloccanti, bulloni esagonali e dadi.
S Riktlinjer för åtdragningsmoment (i Nm) för självåsande bultar, sexkantbultar och muttrar. **DK** Retningslinjer for momenter (i Nm) for selvåsende møtrikker, hexagon bolte og møtrikker.
N Retningslinjer for tiltrækningsmomenter (i Nm) for selvåsende møtr. sekskantskruer og mutre.

KWALITEIT/QUALITY/QUALITAT QUALITÉ/CALIDAD/QUALITA/KVALITET	4.6		8.8		10.9		12.9
	0,10	0,13	0,10	0,13	0,10	0,13	
Wrijving/Friction/Reibung/Frottement/ Fricción/Frizione/Friktion/Friksjon *							
Schroefdraad/Thread/Gewinde/Filetage Rosca/Filettatura/Gånga/Størrelse/ Gjenger							
M5	1,7	2	5	6	7	9	10
M6	3	4	9	10	13	15	18
M8	8	9	21	25	31	36	42
M10	16	19	40	50	60	70	85
M12	27	32	70	85	105	120	145
M14	42	50	115	135	165	195	230
M16	65	76	175	210	260	300	350
M18	90	110	250	290	350	420	490
M20	125	150	350	420	500	600	700
M22	170	200	470	560	670	800	930
M24	210	250	600	710	860	1020	1180

* **NL** De wrijvingscoëfficiënt van 0,10 geldt voor geoliede plaat, gietijzer, geharde vlakken, vette schroefdraad, etc. De hogere waarde van 0,13 geldt voor een droge plaat. Uitzonderingen op deze tabel zijn vermeld in het onderdeel- en/of instructieboek. Aanhaalmomenten voor bouten en moeren met gekarteide onderkant, zoals Tensilock en Whizlock, 10% extra.
 * **GB** The friction coefficient of 0,10 applies to oiled sheet, cast iron, hardened surfaces, greasy thread, etc. The higher value of 0,13 applies to dry sheet. Exceptions to this table are stated in the parts- and /or instruction manual. Torques for bolts and nuts with a knurled underside, like Tensilock and Whizlock, 10% extra.
 * **D** Der Reibungskoeffizient von 0,10 gilt für geölte Flächen, Gußeisen, gehärtete Flächen, fettetes Gewinde usw. Der höhere Wert von 0,13 gilt für trockene Flächen. Ausnahmen zu dieser Tabelle sind im Ersatzteilhft und/oder in der Betriebsanleitung. Anzugsmomente für Schrauben und Mutterm mit gerändelter Unterseite, wie Tensilock und Whizlock, zuzüglich 10% extra.
 * **F** Le coefficient de frottement de 0,10 s'applique aux surfaces huilées, à la fonte, aux surfaces trempées, aux filetages graissés etc. Le coefficient de 0,13 aux surfaces sèches. Les exceptions à se tableau sont mentionnées dans la nomenclature des pièces et/ou dans le manuel d'emploi. Ajoutez 10% pour les boulons et écrous à partie inférieure crénelée, comme les Tensilock et les Whizlock.
 * **ES** El coeficiente de fricción de 0,10 es indicado para planchas lubricadas, hierro fundido, superficies endurecidas, rosca granizada, etc. El valor más alto de 0,13 es para planchas secas. Las excepciones a este cuadro se mencionan en el libro de repuestos y/o manual de instrucciones. Los pares de apriete para tornillos y tuercas con cara inferior dentada, como los Tensilock y Whizlock, 10% extra.
 * **I** Il coefficiente di frizione pari a 0,10 si riferisce a superfici oliate, alla ghisa, a superfici temprate, a filettature spesse ecc. Il valore più alto, pari a 0,13, si riferisce a superfici asciutte. Tutte le eccezioni a quanto riportato in questa tabella, si trovano nel libretto delle istruzioni. I momenti torcenti per bulloni e dadi la cui parte inferiore è zigrinata, come i Tensilock (K 100) e Whizlock, sono superiori del 10%.
 * **S** Friktionskoefficienten 0,10 gäller oljad plåt, gjutjärn, hårdade ytor, smorda gängor etc. Det högre värdet 0,13 gäller torr plåt. Undantag från denna tabell anges i reservdels- och/eller instruktionsboken.
 * **DK** Atdragningsmoment for råfflade bultar och muttrar, som Tensilock og Whizlock 10% extra.
 * **N** Friktionskoeffisienten på 0,10 gælder for smurte flader, støbejern, hærdede overflader, fedtholdige gevind etc. Den højere værdi på 0,13 gælder for tørre flader. Undtagelser til tabellen er angivet i reservdels- og/eller instruktionsbog. Når det drejer sig om momenter for bolte og møtrikker med en riflet underside, som Tensilock (K100) og Whizlock, skal der tilføjes 10% ekstra.
 * **N** Friktionskoeffisienten på 0,10 gælder for smurt plate, støbejern, herdede flater, innfattede gjenger etc. Den høyere verdien på 0,13 gjelder for tørr plate. Unntak fra denne tabellen er angitt i deleboken og/eller i instruksjonsboken. Tiltrekkningsmomenter for skruer og mutre med riflet underkant, som Tensilock (K100) og Whizlock 10% tillegg.



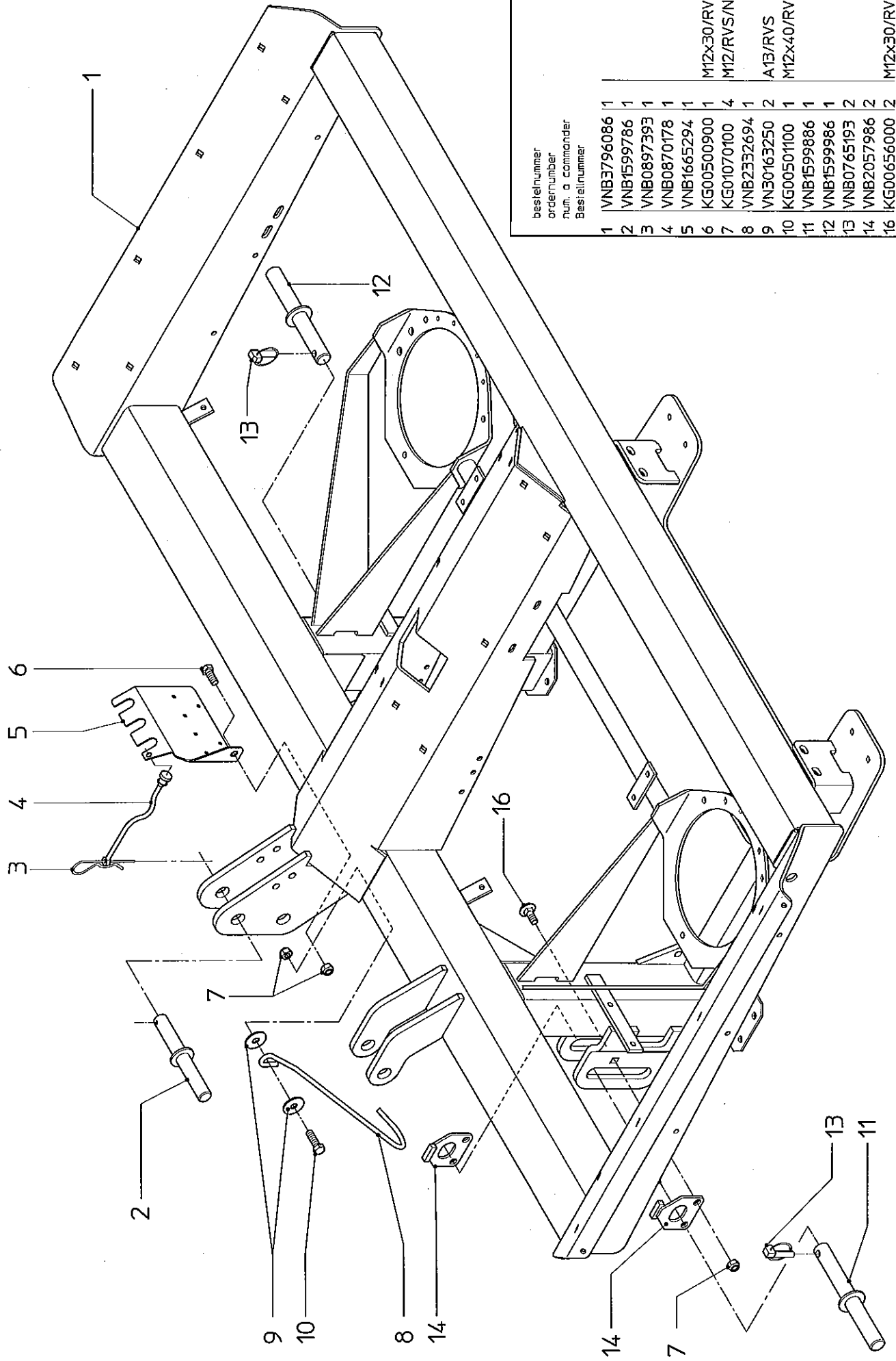
bestelnummer
ordernummer
num. a commander
Bestellnummer

1	VNB1194874	1
2	VNB1181374	1
3	VNB1612474	1
4	VN90090191	2
5	VNB2779074	2
7	VNB4298774	3
8	VGTR2059	2
9	VGTR1010	2
11	VGTR2039	1
17	VNB0903374	1
18	VGTR2015	2
19	VGTR2011	1
20	VNB1310474	1
21	VGTR2005	1
22	VGTR2023	1
23	VNB2779474	1

serial number 77304

H1

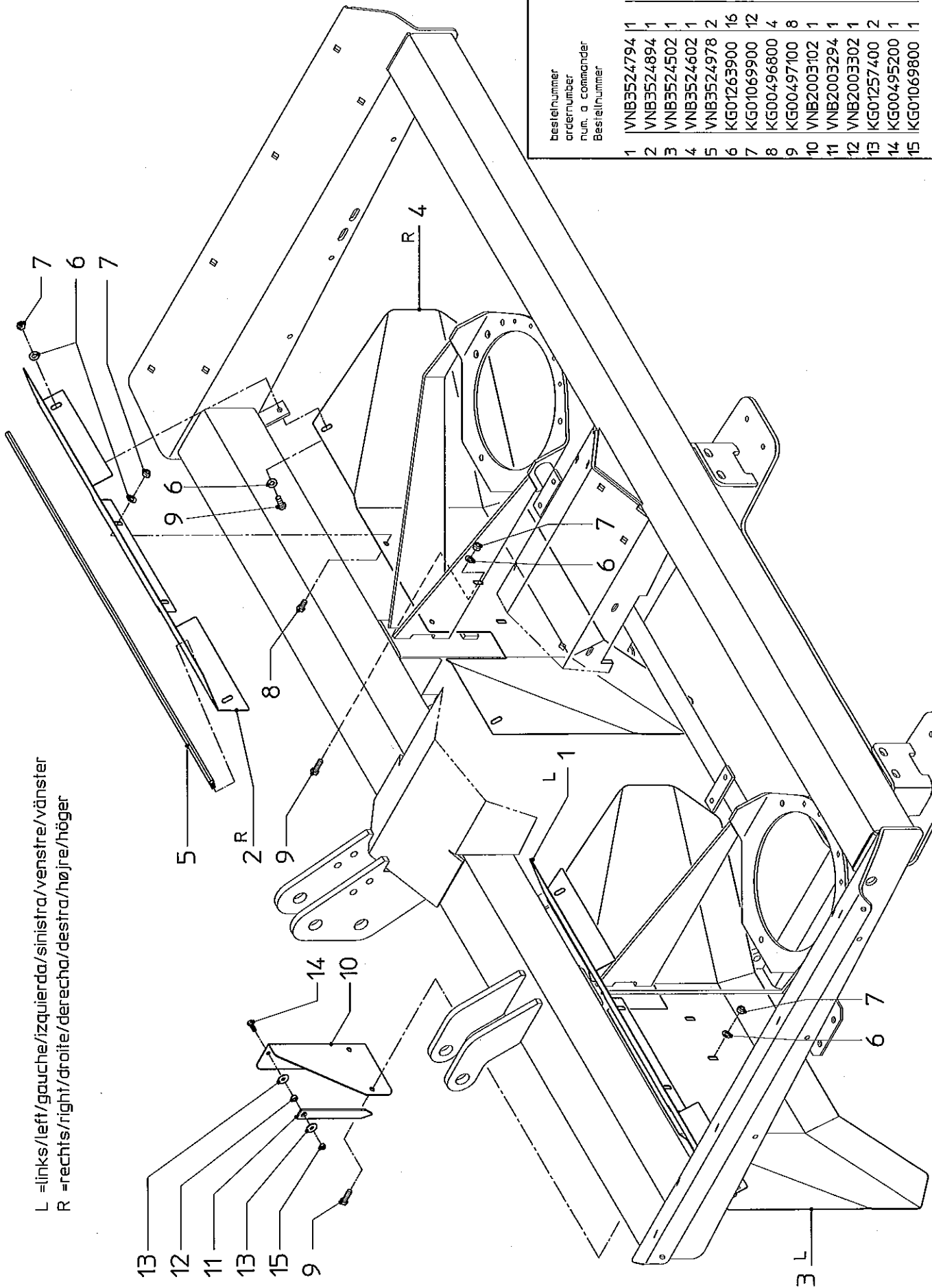
RS-XL 1650/3200 (2)



bestelnummer
order number
num. a commander
Bestelnummer

1	VNB3796086	1	M12x30/RVS
2	VNB1599786	1	M12/RVS/Nylac
3	VNB0897393	1	A13/RVS
4	VNB0870178	1	M12x40/RVS
5	VNB1665294	1	
6	KG00500900	1	
7	KG01070100	4	
8	VNB2332694	1	
9	VN30163250	2	
10	KG00501100	1	
11	VNB1599886	1	
12	VNB1599986	1	
13	VNB0765193	2	
14	VNB2057986	2	
16	KG00656000	2	M12x30/RVS

L = links/left/gauche/izquierda/sinistra/venstre/vänster
 R = rechts/right/droite/derecha/destra/højre/höger



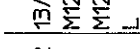
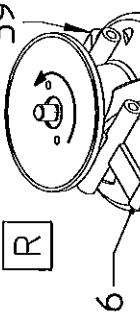
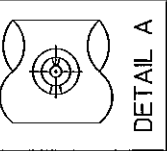
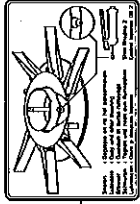
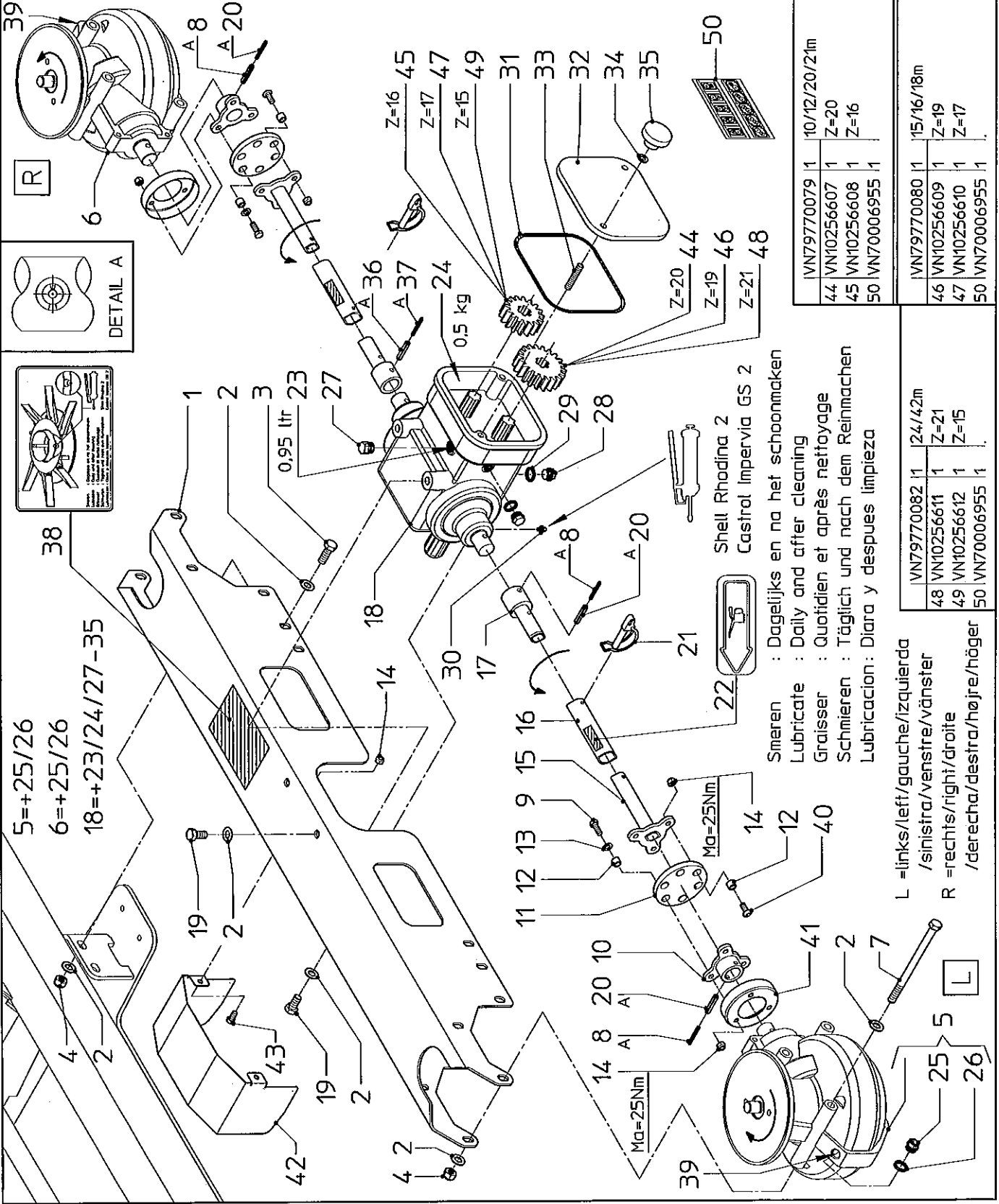
bestelnummer
 ordernummer
 num. a commander
 Bestellnummer

1	VNB3524794	1	L
2	VNB3524894	1	R
3	VNB3524502	1	L
4	VNB3524602	1	R
5	VNB3524978	2	
6	KG01263900	16	8,4/RVS
7	KG01069900	12	M8/RVS/Nyloc
8	KG00496800	4	M8x16/RVS
9	KG00497100	8	M8x25/RVS
10	VNB2003102	1	
11	VNB2003294	1	
12	VNB2003302	1	
13	KG01257400	2	A6,4/RVS
14	KG00495200	1	M6x20/RVS
15	KG01069800	1	M6/RVS/Nyloc

serial number 77304

H3

RS-XL 1650/3200 (2)



5 = +25/26
 6 = +25/26
 18 = +23/24/27-35

Ma=25Nm
 Ma=25Nm
 Ma=25Nm

Z=16
 Z=17
 Z=15
 Z=20
 Z=19
 Z=21

0.95 ltr
 0.5 kg
 0.95 ltr GearLube
 GL5 80W-90
 0.5 kg Lithium
 Grease MG 2

Smeren : Dagelijks en na het schoonmaken
 Lubricate : Daily and after cleaning
 Graisser : Quotidien et après nettoyage
 Schmierer : Täglich und nach dem Reinmachen
 Lubricación : Diaria y despues limpieza

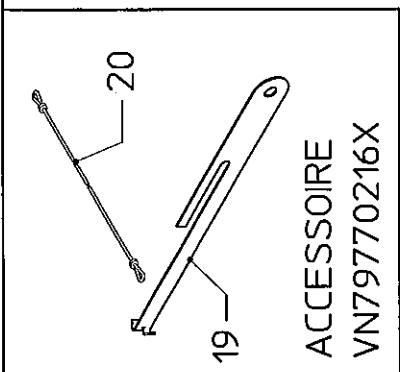
44	VN79770079	1	10/12/20/21m
45	VN10256607	1	Z=20
46	VN10256608	1	Z=16
47	VN70006955	1	
48	VN79770082	1	15/16/18m
49	VN10256611	1	Z=19
50	VN10256612	1	Z=17
51	VN70006955	1	

1	VNB3796386	1	13/RVS
2	KG01264100	32	M12x35/RVS
3	KG00501000	8	M12/RVS/Nyloc
4	KG01070100	14	L
5	VNB3251078	1	R
6	VNB3250878	1	M12x170/RVS
7	KG00399800	6	5x40/DM
8	KG0188262	3	M8x30/RVS
9	KG00497200	6	
10	VNB1593593	2	
11	VNB2417578	2	
12	VNB2417602	12	
13	KG01263900	6	8.4/RVS
14	KG01069900	14	M8/RVS/Nyloc
15	VNB3788693	2	
16	VNB3391393	2	
17	VNB3788893	2	
18	VNB3521378	1	
19	KG00500800	4	M12x25/RVS
20	KG0191862	3	8x40/DM
21	VNB0682993	2	
22	VN90090191	2	
23		0.95 ltr	GearLube
24		0.5 kg	Lithium Grease MG 2
25	VNB3588378	4	
26	VNB3588478	4	
27	VNB3658078	1	
28	VNB3658378	2	
29	VNB3658278	2	
30	VNB3130800	3	AM8x1/RVS
31	VNB3658178	1	
32	VNB3657978	1	
33	VN3010145	2	M10x45/RVS
34	VN30117100	2	A10/RVS
35	VN17856588	2	
36	KG0192162	1	8x60/DM
37	KG0188562	1	5x60/DM
38	VNB3679274	1	
39		X	Gear Grease
40	RG00050664	6	EP-00/000
41	VNB3910902	2	M8x25/RVS
42	VNB4204302	1	
43	KG00496800	2	M8x16/RVS

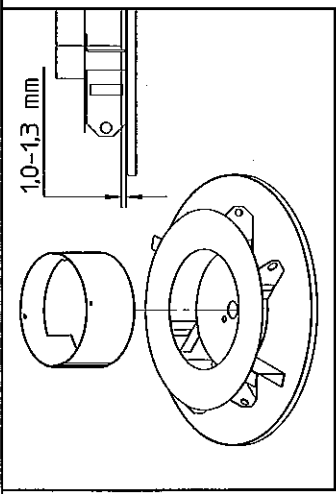
serial number 77304

H4

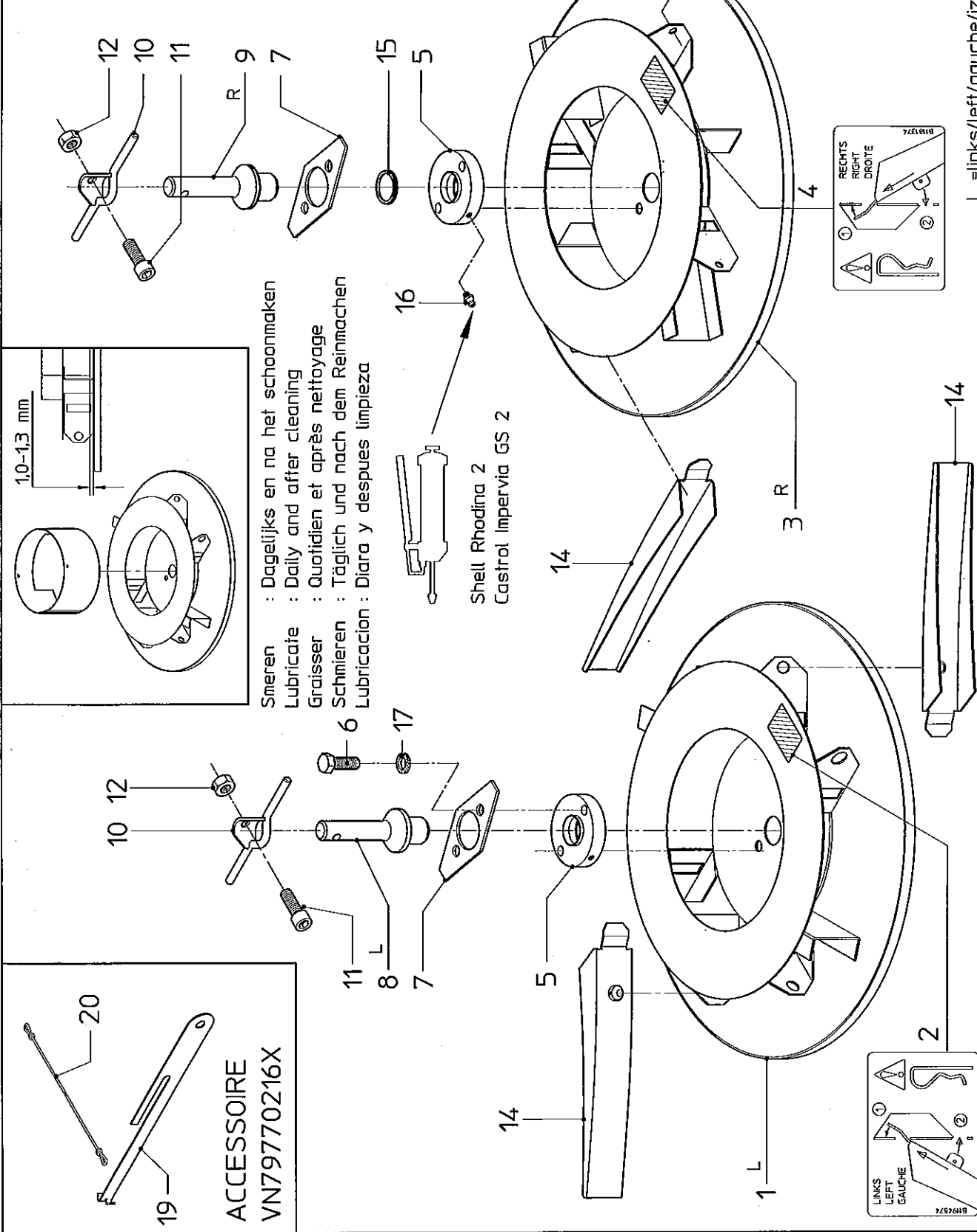
RS-XL 1650/3200 (2)



ACCESSOIRE
VN79770216X

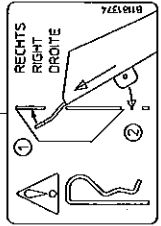
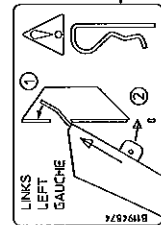


Smeren : Dagelijks en na het schoonmaken
 Lubricate : Daily and after cleaning
 Graisser : Quotidien et après nettoyage
 Schmierem : Täglich und nach dem Reinmachen
 Lubricacion : Diaria y despues limpieza



1	VNB3414002	1	L
2	VNB1194874	1	L
3	VNB3414102	1	R
4	VNB1181374	1	R
5	VNB3388365	2	M10x30/RVS
6	KG00498800	4	
7	VNB3388402	2	L
8	VNB3559065	1	L
9	VNB3559165	1	R
10	VNB3717802	2	
11	KG00565700	2	M8x35/RVS
12	KG01069900	2	M8/RVS/Nylac
13	VNB1082102	12	L=285
14	VNB1060002	12	V32A
15	VN36112032	2	AM8X1/RVS
16	VNB0130800	2	AM8X1/RVS
17	KG01283300	4	A10.5/RVS

	VN79770216X1	ACCESSOIRE
19	VNB1709302	1
20	VNB1754278	1

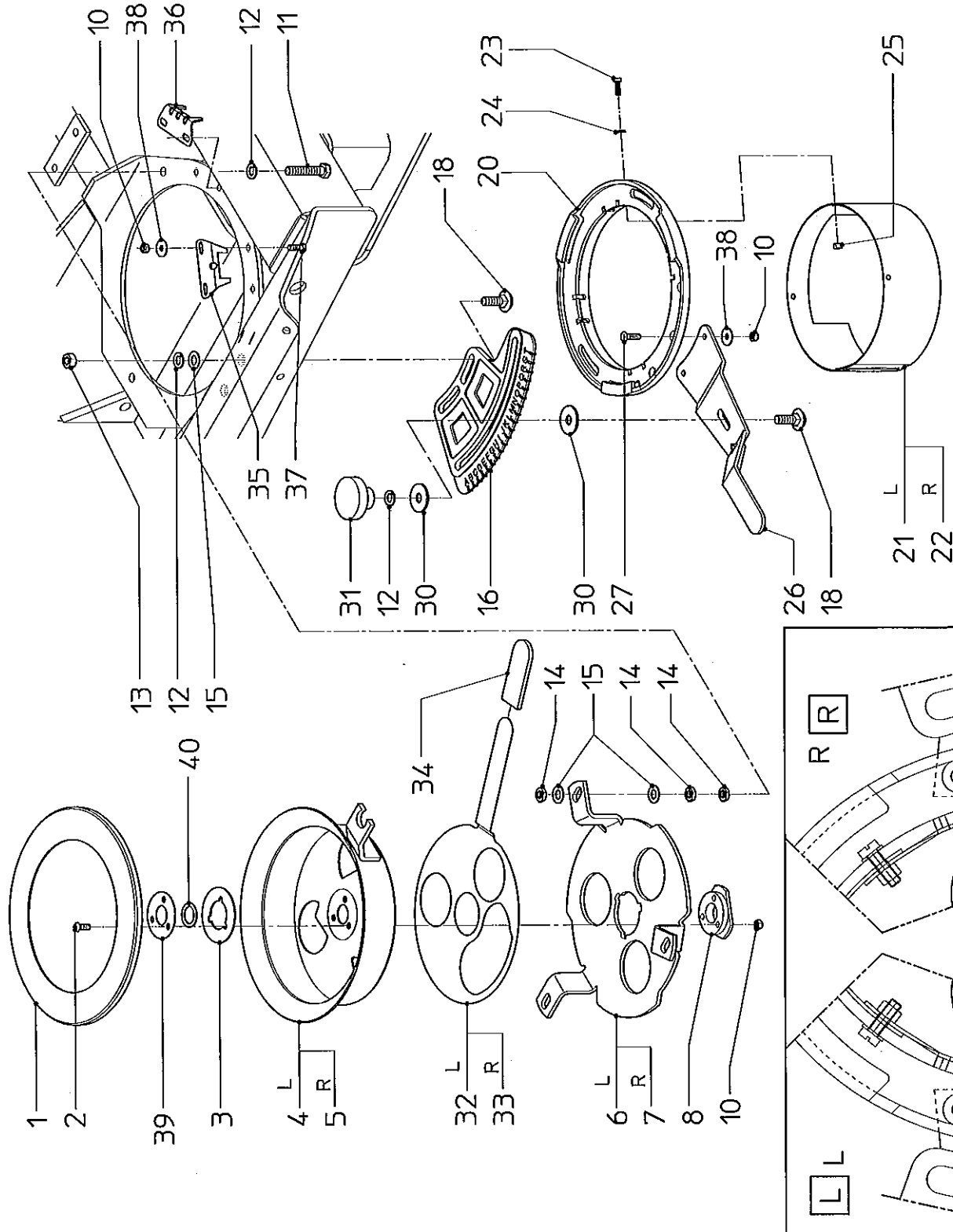


L = links/left/gauche/sinistra/venstre/vänster
 R = rechts/right/droite/derecha/destra/højre/höger

serial number 77304

H5

RS-XL 1650/3200 (2)



L =links/left/gauche/izquierda/sinistra/venster/vänster
 R =rechts/right/droite/derecha/desira/højre/höger

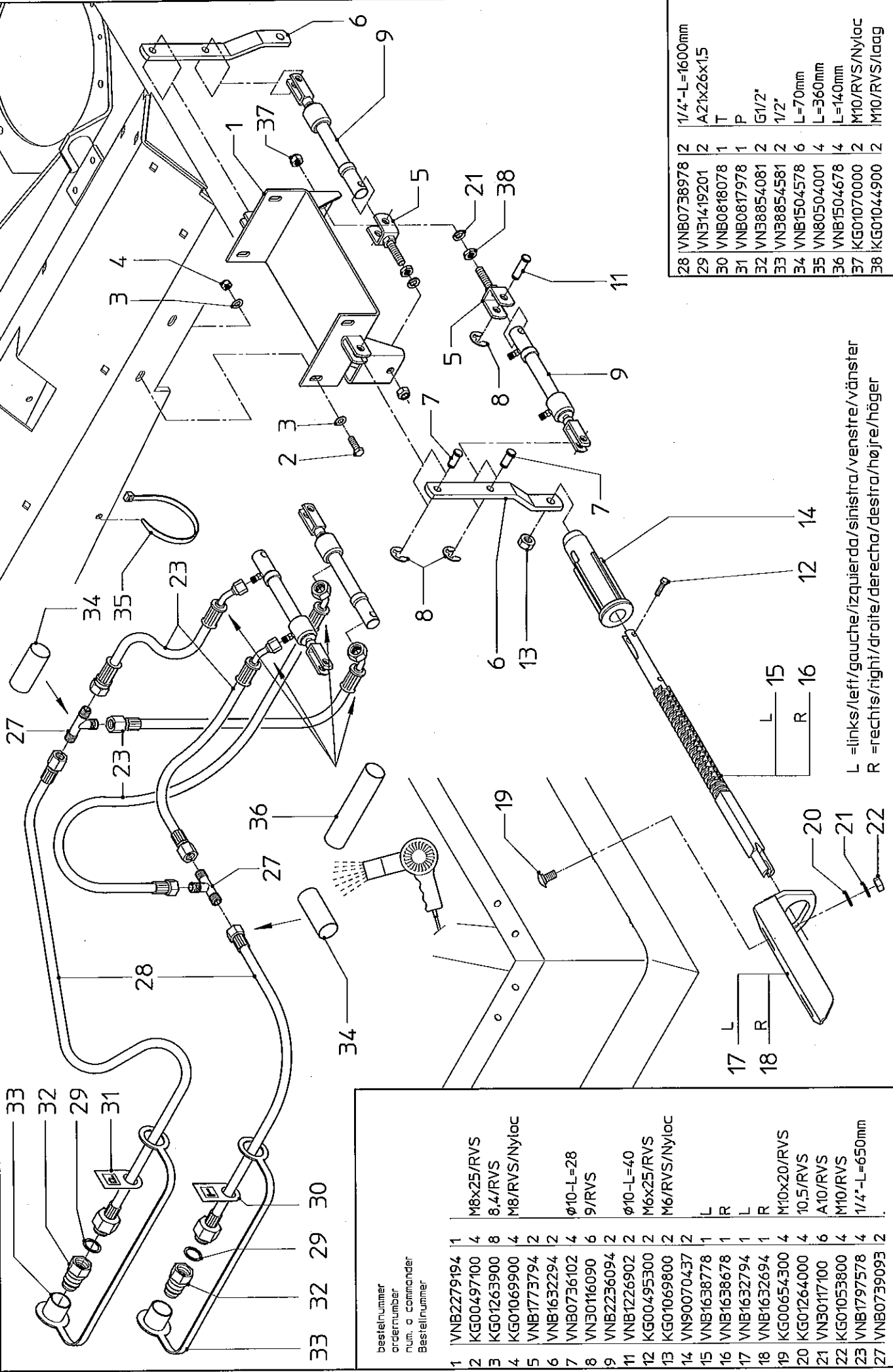
bestellnummer
 ordernummer
 num. o commander
 Bestellnummer

1	VNB2333878	2	M6x16/RVS
2	KG00738100	6	L
3	VNB4061702	2	R
4	VNB1578602	1	L
5	VNB1578502	1	R
6	VNB1616886	1	M6/RVS/Nyloc
7	VNB1616786	1	M10x50/RVS
8	VNB4073178	2	A10
10	KG01069800	18	M10/RVS
11	KG00499200	6	M10/RVS/Form B
12	VNB30117100	12	10.5/RVS
13	KG01053800	4	M10x30/RVS
14	KG01044900	18	L
15	KG01264000	16	R
16	KG02068678	2	M5x16/RVS
18	KG00654500	6	5.3/RVS
20	VNB1617078	2	M5/RVS/Nyloc
21	VNB1774102	1	M6x16/RVS
22	VNB1774002	1	A10/RVS
23	KG00713700	8	L
24	KG01263700	8	R
25	KG01069700	8	M6x16/RVS
26	VNB2068578	2	A10/RVS
27	KG00870000	4	L
30	KG01257800	4	R
31	VN17856588	2	M6x16/RVS
32	VNB2544402	1	A6.4/RVS
33	VNB2544502	1	
34	VNB2544378	2	
35	VNB2544102	2	
36	VNB2544002	2	
37	KG00495100	8	
38	KG01257400	12	
39	VNB4059402	2	
40	VNB4061978	2	

serial number 77304

H6

RS-XL 1650/3200 (2)



Bestellnummer ordernummer num. o commander Bestellnummer		
1	VNB2279194	1
2	KG00497100	4
3	KG01263900	8
4	KG01069900	4
5	VNB1773794	2
6	VNB1632294	2
7	VNB0736102	4
8	VNB0116090	6
9	VNB2236094	2
11	VNB1226902	2
12	KG00495300	2
13	KG01069800	2
14	VN90070437	2
15	VNB1638778	1
16	VNB1638678	1
17	VNB1632794	1
18	VNB1632694	1
19	KG00654300	4
20	KG01264000	4
21	VNB011700	6
22	KG01053800	4
23	VNB1797578	4
27	VNB0739093	2

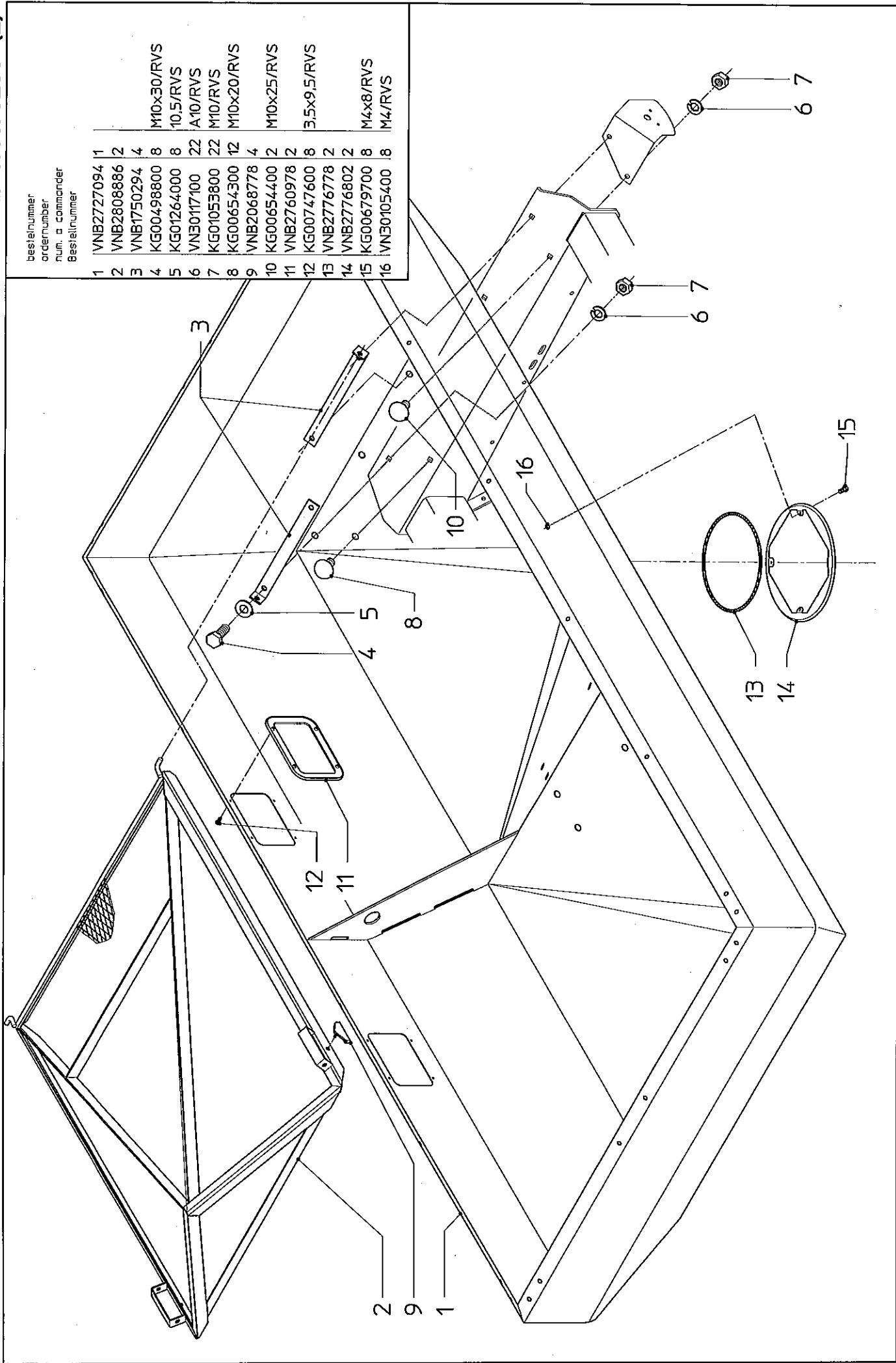
28	VNB0738978	2	1/4"-L=1600mm
29	VNB31419201	2	A21x26x15
30	VNB0818078	1	T
31	VNB0817978	1	P
32	VNB38854081	2	G1/2"
33	VNB38854581	2	1/2"
34	VNB1504578	6	L=70mm
35	VNB0504001	4	L=360mm
36	VNB1504678	4	L=140mm
37	KG01070000	2	M10/RVS/Nyloc
38	KG01044900	2	M10/RVS/laag

L =links/left/gauche/izquierda/sinistra/venstre/vänster
R =rechts/right/droite/derecha/destra/højre/höger

serial number 77304

H7

RS-XL 1650/3200 (2)



bestellnummer
ordernummer
num. o commander
Bestellnummer

1	VNB2727094	1	
2	VNB2808886	2	
3	VNB1750294	4	
4	KG00498800	8	M10x30/RVS
5	KG01264000	8	10,5/RVS
6	VN3017100	22	A10/RVS
7	KG01053800	22	M10/RVS
8	KG00654300	12	M10x20/RVS
9	VNB2068778	4	M10x25/RVS
10	KG00654400	2	
11	VNB2760978	2	
12	KG00747600	8	3,5x9,5/RVS
13	VNB2776778	2	
14	VNB2776802	2	
15	KG00679700	8	M4x8/RVS
16	VN30105400	8	M4/RVS

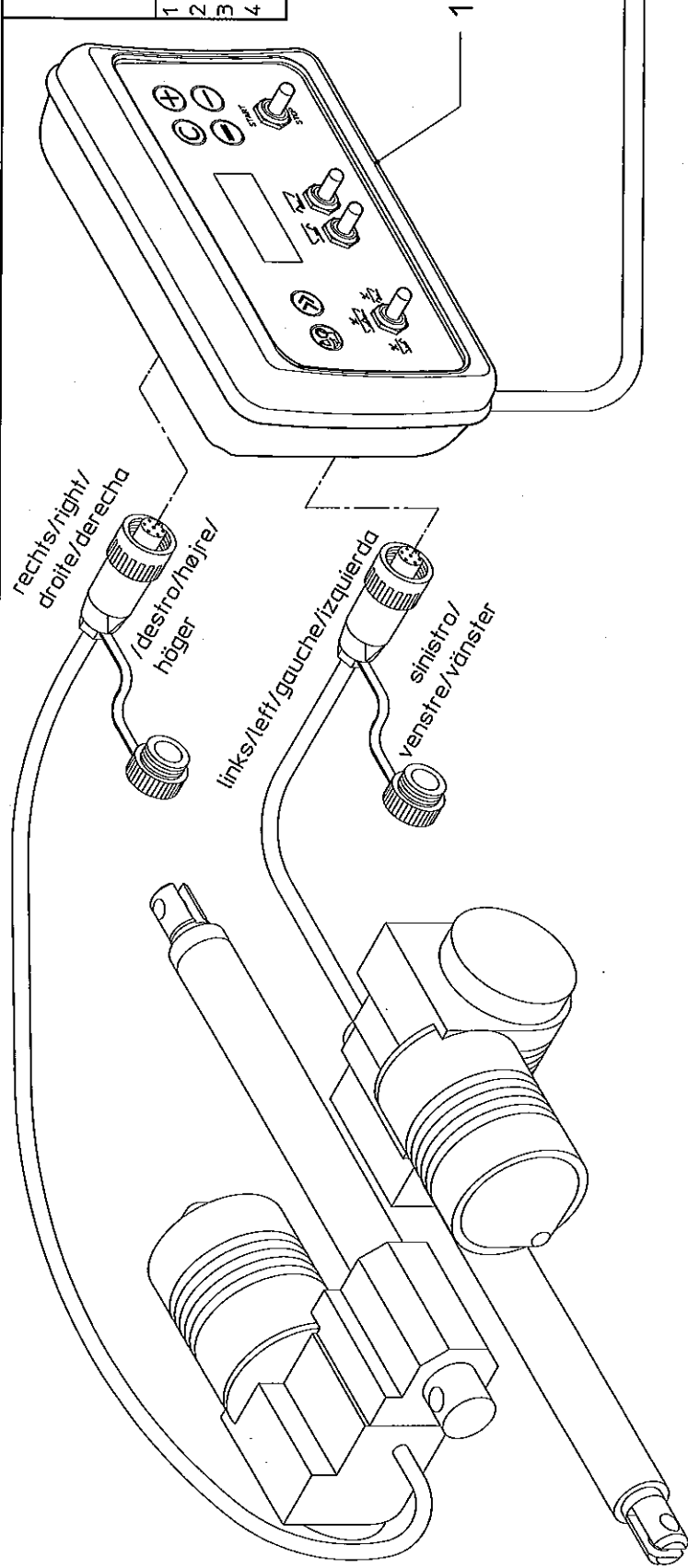
serial number 77304

H8

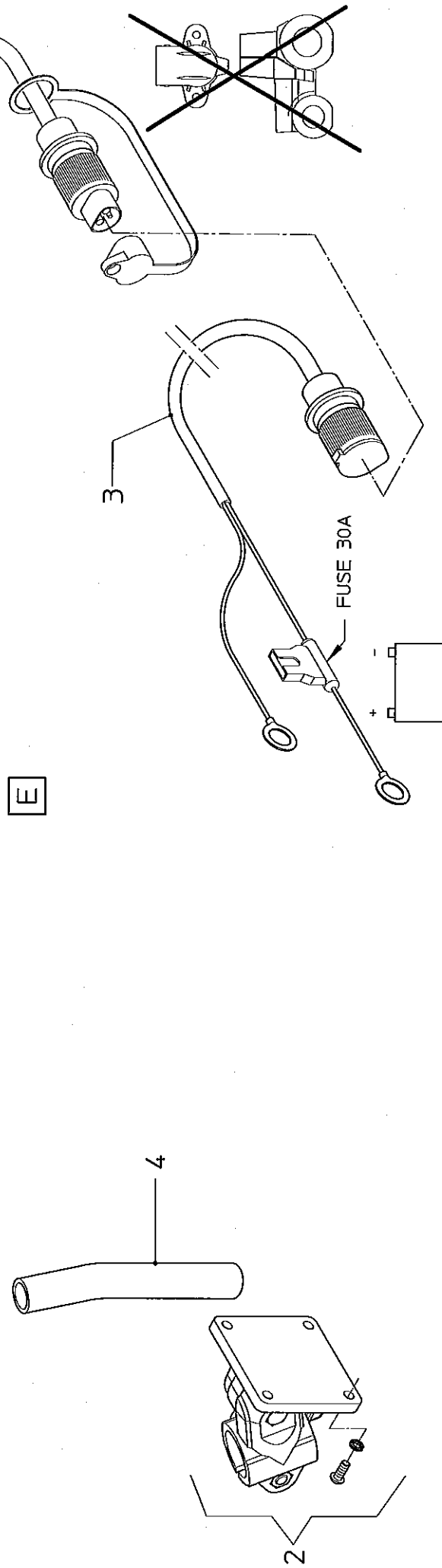
RS-XL 1650/3200 (2)

bestelnummer
ordernummer
num. a commander
Bestellnummer

1	IVN79730420X1	
2	VNB0563773	1
3	VNB0548173	1
4	VNB0374873	1
	VNB3872902	1
		4,5 m



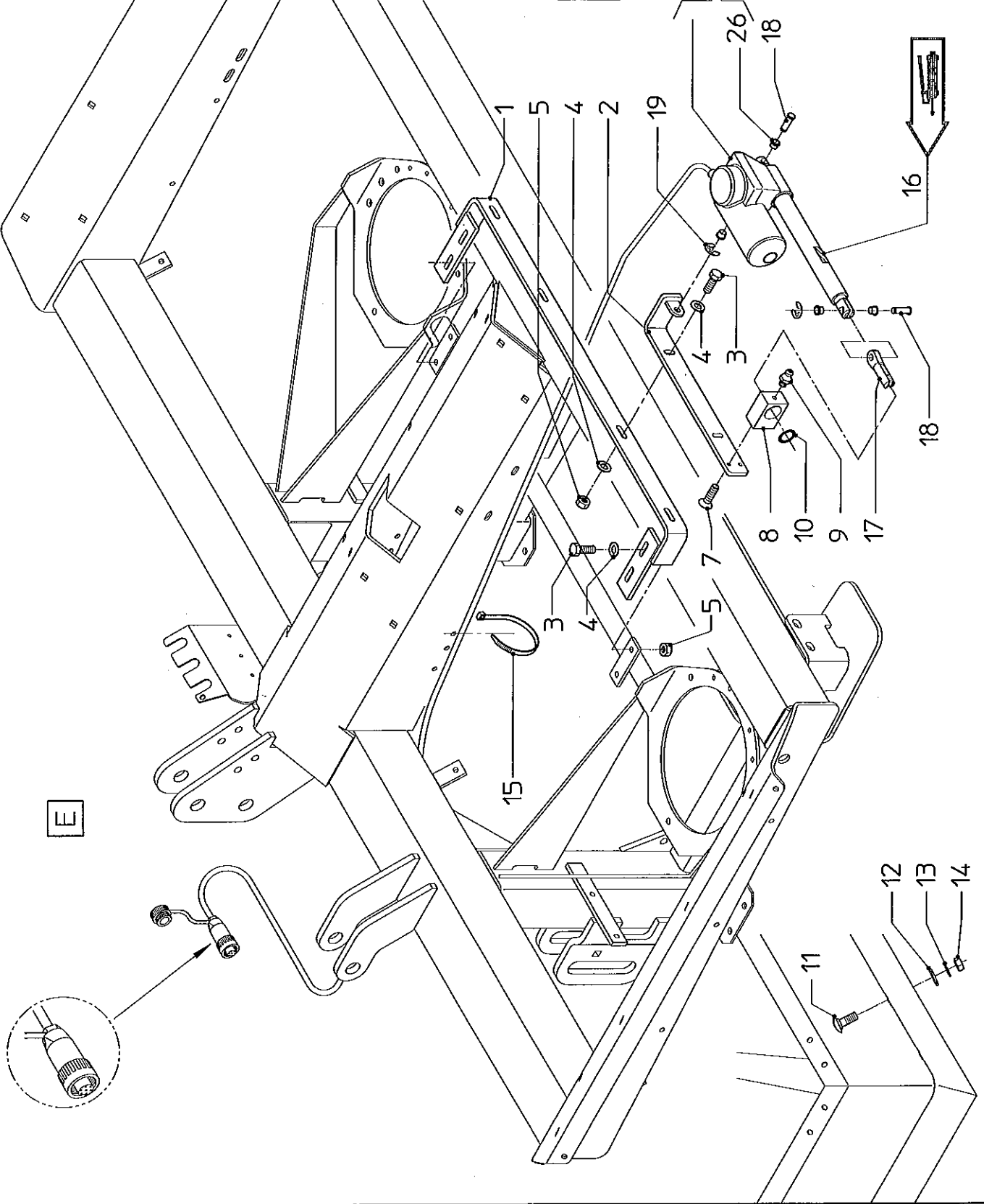
E



serial number 77304

H9

RS-XL 1650/3200 (2)



bestelnnummer
 ordernummer
 num. a commander
 Bestellnummer

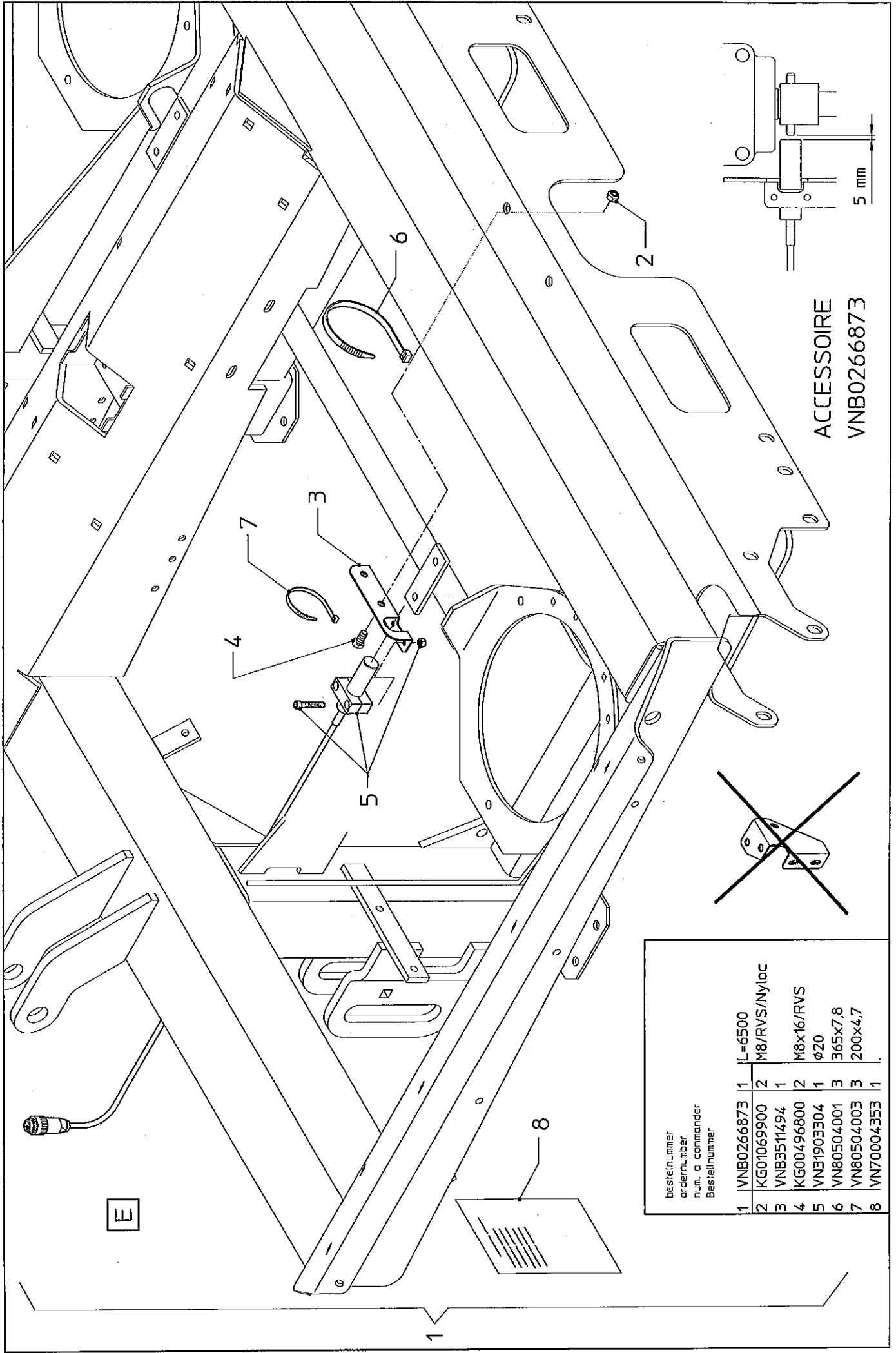
1	VN79770297X1
2	VNB1747686
3	VNB3310986
4	KG00497200
5	KG01263900
6	KG01069900
7	KG00766200
8	VNB1843478
9	VN30130800
10	VN36107317
11	KG00654300
12	VN30163250
13	VNB0117100
14	KG01053800
15	VN80504001
16	VN90090190
17	VNB1843178
18	VNB1843002
19	VN30116090
25	VN79730053X1
26	VNB0548673
27	VNB2235978

1	M8x30/RVS
2	8,4/RVS
3	M8/RVS/Nyloc
4	B5,5x25/RVS
5	AM8x1/RVS
6	29,74x3,53
7	M10x20/RVS
8	13/RVS
9	A10/RVS
10	M10/RVS
11	365x7,8
12	L=35
13	9/RVS
14	repairkit
15	actuat.

serial number 77304

H10

RS-XL 1650/3200 (2)



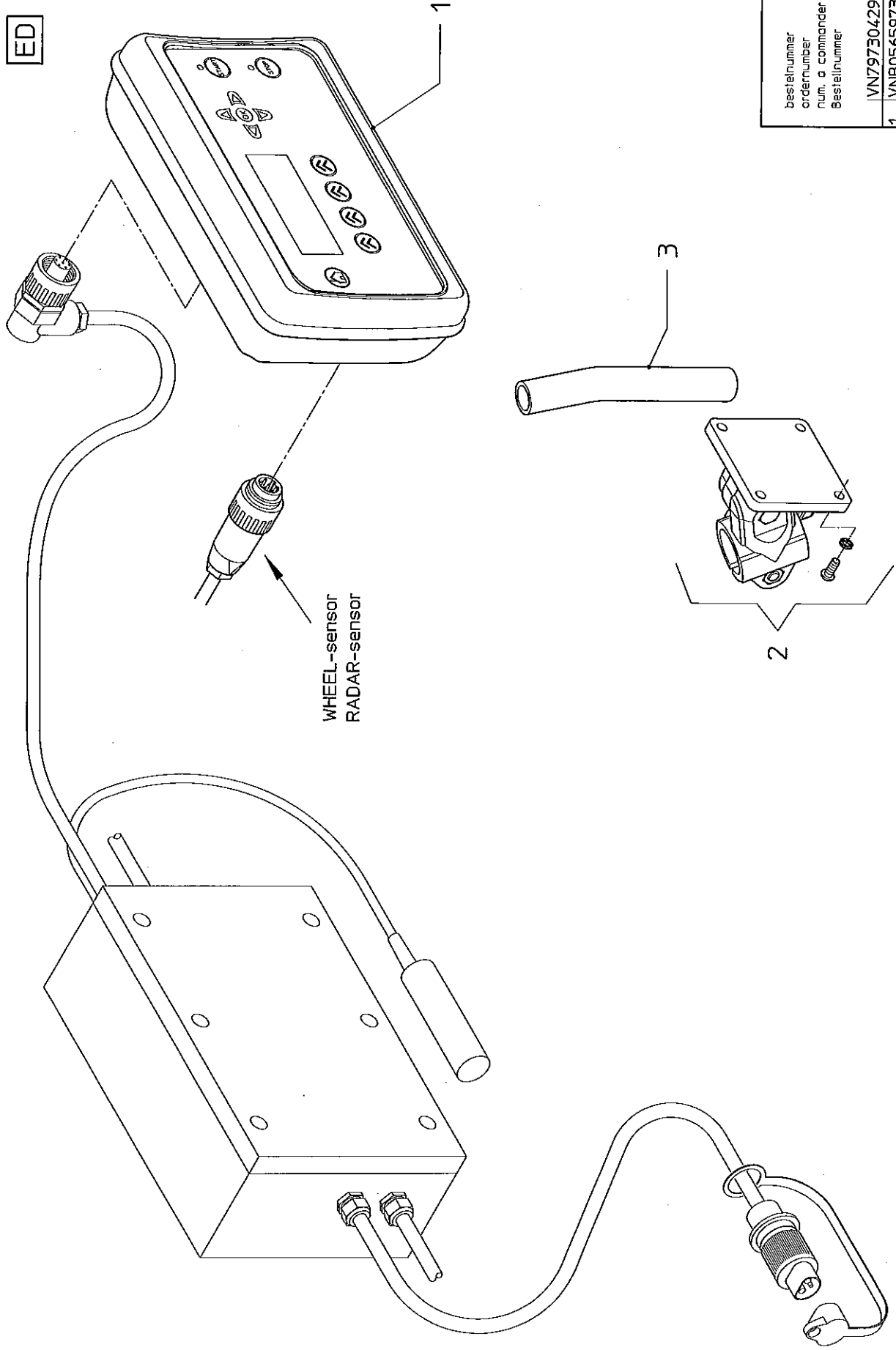
E

bestelnnummer
 order number
 num. o commander
 Bestellnummer

1	VNB0266873	1	L=6500
2	KG01069900	2	M8/RVS/Nyloc
3	VNB3511494	1	M8x16/RVS
4	KG00496800	2	ø20
5	VN31903304	1	365x7,8
6	VN80504001	3	200x4,7
7	VN80504003	3	
8	VN70004353	1	

ACCESSOIRE
 VNB0266873

ED



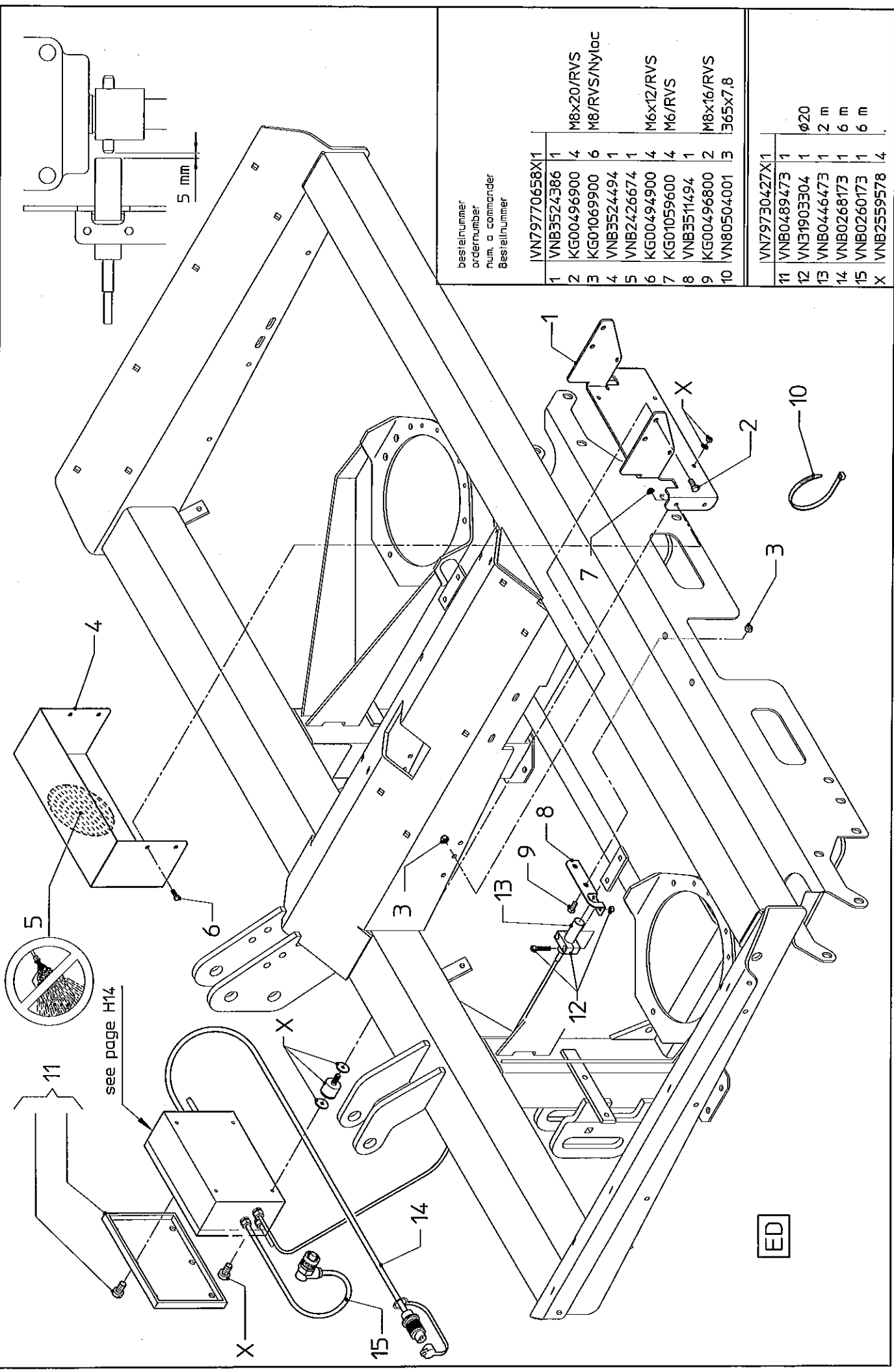
bestellnummer
ordernummer
num. a commander
Bestellnummer

	VN79730429X1
1	VNB0565973 1
2	VNB0548173 1
3	VNB3872902 1

serial number 77304

H12

RS-XL 1650/3200 (2)



ED

bestelnummer
 ordernummer
 num. a commander
 Bestellnummer

1	VN79770658X1	
2	VNB3524386	M8x20/RVS
3	KG00496900	M8/RVS/Nyloc
4	KG01069900	
5	VNB3524494	
6	VNB2426674	M6x12/RVS
7	KG00494900	M6/RVS
8	KG01059600	
9	VNB3511494	
10	KG00496800	M8x16/RVS
	VN80504001	365x7,8

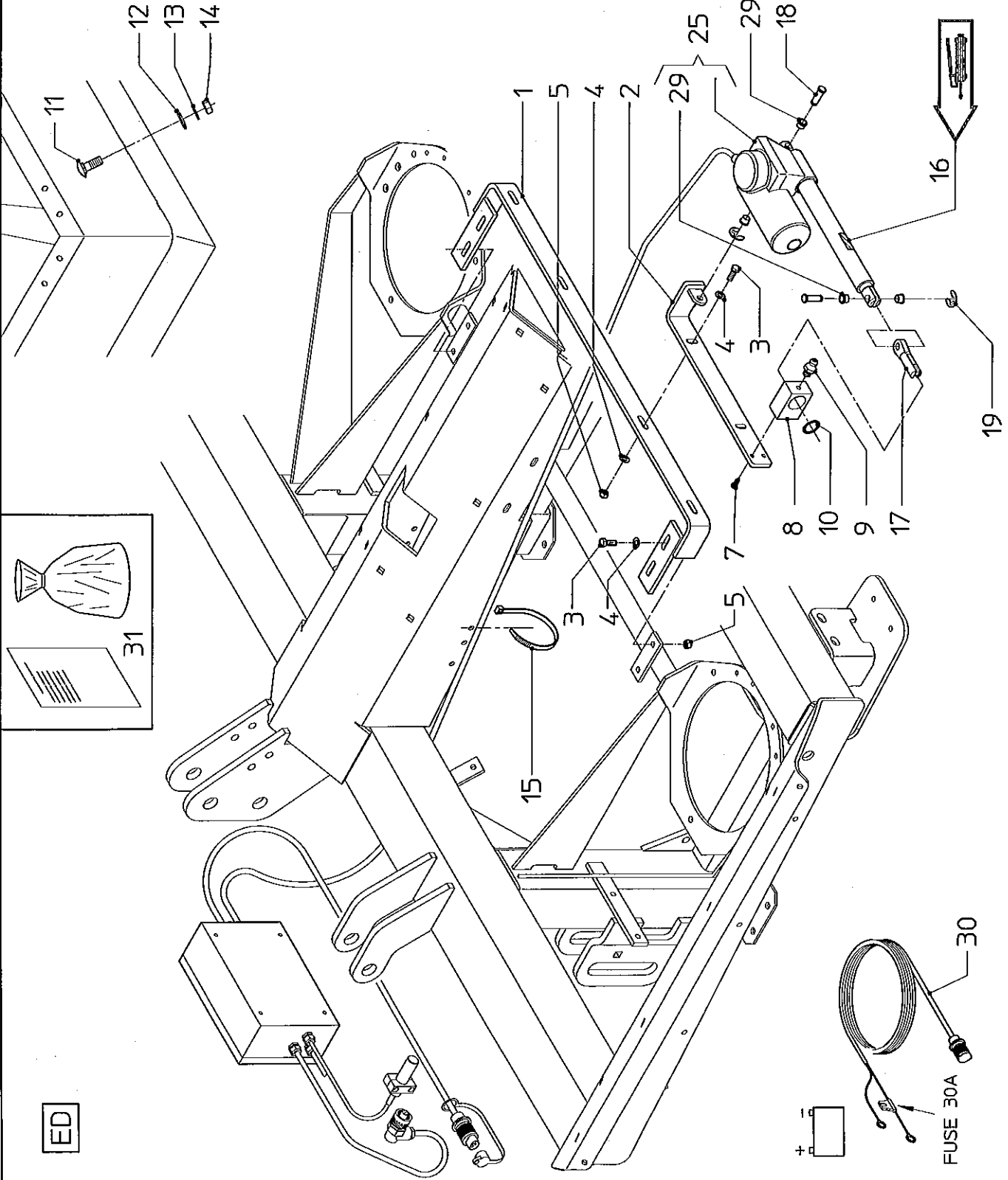
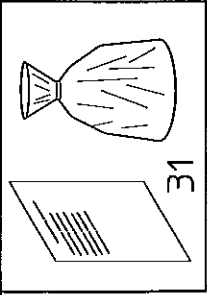
11	VN79730427X1	
12	VNB0489473	1
13	VNB1903304	1
14	VNB0446473	1
15	VNB0268173	1
X	VNB0260173	1
	VNB2559578	4

serial number 77304

H13

RS-XL 1650/3200 (2)

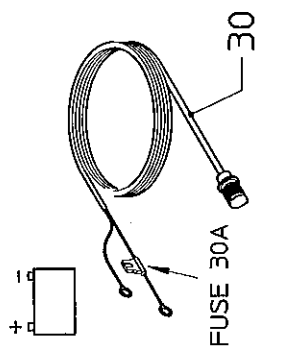
ED



bestelnummer
 ordernummer
 num. a commander
 Bestellnummer

VN79770658X1	
1 VNB1747686	1
2 VNB3310986	2
3 KG00497200	8
4 KG01263900	12
5 KG01069900	8
7 KG00766200	4
8 VNB1843478	2
9 VN30130800	2
10 VN36107317	2
11 KG00654300	4
12 VN30163250	4
13 VN30117100	4
14 KG01053800	4
15 VN80504001	8
16 VN90090190	2
17 VNB1843178	2
18 VNB1843002	4
19 VN30116090	4
M8x30/RVS	
8.4/RVS	
M8/RVS/Nylac	
B5.5x25/RVS	
AM8x1/RVS	
29.74x3.53	
M10x20/RVS	
A13/RVS	
A10/RVS	
M10/RVS	
365x7.8	
L=35	
9/RVS	

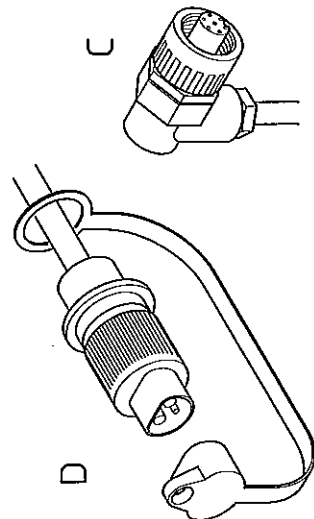
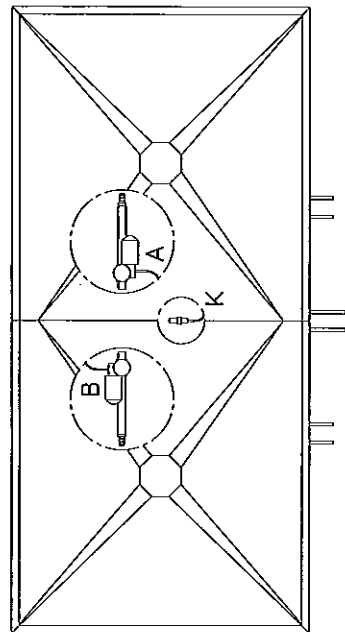
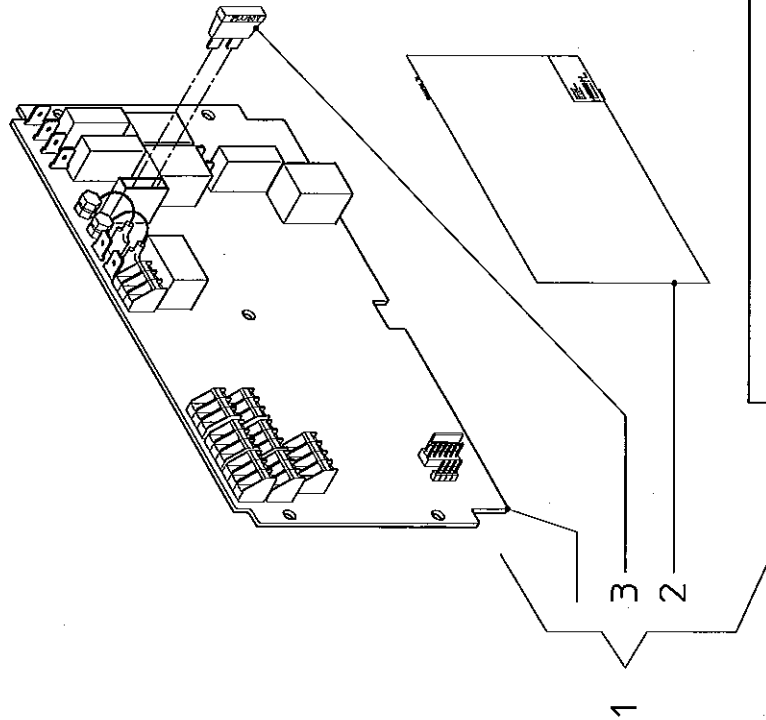
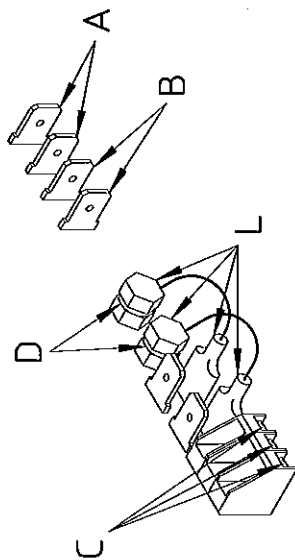
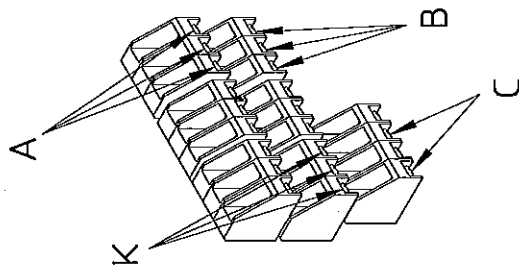
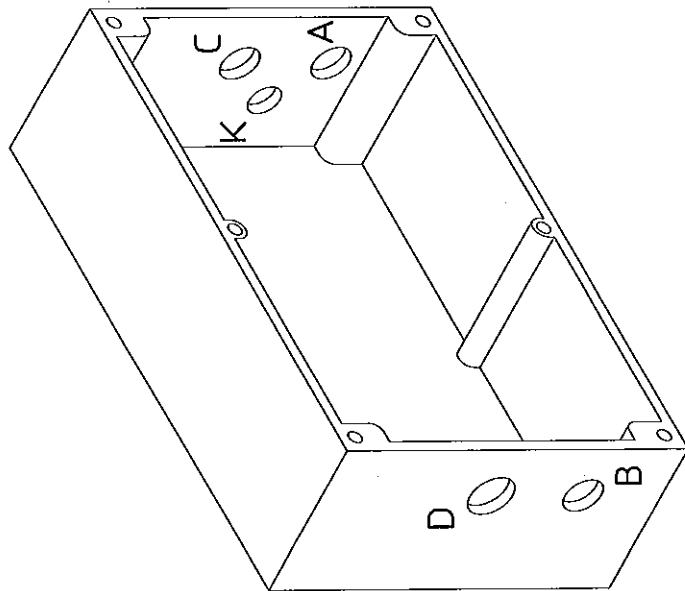
VN79730427X1	
25 VNB0563573	2
29 VNB2235978	8
30 VNB0374873	1
31 VNB0566173	1
4,5 m	
repair kit actual	



serial number 77304

H14

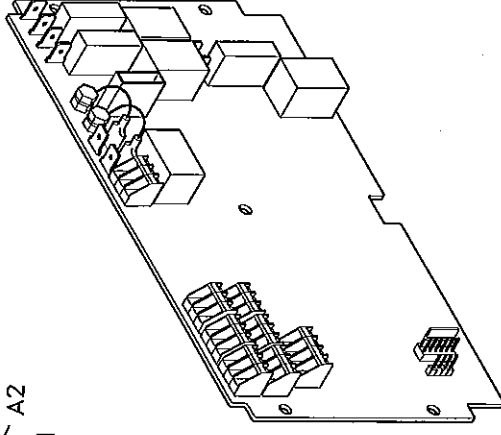
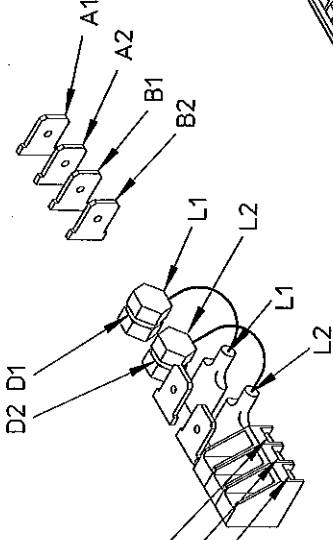
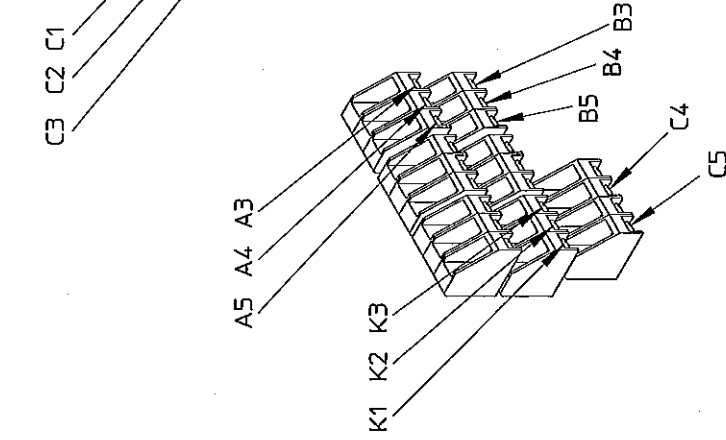
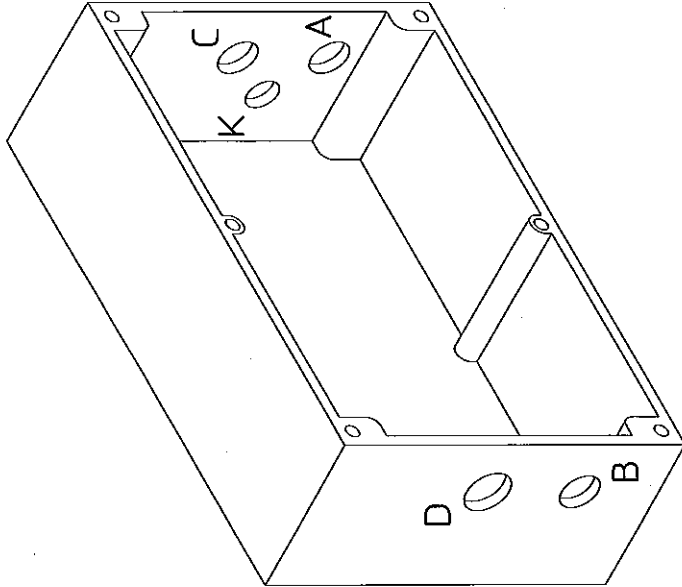
RS-XL 1650/3200 (2)



bestellnummer
ordernumber
num. a commander
Bestellnummer

1	VN79730450	1
2	VN70009784	1
3	VNB0064273	1 25A

70.009.739-18



KLEUR	COLOR	KABEL CABLE CABLE CAVO
geel+rood	yellow+red	A1 & B1
wit(oranje)+groen	white(orange)+green	A2 & B2
bruin	brown	A3 & B3
blauw	blue	A4 & B4
zwart	black	A5 & B5
groen	green	C1
oranje	orange	C2
geel	yellow	C3
blauw	blue	C4
bruin	brown	C5
blauw	blue	D1
blauw	blue	D2
zwart	black	K1
bruin	brown	K2
rood	red	K3
zwart	black	L1
		L2

FARBE	COULEUR	COLOR	COLORE	FARVE	FÄRIG
gelb+rot	jaune+rouge	amarillo+rojo	giallo+rosso	gul+rød	gul+rød
weiss(orange)+gruen	blanc(orange)+vert	blanco(naranja)+verde	bianco(arancia)+verde	hvid(orange)+grøn	vif(orange)+grøn
braun	brun	maron	marrone	brun	brun
blau	bleu	azul	azzurro	blå	blå
schwarz	noir	negro	nero	sort	svart
gruen	vert	verde	verde	sort	svart
orange	orange	naranja	arancia	grøn	grøn
gelb	jaune	amarillo	giallo	orange	orange
blau	bleu	azul	azzurro	gul	gul
braun	brun	maron	marrone	blå	blå
blau	bleu	azul	azzurro	brun	brun
blau	bleu	azul	azzurro	blå	blå
schwarz	noir	negro	nero	blå	blå
braun	brun	maron	marrone	sort	svart
rot	rouge	rojo	rosso	brun	brun
schwarz	noir	negro	nero	rød	rød
				sort	svart

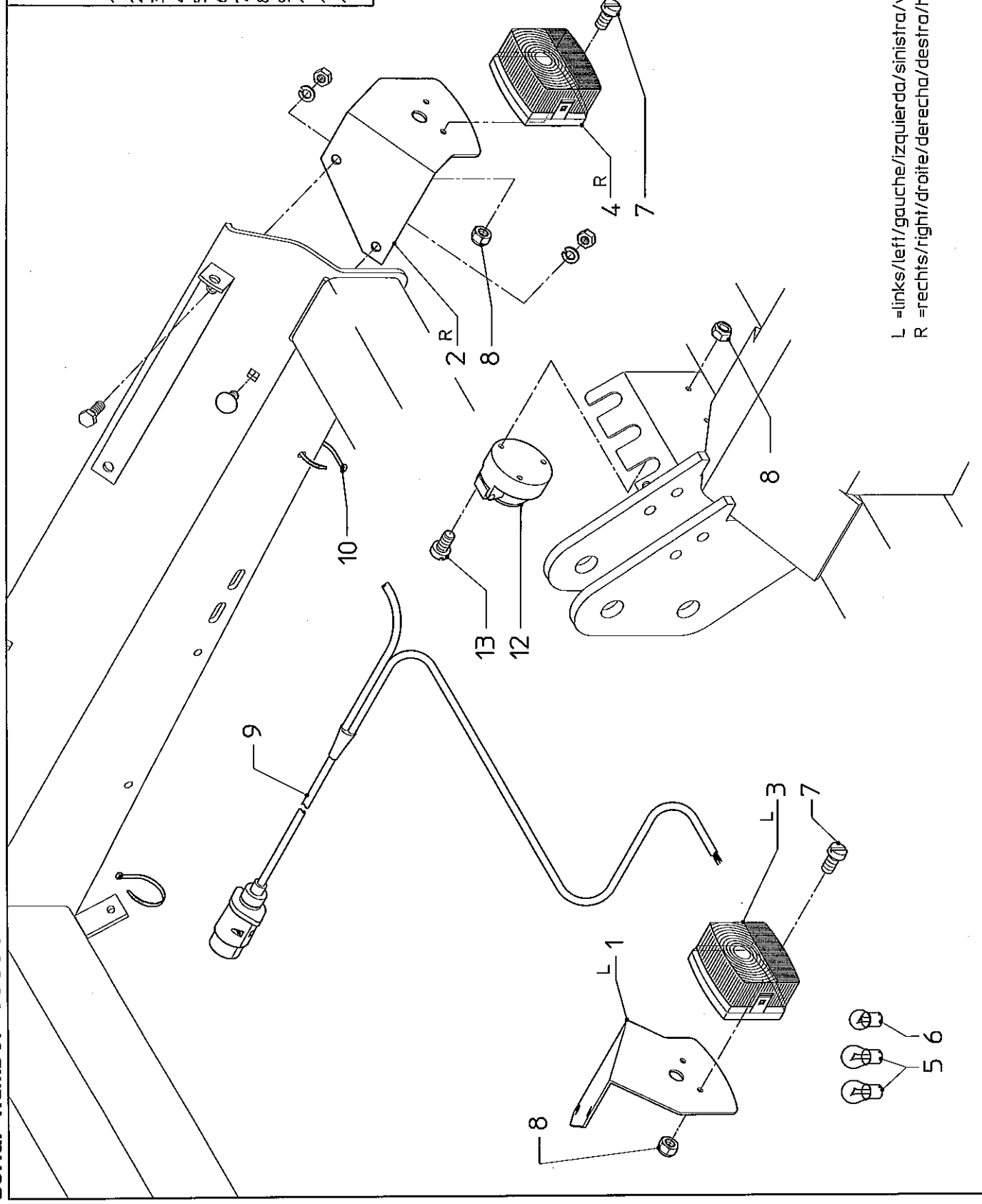
serial number 77304

H16

RS-XL 1650/3200 (2)

bestellnummer
ordernummer
num. a commander
Bestellnummer

1	VNB2816186	1	L
2	VNB2816286	1	R
3	VN48520009	1	L
4	VN48520005	1	R
5	VN48523002	4	12V21W
6	VN48523001	2	12V10W
7	KG00713700	4	M5x16/RVS
8	KG01069700	7	M5/RVS/NYloc
9	VNB1896878	1	200x4,7
10	VN80504003	10	M5x35/RVS
12	VNB0341273	1	
13	KG00714100	3	

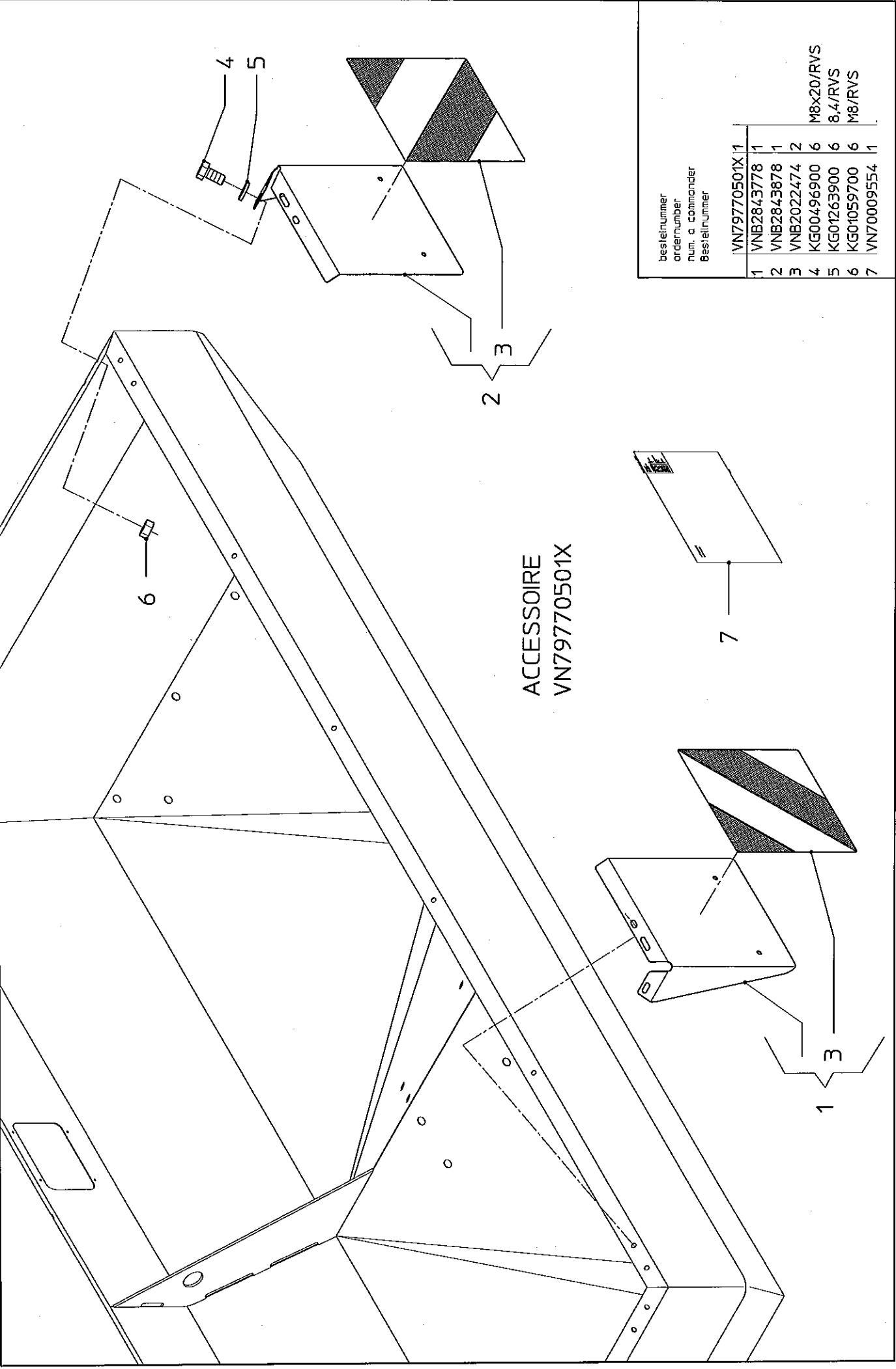


L = links/left/gauche/izquierda/sinistra/venstre/vänster
R = rechts/right/droite/derecha/destra/højre/höger

serial number 77304

I.1

RS-XL 1650/3200 (2)



ACCESSOIRE
VN79770501X

bestelnnummer
ordernummer
num. o commander
Bestelnnummer

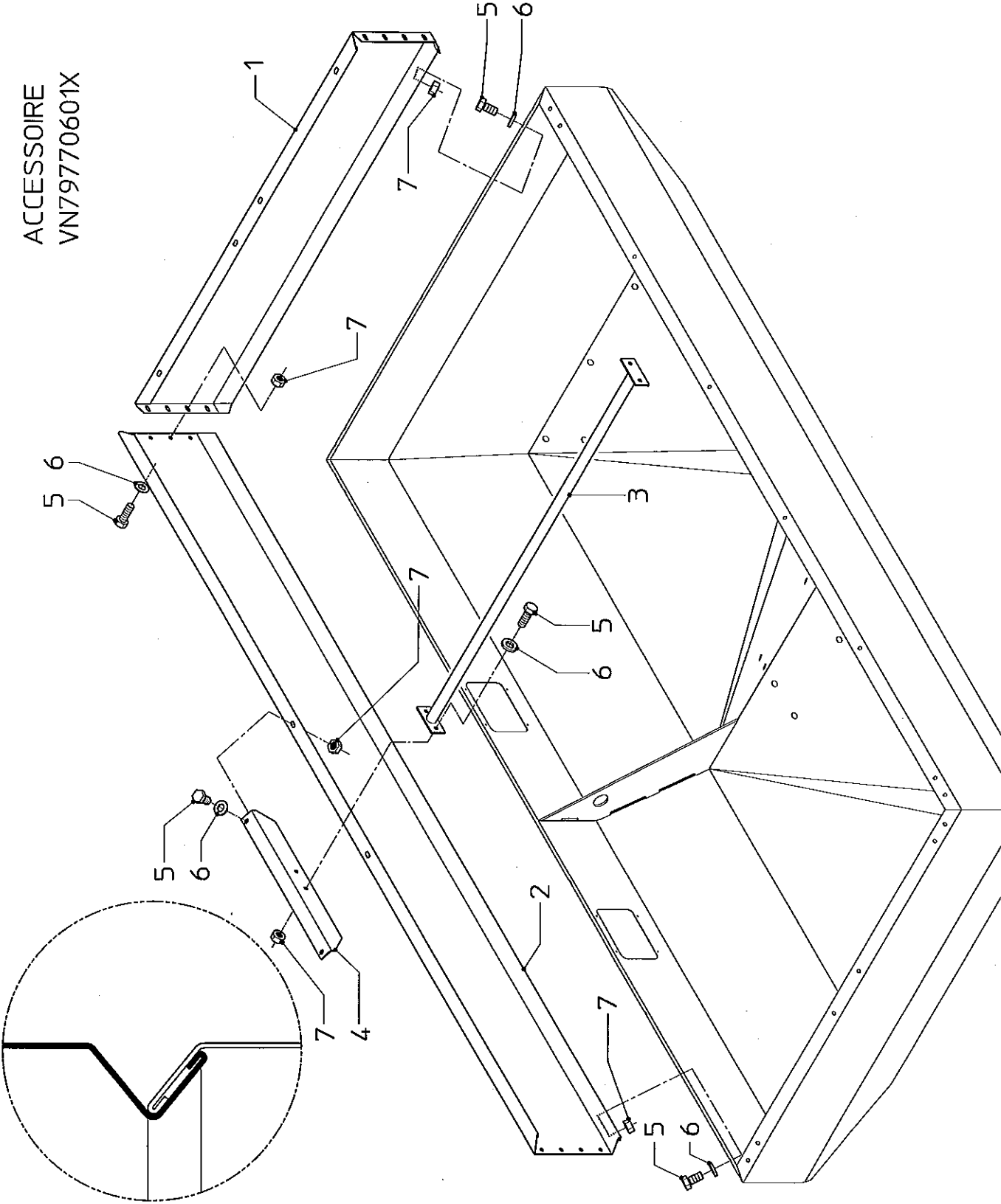
VN79770501X	1	
VNB2843778	1	
VNB2843878	1	
VNB2022474	2	
KG00496900	6	M8x20/RVS
KG01263900	6	8.4/RVS
KG01059700	6	M8/RVS
VN70009554	1	

serial number 77304

I.2

RS-XL 2500 (2)

ACCESSOIRE
VN79770601X



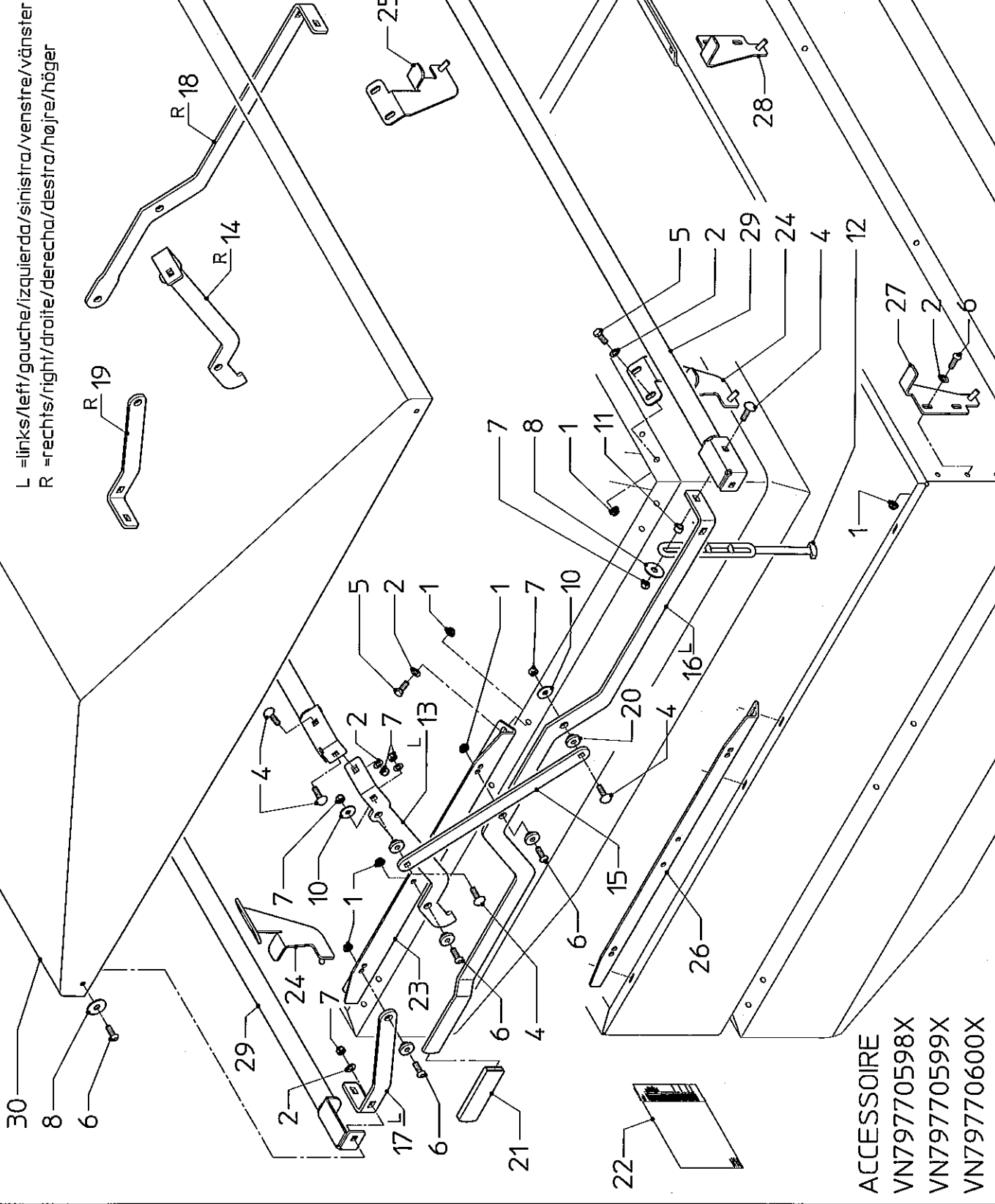
bestellnummer
ordernumber
num. a commander
Bestellnummer

1	VN79770601X	1
2	VNB3625294	2
3	VNB3625394	2
4	VNB2825994	1
5	VNB2826194	2
6	KG00496900	52 M8x20/RVS
7	KG01263900	52 8,4/RVS
8	KG01059700	52 M8/RVS
	VN70009696	1

serial number 77304

I.3

RS-XL 1650/2500 (2)



L = links/left/gauche/izquierda/sinistra/venstre/vänster
 R = rechts/right/droite/derecha/destra/højre/höger

bestellnummer
 ordernummer
 num. a commander
 Bestellnummer

VN79770599X1			
VN79770600X1			
1	KG01059700	20	M8/RVS
2	KG01263900	20	8.4/RVS
4	KG00652900	12	M8x30/RVS
6	KG00739500	24	M8x25/RVS
7	KG01069900	16	M8/RVS/Nylloc
8	KG01257800	8	A10.5/RVS
10	KG01257600	4	A8.4/RVS
11	VNB2092402	4	
12	VNB3443478	4	
13	VNB3602694	1	L R
14	VNB3602794	1	L R
15	VNB3603194	2	
16	VNB3603294	1	L L R R
17	VNB3603394	1	
18	VNB3603494	1	
19	VNB3603594	1	
20	VNB3603602	10	
21	VN90070600	1	
22	VN70009686	1	

VN79770599X1	
23	VNB3603094 2
24	VNB3678494 2
25	VNB3678594 2

VN79770600X1	
26	VNB3603994 2
27	VNB3678694 2
28	VNB3678794 2

VN79770598X1	
29	VNB3602394 3

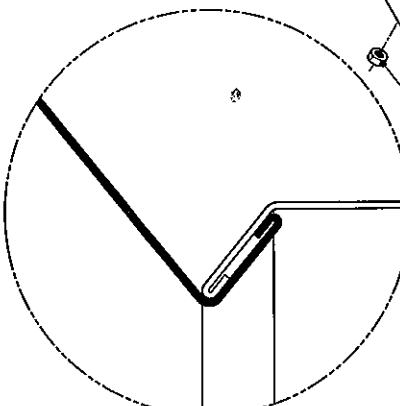
30	VNB3602278 11	I.
----	---------------	----

ACCESSOIRE
 VN79770598X
 VN79770599X
 VN79770600X

serial number 77304

I.4

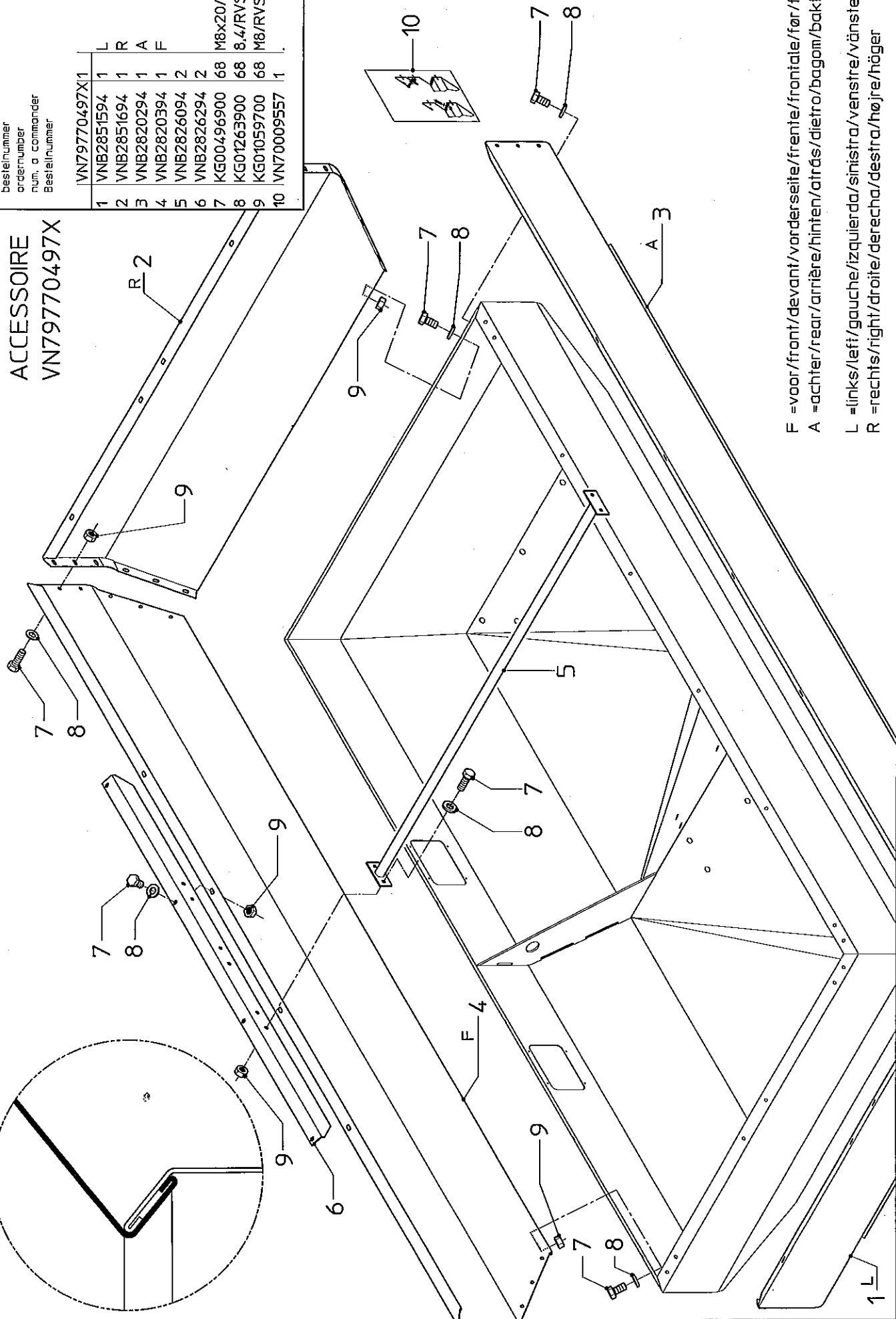
RS-XL 3200 (2)



ACCESSOIRE
VN79770497X

bestelnnummer
ordernummer
num. a commander
Bestellnummer

	VN79770497X	1	L	M8x20/RVS
1	VNB2851594	1	R	8.4/RVS
2	VNB2851694	1	A	M8/RVS
3	VNB2820294	1	F	
4	VNB2820394	1		
5	VNB2826094	2		
6	VNB2826294	2		
7	KG00496900	68		
8	KG01263900	68		
9	KG01059700	68		
10	VN70009557	1		



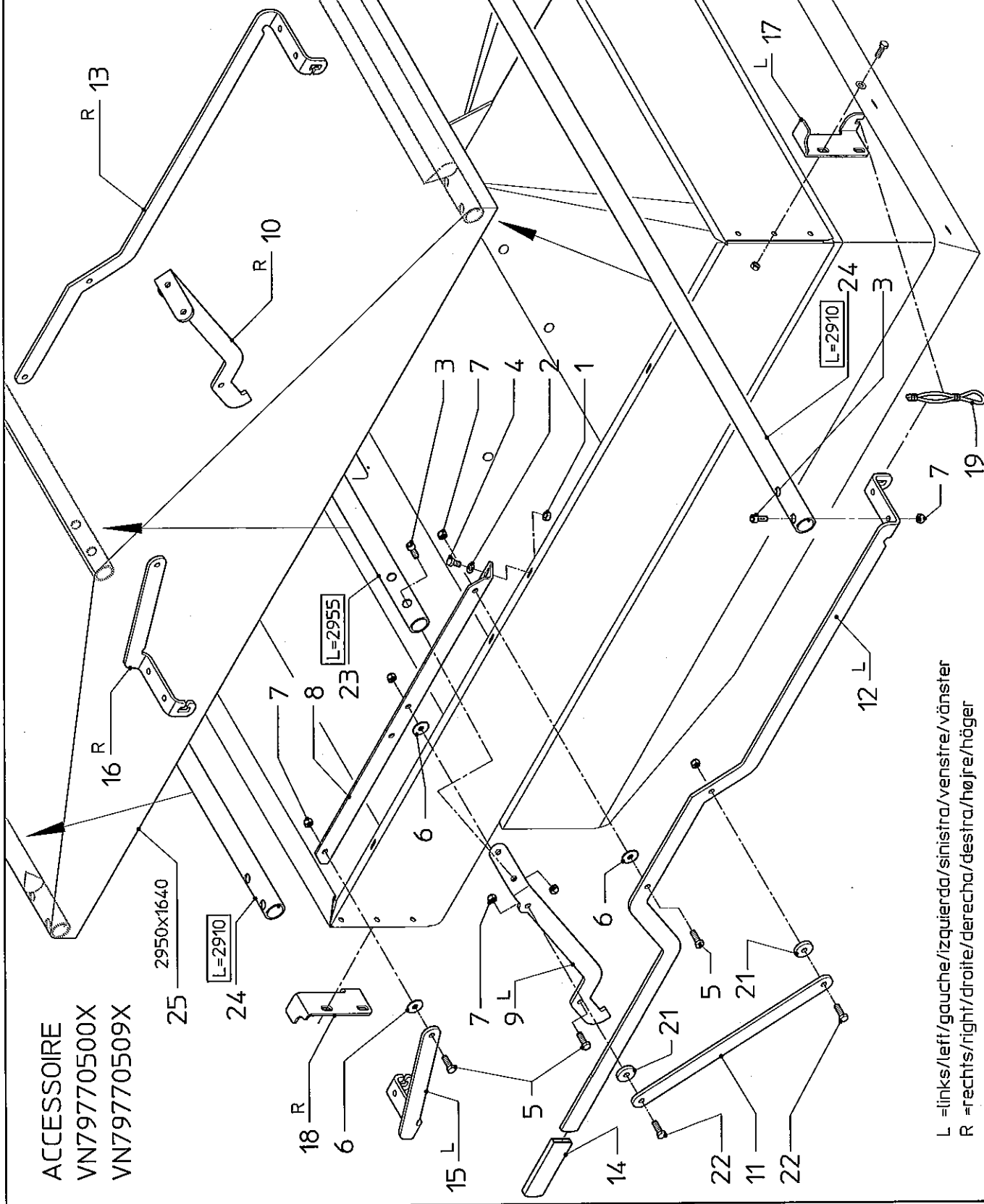
F = voor/front/devant/vorderseite/frente/frontale/før/för
 A = achter/rear/arrière/hinten/atrás/dietro/bogom/bakfill
 L = links/left/gauche/izquierda/sinistra/vänstre/vänster
 R = rechts/right/droite/derecha/destra/højre/höger

serial number 77304

I.5

RS-XL 3200 (2)

ACCESSOIRE
VN79770500X
VN79770509X



bestelnummer
ordernummer
num. o commander
Bestellnummer

1	VN79770500X1	M8/RVS
2	KG01059700	6
3	KG01263900	6
4	VN30397820	12.9-M8x20/DM
5	KG00496800	6
6	KG00497100	M8x16/RVS
7	KG01257600	M8x25/RVS
8	KG01069900	A8,4
9	VNB2866394	M8/RVS/Nylac
10	VNB2986994	2
11	VNB2987094	L R
12	VNB2866094	L R
13	VNB2987194	L R
14	VNB2987294	L R
15	VN90070600	L R
16	VNB2861894	L R
17	VNB2861994	L R
18	VNB2866494	L R
19	VNB2866594	L R
20	VNB2866278	L R
21	VN70009561	4
22	VNB2986802	4
23	KG00497200	M8x30/RVS

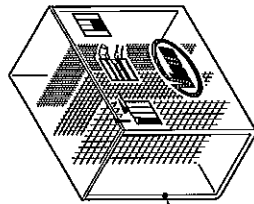
23	VN79770509X1	L=2955
24	VNB2871594	1
25	VNB2871494	L=2910
25	VNB2823178	1
		2950x1640

L = links/left/gauche/izquierda/sinistra/venstre/vänster
R = rechts/right/droite/derecha/destra/højre/höger

serial number 77304

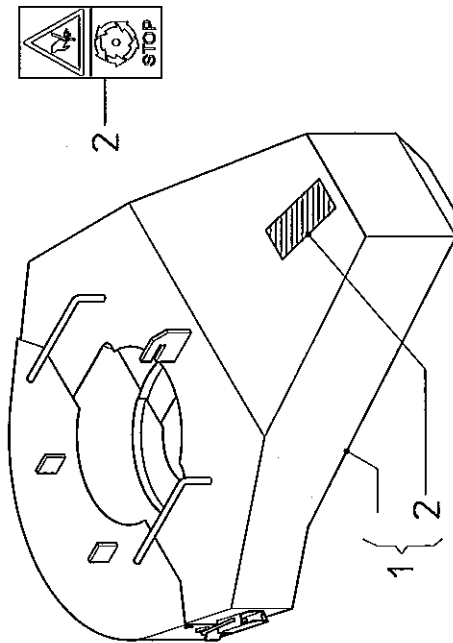
bestelnummer
ordernumber
num. o commander
Bestellnummer

3 | VN79770150 | 1 | 1



3

ACCESSOIRE



2

1

bestelnummer
ordernumber
num. o commander
Bestellnummer

1 | VNB188578 | 1 |
2 | VGTR2023 | 1 |

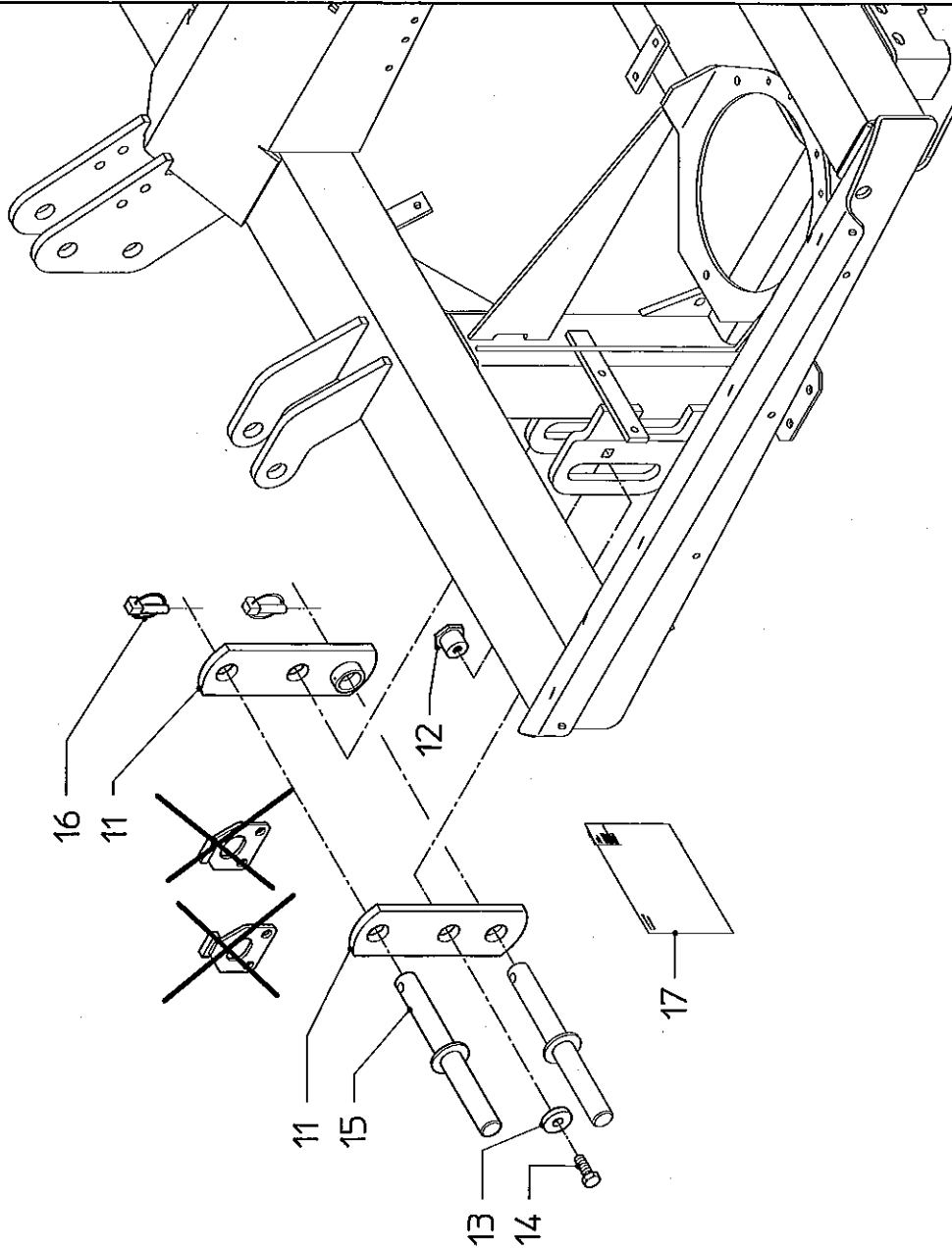
I.6

RS-XL 1650/3200 (2)

bestelnummer
ordernumber
num. o commander
Bestellnummer

VN79770361X	1
VNB3146394	2
VNB1926493	2
VN99440851	2
VN30296225	2
VNB1599894	1
VNB0765193	1
VN70009265	1

ACCESSOIRE
VN79770361X



16

11

12

11

15

13

14

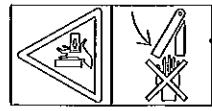
17

serial number 77304

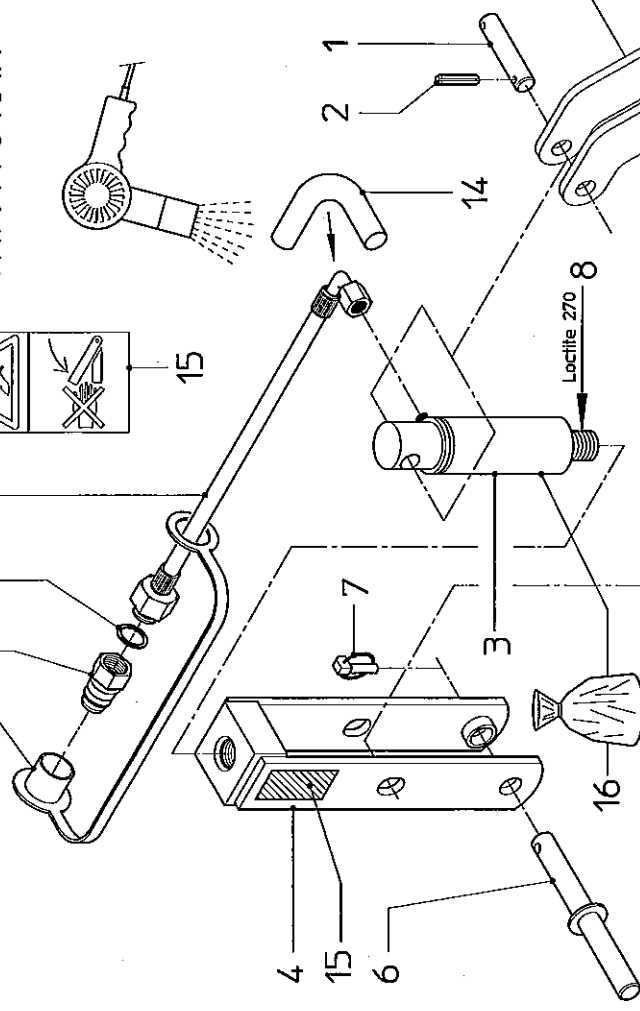
I.7

RS-XL 1650/3200 (2)

ACCESSOIRE
VN79770401X



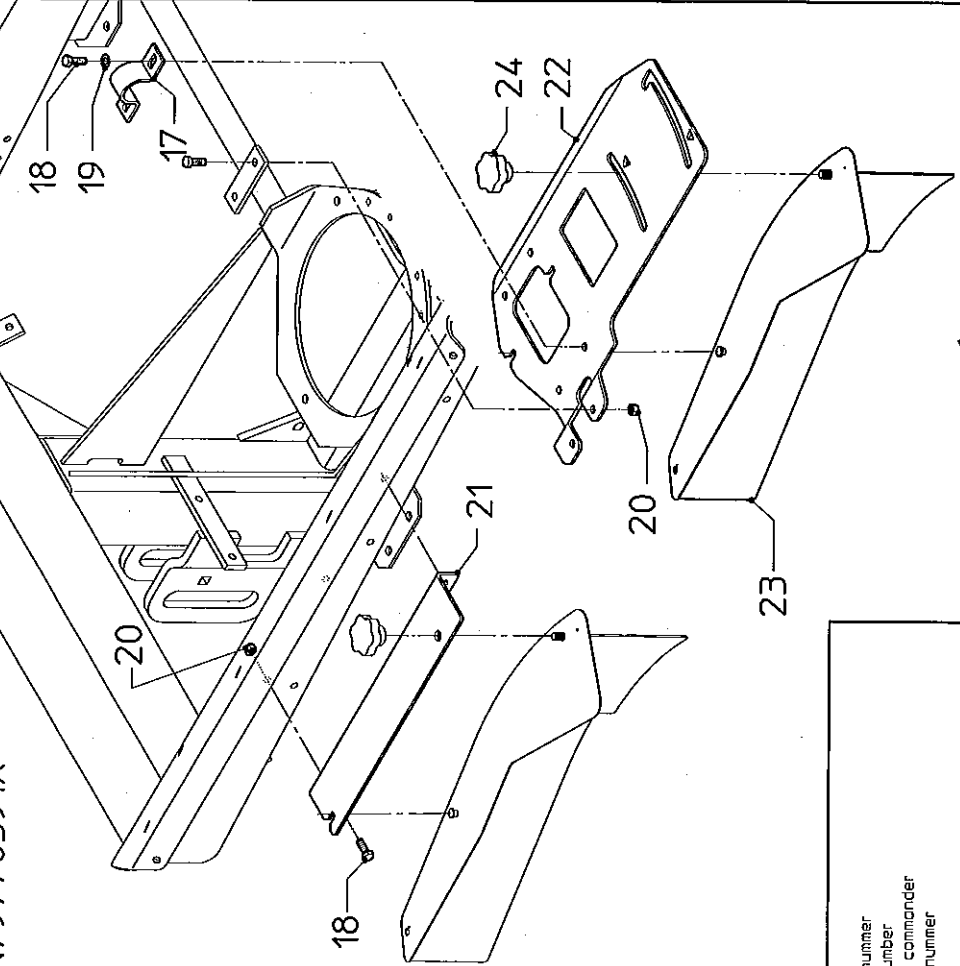
12 11 10 9



bestelnnummer
ordernummer
num. a commander
Bestelnnummer

1	VN79770401X	1
2	VNB1608494	1
3	KG01204300	8x40/RVS
4	VNB2498994	1
5	VNB2705594	1
6	VNB1599894	1
7	VNB0765193	1
8	Loclitle 270	
9	VNB0835278	1/4"-2000mm
10	VN31419201	21x26x15
11	VN38854081	1/2"
12	VN38854581	1/2"
13	VN70009499	L=140mm
14	VNB1504678	1
15	VGTR2059	1
16	VNB0835678	Sealkit

ACCESSOIRE
VN79770391X



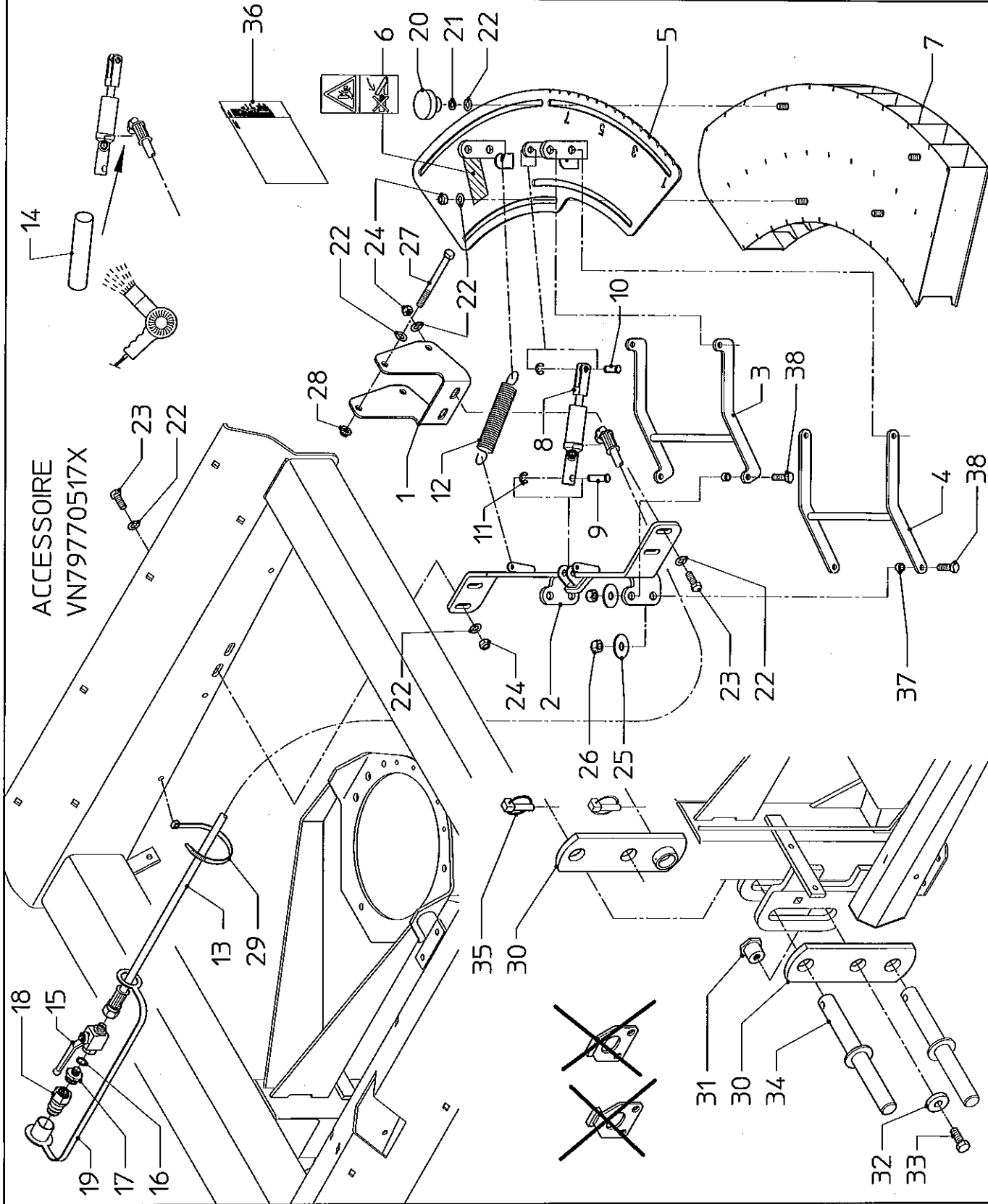
bestelnnummer
ordernummer
num. a commander
Bestelnnummer

17	VN79770391X	1
18	VNB1911994	2
19	KG00496900	M8x20/RVS
20	KG01263900	8.4/RVS
21	KG01069900	M8/RVS/Nylac
22	VNB2666794	1
23	VNB2819194	1
24	VNB3525094	1
25	VN17856588	1
26	VN70009489	1

serial number 77304

I.8

RS-XL 1650/3200 (2)



bestelnnummer
 order number
 num. o commander
 Bestellnummer

1	VN79770517X	1
2	VNB3069294	1
3	VNB3357794	1
4	VNB3356994	1
5	VNB3274694	1
6	VNB3357094	1
7	VGTR2059	1
8	VNB3039102	1
9	VNB3274994	1
10	VNB1226902	1
11	VNB0736102	1
12	VNB0116090	2
13	VNB2662102	2
14	VNB3069178	1
15	VNB1504678	1
16	VN90007711	1
17	VNB1419900	1
18	VNB1306893	1
19	VNB8854081	1
20	VNB8854581	1
21	VN17856588	2
22	VN30117100	2
23	KG01264000	14
24	KG00498800	4
25	KG01070000	6
26	KG01257600	8
27	KG01069900	8
28	KG00397400	2
29	VN30598010	2
30	VN80504003	5
31	VNB1926493	2
32	VN99440851	2
33	VN30296225	2
34	VNB1599894	1
35	VNB0765193	1
36	VN70009617	1
37	VNB2092402	8
38	KG00497200	8

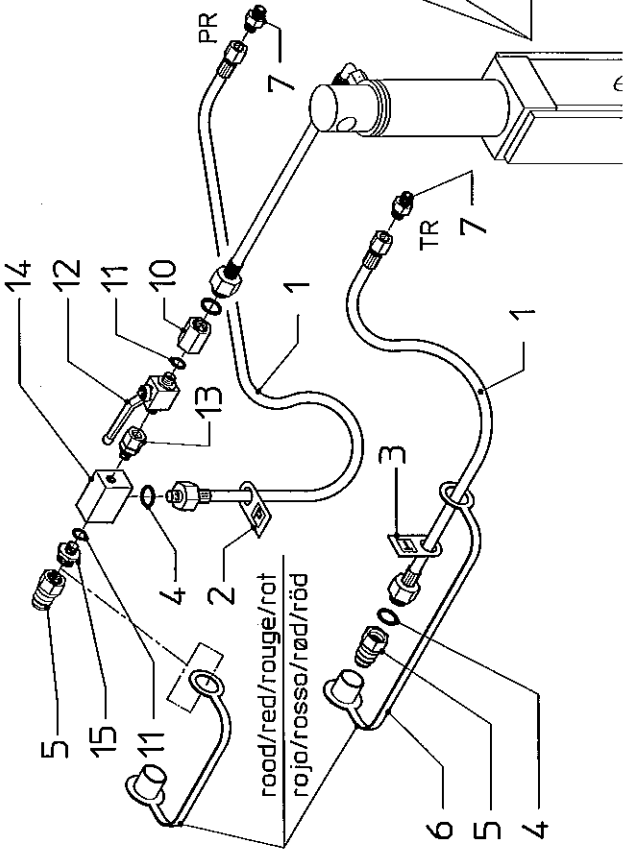
L=40
 L=28
 9/RVS
 1/4"-L=3000
 L=140
 A14x18x15
 G1/2"-M14x15
 G1/2"
 1/2"
 A10/RVS
 10.5/RVS
 M10x30/RVS
 M10/RVS/Nyloc
 A8.4/RVS
 M8/RVS/Nyloc
 M10x120/RVS
 M10/K10/DM
 200x4.7
 K100-M12x25/DM
 M8x30/RVS

serial number 77304

I.9

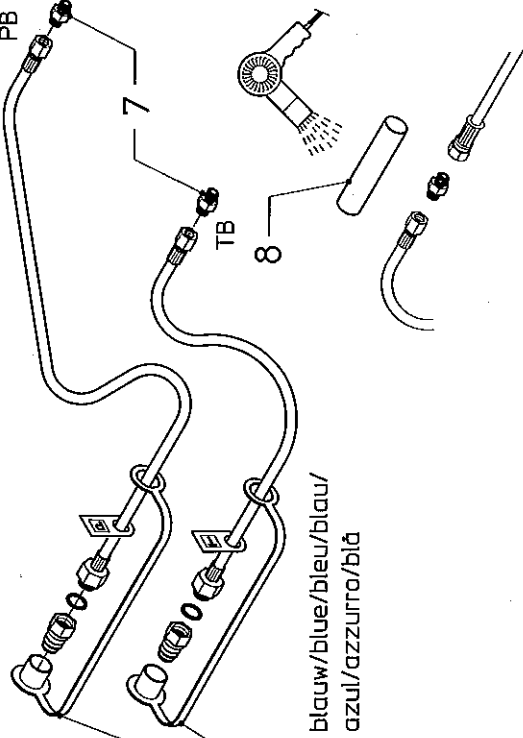
RS-XL 1650/3200 (2)

links/left/gauche/links/izquierda/sinistra/venstre/vänster



ACCESSOIRE
VN79770392X

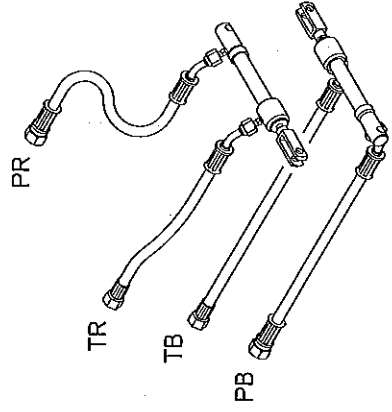
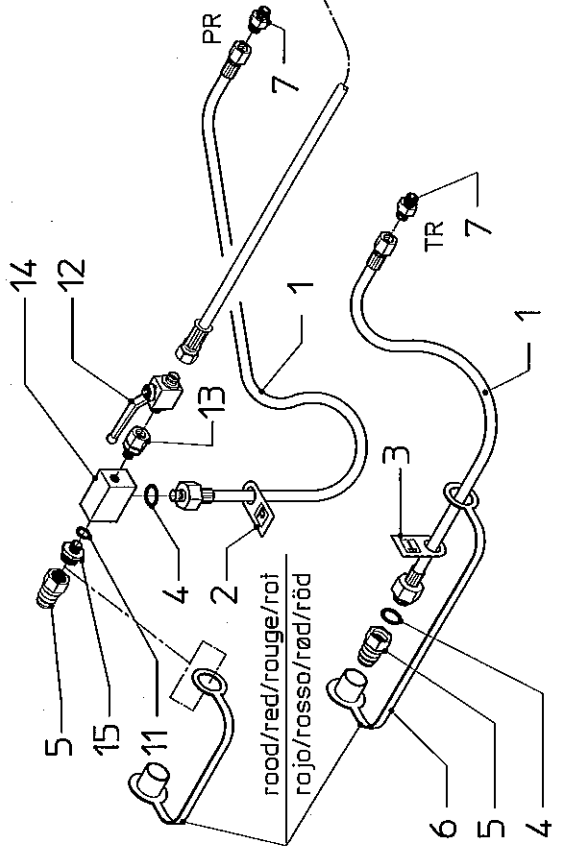
rechts/right/droite/rechts/derecha/destra/højre/höger

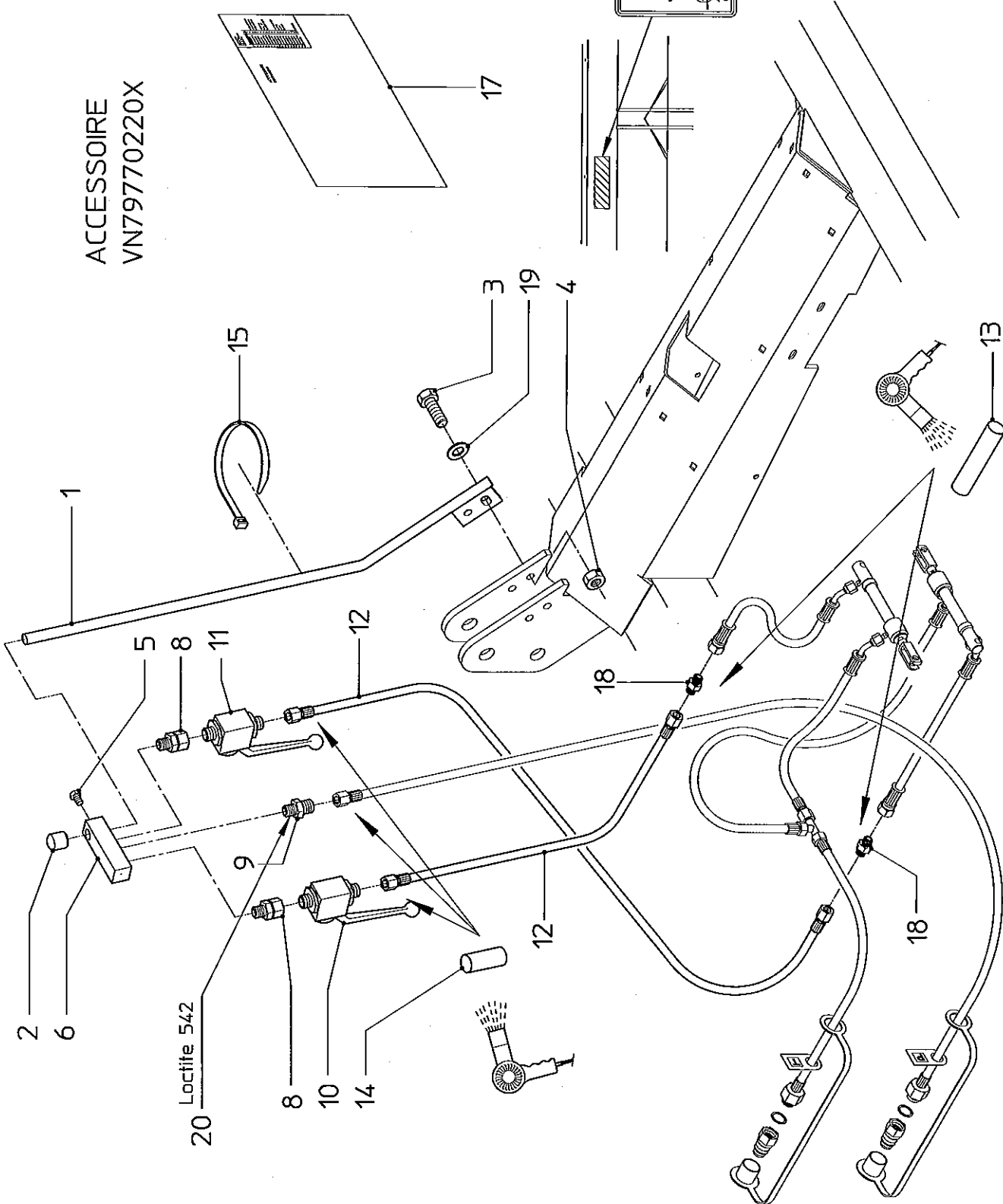


bestellnummer
ordernummer
num. o commander
Bestellnummer

1	VN79770392X1	L=1600
2	VNB0738978	P
3	VNB0817978	T
4	VNB0818078	A21x26x1,5
5	VN31419201	G1/2"
6	VN38854081	1/2"
7	VN38854586	L=140
8	VNB0854293	
9	VNB1504678	
10	VN70009483	
11	VNB3084193	G1/2"-M14x1,5
12	VN31419900	A14x18x1,5
13	VN17895704	
14	VN38820225	RAL-8M
15	VNB3083893	G1/2"-M14-M12
16	VNB1306893	G1/2"-M14x1,5

links/left/gauche/links/izquierda/sinistra/venstre/vänster



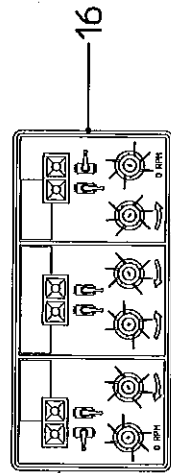


ACCESSOIRE
VN79770220X

bestelnummer
order number
num. o commander
Bestellnummer

1	VN79770220X1
2	VNB1840194
3	VNB0854378
4	KG00501000
5	VN30598012
6	KG00498500
8	VNB1308693
9	VNB38820225
10	VNB38820194
11	VN17895704
12	VN17895703
13	VNB1797478
14	VNB1504678
15	VNB1504578
16	VN80504001
17	VNB1727574
18	VN70009207
19	VNB0854293
20	KG01264100

M12x35/RVS
K10/M12/DM
M10x16/RVS
RAL 8M
S-GEV 8LM
1/4"-L=1250
L=140
L=70
L=360
13/RVS
Loctite 542

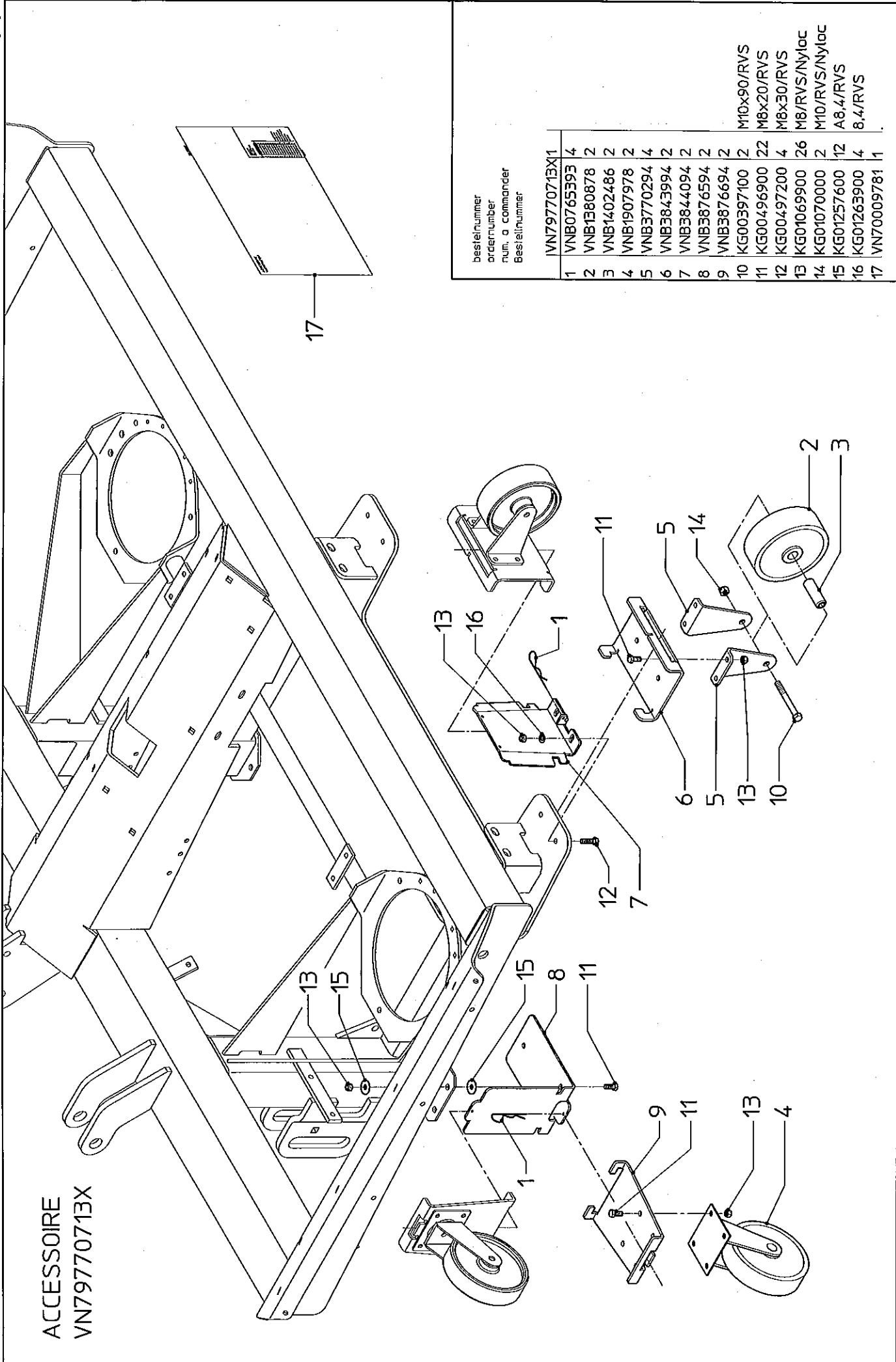


serial number 77304

I.11

RS-XL 1650/3200 (2)

ACCESSOIRE
VN79770713X



bestelnnummer
ordernummer
num. a commander
Bestellnummer

1	VN79770713X1	
2	VNB0765393	4
3	VNB1380878	2
4	VNB1402486	2
5	VNB1907978	2
6	VNB3770294	4
7	VNB3843994	2
8	VNB3844094	2
9	VNB3876594	2
10	VNB3876694	2
11	KG00397100	2
12	KG00496900	22
13	KG00497200	4
14	KG01069900	26
15	KG01070000	2
16	KG01257600	12
17	KG01263900	4
	VN70009781	1

M10x90/RVS
M8x20/RVS
M8x30/RVS
M8/RVS/Nylac
M10/RVS/Nylac
A8,4/RVS
8,4/RVS

serial number 77304

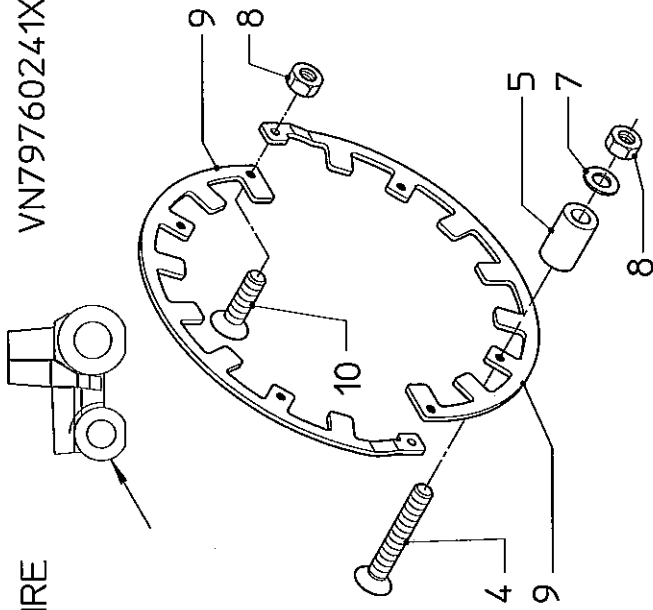
I.12

RS-XL 1650/3200 (2)

VN79760241X-φ420

ACCESSOIRE

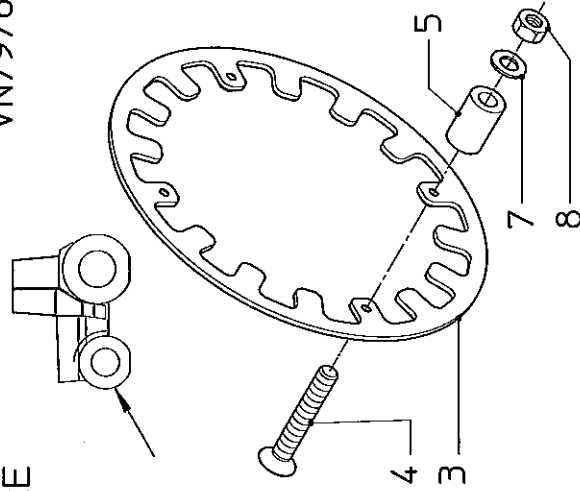
ED



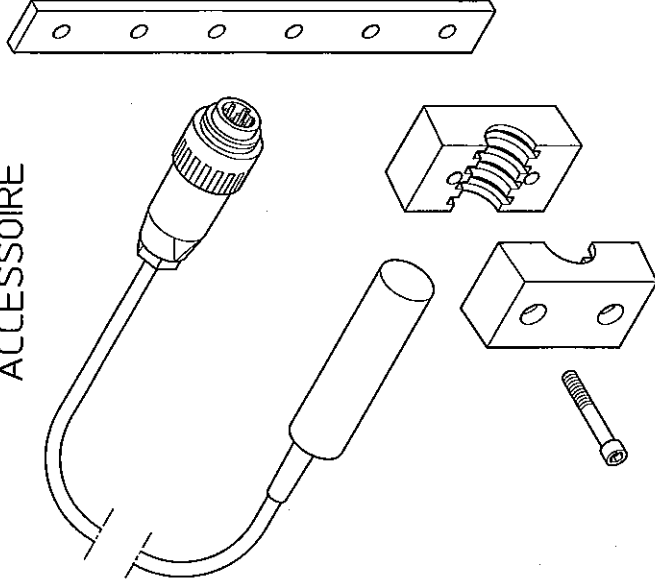
VN79760240X-φ350

ACCESSOIRE

ED



ACCESSOIRE



15

WHEEL-SENSOR

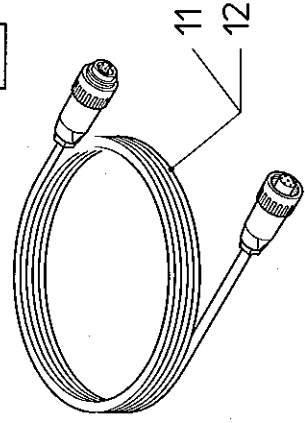
ED

bestelnummer
order number
num. a commander
Bestelnummer

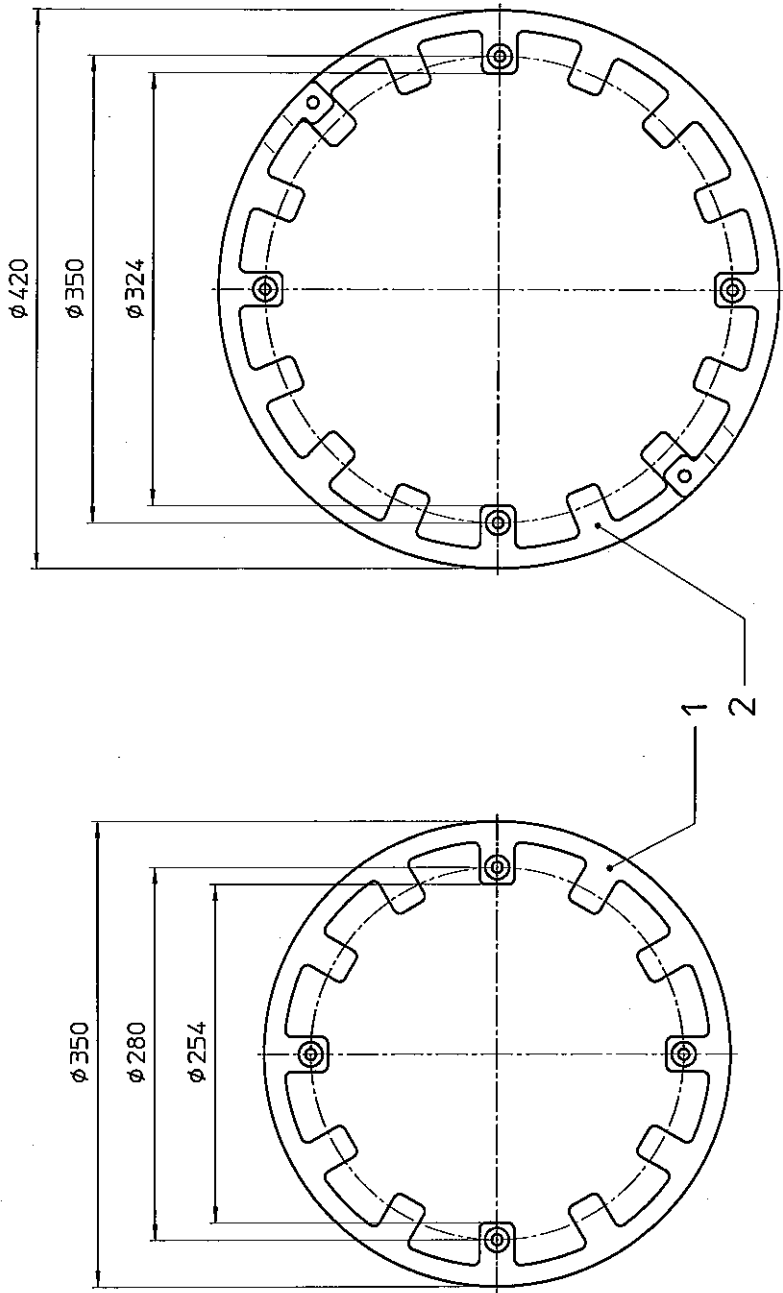
VN79760240X1	1	φ350
VNB1517586	4	M8x50/RVS
KG00872200	4	
VNB153493	4	
KG01263900	4	8,4/RVS
KG01069900	4	M8/RVS/Nylloc
VN79760241X1	1	
KG00872200	4	M8x50/RVS
VNB153493	4	
KG01263900	4	8,4/RVS
KG01069900	6	M8/RVS/Nylloc
VNB2928086	2	φ420
KG00871700	2	M8x25/RVS
VNB0304073	1	16 mitr
VNB0326573	1	2,5 mitr
VNB0430273	1	l.

ACCESSOIRE
EXTENSION CABLE

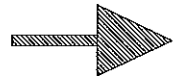
ED



ED



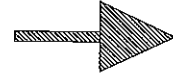
VNB1517586



X = 4,5 mm

Y = 9 mm

VNB2928086 (2x)

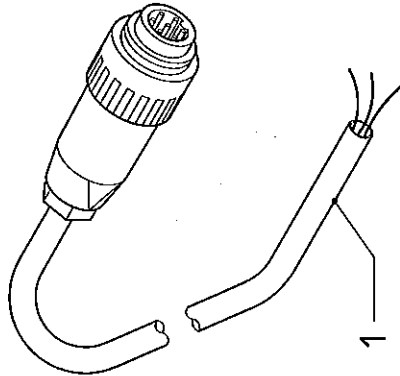
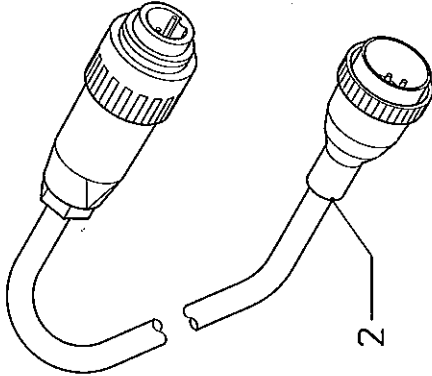
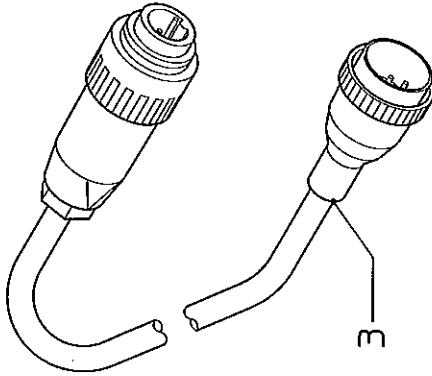
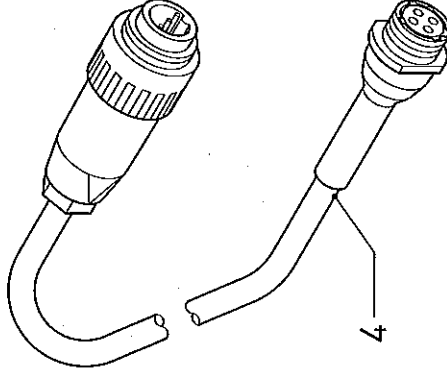
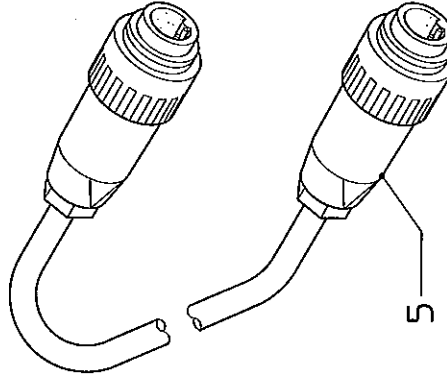
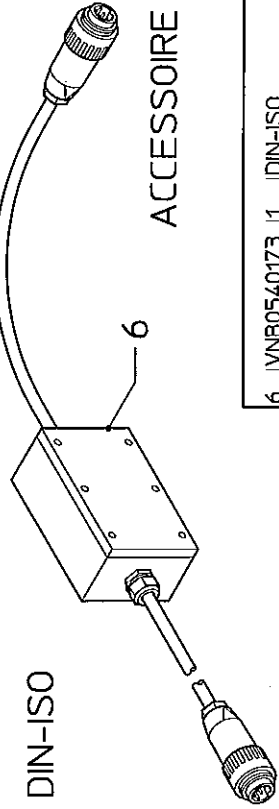
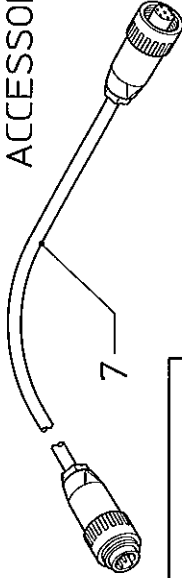


X = 3,5 mm

Y = 10,5 mm

1	VNB1517586	1	$\phi 350$
2	VNB2928086	2	$\phi 420$

CABLE FOR RADAR SENSOR TRACTOR

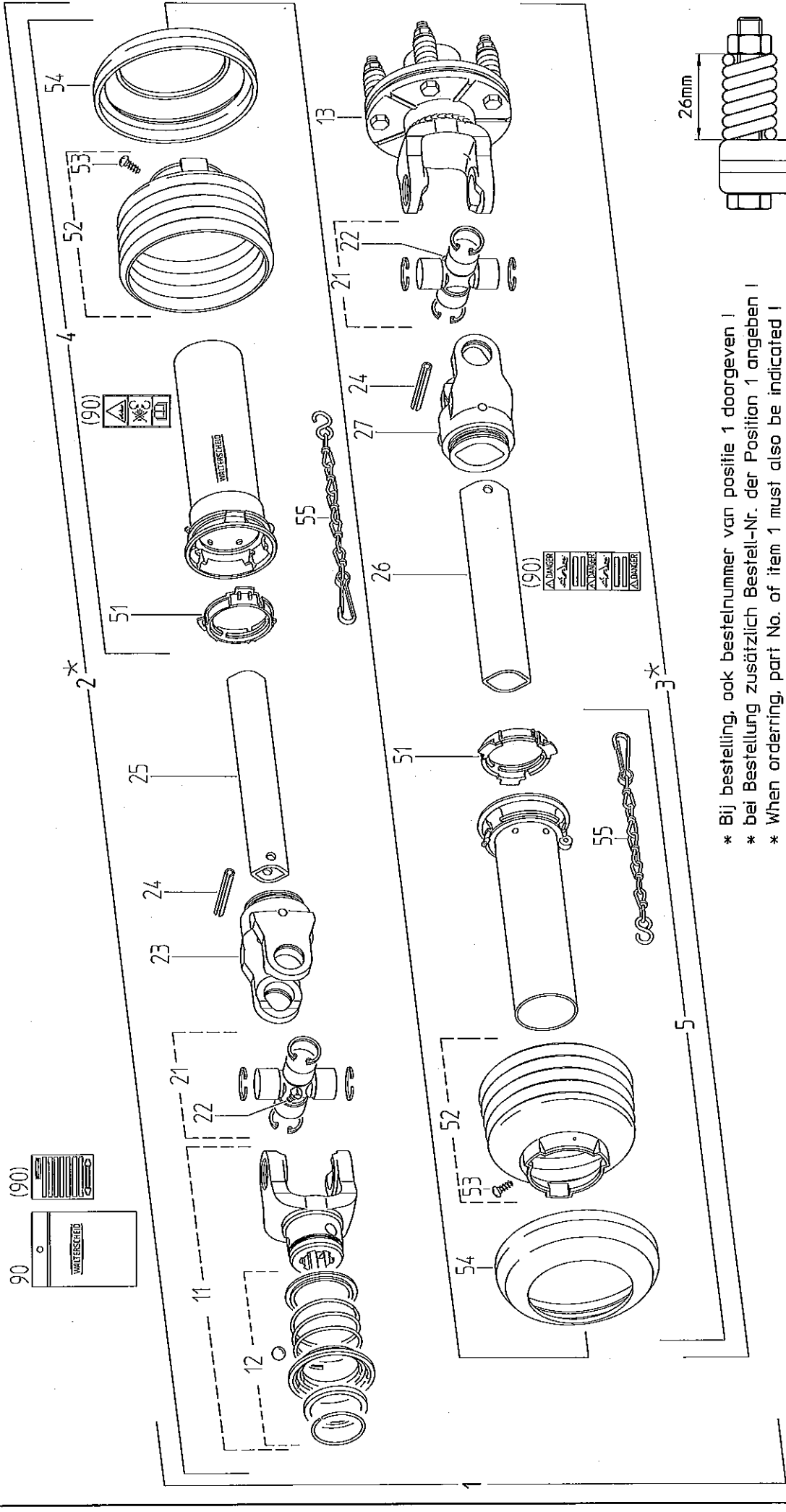
<p>SELF-MADE</p> <p>ACCESSOIRE</p>  <p>1</p>	<p>DATA TRONIC-1</p> <p>ACCESSOIRE</p>  <p>2</p>	<p>DATA TRONIC-2</p> <p>ACCESSOIRE</p>  <p>3</p>	<p>DICKEY JOHN</p> <p>ACCESSOIRE</p>  <p>4</p>	<p>DIN-ISO</p> <p>ACCESSOIRE</p>  <p>5</p>
<p>1 IVNB0303973 1 Self-made</p>				
<p>2 IVNB0305873 1 Datatronic-1(MF)</p>				
<p>3 IVNB0385273 1 Datatronic-2(MF)</p>				
<p>4 IVNB0305973 1 Dickey John</p>				
<p>5 IVNB0386773 1 DIN-ISO</p>				
<p>DIN-ISO</p>  <p>6</p> <p>ACCESSOIRE</p>				
<p>6 IVNB0540173 1 DIN-ISO</p>				
<p>DIN-ISO</p>  <p>7</p> <p>ACCESSOIRE</p>				
<p>7 IVNB0391073 1 DIN-ISO/1,5m</p>				

serial number 77304

C3

RS-XL 1650/3200 (2)

1	Walterscheid VN46120092	W100E-SD05-910-K94/1 WH2100-SD05-856	11 VG10.83.40 12 VGagraset 173	AZG2100-1 3/8"(6)	24 VG6104.01 25 VG75.02.15 26 VG75.06.15 27 VG10.49.00 51 VG83.09.01 52 VG85.05.06	IS08752-8x50 00c-800 0a-800 RG2100-0a n=RP6	53 VG365305 54 VG83.10.03 55 VG82.36.03 90 VGagraset 207.
2	*	WH2100-SD05-841-K94/1	13 VG56.117.19	K94/1-2100-1 3/8"(6)ZV-M=4.00Nm			
3	*	SDH05-A1000-850506-K	21 VG10.01.00	BM8x1			
4	VG85.005	SDH05-J1000-850506-K	22 VG63.27.00	RG2100-00a			
5	VG85.004		23 VG10.48.00				



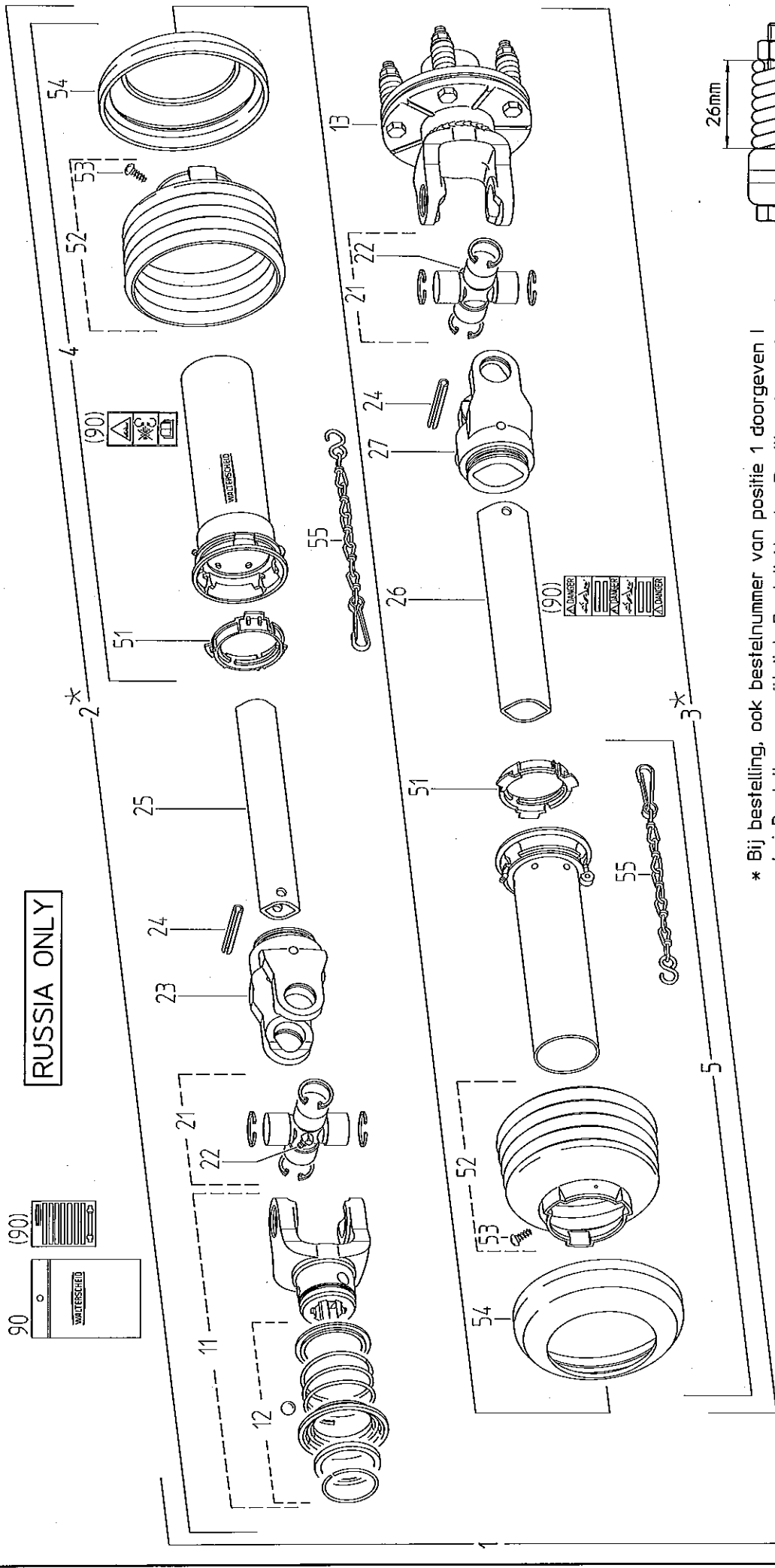
* Bij bestelling, ook bestelnummer van positie 1 doorgeven !
 * bei Bestellung zusätzlich Bestell-Nr. der Position 1 angeben !
 * When ordering, part No. of item 1 must also be indicated !
 * En cas de commande, indiquer aussi la référence du repère 1 !

serial number 77304

C4

RS-XL 1650/3200 (2)

Walterscheid	11 VG10.83.34	ASGE2100-8x32x38	24 VG61.04.01	ISO8752-8x50	53 VG365305
1 VN46120096	12 VGagraset 174	K94/1-2100-1 3/8" (6) ZV-M=400Nm	25 VG75.02.15	00c-800	54 VG83.10.03
2 *	13 VG56.117.19	BM8x1	26 VG75.06.15	0a-800	55 VG82.36.03
3 *	21 VG10.01.00	RG2100-00a	27 VG10.49.00	RG2100-0a	90 VGagraset 207.
4 VG85.005	22 VG63.27.00		51 VG83.09.01		
5 VG85.004	23 VG10.48.00		52 VG85.05.06	n=RP6	



- * Bij bestelling, ook bestelnummer van positie 1 doorgeven !
- * bei Bestellung zusätzlich Bestell-Nr. der Position 1 angeben !
- * When ordering, part No. of item 1 must also be indicated !
- * En cas de commande, indiquer aussi la référence du repère 1 !

NUMERICAL INDEX / NUMMERN-VERZEICHNIS / INDEX NUMERIQUE / NUMERIEKE INDEX / INDICE DE NUMEROS

2 RS-XL 1650/3200

Page: 01				Page: 02				Page: 03				Page: 04				Page: 05				Page: 06				Page: 07					
Part no.	Teile-nr.	Selle	Part no.	Teile-nr.	Selle	Part no.	Teile-nr.	Selle	Part no.	Teile-nr.	Selle	Part no.	Teile-nr.	Selle	Part no.	Teile-nr.	Selle	Part no.	Teile-nr.	Selle	Part no.	Teile-nr.	Selle	Part no.	Teile-nr.	Selle	Part no.	Teile-nr.	Selle
No. de ref.	Onderd. nr.	Pagina	No. de ref.	Onderd. nr.	Pagina	No. de ref.	Onderd. nr.	Pagina	No. de ref.	Onderd. nr.	Pagina	No. de ref.	Onderd. nr.	Pagina	No. de ref.	Onderd. nr.	Pagina	No. de ref.	Onderd. nr.	Pagina	No. de ref.	Onderd. nr.	Pagina	No. de ref.	Onderd. nr.	Pagina	No. de ref.	Onderd. nr.	Pagina
Norm. de pza	Norm. de pza	Norm. de pza	Norm. de pza	Norm. de pza	Norm. de pza	Norm. de pza	Norm. de pza	Norm. de pza	Norm. de pza	Norm. de pza	Norm. de pza	Norm. de pza	Norm. de pza	Norm. de pza	Norm. de pza	Norm. de pza	Norm. de pza	Norm. de pza	Norm. de pza	Norm. de pza	Norm. de pza	Norm. de pza	Norm. de pza	Norm. de pza	Norm. de pza	Norm. de pza	Norm. de pza	Norm. de pza	Norm. de pza
KG00397100	I.11	KG00652900	I.03	KG01069900	H02	KG01263900	I.01	VG83.09.01	C03	VN30105400	H07	VN38854081	I.07																
KG00397400	I.08	KG00654300	H06	KG01069900	H03	KG01263900	I.02	VG83.09.01	C04	VN30116090	H06	VN38854081	I.08																
KG00399800	H03	KG00654300	H07	KG01069900	H04	KG01263900	I.03	VG83.10.03	C03	VN30116090	H09	VN38854081	I.09																
KG00494900	H12	KG00654300	H09	KG01069900	H06	KG01263900	I.04	VG83.10.03	C04	VN30116090	H13	VN38854581	H06																
KG00495100	H05	KG00654300	H13	KG01069900	H09	KG01263900	I.05	VG85.004	C03	VN30116090	I.08	VN38854581	I.07																
KG00495200	H02	KG00654400	H07	KG01069900	H10	KG01263900	I.07	VG85.004	C04	VN30117100	H03	VN38854581	I.08																
KG00496800	H06	KG00654500	H05	KG01069900	H12	KG01263900	I.11	VG85.005	C03	VN30117100	H05	VN38854586	I.09																
KG00496800	H02	KG00656000	H01	KG01069900	H13	KG01263900	I.12	VG85.005	C04	VN30117100	H06	VN46120092	I.09																
KG00496800	H03	KG00679700	H07	KG01069900	I.03	KG01264000	C03	VG85.05.06	C04	VN30117100	H07	VN46120096	C04																
KG00496800	H10	KG00713700	H05	KG01069900	I.05	KG01264000	H06	VG85.05.06	C04	VN30117100	H09	VN48520005	H16																
KG00496800	H12	KG00713700	H16	KG01069900	I.07	KG01264000	H07	VGAGRASET 173	C03	VN30117100	H13	VN48520009	H16																
KG00496800	I.05	KG00714100	H16	KG01069900	I.08	KG01264000	I.08	VGAGRASET 174	C04	VN30117100	I.08	VN48523001	H16																
KG00496900	H12	KG00738100	H05	KG01069900	I.11	KG01264100	H03	VGAGRASET 207	C03	VN30130800	H03	VN48523002	H16																
KG00496900	I.01	KG00739500	I.03	KG01069900	I.12	KG01264100	I.10	VGAGRASET 207	C04	VN30130800	H04	VN70006955	H10																
KG00496900	I.02	KG00747600	H07	KG01070000	H08	KG01283300	H04	VGTR1010	C16	VN30130800	H09	VN70006955	H03																
KG00496900	I.04	KG00766200	H09	KG01070000	I.06	RG00050664	H03	VGTR2005	C16	VN30130800	H13	VN70009207	I.10																
KG00496900	I.07	KG00766200	H13	KG01070000	I.11	VG10.01.00	C03	VGTR2011	C16	VN30163250	H01	VN70009265	I.06																
KG00496900	I.11	KG00870000	H05	KG01070100	H01	VG10.01.00	C04	VGTR2015	C16	VN30163250	H09	VN70009483	I.09																
KG00497100	H02	KG00871700	I.12	KG01070100	H03	VG10.48.00	C03	VGTR2023	C16	VN30163250	H13	VN70009489	I.07																
KG00497100	H06	KG00872200	I.12	KG01188262	H03	VG10.48.00	C04	VGTR2023	I.06	VN30296225	I.06	VN70009499	I.07																
KG00497200	I.05	KG01044900	H05	KG01188562	H05	VG10.49.00	C03	VGTR2039	C16	VN30296225	I.08	VN70009554	I.01																
KG00497200	H03	KG01044900	H06	KG01191862	H03	VG10.49.00	C04	VGTR2059	C16	VN30397820	I.05	VN70009557	I.04																
KG00497200	H09	KG01053800	H05	KG01192162	H03	VG10.83.34	C04	VGTR2059	I.07	VN30598010	I.08	VN70009561	I.05																
KG00497200	H13	KG01053800	H06	KG01204300	I.07	VG10.83.40	C03	VGTR2059	I.08	VN30598012	I.10	VN70009617	I.08																
KG00497200	I.05	KG01053800	H07	KG01257400	H02	VG365305	C03	VN10256607	H03	VN31419201	H06	VN70009686	I.03																
KG00497200	I.08	KG01053800	H09	KG01257400	H05	VG365305	C04	VN10256608	H03	VN31419201	I.07	VN70009696	I.02																
KG00497200	I.11	KG01053800	H13	KG01257600	I.03	VG56.117.19	C03	VN10256609	H03	VN31419201	I.09	VN70009781	I.11																
KG00498500	I.10	KG01059600	H12	KG01257600	I.05	VG56.117.19	C04	VN10256610	H03	VN31419900	I.08	VN70009784	H14																
KG00498800	H04	KG01059700	I.01	KG01257600	I.08	VG61.04.01	C03	VN10256611	H03	VN31419900	I.09	VN79730053	H09																
KG00498800	H07	KG01059700	I.02	KG01257600	I.11	VG61.04.01	C04	VN10256612	H03	VN31903304	H10	VN79730420	H08																
KG00498800	I.08	KG01059700	I.03	KG01257800	H05	VG63.27.00	C03	VN17856588	H03	VN31903304	H12	VN79730427	H12																
KG00499200	H05	KG01059700	I.04	KG01257800	I.03	VG63.27.00	C04	VN17856588	H05	VN36107317	H09	VN79730427	H13																
KG00500800	H03	KG01059700	I.05	KG01263700	H05	VG75.02.15	C03	VN17856588	I.07	VN36107317	H13	VN79730429	H11																
KG00500900	H01	KG01069700	H05	KG01263900	H02	VG75.02.15	C04	VN17856588	I.08	VN36112032	H04	VN79730450	H14																
KG00501000	H03	KG01069700	H16	KG01263900	H03	VG75.06.15	C03	VN17895703	I.10	VN38820194	I.10	VN79760240	I.12																
KG00501000	I.10	KG01069800	H02	KG01263900	H06	VG75.06.15	C04	VN17895704	I.09	VN38820225	I.09	VN79760241	I.12																
KG00501100	H01	KG01069800	H05	KG01263900	H09	VG82.36.03	C03	VN17895704	I.10	VN38820225	I.10	VN79770079	H03																
KG00565700	H04	KG01069800	H06	KG01263900	H13	VG82.36.03	C04	VN30101145	H03	VN38854081	H06	VN79770080	H03																

NUMERICAL INDEX / NUMMERN-VERZEICHNIS / INDEX NUMERIQUE / NUMERIEKE INDEX / INDICE DE NUMEROS

2 RS-XL 1650/3200

Page: 08				Page: 09				Page: 10				Page: 11				Page: 12				Page: 13				Page: 14					
Part no.	Selle	Teile-nr.	Part no.	Selle	Teile-nr.	Part no.	Selle	Teile-nr.	Part no.	Selle	Teile-nr.	Part no.	Selle	Teile-nr.	Part no.	Selle	Teile-nr.	Part no.	Selle	Teile-nr.	Part no.	Selle	Teile-nr.	Part no.	Selle	Teile-nr.	Part no.	Selle	Teile-nr.
Part no.	No. de ref.	Onderd. nr.	Part no.	No. de ref.	Onderd. nr.	Part no.	No. de ref.	Onderd. nr.	Part no.	No. de ref.	Onderd. nr.	Part no.	No. de ref.	Onderd. nr.	Part no.	No. de ref.	Onderd. nr.	Part no.	No. de ref.	Onderd. nr.	Part no.	No. de ref.	Onderd. nr.	Part no.	No. de ref.	Onderd. nr.	Part no.	No. de ref.	Onderd. nr.
Part no.	Pagina	Norm. de pza	Part no.	Pagina	Norm. de pza	Part no.	Pagina	Norm. de pza	Part no.	Pagina	Norm. de pza	Part no.	Pagina	Norm. de pza	Part no.	Pagina	Norm. de pza	Part no.	Pagina	Norm. de pza	Part no.	Pagina	Norm. de pza	Part no.	Pagina	Norm. de pza	Part no.	Pagina	Norm. de pza
VN97970082	H03	VN99440851	I.06	VNB0765193	I.08	VNB1578502	H05	VNB1885578	I.06	VNB2776802	H07	VNB3084193	I.09																
VN97970150	H06	VN99440851	I.08	VNB0765393	I.11	VNB1578602	H05	VNB1896878	H16	VNB2779074	C16	VNB3146394	I.06																
VN97970216	H04	VNB0064273	H14	VNB0817978	H06	VNB1593593	H03	VNB1907978	I.11	VNB2779474	C16	VNB3146394	I.08																
VN97970220	I.10	VNB0260173	H12	VNB0817978	I.09	VNB1599786	H01	VNB1911994	I.07	VNB2808886	H07	VNB3250878	H03																
VN97970297	H09	VNB0266873	H10	VNB0818078	H06	VNB1599886	H01	VNB1926493	I.06	VNB2816186	H16	VNB3251078	H03																
VN97970361	I.06	VNB0268173	H12	VNB0818078	I.09	VNB1599894	I.06	VNB1926493	I.08	VNB2816286	H16	VNB3274694	I.08																
VN97970391	I.07	VNB0303973	I.14	VNB0835278	I.07	VNB1599894	I.07	VNB2003102	H02	VNB2819194	I.07	VNB3274994	I.08																
VN97970392	I.09	VNB0304073	I.12	VNB0835678	I.07	VNB1599894	I.08	VNB2003294	H02	VNB2820394	I.04	VNB3310986	H09																
VN97970401	I.07	VNB0305873	I.14	VNB0854293	I.09	VNB1599886	H01	VNB2003302	H02	VNB2820394	I.04	VNB3310986	H13																
VN97970497	I.04	VNB0305973	I.14	VNB0854293	I.10	VNB1608494	I.07	VNB2022474	I.01	VNB2823178	I.05	VNB3356994	I.08																
VN97970500	I.05	VNB0326573	I.12	VNB0854378	I.10	VNB1612474	C16	VNB2057986	H01	VNB2825994	I.02	VNB3357094	I.08																
VN97970501	I.01	VNB0341273	H16	VNB0870178	H01	VNB1616786	H05	VNB2068578	H05	VNB2826094	I.04	VNB3357794	I.08																
VN97970509	I.05	VNB0374873	H08	VNB0897393	H01	VNB1616886	H05	VNB2068678	H05	VNB2826194	I.02	VNB3388365	H04																
VN97970517	I.08	VNB0374873	H13	VNB0903374	C16	VNB1617078	H05	VNB2068778	H07	VNB2826294	I.04	VNB3388402	H04																
VN97970598	I.03	VNB0385273	I.14	VNB1060002	H04	VNB1632294	H06	VNB2092402	I.03	VNB2843778	I.01	VNB3391393	H03																
VN97970599	I.03	VNB0386773	I.14	VNB1062102	H04	VNB1632694	H06	VNB2092402	I.08	VNB2843878	I.01	VNB3414002	H04																
VN97970600	I.03	VNB0391073	I.14	VNB1153493	I.12	VNB1632794	H06	VNB2235978	H09	VNB2851594	I.04	VNB3414102	H04																
VN97970601	I.02	VNB0430273	I.12	VNB1181374	C16	VNB1638678	H06	VNB2235978	H13	VNB2851694	I.04	VNB3444378	I.03																
VN97970658	H12	VNB0446473	H12	VNB1181374	H04	VNB1638778	H06	VNB2236094	H06	VNB2861894	I.05	VNB3511494	H10																
VN97970658	H13	VNB0489473	H12	VNB1194874	C16	VNB1665294	H01	VNB2279194	H06	VNB2861994	I.05	VNB3511494	H12																
VN97970713	I.06	VNB0540173	H08	VNB1194874	H04	VNB1709302	H04	VNB2332694	H01	VNB2866094	I.05	VNB3521378	H03																
VN80504001	H09	VNB0548173	H08	VNB1226902	H06	VNB1727574	I.10	VNB2333878	H05	VNB2866278	I.05	VNB3524386	H12																
VN80504001	H10	VNB0548673	H09	VNB1306893	I.08	VNB1747686	H09	VNB2417578	H03	VNB2866394	I.05	VNB3524494	H12																
VN80504001	H12	VNB0563573	H13	VNB1306893	H07	VNB1750294	H07	VNB2417602	H03	VNB2866494	I.05	VNB3524502	H02																
VN80504001	H13	VNB0563773	H08	VNB1308693	H04	VNB1754278	H04	VNB2426674	H12	VNB2866594	I.05	VNB3524602	H02																
VN80504001	I.10	VNB0565973	H11	VNB1310474	C16	VNB1754278	H04	VNB2498994	I.07	VNB2871494	I.05	VNB3524794	H02																
VN80504001	H10	VNB0566173	H09	VNB1380878	I.11	VNB1773794	H06	VNB2544002	H05	VNB2871594	I.05	VNB3524894	H02																
VN80504003	H16	VNB0566173	H13	VNB1402486	I.11	VNB1774102	H05	VNB2544102	H05	VNB2928086	I.12	VNB3524978	H02																
VN80504003	I.08	VNB0682993	H03	VNB1504578	H06	VNB1794778	H05	VNB2544378	H05	VNB2928086	I.13	VNB3525094	I.07																
VN90007711	I.08	VNB0736102	H06	VNB1504578	I.10	VNB1795778	H06	VNB2544402	H05	VNB2986802	I.05	VNB3559065	H04																
VN90070437	H06	VNB0736102	I.08	VNB1504678	H06	VNB1840194	I.10	VNB2544502	H05	VNB2986994	I.05	VNB3559165	H04																
VN90070600	I.03	VNB0738978	H09	VNB1504678	I.07	VNB1843002	H09	VNB2544502	H05	VNB2987094	I.05	VNB3588378	H03																
VN90070600	I.05	VNB0738978	H06	VNB1504678	I.08	VNB1843002	H09	VNB2662102	H07	VNB2987194	I.05	VNB3588478	H03																
VN90090190	H09	VNB0739093	H06	VNB1504678	I.09	VNB1843178	H09	VNB2666794	I.08	VNB2987294	I.05	VNB3602278	I.03																
VN90090190	H13	VNB0765193	H01	VNB1504678	I.10	VNB1843178	H13	VNB2705594	I.07	VNB3039102	I.08	VNB3602394	I.03																
VN90090191	C16	VNB0765193	I.06	VNB1517586	I.12	VNB1843478	H09	VNB2727094	H07	VNB3069178	I.08	VNB3602694	I.03																
VN90090191	H03	VNB0765193	I.07	VNB1517586	I.13	VNB1843478	H13	VNB2760978	H07	VNB3069294	I.08	VNB3602794	I.03																
								VNB2776778	H07	VNB3083893	I.09	VNB3603094	I.03																

NUMERICAL INDEX / NUMMERN-VERZEICHNIS / INDEX NUMERIQUE / NUMERIEKE INDEX / INDICE DE NUMEROS

2 RS-XL 1650/3200

Page: 15

Part no. Selle
 Teile-nr. Page
 No. de ref. Pagina
 Onderd. nr. Pagina
 Norm. de pza Pagina

VNB3603194	I.03
VNB3603294	I.03
VNB3603394	I.03
VNB3603494	I.03
VNB3603594	I.03
VNB3603602	I.03
VNB3603994	I.03
VNB3625294	I.02
VNB3625394	I.02
VNB3657978	H03
VNB3658078	H03
VNB3658178	H03
VNB3658278	H03
VNB3658378	H03
VNB3678494	I.03
VNB3678594	I.03
VNB3678694	I.03
VNB3678794	I.03
VNB3679274	H03
VNB3717802	H04
VNB3770294	I.11
VNB3788693	H03
VNB3788893	H03
VNB3796086	H01
VNB3796386	H03
VNB3843994	I.11
VNB3844094	I.11
VNB3872902	H08
VNB3872902	H11
VNB3876594	I.11
VNB3876694	I.11
VNB3910902	H03
VNB4059402	H05
VNB4061702	H05
VNB4061978	H05
VNB4073178	H05
VNB4204302	H03
VNB4298774	C16



RS-XL 1650/3200

01876 ≥Mach ID

Kverneland Group Nieuw-Vennep
B.V.
Hoofdweg 1278
NL-2153 LR Nieuw-Vennep
The Netherlands

© Kverneland group

All rights reserved. No part of this book may be reproduced, stored in a database or retrieval system, or published in any form or in any way, electronically, mechanically, optically, by print, photo print, microfilm (including micro and macro fiche), or any other means, including all video and CD systems, without prior written permission from the publisher.

