

**STX375, STX425,  
STX450, STX500  
Tractors**

**P.I.N. JEE0099501 and After**

**Parts Catalog**

**7-7983**  
(Replaces 7-7982)

---

# Sectional Layout

---

Pictorial Index	1
Engine	2
Fuel System	3
Electrical System	4
Steering System	5
Power Train	6
Brakes	7
Hydraulic System	8
Chassis	9
Numerical Index	10

# How to use Your Parts Catalog

**1** 08-01 | 01 | p1 | 01/02

HYDRAULIC CYLINDER - 396137A2

**1** 08-01 | 01 | p1 | 01/02

HYDRAULIC CYLINDER - 396137A2

REF	FN	PART NUMBER	YR/SN	QTY	DESCRIPTION
1	1	396137A2	BTW 01/85 & 02/02	1	CYLINDER ASSY. 4-3/4 in strk, Inc 2-10
2		31-95	Before 01/85	2	FITTING
2		219-8	From 01/85	2	NIPPLE, LUBE Grease, 1/4 tpr x 17/32
3		{402475A2}		1	BREATHER
4		402474A1		1	CAP CYLINDER END
5		402468A1	BSN JJC0189199	1	PISTON ROD/GLAND
5		145221C3	ASN JJC0189200	1	PISTON
6		402471A1		1	SPACER
7		402473A1		1	ROD, PISTON
8		402469A1		1	PISTON ROD/GLAND
9		402476A1		1	PACKAGE, SEALS
10		NSS		1	NOT SERVICED SEPARAT, TUBE ASSEMBLY

(1) 08-20

STANDARD
MODELS

---

# How to use Your Parts Catalog

---

1. Figure Number
2. Sequence code within the Figure Number
3. Page number within the Sequence Code
4. Date of Printing (month / year)
5. Figure Description
6. General information regarding the figure
7. Parts supplied in repair kits per symbol reference
8. Figure call-out of the part number (REF)
9. Technical Specifications relating to the part indicated
10. Figure call-out includes bracketed items, the included items may also be listed in the additional description area
11. Orientation - Arrow indicates front of the machine
12. Footnote - Additional information relating to the part number. In this example, 08-20 equals another figure that this part is shown on.
13. Part Number
  - NSS = Non-serviced parts
  - Bracketed numbers = not available as service parts in this market
14. Not Available as service part in this market
15. YR/SN
  - Year
    - Before 01/85 = Part valid for production January 1985 and before
    - From 01/85 = Part valid for production from January 1985 and after
    - BTW 01/85 & 02/02 = Part valid for machines produced between January 1985 and February 2002.
  - Serial Number (P.I.N.)
    - BSN JJC0268800 = Part valid for serial number JJC0268800 and below
    - ASN JJC0268800 = Part valid for serial number JJC0268800 and above
    - BTW JJC0178000 & JJC0179000 = Part valid for serial numbers between JJC0178000 & JJC0179000
16. Total Quantity of the Part referred to in the page. The quantity can be replaced by the following indications:
  - AR = quantity as required
  - X = as required
17. Part Description
18. Additional description of the part to help confirm identification
19. Figure Notes
20. Model Number(s)

# Explanation of Abbreviations

Abbreviation	Meaning
adj	adjustable
amp	ampere
AR	As required
ASN	Serial number and after / P.I.N. and after
barb	barb
blkhd	bulkhead
boss	boss
BSN	before serial number / before P.I.N
BTW	between
cc	cubic centimetre
chain	chain
cl	class
cp pt	cup point
CRS	Chrome Alloy Steel
CST	Carbon Steel
cu yd	cubic yard
deg	degree
dia	diameter
dr type	drive type
dry	dry
fc	face
fc sl	face seal
fem	female
fem PT	female pipe thread
fl	flare
ft	feet (or foot)
gal	gallon(s)
gr	grade
hd	head
hp	horsepower
ID	inside diameter

Abbreviation	Meaning
in	inch(es)
Inc.	includes
inv fl	inverted flare
K	kilo
kg	kilogram
L	litre
lb	pound(s)
lg	long
LH	left hand
LH thd	left hand thread
links	links
M	(prefix) metric thread size
m	metre
male	male
mm	millimetre
NF	National Fine
No.	number
NS	National Super Fine
OD	outside diameter
ohm	electrical unit of resistance
Or	O-ring
orifice	orifice
P	pitch
piece	piece
psi	pounds per square inch
PT	pipe thread
rd	round
rd holes	round holes
RH	right hand
RH thd	right hand thread
rpm	revolutions per minute

---

# Explanation of Abbreviations

---

Abbreviation	Meaning
sl	self locking
slat	slat
spool	spool
sq	square
SST	Stainless Steel
st	self tapping
stem	stem
strk	stroke
sw	swivel
T	teeth
Teflon	Teflon
thin	thin
thk	thick
tpr	taper

Abbreviation	Meaning
tube	tube
type	type
V	volt(s)
W	watt(s)
way	way
wide	wide
X	as required
yd	yard

## Dimensions

Metric and U.S. hardware dimensions do not show the numeric designations of standard coarse threads. A number following a semi colon (;) is the class or grade of hardware. A comma (,) represents the decimal point (.) used in U.S. dimensions.



## ALPHABETICAL INDEX

## FIGURE SEQUENCE

400 SERIES AXLE - PARK BRAKE CIRCUIT, WITH DIFFERENTIAL LOCK, BSN JEE0102001	07-05	
400 SERIES AXLE - PARK BRAKE CIRCUIT, WITHOUT DIFFERENTIAL LOCK, BSN JEE0102001	07-04	
400 SERIES AXLE - SERVICE BRAKE CIRCUIT	07-03	
400 SERIES AXLE ASSEMBLY - BRAKE AND RIGHT-HAND CARRIER	06-71	
400 SERIES AXLE ASSEMBLY - CENTER AND LEFT-HAND CARRIER	06-68	
400 SERIES AXLE ASSEMBLY - DIFFERENTIAL, WITH DIFFERENTIAL LOCKS	06-70	
400 SERIES AXLE ASSEMBLY - DIFFERENTIAL, WITHOUT DIFFERENTIAL LOCKS	06-69	
400 SERIES AXLE ASSEMBLY - FINAL DRIVE	06-72	
400 SERIES AXLE ASSEMBLY - FRONT COVER	06-66	
400 SERIES AXLE ASSEMBLY - REAR COVER	06-67	
400 SERIES AXLE HYDRAULICS - LUBRICATION AND COOLING CIRCUIT, BSN JEE0102001	08-06	
400 SERIES AXLE HYDRAULICS - LUBRICATION CIRCUIT, ASN JEE0106701	08-05	02
400 SERIES AXLE HYDRAULICS - LUBRICATION CIRCUIT, BSN JEE0102001	08-05	
500 SERIES AXLE - PARK BRAKE CIRCUIT, WITH DIFFERENTIAL LOCK, BSN JEE0102001, QUADTRAC TRACTOR	07-11	
500 SERIES AXLE - PARK BRAKE CIRCUIT, WITH DIFFERENTIAL LOCK, BSN JEE0102001, WHEEL TRACTOR	07-08	
500 SERIES AXLE - PARK BRAKE CIRCUIT, WITHOUT DIFFERENTIAL LOCK, BSN JEE0102001, QUADTRAC TRACTOR	07-10	
500 SERIES AXLE - PARK BRAKE CIRCUIT, WITHOUT DIFFERENTIAL LOCK, BSN JEE0102001, WHEEL TRACTOR	07-07	
500 SERIES AXLE - SERVICE BRAKE CIRCUIT, QUADTRAC TRACTOR	07-09	
500 SERIES AXLE - SERVICE BRAKE CIRCUIT, WHEEL TRACTOR	07-06	
500 SERIES AXLE ASSEMBLY - BRAKE AND RIGHT-HAND CARRIER	06-79	
500 SERIES AXLE ASSEMBLY - CENTER AND LEFT-HAND CARRIER, QUADTRAC TRACTOR	06-76	
500 SERIES AXLE ASSEMBLY - CENTER AND LEFT-HAND CARRIER, WHEEL TRACTOR	06-75	
500 SERIES AXLE ASSEMBLY - DIFFERENTIAL, WITHOUT DIFFERENTIAL LOCKS	06-77	
500 SERIES AXLE ASSEMBLY - DIFFERENTIAL, WITH DIFFERENTIAL LOCKS	06-78	
500 SERIES AXLE ASSEMBLY - FINAL DRIVE, QUADTRAC TRACTOR, ASN JEE0106701	06-82	01
500 SERIES AXLE ASSEMBLY - FINAL DRIVE, QUADTRAC TRACTOR, BSN JEE0106701	06-82	
500 SERIES AXLE ASSEMBLY - FINAL DRIVE, WHEELED TRACTOR	06-81	
500 SERIES AXLE ASSEMBLY - FRONT COVER	06-73	
500 SERIES AXLE ASSEMBLY - OFFSET BEARING, QUADTRAC TRACTOR	06-80	
500 SERIES AXLE ASSEMBLY - REAR COVER	06-74	
500 SERIES AXLE HYDRAULICS - AIR AND LUBRICATION CIRCUIT, ASN JEE0102001, QUADTRAC TRACTOR	08-10	01
500 SERIES AXLE HYDRAULICS - COOLING CIRCUIT, ASN JEE0102001, QUADTRAC TRACTOR	08-10	02
500 SERIES AXLE HYDRAULICS - LUBRICATION AND COOLING CIRCUIT, BSN JEE0102001, QUADTRAC TRACTOR	08-10	
500 SERIES AXLE HYDRAULICS - LUBRICATION AND COOLING CIRCUIT, BSN JEE0102001, WHEEL TRACTOR	08-08	
500 SERIES AXLE HYDRAULICS - LUBRICATION CIRCUIT, ASN JEE0106701, QUADTRAC TRACTOR	08-09	02
500 SERIES AXLE HYDRAULICS - LUBRICATION CIRCUIT, ASN JEE0106701, WHEEL TRACTOR	08-07	02



## ALPHABETICAL INDEX

## FIGURE SEQUENCE

500 SERIES AXLE HYDRAULICS - LUBRICATION CIRCUIT, BSN JEE0102001, QUADTRAC TRACTOR	08-09	
500 SERIES AXLE HYDRAULICS - LUBRICATION CIRCUIT, BSN JEE0102001, WHEEL TRACTOR	08-07	
500 SERIES AXLE HYDRAULICS - LUBRICATION CIRCUIT, BTW JEE0102001 & JEE0106701, QUADTRAC TRACTOR	08-09	01
ACCUGUIDE - CYLINDER ASSY., ARTICULATION W/ SENSOR	05-10	
ACCUGUIDE - HYDRAULIC, STEERING	05-09	
ACCUGUIDE - MANIFOLD / STEERING VALVE & MOUNTING	05-11	
ACCUGUIDE - VIRTUAL TERMINAL & RELATED PARTS, ASN JEE0106701	04-33	01
ACCUGUIDE - VIRTUAL TERMINAL & RELATED PARTS, BSN JEE0106701	04-33	
ACCUGUIDE, GPS - MOUNTING, ASN JEE0106701	04-32	01
ACCUGUIDE, GPS - MOUNTING, BSN JEE0106701	04-32	
AIR CLEANER ASSEMBLY	02-07	
AIR CONDITIONING - AIR FILTER HOUSING ASSEMBLY	09-49	
AIR CONDITIONING - BLOWER ASSEMBLY	09-50	
AIR CONDITIONING - CLIMATE CONTROL UNIT, WITH AUTO TEMP CONTROL, ASN JEE0106701	09-48	01
AIR CONDITIONING - CLIMATE CONTROL UNIT, WITH AUTO TEMP CONTROL, BSN JEE0106701	09-48	
AIR CONDITIONING - CLIMATE CONTROL UNIT, WITHOUT AUTO TEMP CONTROL, ASN JEE0106701	09-47	01
AIR CONDITIONING - CLIMATE CONTROL UNIT, WITHOUT AUTO TEMP CONTROL, BSN JEE0106701	09-47	
AIR CONDITIONING - DUCTS	09-46	
AIR CONDITIONING SYSTEM	09-45	
AIR COOLER	02-06	
AIR INDUCTION SYSTEM - QUADTRAC TRACTOR	02-05	02
AIR INDUCTION SYSTEM - WHEEL TRACTOR	02-05	01
ALARM - BACK-UP	04-31	
ALTERNATOR - MOUNTING, 135 AMPERE	04-06	01
ALTERNATOR - MOUNTING, 185 AMPERE	04-06	02
ALTERNATOR ASSEMBLY - 135 AMPERE	04-07	
ARTICULATION LOCKS	05-04	
AXLE ASSEMBLY - FRONT IDLER, QUADTRAC TRACTOR, ASN JEE0107427	06-11	01
AXLE ASSEMBLY - FRONT IDLER, QUADTRAC TRACTOR, BSN JEE0107427	06-11	
AXLE ASSEMBLY - JET PUMP	06-83	
AXLE ASSEMBLY - REAR IDLER, QUADTRAC TRACTOR, ASN JEE0107427	06-12	01
AXLE ASSEMBLY - REAR IDLER, QUADTRAC TRACTOR, BSN JEE0107427	06-12	
AXLE ASSY. - ROLLER SHAFT	06-12	02
AXLE MOUNTING, WHEEL TRACTOR	06-65	
BATTERIES - QUADTRAC TRACTOR, BSN JEE0104001	04-15	02
BATTERIES - WHEEL TRACTOR, BSN JEE0104001	04-15	01
BATTERY DOOR ASSEMBLY, QUADTRAC TRACTOR	09-34	
BATTERY DOOR ASSEMBLY, QUADTRAC TRACTOR, STX500	09-34	01
BATTERY DOOR ASSEMBLY, WHEEL TRACTOR	09-32	
BRAKE CONTROL	07-01	
BRAKE VALVE ASSY	07-02	
BUMPER	09-35	
CAB - FLOORMATS AND DOORS	09-15	
CAB - HEADLINER AND CONTROL PANEL, DELUXE AND LUXURY CAB	09-20	
CAB - HEADLINER AND CONTROL PANEL, STANDARD CAB	09-19	
CAB - SKIRTS AND GLASS	09-17	

# ALPHABETICAL INDEX

## FIGURE SEQUENCE

CAB MOUNTING	09-12	
CABLE - TOW VALVE	08-39	
CENTER LINK	09-40	
CLUTCH PEDAL, MANUAL SHIFT TRANSMISSION	06-02	
CLUTCH PEDAL, POWER SHIFT TRANSMISSION	06-01	
CONSOLE - RIGHT HAND ARMREST, ELECTRIC	09-23	
CONSOLE - RIGHT-HAND ARMREST, MANUAL	09-22	
CONTROL PANEL - COMPONENTS, ASN JEE0106701	04-16	01
CONTROL PANEL - COMPONENTS, BSN JEE0106701	04-16	
CONTROLS - MANUAL HYDRAULIC REMOTES, BSN JEE0102592	08-15	
CONTROLS - RIGHT HAND CONSOLE, ASN JEE0106701	04-01	01
CONTROLS - RIGHT HAND CONSOLE, BSN JEE0106701	04-01	
COUPLER MOUNTS - WITHOUT POWER TAKEOFF AND THREE POINT HITCH	06-60	
COUPLER VALVE ASSEMBLY	08-33	
CYLINDER ASSEMBLY - ARTICULATION	05-02	
CYLINDER ASSY - THREE POINT HITCH	08-42	
DECALS	09-57	
DECALS	09-58	
DECALS	09-59	
DECALS	09-60	
DOOR ASSEMBLY	09-16	
DRAWBAR - EXTENDABLE	09-08	
DRAWBAR - HEAVY DUTY, WITH THREE POINT HITCH	09-10	
DRAWBAR - HEAVY DUTY, WITHOUT THREE POINT HITCH	09-09	
DRAWBAR - REYNOLDS, ASN JEE0102001	09-11	01
DRAWBAR - REYNOLDS, BSN JEE0102001	09-11	
DRIVE SHAFT	06-54	
DRIVE SHAFT - MOUNTING	06-53	
DRIVE WHEEL, QUADTRAC TRACTOR	06-13	
ELECTRONIC MODULE ASSEMBLY	04-24	
ENGINE - BLOCK HEATER	02-08	
ENGINE - MOUNTING AND ATTACHING PARTS	02-10	
ETHER START SYSTEM	02-04	
EXHAUST SYSTEM - QUADTRAC TRACTOR	02-09	02
EXHAUST SYSTEM - WHEEL TRACTOR	02-09	01
FRONT CONSOLE	09-21	
FRONT FRAME, QUADTRAC TRACTOR	09-33	
FRONT FRAME, WHEEL TRACTOR	09-31	
FUEL LINES	03-03	
GEAR PUMP ASSEMBLY	08-27	
GRILLE	09-42	
GROUND SPEED SENSOR	04-09	
HARNESS - ADVANCED FARMING SYSTEMS, ASN JEE0106701	04-30	01
HARNESS - ADVANCED FARMING SYSTEMS, BSN JEE0106701	04-30	
HARNESS - CAB ROOF	04-26	
HARNESS - ENGINE, ASN JEE0104001	04-21	01
HARNESS - ENGINE, BSN JEE0104001	04-21	
HARNESS - FRONT CONSOLE	04-25	
HARNESS - FRONT FRAME, ASN JEE0104001	04-20	01
HARNESS - FRONT FRAME, BSN JEE0104001	04-20	
HARNESS - MAIN CAB, DELUXE AND LUXURY CABS	04-23	
HARNESS - MAIN CAB, STANDARD CAB	04-22	
HARNESS - REAR FRAME, WITH ELECTRONIC REMOTE AND THREE POINT HITCH	04-29	

# ALPHABETICAL INDEX

# FIGURE SEQUENCE

HARNES - REAR FRAME, WITH ELECTRONIC REMOTE, WITHOUT THREE POINT HITCH	04-28	
HARNES - REAR FRAME, WITH MANUAL REMOTE	04-27	
HARNES - TRANSMISSION	04-19	
HEADLAMPS	04-14	
HEATER - HOSES	09-44	
HIGH OUTPUT HYDRAULICS - PISTON PUMP ASSY	08-26	
HIGH OUTPUT HYDRAULICS - PRIORITY VALVE ASSEMBLY	08-28	
HIGH OUTPUT HYDRAULICS - PUMP LUBRICATION CIRCUIT, ASN JEE0106701	08-24	01
HIGH OUTPUT HYDRAULICS - PUMP LUBRICATION CIRCUIT, BSN JEE0106701	08-24	
HIGH OUTPUT HYDRAULICS - PUMP MOUNTING	08-25	
HITCH VALVE ASSEMBLY - ELECTRONIC CONTROLLED	08-36	
HOOD - LIFT ARM	09-43	
HOOD AND SUPPORT	09-41	
HUB ASSEMBLY MOUNTING	06-08	
HYDRAULIC FAN DRIVE - MOUNTING	02-03	02
HYDRAULIC FAN OIL COOLER - MOUNTING	08-45	
HYDRAULIC OIL COOLER	08-01	
HYDRAULIC OIL COOLER MOUNTING	08-02	
HYDRAULIC REMOTE CONTROL VALVE	08-29	
HYDRAULIC REMOTE HOSES - ELECTRONIC REMOTE	08-18	
HYDRAULIC REMOTE HOSES - MANUAL REMOTE, BSN JEE0102592	08-17	
HYDRAULIC TANK, QUADTRAC TRACTOR	08-12	
HYDRAULIC TANK, WHEEL TRACTOR	08-11	
HYDRAULICS - FAN DRIVE CIRCUITRY	08-44	02
HYDRAULICS - STEERING	05-01	
HYDRAULICS-MEGA FLOW CIRCUITRY	08-46	
INSTRUMENT CLUSTER	04-04	
INTERIOR TRIM - DELUXE AND LUXURY CABS	09-14	
INTERIOR TRIM - STANDARD CAB	09-13	
LAMP - STROBE	04-11	
LAMPS - MARKER	04-17	
LAMPS - REAR FRAME AND FIELD	04-13	
LAMPS - REAR FRAME, H.I.D.	04-12	
LAMPS - SIDE MARKER WARNING	04-18	
LINK ASSEMBLY - LIFT	09-06	
LINK ASSEMBLY - UPPER	09-05	
LINKAGE - MANUAL HYDRAULIC REMOTES, BSN JEE0102592	08-16	
MAIN AND AUXILIARY VALVE ASSEMBLY - ELECTRONIC CONTROLLED	08-35	
MAIN AND AUXILIARY VALVE ASSEMBLY - MANUAL REMOTE, BSN JEE0102592	08-34	
MANIFOLD VALVE ASSEMBLY	08-30	
MANUAL SHIFT TRANSMISSION - CONTROL VALVE ASSEMBLY	06-34	
MANUAL SHIFT TRANSMISSION - COVERS AND YOKES	06-23	
MANUAL SHIFT TRANSMISSION - FIFTH SHAFT ASSEMBLY	06-33	
MANUAL SHIFT TRANSMISSION - FOURTH SHAFT ASSEMBLY	06-32	
MANUAL SHIFT TRANSMISSION - INPUT SHAFT ASSEMBLY	06-28	
MANUAL SHIFT TRANSMISSION - INPUT SHAFT ASSEMBLY	06-29	
MANUAL SHIFT TRANSMISSION - LOCKOUT VALVE ASSEMBLY	06-35	
MANUAL SHIFT TRANSMISSION - REAR HOUSING	06-24	
MANUAL SHIFT TRANSMISSION - REGULATOR VALVE ASSEMBLY	06-36	
MANUAL SHIFT TRANSMISSION - SECOND SHAFT ASSEMBLY	06-30	
MANUAL SHIFT TRANSMISSION - SHAFT ASSEMBLIES AND SHIFTER FORKS	06-26	
MANUAL SHIFT TRANSMISSION - SHIFTER FORKS	06-27	

## ALPHABETICAL INDEX

## FIGURE SEQUENCE

MANUAL SHIFT TRANSMISSION - THIRD SHAFT ASSEMBLY	06-31	
MANUAL SHIFT TRANSMISSION - VALVE ASSEMBLY MOUNTING	06-22	
MAUAL SHIFT TRANSMISSION - FRONT HOUSING	06-25	
MEGA FLOW HYDRAULIC CONTROLS	04-35	
MEGA FLOW HYDRAULIC MANIFOLD ASSY.	08-48	
MEGA FLOW HYDRAULIC PUMP ASSY	08-49	
MEGA FLOW HYDRAULICS - AUXILIARY REMOTE MOUNTING	08-47	
MIRRORS	09-29	
MONITOR MOUNTING	09-30	
MOUNTING - ADVANCED FARMING SYSTEMS, ASN JEE0106701	09-56	02
MOUNTING - ADVANCED FARMING SYSTEMS, BSN JEE0104286	09-56	
MOUNTING - ADVANCED FARMING SYSTEMS, BTW JEE0104286 & JEE0106701	09-56	01
OIL FILTER - AXLE AND TRANSMISSION	08-03	
OIL FILTER - MAIN HYDRAUIC (BELOW BATTERY)	08-04	
OIL FILTER - MEGA FLOW HYDRAULICS	08-50	
PICTORIAL INDEX - AXLE LUBRICATION CIRCUIT, 400 SERIES AXLE, ASN JEE0106701	01-04	03
PICTORIAL INDEX - AXLE LUBRICATION CIRCUIT, 400 SERIES AXLE, BSN JEE0102001	01-04	01
PICTORIAL INDEX - AXLE LUBRICATION CIRCUIT, 400 SERIES AXLE, BTW JEE0102001 & JEE0106701	01-04	02
PICTORIAL INDEX - AXLE LUBRICATION CIRCUIT, 500 SERIES AXLE, QUADTRAC TRACTOR	01-08	02
PICTORIAL INDEX - AXLE LUBRICATION CIRCUIT, 500 SERIES AXLE, QUADTRAC TRACTOR	01-08	03
PICTORIAL INDEX - AXLE LUBRICATION CIRCUIT, 500 SERIES AXLE, QUADTRAC TRACTOR, BSN JEE0102001	01-08	01
PICTORIAL INDEX - AXLE LUBRICATION CIRCUIT, 500 SERIES AXLE, WHEEL TRACTOR	01-06	02
PICTORIAL INDEX - AXLE LUBRICATION CIRCUIT, 500 SERIES AXLE, WHEEL TRACTOR	01-06	03
PICTORIAL INDEX - AXLE LUBRICATION CIRCUIT, 500 SERIES AXLE, WHEEL TRACTOR, BSN JEE0102001	01-06	01
PICTORIAL INDEX - CHARGE PUMP AND AUXILIARY REMOTE CIRCUIT WITH HIGH OUTPUT HYDRAULICS	01-12	
PICTORIAL INDEX - CHARGE PUMP AND AUXILIARY REMOTE CIRCUIT WITH STANDARD HYDRAULICS	01-11	
PICTORIAL INDEX - CHARGE PUMP AND BRAKE CIRCUIT, 400 SERIES AXLE, ASN JEE0102001	01-05	02
PICTORIAL INDEX - CHARGE PUMP AND BRAKE CIRCUIT, 400 SERIES AXLE, BSN JEE0102001	01-05	01
PICTORIAL INDEX - CHARGE PUMP AND BRAKE CIRCUIT, 500 SERIES AXLE, QUADTRAC TRACTOR, ASN JEE0102001	01-09	02
PICTORIAL INDEX - CHARGE PUMP AND BRAKE CIRCUIT, 500 SERIES AXLE, QUADTRAC TRACTOR, BSN JEE0102001	01-09	01
PICTORIAL INDEX - CHARGE PUMP AND BRAKE CIRCUIT, 500 SERIES AXLE, WHEEL TRACTOR, ASN JEE0102001	01-07	02
PICTORIAL INDEX - CHARGE PUMP AND BRAKE CIRCUIT, 500 SERIES AXLE, WHEEL TRACTOR, BSN JEE0102001	01-07	01
PICTORIAL INDEX - ELECTRONIC HITCH CIRCUIT	01-14	
PICTORIAL INDEX - HYDRAULIC FAN DRIVE	01-18	
PICTORIAL INDEX - MANUAL HITCH CIRCUIT, BSN JEE0102592	01-13	
PICTORIAL INDEX - MANUAL SHIFT TRANSMISSION AND PTO CLUTCH LUBE	01-01	

## ALPHABETICAL INDEX

## FIGURE SEQUENCE

PICTORIAL INDEX - MEGA FLOW HYDRAULIC CIRCUITRY	01-19	
PICTORIAL INDEX - POWER SHIFT TRANSMISSION AND PTO CLUTCH LUBE	01-02	
PICTORIAL INDEX - POWER TAKEOFF TRANSFER CASE LUBRIATION, WHEEL TRACTOR, WITH 400 SERIES AXLE	01-15	
PICTORIAL INDEX - POWER TAKEOFF TRANSFER CASE LUBRICATION, ASN JEE0102001	01-17	02
PICTORIAL INDEX - POWER TAKEOFF TRANSFER CASE LUBRICATION, QUADTRAC TRACTOR, WITH 500 SERIES AXLE	01-17	01
PICTORIAL INDEX - POWER TAKEOFF TRANSFER CASE LUBRICATION, WHEEL TRACTOR, WITH 500 SERIES AXLE	01-16	
PICTORIAL INDEX - STEERING CIRCUIT	01-03	
PICTORIAL INDEX - TRACK TENSIONING	01-10	
POWER SHIFT TRANSMISSION - COVERS AND YOKES	06-38	
POWER SHIFT TRANSMISSION - FIFTH SHAFT ASSEMBLY	06-47	
POWER SHIFT TRANSMISSION - FIFTH SHAFT ASSEMBLY	06-48	
POWER SHIFT TRANSMISSION - FOURTH SHAFT ASSEMBLY	06-45	
POWER SHIFT TRANSMISSION - FOURTH SHAFT ASSEMBLY	06-46	
POWER SHIFT TRANSMISSION - HOUSING AND CLUTCHES	06-40	
POWER SHIFT TRANSMISSION - INPUT SHAFT ASSEMBLY	06-41	
POWER SHIFT TRANSMISSION - INPUT SHAFT ASSEMBLY	06-42	
POWER SHIFT TRANSMISSION - RANGE SELECTOR VALVE	06-50	
POWER SHIFT TRANSMISSION - REAR HOUSING	06-39	
POWER SHIFT TRANSMISSION - REGULATOR VALVE ASSEMBLY, BSN JEE0104001	06-49	
POWER SHIFT TRANSMISSION - SECOND SHAFT ASSEMBLY	06-43	
POWER SHIFT TRANSMISSION - THIRD SHAFT ASSEMBLY	06-44	
POWER SHIFT TRANSMISSION - VALVE AND PUMP MOUNTING	06-37	
POWER TAKEOFF - CLUTCH ASSEMBLY	06-63	
POWER TAKEOFF - CLUTCH LUBRICATION, WITH MANUAL SHIFT TRANSMISSION	06-20	
POWER TAKEOFF - CLUTCH LUBRICATION, WITH POWER SHIFT TRANSMISSION	06-21	
POWER TAKEOFF - DRIVE SHAFT ASSEMBLIES	06-56	
POWER TAKEOFF - DRIVE SHAFT MOUNTING	06-55	
POWER TAKEOFF - INPUT SHAFT ASSEMBLY	06-64	
POWER TAKEOFF - LUBRICATION, QUADTRAC TRACTOR, BSN JEE0102001	06-59	
POWER TAKEOFF - LUBRICATION, ASN JEE0102001	06-59	01
POWER TAKEOFF - LUBRICATION, WHEEL TRACTOR WITH 400 SERIES AXLES, BSN JEE0102001	06-57	
POWER TAKEOFF - LUBRICATION, WHEEL TRACTOR WITH 500 SERIES AXLES, BSN JEE0102001	06-58	
POWER TAKEOFF - SAFETY SHIELDS	06-61	
POWER TAKEOFF - TRANSFER CASE ASSEMBLY	06-62	
PUSH ARM ASSEMBLY	09-37	
QUICK HITCH	09-07	
RADIATOR HOSES AND TUBES	02-01	
RADIATOR MOUNTING AND FAN SHROUD, ASN JEE0100106	02-02	02
RADIATOR MOUNTING AND FAN SHROUD, BSN JEE0100106	02-02	01
RADIO AND SPEAKERS	04-10	
REAR FRAME, QUADTRAC TRACTOR	09-39	
REAR FRAME, WHEEL TRACTOR	09-38	
REGULATOR VALVE ASSEMBLY	08-13	
REMOTE VALVE ASSEMBLY - ELECTRONIC REMOTE	08-32	
REMOTE VALVE ASSEMBLY - MANUAL REMOTE, BSN JEE0102592	08-31	
ROCKSHAFT	09-02	
ROOF	09-18	

## ALPHABETICAL INDEX

## FIGURE SEQUENCE

SEAT	09-26	
SEAT - CUSHION ASSEMBLY, ASN JEE0106701	09-27	01
SEAT - CUSHION ASSEMBLY, BSN JEE0106701	09-27	
SEAT - INSTRUCTIONAL	09-25	
SEAT - NON-INSTRUCTIONAL	09-24	
SEAT - SUSPENSION ASSEMBLY	09-28	01
SEMI ACTIVE SUSPENSION ASSEMBLY - SEAT, ASN JEE0102001	09-28	02
SENSOR - HITCH POSITION	04-05	
SHIFTING UNIT ASSEMBLY, WITH MANUAL SHIFT TRANSMISSION	06-05	
STANDARD HYDRAULICS - PISTON PUMP ASSEMBLY	08-22	
STANDARD HYDRAULICS - PRIORITY VALVE ASSEMBLY	08-23	
STANDARD HYDRAULICS - PUMP LUBRICATION CIRCUIT, WITH POWER SHIFT TRANSMISSION	08-20	
STANDARD HYDRAULICS - PUMP LUBRICATION CIRCUIT, WITH MANUAL SHIFT TRANSMISSION	08-19	
STANDARD HYDRAULICS - PUMP MOUNTING	08-21	
STARTER ASSEMBLY, BSN JEE0102479	04-08	
STEERING COLUMN	05-06	
STEERING CONTROL VALVE	05-03	
STEERING WHEEL AND COLUMN	05-05	
STEPS, QUADTRAC TRACTOR	09-36	
STORAGE BOX	09-54	
THREE POINT HITCH	09-01	
THREE POINT HITCH - UPPER LINK, WITH POWER TAKEOFF	09-04	
THREE POINT HITCH - UPPER LINK, WITHOUT POWER TAKEOFF	09-03	
THREE POINT HITCH HYDRAULICS - ELECTRONIC CONTROLLED HITCH SYSTEM	08-41	
THREE POINT HITCH HYDRAULICS - MANUAL HITCH, BSN JEE0102592	08-40	
THROTTLE	03-01	
THROTTLE - DECELERATOR CONTROL	03-02	
TOW BLOCK VALVE ASSEMBLY	08-14	
TOW CABLE	09-55	
TRACK TENSIONING, QUADTRAC TRACTOR	06-14	
TRACKS, QUADTRAC TRACTOR	06-15	
TRANSMISSION - LUBRICATION, WITH MANUAL SHIFT TRANSMISSION	06-18	
TRANSMISSION - LUBRICATION, WITH POWER SHIFT TRANSMISSION, ASN JEE0104001	06-19	01
TRANSMISSION - LUBRICATION, WITH POWER SHIFT TRANSMISSION, BSN JEE0104001	06-19	
TRANSMISSION CONTROL ASSEMBLY, WITH MANUAL SHIFT TRANSMISSION	05-08	
TRANSMISSION CONTROL ASSEMBLY, WITH POWER SHIFT TRANSMISSION	05-07	
TRANSMISSION MOUNTING, MANUAL SHIFT TRANSMISSION	06-16	
TRANSMISSION MOUNTING, POWER SHIFT TRANSMISSION	06-17	
TRANSMISSION SHIFT CONTROLS, MANUAL SHIFT TRANSMISSION	06-04	
TRANSMISSION SHIFTER, POWER SHIFT TRANSMISSION	06-03	
UNDERCARRIAGE - MOUNTING, QUADTRAC TRACTOR, ASN JEE0107427	06-10	02
UNDERCARRIAGE - MOUNTING, QUADTRAC TRACTOR, BSN JEE0106701	06-10	
UNDERCARRIAGE - MOUNTING, QUADTRAC TRACTOR, BTW JEE0106701 & JEE0107427	06-10	01
VALVE ASSEMBLY - DIFFERENTIAL LOCK	08-43	
VALVE ASSEMBLY - POWER TAKE OFF	06-52	
VALVE ASSEMBLY - PULSE WITH MODULATION	06-51	
WEIGHTS - FRONT FRAME, ASN JEE0107304	09-51	01
WEIGHTS - FRONT FRAME, BSN JEE0107304	09-51	

## ALPHABETICAL INDEX

## FIGURE SEQUENCE

WEIGHTS - REAR FRAME	09-52	
WEIGHTS - WHEEL	09-53	
WHEELS SINGLE AND DUALS WITH SPACERS	06-06	
WHEELS TRIPLES WITH SPACERS	06-07	
WINDSHIELD WASHER	04-03	
WIPER, WINDSHIELD - MOUNTING	04-02	
WIRING - MEGA FLOW HYDRAULIC CONTROLS	04-34	
YOKE MOUNTING, QUADTRAC TRACTOR, ASN JEE0106701	06-09	01
YOKE MOUNTING, QUADTRAC TRACTOR, BSN JEE0106701	06-09	

---

## TABLE OF CONTENTS

---

01-01		PICTORIAL INDEX - MANUAL SHIFT TRANSMISSION AND PTO CLUTCH LUBE
01-02		PICTORIAL INDEX - POWER SHIFT TRANSMISSION AND PTO CLUTCH LUBE
01-03		PICTORIAL INDEX - STEERING CIRCUIT
01-04	01	PICTORIAL INDEX - AXLE LUBRICATION CIRCUIT, 400 SERIES AXLE, BSN JEE0102001
01-04	02	PICTORIAL INDEX - AXLE LUBRICATION CIRCUIT, 400 SERIES AXLE, BTW JEE0102001 & JEE0106701
01-04	03	PICTORIAL INDEX - AXLE LUBRICATION CIRCUIT, 400 SERIES AXLE, ASN JEE0106701
01-05	01	PICTORIAL INDEX - CHARGE PUMP AND BRAKE CIRCUIT, 400 SERIES AXLE, BSN JEE0102001
01-05	02	PICTORIAL INDEX - CHARGE PUMP AND BRAKE CIRCUIT, 400 SERIES AXLE, ASN JEE0102001
01-06	01	PICTORIAL INDEX - AXLE LUBRICATION CIRCUIT, 500 SERIES AXLE, WHEEL TRACTOR, BSN JEE0102001
01-06	02	PICTORIAL INDEX - AXLE LUBRICATION CIRCUIT, 500 SERIES AXLE, WHEEL TRACTOR
01-06	03	PICTORIAL INDEX - AXLE LUBRICATION CIRCUIT, 500 SERIES AXLE, WHEEL TRACTOR
01-07	01	PICTORIAL INDEX - CHARGE PUMP AND BRAKE CIRCUIT, 500 SERIES AXLE, WHEEL TRACTOR, BSN JEE0102001
01-07	02	PICTORIAL INDEX - CHARGE PUMP AND BRAKE CIRCUIT, 500 SERIES AXLE, WHEEL TRACTOR, ASN JEE0102001
01-08	01	PICTORIAL INDEX - AXLE LUBRICATION CIRCUIT, 500 SERIES AXLE, QUADTRAC TRACTOR, BSN JEE0102001
01-08	02	PICTORIAL INDEX - AXLE LUBRICATION CIRCUIT, 500 SERIES AXLE, QUADTRAC TRACTOR
01-08	03	PICTORIAL INDEX - AXLE LUBRICATION CIRCUIT, 500 SERIES AXLE, QUADTRAC TRACTOR
01-09	01	PICTORIAL INDEX - CHARGE PUMP AND BRAKE CIRCUIT, 500 SERIES AXLE, QUADTRAC TRACTOR, BSN JEE0102001
01-09	02	PICTORIAL INDEX - CHARGE PUMP AND BRAKE CIRCUIT, 500 SERIES AXLE, QUADTRAC TRACTOR, ASN JEE0102001
01-10		PICTORIAL INDEX - TRACK TENSIONING
01-11		PICTORIAL INDEX - CHARGE PUMP AND AUXILIARY REMOTE CIRCUIT WITH STANDARD HYDRAULICS
01-12		PICTORIAL INDEX - CHARGE PUMP AND AUXILIARY REMOTE CIRCUIT WITH HIGH OUTPUT HYDRAULICS
01-13		PICTORIAL INDEX - MANUAL HITCH CIRCUIT, BSN JEE0102592
01-14		PICTORIAL INDEX - ELECTRONIC HITCH CIRCUIT
01-15		PICTORIAL INDEX - POWER TAKEOFF TRANSFER CASE LUBRICATION, WHEEL TRACTOR, WITH 400 SERIES AXLE
01-16		PICTORIAL INDEX - POWER TAKEOFF TRANSFER CASE LUBRICATION, WHEEL TRACTOR, WITH 500 SERIES AXLE
01-17	01	PICTORIAL INDEX - POWER TAKEOFF TRANSFER CASE LUBRICATION, QUADTRAC TRACTOR, WITH 500 SERIES AXLE
01-17	02	PICTORIAL INDEX - POWER TAKEOFF TRANSFER CASE LUBRICATION, ASN JEE0102001
01-18		PICTORIAL INDEX - HYDRAULIC FAN DRIVE
01-19		PICTORIAL INDEX - MEGA FLOW HYDRAULIC CIRCUITRY
02-01		RADIATOR HOSES AND TUBES



---

## TABLE OF CONTENTS

---

02-02	01	RADIATOR MOUNTING AND FAN SHROUD, BSN JEE0100106
02-02	02	RADIATOR MOUNTING AND FAN SHROUD, ASN JEE0100106
02-03	01	HYDRAULIC FAN MOTOR ASSY
02-03	02	HYDRAULIC FAN DRIVE - MOUNTING
02-04		ETHER START SYSTEM
02-05	01	AIR INDUCTION SYSTEM - WHEEL TRACTOR
02-05	02	AIR INDUCTION SYSTEM - QUADTRAC TRACTOR
02-06		AIR COOLER
02-07		AIR CLEANER ASSEMBLY
02-08		ENGINE - BLOCK HEATER
02-09	01	EXHAUST SYSTEM - WHEEL TRACTOR
02-09	02	EXHAUST SYSTEM - QUADTRAC TRACTOR
02-10		ENGINE - MOUNTING AND ATTACHING PARTS
03-01		THROTTLE
03-02		THROTTLE - DECELERATOR CONTROL
03-03		FUEL LINES
04-01		CONTROLS - RIGHT HAND CONSOLE, BSN JEE0106701
04-01	01	CONTROLS - RIGHT HAND CONSOLE, ASN JEE0106701
04-02		WIPER, WINDSHIELD - MOUNTING
04-03		WINDSHIELD WASHER
04-04		INSTRUMENT CLUSTER
04-05		SENSOR - HITCH POSITION
04-06	01	ALTERNATOR - MOUNTING, 135 AMPERE
04-06	02	ALTERNATOR - MOUNTING, 185 AMPERE
04-07		ALTERNATOR ASSEMBLY - 135 AMPERE
04-08		STARTER ASSEMBLY, BSN JEE0102479
04-08	01	STARTER ASSEMBLY, ASN JEE0102479
04-09		GROUND SPEED SENSOR
04-10		RADIO AND SPEAKERS
04-11		LAMP - STROBE
04-12		LAMPS - REAR FRAME, H.I.D.
04-13		LAMPS - REAR FRAME AND FIELD
04-14		HEADLAMPS
04-15	01	BATTERIES - WHEEL TRACTOR, BSN JEE0104001
04-15	02	BATTERIES - QUADTRAC TRACTOR, BSN JEE0104001
04-15	03	BATTERIES, ASN JEE0104001
04-16		CONTROL PANEL - COMPONENTS, BSN JEE0106701
04-16	01	CONTROL PANEL - COMPONENTS, ASN JEE0106701
04-17		LAMPS - MARKER
04-18		LAMPS - SIDE MARKER WARNING
04-19		HARNESS - TRANSMISSION
04-20		HARNESS - FRONT FRAME, BSN JEE0104001
04-20	01	HARNESS - FRONT FRAME, ASN JEE0104001
04-21		HARNESS - ENGINE, BSN JEE0104001
04-21	01	HARNESS - ENGINE, ASN JEE0104001
04-22		HARNESS - MAIN CAB, STANDARD CAB
04-23		HARNESS - MAIN CAB, DELUXE AND LUXURY CABS
04-24		ELECTRONIC MODULE ASSEMBLY
04-25		HARNESS - FRONT CONSOLE
04-26		HARNESS - CAB ROOF
04-27		HARNESS - REAR FRAME, WITH MANUAL REMOTE

---

# TABLE OF CONTENTS

---

04-28		HARNESS - REAR FRAME, WITH ELECTRONIC REMOTE, WITHOUT THREE POINT HITCH
04-29		HARNESS - REAR FRAME, WITH ELECTRONIC REMOTE AND THREE POINT HITCH
04-30		HARNESS - ADVANCED FARMING SYSTEMS, BSN JEE0106701
04-30	01	HARNESS - ADVANCED FARMING SYSTEMS, ASN JEE0106701
04-31		ALARM - BACK-UP
04-32		ACCUGUIDE, GPS - MOUNTING, BSN JEE0106701
04-32	01	ACCUGUIDE, GPS - MOUNTING, ASN JEE0106701
04-33		ACCUGUIDE - VIRTUAL TERMINAL & RELATED PARTS, BSN JEE0106701
04-33	01	ACCUGUIDE - VIRTUAL TERMINAL & RELATED PARTS, ASN JEE0106701
04-34		WIRING - MEGA FLOW HYDRAULIC CONTROLS
04-35		MEGA FLOW HYDRAULIC CONTROLS
05-01		HYDRAULICS - STEERING
05-02		CYLINDER ASSEMBLY - ARTICULATION
05-03		STEERING CONTROL VALVE
05-04		ARTICULATION LOCKS
05-05		STEERING WHEEL AND COLUMN
05-06		STEERING COLUMN
05-07		TRANSMISSION CONTROL ASSEMBLY, WITH POWER SHIFT TRANSMISSION
05-08		TRANSMISSION CONTROL ASSEMBLY, WITH MANUAL SHIFT TRANSMISSION
05-09		ACCUGUIDE - HYDRAULIC, STEERING
05-10		ACCUGUIDE - CYLINDER ASSY., ARTICULATION W/ SENSOR
05-11		ACCUGUIDE - MANIFOLD / STEERING VALVE & MOUNTING
06-01		CLUTCH PEDAL, POWER SHIFT TRANSMISSION
06-02		CLUTCH PEDAL, MANUAL SHIFT TRANSMISSION
06-03		TRANSMISSION SHIFTER, POWER SHIFT TRANSMISSION
06-04		TRANSMISSION SHIFT CONTROLS, MANUAL SHIFT TRANSMISSION
06-05		SHIFTING UNIT ASSEMBLY, WITH MANUAL SHIFT TRANSMISSION
06-06		WHEELS SINGLE AND DUALS WITH SPACERS
06-07		WHEELS TRIPLES WITH SPACERS
06-08		HUB ASSEMBLY MOUNTING
06-09		YOKE MOUNTING, QUADTRAC TRACTOR, BSN JEE0106701
06-09	01	YOKE MOUNTING, QUADTRAC TRACTOR, ASN JEE0106701
06-10		UNDERCARRIAGE - MOUNTING, QUADTRAC TRACTOR, BSN JEE0106701
06-10	01	UNDERCARRIAGE - MOUNTING, QUADTRAC TRACTOR, BTW JEE0106701 & JEE0107427
06-10	02	UNDERCARRIAGE - MOUNTING, QUADTRAC TRACTOR, ASN JEE0107427
06-11		AXLE ASSEMBLY - FRONT IDLER, QUADTRAC TRACTOR, BSN JEE0107427
06-11	01	AXLE ASSEMBLY - FRONT IDLER, QUADTRAC TRACTOR, ASN JEE0107427
06-12		AXLE ASSEMBLY - REAR IDLER, QUADTRAC TRACTOR, BSN JEE0107427
06-12	01	AXLE ASSEMBLY - REAR IDLER, QUADTRAC TRACTOR, ASN JEE0107427
06-12	02	AXLE ASSY. - ROLLER SHAFT
06-13		DRIVE WHEEL, QUADTRAC TRACTOR
06-14		TRACK TENSIONING, QUADTRAC TRACTOR
06-15		TRACKS, QUADTRAC TRACTOR
06-16		TRANSMISSION MOUNTING, MANUAL SHIFT TRANSMISSION
06-17		TRANSMISSION MOUNTING, POWER SHIFT TRANSMISSION
06-18		TRANSMISSION - LUBRICATION, WITH MANUAL SHIFT TRANSMISSION
06-19		TRANSMISSION - LUBRICATION, WITH POWER SHIFT TRANSMISSION, BSN JEE0104001

---

# TABLE OF CONTENTS

---

06-19	01	TRANSMISSION - LUBRICATION, WITH POWER SHIFT TRANSMISSION, ASN JEE0104001
06-20		POWER TAKEOFF - CLUTCH LUBRICATION, WITH MANUAL SHIFT TRANSMISSION
06-21		POWER TAKEOFF - CLUTCH LUBRICATION, WITH POWER SHIFT TRANSMISSION
06-22		MANUAL SHIFT TRANSMISSION - VALVE ASSEMBLY MOUNTING
06-23		MANUAL SHIFT TRANSMISSION - COVERS AND YOKES
06-24		MANUAL SHIFT TRANSMISSION - REAR HOUSING
06-25		MANUAL SHIFT TRANSMISSION - FRONT HOUSING
06-26		MANUAL SHIFT TRANSMISSION - SHAFT ASSEMBLIES AND SHIFTER FORKS
06-27		MANUAL SHIFT TRANSMISSION - SHIFTER FORKS
06-28		MANUAL SHIFT TRANSMISSION - INPUT SHAFT ASSEMBLY
06-29		MANUAL SHIFT TRANSMISSION - INPUT SHAFT ASSEMBLY
06-30		MANUAL SHIFT TRANSMISSION - SECOND SHAFT ASSEMBLY
06-31		MANUAL SHIFT TRANSMISSION - THIRD SHAFT ASSEMBLY
06-32		MANUAL SHIFT TRANSMISSION - FOURTH SHAFT ASSEMBLY
06-33		MANUAL SHIFT TRANSMISSION - FIFTH SHAFT ASSEMBLY
06-34		MANUAL SHIFT TRANSMISSION - CONTROL VALVE ASSEMBLY
06-35		MANUAL SHIFT TRANSMISSION - LOCKOUT VALVE ASSEMBLY
06-36		MANUAL SHIFT TRANSMISSION - REGULATOR VALVE ASSEMBLY
06-37		POWER SHIFT TRANSMISSION - VALVE AND PUMP MOUNTING
06-38		POWER SHIFT TRANSMISSION - COVERS AND YOKES
06-39		POWER SHIFT TRANSMISSION - REAR HOUSING
06-40		POWER SHIFT TRANSMISSION - HOUSING AND CLUTCHES
06-41		POWER SHIFT TRANSMISSION - INPUT SHAFT ASSEMBLY
06-42		POWER SHIFT TRANSMISSION - INPUT SHAFT ASSEMBLY
06-43		POWER SHIFT TRANSMISSION - SECOND SHAFT ASSEMBLY
06-44		POWER SHIFT TRANSMISSION - THIRD SHAFT ASSEMBLY
06-45		POWER SHIFT TRANSMISSION - FOURTH SHAFT ASSEMBLY
06-46		POWER SHIFT TRANSMISSION - FOURTH SHAFT ASSEMBLY
06-47		POWER SHIFT TRANSMISSION - FIFTH SHAFT ASSEMBLY
06-48		POWER SHIFT TRANSMISSION - FIFTH SHAFT ASSEMBLY
06-49		POWER SHIFT TRANSMISSION - REGULATOR VALVE ASSEMBLY, BSN JEE0104001
06-49	01	POWER SHIFT TRANSMISSION - REGULATOR VALVE ASSEMBLY, ASN JEE0104001
06-50		POWER SHIFT TRANSMISSION - RANGE SELECTOR VALVE
06-51		VALVE ASSEMBLY - PULSE WITH MODULATION
06-52		VALVE ASSEMBLY - POWER TAKE OFF
06-53		DRIVE SHAFT - MOUNTING
06-54		DRIVE SHAFT
06-55		POWER TAKEOFF - DRIVE SHAFT MOUNTING
06-56		POWER TAKEOFF - DRIVE SHAFT ASSEMBLIES
06-57		POWER TAKEOFF - LUBRICATION, WHEEL TRACTOR WITH 400 SERIES AXLES, BSN JEE0102001
06-58		POWER TAKEOFF - LUBRICATION, WHEEL TRACTOR WITH 500 SERIES AXLES, BSN JEE0102001
06-59		POWER TAKEOFF - LUBRICATION, QUADTRAC TRACTOR, BSN JEE0102001
06-59	01	POWER TAKEOFF - LUBRICATION, ASN JEE0102001
06-60		COUPLER MOUNTS - WITHOUT POWER TAKEOFF AND THREE POINT HITCH
06-61		POWER TAKEOFF - SAFETY SHIELDS
06-62		POWER TAKEOFF - TRANSFER CASE ASSEMBLY
06-63		POWER TAKEOFF - CLUTCH ASSEMBLY
06-64		POWER TAKEOFF - INPUT SHAFT ASSEMBLY

---

# TABLE OF CONTENTS

---

06-65		AXLE MOUNTING, WHEEL TRACTOR
06-66		400 SERIES AXLE ASSEMBLY - FRONT COVER
06-67		400 SERIES AXLE ASSEMBLY - REAR COVER
06-68		400 SERIES AXLE ASSEMBLY - CENTER AND LEFT-HAND CARRIER
06-69		400 SERIES AXLE ASSEMBLY - DIFFERENTIAL, WITHOUT DIFFERENTIAL LOCKS
06-70		400 SERIES AXLE ASSEMBLY - DIFFERENTIAL, WITH DIFFERENTIAL LOCKS
06-71		400 SERIES AXLE ASSEMBLY - BRAKE AND RIGHT-HAND CARRIER
06-72		400 SERIES AXLE ASSEMBLY - FINAL DRIVE
06-73		500 SERIES AXLE ASSEMBLY - FRONT COVER
06-74		500 SERIES AXLE ASSEMBLY - REAR COVER
06-75		500 SERIES AXLE ASSEMBLY - CENTER AND LEFT-HAND CARRIER, WHEEL TRACTOR
06-76		500 SERIES AXLE ASSEMBLY - CENTER AND LEFT-HAND CARRIER, QUADTRAC TRACTOR
06-77		500 SERIES AXLE ASSEMBLY - DIFFERENTIAL, WITHOUT DIFFERENTIAL LOCKS
06-78		500 SERIES AXLE ASSEMBLY - DIFFERENTIAL, WITH DIFFERENTIAL LOCKS
06-79		500 SERIES AXLE ASSEMBLY - BRAKE AND RIGHT-HAND CARRIER
06-80		500 SERIES AXLE ASSEMBLY - OFFSET BEARING, QUADTRAC TRACTOR
06-81		500 SERIES AXLE ASSEMBLY - FINAL DRIVE, WHEELED TRACTOR
06-82		500 SERIES AXLE ASSEMBLY - FINAL DRIVE, QUADTRAC TRACTOR, BSN JEE0106701
06-82	01	500 SERIES AXLE ASSEMBLY - FINAL DRIVE, QUADTRAC TRACTOR, ASN JEE0106701
06-83		AXLE ASSEMBLY - JET PUMP
07-01		BRAKE CONTROL
07-02		BRAKE VALVE ASSY
07-03		400 SERIES AXLE - SERVICE BRAKE CIRCUIT
07-04		400 SERIES AXLE - PARK BRAKE CIRCUIT, WITHOUT DIFFERENTIAL LOCK, BSN JEE0102001
07-04	01	400 SERIES AXLE - PARK BRAKE CIRCUIT, WITHOUT DIFFERENTIAL LOCK, ASN JEE0102001
07-05		400 SERIES AXLE - PARK BRAKE CIRCUIT, WITH DIFFERENTIAL LOCK, BSN JEE0102001
07-05	01	400 SERIES AXLE - PARK BRAKE CIRCUIT, WITH DIFFERENTIAL LOCK, ASN JEE0102001
07-06		500 SERIES AXLE - SERVICE BRAKE CIRCUIT, WHEEL TRACTOR
07-07		500 SERIES AXLE - PARK BRAKE CIRCUIT, WITHOUT DIFFERENTIAL LOCK, BSN JEE0102001, WHEEL TRACTOR
07-07	01	500 SERIES AXLE - PARK BRAKE CIRCUIT, WITHOUT DIFFERENTIAL LOCK, ASN JEE0102001, WHEEL TRACTOR
07-08		500 SERIES AXLE - PARK BRAKE CIRCUIT, WITH DIFFERENTIAL LOCK, BSN JEE0102001, WHEEL TRACTOR
07-08	01	500 SERIES AXLE - PARK BRAKE CIRCUIT, WITH DIFFERENTIAL LOCK, ASN JEE0102001, WHEEL TRACTOR
07-09		500 SERIES AXLE - SERVICE BRAKE CIRCUIT, QUADTRAC TRACTOR
07-10		500 SERIES AXLE - PARK BRAKE CIRCUIT, WITHOUT DIFFERENTIAL LOCK, BSN JEE0102001, QUADTRAC TRACTOR
07-10	01	500 SERIES AXLE - PARK BRAKE CIRCUIT, WITHOUT DIFFERENTIAL LOCK, ASN JEE0102001, QUADTRAC TRACTOR
07-11		500 SERIES AXLE - PARK BRAKE CIRCUIT, WITH DIFFERENTIAL LOCK, BSN JEE0102001, QUADTRAC TRACTOR

---

## TABLE OF CONTENTS

---

07-11	01	500 SERIES AXLE - PARK BRAKE CIRCUIT, WITH DIFFERENTIAL LOCK, ASN JEE0102001, QUADTRAC TRACTOR
08-01		HYDRAULIC OIL COOLER
08-02		HYDRAULIC OIL COOLER MOUNTING
08-03		OIL FILTER - AXLE AND TRANSMISSION
08-04		OIL FILTER - MAIN HYDRAULIC (BELOW BATTERY)
08-05		400 SERIES AXLE HYDRAULICS - LUBRICATION CIRCUIT, BSN JEE0102001
08-05	01	400 SERIES AXLE HYDRAULICS - LUBRICATION CIRCUIT, BTW JEE0102001 & JEE0106701
08-05	02	400 SERIES AXLE HYDRAULICS - LUBRICATION CIRCUIT, ASN JEE0106701
08-06		400 SERIES AXLE HYDRAULICS - LUBRICATION AND COOLING CIRCUIT, BSN JEE0102001
08-06	01	400 SERIES AXLE HYDRAULICS - AIR AND LUBRICATION CIRCUIT, ASN JEE0102001
08-07		500 SERIES AXLE HYDRAULICS - LUBRICATION CIRCUIT, BSN JEE0102001, WHEEL TRACTOR
08-07	01	500 SERIES AXLE HYDRAULICS - LUBRICATION CIRCUIT, BTW JEE0102001 & JEE0106701, WHEEL TRACTOR
08-07	02	500 SERIES AXLE HYDRAULICS - LUBRICATION CIRCUIT, ASN JEE0106701, WHEEL TRACTOR
08-08		500 SERIES AXLE HYDRAULICS - LUBRICATION AND COOLING CIRCUIT, BSN JEE0102001, WHEEL TRACTOR
08-08	01	500 SERIES AXLE HYDRAULICS - AIR AND LUBRICATION CIRCUIT, ASN JEE0102001, WHEEL TRACTOR
08-08	02	400 / 500 SERIES AXLE HYDRAULICS - COOLING CIRCUIT, ASN JEE0102001, WHEEL TRACTOR
08-09		500 SERIES AXLE HYDRAULICS - LUBRICATION CIRCUIT, BSN JEE0102001, QUADTRAC TRACTOR
08-09	01	500 SERIES AXLE HYDRAULICS - LUBRICATION CIRCUIT, BTW JEE0102001 & JEE0106701, QUADTRAC TRACTOR
08-09	02	500 SERIES AXLE HYDRAULICS - LUBRICATION CIRCUIT, ASN JEE0106701, QUADTRAC TRACTOR
08-10		500 SERIES AXLE HYDRAULICS - LUBRICATION AND COOLING CIRCUIT, BSN JEE0102001, QUADTRAC TRACTOR
08-10	01	500 SERIES AXLE HYDRAULICS - AIR AND LUBRICATION CIRCUIT, ASN JEE0102001, QUADTRAC TRACTOR
08-10	02	500 SERIES AXLE HYDRAULICS - COOLING CIRCUIT, ASN JEE0102001, QUADTRAC TRACTOR
08-11		HYDRAULIC TANK, WHEEL TRACTOR
08-12		HYDRAULIC TANK, QUADTRAC TRACTOR
08-13		REGULATOR VALVE ASSEMBLY
08-14		TOW BLOCK VALVE ASSEMBLY
08-15		CONTROLS - MANUAL HYDRAULIC REMOTES, BSN JEE0102592
08-16		LINKAGE - MANUAL HYDRAULIC REMOTES, BSN JEE0102592
08-17		HYDRAULIC REMOTE HOSES - MANUAL REMOTE, BSN JEE0102592
08-18		HYDRAULIC REMOTE HOSES - ELECTRONIC REMOTE
08-19		STANDARD HYDRAULICS - PUMP LUBRICATION CIRCUIT, WITH MANUAL SHIFT TRANSMISSION
08-20		STANDARD HYDRAULICS - PUMP LUBRICATION CIRCUIT, WITH POWER SHIFT TRANSMISSION
08-21		STANDARD HYDRAULICS - PUMP MOUNTING
08-22		STANDARD HYDRAULICS - PISTON PUMP ASSEMBLY

---

# TABLE OF CONTENTS

---

08-23		STANDARD HYDRAULICS - PRIORITY VALVE ASSEMBLY
08-24		HIGH OUTPUT HYDRAULICS - PUMP LUBRICATION CIRCUIT, BSN JEE0106701
08-24	01	HIGH OUTPUT HYDRAULICS - PUMP LUBRICATION CIRCUIT, ASN JEE0106701
08-25		HIGH OUTPUT HYDRAULICS - PUMP MOUNTING
08-26		HIGH OUTPUT HYDRAULICS - PISTON PUMP ASSY
08-27		GEAR PUMP ASSEMBLY
08-28		HIGH OUTPUT HYDRAULICS - PRIORITY VALVE ASSEMBLY
08-29		HYDRAULIC REMOTE CONTROL VALVE
08-30		MANIFOLD VALVE ASSEMBLY
08-31		REMOTE VALVE ASSEMBLY - MANUAL REMOTE, BSN JEE0102592
08-32		REMOTE VALVE ASSEMBLY - ELECTRONIC REMOTE
08-33		COUPLER VALVE ASSEMBLY
08-34		MAIN AND AUXILIARY VALVE ASSEMBLY - MANUAL REMOTE, BSN JEE0102592
08-35		MAIN AND AUXILIARY VALVE ASSEMBLY - ELECTRONIC CONTROLLED
08-36		HITCH VALVE ASSEMBLY - ELECTRONIC CONTROLLED
08-37		MOTOR RETURN
08-38		COUPLERS - POWER BEYOND
08-39		CABLE - TOW VALVE
08-40		THREE POINT HITCH HYDRAULICS - MANUAL HITCH, BSN JEE0102592
08-41		THREE POINT HITCH HYDRAULICS - ELECTRONIC CONTROLLED HITCH SYSTEM
08-42		CYLINDER ASSY - THREE POINT HITCH
08-43		VALVE ASSEMBLY - DIFFERENTIAL LOCK
08-44	01	HYDRAULIC FAN PUMP ASSY
08-44	02	HYDRAULICS - FAN DRIVE CIRCUITRY
08-45		HYDRAULIC FAN OIL COOLER - MOUNTING
08-46		HYDRAULICS-MEGA FLOW CIRCUITRY
08-47		MEGA FLOW HYDRAULICS - AUXILIARY REMOTE MOUNTING
08-48		MEGA FLOW HYDRAULIC MANIFOLD ASSY.
08-49		MEGA FLOW HYDRAULIC PUMP ASSY
08-50		OIL FILTER - MEGA FLOW HYDRAULICS
09-01		THREE POINT HITCH
09-02		ROCKSHAFT
09-03		THREE POINT HITCH - UPPER LINK, WITHOUT POWER TAKEOFF
09-04		THREE POINT HITCH - UPPER LINK, WITH POWER TAKEOFF
09-05		LINK ASSEMBLY - UPPER
09-06		LINK ASSEMBLY - LIFT
09-07		QUICK HITCH
09-08		DRAWBAR - EXTENDABLE
09-09		DRAWBAR - HEAVY DUTY, WITHOUT THREE POINT HITCH
09-10		DRAWBAR - HEAVY DUTY, WITH THREE POINT HITCH
09-11		DRAWBAR - REYNOLDS, BSN JEE0102001
09-11	01	DRAWBAR - REYNOLDS, ASN JEE0102001
09-12		CAB MOUNTING
09-13		INTERIOR TRIM - STANDARD CAB
09-14		INTERIOR TRIM - DELUXE AND LUXURY CABS
09-15		CAB - FLOORMATS AND DOORS
09-16		DOOR ASSEMBLY
09-17		CAB - SKIRTS AND GLASS
09-18		ROOF
09-19		CAB - HEADLINER AND CONTROL PANEL, STANDARD CAB
09-20		CAB - HEADLINER AND CONTROL PANEL, DELUXE AND LUXURY CAB

---

# TABLE OF CONTENTS

---

09-21		FRONT CONSOLE
09-22		CONSOLE - RIGHT-HAND ARMREST, MANUAL
09-23		CONSOLE - RIGHT HAND ARMREST, ELECTRIC
09-24		SEAT - NON-INSTRUCTIONAL
09-25		SEAT - INSTRUCTIONAL
09-26		SEAT
09-27		SEAT - CUSHION ASSEMBLY, BSN JEE0106701
09-27	01	SEAT - CUSHION ASSEMBLY, ASN JEE0106701
09-28	01	SEAT - SUSPENSION ASSEMBLY
09-28	02	SEMI ACTIVE SUSPENSION ASSEMBLY - SEAT, ASN JEE0102001
09-29		MIRRORS
09-30		MONITOR MOUNTING
09-31		FRONT FRAME, WHEEL TRACTOR
09-32		BATTERY DOOR ASSEMBLY, WHEEL TRACTOR
09-32	01	BATTERY DOOR ASSEMBLY, WHEELED TRACTOR, STX500
09-33		FRONT FRAME, QUADTRAC TRACTOR
09-34		BATTERY DOOR ASSEMBLY, QUADTRAC TRACTOR
09-34	01	BATTERY DOOR ASSEMBLY, QUADTRAC TRACTOR, STX500
09-35		BUMPER
09-36		STEPS, QUADTRAC TRACTOR
09-37		PUSH ARM ASSEMBLY
09-38		REAR FRAME, WHEEL TRACTOR
09-39		REAR FRAME, QUADTRAC TRACTOR
09-40		CENTER LINK
09-41		HOOD AND SUPPORT
09-42		GRILLE
09-43		HOOD - LIFT ARM
09-44		HEATER - HOSES
09-45		AIR CONDITIONING SYSTEM
09-46		AIR CONDITIONING - DUCTS
09-47		AIR CONDITIONING - CLIMATE CONTROL UNIT, WITHOUT AUTO TEMP CONTROL, BSN JEE0106701
09-47	01	AIR CONDITIONING - CLIMATE CONTROL UNIT, WITHOUT AUTO TEMP CONTROL, ASN JEE0106701
09-48		AIR CONDITIONING - CLIMATE CONTROL UNIT, WITH AUTO TEMP CONTROL, BSN JEE0106701
09-48	01	AIR CONDITIONING - CLIMATE CONTROL UNIT, WITH AUTO TEMP CONTROL, ASN JEE0106701
09-49		AIR CONDITIONING - AIR FILTER HOUSING ASSEMBLY
09-50		AIR CONDITIONING - BLOWER ASSEMBLY
09-51		WEIGHTS - FRONT FRAME, BSN JEE0107304
09-51	01	WEIGHTS - FRONT FRAME, ASN JEE0107304
09-52		WEIGHTS - REAR FRAME
09-53		WEIGHTS - WHEEL
09-54		STORAGE BOX
09-55		TOW CABLE
09-56		MOUNTING - ADVANCED FARMING SYSTEMS, BSN JEE0104286
09-56	01	MOUNTING - ADVANCED FARMING SYSTEMS, BTW JEE0104286 & JEE0106701
09-56	02	MOUNTING - ADVANCED FARMING SYSTEMS, ASN JEE0106701
09-57		DECALS
09-58		DECALS

---

# TABLE OF CONTENTS

---

09-59	DECALS
09-60	DECALS
09-61	FIRE EXTINGUISHER





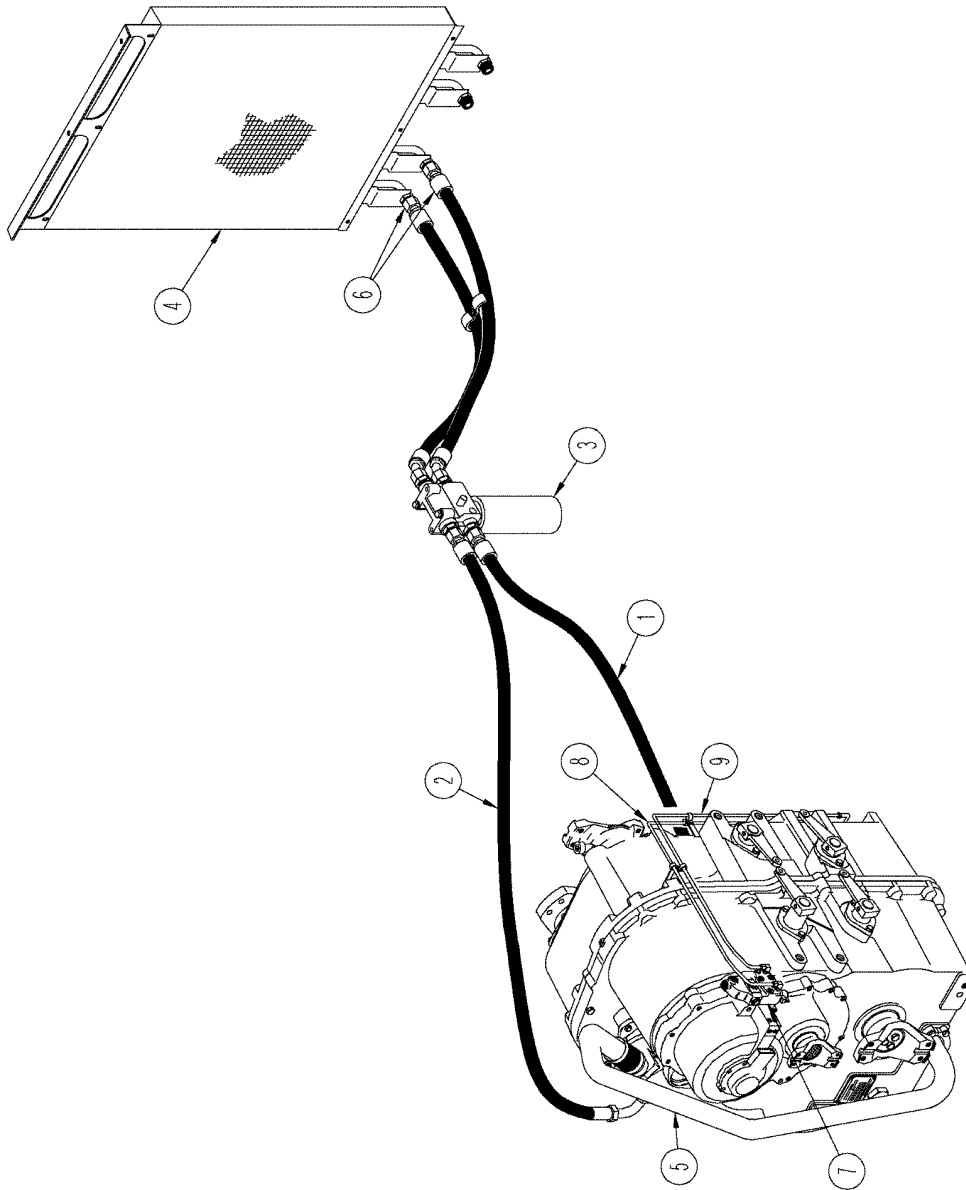
---

## SECTION INDEX

---

01-01		PICTORIAL INDEX - MANUAL SHIFT TRANSMISSION AND PTO CLUTCH LUBE
01-02		PICTORIAL INDEX - POWER SHIFT TRANSMISSION AND PTO CLUTCH LUBE
01-03		PICTORIAL INDEX - STEERING CIRCUIT
01-04	01	PICTORIAL INDEX - AXLE LUBRICATION CIRCUIT, 400 SERIES AXLE, BSN JEE0102001
01-04	02	PICTORIAL INDEX - AXLE LUBRICATION CIRCUIT, 400 SERIES AXLE, BTW JEE0102001 & JEE0106701
01-04	03	PICTORIAL INDEX - AXLE LUBRICATION CIRCUIT, 400 SERIES AXLE, ASN JEE0106701
01-05	01	PICTORIAL INDEX - CHARGE PUMP AND BRAKE CIRCUIT, 400 SERIES AXLE, BSN JEE0102001
01-05	02	PICTORIAL INDEX - CHARGE PUMP AND BRAKE CIRCUIT, 400 SERIES AXLE, ASN JEE0102001
01-06	01	PICTORIAL INDEX - AXLE LUBRICATION CIRCUIT, 500 SERIES AXLE, WHEEL TRACTOR, BSN JEE0102001
01-06	02	PICTORIAL INDEX - AXLE LUBRICATION CIRCUIT, 500 SERIES AXLE, WHEEL TRACTOR
01-06	03	PICTORIAL INDEX - AXLE LUBRICATION CIRCUIT, 500 SERIES AXLE, WHEEL TRACTOR
01-07	01	PICTORIAL INDEX - CHARGE PUMP AND BRAKE CIRCUIT, 500 SERIES AXLE, WHEEL TRACTOR, BSN JEE0102001
01-07	02	PICTORIAL INDEX - CHARGE PUMP AND BRAKE CIRCUIT, 500 SERIES AXLE, WHEEL TRACTOR, ASN JEE0102001
01-08	01	PICTORIAL INDEX - AXLE LUBRICATION CIRCUIT, 500 SERIES AXLE, QUADTRAC TRACTOR, BSN JEE0102001
01-08	02	PICTORIAL INDEX - AXLE LUBRICATION CIRCUIT, 500 SERIES AXLE, QUADTRAC TRACTOR
01-08	03	PICTORIAL INDEX - AXLE LUBRICATION CIRCUIT, 500 SERIES AXLE, QUADTRAC TRACTOR
01-09	01	PICTORIAL INDEX - CHARGE PUMP AND BRAKE CIRCUIT, 500 SERIES AXLE, QUADTRAC TRACTOR, BSN JEE0102001
01-09	02	PICTORIAL INDEX - CHARGE PUMP AND BRAKE CIRCUIT, 500 SERIES AXLE, QUADTRAC TRACTOR, ASN JEE0102001
01-10		PICTORIAL INDEX - TRACK TENSIONING
01-11		PICTORIAL INDEX - CHARGE PUMP AND AUXILIARY REMOTE CIRCUIT WITH STANDARD HYDRAULICS
01-12		PICTORIAL INDEX - CHARGE PUMP AND AUXILIARY REMOTE CIRCUIT WITH HIGH OUTPUT HYDRAULICS
01-13		PICTORIAL INDEX - MANUAL HITCH CIRCUIT, BSN JEE0102592
01-14		PICTORIAL INDEX - ELECTRONIC HITCH CIRCUIT
01-15		PICTORIAL INDEX - POWER TAKEOFF TRANSFER CASE LUBRICATION, WHEEL TRACTOR, WITH 400 SERIES AXLE
01-16		PICTORIAL INDEX - POWER TAKEOFF TRANSFER CASE LUBRICATION, WHEEL TRACTOR, WITH 500 SERIES AXLE
01-17	01	PICTORIAL INDEX - POWER TAKEOFF TRANSFER CASE LUBRICATION, QUADTRAC TRACTOR, WITH 500 SERIES AXLE
01-17	02	PICTORIAL INDEX - POWER TAKEOFF TRANSFER CASE LUBRICATION, ASN JEE0102001
01-18		PICTORIAL INDEX - HYDRAULIC FAN DRIVE
01-19		PICTORIAL INDEX - MEGA FLOW HYDRAULIC CIRCUITRY

PICTORIAL INDEX - MANUAL SHIFT TRANSMISSION AND PTO CLUTCH LUBE

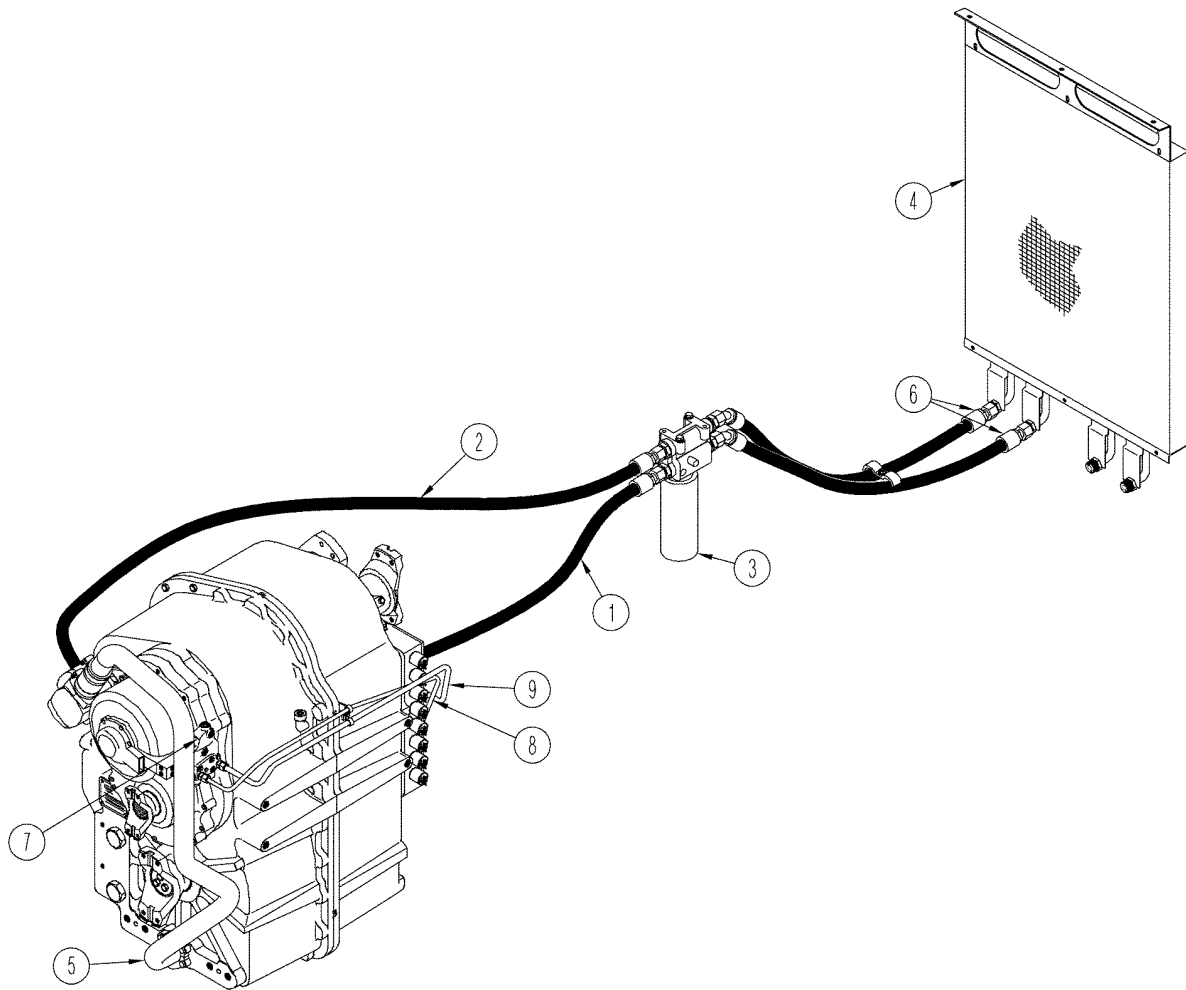


**PICTORIAL INDEX - MANUAL SHIFT TRANSMISSION AND PTO CLUTCH LUBE**

<b>REF</b>	<b>FN</b>	<b>PART NUMBER</b>	<b>YR/SN</b>	<b>QTY</b>	<b>DESCRIPTION</b>
1					Hose, Transmission Regulator Valve Supply, See Figure 06-18
2					Hose, Pump To Filter, See Figure 06-18
3					Filter, Left hand, See Figure, 08-04
4					Cooler, Hydraulic Oil, See Figure 08-02
5					Tube, Transmission Pump Supply, See Figure 06-18
6					Hose, Cooler Supply And Outlet, See Figure 08-01
7					Valve Assembly, PTO Control, See Figure 06-52
8					Tube, PTO Valve Pressure Supply, See Figure 06-20
9					Tube, PTO Valve Lube Supply, See Figure 06-20

**STX375 STX425**

PICTORIAL INDEX - POWER SHIFT TRANSMISSION AND PTO CLUTCH LUBE

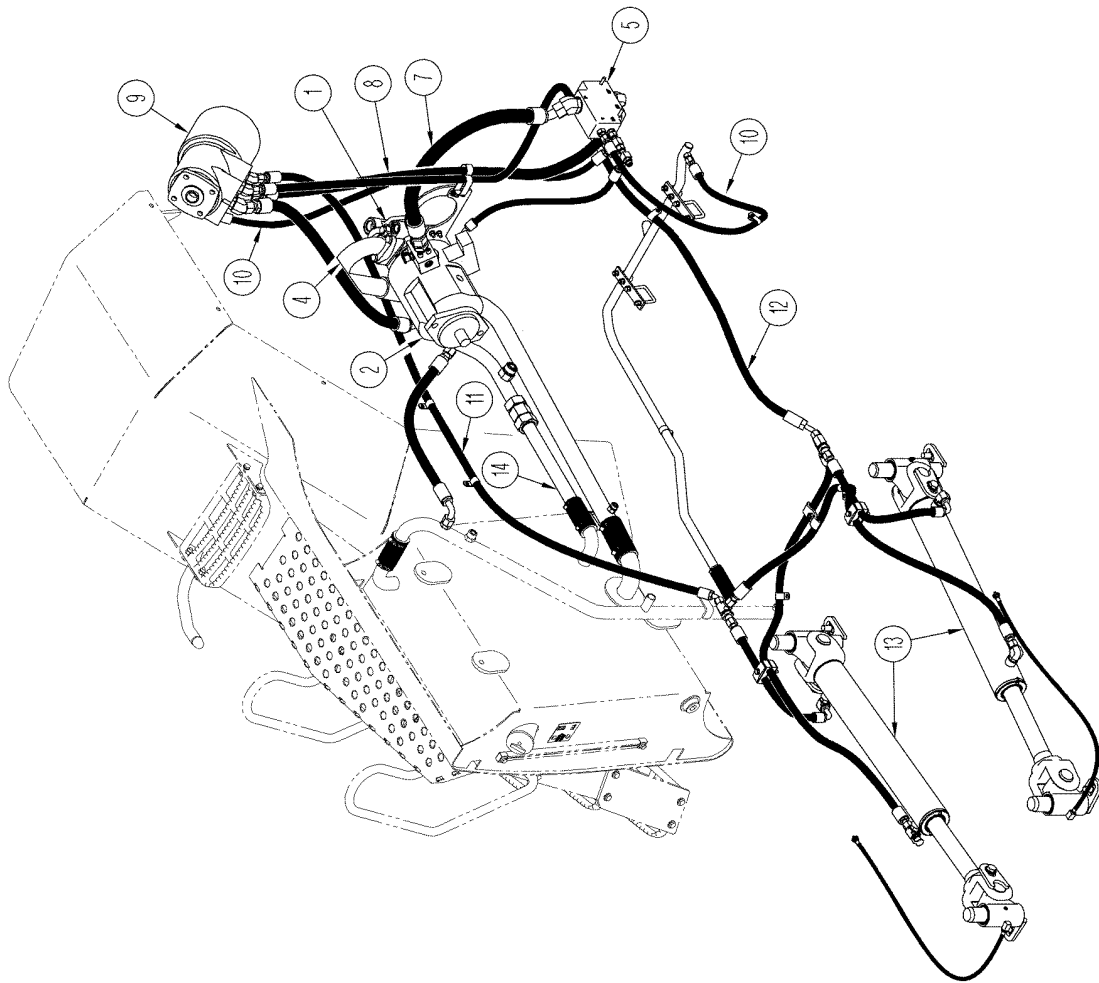


## PICTORIAL INDEX - POWER SHIFT TRANSMISSION AND PTO CLUTCH LUBE

REF	FN	PART NUMBER	YR/SN	QTY	DESCRIPTION
1					Hose, Transmission Regulator Valve Supply, See Figure 06-19
2					Hose, Pump To Filter, See Figure 06-19
3					Filter, Left Hand, See Figure 08-04
4					Cooler, Hydraulic Oil, See Figure 08-02
5					Tube, Transmission Pump Supply, See Figure 06-19
6					Hose, Cooler Supply And Outlet, See Figure 08-01
7					Valve Assembly, PTO Control, See Figure 06-52
8					Tube, PTO Valve Pressure Supply, See Figure 06-21
9					Tube, PTO Valve Lube Supply, See Figure 06-21

**STX375 STX450**  
**STX425 STX500**

PICTORIAL INDEX - STEERING CIRCUIT



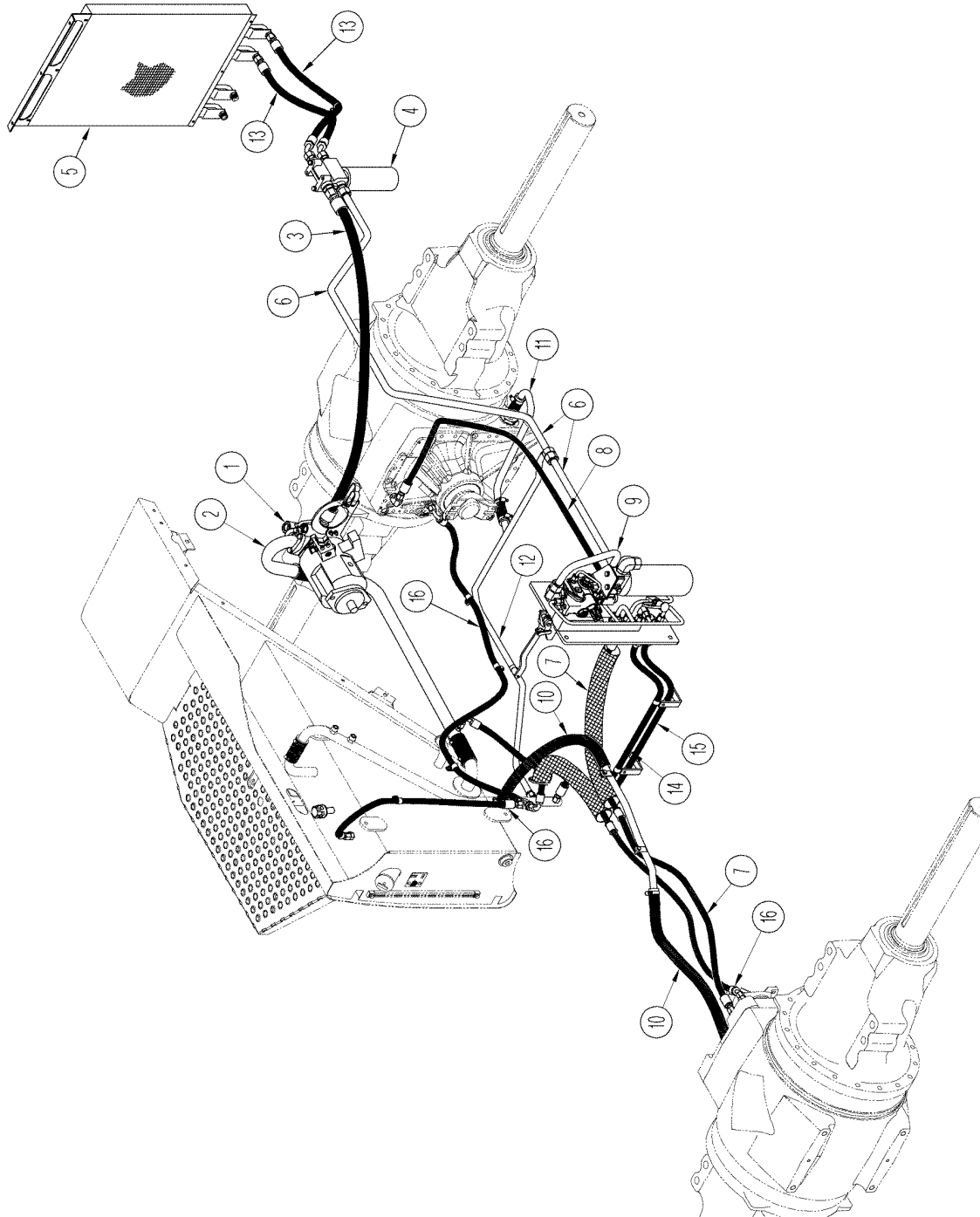
## PICTORIAL INDEX - STEERING CIRCUIT

REF	FN	PART NUMBER	YR/SN	QTY	DESCRIPTION
1					Pump, Gear, See Figure 08-27
2					Pump, Standard, See Figure 08-22
2					Pump, High Output, Not Illustrated, See Figure 08-26
4					Tube, Gear Pump Supply, See Figure 08-19, 08-20, 08-24
5					Valve, Priority, Standard, See Figure 08-23
5					Valve, Priority, High Output, Not Illustrated, See Figure 08-28
7					Hose, Priority Valve supply, See Figure 08-19, 08-20, 08-24
8					Hose, Steering Control Supply From Priority Valve, See Figure 08-19, 08-20, 08-24
9					Valve, Steering Control, See Figure 05-01
10					Hose, Steering Load Sense, See Figure 05-01
11					Hose, Steering Control To Left-Hand Articulation Cylinder, See Figure 05-01
12					Hose, Steering Control To Right-Hand Articulation Cylinder, See Figure 05-01
13					Cylinder, Articulation, See Figure 05-02
14					Tube, Piston Pump Supply, See Figure 08-19, 08-20, 08-24

**STX375 STX450**  
**STX425 STX500**



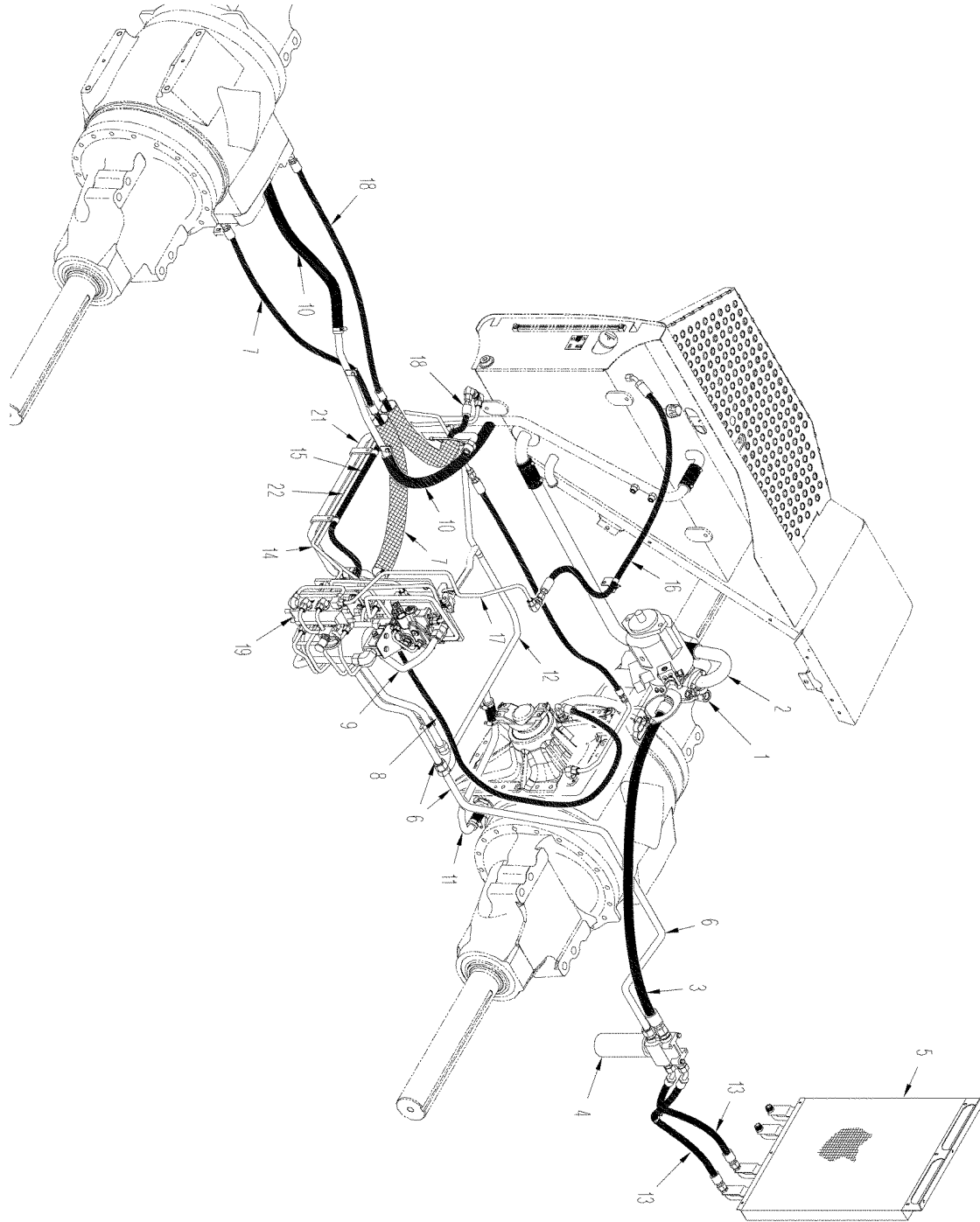
PICTORIAL INDEX - AXLE LUBRICATION CIRCUIT, 400 SERIES AXLE, BSN JEE0102001



## PICTORIAL INDEX - AXLE LUBRICATION CIRCUIT, 400 SERIES AXLE, BSN JEE0102001

REF	FN	PART NUMBER	YR/SN	QTY	DESCRIPTION
1					Pump, Gear, See Figure 08-27
2					Tube, Gear Pump Supply, See Figure 08-19, 08-20, 08-24
3					Hose, Gear Pump To Filter, See Figure 08-19, 08-20, 08-24
4					Filter, Right-Hand, See Figure 08-03
5					Cooler, Hydraulic Oil, See Figure 08-02
6					Tube, Filter To Regulator Valve, See Figure 08-06
7					Hose, Regulator Supply To Rear Axle, See Figure 08-05
8					Hose, Regulator Valve Supply To Front Axle, See Figure 08-06
9					Valve, Regulator, See Figure 08-13
10					Hose, Rear Axle Return To Tank, See Figure 08-05
11					Hose, Front Axle Return to tank, See Figure 08-05
12					Tube, Return, See Figure 08-05
13					Hose, Filter To Cooler, See Figure 08-01
14					Hose, Tow Valve Supply, See Figure 07-04, 07-05
15					Hose, Regulator Valve Return To Tank, See Figure 08-05
16					Hose, Vent, See Figure 08-06
					<b>STX375 STX425</b>

PICTORIAL INDEX - AXLE LUBRICATION CIRCUIT, 400 SERIES AXLE, BTW JEE0102001 & JEE0106701



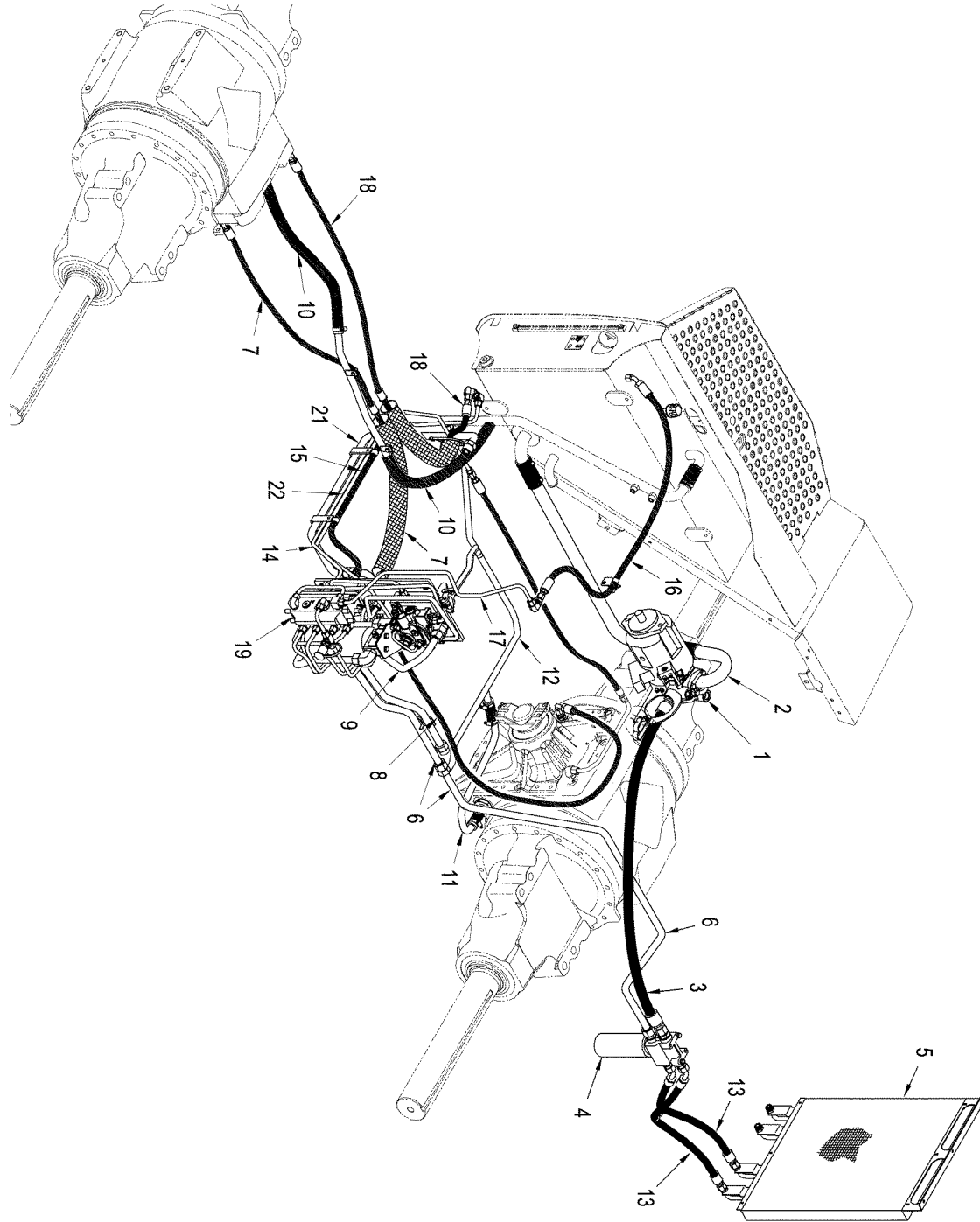
## PICTORIAL INDEX - AXLE LUBRICATION CIRCUIT, 400 SERIES AXLE, BTW JEE0102001 &amp; JEE0106701

REF	FN	PART NUMBER	YR/SN	QTY	DESCRIPTION
1					Pump, Gear, See Figure 08-27
2					Tube, Gear Pump Supply, See Figure(s) 08-19, 08-20, 08-24
3					Hose, Gear Pump To Filter, See Figure(s) 08-19, 08-20, 08-24
4					Filter, Right-Hand, See Figure 08-03
5					Cooler, Hydraulic Oil, See Figure 08-02
6					Tube, Filter To Regulator Valve, See Figure 08-08 (02)
7					Hose, Regulator Supply To Rear Axle, See Figure 08-05 (01)
8					Hose, Regulator Valve Supply To Front Axle, See Figure 08-05 (01)
9					Valve, Regulator, See Figure 08-13
10					Hose, Rear Axle Return To Tank, See Figure 08-05 (01)
11					Hose, Front Axle Return To Tank, See Figure 08-05 (01)
12					Tube, Return, See Figure 08-05 (01)
13					Hose, Filter To Cooler, See Figure 08-01
14					Tube, Rear Axle Air / Lube Supply, See Figure(s) : 08-06 (01)
15					Hose, Regulator Valve Return To Tank, See Figure 08-05 (01)
16					Hose, Air Supply, See Figure 08-06 (01)
17					Tube, Air Supply, See Figure(s) : 08-06 (01)
18					Hose, Rear Axle Air / Lube Supply, See Figure(s) : 08-06 (01)
19					Pump, Axle Air / Lube, See Figure(s) : 08-06 (01)
20					Hose, Front Axle Air / Lube Supply, See Figure(s) : 08-06 (01)
21					Tube, Front Axle Air / Lube Supply, See Figure(s) : 08-06 (01)
22					Tube, Charge Return to Filter, See Figure(s) : 08-06 (01)

BTW JEE0102001 &amp; JEE0106701

**STX375 STX425**

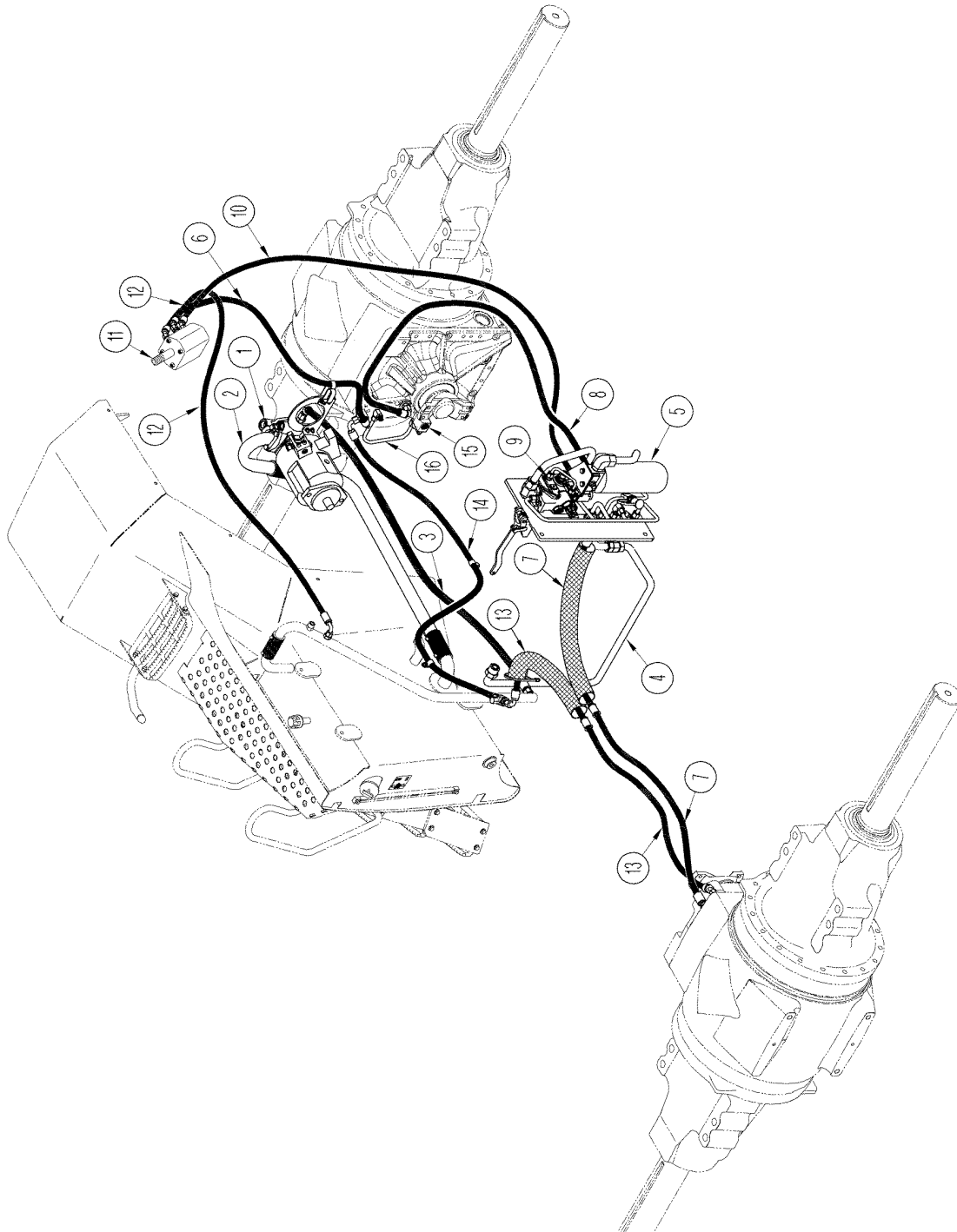
PICTORIAL INDEX - AXLE LUBRICATION CIRCUIT, 400 SERIES AXLE, ASN JEE0106701



## PICTORIAL INDEX - AXLE LUBRICATION CIRCUIT, 400 SERIES AXLE, ASN JEE0106701

REF	FN	PART NUMBER	YR/SN	QTY	DESCRIPTION
1					Pump, Gear, See Figure 08-27
2					Tube, Gear Pump Supply, See Figure(s) 08-19, 08-20, 08-24
3					Hose, Gear Pump To Filter, See Figure(s) 08-19, 08-20, 08-24
4					Filter, Right-Hand, See Figure 08-03
5					Cooler, Hydraulic Oil, See Figure 08-02
6					Tube, Filter To Regulator Valve, See Figure 08-08 (02)
7					Hose, Regulator Supply To Rear Axle, See Figure 08-05 (02)
8					Hose, Regulator Valve Supply To Front Axle, See Figure 08-05 (02)
9					Valve, Regulator, See Figure 08-13
10					Hose, Rear Axle Return To Tank, See Figure 08-05 (02)
11					Hose, Front Axle Return To Tank, See Figure 08-05 (02)
12					Tube, Return, See Figure 08-05 (02)
13					Hose, Filter To Cooler, See Figure 08-01
14					Tube, Rear Axle Air / Lube Supply, See Figure 08-06 (01)
15					Hose, Regulator Valve Return To Tank, See Figure 08-05 (02)
16					Hose, Air Supply, See Figure 08-06 (01)
17					Tube, Air Supply, See Figure 08-06 (01)
18					Hose, Rear Axle Air / Lube Supply, See Figure 08-06 (01)
19					Pump, Axle Air / Lube, See Figure 08-06 (01)
20					Hose, Front Axle Air / Lube Supply, See Figure 08-06 (01)
21					Tube, Front Axle Air / Lube Supply, See Figure 08-06 (01)
22					Tube, Charge Return to Filter, See Figure 08-06 (01)
ASN JEE0106701					<b>STX375 STX425</b>

PICTORIAL INDEX - CHARGE PUMP AND BRAKE CIRCUIT, 400 SERIES AXLE, BSN JEE0102001

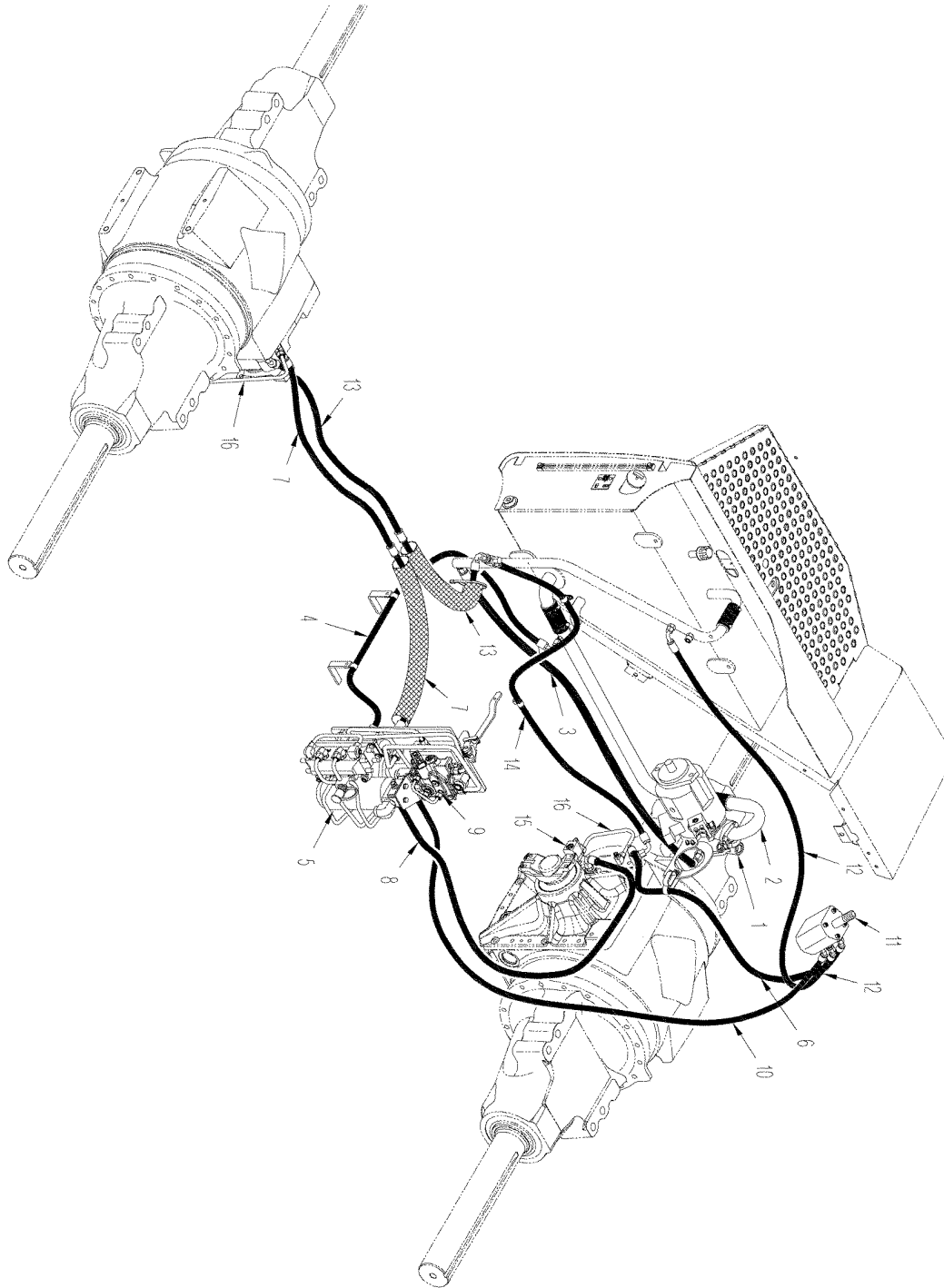


## PICTORIAL INDEX - CHARGE PUMP AND BRAKE CIRCUIT, 400 SERIES AXLE, BSN JEE0102001

REF	FN	PART NUMBER	YR/SN	QTY	DESCRIPTION
1					Pump, Gear, See Figure 08-27
2					Tube, Gear Pump Supply From Tank, See Figure 08-19, 08-20, 08-24
3					Hose, Gear Pump To Charge Return Tube, See Figure 08-19, 08-20, 08-24
4					Tube, Charge Return To Filter, See Figure 08-06
5					Filter, System Valve Assembly, See Figure 08-04
6					Hose, Service Brake Line, See Figure 07-03
7					Hose, Tow Valve Supply For Rear Axle Park Brake, See Figure 07-04, 07-05
8					Hose, Tow Valve Supply For Front Axle Park Brake, See Figure 07-04, 07-05
9					Valve, Regulator, See Figure 08-13
10					Hose, Regulator Output To Brake Valve, See Figure 07-04, 07-05
11					Valve, Brake, See Figure 07-02
12					Hose, Brake Valve Return To Tank, See Figure 07-04, 07-05
13					Hose, Service Brake To Rear Axle, See Figure 07-03
14					Hose, Service Brake To Front Axle, See Figure 07-03
15					Solenoid, Differential Lock, See Figure 08-43
16					Tube, Differential Lock, See Figure 07-05
					<b>STX375 STX425</b>



PICTORIAL INDEX - CHARGE PUMP AND BRAKE CIRCUIT, 400 SERIES AXLE, ASN JEE0102001



**PICTORIAL INDEX - CHARGE PUMP AND BRAKE CIRCUIT, 400 SERIES AXLE, ASN JEE0102001**

REF	FN	PART NUMBER	YR/SN	QTY	DESCRIPTION
1					Pump, Gear, See Figure 08-27
2					Tube, Gear Pump Supply From Tank, See Figure 08-19, 08-20, 08-24
3					Hose, Gear Pump To Charge Return Tube, See Figure 08-19, 08-20, 08-24
4					Hose, Tow Valve Supply, See Figure 07-04 (01), 07-05 (01)
5					Filter, System Valve Assembly, See Figure 08-04
6					Hose, Service Brake Line, See Figure 07-03
7					Hose, Tow Valve Supply For Rear Axle Park Brake, See Figure 07-04 (01), 07-05 (01)
8					Hose, Tow Valve Supply For Front Axle Park Brake, See Figure 07-04 (01) , 07-05 (01)
9					Valve, Regulator, See Figure 08-13
10					Hose, Regulator Output To Brake Valve, See Figure 07-04 (01), 07-05 (01)
11					Valve, Brake, See Figure 07-02
12					Hose, Brake Valve Return To Tank, See Figure 07-04 (01), 07-05 (01)
13					Hose, Service Brake To Rear Axle, See Figure 07-03
14					Hose, Service Brake To Front Axle, See Figure 07-03
15	1				Solenoid, Differential Lock, See Figure 08-43
16	1				Tube, Differential Lock, See Figure 07-05 (01)
(1) Used with Differential Lock Applications					

**STX375 STX425**

PICTORIAL INDEX - AXLE LUBRICATION CIRCUIT, 500 SERIES AXLE, WHEEL TRACTOR, BSN JEE0102001



**PICTORIAL INDEX - AXLE LUBRICATION CIRCUIT, 500 SERIES AXLE, WHEEL TRACTOR, BSN JEE0102001**

REF	FN	PART NUMBER	YR/SN	QTY	DESCRIPTION
1					Pump, Gear, See Figure 08-27
2					Tube, Gear Pump Supply, See Figure 08-20, 08-24
3					Hose, Gear Pump To Filter, See Figure 08-20, 08-24
4					Filter, Right-Hand, See Figure 08-03
5					Cooler, Hydraulic Oil, See Figure 08-02
6					Tube, Filter To Regulator Valve, See Figure 08-08
7					Hose, Regulator Supply To Rear Axle, See Figure 08-07
8					Hose, Regulator Valve Supply To Front Axle, See Figure 08-07
9					Valve, Regulator, See Figure 08-13
10					Hose, Rear Axle Return To Tank, See Figure 08-07
11					Hose, Front Axle Return To Tank, See Figure 08-07
12					Tube, Return, See Figure 08-07
13					Hose, Filter To Cooler, See Figure 08-01
14					Hose, Tow Valve Supply, See Figure 07-07, 07-08
15					Hose, Regulator Valve Return To Tank, See Figure 08-07
16					Hose, Vent, See Figure 08-08

**BSN JEE0102001**

**STX375 STX450  
STX425**

PICTORIAL INDEX - AXLE LUBRICATION CIRCUIT, 500 SERIES AXLE, WHEEL TRACTOR



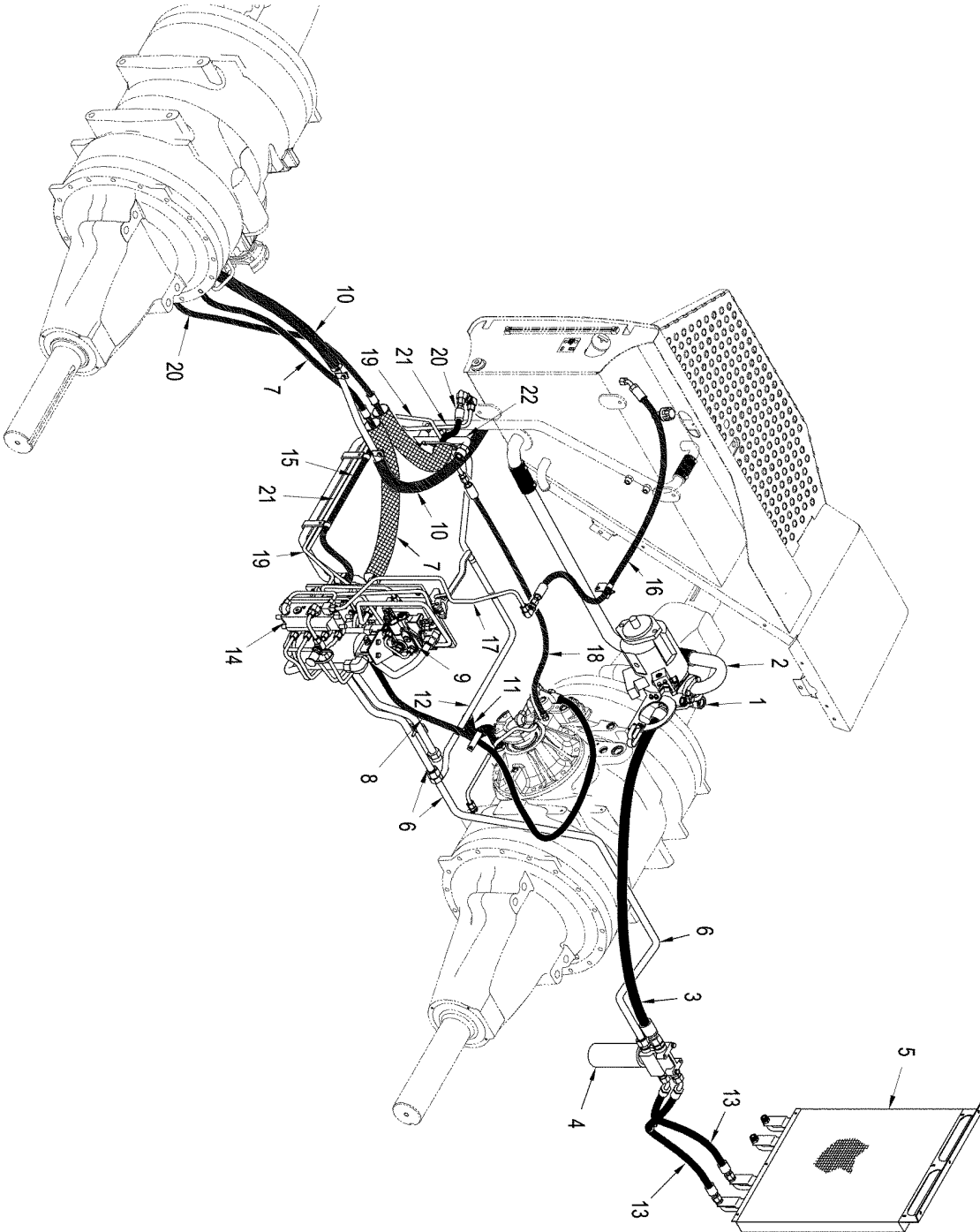
## PICTORIAL INDEX - AXLE LUBRICATION CIRCUIT, 500 SERIES AXLE, WHEEL TRACTOR

REF	FN	PART NUMBER	YR/SN	QTY	DESCRIPTION
1					Pump, Gear, See Figure 08-27
2					Tube, Gear Pump Supply, See Figure 08-20, 08-24
3					Hose, Gear Pump To Filter, See Figure 08-20, 08-24
4					Filter, Right-Hand, See Figure 08-03
5					Cooler, Hydraulic Oil, See Figure 08-02
6					Tube, Filter To Regulator Valve, See Figure 08-08 (02)
7					Hose, Regulator Supply To Rear Axle, See Figure 08-07 (01)
8					Hose, Regulator Valve Supply To Front Axle, See Figure 08-07 (01)
9					Valve, Regulator, See Figure 08-13
10					Hose, Rear Axle Return To Tank, See Figure 08-07 (01)
11					Hose, Front Axle Return to Tank, See Figure 08-07 (01)
12					Tube, Return, See Figure 08-07 (01)
13					Hose, Filter To Cooler, See Figure 08-01
14					Pump, Axle Air / Lube, See Figure 08-07 (01)
15					Hose, Regulator Valve Return To Tank, See Figure 08-07 (01)
16					Hose, Air Supply, See Figure 08-08 (01)
17					Tube, Air Supply, See Figure 08-08 (01)
18					Hose, Front Axle Air / Lube Supply, See Figure 08-08 (01)
19					Tube, Front Axle Air / Lube Supply, See Figure 08-08 (01)
20					Hose, Rear Axle Air / Lube Supply, See Figure 08-08 (01)
21					Tube, Rear Axle Air / Lube Supply, See Figure 08-08 (01)
22					Tube, Charge Return to Filter, See Figure 08-08 (01)

BTW JEE0102001 &amp; JEE0106701

**STX375 STX450**  
**STX425 STX500**

PICTORIAL INDEX - AXLE LUBRICATION CIRCUIT, 500 SERIES AXLE, WHEEL TRACTOR



## PICTORIAL INDEX - AXLE LUBRICATION CIRCUIT, 500 SERIES AXLE, WHEEL TRACTOR

REF	FN	PART NUMBER	YR/SN	QTY	DESCRIPTION
1					Pump, Gear, See Figure 08-27
2					Tube, Gear Pump Supply, See Figure 08-20, 08-24
3					Hose, Gear Pump To Filter, See Figure 08-20, 08-24
4					Filter, Right-Hand, See Figure 08-03
5					Cooler, Hydraulic Oil, See Figure 08-02
6					Tube, Filter To Regulator Valve, See Figure 08-08 (02)
7					Hose, Regulator Supply To Rear Axle, See Figure 08-07 (02)
8					Hose, Regulator Valve Supply To Front Axle, See Figure 08-07 (02)
9					Valve, Regulator, See Figure 08-13
10					Hose, Rear Axle Return To Tank, See Figure 08-07 (02)
11					Hose, Front Axle Return to Tank, See Figure 08-07 (02)
12					Tube, Return, See Figure 08-07 (02)
13					Hose, Filter To Cooler, See Figure 08-01
14					Pump, Axle Air / Lube, See Figure 08-07 (02)
15					Hose, Regulator Valve Return To Tank, See Figure 08-07 (02)
16					Hose, Air Supply, See Figure 08-08 (01)
17					Tube, Air Supply, See Figure 08-08 (01)
18					Hose, Front Axle Air / Lube Supply, See Figure 08-08 (01)
19					Tube, Front Axle Air / Lube Supply, See Figure 08-08 (01)
20					Hose, Rear Axle Air / Lube Supply, See Figure 08-08 (01)
21					Tube, Rear Axle Air / Lube Supply, See Figure 08-08 (01)
22					Tube, Charge Return to Filter, See Figure 08-08 (01)

ASN JEE0106701

**STX375 STX450**  
**STX425 STX500**



PICTORIAL INDEX - CHARGE PUMP AND BRAKE CIRCUIT, 500 SERIES AXLE, WHEEL TRACTOR, BSN JEE0102001



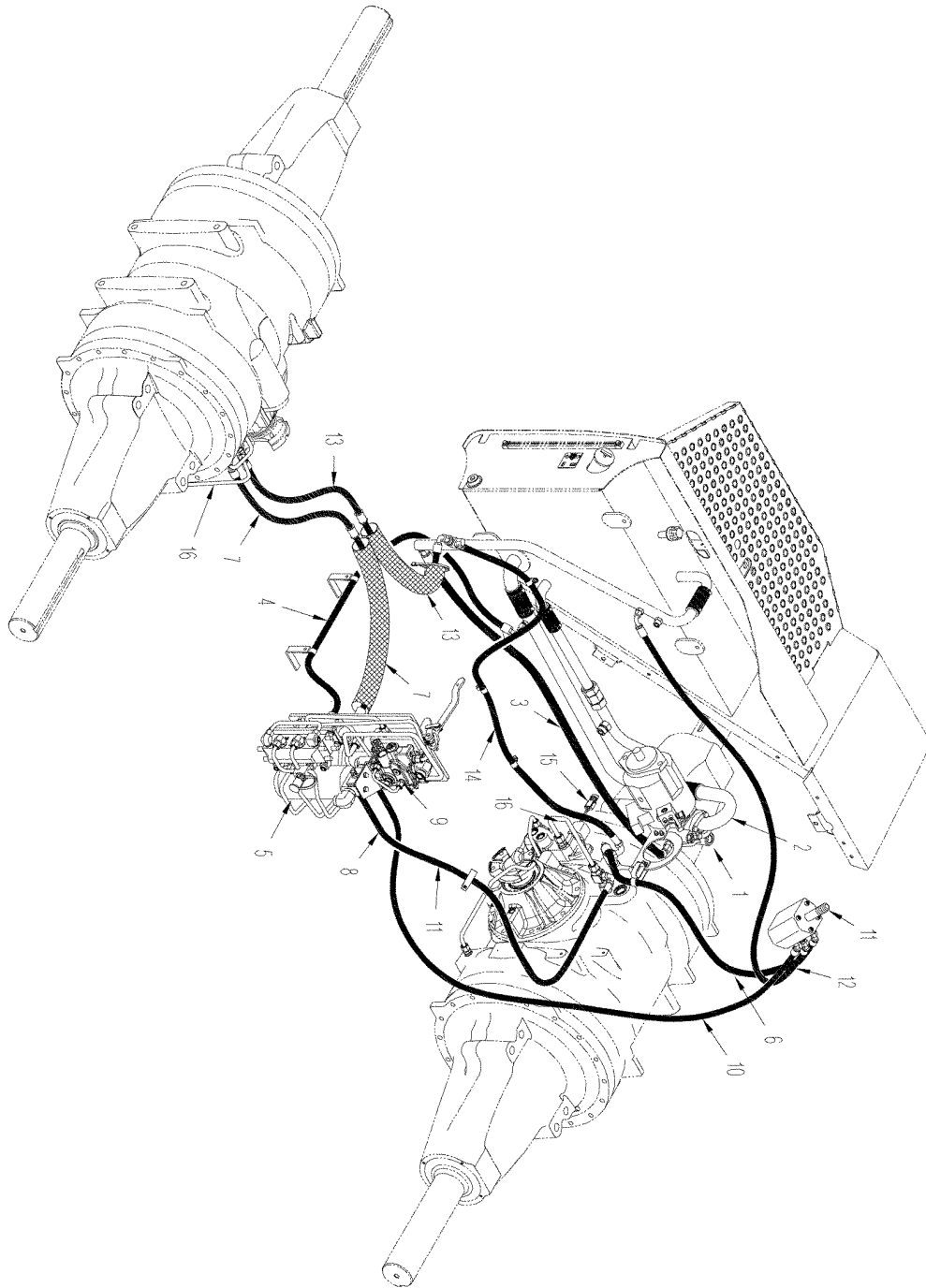
**PICTORIAL INDEX - CHARGE PUMP AND BRAKE CIRCUIT, 500 SERIES AXLE, WHEEL TRACTOR, BSN JEE0102001**

REF	FN	PART NUMBER	YR/SN	QTY	DESCRIPTION
1					Pump, Gear, See Figure 08-27
2					Tube, Gear Pump Supply From Tank, See Figure 08-20, 08-24
3					Hose, Gear Pump To Charge Return Tube, See Figure 08-20, 08-24
4					Tube, Charge Return To Filter, See Figure 08-08
5					Fillter, Tow Valve Assembly, See Figure 08-04
6					Hose, Service Brake Line, See Figure 07-06
7					Hose, Tow Valve Supply For Rear Axle Park Brake, See Figure 07-07, 07-08
8					Hose, Tow Valve Supply For Front Axle Park Brake, See Figure 07-07, 07-08
9					Valve, Regulator, See Figure 08-13
10					Hose, Regulator Output To Brake Valve, See Figure 07-07, 07-08
11					Valve, Brake, See Figure 07-02
12					Hose, Brake Valve Return To Tank, See Figure 07-07, 07-08
13					Hose, Service Brake To Rear Axle, See Figure 07-06
14					Hose, Sevice Brake To Front Axle, See Figure 07-06
15					Solenoid, Differential Lock, See Figure 08-43
16					Tube, Differential Lock, See Figure 07-08

BSN JEE0102001

**STX375 STX450  
STX425**

PICTORIAL INDEX - CHARGE PUMP AND BRAKE CIRCUIT, 500 SERIES AXLE, WHEEL TRACTOR, ASN JEE0102001



**PICTORIAL INDEX - CHARGE PUMP AND BRAKE CIRCUIT, 500 SERIES AXLE, WHEEL TRACTOR, ASN JEE0102001**

REF	FN	PART NUMBER	YR/SN	QTY	DESCRIPTION
1					Pump, Gear, See Figure 08-27
2					Tube, Gear Pump Supply From Tank, See Figure 08-20, 08-24
3					Hose, Gear Pump To Charge Return Tube, See Figure 08-20, 08-24
4					Hose, Tow Valve Supply, See Figure 07-07 (01), 07-08 (01)
5					Fillter, Tow Valve Assembly, See Figure 08-04
6					Hose, Service Brake Line, See Figure 07-06
7					Hose, Tow Valve Supply For Rear Axle Park Brake, See Figure 07-07 (01), 07-08 (01)
8					Hose, Tow Valve Supply For Front Axle Park Brake, See Figure 07-07 (01), 07-08 (01)
9					Valve, Regulator, See Figure 08-13
10					Hose, Regulator Output To Brake Valve, See Figure 07-07 (01), 07-08 (01)
11					Valve, Brake, See Figure 07-02
12					Hose, Brake Valve Return To Tank, See Figure 07-07 (01), 07-08 (01)
13					Hose, Service Brake To Rear Axle, See Figure 07-06
14					Hose, Service Brake To Front Axle, See Figure 07-06
15	1				Solenoid, Differential Lock, See Figure 08-43
16	1				Tube, Differential Lock, See Figure 07-08 (01)

(1) Used with Differential Lock Applications

ASN JEE0102001

**STX375 STX450**  
**STX425 STX500**

PICTORIAL INDEX - AXLE LUBRICATION CIRCUIT, 500 SERIES AXLE, QUADTRAC TRACTOR, BSN JEE0102001



## PICTORIAL INDEX - AXLE LUBRICATION CIRCUIT, 500 SERIES AXLE, QUADTRAC TRACTOR, BSN JEE0102001

REF	FN	PART NUMBER	YR/SN	QTY	DESCRIPTION
1					Pump, Gear, See Figure 08-27
2					Tube, Gear Pump Supply, See Figure 08-20, 08-24
3					Hose, Gear Pump To Filter, See Figure 08-20, 08-24
4					Filter, Right-Hand, See Figure 08-03
5					Cooler, Hydraulic Oil, See Figure 08-02
6					Tube, Filter To Regulator Valve, See Figure 08-09
7					Hose, Regulator Supply To Rear Axle, See Figure 08-09
8					Hose, Regulator Valve Supply To Front Axle, See Figure 08-09
9					Valve, Regulator, See Figure 08-13
10					Hose, Rear Axle Return To Tank, See Figure 08-09
11					Hose, Front Axle Return to Tank, See Figure 08-09
12					Tube, Return, See Figure 08-09
13					Hose, Filter To Cooler, See Figure 08-01
14					Hose, Tow Valve Supply, See Figure 07-10, 07-11
15					Hose, Regulator Valve Return To Tank, See Figure 08-09
16					Hose, Vent, See Figure 08-09

BSN JEE0102001

**STX375 STX450**  
**STX425**

PICTORIAL INDEX - AXLE LUBRICATION CIRCUIT, 500 SERIES AXLE, QUADTRAC TRACTOR



**PICTORIAL INDEX - AXLE LUBRICATION CIRCUIT, 500 SERIES AXLE, QUADTRAC TRACTOR**

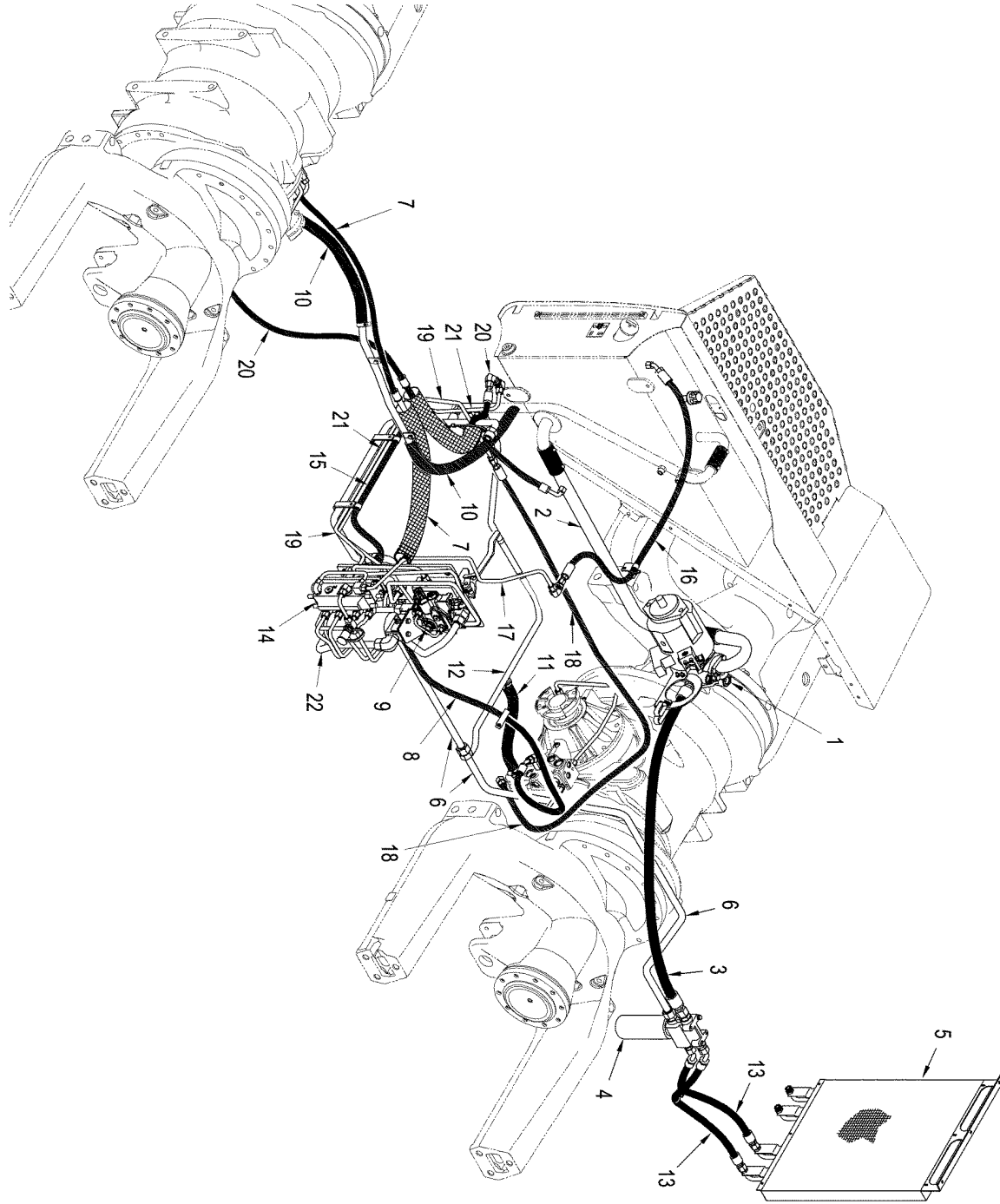
REF	FN	PART NUMBER	YR/SN	QTY	DESCRIPTION
1					Pump, Gear, See Figure 08-27
2					Tube, Gear Pump Supply, See Figure 08-20, 08-24
3					Hose, Gear Pump To Filter, See Figure 08-20, 08-24
4					Filter, Right-Hand, See Figure 08-03
5					Cooler, Hydraulic Oil, See Figure 08-02
6					Tube, Filter To Regulator Valve, See Figure 08-10 (02)
7					Hose, Regulator Supply To Rear Axle, See Figure 08-09 (01)
8					Hose, Regulator Valve Supply To Front Axle, See Figure 08-09 (01)
9					Valve, Regulator, See Figure 08-13
10					Hose, Rear Axle Return To Tank, See Figure 08-09 (01)
11					Hose, Front Axle Return To Tank, See Figure 08-09 (01)
12					Tube, Return, See Figure 08-09 (01)
13					Hose, Filter To Cooler, See Figure 08-01
14					Pump, Axle Air / Lube, See Figure 08-09 (01)
15					Hose, Regulator Valve Return To Tank, See Figure 08-09 (01)
16					Hose, Air Supply, See Figure 08-10 (01)
17					Tube, Air Supply, See Figure 08-10 (01)
18					Hose, Front Axle / Lube Supply, See Figure 08-10 (01)
19					Tube, Front Axle Air / Lube Supply, See Figure 08-10 (01)
20					Hose, Rear Axle Air / Lube Supply, See Figure 08-08 (01)
21					Tube, Rear Axle Air / Lube Supply, See Figure 08-10 (01)
22					Tube, Charge Return to Filter, See Figure 08-10 (02)

BTW JEE0102001 &amp; JEE0106701

**STX375 STX450  
STX425 STX500**



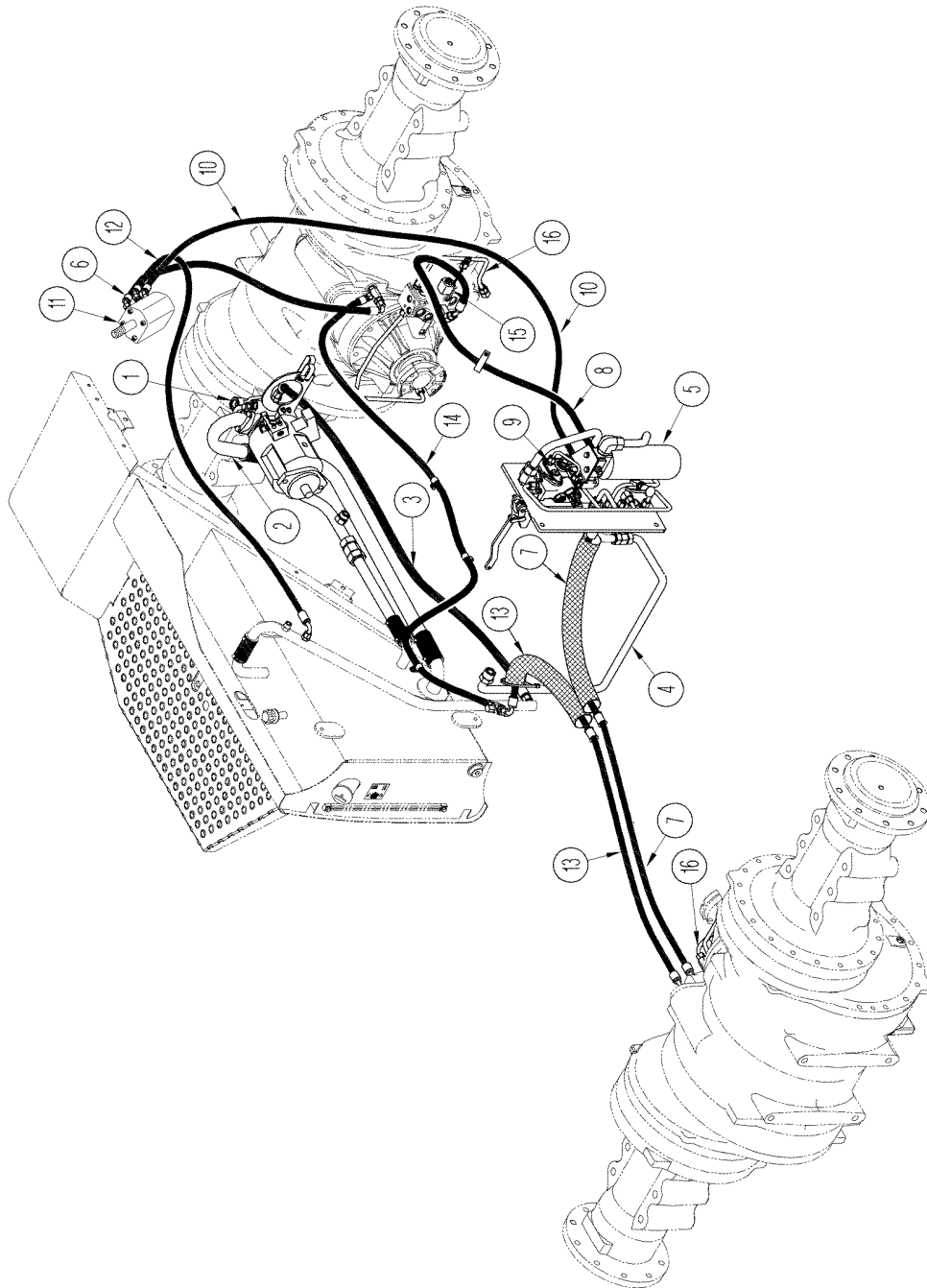
PICTORIAL INDEX - AXLE LUBRICATION CIRCUIT, 500 SERIES AXLE, QUADTRAC TRACTOR



## PICTORIAL INDEX - AXLE LUBRICATION CIRCUIT, 500 SERIES AXLE, QUADTRAC TRACTOR

REF	FN	PART NUMBER	YR/SN	QTY	DESCRIPTION
1					Pump, Gear, See Figure 08-27
2					Tube, Gear Pump Supply, See Figure 08-20, 08-24
3					Hose, Gear Pump To Filter, See Figure 08-20, 08-24
4					Filter, Right-Hand, See Figure 08-03
5					Cooler, Hydraulic Oil, See Figure 08-02
6					Tube, Filter To Regulator Valve, See Figure 08-10 (02)
7					Hose, Regulator Supply To Rear Axle, See Figure 08-09 (02)
8					Hose, Regulator Valve Supply To Front Axle, See Figure 08-09 (02)
9					Valve, Regulator, See Figure 08-13
10					Hose, Rear Axle Return To Tank, See Figure 08-09 (02)
11					Hose, Front Axle Return To Tank, See Figure 08-09 (02)
12					Tube, Return, See Figure 08-09 (02)
13					Hose, Filter To Cooler, See Figure 08-01
14					Pump, Axle Air / Lube, See Figure 08-09 (02)
15					Hose, Regulator Valve Return To Tank, See Figure 08-09 (02)
16					Hose, Air Supply, See Figure 08-10 (01)
17					Tube, Air Supply, See Figure 08-10 (01)
18					Hose, Front Axle / Lube Supply, See Figure 08-10 (01)
19					Tube, Front Axle Air / Lube Supply, See Figure 08-10 (01)
20					Hose, Rear Axle Air / Lube Supply, See Figure 08-08 (02)
21					Tube, Rear Axle Air / Lube Supply, See Figure 08-10 (01)
22					Tube, Charge Return to Filter, See Figure 08-10 (02)
ASN JEE0106701					<b>STX375 STX450 STX425 STX500</b>

PICTORIAL INDEX - CHARGE PUMP AND BRAKE CIRCUIT, 500 SERIES AXLE, QUADTRAC TRACTOR, BSN JEE0102001



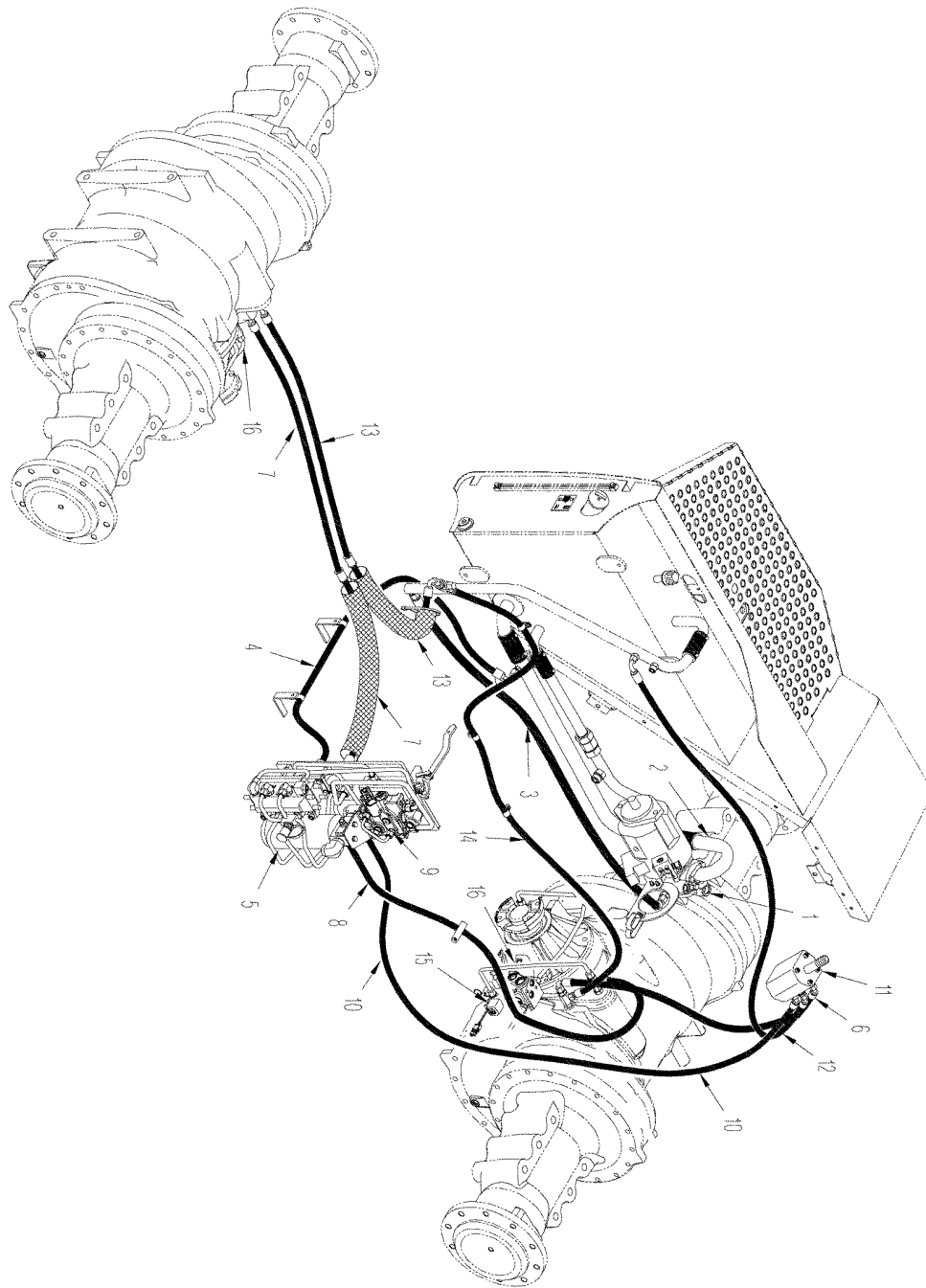
**PICTORIAL INDEX - CHARGE PUMP AND BRAKE CIRCUIT, 500 SERIES AXLE, QUADTRAC TRACTOR, BSN JEE0102001**

REF	FN	PART NUMBER	YR/SN	QTY	DESCRIPTION
1					Pump, Gear, See Figure 08-27
2					Tube, Gear Pump Supply From Tank, See Figure 08-20, 08-24
3					Hose, Gear Pump To Charge Return Tube, See Figure 08-20, 08-24
4					Tube, Charge Return To Filter, See Figure 08-09
5					Filter, System Valve Assembly, See Figure 08-04
6					Hose, Service Brake Line, See Figure 07-09
7					Hose, Tow Valve Supply For Rear Axle Park Brake, See Figure 07-10, 07-11
8					Hose, Tow Valve Supply For Front Axle Park Brake, See Figure 07-10, 07-11
9					Valve, Regulator, See Figure 08-13
10					Hose, Regulator Output To Brake Valve, See Figure 07-10, 07-11
11					Valve, Brake, See Figure 07-02
12					Hose, Brake Valve Return To Tank, See Figure 07-10, 07-11
13					Hose, Service Brake To Rear Axle, See Figure 07-09
14					Hose, Service Brake To Front Axle, See Figure 07-09
15					Solenoid, Differential Lock, See Figure 08-43
16					Tube, Differential Lock, See Figure 07-11

BSN JEE0102001

**STX375 STX450  
STX425**

PICTORIAL INDEX - CHARGE PUMP AND BRAKE CIRCUIT, 500 SERIES AXLE, QUADTRAC TRACTOR, ASN JEE0102001



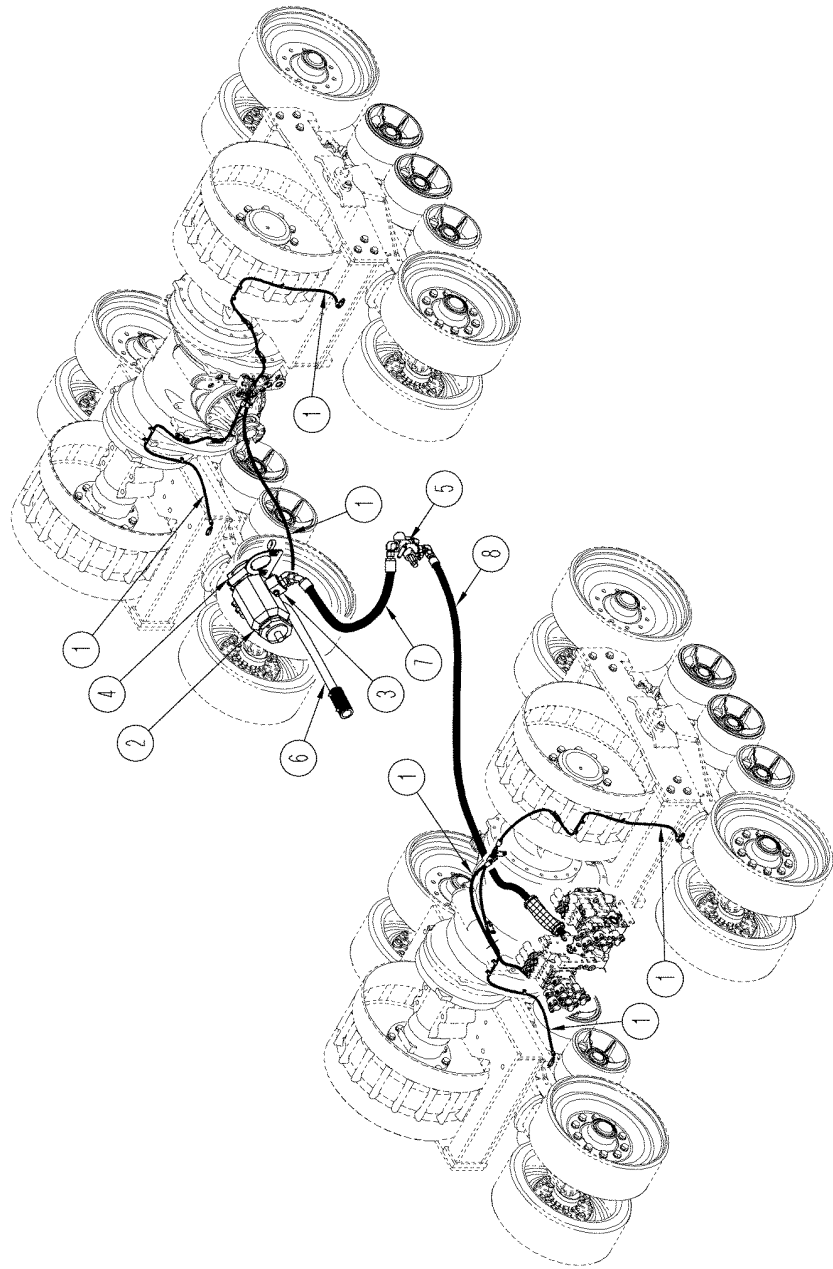
**PICTORIAL INDEX - CHARGE PUMP AND BRAKE CIRCUIT, 500 SERIES AXLE, QUADTRAC TRACTOR, ASN JEE0102001**

REF	FN	PART NUMBER	YR/SN	QTY	DESCRIPTION
1					Pump, Gear, See Figure 08-27
2					Tube, Gear Pump Supply From Tank, See Figure 08-20, 08-24
3					Hose, Gear Pump To Charge Return Tube, See Figure 08-20, 08-24
4					Hose, Tow Valve Supply, See Figure 07-10 (01), 07-11 (01)
5					Filter, System Valve Assembly, See Figure 08-04
6					Hose, Service Brake Line, See Figure 07-09
7					Hose, Tow Valve Supply For Rear Axle Park Brake, See Figure 07-10 (01), 07-11 (01)
8					Hose, Tow Valve Supply For Front Axle Park Brake, See Figure 07-10 (01), 07-11 (01)
9					Valve, Regulator, See Figure 08-13
10					Hose, Regulator Output To Brake Valve, See Figure 07-10 (01), 07-11 (01)
11					Valve, Brake, See Figure 07-02
12					Hose, Brake Valve Return To Tank, See Figure 07-10 (01), 07-11 (01)
13					Hose, Service Brake To Rear Axle, See Figure 07-09
14					Hose, Service Brake To Front Axle, See Figure 07-09
15	1				Solenoid, Differential Lock, See Figure 08-43
16	1				Tube, Differential Lock, See Figure 07-11 (01)
(1) Used with Differential Lock Applications					

ASN JEE0102001

**STX375 STX450  
STX425 STX500**

PICTORIAL INDEX - TRACK TENSIONING



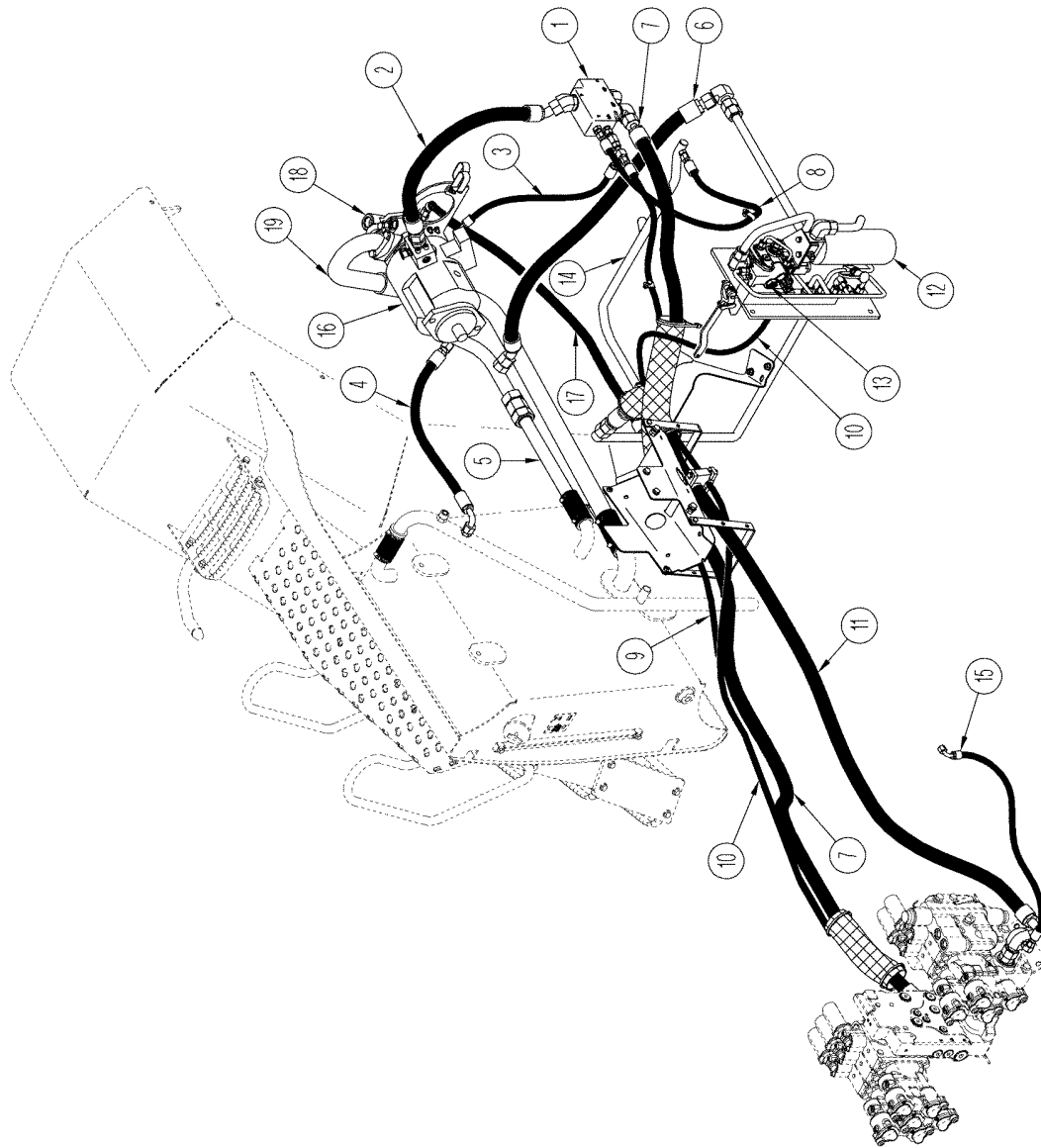
## PICTORIAL INDEX - TRACK TENSIONING

REF	FN	PART NUMBER	YR/SN	QTY	DESCRIPTION
1					Hose, Tension Supply, See Figure 06-14
2					Pump, Piston, See Figure 08-22, 08-26
3					Block, Piston Pump, See Figure 08-20, 08-24
4					Pump, Gear, See Figure 08-27
5					Valve, Priority, See Figure 08-23, 08-28
6					Tube, Gear Pump Supply, See Figure 08-20, 08-24
7					Hose, Priority Valve Supply, See Figure 08-20, 08-24
8					Hose, Auxiliary Remote Supply, See Figure 08-17, 08-18

**STX375 STX450**  
**STX425 STX500**



PICTORIAL INDEX - CHARGE PUMP AND AUXILIARY REMOTE CIRCUIT WITH STANDARD HYDRAULICS



**PICTORIAL INDEX - CHARGE PUMP AND AUXILIARY REMOTE CIRCUIT WITH STANDARD HYDRAULICS**

REF	FN	PART NUMBER	YR/SN	QTY	DESCRIPTION
1					Valve, Priority, See Figure 08-23
2					Hose, Priority Valve Supply, See Figures 08-19, 08-20
3					Hose, Pump Load Sense, See Figures 08-19, 08-20
4					Hose, Case Drain, See Figures 08-19, 08-20
5					Tube, Charge Pressure Supply, See Figures 08-19, 08-20
6					Hose, Return, See Figures 08-19, 08-20
7					Hose, Auxiliary Remote Valve Supply, See Figures 08-17, 08-18
8					Hose, Priority Valve Return, See Figure 08-19, 08-20
9					Hose, Auxiliary Remote Load Sense, See Figure 08-17, 08-18
10					Hose, Gear Pump Pilot Pressure, Electronic Remotes, See Figure 08-18
11					Hose, Auxiliary Remote Return, See Figure 08-17, 08-18
12					Filter, Main Hydraulic, See Figure 08-04
13					Valve, Regulator, See Figure 08-13
14					Tube, Return, See Figure 08-05, 08-07
15					Hose, Pilot Pressure Return To Rear Axle, See Figure 08-06, 08-10
16					Pump, Piston, See Figure 08-22
17					Hose, Charge Pump Outlet, See Figure 08-19, 08-20
18					Pump, Gear, See Figure 08-27
19					Tube, Gear Pump Supply, See Figure 08-19, 08-20

**STX375 STX450**  
**STX425 STX500**

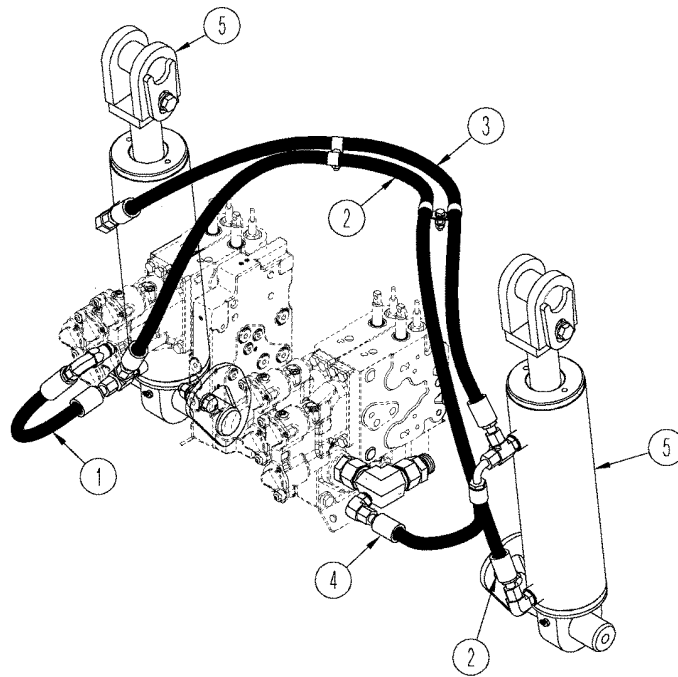
PICTORIAL INDEX - CHARGE PUMP AND AUXILIARY REMOTE CIRCUIT WITH HIGH OUTPUT HYDRAULICS



**PICTORIAL INDEX - CHARGE PUMP AND AUXILIARY REMOTE CIRCUIT WITH HIGH OUTPUT HYDRAULICS**

REF	FN	PART NUMBER	YR/SN	QTY	DESCRIPTION
1					Valve, Priority, See Figure 08-28
2					Hose, Priority Valve Supply, See Figures 08-24
3					Hose, Pump Load Sense, See Figures 08-24
4					Hose, Case Drain, See Figures 08-24
5					Tube, Charge Pressure Supply, See Figures 08-24
6					Hose, Return, See Figures 08-17, 08-18
7					Hose, Auxiliary Remote Valve Supply, See Figures 08-17, 08-18
8					Hose, Priority Valve Return, See Figure 08-24
9					Hose, Auxiliary Remote Load Sense, See Figure 08-17, 08-18
10					Hose, Gear Pump Pilot Pressure, Electronic Remotes, See Figure 08-18
11					Hose, Auxiliary Remote Return, See Figure 08-17, 08-18
12					Filter, Main Hydraulic, See Figure 08-04
13					Valve, Regulator, See Figure 08-013
14					Tube, Return, See Figure 08-05, 08-07
15					Hose, Pilot Pressure Return To Rear Axle, See Figure 08-06, 08-10
16					Pump, Piston, See Figure 08-26
17					Hose, Charge Pump Outlet, See Figure 08-24
18					Pump, Gear, See Figure 08-27
19					Tube, Gear Pump Supply, See Figure 08-24
					<b>STX375 STX450</b> <b>STX425 STX500</b>

PICTORIAL INDEX - MANUAL HITCH CIRCUIT, BSN JEE0102592

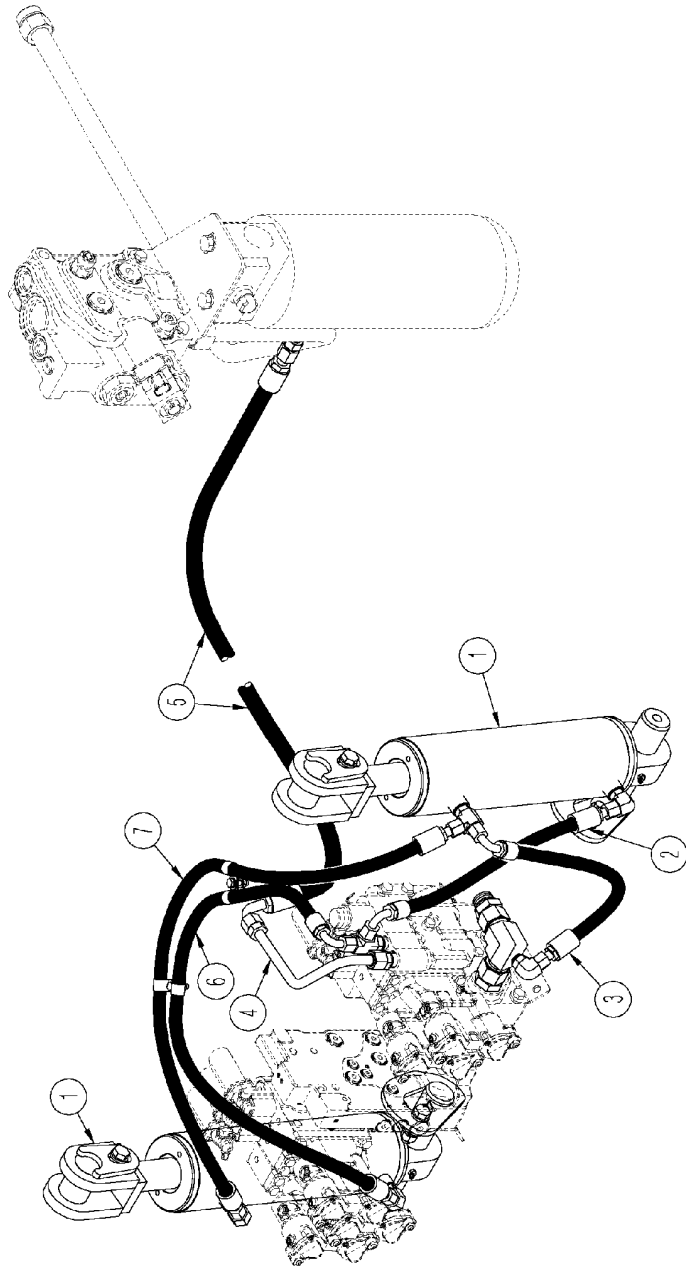


PICTORIAL INDEX - MANUAL HITCH CIRCUIT, BSN JEE0102592

REF	FN	PART NUMBER	YR/SN	QTY	DESCRIPTION
1					Hose, Left-Hand Cylinder Supply, See Figure 08-40
2					Hose, Right-Hand Cylinder Supply, See Figure 08-40
3					Hose, Left-Hand Cylinder Return, See Figure 08-40
4					Hose, Cylinder Return To Tank, See Figure 08-40
5					Cylinder, Three Point Hitch Lift, See Figure 08-42

**STX375 STX450  
STX425**

PICTORIAL INDEX - ELECTRONIC HITCH CIRCUIT



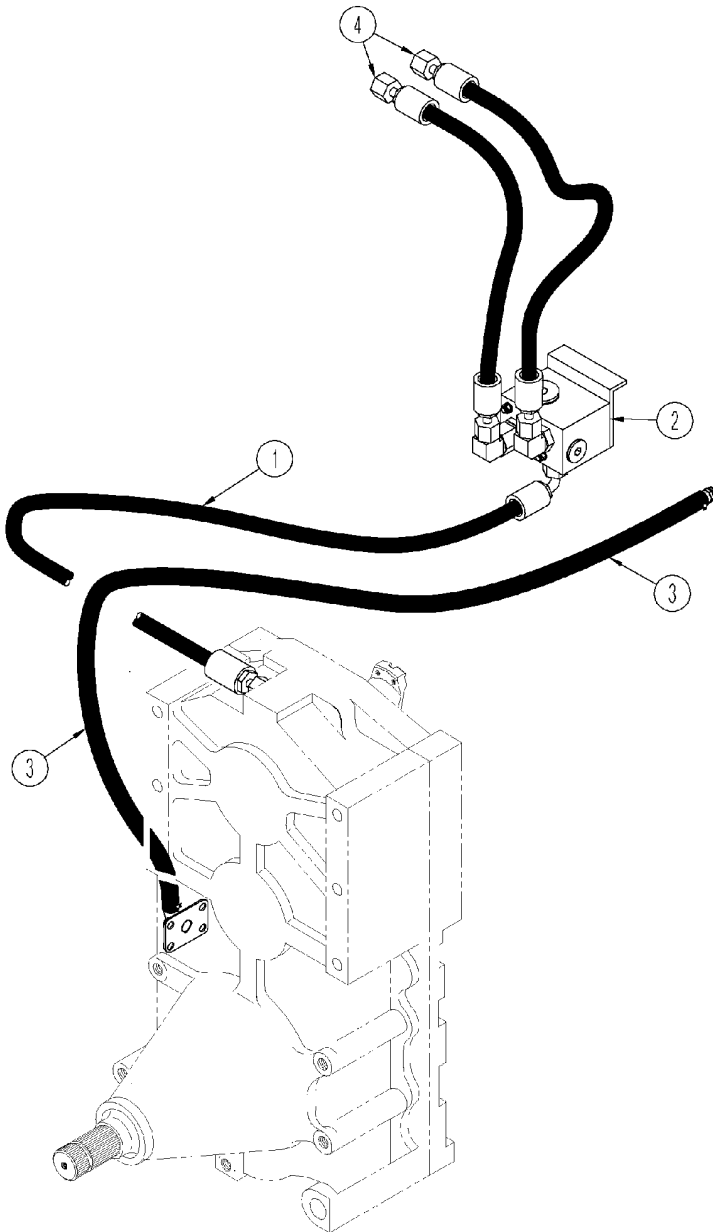
## PICTORIAL INDEX - ELECTRONIC HITCH CIRCUIT

REF	FN	PART NUMBER	YR/SN	QTY	DESCRIPTION
1					Cylinder, Three Point Hitch Lift, See Figure 08-42
2					Hose, Right-Hand Cylinder Supply, See Figure 08-41
3					Hose, Cylinder Return To Tank, See Figure 08-41
4					Tube, Return From Hitch Valve, See Figure 08-41
5					Hose, Return To Tank, See Figure 08-41
6					Hose, Left-Hand Cylinder Supply, See Figure 08-41
7					Hose, Left-Hand Cylinder Return, See Figure 08-41

**STX375 STX450**  
**STX425 STX500**



PICTORIAL INDEX - POWER TAKEOFF TRANSFER CASE LUBRIATION, WHEEL TRACTOR, WITH 400 SERIES AXLE



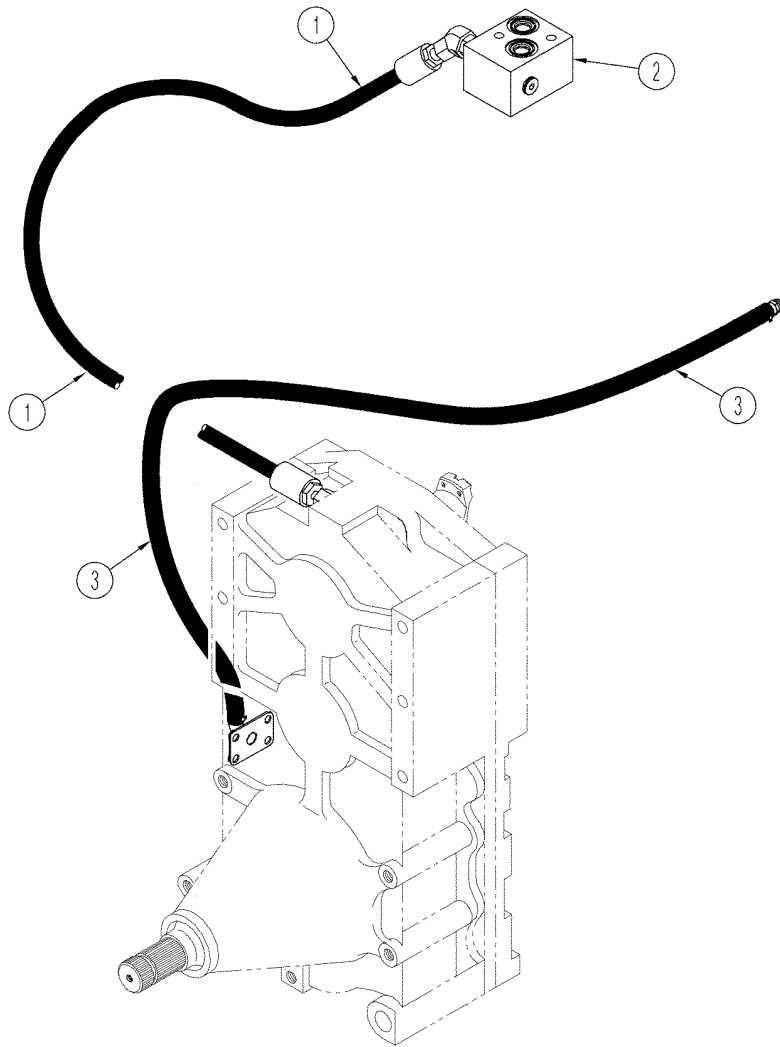
PICTORIAL INDEX - POWER TAKEOFF TRANSFER CASE LUBRIATION, WHEEL TRACTOR, WITH 400 SERIES AXLE

REF	FN	PART NUMBER	YR/SN	QTY	DESCRIPTION
1					Hose, Transfer Case Supply From Jet Pump, See Figure 06-57
2					Pump, Jet, See Figure 06-57
3					Hose, Transfer Case Return To Differential, See Figure 06-57
4					Hose, Jet Pump To Differential, See Figure 06-57

BSN JEE0102001

**STX375 STX425**

PICTORIAL INDEX - POWER TAKEOFF TRANSFER CASE LUBRICATION, WHEEL TRACTOR, WITH 500 SERIES AXLE



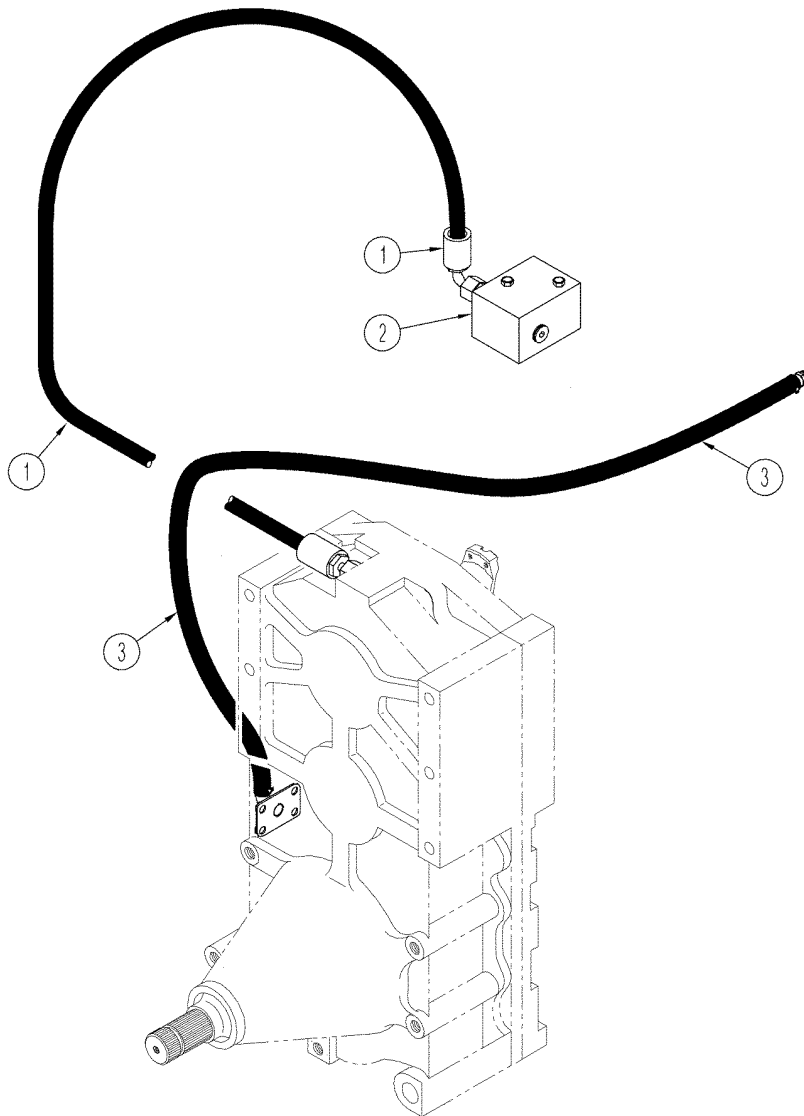
PICTORIAL INDEX - POWER TAKEOFF TRANSFER CASE LUBRICATION, WHEEL TRACTOR, WITH 500 SERIES AXLE

REF	FN	PART NUMBER	YR/SN	QTY	DESCRIPTION
1					Hose, Transfer Case Supply From Jet Pump, See Figure 06-58
2					Pump, Jet, See Figure 06-58
3					Hose, Transfer Case Return To Differential, See Figure 06-58

BSN JEE0102001

**STX375 STX450**  
**STX425 STX500**

PICTORIAL INDEX - POWER TAKEOFF TRANSFER CASE LUBRICATION, QUADTRAC TRACTOR, WITH 500 SERIES AXLE



**PICTORIAL INDEX - POWER TAKEOFF TRANSFER CASE LUBRICATION, QUADTRAC TRACTOR, WITH 500 SERIES AXLE**

REF	FN	PART NUMBER	YR/SN	QTY	DESCRIPTION
1					Hose, Transfer Case Supply From Jet Pump, See Figure 06-59
2					Pump, Jet, See Figure 06-59
3					Hose, Transfer Case Return To Differential, See Figure 06-59

BSN JEE0102001

**STX375 STX450  
STX425**

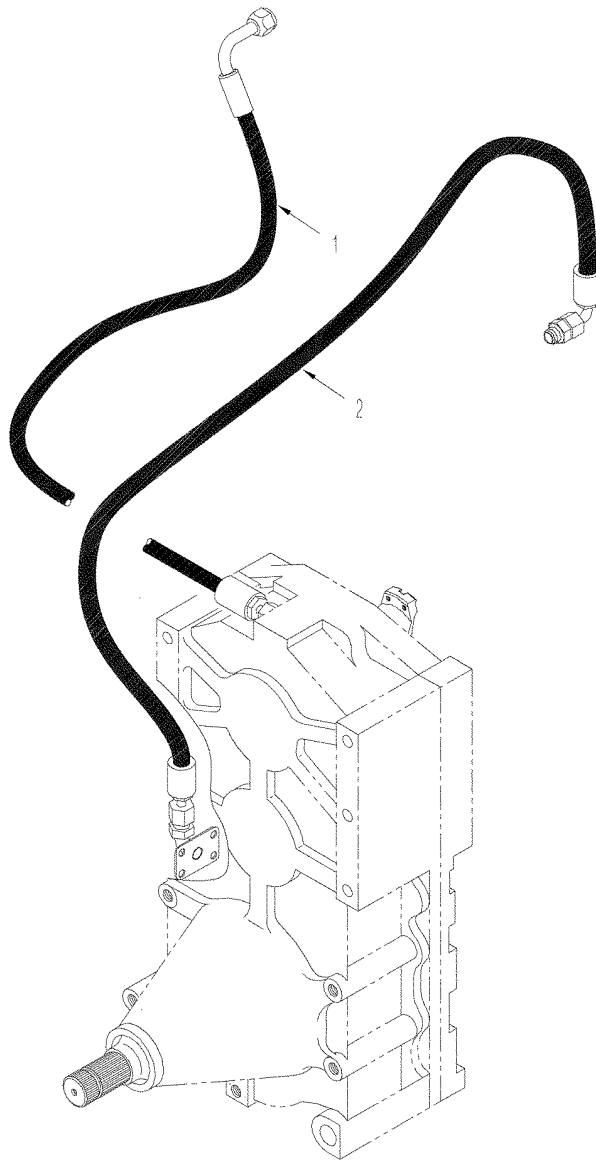
01-17

02

p1

07/04

PICTORIAL INDEX - POWER TAKEOFF TRANSFER CASE LUBRICATION, ASN JEE0102001



**PICTORIAL INDEX - POWER TAKEOFF TRANSFER CASE LUBRICATION, ASN JEE0102001**

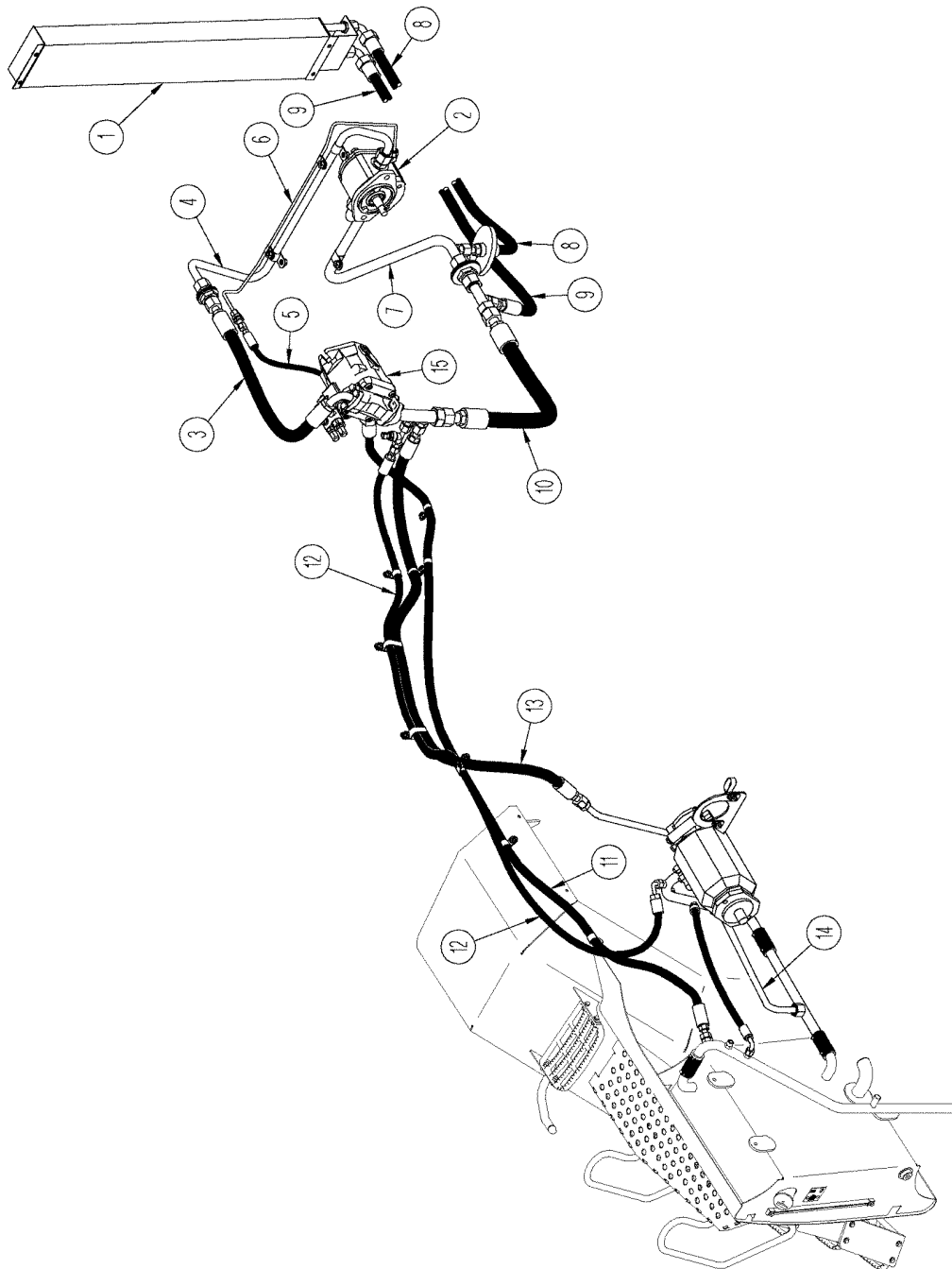
REF	FN	PART NUMBER	YR/SN	QTY	DESCRIPTION
1					Hose, Transfer Case Supply from Axle Air / Lube Pump, See Figure 06-59 (01)
2					Hose, Transfer Case to Rear Differential, See Figure 06-59 (01)

ASN JEE0102001

**STX375 STX450  
STX425 STX500**



PICTORIAL INDEX - HYDRAULIC FAN DRIVE

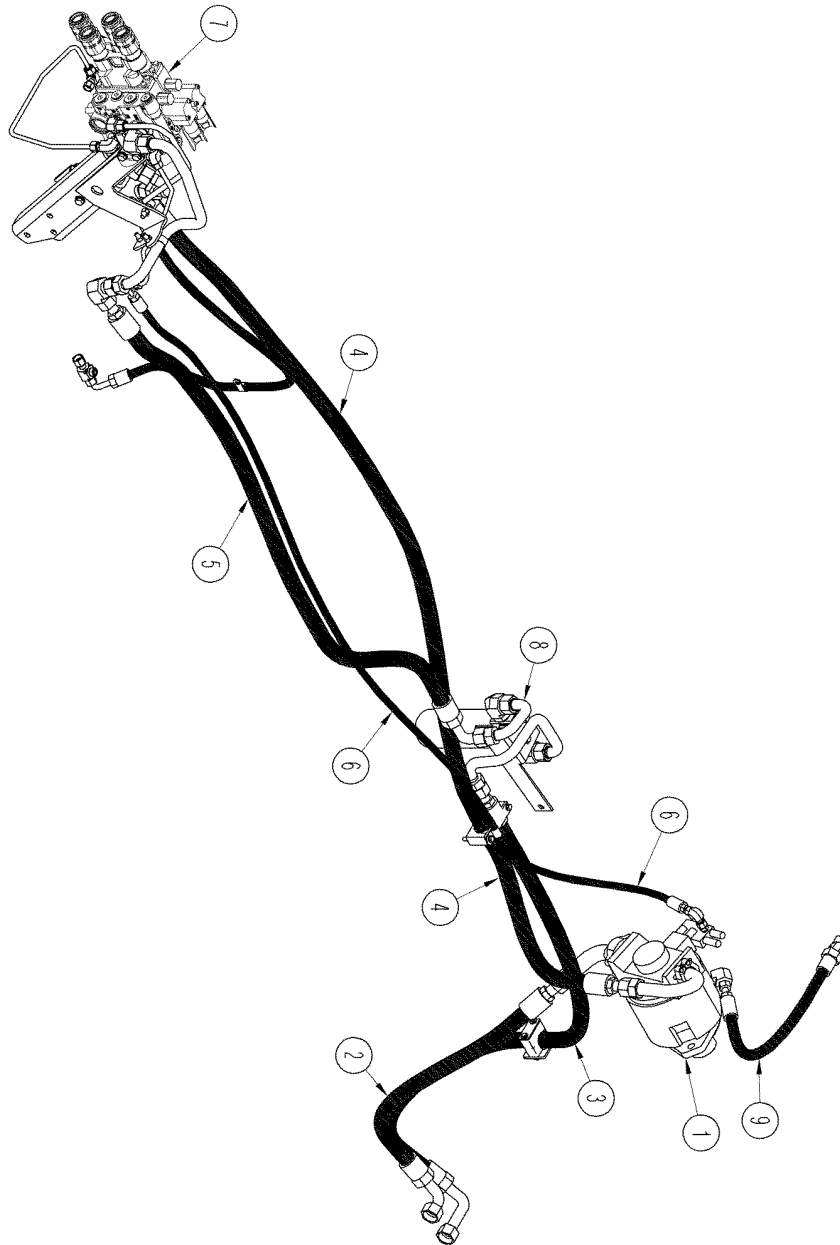


## PICTORIAL INDEX - HYDRAULIC FAN DRIVE

REF	FN	PART NUMBER	YR/SN	QTY	DESCRIPTION
1					Cooler, Hydraulic Oil, See Figure 08-45
2					Motor, Hydraulic Fan, See Figure 02-03 (01)
3					Hose, Fan Motor Supply, See Figure 08-44
4					Tube, Fan Motor Supply, See Figure 08-44
5					Hose, Case Drain, See Figure 08-44
6					Tube, Case Drain, See Figure 08-44
7					Tube, Fan Motor Return To Tank, See Figure 08-44
8					Hose, Fan Motor To Cooler, See Figure 08-44
9					Hose, Cooler Return To Tank, See Figure 08-44
10					Hose, Fan Motor Return To Tank, See Figure 08-44
11					Hose, Pump Return To Tank, See Figure 08-44
12					Hose, Case Drain, See Figure 08-44
13					Hose, Gear Pump Supply, See Figure 08-44
14					Tube, Gear Pump Supply, See Figure 08-44
15					Pump, See Figure 08-44 (01)

**STX450 STX425**  
**STX500**

PICTORIAL INDEX - MEGA FLOW HYDRAULIC CIRCUITRY



## PICTORIAL INDEX - MEGA FLOW HYDRAULIC CIRCUITRY

REF	FN	PART NUMBER	YR/SN	QTY	DESCRIPTION
1					Gear Pump, See Figure 08-49
2					Hose, Gear Pump Supply, See Figure 08-46
3					Hose, Return, See Figure 08-46
4					Hose, Remote Valve Supply, See Figure 08-46
5					Hose, Drain, See figure 08-46
6					Hose, Load Sense, See Figure 08-46
7					Remote Auxiliary Valve, See Figure 08-47
8					Filter, See figure 08-50
9					Hose, See Figure 08-46

**STX375 STX450**  
**STX425 STX500**



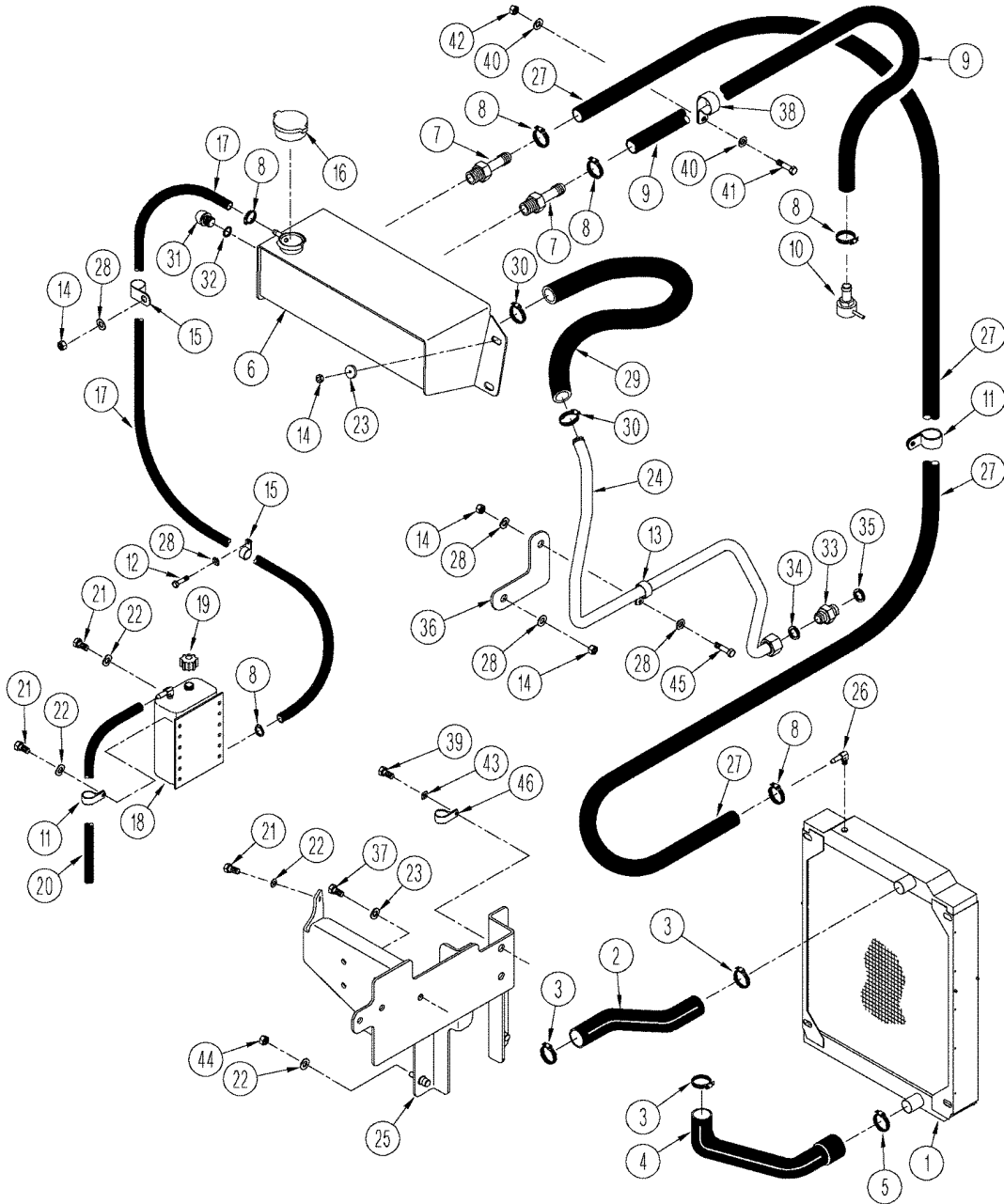
---

## SECTION INDEX

---

02-01		RADIATOR HOSES AND TUBES
02-02	01	RADIATOR MOUNTING AND FAN SHROUD, BSN JEE0100106
02-02	02	RADIATOR MOUNTING AND FAN SHROUD, ASN JEE0100106
02-03	01	HYDRAULIC FAN MOTOR ASSY
02-03	02	HYDRAULIC FAN DRIVE - MOUNTING
02-04		ETHER START SYSTEM
02-05	01	AIR INDUCTION SYSTEM - WHEEL TRACTOR
02-05	02	AIR INDUCTION SYSTEM - QUADTRAC TRACTOR
02-06		AIR COOLER
02-07		AIR CLEANER ASSEMBLY
02-08		ENGINE - BLOCK HEATER
02-09	01	EXHAUST SYSTEM - WHEEL TRACTOR
02-09	02	EXHAUST SYSTEM - QUADTRAC TRACTOR
02-10		ENGINE - MOUNTING AND ATTACHING PARTS

RADIATOR HOSES AND TUBES



## RADIATOR HOSES AND TUBES

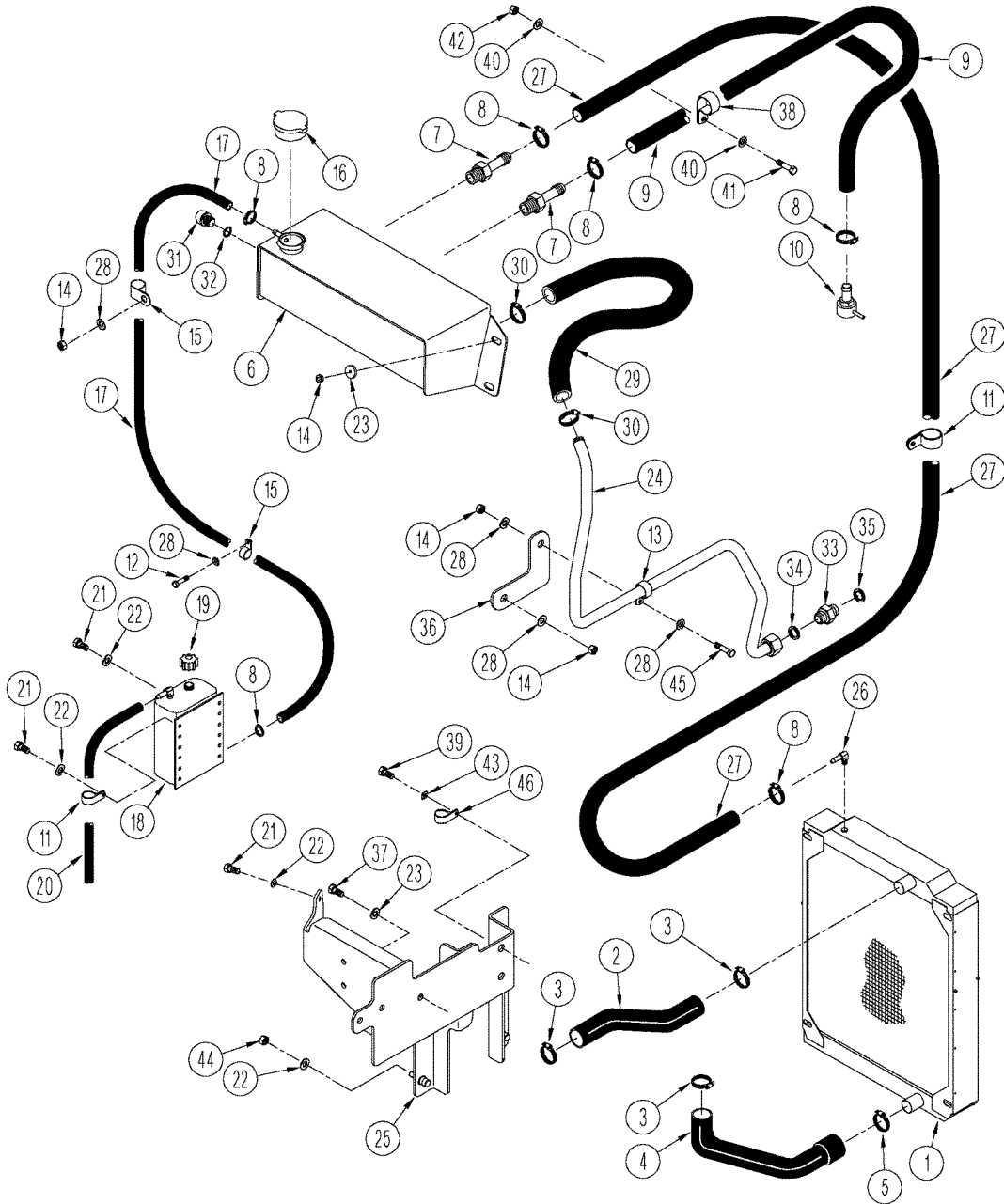
REF	FN	PART NUMBER	YR/SN	QTY	DESCRIPTION
1		294025A2		1	RADIATOR
1	1	87416960		1	RADIATOR
2		401385A3		1	HOSE Upper
3		L115548		3	CLAMP
4		346351A1		1	HOSE Lower
5		L115549		1	CLAMP
6		391667A2		1	TANK Surge
7		217-120		2	CONNECTOR, HYD. 1/4 x 1/8, Hose Stem
8		214-1704		6	CLAMP 1/4 - 5/8
9		31-1442		1	HOSE 711 mm (28 in), Surge Tank, Cut From 31-1182
10		293823A2		1	FITTING
11		515-23127		3	CLAMP 1/2 ID
12		627-10020		5	SCREW M10 x 20; 10.9
13		515-25254		2	CLAMP 1 in ID
14		829-1410		5	NUT M10; 10
15		515-23143		4	CLAMP 9/16 ID
16		90-7731T1		1	CAP
17		427139A1		1	HOSE 2464 mm (97 in), Cut From 31-2855
18		90-7717T2		1	RESERVOIR Coolant Recovery
19		238903A1		1	CAP, FILLER
20		31-3065		1	HOSE 203 mm (8 in), Overflow, Cut From 87769CX
21		627-8020		1	BOLT M8 x 20; 10.9
22		895-11008		6	WASHER 9 x 17 x 1,6 mm
24		413507A1		1	TUBE Coolant Fill
25		430257A1	BSN JEE0104001	1	SUPPORT Bracket
25		87431244	ASN JEE0104001	1	BRACKET Support
26		217-292		1	ELBOW 1/4 barb x 1/8 PT, Hose Stem
27		366662A1		1	HOSE, FLEXIBLE 1206 mm (47-1/2 in), Cut From 31-1182
28		895-11010		4	WASHER 11 x 20 x 2 mm
29		413510A1		1	HOSE 146 mm (5-3/4 in), Coolant Fill, Cut From 31-1502T1
30		214-1420		2	CLAMP No. 20

(1) STX500

**STX375 STX450**  
**STX425 STX500**



RADIATOR HOSES AND TUBES

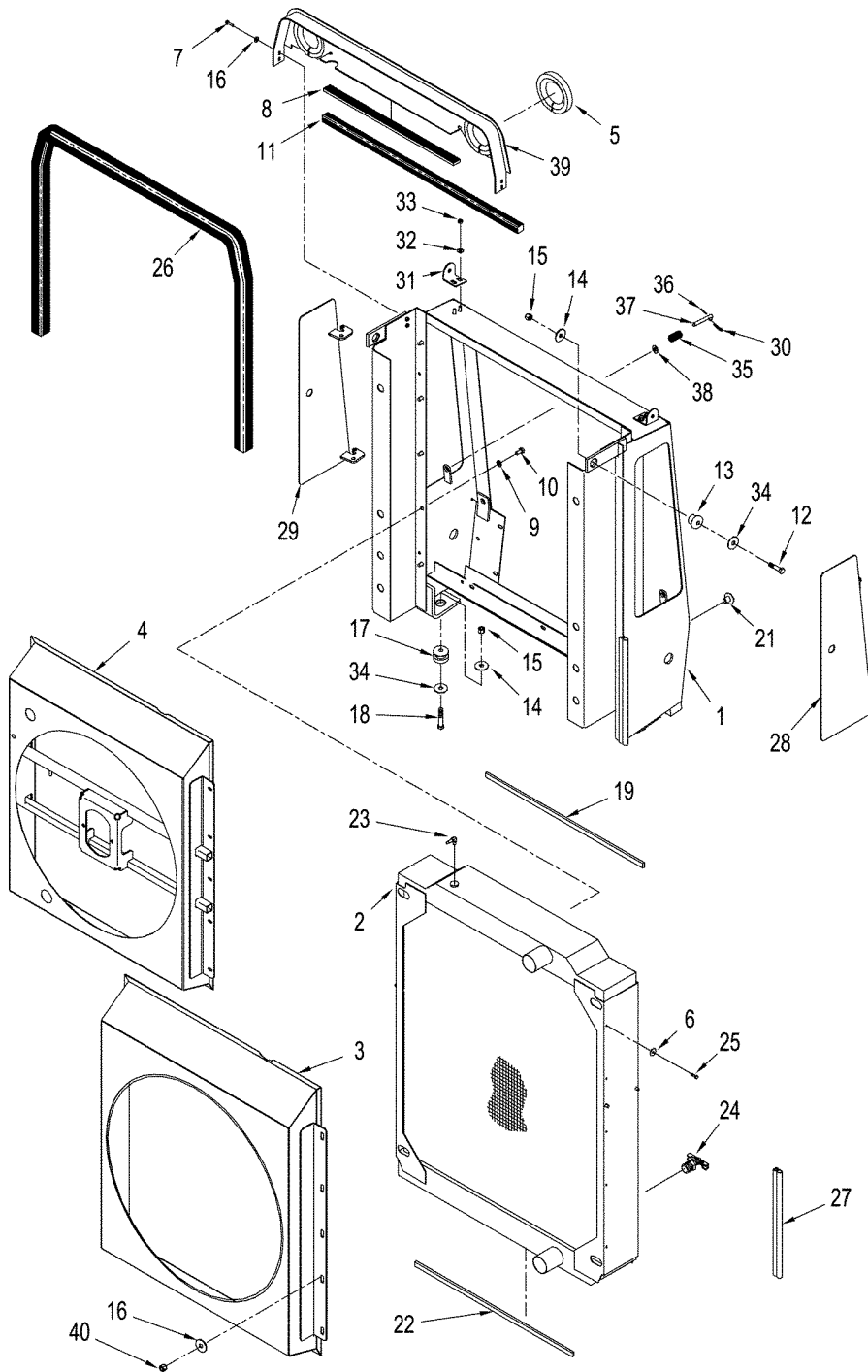


## RADIATOR HOSES AND TUBES

REF	FN	PART NUMBER	YR/SN	QTY	DESCRIPTION
31		406721A1	BSN JEE0106294	1	GAUGE 1/2", Level Indicator, Inc. 32
32		237-6008		1	O-RING 8-1, 90 Duro, .644" ID x .087" Thk
33		700-166		1	CONNECTOR, HYD. M27 x 25 fcsl, Inc. 34, 35
34		637-64236		1	O-RING 23,6 ID x 2,9
36		413537A1		1	BRACKET
37		627-10025		2	SCREW M10 x 25; 10.9
38		515-25127		1	CLAMP 1/2 ID
39		627-12035		2	BOLT M12 x 35; 10.9
40		895-11012		2	WASHER 13,5 x 24 x 2,5 mm
41		627-12030		1	BOLT M12 x 30; 10.9
42		829-1412		1	NUT M12; 10
43		896-11012		2	WASHER 13,5 x 24 x 3 mm
44		832-10408		4	NUT M8, CL8
46		515-25143		1	CLAMP
45		627-8025		1	BOLT M8 x 25; 10.9
35		238-6021		1	O-RING 15/16 ID x 1/16
23		895-15010		6	WASHER 11 x 24 x 2 mm

**STX375 STX450**  
**STX425 STX500**

RADIATOR MOUNTING AND FAN SHROUD, BSN JEE0100106

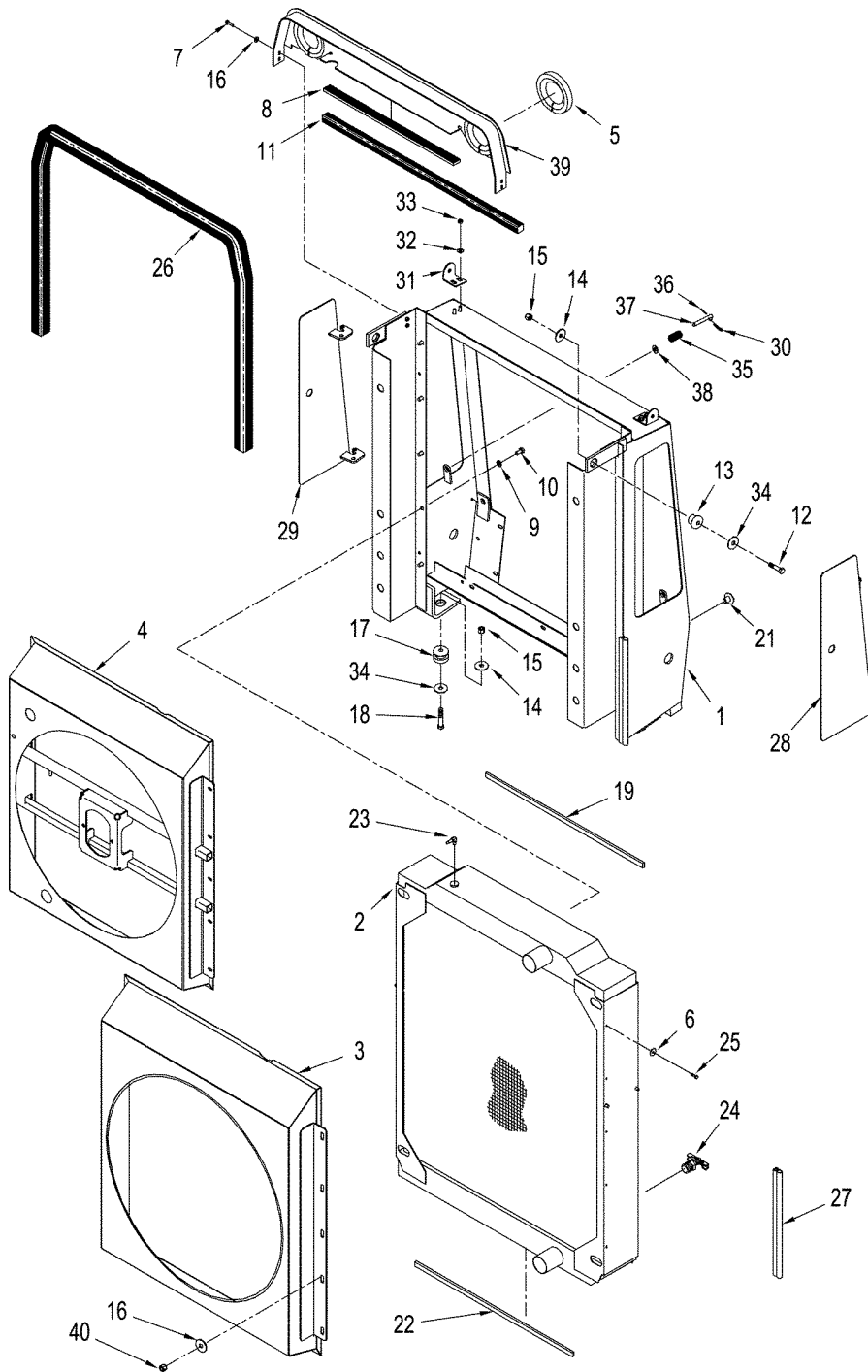


## RADIATOR MOUNTING AND FAN SHROUD, BSN JEE0100106

REF	FN	PART NUMBER	YR/SN	QTY	DESCRIPTION
1		414481A2		1	FRAME
2		294025A2		1	RADIATOR
3	1	414785A1		1	SHROUD
4	2,3	429325A1		1	SHROUD
5		328196A1		2	SEAL 434 mm (17 in), Bulb, Cut From 90-2894T1
6		895-15006		10	WASHER 6,6 x 25 x 1,6 mm
7		627-6025		4	BOLT M6 x 25; 10.9
8		328197A1		1	SEAL
9		895-11010		10	WASHER 11 x 20 x 2 mm
10		627-10020		10	SCREW M10 x 20; 10.9
11		320126A1		1	SEAL
12		827-12060		2	BOLT M12 x 60; 10.9
13		L13142		2	BUSHING
14		19-961		2	WASHER 13,5 x 44,5 x 3 mm
15		832-10412		4	NUT M12; 8
16		895-25006		4	WASHER 6,6 x 18 x 1,6 mm
17		47-4208		2	BUSHING, RUBBER
18		827-12080		2	BOLT M12 x 80; 10.9
19		320992A1		1	SEAL
20		832-10408		10	NUT M8; 8
21		353-422		2	PLUG 1-3/4 in
22		434023A1		1	SEAL
23		217-292		1	ELBOW 1/4 barb x 1/8 PT
24		217-92		1	COCK, DRAIN 1/4
25		627-6020		10	BOLT M6 x 20; 10.9
26		318842A1		1	SEAL Cut From L107724
27		320990A1		2	SEAL Cut From F43117X
28		380778A4		1	DOOR Right-Hand
29		380779A4		1	DOOR Left-Hand
30		19-5380		2	PIN
31		361250A1		2	BRACKET
32		895-15008		4	WASHER 9 x 20 x 1,6 mm
(1)		STX375			
(2)		STX425			
(3)		STX450			

**STX375 STX450**  
**STX425**

RADIATOR MOUNTING AND FAN SHROUD, BSN JEE0100106



**02-02**

01

p2

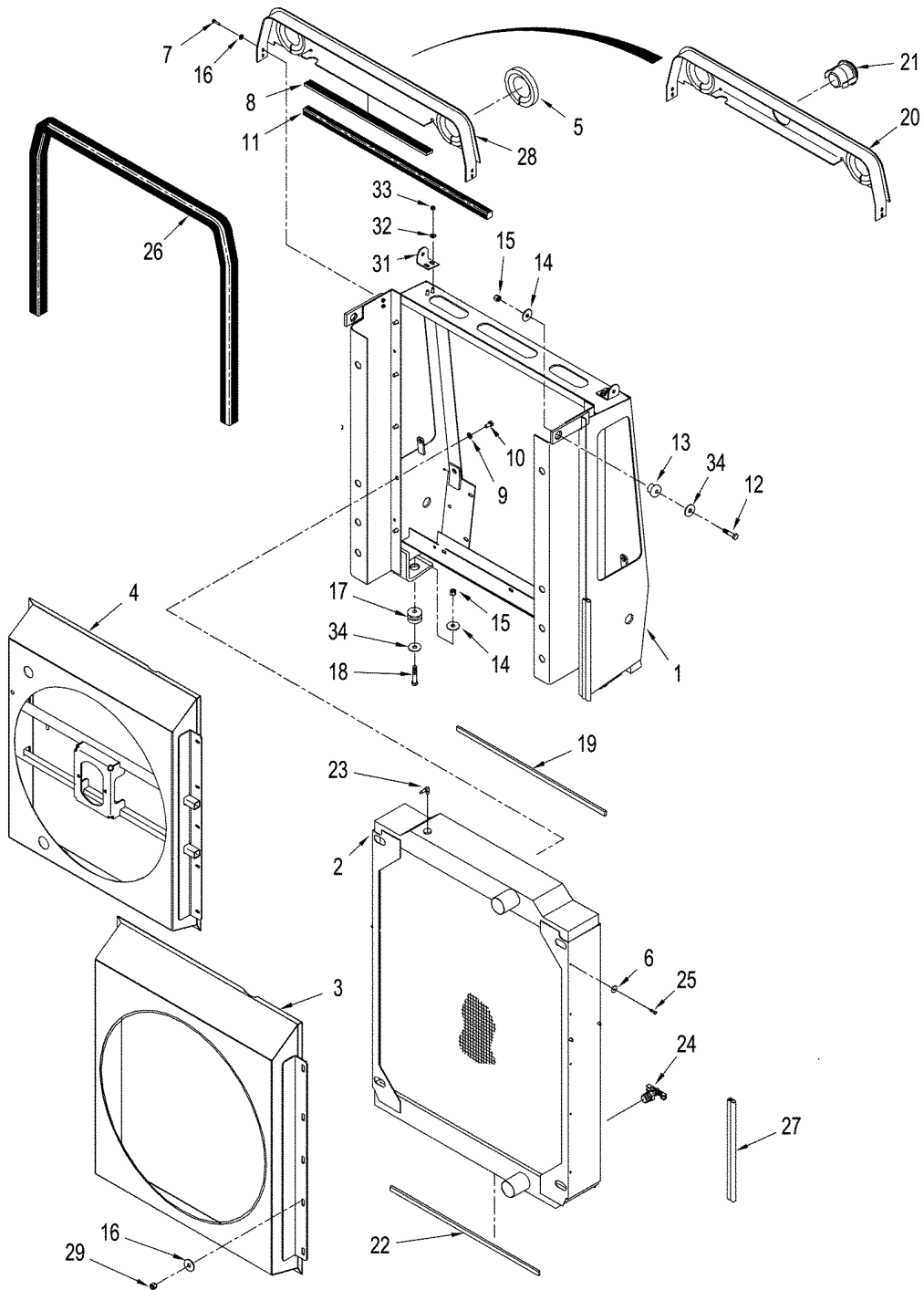
11/05

**RADIATOR MOUNTING AND FAN SHROUD, BSN JEE0100106**

REF	FN	PART NUMBER	YR/SN	QTY	DESCRIPTION
33		829-1408		4	NUT M8; 10
34		896-11012		4	WASHER 13,5 x 24 x 3 mm
35		L129280		2	SPRING
36		38-3816		2	PIN 1/8" x 1", Coiled
37		381794A1		2	ROD
39		328193A2		1	SEAL
38		895-15010		2	WASHER 11 x 24 x 2 mm

**STX375 STX450  
STX425**

RADIATOR MOUNTING AND FAN SHROUD, ASN JEE0100106



## RADIATOR MOUNTING AND FAN SHROUD, ASN JEE0100106

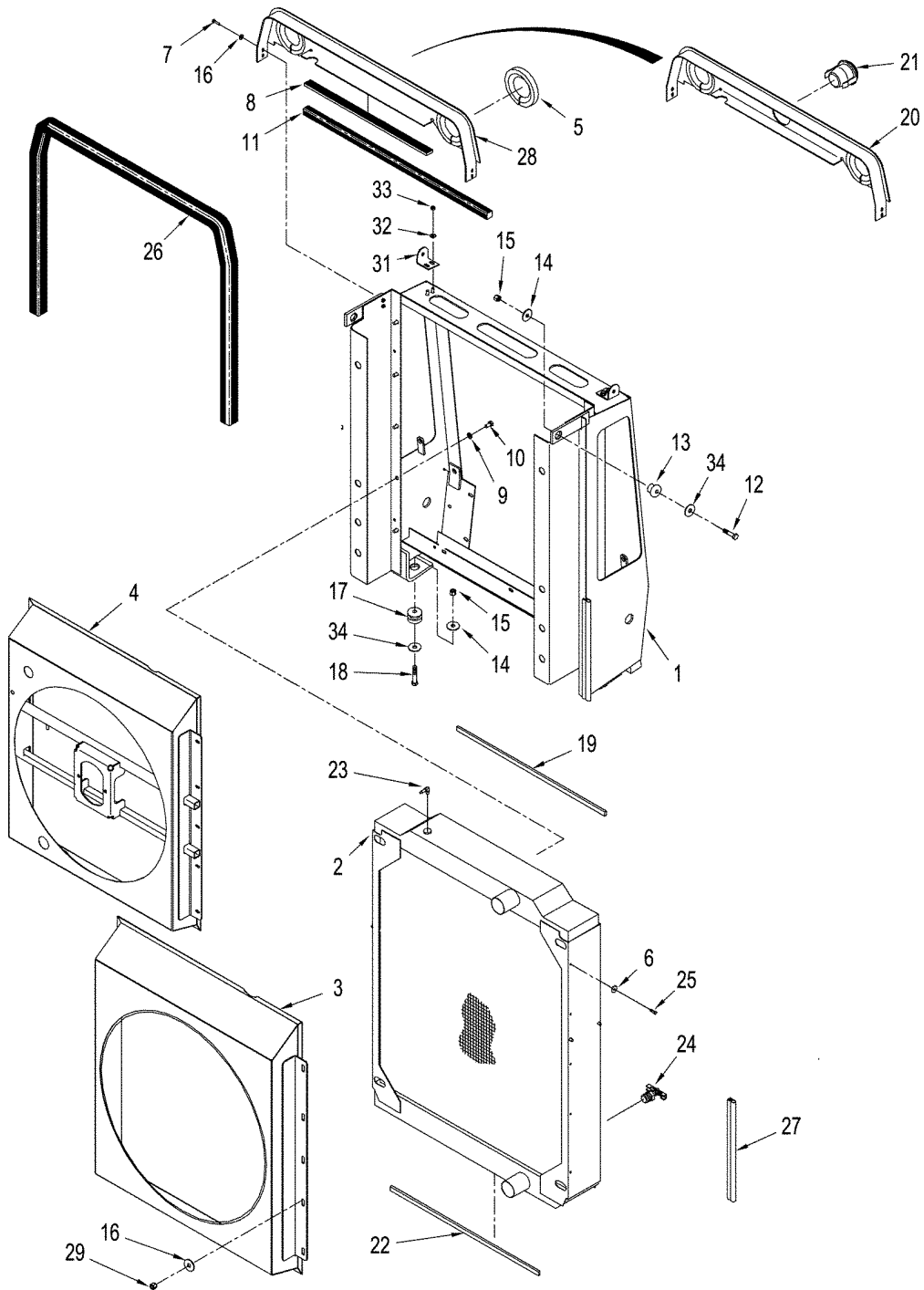
REF	FN	PART NUMBER	YR/SN	QTY	DESCRIPTION
1		446410A1		1	FRAME ASSY
2		294025A2		1	RADIATOR
2	1	87416960		1	RADIATOR
3	2	414785A1		1	SHROUD
4	3, 4, 1	429325A1		1	SHROUD
5		328196A1		2	SEAL 434 mm (17 in), Bulb, Cut From 90-2894T1
6		895-15006		10	WASHER 6,6 x 25 x 1,6 mm
7		627-6025		4	BOLT M6 x 25; 10.9
8		328197A1		1	SEAL
10		627-10020		10	SCREW M10 x 20; 10.9
11		320126A1		1	SEAL
12		827-12060		2	BOLT M12 x 60; 10.9
13		L13142		2	BUSHING
14		19-961		2	WASHER 13,5 x 44,5 x 3 mm
15		832-10412		4	NUT M12; 8
16		895-25006		4	WASHER 6,6 x 18 x 1,6 mm
17		47-4208		2	BUSHING, RUBBER
18		827-12080		2	BOLT M12 x 80; 10.9
19		320992A1		1	SEAL
20		87416422	ASN JEE0102317	1	SEAL
21	5	87420942	ASN JEE0102317	1	PLUG
22		434023A1		1	SEAL
23		217-292		1	ELBOW 1/4 barb x 1/8 PT
24		217-92		1	COCK, DRAIN 1/4
24	1	H434809		1	COCK, DRAIN
25		627-6020		10	BOLT M6 x 20; 10.9
26		318842A1		1	SEAL Cut From L107724
27		320990A1		2	SEAL Cut From F43117X
28		328193A2		1	SEAL
29		832-10408		10	NUT M8; 8

- (1) STX500  
(2) STX375  
(3) STX425  
(4) STX450  
(5) Used with High Output Alternator Application.

**STX375 STX450**  
**STX425 STX500**



RADIATOR MOUNTING AND FAN SHROUD, ASN JEE0100106



**02-02**

02

p2

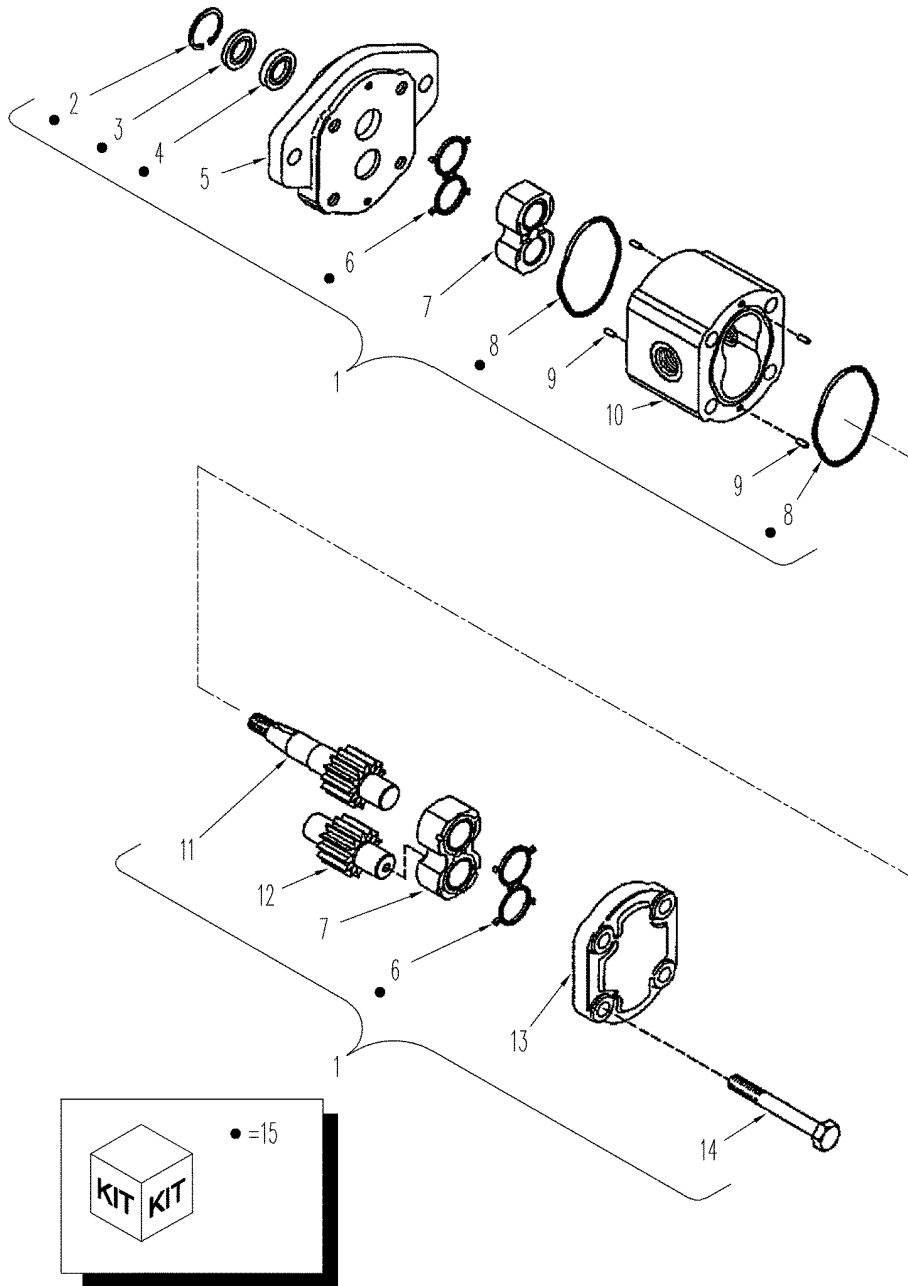
11/05

**RADIATOR MOUNTING AND FAN SHROUD, ASN JEE0100106**

<b>REF</b>	<b>FN</b>	<b>PART NUMBER</b>	<b>YR/SN</b>	<b>QTY</b>	<b>DESCRIPTION</b>
30		353-422		2	PLUG 1-3/4 in
31		361250A1		2	BRACKET
32		895-15008		4	WASHER 9 x 20 x 1,6 mm
33		829-1408		4	NUT M8; 10
34		896-11012		4	WASHER 13,5 x 24 x 3 mm
9		895-15010		10	WASHER 11 x 24x 2 mm

**STX375 STX450  
STX425 STX500**

HYDRAULIC FAN MOTOR ASSY

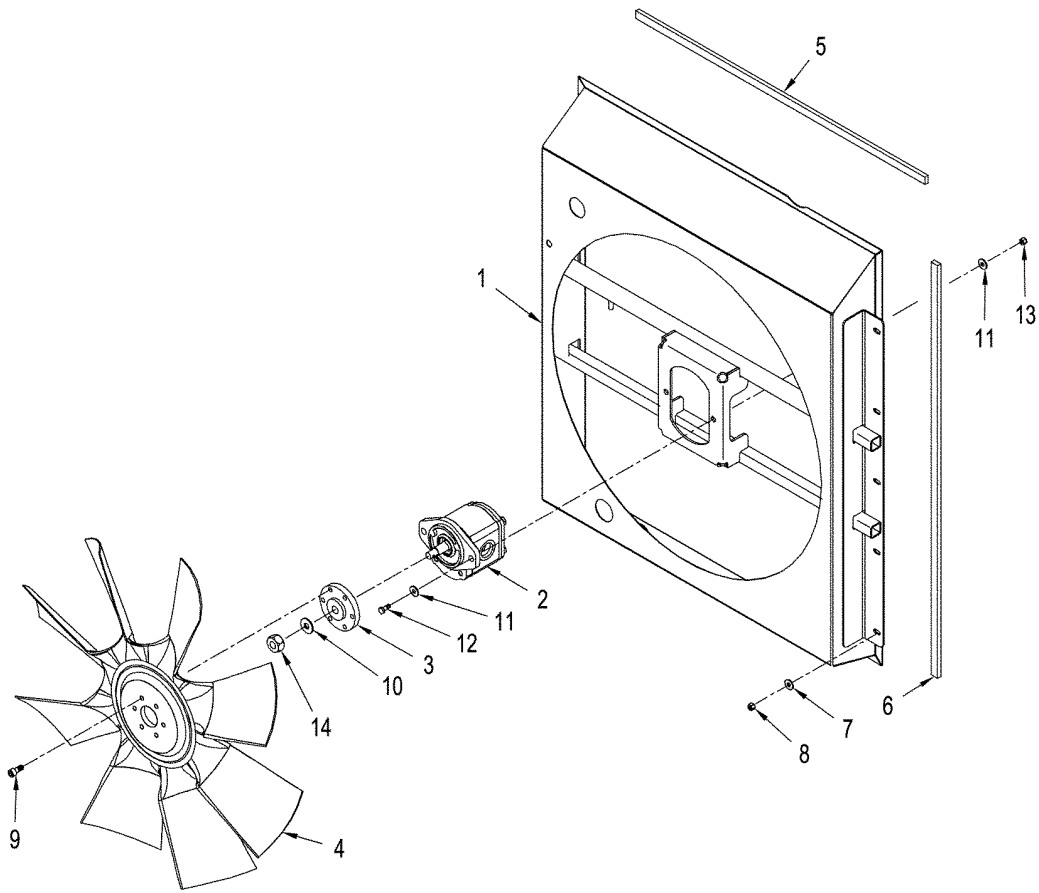


## HYDRAULIC FAN MOTOR ASSY

REF	FN	PART NUMBER	YR/SN	QTY	DESCRIPTION
1		87409411		1	MOTOR, HYDRAULIC Inc. 1 - 14
2		NSS		1	NOT SERVICED SEPARATELY Ring, Snap
3		NSS		1	NOT SERVICED SEPARATELY Seal, Dust
4		NSS		1	NOT SERVICED SEPARATELY Seal, Shaft
5		NSS		1	NOT SERVICED SEPARATELY Flange
6		NSS		2	NOT SERVICED SEPARATELY Seal
7		NSS		2	NOT SERVICED SEPARATELY Plate, Wear
8		NSS		2	NOT SERVICED SEPARATELY O-Ring
9		NSS		4	NOT SERVICED SEPARATELY Pin, Dowel
10		NSS		1	NOT SERVICED SEPARATELY Housing, Gear, 28 cc
11		NSS		1	NOT SERVICED SEPARATELY Shaft, Drive Gear
12		NSS		1	NOT SERVICED SEPARATELY Shaft, Idler Gear
13		NSS		1	NOT SERVICED SEPARATELY Cover, End
14		NSS		4	NOT SERVICED SEPARATELY Bolt
15		435698A1		1	KIT Seal

**STX450 STX425**  
**STX500**

HYDRAULIC FAN DRIVE - MOUNTING

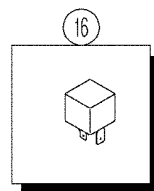
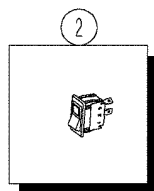
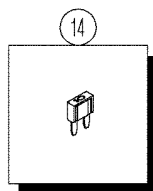
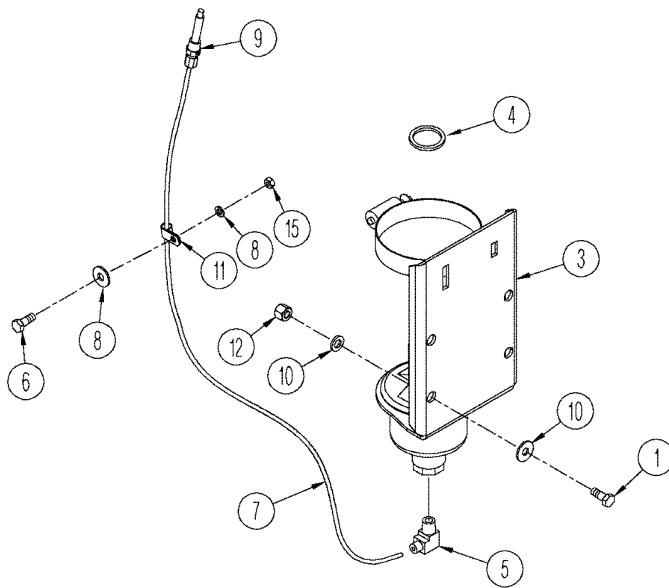


## HYDRAULIC FAN DRIVE - MOUNTING

REF	FN	PART NUMBER	YR/SN	QTY	DESCRIPTION
1		429325A3		1	SHROUD
2		87409411		1	MOTOR, HYDRAULIC See Figure 02-03 (1)
3		429329A1		1	HUB
4		414577A1		1	FAN 32 in
5		414616A1		2	SEAL
6		414617A1		2	SEAL
7		895-25008		10	WASHER 9 x 24 x 2,0 mm
8		832-10408		10	NUT M8; 8
9		863-10025		6	SCREW M10 x 25; 12.9
10		495-11066		1	WASHER 21/32 x 1-5/16 x 3/32 in
11		896-11012		4	WASHER 13,5 x 24 x 3 mm
12		827-12045		2	BOLT M12 x 45; 10.9
13		832-10412		2	NUT M12; 8
14		429-1110		1	NUT 5/8 NF; 8

**STX450 STX425**  
**STX500**

ETHER START SYSTEM



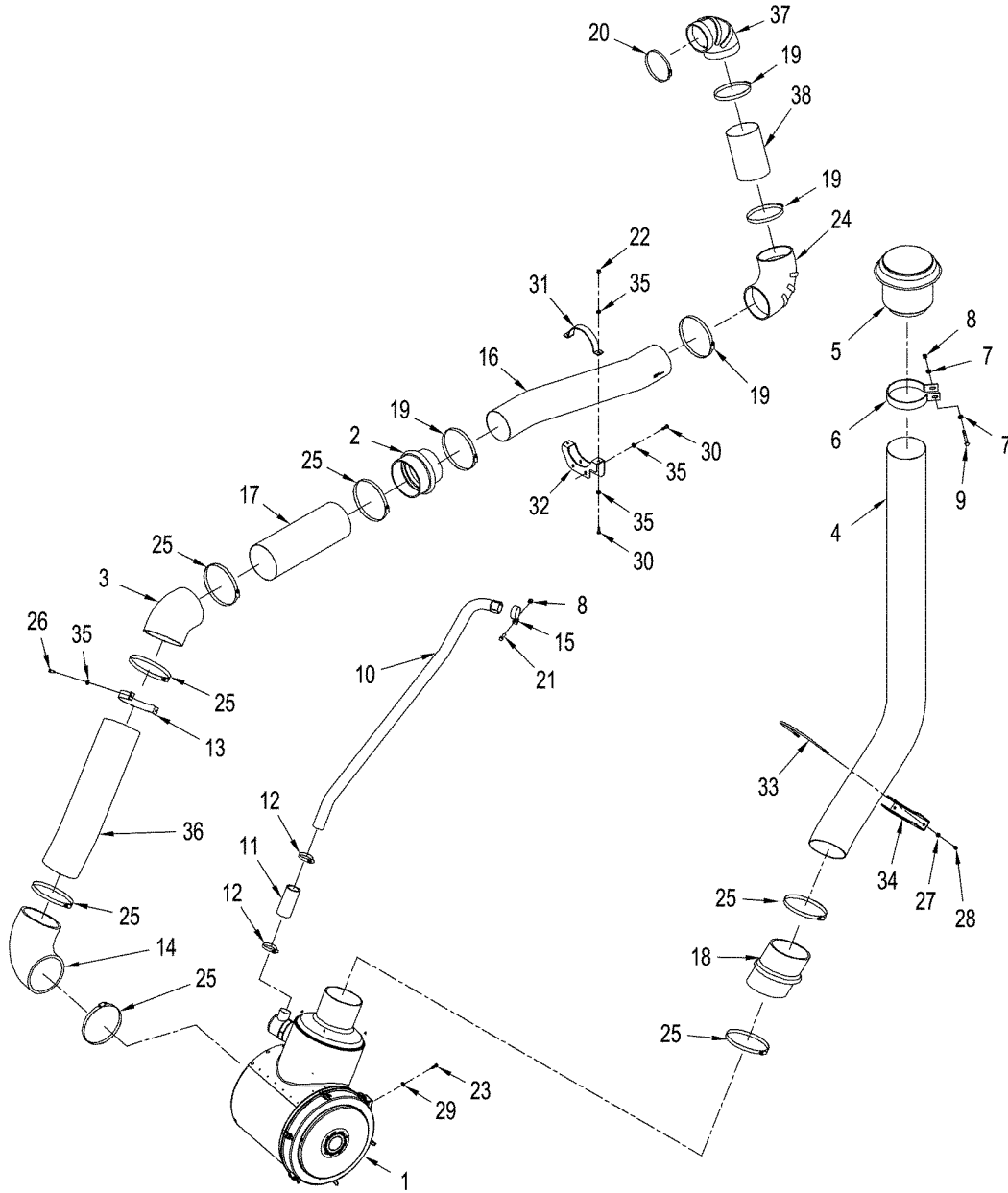
## ETHER START SYSTEM

REF	FN	PART NUMBER	YR/SN	QTY	DESCRIPTION
1		627-6020		4	BOLT M6 x 20; 10.9
2		229364A1		1	SWITCH Rocker, Ether Start
		392355A1		1	SOLENOID Electrical, Inc. 3 - 5
3		NSS		1	NOT SERVICED SEPARATELY Valve, Control
4		392377A1		1	GASKET
5		222-615		1	FITTING 1/8 tube OD x 1/8 PT
6		627-10025		1	SCREW M10 x 25; 10.9
7		428197A1		1	HOSE
8		895-11010		1	WASHER 11 x 20 x 2 mm
9		339866A2		1	NOZZLE INJECTION Atomizer
10		895-11006		8	WASHER 6,6 x 12 x 1,6 mm
11		515-2179		2	CLAMP 3,2 mm
12		829-1406		7	NUT M6; 10.9
13		515-2379		1	CLAMP 7,9 mm, Ether Start Harness, Not Illustrated
14		121412A1		1	FUSE 10 amp
15		829-1410		1	NUT M10; 10
16		87414866		1	RELAY 20 amp
17		358878A2		1	HARNESS Ether Start, Not Illustrated
		438262A1		1	KIT Ether Start, Inc. 1 - 17

**STX375 STX450**  
**STX425 STX500**



AIR INDUCTION SYSTEM - WHEEL TRACTOR

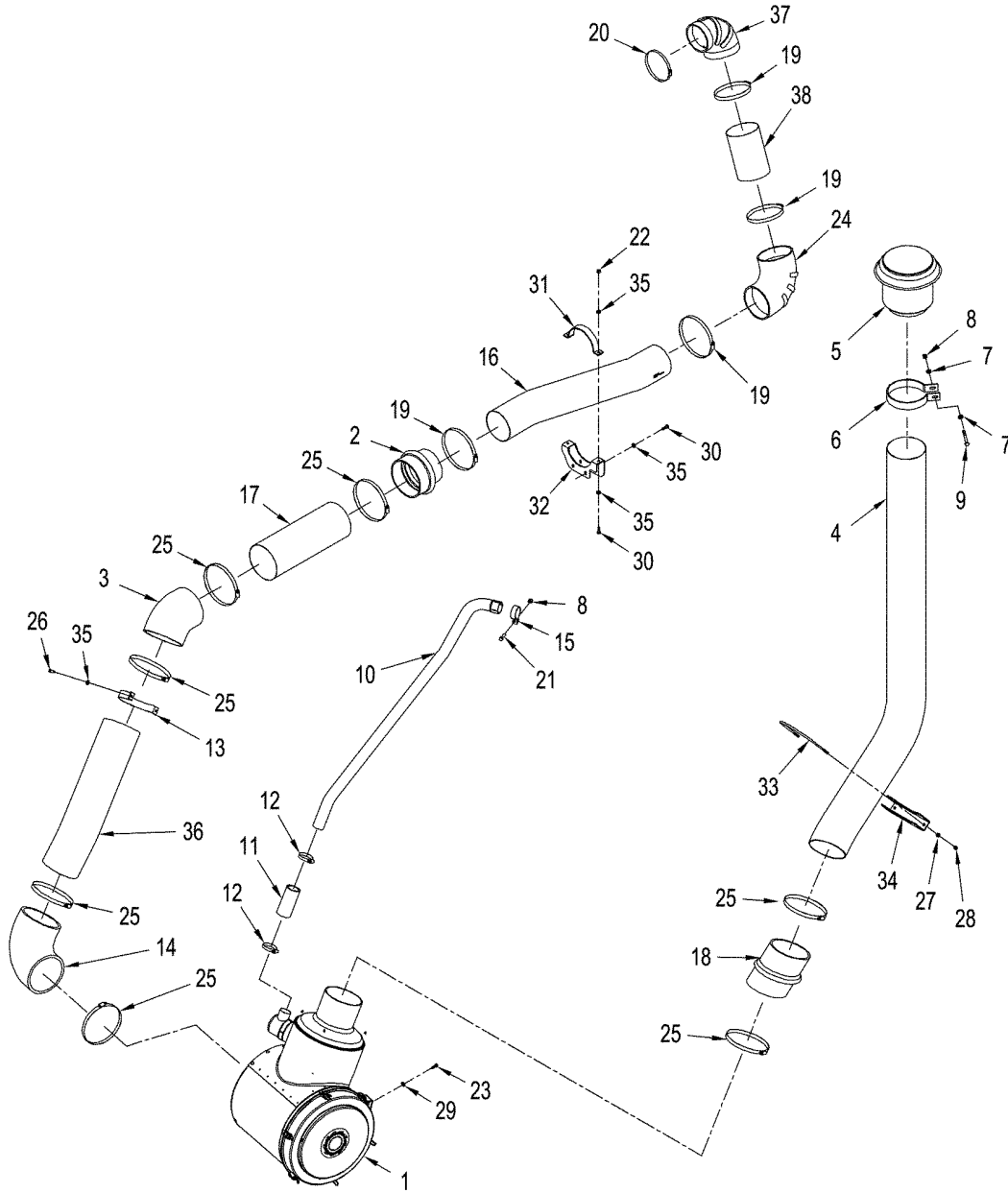


## AIR INDUCTION SYSTEM - WHEEL TRACTOR

REF	FN	PART NUMBER	YR/SN	QTY	DESCRIPTION
1		418701A2		1	AIR CLEANER See Figure 02-07
1	1	87417039		1	FILTER, AIR See Figure 02-07
2		419137A1		1	ADAPTER
3		419123A1		1	ELBOW
4		418707A1		1	TUBE Intake
5		358127A1	BSN JEE0104001	1	CAP
5		87412343	ASN JEE0104001	1	PRESCREENER ASSY. Cap. Inc. 6
6		357942A2	BSN JEE0104001	2	CLAMP
6	1	324466A1	ASN JEE0104001	1	CLAMP
7		895-11010		8	WASHER 11 x 20 x 2 mm
8		832-10410		7	NUT M10; 8
9		827-10100		2	BOLT M10 x 100; 10.9
10		419267A2	BSN JEE0104001	1	TUBE Aspirator
10		87430646	ASN JEE0104001	1	TUBE Aspirator
11		313949A3		1	HOSE 135 mm ( 5 in), Cut From 1-4568T1
12		214-1436		2	CLAMP 1-13/16 - 2-3/4
13		430515A1		1	BRACKET
14		419280A1	BSN JEE0104792	1	ELBOW Rubber
14		87418234	ASN JEE0104792	1	ELBOW Rubber
15		434180A1		1	CLAMP
16		400876A1		1	TUBE Air Intake
17		418702A1		1	TUBE
18		87417332		1	HOSE, LARGE Adapter
19		214-32112		4	CLAMP 6-1/4 - 7-1/8
20		214-3296		1	CLAMP 5-1/4 - 6-1/8
21		627-10035		1	BOLT M10 x 35; 10.9
22		832-10408		2	NUT M8; 8
23		627-10025		4	SCREW M10 x 25; 10.9
24		434176A1		1	ELBOW Rubber
25		214-32128		7	CLAMP
26		806-8025		2	SCREW M8 x 25; 10.9
27		495-11034		2	WASHER 11/32 x 11/16 x 1/16
28		231-1445		2	NUT, LOCK 5/16
31		385744A1		1	BRACKET
(1) STX500					

**STX375 STX450**  
**STX425 STX500**

AIR INDUCTION SYSTEM - WHEEL TRACTOR



**02-05**

01

p2

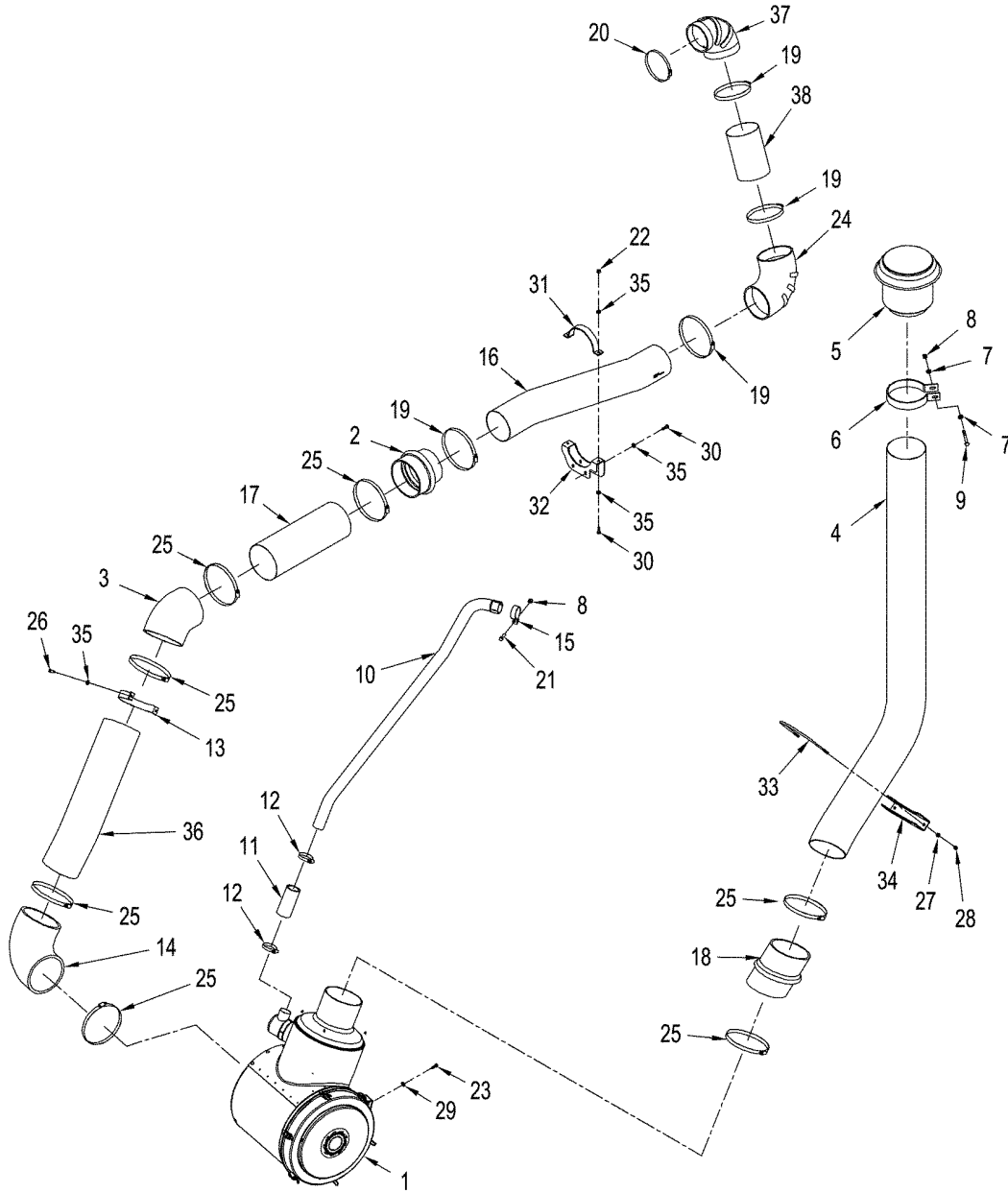
11/05

**AIR INDUCTION SYSTEM - WHEEL TRACTOR**

REF	FN	PART NUMBER	YR/SN	QTY	DESCRIPTION
32		385746A1		1	BRACKET
33		385747A1		2	U-BOLT
34		385748A1		1	BRACKET
35		895-15008		8	WASHER 9 x 20 x 1,6 mm
36		418696A1		1	TUBE Air Cleaner Intake
37		434179A1	BSN JEE0104792	1	ELBOW Reducing
37		87418236	ASN JEE0104792	1	ELBOW 90, Reducing
38		400875A1		1	TUBE Intake
30		627-8025		4	BOLT M8 x 25; 10.9
29		895-15010		6	WASHER 11 x 24 x 2,0 mm

**STX375 STX450  
STX425 STX500**

AIR INDUCTION SYSTEM - QUADTRAC TRACTOR



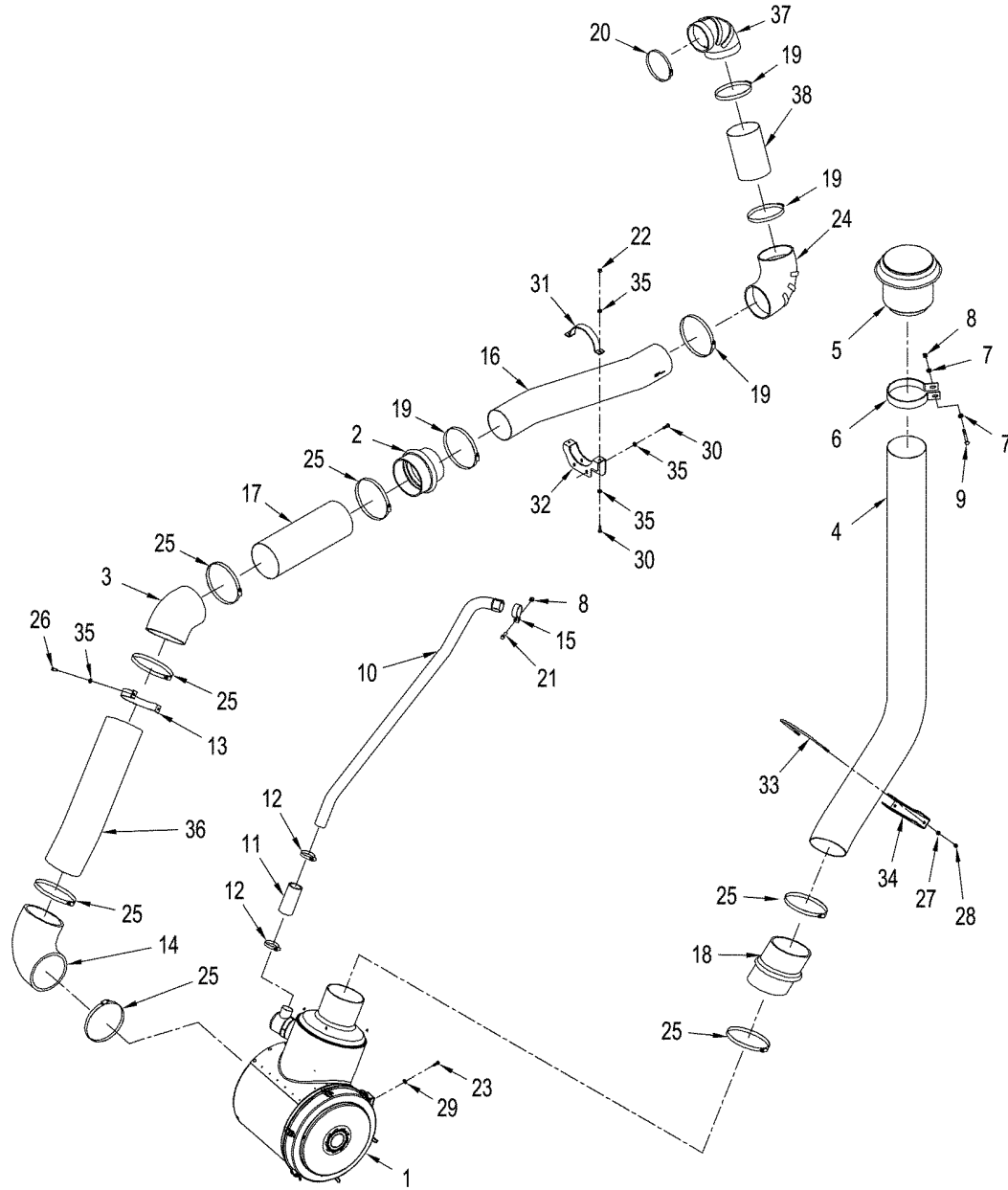
## AIR INDUCTION SYSTEM - QUADTRAC TRACTOR

REF	FN	PART NUMBER	YR/SN	QTY	DESCRIPTION
1		418701A2		1	AIR CLEANER See Figure 02-07
1	1	87417039		1	FILTER, AIR See Figure 02-07
2		419137A1		1	ADAPTER
3		419123A1		1	ELBOW
4		419295A1		1	TUBE Intake
5		358127A1	BSN JEE0104001	1	CAP
5		87412343	ASN JEE0104001	1	PRESCREENER ASSY. Cap, Inc. 6
6		357942A2	BSN JEE0104001	2	CLAMP
6		324466A1	ASN JEE0104001	1	CLAMP
7		895-11010		4	WASHER 11 x 20 x 2 mm
8		832-10410		3	NUT M10; 8
9		827-10100		2	BOLT M10 x 100; 10.9
10		419317A2	BSN JEE0104001	1	TUBE Aspirator
10		87430645	ASN JEE0104001	1	TUBE Aspirator
11		313949A3		1	HOSE
12		214-1436		2	CLAMP 1-13/16 - 2-3/4
13		430515A1		1	BRACKET
14		419331A1	BSN JEE0104792	1	ELBOW
14		87418233	ASN JEE0104792	1	ELBOW
15		434180A1		1	CLAMP
16		400876A1		1	TUBE Air Intake
17		419312A1		1	TUBE
18		419334A1		1	ELBOW
19		214-32112		4	CLAMP 6-1/4 - 7-1/8
20		214-3296		1	CLAMP 5-1/4 - 6-1/8
21		627-10035		1	BOLT M10 x 35; 10.9
22		832-10408		2	NUT M8; 8
23		627-10025		4	SCREW M10 x 25; 10.9
24		434176A1		1	ELBOW Rubber
25		214-32128		7	CLAMP
26		87026277		2	SCREW M8 x 25; 10.9
27		495-11034		2	WASHER 11/32 x 11/16 x 1/16
28		231-1445		2	NUT, LOCK 5/16
31		385744A1		1	BRACKET

(1) STX500

**STX375 STX450**  
**STX425 STX500**

AIR INDUCTION SYSTEM - QUADTRAC TRACTOR



**02-05**

02

p2

11/05

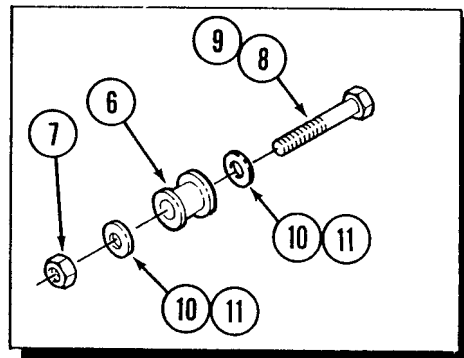
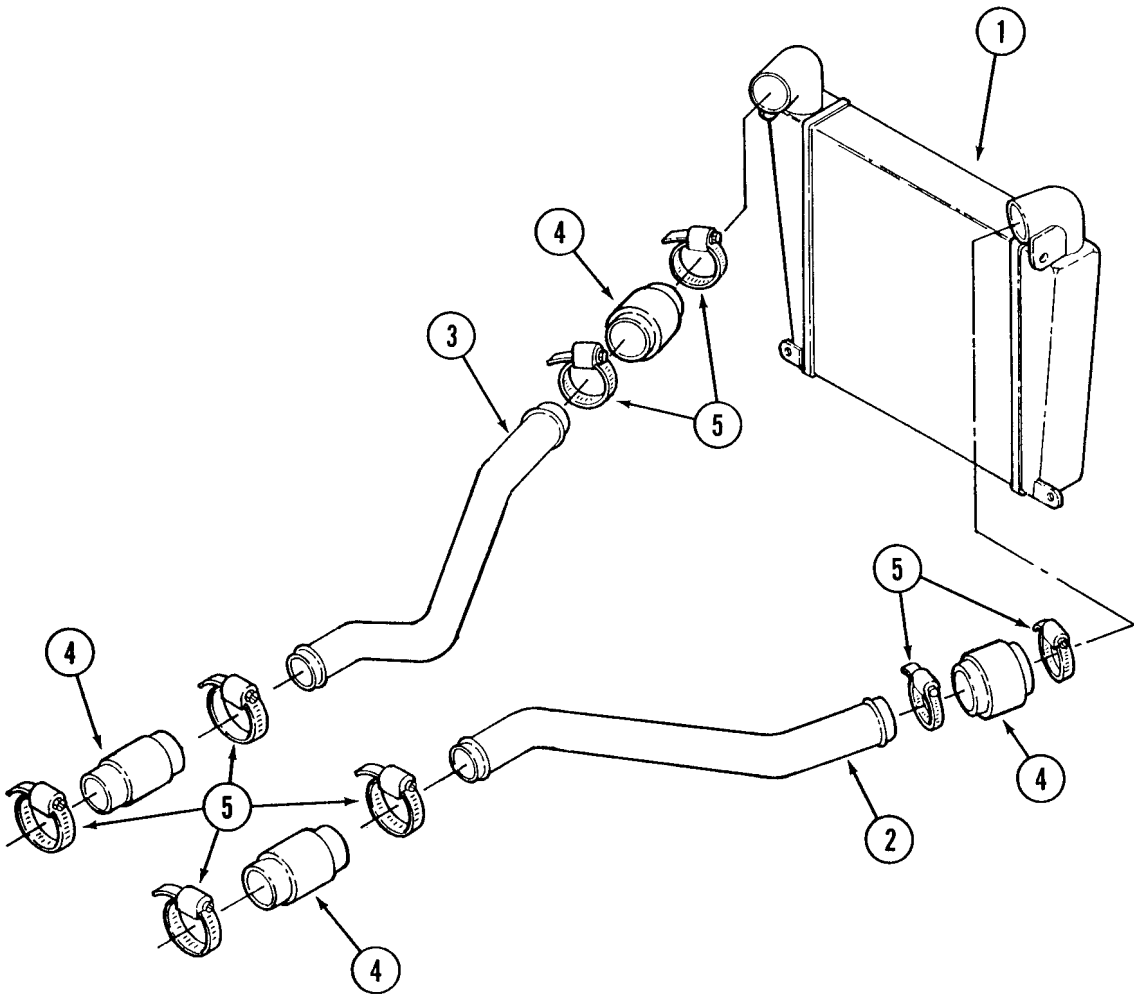
**AIR INDUCTION SYSTEM - QUADTRAC TRACTOR**

REF	FN	PART NUMBER	YR/SN	QTY	DESCRIPTION
32		385746A1		1	BRACKET
33		385747A1		2	U-BOLT
34		419322A1		1	BRACKET
35		895-15008		8	WASHER 9 x 20 x 1,6 mm
36		419303A1		1	TUBE Air Cleaner Intake
37		434179A1	BSN JEE0104792	1	ELBOW 90, Reducing
37		87418236	ASN JEE0104792	1	ELBOW 90, Reducing
38		400875A1		1	TUBE Intake
30		627-8025		4	BOLT M8 x 25; 10.9
29		895-15010		6	WASHER 11 x 24 x 2,0 mm

**STX375 STX450  
STX425 STX500**



AIR COOLER

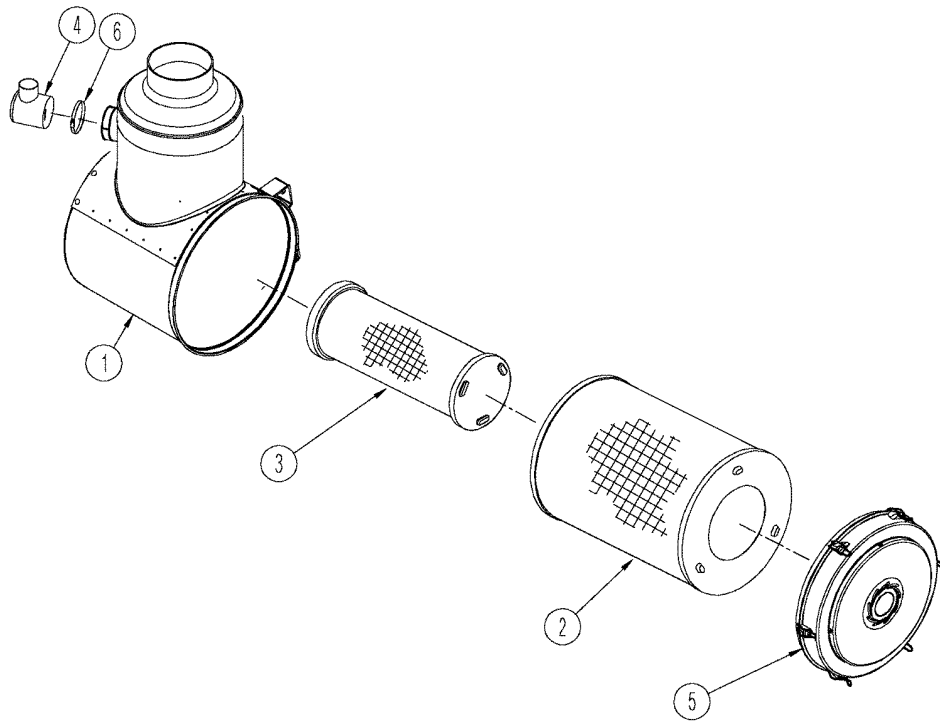


## AIR COOLER

REF	FN	PART NUMBER	YR/SN	QTY	DESCRIPTION
1		437398A1		1	COOLER
2		400823A1		1	TUBE
3		324349A2		1	TUBE
4		251400A1		4	BELLOWS
5		L124635		8	CLAMP, HOSE
6		434177A1		4	MOUNTING, RUBBER
7		832-10410		4	NUT M10; 8
8		827-10040		2	BOLT M10 x 40; 10.9, Upper Cooler Mount
9		827-10110		2	BOLT M10 x 110; 10.9, Lower Cooler Mount
10		496-41041		4	WASHER 13/32 x 1-1/8 x 9/64
11		895-11010		4	WASHER 11 x 20 x 2 mm

**STX375 STX450**  
**STX425 STX500**

AIR CLEANER ASSEMBLY



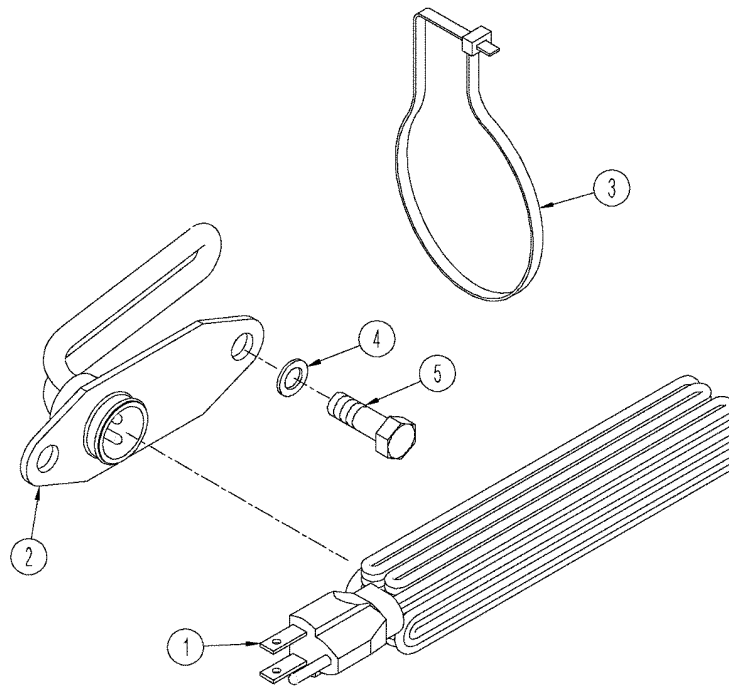
## AIR CLEANER ASSEMBLY

REF	FN	PART NUMBER	YR/SN	QTY	DESCRIPTION
		418701A2		1	AIR CLEANER Inc. 1 - 6
	1	87417039		1	FILTER, AIR Inc. 1 - 6
1		NSS		1	NOT SERVICED SEPARATELY Housing
2		426020A1		1	FILTER, AIR Primary
2	1	87417040		1	FILTER, ELEMENT Primary
3		426021A1		1	FILTER, AIR Safety
3	1	87417041		1	FILTER, ELEMENT Safety
4		436005A1		1	VALVE
5		87305334		1	COVER
6		214-1456		4	CLAMP

(1) STX500

**STX375 STX450**  
**STX425 STX500**

ENGINE - BLOCK HEATER

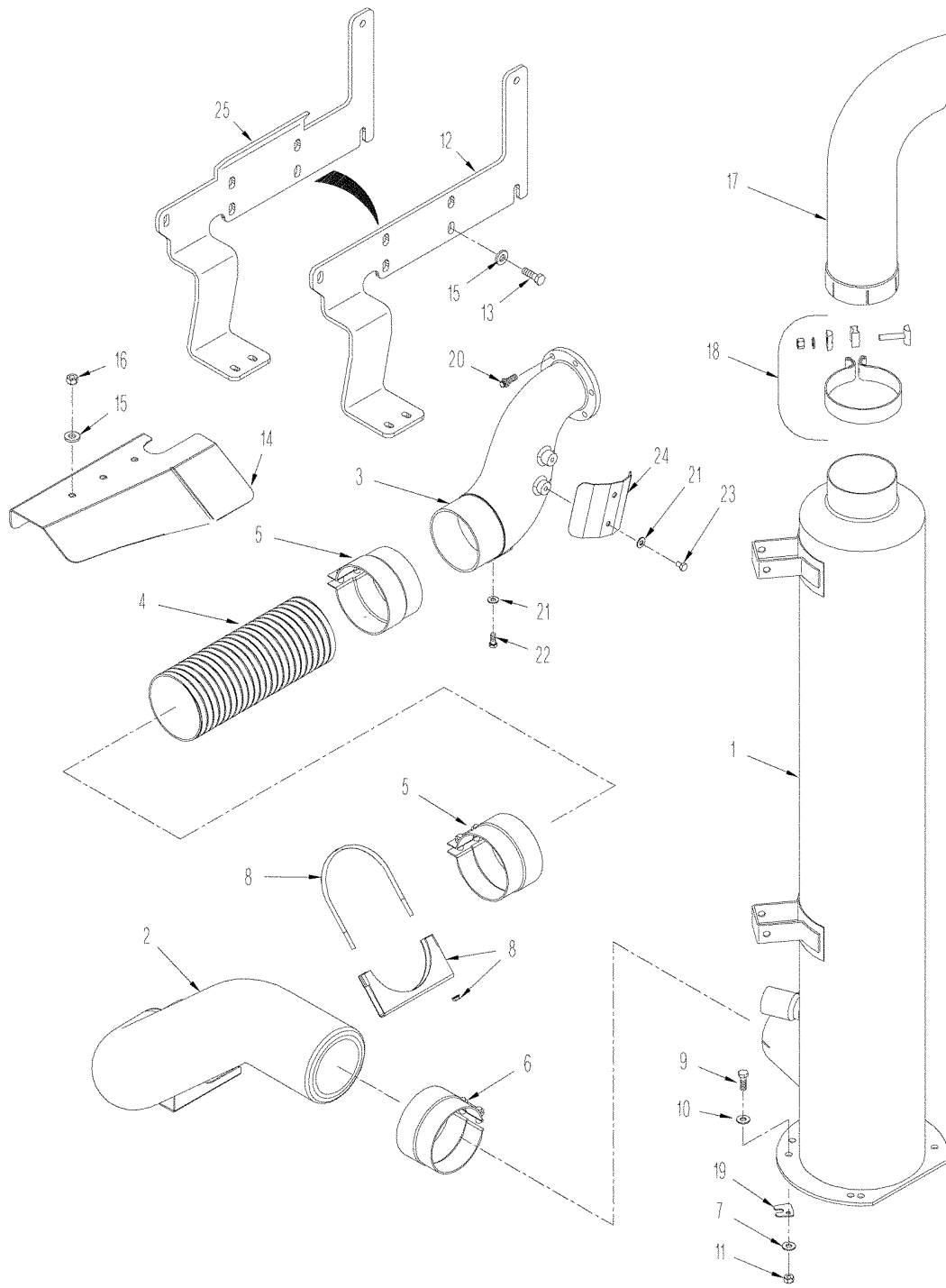


**ENGINE - BLOCK HEATER**

REF	FN	PART NUMBER	YR/SN	QTY	DESCRIPTION
1		196466A1		1	CABLE, ELECTRIC 1829 mm (72 in)
2		338862A1		1	HEATER
3		19-135		1	STRAP Ty-rap
4		895-18010		2	WASHER 11 X 18 X 1,6 MM
5		627-10020		2	SCREW M10 X 20; 10.9

**STX375 STX450  
STX425 STX500**

EXHAUST SYSTEM - WHEEL TRACTOR



## EXHAUST SYSTEM - WHEEL TRACTOR

REF	FN	PART NUMBER	YR/SN	QTY	DESCRIPTION
1		400787A2	BSN JEE0104001	1	MUFFLER
1	1	87430156	ASN JE0104001	1	MUFFLER Standard
1	2	87430158	ASN JEE0104001	1	MUFFLER Standard
1		403438A1	BSN JEE0104001	1	MUFFLER Spark Arresting
1	1	87430157	ASN JEE0104001	1	MUFFLER Spark Arresting
1	2	87430159	ASN JEE0104001	1	MUFFLER Spark Arresting
2		426305A2		1	TUBE Double Wall
3		400908A2		1	ELBOW
4		413677A1		1	TUBE Flexible
5		413678A1		2	CLAMP
6		357686A1		1	CLAMP 6
7		896-15010		1	WASHER 11 X 24 X 3 mm
8		336658A1		1	U-BOLT
9		827-10040		4	BOLT M10 x 40; 10.9
10		896-11010		6	WASHER 11 x 21 x 2,5 mm
11		832-46410		4	NUT M10
12		401201A2	BSN JEE0104001	1	SUPPORT
13		627-12035		6	BOLT M12 x 35; 10.9
14		360736A1		1	SHIELD Heat
15		896-15012		9	WASHER 13,5 x 28 x 4 mm
16		829-1412		3	NUT M12; 10
17		357876A2	BSN JEE0104001	1	ELBOW Exhaust, Inc. 18
17		87430632	ASN JEE0104001	1	ELBOW Exhaust, Inc. 18
18		357875A1	BSN JEE0104001	1	CLAMP
18		87430634	ASN JEE0104001	1	CLAMP
19		404824A1		1	SHIM Muffler
20		868-10025		6	SCREW M10 x 25; 2.9
21		895-15008		4	WASHER 9 x 20 x 1,6 mm
22		627-8020		2	BOLT M8 x 20; 10.9
23		627-8012		2	BOLT M8 x 12; 10.9
24		401096A1		1	SHIELD Heat
25		87417550	ASN JEE0104001	1	BRACKET, SUPPORTING
		438263A1		1	KIT Inc. 1, Spark Arresting Muffler

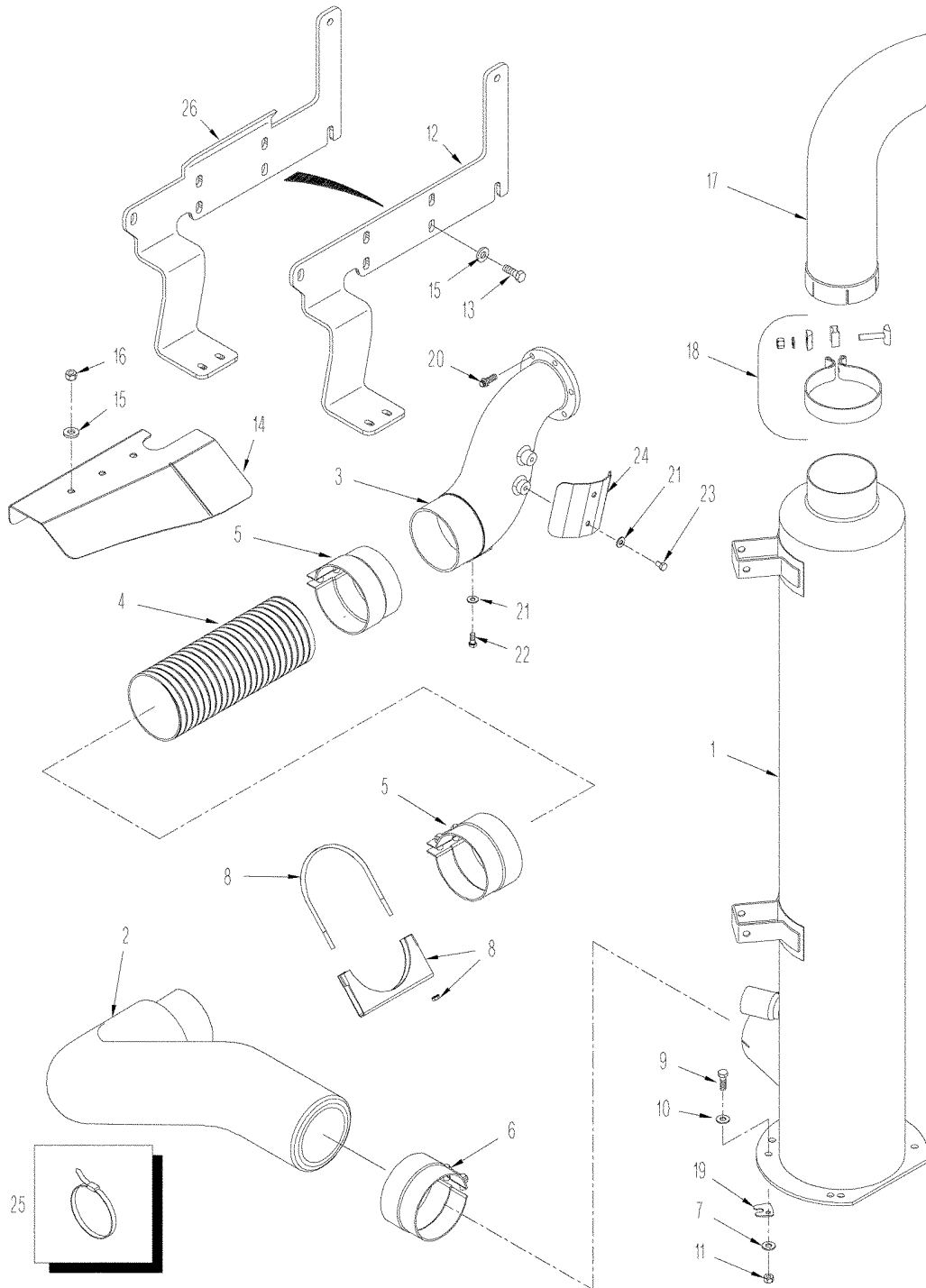
(1) STX375 &amp; STX425

(2) STX450 &amp; STX500

**STX375 STX450**  
**STX425 STX500**



EXHAUST SYSTEM - QUADTRAC TRACTOR



## EXHAUST SYSTEM - QUADTRAC TRACTOR

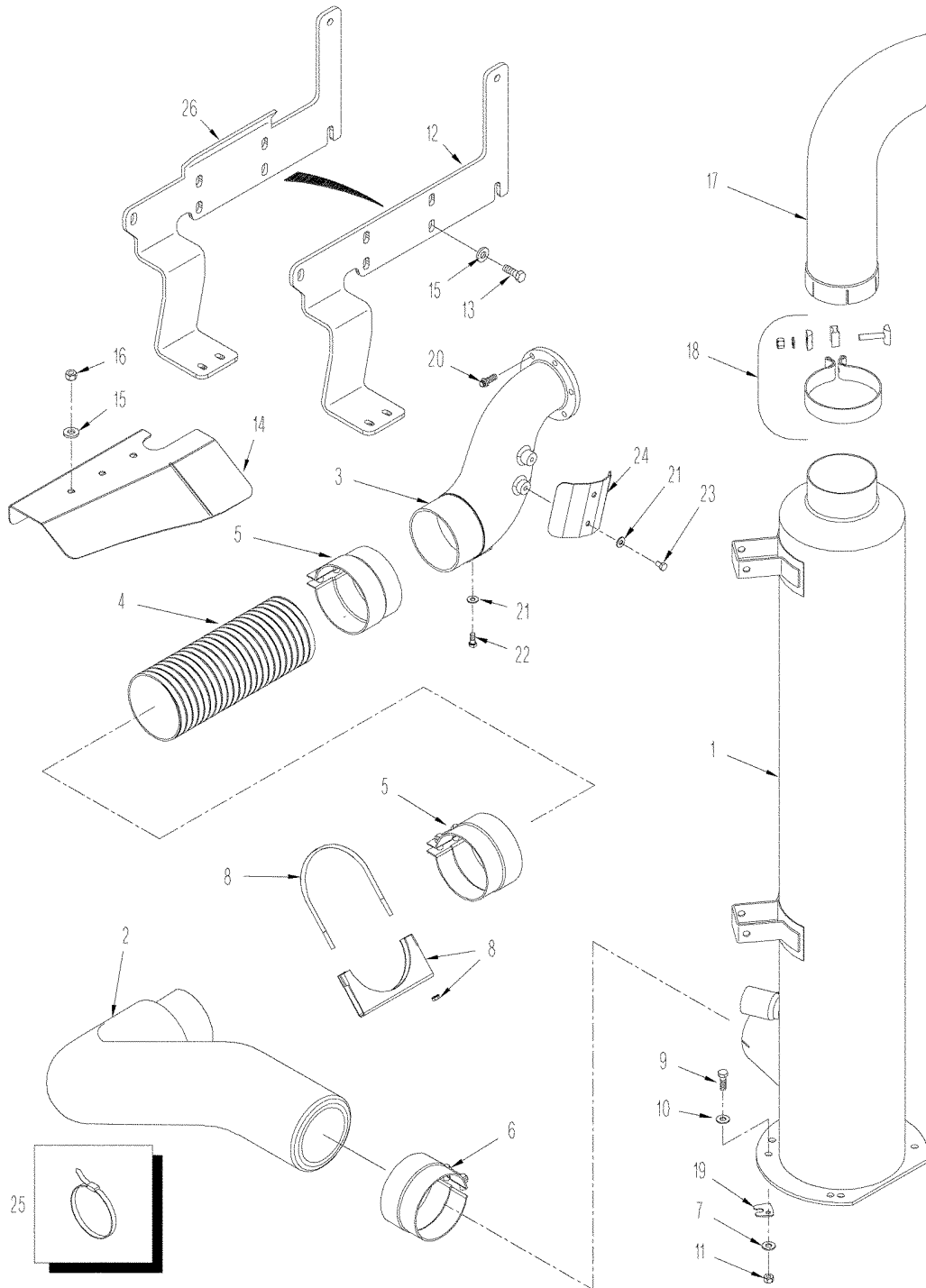
REF	FN	PART NUMBER	YR/SN	QTY	DESCRIPTION
1		400787A1	BSN JEE0104001	1	MUFFLER Standard
1	1	87430156	ASN JEE0104001	1	MUFFLER Standard
1	2	87430158	ASN JEE0104001	1	MUFFLER Standard
1		403438A1	BSN JEE0104001	1	MUFFLER Spark Arresting
1	1	87430157	ASN JEE0104001	1	MUFFLER Spark Arresting
1	2	87430159		1	MUFFLER Spark Arresting
2		426306A2		1	TUBE Double Wall
3		400908A2		1	ELBOW
4		413677A1		1	TUBE Flexible
5		413678A1		2	CLAMP
6		357686A1		1	CLAMP 6
7		896-15010		4	WASHER 11 X 24 X 3 mm
8		336658A1		1	U-BOLT
9		827-10040		4	BOLT M10 x 40; 10.9
10		896-11010		4	WASHER 11 x 21 x 2,5 mm
11		832-46410		4	NUT M10
12		401201A2	BSN JEE0104001	1	SUPPORT
13		627-12025		6	BOLT M12 x 25; 10.9
14		401200A3		1	SHIELD Heat
15		896-15012		6	WASHER 13,5 x 28 x 4 mm
16		829-1412		3	NUT M12; 10
17		364095A2	BSN JEE0104001	1	ELBOW Inc. 18
17		87430635	ASN JEE0104001	1	ELBOW Inc. 18
18		357875A1	BSN JEE0104001	1	CLAMP
18		87430634	ASN JEE0104001	1	CLAMP
19		404824A1		1	SHIM Muffler
20		868-10025		6	SCREW M10 x 25; 2.9
21		895-15008		4	WASHER 9 x 20 x 1,6 mm
22		627-8020		2	BOLT M8 x 20; 10.9
23		627-8012		2	BOLT M8 x 12; 10.9
24		401096A1		1	SHIELD Heat
25		405033A1		1	STRAP
26		87417550	ASN JEE0104001	1	BRACKET, SUPPORTING

(1) STX375 &amp; STX425

(2) STX450 &amp; STX500

**STX375 STX450**  
**STX425 STX500**

EXHAUST SYSTEM - QUADTRAC TRACTOR



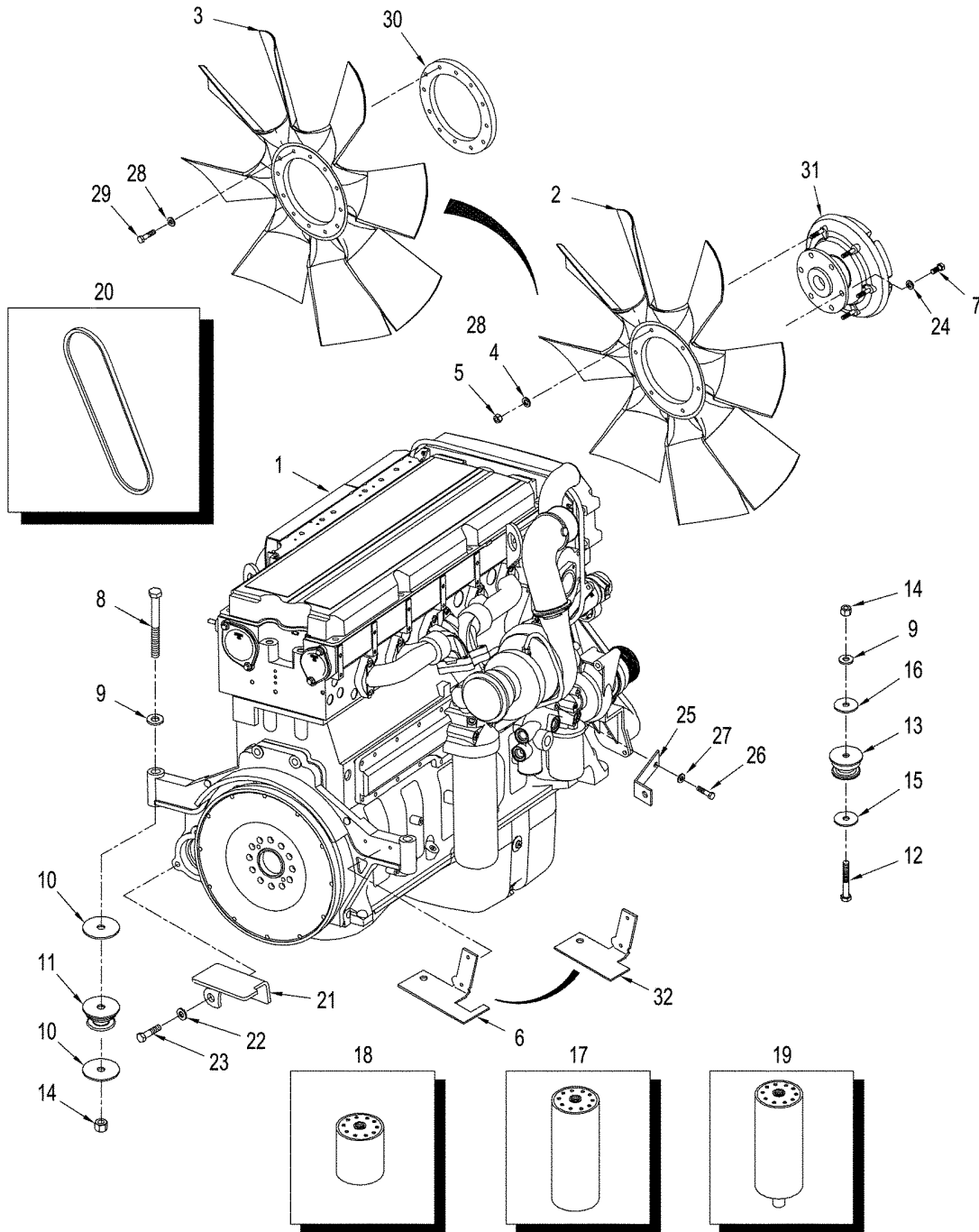
**EXHAUST SYSTEM - QUADTRAC TRACTOR**

REF	FN	PART NUMBER	YR/SN	QTY	DESCRIPTION
-----	----	-------------	-------	-----	-------------

		438263A1		1	KIT Inc. 1, Spark Arresting Muffler
--	--	----------	--	---	-------------------------------------

	<b>STX375 STX450</b> <b>STX425 STX500</b>
--	--

ENGINE - MOUNTING AND ATTACHING PARTS



## ENGINE - MOUNTING AND ATTACHING PARTS

REF	FN	PART NUMBER	YR/SN	QTY	DESCRIPTION
1	1	NSS		1	NOT SERVICED SEPARATELY Engine
2	2,3	414782A2	BSN JEE0104557	1	FAN
2	4,5	414577A1		1	FAN See Figure 02-03
3	2	87440096	ASN JEE0104557	1	FAN 32"
4		895-15008		6	WASHER 9 x 20 x 1,6 mm
5	6	832-10408		6	NUT M8; 8
5	2	832-10408		6	NUT Lock, M8; CL8
6		411019A3	ASN JEE0105346	1	BRACKET
7		614-8080		6	BOLT M8 x 80; 8,8
7	2	627-12030		6	BOLT M12 x 30; CL10.9
8		827-16200		2	SCREW M16 x 200; 10.9
9		496-41066		2	WASHER 21/32 x 1-1/2 x 3/16
10		361812A1		2	WASHER 23/32 x 3-3/4 x 3/16
11		382235A1		2	MOUNTING, RUBBER
12		827-16110		2	SCREW M16 x 110; 10.9
13		24-231		2	MOUNTING, RUBBER
14		832-10416		2	NUT M16; 8
15		227809A1		2	WASHER
16		51-128		2	WASHER 21/32 x 3-1/2 x 3/16
17		324617A1		1	FILTER, ENGINE OIL
18		324618A1		1	FILTER, COOLANT
19		419858A1		1	FILTER, FUEL
20		325289A1		1	BELT Water Pump
20		87437226		1	BELT Accessory Drive, Alternator & Air Conditioning
21		411301A2		1	SHIELD Heat
22		492-11062		2	WASHER, LOCK 5/8"
23		426-1012		2	BOLT 5/8 x 3/4
24		893-11008		6	WASHER Lock

(1) See Your Cummins Engine Dealer for Service Parts.

(2) STX375

(3) When Ordering Supply (1) 87440096 Fan, (1) 87419100 Mounting Plate, (6) 627-8025 Bolt, (12) 496-41034 Washer, & (6) 832-10408 Lock Nut.

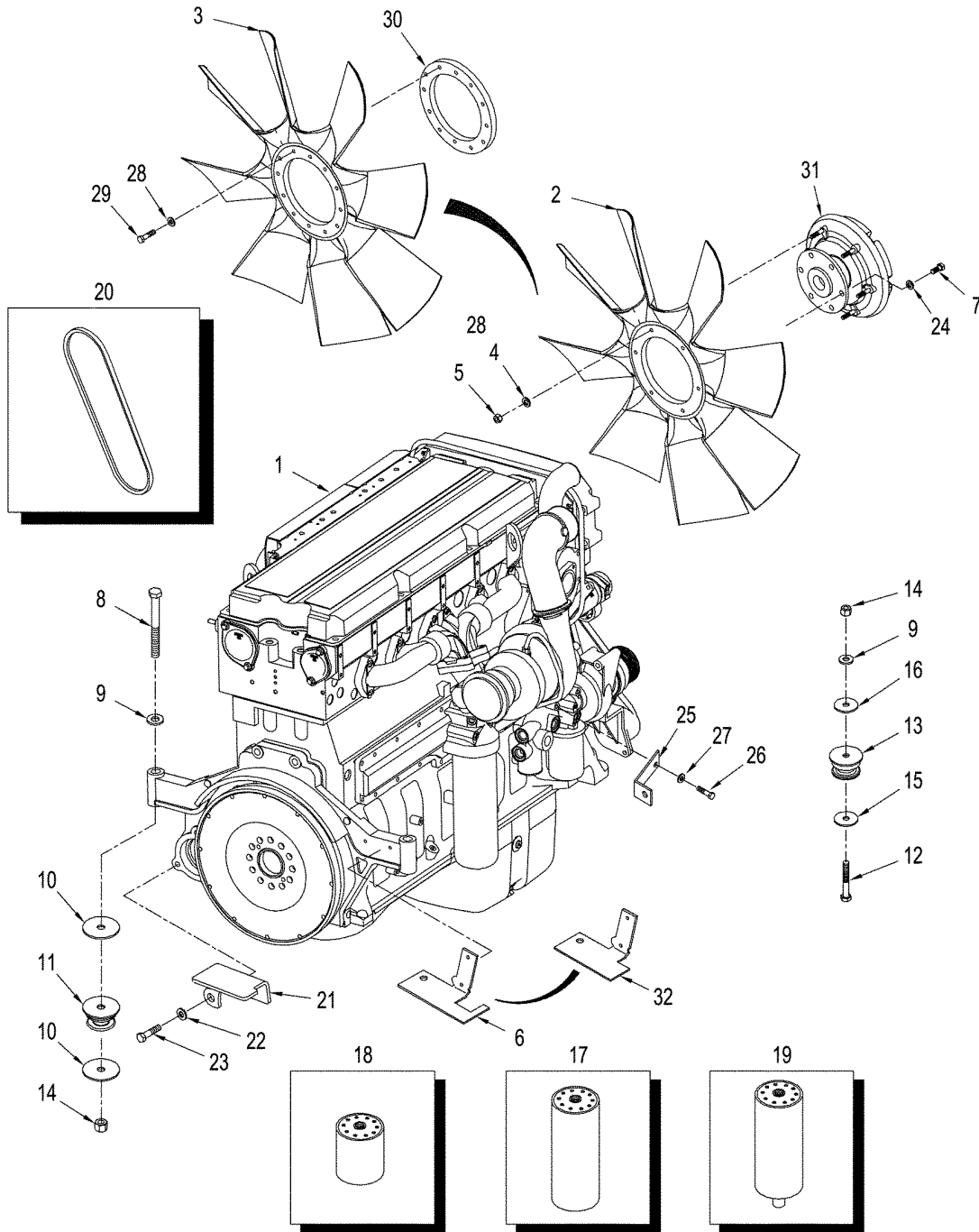
(4) STX425

(5) STX450

(6) STX425 & STX450

**STX375 STX450**  
**STX425 STX500**

ENGINE - MOUNTING AND ATTACHING PARTS



## ENGINE - MOUNTING AND ATTACHING PARTS

REF	FN	PART NUMBER	YR/SN	QTY	DESCRIPTION
24	1	896-11012		6	WASHER 13.5 x 24 x 3mm
25		87422995	ASN JEE0104557	1	BRACKET Engine Harness
26		627-12025		2	BOLT M12 x 25; CL10.9
27		892-11012		2	WASHER, LOCK 12 mm
28	1	496-41034		12	WASHER .344 x 1.0 x .098
30	1	87419100	ASN JEE0104557	1	PLATE, MOUNTING
31	1	430406A1		1	DRIVE Fan
32		87305067	BSN JEE0105346	1	BRACKET, SUPPORTING
29	1	627-8025		6	BOLT M8 x 25; CL10.9

(1) STX375

**STX375 STX450**  
**STX425 STX500**





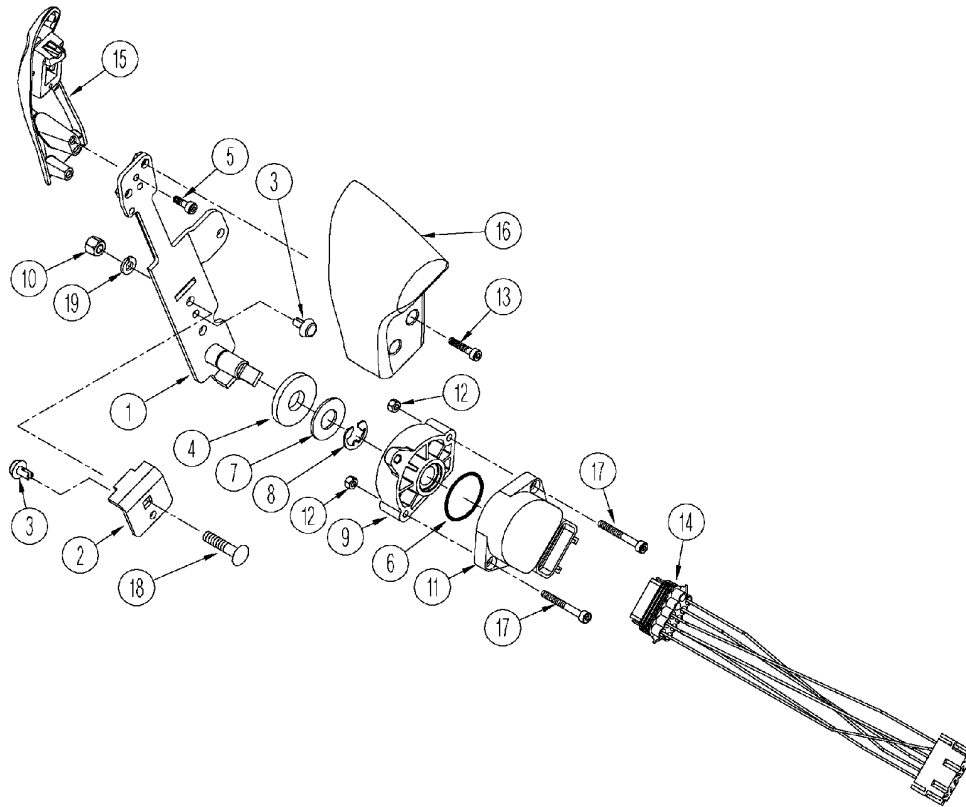
---

# SECTION INDEX

---

03-01	THROTTLE
03-02	THROTTLE - DECELERATOR CONTROL
03-03	FUEL LINES

THROTTLE



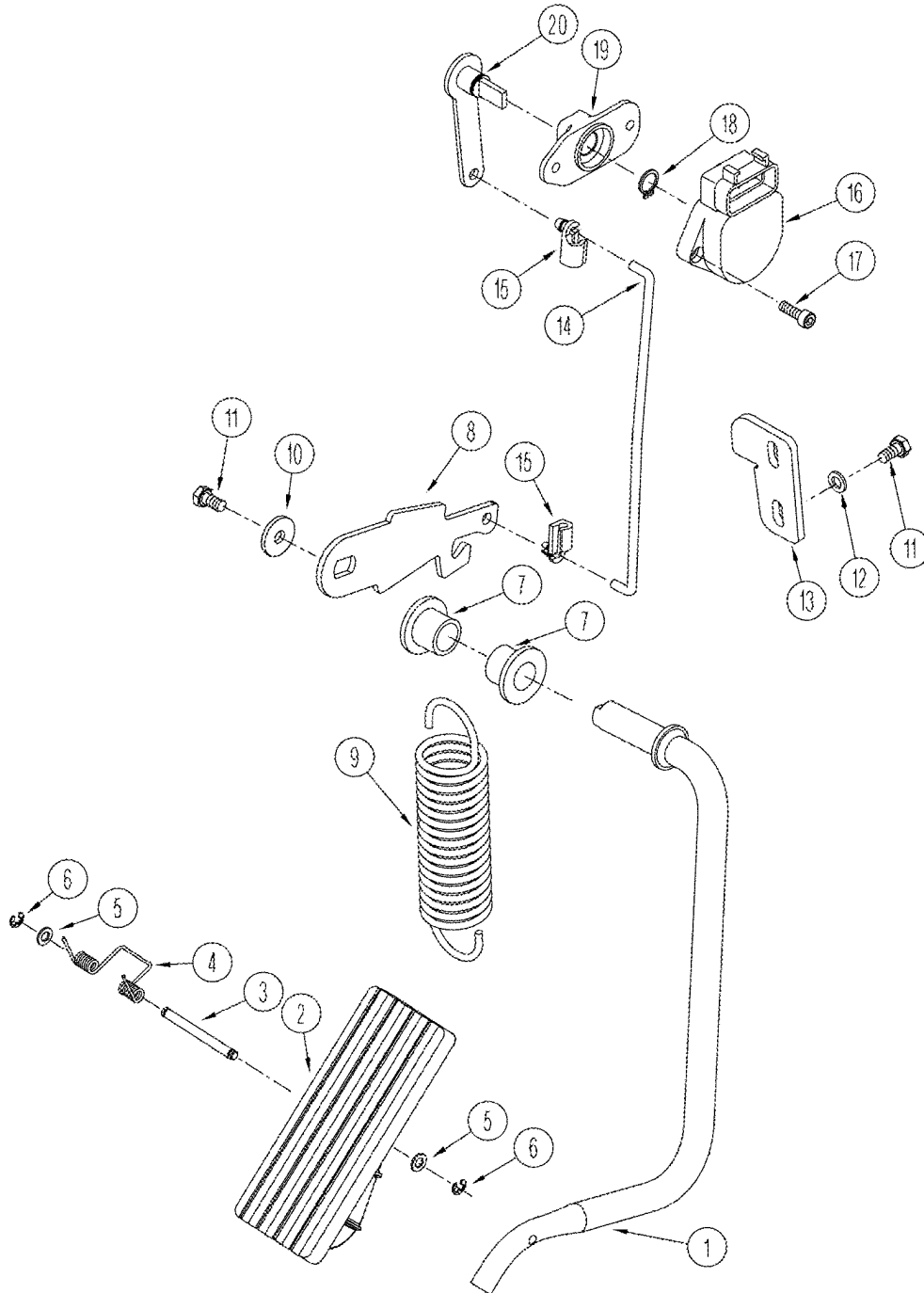
## THROTTLE

REF	FN	PART NUMBER	YR/SN	QTY	DESCRIPTION
1	1	402797A1		1	SUPPORT
1	2	367607A1		1	SUPPORT
2		258734A2		1	SUPPORT
3		259040A1		2	PAD, WEAR
4		237486A1		2	WASHER
5		368048A1		3	SCREW M4 x 12
6		238-6025		1	O-RING 1-3/16 ID x 1/16
7		495-81022		1	WASHER 17/32 x 1-1/8 x 1/16
8		103-3350		1	RING, LOCKING #50, .392" Dia, E-Type
9		239491A1		1	BUSHING
10		832-10406		2	NUT M6; 8
11	3,4	259012A1		1	POTENTIOMETER
11	5	402751A1		1	POTENTIOMETER
12		832-46404		2	NUT M4; 8
13		864-4020		2	SCREW M4 x 20
14	2	276352A1		1	HARNESS
15		316000A2		1	GRIP Switch
16	5	293388A2		1	GRIP Throttle
16	3	388705A1		1	GRIP Throttle
16	4	388864A1		1	GRIP Throttle
17	3,4	864-4035		2	SCREW M4 x 35; 8.8
18		811-6030		1	SCREW M6 x 30; 8,8
19		892-11006		1	WASHER, LOCK M6

- (1) With Advanced Farming Systems (AFS)
- (2) With Power Shift Transmission
- (3) Deluxe Cab
- (4) Luxury Cab
- (5) Standard Cab

**STX375 STX450**  
**STX425 STX500**

THROTTLE - DECELARATOR CONTROL

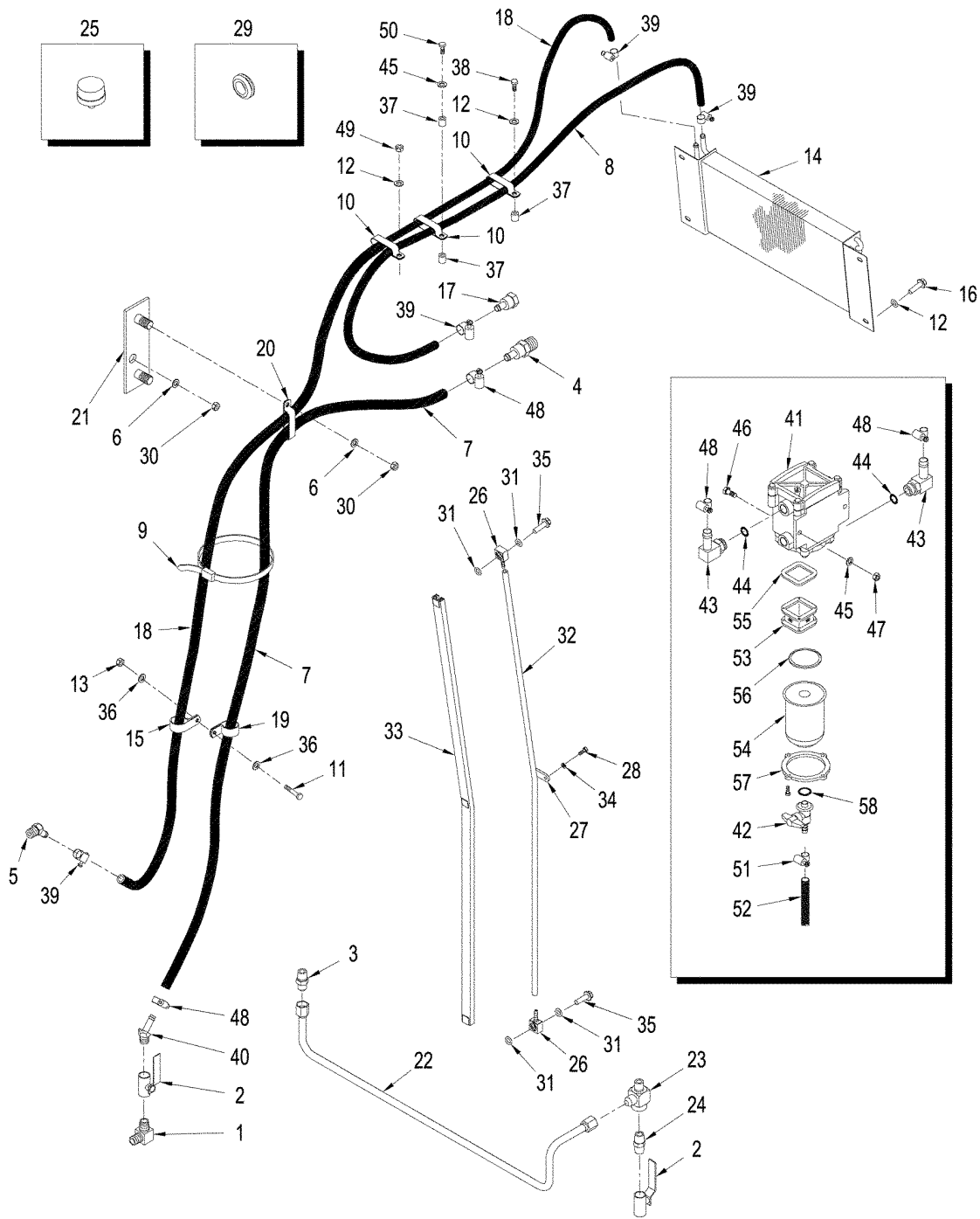


## THROTTLE - DECELARATOR CONTROL

REF	FN	PART NUMBER	YR/SN	QTY	DESCRIPTION
1		328353A2		1	ROD
2		298842A1		1	SKID/SHOE
3		255291A1		1	PIN
4		256776A1		1	SPRING
5		895-11005		2	WASHER 5,5 x 10 x 1 mm
6		800-435		2	RING, SNAP 5 mm
7		300891A1		2	BEARING
8		248844A1		1	LEVER
9		278211A1		1	SPRING
10		895-15006		2	WASHER 6,6 x 25 x 1,6 mm
11		627-6012		3	BOLT M6 x 12;10.9
12		895-11006		2	WASHER 6,6 x 12 x 1,6 mm
13		281115A1		1	BRACKET
14		281125A1		1	ROD
15		60-2404T1		2	RETAINER
16		259012A1		1	POTENTIOMETER
17		864-5016		2	SCREW M5 x 16; 8.8
18		800-1112		1	SNAP RING 12 mm
19		258524A2		1	BUSHING
20		313273A2		1	PIN

**STX375 STX450**  
**STX425 STX500**

FUEL LINES



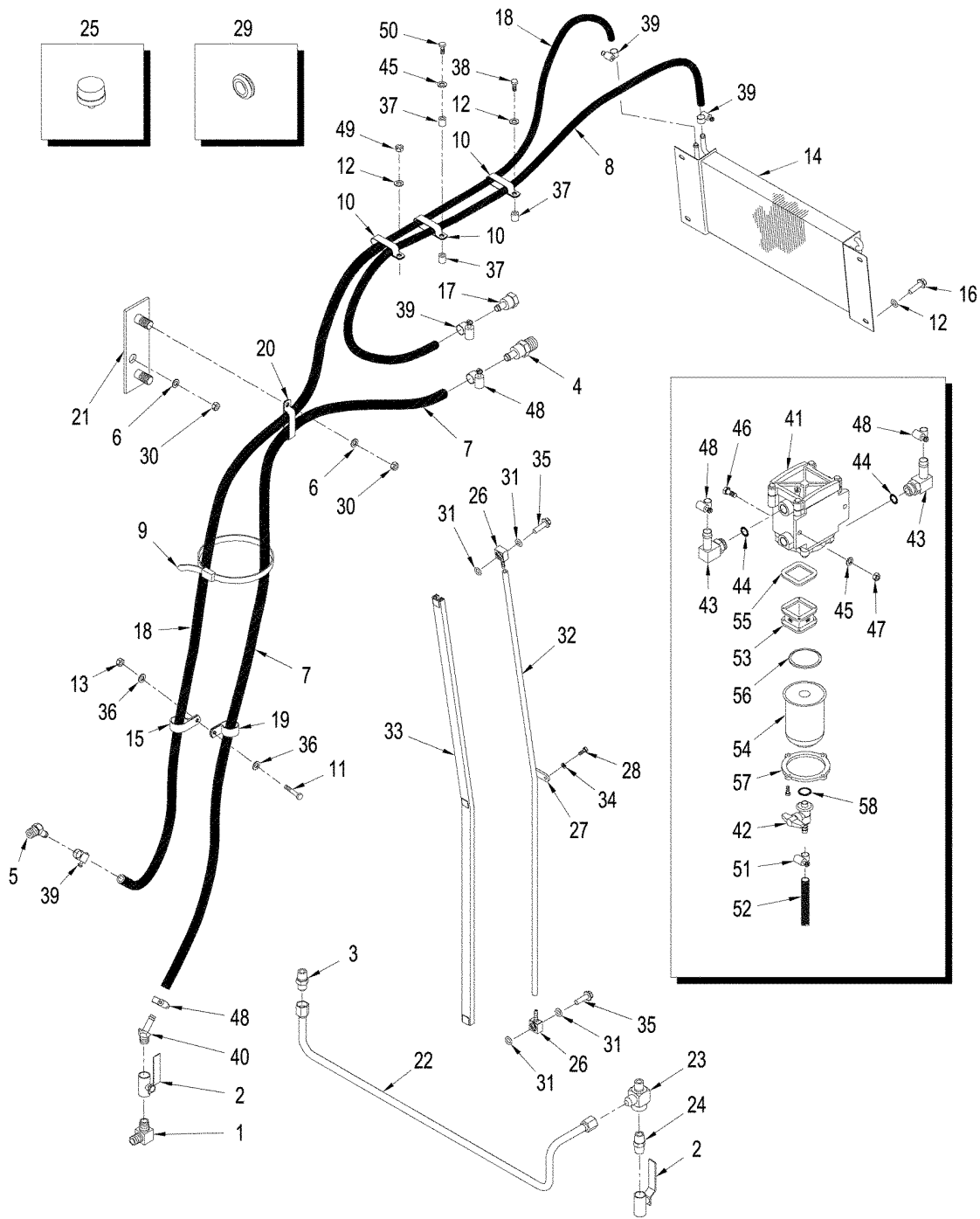
## FUEL LINES

REF	FN	PART NUMBER	YR/SN	QTY	DESCRIPTION
1		217-1226		1	ELBOW 1/2 PT
2		31-1267		2	VALVE, SHUT-OFF
3		218-445		1	ADAPTER 7/8 fl x 1/2 PT
4		31-2976		1	FITTING 7/8 fem sw x 31/64 barb, Socketless
5		217-186		1	ELBOW 1/2 x 1/2 barb
6		895-11010		7	WASHER 11 x 20 x 2 mm
7		296077A1		1	HOSE 3657 mm (144 in), Supply, Cut From 50-3418X1
8		372913A1		1	HOSE 2387 mm (94 in), Hot Return, Cut From 32-080T1
9		327144A1		1	CLAMP
10		L101181		4	CLAMP
11		627-8035		3	SCREW M8 x 35; 10.9
12		895-11008		7	WASHER 9 x 17 x 1,6 mm
13		832-10408		3	NUT M8; 8
14		87332463		1	COOLER Fuel
15		515-23159		3	CLAMP 5/8 ID
16		627-8020		4	BOLT M8 x 20; 10.9
17		31-3129		1	ADAPTER 7/8
18		310715A1		1	HOSE 5600 mm (221 in), Cold Return, Cut From 32-080T1
19		515-23190		3	CLAMP 3/4 ID
20		R54363		4	CLAMP
21		324089A1		2	PLATE ASSY.
22		335041A2		1	LINE Crossover
23		31-1000		1	TEE 1/2 PT x 1/2 PT x 7/8 fl
24		217-1072		1	FITTING 1/2 PT x 1-7/8
25		90-7732T1		1	BREATHER
26		352767A1		2	CONNECTOR, HYD.
27		402800A1		1	BRACKET
28		627-6016		1	BOLT M6 x 16; 10.9
29		248-2178		2	GROMMET 3/4
30		829-1410		6	NUT M10; 10
31		337248A1		4	O-RING

**STX375 STX450**  
**STX425 STX500**



FUEL LINES



## FUEL LINES

REF	FN	PART NUMBER	YR/SN	QTY	DESCRIPTION
32		337240A1		1	HOSE 1222 mm (48 in), Sight Guage, Cut From 337242A1
33		349868A1		1	CHANNEL Sight Guage
34		895-11006		1	WASHER 6,6 x 12 x 1,6 mm
35		844-10035		2	BOLT M10 x 35; 8.8
36		895-15008		6	WASHER 9 x 20 x 1,6 mm
37		A27328		4	SPACER
38		827-8060		2	SCREW M8 x 60; 10.9
39		214-1406		4	CLAMP 7/16 - 25/32
40		217-144		1	ELBOW 5/8
41		87409380		1	FILTER Auxiliary Housing
42		369844A1		1	DRAINCOCK/TAP, SUPPLY Valve
43		217-349		2	ELBOW 5/8 barb x 7/8 Or, Inc. 44
44		237-6010		2	O-RING 3/4 ID x 3/32
45		895-11008		4	WASHER 9 x 17 x 1,6 mm
46		614-8020		2	BOLT M8 x 20; 8,8
47		829-1408		2	NUT M8; 10
48		214-1408		4	CLAMP 1/2 - 29/32 dia
49		832-10410		1	NUT M10; 8
50		827-8090		1	BOLT M8 x 90; 10,9
51		214-1406		1	CLAMP
52		32-204		1	HOSE, LARGE Drain
53		87333679		1	SPRING Filter Frame
54		87409378		1	FILTER, FUEL 30 Micron
55		87333676		1	GASKET Fuel Strainer
56		87331930		1	GASKET
57		87333671		1	RING Retainer
58		369843A1		1	GASKET

**STX375 STX450**  
**STX425 STX500**



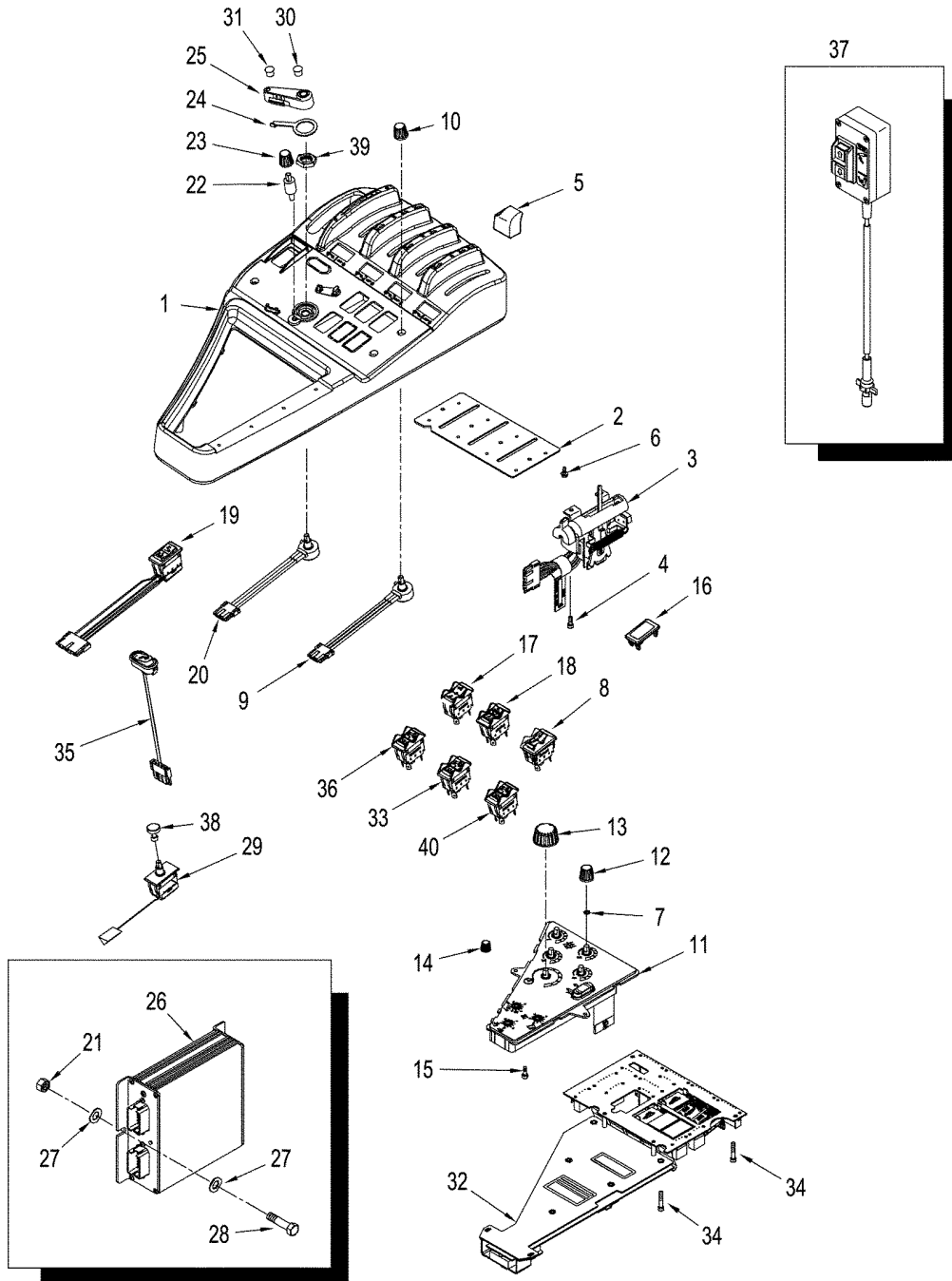
---

## SECTION INDEX

---

04-01		CONTROLS - RIGHT HAND CONSOLE, BSN JEE0106701
04-01	01	CONTROLS - RIGHT HAND CONSOLE, ASN JEE0106701
04-02		WIPER, WINDSHIELD - MOUNTING
04-03		WINDSHIELD WASHER
04-04		INSTRUMENT CLUSTER
04-05		SENSOR - HITCH POSITION
04-06	01	ALTERNATOR - MOUNTING, 135 AMPERE
04-06	02	ALTERNATOR - MOUNTING, 185 AMPERE
04-07		ALTERNATOR ASSEMBLY - 135 AMPERE
04-08		STARTER ASSEMBLY, BSN JEE0102479
04-08	01	STARTER ASSEMBLY, ASN JEE0102479
04-09		GROUND SPEED SENSOR
04-10		RADIO AND SPEAKERS
04-11		LAMP - STROBE
04-12		LAMPS - REAR FRAME, H.I.D.
04-13		LAMPS - REAR FRAME AND FIELD
04-14		HEADLAMPS
04-15	01	BATTERIES - WHEEL TRACTOR, BSN JEE0104001
04-15	02	BATTERIES - QUADTRAC TRACTOR, BSN JEE0104001
04-15	03	BATTERIES, ASN JEE0104001
04-16		CONTROL PANEL - COMPONENTS, BSN JEE0106701
04-16	01	CONTROL PANEL - COMPONENTS, ASN JEE0106701
04-17		LAMPS - MARKER
04-18		LAMPS - SIDE MARKER WARNING
04-19		HARNESS - TRANSMISSION
04-20		HARNESS - FRONT FRAME, BSN JEE0104001
04-20	01	HARNESS - FRONT FRAME, ASN JEE0104001
04-21		HARNESS - ENGINE, BSN JEE0104001
04-21	01	HARNESS - ENGINE, ASN JEE0104001
04-22		HARNESS - MAIN CAB, STANDARD CAB
04-23		HARNESS - MAIN CAB, DELUXE AND LUXURY CABS
04-24		ELECTRONIC MODULE ASSEMBLY
04-25		HARNESS - FRONT CONSOLE
04-26		HARNESS - CAB ROOF
04-27		HARNESS - REAR FRAME, WITH MANUAL REMOTE
04-28		HARNESS - REAR FRAME, WITH ELECTRONIC REMOTE, WITHOUT THREE POINT HITCH
04-29		HARNESS - REAR FRAME, WITH ELECTRONIC REMOTE AND THREE POINT HITCH
04-30		HARNESS - ADVANCED FARMING SYSTEMS, BSN JEE0106701
04-30	01	HARNESS - ADVANCED FARMING SYSTEMS, ASN JEE0106701
04-31		ALARM - BACK-UP
04-32		ACCUGUIDE, GPS - MOUNTING, BSN JEE0106701
04-32	01	ACCUGUIDE, GPS - MOUNTING, ASN JEE0106701
04-33		ACCUGUIDE - VIRTUAL TERMINAL & RELATED PARTS, BSN JEE0106701
04-33	01	ACCUGUIDE - VIRTUAL TERMINAL & RELATED PARTS, ASN JEE0106701
04-34		WIRING - MEGA FLOW HYDRAULIC CONTROLS
04-35		MEGA FLOW HYDRAULIC CONTROLS

CONTROLS - RIGHT HAND CONSOLE, BSN JEE0106701



## CONTROLS - RIGHT HAND CONSOLE, BSN JEE0106701

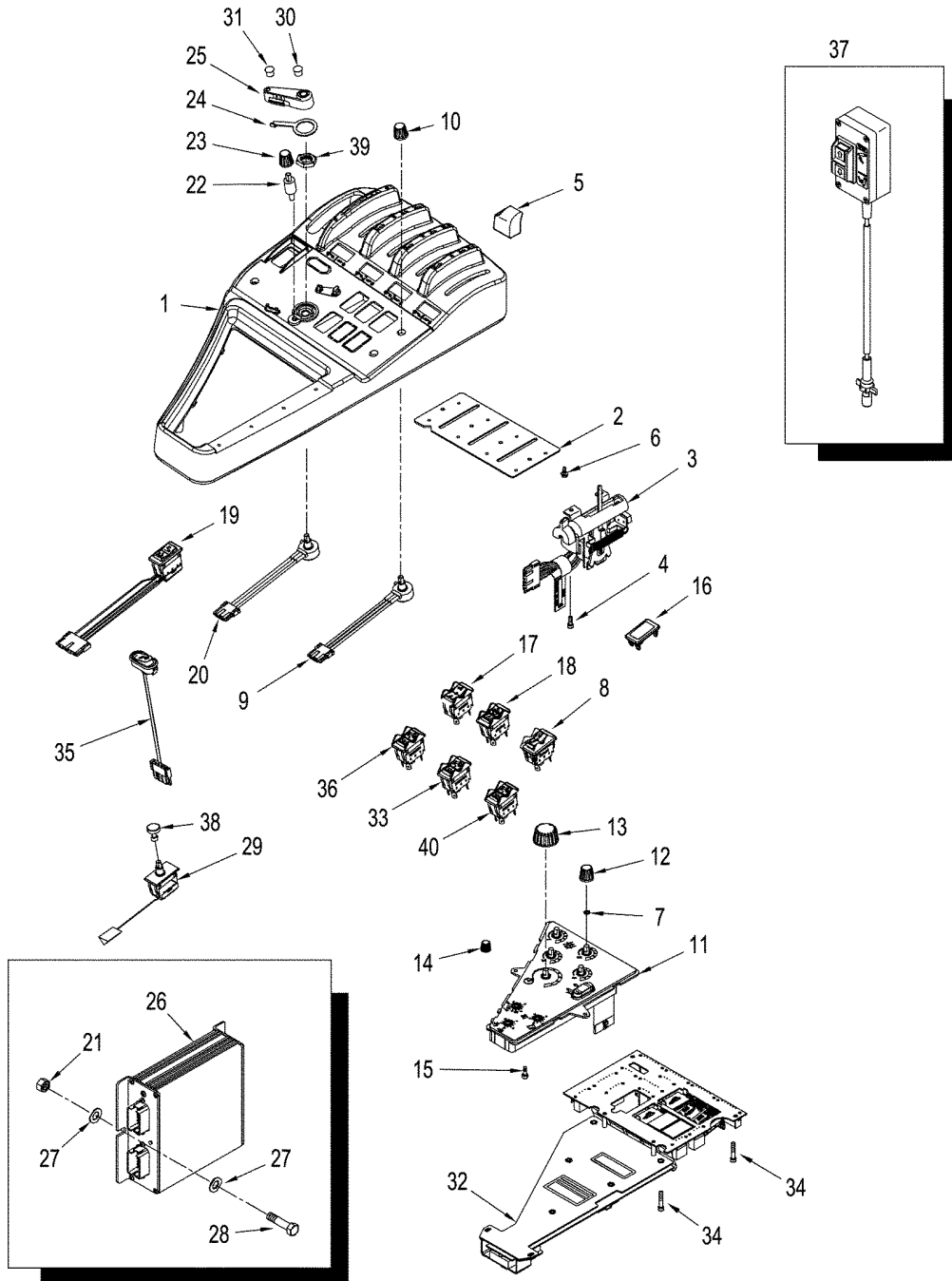
REF	FN	PART NUMBER	YR/SN	QTY	DESCRIPTION
1		408021A1	BSN JEE0102001	1	HOUSING Cover Assy, Upper
1		417819A2	BTW JEE0102001 & JEE0105701	1	HOUSING Cover Assy, Upper
		409638A1		1	CONTROL Electronic, Inc. 2 - 4
2		230098A1		1	PLATE Mounting
3		406961A1		4	LEVER ASSY. Remote Auxiliary Valve
4		261-3446		8	SCREW
5		406962A1		4	KNOB Remote
6		864-4020		4	SCREW M4 x 20
7		A39888		1	NUT 3/8-32
8		277499A1		1	SWITCH Fifth Auxiliary Valve
9		256305A2		1	POTENTIOMETER Flow Control
10		276797A1		1	KNOB Flow Control
11	1	339735A1		1	PANEL Secondary
11	2	238290A4		1	PANEL Secondary
12		276797A1		4	KNOB Flow Control
13		187820A1		1	BUTTON Remote Valve Timer Control
14	1	223433A1		2	KNOB Electronic Draft Control
15		760-14316		2	SCREW M4,2 x 16
16		126844A1		2	PLUG
17		229378A1		1	SWITCH Differential Lock, Front
18		246809A1		1	SWITCH Differential Lock, Rear
19		255676A1		1	SWITCH Hitch Position
20		256304A2		1	POTENTIOMETER Three Point Hitch
21		829-1408		2	NUT M8; 10
22		256303A1		1	STUD Stop Position
23		276797A1		1	KNOB Stop Position
24		248087A1		1	LEVER Stop Position
25		299483A2		1	LEVER, CONTROL Hitch Position
26		323758A4		1	CONTROL UNIT Three Point Hitch
27		895-11008		2	WASHER 9 x 17 x 1,6 mm
28		627-8016		1	BOLT M8 x 16; 10.9
29		414495A1		1	SWITCH Power Takeoff

(1) With Three Point Hitch

(2) Without Three Point Hitch

**STX375 STX450**  
**STX425 STX500**

CONTROLS - RIGHT HAND CONSOLE, BSN JEE0106701



CONTROLS - RIGHT HAND CONSOLE, BSN JEE0106701

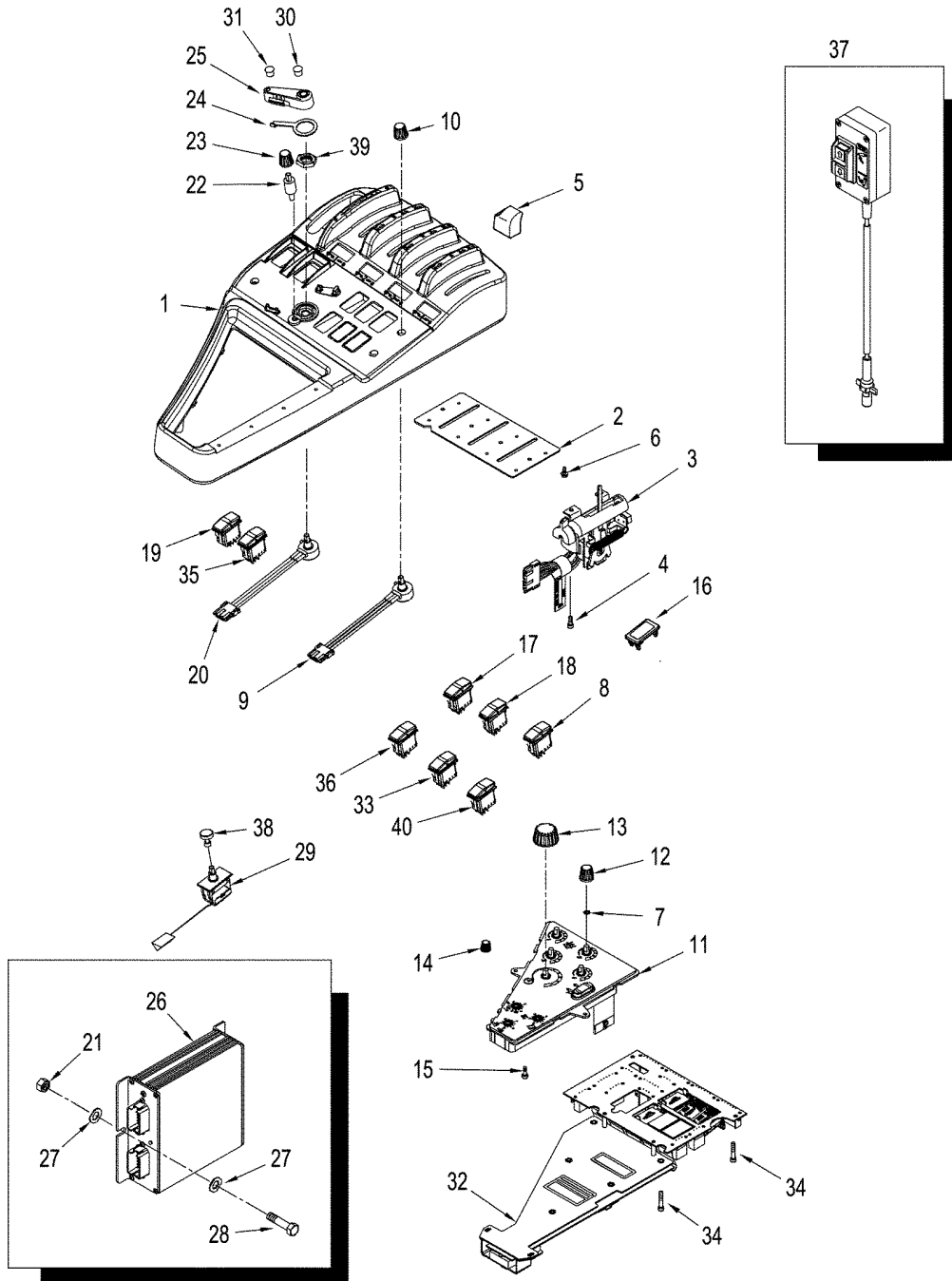
REF	FN	PART NUMBER	YR/SN	QTY	DESCRIPTION
30	1	353-402		1	PLUG 3/8
31	1	374705A1		1	PLUG
32	2	399285A1		1	UNIT Armrest Processor
32	2	87308356		1	MODULE Armrest Processor, w/ Engine Brake Option
33		87440713		1	SWITCH ACCUGUIDE
34		864-4016		6	SCREW M4 x 16; 8.8
35		353942A1		1	SWITCH Scrapper
36		229373A1		1	SWITCH EDC, Slip Limit Control
37		382247A1		1	SWITCH Remote, Three Point Hitch
38		411705A3		1	KNOB
39		375844A1		1	NUT
40		87310588		1	SWITCH Engine Brake

- (1) Without Three Point Hitch
- (2) Down Load Software From Service Tool

**STX375 STX450**  
**STX425 STX500**



CONTROLS - RIGHT HAND CONSOLE, ASN JEE0106701



## CONTROLS - RIGHT HAND CONSOLE, ASN JEE0106701

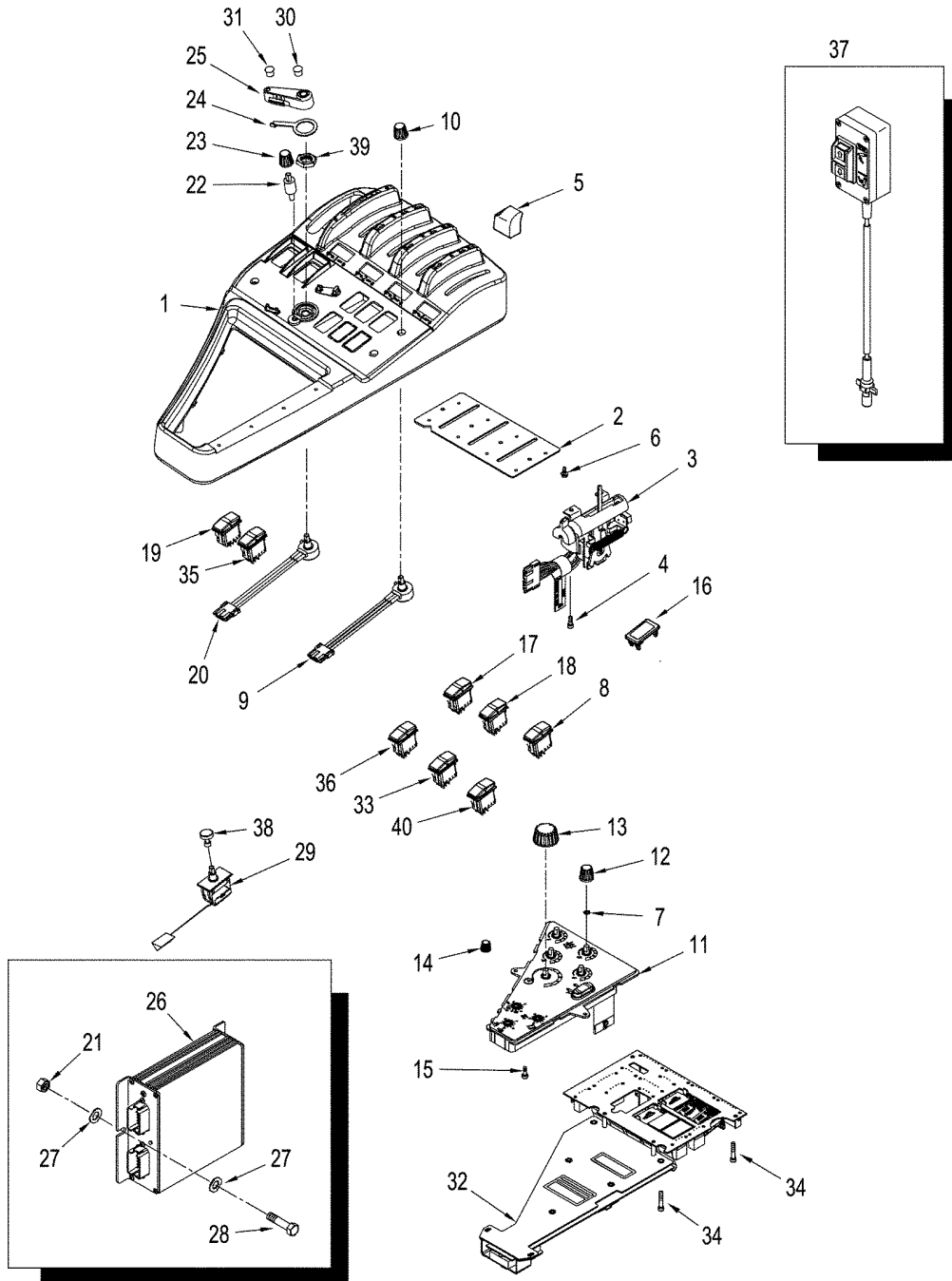
REF	FN	PART NUMBER	YR/SN	QTY	DESCRIPTION
1		87412651		1	COVER ASSY Housing, Upper, w/ Decal, See Figure: 09-23
		409638A1		1	CONTROL Electronic, Inc. 2 - 4
2		230098A1		1	PLATE Mounting
3		406961A1		4	LEVER ASSY. Remote Auxiliary Valve
4		261-3446		8	SCREW
5		406962A1		4	KNOB Remote
6		864-4020		4	SCREW M4 x 20
7		A39888		1	NUT 3/8-32
8		86989947		1	SWITCH Fifth Auxiliary Valve
9		256305A2		1	POTENTIOMETER Flow Control
10		276797A1		1	KNOB Flow Control
11	1	339735A1		1	PANEL Secondary
11	2	238290A4		1	PANEL Secondary
12		276797A1		4	KNOB Flow Control
13		187820A1		1	BUTTON Remote Valve Timer Control
14	1	223433A1		2	KNOB Electronic Draft Control
15		760-14316		2	SCREW M4,2 x 16
16		406324A2		2	PLUG
17		87417060		1	SWITCH Differential Lock, Front
18		87417061		1	SWITCH Differential Lock, Rear
19		86990406		1	SWITCH Hitch Position
20		256304A2		1	POTENTIOMETER Three Point Hitch
21		829-1408		2	NUT M8; 10
22		256303A2		1	STUD Stop Position
23		276797A1		1	KNOB Stop Position
24		248087A1		1	LEVER Stop Position
25		299483A2		1	LEVER, CONTROL Hitch Position
26		323758A4		1	CONTROL UNIT Three Point Hitch
27		895-11008		2	WASHER 9 x 17 x 1,6 mm
28		627-8016		1	BOLT M8 x 16; 10.9
29		414495A1		1	SWITCH Power Takeoff
30	2	353-402		1	PLUG 3/8

(1) With Three Point Hitch

(2) Without Three Point Hitch

**STX375 STX450**  
**STX425 STX500**

CONTROLS - RIGHT HAND CONSOLE, ASN JEE0106701



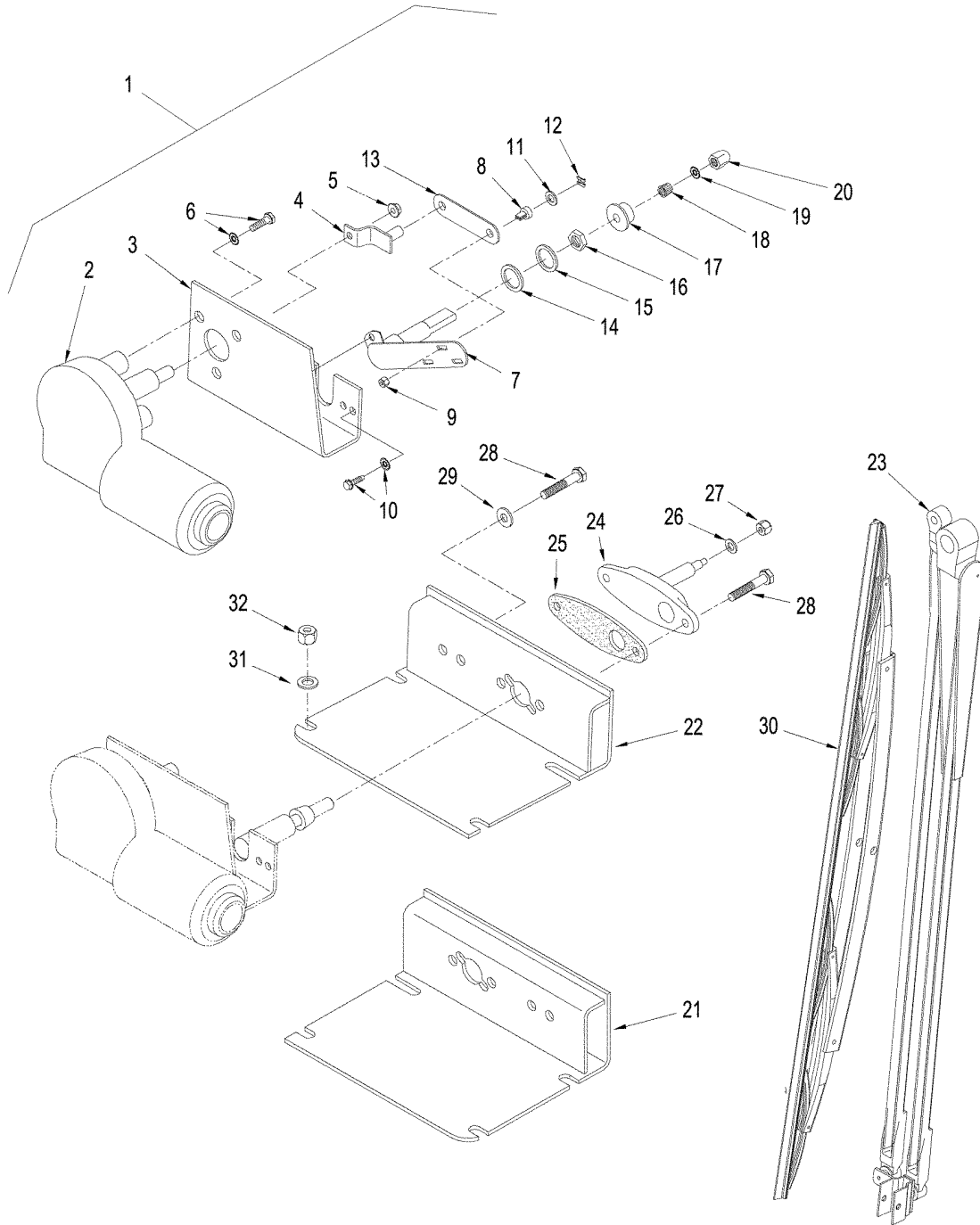
**CONTROLS - RIGHT HAND CONSOLE, ASN JEE0106701**

REF	FN	PART NUMBER	YR/SN	QTY	DESCRIPTION
31	1	374705A1		1	PLUG
32	2	87454949		1	UNIT Armrest Processor
33		87440715		1	HARNESS ACCUGUIDE
34		864-4016		6	SCREW M4 x 16; 8.8
35		86989951		1	SWITCH Scrapper
36		87414327		1	SWITCH EDC, Slip Limit Control
37		382247A1		1	SWITCH Remote, Three Point Hitch
38		411705A3		1	KNOB Power Takeoff
39		375844A1		1	NUT
40		87308327		1	SWITCH Engine Brake

- (1) Without Three Point Hitch
- (2) Down Load Software From Service Tool

**STX375 STX450  
STX425 STX500**

WIPER, WINDSHIELD - MOUNTING



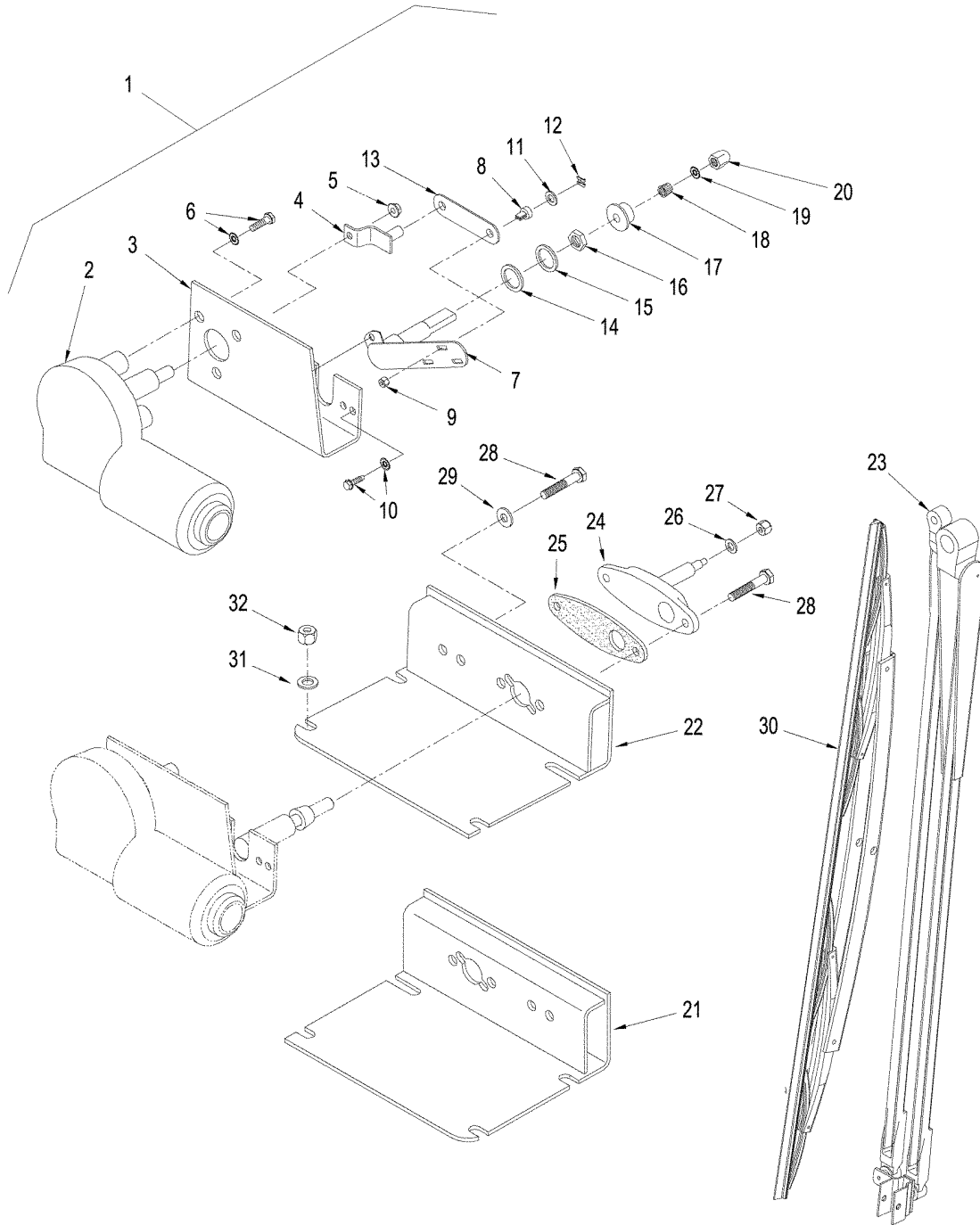
## WIPER, WINDSHIELD - MOUNTING

REF	FN	PART NUMBER	YR/SN	QTY	DESCRIPTION
		248812A4		1	WIPER MOTOR Rear, Upper, All Cab Options, Inc. 2 - 20, 22, 24 - 29
		87408490		1	WIPER MOTOR Front, Upper, All Cab Options, Inc. 2 - 20, 22, 24 - 29
	1	87308226		1	WIPER MOTOR Front, Lower, Right-Hand, Inc. 1, 23 - 29
	1	87308230		1	WIPER MOTOR Front, Lower, Left-Hand, Inc. 2 - 20
1		87308226		1	WIPER MOTOR Front, Lower Right-Hand, Inc. 2 - 20
1		87308230		1	WIPER MOTOR Upper / Lower, Left-Hand, Inc. 2 - 20
1		87308180		1	WIPER MOTOR Rear, Upper, Inc. 2 - 20
1		87307954		1	WIPER MOTOR Front, Upper, Inc. 2 - 20
2		{87307958}		1	Front & Rear
3		60-6633T1		1	SUPPORT
4		87307957		1	ARM
5		86505868		1	NUT, LOCK
6		444867A1		3	SCREW Button Hd
7		60-6581T91		1	DRIVE ASSY.
8		NSS		1	NOT SERVICED SEPARATELY Pin
9		NSS		1	NOT SERVICED SEPARATELY Nut
10		NSS		2	NOT SERVICED SEPARATELY Screw, Inc. Lock Washer
11		1-2684		2	WASHER
12		1-2685		2	CLIP
13		1-2683		1	LINK
14		60-3495T1		1	WASHER Fiber
15		60-3496T2		1	WASHER Steel
16		60-3497T1		1	NUT
17		60-3498T1		1	COVER
18		60-3499T2		1	KNOB Knurled
19		60-6634T1		1	PLATE, LOCKING
20		60-6635T1		1	NUT Special
21		334963A3		1	SUPPORT Lower, Right-Hand
22		248784A4		1	SUPPORT Upper / Lower Left-Hand
23		334714A2		3	ARM 20"

(1) Luxury Cab

**STX375 STX450**  
**STX425 STX500**

WIPER, WINDSHIELD - MOUNTING



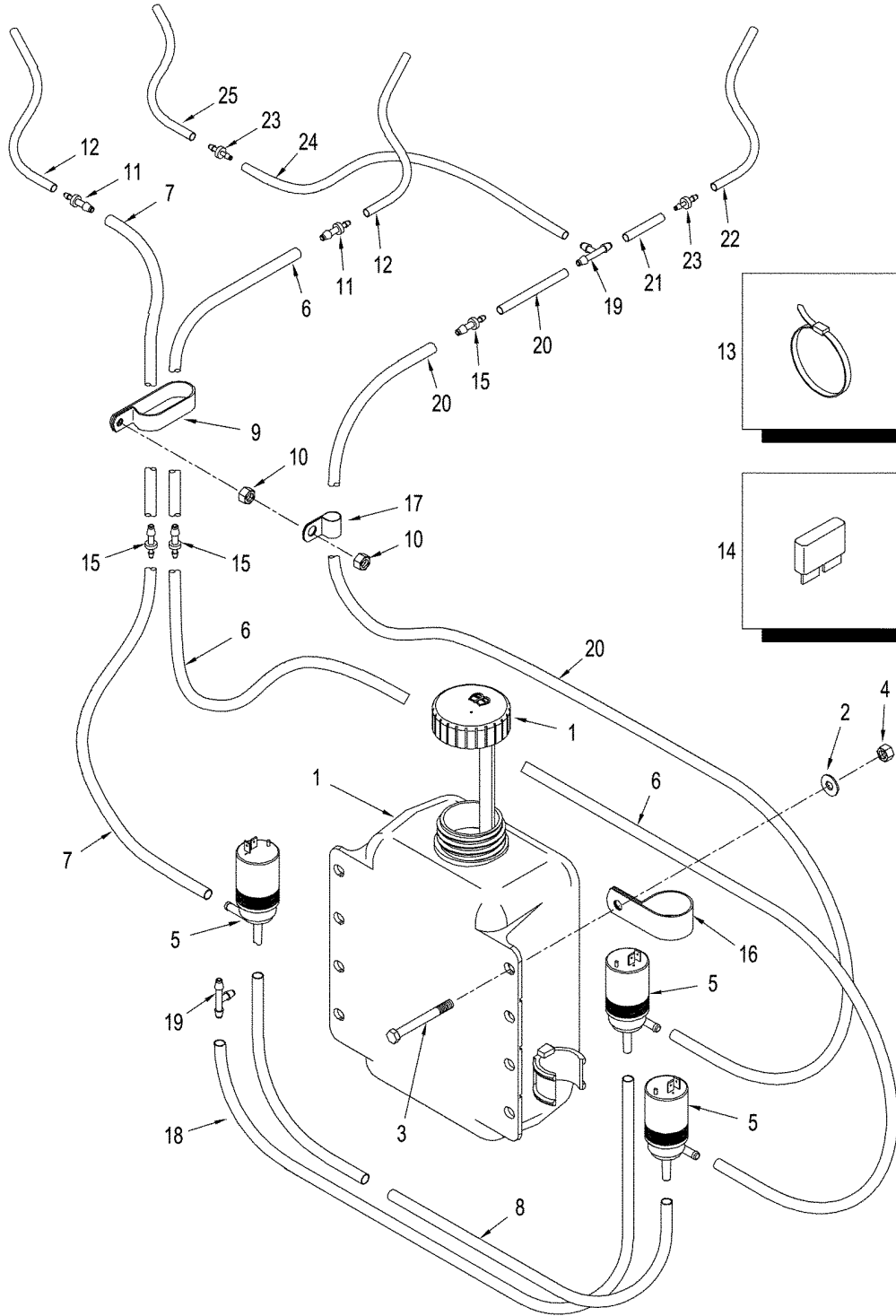
## WIPER, WINDSHIELD - MOUNTING

REF	FN	PART NUMBER	YR/SN	QTY	DESCRIPTION
		60-1436T91		1	PIVOT ASSY. Pantograph, Inc. 24 - 27
24		NSS		1	NOT SERVICED SEPARATELY Body
25		2-4190T1		1	GASKET
26		2-4191T1		1	WASHER
27		2-4192T1		1	NUT
28		414-424		3	BOLT 1/4 NF x 1-1/2
29		495-11028		1	WASHER 9/32 x 5/8 x 1/16
30		334715A1		2	BLADE 660 mm (26 in), Front, Lower
30		353273A1		2	BLADE 559 mm (22 in), Front / Rear Upper
31		895-11008		11	WASHER 9 x 17 x 1,6 mm
32		832-10408		9	NUT M8; 8
33		126844A1		1	PLUG Switch Hole, Not Illustrated, Standard And Deluxe Cab

**STX375 STX450**  
**STX425 STX500**



WINDSHIELD WASHER

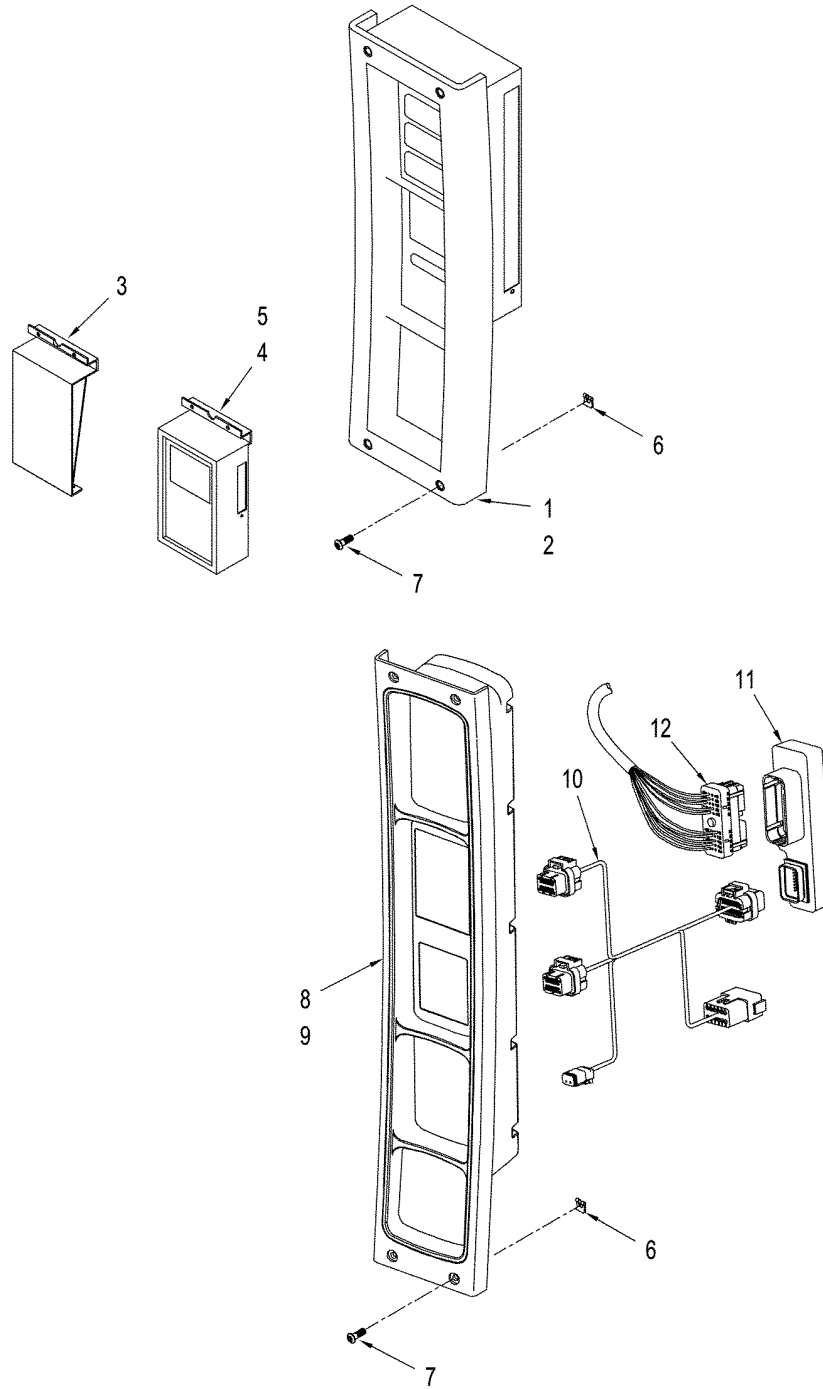


## WINDSHIELD WASHER

REF	FN	PART NUMBER	YR/SN	QTY	DESCRIPTION
1		313576A1		1	RESERVOIR
2		895-11008		4	WASHER 9 x 17 x 1,6 mm
3		811-8030		4	BOLT 8 x 30 mm
4		829-1408		4	NUT M8; 10
5		1964696C2		3	WIPER MOTOR
6		398715A1		1	HOSE 4775 mm (188 in), Front Wiper
7		398714A1		1	HOSE 3302 mm (130 in), Rear Wiper
8		31-2422		2	HOSE 254 mm (10 in), Cut From 4-1056
9		369708A1		4	CLAMP
10		829-1410		AR	NUT M10; 10
11		31-2364		2	FITTING 3/16 x 7/64
12		31-2608		2	HOSE 200 mm (8 in), Rear Wiper
13		435437A1		5	STRAP 7 in
14		121414A1		1	FUSE 20 amp
15		324203A1		2	VALVE, CHECK
16		515-24349		1	CLAMP
17		515-2495		4	CLAMP
18		31-2866		1	HOSE 160 mm ( 24 in), Cut From 4-1056T1
19		31-2363		2	TEE
20		31-2936		1	HOSE 4775 mm (188 in), Cut From 4-1056T1
21		384139A1		1	HOSE ASSY.
22		384141A1		1	HOSE ASSY.
23		31-2364		2	FITTING
24		384140A1		1	HOSE ASSY.
25		384142A1		1	HOSE ASSY. 250 mm (10 in), Cut From 31-2607T1

**STX375 STX450**  
**STX425 STX500**

INSTRUMENT CLUSTER



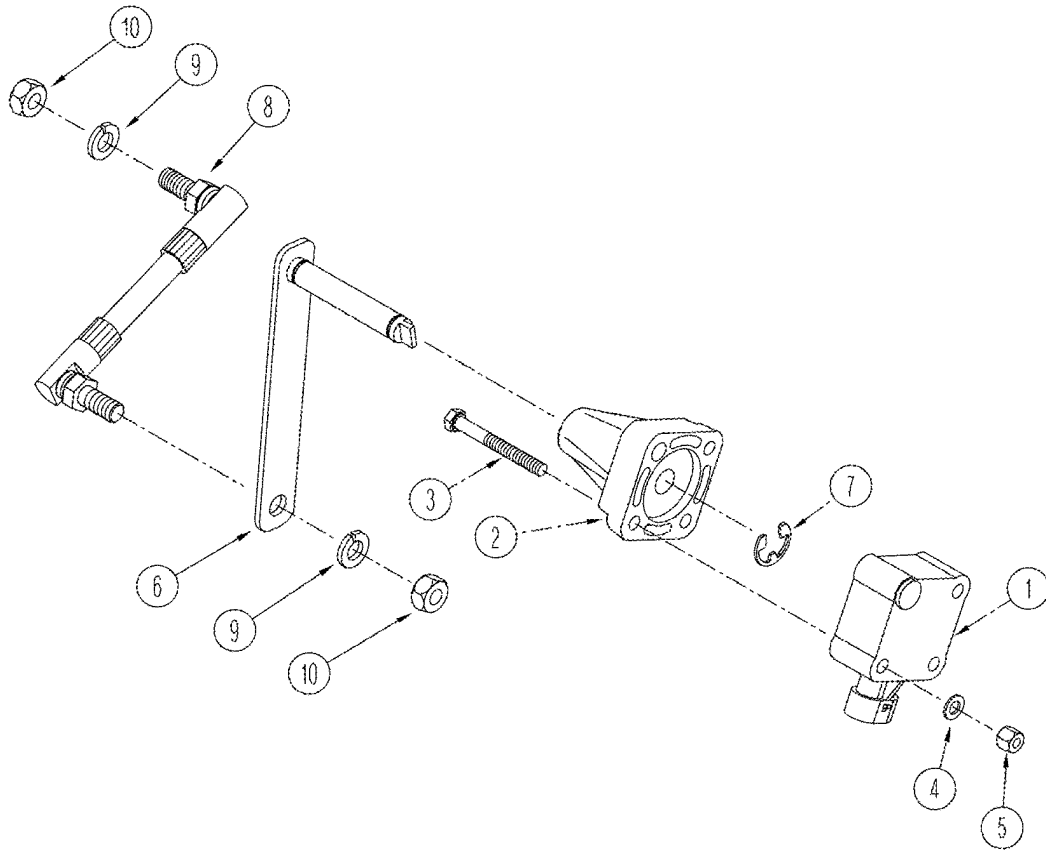
## INSTRUMENT CLUSTER

REF	FN	PART NUMBER	YR/SN	QTY	DESCRIPTION
1		434711A1	BSN JEE0102001	1	CLUSTER, INSTRUMENT
1		86989494	BTW JEE0102001 & JEE0106701	1	CLUSTER, INSTRUMENT
2	1	NSS		1	NOT SERVICED SEPARATELY Software, Not Illustrated
3		358296A1	BSN JEE0106701	1	PANEL Without Performance Monitor
4		362031A1	BSN JEE0106701	1	CLUSTER, INSTRUMENT Performance Monitor
5	1	NSS	BSN JEE0106701	1	NOT SERVICED SEPARATELY Software, Not Illustrated
6		177269A1		4	NUT
7		260-16516		4	SCREW No. 10 x 1
8		87307900	ASN JEE0106701	1	MODULE Deluxe
8		87307899	ASN JEE0106701	1	MODULE Basic
9	1	NSS	ASN JEE0106701	1	NOT SERVICED SEPARATELY Software, Basic / Deluxe Instrument, Not Illustrated
10	2,3	{87314360}		1	Jumper, ICU to ICU2
10	3,4	{87314361}		1	Jumper, ICU to ICU2
11	3	87314358		1	ADAPTER Module, ICU to ICU2
12		REF		1	INSTRUCTION Harness, Main Cab, See Figure: 04-22 & 04-23
		365979A1	BSN JEE0106701	1	KIT Performance Monitor, Inc. 4

- (1) Down Load Software From Service Tool  
(2) With Power Shift Transmission  
(3) Used to Convert BSN JEE0106701 ICU to ASN JEE0106701 ICU2  
(4) With Manual Shift Transmission

**STX375 STX450**  
**STX425 STX500**

SENSOR - HITCH POSITION

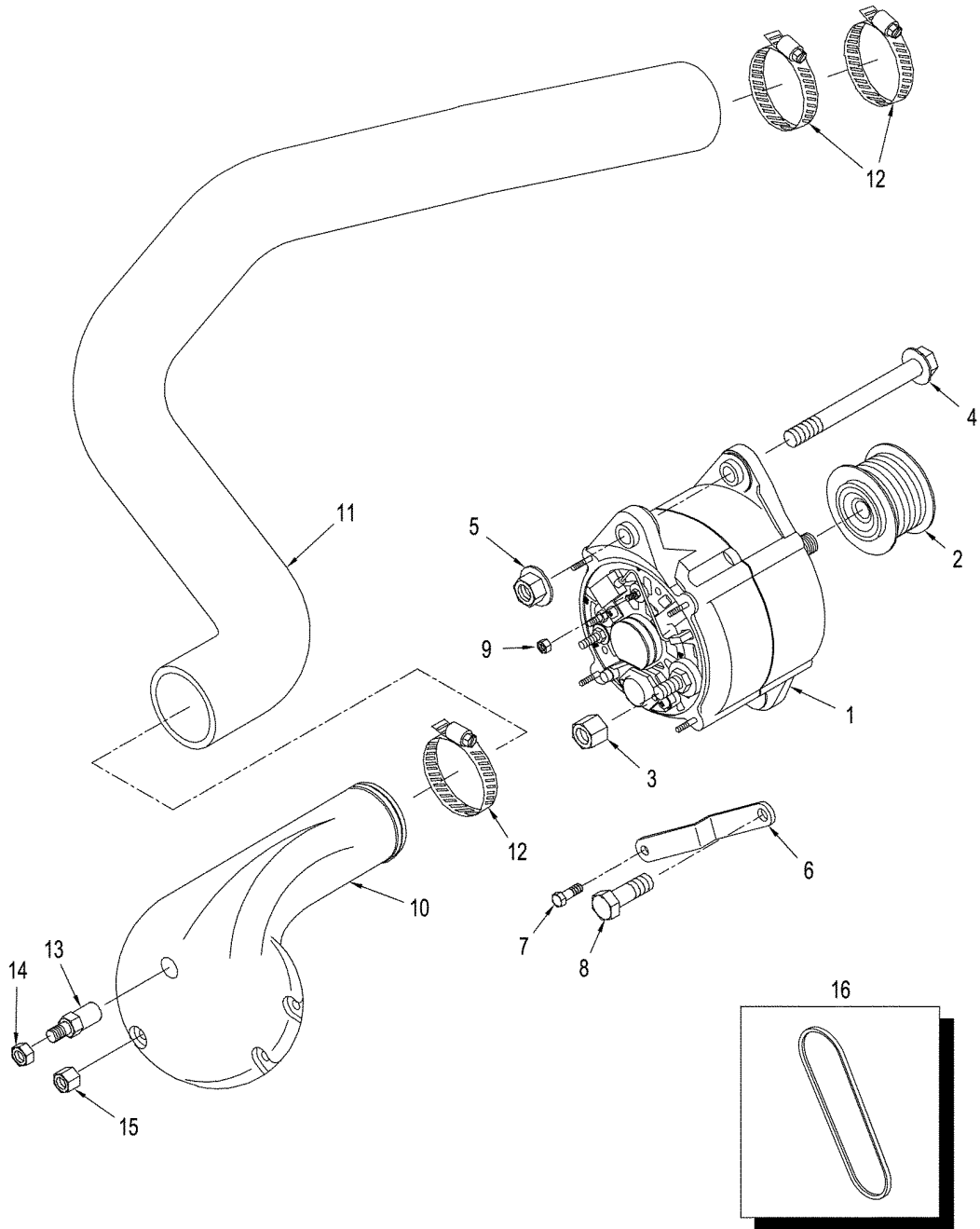


## SENSOR - HITCH POSITION

REF	FN	PART NUMBER	YR/SN	QTY	DESCRIPTION
1		283659A1		1	SENSOR Hitch Position
2		305020A2		1	BUSHING
3		614-5045		3	BOLT M5 x 45; 8,8
4		895-11005		3	WASHER 5,5 x 10 x 1 mm
5		832-10405		3	NUT M5
6		353926A1		1	ARM
7		800-4310		2	RING, SNAP
8		358978A1		1	ROD Tie
9		892-11008		2	WASHER M8
10		829-1408		2	NUT M8; 10

**STX375 STX450**  
**STX425 STX500**

ALTERNATOR - MOUNTING, 135 AMPERE



**ALTERNATOR - MOUNTING, 135 AMPERE**

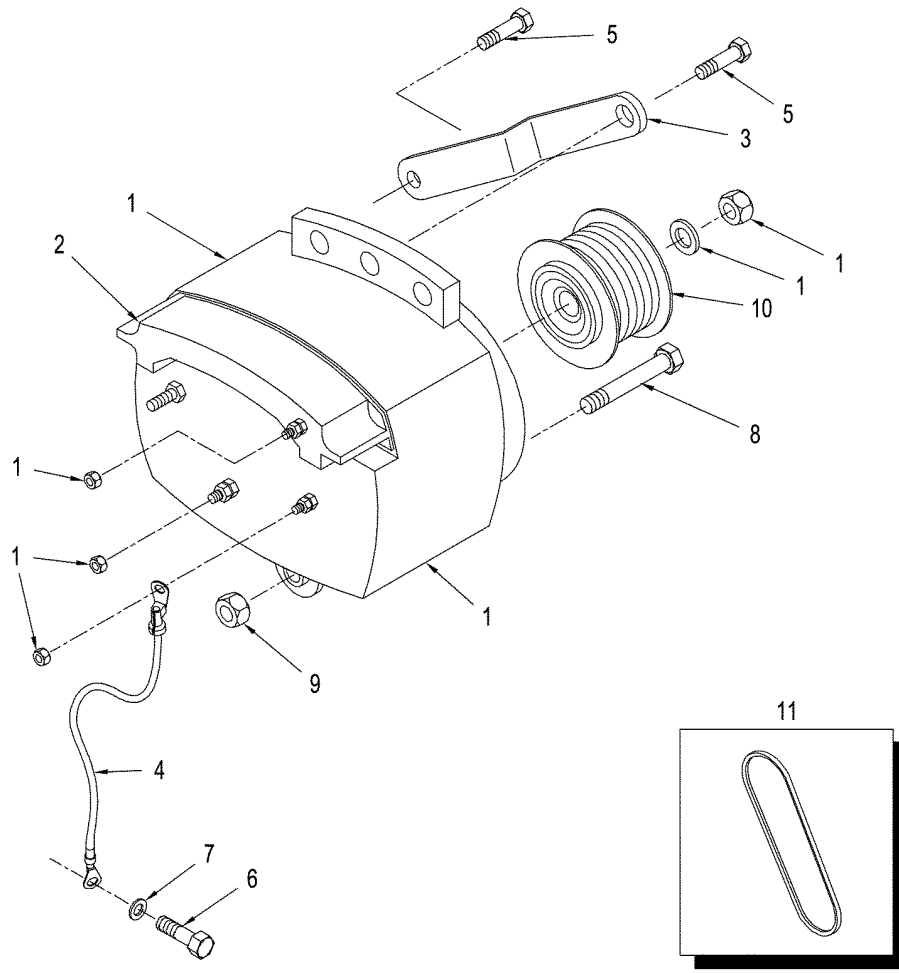
REF	FN	PART NUMBER	YR/SN	QTY	DESCRIPTION
1		125849A1		1	ALTERNATOR 135 amp, See Figure 04-07
2	1	NSS		1	NOT SERVICED SEPARATELY Pulley
3		231-1447		1	NUT 7/16
4	1	NSS		1	NOT SERVICED SEPARATELY Bolt
5	1	NSS		2	NOT SERVICED SEPARATELY Nut
6	1	NSS		1	NOT SERVICED SEPARATELY Brace
7	1	NSS		1	NOT SERVICED SEPARATELY Bolt
8	1	NSS		1	NOT SERVICED SEPARATELY Bolt
9		832-10404		1	NUT M4; 8
10		86983592	ASN JEE0102317	1	COVER Alternator Cooling
11		86983593	ASN JEE0102317	1	HOSE
12		214-3156	ASN JEE0102317	3	CLAMP 3-1/2 in
13		87405340	ASN JEE0102317	1	ADAPTER
14		231-1447	ASN JEE0102317	1	NUT 7/16 in
15		832-10404	ASN JEE0102317	1	NUT M4, CL8
16		87437226		1	BELT Accessory Drive, Alternator & Air Conditioning

(1) Order From Cummins Engine Dealer

**STX375 STX450  
STX425 STX500**



ALTERNATOR - MOUNTING, 185 AMPERE



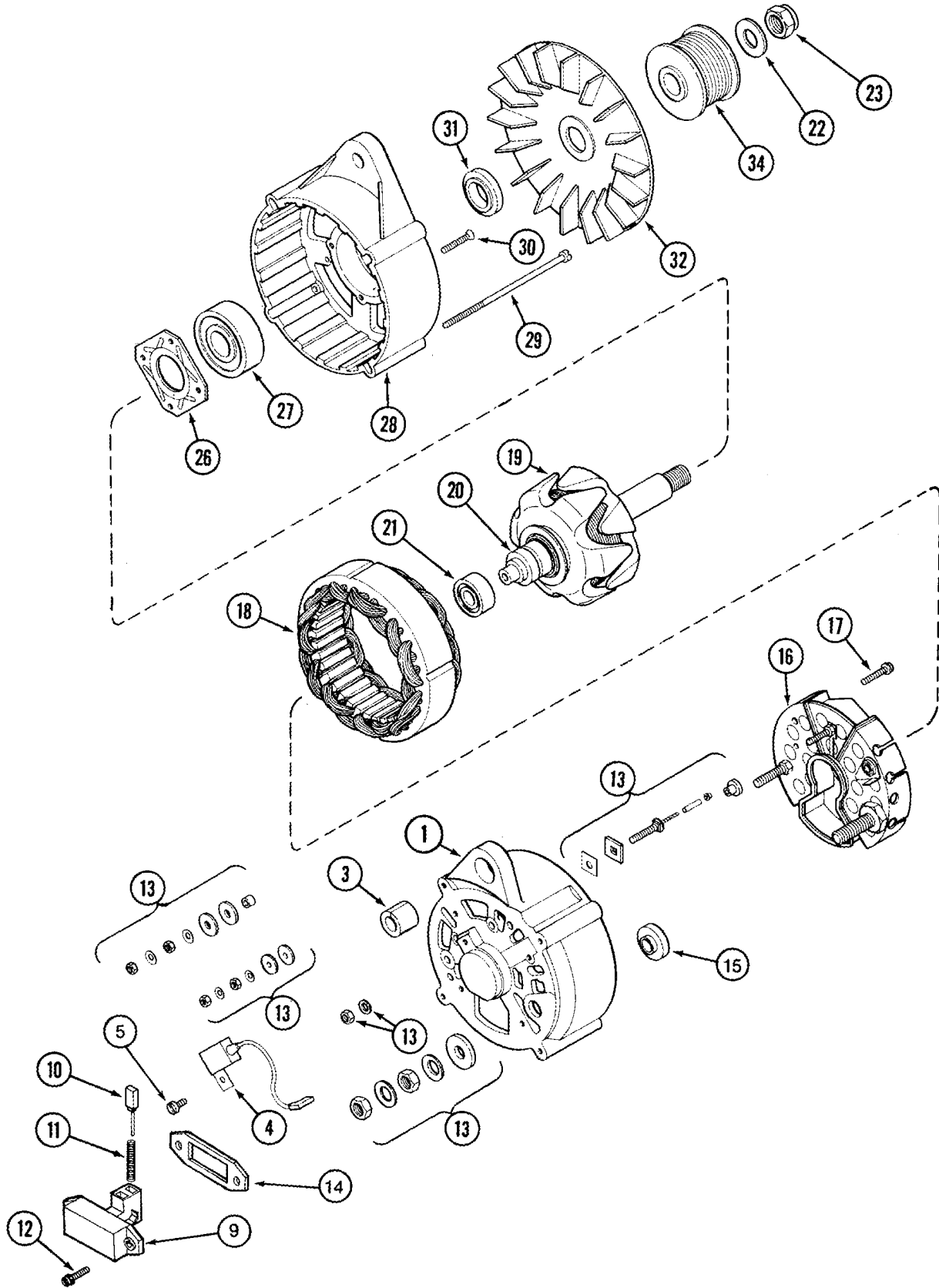
**ALTERNATOR - MOUNTING, 185 AMPERE**

REF	FN	PART NUMBER	YR/SN	QTY	DESCRIPTION
1		87409414		1	ALTERNATOR 185 amp, Inc. Hardware
1		87409251		1	REMAN-ALTERNATOR 185 amp
1		87409252		1	CORE-ALTERNATOR 185 amp
2		87018506		1	REGULATOR, VOLTAGE
3		432436A1		1	STRAP
4		432439A1		1	CABLE Ground
5	1	NSS		2	NOT SERVICED SEPARATELY Bolt
6		627-10025		1	SCREW M10 x 25; 10.9
7		896-11012		1	WASHER 13,5 x 24 x 3 mm
8	1	NSS		1	NOT SERVICED SEPARATELY Bolt
9	1	NSS		1	NOT SERVICED SEPARATELY Nut
10		432437A1		1	PULLEY
11		87437226		1	BELT Accessory Drive, Alternator & Air Conditioning

(1) Order From Cummins Engine Dealer

**STX375 STX450  
STX425 STX500**

ALTERNATOR ASSEMBLY - 135 AMPERE



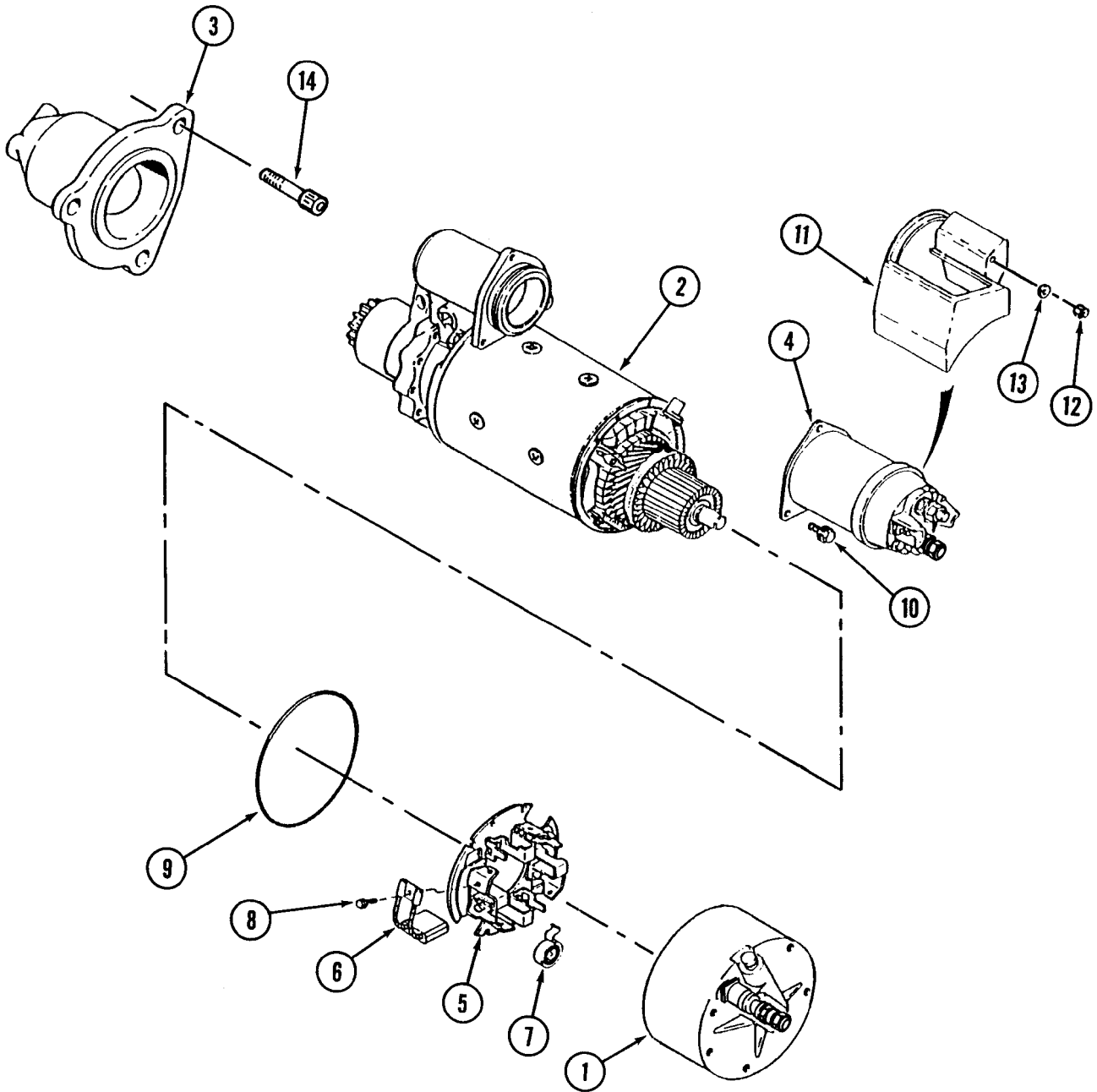
## ALTERNATOR ASSEMBLY - 135 AMPERE

REF	FN	PART NUMBER	YR/SN	QTY	DESCRIPTION
		125849A1		1	ALTERNATOR 135 amp, Inc. 1 - 32
		125849A1R		1	REMAN-ALTERNATOR Remanufactured, N.A. Only
		125849A1C		1	CORE-ALTERNATOR
1		1964731C1		1	HOUSING
3		1964737C1		1	BUSHING
4		3079389R1		1	CAPACITOR
5		1964969C1		1	BOLT
9		111899A1		1	REGULATOR
10		1964968C1		1	BRUSH
11		1964734C1		2	SPRING
12		A187504		2	SCREW
13		1964738C1		1	PACKAGE
14		140546A1		1	GASKET
15		140545A1		1	BUSHING
16		1964732C1		1	RECTIFIER
17		A186194		2	SCREW
18		140548A1		1	STATOR
19		1964728C1		1	ROTOR
20		140543A1		1	RING
21		1964730C1		1	BEARING, BALL
22		495-21063		1	WASHER 5/8 x 1-15/32 x 7/64
23		231-24410		1	NUT 5/8 NF
26		1964727C1		1	PLATE
27		1964726C1		1	BEARING, BALL
28		1964725C1		1	HOUSING
29		140549A1		4	SCREW
30		140541A1		4	SCREW
31		1964729C1		1	SPACER
32		1964736C1		1	FAN
34	1	NSS		1	NOT SERVICED SEPARATELY Pully

(1) Order From Cummins Engine Dealer

**STX375 STX450**  
**STX425 STX500**

STARTER ASSEMBLY, BSN JEE0102479



## STARTER ASSEMBLY, BSN JEE0102479

REF	FN	PART NUMBER	YR/SN	QTY	DESCRIPTION
		87409408		1	MOTOR, STARTER 12V, 42MT, Delco Remy, Inc. 1-13
		87409260		1	REMAN-STARTER Remanufactured, Inc. 1 - 63
		87409261		1	CORE-STARTER Return Number
1		NSS		1	NOT SERVICED SEPARATELY Cover, Commutator End
2		NSS		1	NOT SERVICED SEPARATELY Motor
3		NSS		1	NOT SERVICED SEPARATELY Housing
4		419816A1		1	SOLENOID
5		NSS		1	NOT SERVICED SEPARATELY Plate
		81774C1			SET, BRUSHES Consists of 6 - 9
6		NSS		4	NOT SERVICED SEPARATELY Brush
7		NSS		4	NOT SERVICED SEPARATELY Spring
8		NSS		4	NOT SERVICED SEPARATELY Screw
9		NSS		1	NOT SERVICED SEPARATELY O-Ring
10		NSS		1	NOT SERVICED SEPARATELY Bolt
11		NSS		1	NOT SERVICED SEPARATELY Guard
12		NSS		1	NOT SERVICED SEPARATELY Nut
13		NSS		1	NOT SERVICED SEPARATELY Washer
14	1	NSS		3	NOT SERVICED SEPARATELY Bolt

(1) Order From Cummins Engine Dealer

**STX375 STX450  
STX425**

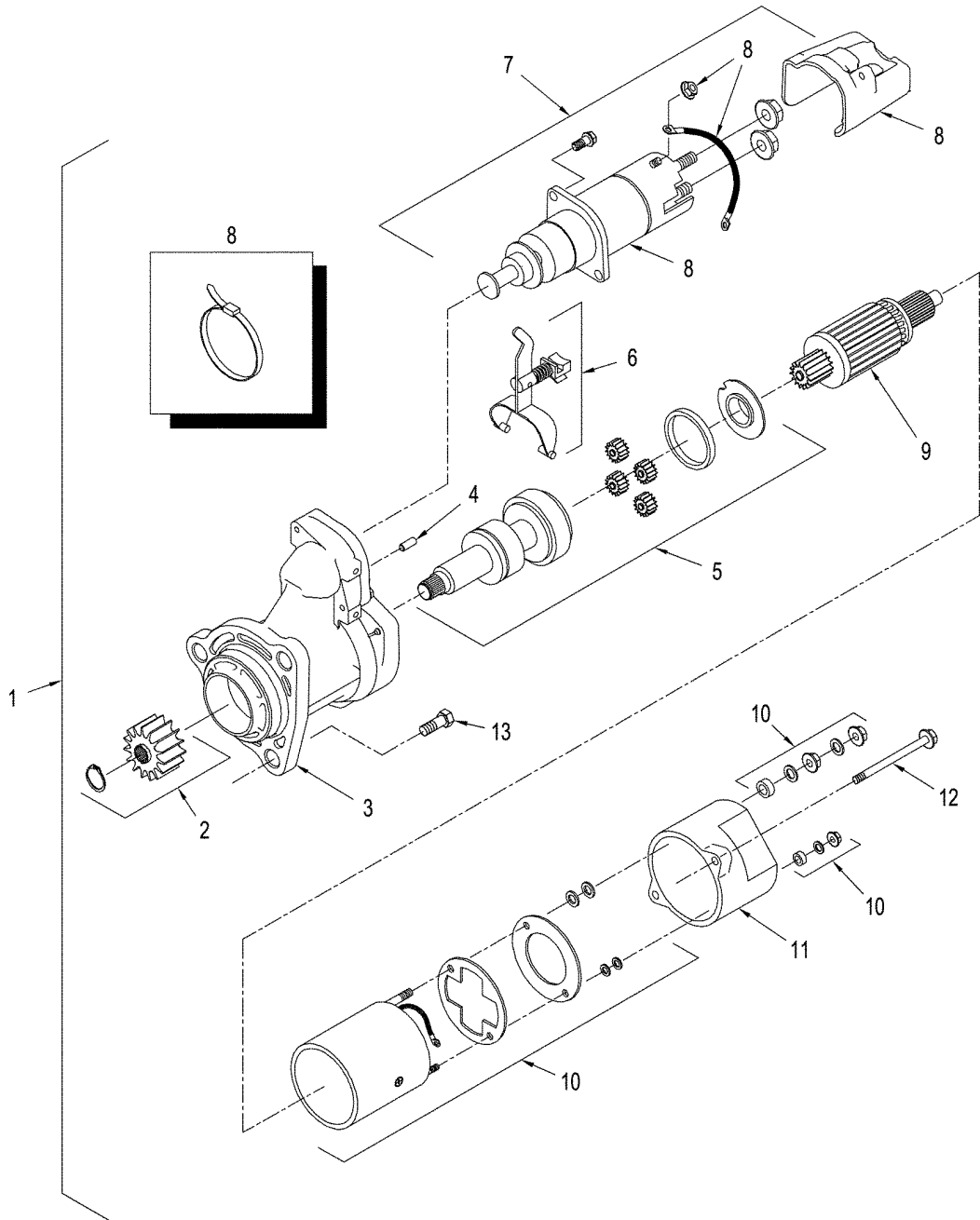
04-08

01

p1

08/05

STARTER ASSEMBLY, ASN JEE0102479



**STARTER ASSEMBLY, ASN JEE0102479**

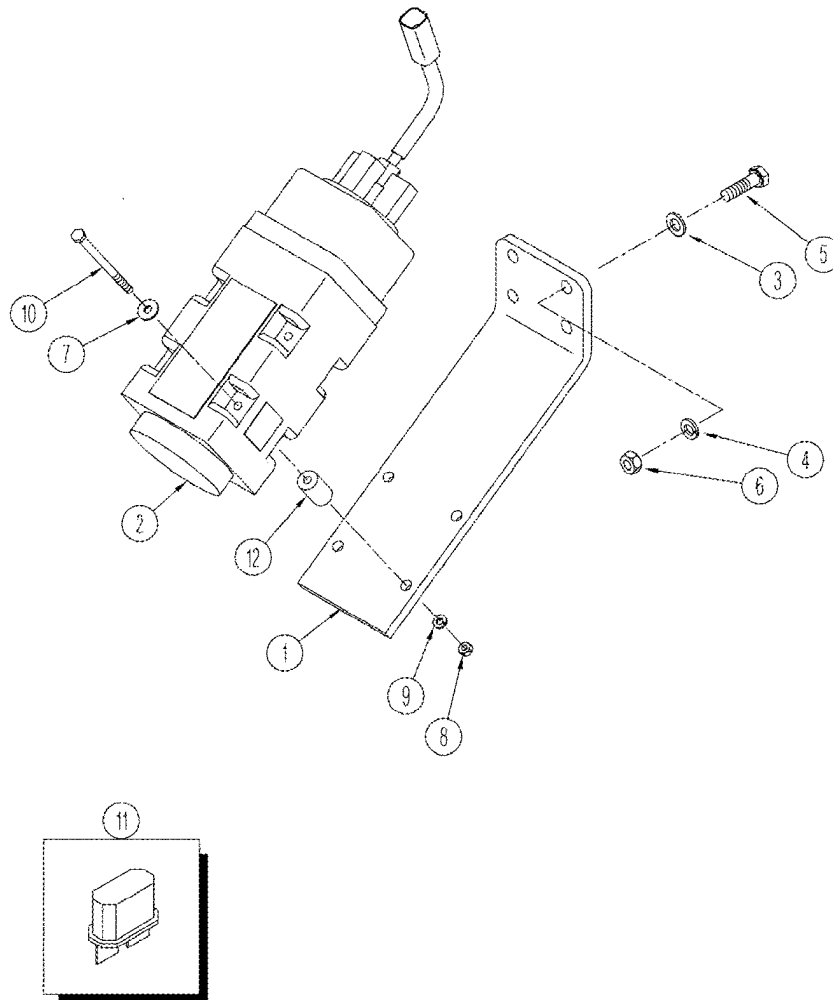
REF	FN	PART NUMBER	YR/SN	QTY	DESCRIPTION
1		87415661	BTW JEE0104001 & JEE0102479	1	MOTOR, STARTER 12V, 39MT-HD, Delco Remy, Inc. 2 - 12
1		87417338	ASN JEE0104001	1	MOTOR, STARTER 24V, 39MT-HD, Delco Remy, Inc. 2 - 12
2		87429796		1	PINION Assy.
3		87429803		1	HOUSING Inc. 4
4		NSS		1	NOT SERVICED SEPARATELY Pin, Roll
5		87429799		1	DRIVE ASSY. Without Pinion Kit
6		87429793		1	LEVER ASSY.
7		87429798	BTW JEE0104001 & JEE0102479	1	SOLENOID 12V, With Jump Start Shield
7		87429797	ASN JEE0104001	1	SOLENOID 24V, With Jump Start Shield
8		87454482		1	KIT, FIP Jump Start
9		87429801	BTW JEE0104001 & JEE0102479	1	ARMATURE 12V
9		87429802	ASN JEE0104001	1	ARMATURE 24V
10		87429795	BTW JEE0104001 & JEE0102479	1	BRUSH ASSY. 12V
10		87429794	ASN JEE0104001	1	BRUSH ASSY. 24V
11		87429800		1	HOUSING Communicator End
12		87429804		2	BOLT
13	1	NSS		3	NOT SERVICED SEPARATELY Bolt, Mounting, 2 x 1/16, Gr 8.8

(1) Order From Cummins Engine Dealer

**STX375 STX450  
STX425 STX500**



GROUND SPEED SENSOR

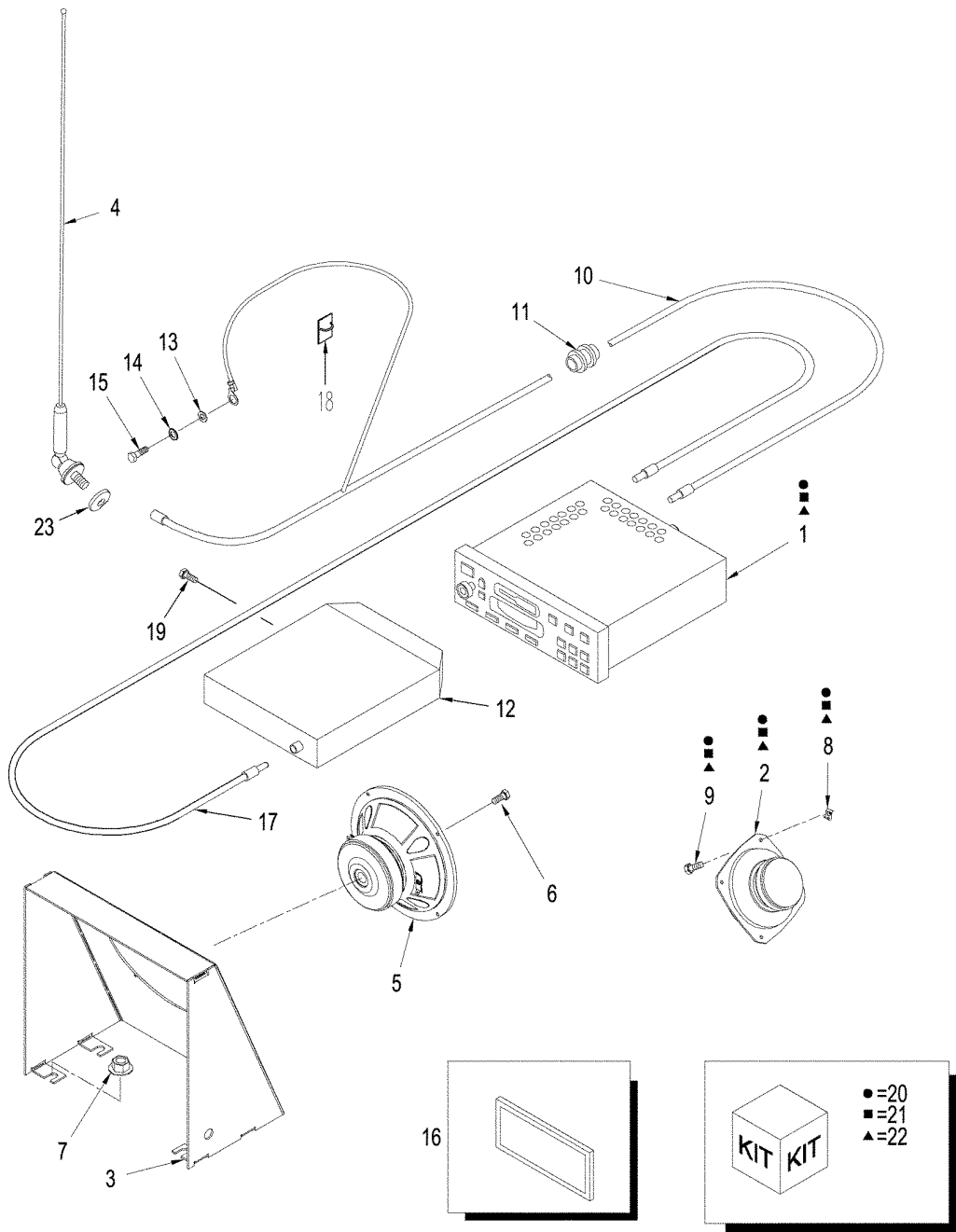


## GROUND SPEED SENSOR

REF	FN	PART NUMBER	YR/SN	QTY	DESCRIPTION
		334233A1		1	KIT Ground Speed, Inc. 1 - 12
1		414936A1		1	SUPPORT
2		228760A1		1	RADAR Ground Speed
3		895-11010		4	WASHER 11 x 20 x 2 mm
4		892-11010		4	WASHER, LOCK M10
5		627-10035		4	BOLT M10 x 35; 10.9
6		829-1410		4	NUT M10; 10
7		895-25006		4	WASHER 6,6 x 18 x 1,6 mm
8		829-1406		4	NUT M6; 10.9
9		892-11006		4	WASHER, LOCK M6
10		827-6100		4	BOLT M6 x 100; 10.9
11		121412A1		1	FUSE 10 amp
12		414937A1		4	SPACER

**STX375 STX450**  
**STX425 STX500**

RADIO AND SPEAKERS



## RADIO AND SPEAKERS

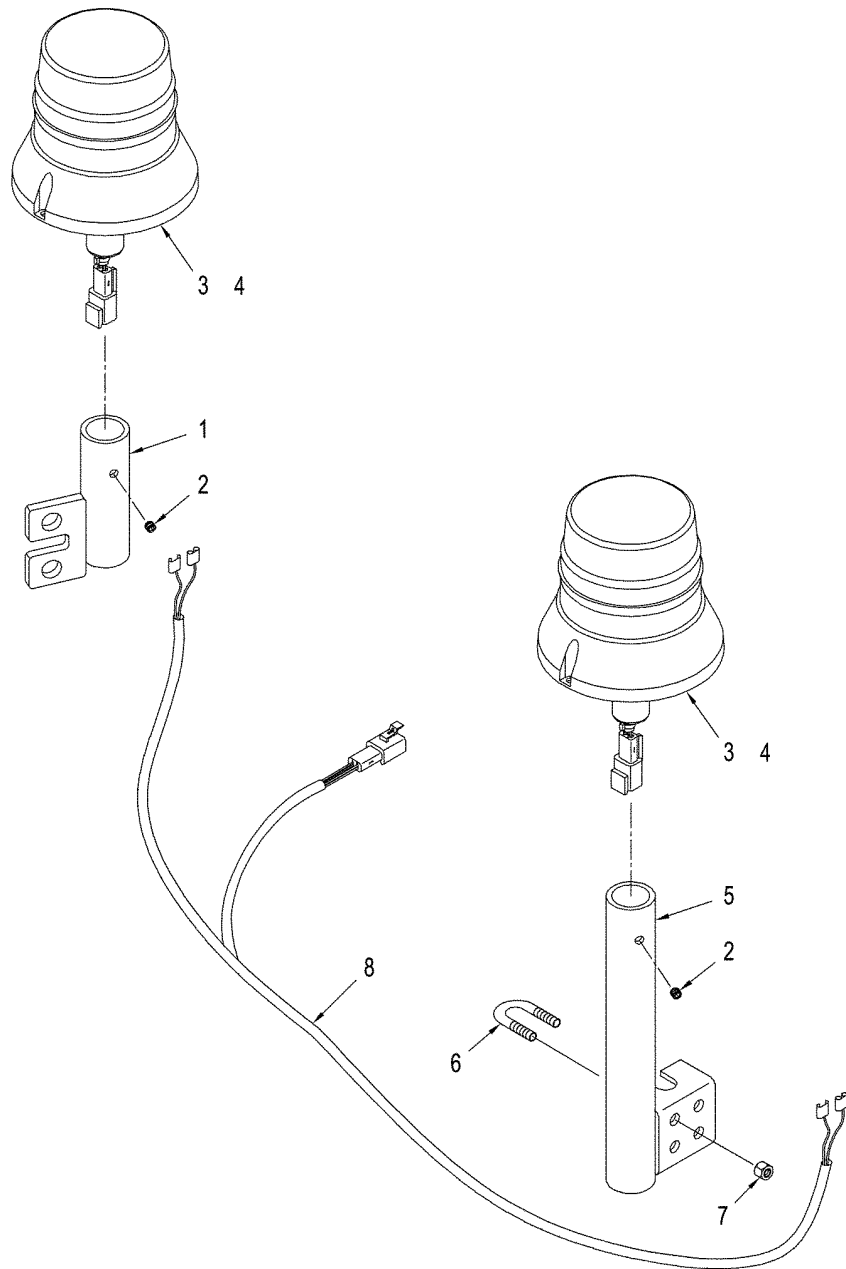
REF	FN	PART NUMBER	YR/SN	QTY	DESCRIPTION
1		366631A2		1	RADIO AM / FM / WB
1	1	355623A2		1	RADIO AM / FM / WB / Cassette
1	2	325061A2		1	RADIO AM / FM / WB / Cassette / CD
1		86998223		1	RADIO Delco, AM / FM / WB / Single CD
2		258342A2		2	SPEAKER Co-Axial
3		388445A1		1	HOUSING Subwoofer
4		360215A1		1	ANTENNA
5		388444A1		1	SPEAKER 8, Subwoofer
6		760-14395		4	SCREW M4,2 x 9,5; st
6		765-14319		4	SCREW M4,2 x 19, Australian Models
7		825-51410		4	NUT M10
7		825-5148		4	NUT M8; 8
8		177269A1		8	NUT
9		1270741C1		8	SCREW
10		360432A2		1	HARNESS Antenna, Inc. 11
11		NSS		1	NOT SERVICED SEPARATELY Grommet
12		317688A1		1	PLAYER, COMPACT DISC Delco, 6 Disc
13		895-11006		1	WASHER 6,6 x 12 x 1,6 mm
14		893-11006		1	WASHER M6
15		779-14613		1	SCREW M6,3 st x 13
16		1535219C1		1	COVER Without Radio
17		303433A1		1	HARNESS CD Player, If Used
17		449071A1		1	HARNESS CD Player, 5486 mm (216 in), If Used
18		388489A1		2	CLIP, ELECTRICAL
19		864-5012		3	SCREW M5 x 12
20		334229A1		1	KIT AM / FM / WB / Cassette / CD, Inc. 1,2,8,9
21		186158A1		1	KIT AM / FM / WB, Includes 1,2,8,9
22		719582003		1	KIT Single CD Player / Radio
23		87343754		1	SPACER

(1) Deluxe Cab

(2) Luxury Cab

**STX375 STX450**  
**STX425 STX500**

LAMP - STROBE



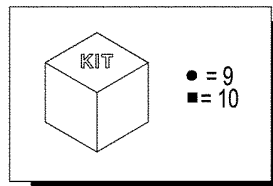
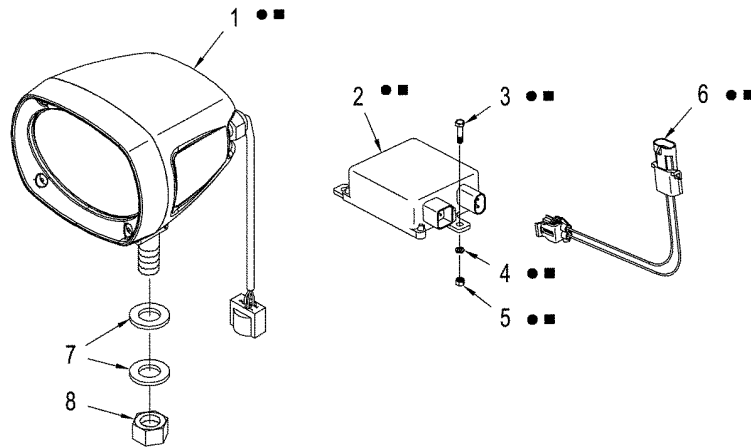
## LAMP - STROBE

REF	FN	PART NUMBER	YR/SN	QTY	DESCRIPTION
1		383983A1		1	BRACKET Mounting
2		878-1066		1	SCREW M6 x 6
3		279013A3		1	LAMP Strobe, Inc. 4
4		323095A1		1	BULB
5	1	387938A2		1	SUPPORT ASSY. Mounting
6	1	253105A1		2	U-BOLT M8
7	1	832-10408		4	NUT M8, CL8
8		396484A1		1	HARNESS Beacon Light

(1) Europe Option

**STX375 STX450**  
**STX425 STX500**

LAMPS - REAR FRAME, H.I.D.



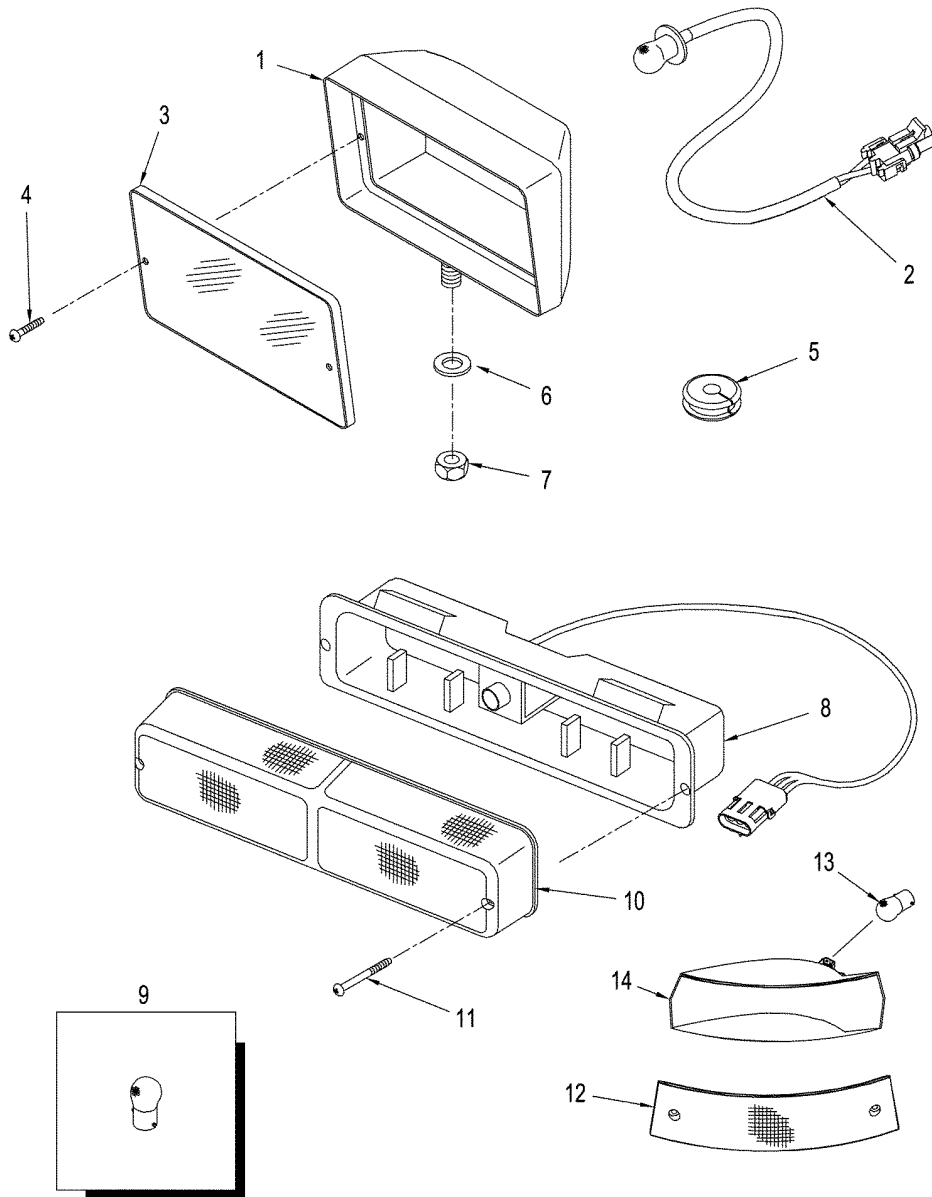
## LAMPS - REAR FRAME, H.I.D.

REF	FN	PART NUMBER	YR/SN	QTY	DESCRIPTION
1		87419587		2	LAMP Flood
1		87419591		2	LAMP Trap
2		447742A1		AR	BALLAST Rear H.I.D.
3		614-5020		12	BOLT Cap, HH, M5 x 20, CL8.8
4		895-11005		12	WASHER 5.5 x 10 x 1.0 mm
5		832-10405		12	NUT Lock, M5, CL8
6		87419583		AR	CABLE Ballast to Rear Harness
7		896-15012		8	WASHER 13.5 x 28 x 4 mm
8		829-1410		4	NUT M10, CL10
9		719618003		1	KIT, FIP H.I.D., Rear Flood
10		719702013		1	KIT, FIP H.I.D., Rear Trap

**STX375 STX450**  
**STX425 STX500**



LAMPS - REAR FRAME AND FIELD

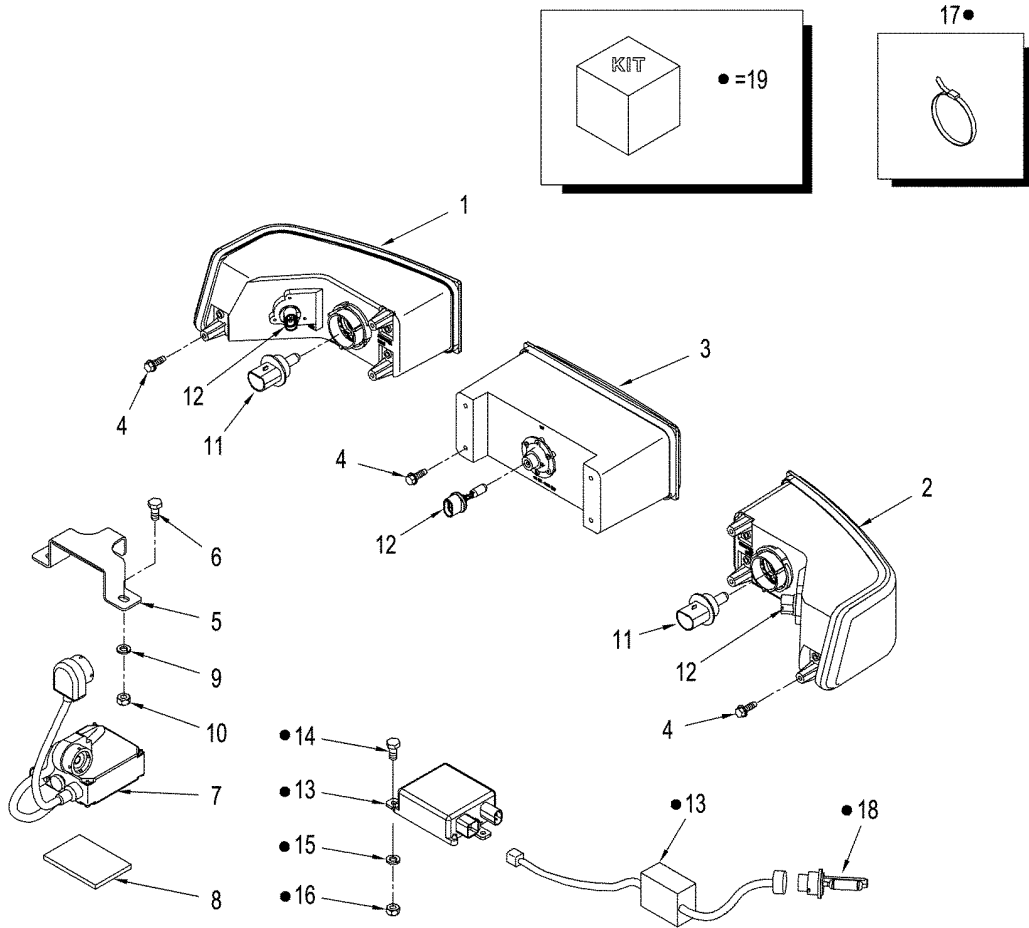


## LAMPS - REAR FRAME AND FIELD

REF	FN	PART NUMBER	YR/SN	QTY	DESCRIPTION
		92269C1		2	LAMP, WORK Inc. 1 - 4
1		1964806C1		1	BEZEL
2		1312210C2		1	BULB 12V - 55W
3		276498A1		1	LENS
4		260-54312		2	SCREW, SELF TAPPING No. 6 x 3/4
5		248-2399		2	GROMMET 1
6		895-11010		2	WASHER 11 x 20 x 2 mm
7		829-1410		2	NUT M10; 10
		429385A1		1	LIGHT, WORK Rear Frame, LH, Inc. 8 - 10
		388337A1		1	LIGHT, INDICATER Rear Frame, LH, Inc. 8 - 10 (Europe Only)
		417788A1		1	LIGHT, WORK Rear Frame, RH, Inc. 8 - 10
		388338A1		1	LIGHT, INDICATER Rear Frame, RH, Inc. 8 - 10 (Europe Only)
8		NSS		1	NOT SERVICED SEPARATELY Plate
9		3131227R1		1	BULB 12V, Amber Turn Lamp
9		3131234R1		1	BULB 12V, Red Brake Lamp
10		NSS		1	NOT SERVICED SEPARATELY Lens, Red and Amber
11		261-54536		2	SCREW
		320246A1		4	LAMP Warning, Cab Roof, Inc. 12 - 14
12		183748A1		1	LENS Amber
13		A41264		1	BULB 12V, No. 1156
14		NSS		1	NOT SERVICED SEPARATELY Housing

**STX375 STX450**  
**STX425 STX500**

HEADLAMPS

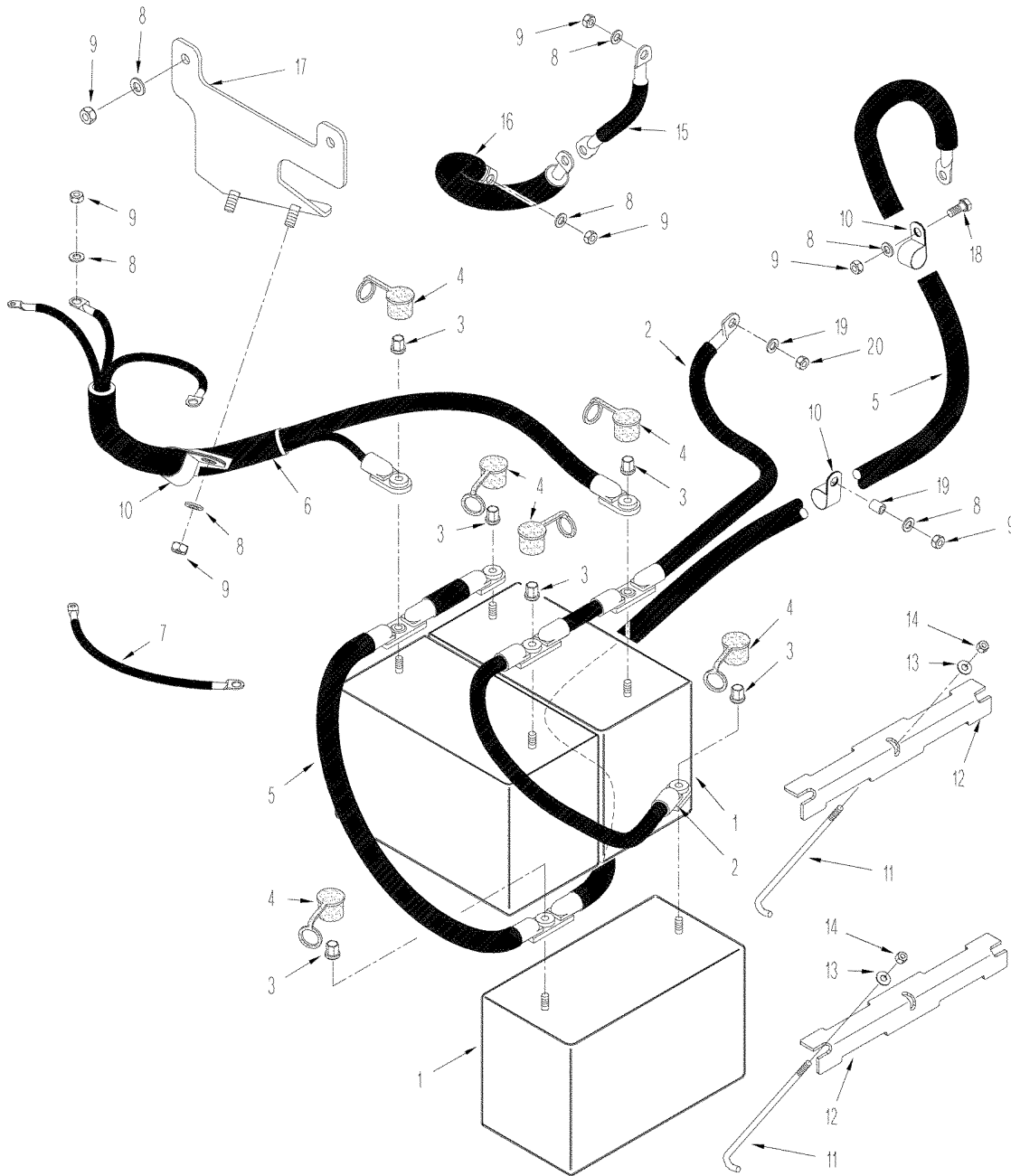


## HEADLAMPS

REF	FN	PART NUMBER	YR/SN	QTY	DESCRIPTION
1		365842A1		1	HEADLAMP With Work Lamp, Left-Hand, Inc. 11, 12
2		365841A1		1	HEADLAMP With Work Lamp, Right-Hand, Inc. 11,12
3		232454A2		1	LAMP, WORK Center, Halogen, Inc. 12
3		232455A2		1	LAMP, WORK Center, High Intensity Discharge (H.I.D.)
4		281-54712		10	SCREW 1/4 st x 3/4
5		333646A1		1	CLAMP High Intensity Discharge (H.I.D.)
6		627-8016		2	BOLT M8 x 16; 10.9
7		322332A1		1	BALLAST Center, High Intensity Discharge (H.I.D.)
8		333643A1		1	GASKET Foam
9		892-11008		2	WASHER M8
10		829-1408		2	NUT M8; 10
11		388872A1		1	BULB Headlamps
12		323093A1		1	BULB 885-12V, Halogen, Work Lamp
13		87427690		2	BALLAST Harness & Front Jumper, Right-Hand & Left-Hand Lamps, Inc. 18
14		614-5020		6	BOLT Cap, HH, M5 x 20, CL8.8
15		895-11005		6	WASHER 5.5 x 10 x 1.0 mm
16		832-10405		6	NUT M5, CL8
17		435437A1		4	STRAP Tie, 175 - 200 mm
18		87427689		2	BULB H.I.D, w/ Harness
19		719619003		1	KIT, FIP H.I.D. Light, Front Lower, Inc. 13 - 18

**STX375 STX450**  
**STX425 STX500**

BATTERIES - WHEEL TRACTOR, BSN JEE0104001

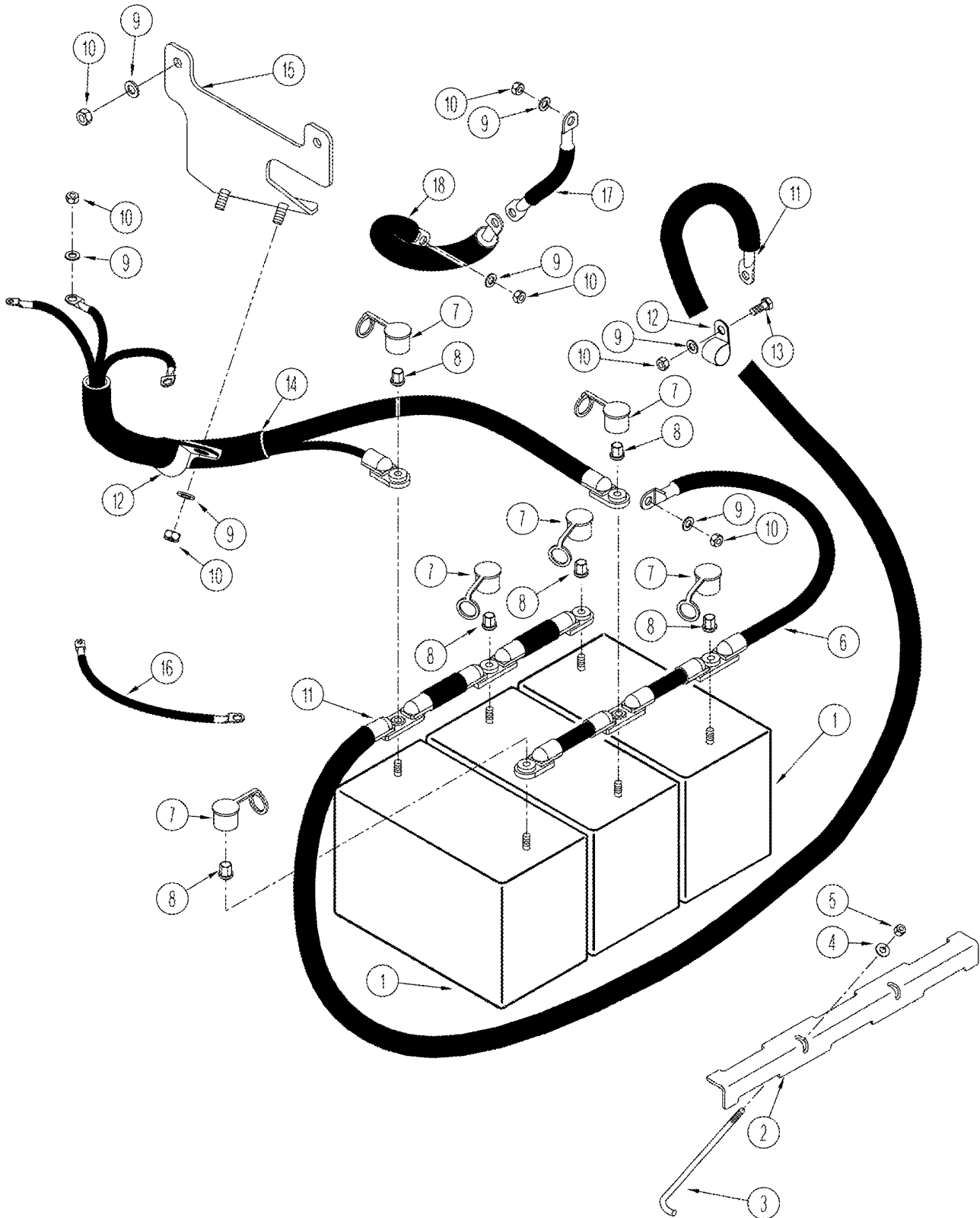


## BATTERIES - WHEEL TRACTOR, BSN JEE0104001

REF	FN	PART NUMBER	YR/SN	QTY	DESCRIPTION
1		BMF31GS		3	BATTERY, DRY 1000 CCA
2		366724A1		1	CABLE Ground, Inc. 3, 4
3		313189A1		2	NUT
4		NSS		2	NOT SERVICED SEPARATELY Cap
5		366725A2		1	CABLE Positive, Inc. 3, 4
6		361988A3		1	HARNESSE Cab Power, Inc. 3, 4
7		364590A1		1	CABLE Circuit Breaker
8		895-11010		8	WASHER 11 x 20 x 2 mm
9		829-1410		8	NUT M10; 10
10		515-25254		2	CLAMP 1 in
11		365357A1		2	ROD
12		365358A2		2	BRACKET Holddown
13		895-15008		2	WASHER 9 x 20 x 1,6 mm
14		832-10408		2	NUT M8; 8
15		442762A1		1	CABLE Engine Ground
16		364591A1		1	CABLE Chasis Ground
17		365035A5		1	BRACKET
18		627-10025		3	SCREW M10 x 25; 10.9
19		432444A1		1	SPACER

**STX375 STX450**  
**STX425**

BATTERIES - QUADTRAC TRACTOR, BSN JEE0104001



**04-15**

02

p1

08/03

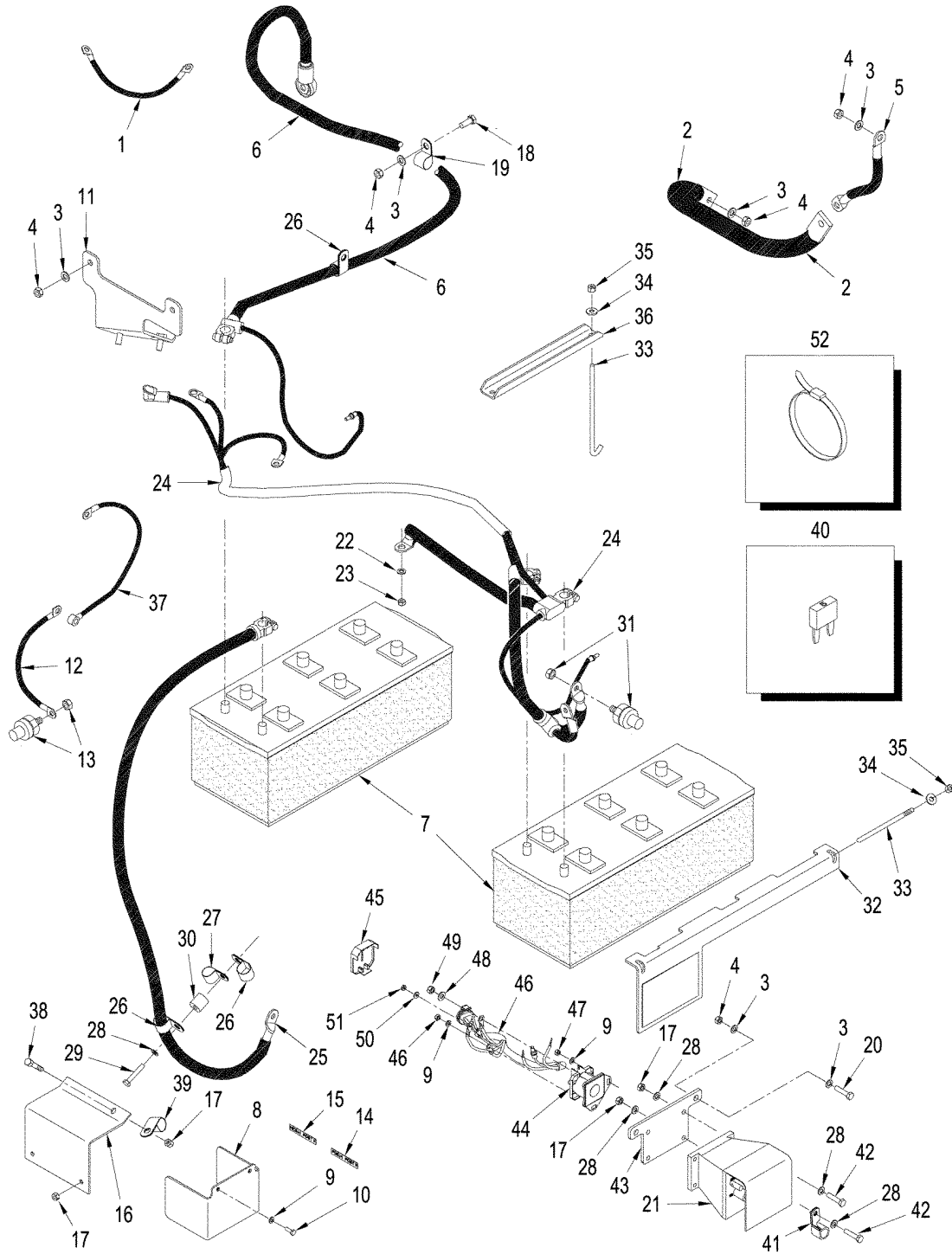
**BATTERIES - QUADTRAC TRACTOR, BSN JEE0104001**

REF	FN	PART NUMBER	YR/SN	QTY	DESCRIPTION
1		BMF31GS		3	BATTERY, DRY 1000 cca
2		366892A2		1	HOLDER
3		365357A1		2	ROD
4		895-15008		2	WASHER 9 x 20 x 1,6 mm
5		832-10408		2	NUT M8; 8
6		366724A1		1	CABLE Ground, Inc. 7, 8
7		NSS		2	NOT SERVICED SEPARATELY Cap
8		313189A1		2	NUT
9		895-11010		9	WASHER 11 x 20 x 2 mm
10		829-1410		9	NUT M10; 10
11		366725A2		1	CABLE Positive, Inc. 7, 8
12		515-25254		2	CLAMP 1 in ID
13		627-10025		3	SCREW M10 x 25; 10.9
14		361988A3		1	HARNESS Cab Power, Inc. 7, 8
15		365035A5		1	BRACKET
16		364590A1		1	CABLE Circuit Breaker
17		442762A1		1	CABLE Engine Ground
18		364591A1		1	CABLE Chasis Ground
19		515-25238		2	CLAMP 15/16 in ID, Not Illustrated

**STX375 STX450  
STX425**



BATTERIES, ASN JEE0104001



**04-15**

03

p1

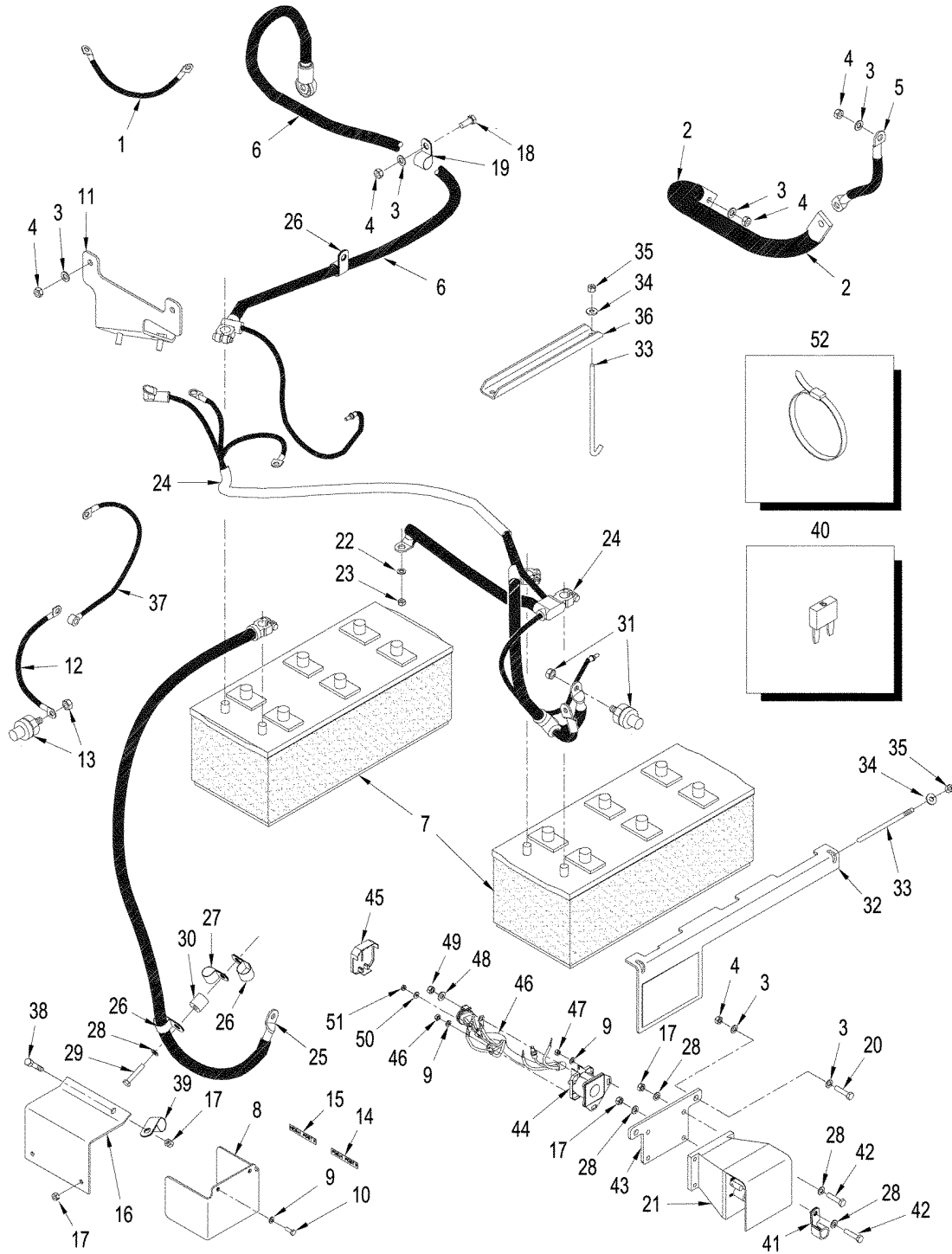
01/06

**BATTERIES, ASN JEE0104001**

REF	FN	PART NUMBER	YR/SN	QTY	DESCRIPTION
1		364590A1		1	CABLE Circuit Breaker
2		364591A1		1	CABLE Ground, Starter to Chasis
3		895-11010		10	WASHER 11 x 20 x 2,0 mm
4		829-1410		8	NUT M10, CL10
5		442762A1		1	CABLE Starter to Engine
6		87437247		1	CABLE Starter, 24V
7		BCH4DLTW		2	BATTERY, WET 1000 cca, for United States purchase
7		CBCH4DLTW		2	BATTERY, WET 1000 cca, for Canada purchase
8		87437207		1	SHIELD Relay
9		895-11006		4	WASHER 6,6 x 12 x 1,6 mm
10		627-6016		2	BOLT Cap, HH, M6 x 16, CL10.9
11		365035A5		1	BRACKET Cab Harness
12		87426208		1	CABLE Ground, Jump Start, 24V
13		A187583		1	STUD Jump Start
14		87427096		1	DECAL Positive (+) Post
15		87427317		1	DECAL Negative (-) Post
16		87413792		1	SHIELD Battery Terminals
17		829-1408		6	NUT M8, CL10
18		627-10025		2	SCREW Cap, HH, M10 x 25, CL10.9
19		515-25238		2	CLAMP
20		627-10030		2	BOLT Cap, HH, M10 x 30, CL10.9
21		389120		1	SWITCH ASSY Relay, Inc. 40
22		895-11012		1	WASHER 13,5 x 24 x 2,5 mm
23		829-1412		1	NUT M12, CL10
24		87437249		1	CABLE Ground, 12V
25		87418058		1	CABLE Ground, 24V
26		515-25254		3	CLAMP
27		515-24222		1	CLAMP
28		895-11008		11	WASHER 9 x 16 x 1,6 mm
29		827-8045		1	BOLT M8 x 45, CL10.9
30		8500571		1	SPACER
31		582785C91		1	CONNECTOR, TERMINAL Jump Start
32		87425760		1	PLATE Battery Hold Down, Side
33		87413678		2	ROD Battery Hold Down

**STX375 STX450**  
**STX425 STX500**

BATTERIES, ASN JEE0104001



**04-15**

03

p2

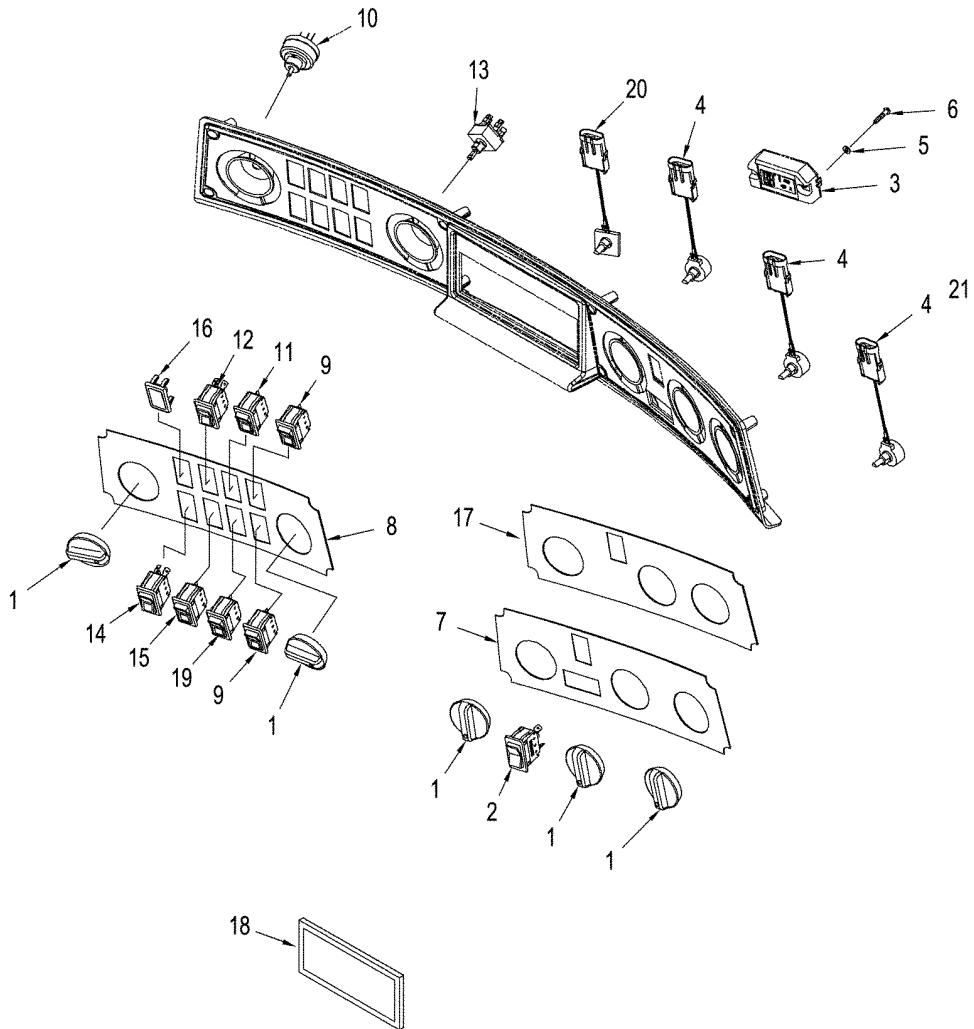
01/06

**BATTERIES, ASN JEE0104001**

REF	FN	PART NUMBER	YR/SN	QTY	DESCRIPTION
34		896-15008		4	WASHER 9 x 21 x 2,5 mm
35		832-10408		4	NUT Lock, M8, CL8
36		87413679		1	CHANNEL Battery Hold Down, Center
37		87437248		1	CABLE Relay Chasis Ground
38		627-8020		1	BOLT M8 x 20; CL10.9
39		516-23190		1	CLIP 19mm
40		420580		2	PLATE Fuse, 80 amp
41		R43926		1	CLAMP 90 Twist
42		627-8035		4	SCREW Cap, HH, M8 x 35, CL10.9
43		87417495		1	PLATE Mounting
44		183038A1		1	SOLENOID Switch, w/ Barrier
45		178148A1		1	COVER
46		87417510		1	HARNESS Relay 12 / 24V
47		829-1406		2	NUT M6, CL10
48		495-11034		2	WASHER .344 x .688 x .065 in
49		425-105		2	NUT 5/16, G5
50		495-31022		1	WASHER .219 x .500 x .049 in
51		225-14210		1	NUT No. 10
52		435437A1		2	STRAP Cable, 7-1/4"

**STX375 STX450  
STX425 STX500**

CONTROL PANEL - COMPONENTS, BSN JEE0106701



## CONTROL PANEL - COMPONENTS, BSN JEE0106701

REF	FN	PART NUMBER	YR/SN	QTY	DESCRIPTION
1		1331046C2		5	CAP, WASHER
2	1	255036A1		1	SWITCH Climate Control
2	2	295011A1		1	SWITCH Climate Control
3	2	308910A2		1	DISPLAY MATERIAL LCD
4	2	418107A1		AR	POTENTIOMETER
5		895-11004		2	WASHER 4,3 x 9 x 0,8 mm
6		260-1446		2	SCREW
7	2	308647A4		1	DECAL HVAC
8		431230A1		1	DECAL Light Panel
9		356885A1		2	SWITCH Rear / Lower Front Wiper
10		177250A1		1	SWITCH, LIGHTS Rotary, Work Lamps
11		430893A1		1	SWITCH Cruise Control
12		229379A1		1	SWITCH Strobe Lamp
13		345262A1		1	SWITCH Wiper, Front Washer / Wiper
14		229372A1		1	SWITCH, LIGHTS Road Lamp / Flasher
15		330116A1		1	SWITCH Auxiliary Power
16		126844A1		3	PLUG
17	1	308646A4		1	DECAL
18		1535219C1		1	COVER Without Radio, Australian Models
19		430894A1		1	SWITCH Cruise Control, Increase / Decrease
20	1	92100C2		1	SWITCH Blower Motor
21	1	345439A1		1	POTENTIOMETER Vent Motor

(1) Without Automatic Temperature Control

(2) With Automatic Temperature Control

**STX375 STX450**  
**STX425 STX500**

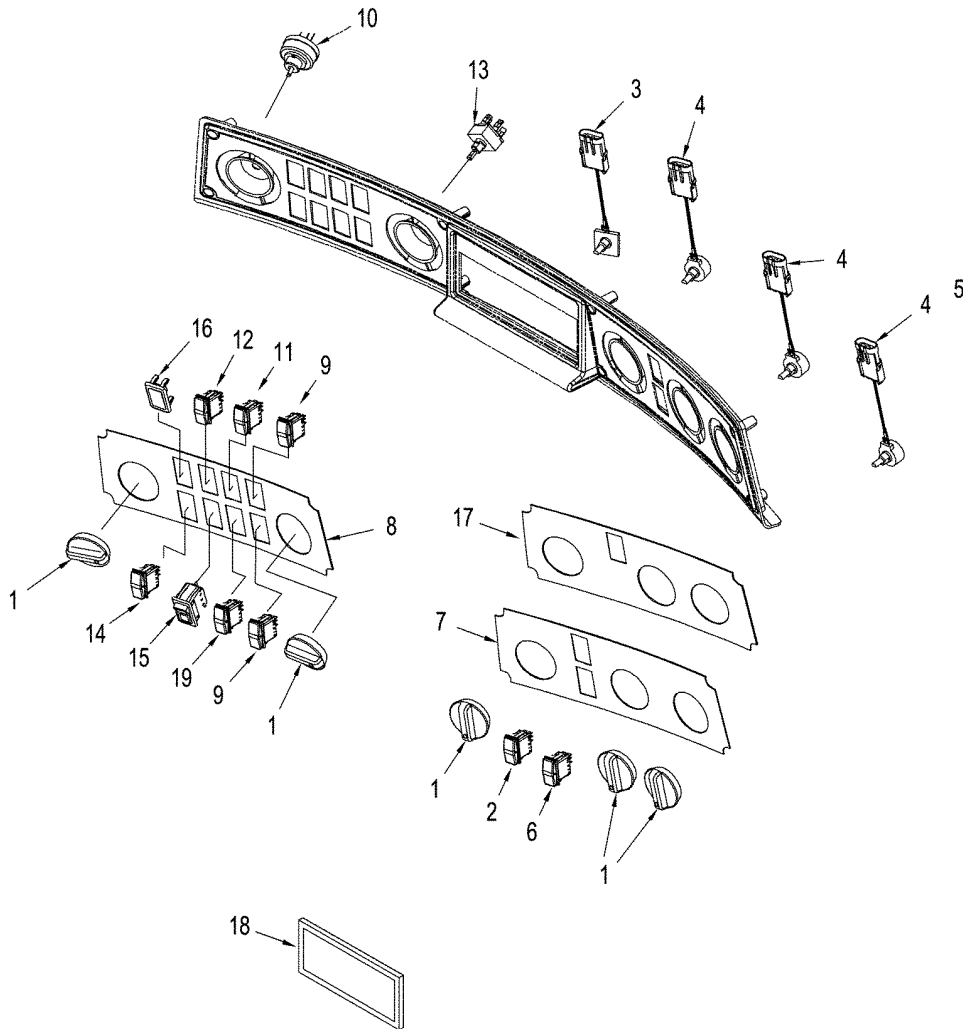
04-16

01

p1

12/04

CONTROL PANEL - COMPONENTS, ASN JEE0106701



## CONTROL PANEL - COMPONENTS, ASN JEE0106701

REF	FN	PART NUMBER	YR/SN	QTY	DESCRIPTION
1		1331046C2		5	CAP, WASHER
2	1	87405636		1	SWITCH Climate Control
2	2	87454558		1	SWITCH Climate Control
3	1	92100C2		1	SWITCH Blower Motor
4	2	418107A1		AR	POTENTIOMETER
5	1	345439A1		1	POTENTIOMETER Vent Motor
6		87305994		1	SWITCH Defog
7	2	87450974		1	DECAL Climate Control, See Figure 09-59
8		431230A1		1	DECAL Light Panel
9		86989939		2	SWITCH, WINDSHIELD WIPER Rear / Lower Front Wiper
10		177250A1		1	SWITCH, LIGHTS Rotary, Work Lamps
11		86989955		1	SWITCH Cruise Control
12		87414325		1	SWITCH Strobe Lamp
13		345262A1		1	SWITCH Front Washer / Wiper
14		87442098		1	SWITCH, LIGHTS Road Lamp / Flasher
15		330116A1		1	SWITCH Auxiliary Power
16		126844A1		3	PLUG
17	1	308646A4		1	DECAL Climate Control, See Figure 09-59
18		1535219C1		1	COVER Without Radio, Australian Models
19		86989953		1	SWITCH Cruise Control, Increase / Decrease

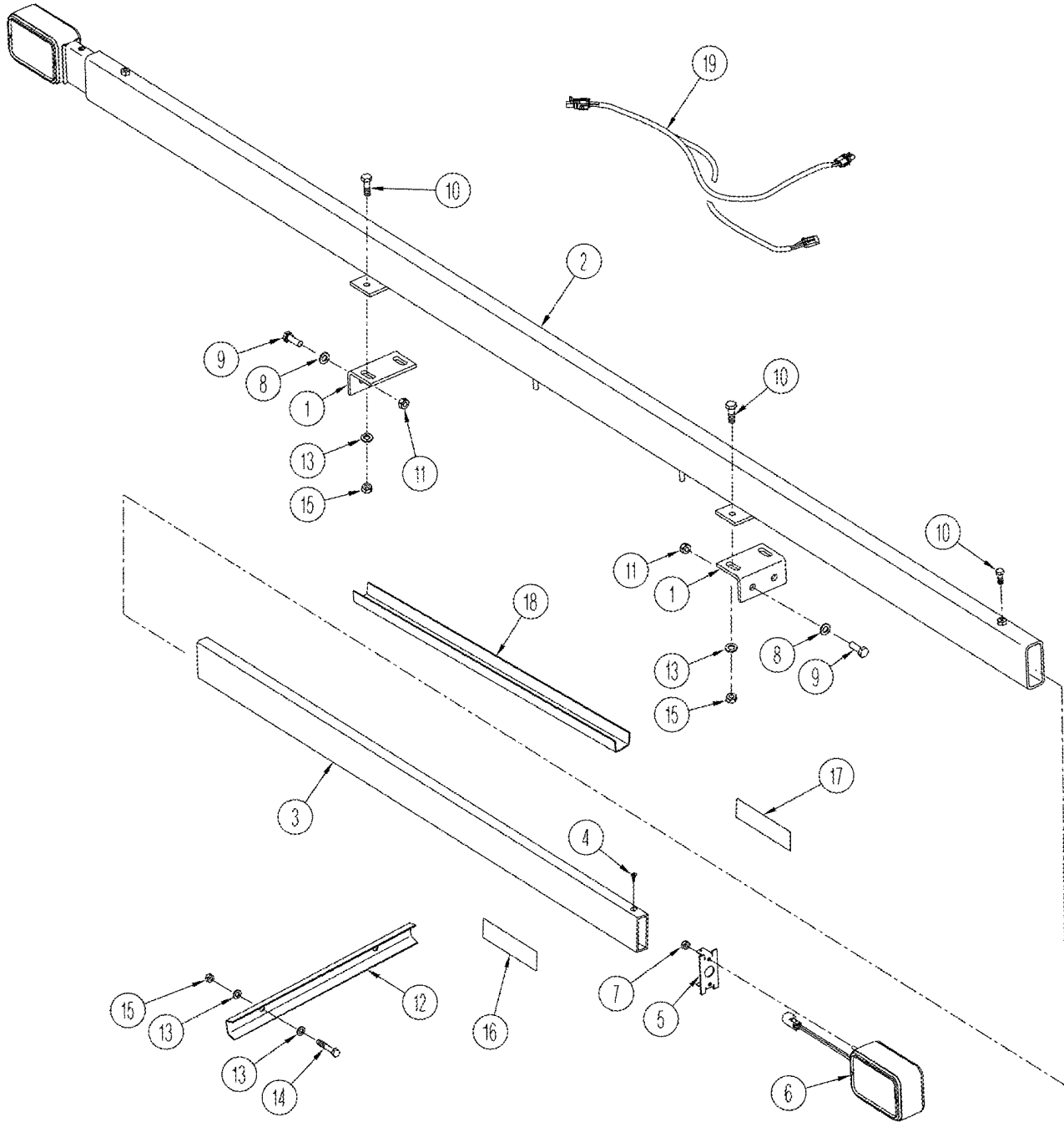
(1) Without Automatic Temperature Control

(2) With Automatic Temperature Control

**STX375 STX450**  
**STX425 STX500**



LAMPS - MARKER

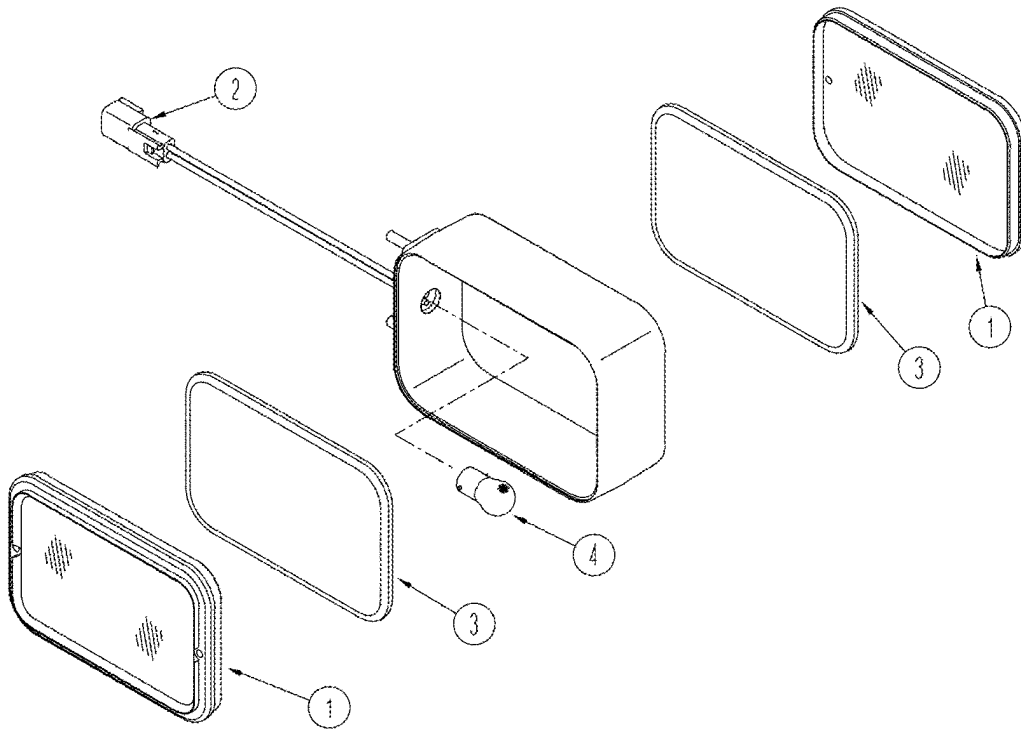


## LAMPS - MARKER

REF	FN	PART NUMBER	YR/SN	QTY	DESCRIPTION
1		367194A1		2	SUPPORT
2		362493A1		1	TUBE
3		362491A1		1	TUBE
4		843-2512		4	SCREW M5 x 12; 4.8
5		362496A1		2	BRACKET
6		367321A1		2	LAMP Warning, See Figure 04-18
7		824-1405		4	NUT M5; 5
8		895-11010		8	WASHER 11 x 20 x 2 mm
10		627-8020		2	BOLT M8 x 20; 10.9
11		829-1410		8	NUT M10; 10
12		330164A2		1	GUARD
13		895-11008		6	WASHER 9 x 17 x 1,6 mm
14		827-8045		2	BOLT M8 x 45; 10.9
15		829-1408		4	NUT M8; 10
16		297221A1		4	DECAL Red and Orange
17		297223A1		4	DECAL Yellow
18		362624A1		1	CHANNEL
19		366964A1		1	HARNESS Marker Lamp
9		627-10030		4	BOLT M10 x 30; 10.9

**STX375 STX450**  
**STX425 STX500**

LAMPS - SIDE MARKER WARNING

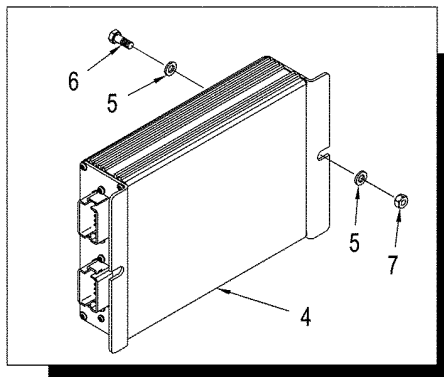
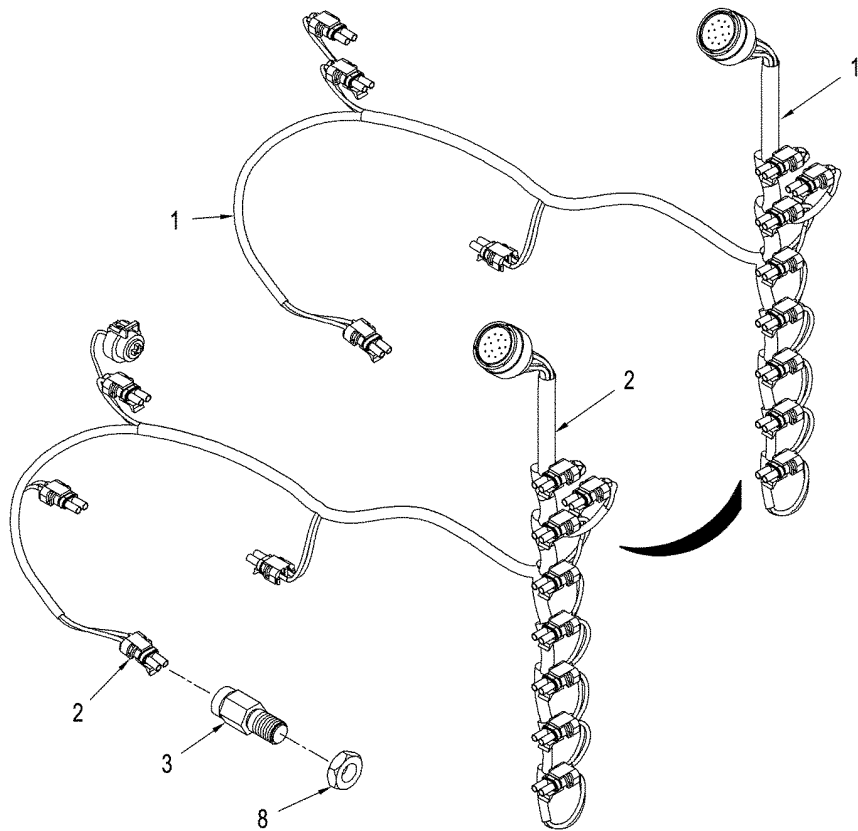


LAMPS - SIDE MARKER WARNING

REF	FN	PART NUMBER	YR/SN	QTY	DESCRIPTION
		367321A1		1	LAMP Warning, Inc. 1 - 4
1		232212A1		2	LENS Amber
2		222136A1		1	CONNECTOR 2 Pin
3		233561A1		2	O-RING
4		A41264		1	BULB 12V, No. 1156

**STX375 STX450**  
**STX425 STX500**

HARNESS - TRANSMISSION



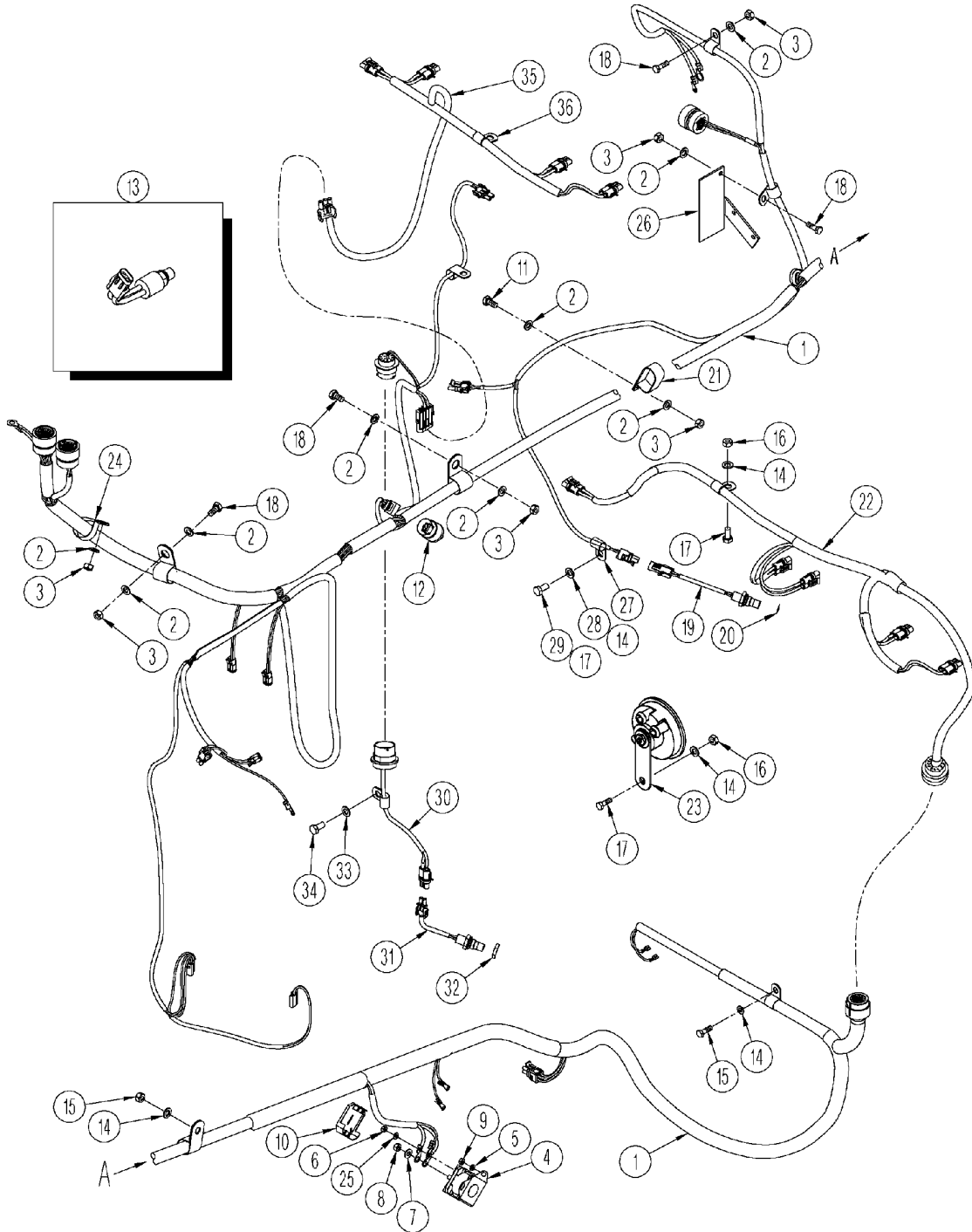
## HARNES - TRANSMISSION

REF	FN	PART NUMBER	YR/SN	QTY	DESCRIPTION
1		403755A1	BSN JEE0104001	1	HARNES
2		87417513	ASN JEE0104001	1	HARNES
3		A186004		1	SENSOR Engine Speed
4	1	391112A2		1	CONTROL UNIT Transmission
5		895-11008		2	WASHER 9 x 17 x 1,6 mm
6		627-8016		1	BOLT M8 x 16; 10.9
7		829-1408		1	NUT M8; 10
8		934120R1		1	NUT M20; 10

(1) Down Load Software From Service Tool

**STX375 STX450**  
**STX425 STX500**

HARNESS - FRONT FRAME, BSN JEE0104001



## HARNESS - FRONT FRAME, BSN JEE0104001

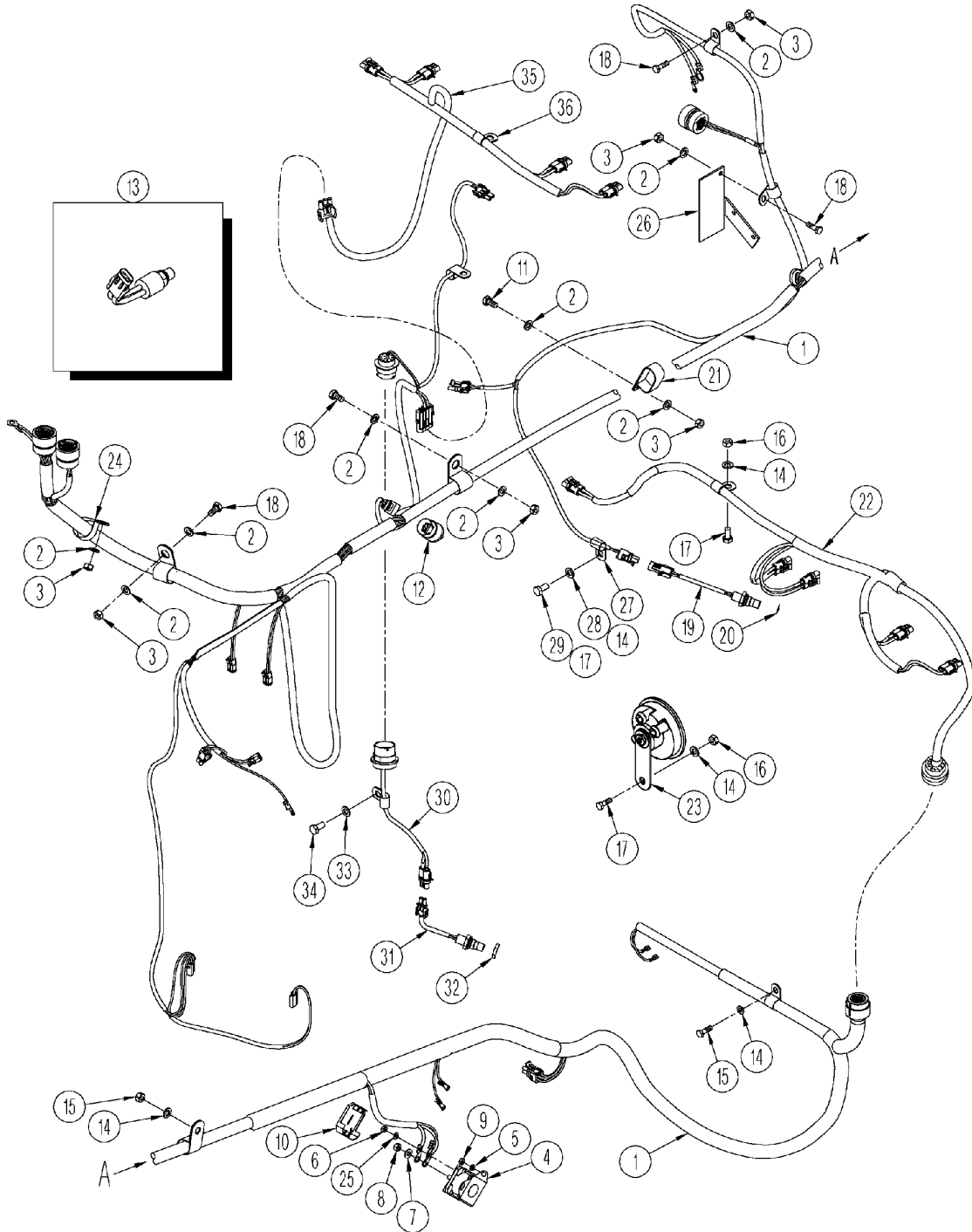
REF	FN	PART NUMBER	YR/SN	QTY	DESCRIPTION
1		429733A2		1	HARNESS Front Frame
2		895-11010		23	WASHER 11 x 20 x 2 mm
3		829-1410		16	NUT M10; 10
4		183038A1		1	SOLENOID
5		895-11006		5	WASHER 6,6 x 12 x 1,6 mm
6		225-14210		1	NUT No. 10 NF
7		495-11034		2	WASHER 11/32 x 11/16 x 1/16
8		425-105		2	NUT 5/16
9		829-1406		2	NUT M6; 10.9
10		178148A1		1	COVER
11		614-10030		1	BOLT M10 x 30; 8,8
12		293797A1		1	SWITCH Air Restriction
13		339529A1		1	SWITCH Pressure, Park Brake
14		895-11008		5	WASHER 9 x 17 x 1,6 mm
15		614-8025		3	BOLT M8 x 25
16		829-1408		3	NUT M8; 10
17		614-6025		3	BOLT M6 x 25
18		614-10025		6	BOLT M10 x 25; 8,8
19		330124A1		1	SWITCH M18 orb x 1,5, Axle Lube, Inc. 20
20		637-63153		1	O-RING 15,3 ID x 2,2
21		L111928		4	CLAMP
22		413807A1		1	HARNESS Light Bar
23		237582A1		1	HORN FC9
24		515-25381		1	CLAMP 1-1/2 ID
25		495-31022		1	WASHER 7/32 x 1/2 x x3/64
26		411019A1		1	BRACKET Air Intake
27		515-2595		1	CLAMP 3/8 ID
28		896-11012		1	WASHER 13,5 x 24 x 3 mm
29		614-12016		1	BOLT M12 x 16; 8.8
30	1	402200A1		1	HARNESS
31		A186004		1	SENSOR Engine Speed
32		934120R1		1	NUT M20; 10
33		896-11012		1	WASHER 13,5 x 24 x 3 mm
34		614-12016		1	BOLT M12 x 16; 8.8

(1) With Advanced Farming Systems (AFS)

**STX375 STX450**  
**STX425**



HARNESS - FRONT FRAME, BSN JEE0104001

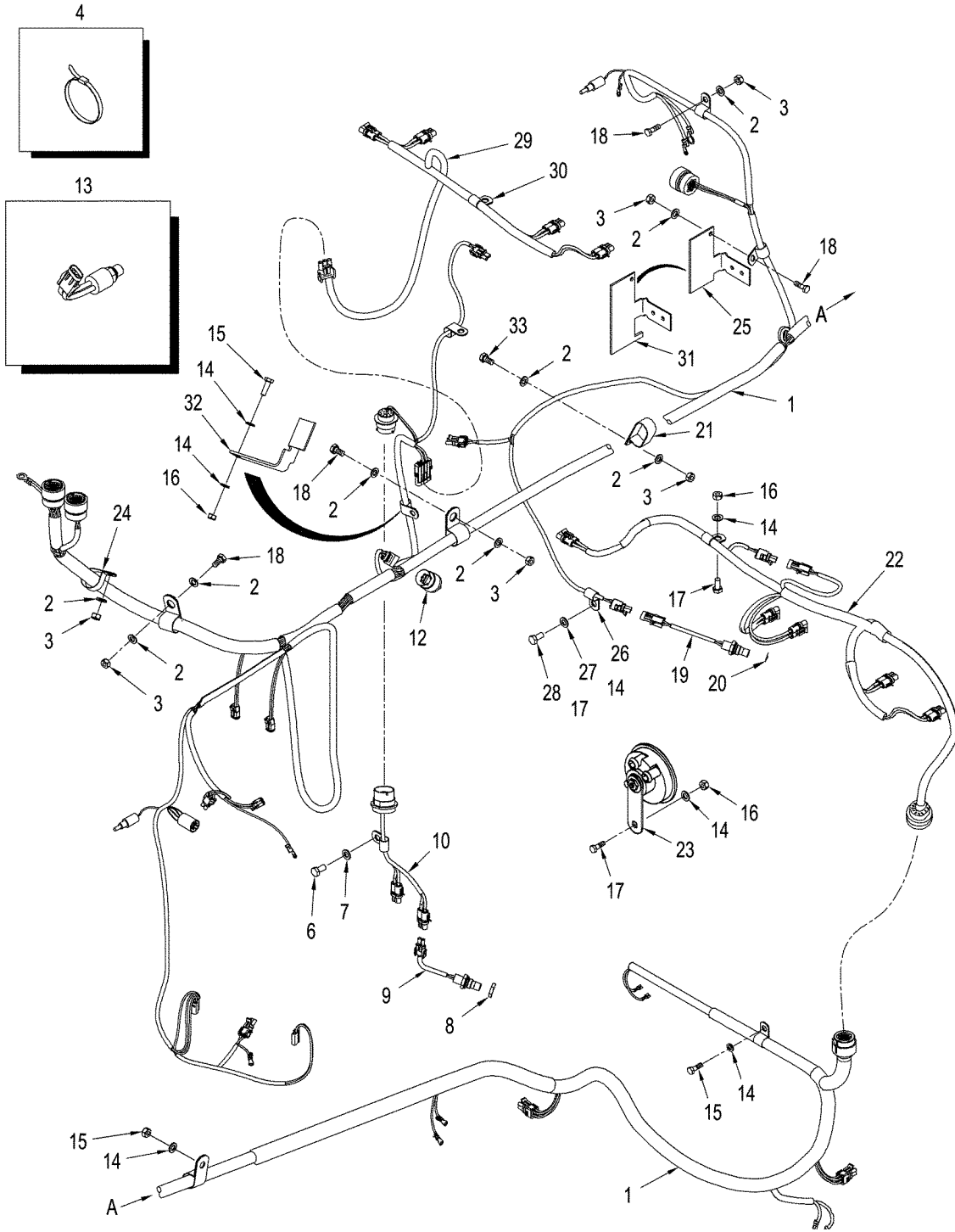


**HARNESS - FRONT FRAME, BSN JEE0104001**

REF	FN	PART NUMBER	YR/SN	QTY	DESCRIPTION
35		371122A2		1	HARNESS Lower Wipers
36		515-2295		1	CLAMP

	<p><b>STX375 STX450</b> <b>STX425</b></p>
--	---

HARNESS - FRONT FRAME, ASN JEE0104001



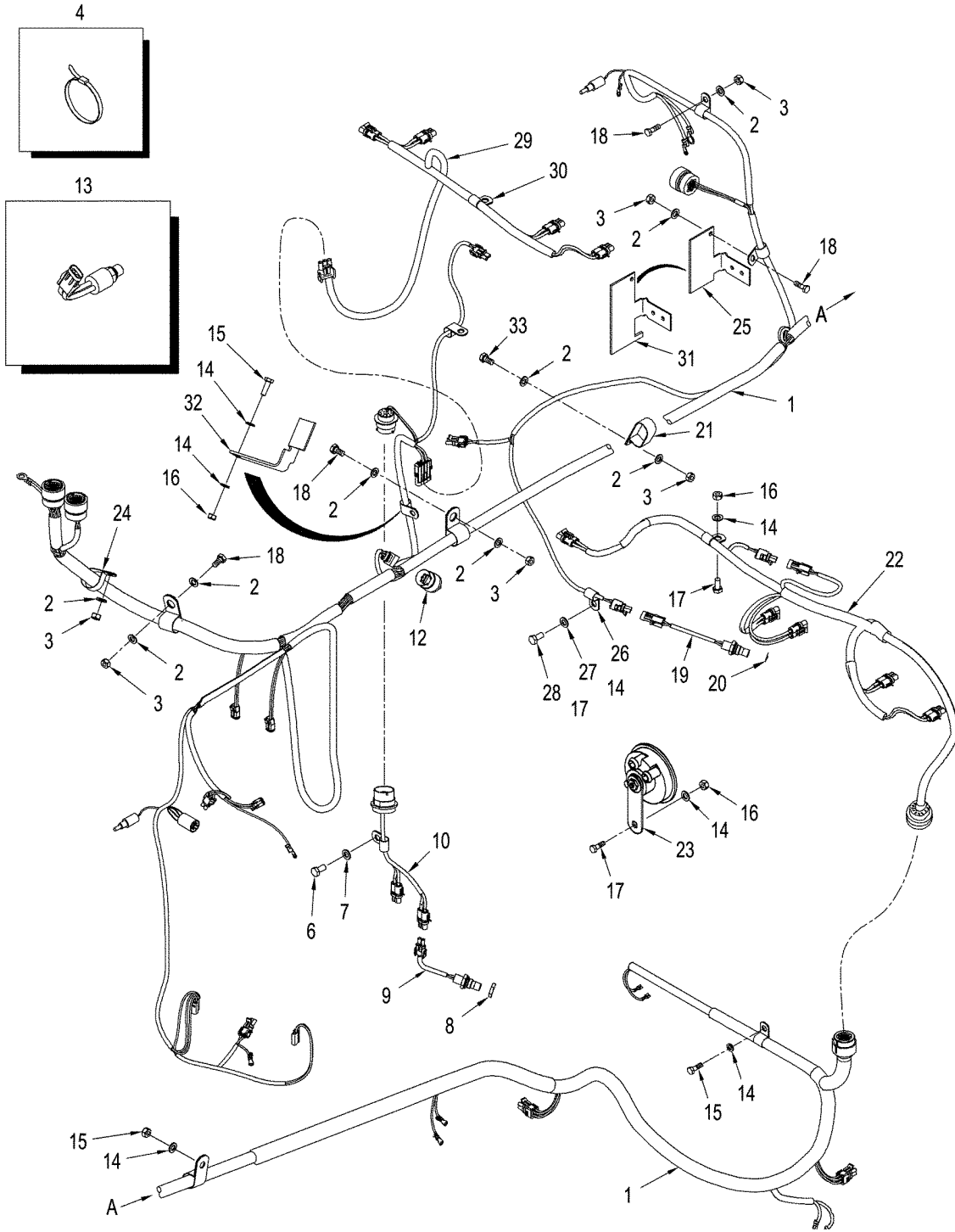
## HARNESS - FRONT FRAME, ASN JEE0104001

REF	FN	PART NUMBER	YR/SN	QTY	DESCRIPTION
1		87417508	BSN JEE0106701	1	HARNESS Front Frame
1		87310755	ASN JEE0106701	1	HARNESS Front Frame
2		895-11010		23	WASHER 11 x 20 x 2 mm
3		829-1410		16	NUT M10; 10
4		22-824		3	STRAP Tie
5		895-11006		3	WASHER 6,6 x 12 x 1,6 mm
6		614-12016		1	BOLT M12 x 16; 8.8
7		896-11012		1	WASHER 13,5 x 24 x 3 mm
8		934120R1		1	NUT Jam, M20; 10
9		A186004		1	SENSOR Engine Speed
10	1, 2	402200A1		1	HARNESS Transmission
11	1, 3	87417513		1	HARNESS Transmission, Not Illustrated
12		293797A1		1	SWITCH Air Restriction
13		339529A1		1	SWITCH Pressure, Park Brake
14		895-11008		5	WASHER 9 x 17 x 1,6 mm
15		614-8025		3	BOLT M8 x 25
16		829-1408		3	NUT M8; 10
17		614-6025		3	BOLT M6 x 25
18		614-10025		6	BOLT M10 x 25; 8,8
19		330124A1		1	SWITCH M18 orb x 1,5, Axle Lube, Inc. 20
20		637-63153		1	O-RING 15,3 ID x 2,2
21		L111928		4	CLAMP
22		413807A1		1	HARNESS Light Bar
23		237582A1		1	HORN FC9
24		515-25381		1	CLAMP 1-1/2 ID
25		411019A3	BSN JEE0105346	1	BRACKET Air Intake
26		515-2595		1	CLAMP 3/8 ID
27		896-11012		1	WASHER 13,5 x 24 x 3 mm
28		614-12016		1	BOLT M12 x 16; 8.8
29		371122A2		1	HARNESS Lower Wipers
30		515-2295		1	CLAMP
31		87305067	ASN JEE0105346		BRACKET, SUPPORTING

- (1) With Advanced Farming Systems (AFS)  
(2) With Manual Shift Transmission  
(3) With Power Shift Transmission

**STX375 STX450**  
**STX425 STX500**

HARNESS - FRONT FRAME, ASN JEE0104001

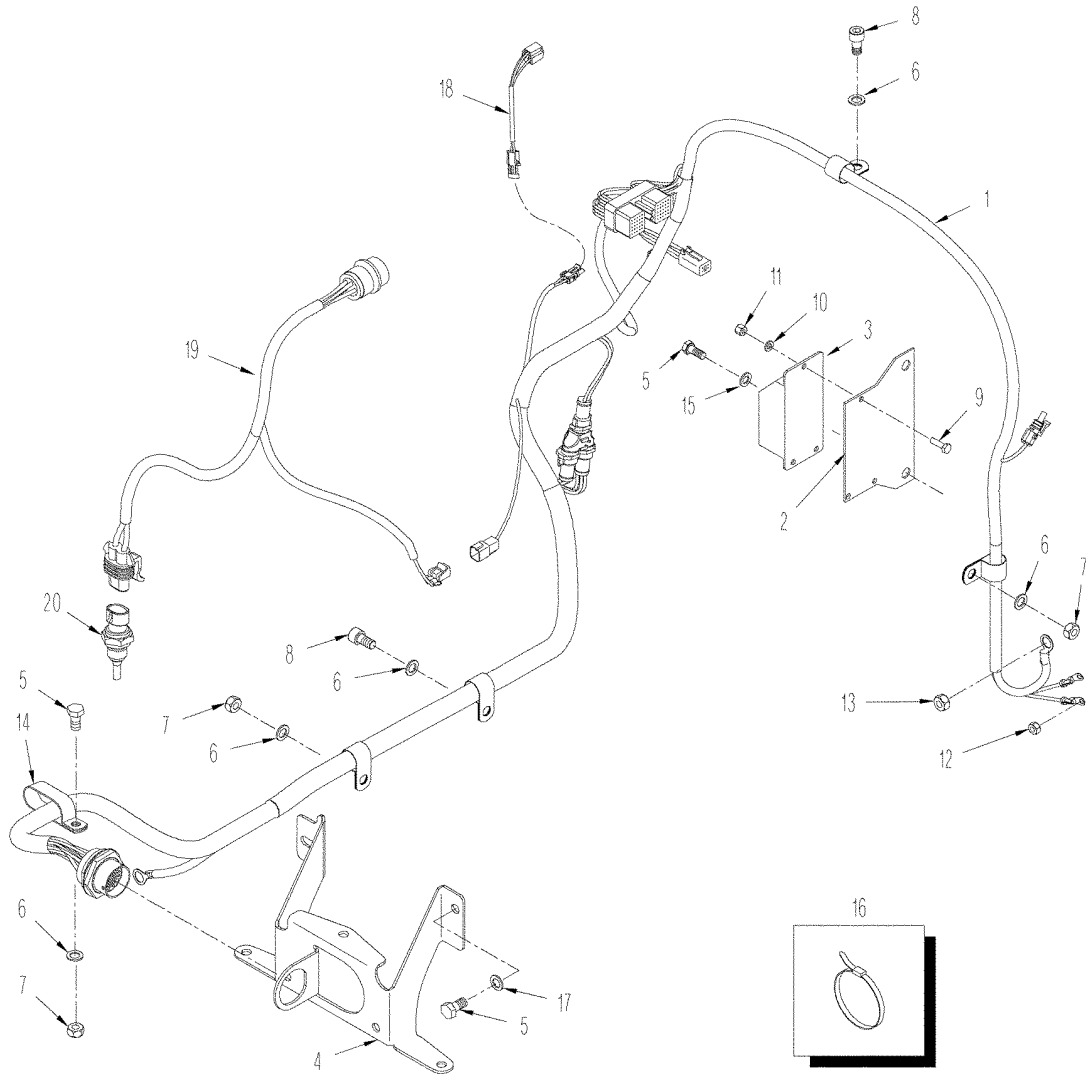


**HARNESS - FRONT FRAME, ASN JEE0104001**

REF	FN	PART NUMBER	YR/SN	QTY	DESCRIPTION
32		437145A1		1	BRACKET Offset Air Intake
33		614-10030		1	BOLT M10 x 30; 8,8

	<p><b>STX375 STX450</b>  <b>STX425 STX500</b></p>
--	---

HARNESS - ENGINE, BSN JEE0104001



## HARNESS - ENGINE, BSN JEE0104001

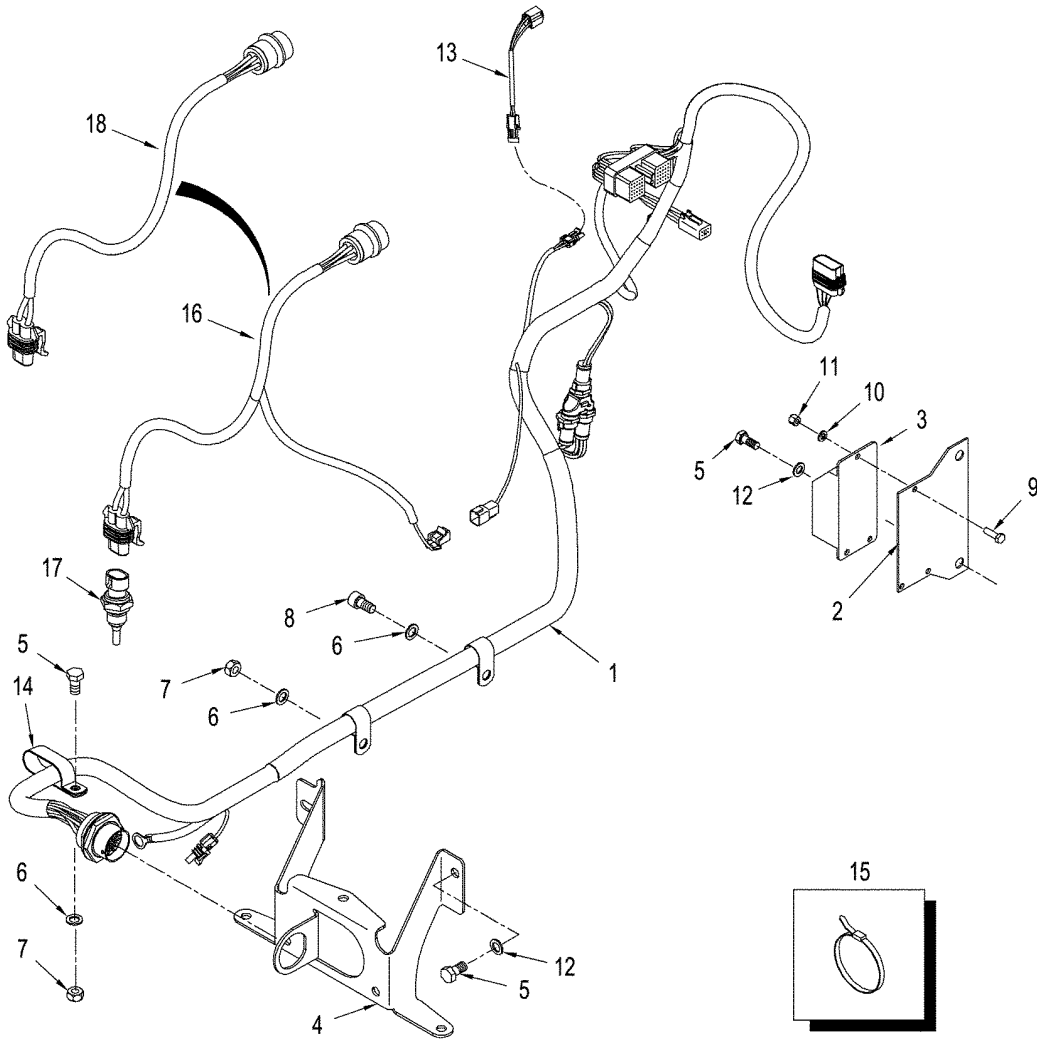
REF	FN	PART NUMBER	YR/SN	QTY	DESCRIPTION
1		429495A1		1	HARNESS
2		429746A1		1	BRACKET
3		397496A1		1	CONNECTOR Passive
4		348313A2		1	BRACKET
5		614-10025		2	BOLT M10 x 25
6		895-18010		12	WASHER 11 x 18 x 1,6 mm
7		829-1410		3	NUT M10; 10
8		864-10020		4	SCREW M10 x 20
9		627-6025		3	BOLT M6 x 25
10		895-11006		3	WASHER 6,6 x 12 x 1,6 mm
11		832-10406		3	NUT M6; 8
12		832-10404		1	NUT M4; 8
13		231-1447		1	NUT 7/16
14		L111928		1	CLAMP
15		435437A1		1	STRAP Tie
16		895-11006		3	WASHER 6,6 x 12 x 1,6 mm
17		892-11010		2	WASHER, LOCK M10
18		358878A2		1	HARNESS Ether Start
19	1	419418A1		1	HARNESS Hydraulic Fan Drive
20		311620A1		1	SENSOR Temperature Sender

(1) STX425 &amp; STX450

**STX375 STX450**  
**STX425 STX500**



HARNESS - ENGINE, ASN JEE0104001



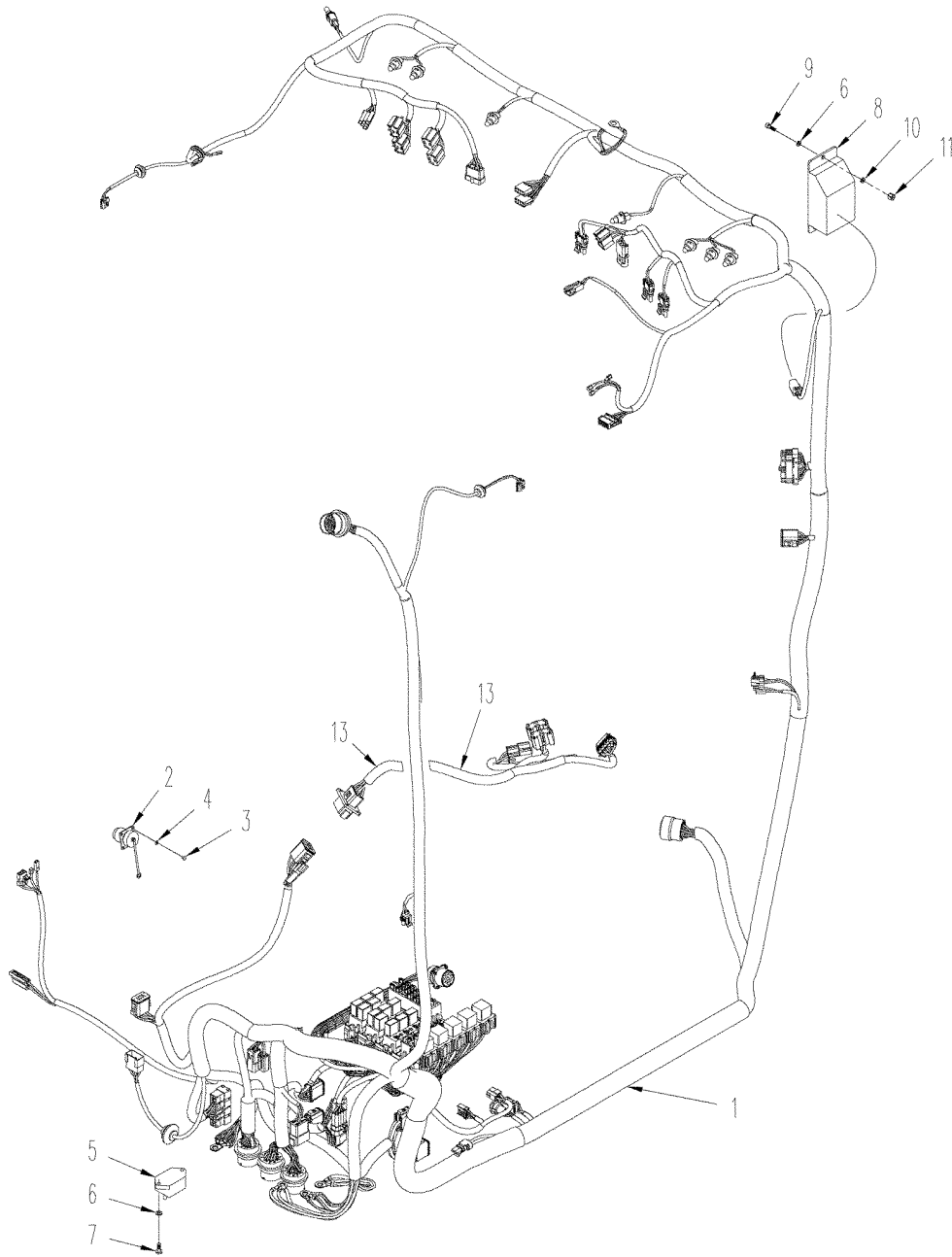
## HARNESS - ENGINE, ASN JEE0104001

REF	FN	PART NUMBER	YR/SN	QTY	DESCRIPTION
1		87417509	BSN JEE0106701	1	HARNESS
1		87310751	ASN JEE0106701	1	HARNESS
2		429746A1		1	BRACKET
3		397496A1		1	CONNECTOR Passive
4		348313A2		1	BRACKET
5		614-10025		2	BOLT M10 x 25
6		895-18010		9	WASHER 11 x 18 x 1,6 mm
7		829-1410		2	NUT M10; 10
8		864-10020		2	SCREW M10 x 20
9		627-6025		3	BOLT M6 x 25
10		895-11006		3	WASHER 6,6 x 12 x 1,6 mm
11		832-10406		3	NUT M6; 8
12		892-11010		4	WASHER, LOCK M10
13		358878A2		1	HARNESS Ether Start
14		L111928		1	CLAMP
15		435437A1		1	STRAP Tie
16	1	419418A1	BSN JEE0010670	1	HARNESS Hydraulic Fan Drive
17		311620A1	BSN JEE0010670	1	SENSOR Temperature Sender
18		87308658	ASN JEE0010670	1	HARNESS Hydraulic Fan Drive

(1) STX425, STX450, &amp; STX500

**STX375 STX450**  
**STX425 STX500**

HARNESS - MAIN CAB, STANDARD CAB



## HARNES - MAIN CAB, STANDARD CAB

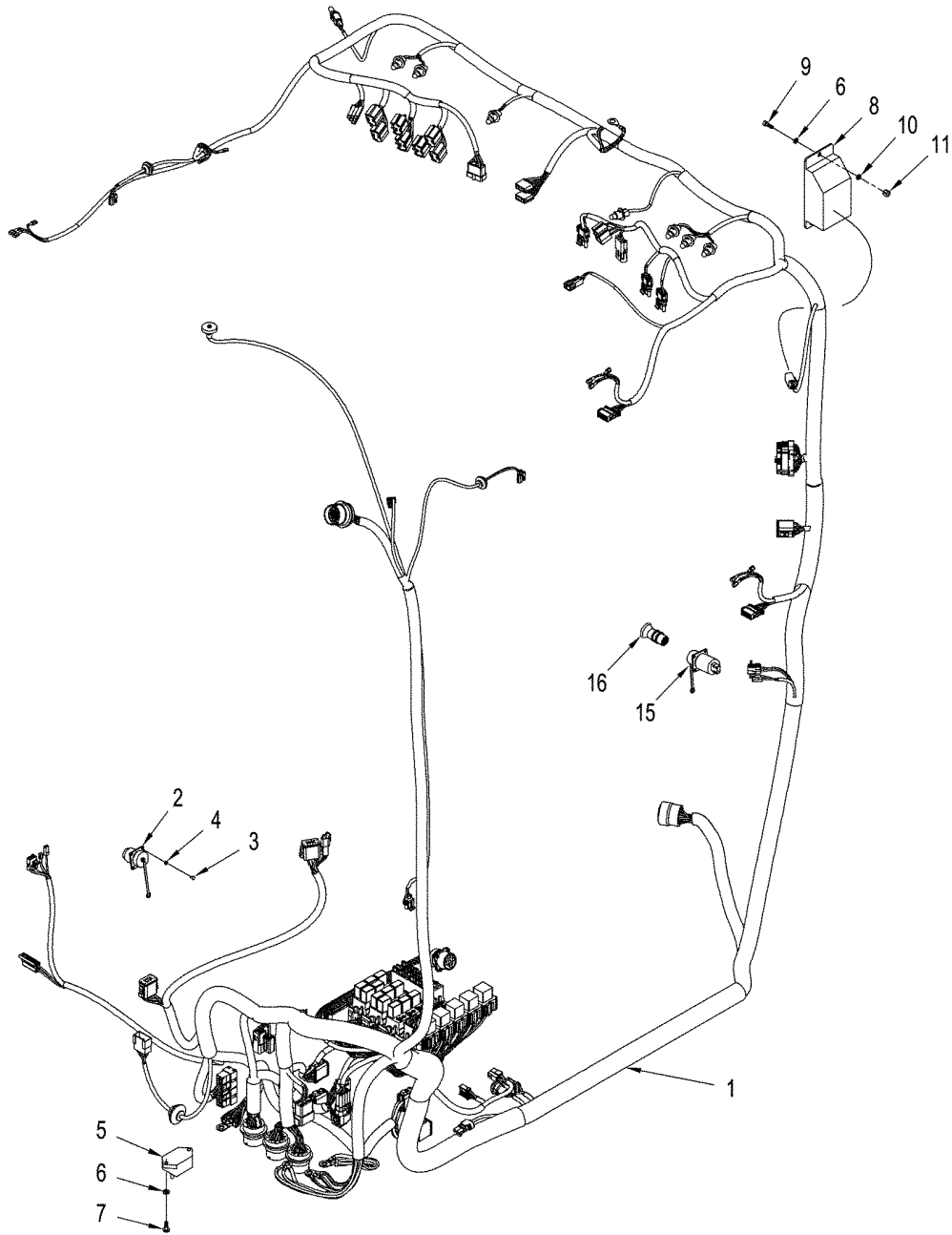
REF	FN	PART NUMBER	YR/SN	QTY	DESCRIPTION
	1	431610A2	BSN JEE0099963	1	ELECTRIC PANEL Electronics, Inc. 1, Also See Figure 04-24
		87416354	ASN JEE0099963	1	MODULE Electronics, Inc. 1, Also See Figure 04-25
1		NSS		1	NOT SERVICED SEPARATELY Harness, Main Cab
2		227739A2		1	CONNECTOR Power
3		383986A1		4	RIVET
4		895-11003		8	WASHER 3,2 x 7 x 0,5 mm
5		20-2041T2		1	CIRCUIT BREAKER
6		895-11006		4	WASHER 6,6 x 12 x 1,6 mm
7		840-1616		2	SCREW M6 x 16
8		397496A1		1	CONNECTOR Passive
9		863-6020		2	SCREW M6 x 20; 12.9
10		892-11006		2	WASHER, LOCK M6
11		829-1406		2	NUT M6; 10.9
12		388811A1		1	LIGHTER, CIGARETTE Not Illustrated
13	2	403757A1		1	HARNES

(1) With Advanced Farming Systems (AFS)

(2) Without Arm Rest Unit

**STX375 STX450**  
**STX425**

HARNESS - MAIN CAB, DELUXE AND LUXURY CABS



## HARNES - MAIN CAB, DELUXE AND LUXURY CABS

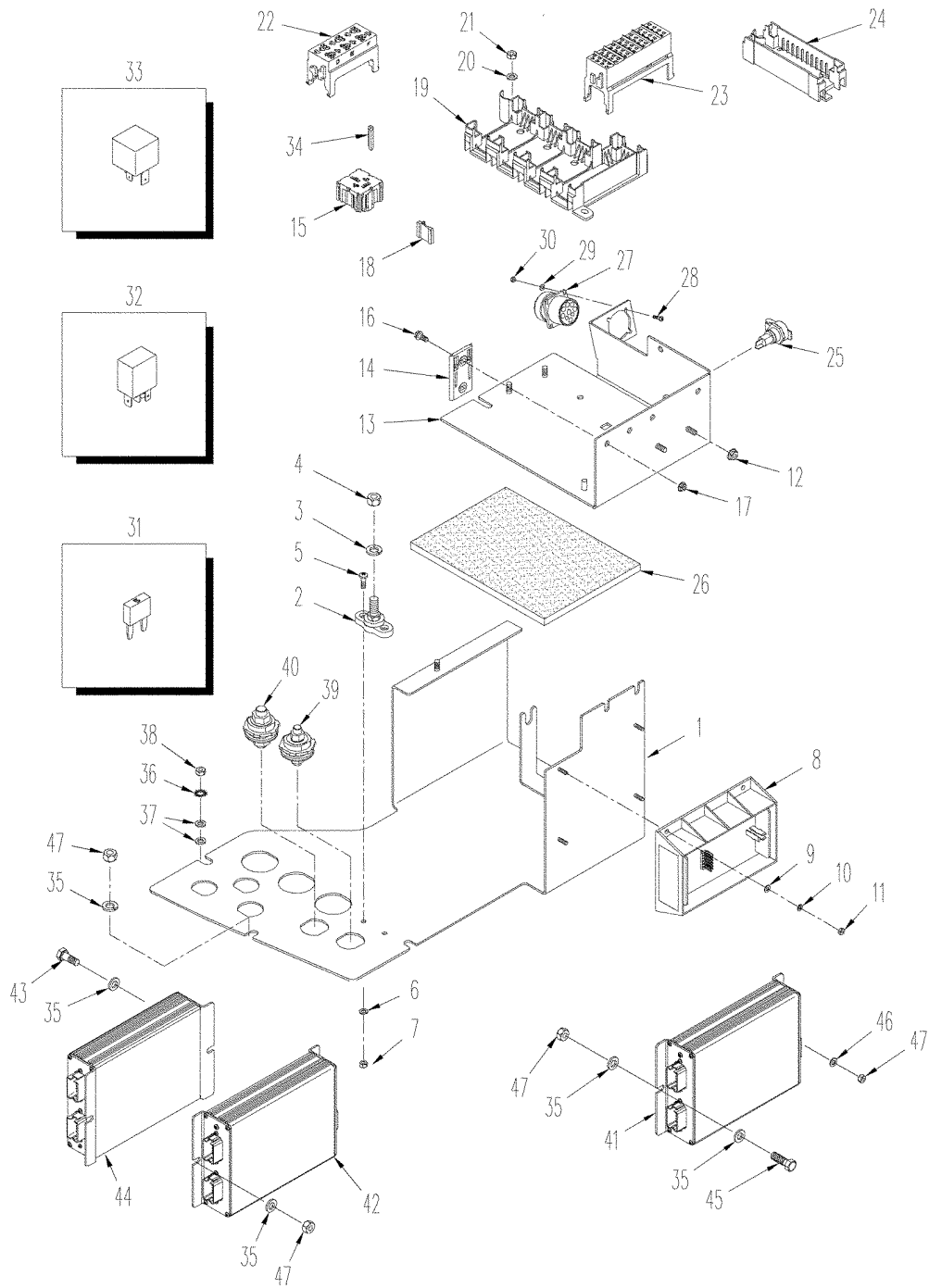
REF	FN	PART NUMBER	YR/SN	QTY	DESCRIPTION
	1	431500A2	BSN JEE0106701	1	ELECTRIC PANEL Electronics, Inc. 1, See Figure 04-24
	1	87326446	ASN JEE0106701	1	BOARD, PRINTED CIRCUIT Electronics, Inc. 1, See Figure 04-24
	2	87418384	BSN JEE0106701	1	BOARD, PRINTED CIRCUIT Electronics, Inc. 1, See Figure 04-24
		87326440	ASN JEE0106701	1	BOARD, PRINTED CIRCUIT Electronics, Inc. 1, See Figure 04-24
1	1,2	NSS		1	NOT SERVICED SEPARATELY Harness, Main Cab
2		227739A2		3	CONNECTOR Power
3		383986A1		12	RIVET
4		895-11003		12	WASHER 3,2 x 7 x 0,5 mm
5		20-2041T2		1	CIRCUIT BREAKER
6		895-11006		4	WASHER 6,6 x 12 x 1,6 mm
7		840-1620		2	SCREW M6 x 20; 4.8
8		397496A1		1	CONNECTOR Passive
9		863-6020		3	SCREW M6 x 20; 12.9
10		892-11006		3	WASHER, LOCK M6
11		829-1406		3	NUT M6; 10.9
12		388811A1		1	LIGHTER, CIGARETTE Not Illustrated
13		388813A1		2	OUTLET Power, Not Illustrated
14		345471A1		1	SWITCH Differential Lock, Not Illustrated
15		87452321		1	OUTLET
16		388810A1		1	ELEMENT Pop-Out Lighter, If used

(1) With Manual Shift Transmission

(2) With Power Shift Transmission

**STX375 STX450**  
**STX425 STX500**

ELECTRONIC MODULE ASSEMBLY



## ELECTRONIC MODULE ASSEMBLY

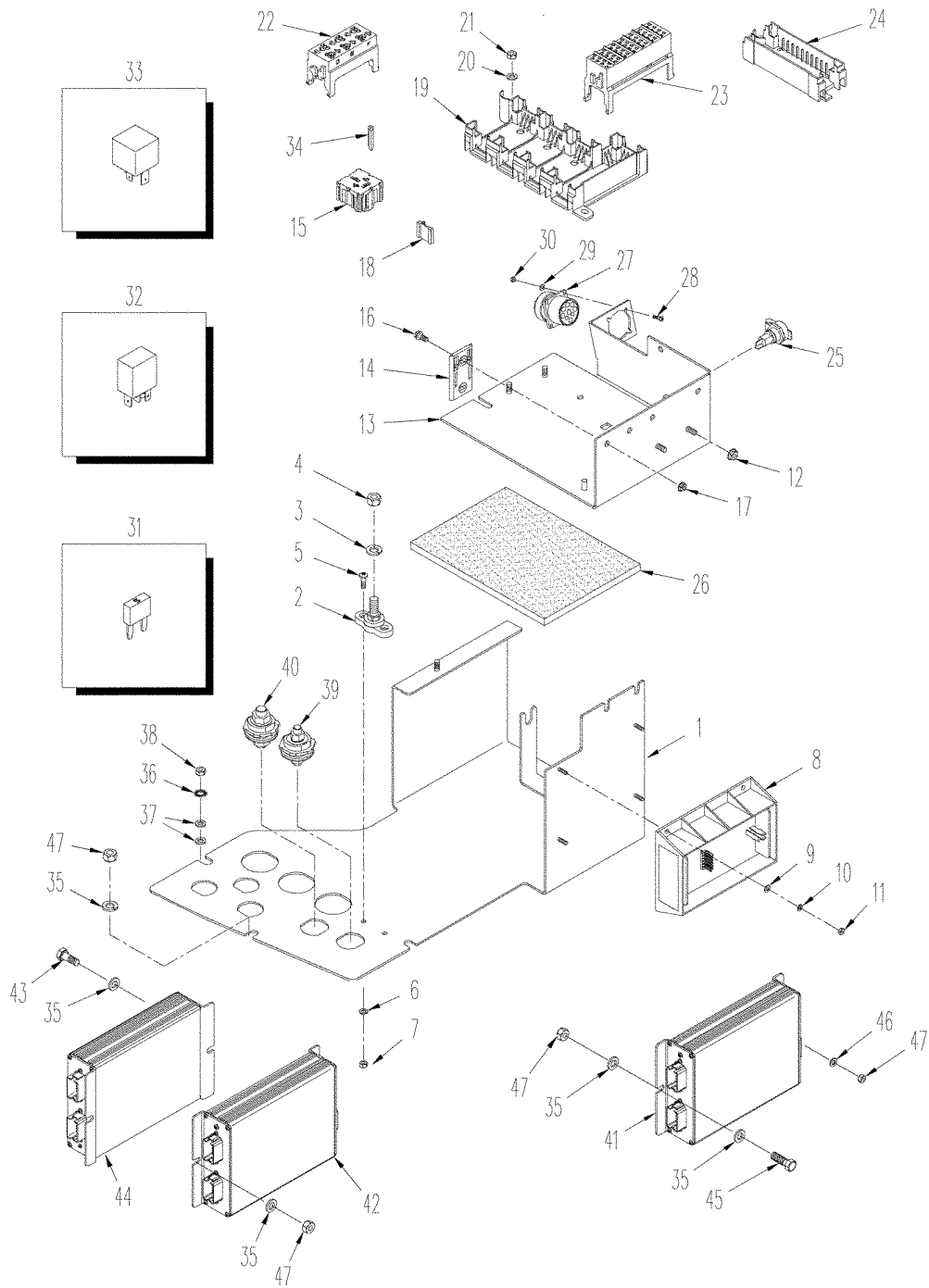
REF	FN	PART NUMBER	YR/SN	QTY	DESCRIPTION
1		388289A1	BSN JEE0106701	1	BRACKET
1		87306491	ASN JEE0106701	1	BRACKET
2		20-1451T1		1	BLOCK Junction
3		892-11010		1	WASHER, LOCK M10
4		425-106		1	NUT 3/8
5		840-1516		2	SCREW M5 x 16; 4,8
6		895-11005		2	WASHER 5,5 x 10 x 1 mm
7		824-1405		2	NUT M5; 5
8		296674A3		1	UNIT, FLASHER
9		895-11004		4	WASHER 4,3 x 9 x 0,8 mm
10		892-11004		4	WASHER M4
11		824-1404		4	NUT M4; 5
12		825-5146		3	NUT M6
	1,2	431610A2	BSN JEE0099963	1	ELECTRIC PANEL Electronics, Inc. 13 - 34, Also See Figure 04-22
	1,3	87416354	ASN JEE0099963	1	MODULE Electronics, Inc. 13 - 33, Also See Figure 04-22
	4,2	431500A2	BSN JEE0106701	1	ELECTRIC PANEL Electronics, Inc. 13 - 34, Also See Figure 04-23
	4,2	87326446	ASN JEE0106701	1	BOARD, PRINTED CIRCUIT Electronics, Inc. 13 - 34, Also See Figure 04-23
	4,3	87418384	BSN JEE0106701	1	BOARD, PRINTED CIRCUIT Electronics, Inc. 13 - 34, Also See Figure 04-23
	4,3	87326440	ASN JEE0106701	1	BOARD, PRINTED CIRCUIT Electronics, Inc. 13 - 34, Also See Figure 04-23
13		339761A3		1	PLATE
14		367147A1		3	BRACKET Mounting
15		367145A1		5	BLOCK Terminal
16		841-4512		3	SCREW M5 x 12; 4.8
17		825-5145		3	NUT M5
18		430116A1		AR	LOCK

- (1) Standard Cab  
(2) With Manual Shift Transmission  
(3) With Power Shift Transmission  
(4) Deluxe Cab

**STX375 STX450**  
**STX425 STX500**



ELECTRONIC MODULE ASSEMBLY



## ELECTRONIC MODULE ASSEMBLY

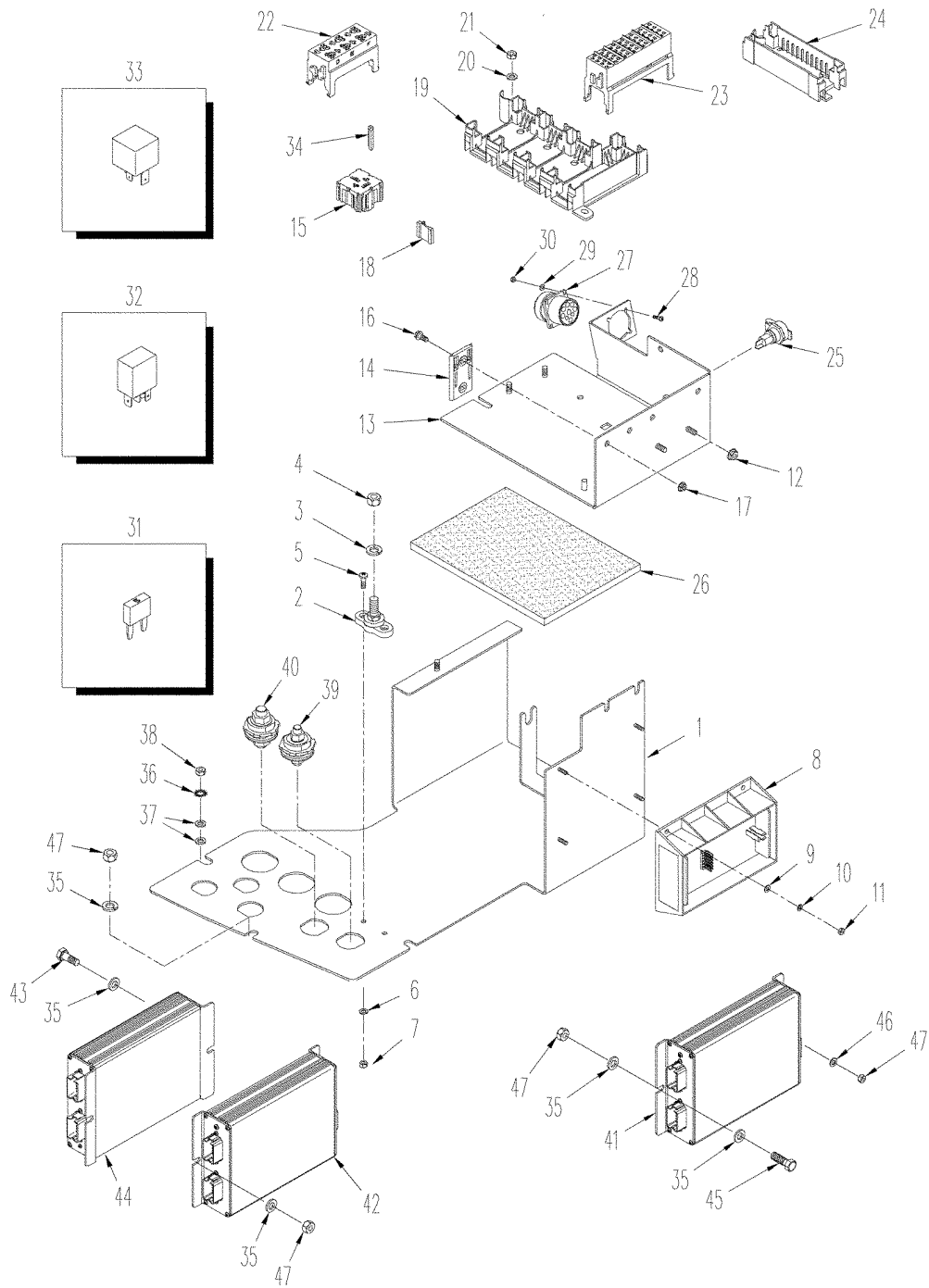
REF	FN	PART NUMBER	YR/SN	QTY	DESCRIPTION
19		191135A1		1	BASE
20		895-11006		3	WASHER 6,6 x 12 x 1,6 mm
21		829-1406		3	NUT M6; 10.9
22		144417A1		3	BLOCK, CONNECTING
23		144421A1		2	BLOCK, CONNECTING
24		194319A1		1	BASE
25		300655A1		1	SOCKET, POWER
26		349062A1		1	PAD, RUBBER
27		310057A1		1	CONNECTOR, ELECTRIC
28		840-1312		4	SCREW M3 x 12; 4.8
29		895-11003		4	WASHER 3,2 x 7 x 0,5 mm
30		824-1403		4	NUT M3; 5
31		121416A1		AR	FUSE 30 amp
31		121415A1		AR	FUSE 25 amp
31		121414A1		AR	FUSE 20 amp
31		121413A1		AR	FUSE 15 amp
31		121412A1		AR	FUSE 10 amp
31		121411A1		1	FUSE 5.5 amp
31		121410A1		AR	FUSE 5 amp
31		368224A1		AR	DIODE Mini, 1 amp, Differential Lock
32		87414866		AR	RELAY 20 amp
33		368459A1		AR	RELAY 70 amp
34		367146A1		4	WEDGE
35		895-11008		6	WASHER 9 x 17 x 1,6 mm
36		893-11010		2	WASHER M10
37		895-11010		4	WASHER 11 x 20 x 2 mm
38		829-1410		2	NUT M10; 10
39	1	A187523		1	BLOCK, CONNECTING
39		190158A1		1	BLOCK
40		311430A1		1	BLOCK Junction
41	2	323758A4		1	CONTROL UNIT Three Point Hitch
42	2	399302A3		1	CONSOLE Auxiliary
43		627-6016		3	BOLT M6 x 16; 10.9

(1) With Power Shift Transmission

(2) Down Load Software From Service Tool

**STX375 STX450**  
**STX425 STX500**

ELECTRONIC MODULE ASSEMBLY



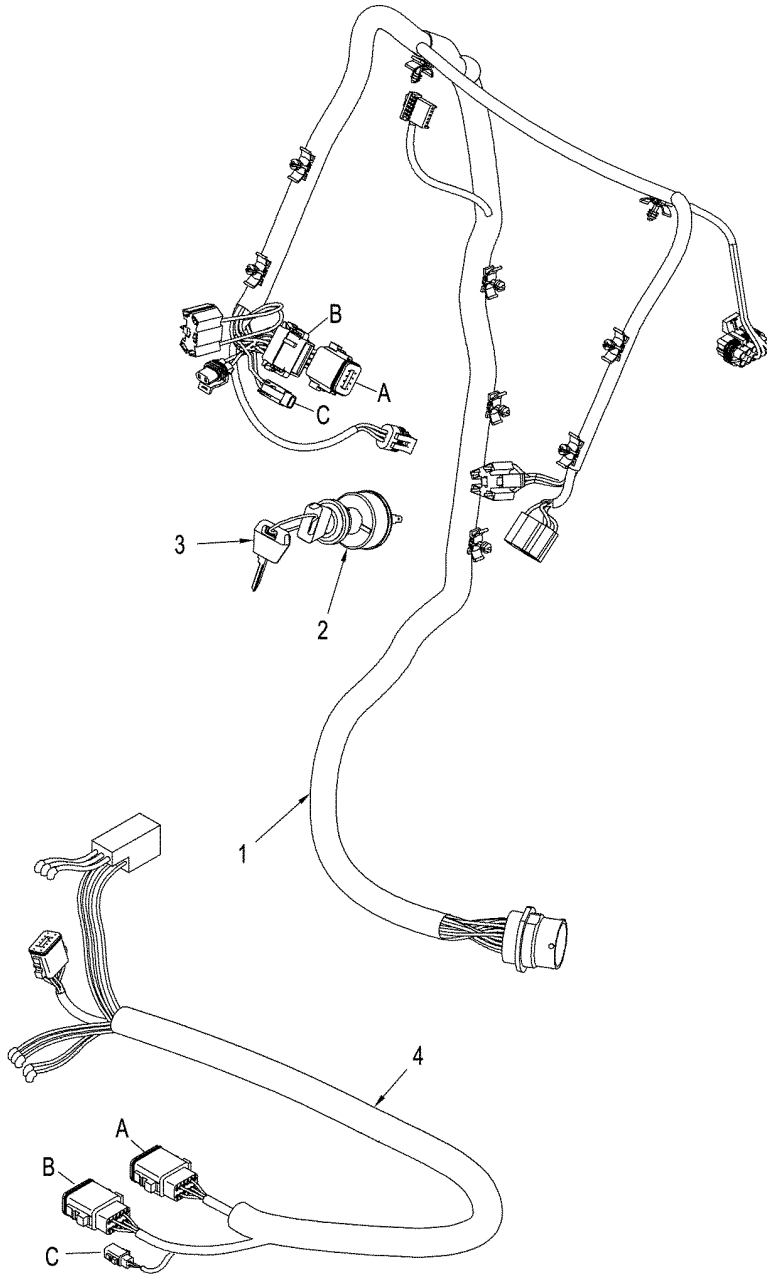
**ELECTRONIC MODULE ASSEMBLY**

REF	FN	PART NUMBER	YR/SN	QTY	DESCRIPTION
44	1	391112A2		1	CONTROL UNIT Transmission
45		627-8016		1	BOLT M8 x 16; 10.9
46		895-11005		3	WASHER 5,5 x 10 x 1 mm
47		829-1408		3	NUT M8; 10

(1) Down Load Software From Service Tool

**STX375 STX450**  
**STX425 STX500**

HARNESS - FRONT CONSOLE



## HARNESS - FRONT CONSOLE

REF	FN	PART NUMBER	YR/SN	QTY	DESCRIPTION
1	1	430654A2		1	HARNESS Front Console
1	2	426766A2		1	HARNESS Front Console
2		363914A1		1	SWITCH, IGNITION Inc. 3
3		86502201		1	KEY, IGNITION
	1	414332A1		1	CONTROL With Self-Cancel, Inc. 4, Also See Figure: 05-08
	1	414331A1		1	CONTROL Without Self-Cancel, Inc. 5, Not Illustrated, Also See Figure: 05-08
	2	86991898		1	CONTROL With Self-Cancel, Inc. 4, Also See Figure: 05-07
	2	360058A1		1	CONTROL Without Self-Cancel, Inc. 5, Not Illustrated, Also See Figure: 05-07
4	1	416123A1		1	HARNESS, WIRE With Self-Cancel
4	2	375681A1		1	HARNESS With Self-Cancel
5	1	416124A1		1	HARNESS, WIRE Without Self-Cancel, Not Illustrated
5	2	303463A1		1	HARNESS Without Self-Cancel, Not Illustrated

(1) With Advanced Farming Systems (AFS)

(2) With Power Shift Transmission

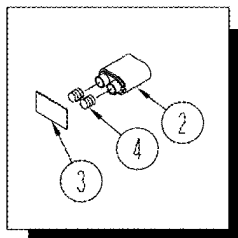
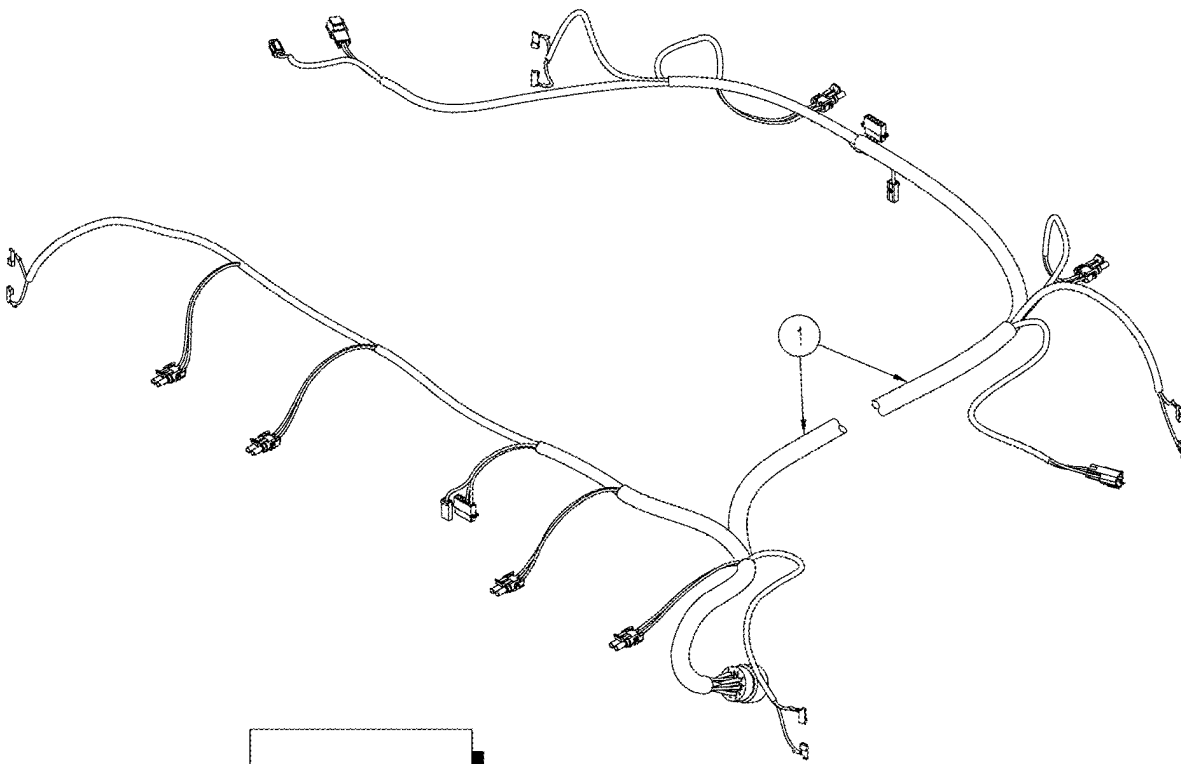
**STX375 STX450**  
**STX425 STX500**

04-26

p1

04/02

HARNESS - CAB ROOF



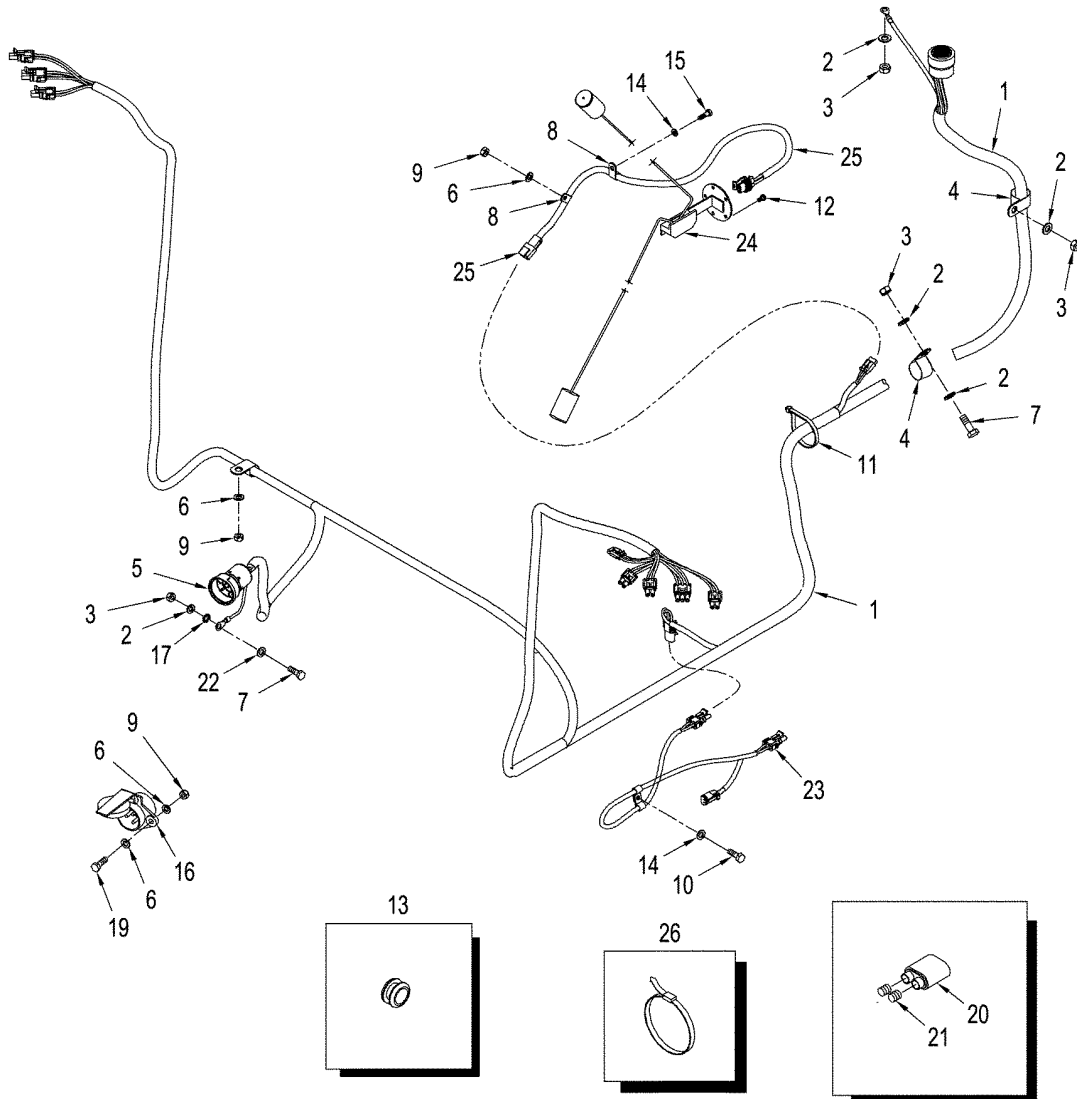
HARNESS - CAB ROOF

REF	FN	PART NUMBER	YR/SN	QTY	DESCRIPTION
1		373457A1		1	HARNESS
2		245483C1		2	CONNECTOR Two Cavity, Without Field Lights
3		225127C1		4	TERMINAL CONNECTOR Type V4
4		392149A1		2	DECAL Without Field Lights

**STX375 STX450**  
**STX425 STX500**



HARNESS - REAR FRAME, WITH MANUAL REMOTE

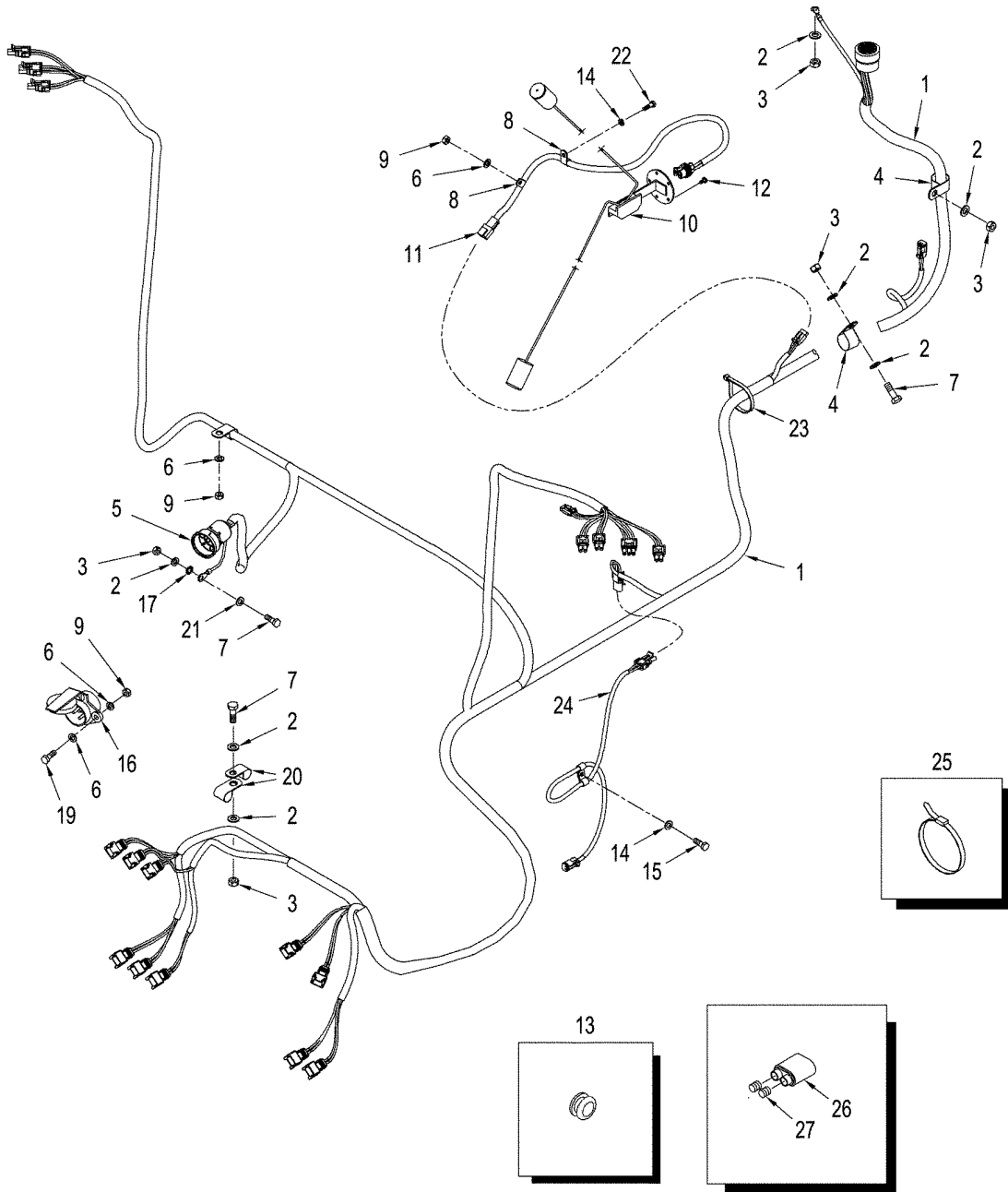


## HARNESS - REAR FRAME, WITH MANUAL REMOTE

REF	FN	PART NUMBER	YR/SN	QTY	DESCRIPTION
1		445143A1		1	HARNESS
2		895-11010		11	WASHER 11 x 20 x 2 mm
3		829-1410		8	NUT M10; 10
4		515-24302		3	CLAMP 1 ID
5		481849C1		1	COVER
6		895-11008		9	WASHER 9 x 17 x 1,6 mm
7		614-10030		4	BOLT M10 x 30; 8,8
8		515-23127		2	CLAMP 1/2 ID
9		829-1408		9	NUT M8; 10
10		614-6020		1	BOLT M6 x 20; 8,8
11		22-824		1	STRAP 7 in
12		840-1510		5	SCREW M5 x 10
13		328265A1		3	GROMMET
14		895-11006		1	WASHER 6,6 x 12 x 1,6 mm
15		614-6012		1	BOLT M6 x 12; 8,8
16		121645C1		1	SOCKET/RECEPTACLE Implement
17		893-11010		1	WASHER M10
18		892-11008		8	WASHER M8
20		245483C1		4	CONNECTOR Two Cavity, Without Field Lights
21		225127C1		8	TERMINAL CONNECTOR Type V4
22		892-11010		1	WASHER, LOCK M10
23		392227A1		1	HARNESS Differential Lock
24		87434676		2	SENDER UNIT Fuel Level
25		87438650		1	HARNESS Jumper Fuel Sender
26		50-2037T1		1	STRAP
19		627-8025		2	BOLT M8 x 25; 10.9

**STX375 STX450**  
**STX425 STX500**

HARNESS - REAR FRAME, WITH ELECTRONIC REMOTE, WITHOUT THREE POINT HITCH

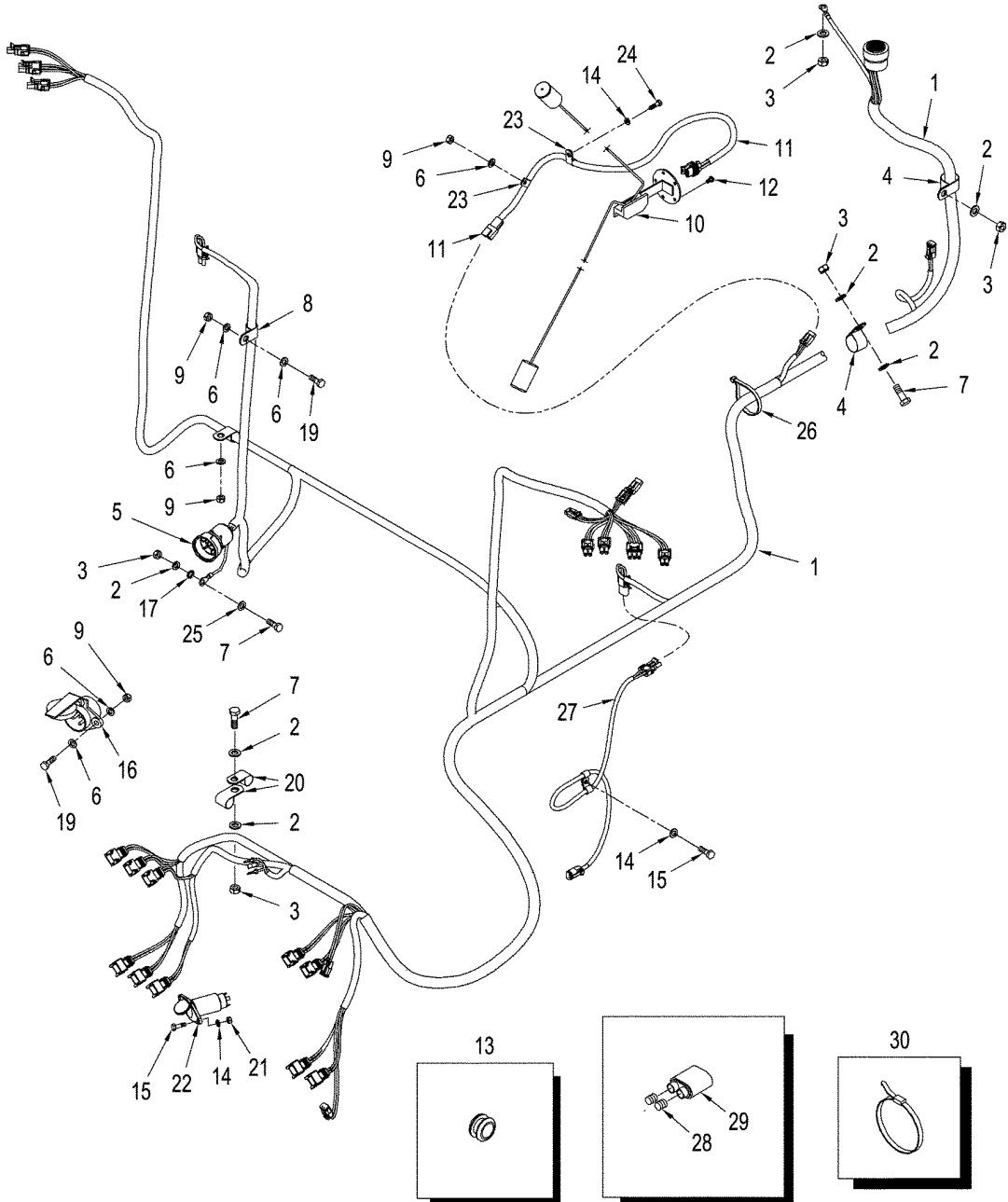


## HARNESS - REAR FRAME, WITH ELECTRONIC REMOTE, WITHOUT THREE POINT HITCH

REF	FN	PART NUMBER	YR/SN	QTY	DESCRIPTION
1		445144A1		1	HARNESS
2		895-11010		15	WASHER 11 x 20 x 2 mm
3		829-1410		10	NUT M10; 10
4		515-24302		3	CLAMP 1 ID
5		481849C1		1	COVER
6		895-11008		10	WASHER 9 x 17 x 1,6 mm
7		614-10030		6	BOLT M10 x 30; 8,8
8		515-23127		2	CLAMP 1/2 ID
9		829-1408		9	NUT M8; 10
10		87434676		1	SENDER UNIT Fuel Level
11		87438650		1	HARNESS Jumper Fuel Sender
12		840-1510		5	SCREW M5 x 10
13		328265A1		3	GROMMET
14		895-11006		3	WASHER 6,6 x 12 x 1,6 mm
15		614-6020		4	BOLT M6 x 20; 8,8
16		121645C1		1	SOCKET/RECEPTACLE
17		893-11010		1	WASHER M10
18		892-1008		2	WASHER, LOCK
20		515-25190		1	CLAMP 3/4 ID
21		892-11010		1	WASHER, LOCK M10
22		614-6012		1	BOLT M6 x 12; 8,8
23		22-824		1	STRAP 7 in
24		392227A1		1	HARNESS Differential
25		50-2037T1		1	STRAP Tie, 508 mm (20 in)
25		22-824		1	STRAP Tie, 184 mm (7-1/4 in)
26		245483C1		4	CONNECTOR Two Cavity, Without Field Lights
27		225127C1		8	TERMINAL CONNECTOR Type V4
19		627-8025		2	BOLT M8 x 25; 10.9

**STX375 STX450**  
**STX425 STX500**

HARNESS - REAR FRAME, WITH ELECTRONIC REMOTE AND THREE POINT HITCH

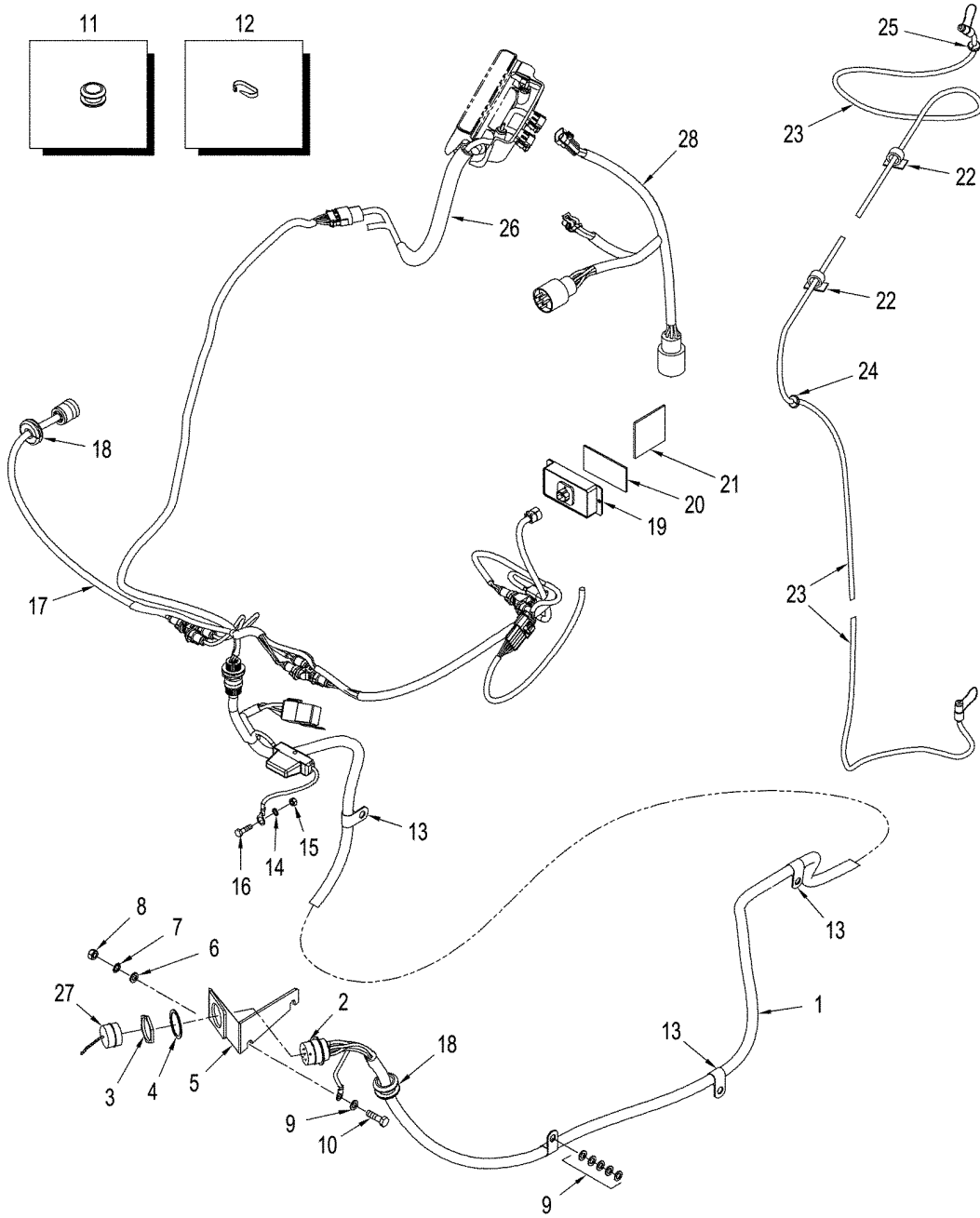


## HARNESS - REAR FRAME, WITH ELECTRONIC REMOTE AND THREE POINT HITCH

REF	FN	PART NUMBER	YR/SN	QTY	DESCRIPTION
1		429850A1		1	HARNESS
2		895-11010		15	WASHER 11 x 20 x 2 mm
3		829-1410		10	NUT M10; 10
4		515-24302		3	CLAMP 1 ID
5		481849C1		1	COVER
6		895-11008		14	WASHER 9 x 17 x 1,6 mm
7		614-10035		8	SCREW M10 x 35; 8,8
8		515-2495		1	CLAMP
9		829-1408		10	NUT M8; 10
10		87434676		1	SENDER UNIT Fuel Level
11		87438650		1	HARNESS Jumper Fuel Harness
12		840-1510		5	SCREW M5 x 10
13		328265A1		3	GROMMET
14		895-11006		5	WASHER 6,6 x 12 x 1,6 mm
15		614-6020		5	BOLT M6 x 20; 8,8
16		121645C1		1	SOCKET/RECEPTACLE
17		893-11010		1	WASHER M10
18		892-11008		2	WASHER M8
20		515-2595		1	CLAMP 3/8 ID
21		829-1406		2	NUT M6; 10.9
22		367322A1		1	CONNECTOR Remote, Three Point Hitch
23		515-23127		2	CLAMP 1/2 ID
24		614-6012		1	BOLT M6 x 12; 8,8
25		892-11010		1	WASHER, LOCK M10
26		22-824		1	STRAP 7 in
27		392227A1		1	HARNESS Differential Lock
28		225127C1		8	TERMINAL CONNECTOR Type V4
29		245483C1		4	CONNECTOR Two Cavity, Without Field lights
30		50-2037T1		2	STRAP
19		627-8025		3	BOLT M8 x 25; 10.9

**STX375 STX450**  
**STX425 STX500**

HARNESS - ADVANCED FARMING SYSTEMS, BSN JEE0106701



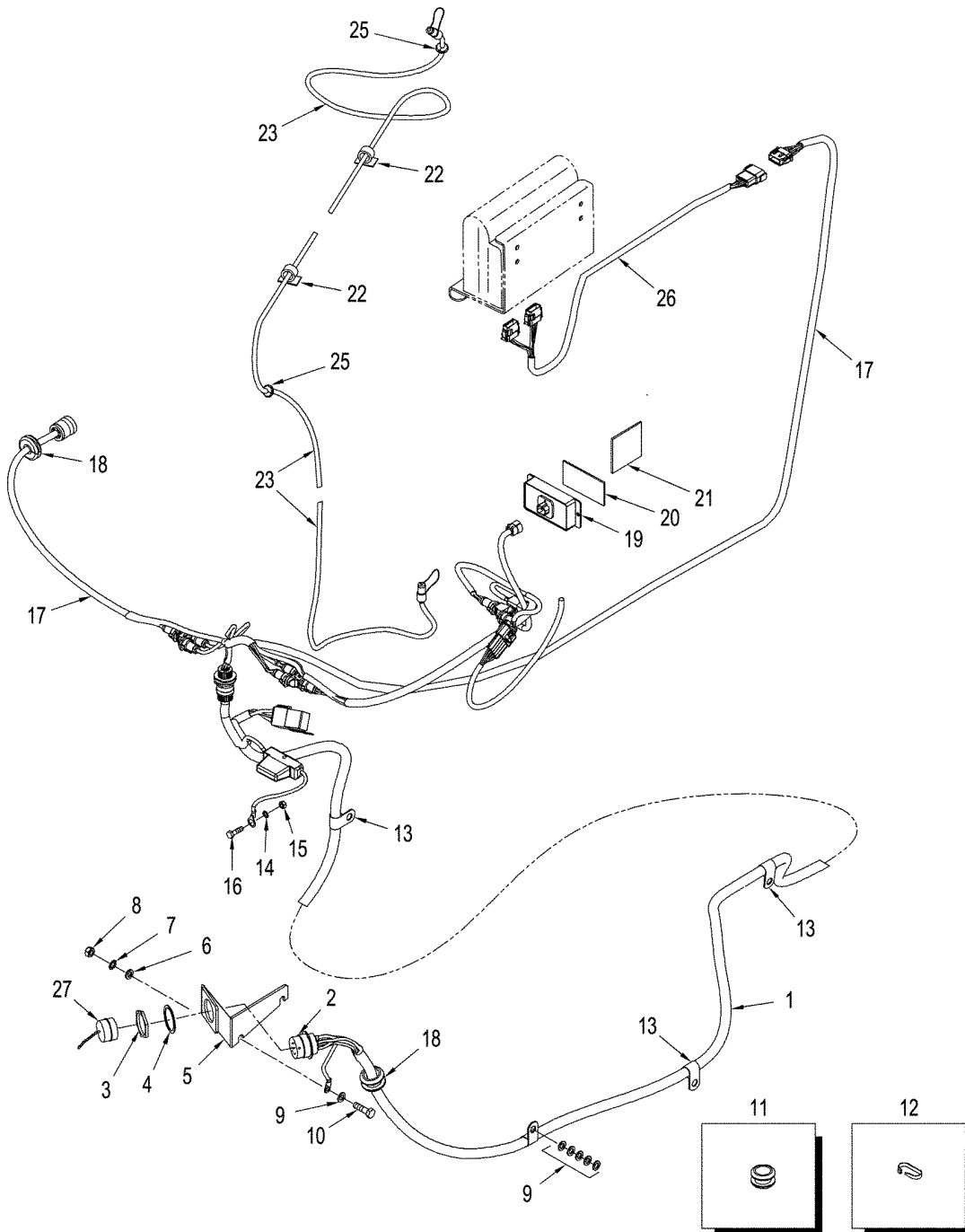
## HARNESS - ADVANCED FARMING SYSTEMS, BSN JEE0106701

REF	FN	PART NUMBER	YR/SN	QTY	DESCRIPTION
1		405029A2		1	HARNESS AFS CHASSIS
2		352506A1		1	CONNECTOR
3		459329C1		1	NUT
4		459330C1		1	WASHER, LOCK
5		405387A2		1	PLATE AFS CONNECTOR
6		893-11010		1	WASHER M10
7		892-11010		2	WASHER, LOCK M10
8		829-1410		2	NUT M10; 10
9		895-18010		7	WASHER 11 x 18 x 1,6 mm
10		614-10035		2	SCREW M10 x 35; 8,8
11		328265A1		1	GROMMET
12		22-824		12	STRAP 7 in
13		515-25190		6	CLAMP 3/4 ID
14		892-11005		1	WASHER, LOCK M5
15		825-1405		1	NUT M5
16		614-5012		1	SCREW M5 x 12 CLASS 8.8 ZND
17		405030A1		1	HARNESS Cab
18		248-23108		1	GROMMET
19		284638A2		1	CONNECTOR
20		406450A1		2	FASTENER DUAL LOCK
21		406449A1		2	FASTENER DUAL LOCK
22		169850C2		2	ANCHOR
23		405687A1		1	CABLE Receiver
25		248-2340		2	GROMMET 5/8
26		405032A1		1	TUBE Monitor
27		245041C1		1	CAP
28		15470		1	HARNESS AFS Control Conversion

**STX375 STX450**  
**STX425 STX500**



HARNESS - ADVANCED FARMING SYSTEMS, ASN JEE0106701

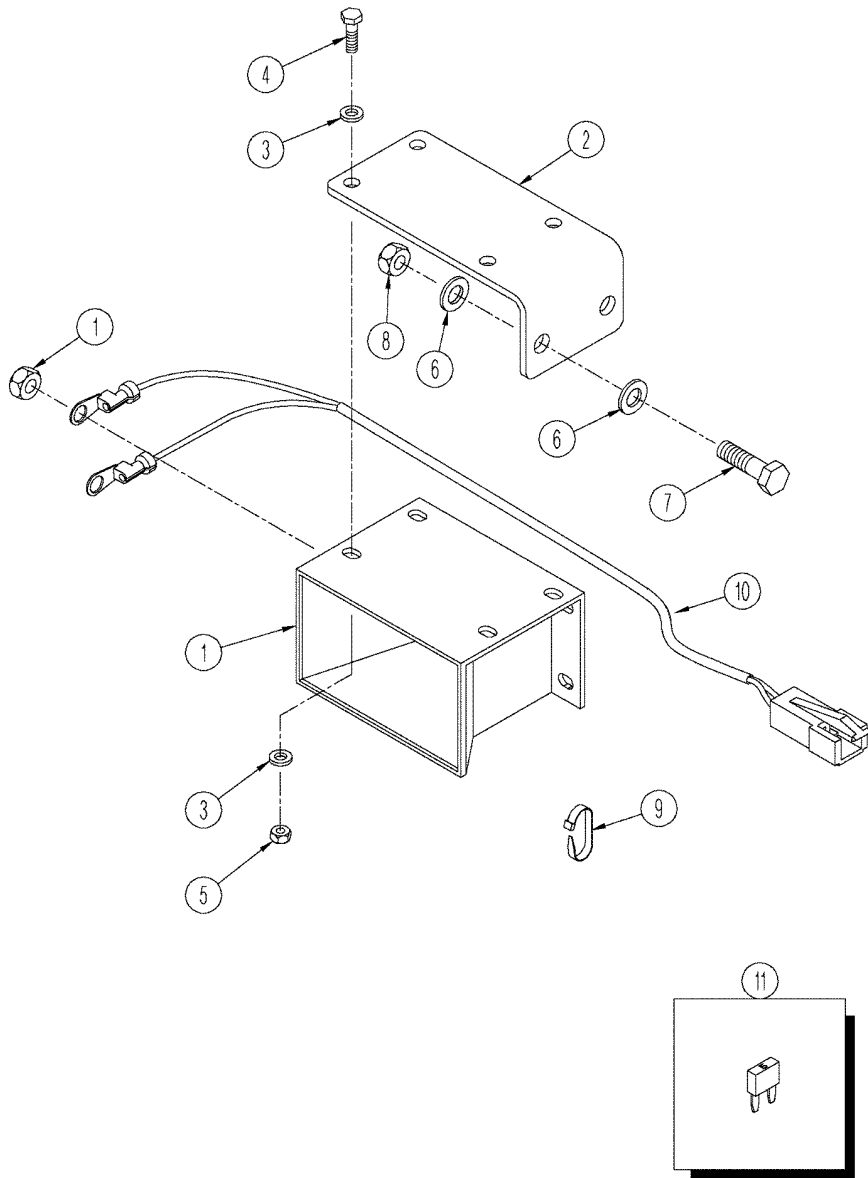


## HARNESS - ADVANCED FARMING SYSTEMS, ASN JEE0106701

REF	FN	PART NUMBER	YR/SN	QTY	DESCRIPTION
1		405029A2		1	HARNESS AFS CHASSIS
2		352506A1		1	CONNECTOR
3		459329C1		1	NUT
4		459330C1		1	WASHER, LOCK
5		405387A2		1	PLATE AFS CONNECTOR
6		893-11010		1	WASHER M10
7		892-11010		2	WASHER, LOCK M10
8		829-1410		2	NUT M10; 10
9		895-18010		7	WASHER 11 x 18 x 1,6 mm
10		614-10035		2	SCREW M10 x 35; 8,8
11		328265A1		1	GROMMET
12		435437A1		3	STRAP
13		515-25190		6	CLAMP 3/4 ID
14		892-11005		1	WASHER, LOCK M5
15		825-1405		1	NUT M5
16		614-5012		1	SCREW M5 x 12 CLASS 8.8 ZND
17		87414714		1	HARNESS Cab
18		248-23108		1	GROMMET
19		284638A2		1	CONNECTOR
20		406450A1		2	FASTENER DUAL LOCK
21		406449A1		2	FASTENER DUAL LOCK
22		169850C2		2	ANCHOR
23		405687A1		1	CABLE Receiver
25		248-2340		2	GROMMET 5/8
26		87414764		1	HARNESS AFS Jumper
27		245041C1		1	CAP

**STX375 STX450**  
**STX425 STX500**

ALARM - BACK-UP

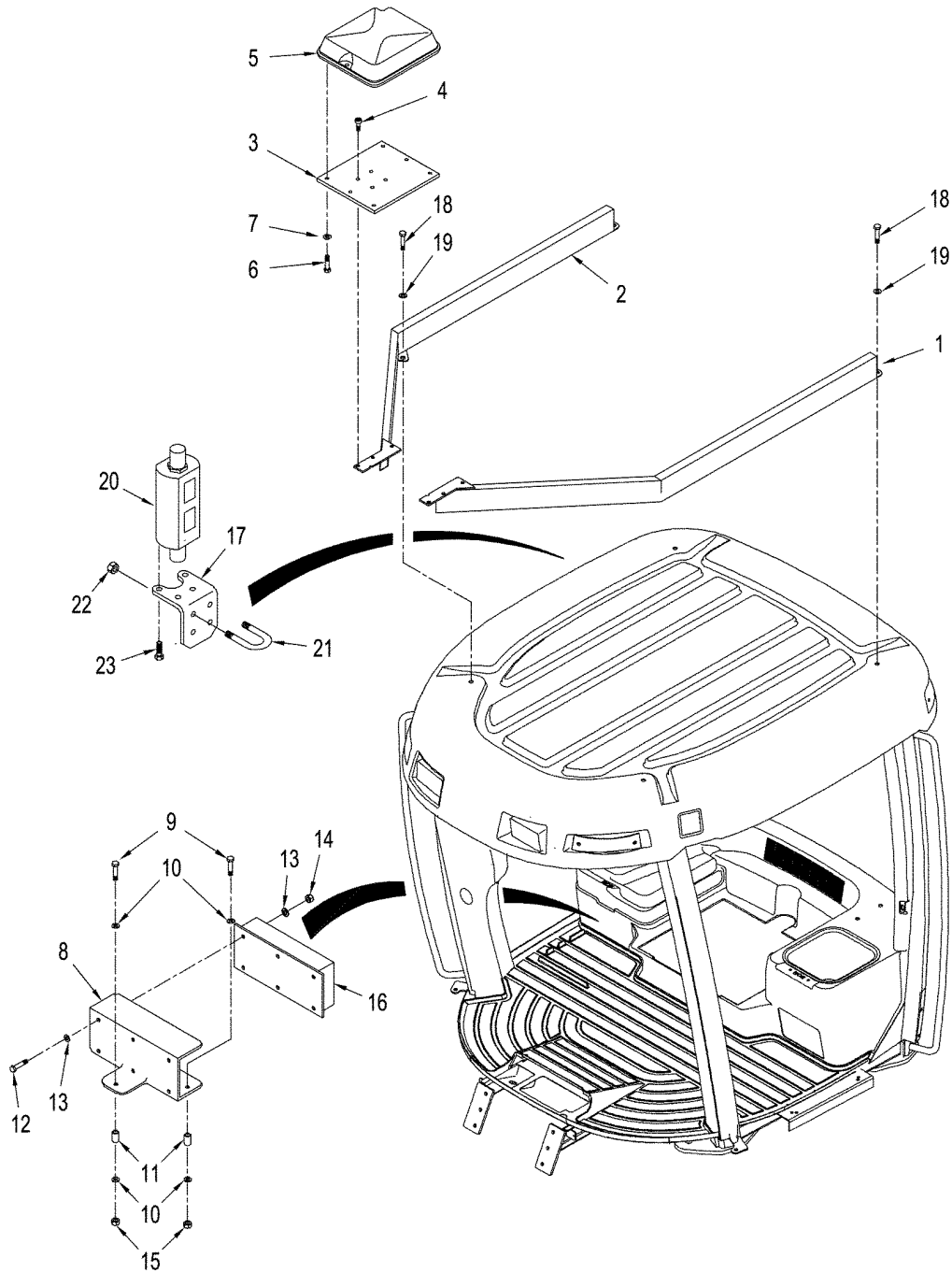


## ALARM - BACK-UP

REF	FN	PART NUMBER	YR/SN	QTY	DESCRIPTION
1		D121972		1	ALARM Inc. Nuts
2		414938A1		1	BRACKET Mounting
3		896-11006		8	WASHER 6.6 x 12.5 x 2 mm
4		627-6020		4	BOLT M6 x 20; 10.9
5		829-1406		4	NUT M6; 10.9
6		895-11010		4	WASHER 11 x 20 x 2 mm
7		627-10035		2	BOLT M10 x 35; 10.9
8		829-1410		2	NUT M10; 10
9		22-824		2	STRAP 7 in.
10		391364A1		1	HARNESS
11		121410A1		1	FUSE 5 amp

**STX375 STX450**  
**STX425 STX500**

ACCUGUIDE, GPS - MOUNTING, BSN JEE0106701

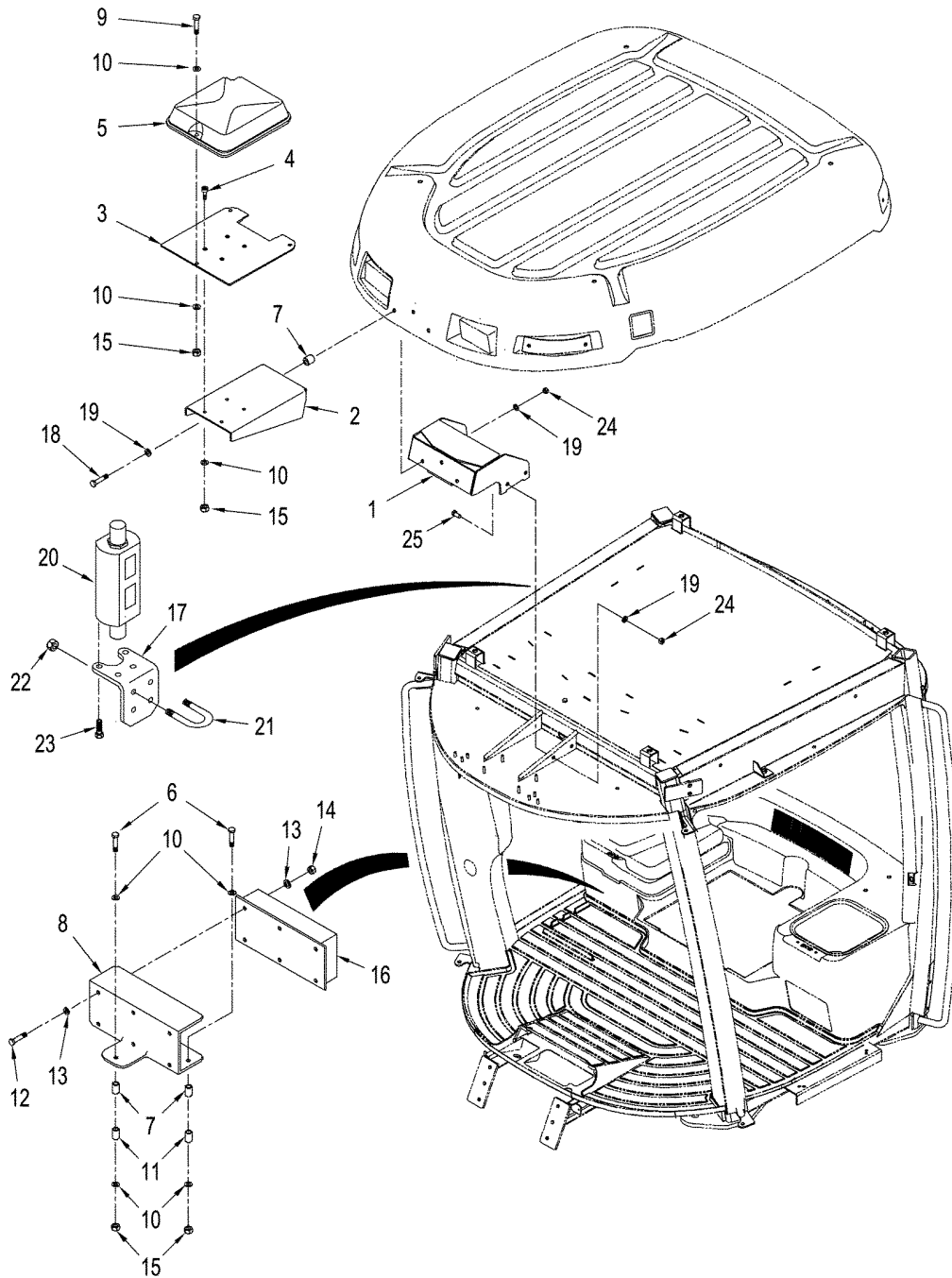


## ACCUGUIDE, GPS - MOUNTING, BSN JEE0106701

REF	FN	PART NUMBER	YR/SN	QTY	DESCRIPTION
1		87440737		1	TUBE ASSY. GPS Antenna Mounting, LH
2		87440736		1	TUBE ASSY. GPS Antenna Mounting, RH
3		87440738		1	PLATE, BASE GPS Antenna
4		843-1825		4	SCREW Flg Hd, M8 x 25, CL4.8
5		87428518		1	MODULE Receiver, DGPS / RTK
6		426-412		3	BOLT Cap, HH, 1/4 x 3/4, G8
7		495-11028		3	WASHER .281" x .625"
8		87421420		1	PLATE, BASE Mounting, Controller
10		895-11008		3	WASHER 9 x 16 x 1.6mm
11		87421443		3	SPACER
12		864-4020		6	SCREW Soc Hd, M4 x 20, CL8.8
13		895-11004		12	WASHER 4.3 x 9 x 0.8mm
14		824-1404		6	NUT M4, CL5
15		832-10408		3	NUT Lock, M8, CL8
16		87428425		1	MODULE Controller
17		87429553		1	BRACKET RTK Radio
18		627-16035		4	BOLT Hex, M16 x 35, 10.9
19		895-15016		4	WASHER 17.5 x 34 x 3.0mm
20		87428519		1	RADIO RTK GPS
21		19-153		2	U-BOLT 5/16
22		231-1445		4	NUT, LOCK Nylon, 5/16
23		414-58		4	BOLT Cap, HH, 5/16 x 1/2, G5
9		627-8030		3	SCREW Cap, HH, M8 x 30, CL10.9

**STX375 STX450**  
**STX425 STX500**

ACCUGUIDE, GPS - MOUNTING, ASN JEE0106701



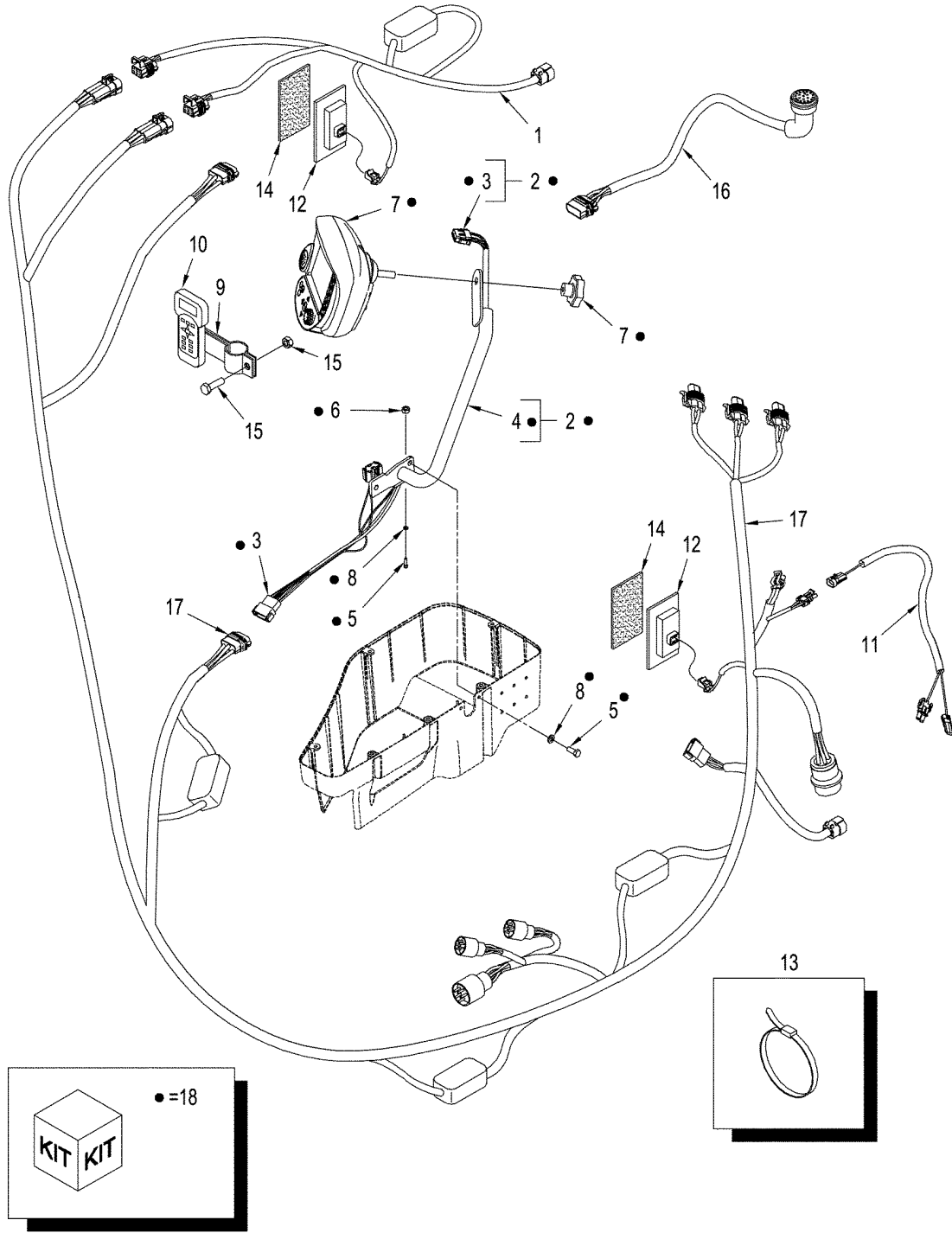
## ACCUGUIDE, GPS - MOUNTING, ASN JEE0106701

REF	FN	PART NUMBER	YR/SN	QTY	DESCRIPTION
1		87304763		1	MOUNTING PARTS Mounting
2		87304767		1	BRACKET Antenna Mounting
3		87440738		1	PLATE, BASE GPS Antenna
4		843-1825		4	SCREW Flg Hd, M8 x 25, CL4.8
5		87428518		1	MODULE Receiver, DGPS / RTK
6		827-8050		3	SCREW Cap, HH, M8 x 50, CL10.9
7		87304771		6	SPACER
8		87421420		1	PLATE, BASE Mounting, Controller
9		827-8040		3	SCREW Cap, HH, M8 x 40, CL10.9
10		895-11008		16	WASHER 9 x 16 x 1.6mm
11		408566A1	BSN June 2005 Build	3	INSERT
12		864-4020		6	SCREW Soc Hd, M4 x 20, CL8.8
13		895-11004		12	WASHER 4.3 x 9 x 0.8mm
14		824-1404		6	NUT M4, CL5
15		832-10408		10	NUT Lock, M8, CL8
16		87428425		1	MODULE Controller
17		87429553	BSN June 2005 Build	1	BRACKET RTK Radio
18		827-10055		3	BOLT Cap, HH, M10 x 55, CL10.9
19		895-11010		10	WASHER 11 x 20 x 2.0 mm
20		{87308224}		1	RTK GPS
21		19-153		2	U-BOLT 5/16
22		231-1445		4	NUT, LOCK Nylon, 5/16
23		414-58		4	BOLT Cap, HH, 5/16 x 1/2, G5
24		829-1410		7	NUT M10, CL10
25		627-10020		4	SCREW Cap, HH, M10 x 20, CL10.9

**STX375 STX450**  
**STX425 STX500**



ACCUGUIDE - VIRTUAL TERMINAL & RELATED PARTS, BSN JEE0106701



## ACCUGUIDE - VIRTUAL TERMINAL &amp; RELATED PARTS, BSN JEE0106701

REF	FN	PART NUMBER	YR/SN	QTY	DESCRIPTION
1		87436715		1	HARNESS Auto Guidance, Cab Roof
2		87415235		1	TUBE, SUPPORT Mounting, AFS, Inc. 3, 4
3		NSS		1	NOT SERVICED SEPARATELY Harness, Virtual Terminal
4		NSS		1	NOT SERVICED SEPARATELY Tube, Mounting
5		627-8020		3	BOLT M8 x 20, CL10.9
6		829-1408		3	NUT M8, CL10
7	1	NSS		1	NOT SERVICED SEPARATELY Monitor, Color Virtual Terminal
8		895-11008		3	WASHER 9 x 16 x 1.6mm
9		87428367		1	BRACKET Mounting
10		87428366		1	MODULE RDL Radio
11		87422388		1	HARNESS Wheel Speed / Transmission
12		284638A2		2	CONNECTOR Active Terminator
13		435437A1		15	STRAP Tie
14		406450A1		4	FASTENER Velcro
15		87428369		1	SET Bolt
16		87428396		1	CABLE ASSY. RTK Radio to Antenna
17		87440452		1	HARNESS Auto Guidance, Cab and Chasis
18		87440700		1	KIT, FIP Virtual Terminal Display, Inc. 2 - 8

(1) Order from ACCUGUIDE Price Book.

**STX375 STX450**  
**STX425 STX500**

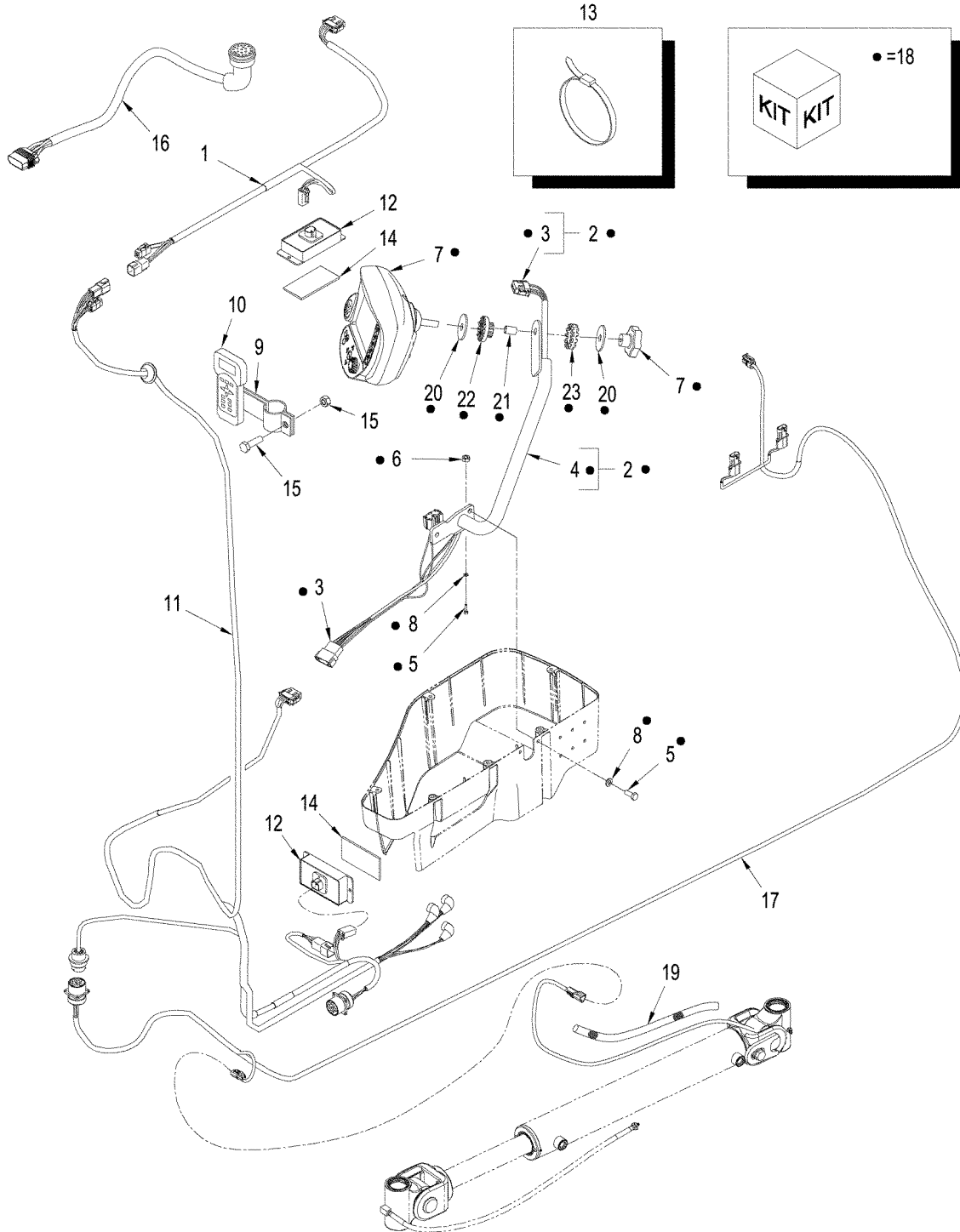
04-33

01

p1

11/05

ACCUGUIDE - VIRTUAL TERMINAL & RELATED PARTS, ASN JEE0106701



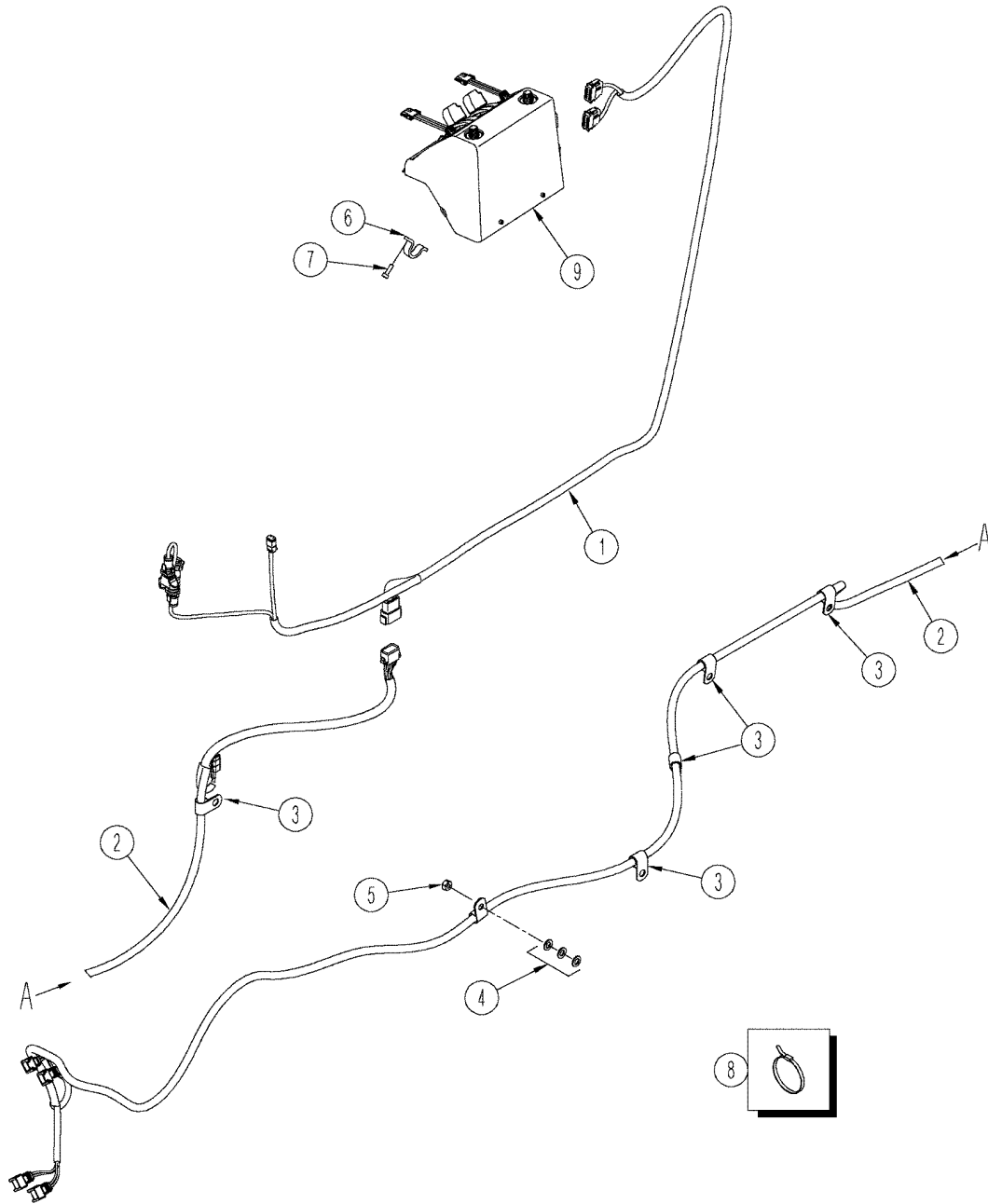
## ACCUGUIDE - VIRTUAL TERMINAL &amp; RELATED PARTS, ASN JEE0106701

REF	FN	PART NUMBER	YR/SN	QTY	DESCRIPTION
1		87436715		1	HARNESS Auto Guidance, Cab Roof
2		87333929		1	TUBE, SUPPORT Mounting, AFS, Inc. 3, 4
3		NSS		1	NOT SERVICED SEPARATELY Harness, Virtual Terminal
4		NSS		1	NOT SERVICED SEPARATELY Tube, Mounting
5		627-8020		3	BOLT M8 x 20, CL10.9
6		829-1408		3	NUT M8, CL10
7	1	NSS		1	NOT SERVICED SEPARATELY Monitor, Color Virtual Terminal
8		895-11008		3	WASHER 9 x 16 x 1.6mm
9		87428367		1	BRACKET Mounting
10		87428366		1	MODULE RDL Radio
11		87308467	BSN JEE0107825	1	HARNESS Cab
11		87311247	ASN JEE0107825	1	HARNESS Cab
12		284638A2		2	CONNECTOR Active Terminator
13		L11541		15	STRAP Tie
14		406450A1		4	FASTENER Velcro
15		87428369		1	SET Bolt
16		87428396		1	CABLE ASSY. RTK Radio to Antenna
17		87308468	BSN JEE0107825	1	HARNESS Auto Guidance, Cab and Chasis
17		87311248	ASN JEE0107825	1	HARNESS Chasis
18		87440700		1	KIT, FIP Virtual Terminal Display, Inc. 2 - 8, 20 - 23
19		A64737		1	SLEEVE Protective
20		495-81166		2	WASHER .531" x 2" x .061" thk
21		87351882		1	TUBE SPACER
22		87313871		1	SPLINED BUSHING Isolation
23		87313870		1	ISOLATOR Ring

(1) Order from ACCUGUIDE Price Book.

**STX375 STX450**  
**STX425 STX500**

WIRING - MEGA FLOW HYDRAULIC CONTROLS

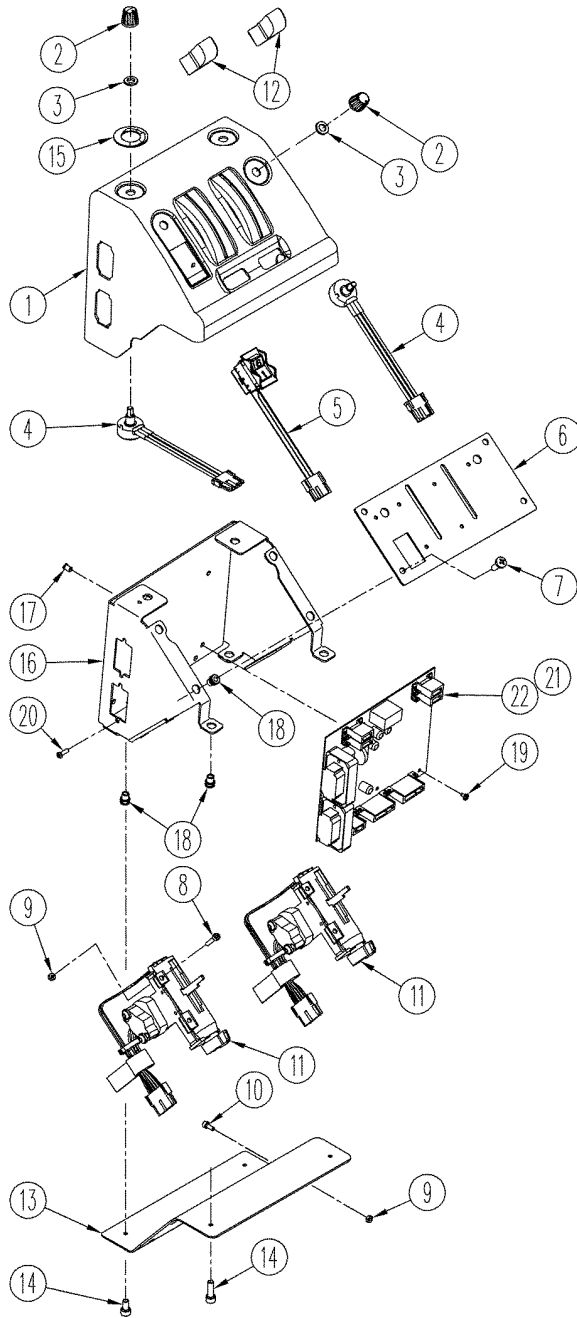


**WIRING - MEGA FLOW HYDRAULIC CONTROLS**

REF	FN	PART NUMBER	YR/SN	QTY	DESCRIPTION
1		430834A1		1	HARNESS Cab
2		430835A1		1	HARNESS
3		515-25190		6	CLAMP
4		895-11010		3	WASHER M10
5		829-1310		1	NUT M10; 10
6		412027A2		2	CLAMP Pipe
7		565-104		4	SCREW Socket, M6 x 20; 8.8
8		435437A1		2	STRAP Cable
9		REF		1	INSTRUCTION Box, Control, See Figure: 04-35

**STX375 STX450  
STX425 STX500**

MEGA FLOW HYDRAULIC CONTROLS



## MEGA FLOW HYDRAULIC CONTROLS

REF	FN	PART NUMBER	YR/SN	QTY	DESCRIPTION
1		442120A2		1	COVER
2		276797A1		4	KNOB Flow Control
3		444868A1		8	NUT 3/4
4		256305A2		4	POTENTIOMETER Draft Control
5		413148A1		1	SWITCH
6		NSS		1	NOT SERVICED SEPARATELY Plate, Mounting
7		444867A1		4	SCREW Pan Hd, M6 x 16, CL4.8
8		864-4020		4	SCREW Socket, M4 x 20; 8.8
9		824-1404		6	NUT M4, CL8
10		864-4010		2	SCREW Socket, M4 x 10; 8.8
11		406961A1		2	LEVER ASSY. Electrohydraulic
12		406962A1		2	KNOB
13		418148A2		1	COVER Plate
14		565-103		2	SCREW Socket, M6 x 12; 8.8
15		438237A1		1	DECAL Flow Control
16		411981A3		1	BRACKET Mounting
17		412295A1		5	SPACER
18		404287A1		12	INSERT
19		47112222		5	SCREW M4 x 6
20		{25-HT00012}		4	
21	1	NSS		1	NOT SERVICED SEPARATELY Software
22		412070A1		1	BOARD, PRINTED CIRCUIT

(1) Down Load Software From Service Tool

**STX375 STX450**  
**STX425 STX500**





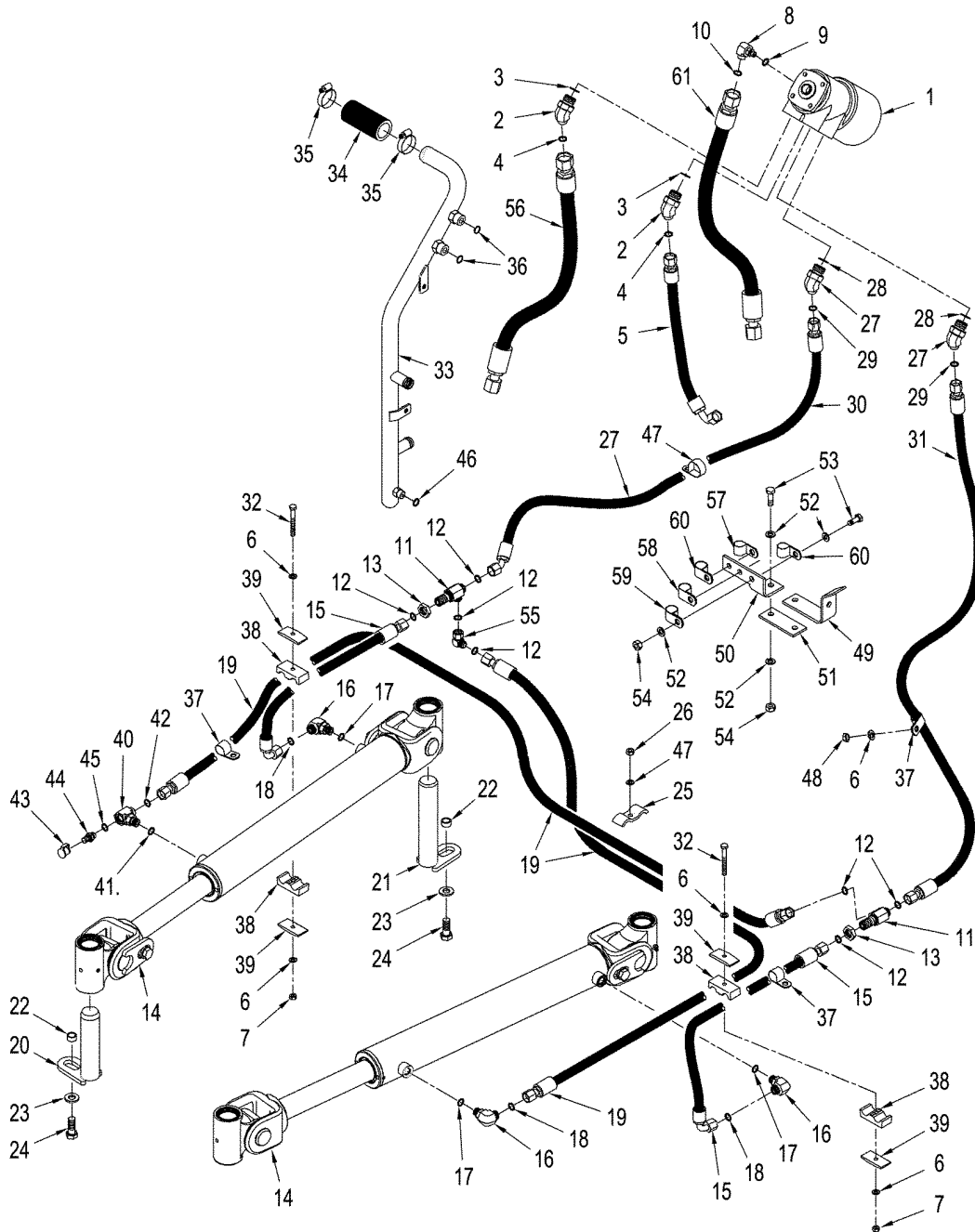
---

## SECTION INDEX

---

05-01	HYDRAULICS - STEERING
05-02	CYLINDER ASSEMBLY - ARTICULATION
05-03	STEERING CONTROL VALVE
05-04	ARTICULATION LOCKS
05-05	STEERING WHEEL AND COLUMN
05-06	STEERING COLUMN
05-07	TRANSMISSION CONTROL ASSEMBLY, WITH POWER SHIFT TRANSMISSION
05-08	TRANSMISSION CONTROL ASSEMBLY, WITH MANUAL SHIFT TRANSMISSION
05-09	ACCUGUIDE - HYDRAULIC, STEERING
05-10	ACCUGUIDE - CYLINDER ASSY., ARTICULATION W/ SENSOR
05-11	ACCUGUIDE - MANIFOLD / STEERING VALVE & MOUNTING

HYDRAULICS - STEERING



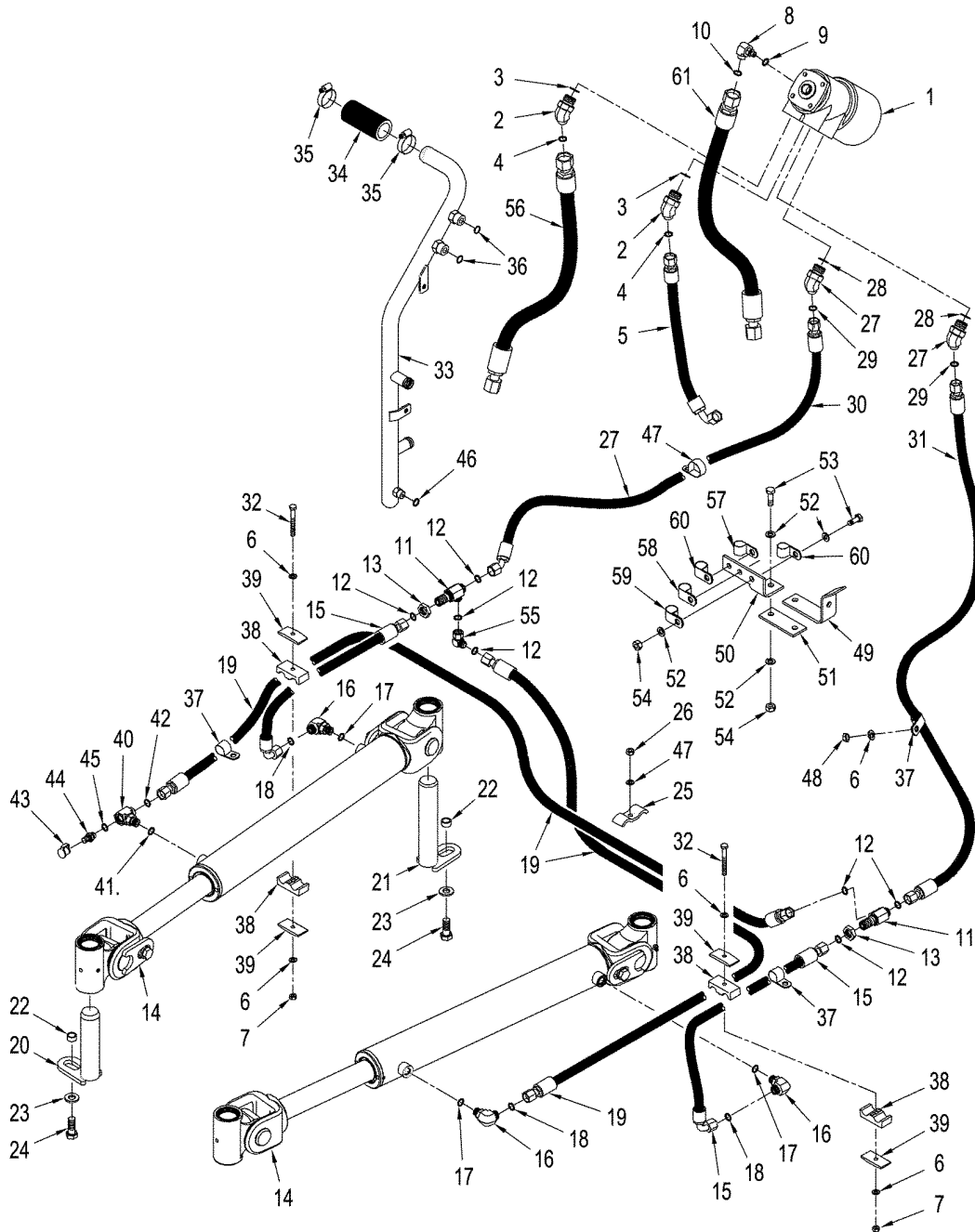
## HYDRAULICS - STEERING

REF	FN	PART NUMBER	YR/SN	QTY	DESCRIPTION
1		373374A2		1	VALVE, CONTROL Steering, See Figure 05-03
2		700-387		2	ELBOW M20 fc sl x 2,7 orb, Inc. 3, 4
3		637-64236		3	O-RING 23,6 ID x 2,9
4		238-6018		3	O-RING 3/4 ID x 1/16
5		327494A1	BSN JEE0102661	1	HOSE ASSY. 1240 mm (49 in), Supply from Priority Valve
5		87415315	ASN JEE0102661	1	HOSE ASSY. 1240 mm (49 in), Supply from Priority Valve
5	1	87424309		1	HOSE ASSY. 1240 mm (49 in)
6		895-11008		6	WASHER 9 x 17 x 1,6 mm
7		832-10408		9	NUT M8; 8
8		700-311		1	ELBOW 11/16 fc sl x 12 Or, Inc. 9, 10
9		637-63093		1	O-RING 9,3 ID x 2,2
10		238-6012		1	O-RING 3/8 ID x 1/16
11		701-423		2	TEE M12 fc sl x blkhd fc sl, Inc. 12
12		238-6014		4	O-RING 1/2 ID x 1/16
13		701-903		2	NUT 13/16 in
14		339832A1	BSN JEE0106701	2	CYLINDER Articulation, See Figure 05-02
14		406999A1		2	CYLINDER STEERING Articulation, See Figure 05-02
15		367244A1		2	HOSE 550 mm (21-1/2 in)
15	1	437278A1S		1	HOSE ASSY. 525 mm (20-1/2 in)
16		700-305		3	ELBOW 13/16 fc sl x 18 Or, Inc. 17, 18
17		637-63153		3	O-RING 15,3 ID x 2,2
18		238-6014		3	O-RING 1/2 ID x 1/16
19		367243A1		2	HOSE ASSY. 1500 mm (59 in)
19	1	437277A1S		1	HOSE ASSY. 1605 mm (63 in)
20		70-6076T3		2	PIN 1-3/4 x 7-1/4
21		70-6085T2		2	PIN 1-3/4 x 9-1/4
22		70-5967T1		4	SPACER
23		496-21066		4	WASHER 21/32 x 1-5/16 x 5/32
24		627-16040		4	SCREW Hex, M16 x 40, 10.9
25		242563A1		1	CLAMP
26		829-1412		1	NUT M12; 10
27		700-388		2	ELBOW M12 fc sl x 27 orb, Inc. 28, 29

(1) Arctic QUADTRAC Tractor Application

**STX375 STX450**  
**STX425 STX500**

HYDRAULICS - STEERING



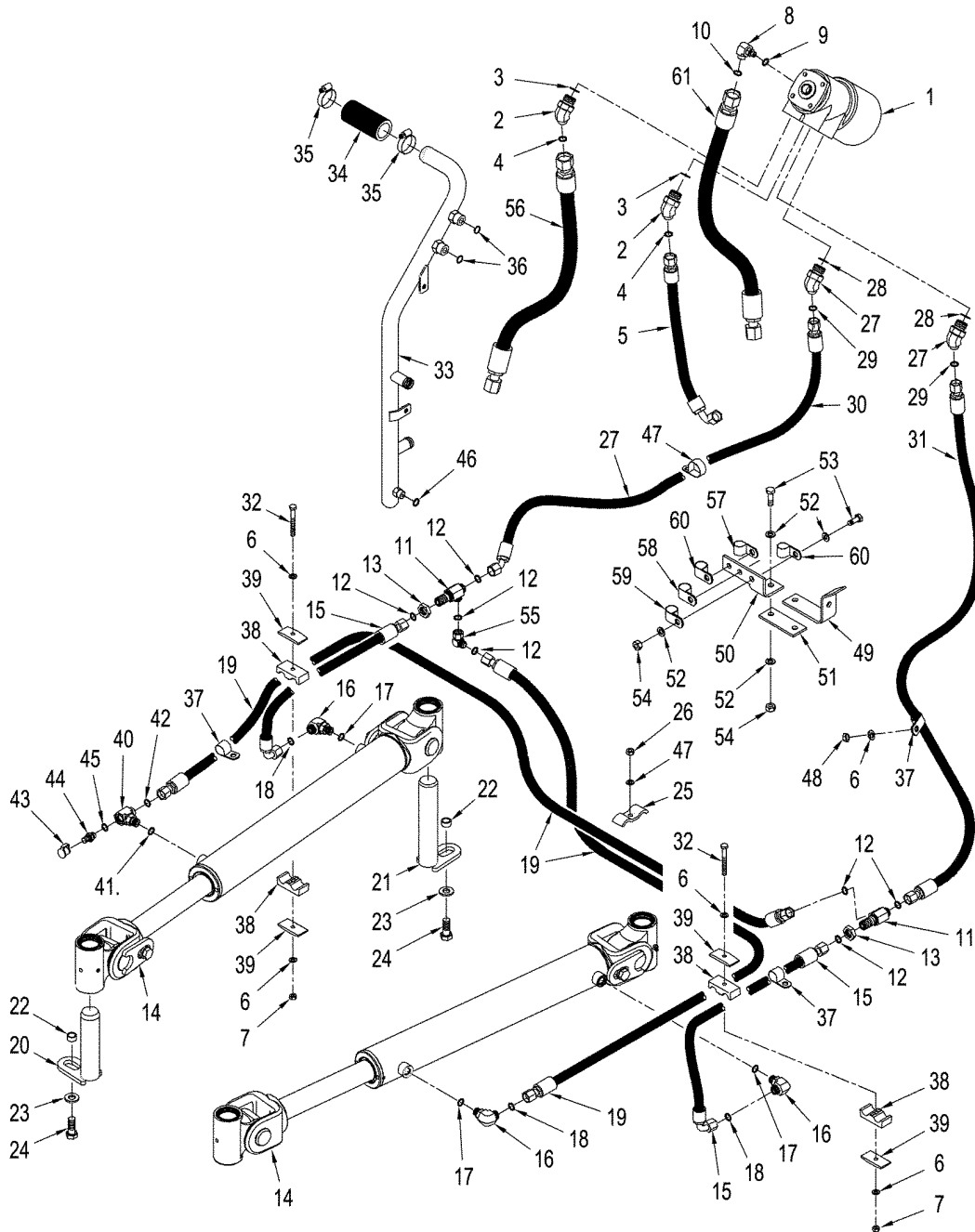
## HYDRAULICS - STEERING

REF	FN	PART NUMBER	YR/SN	QTY	DESCRIPTION
28		637-64236		2	O-RING 23,6 ID x 2,9
29		238-6014		2	O-RING 1/2 ID x 1/16
30		327460A2		1	HOSE ASSY. 2285 mm (90 in), Left-Hand Cylinder
30	1	437256A1S		1	HOSE ASSY. 2197 mm (86-1/2 in)
31		418811A1	BSN JEE0104001	1	HOSE ASSY. 2698 mm (106 in), Right-Hand Cylinder
31		87415314	ASN JEE0104001	1	HOSE ASSY. 2648 mm (104-1/4 in), Right-Hand Cylinder
31	1	87424310		1	HOSE ASSY. 2648 mm (104-1/4 in)
32		827-8070		2	BOLT M8 x 70; 10.9
33		409612A2		1	TUBE ASSY. Return
34		1-4571		1	HOSE 114 mm (4-1/2 in)
35		214-1436		2	CLAMP 1-13/16 - 2-3/4
36		238-6016		2	O-RING 5/8 ID x 1/16
37		515-23206		6	CLAMP P-type
38		50-2551T1		4	CLAMP
39		50-2533T1		4	PLATE
40		364967A1		1	TEE M18 orb, Inc. 41, 42
41		637-63153		1	O-RING 15,3 ID x 2,2
42		238-6014		1	O-RING 1/2 ID x 1/16
		178889A1		1	FITTING Diagnostic, Inc. 43 - 45
43		H434163		1	CAP
44		NSS		1	NOT SERVICED SEPARATELY Fitting
45		637-63113		1	O-RING 11,3 ID x 2,2
46		238-6014		1	O-RING 1/2 ID x 1/16
47		892-11012		1	WASHER, LOCK M12
48		829-1408		1	NUT M8; 10
49		394446A1	ASN JEE0102661	1	PLATE
50		86990421	ASN JEE0102661	1	BRACKET, SUPPORTING
51		L50641	ASN JEE0102661	1	CONNECTING STRIP
52		895-15008		10	WASHER 9 x 20 x 1,6 mm
54		832-10406		5	NUT M8, CL8
55		701-320		1	ELBOW 90, 13/16 fc sl, Inc. 12
56		383586A1	BSN JEE0102661	1	HOSE ASSY. Steering, Return, To Piston Pump

(1) Arctic QUADTRAC Tractor Application

**STX375 STX450**  
**STX425 STX500**

HYDRAULICS - STEERING



## HYDRAULICS - STEERING

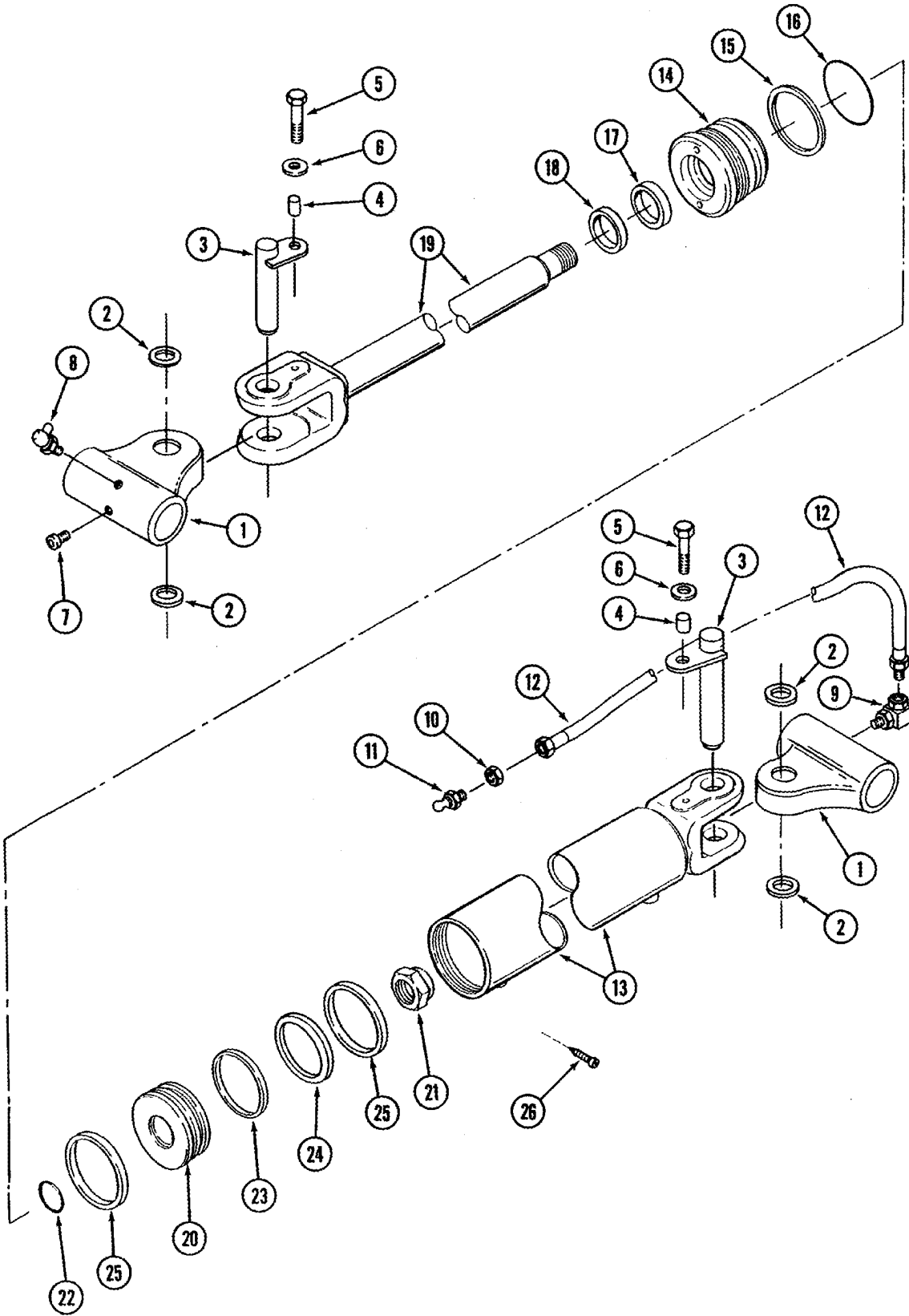
REF	FN	PART NUMBER	YR/SN	QTY	DESCRIPTION
56		87418149	ASN JEE0102661	1	HOSE ASSY. Steering, Load Sense, 1416 mm (55-3/4 in)
56	1	87424323		1	HOSE ASSY. Steering, Load Sense, 1416 mm (55-3/4 in)
57		515-23206		1	CLAMP
58		515-23286		1	CLAMP
59		515-23222		1	CLAMP
60		515-23317		1	CLAMP
61		327459A1		1	HOSE ASSY. 1350 mm (53 in)
61	1	87415320		1	HOSE ASSY. 1350 mm (53 in)
53		627-8030		5	SCREW Cap, HH, M8 x 30, CL10.9

(1) Arctic QUADTRAC Tractor Application

**STX375 STX450**  
**STX425 STX500**



CYLINDER ASSEMBLY - ARTICULATION

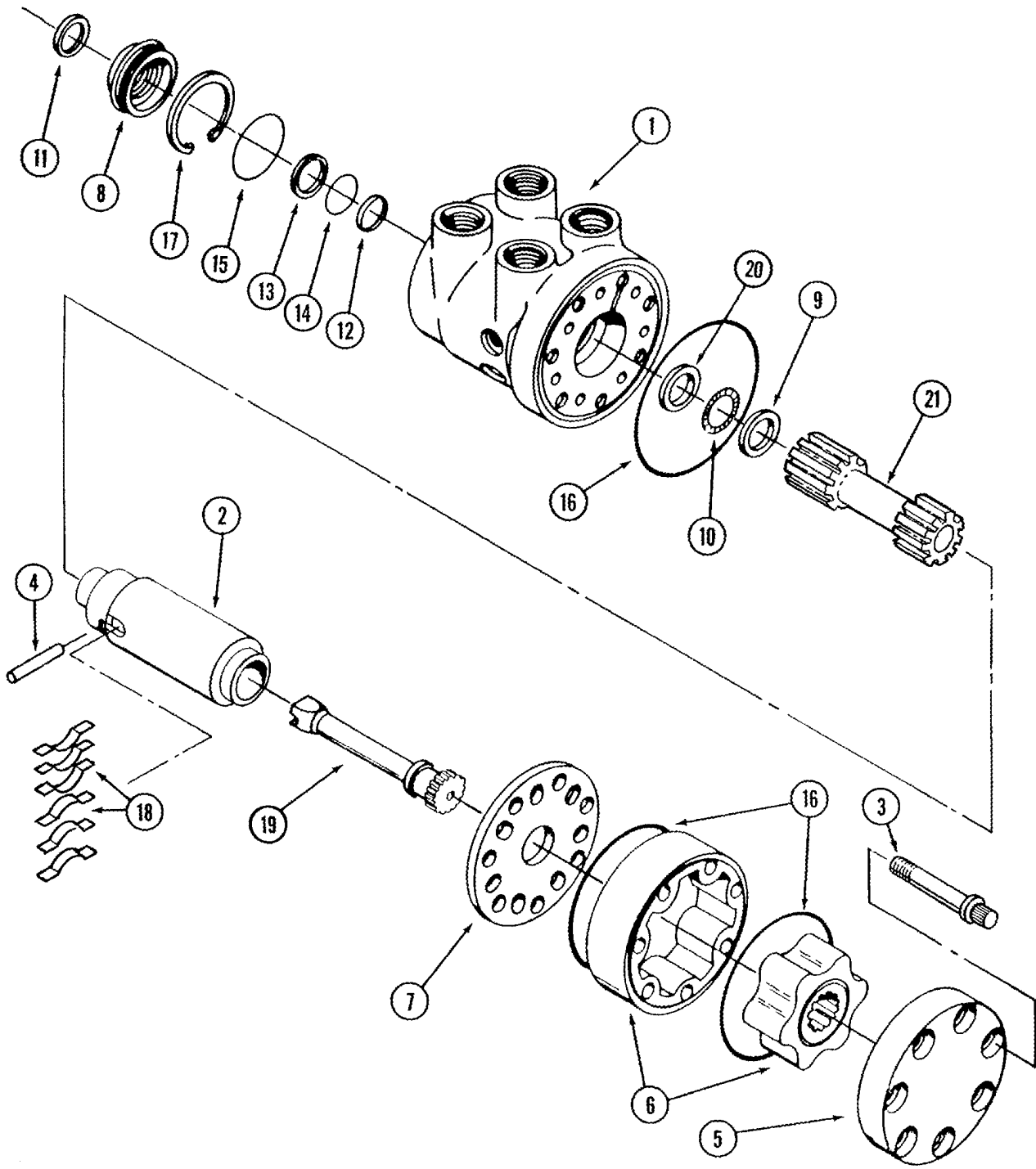


## CYLINDER ASSEMBLY - ARTICULATION

REF	FN	PART NUMBER	YR/SN	QTY	DESCRIPTION
1		409685A1		2	JOINT
2		D95143		8	SEAL
3		70-6013T2		2	PIN
4		70-5967T1		2	SPACER
5		627-16035		2	BOLT M6 x 35; 10.9
6		896-11016		2	WASHER 17,5 x 30 x 4 mm
7		217-429		2	PLUG 1/8 PT
8		219-36		1	NIPPLE, LUBE 45 deg, 1/8 PT x 7/8
9		217-1014		1	ELBOW 1/8 PT x fem PT
10		F53473		1	NUT 1/8 PT
11		219-20		1	FITTING 1/4 x 1/2 special, Grease
12		1339090C1		1	HOSE 838 mm (33 in)
		339832A1	BSN JEE0106701	1	CYLINDER Steering, Inc. 13 - 26
		406999A1	ASN JEE0106701	1	CYLINDER STEERING Inc. 13 - 26
13		387651A1		1	JACK BODY Barrel
14		387652A1		1	CAP CYLINDER END
15		NSS		1	NOT SERVICED SEPARATELY Ring
16		NSS		1	NOT SERVICED SEPARATELY O-Ring
17		NSS		1	NOT SERVICED SEPARATELY Seal
18		NSS		1	NOT SERVICED SEPARATELY Wiper
19		387650A1		1	ROD, PISTON
20		387648A1		1	PISTON
21		232-46320		1	NUT, LOCK 1-1/4 NF
22		NSS		1	NOT SERVICED SEPARATELY O-Ring
23		NSS		1	NOT SERVICED SEPARATELY Ring, Piston
24		NSS		1	NOT SERVICED SEPARATELY Seal, Piston
25		NSS		2	NOT SERVICED SEPARATELY Ring, Wear
26		NSS		1	NOT SERVICED SEPARATELY Screw
		387654A1		1	PACKAGE, SEALS Inc. 15 - 18, 22 - 26

**STX375 STX450**  
**STX425 STX500**

STEERING CONTROL VALVE

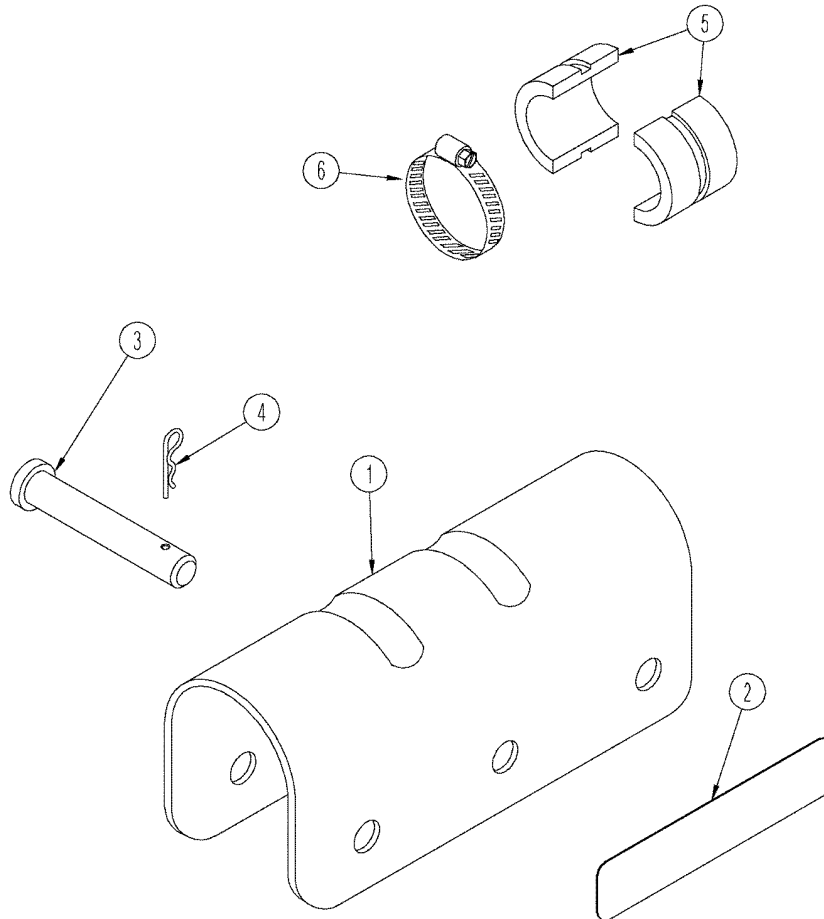


## STEERING CONTROL VALVE

REF	FN	PART NUMBER	YR/SN	QTY	DESCRIPTION
		373374A2		1	VALVE, CONTROL Steering, Inc. - 21
1		NSS		1	NOT SERVICED SEPARATELY Housing
2		NSS		1	NOT SERVICED SEPARATELY Sleeve
3		S302004		7	BOLT 12 point
4		S301999		1	PIN
5		50-2710T1		1	CAP End
6		50-2990T91		1	ROTOR ASSY. Set
7		50-2707T1		1	PLATE, WEAR Spacer
8		50-3604T1		1	RETAINER, SEAL
9		D82804		1	RACE
10		G13609		1	BEARING
11		18-137		1	SEAL Input
12		N13313		1	SEAL Teflon
13		50-2703T1		1	GASKET
14		238-5121		1	O-RING 1-1/6 ID x 3/32
15		50-2705T1		1	O-RING
16		50-2708T1		3	O-RING
17		103-21237		1	RING, SNAP 2.375", Int, #237
18		NSS		1	NOT SERVICED SEPARATELY Spring, Centering
19		50-2706T1		1	SHAFT Drive
20		D82804		1	RACE Bearing
21		NSS		1	NOT SERVICED SEPARATELY Shaft, Steering
		400702A1		1	KIT Centering Spring
		400703A1		1	KIT Seals

**STX375 STX450**  
**STX425 STX500**

ARTICULATION LOCKS



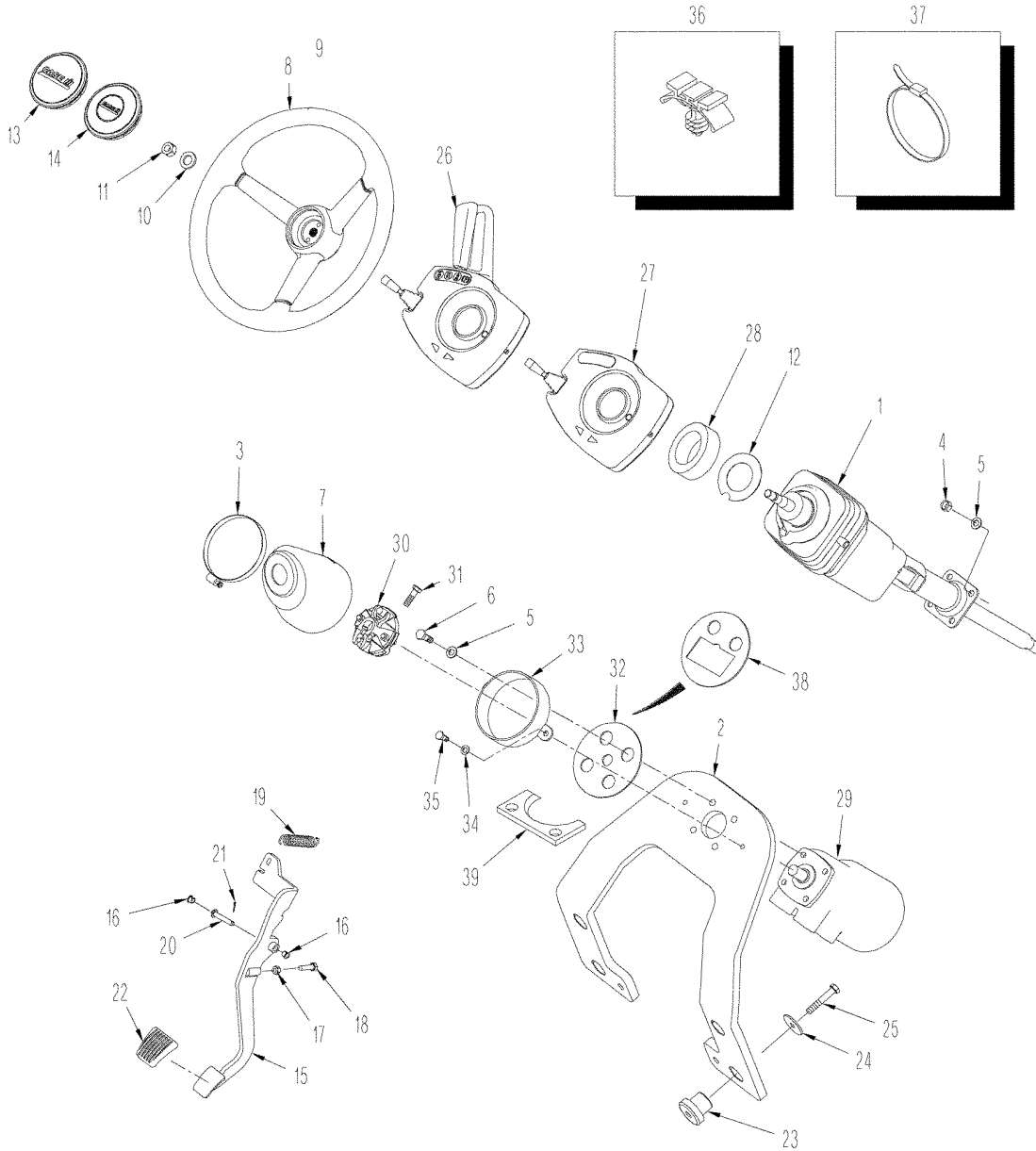
## ARTICULATION LOCKS

REF	FN	PART NUMBER	YR/SN	QTY	DESCRIPTION
1	1	403824A2		1	LOCK
1	2,3	403820A2		1	LOCK
1	2,4	403817A2		1	LOCK
2		440518A1		1	DECAL
3		427-8325		1	PIN 1/2 x 3-1/2
4		19-5400		1	PIN 1/8
5		403822A1		4	STOP Articulation
6		214-1464		2	CLAMP 3-9/16 - 4-1/2 in dia

- (1) QUADTRAC & Scraper Tractor
- (2) STX Wheel Tractor
- (3) With Stops
- (4) Without Stops

**STX375 STX450**  
**STX425 STX500**

STEERING WHEEL AND COLUMN



## STEERING WHEEL AND COLUMN

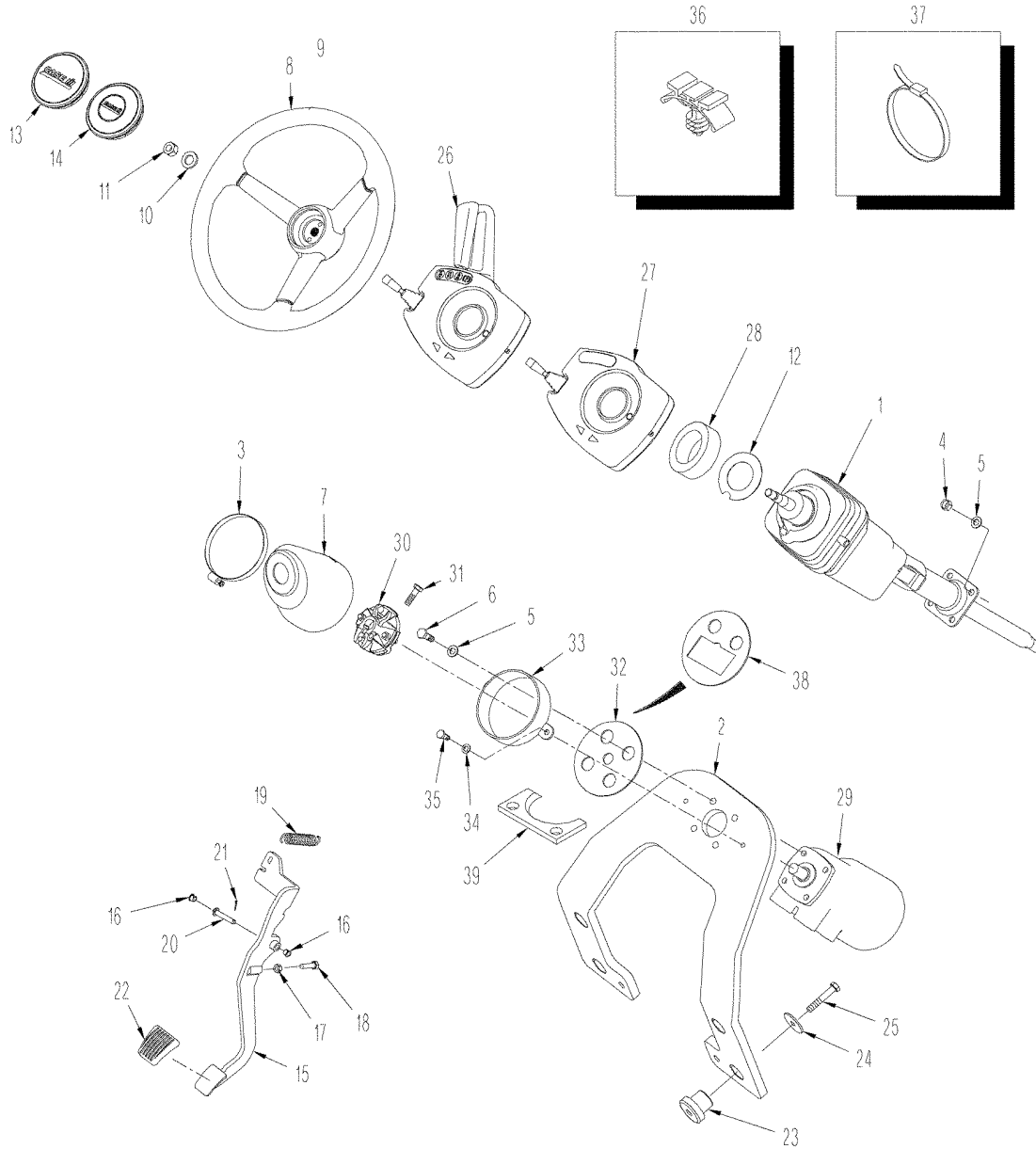
REF	FN	PART NUMBER	YR/SN	QTY	DESCRIPTION
1		86983411		1	STEERING COLUMN See Figure 05-06
2		379596A4		1	SUPPORT
3		214-1580		1	CLAMP
4		829-1410		4	NUT M10; 10
5		895-11010		6	WASHER 11 x 20 x 2 mm
7		373193A1		1	BOOT
8	1	224818A3		1	SCREW
9	2	301200A1		1	WHEEL (STEERING)
9	3	359033A1		1	WHEEL (STEERING)
10		896-11016		1	WASHER 17,5 x 30 x 4 mm
11		825-11414		1	NUT M14
12		1977448C2		1	WASHER
13	1	224819A2		1	CAP
14	2,3	361024A3		1	CAP
15		311748A3		1	PEDAL
16		282892A1		2	BUSHING
17		829-1508		1	NUT M8
18		514-633		1	SCREW M8 x 30; 8,8
19		311812A1		1	SPRING
20		729-845		1	PIN, CLEVIS M8 x 45
21		733-2012		1	PIN, SPLIT (COTTER) M2 x 12
22		323657A1		1	PAD
23		A59514		4	BUSHING, RUBBER
24		495-81145		4	WASHER 13/32 x 1-3/4 x 1/8
25		627-10070		4	BOLT M10 x 70; 10.9
26	4,5	360058A1		1	CONTROL Transmission, See Figure 05-07
26	6,5	376785A1		1	CONTROL Transmission, See Figure 05-07
27	4,7	414331A1		1	CONTROL Transmission, See Figure 05-08

- (1) Standard Cab
- (2) Deluxe Cab
- (3) Luxury Cab
- (4) Without Self Cancel
- (5) With Power Shift Transmission
- (6) With Self Cancel
- (7) With Advanced Farming Systems (AFS)

**STX375 STX450**  
**STX425 STX500**



STEERING WHEEL AND COLUMN



## STEERING WHEEL AND COLUMN

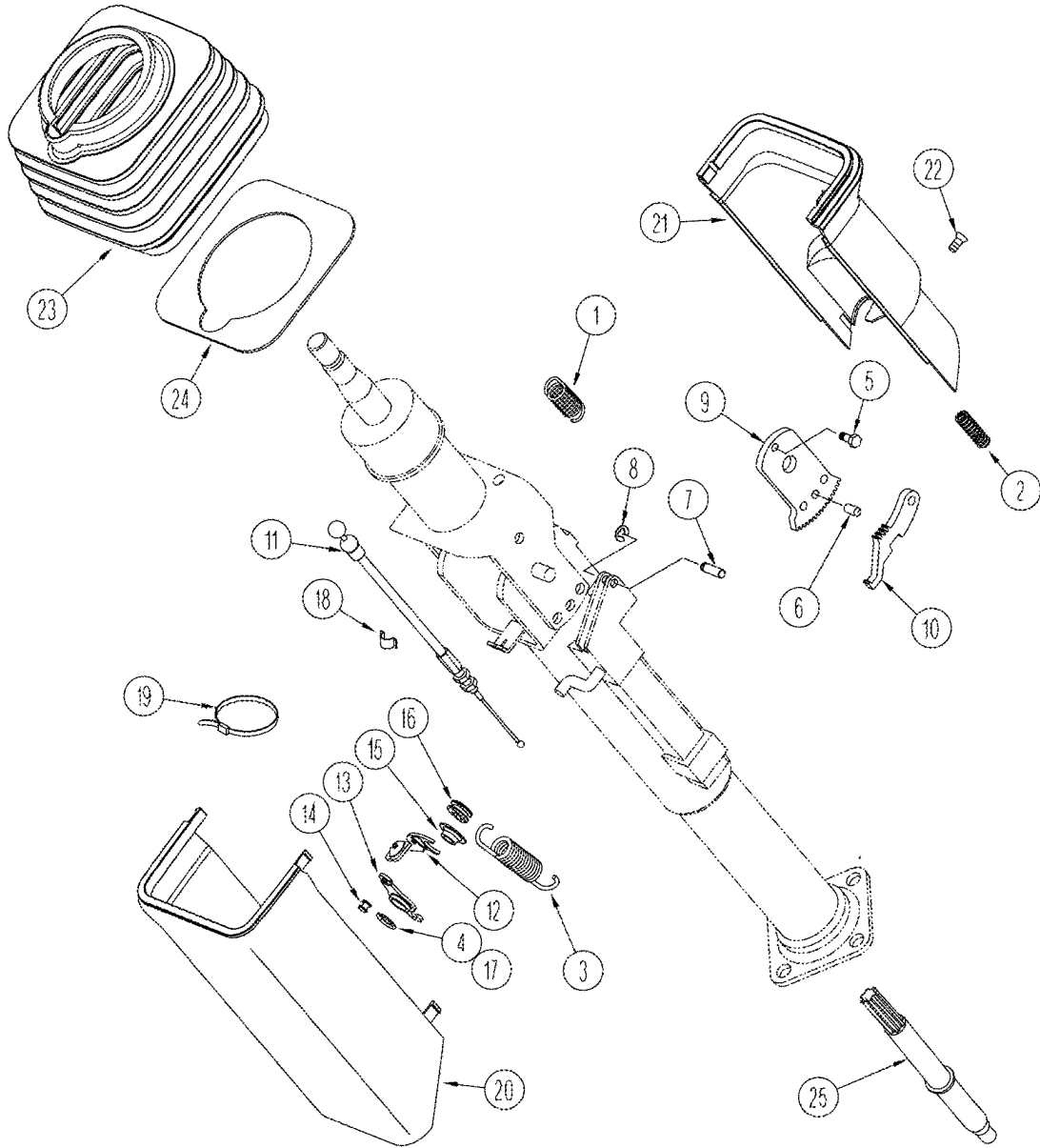
REF	FN	PART NUMBER	YR/SN	QTY	DESCRIPTION
27	1, 2	414332A1		1	CONTROL Transmission, See Figure 05-08
28	1	253679A1		1	RING
29		373374A2		1	VALVE, CONTROL Steering, See Figure 05-03
30		L100096		1	COUPLING
31		7807271		2	SCREW
32		373267A1		1	SEAL If Used
33		373194A1		1	HOUSING Boot
34		895-11008		2	WASHER 9 x 17 x 1,6 mm
35		627-8020		2	BOLT M8 x 20; 10.9
36		392699A1		1	FASTENER
37		22-824		1	STRAP 7 in
38		86983451		1	SEAL If Used
39		450945A1		1	STOP DEVICE Pump Shaft
6		627-10030		4	BOLT M10 x 30; 10.9

(1) With Self Cancel

(2) With Advanced Farming Systems (AFS)

**STX375 STX450**  
**STX425 STX500**

STEERING COLUMN

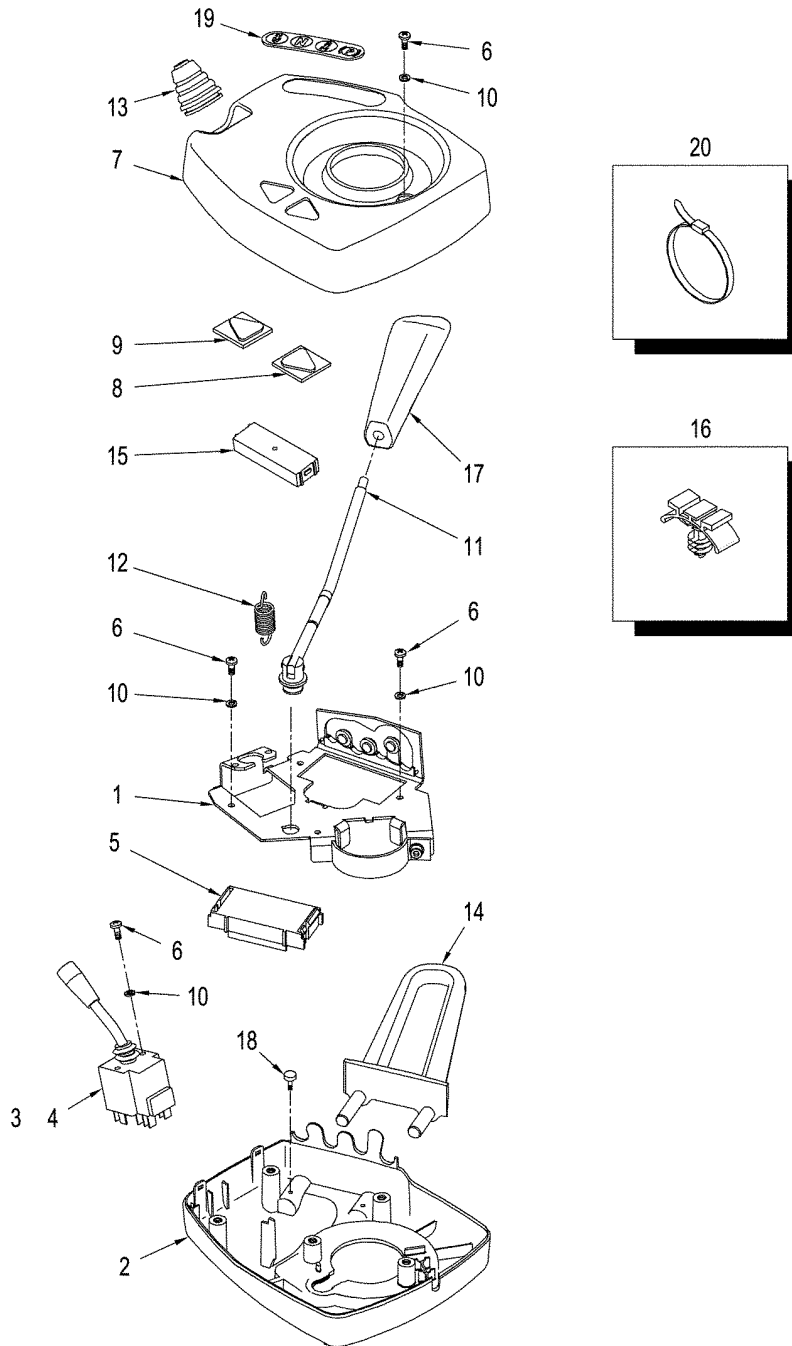


## STEERING COLUMN

REF	FN	PART NUMBER	YR/SN	QTY	DESCRIPTION
		373388A2		1	STEERING COLUMN Inc. 1 - 25
		389979A2		1	PACKAGE, REPAIR Column Springs, Inc. 1 - 4
1		NSS		2	NOT SERVICED SEPARATELY Spring, Tilt Return
2		NSS		1	NOT SERVICED SEPARATELY Spring
3		NSS		1	NOT SERVICED SEPARATELY Spring, Telescoping
4		NSS		1	NOT SERVICED SEPARATELY Clip
		318942A1		1	SET OF PARTS Tilt Locking, Inc. 5 - 10
5		NSS		3	NOT SERVICED SEPARATELY Bolt
6		NSS		1	NOT SERVICED SEPARATELY Pin, Dowel
7		NSS		1	NOT SERVICED SEPARATELY Pin
8		NSS		1	NOT SERVICED SEPARATELY Clip
9		NSS		3	NOT SERVICED SEPARATELY Plate, Tilt Positioning
10		NSS		1	NOT SERVICED SEPARATELY Catch
		389889A2		1	PACKAGE, REPAIR Lever Device, Inc. 11 - 19
11		NSS		1	NOT SERVICED SEPARATELY Cable
12		NSS		1	NOT SERVICED SEPARATELY Lever, Upper Release
13		NSS		1	NOT SERVICED SEPARATELY Lever, Lower Release
14		NSS		1	NOT SERVICED SEPARATELY Rivet
15		NSS		1	NOT SERVICED SEPARATELY Bushing
16		NSS		1	NOT SERVICED SEPARATELY Bushing
17		NSS		1	NOT SERVICED SEPARATELY Clip
18		NSS		1	NOT SERVICED SEPARATELY Holder
19		NSS		1	NOT SERVICED SEPARATELY Strap, Tie
		284997A1		1	PACKAGE, REPAIR Cover, Inc. 20 - 22
20		NSS		1	NOT SERVICED SEPARATELY Cover, Lower Column
21		NSS		1	NOT SERVICED SEPARATELY Cover, Upper Column
22		NSS		1	NOT SERVICED SEPARATELY Screw
		318940A1		1	PACKAGE, SERVICE Bellows, Inc. 23 - 25
23		NSS		1	NOT SERVICED SEPARATELY Boot
24		NSS		1	NOT SERVICED SEPARATELY Plate
25		389980A1		1	SHAFT

**STX375 STX450**  
**STX425 STX500**

TRANSMISSION CONTROL ASSEMBLY, WITH POWER SHIFT TRANSMISSION



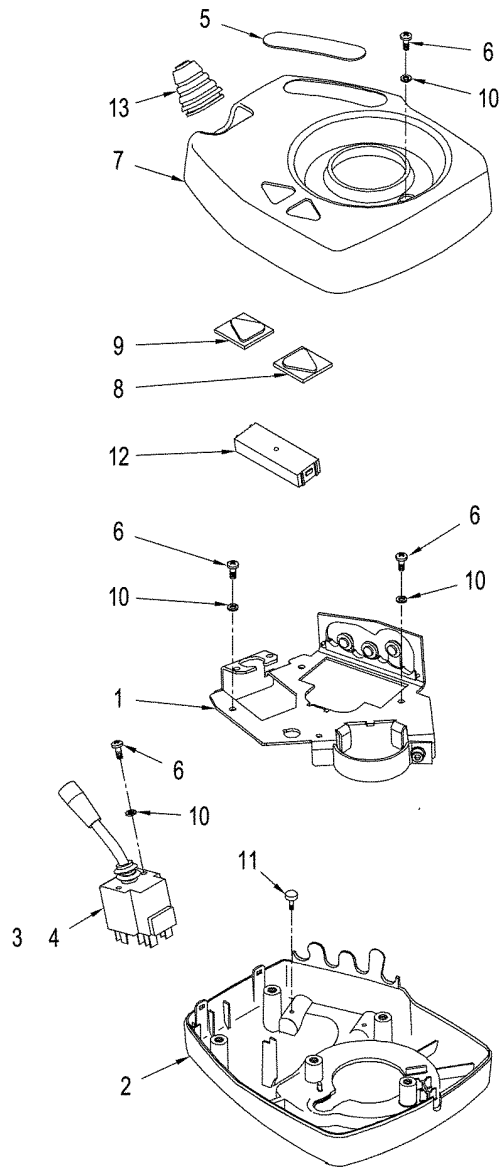
## TRANSMISSION CONTROL ASSEMBLY, WITH POWER SHIFT TRANSMISSION

REF	FN	PART NUMBER	YR/SN	QTY	DESCRIPTION
	1	376785A1		1	CONTROL Inc. 1 - 3, 5 - 15, 17 - 19
	2	360058A1		1	CONTROL Inc. 1, 2, 4 - 15, 17 - 19
1		325362A1		1	CHASSIS
2		325065A1		1	HOUSING Lower
3	1	284777A1		1	SWITCH
4	2	284776A1		1	SWITCH
5	3	86991897		1	SWITCH
6		840-1410		7	SCREW M4 x 10; 4,8
7		325064A1		1	HOUSING Upper
8		303466A1		1	SYMBOLS Right-Hand
9		303467A1		1	SYMBOLS Left-Hand
10		892-11004		7	WASHER M4
11		325363A1		1	LEVER
12		250939A1		1	SPRING
13		325068A1		1	BELLOWS
14		325066A1		1	GUARD
15		303465A2		1	LAMP
16		392699A1		1	FASTENER
17		325533A1		1	HANDLE
18		905974R1		2	SCREW, SELF TAPPING M2.9 x 13
19		358353A1		1	SYMBOLS
20		22-824		1	STRAP 7 in

- (1) With Self Cancel  
(2) Without Self Cancel  
(3) Without Neutral Start

**STX375 STX450**  
**STX425 STX500**

TRANSMISSION CONTROL ASSEMBLY, WITH MANUAL SHIFT TRANSMISSION



## TRANSMISSION CONTROL ASSEMBLY, WITH MANUAL SHIFT TRANSMISSION

REF	FN	PART NUMBER	YR/SN	QTY	DESCRIPTION
	1	414332A1		1	CONTROL Inc. 1 - 3, 5 - 10, 12 & 13
	2	414331A1		1	CONTROL Inc. 1, 2, 4 - 10, 12 & 13
1		325362A1		1	CHASSIS
2		NSS		1	NOT SERVICED SEPARATELY Housing, Lower
3	1	284777A1		1	SWITCH
4	2	284776A1		1	SWITCH
5		NSS		1	NOT SERVICED SEPARATELY Plate
6		840-1410		7	SCREW M4 x 10; 4,8
7		NSS		1	NOT SERVICED SEPARATELY Housing, Upper
8		303466A1		1	SYMBOLS Right-Hand
9		303467A1		1	SYMBOLS Left-Hand
10		892-11004		7	WASHER M4
11		905974R1		2	SCREW, SELF TAPPING M2.9 x 13
12		303465A2		1	LAMP
13		325068A1		1	BELLOWS

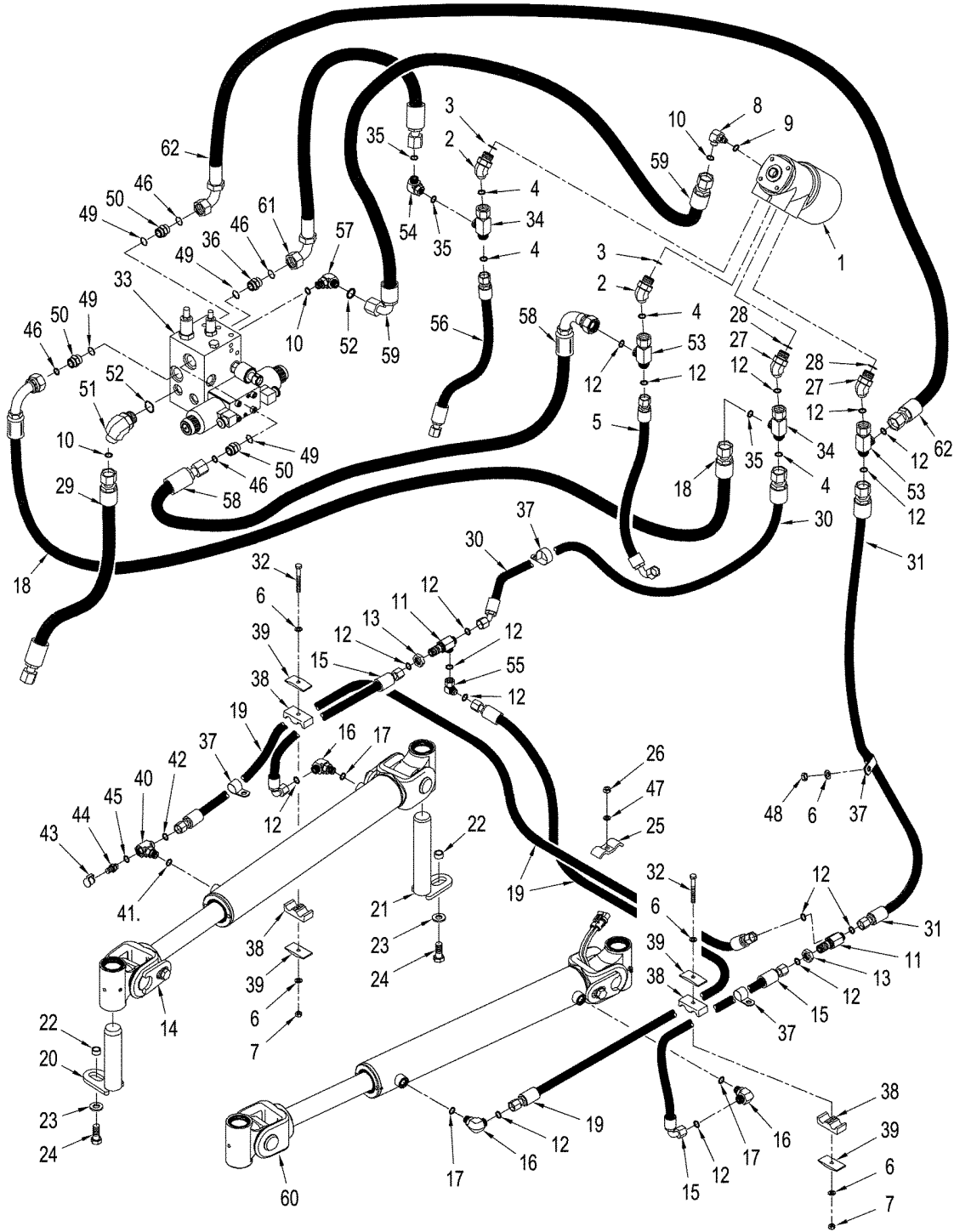
(1) With Self Cancel

(2) Without Self Cancel

**STX375 STX425**



ACCUGUIDE - HYDRAULIC, STEERING



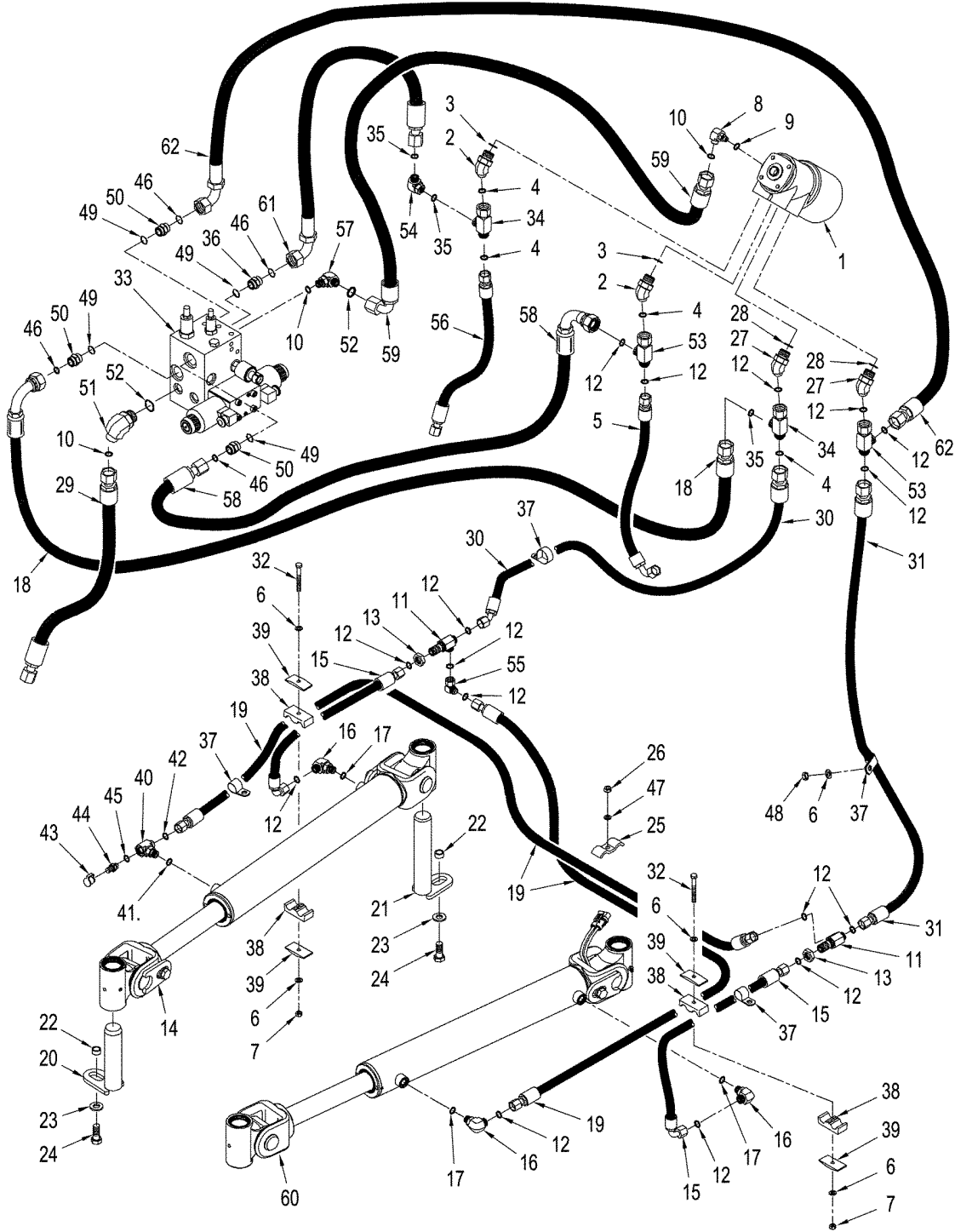
## ACCUGUIDE - HYDRAULIC, STEERING

REF	FN	PART NUMBER	YR/SN	QTY	DESCRIPTION
1		373374A2		1	VALVE, CONTROL Steering, See Figure 05-03
2		700-387		2	ELBOW 45, M20 fc sl x 27 orb, Inc. 3, 4
3		637-64236		3	O-RING 23,6 ID x 2,9
4		238-6018		3	O-RING 3/4 ID x 1/16
5		327494A1	BSN JEE0102661	1	HOSE ASSY. Supply, From Priority Valve, 1240 mm (49 in)
5		87415315	ASN JEE0104001	1	HOSE ASSY. Supply, From Priority Valve, 1240 mm (49 in)
5	1	87424309		1	HOSE ASSY. Supply, From Priority Valve, 1240 mm (49 in)
6		895-11008		6	WASHER 9 x 17 x 1,6 mm
7		832-10408		9	NUT M8; 8
8		700-311		1	ELBOW 11/16 fc sl x 12 Or, Inc. 9, 10
9		637-63093		1	O-RING 9,3 ID x 2,2
10		238-6012		1	O-RING 3/8 ID x 1/16
11		701-423		2	TEE M12 fc sl x blkhd fc sl, Inc. 12
12		238-6014		9	O-RING 1/2 ID x 1/16
13		701-903		2	NUT 13/16 in
14		339832A1	BSN JEE0106701	1	CYLINDER Articulation, See Figure 05-02
14		406999A1	ASN JEE0106701	1	CYLINDER STEERING Articulation, See Figure 05-02
15		367244A1		2	HOSE 550 mm (21-1/2 in)
15	1	437278A1S		1	HOSE ASSY. 525 mm (20-1/2 in)
16		700-305		3	ELBOW 13/16 fc sl x 18 Or, Inc. 17, 12
17		637-63153		3	O-RING 15,3 ID x 2,2
18		87440935		1	HOSE ASSY. 914 mm (36 in)
19		367243A1		2	HOSE ASSY. 1500 mm (59 in)
19	1	437277A1S		1	HOSE ASSY. 1605 mm (63 in)
20		70-6076T3		2	PIN 1-3/4 x 7-1/4
21		70-6085T2		2	PIN 1-3/4 x 9-1/4
22		70-5967T1		4	SPACER
23		496-21066		4	WASHER 21/32 x 1-5/16 x 5/32
24		627-16040		4	SCREW Hex, M16 x 40, 10.9
25		242563A1		1	CLAMP
26		829-1412		1	NUT M12; 10

(1) Arctic QUADTRAC Tractor Application

**STX375 STX450**  
**STX425 STX500**

ACCUGUIDE - HYDRAULIC, STEERING



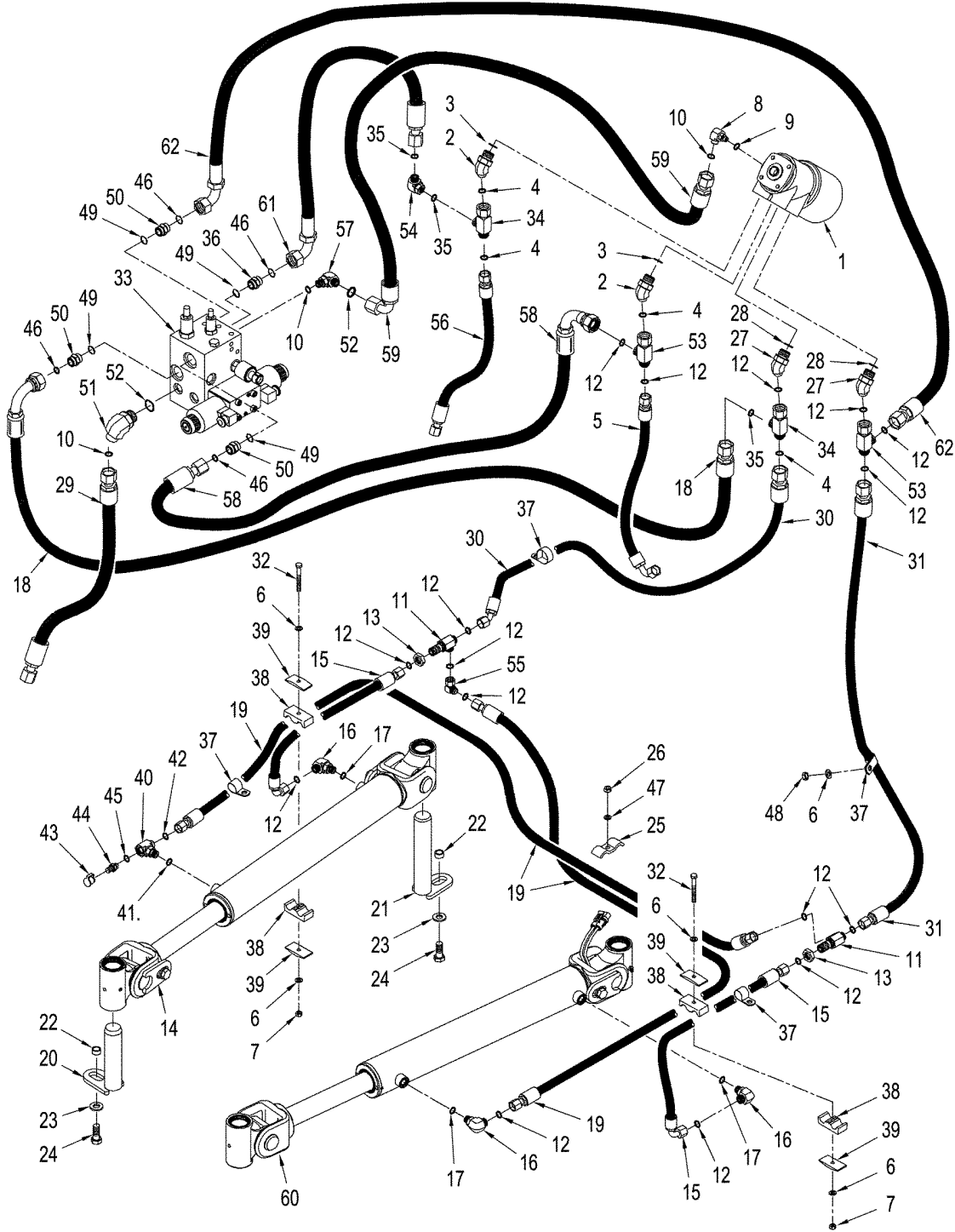
## ACCUGUIDE - HYDRAULIC, STEERING

REF	FN	PART NUMBER	YR/SN	QTY	DESCRIPTION
27		700-388		2	ELBOW 45, M12 fc sl x 27 orb, Inc. 28, 12
28		637-64236		2	O-RING 23,6 ID x 2,9
29		87415320		1	HOSE ASSY. 1350 mm (53 in), Load Sense
30		327460A2		1	HOSE ASSY. LH Steering Cylinder, 2285 mm (90 in)
30	1	437256A1S		1	HOSE ASSY. LH Steering Cylinder, 2197 mm (86-1/2 in)
31		418811A1	BSN JEE0104001	1	HOSE ASSY. RH Steering Cylinder, 2698 mm (106 in)
31		87415314	ASN JEE0104001	1	HOSE ASSY. RH Steering Cylinder, 2648 mm (104-1/4 in)
31	1	87424310		1	HOSE ASSY. RH Steering Cylinder, 2648 mm (104-1/4 in)
32		827-8070		2	BOLT M8 X 70, CL10.9
33		REF		1	INSTRUCTION Valve, Manifold / Steering, See Figure: 05-11
34		201-417		2	TEE 1-3/16 fc sl x swl, Inc. 4, 35
35		238-6018		2	O-RING 7.39 ID x 0.70 Thk
36		201-103		2	CONNECTION 1 fc sl x 7/8 or, Inc. 46, 49
37		515-23206		6	CLAMP P-type
38		50-2551T1		4	CLAMP
39		50-2533T1		4	PLATE
40		364967A1		1	TEE M18 orb, Inc. 41, 42
41		637-63153		1	O-RING 15,3 ID x 2,2
42		238-6014		1	O-RING 1/2 ID x 1/16
		178889A1		1	FITTING Diagnostic, Inc. 43 - 45
43		H434163		1	CAP
44		NSS		1	NOT SERVICED SEPARATELY Fitting
45		637-63113		1	O-RING 11,3 ID x 2,2
46		238-6016		1	O-RING 6.14 ID x 0.70 Thk
47		892-11012		1	WASHER, LOCK M12
48		829-1408		1	NUT M8; 10
49		237-6010		1	O-RING 3/4 ID x 3/32 Thk
50		201-112		2	CONNECTOR 13/16 fc sl x 7/8 or, Inc. 46, 49
51		201-380		1	ELBOW 45, 11/16 fc sl x 7/16 or, Inc. 10, 52

(1) Arctic QUADTRAC Tractor Application

**STX375 STX450**  
**STX425 STX500**

ACCUGUIDE - HYDRAULIC, STEERING



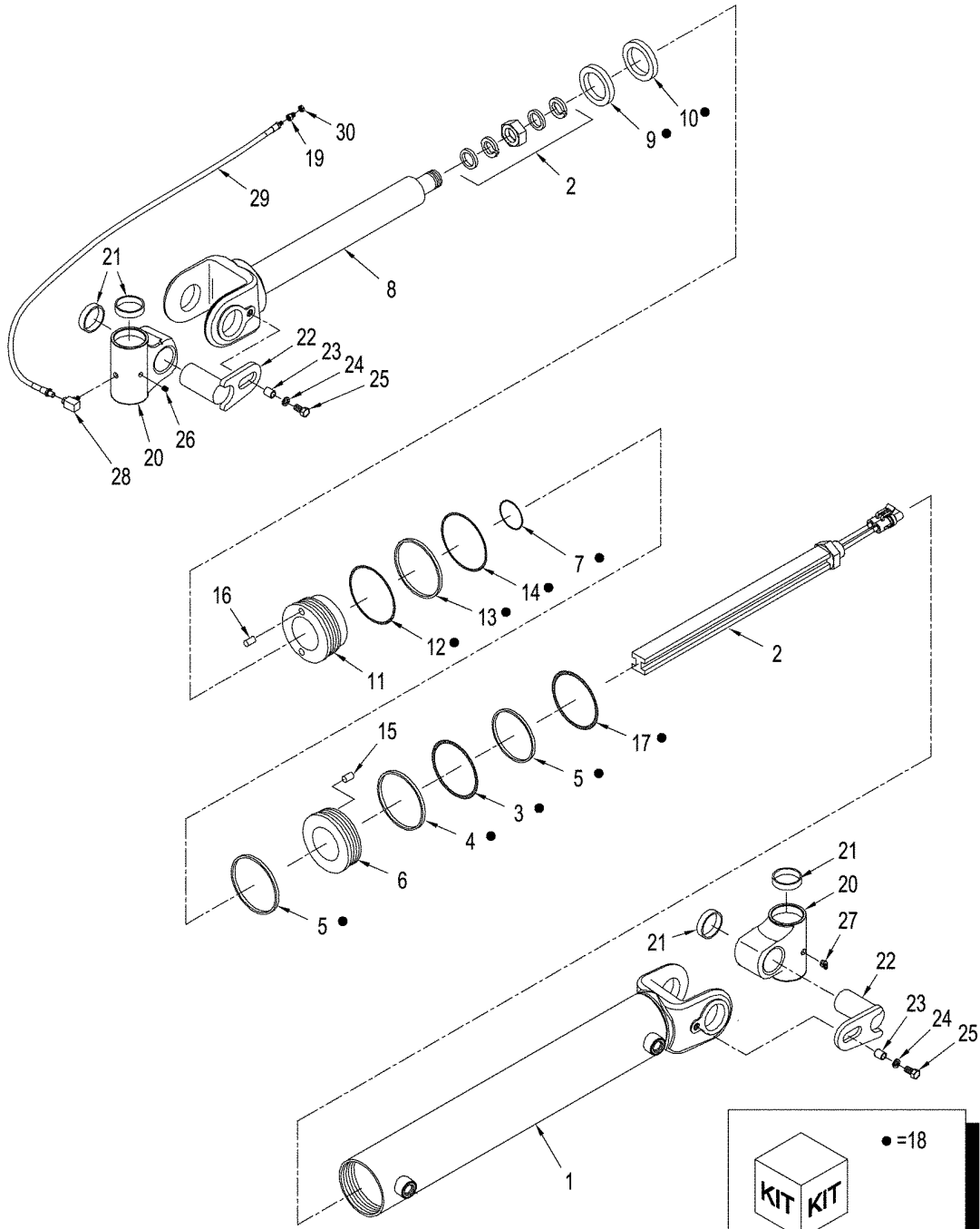
**ACCUGUIDE - HYDRAULIC, STEERING**

REF	FN	PART NUMBER	YR/SN	QTY	DESCRIPTION
52		237-6004		1	O-RING 4-1, 90 Duro, .351" ID x .072" Thk
53		201-416		2	TEE 13/16 fc sl x swl, Inc. 12
54		201-342		1	ELBOW 90, 1-13/16 fc sl x swl, Inc. 35
55		701-320		1	ELBOW 90, 13/16 fc sl, Inc. 12
56		383586A1	BSN JEE0102661	1	HOSE ASSY. Steering, Return, to Piston Pump
56		87418149	ASN JEE0102661	1	HOSE ASSY. Steering, Return, to Piston Pump, 1416 mm (55-3/4 in)
56	1	87424323		1	HOSE ASSY. Steering, Return, to Piston Pump, 1416 mm (55-3/4 in)
57		201-311		1	ELBOW 90, 11/16 fc sl x 7/16 or, Inc. 10, 52
58		87440933		1	HOSE ASSY. 914 mm (36 in)
59		87440932		1	HOSE ASSY. 368 mm (14-1/2 in)
60		87429557		1	CYLINDER Articulation, with Sensor, See Figure: 05-10
61		87440934		1	HOSE ASSY. Load Sense, 914 mm (36 in)
62		87310965		1	HOSE ASSY. 734 mm (29 in)

(1) Arctic QUADTRAC Tractor Application

**STX375 STX450  
STX425 STX500**

ACCUGUIDE - CYLINDER ASSY., ARTICULATION W/ SENSOR



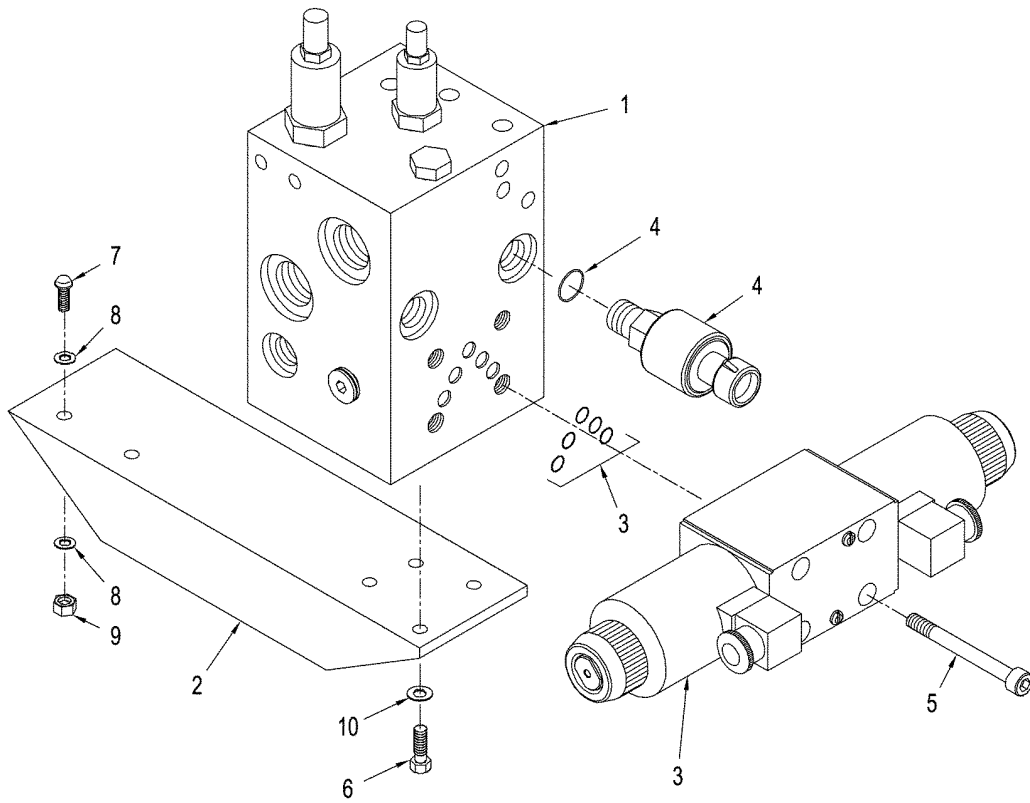
## ACCUGUIDE - CYLINDER ASSY., ARTICULATION W/ SENSOR

REF	FN	PART NUMBER	YR/SN	QTY	DESCRIPTION
		87429557		1	CYLINDER Inc. 1 - 18
1		87436214		1	CASE ASSY. Barrel
2		87407429		1	SENSOR
3		NSS		1	NOT SERVICED SEPARATELY O-RING
4		NSS		1	NOT SERVICED SEPARATELY SEAL Piston
5		NSS		2	NOT SERVICED SEPARATELY RING Wear
6		87436215		1	PISTON
7		NSS		1	NOT SERVICED SEPARATELY O-RING
8		87436213		1	SHAFT ASSY.
9		NSS		1	NOT SERVICED SEPARATELY WIPER
10		NSS		1	NOT SERVICED SEPARATELY SEAL U-Cup
11		387652A1		1	CAP CYLINDER END
12		NSS		1	NOT SERVICED SEPARATELY O-RING
13		NSS		1	NOT SERVICED SEPARATELY RING, Backup
14		NSS		1	NOT SERVICED SEPARATELY O-RING
15		445440A1		1	SET SCREW
16		NSS		1	NOT SERVICED SEPARATELY SCREW, Set
17		NSS		1	NOT SERVICED SEPARATELY O-RING
18		87436443		1	KIT, SEALS Inc. 3 - 5, 7, 9, 10, 12 - 14
19		219-20		1	FITTING Grease, 1/4
20		409685A1		2	JOINT Knuckle
21		D95143		8	SEAL Wiper, Rod
22		70-6013T2		2	PIN
23		70-5967T1		2	SPACER
24		896-11016		2	WASHER 17.5 x 30 x 4 mm
25		627-16035		2	BOLT Hex, M16 x 35, 10.9
26		217-429		2	PLUG Socketless Pipe, 1/8"
27		219-36		1	NIPPLE, LUBE 45, 1/8"
28		217-1014		1	ELBOW 90, 1/8"
29		1339090C1		1	HOSE
30		F53473		1	NUT

**STX375 STX450**  
**STX425 STX500**



ACCUGUIDE - MANIFOLD / STEERING VALVE & MOUNTING



## ACCUGUIDE - MANIFOLD / STEERING VALVE &amp; MOUNTING

REF	FN	PART NUMBER	YR/SN	QTY	DESCRIPTION
1		87429542		1	MANIFOLD Valve
2		87429555		1	BRACKET Mounting
3		87429544		1	VALVE Steering Guidance
4		87428328		1	SENSOR Pressure, 3000 psi
5		864-6040		4	SCREW Soc Hd, M6 x 40, CL8.8
7		811-10025		2	SCREW Rd Hd, M10 x 25, CL8.8
8		895-11010		4	WASHER 11 x 20 x 2.0mm
9		832-10410		2	NUT M10, CL8
10		892-11010		4	WASHER, LOCK
6		627-10030		4	BOLT Flg, M8 x 25, CL4.8

**STX375 STX450**  
**STX425 STX500**



---

## SECTION INDEX

---

06-01		CLUTCH PEDAL, POWER SHIFT TRANSMISSION
06-02		CLUTCH PEDAL, MANUAL SHIFT TRANSMISSION
06-03		TRANSMISSION SHIFTER, POWER SHIFT TRANSMISSION
06-04		TRANSMISSION SHIFT CONTROLS, MANUAL SHIFT TRANSMISSION
06-05		SHIFTING UNIT ASSEMBLY, WITH MANUAL SHIFT TRANSMISSION
06-06		WHEELS SINGLE AND DUALS WITH SPACERS
06-07		WHEELS TRIPLES WITH SPACERS
06-08		HUB ASSEMBLY MOUNTING
06-09		YOKE MOUNTING, QUADTRAC TRACTOR, BSN JEE0106701
06-09	01	YOKE MOUNTING, QUADTRAC TRACTOR, ASN JEE0106701
06-10		UNDERCARRIAGE - MOUNTING, QUADTRAC TRACTOR, BSN JEE0106701
06-10	01	UNDERCARRIAGE - MOUNTING, QUADTRAC TRACTOR, BTW JEE0106701 & JEE0107427
06-10	02	UNDERCARRIAGE - MOUNTING, QUADTRAC TRACTOR, ASN JEE0107427
06-11		AXLE ASSEMBLY - FRONT IDLER, QUADTRAC TRACTOR, BSN JEE0107427
06-11	01	AXLE ASSEMBLY - FRONT IDLER, QUADTRAC TRACTOR, ASN JEE0107427
06-12		AXLE ASSEMBLY - REAR IDLER, QUADTRAC TRACTOR, BSN JEE0107427
06-12	01	AXLE ASSEMBLY - REAR IDLER, QUADTRAC TRACTOR, ASN JEE0107427
06-12	02	AXLE ASSY. - ROLLER SHAFT
06-13		DRIVE WHEEL, QUADTRAC TRACTOR
06-14		TRACK TENSIONING, QUADTRAC TRACTOR
06-15		TRACKS, QUADTRAC TRACTOR
06-16		TRANSMISSION MOUNTING, MANUAL SHIFT TRANSMISSION
06-17		TRANSMISSION MOUNTING, POWER SHIFT TRANSMISSION
06-18		TRANSMISSION - LUBRICATION, WITH MANUAL SHIFT TRANSMISSION
06-19		TRANSMISSION - LUBRICATION, WITH POWER SHIFT TRANSMISSION, BSN JEE0104001
06-19	01	TRANSMISSION - LUBRICATION, WITH POWER SHIFT TRANSMISSION, ASN JEE0104001
06-20		POWER TAKEOFF - CLUTCH LUBRICATION, WITH MANUAL SHIFT TRANSMISSION
06-21		POWER TAKEOFF - CLUTCH LUBRICATION, WITH POWER SHIFT TRANSMISSION
06-22		MANUAL SHIFT TRANSMISSION - VALVE ASSEMBLY MOUNTING
06-23		MANUAL SHIFT TRANSMISSION - COVERS AND YOKES
06-24		MANUAL SHIFT TRANSMISSION - REAR HOUSING
06-25		MAUAL SHIFT TRANSMISSION - FRONT HOUSING
06-26		MANUAL SHIFT TRANSMISSION - SHAFT ASSEMBLIES AND SHIFTER FORKS
06-27		MANUAL SHIFT TRANSMISSION - SHIFTER FORKS
06-28		MANUAL SHIFT TRANSMISSION - INPUT SHAFT ASSEMBLY
06-29		MANUAL SHIFT TRANSMISSION - INPUT SHAFT ASSEMBLY
06-30		MANUAL SHIFT TRANSMISSION - SECOND SHAFT ASSEMBLY
06-31		MANUAL SHIFT TRANSMISSION - THIRD SHAFT ASSEMBLY
06-32		MANUAL SHIFT TRANSMISSION - FOURTH SHAFT ASSEMBLY
06-33		MANUAL SHIFT TRANSMISSION - FIFTH SHAFT ASSEMBLY
06-34		MANUAL SHIFT TRANSMISSION - CONTROL VALVE ASSEMBLY
06-35		MANUAL SHIFT TRANSMISSION - LOCKOUT VALVE ASSEMBLY
06-36		MANUAL SHIFT TRANSMISSION - REGULATOR VALVE ASSEMBLY
06-37		POWER SHIFT TRANSMISSION - VALVE AND PUMP MOUNTING
06-38		POWER SHIFT TRANSMISSION - COVERS AND YOKES
06-39		POWER SHIFT TRANSMISSION - REAR HOUSING
06-40		POWER SHIFT TRANSMISSION - HOUSING AND CLUTCHES
06-41		POWER SHIFT TRANSMISSION - INPUT SHAFT ASSEMBLY

---

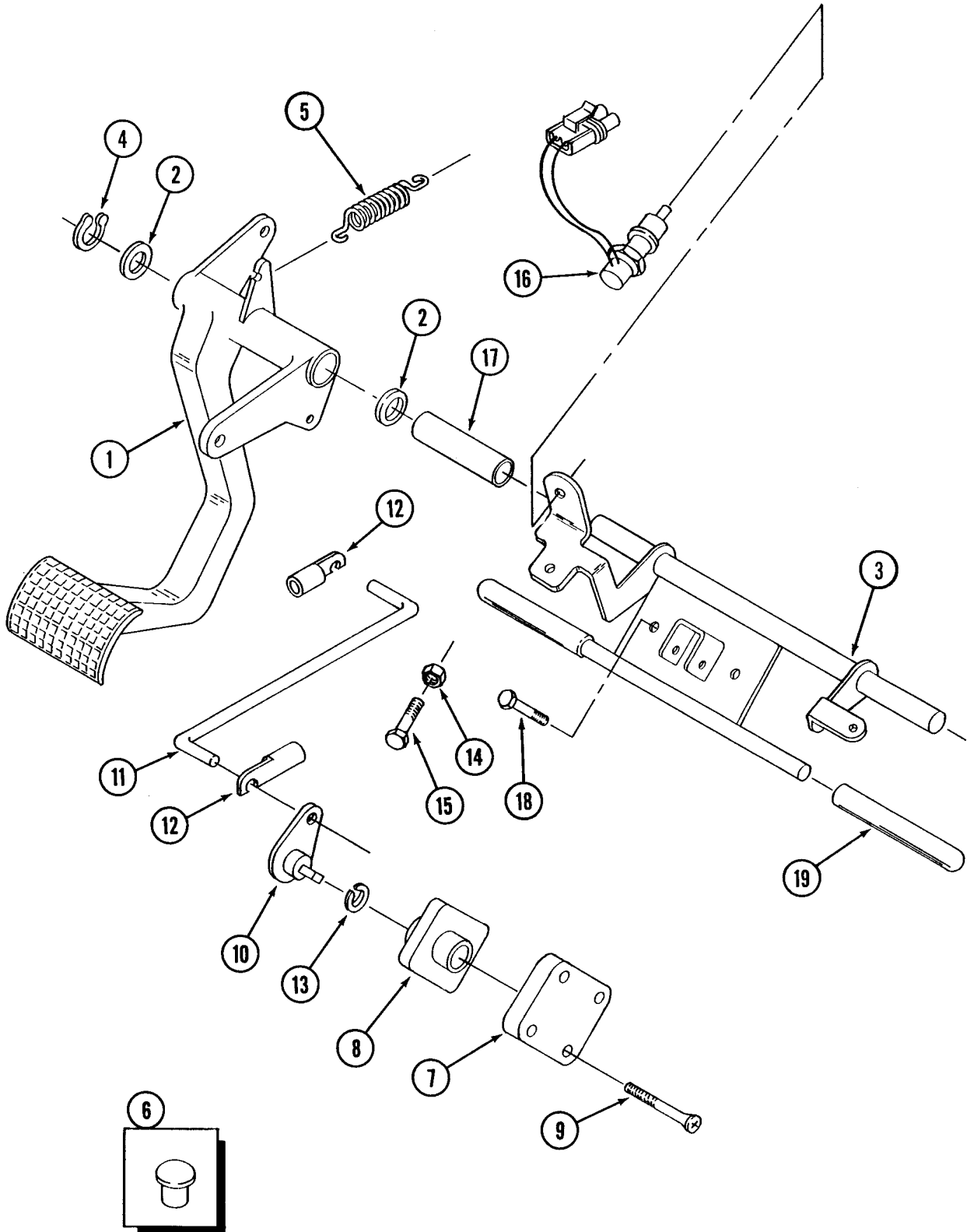
## SECTION INDEX

---

06-42		POWER SHIFT TRANSMISSION - INPUT SHAFT ASSEMBLY
06-43		POWER SHIFT TRANSMISSION - SECOND SHAFT ASSEMBLY
06-44		POWER SHIFT TRANSMISSION - THIRD SHAFT ASSEMBLY
06-45		POWER SHIFT TRANSMISSION - FOURTH SHAFT ASSEMBLY
06-46		POWER SHIFT TRANSMISSION - FOURTH SHAFT ASSEMBLY
06-47		POWER SHIFT TRANSMISSION - FIFTH SHAFT ASSEMBLY
06-48		POWER SHIFT TRANSMISSION - FIFTH SHAFT ASSEMBLY
06-49		POWER SHIFT TRANSMISSION - REGULATOR VALVE ASSEMBLY, BSN JEE0104001
06-49	01	POWER SHIFT TRANSMISSION - REGULATOR VALVE ASSEMBLY, ASN JEE0104001
06-50		POWER SHIFT TRANSMISSION - RANGE SELECTOR VALVE
06-51		VALVE ASSEMBLY - PULSE WITH MODULATION
06-52		VALVE ASSEMBLY - POWER TAKE OFF
06-53		DRIVE SHAFT - MOUNTING
06-54		DRIVE SHAFT
06-55		POWER TAKEOFF - DRIVE SHAFT MOUNTING
06-56		POWER TAKEOFF - DRIVE SHAFT ASSEMBLIES
06-57		POWER TAKEOFF - LUBRICATION, WHEEL TRACTOR WITH 400 SERIES AXLES, BSN JEE0102001
06-58		POWER TAKEOFF - LUBRICATION, WHEEL TRACTOR WITH 500 SERIES AXLES, BSN JEE0102001
06-59		POWER TAKEOFF - LUBRICATION, QUADTRAC TRACTOR, BSN JEE0102001
06-59	01	POWER TAKEOFF - LUBRICATION, ASN JEE0102001
06-60		COUPLER MOUNTS - WITHOUT POWER TAKEOFF AND THREE POINT HITCH
06-61		POWER TAKEOFF - SAFETY SHIELDS
06-62		POWER TAKEOFF - TRANSFER CASE ASSEMBLY
06-63		POWER TAKEOFF - CLUTCH ASSEMBLY
06-64		POWER TAKEOFF - INPUT SHAFT ASSEMBLY
06-65		AXLE MOUNTING, WHEEL TRACTOR
06-66		400 SERIES AXLE ASSEMBLY - FRONT COVER
06-67		400 SERIES AXLE ASSEMBLY - REAR COVER
06-68		400 SERIES AXLE ASSEMBLY - CENTER AND LEFT-HAND CARRIER
06-69		400 SERIES AXLE ASSEMBLY - DIFFERENTIAL, WITHOUT DIFFERENTIAL LOCKS
06-70		400 SERIES AXLE ASSEMBLY - DIFFERENTIAL, WITH DIFFERENTIAL LOCKS
06-71		400 SERIES AXLE ASSEMBLY - BRAKE AND RIGHT-HAND CARRIER
06-72		400 SERIES AXLE ASSEMBLY - FINAL DRIVE
06-73		500 SERIES AXLE ASSEMBLY - FRONT COVER
06-74		500 SERIES AXLE ASSEMBLY - REAR COVER
06-75		500 SERIES AXLE ASSEMBLY - CENTER AND LEFT-HAND CARRIER, WHEEL TRACTOR
06-76		500 SERIES AXLE ASSEMBLY - CENTER AND LEFT-HAND CARRIER, QUADTRAC TRACTOR
06-77		500 SERIES AXLE ASSEMBLY - DIFFERENTIAL, WITHOUT DIFFERENTIAL LOCKS
06-78		500 SERIES AXLE ASSEMBLY - DIFFERENTIAL, WITH DIFFERENTIAL LOCKS
06-79		500 SERIES AXLE ASSEMBLY - BRAKE AND RIGHT-HAND CARRIER
06-80		500 SERIES AXLE ASSEMBLY - OFFSET BEARING, QUADTRAC TRACTOR
06-81		500 SERIES AXLE ASSEMBLY - FINAL DRIVE, WHEELED TRACTOR
06-82		500 SERIES AXLE ASSEMBLY - FINAL DRIVE, QUADTRAC TRACTOR, BSN JEE0106701
06-82	01	500 SERIES AXLE ASSEMBLY - FINAL DRIVE, QUADTRAC TRACTOR, ASN JEE0106701
06-83		AXLE ASSEMBLY - JET PUMP



CLUTCH PEDAL, POWER SHIFT TRANSMISSION



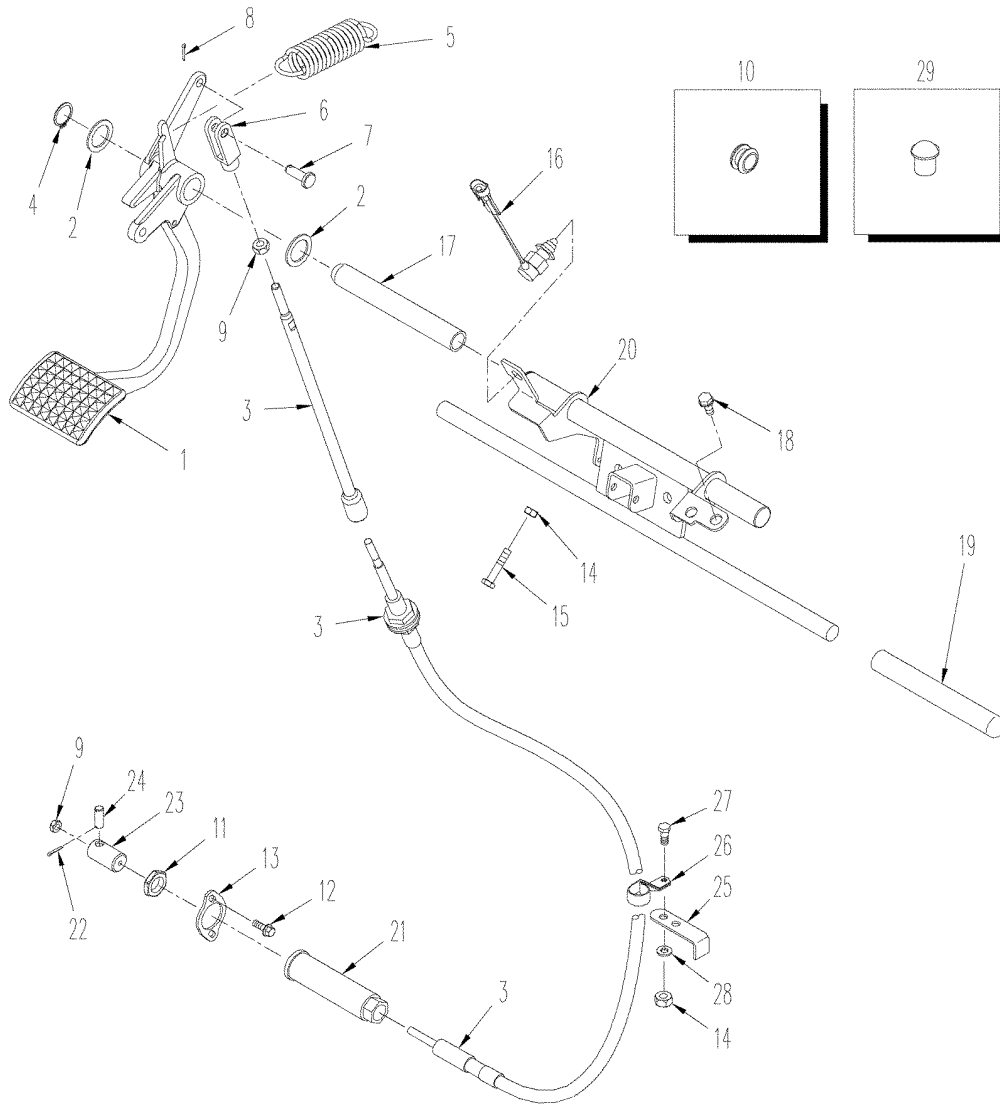
## CLUTCH PEDAL, POWER SHIFT TRANSMISSION

REF	FN	PART NUMBER	YR/SN	QTY	DESCRIPTION
1		222462A2		1	PEDAL
2		281093A1		2	WASHER
3		370247A3		1	SUPPORT
4		627-10020		1	SCREW M10 x 20; 10.9
5		278210A1		1	SPRING
6		353-422		1	PLUG
7		283659A1		1	SENSOR Clutch Position
8		305155A2		1	BUSHING
9		840-1530		2	SCREW M5 x 30
10		322409A1		1	PIN
11		222463A2		1	LINK
12		60-2404T1		2	RETAINER
13		800-1110		1	SNAP RING M10
14		829-1408		1	NUT M8; 10
15		614-8040		1	BOLT Hex, M8 x 40, 8.8, Full Thd
16		355341A1		1	SWITCH Plunger
17		281893A1		1	BEARING
18		614-10025		2	BOLT M10 x 25; 8,8
19		321961A1		2	MOLDING

**STX375 STX450**  
**STX425 STX500**



CLUTCH PEDAL, MANUAL SHIFT TRANSMISSION

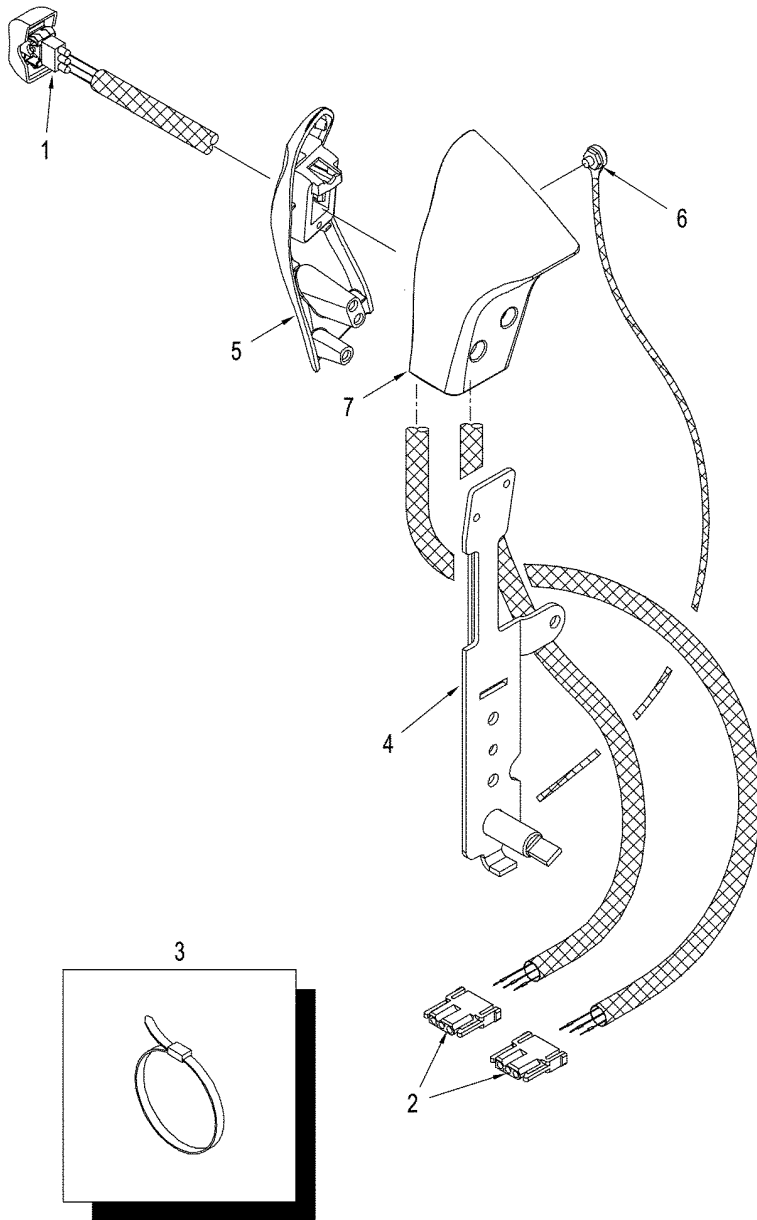


## CLUTCH PEDAL, MANUAL SHIFT TRANSMISSION

REF	FN	PART NUMBER	YR/SN	QTY	DESCRIPTION
1		222462A2		1	PEDAL
2		281093A1		2	WASHER
3		435476A1		1	CABLE
4		800-1125		1	CIRCLIP 25 mm
5		278210A1		1	SPRING
6		397144A1		1	CLEVIS
7		427-6081		1	PIN, CLEVIS 3/8 x 13/16
8		432-612		1	PIN, SPLIT (COTTER) 3/32" x 3/4"
9		425-155		3	NUT 5/16 NF
10		248-2376		1	GROMMET
11		19-885		1	NUT
12		458-412		2	BOLT 1/4 x 3/4
13		90-8048T1		1	FLANGE
14		829-1408		2	NUT M8; 10
15		627-8035		1	SCREW M8 x 55; 10.9
16		417927A1		1	SWITCH Plunger
17		281893A1		1	BEARING
18		614-10025		2	BOLT M10 x 25; 8,8
19		321961A1		2	MOLDING
20		370247A3		1	SUPPORT
21		90-8047T1		1	SLEEVE
22		32-212		2	PIN, SPLIT (COTTER) 1/32" x 3/4"
23		60-6241T1		1	END Cable
24		19-6041		1	PIN
25		437369A1		1	BRACKET
26		R43926		1	CLAMP
28		895-11008		1	WASHER 9 x 17 x 1,6 mm
29		353-422		1	PLUG Clutch Cable Clearance Hole
27		627-8025		1	BOLT M8 x 25; 10.9

STX375 STX425

TRANSMISSION SHIFTER, POWER SHIFT TRANSMISSION



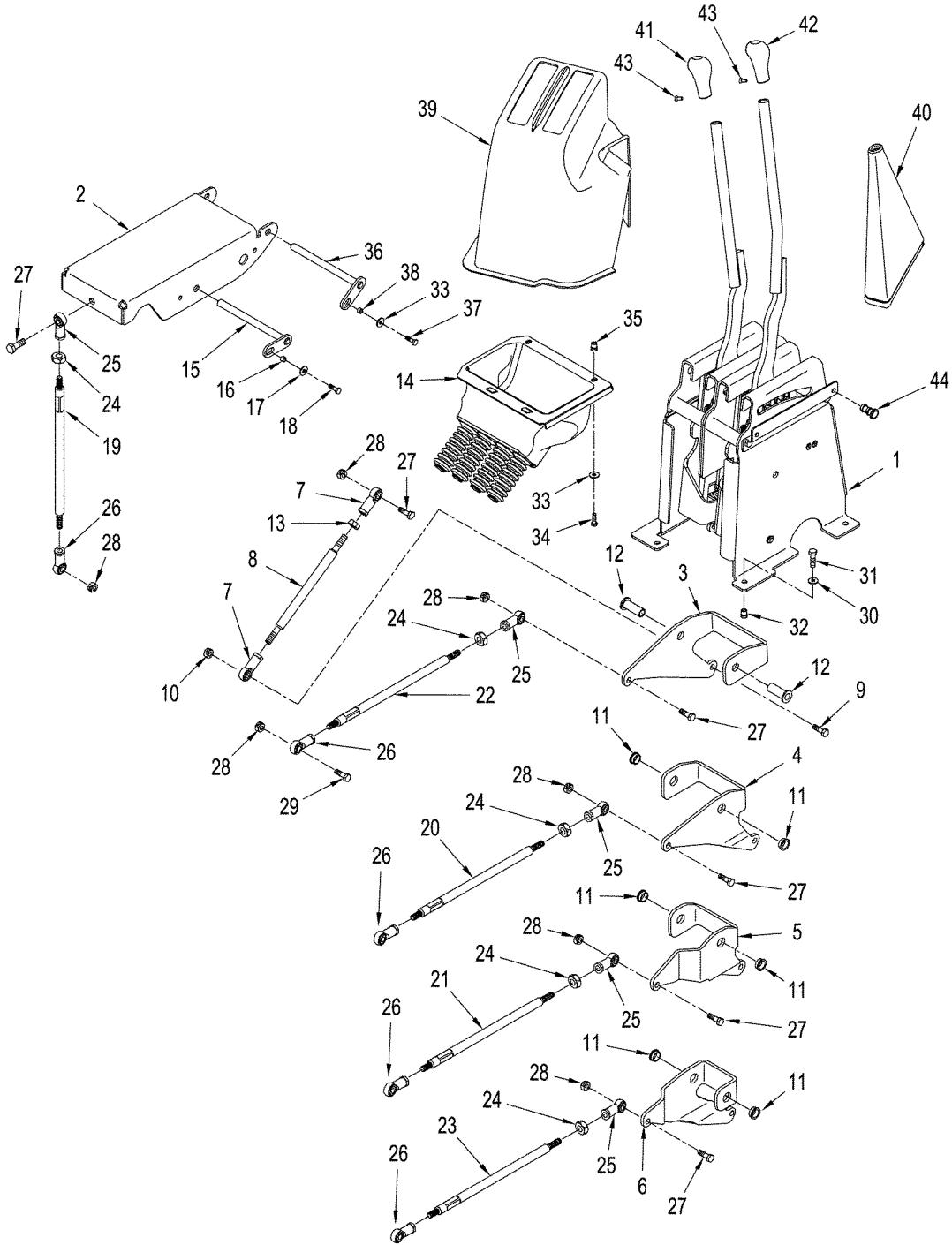
**TRANSMISSION SHIFTER, POWER SHIFT TRANSMISSION**

REF	FN	PART NUMBER	YR/SN	QTY	DESCRIPTION
1	1	258010A2		1	SWITCH Rocker
1	2	428314A1		1	SWITCH Rocker
2		235676A1		2	CONNECTOR
3		22-824		2	STRAP 7 in
4		367607A1		1	SUPPORT
5		316000A2		1	GRIP Switch Face
6	1	388706A1		1	PUSH BUTTON Select-Shift
7	2	293388A2		1	GRIP Throttle
7	1	388705A1		1	GRIP Throttle
7	1	388864A1		1	GRIP Throttle

- (1) With Power Shift Transmission
- (2) With Advanced Farming Systems (AFS)

**STX375 STX450  
STX425 STX500**

TRANSMISSION SHIFT CONTROLS, MANUAL SHIFT TRANSMISSION

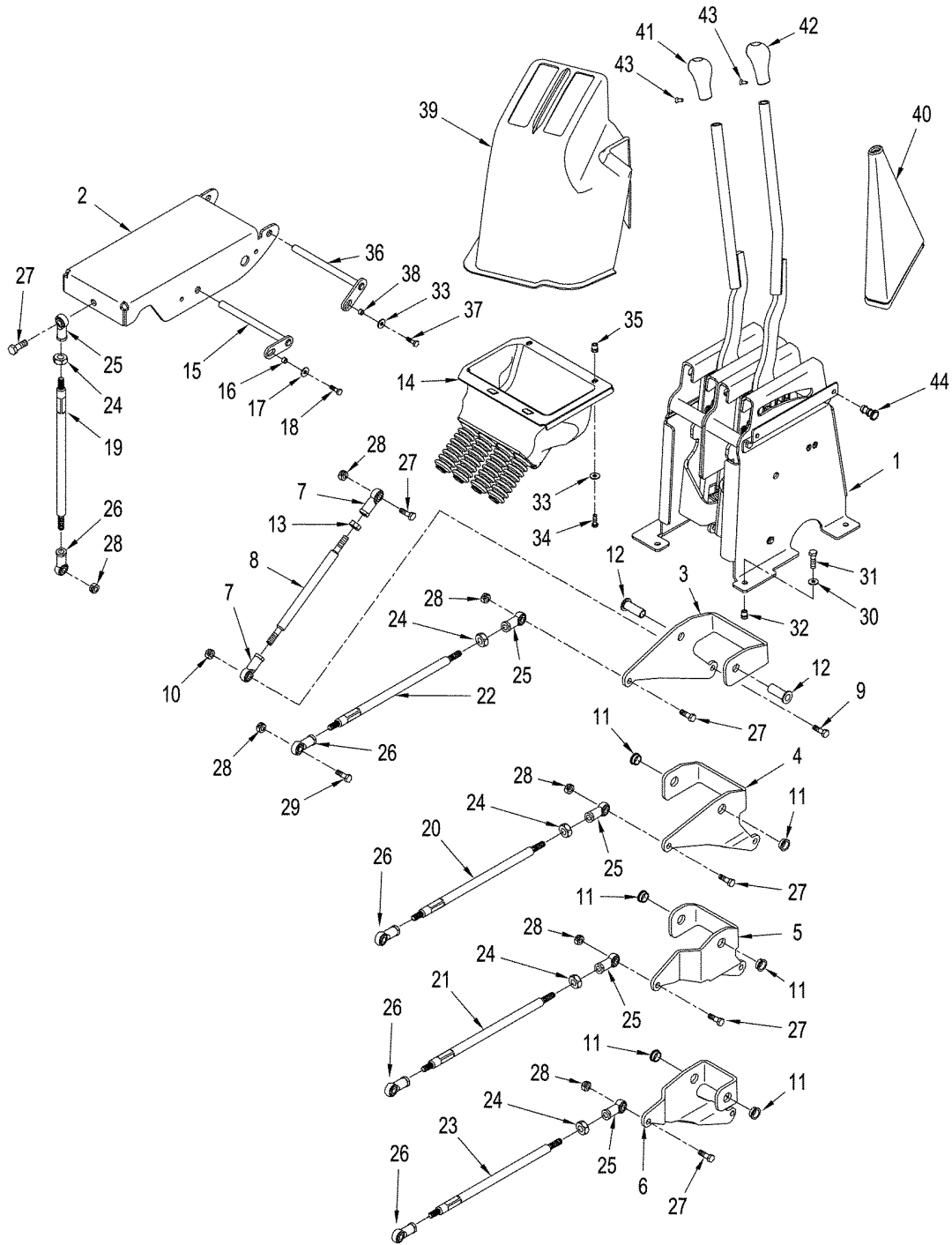


## TRANSMISSION SHIFT CONTROLS, MANUAL SHIFT TRANSMISSION

REF	FN	PART NUMBER	YR/SN	QTY	DESCRIPTION
1		REF		1	INSTRUCTION Shifter Assembly, See Figure 06-05
		387647A1		1	BELLCRANK Inc. 2 - 18
2		396435A2		1	SUPPORT
3		396444A1		1	CRANK Linkage Pivot
4		396445A1		1	CRANK Linkage Pivot
5		396446A1		1	CRANK Linkage Pivot
6		396447A1		1	CRANK Linkage Pivot
7		402749A1		8	BALL JOINT
8		431198A1		4	ROD
10		403749A1		4	NUT M10
11		431052A1		6	BUSHING
12		398870A1		2	BUSHING
13		829-1410		4	NUT M10; 10
14		412355A1		1	BELLOWS
15		430415A1		1	PIN ASSY.
16		430546A1		1	SPACER
17		895-25006		1	WASHER 6,6 x 18 x 1,6 mm
18		627-6020		1	BOLT
		431209A1		1	ROD Inc. 19, 24 - 26
		431210A1		1	ROD Inc. 20, 24 - 26
		431211A1		1	ROD Inc. 21, 24 - 26
		431213A1		1	ROD Inc. 22, 24 - 26
		431212A1		1	ROD Inc. 23, 24 - 26
19		NSS		1	NOT SERVICED SEPARATELY ROD, 487 mm (19 in)
20		NSS		1	NOT SERVICED SEPARATELY ROD, 806 mm (32 in)
21		NSS		1	NOT SERVICED SEPARATELY ROD, 789 mm ( 31 in)
22		NSS		1	NOT SERVICED SEPARATELY ROD, 638 mm ( 25 in)
23		NSS		1	NOT SERVICED SEPARATELY ROD, 594 mm ( 23 in)
24		NSS		1	NOT SERVICED SEPARATELY NUT
25		402749A1		1	BALL JOINT Right-Hand

**STX375 STX425**

TRANSMISSION SHIFT CONTROLS, MANUAL SHIFT TRANSMISSION



## TRANSMISSION SHIFT CONTROLS, MANUAL SHIFT TRANSMISSION

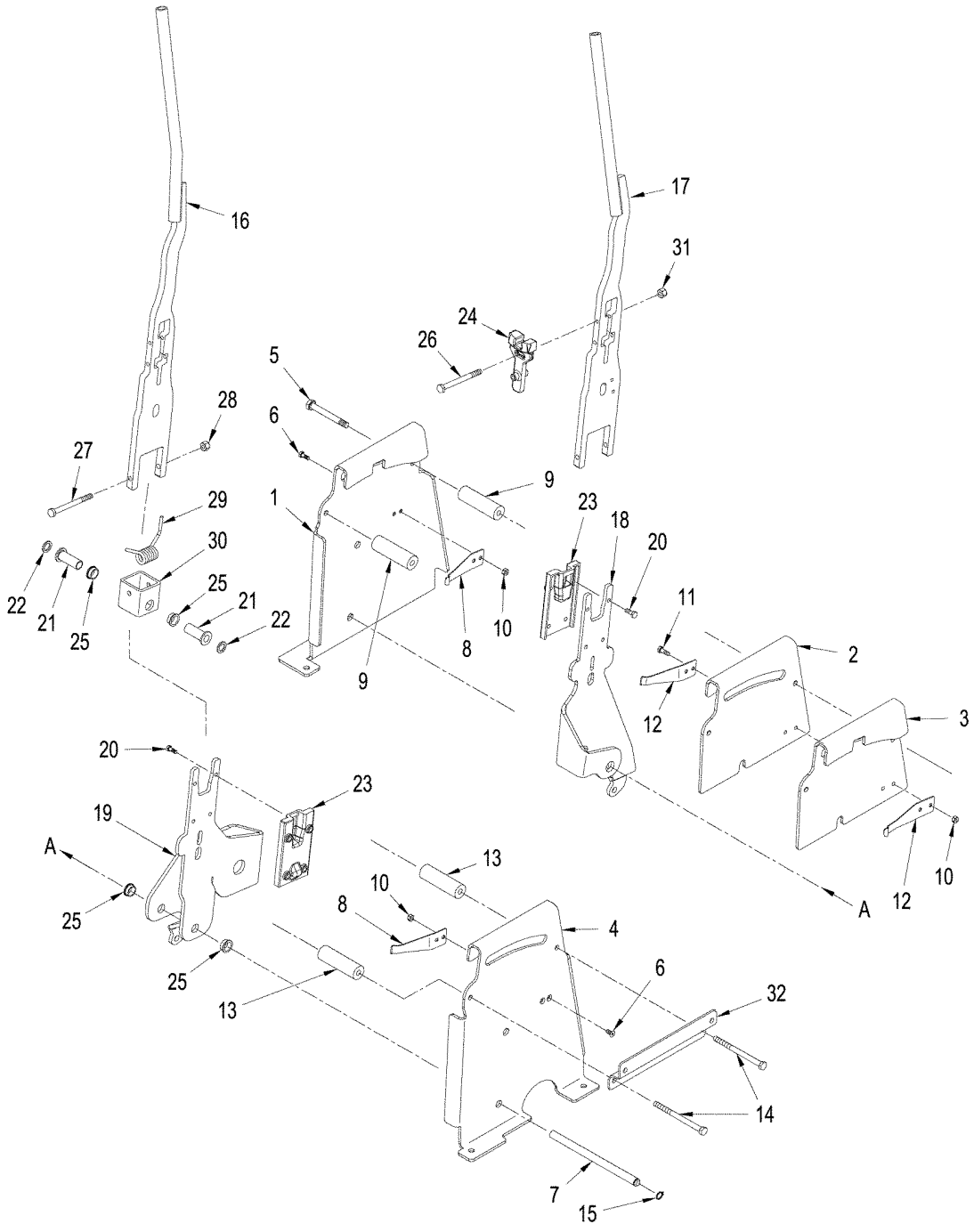
REF	FN	PART NUMBER	YR/SN	QTY	DESCRIPTION
26		404639A1		1	BALL JOINT Left-Hand
28		403749A1		13	NUT M10; 8
29		627-10035		4	BOLT M10 x 35; 10.9
30		895-15008		5	WASHER 9 x 20 x 1,6 mm
32		404287A1		5	INSERT
33		895-25006		2	WASHER 6,6 x 18 x 1,6 mm
34		614-6020		2	BOLT M6 x 20; 8,8
35		404287A1		2	INSERT
36		430415A1		1	PIN ASSY.
37		627-6020		1	BOLT M6 x 20; 10.9
38		430546A1		1	SPACER
39		410846A3	BSN JEE0104001	1	SHROUD
39	1	410846A4	ASN JEE0104001	1	SHROUD
40		412354A2		2	BELLOWS
41		418038A1		1	GRIP
42		418039A1		1	GRIP
43		871-5012		2	SCREW M5 x 12
44		369929A1		2	FASTENER Christmas Tree
31		627-8030		5	SCREW M8 x 30; 10.9
9		627-10030		4	BOLT M10 x 30; 10.9
27		627-10030		9	BOLT M10 x 30; 10.9

(1) Also Order (1) 87426775 Shroud Bracket and (2) 369929A1 Christmas Tree Fastener.

**STX375 STX425**



SHIFTING UNIT ASSEMBLY, WITH MANUAL SHIFT TRANSMISSION

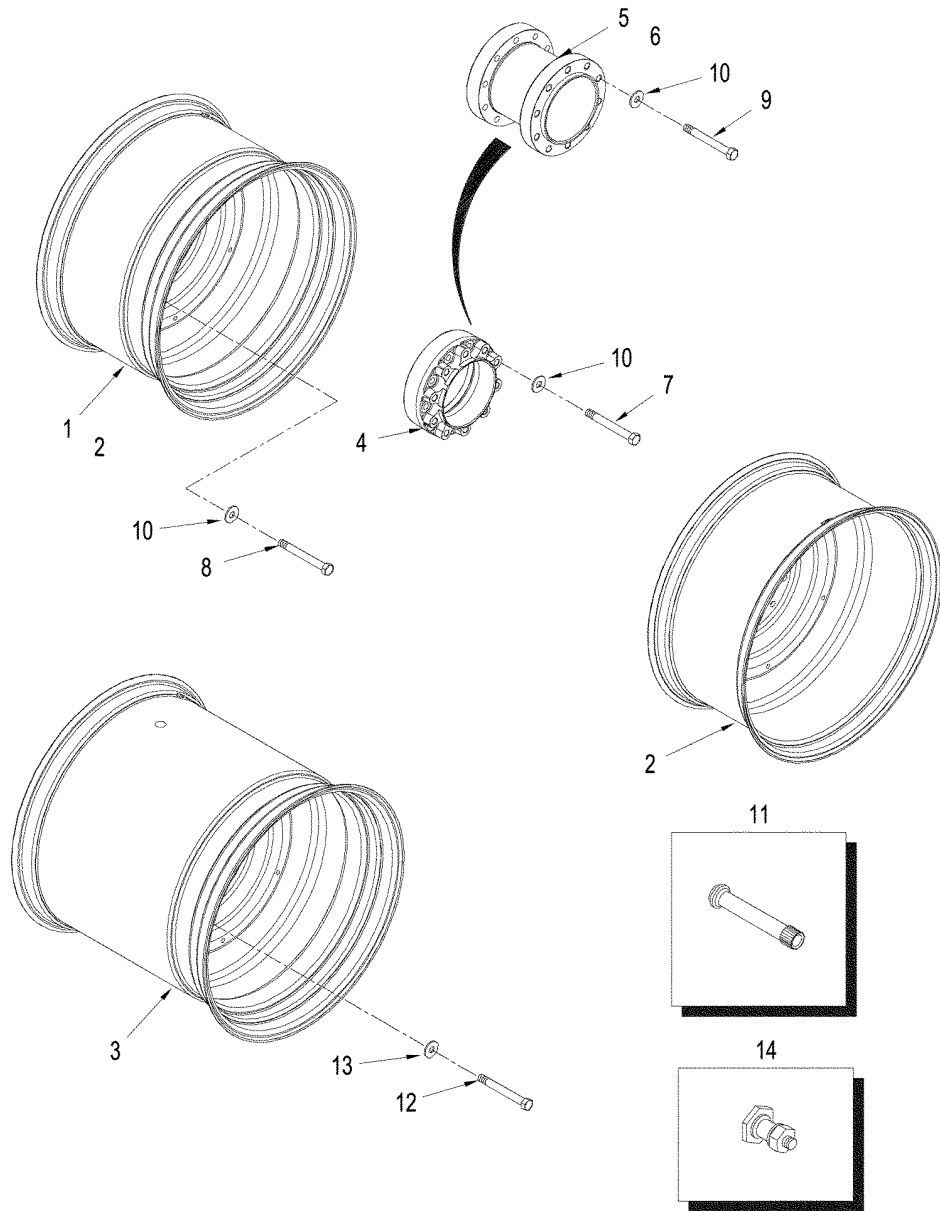


## SHIFTING UNIT ASSEMBLY, WITH MANUAL SHIFT TRANSMISSION

REF	FN	PART NUMBER	YR/SN	QTY	DESCRIPTION
1		404630A3		1	PANEL, SIDE Left-Hand
2		404632A3		1	PANEL, SIDE Center Left-Hand
3		404633A3		1	PANEL, SIDE Center Right-Hand
4		404631A3		1	PANEL, SIDE Right-Hand
6		543-704		4	SCREW M6 x 12; 4.8
7		430841A1		1	PIN ASSY.
8		409795A2		2	CLIP, SPRING
9		404635A1		2	SPACER
10		829-1406		6	NUT M6; 10.9
11		614-6020		2	BOLT M6 x 20; 8,8
12		409796A2		2	CLIP, SPRING
13		404634A1		2	SPACER
14		827-8110		2	BOLT M8 x 40; 10.9
15		800-1112		1	SNAP RING 12 mm
16		409790A5		1	LEVER, ASSY AND KNOB Gear Shifter
17		409793A3		1	LEVER ASSY. Range Shifter
18		404644A2		2	LEVER ASSY. Left-Hand
19		419660A2		2	LEVER Right-Hand
20		614-6016		16	BOLT M6 x 16; 8,8
21		398870A1		4	BUSHING
22		895-18012		2	WASHER 13,5 x 20 x 2,0 mm
23		419737A1		4	GUIDE
24		419597A2		2	LINKAGE
25		431052A1		8	BUSHING
26		827-6060		4	BOLT M6 x 60; 10.9
27		827-8090		2	BOLT M8 x 90; 10.9
28		832-10408		2	NUT M8; 8
29		409797A1		2	TORSION SPRING
30		396431A1		2	TUBE
31		832-10406		4	NUT M6; 8
32		87426775		1	BRACKET Shroud
5		627-8030		2	SCREW M8 x 30; 10.9

STX375 STX425

WHEELS SINGLE AND DUALS WITH SPACERS



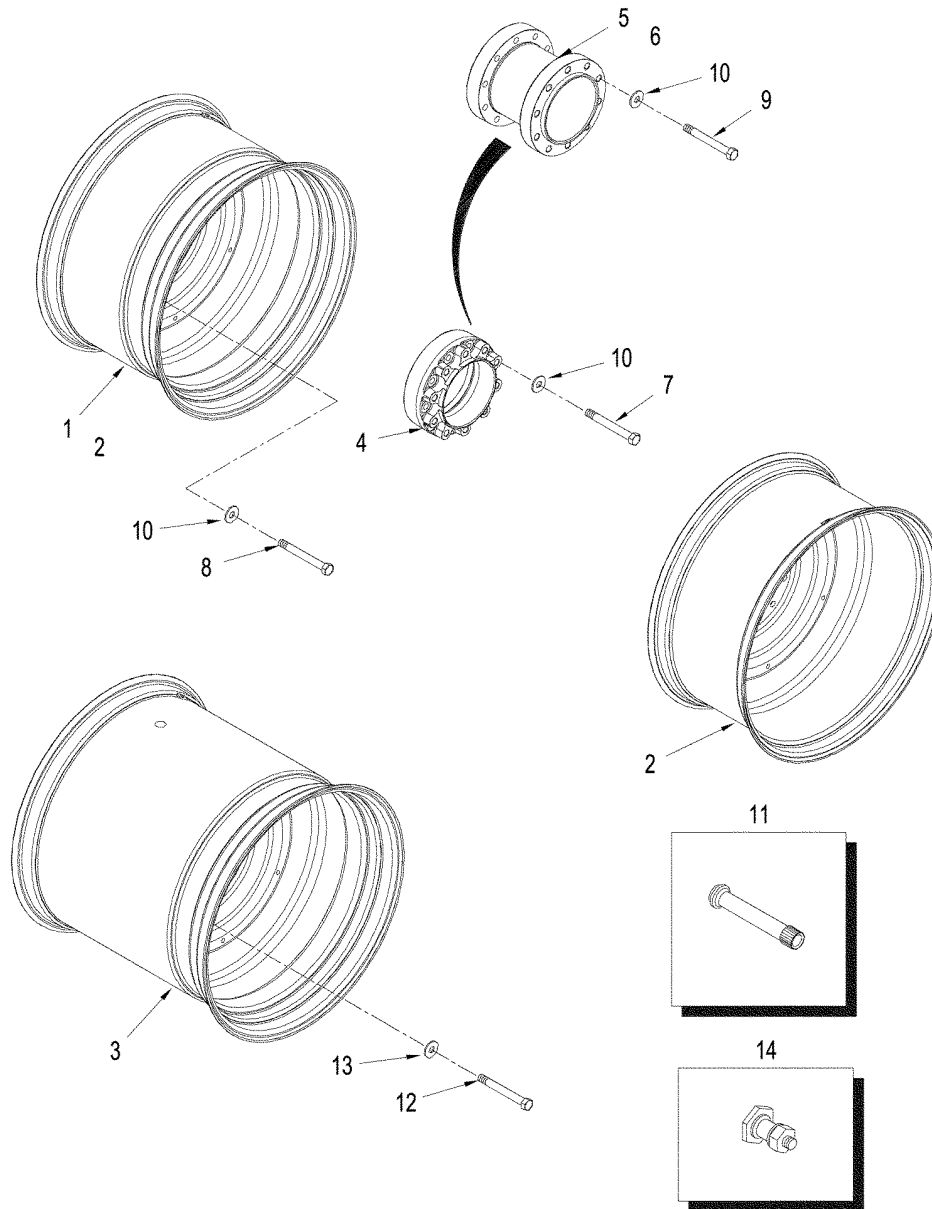
## WHEELS SINGLE AND DUALS WITH SPACERS

REF	FN	PART NUMBER	YR/SN	QTY	DESCRIPTION
1	1	193273A1		AR	WHEEL 27 x 32, Single
2	2	305792A1		AR	WHEEL MW23A x 42, Single or Dual
2	3	193300A2		AR	WHEEL MW23A x 38, Single or Dual
2	4	396113A1		AR	RIM W16A x 46, Single or Dual
2	5	222665A1		AR	WHEEL W18A x 38, Single or Dual
2	6	193857A1		AR	WHEEL W18A x 42, Single or Dual
2	7	276687A1		AR	WHEEL MW20A x 42, Single or Dual
2	8	311352A1		AR	WHEEL 28 x 42, Single or Dual
2	9	403037A1		AR	WHEEL MW 25 x 38, Single or Dual
2	10	196254A1		AR	WHEEL W13 x 46, Single or Dual
2	11	87443702		AR	WHEEL 46 x FDW20A, Single or Dual
3	12, 13, 14	87312787		4	WHEEL 32 x DWM44
4		405822A1		1	SPACER 127 mm (5 in)
5		405823A1		1	SPACER 254 mm (10 in)
6		405824A1		1	SPACER 330 mm (13 in)
7		827-22160		10	SCREW M22 x 160; 10.9
8		827-22080		40	SCREW M22 x 80; 10.9
9		827-22130		10	SCREW M22 x 130; 10.9
10		896-11022		40	WASHER 24 x 44 x 4 mm
11		A20058		AR	VALVE STEM
12	12, 14	627-16050		64	BOLT Hex, M16 x 50, 10.9

- (1) For Tires: 30.5L-32  
(2) For Tires: 710/70R42  
(3) For Tires: 650/85R38, 710/70R38, 710/65-38  
(4) For Tires: 480/80R46, 520/85R46, 18.4R46  
(5) For Tires: 520/85R38, 20.8R38  
(6) For Tires: 520/85R42, 20.8R42  
(7) For Tires: 620/70R42  
(8) For Tires: 850/55-42, 900/50R42  
(9) For Tires: 800/70R38  
(10) For Tires: 420/80R46, 14.9R46  
(11) For Tires: 620/70R46  
(12) Scraper Application  
(13) For Tires: 76 x 50-32  
(14) Used with Single Wheel Dual Hub Application

**STX375 STX450**  
**STX425 STX500**

WHEELS SINGLE AND DUALS WITH SPACERS

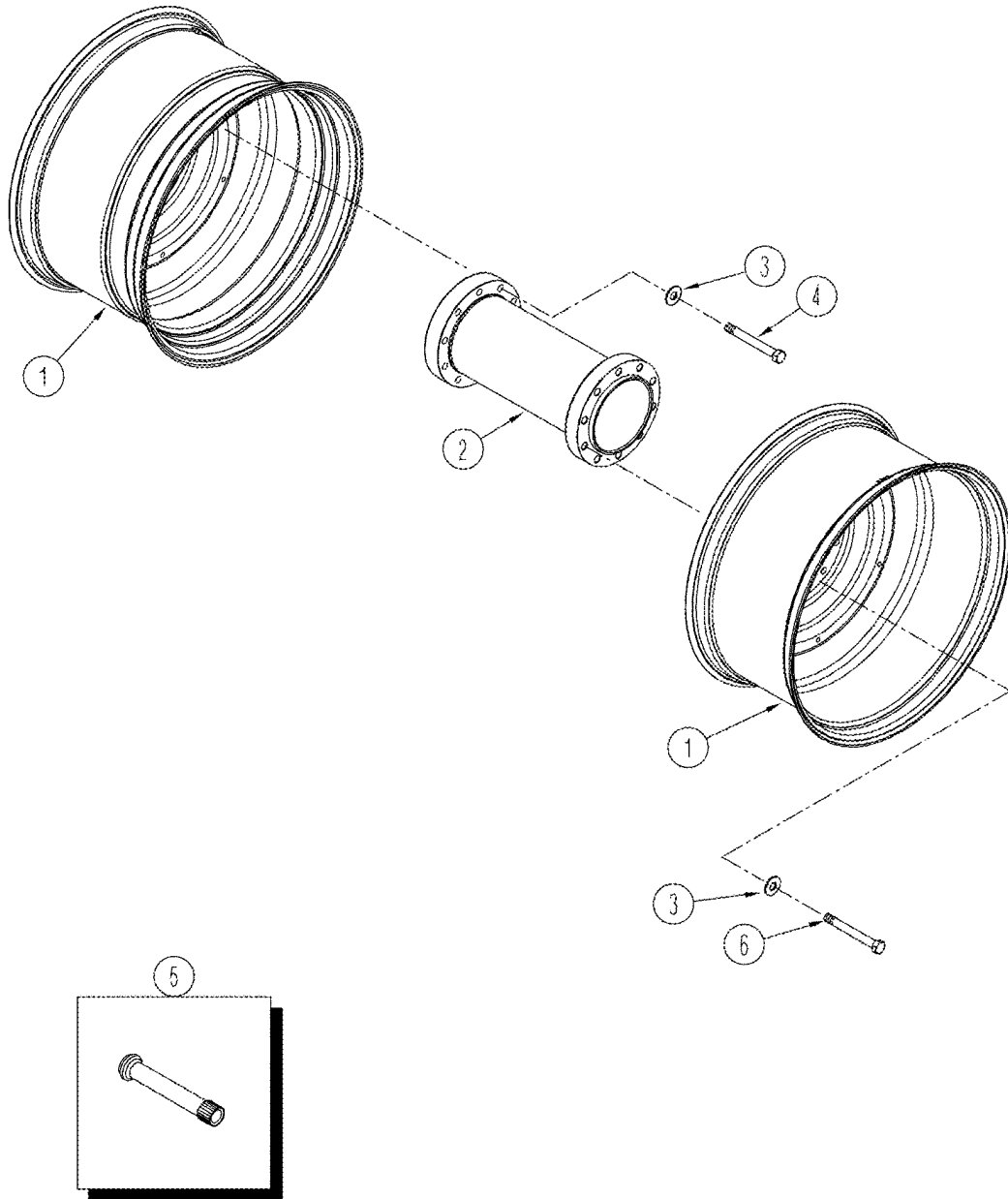


**WHEELS SINGLE AND DUALS WITH SPACERS**

REF	FN	PART NUMBER	YR/SN	QTY	DESCRIPTION
13	1, 2	896-11016		64	WASHER 17.5 x 30 x 4 mm
14		87352762		AR	PLUG Rim Hole, 5/8"
<p>(1) Scraper Application</p> <p>(2) Used with Single Wheel Dual Hub Application</p>					

**STX375 STX450**  
**STX425 STX500**

WHEELS TRIPLES WITH SPACERS



## WHEELS TRIPLES WITH SPACERS

REF	FN	PART NUMBER	YR/SN	QTY	DESCRIPTION
1	1	396113A1		12	RIM W16A x 46
1	2	193857A1		12	WHEEL W18A x 42
2		409987A1		1	SPACER 711 mm (28 in)
3		496-31094		10	WASHER 15/16 x 1-3/4 x 7/32
4		827-22140		10	SCREW M22 x 140; 10.9
5		A20058		AR	VALVE STEM
6		827-22080		40	SCREW M22 x 80; 10.9

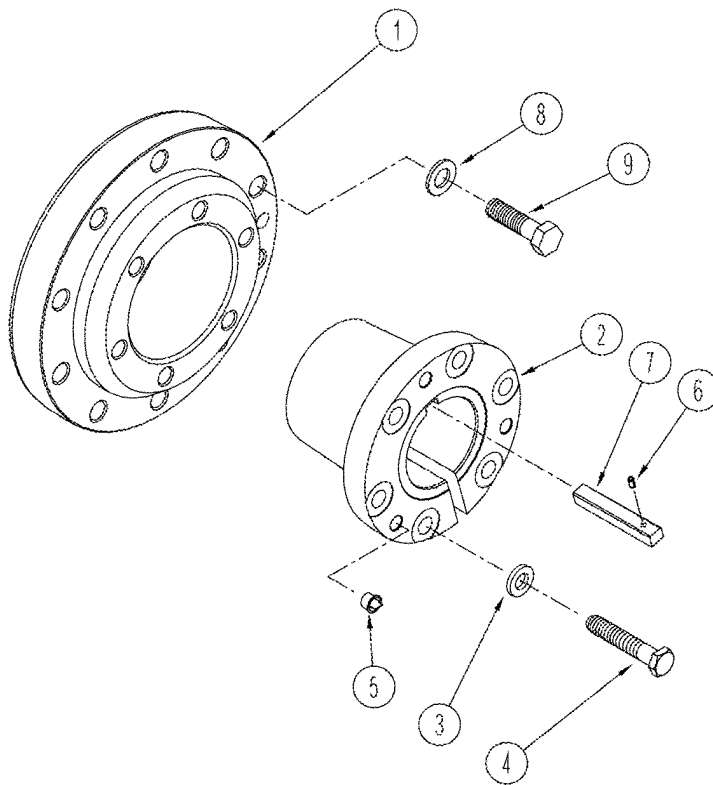
(1) For Tires: 850/55-42, 900/50R42

(2) For Tires: 520/85R42, 20.8R42

**STX375 STX450**  
**STX425 STX500**



HUB ASSEMBLY MOUNTING

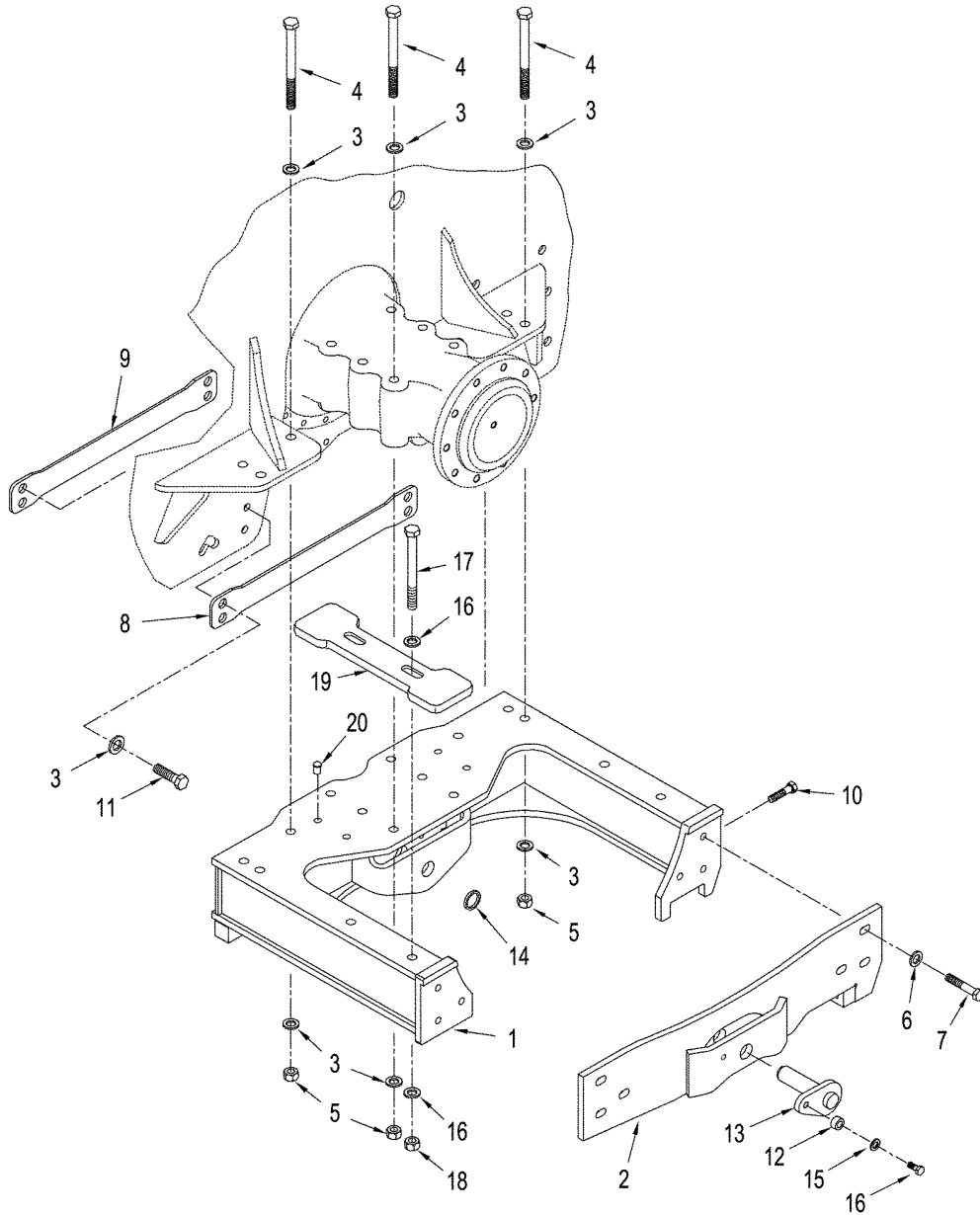


## HUB ASSEMBLY MOUNTING

REF	FN	PART NUMBER	YR/SN	QTY	DESCRIPTION
1		405821A1		1	HUB
2		405816A1		AR	BUSHING 115 mm (4-1/2 in)
3		396-31081		6	WASHER 13/16 x 1-1/2 x 7/32
4		228273A1		6	BOLT M20 x 110; 10,9
5		303401A1		3	PLUG
6		38-11608		4	PIN 1/4" x 1/2", Slotted
7		A63219		4	KEY 3/4 x 6
8		896-11022		40	WASHER 24 x 44 x 4 mm
9		827-22080		40	SCREW M22 x 80; 10.9

**STX375 STX450**  
**STX425 STX500**

YOKE MOUNTING, QUADTRAC TRACTOR, BSN JEE0106701



## YOKE MOUNTING, QUADTRAC TRACTOR, BSN JEE0106701

REF	FN	PART NUMBER	YR/SN	QTY	DESCRIPTION
1		408798A1		1	YOKE
2		408799A1		1	PLATE ASSY. Front
3		896-11024		22	WASHER 26 x 44 x 5 mm
4		827-24270		12	SCREW M24 x 270; 10.9
5		829-1424		6	NUT M24; 10
6		496-31094		6	WASHER 15/16 x 1-3/4 x 7/32
7		627-22060		6	BOLT M20 x 50; 10.9
8		408800A1		1	STRAP A Frame
9		408801A1		1	STRAP Frame
10		627-20110		4	SCREW M20 x 110; 10.9
11		627-24070		4	BOLT M24 x 70; 10.9
12		70-5967T1		2	SPACER
13		304876A1		2	PIN
14		316630A2		2	WASHER
15		896-11016		2	WASHER 17,5 x 30 x 4 mm
16	1	895-30103		4	WASHER 17.5 x 56 x 5 mm
17	1	827-16250		2	BOLT M16 x 250, CL10.9
18	1	829-1416		2	NUT M16, CL10
19	1	87435928		1	PLATE Steel Scraper
20		87444730		24	CAP Plug

(1) Used on Power Shift Models

**STX375 STX450**  
**STX425 STX500**

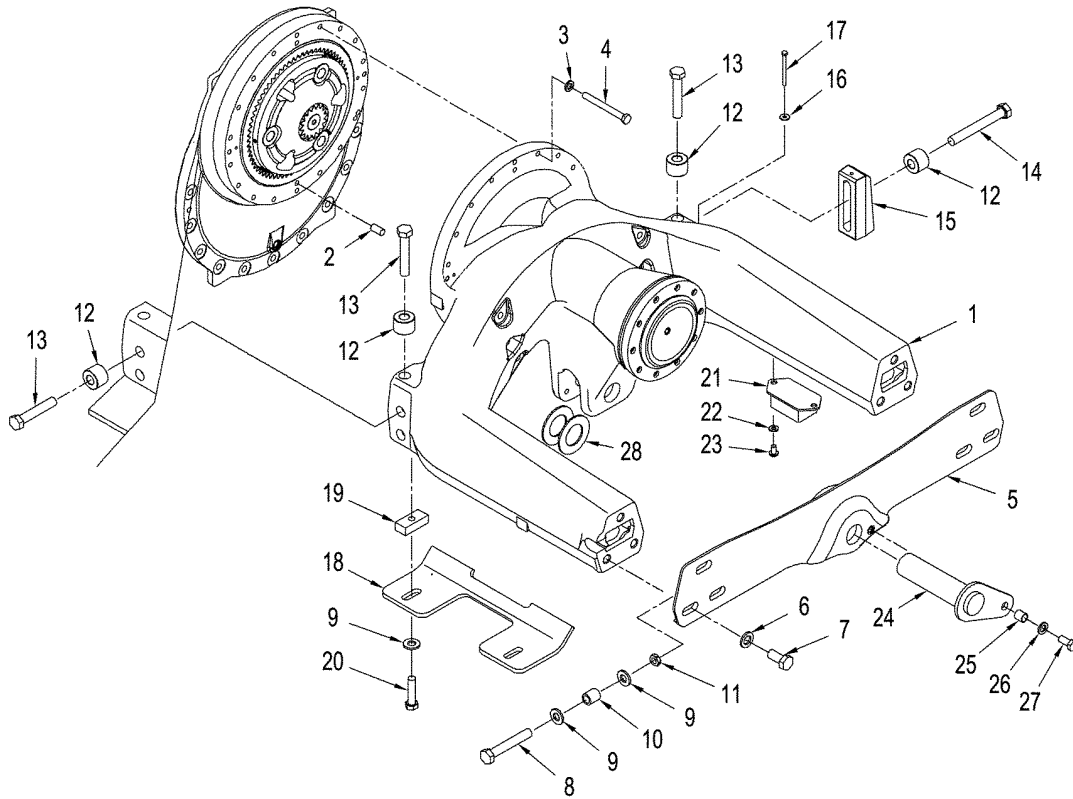
06-09

01

p1

07/05

YOKE MOUNTING, QUADTRAC TRACTOR, ASN JEE0106701



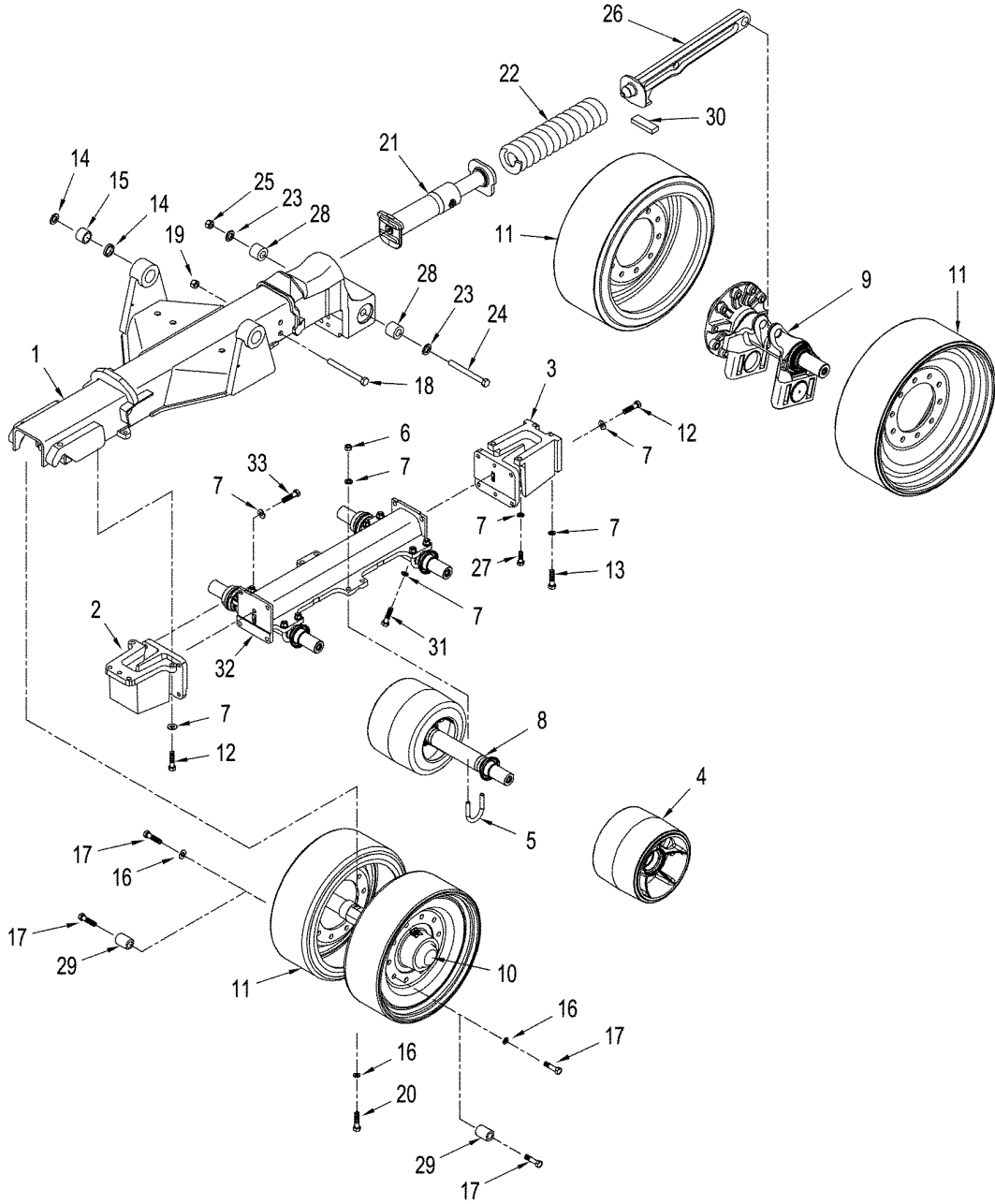
## YOKE MOUNTING, QUADTRAC TRACTOR, ASN JEE0106701

REF	FN	PART NUMBER	YR/SN	QTY	DESCRIPTION
1		87423303		1	YOKE Inc. 2, See Figure 06-82 (01)
2		837-16040		2	DOWEL Pin, 16 x 40mm
3		828-16150		24	SCREW Cap, HH, M16 x 150, CL10.9
4		896-12016		24	WASHER 17.5 x 30 x 4mm
5		87451761		2	PLATE, END Yoke
6		896-11024		6	WASHER 26 x 44 x 5mm
7		9780129		6	SCREW Cap, HH, M24 x 50
8		87439071		1	BOLT M20 x 130, CL10.9
9		896-15020		4	WASHER 22 x 44 x 5mm
10		87439070		1	SPACER
11		829-4420		1	NUT M20, CL5
12		87447339		6	SPACER
13		827-24130		4	BOLT M24 x 130, CL10.9
14		827-24190		2	BOLT M24 x 190, CL10.9
15		87425780		1	WEDGE Block
16		496-41034		1	WASHER .344" x 1.0" x .098"
17		627-8100		1	BOLT M8 x 100, CL10.9
18	1	87439068		1	PLATE Scraper
19		87439069		2	BAR Retention
20		827-20080		2	BOLT Cap, HH, M20 x 80, CL10.9
21		87428948		2	BUMPER Rubber
22		896-11012		4	WASHER 13.5 x 24 x 3mm
23		86836488		4	SCREW Soc Hd, M12 x 25
24		87423822		2	PIN
25		87423819		2	SPACER
26		896-11016		2	WASHER 17.5 x 30 x 4mm
27		627-16035		2	BOLT Hex, M16 x 35, 10.9
28		87423202		2	BEARING Thrust

(1) Used on QUADTRAC Scraper Application

**STX375 STX450**  
**STX425 STX500**

UNDERCARRIAGE - MOUNTING, QUADTRAC TRACTOR, BSN JEE0106701



## UNDERCARRIAGE - MOUNTING, QUADTRAC TRACTOR, BSN JEE0106701

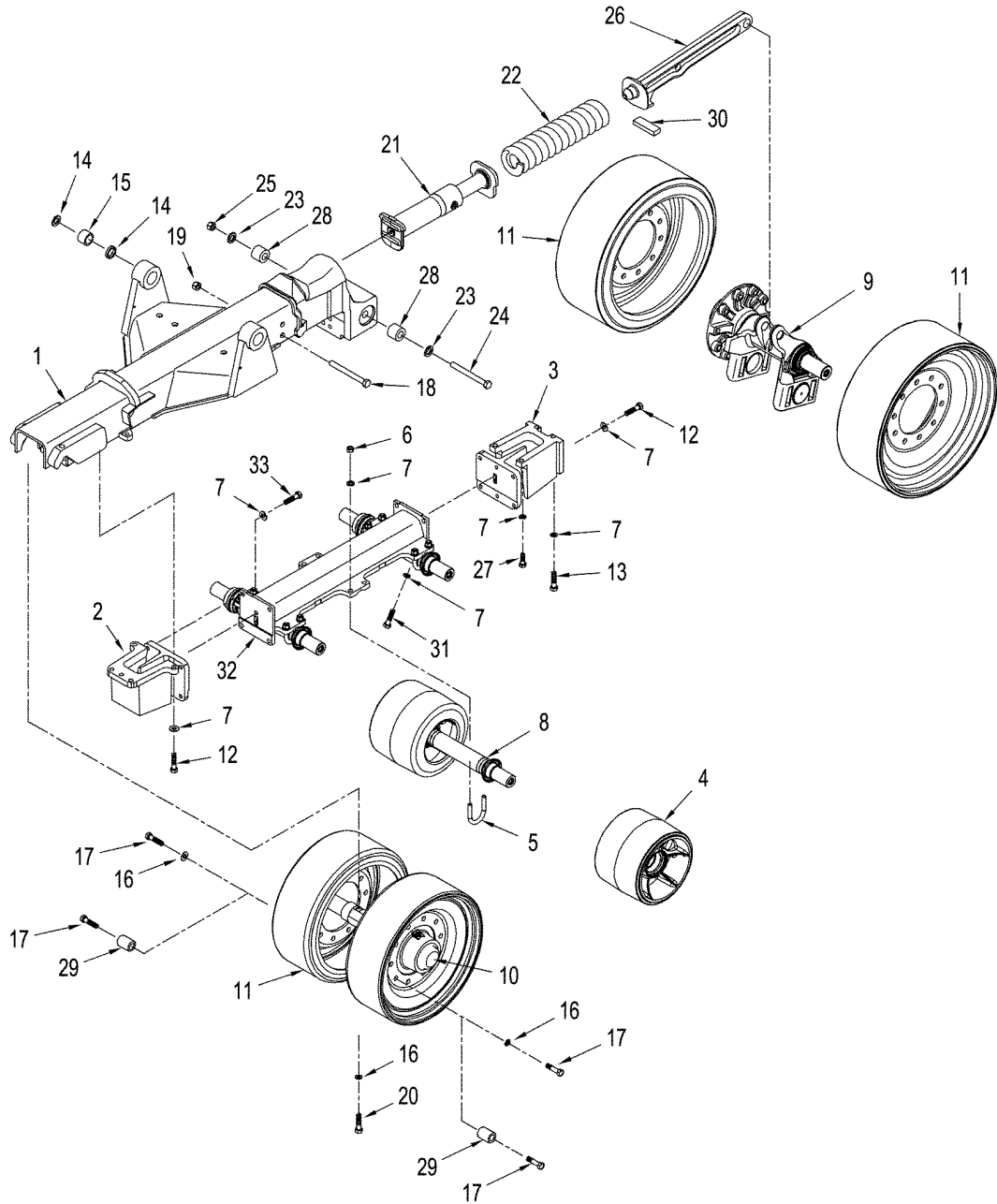
REF	FN	PART NUMBER	YR/SN	QTY	DESCRIPTION
1		408777A4		1	MOUNTING PARTS Undercarriage
2	1	379694A2	BSN JEE0104449	1	SUSPENSION Rear, Rubber Mount
2	2	389761A1	ASN JEE0104449	1	SUSPENSION Rear, Rubber Mount
3	1	379702A2	BSN JEE0104449	1	SUSPENSION Front, Rubber Mount
3	2	389763A1	ASN JEE0104449	1	SUSPENSION Front, Rubber Mount
4		379715A2		6	WHEEL Roller
5		231765A1		6	U-BOLT
6		832-46416		12	NUT M16; 8
7		896-11016		21	WASHER 17,5 x 30 x 4 mm
8		REF		1	INSTRUCTION Roller Assy., Wheel, See Figure 06-12 (01)
9		303965A5		1	AXLE ASSY, 4WD Assy., See Figure 06-11
10		REF		1	INSTRUCTION Axle Assy., Rear Idler, See Figure 06-12
11		323903A2		4	WHEEL Idler
12		627-16050		9	BOLT Hex, M16 x 50, 10.9
13		827-16180		2	BOLT M16 x 180; 10.9
14		409583A1		4	SEAL
15		307278A1		2	BEARING
16	3	496-31094		40	WASHER 15/16 x 1-3/4 x 7/32
17	3	627-22060		40	BOLT M22 x 60; 10.9
17	2	827-22080	ASN JEE0100546	40	SCREW M22 x 80, CL10.9
18		827-20200		1	SCREW M20 x 200; 10.9
19		832-46420		1	NUT M20
20		827-22130		2	SCREW M22 x 130; 10.9
21		372269A1		1	TENSIONER Track
22		255729A1		1	SPRING
23		896-11024		2	WASHER 26 x 44 x 5 mm
24		827-24270		1	SCREW M24 x 270; 10.9
25		829-1424		1	NUT M24; 10
26		435507A1		1	LINKAGE
27		827-16110		2	SCREW M16 x 110; 10.9

- (1) Luxury Cab  
(2) Scraper Application  
(3) Standard Application

**STX375 STX450**  
**STX425 STX500**



UNDERCARRIAGE - MOUNTING, QUADTRAC TRACTOR, BSN JEE0106701



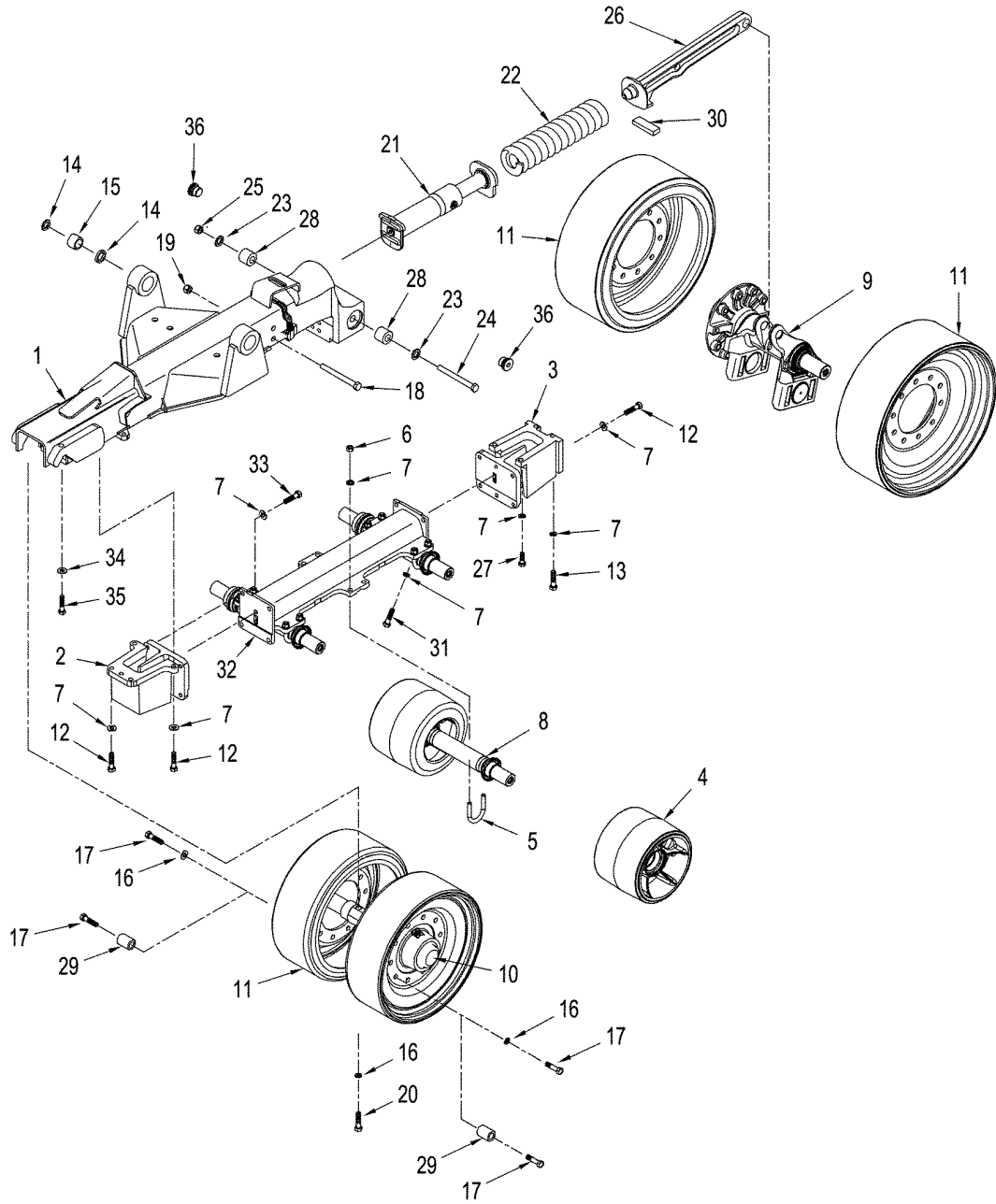
**UNDERCARRIAGE - MOUNTING, QUADTRAC TRACTOR, BSN JEE0106701**

REF	FN	PART NUMBER	YR/SN	QTY	DESCRIPTION
28		379703A1		2	SHAFT Idler Pivot
29	1	391340A1	ASN JEE0100546	40	SPACER
30		430710A1		1	PAD
31		827-16140		2	SCREW M16 x 140; 10.9
32		408786A1		1	BEAM Roller Wheel
33		627-16040		8	SCREW Hex, M16 x 40, 10.9

(1) Scraper Application

**STX375 STX450  
STX425 STX500**

UNDERCARRIAGE - MOUNTING, QUADTRAC TRACTOR, BTW JEE0106701 & JEE0107427



## UNDERCARRIAGE - MOUNTING, QUADTRAC TRACTOR, BTW JEE0106701 &amp; JEE0107427

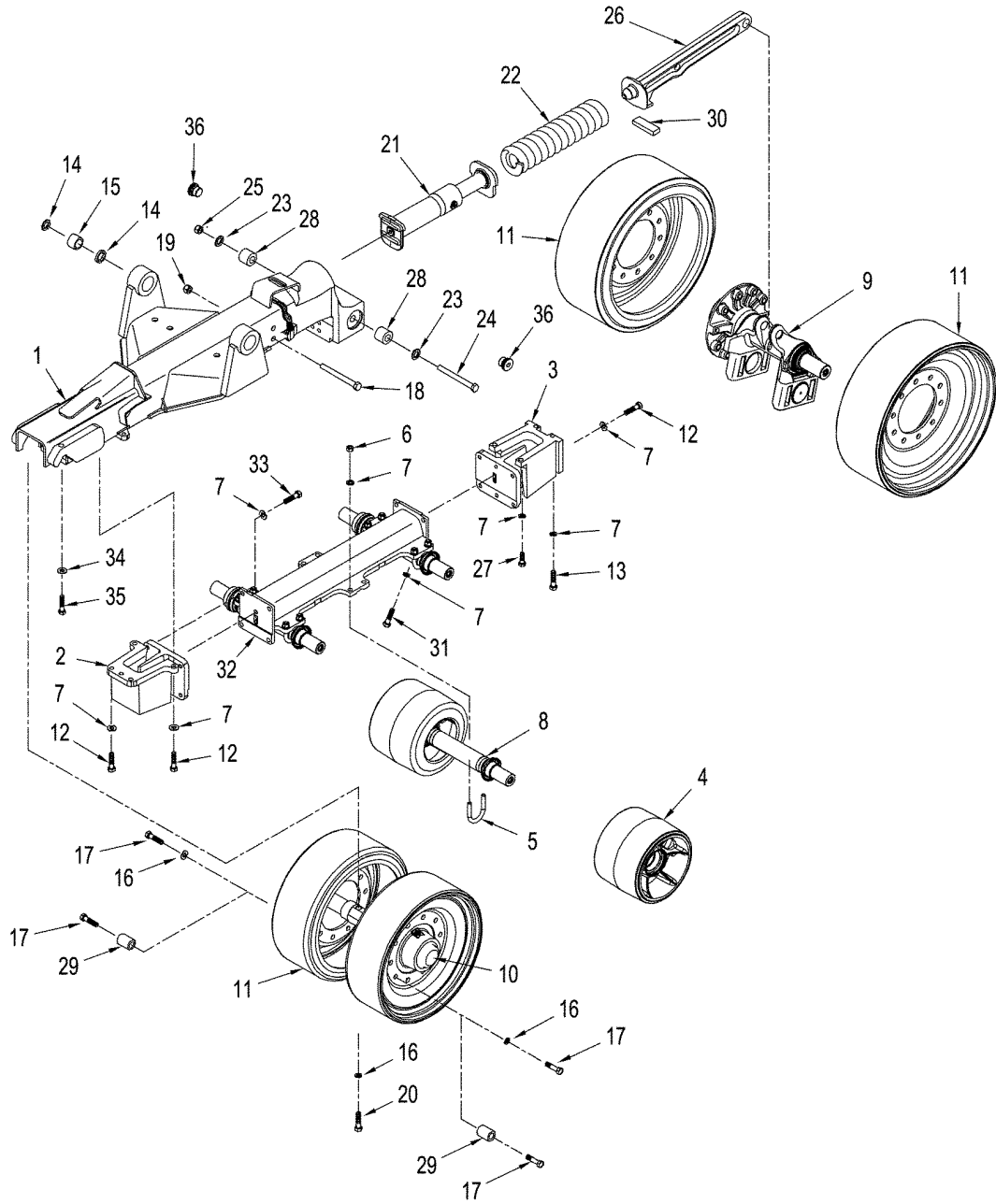
REF	FN	PART NUMBER	YR/SN	QTY	DESCRIPTION
1		87307050		1	MOUNTING PARTS Undercarriage
2		389761A1		1	SUSPENSION Rear, Rubber Mount
3		389763A1		1	SUSPENSION Front, Rubber Mount
4		379715A2		6	WHEEL Roller
5		231765A1		6	U-BOLT
6		832-46416		12	NUT M16; 8
7		896-11016		21	WASHER 17,5 x 30 x 4 mm
8		REF		1	INSTRUCTION Roller Assy., Wheel, See Figure 06-12 (02)
9		303965A5		1	AXLE ASSY, 4WD Assy., See Figure 06-11
10		REF		1	INSTRUCTION Axle Assy., Rear Idler, See Figure 06-12
11		323903A2		4	WHEEL Idler
12		627-16050		9	BOLT Hex, M16 x 50, 10.9
13		827-16180		2	BOLT M16 x 180; 10.9
14		87423203		4	SEAL
15		87423204		2	BEARING ASSY
16	1	496-31094		40	WASHER 15/16 x 1-3/4 x 7/32
17	1	627-22060		40	BOLT M22 x 60; 10.9
17	2	827-22080		40	SCREW M22 x 80, CL10.9
18		827-20200		1	SCREW M20 x 200; 10.9
19		832-46420		1	NUT M20
20		827-22130		2	SCREW M22 x 130; 10.9
21		372269A1		1	TENSIONER Track
22		255729A1		1	SPRING
23		896-11024		2	WASHER 26 x 44 x 5 mm
24		827-24270		1	SCREW M24 x 270; 10.9
25		829-1424		1	NUT M24; 10
26		435507A1		1	LINKAGE
27		827-16110		2	SCREW M16 x 110; 10.9
28		379703A1		2	SHAFT Idler Pivot
29	2	391340A1		40	SPACER
30		430710A1		1	PAD

(1) Ag Application

(2) Scraper Application

**STX375 STX450**  
**STX425 STX500**

UNDERCARRIAGE - MOUNTING, QUADTRAC TRACTOR, BTW JEE0106701 & JEE0107427

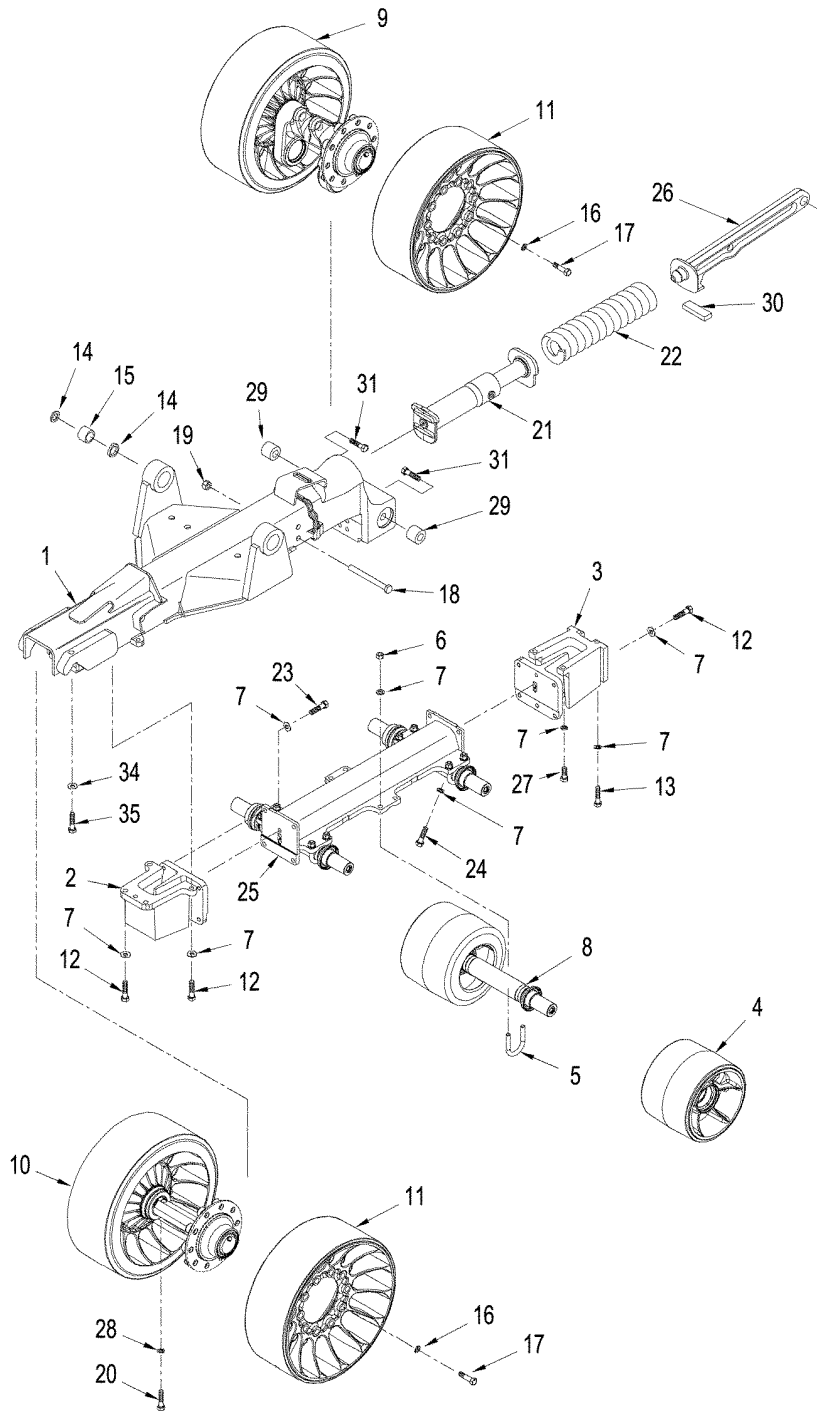


**UNDERCARRIAGE - MOUNTING, QUADTRAC TRACTOR, BTW JEE0106701 & JEE0107427**

REF	FN	PART NUMBER	YR/SN	QTY	DESCRIPTION
31		827-16140		2	SCREW M16 x 140; 10.9
32		408786A1		1	BEAM Roller Wheel
33		627-16035		8	BOLT Hex, M16 x 35, 10.9
34		496-31094		2	WASHER .938" x 1.750" x .219"
35		827-22130		2	SCREW Cap, HH, M22 x 130, CL10.9
36		217-429		2	PLUG Socketless, 1/8"

**STX375 STX450  
STX425 STX500**

UNDERCARRIAGE - MOUNTING, QUADTRAC TRACTOR, ASN JEE0107427



**06-10**

02

p1

08/05

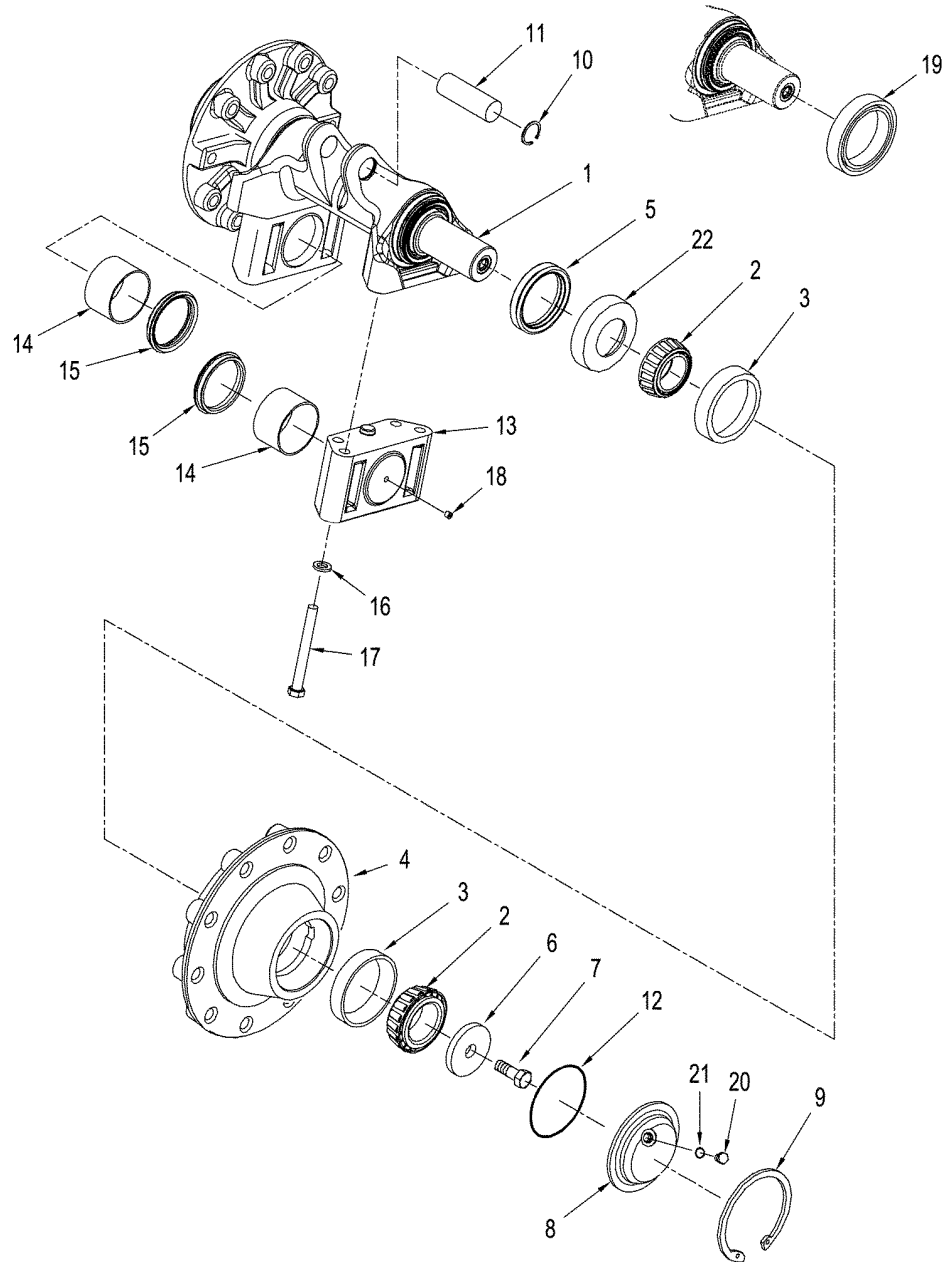
**UNDERCARRIAGE - MOUNTING, QUADTRAC TRACTOR, ASN JEE0107427**

REF	FN	PART NUMBER	YR/SN	QTY	DESCRIPTION
1		87307050		1	MOUNTING PARTS Undercarriage
2		389761A1		1	SUSPENSION Rear, Rubber Mount
3		389763A1		1	SUSPENSION Front, Rubber Mount
4		87309812		6	WHEEL ASSY Roller
5		231765A1		6	U-BOLT
6		832-46416		12	NUT M16; 8
7		896-11016		22	WASHER 17,5 x 30 x 4 mm
8		REF		1	INSTRUCTION Roller Assy., Wheel, See Figure 06-12 (02)
9		REF		1	INSTRUCTION Axle Assy., Front Idler, See Figure 06-11 (01)
10		REF		1	INSTRUCTION Axle Assy., Rear Idler, See Figure 06-12 (01)
11		87441100		1	WHEEL ASSY Idler, Bolt-on
12		627-16050		9	BOLT Hex, M16 x 50, 10.9
13		827-16180		2	BOLT M16 x 180, CL10.9
14		87423203		4	SEAL
15		87423204		2	BEARING ASSY
16		896-11024		22	WASHER 26 x 44 x 5mm
17		827-24080		20	BOLT M24 x 80, CL10.9
18		827-20200		1	SCREW M20 x 200, CL10.9
19		832-46420		1	NUT M20
20		827-22140		2	SCREW M22 x 140, CL10.9
21		372269A1		1	TENSIONER Track
22		255729A1		1	SPRING
23		627-16040		8	SCREW Hex, M16 x 40, 10.9
24		827-16140		2	SCREW M16 x 140, CL10.9
25		408786A1		1	BEAM Roller Wheel
26		435507A1		1	LINKAGE
27		827-16110		2	SCREW M16 x 110; 10.9
28		896-11022		2	WASHER 24 x 44 x 4mm
29		87324220		2	SHAFT, IDLE Idler, Pivot
30		430710A1		1	PAD
31		827-24100		2	BOLT M24 x 100, CL10.9

**STX375 STX450**  
**STX425 STX500**



AXLE ASSEMBLY - FRONT IDLER, QUADTRAC TRACTOR, BSN JEE0107427



## AXLE ASSEMBLY - FRONT IDLER, QUADTRAC TRACTOR, BSN JEE0107427

REF	FN	PART NUMBER	YR/SN	QTY	DESCRIPTION
		303965A5		1	AXLE ASSY, 4WD Inc. 1 - 12, 20 - 22
1		87402778		1	PIVOT ASSY.
1	1	87427037		1	PIVOT ASSY.
2		371884A1		1	CONE
3		371878A1		4	CUP
4		379708A3		2	HUB
5		87450019	ASN JEE0099980	2	SEAL Face
5	1	87427009		1	SEAL, SHAFT
6		70-6520T2		2	WASHER
7		87449801		2	BOLT M20 x 40, 10.9
8	2	87408174		2	CAP
9		800-21130		2	RING, SNAP M130
10		396676A1		2	SNAP RING
11		329647A1		1	PIN
12		238-5426		2	O-RING 1/4 x 4-5/8; 5
13		379711A2		2	MOUNTING PARTS
14		379713A2		1	BEARING
15		378094A1		2	SEAL
16		896-11016		8	WASHER 17,5 x 30 x 4 mm
17		827-16150		8	SCREW M16 x 150; 10.9
18		217-429		2	PLUG Pipe, Hex Socket 1/8"
19	3	432008A2	BSN JEE0099980	2	SEAL Cup, Idler Hub
20		246406A1		2	PLUG M12 or, Inc. 21
21		637-63093		1	O-RING 9,3 ID x 2,2 Thk
22		87402781		2	CUP Cup, Idler Hub

(1) Arctic QUADTRAC Tractor Application

(2) Also Order 246406A1 Plug

(3) Used on Units Affected by P.U.P. A0901 Only. See Installation Instructions Rac. 6-12501 for Additional Information.

**STX375 STX450**  
**STX425 STX500**

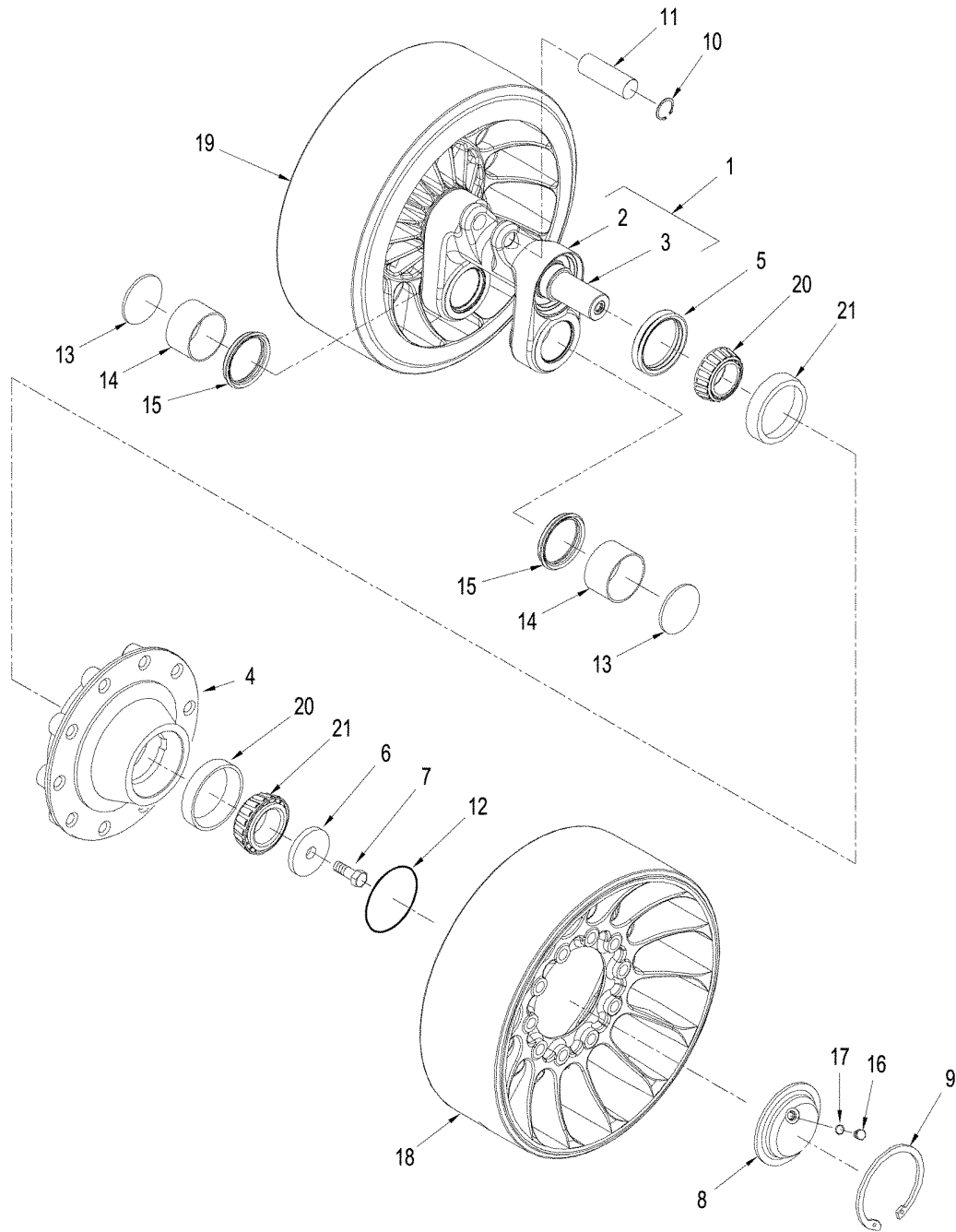
06-11

01

p1

11/05

AXLE ASSEMBLY - FRONT IDLER, QUADTRAC TRACTOR, ASN JEE0107427



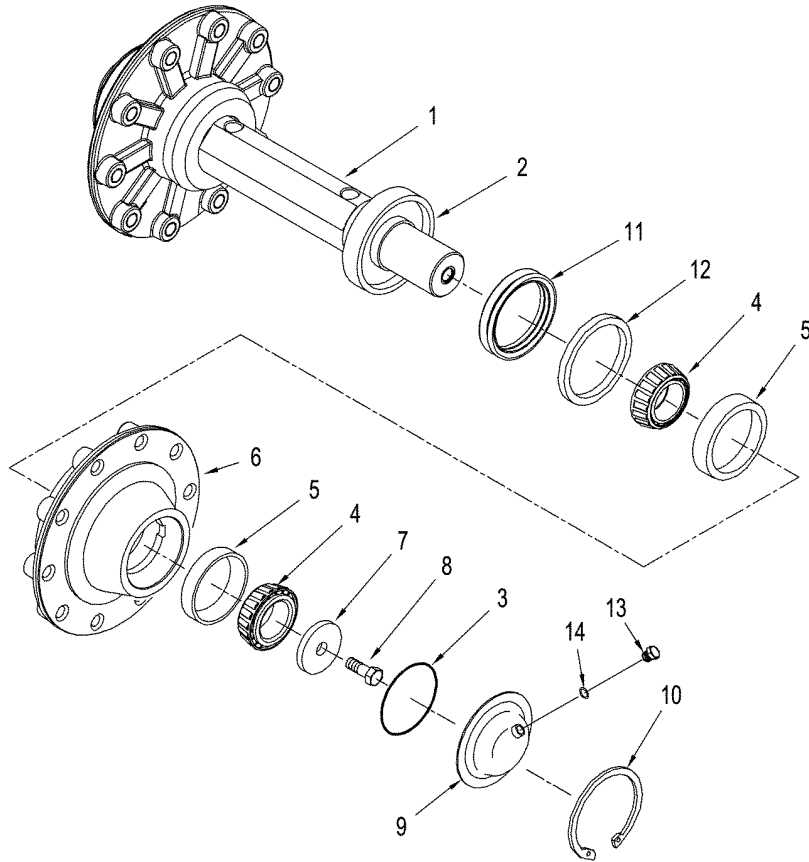
## AXLE ASSEMBLY - FRONT IDLER, QUADTRAC TRACTOR, ASN JEE0107427

REF	FN	PART NUMBER	YR/SN	QTY	DESCRIPTION
1		87451060		1	PIVOT Shaft Assembly, Inc. 2 & 3
2		NSS		1	NOT SERVICED SEPARATELY Pivot
2	1	{87345927}		1	Pivot
3		NSS		1	NOT SERVICED SEPARATELY Shaft
4		87416606		1	HUB
5		87437010		2	SEAL Face
6		70-6520T2		2	WASHER
7		87449801		2	BOLT M20 x 40, 10.9
8	2	87408174		2	CAP
9		800-21130		2	RING, SNAP M130
10		87038806		2	RETAINER
11		329647A1		1	PIN
12		238-5426		2	O-RING 1/4 x 4-5/8; 5
13		87416602		2	COVER Cap
14	3	379713A2		2	BEARING
14	4	87324810		2	BEARING
15		87451047		2	SEAL
16		246406A1		2	PLUG M12 or, Inc. 21
17		637-63093		2	O-RING 9,3 ID x 2,2 Thk
18		87441100		1	WHEEL ASSY Bolt-on
19		87441101		1	WHEEL ASSY
20		371884A1		4	CONE
21		371878A1		4	CUP

- (1) Arctic QUADTRAC Tractor Application  
(2) Also Order 246406A1 Plug  
(3) BSN JEE0107427  
(4) ASN JEE0107427

**STX375 STX450**  
**STX425 STX500**

AXLE ASSEMBLY - REAR IDLER, QUADTRAC TRACTOR, BSN JEE0107427



## AXLE ASSEMBLY - REAR IDLER, QUADTRAC TRACTOR, BSN JEE0107427

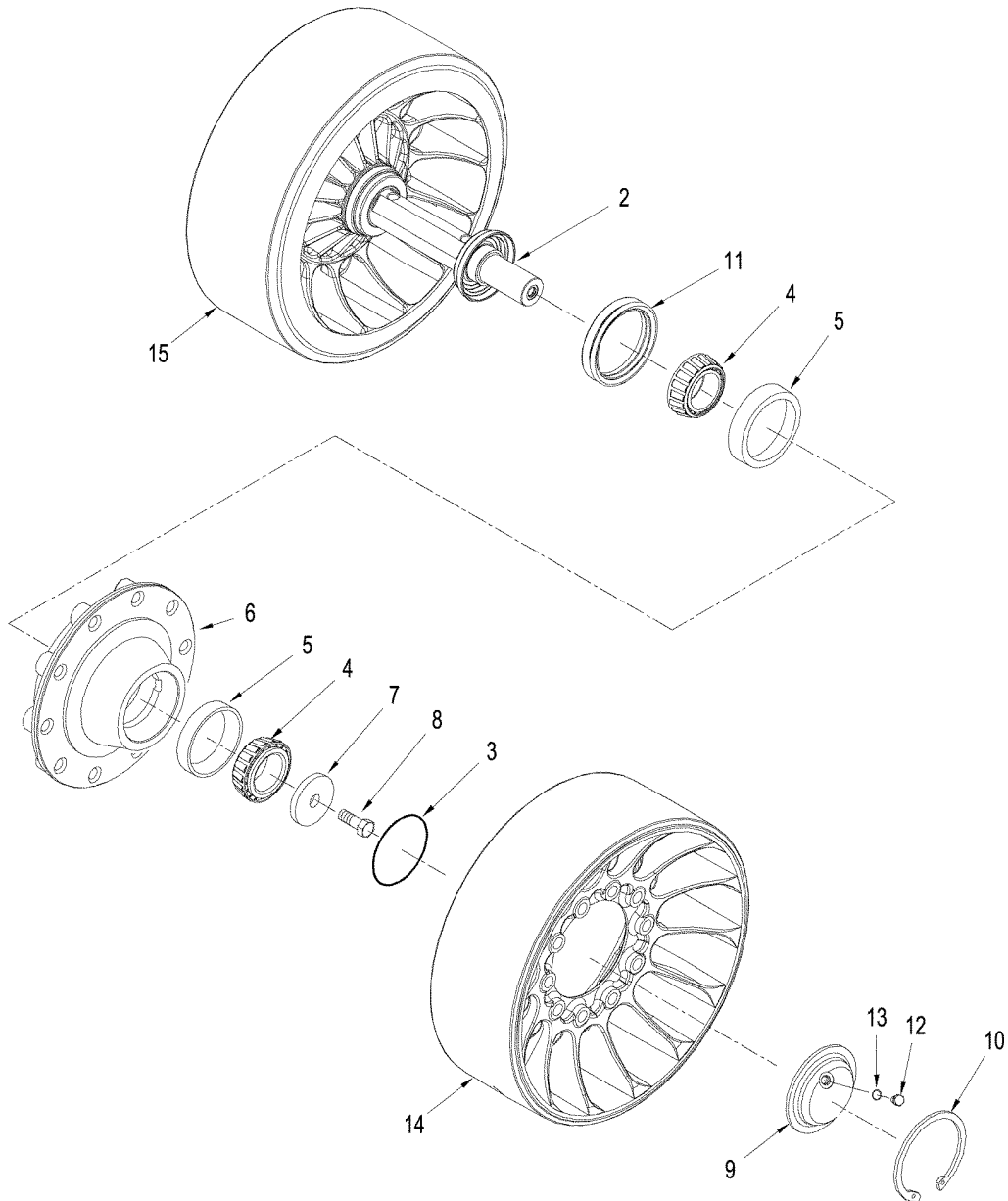
REF	FN	PART NUMBER	YR/SN	QTY	DESCRIPTION
1		87445996		1	SHAFT Assy., Inc. 2
2		87402782		2	CUP Cup
3		238-5426		2	O-RING 1/4 x 4-5/8; 5
4		371884A1		4	CONE
5		371878A1		4	CUP
6		379708A3		2	HUB
7		70-6520T2		2	WASHER
8		87449801		2	BOLT M20 x 40, 10.9
9	1	87408174		2	CAP
10		800-21130		2	RING, SNAP M130
11		87450019		2	SEAL Face
11	2	87427009		1	SEAL, SHAFT Multiple Lip
12		87402781		2	CUP
13		246406A1		1	PLUG Pipe, M12 or, Inc. 14
14		637-63093		1	O-RING 9.3 ID x 2.2 Thk

(1) Also Order 246406A1 Plug

(2) Arctic QUADTRAC Tractor Application

**STX375 STX450**  
**STX425 STX500**

AXLE ASSEMBLY - REAR IDLER, QUADTRAC TRACTOR, ASN JEE0107427



## AXLE ASSEMBLY - REAR IDLER, QUADTRAC TRACTOR, ASN JEE0107427

REF	FN	PART NUMBER	YR/SN	QTY	DESCRIPTION
1		87451058		1	SHAFT Assy., Rear Idler
2		87304016		2	CUP Cup
3		238-5426		2	O-RING 1/4 x 4-5/8; 5
4		371884A1		4	CONE
5		371878A1		4	CUP
6		87416606		1	HUB
7		70-6520T2		2	WASHER
8		87449801		2	BOLT M20 x 40, 10.9
9	1	87408174		2	CAP
10		800-21130		2	RING, SNAP M130
11		87437010		2	SEAL Face
11	2	87427009		2	SEAL, SHAFT Multiple Lip
12		246406A1		2	PLUG Pipe, M12 or, Inc. 13
13		637-63093		2	O-RING 9.3 ID x 2.2 Thk
14		87441100		1	WHEEL ASSY Bolt-on
15		87441101		1	WHEEL ASSY

(1) Also Order 246406A1 Plug

(2) Arctic QUADTRAC Tractor Application

**STX500 STX375**  
**STX450 STX425**



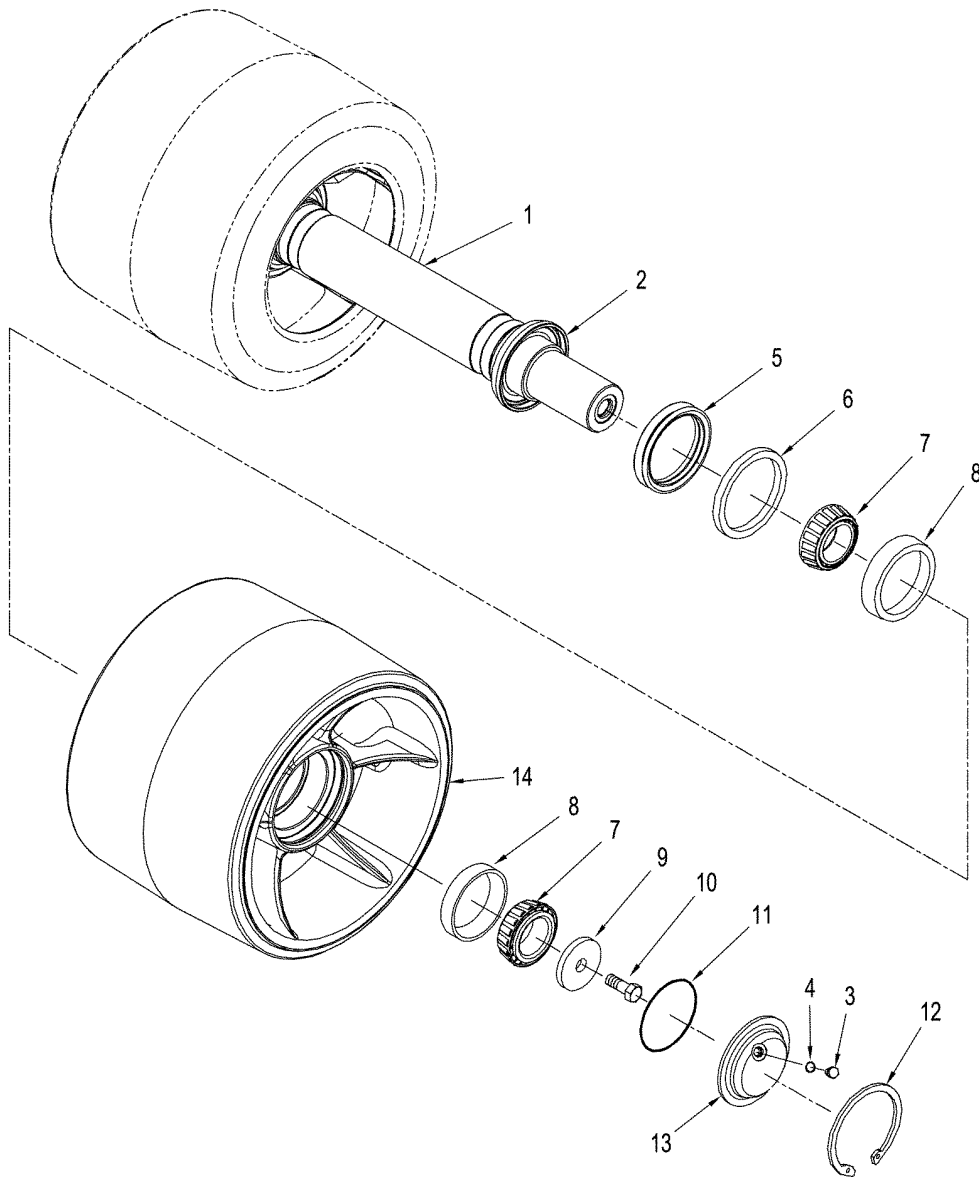
06-12

02

p1

12/05

AXLE ASSY. - ROLLER SHAFT



## AXLE ASSY. - ROLLER SHAFT

REF	FN	PART NUMBER	YR/SN	QTY	DESCRIPTION
1		87403661	BSN JEE0107427	3	SHAFT Roller Assy., Inc. 2
1		87431253	ASN JEE0107427	3	SHAFT, ROLLER Roller Assy.
1	1	87427034		3	SHAFT, ROLLER
2	2	86992784	BSN JEE0100711	2	SEAL Cup, Roller
2		86992594	BTW JEE0100711 & JEE0107427	2	CUP Cup, Roller
2		87304018	ASN JEE0107427	2	CUP Cup, Roller
3		246406A1		6	PLUG M12 or, Inc. 4
4		637-63093		1	O-RING 9.3 ID x 2.2 Thk
5		432006A1	BSN JEE0107427	6	SEAL Roller Face
5		87437009	ASN JEE0107427	6	SEAL Roller Face
5	1	87427008		6	SEAL Multiple Lip
6		86993622	BSN JEE0107427	6	CUP Cup
7		A61447		12	BEARING, CONE 2-1/16" ID
8		625743C1		12	BEARING SET Cup, 3-35/64" OD
9		70-6520T2		6	WASHER Hardened
10		87449801		6	BOLT M20 x 40, CL10.9
11		86984140		6	SEAL O-Ring
11	3	238-5344		6	O-RING
12		800-21110		6	RING, SNAP Retaining, 110 mm
13	4	87404689		6	CAP Wheel
14		379715A2	BSN JEE0107427	2	WHEEL Roller
14		87309812	ASN JEE0107427	2	WHEEL ASSY Roller

(1) Arctic QUADTRAC Tractor Application

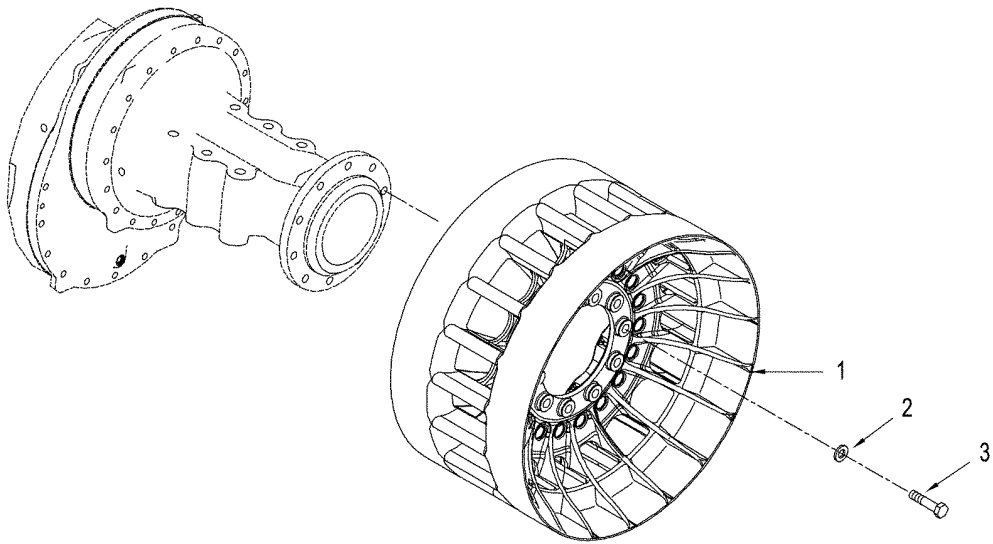
(2) NOTE: Before Ordering for Machines BSNJEE0100711 Measure Seal Cup ID or Shaft OD to Determine the Correct Cup to Order. Seal Cup ID of 68.4mm Order 86992594 and Seal Cup ID of 69.5mm Order 86992784. See Service Letter Rac. 6-12501 for Further Instruction.

(3) To Be Used with Roller Wheel 379715A1 Only.

(4) Also Order 246406A1 Plug

**STX375 STX450**  
**STX425 STX500**

DRIVE WHEEL, QUADTRAC TRACTOR

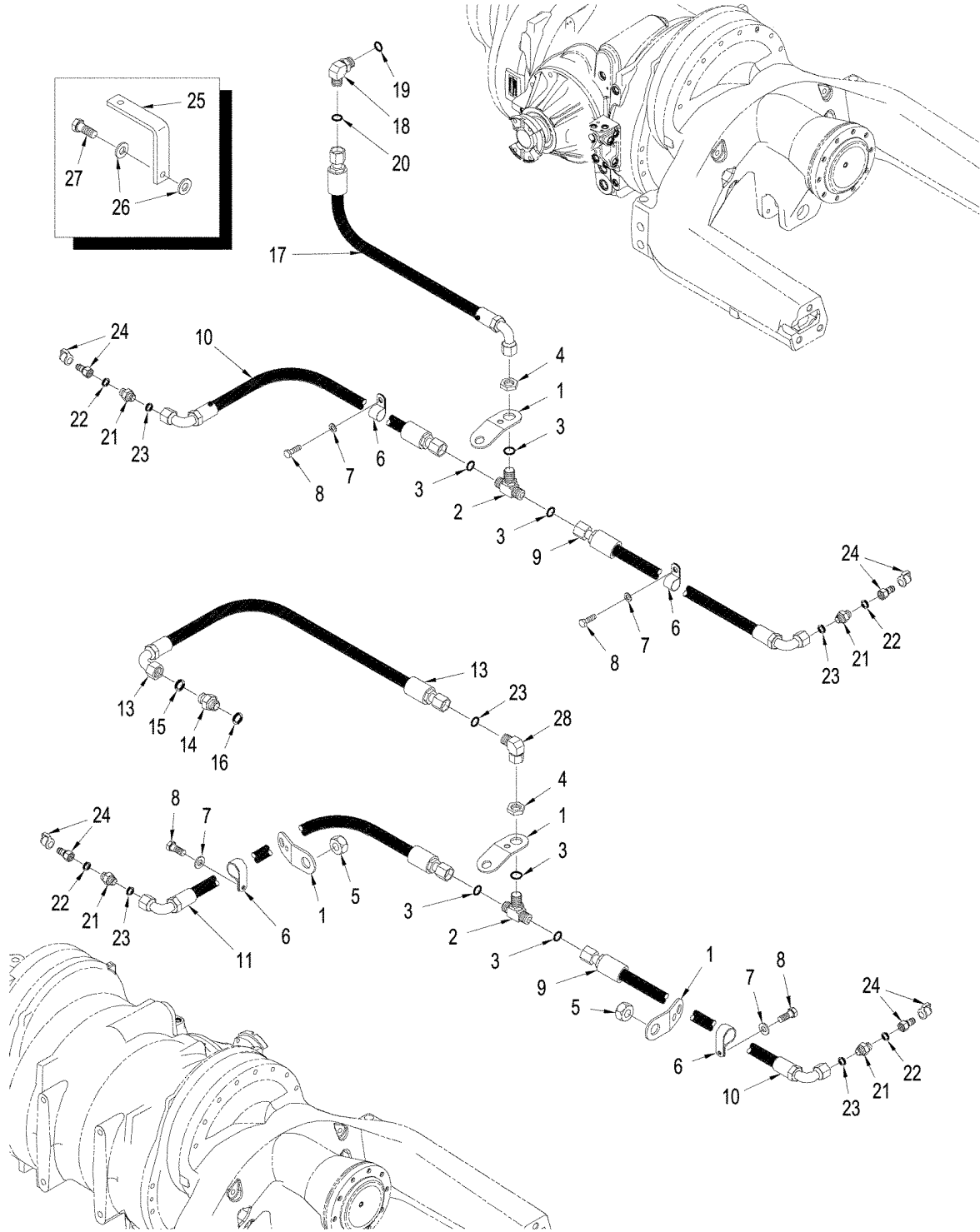


## DRIVE WHEEL, QUADTRAC TRACTOR

REF	FN	PART NUMBER	YR/SN	QTY	DESCRIPTION
1		413830A1		4	WHEEL Cast
2		496-31094	BSN JEE0104001	40	WASHER 15/16 x 1-3/4 x 7/32
2		896-11024	ASN JEE0104001	40	WASHER 26 x 44 x 5 mm
3		627-24070	ASN JEE0104001	40	BOLT M24 x 70, CL10.9
3		827-22080	BSN JEE0104001	40	SCREW Cap, HH, M22 x 80; 10.9

**STX375 STX450**  
**STX425 STX500**

TRACK TENSIONING, QUADTRAC TRACTOR



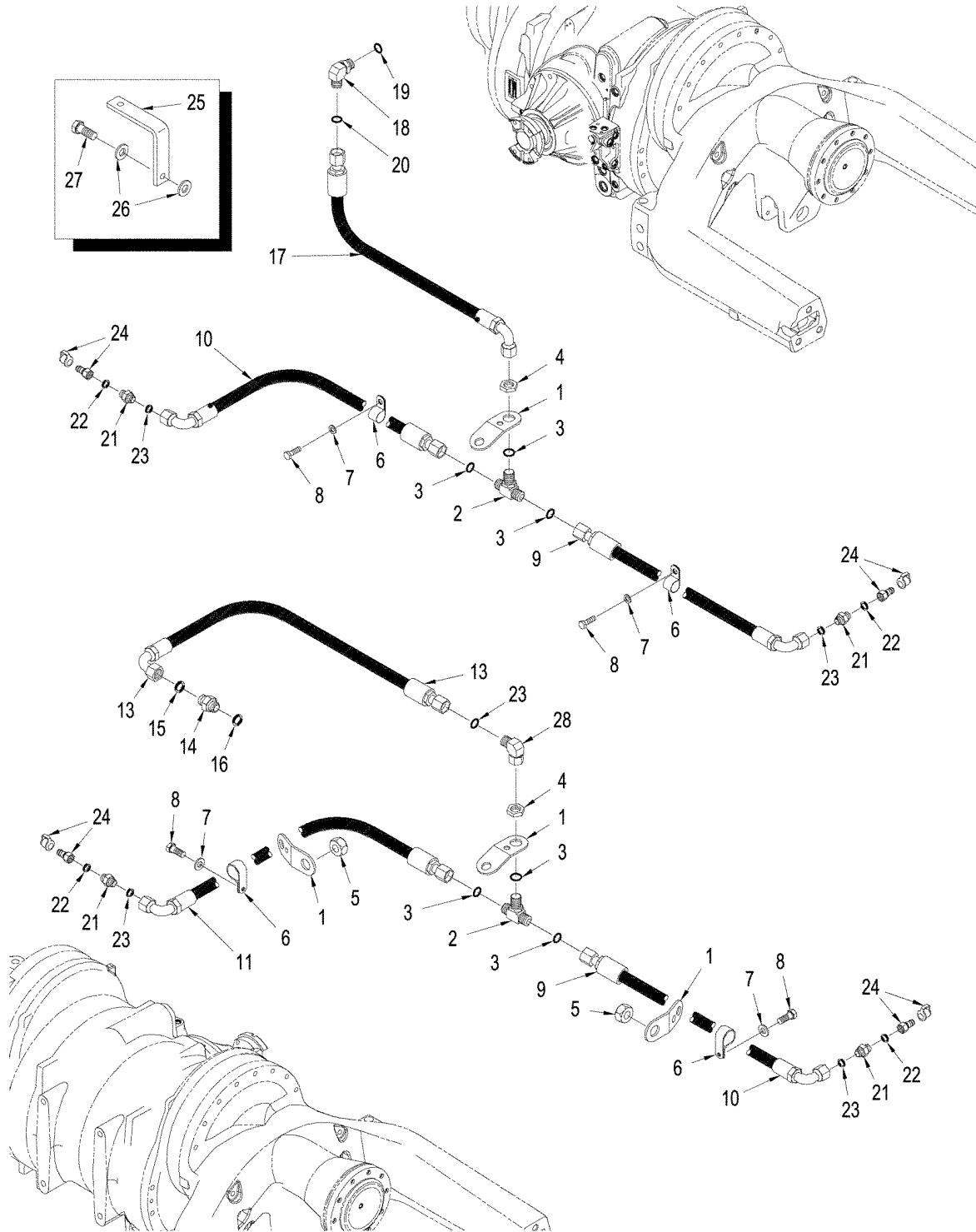
## TRACK TENSIONING, QUADTRAC TRACTOR

REF	FN	PART NUMBER	YR/SN	QTY	DESCRIPTION
1		417272A1	BSN JEE0106701	8	BRACKET
1		87306552	ASN JEE0106701	8	BRACKET
2		701-453		2	TEE M6 fc sl, Inc. 3
3		238-6011		3	O-RING 5/16 ID x 1/16
4		701-1254	BSN JEE0106701	2	NUT M6
4		701-909	ASN JEE0106701	2	NUT M10
5		829-1408		6	NUT M8; 10
6		515-23127		16	CLAMP 1/2 ID
7		895-11008		18	WASHER 9 x 17 x 1,6 mm
8		627-8020		16	BOLT M8 x 20; 10.9
9		437378A1	BSN JEE0106701	1	HOSE ASSY. 1924 mm (76 in)
9		87306548	ASN JEE0106701	1	HOSE ASSY. 1836mm (72-9/32 in)
9	1	87346268		1	HOSE 1816 mm (71-1/2 in)
10		437379A1	BSN JEE0106701	1	HOSE ASSY. 2019 mm (79 in)
10		87306549	ASN JEE0106701	1	HOSE ASSY. 1956mm (77 in)
10	1	87346279		1	HOSE 1943 mm (76-1/2 in)
11		437379A1	BSN JEE0106701	1	HOSE ASSY. 2019mm (79 in)
11		87306550	ASN JEE0106701	1	HOSE ASSY. 2015mm (79-5/16 in)
11	1	87346286		1	HOSE 1943mm (76-1/2 in)
12		437378A1	BSN JEE0106701	1	HOSE ASSY. 1924mm (76 in)
12		87306549	ASN JEE0106701	1	HOSE ASSY. 1956mm (77 in)
12	1	444422A1S		1	HOSE ASSY. 1816mm (71-1/2 in)
13		366721A1	BSN JEE0106701	1	HOSE ASSY. 1700 mm (67 in)
13		87306651	ASN JEE0106701	1	HOSE ASSY. 850 mm ( 33-15/32 in)
13	1	437276A1S		1	HOSE ASSY. 1700 mm (67 in)
14		700-153		1	CONNECTOR, HYD. M8 fc sl x 14 orb, Inc. 15, 16
15		637-63113		1	O-RING 11,3 ID x 2,2
16		238-6011		1	O-RING 5/16 ID x 1/16
17		366720A1	BSN JEE0106701	1	HOSE ASSY. 900 mm (35 in)
17		87306551	ASN JEE0106701	1	HOSE ASSY. 850 mm (33-15/32 in)
17	1	87346267		1	HOSE 900 mm (35-7/16 in)
18		700-378		1	ELBOW M14 orb x 8 fc sl, Inc. 19, 20
19		637-63113		1	O-RING 11,3 ID x 2,2
20		238-6011		1	O-RING 5/16 ID x 1/16

(1) Arctic QUADTRAC Tractor Application

**STX375 STX450**  
**STX425 STX500**

TRACK TENSIONING, QUADTRAC TRACTOR



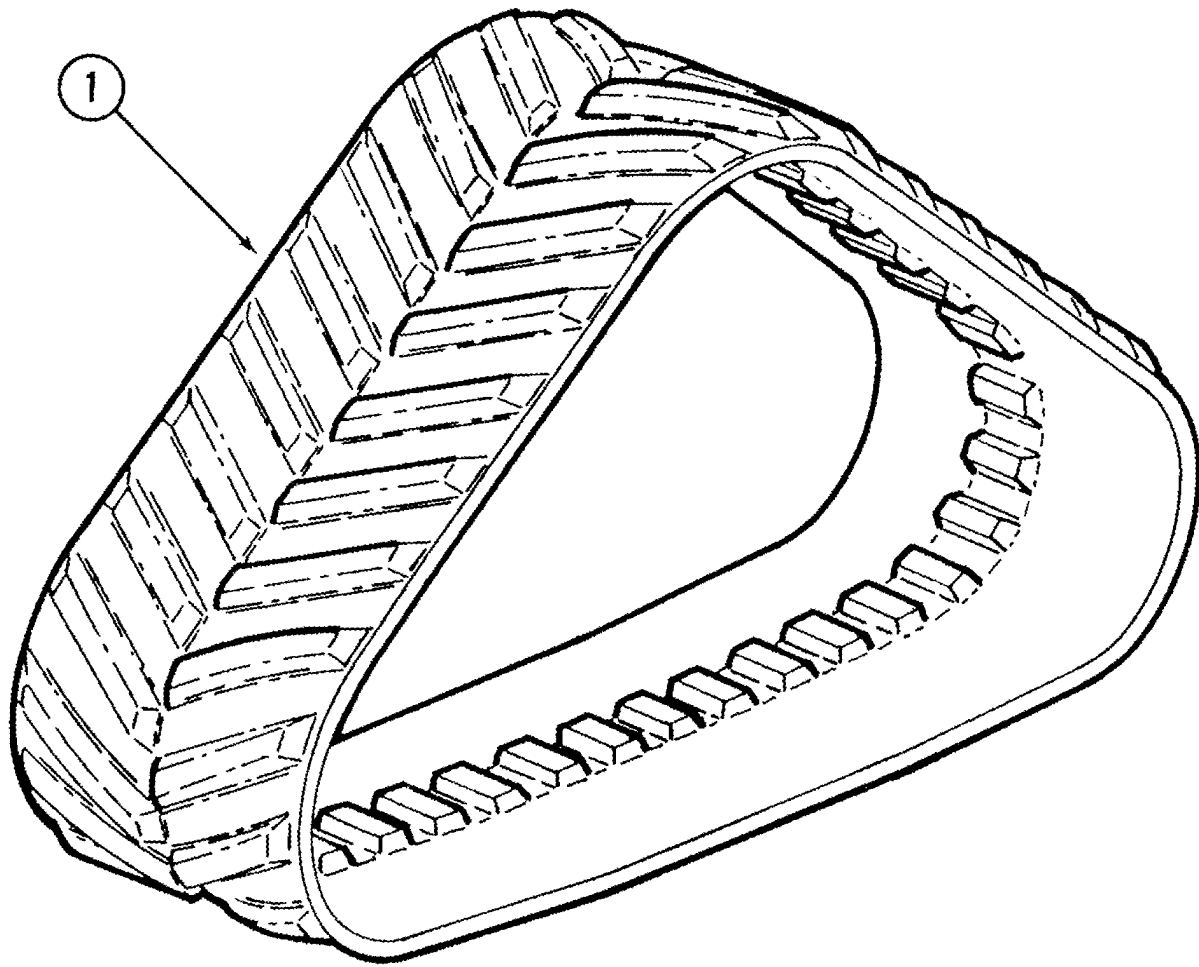
## TRACK TENSIONING, QUADTRAC TRACTOR

REF	FN	PART NUMBER	YR/SN	QTY	DESCRIPTION
21		314270A1		4	CONNECTOR, HYD. M10 fc sl x 18 orb, Inc. 22, 23
22		637-63153		4	O-RING 15,3 ID x 2,2
23		238-6012		4	O-RING 3/8 ID x 1/16
24		325647A2		4	COUPLING M18, Diagnostic
25		87450401		4	BRACKET, SUPPORTING Tension Hose
26		896-11016		8	WASHER 17.5 x 30 x 4mm
27		627-16040		4	SCREW Hex, M16 x 40, 10.9
28		701-329		1	ELBOW M6 fc sl x swl, Inc. 12
29		238-6011		1	O-RING 5/16 ID x 1/16

**STX375 STX450**  
**STX425 STX500**



TRACKS, QUADTRAC TRACTOR



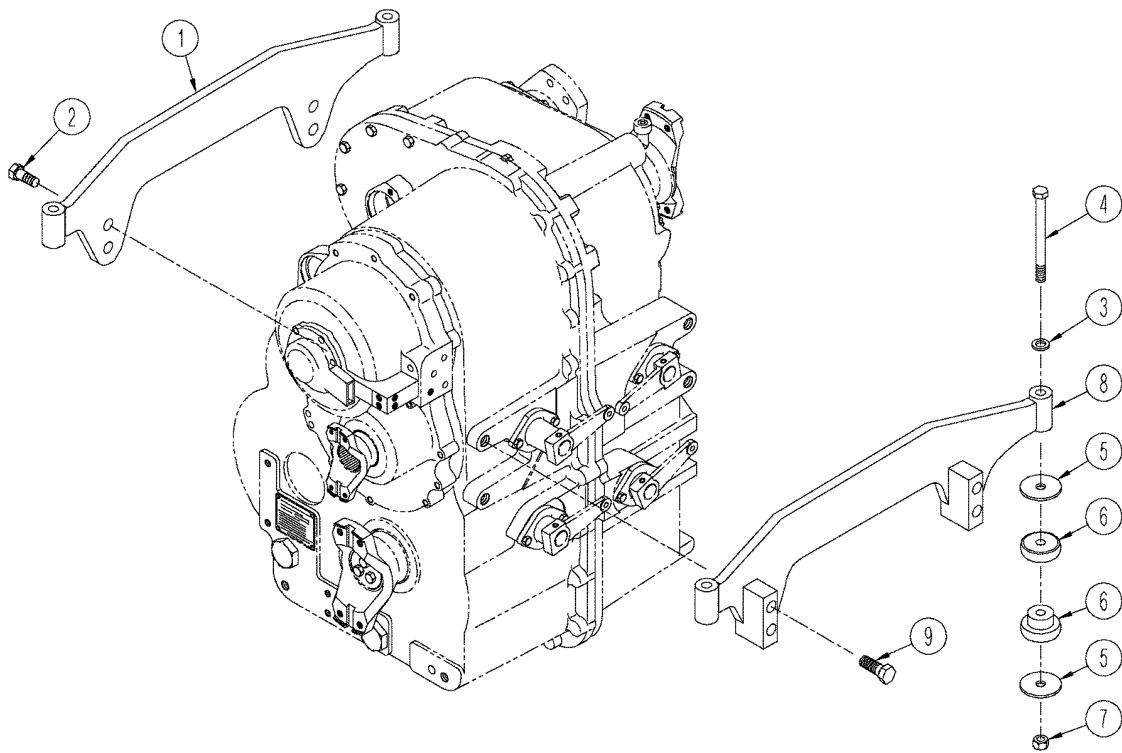
TRACKS, QUADTRAC TRACTOR

REF	FN	PART NUMBER	YR/SN	QTY	DESCRIPTION
1	1	398730A2		4	RUBBER TRACK 762 mm (30 in)
1	2	437739A1		4	RUBBER TRACK 762 mm (30 in)
1		87403790		4	RUBBER TRACK 762 mm (30 in)
1		87428687		4	RUBBER TRACK 914 mm (36 in)

- (1) Scraper Application
- (2) Arctic QUADTRAC Tractor Application

**STX375 STX450**  
**STX425 STX500**

TRANSMISSION MOUNTING, MANUAL SHIFT TRANSMISSION

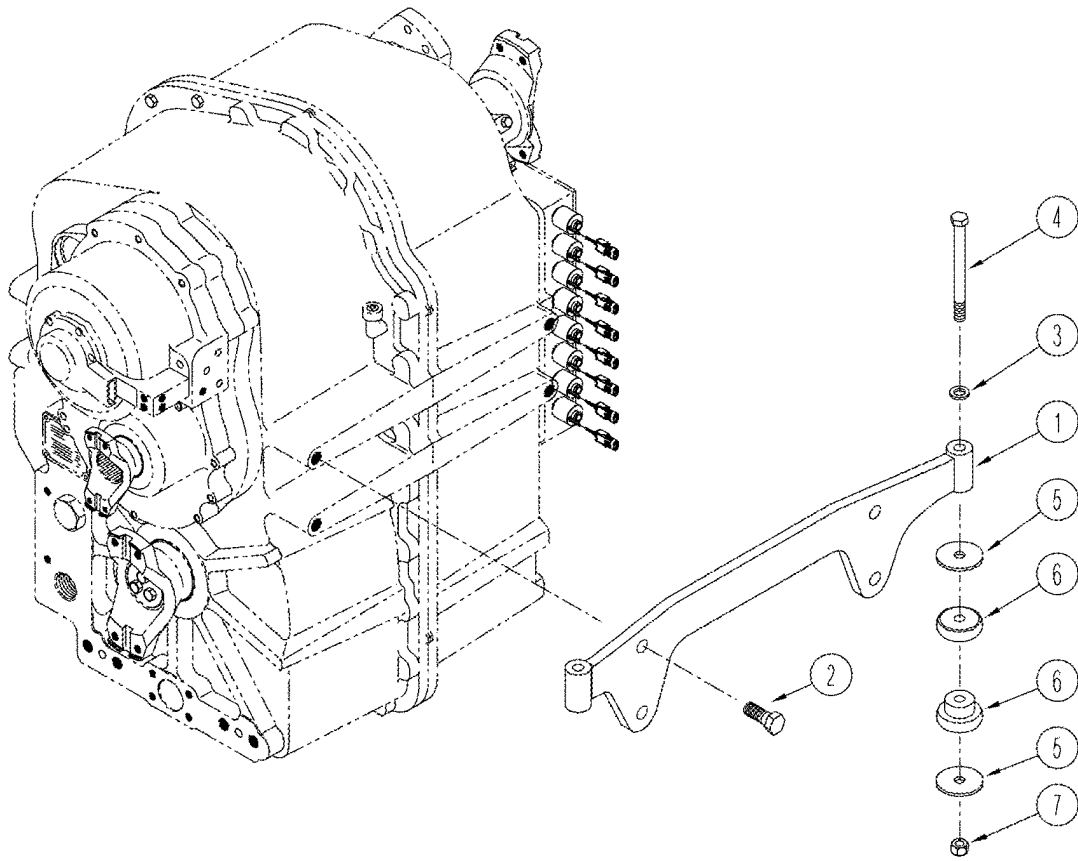


## TRANSMISSION MOUNTING, MANUAL SHIFT TRANSMISSION

REF	FN	PART NUMBER	YR/SN	QTY	DESCRIPTION
1		388851A1		1	PLATE Mounting
2		627-20060		8	SCREW M20 x 60; 10.9
3		896-11022		4	WASHER 24 x 44 x 4 mm
4		828-22190		4	SCREW M22 x 190;10.9
5		379611A1		8	WASHER
6		340967A1		4	MOUNTING, RUBBER
7		832-10422		4	NUT M22; 8
8		397581A1		1	PLATE Mounting
9		827-20120		4	SCREW M20 x 120; 10.9

**STX375 STX425**

TRANSMISSION MOUNTING, POWER SHIFT TRANSMISSION

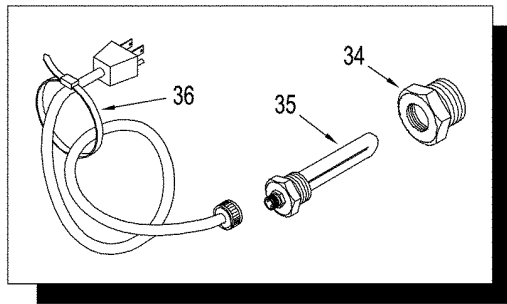
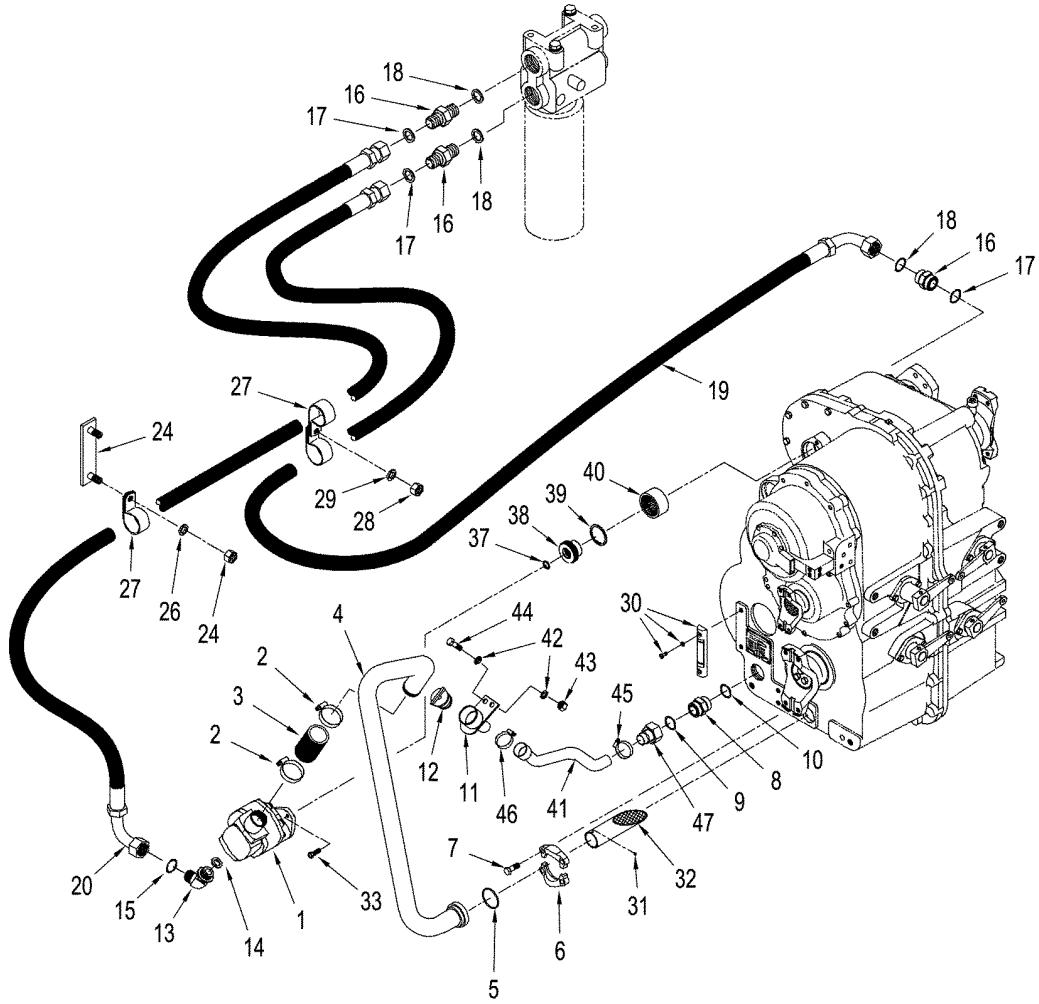


**TRANSMISSION MOUNTING, POWER SHIFT TRANSMISSION**

<b>REF</b>	<b>FN</b>	<b>PART NUMBER</b>	<b>YR/SN</b>	<b>QTY</b>	<b>DESCRIPTION</b>
1		408706A1		2	PLATE Mounting
2		627-20060		8	SCREW M20 x 60; 10.9
3		896-11022		4	WASHER 24 x 44 x 4 mm
4		828-22190		4	SCREW M22 x 190; 10.9
5		379611A1		8	WASHER
6		340967A1		4	MOUNTING, RUBBER
7		829-1422		4	NUT M22; 10

**STX450 STX425**  
**STX500 STX375**

TRANSMISSION - LUBRICATION, WITH MANUAL SHIFT TRANSMISSION



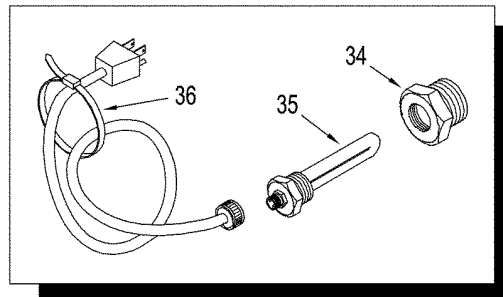
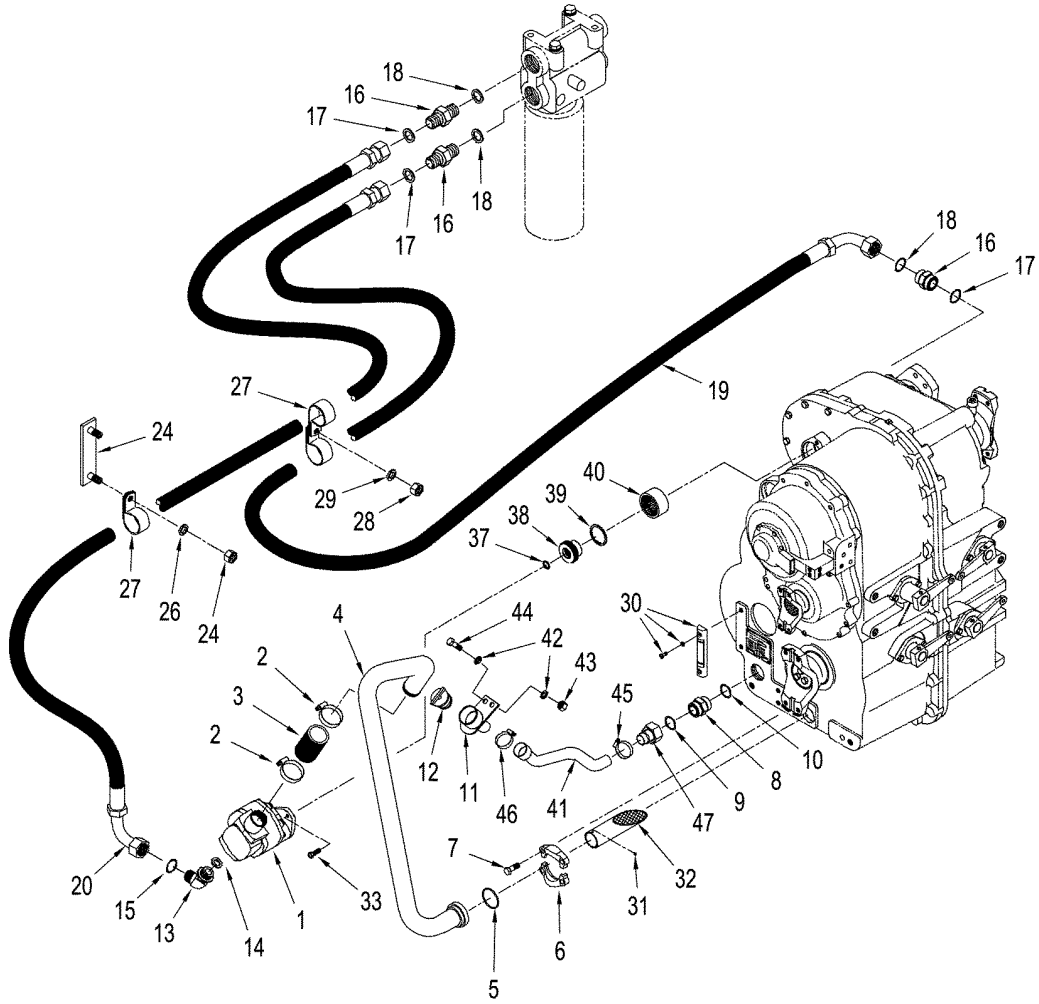
## TRANSMISSION - LUBRICATION, WITH MANUAL SHIFT TRANSMISSION

REF	FN	PART NUMBER	YR/SN	QTY	DESCRIPTION
1		370546A1		1	PUMP Oil
2		214-3140		2	CLAMP
3		31-2427		1	HOSE 152 mm (6 in) Cut From 1-4568T1
4		277325A1		1	TUBE ASSY.
5		238-6228		1	O-RING 2-1/4 ID x 1/8
6		A14141		2	FLANGE
7		426-824		4	BOLT 1/2 x 1-1/2; 8
8		700-133		1	CONNECTOR, HYD. Inc. 9, 10
9		238-6025		1	O-RING 1-3/16 ID x 1/16
10		637-64296		1	O-RING 29,6 ID x 2,9
11		414480A2		1	TUBE ASSY. Transmission Fill
12		325737A1		1	CAP
13		700-308		1	ELBOW 1-7/16 fc sl x 33 Or, Inc. 14, 15
14		637-64296		1	O-RING 29,6 ID x 2,9
16		700-105		1	CONNECTOR, HYD. 1-7/16 fc sl x 33 Or, Inc. 17, 18
17		637-64296		1	O-RING 29,6 ID x 2,9
19		327444A2		1	HOSE ASSY. 1811 mm (71-5/16 in), Supply
19		437255A1S		1	HOSE ASSY. 1811 mm (71-5/16 in), Supply, Arctic QUADTRAC Tractor Application
20		307167A1		1	HOSE 2565 mm (101 in), Outlet
20		437254A1S		1	HOSE ASSY. 2665 mm (101 in), Outlet, Arctic QUADTRAC Tractor Application
21		700-105		2	CONNECTOR, HYD. 1-7/16 fc sl x 33 Or, Inc. 31, 32
22		637-64296		1	O-RING 29,6 ID x 2,9
24		324089A1		2	PLATE ASSY.
25		829-1410		2	NUT M10; 10
26		895-11010		2	WASHER 11 x 20 x 2 mm
27		515-24349		6	CLAMP 1-3/8 ID
28		829-1408		3	NUT M8; 10
29		895-11008		3	WASHER 9 x 17 x 1,6 mm
30		L116247		1	GAUGE Inc. Hardware
31		S14701960		1	BALL
32		370551A1		1	TUBE ASSY.
33		514-721		2	SCREW M10 x 30
		186135A1		1	KIT Transmission Heater, Inc. 32 - 34

**STX375 STX425**



TRANSMISSION - LUBRICATION, WITH MANUAL SHIFT TRANSMISSION

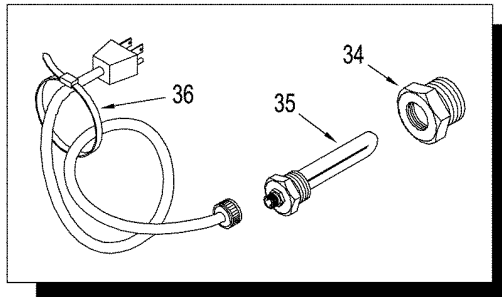
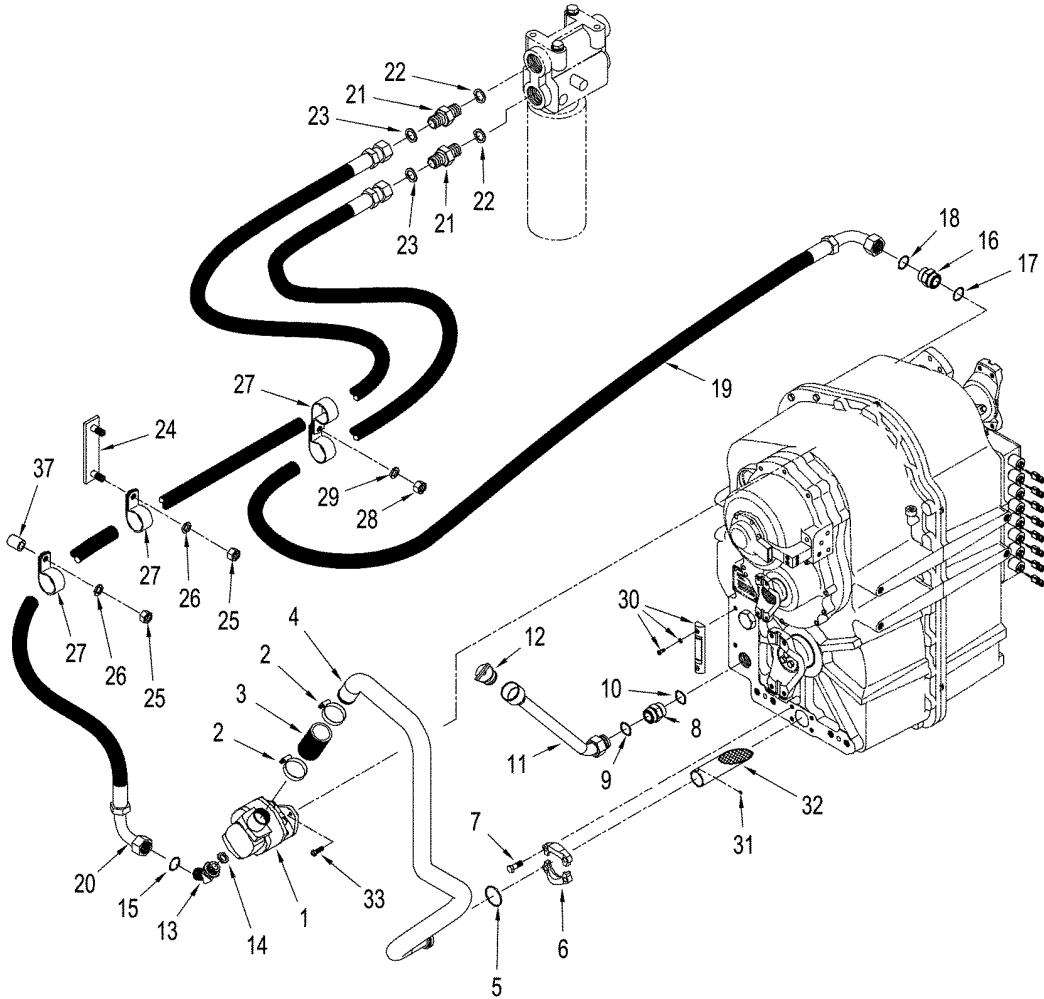


## TRANSMISSION - LUBRICATION, WITH MANUAL SHIFT TRANSMISSION

REF	FN	PART NUMBER	YR/SN	QTY	DESCRIPTION
34		367930A1		1	ADAPTER
35		385486A1		1	HEATER ASSY. With Cord
36		22-824		5	STRAP 7 in
37		427516A1		1	SNAP RING
38		427523A1		1	ADAPTER
39		800-2150		1	RING, SNAP
40		427521A1		1	COUPLING
41		419491A3		1	HOSE
42		895-11010		4	WASHER 11 x 20 x 2 mm
43		832-10410		2	NUT M10; 8
45		214-1420		1	CLAMP No. 20
46		214-1428		1	CLAMP
47		429193A1		1	TUBE ASSY.
44		827-10045		2	BOLT M10 x 45; 10.9
15		238-6021		1	O-RING 15/16 ID x 1/16
18		238-6021		1	O-RING 15/16 ID x 1/16
23		238-6021		1	O-RING 15/16 ID x 1/16

STX375 STX425

TRANSMISSION - LUBRICATION, WITH POWER SHIFT TRANSMISSION, BSN JEE0104001

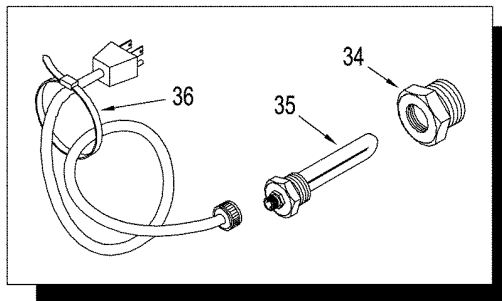
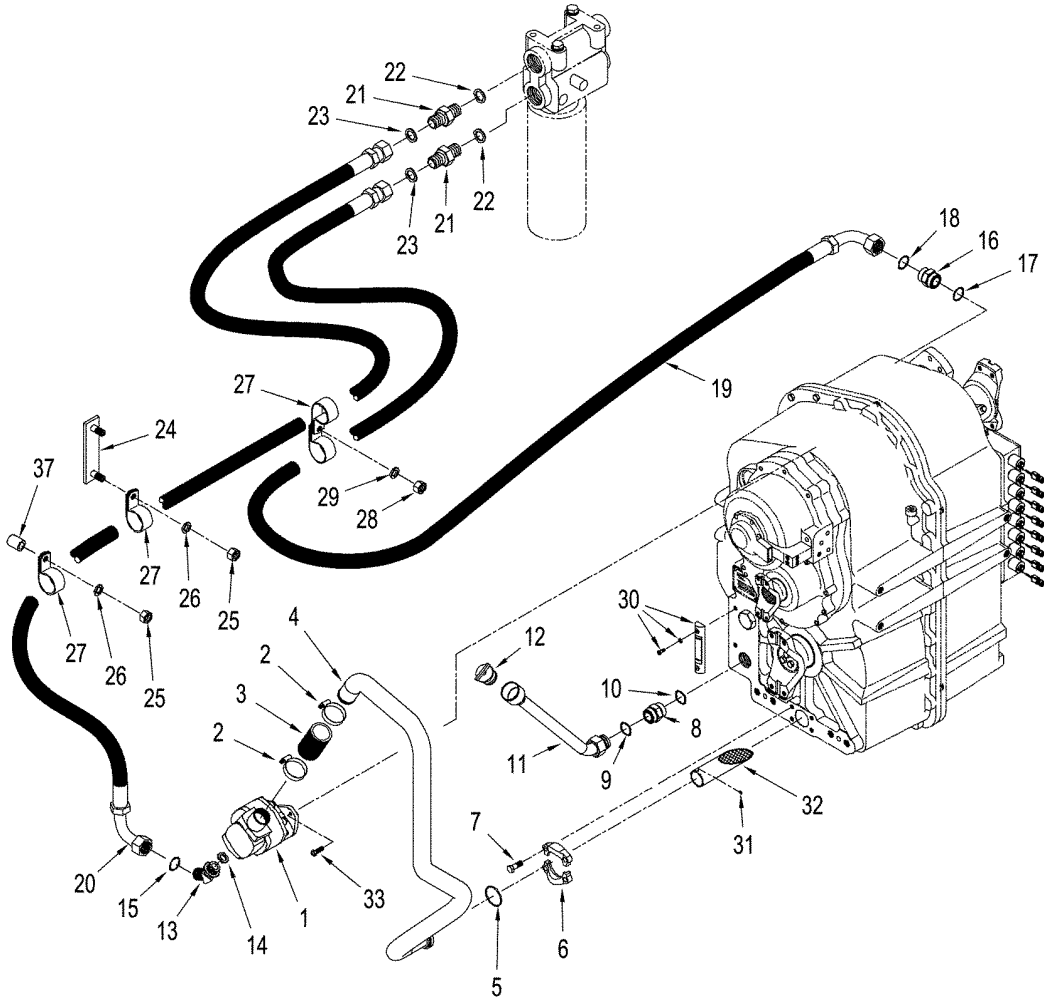


## TRANSMISSION - LUBRICATION, WITH POWER SHIFT TRANSMISSION, BSN JEE0104001

REF	FN	PART NUMBER	YR/SN	QTY	DESCRIPTION
1		370546A1		1	PUMP Oil
2		214-3140		2	CLAMP
3		1-4568		1	HOSE 102 mm (4 in)
4		408581A1		1	TUBE
5		238-6228		1	O-RING 2-1/4 ID x 1/8
6		A14141		2	FLANGE
7		627-12035		4	BOLT M12 x 35; 10.9
8		700-133		1	CONNECTOR, HYD. Inc. 9, 10
9		238-6025		1	O-RING 1-3/16 ID x 1/16
10		637-64296		1	O-RING 29,6 ID x 2,9
11		403390A1		1	TUBE Transmission Fill
12		325737A1		1	CAP Transmission Fill Tube
13		700-308		1	ELBOW 1-7/16 fc sl x 33 Or, Inc. 24, 25
14		637-64296		1	O-RING 29,6 ID x 2,9
16		700-105		1	CONNECTOR, HYD. 1-7/16 fc sl x 33 Or, Inc. 17, 18
17		637-64296		1	O-RING 29,6 ID x 2,9
19		327444A2		1	HOSE ASSY. Supply
20		307167A1		1	HOSE 2565 mm (101 in), Outlet
21		700-105		2	CONNECTOR, HYD. 1-7/16 fc sl x 33 Or, Inc. 31, 32
23		637-64296		1	O-RING 29,6 ID x 2,9
24		324089A1		2	PLATE ASSY.
25		829-1410		2	NUT M10; 10
26		895-11010		2	WASHER 11 x 20 x 2 mm
27		515-24349	BSN JEE0102001	6	CLAMP 1-3/8 ID
27		515-24317	ASN JEE0102001	8	CLAMP 1-3/8 ID
28		829-1408		3	NUT M8; 10
29		895-11008		3	WASHER 9 x 17 x 1,6 mm
30		L116247		1	GAUGE Inc. Hardware
31		S14701960		1	BALL
32		370551A1		1	TUBE ASSY.
33		514-721		2	SCREW M10 x 30
		186135A1		1	KIT Transmission Heater, Inc. 34 - 35
34		367930A1		1	ADAPTER
35		385486A1		1	HEATER ASSY. 300 W, With Cord Set
36		22-824		5	STRAP 7 in

**STX375 STX450**  
**STX425**

TRANSMISSION - LUBRICATION, WITH POWER SHIFT TRANSMISSION, BSN JEE0104001

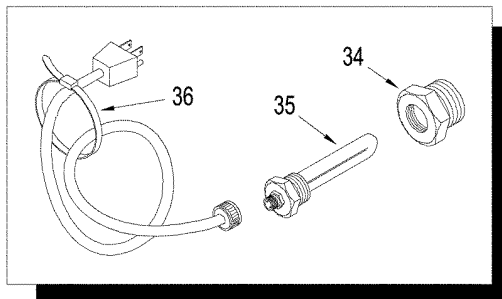
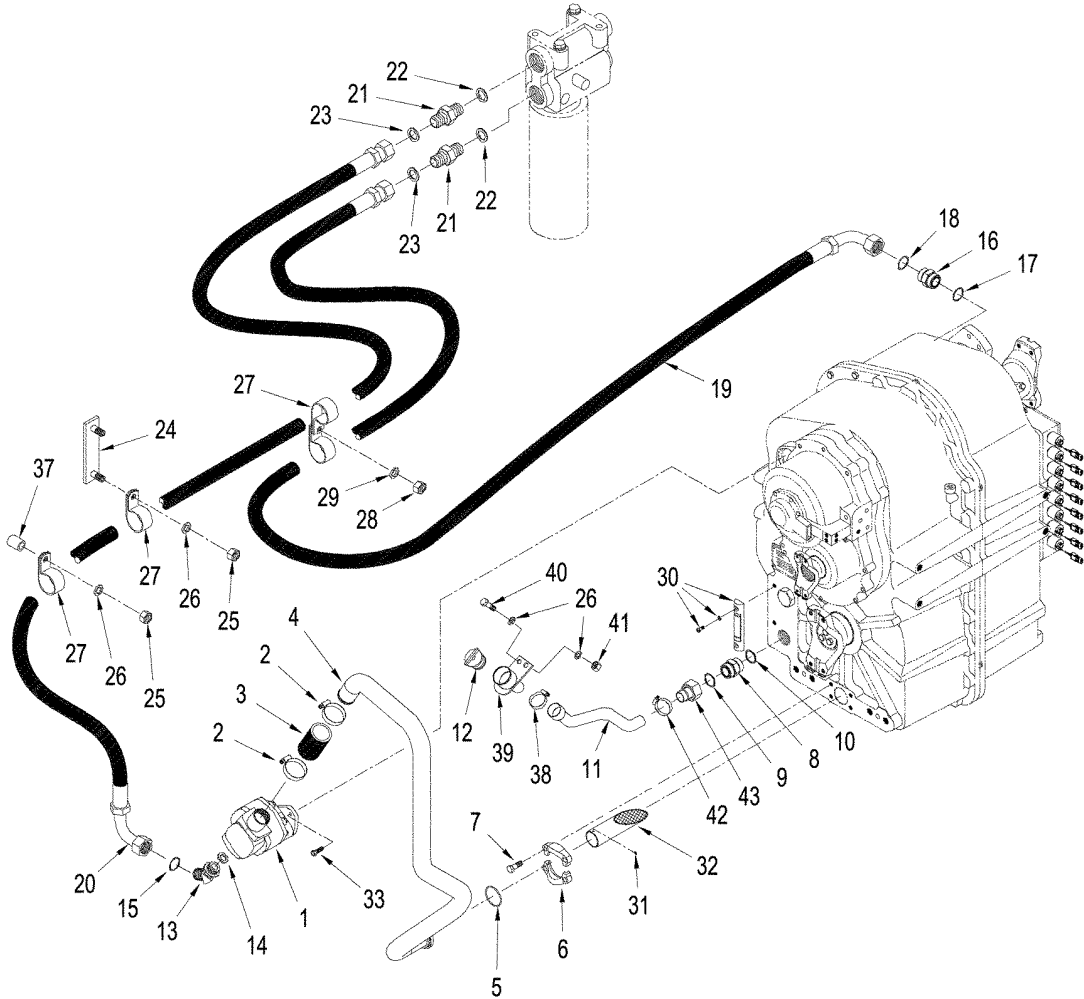


**TRANSMISSION - LUBRICATION, WITH POWER SHIFT TRANSMISSION, BSN JEE0104001**

REF	FN	PART NUMBER	YR/SN	QTY	DESCRIPTION
37		432444A1		1	SPACER
15		238-6021		1	O-RING 15/16 ID x 1/16
18		238-6021		1	O-RING 15/16 ID x 1/16
22		238-6021		1	O-RING 15/16 ID x 1/16

	<p><b>STX375 STX450</b> <b>STX425</b></p>
--	---

TRANSMISSION - LUBRICATION, WITH POWER SHIFT TRANSMISSION, ASN JEE0104001



## TRANSMISSION - LUBRICATION, WITH POWER SHIFT TRANSMISSION, ASN JEE0104001

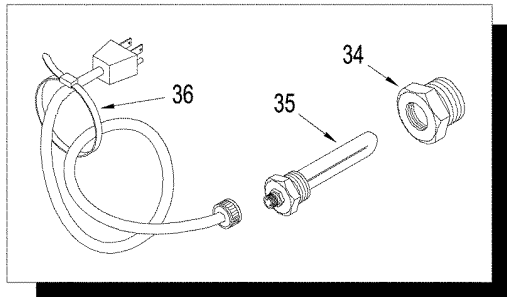
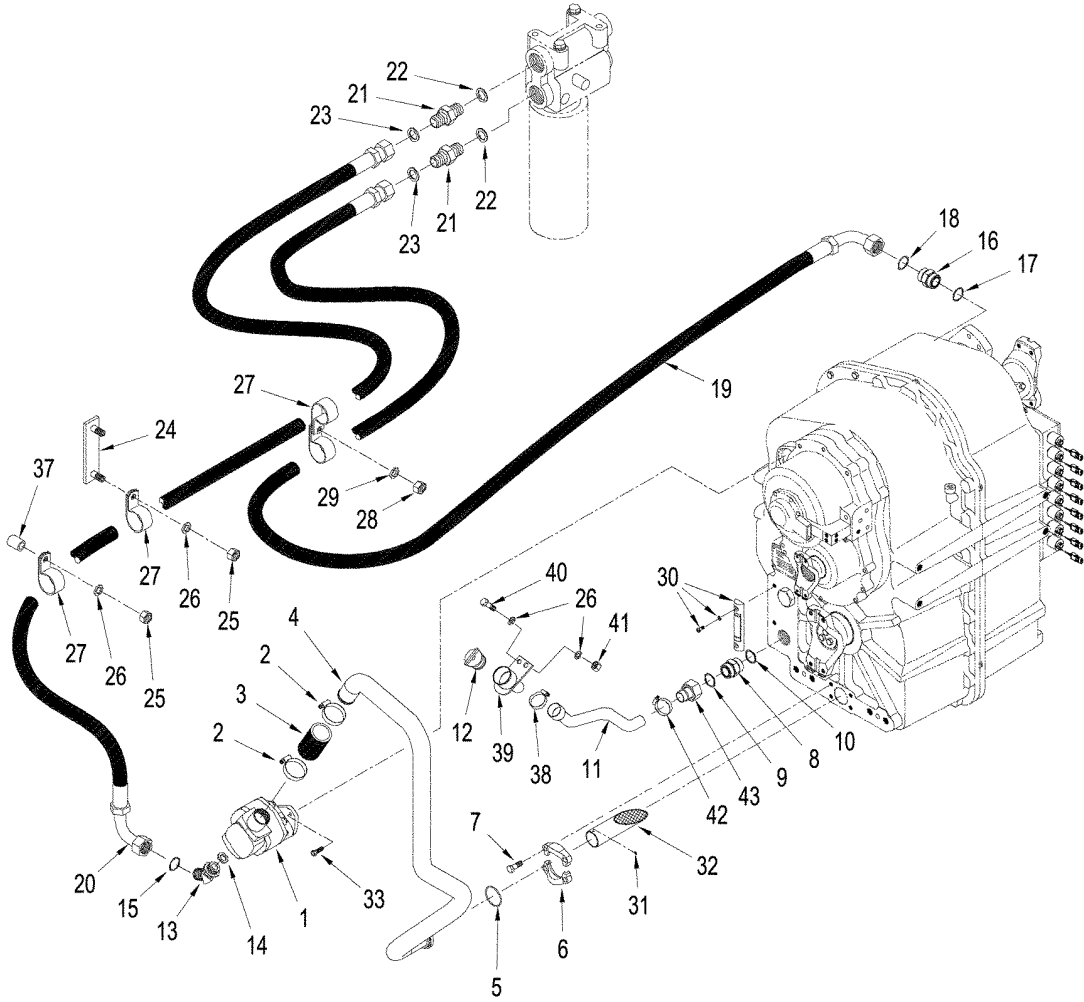
REF	FN	PART NUMBER	YR/SN	QTY	DESCRIPTION
1		370546A1		1	PUMP Oil
2		214-3140		2	CLAMP
3		31-2427		1	HOSE 102 mm (4 in)
4		408581A1		1	TUBE
5		238-6228		1	O-RING 2-1/4 ID x 1/8
6		A14141		2	FLANGE
7		627-12035		4	BOLT M12 x 35; 10.9
8		700-133		1	CONNECTOR, HYD. Inc. 9, 10
9		238-6025		1	O-RING 1-3/16 ID x 1/16
10		637-64296		1	O-RING 29,6 ID x 2,9
11		419491A3		1	HOSE Transmission Fill
12		325737A1		1	CAP
13		700-308		1	ELBOW 1-7/16 fc sl x 33 Or, Inc. 24, 25
14		637-64296		1	O-RING 29,6 ID x 2,9
16		700-105		1	CONNECTOR, HYD. 1-7/16 fc sl x 33 Or, Inc. 17, 18
17		637-64296		1	O-RING 29,6 ID x 2,9
19		327444A2		1	HOSE ASSY. Supply, 1811 mm (71-5/16 in)
19	1	437255A1S		1	HOSE ASSY. Supply, 1811 mm (71-5/16 in)
20		307167A1		1	HOSE 2565 mm (101 in), Outlet
20	1	437254A1S		1	HOSE ASSY. 2565 mm (101 in)
21		700-105		2	CONNECTOR, HYD. 1-7/16 fc sl x 33 Or, Inc. 22, 23
23		637-64296		1	O-RING 29,6 ID x 2,9
24		324089A1		2	PLATE ASSY.
25		829-1410		2	NUT M10; 10
26		895-11010		4	WASHER 11 x 20 x 2 mm
27		515-24317	ASN JEE0102001	8	CLAMP 1-3/8 ID
28		829-1408		3	NUT M8; 10
29		895-11008		3	WASHER 9 x 17 x 1,6 mm
30		L116247		1	GAUGE Inc. Hardware
31		S14701960		1	BALL
32		370551A1		1	TUBE ASSY.
33		514-721		2	SCREW M10 x 30
		186135A1		1	KIT Transmission Heater, Inc. 34 - 35
34		367930A1		1	ADAPTER

(1) Arctic QUADTRAC Tractor Application

**STX375 STX450**  
**STX425 STX500**



TRANSMISSION - LUBRICATION, WITH POWER SHIFT TRANSMISSION, ASN JEE0104001

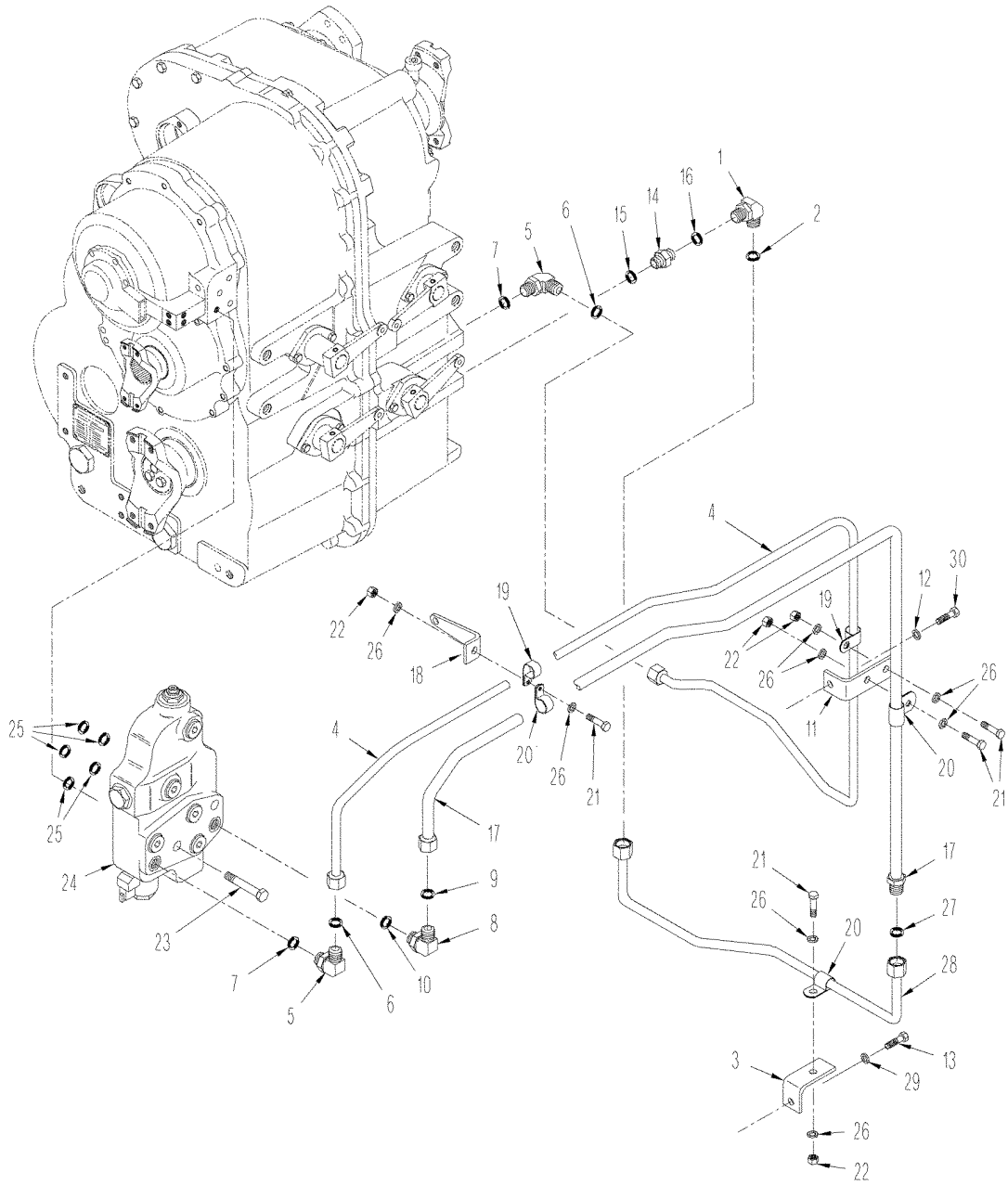


**TRANSMISSION - LUBRICATION, WITH POWER SHIFT TRANSMISSION, ASN JEE0104001**

REF	FN	PART NUMBER	YR/SN	QTY	DESCRIPTION
35		385486A1		1	HEATER ASSY. 300 W, With Cord Set
36		22-824		5	STRAP 7 in
37		432444A1		1	SPACER
38		214-1428		1	CLAMP
39		414480A2		1	TUBE ASSY. Fill
41		832-10410		2	NUT M10, CL8
42		214-1420		1	CLAMP
43		429193A1		1	TUBE ASSY. Fitting, 1-1/4" barb x 1-11/16" fc sl
40		827-10045		2	BOLT Cap, HH, M10 x 45, CL10.9
15		238-6021		1	O-RING 15/16 ID x 1/16
18		238-6021		1	O-RING 15/16 ID x 1/16
22		238-6021		1	O-RING 15/16 ID x 1/16

**STX375 STX450  
STX425 STX500**

POWER TAKEOFF - CLUTCH LUBRICATION, WITH MANUAL SHIFT TRANSMISSION

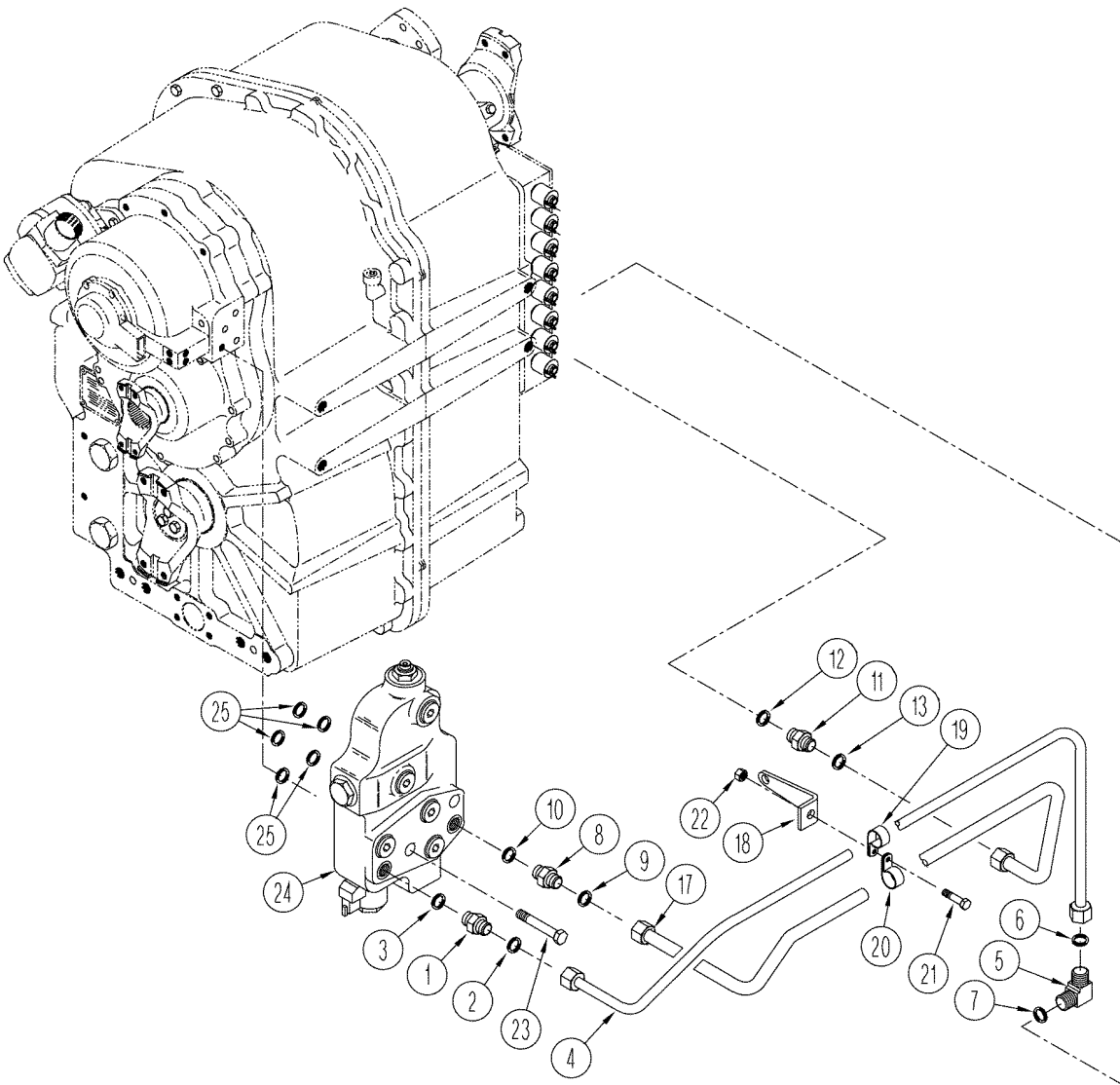


## POWER TAKEOFF - CLUTCH LUBRICATION, WITH MANUAL SHIFT TRANSMISSION

REF	FN	PART NUMBER	YR/SN	QTY	DESCRIPTION
1		701-320		1	ELBOW 13/16 fc sl x swl, Inc. 2
2		238-6014		1	O-RING 1/2 ID x 1/16
3		435901A1		1	BRACKET
4		435596A1		1	TUBE ASSY.
5		700-304		2	ELBOW M14 Or x 10 fc sl, Inc. 6, 7
6		238-6012		1	O-RING 3/8 ID x 1/16
7		637-63113		1	O-RING 11,3 ID x 2,2
8		700-305		1	ELBOW M18 Or x 12 fc sl, Inc. 9, 10
9		238-6014		1	O-RING 1/2 ID x 1/16
10		637-63153		1	O-RING 15,3 ID x 2,2
11		401365A2		1	BRACKET
12		896-11012		1	WASHER 13,5 x 24 x 3 mm
13		627-16035		2	BOLT Hex, M16 x 35, 10.9
14		700-102		1	CONNECTOR, HYD. 13/16 fc sl x 18 Or, Inc. 15,16
15		637-64236		1	O-RING 23,6 ID x 2,9
16		238-6014		1	O-RING 1/2 ID x 1/16
17		435598A1		1	TUBE ASSY.
18		401398A1		1	BRACKET
19		515-2295		2	CLAMP
20		515-22127		3	CLAMP 1/2 ID
22		829-1408		4	NUT M8; 10
23		827-10070		2	BOLT
24		413944A1		1	VALVE Power Takeoff, See Figure 06-52
25		238-5112		5	O-RING 1/2 ID x 3/32
26		895-11008		8	WASHER 9 x 17 x 1,6 mm
27		238-6014		1	O-RING 1/2 ID x 1/16
28		435902A1		1	TUBE ASSY.
29		895-11016		1	WASHER 17,5 x 30 x 3,0 mm
30		627-12030		1	BOLT M12 x 30; 10.9
21		627-8030		4	SCREW M8 x 30; 10.9

STX375 STX425

POWER TAKEOFF - CLUTCH LUBRICATION, WITH POWER SHIFT TRANSMISSION

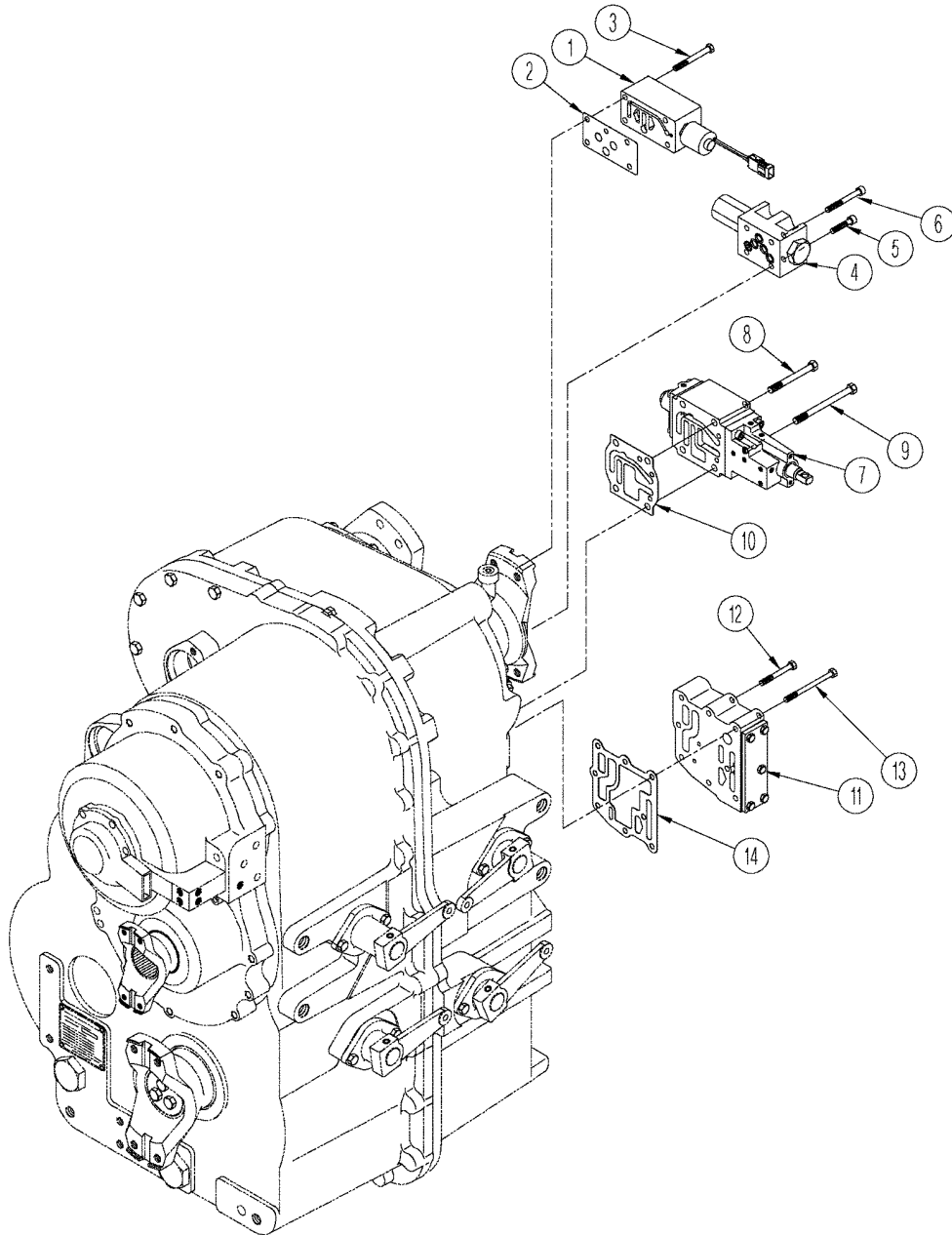


## POWER TAKEOFF - CLUTCH LUBRICATION, WITH POWER SHIFT TRANSMISSION

REF	FN	PART NUMBER	YR/SN	QTY	DESCRIPTION
1		700-101		1	CONNECTOR, HYD. 11/16 fc sl x 14 Or, Inc. 2, 3
2		238-6012		1	O-RING 3/8 ID x 1/16
3		637-63113		1	O-RING 11,3 ID x 2,2
4		414552A1		1	TUBE ASSY.
5		700-304		1	ELBOW 11/16 fc sl x 14 Or, Inc. 6, 7
6		238-6012		1	O-RING 3/8 ID x 1/16
7		637-63113		1	O-RING 11,3 ID x 2,2
8		700-102		1	CONNECTOR, HYD. 13/16 fc sl x 18 Or, Inc. 9, 10
9		238-6014		1	O-RING 1/2 ID x 1/16
10		637-63153		1	O-RING 15,3 ID x 2,2
11		700-102		1	CONNECTOR, HYD. 13/16 fc sl x 18 Or, Inc. 12, 13
12		637-64236		1	O-RING 23,6 ID x 2,9
13		238-6014		1	O-RING 1/2 ID x 1/16
17		414550A1		1	TUBE ASSY.
18		414553A1		1	BRACKET
19		515-2295		1	CLAMP
20		515-22127		1	CLAMP 1/2 ID
21		614-8020		1	BOLT M8 x 20; 8,8
22		829-1408		1	NUT M8; 10
23		828-10070		2	BOLT M10 x 70; 10,9
24		413944A1		1	VALVE Power Takeoff, See Figure 06-52
25		238-5112		5	O-RING 1/2 ID x 3/32

**STX375 STX450**  
**STX425 STX500**

MANUAL SHIFT TRANSMISSION - VALVE ASSEMBLY MOUNTING



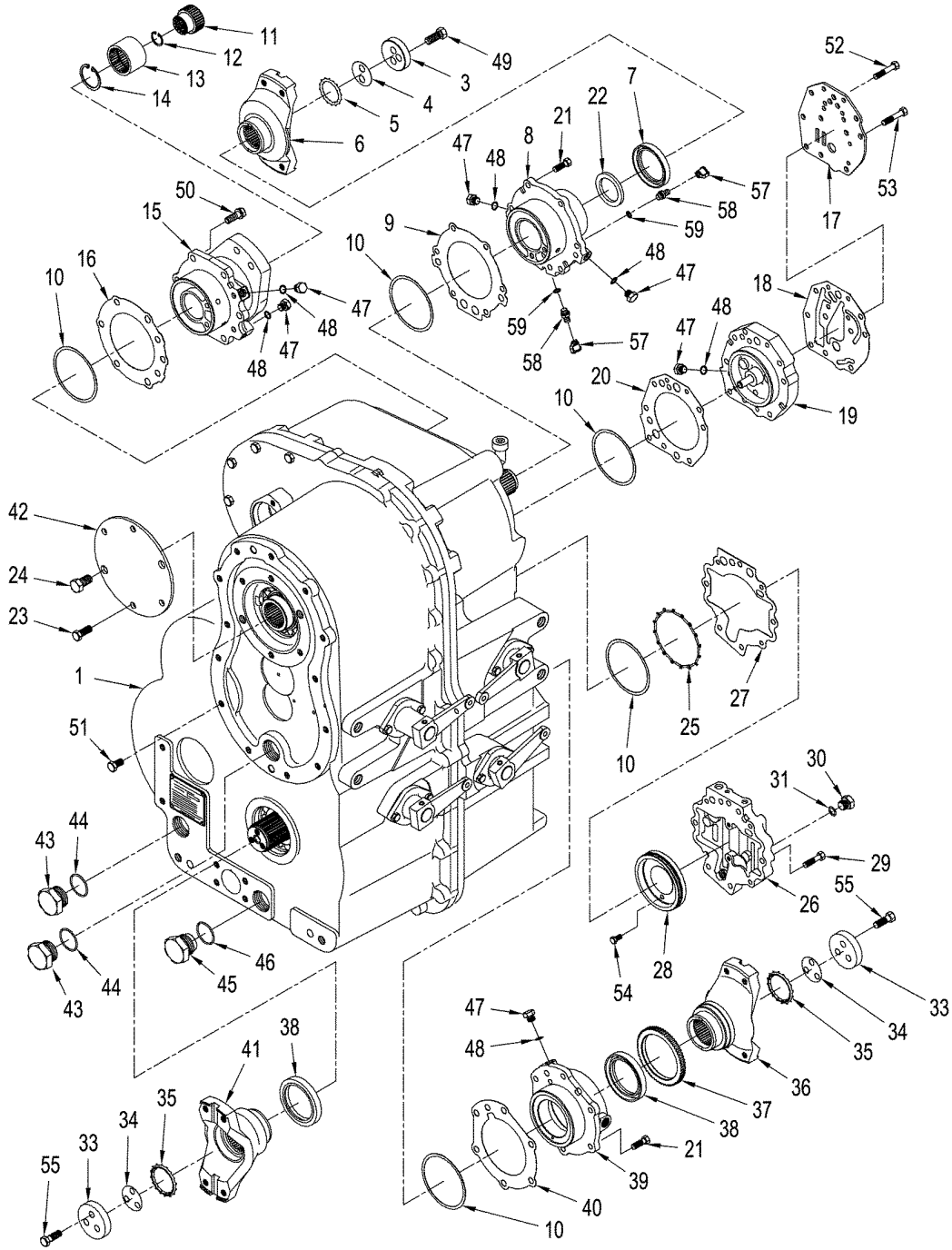
## MANUAL SHIFT TRANSMISSION - VALVE ASSEMBLY MOUNTING

REF	FN	PART NUMBER	YR/SN	QTY	DESCRIPTION
1		428114A1		1	VALVE Hi / Low
2		428123A1		1	GASKET
3		814-8075		4	SCREW
4		428091A1		1	VALVE Lockout, See Figure 06-35
5		427594A1		2	SCREW
6		427593A1		2	SCREW
7		428083A1		1	VALVE Control, See Figure 06-34
8		514-729		2	SCREW
9		514-739		2	SCREW
10		427581A1		1	GASKET
11		428096A1		1	VALVE Regulator, See Figure 06-36
12		614-8065		5	SCREW
13		614-8075		3	SCREW
14		S1150S02F		1	GASKET

**STX375 STX425**



MANUAL SHIFT TRANSMISSION - COVERS AND YOKES



## MANUAL SHIFT TRANSMISSION - COVERS AND YOKES

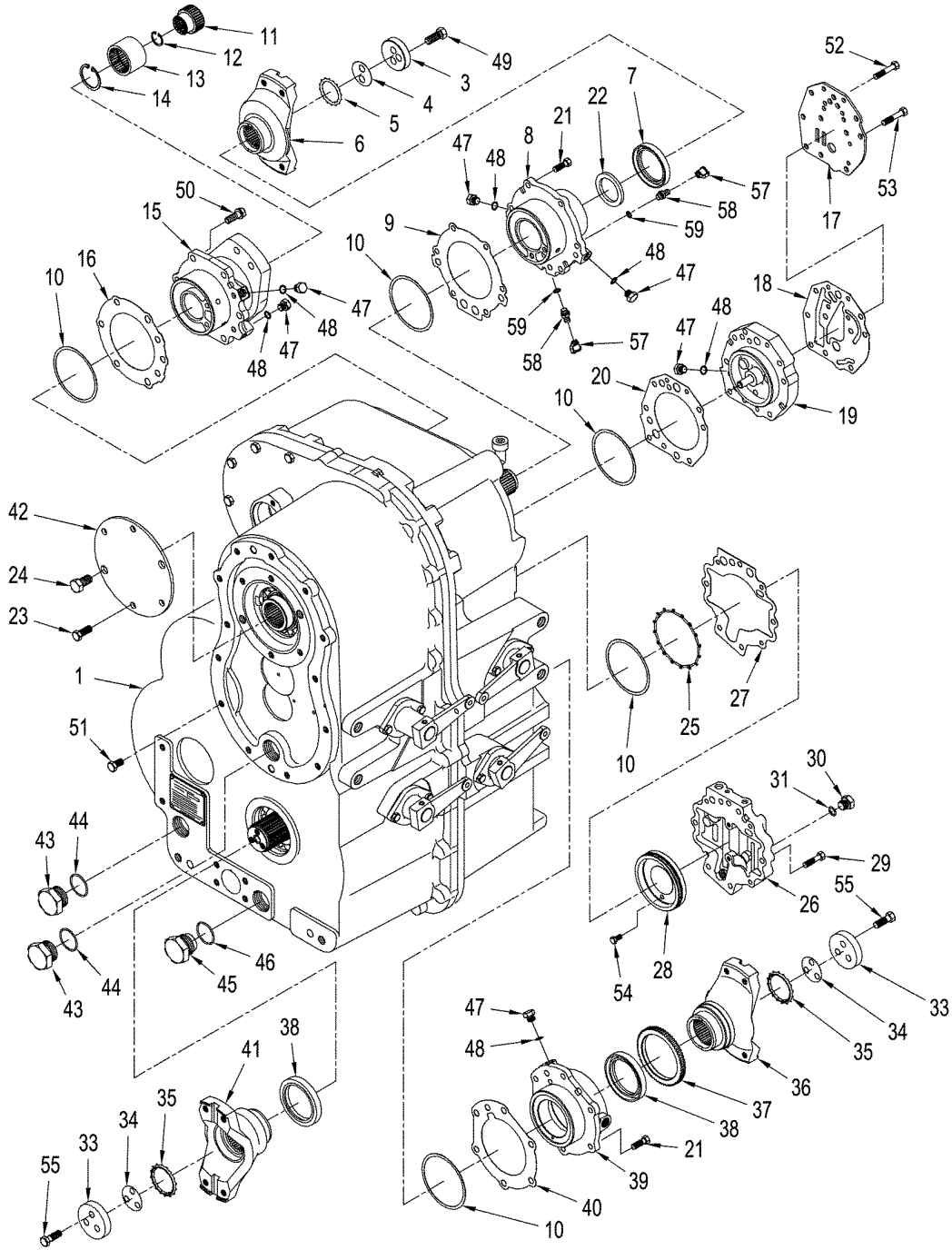
REF	FN	PART NUMBER	YR/SN	QTY	DESCRIPTION
1		427538A1		1	HOUSING Rear
2		427588A1		1	HOUSING Front
3		427539A1		1	PLATE, RETAINING
4		427560A1		AR	SHIM 0,10 mm (0.004 in)
4		427561A1		AR	SHIM 0,30 mm ( 0.012 in)
4		427562A1		AR	SHIM 0,70 mm (0.028 in)
5		428162A1		1	O-RING
6	1	373136A1		1	COUPLING FLANGE 8C, Input
6	2	362563A1		1	COUPLING FLANGE 8,5C, Input
7		428159A1		1	SEAL, OIL
8		428098A1		1	RETAINER Input
9		428099A1		1	GASKET
10		427564A1		AR	SHIM 0,10 mm (0.004 in)
10		427565A1		AR	SHIM 0,15 mm (0.006 in)
10		427566A1		AR	SHIM 0,30 mm (0.012 in)
10		427567A1		AR	SHIM 0,50 mm (0.020 in)
10		427568A1		AR	SHIM 0,70 mm (0.028 in)
11		362566A1		1	ADAPTER Pump
12		800-2128		1	SNAP RING
13		362567A1		1	COUPLING
14		800-2150		1	RING, SNAP
15		428126A1		1	RETAINER Second Shaft
16		428100A1		1	GASKET Second Shaft
17		427592A1		1	PLATE, RETAINING
18		427591A1		1	GASKET
19		427557A1		1	RETAINER Third Shaft
20		427582A1		1	GASKET Third shaft
21		514-721		12	SCREW
22		427569A1		1	WASHER
23		514-834		4	BOLT
24		427559A1		2	SCREW
25		428149A1		1	O-RING
26		427586A1		1	PLATE ASSY. Ditch

(1) With 400 Series Axles

(2) With 500 Series Axles

**STX375 STX425**

MANUAL SHIFT TRANSMISSION - COVERS AND YOKES



## MANUAL SHIFT TRANSMISSION - COVERS AND YOKES

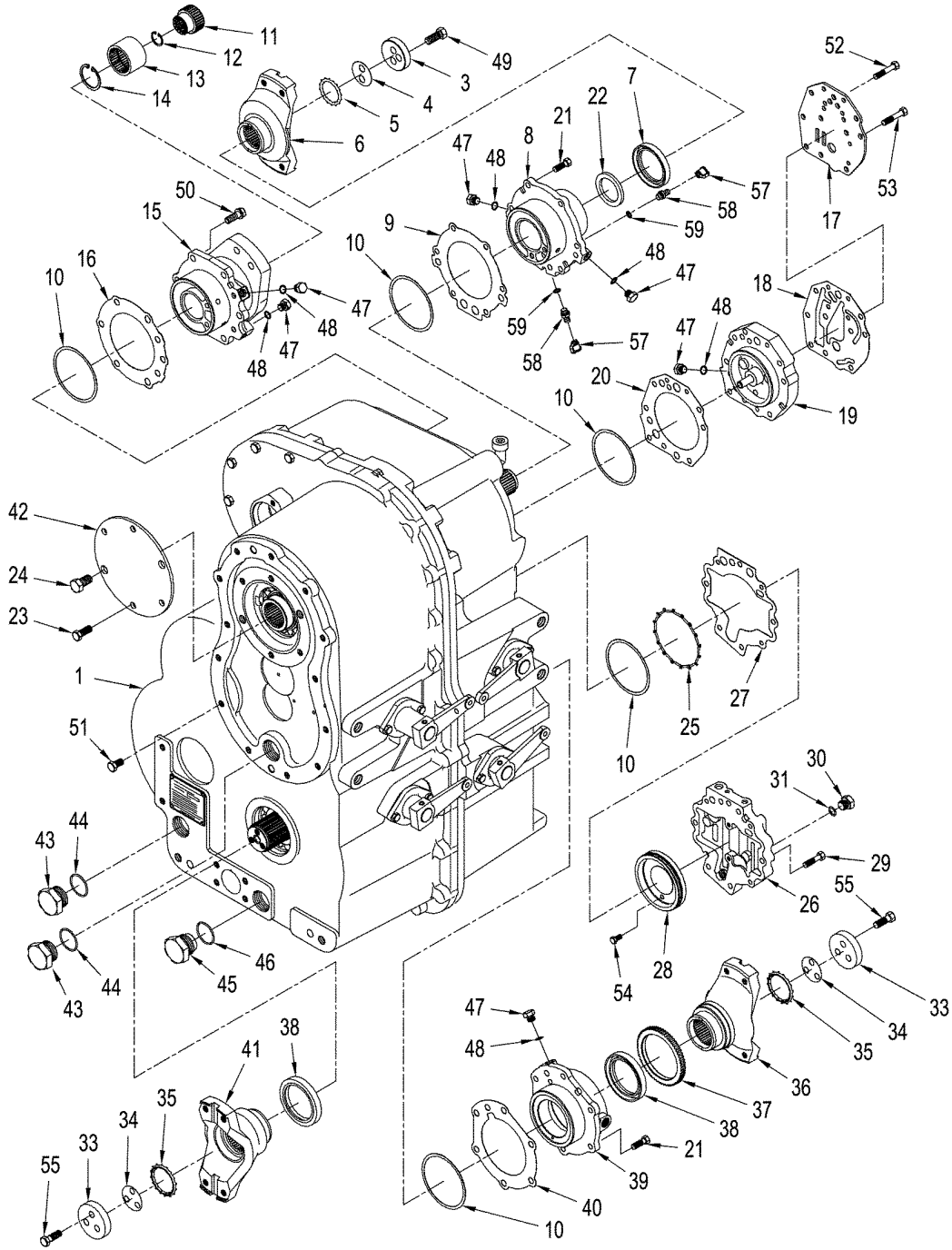
REF	FN	PART NUMBER	YR/SN	QTY	DESCRIPTION
27		427583A1		1	GASKET
28		427556A1		1	RETAINER Fourth Shaft
29		514-718		5	SCREW
30		220066A1		1	PLUG M18, Inc. 31
31		637-63153		1	O-RING 15,3 ID x 2,2
32		800-2116		1	RING, SNAP
33		427515A1		2	PLATE, RETAINING
34		427517A1		AR	SHIM 0,10 mm (0,004 in)
34		427519A1		AR	SHIM 0,30 mm (0,012 in)
35		428165A1		2	O-RING
36	1	427551A1		1	YOKE 8C, Output
36	2	427550A1		1	YOKE 8,5C, Output
37		427549A1		1	RING
38		427514A1		2	SEAL, OIL
39		427563A1		1	RETAINER Output
40		427547A1		1	GASKET
41	1	373138A1		1	COUPLING FLANGE 8C, Output
41	2	362604A1		1	COUPLING FLANGE 8,5C, Output
42		427558A1		1	COVER Power Takeoff
43		303493A1		2	PLUG, DRAIN M42, Inc. 44
44		637-64386		2	O-RING 38,6 ID x 2,9
45		375456A1		1	PLUG, DRAIN M42, Inc. 46
46		637-64386		1	O-RING 38,6ID x 2,9
47		220064A1		3	PLUG M14, Inc. 48
48		637-63113		1	O-RING 11,3 ID x 2,2
49		428181A1		3	BOLT M14 x 35; CL8.8
50		428180A1		6	BOLT M10 x 35
51		514-841		1	BOLT M12 x 20; 8.8
52		514-738		2	SCREW M10 x 45;8.8
53		514-720		4	SCREW M10 x 50; 8.8
54		614-8016		2	BOLT M8 x 16; 8,8
55		514-832		6	BOLT M12 x 35; 8.8
56		514-842		4	BOLT M12 x 25; 8.8

(1) With 400 Series Axles

(2) With 500 Series Axles

**STX375 STX425**

MANUAL SHIFT TRANSMISSION - COVERS AND YOKES

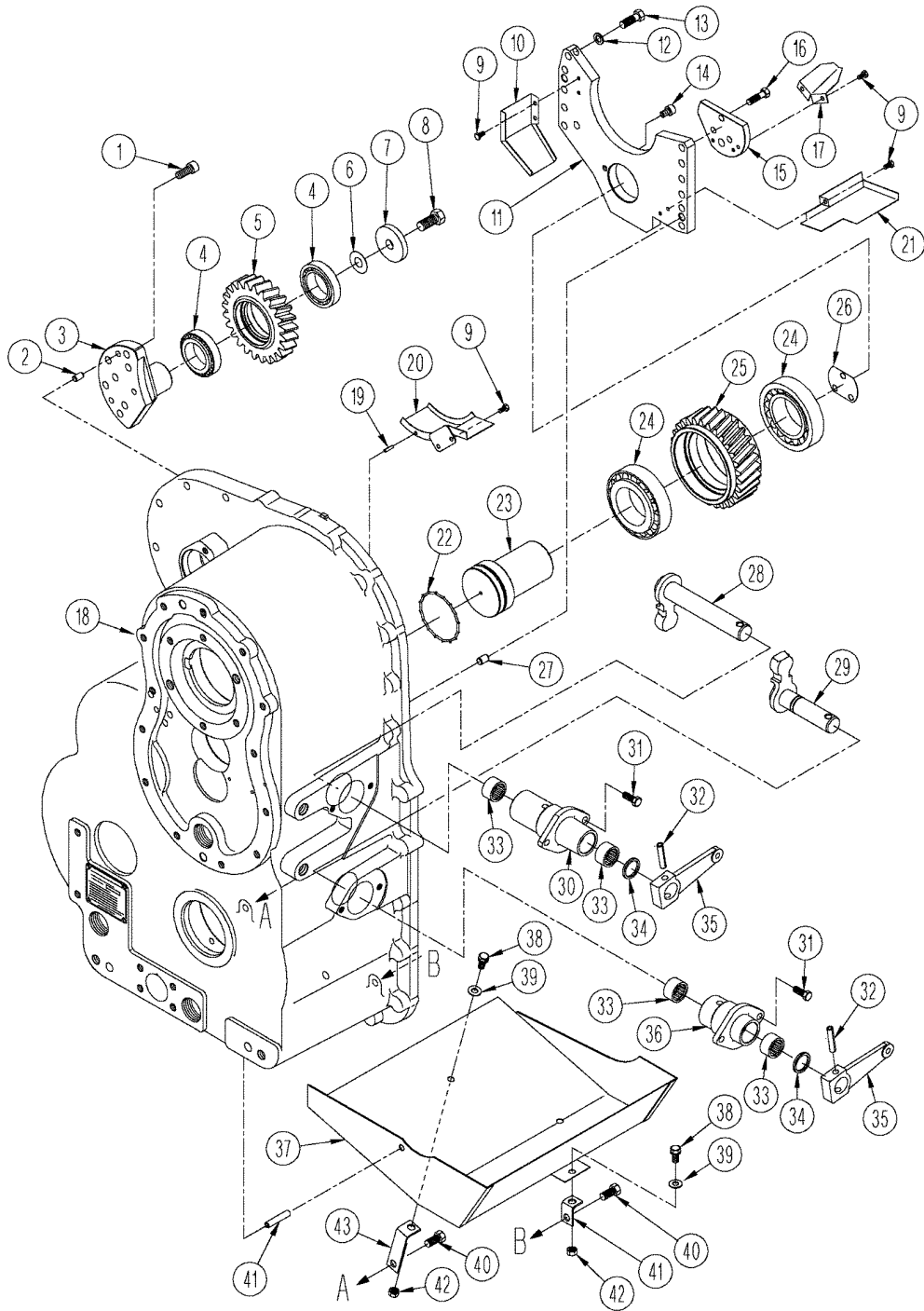


**MANUAL SHIFT TRANSMISSION - COVERS AND YOKES**

<b>REF</b>	<b>FN</b>	<b>PART NUMBER</b>	<b>YR/SN</b>	<b>QTY</b>	<b>DESCRIPTION</b>
		178889A1		2	FITTING Diagnostic, Inc. 57 - 59
57		H434163		1	CAP
58		NSS		1	NOT SERVICED SEPARATELY FITTING
59		637-63113		1	O-RING 11,3 ID x 2,2

**STX375 STX425**

MANUAL SHIFT TRANSMISSION - REAR HOUSING



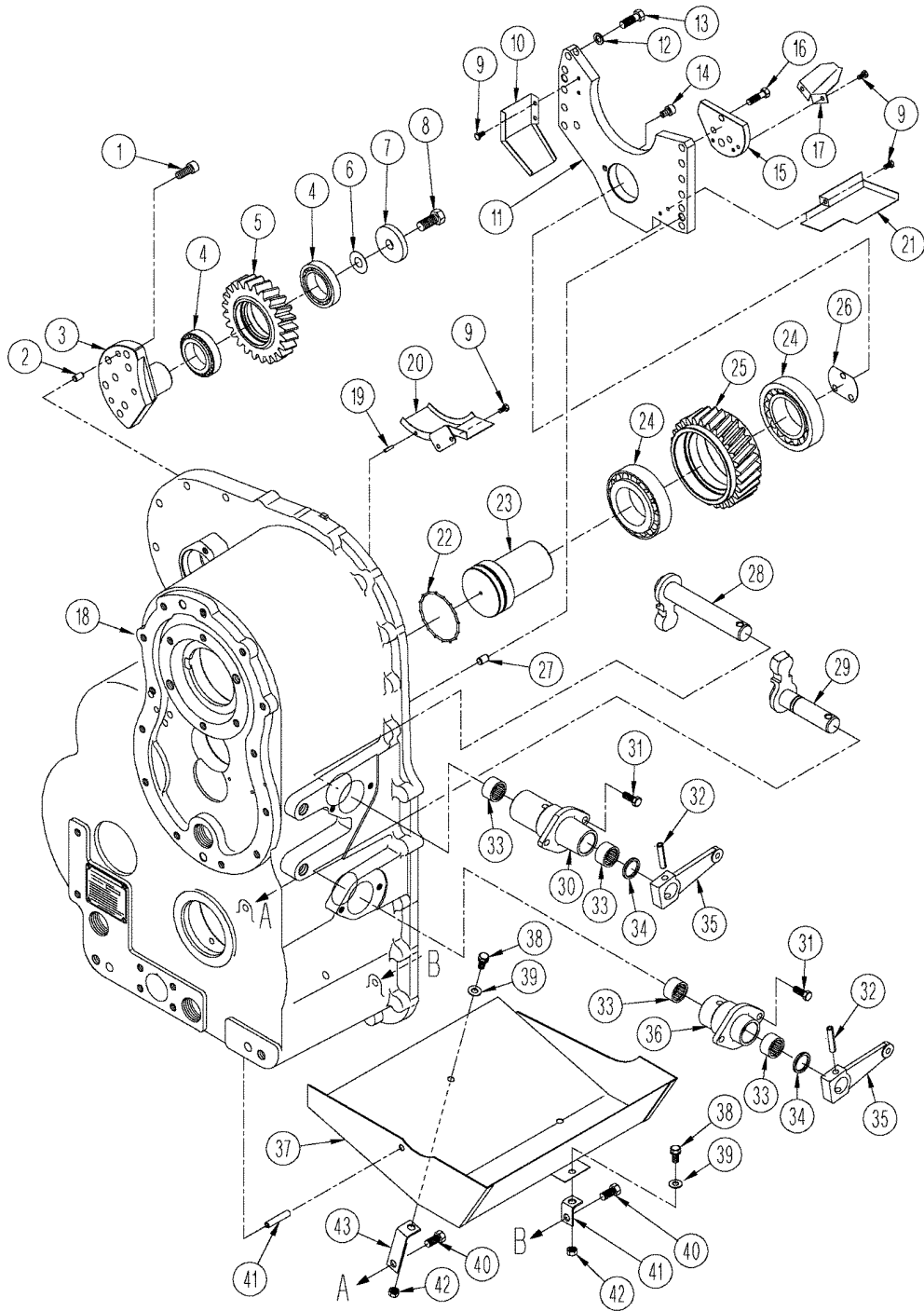
## MANUAL SHIFT TRANSMISSION - REAR HOUSING

REF	FN	PART NUMBER	YR/SN	QTY	DESCRIPTION
1		427666A1		7	SCREW
2		428151A1		2	DOWEL
3		427664A1		1	SHAFT Reverse Idler
4		427662A1		2	BEARING, ROLLER, TAPERED
5		427659A1		1	GEAR, IDLER Reverse
6		S9950S00F		AR	SHIM
6		S9960S00F		AR	SHIM
6		S9970S00F		AR	SHIM
6		S9980S00F		AR	SHIM
7		427661A1		1	WASHER Retaining
8		514-1021		1	BOLT Hex, M16 x 1.5 x 35, 10.9, Full Thd
9		614-6012		7	BOLT M6 x 12; 8,8
10		427578A1		1	TROUGH
11		427616A1		1	PLATE, SUPPORT
12		428172A1		12	WASHER
13		514-832		12	BOLT M12 x 35;8.8
14		427553A1		1	SCREW
15		427554A1		1	WASHER
16		514-730		3	SCREW M10 x 35; 8.8
17		427576A1		1	TROUGH
18		427538A1		1	HOUSING
19		838-5518		1	PIN
20		427579A1		1	TROUGH First Gear
21		427580A1		1	TROUGH Second Gear
22		428157A1		1	O-RING
23		427615A1		1	SHAFT Idler
24		427613A1		2	BEARING, ROLLER, TAPERED
25		427614A1		1	GEAR, IDLER
26		427570A1		AR	SHIM 0,10 mm (0,004 in)
26		427571A1		AR	SHIM 0,15 mm (0,006 in)
26		427572A1		AR	SHIM 0,30 mm (0,012 in)
26		427573A1		AR	SHIM 0,70 mm (0,028 in)
27		428152A1		2	DOWEL
28		428144A1		1	LEVER 1-R Gears
29		428146A1		1	LEVER A-B Range

STX375 STX425



MANUAL SHIFT TRANSMISSION - REAR HOUSING

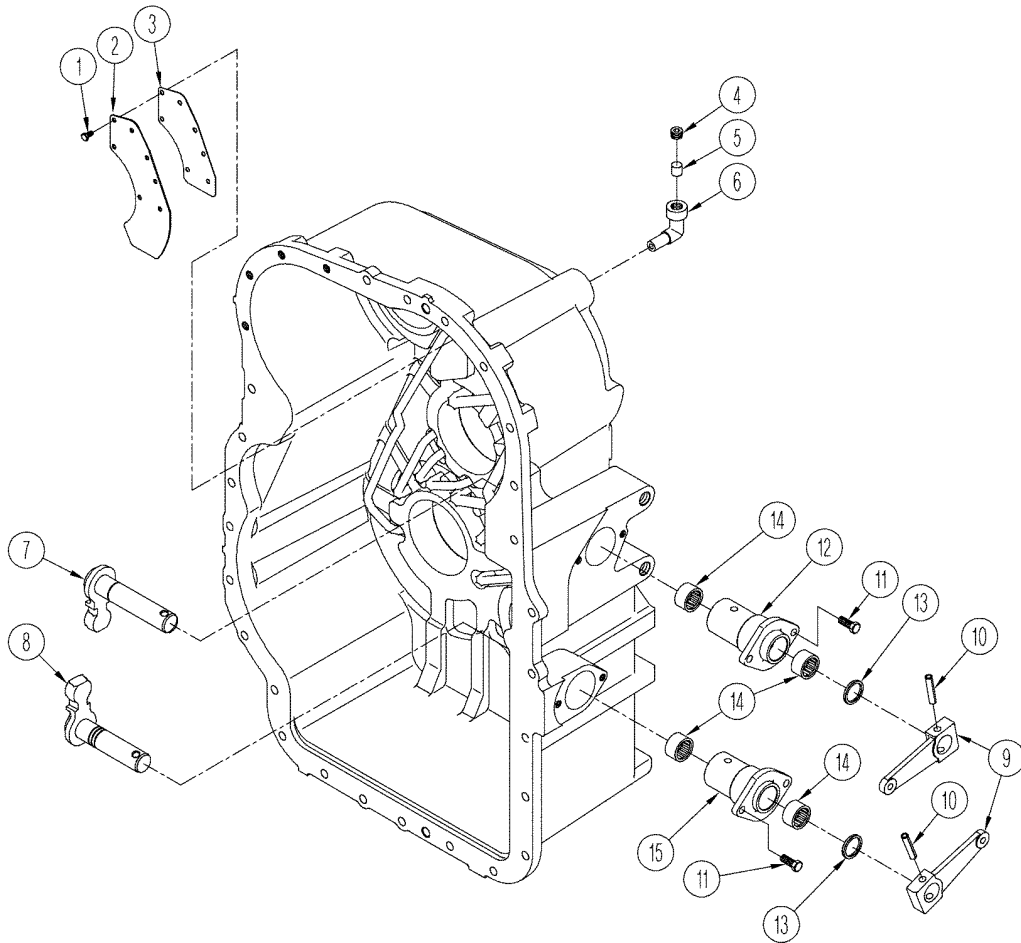


## MANUAL SHIFT TRANSMISSION - REAR HOUSING

REF	FN	PART NUMBER	YR/SN	QTY	DESCRIPTION
30		428140A1		1	SUPPORT Lever, 1-R Gears
31		514-712		4	SCREW M10 x 25; 8.8
32		SM831050		3	PIN
33		428128A1		4	BEARING, NEEDLE
34		428129A1		2	SEAL, OIL
35		428127A1		2	LEVER Range Shifter
36		428142A1		1	SUPPORT Lever, A-B Range
37		427546A1		1	BAFFLE
38		514-703		2	SCREW M10 x 20; 8.8
39		SM8915440		2	WASHER
40		514-842		2	BOLT M12 x 25; 8.8
41		427548A1		1	STRAP Left-Hand
42		SM8911240		2	NUT
43		427545A1		1	STRAP Right-Hand

**STX375 STX425**

MAUAL SHIFT TRANSMISSION - FRONT HOUSING

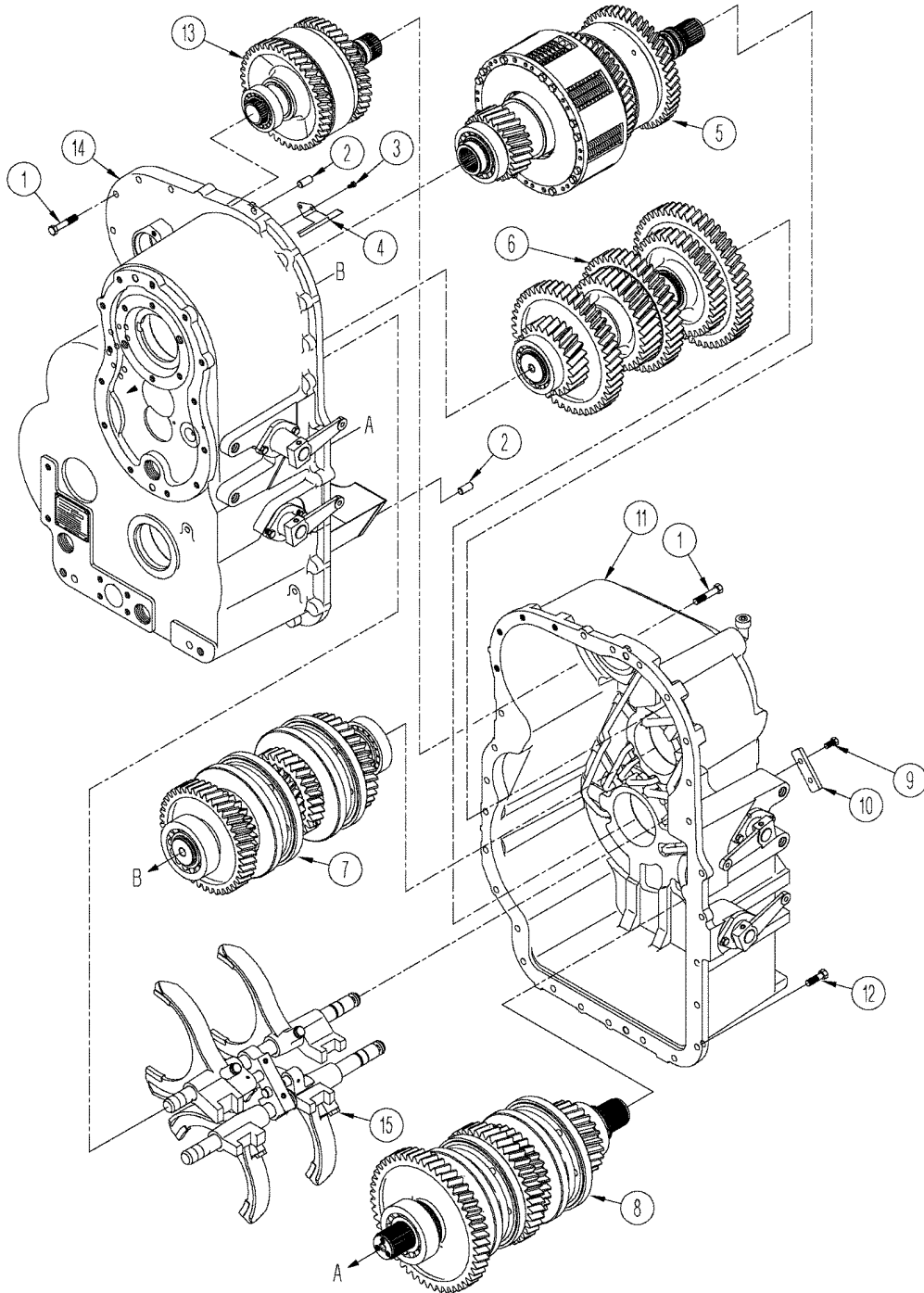


## MAUAL SHIFT TRANSMISSION - FRONT HOUSING

REF	FN	PART NUMBER	YR/SN	QTY	DESCRIPTION
1		614-6012		7	BOLT M6 x 12; 8,8
2		427575A1		1	BAFFLE
3		427574A1		1	GASKET
4		428156A1		1	PLUG
5		427524A1		1	BREATHER
6		370632A1		1	TUBE Breather
7		428145A1		1	LEVER 2-3 Gears
8		428147A1		1	LEVER C-D Range
9		428127A1		2	LEVER Range Shift
10		SM831050		2	PIN
11		514-712		4	SCREW M10 x 25; 8.8
12		428141A1		1	SUPPORT Lever, 2-3 Gears
13		428129A1		2	SEAL, OIL
14		428128A1		1	BEARING, NEEDLE
15		428143A1		1	SUPPORT Lever, C-D Range

**STX375 STX425**

MANUAL SHIFT TRANSMISSION - SHAFT ASSEMBLIES AND SHIFTER FORKS

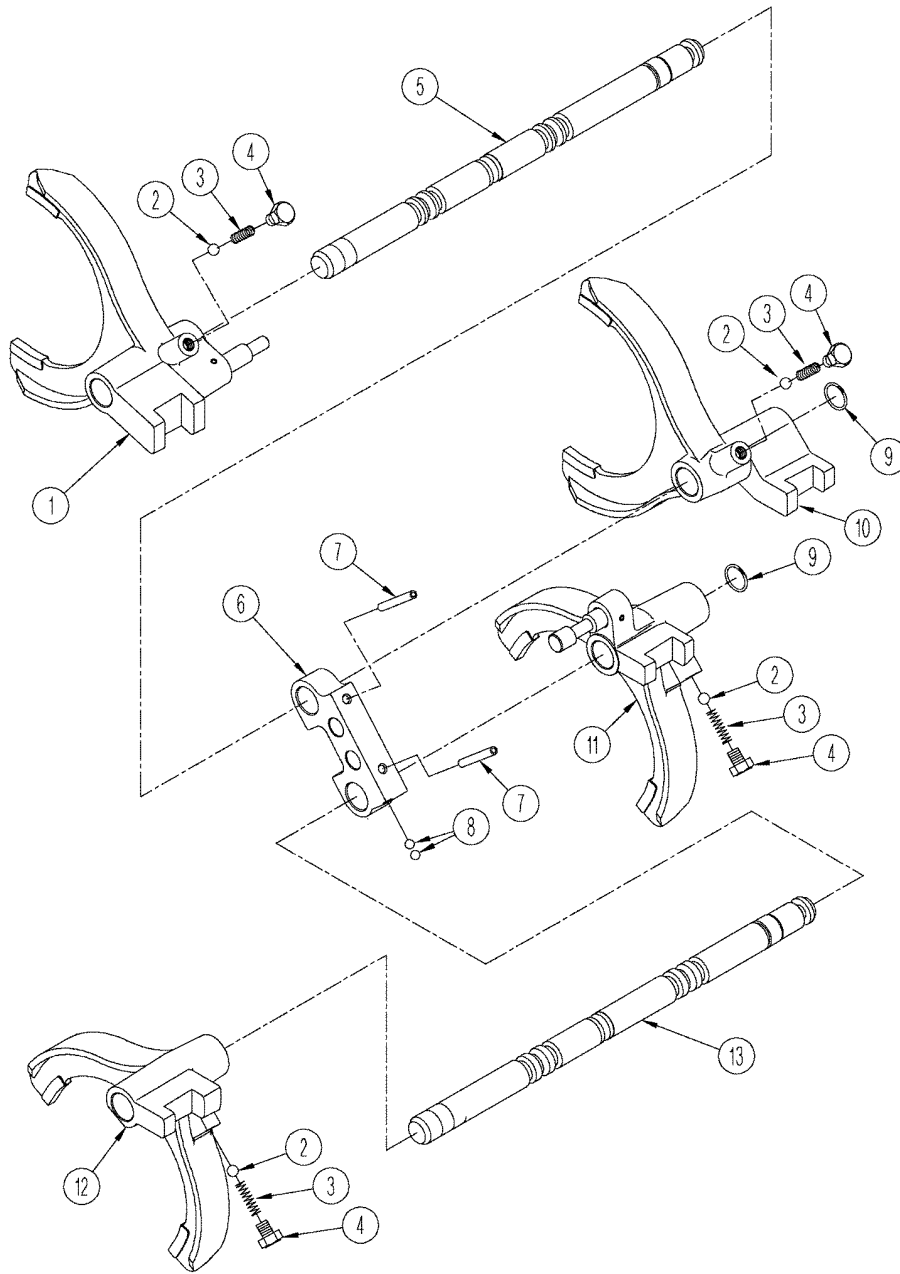


## MANUAL SHIFT TRANSMISSION - SHAFT ASSEMBLIES AND SHIFTER FORKS

REF	FN	PART NUMBER	YR/SN	QTY	DESCRIPTION
1		514-843		13	BOLT M12 x 60; 8.8
2		427530A1		2	DOWEL
3		427577A1		1	TROUGH Reverse Idler
4		614-6012		2	BOLT M6 x 12; 8,8
5		428120A1		1	SHAFT ASSY. Input, See Figure 06-28, 06-29
6		427681A1		1	SHAFT ASSY. Fourth, See Figure 06-32
7		427647A1		1	SHAFT ASSY. Third, See Figure 06-31
8		427690A1		1	SHAFT ASSY. Fifth, See Figure 06-33
9		514-703		2	SCREW
10		428138A1		1	PLATE
11		427588A1		1	HOUSING Front
12		514-830		16	BOLT
13		428121A1		1	SHAFT ASSY. Second, See Figure 06-30
14		427538A1		1	HOUSING Rear
15		428130A1		1	FORK, SHIFTER 1-R Gears, See Figure 06-27
15		428131A1		1	FORK, SHIFTER 2-3 Gears, See Figure 06-27
15		428133A1		1	FORK, SHIFTER C-D Range, See Figure 06-27
15		428132A1		1	FORK, SHIFTER A-B Range, See Figure 06-27

STX375 STX425

MANUAL SHIFT TRANSMISSION - SHIFTER FORKS



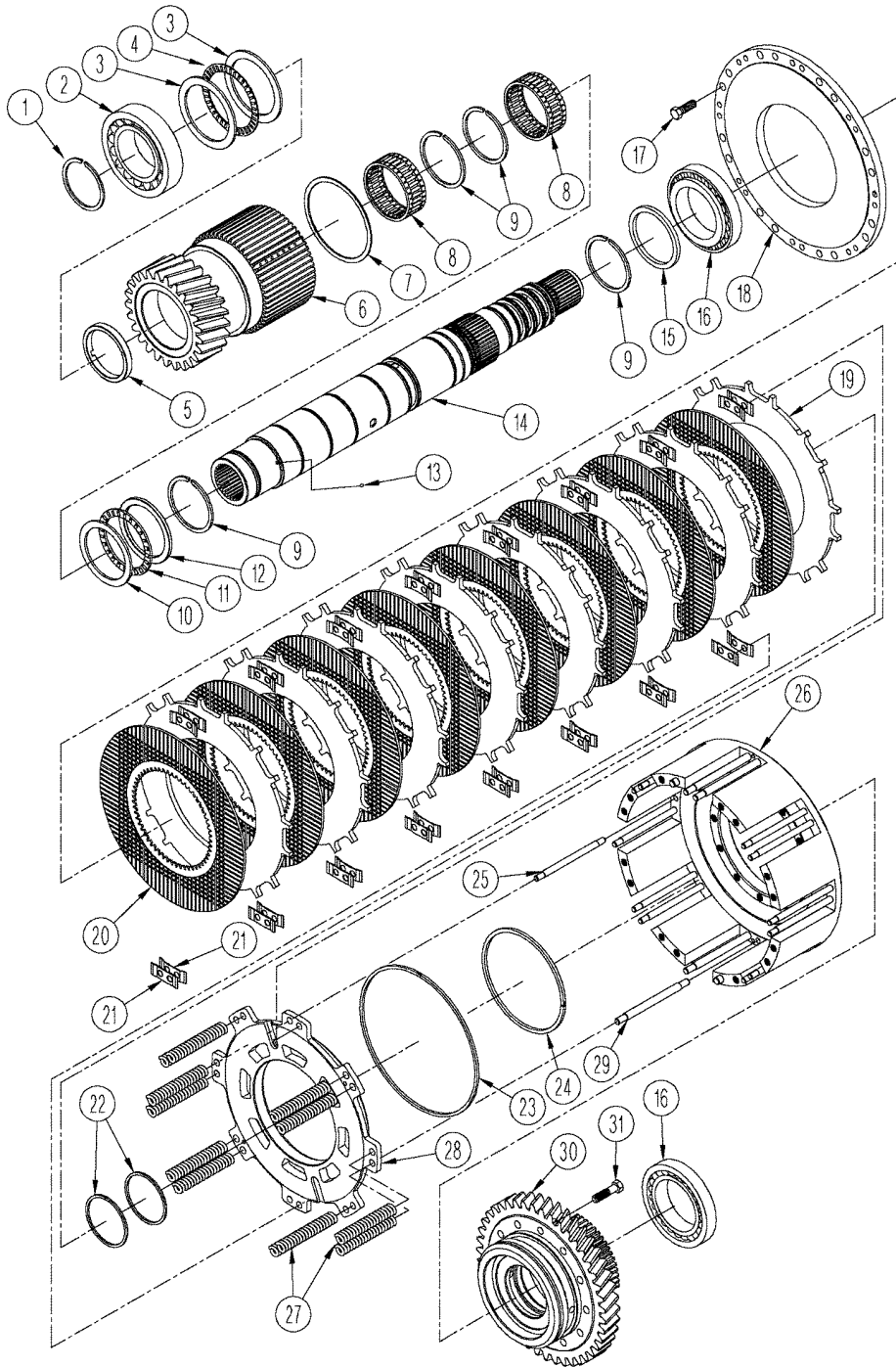
## MANUAL SHIFT TRANSMISSION - SHIFTER FORKS

REF	FN	PART NUMBER	YR/SN	QTY	DESCRIPTION
1		428130A1		1	FORK, SHIFTER 1-R Gears
2		428155A1		4	BALL
3		428139A1		4	SPRING
4		428154A1		4	PLUG
5		428135A1		1	ROD Speed Shaft
6		428134A1		1	PLATE Interlock
7		838-5860		2	PIN
8		428150A1		2	BALL
9		428137A1		2	O-RING
10		428131A1		1	FORK, SHIFTER 2-3 Gears
11		428133A1		1	FORK, SHIFTER C-D Range
12		428132A1		1	FORK, SHIFTER A-B Range
13		428136A1		1	ROD Range Shaft

**STX375 STX425**



MANUAL SHIFT TRANSMISSION - INPUT SHAFT ASSEMBLY

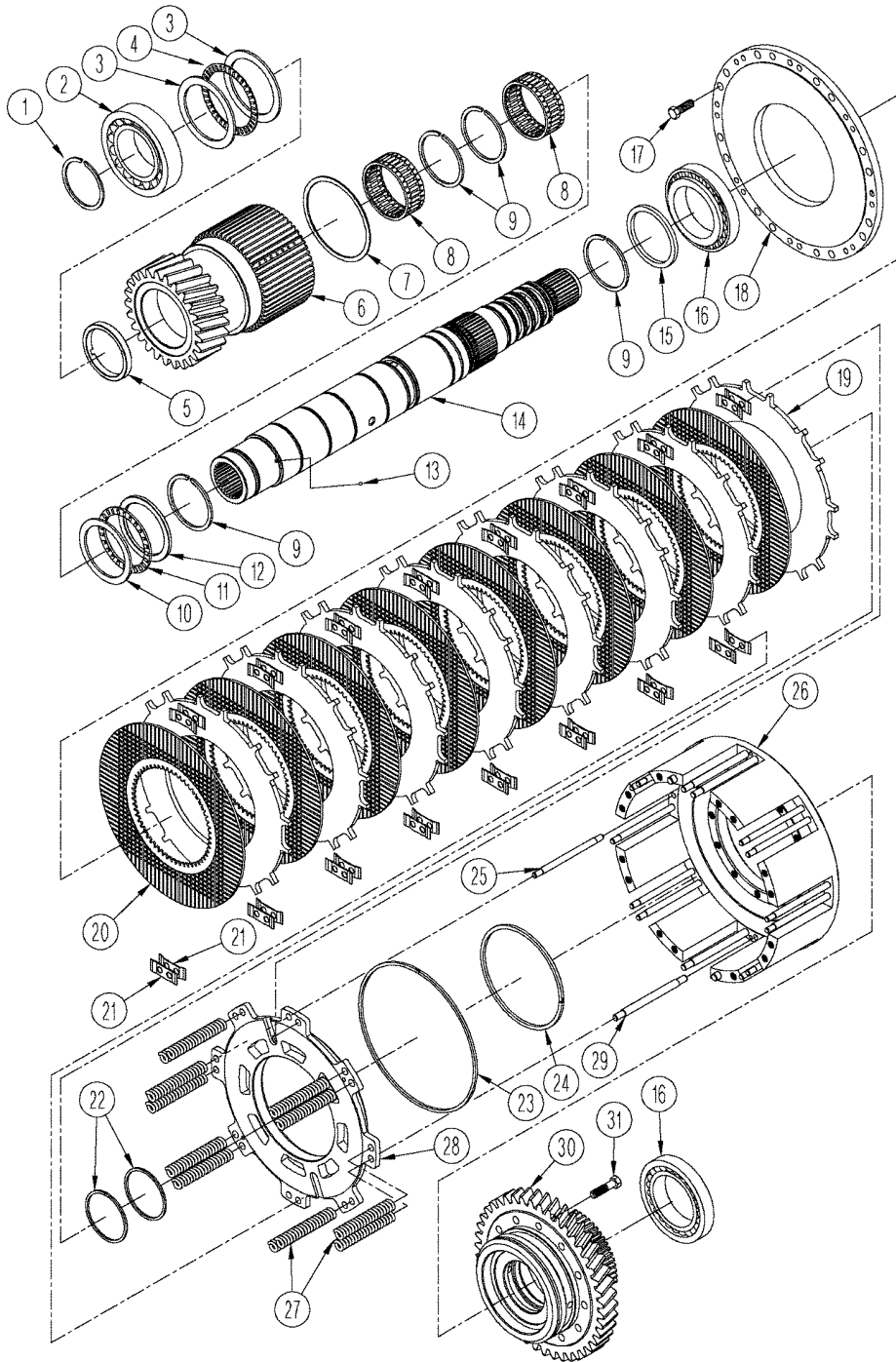


## MANUAL SHIFT TRANSMISSION - INPUT SHAFT ASSEMBLY

REF	FN	PART NUMBER	YR/SN	QTY	DESCRIPTION
		428120A1		1	SHAFT ASSY. Input, Inc. 1 - 31, Also See Figure 06-29
1		427643A1		AR	RING, SNAP 2,4 mm
1		427644A1		AR	RING 2,5 mm
1		427645A1		AR	RING 2,6 mm
1		427646A1		AR	RING 2,7 mm
2		427613A1		1	BEARING, ROLLER, TAPERED
3		427620A1		2	WASHER, THRUST
4		427617A1		1	BEARING, THRUST
5		427619A1		1	COLLAR
6		427610A1		1	GEAR Input
7		427608A1		1	SNAP RING
8		427612A1		2	BEARING, NEEDLE
9		S5040S00F		3	RING
10		S5230S00F		1	WASHER, THRUST
11		A75158		1	BEARING, THRUST
12		427618A1		2	WASHER, THRUST
13		S14701960		1	BALL
14		428101A1		1	SHAFT High / Low Input
15		427621A1		AR	WASHER Thrust, 5,10 mm
15		427622A1		AR	WASHER Thrust, 5,15 mm
15		427623A1		AR	WASHER Thrust, 5,20 mm
15		427624A1		AR	WASHER Thrust, 5,25 mm
15		427625A1		AR	WASHER Thrust, 5,30 mm
15		427626A1		AR	WASHER Thrust, 5,35 mm
15		427627A1		AR	WASHER Thrust, 5,40 mm
15		427628A1		AR	WASHER Thrust, 5,45 mm
15		427629A1		AR	WASHER Thrust, 5,50 mm
15		427630A1		AR	WASHER Thrust, 5,55 mm
15		427631A1		AR	WASHER Thrust, 5,60 mm
15		427632A1		AR	WASHER Thrust, 5,65 mm
15		427633A1		AR	WASHER Thrust, 5,70 mm
15		427634A1		AR	WASHER Thrust, 5,75 mm
15		427635A1		AR	WASHER Thrust, 5,80 mm
15		427636A1		AR	WASHER Thrust, 5,85 mm

**STX375 STX425**

MANUAL SHIFT TRANSMISSION - INPUT SHAFT ASSEMBLY

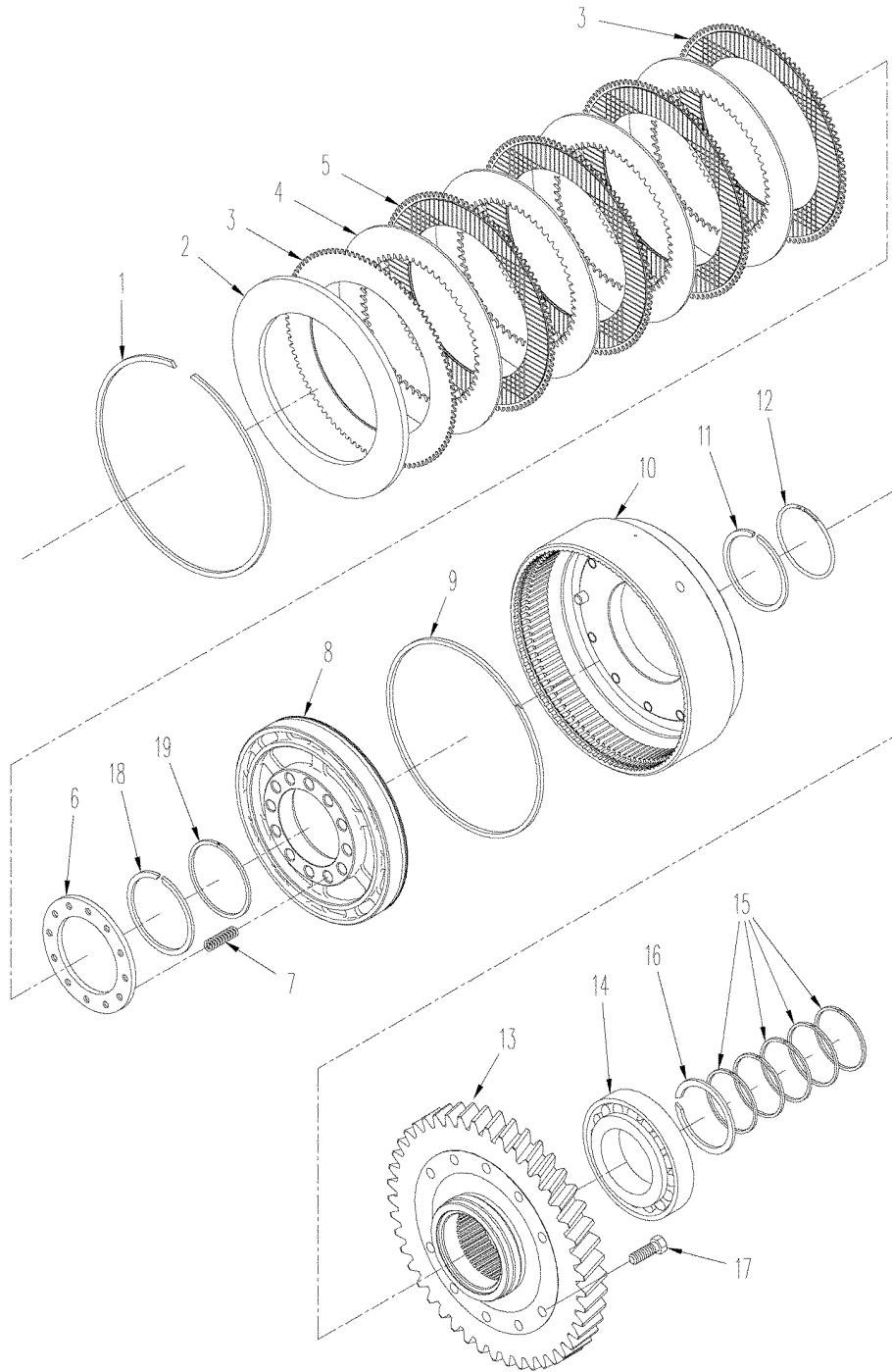


## MANUAL SHIFT TRANSMISSION - INPUT SHAFT ASSEMBLY

REF	FN	PART NUMBER	YR/SN	QTY	DESCRIPTION
15		427637A1		AR	WASHER Thrust, 5,90 mm
15		427638A1		AR	WASHER Thrust, 5,95 mm
15		427639A1		AR	WASHER Thrust, 6,0 mm
15		427640A1		AR	WASHER Thrust, 6,05 mm
15		427641A1		AR	WASHER Thrust, 6,10 mm
15		427642A1		AR	WASHER Thrust, 6,15 mm
16		428112A1		2	BEARING ASSY
17		514-721		10	SCREW
18		427595A1		1	COVER
19		427602A1		AR	DISC, CLUTCH If Used, 6,8 mm (0.268 in)
19		427603A1		AR	DISC, CLUTCH If Used, 7,2 mm (0.283 in)
20		427601A1		8	DISC, CLUTCH Faced
21		427606A1		32	SPRING Clutch Separator
22		S4410S00F		3	RING Seal
23		427600A1		1	SEALRING
24		427599A1		1	SEALRING
25		427605A1		12	GUIDE
26		427607A1		1	DRUM Clutch
27		427596A1		12	SPRING
28		427604A1		1	PISTON Clutch
29		427597A1		4	GUIDE
30		428119A1		1	GEAR High
31		514-718		12	SCREW

STX375 STX425

MANUAL SHIFT TRANSMISSION - INPUT SHAFT ASSEMBLY

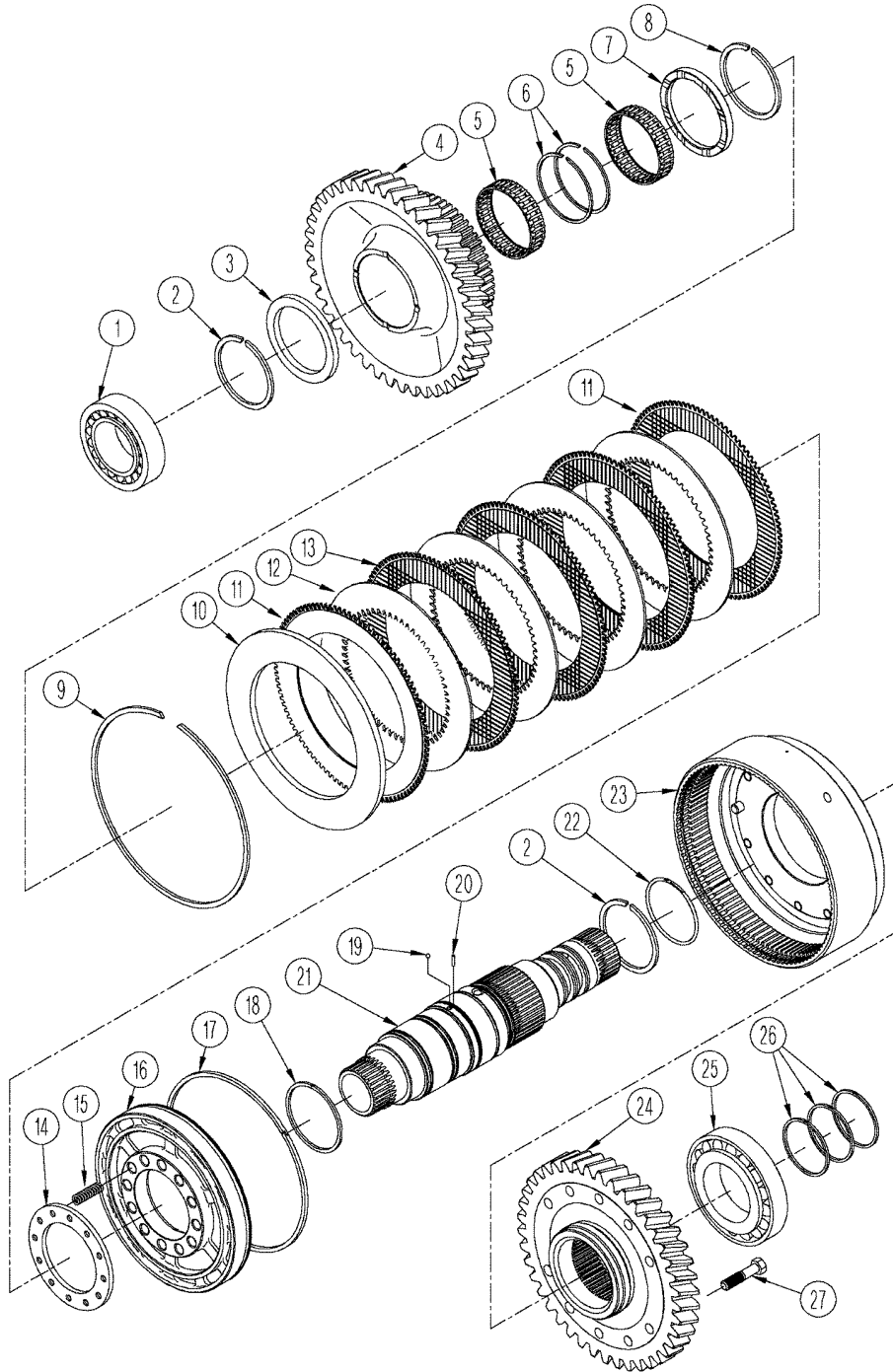


## MANUAL SHIFT TRANSMISSION - INPUT SHAFT ASSEMBLY

REF	FN	PART NUMBER	YR/SN	QTY	DESCRIPTION
		428120A1		1	SHAFT ASSY. Input, Inc. 1 - 19, Also See Figure 06-28
1		428108A1		1	SNAP RING
2		428104A1		1	PLATE
3		428110A1		2	DISC, CLUTCH Faced
4		S4070S00F		AR	DISC, CLUTCH If Used, 2,4 mm (0.094 in)
4		S4110S00F		AR	DISC, CLUTCH If Used, 2,1 mm (0.083 in)
5		427534A1		3	DISC, CLUTCH Faced
6		428109A1		1	PLATE Spring return
7		S2640S00F		12	SPRING
8		428111A1		1	PISTON Clutch
9		S2630S00F		1	RING Seal
10		428106A1		1	DRUM High / Low clutch
11		428163A1		1	SNAP RING
12		428107A1		1	O-RING
13		428105A1		1	GEAR Drive
14		428103A1		2	BEARING, ROLLER, TAPERED
15		427674A1		AR	SHIM 2,5 mm
15		427675A1		AR	SHIM 2,6 mm
15		427676A1		AR	SHIM 2,7 mm
15		427678A1		AR	SHIM 2,8 mm
15		427679A1		AR	SHIM 2,9 mm
15		427680A1		AR	SHIM 3,0 mm
16		428102A1		5	RING, SNAP
17		514-721		10	SCREW M10 x 30; 8.8
18		S5040S00F		1	RING Snap
19		S4410S00F		1	RING Locking

STX375 STX425

MANUAL SHIFT TRANSMISSION - SECOND SHAFT ASSEMBLY



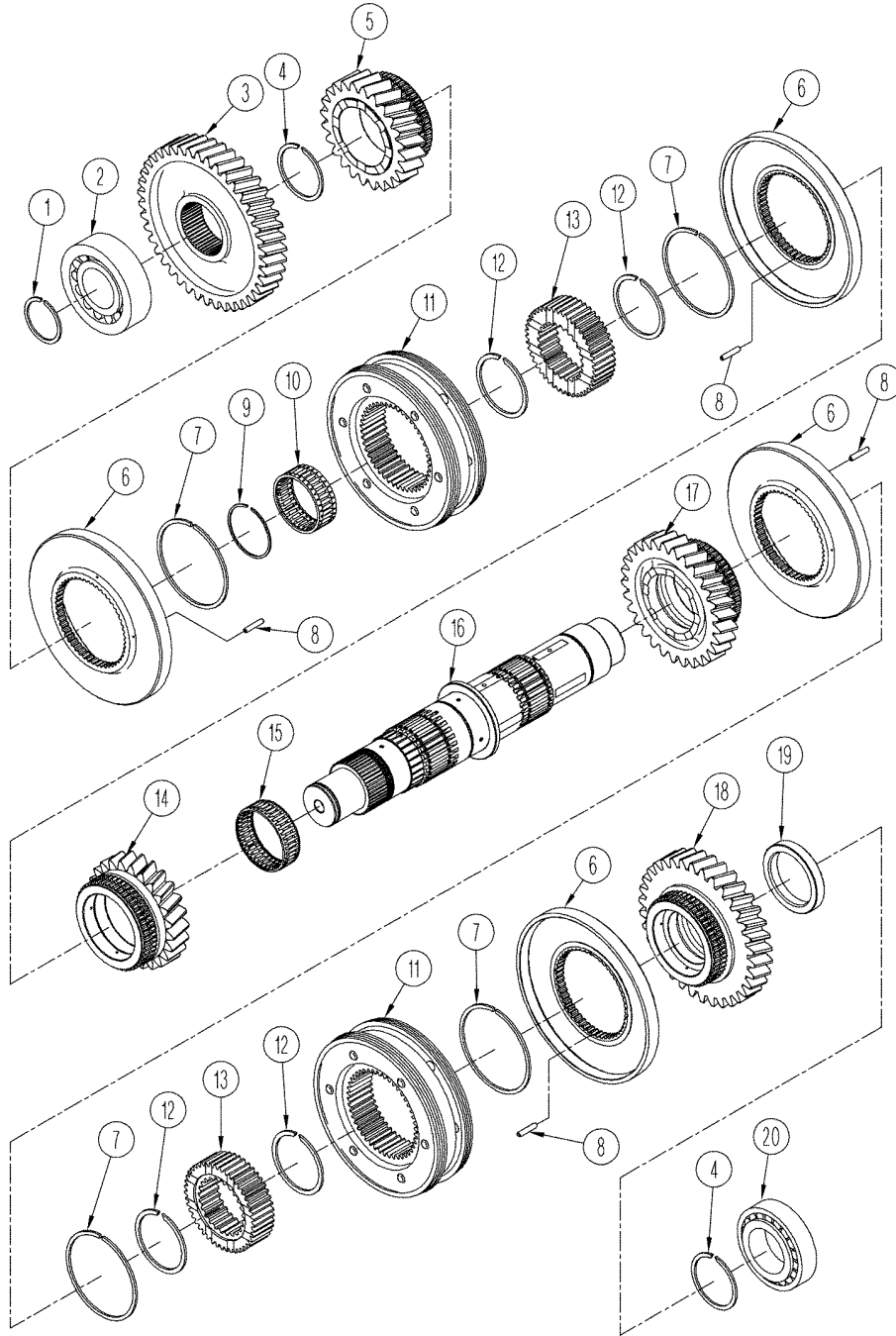
## MANUAL SHIFT TRANSMISSION - SECOND SHAFT ASSEMBLY

REF	FN	PART NUMBER	YR/SN	QTY	DESCRIPTION
		428121A1		1	SHAFT ASSY. Second, Inc. 1 - 27
1		428183A1		1	BEARING
2		428163A1		1	SNAP RING
3		428115A1		1	WASHER
4		428116A1		1	GEAR High Clutch
5		428125A1		2	BEARING, NEEDLE
6		428124A1		2	SNAP RING
7		428117A1		1	WASHER
8		S5040S00F		1	RING
9		428108A1		1	SNAP RING
10		428104A1		1	PLATE Ctutch End
11		428110A1		2	DISC, CLUTCH Faced
12		S4070S00F		AR	DISC, CLUTCH If Used, 2,4 mm (0,094 in)
12		S4110S00F		AR	DISC, CLUTCH If Used, 2,1 mm (0,083 in)
13		427534A1		3	DISC, CLUTCH Faced
14		428109A1		1	PLATE Spring Return
15		S2640S00F		12	SPRING
16		428111A1		1	PISTON Clutch
17		S2630S00F		1	RING
18		S4410S00F		1	RING
19		428153A1		1	BALL
20		428118A1		1	NEEDLE
21		428113A1		1	SHAFT ASSY.
22		428107A1		1	O-RING
23		428106A1		1	DRUM
24		428122A1		1	GEAR Input
25		428103A1		1	BEARING, ROLLER, TAPERED
26		S3070S00F		3	RING
27		428178A1		10	BOLT

STX375 STX425



MANUAL SHIFT TRANSMISSION - THIRD SHAFT ASSEMBLY

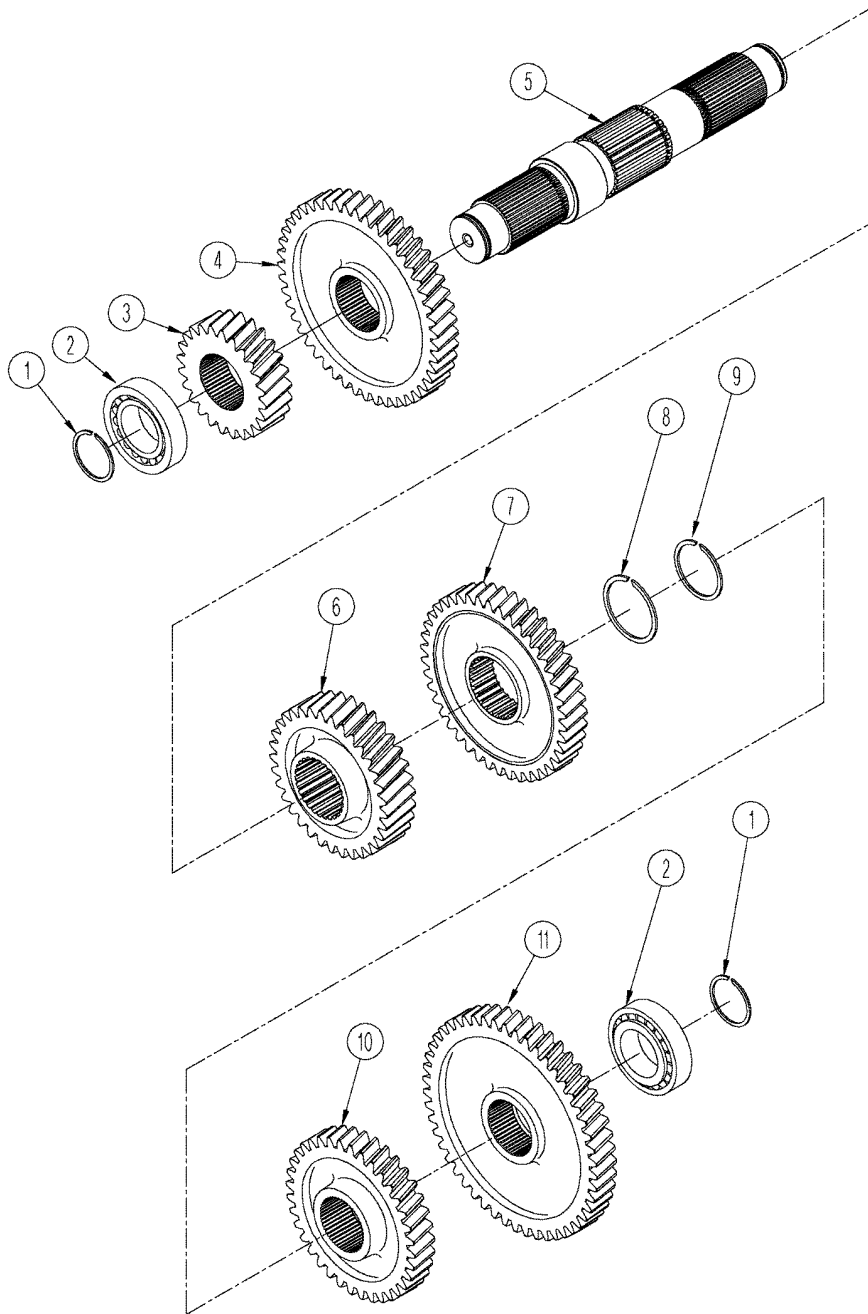


## MANUAL SHIFT TRANSMISSION - THIRD SHAFT ASSEMBLY

REF	FN	PART NUMBER	YR/SN	QTY	DESCRIPTION
		427647A1		1	SHAFT ASSY. Third, Inc. 1 - 20
1		427668A1		AR	SNAP RING 2,5 mm
1		427669A1		AR	SNAP RING 2,6 mm
1		427670A1		AR	SNAP RING 2,7 mm
1		427671A1		AR	SNAP RING 2,8 mm
1		427672A1		AR	SNAP RING 2,9 mm
1		427673A1		AR	SNAP RING 3,0 mm
2		428074A1		1	BEARING, ROLLER, TAPERED
3		427656A1		1	GEAR Drive
4		S5040S00F		2	RING
5		372071A1		1	GEAR First
6		427663A1		4	DISC Synchro Speed
7		427654A1		4	SNAP RING
8		SM832508		16	PIN
9		427653A1		1	SNAP RING
10		S5070S00F		1	BEARING, NEEDLE
11		427667A1		2	SLEEVE ASSY Synchro Speed
12		S5090S00F		4	SNAP RING
13		427655A1		2	HUB Clutch
14		427657A1		1	GEAR Reverse
15		427660A1		1	BEARING, NEEDLE
16		427648A1		1	SHAFT Speed
17		372072A1		1	GEAR Second
18		427658A1		1	GEAR Third
19		427651A1		1	SPACER
20		427649A1		1	BEARING, ROLLER, TAPERED

STX375 STX425

MANUAL SHIFT TRANSMISSION - FOURTH SHAFT ASSEMBLY

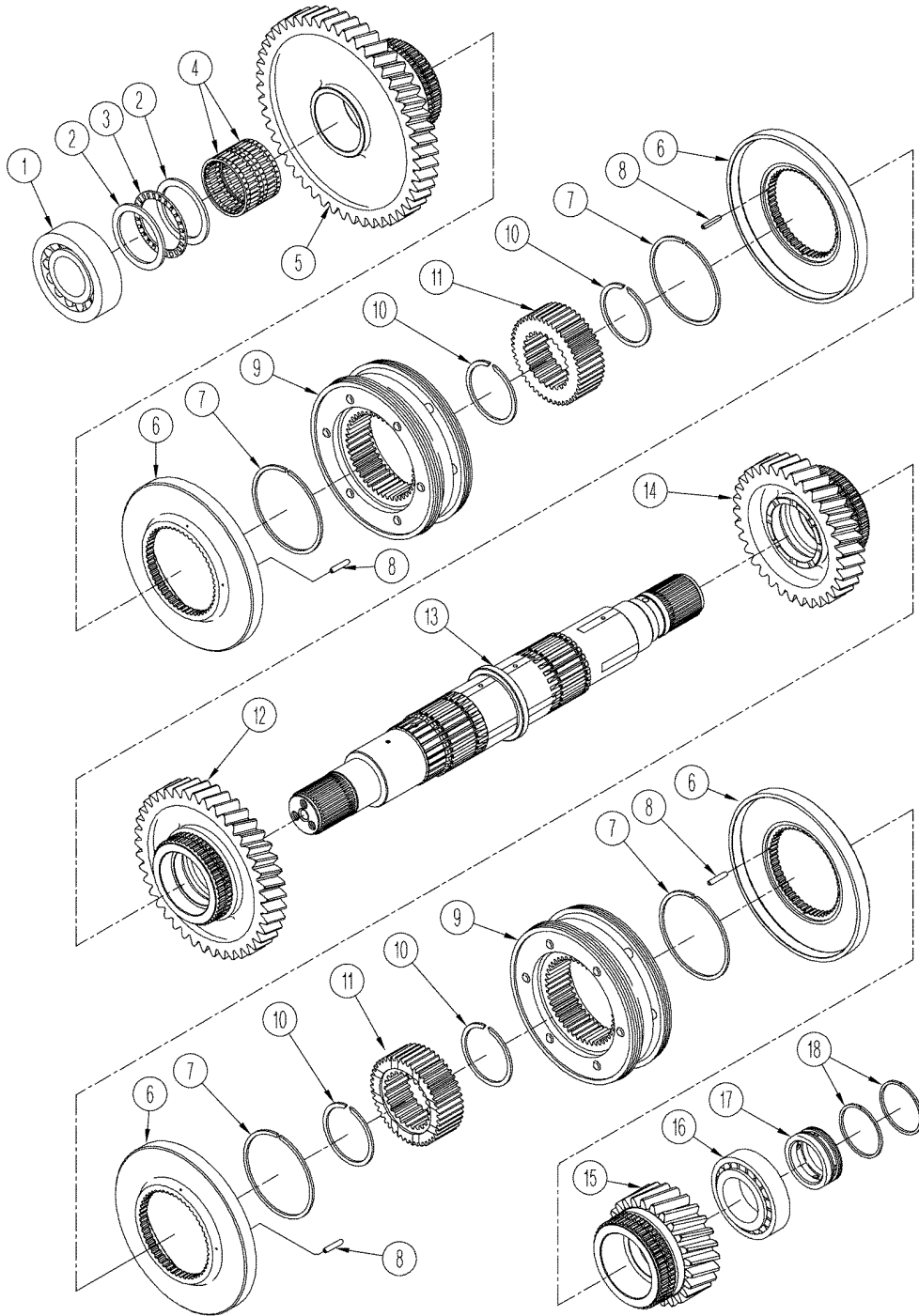


## MANUAL SHIFT TRANSMISSION - FOURTH SHAFT ASSEMBLY

REF	FN	PART NUMBER	YR/SN	QTY	DESCRIPTION
		427681A1		1	SHAFT ASSY. Fourth, Inc. 1 - 11
1		427674A1		AR	SHIM 2,5 mm
1		427675A1		AR	SHIM 2,6 mm
1		427676A1		AR	SHIM 2,7 mm
1		427678A1		AR	SHIM 2,8 mm
1		427679A1		AR	SHIM 2,9 mm
1		427680A1		AR	SHIM 3,0 mm
2		427649A1		2	BEARING, ROLLER, TAPERED
3		427684A1		1	GEAR A Range
4		427685A1		1	GEAR First
5		427682A1		1	SHAFT Center
6		427686A1		1	GEAR B Range
7		427687A1		1	GEAR Second
8		S5090S00F		1	SNAP RING
9		S5040S00F		1	RING
10		427688A1		1	GEAR Third
11		427689A1		1	GEAR D Range

STX375 STX425

MANUAL SHIFT TRANSMISSION - FIFTH SHAFT ASSEMBLY

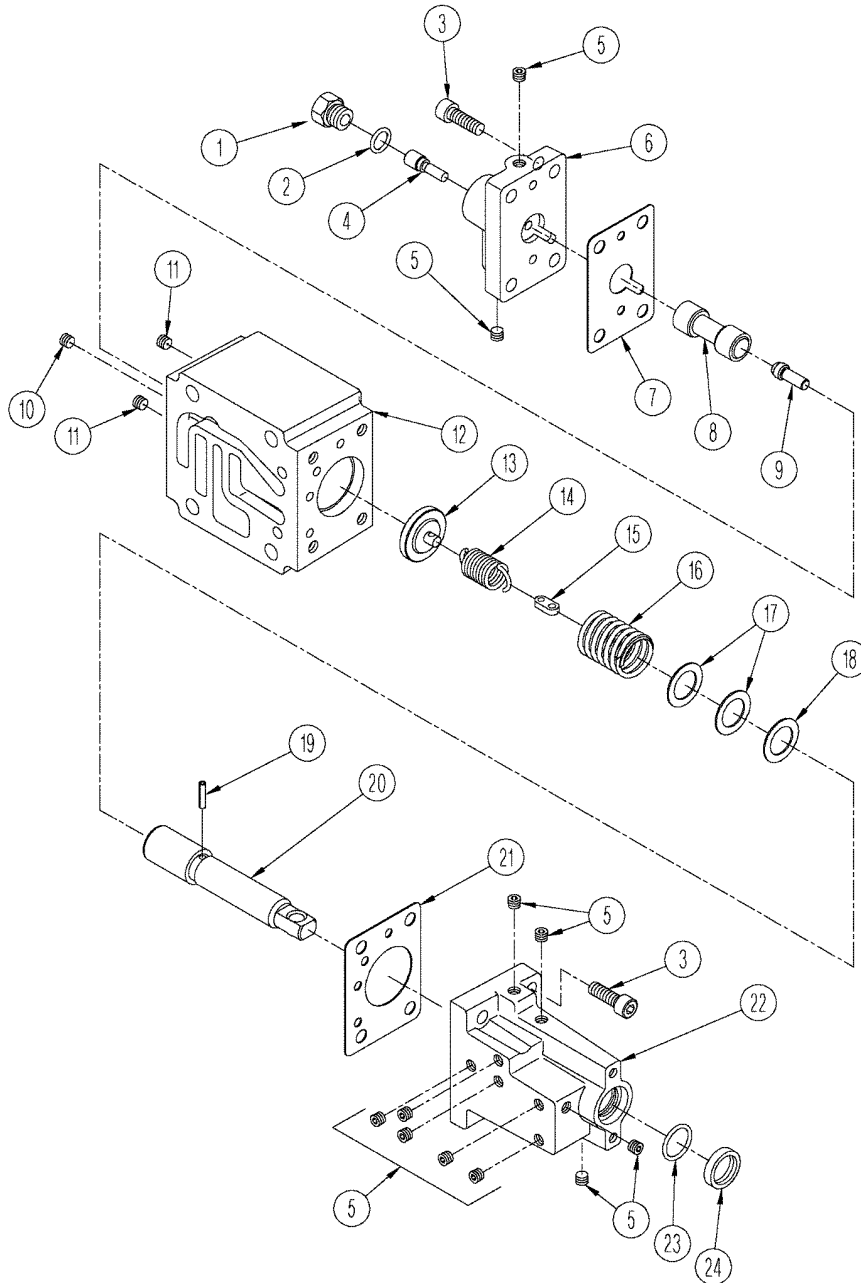


## MANUAL SHIFT TRANSMISSION - FIFTH SHAFT ASSEMBLY

REF	FN	PART NUMBER	YR/SN	QTY	DESCRIPTION
		427690A1		1	SHAFT ASSY. Fifth, Inc. 1 - 18
1		428074A1		1	BEARING, ROLLER, TAPERED
2		S5230S00F		2	WASHER, THRUST
3		A75158		1	BEARING, THRUST
4		S5070S00F		2	BEARING, NEEDLE
5		428076A1		1	GEAR A Range
6		428081A1		4	DISC Synchron Range
7		427654A1		8	SNAP RING
8		SM832508		16	PIN
9		428082A1		2	SLEEVE ASSY Synchron Range
10		S5090S00F		4	SNAP RING
11		428075A1		2	HUB Clutch Range
12		428077A1		1	GEAR B Range
13		427691A1		1	SHAFT Output
14		428079A1		1	GEAR C Range
15		428080A1		1	GEAR D Range
16		427649A1		1	BEARING, ROLLER, TAPERED
17		427683A1		1	RING
18		S4150S00F		2	RING Seal

STX375 STX425

MANUAL SHIFT TRANSMISSION - CONTROL VALVE ASSEMBLY



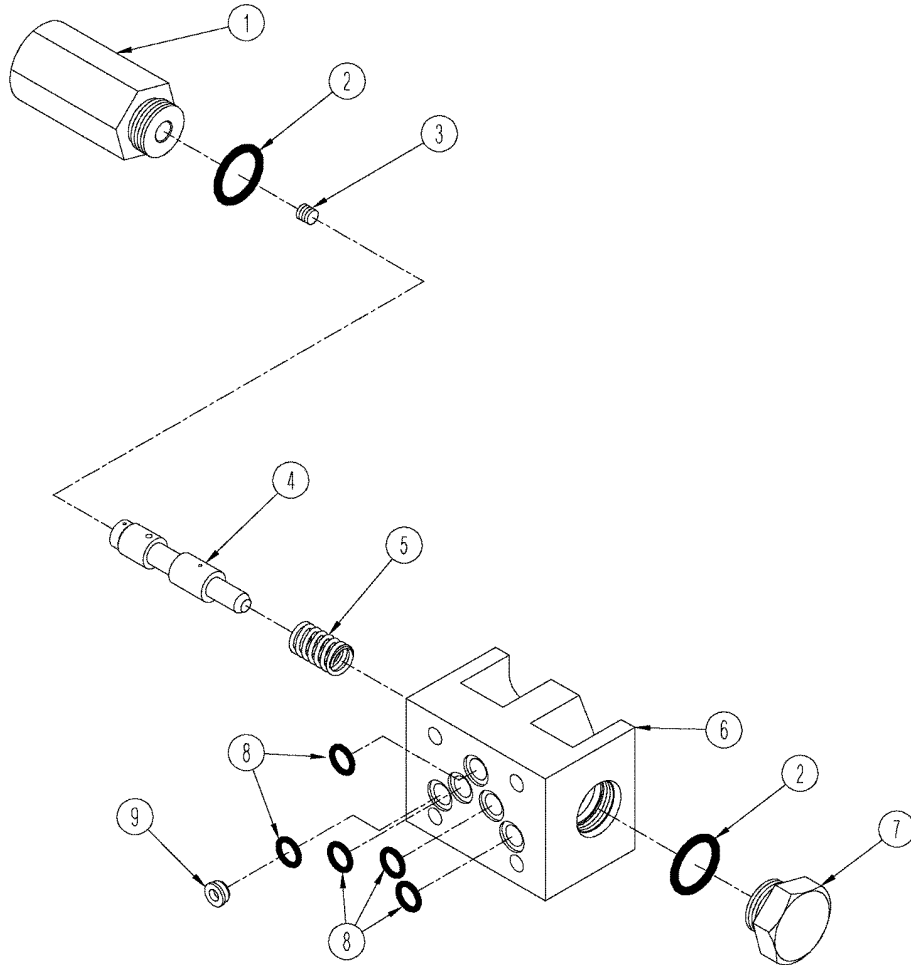
## MANUAL SHIFT TRANSMISSION - CONTROL VALVE ASSEMBLY

REF	FN	PART NUMBER	YR/SN	QTY	DESCRIPTION
		428083A1		1	VALVE Control, Inc. 1 - 24
1		S6170S00F		1	PLUG Inc. 2
2		S6180S00F		1	O-RING
3		S6260S00F		8	SCREW
4		S6010S00F		1	SPOOL
5		S6220S00F		11	PLUG
6		S6020S00F		1	COVER
7		S6030S00F		1	GASKET
8		S6040S00F		1	SPOOL
9		S6160S00F		1	PIN
10		S6240S00F		1	ORIFICE
11		S6230S00F		1	ORIFICE
12		428084A1		1	BODY, VALVE
13		S6060S00F		1	SEAT, SPRING
14		S6210S00F		1	SPRING
15		S6080S00F		1	LINK, CONNECTING
16		S6150S00F		1	SPRING
17		S6140S00F		AR	SHIM
18		S6200S00F		1	SPACER
19		S6130S00F		1	PIN, ROLL
20		S6100S00F		1	HOUSING
21		427537A1		1	GASKET
22		428085A1		1	COVER
23		S6120S00F		1	O-RING
24		S6110S00F		1	SEAL

STX375 STX425



MANUAL SHIFT TRANSMISSION - LOCKOUT VALVE ASSEMBLY

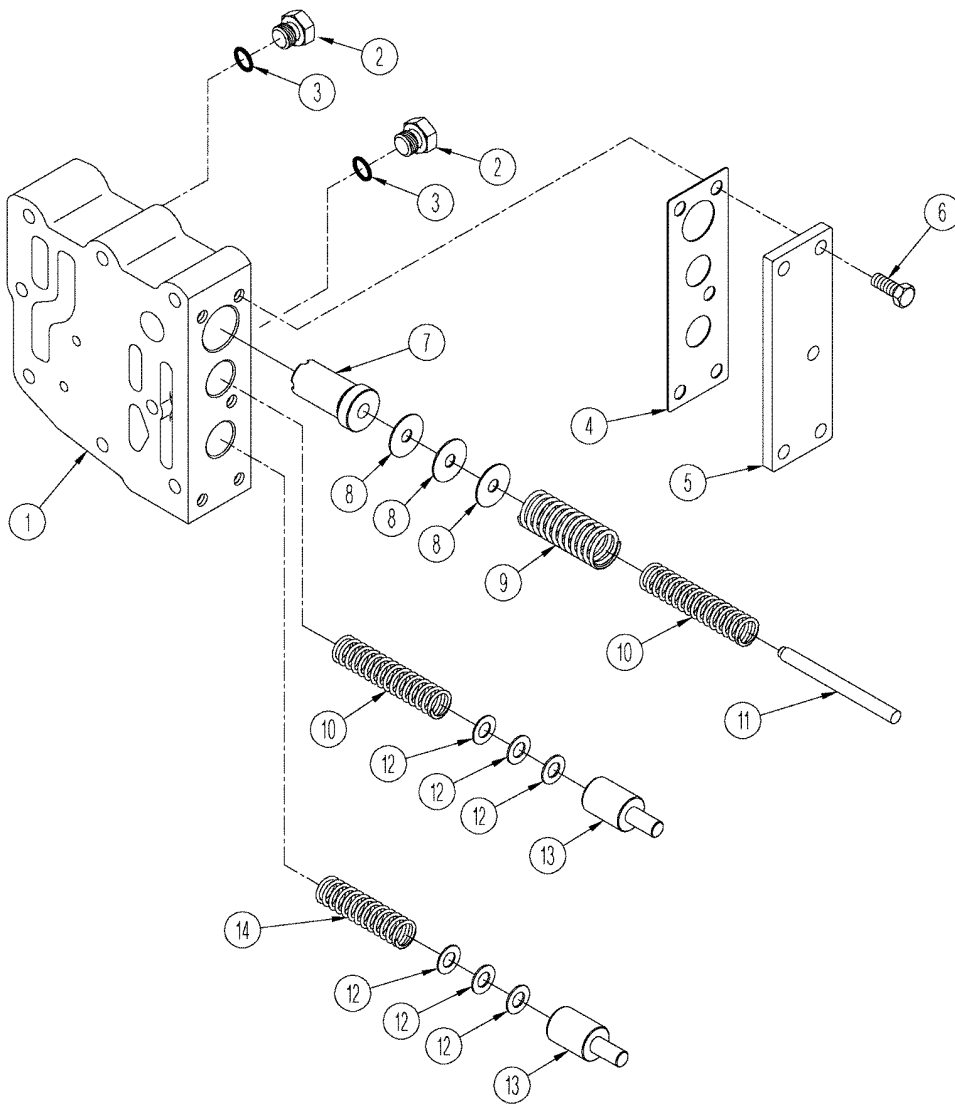


## MANUAL SHIFT TRANSMISSION - LOCKOUT VALVE ASSEMBLY

REF	FN	PART NUMBER	YR/SN	QTY	DESCRIPTION
		428091A1		1	VALVE Lockout, Inc. 1 - 9
1		428090A1		1	PLUG
2		428086A1		1	O-RING
3		428094A1		1	PLUG
4		428089A1		1	SPOOL
5		428088A1		1	SPRING
6		428092A1		1	BODY, VALVE
7		428087A1		1	PLUG
8		428093A1		5	O-RING
9		428095A1		1	ORIFICE

**STX375 STX425**

MANUAL SHIFT TRANSMISSION - REGULATOR VALVE ASSEMBLY

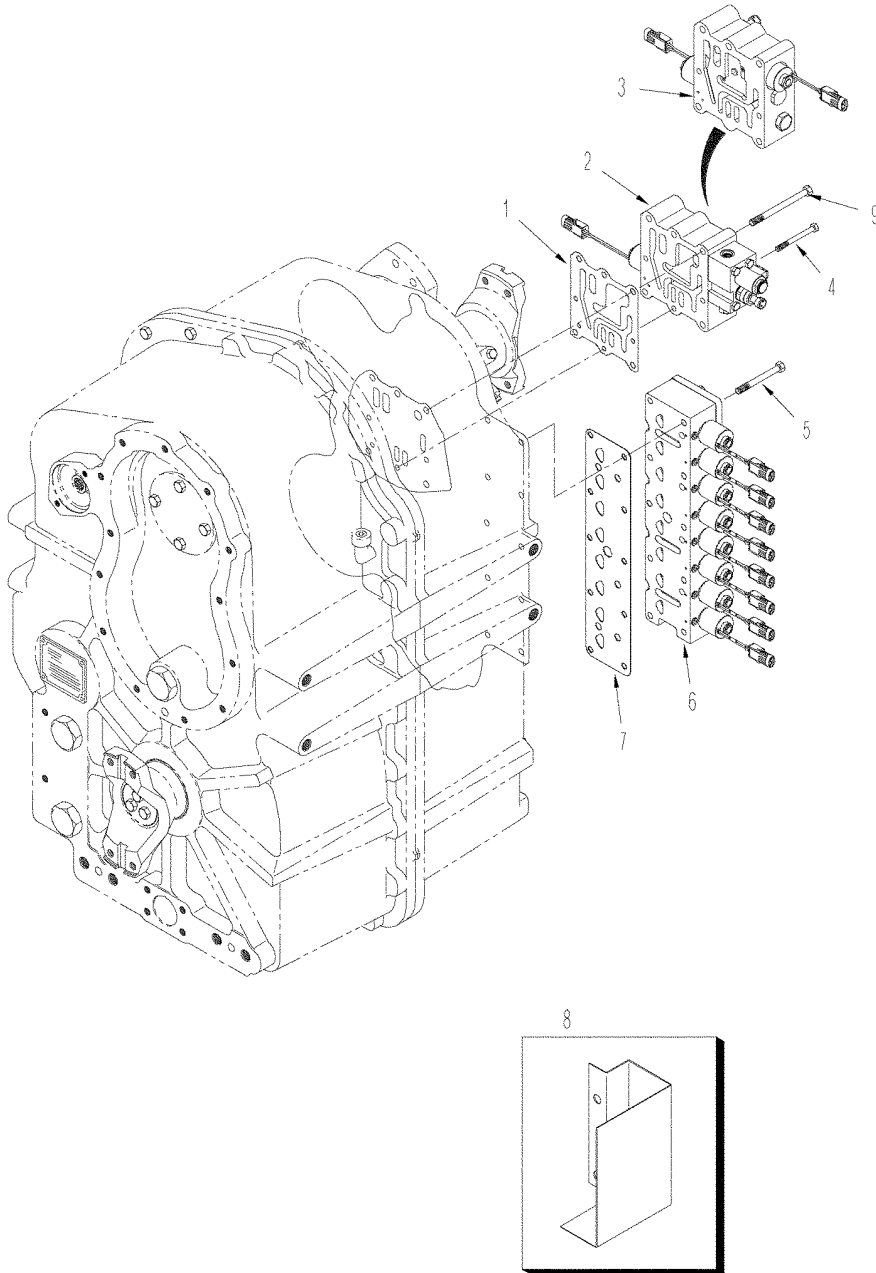


## MANUAL SHIFT TRANSMISSION - REGULATOR VALVE ASSEMBLY

REF	FN	PART NUMBER	YR/SN	QTY	DESCRIPTION
		428096A1		1	VALVE Regulator, Inc. 1 - 14
1		428097A1		1	BODY
2		220064A1		2	PLUG M14, Inc. 3
3		637-63113		2	O-RING 11,3 ID x 2,2
4		S7090S00F		1	GASKET
5		S7110S00F		1	COVER
6		614-8020		5	BOLT M8 x 20; 8,8
7		S7030S01F		1	VALVE Pressure regulator
8		S7010S00F		AR	SHIM
9		S7120S00F		1	SPRING
10		S7050S00F		2	SPRING
11		S7020S00F		1	STEM Pressure Regulator
12		S7080S00F		AR	SHIM
13		S7060S00F		2	VALVE Lube
14		S7070S00F		1	SPRING

STX375 STX425

POWER SHIFT TRANSMISSION - VALVE AND PUMP MOUNTING

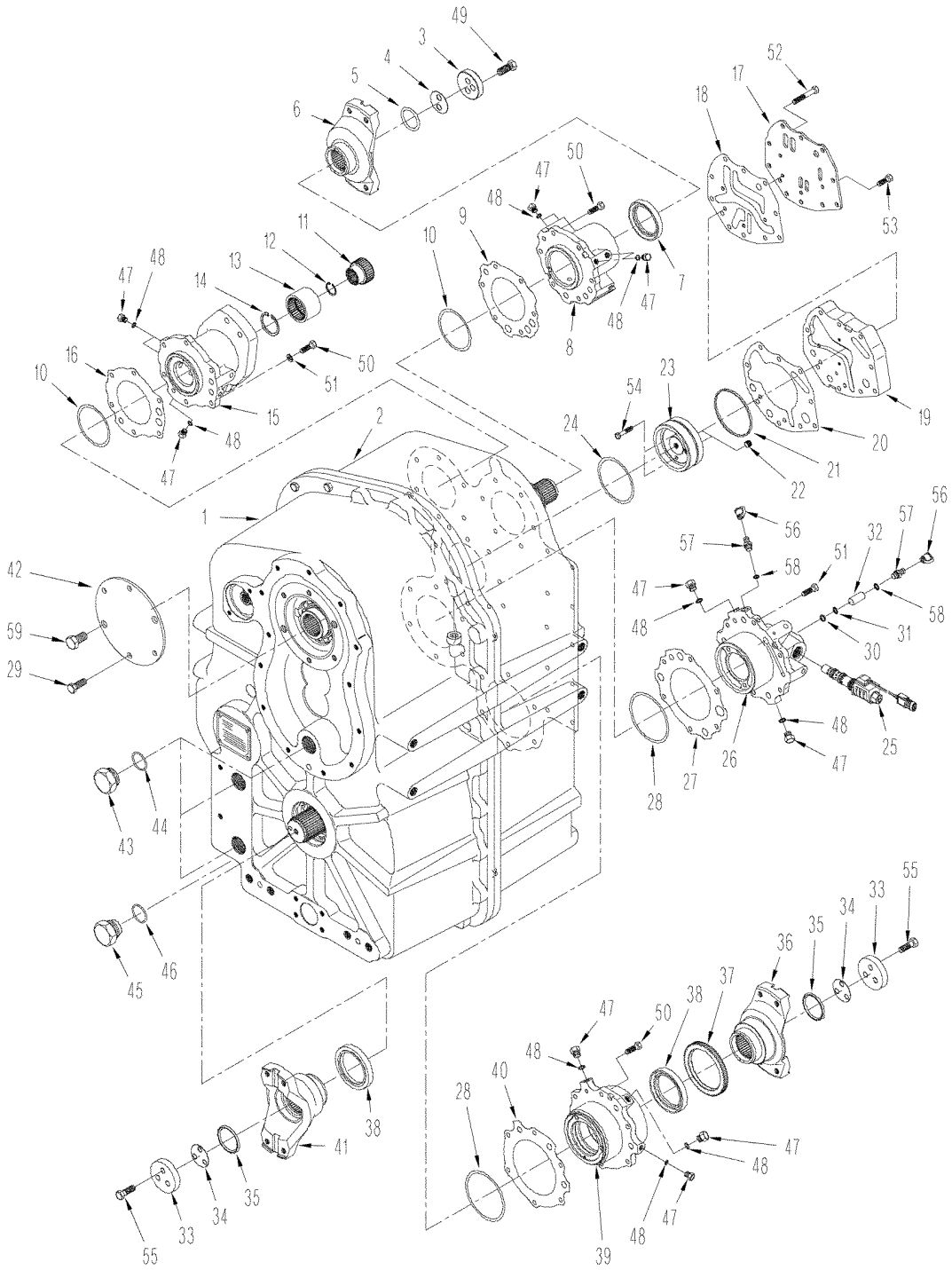


## POWER SHIFT TRANSMISSION - VALVE AND PUMP MOUNTING

REF	FN	PART NUMBER	YR/SN	QTY	DESCRIPTION
1		87431416		1	GASKET
2		385957A1	BSN JEE0104001	1	VALVE Regulator, See Figure 06-49
3		87431403	ASN JEE0104001	1	VALVE Regulator, See Figure 06-49 (01)
4		614-8080		3	BOLT M8 x 80
5		514-729		10	SCREW M10 x 90; 8.8
6		370550A1		1	VALVE Range Selector, See Figure 06-50
7		390633A1		1	GASKET
8		408591A1		1	COVER Solenoid
9		514-739		5	SCREW M10 x 120; 8.8
		398441A1	BSN JEE0104001	1	KIT, SEALS Short Gasket Overhaul, Inc. 1, 7, See Figure 06-38, 06-49, 06-50
		87432749	ASN JEE0104001	1	KIT, GASKET Short Gasket Overhaul, Inc. 1, 7, See Figure 06-28, 06-49, 06-50
		87432750		1	KIT, GASKET Transmission Repair, Inc. 1, 7, See Figure 06-38 - 06-50

**STX375 STX450**  
**STX425 STX500**

POWER SHIFT TRANSMISSION - COVERS AND YOKES



## POWER SHIFT TRANSMISSION - COVERS AND YOKES

REF	FN	PART NUMBER	YR/SN	QTY	DESCRIPTION
1		370636A1		1	HOUSING Rear
2		375486A1		1	HOUSING Front
3		427539A1		1	PLATE, RETAINING
4		427560A1		AR	SHIM 0,10 mm (0,004 in)
4		427561A1		AR	SHIM 0,30 mm (0,012 in)
4		427562A1		AR	SHIM 0,50 mm (0,020in)
5		428162A1		1	O-RING
6	1	373136A1		1	COUPLING FLANGE 8C, Input
6	2	362563A1		1	COUPLING FLANGE 8,5C, Input
7		428159A1		1	SEAL, OIL
8		362564A1		1	RETAINER
9		362565A1		1	GASKET
10		359242A1		AR	SHIM 0,10 mm (0,004 in)
10		359243A1		AR	SHIM 0,15 mm (0,006 in)
10		359244A1		AR	SHIM 0,3 mm (0,012)
10		359251A1		AR	SHIM 0,5 mm (0,020)
11		362566A1		1	ADAPTER
12		800-2128		1	SNAP RING
13		362567A1		1	COUPLING
14		428681A1		1	SNAP RING
15		362568A1		1	RETAINER Second Shaft
16		362569A1		1	GASKET Second Shaft
17		362570A1	BSN JEE0104001	1	PLATE
17		87431413	ASN JEE0104001	1	PLATE
18		362571A1	BSN JEE0104001	1	GASKET
18		87431414	ASN JEE0104001	1	GASKET
19		362572A1	BSN JEE0104001	1	PLATE
19		87431415	ASN JEE0104001	1	PLATE
20		362573A1		1	GASKET Third Shaft
21		362574A1		1	O-RING
22		428682A1		2	PLUG
23		362575A1		1	RETAINER Third Shaft
24		359252A1		AR	SHIM 0,10 mm (0,004 in)

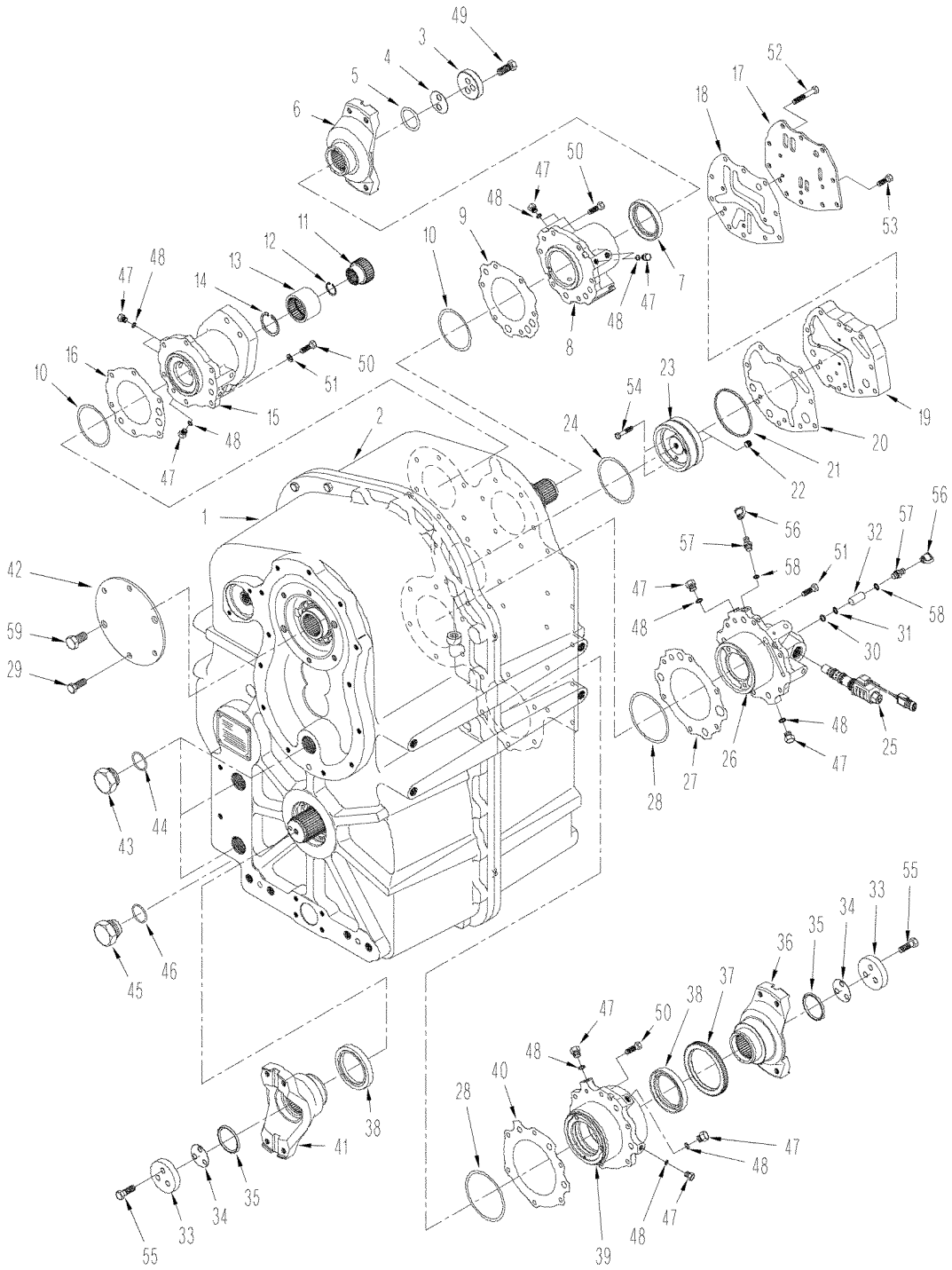
(1) With 400 Series Axles

(2) With 500 Series Axles

**STX375 STX450**  
**STX425 STX500**



POWER SHIFT TRANSMISSION - COVERS AND YOKES



## POWER SHIFT TRANSMISSION - COVERS AND YOKES

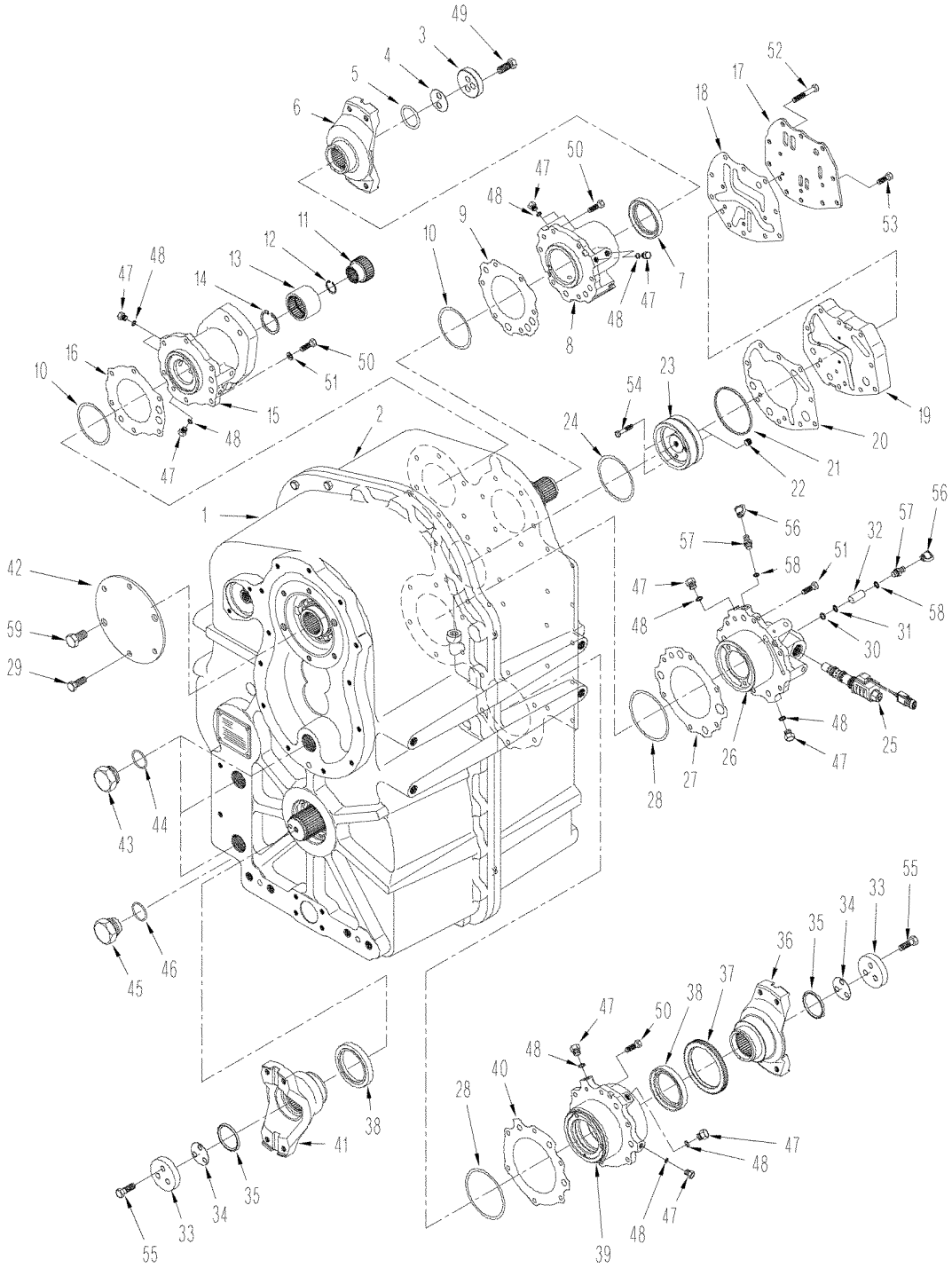
REF	FN	PART NUMBER	YR/SN	QTY	DESCRIPTION
24		359253A1		AR	SHIM 0,15 mm ( 0,006 in)
24		362576A1		AR	SHIM 0,3 mm ( 0,012 in)
24		362577A1		AR	SHIM 0,5 mm ( 0,020 in)
25		362578A1		AR	VALVE Pulse With Modulation, See Figure 06-51
26		362579A1		1	RETAINER Clutch
27		362580A1		1	GASKET
28		427564A1		AR	SHIM 0,10 mm (0,004 in)
28		427565A1		AR	SHIM 0,15 mm (0,006 in)
28		427566A1		AR	SHIM 0,30 mm ( 0,012 in)
28		427567A1		AR	SHIM 0,50 mm ( 0,020 in)
28		427568A1		AR	SHIM 0,70 mm (0,027 in)
29		514-842		4	BOLT M12 x 25
30		895-11005		1	WASHER 5,5 x 10 x 1 mm
31		375450A1		1	O-RING 0,70 mm
32		87409376		1	FILTER PWM
33		427515A1		2	PLATE, RETAINING
34		427517A1		AR	SHIM 0,10 mm
34		427519A1		AR	SHIM 0,30 mm
35		428165A1		2	O-RING
36	1	373137A1		1	COUPLING FLANGE 8C, Output
36	2	362598A1		1	COUPLING FLANGE 8,5C, Output
37		362601A1		1	RING
38		427514A1		2	SEAL, OIL
39		362602A1		1	RETAINER Output
40		362603A1		1	GASKET
41	1	373138A1		1	COUPLING FLANGE 8C, Output
41	2	362604A1		1	COUPLING FLANGE 8,5C, Output
42		427558A1		1	COVER Power Takeoff
43		303493A1		2	PLUG, DRAIN M42 orb x 2, Inc. 44
44		637-64386		1	O-RING 1-1/2 ID x 7/64
45		375456A1		1	PLUG, DRAIN M42 orb x 2, Inc. 46
46		637-64386		1	O-RING 1-1/2 ID x 7/64
47		220064A1		15	PLUG M14 - 1,5, Inc. 48

(1) With 400 Series Axles

(2) With 500 Series Axles

**STX375 STX450**  
**STX425 STX500**

POWER SHIFT TRANSMISSION - COVERS AND YOKES

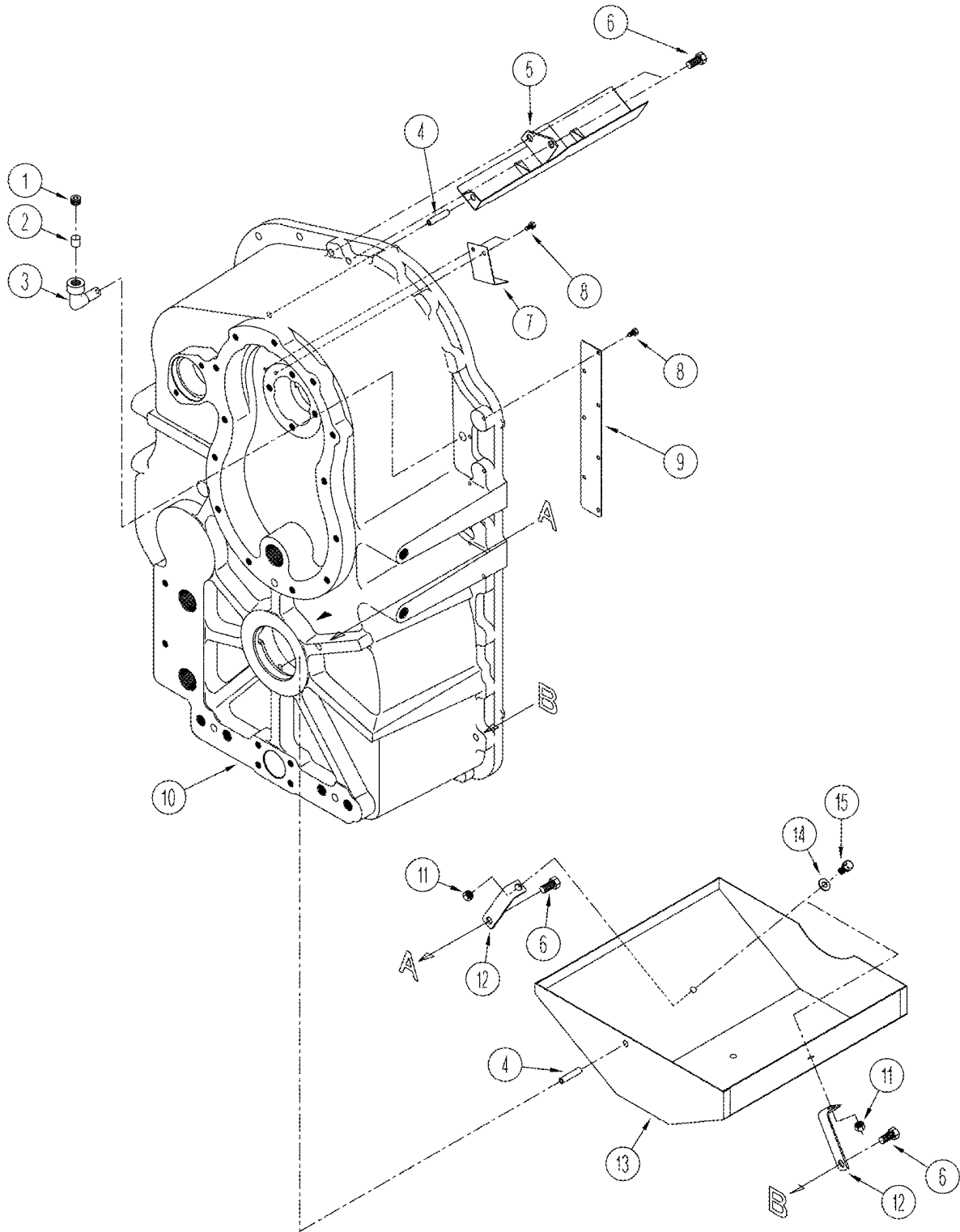


## POWER SHIFT TRANSMISSION - COVERS AND YOKES

REF	FN	PART NUMBER	YR/SN	QTY	DESCRIPTION
48		637-63113		1	O-RING 11,3 ID x 2,2
49		428181A1		2	BOLT M14 x 35; CL8.8
50		514-730		24	SCREW M10 x 35
51		892-11010		6	WASHER, LOCK M10
52		514-712		2	SCREW M10 x 25
53		514-723		4	SCREW M10 x 60
54		614-8040		2	BOLT Hex, M8 x 40, 8.8, Full Thd
55		514-853		6	BOLT
		178889A1		1	FITTING Diagnostic, Inc. 56 - 58
56		H434163		1	CAP
57		NSS		1	NOT SERVICED SEPARATELY Fitting
58		637-63113		1	O-RING 11,3 ID x 2,2
59		427559A1		2	SCREW
		398441A1	BSN JEE0104001	1	KIT, SEALS Transmission Repair, Inc. 9, 16, 18, 20, 27, 40, Also See Figures 06-37, 06-49, 06-50
		87432749	ASN JEE0104001	1	KIT, GASKET Transmission Repair, Inc. 9, 16, 18, 20, 27, 40, Also See Figures 06-37, 06-49, 06-50
		87432750		1	KIT, GASKET Transmission Repair, Inc. 5, 7, 9, 16, 18, 20, 21, 27, 35, 38, 40, Also See Figures 06-37 - 06-50

**STX375 STX450**  
**STX425 STX500**

POWER SHIFT TRANSMISSION - REAR HOUSING

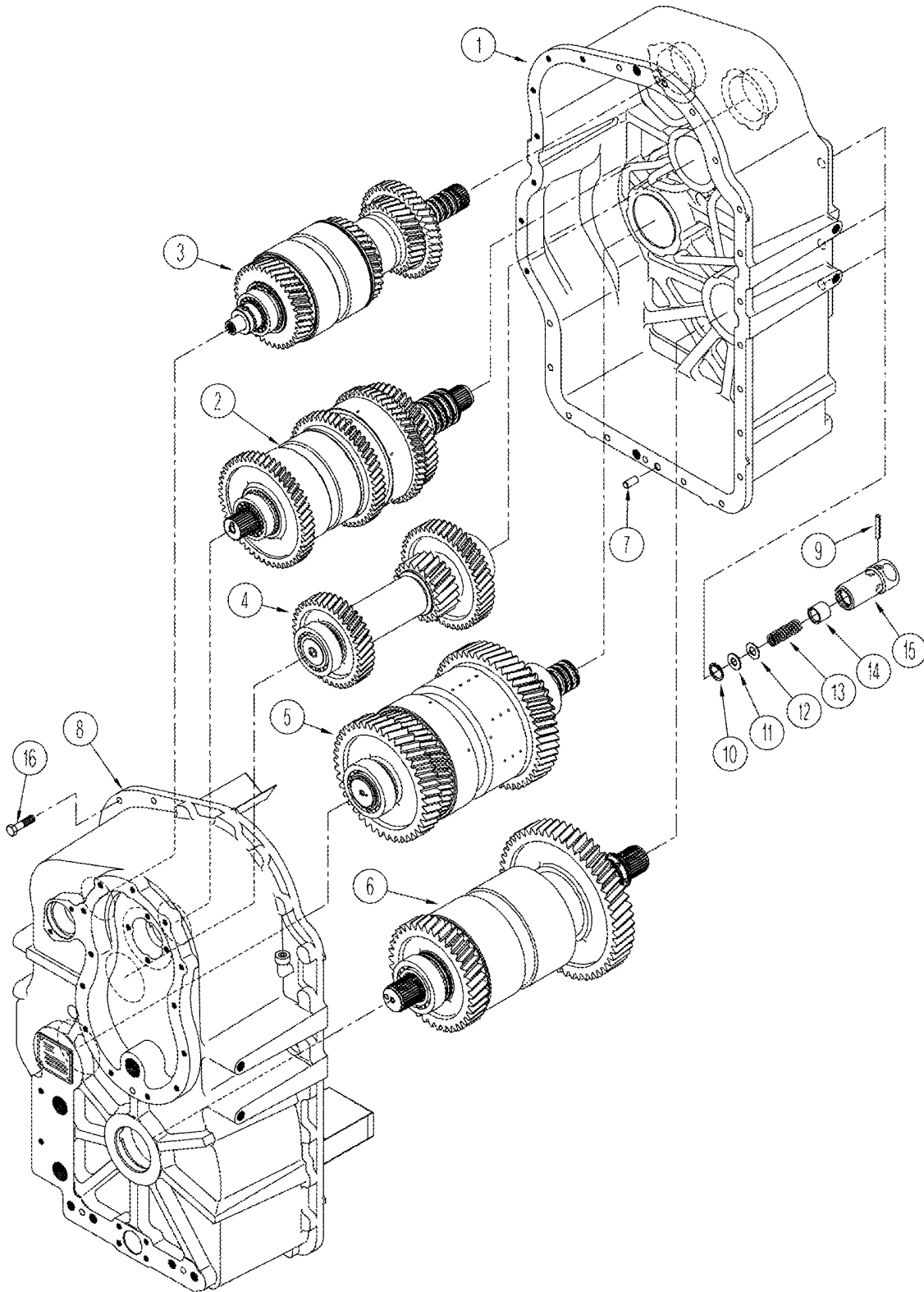


## POWER SHIFT TRANSMISSION - REAR HOUSING

REF	FN	PART NUMBER	YR/SN	QTY	DESCRIPTION
1		428156A1		1	PLUG
2		427524A1		1	BREATHER
3		370632A1		1	TUBE Breather
4		838-51045		2	PIN
5		370633A1		1	TROUGH Oil
6		514-842		4	BOLT M12 x 25
7		370634A1		1	TROUGH Second
8		614-6012		9	BOLT M6 x 12; 8,8
9		370635A2		1	BAFFLE Air
10		370636A1		1	HOUSING Rear
11		825-11410		2	NUT M10
12		370637A1		2	BRACKET
13		392082A1		1	BAFFLE Transmission Oil
14		895-11010		2	WASHER 11 x 20 x 2 mm
15		514-703		2	SCREW M10 x 20

**STX375 STX450**  
**STX425 STX500**

POWER SHIFT TRANSMISSION - HOUSING AND CLUTCHES



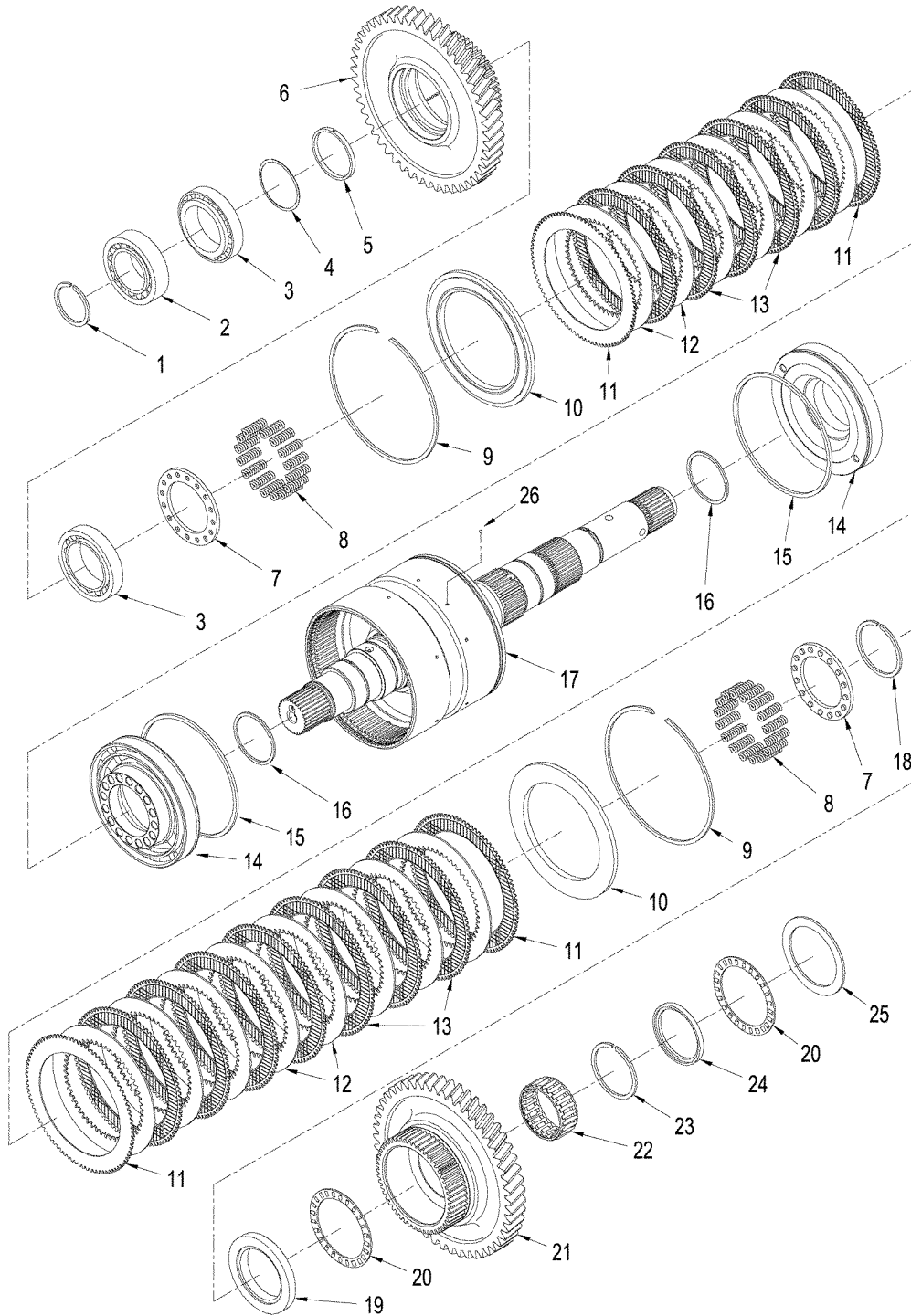
## POWER SHIFT TRANSMISSION - HOUSING AND CLUTCHES

REF	FN	PART NUMBER	YR/SN	QTY	DESCRIPTION
1		375486A1		1	HOUSING Front
2		87431389		1	SHAFT ASSY. Input, See Figure 06-41, 06-42
3		87431395		1	SHAFT ASSY. Second, See Figure 06-43
4		NSS		1	NOT SERVICED SEPARATELY Shaft, Third, Order Components, See Figure 06-44
5		87431399		1	SHAFT ASSY. Fourth, See Figure 06-45, 06-46
6		87431402		1	SHAFT ASSY. Fifth, See Figure 06-47, 06-48
7		427530A1		2	DOWEL
8		370636A1		1	HOUSING Rear
9		838-1318		4	PIN
10		800-2112		4	SNAP RING
11		895-11005		4	WASHER 5,5 x 10 x 1 mm
12		370542A1		4	SHIM
13		370543A1		4	SPRING
14		370544A1		4	SPOOL
15		370545A1		4	CAP
16		514-831		25	BOLT M12 x 45

**STX375 STX450**  
**STX425 STX500**



POWER SHIFT TRANSMISSION - INPUT SHAFT ASSEMBLY

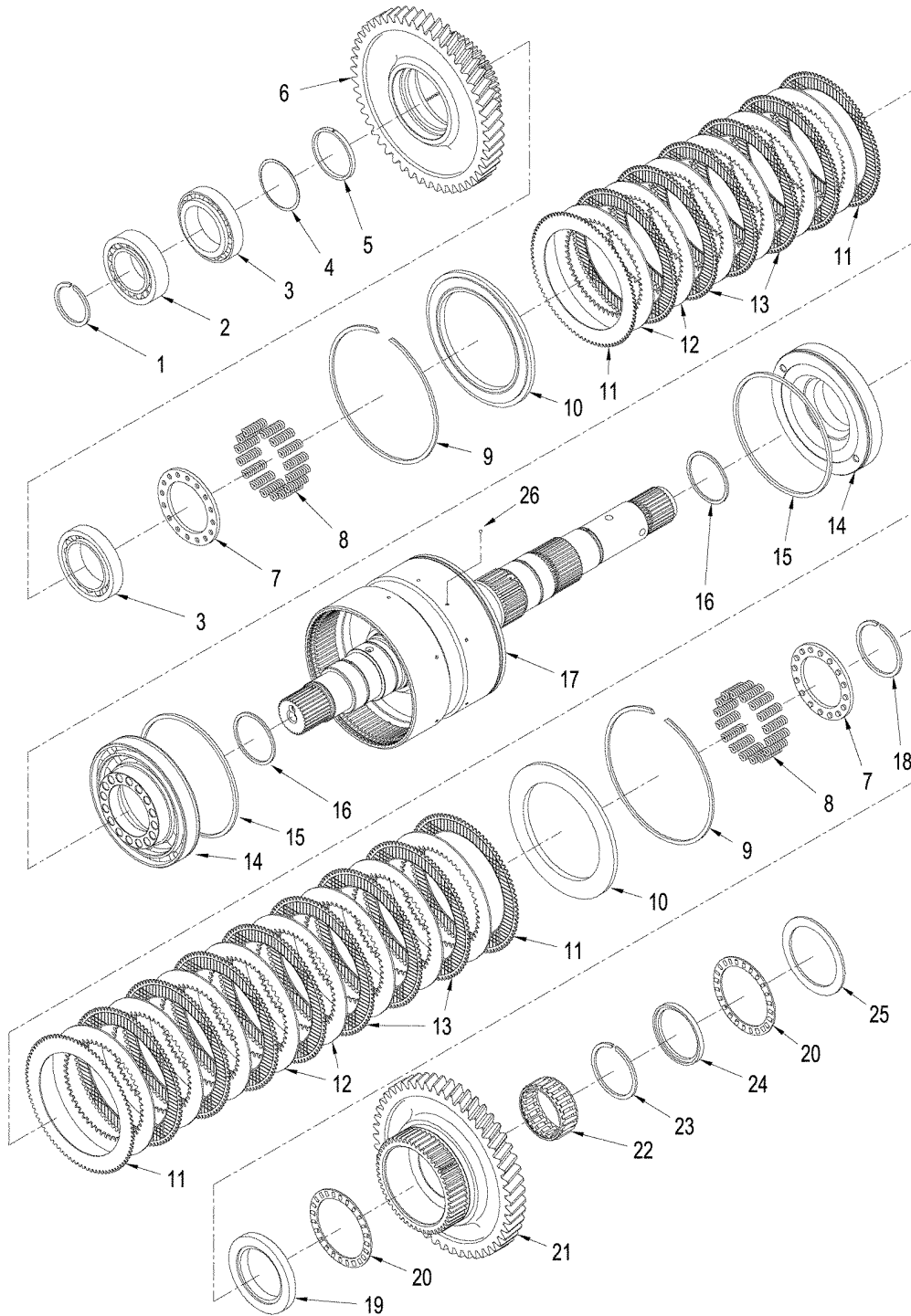


## POWER SHIFT TRANSMISSION - INPUT SHAFT ASSEMBLY

REF	FN	PART NUMBER	YR/SN	QTY	DESCRIPTION
		87431389		1	SHAFT ASSY. Input, Inc. 1 - 26, Also See Figure 06-42
1		352378A1		AR	SNAP RING 2,5 mm
1		352394A1		AR	SNAP RING 2,6 mm
1		352397A1		AR	SNAP RING 2,7 mm
1		352400A1		AR	SNAP RING 2,8 mm
1		352815A1		AR	SNAP RING 2,9 mm
1		352816A1		AR	SNAP RING 3,0 mm
2		428183A1		1	BEARING
3		352817A1		4	BEARING
4		352818A1		AR	SHIM 0,15 mm (0.006 in)
4		352819A1		AR	SHIM 0,18 mm (0.007 in)
4		352820A1		AR	SHIM 0,20 mm (0.008 in)
4		352821A1		AR	SHIM 0,25 mm (0.010 in)
4		352822A1		AR	SHIM 0,30 mm (0.012 in)
4		352823A1		AR	SHIM 0,50 mm (0.020 in)
5		352825A1		1	SPACER
6		352826A1		1	GEAR 1R
7		352827A1		2	PLATE Retainer Springs
8		352828A1		32	SPRING
9		352829A1		2	SNAP RING
10		352830A1	BSN JEE0104001	2	PLATE
10		87431390	ASN JEE0104001	2	PLATE Clutch End
11		352831A1		4	DISC, CLUTCH Faced
12		S2080S00F		AR	DISC, CLUTCH If Used, 2,4 mm (0.094 in)
12		S2090S00F		AR	DISC, CLUTCH If Used, 2,1 mm (0.083 in)
13		352832A1		11	DISC, CLUTCH Faced
14		352833A1		2	PISTON
15		352834A1	BSN JEE0104001	2	RING Seal
15		87431391	ASN JEE0104001	2	RING Seal
16		S2610S00F		2	RING
17		353058A1		1	SHAFT
18		428163A1		1	SNAP RING
19		353059A1		1	WASHER, THRUST
20		353060A1		2	BEARING, THRUST

**STX375 STX450**  
**STX425 STX500**

POWER SHIFT TRANSMISSION - INPUT SHAFT ASSEMBLY

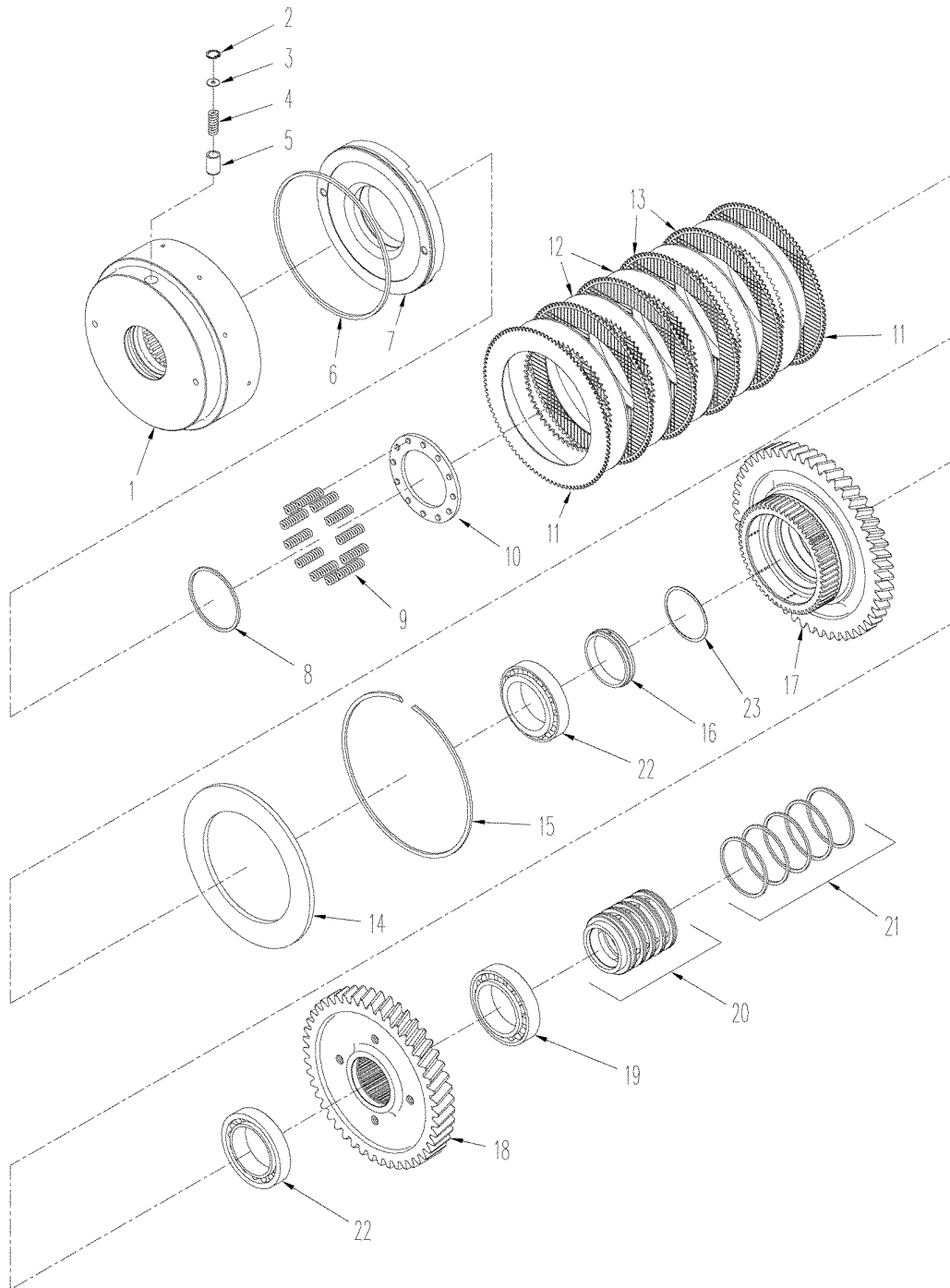


**POWER SHIFT TRANSMISSION - INPUT SHAFT ASSEMBLY**

REF	FN	PART NUMBER	YR/SN	QTY	DESCRIPTION
21		87431392		1	GEAR 1M
22		358865A1		1	BEARING
23		358866A1		1	SNAP RING
24		358867A1		1	SPACER
25		358908A1		1	WASHER, THRUST
26		S14701960		1	BALL
		87432750		1	KIT, GASKET Transmission Repair, Inc. 16, Also See Figures 06-37 - 06-48

**STX375 STX450  
STX425 STX500**

POWER SHIFT TRANSMISSION - INPUT SHAFT ASSEMBLY

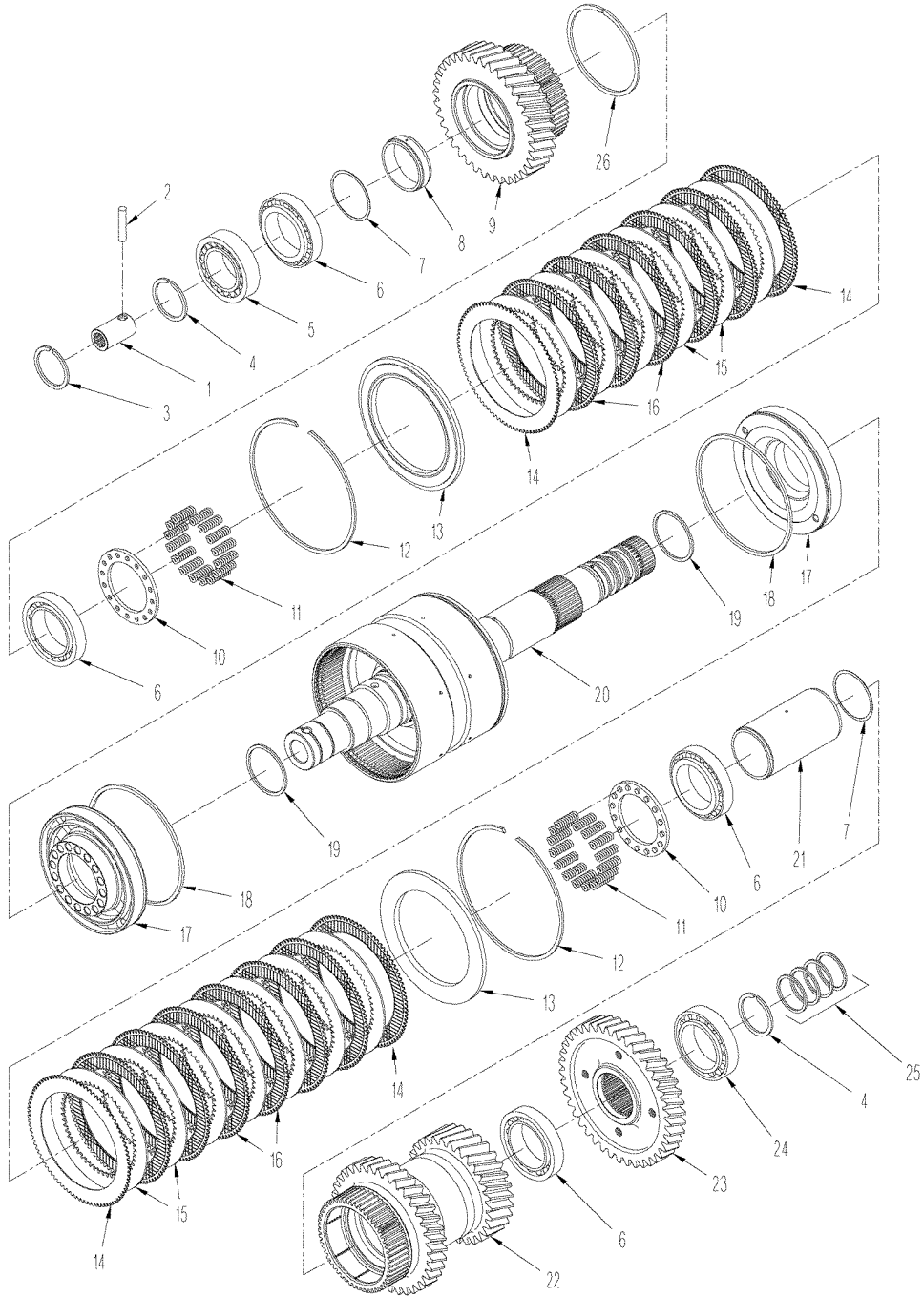


## POWER SHIFT TRANSMISSION - INPUT SHAFT ASSEMBLY

REF	FN	PART NUMBER	YR/SN	QTY	DESCRIPTION
		87431389		1	SHAFT ASSY. Input, Inc. 1- 23, Also See Figure 06-41
1		358918A1		1	DRUM 1F, Clutch
2		800-2116		1	RING, SNAP
3		S3220S00F		1	SHIM 0,70 mm (0,028 in)
4		S3210S00F		1	SPRING
5		S3200S00F		1	VALVE, DRAIN
6		S2630S00F	BSN JEE0104001	1	RING Seal
6		87431393	ASN JEE0104001	1	RING Seal
7		358970A1		1	PISTON
8		S5510S00F		1	RING
9		358971A1		12	SPRING
10		358972A1		1	PLATE
11		370555A1		2	DISC, CLUTCH Faced
12		S4070S00F		AR	DISC, CLUTCH If Used, 2,4 mm (0,094 in)
12		S4110S00F		AR	DISC, CLUTCH If Used, 2,1 mm (0,083 in)
13		370556A1		4	DISC, CLUTCH Faced
14		442803A1		1	PLATE End
15		428108A1		1	SNAP RING
16		359203A1		1	SPACER
17		359204A1		1	GEAR 1F
18		359205A1		1	GEAR Drive
19		359206A1		1	BEARING
20		359207A1		1	CARRIER Seal
21		S4150S00F		5	RING Seal
22		352817A1		2	BEARING Roller
23		352818A1		AR	SHIM 0,15 mm
23		352819A1		AR	SHIM 0,18 mm
23		352820A1		AR	SHIM 0,20 mm
23		352821A1		AR	SHIM 0,25 mm
23		352822A1		AR	SHIM 0,30 mm
23		352823A1		AR	SHIM 0,50 mm
		87432750		1	KIT, GASKET Transmission Repair, Inc. 32, 34, 47, Also See Figures 06-37 - 06-48

**STX375 STX450**  
**STX425 STX500**

POWER SHIFT TRANSMISSION - SECOND SHAFT ASSEMBLY



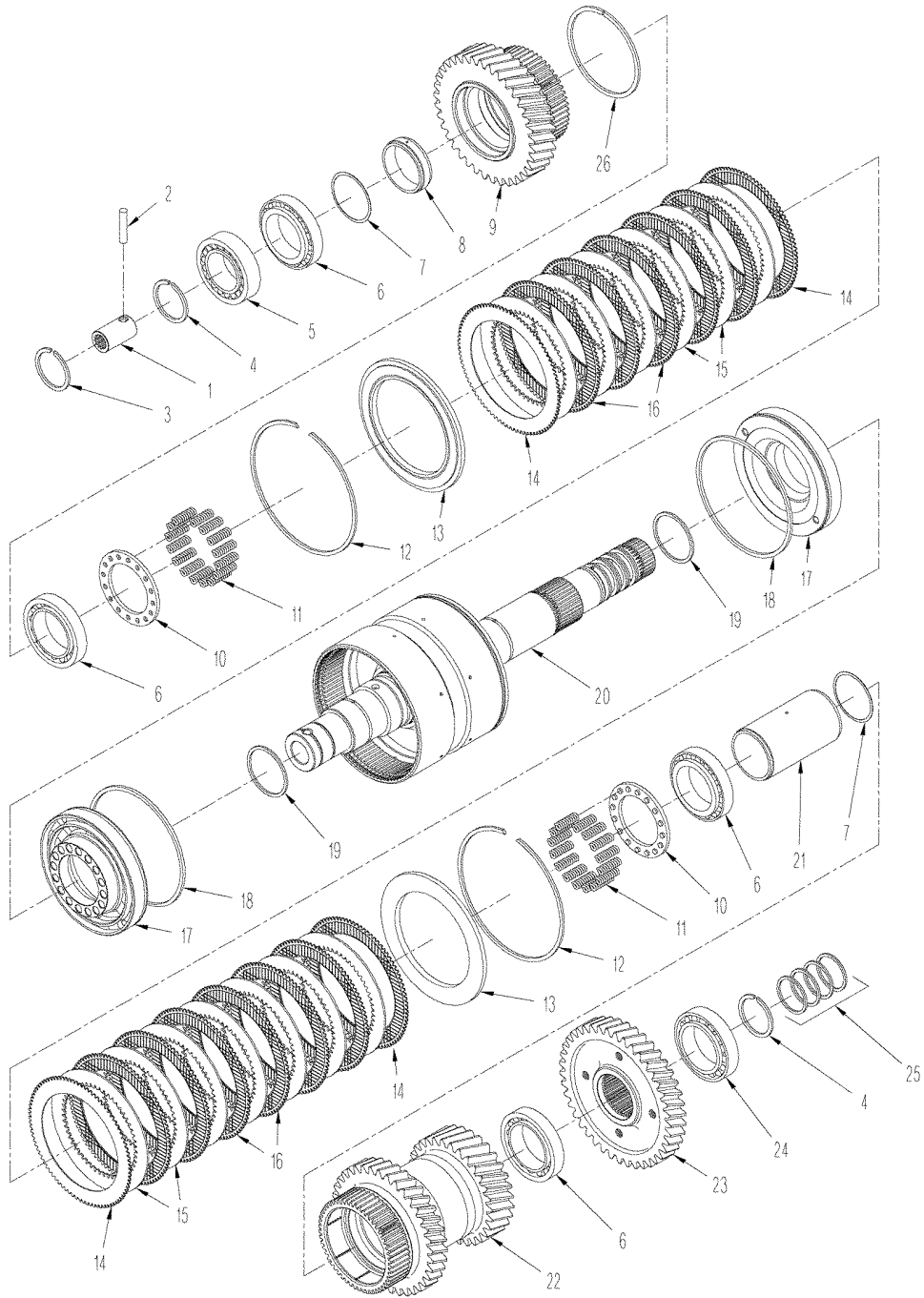
## POWER SHIFT TRANSMISSION - SECOND SHAFT ASSEMBLY

REF	FN	PART NUMBER	YR/SN	QTY	DESCRIPTION
		87431395		1	SHAFT ASSY. Second, Inc. 1 - 25
1		428673A1		1	COUPLING, SPLINED
2		428674A1		1	DOWEL
3		352816A1		1	SNAP RING 3,0 mm
4		352378A1		AR	SNAP RING 2,5 mm
4		352394A1		AR	SNAP RING 2,6 mm
4		352397A1		AR	SNAP RING 2,7 mm
4		352400A1		AR	SNAP RING 2,8 mm
4		352815A1		AR	SNAP RING 2,9 mm
4		352816A1		AR	SNAP RING 3,0 mm
5		428183A1		1	BEARING
6		352817A1		4	BEARING
7		352818A1		AR	SHIM 0,15 mm
7		352819A1		AR	SHIM 0,18 mm
7		352820A1		AR	SHIM 0,20 mm
7		352821A1		AR	SHIM 0,25 mm
7		352822A1		AR	SHIM 0,30 mm
7		352823A1		AR	SHIM 0,50 mm
8		359260A1		1	SPACER
9		87431396		1	GEAR 2R
10		352827A1		2	PLATE Retaining Spring
11		352828A1		32	SPRING
12		352829A1		2	SNAP RING
13		87431390		2	PLATE Clutch End
14		352831A1		4	DISC, CLUTCH Faced
15		S2080S00F		AR	DISC, CLUTCH If Used, 2,4 mm (0.094 in)
15		S2090S00F		AR	DISC, CLUTCH If Used, 2,1 mm (0.083 in)
16		352832A1		11	DISC, CLUTCH Faced
17		352833A1		2	PISTON
18		87431391		2	RING Seal
19		S2610S00F		2	RING
20		359280A1		1	SHAFT Drum
21		362423A1		1	SPACER
22		362542A1		1	GEAR 2M
23		362543A1		1	GEAR Driven

**STX375 STX450**  
**STX425 STX500**



POWER SHIFT TRANSMISSION - SECOND SHAFT ASSEMBLY

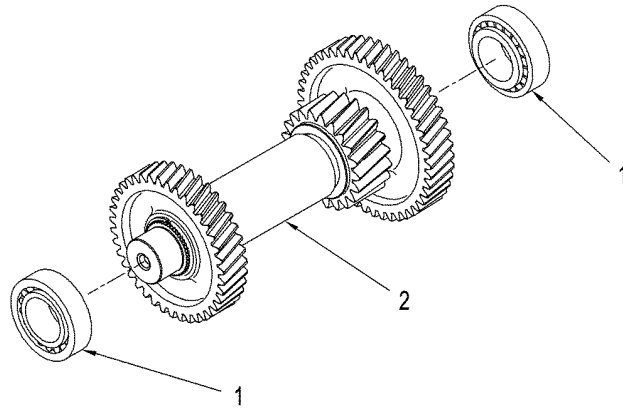


**POWER SHIFT TRANSMISSION - SECOND SHAFT ASSEMBLY**

REF	FN	PART NUMBER	YR/SN	QTY	DESCRIPTION
24		359206A1		1	BEARING
25		S3070S00F		4	RING
26		87431394	ASN JEE0104001	1	RING Seal
		87432750			KIT, GASKET Transmission Repair, Inc. 18 & 26, See Figure (s): 06-37 - 06-48

**STX375 STX450  
STX425 STX500**

POWER SHIFT TRANSMISSION - THIRD SHAFT ASSEMBLY

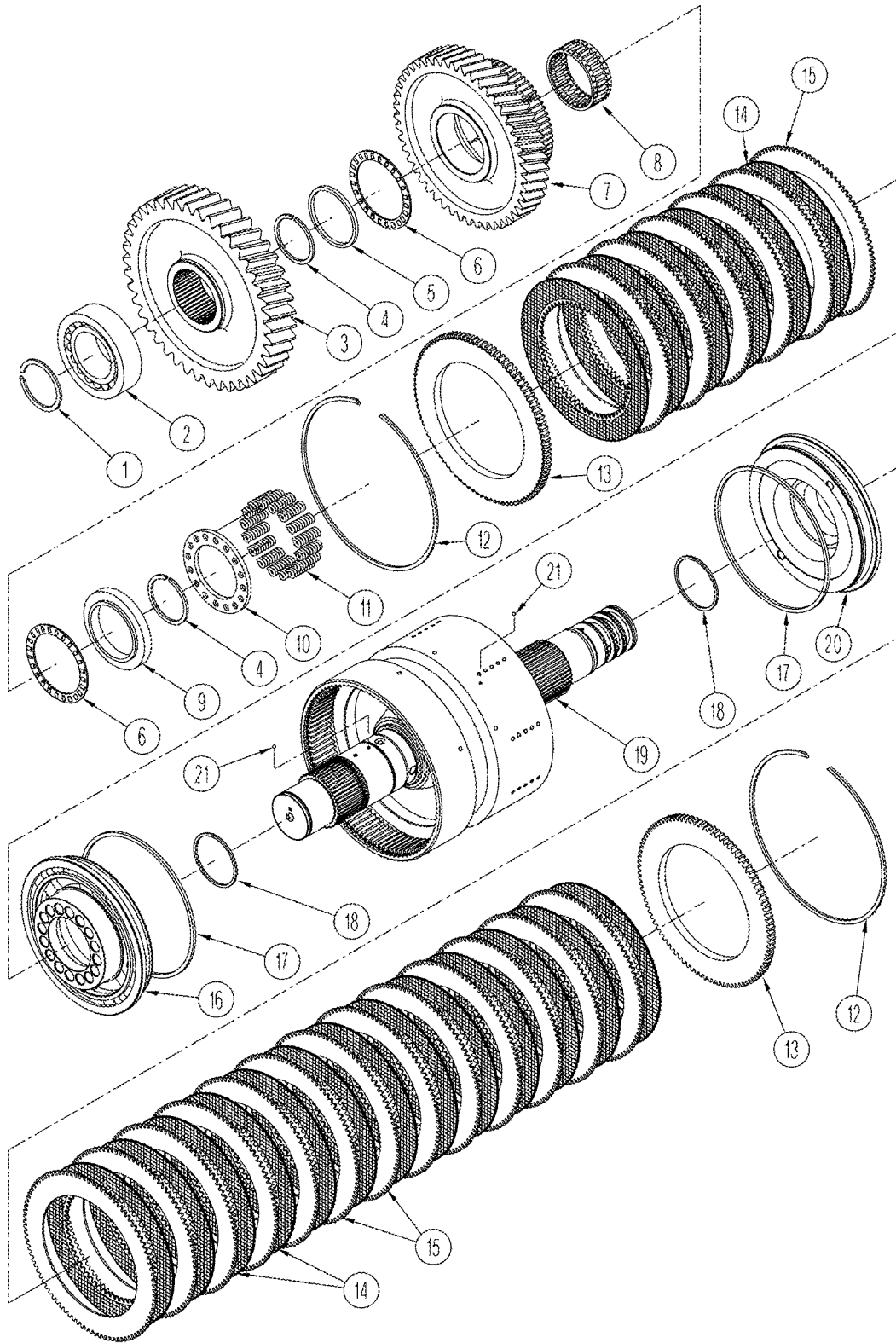


**POWER SHIFT TRANSMISSION - THIRD SHAFT ASSEMBLY**

<b>REF</b>	<b>FN</b>	<b>PART NUMBER</b>	<b>YR/SN</b>	<b>QTY</b>	<b>DESCRIPTION</b>
1		87431397		2	BEARING
2		87305940		1	SHAFT

**STX375 STX450**  
**STX425 STX500**

POWER SHIFT TRANSMISSION - FOURTH SHAFT ASSEMBLY

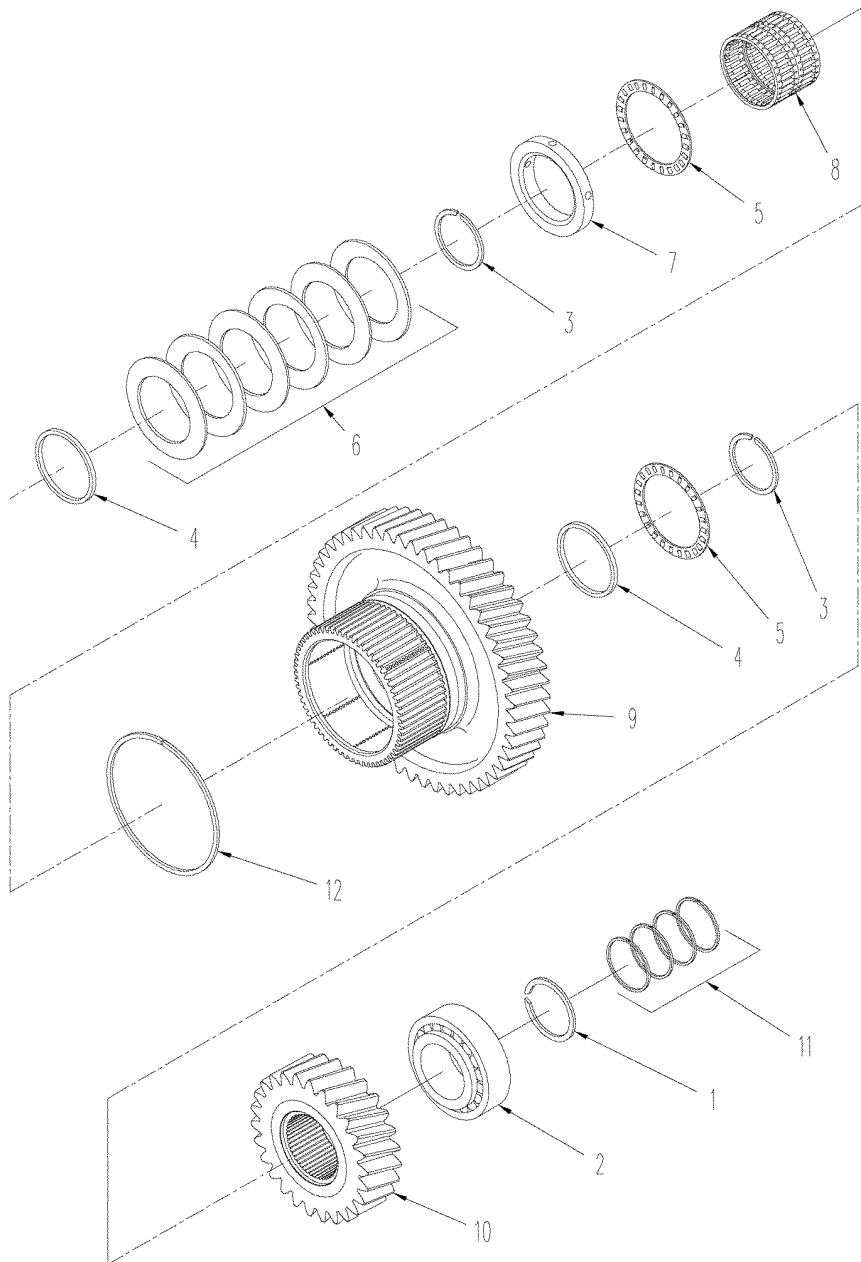


## POWER SHIFT TRANSMISSION - FOURTH SHAFT ASSEMBLY

REF	FN	PART NUMBER	YR/SN	QTY	DESCRIPTION
		87431399		1	SHAFT ASSY. Fourth, Inc. 1 - 21, Also See Figure 06-46
1		427674A1		AR	SHIM 2,50 mm
1		427675A1		AR	SHIM 2,60 mm
1		427676A1		AR	SHIM 2,70 mm
1		427678A1		AR	SHIM 2,80 mm
1		427679A1		AR	SHIM 2,90 mm
1		427680A1		AR	SHIM 3,00 mm
2		428675A1		2	BEARING
3		362610A1		1	GEAR Drive
4		S5040S00F		4	RING
5		362611A1		3	SPACER
6		353060A1		4	BEARING, THRUST
7		362612A1		1	GEAR Driven
8		362613A1		1	BEARING, NEEDLE
9		362614A1		1	WASHER, THRUST
10		362615A1		1	PLATE Spring Retainer
11		362616A1		16	SPRING
12		359235A1		2	SNAP RING
13		362617A1		2	PLATE Clutch End
14		362618A1		19	DISC, CLUTCH
15		362628A1		AR	DISC, CLUTCH If Used, 2,4 mm ( 0.094 in)
15		362629A1		AR	DISC, CLUTCH If Used, 2,6 mm (0.102 in)
16		364822A1		1	PISTON
17		87431400		2	RING Seal
18		S4410S00F		2	RING
19		364824A1		1	SHAFT Drum
20		364825A1		1	PISTON
21		S14701960		2	BALL
		87432750		1	KIT, GASKET Transmission Repair, Inc. 18, Also See figures 06-37 - 06-48

**STX375 STX450**  
**STX425 STX500**

POWER SHIFT TRANSMISSION - FOURTH SHAFT ASSEMBLY



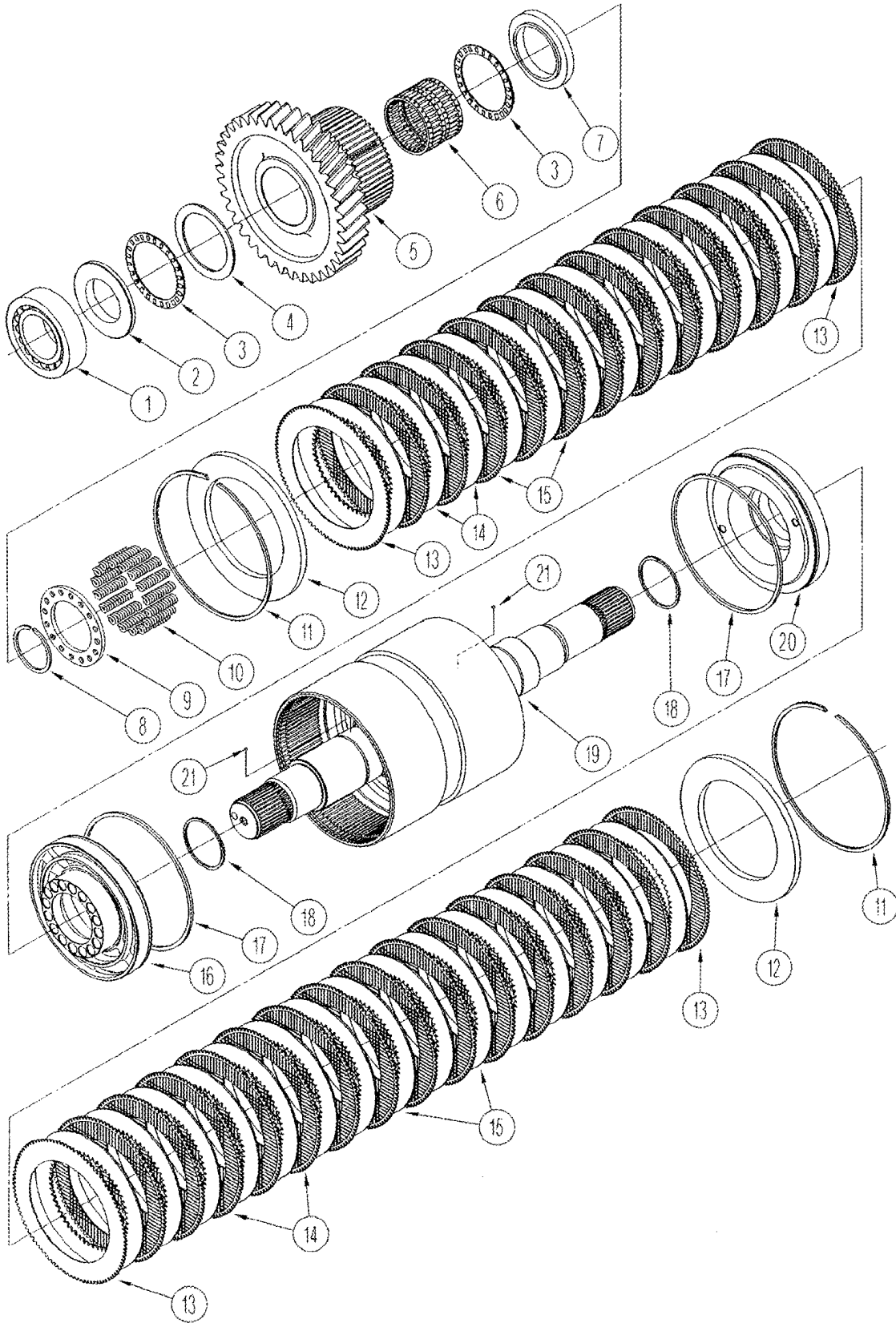
## POWER SHIFT TRANSMISSION - FOURTH SHAFT ASSEMBLY

REF	FN	PART NUMBER	YR/SN	QTY	DESCRIPTION
		87431399		1	SHAFT ASSY. Fourth, Inc. 1 - 12, Also See Figure 06-45
1		427674A1		AR	SHIM 2,50 mm
1		427675A1		AR	SHIM 2,60 mm
1		427678A1		AR	SHIM 2,80 mm
1		427679A1		AR	SHIM 2,90 mm
1		427680A1		AR	SHIM 3,00 mm
2		428675A1		2	BEARING Roller
3		S5040S00F		4	RING Retaining
4		362611A1		3	SPACER
5		353060A1		4	BEARING, THRUST Needle
6		364826A1		6	PLATE Spring
7		364827A1		1	WASHER, THRUST
8		S5070S00F		2	BEARING, NEEDLE
9		364828A1		1	GEAR, DRIVEN
10		364830A1		1	GEAR Drive
11		428102A1	BSN JEE0104001	4	RING, SNAP Seal
11		87431401	ASN JEE0104001	4	RING Seal
12		392073A1		1	SEALRING
		87432750		1	KIT, GASKET Transmission Repair, Inc. 11, Also See Figures 06-37 - 06-48

**STX375 STX450**  
**STX425 STX500**



POWER SHIFT TRANSMISSION - FIFTH SHAFT ASSEMBLY

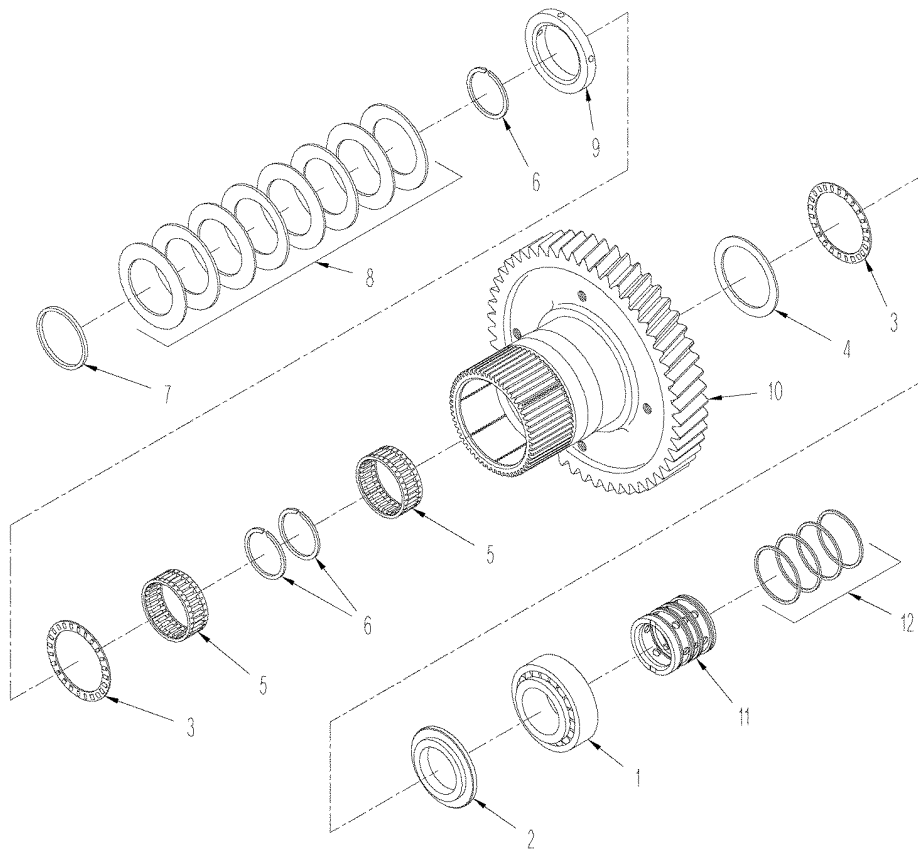


## POWER SHIFT TRANSMISSION - FIFTH SHAFT ASSEMBLY

REF	FN	PART NUMBER	YR/SN	QTY	DESCRIPTION
		87431402		1	SHAFT ASSY. Fifth, Inc. 1 - 21, Also See Figure 06-48
1		428675A1		2	BEARING
2		364831A1		2	WASHER, THRUST
3		353060A1		4	BEARING, THRUST
4		358908A1		2	WASHER, THRUST
5		364832A1		1	GEAR Driven
6		S5070S00F		4	BEARING, NEEDLE
7		362614A1		1	WASHER, THRUST
8		S5040S00F		4	RING
9		362615A1		1	PLATE Spring Retaining
10		364833A1		16	SPRING
11		428108A1		2	SNAP RING
12		370554A1		2	DISC, CLUTCH
13		370555A1		4	DISC, CLUTCH Faced
14		S4070S00F		AR	DISC, CLUTCH If Used, 2,4 mm (0.094 in)
14		S4110S00F		AR	DISC, CLUTCH If Used, 2,1 mm (0.083 in)
15		370556A1		25	DISC, CLUTCH Faced
16		370558A1		1	PISTON
17		370559A1	BSN JEE0104001	2	RING Seal
17		87431400	ASN JEE0104001	2	RING Seal
18		S4410S00F		2	RING
19		370561A1		1	SHAFT Drum
20		370562A1		1	PISTON
21		S14701960		2	BALL
		87432750		1	KIT, GASKET Transmission Repair, Inc. 17, 18, Also See Figures 06-37 - 06-48

**STX375 STX450**  
**STX425 STX500**

POWER SHIFT TRANSMISSION - FIFTH SHAFT ASSEMBLY

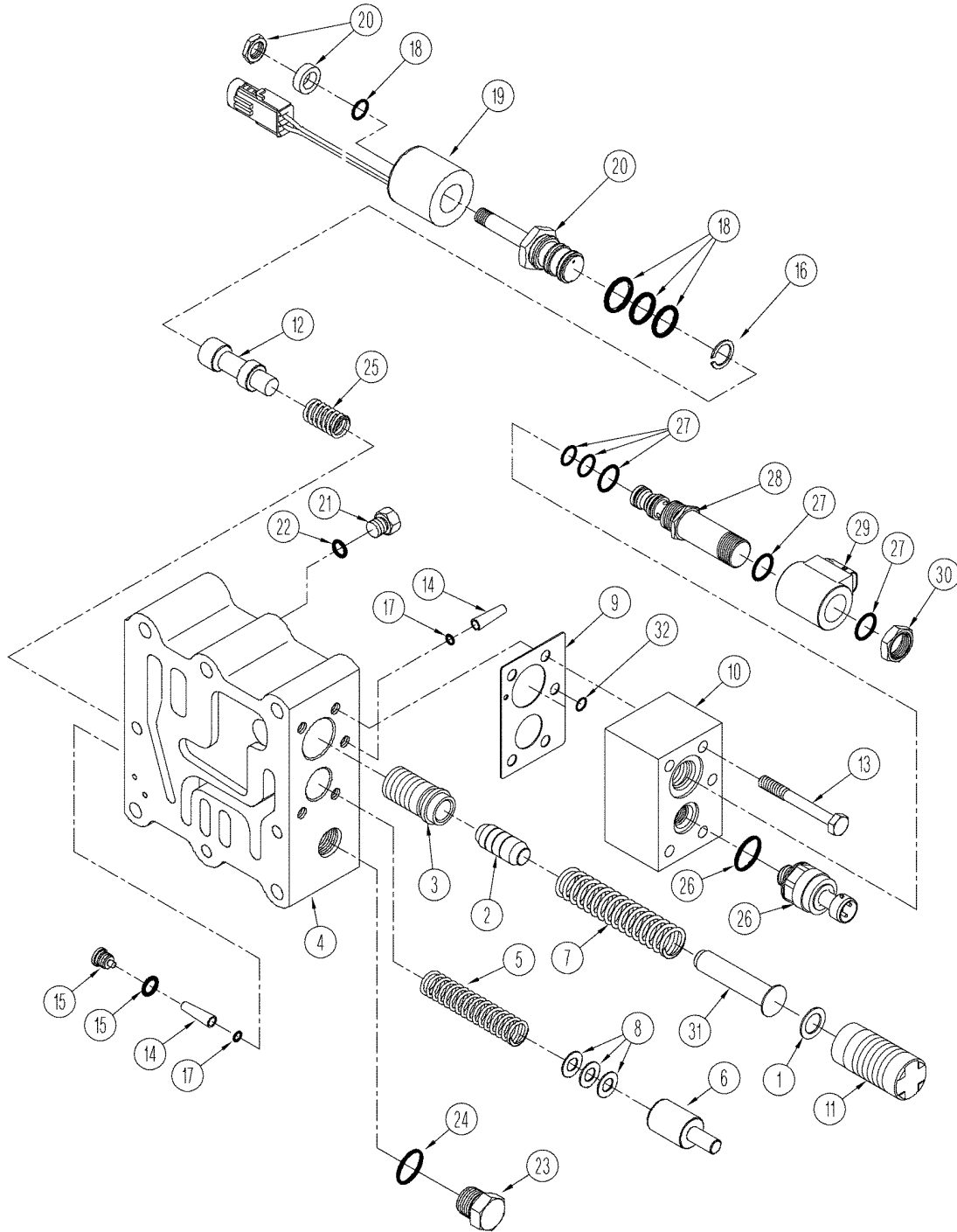


## POWER SHIFT TRANSMISSION - FIFTH SHAFT ASSEMBLY

REF	FN	PART NUMBER	YR/SN	QTY	DESCRIPTION
		87431402		1	SHAFT ASSY. Fifth, Inc. 1 - 12, Also See Figure 06-47
1		428675A1		1	BEARING Roller
2		364831A1		1	WASHER, THRUST
3		353060A1		2	BEARING, THRUST Needle
4		358908A1		1	WASHER, THRUST
5		S5070S00F		1	BEARING, NEEDLE
6		S5040S00F		4	RING Retaining
7		362611A1		1	SPACER
8		364826A1		8	PLATE Spring
9		364827A1		1	WASHER, THRUST
10		370566A1		1	GEAR Driven
11		370568A1		1	CARRIER Seal
12		S4150S00F		4	RING Seal
		87432750		1	KIT, GASKET Transmission Repair, Inc. 12, Also See Figures 06-37 - 06-48

**STX375 STX450**  
**STX425 STX500**

POWER SHIFT TRANSMISSION - REGULATOR VALVE ASSEMBLY, BSN JEE0104001

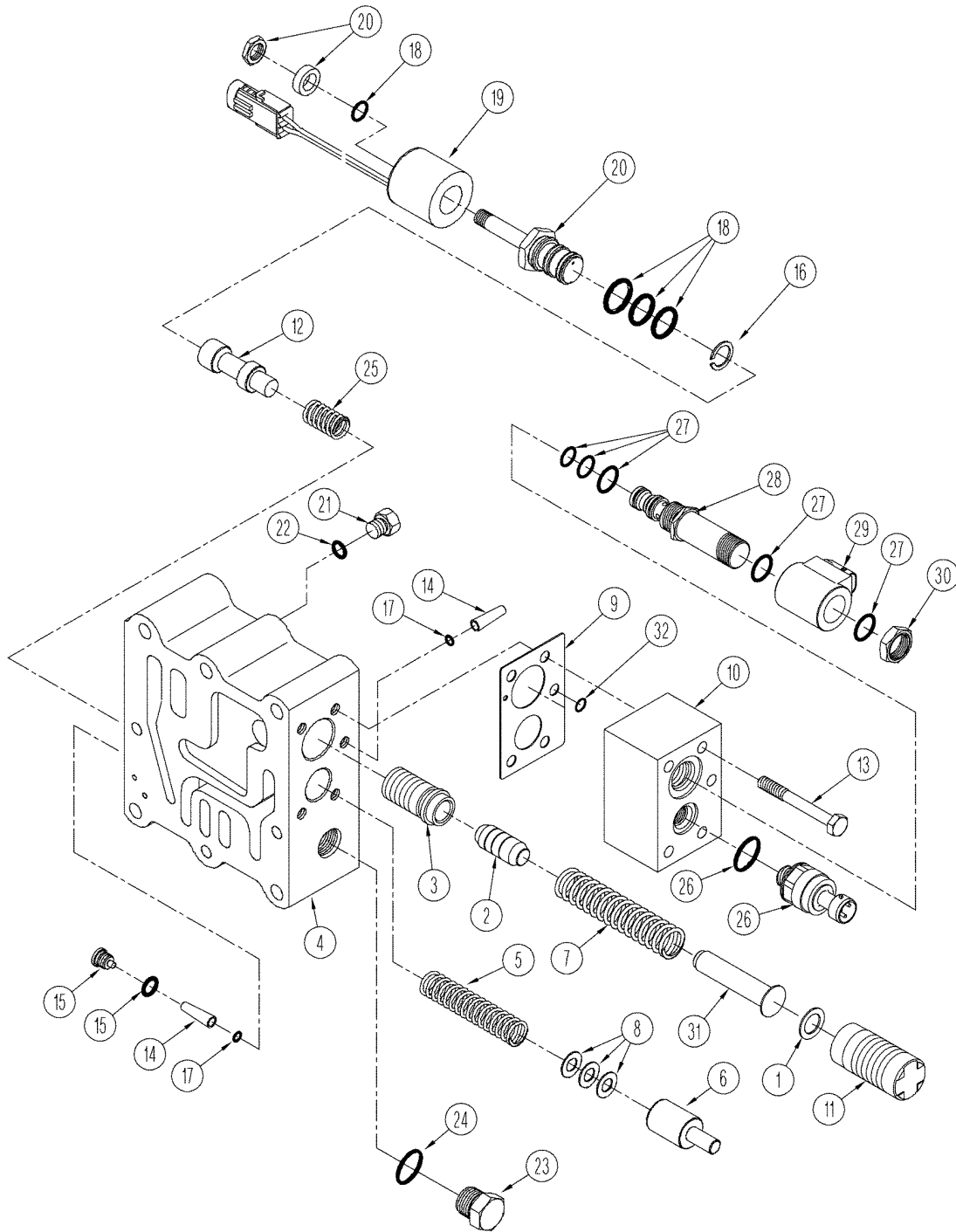


## POWER SHIFT TRANSMISSION - REGULATOR VALVE ASSEMBLY, BSN JEE0104001

REF	FN	PART NUMBER	YR/SN	QTY	DESCRIPTION
		385957A1		1	VALVE Inc. 1 - 32
1		395752A1		AR	SHIM 0,039 in
2		385780A1		1	ROD Pressure
3		385781A1		1	VALVE
4		370590A2		1	BODY, VALVE
5		398443A1		1	SPRING
6		398444A1		1	VALVE Lube
7		370591A1		1	SPRING
8		398445A1		AR	SHIM 0,031 in
9		370593A1		1	GASKET
10		385778A1		1	BODY, VALVE Solenoid
11		391884A1		1	PISTON
12		370597A1		1	SPOOL
13		426-536		5	BOLT 5/16 x 2-1/4; 8
14		87409404		2	FILTER
15		428678A1		1	PLUG
16		428679A1		1	SNAP RING
17		428676A1		2	O-RING Filter
		371737A1		1	VALVE, SOLENOID Three Way, Inc. 18 - 20
18		371738A1		1	KIT O-Ring
19		371739A1		1	COIL
20		370600A1		1	VALVE, SOLENOID Valve Solenoid
21		220064A1		2	PLUG M14 - 1,5, Inc. 22
22		637-63113		2	O-RING 11,3 ID x 2,2
23		220066A1		1	PLUG M18 - 1,5, Inc. 24
24		637-63153		1	O-RING 15,3 ID x 2,2
25		370596A1		1	SPRING
26		404450A1		1	SENSOR Pressure
		239552A2		1	VALVE Pulse With Modulation, Inc. 27 - 30
27		308245A1		1	KIT, SEALS O-Ring
28		304831A1		1	SPOOL
29		304834A1		1	COIL
30		304836A1		1	NUT
31		413236A1		1	PIN Centering
32		413238A1		1	RETAINER

**STX375 STX450**  
**STX425**

POWER SHIFT TRANSMISSION - REGULATOR VALVE ASSEMBLY, BSN JEE0104001



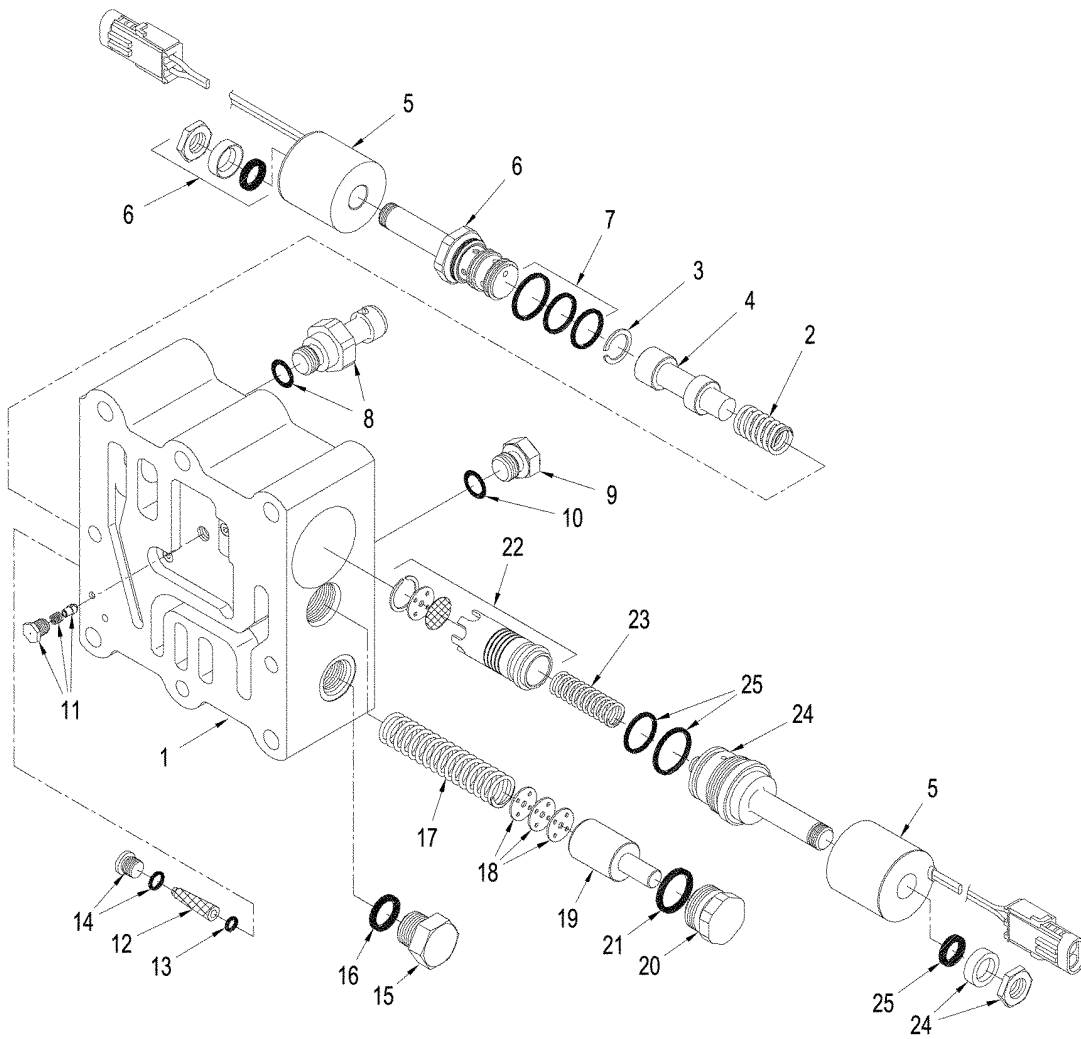
**POWER SHIFT TRANSMISSION - REGULATOR VALVE ASSEMBLY, BSN JEE0104001**

REF	FN	PART NUMBER	YR/SN	QTY	DESCRIPTION
		398441A1		1	KIT, SEALS Transmission repair, Inc. 9, See Figure 06-37, 06-38, 06-50
		87432750		1	KIT, GASKET Transmission Repair, Inc. 9, 18, See Figure 06-37 - 06-48

	<b>STX375 STX450 STX425</b>
--	---------------------------------



POWER SHIFT TRANSMISSION - REGULATOR VALVE ASSEMBLY, ASN JEE0104001

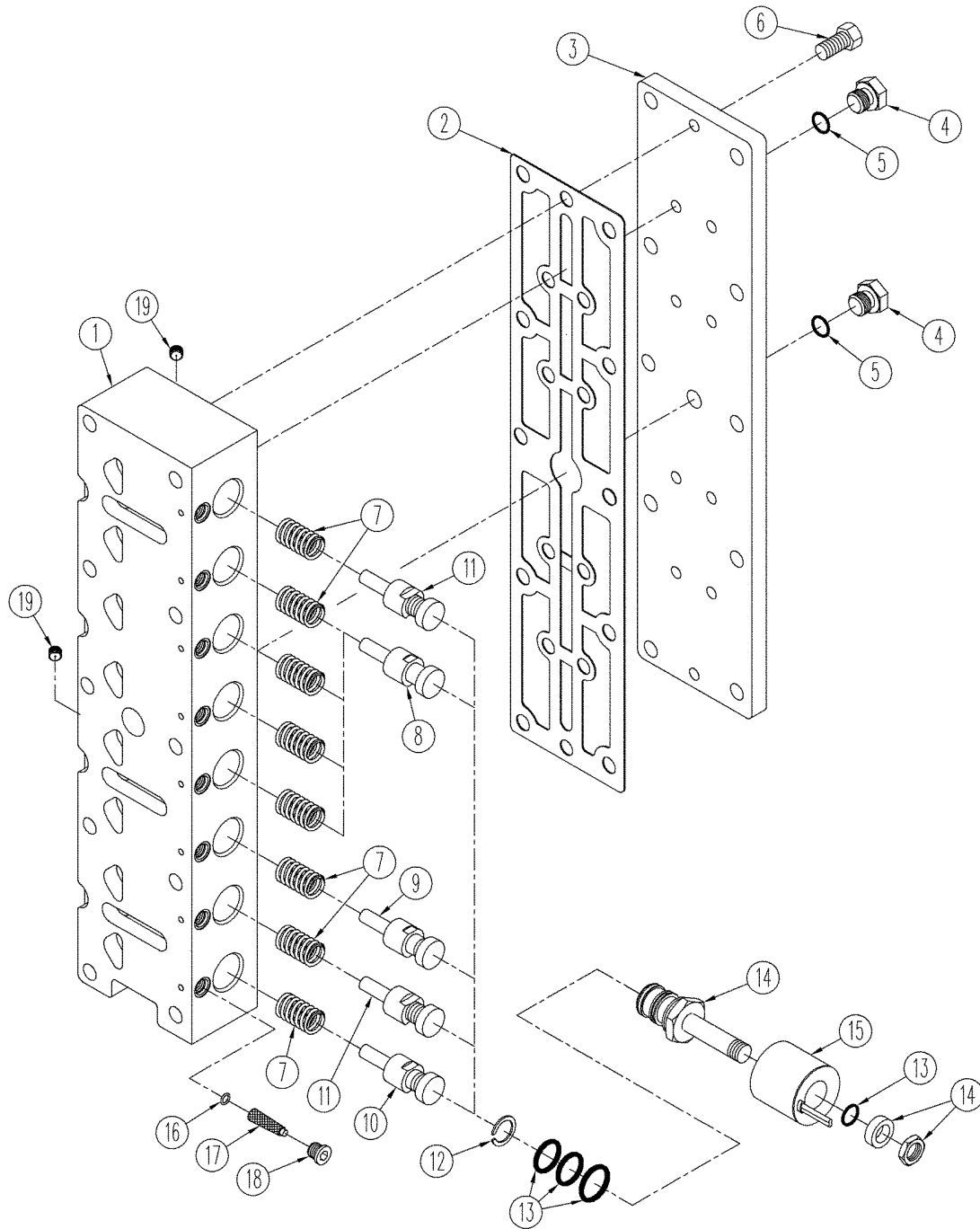


**POWER SHIFT TRANSMISSION - REGULATOR VALVE ASSEMBLY, ASN JEE0104001**

REF	FN	PART NUMBER	YR/SN	QTY	DESCRIPTION
		87431403		1	VALVE Regulator, Inc. 1 - 24
1		NSS		1	NOT SERVICED SEPARATELY Body, Valve
2		370596A1		1	SPRING
3		428679A1		1	SNAP RING
4		370597A1		1	SPOOL
		371737A1		1	VALVE, SOLENOID Three way, Inc. 5 - 7
5		371739A1		2	COIL
6		370600A1		1	VALVE, SOLENOID Pilot Assy.
7		371738A1		1	KIT O-Ring
8		404450A1		1	SENSOR Pressure
9		220064A1		1	PLUG M14, Inc. 10
10		637-63113		1	O-RING
11		87431412		1	VALVE Relief
12		87409404		1	FILTER Conical
13		428676A1		1	O-RING
14		428678A1		1	PLUG Inc. O-Ring
15		220066A1		1	PLUG M18, Inc. 16
16		637-63153		1	O-RING
17		398443A1		1	SPRING
18		398445A1		AR	SHIM
19		398444A1		1	VALVE Spool
20		87431407		1	PLUG Inc. 21
21		87431408		1	O-RING
22		87431405		1	SPOOL Main Pressure
23		87431406		1	SPRING, VALVE
		87431409		1	VALVE PMW Solenoid, Inc. 5, 24, & 25
24		87431410		1	VALVE Pilot
25		87431411		1	KIT, SEALS O-Ring

**STX375 STX450  
STX425 STX500**

POWER SHIFT TRANSMISSION - RANGE SELECTOR VALVE

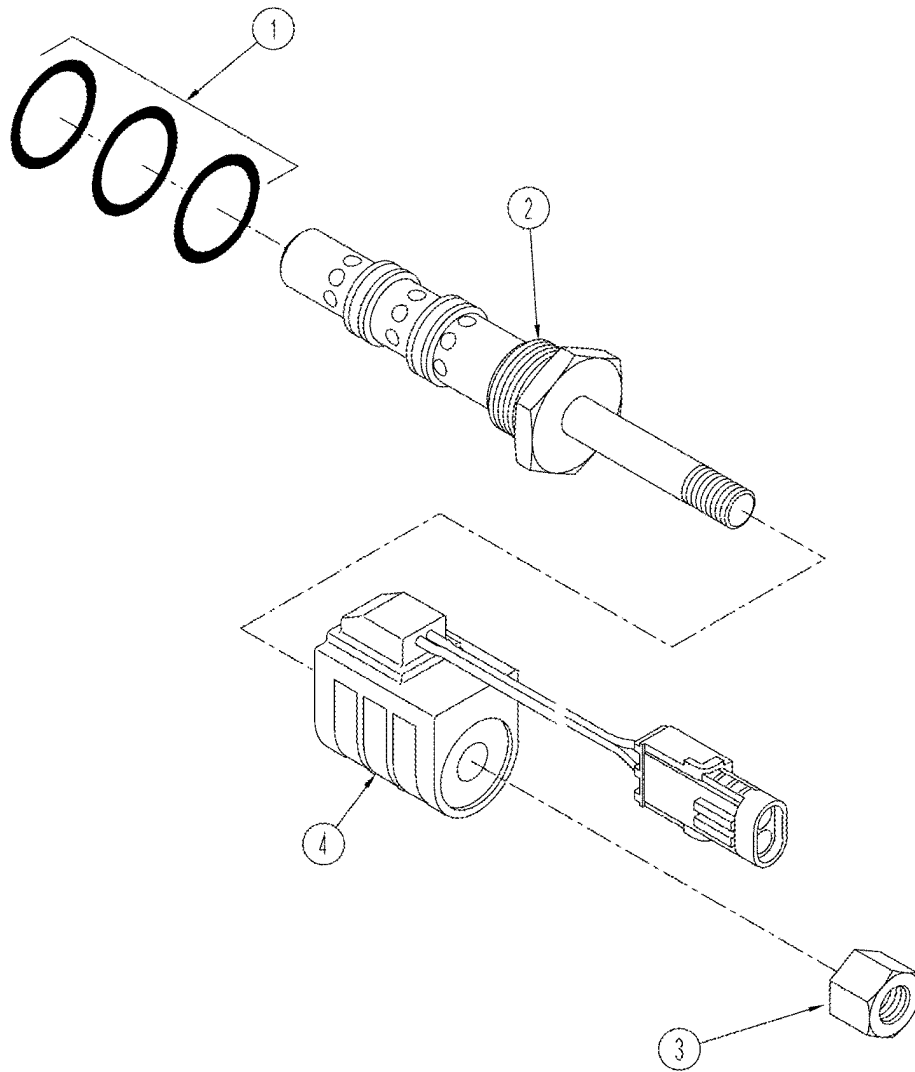


## POWER SHIFT TRANSMISSION - RANGE SELECTOR VALVE

REF	FN	PART NUMBER	YR/SN	QTY	DESCRIPTION
		370550A1		1	VALVE Range Selector, Inc. 1 - 17
1		370601A1		1	BODY
2		428680A1		1	GASKET
3		375459A1		1	COVER
4		220064A1		2	PLUG M14 - 1,5, Inc. 5
5		637-63113		2	O-RING 11,3 ID x 2,2
6		426-512		10	BOLT 5/16 x 3/4; 8
7		370604A1		8	SPRING
8		370606A1		8	SPOOL One Groove
9		395756A1		1	SPOOL Two Groove
10		395757A1		1	SPOOL Three Groove
11		395758A1		2	SPOOL Four Groove
		371737A1		8	VALVE, SOLENOID Three Way, Inc. 12 - 15
12		428679A1		8	SNAP RING
		371738A1		8	KIT O-Ring
13		NSS		1	NOT SERVICED SEPARATELY O-Ring, Lower
13		NSS		1	NOT SERVICED SEPARATELY O-Ring, Middle
13		NSS		1	NOT SERVICED SEPARATELY O-Ring, Upper
13		NSS		1	NOT SERVICED SEPARATELY O-Ring, Plug Nut
14		370600A1		8	VALVE, SOLENOID
15		371739A1		8	COIL
16		428676A1		8	O-RING Filter
17		87409404		8	FILTER
18		428678A1		8	PLUG With O-Ring
19		398299A1		2	ORIFICE
		398441A1	BSN JEE0104001	1	KIT, SEALS Transmission Repair, Inc. 2, See Figure 06-37, 06-38, 06-49
		87432749	ASN JEE0104001	1	KIT, GASKET Transmission Repair, Inc. 2, See Figure 06-37, 06-38, 06-49
		87432750		1	KIT, GASKET Transmission Repair, Inc. 2, 13, 16, See Figure 06-37 - 06-48

**STX375 STX450**  
**STX425 STX500**

VALVE ASSEMBLY - PULSE WITH MODULATION

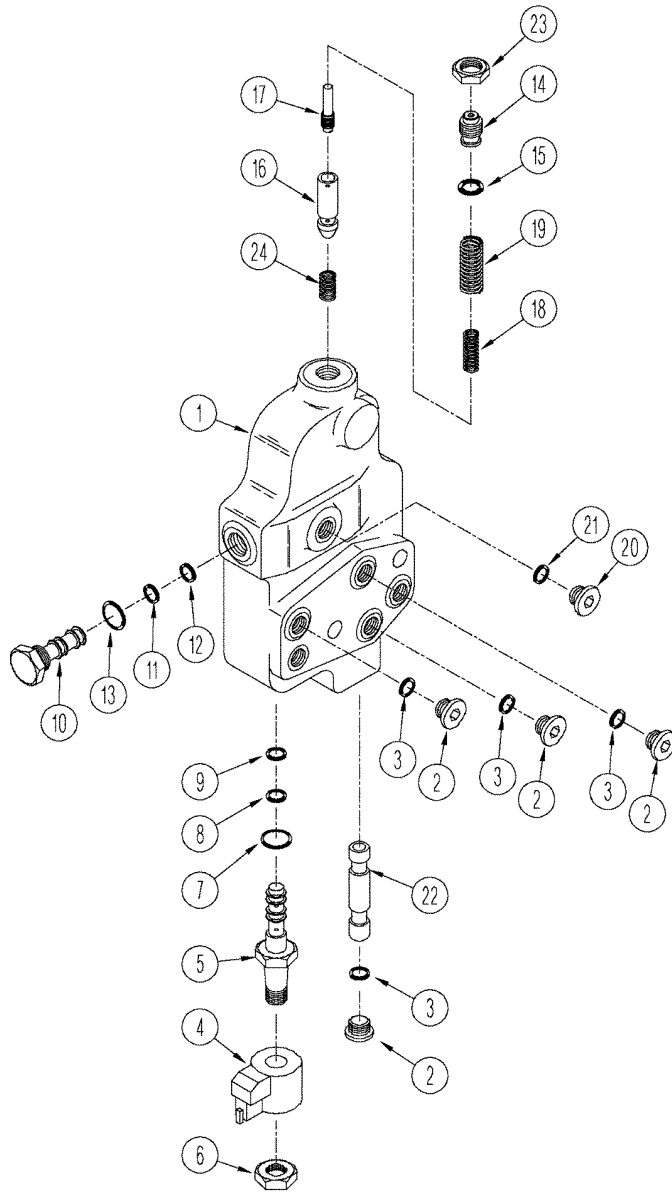


**VALVE ASSEMBLY - PULSE WITH MODULATION**

REF	FN	PART NUMBER	YR/SN	QTY	DESCRIPTION
1		362578A1		1	VALVE Pulse With Modulation, Inc. 1 - 4
		370608A1		1	KIT O-Ring, Inc. 1
		370611A1		1	VALVE, SOLENOID Inc. 2, 3
2		NSS		1	NOT SERVICED SEPARATELY Solenoid
3		NSS		1	NOT SERVICED SEPARATELY Nut
4		370610A1		1	COIL

**STX375 STX450**  
**STX425 STX500**

VALVE ASSEMBLY - POWER TAKE OFF



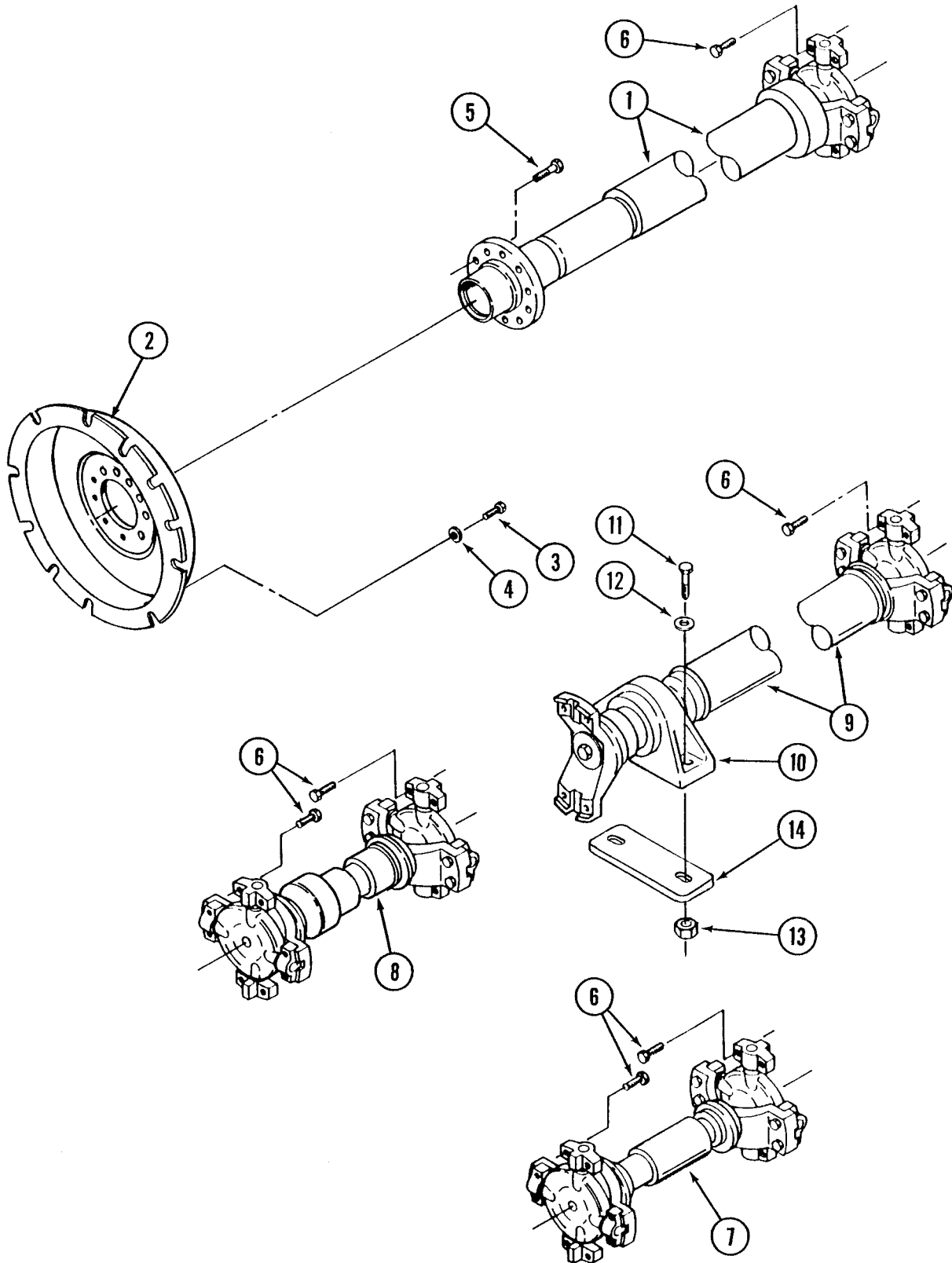
## VALVE ASSEMBLY - POWER TAKE OFF

REF	FN	PART NUMBER	YR/SN	QTY	DESCRIPTION
		413944A1		1	VALVE Power Takeoff, Inc. 1 - 27
1		NSS		1	NOT SERVICED SEPARATELY Body
2		221578A1		4	PLUG M18 - 1,5, Inc. 3
3		637-63153		4	O-RING 15,3 ID x 2,2
		318822A1		1	VALVE, SOLENOID Inc. 4 - 9
4		NSS		1	NOT SERVICED SEPARATELY Coil
5		NSS		1	NOT SERVICED SEPARATELY Valve, Solenoid
6		NSS		1	NOT SERVICED SEPARATELY Nut
7		237-6008		1	O-RING 8-1, 90 Duro, .644" ID x .087" Thk
8		238-5014		1	O-RING 1/2 ID x 1/16
9		238-5013		1	O-RING 7/16 ID x 1/16
		315514A1		1	PLUG Inc. 10 - 13
10		NSS		1	NOT SERVICED SEPARATELY Plug
11		238-6014		1	O-RING 1/2 ID x 1/16
12		238-6013		1	O-RING 7/16 ID x 1/16
13		237-6008		1	O-RING 8-1, 90 Duro, .644" ID x .087" Thk
		345794A1		1	PLUG Inc. 14, 15
14		NSS		1	NOT SERVICED SEPARATELY Plug
15		637-64236		1	O-RING 23,6 ID x 2,9
16		319664A1		1	SLEEVE
17		319665A1		1	PISTON
18		319661A1		1	SPRING Inner
19		319660A1		1	SPRING Outer
20		221576A1		1	PLUG M14 - 1,5, Inc. 21
21		637-63113		1	O-RING 11,3 ID x 2,2
22		320036A1		1	SPOOL
23		322118A1		1	NUT
24		319659A1		1	SPRING

**STX375 STX450**  
**STX425 STX500**



DRIVE SHAFT - MOUNTING



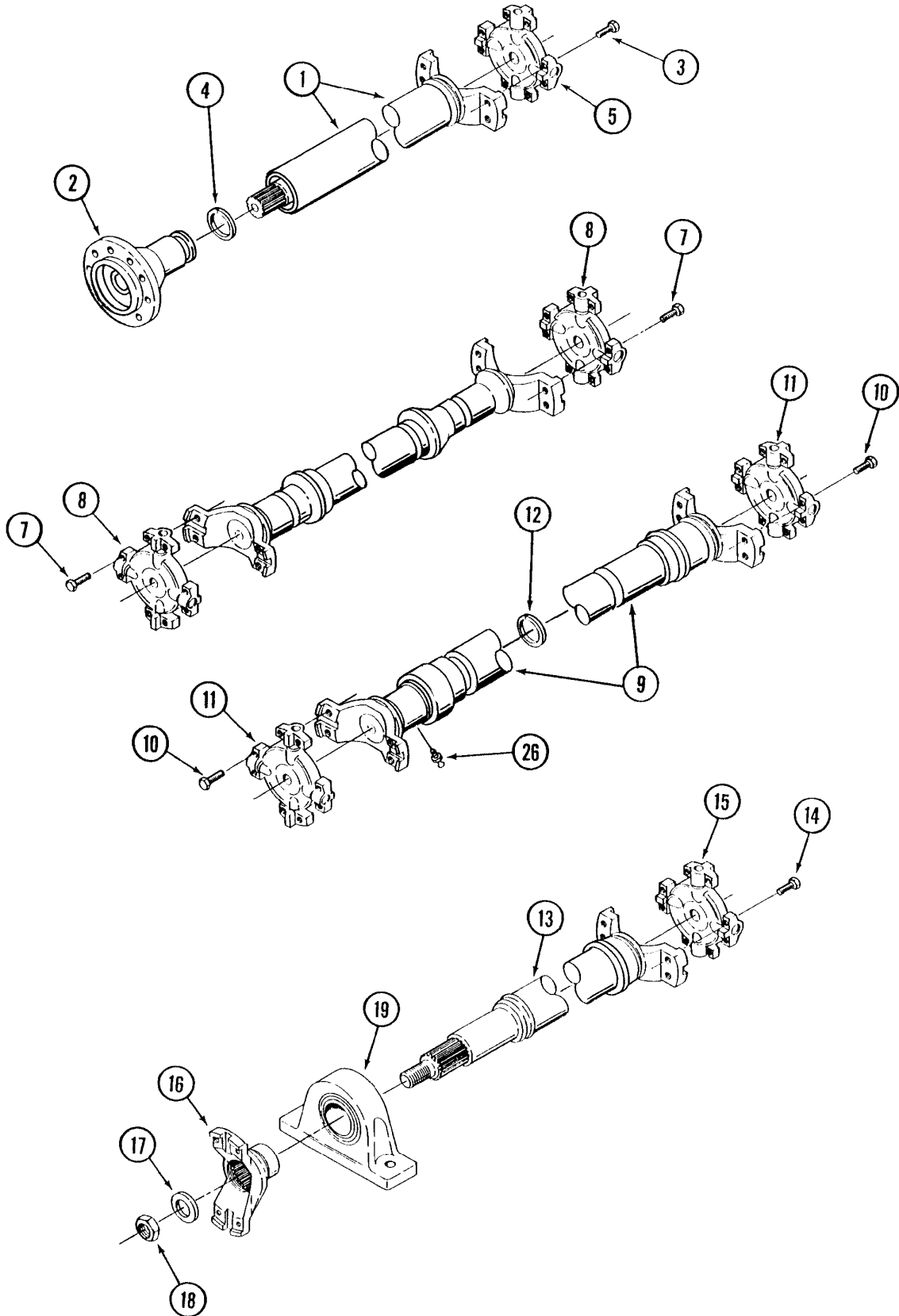
## DRIVE SHAFT - MOUNTING

REF	FN	PART NUMBER	YR/SN	QTY	DESCRIPTION
1	1, 2	402185A1		1	SHAFT, DRIVE Input, 8C, See Figure 06-54
1	3, 4	402190A1		1	SHAFT, DRIVE Input, 8,5C, See Figure 06-54
1	1, 5	402184A1		1	SHAFT, DRIVE Input, 8C, See Figure 06-54
1	3, 5	402189A1		1	SHAFT, DRIVE Input, 8C, see Figure 06-54
2		378758A2		1	DAMPER Vibration, Also Order 80-1716
3		80-1716		12	SCREW 7/16 x 1; 8
4		896-11010		12	WASHER 11 x 21 x 2,5 mm
5		426-1024		10	BOLT 5/8 x 1-1/2; 8
6	1	827-12050		24	BOLT M12 x 50; 10.9
6	3	827-12060		24	BOLT M12 x 60; 10.9
7	1	402186A1		1	SHAFT, DRIVE Front Axle, 8C, See Figure 06-54
7	3	402191A1		1	SHAFT, DRIVE Front Axle, 8,5C, See Figure 06-54
8	1	402187A1		1	SHAFT, DRIVE Articulation, 8C, See Figure 06-54
8	3	402192A1		1	SHAFT, DRIVE Articulation, 8,5C, See Figure 06-54
9	1	402188A1		1	SHAFT, DRIVE Rear Axle, 8C, See Figure 06-54
9	3	402193A1		1	SHAFT, DRIVE Rear Axle, 8,5C, See Figure 06-54
10		451767A1		1	BEARING Pillow Block, See Figure 06-54
11		827-20250		2	BOLT M20 x 250; 10.9
12		896-15020		2	WASHER 22 x 44 x 5 mm
13		829-1420		2	NUT M20, CI 10
14		406056A1		1	SPACER

- (1) With 400 Series Axles
- (2) With Manual Shift Transmission
- (3) With 500 Series Axles
- (4) With Manual Shift Transmission
- (5) With Power Shift Transmission

**STX375 STX450**  
**STX425 STX500**

DRIVE SHAFT



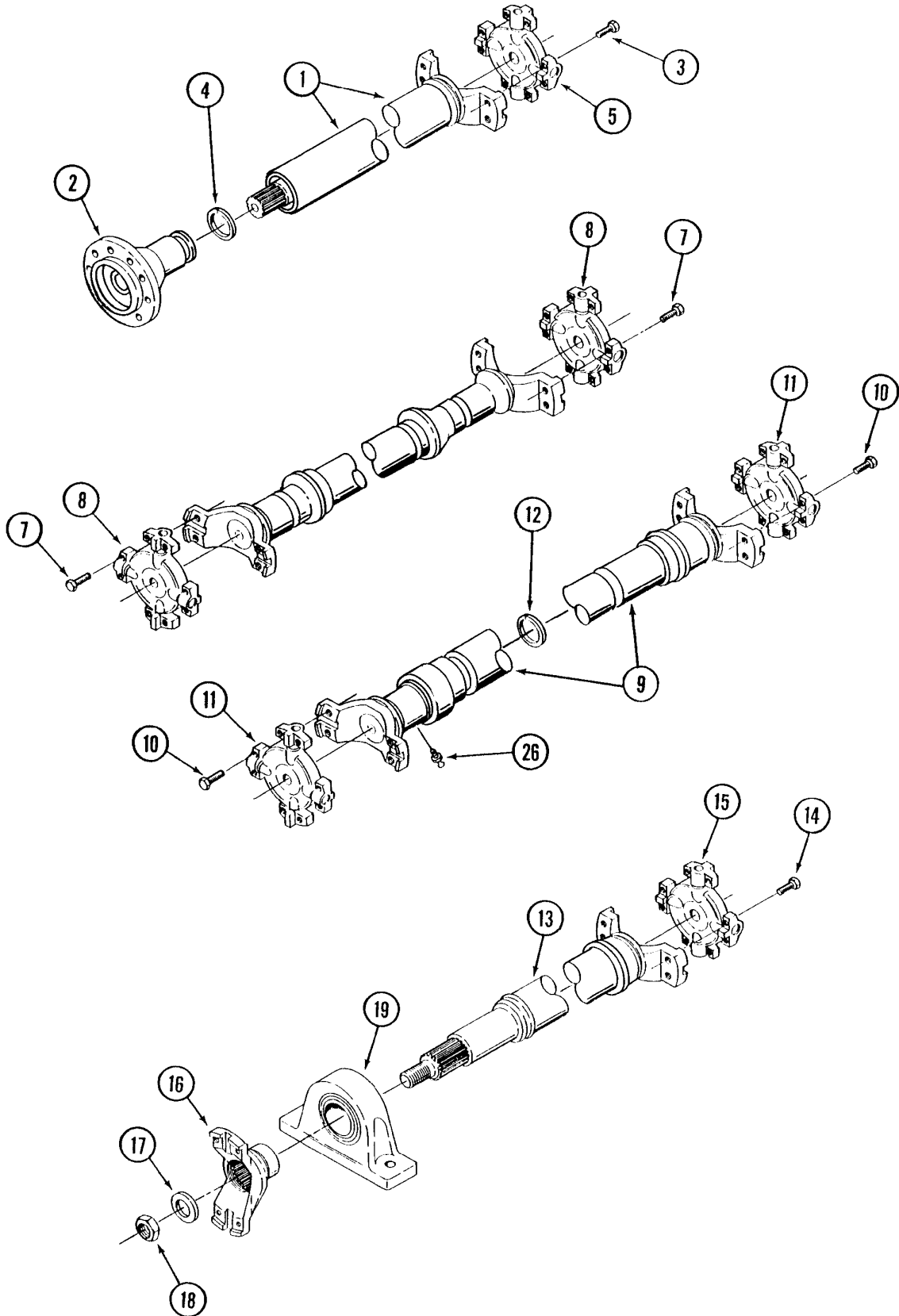
## DRIVE SHAFT

REF	FN	PART NUMBER	YR/SN	QTY	DESCRIPTION
	1, 2	402185A1		1	SHAFT, DRIVE Input, 8C, Inc. 1 - 5
	3, 2	402190A1		1	SHAFT, DRIVE Input, 8,5C, Inc. 1 - 5
	1, 4	402184A1		1	SHAFT, DRIVE Input, 8,5C, Inc. 1- 5
	3, 4	402189A1		1	SHAFT, DRIVE Input, 8,5C, Inc. 1 - 5
1		NSS		1	NOT SERVICED SEPARATELY Shaft, Slip Yoke
2		NSS		1	NOT SERVICED SEPARATELY Shaft, Flanged
3	1	827-12050		4	BOLT M12 x 50; 10.9
3	3	827-12060		4	BOLT M12 x 60; 10.9
4		404151A1		1	SEAL
5	1	86000308		1	KIT Spider Bearing, 8C
5	3	309093A1		1	SPIDER ASSY. 8,5C
	1	402186A1		1	SHAFT, DRIVE Front Axle, 8C, Inc. 6 - 8
	3	402191A1		1	SHAFT, DRIVE Front Axle, 8,5 C, Inc. 6 - 8
6		NSS		1	NOT SERVICED SEPARATELY Shaft
7	1	827-12050		8	BOLT M12 x 50; 10.9
7	3	827-12060		8	BOLT M12 x 60; 10.9
8	1	431621A1		2	SPIDER ASSY. 8C
8	3	309093A1		2	SPIDER ASSY. 8,5C
	1	402187A1		1	SHAFT, DRIVE Articulation, 8C, Inc. 9 - 12
	3	402192A1		1	SHAFT, DRIVE Articulation, 8,5C, Inc. 9 - 12
9		NSS		1	NOT SERVICED SEPARATELY Shaft
10	1	827-12050		8	BOLT M12 x 50; 10.9
10	3	827-12060		8	BOLT M12 x 60; 10.9
11	1	431621A1		2	SPIDER ASSY. 8C
11	3	309093A1		2	SPIDER ASSY. 8,5C
12		404151A1		1	SEAL
	1	402188A1		1	SHAFT, DRIVE Rear Axle, 8C, Inc. 13 - 18
	3	402193A1		1	SHAFT, DRIVE Rear Axle, 8,5C, Inc. 13 - 18
13		NSS		1	NOT SERVICED SEPARATELY Shaft
14	1	827-12050		8	BOLT M12 x 50; 10.9
14	3	827-12060		8	BOLT M12 x 60; 10.9

- (1) With 400 Series Axles  
(2) With Advanced Farming Systems (AFS)  
(3) With 500 Series Axles  
(4) With Power Shift Transmission

**STX375 STX450**  
**STX425 STX500**

DRIVE SHAFT



## DRIVE SHAFT

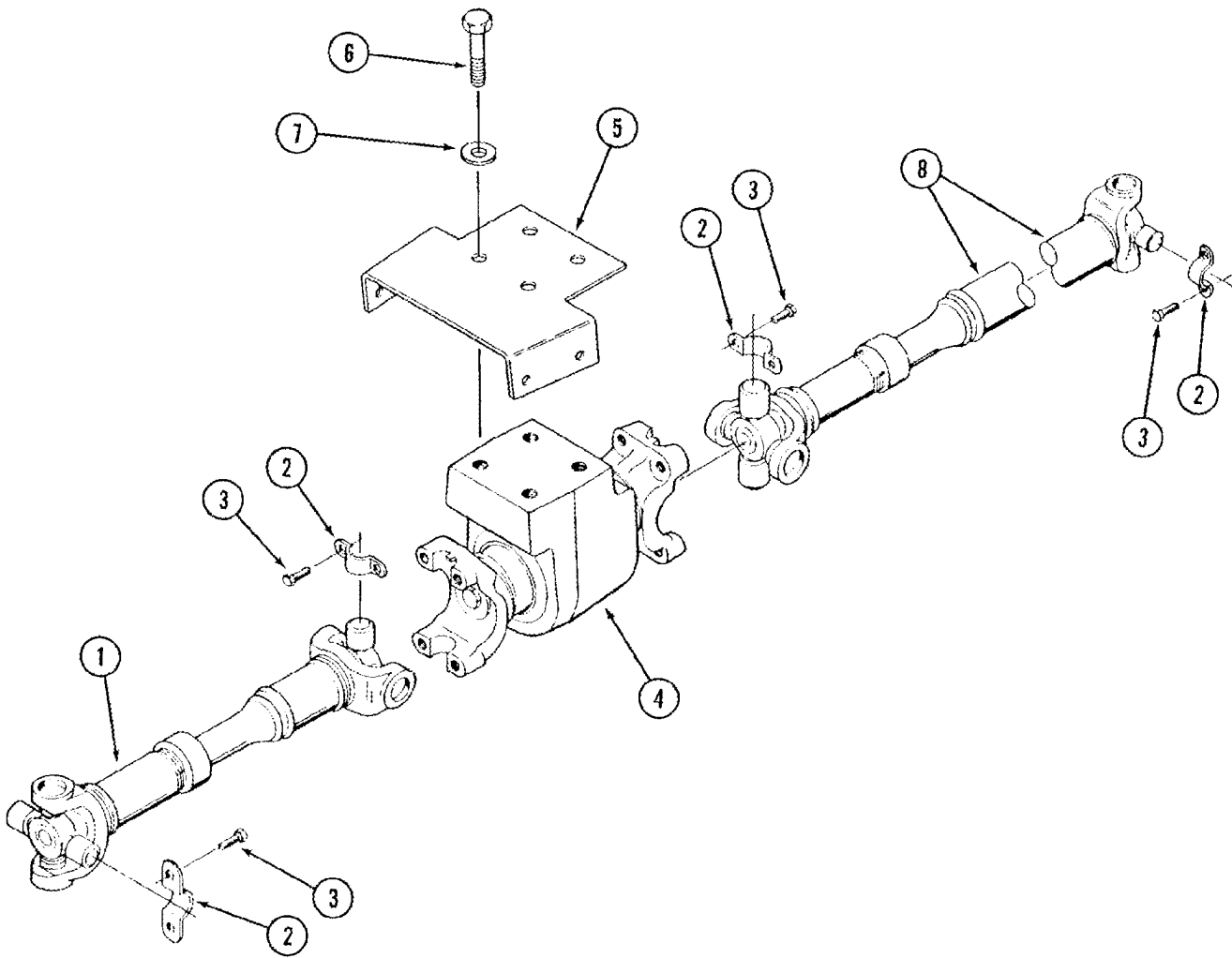
REF	FN	PART NUMBER	YR/SN	QTY	DESCRIPTION
15	1	431621A1		2	SPIDER ASSY. 8C
15	2	309093A1		2	SPIDER ASSY. 8,5C
16	1	404451A1		1	YOKE 8C
16	2	407633A1		1	YOKE 8,5C
17		396-11131		1	WASHER 1-5/16 x 2-1/2 x 9/64
18		131-487		1	NUT
19		451767A1		1	BEARING Pillow Block

(1) With 400 Series Axles

(2) With 500 Series Axles

**STX375 STX450**  
**STX425 STX500**

POWER TAKEOFF - DRIVE SHAFT MOUNTING



## POWER TAKEOFF - DRIVE SHAFT MOUNTING

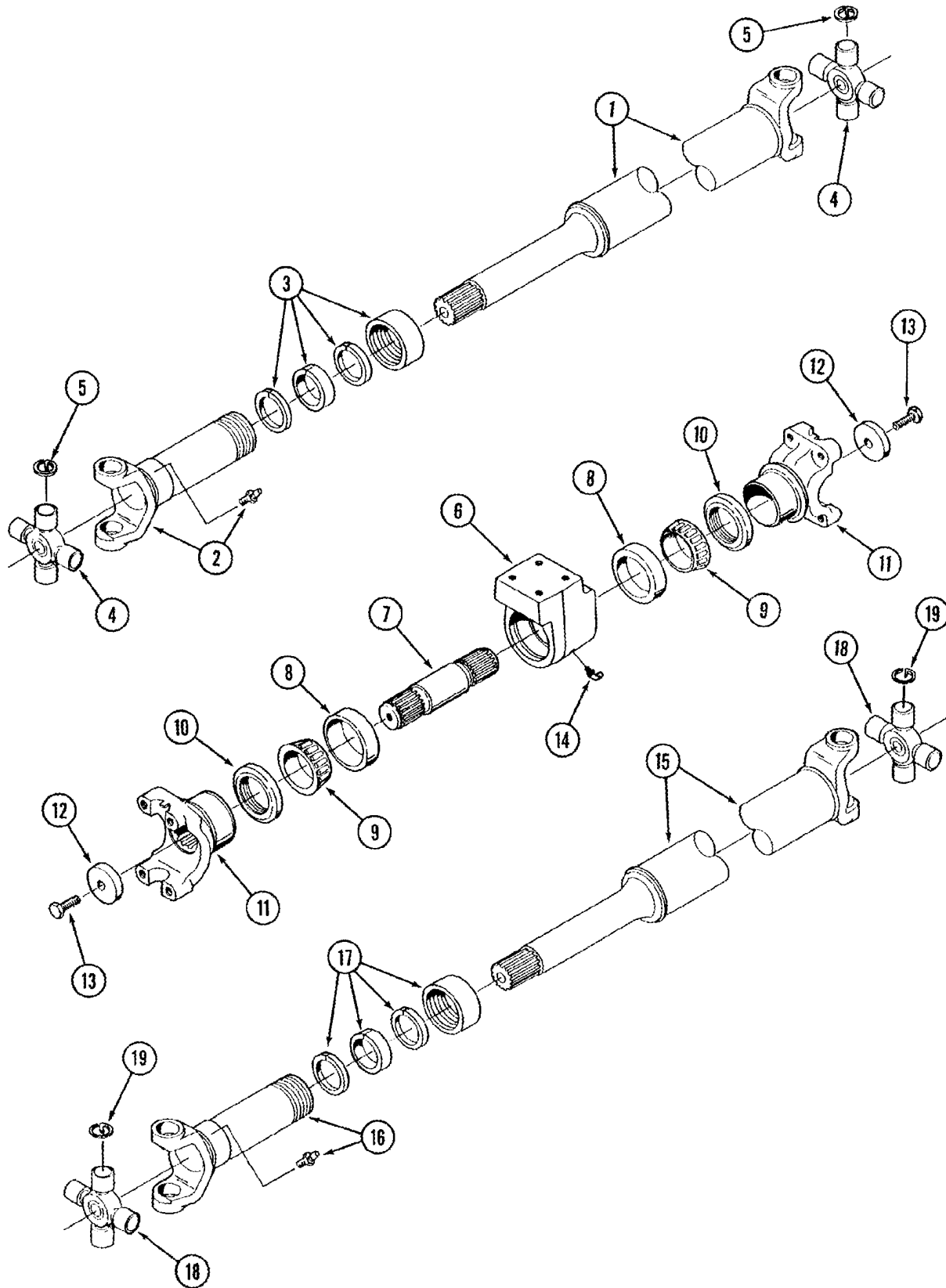
REF	FN	PART NUMBER	YR/SN	QTY	DESCRIPTION
1		404798A1		1	SHAFT Articulation, See Figure 06-56
2		L116943		8	CLAMP
3		868-10020		16	BOLT M10 x 20
4		NSS		1	NOT SERVICED SEPARATELY Support Assy, Hanger, Order Components, See Figure 06-56
5		404604A1		1	BRACKET
6	1, 2	827-16080		4	SCREW Hex, M16 x 80, 10.9
6	1, 3	827-16090		4	BOLT M16 x 90; 10.9
6	4	827-16100		4	BOLT M16 x 100; 10.9
7		896-11016		4	WASHER 17,5 x 30 x 4 mm
8		404799A1		1	SHAFT, DRIVE Rear, See Figure 06-56

- (1) STX Wheel Tractor
- (2) With 400 Series Axles
- (3) With 500 Series Axles
- (4) QUADTRAC Tractor

**STX375 STX450**  
**STX425 STX500**



POWER TAKEOFF - DRIVE SHAFT ASSEMBLIES

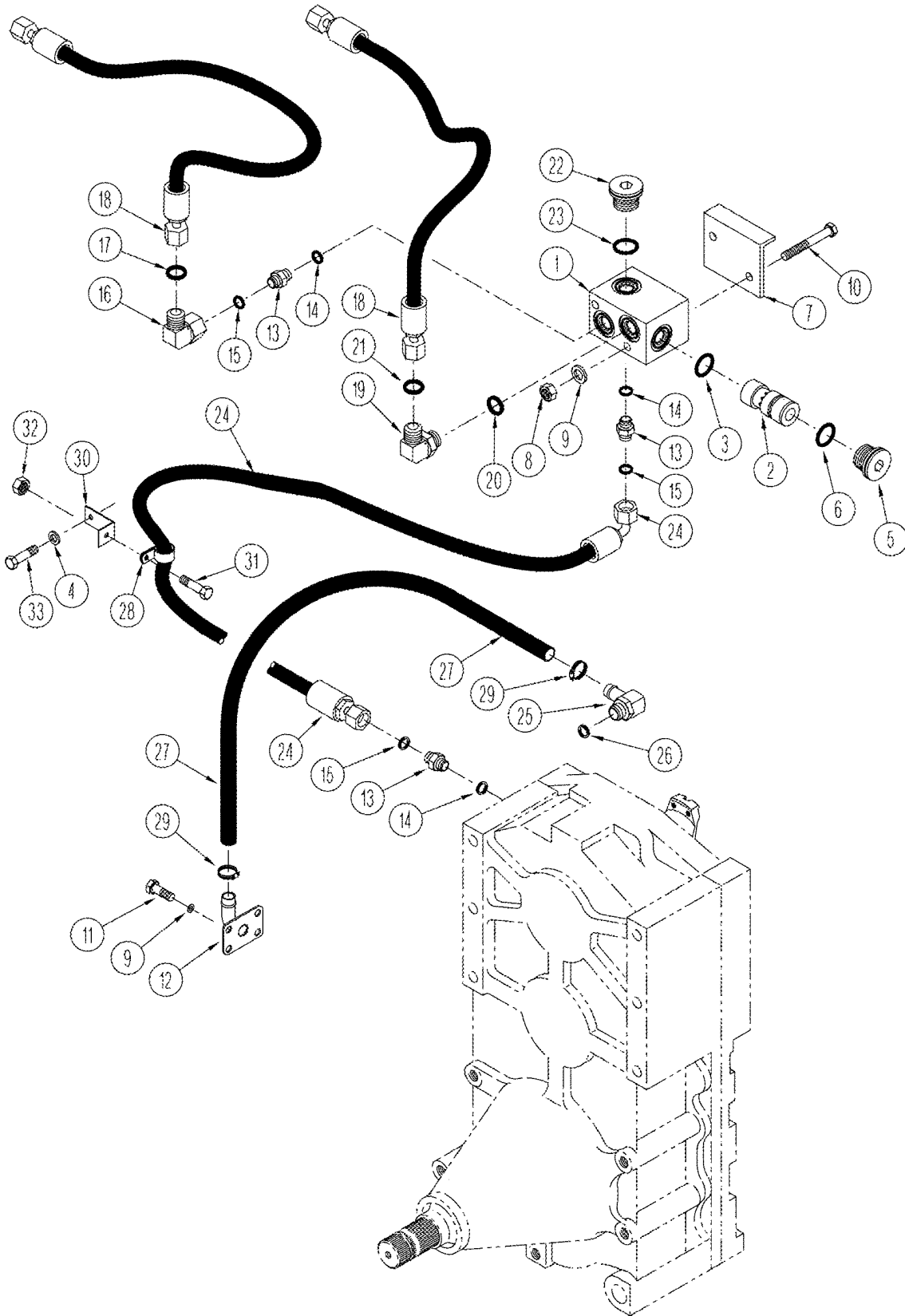


## POWER TAKEOFF - DRIVE SHAFT ASSEMBLIES

REF	FN	PART NUMBER	YR/SN	QTY	DESCRIPTION
		404798A1		1	SHAFT Articulation, Inc. 1 - 5
1		NSS		1	NOT SERVICED SEPARATELY Yoke, Slip
2		NSS		1	NOT SERVICED SEPARATELY Shaft
3		33-1001T1		1	RETAINER, SEAL
4		S300313		2	SPIDER ASSY. Inc. 5
5		S92378		4	SNAP RING
6		399447A1		1	HOUSING, BEARING
7		399446A1		1	SHAFT
8		90-1322T1		2	BEARING SET
9		90-1862T1		2	BEARING, CONE
10		90-1934T2		2	SEAL
11		398554A1		2	YOKE
12		19-5864		2	WASHER 5/8 x 2-3/4 x 1/2
13		627-16040		2	SCREW Hex, M16 x 40, 10.9
14		219-36		1	NIPPLE, LUBE 45 deg, 1/8 PT x 7/8
		404799A1		1	SHAFT, DRIVE Rear, Inc. 15 - 19
15		NSS		1	NOT SERVICED SEPARATELY Shaft
16		NSS		1	NOT SERVICED SEPARATELY Yoke, Slip
17		33-1001T1		1	RETAINER, SEAL
18		S300313		2	SPIDER ASSY. Inc. 19
19		S92378		4	SNAP RING

**STX375 STX450**  
**STX425 STX500**

POWER TAKEOFF - LUBRICATION, WHEEL TRACTOR WITH 400 SERIES AXLES, BSN JEE0102001

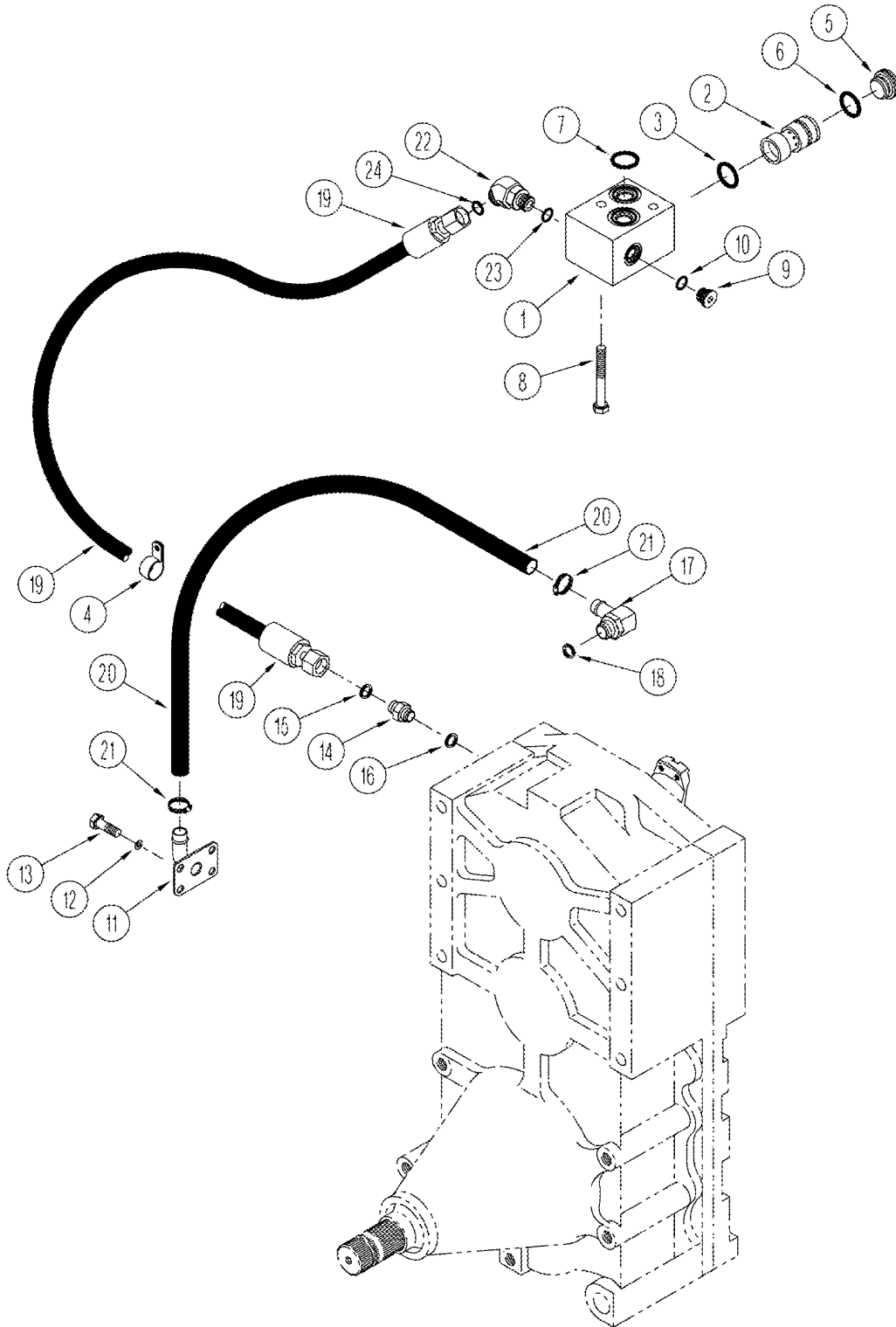


## POWER TAKEOFF - LUBRICATION, WHEEL TRACTOR WITH 400 SERIES AXLES, BSN JEE0102001

REF	FN	PART NUMBER	YR/SN	QTY	DESCRIPTION
1		370157A1		1	BODY Jet Pump
2		347294A3		1	PUMP Jet
3		238-6017		1	O-RING 11/16 ID x 1/16
4		895-11012		1	WASHER 13,5 x 24 x 2,5 mm
5		221580A1		1	PLUG M27 - 2, Inc. 6
6		637-64236		1	O-RING 23,6 ID x 2,9
7		370163A1		1	BRACKET
8		829-1410		2	NUT M10; 10
9		895-11010		6	WASHER 11 x 20 x 2 mm
10		827-10080		1	BOLT M10 x 80; 10.9
11		627-10025		4	SCREW M10 x 25; 10.9
12		416087A1		1	TUBE
13		700-102		3	CONNECTOR, HYD. 13/16 fc sl x 18 Or, Inc. 14, 15
14		637-63153		1	O-RING 15,3 ID x 2,2
15		238-6014		1	O-RING 1/2 ID x 1/16
16		701-320		1	ELBOW 13/16 fc sl x swl, Inc. 17
17		238-6014		1	O-RING 1/2 ID x 1/16
18		365039A1		2	HOSE 430 mm (17 in)
19		700-305		1	ELBOW 13/16 fc sl x 18 Or, Inc. 20, 21
20		637-63153		1	O-RING 15,3 ID x 2,2
21		238-6014		1	O-RING 1/2 ID x 1/16
22		221578A1		1	PLUG M18 - 1,5, Inc. 23
23		637-63153		1	O-RING 15,3 ID x 2,2
24		366703A2		1	HOSE 202 mm (79-1/2 in)
25		370246A1		1	ELBOW M33 orb x 2,0, Inc. 26
26		637-64296		1	O-RING 29,6 ID x 2,9
27		366701A1		1	HOSE 1092 mm (43 in)
28		515-25238		1	CLAMP 15/16 in ID
29		214-1420		2	CLAMP No. 20
30		90-6894T1		1	SUPPORT
31		627-8020		1	BOLT M8 x 20; 10.9
32		829-1408		1	NUT M8; 10
33		627-12025		1	BOLT M12 x 25; 10.9

**STX375 STX450**  
**STX425**

POWER TAKEOFF - LUBRICATION, WHEEL TRACTOR WITH 500 SERIES AXLES, BSN JEE0102001

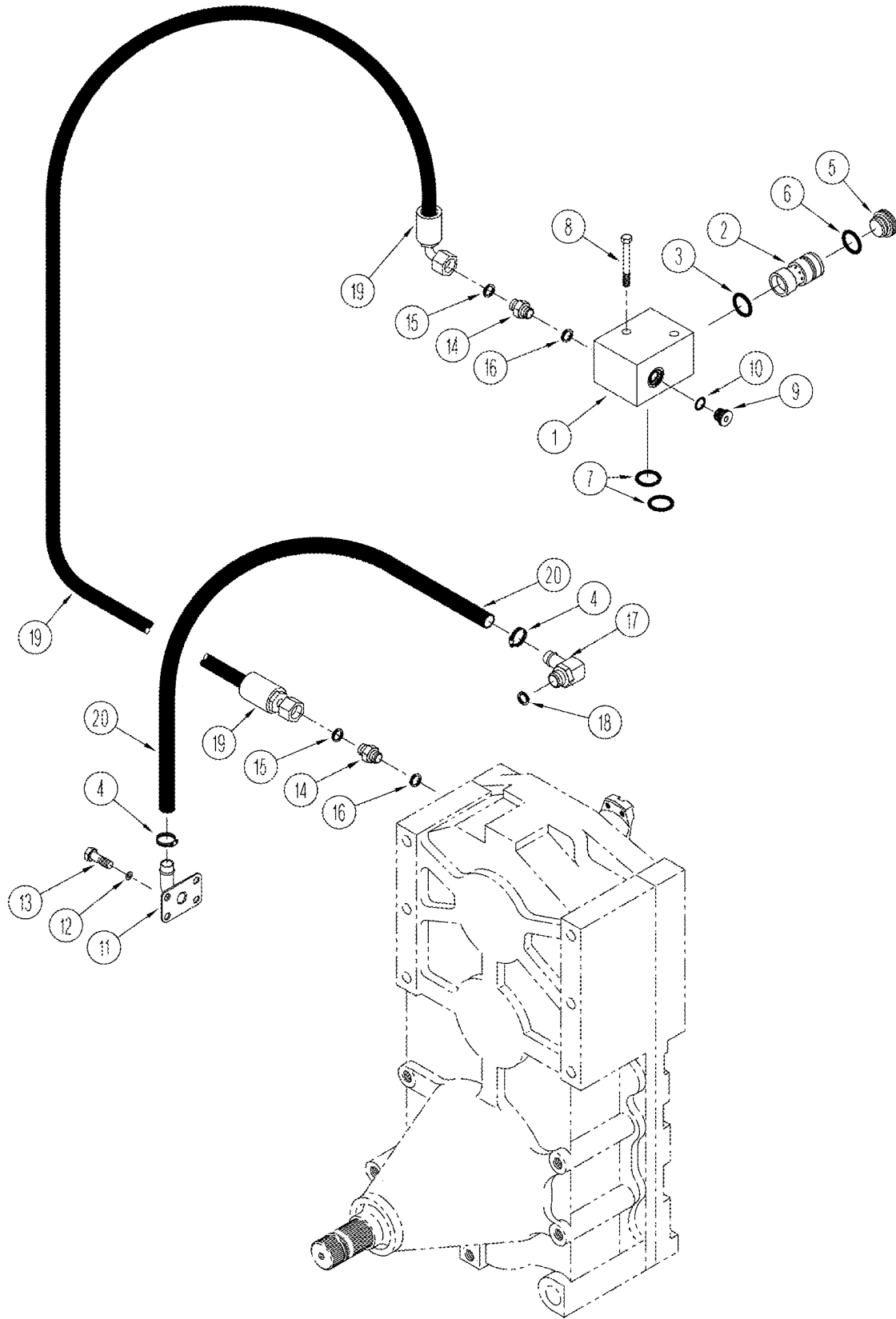


## POWER TAKEOFF - LUBRICATION, WHEEL TRACTOR WITH 500 SERIES AXLES, BSN JEE0102001

REF	FN	PART NUMBER	YR/SN	QTY	DESCRIPTION
1		370157A1		1	BODY Jet Pump
2		347294A3		1	PUMP Jet
3		238-6017		1	O-RING 11/16 ID x 1/16
4		515-25190		1	CLAMP 3/4 ID
5		221580A1		1	PLUG M27 - 2, Inc. 6
6		637-64236		1	O-RING 23,6 ID x 2,9
7		638-53300		2	O-RING M30 ID x 2,65; 5
8		827-10080		2	BOLT M10 x 80; 10.9
9		221578A1		1	PLUG M18 - 1,5, Inc. 10
10		637-63153		1	O-RING 15,3 ID x 2,2
11		416087A1		1	TUBE
12		895-11010		4	WASHER 11 x 20 x 2 mm
13		627-10025		4	SCREW M10 x 25; 10.9
14		700-102		1	CONNECTOR, HYD. 13/16 fc sl x 18 Or, Inc. 15, 16
15		238-6014		1	O-RING 1/2 ID x 1/16
16		637-63153		1	O-RING 15,3 ID x 2,2
17		370246A1		1	ELBOW M33 orb x 2,0, Inc. 18
18		637-64296		1	O-RING 29,6 ID x 2,9
19		360198A2		1	HOSE ASSY. 1720 mm (67 in)
20		31-3168		1	HOSE 1430 mm (45 in), Cut From 31-2755
21		214-1420		2	CLAMP No. 20
22		700-348		1	ELBOW 13/16 fc sl x 18 Or, Inc. 23, 24
23		637-63153		1	O-RING 15,3 ID x 2,2
24		238-6014		1	O-RING 1/2 ID x 1/16

**STX375 STX450**  
**STX425**

POWER TAKEOFF - LUBRICATION, QUADTRAC TRACTOR, BSN JEE0102001



## POWER TAKEOFF - LUBRICATION, QUADTRAC TRACTOR, BSN JEE0102001

REF	FN	PART NUMBER	YR/SN	QTY	DESCRIPTION
1		370157A1		1	BODY Jet Pump
2		347294A3		1	PUMP Jet
3		238-6017		1	O-RING 11/16 ID x 1/16
4		214-1420		2	CLAMP No. 20
5		221580A1		1	PLUG M27 - 2, Inc. 6
6		637-64236		1	O-RING 23,6 ID x 2,9
7		638-53300		2	O-RING M30 ID x 2,65; 5
8		827-10080		2	BOLT M10 x 80; 10.9
9		221578A1		1	PLUG M18 - 1,5, Inc. 10
10		637-63153		1	O-RING 15,3 ID x 2,2
11		416087A1		1	TUBE
12		895-11010		4	WASHER 11 x 20 x 2 mm
13		627-10025		4	SCREW M10 x 25; 10.9
14		700-102		2	CONNECTOR, HYD. 13/16 fc sl x 18 Or, Inc. 15, 16
15		238-6014		1	O-RING 1/2 ID x 1/16
16		637-63153		1	O-RING 15,3 ID x 2,2
17		370246A1		1	ELBOW M33 orb x 2,0, Inc. 18
18		637-64296		1	O-RING 29,6 ID x 2,9
19		370252A2		1	HOSE 1161 mm (46 in)
20		370250A1		1	HOSE 990 mm (39 in), Cut From S118383
					<b>STX375 STX450 STX425</b>



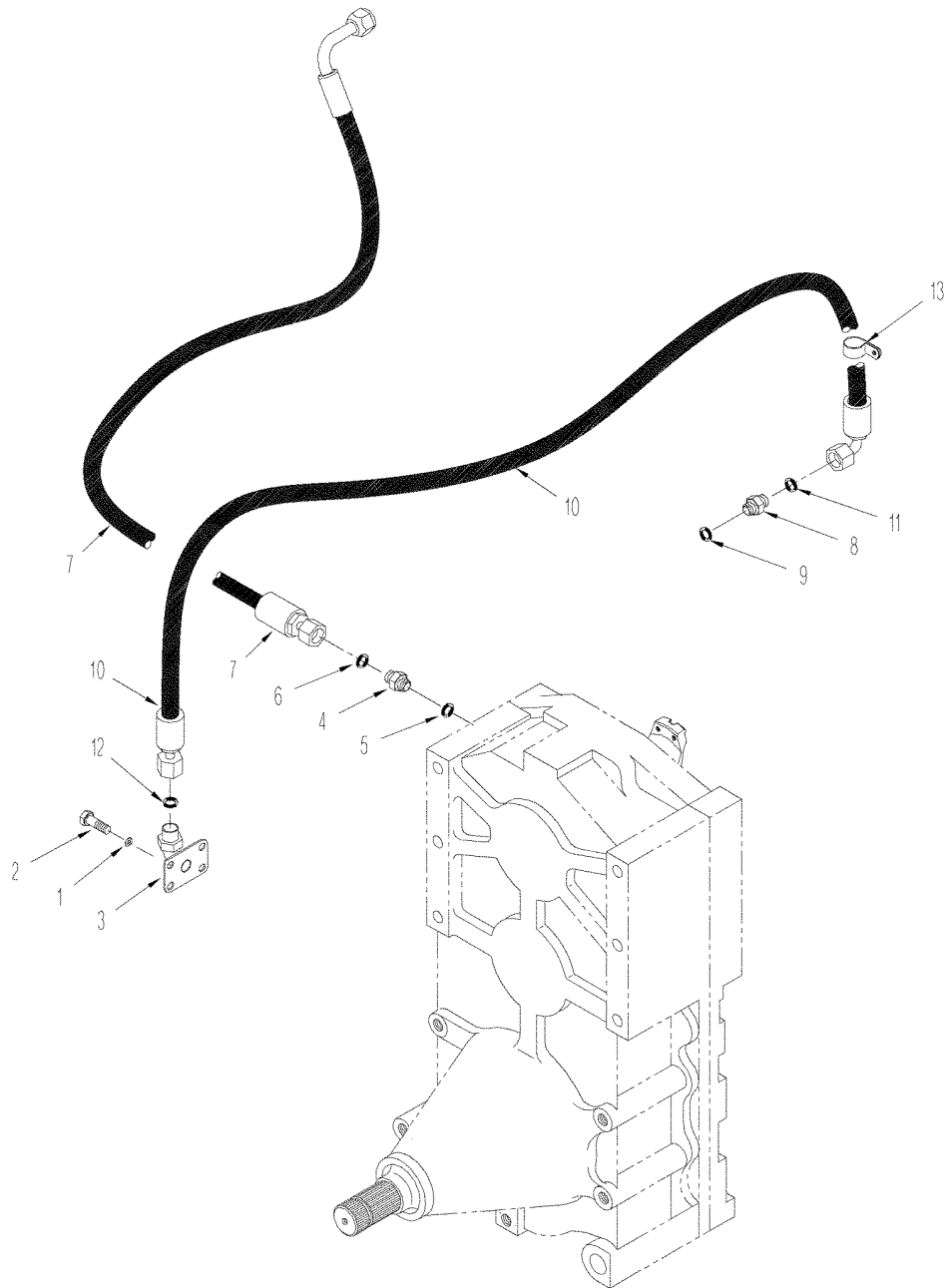
06-59

01

p1

04/04

POWER TAKEOFF - LUBRICATION, ASN JEE0102001



## POWER TAKEOFF - LUBRICATION, ASN JEE0102001

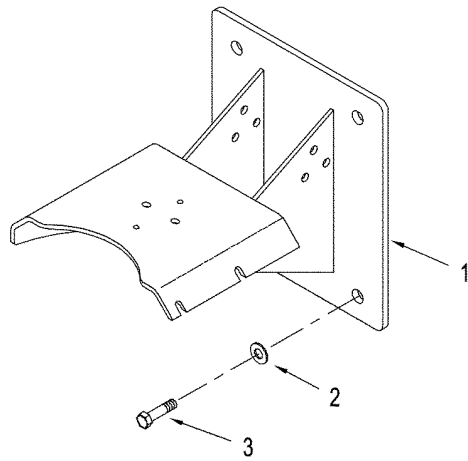
REF	FN	PART NUMBER	YR/SN	QTY	DESCRIPTION
1		895-11010		4	WASHER 11 x 21 x 2 mm
2		627-10025		4	SCREW Cap, HH, CL 10.9, M10 x 25
3		86992408		1	FITTING Flange
4		700-102		3	CONNECTOR, HYD. 13/16 fc sl x 18 or, Inc. 14, 15
5		637-63153		1	O-RING 15,3 ID x 2,2
6		238-6014		1	O-RING 90 Duro, .489" ID x .070" Thk
7		86994525		1	HOSE ASSY. 3251 mm (128 in)
8		700-103		1	CONNECTOR, HYD. M22 or x 1 fc sl, Inc. 9, 11
9		637-63133		1	O-RING 13, 3 ID x 2,2 Thk
10	1	87400234		1	HOSE ASSY. 1803 mm (71 in)
10	2	87400403		1	HOSE ASSY. 1563 mm (61-1/2 in)
11		238-6016		2	O-RING 15,6 ID x 1,7 Thk
12		238-6014		1	O-RING 90 Duro, .489" ID x .070" Thk
13	1	515-23238		1	CLAMP

(1) STX375, 425, 450

(2) QUADTRAC Tractor

**STX375 STX450**  
**STX425 STX500**

COUPLER MOUNTS - WITHOUT POWER TAKEOFF AND THREE POINT HITCH

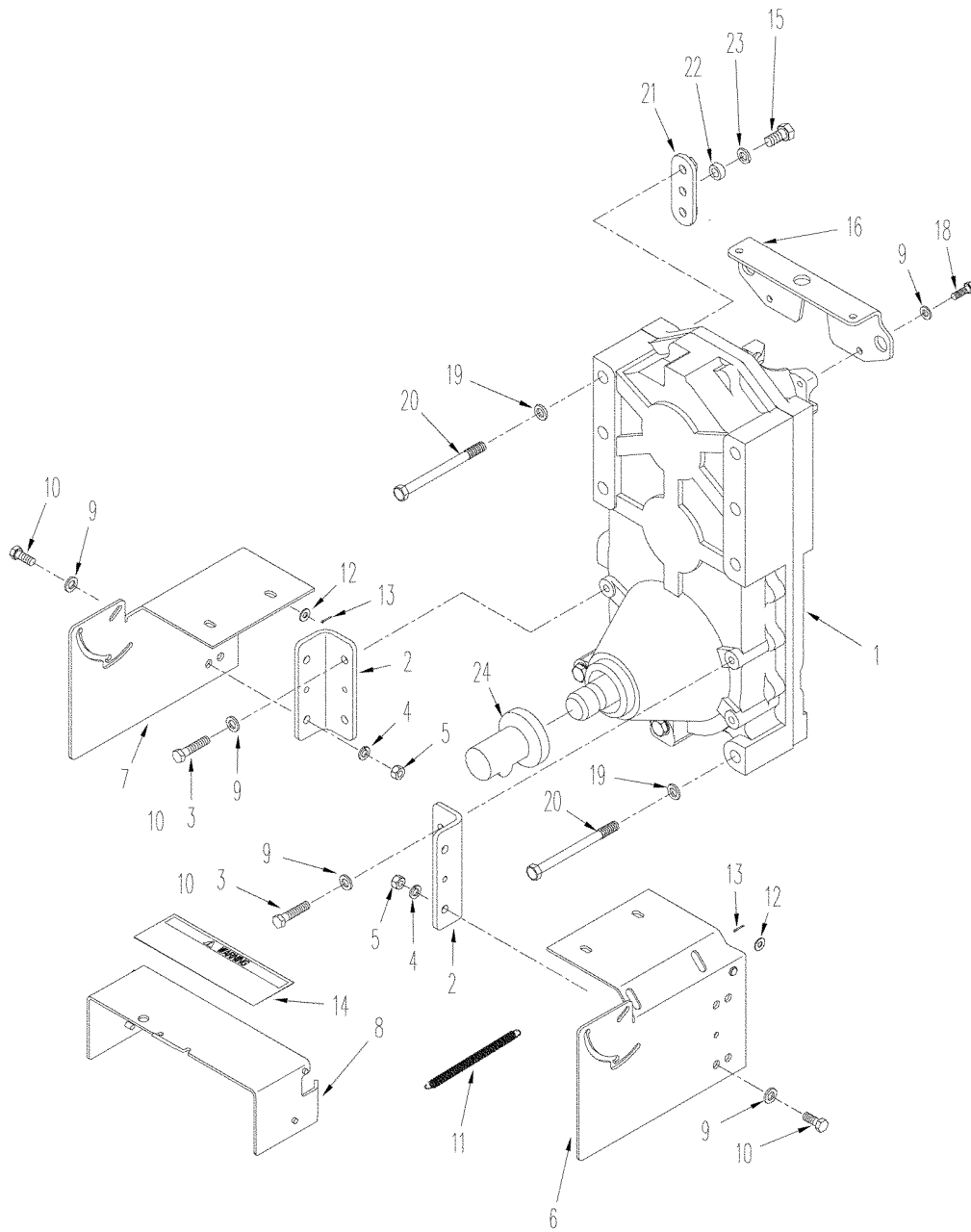


**COUPLER MOUNTS - WITHOUT POWER TAKEOFF AND THREE POINT HITCH**

REF	FN	PART NUMBER	YR/SN	QTY	DESCRIPTION
1		87311759		1	MOUNTING PARTS Auxiliary Valve
2		896-11020		4	WASHER 22 x 37 x 4 mm
3		827-20100		4	SCREW M20 x 100; 10.9

	<p><b>STX375 STX450</b>  <b>STX425 STX500</b></p>
--	---

POWER TAKEOFF - SAFETY SHIELDS



## POWER TAKEOFF - SAFETY SHIELDS

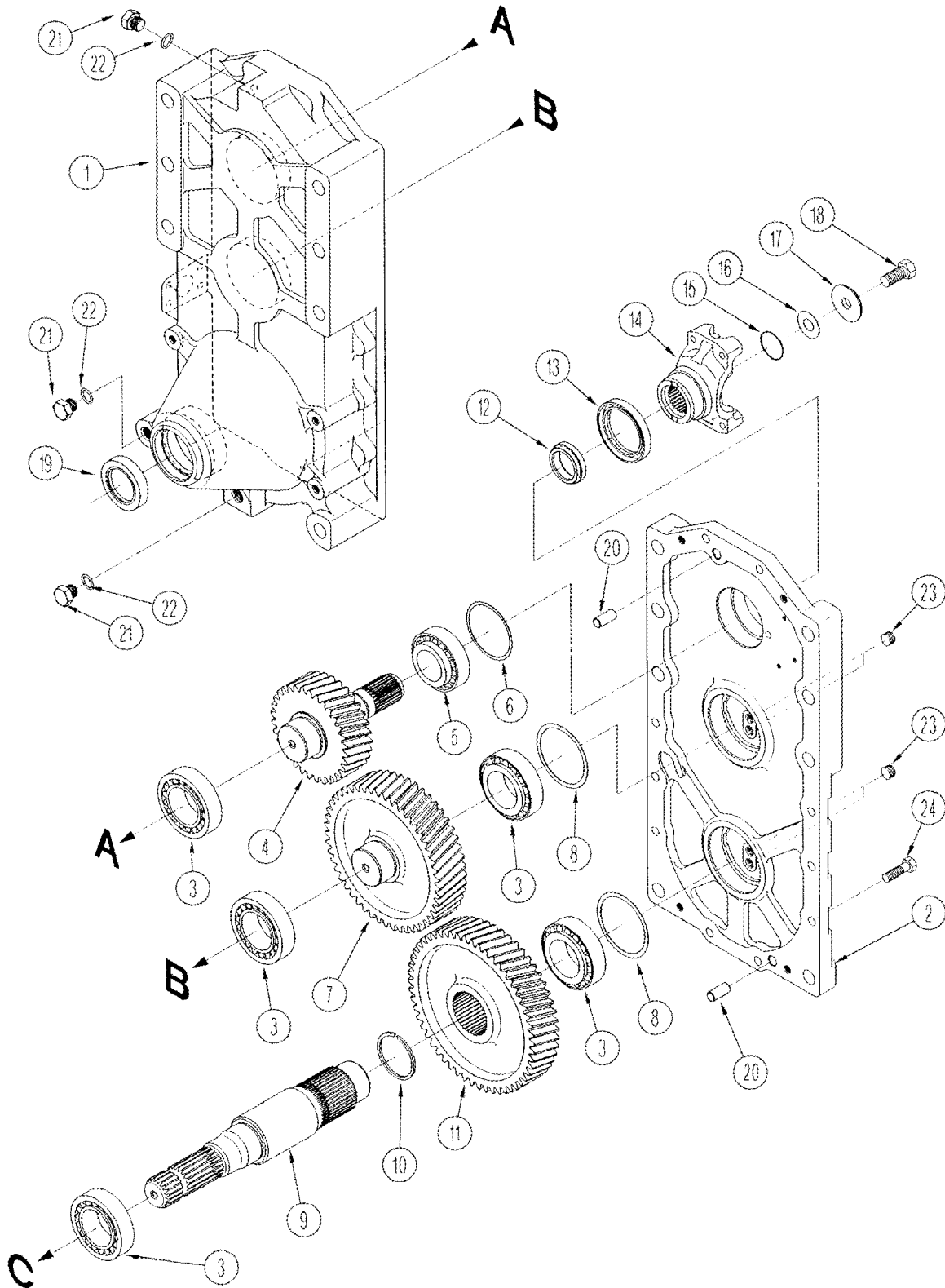
REF	FN	PART NUMBER	YR/SN	QTY	DESCRIPTION
1		403073A1		1	GEARBOX ASSY See Figure 06-62
2		405394A1		2	BRACE
3	1	827-12055		4	BOLT M12 x 55; 10.9
4		892-11012		4	WASHER, LOCK M12
5		829-1412		4	NUT M12; 10
6		405396A1		1	COVER Right-Hand
7		405395A1		1	COVER Left-Hand
8		405397A1		1	SHIELD Flip-up
9		896-11012		10	WASHER 13,5 x 24 x 3 mm
10	1	627-12030		6	BOLT M12 x 30; 10.9
10	2	627-12030		10	BOLT M12 x 30; 10.9
11		365853A1		2	SPRING
12		895-15008		2	WASHER 9 x 20 x 1,6 mm
13		733-2012		2	PIN, SPLIT (COTTER) M2 x 12
14		327567A3		1	DECAL Safety
15		627-16025		2	BOLT Hex, M16 x 25, 10.9, Full Thd
16		381389A2		1	BRACKET
17		896-11010		2	WASHER 11 x 21 x 2,5 mm
19		896-11020		4	WASHER 22 x 37 x 4 mm
20		827-20190		4	SCREW M20 x 190; 10.9
21		259389A1		2	PLATE
22		70-5967T1		2	SPACER
23		896-11016		2	WASHER 17,5 x 30 x 4 mm
24		383716A1		1	SHIELD PTO Shaft
18		627-10030		2	BOLT M10 x 30; 10.9

(1) With Three Point Hitch

(2) Without Three Point Hitch

**STX375 STX450**  
**STX425 STX500**

POWER TAKEOFF - TRANSFER CASE ASSEMBLY



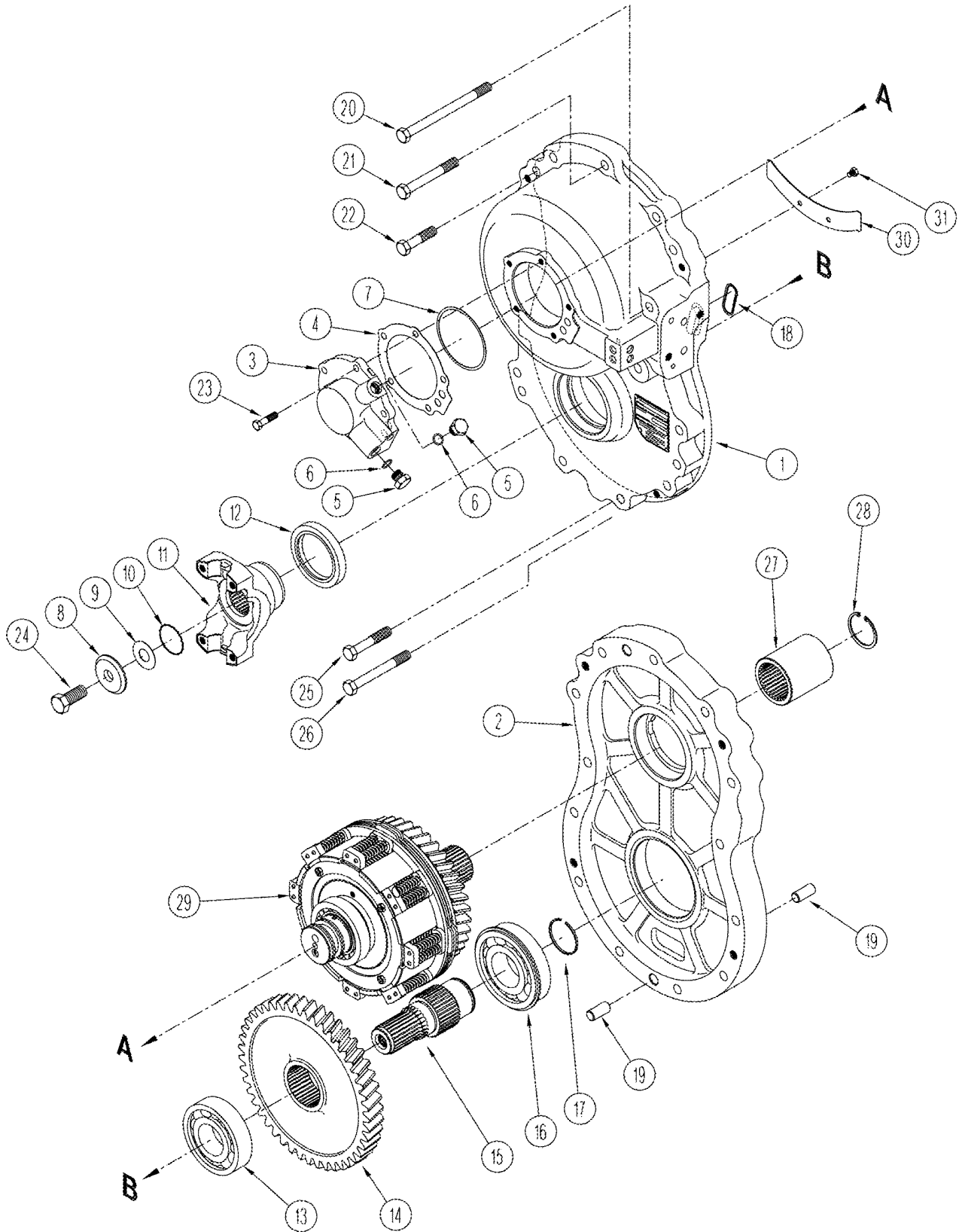
## POWER TAKEOFF - TRANSFER CASE ASSEMBLY

REF	FN	PART NUMBER	YR/SN	QTY	DESCRIPTION
		403073A1		1	GEARBOX ASSY Transfer, Inc. 1 - 24
1		375500A1		1	HOUSING Rear
2		375501A1		1	HOUSING Front
3		428183A1		5	BEARING
4		375502A1		1	GEAR Input
5		375503A1		1	BEARING
6		375504A1		AR	SHIM
6		375505A1		AR	SHIM
6		375506A1		AR	SHIM
6		375507A1		AR	SHIM
7		375508A1		1	GEAR Idler
8		428665A1		AR	SHIM 0,10 mm (0,004 in)
8		428666A1		AR	SHIM 0,30 mm (0,012 in)
8		428667A1		AR	SHIM 0,50 mm (0,020 in)
8		428668A1		AR	SHIM 0,70 mm (0,027 in)
8		428669A1		AR	SHIM 0,15 mm (0,006 in)
9		375509A1		1	SHAFT Output
10		S2240S00F		1	SNAP RING
11		375510A1		1	GEAR Output
12		375511A1		1	SPACER
13		S8820S00F		1	SEAL, OIL
14		398447A1		1	YOKE
15		375512A1		1	O-RING
16		S9950S00F		AR	SHIM 0,10 mm (0,004 in)
16		S9960S00F		AR	SHIM 0,30 mm (0,012 in)
16		S9970S00F		AR	SHIM 0,51 mm (0,020 in)
16		S9980S00F		AR	SHIM 0,71 mm (0,027 in)
17		S8860S00F		1	WASHER
18		514-1021		1	BOLT Hex, M16 x 1.5 x 35, 10.9, Full Thd
19		375514A1		1	SEAL, OIL
20		427530A1		2	DOWEL
21		220066A1		3	PLUG M18 - 1,5, Inc. 22
22		637-63153		3	O-RING 15,3 ID x 2,2
23		375515A1		4	PLUG
24		514-830		10	BOLT M12 x 40

**STX375 STX450**  
**STX425 STX500**



POWER TAKEOFF - CLUTCH ASSEMBLY



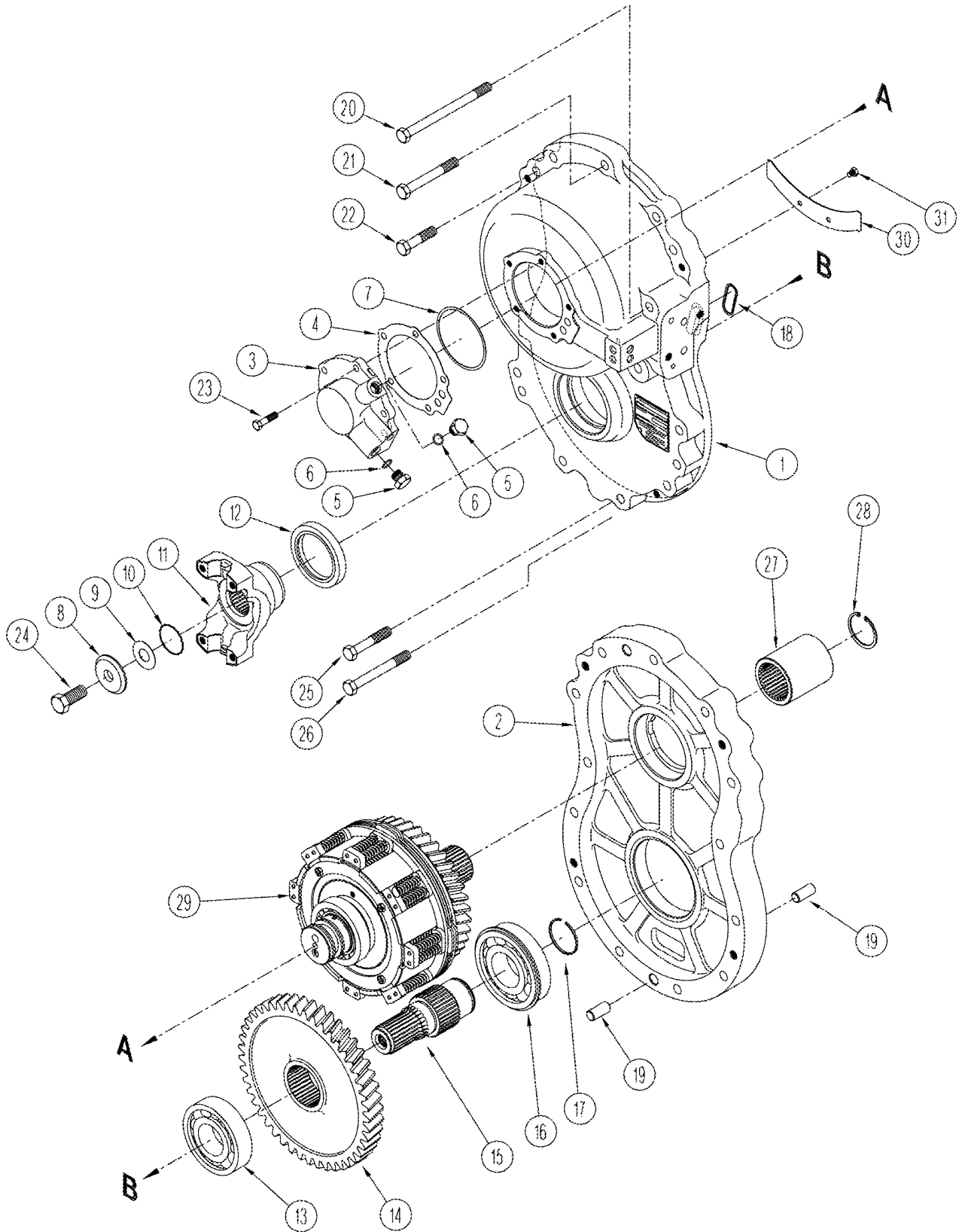
## POWER TAKEOFF - CLUTCH ASSEMBLY

REF	FN	PART NUMBER	YR/SN	QTY	DESCRIPTION
1		375550A1		1	HOUSING
2		375551A1		1	HOUSING
3		375552A1		1	HOUSING
4		375553A1		1	GASKET
5		220064A1		9	PLUG M14 - 1,5, Inc. 6
6		637-63113		1	O-RING 11,3 ID x 2,2
7		S9910S00F		AR	SHIM 0,10 mm (0,004 in)
7		S9920S00F		AR	SHIM 0,30 mm (0,012 in)
7		S9930S00F		AAR	SHIM 0,50 mm (0,020 in)
7		S9940S00F		AR	SHIM 0,70 mm (0,027 in)
8		S8860S00F		1	WASHER
9		S9950S00F		AR	SHIM 0,10 mm (0,004 in)
9		S9960S00F		AR	SHIM 0,30 mm (0,012 in)
9		S9970S00F		AR	SHIM 0,51 mm (0,020 in)
9		S9980S00F		AR	SHIM 0,71 mm (0,027 in)
10		375512A1		1	O-RING
11		398447A1		1	YOKE
12		S8820S00F		1	SEAL, OIL
13		ST293		1	BEARING, BALL
14		375554A1		1	GEAR Driven
15		375555A1		1	SHAFT Output
16		375559A1		1	BEARING, BALL
17		375560A1		1	SNAP RING
18		375556A1		1	GASKET
19		427530A1		4	DOWEL
20		SM8124208		2	BOLT
21		514-846		4	BOLT M12 x 1,5; 8.8
22		514-855		2	BOLT M12 x 1,25; 8.8
23		614-8030		5	BOLT HH, CL 8.8, M8 x 1.25 x 30
24		514-1021		1	BOLT Hex, M16 x 1.5 x 35, 10.9, Full Thd
25		514-847		2	BOLT M12 x 1,25; 8.8
26		514-854		7	BOLT M12 x 1,25; 8.8
27	1	428660A1		1	SLEEVE
28	1	800-2147		1	RING, SNAP

(1) Used on Power Shift Models

**STX375 STX450**  
**STX425 STX500**

POWER TAKEOFF - CLUTCH ASSEMBLY

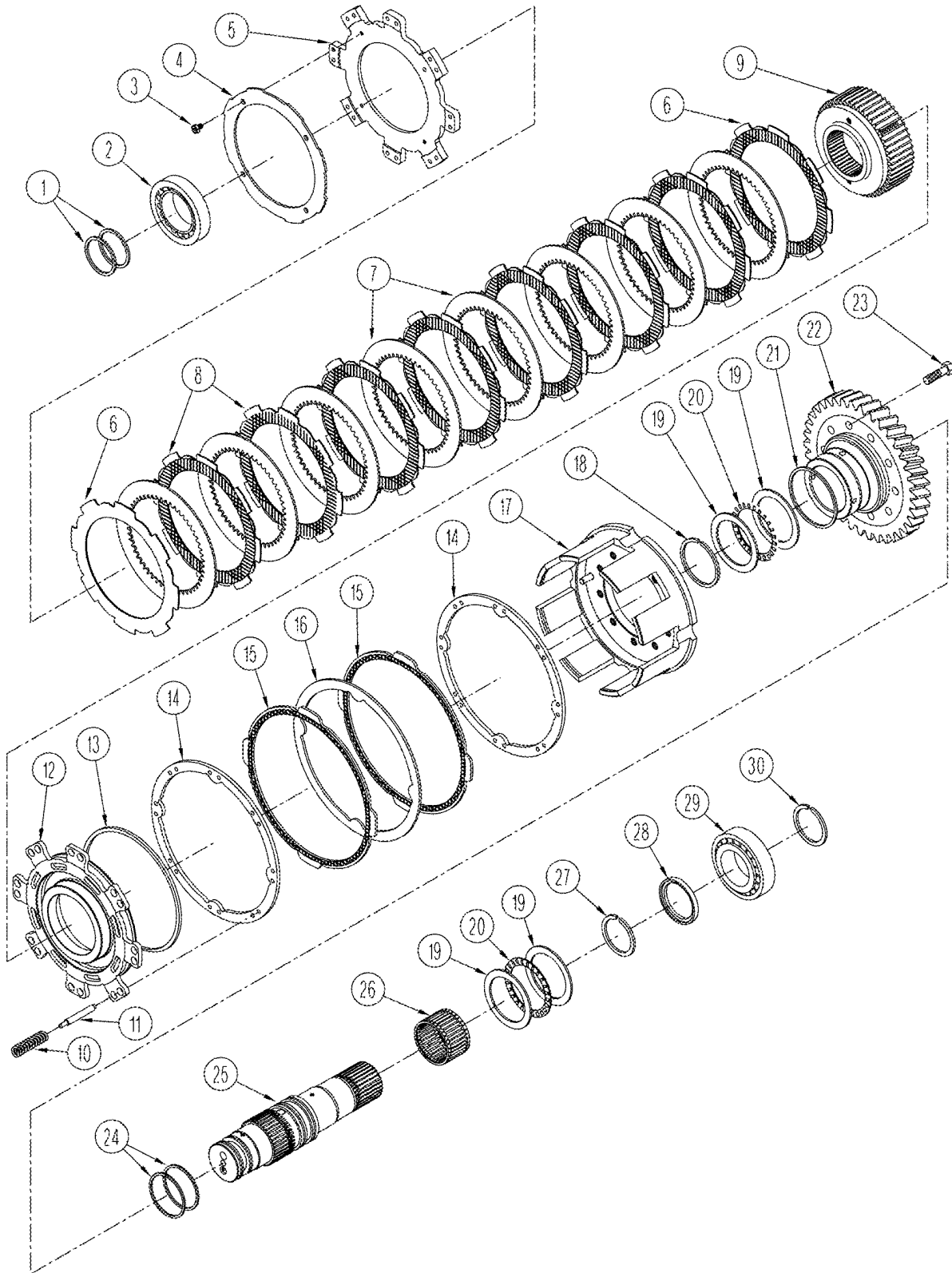


**POWER TAKEOFF - CLUTCH ASSEMBLY**

<b>REF</b>	<b>FN</b>	<b>PART NUMBER</b>	<b>YR/SN</b>	<b>QTY</b>	<b>DESCRIPTION</b>
29		NSS		1	NOT SERVICED SEPARATELY Input Shaft, See Figure 06-64
30		376972A1		1	TROUGH
31		614-6012		2	BOLT M6 x 12; 8,8

**STX375 STX450  
STX425 STX500**

POWER TAKEOFF - INPUT SHAFT ASSEMBLY

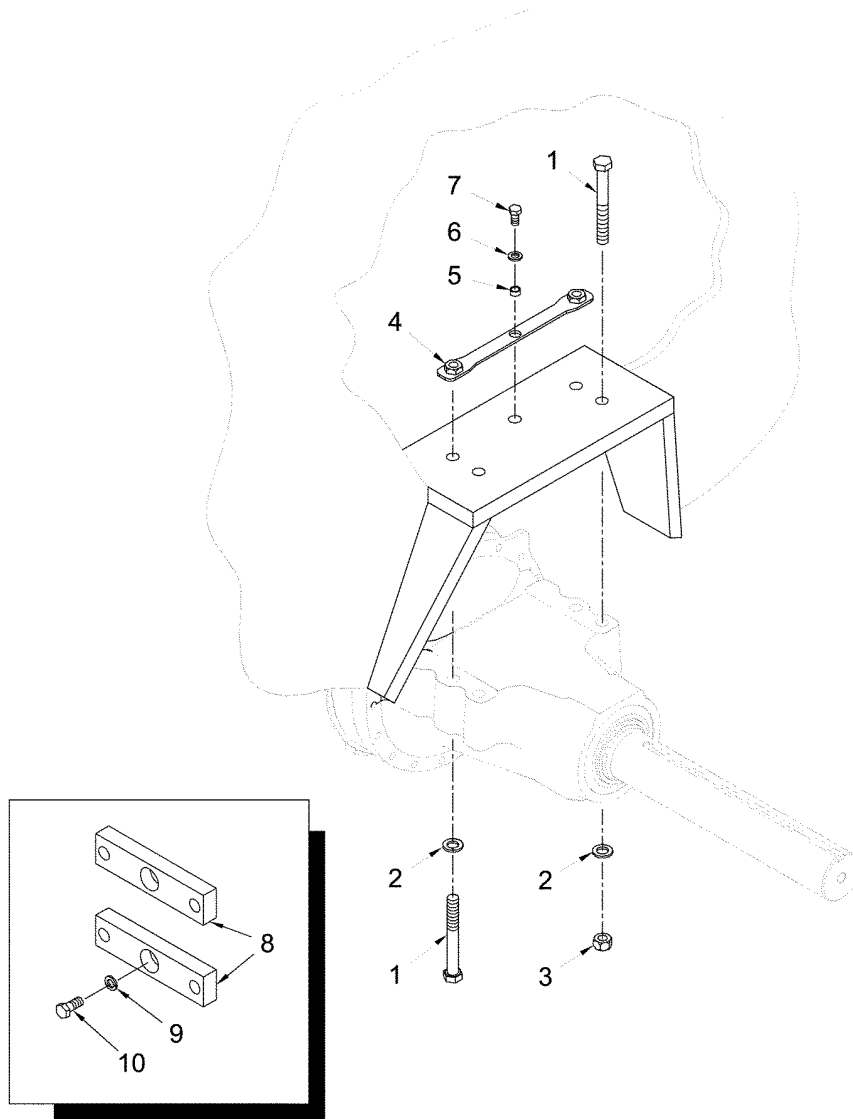


## POWER TAKEOFF - INPUT SHAFT ASSEMBLY

REF	FN	PART NUMBER	YR/SN	QTY	DESCRIPTION
1		S3070S00F		2	RING
2		S8730S00F		1	BEARING, ROLLER
3		375523A1		4	BOLT
4		375525A1		1	PLATE
5		375527A1		1	PLATE
6		375528A1		2	DISC, CLUTCH Faced
7		S2080S00F		8	DISC, CLUTCH 2,4 mm
8		375529A1		7	DISC, CLUTCH Faced
9		375530A1		1	HUB
10		375531A1		16	SPRING, COIL Brake Return
11		375532A1		16	PIN
12		375533A1		1	PISTON
13		352834A1		1	RING
14		375534A1		2	PLATE, BRAKE Steel
15		375535A1		2	PLATE, BRAKE Faced
16		375536A1		1	PLATE, BRAKE Steel
17		375538A1		1	DRUM
18		S2240S00F		1	SNAP RING
19		S2220S00F		4	WASHER, THRUST 2,4 mm
20		572182R1		2	BEARING, THRUST
21		S5510S00F		1	RING
22		375540A1		1	PINION Drive
23		514-730		10	SCREW M10 x 35
24		375541A1		2	RETAINER, SEAL
25		375542A1		1	SHAFT Input
26		375543A1		1	BEARING
27		375544A1		1	RING, SNAP
28		375545A1		1	WASHER
29		375546A1		1	BEARING, CUP
29		186621A1		1	BEARING, CONE
30		375547A1		AR	RING, SNAP
30		375548A1		AR	RING, SNAP
30		375544A1		AR	RING, SNAP

**STX375 STX450**  
**STX425 STX500**

AXLE MOUNTING, WHEEL TRACTOR



## AXLE MOUNTING, WHEEL TRACTOR

REF	FN	PART NUMBER	YR/SN	QTY	DESCRIPTION
1	1	827-24200		8	BOLT M24 x 200; 10.9
1	2	827-24270		8	SCREW M24 x 270; 10.9
2		896-11024		8	WASHER 26 x 44 x 5 mm
3		829-1424		AR	NUT M24; 10, Use (4) Rear Axle and (8) Front Axle
4		296050A1		2	PLATE Mounting, Rear Axle
5		70-5967T1		2	SPACER
6		896-11016		2	WASHER 17,5 x 30 x 4 mm
7		627-16030		2	SCREW Hex, M16 x 30, 10.9, Full Thd
8	1	316659A1		2	PLATE, SPACER Rear Axle
9	1	892-11020		2	WASHER, LOCK M20, Rear Axle
10	1	627-12030		2	BOLT M12 x 30; 10.9

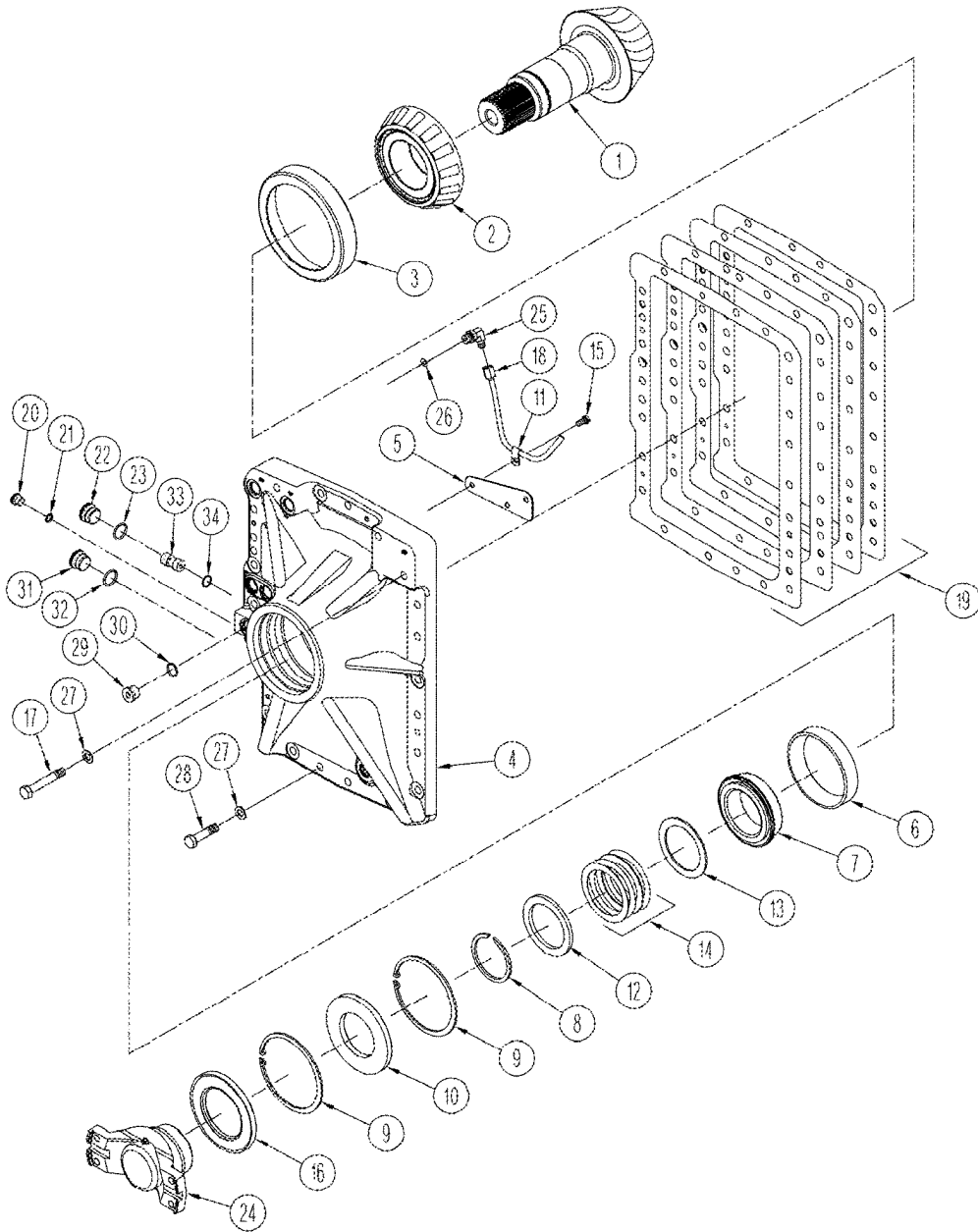
(1) With 400 Series Axles

(2) With 500 Series Axles

**STX375 STX450**  
**STX425 STX500**



400 SERIES AXLE ASSEMBLY - FRONT COVER

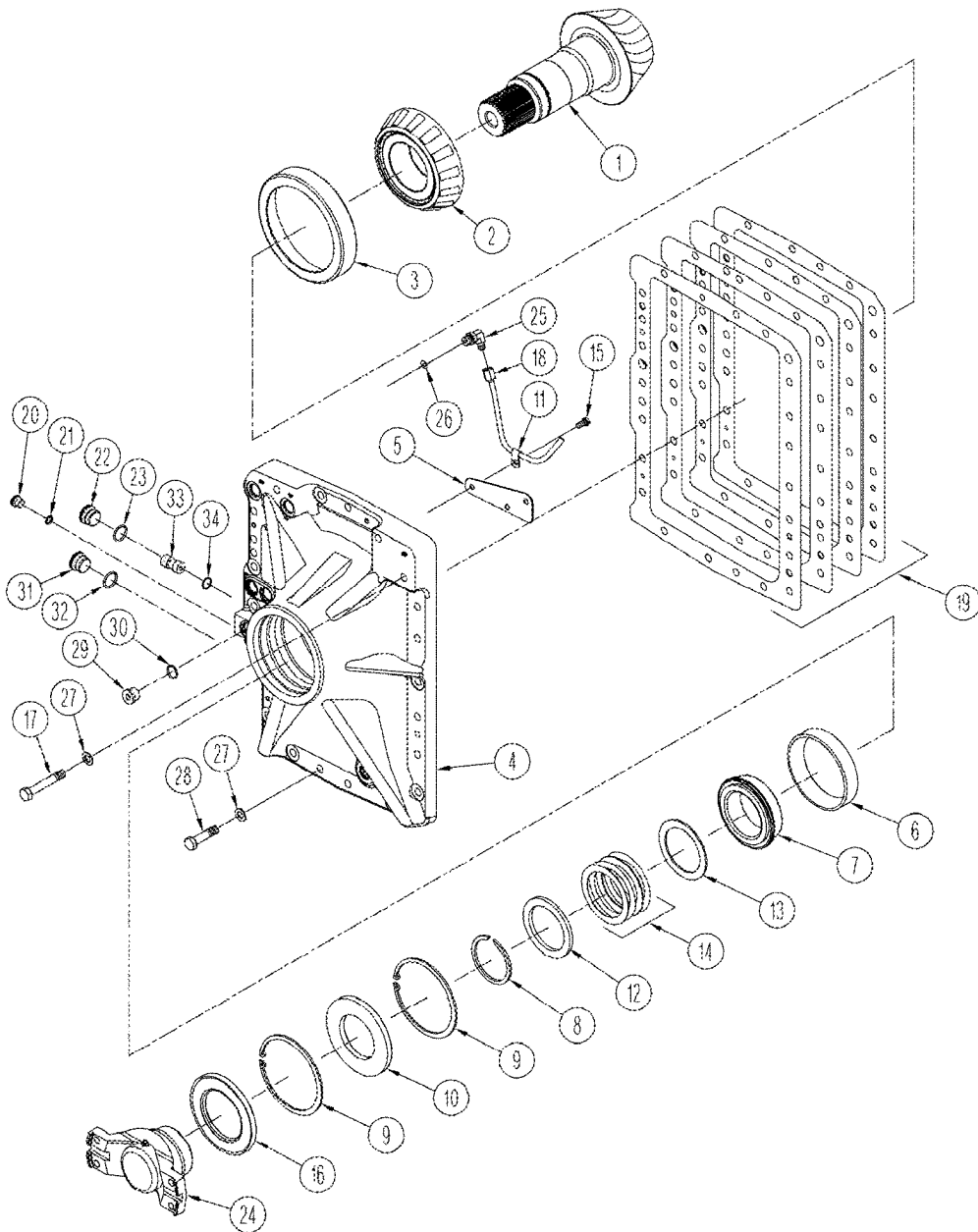


## 400 SERIES AXLE ASSEMBLY - FRONT COVER

REF	FN	PART NUMBER	YR/SN	QTY	DESCRIPTION
		302259A2		1	GEAR SET Pinion Shaft And Gears, Inc. 1, See Figure 06-69, 06-70
1		NSS		1	NOT SERVICED SEPARATELY 12 T / 53 T, Shaft, Pinion
2		248118A1		1	BEARING, CONE
3		248114A1		1	BEARING SET
4		328429A3	BSN JEE0102001	1	COVER
4		86985627	ASN JEE0102001	1	COVER
5		246146A1		1	BAFFLE
6		191440A1		1	BEARING, CUP
7		67190R91		1	BEARING, CONE
8		229515A1		1	SNAP RING M4
9		100-21550		2	RING, SNAP 5.50", Int, #550
10		87432424		1	SEAL Pinion, Input Shaft
11		515-2279		1	CLAMP M7,9
12		228968A2		1	SPACER Thick
13		191713A1		1	SPACER Thin
14		191709A1		AR	SHIM 0,076 mm
14		191711A1		AR	SHIM 0,101 mm
14		191712A1		AR	SHIM 0,130 mm
14		220785A1		AR	SHIM 0,508 mm
15		628-8016		4	SCREW M8 x 16; 10,9
16		284186A1		1	SEAL
17		828-12080		8	BOLT M12 x 80; 10.9
18		234433A1		1	TUBE Lubrication
19		226492A2		AR	SHIM 0,076 mm
19		226493A2		AR	SHIM 0,101 mm
19		226494A2		AR	SHIM 0,130 mm
19		226496A2		AR	SHIM 0,508 mm
20		221573A1		1	PLUG M12 orb x 13, Inc. 21
21		637-63093		1	O-RING 9,3 ID x 2,2
22		221580A1		1	PLUG M27 - 2, Inc. 23
23		637-64236		1	O-RING 23,6 ID x 2,9
24		395209A1		1	YOKE 8C
25		218-5284	BSN JEE0102001	1	ELBOW 5/16 x 3/8, Inc. 26

**STX375 STX450  
STX425**

400 SERIES AXLE ASSEMBLY - FRONT COVER

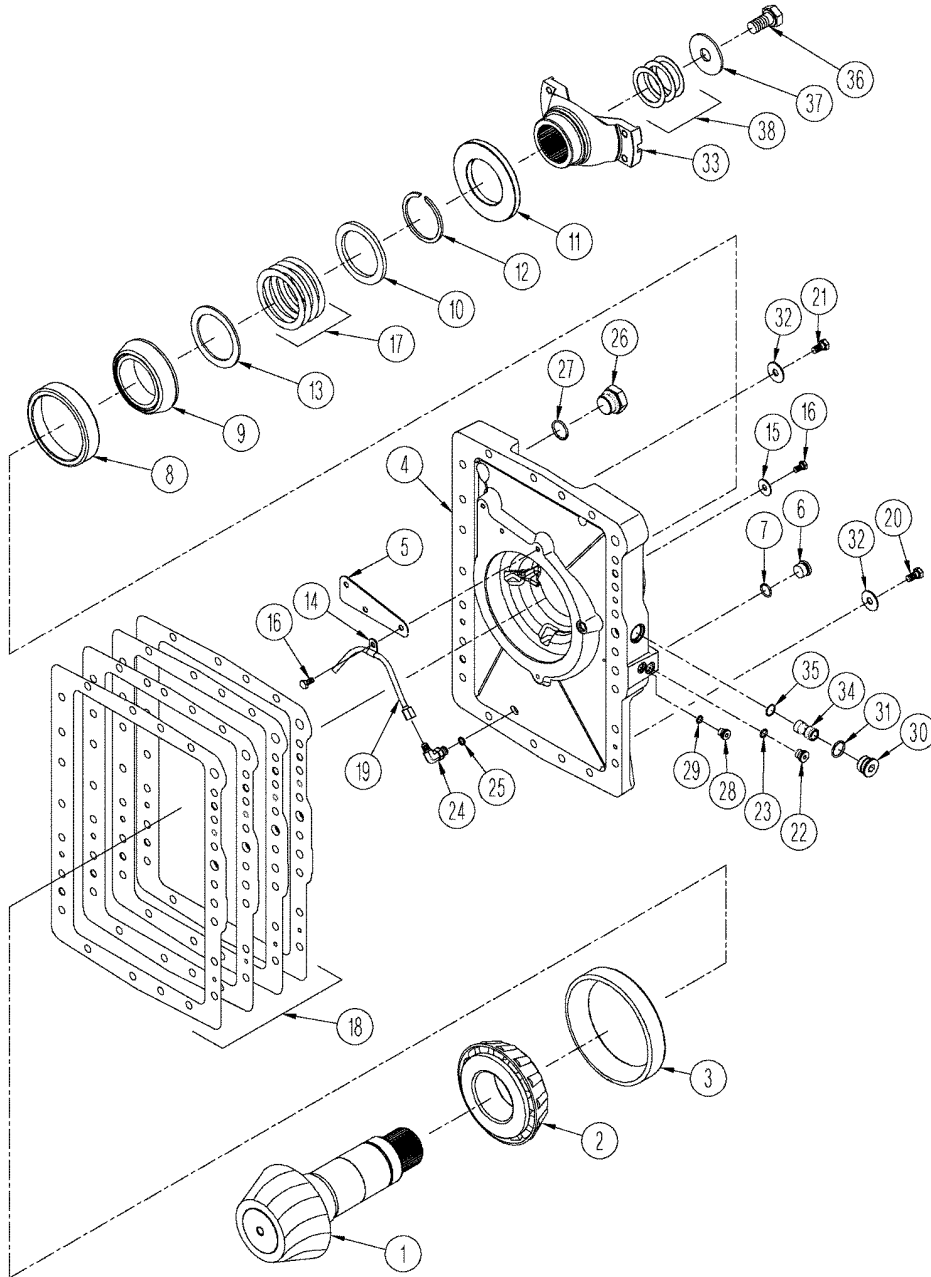


## 400 SERIES AXLE ASSEMBLY - FRONT COVER

REF	FN	PART NUMBER	YR/SN	QTY	DESCRIPTION
25		86985636	ASN JEE0102001	1	ELBOW Orificed, 5/16 x 3/8, Inc. 26
27		896-12012		22	WASHER 13,5 x 24 x 3 mm
28		828-12045		14	BOLT M12 x 45; 10.9
29		218-5211		1	PLUG 7/8 Or, Inc. 30
30		237-6010		1	O-RING 3/4 ID x 3/32
31		221576A1		1	PLUG M14 - 1,5, Inc. 32
32		637-63113		1	O-RING 11,3 ID x 2,2
33		347293A3		1	ORIFICE Jet
34		238-6017		1	O-RING 11/16 ID x 1/16
26		237-6006		1	O-RING 6-1, 90 Duro, .468" ID x .078" Thk

**STX375 STX450**  
**STX425**

400 SERIES AXLE ASSEMBLY - REAR COVER

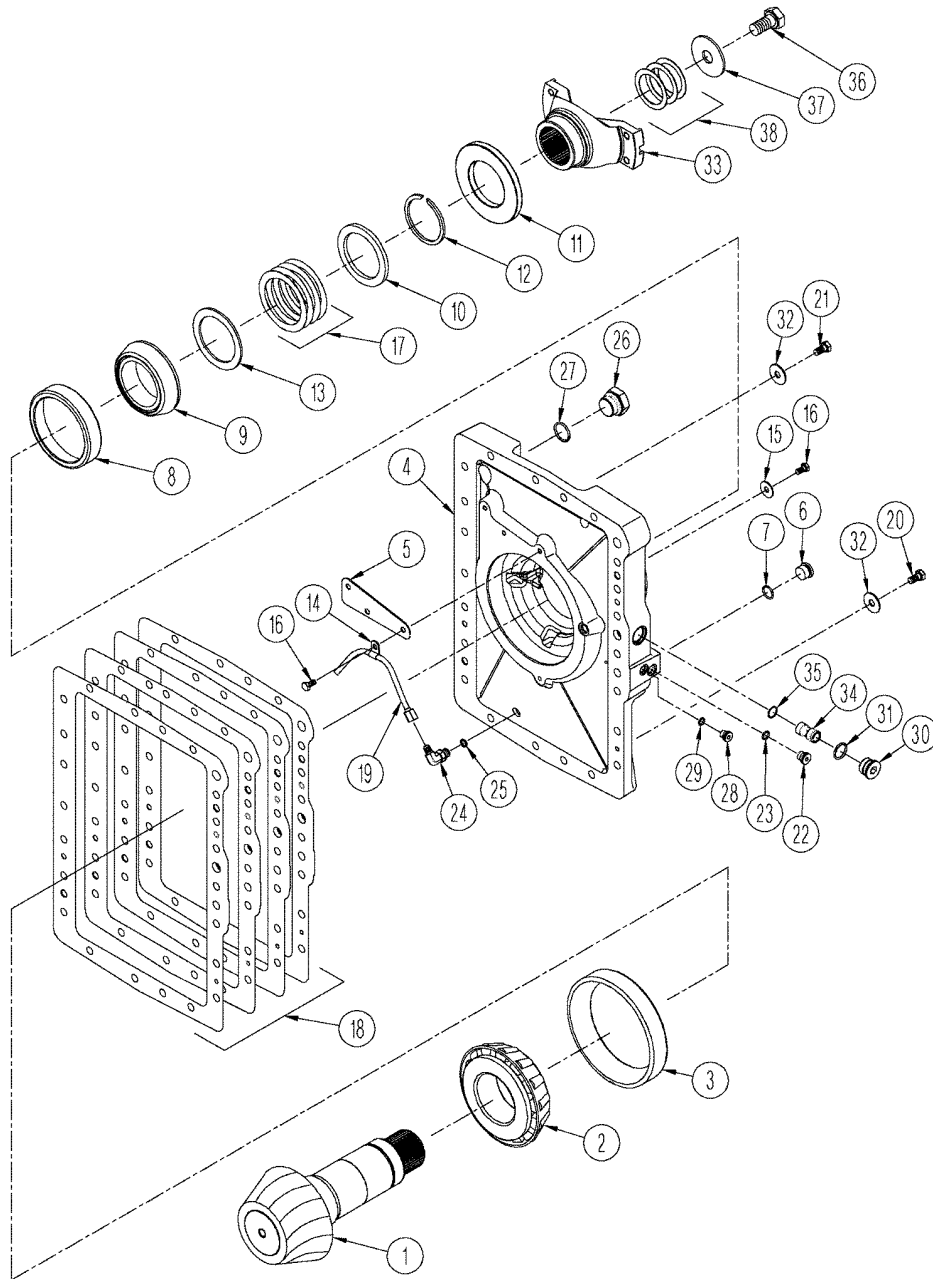


## 400 SERIES AXLE ASSEMBLY - REAR COVER

REF	FN	PART NUMBER	YR/SN	QTY	DESCRIPTION
		302260A1		1	GEAR SET Pinion Shaft And Gears, Inc. 1, See Figure 06-69, 06-70
1		NSS		1	NOT SERVICED SEPARATELY 12 T / 53 T, Shaft, Pinion
2		248118A1		1	BEARING, CONE
3		248114A1		1	BEARING SET
4		328427A3	BSN JEE0102001	1	COVER
4		86985626	ASN JEE0102001	1	COVER
5		246146A1		1	BAFFLE
6		218-5211		1	PLUG 7/8 Or, Inc. 7
7		237-6010		1	O-RING 3/4 ID x 3/32
8		191440A1		1	BEARING, CUP
9		67190R91		1	BEARING, CONE
10		229515A1		1	SNAP RING M4
11		87432424		1	SEAL Pinion Input Shaft
12		228968A2		1	SPACER Thick
13		191713A1		1	SPACER Thin
14		515-2279		1	CLAMP M7,9
15		95-31038		3	WASHER 3/4 x 1-1/8 x 1/16
16		628-8016		6	SCREW M8 x 16; 10,9
17		191709A1		AR	SHIM 0,076 mm
17		191711A1		AR	SHIM 0,101 mm
17		191712A1		AR	SHIM 0,130 mm
17		220785A1		AR	SHIM 0,508 mm
18		226492A2		AR	SHIM 0,076 mm
18		226493A2		AR	SHIM 0,101 mm
18		226494A2		AR	SHIM 0,130 mm
18		226496A2		AR	SHIM 0,508 mm
19		234432A1		1	TUBE Lubrication
20		828-12045		14	BOLT M12 x 45; 10.9
21		828-12080		8	BOLT M12 x 80; 10.9
22		221573A1		1	PLUG M12 orb x 13, Inc. 23
23		637-63093		1	O-RING 9,3 ID x 2,2
24		218-5284	BSN JEE0102001	1	ELBOW 5/16 x 3/8, Inc. 25
24		86985636	ASN JEE0102001	1	ELBOW Orificed, 5/16 x 3/8, Inc. 25

**STX375 STX450**  
**STX425**

400 SERIES AXLE ASSEMBLY - REAR COVER



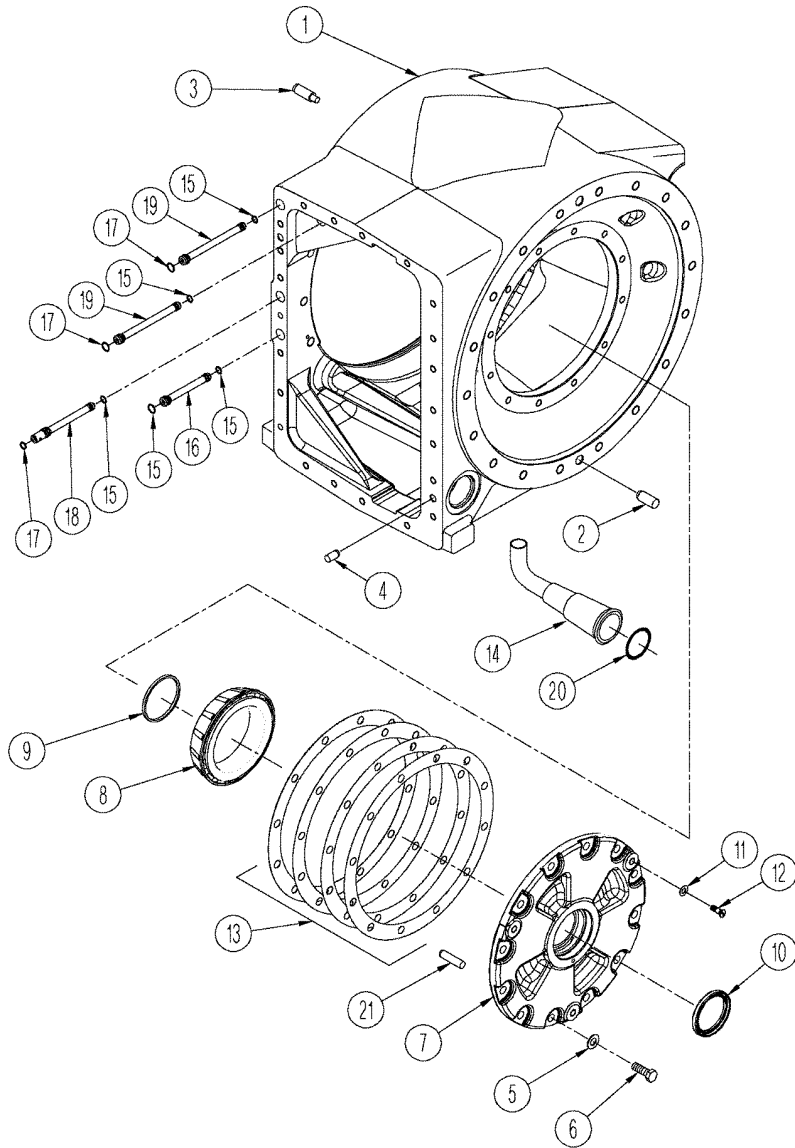
## 400 SERIES AXLE ASSEMBLY - REAR COVER

REF	FN	PART NUMBER	YR/SN	QTY	DESCRIPTION
26		220069A1		1	PLUG M33 orb x 2, Inc. 27
27		637-64296		1	O-RING 29,6 ID x 2,9
28		221576A1		1	PLUG M14 - 1,5, Inc. 29
29		637-63113		1	O-RING 11,3 ID x 2,2
30		221580A1		1	PLUG M27 - 2, Inc. 31
31		637-64236		1	O-RING 23,6 ID x 2,9
32		896-12012		22	WASHER 13,5 x 24 x 3 mm
33		395207A1		1	YOKE 8 C
34		347294A3		1	PUMP Jet
35		238-6017		2	O-RING 11/16 ID x 1/16
36		828-24110		1	SCREW M24 x 110; 10.9
37		228967A2		1	WASHER
38		178545A1		AR	SHIM 0,076 mm
38		178546A1		AR	SHIM 0,101 mm
38		178547A1		AR	SHIM 0,130 mm
38		220779A1		AR	SHIM 0,508 mm
25		237-6006		1	O-RING 6-1, 90 Duro, .468" ID x .078" Thk

**STX375 STX450**  
**STX425**



400 SERIES AXLE ASSEMBLY - CENTER AND LEFT-HAND CARRIER

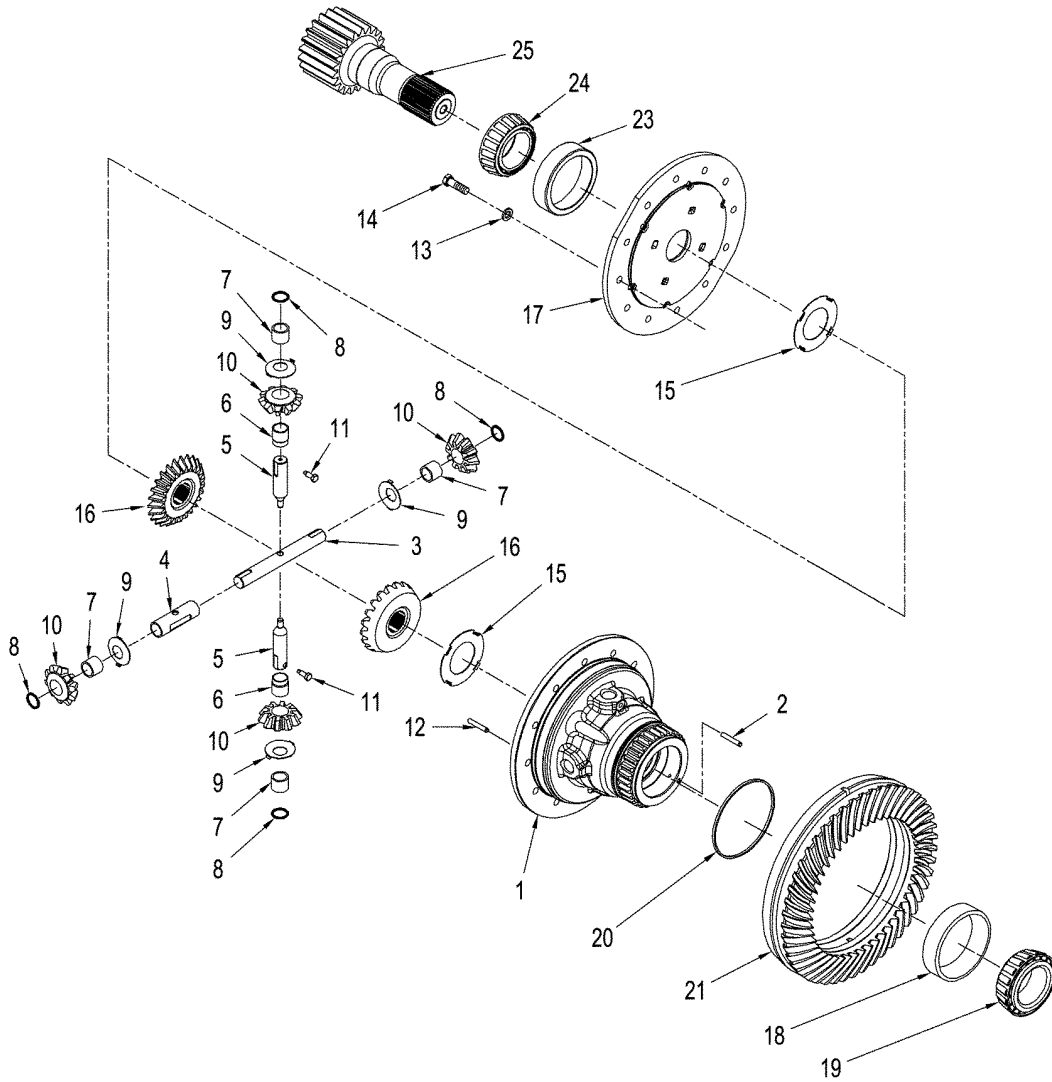


## 400 SERIES AXLE ASSEMBLY - CENTER AND LEFT-HAND CARRIER

REF	FN	PART NUMBER	YR/SN	QTY	DESCRIPTION
		388968A1		1	CARRIER ASSY. Center, Inc. 1 - 4
1		NSS		1	NOT SERVICED SEPARATELY Carrier
2		NSS		2	NOT SERVICED SEPARATELY Pin, Dowel
3		NSS		2	NOT SERVICED SEPARATELY Pin, 16 x 40 mm
4		NSS		2	NOT SERVICED SEPARATELY Pin, 12 x 25 mm
5		1251958C1		12	WASHER
6		628-12035		12	SCREW M12 x 35; 10.9
7		231637A2		1	CARRIER Bearing, Left-Hand
8		253932A1		1	BEARING, CONE
9		139060C2		1	RING
10		139059C1		1	SEAL
11		95-81100		3	WASHER 33/64 x 7/8
12		843-1812		3	SCREW M8 x 12; 4.8
13		255121A1		AR	SHIM 0,076 mm
13		255122A1		AR	SHIM 0,101 mm
13		255123A1		AR	SHIM 0,130 mm
13		255124A1		AR	SHIM 0,508 mm
14		229553A3		1	TUBE Suction
15		238-6013		5	O-RING 7/16 ID x 1/16
16		245162A1		1	TUBE Jumper, Lubrication
17		238-6015		3	O-RING 9/16 ID x 1/16
18		329808A1	BSN JEE0102001	1	TUBE Jumper, Lubrication
18		86985628	ASN JEE0102001	1	TUBE Jumper, Lubrication
19		228893A2		2	TUBE Service / Park Brake
20		238-5226		1	O-RING 2 ID x 1/8
21		837-6055		1	PIN 6 x 55 mm
22		837-12025		1	PIN 12 x 25 mm

**STX375 STX450**  
**STX425**

400 SERIES AXLE ASSEMBLY - DIFFERENTIAL, WITHOUT DIFFERENTIAL LOCKS

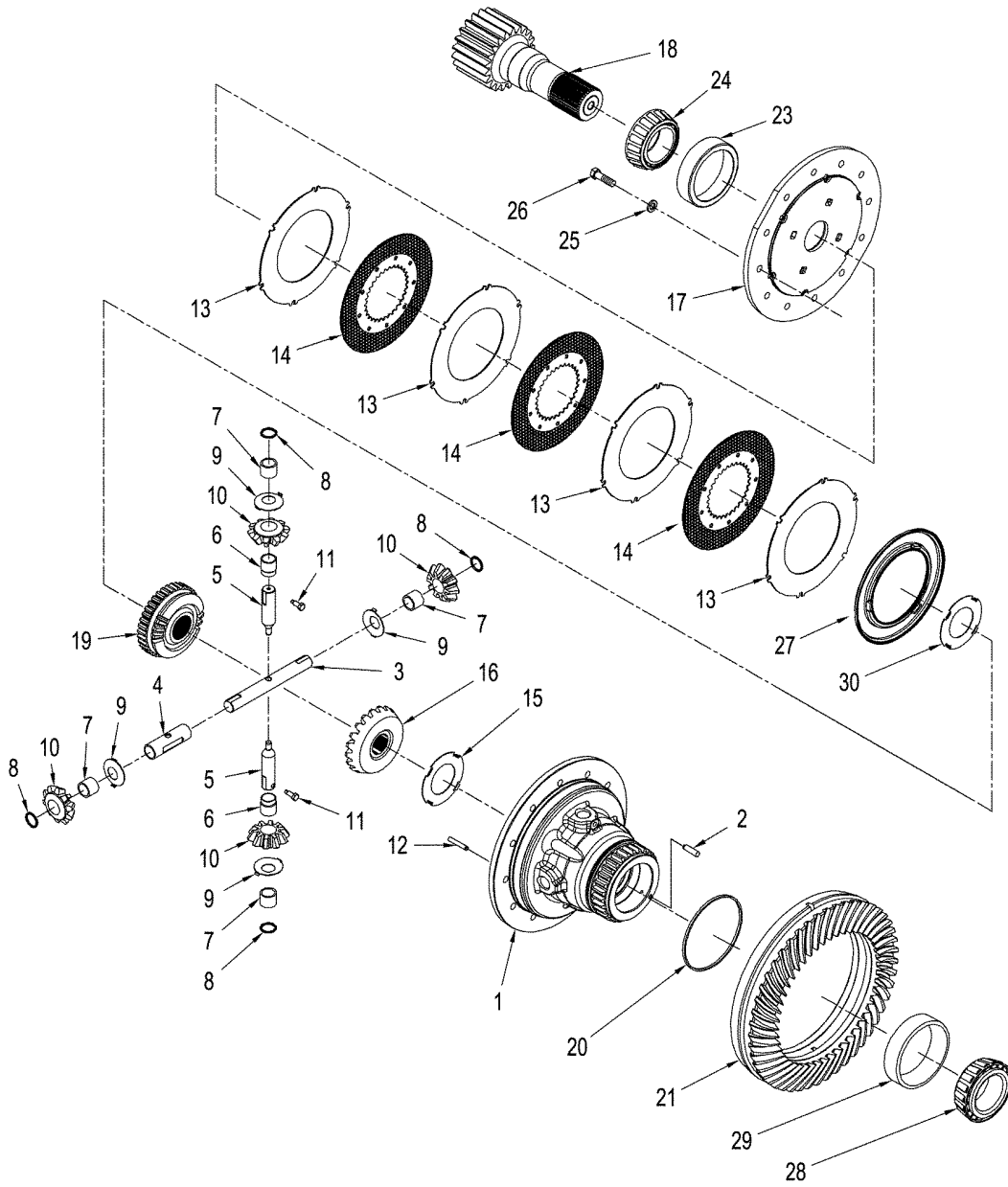


## 400 SERIES AXLE ASSEMBLY - DIFFERENTIAL, WITHOUT DIFFERENTIAL LOCKS

REF	FN	PART NUMBER	YR/SN	QTY	DESCRIPTION
		389329A1		1	HOUSING ASSY. Inc. 1, 2
1		NSS		1	NOT SERVICED SEPARATELY Housing
2		1342851C1		1	PLUG 10mm
3		92907C1		1	SHAFT Pinion, Long
4		1289349C1		1	SPACER
5		92906C1		2	SHAFT, SHORT Pinion
6		1289350C1		2	SPACER
7		1270697C1		112	NEEDLE 28 Per Gear
8		1289348C1		4	RING Retaining
9		92718C2		4	WASHER
10		92905C1		4	PINION
11		1997421C1		2	BOLT
12		137023A1		6	DOWEL 10 x 60 mm
13		896-11016		24	WASHER 17,5 x 30 x 4 mm
14		828-16055		24	SCREW Hex, M16 x 55, 10.9, Full Thd
15		227116A2		2	WASHER, THRUST
16		1259633C3		1	GEAR
17		314226A3		1	COVER
18		622337C1		1	BEARING, CUP
19		622336C1		1	BEARING, CONE
20		148939C1		1	SEAL
		302259A2		1	GEAR SET Pinion Shaft and Gears, Front Axle, Inc. 21, See Figure 06-66
		302260A1		1	GEAR SET Pinion Shaft and Gears, Rear Axle, Not Illustrated, Inc. 22, See Figure 06-67
21		NSS		1	NOT SERVICED SEPARATELY Gear, Drive, Front Axle
22		NSS		1	NOT SERVICED SEPARATELY Gear, Drive, Rear Axle, Not Illustrated
23		253931A1		1	BEARING SET
24		253932A1		1	BEARING, CONE
25		310693A1		1	SHAFT Sun Gear, Short
26		388308A1		1	SEAL Not Illustrated

**STX375 STX450**  
**STX425**

400 SERIES AXLE ASSEMBLY - DIFFERENTIAL, WITH DIFFERENTIAL LOCKS

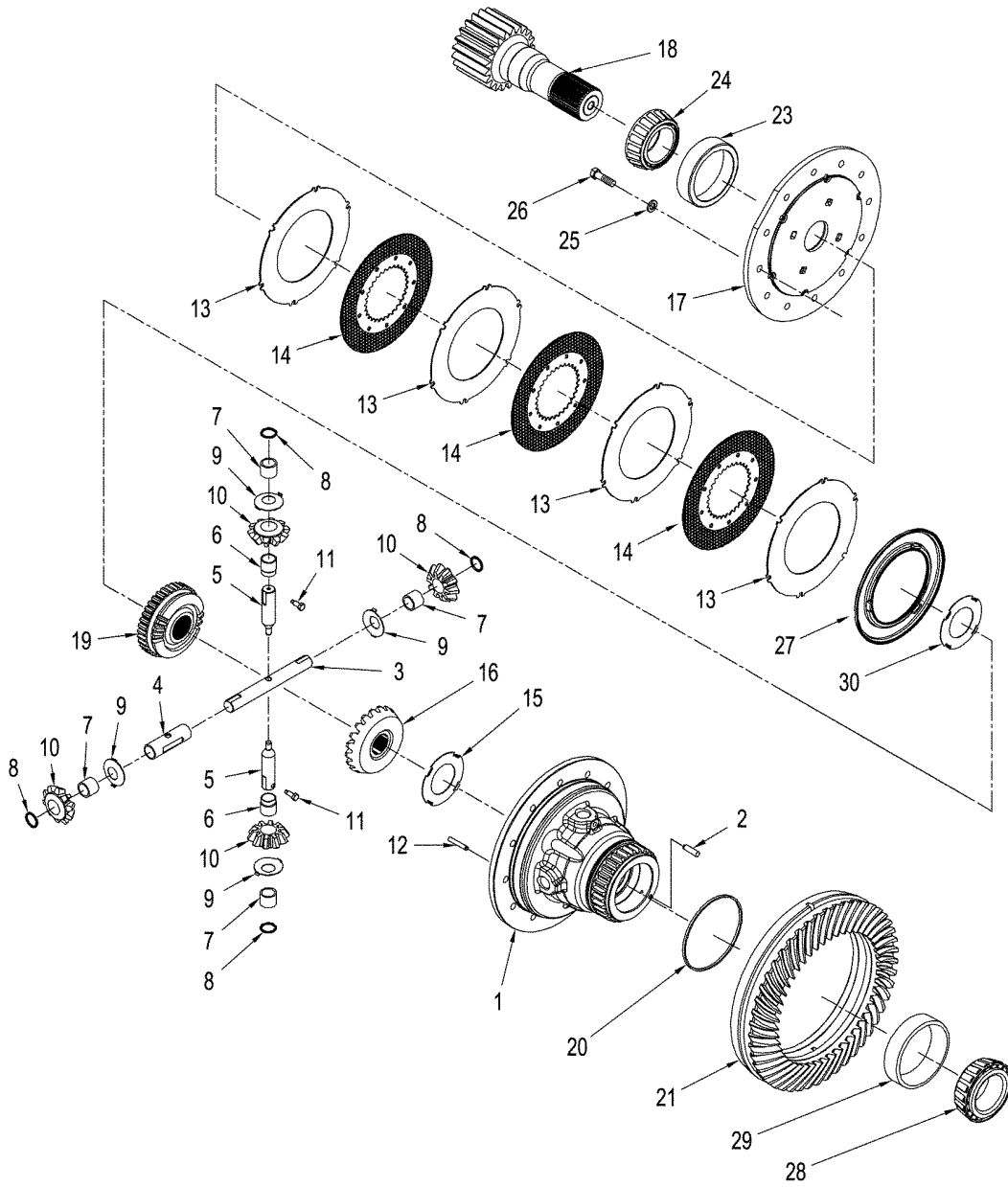


## 400 SERIES AXLE ASSEMBLY - DIFFERENTIAL, WITH DIFFERENTIAL LOCKS

REF	FN	PART NUMBER	YR/SN	QTY	DESCRIPTION
		389329A1		1	HOUSING ASSY. Inc. 1, 2
1		NSS		1	NOT SERVICED SEPARATELY Housing
2		1342851C1		1	PLUG 10 mm
3		92907C1		1	SHAFT Pinion, Long
4		1289349C1		1	SPACER
5		92906C1		2	SHAFT, SHORT Pinion
6		1289350C1		2	SPACER
7		1270697C1		112	NEEDLE 28 Per Gear
8		1289348C1		4	RING
9		92718C2		4	WASHER
10		92905C1		4	PINION
11		1997421C1		2	BOLT
12		137023A1		6	DOWEL 10 x 60 mm
13		92915C1		4	PLATE Separator
14		120679C1		3	PLATE Friction
15		227116A2		1	WASHER, THRUST
16		1259633C3		1	GEAR
17		253609A4		1	COVER
18		310693A1		1	SHAFT Sun Gear, Short
19		1259634C3		1	PINION Lock
20		148939C1		1	SEAL
		302259A2		1	GEAR SET Pinion Shaft and Gears, Front Axle, Inc. 21, See Figure 06-66
		302260A1		1	GEAR SET Pinion Shaft and Gears, Rear Axle, Not Illustrated, Inc. 22, See Figure 06-67
21		NSS		1	NOT SERVICED SEPARATELY Gear, Drive, Front Axle
22		NSS		1	NOT SERVICED SEPARATELY Gear, Drive, Rear Axle
23		253931A1		1	BEARING SET
24		253932A1		1	BEARING, CONE
25		896-11016		24	WASHER 17,5 x 30 x 4 mm
26		828-16055		24	SCREW Hex, M16 x 55, 10.9, Full Thd
27		1997422C1		1	PISTON Brake
28		622336C1		1	BEARING, CONE

**STX375 STX450**  
**STX425**

400 SERIES AXLE ASSEMBLY - DIFFERENTIAL, WITH DIFFERENTIAL LOCKS



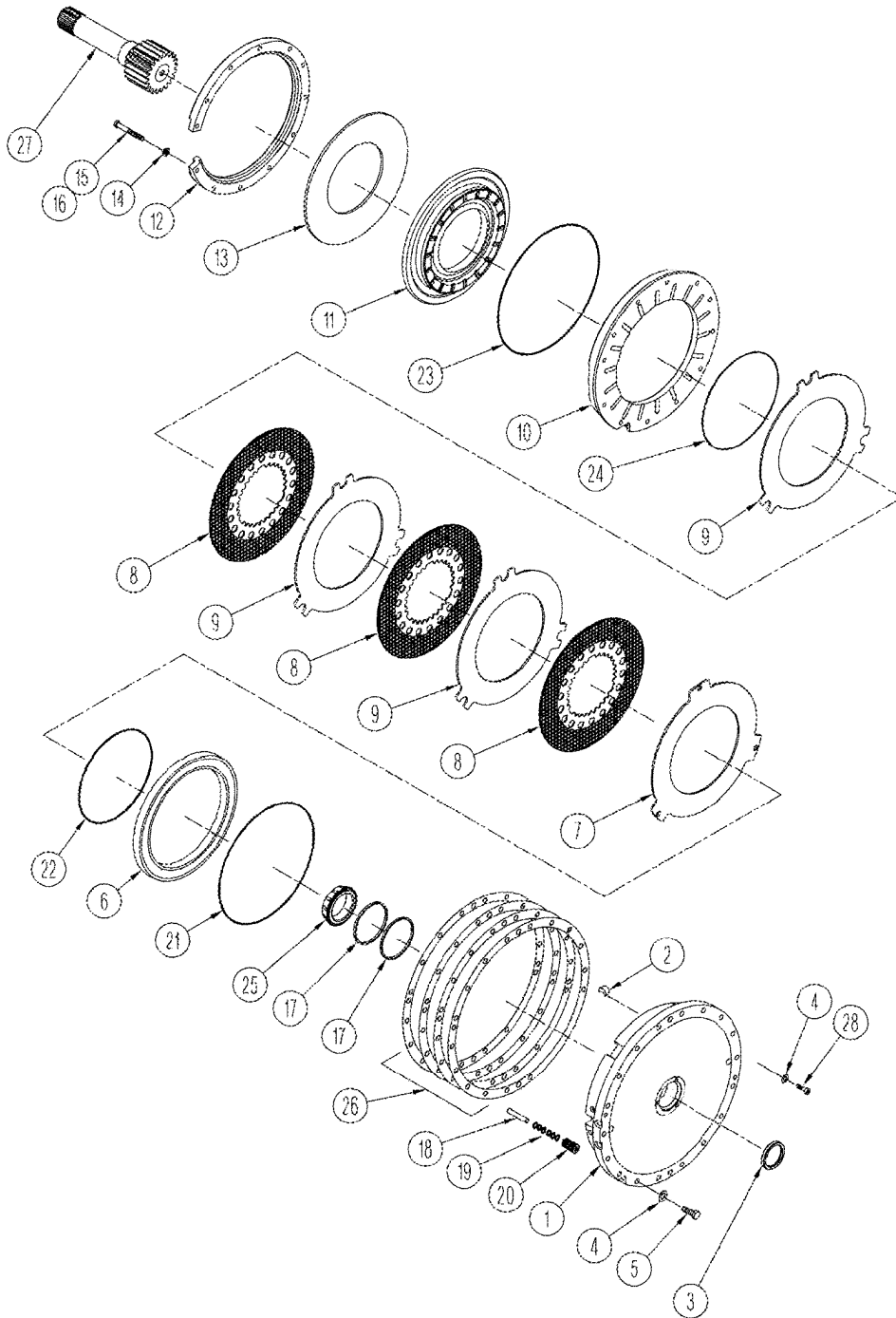
**400 SERIES AXLE ASSEMBLY - DIFFERENTIAL, WITH DIFFERENTIAL LOCKS**

REF	FN	PART NUMBER	YR/SN	QTY	DESCRIPTION
29		A63171		1	BEARING, CUP
30		227117A2		1	WASHER, THRUST

	<p><b>STX375 STX450</b> <b>STX425</b></p>
--	---



400 SERIES AXLE ASSEMBLY - BRAKE AND RIGHT-HAND CARRIER

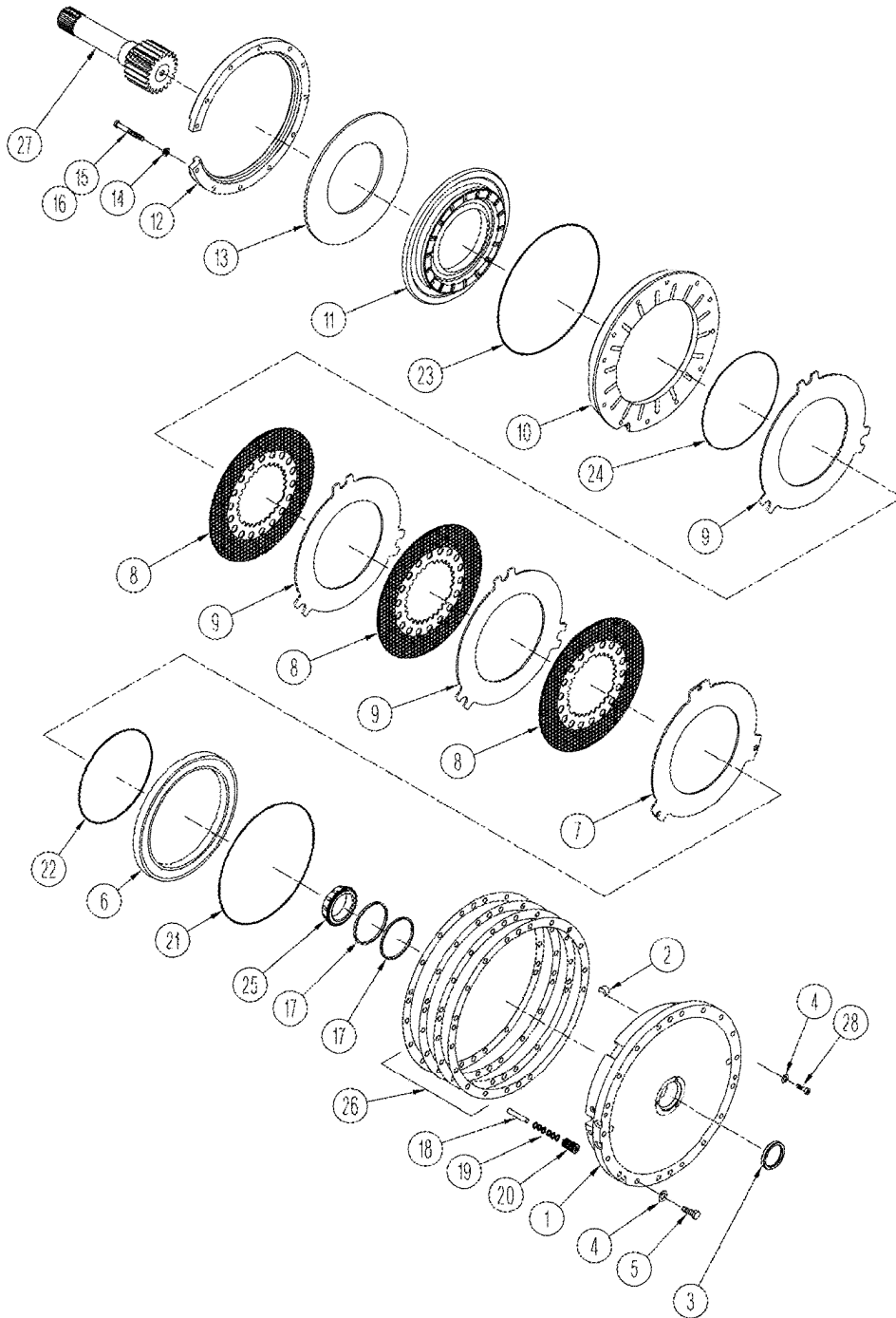


## 400 SERIES AXLE ASSEMBLY - BRAKE AND RIGHT-HAND CARRIER

REF	FN	PART NUMBER	YR/SN	QTY	DESCRIPTION
		398362A1		1	CARRIER Brake, Inc. 1, 2
1		NSS		1	NOT SERVICED SEPARATELY Carrier
2		NSS		1	NOT SERVICED SEPARATELY Plug, Expansion, 12mm
3		139059C1		1	SEAL
4		896-12016		18	WASHER 17,5 x 30 x 4 mm
5		828-16180		15	SCREW M16 x 180; 10.9
6		178565A2		1	PISTON Service Brake
7		228194A3		1	PLATE Return
8		353363A1		3	PLATE Friction
9		228193A1		3	PLATE Separator
10		226252A2		1	PLATE Backing
11		226318A2		1	PISTON Park Brake
12		226254A4		1	RING
13		226320A1		1	SPRING
14		896-12012		12	WASHER 13,5 x 24 x 3 mm
15		828-12080		2	BOLT M12 x 80; 10.9
16		828-12090		10	BOLT M12 x 90; 10.9
17		388308A1		2	SEAL Ring
		235507A5		3	ADJUSTER Inc. 18 - 20
18		37-1832		1	PIN 1/2 X 2
19		100-1450		6	RING, SNAP #50, Ext
20		1342928C1		9	WASHER
21		238-5387		1	O-RING 1/8 ID x 18; 5
22		238-7277		1	O-RING 1/8 ID x 11-1/2; 7
23		238-7282		1	O-RING 1/8 ID x 16; 7
24		238-7278		1	O-RING 1/8 ID x 12; 7
25		A63171		1	BEARING, CUP
25		622336C1		1	BEARING, CONE
26		178553A1		AR	SHIM 0,076 mm
26		178554A1		AR	SHIM 0,101 mm
26		178555A1		AR	SHIM 0,130 mm
26		198843A1		AR	SHIM 0,508 mm
27		310692A1		1	SHAFT Sun Gear, Long
28		390873A1		3	BOLT, SPECIAL

**STX375 STX450**  
**STX425**

400 SERIES AXLE ASSEMBLY - BRAKE AND RIGHT-HAND CARRIER

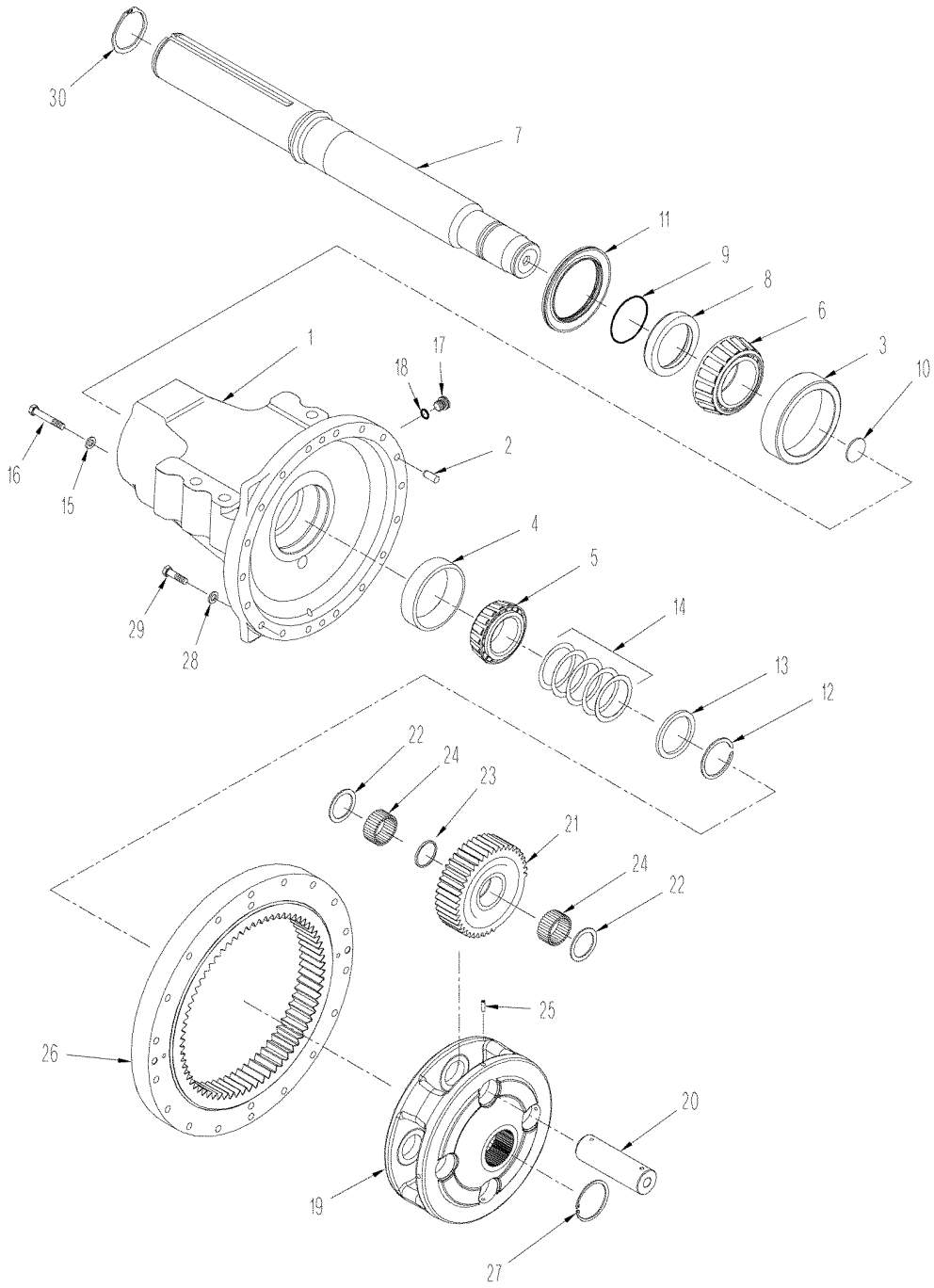


**400 SERIES AXLE ASSEMBLY - BRAKE AND RIGHT-HAND CARRIER**

<b>REF</b>	<b>FN</b>	<b>PART NUMBER</b>	<b>YR/SN</b>	<b>QTY</b>	<b>DESCRIPTION</b>
29		388308A1		1	SEAL Not Illustrated

**STX375 STX450  
STX425**

400 SERIES AXLE ASSEMBLY - FINAL DRIVE

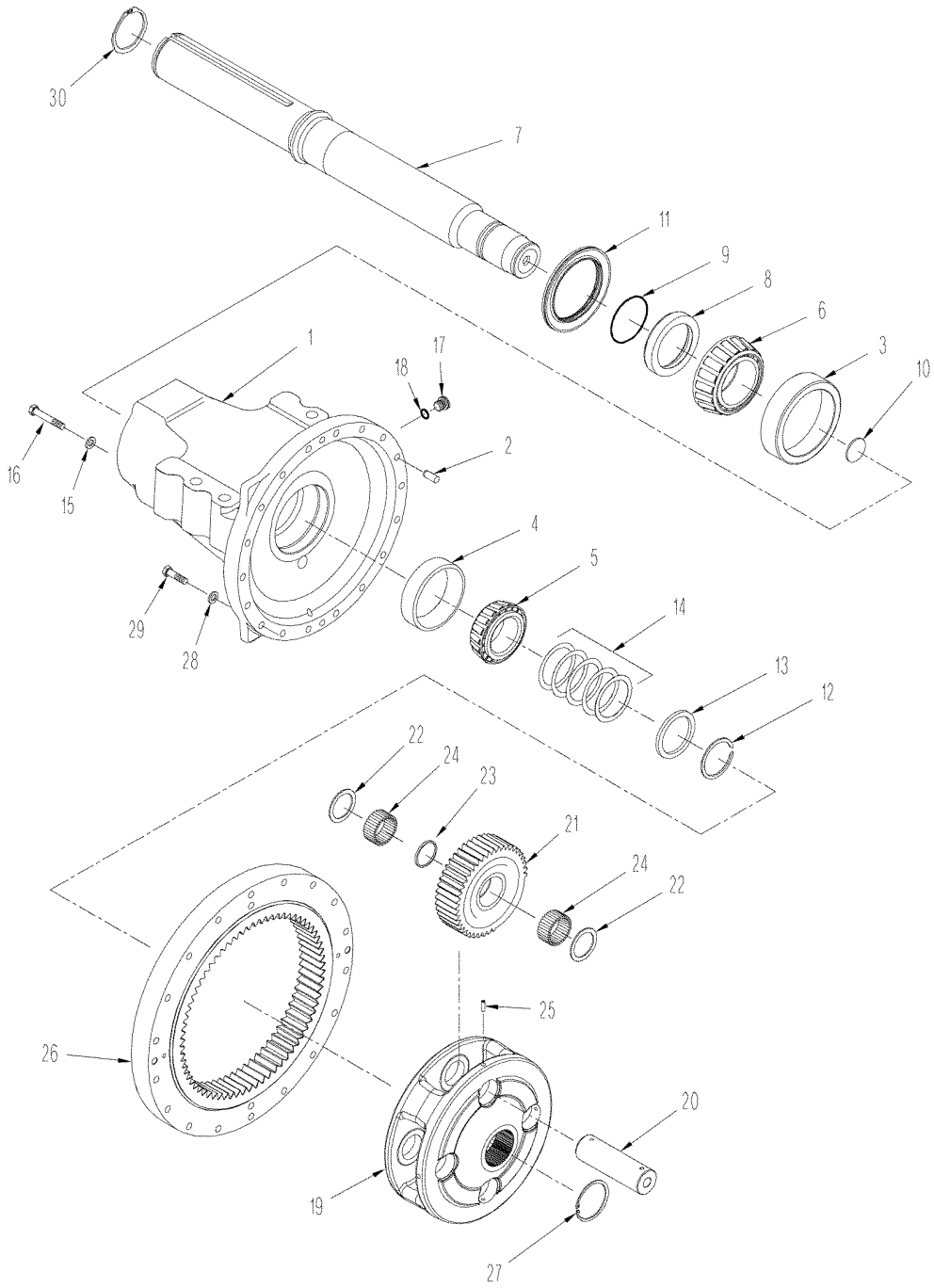


## 400 SERIES AXLE ASSEMBLY - FINAL DRIVE

REF	FN	PART NUMBER	YR/SN	QTY	DESCRIPTION
		313600A2		1	CARRIER Inc. 1 - 4
1		NSS		1	NOT SERVICED SEPARATELY Housing
2		837-16040		2	DOWEL 16 x 40 mm
3		237698A1		1	BEARING, CUP
4		A136253		1	BEARING SET
5		NSS		1	NOT SERVICED SEPARATELY Bearing, Cone
6		237700A1		1	BEARING, CONE
		310701A5		2	SHAFT 115 mm (4-1/2 in), Axle, Inc. 7 - 10
7		NSS		1	NOT SERVICED SEPARATELY Shaft, 115 mm (4-1/2 in)
8		239529A1		1	BUSHING Outboard
9		238-5246		1	O-RING 4-1/2 ID x 1/8
10		1981270C1		1	INSERT
11		239942A3		1	SEAL
12		243856A1	BSN JEE0102001	1	SNAP RING
12		435222A1	ASN JEE0102001	1	SNAP RING
13		124744C1	BSN JEE0102001	1	RING
13		436752A1	ASN JEE0102001	1	RING, THRUST
14		143921C1	BSN JEE0102001	1	SHIM 0,760 mm
14		437392A1	ASN JEE0102001	1	SHIM
14		143922C1	BSN JEE0102001	1	SHIM 0,300 mm
14		437393A1	ASN JEE0102001	1	SHIM
14		143923C1	BSN JEE0102001	1	SHIM 0,13 mm
14		437394A1	ASN JEE0102001	1	SHIM
14		143924C1	BSN JEE0102001	1	SHIM 0,10 mm
14		437395A1	ASN JEE0102001	1	SHIM
14		143925C1	BSN JEE0102001	1	SHIM 0,076 mm
14		437396A1	ASN JEE0102001	1	SHIM
15		95-31038		4	WASHER 3/4 x 1-1/8 x 1/16
16		628-8016		4	SCREW M8 x 16; 10,9
17		221578A1		1	PLUG M18 - 1,5, Inc. 18
18		637-63153		1	O-RING 15,3 ID x 2,2
19		388370A1		1	CARRIER, GEARS Planetary
20		310697A3		4	SHAFT
21		310694A2		4	GEAR, PLANETARY 29 T

**STX375 STX450**  
**STX425**

400 SERIES AXLE ASSEMBLY - FINAL DRIVE



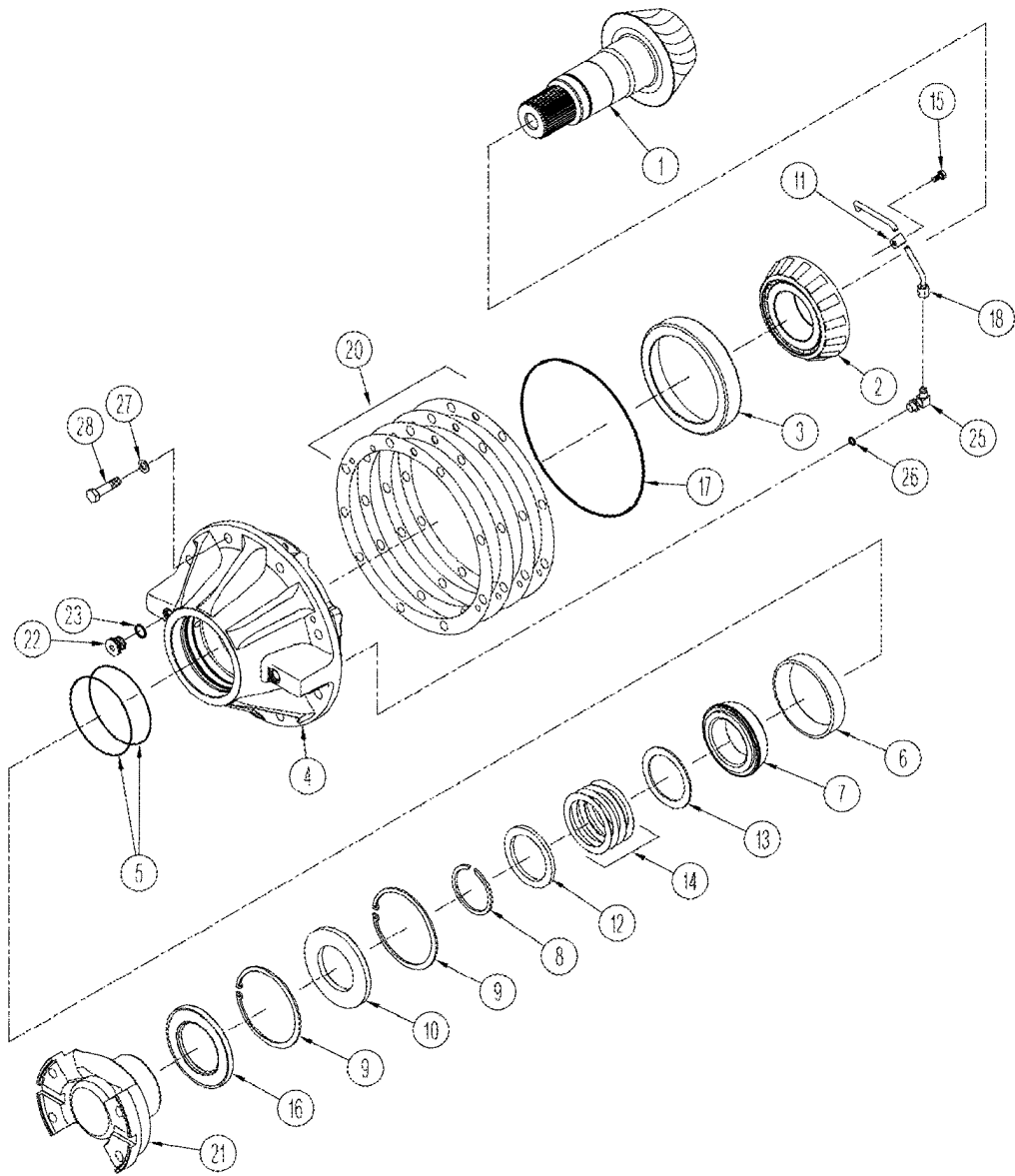
## 400 SERIES AXLE ASSEMBLY - FINAL DRIVE

REF	FN	PART NUMBER	YR/SN	QTY	DESCRIPTION
22		87435907		8	WASHER
23		310728A2		4	RING
24		1349347C1		264	BEARING, NEEDLE
25		838-3826		4	PIN 8 x 26 mm, Coiled Spring
26		360761A1		2	GEAR, RING 76 T, Ring
27		101-11350		2	SNAP RING No. 350
28		896-12016		36	WASHER 17,5 x 30 x 4 mm
29		828-16150		18	SCREW M16 x 150; 10.9
30		800-51100	ASN JEE0102001	4	RING, SNAP 100 mm

**STX375 STX450**  
**STX425**



500 SERIES AXLE ASSEMBLY - FRONT COVER



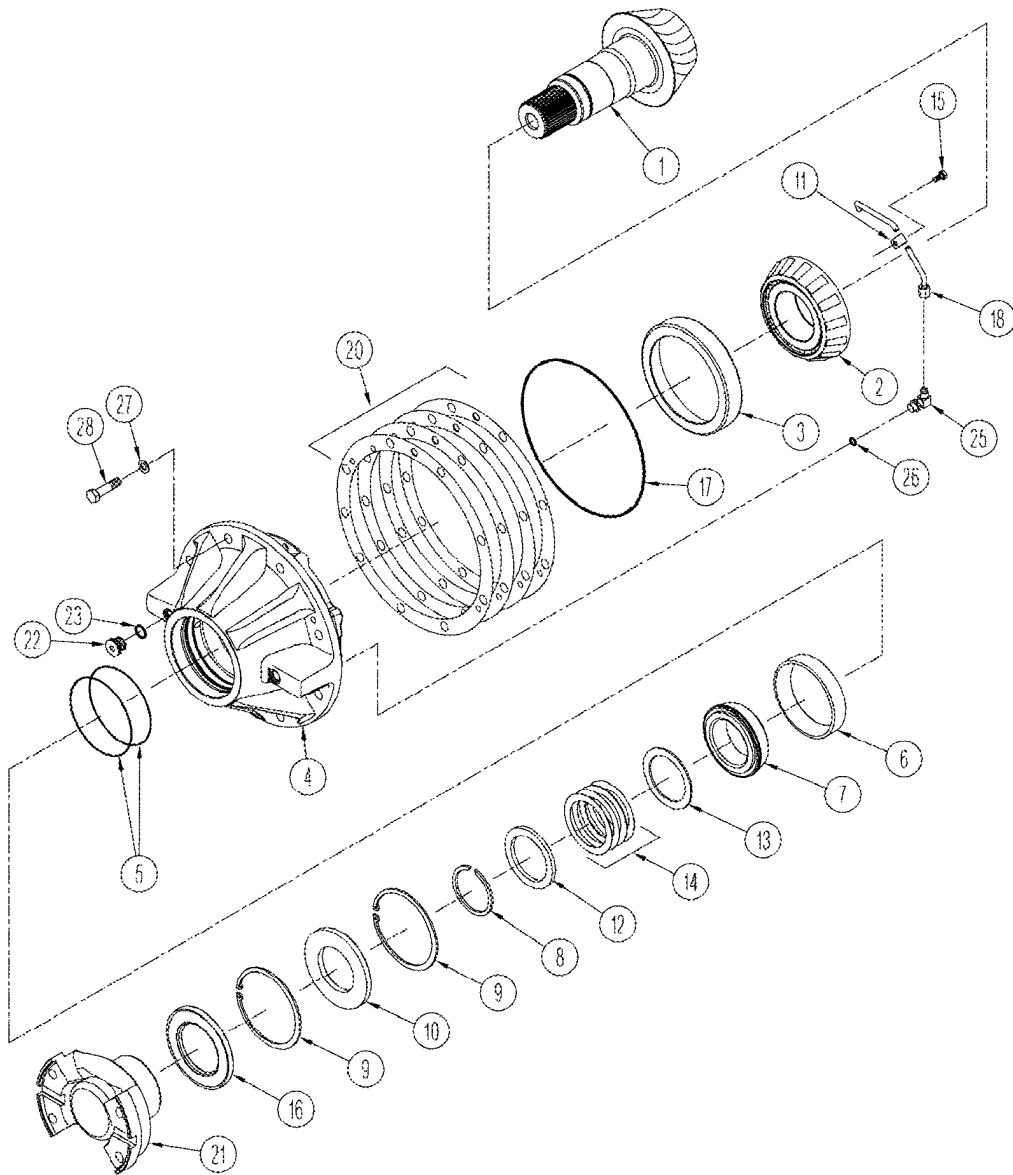
## 500 SERIES AXLE ASSEMBLY - FRONT COVER

REF	FN	PART NUMBER	YR/SN	QTY	DESCRIPTION
		352211A1		1	GEAR SET Pinion Shaft And Gears, Inc. 1, See Figure 06-77, 06-78
1		NSS		1	NOT SERVICED SEPARATELY Shaft, Pinion
2		248118A1		1	BEARING, CONE
3		248114A1		1	BEARING SET
4		328421A5		1	COVER
5		238-5122		1	O-RING 1-1/8 ID x 3/32
6		191440A1		1	BEARING, CUP
7		67190R91		1	BEARING, CONE
8		229515A1		1	SNAP RING M4
9		100-21550		2	RING, SNAP 5.50", Int, #550
10		87432424		1	SEAL Pinion Input Shaft
11		515-2279		1	CLAMP M7,9
12		228968A2		1	SPACER Thick
13		191713A1		1	SPACER Thin
14		191709A1		AR	SHIM 0,076 mm
14		191711A1		AR	SHIM 0,101 mm
14		191712A1		AR	SHIM 0,130 mm
14		220785A1		AR	SHIM 0,508 mm
15		628-8016		1	SCREW M8 x 16; 10,9
16		284186A1		1	SEAL
17		238-5276		1	O-RING 11 ID x 1/8
18		284180A1		1	PIPE Lubrication
20		279714A4		AR	SHIM 0,076 mm
20		279715A4		AR	SHIM 0,101 mm
20		279716A4		AR	SHIM 0,130 mm
20		279717A4		AR	SHIM 0,508 mm
21		284184A1		1	YOKE 8,5 C
22		221578A1		1	PLUG M18 - 1,5, Inc. 23
23		637-63153		1	O-RING 15,3 ID x 2,2
24	1	218-5209		1	PLUG 9/16 Or, Not Illustrated
25		218-5284	BSN JEE0102001	1	ELBOW 5/16 x 3/8, Inc. 26
25		86985636	ASN JEE0102001	1	ELBOW Orificed, 5/16 x 3/8, Inc. 26
27		896-12016		8	WASHER 17,5 x 30 x 4 mm

(1) STX Wheel Tractor

**STX375 STX450**  
**STX425 STX500**

500 SERIES AXLE ASSEMBLY - FRONT COVER

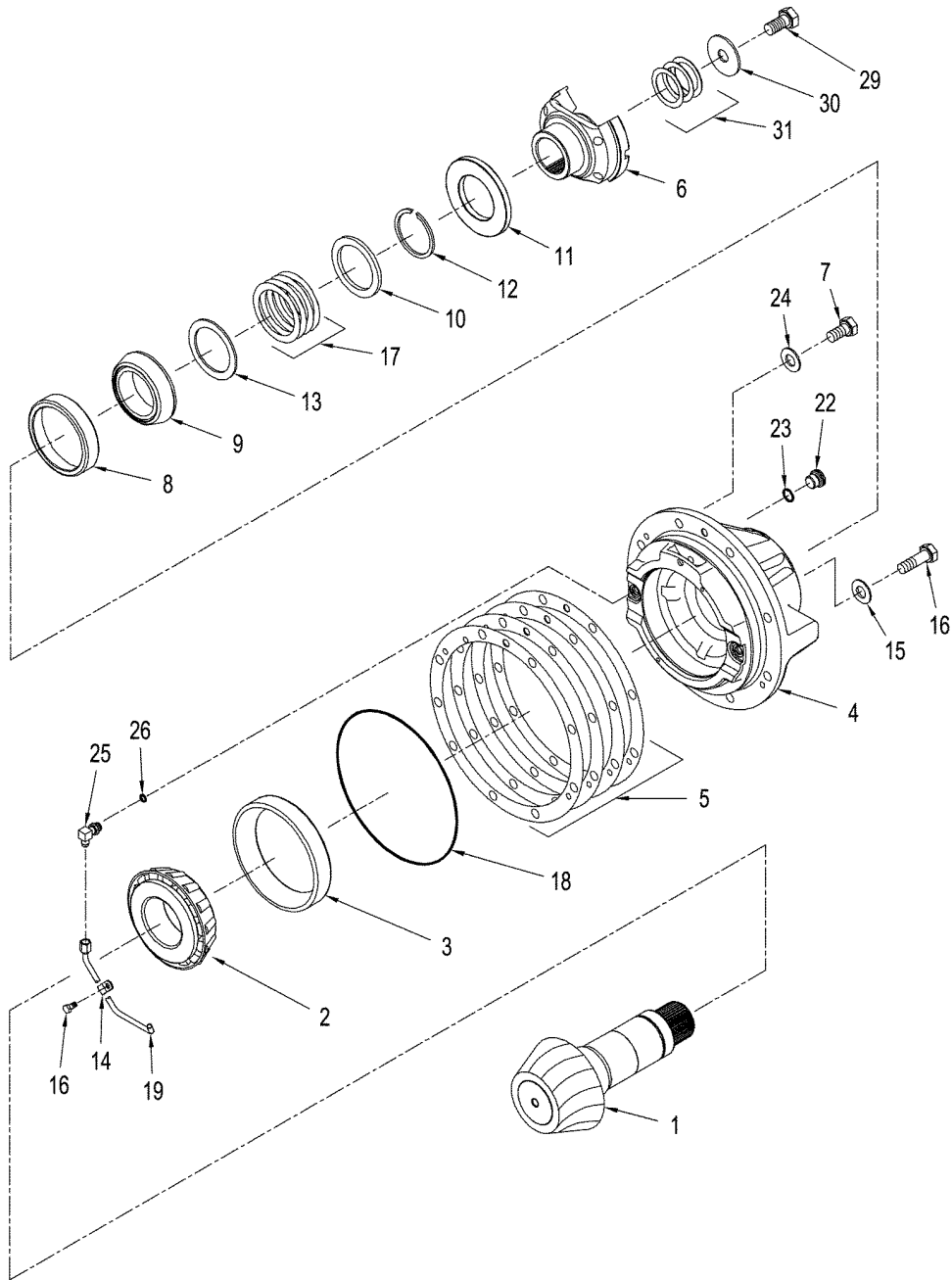


## 500 SERIES AXLE ASSEMBLY - FRONT COVER

REF	FN	PART NUMBER	YR/SN	QTY	DESCRIPTION
28		828-16055		8	SCREW Hex, M16 x 55, 10.9, Full Thd
29	1	221578A1		1	PLUG M18 - 1,5, Not Illustrated, Inc. 30
30		637-63153		1	O-RING 15,3 ID x 2,2
19		237-6006		2	O-RING 6-1, 90 Duro, .468" ID x .078" Thk, not illustrated
26		237-6006		1	O-RING 6-1, 90 Duro, .468" ID x .078" Thk
(1)	STX Wheel Tractor				

**STX375 STX450**  
**STX425 STX500**

500 SERIES AXLE ASSEMBLY - REAR COVER



## 500 SERIES AXLE ASSEMBLY - REAR COVER

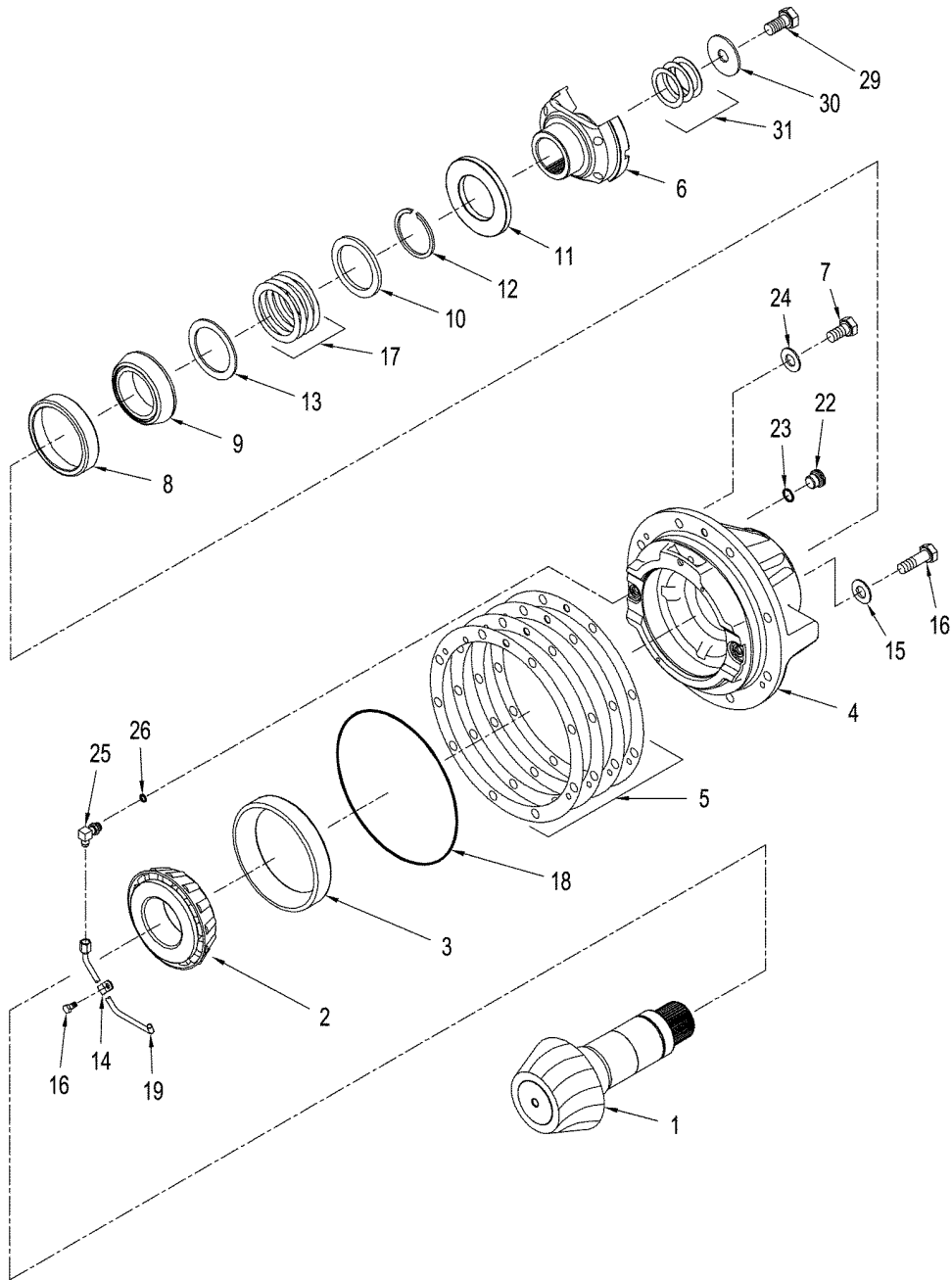
REF	FN	PART NUMBER	YR/SN	QTY	DESCRIPTION
		352212A2		1	GEAR SET Pinion Shaft and Gears, Inc. 1, See Figure 06-77, 06-78
1		NSS		1	NOT SERVICED SEPARATELY Shaft, Pinion
2		248118A1		1	BEARING, CONE
3		248114A1		1	BEARING SET
4		328422A5		1	COVER
5		279714A4		AR	SHIM 0,076 mm
5		279715A4		AR	SHIM 0,101 mm
5		279716A4		AR	SHIM 0,130 mm
5		279717A4		AR	SHIM 0,508 mm
6		284185A1		1	YOKE 8,5 C
7		828-16055		8	SCREW Hex, M16 x 55, 10.9, Full Thd
8		191440A1		1	BEARING, CUP
9		67190R91		1	BEARING, CONE
10		229515A1		1	SNAP RING M4
11		87432424		1	SEAL
12		228968A2		1	SPACER Thick
13		191713A1		1	SPACER Thin
14		515-2279		1	CLAMP M7,9
15		95-31038		3	WASHER 3/4 x 1-1/8 x 1/16
16		628-8016		4	SCREW M8 x 16; 10,9
17		191709A1		1	SHIM 0,076 mm
17		191711A1		1	SHIM 0,101 mm
17		191712A1		1	SHIM 0.130 mm
17		220785A1		1	SHIM 0,508 mm
18		238-5276		1	O-RING 11 ID x 1/8
19		313377A1		1	PIPE Lubrication
20	1	221578A1		1	PLUG M18 - 1,5, Not Illustrated, Inc. 21
21		637-63153		1	O-RING 15,3 ID x 2,2
22	2	221573A1		1	PLUG M12 orb x 13, Inc. 23
23		637-63093		1	O-RING 9,3 ID x 2,2
24		896-12016		8	WASHER 17,5 x 30 x 4 mm
25		218-5284	BSN JEE0102001	1	ELBOW 5/16 x 3/8, Inc. 26

(1) STX Wheel Tractor

(2) QUADTRAC Tractor

**STX375 STX450**  
**STX425 STX500**

500 SERIES AXLE ASSEMBLY - REAR COVER



## 500 SERIES AXLE ASSEMBLY - REAR COVER

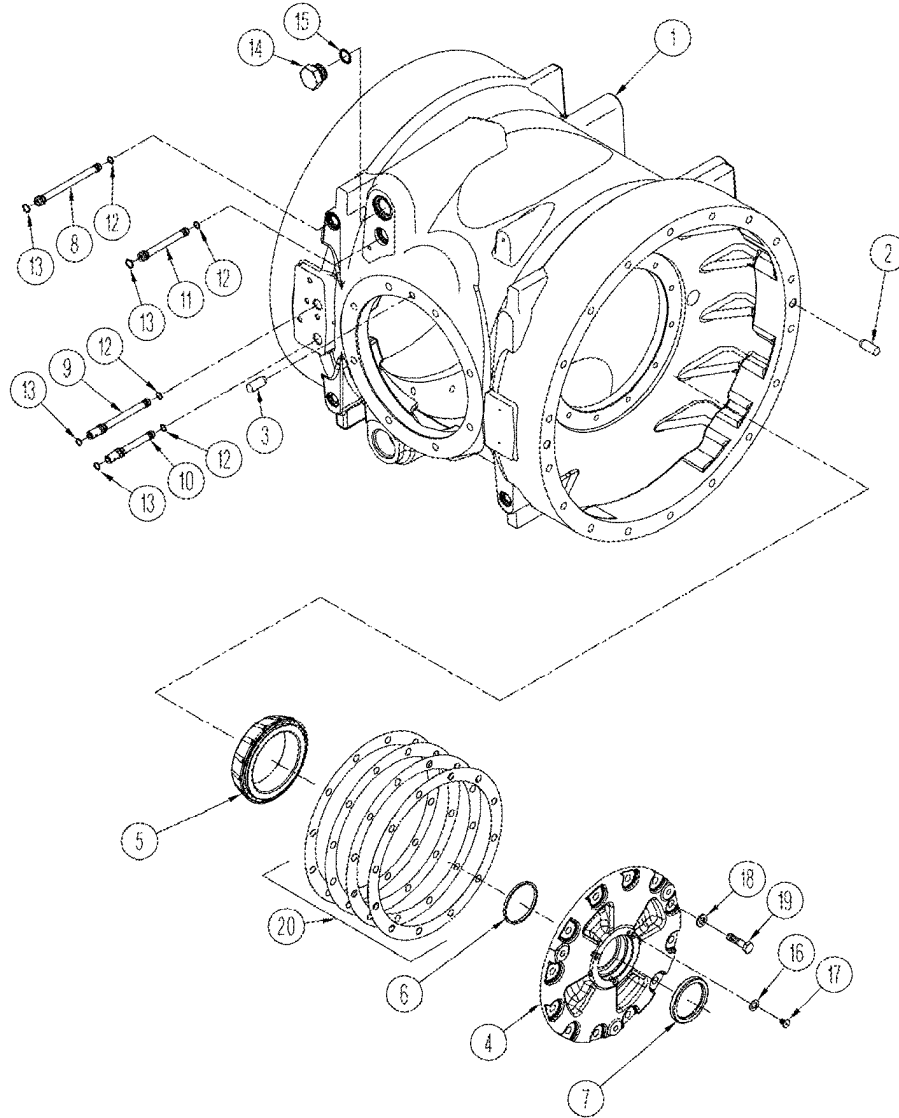
REF	FN	PART NUMBER	YR/SN	QTY	DESCRIPTION
25		86985636	ASN JEE0102001	1	ELBOW Orificed, 5/16 x 3/8, Inc. 26
27	1	218-5209		1	PLUG 3/8 Or, Not Illustrated, Inc. 28
28		238-6012		1	O-RING 3/8 ID x 1/16
29		828-24110		1	SCREW M24 x 110; 10.9
30		228967A2		1	WASHER
31		178545A1		AR	SHIM 0,076 mm
31		178546A1		AR	SHIM 0,101 mm
31		178547A1		AR	SHIM 0,130 mm
31		220779A1		AR	SHIM 0,508 mm
26		237-6006		1	O-RING 6-1, 90 Duro, .468" ID x .078" Thk

(1) STX Wheel Tractor

**STX375 STX450**  
**STX425 STX500**



500 SERIES AXLE ASSEMBLY - CENTER AND LEFT-HAND CARRIER, WHEEL TRACTOR



## 500 SERIES AXLE ASSEMBLY - CENTER AND LEFT-HAND CARRIER, WHEEL TRACTOR

REF	FN	PART NUMBER	YR/SN	QTY	DESCRIPTION
		333402A1	BSN JEE0102001	1	HOUSING, AXLE Center, Inc. 1 - 3
		87438232	ASN JEE0102001	1	HOUSING, AXLE Center, Inc. 1 - 3
1		NSS		1	NOT SERVICED SEPARATELY Housing
2		837-16040		6	DOWEL 16 x 40 mm
3		837-12025		1	PIN 12 x 25 mm
4		369765A1		1	CARRIER, BEARING
5		253932A1		1	BEARING, CONE
6		139060C2		1	RING
7		139059C1		1	SEAL
8		284188A1		1	TUBE Jumper, Service Brake
9		329808A1	BSN JEE0102001	1	TUBE Jumper, Lubrication
9		86985628	ASN JEE0102001	1	TUBE Jumper, Lubrication
10		370783A2	BSN JEE0102001	1	TUBE Jumper, Lubrication
10		86985628	ASN JEE0102001	1	TUBE Jumper, Lubrication
11		298567A1		1	TUBE Jumper, Park Brake
12		238-6013		4	O-RING 7/16 ID x 1/16
13		238-6015		4	O-RING 9/16 ID x 1/16
14		220069A1		1	PLUG M33 orb x 2, Inc. 15
15		637-64296		1	O-RING 29,6 ID x 2,9
16		95-81100		3	WASHER 33/64 x 7/8
17		843-1812		3	SCREW M8 x 12; 4.8
18		896-12012		12	WASHER 13,5 x 24 x 3 mm
19		828-12045		12	BOLT M12 x 45; 10.9
20		255121A1		AR	SHIM 0,076 mm
20		255122A1		AR	SHIM 0,101 mm
20		255123A1		AR	SHIM 0,130 mm
20		255124A1		AR	SHIM 0,508 mm

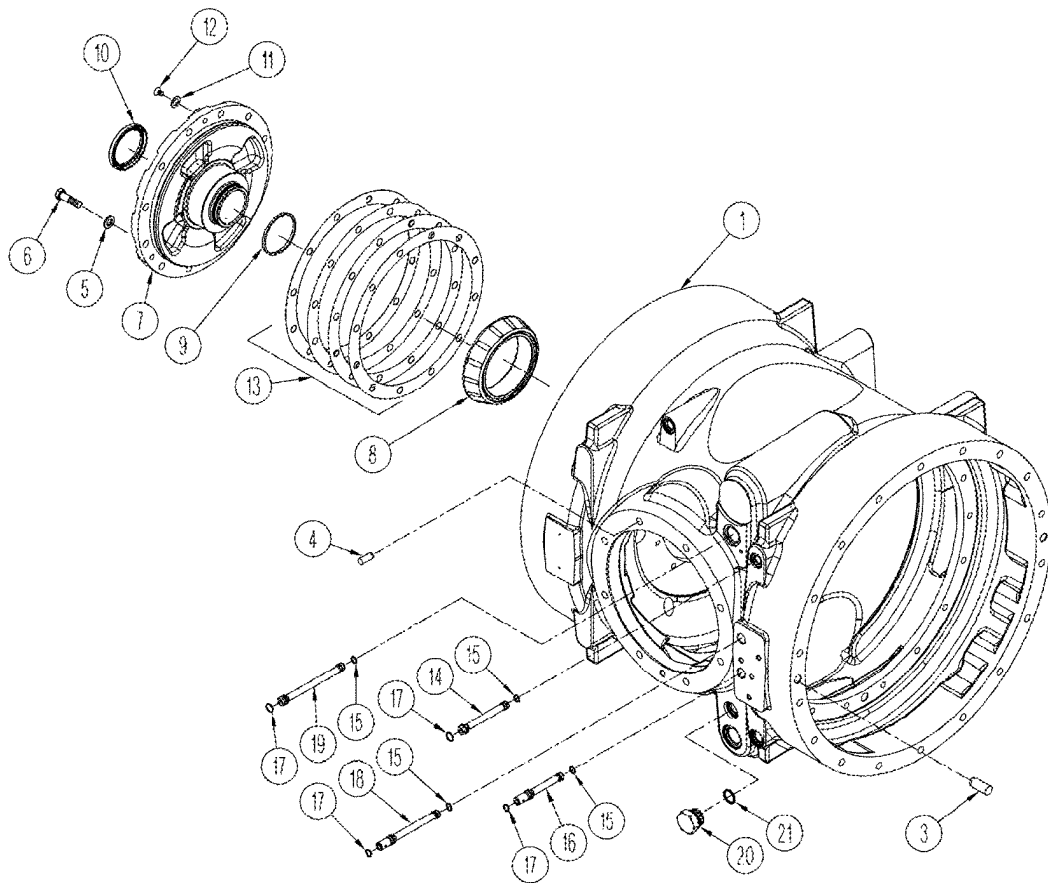
**STX375 STX450**  
**STX425 STX500**

06-76

p1

12/04

500 SERIES AXLE ASSEMBLY - CENTER AND LEFT-HAND CARRIER, QUADTRAC TRACTOR

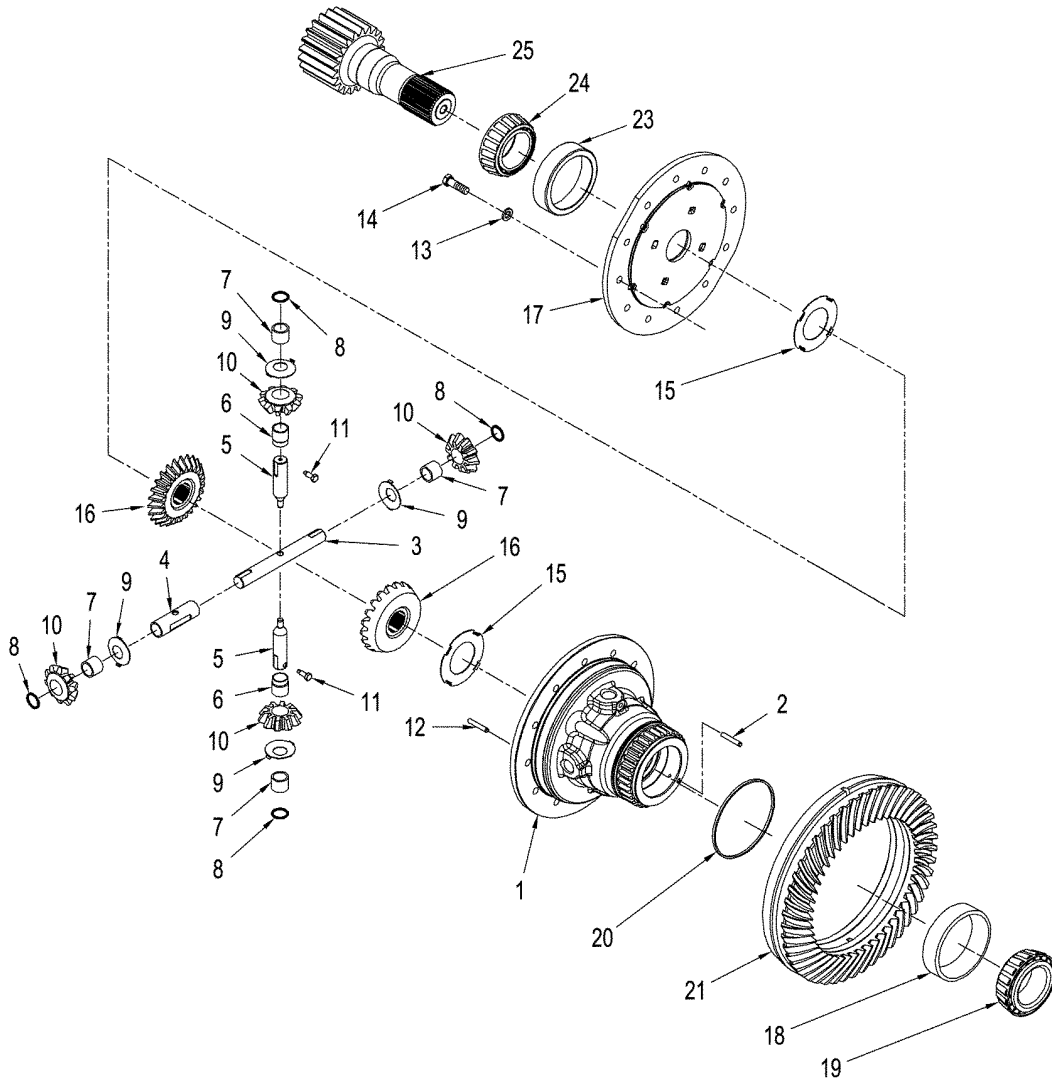


## 500 SERIES AXLE ASSEMBLY - CENTER AND LEFT-HAND CARRIER, QUADTRAC TRACTOR

REF	FN	PART NUMBER	YR/SN	QTY	DESCRIPTION
		344941A2	BSN JEE0102001	1	HOUSING, AXLE Center, Front Axle, Inc. 1 - 4
		87438235	ASN JEE0102001	1	HOUSING, AXLE Center, Front Axle, Inc. 1 - 4
		333403A2	BSN JEE0102001	1	HOUSING, AXLE Center, Rear Axle, Not Illustrated, Inc. 1 - 4
		87438234	ASN JEE0102001	1	HOUSING, AXLE Center, Rear Axle, Not Illustrated, Inc. 1 - 4
1		NSS		1	NOT SERVICED SEPARATELY Housing, Axle
3		837-16040		6	DOWEL 16 x 40 mm
4		837-12025		1	PIN 12 x 25 mm
5		896-12012		12	WASHER 13,5 x 24 x 3 mm
6		628-12035		12	SCREW M12 x 35; 10.9
7		369765A1		1	CARRIER, BEARING Left-Hand
8		253932A1		1	BEARING, CONE
9		139060C2		1	RING
10		139059C1		1	SEAL
11		95-81100		3	WASHER 33/64 x 7/8
12		843-1812		3	SCREW M8 x 12; 4.8
13		255121A1		AR	SHIM 0,076 mm
13		255122A1		AR	SHIM 0,101 mm
13		255123A1		AR	SHIM 0,130 mm
13		255124A1		AR	SHIM 0,508 mm
14		284188A1		1	TUBE Jumper, Service Brake
15		238-6013		4	O-RING 7/16 ID x 1/16
16		370783A2	BSN JEE0102001	1	TUBE Jumper, Lubrication
16		86985628	ASN JEE0102001	1	TUBE Jumper, Lubrication
17		238-6015		4	O-RING 9/16 ID x 1/16
18		329808A1	BSN JEE0102001	1	TUBE Jumper, Lubrication
18		86985628	ASN JEE0102001	1	TUBE Jumper, Lubrication
19		298567A1		1	TUBE Jumper, Park Brake
20		220069A1		1	PLUG M33 orb x 2, Inc. 21
21		637-64296		1	O-RING 29,6 ID x 2,9

**STX375 STX450**  
**STX425 STX500**

500 SERIES AXLE ASSEMBLY - DIFFERENTIAL, WITHOUT DIFFERENTIAL LOCKS



## 500 SERIES AXLE ASSEMBLY - DIFFERENTIAL, WITHOUT DIFFERENTIAL LOCKS

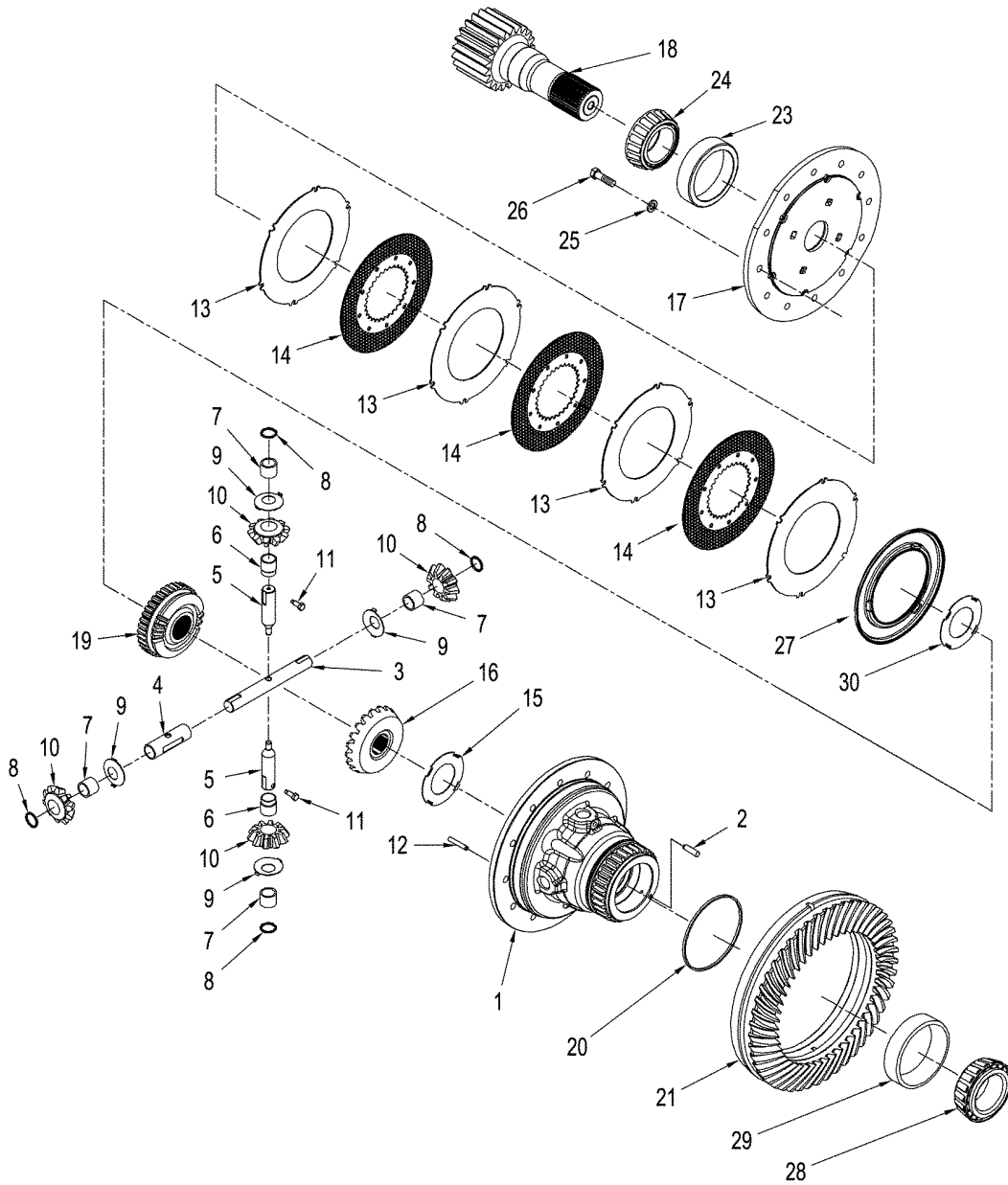
REF	FN	PART NUMBER	YR/SN	QTY	DESCRIPTION
		413410A1		1	DIFFERENTIAL ASSY Inc. 1, 2
1		NSS		1	NOT SERVICED SEPARATELY Housing
2		1342851C1		1	PLUG 10 mm
3		92907C1		1	SHAFT Pinion, Long
4		1289349C1		1	SPACER Long Pinion
5		92906C1		2	SHAFT, SHORT Pinion
6		1289350C1		2	SPACER
7		1270697C1		112	NEEDLE 28 Per Gear
8		1289348C1		4	RING Retaining
9		92718C2		4	WASHER
10		92905C1		4	PINION
11		1997421C1		2	BOLT Cross Pin
12		137023A1		6	DOWEL 10 x 60 mm
13		896-11016		24	WASHER 17,5 x 30 x 4 mm
14		828-16055		24	SCREW Hex, M16 x 55, 10.9, Full Thd
15		227116A2		2	WASHER, THRUST
16		1259633C3		2	GEAR Bevel, 20T
17		314226A3		1	COVER Housing
18		622337C1		1	BEARING, CUP
19		622336C1		1	BEARING, CONE
20		148939C1		1	SEAL
		352211A1		1	GEAR SET Pinion Shaft and Gears, Front Axle, Inc. 21, See Figure 06-73
		352212A2		1	GEAR SET Pinion Shaft and Gears, Rear Axle, Not Illustrated, Inc. 22, See Figure 06-74
21		NSS		1	NOT SERVICED SEPARATELY Gear, Drive, Front Axle
22		NSS		1	NOT SERVICED SEPARATELY Gear, Drive, Rear Axle, Not Illustrated
23		253931A1		1	BEARING SET
24		253932A1		1	BEARING, CONE
25	1	279844A2		2	SHAFT Sun Gear, Short
25	2	279719A2		1	SUN GEAR Short

(1) QUADTRAC Tractor

(2) STX Wheel Tractor

**STX375 STX450**  
**STX425 STX500**

500 SERIES AXLE ASSEMBLY - DIFFERENTIAL, WITH DIFFERENTIAL LOCKS



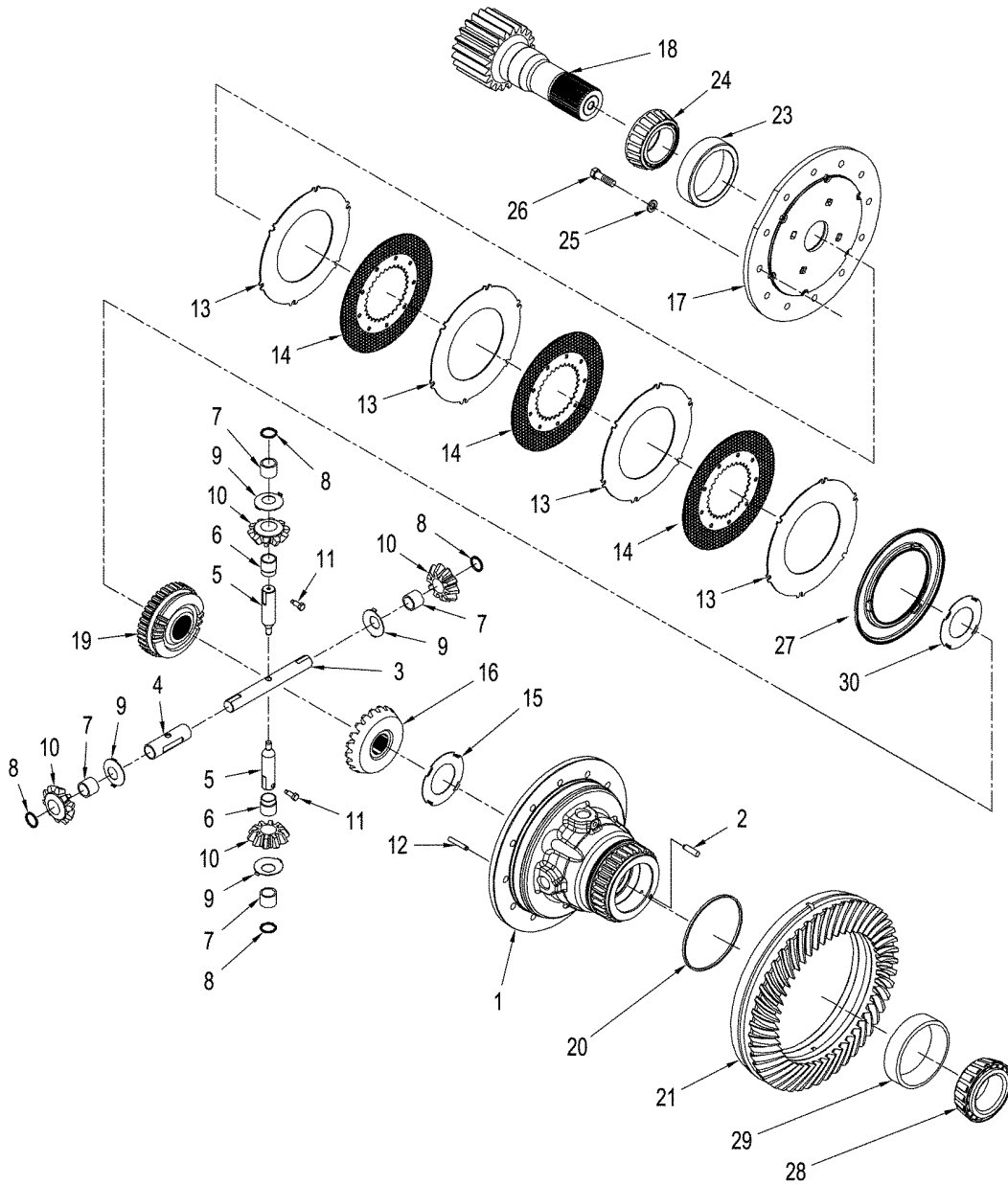
## 500 SERIES AXLE ASSEMBLY - DIFFERENTIAL, WITH DIFFERENTIAL LOCKS

REF	FN	PART NUMBER	YR/SN	QTY	DESCRIPTION
		413410A1		1	DIFFERENTIAL ASSY Inc. 1,2
1		NSS		1	NOT SERVICED SEPARATELY Housing
2		1342851C1		1	PLUG 10 mm
3		92907C1		1	SHAFT Pinion, Long
4		1289349C1		1	SPACER Long Pinion
5		92906C1		2	SHAFT, SHORT Pinion
6		1289350C1		2	SPACER
7		1270697C1		112	NEEDLE 28 Per Gear
8		1289348C1		4	RING
9		92718C2		4	WASHER
10		92905C1		4	PINION
11		1997421C1		2	BOLT Cross Pin
12		137023A1		6	DOWEL 10 x 60 mm
13		92915C1		4	PLATE Separator
14		120679C1		3	PLATE Friction
15		227116A2		1	WASHER, THRUST
16		1259633C3		1	GEAR Bevel, 20T
17		253609A4		1	COVER Housing
18	1	279844A2		2	SHAFT Sun Gear, Short
18	2	279719A2		1	SUN GEAR Short
19		1259634C3		1	PINION Lock
20		148939C1		1	SEAL
		352211A1		1	GEAR SET Pinion Shaft and Gears, Front Axle, Inc. 21, See Figure 06-73
		352212A2		1	GEAR SET Pinion Shaft And Gears, Rear axle, Not Illustrated, Inc. 22, See Figure 06-74
21		NSS		1	NOT SERVICED SEPARATELY Gear, Drive, Front Axle
22		NSS		1	NOT SERVICED SEPARATELY Gear, Drive, Rear Axle, Not Illustrated
23		253931A1		1	BEARING SET
24		253932A1		1	BEARING, CONE
25		896-11016		24	WASHER 17,5 x 30 x 4 mm
(1)	QUADTRAC Tractor				
(2)	STX Wheel Tractor				

**STX375 STX450**  
**STX425 STX500**



500 SERIES AXLE ASSEMBLY - DIFFERENTIAL, WITH DIFFERENTIAL LOCKS

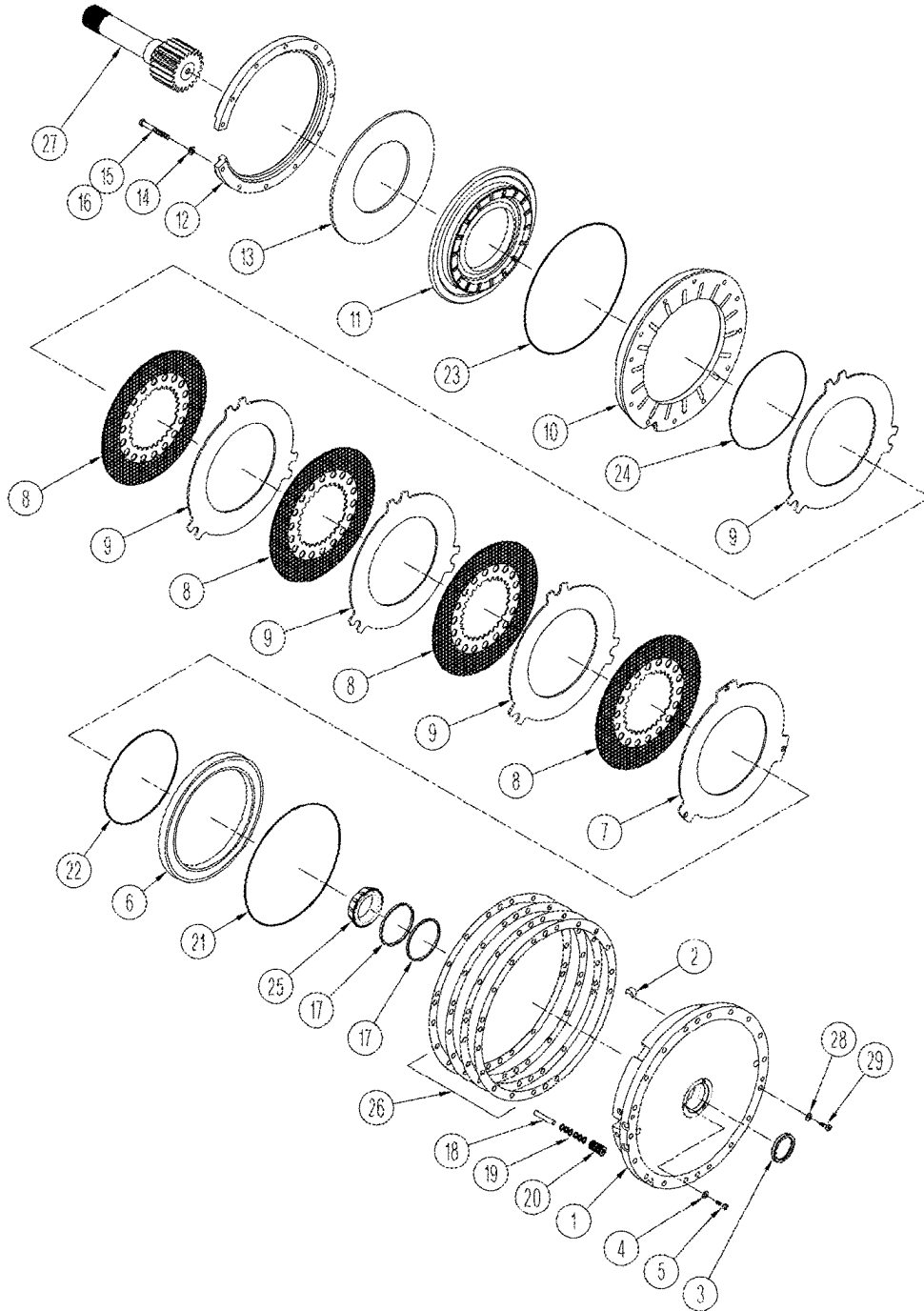


**500 SERIES AXLE ASSEMBLY - DIFFERENTIAL, WITH DIFFERENTIAL LOCKS**

REF	FN	PART NUMBER	YR/SN	QTY	DESCRIPTION
26		828-16055		24	SCREW Hex, M16 x 55, 10.9, Full Thd
27		1997422C1		1	PISTON Brake
28		622336C1		1	BEARING, CONE
29		622337C1		1	BEARING, CUP
30		227117A2		1	WASHER, THRUST

**STX375 STX450  
STX425 STX500**

500 SERIES AXLE ASSEMBLY - BRAKE AND RIGHT-HAND CARRIER



## 500 SERIES AXLE ASSEMBLY - BRAKE AND RIGHT-HAND CARRIER

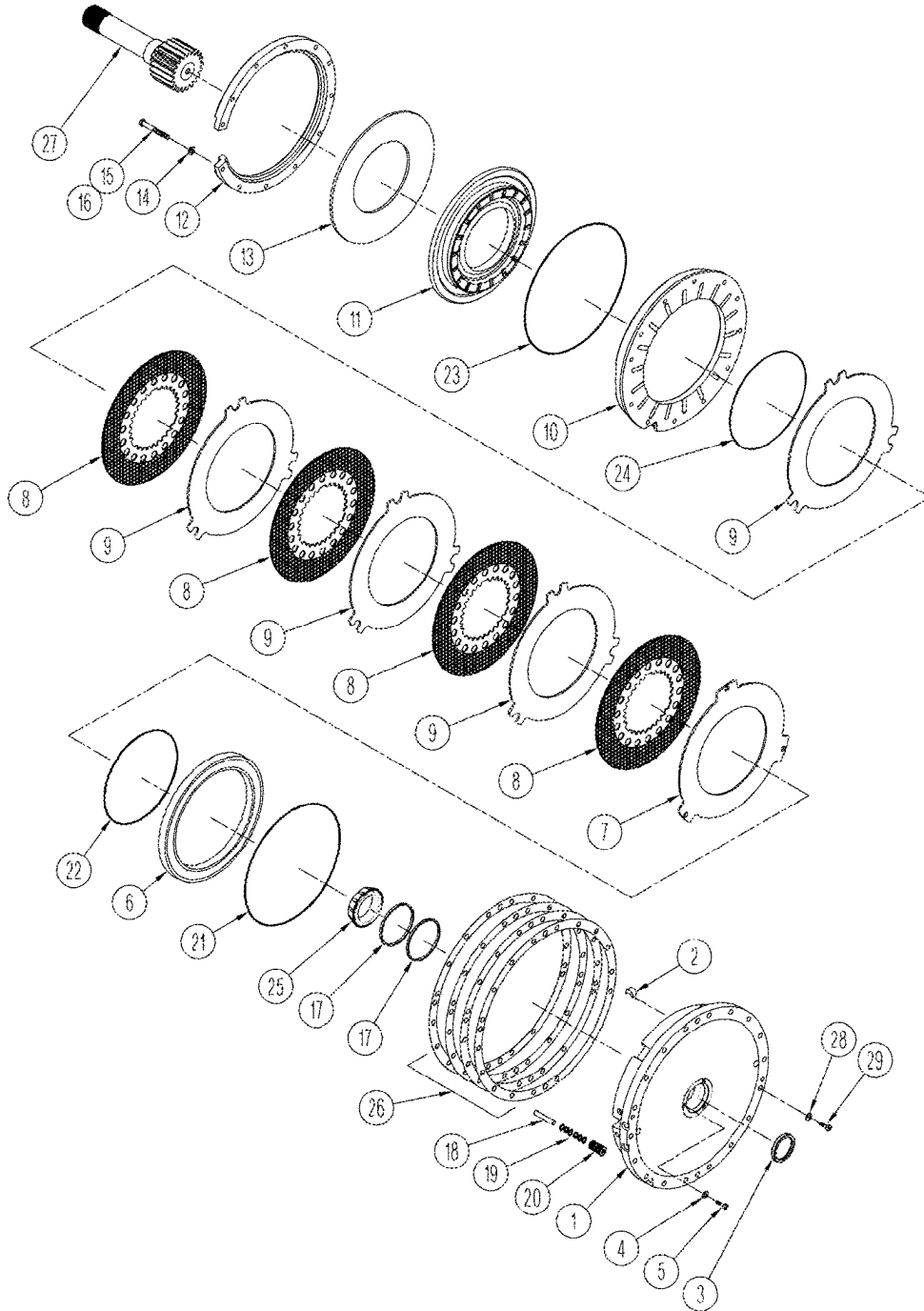
REF	FN	PART NUMBER	YR/SN	QTY	DESCRIPTION
		398453A1		1	CARRIER Inc. 1, 2
	1	398454A1		1	CARRIER Inc. 1, 2
1	1	NSS		1	NOT SERVICED SEPARATELY Carrier, Brake
1	2	NSS		1	NOT SERVICED SEPARATELY Carrier, Brake
2		NSS		1	NOT SERVICED SEPARATELY 6,5 mm, Plug, Expansion
3		139059C1		1	SEAL
4		95-81100		3	WASHER 33/64 x 7/8
5		843-1812		3	SCREW M8 x 12; 4.8
6		353364A1		1	PISTON Service Brake
7		228194A3		1	PLATE Return
8		353363A1		4	PLATE Friction
9		228193A1		4	PLATE Separator
10	1	353366A3		1	PLATE Backing
10	2	353367A3		1	PLATE Backing
11		353369A1		1	PISTON Park Brake
12		279707A1		1	SNAP RING
13		226320A1		1	SPRING
14		896-12012		12	WASHER 13,5 x 24 x 3 mm
15		828-12100		10	BOLT M12 x 100; 10.9
11		353369A1		1	PISTON
16		828-12090		2	BOLT M12 x 90; 10.9
17		388308A1		2	SEAL Ring
		363254A1		3	ADJUSTER Inc. 18 - 20
18		NSS		1	NOT SERVICED SEPARATELY Pin, Dowel
19		100-1450		6	RING, SNAP #50, Ext
20		1342928C1		12	WASHER
21		238-7281		1	O-RING 1/8 ID x 15; 7
22		238-7277		1	O-RING 1/8 ID x 11-1/2; 7
23		238-7282		1	O-RING 1/8 ID x 16; 7
24		238-7278		1	O-RING 1/8 ID x 12; 7
25		622336C1		1	BEARING, CONE
26		279709A1		AR	SHIM 0,076 mm

(1) QUADTRAC Tractor

(2) STX Wheel Tractor

**STX375 STX450**  
**STX425 STX500**

500 SERIES AXLE ASSEMBLY - BRAKE AND RIGHT-HAND CARRIER



## 500 SERIES AXLE ASSEMBLY - BRAKE AND RIGHT-HAND CARRIER

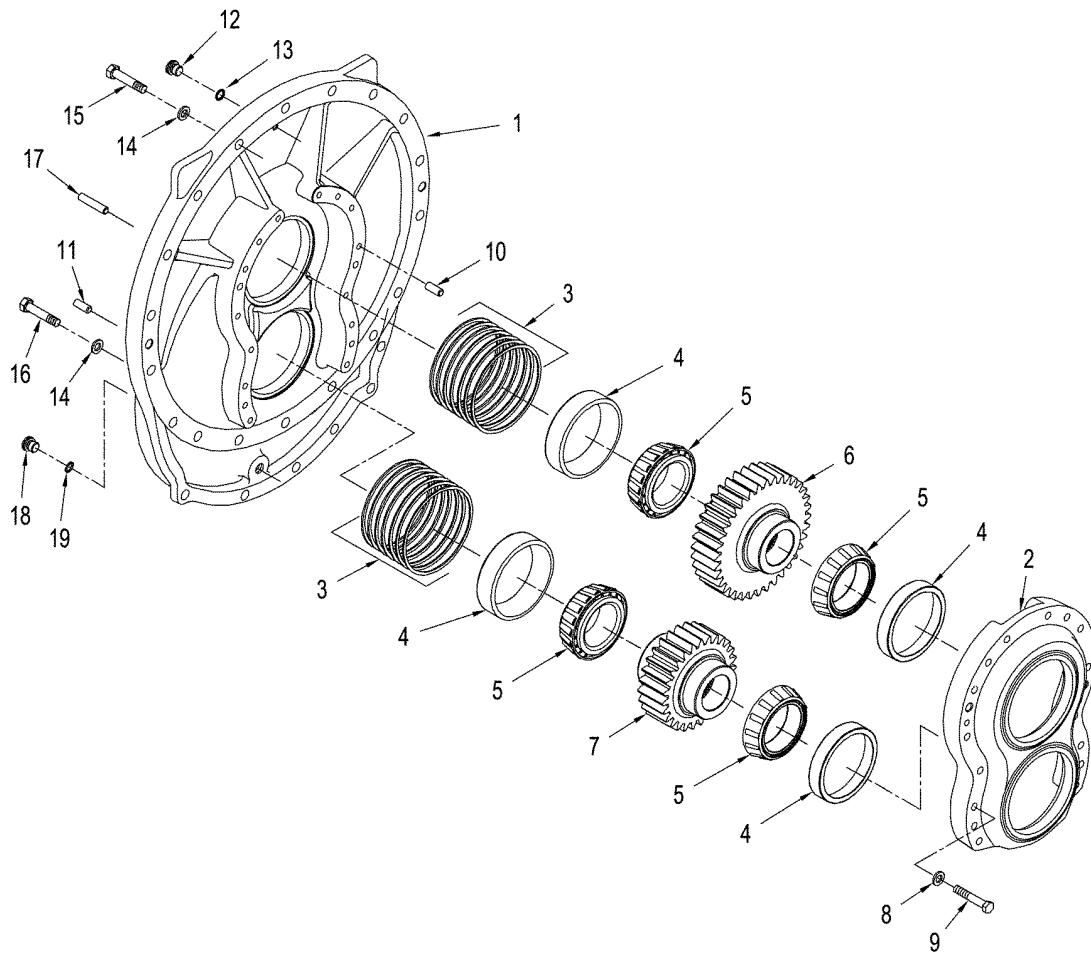
REF	FN	PART NUMBER	YR/SN	QTY	DESCRIPTION
26		279710A1		AR	SHIM 0,101 mm
26		279711A1		AR	SHIM 0,130 mm
26		279712A1		AR	SHIM 0,508 mm
27	1	279843A2		2	SHAFT Sun Gear, Long
27	2	279718A2		1	SHAFT Sun Gear, Long
28		896-12014		18	WASHER 15,5 x 28 x 3 mm
29		828-14055		18	BOLT Hex, M14 x 55, 10.9

(1) QUADTRAC Tractor

(2) STX Wheel Tractor

**STX375 STX450**  
**STX425 STX500**

500 SERIES AXLE ASSEMBLY - OFFSET BEARING, QUADTRAC TRACTOR



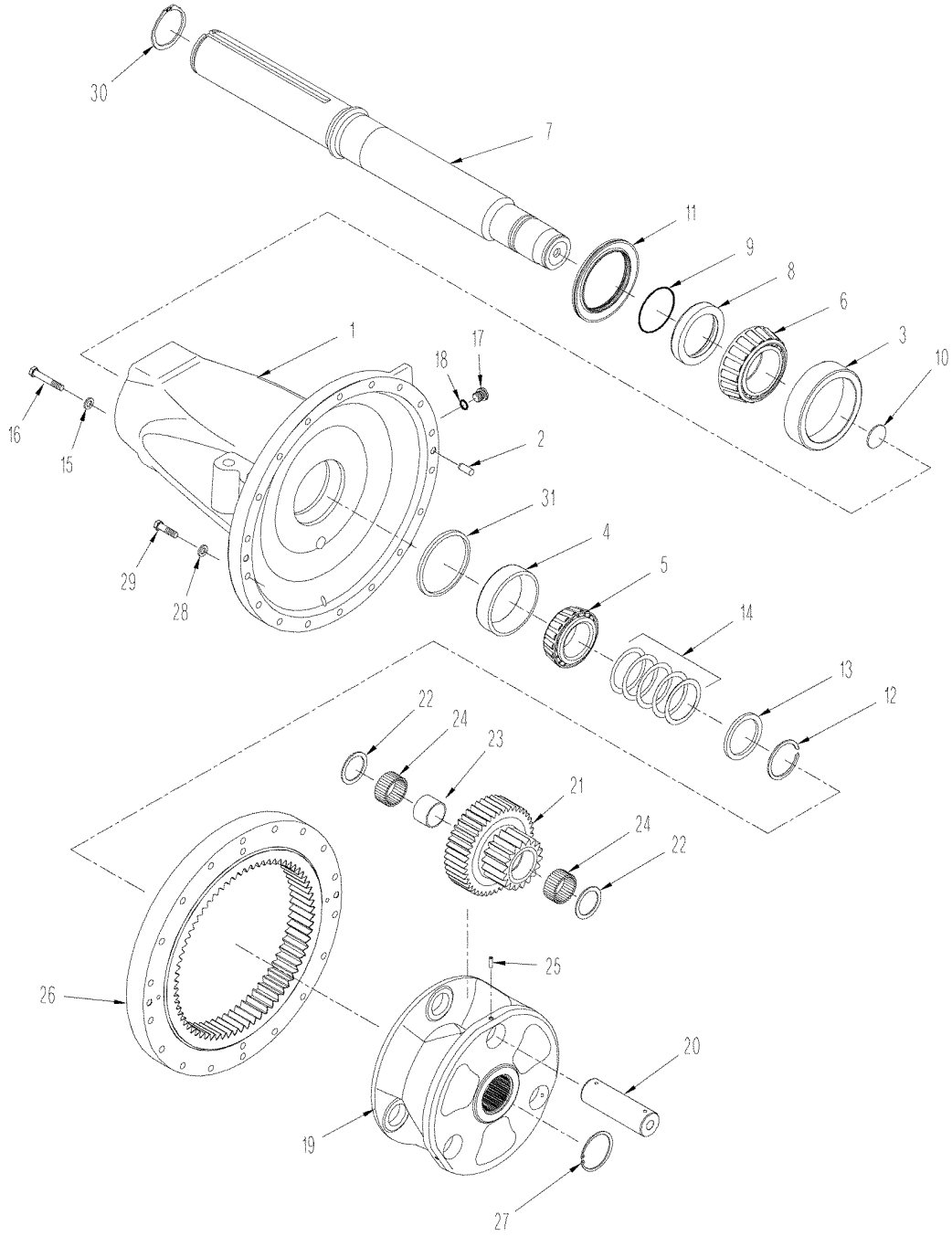
## 500 SERIES AXLE ASSEMBLY - OFFSET BEARING, QUADTRAC TRACTOR

REF	FN	PART NUMBER	YR/SN	QTY	DESCRIPTION
		430452A1	BSN JEE0106701	1	HOUSING, AXLE Offset Bearing, Inc. 1, 2
		87442153	ASN JEE0106701	1	HOUSING, AXLE Offset Bearing, Inc. 1,2 & 8, 9
1		NSS		1	NOT SERVICED SEPARATELY Carrier
2		NSS		1	NOT SERVICED SEPARATELY Cover
3		358064A1		AR	SHIM 2,2 mm
3		358065A1		AR	SHIM 2,3 mm
3		358066A1		AR	SHIM 2,4 mm
3		358067A1		AR	SHIM 2,5 mm
3		358068A1		AR	SHIM 2,6 mm
3		358069A1		AR	SHIM 2,7 mm
3		358070A1		AR	SHIM 2,8 mm
4		284190A1		4	BEARING, CUP
5		299245A1		4	BEARING, CONE
6		279845A1		1	GEAR 36 T
7		279846A1		1	GEAR 27 T
8		896-12012		16	WASHER 13,5 x 24 x 3 mm
9		828-12070		16	BOLT M12 x 70; 10.9
10		837-12035		2	DOWEL M12 x 35
11		837-16040		2	DOWEL 16 x 40 mm
12		221578A1		2	PLUG M18 - 1,5, Inc. 13
13		637-63153		2	O-RING 15,3 ID x 2,2
14		896-12016		16	WASHER 17,5 x 30 x 4 mm
15		828-16070		11	SCREW Hex, M16 x 70, 10.9
16		828-16060		5	SCREW Hex, M16 x 60, 10.9, Full Thd
17		353-22		14	PLUG 1-9/32
18		221578A1		1	PLUG Socketless, M18 or, Inc. 19
19		637-63153		1	O-RING 15,3 ID x 2,2 Thk

**STX375 STX450**  
**STX425 STX500**



500 SERIES AXLE ASSEMBLY - FINAL DRIVE, WHEELED TRACTOR

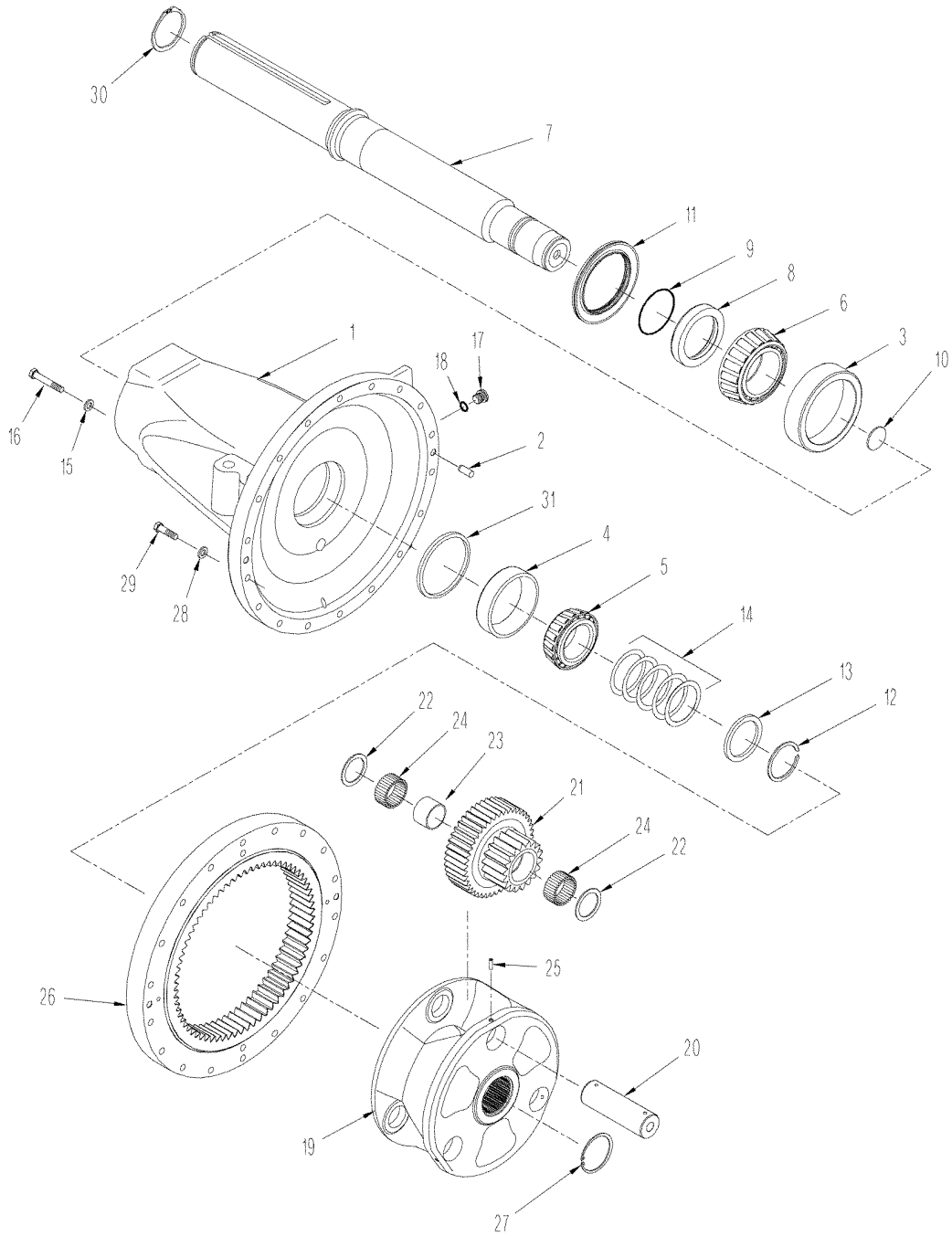


## 500 SERIES AXLE ASSEMBLY - FINAL DRIVE, WHEELED TRACTOR

REF	FN	PART NUMBER	YR/SN	QTY	DESCRIPTION
		435221A1		1	CARRIER, AXLE Inc. 1 - 4
1		NSS		1	NOT SERVICED SEPARATELY Housing
2		837-16040		2	DOWEL 16 x 40 mm
3		237698A1		1	BEARING, CUP
4		A136253	BSN JEE0102001	1	BEARING SET
4		1975500C1	ASN JEE0102001	1	BEARING, CUP
5		A136255	BSN JEE0102001	1	BEARING, CONE
5		1975499C1	ASN JEE0102001	1	BEARING, CONE
6		237700A1		1	BEARING, CONE
		435219A1		1	SHAFT ASSY. 115 mm (4-1/2 in), Axle, Inc. 7 - 10
7		NSS		1	NOT SERVICED SEPARATELY 115 mm (4-1/2 in), Shaft
8		239529A1		1	BUSHING Outboard
9		238-5246		1	O-RING 4-1/2 ID x 1/8
10		1981270C1		1	INSERT
11		239942A3		1	SEAL
12		243856A1	BSN JEE0102001	1	SNAP RING
12		435222A1	ASN JEE0102001	1	SNAP RING
13		124744C1	BSN JEE0102001	1	RING
13		436752A1	ASN JEE0102001	1	RING, THRUST
14		143921C1	BSN JEE0102001	AR	SHIM 0,760 mm
14		437392A1	ASN JEE0102001	AR	SHIM
14		143922C1	BSN JEE0102001	AR	SHIM 0,300 mm
14		437393A1	ASN JEE0102001	AR	SHIM
14		143923C1	BSN JEE0102001	AR	SHIM 0,13 mm
14		437394A1	ASN JEE0102001	AR	SHIM
14		143924C1	BSN JEE0102001	AR	SHIM 0,10 mm
14		437395A1	ASN JEE0102001	AR	SHIM
14		143925C1	BSN JEE0102001	AR	SHIM 0,076 mm
14		437396A1	ASN JEE0102001	AR	SHIM
15		95-31038		4	WASHER 3/4 x 1-1/8 x 1/16
16		628-8016		4	SCREW M8 x 16; 10,9
17		221578A1		1	PLUG M18, Inc. 18
18		637-63153		1	O-RING 15,3 ID x 2,2

**STX375 STX450**  
**STX425 STX500**

500 SERIES AXLE ASSEMBLY - FINAL DRIVE, WHEELED TRACTOR



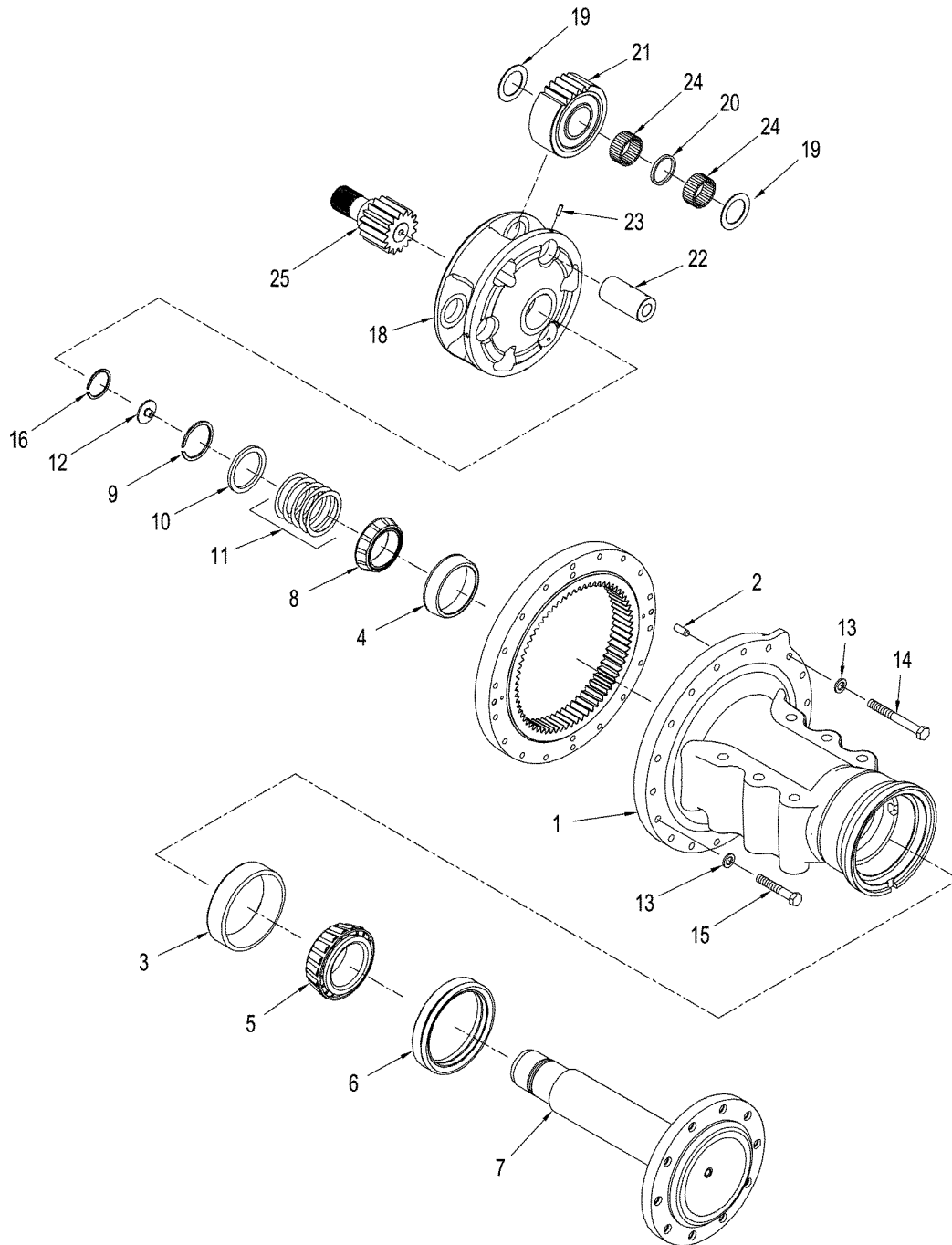
## 500 SERIES AXLE ASSEMBLY - FINAL DRIVE, WHEELED TRACTOR

REF	FN	PART NUMBER	YR/SN	QTY	DESCRIPTION
		87408659		1	CARRIER ASSY. Axle Planetary, Small Spline, Inc. 19, 20, 25
19	1	435215A1		1	CARRIER, AXLE Planetary, Large Spline
19	1	86985638		1	CARRIER, AXLE Planetary, Small Spline, 44T / 18T
20		446312A1		3	SHAFT, PLANETARY CARRIER
21		357347A2		3	GEAR 18 T / 44 T
22		397449A1		6	WASHER, THRUST
23		377650A1		3	SPACER
24		360785A1		156	NEEDLE
25		838-31025		3	PIN, AXLE 10 x 25 mm, Coiled Spring
26		357346A1		2	GEAR 69 T, Ring
27		101-11350		2	SNAP RING No. 350
28		896-12016		36	WASHER 17,5 x 30 x 4 mm
29		828-16150	BSN JEE0102001	36	SCREW M16 x 150; CL10.9
29		828-16130	ASN JEE0102001	36	SCREW M16 x 130; CL10.9
30		800-11115		4	SNAP RING 115 mm
31		435216A1	ASN JEE0102001	2	SPACER

(1) See Service Bulletin NTR SB 005 03 for Further Information.

**STX375 STX450**  
**STX425 STX500**

500 SERIES AXLE ASSEMBLY - FINAL DRIVE, QUADTRAC TRACTOR, BSN JEE0106701

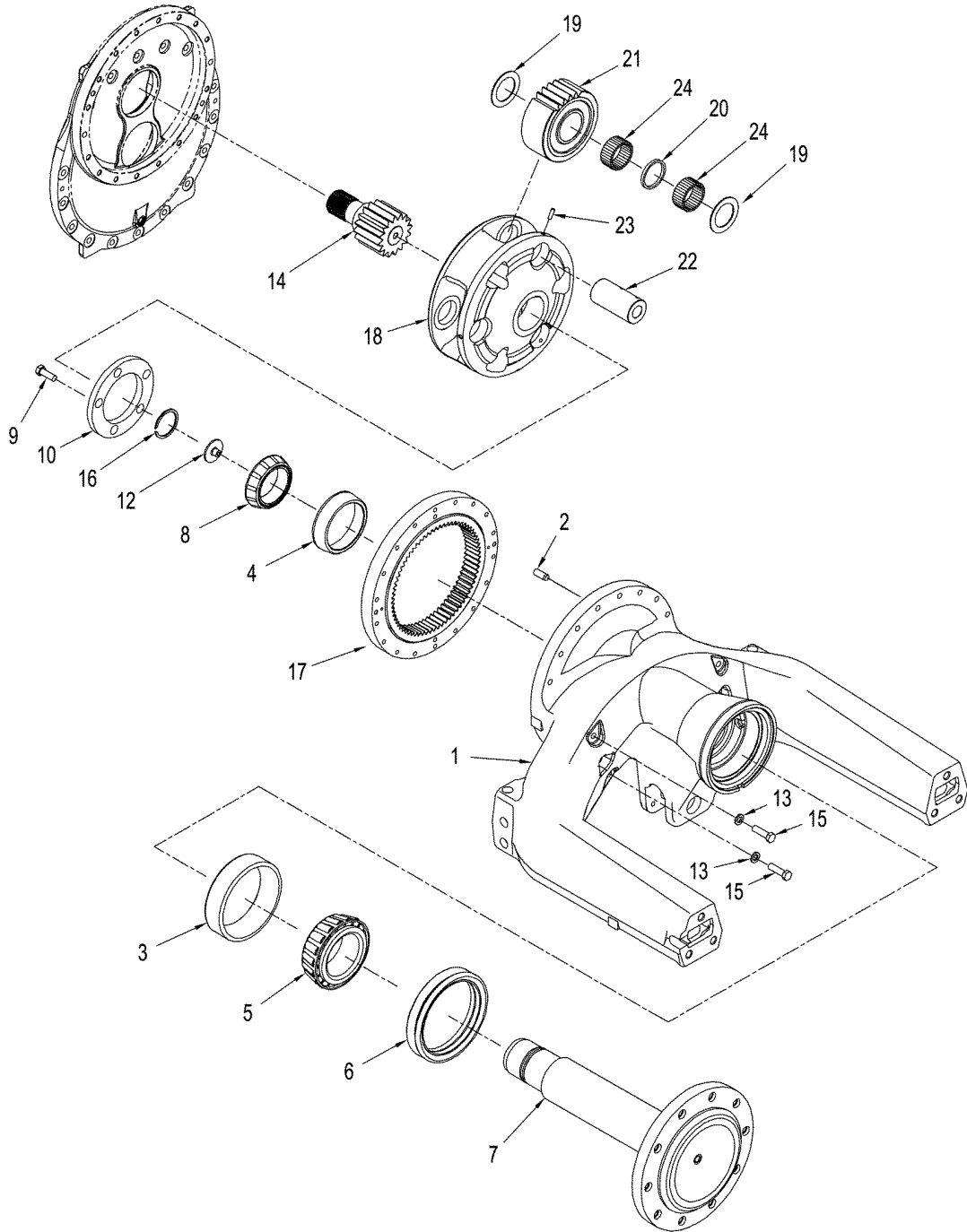


## 500 SERIES AXLE ASSEMBLY - FINAL DRIVE, QUADTRAC TRACTOR, BSN JEE0106701

REF	FN	PART NUMBER	YR/SN	QTY	DESCRIPTION
		336360A4		1	CARRIER, AXLE Inc. 1 - 4
1		NSS		1	NOT SERVICED SEPARATELY Housing
2		837-16040		2	DOWEL 16 x 40 mm
3		237698A1		1	BEARING, CUP
4		619697C1		1	BEARING, CUP
5		237700A1		1	BEARING, CONE
6		369532A2		1	SEAL
7		359642A1	BSN JEE0104001	1	AXLE SHAFT
7		87417260	ASN JEE0104001	1	AXLE ASSY, 4WD Shaft
8		1963841C1		1	BEARING, CONE
9		243856A1		1	SNAP RING
10		124744C1		1	RING
11		143921C1		AR	SHIM 0,760 mm
11		143922C1		AR	SHIM 0,300 mm
11		143923C1		AR	SHIM 0,13 mm
11		143924C1		AR	SHIM 0,10 mm
11		143925C1		AR	SHIM 0,076 mm
12		1981270C1		1	INSERT
13		896-12016		18	WASHER 17,5 x 30 x 4 mm
14		828-16150		16	SCREW M16 x 150; 10.9
15		828-16220		2	BOLT M16 x 220; 10.9
16		101-11350		2	SNAP RING No. 350
17		310695A1		2	GEAR, RING 77 T, Ring
18		388366A1		1	CARRIER, GEARS Planetary
19		385900A1		6	WASHER
20		86985634		3	SPACER, RING
21		310694A2		3	GEAR, PLANETARY 29 T, Planet
22		310697A3		3	SHAFT Gear
23		86639256		3	PIN 8 x 26 mm, Coiled Spring
24		1349347C1		198	BEARING, NEEDLE
25		360335A1		2	SHAFT 16 T, Sun Gear

**STX375 STX450**  
**STX425 STX500**

500 SERIES AXLE ASSEMBLY - FINAL DRIVE, QUADTRAC TRACTOR, ASN JEE0106701



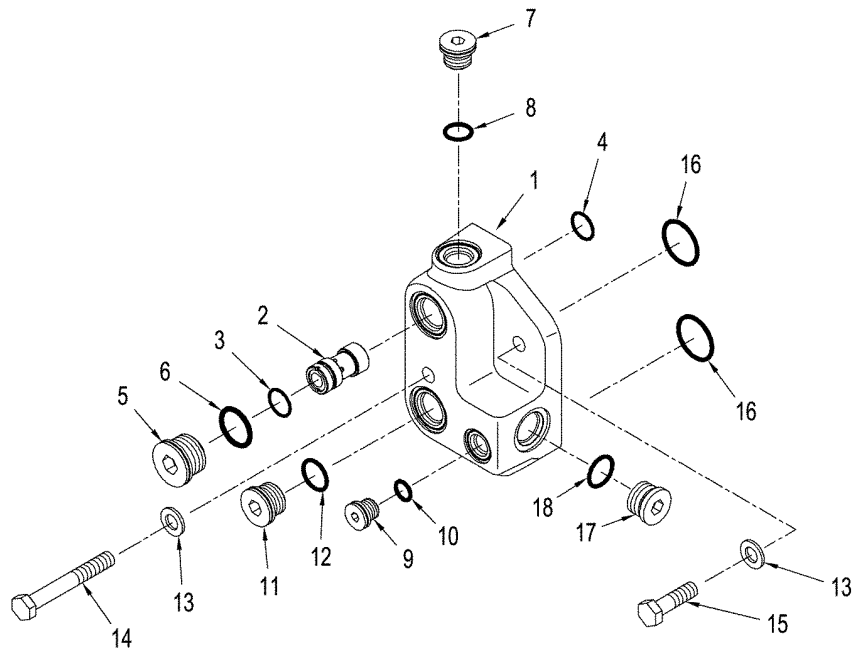
## 500 SERIES AXLE ASSEMBLY - FINAL DRIVE, QUADTRAC TRACTOR, ASN JEE0106701

REF	FN	PART NUMBER	YR/SN	QTY	DESCRIPTION
		87308304		1	CARRIER, AXLE Yoke, Inc. 1 - 4
1		NSS		1	NOT SERVICED SEPARATELY Housing
2		837-16040		2	DOWEL 16 x 40 mm
3		237698A1		1	BEARING, CUP
4		64371H0		1	CUP ASSY. Cone
5		237700A1		1	BEARING, CONE
6		369532A2		1	SEAL
7		87441344		1	SHAFT
8		64370H		1	BEARING, ROLLER Cone
9		87309531		2	SCREW, SELF TAPPING Flg Socket Hd, M5 x 0.8, Gr10.9
10		87449936		1	RING, LOCKING Nut
11		87301260		4	BOLT Cap, HH, M16 x 420, CL10.9
12		1981270C1		1	INSERT
13		896-12016		9	WASHER 17,5 x 30 x 4 mm
14		360335A1		2	SHAFT 16 T, Sun Gear
15		87301259		4	BOLT M16 x 350, CL10.9
16		101-11350		2	SNAP RING No. 350
17		310695A1		2	GEAR, RING 77 T, Ring
18		388366A1		1	CARRIER, GEARS Planetary
19		87435907		16	WASHER
20		86985634		3	SPACER, RING
21		310694A2		3	GEAR, PLANETARY 29 T, Planet
22		310697A3		3	SHAFT Gear
23		838-3826		3	PIN 8 x 26 mm, Coiled Spring
24		1349347C1		198	BEARING, NEEDLE

**STX375 STX450**  
**STX425 STX500**



AXLE ASSEMBLY - JET PUMP



## AXLE ASSEMBLY - JET PUMP

REF	FN	PART NUMBER	YR/SN	QTY	DESCRIPTION
1		369878A1	BSN JEE0102001	1	BLOCK
1		428862A1	ASN JEE0102001	1	PUMP, LUBE
2		347294A3		1	PUMP Jet
3		238-6017		1	O-RING 11/16 ID x 1/16
4		238-5110		1	O-RING 3/32 ID x 3/4; 5
5		221580A1		1	PLUG M27 - 2, Inc. 6
6		637-64236		1	O-RING 23,6 ID x 2,9
7		221578A1		2	PLUG M18 - 1,5, Inc. 8
8		637-63153		2	O-RING 15,3 ID x 2,2
9		221576A1		1	PLUG M14 - 1,5, Inc. 10
10		637-63113		1	O-RING 11,3 ID x 2,2
11		221579A1		1	PLUG M22 - 1,5, Inc. 12
12		637-63193		1	O-RING 19,3 ID x 2,2 mm
13		895-11010		3	WASHER 11 x 20 x 2 mm
14		828-10075		1	BOLT M10 x 70; 10,9
15		628-10035		2	BOLT M10 x 35; 10,9
16		238-5122		2	O-RING 1-1/8 ID x 3/32
17		218-5211		1	PLUG 7/8 Or, Inc. 18
18		237-6010		1	O-RING 3/4 ID x 3/32

**STX375 STX450**  
**STX425 STX500**



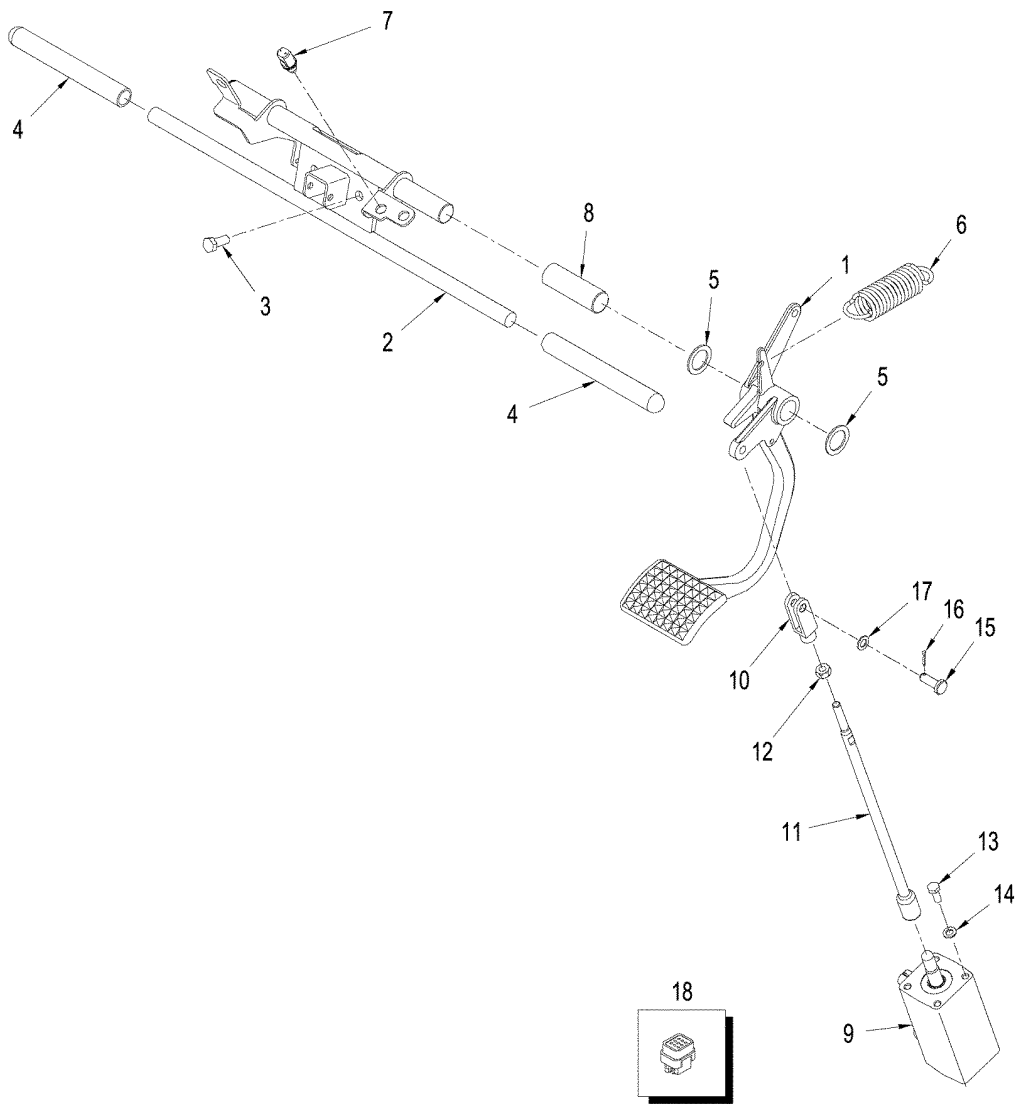
---

## SECTION INDEX

---

07-01		BRAKE CONTROL
07-02		BRAKE VALVE ASSY
07-03		400 SERIES AXLE - SERVICE BRAKE CIRCUIT
07-04		400 SERIES AXLE - PARK BRAKE CIRCUIT, WITHOUT DIFFERENTIAL LOCK, BSN JEE0102001
07-04	01	400 SERIES AXLE - PARK BRAKE CIRCUIT, WITHOUT DIFFERENTIAL LOCK, ASN JEE0102001
07-05		400 SERIES AXLE - PARK BRAKE CIRCUIT, WITH DIFFERENTIAL LOCK, BSN JEE0102001
07-05	01	400 SERIES AXLE - PARK BRAKE CIRCUIT, WITH DIFFERENTIAL LOCK, ASN JEE0102001
07-06		500 SERIES AXLE - SERVICE BRAKE CIRCUIT, WHEEL TRACTOR
07-07		500 SERIES AXLE - PARK BRAKE CIRCUIT, WITHOUT DIFFERENTIAL LOCK, BSN JEE0102001, WHEEL TRACTOR
07-07	01	500 SERIES AXLE - PARK BRAKE CIRCUIT, WITHOUT DIFFERENTIAL LOCK, ASN JEE0102001, WHEEL TRACTOR
07-08		500 SERIES AXLE - PARK BRAKE CIRCUIT, WITH DIFFERENTIAL LOCK, BSN JEE0102001, WHEEL TRACTOR
07-08	01	500 SERIES AXLE - PARK BRAKE CIRCUIT, WITH DIFFERENTIAL LOCK, ASN JEE0102001, WHEEL TRACTOR
07-09		500 SERIES AXLE - SERVICE BRAKE CIRCUIT, QUADTRAC TRACTOR
07-10		500 SERIES AXLE - PARK BRAKE CIRCUIT, WITHOUT DIFFERENTIAL LOCK, BSN JEE0102001, QUADTRAC TRACTOR
07-10	01	500 SERIES AXLE - PARK BRAKE CIRCUIT, WITHOUT DIFFERENTIAL LOCK, ASN JEE0102001, QUADTRAC TRACTOR
07-11		500 SERIES AXLE - PARK BRAKE CIRCUIT, WITH DIFFERENTIAL LOCK, BSN JEE0102001, QUADTRAC TRACTOR
07-11	01	500 SERIES AXLE - PARK BRAKE CIRCUIT, WITH DIFFERENTIAL LOCK, ASN JEE0102001, QUADTRAC TRACTOR

BRAKE CONTROL



## BRAKE CONTROL

REF	FN	PART NUMBER	YR/SN	QTY	DESCRIPTION
1		222462A2		1	PEDAL
2		370247A3		1	SUPPORT
3		614-10025		2	BOLT M10 x 25; 8,8
4		321961A1		2	MOLDING
5		281093A1		2	WASHER
6		278210A1		1	SPRING
7		279265A2		1	SWITCH Brake Light
8		281893A1		1	BEARING
9		302822A3		1	VALVE See Figure 07-02
10		713-1110		1	CLEVIS M10 x 40
11		369851A1		1	ROD
12		829-1410		1	NUT M10; 10
13		628-8020		4	SCREW M8 x 20; 10,9
14		895-11008		4	WASHER 9 x 17 x 1,6 mm
15		729-1030		1	PIN, CLEVIS 10 x 30 mm
16		733-2512		1	PIN, SPLIT (COTTER) 2,5 x 12 mm
17		895-18010		1	WASHER 11 x 18 x 1,6 mm
18		345471A1		1	SWITCH Differential Lock

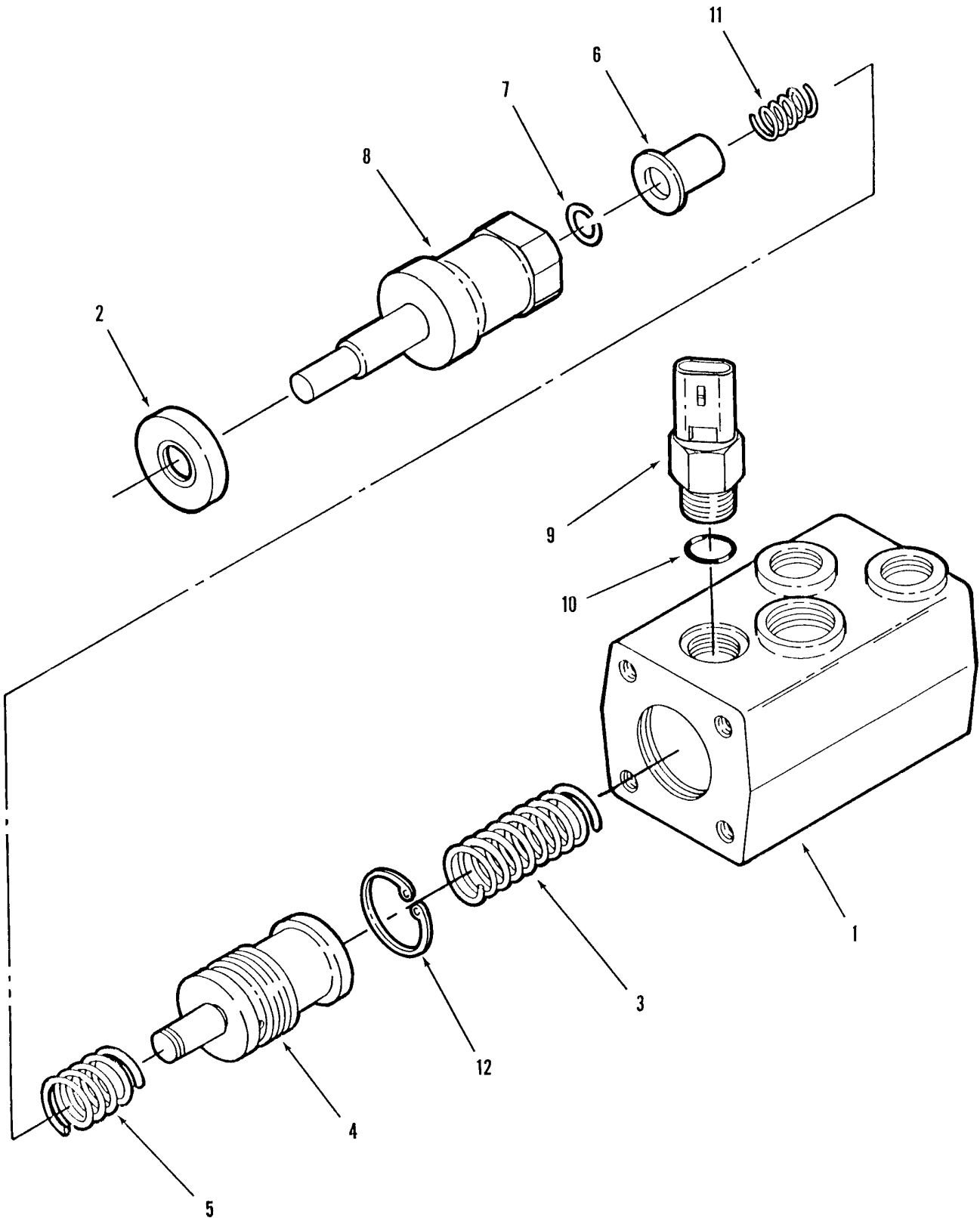
**STX375 STX450**  
**STX425 STX500**

07-02

p1

09/05

BRAKE VALVE ASSY



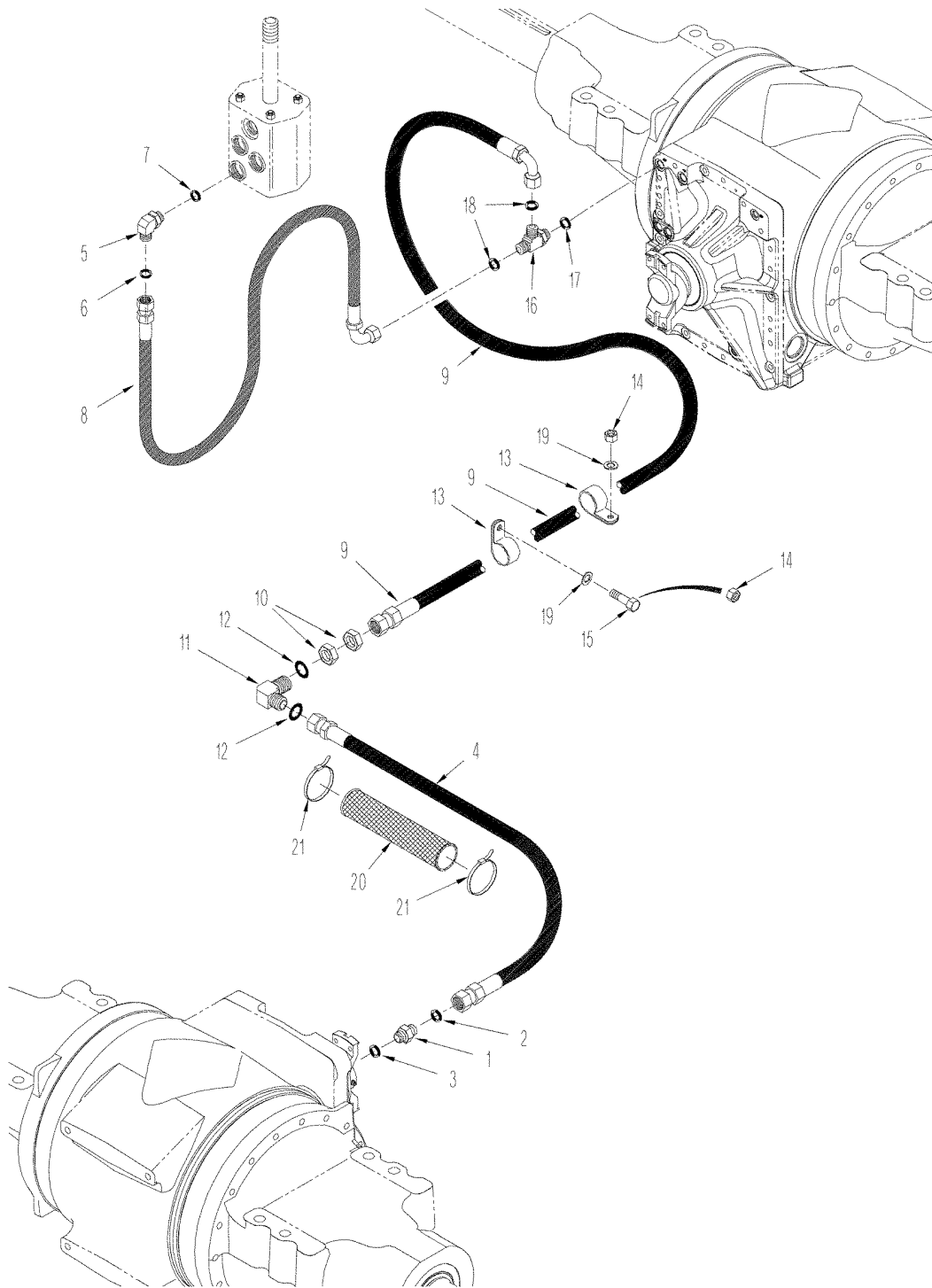
## BRAKE VALVE ASSY

REF	FN	PART NUMBER	YR/SN	QTY	DESCRIPTION
		302822A3		1	VALVE Inc. 1 - 10
1		NSS		1	NOT SERVICED SEPARATELY Housing
2		195806A1		1	SEAL
3		185613A1		1	SPRING
4		280297A1		1	SPOOL
5		291105A1		1	SPRING Outer
6		291107A1		1	RETAINER
7		229659A1		1	RING, SNAP
8		291106A1		1	STEM
9		279266A1		1	SWITCH Inc. 10
10		237-6003		1	O-RING 3-1, .301" ID x .064" Thk
11		291104A1		1	SPRING
12		100-21150		1	RING, SNAP 1.50", Int, #150

**STX375 STX450**  
**STX425 STX500**



400 SERIES AXLE - SERVICE BRAKE CIRCUIT

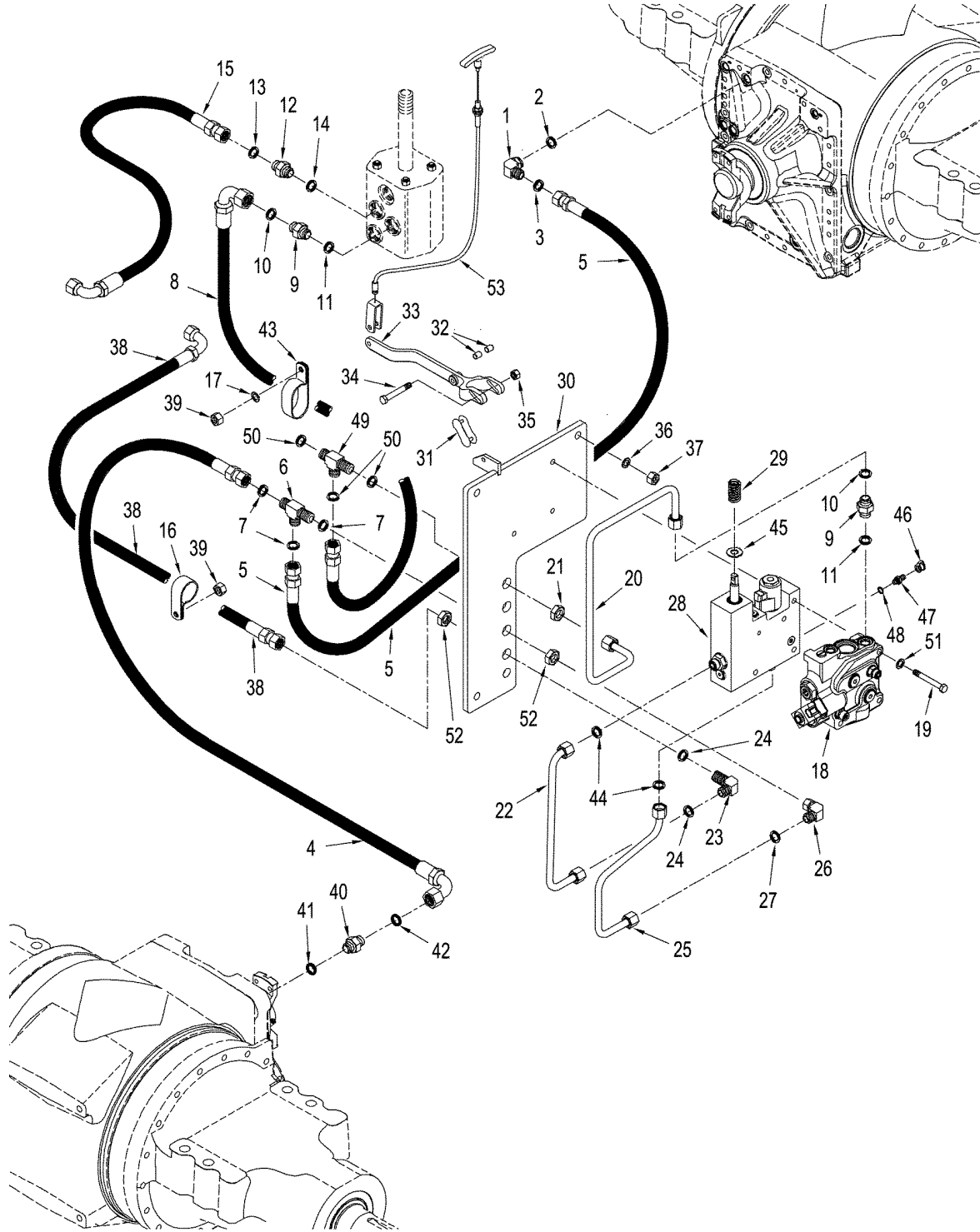


## 400 SERIES AXLE - SERVICE BRAKE CIRCUIT

REF	FN	PART NUMBER	YR/SN	QTY	DESCRIPTION
1		401760A1		1	VALVE Check, 13/16 fc sl x 22 or, Inc. 2, 3
2		238-6014		1	O-RING 1/2 ID x 1/16
3		637-63193		1	O-RING 19,3 ID x 2,2 mm
4		392132A1		1	HOSE ASSY. 2125 mm (84 in)
5		700-305		1	ELBOW 13/16 fc sl x 18 Or, Inc. 6, 7
6		238-6014		1	O-RING 1/2 ID x 1/16
7		637-63153		1	O-RING 15,3 ID x 2,2
8		361957A2	BSN JEE0104001	1	HOSE 863 mm (34 in)
8		87427434	ASN JEE0104001	1	HOSE ASSY. 1010 mm (39-3/4 in)
9		353609A1		1	HOSE ASSY. 2115 mm (83 in)
10		701-903		2	NUT 13/16 in
11		701-301		1	ELBOW 13/16 fc sl x blkhd, Inc. 12
12		238-6014		2	O-RING 1/2 ID x 1/16
13		515-23206		2	CLAMP P-type
14		829-1408		2	NUT M8; 10
16		700-445		1	TEE 13/16 fc sl x 22 orb, Inc. 17, 18
17		637-63193		1	O-RING 19,3 ID x 2,2 mm
18		238-6014		2	O-RING 1/2 ID x 1/16
19		895-11008	ASN JEE0102001	1	WASHER 9 x 16 x 1,6 mm
20		S120426		1	SLEEVE Protection
21		L18331		2	STRAP Tie
15		627-8025	BSN JEE0102001	1	BOLT M8 x 25; 10.9

**STX375 STX450**  
**STX425**

400 SERIES AXLE - PARK BRAKE CIRCUIT, WITHOUT DIFFERENTIAL LOCK, BSN JEE0102001

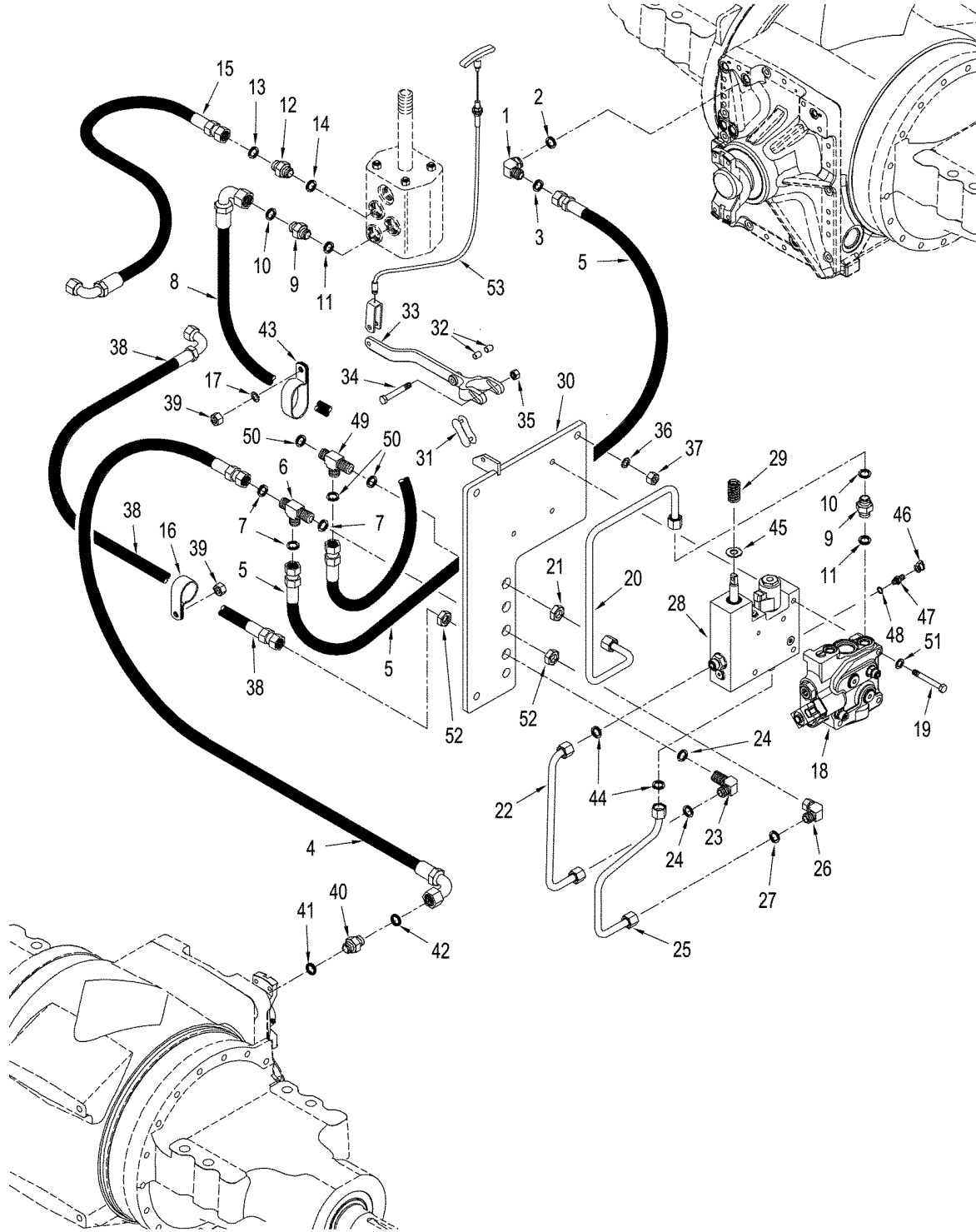


## 400 SERIES AXLE - PARK BRAKE CIRCUIT, WITHOUT DIFFERENTIAL LOCK, BSN JEE0102001

REF	FN	PART NUMBER	YR/SN	QTY	DESCRIPTION
1		700-326		1	ELBOW 13/16 fc sl x 22 or, Inc. 2, 3
2		637-63193		1	O-RING 19,3 ID x 2,2 mm
3		238-6014		1	O-RING 1/2 ID x 1/16
4		361955A1		1	HOSE ASSY. 2286 mm (90 in)
5		382095A2		1	HOSE 2089 mm (82 in)
6		701-423		1	TEE M12 fc sl x blkhd fc sl, Inc. 7
7		238-6014		3	O-RING 1/2 ID x 1/16
8		418812A1		1	HOSE ASSY. 2286 mm (90 in)
9		700-115		2	CONNECTOR, HYD. 1 fc sl x M18 Or, Inc. 10, 11
10		238-6016		2	O-RING 5/8 ID x 1/16
11		637-63153		2	O-RING 15,3 ID x 2,2
12		700-103		1	CONNECTOR, HYD. 1 fc sl x 22 Or, Inc. 13, 14
13		238-6016		1	O-RING 5/8 ID x 1/16
14		637-63193		1	O-RING 19,3 ID x 2,2 mm
15		335095A2		1	HOSE ASSY. 1050 mm (41 in)
16		515-23206		3	CLAMP P-type
17		895-11008		1	WASHER 9 x 17 x 1,6 mm
18		411104A2		1	VALVE Regulator, See Figure 08-13
19		827-10150		3	BOLT M10 x 150; 10.9
20		413324A1		1	TUBE ASSY.
21		701-919		1	NUT 1 in
22		413332A1		1	TUBE ASSY.
23		701-301		1	ELBOW 13/16 fc sl x blkhd, Inc. 24
24		238-6014		2	O-RING 1/2 ID x 1/16
25		413330A1		1	TUBE ASSY.
26		701-320		1	ELBOW 13/16 fc sl x swl, Inc. 27
27		238-6014		1	O-RING 1/2 ID x 1/16
28		319774A4		1	VALVE Tow Block, See Figure 08-14
29		361897A1		1	SPRING
30		413320A1		1	PLATE
31		242-4412		1	LINK, CHAIN
32		392748A1		2	SPACER
33		390918A2		1	ARM
34		827-6070		1	BOLT M6 x 70; 10.9
35		832-10406		1	NUT M6; 8

**STX375 STX450**  
**STX425**

400 SERIES AXLE - PARK BRAKE CIRCUIT, WITHOUT DIFFERENTIAL LOCK, BSN JEE0102001

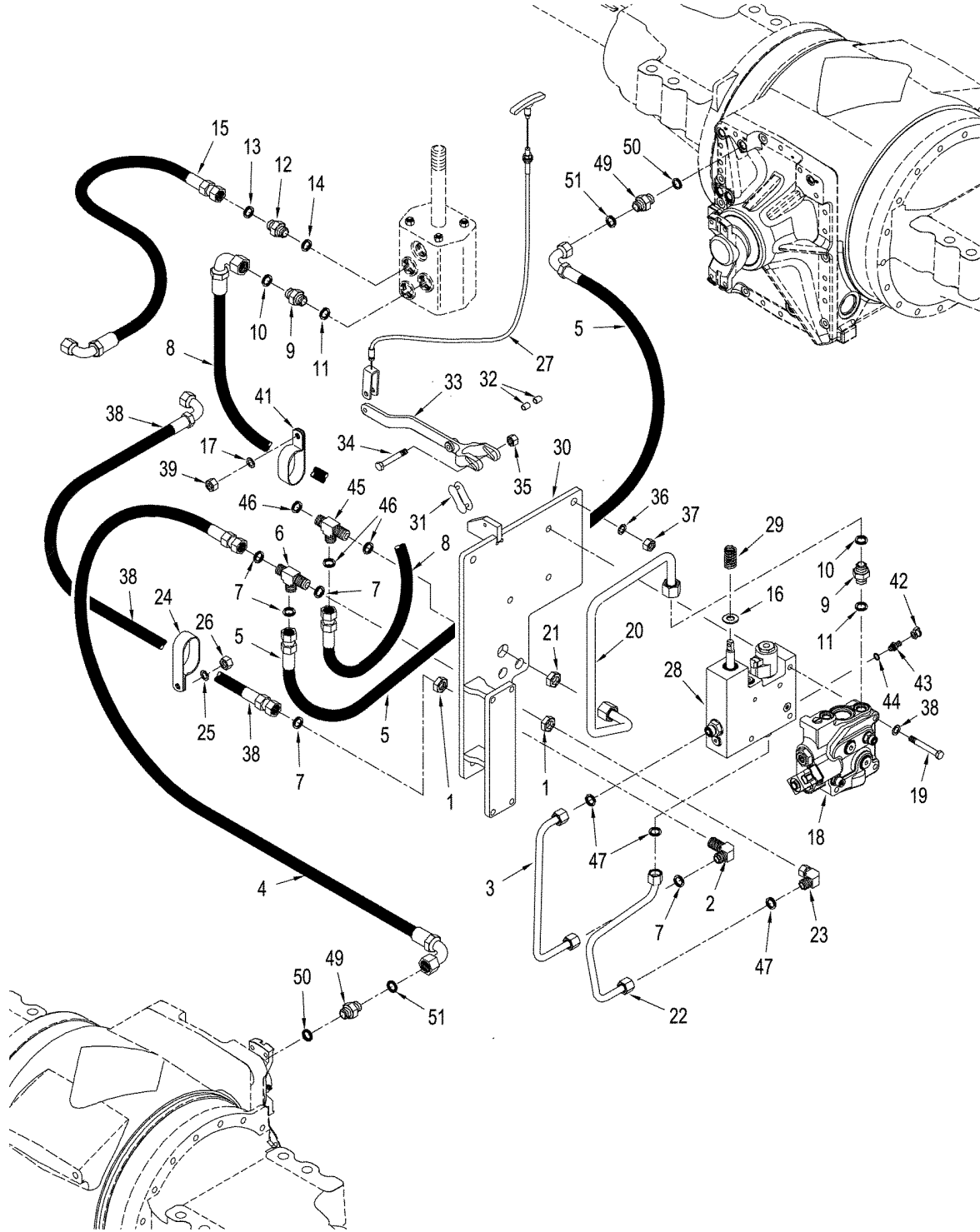


## 400 SERIES AXLE - PARK BRAKE CIRCUIT, WITHOUT DIFFERENTIAL LOCK, BSN JEE0102001

REF	FN	PART NUMBER	YR/SN	QTY	DESCRIPTION
36		895-11012		3	WASHER 13,5 x 24 x 2,5 mm
37		829-1412		3	NUT M12; 10
38		352114A1		1	HOSE 1460 mm (57 in)
39		829-1408		4	NUT M8; 10
40		700-162		1	CONNECTOR, HYD. 13/16 fc sl x 22 or, Inc. 41, 42
41		637-63193		1	O-RING 19,3 ID x 2,2 mm
42		238-6014		2	O-RING 1/2 ID x 1/16
43		L111928		1	CLAMP
44		238-6014		2	O-RING 1/2 ID x 1/16
45		896-12016		1	WASHER 17,5 x 30 x 4 mm
		178889A1		1	FITTING Diagnostic, Inc. 46 - 48
46		143349A1		1	CAP
47		NSS		1	NOT SERVICED SEPARATELY Fitting, Diagnostic
48		637-63113		1	O-RING 11,3 ID x 2,2
49		701-429		1	TEE 1 fc sl, Inc. 50
50		238-6016		3	O-RING 5/8 ID x 1/16
51		895-18010		3	WASHER 11 x 18 x 1,6 mm
52		701-903		3	NUT 13/16 in
53		349863A2		1	CABLE Tow Valve, See Figure 08-39 for Mounting & Parts

**STX375 STX450**  
**STX425**

400 SERIES AXLE - PARK BRAKE CIRCUIT, WITHOUT DIFFERENTIAL LOCK, ASN JEE0102001



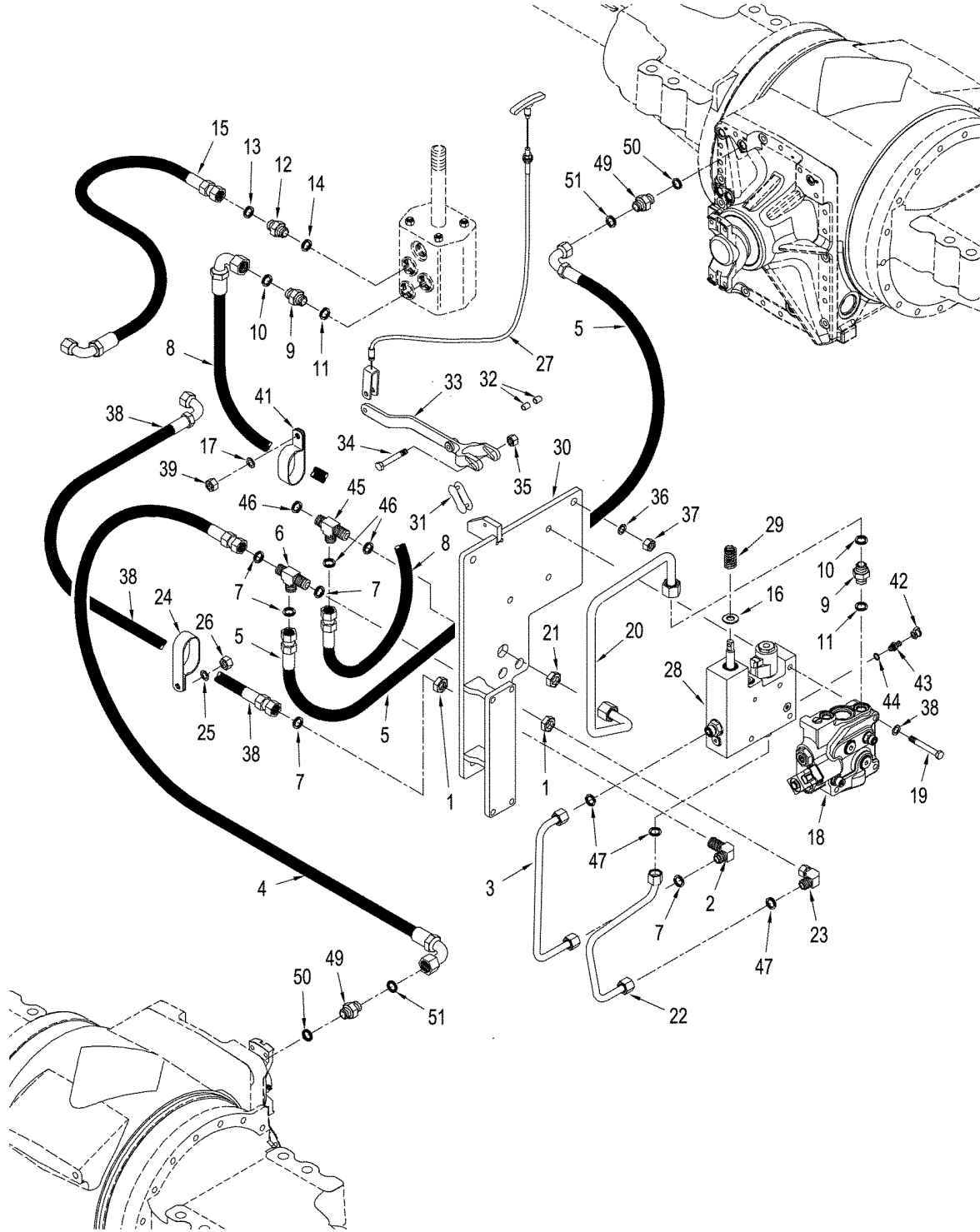
## 400 SERIES AXLE - PARK BRAKE CIRCUIT, WITHOUT DIFFERENTIAL LOCK, ASN JEE0102001

REF	FN	PART NUMBER	YR/SN	QTY	DESCRIPTION
1		701-903		1	NUT 13/16 in
2		701-301		1	ELBOW 90, 13/16 fc sl x blkhd, Inc.7
3		449796A1		1	TUBE ASSY.
4		361955A1		1	HOSE ASSY. 2286 mm (90 in)
5		418814A1		1	HOSE 2184 mm (86 in)
6		701-423		1	TEE M12 fc sl x blkhd fc sl, Inc. 7
7		238-6014		5	O-RING 90 Duro, .489" ID x .070" Thk
8		418812A1	BSN JEE0104001	1	HOSE ASSY. 2286 mm (90 in)
8		87416123	ASN JEE0104001	1	HOSE ASSY. 2286 mm (90 in)
9		700-115		2	CONNECTOR, HYD. 1 fc sl x M18 Or, Inc. 10, 11
10		238-6016		2	O-RING 90 Duro, .614" ID x .070" Thk
11		637-63153		2	O-RING 15.3 ID x 2.2
12		700-103		1	CONNECTOR, HYD. 1 fc sl x 22 Or, Inc. 13, 14
13		238-6016		1	O-RING 90 Duro, .614" ID x .070" Thk
14		637-63193		1	O-RING 19.3 ID x 2.2 mm
15		335095A2		1	HOSE ASSY. 1050 mm (41 in)
17		895-11008		2	WASHER 9 x 17 x 1.6 mm
16		896-12016		1	WASHER 17.5 x 30 x 4 mm
18		411104A2		1	VALVE Regulator, See Figure: 08-13
19		827-10050		3	BOLT Cap, HH, CL10.9, M10 x 1.5 x 50
20		449827A1		1	TUBE ASSY.
21		701-919		1	NUT 1 in
22		449798A1		1	TUBE ASSY.
23		701-320		1	ELBOW 90, 13/16 fc sl x swl, Inc. 47
24		R54363		2	CLAMP
25		895-11010		2	WASHER 11 x 21 x 2 mm
26		829-1310		2	NUT M10; 10
27		349863A2		1	CABLE Tow Valve, See Figure 08-39 for Mounting & Parts
28		319774A4		1	VALVE Control, Tow Block, See Figure(s) : 08-14
29		361897A1		1	SPRING
30		449830A1		1	PLATE ASSY. Mounting
31		242-4412		1	LINK, CHAIN
32		392748A1		2	SPACER
33		390918A3		1	ARM

**STX375 STX450**  
**STX425**



400 SERIES AXLE - PARK BRAKE CIRCUIT, WITHOUT DIFFERENTIAL LOCK, ASN JEE0102001



**07-04**

01

p2

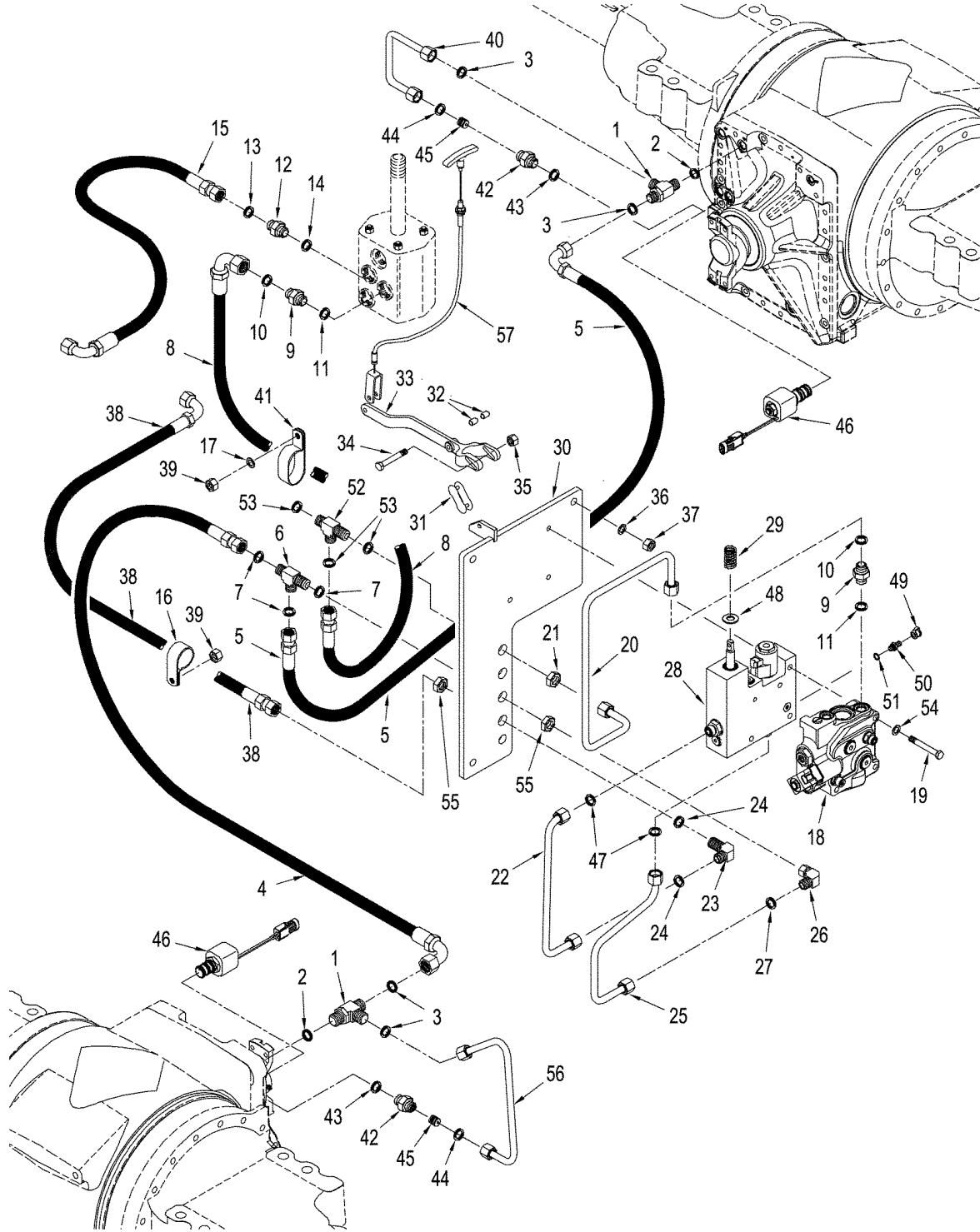
11/04

**400 SERIES AXLE - PARK BRAKE CIRCUIT, WITHOUT DIFFERENTIAL LOCK, ASN JEE0102001**

REF	FN	PART NUMBER	YR/SN	QTY	DESCRIPTION
34		827-6070		1	BOLT M6 x 70; 10.9
35		832-10406		1	NUT M6
36		895-11012		3	WASHER 13.5 x 24 x 2.5 mm
37		829-1412		3	NUT CL 10, M12 x 1.75
38		895-18010		1	WASHER 11 x 18 x 1,6 mm
39		829-1408		4	NUT CL 10, M8 x 1.25
41		L111928		1	CLAMP
		178889A1		1	FITTING Diagnostic, Inc. 42, 43
42		H434163		1	CAP Dust
43		NSS		1	NOT SERVICED SEPARATELY Fitting, Diagnostic, Inc. 44
44		637-63113		1	O-RING 11.3 ID x 2.2 W
45		701-429		1	TEE 1 fc sl, Inc. 53
46		238-6016		3	O-RING 90 Duro, .614" ID x .070" Thk
47		238-6014		4	O-RING 90 Duro, .489" ID x .070" Thk
49		700-162		2	CONNECTOR, HYD. M22 or x 13/16 fc sl, Inc. 50, 51
50		637-63193		2	O-RING 19,2 ID x 2,2 mm
51		238-6014		4	O-RING 90 Duro, .489" ID x .070" Thk

**STX375 STX450**  
**STX425**

400 SERIES AXLE - PARK BRAKE CIRCUIT, WITH DIFFERENTIAL LOCK, BSN JEE0102001

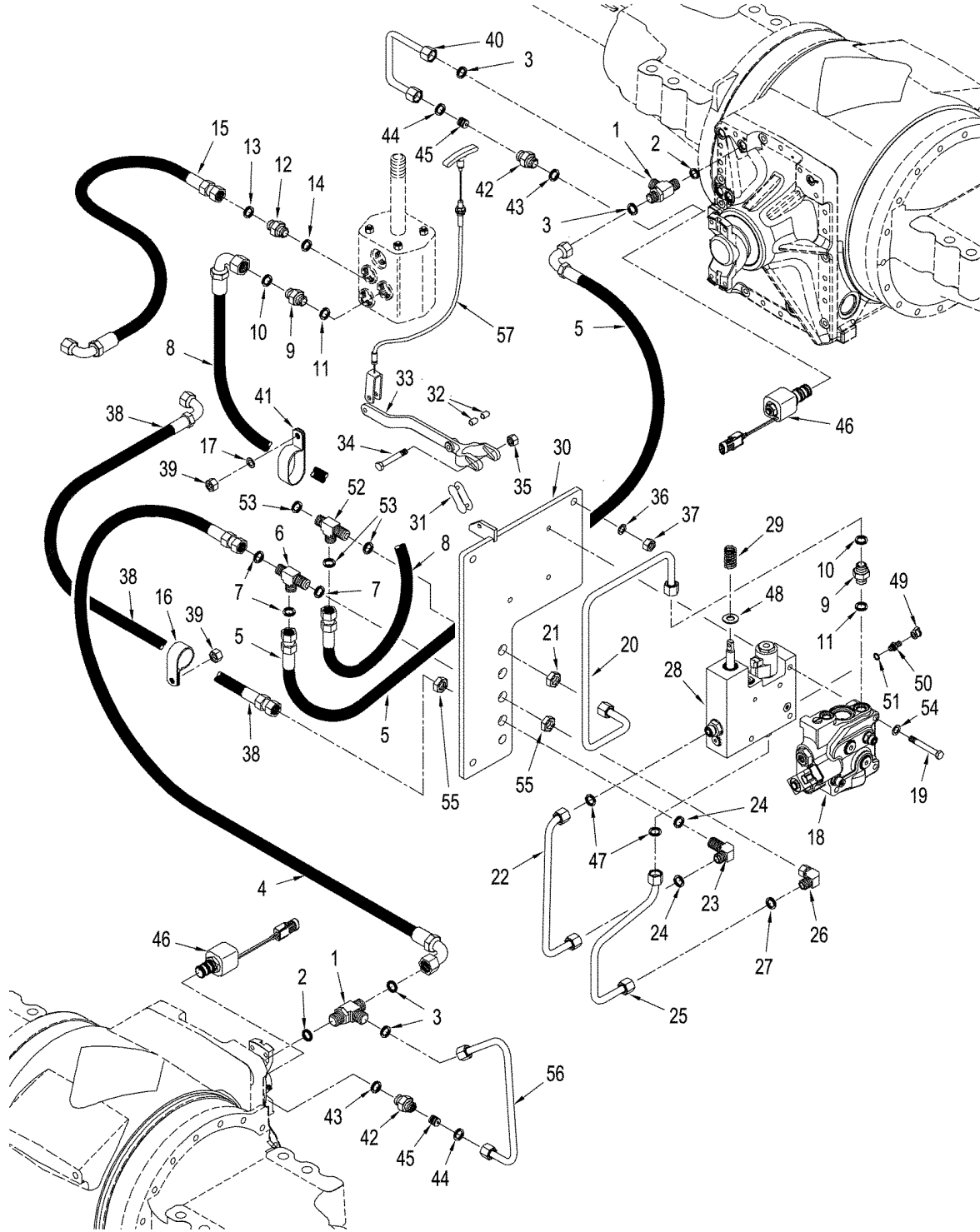


## 400 SERIES AXLE - PARK BRAKE CIRCUIT, WITH DIFFERENTIAL LOCK, BSN JEE0102001

REF	FN	PART NUMBER	YR/SN	QTY	DESCRIPTION
1		700-445		2	TEE 13/16 fc sl x 22 orb, Inc. 2, 3
2		637-63193		2	O-RING 19,3 ID x 2,2 mm
3		238-6014		4	O-RING 1/2 ID x 1/16
4		361955A1		1	HOSE ASSY. 2286 mm (90 in)
5		418814A1		1	HOSE 2184 mm (86 in)
6		701-423		1	TEE M12 fc sl x blkhd fc sl, Inc. 7
7		238-6014		3	O-RING 1/2 ID x 1/16
8		418812A1		1	HOSE ASSY. 2286 mm (90 in)
9		700-115		2	CONNECTOR, HYD. 1 fc sl x M18 Or, Inc. 10, 11
10		238-6016		2	O-RING 5/8 ID x 1/16
11		637-63153		2	O-RING 15,3 ID x 2,2
12		700-103		1	CONNECTOR, HYD. 1 fc sl x 22 Or, Inc. 13, 14
13		238-6016		1	O-RING 5/8 ID x 1/16
14		637-63193		1	O-RING 19,3 ID x 2,2 mm
15		335095A2		1	HOSE ASSY. 1050 mm (41 in)
17		895-11008		1	WASHER 9 x 17 x 1,6 mm
18		411104A2		1	VALVE Regulator, See Figure 08-13
19		827-10150		3	BOLT M10 x 150; 10.9
20		413324A1		1	TUBE ASSY.
21		701-919		1	NUT 1 in
22		413332A1		1	TUBE ASSY.
23		701-301		1	ELBOW 13/16 fc sl x blkhd, Inc. 24
24		238-6014		2	O-RING 1/2 ID x 1/16
25		413330A1		1	TUBE ASSY.
26		701-320		1	ELBOW 13/16 fc sl x swl, Inc. 27
27		238-6014		1	O-RING 1/2 ID x 1/16
28		319774A4		1	VALVE Tow Block, See Figure 08-14
29		361897A1		1	SPRING
30		413320A1		1	PLATE
31		242-4412		1	LINK, CHAIN
32		392748A1		2	SPACER
33		390918A3		1	ARM
34		827-6070		1	BOLT M6 x 70; 10.9
35		832-10406		1	NUT M6; 8
36		895-11012		3	WASHER 13,5 x 24 x 2,5 mm

**STX375 STX450**  
**STX425**

400 SERIES AXLE - PARK BRAKE CIRCUIT, WITH DIFFERENTIAL LOCK, BSN JEE0102001

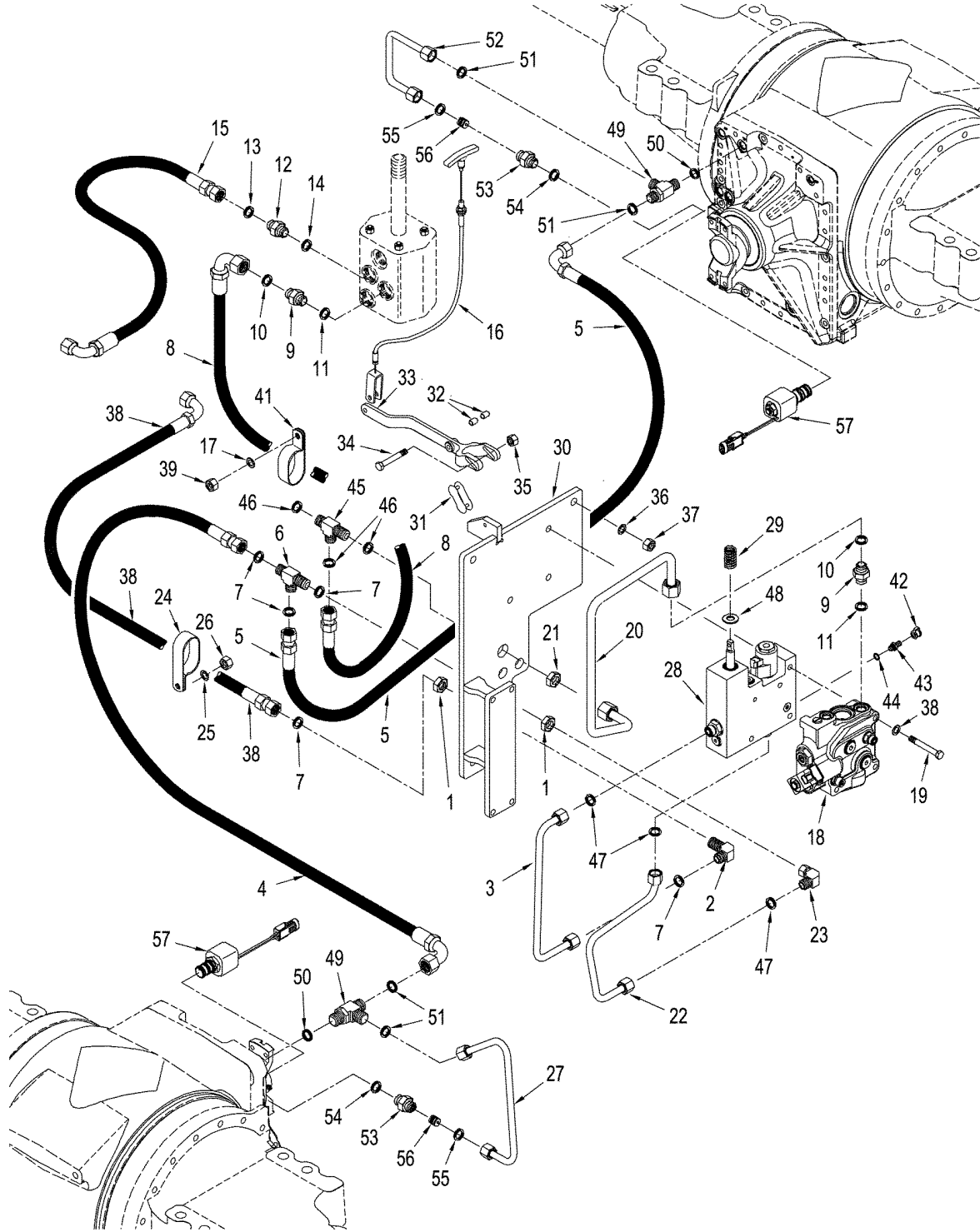


## 400 SERIES AXLE - PARK BRAKE CIRCUIT, WITH DIFFERENTIAL LOCK, BSN JEE0102001

REF	FN	PART NUMBER	YR/SN	QTY	DESCRIPTION
37		829-1412		3	NUT M12; 10
38		352114A1		1	HOSE 1460 mm (57 in)
39		829-1408		4	NUT M8; 10
40		416282A1		1	TUBE ASSY.
41		L111928		1	CLAMP
		341195A1		2	ORIFICE Inc. 42 - 45
42		700-154		2	CONNECTOR, HYD. M14 orb x 13/16 fc sl, Inc. 43, 44
43		637-63113		2	O-RING 11,3 ID x 2,2
44		238-6014		2	O-RING 1/2 ID x 1/16
45		878-10812		1	SCREW M8 x 12
46		384977A1		2	VALVE Differential Lock, See Figure 08-43
47		238-6014		2	O-RING 1/2 ID x 1/16
48		896-12016		1	WASHER 17,5 x 30 x 4 mm
		178889A1		1	FITTING Diagnostic, Inc. 49 - 51
49		H434163		1	CAP
50		NSS		1	NOT SERVICED SEPARATELY Fitting, Diagnostic
51		637-63113		1	O-RING 11,3 ID x 2,2
52		701-429		1	TEE 1 fc sl, Inc. 53
53		238-6016		3	O-RING 5/8 ID x 1/16
54		895-18010		3	WASHER 11 x 18 x 1,6 mm
55		701-903		3	NUT 13/16 in
56		416276A1		1	TUBE ASSY.
57		349863A2		1	CABLE Tow Vave, See Figure: 08-39 for Mounting & Parts

**STX375 STX450**  
**STX425**

400 SERIES AXLE - PARK BRAKE CIRCUIT, WITH DIFFERENTIAL LOCK, ASN JEE0102001



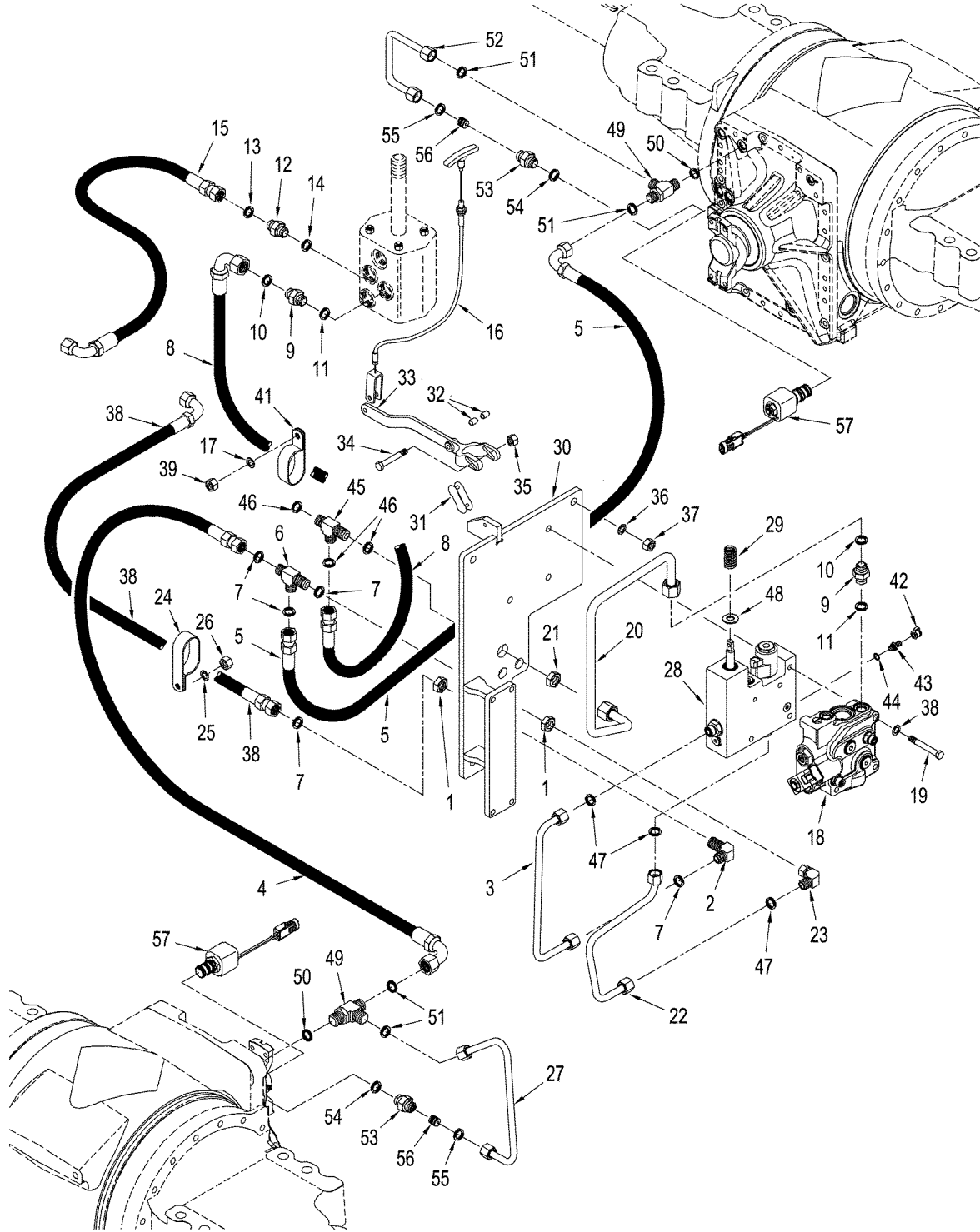
## 400 SERIES AXLE - PARK BRAKE CIRCUIT, WITH DIFFERENTIAL LOCK, ASN JEE0102001

REF	FN	PART NUMBER	YR/SN	QTY	DESCRIPTION
1		701-903		1	NUT 13/16 in
2		701-301		1	ELBOW 90, 13/16 fc sl x blkhd, Inc.7
3		449796A1		1	TUBE ASSY.
4		361955A1		1	HOSE ASSY. 2286 mm (90 in)
5		418814A1		1	HOSE 2184 mm (86 in)
6		701-423		1	TEE M12 fc sl x blkhd fc sl, Inc. 7
7		238-6014		5	O-RING 90 Duro, .489" ID x .070" Thk
8		418812A1	BSN JEE0104001	1	HOSE ASSY. 2286 mm (90 in)
8		87416123	ASN JEE0104001	1	HOSE ASSY. 2286 mm (90 in)
9		700-115		2	CONNECTOR, HYD. 1 fc sl x M18 Or, Inc. 10, 11
10		238-6016		2	O-RING 90 Duro, .614" ID x .070" Thk
11		637-63153		2	O-RING 15.3 ID x 2.2
12		700-103		1	CONNECTOR, HYD. 1 fc sl x 22 Or, Inc. 13, 14
13		238-6016		1	O-RING 90 Duro, .614" ID x .070" Thk
14		637-63193		1	O-RING 19.3 ID x 2.2 mm
15		335095A2		1	HOSE ASSY. 1050 mm (41 in)
16		349863A2		1	CABLE Tow Valve, See Figure 08-39 for Mountig & Parts
17		895-11008		2	WASHER 9 x 17 x 1.6 mm
18		411104A2		1	VALVE Regulator, See Figure: 08-13
19		827-10050		3	BOLT Cap, HH, CL10.9, M10 x 1.5 x 50
20		449827A2		1	TUBE ASSY.
21		701-919		1	NUT 1 in
22		449798A1		1	TUBE ASSY.
23		701-320		1	ELBOW 90, 13/16 fc sl x swl, Inc. 47
24		R54363		2	CLAMP
25		895-11010		2	WASHER 11 x 21 x 2 mm
26		829-1310		2	NUT M10; 10
27		416276A1		1	TUBE ASSY.
28		319774A4		1	VALVE Control, Tow Block, See Figure: 08-14
29		361897A1		1	SPRING
30		449830A1		1	PLATE ASSY.
31		242-4412		1	LINK, CHAIN
32		392748A1		2	SPACER
33		390918A3		1	ARM

**STX375 STX450**  
**STX425**



400 SERIES AXLE - PARK BRAKE CIRCUIT, WITH DIFFERENTIAL LOCK, ASN JEE0102001

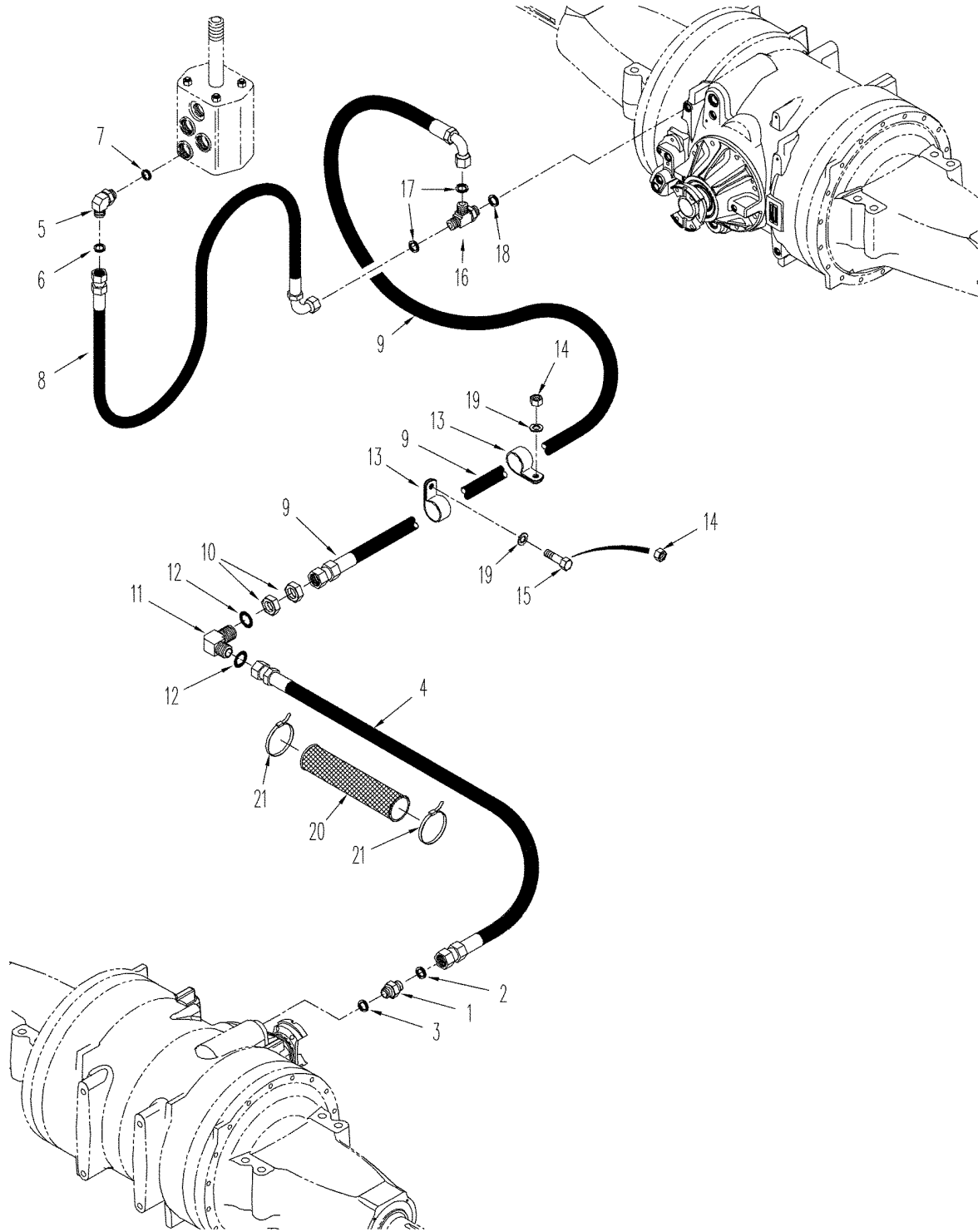


## 400 SERIES AXLE - PARK BRAKE CIRCUIT, WITH DIFFERENTIAL LOCK, ASN JEE0102001

REF	FN	PART NUMBER	YR/SN	QTY	DESCRIPTION
34		827-6070		1	BOLT M6 x 70; 10.9
35		832-10406		1	NUT M6
36		895-11012		3	WASHER 13.5 x 24 x 2.5 mm
37		829-1412		3	NUT CL 10, M12 x 1.75
38		895-18010		1	WASHER 11 x 18 x 1,6 mm
39		829-1408		4	NUT CL 10, M8 x 1.25
41		L111928		1	CLAMP
		178889A1		1	FITTING Diagnostic, Inc. 42, 43
42		H434163		1	CAP Dust
43		NSS		1	NOT SERVICED SEPARATELY Fitting, Diagnostic, Inc. 44
44		637-63113		1	O-RING 11.3 ID x 2.2 W
45		701-429		1	TEE 1 fc sl, Inc. 53
46		238-6016		3	O-RING 90 Duro, .614" ID x .070" Thk
47		238-6014		4	O-RING 90 Duro, .489" ID x .070" Thk
48		896-12016		1	WASHER 17.5 x 30 x 4 mm
49		700-445		2	TEE M22 or x 13/16 fc sl, Inc. 50, 51
50		637-63193		2	O-RING 19,2 ID x 2,2 mm
51		238-6014		4	O-RING 90 Duro, .489" ID x .070" Thk
52		416282A1		1	TUBE ASSY.
		341195A1		2	ORIFICE Consists Of : 53 - 56
53		700-154		2	CONNECTOR, HYD. M14 orb x 13/16 fc sl, Inc. 54, 57
54		637-63113		2	O-RING 11.3 ID x 2.2 W
55		238-6014		2	O-RING 90 Duro, .489" ID x .070" Thk
56		NSS		1	NOT SERVICED SEPARATELY Orifice, M8 x 12
57		384977A1		2	VALVE Solenoid, Differential Lock, See Figure: 08-43
58		87424332		1	HOSE ASSY. 1298mm (51 in)

**STX375 STX450**  
**STX425**

500 SERIES AXLE - SERVICE BRAKE CIRCUIT, WHEEL TRACTOR

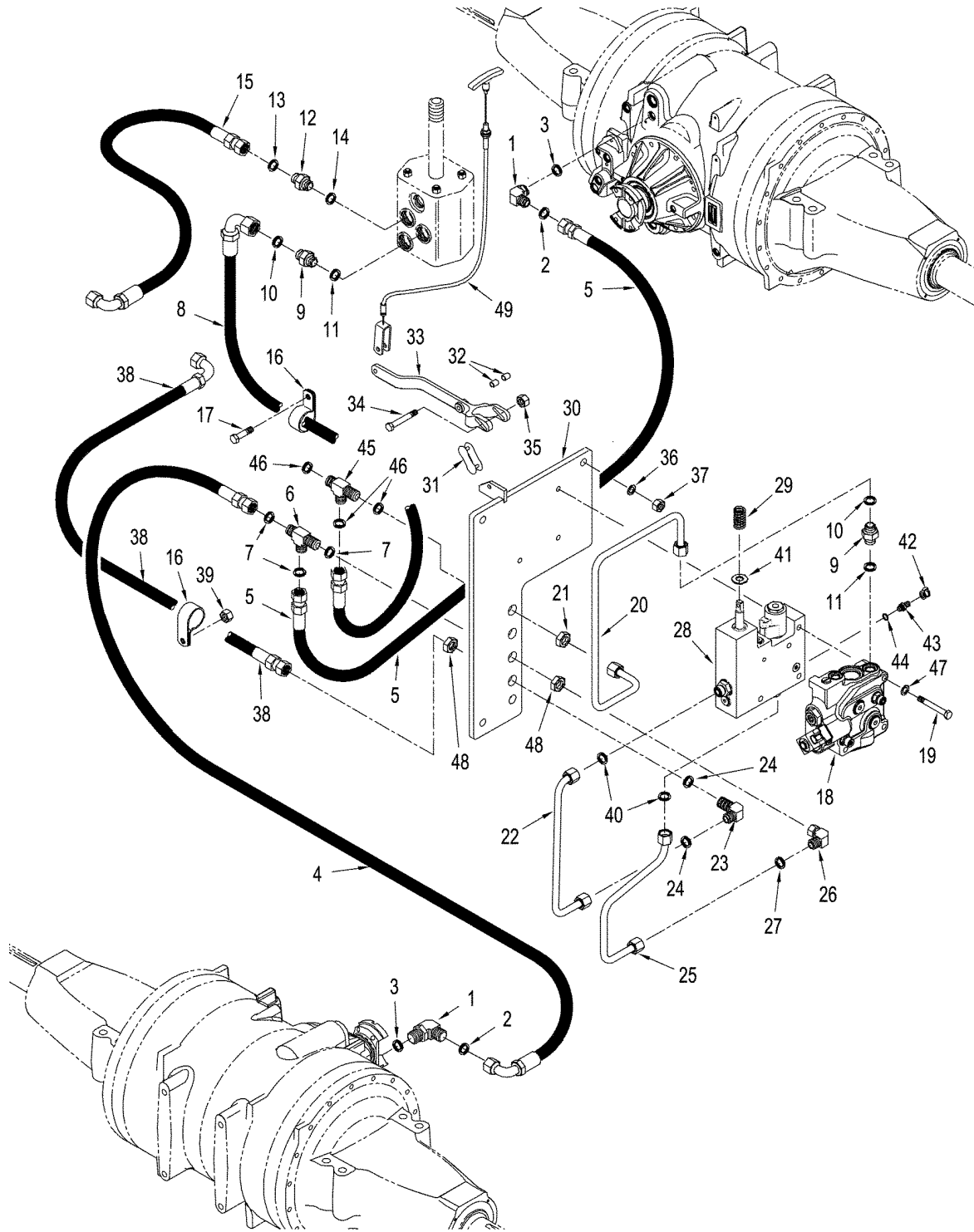


## 500 SERIES AXLE - SERVICE BRAKE CIRCUIT, WHEEL TRACTOR

REF	FN	PART NUMBER	YR/SN	QTY	DESCRIPTION
1		401760A1		1	VALVE 13/16 fc sl x 22 or, Inc. 2, 3
2		238-6014		1	O-RING 1/2 ID x 1/16
3		637-63193		1	O-RING 19,3 ID x 2,2 mm
4		391243A2		1	HOSE ASSY. 2184 mm (86 in)
4		437290A1S		1	HOSE ASSY. 2184 mm (86 in), Arctic QUADTRAC Tractor Application
5		700-305		1	ELBOW 13/16 fc sl x 18 Or, Inc. 6, 7
6		238-6014		1	O-RING 1/2 ID x 1/16
7		637-63153		1	O-RING 15,3 ID x 2,2
8		353608A1	BSN JEE0104001	1	HOSE ASSY. 787 mm (31 in)
8		87427437	ASN JEE0104001	1	HOSE ASSY. 1051 mm (41-3/8 in)
9		353609A1		1	HOSE ASSY. 2115 mm (83 in)
10		701-903		2	NUT 13/16 in
11		701-301		1	ELBOW 13/16 fc sl x blkhd, Inc. 12
12		238-6014		2	O-RING 1/2 ID x 1/16
13		515-23206		2	CLAMP P-type
14		829-1408		1-2	NUT M8; 10
16		700-445		1	TEE 13/16 fc sl x 22 orb, Inc. 17, 18
17		238-6014		2	O-RING 1/2 ID x 1/16
18		637-63193		1	O-RING 19,3 ID x 2,2 mm
19		895-11008	ASN JEE0102001	1	WASHER 9 x 16 x 1,6 mm
20		S120426		1	SLEEVE Protection
21		L18331		2	STRAP Tie
15		627-8025	BSN JEE0102001	1	BOLT M8 x 25; 10.9

**STX375 STX450**  
**STX425 STX500**

500 SERIES AXLE - PARK BRAKE CIRCUIT, WITHOUT DIFFERENTIAL LOCK, BSN JEE0102001, WHEEL TRACTOR

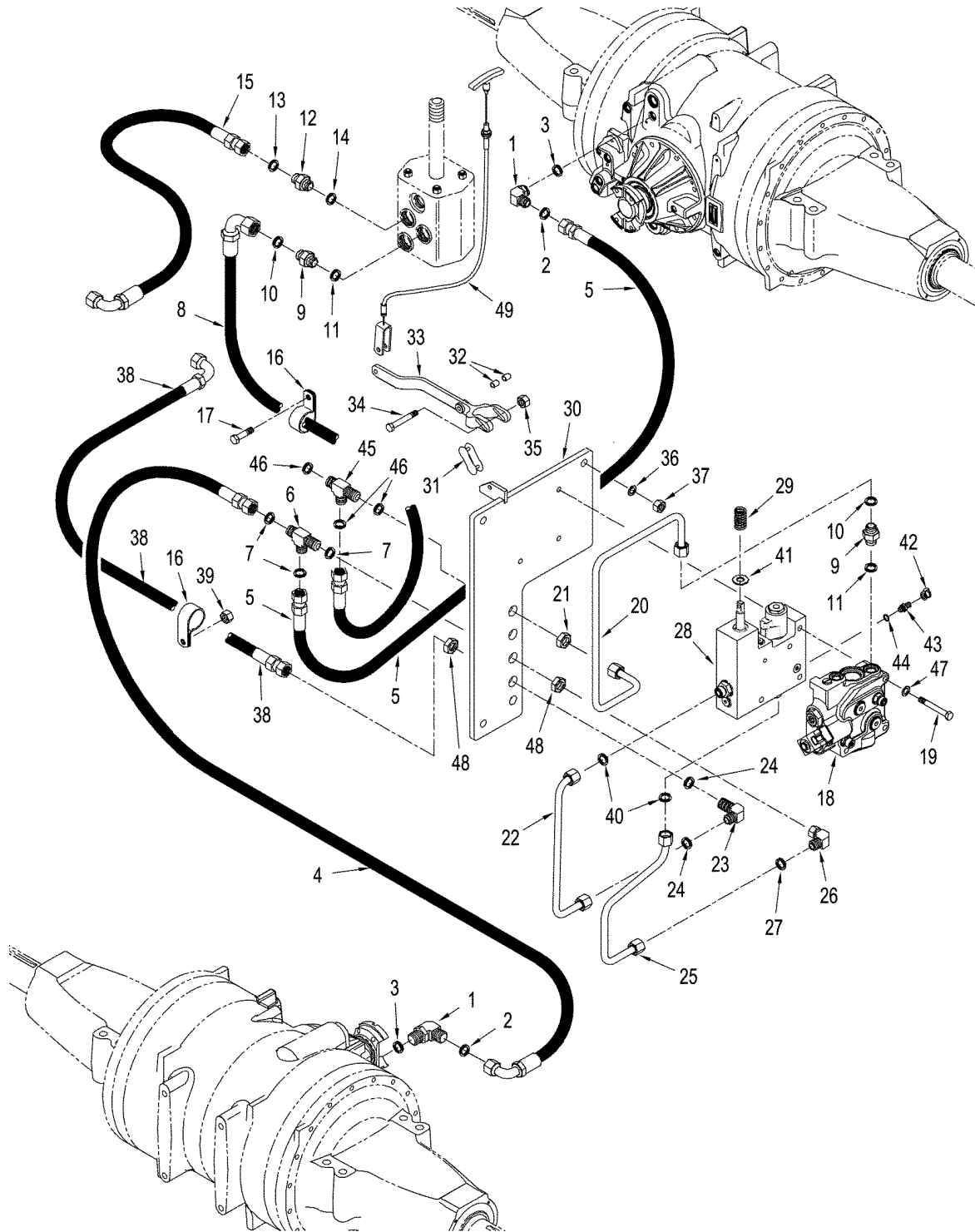


## 500 SERIES AXLE - PARK BRAKE CIRCUIT, WITHOUT DIFFERENTIAL LOCK, BSN JEE0102001, WHEEL TRACTOR

REF	FN	PART NUMBER	YR/SN	QTY	DESCRIPTION
1		700-326		2	ELBOW 13/16 fc sl x 22 or, Inc. 2, 3
2		238-6014		2	O-RING 1/2 ID x 1/16
3		637-63193		2	O-RING 19,3 ID x 2,2 mm
4		352112A3		1	HOSE ASSY. 2336 mm (92 in)
5		428171A1		1	HOSE ASSY. 2235 mm (88 in)
6		701-423		1	TEE M12 fc sl x blkhd fc sl, Inc. 7
7		238-6014		3	O-RING 1/2 ID x 1/16
8		418812A1		1	HOSE ASSY. 2286 mm (90 in)
9		700-115		2	CONNECTOR, HYD. 1 fc sl x M18 Or, Inc. 10, 11
10		238-6016		2	O-RING 5/8 ID x 1/16
11		637-63153		2	O-RING 15,3 ID x 2,2
12		700-103		1	CONNECTOR, HYD. 1 fc sl x 22 Or, Inc. 13, 14
13		238-6016		1	O-RING 5/8 ID x 1/16
14		637-63193		1	O-RING 19,3 ID x 2,2 mm
15		335095A2		1	HOSE ASSY. 1050 mm (41 in)
16		515-23206		4	CLAMP P-type
17		627-8020		1	BOLT M8 x 20; 10.9
18		411104A2		1	VALVE Regulator, See Figure 08-13
19		827-10150		3	BOLT M10 x 150; 10.9
20		413324A1		1	TUBE ASSY.
21		701-919		1	NUT 1 in
22		413332A1		1	TUBE ASSY.
23		701-301		1	ELBOW 13/16 fc sl x blkhd, Inc. 24
24		238-6014		2	O-RING 1/2 ID x 1/16
25		413330A1		1	TUBE ASSY.
26		701-320		1	ELBOW 13/16 fc sl x swl, Inc. 27
27		238-6014		1	O-RING 1/2 ID x 1/16
28		319774A4		1	VALVE Tow Block, See Figure 08-14
29		361897A1		1	SPRING
30		413320A1		1	PLATE
31		242-4412		1	LINK, CHAIN
32		392748A1		2	SPACER
33		390918A2		1	ARM
34		827-6070		1	BOLT M6 x 70; 10.9
35		832-10406		1	NUT M6; 8

**STX375 STX450**  
**STX425**

500 SERIES AXLE - PARK BRAKE CIRCUIT, WITHOUT DIFFERENTIAL LOCK, BSN JEE0102001, WHEEL TRACTOR



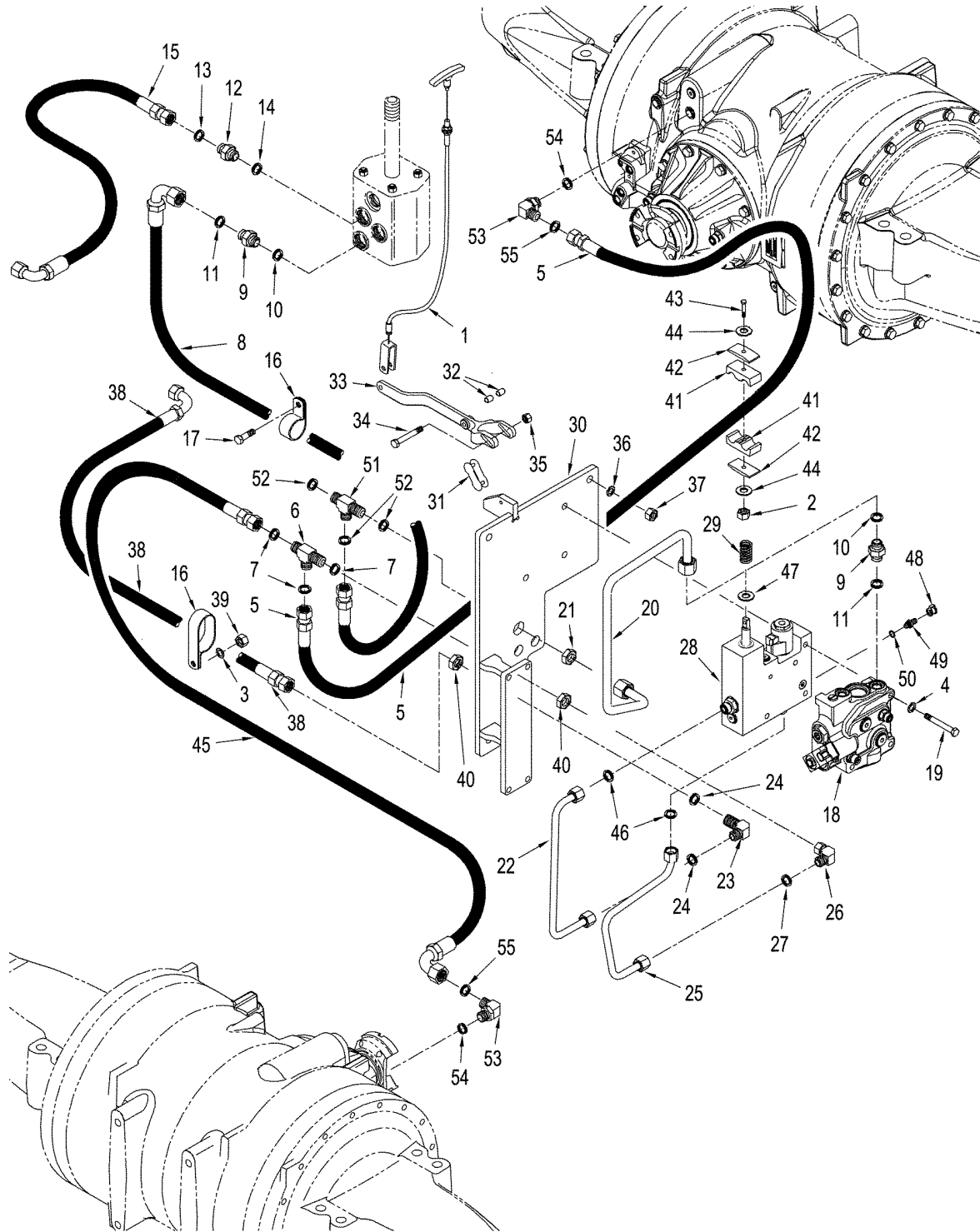
## 500 SERIES AXLE - PARK BRAKE CIRCUIT, WITHOUT DIFFERENTIAL LOCK, BSN JEE0102001, WHEEL TRACTOR

REF	FN	PART NUMBER	YR/SN	QTY	DESCRIPTION
36		895-11012		3	WASHER 13,5 x 24 x 2,5 mm
37		829-1412		3	NUT M12; 10
38		352114A1		1	HOSE 1460 mm (57 in)
39		829-1408		2	NUT M8; 10
40		238-6014		2	O-RING 1/2 ID x 1/16
41		896-12016		1	WASHER 17,5 x 30 x 4 mm
		178889A1		1	FITTING Diagnostic, Inc. 42 - 44
42		H434163		1	CAP
43		NSS		1	NOT SERVICED SEPARATELY Fitting, Diagnostic
44		637-63113		1	O-RING 11,3 ID x 2,2
45		701-429		1	TEE 1 fc sl, Inc. 46
46		238-6016		3	O-RING 5/8 ID x 1/16
47		895-18010		3	WASHER 11 x 18 x 1,6 mm
48		701-903		3	NUT 13/16 in
49		349863A1		1	CABLE Tow Valve, See Figure: 08-39 for Mounting & Parts

**STX375 STX450**  
**STX425**



500 SERIES AXLE - PARK BRAKE CIRCUIT, WITHOUT DIFFERENTIAL LOCK, ASN JEE0102001, WHEEL TRACTOR

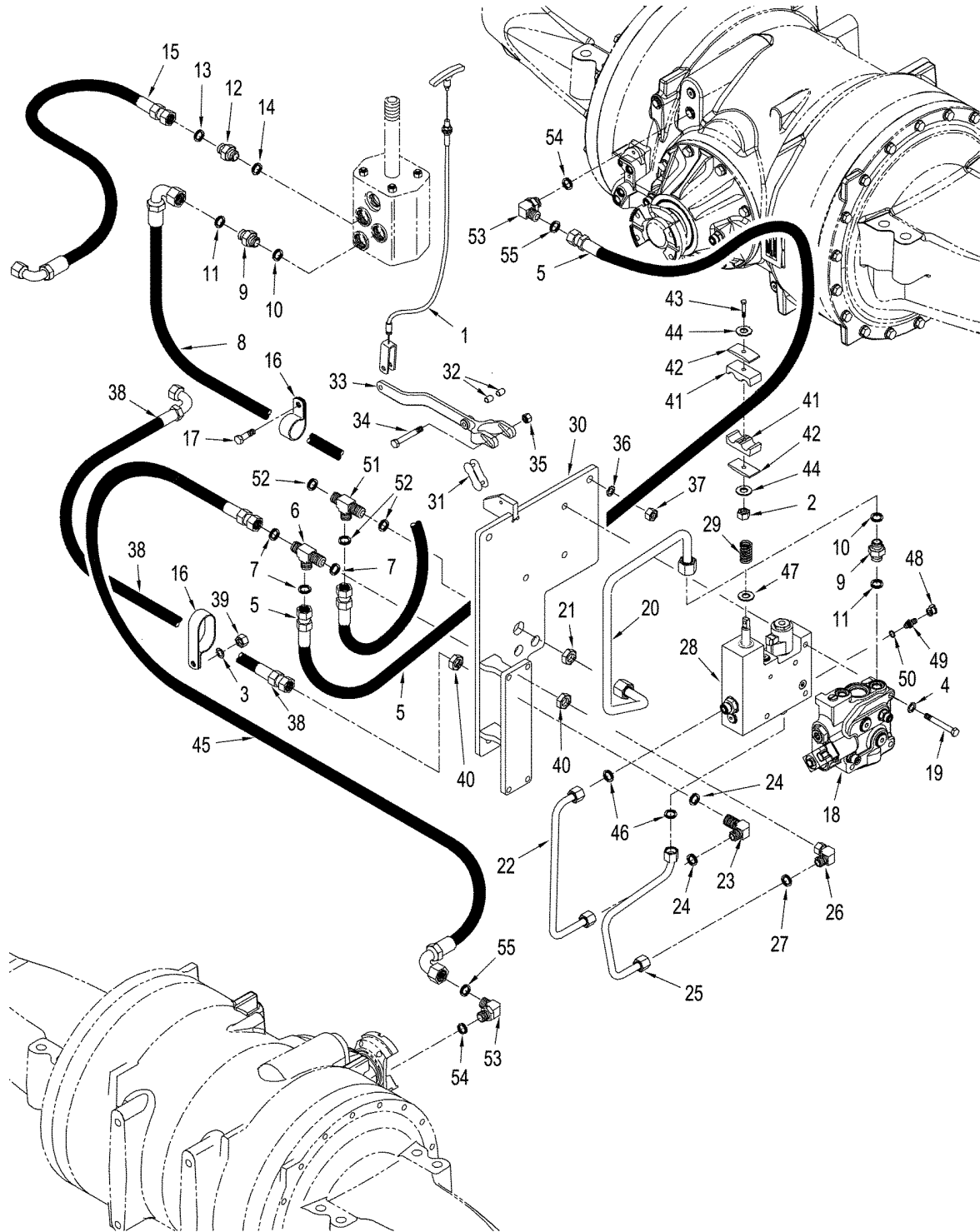


## 500 SERIES AXLE - PARK BRAKE CIRCUIT, WITHOUT DIFFERENTIAL LOCK, ASN JEE0102001, WHEEL TRACTOR

REF	FN	PART NUMBER	YR/SN	QTY	DESCRIPTION
1		349863A2		1	CABLE Tow Valve, See Figure: 08-39 for Mounting & Parts
2		829-1408		1	NUT M8; 10
3		895-11010		2	WASHER 11 x 21 x 2 mm
4		895-18010		3	WASHER 11 x 18 x 1,6 mm
5		428171A1		1	HOSE ASSY. 2235 mm (88 in)
6		701-423		1	TEE M12 fc sl x blkhd fc sl
7		238-6014		3	O-RING 90 Duro, .489" ID x .070" Thk
8		418812A1	BSN JEE0104001	1	HOSE ASSY. 2286 mm (90 in)
8		87416123	ASN JEE0104001	1	HOSE ASSY. 2286 mm (90 in)
9		700-115		2	CONNECTOR, HYD. 1 fc sl x M18 Or, Inc. 10, 11
10		238-6016		2	O-RING 90 Duro, .614" ID x .070" Thk
11		637-63153		2	O-RING 15.3 ID x 2.2
12		700-103		1	CONNECTOR, HYD. 1 fc sl x 22 Or, Inc. 13, 14
13		238-6016		1	O-RING 90 Duro, .614" ID x .070" Thk
14		637-63193		1	O-RING 19.3 ID x 2.2 mm
15		335095A2		1	HOSE ASSY. 1050 mm (41 in)
16		R54363		2	CLAMP P-type
17		627-8020		1	BOLT Cap, HH, CL 10.9, M8 x 1.25 x 20
18		411104A2		1	VALVE Regulator, See Figure: 08-13
19		827-10150		3	BOLT M10 x 150; 10.9
20		449827A1		1	TUBE ASSY.
21		701-919		1	NUT 1 in
22		449796A1		1	TUBE ASSY.
23		701-301		1	ELBOW 90, 13/16 fc sl x blkhd, Inc. 24
24		238-6014		2	O-RING 90 Duro, .489" ID x .070" Thk
25		449798A1		1	TUBE ASSY.
26		701-320		1	ELBOW 90, 13/16 fc sl x swl, Inc. 27
27		238-6014		1	O-RING 90 Duro, .489" ID x .070" Thk
28		319774A4		1	VALVE Control, Tow Block, See Figure: 08-14
29		361897A1		1	SPRING
30		449830A1		1	PLATE ASSY.
31		242-4412		1	LINK, CHAIN
32		392748A1		2	SPACER
33		390918A3		1	ARM

**STX375 STX450**  
**STX425 STX500**

500 SERIES AXLE - PARK BRAKE CIRCUIT, WITHOUT DIFFERENTIAL LOCK, ASN JEE0102001, WHEEL TRACTOR

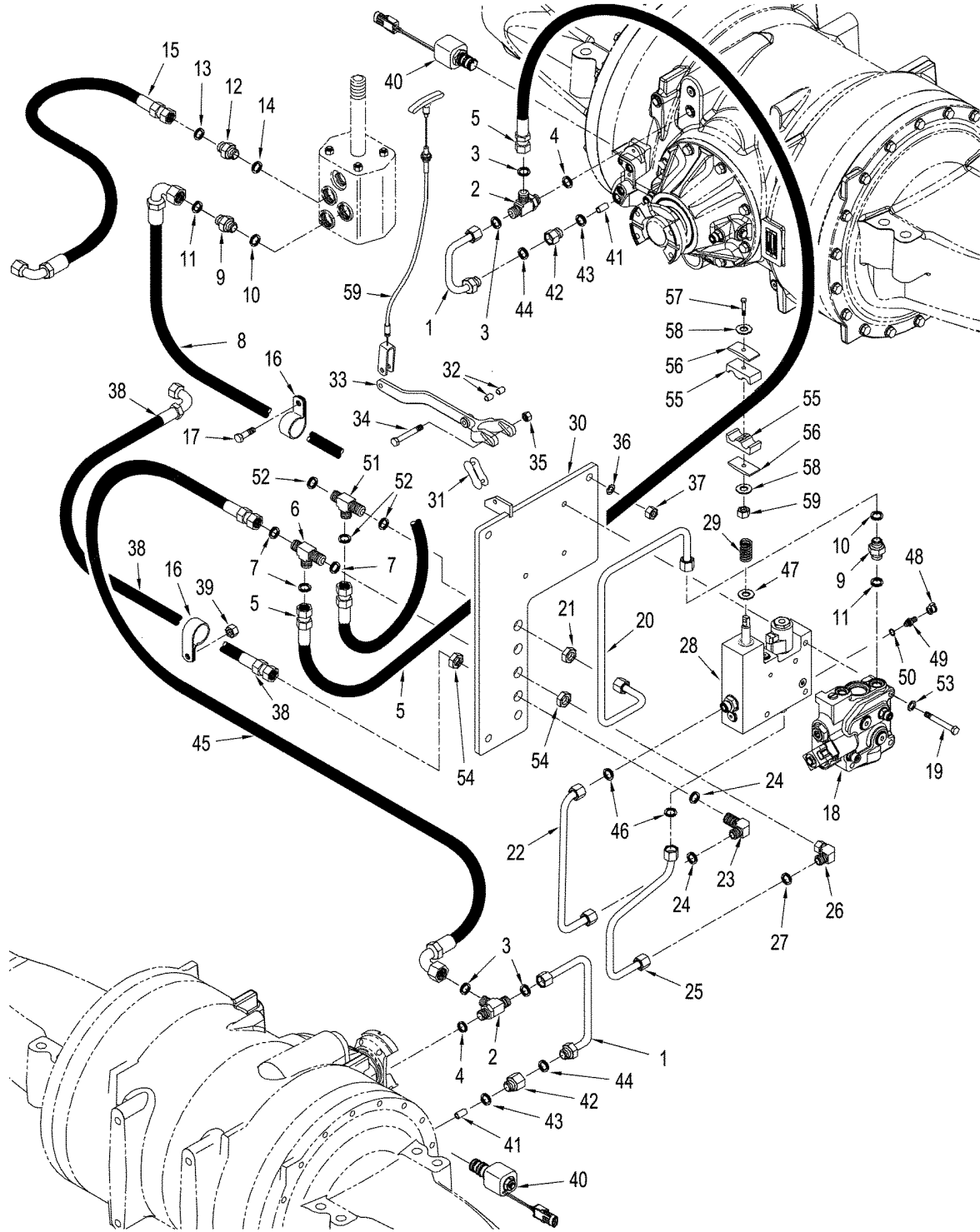


## 500 SERIES AXLE - PARK BRAKE CIRCUIT, WITHOUT DIFFERENTIAL LOCK, ASN JEE0102001, WHEEL TRACTOR

REF	FN	PART NUMBER	YR/SN	QTY	DESCRIPTION
34		827-6070		1	BOLT M6 x 70; 10.9
35		832-10406		1	NUT M6
36		895-11012		3	WASHER 13.5 x 24 x 2.5 mm
37		829-1412		3	NUT CL 10, M12 x 1.75
38		87414079		1	HOSE ASSY. 1358 m (53-7/16 in)
39		829-1310		2	NUT M10; 10
40		701-903		3	NUT 13/16 in
41		435470A1		2	CLAMP
42		435468A1		2	PLATE
43		701-903		1	NUT Cap, HH, CL 10.9, M8 x 1.25 x 70
44		895-11008		2	WASHER 9 x 17 x 1,6 mm
45		352112A3		1	HOSE ASSY. 2336 mm (92 in)
46		238-6014		2	O-RING 90 Duro, .489" ID x .070" Thk
47		896-12016		1	WASHER 17.5 x 30 x 4 mm
		178889A1		1	FITTING Diagnostic, Inc. 48, 49
48		H434163		1	CAP Dust
49		NSS		1	NOT SERVICED SEPARATELY Fitting, Diagnostic, Inc. 50
50		637-63113		1	O-RING 11.3 ID x 2.2
51		701-429		1	TEE 1 fc sl, Inc. 52
52		238-6016		3	O-RING 90 Duro, .614" ID x .070" Thk
53		700-326		2	ELBOW 90, M22 or x 3/16 fc sl, Inc. 54 & 55
54		637-63193		1	O-RING 19.3 ID x 2.2 Thk
55		238-6014		1	O-RING .488 ID x 0.70Thk

**STX375 STX450**  
**STX425 STX500**

500 SERIES AXLE - PARK BRAKE CIRCUIT, WITH DIFFERENTIAL LOCK, BSN JEE0102001, WHEEL TRACTOR

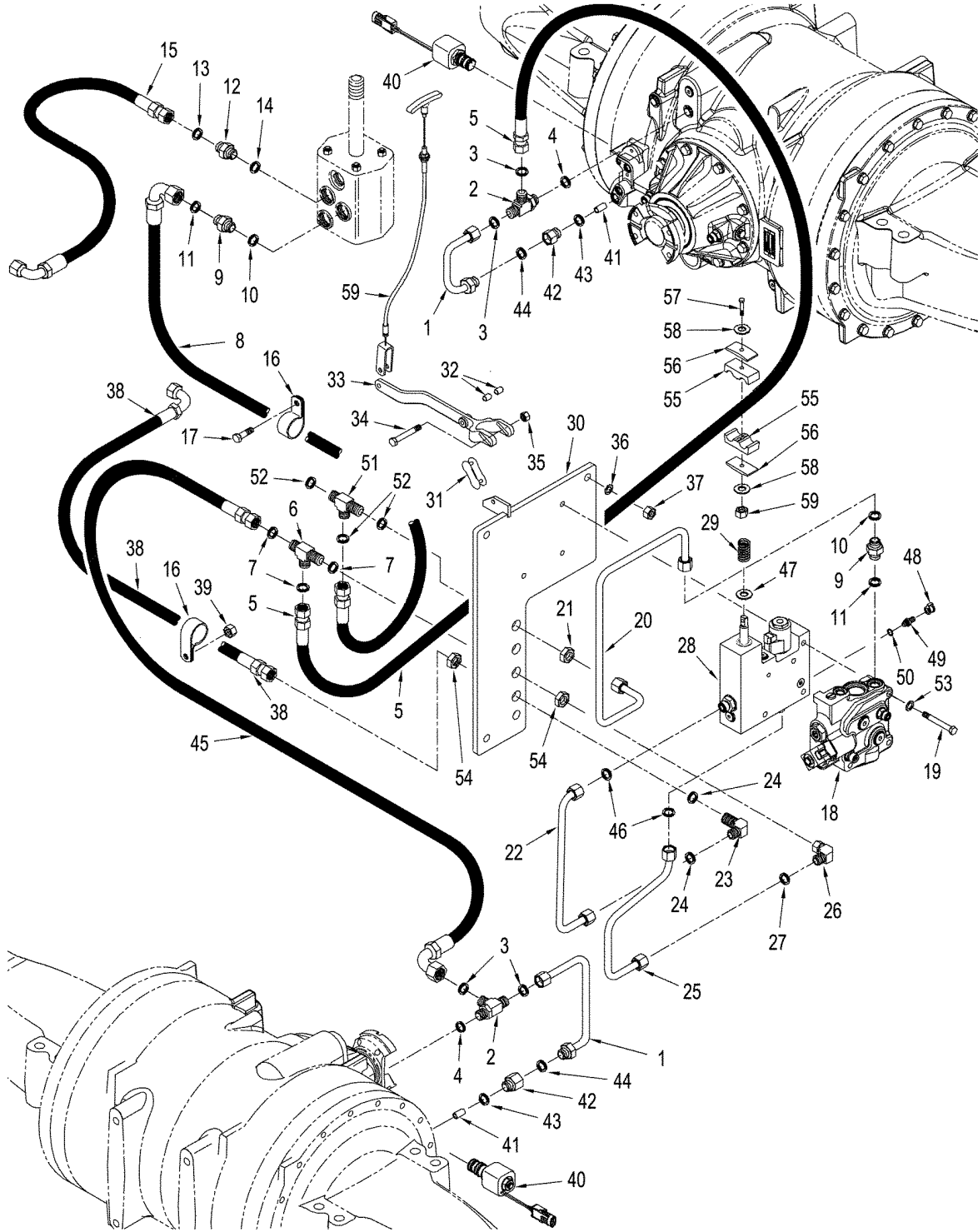


## 500 SERIES AXLE - PARK BRAKE CIRCUIT, WITH DIFFERENTIAL LOCK, BSN JEE0102001, WHEEL TRACTOR

REF	FN	PART NUMBER	YR/SN	QTY	DESCRIPTION
1		416697A1		2	TUBE ASSY.
2		700-445		2	TEE 13/16 fc sl x 22 orb, Inc. 3
3		238-6014		4	O-RING 1/2 ID x 1/16
4		637-63193		2	O-RING 19,3 ID x 2,2 mm
5		428171A1		1	HOSE ASSY. 2235 mm (88 in)
6		701-423		1	TEE M12 fc sl x blkhd fc sl
7		238-6014		3	O-RING 1/2 ID x 1/16
8		418812A1		1	HOSE ASSY. 2286 mm (90 in)
9		700-115		2	CONNECTOR, HYD. 1 fc sl x M18 Or, Inc. 10, 11
10		238-6016		2	O-RING 5/8 ID x 1/16
11		637-63153		2	O-RING 15,3 ID x 2,2
12		700-103		1	CONNECTOR, HYD. 1 fc sl x 22 Or, Inc. 13, 14
13		238-6016		1	O-RING 5/8 ID x 1/16
14		637-63193		1	O-RING 19,3 ID x 2,2 mm
15		335095A2		1	HOSE ASSY. 1050 mm (41 in)
16		515-23206		4	CLAMP P-type
17		627-8020		1	BOLT M8 x 20; 10.9
18		411104A2		1	VALVE Regulator, See Figure 08-13
19		827-10150		3	BOLT M10 x 150; 10.9
20		413324A1		1	TUBE ASSY.
21		701-919		1	NUT 1 in
22		413332A1		1	TUBE ASSY.
23		701-301		1	ELBOW 13/16 fc sl x blkhd, Inc. 24
24		238-6014		2	O-RING 1/2 ID x 1/16
25		413330A1		1	TUBE ASSY.
26		701-320		1	ELBOW 13/16 fc sl x swl, Inc. 27
27		238-6014		1	O-RING 1/2 ID x 1/16
28		319774A4		1	VALVE Tow Block, See Figure 08-14
29		361897A1		1	SPRING
30		413320A1		1	PLATE
31		242-4412		1	LINK, CHAIN
32		392748A1		2	SPACER
33		390918A3		1	ARM
34		827-6070		1	BOLT M6 x 70; 10.9
35		832-10406		1	NUT M6; 8

**STX375 STX450**  
**STX425**

500 SERIES AXLE - PARK BRAKE CIRCUIT, WITH DIFFERENTIAL LOCK, BSN JEE0102001, WHEEL TRACTOR



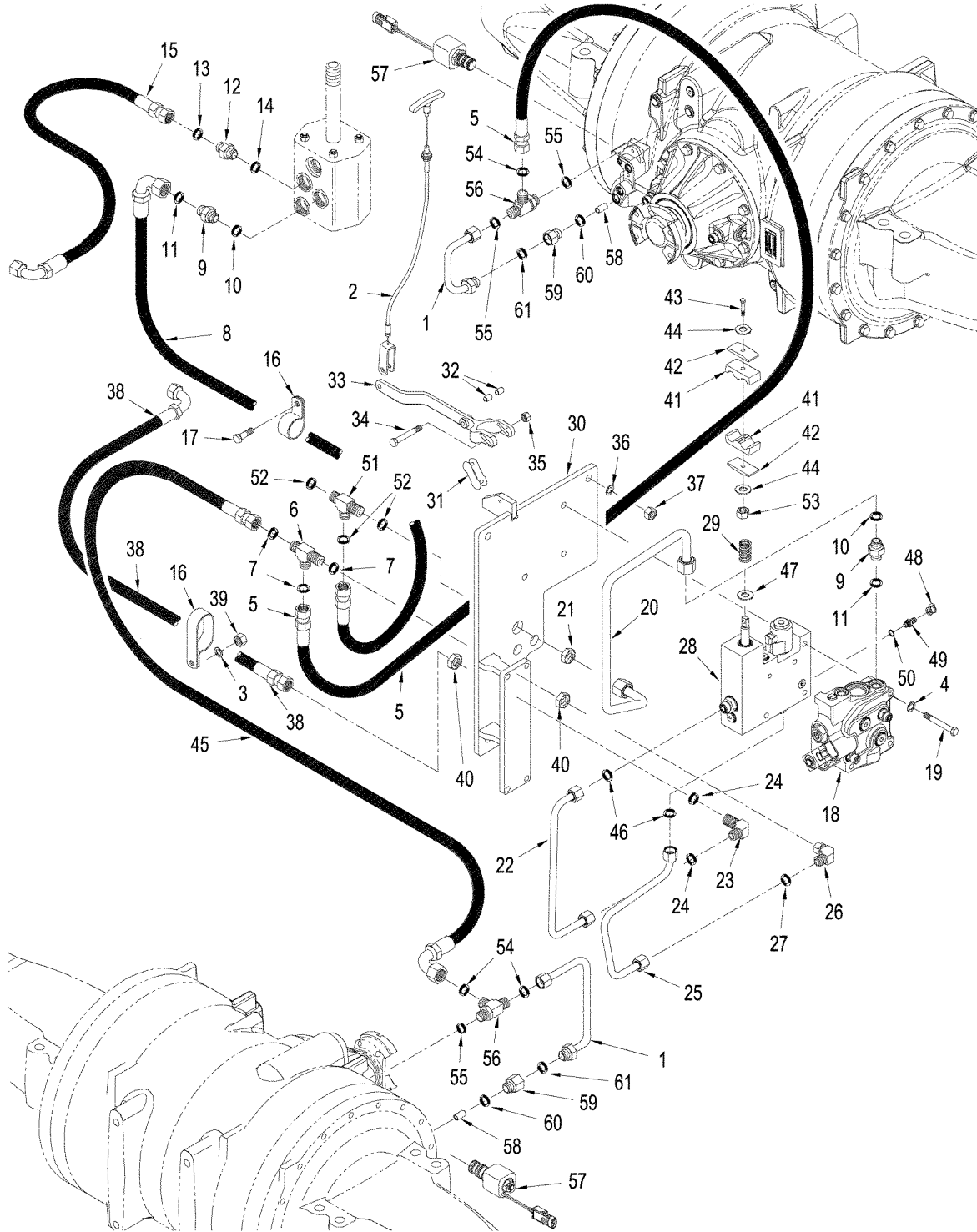
## 500 SERIES AXLE - PARK BRAKE CIRCUIT, WITH DIFFERENTIAL LOCK, BSN JEE0102001, WHEEL TRACTOR

REF	FN	PART NUMBER	YR/SN	QTY	DESCRIPTION
36		895-11012		3	WASHER 13,5 x 24 x 2,5 mm
37		829-1412		3	NUT M12; 10
38		352114A1		1	HOSE 1460 mm (57 in)
39		829-1408		3	NUT M8; 10
40		384977A1		2	VALVE Differential Lock, See Figure 08-43
		341195A1		2	ORIFICE Inc. 41, 42
41		878-10812		2	SCREW M8 x 12
42		700-154		2	CONNECTOR, HYD. M14 orb x 13/16 fc sl, Inc. 43, 44
43		637-63113		2	O-RING 11,3 ID x 2,2
44		238-6014		2	O-RING 1/2 ID x 1/16
45		352112A3		1	HOSE ASSY. 2336 mm (92 in)
46		238-6014		2	O-RING 1/2 ID x 1/16
47		896-12016		1	WASHER 17,5 x 30 x 4 mm
		178889A1		1	FITTING Diagnostic, Inc. 48 - 50
48		H434163		1	CAP
49		NSS		1	NOT SERVICED SEPARATELY Fitting, Diagnostic
50		637-63113		1	O-RING 11,3 ID x 2,2
51		701-429		1	TEE 1 fc sl, Inc. 52
52		238-6016		3	O-RING 5/8 ID x 1/16
53		895-18010		3	WASHER 11 x 18 x 1,6 mm
54		701-903		3	NUT 13/16 in
55		50-2551T1		2	CLAMP
56		50-2533T1		2	PLATE
57		827-8070		1	BOLT M8 x 70; 10.9
58		895-11008		2	WASHER 9 x 17 x 1,6 mm
59		349863A2		1	CABLE Tow Valve, See Figure: 08-39 for Mounting & Parts

**STX375 STX450**  
**STX425**



500 SERIES AXLE - PARK BRAKE CIRCUIT, WITH DIFFERENTIAL LOCK, ASN JEE0102001, WHEEL TRACTOR

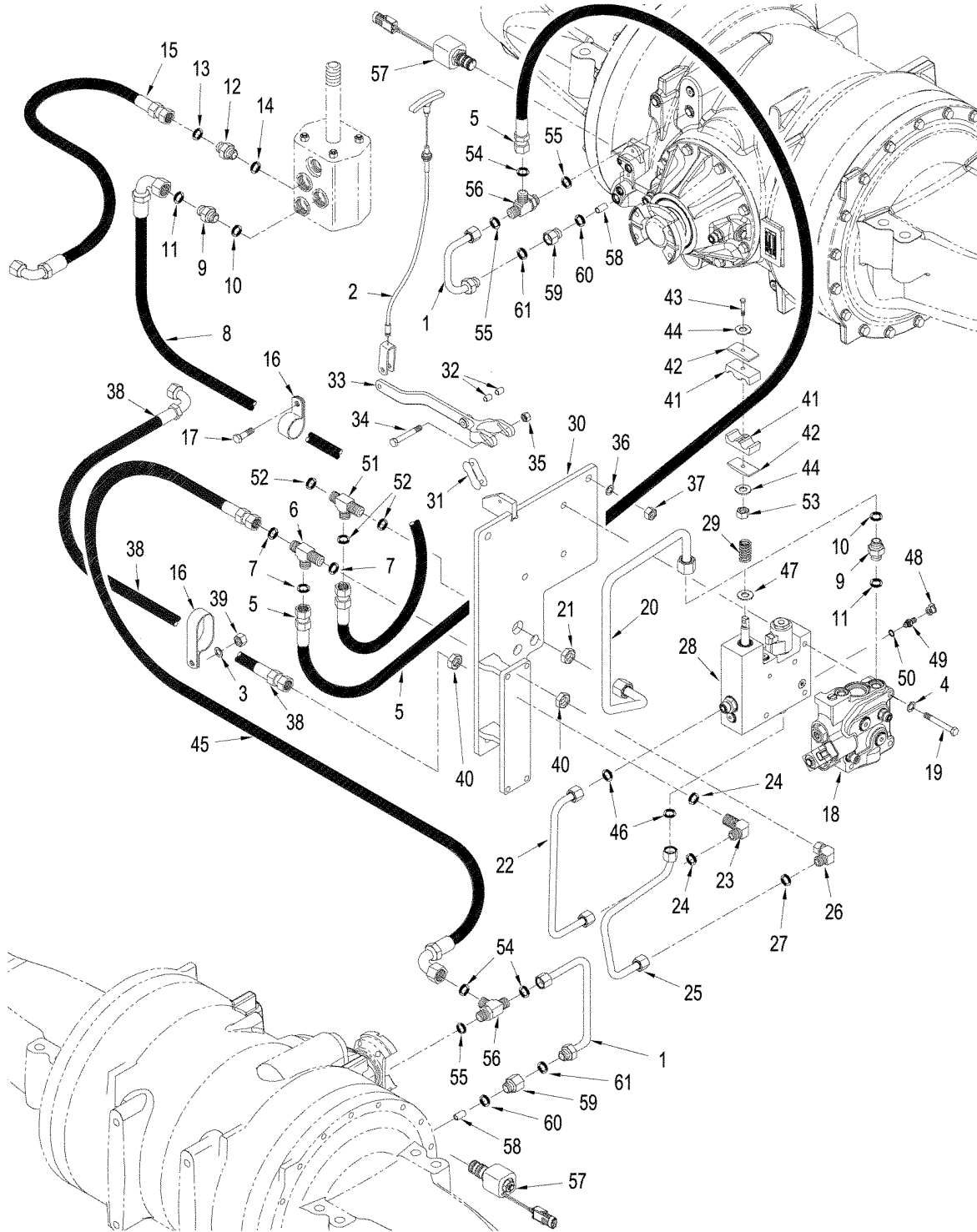


## 500 SERIES AXLE - PARK BRAKE CIRCUIT, WITH DIFFERENTIAL LOCK, ASN JEE0102001, WHEEL TRACTOR

REF	FN	PART NUMBER	YR/SN	QTY	DESCRIPTION
1		416697A1		2	TUBE ASSY.
2		349863A2		1	CABLE Tow Valve, See Figure: 08-39 for Mounting & Parts
3		895-11010		2	WASHER 11 x 21 x 2 mm
4		895-18010		3	WASHER 11 x 18 x 1,6 mm
5		428171A1		1	HOSE ASSY. 2235 mm (88 in)
6		701-423		1	TEE M12 fc sl x blkhd fc sl
7		238-6014		3	O-RING 90 Duro, .489" ID x .070" Thk
8		418812A1	BSN JEE0102661	1	HOSE ASSY. 2286 mm (90 in)
8		87416123	ASN JEE0102661	1	HOSE ASSY. 2286 mm (90 in)
9		700-115		2	CONNECTOR, HYD. 1 fc sl x M18 Or, Inc. 10, 11
10		238-6016		2	O-RING 90 Duro, .614" ID x .070" Thk
11		637-63153		2	O-RING 15.3 ID x 2.2
12		700-103		1	CONNECTOR, HYD. 1 fc sl x 22 Or, Inc. 13, 14
13		238-6016		1	O-RING 90 Duro, .614" ID x .070" Thk
14		637-63193		1	O-RING 19.3 ID x 2.2 mm
15		335095A2		1	HOSE ASSY. 1050 mm (41 in)
16		R54363		2	CLAMP P-type
17		627-8020		1	BOLT Cap, HH, CL 10.9, M8 x 1.25 x 20
18		411104A2		1	VALVE Regulator, See Figure: 08-13
19		827-10150		3	BOLT M10 x 150; 10.9
20		449827A1		1	TUBE ASSY.
21		701-919		1	NUT 1 in
22		449796A1		1	TUBE ASSY.
23		701-301		1	ELBOW 90, 13/16 fc sl x blkhd, Inc. 24
24		238-6014		2	O-RING 90 Duro, .489" ID x .070" Thk
25		449798A1		1	TUBE ASSY.
26		701-320		1	ELBOW 90, 13/16 fc sl x swl, Inc. 27
27		238-6014		1	O-RING 90 Duro, .489" ID x .070" Thk
28		319774A4		1	VALVE Control, Tow Block, See Figure: 08-14
29		361897A1		1	SPRING
30		449830A1		1	PLATE ASSY. Mounting
31		242-4412		1	LINK, CHAIN
32		392748A1		2	SPACER
33		390918A3		1	ARM

**STX375 STX450**  
**STX425 STX500**

500 SERIES AXLE - PARK BRAKE CIRCUIT, WITH DIFFERENTIAL LOCK, ASN JEE0102001, WHEEL TRACTOR

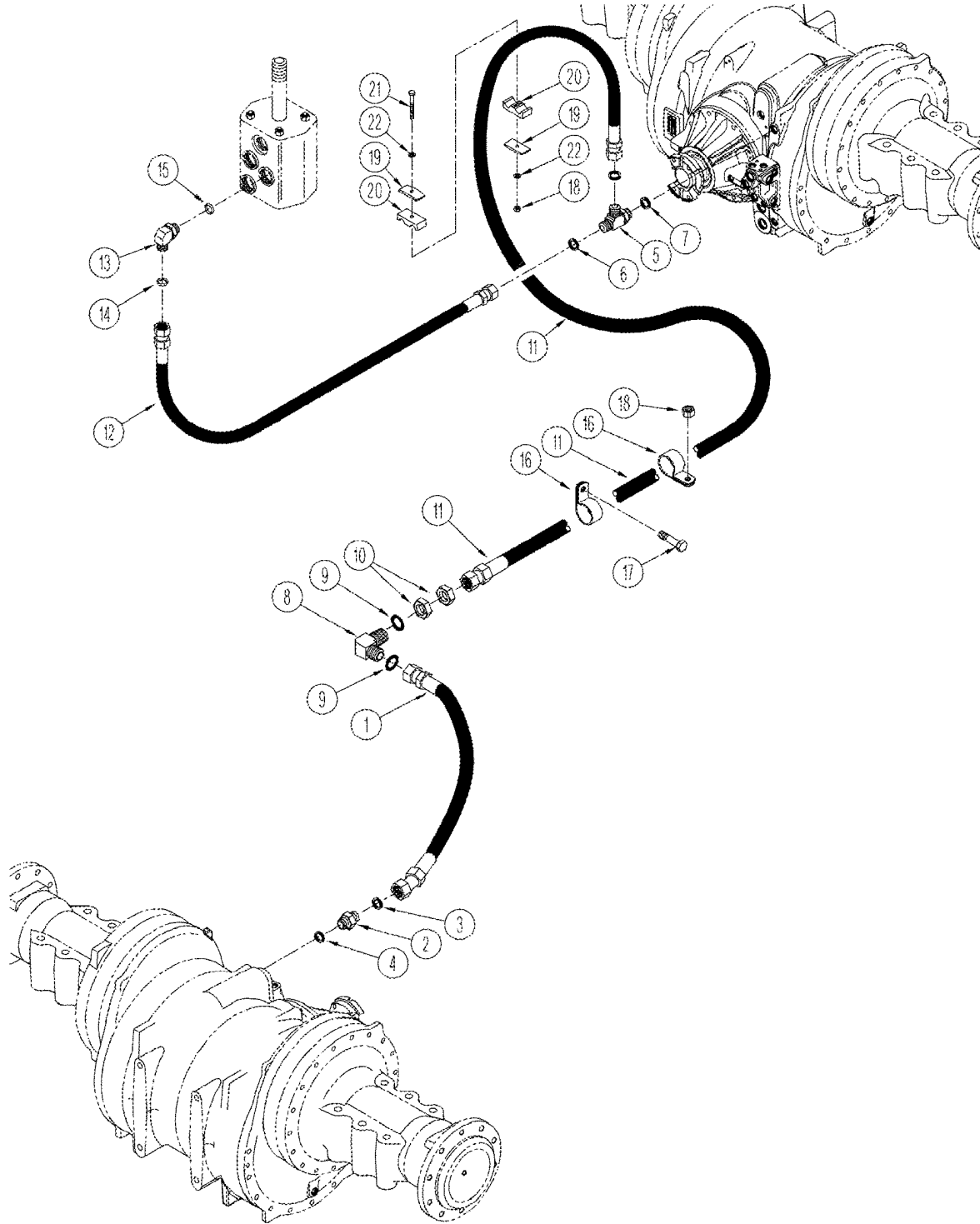


## 500 SERIES AXLE - PARK BRAKE CIRCUIT, WITH DIFFERENTIAL LOCK, ASN JEE0102001, WHEEL TRACTOR

REF	FN	PART NUMBER	YR/SN	QTY	DESCRIPTION
34		827-6070		1	BOLT M6 x 70; 10.9
35		832-10406		1	NUT M6
36		895-11012		3	WASHER 13.5 x 24 x 2.5 mm
37		829-1412		3	NUT CL 10, M12 x 1.75
38		87414079		1	HOSE ASSY. 1298 mm (51 in)
39		829-1310		2	NUT M10; 10
40		701-903		3	NUT 13/16 in
41		435470A1		2	CLAMP
42		435468A1		2	PLATE
43		701-903		1	NUT Cap, HH, CL 10.9, M8 x 1.25 x 70
44		895-11008		2	WASHER 9 x 17 x 1.6 mm
45		352112A3		1	HOSE ASSY. 2336 mm (92 in)
46		238-6014		2	O-RING 90 Duro, .489" ID x .070" Thk
47		896-12016		1	WASHER 17.5 x 30 x 4 mm
		178889A1		1	FITTING Diagnostic, Inc. 48, 49
48		H434163		1	CAP Dust
49		NSS		1	NOT SERVICED SEPARATELY Fitting, Diagnostic, Inc. 50
50		637-63113		1	O-RING 11.3 ID x 2.2
51		701-429		1	TEE 1 fc sl, Inc. 52
52		238-6016		3	O-RING 90 Duro, .614" ID x .070" Thk
53		829-1408		1	NUT M8; 10
54		238-6014		4	O-RING 90 Duro, .489" ID x .070" Thk
55		637-63193		2	O-RING 19,3 ID x 2,2 mm
56		700-445		2	TEE M22 or x 13/16 fc sl, Inc. 54, 55
57		384977A1		2	VALVE Solenoid, Differential Lock, See Figure: 08-43
		341195A1		2	ORIFICE Inc. 58, 59
58		878-10812		2	SCREW M8 x 12
59		700-154		2	CONNECTOR, HYD. M14 orb x 13/16 fc sl, Inc. 60, 61
60		637-63113		2	O-RING 11.3 ID x 2.2
61		238-6014		2	O-RING 90 Duro, .489" ID x .070" Thk

**STX375 STX450**  
**STX425 STX500**

500 SERIES AXLE - SERVICE BRAKE CIRCUIT, QUADTRAC TRACTOR



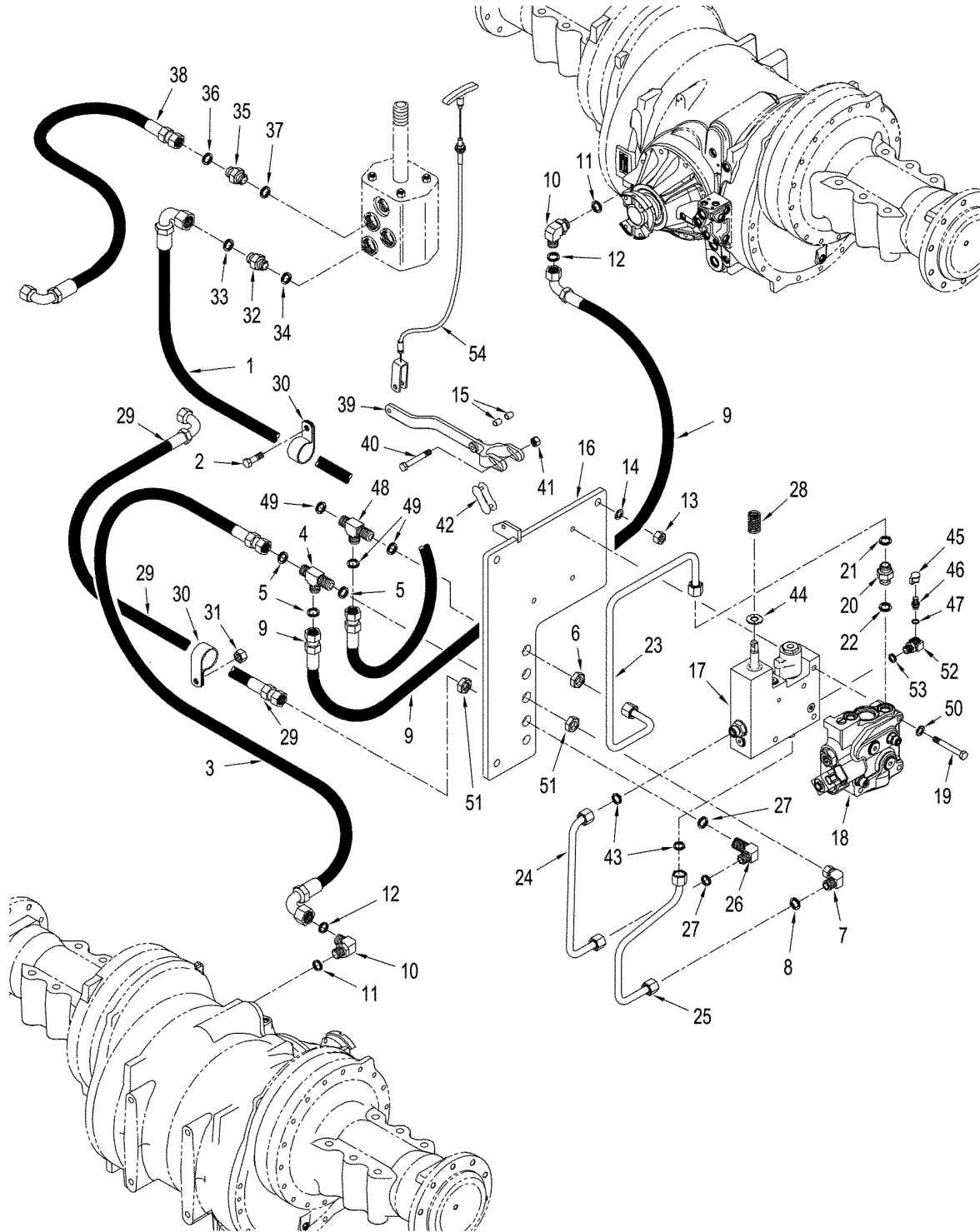
## 500 SERIES AXLE - SERVICE BRAKE CIRCUIT, QUADTRAC TRACTOR

REF	FN	PART NUMBER	YR/SN	QTY	DESCRIPTION
1		391243A2		1	HOSE ASSY. 2184 mm (86 in)
1	1	437290A1S		1	HOSE ASSY. 2184 mm (86 in)
2		401760A1		1	VALVE 13/16 fc sl x 22 or, Inc. 3, 4
3		238-6014		1	O-RING 1/2 ID x 1/16
4		637-63193		1	O-RING 19,3 ID x 2,2 mm
5		700-445		1	TEE 13/16 fc sl x 22 orb, Inc. 6, 7
6		238-6014		2	O-RING 1/2 ID x 1/16
7		637-63193		1	O-RING 19,3 ID x 2,2 mm
8		701-301		1	ELBOW 13/16 fc sl x blkhd, Inc. 8
9		238-6014		2	O-RING 1/2 ID x 1/16
10		701-903		2	NUT 13/16 in
11		352109A2		1	HOSE ASSY. 2159 mm (84 in)
11	1	437265A1S		1	HOSE ASSY. 2115 mm (83-1/4 in)
12		352113A2	BSN JEE0102661		HOSE ASSY. 831 mm (33 in)
12		87415318	ASN JEE0102661	1	HOSE ASSY. 831 mm (33 in)
12	1	87424328		1	HOSE ASSY. 831 mm (33 in)
13		700-305		1	ELBOW 13/16 fc sl x 18 Or, Inc. 13, 14
14		238-6014		1	O-RING 1/2 ID x 1/16
15		637-63153		1	O-RING 15,3 ID x 2,2
16		515-23206		2	CLAMP P-type
18		829-1408		2	NUT M8; 10
19		50-2533T1		2	PLATE
20		50-2551T1		2	CLAMP
21		827-8070		1	BOLT M8 x 70; 10.9
22		895-11008		2	WASHER 9 x 17 x 1,6 mm
17		627-8025		1	BOLT M8 x 25; 10.9

(1) Arctic QUADTRAC Tractor Application

**STX375 STX450**  
**STX425 STX500**

500 SERIES AXLE - PARK BRAKE CIRCUIT, WITHOUT DIFFERENTIAL LOCK, BSN JEE0102001, QUADTRAC TRACTOR



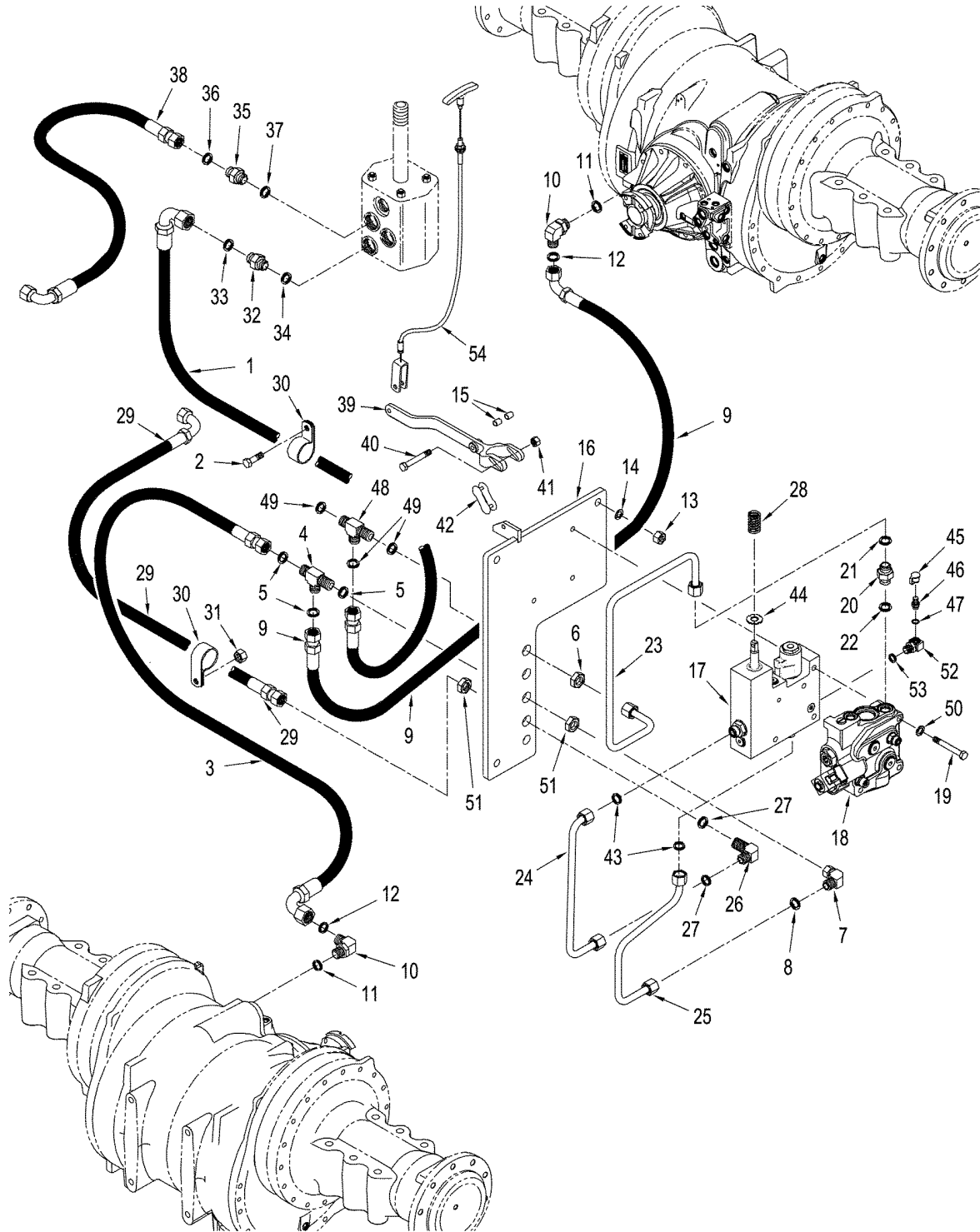
## 500 SERIES AXLE - PARK BRAKE CIRCUIT, WITHOUT DIFFERENTIAL LOCK, BSN JEE0102001, QUADTRAC TRACTOR

REF	FN	PART NUMBER	YR/SN	QTY	DESCRIPTION
1		391790A2		1	HOSE ASSY. 2368 mm (93 in)
2		627-8020		2	BOLT M8 x 20; 10.9
3		352112A3		1	HOSE ASSY. 2336 mm (92 in)
4		701-423		1	TEE M12 fc sl x blkhd fc sl, Inc. 5
5		238-6014		3	O-RING 1/2 ID x 1/16
6		701-919		3	NUT 1 in
7		701-320		1	ELBOW 13/16 fc sl x swl, Inc. 8
8		238-6014		1	O-RING 1/2 ID x 1/16
9		383969A2		1	HOSE ASSY. 1845 mm (73 in)
10		700-326		2	ELBOW 13/16 fc sl x 22 or, Inc. 11, 12
11		637-63193		2	O-RING 19,3 ID x 2,2 mm
12		238-6014		2	O-RING 1/2 ID x 1/16
13		829-1412		3	NUT M12; 10
14		895-11012		3	WASHER 13,5 x 24 x 2,5 mm
15		392748A1		2	SPACER
16		413320A1		1	PLATE Mounting
17		319774A4		1	VALVE Tow Block, See Figure 08-14
18		411104A2		1	VALVE Regulator, See Figure 08-13
19		827-10150		3	BOLT M10 x 150; 10.9
20		700-115		1	CONNECTOR, HYD. 1 fc sl x M18 or, Inc. 21, 22
21		238-6016		1	O-RING 5/8 ID x 1/16
22		637-63153		1	O-RING 15,3 ID x 2,2
23		413324A1		1	TUBE ASSY.
24		413332A1		1	TUBE ASSY.
25		413330A1		1	TUBE ASSY.
26		701-301		1	ELBOW 13/16 fc sl x blkhd, Inc. 27
27		238-6014		2	O-RING 1/2 ID x 1/16
28		361897A1		1	SPRING
29		352114A1		1	HOSE 1460 mm (57 in)
30		515-23206		3	CLAMP P-type
31		829-1408		2	NUT M8; 10
32		700-102		1	CONNECTOR, HYD. 13/16 fc sl x 18 Or, Inc. 33, 34
33		238-6014		1	O-RING 1/2 ID x 1/16
34		637-63153		1	O-RING 15,3 ID x 2,2
35		700-103		1	CONNECTOR, HYD. 1 fc sl x 22 Or, Inc. 36, 37

**STX375 STX450**  
**STX425**



500 SERIES AXLE - PARK BRAKE CIRCUIT, WITHOUT DIFFERENTIAL LOCK, BSN JEE0102001, QUADTRAC TRACTOR

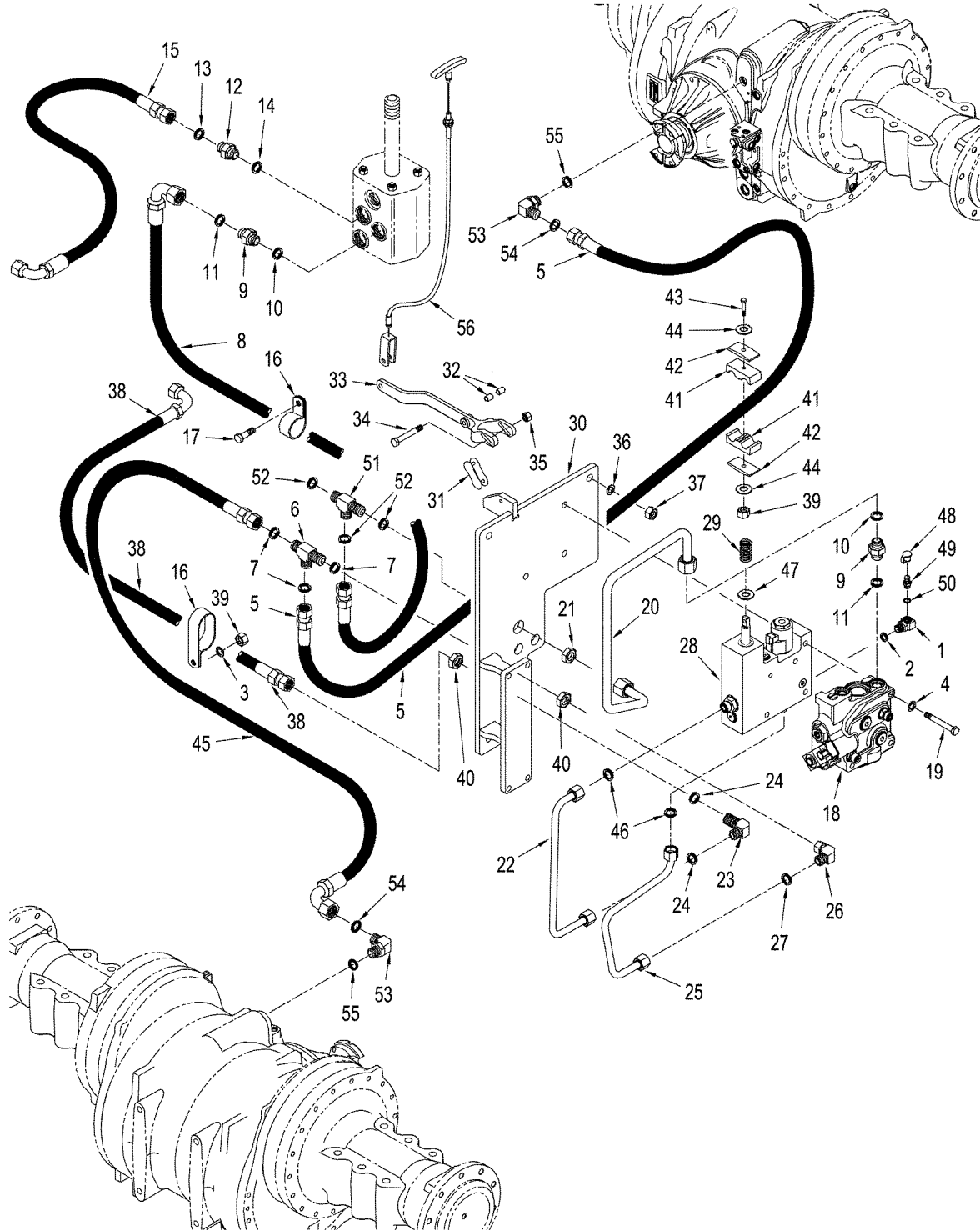


## 500 SERIES AXLE - PARK BRAKE CIRCUIT, WITHOUT DIFFERENTIAL LOCK, BSN JEE0102001, QUADTRAC TRACTOR

REF	FN	PART NUMBER	YR/SN	QTY	DESCRIPTION
36		238-6016		1	O-RING 5/8 ID x 1/16
37		637-63193		1	O-RING 19,3 ID x 2,2 mm
38		335095A2		1	HOSE ASSY. 1050 mm (41 in)
39		390918A2		1	ARM
40		827-6070		1	BOLT M6 x 70; 10.9
41		832-10406		1	NUT M6; 8
42		242-4412		2	LINK, CHAIN
43		238-6014		2	O-RING 1/2 ID x 1/16
44		896-12016		1	WASHER 17,5 x 30 x 4 mm
		178889A1		1	FITTING Diagnostic, Inc. 45 - 47
45		H434163		1	CAP
46		NSS		1	NOT SERVICED SEPARATELY Fitting, Diagnostic
47		637-63113		1	O-RING 11,3 ID x 2,2
48		701-429		1	TEE 1 fc sl, Inc. 49
49		238-6016		3	O-RING 5/8 ID x 1/16
50		895-18010		3	WASHER 11 x 18 x 1,6 mm
51		701-903		3	NUT 13/16 in
52		428078A1		1	ELBOW Inc. 53
53		637-63113		1	O-RING 11,3 ID x 2,2
54		349863A2		1	CABLE Tow Valve, See Figure: 08-39 for Mounting & Parts

**STX375 STX450**  
**STX425**

500 SERIES AXLE - PARK BRAKE CIRCUIT, WITHOUT DIFFERENTIAL LOCK, ASN JEE0102001, QUADTRAC TRACTOR



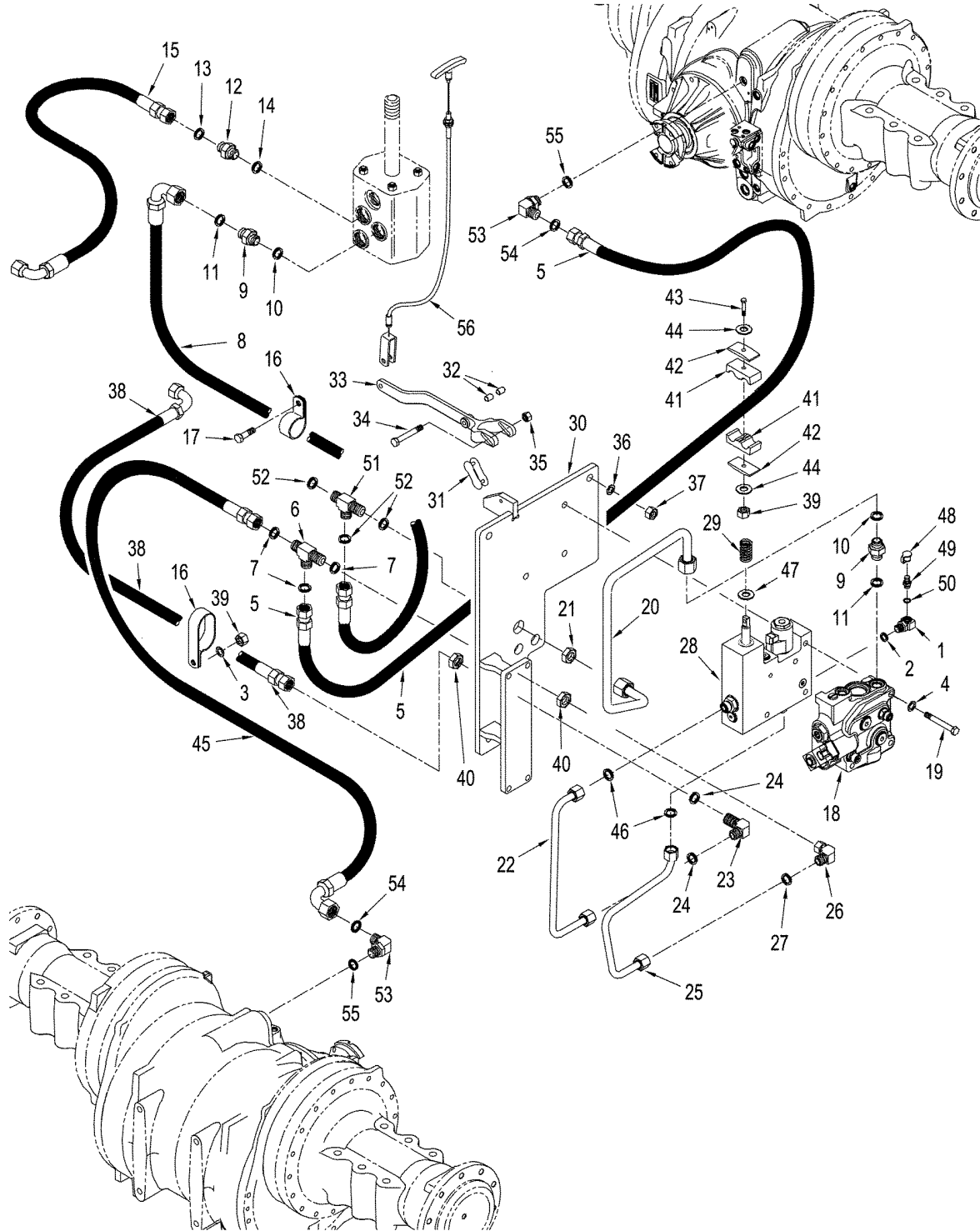
## 500 SERIES AXLE - PARK BRAKE CIRCUIT, WITHOUT DIFFERENTIAL LOCK, ASN JEE0102001, QUADTRAC TRACTOR

REF	FN	PART NUMBER	YR/SN	QTY	DESCRIPTION
1		428078A1		1	ELBOW 90, M14 or, Inc. 2
2		637-63113		1	O-RING 11,3 ID x 2,2
3		895-11010		2	WASHER 11 x 21 x 2 mm
4		895-18010		3	WASHER 11 x 18 x 1,6 mm
5		383969A2		1	HOSE ASSY. 1845 mm (73 in)
6		701-423		1	TEE M12 fc sl x blkhd fc sl
7		238-6014		3	O-RING 90 Duro, .489" ID x .070" Thk
8		391790A2	BSN JEE0102661	1	HOSE ASSY. 2368 mm (93 in)
8		87415316	ASN JEE0102661	1	HOSE ASSY. 2386 mm (73 in)
9		700-115		2	CONNECTOR, HYD. 1 fc sl x M18 Or, Inc. 10, 11
10		238-6016		2	O-RING 90 Duro, .614" ID x .070" Thk
11		637-63153		2	O-RING 15.3 ID x 2.2
12		700-103		1	CONNECTOR, HYD. 1 fc sl x 22 Or, Inc. 13, 14
13		238-6016		1	O-RING 90 Duro, .614" ID x .070" Thk
14		637-63193		1	O-RING 19.3 ID x 2.2 mm
15		335095A2		1	HOSE ASSY. 1050 mm (41 in)
15	1	437262A1S		1	HOSE ASSY. 1050 mm (41 in)
16		R54363		2	CLAMP P-type
17		627-8020		1	BOLT Cap, HH, CL 10.9, M8 x 1.25 x 20
18		411104A2		1	VALVE Regulator, See Figure: 08-13
19		827-10150		3	BOLT M10 x 150; 10.9
20		449827A2		1	TUBE ASSY.
21		701-919		1	NUT 1 in
22		449796A1		1	TUBE ASSY.
23		701-301		1	ELBOW 90, 13/16 fc sl x blkhd, Inc. 24
24		238-6014		2	O-RING 90 Duro, .489" ID x .070" Thk
25		449798A1		1	TUBE ASSY.
26		701-320		1	ELBOW 90, 13/16 fc sl x swl, Inc. 27
27		238-6014		1	O-RING 90 Duro, .489" ID x .070" Thk
28		319774A4		1	VALVE Control, Tow Block, See Figure: 08-14
29		361897A1		1	SPRING
30		449830A1		1	PLATE ASSY.
31		242-4412		1	LINK, CHAIN
32		392748A1		2	SPACER

(1) Arctic QUADTRAC Tractor Application

**STX375 STX450**  
**STX425 STX500**

500 SERIES AXLE - PARK BRAKE CIRCUIT, WITHOUT DIFFERENTIAL LOCK, ASN JEE0102001, QUADTRAC TRACTOR

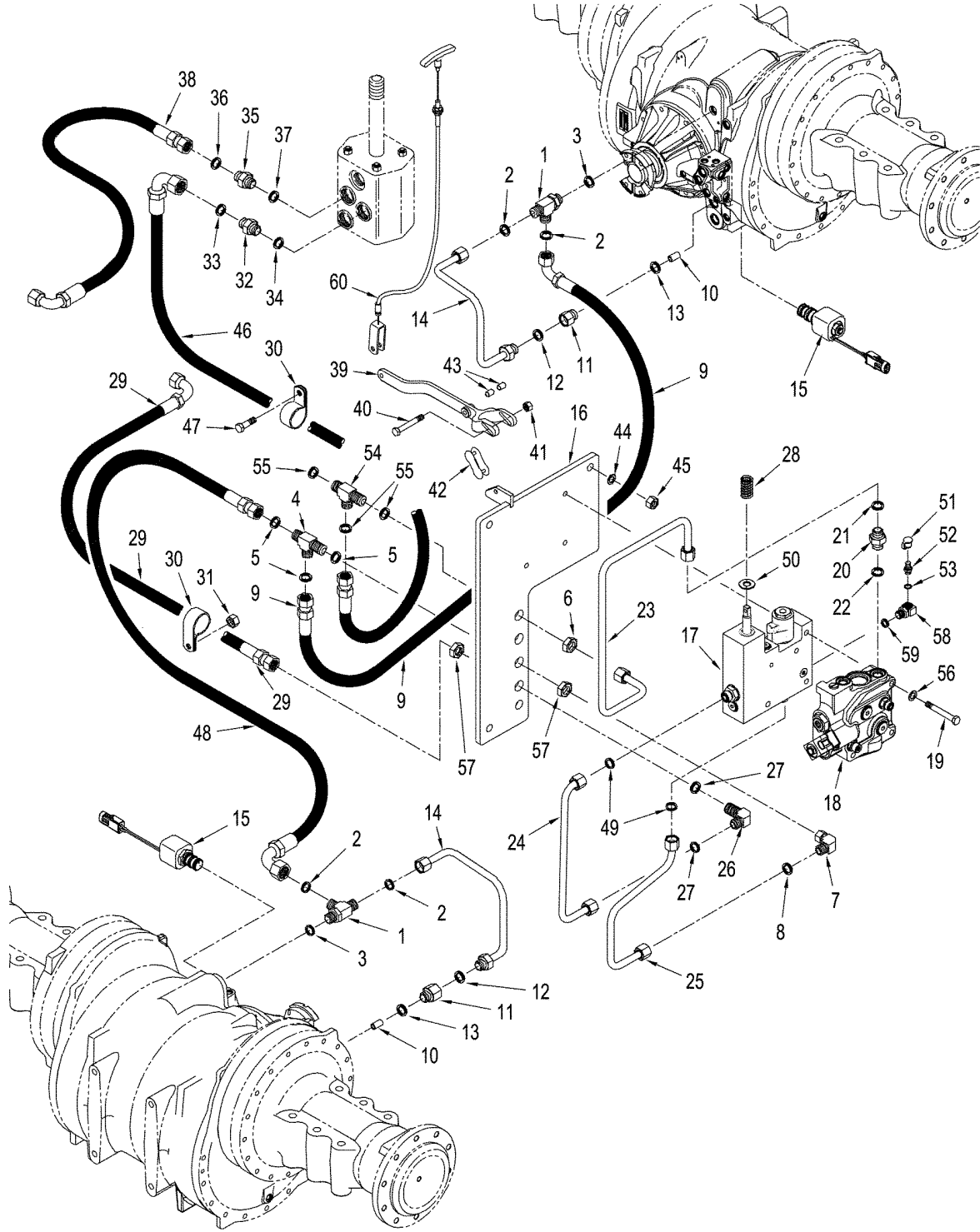


## 500 SERIES AXLE - PARK BRAKE CIRCUIT, WITHOUT DIFFERENTIAL LOCK, ASN JEE0102001, QUADTRAC TRACTOR

REF	FN	PART NUMBER	YR/SN	QTY	DESCRIPTION
33		390918A3		1	ARM
34		827-6070		1	BOLT M6 x 70; 10.9
35		832-10406		1	NUT M6
36		895-11012		3	WASHER 13.5 x 24 x 2.5 mm
37		829-1412		3	NUT CL 10, M12 x 1.75
38		87414079		1	HOSE ASSY.
39		829-1408		2	NUT M8; 10
40		701-903		3	NUT 13/16 in
41		50-2551T1		2	CLAMP
42		50-2533T1		2	PLATE
43		827-8070		1	BOLT Cap, HH, CL 10.9, M8 x 1.25 x 70
44		895-11008		2	WASHER 9 x 16 x 1,6 mm
45		352112A3		1	HOSE ASSY. 2336 mm (92 in)
46		238-6014		2	O-RING 90 Duro, .489" ID x .070" Thk
47		896-12016		1	WASHER 17.5 x 30 x 4 mm
		178889A1		1	FITTING Diagnostic, Inc. 48, 49
48		H434163		1	CAP Dust
49		NSS		1	NOT SERVICED SEPARATELY Fitting, Diagnostic, Inc. 50
50		637-63113		1	O-RING 11.3 ID x 2.2
51		701-429		1	TEE 1 fc sl, Inc. 52
52		238-6016		3	O-RING 90 Duro, .614" ID x .070" Thk
53		700-326		2	ELBOW 90, M22 or x 12 fcsl, Inc. 54 & 55
54		238-6014		2	O-RING 90 Duro, .489" ID x .070" Thk
55		637-63193		2	O-RING 90 Duro, 19.3 ID x 2.2 Thk
56		349863A2		1	CABLE Tow Valve, See Figure: 08-39 for Mounting & Parts

**STX375 STX450**  
**STX425 STX500**

500 SERIES AXLE - PARK BRAKE CIRCUIT, WITH DIFFERENTIAL LOCK, BSN JEE0102001, QUADTRAC TRACTOR



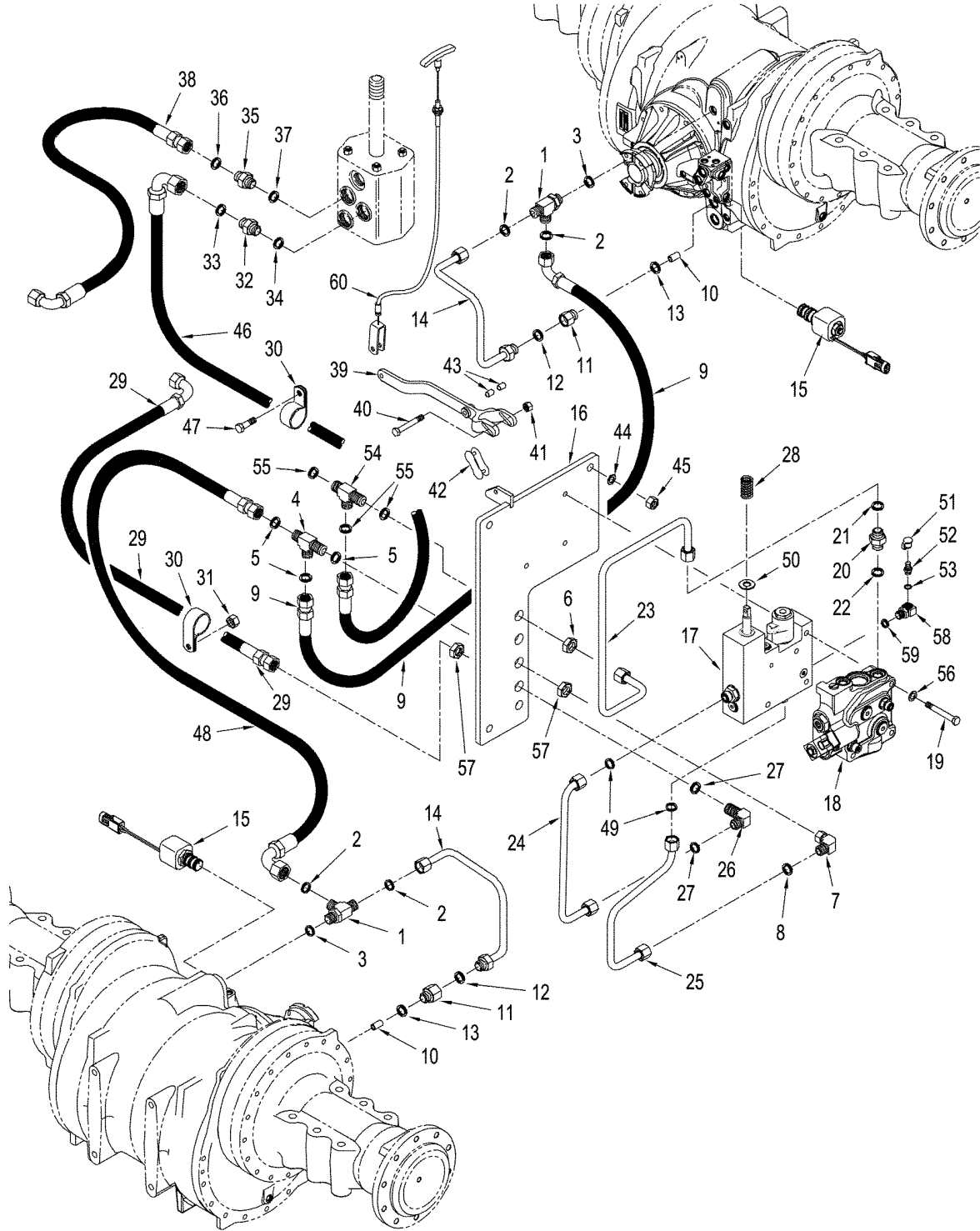
## 500 SERIES AXLE - PARK BRAKE CIRCUIT, WITH DIFFERENTIAL LOCK, BSN JEE0102001, QUADTRAC TRACTOR

REF	FN	PART NUMBER	YR/SN	QTY	DESCRIPTION
1		700-445		2	TEE 13/16 fc sl x 22 orb, Inc. 2, 3
2		238-6014		4	O-RING 1/2 ID x 1/16
3		637-63193		2	O-RING 19,3 ID x 2,2 mm
4		701-423		1	TEE M12 fc sl x blkhd fc sl, Inc. 5
5		238-6014		3	O-RING 1/2 ID x 1/16
6		701-919		3	NUT 1 in
7		701-320		1	ELBOW 13/16 fc sl x swl, Inc. 8
8		238-6014		1	O-RING 1/2 ID x 1/16
9		383969A2		1	HOSE ASSY. 1845 mm (73 in)
		341195A1		2	ORIFICE Inc. 10, 11
10		878-10812		2	SCREW M8 x 12
11		700-154		1	CONNECTOR, HYD. M14 orb x 13/16 fc sl, Inc. 12, 13
12		238-6014		1	O-RING 1/2 ID x 1/16
13		637-63113		1	O-RING 11,3 ID x 2,2
14		413340A1		2	TUBE ASSY.
15		384977A1		2	VALVE Differential Lock, See Figure 08-43
16		413320A1		1	PLATE Mounting
17		319774A4		1	VALVE Tow Block, See Figure 08-14
18		411104A2		1	VALVE Regulator, See Figure 08-13
19		827-10150		3	BOLT M10 x 150; 10.9
20		700-115		1	CONNECTOR, HYD. 1 fc sl x M18 Or, Inc. 21, 22
21		238-6016		1	O-RING 5/8 ID x 1/16
22		637-63153		1	O-RING 15,3 ID x 2,2
23		413324A1		1	TUBE ASSY.
24		413332A1		1	TUBE ASSY.
25		413330A1		1	TUBE ASSY.
26		701-301		1	ELBOW 13/16 fc sl x blkhd, Inc. 27
27		238-6014		2	O-RING 1/2 ID x 1/16
28		361897A1		1	SPRING
29		352114A1		1	HOSE 1460 mm (57 in)
30		515-23206		3	CLAMP P-type
31		829-1408		2	NUT M8; 10
32		700-102		1	CONNECTOR, HYD. 13/16 fc sl x 18 Or, Inc. 33, 34
33		238-6014		1	O-RING 1/2 ID x 1/16
34		637-63153		1	O-RING 15,3 ID x 2,2

**STX375 STX450**  
**STX425**



500 SERIES AXLE - PARK BRAKE CIRCUIT, WITH DIFFERENTIAL LOCK, BSN JEE0102001, QUADTRAC TRACTOR

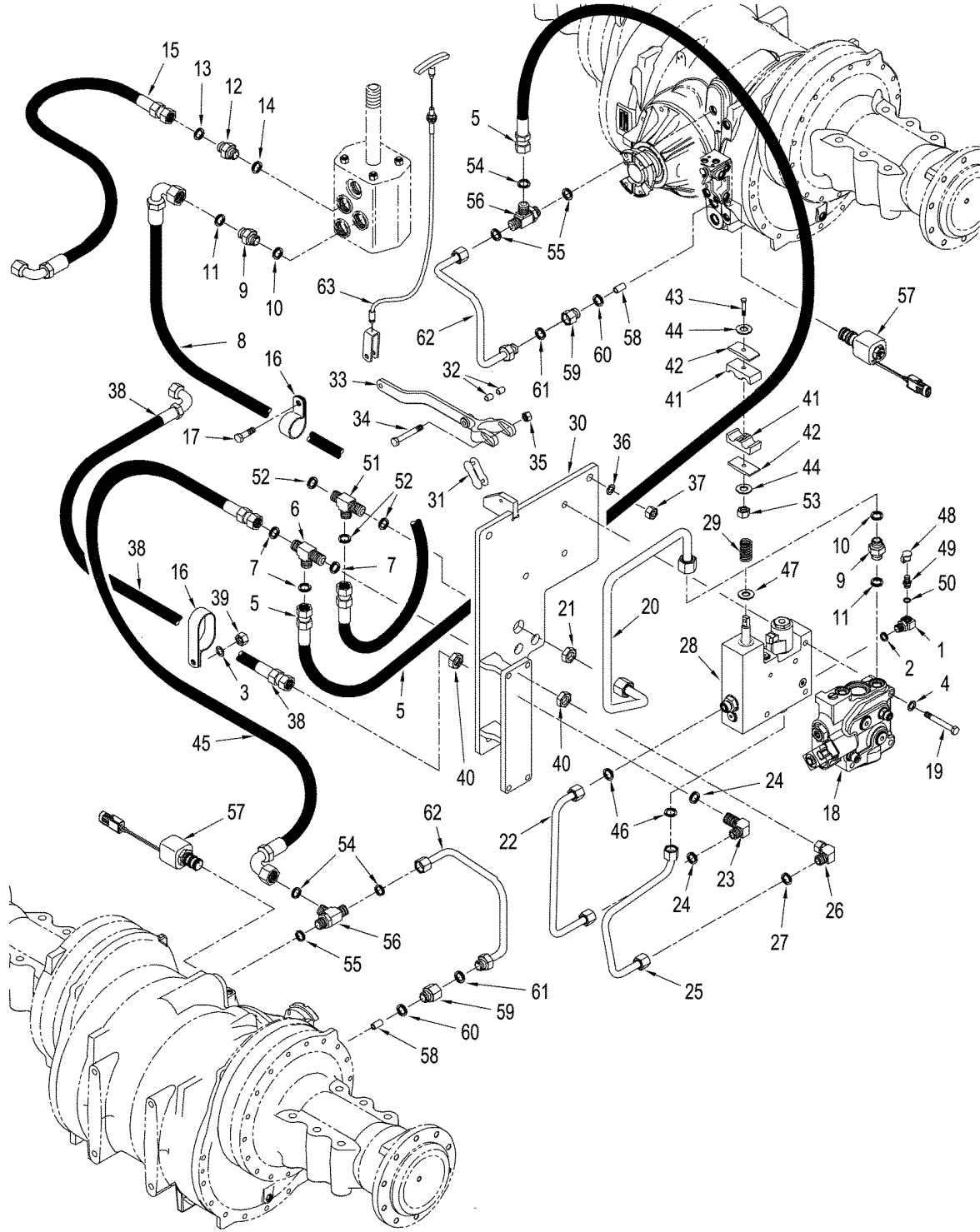


## 500 SERIES AXLE - PARK BRAKE CIRCUIT, WITH DIFFERENTIAL LOCK, BSN JEE0102001, QUADTRAC TRACTOR

REF	FN	PART NUMBER	YR/SN	QTY	DESCRIPTION
35		700-103		1	CONNECTOR, HYD. 1 fc sl x 22 Or, Inc. 36, 37
36		238-6016		1	O-RING 5/8 ID x 1/16
37		637-63193		1	O-RING 19,3 ID x 2,2 mm
38		335095A2		1	HOSE ASSY. 1050 mm (41 in)
39		390918A3		1	ARM
40		827-6070		1	BOLT M6 x 70; 10.9
41		832-10406		1	NUT M6; 8
42		242-4412		1	LINK, CHAIN
43		392748A1		2	SPACER
44		895-11012		3	WASHER 13,5 x 24 x 2,5 mm
45		829-1412		3	NUT M12; 10
46		391790A2		1	HOSE ASSY. 2368 mm (93 in)
47		627-8020		2	BOLT M8 x 20; 10.9
48		352112A3		1	HOSE ASSY. 2336 mm (92 in)
49		238-6014		2	O-RING 1/2 ID x 1/16
50		896-12016		1	WASHER 17,5 x 30 x 4 mm
		178889A1		1	FITTING Diagnostic, Inc. 51 - 53
51		H434163		1	CAP
52		NSS		1	NOT SERVICED SEPARATELY Fitting, Diagnostic
53		637-63113		1	O-RING 11,3 ID x 2,2
54		701-429		1	TEE 1 fc sl, Inc. 55
55		238-6016		3	O-RING 5/8 ID x 1/16
56		895-18010		3	WASHER 11 x 18 x 1,6 mm
57		701-903		3	NUT 13/16 in
58		428078A1		1	ELBOW Inc. 59
59		637-63113		1	O-RING 11,3 ID x 2,2
60		349863A2		1	CABLE Tow Valve, See Figure: 08-39 for Mounting & Parts

**STX375 STX450**  
**STX425**

500 SERIES AXLE - PARK BRAKE CIRCUIT, WITH DIFFERENTIAL LOCK, ASN JEE0102001, QUADTRAC TRACTOR



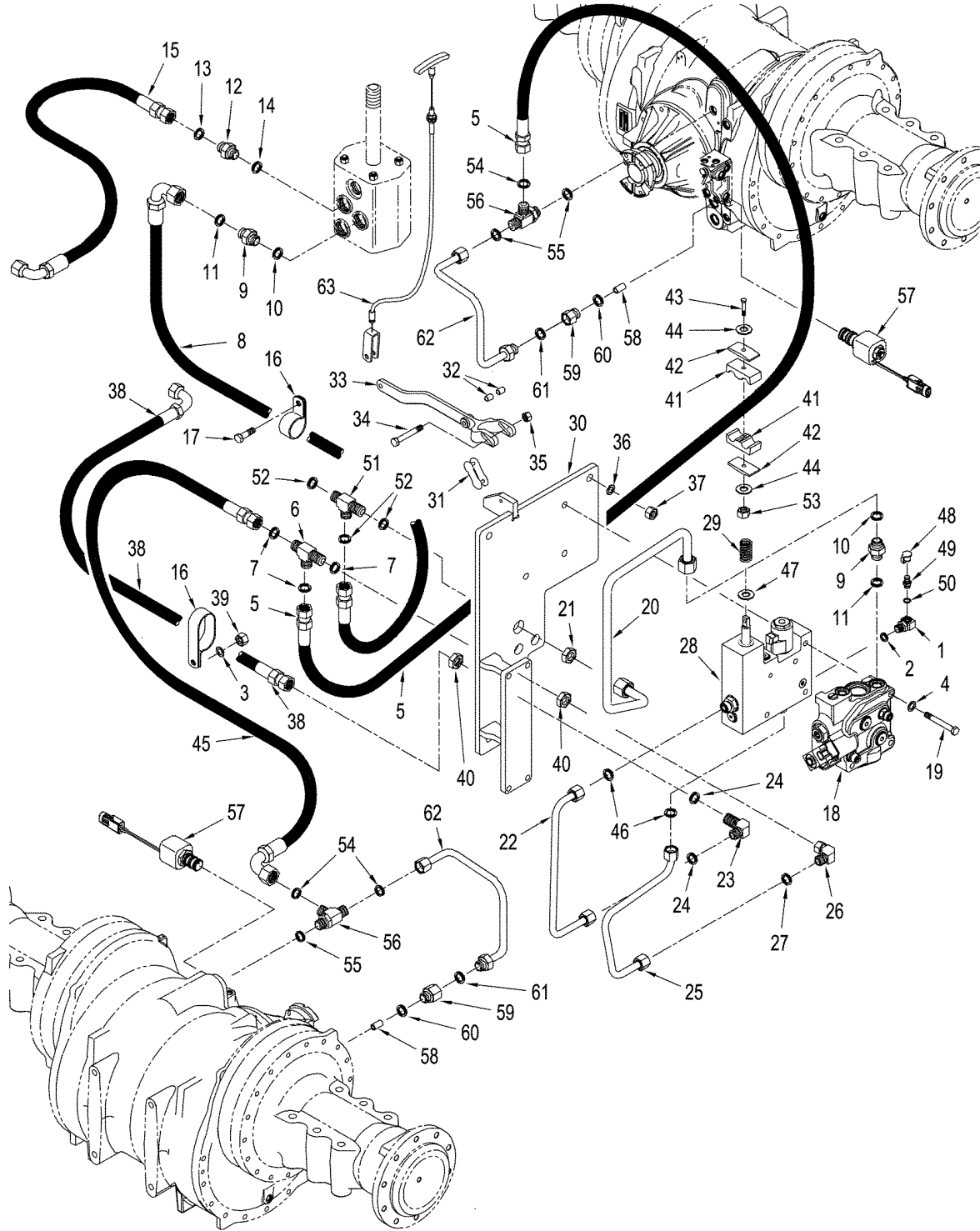
## 500 SERIES AXLE - PARK BRAKE CIRCUIT, WITH DIFFERENTIAL LOCK, ASN JEE0102001, QUADTRAC TRACTOR

REF	FN	PART NUMBER	YR/SN	QTY	DESCRIPTION
1		428078A1		1	ELBOW 90, M14 or, Inc. 2
2		637-63113		1	O-RING 11,3 ID x 2,2 mm
3		895-11010		2	WASHER 11 x 21 x 2 mm
4		895-18010		3	WASHER 11 x 18 x 1,6 mm
5		383969A2		1	HOSE ASSY. 1845 mm (73 in)
5	1	437288A1S		1	HOSE ASSY. 1676 mm (66 in)
6		701-423		1	TEE M12 fc sl x blkhd fc sl, Inc. 7
7		238-6014		3	O-RING 90 Duro, .489" ID x .070" Thk
8		391790A2	BSN JEE0102661	1	HOSE ASSY. 2368 mm (93 in)
8		87415316	ASN JEE0102661	1	HOSE ASSY. 2368 mm (93 in)
8	1	87424327		1	HOSE ASSY. 2368 mm (93 in)
9		700-115		2	CONNECTOR, HYD. 1 fc sl x M18 Or, Inc. 10, 11
10		238-6016		2	O-RING 90 Duro, .614" ID x .070" Thk
11		637-63153		2	O-RING 15.3 ID x 2.2
12		700-103		1	CONNECTOR, HYD. 1 fc sl x 22 Or, Inc. 13, 14
13		238-6016		1	O-RING 90 Duro, .614" ID x .070" Thk
14		637-63193		1	O-RING 19.3 ID x 2.2 mm
15		335095A2		1	HOSE ASSY. 1050 mm (41 in)
15	1	437262A1S		1	HOSE ASSY. 1048 mm (41-1/4 in)
16		R54363		2	CLAMP P-type
17		627-8020		1	BOLT Cap, HH, CL 10.9, M8 x 1.25 x 20
18		411104A2		1	VALVE Regulator, See Figure(s) : 08-13
19		827-10150		3	BOLT M10 x 150; 10.9
20		449827A1		1	TUBE ASSY.
21		701-919		1	NUT 1 in
22		449796A1		1	TUBE ASSY.
23		701-301		1	ELBOW 90, 13/16 fc sl x blkhd, Inc. 24
24		238-6014		2	O-RING 90 Duro, .489" ID x .070" Thk
25		449798A1		1	TUBE ASSY.
26		701-320		1	ELBOW 90, 13/16 fc sl x swl, Inc. 27
27		238-6014		1	O-RING 90 Duro, .489" ID x .070" Thk
28		319774A4		1	VALVE Control, Tow Block, See Figure(s) : 08-14
29		361897A1		1	SPRING
30		449830A1		1	PLATE ASSY.

(1) Arctic QUADTRAC Tractor Application

**STX375 STX450**  
**STX425 STX500**

500 SERIES AXLE - PARK BRAKE CIRCUIT, WITH DIFFERENTIAL LOCK, ASN JEE0102001, QUADTRAC TRACTOR



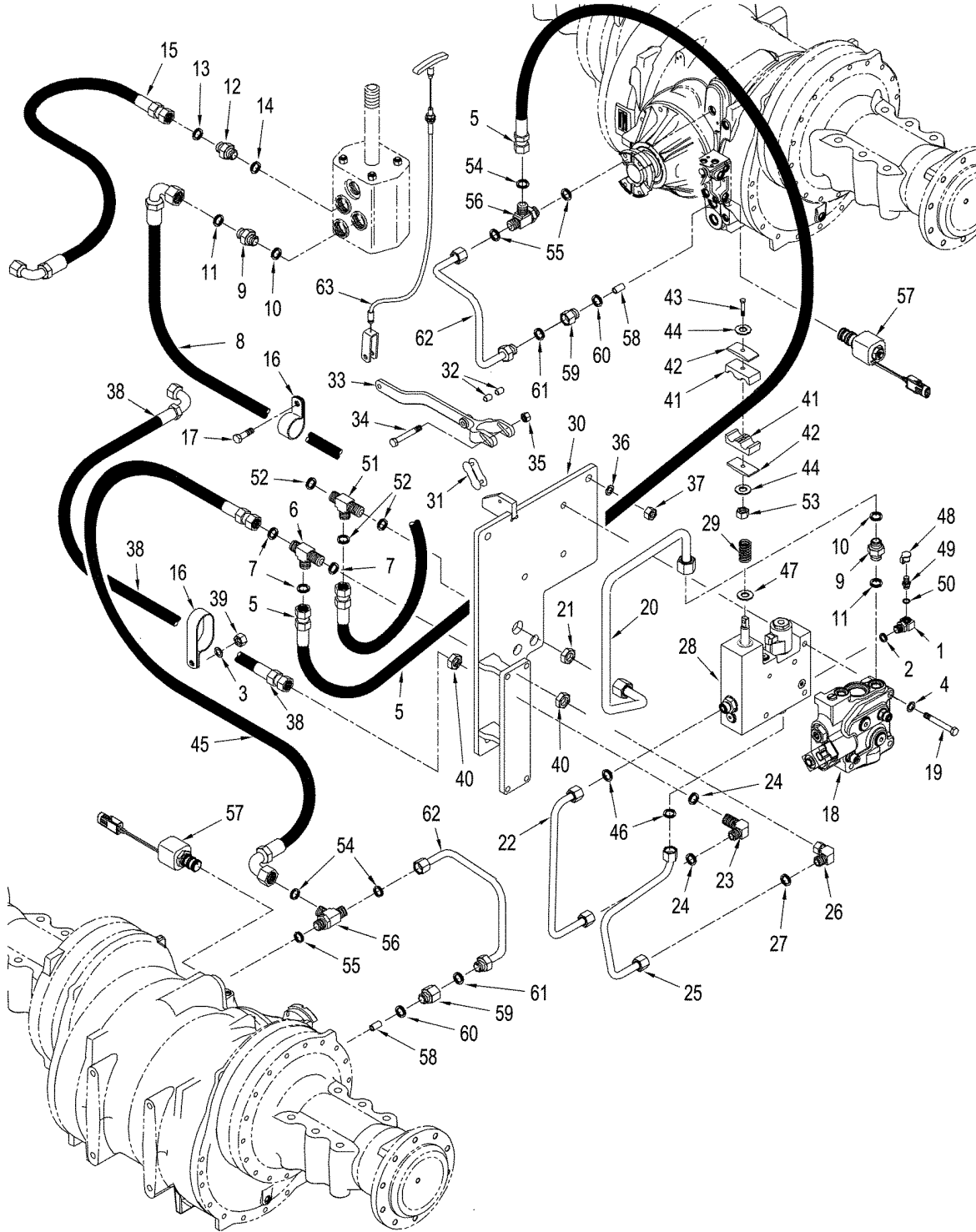
## 500 SERIES AXLE - PARK BRAKE CIRCUIT, WITH DIFFERENTIAL LOCK, ASN JEE0102001, QUADTRAC TRACTOR

REF	FN	PART NUMBER	YR/SN	QTY	DESCRIPTION
31		242-4412		1	LINK, CHAIN
32		392748A1		2	SPACER
33		390918A3		1	ARM
34		827-6070		1	BOLT M6 x 70; 10.9
35		832-10406		1	NUT M6
36		895-11012		3	WASHER 13.5 x 24 x 2.5 mm
37		829-1412		3	NUT CL 10, M12 x 1.75
38		87414079		1	HOSE ASSY. 1298 mm (51 in)
38	1	87424332		1	HOSE ASSY. 1358 mm (53-1/2 in)
39		829-1408		2	NUT M8; 10
40		701-903		3	NUT 13/16 in
41		50-2551T1		2	CLAMP
42		50-2533T1		2	PLATE
43		827-8070		1	BOLT Cap, HH, CL 10.9, M8 x 1.25 x 70
44		895-11008		2	WASHER 9 x 16 x 1.6 mm
45		352112A3		1	HOSE ASSY. 2336 mm (92 in)
45	1	437267A1S		1	HOSE ASSY. 2286 mm (90 in)
46		238-6014		2	O-RING 90 Duro, .489" ID x .070" Thk
47		896-12016		1	WASHER 17.5 x 30 x 4 mm
		178889A1		1	FITTING Diagnostic, Inc. 48, 49
48		H434163		1	CAP Dust
49		NSS		1	NOT SERVICED SEPARATELY Fitting, Diagnostic, Inc. 50
50		637-63113		1	O-RING 11.3 ID x 2.2
51		701-429		1	TEE 1 fc sl, Inc. 52
52		238-6016		3	O-RING 90 Duro, .614" ID x .070" Thk
53		829-1408		1	NUT M8; 10
54		238-6014		4	O-RING 90 Duro, .489" ID x .070" Thk
55		637-63193		2	O-RING 19,3 ID x 2,2 mm
56		700-445		2	TEE M22 or x 13/16 fc sl, Inc. 54, 55
57		384977A1		2	VALVE Solenoid, Differential Lock, See Figure(s): 08-43
		341195A1		2	ORIFICE Inc. 58, 59
58		878-10812		2	SCREW M8 x 12

(1) Arctic QUADTRAC Tractor Application

**STX375 STX450**  
**STX425 STX500**

500 SERIES AXLE - PARK BRAKE CIRCUIT, WITH DIFFERENTIAL LOCK, ASN JEE0102001, QUADTRAC TRACTOR



**500 SERIES AXLE - PARK BRAKE CIRCUIT, WITH DIFFERENTIAL LOCK, ASN JEE0102001, QUADTRAC TRACTOR**

REF	FN	PART NUMBER	YR/SN	QTY	DESCRIPTION
59		700-154		2	CONNECTOR, HYD. M14 orb x 13/16 fc sl, Inc. 60, 61
60		637-63113		2	O-RING 11.3 ID x 2.2
61		238-6014		2	O-RING 90 Duro, .489" ID x .070" Thk
62		413340A1		2	TUBE ASSY.
63		349863A2		1	CABLE Tow Valve, See Figure 08-39 for Mounting & Parts

**STX375 STX450  
STX425 STX500**





---

## SECTION INDEX

---

08-01		HYDRAULIC OIL COOLER
08-02		HYDRAULIC OIL COOLER MOUNTING
08-03		OIL FILTER - AXLE AND TRANSMISSION
08-04		OIL FILTER - MAIN HYDRAULIC (BELOW BATTERY)
08-05		400 SERIES AXLE HYDRAULICS - LUBRICATION CIRCUIT, BSN JEE0102001
08-05	01	400 SERIES AXLE HYDRAULICS - LUBRICATION CIRCUIT, BTW JEE0102001 & JEE0106701
08-05	02	400 SERIES AXLE HYDRAULICS - LUBRICATION CIRCUIT, ASN JEE0106701
08-06		400 SERIES AXLE HYDRAULICS - LUBRICATION AND COOLING CIRCUIT, BSN JEE0102001
08-06	01	400 SERIES AXLE HYDRAULICS - AIR AND LUBRICATION CIRCUIT, ASN JEE0102001
08-07		500 SERIES AXLE HYDRAULICS - LUBRICATION CIRCUIT, BSN JEE0102001, WHEEL TRACTOR
08-07	01	500 SERIES AXLE HYDRAULICS - LUBRICATION CIRCUIT, BTW JEE0102001 & JEE0106701, WHEEL TRACTOR
08-07	02	500 SERIES AXLE HYDRAULICS - LUBRICATION CIRCUIT, ASN JEE0106701, WHEEL TRACTOR
08-08		500 SERIES AXLE HYDRAULICS - LUBRICATION AND COOLING CIRCUIT, BSN JEE0102001, WHEEL TRACTOR
08-08	01	500 SERIES AXLE HYDRAULICS - AIR AND LUBRICATION CIRCUIT, ASN JEE0102001, WHEEL TRACTOR
08-08	02	400 / 500 SERIES AXLE HYDRAULICS - COOLING CIRCUIT, ASN JEE0102001, WHEEL TRACTOR
08-09		500 SERIES AXLE HYDRAULICS - LUBRICATION CIRCUIT, BSN JEE0102001, QUADTRAC TRACTOR
08-09	01	500 SERIES AXLE HYDRAULICS - LUBRICATION CIRCUIT, BTW JEE0102001 & JEE0106701, QUADTRAC TRACTOR
08-09	02	500 SERIES AXLE HYDRAULICS - LUBRICATION CIRCUIT, ASN JEE0106701, QUADTRAC TRACTOR
08-10		500 SERIES AXLE HYDRAULICS - LUBRICATION AND COOLING CIRCUIT, BSN JEE0102001, QUADTRAC TRACTOR
08-10	01	500 SERIES AXLE HYDRAULICS - AIR AND LUBRICATION CIRCUIT, ASN JEE0102001, QUADTRAC TRACTOR
08-10	02	500 SERIES AXLE HYDRAULICS - COOLING CIRCUIT, ASN JEE0102001, QUADTRAC TRACTOR
08-11		HYDRAULIC TANK, WHEEL TRACTOR
08-12		HYDRAULIC TANK, QUADTRAC TRACTOR
08-13		REGULATOR VALVE ASSEMBLY
08-14		TOW BLOCK VALVE ASSEMBLY
08-15		CONTROLS - MANUAL HYDRAULIC REMOTES, BSN JEE0102592
08-16		LINKAGE - MANUAL HYDRAULIC REMOTES, BSN JEE0102592
08-17		HYDRAULIC REMOTE HOSES - MANUAL REMOTE, BSN JEE0102592
08-18		HYDRAULIC REMOTE HOSES - ELECTRONIC REMOTE
08-19		STANDARD HYDRAULICS - PUMP LUBRICATION CIRCUIT, WITH MANUAL SHIFT TRANSMISSION
08-20		STANDARD HYDRAULICS - PUMP LUBRICATION CIRCUIT, WITH POWER SHIFT TRANSMISSION
08-21		STANDARD HYDRAULICS - PUMP MOUNTING
08-22		STANDARD HYDRAULICS - PISTON PUMP ASSEMBLY
08-23		STANDARD HYDRAULICS - PRIORITY VALVE ASSEMBLY
08-24		HIGH OUTPUT HYDRAULICS - PUMP LUBRICATION CIRCUIT, BSN JEE0106701

---

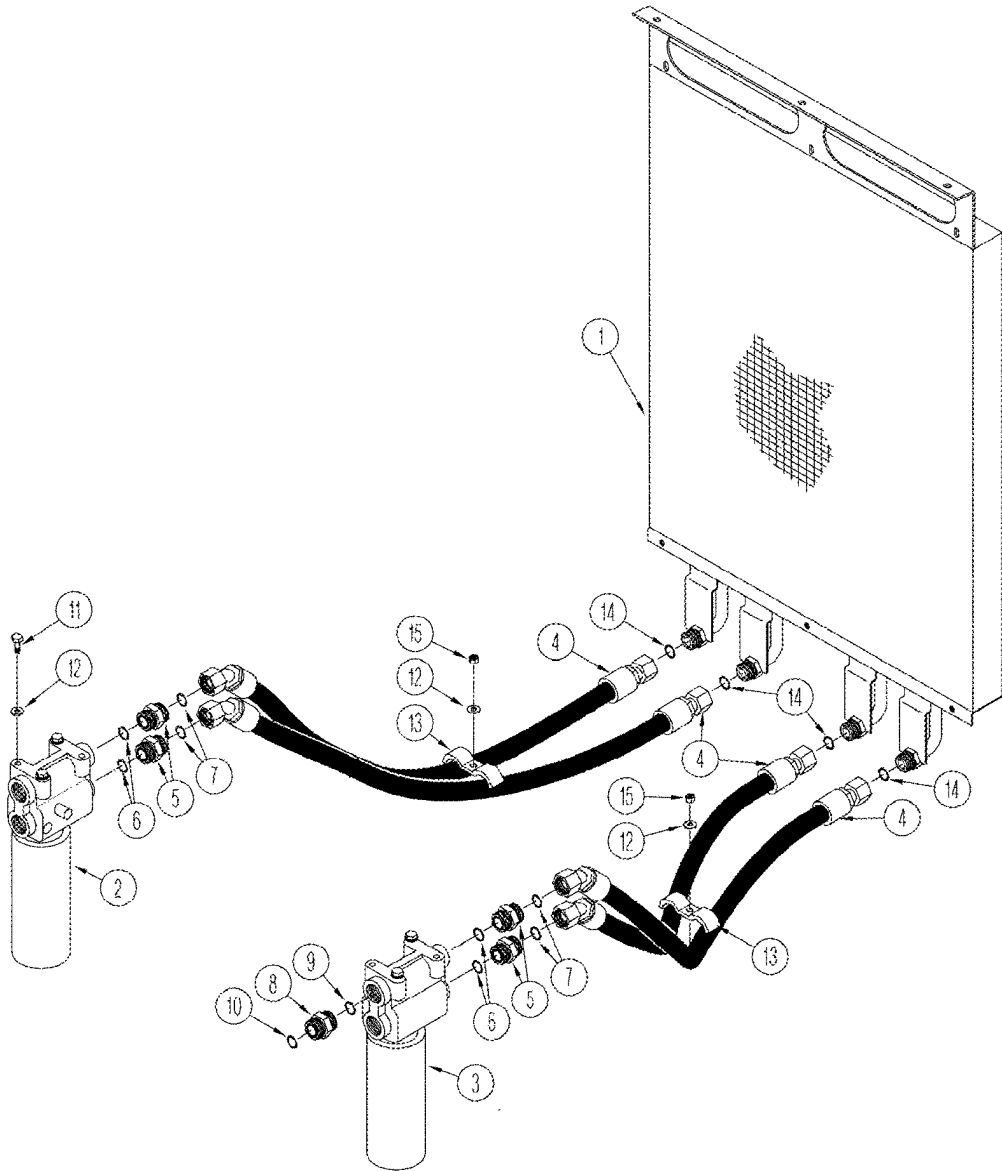
## SECTION INDEX

---

08-24	01	HIGH OUTPUT HYDRAULICS - PUMP LUBRICATION CIRCUIT, ASN JEE0106701
08-25		HIGH OUTPUT HYDRAULICS - PUMP MOUNTING
08-26		HIGH OUTPUT HYDRAULICS - PISTON PUMP ASSY
08-27		GEAR PUMP ASSEMBLY
08-28		HIGH OUTPUT HYDRAULICS - PRIORITY VALVE ASSEMBLY
08-29		HYDRAULIC REMOTE CONTROL VALVE
08-30		MANIFOLD VALVE ASSEMBLY
08-31		REMOTE VALVE ASSEMBLY - MANUAL REMOTE, BSN JEE0102592
08-32		REMOTE VALVE ASSEMBLY - ELECTRONIC REMOTE
08-33		COUPLER VALVE ASSEMBLY
08-34		MAIN AND AUXILIARY VALVE ASSEMBLY - MANUAL REMOTE, BSN JEE0102592
08-35		MAIN AND AUXILIARY VALVE ASSEMBLY - ELECTRONIC CONTROLLED
08-36		HITCH VALVE ASSEMBLY - ELECTRONIC CONTROLLED
08-37		MOTOR RETURN
08-38		COUPLERS - POWER BEYOND
08-39		CABLE - TOW VALVE
08-40		THREE POINT HITCH HYDRAULICS - MANUAL HITCH, BSN JEE0102592
08-41		THREE POINT HITCH HYDRAULICS - ELECTRONIC CONTROLLED HITCH SYSTEM
08-42		CYLINDER ASSY - THREE POINT HITCH
08-43		VALVE ASSEMBLY - DIFFERENTIAL LOCK
08-44	01	HYDRAULIC FAN PUMP ASSY
08-44	02	HYDRAULICS - FAN DRIVE CIRCUITRY
08-45		HYDRAULIC FAN OIL COOLER - MOUNTING
08-46		HYDRAULICS-MEGA FLOW CIRCUITRY
08-47		MEGA FLOW HYDRAULICS - AUXILIARY REMOTE MOUNTING
08-48		MEGA FLOW HYDRAULIC MANIFOLD ASSY.
08-49		MEGA FLOW HYDRAULIC PUMP ASSY
08-50		OIL FILTER - MEGA FLOW HYDRAULICS



HYDRAULIC OIL COOLER



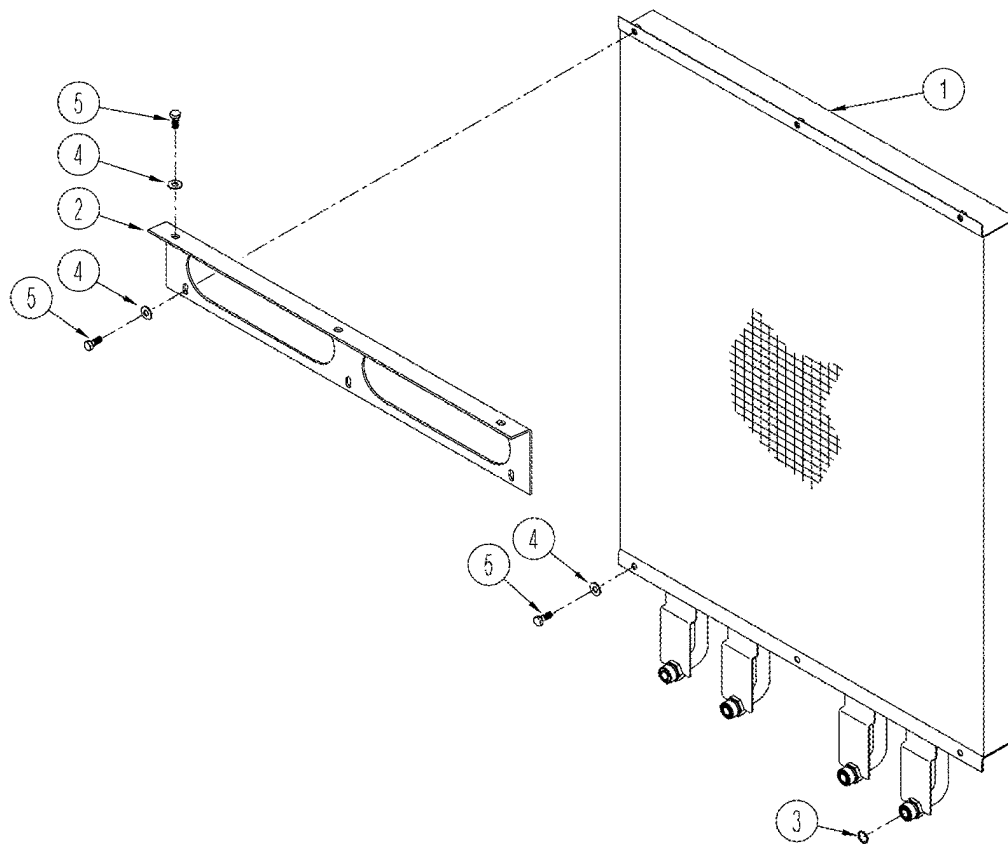
## HYDRAULIC OIL COOLER

REF	FN	PART NUMBER	YR/SN	QTY	DESCRIPTION
1		87312759		1	COOLER Oil
2		87409340		1	FILTER, HYDRAULIC OIL Left-Hand, Transmisson, See Figure 08-03
3		87409341		1	FILTER, HYDRAULIC OIL Right-Hand, Axle Lube, See Figure 08-03
4		377614A1		4	HOSE ASSY. 1022 mm (40 in)
4	1	437282A1S		1	HOSE ASSY. 1022 mm (40 in)
5		700-104		4	FITTING 1-3/16 fc sl x 27 Or, Inc. 6, 7
6		238-6018		4	O-RING 3/4 ID x 1/16
7		637-64236		4	O-RING 23,6 ID x 2,9
8		700-105		2	CONNECTOR, HYD. 1-7/16 fc sl x 33 Or, Inc. 9, 10
10		637-64296		2	O-RING 29,6 ID x 2,9
11		627-10025		4	SCREW M10 x 25; 10.9
12		895-11010		6	WASHER 11 x 20 x 2 mm
13		R15257		2	CLAMP
14		238-6016		4	O-RING 5/8 ID x 1/16
15		829-1410		2	NUT M10; 10
9		238-6021		2	O-RING 15/16 ID x 1/16

(1) Arctic QUADTRAC Tractor Application

**STX375 STX450**  
**STX425 STX500**

HYDRAULIC OIL COOLER MOUNTING



**08-02**

p1

08/05

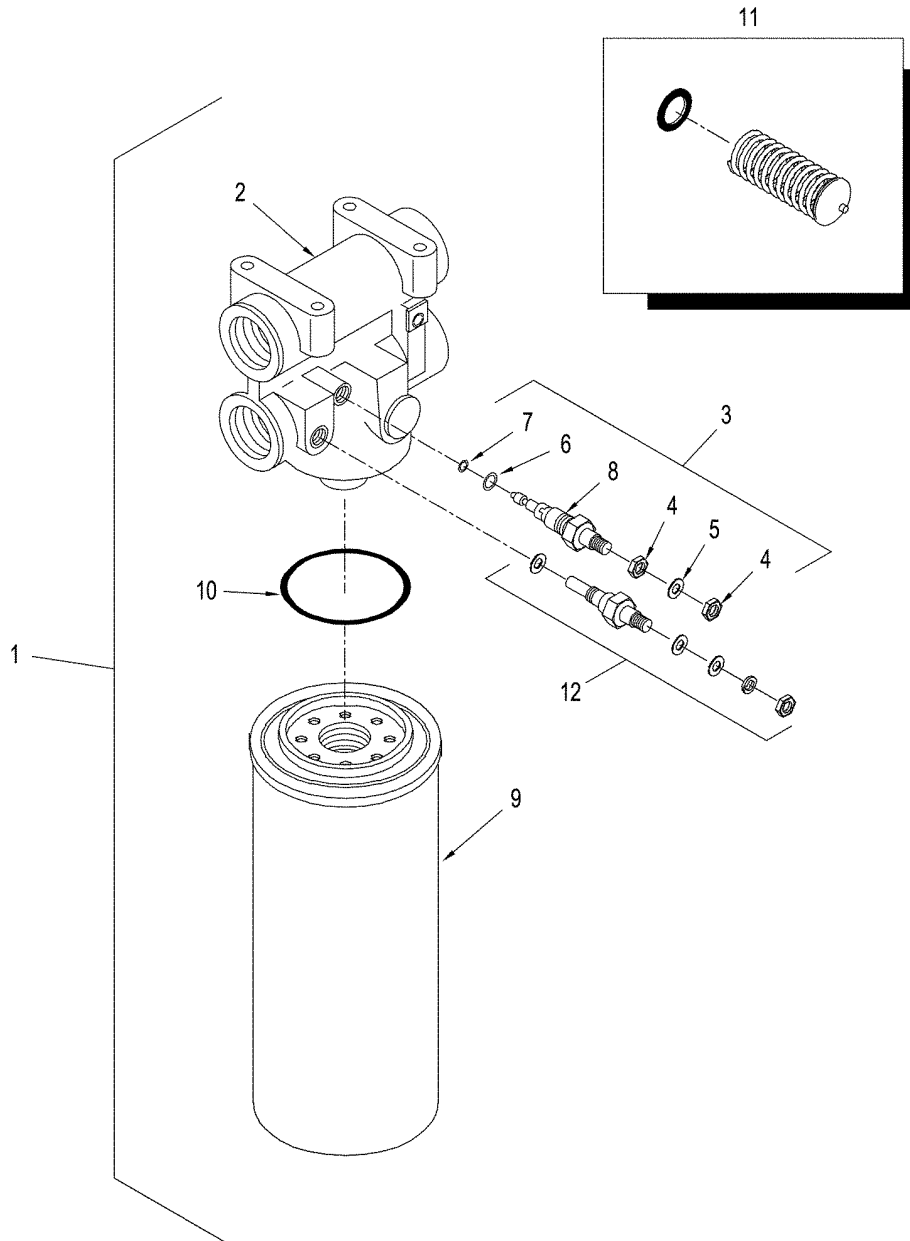
**HYDRAULIC OIL COOLER MOUNTING**

REF	FN	PART NUMBER	YR/SN	QTY	DESCRIPTION
1		87312759		1	COOLER Oil
2		302339A1		1	ANGLE
3		238-6016		4	O-RING 5/8 ID x 1/16
4		895-15008		9	WASHER 9 x 20 x 1,6 mm
5		627-8020		9	BOLT M8 x 20; 10.9

**STX375 STX450  
STX425 STX500**



OIL FILTER - AXLE AND TRANSMISSION

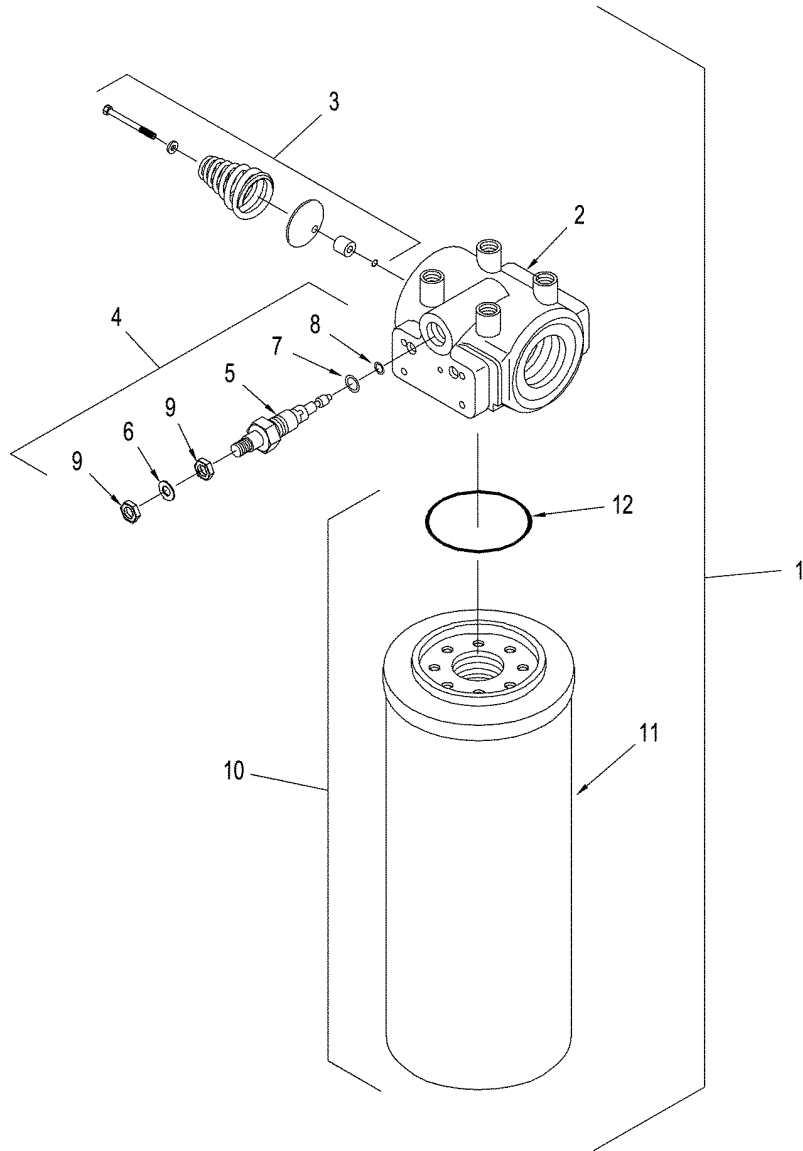


## OIL FILTER - AXLE AND TRANSMISSION

REF	FN	PART NUMBER	YR/SN	QTY	DESCRIPTION
1		87409340		1	FILTER, HYDRAULIC OIL Left-Hand, Transmission, Inc. 2 - 10
1		87409341		1	FILTER, HYDRAULIC OIL Right-Hand, Axle Lube, Inc. 2 - 10
2		NSS		1	NOT SERVICED SEPARATELY Head
3		N6755		1	INDICATOR Restriction, Inc. 4 - 8
4		129-667		2	NUT No. 10 NF
5		493-21020		1	WASHER, LOCK 3/16
7		238-5011		1	O-RING -011, 70 Duro, .301" ID x .070" Thk
8		NSS		1	NOT SERVICED SEPARATELY Switch
9		1346028C1		1	ELEMENT Inc. 10
10		1986552C2		1	O-RING
11		50-3590T91		1	KIT Check Valve, Outline
12		302557A2		2	SENDER UNIT Temperature
6		237-6006		1	O-RING 6-1, 90 Duro, .468" ID x .078" Thk

**STX375 STX450**  
**STX425 STX500**

OIL FILTER - MAIN HYDRAULIC (BELOW BATTERY)

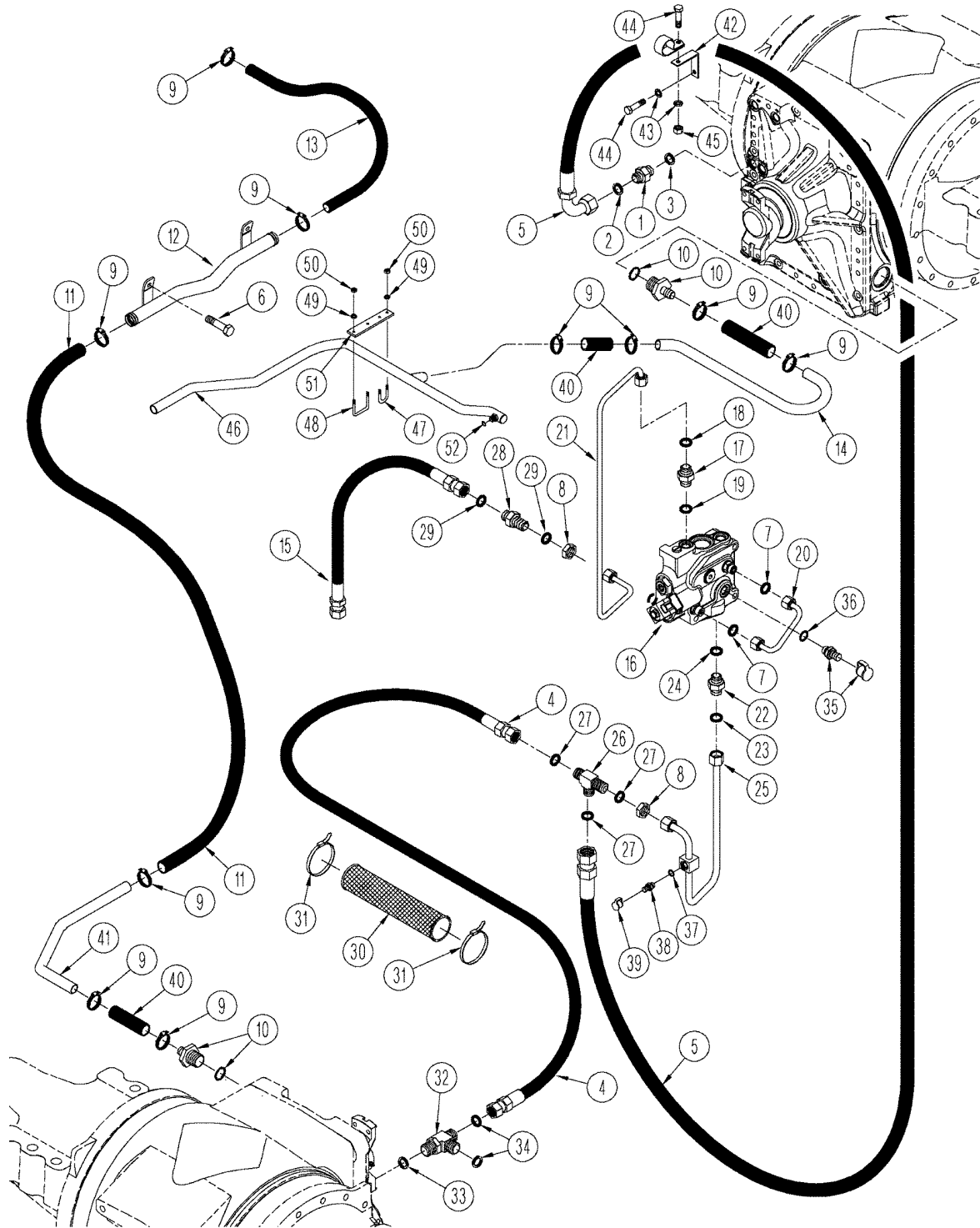


## OIL FILTER - MAIN HYDRAUIC (BELOW BATTERY)

REF	FN	PART NUMBER	YR/SN	QTY	DESCRIPTION
1		86991559		1	FILTER ASSY. Main Hydraulic Oil, Inc. 2 - 12
2		87409342		1	HEAD, FILTER
3		NSS		1	NOT SERVICED SEPARATELY Valve, By-Pass
4		N6755		1	INDICATOR Restriction, Inc. 5 - 9
5		NSS		1	NOT SERVICED SEPARATELY Indicator
6		493-21020		1	WASHER, LOCK 3/16
8		238-5011		1	O-RING -011, 70 Duro, .301" ID x .070" Thk
9		129-667		2	NUT No. 10 NF
10		87404986		1	FILTER, HYDRAULIC OIL Inc. 11 & 12
11		NSS		1	NOT SERVICED SEPARATELY Element
12		N9026		1	O-RING
7		237-6006		1	O-RING 6-1, 90 Duro, .468" ID x .078" Thk

**STX375 STX450**  
**STX425 STX500**

400 SERIES AXLE HYDRAULICS - LUBRICATION CIRCUIT, BSN JEE0102001

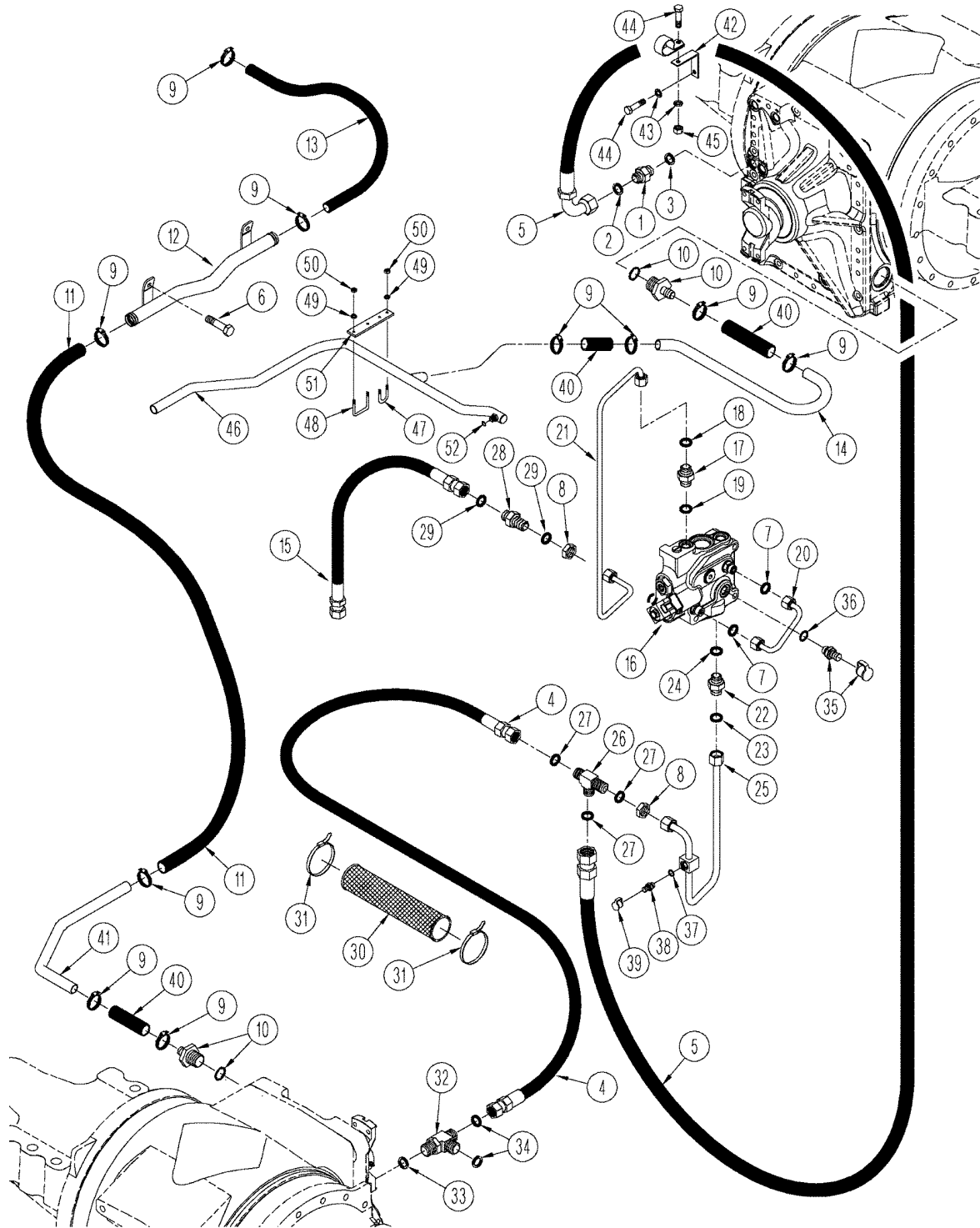


## 400 SERIES AXLE HYDRAULICS - LUBRICATION CIRCUIT, BSN JEE0102001

REF	FN	PART NUMBER	YR/SN	QTY	DESCRIPTION
1		700-162		1	CONNECTOR, HYD. 13/16 fc sl x 22 or, Inc. 2, 3
2		238-6014		1	O-RING 1/2 ID x 1/16
3		637-63193		1	O-RING 19,3 ID x 2,2 mm
4		390659A2		1	HOSE ASSY. 2178 mm (86 in)
5		418813A1		1	HOSE 2464 mm (97 in)
7		238-6012		2	O-RING 3/8 ID x 1/16
8		701-903		2	NUT 13/16 in
9		214-1420		6	CLAMP No. 20
10		337545A1		2	CONNECTOR, HYD. Axle Drain
11		404991A1		1	HOSE Cut From S118383
12		416280A1		1	TUBE ASSY.
13		340972A1		1	HOSE 787 mm (31 in), Cut From 31-2756
14		416727A1		1	TUBE Cut From 2-7659
15		388475A1		1	HOSE 1067 mm (42 in)
16		411104A2		1	VALVE Regulator, See Figure 08-13
17		700-169		1	CONNECTOR, HYD. 13/16 fc sl x M16 Or, Inc. 18, 19
18		238-6014		1	O-RING 1/2 ID x 1/16
19		637-63133		1	O-RING 13,3 ID x 2,2
20		413338A1		1	TUBE ASSY.
21		413334A1		1	TUBE ASSY.
22		700-102		1	CONNECTOR, HYD. 13/16 fc sl x 18 Or, Inc. 23, 24
23		238-6014		1	O-RING 1/2 ID x 1/16
24		637-63153		1	O-RING 15,3 ID x 2,2
25		413327A1		1	TUBE ASSY.
26		701-423		1	TEE M12 fc sl x blkhd fc sl, Inc. 27
27		238-6014		3	O-RING 1/2 ID x 1/16
28		701-121		1	CONNECTOR, HYD. 13/16 fc sl x blkhd, Inc. 29
29		238-6014		2	O-RING 1/2 ID x 1/16
30		334783A1		1	SLEEVE 610 mm (24 in)
31		L18337		2	STRAP 15 in
32		700-445		1	TEE 13/16 fc sl x 22 orb, Inc. 33, 34
33		637-63193		1	O-RING 19,3 ID x 2,2 mm
34		238-6014		2	O-RING 1/2 ID x 1/16
35		358968A1		1	COUPLING M18 orb x 1,5, Diagnostic, Inc. 36
36		637-63153		1	O-RING 15,3 ID x 2,2

**STX375 STX450**  
**STX425**

400 SERIES AXLE HYDRAULICS - LUBRICATION CIRCUIT, BSN JEE0102001



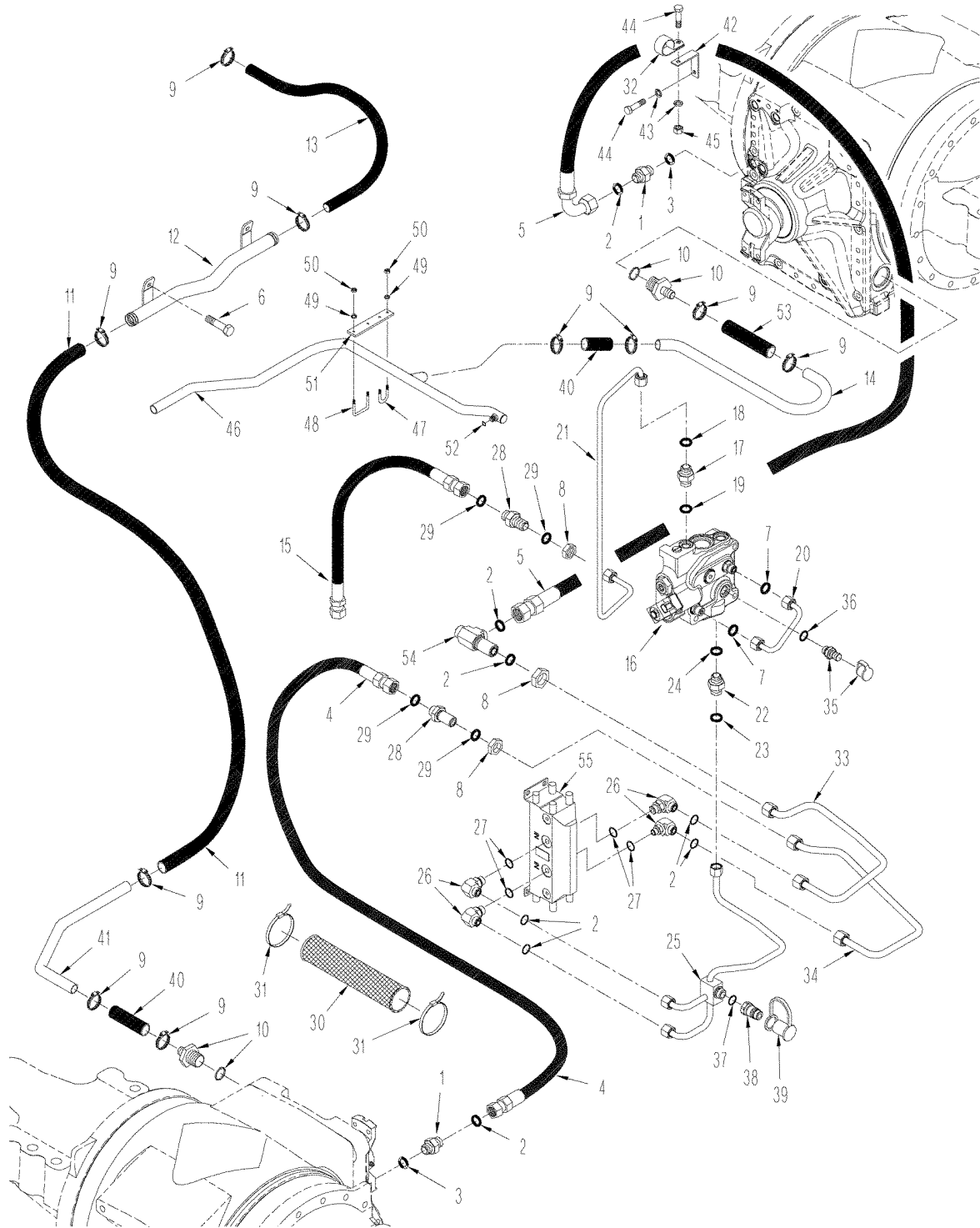
## 400 SERIES AXLE HYDRAULICS - LUBRICATION CIRCUIT, BSN JEE0102001

REF	FN	PART NUMBER	YR/SN	QTY	DESCRIPTION
37		637-63193		1	O-RING 19,3 ID x 2,2 mm
38		392690A1		1	COUPLING
39		399032A1		1	CAP
40		435457A1		2	HOSE 102 mm (4 in), Cut From 2-7659
41		416729A1		1	TUBE ASSY.
42		416512A1		1	SUPPORT
43		895-11008		2	WASHER 9 x 17 x 1,6 mm
44		627-8020		2	BOLT M8 x 20; 10.9
45		829-1408		1	NUT M8; 10
46		394304A1		1	TUBE ASSY. Return
47		253105A1		2	U-BOLT
48		396490A1		2	U-BOLT
49		895-11008		8	WASHER 9 x 17 x 1,6 mm
50		832-10408		8	NUT M8; 8
51		394302A1		2	PLATE
52		238-6012		1	O-RING 3/8 ID x 1/16
6		627-8025		2	BOLT M8 x 25; 10.9

**STX375 STX450  
STX425**



400 SERIES AXLE HYDRAULICS - LUBRICATION CIRCUIT, BTW JEE0102001 & JEE0106701

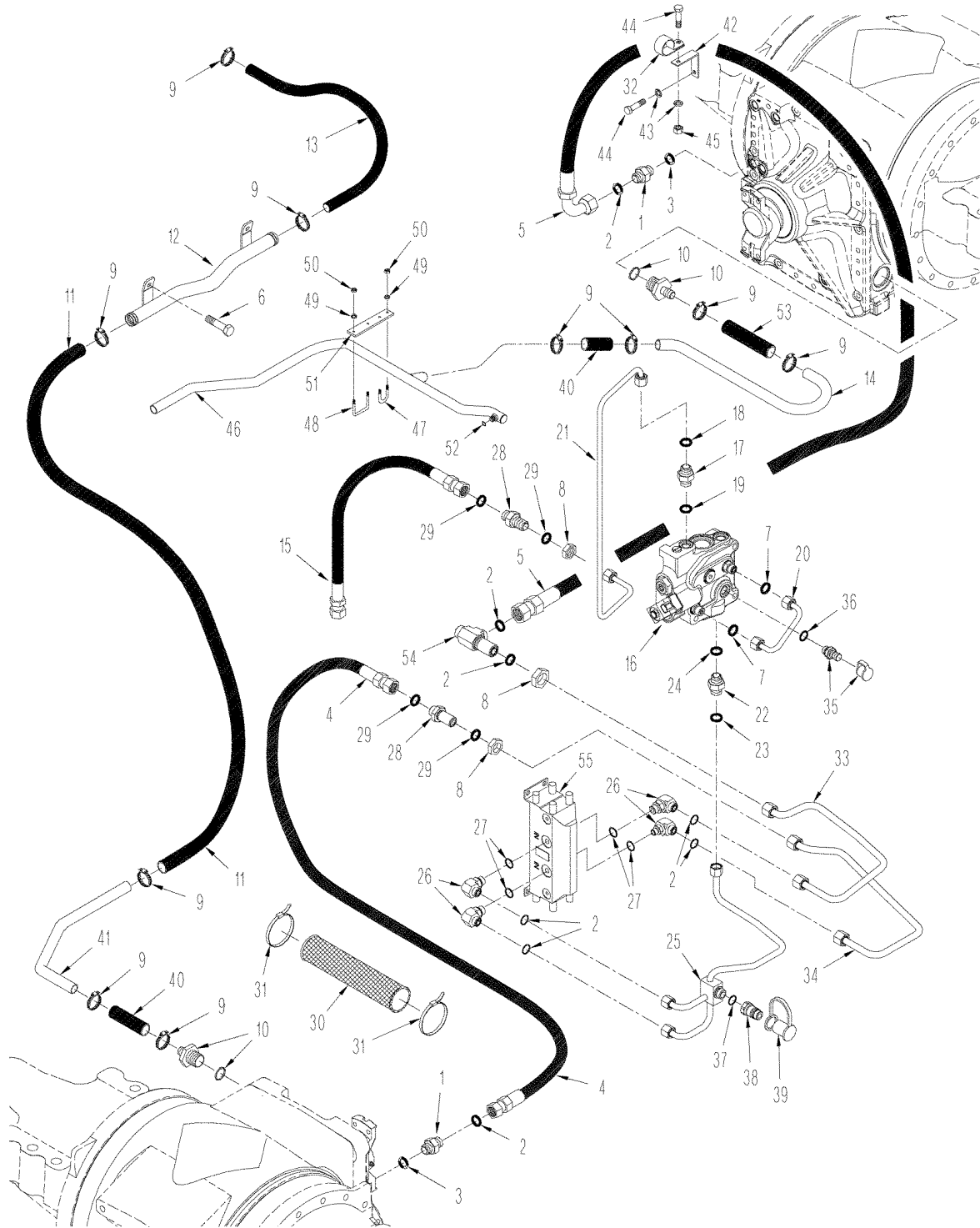


## 400 SERIES AXLE HYDRAULICS - LUBRICATION CIRCUIT, BTW JEE0102001 &amp; JEE0106701

REF	FN	PART NUMBER	YR/SN	QTY	DESCRIPTION
1		700-162		2	CONNECTOR, HYD. 13/16 fc sl x 22 or, Inc. 2, 3
2		238-6014		11	O-RING 90 Duro, .489" ID x .070" Thk
3		637-63193		1	O-RING 19.3 ID x 2.2 mm
4		390659A2		1	HOSE ASSY. 2178 mm (86 in)
5		87413875		1	HOSE
7		238-6012		2	O-RING 90 Duro, .364" ID x .070" Thk
8		701-903		3	NUT 13/16 in
9		214-1420		6	CLAMP No. 20
10		337545A1		2	CONNECTOR, HYD. Axle Drain
11		404991A1		1	HOSE 38 mm (1-1/2 in), Cut From : S118383
12		416280A2		1	TUBE ASSY.
13		340972A1		1	HOSE 787 mm (31 in), Cut From : 31-2755
14		416727A1		1	TUBE
15		87414080		1	HOSE ASSY. 970 mm (38 in)
16		411104A2		1	VALVE Regulator, See Figure(s) : 08-13
17		700-169		1	CONNECTOR, HYD. 13/16 fc sl x M16 or, Inc. 18, 19
18		238-6014		1	O-RING 90 Duro, .489" ID x .070" Thk
19		637-63133		1	O-RING 13.3 ID x 2.2
20		413338A1		1	TUBE ASSY.
21		449800A1		1	TUBE ASSY.
22		700-102		1	CONNECTOR, HYD. 13/16 fc sl x 18 or, Inc. 23, 24
23		238-6014		1	O-RING 90 Duro, .489" ID x .070" Thk
24		637-63153		1	O-RING 15.3 ID x 2.2
25		449802A2		1	TUBE ASSY.
26		201-305		4	ELBOW 90, 1/2 or x fc sl, Inc. 2, 27
27		637-63093		4	O-RING 9,3 ID x 2,2 Thk
28		701-121		2	CONNECTOR, HYD. 13/16 fc sl x blkhd, Inc. 29
29		238-6014		2	O-RING 90 Duro, .489" ID x .070" Thk
30		S120426		1	SLEEVE 24"
31		L18337		2	STRAP 15 in
32		515-23206		1	CLAMP
33		449813A2		1	TUBE ASSY.
34		449815A2		2	TUBE ASSY.
35		358968A1		1	COUPLING M18 orb x 1,5, Diagnostic, Inc. 36
36		637-63153		1	O-RING 15.3 ID x 2.2

**STX375 STX450**  
**STX425**

400 SERIES AXLE HYDRAULICS - LUBRICATION CIRCUIT, BTW JEE0102001 & JEE0106701



**08-05**

01

p2

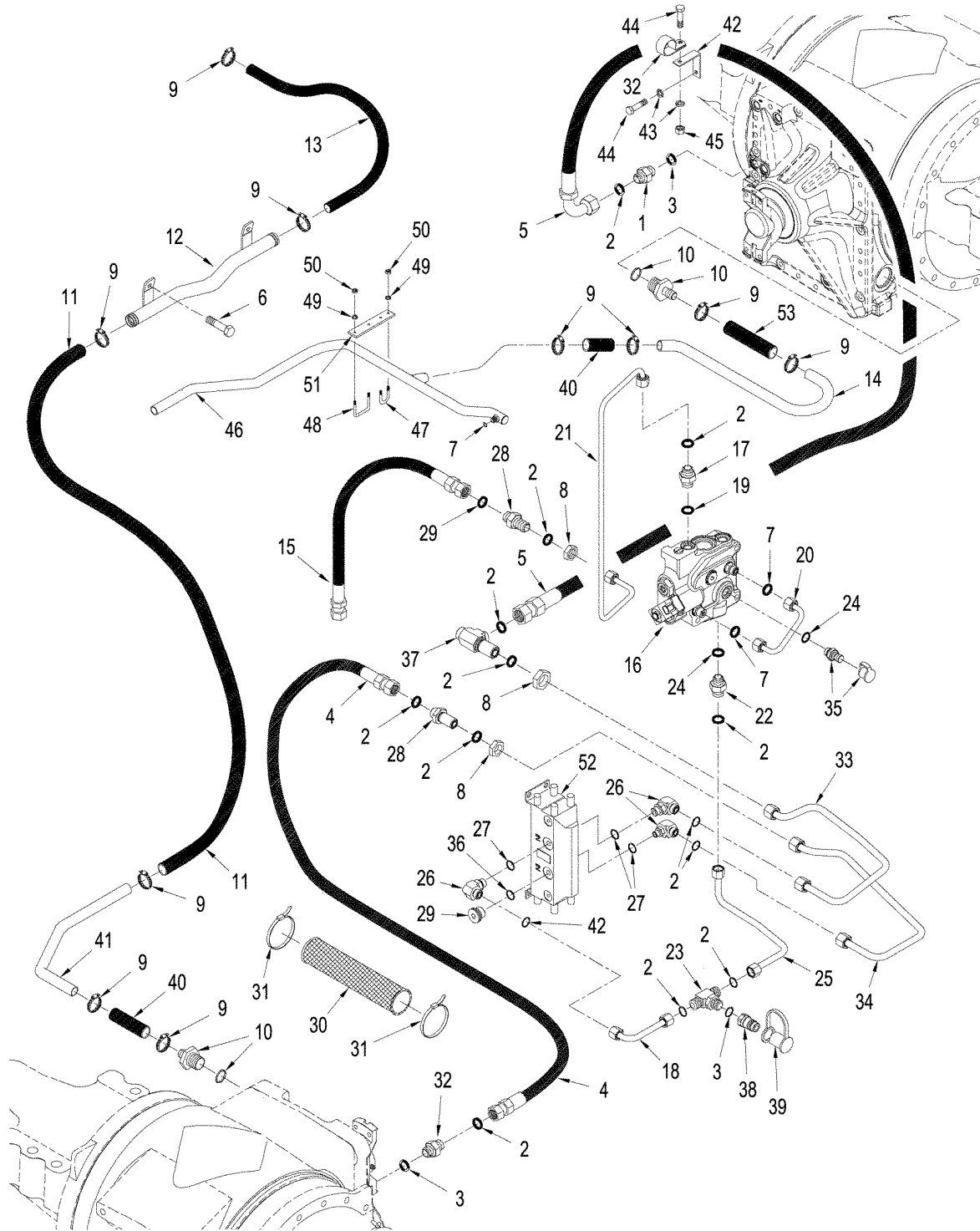
11/05

**400 SERIES AXLE HYDRAULICS - LUBRICATION CIRCUIT, BTW JEE0102001 & JEE0106701**

REF	FN	PART NUMBER	YR/SN	QTY	DESCRIPTION
37		637-63193		1	O-RING 19.3 ID x 2.2 mm
38		392690A1		1	COUPLING
39		399032A1		1	CAP
40		435457A1		2	HOSE 102 mm (4 in), Cut From : 31-2755
41		416729A1		1	TUBE ASSY.
42		416512A1		1	SUPPORT Bracket
43		895-11008		2	WASHER 9 x 17 x 1.6 mm
44		627-8020		2	BOLT Cap, HH, CL 10.9, M8 x 1.25 x 20
45		829-1408		1	NUT CL 10, M8 x 1.25
46		409614A1		1	TUBE ASSY. Return
47		253105A1		2	U-BOLT
48		396490A1		2	U-BOLT
49		895-11008		8	WASHER 9 x 17 x 1.6 mm
50		832-10408		8	NUT M8
51		409609A1		2	PLATE
52		238-6012		1	O-RING 90 Duro, .364" ID x .070" Thk
53		437116A1		1	HOSE, LARGE 127 mm (5 in), Cut From: 31-2755
54		701-301		1	ELBOW 90, 1/2 x blkhd, Inc. 2
55		434727A1		1	MOTOR-PUMP Axle Air / Lube
6		627-8025		2	BOLT Cap, HH, CL 10.9, M8 x 1.25 x 25

**STX375 STX450**  
**STX425**

400 SERIES AXLE HYDRAULICS - LUBRICATION CIRCUIT, ASN JEE0106701



**08-05**

02

p1

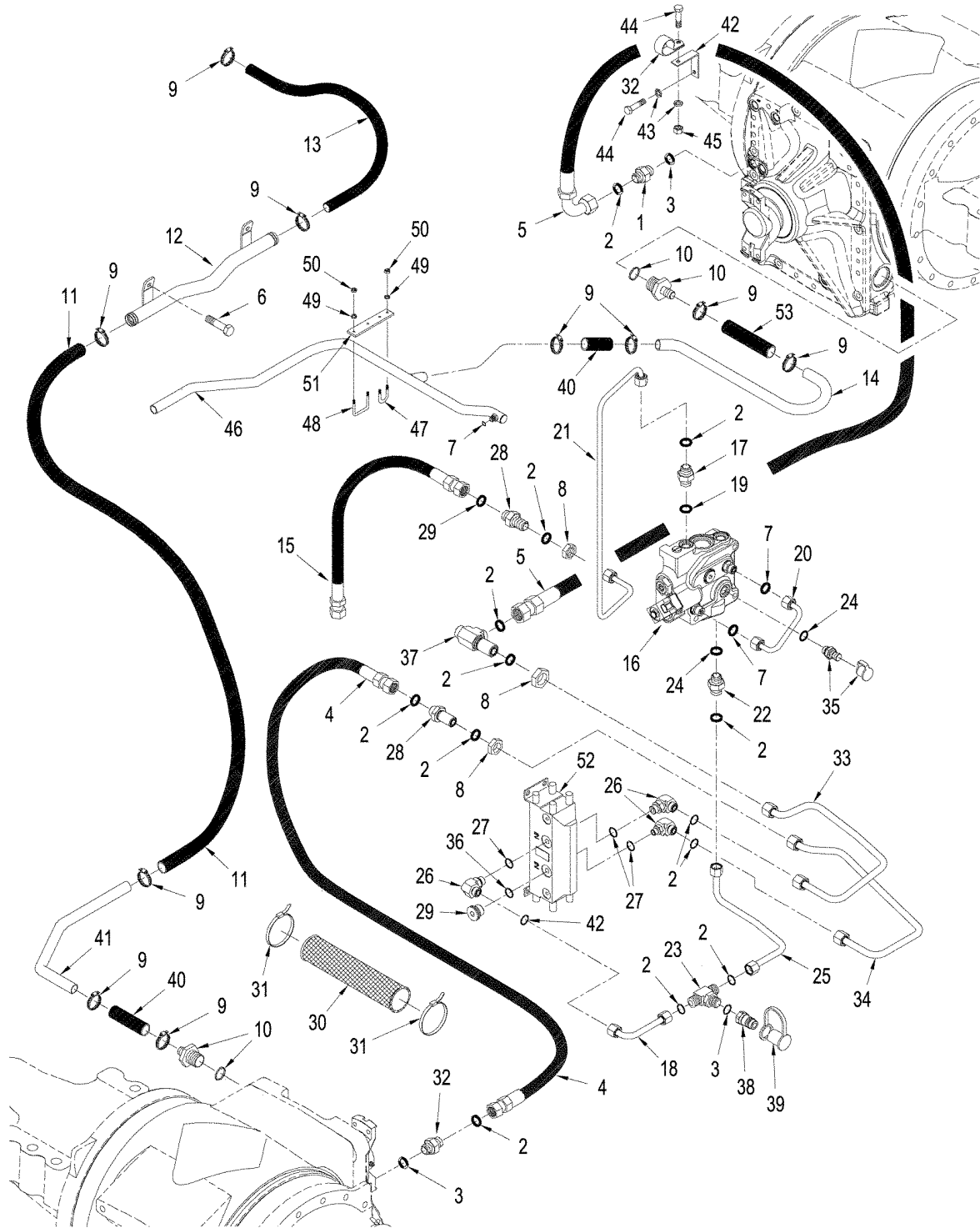
11/05

**400 SERIES AXLE HYDRAULICS - LUBRICATION CIRCUIT, ASN JEE0106701**

REF	FN	PART NUMBER	YR/SN	QTY	DESCRIPTION
1		700-162		2	CONNECTOR, HYD. 13/16 fc sl x 22 or, Inc. 2, 3
2		238-6014		15	O-RING 90 Duro, .489" ID x .070" Thk
3		637-63193		2	O-RING 19.3 ID x 2.2 mm
4		390659A2		1	HOSE ASSY. 2178 mm (86 in)
5		87413875		1	HOSE
7		238-6012		3	O-RING 90 Duro, .364" ID x .070" Thk
8		701-903		3	NUT 13/16 in
9		214-1420		6	CLAMP No. 20
10		337545A1		2	CONNECTOR, HYD. Axle Drain
11		404991A1		1	HOSE 38 mm (1-1/2 in), Cut From : S118383
12		416280A2		1	TUBE ASSY.
13		340972A1		1	HOSE 787 mm (31 in), Cut From : 31-2755
14		416727A1		1	TUBE
15		87414080		1	HOSE ASSY. 970 mm (38 in)
16		411104A2		1	VALVE Regulator, See Figure(s) : 08-13
17		700-169		1	CONNECTOR, HYD. 13/16 fc sl x M16 or, Inc. 2, 19
18		87307521		1	TUBE ASSY.
19		637-63133		1	O-RING 13.3 ID x 2.2
20		413338A1		1	TUBE ASSY.
21		449800A1		1	TUBE ASSY.
22		700-102		1	CONNECTOR, HYD. 13/16 fc sl x 18 or, Inc. 2, 24
23		700-447		1	TEE M22 or x 13/16 fcsl, Inc. 2, 24
24		637-63153		2	O-RING 15.3 ID x 2.2
25		87307544		1	TUBE ASSY.
26		201-305		3	ELBOW 90, 1/2 or x fc sl, Inc. 2, 27
27		637-63093		3	O-RING 9,3 ID x 2,2 Thk
28		701-121		2	CONNECTOR, HYD. 13/16 fc sl x blkhd, Inc. 2
29		218-5210		1	PLUG Soc Hd, 3/4 orb, Inc. 36
30		S120426		1	SLEEVE 24"
31		L18337		2	STRAP 15 in
32		515-23206		1	CLAMP
33		449813A2		1	TUBE ASSY.
34		449815A2		2	TUBE ASSY.
35		358968A1		1	COUPLING M18 orb x 1,5, Diagnostic, Inc. 24
36		237-6012		1	O-RING 59/64 ID x 1/8 Thk

**STX375 STX450**  
**STX425**

400 SERIES AXLE HYDRAULICS - LUBRICATION CIRCUIT, ASN JEE0106701



**08-05**

02

p2

11/05

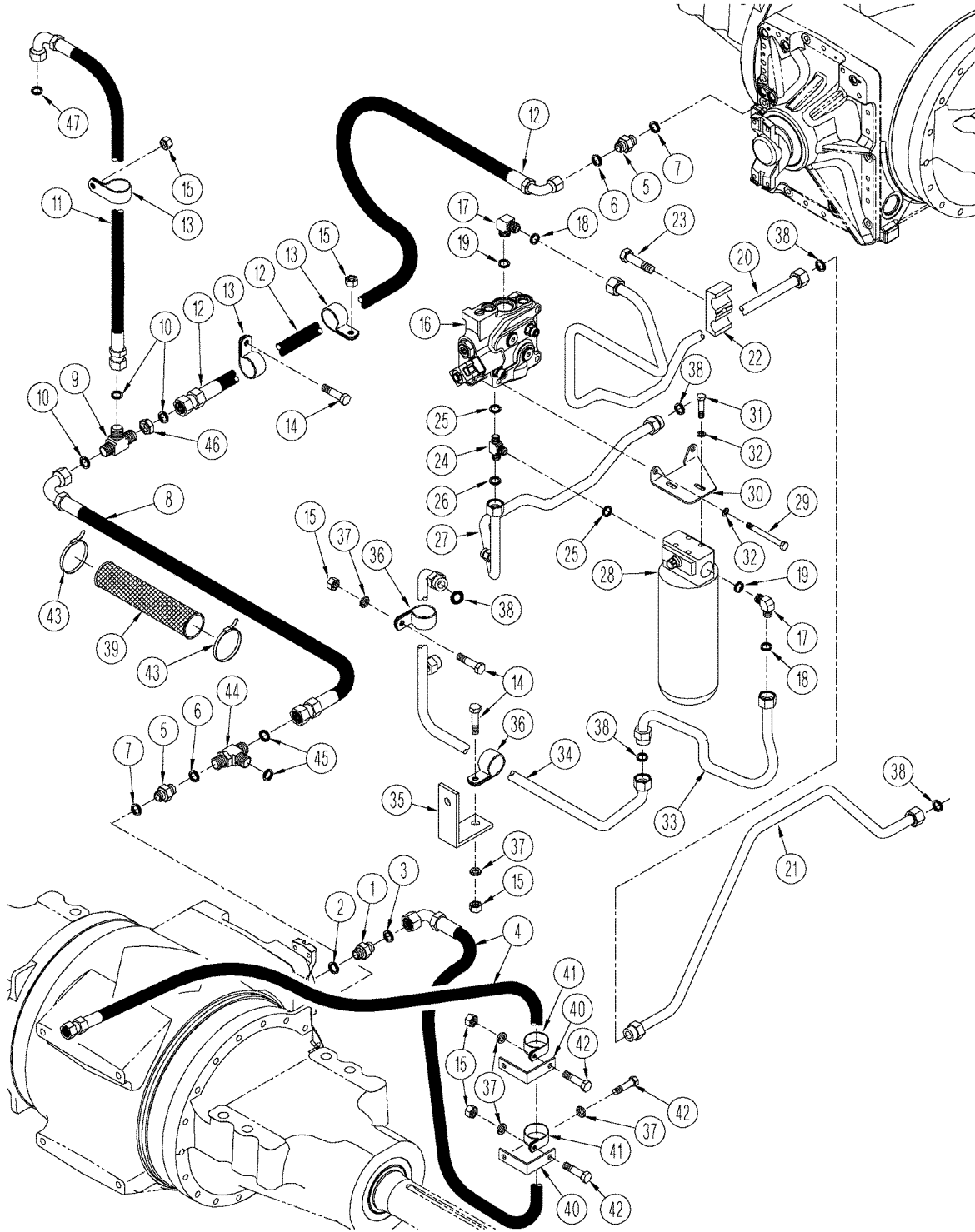
**400 SERIES AXLE HYDRAULICS - LUBRICATION CIRCUIT, ASN JEE0106701**

REF	FN	PART NUMBER	YR/SN	QTY	DESCRIPTION
37		701-301		1	ELBOW 90, 1/2 x blkhd, Inc. 2
38		392690A1		1	COUPLING
39		399032A1		1	CAP
40		435457A1		2	HOSE 102 mm (4 in), Cut From : 31-2755
41		416729A1		1	TUBE ASSY.
42		416512A1		1	SUPPORT Bracket
43		895-11008		2	WASHER 9 x 17 x 1.6 mm
44		627-8020		2	BOLT Cap, HH, CL 10.9, M8 x 1.25 x 20
45		829-1408		1	NUT CL 10, M8 x 1.25
46		409614A1		1	TUBE ASSY. Return
47		253105A1		2	U-BOLT
48		396490A1		2	U-BOLT
49		895-11008		8	WASHER 9 x 17 x 1.6 mm
50		832-10408		8	NUT M8
51		409609A1		2	PLATE
52		434727A1		1	MOTOR-PUMP Axle Air / Lube
53		437116A1		1	HOSE, LARGE 127 mm (5 in), Cut From: 31-2755
6		627-8025		2	BOLT Cap, HH, CL 10.9, M8 x 1.25 x 25

**STX375 STX450**  
**STX425**



400 SERIES AXLE HYDRAULICS - LUBRICATION AND COOLING CIRCUIT, BSN JEE0102001

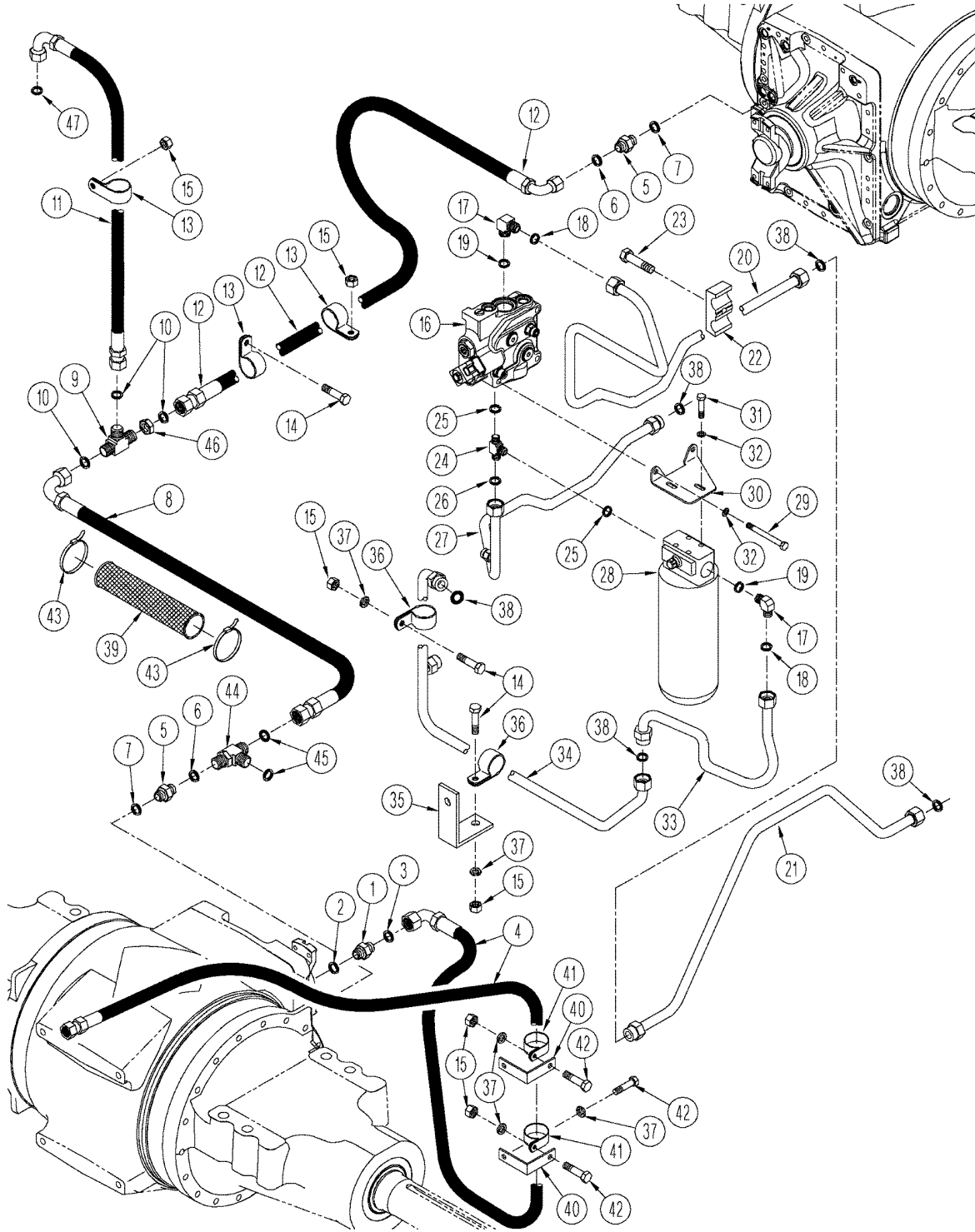


## 400 SERIES AXLE HYDRAULICS - LUBRICATION AND COOLING CIRCUIT, BSN JEE0102001

REF	FN	PART NUMBER	YR/SN	QTY	DESCRIPTION
1		700-106		1	CONNECTOR, HYD. 11/16 fc sl x 18 or, Inc. 2, 3
2		637-63153		1	O-RING 15,3 ID x 2,2
3		238-6012		1	O-RING 3/8 ID x 1/16
4		436927A1		1	HOSE ASSY. 2045 mm (80 1/2in)
5		700-162		2	CONNECTOR, HYD. 13/16 fc sl x 22 or, Inc. 6, 7
6		238-6014		2	O-RING 1/2 ID x 1/16
7		637-63193		2	O-RING 19,3 ID x 2,2 mm
8		361954A1		1	HOSE ASSY. 2108 mm (83 in)
9		701-423		1	TEE M12 fc sl x blkhd fc sl, Inc. 10
10		238-6014		3	O-RING 1/2 ID x 1/16
11		352111A2		1	HOSE ASSY. 984 mm (37 in)
12		382094A1		1	HOSE ASSY. 1822 mm (71-1/2 in)
13		515-23206		3	CLAMP P-type
15		829-1408		10	NUT M8; 10
16		411104A2		1	VALVE Regulator, See Figure 08-13
17		700-308		2	ELBOW 1-7/16 fc sl x 33 or, Inc. 18, 19
19		637-64296		2	O-RING 29,6 ID x 2,9
20		416712A1		1	TUBE ASSY.
21		416701A1		1	TUBE ASSY.
22		R15257		1	CLAMP
23		827-8040		2	SCREW M8 x 40; 10.9
24		328232A1		1	TEE
25		637-64296		2	O-RING 29,6 ID x 2,9
27		416703A1		1	TUBE ASSY.
28		86991559		1	FILTER ASSY. See Figure 08-04
29		827-10150		3	BOLT M10 x 150; 10.9
30		413322A1		1	BRACKET
31		627-10020		4	SCREW M10 x 20; 10.9
32		895-18010		4	WASHER 11 x 18 x 1,6 mm
33		416699A1		1	TUBE ASSY.
34		416708A1		1	TUBE ASSY.
35		417270A1		2	BRACKET
36		515-22254		3	CLAMP 1 ID
37		895-11008		6	WASHER 9 x 17 x 1,6 mm
39		S120426		1	SLEEVE

**STX375 STX450  
STX425**

400 SERIES AXLE HYDRAULICS - LUBRICATION AND COOLING CIRCUIT, BSN JEE0102001



**08-06**

p2

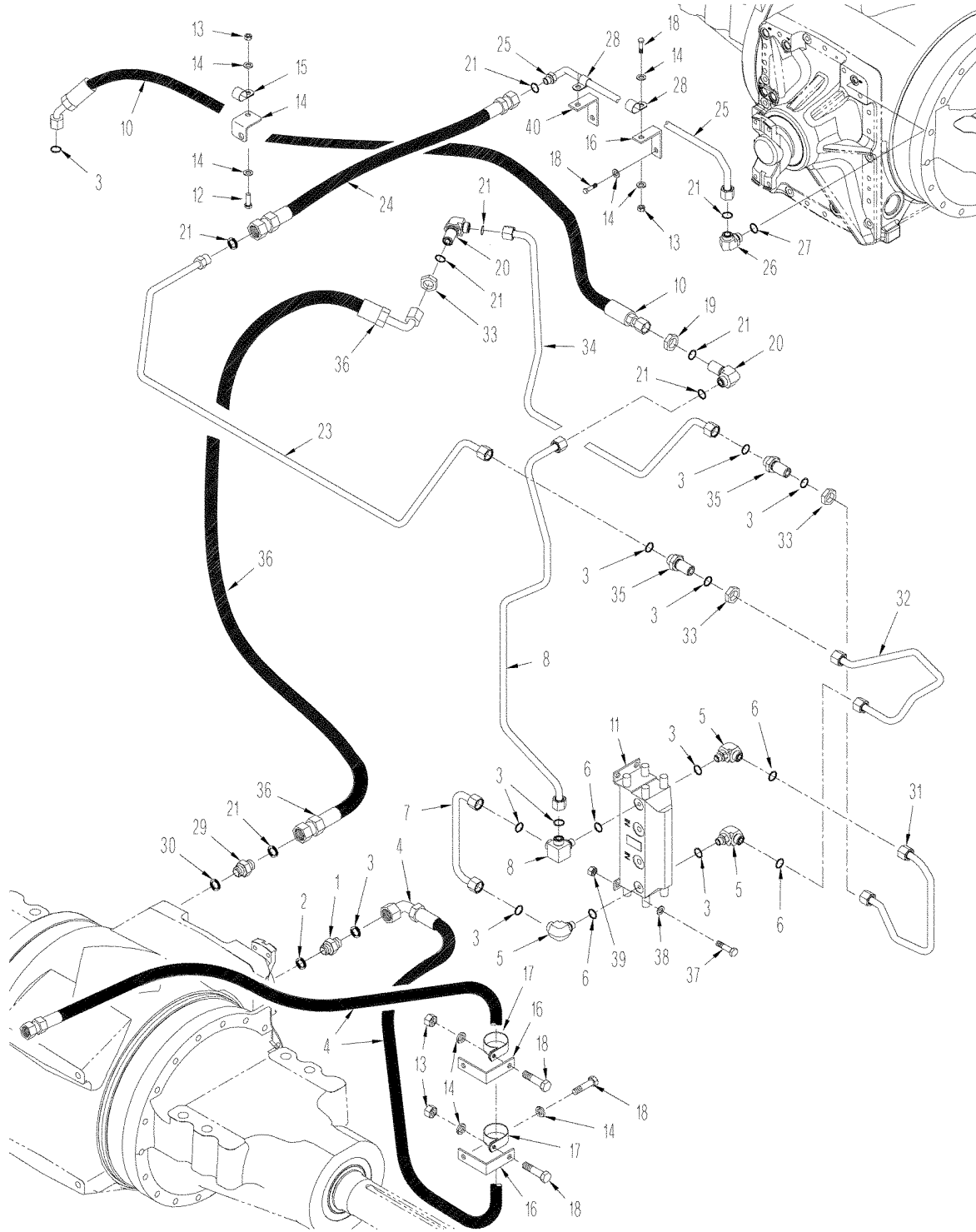
11/05

**400 SERIES AXLE HYDRAULICS - LUBRICATION AND COOLING CIRCUIT, BSN JEE0102001**

REF	FN	PART NUMBER	YR/SN	QTY	DESCRIPTION
40		416512A1		2	SUPPORT
41		515-23190		2	CLAMP 3/4 ID
42		627-8020		4	BOLT M8 x 20; 10.9
43		L18337		2	STRAP 15 in
44		701-416		1	TEE 13/16 fc sl x 13/16 sw, Inc. 45
45		238-6014		2	O-RING 1/2 ID x 1/16
46		701-903		1	NUT 13/16 in
47		238-6014		1	O-RING 1/2 ID x 1/16
14		627-8025		4	BOLT M8 x 25; 10.9
18		238-6021		2	O-RING 15/16 ID x 1/16
26		238-6021		1	O-RING 15/16 ID x 1/16
38		238-6021		5	O-RING 15/16 ID x 1/16

**STX375 STX450  
STX425**

400 SERIES AXLE HYDRAULICS - AIR AND LUBRICATON CIRCUIT, ASN JEE0102001



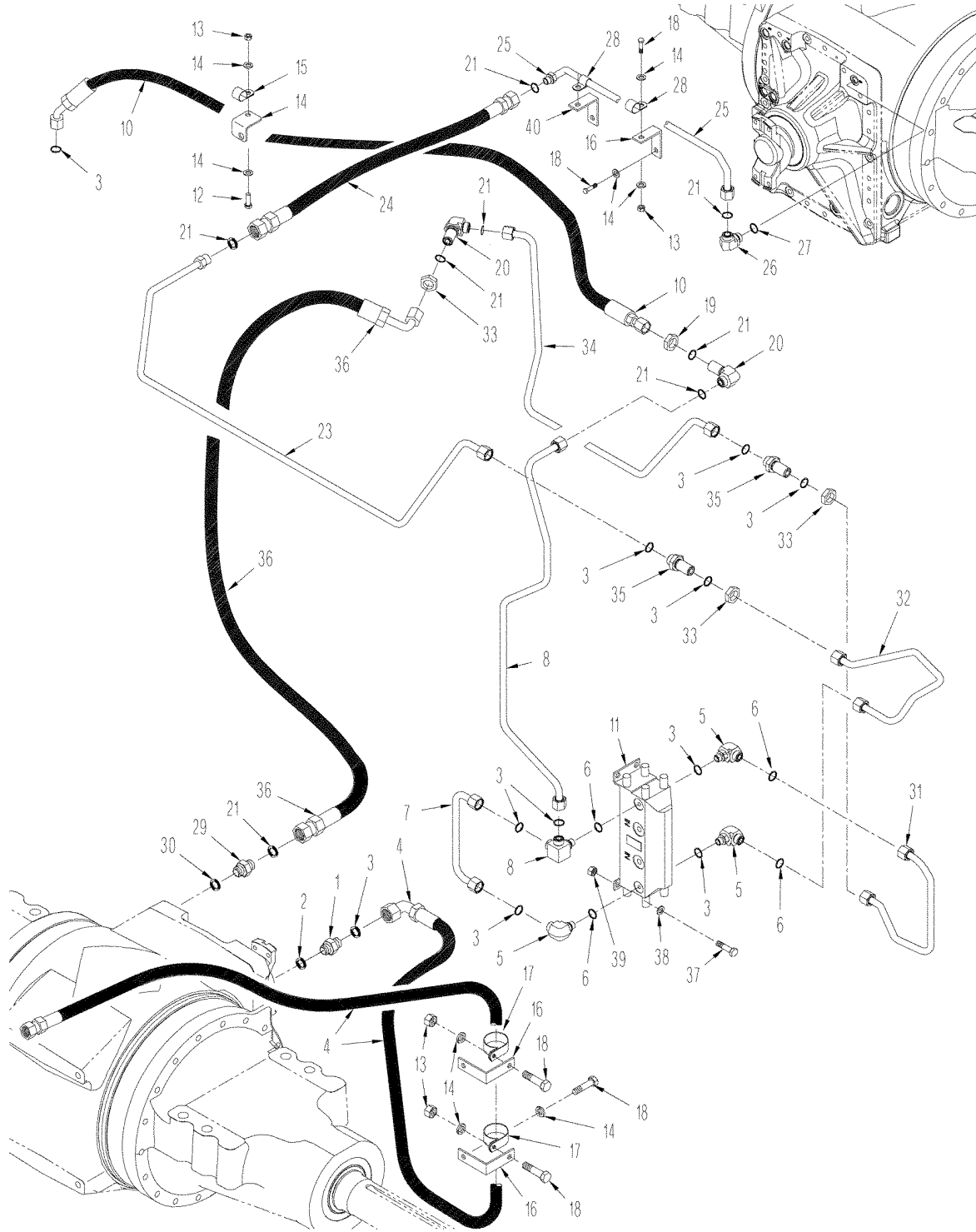
## 400 SERIES AXLE HYDRAULICS - AIR AND LUBRICATON CIRCUIT, ASN JEE0102001

REF	FN	PART NUMBER	YR/SN	QTY	DESCRIPTION
1		700-102		1	CONNECTOR, HYD. 11/16 fc sl x 18 Or, Inc. 2, 3
2		637-63153		1	O-RING 15.3 ID x 2.2
3		238-6014		6	O-RING 90 Duro, .364" ID x .070" Thk
4	1	436927A1		1	HOSE ASSY. 2045 mm (80 1/2in)
5		201-332		3	ELBOW 90, M12 or x fc sl, Inc. 6, 3
6		637-63093		3	O-RING 9,3 ID x 2,2 Thk
7		449794A1		1	TUBE ASSY.
8		450905A1		1	TEE Special, 1/2 or x fc sl, Inc. 3, 6
9		449821A2		1	TUBE ASSY. M12 fc sl x blkhd fc sl, Inc. 10
10		86992953		3	HOSE ASSY.
11		434727A1		1	MOTOR-PUMP Axle Air / Lube
13		829-1408		7	NUT CL 10, M8 x 1.25
14		895-11008		10	WASHER 9 x 17 x 1.6 mm
15		515-23206		1	CLAMP
16		416512A1		4	SUPPORT Bracket
17		515-23190		2	CLAMP
18		627-8020		8	BOLT Cap, HH, CL 10.9, M8 x 1.25 x 20
19		701-903		1	NUT 13/16
20		701-301		3	ELBOW 90, 13/16 fc sl x blkhd, Inc. 21
21		238-6014		7	O-RING 90 Duro, .489" ID x .070" Thk
22		416102A1		1	SUPPORT Bracket
23		449825A1		1	TUBE ASSY.
24		436927A1		1	HOSE ASSY. 2045 mm (80-1/2 in)
25		87413731		1	TUBE ASSY.
26		700-326		1	ELBOW 90, M22 or x 13/16 fc sl, Inc. 54
27		637-63193		1	O-RING 19,3 ID x 2,2 Thk
28		515-23127		1	CLAMP
29		700-162		1	CONNECTOR, HYD. M22 or x 13/16 fc sl, Inc. 45, 57
30		637-63193		1	O-RING 19,3 ID x 2,2 Thk
31		449817A2		1	TUBE ASSY.
32		86992542		1	TUBE ASSY.
33		701-903		2	NUT Lock
34		449823A1		1	TUBE ASSY.
35		701-121		1	CONNECTOR, HYD. 13/16 fc sl x blkhd, Inc. 3

(1) Used without Power Take Off

**STX375 STX450**  
**STX425**

400 SERIES AXLE HYDRAULICS - AIR AND LUBRICATON CIRCUIT, ASN JEE0102001



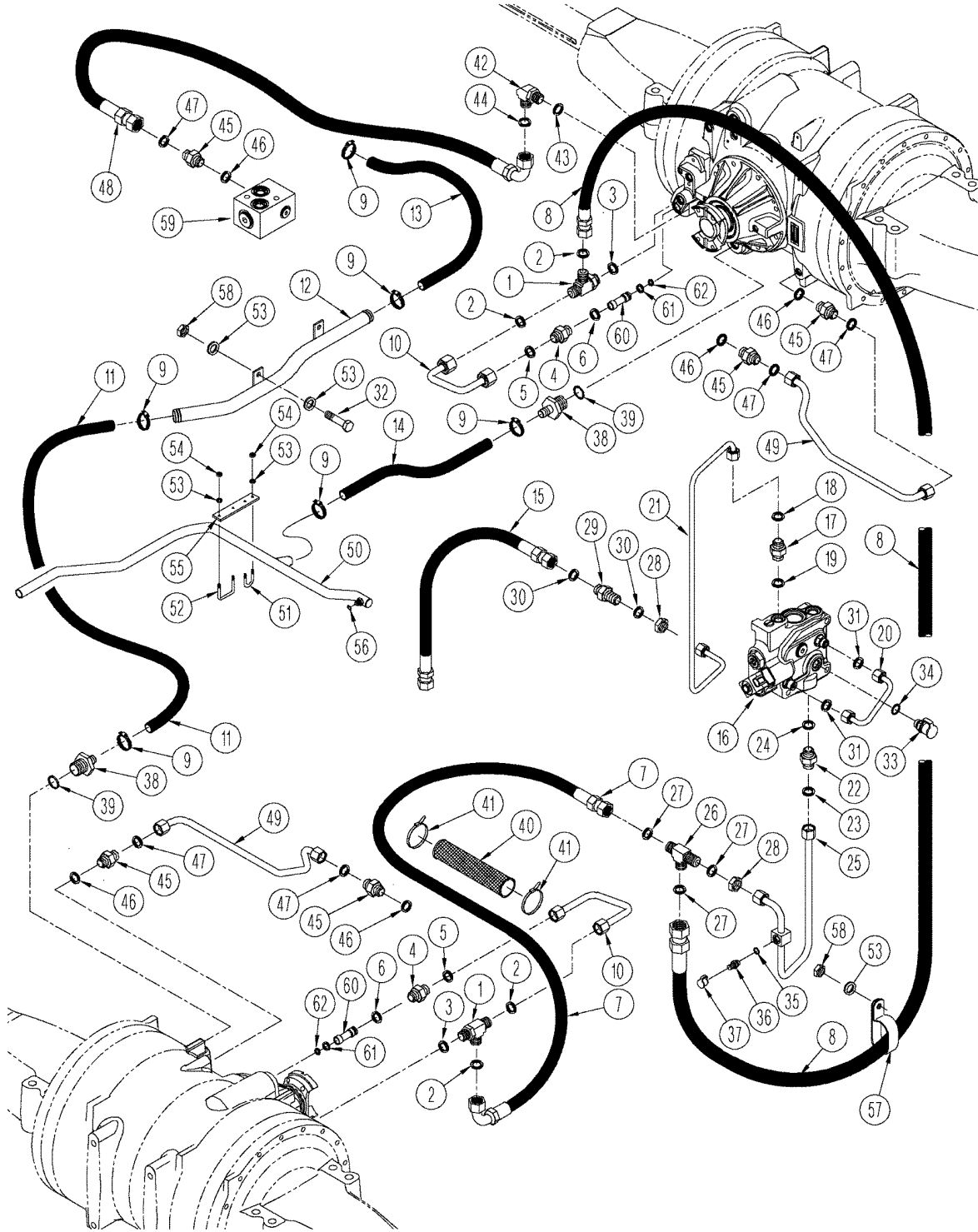
**400 SERIES AXLE HYDRAULICS - AIR AND LUBRICATON CIRCUIT, ASN JEE0102001**

REF	FN	PART NUMBER	YR/SN	QTY	DESCRIPTION
36		86994373		1	HOSE ASSY. 2150 mm (84-1/2 in)
38		896-11010		4	WASHER 11 x 21 x 2,5 mm
39		829-1310		4	NUT M10; 10
40		87413733		1	BRACKET Support
12		627-8025		4	BOLT Cap, HH, CL 10.9, M8 x 1.25 x 25
37		627-10030		4	BOLT M10 x 30; 10.9

	<b>STX375 STX450</b> <b>STX425</b>
--	---------------------------------------



500 SERIES AXLE HYDRAULICS - LUBRICATION CIRCUIT, BSN JEE0102001, WHEEL TRACTOR

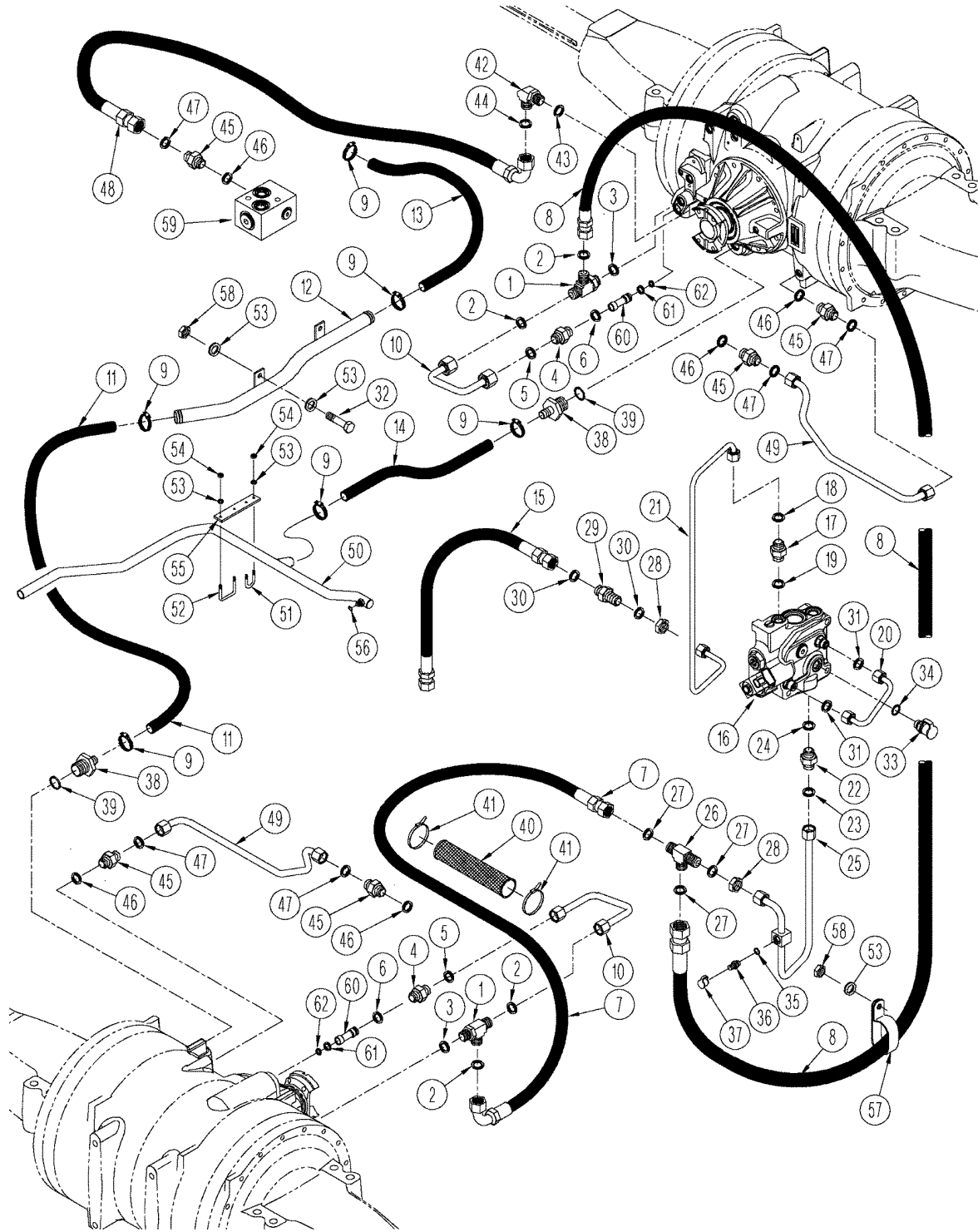


## 500 SERIES AXLE HYDRAULICS - LUBRICATION CIRCUIT, BSN JEE0102001, WHEEL TRACTOR

REF	FN	PART NUMBER	YR/SN	QTY	DESCRIPTION
1		700-445		2	TEE 13/16 fc sl x 22 orb, Inc. 2, 3
2		238-6014		4	O-RING 1/2 ID x 1/16
3		637-63193		2	O-RING 19,3 ID x 2,2 mm
4		700-102		2	CONNECTOR, HYD. 13/16 fc sl x 18 Or, Inc. 5, 6
5		238-6014		2	O-RING 1/2 ID x 1/16
6		637-63153		2	O-RING 15,3 ID x 2,2
7		353607A3		1	HOSE ASSY. 2165 mm (85 in)
8		428170A1		1	HOSE ASSY. 2514 mm (99 in)
9		214-1420		6	CLAMP No. 20
10		413458A1		2	TUBE ASSY.
11		353649A1		1	HOSE 1346 mm (53 in), Cut From 31-2755
12		416705A1		1	TUBE ASSY.
13		340972A1		1	HOSE 787 mm (31 in), Cut From 31-2756
14		395933A1		1	HOSE 356 mm (14 in), Cut From S118383
15		388475A1		1	HOSE 1067 mm (42 in)
16		411104A2		1	VALVE Regulator, See Figure 08-13
17		700-169		1	CONNECTOR, HYD. 13/16 fc sl x M16 Or, Inc. 18, 19
18		238-6014		1	O-RING 1/2 ID x 1/16
19		637-63133		1	O-RING 13,3 ID x 2,2
20		413338A1		1	TUBE ASSY.
21		413334A1		1	TUBE ASSY.
22		700-102		1	CONNECTOR, HYD. 13/16 fc sl x 18 Or, Inc. 23, 24
23		238-6014		1	O-RING 1/2 ID x 1/16
24		637-63153		1	O-RING 15,3 ID x 2,2
25		341282A2		1	TUBE ASSY.
26		701-423		1	TEE M12 fc sl x blkhd fc sl, Inc. 27
27		238-6014		3	O-RING 1/2 ID x 1/16
28		701-903		2	NUT 13/16 in
29		701-121		1	CONNECTOR, HYD. 13/16 fc sl x blkhd, Inc. 30
30		238-6014		2	O-RING 1/2 ID x 1/16
31		238-6012		2	O-RING 3/8 ID x 1/16
33		358968A1		1	COUPLING M18 orb x 1,5, Diagnostic, Inc. 34
34		637-63193		1	O-RING 19,3 ID x 2,2 mm
35		637-63193		1	O-RING 19,3 ID x 2,2 mm
36		392690A1		1	COUPLING

**STX375 STX450**  
**STX425**

500 SERIES AXLE HYDRAULICS - LUBRICATION CIRCUIT, BSN JEE0102001, WHEEL TRACTOR

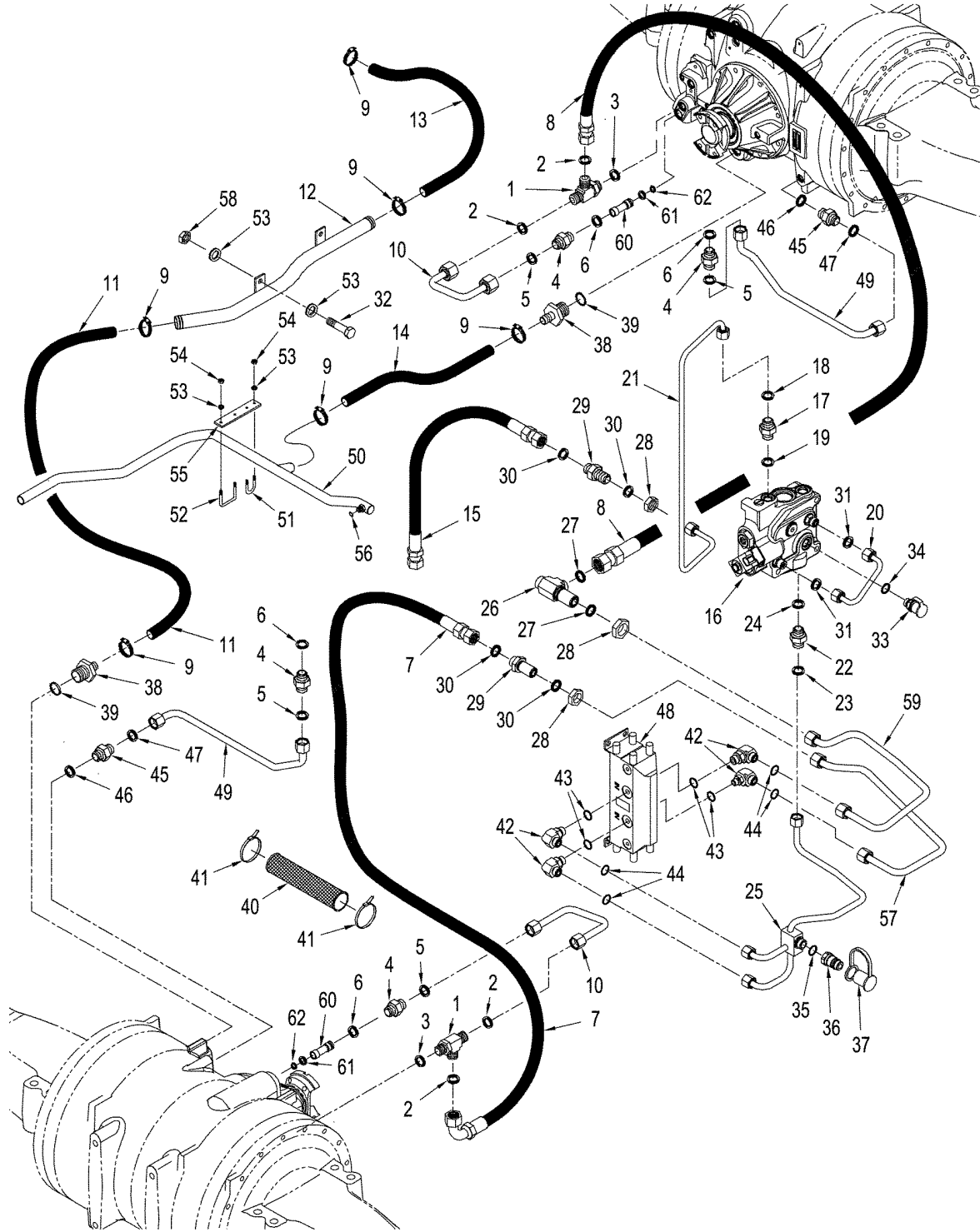


## 500 SERIES AXLE HYDRAULICS - LUBRICATION CIRCUIT, BSN JEE0102001, WHEEL TRACTOR

REF	FN	PART NUMBER	YR/SN	QTY	DESCRIPTION
37		399032A1		1	CAP
38		390348A1		2	STEM M33 orb x barb, Axle Drain, Includes 39
39		637-64296		2	O-RING 29,6 ID x 2,9
40		S120426		1	SLEEVE
41		L18337		2	STRAP 15 in
42		700-305		2	ELBOW 13/16 fc sl x 18 Or, Inc. 43, 44
43		637-63153		2	O-RING 15,3 ID x 2,2
44		238-6014		2	O-RING 1/2 ID x 1/16
45		700-102		6	CONNECTOR, HYD. 13/16 fc sl x 18 Or, Inc. 46, 47
46		637-63153		6	O-RING 15,3 ID x 2,2
47		238-6014		6	O-RING 1/2 ID x 1/16
48		411996A1		2	HOSE ASSY. 508 mm (20 in)
49		416714A1		2	TUBE ASSY. Final Drive, Long
50		409614A1		1	TUBE ASSY. Return
51		253105A1		2	U-BOLT
52		396490A1		2	U-BOLT
53		895-11008		16	WASHER 9 x 17 x 1,6 mm
54		832-10408		8	NUT M8; 8
55		394302A1		2	PLATE
56		238-6012		1	O-RING 3/8 ID x 1/16
57		L111928		3	CLAMP
58		829-1408		6	NUT M8; 10
59		370157A1		1	BODY Jet Pump, See Figure 06-57
60		413207A1		2	ORIFICE Pinion Cover
61		238-5111		2	O-RING 7/16 ID x 3/32
62		238-5011		2	O-RING -011, 70 Duro, .301" ID x .070" Thk
32		627-8025		2	BOLT M8 x 25; 10.9

**STX375 STX450**  
**STX425**

500 SERIES AXLE HYDRAULICS - LUBRICATION CIRCUIT, BTW JEE0102001 & JEE0106701, WHEEL TRACTOR



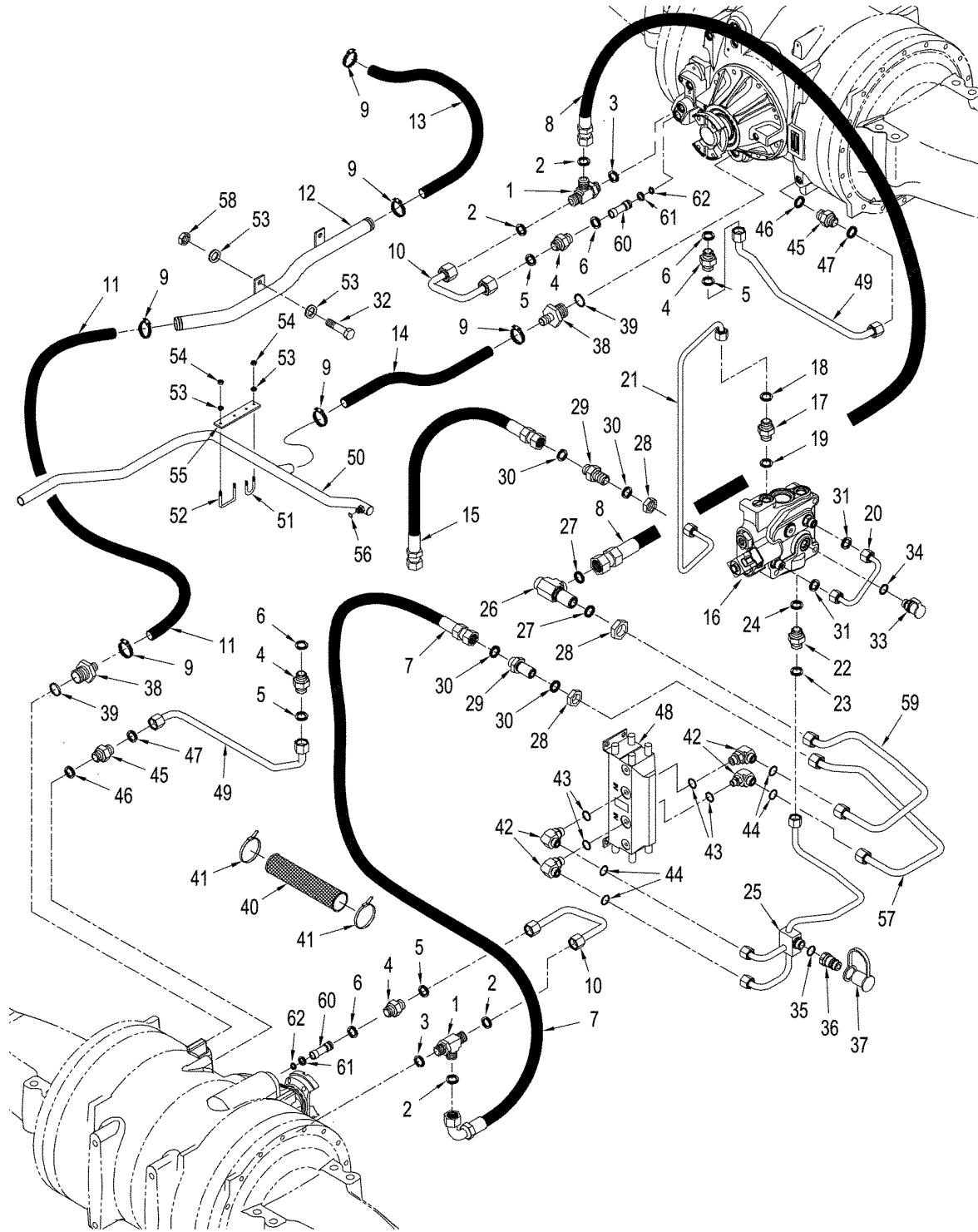
## 500 SERIES AXLE HYDRAULICS - LUBRICATION CIRCUIT, BTW JEE0102001 &amp; JEE0106701, WHEEL TRACTOR

REF	FN	PART NUMBER	YR/SN	QTY	DESCRIPTION
1		700-445		2	TEE 13/16 fc sl x 22 orb, Inc. 2, 3
2		238-6014		4	O-RING 90 Duro, .489" ID x .070" Thk
3		637-63193		2	O-RING 19,3 ID x 2,2 mm
4		700-102		4	CONNECTOR, HYD. 13/16 fc sl x 18 Or, Inc. 5, 6
5		238-6014		2	O-RING 90 Duro, .489" ID x .070" Thk
6		637-63153		2	O-RING 15,3 ID x 2,2
7		353607A3		1	HOSE ASSY. 2165 mm (85 in)
8		87413874		1	HOSE ASSY. 2483 mm (97-3/4 in)
9		214-1420		6	CLAMP No. 20
10		451013A1		2	TUBE ASSY.
11		353649A1		1	HOSE 1346 mm (53 in), Cut From : 31-2755
12		416705A2		1	TUBE ASSY.
13		340972A1		1	HOSE 787 mm (31 in), Cut From : 31-2755
14		395933A1		1	HOSE 356 mm (14 in), Cut From : S118383
15		388475A1		1	HOSE 1067 mm (42 in)
16		411104A2		1	VALVE Regulator, See Figure(s) : 08-13
17		700-169		1	CONNECTOR, HYD. 13/16 fc sl x M16 Or, Inc. 18, 19
18		238-6014		1	O-RING 90 Duro, .489" ID x .070" Thk
19		637-63133		1	O-RING 13,3 ID x 2,2
20		413338A1		1	TUBE ASSY.
21		413334A1		1	TUBE ASSY.
22		700-102		1	CONNECTOR, HYD. 13/16 fc sl x 18 Or, Inc. 23, 24
23		238-6014		1	O-RING 90 Duro, .489" ID x .070" Thk
24		637-63153		1	O-RING 15,3 ID x 2,2
25		449802A2		1	TUBE ASSY.
26		701-301		1	ELBOW 90, 1/2 x blkhd, Inc. 27
27		238-6014		2	O-RING 90 Duro, .489" ID x .070" Thk
28		701-903		3	NUT 13/16 in
29		701-121		2	CONNECTOR, HYD. 13/16 fc sl x blkhd, Inc. 30
30		238-6014		2	O-RING 90 Duro, .489" ID x .070" Thk
31		238-6012		2	O-RING 90 Duro, .364" ID x .070" Thk
33		358968A1		1	COUPLING M18 orb x 1,5, Diagnostic, Inc. 34
34		637-63193		1	O-RING 19,3 ID x 2,2 mm
35		637-63193		1	O-RING 19,3 ID x 2,2 mm
36		392690A1		1	COUPLING

BTW JEE0102001 &amp; JEE0106701

**STX375 STX450**  
**STX425 STX500**

500 SERIES AXLE HYDRAULICS - LUBRICATION CIRCUIT, BTW JEE0102001 & JEE0106701, WHEEL TRACTOR



**08-07**

01

p2

11/05

**500 SERIES AXLE HYDRAULICS - LUBRICATION CIRCUIT, BTW JEE0102001 & JEE0106701, WHEEL TRACTOR**

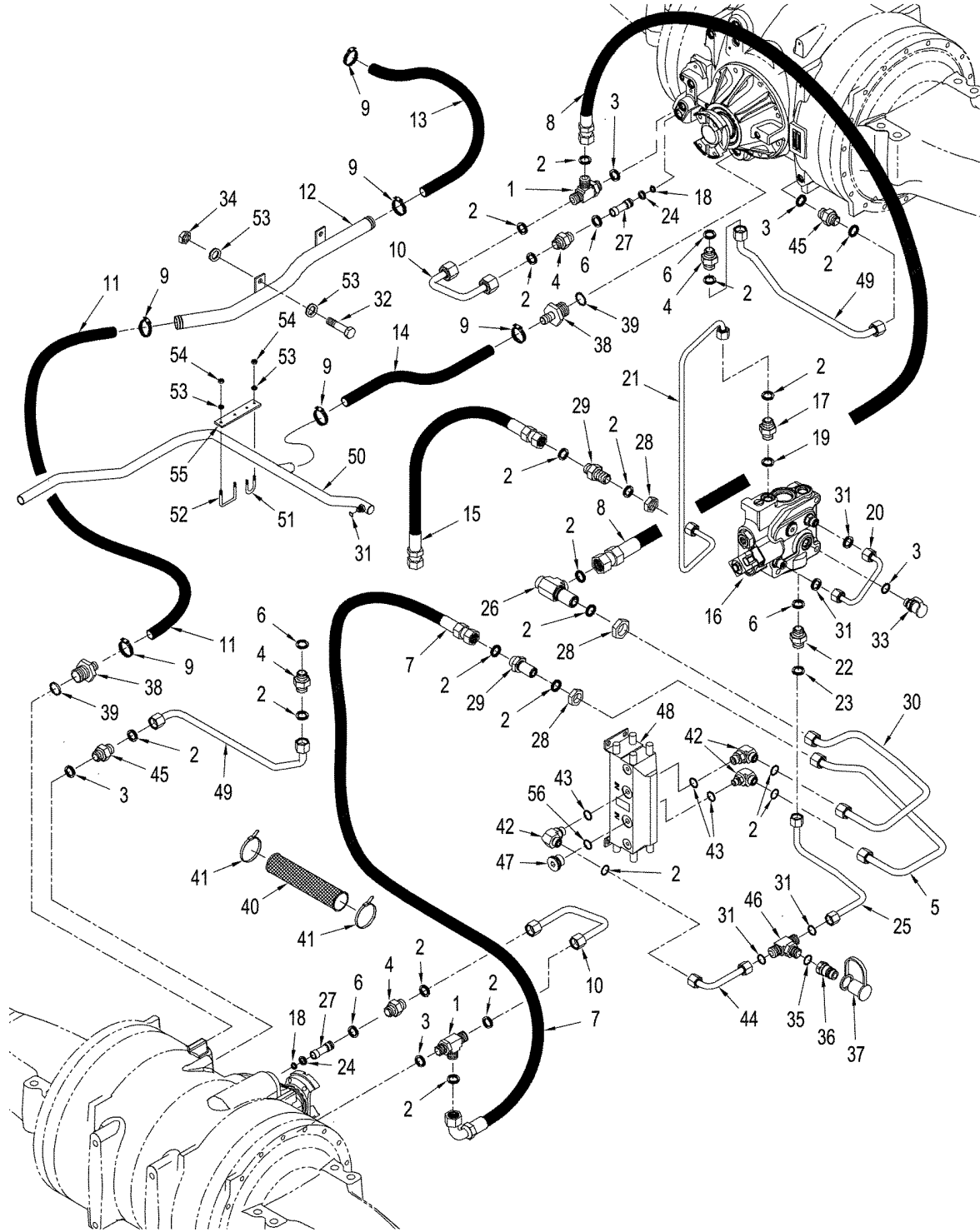
REF	FN	PART NUMBER	YR/SN	QTY	DESCRIPTION
37		399032A1		1	CAP
38		390348A1		2	STEM M33 orb x barb, Axle Drain, Inc. 39
39		637-64296		2	O-RING 29,6 ID x 2,9
40		S120426		1	SLEEVE
41		L18337		2	STRAP 15 in
42		201-305		4	ELBOW 90, 1/2 or x13/16 fc sl, Inc. 43, 44
43		637-63093		1	O-RING 9,3 ID x 2,2 Thk
44		238-6014		1	O-RING 90 Duro, .489" ID x .070" Thk
45		700-162		2	CONNECTOR, HYD. M22 x 13/16 fc sl, Inc. 46, 47
46		637-63193		1	O-RING 19,3 ID x 2,2 Thk
47		238-6014		1	O-RING 90 Duro, .489" ID x .070" Thk
48		434727A1		1	MOTOR-PUMP Axle Air / Lube
49		87400024		2	TUBE ASSY. Final Drive, Long
50		409614A1		1	TUBE ASSY. Return
51		253105A1		2	U-BOLT
52		396490A1		2	U-BOLT
53		895-11008		16	WASHER 9 x 17 x 1,6 mm
54		832-10408		8	NUT M8
55		409609A1		2	PLATE
56		238-6012		1	O-RING 90 Duro, .364" ID x .070" Thk
57		449815A2		1	TUBE ASSY.
58		829-1408		6	NUT CL 10, M8 x 1.25
59		449813A2		1	TUBE ASSY.
60		87400028		2	ORIFICE Pinnion Cover
61		238-5111		2	O-RING 7/16 ID x 3/32; 5
62		238-5011		2	O-RING -011, 70 Duro, .301" ID x .070" Thk
32		627-8025		2	BOLT Cap, HH, CL 10.9, M8 x 1.25 x 25

BTW JEE0102001 &amp; JEE0106701

**STX375 STX450  
STX425 STX500**



500 SERIES AXLE HYDRAULICS - LUBRICATION CIRCUIT, ASN JEE0106701, WHEEL TRACTOR

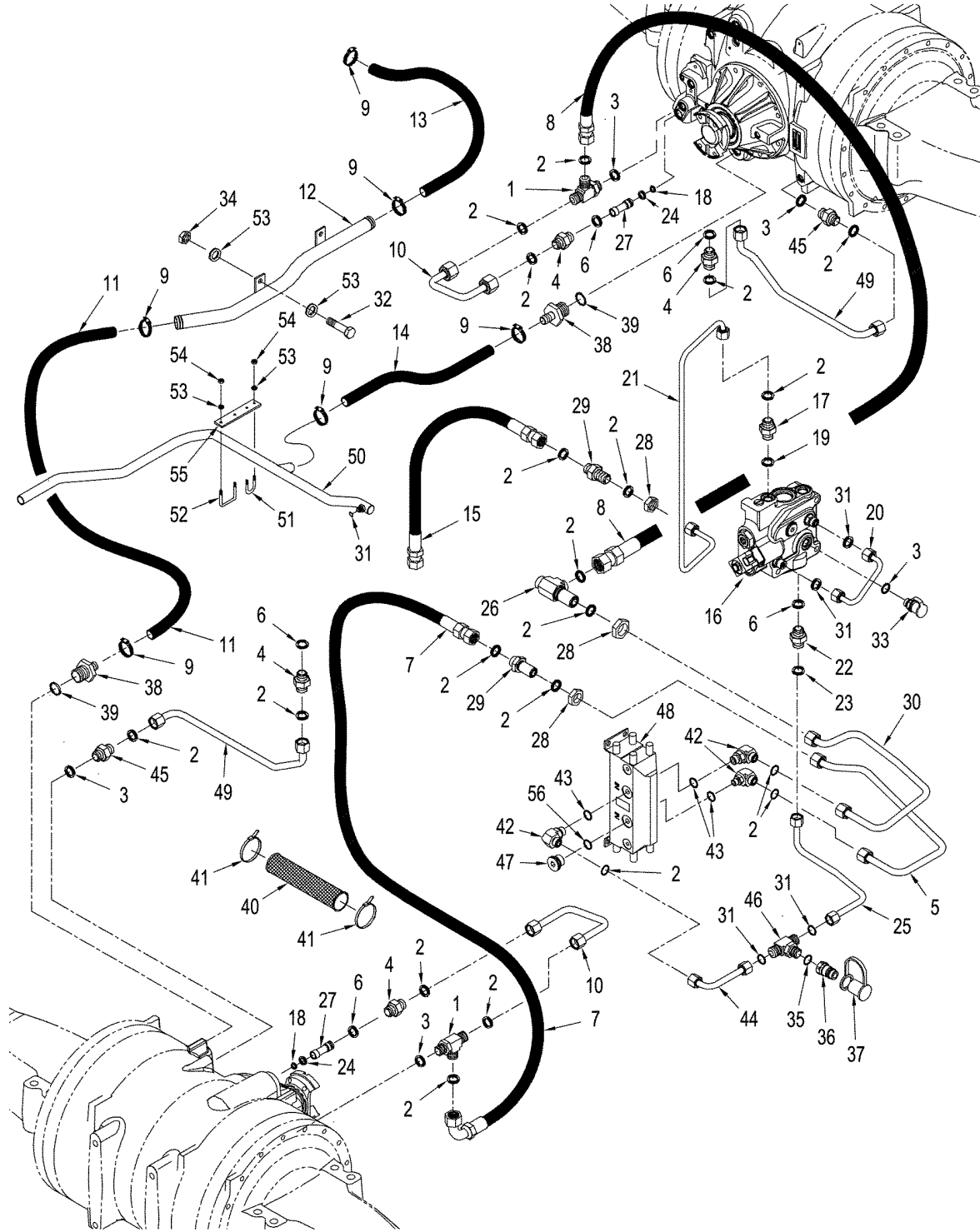


## 500 SERIES AXLE HYDRAULICS - LUBRICATION CIRCUIT, ASN JEE0106701, WHEEL TRACTOR

REF	FN	PART NUMBER	YR/SN	QTY	DESCRIPTION
1		700-445		2	TEE 13/16 fc sl x 22 orb, Inc. 2, 3
2		238-6014		15	O-RING 90 Duro, .489" ID x .070" Thk
3		637-63193		5	O-RING 19,3 ID x 2,2 mm
4		700-102		4	CONNECTOR, HYD. 13/16 fc sl x 18 Or, Inc. 2, 6
5		449815A2		1	TUBE ASSY.
6		637-63153		3	O-RING 15,3 ID x 2,2
7		353607A3		1	HOSE ASSY. 2165 mm (85 in)
8		87413874		1	HOSE ASSY. 2483 mm (97-3/4 in)
9		214-1420		6	CLAMP No. 20
10		451013A1		2	TUBE ASSY.
11		353649A1		1	HOSE 1346 mm (53 in), Cut From : 31-2755
12		416705A2		1	TUBE ASSY.
13		340972A1		1	HOSE 787 mm (31 in), Cut From : 31-2755
14		395933A1		1	HOSE 356 mm (14 in), Cut From : S118383
15		388475A1		1	HOSE 1067 mm (42 in)
16		411104A2		1	VALVE Regulator, See Figure(s) : 08-13
17		700-169		1	CONNECTOR, HYD. 13/16 fc sl x M16 Or, Inc. 2, 19
18		238-5011		2	O-RING -011, 70 Duro, .301" ID x .070" Thk
19		637-63133		1	O-RING 13,3 ID x 2,2
20		413338A1		1	TUBE ASSY.
21		413334A1		1	TUBE ASSY.
22		700-102		1	CONNECTOR, HYD. 13/16 fc sl x 18 Or, Inc. 23, 24
23		238-6014		1	O-RING 90 Duro, .489" ID x .070" Thk
24		238-5111		2	O-RING 7/16 ID x 3/32; 5
25		87307544		1	TUBE ASSY.
26		701-301		1	ELBOW 90, 1/2 x blkhd, Inc. 2
27		87400028		2	ORIFICE Pinnion Cover
28		701-903		3	NUT 13/16 in
29		701-121		2	CONNECTOR, HYD. 13/16 fc sl x blkhd, Inc. 2
30		449813A2		1	TUBE ASSY.
31		238-6012		3	O-RING 90 Duro, .364" ID x .070" Thk
33		358968A1		1	COUPLING M18 orb x 1,5, Diagnostic, Inc. 3
34		829-1408		6	NUT M8, CL10
35		637-63153		1	O-RING 15,3 ID x 2,2mm
36		392690A1		1	COUPLING

**STX375 STX450**  
**STX425 STX500**

500 SERIES AXLE HYDRAULICS - LUBRICATION CIRCUIT, ASN JEE0106701, WHEEL TRACTOR



**08-07**

02

p2

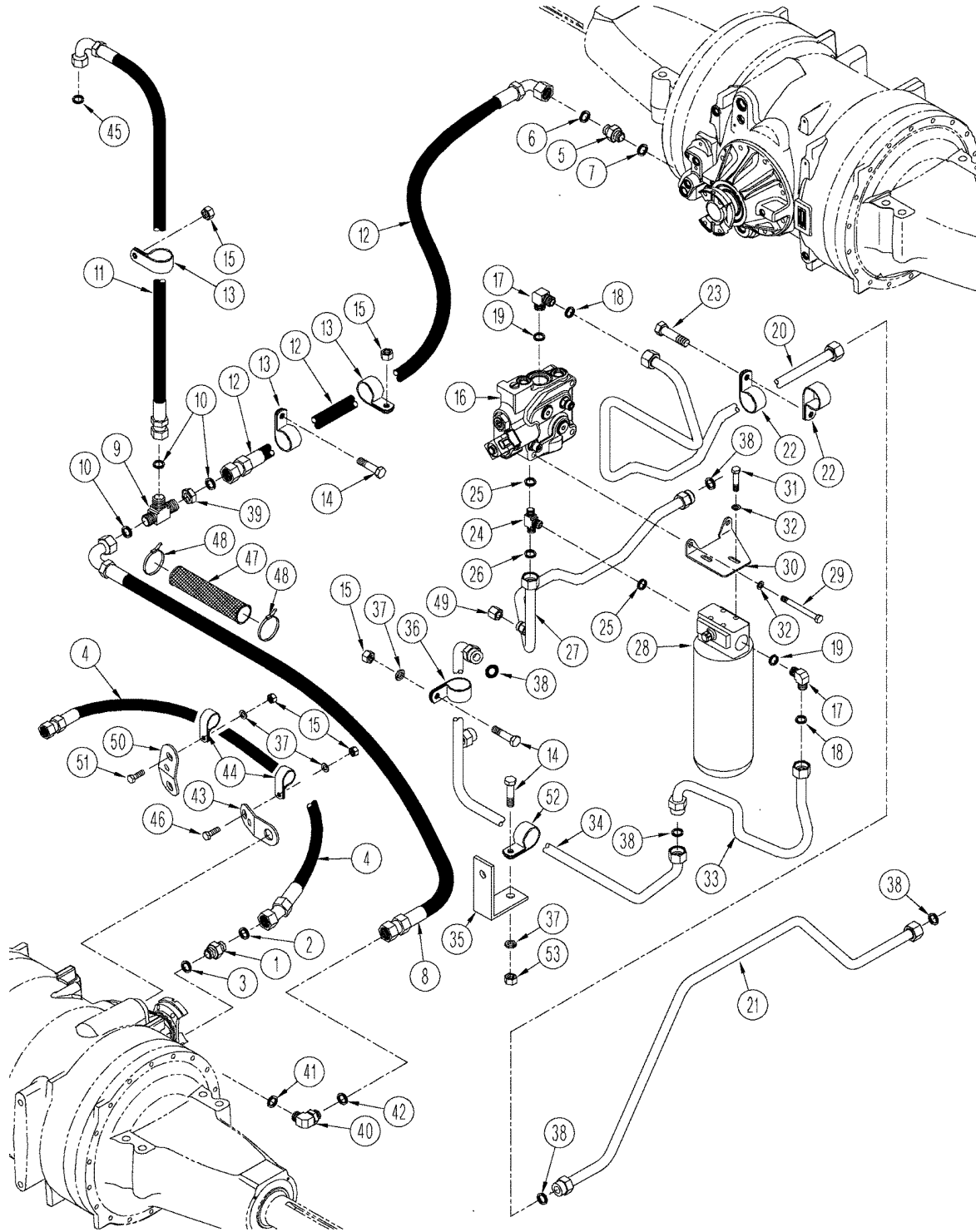
11/05

**500 SERIES AXLE HYDRAULICS - LUBRICATION CIRCUIT, ASN JEE0106701, WHEEL TRACTOR**

REF	FN	PART NUMBER	YR/SN	QTY	DESCRIPTION
37		399032A1		1	CAP
38		390348A1		2	STEM M33 orb x barb, Axle Drain, Inc. 39
39		637-64296		2	O-RING 29,6 ID x 2,9
40		S120426		1	SLEEVE
41		L18337		2	STRAP 15 in
42		201-305		4	ELBOW 90, 1/2 or x13/16 fc sl, Inc. 43, 2
43		637-63093		1	O-RING 9,3 ID x 2,2 Thk
44		87307521		1	TUBE ASSY.
45		700-162		2	CONNECTOR, HYD. M22 x 13/16 fc sl, Inc. 2, 3
46		700-447		1	TEE M12 or x 13/16 fcsl, Inc. 2
47		218-5210		1	PLUG Soc Hd, 3/4 or, Inc 56
48		434727A1		1	MOTOR-PUMP Axle Air / Lube
49		87400024		2	TUBE ASSY. Final Drive, Long
50		409614A1		1	TUBE ASSY. Return
51		253105A1		2	U-BOLT
52		396490A1		2	U-BOLT
53		895-11008		16	WASHER 9 x 17 x 1,6 mm
54		832-10408		8	NUT M8
55		409609A1		2	PLATE
56		237-6012		1	O-RING 59/64 ID x 1/8 Thk
32		627-8025		2	BOLT Cap, HH, CL 10.9, M8 x 1.25 x 25

**STX375 STX450**  
**STX425 STX500**

500 SERIES AXLE HYDRAULICS - LUBRICATION AND COOLING CIRCUIT, BSN JEE0102001, WHEEL TRACTOR

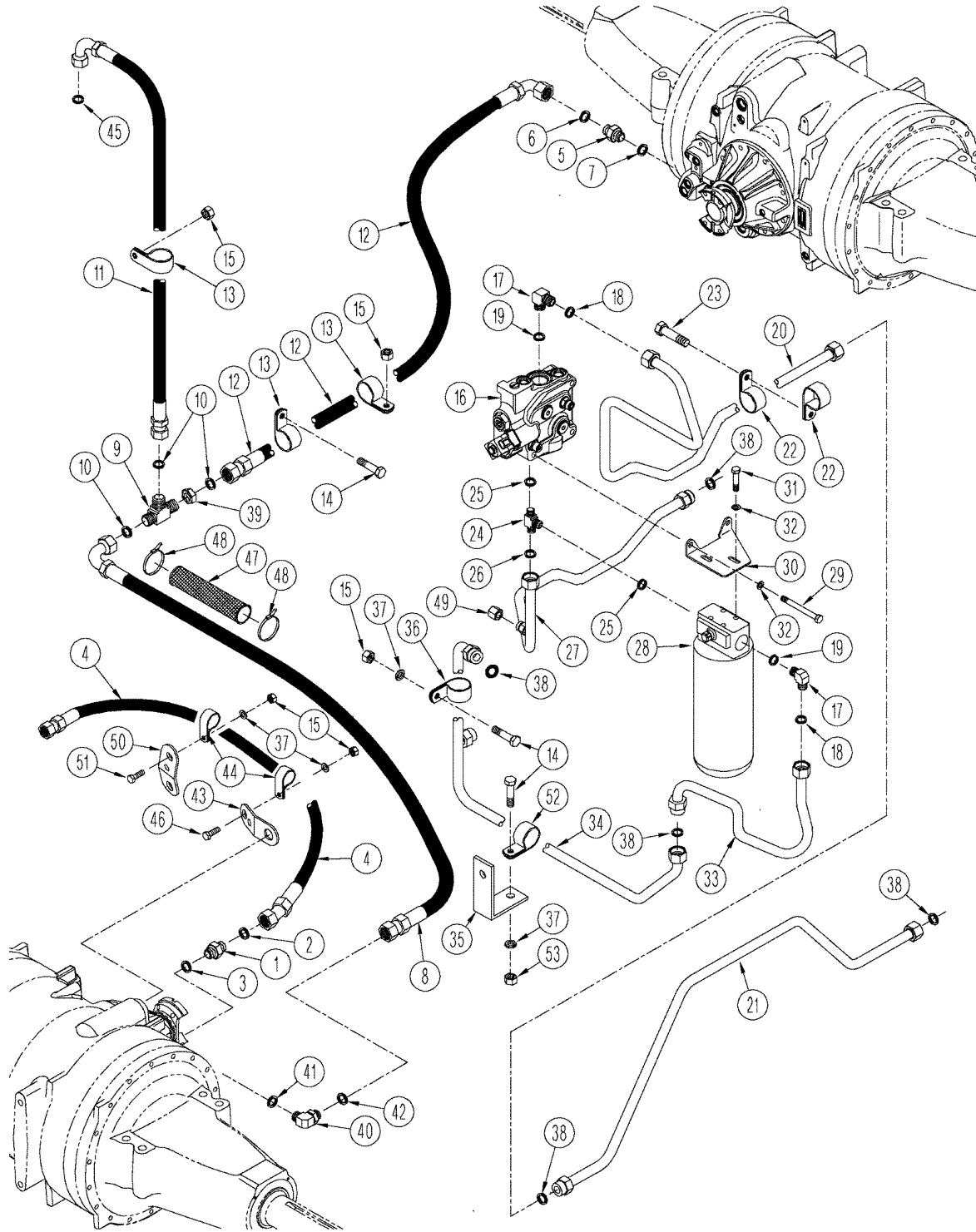


## 500 SERIES AXLE HYDRAULICS - LUBRICATION AND COOLING CIRCUIT, BSN JEE0102001, WHEEL TRACTOR

REF	FN	PART NUMBER	YR/SN	QTY	DESCRIPTION
1		700-106		1	CONNECTOR, HYD. 11/16 fc sl x 18 Or, Inc. 2, 3
2		238-6012		1	O-RING 3/8 ID x 1/16
3		637-63153		1	O-RING 15,3 ID x 2,2
4		436864A1		1	HOSE ASSY. 2019 mm (79 in)
5		700-162		1	CONNECTOR, HYD. 13/16 fc sl x 22 or, Inc. 6, 7
6		238-6014		1	O-RING 1/2 ID x 1/16
7		637-63193		1	O-RING 19,3 ID x 2,2 mm
8		377522A1		1	HOSE 2162 mm (85 in)
9		701-423		1	TEE M12 fc sl x blkhd fc sl, Inc. 10
10		238-6014		3	O-RING 1/2 ID x 1/16
11		352111A2		1	HOSE ASSY. 984 mm (37 in)
12		381678A1		1	HOSE ASSY. 1597 mm (63 in)
13		515-23206		3	CLAMP P-type
15		829-1408		7	NUT M8; 10
16		411104A2		1	VALVE Regulator, See Figure 08-13
17		700-308		2	ELBOW 1-7/16 fc sl x 33 Or, Inc. 18, 19
19		637-64296		2	O-RING 29,6 ID x 2,9
20		416712A1		1	TUBE ASSY.
21		416701A1		1	TUBE ASSY.
22		R15257		2	CLAMP
23		827-8040		2	SCREW M8 x 40; 10.9
24		328232A1		1	TEE
25		637-64296		2	O-RING 29,6 ID x 2,9
27		416703A1		1	TUBE ASSY.
28		86991559		1	FILTER ASSY. See Figure 08-04
29		827-10150		3	BOLT M10 x 150; 10.9
30		413322A1		1	BRACKET
31		627-10020		4	SCREW M10 x 20; 10.9
32		895-18010		4	WASHER 11 x 18 x 1,6 mm
33		416699A1		1	TUBE ASSY.
34		416708A1		1	TUBE ASSY.
35		417270A1		2	BRACKET
36		515-22254		3	CLAMP 1 ID
37		895-11008		3	WASHER 9 x 17 x 1,6 mm
39		701-903		1	NUT 13/16 in

**STX375 STX450**  
**STX425**

500 SERIES AXLE HYDRAULICS - LUBRICATION AND COOLING CIRCUIT, BSN JEE0102001, WHEEL TRACTOR



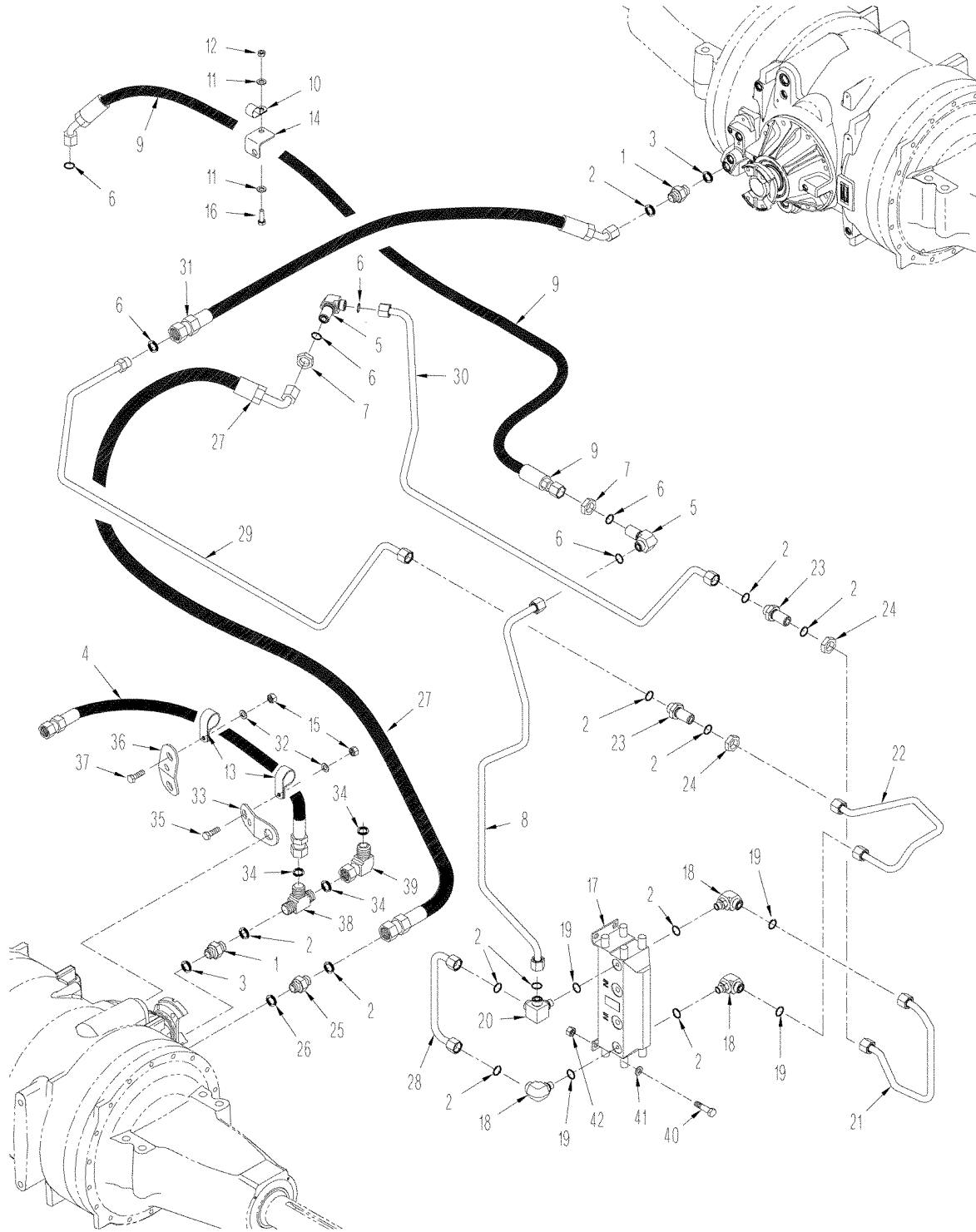
## 500 SERIES AXLE HYDRAULICS - LUBRICATION AND COOLING CIRCUIT, BSN JEE0102001, WHEEL TRACTOR

REF	FN	PART NUMBER	YR/SN	QTY	DESCRIPTION
40		700-326		1	ELBOW 90, 13/16 fc sl x 22 or, Inc. 41, 42
41		637-63193		1	O-RING 19,3 ID x 2,2 mm
42		238-6014		1	O-RING 1/2 ID x 1/16
43		417271A1		1	BRACKET
44		515-23190		2	CLAMP 3/4 ID
45		238-6014		1	O-RING 1/2 ID x 1/16
46		627-8020		1	BOLT M8 x 20; 10.9
47		334783A1		1	SLEEVE 610 mm (24 in)
48		L18337		2	STRAP 15 in
49		701-906		1	CAP If Used
50		417272A1		1	BRACKET
52		515-23270		2	CLAMP
53		832-10408		2	NUT M8; 8
51		627-8030		1	SCREW M8 x 30; 9
14		627-8025		4	BOLT M8 x 25; 10.9
18		238-6021		2	O-RING 15/16 ID x 1/16
26		238-6021		1	O-RING 15/16 ID x 1/16
38		238-6021		5	O-RING 15/16 ID x 1/16

**STX375 STX450**  
**STX425**



500 SERIES AXLE HYDRAULICS - AIR AND LUBRICATION CIRCUIT, ASN JEE0102001, WHEEL TRACTOR



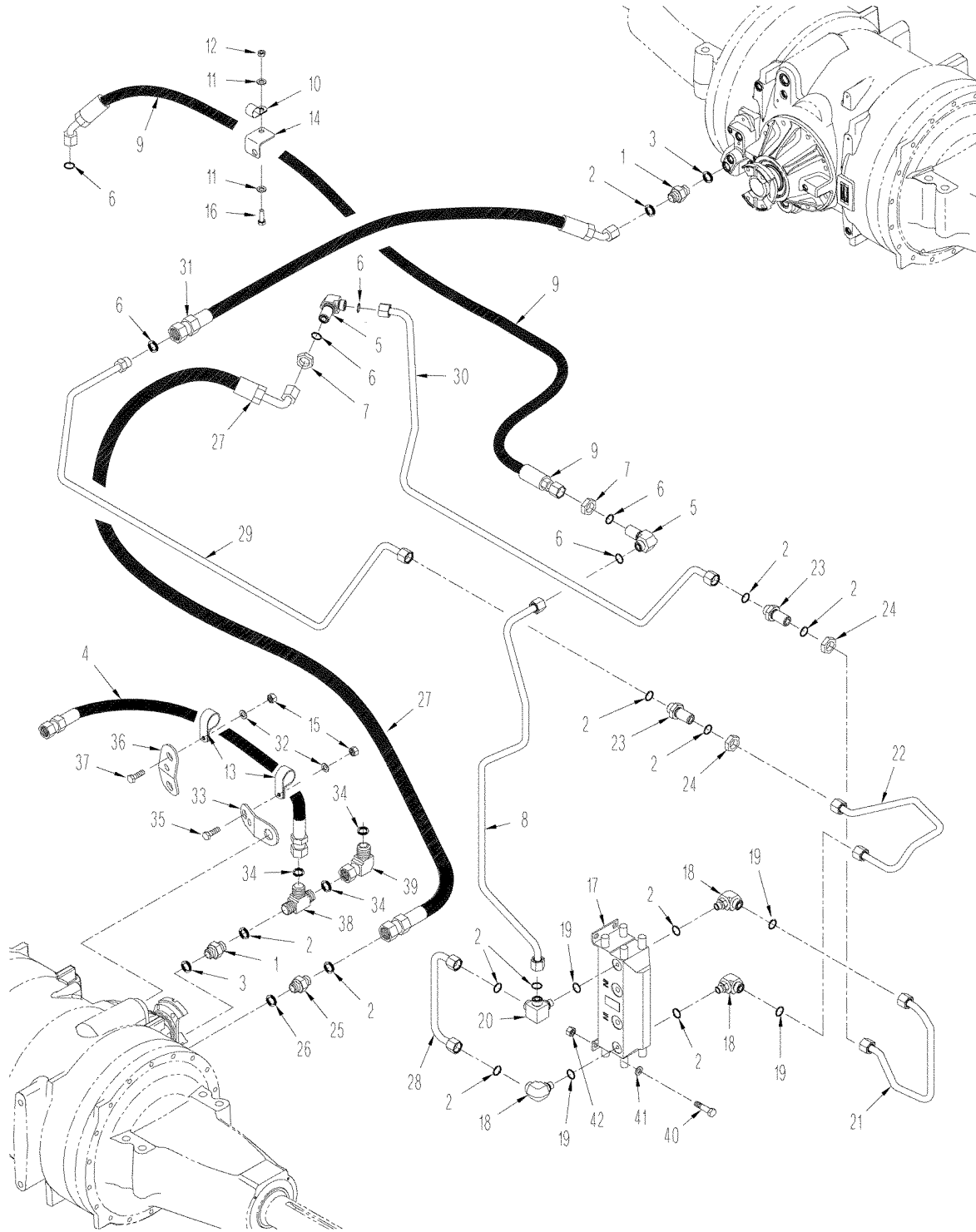
## 500 SERIES AXLE HYDRAULICS - AIR AND LUBRICATION CIRCUIT, ASN JEE0102001, WHEEL TRACTOR

REF	FN	PART NUMBER	YR/SN	QTY	DESCRIPTION
1		700-102		2	CONNECTOR, HYD. 11/16 fc sl x 18 Or, Inc. 2, 3
2		238-6014		12	O-RING 90 Duro, .489" ID x .070" Thk
3		637-63153		1	O-RING 15,3 ID x 2,2
4		436864A1		1	HOSE ASSY. 2019 mm (79 in)
5		701-301		2	ELBOW 90, 13/16 fc sl x blkhd, Inc. 6, 7
6		238-6014		3	O-RING 90 Duro, .489" ID x .070" Thk
7		701-903		1	NUT 13/16
8		449821A2		1	TUBE ASSY.
9		86992953		1	HOSE ASSY. 1715 mm (67-1/2 in)
10		515-23206		3	CLAMP
11		895-11008		2	WASHER
12		829-1408		2	NUT M8; 10
13		515-23206		3	CLAMP P-type
14		416102A1		1	SUPPORT Bracket
15		829-1408		7	NUT CL 10, M8 x 1.25
17		434727A1		2	MOTOR-PUMP Axle Air / Lube
18		201-332		3	ELBOW 90, M12 or x 13/16 fc sl, Inc. 2, 19
19		637-63093		3	O-RING 9,3 ID x 2,2 Thk
20		450905A1		1	TEE Special, 1/2 or x fc sl, Inc. 2, 19
21		449817A2		1	TUBE ASSY.
22		86992542		1	TUBE ASSY.
23		701-121		2	CONNECTOR, HYD. 13/16 fc sl x blkhd, Inc. 2
24		701-903		2	NUT Lock
25		700-162		1	CONNECTOR, HYD. M22 or x 13/16 fc sl, Inc. 2, 26
26		637-63193		1	O-RING 19,3 ID x 2,2 Thk
27	1	87400117		1	HOSE ASSY. 2299 mm (90-1/2 in)
28		449794A1		1	TUBE ASSY.
29		449825A1		1	TUBE ASSY.
30		449823A1		1	TUBE ASSY.
31		86993937		4	HOSE ASSY. 1194 mm (47 in)
32		895-11008		4	WASHER 9 x 17 x 1.6 mm
33		417271A1		1	BRACKET
34		238-6014		2	O-RING 90 Duro, .489" ID x .070" Thk
35		613-8020		1	SCREW Cap, HH, CL 8.8, M8 x 1.25 x 20

(1) Used On Applications Without PTO

**STX375 STX450**  
**STX425 STX500**

500 SERIES AXLE HYDRAULICS - AIR AND LUBRICATION CIRCUIT, ASN JEE0102001, WHEEL TRACTOR

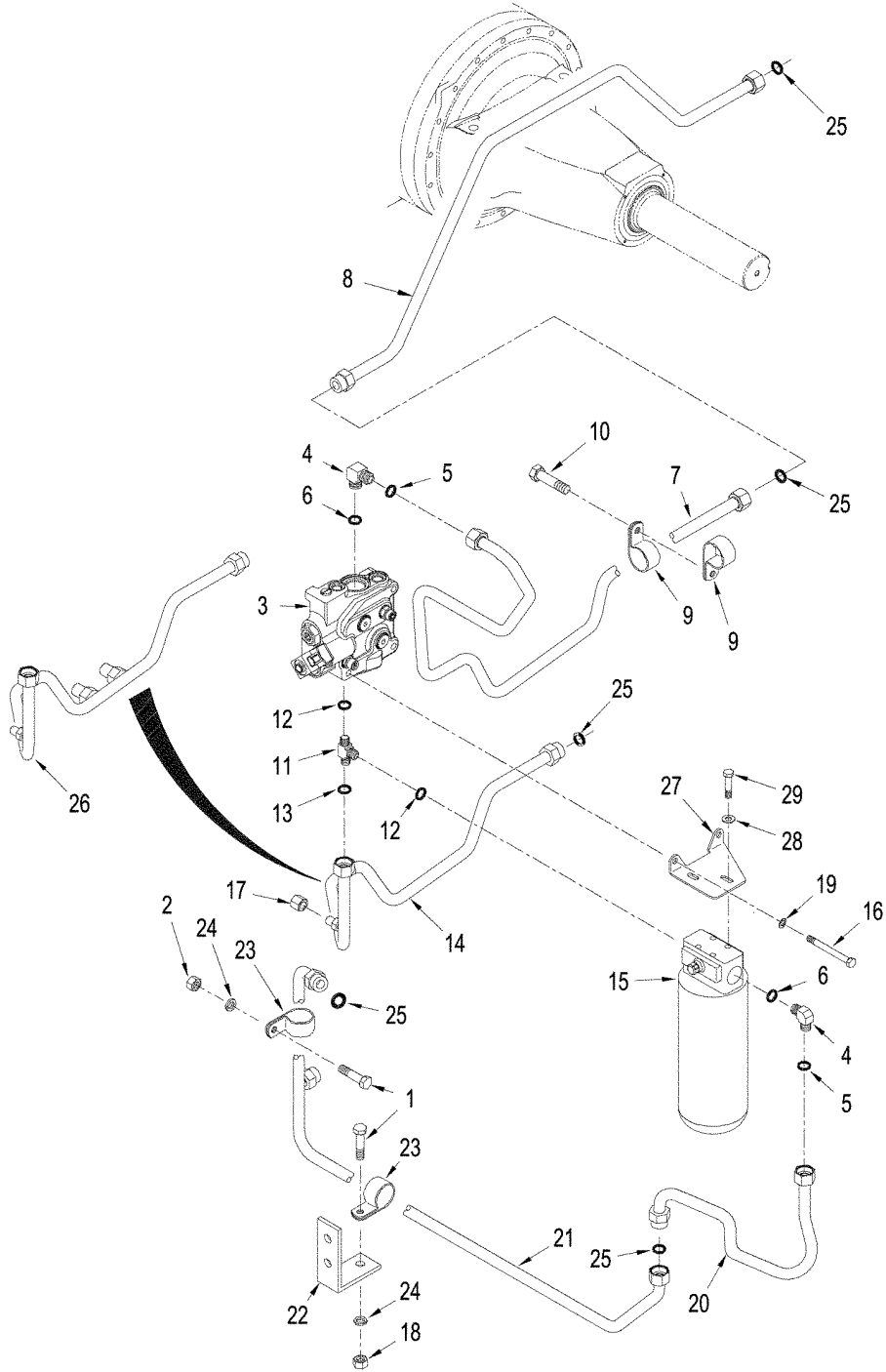


**500 SERIES AXLE HYDRAULICS - AIR AND LUBRICATION CIRCUIT, ASN JEE0102001, WHEEL TRACTOR**

REF	FN	PART NUMBER	YR/SN	QTY	DESCRIPTION
36		417272A1		1	BRACKET
38		701-416		1	TEE M12 x 13/16 fc sl, Inc. 34
39		701-320		1	ELBOW 90, 13/16 fc sl x Swl, Inc. 34
41		896-11010		4	WASHER 11 x 21 x 2,5 mm
42		829-1310		4	NUT M10; 10
37		627-8030		1	SCREW Cap, HH, CL 10.9, M8 x 1.25 x 30
16		627-8025		1	BOLT M8 x 1-1/4; 10
40		627-10030		4	BOLT M10 x 30; 10.9

**STX375 STX450  
STX425 STX500**

400 / 500 SERIES AXLE HYDRAULICS - COOLING CIRCUIT, ASN JEE0102001, WHEEL TRACTOR



## 400 / 500 SERIES AXLE HYDRAULICS - COOLING CIRCUIT, ASN JEE0102001, WHEEL TRACTOR

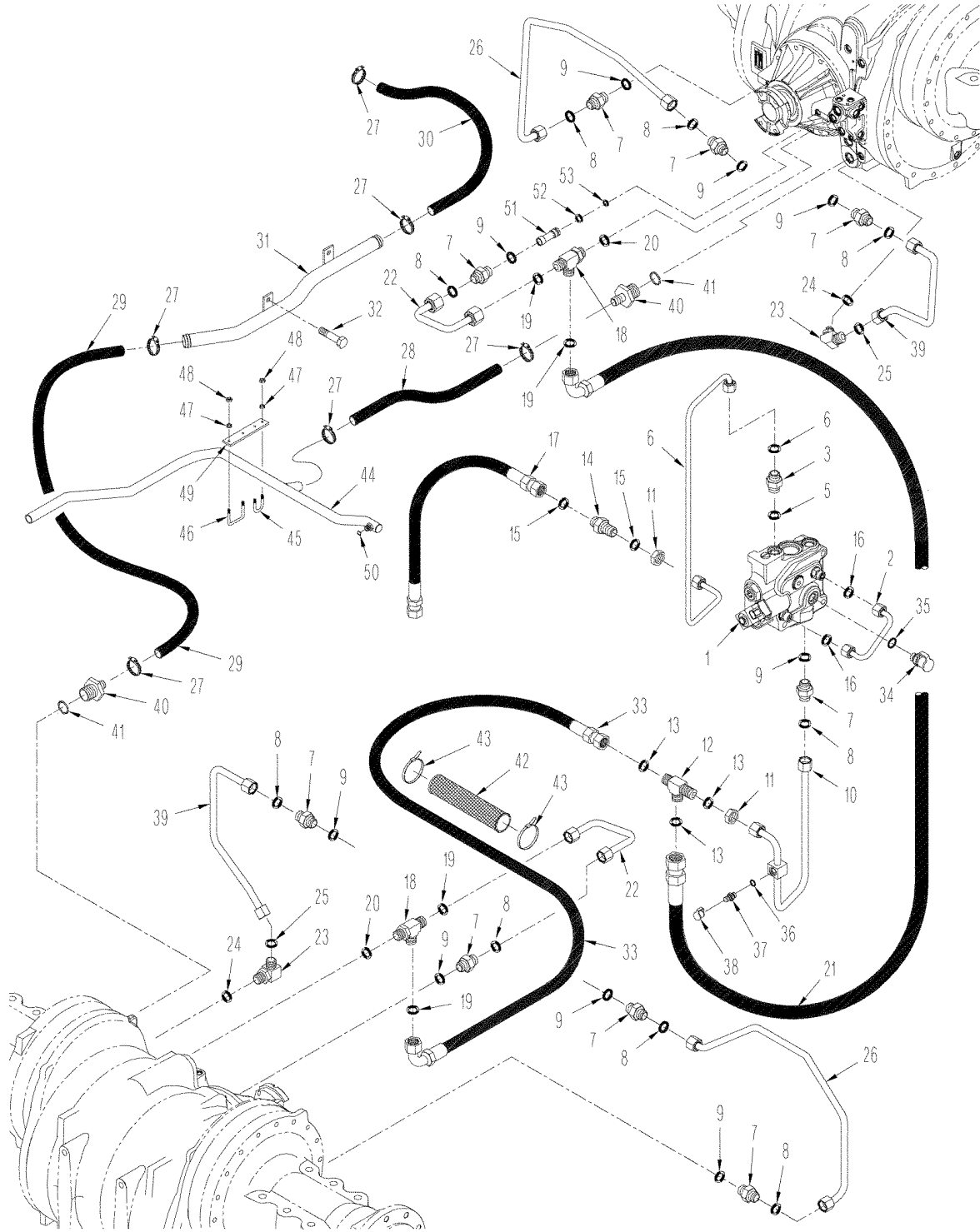
REF	FN	PART NUMBER	YR/SN	QTY	DESCRIPTION
2		829-1408		3	NUT CL 10, M8 x 1.25
3		411104A1		1	VALVE Regulator, See Figure(s) : 08-13
4		700-308		2	ELBOW 90, 1-7/16 fc sl x 33 Or, Inc. 18, 19
6		637-64296		2	O-RING 29,6 ID x 2,9
7		418818A1		1	TUBE ASSY.
8		416701A1		1	TUBE ASSY.
9		R15257		2	CLAMP
10		827-8040		2	SCREW Cap, HH, CL 10.9, M8 x 1.25 x 40
11		328232A1		1	TEE
12		637-64296		2	O-RING 29,6 ID x 2,9
14		87310970		1	TUBE, HYD Pump Supply
15		86991559		1	FILTER ASSY. See Figure(s) : 08-04
16		827-10150		3	BOLT M10 x 150; 10.9
17	1	701-906		1	CAP 5/8
18		832-10406		2	NUT Lock, M8; 8
19		895-18010		2	WASHER 11 x 18 x 1.6 mm
20		418820A1		1	TUBE ASSY.
21		416708A1		1	TUBE ASSY.
22		451507A1		2	BRACKET
23		515-22254		3	CLAMP 1 ID
24		895-11008		3	WASHER 9 x 17 x 1.6 mm
26	2	418816A2		1	TUBE ASSY. Pump Supply
27		413322A1		1	BRACKET Mounting
28		895-18010		4	WASHER 11 x 18 x 1,6 mm
29		627-10020		4	SCREW Cap, HH, M10 x 20, CL10.9
1		627-8025		4	BOLT Cap, HH, CL 10.9, M8 x 1.25 x 25
5		238-6021		2	O-RING 90 Duro, .926" ID x .070" Thk
13		238-6021		1	O-RING 90 Duro, .926" ID x .070" Thk
25		238-6021		5	O-RING 90 Duro, .926" ID x .070" Thk

(1) With Electronic Three Point Hitch

(2) Mega Flow Hydraulic Application

**STX375 STX450**  
**STX425 STX500**

500 SERIES AXLE HYDRAULICS - LUBRICATION CIRCUIT, BSN JEE0102001, QUADTRAC TRACTOR



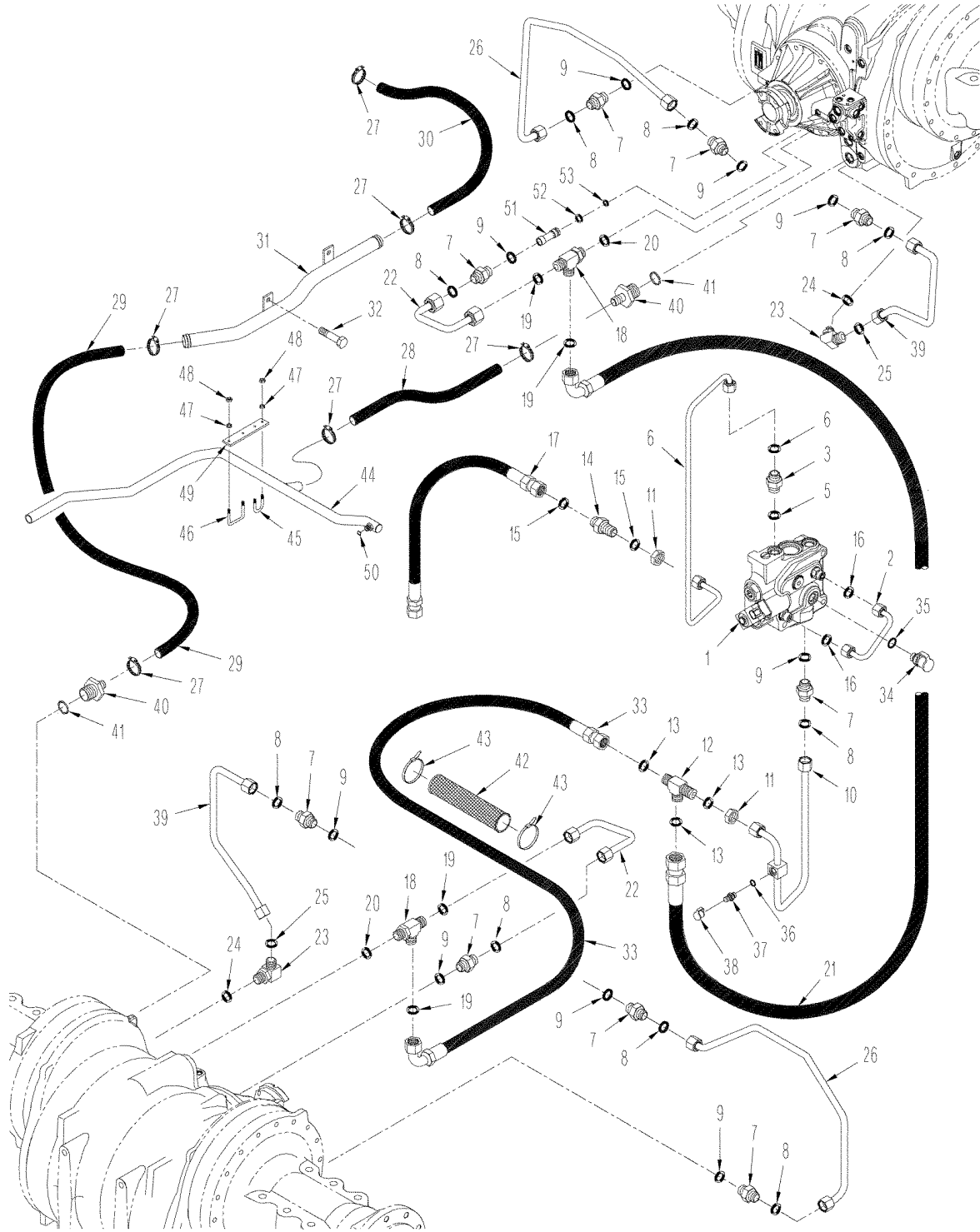
## 500 SERIES AXLE HYDRAULICS - LUBRICATION CIRCUIT, BSN JEE0102001, QUADTRAC TRACTOR

REF	FN	PART NUMBER	YR/SN	QTY	DESCRIPTION
1		411104A2		1	VALVE Regulator, See Figure 08-13
2		413338A1		1	TUBE ASSY.
3		700-169		1	CONNECTOR, HYD. 13/16 fc sl x M16 or, Inc. 4, 5
4		238-6014		1	O-RING 1/2 ID x 1/16
5		637-63133		1	O-RING 13,3 ID x 2,2
6		413334A1		1	TUBE ASSY.
7		700-102		1	CONNECTOR, HYD. 13/16 fc sl x 18 or, Inc. 8, 9
8		238-6014		1	O-RING 1/2 ID x 1/16
9		637-63153		1	O-RING 15,3 ID x 2,2
10		413327A1		1	TUBE ASSY.
11		701-903		2	NUT 13/16 in
12		701-423		1	TEE M12 fc sl x blkhd fc sl, Inc. 13
13		238-6014		3	O-RING 1/2 ID x 1/16
14		701-121		1	CONNECTOR, HYD. 13/16 fc sl x blkhd, Inc. 15
15		238-6014		2	O-RING 1/2 ID x 1/16
16		238-6012		2	O-RING 3/8 ID x 1/16
17		388475A1		1	HOSE 1067 mm (42 in)
18		700-445		2	TEE 13/16 fc sl x 22 or, Inc. 19, 20
19		238-6014		4	O-RING 1/2 ID x 1/16
20		637-63193		2	O-RING 19,3 ID x 2,2 mm
21		383968A2		1	HOSE ASSY. 1886 mm (74 1/4 in)
22		416710A1		2	TUBE ASSY.
23		700-305		2	ELBOW 13/16 fc sl x 18 or, Inc. 24, 25
24		637-63153		2	O-RING 15,3 ID x 2,2
25		238-6014		2	O-RING 1/2 ID x 1/16
26		416731A1		2	TUBE ASSY. Final Drive
27		214-1420		6	CLAMP No. 20
28		395933A1		1	HOSE 356 mm (14 in), Cut From S118383
29		340971A1		1	HOSE 1219 mm (48 in), Cut From 31-2755
30		340972A1		1	HOSE 787 mm (31 in), Cut From 31-2756
31		416280A1		1	TUBE ASSY.
33		375663A1		1	HOSE ASSY. 2165 mm (85 in)
34		358968A1		1	COUPLING M18 orb x 1,5, Diagnostic, Inc. 35
35		637-63153		1	O-RING 15,3 ID x 2,2
36		637-63193		1	O-RING 19,3 ID x 2,2 mm

**STX375 STX450**  
**STX425**



500 SERIES AXLE HYDRAULICS - LUBRICATION CIRCUIT, BSN JEE0102001, QUADTRAC TRACTOR

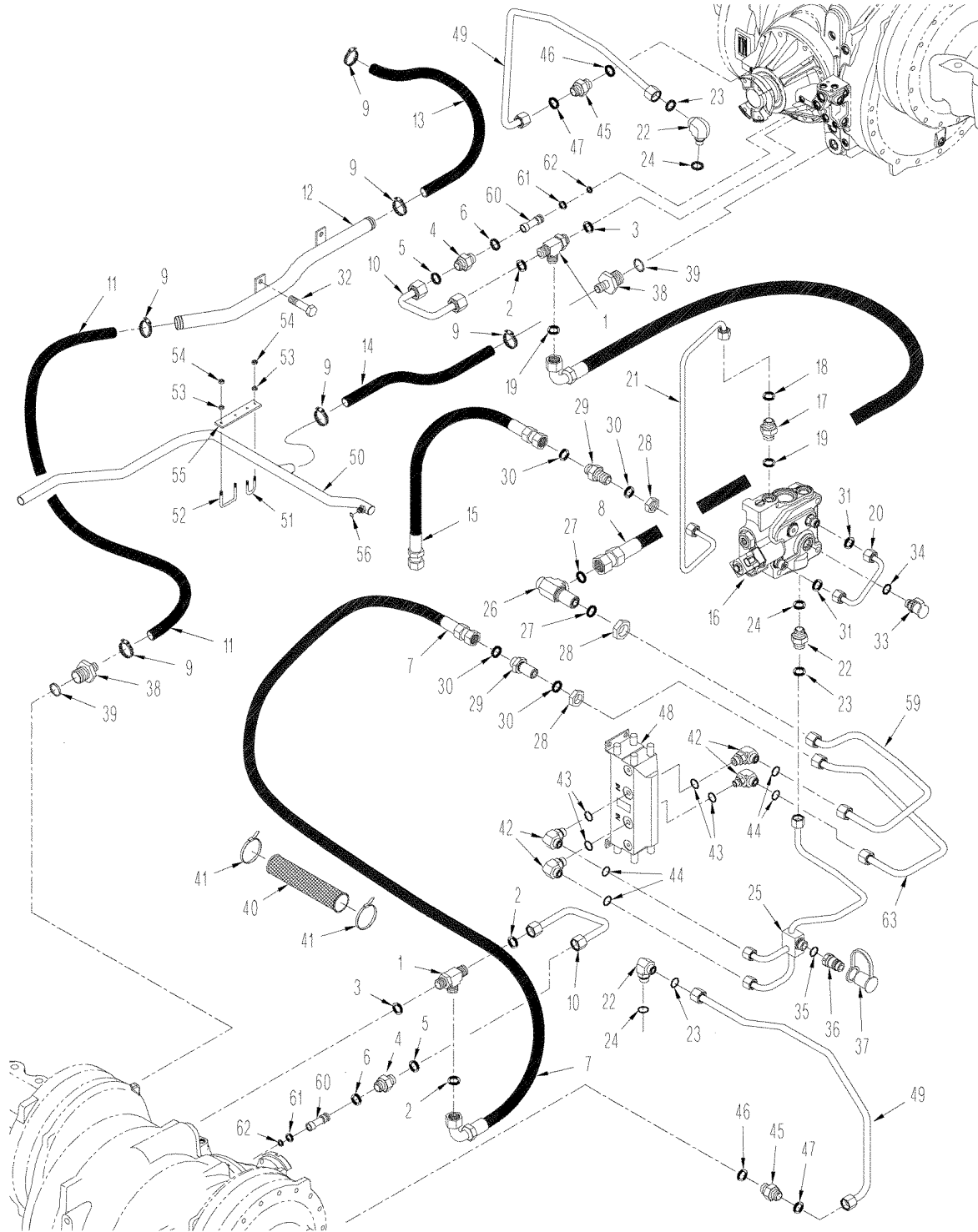


## 500 SERIES AXLE HYDRAULICS - LUBRICATION CIRCUIT, BSN JEE0102001, QUADTRAC TRACTOR

REF	FN	PART NUMBER	YR/SN	QTY	DESCRIPTION
37		392690A1		1	COUPLING
38		399032A1		1	CAP
39		416623A1		2	TUBE ASSY.
40		390348A1		2	STEM M33 orb x barb, Axle Drain, Inc. 41
41		637-64296		2	O-RING 29,6 ID x 2,9
42		334783A1		1	SLEEVE 610 mm (24 in)
43		L18337		2	STRAP 15 in
44		409614A1		1	TUBE ASSY. Return
45		253105A1		2	U-BOLT
46		396490A1		2	U-BOLT
47		895-11008		8	WASHER 9 x 17 x 1,6 mm
48		832-10408		8	NUT M8; 8
49		394302A1		2	PLATE
50		238-6012		1	O-RING 3/8 ID x 1/16
51		413207A1		2	ORIFICE Pinnion Cover
52		238-5111		2	O-RING 7/16 ID x 3/32
53		238-5011		2	O-RING -011, 70 Duro, .301" ID x .070" Thk
32		627-8025		2	BOLT M8 x 25; 10.9

**STX375 STX450**  
**STX425**

500 SERIES AXLE HYDRAULICS - LUBRICATION CIRCUIT, BTW JEE0102001 & JEE0106701, QUADTRAC TRACTOR



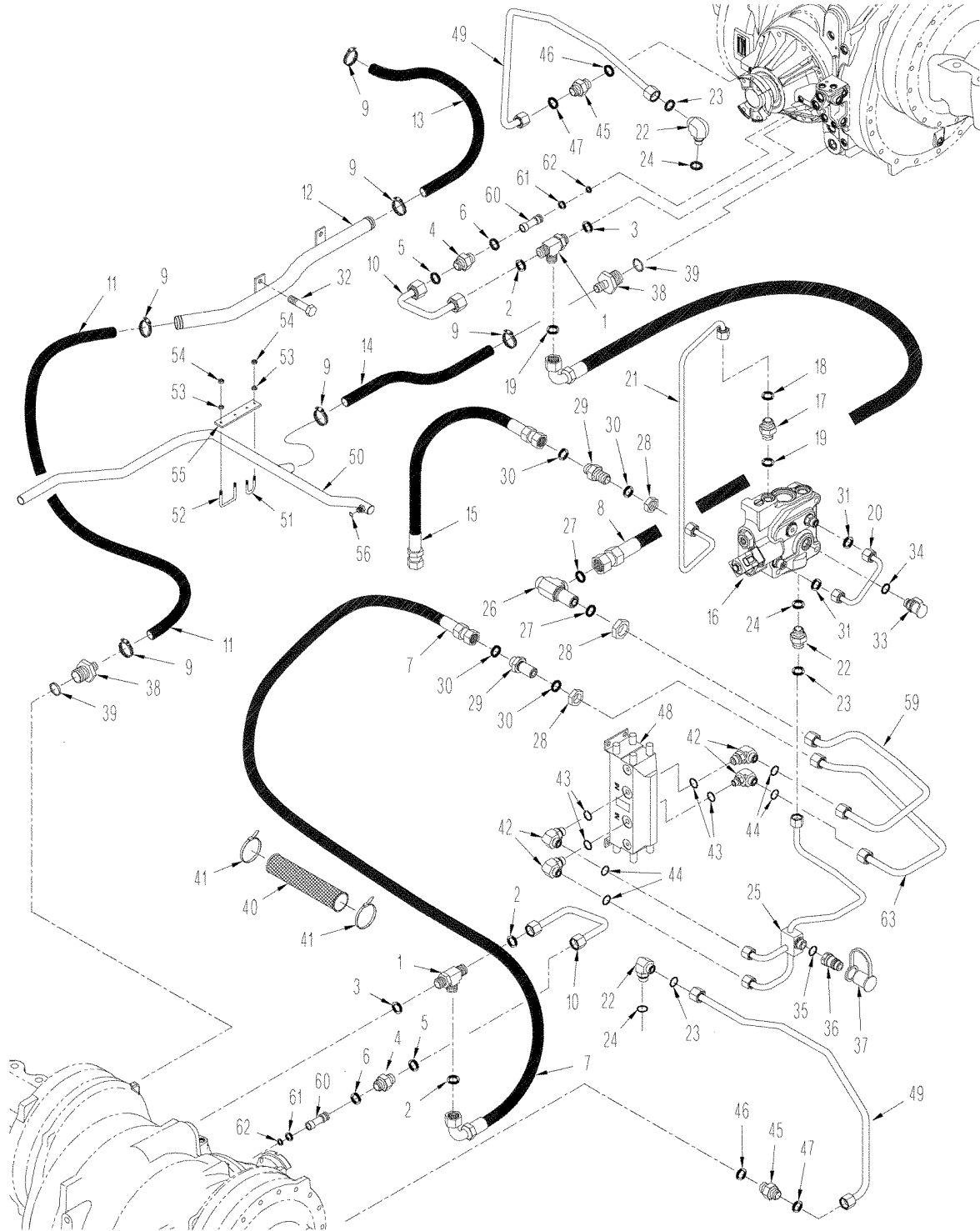
## 500 SERIES AXLE HYDRAULICS - LUBRICATION CIRCUIT, BTW JEE0102001 &amp; JEE0106701, QUADTRAC TRACTOR

REF	FN	PART NUMBER	YR/SN	QTY	DESCRIPTION
1		700-445		2	TEE 13/16 fc sl x 22 orb, Inc 2, 3
2		238-6014		4	O-RING 90 Duro, .489" ID x .070" Thk
3		637-63193		2	O-RING 19,3 ID x 2,2 mm
4		700-102		3	CONNECTOR, HYD. 13/16 fc sl x 18 Or, Inc. 5, 6
5		238-6014		2	O-RING 90 Duro, .489" ID x .070" Thk
6		637-63153		2	O-RING 15,3 ID x 2,2
7		375663A1		1	HOSE ASSY. 2165 mm (85 in)
7	1	87424325		1	HOSE ASSY. 2165 mm (85 in)
8		87413873		1	HOSE ASSY. 1898mm (75 in)
8	1	87424326		1	HOSE ASSY. 1898 mm (75 in)
9		214-1420		6	CLAMP No. 20
10		451013A1		2	TUBE ASSY.
11		340971A1		1	HOSE 1219 mm (48 in), Cut From : 31-2755
12		416280A2		1	TUBE ASSY.
13		340972A1		1	HOSE 787 mm (31 in), Cut From : 31-2755
14		395933A1		1	HOSE 356 mm (14 in), Cut From : S118383
15		87414080		1	HOSE ASSY. 970 mm (39 in)
15	1	87424331		1	HOSE ASSY. 990 mm (39 in)
16		411104A1		1	VALVE Regulator, See Figure 08-13
17		700-169		1	CONNECTOR, HYD. 13/16 fc sl x M16 Or, Inc. 18, 19
18		238-6014		1	O-RING 90 Duro, .489" ID x .070" Thk
19		637-63133		1	O-RING 13,3 ID x 2,2
20		413338A1		1	TUBE ASSY.
21		413334A1		1	TUBE ASSY.
22		700-305		1	ELBOW 90, M18 or x 13/16 fc sl, Inc. 23, 24
23		238-6014		1	O-RING 90 Duro, .489" ID x .070" Thk
24		637-63153		1	O-RING 15,3 ID x 2,2
25		449802A2		1	TUBE ASSY.
26		701-301		1	ELBOW 90, 1/2 x blkhd, Inc. 27
27		238-6014		2	O-RING 90 Duro, .489" ID x .070" Thk
28		701-903		3	NUT 13/16 in
29		701-121		2	CONNECTOR, HYD. 13/16 fc sl x blkhd, Inc. 30
30		238-6014		2	O-RING 90 Duro, .489" ID x .070" Thk
31		238-6012		2	O-RING 90 Duro, .364" ID x .070" Thk

(1) Arctic QUADTRAC Tractor Application

**STX375 STX450**  
**STX425 STX500**

500 SERIES AXLE HYDRAULICS - LUBRICATION CIRCUIT, BTW JEE0102001 & JEE0106701, QUADTRAC TRACTOR

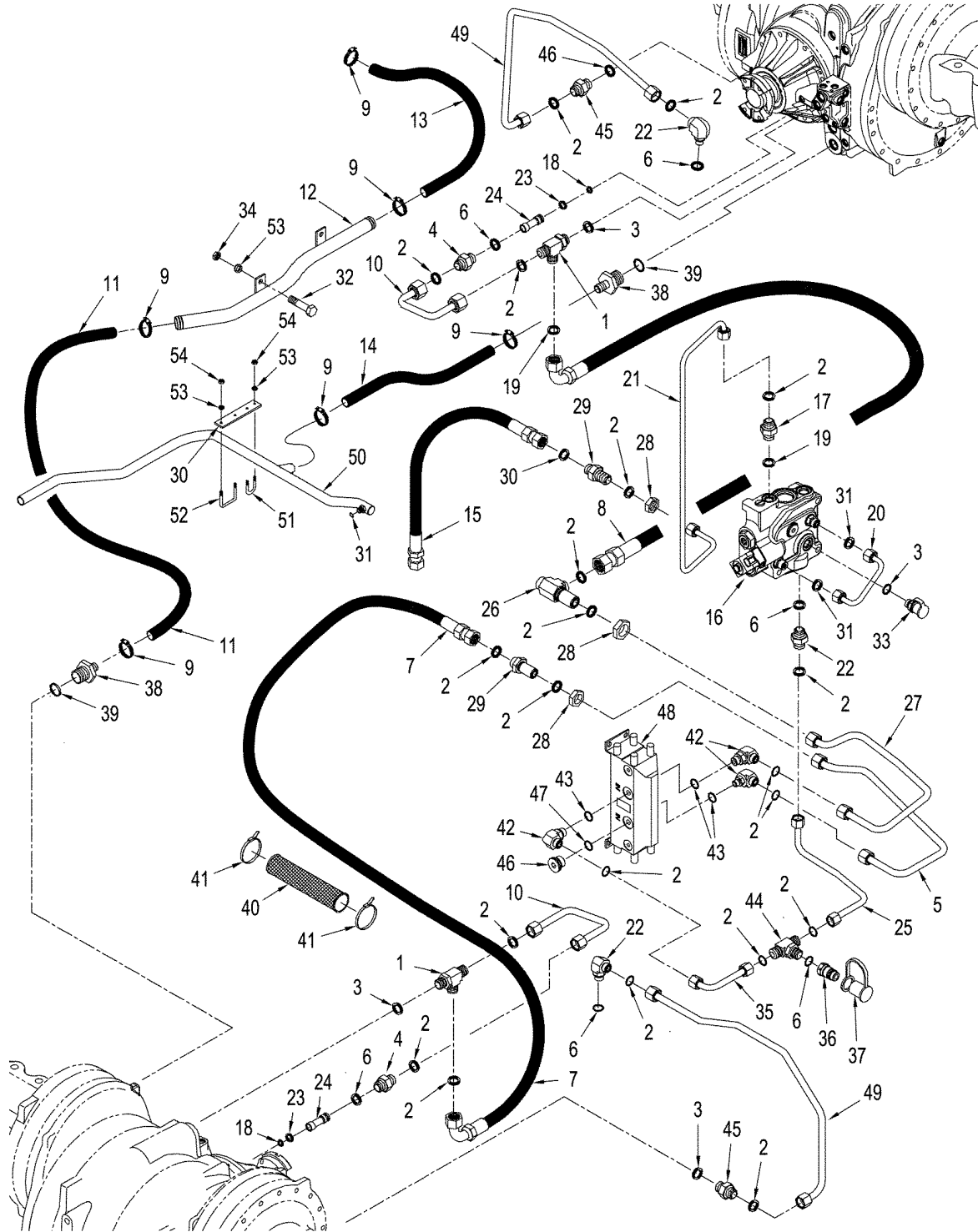


## 500 SERIES AXLE HYDRAULICS - LUBRICATION CIRCUIT, BTW JEE0102001 &amp; JEE0106701, QUADTRAC TRACTOR

REF	FN	PART NUMBER	YR/SN	QTY	DESCRIPTION
33		358968A1		1	COUPLING M18 orb x 1,5, Diagnostic, Inc. 34
34		637-63193		1	O-RING 19,3 ID x 2,2 mm
35		637-64296		1	O-RING 19,3 ID x 2,2 mm
36		392690A1		1	COUPLING Inc. 35
37		399032A1		1	CAP Dust
38		390348A1		2	STEM M33 orb x barb, Axle Drain, Inc. 39
39		637-64296		2	O-RING 29,6 ID x 2,9
40		334783A1		1	SLEEVE
41		L18337		2	STRAP 15 in
42		201-305		4	ELBOW 90, 1/2 or x13/16 fc sl, Inc. 43, 44
43		637-63093		1	O-RING 9,3 ID x 2,2 Thk
44		238-6014		1	O-RING 90 Duro, .489" ID x .070" Thk
45		700-162		2	CONNECTOR, HYD. M22 x 13/16 fc sl, Inc. 46, 47
46		637-63193		1	O-RING 19,3 ID x 2,2 Thk
47		238-6014		1	O-RING 90 Duro, .489" ID x .070" Thk
48		434727A1		1	MOTOR-PUMP Axle Air / Lube
49		451015A1		2	TUBE ASSY. Final Drive, Long
50		409614A1		1	TUBE ASSY. Return
51		253105A1		2	U-BOLT
52		396490A1		2	U-BOLT
53		895-11008		12	WASHER 9 x 17 x 1,6 mm
54		832-10408		8	NUT M8
55		394302A1		2	PLATE Mounting
56		238-6012		1	O-RING 90 Duro, .364" ID x .070" Thk
57		L111928		3	CLAMP Double
58		829-1408		4	NUT CL 10, M8 x 1.25
59		449813A2		1	TUBE ASSY.
60		87400028		2	ORIFICE Pinnion Cover
61		238-5111		2	O-RING 7/16 ID x 3/32; 5
62		238-5011		2	O-RING -011, 70 Duro, .301" ID x .070" Thk
63		449815A2		1	TUBE ASSY.
32		627-8025		2	BOLT Cap, HH, CL 10.9, M8 x 1.25 x 25

**STX375 STX450**  
**STX425 STX500**

500 SERIES AXLE HYDRAULICS - LUBRICATION CIRCUIT, ASN JEE0106701, QUADTRAC TRACTOR



## 500 SERIES AXLE HYDRAULICS - LUBRICATION CIRCUIT, ASN JEE0106701, QUADTRAC TRACTOR

REF	FN	PART NUMBER	YR/SN	QTY	DESCRIPTION
1		700-445		2	TEE 13/16 fc sl x 22 orb, Inc 2, 3
2		238-6014		14	O-RING 90 Duro, .489" ID x .070" Thk
3		637-63193		4	O-RING 19,3 ID x 2,2 mm
4		700-102		3	CONNECTOR, HYD. 13/16 fc sl x 18 Or, Inc. 2, 6
5		449815A2		1	TUBE ASSY.
6		637-63153		4	O-RING 15,3 ID x 2,2
7		375663A1		1	HOSE ASSY. 2165 mm (85 in)
7	1	87424325		1	HOSE ASSY. 2165 mm (85 in)
8		87413873		1	HOSE ASSY. 1898mm (75 in)
8	2	87424326		1	HOSE ASSY. 1898 mm (75 in)
9		214-1420		6	CLAMP No. 20
10		451013A1		2	TUBE ASSY.
11		340971A1		1	HOSE 1219 mm (48 in), Cut From : 31-2755
12		416280A2		1	TUBE ASSY.
13		340972A1		1	HOSE 787 mm (31 in), Cut From : 31-2755
14		395933A1		1	HOSE 356 mm (14 in), Cut From : S118383
15		87414080		1	HOSE ASSY. 970 mm (39 in)
15	1	87424331		1	HOSE ASSY. 990 mm (39 in)
16		411104A1		1	VALVE Regulator, See Figure 08-13
17		700-169		1	CONNECTOR, HYD. 13/16 fc sl x M16 Or, Inc. 2, 19
18		238-5011		2	O-RING -011, 70 Duro, .301" ID x .070" Thk
19		637-63133		1	O-RING 13,3 ID x 2,2
20		413338A1		1	TUBE ASSY.
21		413334A1		1	TUBE ASSY.
22		700-305		1	ELBOW 90, M18 or x 13/16 fc sl, Inc. 2, 6
23		238-5111		2	O-RING 7/16 ID x 3/32; 5
24		87400028		2	ORIFICE Pinnion Cover
25		87307544		1	TUBE ASSY.
26		701-301		1	ELBOW 90, 1/2 x blkhd, Inc. 2
27		449813A2		1	TUBE ASSY.
28		701-903		3	NUT 13/16 in
29		701-121		2	CONNECTOR, HYD. 13/16 fc sl x blkhd, Inc. 2
30		394302A1		2	PLATE Mounting

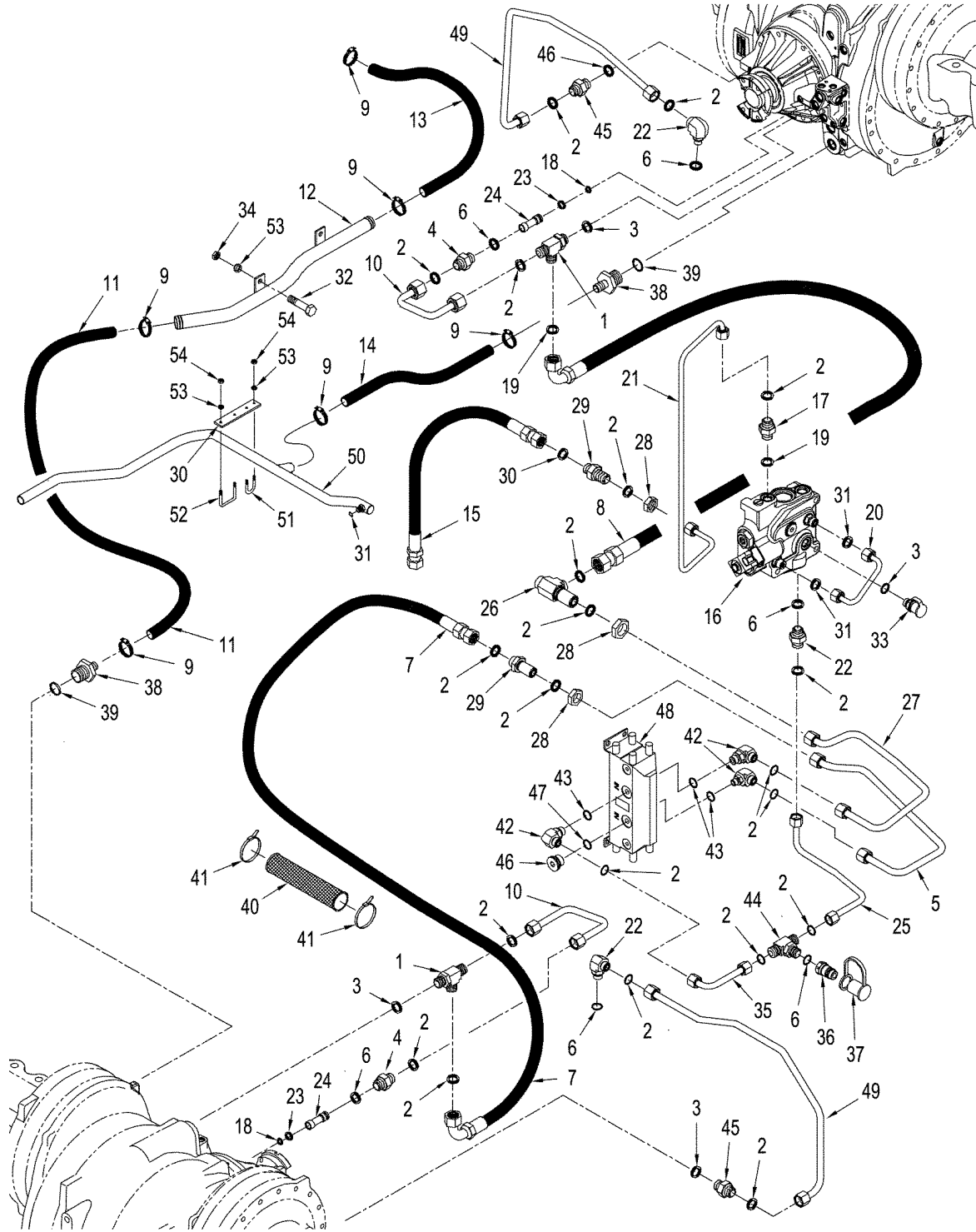
(1) Arctic QUADTRAC Tractor Application

(2) Also Order 87423532 Door Catch Pin

**STX375 STX450**  
**STX425 STX500**



500 SERIES AXLE HYDRAULICS - LUBRICATION CIRCUIT, ASN JEE0106701, QUADTRAC TRACTOR



**08-09**

02

p2

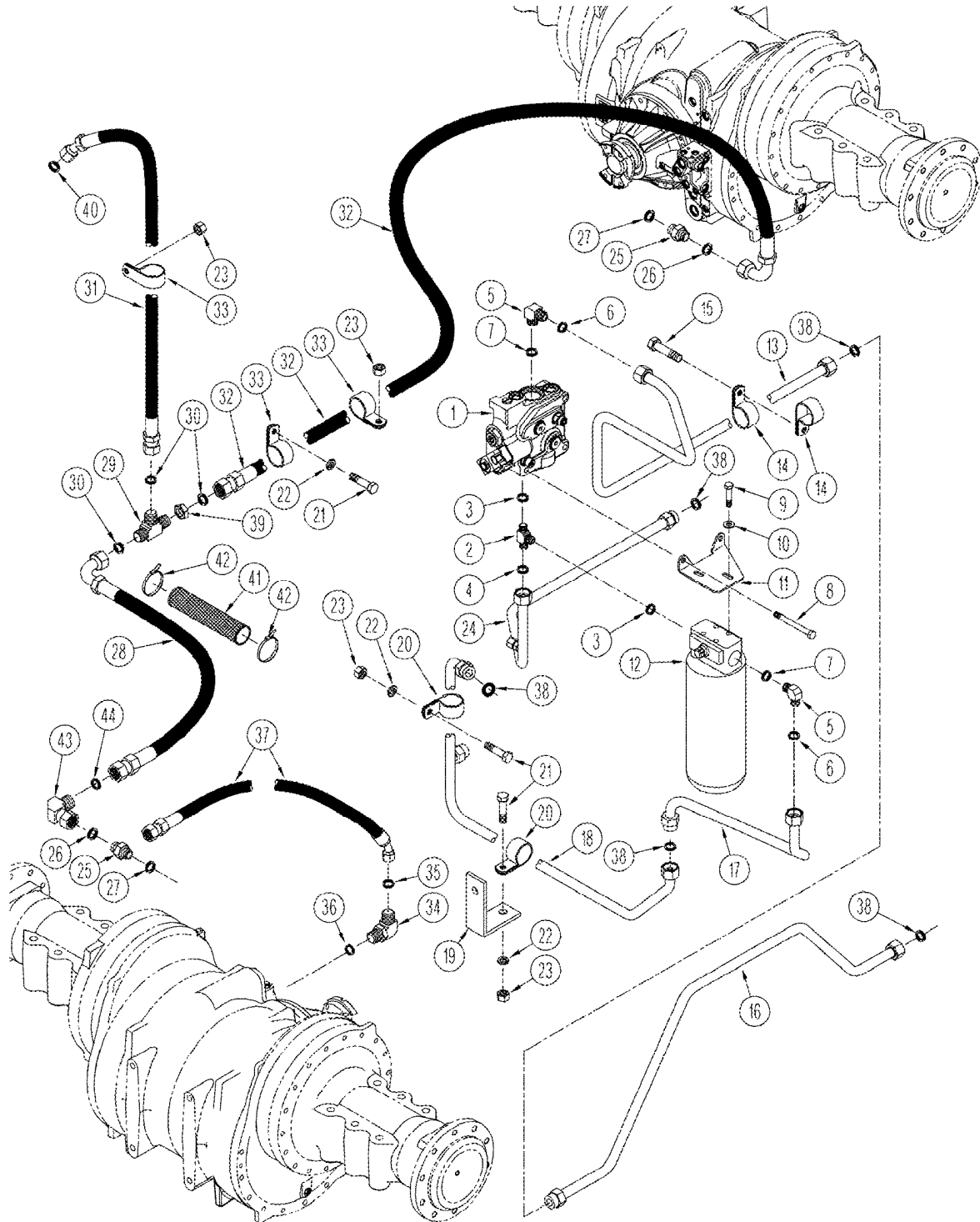
11/05

**500 SERIES AXLE HYDRAULICS - LUBRICATION CIRCUIT, ASN JEE0106701, QUADTRAC TRACTOR**

REF	FN	PART NUMBER	YR/SN	QTY	DESCRIPTION
31		238-6012		3	O-RING 90 Duro, .364" ID x .070" Thk
33		358968A1		1	COUPLING M18 orb x 1,5, Diagnostic, Inc. 3
34		829-1408		4	NUT CL 10, M8 x 1.25
35		87307521		1	TUBE ASSY.
36		392690A1		1	COUPLING Inc. 35
37		399032A1		1	CAP Dust
38		390348A1		2	STEM M33 orb x barb, Axle Drain, Inc. 39
39		637-64296		2	O-RING 29,6 ID x 2,9
40		334783A1		1	SLEEVE
41		L18337		2	STRAP 15 in
42		201-305		4	ELBOW 90, 1/2 or x13/16 fc sl, Inc. 43, 2
43		637-63093		1	O-RING 9,3 ID x 2,2 Thk
44		700-447		1	TEE M22 or x 13/16 fcsl, Inc. 2, 6
45		700-162		2	CONNECTOR, HYD. M22 x 13/16 fc sl, Inc. 2, 3
46		218-5210		1	PLUG Soc Hd, 3/4 or, Inc. 47
47		237-6012		1	O-RING 59/64 ID x 1/8 Thk
48		434727A1		1	MOTOR-PUMP Axle Air / Lube
49		451015A1		2	TUBE ASSY. Final Drive, Long
50		409614A1		1	TUBE ASSY. Return
51		253105A1		2	U-BOLT
52		396490A1		2	U-BOLT
53		895-11008		12	WASHER 9 x 17 x 1,6 mm
54		832-10408		8	NUT M8
32		627-8025		2	BOLT Cap, HH, CL 10.9, M8 x 1.25 x 25

**STX375 STX450**  
**STX425 STX500**

500 SERIES AXLE HYDRAULICS - LUBRICATION AND COOLING CIRCUIT, BSN JEE0102001, QUADTRAC TRACTOR

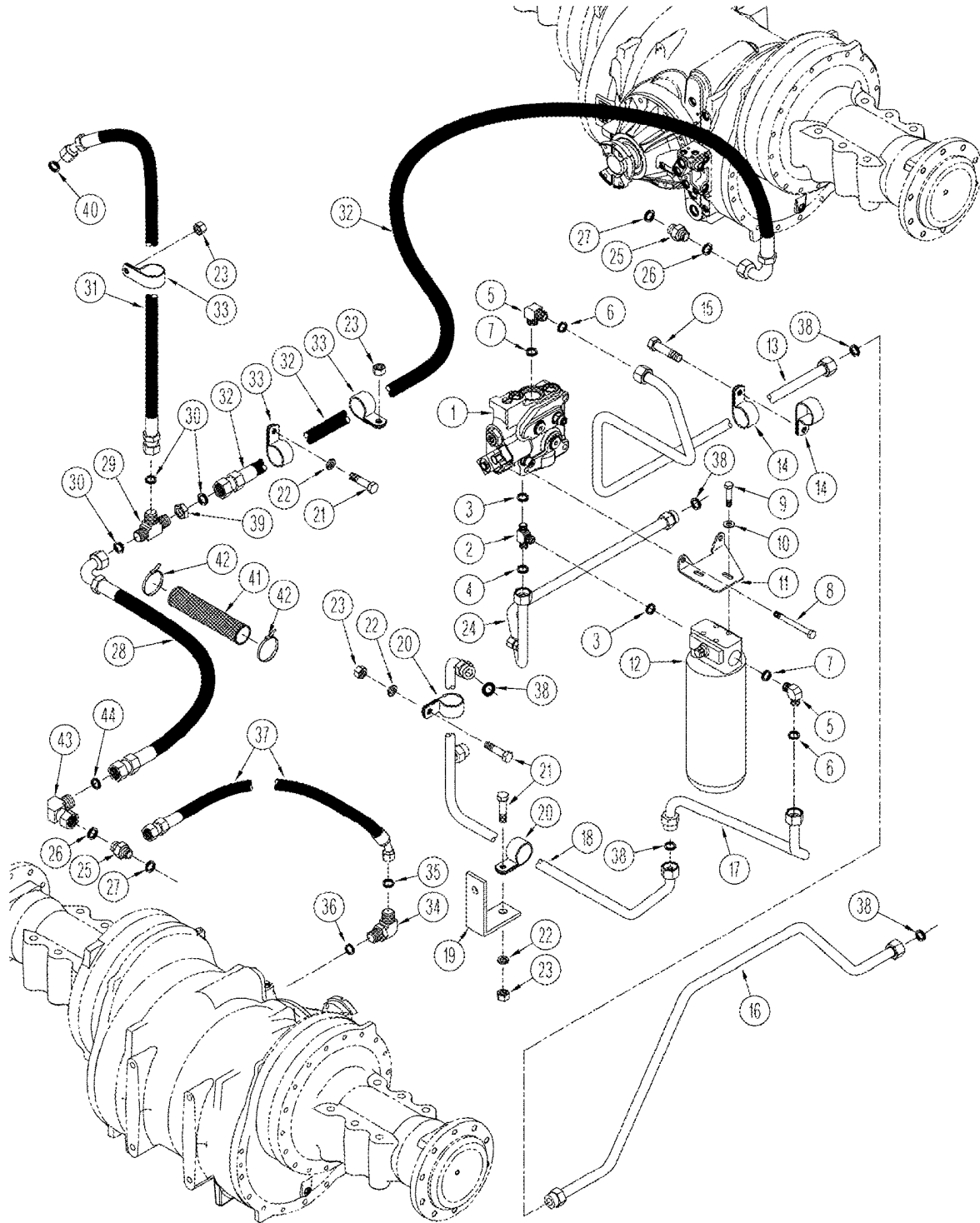


## 500 SERIES AXLE HYDRAULICS - LUBRICATION AND COOLING CIRCUIT, BSN JEE0102001, QUADTRAC TRACTOR

REF	FN	PART NUMBER	YR/SN	QTY	DESCRIPTION
1		411104A2		1	VALVE Regulator, See Figure 08-13
2		328232A1		1	TEE
3		637-64296		2	O-RING 29,6 ID x 2,9
5		700-308		2	ELBOW 1-7/16 fc sl x 3/32 Or, Inc. 6, 7
7		637-64296		2	O-RING 29,6 ID x 2,9
8		827-10130		3	BOLT M10 x 130; 10.9
9		627-10020		4	SCREW M10 x 20; 10.9
10		895-18010		2	WASHER 11 x 18 x 1,6 mm
11		413322A1		1	BRACKET
12		86991559		1	FILTER ASSY. See Figure 08-04
13		416712A1		1	TUBE ASSY.
14		R15257		2	CLAMP
15		827-8040		1	SCREW M8 x 40; 10.9
16		416701A1		1	TUBE ASSY.
17		416699A1		1	TUBE ASSY.
18		416708A1		1	TUBE ASSY.
19		417270A1		2	BRACKET
20		515-22254		3	CLAMP 1 ID
22		895-11008		5	WASHER 9 x 17 x 1,6 mm
23		829-1408		5	NUT M8; 10
24		416703A1		1	TUBE ASSY.
25		700-326		2	ELBOW 13/16 fc sl x 22 or, Inc. 26, 27
26		238-6014		2	O-RING 1/2 ID x 1/16
27		637-63193		2	O-RING 19,3 ID x 2,2 mm
28		375662A1		1	HOSE ASSY. 2125 mm (84 in)
29		701-423		1	TEE M12 fc sl x blkhd fc sl, Inc. 30
30		238-6014		3	O-RING 1/2 ID x 1/16
31		352111A2		1	HOSE ASSY. 984 mm (37 in)
32		375665A3		1	HOSE ASSY. 2381 mm (94 in)
33		515-23206		3	CLAMP P-type
34		700-106		1	CONNECTOR, HYD. 11/16 fc sl x 18 Or, Inc. 35, 36
35		238-6012		1	O-RING 3/8 ID x 1/16
36		637-63153		1	O-RING 15,3 ID x 2,2
37		437144A1		1	HOSE ASSY. 1733 mm (68 in)
39		701-903		1	NUT 13/16 in

**STX375 STX450**  
**STX425**

500 SERIES AXLE HYDRAULICS - LUBRICATION AND COOLING CIRCUIT, BSN JEE0102001, QUADTRAC TRACTOR

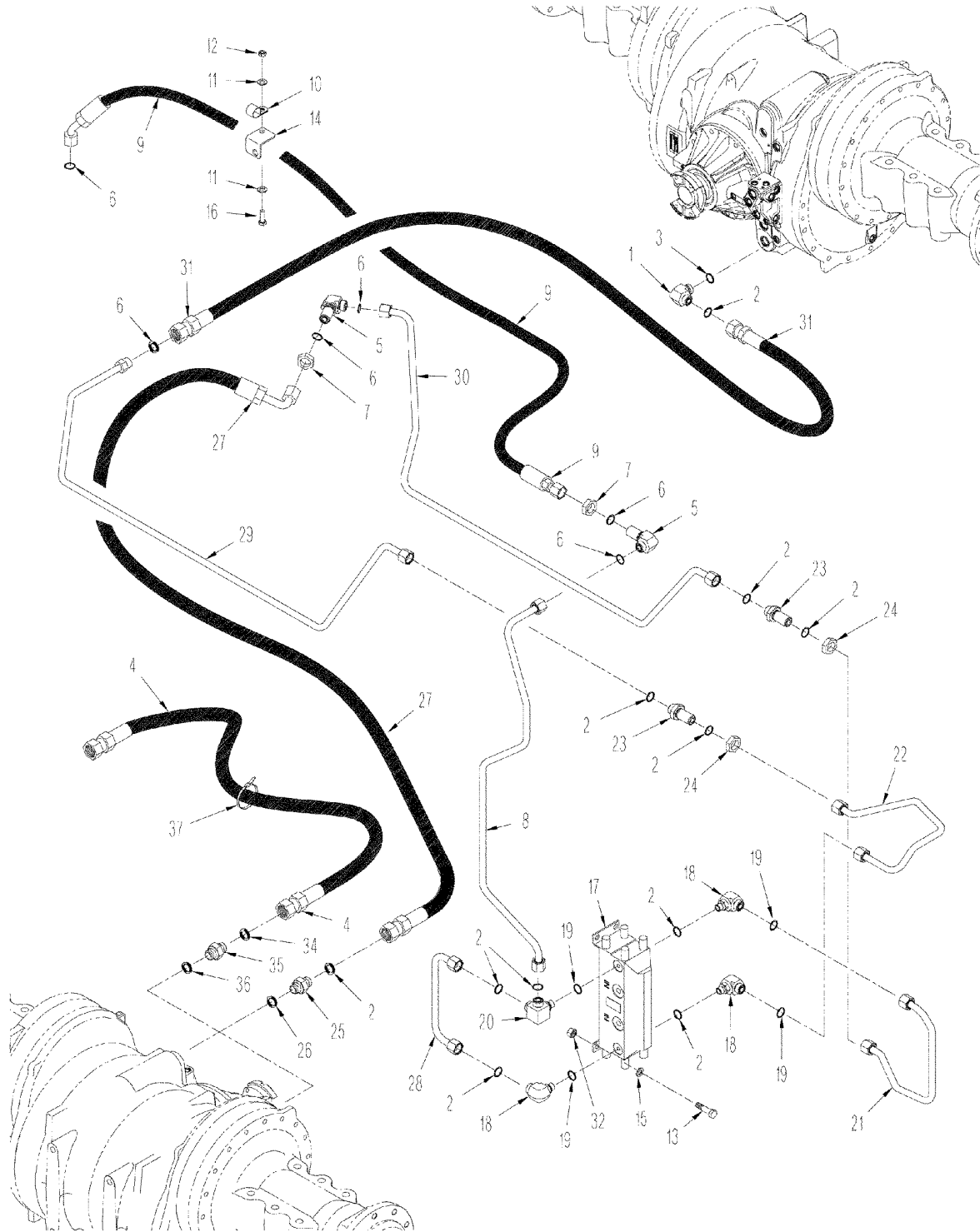


## 500 SERIES AXLE HYDRAULICS - LUBRICATION AND COOLING CIRCUIT, BSN JEE0102001, QUADTRAC TRACTOR

REF	FN	PART NUMBER	YR/SN	QTY	DESCRIPTION
40		238-6014		1	O-RING 1/2 ID x 1/16
41		S120426		1	SLEEVE
42		L18337		2	STRAP 15 in
43		701-320		1	ELBOW 13/16 fc sl x swl, Inc. 44
44		238-6014		1	O-RING 1/2 ID x 1/16
21		627-8025		4	BOLT M8 x 25; 10.9
4		238-6021		1	O-RING 15/16 ID x 1/16
6		238-6021		2	O-RING 15/16 ID x 1/16
38		238-6021		5	O-RING 15/16 ID x 1/16

**STX375 STX450**  
**STX425**

500 SERIES AXLE HYDRAULICS - AIR AND LUBRICATION CIRCUIT, ASN JEE0102001, QUADTRAC TRACTOR



## 500 SERIES AXLE HYDRAULICS - AIR AND LUBRICATION CIRCUIT, ASN JEE0102001, QUADTRAC TRACTOR

REF	FN	PART NUMBER	YR/SN	QTY	DESCRIPTION
1		700-305		1	ELBOW 90, M18 or x 13/16 fc sl, Inc. 2, 3
2		238-6014		2	O-RING 90 Duro, .489" ID x .070" Thk
3		637-63153		1	O-RING 15,3 ID x 2,2
4		437144A1		1	HOSE ASSY. 1733 mm (68 in)
4	1	87424329		1	HOSE ASSY. 1733 mm (68 in)
5		701-301		2	ELBOW 90, 13/16 fc sl x lblkhd, Inc. 6, 7
6		238-6014		3	O-RING 90 Duro, .489" ID x .070" Thk
7		701-903		1	NUT 13/16
8		449821A2		1	TUBE ASSY.
9		86992953		1	HOSE ASSY. 1715 mm (67-1/2 in)
9	1	87424333		1	HOSE ASSY. 1715 mm (67-1/2 in)
10		515-23206		3	CLAMP
11		895-11008		1	WASHER
12		829-1408		1	NUT M8; 10
14		416102A1		1	SUPPORT Bracket
15		896-11010		4	WASHER 11 x 21 x 2,5 mm
17		434727A1		2	MOTOR-PUMP Axle Air / Lube
18		201-332		3	ELBOW 90, M12 or x 13/16 fc sl, Inc. 2, 19
19		637-63093		3	O-RING 9,3 ID x 2,2 Thk
20		450905A1		1	TEE Special, 1/2 or x fc sl, Inc. 2, 19
21		449817A2		1	TUBE ASSY.
22		86992542		1	TUBE ASSY.
23		701-121		2	CONNECTOR, HYD. 13/16 fc sl x blkhd, Inc. 2
24		701-903		2	NUT Lock
25		700-162		1	CONNECTOR, HYD. M22 or x 13/16 fc sl, Inc. 2, 26
26		637-63193		1	O-RING 19,3 ID x 2,2 Thk
27	2	87400117		1	HOSE ASSY. 2299 mm (90-1/2 in)
27	2	87424335		1	HOSE ASSY. 2299 mm (90-1/2 in)
28		449794A1		1	TUBE ASSY.
29		449825A1		1	TUBE ASSY.
30		449823A1		1	TUBE ASSY.
31		449805A1		4	HOSE ASSY. 2413 mm (95 in)
31	1	87424330		1	HOSE ASSY. 2413 mm (95 in)

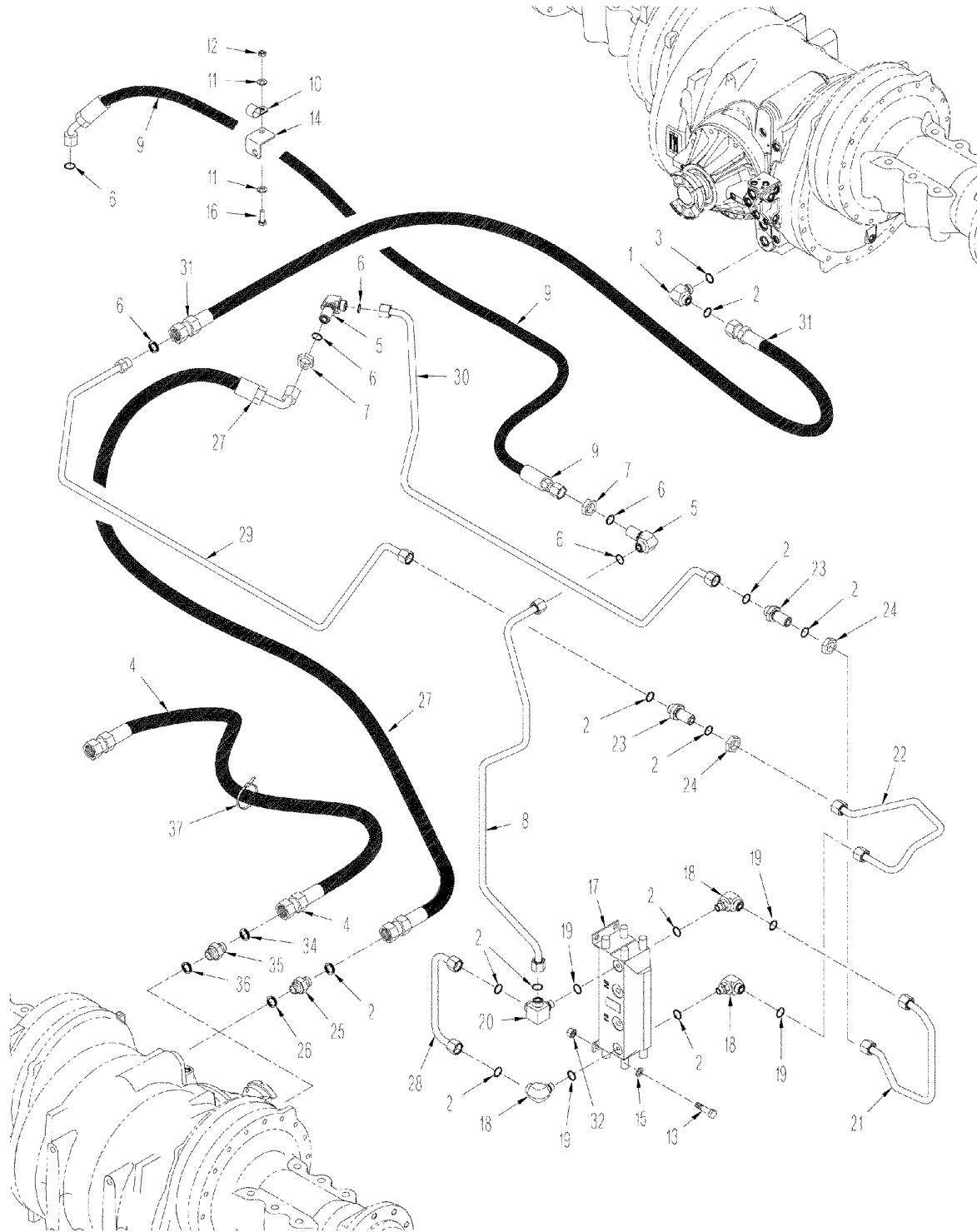
(1) Arctic QUADTRAC Tractor Application

(2) Used On Applications Without PTO

**STX375 STX450**  
**STX425 STX500**



500 SERIES AXLE HYDRAULICS - AIR AND LUBRICATION CIRCUIT, ASN JEE0102001, QUADTRAC TRACTOR

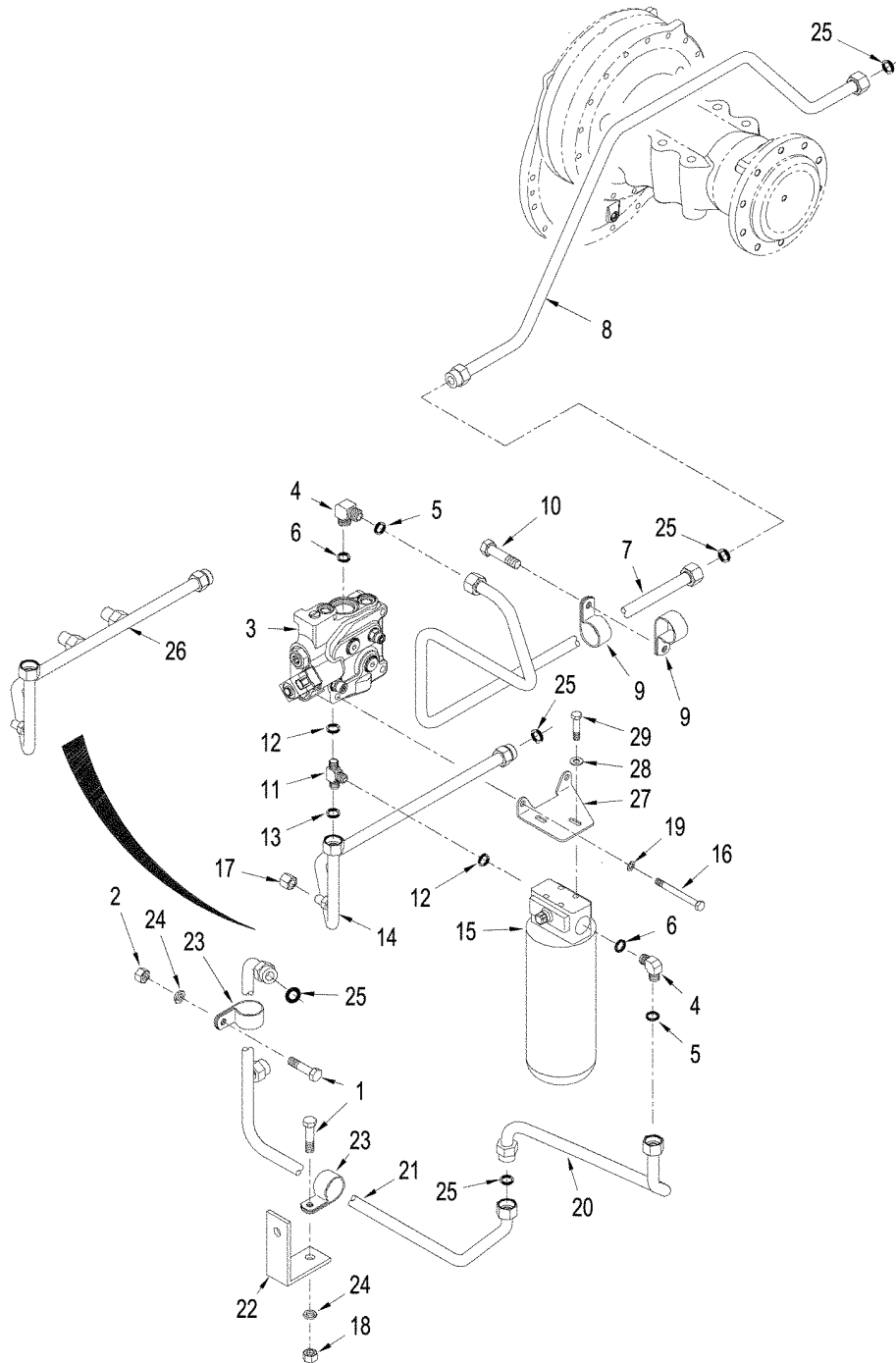


**500 SERIES AXLE HYDRAULICS - AIR AND LUBRICATION CIRCUIT, ASN JEE0102001, QUADTRAC TRACTOR**

REF	FN	PART NUMBER	YR/SN	QTY	DESCRIPTION
32		829-1310		4	NUT M10; 10
34		700-102		2	CONNECTOR, HYD. M18 or x 13/16 fc sl, Inc. 35, 36
35		238-6014		1	O-RING 90 Duro, .489" ID x .070" Thk
36		637-63153		1	O-RING 15,3 ID x 2,2 Thk
37		L18331		1	STRAP Tie
16		627-8025		1	BOLT M8 x 1-1/4; 10
13		627-10030		4	BOLT M10 x 30; 10.9

**STX375 STX450  
STX425 STX500**

500 SERIES AXLE HYDRAULICS - COOLING CIRCUIT, ASN JEE0102001, QUADTRAC TRACTOR



## 500 SERIES AXLE HYDRAULICS - COOLING CIRCUIT, ASN JEE0102001, QUADTRAC TRACTOR

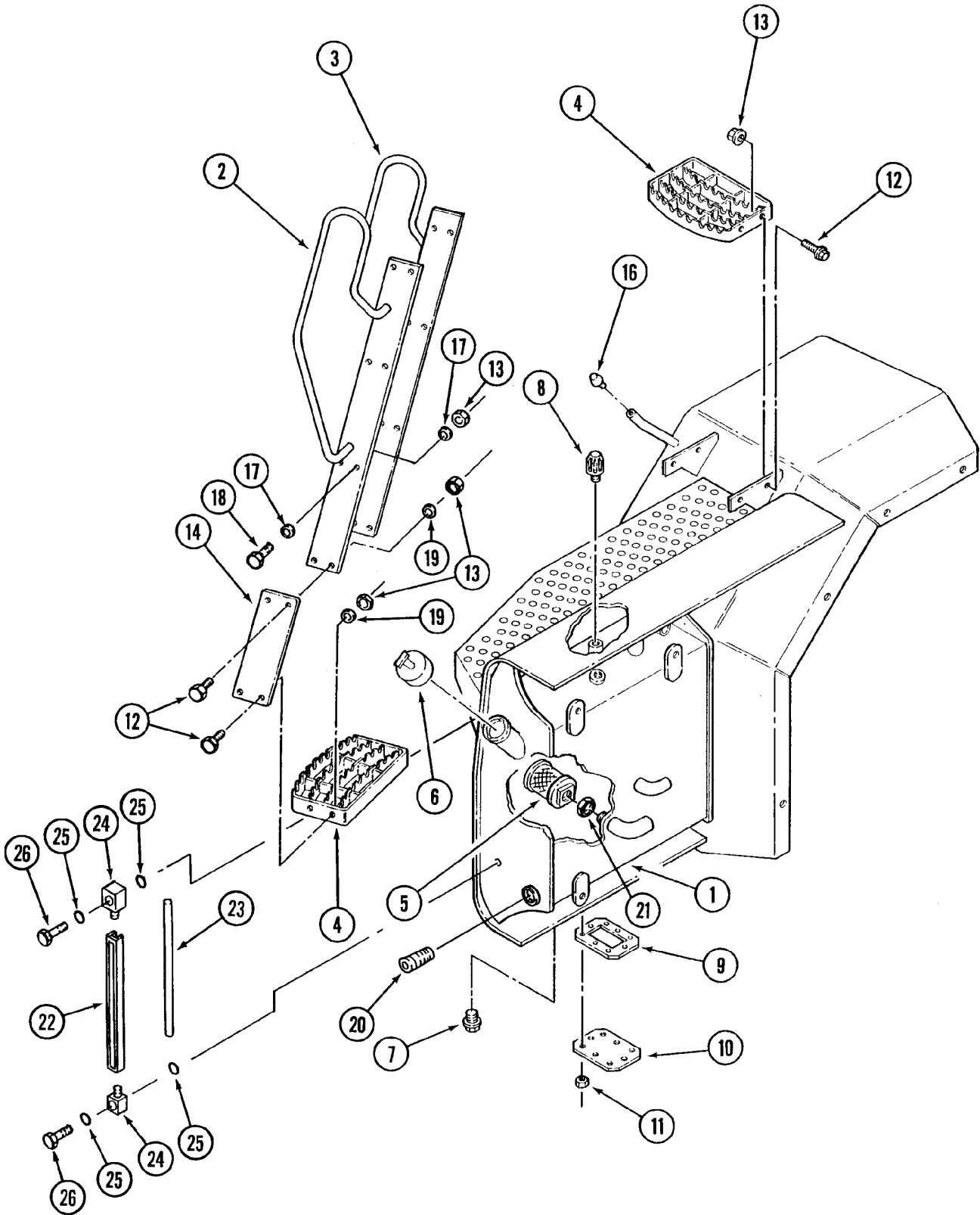
REF	FN	PART NUMBER	YR/SN	QTY	DESCRIPTION
2		829-1408		3	NUT CL 10, M8 x 1.25
3		411104A2		1	VALVE Regulator, See Figure(s) : 08-13
4		700-308		2	ELBOW 90, 1-7/16 fc sl x 33 Or, Inc. 18, 19
6		637-64296		2	O-RING 29,6 ID x 2,9
7		416712A1		1	TUBE ASSY.
8		416701A1		1	TUBE ASSY.
9		R15257		2	CLAMP
10		827-8040		2	SCREW Cap, HH, CL 10.9, M8 x 1.25 x 40
11		328232A1		1	TEE
12		637-64296		2	O-RING 29,6 ID x 2,9
14		416703A1		1	TUBE ASSY. Pump Supply
15		86991559		1	FILTER ASSY. See Figure(s) : 08-04
16		827-10150		3	BOLT M10 x 150; 10.9
17	1	701-906		1	CAP 5/8
18		832-10406		2	NUT Lock, M8; 8
19		895-18010		4	WASHER 11 x 18 x 1.6 mm
20		416699A2		1	TUBE ASSY.
21		416708A1		1	TUBE ASSY.
22		451507A1		2	BRACKET Mounting
23		515-22254		3	CLAMP 1 ID
24		895-11008		3	WASHER 9 x 17 x 1.6 mm
26	2	87311041		1	TUBE, HYD Pump Supply
27		413322A1		1	BRACKET Mounting
28		895-18010		4	WASHER 11 x 18 x 1,6 mm
29		627-10020		4	SCREW Cap, HH, M10 x 20, CL10.9
1		627-8025		4	BOLT Cap, HH, CL 10.9, M8 x 1.25 x 25
5		238-6021		2	O-RING 90 Duro, .926" ID x .070" Thk
13		238-6021		1	O-RING 90 Duro, .926" ID x .070" Thk
25		238-6021		5	O-RING 90 Duro, .926" ID x .070" Thk

(1) With Electronic Three Point Hitch

(2) Mega Flow Hydraulic Application

**STX375 STX450**  
**STX425 STX500**

HYDRAULIC TANK, WHEEL TRACTOR



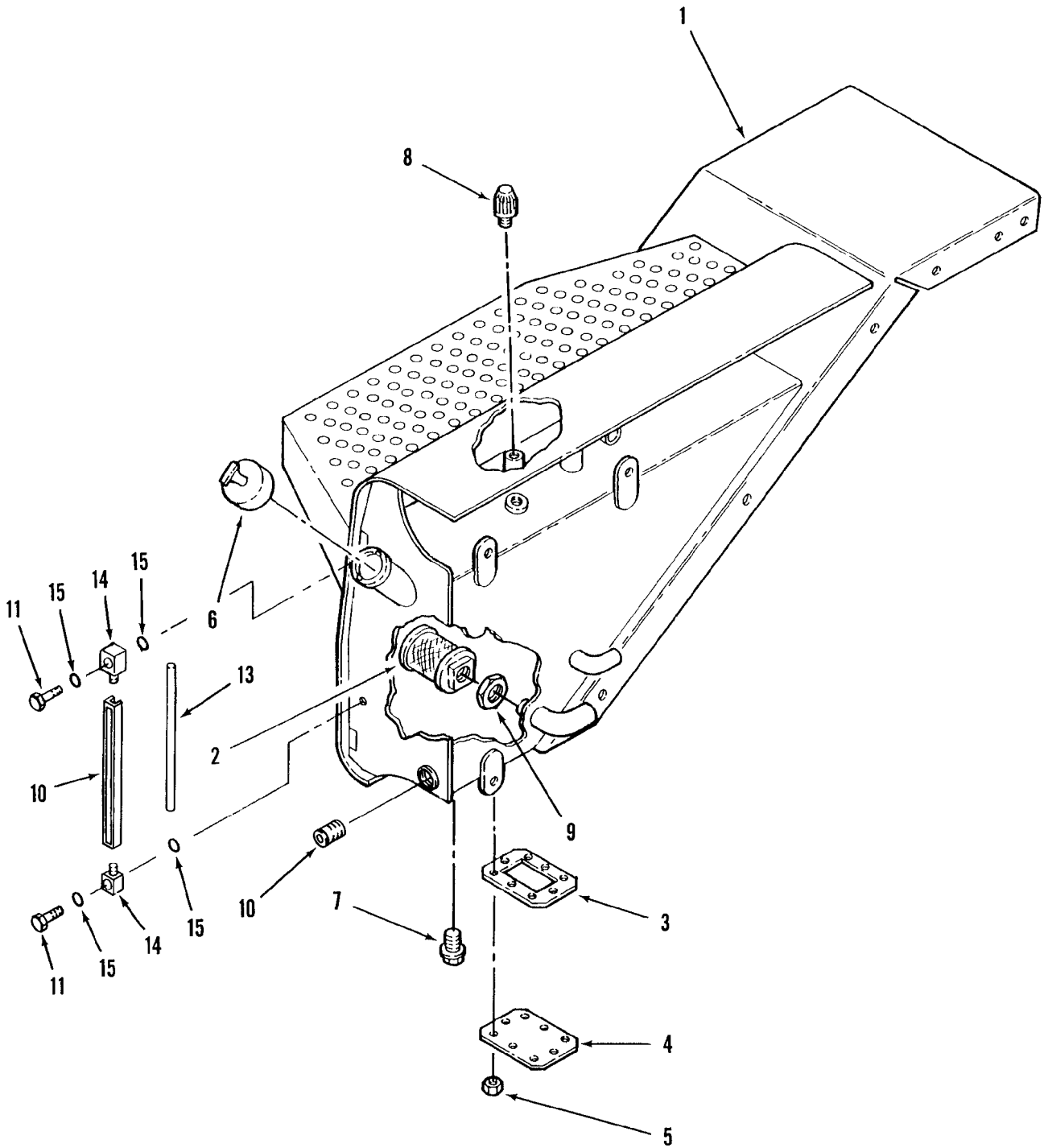
## HYDRAULIC TANK, WHEEL TRACTOR

REF	FN	PART NUMBER	YR/SN	QTY	DESCRIPTION
1		87313212		1	TANK
2		341858A1		1	LADDER Rear, Left-Hand
3		341859A1		1	LADDER Front, Right-Hand
4		257375A1		5	STEP
5		87409406		1	SCREEN, FILTER
6	1	254253A1		1	CAP Oil Filler, if used
6		325737A1		1	CAP Oil Filler, if used
7		217-410		1	PLUG 1/2 PT
8		1971726C1		2	BREATHER
9		435031A1		1	GASKET
10		435030A1		1	COVER Access
11		832-10408		8	NUT M8; 8
13		832-10410		26	NUT M10; 8
14		376530A1		2	SUPPORT Step
15		811-10025		2	SCREW 10 x 25 mm
16		363226A1		1	BUMPER Rubber
17		895-11010		22	WASHER 11 x 20 x 2 mm
18		627-10035		16	BOLT M10 x 35; 10.9
19		896-15010		8	WASHER 11 x 24 x 3,0 mm
20		217-445		1	PLUG 1-1/4
21		435032A1		1	NUT, LOCK
22		349869A1		1	CHANNEL
23		355179A1		1	HOSE
24		352767A1		2	CONNECTOR, HYD.
25		337248A1		4	O-RING
26		844-10035		2	BOLT M10 x 35; 8.9
12		827-10045		8	BOLT M10 x 45; 10.9

(1) Order this Cap for Models Built BSN JEE0107140. If Tank has been Replaced by Tank 87313212. Then Order Cap 325737A1.

**STX375 STX450**  
**STX425 STX500**

HYDRAULIC TANK, QUADTRAC TRACTOR



## HYDRAULIC TANK, QUADTRAC TRACTOR

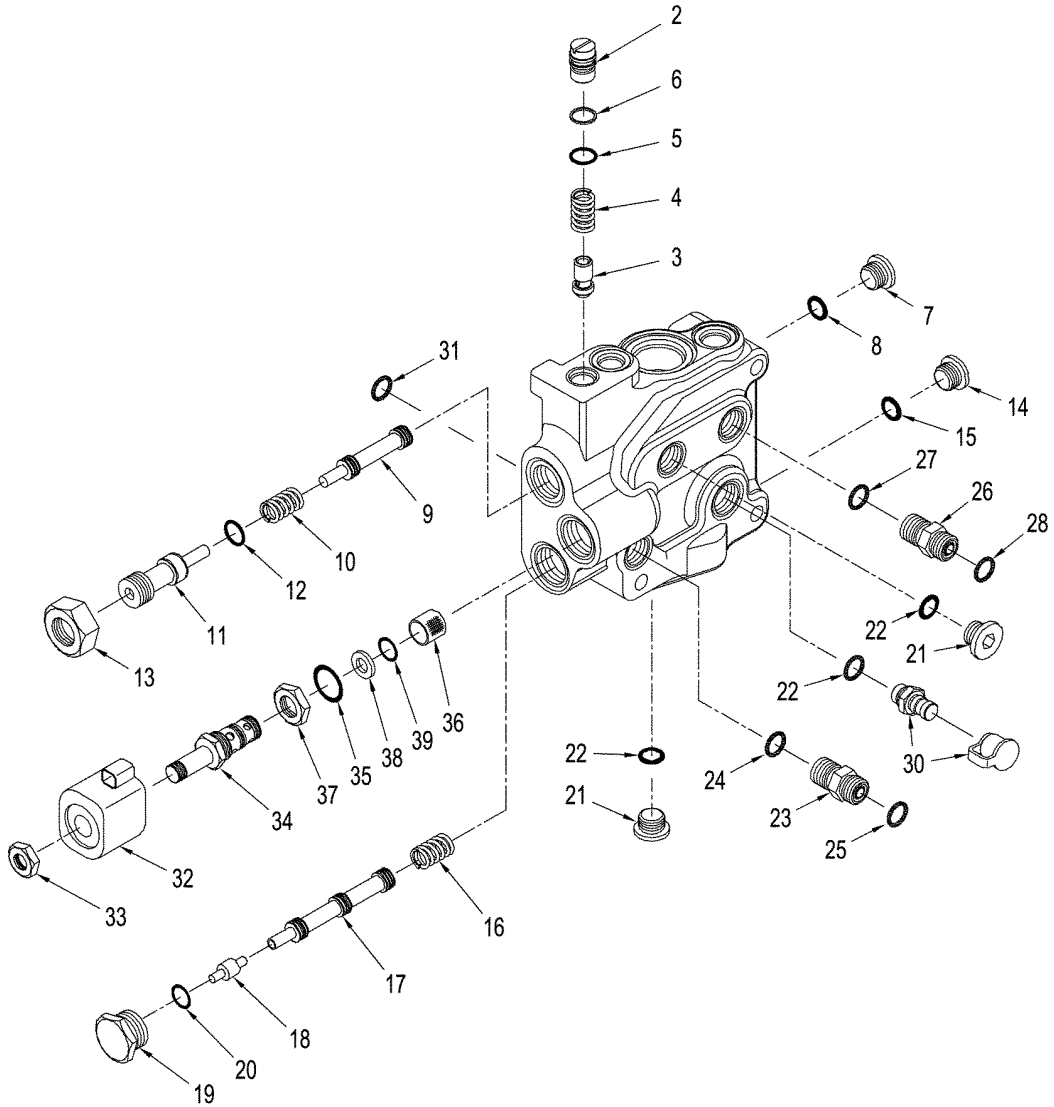
REF	FN	PART NUMBER	YR/SN	QTY	DESCRIPTION
1		87313218		1	TANK
2		87409406		1	SCREEN, FILTER
3		435031A1		1	GASKET
4		435030A1		1	COVER
5		832-10408		8	NUT M8; 8
6	1	254253A1		1	CAP Oil Filler, if used
6		325737A1		1	CAP Oil Filler, if used
7		217-410		1	PLUG 1/2 PT
8		1971726C1		1	BREATHER
9		435032A1		1	NUT, LOCK
10		217-445		1	PLUG 1-1/4
11		844-10035		2	BOLT M10 x 35; 8.8
12		349869A1		1	CHANNEL
13		355179A1		1	HOSE Sight Guage
14		352767A1		2	CONNECTOR, HYD.
15		337248A1		4	O-RING

(1) Order this Cap for Models Built BSN JEE0107140. If Tank has been Replaced by Tank 87313212. Then Order Cap 325737A1.

**STX375 STX450**  
**STX425 STX500**



REGULATOR VALVE ASSEMBLY

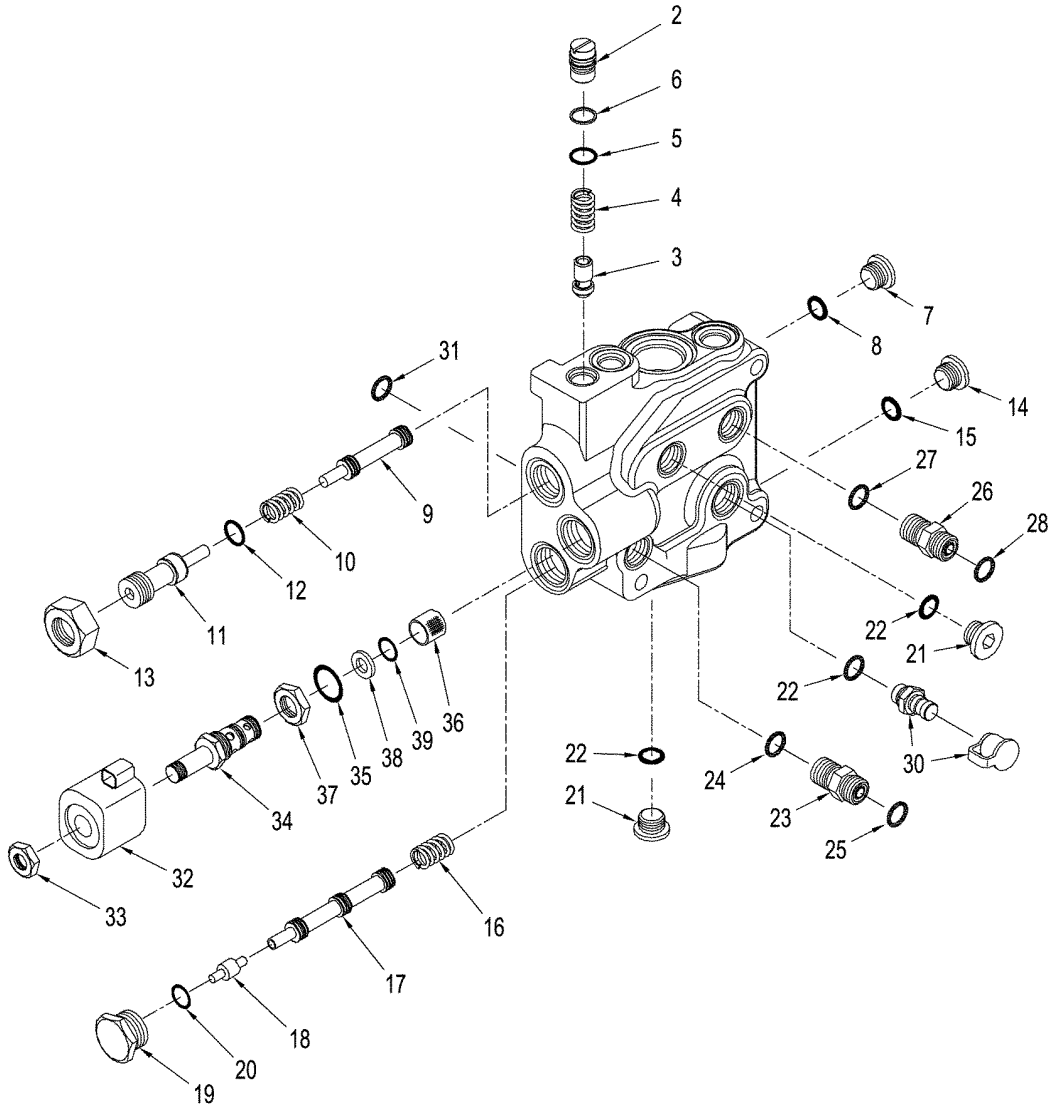


## REGULATOR VALVE ASSEMBLY

REF	FN	PART NUMBER	YR/SN	QTY	DESCRIPTION
1		411104A2		1	VALVE Inc. 1 - 36
		NSS		1	NOT SERVICED SEPARATELY Body
		1542563C1		1	VALVE, CHECK Inc. 2 - 6
2		1994580C1		1	PLUG
3		1543329C1		1	POPPET, VALVE
4		1994581C1		1	SPRING
5		238-6015		1	O-RING 9/16 ID x 1/16
6		G108723		1	RING
7		221579A1		1	PLUG M22 - 1,5, Inc. 8
8		637-63193		1	O-RING 19,3 ID x 2,2 mm
9		119182A3		1	SPOOL
10		176312A1		1	SPRING
11		313941A1		1	PLUG
12		237-6012		1	O-RING 59/64 ID x 7/64
13		218-1280		1	NUT 1-1/16
		344573A1		1	PLUG Inc. 14 - 15
14		NSS		1	NOT SERVICED SEPARATELY Plug
15		637-63193		1	O-RING 19,3 ID x 2,2 mm
16		330105A1		1	SPRING
17		330103A1		1	SPOOL
18		330104A1		1	PIN
19		218-5212		1	PLUG 1-1/16 Or, Inc. 20
21		221578A1		2	PLUG M18 - 1,5, Inc. 22
22		637-63153		2	O-RING 15,3 ID x 2,2
		339487A2		1	CONNECTOR, HYD. Inc. 23 - 25
23		NSS		1	NOT SERVICED SEPARATELY Adapter, 11/16 fc sl x 14 orb
24		637-63113		1	O-RING 11,3 ID x 2,2
25		238-6012		1	O-RING 3/8 ID x 1/16
26		700-101		1	CONNECTOR, HYD. 11/16 fc sl x 14 Or, Inc. 27, 28
27		238-6014		1	O-RING 1/2 ID x 1/16
28		238-6012		1	O-RING 3/8 ID x 1/16
29		238-5118		1	O-RING 7/8 ID x 3/32
30		358968A1		1	COUPLING Diagonstic, Inc. 22
31		238-5112		2	O-RING 1/2 ID x 3/32

**STX375 STX450**  
**STX425 STX500**

REGULATOR VALVE ASSEMBLY

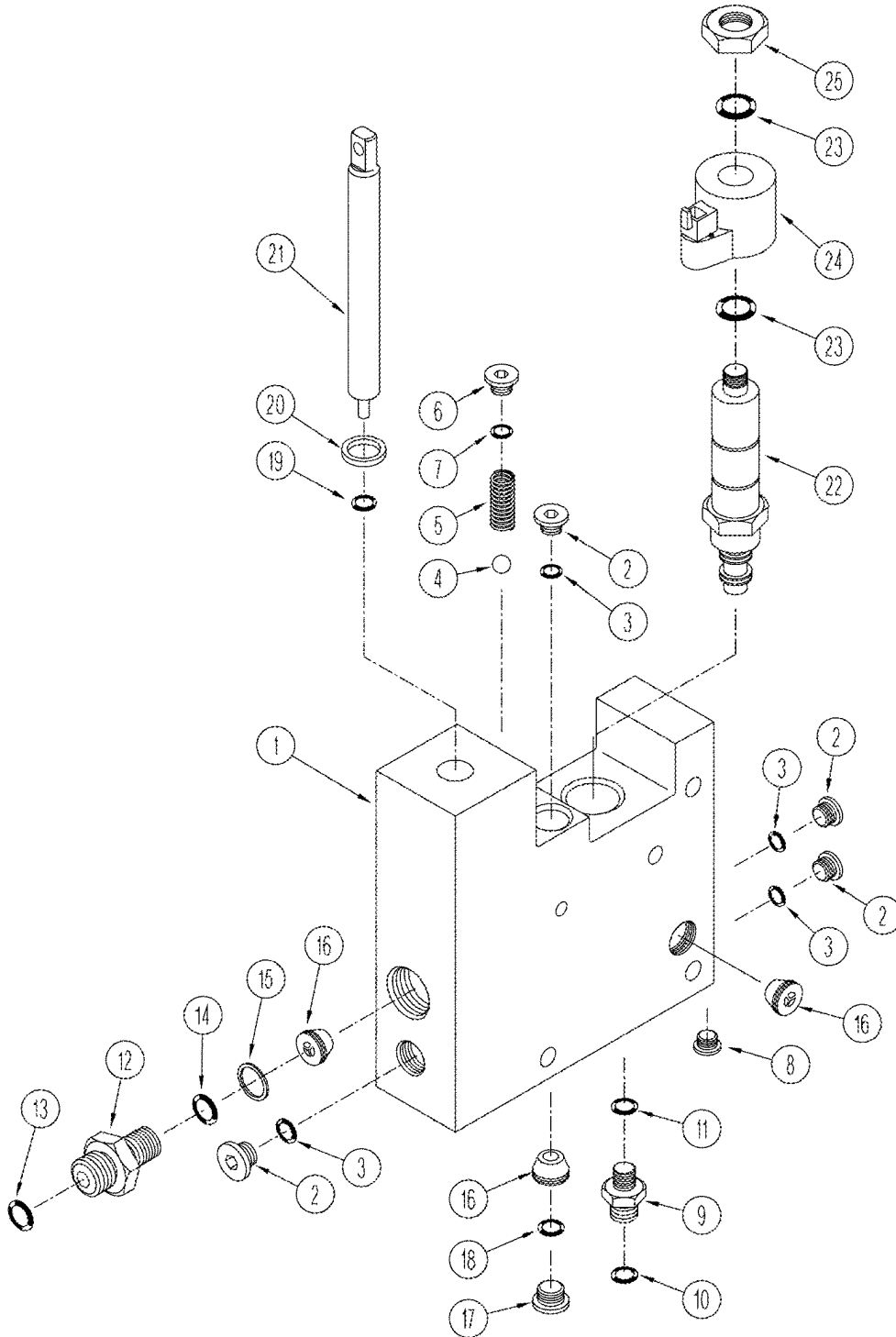


## REGULATOR VALVE ASSEMBLY

REF	FN	PART NUMBER	YR/SN	QTY	DESCRIPTION
		87330331		1	SOLENOID Inc. 32 - 39
32		298614A1		1	COIL
33		NSS		1	NOT SERVICED SEPARATELY Nut, Jam
34		NSS		1	NOT SERVICED SEPARATELY Valve, Cartridge, 2 gpm
35		237-6012		1	O-RING .116" ID x .924" Thk, CL6
36		NSS		1	NOT SERVICED SEPARATELY Filter, Screen
37		87330336		1	SOLENOID Jam Nut
38		G35540		1	RING Backup
39		238-6018		1	O-RING .062" ID x .750" Thk, CL6
20		237-6006		1	O-RING 6-1, 90 Duro, .468" ID x .078" Thk

**STX375 STX450**  
**STX425 STX500**

TOW BLOCK VALVE ASSEMBLY

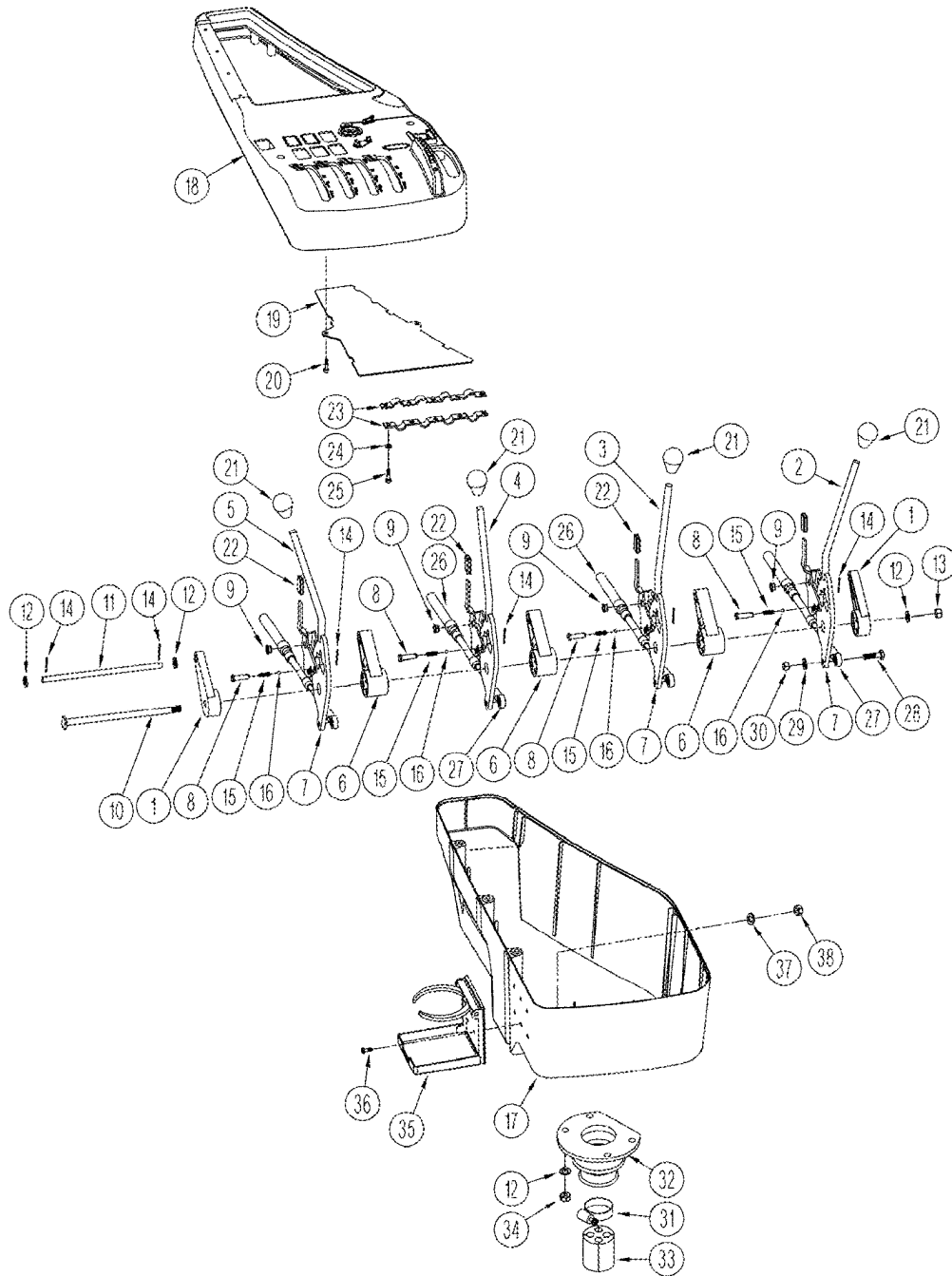


## TOW BLOCK VALVE ASSEMBLY

REF	FN	PART NUMBER	YR/SN	QTY	DESCRIPTION
		319774A4		1	VALVE Tow Block, Inc. 1 - 27
1		NSS		1	NOT SERVICED SEPARATELY Body
2		221576A1		4	PLUG M14 - 1,5, Inc. 3
3		637-63113		4	O-RING 11,3 ID x 2,2
4		511-1060		1	BALL 6 mm
5		352025A1		1	SPRING
6		221573A1		1	PLUG M12 orb x 13, Inc. 7
7		637-63093		1	O-RING 9,3 ID x 2,2
8		282839A1		1	PLUG M8
9		700-102		1	CONNECTOR, HYD. 13/16 fc sl x 18 Or, Inc. 10, 11
10		238-6012		1	O-RING 3/8 ID x 1/16
11		637-63153		1	O-RING 15,3 ID x 2,2
12		700-162		1	CONNECTOR, HYD. 13/16 fc sl x 22 or, Inc. 13, 14
13		238-6014		1	O-RING 1/2 ID x 1/16
14		637-63193		1	O-RING 19,3 ID x 2,2 mm
15		496-21034		1	WASHER 11/32 x 11/16 x 3/32
16		1994615C2		3	VALVE, CHECK
17		221579A1		1	PLUG M22 - 1,5, Inc. 18
18		637-63193		1	O-RING 19,3 ID x 2,2 mm
19		238-5208		1	O-RING 5/8 ID x 1 8
20		A63399		1	SEAL
21		326300A1		1	SPOOL
		234783A8		1	SOLENOID Inc. 22 - 25
22		NSS		1	NOT SERVICED SEPARATELY Solenoid
23		238-7115		2	O-RING 11/16 ID x 3/32
24		NSS		1	NOT SERVICED SEPARATELY Coil
25		252462A2		1	NUT

**STX375 STX450**  
**STX425 STX500**

CONTROLS - MANUAL HYDRAULIC REMOTES, BSN JEE0102592



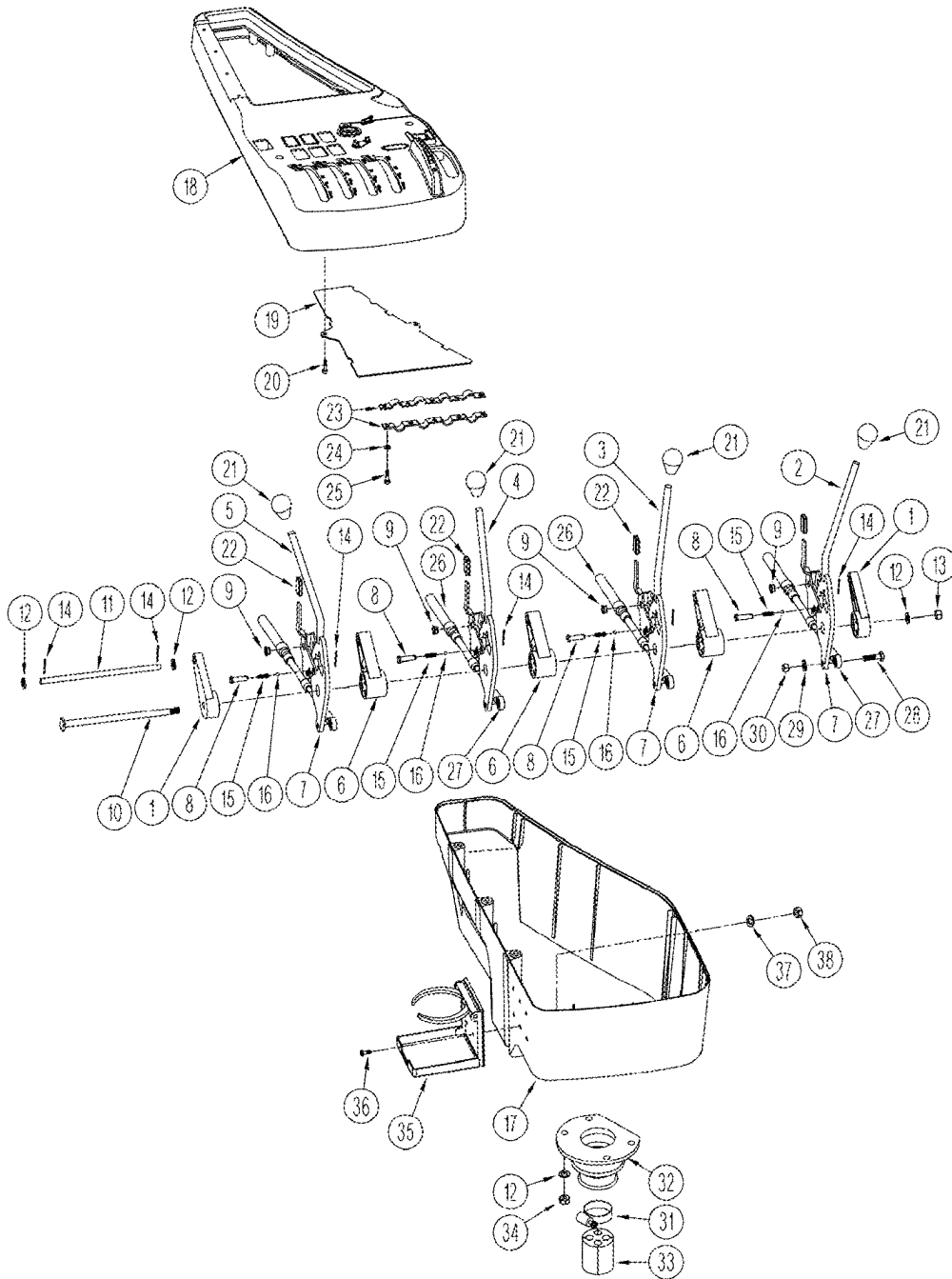
## CONTROLS - MANUAL HYDRAULIC REMOTES, BSN JEE0102592

REF	FN	PART NUMBER	YR/SN	QTY	DESCRIPTION
1		318775A1		2	BUSHING
2		318507A2		1	LEVER
3		318508A2		1	LEVER
4		318509A2		1	LEVER
5		318510A2		1	LEVER
6		318778A1		3	BUSHING
7		318780A1		4	LEVER Detent
8		427-4090		4	PIN, CLEVIS 1/4 x 29/32
9		318781A1		8	BEARING
10		227665A1		1	ROD
11		227666A3		1	ROD
12		895-11008		11	WASHER 9 x 17 x 1,6 mm
13		832-10408		1	NUT M8; 8
14		432-412		4	PIN, SPLIT (COTTER) 1/16" x 3/4"
15		232377A1		4	SPRING
16		511-1060		4	BALL 6 mm
17		REF		1	INSTRUCTION Housing, Lower, See Figure 09-23
18		414440A1	BSN JEE0102001	1	HOUSING RH Armrest Cover
18		414440A2	ASN JEE0102001	1	HOUSING RH Armrest Cover
19		315897A1		1	PANEL
20		760-14316		2	SCREW M4,2 x 16
21		60-4346T1		4	KNOB
22		320961A1		4	CAP
23		318774A2		2	BLOCK
24		895-11005		5	WASHER 5,5 x 10 x 1 mm
25		840-1512		5	SCREW M5 x 12
26		331005A1		4	CABLE
27		L53928		4	EYE
28		426-416		4	BOLT 1/4 x 1; 8
29		495-11028		4	WASHER 9/32 x 5/8 x 1/16
30		230-4244		4	NUT, LOCK 1/4
31		214-1532		1	CLAMP 1-9/16 - 2-1/2
32		248339A1		1	BOOT
33		248338A2		1	RETAINER
34		829-1408		4	NUT M8; 10

**STX375 STX450**  
**STX425**



CONTROLS - MANUAL HYDRAULIC REMOTES, BSN JEE0102592

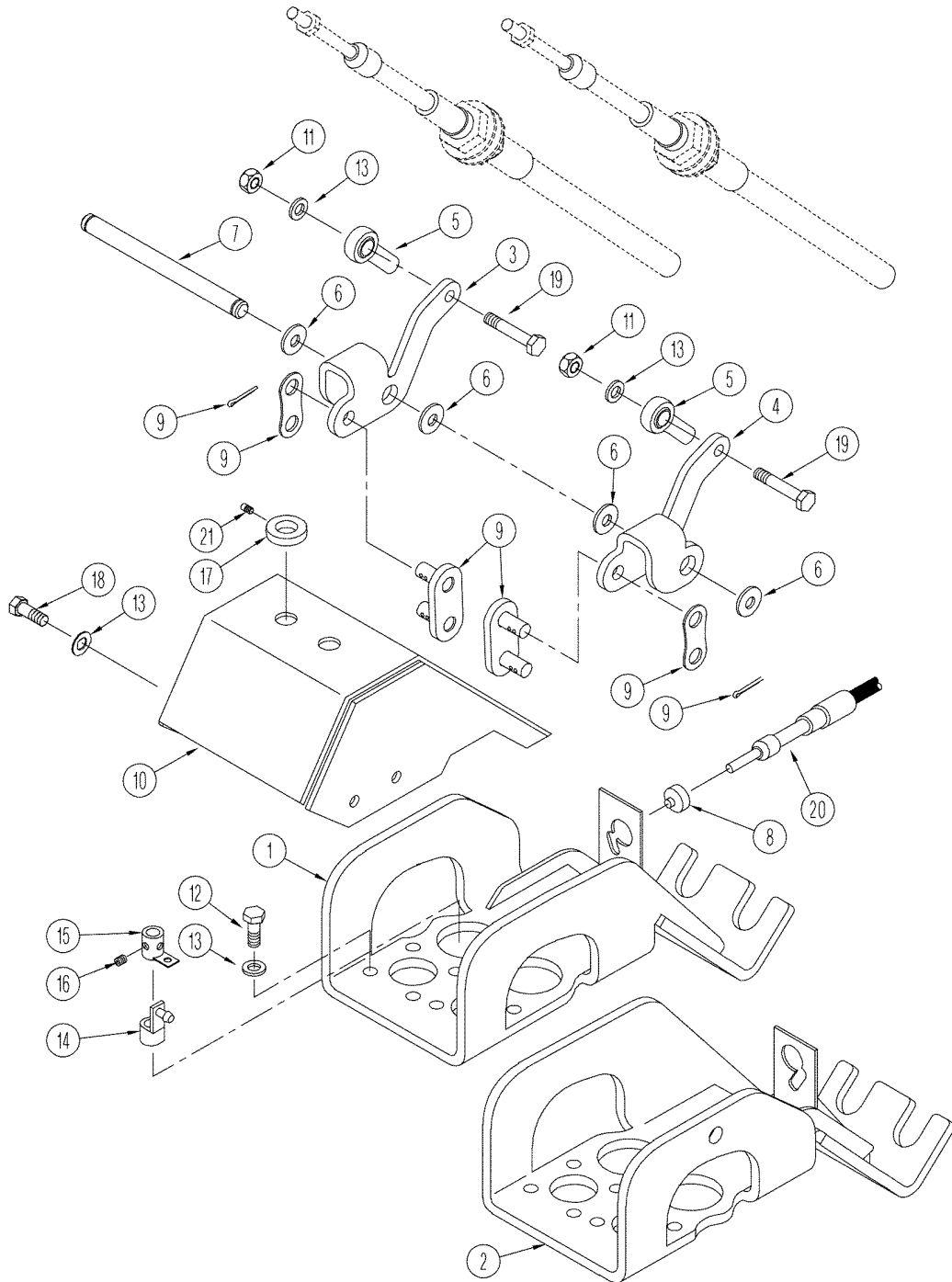


## CONTROLS - MANUAL HYDRAULIC REMOTES, BSN JEE0102592

REF	FN	PART NUMBER	YR/SN	QTY	DESCRIPTION
35		331649A1		1	HOLDER Cup
36		840-1412		4	SCREW M4 x 12
37		895-11004		4	WASHER 4,3 x 9 x 0,8 mm
38		824-1404		4	NUT M4; 5

**STX375 STX450**  
**STX425**

LINKAGE - MANUAL HYDRAULIC REMOTES, BSN JEE0102592

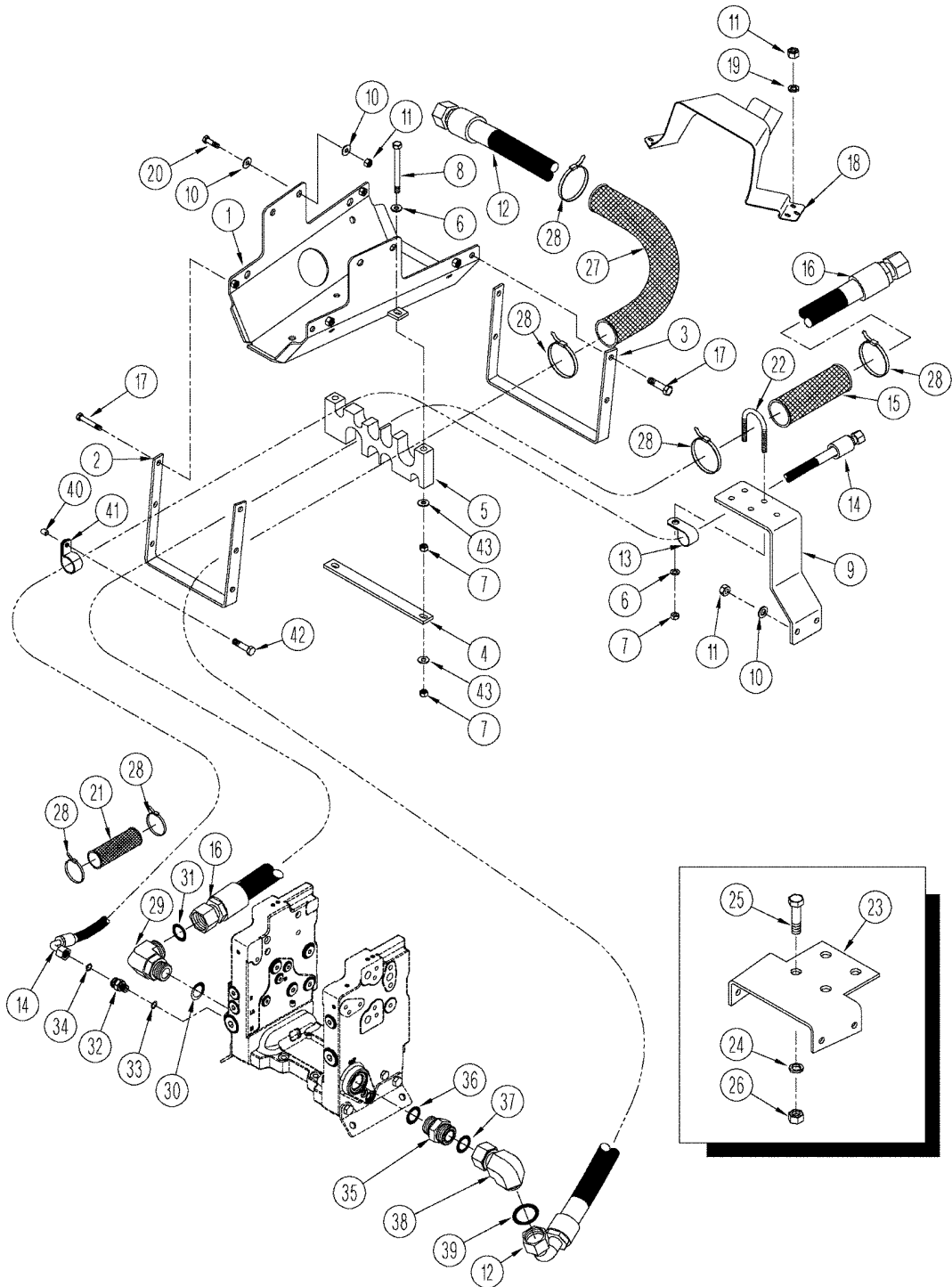


## LINKAGE - MANUAL HYDRAULIC REMOTES, BSN JEE0102592

REF	FN	PART NUMBER	YR/SN	QTY	DESCRIPTION
1		359789A1		1	SUPPORT ASSY. Support, Right-Hand
2		359783A1		1	SUPPORT ASSY. Support, Left-Hand
3		367538A1		2	ARM ASSY. Left-Hand
4		367545A1		2	ARM ASSY. Right-Hand
5		L53928		4	EYE
6		895-18010		8	WASHER 11 x 18 x 1,6 mm
7		359804A1		2	PIN
8		A67295		4	PLUG
9		349340A1		4	LINK
10		417564A1		2	SHIELD
11		829-1406		4	NUT M6; 10.9
12		614-6016		8	BOLT M6 x 16; 8,8
13		895-11006		20	WASHER 6,6 x 12 x 1,6 mm
14		359791A1		1	COLLAR With Flow Control
15		60-2404T1		1	RETAINER
16		878-1046		1	SCREW M4 x 6
17		1340223C1		3	KNOB Flow Control
18		614-6012		8	BOLT M6 x 12; 8,8
19		627-6025		4	BOLT M6 x 25; 10.9
20		363508A1		1	CABLE Flow Control
21		484-21010		3	SCREW Set, 5/8

**STX375 STX450**  
**STX425**

HYDRAULIC REMOTE HOSES - MANUAL REMOTE, BSN JEE0102592

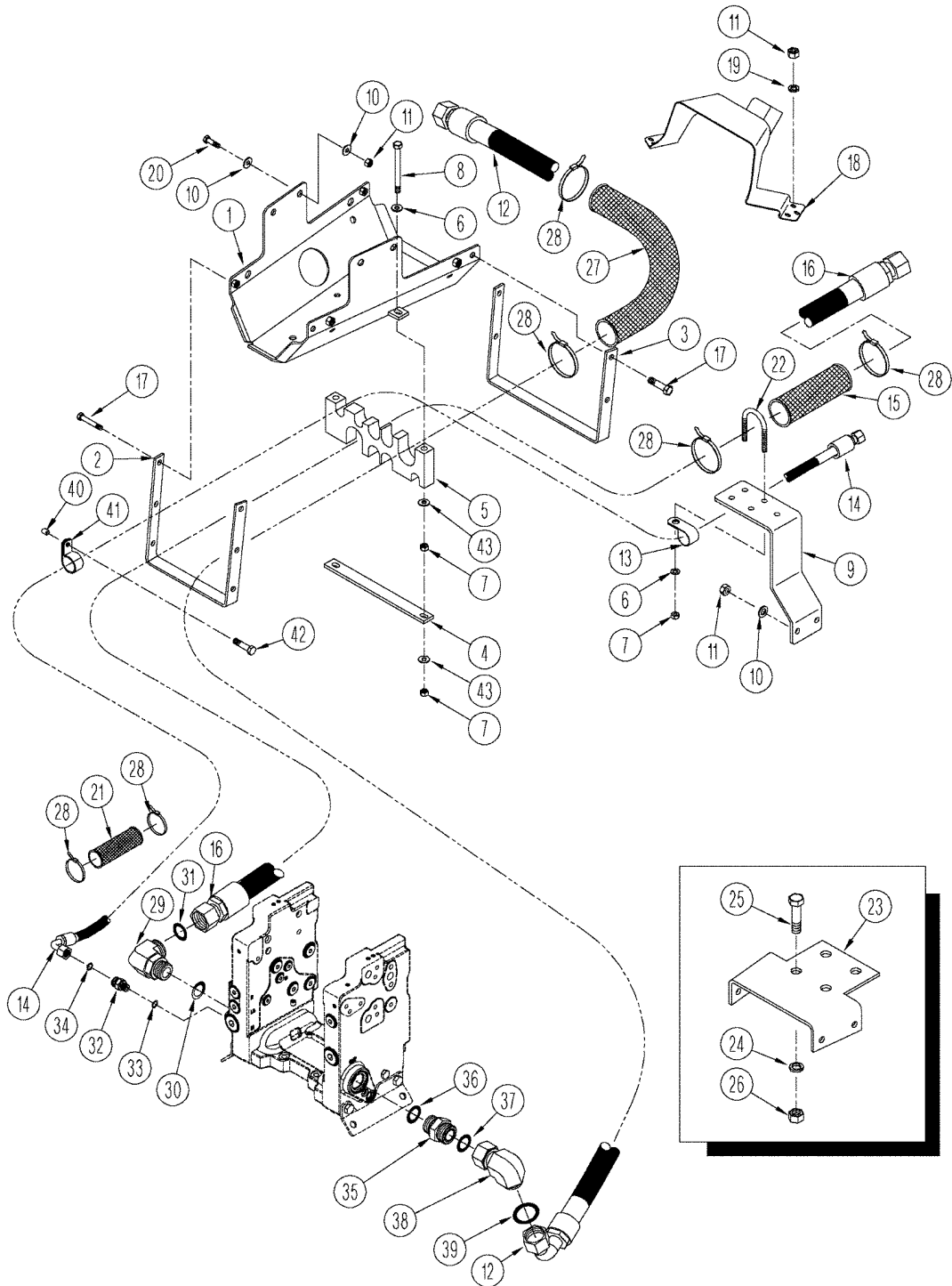


## HYDRAULIC REMOTE HOSES - MANUAL REMOTE, BSN JEE0102592

REF	FN	PART NUMBER	YR/SN	QTY	DESCRIPTION
1		433355A1		1	BRACKET Hose
2		405517A1		1	BRACKET
3		405518A1		1	BRACKET
4		363768A1		1	PLATE
5		362419A1		1	CLAMP
6		895-11008		4	WASHER 9 x 17 x 1,6 mm
7		829-1408		7	NUT M8; 10
8		627-8100		2	BOLT M8 x 100; 10.9
9		405519A1		1	BRACKET
10		895-11010		10	WASHER 11 x 20 x 2 mm
11		829-1410		10	NUT M10; 10
12		360134A2		1	HOSE ASSY. 3238 mm (127 in)
13		515-23254		1	CLAMP 1 in ID
14		433213A2		1	HOSE ASSY. 4242 mm (167 in)
15		S120426		1	SLEEVE
16		360135A3		1	HOSE ASSY. 4153 mm (163-1/2 in)
17		614-8025		1	BOLT M8 x 25
18		405521A1		1	SHIELD
19		896-11010		4	WASHER 11 x 21 x 2,5 mm
21		387840A1		1	SLEEVE
22		352892A1		2	U-BOLT
23		404604A1		1	BRACKET Without Power Takeoff
24		896-11016		4	WASHER 17,5 x 30 x 4 mm
25		614-16100		4	SCREW M16 x 100
26		829-1416		4	NUT M16; 10
27		387840A1		1	SLEEVE 610 mm (24 in)
28		L18331		6	STRAP
29		700-308		1	ELBOW 1-7/16 fc sl x 33 Or, Inc. 30, 31
30		637-64296		1	O-RING 29,6 ID x 2,9
32		339487A2		1	CONNECTOR, HYD. 11/16 fc sl x 12 Or, Inc. 33, 34
33		637-63093		1	O-RING 9,3 ID x 2,2
34		238-6012		1	O-RING 3/8 ID x 1/16
35		700-105		1	CONNECTOR, HYD. 1-7/16 fc sl x 33 Or, Inc. 36, 37
36		637-64296		1	O-RING 29,6 ID x 2,9
37		238-6021		1	O-RING 15/16 ID x 1/16

**STX375 STX450**  
**STX425**

HYDRAULIC REMOTE HOSES - MANUAL REMOTE, BSN JEE0102592



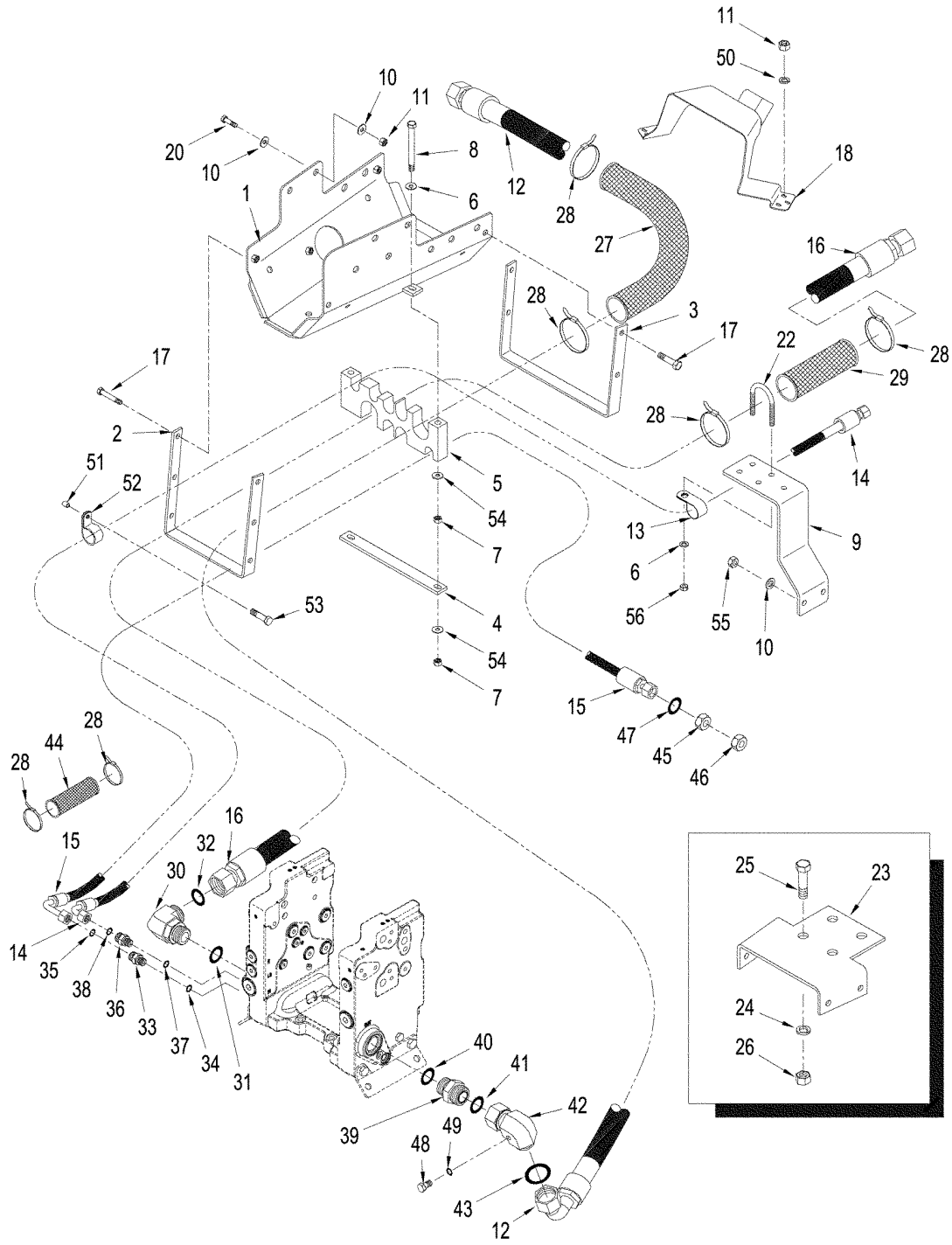
## HYDRAULIC REMOTE HOSES - MANUAL REMOTE, BSN JEE0102592

REF	FN	PART NUMBER	YR/SN	QTY	DESCRIPTION
38		311834A1		1	ELBOW 1-7/16 fc sl x swl, Inc. 39
39		238-6021		1	O-RING 15/16 ID x 1/16
40		371838A1		1	SPACER
41		515-23159		1	CLAMP 5/8 ID
42		827-8060		1	SCREW M 8 x 60
43		895-15008		5	WASHER 9 x 20 x 1,6 mm
20		627-10030		8	BOLT M12 x 30
31		238-6021		1	O-RING 15/16 ID x 1/16

**STX375 STX450**  
**STX425**



HYDRAULIC REMOTE HOSES - ELECTRONIC REMOTE



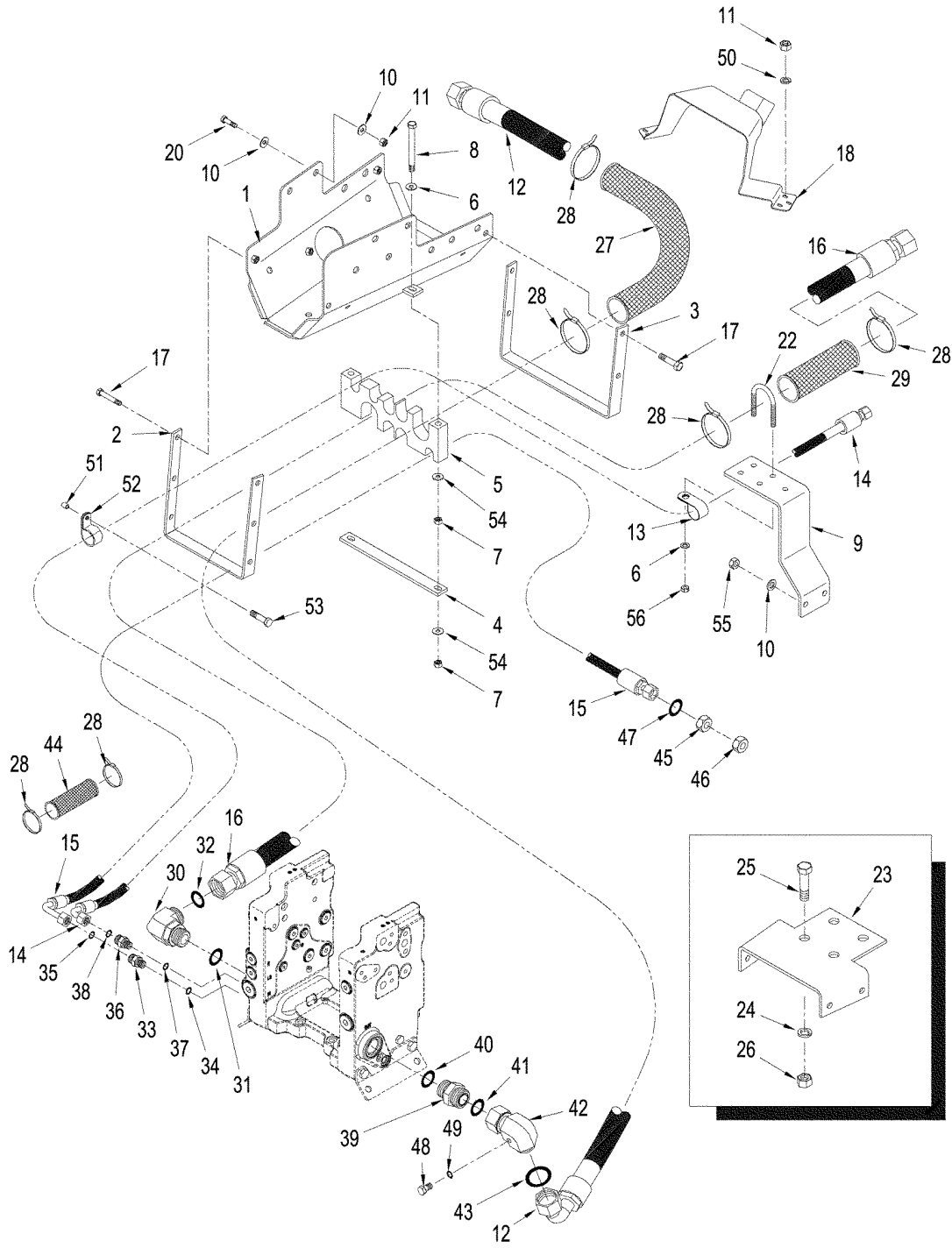
## HYDRAULIC REMOTE HOSES - ELECTRONIC REMOTE

REF	FN	PART NUMBER	YR/SN	QTY	DESCRIPTION
1		{87341572}		1	Hoses
2		405517A1		1	BRACKET
3		405518A1		1	BRACKET
4		405520A1		1	PLATE
5		362419A1		1	CLAMP
6		895-11008		4	WASHER 9 x 17 x 1,6 mm
7		829-1408		7	NUT M8; 10
8		627-8100		2	BOLT M8 x 100; 10.9
9		405519A1		1	BRACKET
10		895-11010		10	WASHER 11 x 20 x 2 mm
11		829-1410		10	NUT M10; 10
12		360134A2		1	HOSE ASSY. 3238 mm (127 in)
12	1	437272A1S		1	HOSE ASSY. 3238 mm (127-1/2 in)
13		515-23254		1	CLAMP 1 in ID
14		433213A2		1	HOSE ASSY. 4242 mm (167 in)
14	1	437260A2S		1	HOSE ASSY. 4267 mm (168 in)
15		352599A3		1	HOSE ASSY. 3422 mm (138 in)
15	1	437270A1S		1	HOSE ASSY. 3487 mm (137-1/4 in)
16		360135A3		1	HOSE ASSY. 4153 mm (163-1/2 in)
16	1	437273A1S		1	HOSE ASSY. 4153 mm (163-1/2 in)
17		614-8025		4	BOLT M8 x 25
18		405521A1		1	SHIELD
19		895-11012		12	WASHER 13,5 x 24 x 2,5 mm
21		829-1412		4	NUT M12; 10
22		352892A1		2	U-BOLT
23		404604A1		1	BRACKET Without Power Takeoff
24		896-11016		4	WASHER 17,5 x 30 x 4 mm
25		614-16100		4	SCREW M16 x 100
26		829-1416		4	NUT M16; 10
27		387840A1		1	SLEEVE 610 mm (24 in)
28		L18337		6	STRAP 15 in
29		387840A1		1	SLEEVE
30		700-308		1	ELBOW 90, 1-7/16 fc sl x 33 Or, Inc. 31, 32
31		637-64296		1	O-RING 29,6 ID x 2,9

(1) Arctic QUADTRAC Tractor Application

**STX375 STX450**  
**STX425 STX500**

HYDRAULIC REMOTE HOSES - ELECTRONIC REMOTE

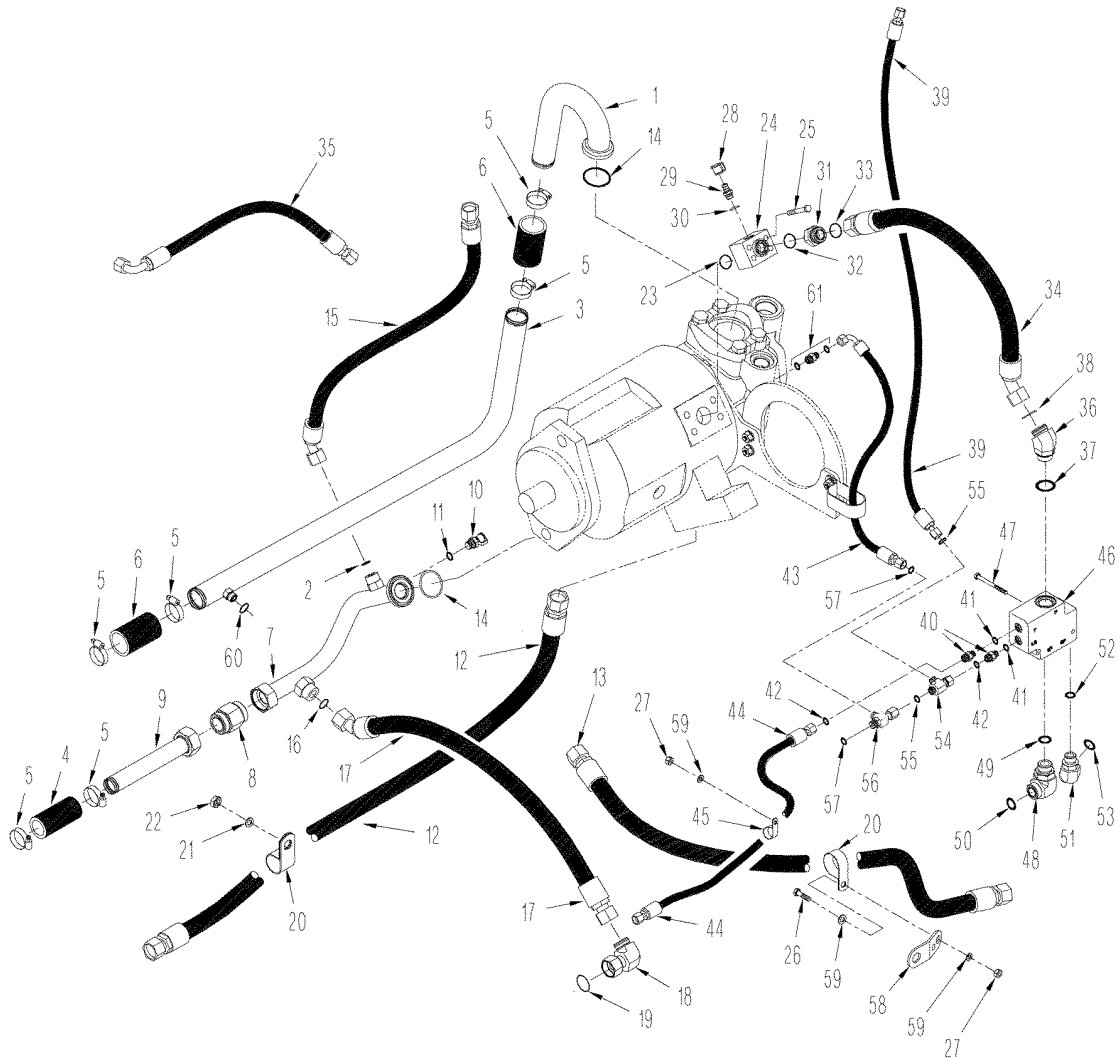


## HYDRAULIC REMOTE HOSES - ELECTRONIC REMOTE

REF	FN	PART NUMBER	YR/SN	QTY	DESCRIPTION
32		238-6021		1	O-RING 15/16 ID x 1/16
33		339487A2		1	CONNECTOR, HYD. 11/16 fc sl x 14 Or, Inc. 34, 35
34		637-63113		1	O-RING 11,3 ID x 2,2
35		238-6012		1	O-RING 3/8 ID x 1/16
36		700-165		1	CONNECTOR, HYD. 11/16 fc sl x 12 Or, Inc. 37, 38
37		637-63093		1	O-RING 9,3 ID x 2,2
38		238-6012		1	O-RING 3/8 ID x 1/16
39		700-105		1	CONNECTOR, HYD. 1-7/16 fc sl x 33 Or, Inc. 40, 41
40		637-64296		1	O-RING 29,6 ID x 2,9
41		238-6021		1	O-RING 15/16 ID x 1/16
42		311834A1		1	ELBOW 90, 1-7/16 fc sl x swl, Inc. 43
43		238-6021		1	O-RING 15/16 ID x 1/16
44		387840A1		1	SLEEVE 325 mm (13 in)
45		703-903		1	NUT 5/8
46		201-146		1	CONNECTOR, HYD. 5/8 fcsl x 1/2, Inc. 47
47		238-6016		1	O-RING 5/8 ID x 1/16
48		220066A1		1	PLUG M18 Or, Inc. 49
49		637-63153		1	O-RING 15,3 ID x 2,2
50		896-11010		4	WASHER 11 x 21 x 2,5 mm
51		371838A1		1	SPACER
52		515-23159		1	CLAMP 5/8 ID
53		827-8060		1	SCREW M8 x 60
54		895-15008		5	WASHER 9 x 20 x 1,6 mm
20		627-10030		8	BOLT M12 x 30

**STX375 STX450**  
**STX425 STX500**

STANDARD HYDRAULICS - PUMP LUBRICATION CIRCUIT, WITH MANUAL SHIFT TRANSMISSION



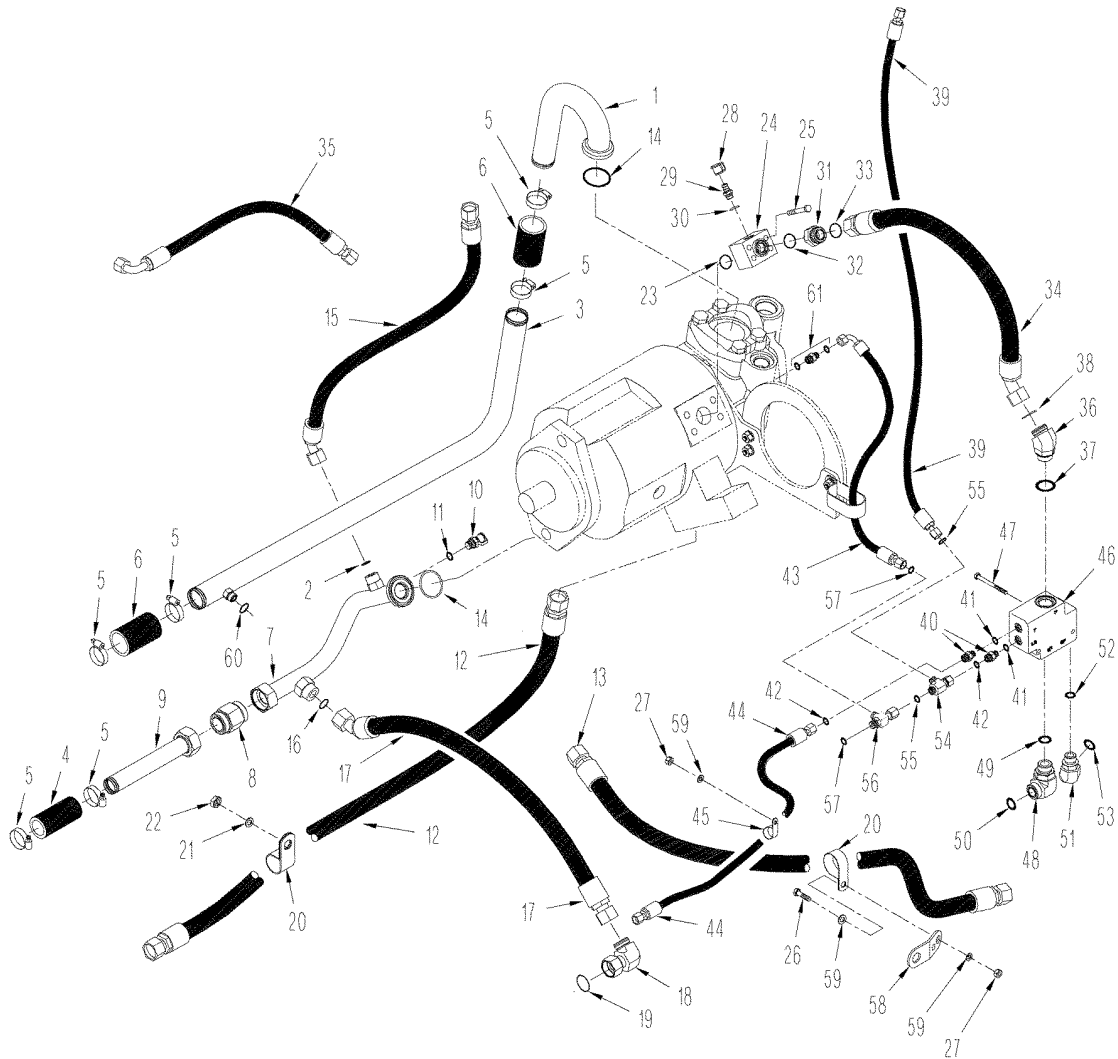
## STANDARD HYDRAULICS - PUMP LUBRICATION CIRCUIT, WITH MANUAL SHIFT TRANSMISSION

REF	FN	PART NUMBER	YR/SN	QTY	DESCRIPTION
1		402484A1		1	TUBE ASSY.
2		238-6018		1	O-RING 3/4 ID x 1/16
3		401617A3		1	TUBE ASSY.
4		1-4571		1	HOSE 114 mm (4-1/2 in)
5		214-1436		6	CLAMP 1-13/16 - 2-3/4
6		31-2427		2	HOSE 102 mm (4 in), Cut From 1-4568
7		401613A4		1	TUBE ASSY.
8		87411517		1	VALVE, CHECK 1-1/2
9		401615A3		1	TUBE ASSY.
10		358968A1		1	COUPLING M18 orb x 1,5, Diagnostic, Inc. 11
11		637-63153		1	O-RING 15,3 ID x 2,2
12		349499A1		1	HOSE ASSY. 1420 mm (56 in)
13		403538A1		1	HOSE ASSY. 1816 mm (71 in)
14		238-6228		2	O-RING 2-1/4 ID x 1/8
15		315576A1		1	HOSE ASSY. 935 mm (37 in)
16		238-6021		1	O-RING 15/16 ID x 1/16
17		335104A2		1	HOSE ASSY. 925 mm (36 in)
17	1	437264A1S		1	HOSE ASSY. 925 mm (36-13/32 in)
18		701-339		1	ELBOW 1-7/16 fc sl x swl, Inc. 19
19		238-6021		1	O-RING 15/16 ID x 1/16
20		515-24349		3	CLAMP
21		895-11008		11	WASHER 9 x 17 x 1,6 mm
23		238-6025		1	O-RING 1-3/16 ID x 1/16
24		398274A2		1	BLOCK
25		461-33844		4	SCREW 3/8 x 2-3/4; 8
27		829-1410		3	NUT M10; 10
		178889A1		1	FITTING Diagnostic, Inc. 28 - 30
28		H434163		1	CAP
29		NSS		1	NOT SERVICED SEPARATELY Fitting, Diagnostic
30		637-63113		1	O-RING 11,3 ID x 2,2
31		700-159		1	CONNECTOR, HYD. 1-7/16 fc sl x 22 Or, Inc. 32, 33
32		637-63193		1	O-RING 19,3 ID x 2,2 mm
33		238-6021		1	O-RING 15/16 ID x 1/16
34		315577A2		1	HOSE ASSY. 800 mm (31 in)

(1) Arctic QUADTRAC Tractor Application

**STX375 STX450**  
**STX425**

STANDARD HYDRAULICS - PUMP LUBRICATION CIRCUIT, WITH MANUAL SHIFT TRANSMISSION



## STANDARD HYDRAULICS - PUMP LUBRICATION CIRCUIT, WITH MANUAL SHIFT TRANSMISSION

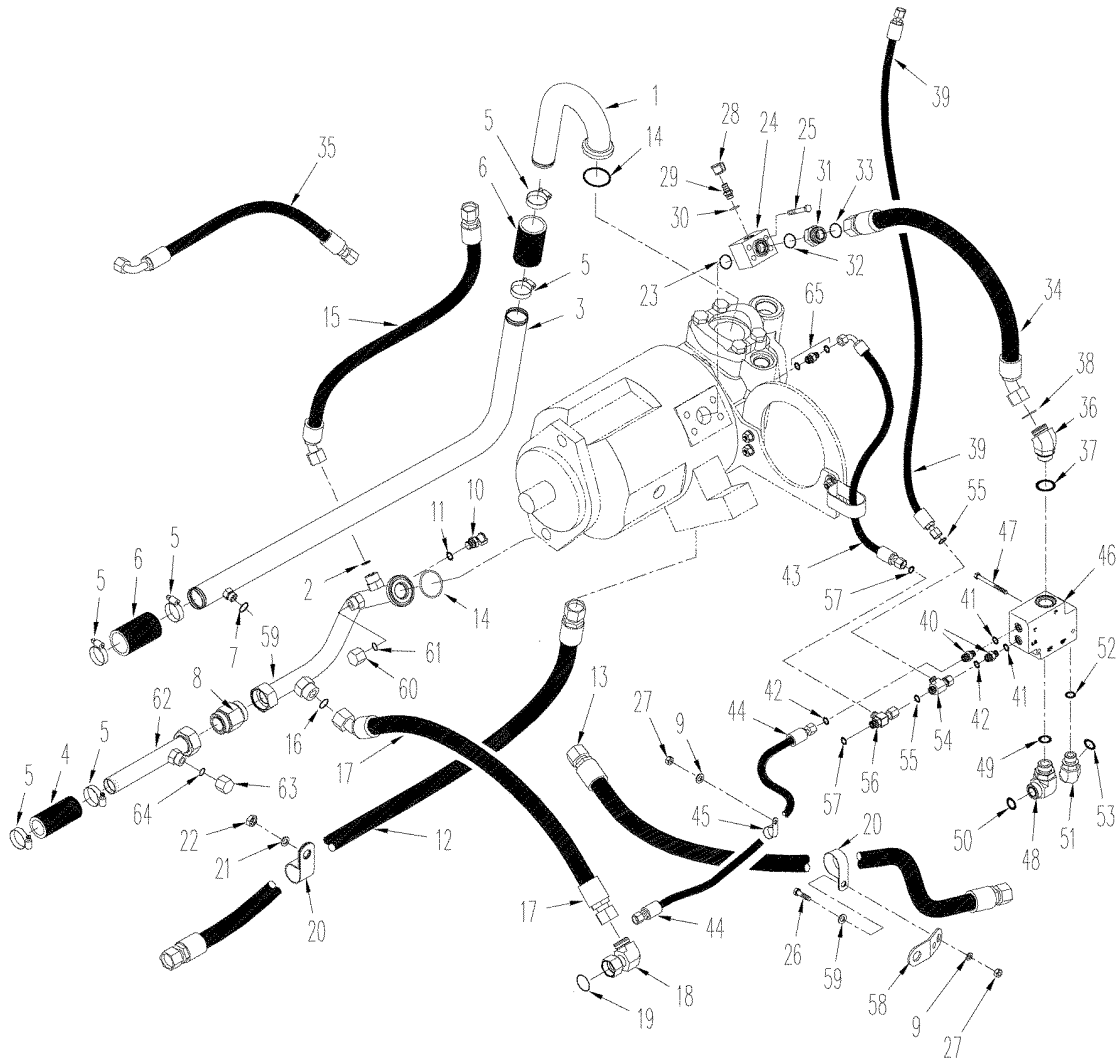
REF	FN	PART NUMBER	YR/SN	QTY	DESCRIPTION
35		327499A1		1	HOSE ASSY. 685 mm (27 in)
36		700-318		1	ELBOW 1-7/16 fc sl x 33 orb, Inc. 37, 38
37		637-64296		1	O-RING 29,6 ID x 2,9
38		238-6021		1	O-RING 15/16 ID x 1/16
39		327459A1	BSN JEE0102661	1	HOSE ASSY. 1350 mm (53 in)
39		87415320	ASN JEE0102661	1	HOSE ASSY. 1350 mm (53 in)
40		700-101		2	CONNECTOR, HYD. 11/16 fc sl x 14 Or, Inc. 41, 42
41		637-63113		1	O-RING 11,3 ID x 2,2
42		238-6012		1	O-RING 3/8 ID x 1/16
43		315574A2		1	HOSE ASSY. 623 mm (24-1/2 in)
44		397244A1		1	HOSE ASSY. 1105 mm (43-1/2 in)
44	1	437292A1S		1	HOSE ASSY. 1105 mm (43-1/2 in)
45		515-23159		2	CLAMP 5/8 ID
46		363294A1		1	VALVE Regulator, See Figure 08-23
47		827-8090		2	BOLT M8 x 90; 10.9
48		700-308		1	ELBOW 1-7/16 fc sl x 33 Or, Inc. 49, 50
49		637-64296		1	O-RING 29,6 ID x 2,9
50		238-6021		1	O-RING 15/16 ID x 1/16
51		700-387		1	ELBOW M20 fc sl x 2,7 orb, Inc. 52, 53
52		637-64236		1	O-RING 23,6 ID x 2,9
53		238-6018		1	O-RING 3/4 ID x 1/16
54		701-422		1	TEE 11/16 fc sl x 11/16 sw, Inc. 55
55		238-6012		2	O-RING 3/8 ID x 1/16
56		300209A1		1	VALVE Shuttle
57		238-6012		2	O-RING 3/8 ID x 1/16
58		406576A1		1	BRACKET
59		895-11010		5	WASHER 11 x 20 x 2 mm
60		238-6014		1	O-RING 1/2 ID x 1/16
61		1957867C1		1	SCREEN, FILTER With O-Rings
22		627-8030		1	SCREW M8 x 30; 10.9
26		627-10030		2	BOLT M10 x 30; 10.9

(1) Arctic QUADTRAC Tractor Application

**STX375 STX450**  
**STX425**



STANDARD HYDRAULICS - PUMP LUBRICATION CIRCUIT, WITH POWER SHIFT TRANSMISSION



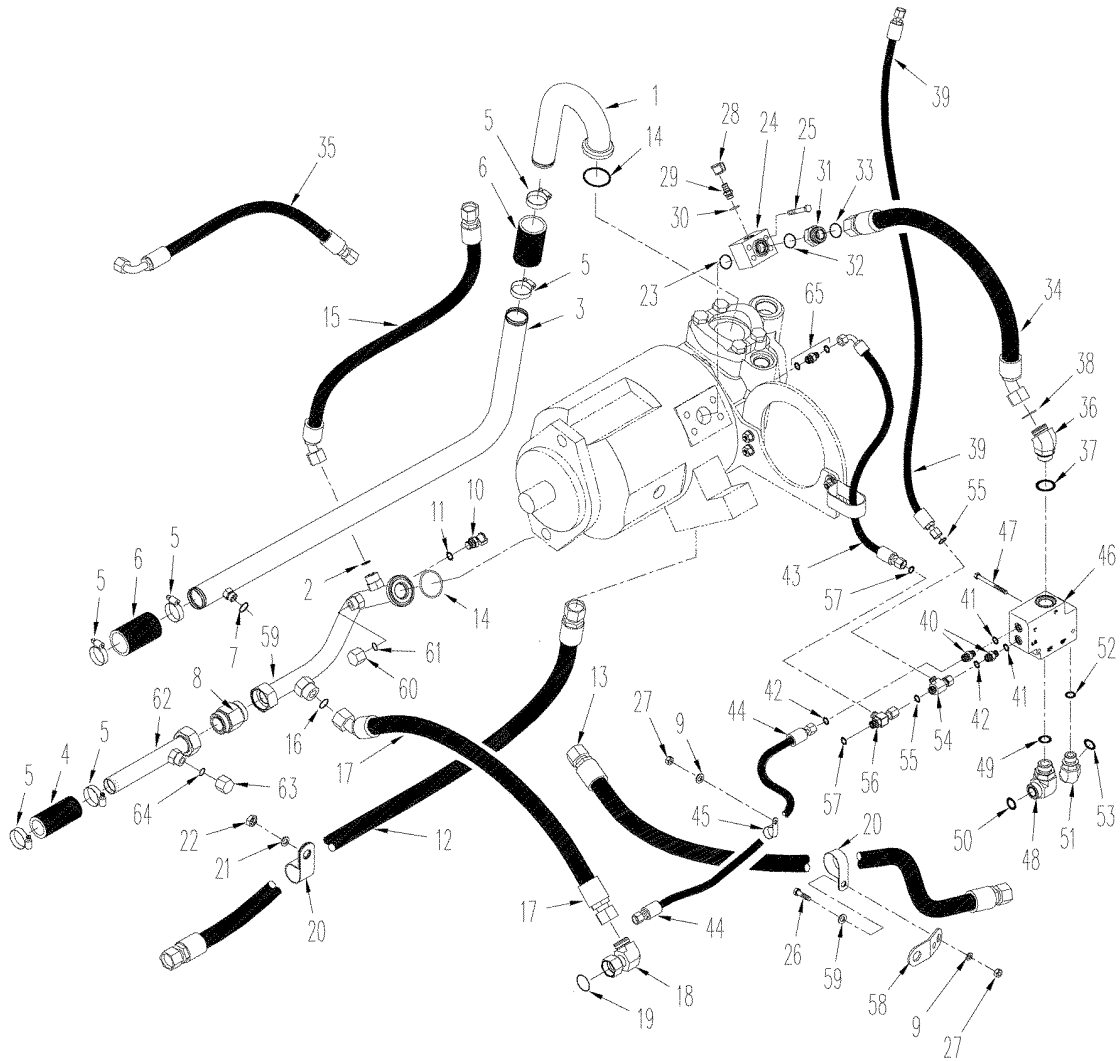
## STANDARD HYDRAULICS - PUMP LUBRICATION CIRCUIT, WITH POWER SHIFT TRANSMISSION

REF	FN	PART NUMBER	YR/SN	QTY	DESCRIPTION
1		402484A2		1	TUBE ASSY.
2		238-6018		1	O-RING 3/4 ID x 1/16
3		419665A2		1	TUBE ASSY.
4		1-4571		1	HOSE 114 mm (4-1/2 in)
5		214-1436		6	CLAMP 1-13/16 - 2-3/4
6		31-2427		2	HOSE 102 mm (4 in), Cut From 1-4568
7		238-6014		1	O-RING 1/2 ID x 1/16
8		87411517		1	VALVE, CHECK 1-1/2
9		895-11010		3	WASHER 11 x 20 x 2 mm
10		358968A1		1	COUPLING M18 orb x 1,5, Diagnostic, Inc. 11
11		637-63153		1	O-RING 15,3 ID x 2,2
12		327466A1		1	HOSE 1486 mm (58 in)
13		327461A1		1	HOSE ASSY. 1750 mm (69 in)
14		238-6228		2	O-RING 2-1/4 ID x 1/8
15		315576A1		1	HOSE ASSY. 935 mm (37 in)
16		238-6021		1	O-RING 15/16 ID x 1/16
17		335104A2		1	HOSE ASSY. 925 mm (36 in)
17	1	437253A1S		1	HOSE ASSY. 925 mm (36-13/32 in)
18		701-339		1	ELBOW 1-7/16 fc sl x swl, Inc. 19
19		238-6021		1	O-RING 15/16 ID x 1/16
20		515-24349		3	CLAMP
21		895-11008		2	WASHER 9 x 17 x 1,6 mm
23		238-6025		1	O-RING 1-3/16 ID x 1/16
24		398274A2		1	BLOCK
25		426-644		4	BOLT 3/8 x 2-3/4; 8
27		829-1410		3	NUT M10; 10
		178889A1		1	FITTING Diagnostic, Inc. 28 - 30
28		H434163		1	CAP
29		NSS		1	NOT SERVICED SEPARATELY Fitting, Diagnostic
30		637-63113		1	O-RING 11,3 ID x 2,2
31		700-159		1	CONNECTOR, HYD. 1-7/16 fc sl x 22 Or, Inc. 32, 33
32		637-63193		1	O-RING 19,3 ID x 2,2 mm
33		238-6021		1	O-RING 15/16 ID x 1/16
34		315577A2		1	HOSE ASSY. 800 mm (31 in)

(1) Arctic QUADTRAC Tractor Application

**STX375 STX450**  
**STX425 STX500**

STANDARD HYDRAULICS - PUMP LUBRICATION CIRCUIT, WITH POWER SHIFT TRANSMISSION



## STANDARD HYDRAULICS - PUMP LUBRICATION CIRCUIT, WITH POWER SHIFT TRANSMISSION

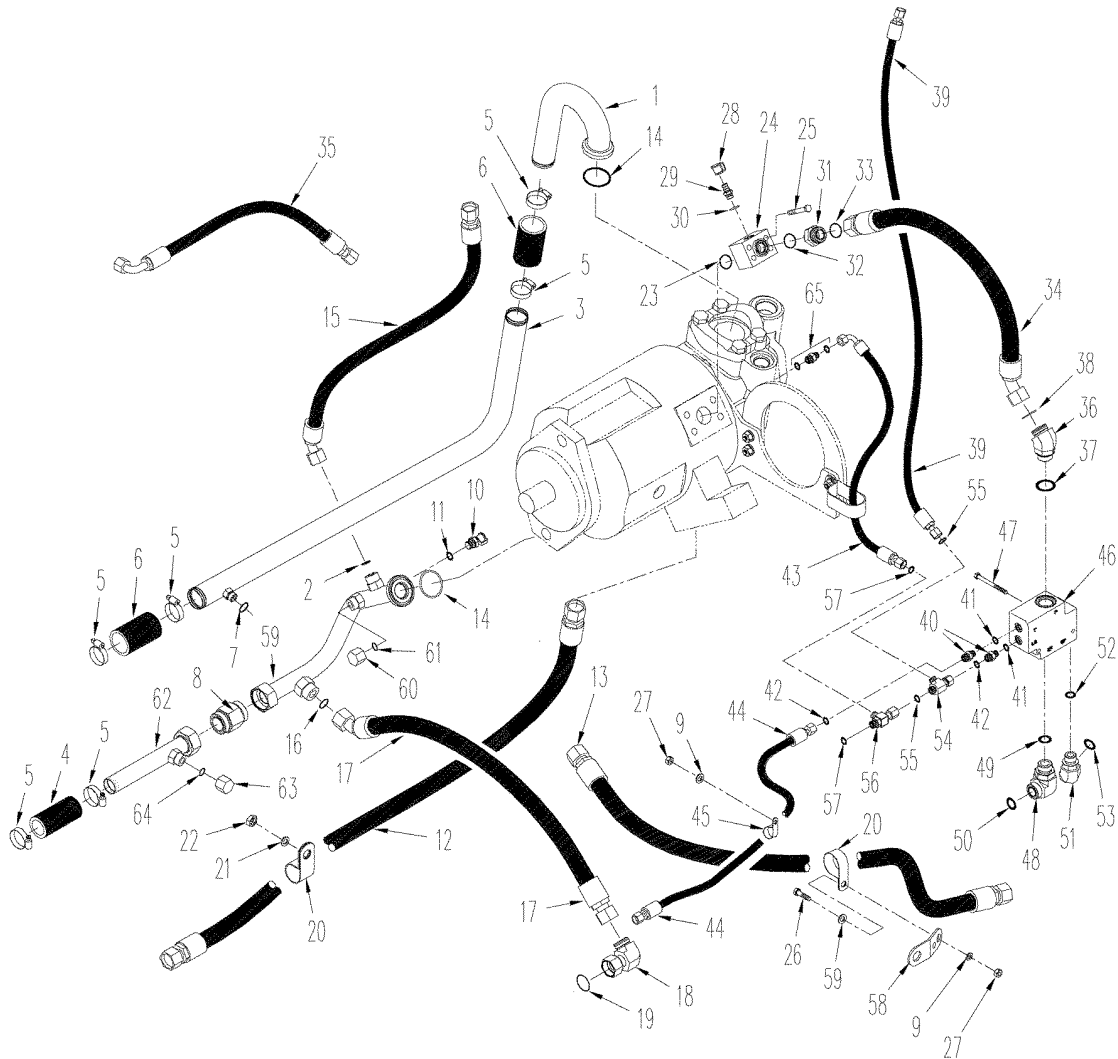
REF	FN	PART NUMBER	YR/SN	QTY	DESCRIPTION
35		395875A1		1	HOSE ASSY. 775 mm (30 1/2in)
36		700-318		1	ELBOW 1-7/16 fc sl x 33 orb, Inc. 37, 38
37		637-64296		1	O-RING 29,6 ID x 2,9
38		238-6021		1	O-RING 15/16 ID x 1/16
39		327459A1	BSN JEE0102661	1	HOSE ASSY. 1350 mm (53 in)
39	1	87415320	ASN JEE0102661	1	HOSE ASSY. 1350 mm (53 in)
40		700-101		2	CONNECTOR, HYD. 11/16 fc sl x 14 Or, Inc. 41, 42
41		637-63113		1	O-RING 11,3 ID x 2,2
42		238-6012		1	O-RING 3/8 ID x 1/16
43		315574A2		1	HOSE ASSY. 623 mm (24-1/2 in)
44		397244A1		1	HOSE ASSY. 1105 mm (43-1/2 in)
44	2	437292A1S		1	HOSE ASSY. 1105 mm (43-1/2 in)
45		515-23159		2	CLAMP 5/8 ID
46		363294A1		1	VALVE Priority, See Figure 08-23
47		827-8090		2	BOLT M8 x 90; 10.9
48		700-308		1	ELBOW 1-7/16 fc sl x 33 Or, Inc. 49, 50
49		637-64296		1	O-RING 29,6 ID x 2,9
50		238-6021		1	O-RING 15/16 ID x 1/16
51		700-387		1	ELBOW M20 fc sl x 2,7 orb, Inc. 52, 53
52		637-64236		1	O-RING 23,6 ID x 2,9
53		238-6018		1	O-RING 3/4 ID x 1/16
54		701-422		1	TEE 11/16 fc sl x 11/16 sw, Inc. 55
55		238-6012		2	O-RING 3/8 ID x 1/16
56		300209A1		1	VALVE Shuttle
57		238-6012		2	O-RING 3/8 ID x 1/16
58		406576A1		1	BRACKET
59		419668A2		1	TUBE Inc. 60, 61
60		701-900		1	CAP M10 fc sl
61		238-6012		1	O-RING 3/8 ID x 1/16
62		419671A1		1	TUBE ASSY.
63		701-906		1	CAP
64		238-6016		1	O-RING 5/8 ID x 1/16
65		1957867C1		1	SCREEN, FILTER

(1) Used on Power Shift Models

(2) Arctic QUADTRAC Tractor Application

**STX375 STX450**  
**STX425 STX500**

STANDARD HYDRAULICS - PUMP LUBRICATION CIRCUIT, WITH POWER SHIFT TRANSMISSION

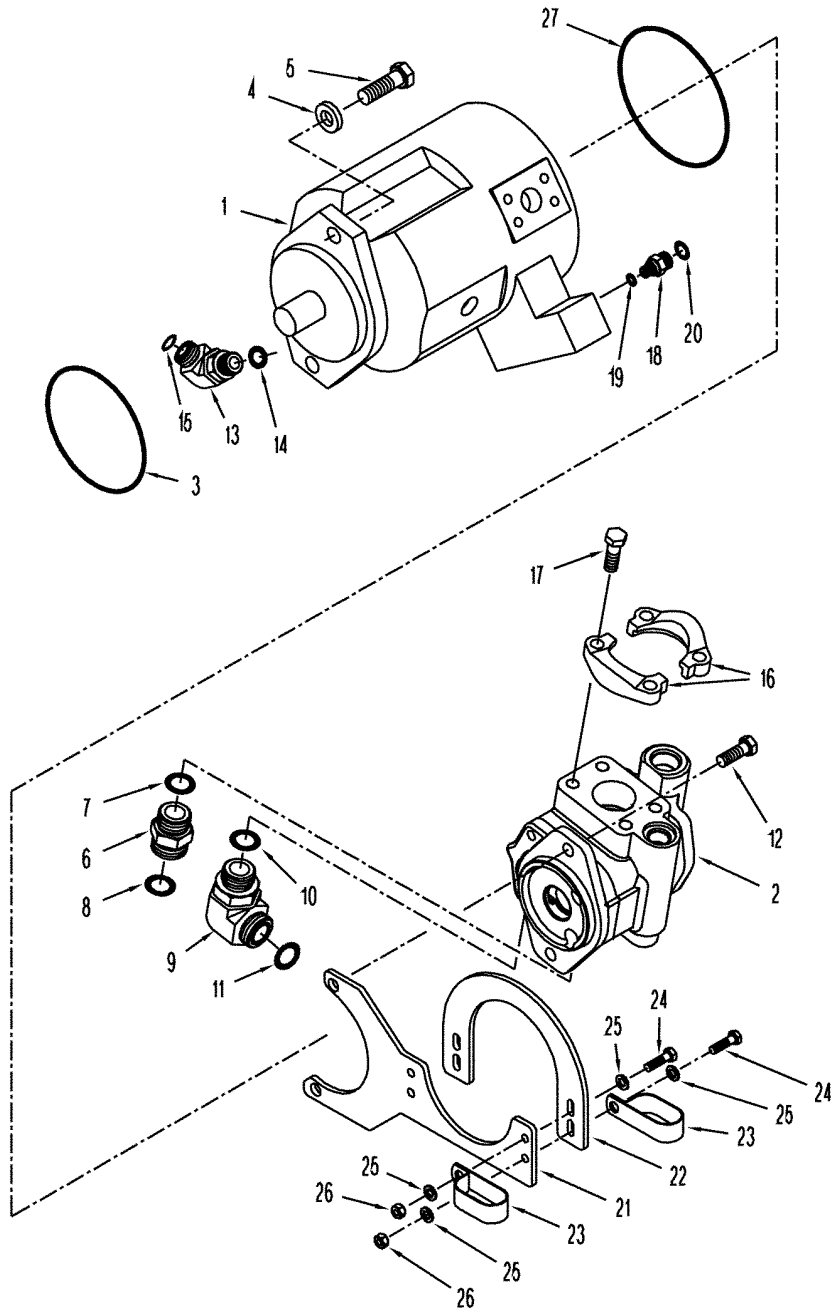


**STANDARD HYDRAULICS - PUMP LUBRICATION CIRCUIT, WITH POWER SHIFT TRANSMISSION**

<b>REF</b>	<b>FN</b>	<b>PART NUMBER</b>	<b>YR/SN</b>	<b>QTY</b>	<b>DESCRIPTION</b>
22		627-8025		2	BOLT M8 x 25; 10.9
26		627-10030		2	BOLT M10 x 30; 10.5

**STX375 STX450  
STX425 STX500**

STANDARD HYDRAULICS - PUMP MOUNTING



## STANDARD HYDRAULICS - PUMP MOUNTING

REF	FN	PART NUMBER	YR/SN	QTY	DESCRIPTION
1		278872A2		1	PUMP 71 cc, Piston, See Figure 08-22
2		87428412		1	PUMP, HYDRAULIC 100 cc, Gear, See Figure 08-27
3		510828		1	O-RING
4		496-81022		2	WASHER 11/16 x 1-1/4 x 1/4 in
5		627-16050		2	BOLT Hex, M16 x 50, 10.9
6		201-105		1	CONNECTOR, HYD. 1-7/16 fc x 1-5/16 Or, Inc. 7, 8
7		237-6016		1	O-RING 1-11/64 ID x 7/64
8		238-6021		1	O-RING 15/16 ID x 1/16
9		201-308		1	ELBOW 1-7/16 fc x 1-5/16 Or, Inc. 10, 11
10		237-6016		1	O-RING 1-11/64 ID x 7/64
11		238-6021		1	O-RING 15/16 ID x 1/16
12		627-12035		2	BOLT M12 x 35; 10.9
13		201-306		1	ELBOW Inc. 14, 15
14		237-6010		1	O-RING 3/4 ID x 3/32
15		238-6016		1	O-RING 5/8 ID x 1/16
16		A14141		4	FLANGE
17		426-824		8	BOLT 1/2 x 1-1/2; 8
18		1957867C1		1	SCREEN, FILTER Inc. 19, 20
19		237-6004		1	O-RING 4-1, 90 Duro, .351" ID x .072" Thk
20		238-6012		1	O-RING 3/8 ID x 1/16
21	1	418325A1	BSN JEE0102661	1	BRACKET
21	1	87419158	ASN JEE0102661	1	BRACKET
21	2	339186A1	BSN JEE0102661	1	BRACKET
21	2	87419460	ASN JEE0102661	1	BRACKET
22		90-6743T1	BSN JEE0102661	1	SHIELD
22		87419159	ASN JEE0102661	1	PLATE
23		L111928		2	CLAMP
25		895-11008		8	WASHER 9 x 17 x 1,6 mm
26		832-10408		4	NUT M8; 8
27		436514A1		1	O-RING
24		627-8030		4	SCREW M8 x 30; 10.9

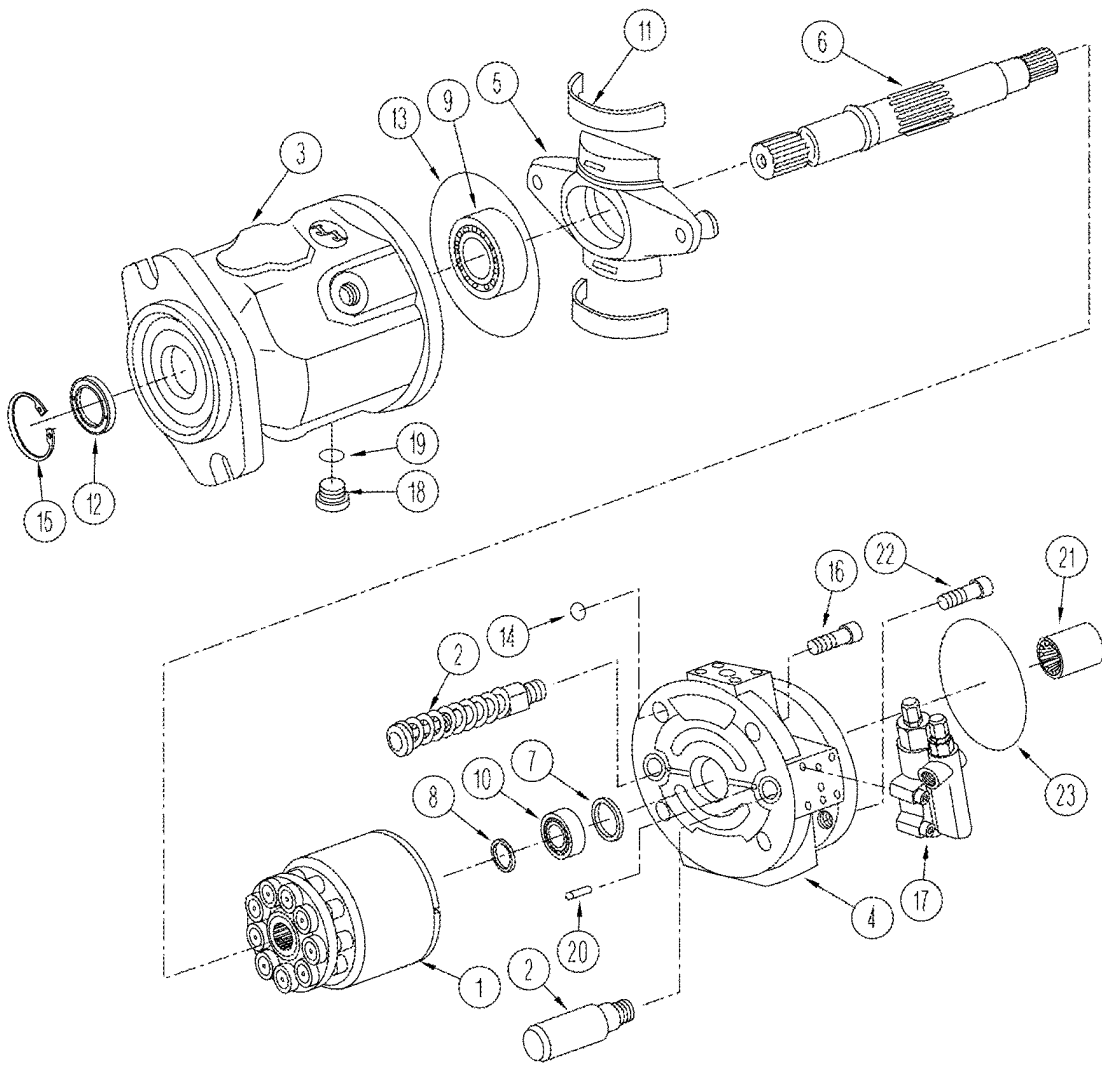
(1) With Advanced Farming Systems (AFS)

(2) With Power Shift Transmission

**STX450 STX425**  
**STX375 STX500**



STANDARD HYDRAULICS - PISTON PUMP ASSEMBLY

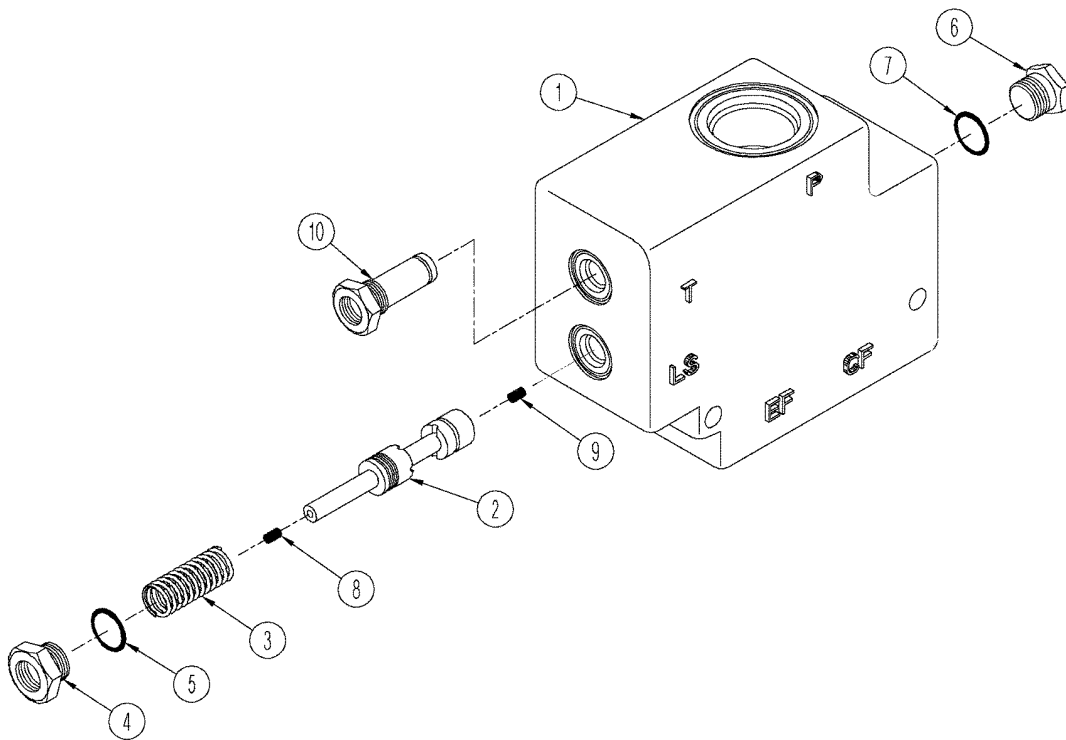


## STANDARD HYDRAULICS - PISTON PUMP ASSEMBLY

REF	FN	PART NUMBER	YR/SN	QTY	DESCRIPTION
		278872A2		1	PUMP 71 cc, Inc. 1 - 24
1		NSS		1	NOT SERVICED SEPARATELY Cylinder Assy
2		NSS		1	NOT SERVICED SEPARATELY Piston Assy, Control
3		NSS		1	NOT SERVICED SEPARATELY Housing
4		NSS		1	NOT SERVICED SEPARATELY Block
5		NSS		1	NOT SERVICED SEPARATELY Plate, Swash
6		NSS		1	NOT SERVICED SEPARATELY Shaft
7		NSS		1	NOT SERVICED SEPARATELY Washer
8		NSS		1	NOT SERVICED SEPARATELY Spacer
9		NSS		1	NOT SERVICED SEPARATELY Bearing, Roller
10		NSS		1	NOT SERVICED SEPARATELY Bearing, Roller
11		NSS		2	NOT SERVICED SEPARATELY Support
12		NSS		1	NOT SERVICED SEPARATELY Seal
13		NSS		1	NOT SERVICED SEPARATELY O-Ring
14		NSS		4	NOT SERVICED SEPARATELY O-Ring
15		NSS		1	NOT SERVICED SEPARATELY Ring, Snap
16		NSS		4	NOT SERVICED SEPARATELY Screw
17		352875A2		1	VALVE, CONTROL
18		NSS		1	NOT SERVICED SEPARATELY Plug
19		NSS		1	NOT SERVICED SEPARATELY O-Ring
20		NSS		1	NOT SERVICED SEPARATELY Pin
21		NSS		1	NOT SERVICED SEPARATELY Coupling
22		NSS		2	NOT SERVICED SEPARATELY Screw
23		436514A1		1	O-RING
		388293A1		1	KIT, SEALS Inc. 12 - 14, 19, 23

**STX450 STX425**  
**STX500 STX375**

STANDARD HYDRAULICS - PRIORITY VALVE ASSEMBLY

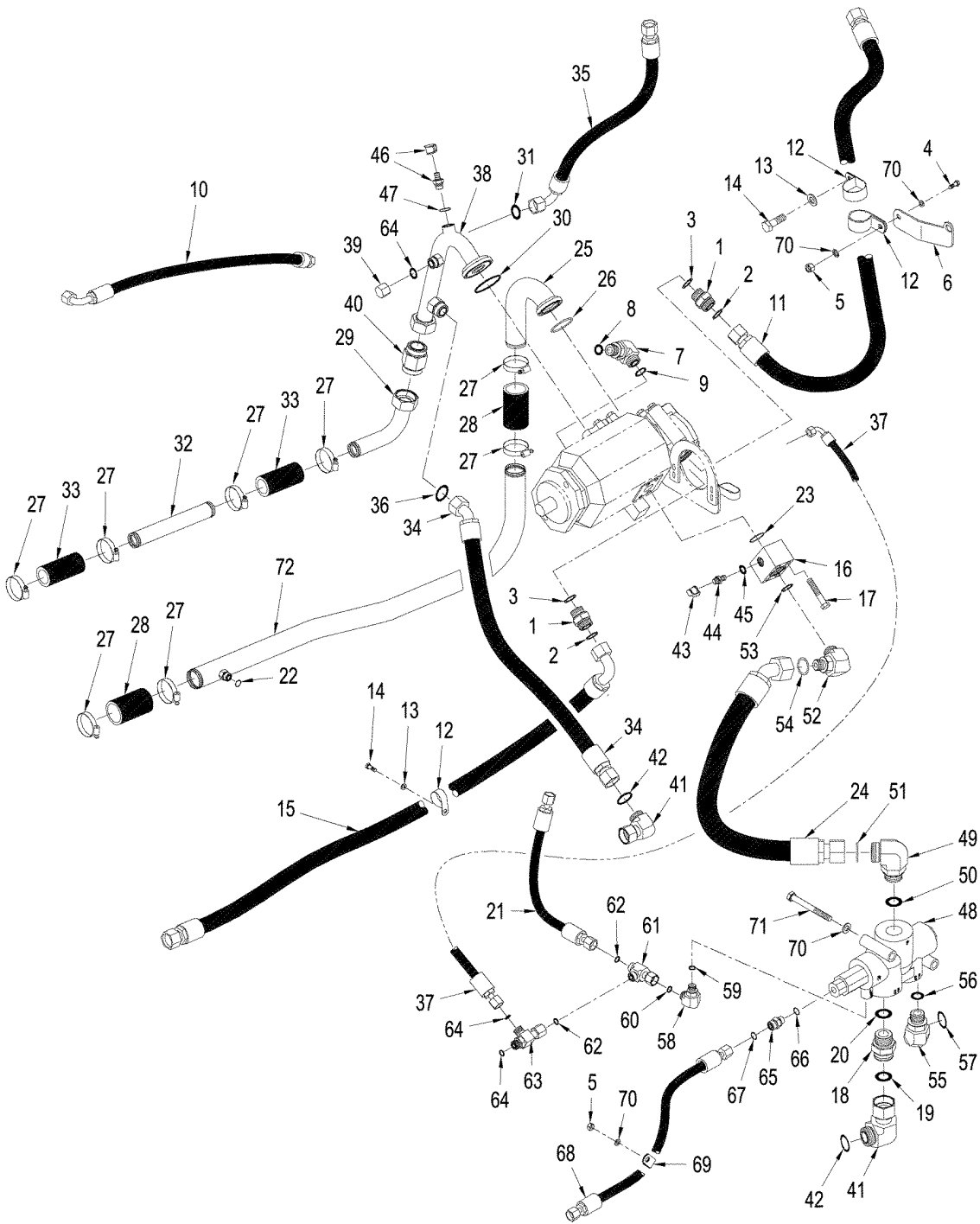


## STANDARD HYDRAULICS - PRIORITY VALVE ASSEMBLY

REF	FN	PART NUMBER	YR/SN	QTY	DESCRIPTION
		363294A1		1	VALVE Inc. 1 - 10
1		NSS		1	NOT SERVICED SEPARATELY Housing
2		NSS		1	NOT SERVICED SEPARATELY Spool
3		D82777		1	SPRING
4		NSS		1	NOT SERVICED SEPARATELY Plug
5		237-6010		1	O-RING 3/4 ID x 3/32
6		NSS		1	NOT SERVICED SEPARATELY Plug
7		NSS		1	NOT SERVICED SEPARATELY O-Ring
8		NSS		1	NOT SERVICED SEPARATELY Orifice
9		NSS		1	NOT SERVICED SEPARATELY Orifice
10		370152A1		1	VALVE

**STX375 STX450**  
**STX425 STX500**

HIGH OUTPUT HYDRAULICS - PUMP LUBRICATION CIRCUIT, BSN JEE0106701



## HIGH OUTPUT HYDRAULICS - PUMP LUBRICATION CIRCUIT, BSN JEE0106701

REF	FN	PART NUMBER	YR/SN	QTY	DESCRIPTION
1		201-105		2	CONNECTOR, HYD. 1-7/16 fc x 1-5/16 Or, Inc. 2, 3
2		238-6021		2	O-RING 15/16 ID x 1/16
3		237-6016		2	O-RING 1-11/64 ID x 7/64
5		829-1410		2	NUT M10; 10
6		406576A1		1	BRACKET
7		201-341		1	FITTING 1 fc sl x 1-1/16 orb, Inc. 8, 9
8		238-6016		1	O-RING 5/8 ID x 1/16
9		237-6012		1	O-RING 59/64 ID x 7/64
10	1	327499A1		1	HOSE ASSY. 685 mm ( 27 in)
10	2	363769A1		1	HOSE ASSY. 700 mm (27-1/2 in)
10	2,3	437274A1S		1	HOSE ASSY. 700 mm (27-1/2 in)
11	1	412088A1		1	HOSE ASSY. 1663 mm (65 in)
11	2	358860A1		1	HOSE ASSY. 1625 mm (64 in)
11	2,3	437271A1S		1	HOSE ASSY. 1625 mm (64 in)
12		515-24349		3	CLAMP 1-3/8 ID
13		895-11008		2	WASHER 9 x 17 x 1,6 mm
15	1	412086A1		1	HOSE ASSY.
15	2	335103A1		1	HOSE ASSY. 1525 mm (60 in)
15	2,3	437263A1S		1	HOSE ASSY. 1525 mm (60 in)
16		86992232		1	BLOCK Pump
17		461-35040		4	SCREW 1/2 x 2-1/2; 8
18		700-105		1	CONNECTOR, HYD. 1-7/16 fc sl x 33 Or, Inc. 19, 20
19		238-6021		1	O-RING 15/16 ID x 1/16
20		637-64296		1	O-RING 29,6 ID x 2,9
21		87418149		1	HOSE ASSY. 1416 mm (56 in), to Steering Control Unit / Load Sense
21	3	87424323		1	HOSE ASSY. 1416 mm (56 in), to Steering Control Unit / Load Sense
22		238-6014		1	O-RING 1/2 ID x 1/16
23		238-6222		1	O-RING 1-1/2 ID x 1/16
24	1,4	447177A1		1	HOSE ASSY. 622 mm ( 24-1/2 in)

(1) With Advanced Farming Systems (AFS)

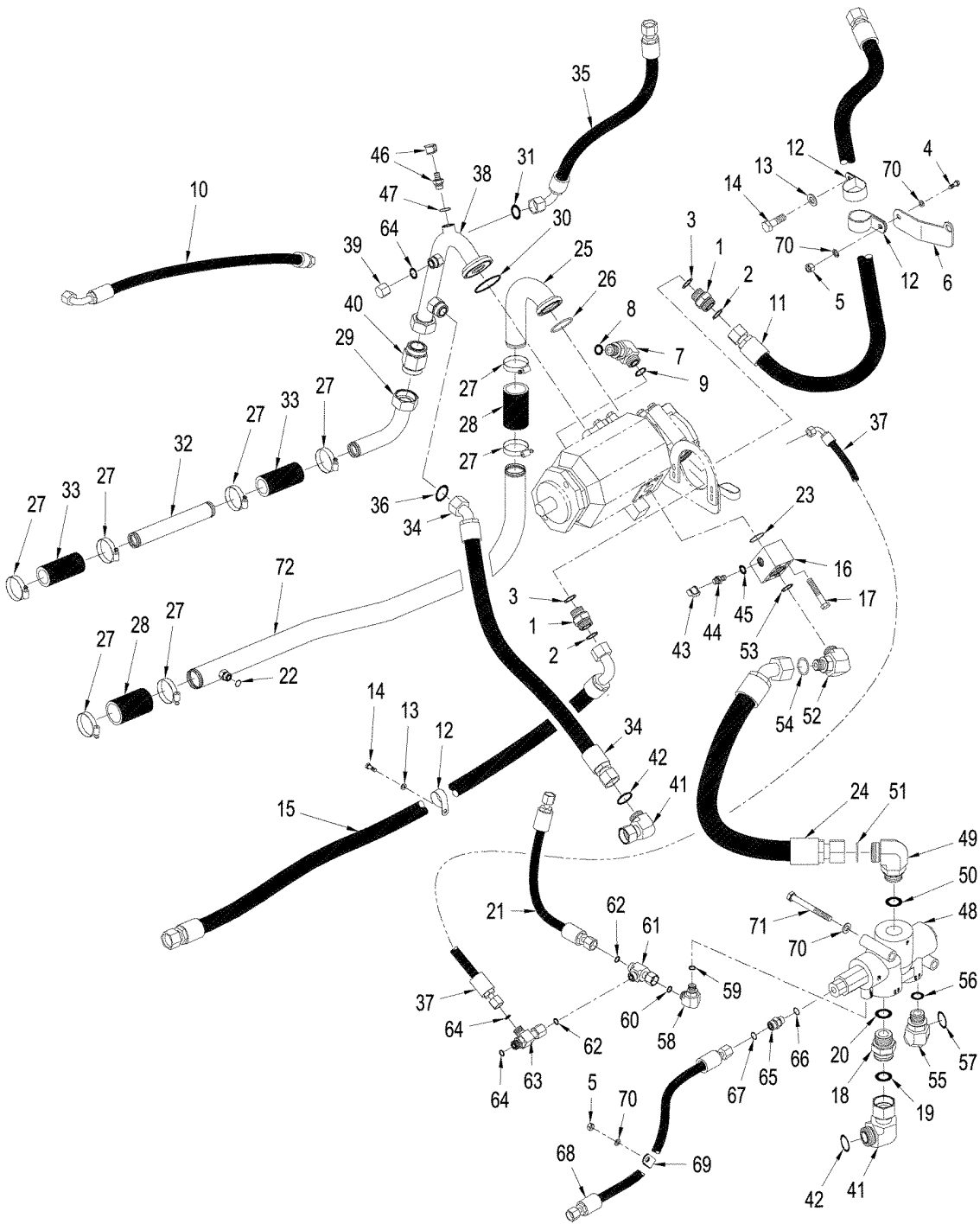
(2) With Power Shift Transmission

(3) Arctic QUADTRAC Tractor Application

(4) NOTE: If 412087A1 Hose is needed order 447177A1 Hose, 622mm (24-1/2 in), and 700-308 Elbow 90.

**STX375 STX450**  
**STX425 STX500**

HIGH OUTPUT HYDRAULICS - PUMP LUBRICATION CIRCUIT, BSN JEE0106701



## HIGH OUTPUT HYDRAULICS - PUMP LUBRICATION CIRCUIT, BSN JEE0106701

REF	FN	PART NUMBER	YR/SN	QTY	DESCRIPTION
24	1, 2	446059A1		1	HOSE ASSY. 568 mm (22-3/8 in)
24	3	437285A1S		1	HOSE ASSY. 675 mm (26-1/2 in)
25		405572A1		1	TUBE ASSY.
26		238-6228		1	O-RING 2-1/4 ID x 1/8
27		214-1436		8	CLAMP 1-13/16 - 2-3/4
28		31-2427		2	HOSE 102 mm (4 in), Cut From 1-4568
29	4	405578A1		1	TUBE ASSY.
29	2	413812A1		1	TUBE
30		238-5232		1	O-RING 2-3/4 ID x 1/8
31		238-6018		1	O-RING 3/4 ID x 1/16
32	4	405713A2		1	TUBE ASSY.
32	2	413816A2		1	TUBE
33		1-4571		2	HOSE 114 mm (4-1/2 in), Cut From 1-4482
34		335104A2		1	HOSE ASSY. 925 mm (36 in)
34	2, 3	437264A1S		1	HOSE ASSY. 925 mm (36-13/32 in)
35	4	412085A1		1	HOSE ASSY. 826 mm (32-1/2 in)
35	2	301409A1		1	HOSE ASSY. 885 mm (35 in)
35	2, 3	437253A1S		1	HOSE ASSY. 885 mm (35 in)
36		238-6021		1	O-RING 15/16 ID x 1/16
37		327471A1		1	HOSE 724 mm (28 in), to Compensator
37	2, 3	437257A1S		1	HOSE ASSY. 724 mm 928-1/2 in), to Compensator
38	4	405576A3		1	TUBE ASSY. Inc. 39, 64
38	2	413810A3		1	TUBE ASSY.
39		701-900		1	CAP
40		87411517		1	VALVE, CHECK 1-1/2
41		701-339		2	ELBOW 1-7/16 fc sl x swl, Inc. 42
42		238-6025		2	O-RING 1-3/16 ID x 1/16
		178889A1		1	FITTING Diagnostic, Inc. 43 - 45
43		H434163		1	CAP
44		NSS		1	NOT SERVICED SEPARATELY Fitting, Diagnostic

(1) NOTE: If 383351A1 Hose, 657mm (25-7/8 in), is needed order 446059A1 Hose, 568mm (22-3/8 in), and 700-308 Elbow 90.

(2) With Power Shift Transmission

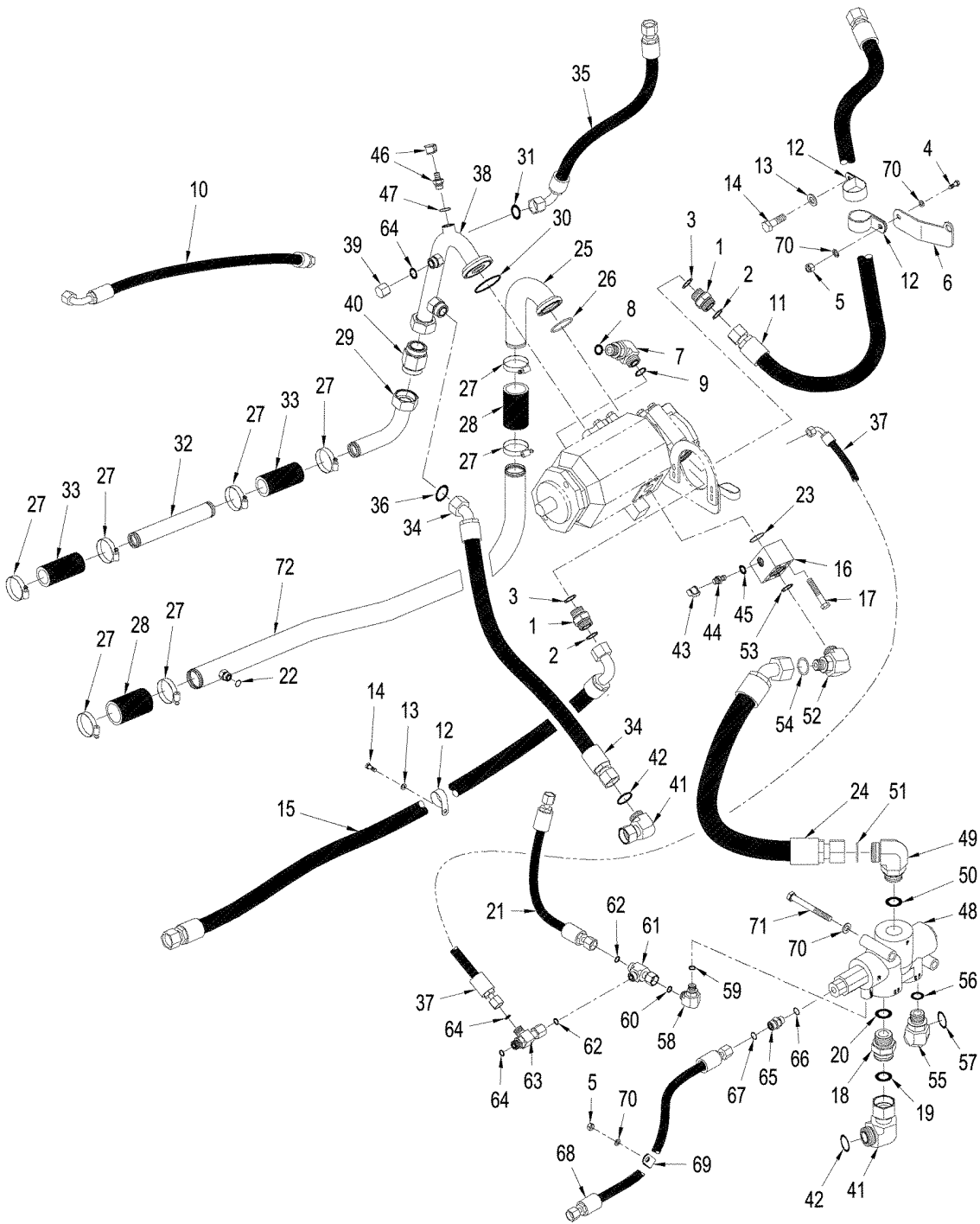
(3) Arctic QUADTRAC Tractor Application

(4) With Advanced Farming Systems (AFS)

**STX375 STX450**  
**STX425 STX500**



HIGH OUTPUT HYDRAULICS - PUMP LUBRICATION CIRCUIT, BSN JEE0106701



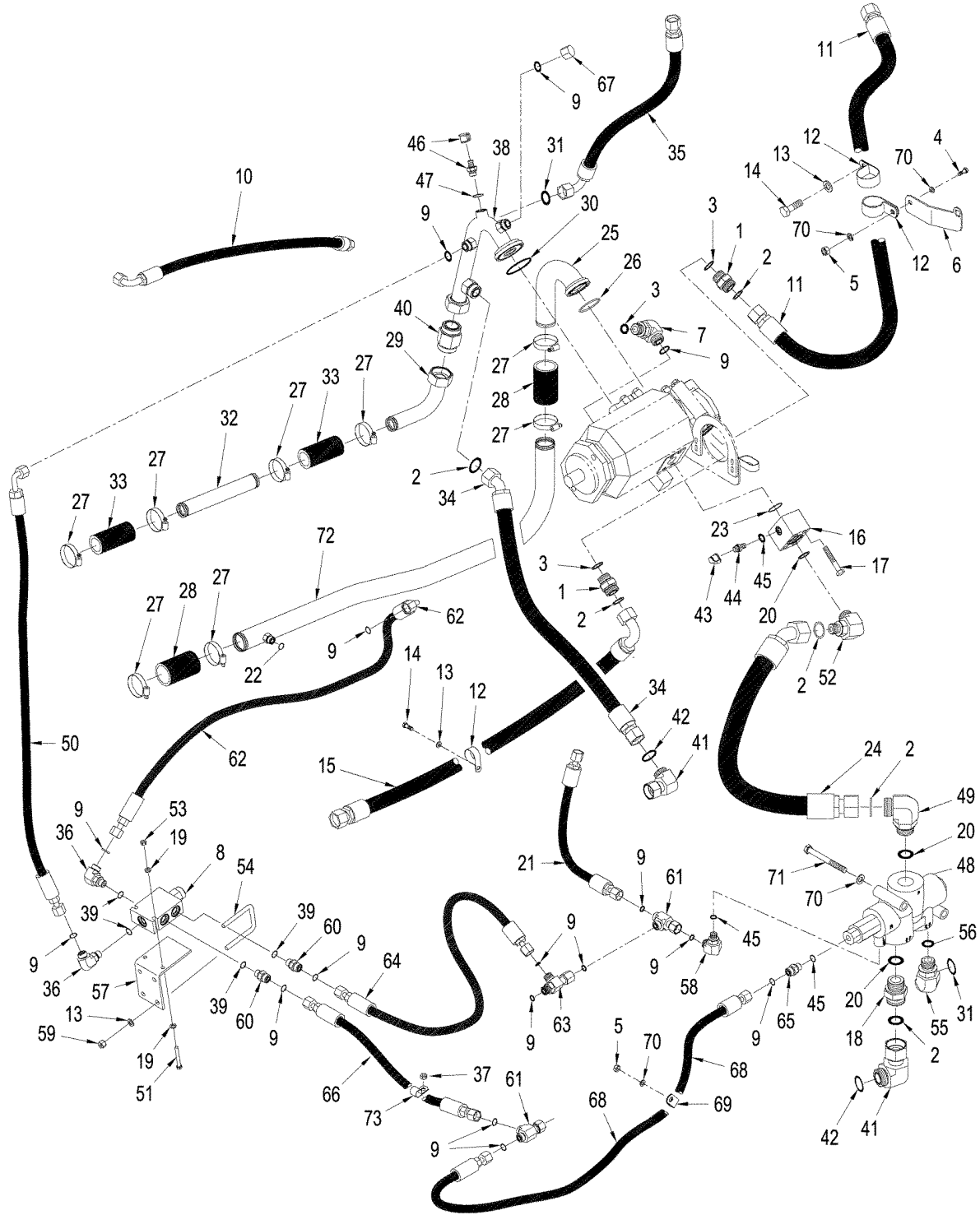
## HIGH OUTPUT HYDRAULICS - PUMP LUBRICATION CIRCUIT, BSN JEE0106701

REF	FN	PART NUMBER	YR/SN	QTY	DESCRIPTION
45		637-63113		1	O-RING 11,3 ID x 2,2
46		358968A1		1	COUPLING M18 orb x 1,5, Diagnostic, Inc. 47
47		637-63153		1	O-RING 15,3 ID x 2,2
48		337481A1		1	VALVE Priority, See Figure 08-28
49		700-308		1	ELBOW 1-7/16 fc sl x 33 Or, Inc. 50, 51
50		637-64296		1	O-RING 29,6 ID x 2,9
51		238-6021		1	O-RING 15/16 ID x 1/16
52		700-308		1	ELBOW 90, 1-7/16 fc sl x 33 orb, Inc. 53, 54
53		637-64296		1	O-RING 29,6 ID x 2,9
54		238-6021		1	O-RING 15/16 ID x 1/16
55		700-387		1	ELBOW M20 fc sl x 2,7 orb, Inc. 56, 57
56		637-64236		1	O-RING 23,6 ID x 2,9
57		238-6018		1	O-RING 3/4 ID x 1/16
58		700-304		1	ELBOW 11/16 fc sl x 14 Or, Inc. 59, 60
59		637-63113		1	O-RING 11,3 ID x 2,2
60		238-6012		1	O-RING 3/8 ID x 1/16
61		701-422		1	TEE 11/16 fc sl x 11/16 sw, Inc. 62
62		238-6012		2	O-RING 3/8 ID x 1/16
63		300209A1		1	VALVE Shuttle
64		238-6012		3	O-RING 3/8 ID x 1/16
65		700-101		1	CONNECTOR, HYD. 11/16 fc sl x 14 Or, Inc. 66, 67
66		637-63113		1	O-RING 11,3 ID x 2,2
67		238-6012		1	O-RING 3/8 ID x 1/16
68		397244A1		1	HOSE ASSY. 1180 mm (46 in)
68	1	437292A1S		1	HOSE ASSY. 1105 mm (43-1/2 in)
69		515-23159		2	CLAMP 5/8 ID
70		895-11010		5	WASHER 11 x 20 x 2 mm
71		827-10100		2	BOLT M10 x 100; 10.9
72	2	405574A1		1	TUBE ASSY.
72	3	413814A2		1	TUBE ASSY.
14		627-8025		2	BOLT M8 x 25; 10.9
4		627-10030		1	BOLT M 10 x 30; 10.9

- (1) Arctic QUADTRAC Tractor Application  
(2) With Advanced Farming Systems (AFS)  
(3) With Power Shift Transmission

**STX375 STX450**  
**STX425 STX500**

HIGH OUTPUT HYDRAULICS - PUMP LUBRICATION CIRCUIT, ASN JEE0106701



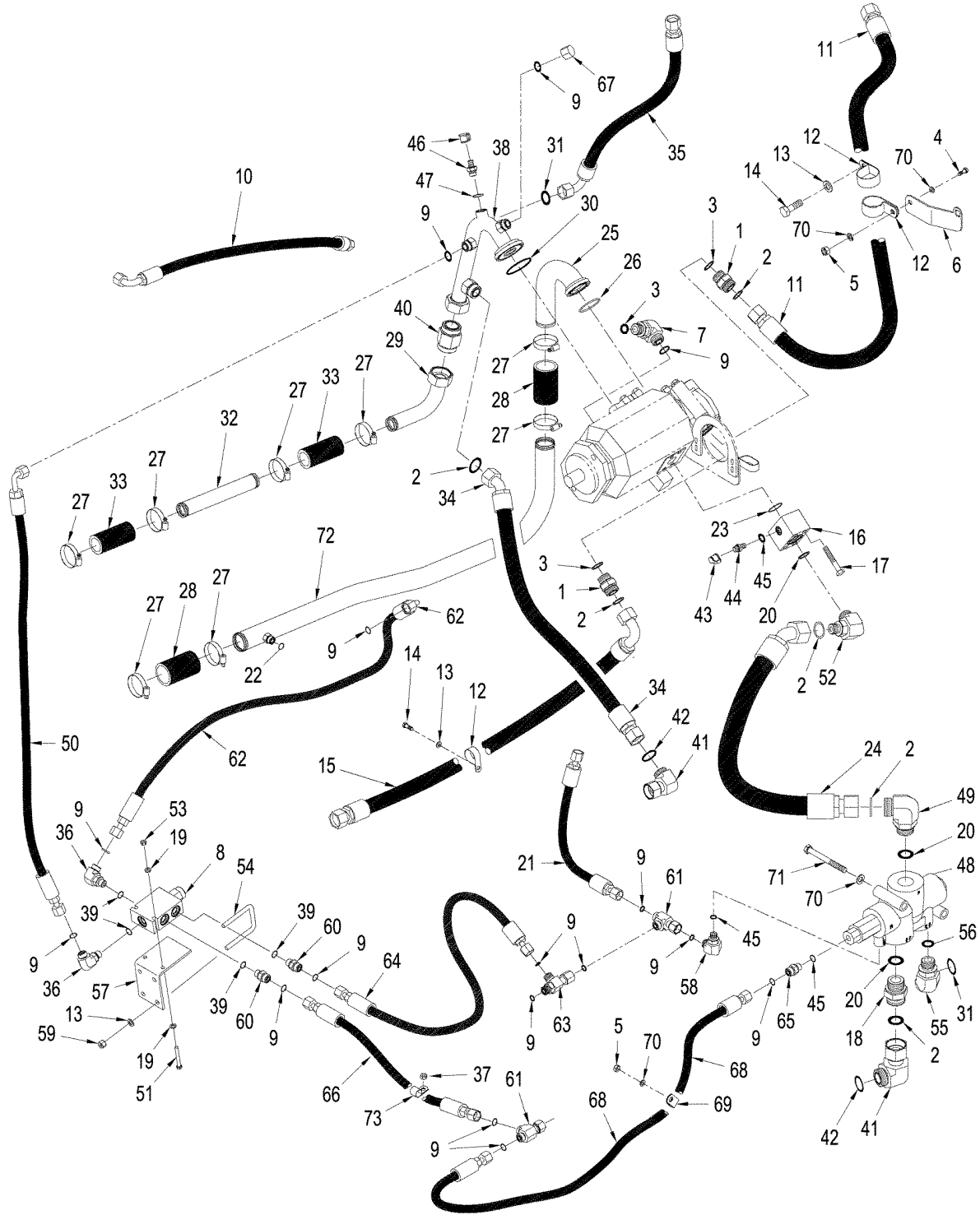
## HIGH OUTPUT HYDRAULICS - PUMP LUBRICATION CIRCUIT, ASN JEE0106701

REF	FN	PART NUMBER	YR/SN	QTY	DESCRIPTION
1		201-105		2	CONNECTOR, HYD. 1-7/16 fc x 1-5/16 Or, Inc. 2, 3
2		238-6021		6	O-RING 15/16 ID x 1/16
3		237-6016		3	O-RING 1-11/64 ID x 7/64
5		829-1410		2	NUT M10; 10
6		406576A1		1	BRACKET
7		201-341		1	FITTING 1 fc sl x 1-1/16 orb, Inc. 3, 9
8		87431772		1	VALVE, PILOT Valve, Destroke Pump
9		237-6012		11	O-RING 59/64 ID x 7/64
10	1	327499A1		1	HOSE ASSY. 685 mm ( 27 in)
10	2	363769A1		1	HOSE ASSY. 700 mm (27-1/2 in)
10	2,3	437274A1S		1	HOSE ASSY. 700 mm (27-1/2 in)
11	1	412088A1		1	HOSE ASSY. 1663 mm (65 in), to Right- Hand Front Filter
11	2	358860A1		1	HOSE ASSY. 1625 mm (64 in), to Right-Hand Front Filter
11	2,3	437271A1S		1	HOSE ASSY. 1625 mm (64 in), to Right-Hand Front Filter
12		515-24349		3	CLAMP 1-3/8 ID
13		895-11008		6	WASHER 9 x 17 x 1,6 mm
15	1	412086A1		1	HOSE ASSY. Charge Pump to Charge Return Tube
15	2	335103A1		1	HOSE ASSY. 1525 mm (60 in), Charge Pump to Charge Return Tube
15	2,3	437263A1S		1	HOSE ASSY. 1525 mm (60 in), Charge Pump to Charge Return Tube
16		86992232		1	BLOCK Pump
17		461-35040		4	SCREW 1/2 x 2-1/2; 8
18		700-105		1	CONNECTOR, HYD. 1-7/16 fc sl x 33 Or, Inc. 2, 20
19		895-11006		4	WASHER 6.6 x 12 x 1.6mm
20		637-64296		3	O-RING 29,6 ID x 2,9
21		87418149		1	HOSE ASSY. 1416 mm (56 in), to Steering Control Unit / Load Sense

- (1) With Manual Shift Transmission  
(2) With Power Shift Transmission  
(3) Arctic QUADTRAC Tractor Application

**STX375 STX450**  
**STX425 STX500**

HIGH OUTPUT HYDRAULICS - PUMP LUBRICATION CIRCUIT, ASN JEE0106701



## HIGH OUTPUT HYDRAULICS - PUMP LUBRICATION CIRCUIT, ASN JEE0106701

REF	FN	PART NUMBER	YR/SN	QTY	DESCRIPTION
21	1	87424323		1	HOSE ASSY. 1416 mm (56 in), to Steering Control Unit / Load Sense
22		238-6014		1	O-RING 1/2 ID x 1/16
23		238-6222		1	O-RING 1-1/2 ID x 1/16
24	2,3	447177A1		1	HOSE ASSY. 622 mm ( 24-1/2 in)
24	4,5	446059A1		1	HOSE ASSY. 568 mm (22-3/8 in)
24	1	437285A1S		1	HOSE ASSY. 675 mm (26-1/2 in)
25		405572A1		1	TUBE ASSY.
26		238-6228		1	O-RING 2-1/4 ID x 1/8
27		214-1436		8	CLAMP 1-13/16 - 2-3/4
28		31-2427		2	HOSE 102 mm (4 in), Cut From 1-4568
29	2	405578A1		1	TUBE ASSY.
29	5	413812A1		1	TUBE
30		238-5232		1	O-RING 2-3/4 ID x 1/8
31		238-6018		2	O-RING 3/4 ID x 1/16
32	2	405713A2		1	TUBE ASSY.
32	5	413816A2		1	TUBE
33		1-4571		2	HOSE 114 mm (4-1/2 in), Cut From 1-4482
34		335104A2		1	HOSE ASSY. 925 mm (36 in)
34	5,1	437264A1S		1	HOSE ASSY. 925 mm (36-13/32 in)
35	2	412085A1		1	HOSE ASSY. 826 mm (32-1/2 in), Piston Pump Supply, from Steering Return Port
35	5	301409A1		1	HOSE ASSY. 885 mm (35 in)
35	5,1	87326311		1	SPACER 885 mm (35 in)
36		201-304		2	ELBOW 90, 9/16 or x 11/16 fcsl, Inc. 9, 39
37		829-1406		2	NUT M6, CL10
38	2	405576A3		1	TUBE ASSY. Piston Pump Supply, Inc. 9, 67
38	5	87303782		1	TUBE ASSY. Piston Pump Supply, Inc. 9, 67
40		87434087		1	VALVE, CHECK 1-1/2, 50 psi

(1) Arctic QUADTRAC Tractor Application

(2) With Manual Shift Transmission

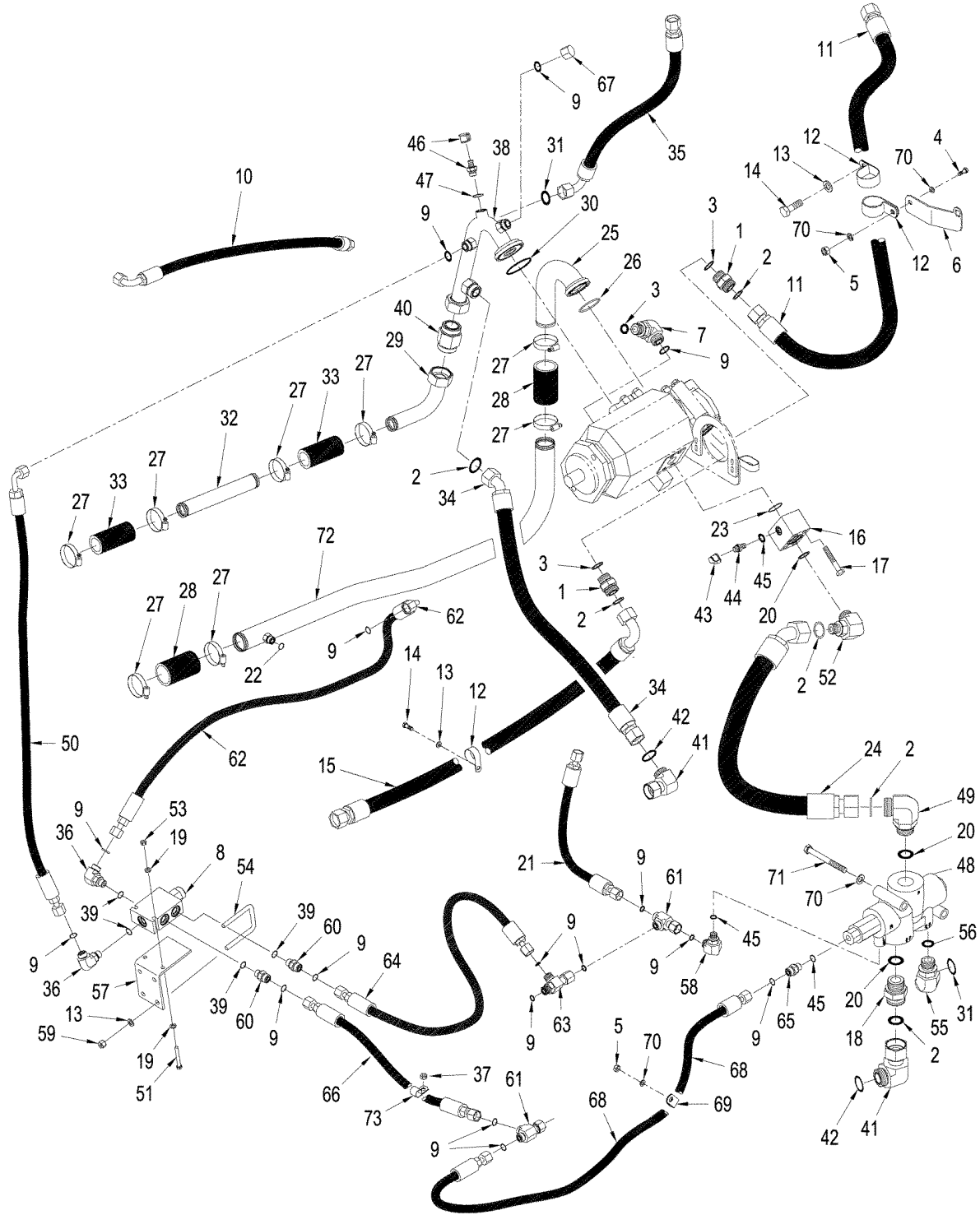
(3) NOTE: If 412087A1 Hose is needed order 447177A1 Hose, 622mm (24-1/2 in), and 700-308 Elbow 90.

(4) NOTE: If 383351A1 Hose, 657mm (25-7/8 in), is needed order 446059A1 Hose, 568mm (22-3/8 in), and 700-308 Elbow 90.

(5) With Power Shift Transmission

**STX375 STX450**  
**STX425 STX500**

HIGH OUTPUT HYDRAULICS - PUMP LUBRICATION CIRCUIT, ASN JEE0106701



## HIGH OUTPUT HYDRAULICS - PUMP LUBRICATION CIRCUIT, ASN JEE0106701

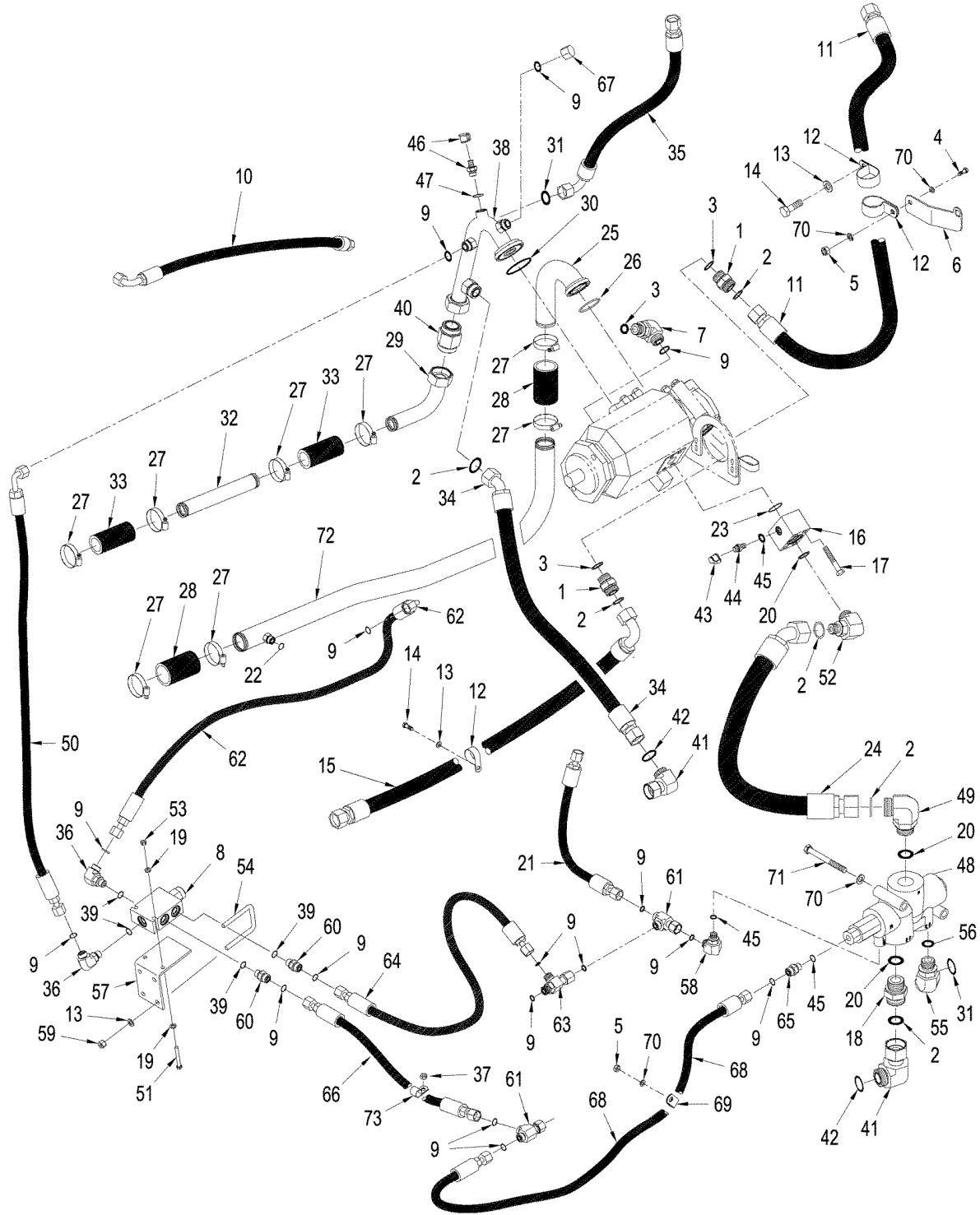
REF	FN	PART NUMBER	YR/SN	QTY	DESCRIPTION
41		701-339		2	ELBOW 1-7/16 fc sl x swl, Inc. 42
42		238-6025		2	O-RING 1-3/16 ID x 1/16
		178889A1		1	FITTING Diagnostic, Inc. 43 - 45
43		H434163		1	CAP
44		NSS		1	NOT SERVICED SEPARATELY Fitting, Diagnostic
45		637-63113		3	O-RING 11,3 ID x 2,2
46		358968A1		1	COUPLING M18 orb x 1,5, Diagnostic, Inc. 47
47		637-63153		1	O-RING 15,3 ID x 2,2
48		337481A1		1	VALVE Priority, See Figure 08-28
49		700-308		1	ELBOW 1-7/16 fc sl x 33 Or, Inc. 2, 20
50		87441927		1	HOSE ASSY. 622mm (24-1/2 in)
50	1	87346305		1	HOSE 622mm (24-1/2 in)
51		827-6050		2	BOLT M6 x 50, CL10.9
52		700-308		1	ELBOW 90, 1-7/16 fc sl x 33 orb, Inc. 2, 20
53		829-1406		2	NUT M6, CL10
54		396490A1		2	U-BOLT M8
55		700-387		1	ELBOW M20 fc sl x 2,7 orb, Inc. 56, 31
56		637-64236		1	O-RING 23,6 ID x 2,9
57		87434200		1	BRACKET Valve
58		700-304		1	ELBOW 11/16 fc sl x 14 Or, Inc. 9, 45
59		832-10408		4	NUT M8, CL8
60		201-101		2	CONNECTION 9/16 or x 11/16 fcsl, Inc. 9, 39
61		701-422		2	TEE 11/16 fc sl x 11/16 sw, Inc. 9
62		87434311		1	HOSE ASSY. 535mm (21-11/16 in), Destroke Outlet to Piston Pump Compensator
62	1	87346310		1	HOSE 535mm (21-11/16 in), Destroke Outlet to Piston Pump Compensator
63		300209A1		1	VALVE Shuttle
64		87304198		1	HOSE ASSY. 610mm (24 in), to Destroke Valve Sense Port
64	1	87346304		1	HOSE 610mm (24 in), to Destroke Valve Sense Port
65		700-101		1	CONNECTOR, HYD. 11/16 fc sl x 14 Or, Inc. 9, 45
66		87303880		1	HOSE ASSY. 508mm (20 in), to Destroke Valve Drain Port

(1) Arctic QUADTRAC Tractor Application

**STX375 STX450**  
**STX425 STX500**



HIGH OUTPUT HYDRAULICS - PUMP LUBRICATION CIRCUIT, ASN JEE0106701



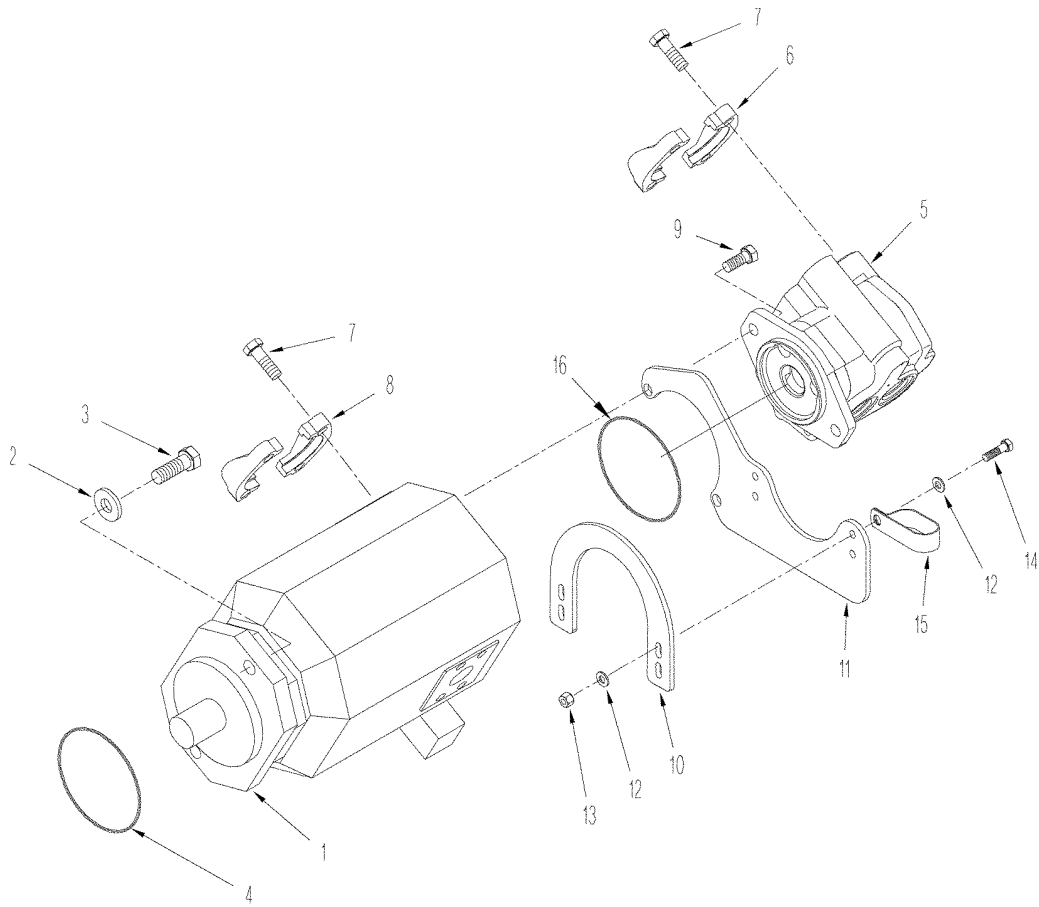
**HIGH OUTPUT HYDRAULICS - PUMP LUBRICATION CIRCUIT, ASN JEE0106701**

REF	FN	PART NUMBER	YR/SN	QTY	DESCRIPTION
66	1	87346308		1	HOSE 508mm (20 in), to Destroke Valve Drain Port
67		701-900		1	CAP Cap
68		87304199		1	HOSE ASSY. 812 mm (32 in), Tank Return
68	1	87346300		1	HOSE 1105 mm (43-1/2 in)
69		515-23159		2	CLAMP 5/8 ID
70		895-11010		5	WASHER 11 x 20 x 2 mm
71		827-10100		2	BOLT M10 x 100; 10.9
72	2	405574A1		1	TUBE ASSY.
72	3	413814A2		1	TUBE ASSY.
73		515-22159		2	CLAMP
39		237-6006		2	O-RING 6-1, 90 Duro, .468" ID x .078" Thk
14		627-8025		2	BOLT M8 x 25; 10.9
4		627-10030		1	BOLT M 10 x 30; 10.9

- (1) Arctic QUADTRAC Tractor Application
- (2) With Manual Shift Transmission
- (3) With Power Shift Transmission

**STX375 STX450  
STX425 STX500**

HIGH OUTPUT HYDRAULICS - PUMP MOUNTING



## HIGH OUTPUT HYDRAULICS - PUMP MOUNTING

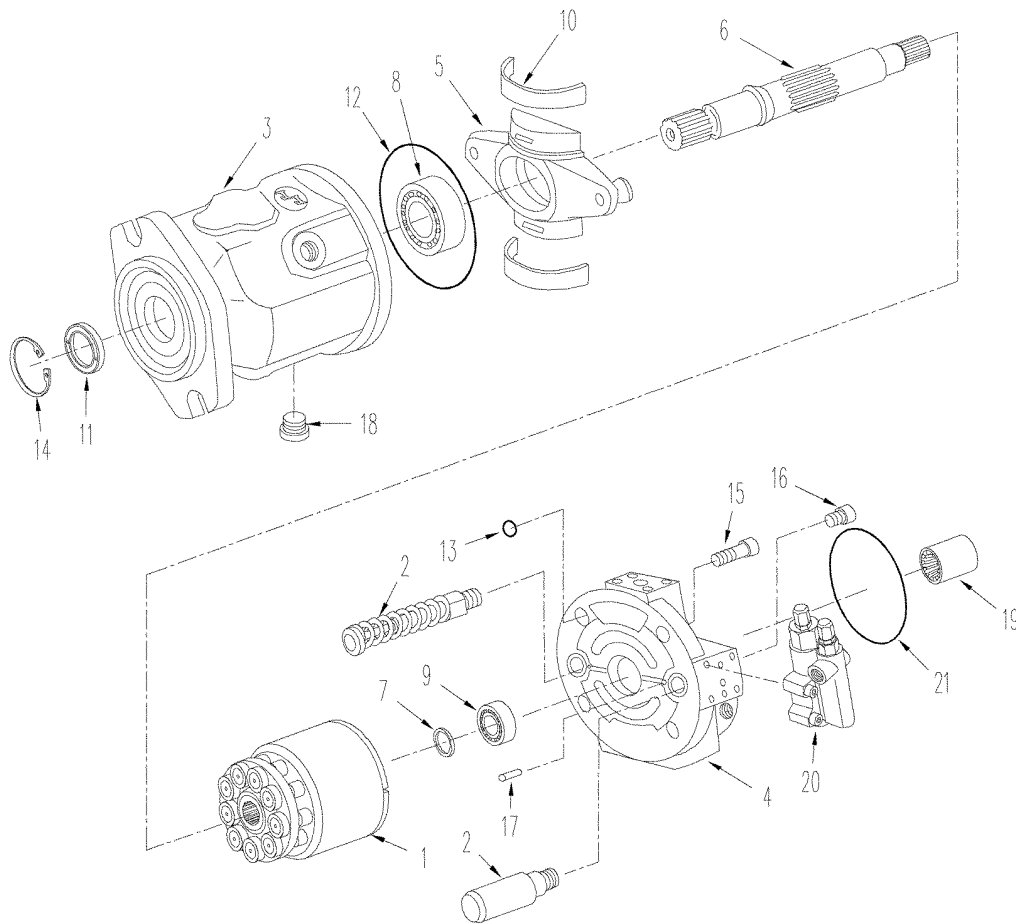
REF	FN	PART NUMBER	YR/SN	QTY	DESCRIPTION
1		192296A3		1	PUMP 100 cc, Piston, See Figure 08-26
2		496-41066		2	WASHER 21/32 x 1-1/2 x 3/16
3		426-1028		2	BOLT 5/8 x 1-3/4; 8
4		510828		1	O-RING
5		87428412		1	PUMP, HYDRAULIC 100 cc, Gear, See Figure 08-27
6		A14141		2	FLANGE Split
7		426-824		8	BOLT 1/2 x 1-1/2; 8
8		L14386		2	CLAMP Split
9		627-12030		2	BOLT M12 x 30; 10.9
10		90-6743T1	BSN JEE0102661	1	SHIELD Lower
10		87419159	ASN JEE0102661	1	PLATE Lower
11	1	293405A1	BSN JEE0102661	1	BRACKET
11	1	87419459	ASN JEE0102661	1	BRACKET
11	2	418324A1	BSN JEE0102661	1	BRACKET
11	2	87419160	ASN JEE0102661	1	BRACKET
12		495-11034		8	WASHER 11/32 x 11/16 x 1/16
13		832-10408		4	NUT M8; 8
15		L111928		2	CLAMP
16		436514A1		1	O-RING
14		627-8030		4	SCREW M8 x 30; 10.9

(1) With Power Shift Transmission

(2) With Advanced Farming Systems (AFS)

**STX375 STX450**  
**STX425 STX500**

HIGH OUTPUT HYDRAULICS - PISTON PUMP ASSY

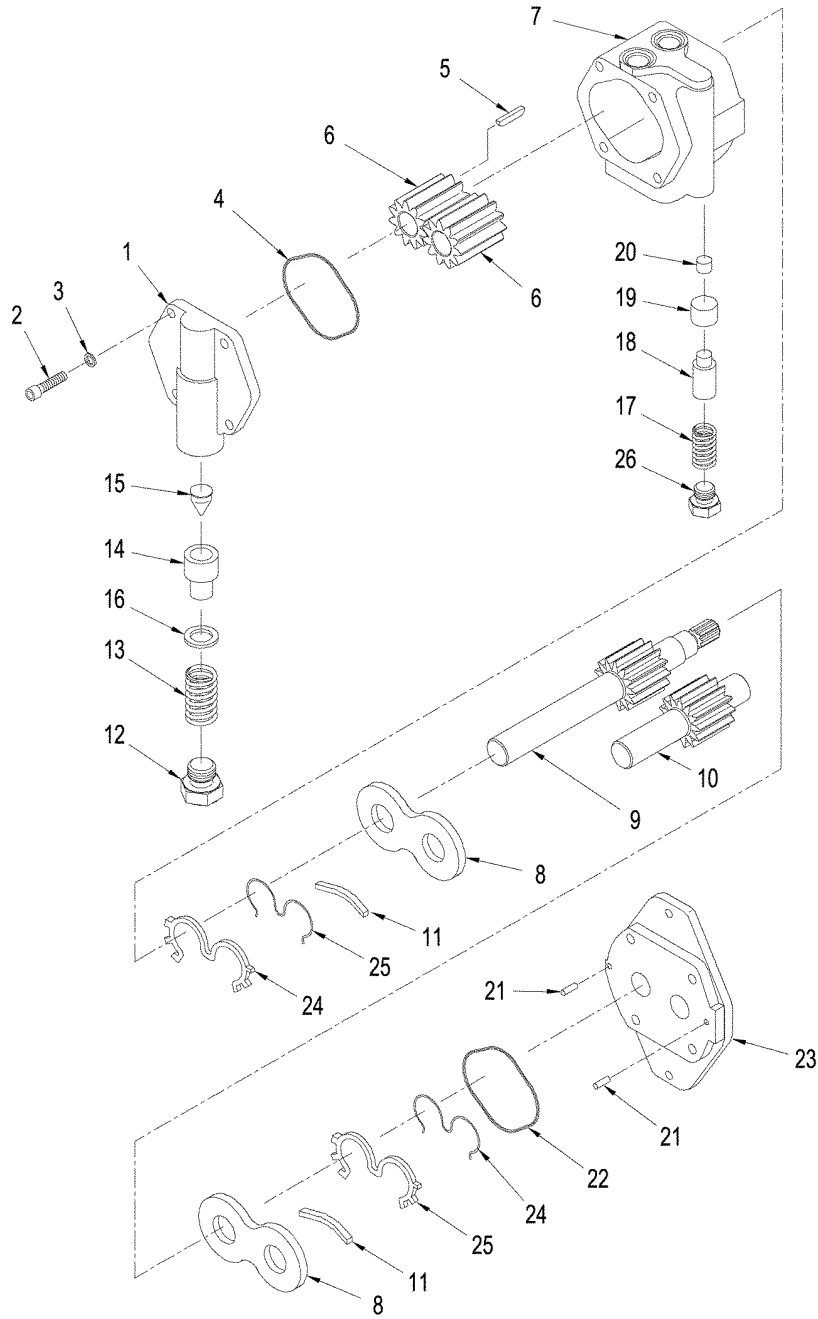


## HIGH OUTPUT HYDRAULICS - PISTON PUMP ASSY

REF	FN	PART NUMBER	YR/SN	QTY	DESCRIPTION
		192296A3		1	PUMP 100 cc, Inc. 1 - 20
1		NSS		1	NOT SERVICED SEPARATELY Cylinder Assy
2		NSS		1	NOT SERVICED SEPARATELY Piston Assy
3		NSS		1	NOT SERVICED SEPARATELY Housing
4		NSS		1	NOT SERVICED SEPARATELY Block
5		NSS		1	NOT SERVICED SEPARATELY Plate, Swash
6		NSS		1	NOT SERVICED SEPARATELY Shaft
7		NSS		1	NOT SERVICED SEPARATELY Spacer
8		NSS		1	NOT SERVICED SEPARATELY Bearing, Roller
9		NSS		1	NOT SERVICED SEPARATELY Bearing, Roller
10		NSS		2	NOT SERVICED SEPARATELY Support
11		NSS		1	NOT SERVICED SEPARATELY Seal
12		NSS		1	NOT SERVICED SEPARATELY O-Ring
13		NSS		4	NOT SERVICED SEPARATELY O-Ring
14		NSS		1	NOT SERVICED SEPARATELY Ring, Retaining
15		NSS		4	NOT SERVICED SEPARATELY Screw
16		218-5212		1	PLUG 1-1/16 Or
17		NSS		1	NOT SERVICED SEPARATELY Pin, Dowel
18		NSS		2	NOT SERVICED SEPARATELY Plug
19		NSS		1	NOT SERVICED SEPARATELY Coupling
20		352875A2		1	VALVE, CONTROL
21		436514A1		1	O-RING
		388292A1		1	KIT, SEALS Inc. 11 - 13, 21

**STX375 STX450**  
**STX425 STX500**

GEAR PUMP ASSEMBLY



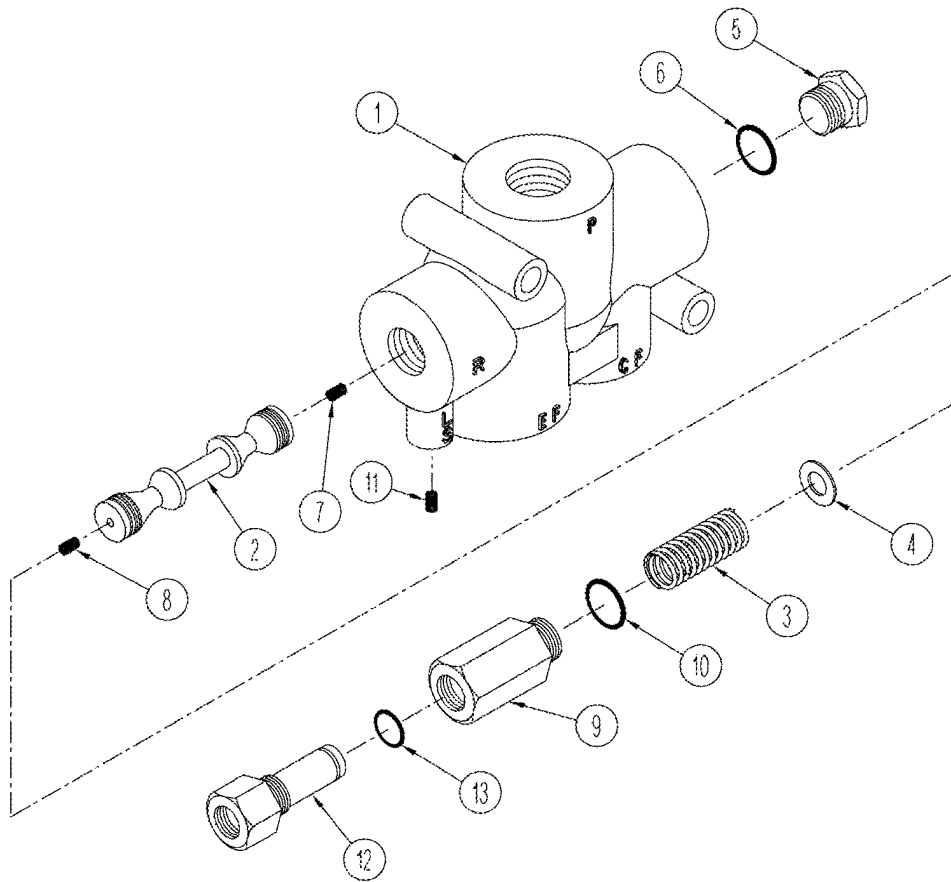
## GEAR PUMP ASSEMBLY

REF	FN	PART NUMBER	YR/SN	QTY	DESCRIPTION
		87428412		1	PUMP, HYDRAULIC Gear, Inc. 1 - 26
1		NSS		1	NOT SERVICED SEPARATELY Housing, Rear
2		NSS		8	NOT SERVICED SEPARATELY Screw
3		NSS		8	NOT SERVICED SEPARATELY Washer
4		NSS		1	NOT SERVICED SEPARATELY Seal
5		NSS		1	NOT SERVICED SEPARATELY Pin, Dowel
6		NSS		2	NOT SERVICED SEPARATELY Gear
7		NSS		1	NOT SERVICED SEPARATELY Housing, Gear
8		NSS		2	NOT SERVICED SEPARATELY Plate, Thrust
9		NSS		1	NOT SERVICED SEPARATELY Shaft, Gear
10		NSS		1	NOT SERVICED SEPARATELY Shaft, Gear
11		NSS		2	NOT SERVICED SEPARATELY Seal
		231061A1		1	VALVE, PRESSURE RELIEF Inc. 12 - 16
12		NSS		1	NOT SERVICED SEPARATELY Plug
13		NSS		1	NOT SERVICED SEPARATELY Spring
14		NSS		1	NOT SERVICED SEPARATELY Poppet, Valve
15		NSS		1	NOT SERVICED SEPARATELY Seat
16		NSS		1	NOT SERVICED SEPARATELY Shim
		245847A1		1	PACKAGE Inc. 17 - 20, 26
17		NSS		1	NOT SERVICED SEPARATELY Spring
18		NSS		1	NOT SERVICED SEPARATELY Plunger
19		NSS		1	NOT SERVICED SEPARATELY Poppet, Valve
20		NSS		1	NOT SERVICED SEPARATELY Seat
21		NSS		2	NOT SERVICED SEPARATELY Pin, Dowel
22		NSS		1	NOT SERVICED SEPARATELY Seal
23		NSS		1	NOT SERVICED SEPARATELY Housing, Front
24		NSS		2	NOT SERVICED SEPARATELY Seal, Channel
25		NSS		2	NOT SERVICED SEPARATELY Seal, Backup
26		NSS		1	NOT SERVICED SEPARATELY Plug
		334450A1		1	KIT, SEALS Repair, Inc. 11, 20, 22, 24 & 25

**STX375 STX450**  
**STX425 STX500**



HIGH OUTPUT HYDRAULICS - PRIORITY VALVE ASSEMBLY

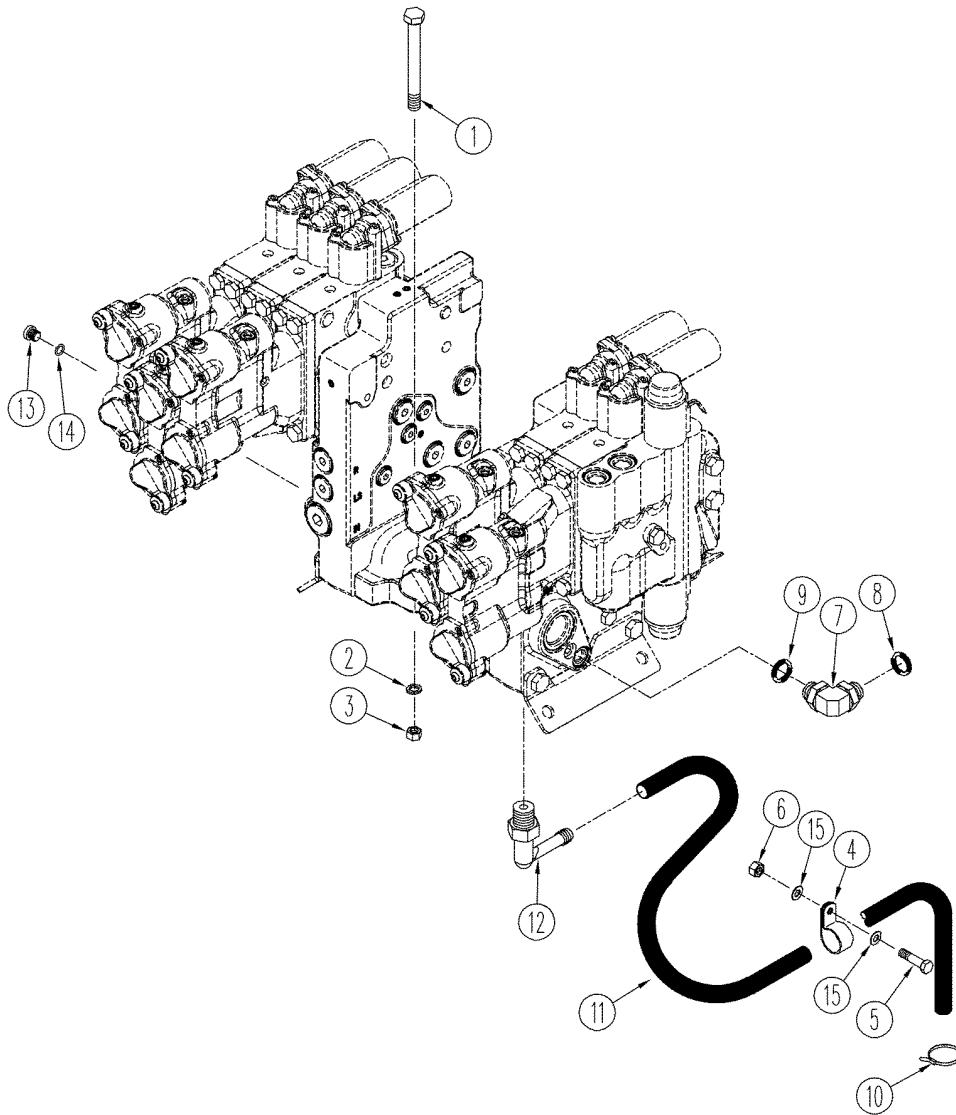


## HIGH OUTPUT HYDRAULICS - PRIORITY VALVE ASSEMBLY

REF	FN	PART NUMBER	YR/SN	QTY	DESCRIPTION
		337481A1		1	VALVE Inc. 1 - 12
1		NSS		1	NOT SERVICED SEPARATELY Body
2		NSS		1	NOT SERVICED SEPARATELY Piston
3		NSS		1	NOT SERVICED SEPARATELY Spring
4		S302014		1	WASHER
5		S302018		1	PLUG Inc. 6
6		NSS		1	NOT SERVICED SEPARATELY O-Ring
7		S300792		1	SCREW Orifice
8		S300791		1	SCREW Orifice
9		S302016		1	PLUG
10		237-6016		1	O-RING 1-11/64 ID x 7/64
11		NSS		1	NOT SERVICED SEPARATELY Orifice
12		370152A1		1	VALVE Inc. 13
13		NSS		1	NOT SERVICED SEPARATELY O-Ring

**STX375 STX450**  
**STX425 STX500**

HYDRAULIC REMOTE CONTROL VALVE

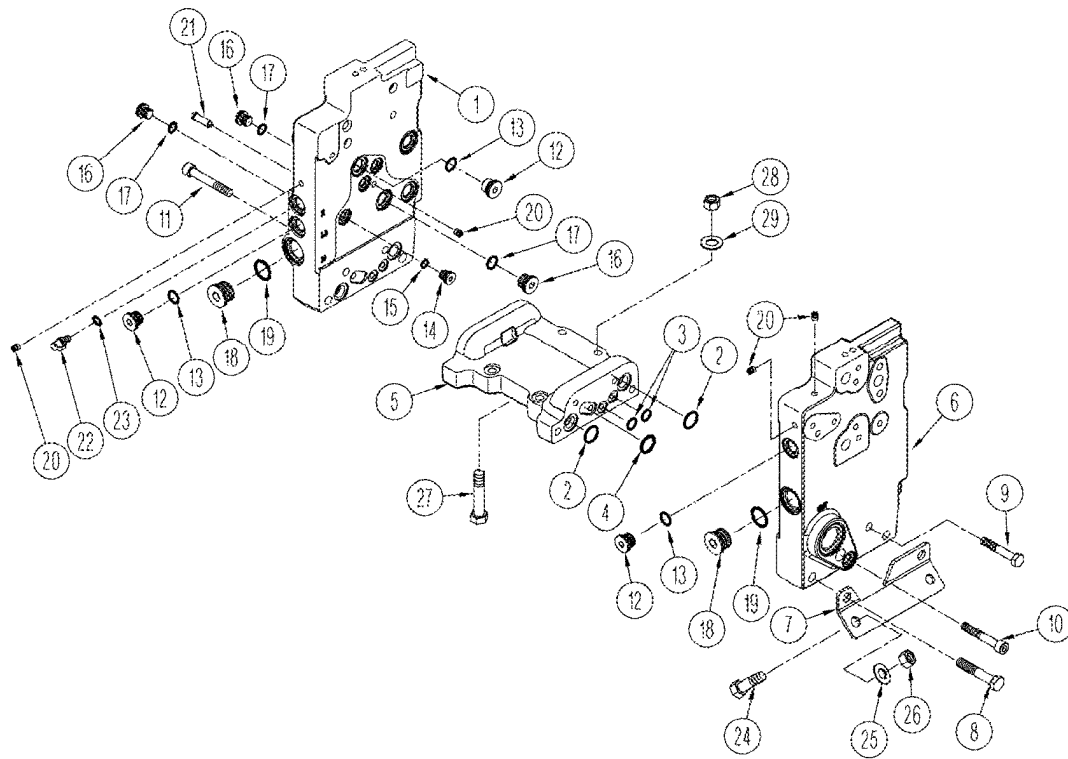


## HYDRAULIC REMOTE CONTROL VALVE

REF	FN	PART NUMBER	YR/SN	QTY	DESCRIPTION
1		827-10070		2	BOLT M10 x 70; 10.9
2		896-11010		2	WASHER 11 x 21 x 2,5 mm
3		832-10410		2	NUT M10; 8
4		515-22254		2	CLAMP 1 ID
6		829-1408		2	NUT M8; 10
7		700-332		1	ELBOW 90, 13/16 fc sl x 14 Or, Inc. 8, 9
8		238-6014		1	O-RING 1/2 ID x 1/16
9		637-63113		1	O-RING 11,3 ID x 2,2
10		435437A1		2	STRAP Tie
11		320374A1		AR	HOSE 889 mm (35 in), Drain, Cut From 31-1182
12		1289481C1		AR	ELBOW 1/4 stem x 1/8 PT
13		221576A1		1	PLUG M14 - 1,5, Inc. 14
14		637-63113		1	O-RING 11,3 ID x 2,2
15		895-15008		4	WASHER 9 x 20 x 1,5 mm
		365947A1		1	KIT Remote Valve, Five Stack, Inc. 11, 12, See Figure 08-32
5		627-8030		2	SCREW M8 x 30; 10.9

**STX375 STX450**  
**STX425 STX500**

MANIFOLD VALVE ASSEMBLY

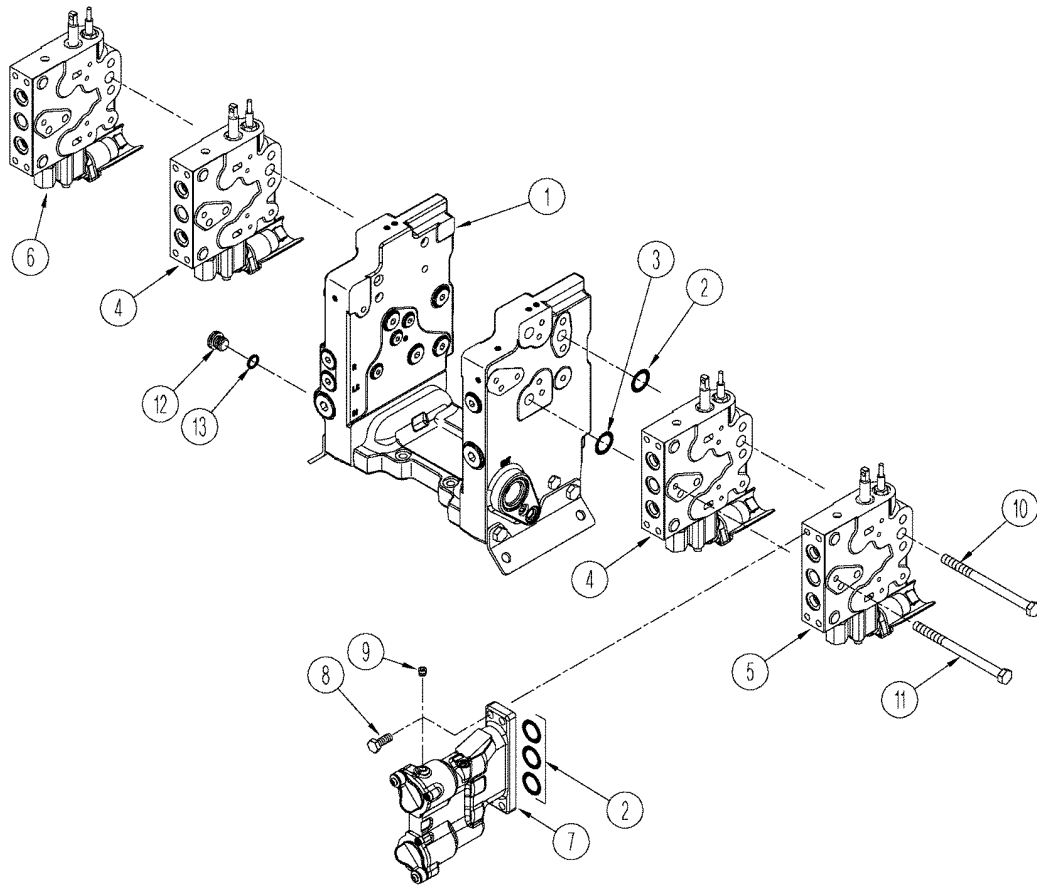


## MANIFOLD VALVE ASSEMBLY

REF	FN	PART NUMBER	YR/SN	QTY	DESCRIPTION
1		404434A1		1	VALVE Manifold, Inc. 1 - 21
		NSS		1	NOT SERVICED SEPARATELY Valve, Intake, Left-Hand
2		238-6117		4	O-RING 13/16 ID x 3/32
3		238-6112		4	O-RING 1/2 ID x 3/32
4		238-5211		2	O-RING 1/8 ID x 13/16; 5
5		NSS		1	NOT SERVICED SEPARATELY Valve, Manifold, Connector
6		NSS		1	NOT SERVICED SEPARATELY Valve, Manifold, Outlet, Right-Hand
7		338681A1		2	BRACKET
8		828-12065		4	BOLT M12 x 65; 10.9
9		828-10060		2	BOLT M10 x 60; 10.9
10		864-10065		1	SCREW M10 x 65; 8.8
11		864-10070		1	SCREW M10 x 70
12		221578A1		10	PLUG M18 - 1,5, Inc. 13
13		637-63153		10	O-RING 15,3 ID x 2,2
14		221573A1		3	PLUG M12 orb x 13, Inc. 15
15		637-63093		3	O-RING 9,3 ID x 2,2
16		221576A1		7	PLUG M14 - 1,5, Inc. 17
17		637-63113		7	O-RING 11,3 ID x 2,2
18		221580A1		2	PLUG M27 - 2, Inc. 19
19		637-64236		2	O-RING 23,6 ID x 2,9
20		353828A1		9	PLUG
21		326965A1		1	SCREEN
22		358968A1		1	COUPLING M18 orb x 1,5, Diagnostic, If Used, Inc. 23
23		637-63153		1	O-RING 15,3 ID x 2,2
24		627-12040		4	BOLT M12 x 40; 10.9
25		896-11012		4	WASHER 13,5 x 24 x 3 mm
26		832-10412		4	NUT M12; 8
27		828-10060		2	BOLT M10 x 60; 10.9
28		832-10410		2	NUT M10; 8
29		896-11010		2	WASHER 11 x 21 x 2,5 mm

**STX375 STX450**  
**STX425 STX500**

REMOTE VALVE ASSEMBLY - MANUAL REMOTE, BSN JEE0102592



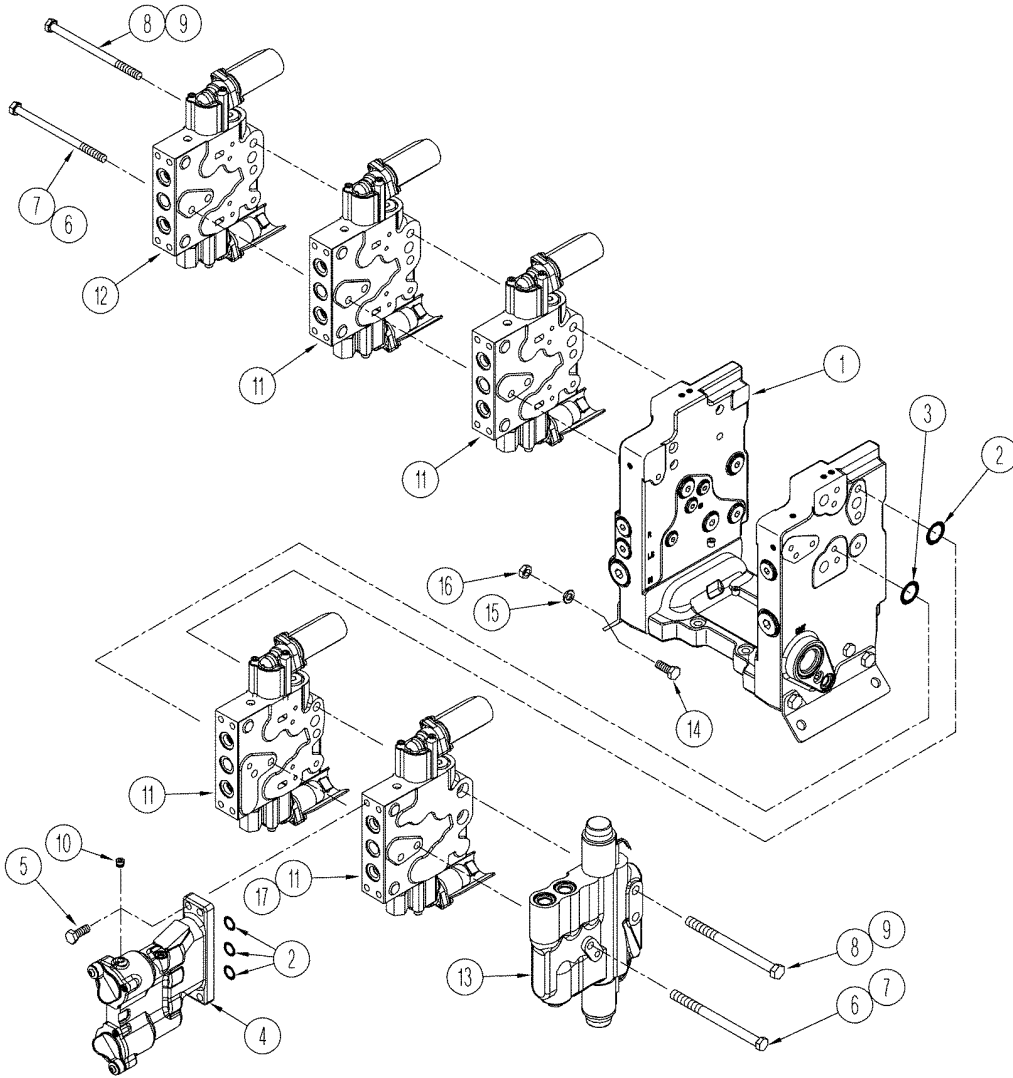
## REMOTE VALVE ASSEMBLY - MANUAL REMOTE, BSN JEE0102592

REF	FN	PART NUMBER	YR/SN	QTY	DESCRIPTION
		407259A1		1	VALVE Four Stack, Inc. 1 - 16
1		404434A1		1	VALVE Manifold, See Figure 08-30
2		238-6117		24	O-RING 13/16 ID x 3/32
3		238-6112		8	O-RING 1/2 ID x 3/32
4		310788A1		2	VALVE Main, See Figure 08-34
5		311134A1		1	VALVE Auxiliary, Right-Hand, See Figure 08-34
6		311137A1		1	VALVE Auxiliary, Left-Hand, See Figure 08-34
7		435375A1		4	COUPLING, BREAK AWAY See Figure 08-33
8		628-10025		16	SCREW M10 x 25; 10,9
9		217-429		4	PLUG 1/8 PT
10		828-12110		4	BOLT M12 x 110; 10,9
11		828-10110		2	BOLT M10 x 110; 10,9
12		221576A1		1	PLUG M14 - 1,5, Inc. 13
13		637-63113		1	O-RING 11,3 ID x 2,2

**STX375 STX450**  
**STX425**



REMOTE VALVE ASSEMBLY - ELECTRONIC REMOTE

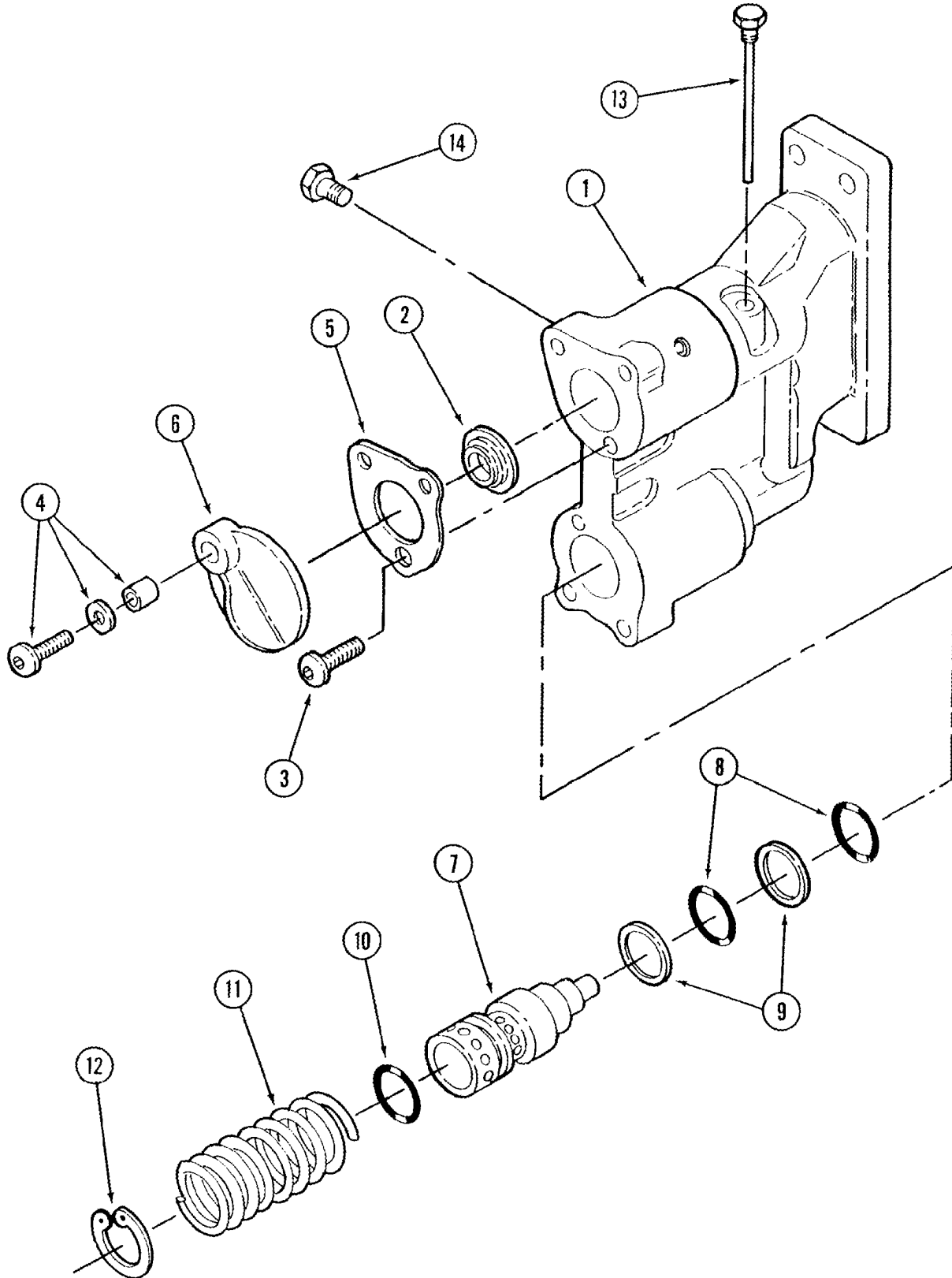


## REMOTE VALVE ASSEMBLY - ELECTRONIC REMOTE

REF	FN	PART NUMBER	YR/SN	QTY	DESCRIPTION
1		404434A1		1	VALVE Manifold, See Figure 08-30
2		238-6117		AR	O-RING 13/16 ID x 3/32
3		238-6112		AR	O-RING 1/2 ID x 3/32
4		435375A1		AR	COUPLING, BREAK AWAY See Figure 08-33
5		628-10025		AR	SCREW M10 x 25; 10,9
6		828-10110		AR	BOLT M10 x 110; 10,9
7		828-10160		AR	BOLT M10 x 160; 10,9
8		828-12110		AR	BOLT M12 x 110; 10,9
9		828-12160		AR	BOLT M12 x 160; 10,9
10		217-429		5	PLUG 1/8 PT
11		292295A3		AR	VALVE Main, Four and Five Stack, See Figure 08-35
12		393972A3		1	VALVE Auxiliary, Left-Hand, See Figure 08-35
13		319131A4		1	VALVE Hitch, See Figure 08-36
14		627-12030		4	BOLT M12 x 30; 10,9
15		896-11012		4	WASHER 13,5 x 24 x 3 mm
16		832-10412		4	NUT M12; 8
17		393973A3		1	VALVE Auxiliary, Right-Hand, See Figure 08-35
		365947A1		1	KIT Remote Valve, Five Stack, Inc. 2 - 11 See Figure 08-29

**STX375 STX450**  
**STX425 STX500**

COUPLER VALVE ASSEMBLY

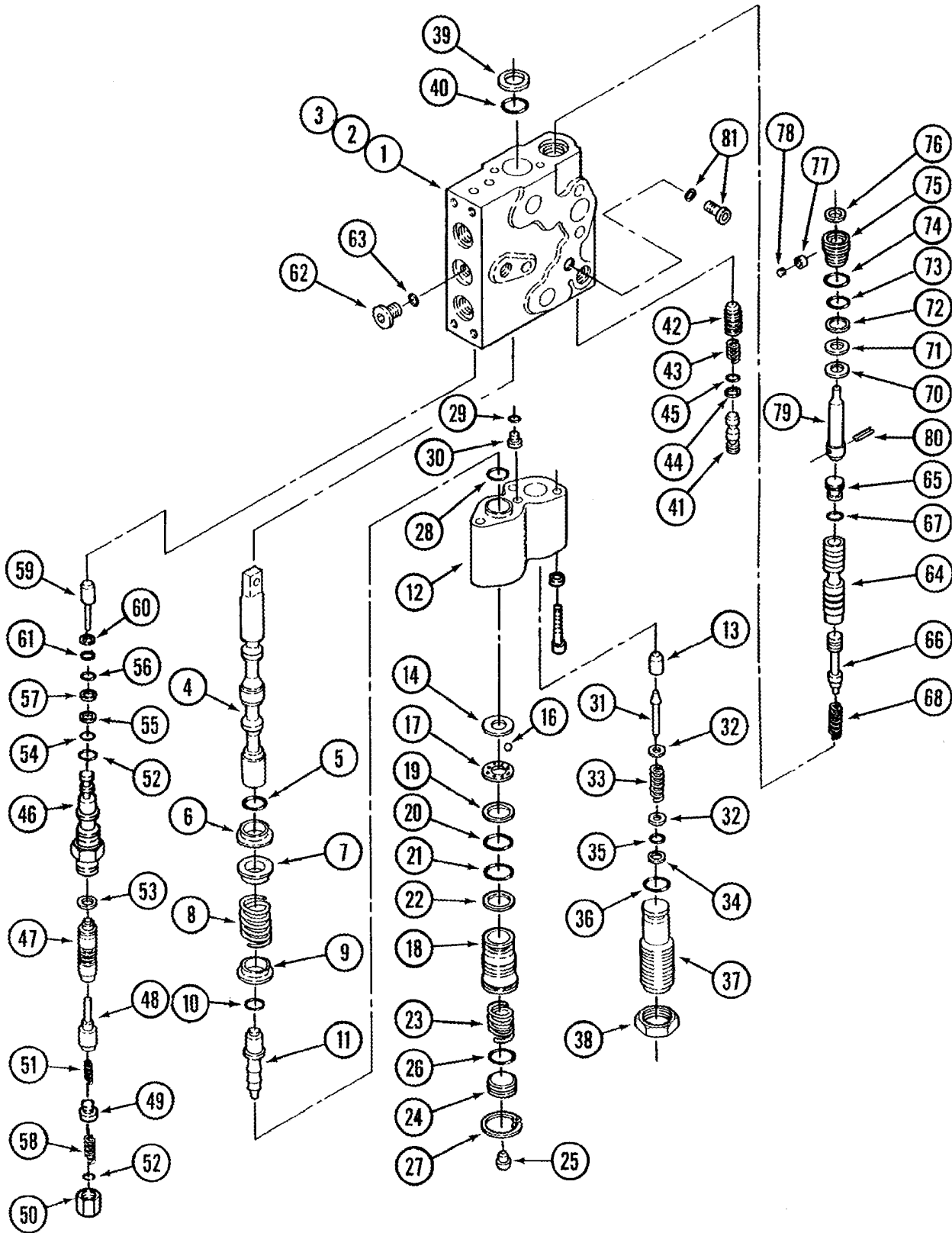


## COUPLER VALVE ASSEMBLY

REF	FN	PART NUMBER	YR/SN	QTY	DESCRIPTION
		435375A1		1	COUPLING, BREAK AWAY Inc. 1 - 14
1		NSS		1	NOT SERVICED SEPARATELY Body
2		240969A1		2	SEAL
3		427104A1		4	SCREW
4		240973A2		2	SCREW With Sleeve and Washer
5		292326A1		2	PLATE Cover
6		240974A2		2	COVER, DOOR Dust
7		321623A1		2	CARTRIDGE
		345193A1		1	KIT, SEALS Coupler, Inc. 8 - 10
8		238-5027		4	O-RING 1-5/16 ID x 1/16
9		93332C1		4	SEAL ASSY.
10		345192A1		2	SEAL
11		93330C1		2	SPRING, VALVE
12		100-28162		2	SNAP RING 1.625", Int, #162
13		367755A1		2	RETAINER
14		217-432		1	PLUG 1/4 PT

**STX375 STX450**  
**STX425 STX500**

MAIN AND AUXILIARY VALVE ASSEMBLY - MANUAL REMOTE, BSN JEE0102592

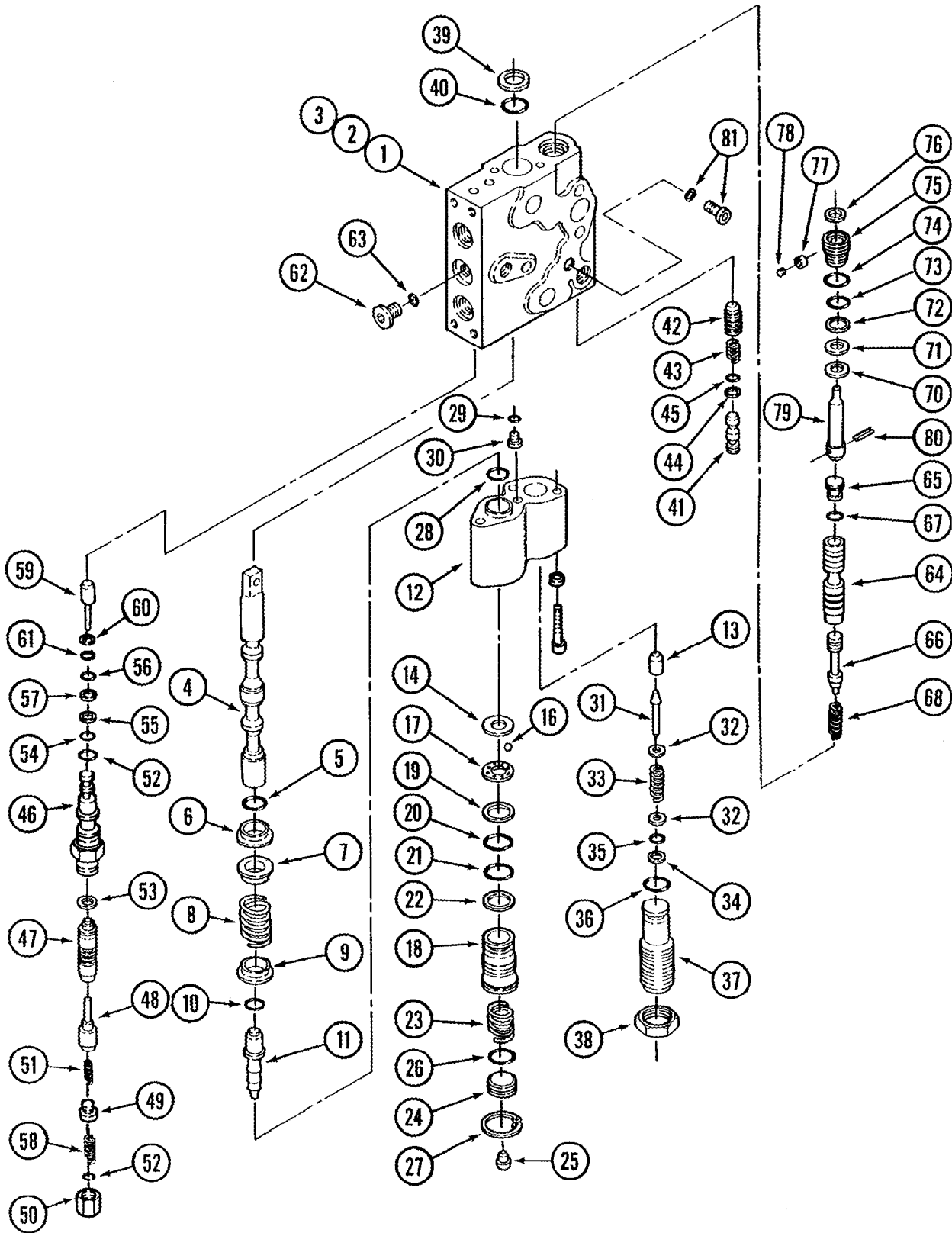


## MAIN AND AUXILIARY VALVE ASSEMBLY - MANUAL REMOTE, BSN JEE0102592

REF	FN	PART NUMBER	YR/SN	QTY	DESCRIPTION
		310788A1		1	VALVE Main, Inc. 1, 4 - 81
		311134A1		1	VALVE Auxiliary, Right-Hand, Inc. 2, 4 - 81
		311137A1		1	VALVE Auxiliary, Left-Hand, Inc. 3, 4 - 81
1		NSS		1	NOT SERVICED SEPARATELY Body
2		NSS		1	NOT SERVICED SEPARATELY Body
3		NSS		1	NOT SERVICED SEPARATELY Body
		310940A1		1	SPOOL Inc. 4 - 11
4		NSS		1	NOT SERVICED SEPARATELY Spool
5		1994608C1		1	O-RING
6		311003A1		1	WASHER
7		310941A1		1	SEAT, SPRING
8		311002A1		1	SPRING
9		310942A1		1	SEAT, SPRING
10		237-6002		1	O-RING 2-1, .239" ID x .064" Thk
11		246405A1		1	STUD
		310982A1		1	DETENT Auxiliary, Inc. 12 - 38
		310979A1		1	COVER Detent, Inc. 12, 13
12		NSS		1	NOT SERVICED SEPARATELY Cover
13		1976937C1		1	SEAT, VALVE
14		G108912		1	WASHER
15		864-6025		3	SCREW M6 x 25; 8,8
16		211-1007		8	BALL 7/32; 24,CRS, Chrome
17		G108911		1	WASHER
		G108921		1	PISTON Detent, Inc. 18 - 22
18		G108908		1	PISTON
19		G108922		1	BACK-UP RING
20		238-6020		1	O-RING 7/8 ID x 1/16
21		238-6021		1	O-RING 15/16 ID x 1/16
22		G108728		1	BACK-UP RING
23		G110152		1	SPRING
		321361A1		1	RETAINER Inc. 24 - 26
24		NSS		1	NOT SERVICED SEPARATELY Retainer
25		G107780		1	VALVE, CHECK Rubber
26		321360A1		1	O-RING
27		100-21118		1	RING, SNAP 1.188", Int, #118

**STX375 STX450**  
**STX425**

MAIN AND AUXILIARY VALVE ASSEMBLY - MANUAL REMOTE, BSN JEE0102592



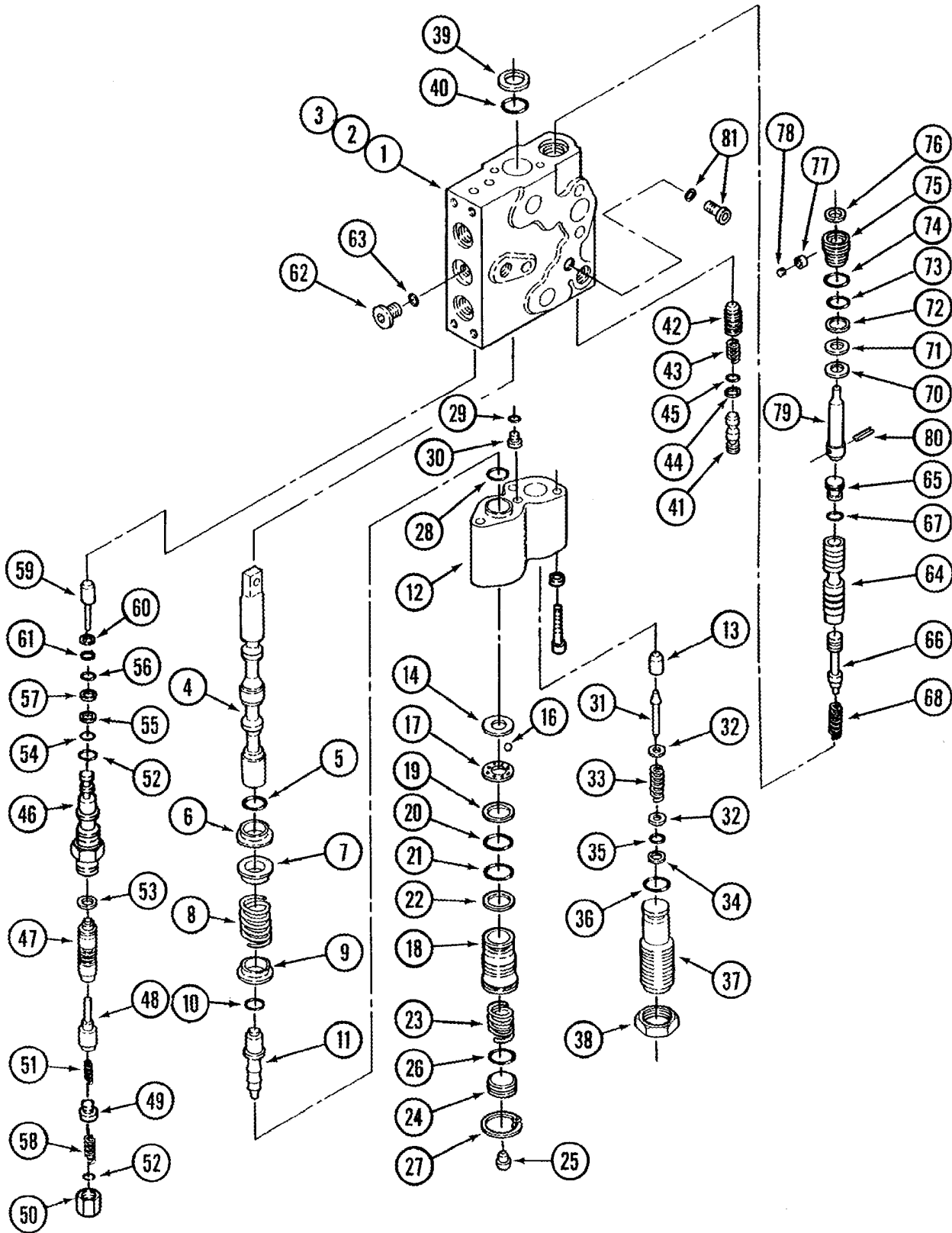
## MAIN AND AUXILIARY VALVE ASSEMBLY - MANUAL REMOTE, BSN JEE0102592

REF	FN	PART NUMBER	YR/SN	QTY	DESCRIPTION
28		238-6015		1	O-RING 9/16 ID x 1/16
29		238-6011		1	O-RING 5/16 ID x 1/16
30		G108918		1	ORIFICE
31		G110279		1	POPPET, VALVE
32		G110281		2	CUP, SPRING
33		G109275		1	SPRING
34		G110289		1	BACK-UP RING
35		238-5004		1	O-RING 1/16 ID x 1/16
36		238-6012		1	O-RING 3/8 ID x 1/16
37		G110300		1	PLUG
38		425-1510		1	NUT 5/8 NF
39		65457C1		1	SEAL
40		1994608C1		1	O-RING
		1542563C1		1	VALVE, CHECK Inc. 41 - 45
41		1994580C1		1	PLUG
42		1543329C1		1	POPPET, VALVE
43		1994581C1		1	SPRING
44		G108723		1	RING
45		238-6015		1	O-RING 9/16 ID x 1/16
		278550A2		1	VALVE, CHECK Inc. 46 - 58
46		NSS		1	NOT SERVICED SEPARATELY Body, Load Check
47		NSS		1	NOT SERVICED SEPARATELY Poppet, Main Valve
48		NSS		1	NOT SERVICED SEPARATELY Poppet, Pilot
49		1957964C1		1	RETAINER
50		NSS		1	NOT SERVICED SEPARATELY Cap
51		NSS		1	NOT SERVICED SEPARATELY Spring, Pilot Poppet
52		237-6010		2	O-RING 3/4 ID x 3/32
53		G108727		1	BACK-UP RING
54		238-6016		1	O-RING 5/8 ID x 1/16
55		G103862		1	RING
56		238-6015		1	O-RING 9/16 ID x 1/16
57		G108723		1	RING
58		NSS		1	NOT SERVICED SEPARATELY Spring, Main Poppet
		1957907C1		1	PISTON ASSY Inc. 59 - 61
59		1957862C1		1	PISTON

**STX375 STX450**  
**STX425**



MAIN AND AUXILIARY VALVE ASSEMBLY - MANUAL REMOTE, BSN JEE0102592

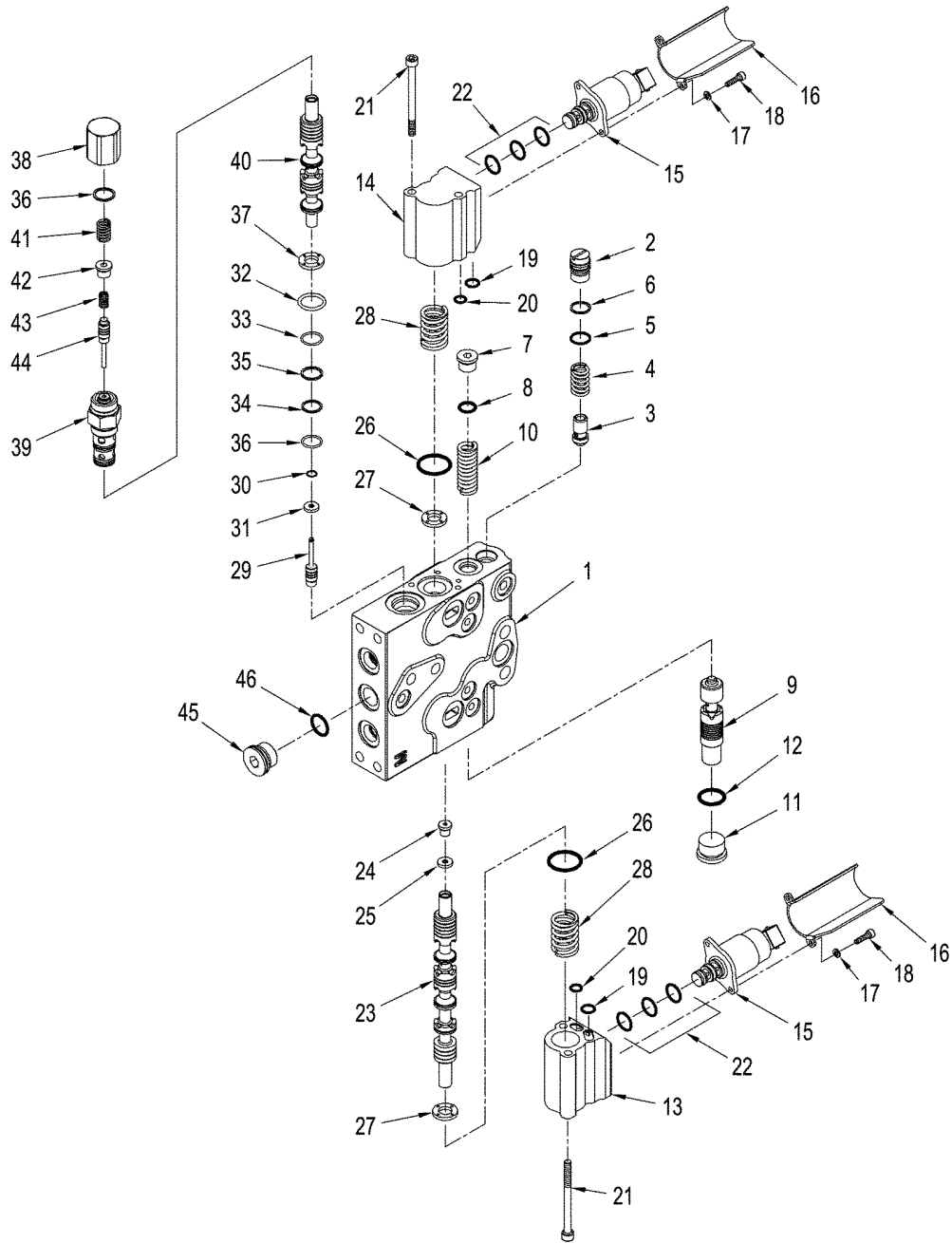


## MAIN AND AUXILIARY VALVE ASSEMBLY - MANUAL REMOTE, BSN JEE0102592

REF	FN	PART NUMBER	YR/SN	QTY	DESCRIPTION
60		1957861C1		1	WASHER
61		1957859C1		1	RING, SNAP
62		218-5205		1	PLUG 5/16 Or, Inc. 63
63		238-6006		1	O-RING 1/8 ID x 1/16
		140906A3		1	SLEEVE VALVE Flow Control, Inc. 64 - 67
64		NSS		1	NOT SERVICED SEPARATELY Sleeve
65		183491A1		1	PLUG
66		NSS		1	NOT SERVICED SEPARATELY Spool
67		238-6013		1	O-RING 7/16 ID x 1/16
68		185448A2		1	SPRING
69		292258A1		3	WASHER
		111205A1		1	VALVE Flow, Inc. 70 - 80
70		G108957		1	RACE
71		F13537		1	BEARING
72		G108956		1	RACE
73		238-5110		1	O-RING 3/32 ID x 3/4; 5
74		237-6010		1	O-RING 3/4 ID x 3/32
75		111206A1		1	PLUG
76		G101060		1	WASHER
77		111207A1		2	INSERT
78		178-896		2	SCREW
		1980302C2		1	ROD Inc. 79, 80
79		1980228C3		1	ROD, ADJUSTMENT
80		38-1812		1	PIN 1/8 x 3/8 in
81		321742A1		1	PLUG Inc. O-Ring

**STX375 STX450**  
**STX425**

MAIN AND AUXILIARY VALVE ASSEMBLY - ELECTRONIC CONTROLLED

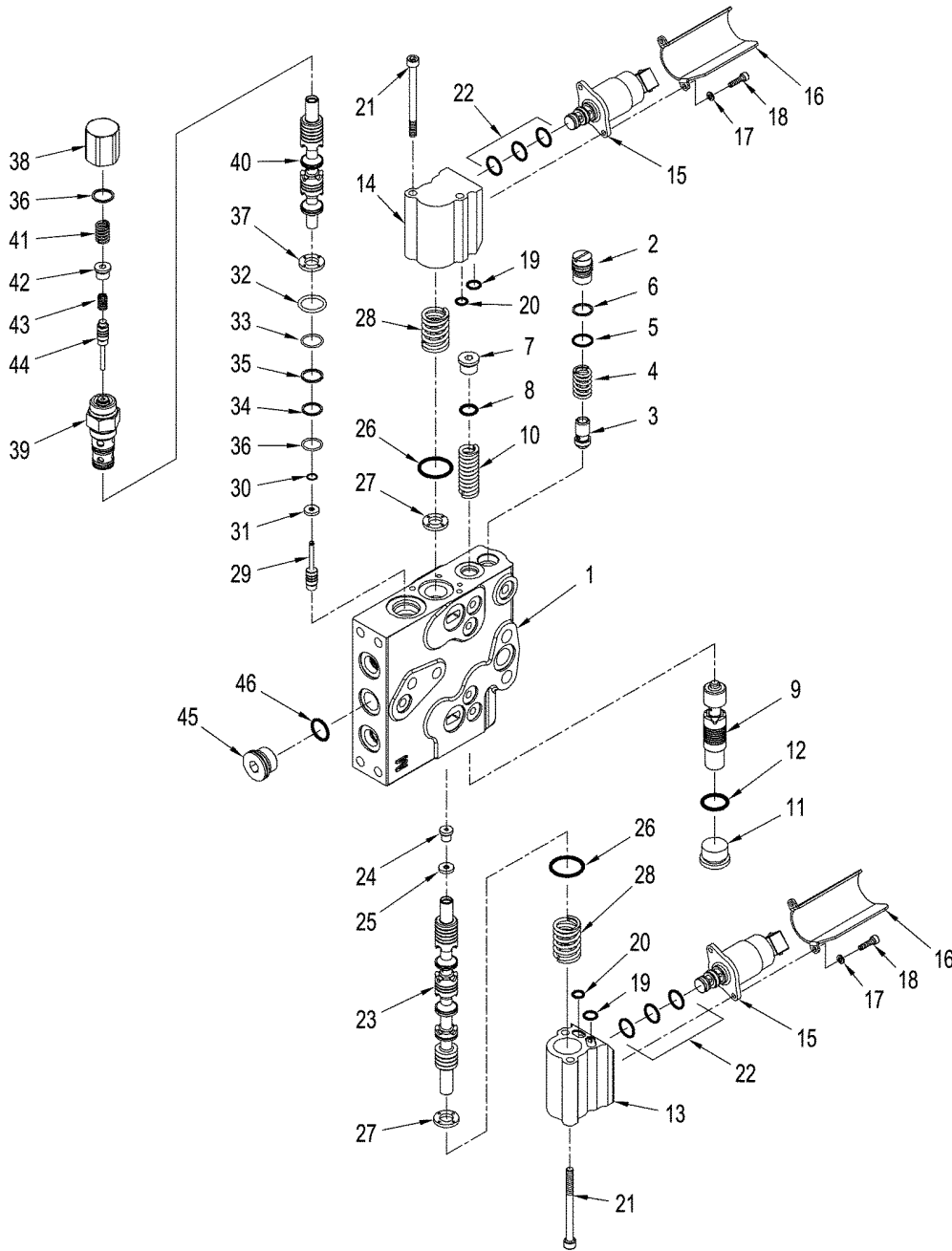


## MAIN AND AUXILIARY VALVE ASSEMBLY - ELECTRONIC CONTROLLED

REF	FN	PART NUMBER	YR/SN	QTY	DESCRIPTION
		292295A3		1	VALVE Main Auxiliary, Inc. 1 - 46
		393972A3		1	VALVE Auxiliary, Left-Hand, Inc. 1 - 46
		393973A3		1	VALVE Auxiliary, Right-Hand, Inc. 1 - 46
1		NSS		1	NOT SERVICED SEPARATELY Body
		1542563C1		1	VALVE, CHECK Logic, Inc. 2 - 6
2		NSS		1	NOT SERVICED SEPARATELY Plug
3		1543329C1		1	POPPET, VALVE
4		NSS		1	NOT SERVICED SEPARATELY Spring
5		G108723		1	RING
6		238-6015		1	O-RING 90 Duro, .551" ID x .070" Thk
7		218-5209		1	PLUG 3/8 orb, Inc. 8
8		237-6012		1	O-RING 90 Duro, .924" ID x .16" Thk
9		292321A2		1	SPOOL
10		301973A1		1	SPRING
11		86625138		1	PLUG 5/8 orb, Inc. 12
12		237-6010		1	O-RING 90 Duro, .755" ID x .097" Thk
		87354471		1	VALVE, PILOT EH Pilot Block, Inc. 13, 15 - 22
		87354472		1	VALVE, PILOT Block, EH, Inc. 14 - 22
13		NSS		1	NOT SERVICED SEPARATELY Body, Valve, Lower
14		NSS		1	NOT SERVICED SEPARATELY Body, Valve, Upper
15		278506A1		1	VALVE, SOLENOID Proportional
16		353830A1		1	GUARD
17		892-11004		2	WASHER Lock, 4mm
18		864-4016		2	SCREW Socket, M4 x 16, CL8.8
19		238-5012		1	O-RING 3/8 ID x 1/2 Thk
20		238-5011		1	O-RING -011, 70 Duro, .301" ID x .070" Thk
21		864-6020		2	SCREW Socket, M6 x 75, CL8.8
22		372228A1		1	SEAL Kit
23		87410063		1	SPOOL
24		218-5205		1	PLUG Socket, 1/8 or, Inc. 25
25		237-6010		1	O-RING 90 Duro, .755" ID x .097" Thk
26		238-5120		2	O-RING 987" ID x .103" Thk
27		436518A1		2	WASHER Centering
28		87411129		2	SPRING Lower, Outer
		1957907C1		1	PISTON ASSY Load Check, Inc. 29 - 31

**STX375 STX450**  
**STX425 STX500**

MAIN AND AUXILIARY VALVE ASSEMBLY - ELECTRONIC CONTROLLED

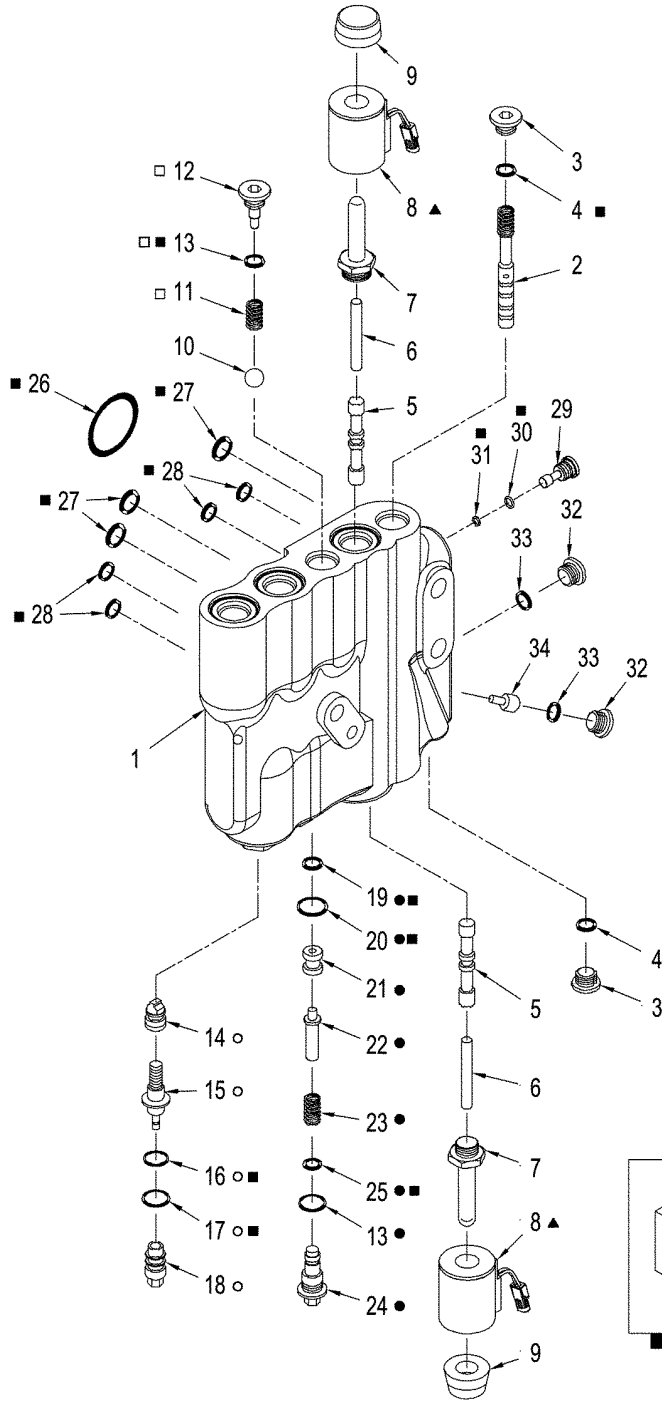


## MAIN AND AUXILIARY VALVE ASSEMBLY - ELECTRONIC CONTROLLED

REF	FN	PART NUMBER	YR/SN	QTY	DESCRIPTION
29		NSS		1	NOT SERVICED SEPARATELY Piston
30		NSS		1	NOT SERVICED SEPARATELY Ring, Snap
31		NSS		1	NOT SERVICED SEPARATELY Washer
		278550A2		1	VALVE, CHECK Load, Inc. 32 - 44
32		238-6016		1	O-RING 90 Duro, .614" ID x .070" Thk
33		G103862		1	RING
34		G108723		1	RING
35		238-6015		1	O-RING 90 Duro, .551" ID x .070" Thk
36		237-6010		2	O-RING 90 Duro, .755" ID x .097" Thk
37		G108727		1	BACK-UP RING
38		NSS		1	NOT SERVICED SEPARATELY Cap
39		NSS		1	NOT SERVICED SEPARATELY Poppet
40		NSS		1	NOT SERVICED SEPARATELY Body, Poppet
41		NSS		1	NOT SERVICED SEPARATELY Spring
42		1957964C1		1	RETAINER Spring
43		NSS		1	NOT SERVICED SEPARATELY Spring
44		NSS		1	NOT SERVICED SEPARATELY Poppet
45		86632547		1	PLUG Soc. Hd, 1/8" or, Inc. 46
46		9617873		1	O-RING 6-1, 90 Duro, .468" ID x .078" Thk

**STX375 STX450**  
**STX425 STX500**

HITCH VALVE ASSEMBLY - ELECTRONIC CONTROLLED



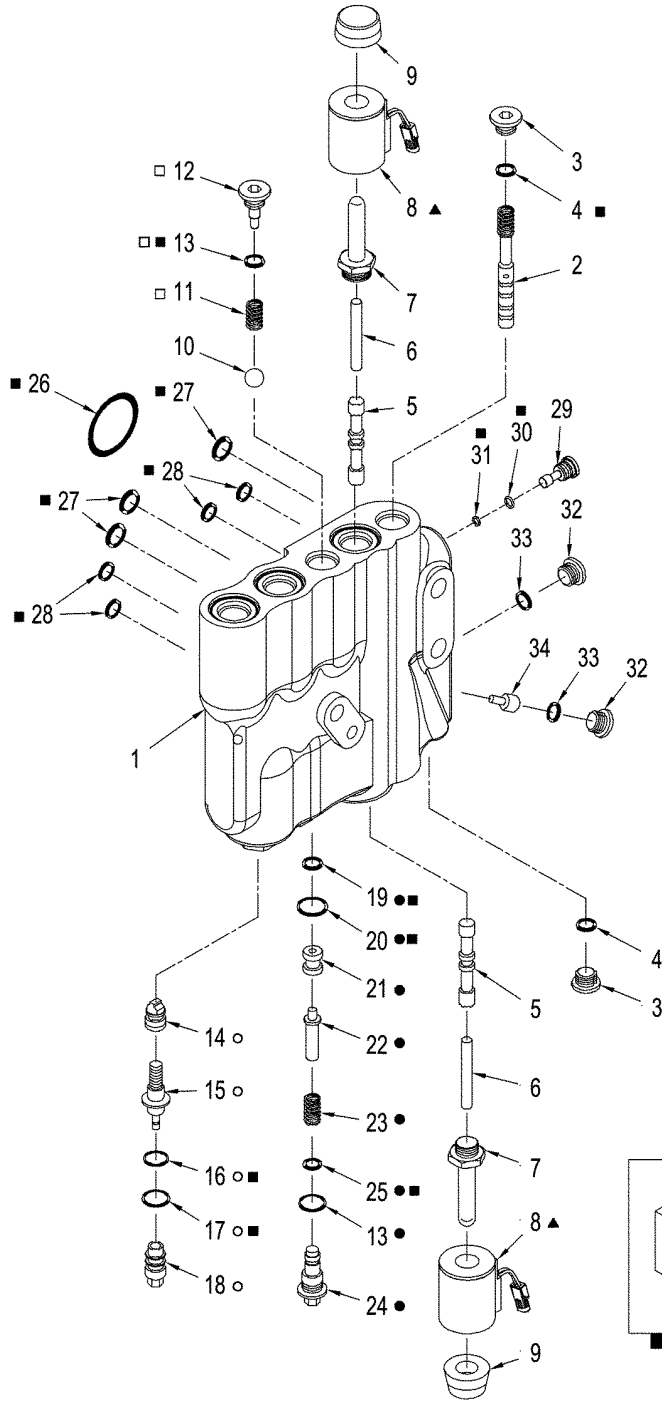
## HITCH VALVE ASSEMBLY - ELECTRONIC CONTROLLED

REF	FN	PART NUMBER	YR/SN	QTY	DESCRIPTION
		319131A4		1	VALVE Inc. 1 - 39
1		NSS		1	NOT SERVICED SEPARATELY Housing
2		NSS		1	NOT SERVICED SEPARATELY Spool
3		218-5210		2	PLUG 3/4 Or, Inc. 4
4		237-6008		2	O-RING 8-1, 90 Duro, .644" ID x .087" Thk
5		188104A1		2	SPOOL Pilot
6		188116A1		2	PIN
7		188117A1		2	TUBE Override
8		188105A1		2	SOLENOID Coil
9		188106A1		2	NUT
10		511-10200		1	BALL 20 mm, G28
11		NSS		1	NOT SERVICED SEPARATELY Spring, Compression
12		NSS		1	NOT SERVICED SEPARATELY Plug
13		237-6010		2	O-RING 3/4 ID x 3/32
14		NSS		1	NOT SERVICED SEPARATELY Poppet, Valve
15		NSS		1	NOT SERVICED SEPARATELY Stem, Servo
16		238-5022		1	O-RING 1 ID x 1/16
17		238-5023		1	O-RING 1-1/16 ID x 1/16
18		118111A1		1	TUBE
19		238-6011		1	O-RING 5/16 ID x 1/16
20		373767A1		1	RING
21		NSS		1	NOT SERVICED SEPARATELY Seat
22		NSS		1	NOT SERVICED SEPARATELY Poppet Valve
23		NSS		1	NOT SERVICED SEPARATELY Spring, Compression
24		NSS		1	NOT SERVICED SEPARATELY Plug
25		238-5014		1	O-RING 1/2 ID x 1/16
26		238-5142		1	O-RING
27		238-6117		3	O-RING 13/16 ID x 3/32
28		238-6112		5	O-RING 1/2 ID x 3/32
29		373761A1		1	PLUG
30		237-6004		1	O-RING 4-1, 90 Duro, .351" ID x .072" Thk
31		237-6003		2	O-RING 3-1, .301" ID x .064" Thk
32		218-5206		2	PLUG 3/8 Or
33		237-6003		2	O-RING 3-1, .301" ID x .064" Thk
34		373758A1		1	VALVE Load Sense

**STX375 STX450**  
**STX425 STX500**



HITCH VALVE ASSEMBLY - ELECTRONIC CONTROLLED

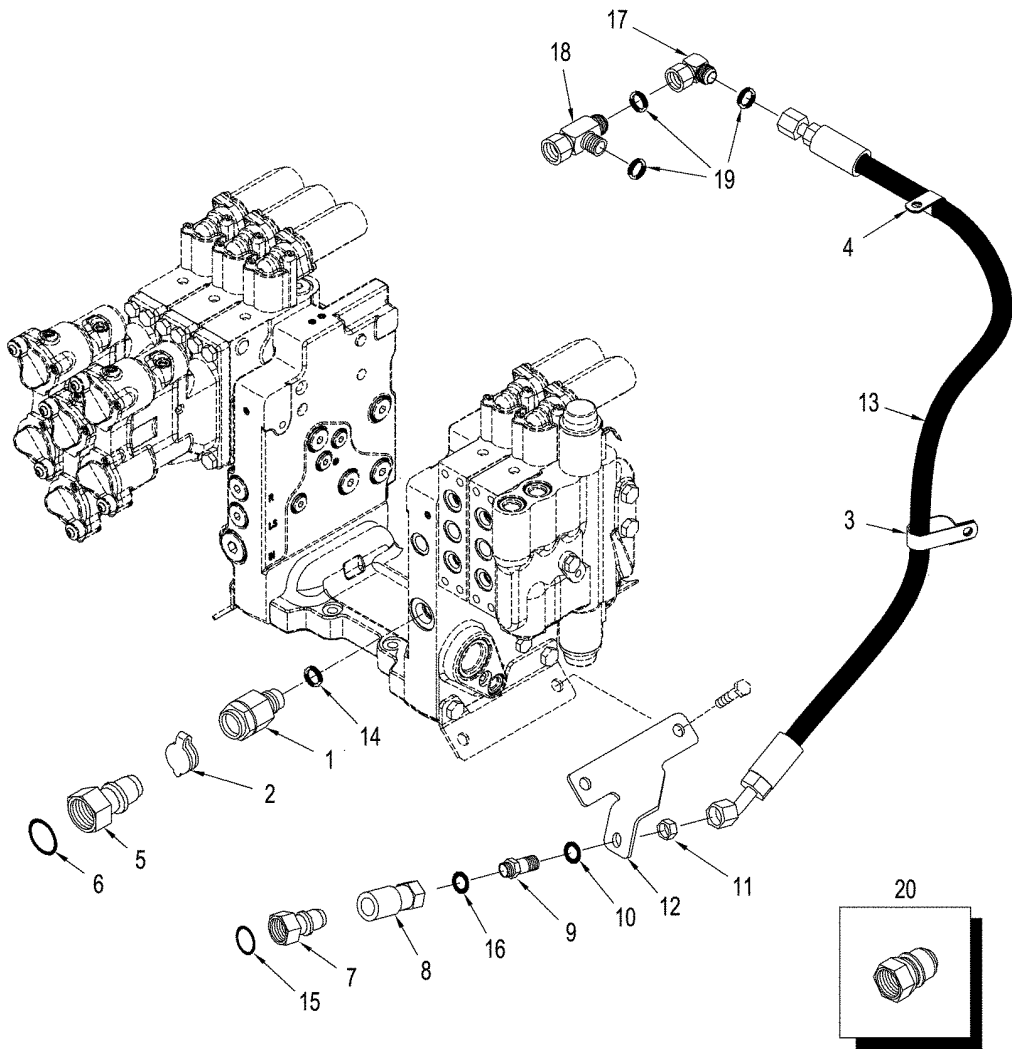


**HITCH VALVE ASSEMBLY - ELECTRONIC CONTROLLED**

<b>REF</b>	<b>FN</b>	<b>PART NUMBER</b>	<b>YR/SN</b>	<b>QTY</b>	<b>DESCRIPTION</b>
35		373756A1		1	KIT Relief
36		373757A1		1	KIT Seal
37		243254A1		2	KIT
38		87430152		1	KIT, SERVICE Meterout
39		87423671		1	KIT, SPRING Valve Load Drop Check

**STX375 STX450**  
**STX425 STX500**

MOTOR RETURN



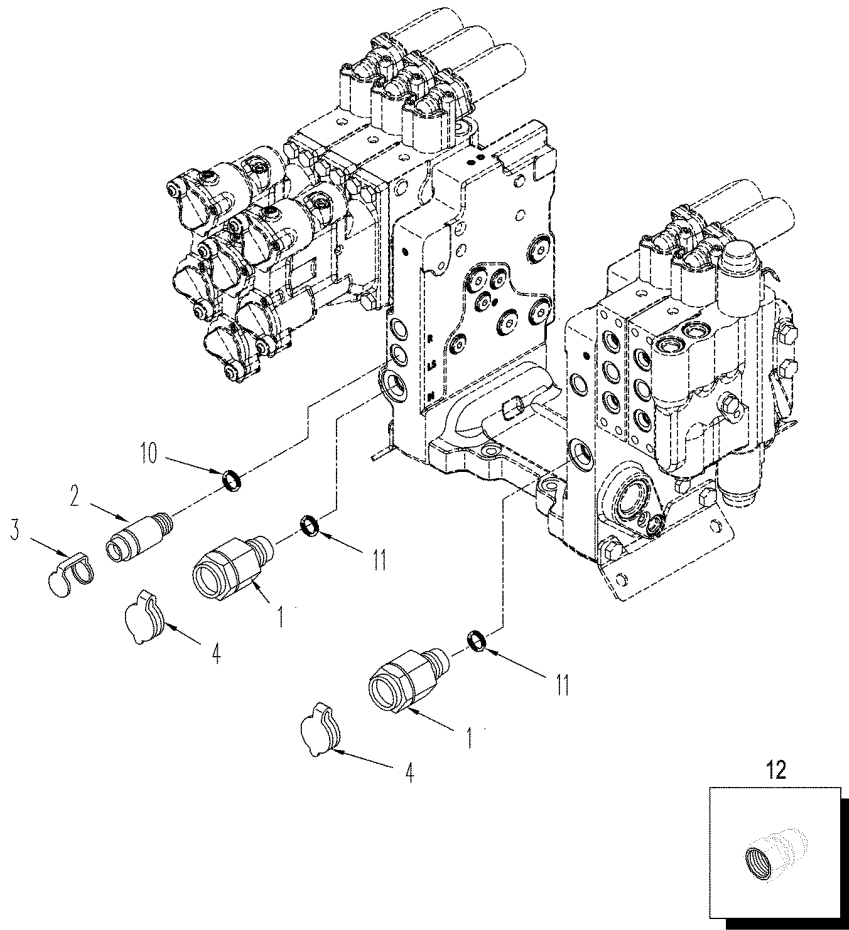
## MOTOR RETURN

REF	FN	PART NUMBER	YR/SN	QTY	DESCRIPTION
1		298291A1		1	BODY Hydr., , 3/4 in, Auxiliary, Main Return
2		334216A1		1	CAP Dust
3		515-23206		1	CLAMP
4		R54363		1	CLAMP
5		347755A1		1	COUPLING Hydr., 3/4 in Male x 1-1/16 in Female orb, Inc. 6
6		237-6012		1	O-RING 90 Duro, .924" ID x .116" Thk
7		385358A1		1	COUPLING Hydr., 1/2 in Male x 3/8 in Female orb, Inc. 15
8		385357A1		1	COUPLING Hydr., Female
9		436249A1		1	FITTING Fitting, 3/4 or x 13/16 fc sl, Inc. 10 & 16
10		238-6014		1	O-RING 90 Duro, .489" ID x .070" Thk
11		701-903		1	NUT Jam, M12
12		442477A2		1	BRACKET Motor Drain
13		444060A1		1	HOSE ASSY. 2171 mm (85 in)
13	1	87424337		1	HOSE ASSY. 1651 mm (65 in)
14		637-64236		2	O-RING 23,6 ID x 2.9 mm; 6
15		237-6008		1	O-RING 8-1, 90 Duro, .644" ID x .087" Thk
17		701-320		1	ELBOW 90, 1/2 fc sl, Inc. 19
18		701-416		1	TEE 1/2 fc sl, Inc. 19
19		238-6014		3	O-RING .489 ID x .070 Thk
20		87335428		1	FITTING Implement Coupler, Steel, 1/2"-14 nptf
20		87335430		1	FITTING Implement Coupler, Steel, 3/4"-16 orb
20		87335431		1	FITTING Implement Coupler, Steel, 7/8"-14 orb
		719517003		1	KIT Motor Return / Power Beyond, Inc. 1 - 13, See Figure(s) : 08-14, 08-46
16		237-6006		1	O-RING 6-1, 90 Duro, .468" ID x .078" Thk

(1) Arctic QUADTRAC Tractor Application

**STX375 STX450**  
**STX425 STX500**

COUPLERS - POWER BEYOND

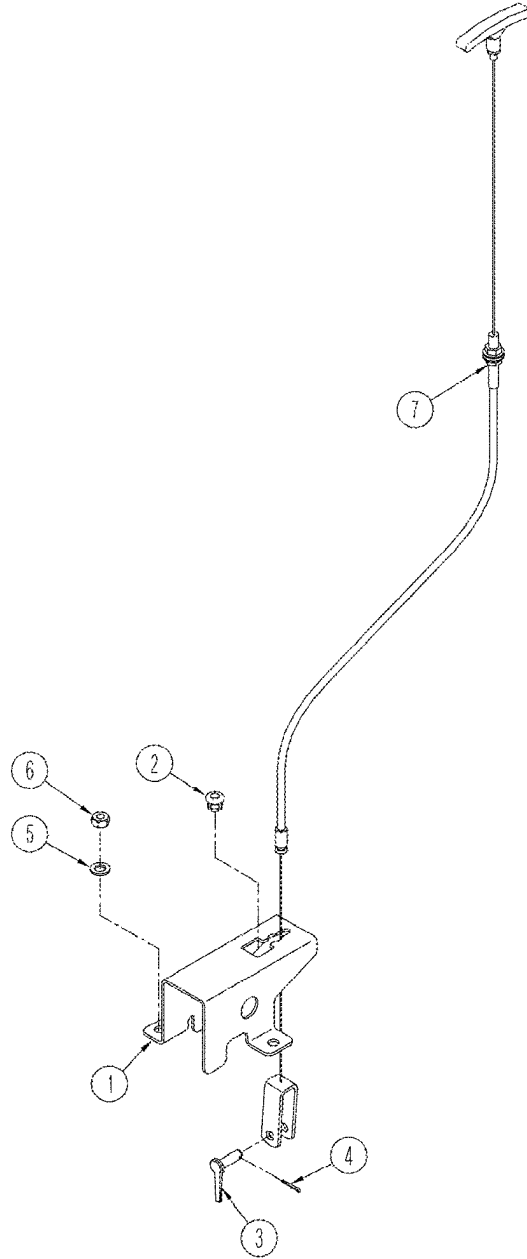


## COUPLERS - POWER BEYOND

REF	FN	PART NUMBER	YR/SN	QTY	DESCRIPTION
1		298291A1		2	BODY Hydr., 3/4 in, Auxiliary
2		294603A1		1	BODY Hydr., 1/4 in, Auxiliary
3		334218A1		1	CAP Dust
4		334216A1		2	CAP Dust
5		347755A1		2	COUPLING Hydr., 3/4 in, Inc. 10, Not Illustrated
6		237-6012		2	O-RING 90 Duro, .924" ID x .116" Thk
7		347756A1		2	COUPLING Hydr., 1/4 in, Inc. 8, Not Illustrated
9		385358A1		1	COUPLING Hydr., 3/8, Case Drain, Not Illustrated
10		637-63153		1	O-RING 15,3 ID x 2,2 Thk; 6
11		637-64236		2	O-RING 23,6ID x 2,9 Thk; 6
12		87335428		1	FITTING Implement Coupler, 1/2"-14 nptf
12		87335430		1	FITTING Implement Coupler, 3/4"-16 orb
12		87335431		1	FITTING Implement Coupler, 7/8"-14 orb
		719517003		1	KIT Motor Return / Power Beyond, Inc. 1 - 9, See Figure(s) : 08-14, 08-45
8		237-6006		2	O-RING 6-1, 90 Duro, .468" ID x .078" Thk

**STX375 STX450**  
**STX425 STX500**

CABLE - TOW VALVE



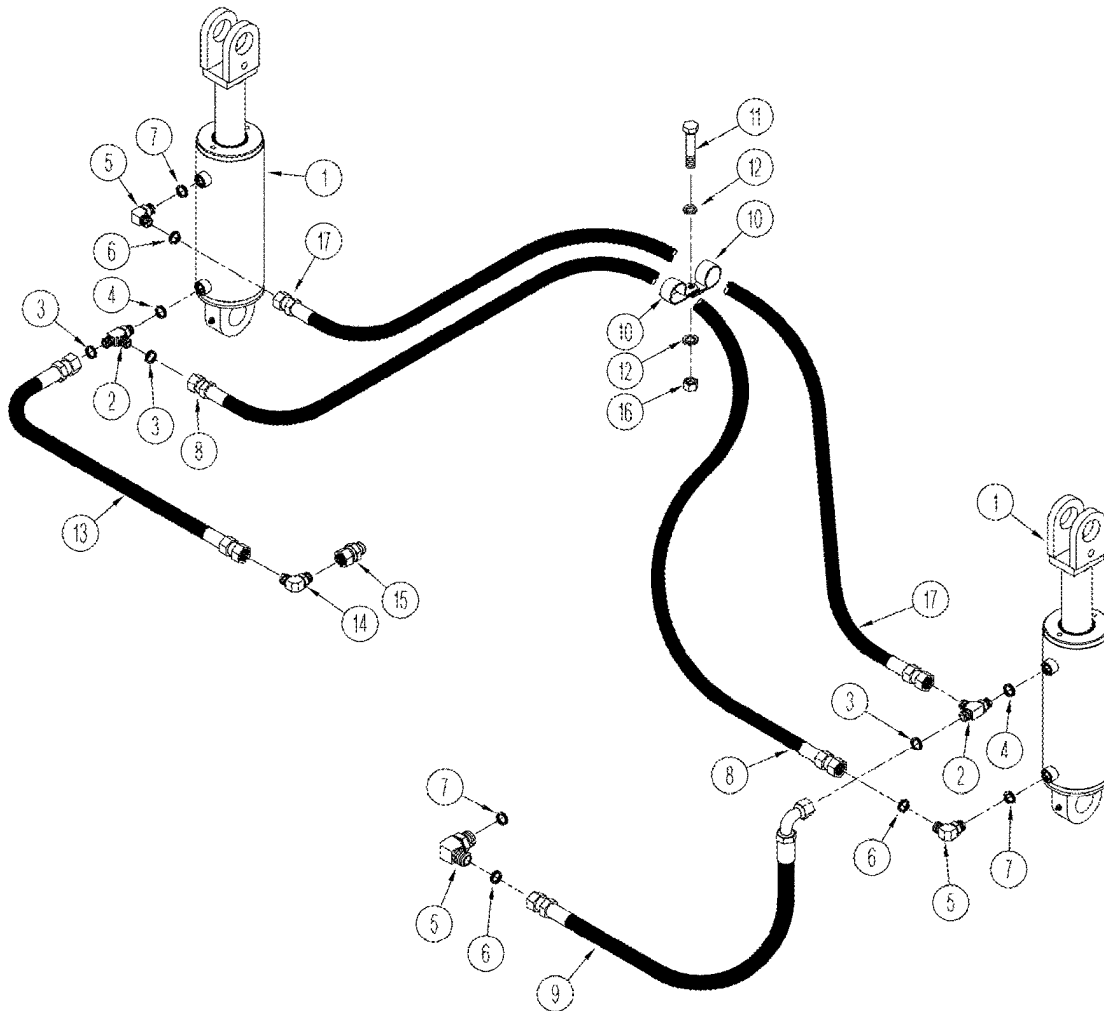
**CABLE - TOW VALVE**

REF	FN	PART NUMBER	YR/SN	QTY	DESCRIPTION
1		344904A2		1	SUPPORT ASSY.
2		A67295		1	PLUG
3		527-205		1	PIN 8 x 25 mm
4		136-157		1	PIN
5		895-11008		2	WASHER 9 x 17 x 1,6 mm
6		829-1408		2	NUT M8; 10
7		349863A2		1	CABLE

**STX375 STX450**  
**STX425 STX500**



THREE POINT HITCH HYDRAULICS - MANUAL HITCH, BSN JEE0102592

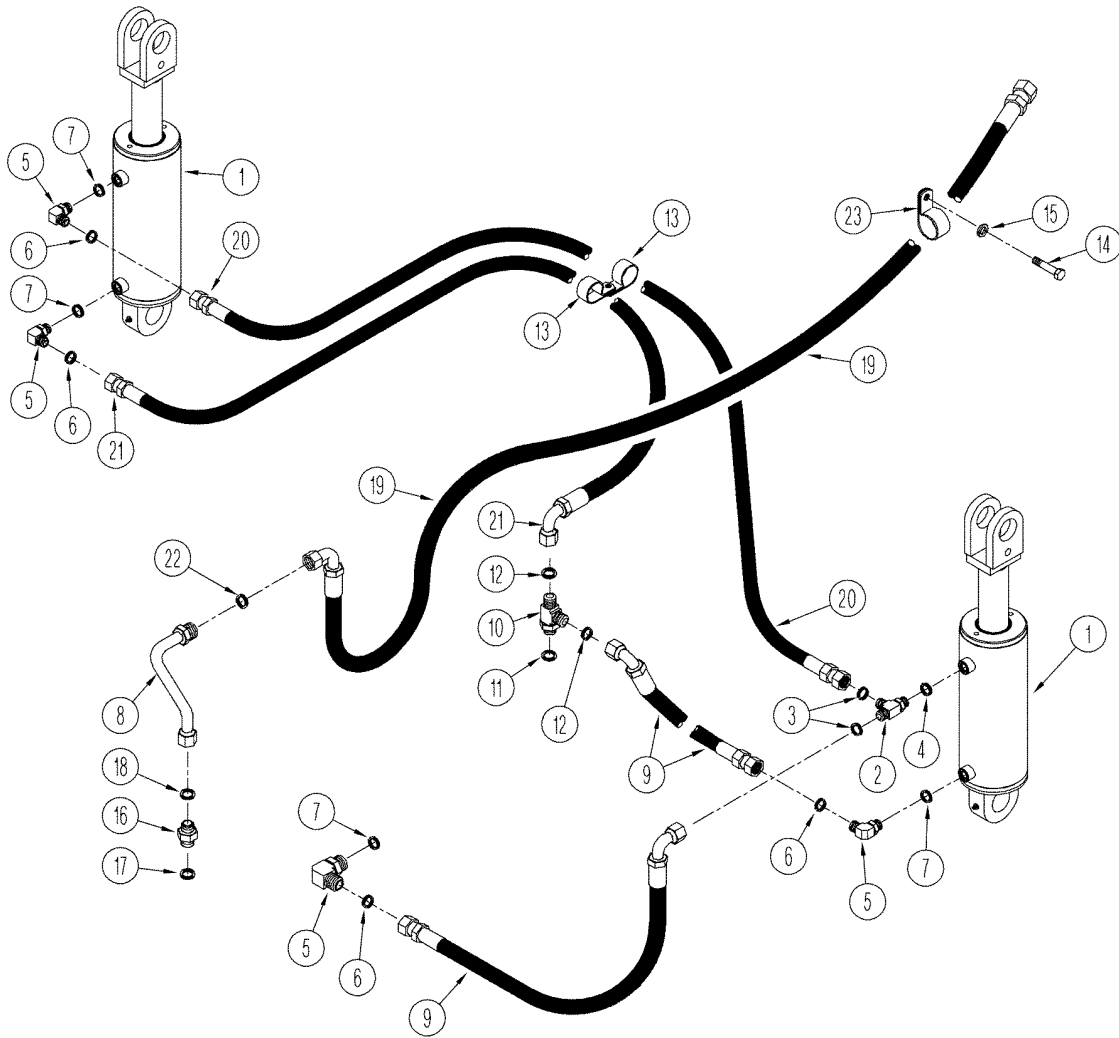


## THREE POINT HITCH HYDRAULICS - MANUAL HITCH, BSN JEE0102592

REF	FN	PART NUMBER	YR/SN	QTY	DESCRIPTION
1		403206A1		2	CYLINDER ASSY. See Figure 08-42
2		700-412		2	TEE 13/16 fc sl x 18 Or, Inc. 3, 4
3		238-6014		4	O-RING 1/2 ID x 1/16
4		637-63153		2	O-RING 15,3 ID x 2,2
5		700-305		3	ELBOW 13/16 fc sl x 18 Or, Inc. 6, 7
6		238-6014		3	O-RING 1/2 ID x 1/16
7		637-63153		3	O-RING 15,3 ID x 2,2
8		363126A1		1	HOSE ASSY. 1645 mm (65 in), Pressure
9		359756A1		1	HOSE ASSY. 320 mm (12-1/2 in)
10		515-23206		4	CLAMP P-type
12		895-11008		4	WASHER 9 x 17 x 1,6 mm
13		430747A1		1	HOSE ASSY. 670 mm (26 in)
14		218-485		1	ELBOW 7/8 fl x 1/2 PT
15		1-7141		1	FITTING
16		829-1408		2	NUT M8; 10
17		394732A1		1	HOSE ASSY. 1410 mm (55-1/2 in), Return
11		627-8030		2	SCREW M8 x 30; 10.9

**STX375 STX450**  
**STX425**

THREE POINT HITCH HYDRAULICS - ELECTRONIC CONTROLLED HITCH SYSTEM

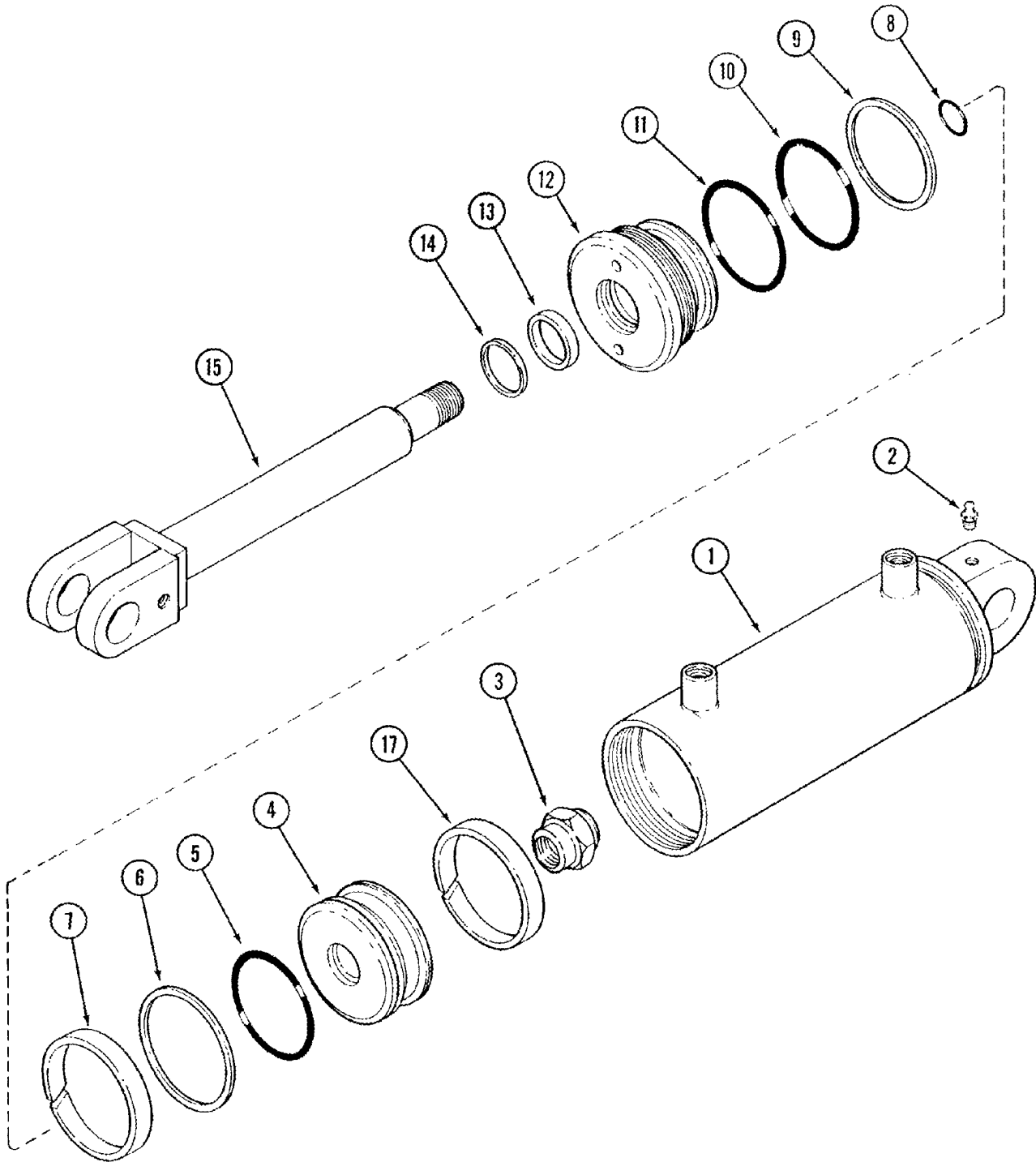


## THREE POINT HITCH HYDRAULICS - ELECTRONIC CONTROLLED HITCH SYSTEM

REF	FN	PART NUMBER	YR/SN	QTY	DESCRIPTION
1		403206A1		2	CYLINDER ASSY. See Figure 08-42
2		700-412		1	TEE 13/16 fc sl x 18 Or, Inc. 3, 4
3		238-6014		2	O-RING 1/2 ID x 1/16
4		637-63153		1	O-RING 15,3 ID x 2,2
5		700-305		4	ELBOW 13/16 fc sl x 18 Or, Inc. 6, 7
6		238-6014		4	O-RING 1/2 ID x 1/16
7		637-63153		4	O-RING 15,3 ID x 2,2
8		370980A1		1	TUBE ASSY.
9		403207A1		2	TUBE ASSY. 505 mm (20 in), Cylinder Supply
10		700-445		1	TEE 13/16 fc sl x 22 orb, Inc. 11, 12
11		637-63193		1	O-RING 19,3 ID x 2,2 mm
12		238-6014		2	O-RING 1/2 ID x 1/16
13		515-23206		4	CLAMP P-type
14		627-8016		1	BOLT M8 x 16; 10.9
15		895-11008		5	WASHER 9 x 17 x 1,6 mm
16		700-103		1	CONNECTOR, HYD. 1 fc sl x 22 Or, Inc. 17, 18
17		637-63193		1	O-RING 19,3 ID x 2,2 mm
18		238-6016		1	O-RING 5/8 ID x 1/16
19		371017A2		1	HOSE ASSY. 3425 mm (135 in), Return, If Used
19		87427995		1	HOSE ASSY. 3540 mm (139 in), Return, If Used
20		394732A1		1	HOSE ASSY. 1410 mm (55-1/2 in), Return
21		394733A1		1	HOSE ASSY. 1397 mm (55 in), Pressure Line
22		238-6016		2	O-RING 5/8 ID x 1/16
23		515-23286		1	CLAMP 1-1/8 ID

**STX375 STX450**  
**STX425 STX500**

CYLINDER ASSY - THREE POINT HITCH

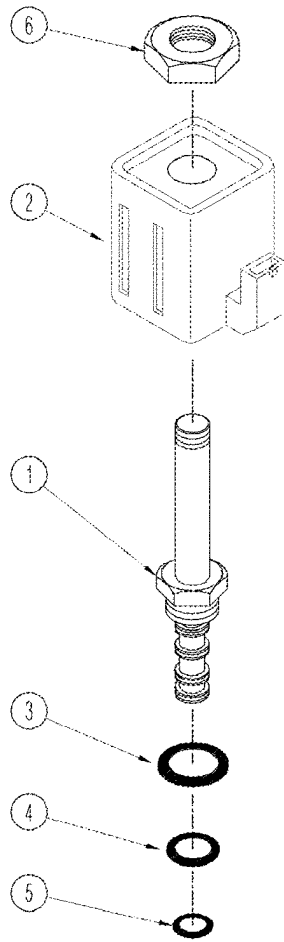


## CYLINDER ASSY - THREE POINT HITCH

REF	FN	PART NUMBER	YR/SN	QTY	DESCRIPTION
		403206A1		1	CYLINDER ASSY. Three Point Hitch, Lift, Inc. 1 - 15
1		NSS		1	NOT SERVICED SEPARATELY Barrel
2		NSS		1	NOT SERVICED SEPARATELY Fitting, Grease
3		232-46320		1	NUT, LOCK 1-1/4 NF
4		388150A1		1	JACK PISTON
5		NSS		1	NOT SERVICED SEPARATELY Ring
6		NSS		1	NOT SERVICED SEPARATELY Seal, Piston
7		NSS		2	NOT SERVICED SEPARATELY Ring, Wear
8		NSS		1	NOT SERVICED SEPARATELY O-Ring
9		NSS		1	NOT SERVICED SEPARATELY Ring, Backup
10		NSS		1	NOT SERVICED SEPARATELY O-Ring
11		NSS		1	NOT SERVICED SEPARATELY O-Ring
12		388152A1		1	CAP CYLINDER END
13		NSS		1	NOT SERVICED SEPARATELY Seal
14		NSS		1	NOT SERVICED SEPARATELY Wiper
15		387530A1		1	ROD, PISTON
		388153A1		1	PACKAGE, SEALS Seal, Inc. 5 - 11, 13, 14

**STX375 STX450**  
**STX425 STX500**

VALVE ASSEMBLY - DIFFERENTIAL LOCK



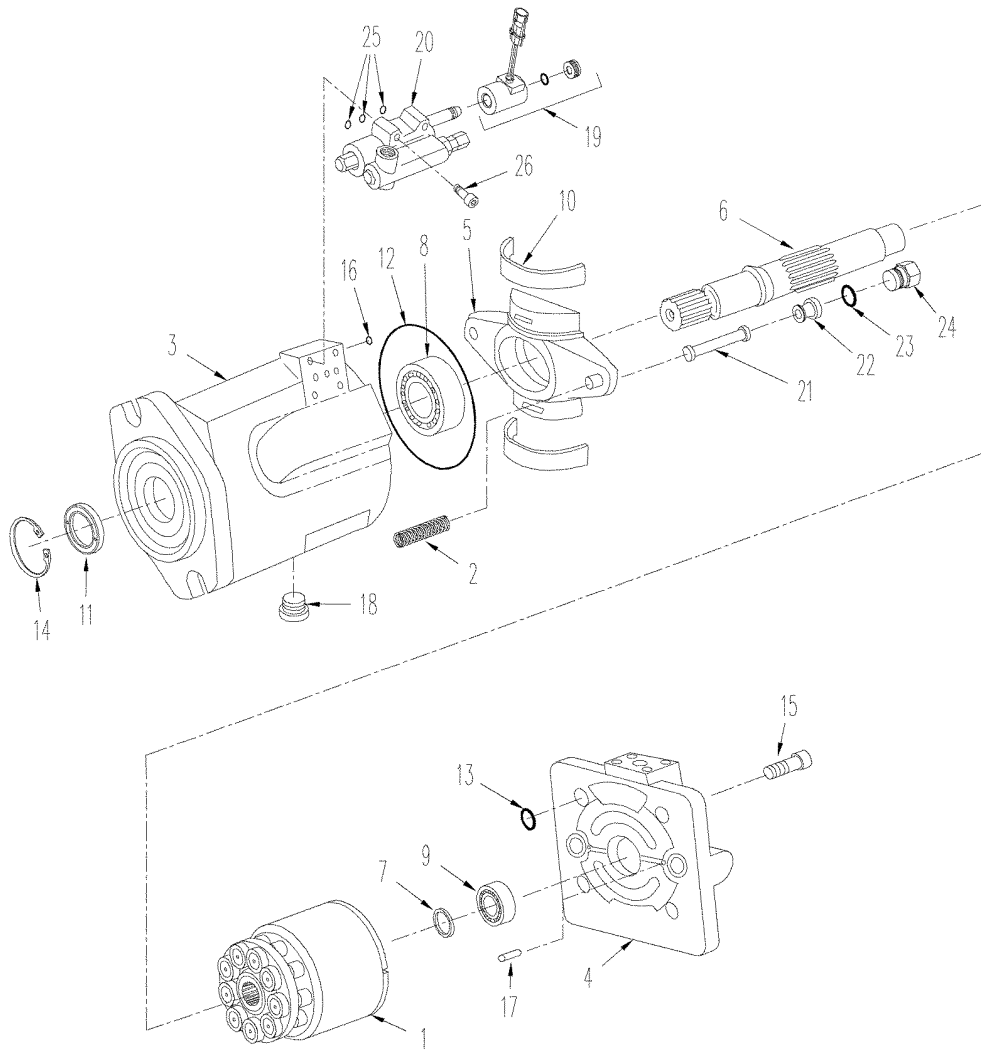
VALVE ASSEMBLY - DIFFERENTIAL LOCK

REF	FN	PART NUMBER	YR/SN	QTY	DESCRIPTION
		384977A1		1	VALVE Differential Lock, Inc. 1 - 6
1		384976A1		1	CARTRIDGE
2		353941A1		1	COIL
3		237-6010		1	O-RING 3/4 ID x 3/32
4		238-5015		1	O-RING 9/16 ID x 1/16
5		238-5014		1	O-RING 1/2 ID x 1/16
6		NSS		1	NOT SERVICED SEPARATELY Nut

**STX375 STX450**  
**STX425 STX500**



HYDRAULIC FAN PUMP ASSY

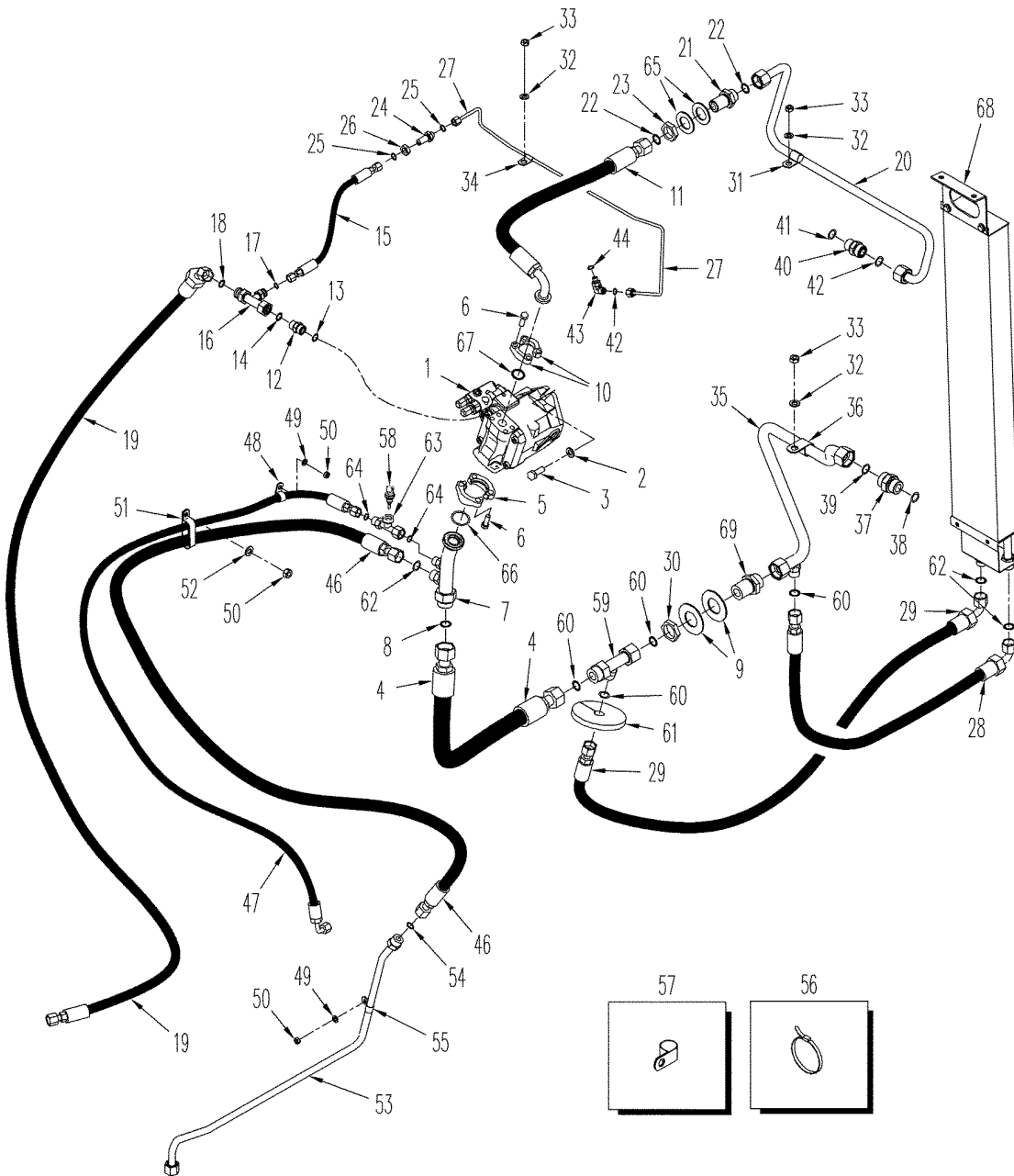


## HYDRAULIC FAN PUMP ASSY

REF	FN	PART NUMBER	YR/SN	QTY	DESCRIPTION
		413152A1			PUMP 100 cc, Inc. 1 - 20
1		NSS		1	NOT SERVICED SEPARATELY Cylinder Assy
2		NSS		1	NOT SERVICED SEPARATELY Spring
3		NSS		1	NOT SERVICED SEPARATELY Housing
4		NSS		1	NOT SERVICED SEPARATELY Block
5		NSS		1	NOT SERVICED SEPARATELY Plate, Swash
6		NSS		1	NOT SERVICED SEPARATELY Shaft
7		NSS		1	NOT SERVICED SEPARATELY Spacer
8		NSS		1	NOT SERVICED SEPARATELY Bearing, Roller
9		NSS		1	NOT SERVICED SEPARATELY Bearing, Roller
10		NSS		2	NOT SERVICED SEPARATELY Bearing, Roller
11		436533A1		1	SEAL, SHAFT
12		436534A1		1	O-RING
13		NSS		4	NOT SERVICED SEPARATELY O-Ring
14		NSS		1	NOT SERVICED SEPARATELY Ring, Retaining
15		NSS		4	NOT SERVICED SEPARATELY Screw, M10 x 30
16		436750A1		1	O-RING
17		NSS		1	NOT SERVICED SEPARATELY Pin, Dowel
18		NSS		2	NOT SERVICED SEPARATELY Plug
19		436751A1		1	SOLENOID
20		436536A1		1	VALVE, PILOT Inc. 19
21		NSS		1	NOT SERVICED SEPARATELY Pin
22		NSS		1	NOT SERVICED SEPARATELY Piston
23		436535A1		1	O-RING
24		NSS		1	NOT SERVICED SEPARATELY Plug
25		410995A1		3	O-RING
26		412596A1		4	SCREW

**STX450 STX425  
STX500**

HYDRAULICS - FAN DRIVE CIRCUITRY



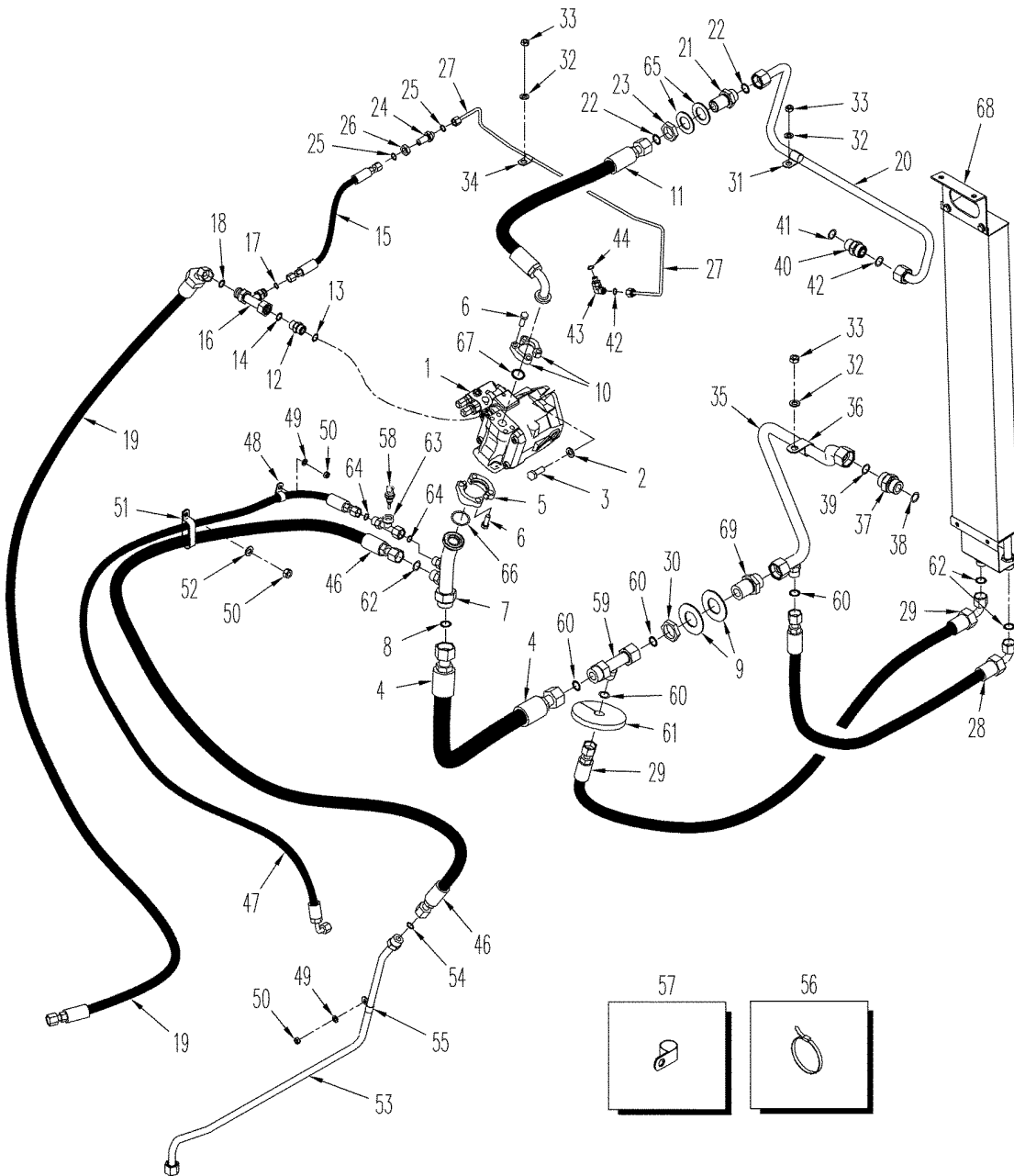
## HYDRAULICS - FAN DRIVE CIRCUITRY

REF	FN	PART NUMBER	YR/SN	QTY	DESCRIPTION
1		413152A1		1	PUMP See Figure 08-44 (01)
2		896-15012		2	WASHER 13,5 x 28 x 4 mm
3		627-12035		2	BOLT M12 x 35; 10.9
4		434126A1		1	HOSE ASSY. 686 mm (27 in)
4	1	87424312		1	HOSE ASSY. 686 mm (27 in)
5		A12301		2	FLANGE
7		434526A1		1	TUBE ASSY. Inc. 8, 9
8		238-6021		1	O-RING 15/16 ID x 1/16
9		431802A1		2	WASHER
10		A16961		2	FLANGE
11		430383A1		1	HOSE ASSY. 660 mm (26 in)
11	1	87424313		1	HOSE ASSY. 660 mm (26 in)
12		201-102		1	ADAPTER 13/16 fcsl x 3/4 Or, Inc. 13, 14
13		637-63093		1	O-RING 9,3 ID x 2,2
14		238-6014		1	O-RING 1/2 ID x 1/16
15		414900A1		1	HOSE ASSY. 431 mm (17 in)
15	1	87346290		1	HOSE 482 mm (19 in)
16		442615A1		1	TUBE ASSY. Inc. 17,18
17		238-6011		1	O-RING 5/16 ID x 1/16
18		238-6016		1	O-RING 5/8 ID x 1/16
19		430339A1		1	HOSE ASSY. 2622mm ( 103 in)
19	1	87424316		1	HOSE ASSY. 2622 mm (103 in)
20		429839A2		1	TUBE ASSY.
21		701-140		1	UNION 1-3/16 fcsl x blkhd 3/8, Inc. 22
22		238-6018		2	O-RING 3/4 x 1/16
23		701-1249		1	NUT, LOCK 1-3/16
24		701-108		1	UNION 9/16 fcsl x blkhd, Inc. 25
25		238-6011		2	O-RING 5/16 ID x 1/16
26		701-1254		1	NUT 9/16
27		430313A1		1	TUBE ASSY.
28		434121A1		1	HOSE ASSY. 540 mm ( 21-1/4 in)
28	1	87424319		1	HOSE ASSY. 540 mm (21-1/4 in)
29		434122A1		1	HOSE ASSY. 692 mm ( 27 in)
29	1	87424320		1	HOSE ASSY. 692 mm (27-7/16 in)

(1) Arctic QUADTRAC Tractor Application

**STX450 STX425**  
**STX500**

HYDRAULICS - FAN DRIVE CIRCUITRY



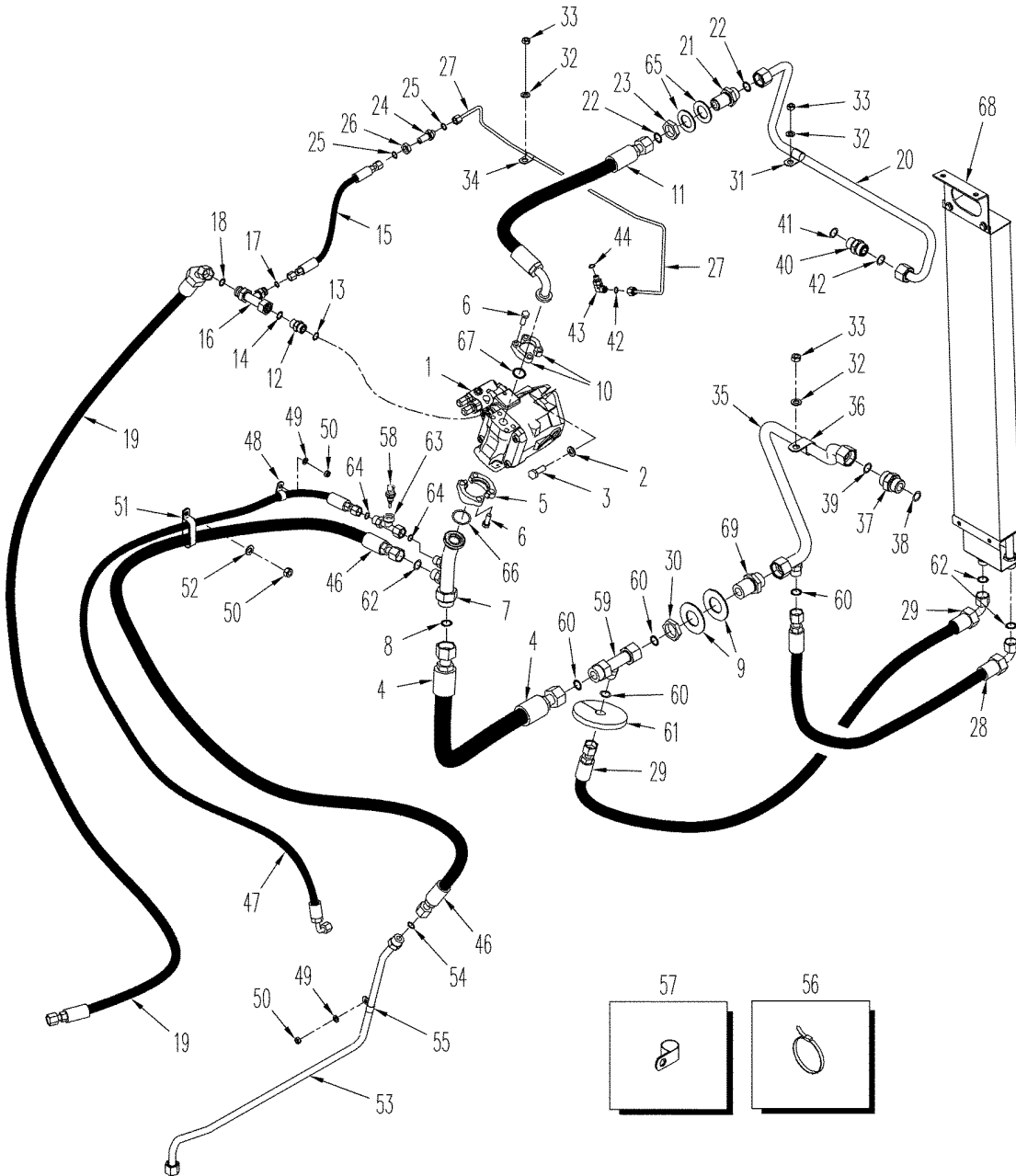
## HYDRAULICS - FAN DRIVE CIRCUITRY

REF	FN	PART NUMBER	YR/SN	QTY	DESCRIPTION
30		701-908		1	NUT 1-7/16
31		515-25190		2	CLAMP 3/4 ID
32		895-11010		5	WASHER 11 x 20 x 2 mm
33		829-1410		5	NUT M10; 10
34		515-2563		2	CLAMP
35		431929A1		1	TUBE ASSY.
36		515-25254		1	CLAMP 1 in ID
37		700-105		1	CONNECTOR, HYD. 1-7/16 fcsl x 33 Or, Inc. 38, 39
38		637-64296		1	O-RING 29,6 ID x 2,9
39		238-6021		2	O-RING 15/16 ID x 1/16
40		700-104		1	FITTING 1-3/16 fcsl x M27 Or, Inc. 41, 42
41		637-64236		1	O-RING 23,6 ID x 2,9
42		238-6018		1	O-RING 3/4 ID x 1/16
43		700-303		1	ELBOW 9/16 fcsl x M12 Or, Inc. 44, 45
44		637-63093		1	O-RING 9,3 ID x 2,2
45		238-6011		1	O-RING 5/16 ID x 1/16
46		414898A1		1	HOSE ASSY. 1727 mm (68 in)
46	1	87424317		1	HOSE ASSY. 1727 mm (68 in)
47		434252A2		1	HOSE ASSY. 2159 mm (85 in)
47	1	87346293		1	HOSE 2223 mm (87-1/2 in)
48		515-23190		6	CLAMP 3/4 ID
49		895-11008		7	WASHER 9 x 17 x 1,6 mm
50		829-1408		8	NUT M8; 10
51		R54363		2	CLAMP
52		895-15008		2	WASHER 9 x 20 x 1,6 mm
53		414902A1		1	TUBE ASSY. Inc. 54
54		238-6016		1	O-RING 5/8 ID x 1/16
55		515-23159		1	CLAMP 5/8 ID
56		22-824		1	STRAP 7 in
57		515-23206		1	CLAMP 20,6 mm
57		515-22254		1	CLAMP 25,4 mm
58		311620A1		1	SENSOR
59		433891A1		1	TUBE ASSY. Inc. 60
60		238-6021		2	O-RING 15/16 ID x 1/16

(1) Arctic QUADTRAC Tractor Application

**STX450 STX425**  
**STX500**

HYDRAULICS - FAN DRIVE CIRCUITRY



**08-44**

02

p3

11/05

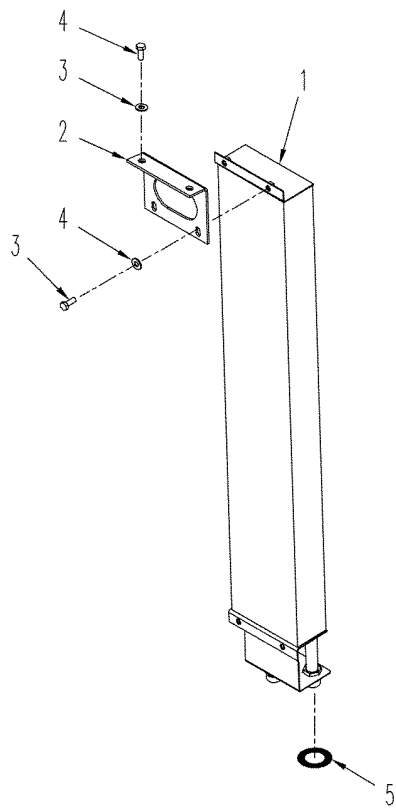
**HYDRAULICS - FAN DRIVE CIRCUITRY**

<b>REF</b>	<b>FN</b>	<b>PART NUMBER</b>	<b>YR/SN</b>	<b>QTY</b>	<b>DESCRIPTION</b>
61		434257A1		1	SEAL
62		238-6016		3	O-RING 5/8 ID x 1/16
63		434243A1		1	TUBE ASSY. Inc. 64
64		238-6014		2	O-RING 1/2 ID x 1/16
65		431806A1		2	WASHER
66		238-5222		1	O-RING 1/2 ID x 1/8
67		238-5214		1	O-RING 1 ID x 1/8
68		433671A1		1	COOLER
69		434004A1		1	VALVE, CHECK
6		627-10030		8	BOLT M10 x 30; 10.9

**STX450 STX425  
STX500**



HYDRAULIC FAN OIL COOLER - MOUNTING

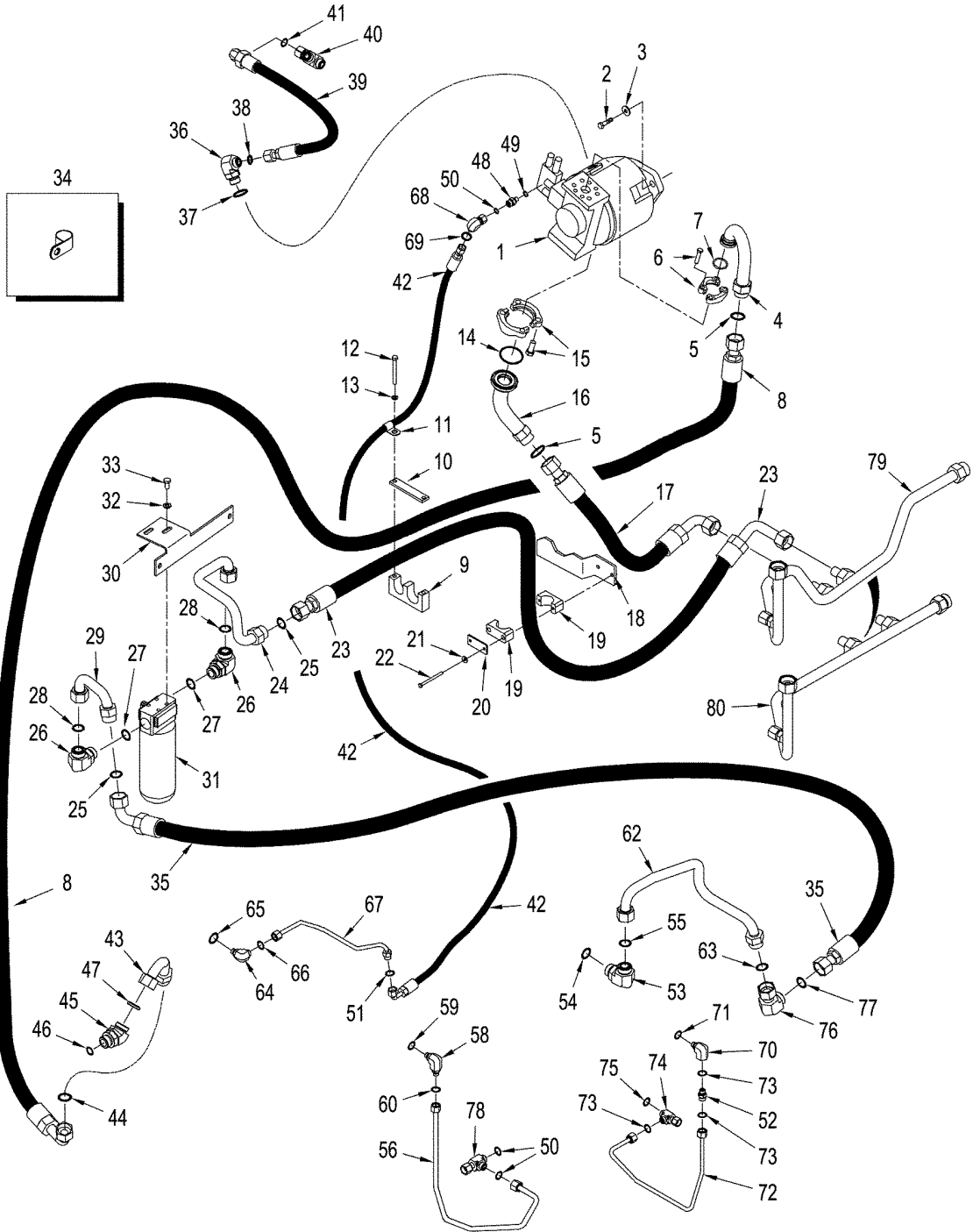


**HYDRAULIC FAN OIL COOLER - MOUNTING**

<b>REF</b>	<b>FN</b>	<b>PART NUMBER</b>	<b>YR/SN</b>	<b>QTY</b>	<b>DESCRIPTION</b>
1		433671A2		1	COOLER
2		433731A1		1	SUPPORT
3		627-8020		6	BOLT M8 x 20; 10.9
4		895-15008		6	WASHER 9 x 20 x 1,6 mm
5		238-6016		2	O-RING

**STX450 STX425  
STX500**

HYDRAULICS-MEGA FLOW CIRCUITRY



## HYDRAULICS-MEGA FLOW CIRCUITRY

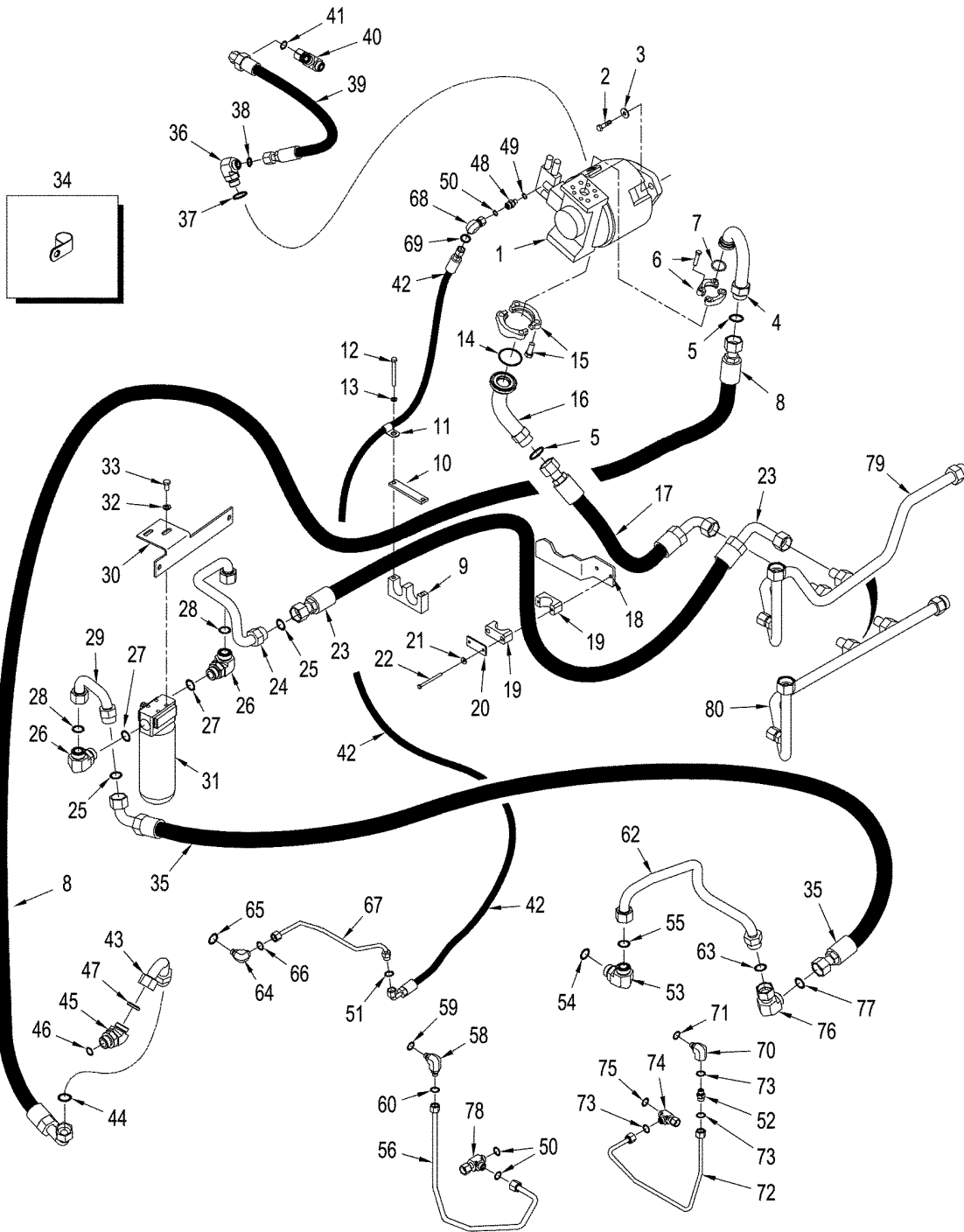
REF	FN	PART NUMBER	YR/SN	QTY	DESCRIPTION
1		407476A1		1	PUMP, HYDRAULIC See Figure: 08-49
2	1	627-16055		2	BOLT Hex, M16 x 55, 10.9, Full Thd
2	2	627-16045		2	BOLT Hex, M16 x 45, 10.9
3		896-11016		2	WASHER 17.5 x 30 x 4 mm
4		414663A1		1	TUBE
5		238-6021		1	O-RING 90 Duro, .926" ID x .070" Thk
6		A12306		2	FLANGE Split, 1
7		238-6219		1	O-RING 90 Duro, 1.296" ID x .139" Thk
8		414465A2		1	HOSE 113-1/2" Lg
9		414429A2		1	CLAMP BRACKET
10		414856A1		1	PLATE
11		515-25159		1	CLAMP 15.9 mm
12		827-8080		2	BOLT M8 x 80, CL10.9
13		895-11008		2	WASHER 9 x 16 x 1.6 mm
14		238-6228		1	O-RING 90 Duro, 2.234" ID x .139"Thk
15		A14141		2	FLANGE Split, 2
16		414077A1		1	TUBE
17		414196A1		1	HOSE 825 mm (32 in)
18		433047A2		1	BRACKET
19		429384A1		2	CLAMP
20		429414A1		1	PLATE, COVER
21		895-25006		2	WASHER M6
22		827-6080		2	BOLT M6 x 80
23		414464A1		1	HOSE 1626 mm (64 in)
24		419661A1		1	TUBE
25		238-6021		1	O-RING 90 Duro, .926" ID x .070" Thk
26		700-308		3	ELBOW 90, M33 orb x 1 fc sl, Inc. 27, 28
27		637-64296		1	O-RING 29.6 ID x 2.9
28		238-6021		1	O-RING 90 Duro, .926" ID x .070" Thk
29		419655A1		1	TUBE
30		417856A2		1	BRACKET Filter
31		414219A1		1	FILTER See Figure: 08-50
32		895-11010		4	WASHER M10

(1) With Manual Shift Transmission

(2) With Power Shift Transmission

**STX375 STX450**  
**STX425 STX500**

HYDRAULICS-MEGA FLOW CIRCUITRY

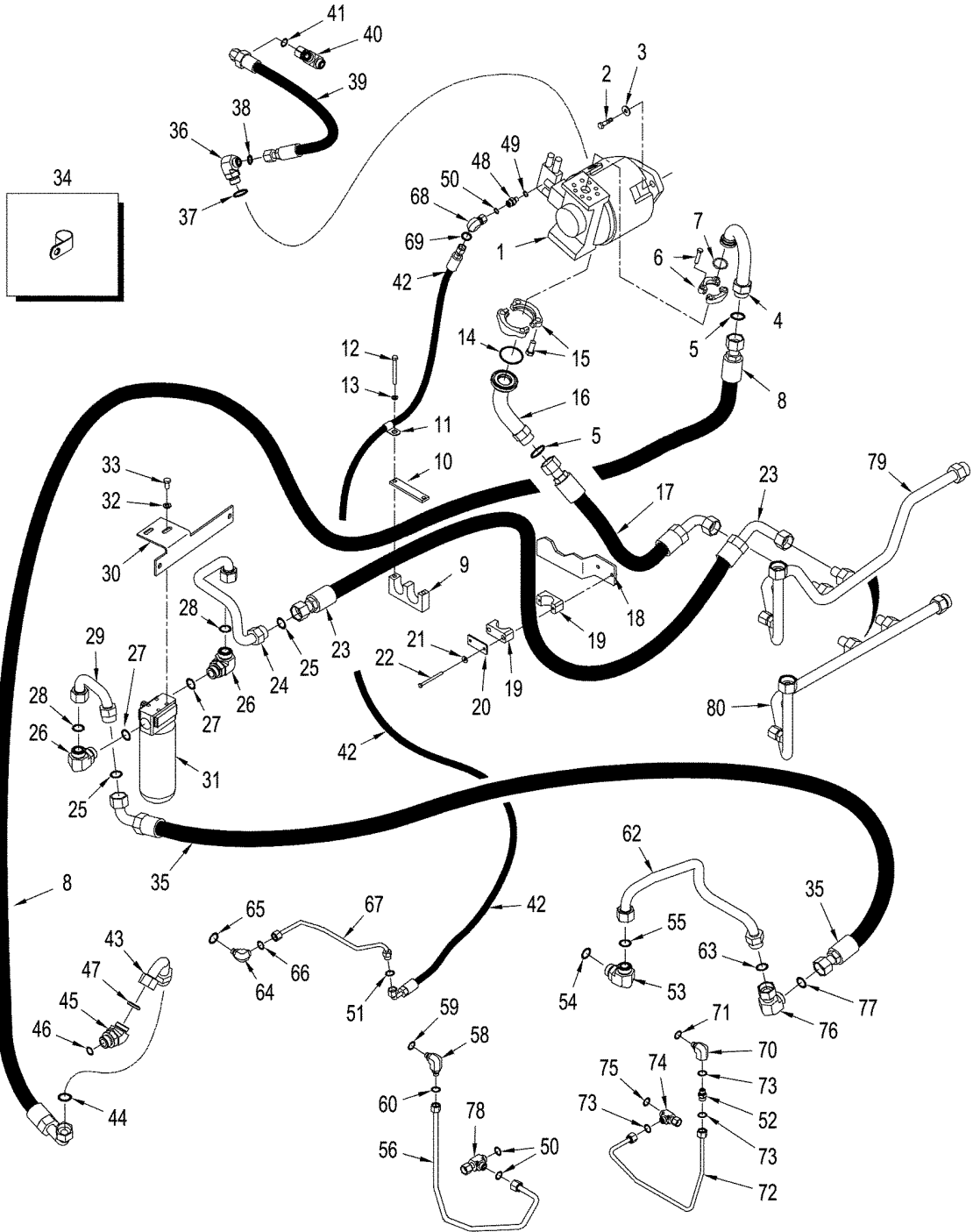


## HYDRAULICS-MEGA FLOW CIRCUITRY

REF	FN	PART NUMBER	YR/SN	QTY	DESCRIPTION
33		627-10020		2	SCREW M10 x 20, CL10.9
34		515-23254		1	CLAMP 25.4 mm
34		515-2495		1	CLAMP 9.5 mm
35		414854A1		1	HOSE 1956 mm (77 in)
36		201-306		1	ELBOW 90, 5/8" orb x 5/8" fc sl, Inc. 37, 38
37		237-6010		1	O-RING 90 Duro, 3/4" ID x 3/32" Thk
38		238-6016		1	O-RING 90 Duro, .614" ID x .070" Thk
39		431461A1		1	HOSE ASSY. 737 mm (29 in)
40		701-433		1	TEE M16 fc sl x swl, Inc. 41
41		238-6016		1	O-RING 90 Duro, .614" ID x .070" Thk
42		414855A1		1	HOSE 2870 mm (113 in)
43		429941A2		1	TUBE
44		238-6021		1	O-RING 90 Duro, .926" ID x .070" Thk
45		700-318		1	ELBOW 45, M33 ord x 1-7/16" fc sl, Inc. 46, 47
46		637-64296		1	O-RING 29.6 ID x 2.9
47		238-6021		1	O-RING 90 Duro, .926" ID x .070" Thk
48		1957867C1		1	SCREEN, FILTER 1/4" orb x 3/8" fc sl, Inc. 49, 50
49		237-6004		1	O-RING 4-1, 90 Duro, .351" ID x .072" Thk
50		238-6012		2	O-RING 90 Duro, .364" ID x .070" Thk
51		238-6012		1	O-RING 90 Duro, .364" ID x .070" Thk
52		334923A1		1	SCREEN
53		700-308		3	ELBOW 90, M33 orb x 1-7/16 fc sl, Inc. 54, 55
54		637-64296		1	O-RING 29.6 ID x 2.9
55		238-6021		1	O-RING 90 Duro, .926" ID x .070" Thk
56		445701A1		1	TUBE, HYD
57		238-6014		1	O-RING 90 Duro, .489" ID x .070" Thk
58		700-332		1	ELBOW 90, M14 orb x 12 fc sl, Inc. 59, 60
59		637-63113		1	O-RING 11.3 ID x 2.2
60		238-6014		1	O-RING 90 Duro, .489" ID x .070" Thk
61		701-339		1	ELBOW 90
62		419684A1		1	TUBE
63		238-6021		1	O-RING 90 Duro, .926" ID x .070" Thk
64		700-304		1	ELBOW 90, M14 orb x 11/16 fc sl, Inc. 65, 66
65		637-63113		1	O-RING 11.3 ID x 2.2
66		238-6021		1	O-RING 90 Duro, .926" ID x .070" Thk

**STX375 STX450**  
**STX425 STX500**

HYDRAULICS-MEGA FLOW CIRCUITRY



## HYDRAULICS-MEGA FLOW CIRCUITRY

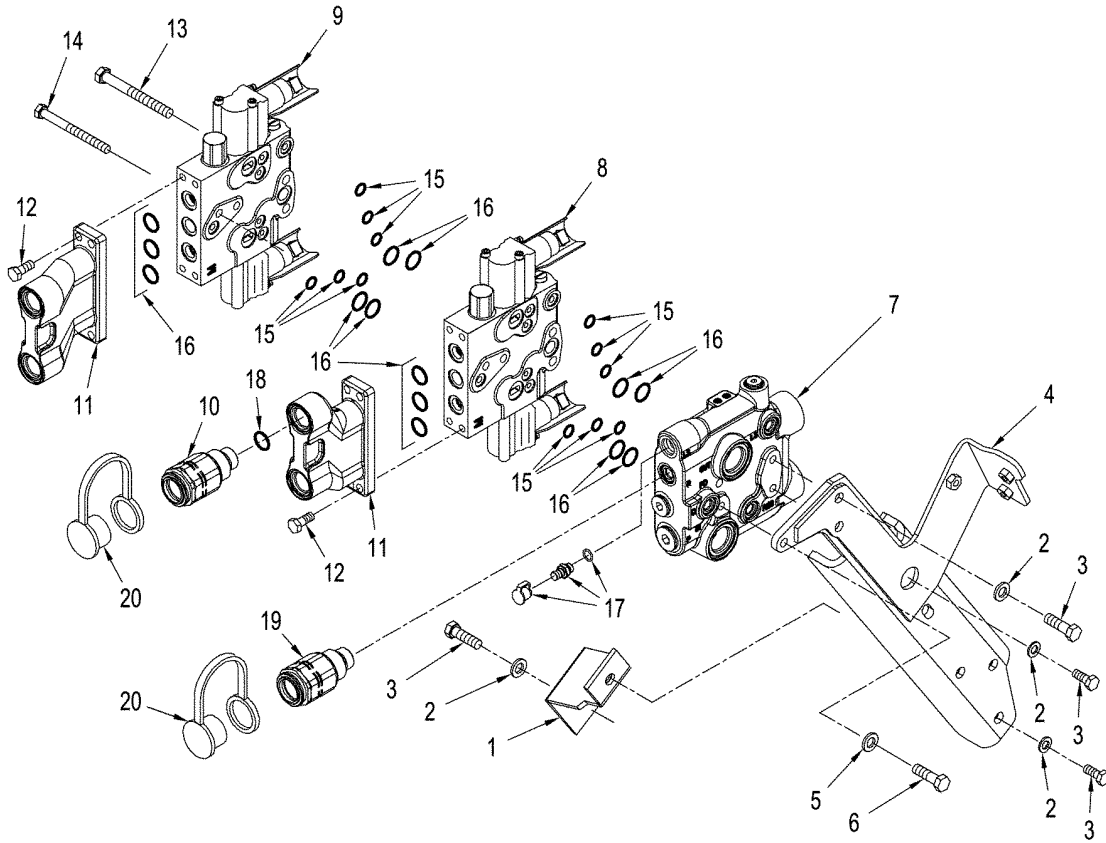
REF	FN	PART NUMBER	YR/SN	QTY	DESCRIPTION
67		429943A2		1	TUBE
68		701-319		1	ELBOW 90, 3/8 fc sl, Inc. 69
69		238-6012		1	O-RING 90 Duro, .364" ID x .070" Thk
70		428078A1		1	ELBOW 90, M14 orb, Inc. 71
71		637-63113		1	O-RING 11.3 ID x 2.2
72		430536A1		1	TUBE
73		238-6012		2	O-RING 90 Duro, .364" ID x .070" Thk
74		701-422		1	TEE 3/8" fc sl x swl, Inc. 75
75		238-6012		2	O-RING 90 Duro, .364" ID x .070" Thk
76		701-339		1	ELBOW 90, 1 fc sl x swl, Inc. 77
77		238-6021		1	O-RING 90 Duro, .926" ID x .070" Thk
78		701-416		1	TEE 1/2 fc sl x swl, Inc. 50
79	1	418816A2		1	TUBE ASSY. Pump Supply
80	2	416703A1		2	TUBE ASSY. Pump Supply

- (1) STX Wheel Tractor  
(2) QUADTRAC Tractor

**STX375 STX450**  
**STX425 STX500**



MEGA FLOW HYDRAULICS - AUXILIARY REMOTE MOUNTING

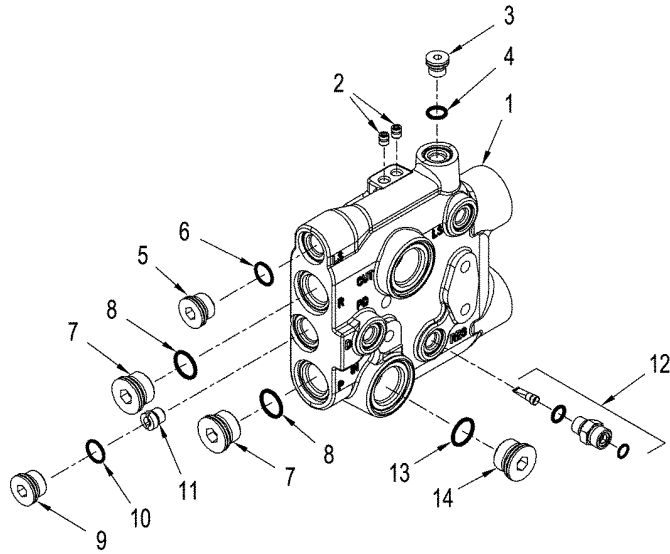


## MEGA FLOW HYDRAULICS - AUXILIARY REMOTE MOUNTING

REF	FN	PART NUMBER	YR/SN	QTY	DESCRIPTION
1		429731A1		1	GUSSET Support
2		896-11012		5	WASHER 13.5 x 24 x 3 mm
3		627-12040		5	BOLT M12 x 40, CL10.9
4		429730A2		1	BRACKET Mounting
5		895-11010		1	WASHER M10
6		627-12025		1	BOLT Cap, HH, M12 x 25, CL10.9
		411978A4		1	VALVE, HYDRAULIC Two Section, Inc. 7 - 16
7		418456A4		1	MANIFOLD Inlet / Outlet, See Figure: 08-48
8		393973A2		1	VALVE Auxiliary, Right-Hand, See Figure: 08-35
9		292295A3		1	VALVE Auxiliary, Main, See Figure: 08-35
		418704A2		2	COUPLING Inc. 10, 11
10		440646A1		2	COUPLING, BREAK AWAY
11		418705A1		1	COUPLING
12		628-10025		8	SCREW Cap, HH, M10 x 25, CL10.9
13		828-12110		2	BOLT Cap, HH, M12 x 110, CL10.9
14		827-10110		1	BOLT M10 x 110, CL10.9
15		238-6112		12	O-RING 90 Duro, .487" ID x .103" Thk
16		238-6117		12	O-RING 90 Duro, .799" ID x .103" Thk
17		358968A1		1	COUPLING Diagnostics
18		86598103		1	O-RING 23.6 ID x 2.9 Thk; 6
19		298291A1		1	BODY Coupler, Auxiliary, 3/4"
20		334216A1		5	CAP Dust

**STX375 STX450**  
**STX425 STX500**

MEGA FLOW HYDRAULIC MANIFOLD ASSY.

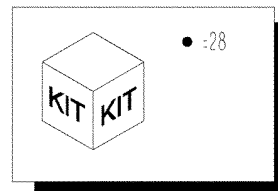
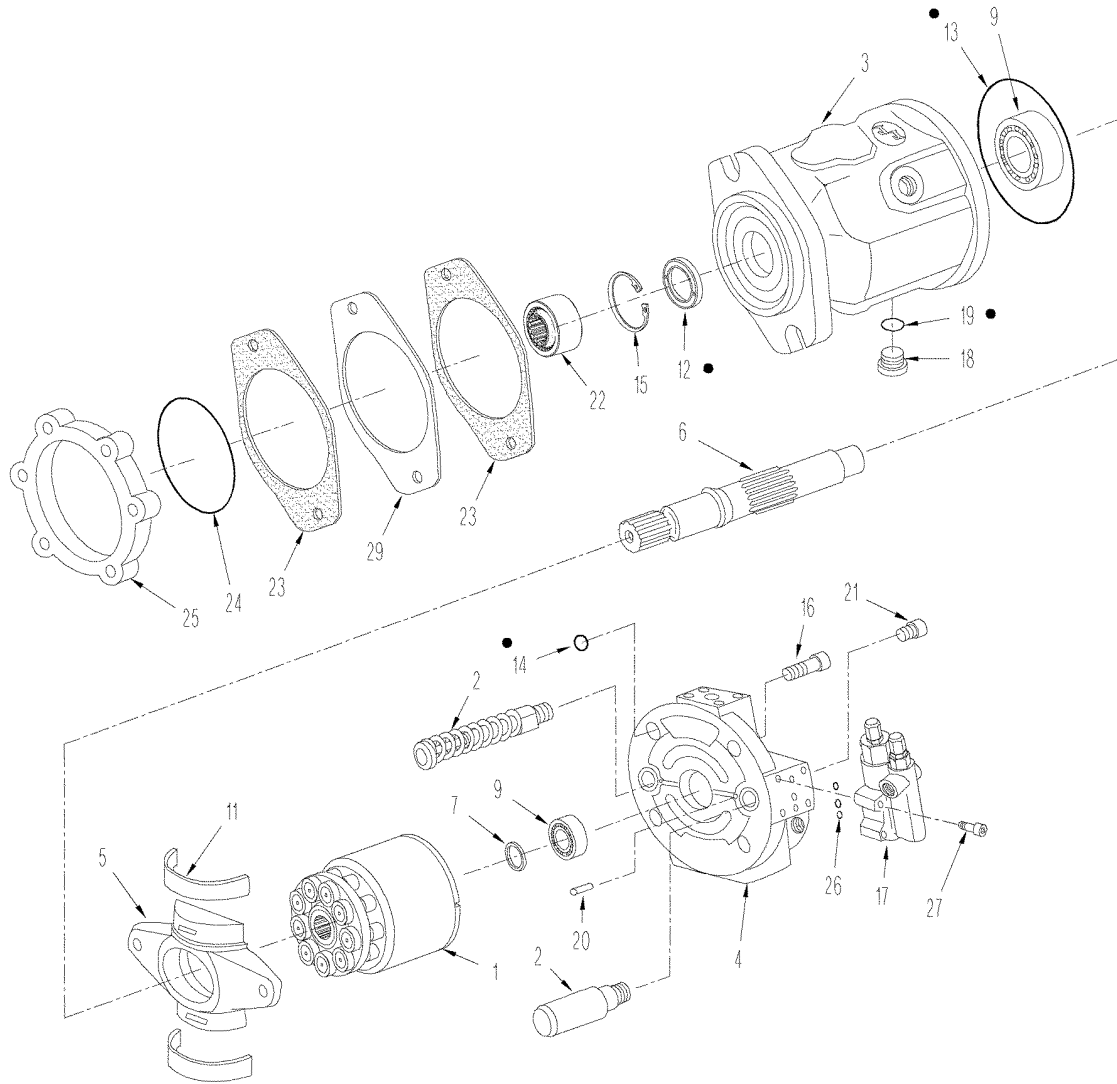


## MEGA FLOW HYDRAULIC MANIFOLD ASSY.

REF	FN	PART NUMBER	YR/SN	QTY	DESCRIPTION
		418456A4		1	MANIFOLD Inlet / Outlet, Inc. 1 - 12
1		NSS		1	NOT SERVICED SEPARATELY Body
2		353828A1		2	PLUG Expansion
3		221576A1		1	PLUG Socket, M14 orb x Inc. 4
4		637-63113		1	O-RING 11,3 ID x 2,2 Thk
5		221578A1		1	PLUG Socket, M18 orb, Inc. 6
6		637-63153		1	O-RING 15,3 ID x 2,2 Thk
7		221580A1		2	PLUG Socket, M27 orb, Inc.8
8		637-64236		1	O-RING 23,6 ID x 2,9 Thk
9		221579A1		1	PLUG Socket, M22 orb, Inc. 10
10		637-63193		1	O-RING 19,3 ID x 2,2 Thk
11		431479A1		1	VALVE, CHECK
12		334923A1		1	SCREEN
13		221527A1		2	PLUG Soc Hd, M33 orb x 2, Inc. 14
14		637-64296		2	O-RING 29,6 ID x 2,9 Thk

**STX500 STX375**  
**STX450 STX425**

MEGA FLOW HYDRAULIC PUMP ASSY



## MEGA FLOW HYDRAULIC PUMP ASSY

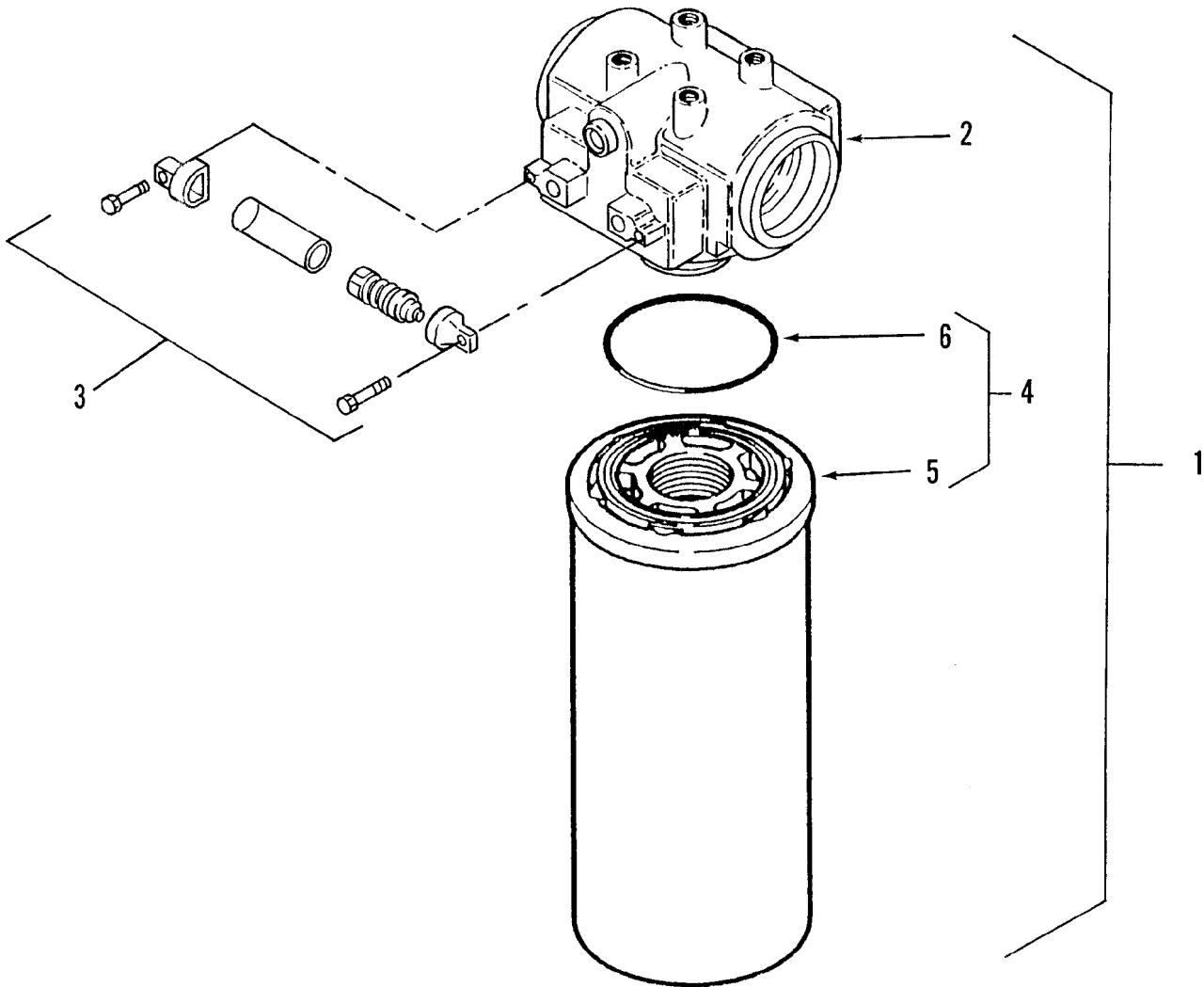
REF	FN	PART NUMBER	YR/SN	QTY	DESCRIPTION
		407476A1		1	PUMP, HYDRAULIC Inc. 1 - 22
1		NSS		1	NOT SERVICED SEPARATELY Cylinder Assy
2		NSS		1	NOT SERVICED SEPARATELY Piston Assy, Control
3		NSS		1	NOT SERVICED SEPARATELY Housing
4		NSS		1	NOT SERVICED SEPARATELY Block
5		NSS		1	NOT SERVICED SEPARATELY Plate, Swash
6		NSS		1	NOT SERVICED SEPARATELY Shaft
7		NSS		1	NOT SERVICED SEPARATELY Washer
8		NSS		1	NOT SERVICED SEPARATELY Spacer
9		NSS		1	NOT SERVICED SEPARATELY Bearing, Roller
10		NSS		1	NOT SERVICED SEPARATELY Bearing, Roller
11		NSS		2	NOT SERVICED SEPARATELY Support
12		NSS		1	NOT SERVICED SEPARATELY Seal
13		NSS		1	NOT SERVICED SEPARATELY O-Ring
14		NSS		4	NOT SERVICED SEPARATELY O-Ring
15		NSS		1	NOT SERVICED SEPARATELY Ring, Snap
16		NSS		4	NOT SERVICED SEPARATELY Screw
17		352875A2		1	VALVE, CONTROL
18		NSS		1	NOT SERVICED SEPARATELY Plug
19		NSS		1	NOT SERVICED SEPARATELY O-Ring
20		NSS		1	NOT SERVICED SEPARATELY Pin
21		NSS		2	NOT SERVICED SEPARATELY Screw
22	1	430337A1		1	COUPLING
22	2	432675A1		1	COUPLING
23	2	D53692		2	GASKET
24		238-5256		1	O-RING
25	1	414192A1		1	FLANGE Adapter
26		410995A1		3	O-RING Control Valve
27		412596A1		4	SCREW
28		388293A1		1	KIT, SEALS
29	2	86991869		1	SPACER

(1) With Manual Shift Transmission

(2) With Power Shift Transmission

**STX375 STX450**  
**STX425 STX500**

OIL FILTER - MEGA FLOW HYDRAULICS



**OIL FILTER - MEGA FLOW HYDRAULICS**

REF	FN	PART NUMBER	YR/SN	QTY	DESCRIPTION
1		414219A1		2	FILTER Inc. 2 - 6
2		NSS		1	NOT SERVICED SEPARATELY Head
3		440086A1		1	INDICATOR Restriction
4		1346028C1		1	ELEMENT Inc. 5, 6
5		NSS		1	NOT SERVICED SEPARATELY Element
6		NSS		1	NOT SERVICED SEPARATELY O-Ring

	<b>STX375 STX450</b> <b>STX425 STX500</b>
--	--





---

## SECTION INDEX

---

09-01		THREE POINT HITCH
09-02		ROCKSHAFT
09-03		THREE POINT HITCH - UPPER LINK, WITHOUT POWER TAKEOFF
09-04		THREE POINT HITCH - UPPER LINK, WITH POWER TAKEOFF
09-05		LINK ASSEMBLY - UPPER
09-06		LINK ASSEMBLY - LIFT
09-07		QUICK HITCH
09-08		DRAWBAR - EXTENDABLE
09-09		DRAWBAR - HEAVY DUTY, WITHOUT THREE POINT HITCH
09-10		DRAWBAR - HEAVY DUTY, WITH THREE POINT HITCH
09-11		DRAWBAR - REYNOLDS, BSN JEE0102001
09-11	01	DRAWBAR - REYNOLDS, ASN JEE0102001
09-12		CAB MOUNTING
09-13		INTERIOR TRIM - STANDARD CAB
09-14		INTERIOR TRIM - DELUXE AND LUXURY CABS
09-15		CAB - FLOORMATS AND DOORS
09-16		DOOR ASSEMBLY
09-17		CAB - SKIRTS AND GLASS
09-18		ROOF
09-19		CAB - HEADLINER AND CONTROL PANEL, STANDARD CAB
09-20		CAB - HEADLINER AND CONTROL PANEL, DELUXE AND LUXURY CAB
09-21		FRONT CONSOLE
09-22		CONSOLE - RIGHT-HAND ARMREST, MANUAL
09-23		CONSOLE - RIGHT HAND ARMREST, ELECTRIC
09-24		SEAT - NON-INSTRUCTIONAL
09-25		SEAT - INSTRUCTIONAL
09-26		SEAT
09-27		SEAT - CUSHION ASSEMBLY, BSN JEE0106701
09-27	01	SEAT - CUSHION ASSEMBLY, ASN JEE0106701
09-28	01	SEAT - SUSPENSION ASSEMBLY
09-28	02	SEMI ACTIVE SUSPENSION ASSEMBLY - SEAT, ASN JEE0102001
09-29		MIRRORS
09-30		MONITOR MOUNTING
09-31		FRONT FRAME, WHEEL TRACTOR
09-32		BATTERY DOOR ASSEMBLY, WHEEL TRACTOR
09-32	01	BATTERY DOOR ASSEMBLY, WHEELED TRACTOR, STX500
09-33		FRONT FRAME, QUADTRAC TRACTOR
09-34		BATTERY DOOR ASSEMBLY, QUADTRAC TRACTOR
09-34	01	BATTERY DOOR ASSEMBLY, QUADTRAC TRACTOR, STX500
09-35		BUMPER
09-36		STEPS, QUADTRAC TRACTOR
09-37		PUSH ARM ASSEMBLY
09-38		REAR FRAME, WHEEL TRACTOR
09-39		REAR FRAME, QUADTRAC TRACTOR
09-40		CENTER LINK
09-41		HOOD AND SUPPORT
09-42		GRILLE
09-43		HOOD - LIFT ARM
09-44		HEATER - HOSES
09-45		AIR CONDITIONING SYSTEM
09-46		AIR CONDITIONING - DUCTS

---

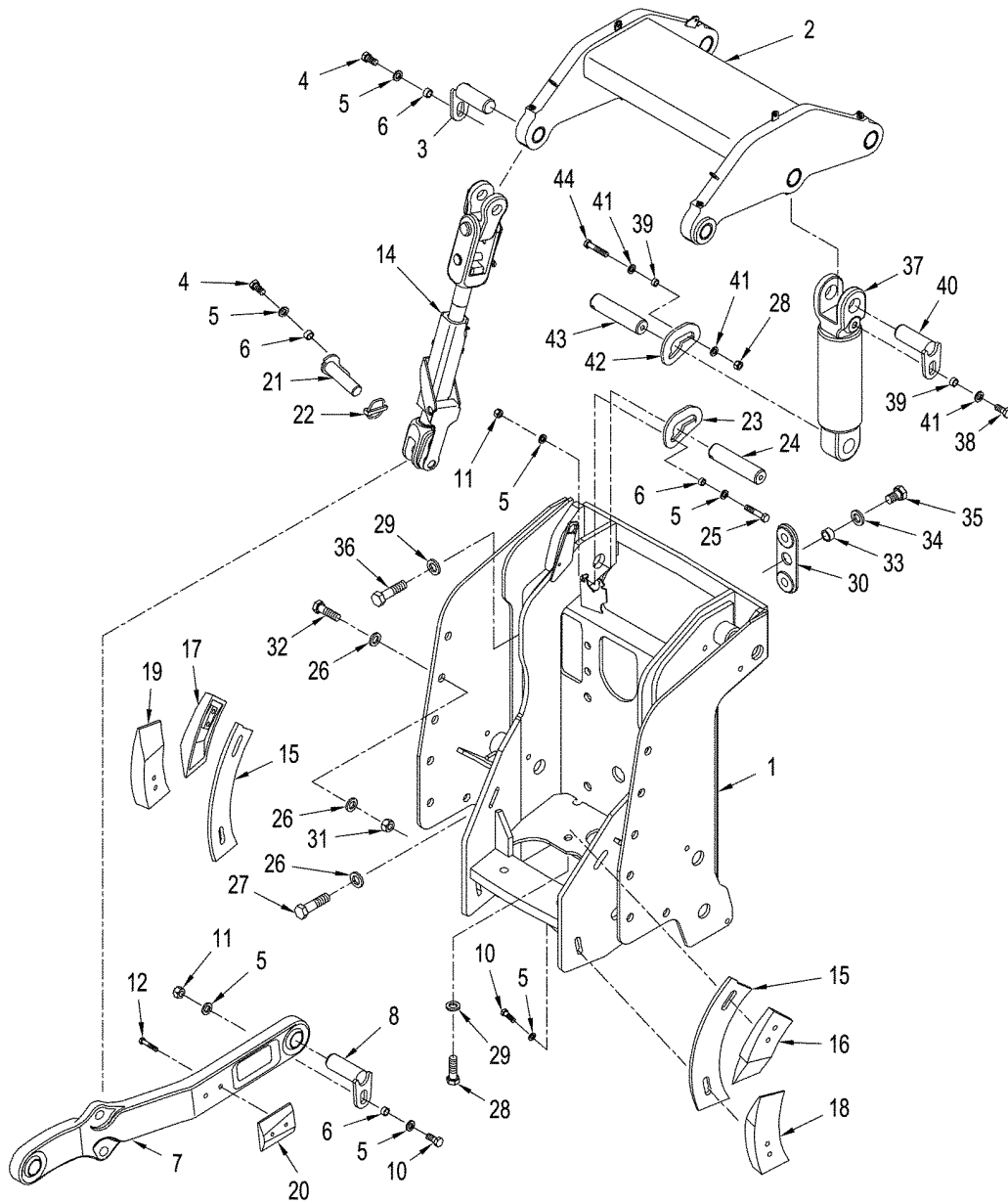
## SECTION INDEX

---

09-47		AIR CONDITIONING - CLIMATE CONTROL UNIT, WITHOUT AUTO TEMP CONTROL, BSN JEE0106701
09-47	01	AIR CONDITIONING - CLIMATE CONTROL UNIT, WITHOUT AUTO TEMP CONTROL, ASN JEE0106701
09-48		AIR CONDITIONING - CLIMATE CONTROL UNIT, WITH AUTO TEMP CONTROL, BSN JEE0106701
09-48	01	AIR CONDITIONING - CLIMATE CONTROL UNIT, WITH AUTO TEMP CONTROL, ASN JEE0106701
09-49		AIR CONDITIONING - AIR FILTER HOUSING ASSEMBLY
09-50		AIR CONDITIONING - BLOWER ASSEMBLY
09-51		WEIGHTS - FRONT FRAME, BSN JEE0107304
09-51	01	WEIGHTS - FRONT FRAME, ASN JEE0107304
09-52		WEIGHTS - REAR FRAME
09-53		WEIGHTS - WHEEL
09-54		STORAGE BOX
09-55		TOW CABLE
09-56		MOUNTING - ADVANCED FARMING SYSTEMS, BSN JEE0104286
09-56	01	MOUNTING - ADVANCED FARMING SYSTEMS, BTW JEE0104286 & JEE0106701
09-56	02	MOUNTING - ADVANCED FARMING SYSTEMS, ASN JEE0106701
09-57		DECALS
09-58		DECALS
09-59		DECALS
09-60		DECALS
09-61		FIRE EXTINGUISHER



THREE POINT HITCH

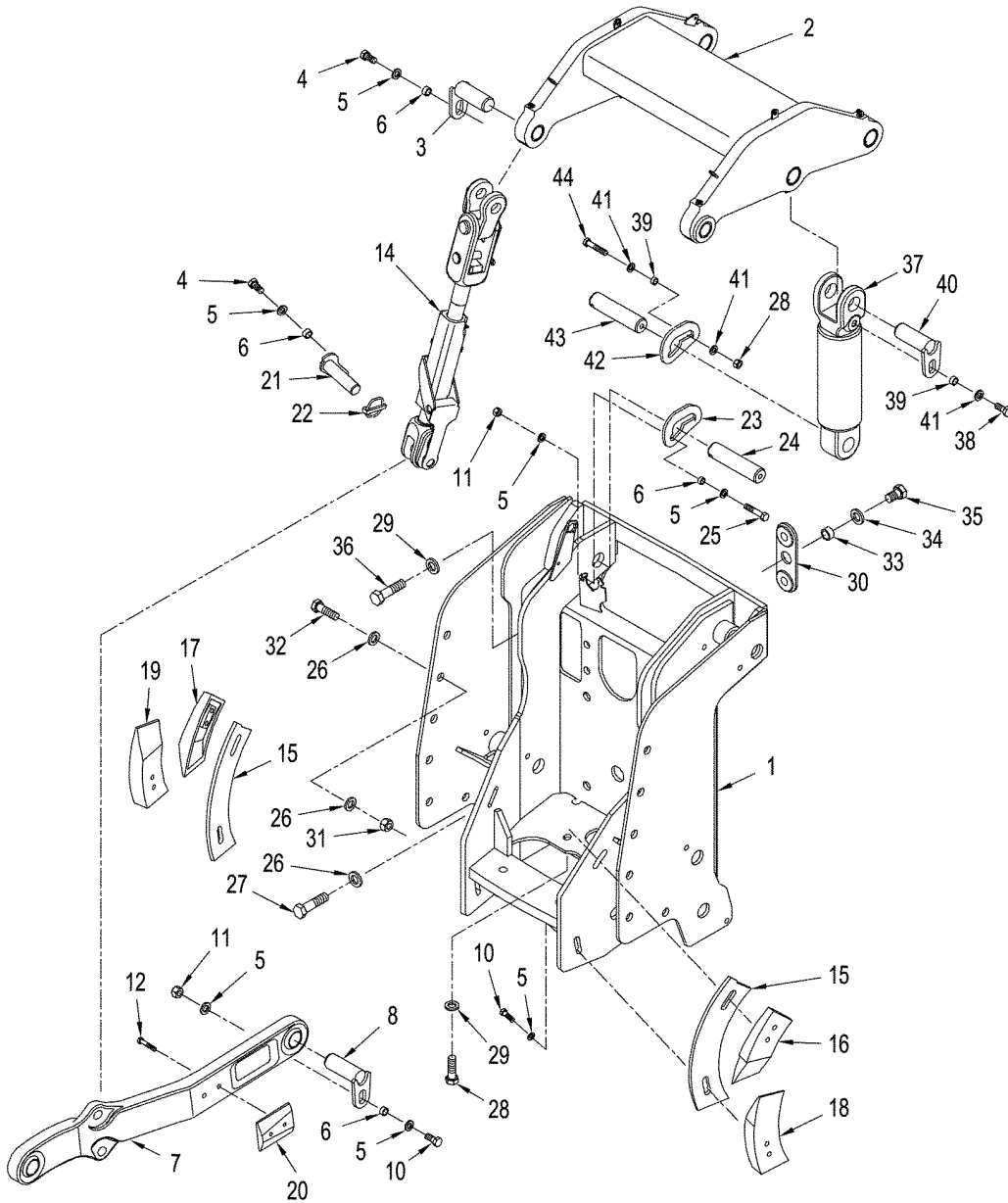


## THREE POINT HITCH

REF	FN	PART NUMBER	YR/SN	QTY	DESCRIPTION
1		403741A1		1	MOUNTING PARTS
2		403743A1		1	ROCKSHAFT See Figure 09-02
3		70-6013T2		2	PIN
4		627-16035		6	BOLT M6 x 35; 10.9
5		896-11016		28	WASHER 17,5 x 30 x 4 mm
6		70-5967T1		14	SPACER
7		403717A1		2	ARM Draft
8		347641A1		1	PIN Left-Hand
9		348061A1		1	PIN Right-Hand, Not Illustrated
10		627-16060		10	SCREW Bolt, Hex, M16 x 60, 10.9
11		829-1416		6	NUT M16; 10
12		827-12065		4	BOLT M12 x 65; 10.9
13		NSS		1	NOT SERVICED SEPARATELY Link Assy, Lift, Right-Hand, Not illustrated, See Figure 09-06
14		NSS		1	NOT SERVICED SEPARATELY Link Assy, Lift, Left-Hand, See Figure 09-06
15		403735A1		2	PLATE
16		403744A1		1	BLOCK ASSY.
17		403745A1		1	BLOCK ASSY.
18		403746A1		1	BLOCK ASSY.
19		403747A1		1	BLOCK ASSY.
20		403748A1		2	BLOCK ASSY.
21		322096A1		2	PIN
22		A30338		2	PIN
23		403204A1		4	PLATE
24		321188A2		2	PIN
25		827-16080		2	SCREW Hex, M16 x 80, 10.9
26		896-11024		28	WASHER 26 x 44 x 5 mm
27		827-24110		4	SCREW M24 x 110; 10.9
28		829-1416		2	NUT M16; 10
29		896-11020		6	WASHER 22 x 37 x 4 mm
30		259389A1		2	PLATE
31		829-1424		12	NUT M24; 10
32		627-24060		12	SCREW M24 x 60; 10.9
33		70-5967T1		2	SPACER

**STX375 STX450**  
**STX425 STX500**

THREE POINT HITCH



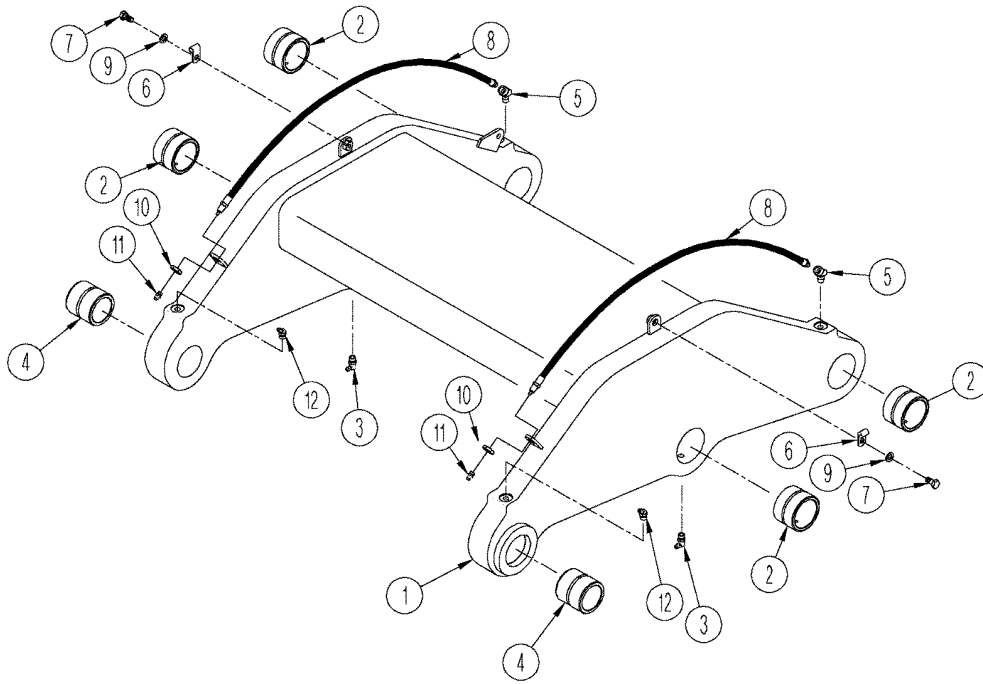
## THREE POINT HITCH

REF	FN	PART NUMBER	YR/SN	QTY	DESCRIPTION
34		896-11016		2	WASHER 17,5 x 30 x 4 mm
35		627-16025		2	BOLT Hex, M16 x 25, 10.9, Full Thd
36		627-20050		4	SCREW M20 x 50; 10.9
37		403206A1		2	CYLINDER ASSY. Lift, See Figure 08-42
38		627-16035		2	BOLT Hex, M16 x 35, 10.9
39		70-5967T1		4	SPACER
40		70-5973T2		2	PIN
41		896-11016		6	WASHER 17,5 x 30 x 4 mm
42		403204A1		2	PLATE
43		321188A2		2	PIN
44		827-16060		2	BOLT Hex, M16 x 60, 10.9

**STX375 STX450**  
**STX425 STX500**



ROCKSHAFT

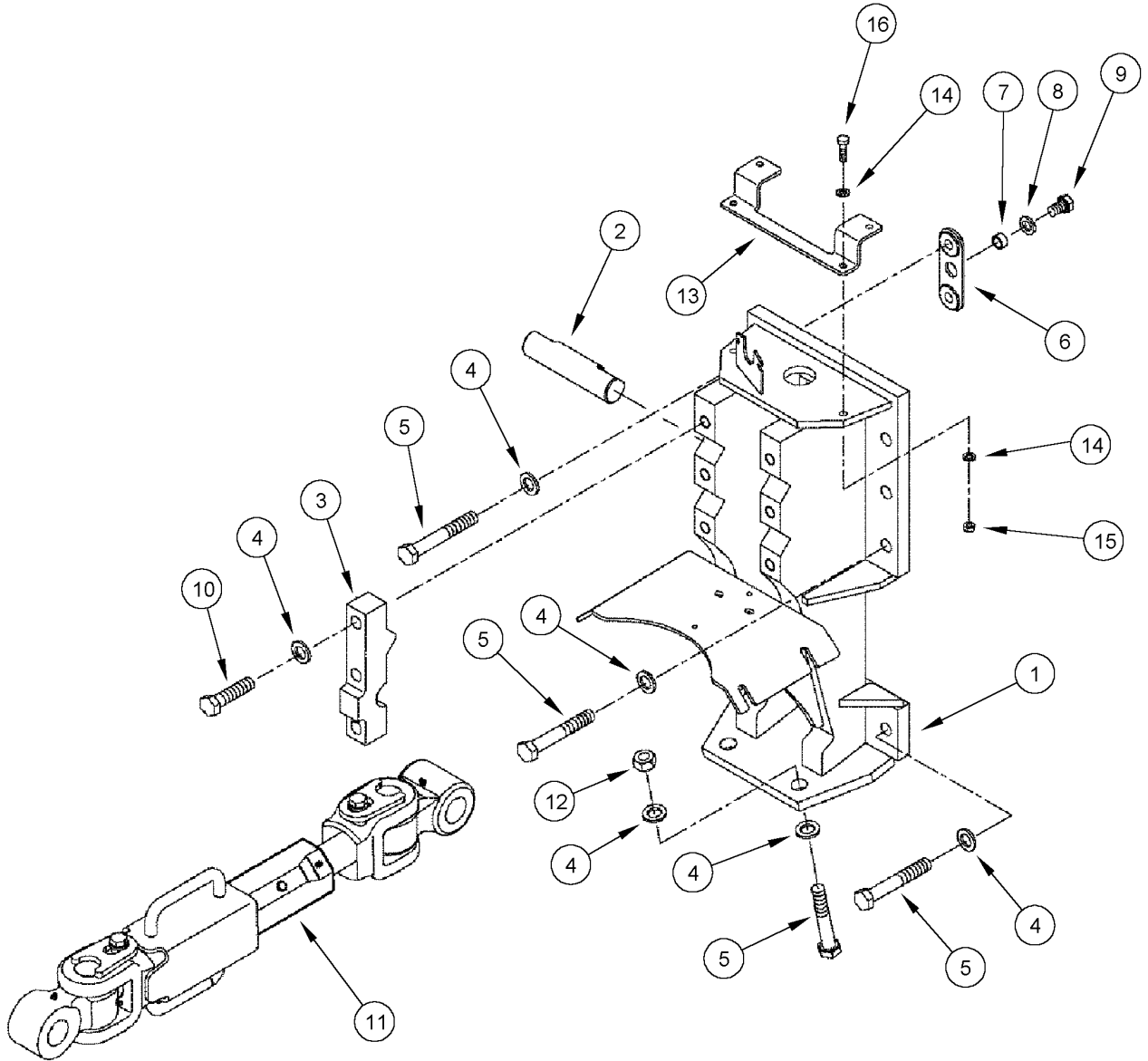


## ROCKSHAFT

REF	FN	PART NUMBER	YR/SN	QTY	DESCRIPTION
		403743A1		1	ROCKSHAFT Inc. 1 - 5, 12
1		NSS		1	NOT SERVICED SEPARATELY Rockshaft
2		435500A1		4	BUSHING
3		219-55		4	NIPPLE, LUBE 90 deg, 1/8 PT x 27/32
4		328586A2		2	BUSHING
5		217-1084		2	ELBOW 1/8 PT x fem PT
6		515-2279		2	CLAMP M7,9
7		627-8016		4	BOLT M8 x 16; 10.9
8		1339231C1		2	HOSE 737 mm (29 in), Grease
9		895-11008		2	WASHER 9 x 17 x 1,6 mm
10		F53473		2	NUT 1/8 PT
11		219-8		2	NIPPLE, LUBE 1/4 tpr x 17/32
12		219-36		2	NIPPLE, LUBE 45 deg 1/8 PT x 7/8

**STX375 STX450**  
**STX425 STX500**

THREE POINT HITCH - UPPER LINK, WITHOUT POWER TAKEOFF

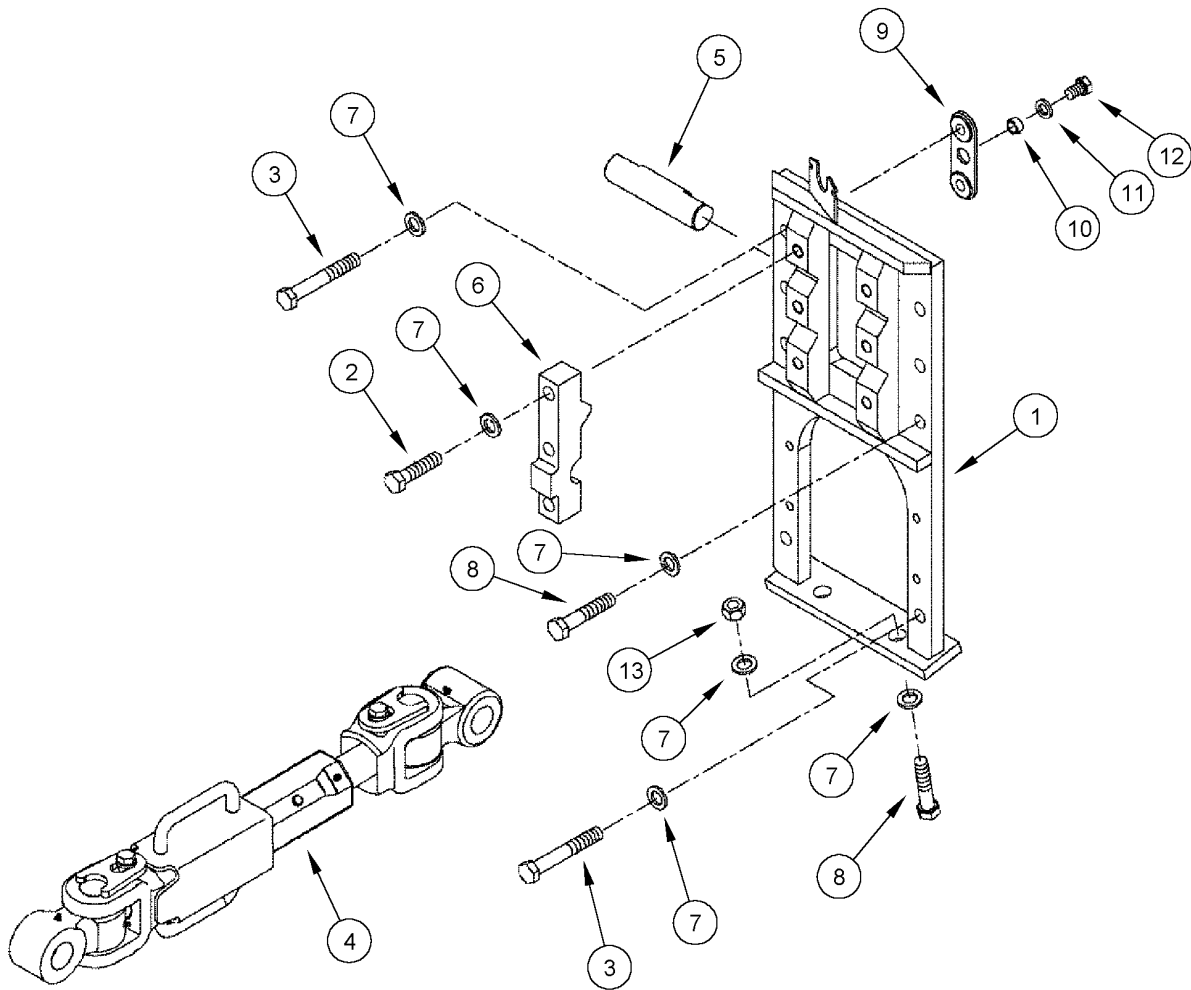


## THREE POINT HITCH - UPPER LINK, WITHOUT POWER TAKEOFF

REF	FN	PART NUMBER	YR/SN	QTY	DESCRIPTION
1		403739A1		1	BRACKET
2		309663A1		1	PIN
3		403737A1		2	CLAMP
4		896-11020		16	WASHER 22 x 37 x 4 mm
5		827-20090		10	SCREW M20 x 90; 10.9
6		259389A1		2	PLATE
7		70-5967T1		2	SPACER
8		896-11016		2	WASHER 17,5 x 30 x 4 mm
9		627-16025		2	BOLT Hex, M16 x 25, 10.9, Full Thd
10		827-20080		6	BOLT M20 x 80; 10.9
11		NSS		1	NOT SERVICED SEPARATELY Link, Upper, See Figure 09-05
12		829-1420		2	NUT M20, CI 10
13		403736A1		1	PLATE
14		895-11010		4	WASHER 11 x 20 x 2 mm
15		829-1410		2	NUT M10; 10
16		627-10035		2	BOLT M10 x 35; 10.9

**STX375 STX450**  
**STX425 STX500**

THREE POINT HITCH - UPPER LINK, WITH POWER TAKEOFF

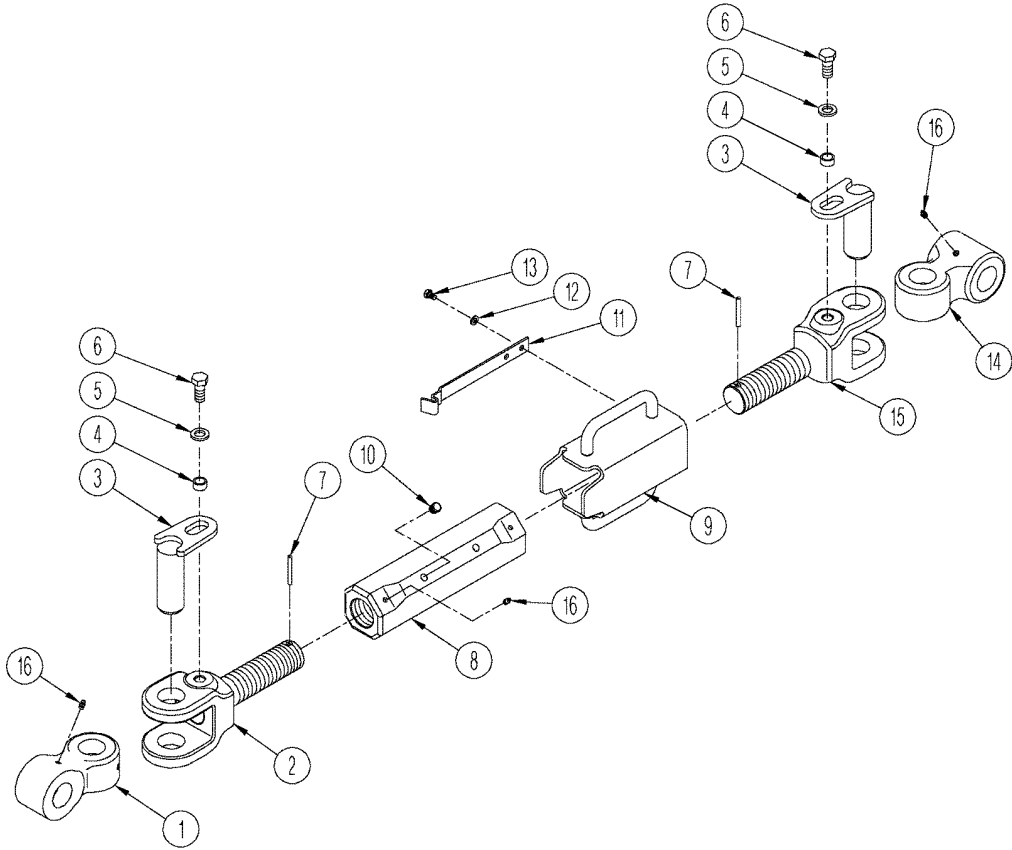


## THREE POINT HITCH - UPPER LINK, WITH POWER TAKEOFF

REF	FN	PART NUMBER	YR/SN	QTY	DESCRIPTION
1		403738A1		1	BRACKET
2		827-20080		6	BOLT M20 x 80; 10.9
3		827-20230		8	SCREW M20 x 230; 10.9
4		NSS		1	NOT SERVICED SEPARATELY Link, Upper, See Figure 09-05
5		309663A1		1	PIN
6		403737A1		2	CLAMP
7		896-11020		16	WASHER 22 x 37 x 4 mm
8		827-20090		2	SCREW M20 x 90; 10.9
9		259389A1		2	PLATE
10		70-5967T1		4	SPACER
11		896-11016		4	WASHER 17,5 x 30 x 4 mm
12		627-16025		4	BOLT Hex, M16 x 25, 10.9, Full Thd
13		829-1420		4	NUT M20, CI 10

**STX375 STX450**  
**STX425 STX500**

LINK ASSEMBLY - UPPER



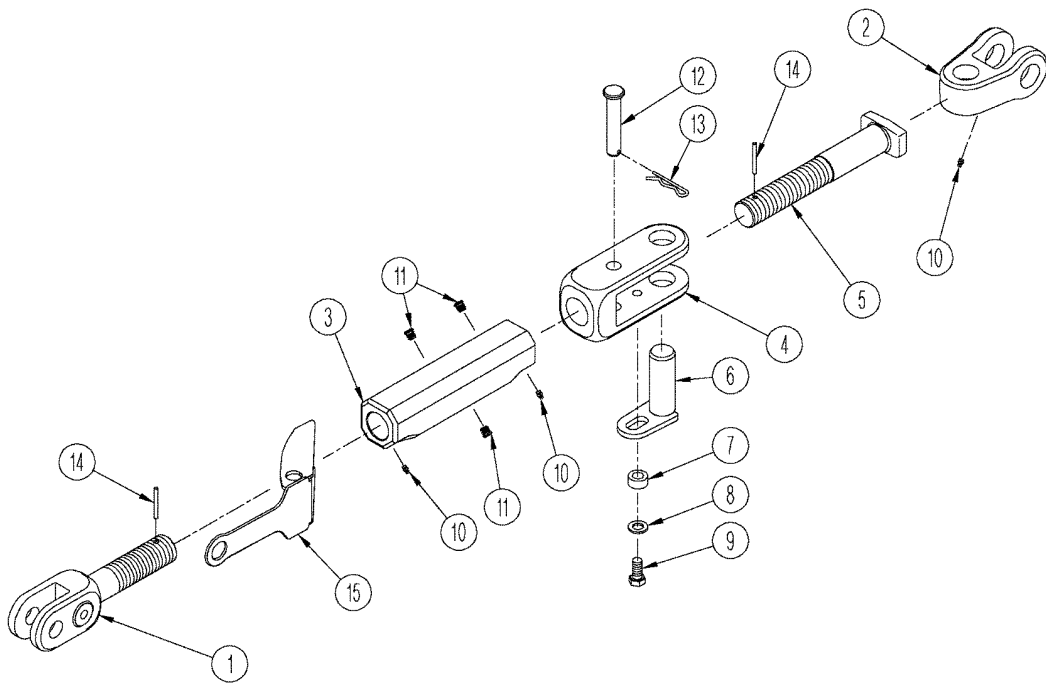
## LINK ASSEMBLY - UPPER

REF	FN	PART NUMBER	YR/SN	QTY	DESCRIPTION
1		403726A1		1	KNUCKLE ASSY.
2		403731A1		1	LINK U-Joint
3		70-6013T2		2	PIN
4		70-5967T1		2	SPACER
5		896-11016		2	WASHER 17,5 x 30 x 4 mm
6		627-16035		2	BOLT M6 x 35; 10.9
7		838-3655		2	PIN M6 x 55
8		403729A1		1	TURNBUCKLE
9		403730A1		1	LOCK
10		295004A1		4	PLUG
11		282523A1		1	LOCK Anti-Rotation
12		895-11008		2	WASHER 9 x 17 x 1,6 mm
13		627-8012		2	BOLT M8 x 12; 10.9
14		403728A1		1	KNUCKLE ASSY.
15		403733A1		1	LINK U-Joint
16		219-8		6	NIPPLE, LUBE 1/4 tpr x 17/32

**STX375 STX450**  
**STX425 STX500**



LINK ASSEMBLY - LIFT

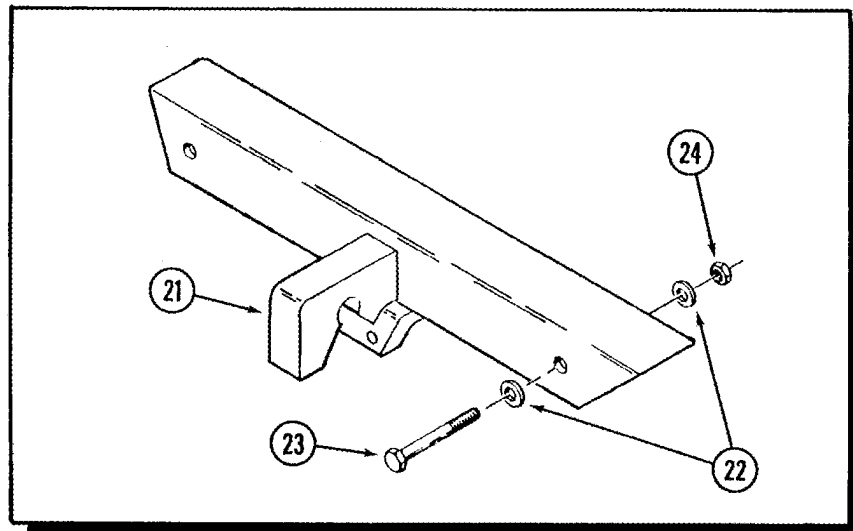
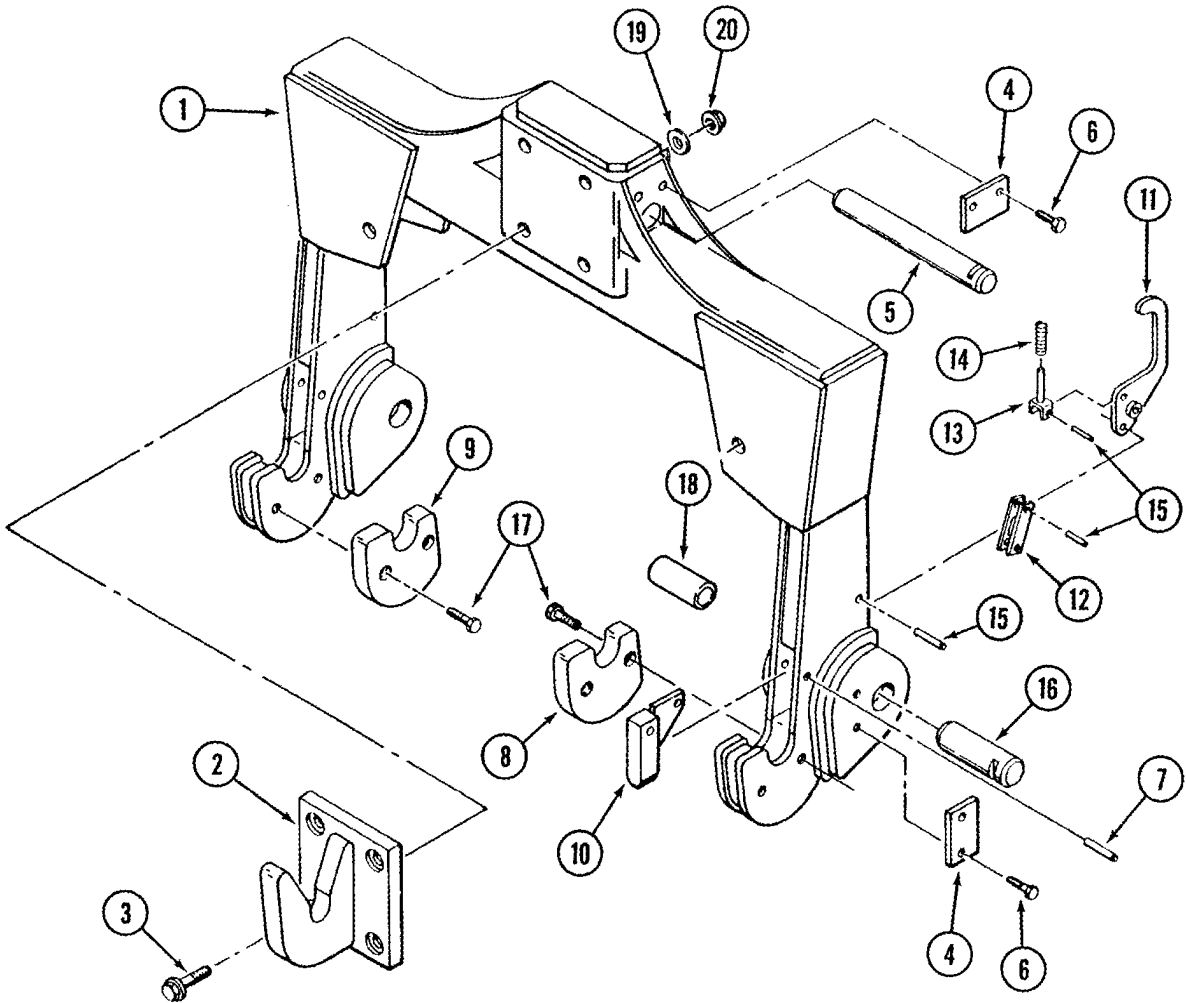


## LINK ASSEMBLY - LIFT

REF	FN	PART NUMBER	YR/SN	QTY	DESCRIPTION
1		329058A1		1	CLEVIS
2		403720A1		1	KNUCKLE ASSY.
3		403729A1		1	TURNBUCKLE
4		403719A1		1	CLEVIS
5		322446A1		1	BOLT
6		70-6013T2		1	PIN
7		70-5967T1		1	SPACER
8		896-11016		1	WASHER 17,5 x 30 x 4 mm
9		627-16035		1	BOLT M6 x 35; 10.9
10		219-8		3	NIPPLE, LUBE 1/4 tpr x 17/32
11		295004A1		4	PLUG
12		388469A1		1	PIN, CLEVIS
13		136-251		1	PIN, SPLIT (COTTER) 7/16 x 3-13/16
14		838-3655		2	PIN M6 x 55, Coiled Spring
15		344696A2		1	LATCH

**STX375 STX450**  
**STX425 STX500**

QUICK HITCH



## QUICK HITCH

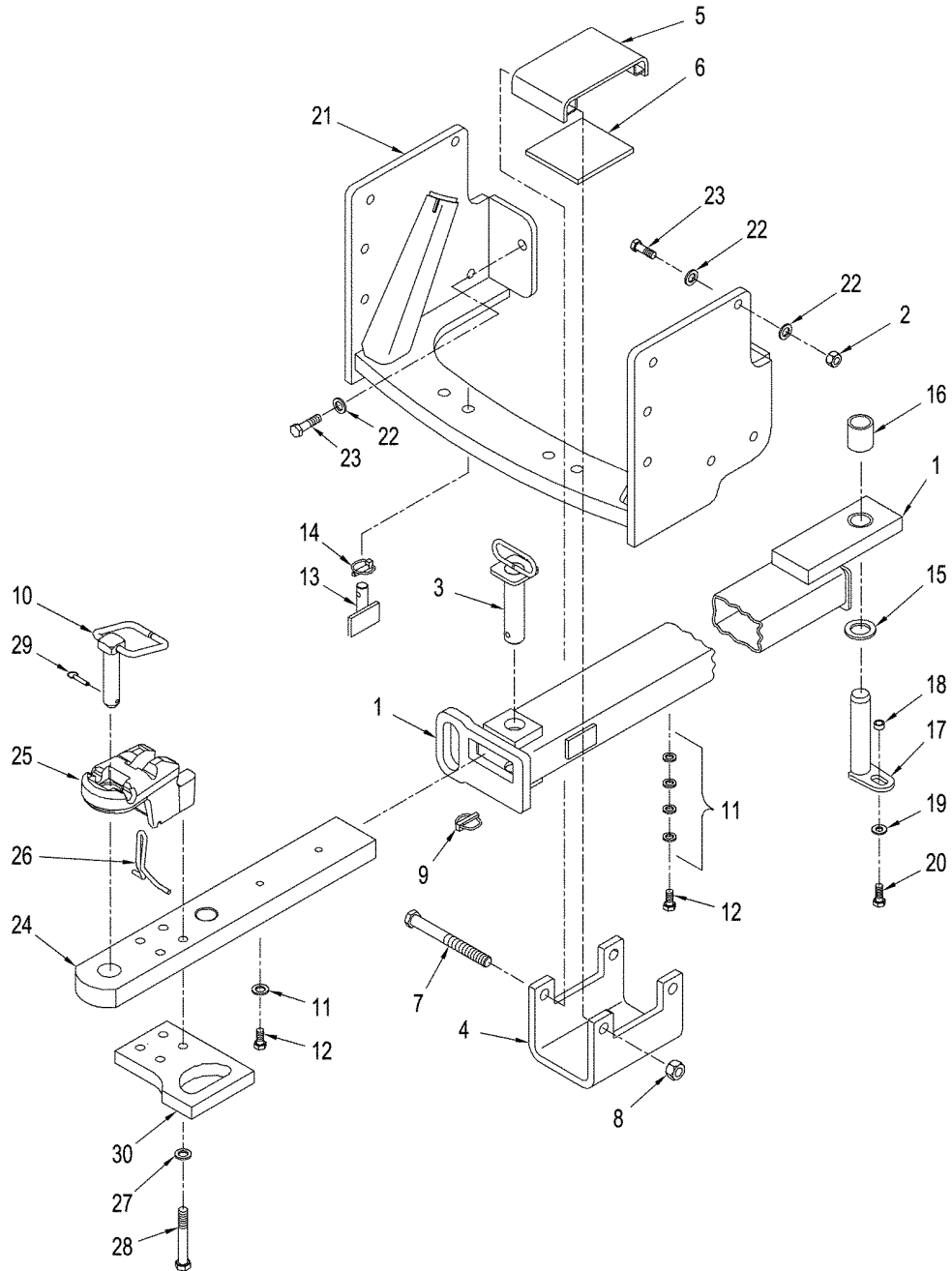
REF	FN	PART NUMBER	YR/SN	QTY	DESCRIPTION
1	1	409653A1		1	COUPLING
2		409654A1		1	HOOK
3		460-1240		4	BOLT 3/4 NC x 2-1/2; 8
4		409664A1		3	BLOCK Retainer
5		70-1895T1		1	PIN
6		426-816		6	BOLT 1/2 x 1; 8
7		38-33240		4	PIN 1/2" x 2 1/2", Coiled
8		409656A1		1	CAP Spacer, Right-Hand
9		409658A1		1	CAP Spacer, Left-Hand
10		409659A1		2	STOP Hitch Release
11		409660A1		2	LATCH
12		409661A1		2	LINK, CONNECTING
13		409662A1		2	LINK, CONNECTING
14		2-4345T1		2	SPRING
15		38-32018		6	PIN 5/16" x 1 1/8", Coiled
16		70-1894T1		2	PIN
17		426-824		4	BOLT 1/2 x 1-1/2; 8
18		383347A1		2	SPACER
19		495-11081		4	WASHER 13/16 x 1-15/32 x 1/8
20		19-651		4	NUT 3/4
21	2	409655A1		1	HOOK
22		496-21106		4	WASHER 1-1/16 x 2 x 13/64
23		426-16120		2	BOLT 1 NC x 7-1/2; 8
24		429-1016		2	NUT 1 in; 8

(1) Catagory IV-Narrow

(2) Category III

**STX375 STX450**  
**STX425 STX500**

DRAWBAR - EXTENDABLE



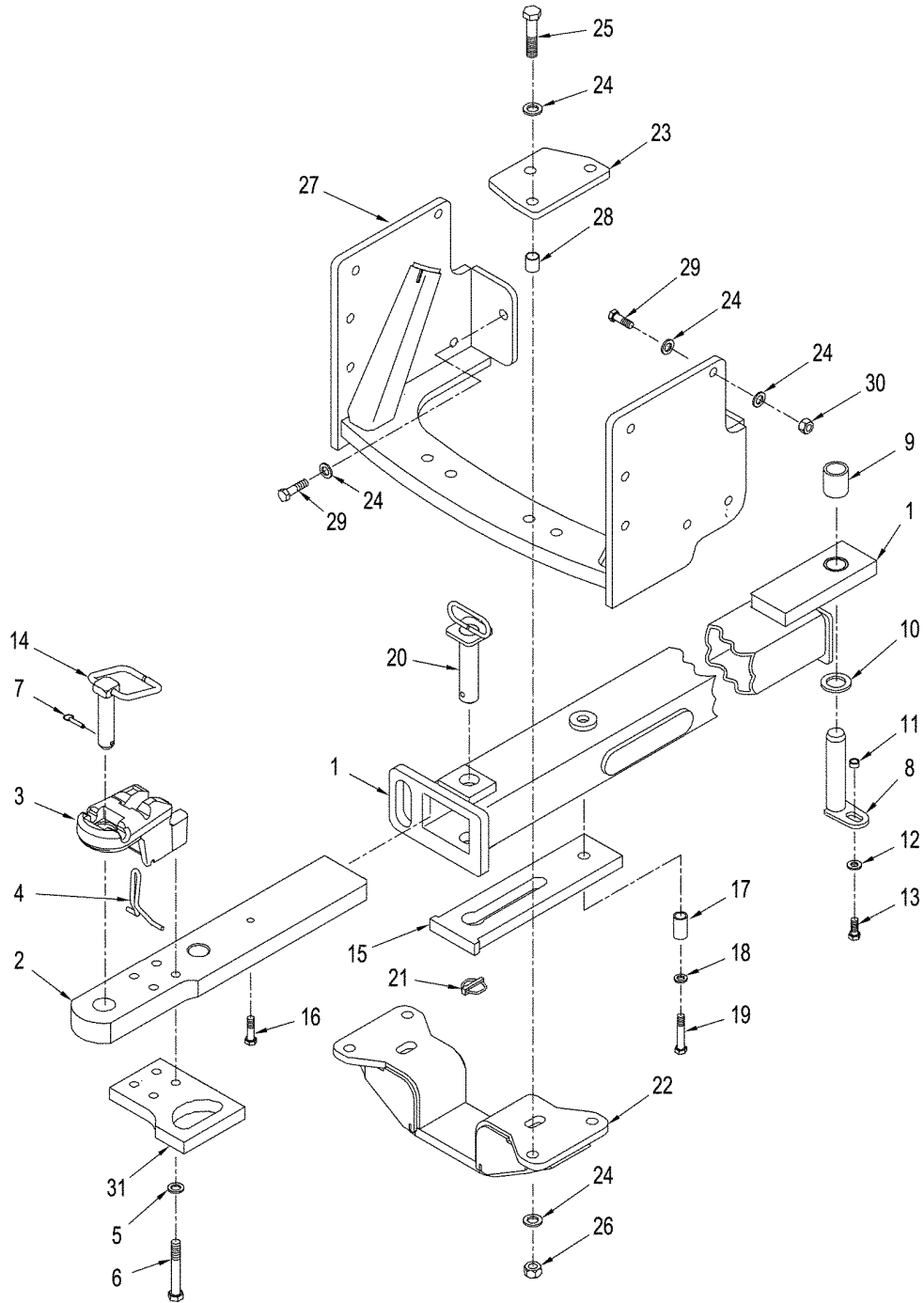
## DRAWBAR - EXTENDABLE

REF	FN	PART NUMBER	YR/SN	QTY	DESCRIPTION
1		402661A1		1	DRAWBAR Receiver
2		829-1424		12	NUT M24; 10
3		403199A1		1	PIN, HITCH
4		403194A1		1	YOKE
5		403195A1		1	COVER
6		435498A1		1	PLASTIC Cover
7		90-7494T1		2	SCREW 1 NC x 9-1/4
8		429-1016		2	NUT 1 in; 8
9		19-1041		1	PIN
10		375720A1		1	PIN
11		896-11016		5	WASHER 17,5 x 30 x 4 mm
12		627-16035		2	BOLT M6 x 35; 10.9
13		403196A1		2	PIN
14		19-6056		2	PIN
15		1-4088		1	WASHER 1-3/4 x 2-3/4 x 1/4
16		361696A2		1	SPACER
17		195941A1		1	PIN
18		70-5967T1		1	SPACER
19		496-21066		1	WASHER 21/32 x 1-5/16 x 5/32
20		627-16040		1	SCREW Hex, M16 x 40, 10.9
21		87441225		1	HANGER Without Three Point Hitch
22		896-11024		26	WASHER 26 x 44 x 5 mm
23		627-24070		14	BOLT M24 x 70; 10.9
24		87441131		1	DRAWBAR
25		375719A1		1	STRAP Hammer, Drop Pin
26		375721A1		2	LATCH Drop Pin
27		896-11020		4	WASHER 22 x 37 x 4 mm
28		827-20110		4	SCREW M20 x 110; 10.9
29		393878A1		1	PIN
30	1	441651A1		1	PLATE Safety Chain

(1) QUADTRAC Tractor

**STX375 STX450**  
**STX425 STX500**

DRAWBAR - HEAVY DUTY, WITHOUT THREE POINT HITCH



## DRAWBAR - HEAVY DUTY, WITHOUT THREE POINT HITCH

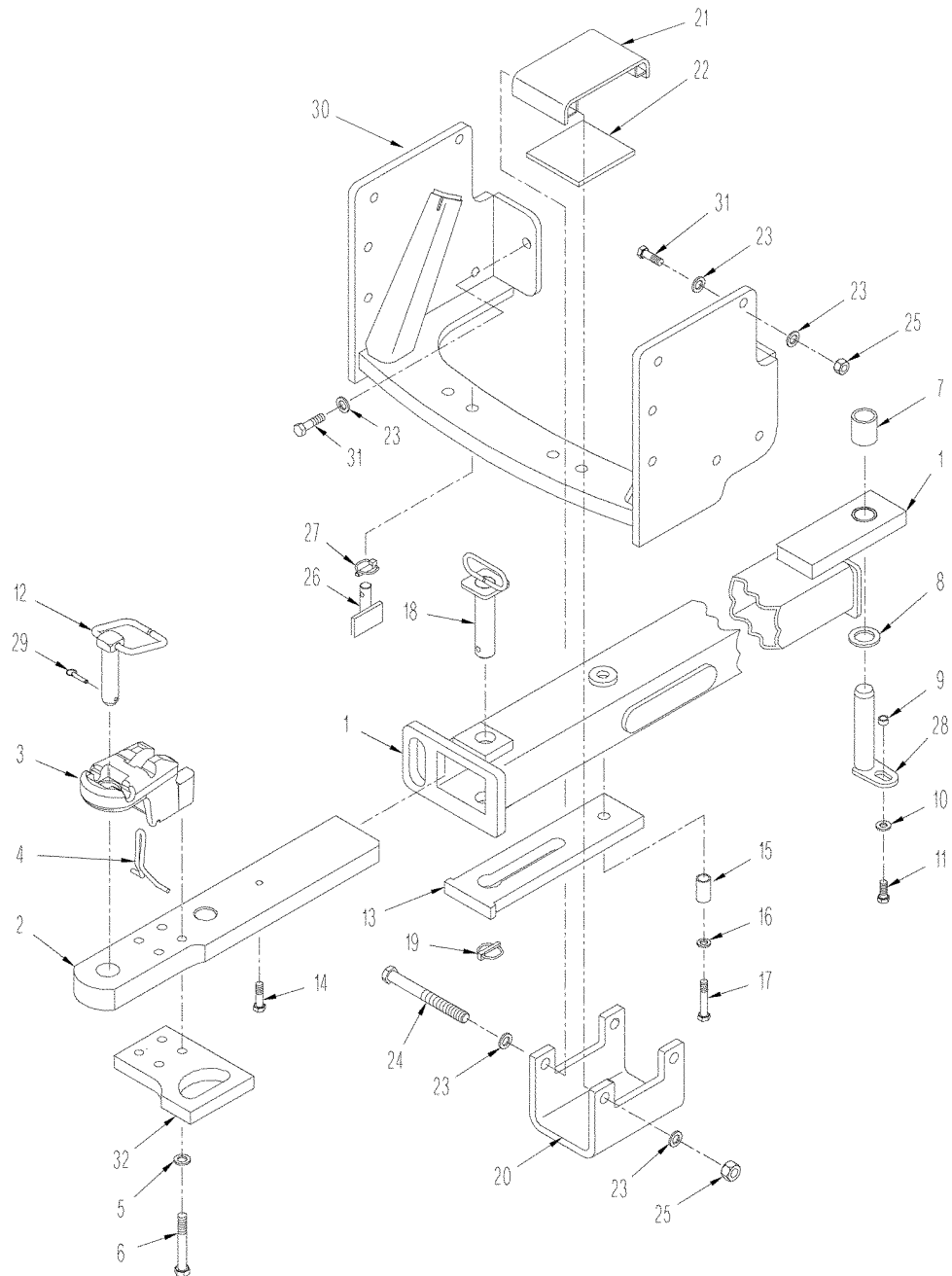
REF	FN	PART NUMBER	YR/SN	QTY	DESCRIPTION
1		402654A1		1	DRAWBAR Reciever
2		87441130		1	DRAWBAR
3		375719A1		1	STRAP Hammer, Drop Pin
4		375721A1		1	LATCH Drop Pin
5		896-11020		4	WASHER 22 x 37 x 4 mm
6		827-20110		4	SCREW M20 x 110; 10.9
7		393878A1		1	PIN
8		195941A1		1	PIN
9		361696A2		1	SPACER
10		1-4088		1	WASHER 1-3/4 x 2-3/4 x 1/4
11		70-5967T1		1	SPACER
12		496-21066		1	WASHER 21/32 x 1-5/16 x 5/32
13		627-16040		1	SCREW Hex, M16 x 40, 10.9
14		375720A1		1	PIN
15		430620A1		1	PLATE, SPACER
16		627-16035		1	BOLT M6 x 35; 10.9
17		363131A2		1	SPACER
18		495-21069		1	WASHER 11/16 x 1-3/4 x 9/64
19		827-16060		1	BOLT Hex, M16 x 60, 10.9
20		403209A1		1	PIN
21		19-1041		1	PIN
22		403220A1		1	HANGER
23		403221A1		2	PLATE
24		896-11024		38	WASHER 26 x 44 x 5 mm
25		827-24110		6	SCREW M24 x 110; 10.9
26		829-1424		12	NUT M24; 10
27		87441225		1	HANGER Without TPH
28		363130A1		4	SPACER
29		627-24070		14	BOLT M24 x 70; 10.9
30		829-1424		12	NUT M24; 10
31	1	441651A1		1	PLATE Safety Chain

(1) QUADTRAC Tractor

**STX375 STX450**  
**STX425 STX500**



DRAWBAR - HEAVY DUTY, WITH THREE POINT HITCH



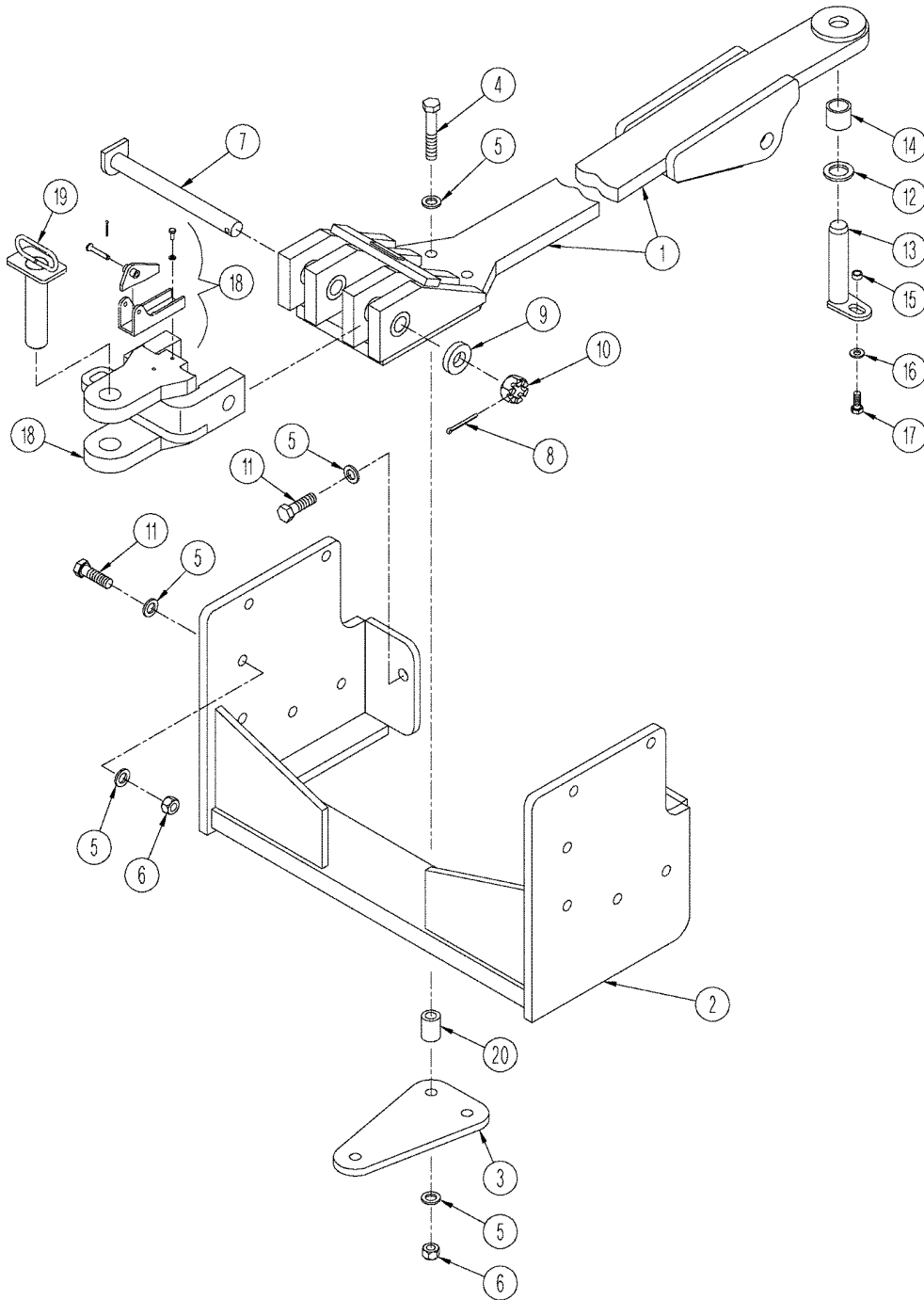
## DRAWBAR - HEAVY DUTY, WITH THREE POINT HITCH

REF	FN	PART NUMBER	YR/SN	QTY	DESCRIPTION
1		402654A1		1	DRAWBAR Receiver
2		87441130		1	DRAWBAR
3		375719A1		1	STRAP Hammer, Drop Pin
4		375721A1		1	LATCH Drop Pin
5		896-11020		4	WASHER 22 x 37 x 4 mm
6		827-20110		4	SCREW M20 x 110,10.9
7		361696A2		1	SPACER
8		1-4088		1	WASHER 1-3/4 x 2-3/4 x 1/4
9		70-5967T1		1	SPACER
10		496-21066		1	WASHER 21/32 x 1-5/16 x 5/32
11		627-16040		1	SCREW Hex, M16 x 40, 10.9
12		375720A1		1	PIN
13		430620A1		1	PLATE, SPACER
14		627-16035		1	BOLT M6 x 35; 10.9
15		363131A2		1	SPACER
16		495-21069		1	WASHER 11/16 x 1-3/4 x 9/64
17		627-16060		1	SCREW Bolt, Hex, M16 x 60, 10.9
18		403209A1		1	PIN
19		19-1041		1	PIN
20		403217A1		1	YOKE
21		403218A1		1	COVER ASSY
22		363540A1		1	SPACER
23		896-11024		28	WASHER 26 x 44 x 5 mm
24		827-24270		2	SCREW M24 x 270; 10.9
25		829-1424		2	NUT M24; 10
26		403219A1		2	PIN ASSY.
27		19-6056		2	PIN
28		195941A1		1	PIN
29		393878A1		1	PIN
30		87441225		1	HANGER
31		627-24070		14	BOLT M24 x 70;10.9
32	1	441651A1		1	PLATE Safety Chain

(1) QUADTRAC Tractor

**STX375 STX450**  
**STX425 STX500**

DRAWBAR - REYNOLDS, BSN JEE0102001



## DRAWBAR - REYNOLDS, BSN JEE0102001

REF	FN	PART NUMBER	YR/SN	QTY	DESCRIPTION
1	1	NSS		1	NOT SERVICED SEPARATELY Drawbar
2	1	NSS		1	NOT SERVICED SEPARATELY Drawbar
3		431117A1		1	PLATE
4		827-24140		3	SCREW M24 x 140; 10.9
5		896-11024		32	WASHER 26 x 44 x 5 mm
6		829-1424		15	NUT M24; 10
		433446A1		1	PIN, HITCH Inc. 7 - 10
7		NSS		1	NOT SERVICED SEPARATELY Pin
8		NSS		1	NOT SERVICED SEPARATELY Pin, Cotter
9		NSS		1	NOT SERVICED SEPARATELY Washer
10		NSS		1	NOT SERVICED SEPARATELY Nut, Slotted
11		827-24080		14	BOLT M24 x 80; 10.9
12		1-4088		1	WASHER 1-3/4 x 2-3/4 x 1/4
13		195941A1		1	PIN
14		381065A1		1	SPACER
15		70-5967T1		1	SPACER
16		496-21066		1	WASHER 21/32 x 1-5/16 x 5/32
17		627-16040		1	SCREW Hex, M16 x 40, 10.9
		365945A1		1	KIT Reverse, Inc. 18, 19
18		446133A1		1	ASSEMBLY
19		359522A1		1	PIN
20		434402A1		3	SPACER

(1) Purchase Assembly and Component Parts Directly From Reynolds, McAllen, Texas.

**STX375 STX450  
STX425**

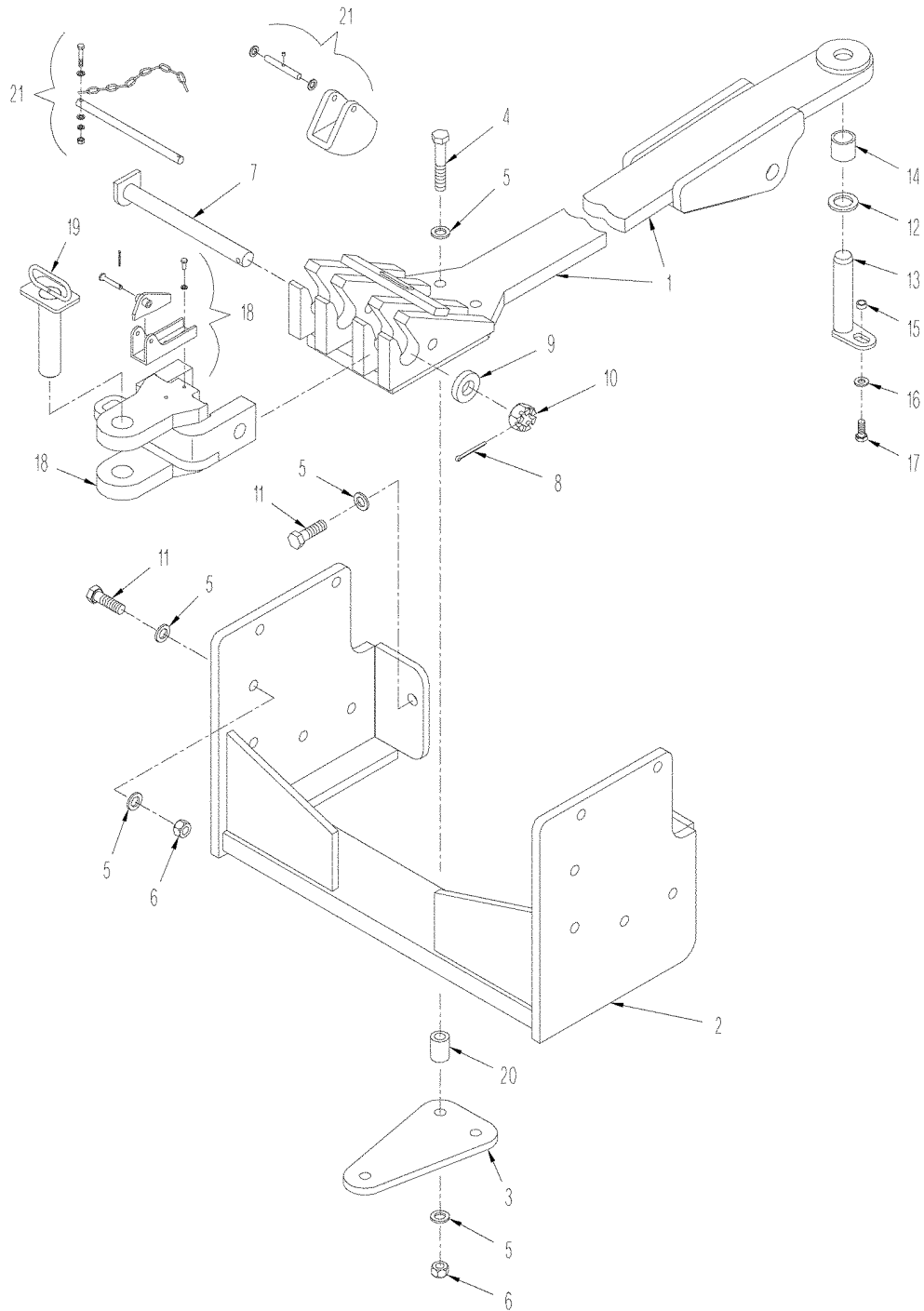
09-11

01

p1

08/05

DRAWBAR - REYNOLDS, ASN JEE0102001



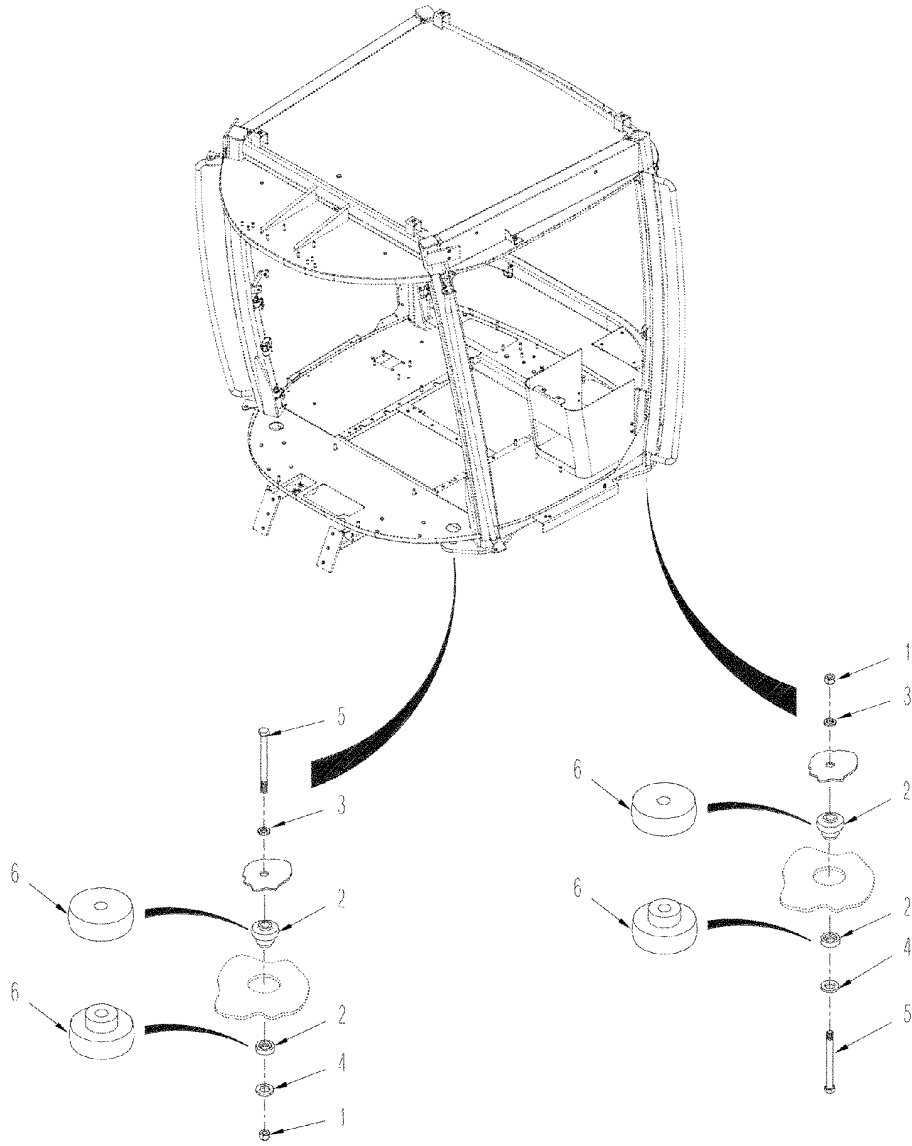
**DRAWBAR - REYNOLDS, ASN JEE0102001**

REF	FN	PART NUMBER	YR/SN	QTY	DESCRIPTION
1	1	NSS		1	NOT SERVICED SEPARATELY Drawbar
2	1	NSS		1	NOT SERVICED SEPARATELY Hanger
3		87448334		1	PLATE
4		827-24140		3	SCREW M24 x 140; 10.9
5		896-11024		32	WASHER 26 x 44 x 5 mm
6		829-1424		15	NUT M24; 10
		433446A1		1	PIN, HITCH Inc. 7 - 10
7		NSS		1	NOT SERVICED SEPARATELY Pin
8		NSS		1	NOT SERVICED SEPARATELY Pin, Cotter
9		NSS		1	NOT SERVICED SEPARATELY Washer
10		NSS		1	NOT SERVICED SEPARATELY Nut, Slotted
11		827-24080		14	BOLT M24 x 80; 10.9
12		1-4088		1	WASHER 1-3/4 x 2-3/4 x 1/4
13		195941A1		1	PIN
14		381065A1		1	SPACER
15		70-5967T1		1	SPACER
16		496-21066		1	WASHER 21/32 x 1-5/16 x 5/32
17		627-16040		1	SCREW Hex, M16 x 40, 10.9
		365945A1		1	KIT Reverse, Inc. 18, 19
18		446133A1		1	ASSEMBLY
19		359522A1		1	PIN
20		434402A1		3	SPACER
21	1	NSS		1	NOT SERVICED SEPARATELY Hitch, Quick

(1) Purchase Assembly and Component Parts Directly From Reynolds, McAllen, Texas.

**STX375 STX450  
STX425 STX500**

CAB MOUNTING



## CAB MOUNTING

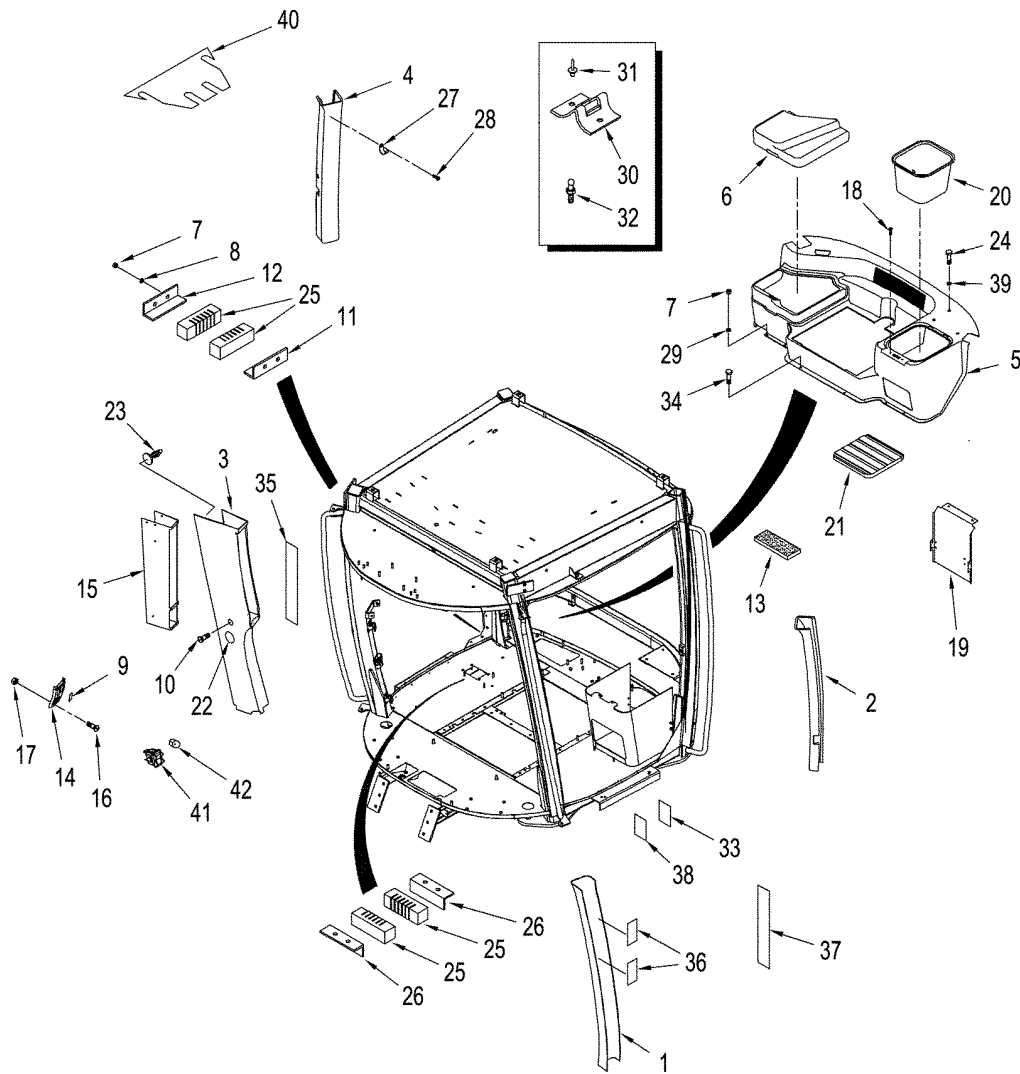
REF	FN	PART NUMBER	YR/SN	QTY	DESCRIPTION
1		832-10424		4	NUT M24; 8
2		377678A1	BSN JEE0104001	4	MOUNTING, RUBBER Isolator
3		371043A1		8	WASHER Steel
4		896-11024		4	WASHER 26 x 44 x 5 mm
5		827-24120		4	BOLT M24 x 120; 10.9
5	1	86505748		4	SCREW Cap, HH, M24 x 160, CL10.9
6		87422287	ASN JEE0104001	4	MOUNTING, RUBBER Isolator

(1) Used with 8742287 Rubber Cab Mounting Isolator

**STX375 STX450**  
**STX425 STX500**



INTERIOR TRIM - STANDARD CAB

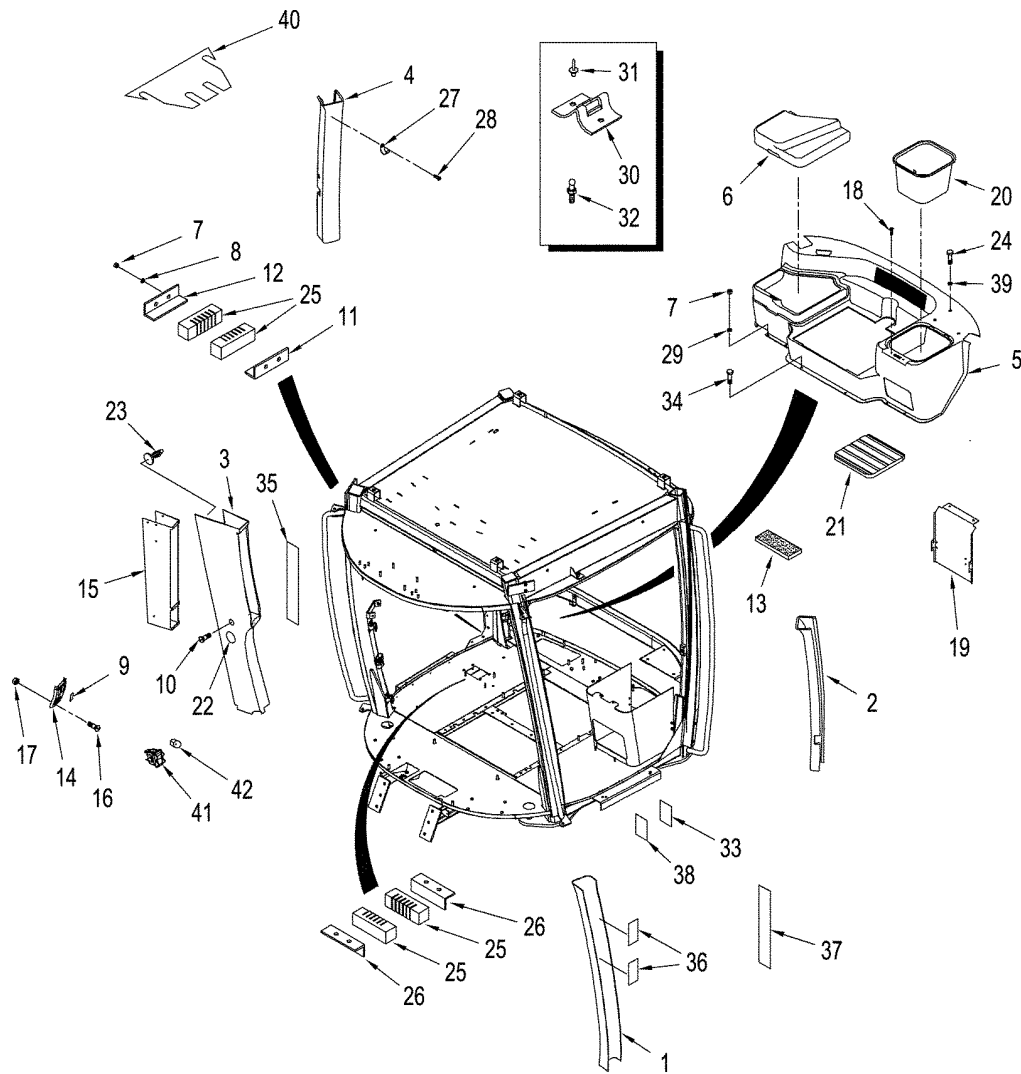


## INTERIOR TRIM - STANDARD CAB

REF	FN	PART NUMBER	YR/SN	QTY	DESCRIPTION
1		358333A2		1	COVER Post, Roll Over Protection
2		358338A4		1	COVER Post, Roll Over Protection
3		358334A3		1	COVER Post, Roll Over Protection
4		377385A3		1	COVER Post, Roll Over Protection
5		359382A2		1	CONSOLE Rear
6		380756A2		1	COVER Electronics
7		829-1406		12	NUT M6; 10.9
8		895-11006		8	WASHER 6,6 x 12 x 1,6 mm
9		245918C1		2	CAP
10		627-8020		4	BOLT M8 x 20; 10.9
11		291835A4		1	BRACKET
12		291836A3		1	BRACKET
13		259461A1		3	FOAM Cut From 283086A1
14		358343A2		1	BEZEL
15		303158A4		1	BRACKET
16		260-16516		4	SCREW No. 10 x 1
17		177269A1		4	NUT
18		628-6020		6	BOLT M6 x 20; 10.9
19		308955A2		1	BRACKET Rear
20		119308A2		1	TRAY Storage
21		250826A3		1	MAT
22		376597A2		4	COVER
23		376553A1		3	FASTENER
24		855-8030		3	BOLT M8 x 30; 10.9
25		60-7021T1		4	FOAM
26		308579A1		2	BRACKET Angle
27		114549A1		1	COAT HOOK
28		765-17316		2	SCREW M4,2 x 16
29		895-25006		4	WASHER 6,6 x 18 x 1,6 mm
30		1961435C1		1	LATCH
31		151-553		2	RIVET
32		1977929C1		1	STUD
33		357564A1		1	FASTENER Velcro Loop, Cut From 357653A1
34		844-10035		2	BOLT M10 x 35; 8.8
35		355371A2		1	TAPE, ADHESIVE

**STX375 STX450**  
**STX425**

INTERIOR TRIM - STANDARD CAB

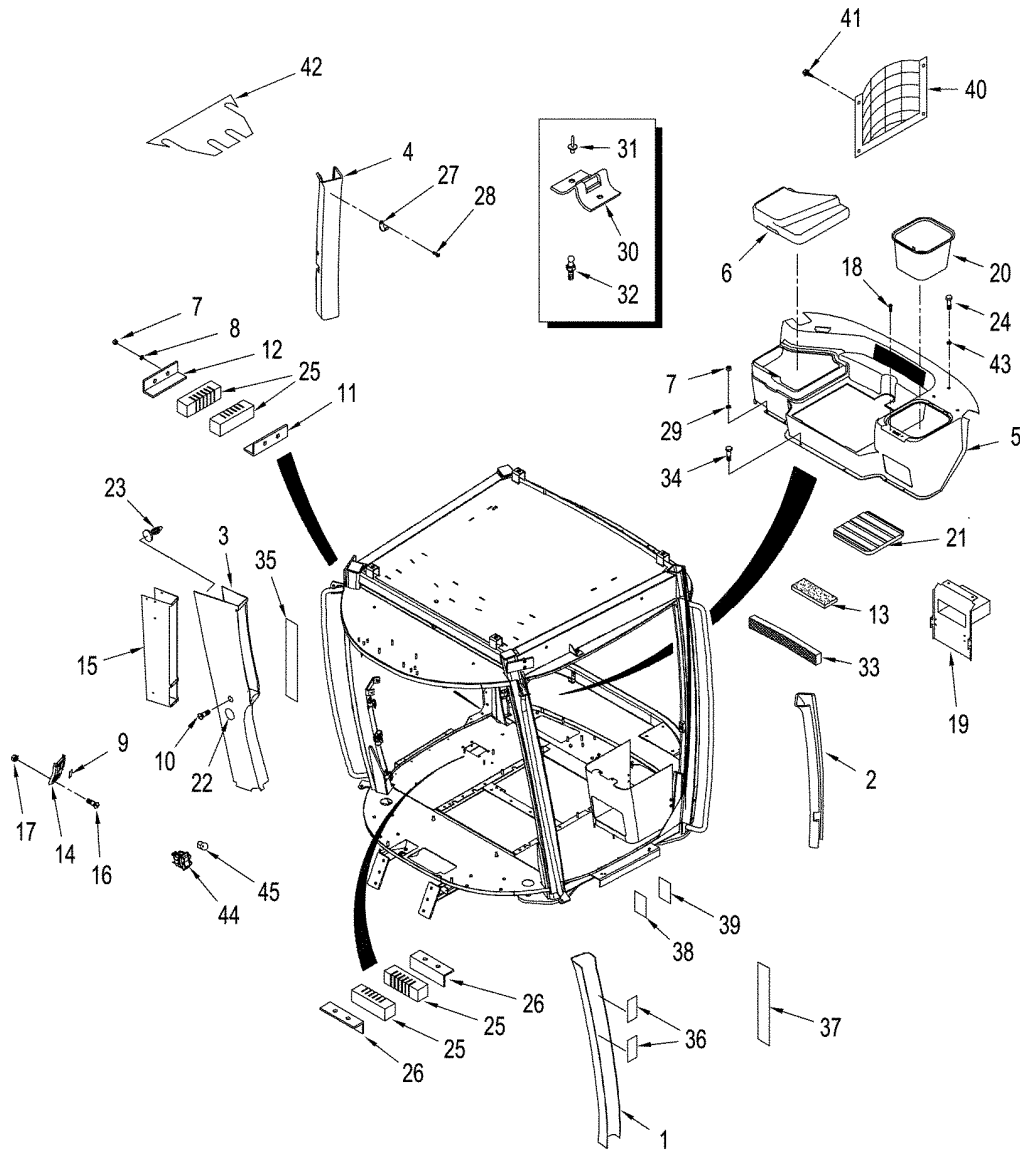


**INTERIOR TRIM - STANDARD CAB**

<b>REF</b>	<b>FN</b>	<b>PART NUMBER</b>	<b>YR/SN</b>	<b>QTY</b>	<b>DESCRIPTION</b>
36		356717A1		2	TAPE, ADHESIVE
37		349366A1		1	TAPE, ADHESIVE
38		356789A1		2	FASTENER Velcro Hook, Cut From, 356788A1
39		896-16008		3	WASHER 9 x 21 x 2,5 mm
40		307026A1		1	SHIELD Cable Access
41		418506A1		1	SWITCH Park Brake
42		409808A1		1	INDICATOR Hi / Lo

**STX375 STX450  
STX425**

INTERIOR TRIM - DELUXE AND LUXURY CABS

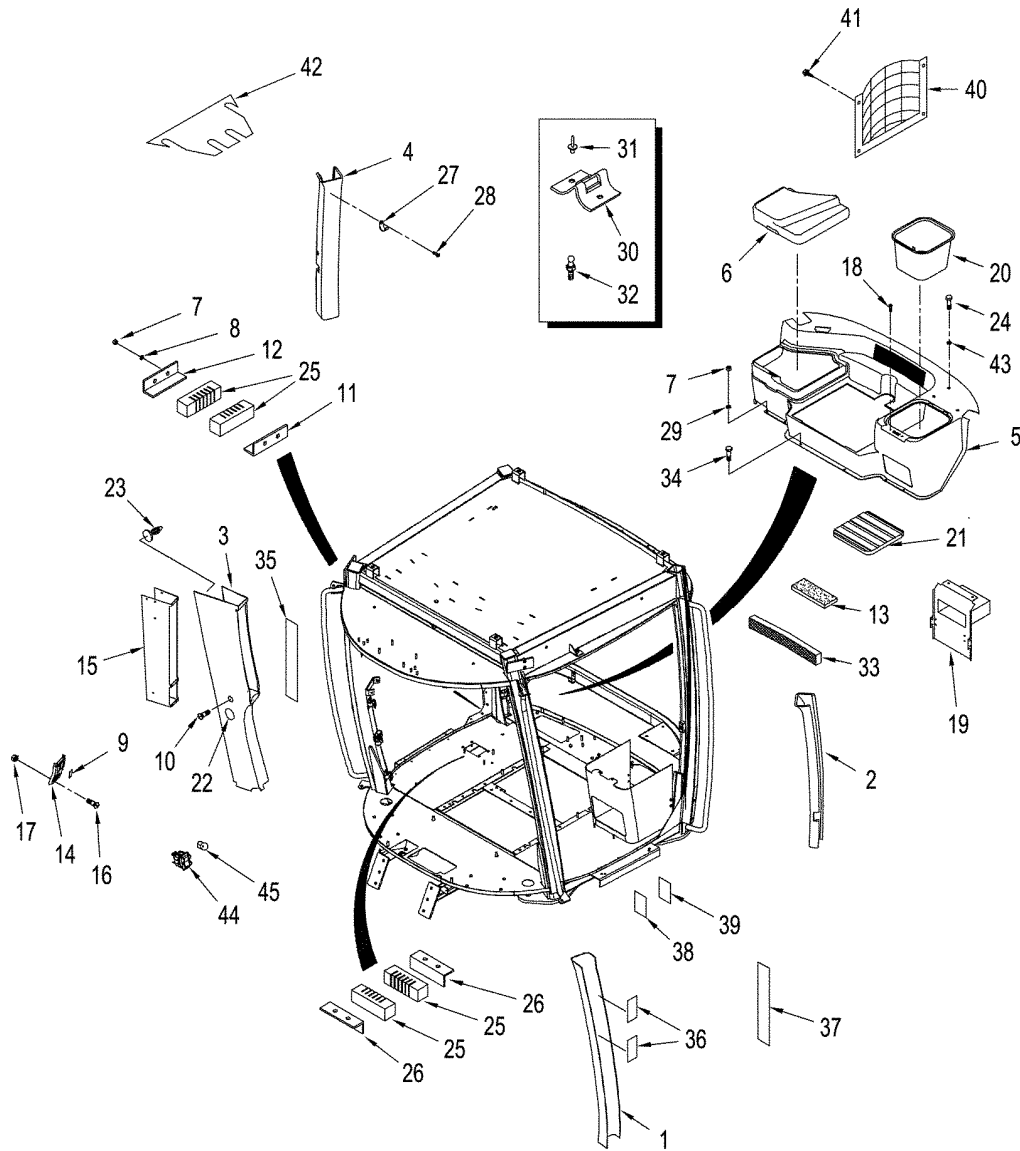


## INTERIOR TRIM - DELUXE AND LUXURY CABS

REF	FN	PART NUMBER	YR/SN	QTY	DESCRIPTION
1		358333A2		1	COVER Post, Roll Over Protection
2		358338A4		1	COVER Post, Roll Over Protection
3		358334A4		1	COVER Post, Roll Over Protection
4		377385A3		1	COVER Post, Roll Over Protection
5		358327A4		1	CONSOLE Rear
6		380756A2		1	COVER Electronics
7		829-1406		12	NUT M6; 10.9
8		895-11006		8	WASHER 6,6 x 12 x 1,6 mm
9		245918C1		2	CAP
10		627-8020		4	BOLT M8 x 20; 10.9
11		291835A4		1	BRACKET
12		291836A3		1	BRACKET
13		259461A1		3	FOAM
14		358343A2		1	BEZEL
15		303158A5	BSN JEE0106701	1	SUPPORT
15		87416364	ASN JEE0106701	1	BRACKET, SUPPORTING
16		260-16516		2	SCREW No. 10 x 1
17		177269A1		2	NUT
18		628-6020		6	BOLT M6 x 20; 10.9
19		371685A4		1	BOX Compact Disc
20		119308A2		1	TRAY Storage
21		250826A3		1	MAT
22		376597A2		4	COVER
23		376553A1		3	FASTENER
24		855-8030		3	BOLT M8 x 30; 10.9
25		60-7021T1		4	FOAM
26		308579A1		2	BRACKET Angle
27		114549A1		1	COAT HOOK
28		765-17316		2	SCREW M4,2 x 16
29		895-25006		4	WASHER 6,6 x 18 x 1,6 mm
30		1961435C1		1	LATCH
31		151-553		2	RIVET
32		1977929C1		1	STUD
33		87409368		1	FILTER, CAB Air Recirculation
34		844-10035		2	BOLT M10 x 35; 8.8

**STX375 STX450**  
**STX425 STX500**

INTERIOR TRIM - DELUXE AND LUXURY CABS



## INTERIOR TRIM - DELUXE AND LUXURY CABS

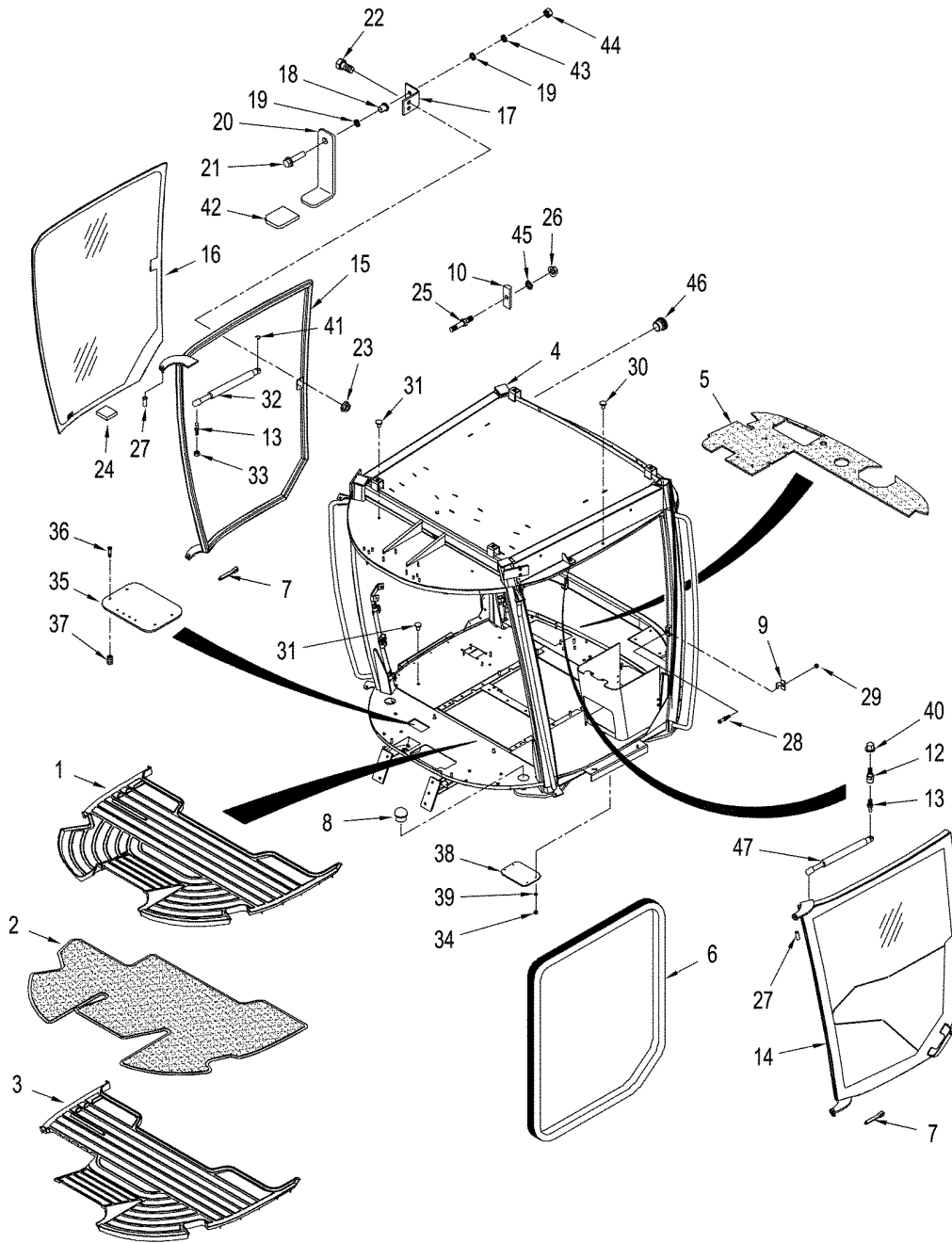
REF	FN	PART NUMBER	YR/SN	QTY	DESCRIPTION
35		355371A2		1	TAPE, ADHESIVE
36		356717A1		2	TAPE, ADHESIVE
37		349366A1		1	TAPE, ADHESIVE
38		356789A1		2	FASTENER Velcro Hook, Cut From 356788A1
39		357564A1		2	FASTENER Velcro Loop, Cut From 357653A1
40		369937A1		1	NET
41		369929A1		5	FASTENER Christmas Tree
42		307026A1		1	SHIELD Cable Access
43		896-16008		3	WASHER 9 x 21 x 2,5 mm
44	1	418506A1		1	SWITCH Park Brake
45	1	409808A1		1	INDICATOR Hi / Lo

(1) With Manual Shift Transmission

**STX375 STX450**  
**STX425 STX500**



CAB - FLOORMATS AND DOORS



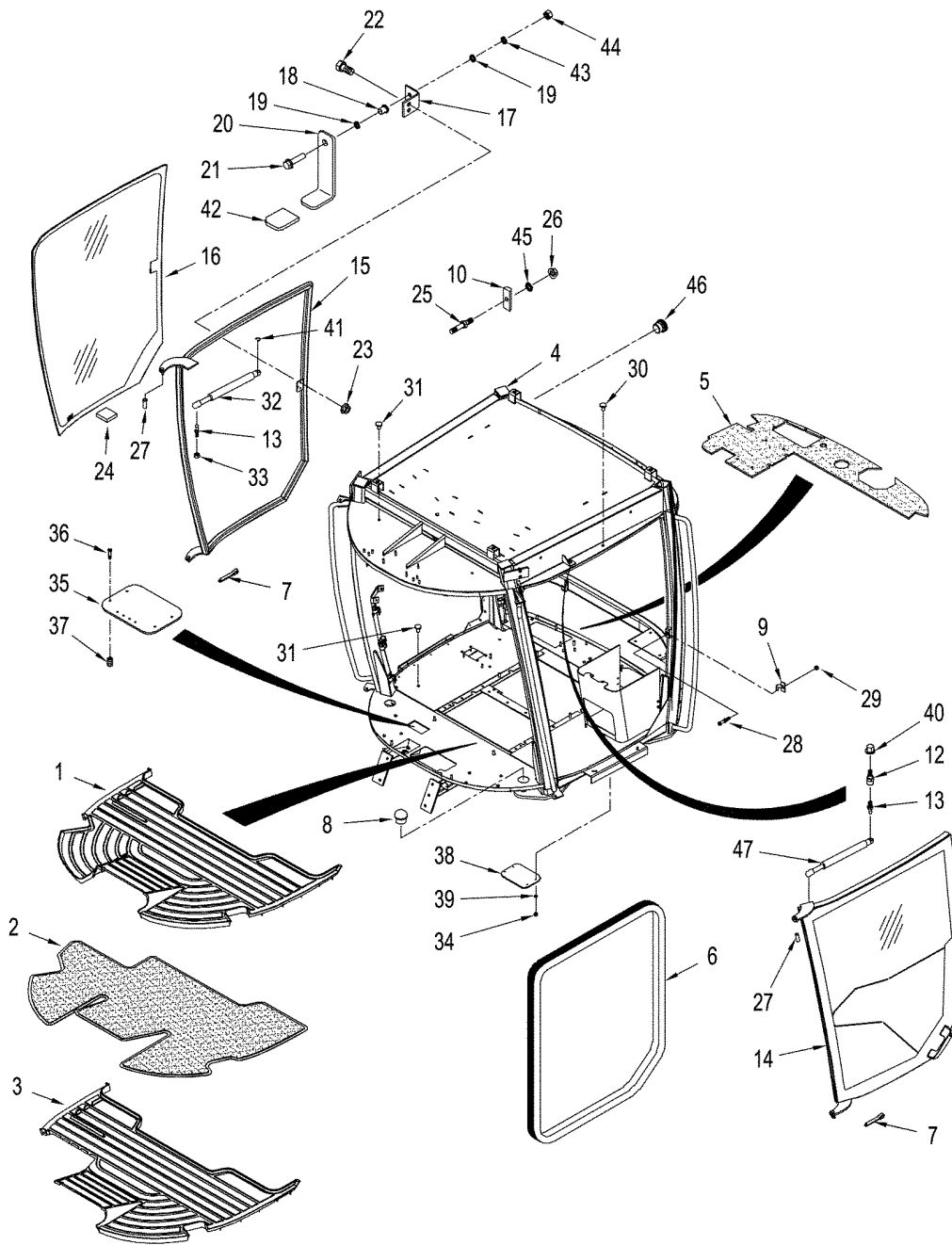
## CAB - FLOORMATS AND DOORS

REF	FN	PART NUMBER	YR/SN	QTY	DESCRIPTION
1	1, 2, 3	401556A2		1	MAT, FLOOR Rubber
2	4	358342A1		1	CARPET
3	1, 5, 2	426962A2		1	MAT, FLOOR Rear
4		398296A3		1	CAB ROPs
4		87415707		1	CAB ROPs / FOPs
5		302840A4		1	INSULATION, FOAM
6		390360A1		2	SEAL Cut From 388449A1
7		733-3220		2	SPLIT PIN/SAFETY PIN 3,2 x 20 mm
8		353-593		2	PLUG 2-1/2 ID
9		369719A1		1	BRACKET
10		371554A1		1	BRACKET
11		895-11006		8	WASHER 6,6 x 12 x 1,6 mm
12		442085A1		2	MOUNTING PARTS
13		3234063R1		2	BALL JOINT
14		413022A2		1	DOOR ASSY. See Figure 09-16
	6	389175A3		1	WINDOW ASSY Inc. 13, 15, 16 - 23, 33 , 42 - 44
15		389176A1		1	FRAME, WINDOW Right-Hand
16		181242A3		1	WINDOW Glass
17		87420877		1	BRACKET Latch
18		87422906		1	BUSHING M6
19		87423414		2	WASHER Nylon
20		87418389		1	LATCH ASSY. Door, Right-Hand
21		844-6020		1	BOLT Cap, Flg., M6 x 20, CL8.8
22		627-6016		2	BOLT Cap, HH, M6 x 16, CL10.9
23		825-2406		2	NUT Flg, M6, CL8
24		97268C1		10	SPACER
25		87423532		1	PIN Door Catch
26		832-4748		1	NUT M8
27		388764A1	BSN JEE0104001	4	BUSHING

- (1) Standard Cab  
(2) Deluxe Cab  
(3) With Power Shift Transmission  
(4) Luxury Cab  
(5) With Advanced Farming Systems (AFS)  
(6) Also Order 87423532 Door Catch Pin

**STX375 STX450**  
**STX425 STX500**

CAB - FLOORMATS AND DOORS



## CAB - FLOORMATS AND DOORS

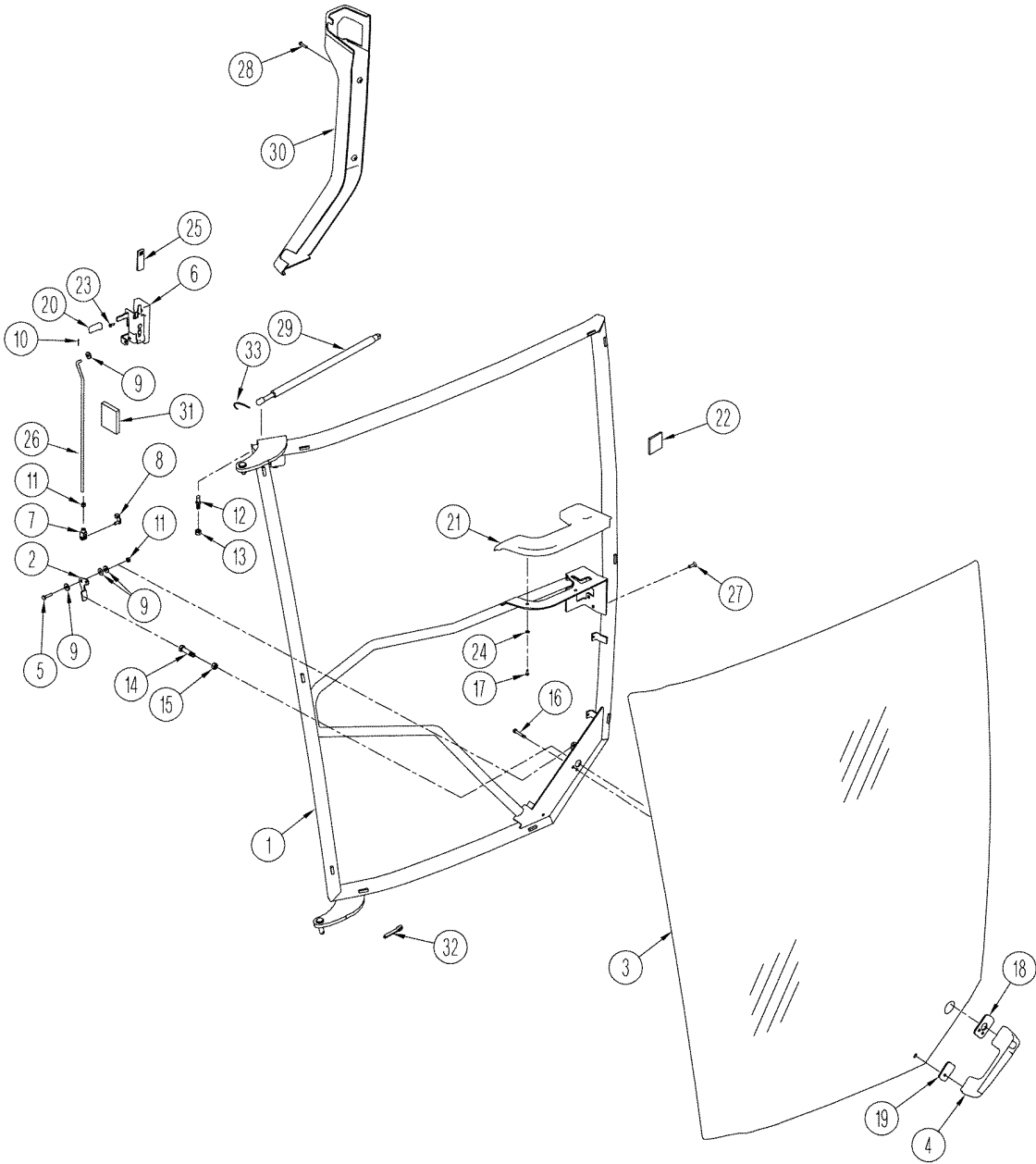
REF	FN	PART NUMBER	YR/SN	QTY	DESCRIPTION
27		87429877	ASN JEE0104001	4	BUSHING
28		R51754		1	CATCH
29		231-5347		1	NUT 7/16; 8
30		353-406		1	PLUG 5/8
31		64-146		13	PLUG 1/2
32		87423389		1	DAMPER Gas Spring
33		403749A1		1	NUT M10; 10,9
34		829-1408		4	NUT M8; 10
35	1	414699A1		1	PLATE
36		614-6020		2	BOLT M6 x 20; 8,8
37		404287A1		2	INSERT Threaded
38		327310A1		1	PLATE
39		895-11008		4	WASHER 9 x 17 x 1,6 mm
40		829-2416		2	NUT Flange, M16; 10
41		3233348R1		2	CLIP Retainer, 13 mm (1/2 in)
42		87423716		1	CAP Vinyl
43		895-11006		3	WASHER 6.6 x 12 x 1.6 mm
44		832-10406		1	NUT M6, CL8
45		896-11008		1	WASHER 9 x 17 x 2 mm
46	2	353-422		1	PLUG Dome, 1-1/4"
47		329720A1		1	CYLINDER Gas Spring

(1) With Power Shift Transmission

(2) Used without ACCUGUIDE Option

**STX375 STX450**  
**STX425 STX500**

DOOR ASSEMBLY

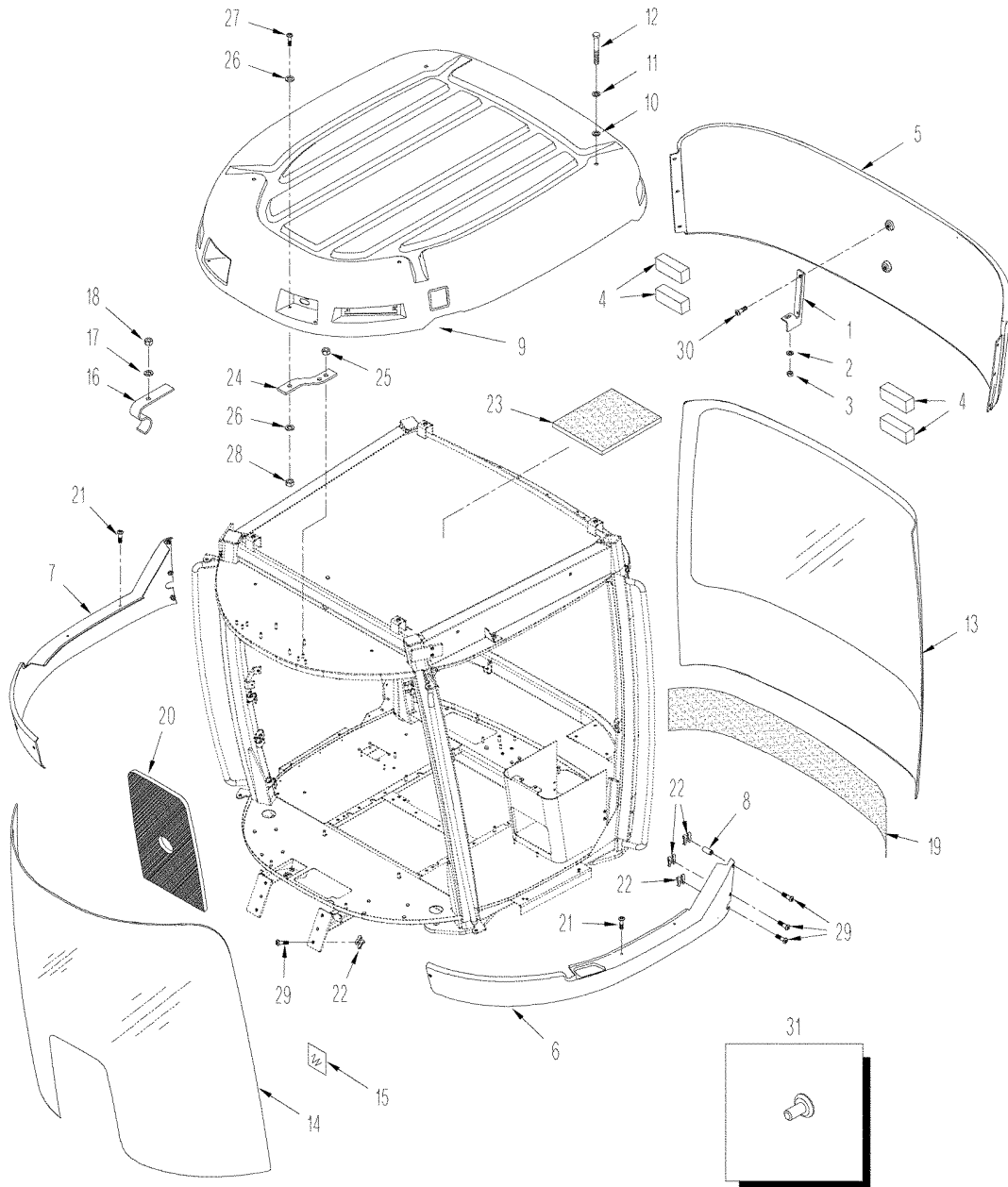


## DOOR ASSEMBLY

REF	FN	PART NUMBER	YR/SN	QTY	DESCRIPTION
		413022A2		1	DOOR ASSY. Inc. 1 - 27
1		388785A2		1	DOOR Frame
2		388934A1		1	LEVER Door Latch
3		181239A4		1	WINDOW ASSY Glass
4		60-7083T1		1	HANDLE
5		614-6025		1	BOLT M6 x 25
6		388874A2		1	LATCH
7		713-226		1	CLEVIS M6 x 12
8		906020R1		1	CLIP M6 x 6
9		895-25006		6	WASHER 6,6 x 18 x 1,6 mm
10		733-1610		1	PIN, SPLIT (COTTER) 1,6 x 10 mm
11		829-1406		2	NUT M6; 10.9
12		3234063R1		1	BALL JOINT
13		403749A1		1	NUT M10; 10.9
14		340-12520		1	SCREW 1/4 x 1-1/4
15		425-104		1	NUT 1/4
16		805-6035		3	SCREW M6 x 35
17		760-17316		2	SCREW M4,2 x 16
18		194174A1		1	GASKET Large
19		194175A1		1	GASKET Small
20		388122A1		1	HANDLE
21		388120A2		1	ARMREST
22		97268C1		10	SPACER
23		760-14316		1	SCREW M4,2 x 16
24		895-30101		2	WASHER 10 x 5,5 x 1,0 mm
25		352842A1		1	KNOB Lock
26		388936A1		1	ROD
27		461-42512		4	SCREW 1/4 x 3/4
28		260-16516		3	SCREW No.10 x 1
29		329720A1		1	CYLINDER Gas Spring
30		358329A3		1	COVER Latch
31		369566A1		1	TAPE, ADHESIVE
32		733-3220		1	SPLIT PIN/SAFETY PIN 3,2 x 20 mm
33		3233348R1		2	CLIP

**STX375 STX450**  
**STX425 STX500**

CAB - SKIRTS AND GLASS



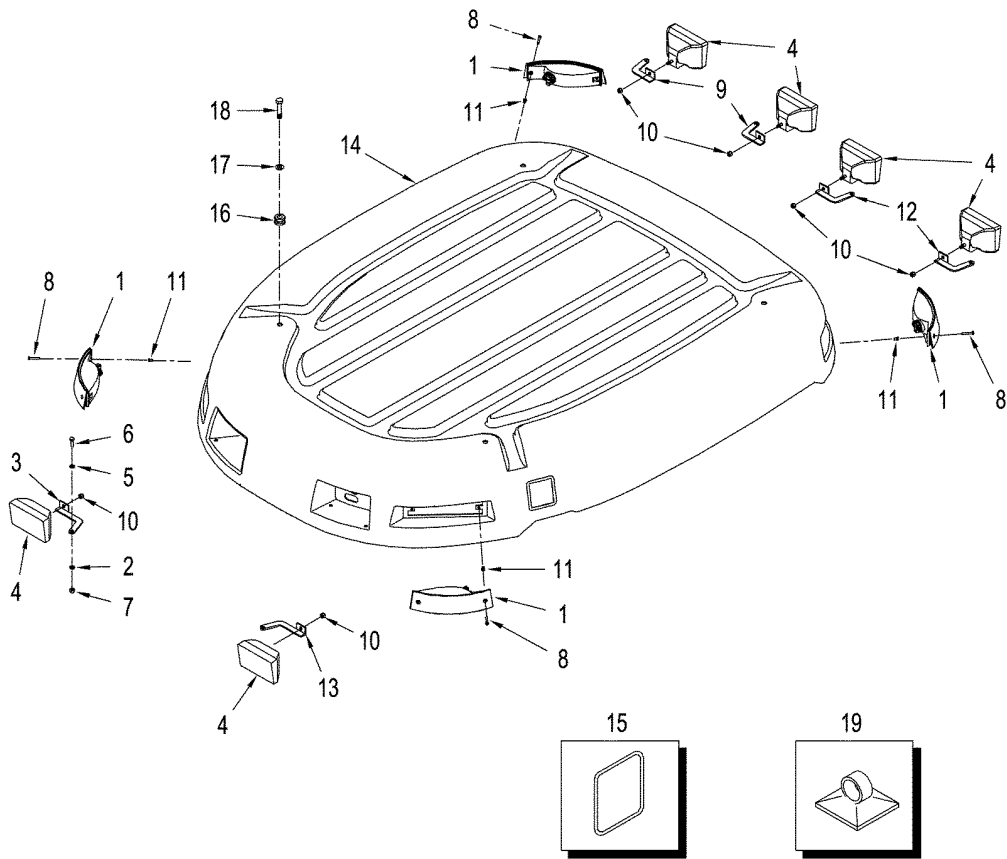
## CAB - SKIRTS AND GLASS

REF	FN	PART NUMBER	YR/SN	QTY	DESCRIPTION
1		341574A4		1	BRACKET
2		895-11008		1	WASHER 9 x 17 x 1,6 mm
3		829-1408		1	NUT M8; 10
4		403325A1		4	FOAM
5		341236A3		1	SKIRT Rear
6		341234A2		1	SKIRT Left-Hand
6		357135A2		1	SKIRT Left-Hand, With Lower Front Wiper
7		341235A2		1	SKIRT Right-Hand
7		357132A2		1	SKIRT Right-Hand, With Lower Front Wiper
8		404287A1		4	INSERT
9		NSS		1	NOT SERVICED SEPARATELY Roof Assy, See Figure 09-18
10		361191A1		4	GROMMET
11		896-15016		4	WASHER 17,5 x 34 x 5 mm
12		627-16035		4	BOLT M6 x 35; 10.9
13		181240A2		1	GLASS Rear
14		181241A3		1	GLASS Windshield
14		86991553		1	WINDSHIELD Laminated (Europe Only)
15		97268C1		34	SPACER
16		117707A3		7	CLAMP Window
17		895-11008		6	WASHER 9 x 17 x 1,6 mm
18		829-1408		6	NUT M8; 10
19		259462A1		1	INSULATION, FOAM 1525 mm (60 in)
20		283531A1		1	INSULATION, FOAM
21		840-2820		4	SCREW M8 x 20; 4.8
22		404882A1		4	FASTENER M6, Clip Nut
23		355716A3		1	FOAM
24		364156A1		4	BRACKET Roof Support
25		829-1408		8	NUT M8; 10
26		895-15008		8	WASHER 9 x 20 x 1,6 mm
28		832-10408		4	NUT M8; 8
29		840-1625		4	SCREW M6 x 25
30		840-1620		2	SCREW M6 x 20; 4.8
31		353-406		1	PLUG If Used
27		627-8025		4	BOLT M8 x 25; 10.9

**STX375 STX450**  
**STX425 STX500**



ROOF

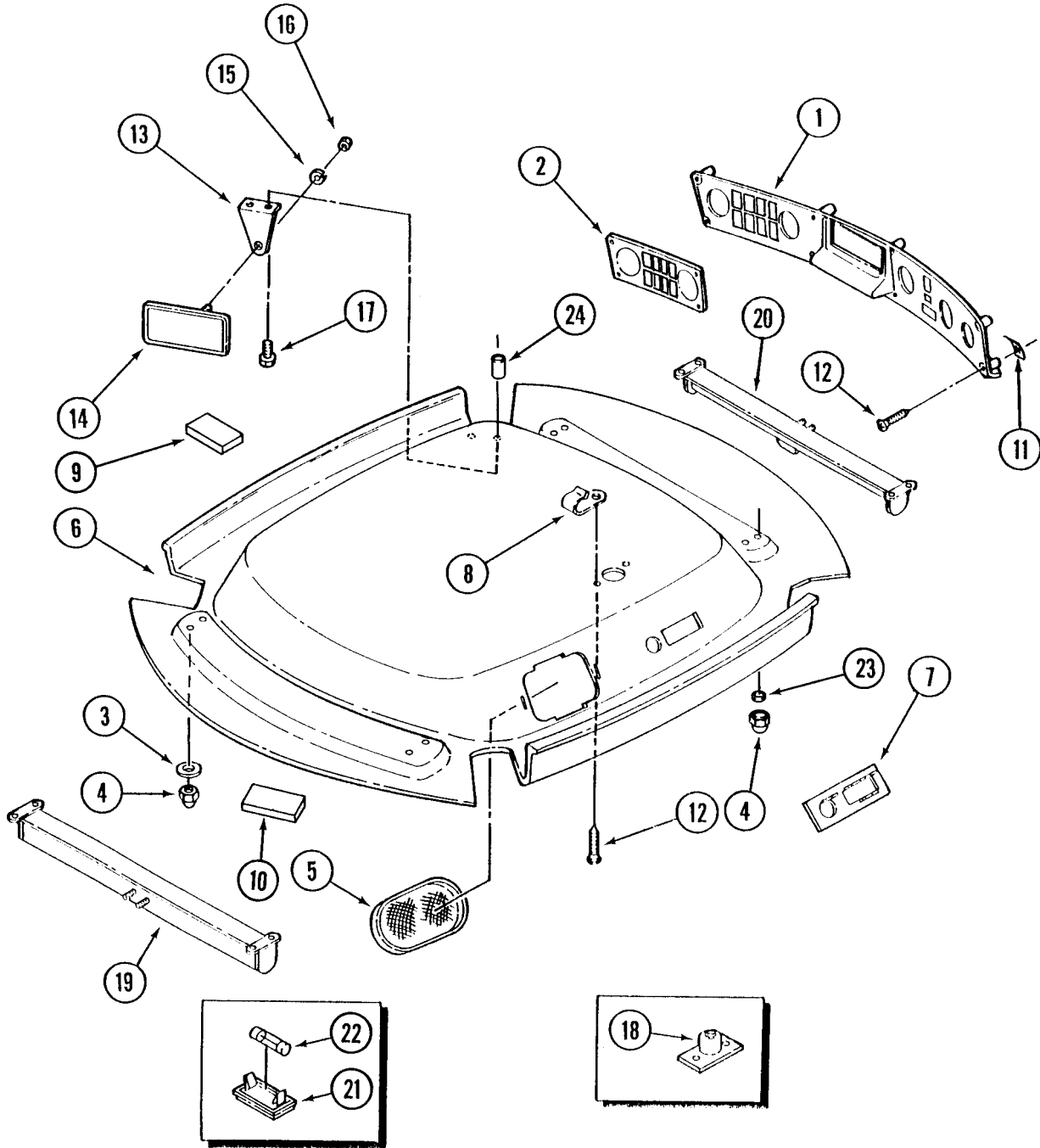


## ROOF

REF	FN	PART NUMBER	YR/SN	QTY	DESCRIPTION
1		320246A1		4	LAMP Warning, See Figure 04-13
2		355532A1		6	WASHER Nylon
3		353561A1		1	BRACKET Light, Right-Hand, Front
4		92269C1		6	LAMP, WORK See Figure 04-13
5		895-10008		12	WASHER 9 x 16 x 1,6 mm
7		832-10408		6	NUT M8; 8
8		840-1535		8	SCREW M5 x 35
9		353563A1		2	BRACKET Light, Right-Hand, Rear
10		829-1410		6	NUT M10; 10
11		336304A1		8	INSERT
12		353562A1		2	BRACKET Light, Left-Hand, Rear
13		353560A1		1	BRACKET Light, Left-Hand, Front
14		87418084		1	ROOF
15		392149A1		2	DECAL Cover, Without Mirror
16		361191A1		4	GROMMET
17		895-15016		4	WASHER 17.5 x 34 x 3mm
18		627-16035		4	BOLT Hex, M16 x 35, 10.9
19		435436A1		7	MOUNTING, RUBBER Cable tie
6		627-8025		6	BOLT M8 x 25; 10.9

**STX375 STX450**  
**STX425 STX500**

CAB - HEADLINER AND CONTROL PANEL, STANDARD CAB

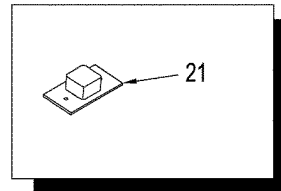
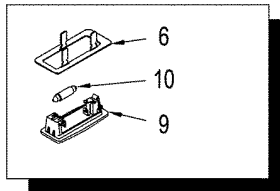
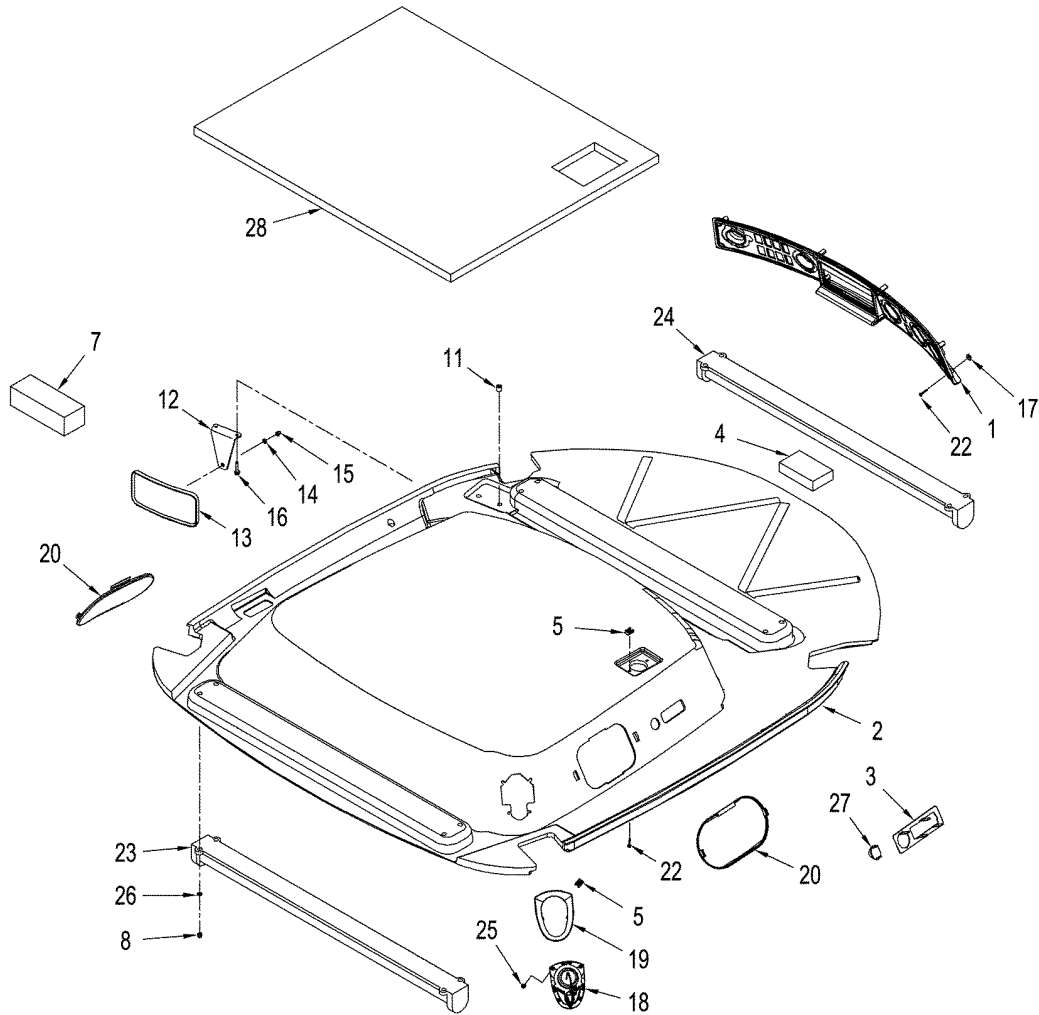


## CAB - HEADLINER AND CONTROL PANEL, STANDARD CAB

REF	FN	PART NUMBER	YR/SN	QTY	DESCRIPTION
1		431228A1		1	PANEL Control
2		431230A1		1	DECAL Light Panel, See Figure 09-59
3		297865A1		4	WASHER 9 x 20 x 1,6 mm
4		834-502		8	NUT M6; 8
5		358683A1		2	GRILLE Speaker
		359617A2		1	PANEL Inc. 6 - 10
6		NSS		1	NOT SERVICED SEPARATELY Headliner
7		305485A2		1	RETAINER Domelight
8		302862A1		2	NUT
9		328037A1		1	PAD
10		328039A1		3	PAD
11		177269A1		8	NUT
12		1270741C1		10	SCREW
13		64-086T3		1	BRACKET Mirror
14		A177462		1	MIRROR Rear View, Inc. 15, 16
15		493-41026		1	WASHER 1/4
16		19-5565		1	NUT 1/4 NF
17		555-12		2	BOLT M6 x 30; 10.9
18		83882C91		1	LAMP Courtesy
19		87450400		1	VISOR, SUN Rear
20		246324A1		1	VISOR, SUN Front
21		1983391C1		1	LAMP Inc. 22
22		E35556		1	BULB 12V, 10W
23		895-30106		4	WASHER 6,6 x 18 x 1,6 mm
24		2-3010T1		2	SPACER

**STX375 STX450**  
**STX425**

CAB - HEADLINER AND CONTROL PANEL, DELUXE AND LUXURY CAB



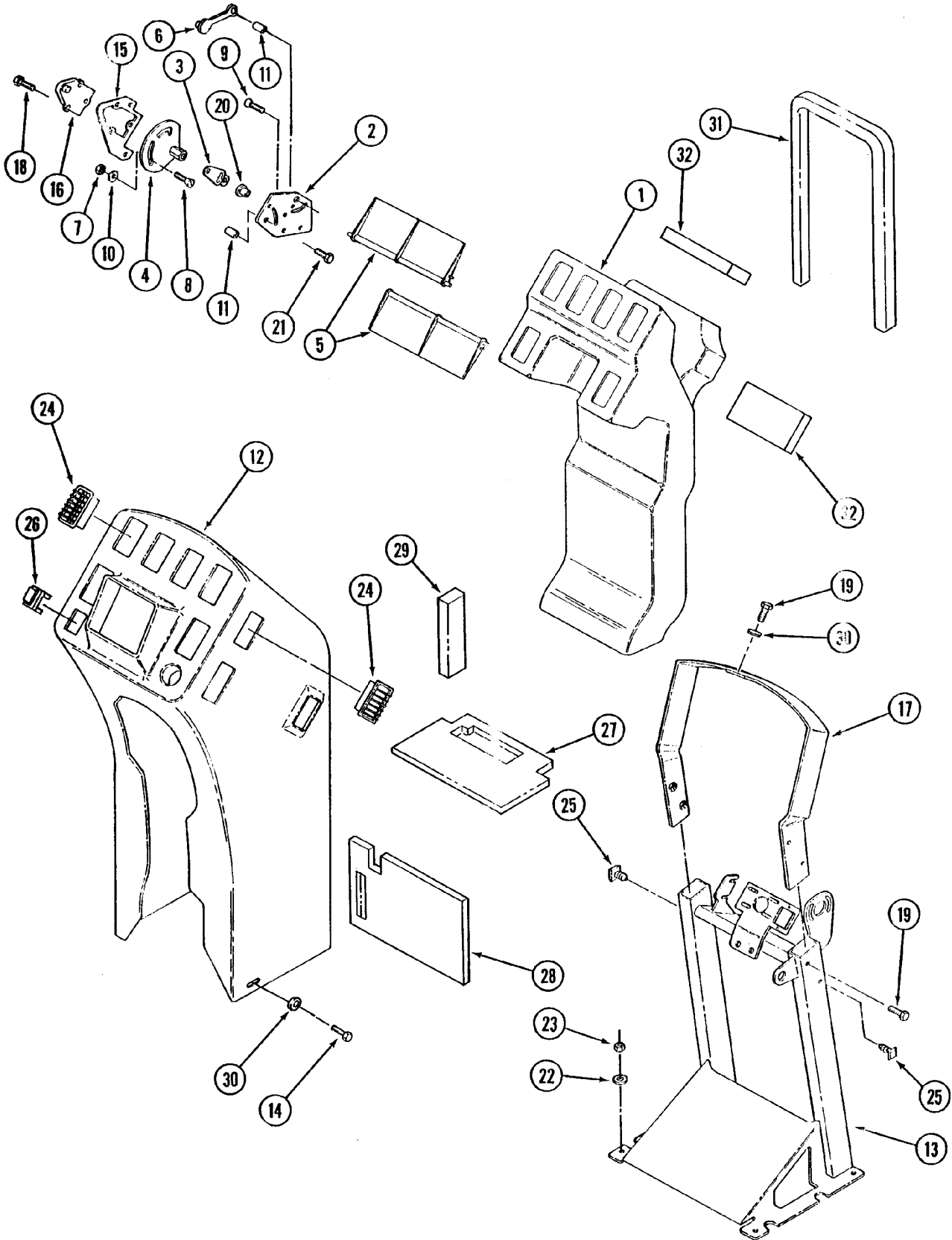
## CAB - HEADLINER AND CONTROL PANEL, DELUXE AND LUXURY CAB

REF	FN	PART NUMBER	YR/SN	QTY	DESCRIPTION
1		431228A1	BSN JEE0106701	1	PANEL Overhead Control
1		87453141	ASN JEE0106701	1	PANEL Overhead Control
		359616A3		1	LINING, ROOF Inc. 2 - 7
2		NSS		1	NOT SERVICED SEPARATELY Headliner
3		305485A2		1	RETAINER Domelight
4		328039A1		3	PAD No. 6 x 5/8
5		302862A1		6	NUT
6		305484A2		2	RETAINER Domelight
7		328037A1		1	PAD 9 x 20 x 1,6 mm
8		834-502		8	NUT M6; 8
9		1983391C1		3	LAMP Dome, Inc. 10
10		E35556		1	BULB 12V, 10W
11		02-3010T1		1	SPACER
12		64-086T3		1	BRACKET
13		A177462		1	MIRROR Rearview, Inc. 14, 15
14		493-41026		1	WASHER 1/4
15		19-5565		1	NUT 1/4 NF
16		555-12		2	BOLT M6 x 30; 10.9
17		177269A1		8	NUT
18		372892A1		1	LAMP Map
19		360364A1		1	BEZEL
20		358683A1		2	GRILLE
21		83882C91		1	LAMP
22		1270741C1		10	SCREW
23		87450400		1	VISOR, SUN Rear
24		246324A1		1	VISOR, SUN Front
25		260-54310		4	SCREW No. 6 x 5/8
26		297865A1		8	WASHER 6 x 12 x 1.6 mm
27	1	280628A1		1	PLUG Switch
28		384759A1		1	FOAM

(1) Used without Mirror

**STX375 STX450**  
**STX425 STX500**

FRONT CONSOLE



## FRONT CONSOLE

REF	FN	PART NUMBER	YR/SN	QTY	DESCRIPTION
1		87433098		1	DUCT, AIR Conditioning and Heating
2		257059A2		1	PLATE Support
3		281138A1		1	GUIDE
4		281139A1		1	GUIDE
5		246476A1		2	VENT
6		275601A1		1	LINK
7		832-10404		1	NUT M4; 8
8		840-1416		1	SCREW M4 x 16
9		840-148		3	SCREW M4 x 8
10		895-11004		1	WASHER 4,3 x 9 x 0,8 mm
11		60-2416T1		5	BEARING, NYLON
12		360446A1		1	CONSOLE
13		281425A4		1	SUPPORT Steering
14		628-6012		2	BOLT M6 x 12; 10.9
15		277438A1		1	SUPPORT
16		275602A1		1	MOTOR, ELECTRIC Actuator
17		280566A1		1	SUPPORT Console
18		760-14316		3	SCREW M4,2 x 16
19		627-6016		7	BOLT M6 x 16; 10.9
20		281140A1		1	WASHER
21		840-1410		1	SCREW M4 x 10; 4,8
22		895-11010		4	WASHER 11 x 20 x 2 mm
23		829-1310		4	NUT M10; 10,9
24		363881A1	BSN JEE0104239	10	VENT
24		363931A1	ASN JEE0104239	10	VENT
25		301098A1		2	CLIP
26		126844A1		1	PLUG Switch, No Ether Start
27	1, 2	381027A1		1	INSULATION, FOAM Acoustical
28	1, 2	384758A1		1	INSULATION, FOAM
29	1, 2	384786A1		2	INSULATION, FOAM
30		895-11006		5	WASHER 6,6 x 12 x 1,6 mm
31		284150A2		1	STRIP, RUBBER
32		446687A1		4	FOAM

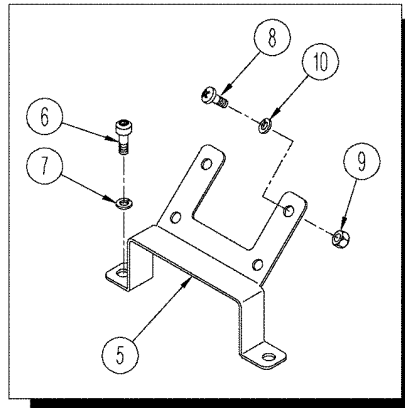
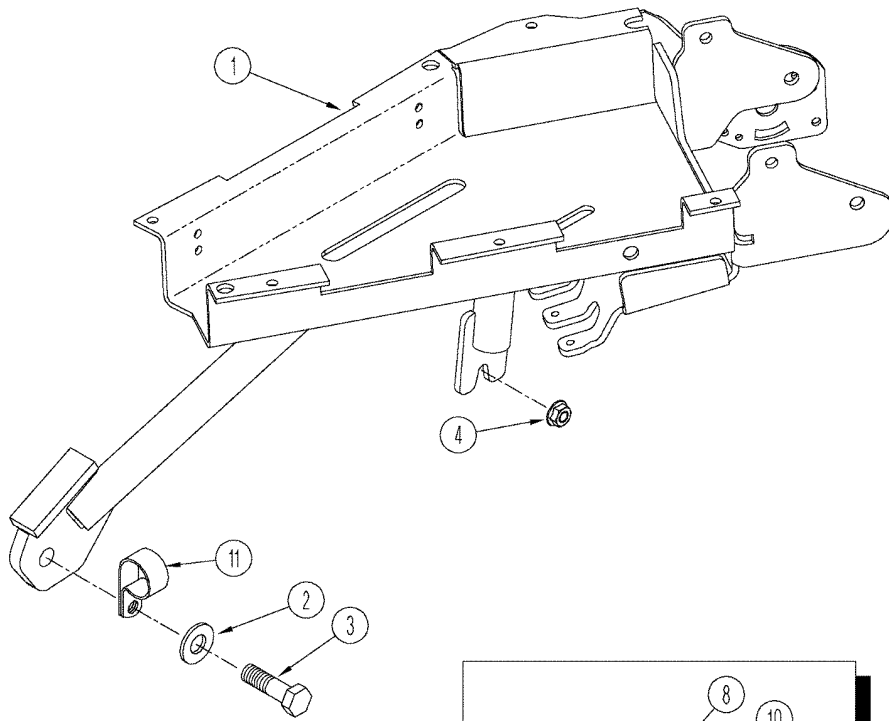
(1) Deluxe Cab

(2) Luxury Cab

**STX375 STX450**  
**STX425 STX500**



CONSOLE - RIGHT-HAND ARMREST, MANUAL



## CONSOLE - RIGHT-HAND ARMREST, MANUAL

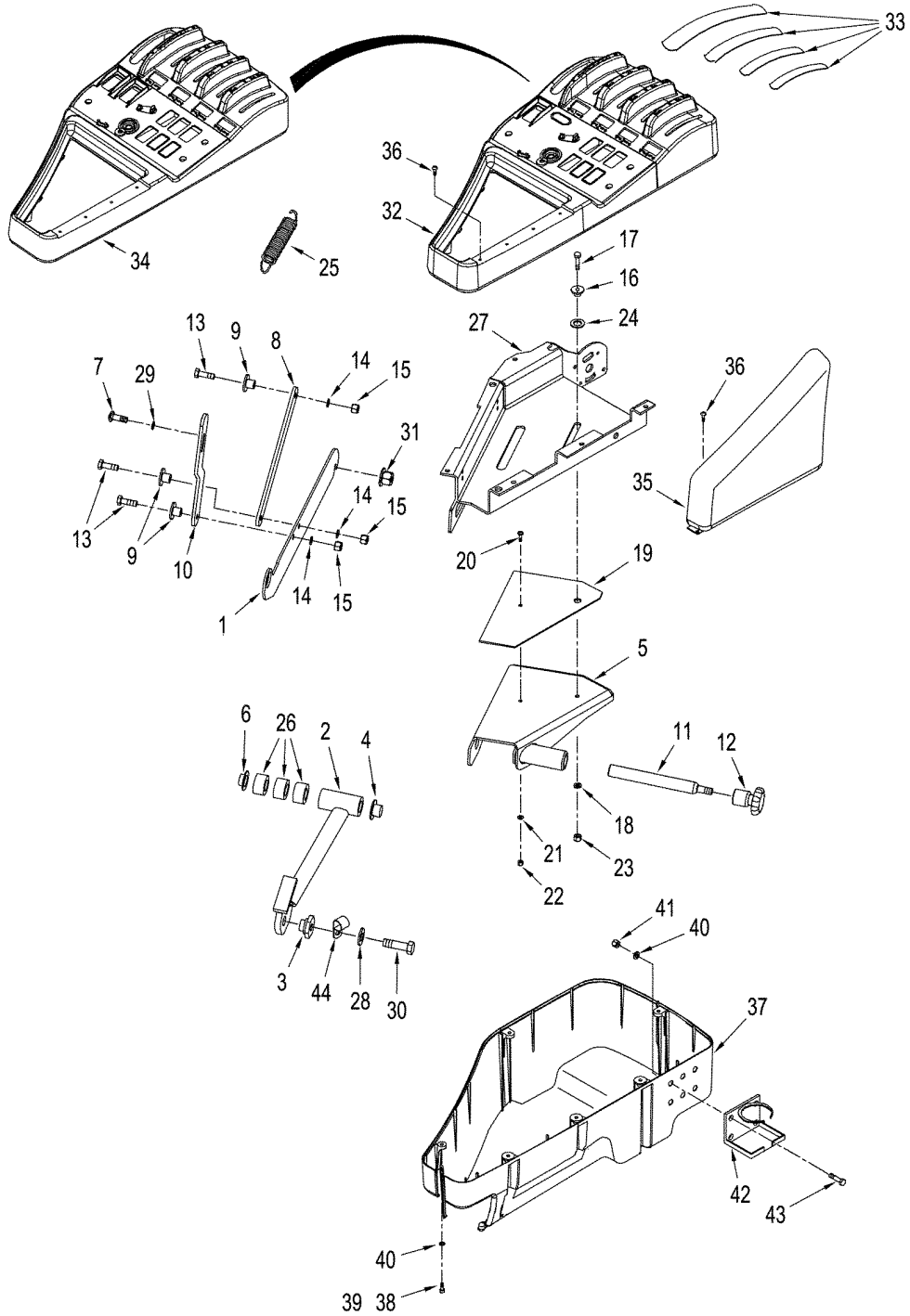
REF	FN	PART NUMBER	YR/SN	QTY	DESCRIPTION
1	1	319915A4		1	SUPPORT Console
1	2	319913A4	BSN JEE0106701	1	CONSOLE Console
1	2	87444987		1	SUPPORT Console
2		895-15012		1	WASHER 13,5 x 28 x 2,5 mm
3	1	627-12030		1	BOLT M12 x 30; 10.9
3	2	627-12045		1	BOLT M12 x 45; 10.9
4		825-2408		1	NUT M8; 8
5		349563A1		1	BRACKET without Arm Rest
6		864-4012		2	SCREW M4 x 12
7		895-11004		2	WASHER 4,3 x 9 x 0,8 mm
8		840-1316		4	SCREW M3 x 16; 4.8
9		824-1403		4	NUT M3; 5
10		895-11003		4	WASHER 3,2 x 7 x 0,5 mm
11		515-25190		1	CLAMP 3/4 ID

(1) Standard Cab

(2) Deluxe Cab

**STX375 STX450**  
**STX425 STX500**

CONSOLE - RIGHT HAND ARMREST, ELECTRIC



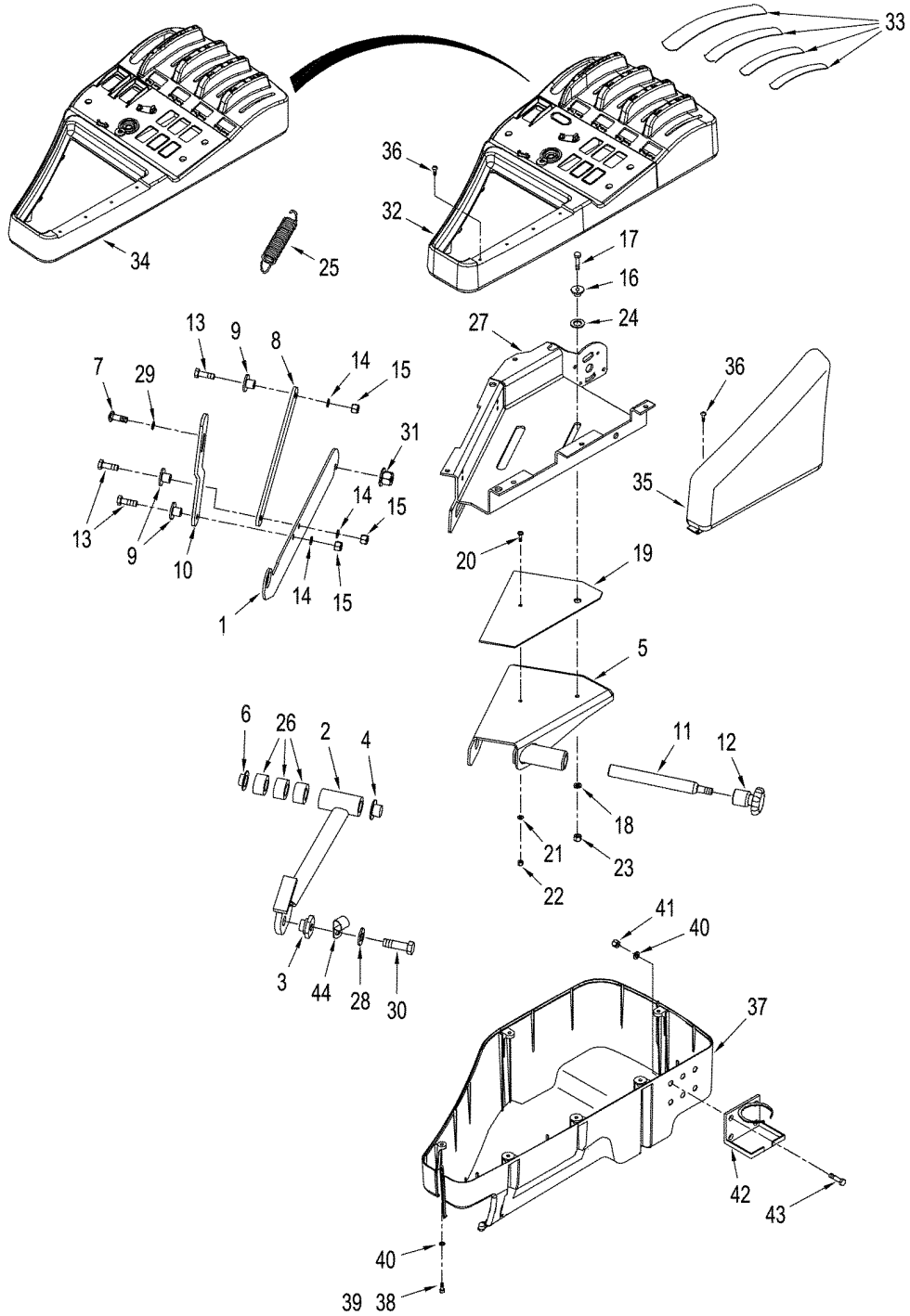
## CONSOLE - RIGHT HAND ARMREST, ELECTRIC

REF	FN	PART NUMBER	YR/SN	QTY	DESCRIPTION
	1	302092A5		1	CONSOLE Electric, Inc. 1 - 27, 29
1		NSS		1	NOT SERVICED SEPARATELY Plate
2		NSS		1	NOT SERVICED SEPARATELY Support
3		222292A1		1	NUT
4		72323	BSN JEE0106701	1	BUSHING
4		185062R1	ASN JEE0106701	1	BUSHING
5		NSS		1	NOT SERVICED SEPARATELY Support, Lower
6		294296A1		1	BUSHING
7		NSS		1	NOT SERVICED SEPARATELY Bolt, Special
8		NSS		1	NOT SERVICED SEPARATELY Link
9		NSS		3	NOT SERVICED SEPARATELY Washer, Shoulder
10		NSS		1	NOT SERVICED SEPARATELY Bracket
11		NSS		1	NOT SERVICED SEPARATELY Bolt, Special
12		319870A1		1	KNOB
14		895-15008		3	WASHER 9 x 20 x 1,6 mm
15		832-10408		3	NUT M8; 8
16		277582A1		2	WASHER
17		628-6025		2	BOLT M6 x 25; 10,9
18		895-11006		2	WASHER 6,6 x 12 x 1,6 mm
19		277576A1		1	SPACER
20		840-1414	BSN JEE0106701	1	SCREW M4 x 14
21		895-11004	BSN JEE0106701	1	WASHER 4,3 x 9 x 0,8 mm
22		832-10404	BSN JEE0106701	1	NUT M4; 8
23		832-10406		2	NUT M6; 8
24		277570A1		2	WASHER
25		NSS		1	NOT SERVICED SEPARATELY Spring
26		294295A1		3	BUSHING
27		NSS		1	NOT SERVICED SEPARATELY Support, Upper
28		895-15012		1	WASHER 13,5 x 28 x 2,5 mm
29		NSS		1	NOT SERVICED SEPARATELY Washer, Ribbed
30		627-12040	BSN JEE0106701	1	BOLT M12 x 40; 10.9
30		627-12045	ASN JEE0106701	1	BOLT Cao, HH, M12 x 45, CL10.9
31		825-2408		1	NUT M8; 8

(1) With Power Shift Transmission

**STX375 STX450**  
**STX425 STX500**

CONSOLE - RIGHT HAND ARMREST, ELECTRIC



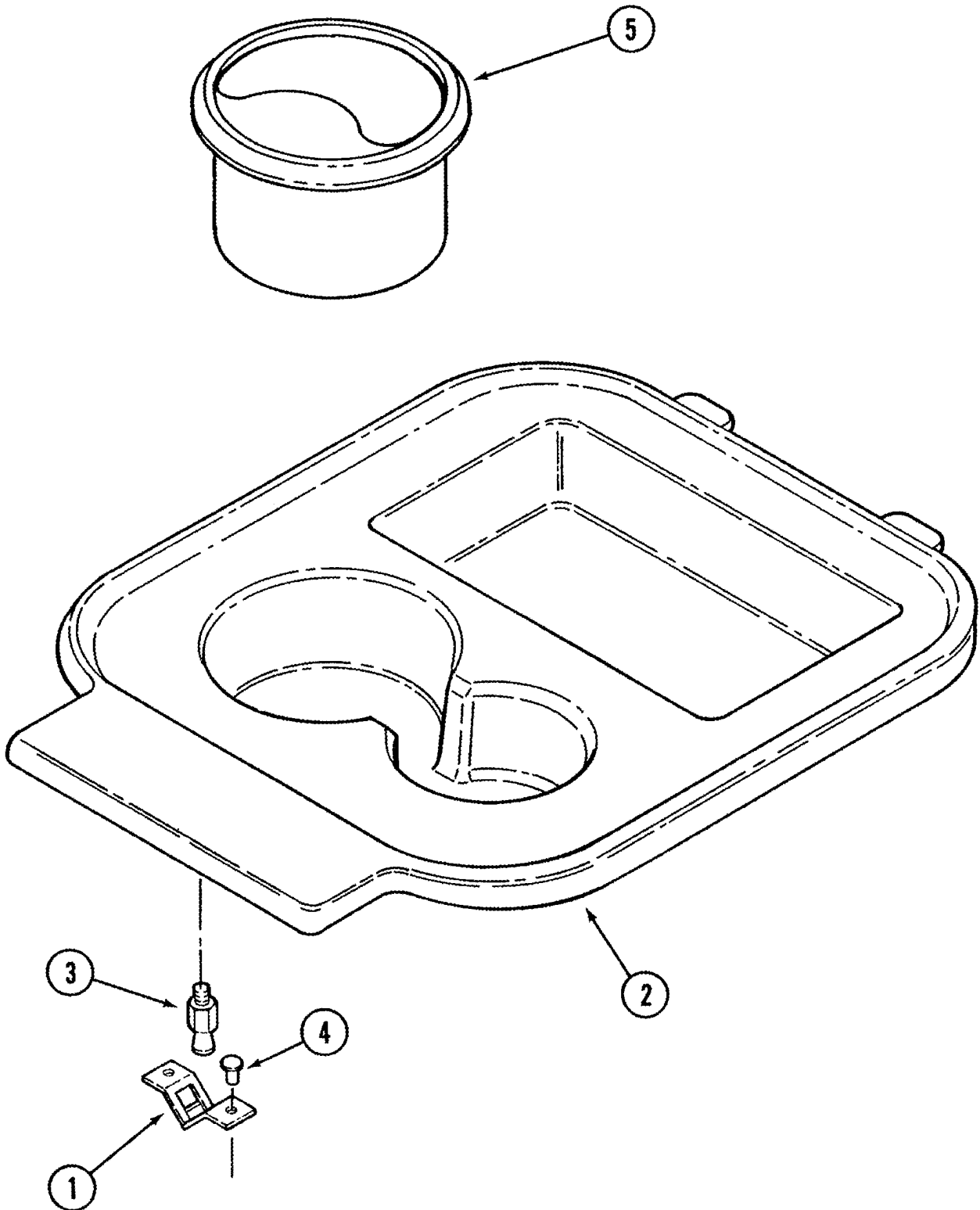
## CONSOLE - RIGHT HAND ARMREST, ELECTRIC

REF	FN	PART NUMBER	YR/SN	QTY	DESCRIPTION
	1	408021A1	BSN JEE0102001	1	HOUSING Upper, Inc. 32, 33
	2,3	417819A2	BTW JEE0102001 & JEE0106701	1	HOUSING Upper, Inc. 32, 33
	2,3	87412651	ASN JEE0106701	1	COVER ASSY Upper, with Decals, Inc. 33 & 34
32	1	414440A2	BSN JEE0102001	1	HOUSING Upper
32	2,3	414438A2	BSN JEE0106701	1	HOUSING Upper, Electronic
33	2,3	407759A1		1	DECAL Throttle / EH Levers
34	2,3	87412651	ASN JEE0106701	1	COVER ASSY Upper
35	2	277204A2		1	CUSHION Vinyl
35	3	358812A2		1	CUSHION ASSY. Leather
36		760-14316		4	SCREW M4,2 x 16
37		238291A1		1	ARMREST Lower
37	4	361350A1		1	HOUSING Lower
37	5	374990A1		1	HOUSING Lower
38	4	864-4020		6	SCREW M4 x 20
39	5	864-4016		6	SCREW M4 x 16; 8.8
40		895-11004		16	WASHER 4,3 x 9 x 0,8 mm
41		824-1404		4	NUT M4; 5
42		331649A1		1	HOLDER Cup
43		840-1412		4	SCREW M4 x 12
44		515-25190		1	CLAMP
13		627-8025		3	BOLT M8 x 25; 10.9

- (1) Standard Cab
- (2) Deluxe Cab
- (3) Luxury Cab
- (4) Without Advanced Farming Systems (AFS)
- (5) With Advanced Farming Systems (AFS)

**STX375 STX450**  
**STX425 STX500**

SEAT - NON-INSTRUCTIONAL



**09-24**

p1

12/04

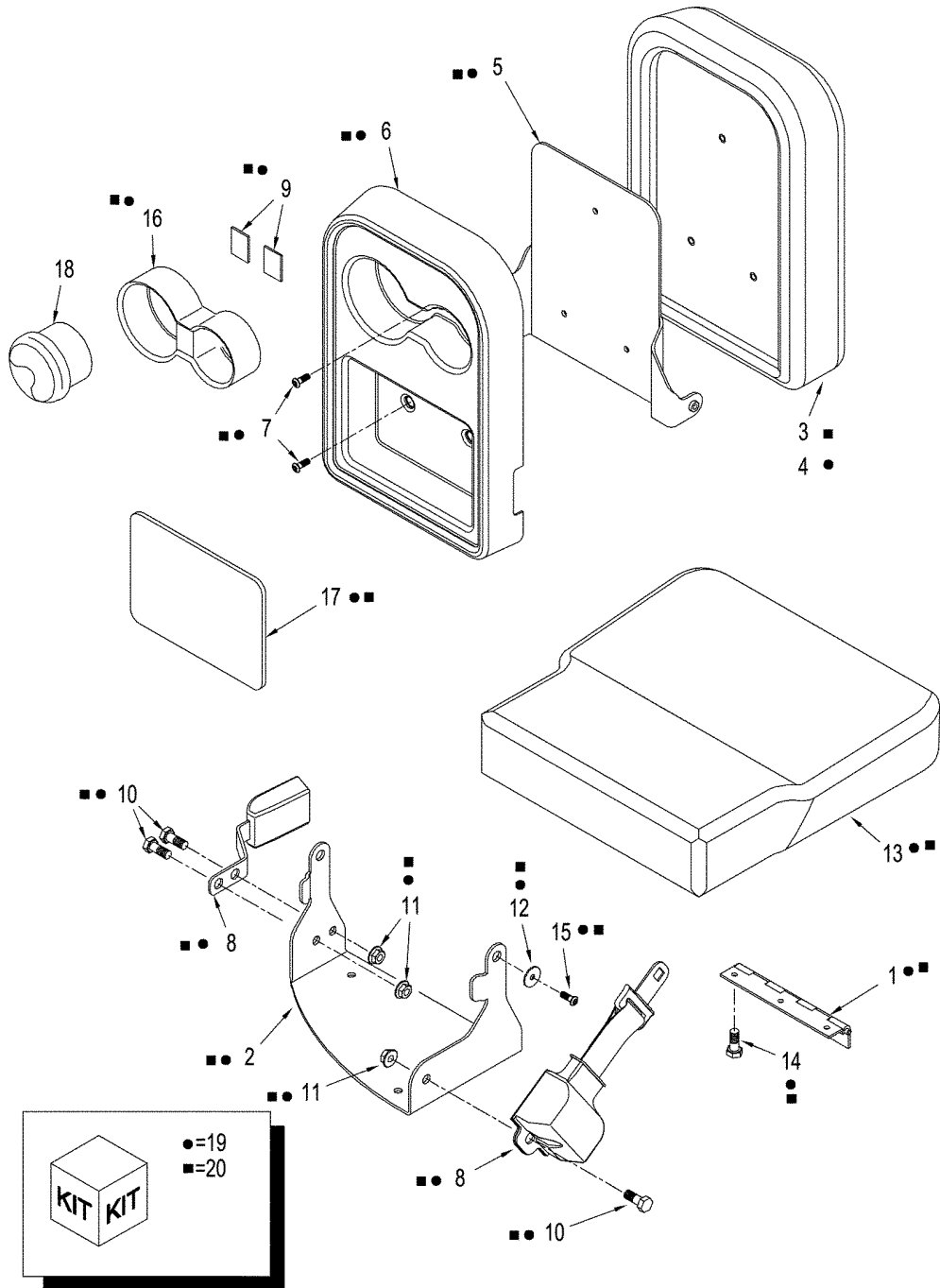
**SEAT - NON-INSTRUCTIONAL**

REF	FN	PART NUMBER	YR/SN	QTY	DESCRIPTION
1		1961435C1		1	LATCH
2		358331A1		1	TRAY
3		1977929C1		1	STUD
4		151-553		2	RIVET
5		302456A1		1	ASH TRAY If Used

**STX375 STX450  
STX425 STX500**



SEAT - INSTRUCTIONAL

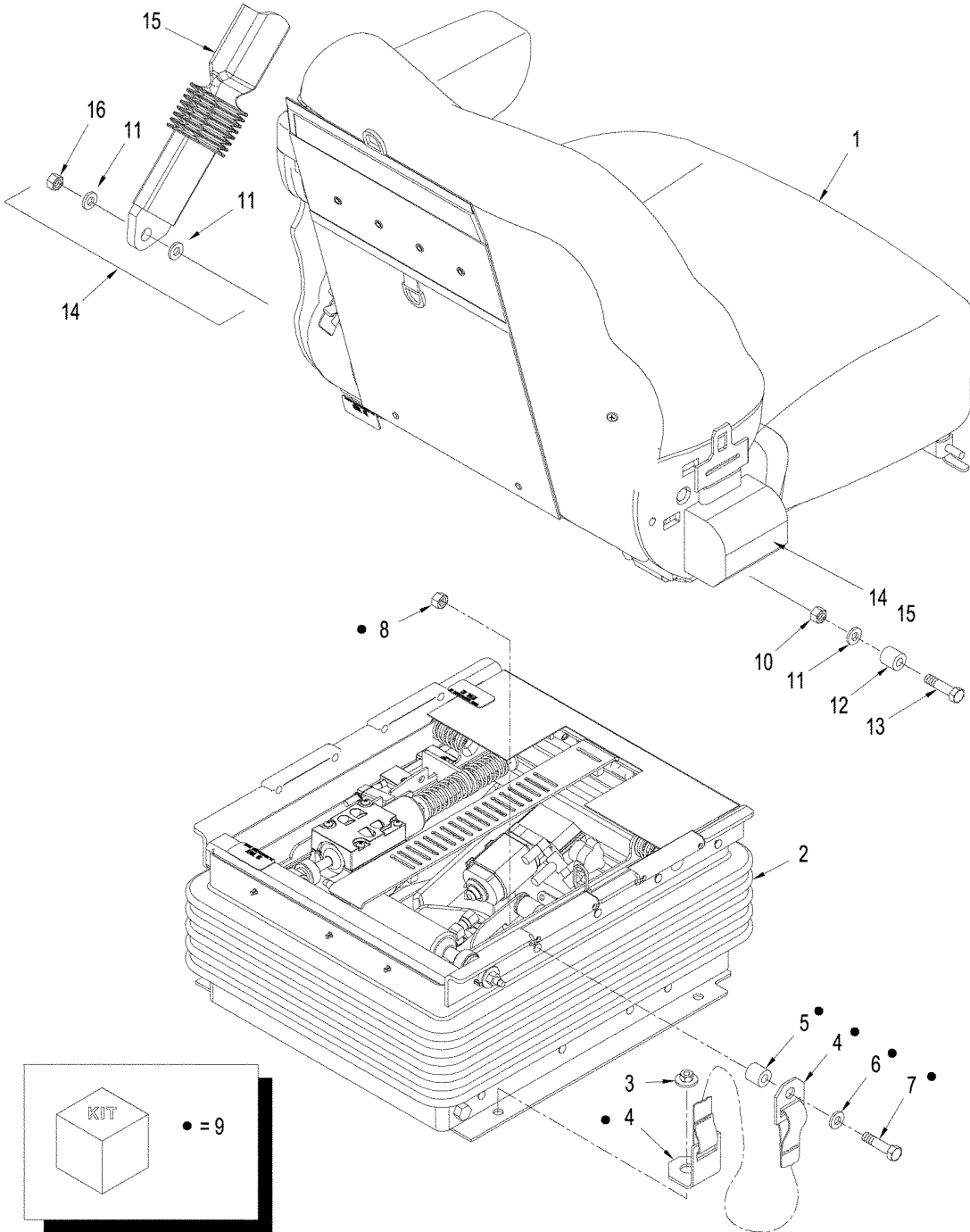


## SEAT - INSTRUCTIONAL

REF	FN	PART NUMBER	YR/SN	QTY	DESCRIPTION
1		365674A1		1	HINGE
2		249707A2		1	BRACKET
		359383A1		1	SEAT ASSY. Cloth, Inc. 3, 5 - 7
		359845A1		1	SEAT ASSY. Leather, Inc. 4 - 7
3		358341A1		1	CUSHION Seat Back, Cloth
4		359177A1		1	CUSHION Seat Back, Leather
5		252928A2		1	BRACKET
6		358330A1		1	TRAY
7		440-12510		3	SCREW 1/4 x 5/8
8		281926A2		1	BELT Seat
9		406682A1		2	FASTENER Velcro
10		627-10025		3	SCREW M10 x 25; 10.9
11		825-2410		3	NUT M10
12		895-15006		2	WASHER 6,6 x 25 x 1,6 mm
13		358340A1		1	CUSHION Seat, Cloth
13		359176A1		1	CUSHION Seat, Leather
14		426-412		3	BOLT 1/4 x 3/4; 8
15		906051R1		2	SCREW 1/4 x 3/4
16		369635A2		1	HOLDER Cup Holder
17		394828A1		1	PLATE Foam
18		302456A1		1	ASH TRAY If Used
19		365946A1		1	KIT Instructional Seat, Leather, Inc. 1, 2 & 4 - 17
20		334238A1		1	KIT Instructional Seat, Cloth, Inc. 1 - 3, 5 - 13 & 14 - 17

**STX375 STX450**  
**STX425 STX500**

SEAT



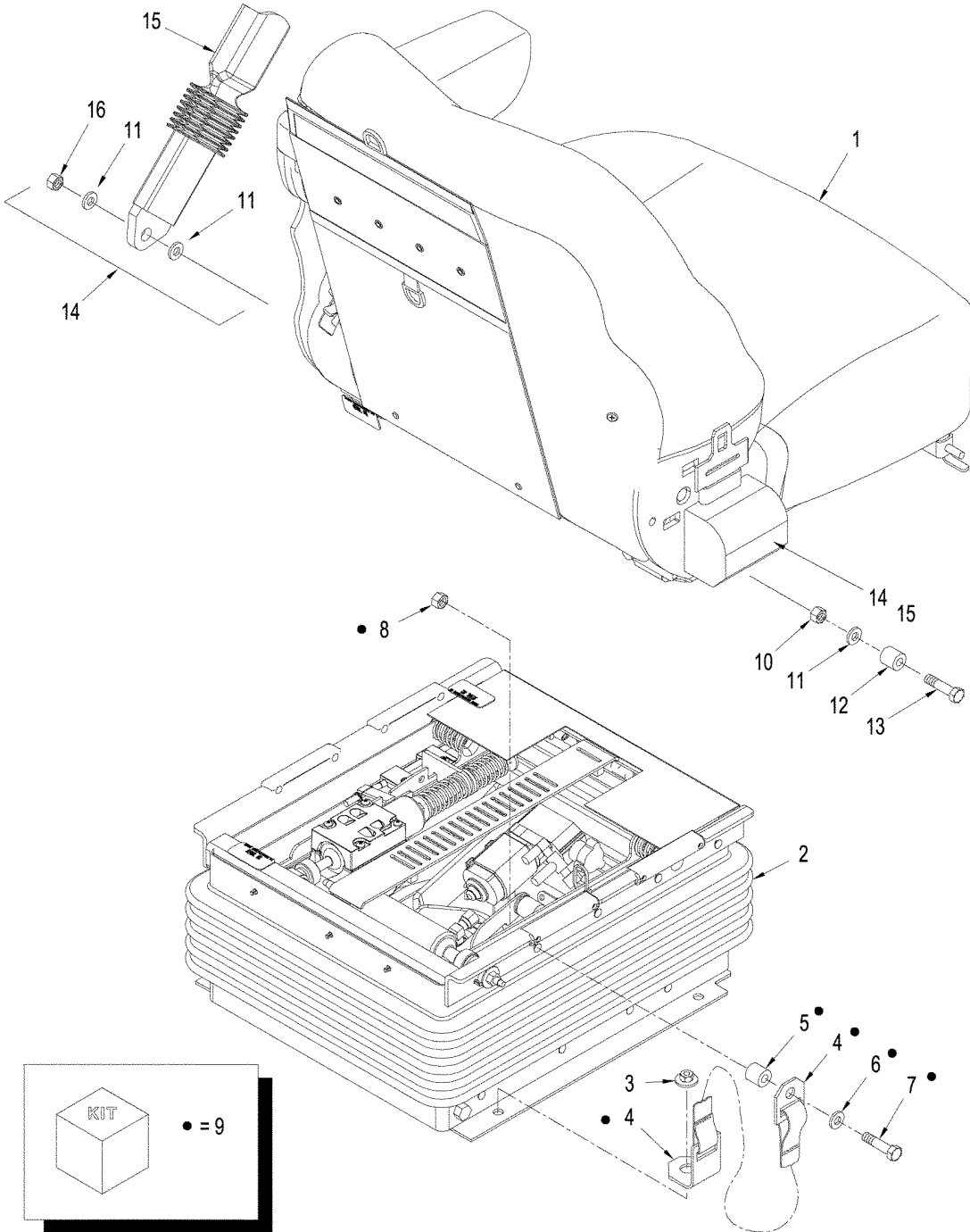
## SEAT

REF	FN	PART NUMBER	YR/SN	QTY	DESCRIPTION
		358202A2	BSN JEE0106701	1	SEAT ASSY. Cloth, without Heat, Inc. 1, 2, 14
		87453068	ASN JEE0106701	1	SEAT ASSY. Cloth, without Heat, Inc. 1, 2, 15
		397519A2	BTW JEE0102001 & JEE0106701	1	SEAT ASSY. Cloth, Heated, Inc. 1, 2, 14
		87453069	ASN JEE0106701	1	SEAT ASSY. Cloth, Heated, Inc. 1, 2, 15
		403213A2	BTW JEE0102001 & JEE0106701	1	SEAT ASSY. Cloth, Heated, Semi-Active, Inc. 1, 2, 14
		87453071	ASN JEE0106701	1	SEAT ASSY. Cloth, Heated, Semi-Active, Inc. 1, 2, 15
		358203A2	BSN JEE0102001	1	SEAT ASSY. Leather, Heated, Inc. 1, 2
		400163A2	ASN JEE0102001	1	SEAT ASSY. Leather, Heated, Semi-Active, Inc. 1, 2
1		360319A2	BSN JEE0106701	1	CUSHION ASSY. Cloth, without Heat, See Figure: 09-27
1		87347872	ASN JEE0106701	1	SEAT, BACK Cloth, without Heat, See Figure: 09-27 (01)
1		397525A1	BSN JEE0106701	1	CUSHION ASSY. Cloth, Heated, See Figure: 09-27
1		87347873	ASN JEE0106701	1	SEAT, BACK Cloth, Heated, See Figure: 09-27 (01)
1		360321A2		1	CUSHION ASSY. Leather, Heated, See Figure: 09-27
2		374353A2	BSN JEE0106701	1	PACKAGE,SERVICE Suspension, See Figure: 09-28 (01)
2		87347885	ASN JEE0106701	1	KIT, SERVICE Suspension, See Figure: 09-28 (01)
2		400184A1	BTW JEE0102001 & JEE0106701	1	KIT Suspension, Semi-Active, See Figure: 09-28 (02)
2		87347886	ASN JEE0106701	1	SUSPENSION Semi-Active, See Figure: 09-28 (02)
3		825-2408		4	NUT M8; 8
4	1	389277A1		2	BELT Seat, Tether
5	1	NSS		2	NOT SERVICED SEPARATELY Spacer
6		496-31041		2	WASHER 3/8" ID x 7/8" OD
7		426-636		2	BOLT Cap, HH, 3/8 x 2-1/2
8		231-4246		2	NUT 3/8
9	1	87431487		1	KIT, FIP Tether Belt
10		829-1312		1	NUT M12, CL10
11		896-11012		3	WASHER .500" x 1.250" x .08" Thk
12		87313413		1	TUBE SPACER Steel, .875" x .50"
13		806-12040		1	SCREW Cap, HH, M12 x 40, CL10,9

(1) Scraper Application

**STX375 STX450**  
**STX425 STX500**

SEAT



**09-26**

p2

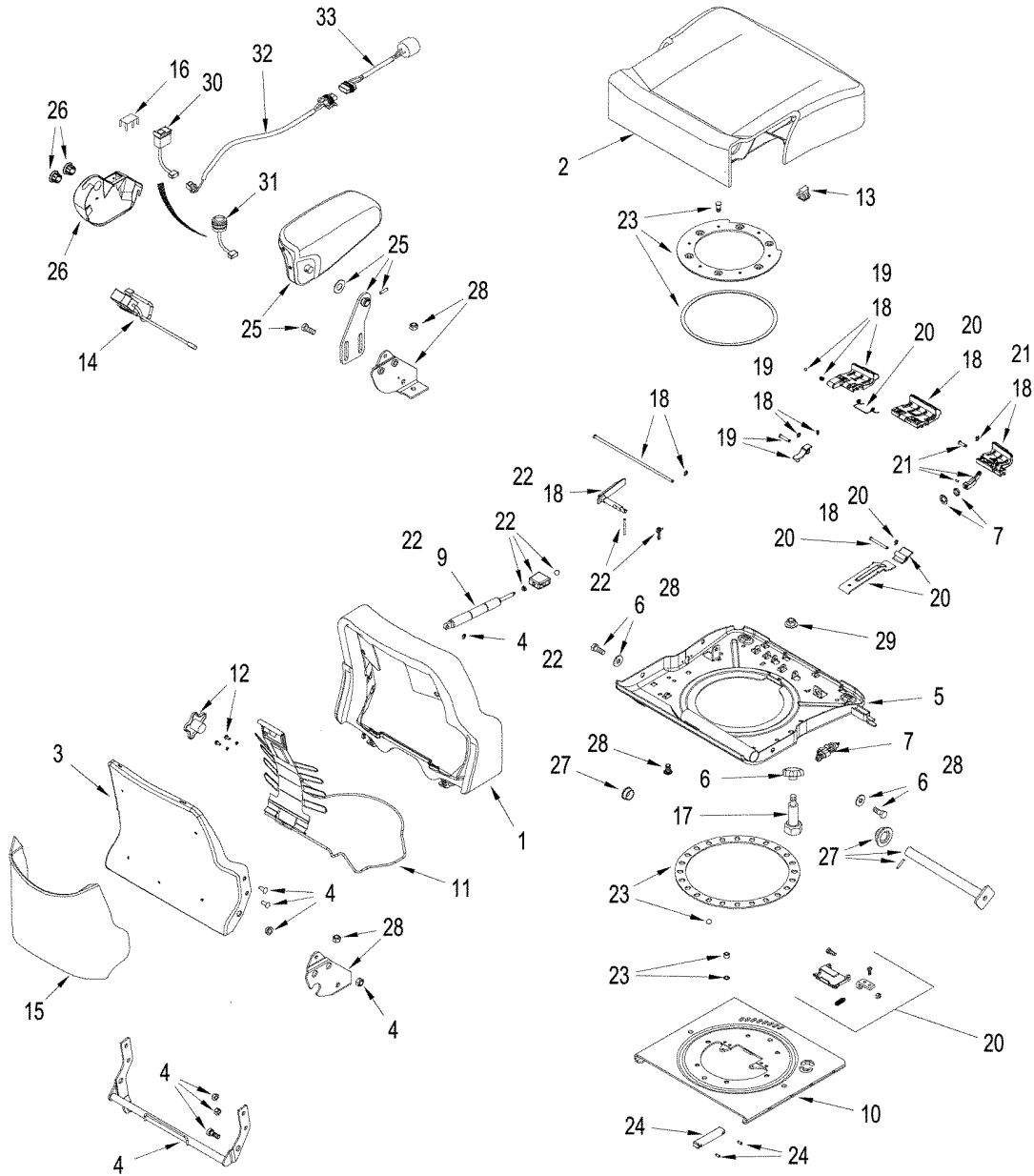
11/05

**SEAT**

<b>REF</b>	<b>FN</b>	<b>PART NUMBER</b>	<b>YR/SN</b>	<b>QTY</b>	<b>DESCRIPTION</b>
14		333657A2	BSN JEE0106701	1	BELT, SAFETY
15		444877A1	ASN JEE0106701	1	SEAT BELT
16		806-12030		1	SCREW Cap, HH, M12 x 30, CL10.9

**STX375 STX450**  
**STX425 STX500**

SEAT - CUSHION ASSEMBLY, BSN JEE0106701



## SEAT - CUSHION ASSEMBLY, BSN JEE0106701

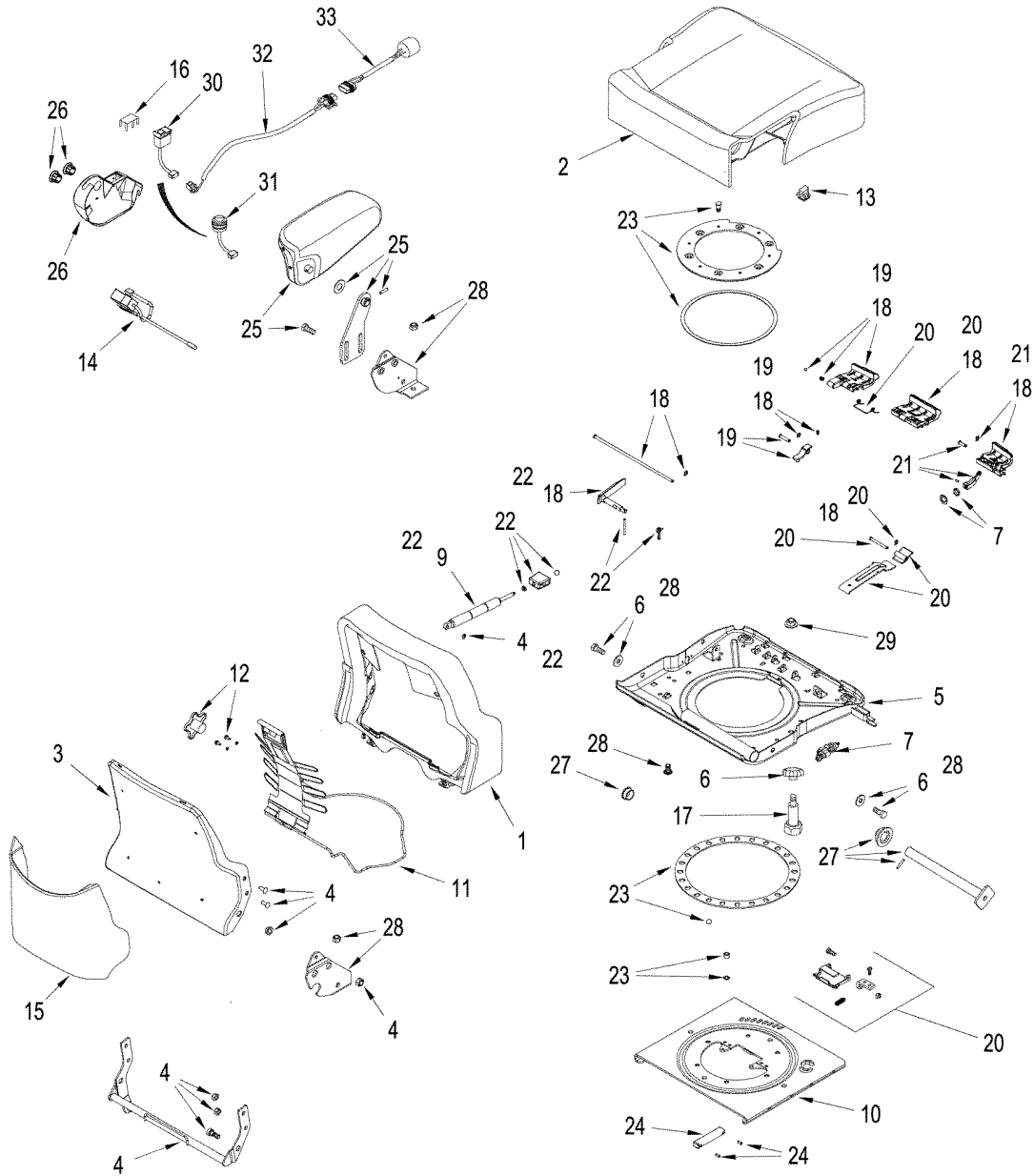
REF	FN	PART NUMBER	YR/SN	QTY	DESCRIPTION
		360319A2		1	CUSHION ASSY. Cloth, Without Heat, Inc. 1 - 29
		397525A1		1	CUSHION ASSY. Cloth, Heated, Inc. 1 - 25, 27 - 32
		360321A2		1	CUSHION ASSY. Leather, Heated, Inc. 1 - 15, 17 - 32
1		360329A1		1	BACKREST
1		397528A1	BSN JEE0102001	1	BACKREST
1		87407044	ASN JEE0102001	1	BACKREST
1		360327A1	BSN JEE0102001	1	BACKREST Leather
1		87407042	ASN JEE0102001	1	BACKREST Leather
2		360328A2		1	CUSHION ASSY. Cloth, Without Heat
2		397527A1	BSN JEE0102001	1	CUSHION ASSY. Cloth, Heated
2		87407045	ASN JEE0102001	1	CUSHION ASSY. Cloth, Heated
2		360326A1	BSN JEE0102001	1	CUSHION ASSY. Leather, Heated
2		87407043	ASN JEE0102001	1	CUSHION ASSY. Leather, Heated
3		302005A1		1	PANEL Backrest, Cloth Seat
3		375198A1		1	BACKREST Leather Seat
4		359959A1		1	TUBE Torque
5		375224A2		1	PAN
6		830-1110		1	NUT M10
7		1981852C3		1	SWITCH Air Control
9		302004A2		1	SHOCK ABSORBER Gas Strut
10		302001A1		1	PLATE Swivel
11		333104A2		1	SUPPORT Lumbar, Inc. 12
12		374387A1		1	PACKAGE,SERVICE Lumbar
13		333107A1		1	SWITCH Operators Presence, Semi-Active Seat
14		302011A1	BSN JEE0102001	1	HARNESS Temperature
14		87407046	ASN JEE0102001	1	HARNESS Temperature, Semi-Active Seat
15		333108A2		1	CASE Backrest, Cloth Seat
15		374388A1		1	PACKAGE,SERVICE Backrest, Leather Seat
16		374361A1	BSN JEE0102001	1	BLANK-OFF PLUG w/o Heater
16		375200A1	ASN JEE0102001	1	PLUG w/o Heater
17		561-707		1	SCREW Shoulder, M10 x 30
18		373463A1		1	PACKAGE,SERVICE Seat Knob
19		373464A1		1	PACKAGE,SERVICE Swivel Control
20		373465A1		1	PACKAGE,SERVICE Slide Control
21		373466A1		1	PACKAGE,SERVICE Height Control

See page 9-77 for decals.

**STX375 STX450**  
**STX425 STX500**



SEAT - CUSHION ASSEMBLY, BSN JEE0106701



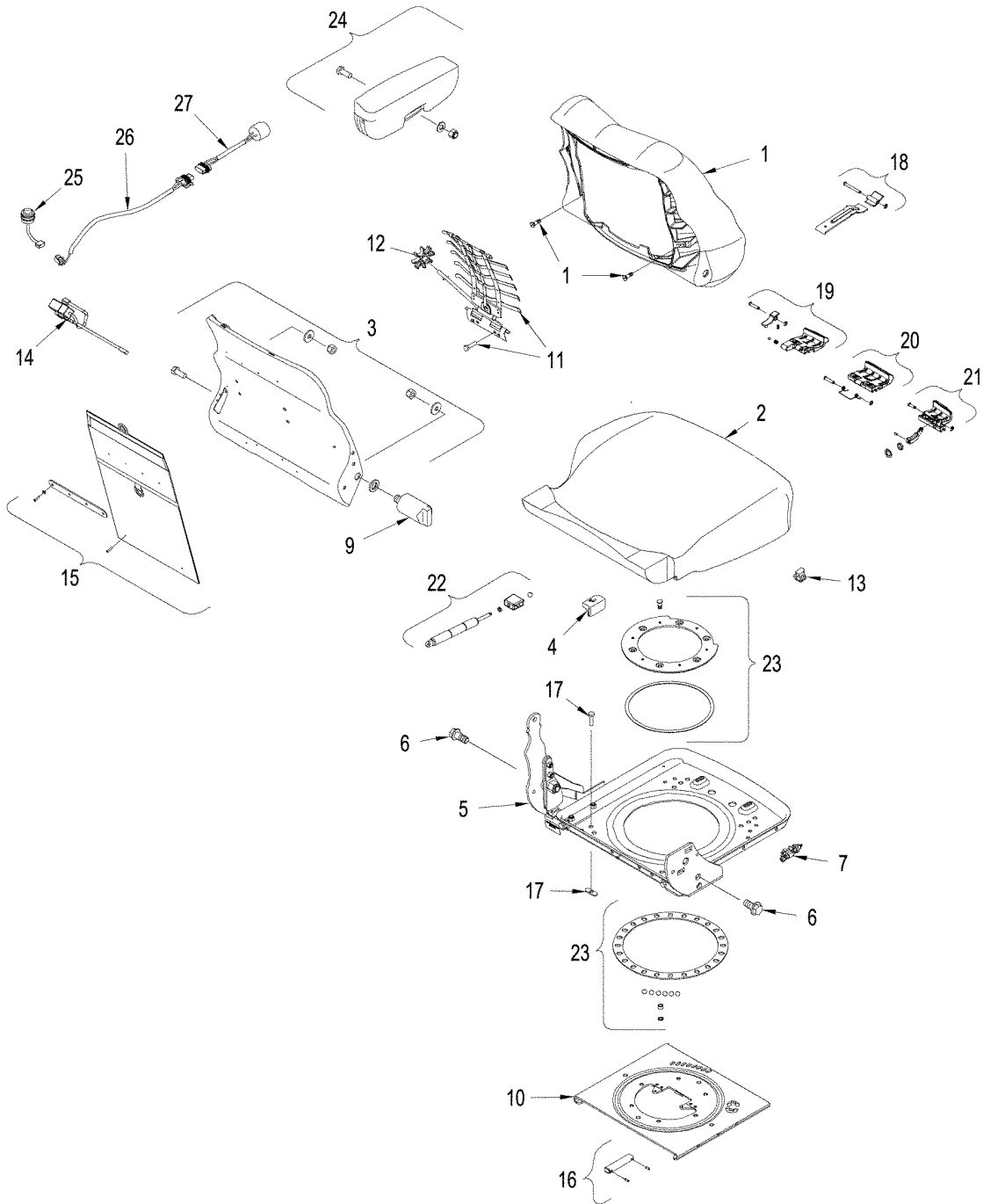
## SEAT - CUSHION ASSEMBLY, BSN JEE0106701

REF	FN	PART NUMBER	YR/SN	QTY	DESCRIPTION
22		87331275		1	PACKAGE,SERVICE Recliner Control
23		391414A1		1	PACKAGE,SERVICE Swivel
24		302016A1		1	PACKAGE,SERVICE Slide Pucks
25		361044A1		1	PACKAGE,SERVICE Armrest, Left-Hand, Cloth
25		373468A1		1	PACKAGE,SERVICE Armrest, Left-Hand, Leather
26		374386A1	BSN JEE0102001	1	PACKAGE,SERVICE Heater Switch Cover
26		389718A1	ASN JEE0102001	1	KIT Heater Switch Cover
27		359951A1		1	PACKAGE,SERVICE Console Mount
28		359950A1		1	PACKAGE,SERVICE Side Brackets
29		825-2410		1	NUT M10;8
		383593A1		1	HARNES Heater, Complete, Inc. 30 - 32
30		381151A1	BSN JEE0102001	1	SWITCH Heater Control, Rectangular Rocker
31		87407048	ASN JEE0102001	1	SWITCH Heater, Semi-Active Seat, Round Rocker
32		381152A1		1	HARNES Heater, Center Section
33		381201A1		1	HARNES Heater, Resistor

See page 9-77 for decals.

**STX375 STX450**  
**STX425 STX500**

SEAT - CUSHION ASSEMBLY, ASN JEE0106701



09-27

01

p1

11/05

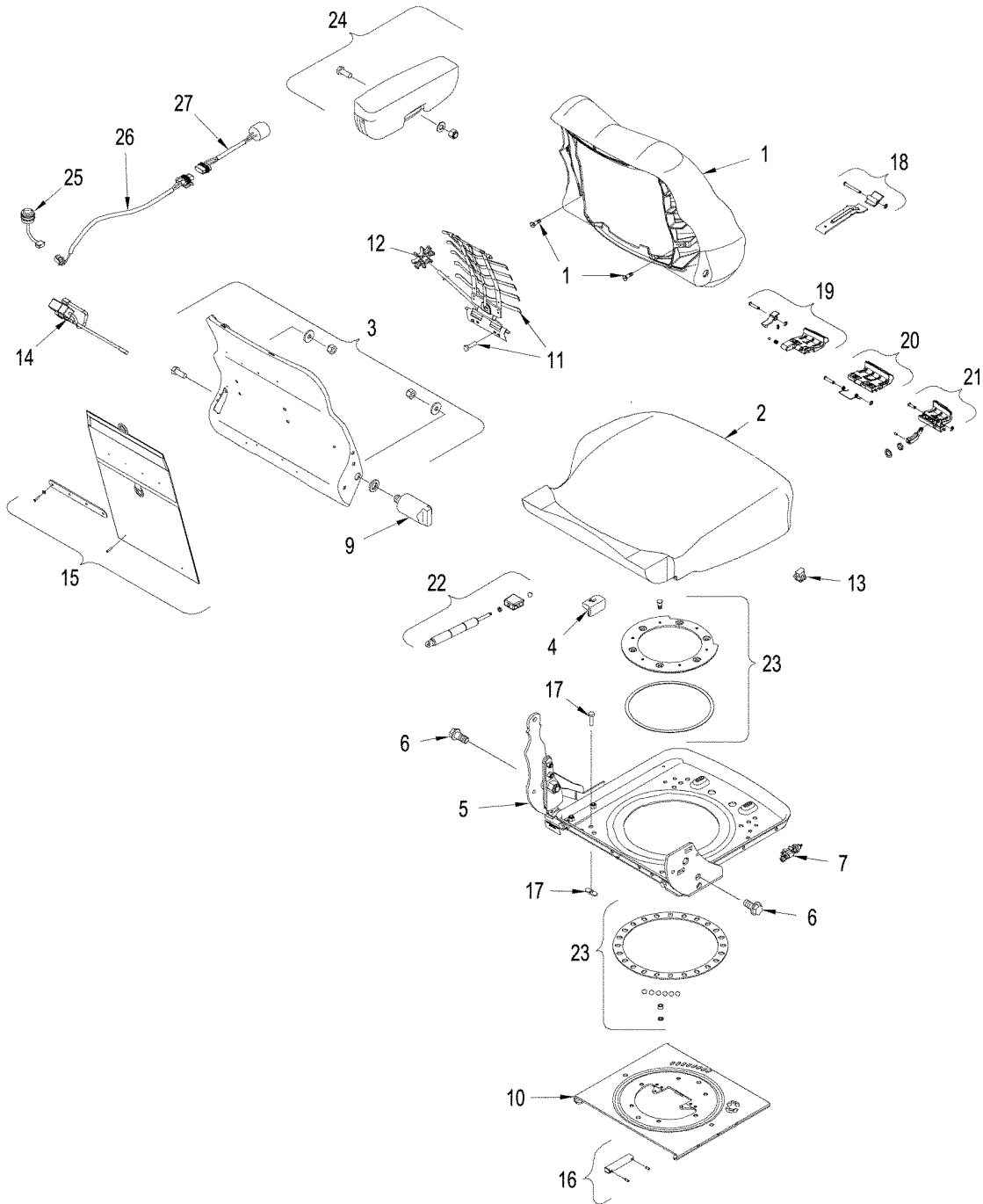
## SEAT - CUSHION ASSEMBLY, ASN JEE0106701

REF	FN	PART NUMBER	YR/SN	QTY	DESCRIPTION
		87347872		1	SEAT, BACK Cloth, Without Heat, Inc. 3, 5
		87347873		1	SEAT, BACK Cloth, Heated, Inc. 3, 5
		360321A2		1	CUSHION ASSY. Leather, Heated, Inc. 1 - 14, 16 - 23, 24 - 27
1		373476A1		1	CUSHION Backrest, Cloth, without Heat
1		87347895		1	SEAT, BACK Backrest, Cloth, Heated
1		87407042		1	BACKREST Leather
2		87347893		1	CUSHION, SEAT Cloth, Without Heat
2		87347894		1	CUSHION, SEAT Cloth, Heated
2		87407043		1	CUSHION ASSY. Leather, Heated
3		86994155		1	ASSEMBLY Backrest Panel
4		87416475		1	KNOB Recline Control
5		NSS		1	NOT SERVICED SEPARATELY Pan, Seat
6		830-1110		1	NUT M12
7		1981852C3		1	SWITCH Air Control
9		359951A1		1	PACKAGE,SERVICE Console Mount
10		87347956		1	KIT, SERVICE Swivel
11		87308130		1	SEAT BACK ADJUST. DEVICE Lumbar, Inc. 12
12		87037462		1	SEAT BACK ADJUST. DEVICE Lumbar Knob
13		87347958		1	KIT, SERVICE Operators Presence, Semi-Active Seat
14		87407046		1	HARNESS Temperature, Semi-Active Seat
15		87432355		1	POCKET Backrest, Cloth Seat
16		302016A1		1	PACKAGE,SERVICE Slide Pucks
17		561-707		1	SCREW Shoulder, M10 x 30
18		87347934		1	LATCH Seat Slide
19		87347942		1	KIT, SERVICE Swivel Control
20		87347941		1	KIT, SERVICE Fore / Aft Slide Control
21		373466A1		1	PACKAGE,SERVICE Height Control
22		86994165		1	SEAT ACCESSORY Recliner Control
23		87347936		1	KIT, SERVICE Swivel
24		87347939		1	KIT, SERVICE Armrest, Left-Hand, Cloth, without Heat
24		86994250		1	ASSEMBLY Armrest, Left-Hand, Cloth, Heated
24		373468A1		1	PACKAGE,SERVICE Armrest, Left-Hand, Leather

See page 9-77 for decals.

**STX375 STX450**  
**STX425 STX500**

SEAT - CUSHION ASSEMBLY, ASN JEE0106701



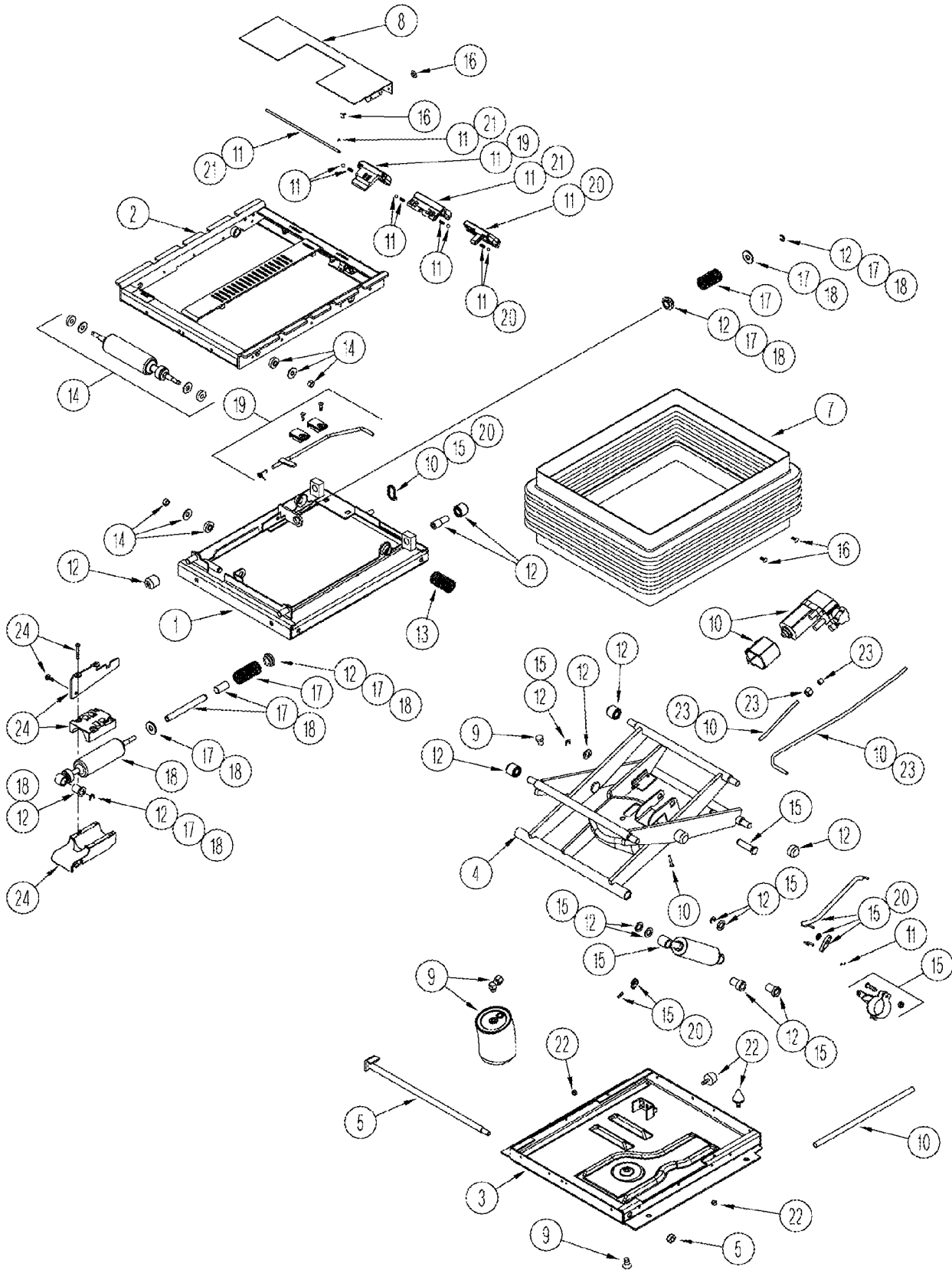
**SEAT - CUSHION ASSEMBLY, ASN JEE0106701**

REF	FN	PART NUMBER	YR/SN	QTY	DESCRIPTION
25		87407048		1	SWITCH Heater, Semi-Active Seat, Round Rocker
26		381152A1		1	HARNESS Heater, Center Section
27		381201A1		1	HARNESS Heater, Resistor

See page 9-77 for decals.

**STX375 STX450**  
**STX425 STX500**

SEAT - SUSPENSION ASSEMBLY



**09-28**

01

p1

11/05

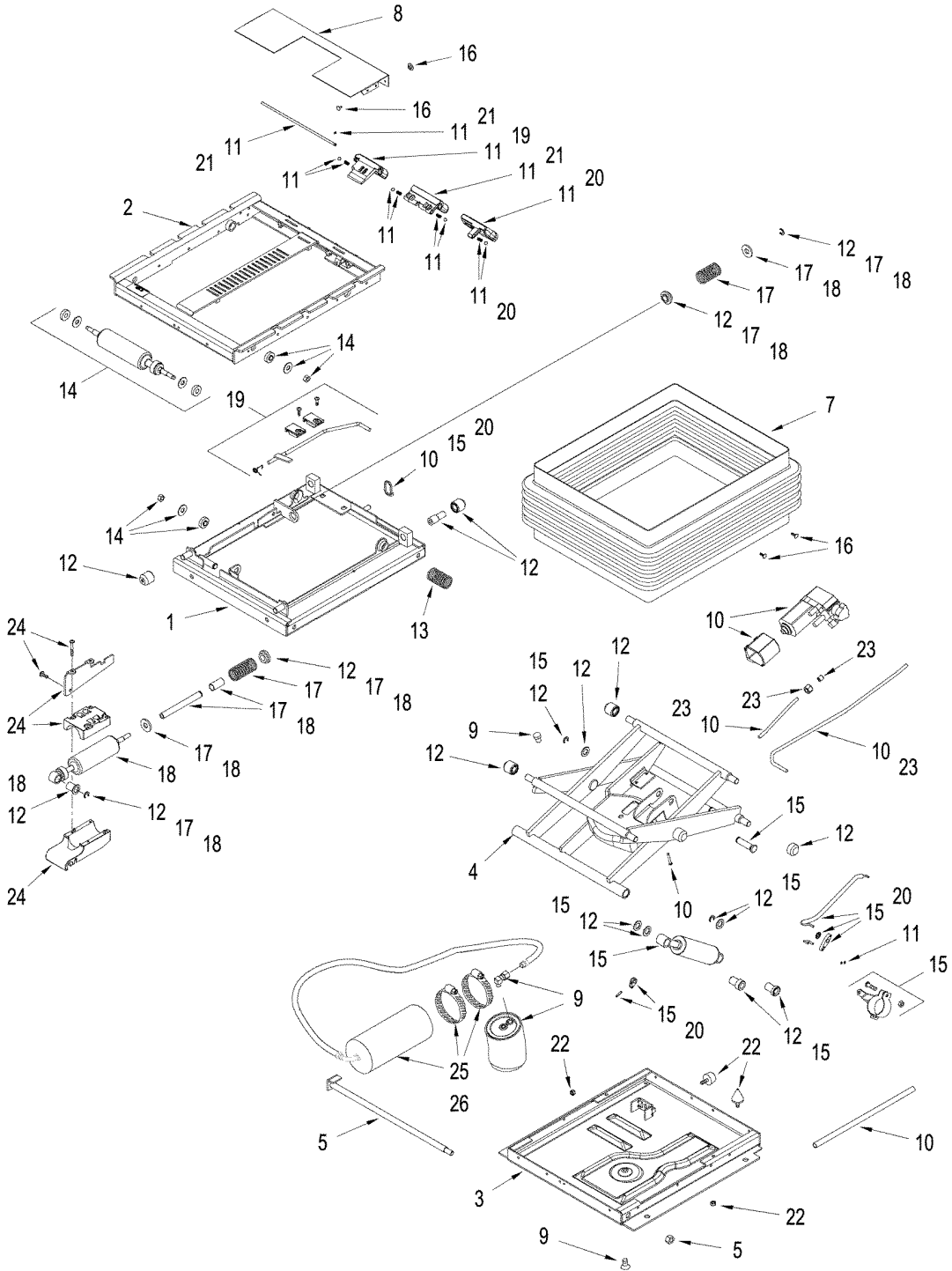
**SEAT - SUSPENSION ASSEMBLY**

REF	FN	PART NUMBER	YR/SN	QTY	DESCRIPTION
		374353A2	BSN JEE0106701	1	PACKAGE,SERVICE Inc. 1 - 24
		87347885	ASN JEE0106701	1	KIT, SERVICE Inc. 1 - 24
1		333273A1		1	HOUSING Upper
2		333274A2		1	ISOLATOR Lateral Track
3		333275A1		1	HOUSING Lower
4		333276A1		1	ARM
5		302033A1		1	SHAFT
6		302027A1	BSN JEE0106701	1	HARNESSE Suspension, Not Illustrated
6		87347944	ASN JEE0106701	1	KIT, SERVICE Harness, Suspension, Not Illustrated
7		333278A1	BSN JEE0106701	1	BOOT
8		302029A2		1	PLATE
9		333279A2		1	KIT Air Spring
10		333280A1	BSN JEE0106701	1	PACKAGE,SERVICE Air Compressor
10		87347951		1	KIT, SERVICE Air Compressor
11		373469A1		1	PACKAGE,SERVICE Suspension Knob
12		333283A2		1	PACKAGE,SERVICE Suspension Bearing And Rollers
13		333284A1		1	PACKAGE,SERVICE Lateral Isolator Spring
14		333285A1		1	PACKAGE,SERVICE Lateral Isolator Shock Absorber
15		333286A1	BSN JEE0106701	1	PACKAGE,SERVICE Suspension Shock Absorber
15		87347950	ASN JEE0106701	1	SUSPENSION Shock Absorber
16		333659A1		1	PACKAGE,SERVICE Boot Pin
17		333287A2		1	PACKAGE,SERVICE Fore and Aft Isolator Spring
18		333288A2		1	PACKAGE,SERVICE Fore and Aft Shock Absorber
19		373470A2		1	PACKAGE,SERVICE Fore and Aft Isolator Control
20		373472A1		1	PACKAGE,SERVICE Suspension Shock Absorber Control
21		373473A1		1	PACKAGE,SERVICE Lateral Isolator Control
22		333295A1		1	PACKAGE,SERVICE Suspension Bumper
23		333660A1	BSN JEE0106701	1	PACKAGE,SERVICE Suspension Shock Cable
23		87347955	ASN JEE0106701	1	CABLE Suspension Shock
24		333296A1		1	PACKAGE,SERVICE Fore and Aft Isolator Shock Block

**STX375 STX450**  
**STX425 STX500**



SEMI ACTIVE SUSPENSION ASSEMBLY - SEAT, ASN JEE0102001

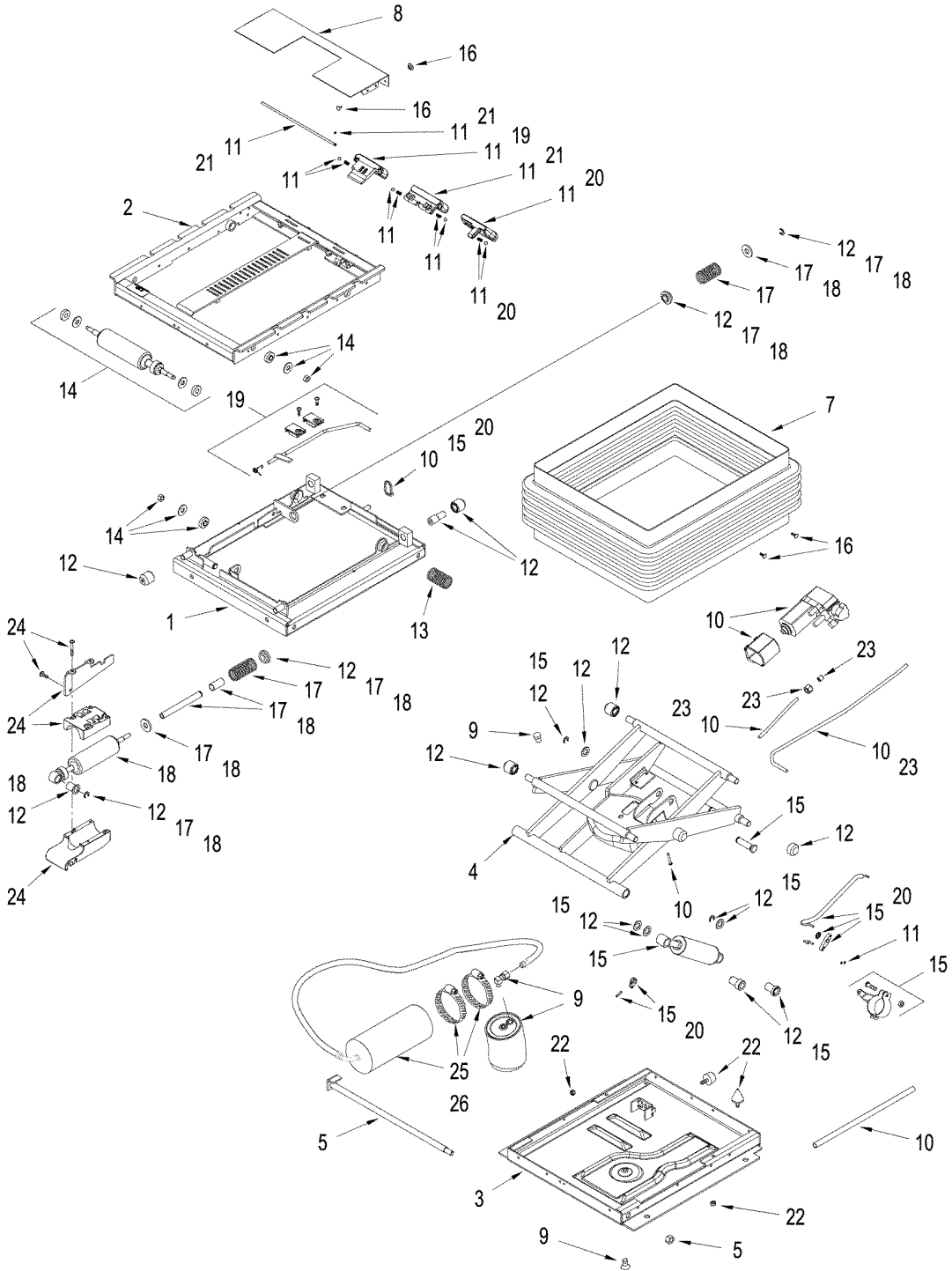


## SEMI ACTIVE SUSPENSION ASSEMBLY - SEAT, ASN JEE0102001

REF	FN	PART NUMBER	YR/SN	QTY	DESCRIPTION
		400184A1	BSN JEE0106701	1	KIT Suspension, Inc. 1 - 25
		87347886	ASN JEE0106701	1	SUSPENSION Inc. 1 - 26
1		333273A1		1	HOUSING Upper
2		333274A2		1	ISOLATOR Lateral Isolator
3		86994256		1	HOUSING Lower
4		86994258		1	ARM Suspension
5		302033A1		1	SHAFT
6		86994269	BSN JEE0106701	1	HARNESS, WIRE Suspension, Not Illustrated
6		87347944	ASN JEE0106701	1	KIT, SERVICE Harness, Suspension, Not Illustrated
7		333278A1	BSN JEE0106701	1	BOOT
7		87347943	ASN JEE0106701	1	KIT, SERVICE Boot
8		302029A2		1	PLATE Cover
9		86994203	BSN JEE0106701	1	KIT, SERVICE Air Spring
9		333279A2	ASN JEE0106701	1	KIT Air Spring
10		87407038	BSN JEE0106701	1	KIT, SERVICE Air Compressor
10		87347952	ASN JEE0106701	1	KIT, SERVICE Air Compressor
11		87407047		1	KIT, SERVICE Suspension Knobs
12		333283A2		1	PACKAGE, SERVICE Suspension Bearing and Rollers
13		333284A1		1	PACKAGE, SERVICE Lateral Isolator Spring
14		333285A1		1	PACKAGE, SERVICE Lateral Isolator Shock Absorber
15		86994260		1	KIT, SERVICE Suspension Shock
16		333659A1		1	PACKAGE, SERVICE Boot Pin
17		333287A2		1	PACKAGE, SERVICE Fore and Aft Isolator Spring
18		333288A2		1	PACKAGE, SERVICE Fore and Aft Shock Absorber
19		373470A2		1	PACKAGE, SERVICE Fore and Aft Isolator Control
20		87440465	BSN JEE0106701	1	KIT, SERVICE Shock Absorber Control
20		87347953	ASN JEE0106701	1	KIT, SERVICE Shock Absorber Control
21		373473A1		1	PACKAGE, SERVICE Lateral Isolator Control
22		333295A1		1	PACKAGE, SERVICE Suspension Bumper
23		374359A1		1	PACKAGE, SERVICE Suspension Shock Cable, Not Illustrated
24		333296A1		1	PACKAGE, SERVICE Fore and Aft Isolator Shock Block
25		87435206	BSN JEE0106701	1	KIT Air Tank

**STX375 STX450**  
**STX425 STX500**

SEMI ACTIVE SUSPENSION ASSEMBLY - SEAT, ASN JEE0102001

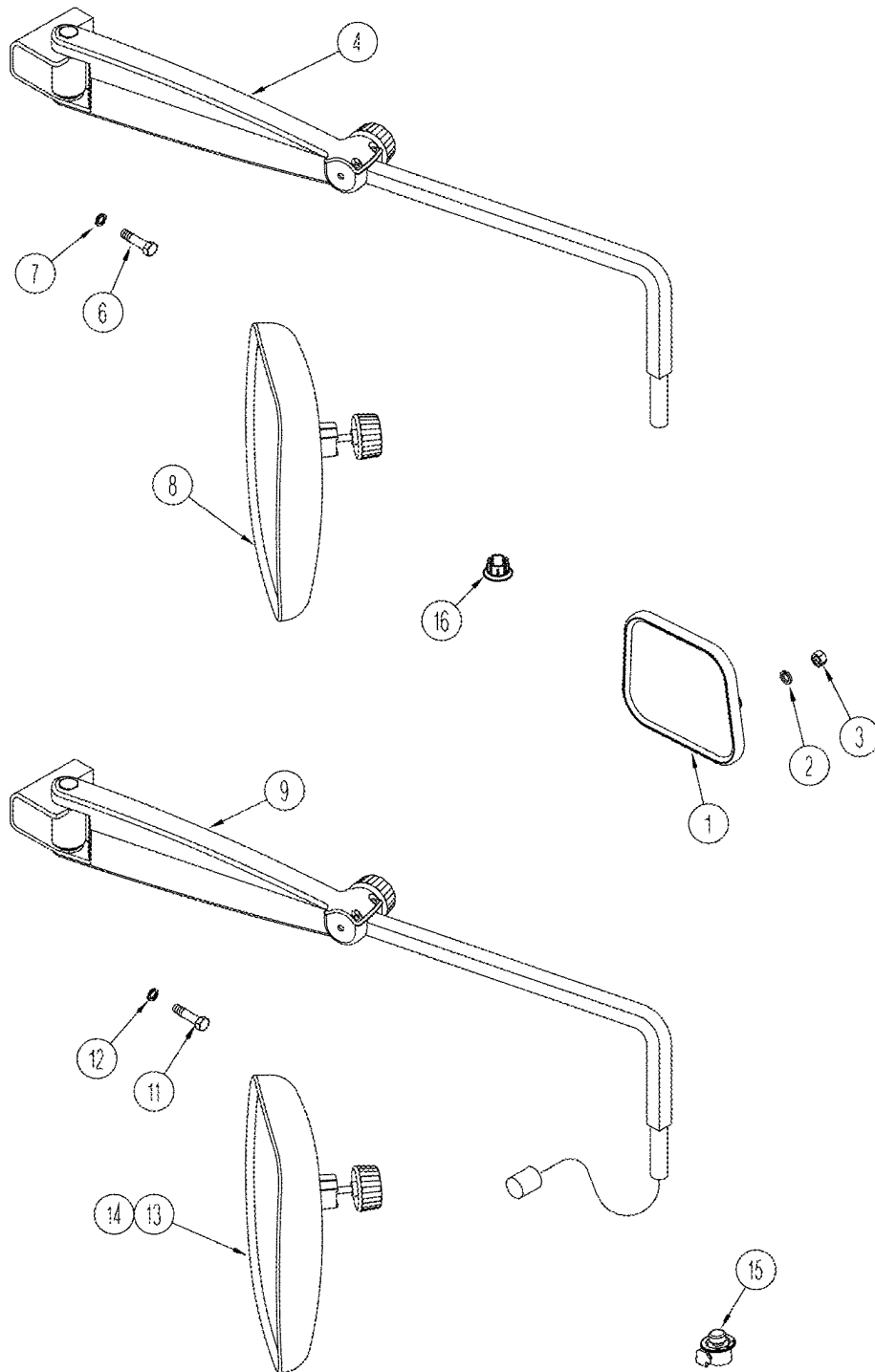


**SEMI ACTIVE SUSPENSION ASSEMBLY - SEAT, ASN JEE0102001**

REF	FN	PART NUMBER	YR/SN	QTY	DESCRIPTION
25		87347960	ASN JEE0106701	1	KIT, SERVICE Air Tank Hose
26		86994268	ASN JEE0106701	1	KIT, SERVICE Tank, Air

	<b>STX375 STX450</b> <b>STX425 STX500</b>
--	--

MIRRORS

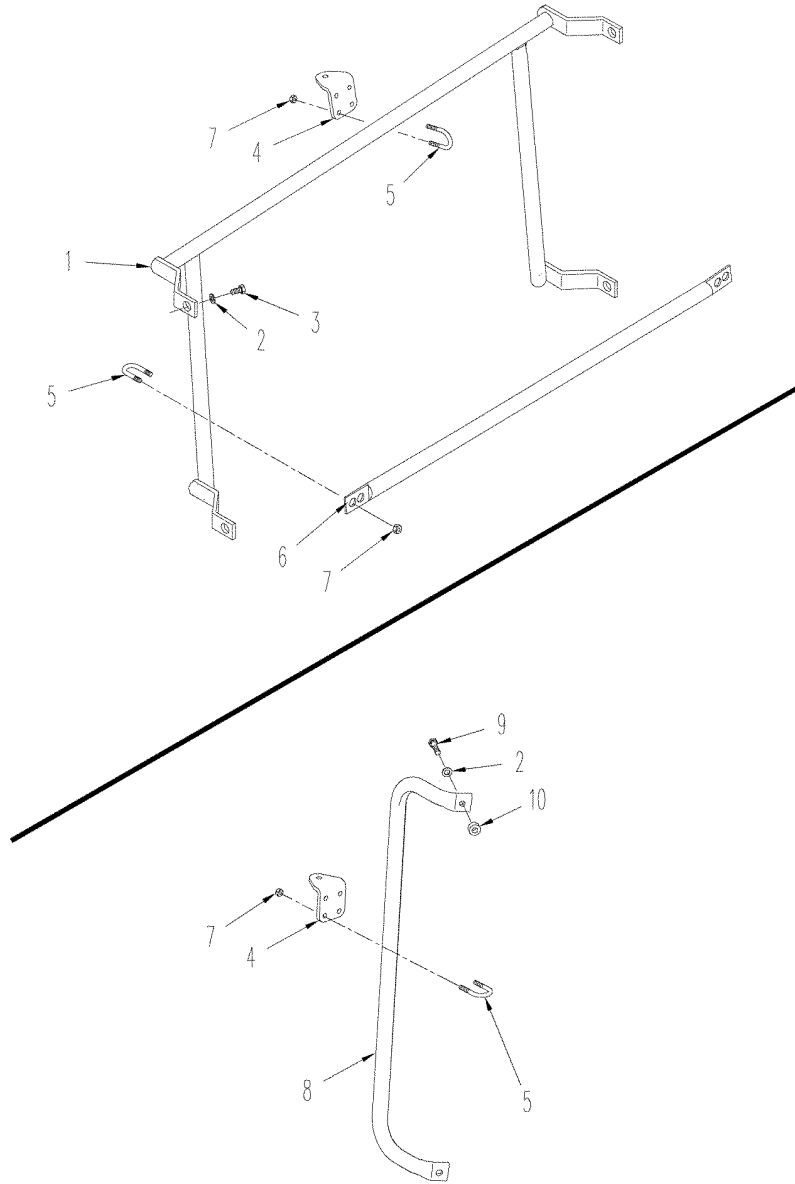


## MIRRORS

REF	FN	PART NUMBER	YR/SN	QTY	DESCRIPTION
1		A177462		1	MIRROR Interior, Inc. 2, 3
2		493-41026		1	WASHER 1/4
3		19-5565		1	NUT 1/4 NF
4		313139A1		1	ARM Right-Hand, Manual
5		313140A1		1	ARM Left-Hand, Manual, Not Illustrated
6		514-865		4	BOLT M12 x 80; 10.9
7		896-19012		4	WASHER 13,5 x 24 x 3 mm
8		365414A1		2	MIRROR Manual
9		313141A1		1	ARM Right-Hand, Electric
10		313142A1		1	ARM Left-Hand, Electric, Not Illustrated
11		514-865		4	BOLT M12 x 80; 10.9
12		896-19012		4	WASHER 13,5 x 24 x 3 mm
13		360580A1		2	MIRROR Electric, Inc. 14
14		324437A1		1	MIRROR, REPLACEMENT Glass
15		280627A1		1	SWITCH
16		280628A1		1	PLUG Mirror Switch, Manual Mirror

**STX375 STX450**  
**STX425 STX500**

MONITOR MOUNTING



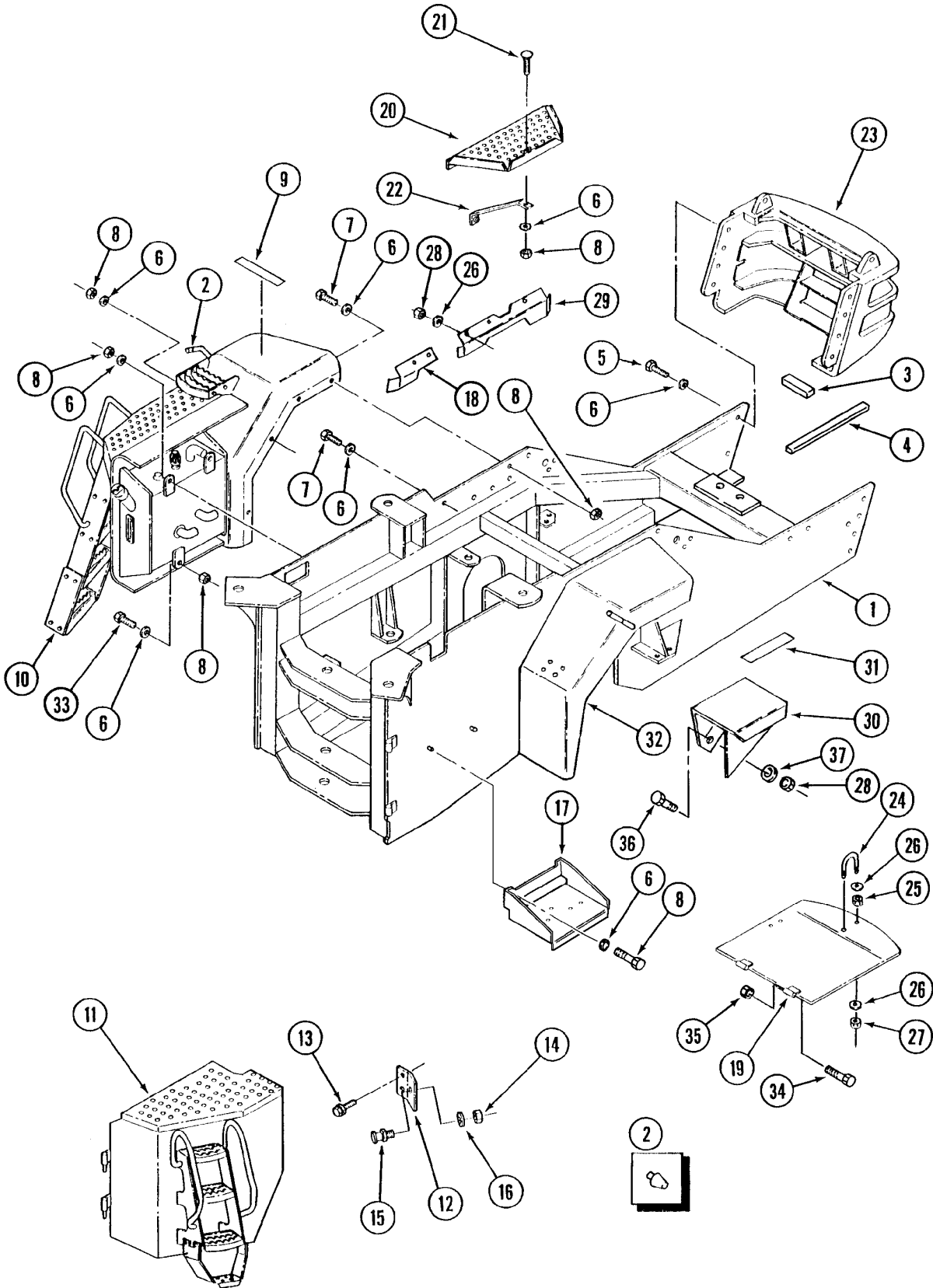
## MONITOR MOUNTING

REF	FN	PART NUMBER	YR/SN	QTY	DESCRIPTION
1		409391A1		1	BRACKET Monitor, Right-Hand Window
2		895-11008		6	WASHER 9 x 17 x 1,6 mm
4		372455A1		3	BRACKET Angle
5		19-6258		4	U-BOLT 1/4 in, Inc. Nut
6		443908A1		1	TUBE
7		425-104		12	NUT 1/4
8		369275A1		1	TUBE Monitor
9		827-8040		2	SCREW M8 x 40; 10.9
10		371838A1		2	SPACER
3		627-8025		4	BOLT M8 x 25; 10.9

**STX375 STX450**  
**STX425 STX500**



FRONT FRAME, WHEEL TRACTOR

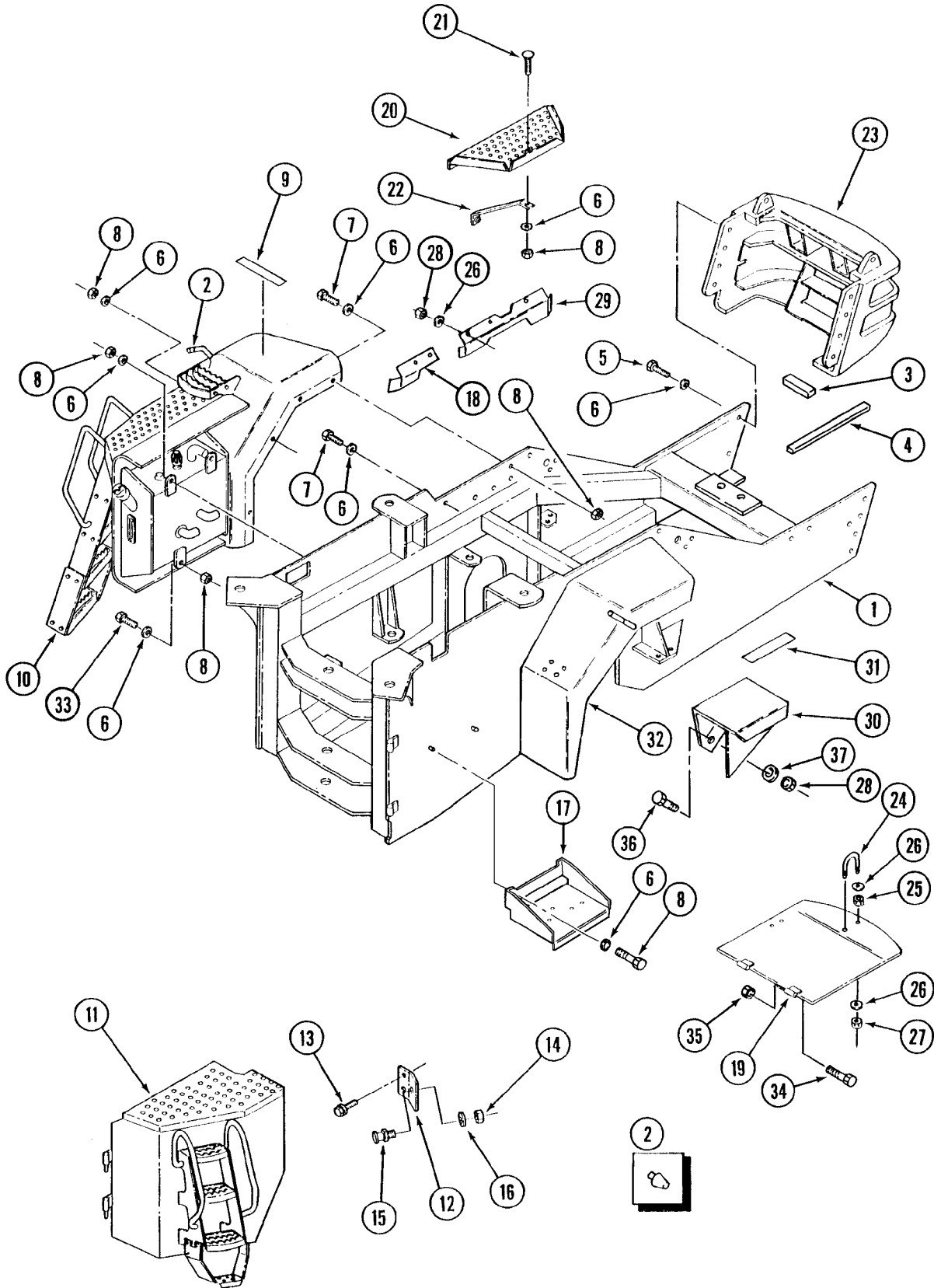


## FRONT FRAME, WHEEL TRACTOR

REF	FN	PART NUMBER	YR/SN	QTY	DESCRIPTION
1		426080A2	BSN JEE0104001	1	FRAME
1		87416213	ASN JEE0104001	1	FRAME ASSY
2		363226A1		2	BUMPER
3		396412A1		2	STRIP, RUBBER
4		328197A1		2	SEAL
5		627-12040		9	BOLT M12 x 40; 10.9
6		896-11012		42	WASHER 13,5 x 24 x 3 mm
7		627-12035		12	BOLT M12 x 35; 10.9
8		829-1412		23	NUT M12; 10
9		1-6835		4	ADHESIVE STRIP 406 mm (16 in), Anti-Skid, Cut From 21-211
10		NSS		1	NOT SERVICED SEPARATELY Tank Assy, See Figure 08-11
11		NSS		1	NOT SERVICED SEPARATELY Door Assy, Right-Hand, See Figure 09-32
12		336001A3		1	BRACKET Striker, Right-Hand
13		905-10025		2	SCREW M10 x 25
14		429-107		1	NUT 7/16; 8
15		328534A1		1	BOLT Striker
16		496-11047		1	WASHER 11 x 20 x 2,0 mm
17		419848A1		1	TRAY Battery
17	1	87407446		1	TRAY, BATTERY
18		418979A1		1	PANEL
19		406346A1		1	COVER
20		427244A1		1	STEP
21		811-12025		1	BOLT M12 x 25; 8.8
22		426892A1		1	GUSSET
23		430739A1		1	BUMPER See Figure 09-35
24		19-154		1	U-BOLT
25		425-145		2	NUT 5/16
26		895-11008		8	WASHER 9 x 17 x 1,6 mm
27		231-1445		2	NUT, LOCK 5/16
28		829-1408		8	NUT M8; 10
29		419631A1		1	PANEL Harness Mounting
(1)	STX500				

**STX375 STX450**  
**STX425 STX500**

FRONT FRAME, WHEEL TRACTOR

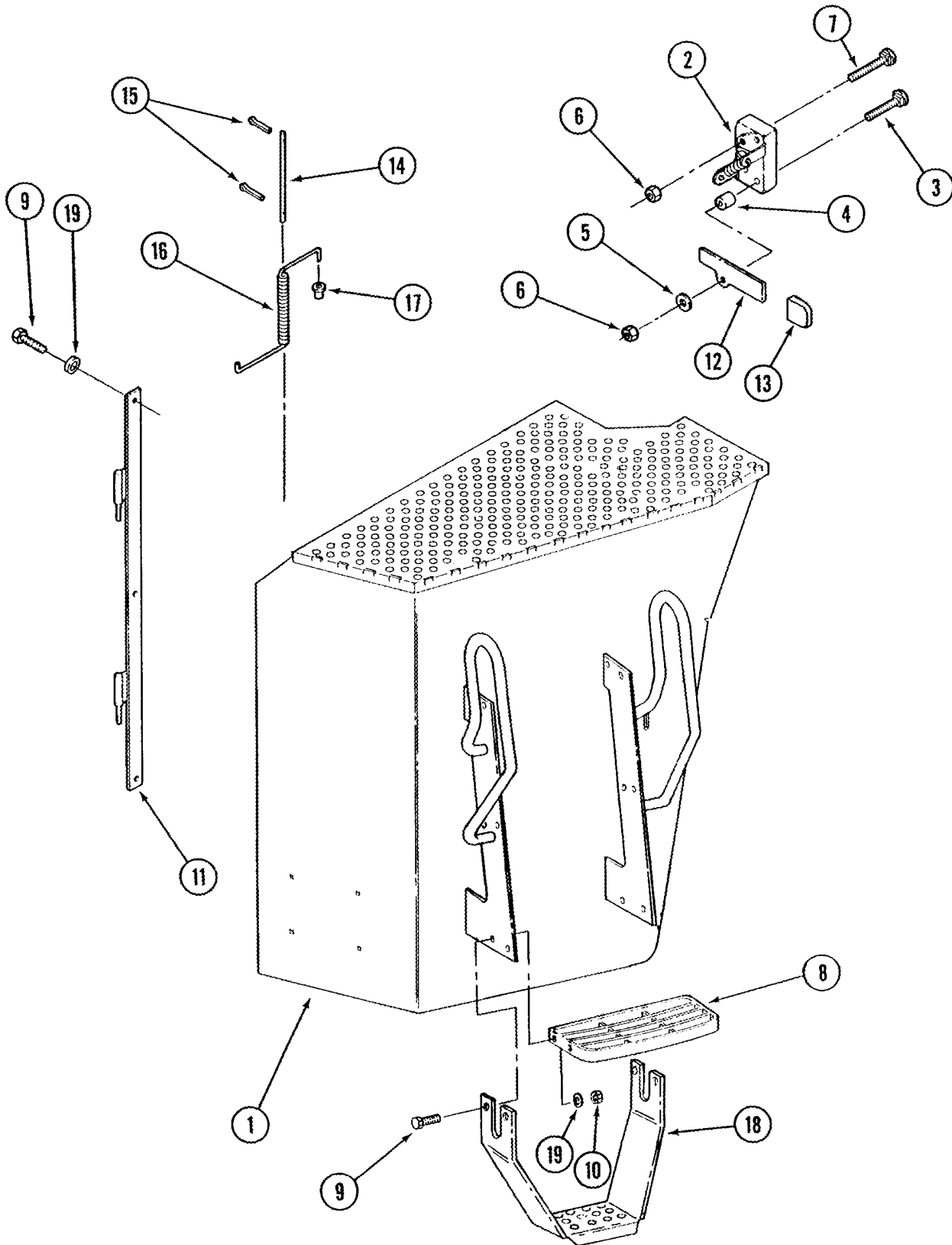


## FRONT FRAME, WHEEL TRACTOR

REF	FN	PART NUMBER	YR/SN	QTY	DESCRIPTION
30		426084A1		1	STEP With Fender
31		D55216		2	PAD 2 x 9 in, Anti-Skid
32		418959A1	BSN JEE0104001	1	FENDER Right-Hand
32		87428750	ASN JEE0104001	1	FENDER Right-Hand
33		627-12045		1	BOLT M12 x 45; 10.9
34		827-12120		1	BOLT M12 x 120; 10.9
35		832-10412		1	NUT M12; 8
37		895-11008		12	WASHER 9 x 17 x 1,6 mm
36		627-8025		4	BOLT M8 x 25; 10.9

**STX375 STX450**  
**STX425 STX500**

BATTERY DOOR ASSEMBLY, WHEEL TRACTOR

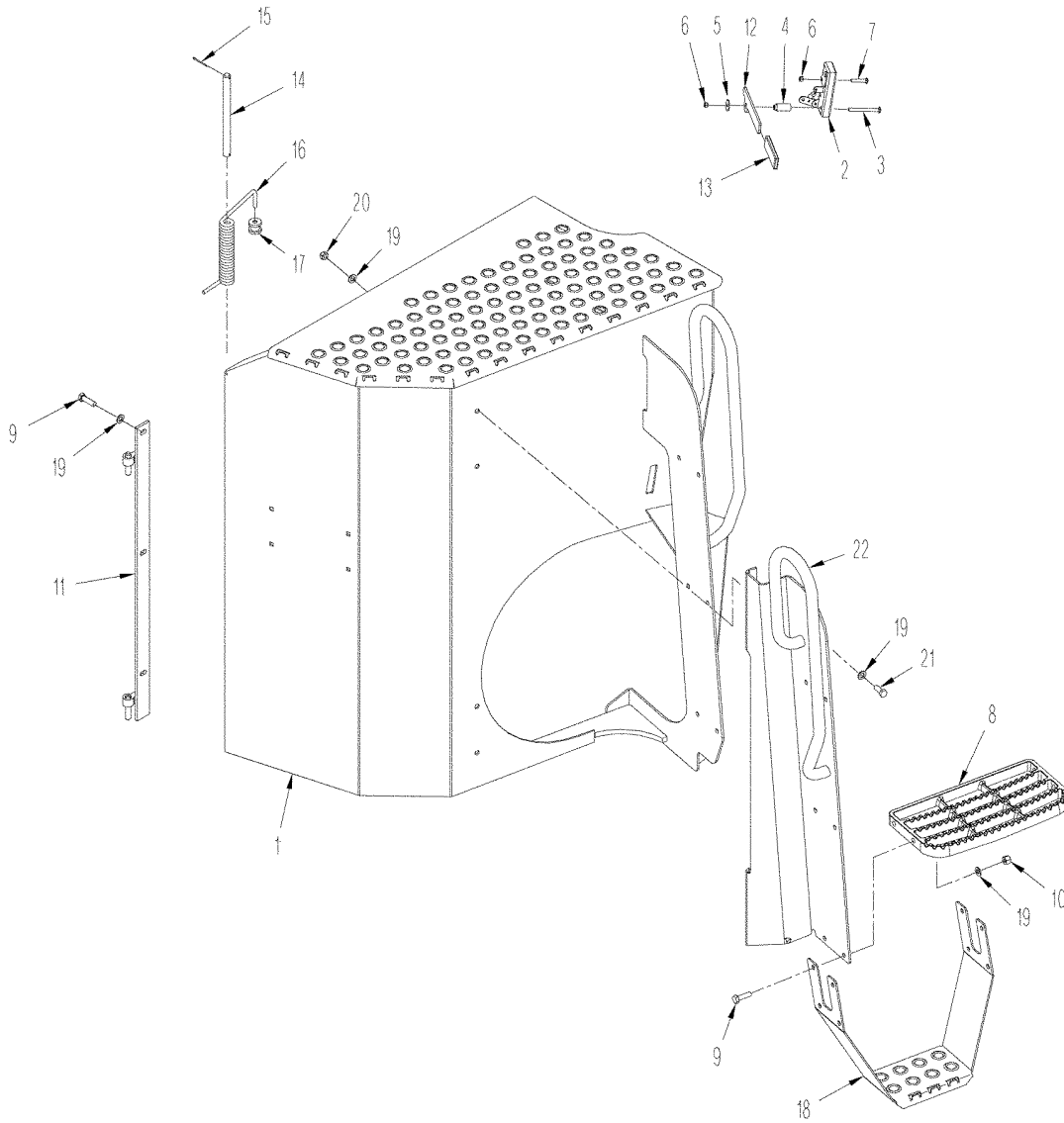


## BATTERY DOOR ASSEMBLY, WHEEL TRACTOR

REF	FN	PART NUMBER	YR/SN	QTY	DESCRIPTION
		396093A1		1	DOOR ASSY. Right-Hand, Inc. 1 - 18
1		396094A1		1	COVER
2		318159A1		1	LATCH
3		811-6070		1	BOLT M6 x 70; 8.8
4		431190A1		1	SPACER
5		895-15006		1	WASHER 6,6 x 25 x 1,6 mm
6		832-46406		4	NUT M6; 8
7		811-6035		3	BOLT, CARRIAGE M6 x 35; 8.8
8		257375A1		3	STEP
9		627-10035		15	BOLT M10 x 35; 10.9
10		832-10410		12	NUT M10; 8
11		450547A1		1	HINGE
12		409467A1		1	HANDLE Latch
13		60-6267T1		1	GRIP
14		324191A1		1	ROD Support
15		733-3232		2	PIN, SPLIT (COTTER)
16		333976A3		1	SPRING
17		325371A1		1	SLEEVE
18		360065A1		1	STEP Lower
19		895-11010		15	WASHER 11 x 20 x 2 mm

**STX375 STX450**  
**STX425**

BATTERY DOOR ASSEMBLY, WHEELED TRACTOR, STX500



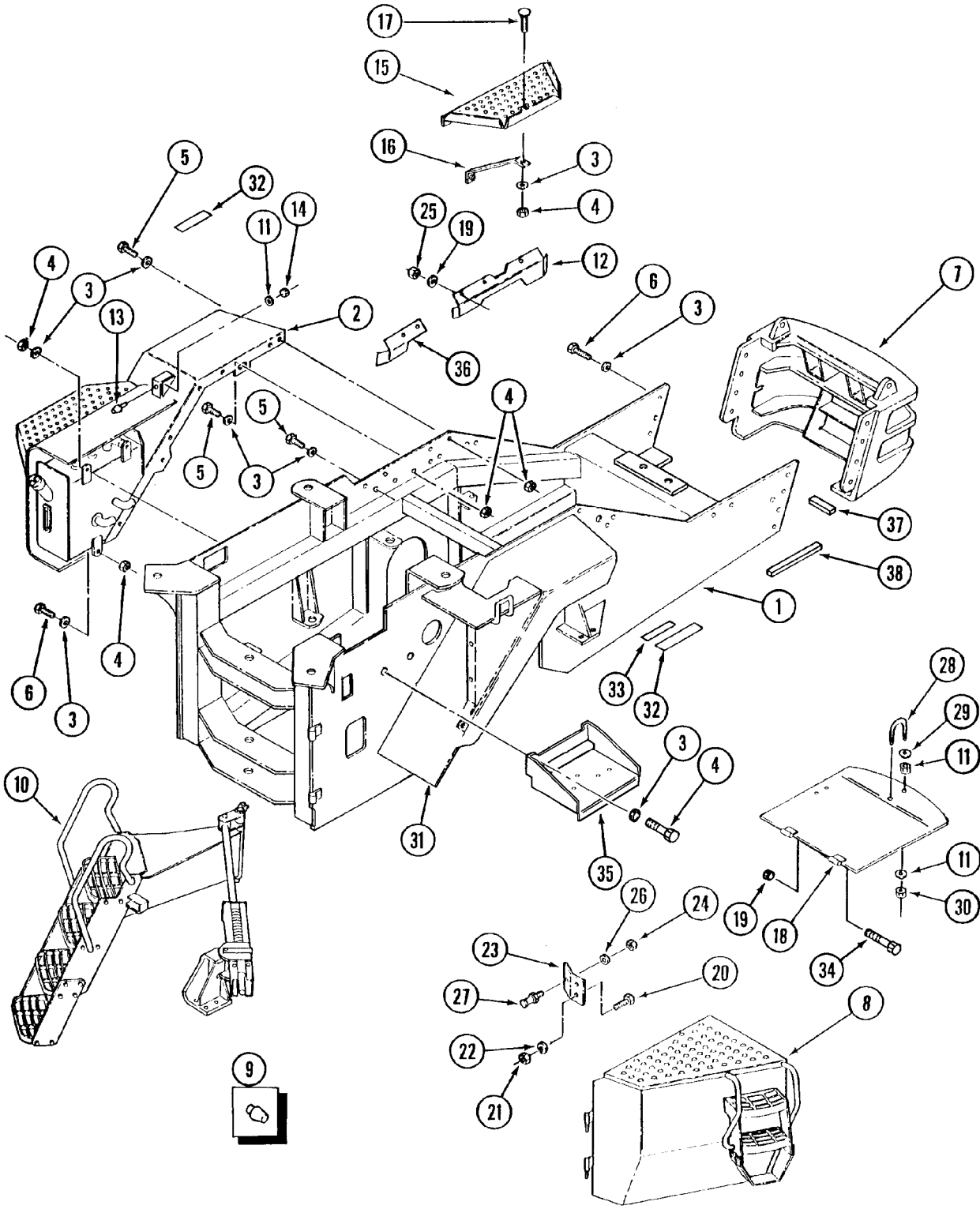
## BATTERY DOOR ASSEMBLY, WHEELED TRACTOR, STX500

REF	FN	PART NUMBER	YR/SN	QTY	DESCRIPTION
1		87419127		1	COVER ASSY
2		318159A1		1	LATCH
3		811-6070		1	BOLT Carriage, M6 x 70, CL8.8
4		431190A1		1	SPACER
5		895-15006		1	WASHER 6.6 x 25 x 1.6 mm
6		832-46406		4	NUT M6, 8
7		811-6035		3	BOLT, CARRIAGE Carriage, M6 x 35, CL8.8
8		257375A1		3	STEP
9		627-10035		15	BOLT M10 x 35, CL10.9
10		832-10410		12	NUT M10, CL8
11		450547A1		1	HINGE
12		409467A1		1	HANDLE Latch
13		60-6267T1		1	GRIP
14		324191A2		1	ROD Support
15		733-3232		2	PIN, SPLIT (COTTER) M3.2 x 32
16		333976A3		1	SPRING
17		325371A2		1	BEARING Cap
18		360065A1		1	STEP Lower
19		895-11010		23	WASHER 11 x 20 x 2.0 mm
20		829-1410		4	NUT M10, CL10
21		627-10025		4	SCREW Cap, HH, M10 x 25, CL10.9
22		87422010		1	SUPPORT ASSY. Step

STX500



FRONT FRAME, QUADTRAC TRACTOR

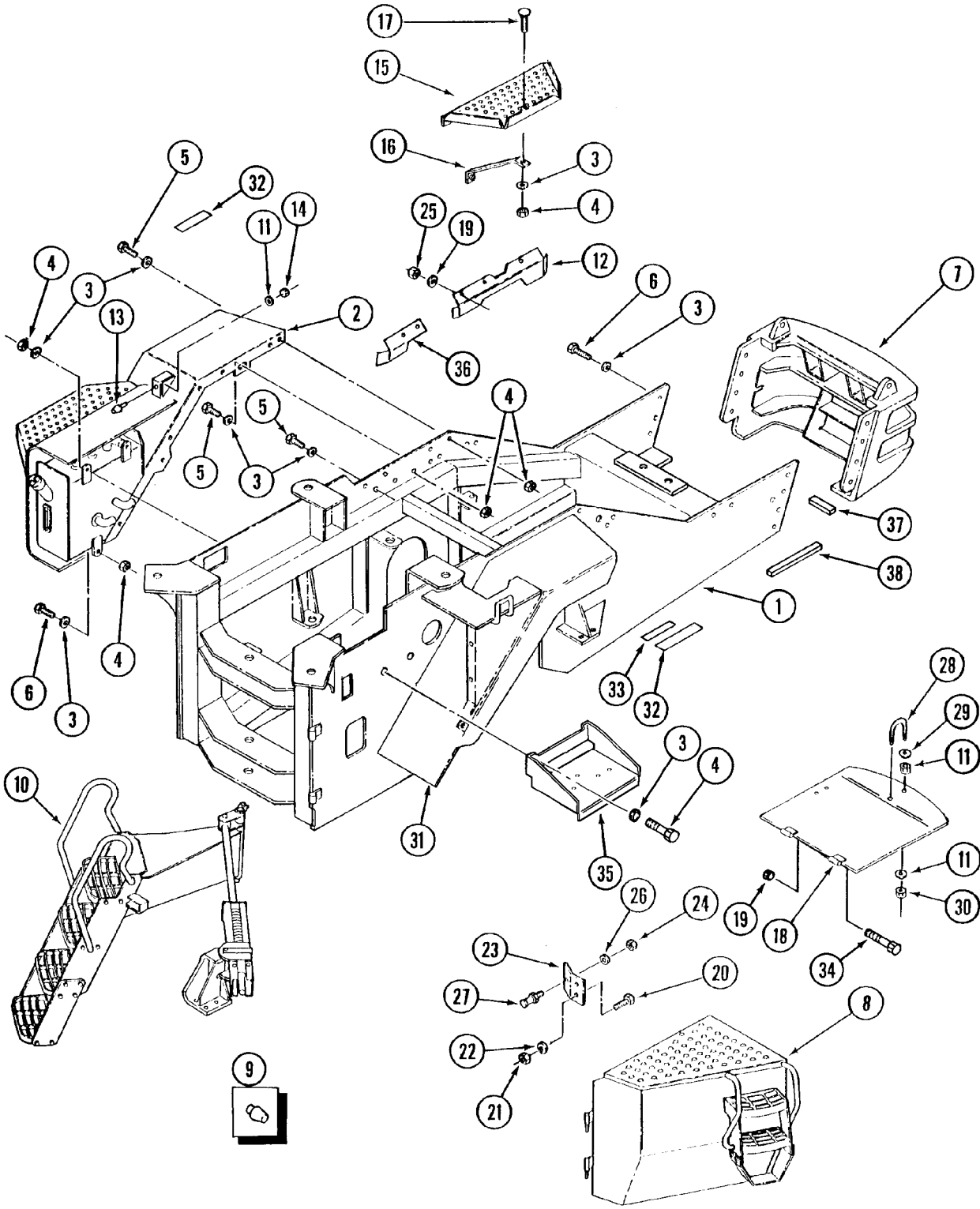


## FRONT FRAME, QUADTRAC TRACTOR

REF	FN	PART NUMBER	YR/SN	QTY	DESCRIPTION
1		426376A1	BSN JEE0104001	1	FRAME
1		87452664	ASN JEE0104001	1	FRAME
2		NSS		1	NOT SERVICED SEPARATELY Tank Assy, See Figure 08-12
3		896-11012		52	WASHER 13,5 x 24 x 3 mm
4		829-1412		24	NUT M12; 10
5		627-12035		13	BOLT M12 x 35; 10.9
6		627-12040		9	BOLT M12 x 40; 10.9
7		323608A3		1	BUMPER See Figure 09-35
8		NSS		1	NOT SERVICED SEPARATELY Door Assy, See Figure 09-34
9		363226A1		1	BUMPER Rubber
10		336017A1		1	STEP Pivot, Left-Hand, See Figure 09-36
11		895-11008		5	WASHER 9 x 17 x 1,6 mm
12		419631A1		1	PANEL 1/4 x 1/2
13		N7673		1	BUFFER, RUBBER
14		425-105		1	NUT 5/16
15		427244A1		1	STEP
16		426892A1		1	GUSSET
17		811-12025		1	BOLT M12 x 25; 8.8
18		406346A1		1	COVER
19		832-10412		3	NUT M12; 8
20		811-8020		2	SCREW M8 x 20
21		832-10408		2	NUT M8; 8
22		895-15008		2	WASHER 9 x 20 x 1,6 mm
23		336001A3		1	BRACKET
24		429-107		1	NUT 7/16; 8
25		829-1408		4	NUT M8; 10
26		496-11047		1	WASHER 11 x 20 x 2,0 mm
27		328534A1		1	BOLT Striker
28		19-154		1	U-BOLT
29		425-145		2	NUT 5/16
30		231-1445		2	NUT, LOCK 5/16
31		418718A2	BSN JEE0104001	1	FENDER Right-Hand
31		87428426	ASN JEE0104001	1	FENDER Right-Hand

**STX375 STX450**  
**STX425 STX500**

FRONT FRAME, QUADTRAC TRACTOR



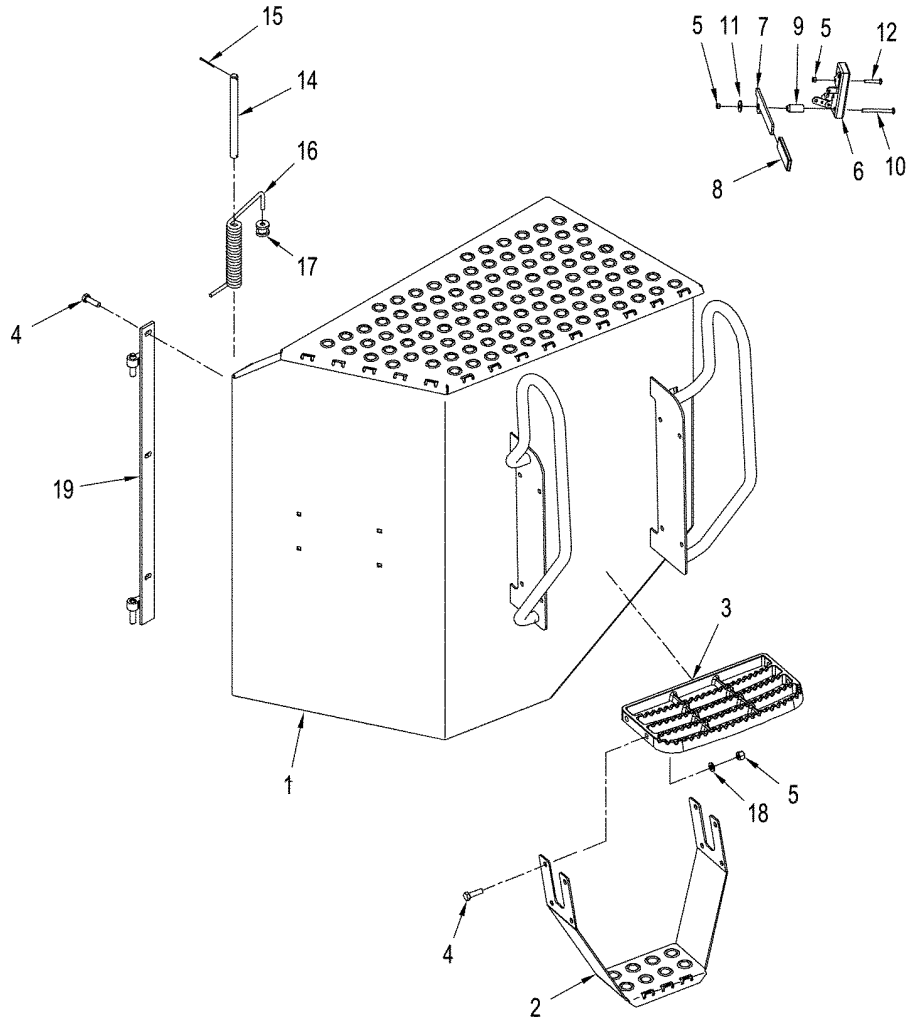
FRONT FRAME, QUADTRAC TRACTOR

REF	FN	PART NUMBER	YR/SN	QTY	DESCRIPTION
32		1-6835		6	ADHESIVE STRIP 406 mm (16 in), Anti-Skid
33		D55216		2	PAD Anti-Skid
34		827-12120		1	BOLT M12 x 120; 10.9
35		419848A1		1	TRAY Battery
35	1	87407446		1	TRAY, BATTERY
36		418979A1		1	PANEL
37		396412A1		2	STRIP, RUBBER
38		328197A1		2	SEAL

(1) STX500

**STX375 STX450**  
**STX425 STX500**

BATTERY DOOR ASSEMBLY, QUADTRAC TRACTOR

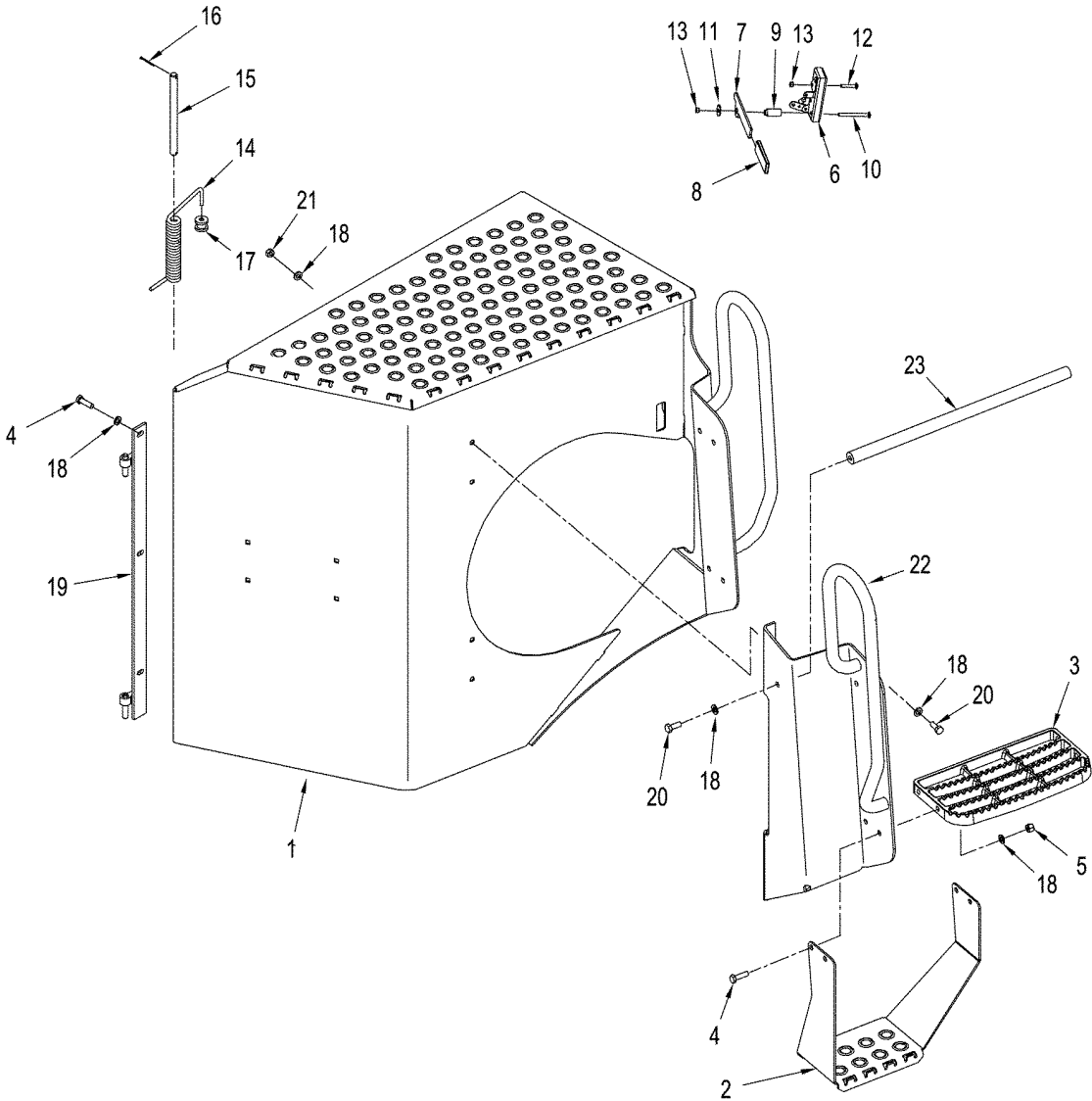


## BATTERY DOOR ASSEMBLY, QUADTRAC TRACTOR

REF	FN	PART NUMBER	YR/SN	QTY	DESCRIPTION
1		87422779		1	DOOR ASSY.
2		360065A1		1	STEP
3		257375A1		2	STEP Lower
4		627-10035		11	BOLT M10 x 35; 10.9
5		832-46406		8	NUT M10; 8
6		318159A1		1	LATCH
7		426012A1		1	HANDLE
8		60-6267T1		1	GRIP
9		431190A1		1	SPACER
10		811-6070		1	BOLT M6 x 70; 8.8
11		895-15006		1	WASHER 6,6 x 25 x 1,6 mm
12		811-6035		3	BOLT, CARRIAGE M6 x 35; 8.8
13		333975A1		1	HINGE
14		333976A3		1	SPRING
15		324191A2		1	ROD
16		733-3232		2	PIN, SPLIT (COTTER)
17		325371A2		1	BEARING
18		895-11010		8	WASHER 11 x 20 x 2 mm
19		450547A1		1	HINGE

**STX375 STX450**  
**STX425**

BATTERY DOOR ASSEMBLY, QUADTRAC TRACTOR, STX500



**09-34**

01

p1

05/05

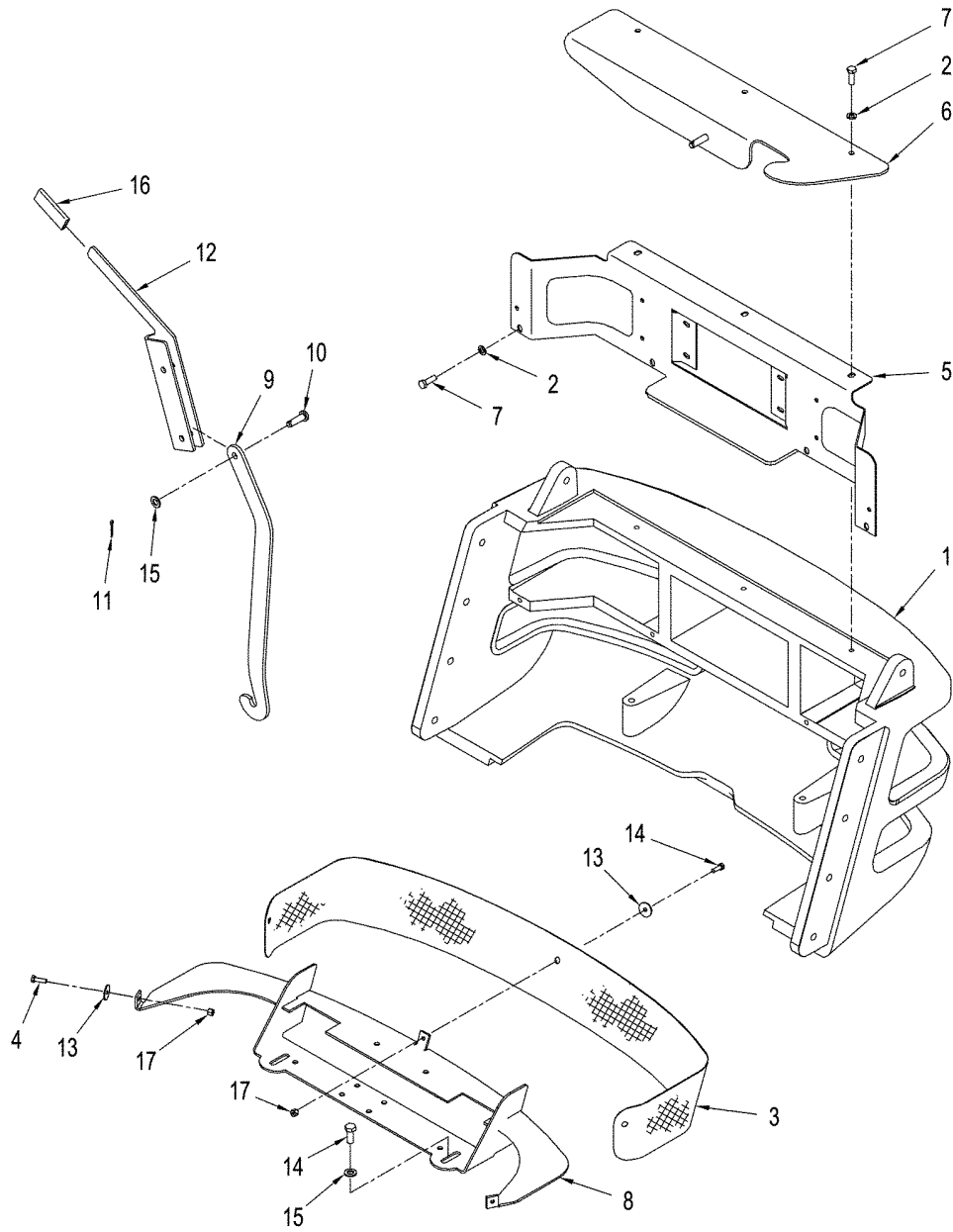
**BATTERY DOOR ASSEMBLY, QUADTRAC TRACTOR, STX500**

REF	FN	PART NUMBER	YR/SN	QTY	DESCRIPTION
1		448088A1		1	COVER ASSY
2		87422430		1	STEP Lower
3		86015582		2	STEP
4		627-10035		11	BOLT M10 x 35, CL10.9
5		832-10410		8	NUT 6.6 x 25 x 1.6 mm
6		318159A1		1	LATCH
7		426012A1		1	HANDLE
8		60-6267T1		1	GRIP
9		431190A1		1	SPACER
10		811-6070		1	BOLT M6 x 70, CL8.8
11		895-15006		1	WASHER 6,6 x 25 x 1,6 mm
12		811-6035		3	BOLT, CARRIAGE M6 x 35, 8.8
13		832-46406		4	NUT M6, CL8
14		333976A3		1	SPRING
15		324191A2		1	ROD
16		733-3232		2	PIN, SPLIT (COTTER)
17		325371A2		1	BEARING Cap
18		895-11010		21	WASHER 11 x 20 x 2 mm
19		450547A1		1	HINGE
20		627-10025		6	SCREW Cap, HH, M10 x 25, CL10
21		829-1410		4	NUT M10, CL10
22		87417270		1	HANDRAIL Left-Hand
23		87421511		1	ROD ASSY. Support

**STX500**



BUMPER

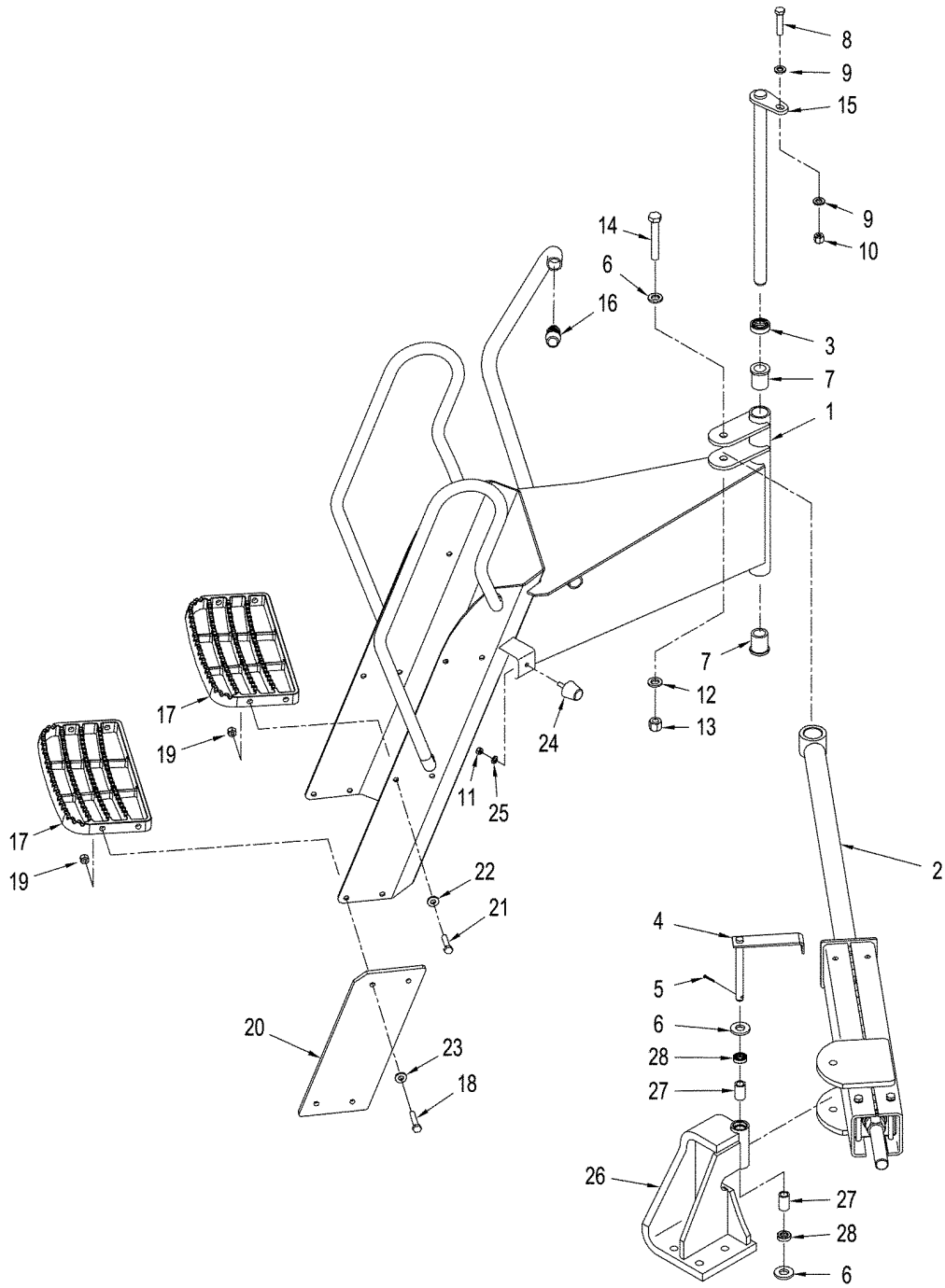


## BUMPER

REF	FN	PART NUMBER	YR/SN	QTY	DESCRIPTION
1		323608A3		1	BUMPER
2		895-11008		5	WASHER 9 x 17 x 1,6 mm
3		323295A2		1	SCREEN
4		627-6016		3	BOLT M6 x 16; 10.9
5		433781A1		1	BRACKET
6		369666A1		1	PLATE Mounting, Latch
8		323383A6		1	SUPPORT
9		367926A2		1	LINK
10		729-1035		1	PIN, CLEVIS 10 x 35 mm
11		733-3220		2	SPLIT PIN/SAFETY PIN 3,2 x 20 mm
12		367925A1		1	HANDLE
13		895-15006		3	WASHER 6,6 x 25 x 1,6 mm
14		627-10020		2	SCREW M10 x 20; 10.9
15		895-11010		4	WASHER 11 x 20 x 2 mm
16		90-6966T1		1	MOLDING
17		832-10406		3	NUT M6; 8
7		627-8025		5	BOLT M8 x 25; 10.9

**STX375 STX450**  
**STX425 STX500**

STEPS, QUADTRAC TRACTOR

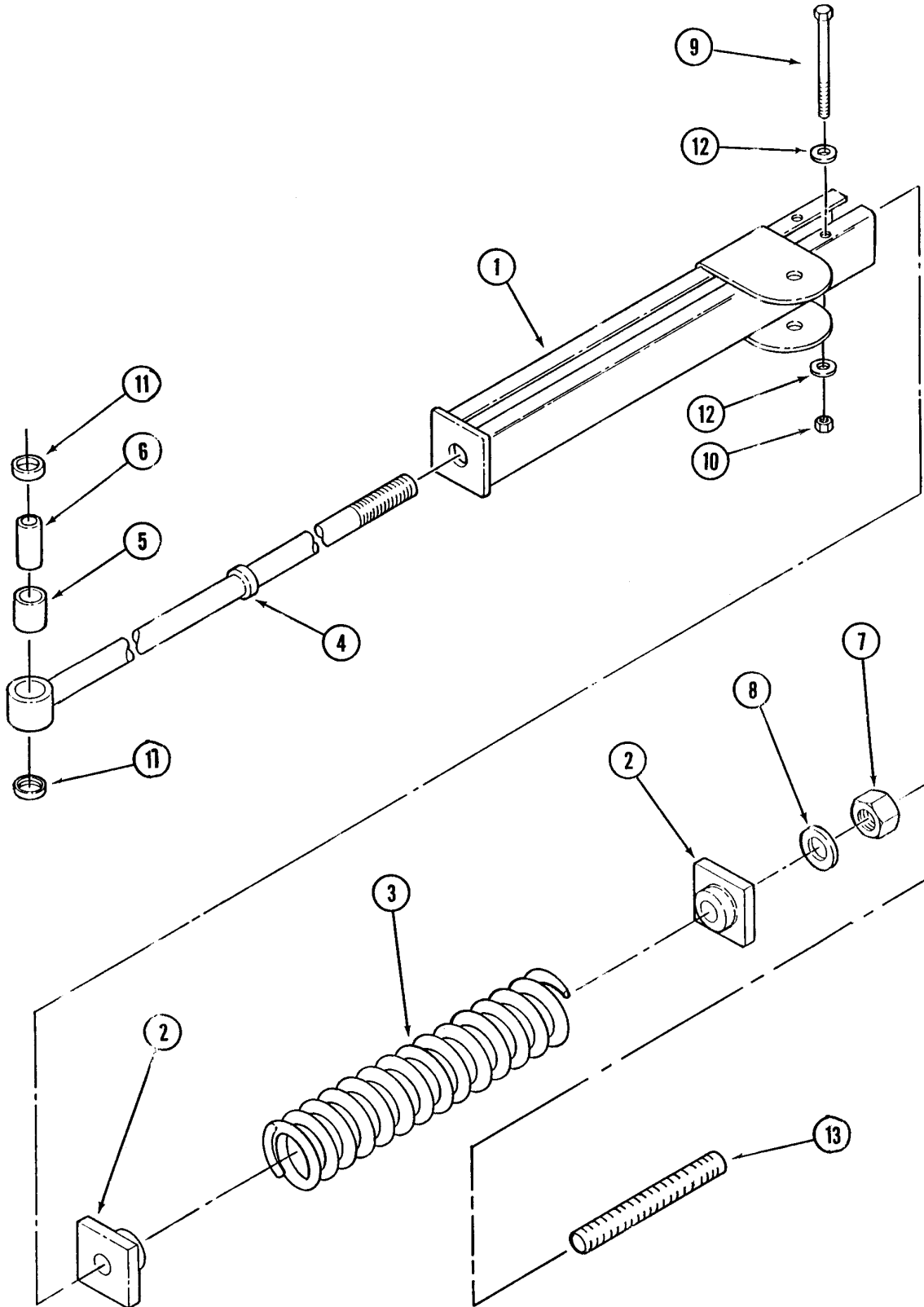


## STEPS, QUADTRAC TRACTOR

REF	FN	PART NUMBER	YR/SN	QTY	DESCRIPTION
		336017A1		1	STEP Left-Hand, Inc. 1 - 21
1		430792A1		1	STEP
2		NSS		1	NOT SERVICED SEPARATELY Arm Assy, Push, Left-Hand, See Figure 09-37
3		D22200		1	BEARING Self-Aligning, 1 in
4		337099A4		1	PIN
5		733-3232		1	PIN, SPLIT (COTTER)
6		896-16018		2	WASHER 20 x 41 x 5 mm
7		308473A2		2	BUSHING 1 x 1-3/8 x 1-3/4
8		828-12055		1	BOLT M12 x 55; 10.9
9		896-11012		2	WASHER 13,5 x 24 x 3 mm
10		832-10412		1	NUT M12; 8
11		425-105		1	NUT 5/16
12		892-11016		2	WASHER M16
13		832-10416		1	NUT M16; 8
14		827-16100		1	BOLT M16 x 100; 10.9
15		382840A2		1	PIN
16		363226A1		1	BUMPER Rubber
17		257375A1		4	STEP
19		832-10410		16	NUT M10; 8
20		376530A1		2	SUPPORT
21		627-10035		8	BOLT M10 x 35; 10.9
22		895-11010		8	WASHER 11 x 20 x 2 mm
23		896-15010		8	WASHER 11 x 24 x 3 mm
24		N7673		1	BUFFER, RUBBER
25		895-11008		1	WASHER 9 x 17 x 1,6 mm
26		336849A2		1	CLEVIS COUPLING Inc. 27 - 28
27		336842A1		2	WIPER Rod
28		336843A1		2	BUSHING Bronze
18		827-10045		8	BOLT M10 x 45; 10.9

**STX375 STX450**  
**STX425 STX500**

PUSH ARM ASSEMBLY

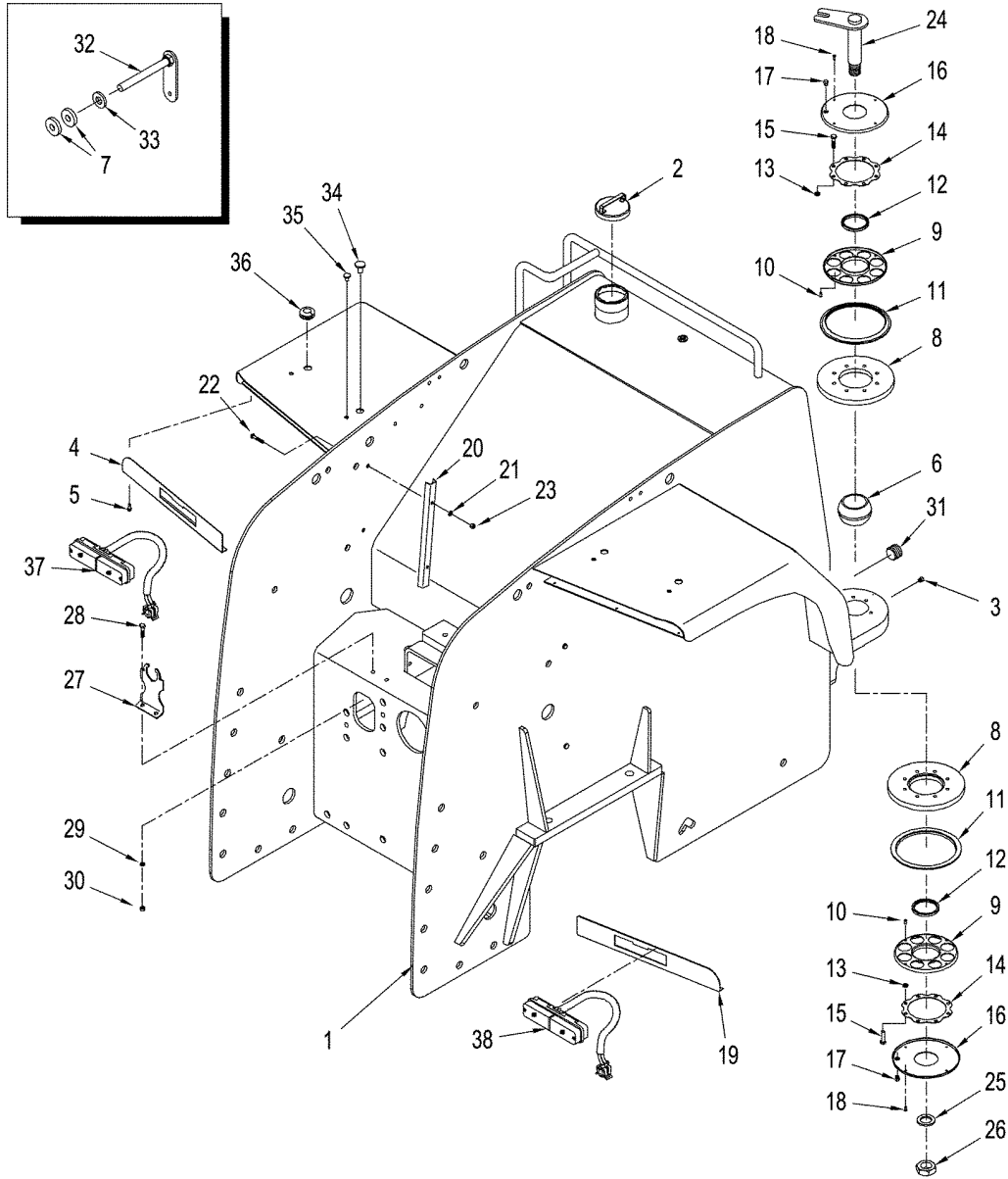


## PUSH ARM ASSEMBLY

REF	FN	PART NUMBER	YR/SN	QTY	DESCRIPTION
1		334215A2		1	ARM
2		334239A3		2	SLIDE
3		334717A2		1	SPRING
4		334720A5		1	ROD ASSY.
5		334721A1		1	BUSHING
6		360207A2		1	BUSHING
7		832-10424		1	NUT M24; 8
8		896-11024		1	WASHER 26 x 44 x 5 mm
9		433109A1		2	BOLT, SPECIAL M10 x 130; 10.9
10		832-10410		2	NUT M10; 8
11		G33955		2	WIPER
12		895-18010		4	WASHER 11 x 18 x 1,6 mm
13		406328A1		1	CAP Threaded

**STX375 STX450**  
**STX425 STX500**

REAR FRAME, WHEEL TRACTOR



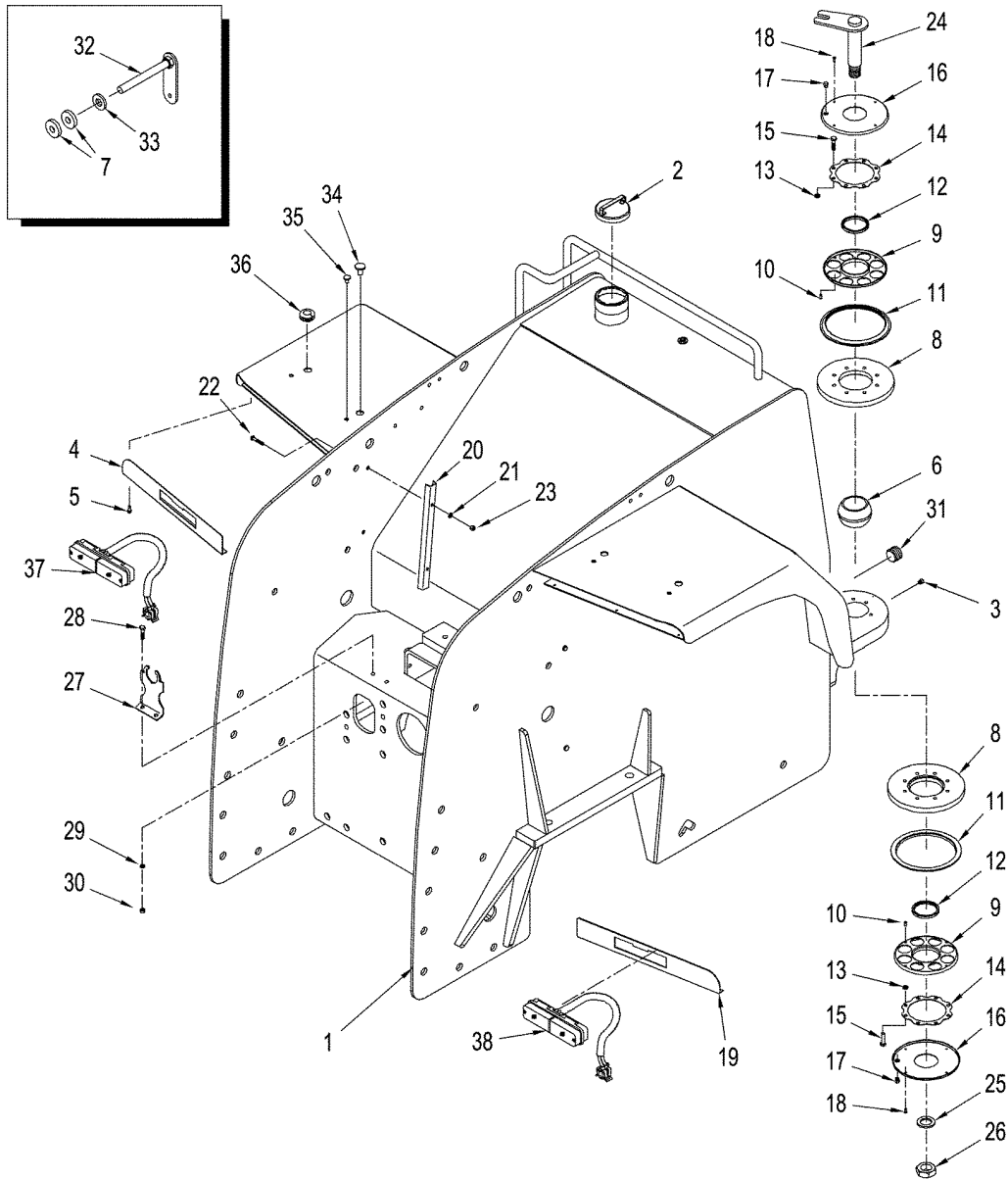
## REAR FRAME, WHEEL TRACTOR

REF	FN	PART NUMBER	YR/SN	QTY	DESCRIPTION
1		426737A1		1	FRAME
2		433479A1		1	CAP Fuel
3		219-36		2	NIPPLE, LUBE 45 deg, 1/8 PT x 7/8
4		417862A1		2	COVER Left-Hand
5		281-54712		6	SCREW 1/4 ST X 3/4
6		446720A1		1	BEARING
7		321232A1		2	BUSHING
8		330032A1		2	RING
		433481A1		2	HOUSING Inc. 9, 10
9		NSS		1	NOT SERVICED SEPARATELY Housing
10		NSS		8	NOT SERVICED SEPARATELY Spacer
11		433478A1		2	GASKET
12		D95148		2	WIPER
13		432444A1		16	SPACER
14		430250A1		2	RETAINER
15		827-10040		16	BOLT M10 x 40; 10.9
16		433480A2		2	COVER
17		163-47		8	SCREW No. 10 NC x 1/2
18		217-402		4	PLUG 1/8 PT
19		417863A1		1	COVER Right-Hand
20		330164A2		2	GUARD
21		895-11008		8	WASHER 9 x 17 x 1,6 mm
22		827-8050		4	SCREW M8 x 50; 10.9
23		832-10408		4	NUT M8; 8
24		394364A1		1	PIN
25		1-4088		1	WASHER 1-3/4 x 2-3/4 x 1/4
26		425-1528		1	NUT 1-3/4; 5
27		349568A3		1	PLATE
29		895-11010		2	WASHER 11 x 20 x 2 mm
30		829-1408		2	NUT M8; 10
31		384163A1		1	PLASTIC PLUG
32		406390A1		1	HANDLE
33		896-15012		1	WASHER 13,5 x 28 x 4 mm
34		353-422		2	PLUG Dome, 1 in
35		353-404		2	PLUG Dome, 1/2 in

**STX375 STX450**  
**STX425 STX500**



REAR FRAME, WHEEL TRACTOR

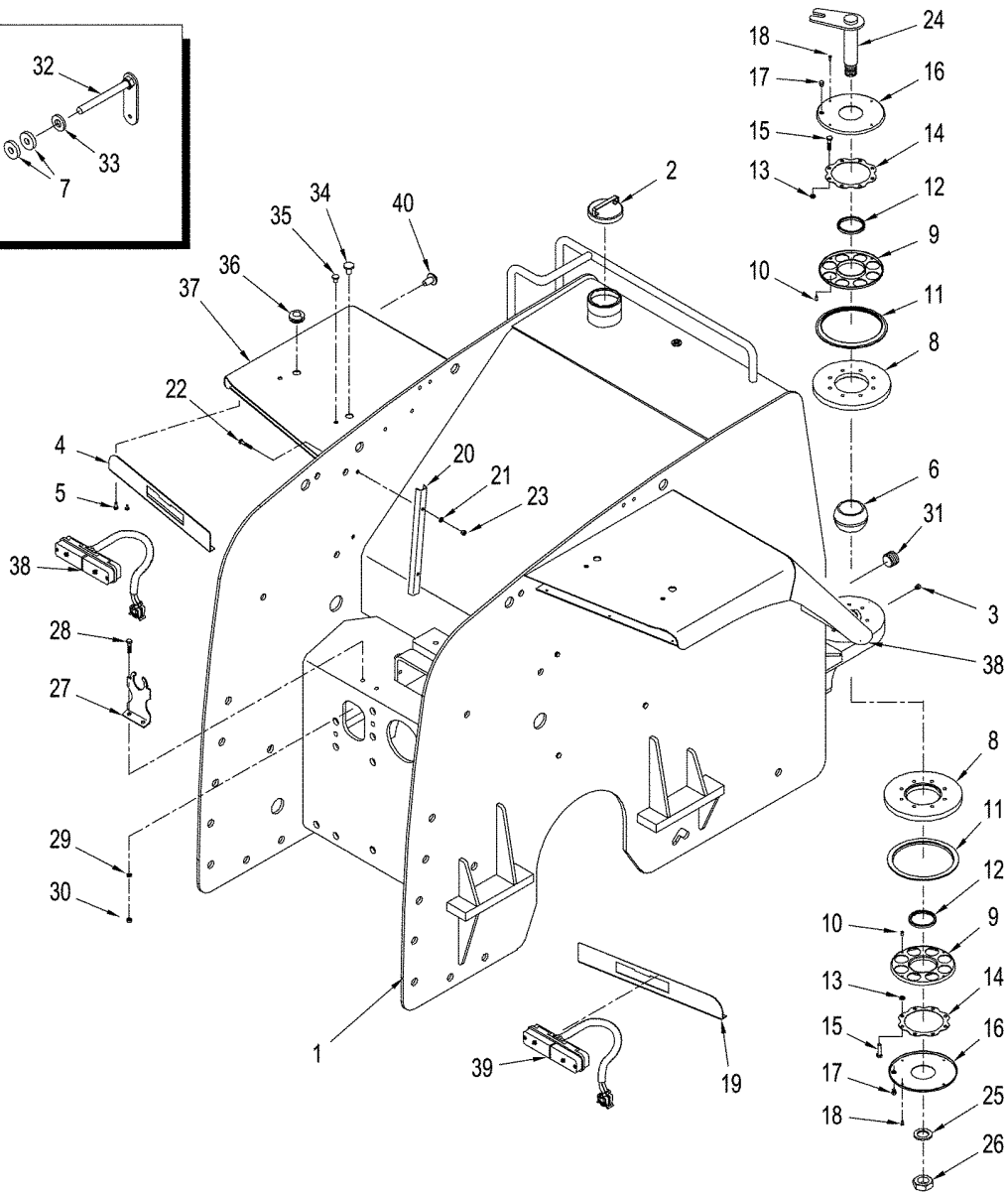
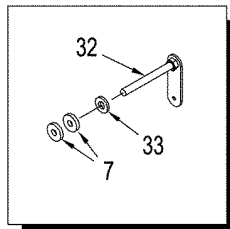


## REAR FRAME, WHEEL TRACTOR

REF	FN	PART NUMBER	YR/SN	QTY	DESCRIPTION
36		87030421		2	GROMMET 3/4 in
37		429385A1		1	LIGHT, WORK LH, See Figure: 04-13
37		388337A1		1	LIGHT, INDICATER LH, See Figure: 04-13 (Europe Only)
38		417788A1		1	LIGHT, WORK RH, See Figure: 04-13
38		388338A1		1	LIGHT, INDICATER RH, See Figure: 04-13 (Europe Only)
28		627-10030		2	BOLT M10 x 30; 10.9

**STX375 STX450**  
**STX425 STX500**

REAR FRAME, QUADTRAC TRACTOR

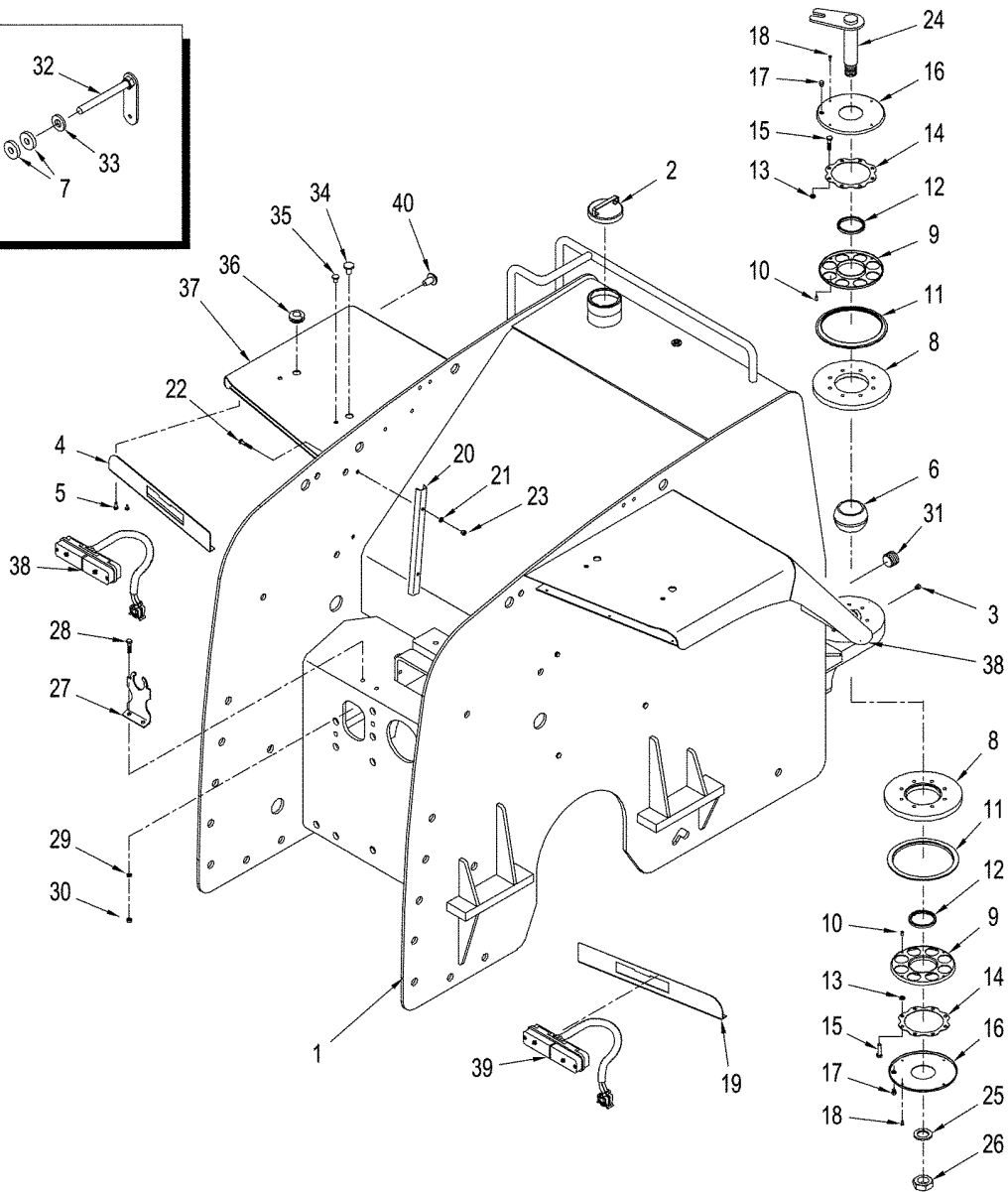
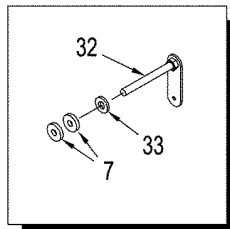


## REAR FRAME, QUADTRAC TRACTOR

REF	FN	PART NUMBER	YR/SN	QTY	DESCRIPTION
1		292753A1	BSN JEE0106701	1	FRAME
1		87423680	ASN JEE0106701	1	FRAME
2		433479A1		1	CAP Fuel
3		219-36		1	NIPPLE, LUBE 45 deg, 1/8 PT x 7/8
4		418115A1		1	COVER Left-Hand
5		281-54712		6	SCREW 1/4 st x 3/4
6		446720A1		1	BEARING
7		321232A1		2	BUSHING
8		330032A1		2	RING
		433481A1		1	HOUSING Inc. 9, 10
9		NSS		1	NOT SERVICED SEPARATELY Housing
10		NSS		8	NOT SERVICED SEPARATELY Spacer
11		433478A1		2	GASKET
12		D95148		2	WIPER
13		432444A1		16	SPACER
14		430250A1		2	RETAINER
15		827-10040		16	BOLT M10 x 40; 10.9
16		433480A2		2	COVER
17		163-47		8	SCREW No. 10NC x 1/2
18		217-402		4	PLUG 1/8 PT
19		418116A1		1	COVER Right-Hand
20		330164A2	BSN JEE0106701	2	GUARD
20		311376A2	ASN JEE0106701	1	CHANNEL Wire Guard
21		895-11008		8	WASHER 9 x 17 x 1,6 mm
22		827-8050		4	SCREW M8 x 50; 10.9
23		832-10408		4	NUT M8; 8
24		394364A1		1	PIN
25		1-4088		1	WASHER 3/4 x 2-3/4 x 1/4
26		70-6221T1		1	NUT
27		349568A3		1	PLATE
28		627-10035		2	BOLT M10 x 35; 10.9
29		895-11010		2	WASHER 11 x 20 x 2 mm
30		832-10410		2	NUT M10; 8
31		384163A1		1	PLASTIC PLUG
32		406390A1		1	HANDLE

**STX375 STX450**  
**STX425 STX500**

REAR FRAME, QUADTRAC TRACTOR

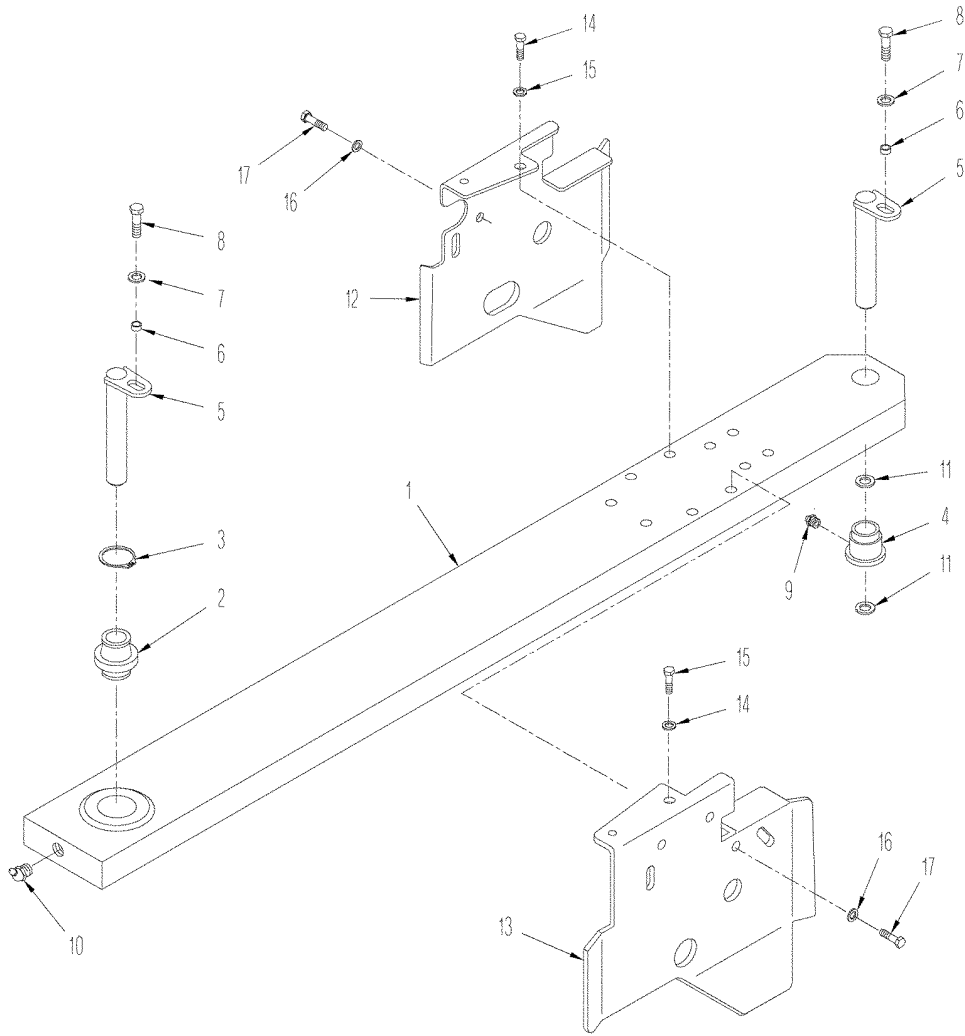


## REAR FRAME, QUADTRAC TRACTOR

REF	FN	PART NUMBER	YR/SN	QTY	DESCRIPTION
33		896-15012		1	WASHER 13,5 x 28 x 4 mm
34		353-411		2	PLUG Dome, 1 in
35		353-404		2	PLUG Dome, 1/2 in
36		87030421		2	GROMMET
37		313569A2		1	FENDER, REAR LH
38		429385A1		1	LIGHT, WORK LH, See Figure: 04-13
38		388337A1		1	LIGHT, INDICATER LH, See Figure: 04-13 (Europe Only)
39		417788A1		1	LIGHT, WORK RH, See Figure: 04-13
39		388338A1		1	LIGHT, INDICATER RH, See Figure: 04-13 (Europe Only)
40		353-403	ASN JEE0106701	4	PLUG Dome

**STX375 STX450**  
**STX425 STX500**

CENTER LINK



## CENTER LINK

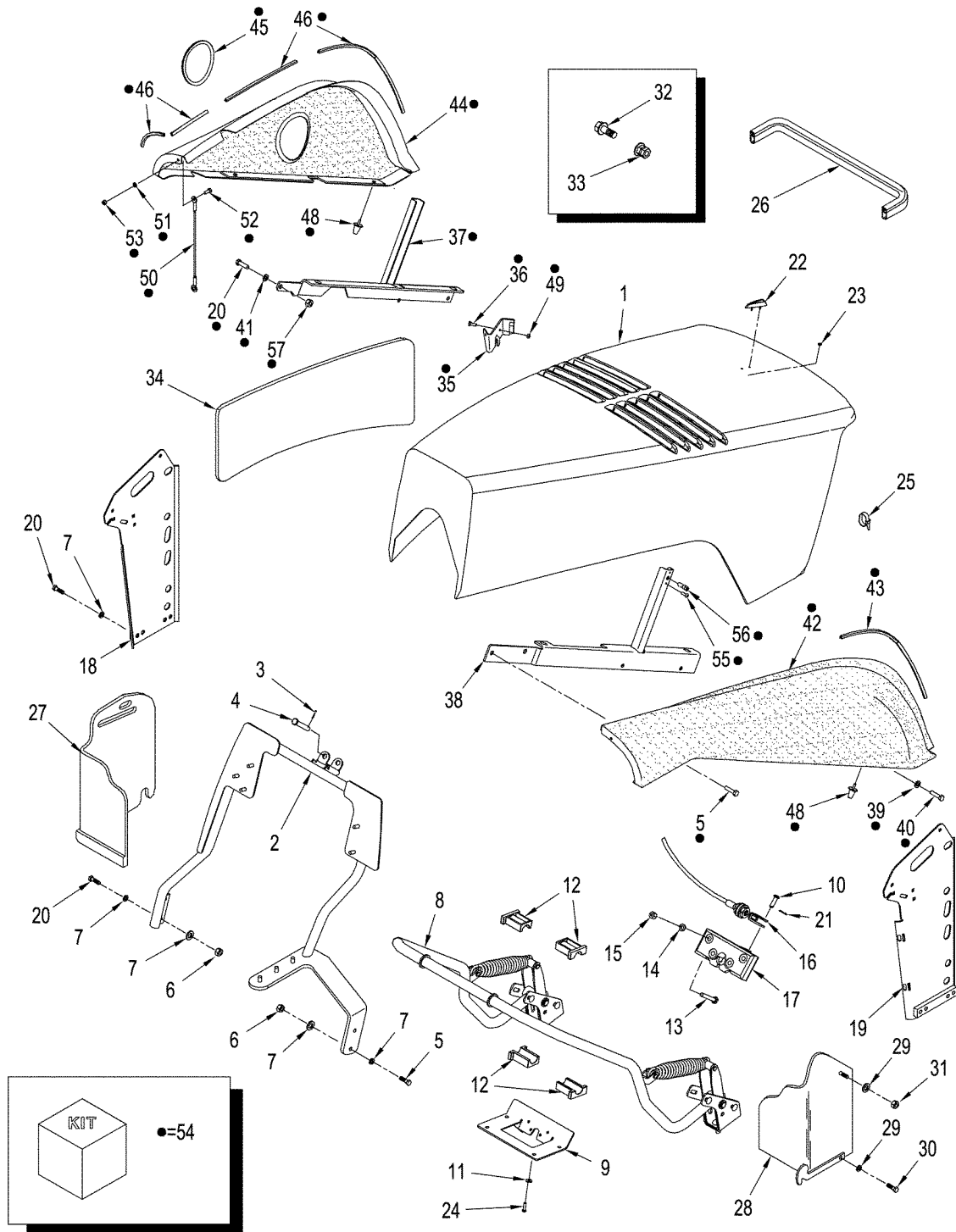
REF	FN	PART NUMBER	YR/SN	QTY	DESCRIPTION
	1, 2	317652A2		1	LINK Connecting, Inc. 1 - 4
	3, 4, 5, 6	293662A2		1	LINK Connecting, Inc. 1 - 4
1		NSS		1	NOT SERVICED SEPARATELY Link
2		70-5468T1		1	BEARING
3		101-21354		1	RING No. 354
4		435529A1		1	BUSHING
5		195941A1		2	PIN 1-3/4 x 8
6		70-5967T1		2	SPACER
7		896-11016		2	WASHER 17,5 x 30 x 4 mm
8		627-16040		2	SCREW Hex, M16 x 40, 10.9
9		219-1		1	NIPPLE, LUBE 1/8 PT x 21/32
10		219-36		1	NIPPLE, LUBE 45 deg, 1/8 PT x 7/8
11		D95143		2	SEAL
12		87423436		1	COVER Drive Shaft, Left-Hand
13		87423437		1	COVER Drive Shaft, Right-Hand
14		895-11010		4	WASHER 11 x 20 x 2 mm
15		627-10020		4	SCREW M10 x 20; 10.9
16		495-11053		4	WASHER 17/32 x 1-1/16 x 3/32
17		426-812		4	SCREW 1/2 NC x 3/4;8

- (1) STX425 Wheel Tractor
- (2) STX450 Wheel tractor
- (3) STX375 Wheel Tractor
- (4) STX375 QUADTRAC Tractor
- (5) STX425 QUADTRAC Tractor
- (6) STX450 QUADTRAC tractor

**STX375 STX450**  
**STX425 STX500**



HOOD AND SUPPORT



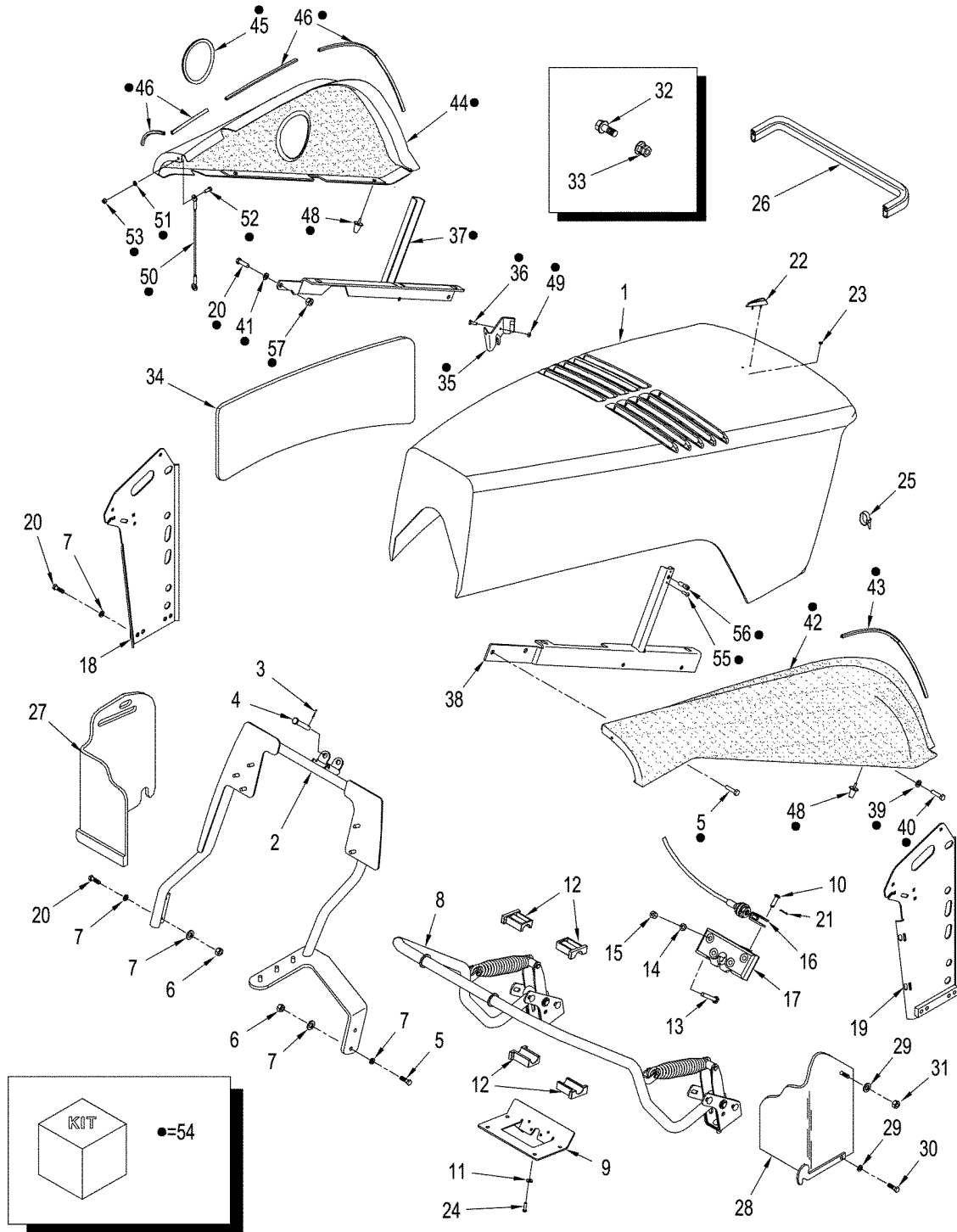
## HOOD AND SUPPORT

REF	FN	PART NUMBER	YR/SN	QTY	DESCRIPTION
1		323892A6		1	HOOD
2		401330A1		1	SUPPORT
3		733-4032		1	PIN, SPLIT (COTTER) 4 x 32 mm
4		728-16100		1	PIN 11/16 x 100
5		627-12045		4	BOLT M12 x 45; 10.9
6		829-1412		2	NUT M12; 10
7		896-11012		12	WASHER 13,5 x 24 x 3 mm
8		339543A2		1	ARM Lift, See Figure 09-43
9		352811A2	BSN JEE0100144	1	PLATE Hood Latch
9		445932A1	ASN JEE0100144	1	PLATE Hood Latch
10		728-620		1	PIN, CLEVIS 6 x 20 mm
11		895-25006		4	WASHER 6,6 x 18 x 1,6 mm
12		314842A3		4	BEARING
13		827-6040		4	BOLT Hex, M6 x 40, 10.9
14		895-11006		4	WASHER 6,6 x 12 x 1,6 mm
15		832-10406		4	NUT M6; 8
16	1	443297A1		1	CABLE PULLING GRIP
17		318159A1		1	LATCH
18		339534A4		1	SUPPORT Radiator, Left-Hand
19		339537A4		1	SUPPORT Radiator, Right-Hand
20		627-12040		10	BOLT M12 x 40; 10.9
21		733-1610		1	PIN, SPLIT (COTTER) 1,6 x 10 mm
22		87353799		1	GUIDE Hood Sight
23		131-431		2	NUT 1/4"
24		627-6025		4	BOLT M6 x 25; 10.9
25		329946A1		2	CLIP
26		370990A1		2	SEAL
27		392428A2	BSN JEE0104378	1	COVER Fan, Left-Hand
28		392434A3	BSN JEE0104378	1	COVER Fan, Right-Hand
29		399576A1		6	WASHER, SPECIAL
31		829-1410		2	NUT M10; 10
		86983416		1	KIT, FIP Threaded Insert, 6 mm Inc. 32, 33
32		NSS		1	NOT SERVICED SEPARATELY
33		NSS		1	NOT SERVICED SEPARATELY Expandable

(1) Also Order 445932A1 Hood Latch Mounting Plate For Tractors BSN JEE0100144.

**STX375 STX450**  
**STX425 STX500**

HOOD AND SUPPORT

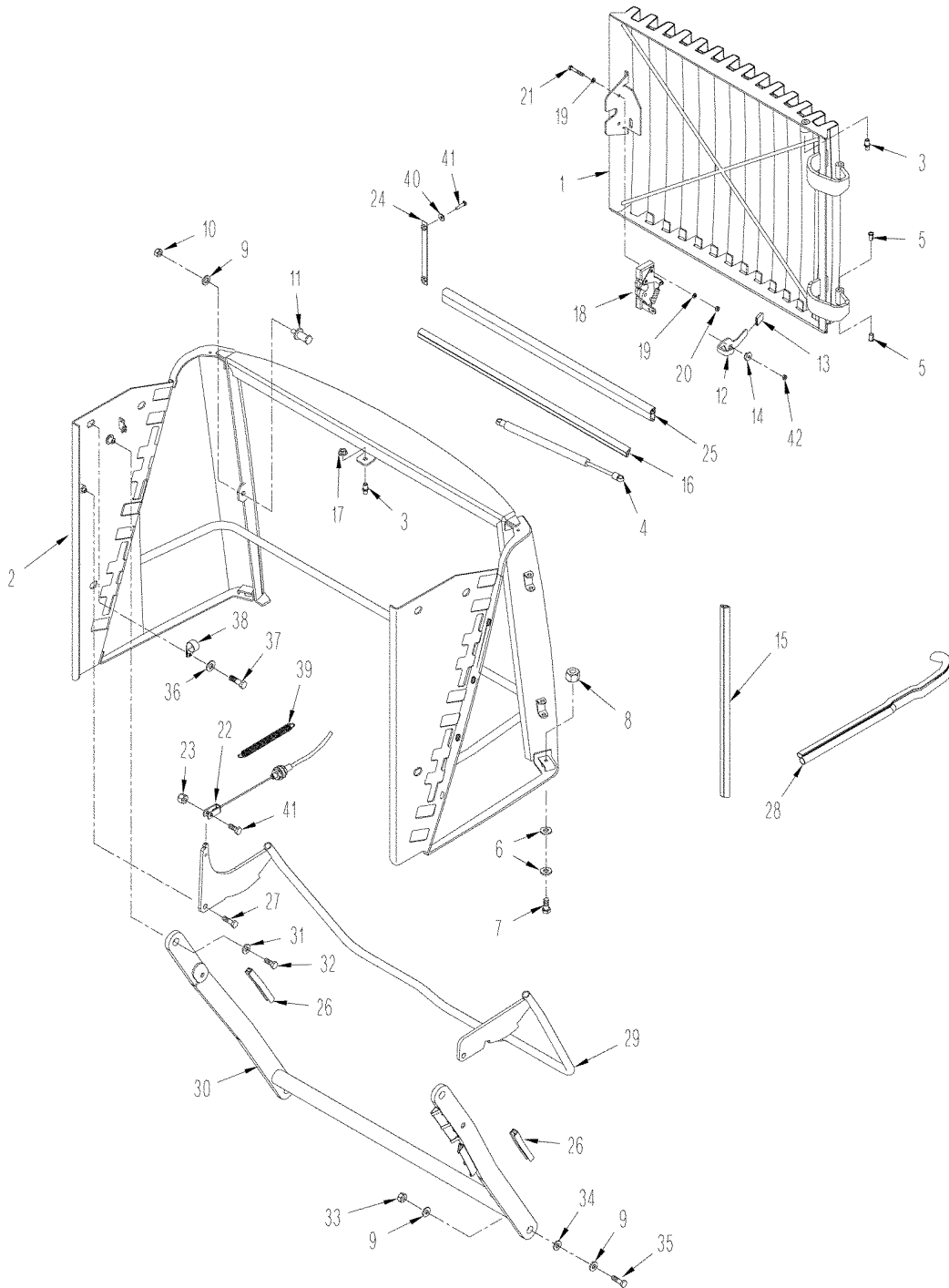


## HOOD AND SUPPORT

REF	FN	PART NUMBER	YR/SN	QTY	DESCRIPTION
34		334209A2		1	INSULATION, FOAM
35		87422373		1	BRACKET Dipstick
36		627-8020		1	BOLT M8 x 20, CL10.9
37		87446203		1	BRACKET Support, Left-Hand
38		87446202		1	BRACKET Support, Right-Hand
39		895-11010		4	WASHER 11 x 20 x 2.0 mm
41		896-11012		2	WASHER 13,5 x 24 x 2,5 mm
		87422375		1	SCREEN Right-Hand, Inc. 42, 47 & 48
42		87422563	ASN JEE0104378	1	SCREEN Engine, Right-Hand
43		87423721		1	MOLDING Right-Hand, 2148 mm (84-1/2 in), Cut From: 87431213
		87422374		1	SCREEN Left-Hand, Inc. 44 - 48
44		87422562	ASN JEE0104378	1	SCREEN Engine, Left-Hand
45		87422383		1	SEAL, RUBBER Dipstick Hole, 476 mm (18-47/64 in), Cut From: 87431213
46		87423607		1	MOLDING Left-Hand, 1861 mm (73-1/4 in), Cut From : 87431213
47		448713A1		1	STUD Rear Latch
48		87422372		2	MOUNTING, RUBBER Spacer
49		829-1408		1	NUT M8, CL10
50		87422371		2	CABLE
51		895-11008		4	WASHER 9 x 16 x 1,6 mm
52		614-8020		2	BOLT Cap, HH, M8 x 20, CL8.8
53		832-10408		2	NUT Lock, M8, CL8
54		87422384		1	KIT, FIP Engine Screen, Inc. 5, 20, 35 - 53, 55 & 56
55		260-5448		4	SCREW 1/2
56		1968039C3		2	FASTENER Stud, Screen Latch
57		829-1412		2	NUT M12
30		627-10030		4	BOLT M10 x 30; 10.9
40		627-10030		4	BOLT M10 x 30, CL10.9

**STX375 STX450**  
**STX425 STX500**

GRILLE



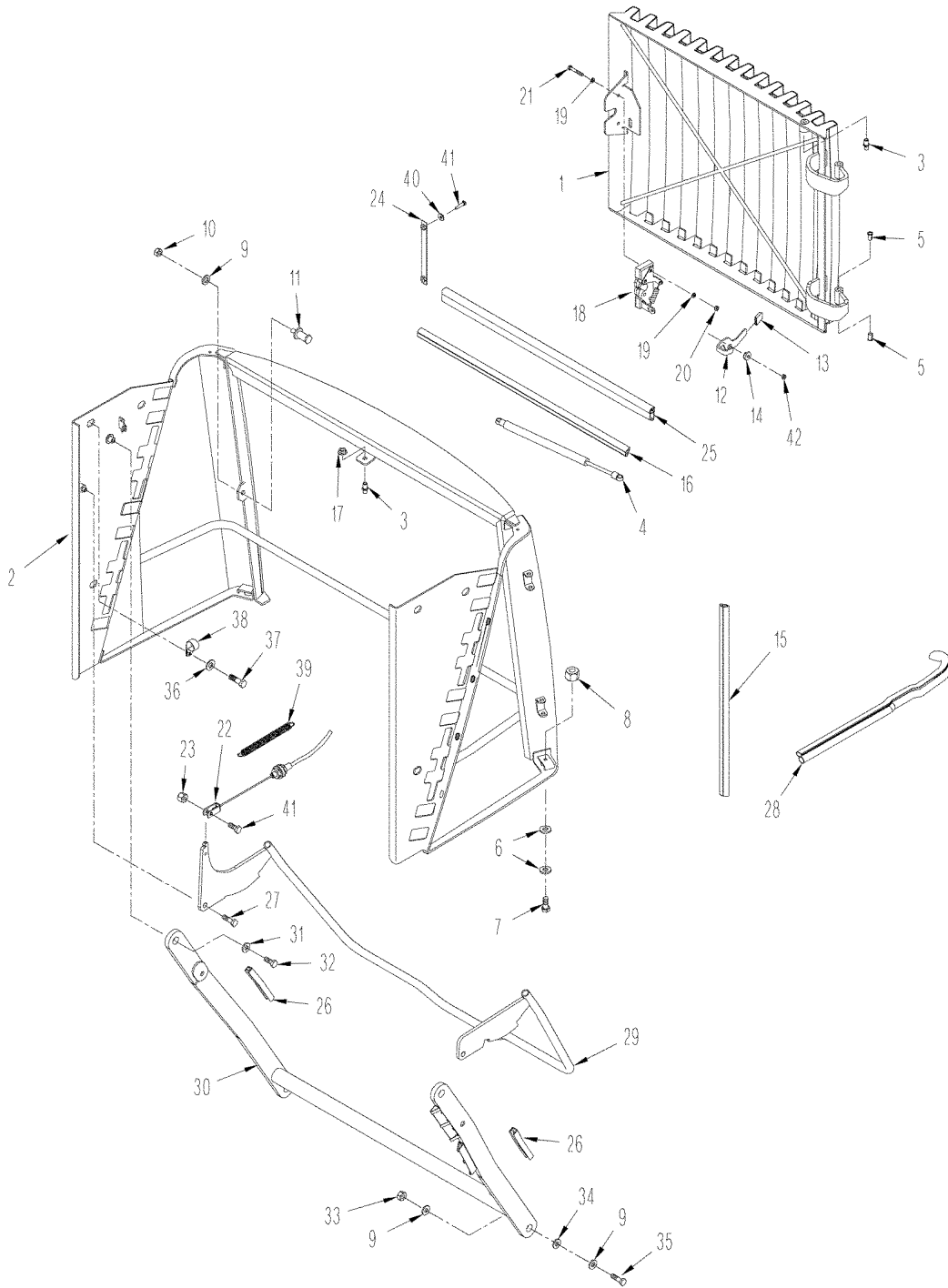
## GRILLE

REF	FN	PART NUMBER	YR/SN	QTY	DESCRIPTION
1		323585A2		1	GRILLE
2		304005A4		1	GRILLE ASSY
3		350662A1		2	STUD
4		L129243		1	CYLINDER ASSY.
5		529761R1		4	BUSHING
6		895-11008		4	WASHER 9 x 17 x 1,6 mm
7		827-8060		2	SCREW M8 x 60; 10.9
8		832-10408		2	NUT Lock, M8; 8
9		896-11012		1	WASHER 13,5 x 24 x 3 mm
10		429-107		5	NUT 7/16; 8
11		328534A1		1	BOLT Striker
12		349426A2		1	LATCH Latch
13		371802A1		1	SLEEVE
14		349427A1		1	SPACER
15		352770A1		2	SEAL Cut From 353729A1
16		352768A1		1	SEAL
17		825-51410		1	NUT M10
18		318159A1		1	LATCH
19		895-11006		1	WASHER 6,6 x 12 x 1,6 mm
20		829-1406		1	NUT M6; 10.9
21		827-6040		2	BOLT Hex, M6 x 40, 10.9
22	1	443297A1		1	CABLE PULLING GRIP
23		832-10406		1	NUT
24		356813A2		1	BRACKET, SUPPORTING Nut, Strip
25		370990A1		1	SEAL 935 mm (37 in), Cut From: 90-2894T1
26		388554A1		2	GROMMET 127 mm (5 in), Cut From : 443080A1
27		357893A1		2	SCREW
28		394002A1		2	SEAL Cut From L107724
29		325525A3		1	ARM Safety
30		315197A4		1	ARM ASSY.
31		896-15010		2	WASHER 11 x 24 x 3 mm
32		627-10020		2	SCREW M10 x 20; 10.9
33		829-1412		2	NUT M12; 10
34		316937A1		2	SPACER

(1) Also Order 445932A1 Hood Latch Mounting Plate For Tractors BSN JEE0100144.

**STX375 STX450**  
**STX425 STX500**

GRILLE



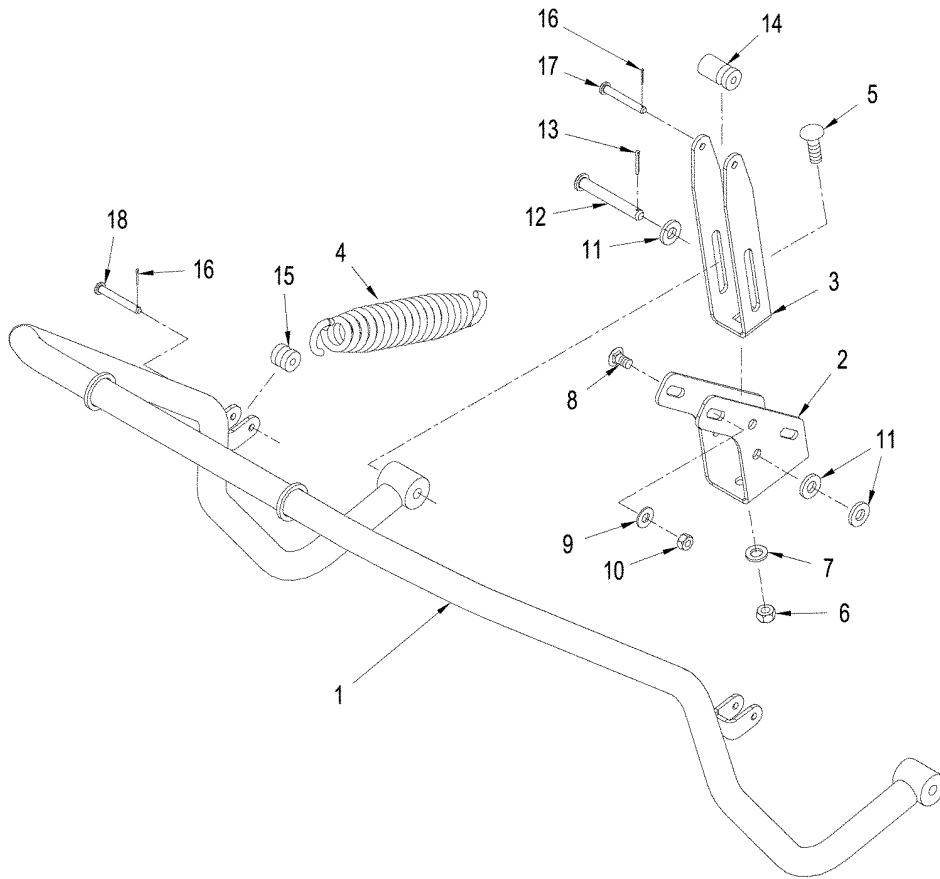
## GRILLE

REF	FN	PART NUMBER	YR/SN	QTY	DESCRIPTION
35		827-12060		2	BOLT M12 x 60; 10.9
36		S95569		6	WASHER
37		627-10025		6	SCREW Cap, HH, M10 x 25, CL10.9
38		515-2563		1	CLAMP 1/4 ID
39		L106237		1	SPRING
40		895-25006		8	WASHER M6
41		627-6025		1	BOLT M6 x 25; 10.9
42		829-1406		1	NUT M6, CL10

**STX375 STX450**  
**STX425 STX500**



HOOD - LIFT ARM

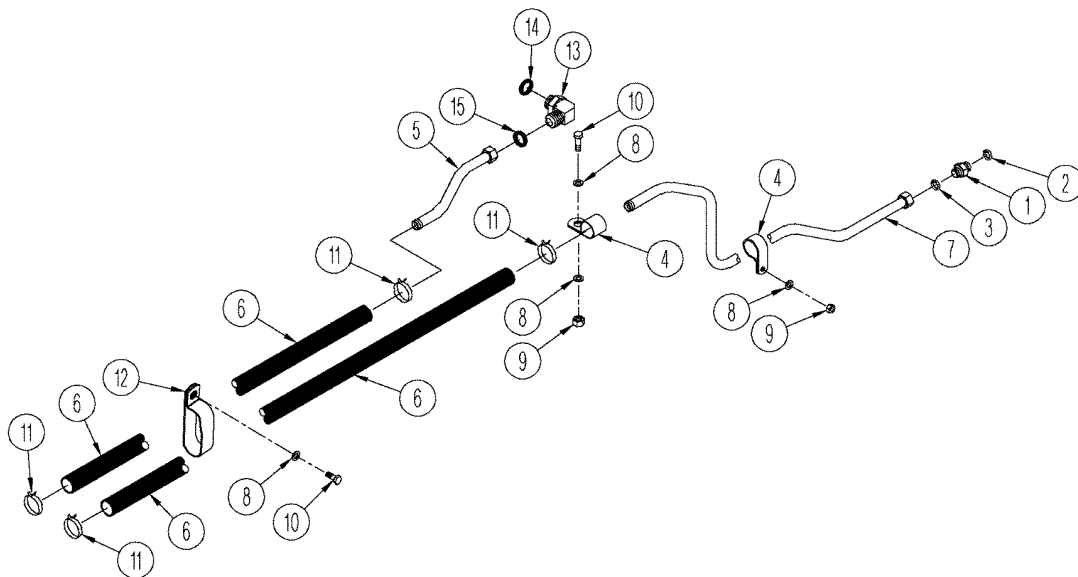


## HOOD - LIFT ARM

REF	FN	PART NUMBER	YR/SN	QTY	DESCRIPTION
1		339543A2		1	ARM Lift
2		339551A1		2	BRACKET M8 x 40
3		339547A1		2	CLEVIS, ADJUSTABLE M2 x 12
4		339549A1		2	SPRING, COIL M12 x 40; 8.8
5		811-12040		2	SCREW Cap, HH, M12 x 40, CL8.8
6		829-1412		2	NUT M12, CL12
7		896-11012		2	WASHER 13,5 x 24 x 3 mm
8		811-10020		4	SCREW Carriage, Short Neck, M10 x 20, CL8.8
10		829-1410		4	NUT M10, CL10.9
11		896-15012		6	WASHER 13,5 x 28 x 4 mm
12		728-1290		2	PIN M2 x 90
13		733-3220		2	SPLIT PIN/SAFETY PIN M3.2 x 20
14		313992A1		2	SPOOL
15		320429A1		2	SPOOL
16		733-2012		4	PIN, SPLIT (COTTER) M2 x 12
17		728-840		2	PIN Clevis, M8 x 60
18		728-860		2	PIN Clevis, M8 x 40
9		895-15010		4	WASHER 11 x 24 x 2 mm

**STX375 STX450**  
**STX425 STX500**

HEATER - HOSES

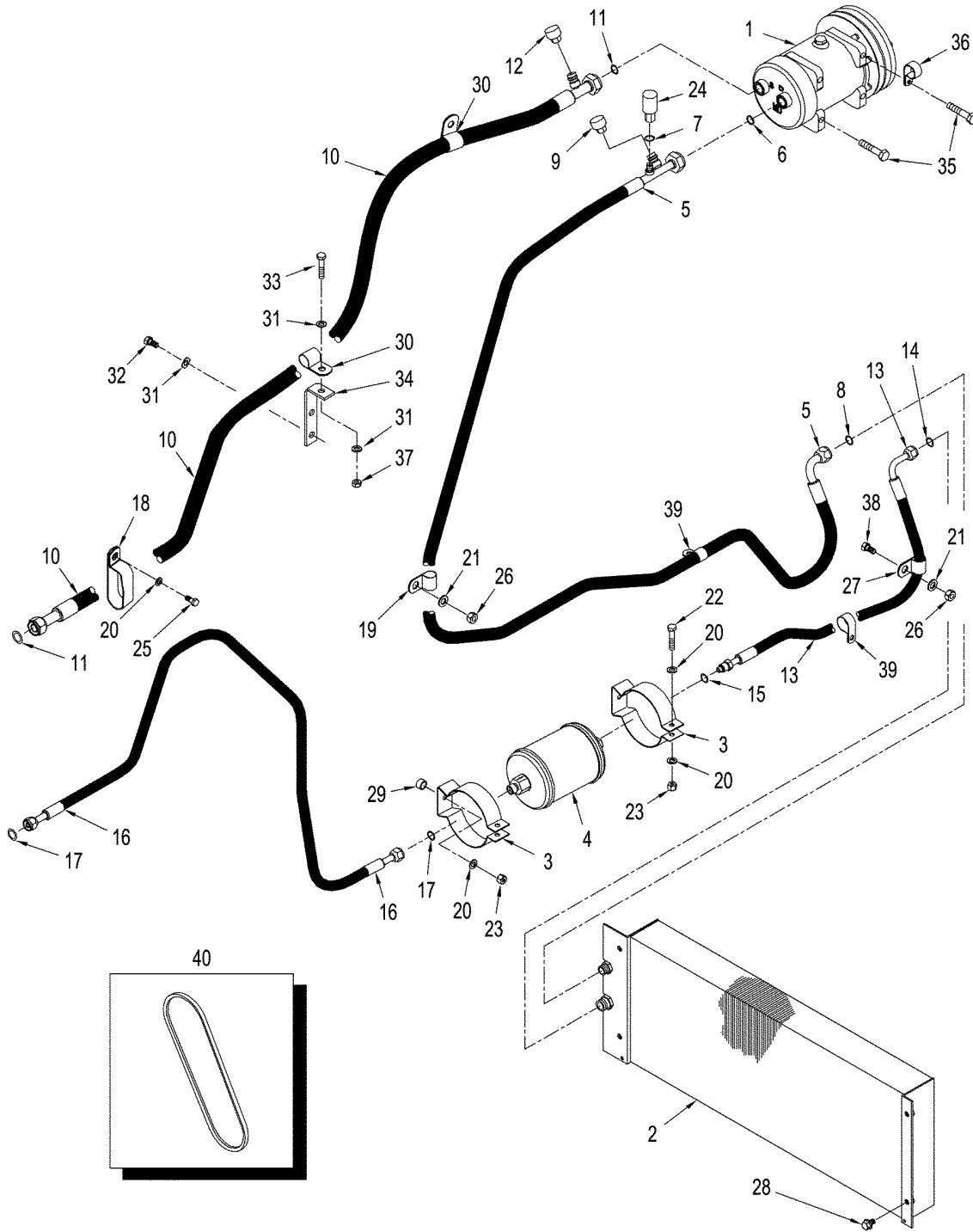


## HEATER - HOSES

REF	FN	PART NUMBER	YR/SN	QTY	DESCRIPTION
1		700-104		1	FITTING 1-3/16 fc sl x 27 Or, Inc. 2, 3
2		637-64236		1	O-RING 23,6 ID x 2,9
3		238-6018		1	O-RING 3/4 ID x 1/16
4		515-23159		2	CLAMP 5/8 ID
5		392223A2		1	TUBE
6		31-1293		2	HOSE 5/8 ID x 57 in
7		391492A2		1	TUBE
8		895-11008		4	WASHER 9 x 17 x 1,6 mm
9		829-1408		2	NUT M8; 10
10		627-8020		2	BOLT M8 x 20; 10.9
11		214-1408		4	CLAMP 1/2 - 29/32 dia
12		R54363		1	CLAMP
13		700-307		1	ELBOW 1-3/16 fc sl x 27 Or, Inc. 14, 15
14		637-64236		1	O-RING 23,6 ID x 2,9
15		238-6018		1	O-RING 3/4 ID x 1/16

**STX375 STX450**  
**STX425 STX500**

AIR CONDITIONING SYSTEM

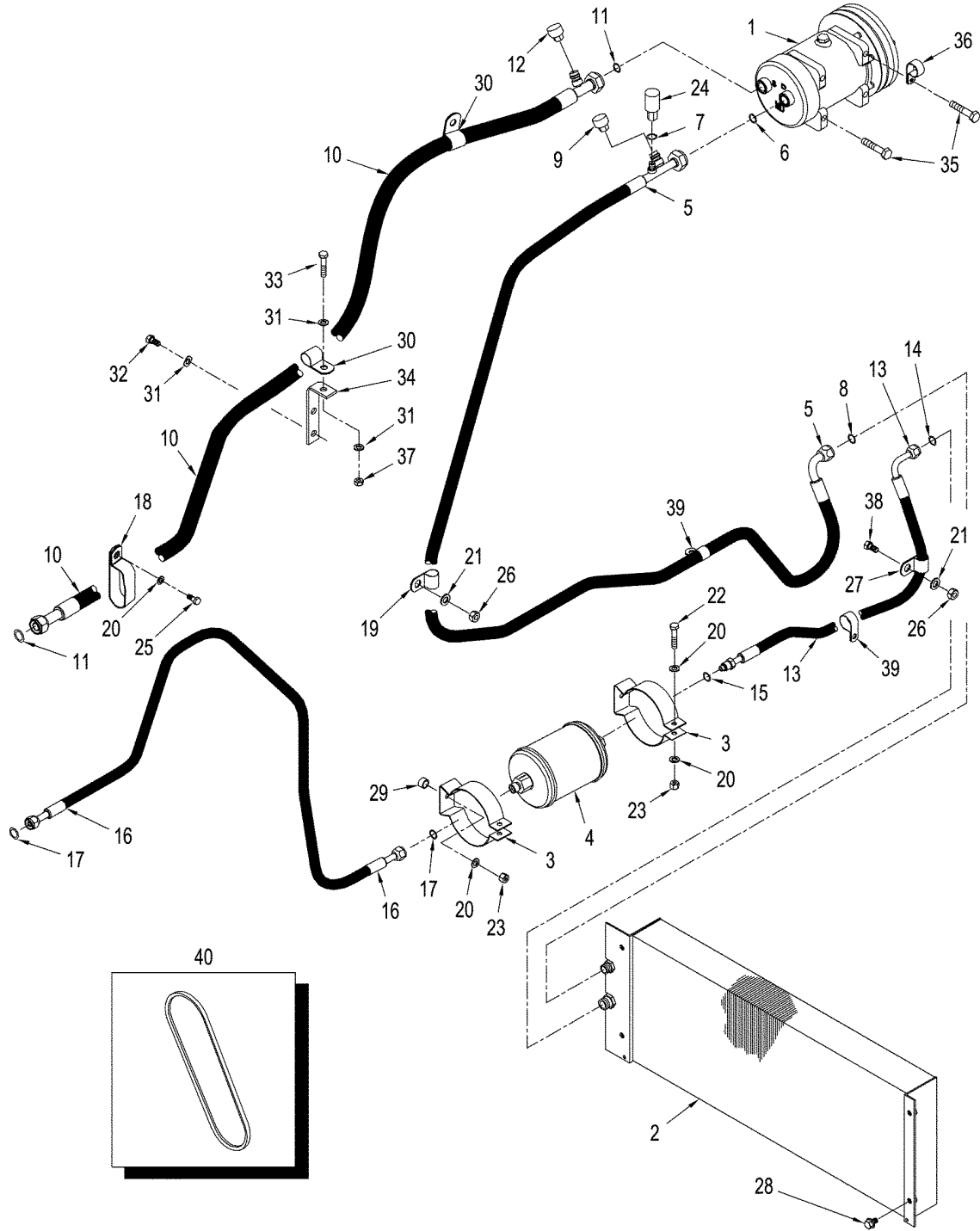


## AIR CONDITIONING SYSTEM

REF	FN	PART NUMBER	YR/SN	QTY	DESCRIPTION
1		86993463		1	COMPRESSOR
2		87315600		1	CONDENSER
3		433723A1		2	CLAMP
4		295006A1		1	RECEIVER-DRYER 134a
5		434240A1		1	HOSE 2200 mm (87 in), Inc. 6 - 9
6		128485A1		1	O-RING 9/16 ID x 1/16
7		128483A1		1	O-RING 5/16 ID x 1/16
8		128484A1		1	O-RING 7/16 ID x 1/16
9		122554A1		1	CAP
10		390960A1		1	HOSE 2950 mm (116 in), Inc. 11, 12
11		128485A1		2	O-RING 9/16 ID x 1/16
12		122553A1		1	CAP
13		434241A1		1	HOSE ASSY. 2100 mm (83 in), Inc. 14, 15
14		128484A1		1	O-RING 7/16 ID x 1/16
15		128483A1		1	O-RING 5/16 ID x 1/16
16		308750A3		1	HOSE ASSY. 2200 mm (87 in), Inc. 17
17		128483A1		2	O-RING 5/16 ID x 1/16
18		R54363		2	CLAMP
19		515-25190		2	CLAMP 3/4 ID
20		895-11008		13	WASHER 9 x 17 x 1,6 mm
21		895-11010		1	WASHER 11 x 20 x 2 mm
22		827-8040		2	SCREW M8 x 40; 10.9
23		829-1408		5	NUT M8; 10
24		284273A2		1	SWITCH
26		829-1410		5	NUT M10; 10
27		515-25159		4	CLAMP
28		844-8020		4	BOLT Flg Hd, M8 x 20; CL8,8
29		432444A1		2	SPACER
30		515-25254		2	CLAMP 1 in ID
31		895-11012		4	WASHER 13,5 x 24 x 2,5 mm
32		627-12020		2	BOLT M12 x 20; 10.9
33		613-12030		1	BOLT M12 x 30; 8.8
34		391460A1		1	BRACKET
35		827-8100		4	BOLT M8 x 100; 10.9
36		515-2395		1	CLAMP 3/8 ID

**STX375 STX450**  
**STX425 STX500**

AIR CONDITIONING SYSTEM



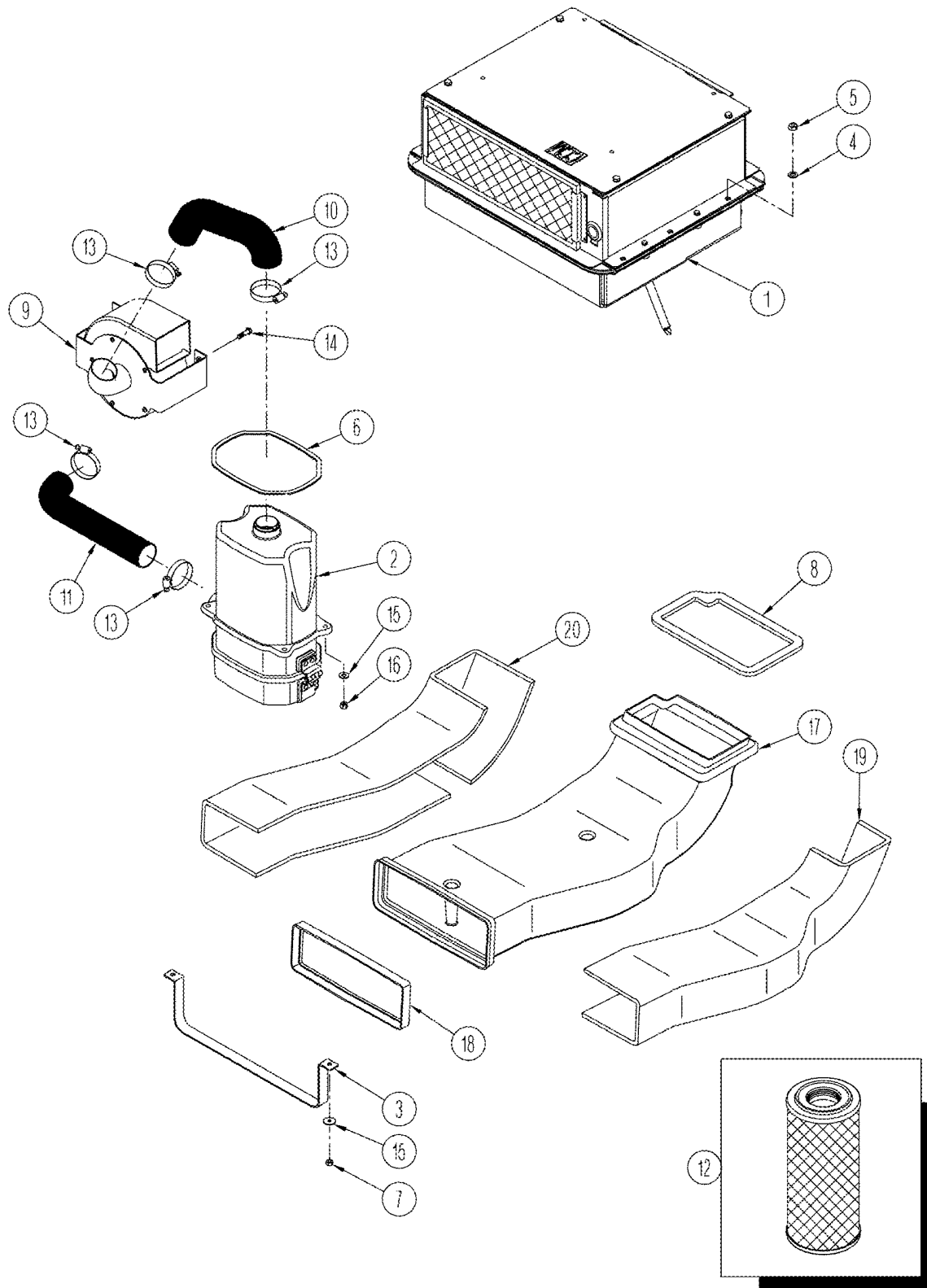
**AIR CONDITIONING SYSTEM**

<b>REF</b>	<b>FN</b>	<b>PART NUMBER</b>	<b>YR/SN</b>	<b>QTY</b>	<b>DESCRIPTION</b>
37		829-1412		1	NUT M12; 10
38		627-10025		1	SCREW M10 x 25; 10.9
39		516-23190		2	CLIP P-Type
40		87437226		1	BELT Accessary Drive, A/C & Alternator
25		627-8025		2	BOLT M8 x 25; 10.9

**STX375 STX450**  
**STX425 STX500**



AIR CONDITIONING - DUCTS



## AIR CONDITIONING - DUCTS

REF	FN	PART NUMBER	YR/SN	QTY	DESCRIPTION
1	1	87438585	BSN JEE0106701	1	AIR CONDITIONER Without Auto Temp Control, See Figure 09-47
1		87441017	ASN JEE0106701	1	AIR CONDITIONER Without Auto Temp Control, See Figure 09-47 (01)
1	2,3	87438586	BSN JEE0106701	1	AIR CONDITIONER With Auto Temp Control, See Figure 09-48
	2,3	87441018	ASN JEE0106701	1	AIR CONDITIONER With Auto Temp Control, See Figure 09-48 (01)
2		319970A3		1	HOUSING Air Filter, See Figure 09-49
3		384950A2		1	BRACKET
4		895-11010		6	WASHER 11 x 20 x 2 mm
5		829-1410		6	NUT M10; 10
6		359586A1		1	SEAL Filter
7		829-1408		2	NUT M8; 10
8		278967A3		4	GASKET Floor Plate
9		NSS		1	NOT SERVICED SEPARATELY Blower Assy, See Figure 09-50
10		307024A4		1	HOSE Air Intake
11		307025A4		1	HOSE Air Intake
12		259288A1		1	FILTER Air
13		214-1432		4	CLAMP 1-9/16 x 2-1/2
14		627-6012		4	BOLT M6 x 12; 10.9
15		895-15008		6	WASHER 9 x 20 x 1,6 mm
16		832-10408		4	NUT M8; 8
17		327851A1		1	DUCT
18		359670A2		1	SEAL
19		328051A2		1	INSULATION, FOAM Duct, Right-Hand
20		328052A2		1	INSULATION, FOAM Duct, Left-Hand

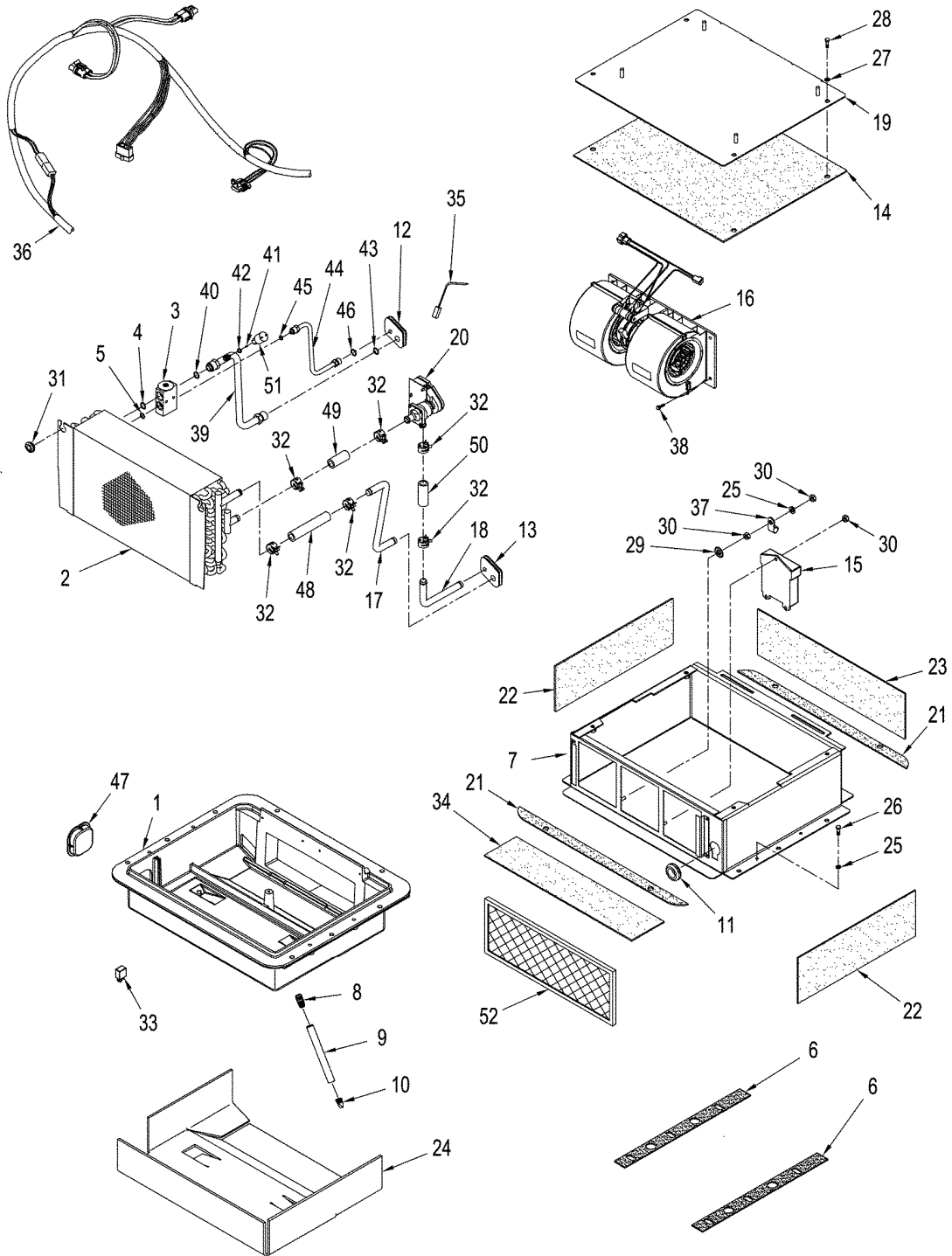
(1) Standard Cab

(2) Deluxe Cab

(3) Luxury Cab

**STX375 STX450**  
**STX425 STX500**

AIR CONDITIONING - CLIMATE CONTROL UNIT, WITHOUT AUTO TEMP CONTROL, BSN JEE0106701



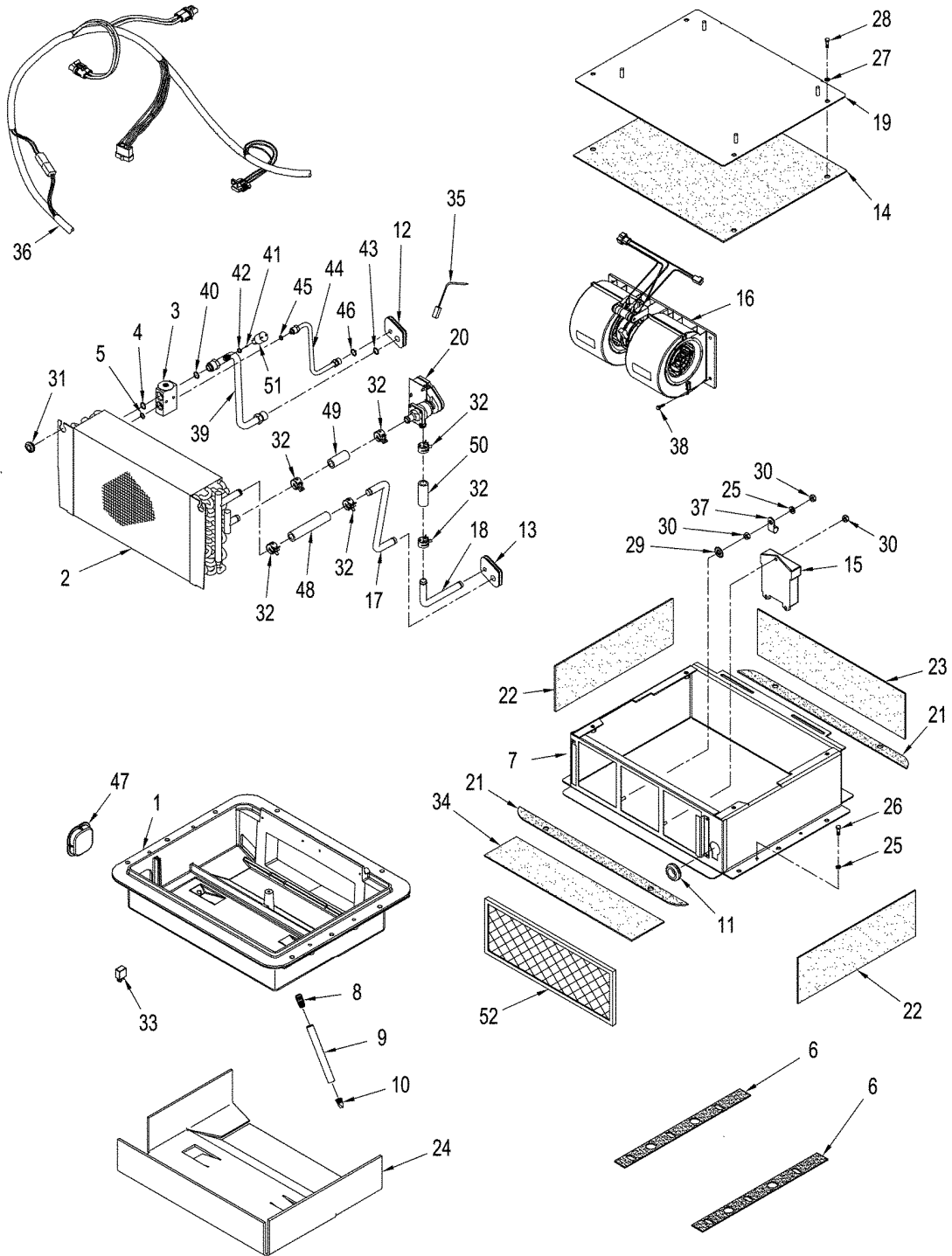
## AIR CONDITIONING - CLIMATE CONTROL UNIT, WITHOUT AUTO TEMP CONTOL, BSN JEE0106701

REF	FN	PART NUMBER	YR/SN	QTY	DESCRIPTION
		87438585		1	AIR CONDITIONER Inc. 1 - 52
1		322996A1		1	BOX
2		86990262		1	CORE Evaporator And Heater
3		386535A1		1	VALVE Expansion
4		128484A1		1	O-RING 7/16 ID x 1/16
5		128485A1		1	O-RING 9/16 ID x 1/16
6		322994A1		4	GASKET
7		322831A2		1	CASE
8		1250522C3		2	FITTING
9		1977334C1		2	HOSE 610 mm (24-1/8 in), Cut From 198091C1
10		109239C2		2	VALVE Check
11		248-2381		1	GROMMET
12		322989A1		1	GROMMET
13		322990A1		1	GROMMET
14		322992A1		1	GASKET
15		87429903		1	CONTROL
16		323611A1		1	BLOWER
17		322985A1		1	PIPE Outlet
18		322987A1		1	PIPE Inlet
19		323625A1		1	COVER, TOP
20		427356A1		1	VALVE, CONTROL
21		322995A1		4	GASKET
22		322993A1		2	GASKET
23		322991A1		1	GASKET
24		324484A1		1	INSULATOR
25		892-11006		5	WASHER, LOCK M6
26		614-6012		4	BOLT M6 x 12; 8,8
27		892-11008		4	WASHER M8
29		493-81002		1	WASHER, LOCK 1/4
30		829-1406		4	NUT M6; 10.9
31		248-1243		2	GROMMET 13/16 dia
32		1954736C1		6	CLAMP No. 24
33		87414866		1	RELAY 20 amp
34		327306A1		1	GASKET
35		323016A1		1	SENSOR

BSN JEE0106701

**STX375 STX450**  
**STX425 STX500**

AIR CONDITIONING - CLIMATE CONTROL UNIT, WITHOUT AUTO TEMP CONTROL, BSN JEE0106701



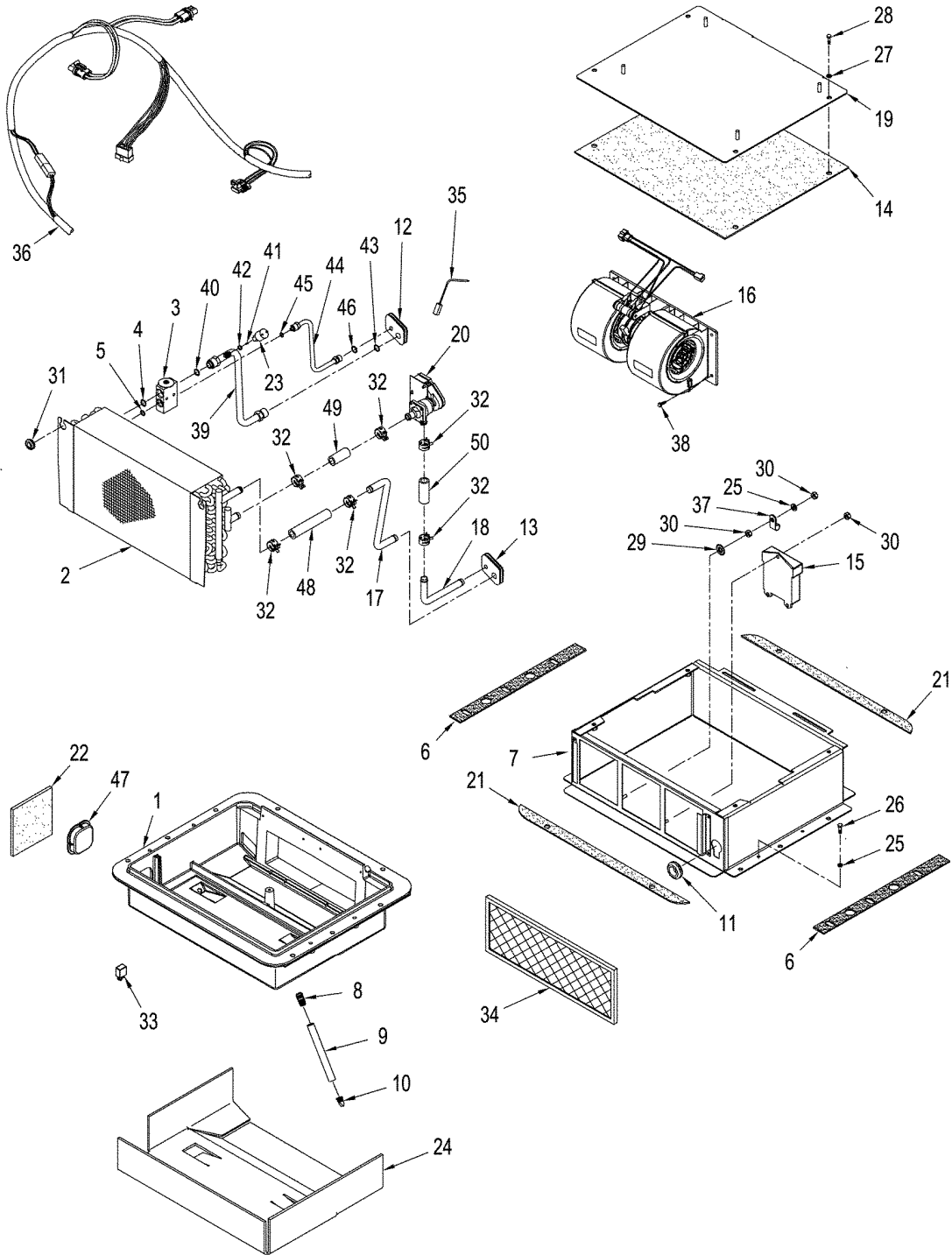
## AIR CONDITIONING - CLIMATE CONTROL UNIT, WITHOUT AUTO TEMP CONTROL, BSN JEE0106701

REF	FN	PART NUMBER	YR/SN	QTY	DESCRIPTION
36		327308A1		1	HARNES
37		515-21127		1	CLAMP 1/2 ID
38		281-14512		4	SCREW No. 10 x 3/4
39		322839A1		1	PIPE Inc. 40 - 42
40		128485A1		1	O-RING 9/16 ID x 1/16
41		1250594C2		1	CORE Evaporator / Heater
42		128483A1		1	O-RING 5/16 ID x 1/16
43		NSS		1	NOT SERVICED SEPARATELY O-Rng
44		322840A1		1	PIPE Inc. 45, 46
45		128483A1		1	O-RING 5/16 ID x 1/16
46		NSS		1	NOT SERVICED SEPARATELY O- Ring
47		368313A1		1	PLASTIC PLUG
48		1321290C2		1	HOSE 127 mm (5 in), Cut From 97252CX
49		324022A1		1	HOSE 54 mm (2-1/8 in), Cut From 97252CX
50		324023A1		1	HOSE 64 mm (2-1/2 in), Cut From 97252CX
51		284272A3		1	SWITCH, PRESSURE Low Pressure
52		87409377		1	FILTER Recirculated Air
28		627-8025		4	BOLT M8 x 25; 10.9

BSN JEE0106701

**STX375 STX450**  
**STX425 STX500**

AIR CONDITIONING - CLIMATE CONTROL UNIT, WITHOUT AUTO TEMP CONTROL, ASN JEE0106701



## AIR CONDITIONING - CLIMATE CONTROL UNIT, WITHOUT AUTO TEMP CONTOL, ASN JEE0106701

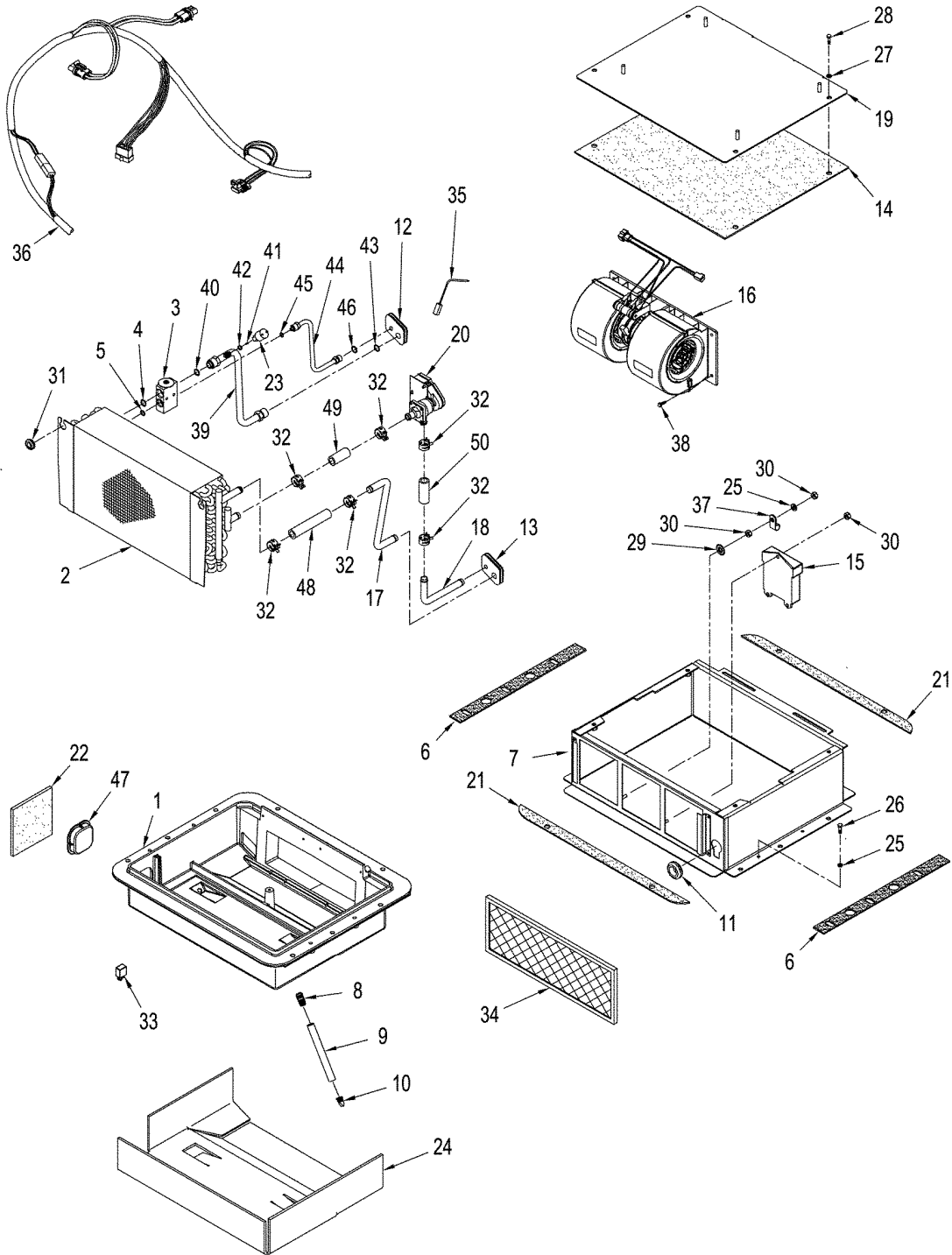
REF	FN	PART NUMBER	YR/SN	QTY	DESCRIPTION
		87441017		1	AIR CONDITIONER Inc. 1 - 50
1		322996A1		1	BOX Lower
2		86990262		1	CORE Evaporator And Heater
3		386535A1		1	VALVE Expansion
4		128484A1		1	O-RING 7/16 ID x 1/16
5		128485A1		1	O-RING 9/16 ID x 1/16
6		322994A1		4	GASKET
7		87306776		1	CASE ASSY.
8		1250522C3		2	FITTING
9		1977334C1		2	HOSE 610 mm (24-1/8 in), Cut From 198091C1
10		109239C2		2	VALVE Check
11		248-2381		1	GROMMET
12		322989A1		1	GROMMET
13		322990A1		1	GROMMET
14		87324951		1	GASKET
15		87429903		1	CONTROL
16		323611A1		1	BLOWER
17		322985A1		1	PIPE Outlet
18		322987A1		1	PIPE Inlet
19		87306495		1	COVER
20		427356A1		1	VALVE, CONTROL
21		322995A1		4	GASKET
22		87306773		1	INSULATION, FOAM
23		284272A3		1	SWITCH, PRESSURE Low Pressure
24		324484A1		1	INSULATOR
25		892-11006		5	WASHER, LOCK M6
26		614-6012		4	BOLT M6 x 12; 8,8
27		892-11008		4	WASHER M8
29		493-81002		1	WASHER, LOCK 1/4
30		829-1406		4	NUT M6; 10.9
31		248-1243		2	GROMMET 13/16 dia
32		1954736C1		6	CLAMP No. 24
33		105849A1		1	RELAY 20 amp
34		87409377		1	FILTER Recirculated Air
35		323016A1		1	SENSOR

ASN JEE0106701

**STX375 STX450**  
**STX425 STX500**



AIR CONDITIONING - CLIMATE CONTROL UNIT, WITHOUT AUTO TEMP CONTROL, ASN JEE0106701



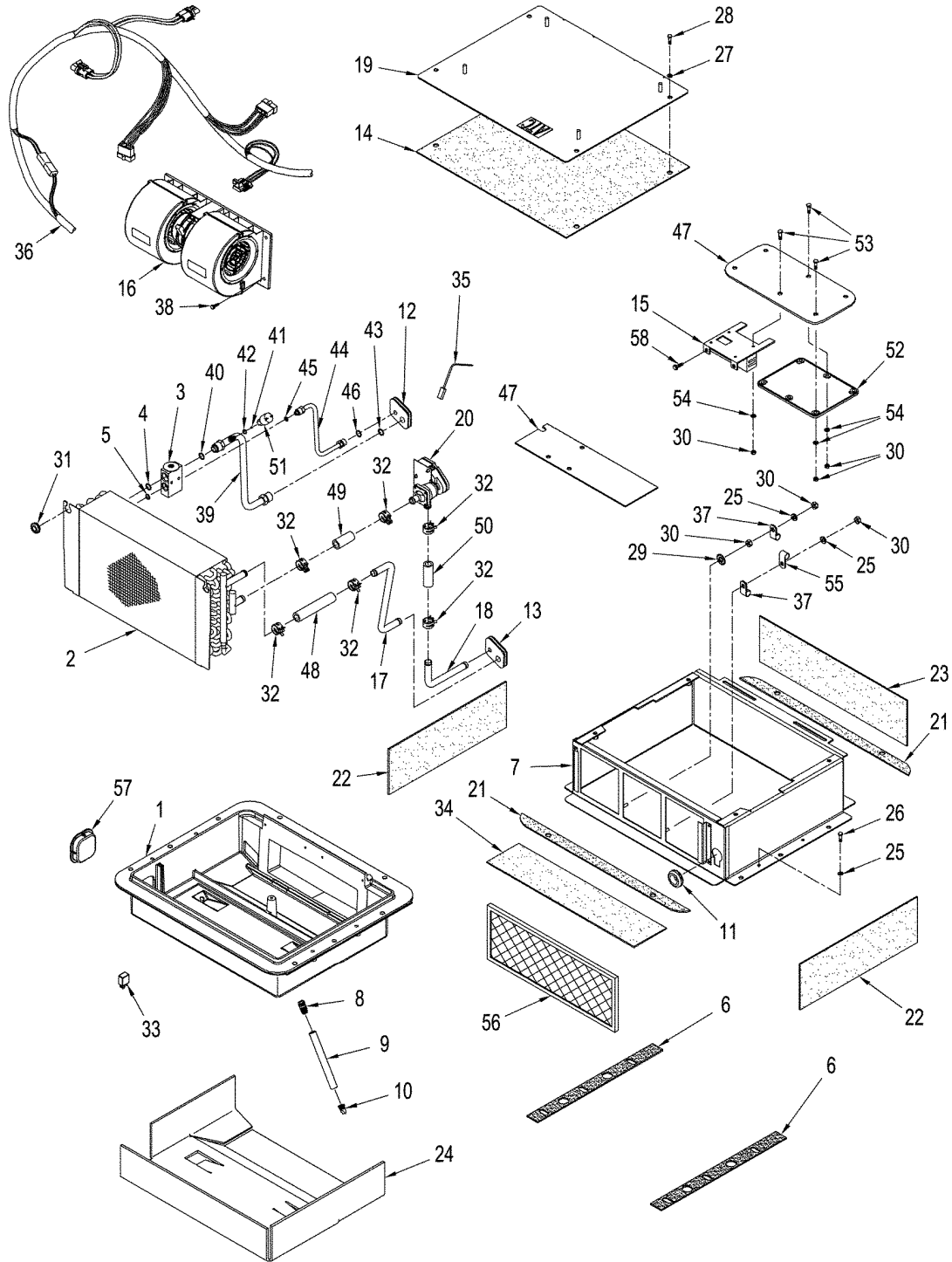
**AIR CONDITIONING - CLIMATE CONTROL UNIT, WITHOUT AUTO TEMP CONTOL, ASN JEE0106701**

REF	FN	PART NUMBER	YR/SN	QTY	DESCRIPTION
36		327308A1		1	HARNESS
37		515-21127		1	CLAMP 1/2 ID
38		281-14512		4	SCREW No. 10 x 3/4
39		322839A1		1	PIPE Inc. 40 - 43
40		128485A1		1	O-RING 9/16 ID x 1/16
41		1250594C2		1	CORE Evaporator / Heater
42		128483A1		1	O-RING 5/16 ID x 1/16
43		NSS		1	NOT SERVICED SEPARATELY O-Rng
44		322840A1		1	PIPE Inc. 45, 46
45		128483A1		1	O-RING 5/16 ID x 1/16
46		NSS		1	NOT SERVICED SEPARATELY O- Ring
47		368313A1		1	PLASTIC PLUG
48		1321290C2		1	HOSE 127 mm (5 in), Cut From 97252CX
49		324022A1		1	HOSE 54 mm (2-1/8 in), Cut From 97252CX
50		324023A1		1	HOSE 64 mm (2-1/2 in), Cut From 97252CX
28		627-8025		4	BOLT M8 x 25; 10.9

ASN JEE0106701

**STX375 STX450  
STX425 STX500**

AIR CONDITIONING - CLIMATE CONTROL UNIT, WITH AUTO TEMP CONTROL, BSN JEE0106701



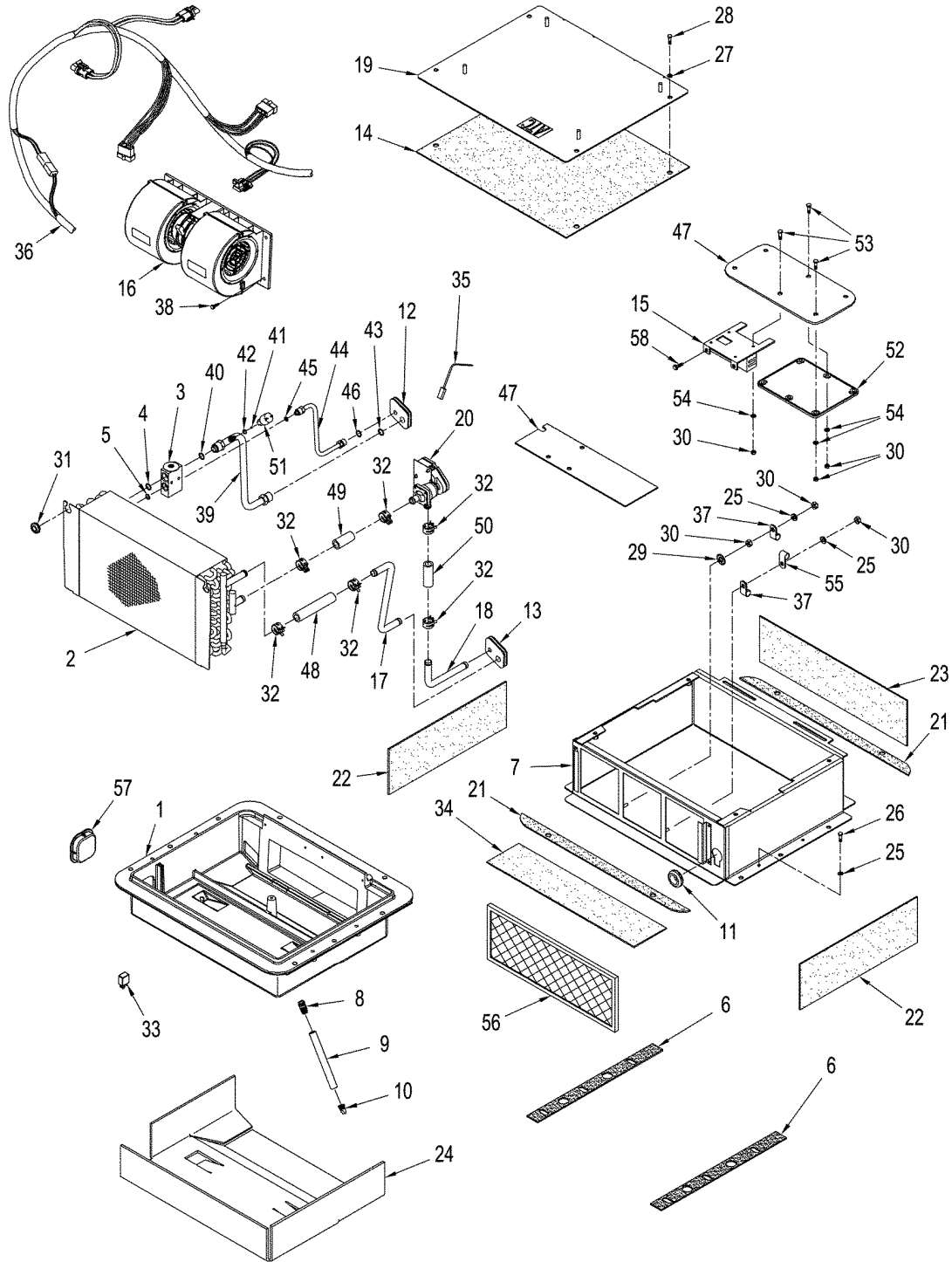
## AIR CONDITIONING - CLIMATE CONTROL UNIT, WITH AUTO TEMP CONTROL, BSN JEE0106701

REF	FN	PART NUMBER	YR/SN	QTY	DESCRIPTION
		87438586		1	AIR CONDITIONER Inc. 1 - 57
1		322996A1		1	BOX
2		NSS		1	NOT SERVICED SEPARATELY Core, Evaporator and Heater
3		386535A1		1	VALVE Expansion
4		128485A1		1	O-RING 9/16 ID x 1/16
5		128484A1		1	O-RING 7/16 ID x 1/16
6		322994A1		4	GASKET
7		322831A1		1	CASE
8		1250522C3		2	FITTING
9		1977334C1		2	HOSE 610 mm (24-1/8 in), Cut From 198091C1
10		109239C2		2	VALVE
11		248-2381		1	GROMMET
12		322989A1		1	GROMMET
13		322990A1		1	GROMMET
14		322992A1		1	GASKET
15		397780A1		1	CONTROL 12V, Blower Motor
16		323610A1		1	BLOWER
17		322985A1		1	PIPE Outlet
18		322987A1		1	PIPE Inlet
19		323625A1		1	COVER, TOP
20		427356A1		1	VALVE, CONTROL
21		322995A1		4	GASKET
22		322993A1		2	GASKET
23		322991A1		1	GASKET
24		324484A1		1	INSULATOR
25		892-11006		6	WASHER, LOCK M6
26		614-6012		4	BOLT M6 x 12; 8,8
27		892-11008		4	WASHER M8
29		493-81002		1	WASHER, LOCK 1/4
30		829-1406		6	NUT M6; 10.9
31		248-1243		2	GROMMET 13/16 dia
32		1954736C1		6	CLAMP No. 24
33		87414866		1	RELAY 20 amp
34		327306A1		1	GASKET

BSN JEE0106701

**STX375 STX450**  
**STX425 STX500**

AIR CONDITIONING - CLIMATE CONTROL UNIT, WITH AUTO TEMP CONTROL, BSN JEE0106701



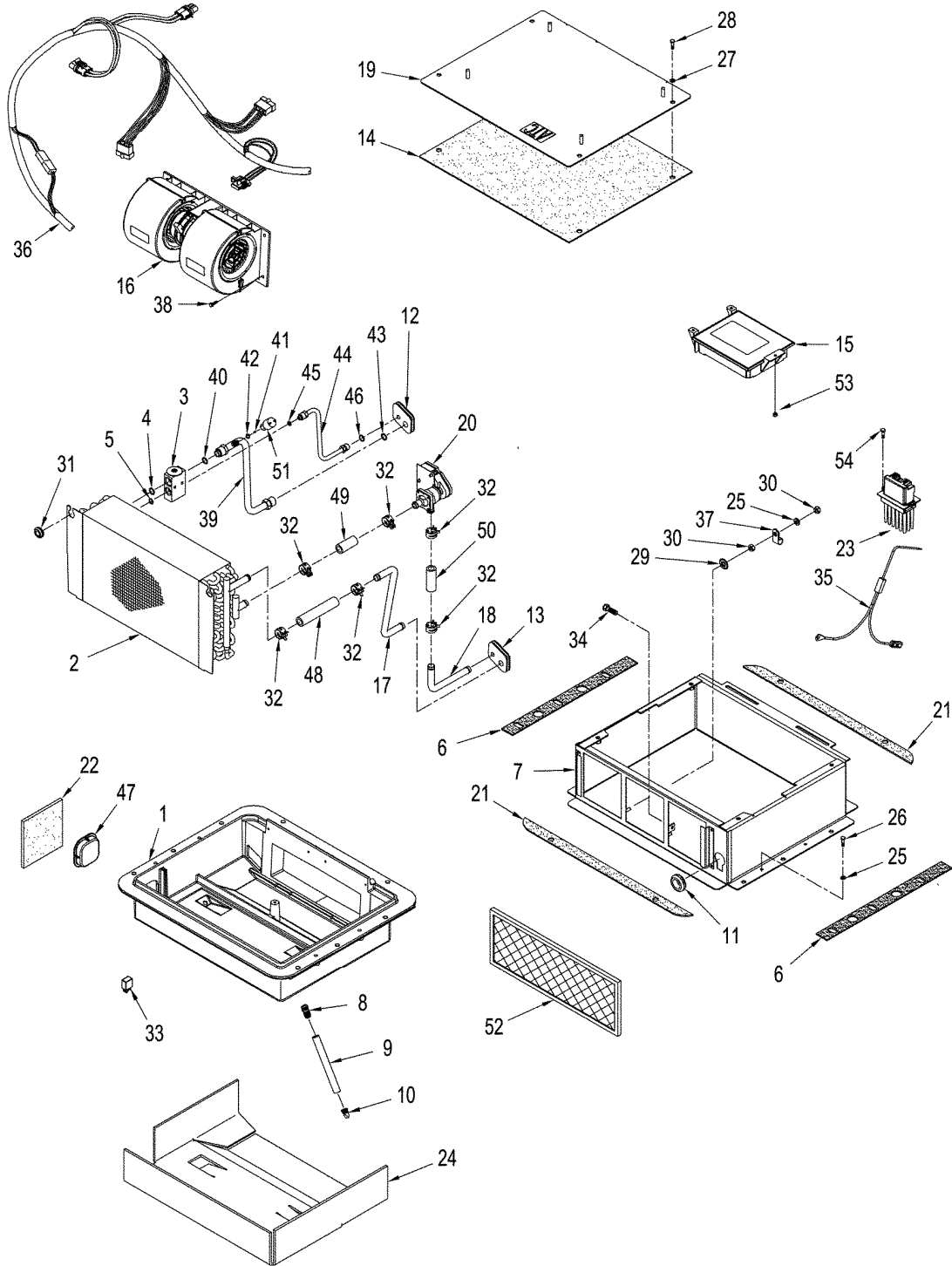
## AIR CONDITIONING - CLIMATE CONTROL UNIT, WITH AUTO TEMP CONTROL, BSN JEE0106701

REF	FN	PART NUMBER	YR/SN	QTY	DESCRIPTION
35		323016A1		2	SENSOR
36		397704A1		1	HARNESS, WIRE
37		515-2195		2	CLAMP
38		281-14512		4	SCREW No. 10 x 3/4
39		322839A1		1	PIPE Inc. 40 - 42
40		128485A1		1	O-RING 9/16 ID x 1/16
41		1250594C2		1	CORE Evaporator / Heater
42		128483A1		1	O-RING 5/16 ID x 1/16
43		128485A1		1	O-RING
44		322840A1		1	PIPE Inc. 44
46		128483A1		1	O-RING
45		128483A1		1	O-RING 5/16 ID x 1/16
47		397702A1		1	BRACKET
48		1321290C2		1	HOSE 127 mm (5 in), Cut From 97252CX
49		324022A1		1	HOSE 54 mm (2-1/8 in), Cut From 97252CX
50		324023A1		1	HOSE 64 mm (2-1/2 in), Cut From 97252CX
51		284272A3		1	SWITCH, PRESSURE Low Pressure
52		87429902		1	CONTROL Temperature Module
53		614-6020		3	BOLT M6 x 20; 8,8
54		895-11006		3	WASHER 6,6 x 12 x 1,6 mm
56		87409377		1	FILTER Recirculated Air
57		368313A1		1	PLASTIC PLUG
58		280-1448		2	SCREW
28		627-8025		4	BOLT M8 x 25; 10.9

BSN JEE0106701

**STX375 STX450**  
**STX425 STX500**

AIR CONDITIONING - CLIMATE CONTROL UNIT, WITH AUTO TEMP CONTROL, ASN JEE0106701



## AIR CONDITIONING - CLIMATE CONTROL UNIT, WITH AUTO TEMP CONTROL, ASN JEE0106701

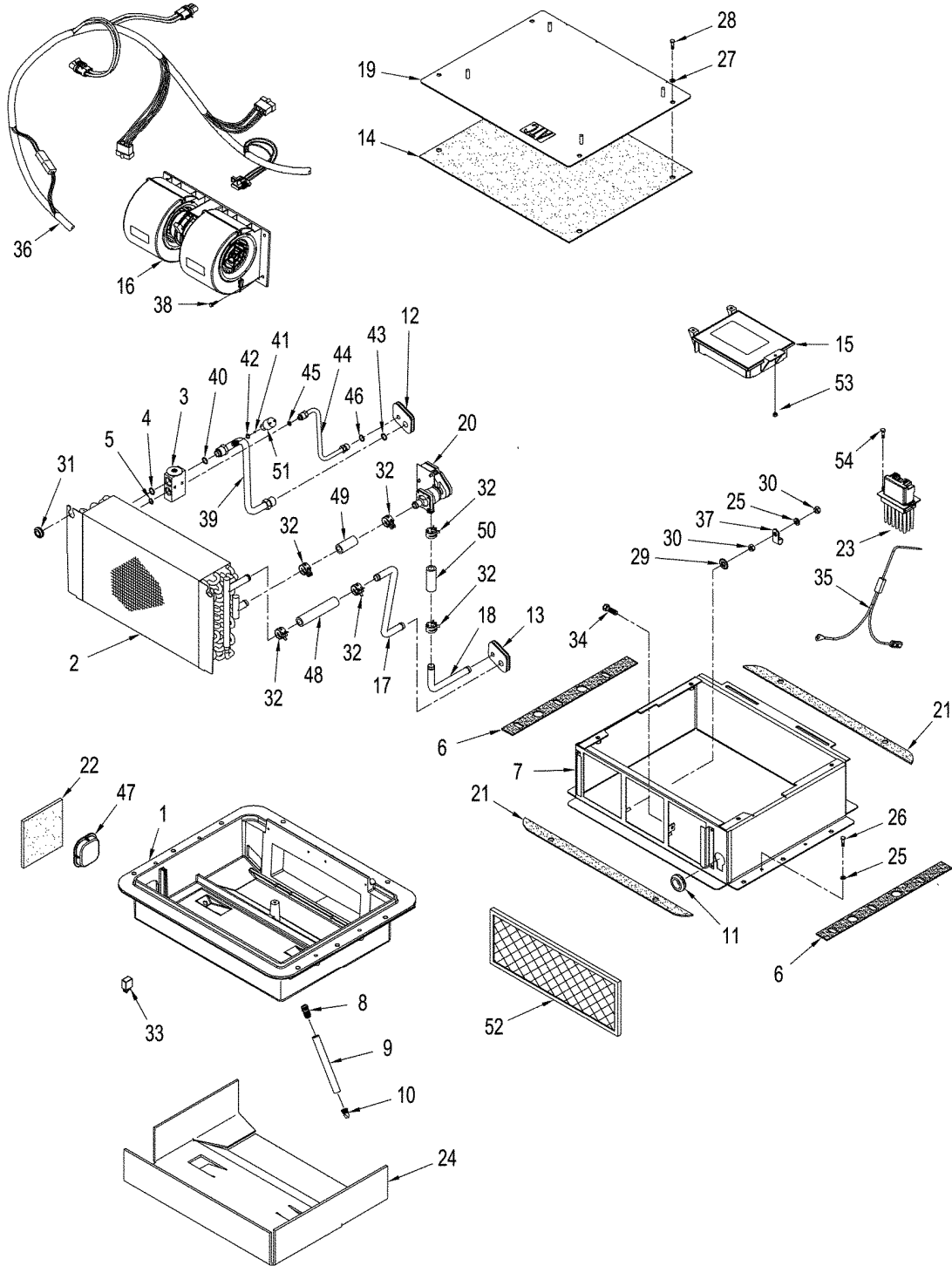
REF	FN	PART NUMBER	YR/SN	QTY	DESCRIPTION
		87441018		1	AIR CONDITIONER Inc. 1 - 53
1		322996A1		1	BOX
2		NSS		1	NOT SERVICED SEPARATELY Core, Evaporator and Heater
3		386535A1		1	VALVE Expansion
4		128485A1		1	O-RING 9/16 ID x 1/16
5		128484A1		1	O-RING 7/16 ID x 1/16
6		322994A1		4	GASKET
7		87306776		1	CASE ASSY.
8		1250522C3		2	FITTING
9		1977334C1		2	HOSE 610 mm (24-1/8 in), Cut From 198091C1
10		109239C2		2	VALVE
11		248-2381		1	GROMMET
12		322989A1		1	GROMMET
13		322990A1		1	GROMMET
14		87324951		1	GASKET
15		87447392		1	CONTROL 12V, Blower Motor
16		323610A1		1	BLOWER
17		322985A1		1	PIPE Outlet
18		322987A1		1	PIPE Inlet
19		87306495		1	COVER
20		427356A1		1	VALVE, CONTROL
21		322995A1		4	GASKET
22		87306773		1	INSULATION, FOAM
23		87306706		1	TERMINAL CONNECTOR Linear Blower
24		324484A1		1	INSULATOR
25		892-11006		5	WASHER, LOCK M6
26		614-6016		4	BOLT M6 x 16; 8,8
27		892-11008		4	WASHER M8
29		493-81002		1	WASHER, LOCK 1/4
30		829-1406		3	NUT M6; 10.9
31		248-1243		2	GROMMET 13/16 dia
32		1954736C1		6	CLAMP No. 24
33		105849A1		1	RELAY 20 amp
34		87454442		1	SENSOR Thermister

ASN JEE0106701

**STX375 STX450**  
**STX425 STX500**



AIR CONDITIONING - CLIMATE CONTROL UNIT, WITH AUTO TEMP CONTROL, ASN JEE0106701



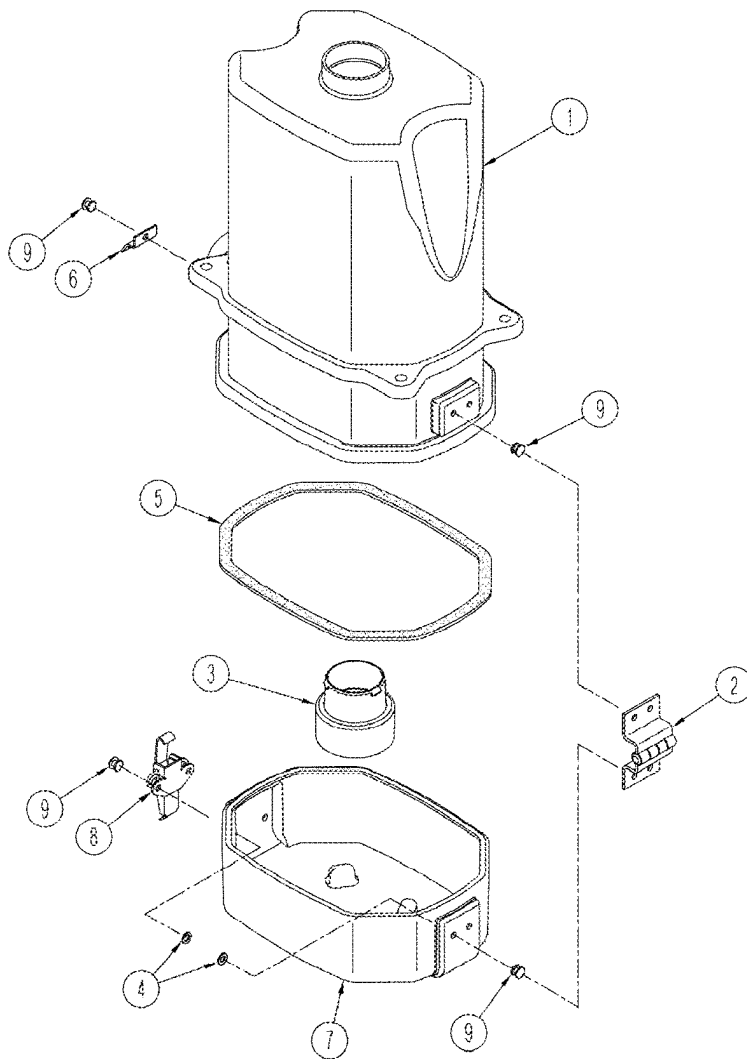
## AIR CONDITIONING - CLIMATE CONTROL UNIT, WITH AUTO TEMP CONTROL, ASN JEE0106701

REF	FN	PART NUMBER	YR/SN	QTY	DESCRIPTION
35		323016A1		1	SENSOR
36		87454441		1	HARNESS, WIRE
37		515-21127		2	CLAMP
38		281-14512		4	SCREW No. 10 x 3/4
39		322839A1		1	PIPE Suction, Inc. 40 - 42
40		128485A1		1	O-RING 9/16 ID x 1/16
41		1250594C2		1	CORE Evaporator / Heater
42		128483A1		1	O-RING 5/16 ID x 1/16
43		128485A1		1	O-RING
44		322840A1		1	PIPE Liquid, Inc. 45, 46
45		128483A1		1	O-RING 5/16 ID x 1/16
46		NSS		1	NOT SERVICED SEPARATELY
47		368313A1		1	PLASTIC PLUG
48		1321290C2		1	HOSE 127 mm (5 in), Cut From 97252CX
49		324022A1		1	HOSE 54 mm (2-1/8 in), Cut From 97252CX
50		324023A1		1	HOSE 64 mm (2-1/2 in), Cut From 97252CX
51		284272A3		1	SWITCH, PRESSURE Low Pressure
52		87409377		1	FILTER Recirculated Air
53		832-46404		1	NUT M4, CL8
54		280-1448		2	SCREW
28		627-8025		4	BOLT M8 x 25; 10.9

ASN JEE0106701

**STX375 STX450**  
**STX425 STX500**

AIR CONDITIONING - AIR FILTER HOUSING ASSEMBLY

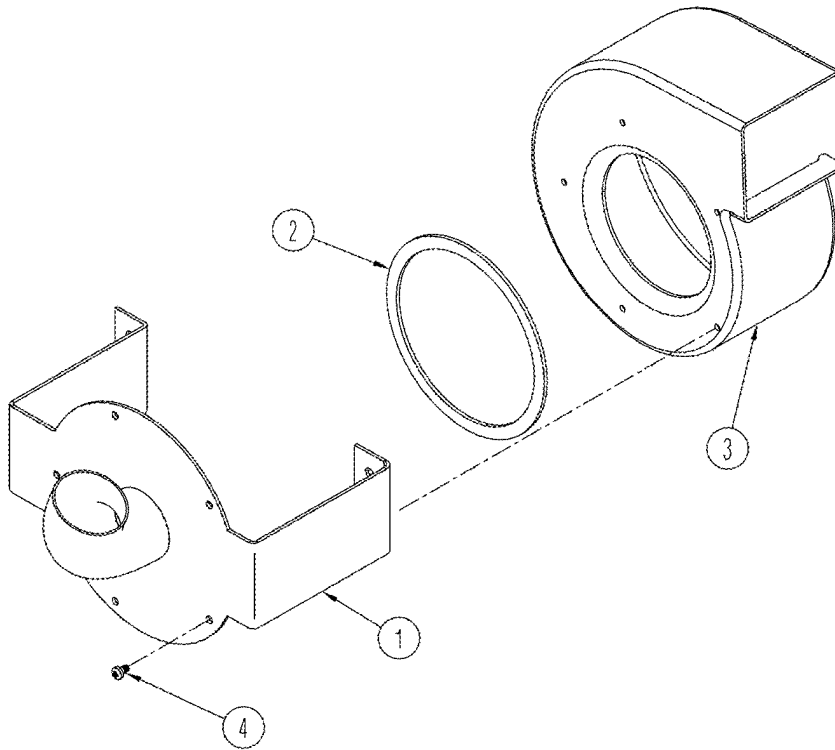


## AIR CONDITIONING - AIR FILTER HOUSING ASSEMBLY

REF	FN	PART NUMBER	YR/SN	QTY	DESCRIPTION
1		319970A3 NSS		1 1	HOUSING Air Filter, Inc. 1 - 9 NOT SERVICED SEPARATELY Housing, Filter, Upper
2		319969A1		1	HINGE
3		307016A1		1	COUPLING
4		895-11005		7	WASHER 5,5 x 10 x 1 mm
5		359585A2		1	SEAL Cut From 87432208
6		307021A2		1	CLIP
7		NSS		1	NOT SERVICED SEPARATELY Housing, Filter, Lower
8		400193A1		1	LATCH
9		151-510		7	RIVET 5/32 x 43/64

**STX375 STX450**  
**STX425 STX500**

AIR CONDITIONING - BLOWER ASSEMBLY

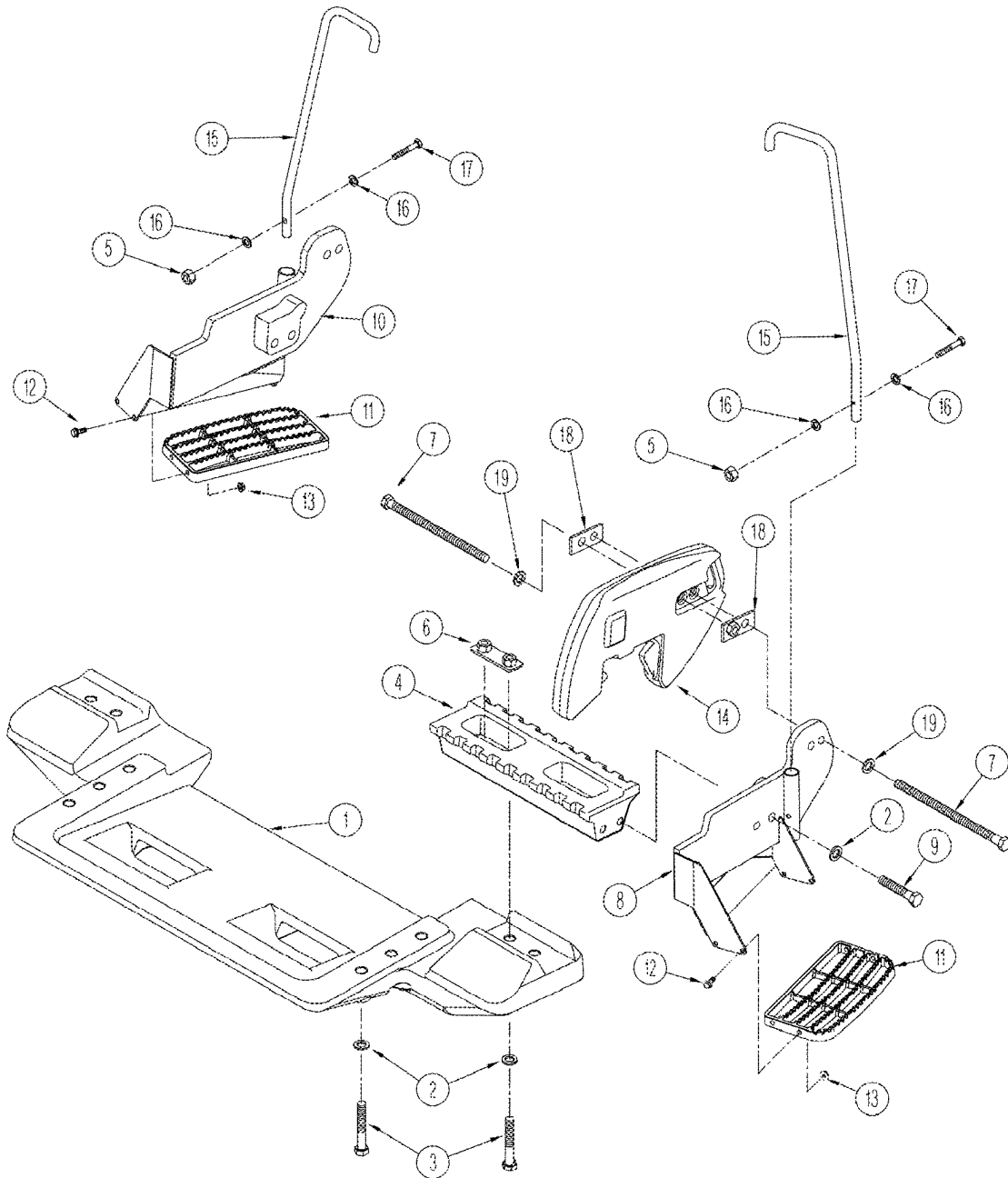


**AIR CONDITIONING - BLOWER ASSEMBLY**

REF	FN	PART NUMBER	YR/SN	QTY	DESCRIPTION
1		307104A3		1	SUPPORT Support
2		313282A1		1	SEAL Cut From 187874C1
3		175435A3		1	BLOWER
4		840-258		5	BOLT M5 x 8

**STX375 STX450  
STX425 STX500**

WEIGHTS - FRONT FRAME, BSN JEE0107304



## WEIGHTS - FRONT FRAME, BSN JEE0107304

REF	FN	PART NUMBER	YR/SN	QTY	DESCRIPTION
1		413310A1		1	HANGER
2		896-11020		14	WASHER 22 x 37 x 4 mm
3		827-20130		10	BOLT M20 x 130; 10.9
4		413312A1		2	INSERT Nine Weight
5		829-1410		2	NUT M10; 10
6		413313A1		2	BRACKET
7		627-16320		4	SCREW M16 x 320; 10.9
8		413314A1		1	PLATE Weight, Right-Hand
9		627-20110		4	SCREW M20 x 110; 10.9
10		413315A1		1	PLATE Weight, Left-Hand
11		257375A1		2	STEP
12		905-10025		8	SCREW M10 x 25
13		825-51410		8	NUT M10
14		405846A3		AR	WEIGHT 45Kg (100 lb)
15		413316A1		2	GRAB RAIL
16		896-11010		4	WASHER 11 x 21 x 2,5 mm
18		229483A2		4	RETAINER
19		896-15016		4	WASHER 17,5 x 34 x 5 mm
17		827-10060		2	BOLT M10 x 60; 10.9

**STX375 STX450**  
**STX425 STX500**



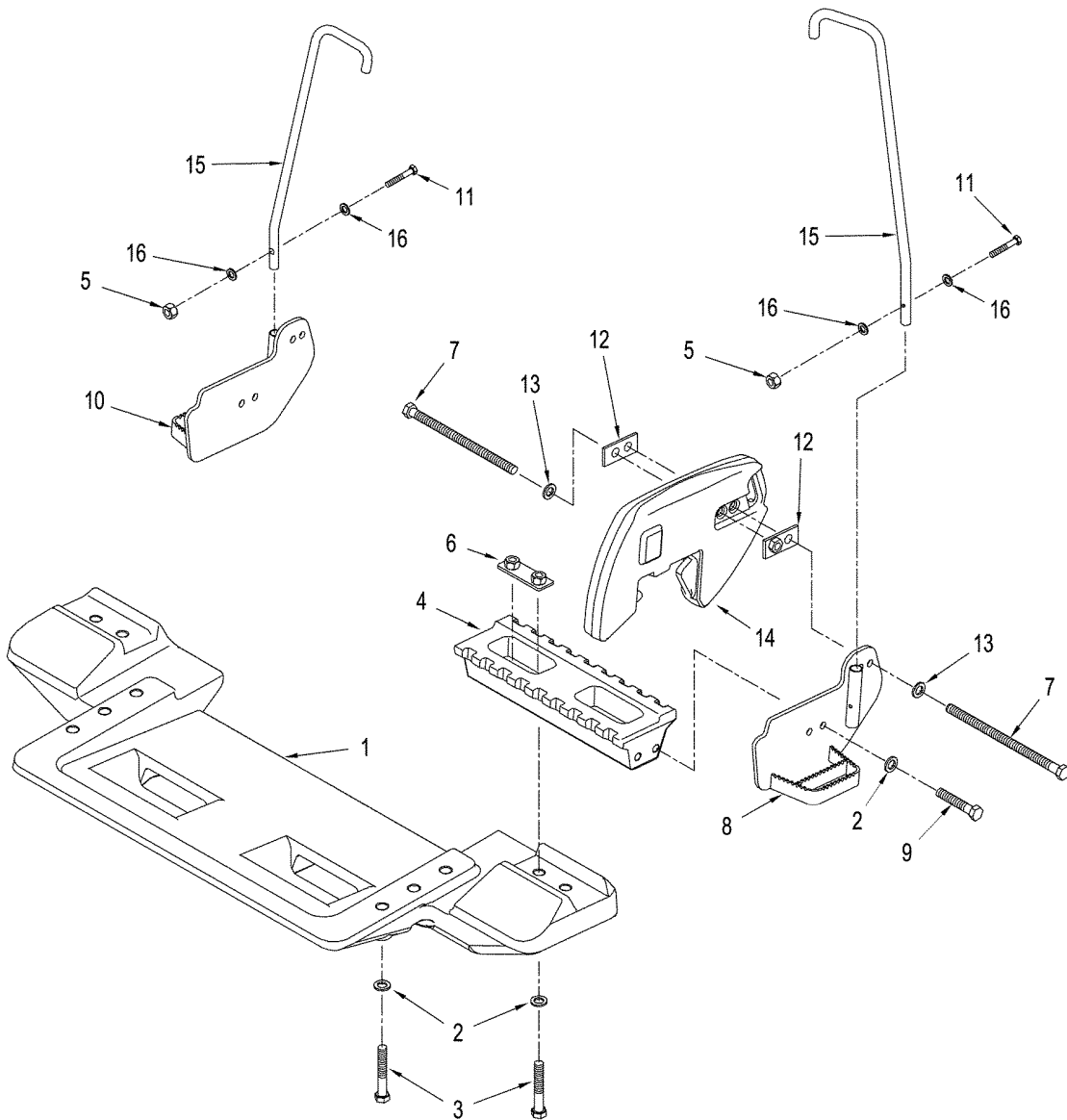
09-51

01

p1

11/05

WEIGHTS - FRONT FRAME, ASN JEE0107304



**09-51**

01

p1

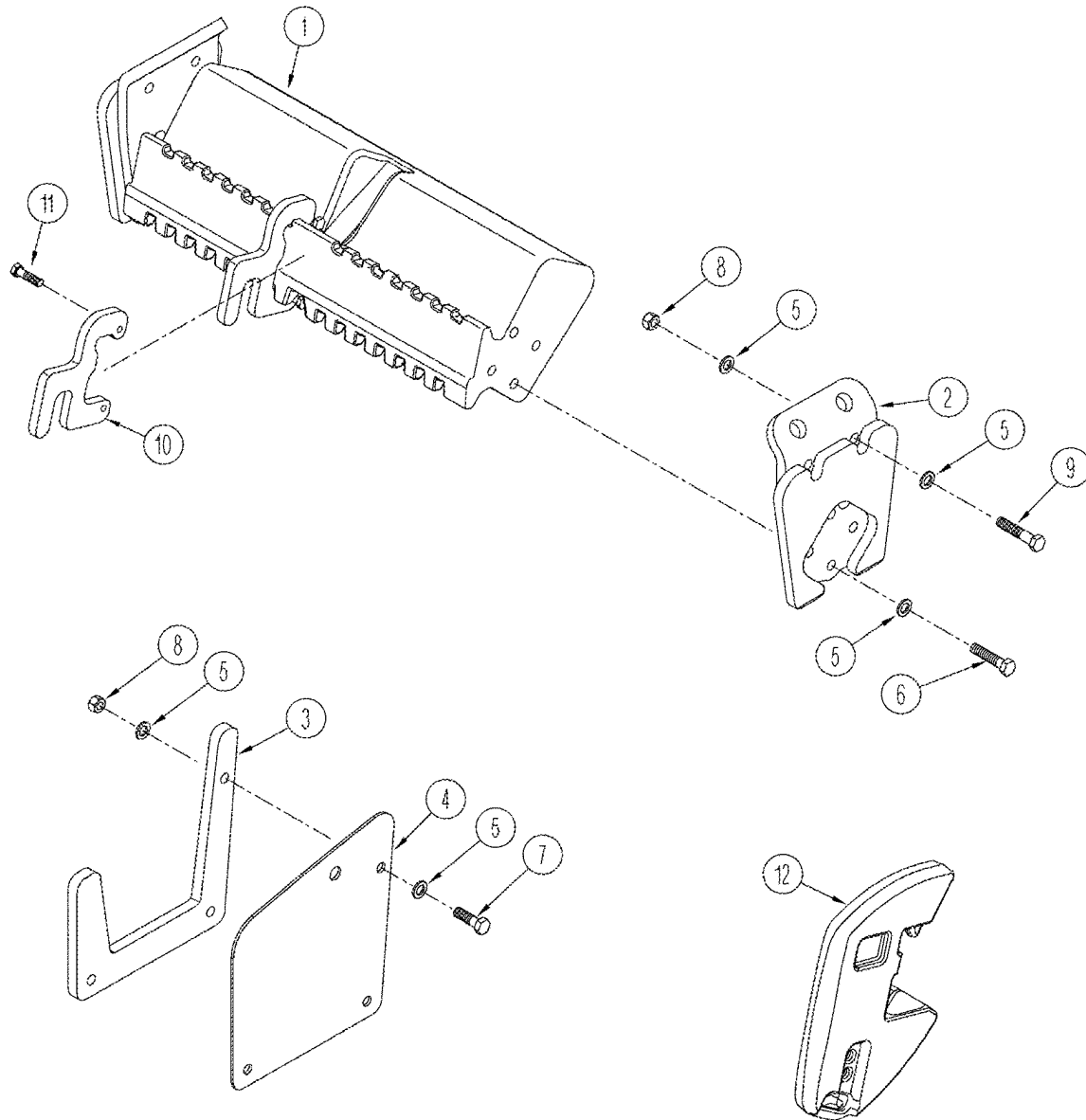
11/05

**WEIGHTS - FRONT FRAME, ASN JEE0107304**

REF	FN	PART NUMBER	YR/SN	QTY	DESCRIPTION
1		413310A1		1	HANGER
2		896-11020		14	WASHER 22 x 37 x 4 mm
3		827-20130		10	BOLT M20 x 130; 10.9
4		413312A1		2	INSERT Nine Weight
5		829-1410		2	NUT M10; 10
6		413313A1		2	BRACKET
7		627-16320		4	SCREW M16 x 320; 10.9
8		87309541		1	PLATE Weight, Right-Hand
9		627-20060		4	SCREW M20 x 60; 10.9
10		87309542		1	PLATE Weight, Left-Hand
12		229483A2		4	RETAINER
13		896-15016		4	WASHER 17,5 x 34 x 5 mm
14		405846A3		AR	WEIGHT 45Kg (100 lb)
15		413316A1		2	GRAB RAIL
16		896-11010		4	WASHER 11 x 21 x 2,5 mm
11		827-10060		2	BOLT M10 x 60; 10.9

**STX375 STX450  
STX425 STX500**

WEIGHTS - REAR FRAME



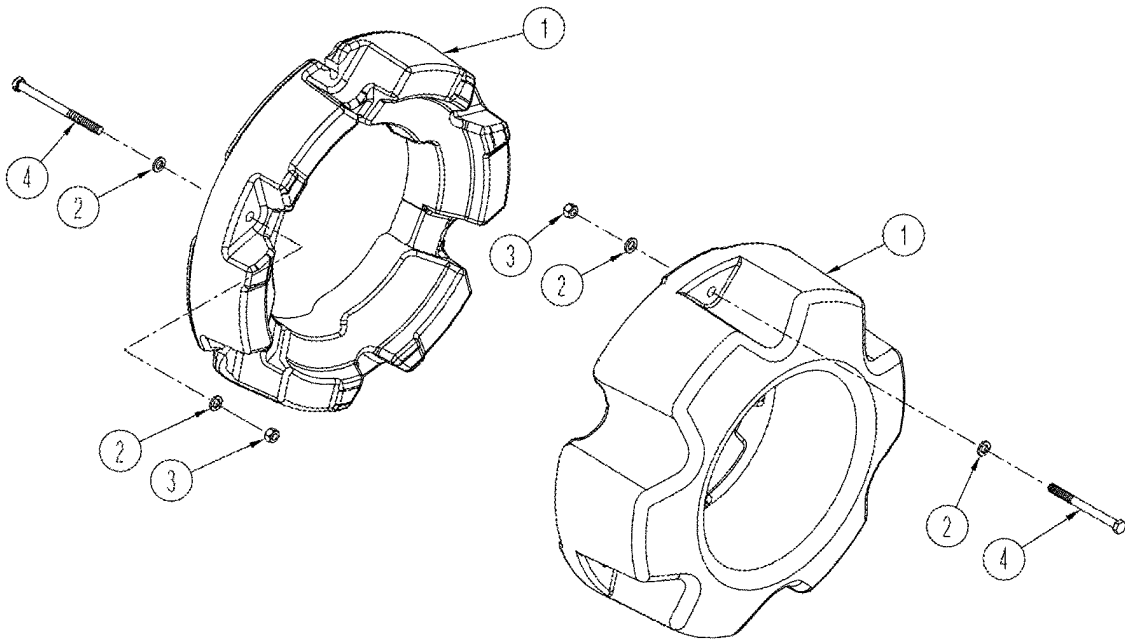
## WEIGHTS - REAR FRAME

REF	FN	PART NUMBER	YR/SN	QTY	DESCRIPTION
1	1	413389A1		1	WEIGHT Hanger
2		413390A1		2	BRACKET
3		413391A2		2	BRACKET Support
4		413392A2		2	PLATE
5		896-11020		24	WASHER 22 x 37 x 4 mm
6		827-20090		8	SCREW M20 x 90; 10.9
7		827-20070		6	SCREW M20 x 70; 10.9
8		829-1420		8	NUT M20, CI 10
9		827-20100		2	SCREW M20 x 100; 10.9
10		413393A1		2	PLATE Lock
11		627-16040		4	SCREW Hex, M16 x 40, 10.9
12		405846A3		AR	WEIGHT 45Kg (100 lb)

(1) Order From Machinery Price List

**STX375 STX450**  
**STX425 STX500**

WEIGHTS - WHEEL



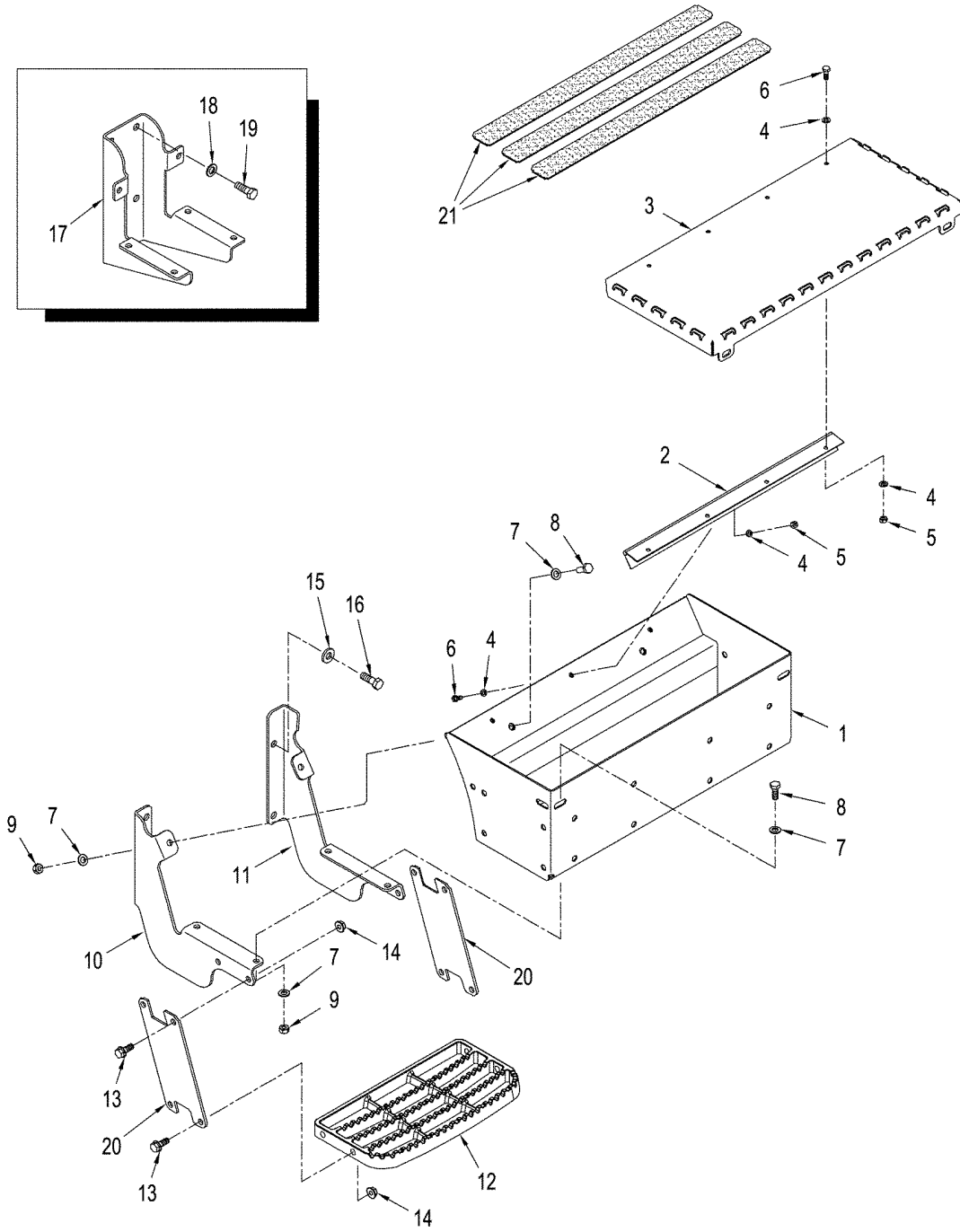
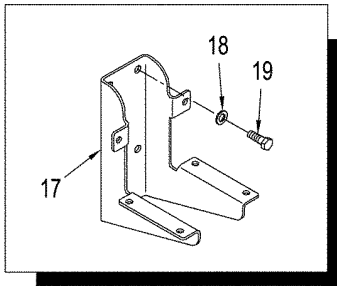
**WEIGHTS - WHEEL**

REF	FN	PART NUMBER	YR/SN	QTY	DESCRIPTION
1	1	405829A1		2	WEIGHT 500 lb
1	1	405830A1		2	WEIGHT 1000 lb
2		896-11016		12	WASHER 17,5 x 30 x 4 mm
3		832-10416		6	NUT M16; 8
4		827-16200		6	SCREW M16 x 200; 10.9, 500 lbs. Application
4		827-16120		6	SCREW M16 x 120; 10.9, 1000 lbs. Application

(1) Order From Machinery Price List

**STX375 STX450**  
**STX425 STX500**

STORAGE BOX



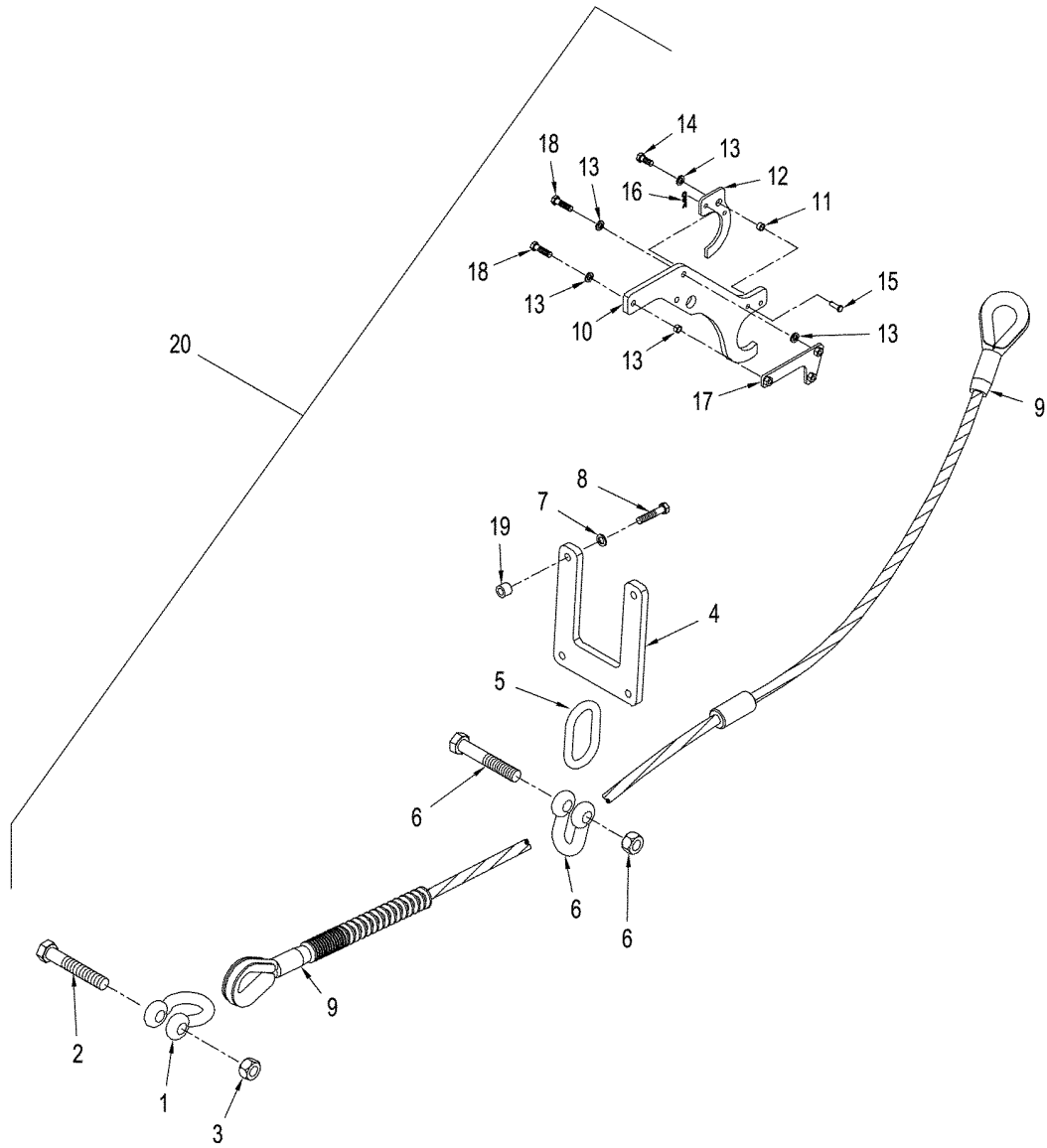
## STORAGE BOX

REF	FN	PART NUMBER	YR/SN	QTY	DESCRIPTION
1		87325332		1	BOX
2		70-6748T1		1	HINGE
3		87307236		1	STEP
4		895-11006		14	WASHER 6,6 x 12 x 1,6 mm
5		832-10406		7	NUT M6; 8
6		627-6016		7	BOLT M6 x 16; 10.9
7		895-11010		12	WASHER 11 x 20 x 2 mm
8		627-10025		6	SCREW M10 x 25; 10.9
9		829-1410		6	NUT M10; 10
10		410814A1		1	BRACKET Without Weights
11		410815A2		1	BRACKET Without Weights
12		257375A1		1	STEP Lower
13		905-10025		8	SCREW M10 x 25
14		825-11410		8	NUT M10
15		896-15012		3	WASHER 13,5 x 28 x 4 mm
16		627-12035		3	BOLT M12 x 35; 10.9
17		410817A1		1	BRACKET With Weights
18		895-11012		3	WASHER 13,5 x 24 x 2,5 mm
19		627-12035		3	BOLT M12 x 35; 10.9
20		410816A1		2	BRACKET
21		87307237		3	STRIP, ANTI-SKID

**STX375 STX450**  
**STX425 STX500**



TOW CABLE



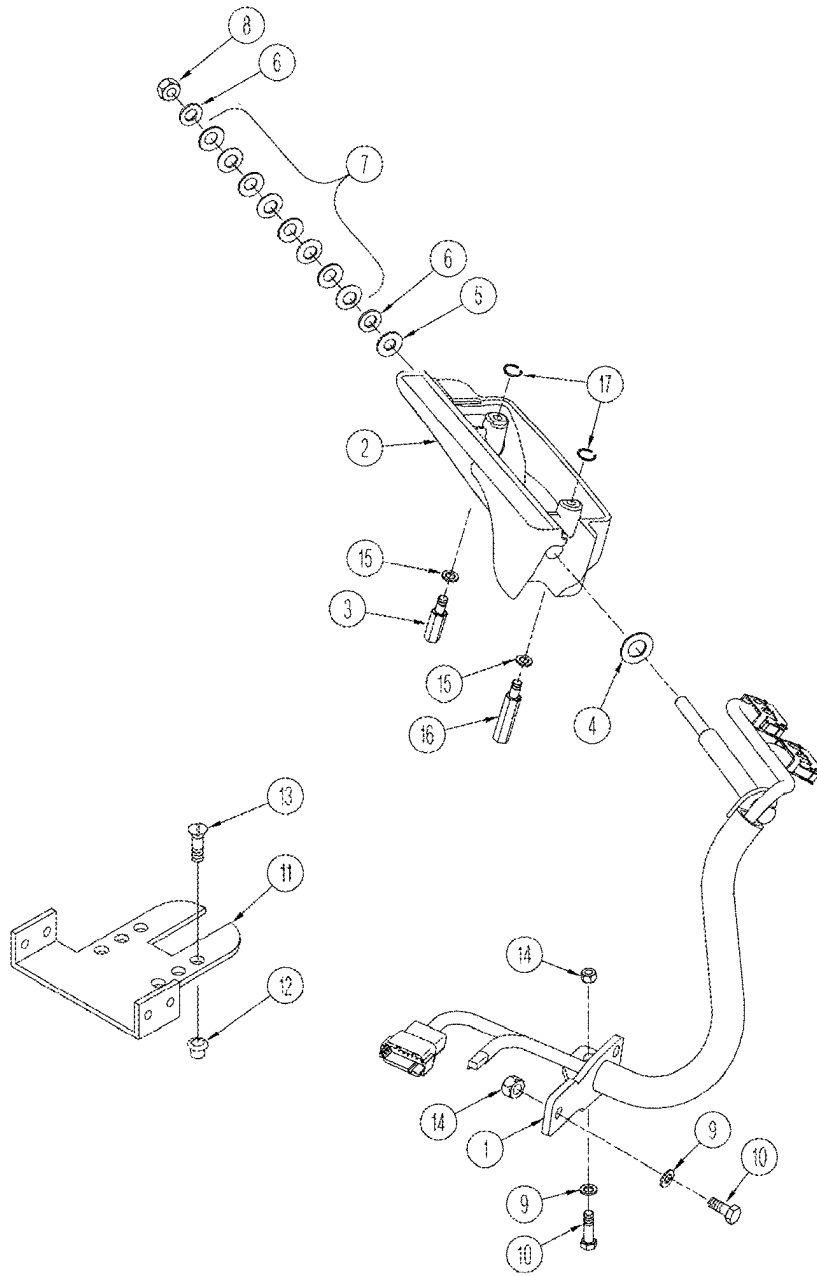
## TOW CABLE

REF	FN	PART NUMBER	YR/SN	QTY	DESCRIPTION
		719546003		1	KIT Tow Cable, Inc. 1 - 19
1		369837A1		1	SHACKLE
2		326-24160		1	BOLT 1-1/2 x 10; 8
3		329-1024		1	NUT
4		408793A1		1	PLATE
5		409753A1		1	LINK
6		369838A1		1	SHACKLE
7		896-11020		4	WASHER 22 x 37 x 4 mm
8		827-20100		4	SCREW M20 x 100; 10.9
9		379523A1		1	CABLE ASSY.
10		408795A1		1	HOOK Side
11		70-5967T1		1	SPACER
12		408796A1		1	LATCH Side Hook
13		896-15016		7	WASHER 17,5 x 34 x 5 mm
14		627-16040		1	SCREW Hex, M16 x 40, 10.9
15		728-1240		1	PIN 12 x 40 mm
16		19-5400		1	PIN 1/8
17		385380A1		1	PLATE ASSY.
18		827-16070		3	BOLT Hex, M16 x 70, 10.9
19	1	409751A1		4	SPACER

(1) With 400 Series Axles

**STX375 STX450**  
**STX425 STX500**

MOUNTING - ADVANCED FARMING SYSTEMS, BSN JEE0104286

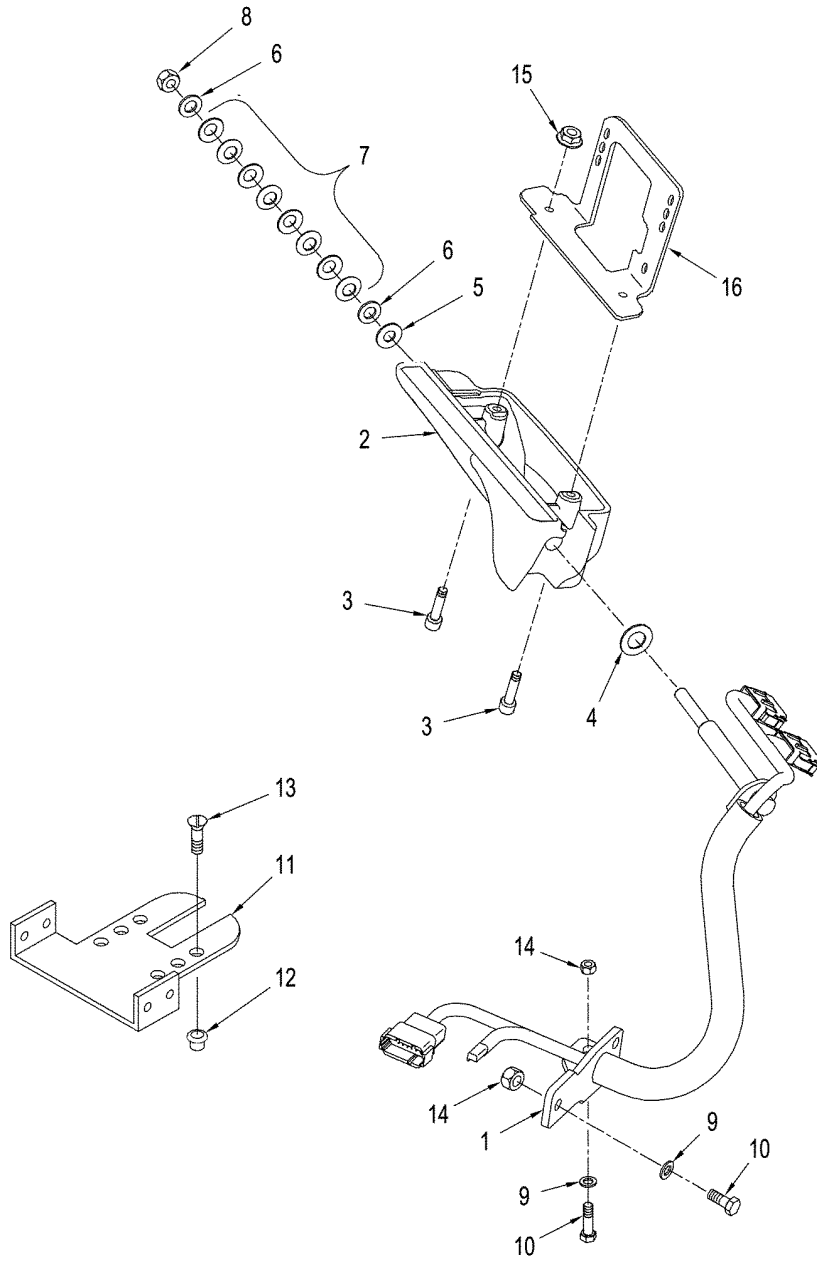


## MOUNTING - ADVANCED FARMING SYSTEMS, BSN JEE0104286

REF	FN	PART NUMBER	YR/SN	QTY	DESCRIPTION
1		405032A1		1	TUBE
2		366774A2		1	SUPPORT
3		406719A2		1	SCREW Short
4		375696A1		1	WASHER FIBRE
5		375695A1		1	WASHER FIBRE
6		895-11010		2	WASHER 11 x 20 x 2 mm
7		375697A1		8	WASHER Belleville
8		832-41310		1	NUT M10
9		895-11008		3	WASHER 9 x 17 x 1,6 mm
10		627-8020		3	BOLT M8 x 20; 10.9
11		279293A2		1	SUPPORT Beacon
12		D135342		4	INSULATOR Isolator
13		443-13116		4	SCREW 5/16 x 1
14		829-1408		3	NUT M8; 10
15		895-11006		2	WASHER 6,6 x 12 x 1,6 mm
16		406720A2		1	SCREW Long
17		800-435		2	RING, SNAP 5 mm

**STX375 STX450**  
**STX425 STX500**

MOUNTING - ADVANCED FARMING SYSTEMS, BTW JEE0104286 & JEE0106701



## MOUNTING - ADVANCED FARMING SYSTEMS, BTW JEE0104286 &amp; JEE0106701

REF	FN	PART NUMBER	YR/SN	QTY	DESCRIPTION
1		405032A1		1	TUBE
2		366774A2		1	SUPPORT
3		825-5146		1	NUT Flg, M6
4		375696A1		1	WASHER FIBRE
5		375695A1		1	WASHER FIBRE
6		895-11010		2	WASHER 11 x 20 x 2 mm
7		375697A1		8	WASHER Belleville
8		832-41310		1	NUT M10
9		895-11008		3	WASHER 9 x 17 x 1,6 mm
10		627-8020		3	BOLT M8 x 20; 10.9
11		279293A2		1	SUPPORT Beacon
12		D135342		4	INSULATOR Isolator
13		443-13116		4	SCREW 5/16 x 1
14		829-1408		3	NUT M8; 10
15		864-6016		2	SCREW Soc Hd, M6 x 16, CL8.8
16		436617A1		1	BRACKET Mounting

**STX375 STX450**  
**STX425 STX500**

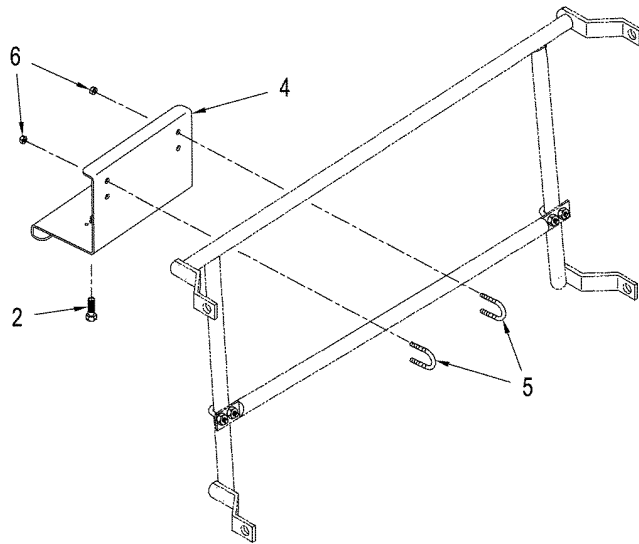
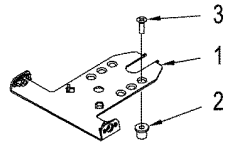
09-56

02

p1

11/04

MOUNTING - ADVANCED FARMING SYSTEMS, ASN JEE0106701




**MOUNTING - ADVANCED FARMING SYSTEMS, ASN JEE0106701**


REF	FN	PART NUMBER	YR/SN	QTY	DESCRIPTION
1		279293A2		1	SUPPORT Beacon
2		D135342		4	INSULATOR
3		443-13116		4	SCREW Cap, HH, 5/16 x 1
4		87414514		1	MOUNTING PARTS AFS Display
5		19-6258		2	U-BOLT
6		425-104		4	NUT 1/4, G5


**STX375 STX450  
STX425 STX500**





DECALS


1  
**STX375**  **CASE IH**


2  
**CASE IH**  **STX375**


3  
**STX425**  **CASE IH**

4  
**CASE IH**  **STX425**

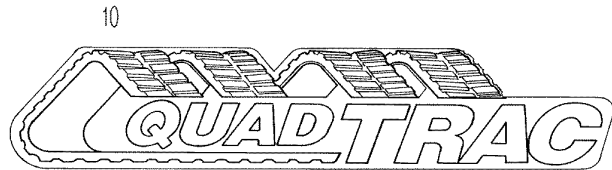
5  
**STX450**  **CASE IH**

6  
**CASE IH**  **STX450**

7  
**STX500**  **CASE IH**

8  
**CASE IH**  **STX500**

9  
**HD**



## DECALS

REF	FN	PART NUMBER	YR/SN	QTY	DESCRIPTION
1		87451252		1	DECAL Hood, STX375, Left-Hand
2		87451251		1	DECAL Hood, STX375, Right-Hand
3		87451253		1	DECAL Hood, STX425, Left-Hand
4		87451254		1	DECAL Hood, STX425, Right-Hand
5		87451255		1	DECAL Hood, STX450, Left-Hand
6		87451256		1	DECAL Hood, STX450, Right-Hand
7		87451257		1	DECAL Hood, STX500, Left-Hand
8		87451258		1	DECAL Hood, STX500, Right-Hand
9	1	370981A1		2	DECAL Heavy Duty
10		370984A1		1	DECAL QUADTRAC

(1) STX375

**STX375 STX450**  
**STX425 STX500**

DECALS

**WARNING**

**AVOID INJURY OR DEATH**

**BEFORE STARTING ENGINE:**

1. Read the operator's manual for safety information and operating instructions.
2. Read all tractor safety signs.
3. Be sure other people are clear of tractor and equipment.
4. Start engine only from seat.
5. Shields are for your protection. Keep them in place.

**OPERATION:**

1. Always buckle and adjust seat belt.
2. No riders on tractor or equipment.
3. Training seat for training operators only, do not allow children to ride or operate tractor.
4. Keep hands, feet and clothing away from power driven parts.
5. For road travel, use flashing warning lamps and keep the SMV emblem visible.
6. Do not pull with elastic tow ropes. Elastic stores energy and sudden release will cause an uncontrolled rope recoil.
7. Stay clear of hinge area when engine is running. Never turn steering wheel unless everyone is clear of equipment.

**TRACTORS CAN BE UPSET:**

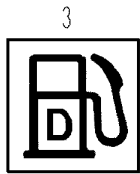
1. Reduce speed on turns and rough ground.
2. Avoid steep slopes.
3. Avoid rear upset. Pull only from drawbar, never higher.

**WHEN TRACTOR HAS STOPPED:**

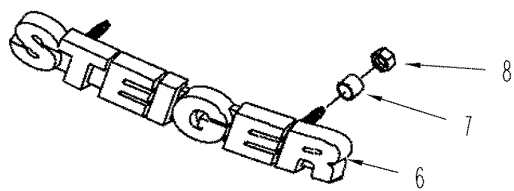
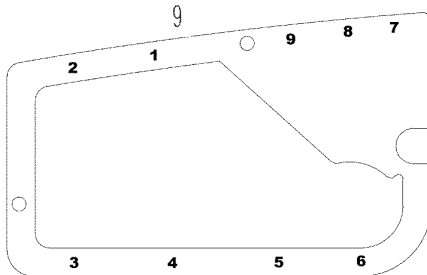
1. Engage park brake.
2. Lower implement to ground.
3. Disengage PTO, stop engine and wait for all movement to stop before servicing or cleaning equipment.

325926A1

1



5



**WARNING**

**NO CLEARANCE FOR PERSON WHEN TRACTOR TURNS**

TO PREVENT PERSONAL INJURY:

Stay clear of hinge area when engine is running. Shut off engine before servicing hinge area. Install articulation cylinder locking blocks before lifting tractor. Transporting tractor on another vehicle, performing maintenance in hinge area or operating stationary PTO equipment. Be sure to remove locking blocks before driving tractor. Keep driveline shields in place.

325926A1

2

4

**WARNING**

**ENTANGLEMENT HAZARD KEEP CLEAR**

- Always keep PTO driveline shields in place to avoid entanglement.
- Be sure implements are matched to tractor PTO speeds.
- Center and lock drawbar when using PTO.

325926A1

10

ITEM NUMBER	COMPONENT IDENTIFICATION
01	IGNITION SWITCH
02	IGNITION KEY
03	IGNITION LOCK
04	IGNITION RELAY
05	IGNITION COIL
06	IGNITION DISTRIBUTOR
07	IGNITION TIMING
08	IGNITION POINTS
09	IGNITION PLUGS
10	IGNITION PLUG WIRE
11	IGNITION PLUG CAP
12	IGNITION PLUG BOOT
13	IGNITION PLUG GASKET
14	IGNITION PLUG SPACER
15	IGNITION PLUG TIGHTENER
16	IGNITION PLUG LOCKWASHER
17	IGNITION PLUG LOCKWASHER WASHER
18	IGNITION PLUG LOCKWASHER WASHER WASHER
19	IGNITION PLUG LOCKWASHER WASHER WASHER
20	IGNITION PLUG LOCKWASHER WASHER WASHER
21	IGNITION PLUG LOCKWASHER WASHER WASHER
22	IGNITION PLUG LOCKWASHER WASHER WASHER
23	IGNITION PLUG LOCKWASHER WASHER WASHER
24	IGNITION PLUG LOCKWASHER WASHER WASHER
25	IGNITION PLUG LOCKWASHER WASHER WASHER
26	IGNITION PLUG LOCKWASHER WASHER WASHER
27	IGNITION PLUG LOCKWASHER WASHER WASHER
28	IGNITION PLUG LOCKWASHER WASHER WASHER
29	IGNITION PLUG LOCKWASHER WASHER WASHER
30	IGNITION PLUG LOCKWASHER WASHER WASHER
31	IGNITION PLUG LOCKWASHER WASHER WASHER
32	IGNITION PLUG LOCKWASHER WASHER WASHER
33	IGNITION PLUG LOCKWASHER WASHER WASHER
34	IGNITION PLUG LOCKWASHER WASHER WASHER
35	IGNITION PLUG LOCKWASHER WASHER WASHER
36	IGNITION PLUG LOCKWASHER WASHER WASHER
37	IGNITION PLUG LOCKWASHER WASHER WASHER
38	IGNITION PLUG LOCKWASHER WASHER WASHER
39	IGNITION PLUG LOCKWASHER WASHER WASHER
40	IGNITION PLUG LOCKWASHER WASHER WASHER
41	IGNITION PLUG LOCKWASHER WASHER WASHER
42	IGNITION PLUG LOCKWASHER WASHER WASHER
43	IGNITION PLUG LOCKWASHER WASHER WASHER
44	IGNITION PLUG LOCKWASHER WASHER WASHER
45	IGNITION PLUG LOCKWASHER WASHER WASHER
46	IGNITION PLUG LOCKWASHER WASHER WASHER
47	IGNITION PLUG LOCKWASHER WASHER WASHER
48	IGNITION PLUG LOCKWASHER WASHER WASHER
49	IGNITION PLUG LOCKWASHER WASHER WASHER
50	IGNITION PLUG LOCKWASHER WASHER WASHER
51	IGNITION PLUG LOCKWASHER WASHER WASHER
52	IGNITION PLUG LOCKWASHER WASHER WASHER
53	IGNITION PLUG LOCKWASHER WASHER WASHER
54	IGNITION PLUG LOCKWASHER WASHER WASHER
55	IGNITION PLUG LOCKWASHER WASHER WASHER
56	IGNITION PLUG LOCKWASHER WASHER WASHER
57	IGNITION PLUG LOCKWASHER WASHER WASHER
58	IGNITION PLUG LOCKWASHER WASHER WASHER
59	IGNITION PLUG LOCKWASHER WASHER WASHER
60	IGNITION PLUG LOCKWASHER WASHER WASHER
61	IGNITION PLUG LOCKWASHER WASHER WASHER
62	IGNITION PLUG LOCKWASHER WASHER WASHER
63	IGNITION PLUG LOCKWASHER WASHER WASHER
64	IGNITION PLUG LOCKWASHER WASHER WASHER
65	IGNITION PLUG LOCKWASHER WASHER WASHER
66	IGNITION PLUG LOCKWASHER WASHER WASHER
67	IGNITION PLUG LOCKWASHER WASHER WASHER
68	IGNITION PLUG LOCKWASHER WASHER WASHER
69	IGNITION PLUG LOCKWASHER WASHER WASHER
70	IGNITION PLUG LOCKWASHER WASHER WASHER
71	IGNITION PLUG LOCKWASHER WASHER WASHER
72	IGNITION PLUG LOCKWASHER WASHER WASHER
73	IGNITION PLUG LOCKWASHER WASHER WASHER
74	IGNITION PLUG LOCKWASHER WASHER WASHER
75	IGNITION PLUG LOCKWASHER WASHER WASHER
76	IGNITION PLUG LOCKWASHER WASHER WASHER
77	IGNITION PLUG LOCKWASHER WASHER WASHER
78	IGNITION PLUG LOCKWASHER WASHER WASHER
79	IGNITION PLUG LOCKWASHER WASHER WASHER
80	IGNITION PLUG LOCKWASHER WASHER WASHER
81	IGNITION PLUG LOCKWASHER WASHER WASHER
82	IGNITION PLUG LOCKWASHER WASHER WASHER
83	IGNITION PLUG LOCKWASHER WASHER WASHER
84	IGNITION PLUG LOCKWASHER WASHER WASHER
85	IGNITION PLUG LOCKWASHER WASHER WASHER
86	IGNITION PLUG LOCKWASHER WASHER WASHER
87	IGNITION PLUG LOCKWASHER WASHER WASHER
88	IGNITION PLUG LOCKWASHER WASHER WASHER
89	IGNITION PLUG LOCKWASHER WASHER WASHER
90	IGNITION PLUG LOCKWASHER WASHER WASHER
91	IGNITION PLUG LOCKWASHER WASHER WASHER
92	IGNITION PLUG LOCKWASHER WASHER WASHER
93	IGNITION PLUG LOCKWASHER WASHER WASHER
94	IGNITION PLUG LOCKWASHER WASHER WASHER
95	IGNITION PLUG LOCKWASHER WASHER WASHER
96	IGNITION PLUG LOCKWASHER WASHER WASHER
97	IGNITION PLUG LOCKWASHER WASHER WASHER
98	IGNITION PLUG LOCKWASHER WASHER WASHER
99	IGNITION PLUG LOCKWASHER WASHER WASHER
100	IGNITION PLUG LOCKWASHER WASHER WASHER

FUSE BLOCK 1

FUSE NUMBER	FUSE SIZE	CIRCUIT IDENTIFICATION
1	10A	IGNITION SWITCH
2	10A	IGNITION KEY
3	10A	IGNITION LOCK
4	10A	IGNITION RELAY
5	10A	IGNITION COIL
6	10A	IGNITION DISTRIBUTOR
7	10A	IGNITION TIMING
8	10A	IGNITION POINTS
9	10A	IGNITION PLUGS
10	10A	IGNITION PLUG WIRE
11	10A	IGNITION PLUG CAP
12	10A	IGNITION PLUG BOOT
13	10A	IGNITION PLUG GASKET
14	10A	IGNITION PLUG SPACER
15	10A	IGNITION PLUG TIGHTENER
16	10A	IGNITION PLUG LOCKWASHER
17	10A	IGNITION PLUG LOCKWASHER WASHER
18	10A	IGNITION PLUG LOCKWASHER WASHER WASHER
19	10A	IGNITION PLUG LOCKWASHER WASHER WASHER
20	10A	IGNITION PLUG LOCKWASHER WASHER WASHER
21	10A	IGNITION PLUG LOCKWASHER WASHER WASHER
22	10A	IGNITION PLUG LOCKWASHER WASHER WASHER
23	10A	IGNITION PLUG LOCKWASHER WASHER WASHER
24	10A	IGNITION PLUG LOCKWASHER WASHER WASHER
25	10A	IGNITION PLUG LOCKWASHER WASHER WASHER
26	10A	IGNITION PLUG LOCKWASHER WASHER WASHER
27	10A	IGNITION PLUG LOCKWASHER WASHER WASHER
28	10A	IGNITION PLUG LOCKWASHER WASHER WASHER
29	10A	IGNITION PLUG LOCKWASHER WASHER WASHER
30	10A	IGNITION PLUG LOCKWASHER WASHER WASHER
31	10A	IGNITION PLUG LOCKWASHER WASHER WASHER
32	10A	IGNITION PLUG LOCKWASHER WASHER WASHER
33	10A	IGNITION PLUG LOCKWASHER WASHER WASHER
34	10A	IGNITION PLUG LOCKWASHER WASHER WASHER
35	10A	IGNITION PLUG LOCKWASHER WASHER WASHER
36	10A	IGNITION PLUG LOCKWASHER WASHER WASHER
37	10A	IGNITION PLUG LOCKWASHER WASHER WASHER
38	10A	IGNITION PLUG LOCKWASHER WASHER WASHER
39	10A	IGNITION PLUG LOCKWASHER WASHER WASHER
40	10A	IGNITION PLUG LOCKWASHER WASHER WASHER
41	10A	IGNITION PLUG LOCKWASHER WASHER WASHER
42	10A	IGNITION PLUG LOCKWASHER WASHER WASHER
43	10A	IGNITION PLUG LOCKWASHER WASHER WASHER
44	10A	IGNITION PLUG LOCKWASHER WASHER WASHER
45	10A	IGNITION PLUG LOCKWASHER WASHER WASHER
46	10A	IGNITION PLUG LOCKWASHER WASHER WASHER
47	10A	IGNITION PLUG LOCKWASHER WASHER WASHER
48	10A	IGNITION PLUG LOCKWASHER WASHER WASHER
49	10A	IGNITION PLUG LOCKWASHER WASHER WASHER
50	10A	IGNITION PLUG LOCKWASHER WASHER WASHER
51	10A	IGNITION PLUG LOCKWASHER WASHER WASHER
52	10A	IGNITION PLUG LOCKWASHER WASHER WASHER
53	10A	IGNITION PLUG LOCKWASHER WASHER WASHER
54	10A	IGNITION PLUG LOCKWASHER WASHER WASHER
55	10A	IGNITION PLUG LOCKWASHER WASHER WASHER
56	10A	IGNITION PLUG LOCKWASHER WASHER WASHER
57	10A	IGNITION PLUG LOCKWASHER WASHER WASHER
58	10A	IGNITION PLUG LOCKWASHER WASHER WASHER
59	10A	IGNITION PLUG LOCKWASHER WASHER WASHER
60	10A	IGNITION PLUG LOCKWASHER WASHER WASHER
61	10A	IGNITION PLUG LOCKWASHER WASHER WASHER
62	10A	IGNITION PLUG LOCKWASHER WASHER WASHER
63	10A	IGNITION PLUG LOCKWASHER WASHER WASHER
64	10A	IGNITION PLUG LOCKWASHER WASHER WASHER
65	10A	IGNITION PLUG LOCKWASHER WASHER WASHER
66	10A	IGNITION PLUG LOCKWASHER WASHER WASHER
67	10A	IGNITION PLUG LOCKWASHER WASHER WASHER
68	10A	IGNITION PLUG LOCKWASHER WASHER WASHER
69	10A	IGNITION PLUG LOCKWASHER WASHER WASHER
70	10A	IGNITION PLUG LOCKWASHER WASHER WASHER
71	10A	IGNITION PLUG LOCKWASHER WASHER WASHER
72	10A	IGNITION PLUG LOCKWASHER WASHER WASHER
73	10A	IGNITION PLUG LOCKWASHER WASHER WASHER
74	10A	IGNITION PLUG LOCKWASHER WASHER WASHER
75	10A	IGNITION PLUG LOCKWASHER WASHER WASHER
76	10A	IGNITION PLUG LOCKWASHER WASHER WASHER
77	10A	IGNITION PLUG LOCKWASHER WASHER WASHER
78	10A	IGNITION PLUG LOCKWASHER WASHER WASHER
79	10A	IGNITION PLUG LOCKWASHER WASHER WASHER
80	10A	IGNITION PLUG LOCKWASHER WASHER WASHER
81	10A	IGNITION PLUG LOCKWASHER WASHER WASHER
82	10A	IGNITION PLUG LOCKWASHER WASHER WASHER
83	10A	IGNITION PLUG LOCKWASHER WASHER WASHER
84	10A	IGNITION PLUG LOCKWASHER WASHER WASHER
85	10A	IGNITION PLUG LOCKWASHER WASHER WASHER
86	10A	IGNITION PLUG LOCKWASHER WASHER WASHER
87	10A	IGNITION PLUG LOCKWASHER WASHER WASHER
88	10A	IGNITION PLUG LOCKWASHER WASHER WASHER
89	10A	IGNITION PLUG LOCKWASHER WASHER WASHER
90	10A	IGNITION PLUG LOCKWASHER WASHER WASHER
91	10A	IGNITION PLUG LOCKWASHER WASHER WASHER
92	10A	IGNITION PLUG LOCKWASHER WASHER WASHER
93	10A	IGNITION PLUG LOCKWASHER WASHER WASHER
94	10A	IGNITION PLUG LOCKWASHER WASHER WASHER
95	10A	IGNITION PLUG LOCKWASHER WASHER WASHER
96	10A	IGNITION PLUG LOCKWASHER WASHER WASHER
97	10A	IGNITION PLUG LOCKWASHER WASHER WASHER
98	10A	IGNITION PLUG LOCKWASHER WASHER WASHER
99	10A	IGNITION PLUG LOCKWASHER WASHER WASHER
100	10A	IGNITION PLUG LOCKWASHER WASHER WASHER

FUSE BLOCK 2

FUSE NUMBER	FUSE SIZE	CIRCUIT IDENTIFICATION
1	10A	IGNITION SWITCH
2	10A	IGNITION KEY
3	10A	IGNITION LOCK
4	10A	IGNITION RELAY
5	10A	IGNITION COIL
6	10A	IGNITION DISTRIBUTOR
7	10A	IGNITION TIMING
8	10A	IGNITION POINTS
9	10A	IGNITION PLUGS
10	10A	IGNITION PLUG WIRE
11	10A	IGNITION PLUG CAP
12	10A	IGNITION PLUG BOOT
13	10A	IGNITION PLUG GASKET
14	10A	IGNITION PLUG SPACER
15	10A	IGNITION PLUG TIGHTENER
16	10A	IGNITION PLUG LOCKWASHER
17	10A	IGNITION PLUG LOCKWASHER WASHER
18	10A	IGNITION PLUG LOCKWASHER WASHER WASHER
19	10A	IGNITION PLUG LOCKWASHER WASHER WASHER
20	10A	IGNITION PLUG LOCKWASHER WASHER WASHER
21	10A	IGNITION PLUG LOCKWASHER WASHER WASHER
22	10A	IGNITION PLUG LOCKWASHER WASHER WASHER
23	10A	IGNITION PLUG LOCKWASHER WASHER WASHER
24	10A	IGNITION PLUG LOCKWASHER WASHER WASHER
25	10A	IGNITION PLUG LOCKWASHER WASHER WASHER
26	10A	IGNITION PLUG LOCKWASHER WASHER WASHER
27	10A	IGNITION PLUG LOCKWASHER WASHER WASHER
28	10A	IGNITION PLUG LOCKWASHER WASHER WASHER
29	10A	IGNITION PLUG LOCKWASHER WASHER WASHER
30	10A	IGNITION PLUG LOCKWASHER WASHER WASHER
31	10A	IGNITION PLUG LOCKWASHER WASHER WASHER
32	10A	IGNITION PLUG LOCKWASHER WASHER WASHER
33	10A	IGNITION PLUG LOCKWASHER WASHER WASHER
34	10A	IGNITION PLUG LOCKWASHER WASHER WASHER
35	10A	IGNITION PLUG LOCKWASHER WASHER WASHER
36	10A	IGNITION PLUG LOCKWASHER WASHER WASHER
37	10A	IGNITION PLUG LOCKWASHER WASHER WASHER
38	10A	IGNITION PLUG LOCKWASHER WASHER WASHER
39	10A	IGNITION PLUG LOCKWASHER WASHER WASHER
40	10A	IGNITION PLUG LOCKWASHER WASHER WASHER
41	10A	IGNITION PLUG LOCKWASHER WASHER WASHER
42	10A	IGNITION PLUG LOCKWASHER WASHER WASHER
43	10A	IGNITION PLUG LOCKWASHER WASHER WASHER
44	10A	IGNITION PLUG LOCKWASHER WASHER WASHER
45	10A	IGNITION PLUG LOCKWASHER WASHER WASHER
46	10A	IGNITION PLUG LOCKWASHER WASHER WASHER
47	10A	IGNITION PLUG LOCKWASHER WASHER WASHER
48	10A	IGNITION PLUG LOCKWASHER WASHER WASHER
49	10A	IGNITION PLUG LOCKWASHER WASHER WASHER
50	10A	IGNITION PLUG LOCKWASHER WASHER WASHER
51	10A	IGNITION PLUG LOCKWASHER WASHER WASHER
52	10A	IGNITION PLUG LOCKWASHER WASHER WASHER
53	10A	IGNITION PLUG LOCKWASHER WASHER WASHER
54	10A	IGNITION PLUG LOCKWASHER WASHER WASHER
55	10A	IGNITION PLUG LOCKWASHER WASHER WASHER
56	10A	IGNITION PLUG LOCKWASHER WASHER WASHER
57	10A	IGNITION PLUG LOCKWASHER WASHER WASHER
58	10A	IGNITION PLUG LOCKWASHER WASHER WASHER
59	10A	IGNITION PLUG LOCKWASHER WASHER WASHER
60	10A	IGNITION PLUG LOCKWASHER WASHER WASHER
61	10A	IGNITION PLUG LOCKWASHER WASHER WASHER
62	10A	IGNITION PLUG LOCKWASHER WASHER WASHER
63	10A	IGNITION PLUG LOCKWASHER WASHER WASHER
64	10A	IGNITION PLUG LOCKWASHER WASHER WASHER
65	10A	IGNITION PLUG LOCKWASHER WASHER WASHER
66	10A	IGNITION PLUG LOCKWASHER WASHER WASHER
67	10A	IGNITION PLUG LOCKWASHER WASHER WASHER
68	10A	IGNITION PLUG LOCKWASHER WASHER WASHER
69	10A	IGNITION PLUG LOCKWASHER WASHER WASHER
70	10A	IGNITION PLUG LOCKWASHER WASHER WASHER
71	10A	IGNITION PLUG LOCKWASHER WASHER WASHER
72	10A	IGNITION PLUG LOCKWASHER WASHER WASHER
73	10A	IGNITION PLUG LOCKWASHER WASHER WASHER
74	10A	IGNITION PLUG LOCKWASHER WASHER WASHER
75	10A	IGNITION PLUG LOCKWASHER WASHER WASHER
76	10A	IGNITION PLUG LOCKWASHER WASHER WASHER
77	10A	IGNITION PLUG LOCKWASHER WASHER WASHER
78	10A	IGNITION PLUG LOCKWASHER WASHER WASHER
79	10A	IGNITION PLUG LOCKWASHER WASHER WASHER
80	10A	IGNITION PLUG LOCKWASHER WASHER WASHER
81	10A	IGNITION PLUG LOCKWASHER WASHER WASHER
82	10A	IGNITION PLUG LOCKWASHER WASHER WASHER
83	10A	IGNITION PLUG LOCKWASHER WASHER WASHER
84	10A	IGNITION PLUG LOCKWASHER WASHER WASHER
85	10A	IGNITION PLUG LOCKWASHER WASHER WASHER
86	10A	IGNITION PLUG LOCKWASHER WASHER WASHER
87	10A	IGNITION PLUG LOCKWASHER WASHER WASHER
88	10A	IGNITION PLUG LOCKWASHER WASHER WASHER
89	10A	IGNITION PLUG LOCKWASHER WASHER WASHER
90	10A	IGNITION PLUG LOCKWASHER WASHER WASHER
91	10A	IGNITION PLUG LOCKWASHER WASHER WASHER
92	10A	IGNITION PLUG LOCKWASHER WASHER WASHER
93	10A	IGNITION PLUG LOCKWASHER WASHER WASHER
94	10A	IGNITION PLUG LOCKWASHER WASHER WASHER
95	10A	IGNITION PLUG LOCKWASHER WASHER WASHER
96	10A	IGNITION PLUG LOCKWASHER WASHER WASHER
97	10A	IGNITION PLUG LOCKWASHER WASHER WASHER
98	10A	IGNITION PLUG LOCKWASHER WASHER WASHER
99	10A	IGNITION PLUG LOCKWASHER WASHER WASHER
100	10A	IGNITION PLUG LOCKWASHER WASHER WASHER

11

FUSE BLOCK 1

FUSE NUMBER	FUSE SIZE	CIRCUIT IDENTIFICATION
1	10A	IGNITION SWITCH
2	10A	IGNITION KEY
3	10A	IGNITION LOCK
4	10A	IGNITION RELAY
5	10A	IGNITION COIL
6	10A	IGNITION DISTRIBUTOR
7	10A	IGNITION TIMING
8	10A	IGNITION POINTS
9	10A	IGNITION PLUGS
10	10A	IGNITION PLUG WIRE
11	10A	IGNITION PLUG CAP
12	10A	IGNITION PLUG BOOT
13	10A	IGNITION PLUG GASKET
14	10A	IGNITION PLUG SPACER
15	10A	IGNITION PLUG TIGHTENER
16	10A	IGNITION PLUG LOCKWASHER
17	10A	IGNITION PLUG LOCKWASHER WASHER
18	10A	IGNITION PLUG LOCKWASHER WASHER WASHER
19	10A	IGNITION PLUG LOCKWASHER WASHER WASHER
20	10A	IGNITION PLUG LOCKWASHER WASHER WASHER
21	10A	IGNITION PLUG LOCKWASHER WASHER WASHER
22	10A	IGNITION PLUG LOCKWASHER WASHER WASHER
23	10A	

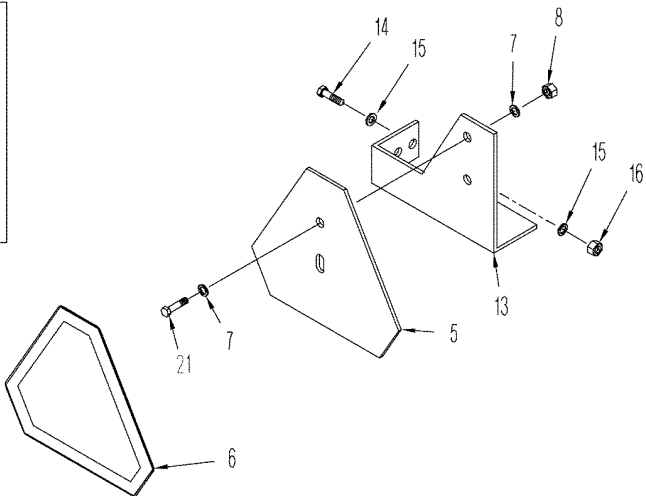
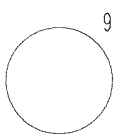
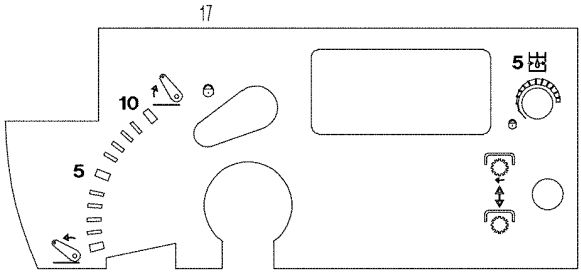
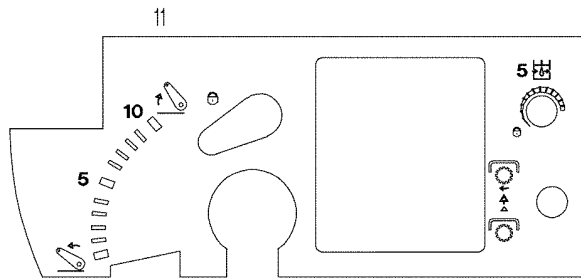
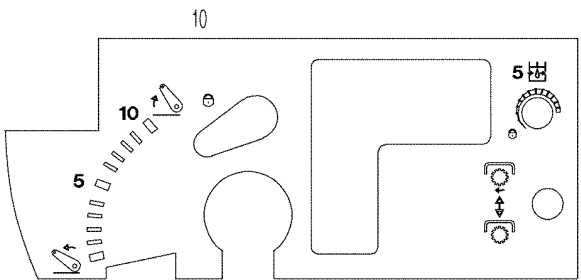
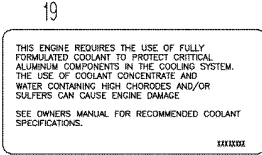
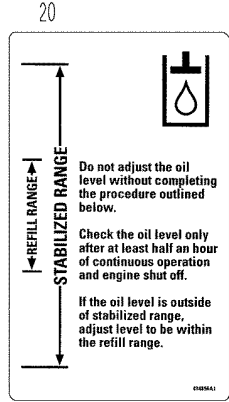
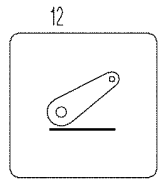
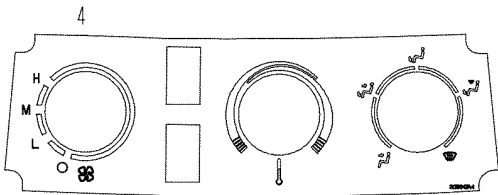
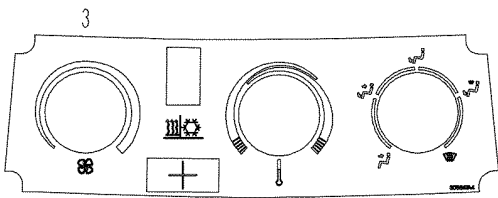
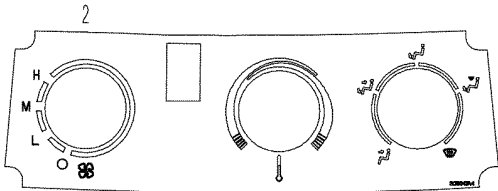
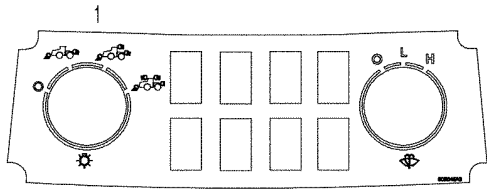
## DECALS

REF	FN	PART NUMBER	YR/SN	QTY	DESCRIPTION
1		325926A2		1	DECAL Safety Warning
2		341953A2		2	DECAL Articulation Warning
3		435668A1		1	DECAL Fuel
4		327567A3		1	DECAL Power Takeoff, Warning
5		1-6835		4	ADHESIVE STRIP 406 mm (16 in), Anti-Skid, Cut From 26-211T1
6		356005A1		1	PRODUCT GRAPHIC Steiger
7		385592A1		2	SPACER
8		131-431		2	NUT 1/4
9		387030A1		1	DECAL Main Electronics
10	1, 2, 3	87425318	BSN JEE0106701	1	DECAL Fuse
10	1, 2, 3	87306888	ASN JEE0106701	1	DECAL Fuse
11	1, 4	87425313		1	DECAL Fuse
12	5, 4	87425311		1	DECAL Fuse

- (1) Deluxe Cab
- (2) With Power Shift Transmission
- (3) Luxury Cab
- (4) With Manual Shift Transmission
- (5) Standard Cab

**STX375 STX450**  
**STX425 STX500**

DECALS



## DECALS

REF	FN	PART NUMBER	YR/SN	QTY	DESCRIPTION
1		431230A1		1	DECAL Light Panel
2	1	308646A4		1	DECAL Climate Control
3	2,3	308647A4		1	DECAL Automatic Temperature Control, Deluxe Cab
4	2,3	87450974		1	DECAL Automatic Temperature Control
		311860A1		1	EMBLEM Slow Moving Vehicle, Inc. 5, 6
5		NSS		1	NOT SERVICED SEPARATELY Plate
6		311858A1		1	DECAL SMV EMBLEM
7		495-11028		2	WASHER 9/32 x 5/8 x 1/16
8	4	425-104		2	NUT 1/4
9	4	446562A1		1	DECAL
10	5	430265A1	BSN JEE0102001	1	DECAL Right-Hand Armrest
10	5	87403321	BTW JEE0102001 & JEE0106701	1	DECAL Right-Hand Armrest
11		87412700	ASN JEE0106701	1	DECAL Right-Hand Armrest
12	5	393821A1		1	DECAL
13		398763A1		1	BRACKET
14		827-10040		2	BOLT M10 x 40; 10.9
15		895-11010		4	WASHER 11 x 20 x 2 mm
16		832-10410		2	NUT M10; 8
17	6	430264A1	BSN JEE0102001	1	DECAL Right-Hand Armrest
17	6	87403320	BTW JEE0102001 & JEE0106701	1	DECAL Right-Hand Armrest
18		329051A1		1	DECAL Emergency Exit
19		399083A1		1	DECAL Coolant
20		434856A1		1	DECAL Hydraulic Oil Level
21		426-412		2	BOLT 1/4 x 3/4; 8

- (1) Standard Cab
- (2) Deluxe Cab
- (3) Luxury Cab
- (4) Without Power Takeoff
- (5) With Three Point Hitch
- (6) Without Three Point Hitch

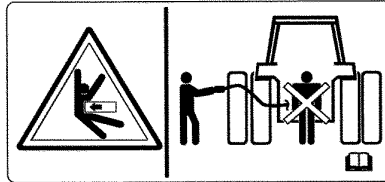
**STX375 STX450**  
**STX425 STX500**

DECALS

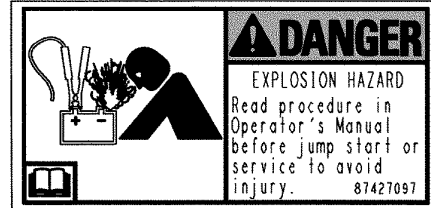
1

MPH		GEAR	RANGE
LOW	HIGH		
2.5	2.6	1	A
3.3	3.6	2	A
4.1	4.4	1	B
4.6	4.9	3	A
5.6	6.0	2	B
6.5	7.0	1	C
7.6	8.2	3	B
8.8	9.5	2	C
10.3	11.0	1	D
12.1	13.0	3	C
13.9	14.9	2	D
19.0	20.4	3	D
3.5	3.8	R	A
5.9	6.3	R	B
9.3	10.0	R	C

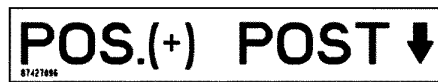
2



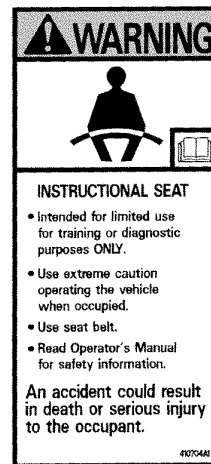
4



5



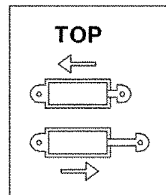
3



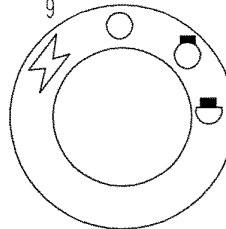
6



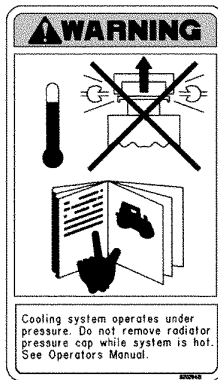
8



9



7



## DECALS

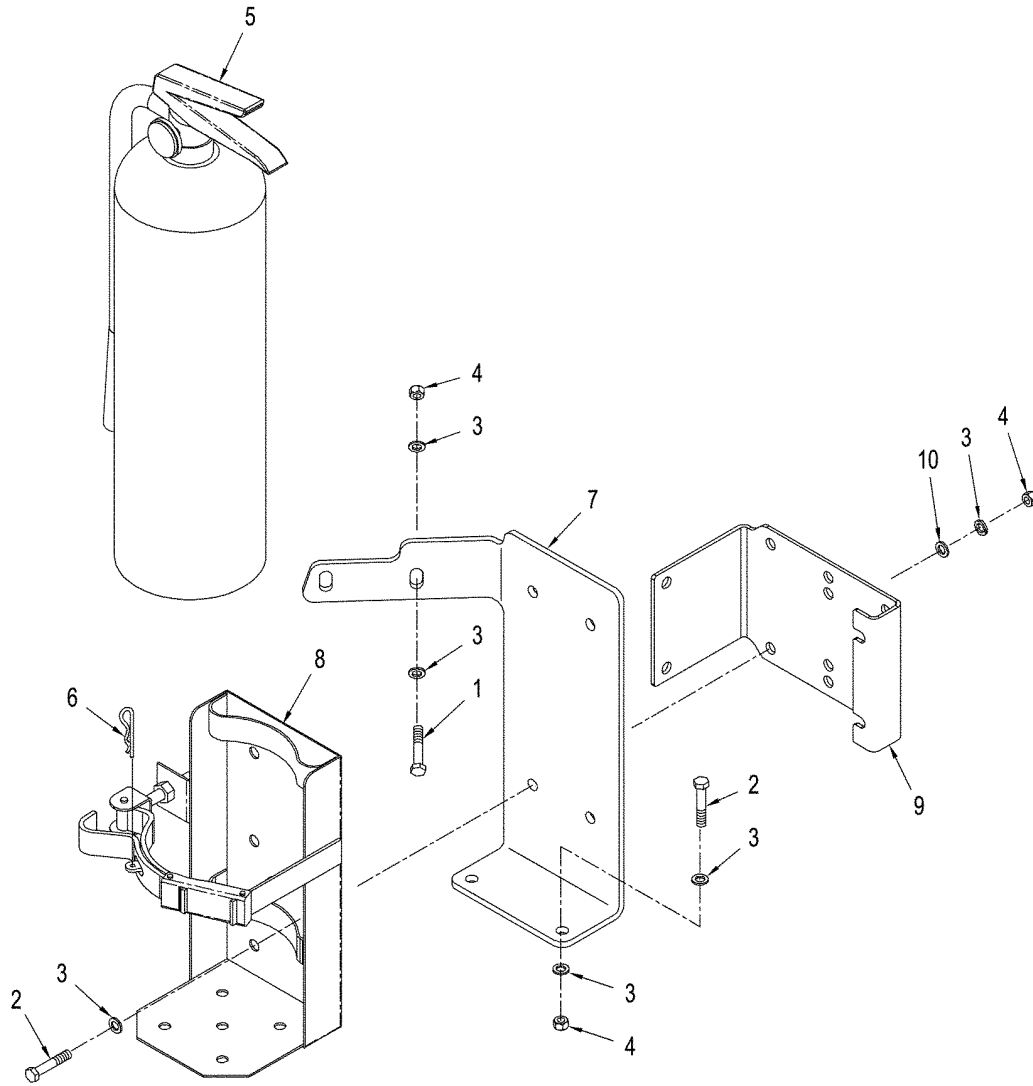
REF	FN	PART NUMBER	YR/SN	QTY	DESCRIPTION
1	1	411564A1		1	DECAL Shift
2		87423866		1	DECAL Remote Hitch Safety
3		410704A1		1	DECAL Instruction, Seat
4		87427097	ASN JEE0104001	1	DECAL DANGER, Battery
5		87427096	ASN JEE0104001	1	DECAL Pos. (+) Post
6		87427317	ASN JEE0104001	1	DECAL Neg. (-) Post
7		82029421		1	DECAL WARNING, Radiator
8		389794A1		4	DECAL Hydraulic Coupler
9		353849A1		1	DECAL Ignition Switch

(1) With Manual Shift Transmission

**STX375 STX450**  
**STX425 STX500**



FIRE EXTINGUISHER



**FIRE EXTINGUISHER**

REF	FN	PART NUMBER	YR/SN	QTY	DESCRIPTION
		719972003		1	DIA KIT, TRACTOR Fire Extinguisher, Inc. 1 - 9
1	1	827-10040		2	BOLT Cap, HH, M10 x 40
4		832-10410		8	NUT M10, CL8
5		NSS		1	NOT SERVICED SEPARATELY Extinguisher, Fire, 10 lb.
6		480523R1		1	SPLIT PIN/SAFETY PIN Hair
7	1	87417139		1	BRACKET, SUPPORTING Left-Hand Stair Mount
8		87427312		1	BRACKET, SUPPORTING Fender Mount
9		87420884		1	BRACKET, SUPPORTING Toolbox Mount
10	2	237486A1		4	WASHER Plastic
2		627-10030		6	BOLT Cap, HH, M10 x 30
3		895-15010		14	WASHER 11 x 24 x 2 mm
(1)		STX Wheel Tractor			
(2)		QUADTRAC Tractor			

**STX375 STX450  
STX425 STX500**

INDEX - INDICE - INDEX - ZAHLENVERZEICHNIS - INDICE - INDICE - INHOLD - INHOUD

Number	Figure	Sequence	Ref.	Number	Figure	Sequence	Ref.
{25-HT00012}	04-35		20	124744C1	06-81		13
{87307958}	04-02		2		06-82		10
{87308224}	04-32	01	20	1250522C3	09-47		8
{87314360}	04-04		10		09-47	01	8
{87314361}	04-04		10		09-48		8
{87341572}	08-18		1		09-48	01	8
{87345927}	06-11	01	2	1250594C2	09-47		41
02-3010T1	09-20		11		09-47	01	41
1-2683	04-02		13		09-48		41
1-2684	04-02		11		09-48	01	41
1-2685	04-02		12	1251958C1	06-68		5
1-4088	09-08		15	125849A1	04-06	01	1
	09-09		10		04-07		
	09-10		8	125849A1C	04-07		
	09-11		12	125849A1R	04-07		
	09-11	01	12	1259633C3	06-69		16
	09-38		25		06-70		16
	09-39		25		06-77		16
1-4568	06-19		3		06-78		16
1-4571	05-01		34	1259634C3	06-70		19
	08-19		4		06-78		19
	08-20		4	126844A1	04-01		16
	08-24		33		04-02		33
	08-24	01	33		04-16		16
1-6835	09-31		9		04-16	01	16
	09-33		32		09-21		26
	09-58		5	1270697C1	06-69		7
1-7141	08-40		15		06-70		7
100-1450	06-71		19		06-77		7
	06-79		19		06-78		7
100-21118	08-34		27	1270741C1	04-10		9
100-21150	07-02		12		09-19		12
100-21550	06-66		9		09-20		22
	06-73		9	128483A1	09-45		15
100-28162	08-33		12		09-45		17
101-11350	06-72		27		09-45		7
	06-81		27		09-47		42
	06-82		16		09-47		45
	06-82	01	16		09-47	01	42
101-21354	09-40		3		09-47	01	45
103-21237	05-03		17		09-48		42
103-3350	03-01		8		09-48		45
105849A1	09-47	01	33		09-48		46
	09-48	01	33		09-48	01	42
109239C2	09-47		10		09-48	01	45
	09-47	01	10	128484A1	09-45		14
	09-48		10		09-45		8
	09-48	01	10		09-47		4
111205A1	08-34				09-47	01	4
111206A1	08-34		75		09-48		5
111207A1	08-34		77		09-48	01	5
111899A1	04-07		9	128485A1	09-45		11
114549A1	09-13		27		09-45		6
	09-14		27		09-47		40
117707A3	09-17		16		09-47		5
118111A1	08-36		18		09-47	01	40
119182A3	08-13		9		09-47	01	5
119308A2	09-13		20		09-48		4
	09-14		20		09-48		40
120679C1	06-70		14		09-48		43
	06-78		14		09-48	01	4
121410A1	04-24		31		09-48	01	40
	04-31		11		09-48	01	43
121411A1	04-24		31	1289348C1	06-69		8
121412A1	02-04		14		06-70		8
	04-09		11		06-77		8
	04-24		31		06-78		8
121413A1	04-24		31		06-69		4
121414A1	04-03		14	1289349C1	06-70		4
	04-24		31		06-77		4
121415A1	04-24		31		06-78		4
121416A1	04-24		31	1289350C1	06-69		6
121645C1	04-27		16		06-70		6
	04-28		16		06-77		6
	04-29		16		06-78		6
122553A1	09-45		12	1289481C1	08-29		12
122554A1	09-45		9	129-667	08-03		4
124744C1	06-72		13		08-04		9

INDEX - INDICE - INDEX - ZAHLENVERZEICHNIS - INDICE - INDICE - INHOLD - INHOUD

Number	Figure	Sequence	Ref.	Number	Figure	Sequence	Ref.
131-431	09-41		23	1543329C1	08-13		3
	09-58		8		08-34		42
131-487	06-54		18		08-35		3
1312210C2	04-13		2	15470	04-30		28
1321290C2	09-47		48	163-47	09-38		17
	09-47	01	48		09-39		17
	09-48		48	169850C2	04-30		22
	09-48	01	48		04-30	01	22
1331046C2	04-16		1	175435A3	09-50		3
	04-16	01	1	176312A1	08-13		10
1339090C1	05-02		12	177250A1	04-16		10
	05-10		29		04-16	01	10
1339231C1	09-02		8	177269A1	04-04		6
1340223C1	08-16		17		04-10		8
1342851C1	06-69		2		09-13		17
	06-70		2		09-14		17
	06-77		2		09-19		11
	06-78		2		09-20		17
1342928C1	06-71		20	178-896	08-34		78
	06-79		20	178148A1	04-15	03	45
1346028C1	08-03		9		04-20		10
	08-50		4	178545A1	06-67		38
1349347C1	06-72		24		06-74		31
	06-82		24	178546A1	06-67		38
	06-82	01	24		06-74		31
136-157	08-39		4	178547A1	06-67		38
136-251	09-06		13		06-74		31
137023A1	06-69		12	178553A1	06-71		26
	06-70		12	178554A1	06-71		26
	06-77		12	178555A1	06-71		26
	06-78		12	178565A2	06-71		6
139059C1	06-68		10	178889A1	05-01		
	06-71		3		05-09		
	06-75		7		06-23		
	06-76		10		06-38		
	06-79		3		07-04		
139060C2	06-68		9		07-04	01	
	06-75		6		07-05		
	06-76		9		07-05	01	
140541A1	04-07		30		07-07		
140543A1	04-07		20		07-07	01	
140545A1	04-07		15		07-08		
140546A1	04-07		14		07-08	01	
140548A1	04-07		18		07-10		
140549A1	04-07		29		07-10	01	
140906A3	08-34				07-11		
143349A1	07-04		46		07-11	01	
143921C1	06-72		14		08-19		
	06-81		14		08-20		
	06-82		11		08-24		
143922C1	06-72		14		08-24	01	
	06-81		14	18-137	05-03		11
	06-82		11	181239A4	09-16		3
143923C1	06-72		14	181240A2	09-17		13
	06-81		14	181241A3	09-17		14
	06-82		11	181242A3	09-15		16
143924C1	06-72		14	183038A1	04-15	03	44
	06-81		14		04-20		4
	06-82		11	183491A1	08-34		65
143925C1	06-72		14	183748A1	04-13		12
	06-81		14	185062R1	09-23		4
	06-82		11	185448A2	08-34		68
144417A1	04-24		22	185613A1	07-02		3
144421A1	04-24		23	186135A1	06-18		
148939C1	06-69		20		06-19		
	06-70		20		06-19	01	
	06-77		20	186158A1	04-10		21
	06-78		20	186621A1	06-64		29
151-510	09-49		9	187820A1	04-01		13
151-553	09-13		31		04-01	01	13
	09-14		31	188104A1	08-36		5
	09-24		4	188105A1	08-36		8
1535219C1	04-10		16	188106A1	08-36		9
	04-16		18	188116A1	08-36		6
	04-16	01	18	188117A1	08-36		7
1542563C1	08-13			19-1041	09-08		9
	08-34				09-09		21
	08-35				09-10		19

INDEX - INDICE - INDEX - ZAHLENVERZEICHNIS - INDICE - INDICE - INDHOLD - INHOUD

Number	Figure	Sequence	Ref.	Number	Figure	Sequence	Ref.
19-135	02-08		3	1963841C1	06-82		8
19-153	04-32		21	196466A1	02-08		1
	04-32	01	21	1964696C2	04-03		5
19-154	09-31		24	1964725C1	04-07		28
	09-33		28	1964726C1	04-07		27
19-5380	02-02	01	30	1964727C1	04-07		26
19-5400	05-04		4	1964728C1	04-07		19
	09-55		16	1964729C1	04-07		31
19-5565	09-19		16	1964730C1	04-07		21
	09-20		15	1964731C1	04-07		1
	09-29		3	1964732C1	04-07		16
19-5864	06-56		12	1964734C1	04-07		11
19-6041	06-02		24	1964736C1	04-07		32
19-6056	09-08		14	1964737C1	04-07		3
	09-10		27	1964738C1	04-07		13
19-6258	09-30		5	1964806C1	04-13		1
	09-56	02	5	1964968C1	04-07		10
19-651	09-07		20	1964969C1	04-07		5
19-885	06-02		11	1968039C3	09-41		56
19-961	02-02	01	14	1971726C1	08-11		8
	02-02	02	14		08-12		8
190158A1	04-24		39	1975499C1	06-81		5
191135A1	04-24		19	1975500C1	06-81		4
191440A1	06-66		6	1976937C1	08-34		13
	06-67		8	1977334C1	09-47		9
	06-73		6		09-47	01	9
	06-74		8		09-48		9
191709A1	06-66		14		09-48	01	9
	06-67		17	1977448C2	05-05		12
	06-73		14	1977929C1	09-13		32
	06-74		17		09-14		32
191711A1	06-66		14		09-24		3
	06-67		17	1980228C3	08-34		79
	06-73		14	1980302C2	08-34		
	06-74		17	1981270C1	06-72		10
191712A1	06-66		14		06-81		10
	06-67		17		06-82		12
	06-73		14		06-82	01	12
	06-74		17	1981852C3	09-27		7
191713A1	06-66		13		09-27	01	7
	06-67		13	1983391C1	09-19		21
	06-73		13		09-20		9
	06-74		13	1986552C2	08-03		10
192296A3	08-25		1	198843A1	06-71		26
	08-26		1	1994580C1	08-13		2
193273A1	06-06		1		08-34		41
193300A2	06-06		2	1994581C1	08-13		4
193857A1	06-06		2		08-34		43
	06-07		1	1994608C1	08-34		40
194174A1	09-16		18		08-34		5
194175A1	09-16		19	1994615C2	08-14		16
194319A1	04-24		24	1997421C1	06-69		11
1954736C1	09-47		32		06-70		11
	09-47	01	32		06-77		11
	09-48		32		06-78		11
	09-48	01	32	1997422C1	06-70		27
1957859C1	08-34		61		06-78		27
1957861C1	08-34		60	2-3010T1	09-19		24
1957862C1	08-34		59	2-4190T1	04-02		25
1957867C1	08-19		61	2-4191T1	04-02		26
	08-20		65	2-4192T1	04-02		27
	08-21		18	2-4345T1	09-07		14
	08-46		48	20-1451T1	04-24		2
1957907C1	08-34			20-2041T2	04-22		5
	08-35				04-23		5
1957964C1	08-34		49	201-101	08-24	01	60
	08-35		42	201-102	08-44	02	12
195806A1	07-02		2	201-103	05-09		36
195941A1	09-08		17	201-105	08-21		6
	09-09		8		08-24		1
	09-10		28		08-24	01	1
	09-11		13	201-112	05-09		50
	09-11	01	13	201-146	08-18		46
	09-40		5	201-304	08-24	01	36
1961435C1	09-13		30	201-305	08-05	01	26
	09-14		30		08-05	02	26
	09-24		1		08-07	01	42
196254A1	06-06		2		08-07	02	42

INDEX - INDICE - INDEX - ZAHLENVERZEICHNIS - INDICE - INDICE - INHOLD - INHOUD

Number	Figure	Sequence	Ref.	Number	Figure	Sequence	Ref.
201-305	08-09	01	42	217-429	06-10	01	36
	08-09	02	42		06-11		18
201-306	08-21		13		08-31		9
	08-46		36		08-32		10
201-308	08-21		9	217-432	08-33		14
201-311	05-09		57	217-445	08-11		20
201-332	08-06	01	5		08-12		10
	08-08	01	18	217-92	02-02	01	24
	08-10	01	18		02-02	02	24
201-341	08-24		7	218-1280	08-13		13
	08-24	01	7	218-445	03-03		3
201-342	05-09		54	218-485	08-40		14
201-380	05-09		51	218-5205	08-34		62
201-416	05-09		53		08-35		24
201-417	05-09		34	218-5206	08-36		32
211-1007	08-34		16	218-5209	06-73		24
214-1406	03-03		39		06-74		27
	03-03		51		08-35		7
214-1408	03-03		48	218-5210	08-05	02	29
	09-44		11		08-07	02	47
214-1420	02-01		30		08-09	02	46
	06-18		45		08-36		3
	06-19	01	42	218-5211	06-66		29
	06-57		29		06-67		6
	06-58		21		06-83		17
	06-59		4	218-5212	08-13		19
	08-05		9		08-26		16
	08-05	01	9	218-5284	06-66		25
	08-05	02	9		06-67		24
	08-07		9		06-73		25
	08-07	01	9		06-74		25
	08-07	02	9	219-1	09-40		9
	08-09		27	219-20	05-02		11
	08-09	01	9		05-10		19
	08-09	02	9	219-36	05-02		8
214-1428	06-18		46		05-10		27
	06-19	01	38		06-56		14
214-1432	09-46		13		09-02		12
214-1436	02-05	01	12		09-38		3
	02-05	02	12		09-39		3
	05-01		35		09-40		10
	08-19		5	219-55	09-02		3
	08-20		5	219-8	09-02		11
	08-24		27		09-05		16
	08-24	01	27		09-06		10
214-1456	02-07		6	22-824	04-20	01	4
214-1464	05-04		6		04-27		11
214-1532	08-15		31		04-28		23
214-1580	05-05		3		04-28		25
214-1704	02-01		8		04-29		26
214-3140	06-18		2		04-30		12
	06-19		2		04-31		9
	06-19	01	2		05-05		37
214-3156	04-06	01	12		05-07		20
214-32112	02-05	01	19		06-03		3
	02-05	02	19		06-18		36
214-32128	02-05	01	25		06-19		36
	02-05	02	25		06-19	01	36
214-3296	02-05	01	20		08-44	02	56
	02-05	02	20	220064A1	06-23		47
217-1014	05-02		9		06-36		2
	05-10		28		06-38		47
217-1072	03-03		24		06-49		21
217-1084	09-02		5		06-49	01	9
217-120	02-01		7		06-50		4
217-1226	03-03		1		06-63		5
217-144	03-03		40	220066A1	06-23		30
217-186	03-03		5		06-49		23
217-292	02-01		26		06-49	01	15
	02-02	01	23		06-62		21
	02-02	02	23		08-18		48
217-349	03-03		43	220069A1	06-67		26
217-402	09-38		18		06-75		14
	09-39		18		06-76		20
217-410	08-11		7	220779A1	06-67		38
	08-12		7		06-74		31
217-429	05-02		7	220785A1	06-66		14
	05-10		26		06-67		17

INDEX - INDICE - INDEX - ZAHLENVERZEICHNIS - INDICE - INDICE - INDHOLD - INHOUD

Number	Figure	Sequence	Ref.	Number	Figure	Sequence	Ref.
220785A1	06-73		14	227116A2	06-78		15
	06-74		17	227117A2	06-70		30
221527A1	08-48		13		06-78		30
221573A1	06-66		20	227665A1	08-15		10
	06-67		22	227666A3	08-15		11
	06-74		22	227739A2	04-22		2
	08-14		6		04-23		2
	08-30		14	227809A1	02-10		15
221576A1	06-52		20	228193A1	06-71		9
	06-66		31		06-79		9
	06-67		28	228194A3	06-71		7
	06-83		9		06-79		7
	08-14		2	228273A1	06-08		4
	08-29		13	228760A1	04-09		2
	08-30		16	228893A2	06-68		19
	08-31		12	228967A2	06-67		37
	08-48		3		06-74		30
221578A1	06-52		2	228968A2	06-66		12
	06-57		22		06-67		12
	06-58		9		06-73		12
	06-59		9		06-74		12
	06-72		17	229364A1	02-04		2
	06-73		22	229372A1	04-16		14
	06-73		29	229373A1	04-01		36
	06-74		20	229378A1	04-01		17
	06-80		12	229379A1	04-16		12
	06-80		18	229483A2	09-51		18
	06-81		17		09-51	01	12
	06-83		7	229515A1	06-66		8
	08-13		21		06-67		10
	08-30		12		06-73		8
	08-48		5		06-74		10
221579A1	06-83		11	229553A3	06-68		14
	08-13		7	229659A1	07-02		7
	08-14		17	230-4244	08-15		30
	08-48		9	230098A1	04-01		2
221580A1	06-57		5		04-01	01	2
	06-58		5	231-1445	02-05	01	28
	06-59		5		02-05	02	28
	06-66		22		04-32		22
	06-67		30		04-32	01	22
	06-83		5		09-31		27
	08-30		18		09-33		30
	08-48		7	231-1447	04-06	01	14
222-615	02-04		5		04-06	01	3
222136A1	04-18		2		04-21		13
222292A1	09-23		3	231-24410	04-07		23
222462A2	06-01		1	231-4246	09-26		8
	06-02		1	231-5347	09-15		29
	07-01		1	231061A1	08-27		
222463A2	06-01		11	231637A2	06-68		7
222665A1	06-06		2	231765A1	06-10		5
223433A1	04-01		14		06-10	01	5
	04-01	01	14		06-10	02	5
224818A3	05-05		8	232-46320	05-02		21
224819A2	05-05		13		08-42		3
225-14210	04-15	03	51	232212A1	04-18		1
	04-20		6	232377A1	08-15		15
225127C1	04-26		3	232454A2	04-14		3
	04-27		21	232455A2	04-14		3
	04-28		27	233561A1	04-18		3
	04-29		28	234432A1	06-67		19
226252A2	06-71		10	234433A1	06-66		18
226254A4	06-71		12	234783A8	08-14		
226318A2	06-71		11	235507A5	06-71		
226320A1	06-71		13	235676A1	06-03		2
	06-79		13	237-6002	08-34		10
226492A2	06-66		19	237-6003	07-02		10
	06-67		18		08-36		31
226493A2	06-66		19		08-36		33
	06-67		18	237-6004	05-09		52
226494A2	06-66		19		08-21		19
	06-67		18		08-36		30
226496A2	06-66		19		08-46		49
	06-67		18	237-6006	06-66		26
227116A2	06-69		15		06-67		25
	06-70		15		06-73		19
	06-77		15		06-73		26

INDEX - INDICE - INDEX - ZAHLENVERZEICHNIS - INDICE - INDICE - INHOLD - INHOUD

Number	Figure	Sequence	Ref.	Number	Figure	Sequence	Ref.
237-6006	06-74		26	238-5111	08-09		52
	08-03		6		08-09	01	61
	08-04		7		08-09	02	23
	08-13		20	238-5112	06-20		25
	08-24	01	39		06-21		25
	08-37		16		08-13		31
	08-38		8	238-5118	08-13		29
237-6008	02-01		32	238-5120	08-35		26
	06-52		13	238-5121	05-03		14
	06-52		7	238-5122	06-73		5
	08-36		4		06-83		16
	08-37		15	238-5142	08-36		26
237-6010	03-03		44	238-5208	08-14		19
	05-09		49	238-5211	08-30		4
	06-66		30	238-5214	08-44	02	67
	06-67		7	238-5222	08-44	02	66
	06-83		18	238-5226	06-68		20
	08-21		14	238-5232	08-24		30
	08-23		5		08-24	01	30
	08-34		52	238-5246	06-72		9
	08-34		74		06-81		9
	08-35		12	238-5256	08-49		24
	08-35		25	238-5276	06-73		17
	08-35		36		06-74		18
	08-36		13	238-5344	06-12	02	11
	08-43		3	238-5387	06-71		21
	08-46		37	238-5426	06-11		12
237-6012	08-05	02	36		06-11	01	12
	08-07	02	56		06-12		3
	08-09	02	47		06-12	01	3
	08-13		12	238-6006	08-34		63
	08-13		35	238-6011	06-14		16
	08-24		9		06-14		20
	08-24	01	9		06-14		29
	08-35		8		06-14		3
	08-37		6		08-34		29
	08-38		6		08-36		19
237-6016	08-21		10		08-44	02	17
	08-21		7		08-44	02	25
	08-24		3		08-44	02	45
	08-24	01	3	238-6012	05-01		10
	08-28		10		05-09		10
237486A1	03-01		4		06-14		23
	09-61		10		06-20		6
237582A1	04-20		23		06-21		2
	04-20	01	23		06-21		6
237698A1	06-72		3		06-74		28
	06-81		3		08-05		52
	06-82		3		08-05		7
237700A1	06-82	01	3		08-05	01	52
	06-72		6		08-05	01	7
	06-81		6		08-05	02	7
	06-82		5		08-06		3
	06-82	01	5		08-07		31
238-5004	08-34		35		08-07		56
238-5011	08-03		7		08-07	01	31
	08-04		8		08-07	01	56
	08-07		62		08-07	02	31
	08-07	01	62		08-08		2
	08-07	02	18		08-09		16
	08-09		53		08-09		50
	08-09	01	62		08-09	01	31
	08-09	02	18		08-09	01	56
	08-35		20		08-09	02	31
238-5012	08-35		19		08-10		35
238-5013	06-52		9		08-13		25
238-5014	06-52		8		08-13		28
	08-36		25		08-14		10
	08-43		5		08-17		34
238-5015	08-43		4		08-18		35
238-5022	08-36		16		08-18		38
238-5023	08-36		17		08-19		42
238-5027	08-33		8		08-19		55
238-5110	06-83		4		08-19		57
	08-34		73		08-20		42
238-5111	08-07		61		08-20		55
	08-07	01	61		08-20		57
	08-07	02	24		08-20		61



INDEX - INDICE - INDEX - ZAHLENVERZEICHNIS - INDICE - INDICE - INDHOLD - INHOUD

Number	Figure	Sequence	Ref.	Number	Figure	Sequence	Ref.	
238-6012	08-21		20	238-6014	07-08		44	
	08-24		60		07-08		46	
	08-24		62		07-08		7	
	08-24		64		07-08		24	
	08-24		67		07-08	01	27	
	08-34		36		07-08	01	46	
	08-46		50		07-08	01	54	
	08-46		51		07-08	01	61	
	08-46		69		07-08	01	7	
	08-46		73		07-09		14	
	08-46		75		07-09		3	
	238-6013	06-52			12	07-09		6
		06-68			15	07-09		9
		06-75			12	07-10		12
06-76			15	07-10		27		
238-6014	08-34		67	07-10		33		
	05-01		12	07-10		43		
	05-01		18	07-10		5		
	05-01		29	07-10		8		
	05-01		42	07-10		24		
	05-01		46	07-10	01	27		
	05-09		12	07-10	01	46		
	05-09		42	07-10	01	54		
	06-20		16	07-10	01	7		
	06-20		2	07-11		12		
	06-20		27	07-11		2		
	06-20		9	07-11		27		
	06-21		13	07-11		33		
	06-21		9	07-11		49		
	06-52		11	07-11		5		
	06-57		15	07-11		8		
	06-57		17	07-11	01	24		
	06-57		21	07-11	01	27		
	06-58		15	07-11	01	46		
	06-58		24	07-11	01	54		
	06-59		15	07-11	01	61		
	06-59	01	12	07-11	01	7		
	06-59	01	6	08-05		18		
	07-03		12	08-05		2		
	07-03		18	08-05		23		
	07-03		2	08-05		27		
	07-03		6	08-05		29		
	07-04		24	08-05		34		
	07-04		27	08-05	01	18		
	07-04		3	08-05	01	2		
	07-04		42	08-05	01	23		
	07-04		44	08-05	01	29		
	07-04		7	08-05	02	2		
	07-04	01	47	08-06		10		
	07-04	01	51	08-06		45		
	07-04	01	7	08-06		47		
	07-05		24	08-06		6		
	07-05		27	08-06	01	21		
	07-05		3	08-06	01	3		
	07-05		44	08-07		18		
	07-05		47	08-07		2		
	07-05		7	08-07		23		
	07-05	01	47	08-07		27		
	07-05	01	51	08-07		30		
	07-05	01	55	08-07		44		
	07-05	01	7	08-07		47		
	07-06		12	08-07		5		
	07-06		17	08-07	01	18		
	07-06		2	08-07	01	2		
	07-06		6	08-07	01	23		
	07-07		2	08-07	01	27		
	07-07		24	08-07	01	30		
	07-07		27	08-07	01	44		
	07-07		40	08-07	01	47		
	07-07		7	08-07	01	5		
	07-07	01	24	08-07	02	2		
07-07	01	27	08-07	02	23			
07-07	01	46	08-08		10			
07-07	01	55	08-08		42			
07-07	01	7	08-08		45			
07-08		24	08-08		6			
07-08		27	08-08	01	2			
07-08		3	08-08	01	34			

INDEX - INDICE - INDEX - ZAHLENVERZEICHNIS - INDICE - INDICE - INHOLD - INHOUD

Number	Figure	Sequence	Ref.	Number	Figure	Sequence	Ref.	
238-6014	08-08	01	6	238-6016	07-10		36	
	08-09		13		07-10		49	
	08-09		15		07-10	01	10	
	08-09		19		07-10	01	13	
	08-09		25		07-10	01	52	
	08-09		4		07-11		21	
	08-09		8		07-11		36	
	08-09	01	18		07-11		55	
	08-09	01	2		07-11	01	10	
	08-09	01	23		07-11	01	13	
	08-09	01	27		07-11	01	52	
	08-09	01	30		08-01		14	
	08-09	01	44		08-02		3	
	08-09	01	47		08-18		47	
	08-09	01	5		08-20		64	
	08-09	02	2		08-21		15	
	08-10		26		08-24		8	
	08-10		30		08-34		54	
	08-10		40		08-35		32	
	08-10		44		08-41		18	
	08-10	01	2		08-41		22	
	08-10	01	35		08-44	02	18	
	08-10	01	6		08-44	02	54	
	08-13		27		08-44	02	62	
	08-14		13		08-45		5	
	08-19		60		08-46		38	
	08-20		7		08-46		41	
	08-24		22		06-57	238-6017	3	
	08-24	01	22		06-58		3	
	08-29		8		06-59		3	
	08-37		10		06-66		34	
	08-37		19		06-67	35		
	08-40		3		06-83	3		
	08-40		6		238-6018	05-01	4	
	08-41		12			05-09	35	
	08-41		3			05-09	4	
	08-41		6			08-01	6	
	08-44	02	14			08-13	39	
	08-44	02	64			08-19	2	
	08-46		57			08-19	53	
	08-46		60			08-20	2	
	238-6015	06-68				17	08-20	53
		06-75				13	08-24	31
		06-76				17	08-24	57
08-13			5	08-24		01	31	
08-34			28	08-44	02	22		
08-34			45	08-44	02	42		
08-34		56	09-44		15			
08-35		35	09-44		3			
08-35		6	238-6020	08-34	20			
05-01		36		238-6021	02-01	35		
05-09		46	06-18		15			
06-59	01	11	06-18	18				
07-04		10	06-18	23				
07-04		13	06-19	15				
07-04		50	06-19	18				
07-04	01	10	06-19	22				
07-04	01	13	06-19	01	15			
07-04	01	46	06-19	01	18			
07-05		10	06-19	01	22			
07-05		13	08-01		9			
07-05		53	08-06		18			
07-05	01	10	08-06		26			
07-05	01	13	08-06		38			
07-05	01	46	08-08		18			
07-07		10	08-08		26			
07-07		13	08-08		38			
07-07		46	08-08	02	13			
07-07	01	10	08-08	02	25			
07-07	01	13	08-08	02	5			
07-07	01	52	08-10		38			
07-08		10	08-10		4			
07-08		13	08-10		6			
07-08		52	08-10	02	13			
07-08	01	10	08-10	02	25			
07-08	01	13	08-10	02	5			
07-08	01	52	08-17		31			
07-10		21	08-17		37			

INDEX - INDICE - INDEX - ZAHLENVERZEICHNIS - INDICE - INDICE - INDHOLD - INHOUD

Number	Figure	Sequence	Ref.	Number	Figure	Sequence	Ref.
238-6021	08-17		39	239529A1	06-81		8
	08-18		32	239552A2	06-49		
	08-18		41	239942A3	06-72		11
	08-18		43		06-81		11
	08-19		16	24-231	02-10		13
	08-19		19	240969A1	08-33		2
	08-19		33	240973A2	08-33		4
	08-19		38	240974A2	08-33		6
	08-19		50	242-4412	07-04		31
	08-20		16		07-04	01	31
	08-20		19		07-05		31
	08-20		33		07-05	01	31
	08-20		38		07-07		31
	08-20		50		07-07	01	31
	08-21		11		07-08		31
	08-21		8		07-08	01	31
	08-24		19		07-10		42
	08-24		2		07-10	01	31
	08-24		36		07-11		42
	08-24		51		07-11	01	31
	08-24		54	242563A1	05-01		25
	08-24	01	2		05-09		25
	08-34		21	243254A1	08-36		37
	08-44	02	39	243856A1	06-72		12
	08-44	02	60		06-81		12
	08-44	02	8		06-82		9
	08-46		25	245041C1	04-30		27
	08-46		28		04-30	01	27
	08-46		44	245162A1	06-68		16
	08-46		47	245483C1	04-26		2
	08-46		5		04-27		20
	08-46		55		04-28		26
	08-46		63		04-29		29
	08-46		66	245847A1	08-27		
	08-46		77	245918C1	09-13		9
238-6025	03-01		6		09-14		9
	06-18		9	246146A1	06-66		5
	06-19		9		06-67		5
	06-19	01	9	246324A1	09-19		20
	08-19		23		09-20		24
	08-20		23	246405A1	08-34		11
	08-24		42	246406A1	06-11		20
	08-24	01	42		06-11	01	16
238-6112	08-30		3		06-12		13
	08-31		3		06-12	01	12
	08-32		3		06-12	02	3
	08-36		28	246476A1	09-21		5
	08-47		15	246809A1	04-01		18
238-6117	08-30		2	248-1243	09-47		31
	08-31		2		09-47	01	31
	08-32		2		09-48		31
	08-36		27		09-48	01	31
	08-47		16	248-2178	03-03		29
238-6219	08-46		7	248-23108	04-30		18
238-6222	08-24		23		04-30	01	18
	08-24	01	23	248-2340	04-30		25
238-6228	06-18		5		04-30	01	25
	06-19		5	248-2376	06-02		10
	06-19	01	5	248-2381	09-47		11
	08-19		14		09-47	01	11
	08-20		14		09-48		11
	08-24		26		09-48	01	11
	08-24	01	26	248-2399	04-13		5
	08-46		14	248087A1	04-01		24
238-7115	08-14		23		04-01	01	24
238-7277	06-71		22	248114A1	06-66		3
	06-79		22		06-67		3
238-7278	06-71		24		06-73		3
	06-79		24		06-74		3
238-7281	06-79		21	248118A1	06-66		2
238-7282	06-71		23		06-67		2
	06-79		23		06-73		2
238290A4	04-01		11		06-74		2
	04-01	01	11	248338A2	08-15		33
238291A1	09-23		37	248339A1	08-15		32
238903A1	02-01		19	248784A4	04-02		22
239491A1	03-01		9	248812A4	04-02		
239529A1	06-72		8	248844A1	03-02		8

INDEX - INDICE - INDEX - ZAHLENVERZEICHNIS - INDICE - INDICE - INHOLD - INHOUD

Number	Figure	Sequence	Ref.	Number	Figure	Sequence	Ref.
249707A2	09-25		2	259389A1	09-04		9
250826A3	09-13		21	259461A1	09-13		13
	09-14		21		09-14		13
250939A1	05-07		12	259462A1	09-17		19
251400A1	02-06		4	260-1446	04-16		6
252462A2	08-14		25	260-16516	04-04		7
252928A2	09-25		5		09-13		16
253105A1	04-11		6		09-14		16
	08-05		47		09-16		28
	08-05	01	47	260-54310	09-20		25
	08-05	02	47	260-54312	04-13		4
	08-07		51	260-5448	09-41		55
	08-07	01	51	261-3446	04-01		4
	08-07	02	51		04-01	01	4
	08-09		45	261-54536	04-13		11
	08-09	01	51	275601A1	09-21		6
	08-09	02	51	275602A1	09-21		16
253609A4	06-70		17	276352A1	03-01		14
	06-78		17	276498A1	04-13		3
253679A1	05-05		28	276687A1	06-06		2
253931A1	06-69		23	276797A1	04-01		10
	06-70		23		04-01		12
	06-77		23		04-01		23
	06-78		23		04-01	01	10
253932A1	06-68		8		04-01	01	12
	06-69		24		04-01	01	23
	06-70		24		04-35		2
	06-75		5	277204A2	09-23		35
	06-76		8	277325A1	06-18		4
	06-77		24	277438A1	09-21		15
	06-78		24	277499A1	04-01		8
254253A1	08-11		6	277570A1	09-23		24
	08-12		6	277576A1	09-23		19
255036A1	04-16		2	277582A1	09-23		16
255121A1	06-68		13	278210A1	06-01		5
	06-75		20		06-02		5
	06-76		13		07-01		6
255122A1	06-68		13	278211A1	03-02		9
	06-75		20	278506A1	08-35		15
	06-76		13	278550A2	08-34		
255123A1	06-68		13		08-35		
	06-75		20	278872A2	08-21		1
	06-76		13		08-22		
255124A1	06-68		13	278967A3	09-46		8
	06-75		20	279013A3	04-11		3
	06-76		13	279265A2	07-01		7
255291A1	03-02		3	279266A1	07-02		9
255676A1	04-01		19	279293A2	09-56		11
255729A1	06-10		22		09-56	01	11
	06-10	01	22		09-56	02	1
	06-10	02	22	279707A1	06-79		12
256303A1	04-01		22	279709A1	06-79		26
256303A2	04-01	01	22	279710A1	06-79		26
256304A2	04-01		20	279711A1	06-79		26
	04-01	01	20	279712A1	06-79		26
256305A2	04-01		9	279714A4	06-73		20
	04-01	01	9		06-74		5
	04-35		4	279715A4	06-73		20
256776A1	03-02		4		06-74		5
257059A2	09-21		2	279716A4	06-73		20
257375A1	08-11		4		06-74		5
	09-32		8	279717A4	06-73		20
	09-32	01	8		06-74		5
	09-34		3	279718A2	06-79		27
	09-36		17	279719A2	06-77		25
	09-51		11		06-78		18
	09-54		12	279843A2	06-79		27
258010A2	06-03		1	279844A2	06-77		25
258342A2	04-10		2		06-78		18
258524A2	03-02		19	279845A1	06-80		6
258734A2	03-01		2	279846A1	06-80		7
259012A1	03-01		11	280-1448	09-48		58
	03-02		16		09-48	01	54
259040A1	03-01		3	280297A1	07-02		4
259288A1	09-46		12	280566A1	09-21		17
259389A1	06-61		21	280627A1	09-29		15
	09-01		30	280628A1	09-20		27
	09-03		6		09-29		16

INDEX - INDICE - INDEX - ZAHLENVERZEICHNIS - INDICE - INDICE - INDHOLD - INHOUD

Number	Figure	Sequence	Ref.	Number	Figure	Sequence	Ref.
281-14512	09-47		38	295004A1	09-06		11
	09-47	01	38	295006A1	09-45		4
	09-48		38	295011A1	04-16		2
	09-48	01	38	296050A1	06-65		4
281-54712	04-14		4	296077A1	03-03		7
	09-38		5	296674A3	04-24		8
	09-39		5	297221A1	04-17		16
281093A1	06-01		2	297223A1	04-17		17
	06-02		2	297865A1	09-19		3
	07-01		5		09-20		26
281115A1	03-02		13	298291A1	08-37		1
281125A1	03-02		14		08-38		1
281138A1	09-21		3		08-47		19
281139A1	09-21		4	298567A1	06-75		11
281140A1	09-21		20		06-76		19
281425A4	09-21		13	298614A1	08-13		32
281893A1	06-01		17	298842A1	03-02		2
	06-02		17	299245A1	06-80		5
	07-01		8	299483A2	04-01		25
281926A2	09-25		8		04-01	01	25
282523A1	09-05		11	300209A1	08-19		56
282839A1	08-14		8		08-20		56
282892A1	05-05		16		08-24		63
283531A1	09-17		20		08-24	01	63
283659A1	04-05		1	300655A1	04-24		25
	06-01		7	300891A1	03-02		7
284150A2	09-21		31	301098A1	09-21		25
284180A1	06-73		18	301200A1	05-05		9
284184A1	06-73		21	301409A1	08-24		35
284185A1	06-74		6		08-24	01	35
284186A1	06-66		16	301973A1	08-35		10
	06-73		16	302001A1	09-27		10
284188A1	06-75		8	302004A2	09-27		9
	06-76		14	302005A1	09-27		3
284190A1	06-80		4	302011A1	09-27		14
284272A3	09-47		51	302016A1	09-27		24
	09-47	01	23		09-27	01	16
	09-48		51	302027A1	09-28	01	6
	09-48	01	51	302029A2	09-28	01	8
284273A2	09-45		24		09-28	02	8
284638A2	04-30		19	302033A1	09-28	01	5
	04-30	01	19		09-28	02	5
	04-33		12	302092A5	09-23		
	04-33	01	12	302259A2	06-66		
284776A1	05-07		4		06-69		
	05-08		4		06-70		
284777A1	05-07		3	302260A1	06-67		
	05-08		3		06-69		
284997A1	05-06				06-70		
291104A1	07-02		11	302339A1	08-02		2
291105A1	07-02		5	302456A1	09-24		5
291106A1	07-02		8		09-25		18
291107A1	07-02		6	302557A2	08-03		12
291835A4	09-13		11	302822A3	07-01		9
	09-14		11		07-02		
291836A3	09-13		12	302840A4	09-15		5
	09-14		12	302862A1	09-19		8
292258A1	08-34		69		09-20		5
292295A3	08-32		11	303158A4	09-13		15
	08-35			303158A5	09-14		15
	08-47		9	303401A1	06-08		5
292321A2	08-35		9	303433A1	04-10		17
292326A1	08-33		5	303463A1	04-25		5
292753A1	09-39		1	303465A2	05-07		15
293388A2	03-01		16		05-08		12
	06-03		7	303466A1	05-07		8
293405A1	08-25		11		05-08		8
293662A2	09-40			303467A1	05-07		9
293797A1	04-20		12		05-08		9
	04-20	01	12	303493A1	06-23		43
293823A2	02-01		10		06-38		43
294025A2	02-01		1	303965A5	06-10		9
	02-02	01	2		06-10	01	9
	02-02	02	2		06-11		
294295A1	09-23		26	304005A4	09-42		2
294296A1	09-23		6	304831A1	06-49		28
294603A1	08-38		2	304834A1	06-49		29
295004A1	09-05		10	304836A1	06-49		30

INDEX - INDICE - INDEX - ZAHLENVERZEICHNIS - INDICE - INDICE - INHOLD - INHOUD

Number	Figure	Sequence	Ref.	Number	Figure	Sequence	Ref.
304876A1	06-09		13	310979A1	08-34		
305020A2	04-05		2	310982A1	08-34		
305155A2	06-01		8	311002A1	08-34		8
305484A2	09-20		6	311003A1	08-34		6
305485A2	09-19		7	311134A1	08-31		5
	09-20		3		08-34		
305792A1	06-06		2	311137A1	08-31		6
307016A1	09-49		3		08-34		
307021A2	09-49		6	311352A1	06-06		2
307024A4	09-46		10	311376A2	09-39		20
307025A4	09-46		11	311430A1	04-24		40
307026A1	09-13		40	311620A1	04-21		20
	09-14		42		04-21	01	17
307104A3	09-50		1		08-44	02	58
307167A1	06-18		20	311748A3	05-05		15
	06-19		20	311812A1	05-05		19
	06-19	01	20	311834A1	08-17		38
307278A1	06-10		15		08-18		42
3079389R1	04-07		4	311858A1	09-59		6
308245A1	06-49		27	311860A1	09-59		
308473A2	09-36		7	3131227R1	04-13		9
308579A1	09-13		26	3131234R1	04-13		9
	09-14		26	313139A1	09-29		4
308646A4	04-16		17	313140A1	09-29		5
	04-16	01	17	313141A1	09-29		9
	09-59		2	313142A1	09-29		10
308647A4	04-16		7	313189A1	04-15	01	3
	09-59		3		04-15	02	8
308750A3	09-45		16	313273A2	03-02		20
308910A2	04-16		3	313282A1	09-50		2
308955A2	09-13		19	313377A1	06-74		19
309093A1	06-54		11	313569A2	09-39		37
	06-54		15	313576A1	04-03		1
	06-54		5	313600A2	06-72		
	06-54		8	313941A1	08-13		11
309663A1	09-03		2	313949A3	02-05	01	11
	09-04		5		02-05	02	11
31-1000	03-03		23	313992A1	09-43		14
31-1267	03-03		2	314226A3	06-69		17
31-1293	09-44		6		06-77		17
31-1442	02-01		9	314270A1	06-14		21
31-2363	04-03		19	314842A3	09-41		12
31-2364	04-03		11	315197A4	09-42		30
	04-03		23	315514A1	06-52		
31-2422	04-03		8	315574A2	08-19		43
31-2427	06-18		3		08-20		43
	06-19	01	3	315576A1	08-19		15
	08-19		6		08-20		15
	08-20		6	315577A2	08-19		34
	08-24		28		08-20		34
	08-24	01	28	315897A1	08-15		19
31-2608	04-03		12	316000A2	03-01		15
31-2866	04-03		18		06-03		5
31-2936	04-03		20	316630A2	06-09		14
31-2976	03-03		4	316659A1	06-65		8
31-3065	02-01		20	316937A1	09-42		34
31-3129	03-03		17	317652A2	09-40		
31-3168	06-58		20	317688A1	04-10		12
310057A1	04-24		27	318159A1	09-32		2
310692A1	06-71		27		09-32	01	2
310693A1	06-69		25		09-34		6
	06-70		18		09-34	01	6
310694A2	06-72		21		09-41		17
	06-82		21		09-42		18
	06-82	01	21	318507A2	08-15		2
310695A1	06-82		17	318508A2	08-15		3
	06-82	01	17	318509A2	08-15		4
310697A3	06-72		20	318510A2	08-15		5
	06-82		22	318774A2	08-15		23
	06-82	01	22	318775A1	08-15		1
310701A5	06-72			318778A1	08-15		6
310715A1	03-03		18	318780A1	08-15		7
310728A2	06-72		23	318781A1	08-15		9
310788A1	08-31		4	318822A1	06-52		
	08-34			318842A1	02-02	01	26
310940A1	08-34				02-02	02	26
310941A1	08-34		7	318940A1	05-06		
310942A1	08-34		9	318942A1	05-06		

INDEX - INDICE - INDEX - ZAHLENVERZEICHNIS - INDICE - INDICE - INDHOLD - INHOUD

Number	Figure	Sequence	Ref.	Number	Figure	Sequence	Ref.
319131A4	08-32		13	322990A1	09-47		13
	08-36				09-47	01	13
319659A1	06-52		24		09-48		13
319660A1	06-52		19		09-48	01	13
319661A1	06-52		18	322991A1	09-47		23
319664A1	06-52		16		09-48		23
319665A1	06-52		17	322992A1	09-47		14
319774A4	07-04		28		09-48		14
	07-04	01	28	322993A1	09-47		22
	07-05		28		09-48		22
	07-05	01	28	322994A1	09-47		6
	07-07		28		09-47	01	6
	07-07	01	28		09-48		6
	07-08		28		09-48	01	6
	07-08	01	28	322995A1	09-47		21
	07-10		17		09-47	01	21
	07-10	01	28		09-48		21
	07-11		17		09-48	01	21
	07-11	01	28	322996A1	09-47		1
	08-14				09-47	01	1
319870A1	09-23		12		09-48		1
319913A4	09-22		1		09-48	01	1
319915A4	09-22		1	323016A1	09-47		35
319969A1	09-49		2		09-47	01	35
319970A3	09-46		2		09-48		35
	09-49				09-48	01	35
32-204	03-03		52	323093A1	04-14		12
32-212	06-02		22	323095A1	04-11		4
320036A1	06-52		22	323295A2	09-35		3
320126A1	02-02	01	11	3233348R1	09-15		41
	02-02	02	11		09-16		33
320246A1	04-13			323383A6	09-35		8
	09-18		1	3234063R1	09-15		13
320374A1	08-29		11		09-16		12
320429A1	09-43		15	323585A2	09-42		1
320961A1	08-15		22	323608A3	09-33		7
320990A1	02-02	01	27		09-35		1
	02-02	02	27	323610A1	09-48		16
320992A1	02-02	01	19		09-48	01	16
	02-02	02	19	323611A1	09-47		16
321188A2	09-01		24		09-47	01	16
	09-01		43	323625A1	09-47		19
321232A1	09-38		7		09-48		19
	09-39		7	323657A1	05-05		22
321360A1	08-34		26	323758A4	04-01		26
321361A1	08-34				04-01	01	26
321623A1	08-33		7		04-24		41
321742A1	08-34		81	323892A6	09-41		1
321961A1	06-01		19	323903A2	06-10		11
	06-02		19		06-10	01	11
	07-01		4	324022A1	09-47		49
322096A1	09-01		21		09-47	01	49
322118A1	06-52		23		09-48		49
322332A1	04-14		7		09-48	01	49
322409A1	06-01		10	324023A1	09-47		50
322446A1	09-06		5		09-47	01	50
322831A1	09-48		7		09-48		50
322831A2	09-47		7		09-48	01	50
322839A1	09-47		39	324089A1	03-03		21
	09-47	01	39		06-18		24
	09-48		39		06-19		24
	09-48	01	39		06-19	01	24
322840A1	09-47		44	324191A1	09-32		14
	09-47	01	44	324191A2	09-32	01	14
	09-48		44		09-34		15
	09-48	01	44		09-34	01	15
322985A1	09-47		17	324203A1	04-03		15
	09-47	01	17	324349A2	02-06		3
	09-48		17	324437A1	09-29		14
	09-48	01	17	324466A1	02-05	01	6
322987A1	09-47		18		02-05	02	6
	09-47	01	18	324484A1	09-47		24
	09-48		18		09-47	01	24
	09-48	01	18		09-48		24
322989A1	09-47		12		09-48	01	24
	09-47	01	12	324617A1	02-10		17
	09-48		12	324618A1	02-10		18
	09-48	01	12	325061A2	04-10		1

INDEX - INDICE - INDEX - ZAHLENVERZEICHNIS - INDICE - INDICE - INHOLD - INHOUD

Number	Figure	Sequence	Ref.	Number	Figure	Sequence	Ref.
325064A1	05-07		7	328429A3	06-66		4
325065A1	05-07		2	328534A1	09-31		15
325066A1	05-07		14		09-33		27
325068A1	05-07		13		09-42		11
	05-08		13	328586A2	09-02		4
325289A1	02-10		20	329-1024	09-55		3
325362A1	05-07		1	329051A1	09-59		18
	05-08		1	329058A1	09-06		1
325363A1	05-07		11	329647A1	06-11		11
325371A1	09-32		17		06-11	01	11
325371A2	09-32	01	17	329720A1	09-15		47
	09-34		17		09-16		29
	09-34	01	17	329808A1	06-68		18
	09-42		29		06-75		9
325525A3	05-07		17		06-76		18
325533A1	06-14		24	329946A1	09-41		25
325647A2	06-18		12	33-1001T1	06-56		17
325737A1	06-19		12		06-56		3
	06-19	01	12	330032A1	09-38		8
	08-11		6		09-39		8
	08-12		6	330103A1	08-13		17
325926A2	09-58		1	330104A1	08-13		18
326-24160	09-55		2	330105A1	08-13		16
326300A1	08-14		21	330116A1	04-16		15
326965A1	08-30		21		04-16	01	15
327144A1	03-03		9	330124A1	04-20		19
327306A1	09-47		34		04-20	01	19
	09-48		34	330164A2	04-17		12
327308A1	09-47		36		09-38		20
	09-47	01	36		09-39		20
327310A1	09-15		38	331005A1	08-15		26
327444A2	06-18		19	331649A1	08-15		35
	06-19		19		09-23		42
	06-19	01	19	333104A2	09-27		11
327459A1	05-01		61	333107A1	09-27		13
	08-19		39	333108A2	09-27		15
	08-20		39	333273A1	09-28	01	1
327460A2	05-01		30		09-28	02	1
	05-09		30	333274A2	09-28	01	2
327461A1	08-20		13		09-28	02	2
327466A1	08-20		12	333275A1	09-28	01	3
327471A1	08-24		37	333276A1	09-28	01	4
327494A1	05-01		5	333278A1	09-28	01	7
	05-09		5		09-28	02	7
327499A1	08-19		35	333279A2	09-28	01	9
	08-24		10		09-28	02	9
	08-24	01	10	333280A1	09-28	01	10
327567A3	06-61		14	333283A2	09-28	01	12
	09-58		4		09-28	02	12
327851A1	09-46		17	333284A1	09-28	01	13
328037A1	09-19		9		09-28	02	13
	09-20		7	333285A1	09-28	01	14
328039A1	09-19		10		09-28	02	14
	09-20		4	333286A1	09-28	01	15
328051A2	09-46		19	333287A2	09-28	01	17
328052A2	09-46		20		09-28	02	17
328193A2	02-02	01	39	333288A2	09-28	01	18
	02-02	02	28		09-28	02	18
328196A1	02-02	01	5	333295A1	09-28	01	22
	02-02	02	5		09-28	02	22
328197A1	02-02	01	8	333296A1	09-28	01	24
	02-02	02	8		09-28	02	24
	09-31		4	333402A1	06-75		
	09-33		38	333403A2	06-76		
328232A1	08-06		24	333643A1	04-14		8
	08-08		24	333646A1	04-14		5
	08-08	02	11	333657A2	09-26		14
	08-10		2	333659A1	09-28	01	16
	08-10	02	11		09-28	02	16
328265A1	04-27		13	333660A1	09-28	01	23
	04-28		13	333975A1	09-34		13
	04-29		13	333976A3	09-32		16
	04-30		11		09-32	01	16
	04-30	01	11		09-34		14
328353A2	03-02		1		09-34	01	14
328421A5	06-73		4	334209A2	09-41		34
328422A5	06-74		4	334215A2	09-37		1
328427A3	06-67		4	334216A1	08-37		2



INDEX - INDICE - INDEX - ZAHLENVERZEICHNIS - INDICE - INDICE - INDHOLD - INHOUD

Number	Figure	Sequence	Ref.	Number	Figure	Sequence	Ref.
334216A1	08-38		4	339735A1	04-01	01	11
	08-47		20	339761A3	04-24		13
334218A1	08-38		3	339832A1	05-01		14
334229A1	04-10		20		05-02		
334233A1	04-09				05-09		14
334238A1	09-25		20	339866A2	02-04		9
334239A3	09-37		2	340-12520	09-16		14
334450A1	08-27			340967A1	06-16		6
334714A2	04-02		23		06-17		6
334715A1	04-02		30	340971A1	08-09		29
334717A2	09-37		3		08-09	01	11
334720A5	09-37		4		08-09	02	11
334721A1	09-37		5	340972A1	08-05		13
334783A1	08-05		30		08-05	01	13
	08-08		47		08-05	02	13
	08-09		42		08-07		13
	08-09	01	40		08-07	01	13
	08-09	02	40		08-07	02	13
334923A1	08-46		52		08-09		30
	08-48		12		08-09	01	13
334963A3	04-02		21		08-09	02	13
335041A2	03-03		22	341195A1	07-05		
335095A2	07-04		15		07-05	01	
	07-04	01	15		07-08		
	07-05		15		07-08	01	
	07-05	01	15		07-11		
	07-07		15		07-11	01	
	07-07	01	15	341234A2	09-17		6
	07-08		15	341235A2	09-17		7
	07-08	01	15	341236A3	09-17		5
	07-10		38	341282A2	08-07		25
	07-10	01	15	341574A4	09-17		1
	07-11		38	341858A1	08-11		2
	07-11	01	15	341859A1	08-11		3
335103A1	08-24		15	341953A2	09-58		2
	08-24	01	15	344573A1	08-13		
335104A2	08-19		17	344696A2	09-06		15
	08-20		17	344904A2	08-39		1
	08-24		34	344941A2	06-76		
	08-24	01	34	345192A1	08-33		10
336001A3	09-31		12	345193A1	08-33		
	09-33		23	345262A1	04-16		13
336017A1	09-33		10		04-16	01	13
	09-36			345439A1	04-16		21
336304A1	09-18		11		04-16	01	5
336360A4	06-82			345471A1	04-23		14
336658A1	02-09	01	8		07-01		18
	02-09	02	8	345794A1	06-52		
336842A1	09-36		27	346351A1	02-01		4
336843A1	09-36		28	347293A3	06-66		33
336849A2	09-36		26	347294A3	06-57		2
337099A4	09-36		4		06-58		2
337240A1	03-03		32		06-59		2
337248A1	03-03		31		06-67		34
	08-11		25		06-83		2
	08-12		15	347641A1	09-01		8
337481A1	08-24		48	347755A1	08-37		5
	08-24	01	48		08-38		5
	08-28			347756A1	08-38		7
337545A1	08-05		10	348061A1	09-01		9
	08-05	01	10	348313A2	04-21		4
	08-05	02	10		04-21		4
338681A1	08-30		7	349062A1	04-24	01	26
338862A1	02-08		2	349340A1	08-16		9
339186A1	08-21		21	349366A1	09-13		37
339487A2	08-13				09-14		37
	08-17		32	349426A2	09-42		12
	08-18		33	349427A1	09-42		14
339529A1	04-20		13	349499A1	08-19		12
	04-20	01	13	349563A1	09-22		5
339534A4	09-41		18	349568A3	09-38		27
339537A4	09-41		19		09-39		27
339543A2	09-41		8	349863A1	07-07		49
	09-43		1	349863A2	07-04		53
339547A1	09-43		3		07-04	01	27
339549A1	09-43		4		07-05		57
339551A1	09-43		2		07-05	01	16
339735A1	04-01		11		07-07	01	1

INDEX - INDICE - INDEX - ZAHLENVERZEICHNIS - INDICE - INDICE - INHOLD - INHOUD

Number	Figure	Sequence	Ref.	Number	Figure	Sequence	Ref.
349863A2	07-08		59	352823A1	06-42		23
	07-08	01	2		06-43		7
	07-10		54	352825A1	06-41		5
	07-10	01	56	352826A1	06-41		6
	07-11		60	352827A1	06-41		7
	07-11	01	63		06-43		10
	08-39		7	352828A1	06-41		8
349868A1	03-03		33		06-43		11
349869A1	08-11		22	352829A1	06-41		9
	08-12		12		06-43		12
350662A1	09-42		3	352830A1	06-41		10
352025A1	08-14		5	352831A1	06-41		11
352109A2	07-09		11		06-43		14
352111A2	08-06		11	352832A1	06-41		13
	08-08		11		06-43		16
	08-10		31	352833A1	06-41		14
352112A3	07-07		4		06-43		17
	07-07	01	45	352834A1	06-41		15
	07-08		45		06-64		13
	07-08	01	45	352842A1	09-16		25
	07-10		3	352875A2	08-22		17
	07-10	01	45		08-26		20
	07-11		48		08-49		17
	07-11	01	45	352892A1	08-17		22
352113A2	07-09		12		08-18		22
352114A1	07-04		38	353-22	06-80		17
	07-05		38	353-402	04-01		30
	07-07		38		04-01	01	30
	07-08		38	353-403	09-39		40
	07-10		29	353-404	09-38		35
	07-11		29		09-39		35
352211A1	06-73			353-406	09-15		30
	06-77				09-17		31
	06-78				09-39		34
352212A2	06-74			353-411	02-02	01	21
	06-77			353-422	02-02	02	30
	06-78				06-01		6
352378A1	06-41		1		06-02		29
	06-43		4		09-15		46
352394A1	06-41		1		09-38		34
	06-43		4	353-593	09-15		8
352397A1	06-41		1	353058A1	06-41		17
	06-43		4	353059A1	06-41		19
352400A1	06-41		1	353060A1	06-41		20
	06-43		4		06-45		6
352506A1	04-30		2		06-46		5
	04-30	01	2		06-47		3
352599A3	08-18		15		06-48		3
352767A1	03-03		26	353273A1	04-02		30
	08-11		24	353363A1	06-71		8
	08-12		14		06-79		8
352768A1	09-42		16	353364A1	06-79		6
352770A1	09-42		15	353366A3	06-79		10
352811A2	09-41		9	353367A3	06-79		10
352815A1	06-41		1	353369A1	06-79		11
	06-43		4		06-79		11
352816A1	06-41		1	353560A1	09-18		13
	06-43		3	353561A1	09-18		3
	06-43		4	353562A1	09-18		12
352817A1	06-41		3	353563A1	09-18		9
	06-42		22	353607A3	08-07		7
	06-43		6		08-07	01	7
352818A1	06-41		4		08-07	02	7
	06-42		23	353608A1	07-06		8
	06-43		7	353609A1	07-03		9
352819A1	06-41		4		07-06		9
	06-42		23	353649A1	08-07		11
	06-43		7		08-07		11
352820A1	06-41		4		08-07	01	11
	06-42		23	353828A1	08-30	02	20
	06-43		7		08-48		2
352821A1	06-41		4	353830A1	08-35		16
	06-42		23	353849A1	09-60		9
	06-43		7	353926A1	04-05		6
352822A1	06-41		4	353941A1	08-43		2
	06-42		23	353942A1	04-01		35
	06-43		7	355179A1	08-11		23
352823A1	06-41		4		08-12		13

INDEX - INDICE - INDEX - ZAHLENVERZEICHNIS - INDICE - INDICE - INHOLD - INHOUD

Number	Figure	Sequence	Ref.	Number	Figure	Sequence	Ref.
355341A1	06-01		16	358968A1	08-09	02	33
355371A2	09-13		35		08-13		30
	09-14		35		08-19		10
355532A1	09-18		2		08-20		10
355623A2	04-10		1		08-24		46
355716A3	09-17		23		08-24	01	46
356005A1	09-58		6		08-30		22
356717A1	09-13		36		08-47		17
	09-14		36	358970A1	06-42		7
356789A1	09-13		38	358971A1	06-42		9
	09-14		38	358972A1	06-42		10
356813A2	09-42		24	358978A1	04-05		8
356885A1	04-16		9	359033A1	05-05		9
357132A2	09-17		7	359176A1	09-25		13
357135A2	09-17		6	359177A1	09-25		4
357346A1	06-81		26	359203A1	06-42		16
357347A2	06-81		21	359204A1	06-42		17
357564A1	09-13		33	359205A1	06-42		18
	09-14		39	359206A1	06-42		19
357686A1	02-09	01	6		06-43		24
	02-09	02	6	359207A1	06-42		20
357875A1	02-09	01	18	359235A1	06-45		12
	02-09	02	18	359242A1	06-38		10
357876A2	02-09	01	17	359243A1	06-38		10
357893A1	09-42		27	359244A1	06-38		10
357942A2	02-05	01	6	359251A1	06-38		10
	02-05	02	6	359252A1	06-38		24
358064A1	06-80		3	359253A1	06-38		24
358065A1	06-80		3	359260A1	06-43		8
358066A1	06-80		3	359280A1	06-43		20
358067A1	06-80		3	359382A2	09-13		5
358068A1	06-80		3	359383A1	09-25		
358069A1	06-80		3	359522A1	09-11		19
358070A1	06-80		3		09-11	01	19
358127A1	02-05	01	5	359585A2	09-49		5
	02-05	02	5	359586A1	09-46		6
358202A2	09-26			359616A3	09-20		
358203A2	09-26			359617A2	09-19		
358296A1	04-04		3	359642A1	06-82		7
358327A4	09-14		5	359670A2	09-46		18
358329A3	09-16		30	359756A1	08-40		9
358330A1	09-25		6	359783A1	08-16		2
358331A1	09-24		2	359789A1	08-16		1
358333A2	09-13		1	359791A1	08-16		14
	09-14		1	359804A1	08-16		7
358334A3	09-13		3	359845A1	09-25		
358334A4	09-14		3	359950A1	09-27		28
358338A4	09-13		2	359951A1	09-27		27
	09-14		2		09-27	01	9
358340A1	09-25		13	359959A1	09-27		4
358341A1	09-25		3	360058A1	04-25		
358342A1	09-15		2		05-05		26
358343A2	09-13		14		05-07		
	09-14		14	360065A1	09-32		18
358353A1	05-07		19		09-32	01	18
358683A1	09-19		5		09-34		2
	09-20		20	360134A2	08-17		12
358812A2	09-23		35		08-18		12
358860A1	08-24		11	360135A3	08-17		16
	08-24	01	11		08-18		16
358865A1	06-41		22	360198A2	06-58		19
358866A1	06-41		23	360207A2	09-37		6
358867A1	06-41		24	360215A1	04-10		4
358878A2	02-04		17	360319A2	09-26		1
	04-21		18		09-27		
	04-21	01	13	360321A2	09-26		1
358908A1	06-41		25		09-27		
	06-47		4		09-27	01	
	06-48		4	360326A1	09-27		2
358918A1	06-42		1	360327A1	09-27		1
358968A1	08-05		35	360328A2	09-27		2
	08-05	01	35	360329A1	09-27		1
	08-05	02	35	360335A1	06-82		25
	08-07		33		06-82	01	14
	08-07	01	33	360364A1	09-20		19
	08-07	02	33	360432A2	04-10		10
	08-09		34	360446A1	09-21		12
	08-09	01	33	360580A1	09-29		13

INDEX - INDICE - INDEX - ZAHLENVERZEICHNIS - INDICE - INDICE - INDHOLD - INHOUD

Number	Figure	Sequence	Ref.	Number	Figure	Sequence	Ref.
360736A1	02-09	01	14	362614A1	06-47		7
360761A1	06-72		26	362615A1	06-45		10
360785A1	06-81		24		06-47		9
361024A3	05-05		14	362616A1	06-45		11
361044A1	09-27		25	362617A1	06-45		13
361191A1	09-17		10	362618A1	06-45		14
	09-18		16	362624A1	04-17		18
361250A1	02-02	01	31	362628A1	06-45		15
	02-02	02	31	362629A1	06-45		15
361350A1	09-23		37	363126A1	08-40		8
361696A2	09-08		16	363130A1	09-09		28
	09-09		9	363131A2	09-09		17
	09-10		7		09-10		15
361812A1	02-10		10	363226A1	08-11		16
361897A1	07-04		29		09-31		2
	07-04	01	29		09-33		9
	07-05		29		09-36		16
	07-05	01	29	363254A1	06-79		
	07-07		29	363294A1	08-19		46
	07-07	01	29		08-20		46
	07-08		29		08-23		
	07-08	01	29	363508A1	08-16		20
	07-10		28	363540A1	09-10		22
	07-10	01	29	363768A1	08-17		4
	07-11		28	363769A1	08-24		10
	07-11	01	29		08-24	01	10
361954A1	08-06		8	363881A1	09-21		24
361955A1	07-04		4	363914A1	04-25		2
	07-04	01	4	363931A1	09-21		24
	07-05		4	364095A2	02-09	02	17
	07-05	01	4	364156A1	09-17		24
361957A2	07-03		8	364590A1	04-15	01	7
361988A3	04-15	01	6		04-15	02	16
	04-15	02	14		04-15	03	1
362031A1	04-04		4	364591A1	04-15	01	16
362419A1	08-17		5		04-15	02	18
	08-18		5		04-15	03	2
362423A1	06-43		21	364822A1	06-45		16
362491A1	04-17		3	364824A1	06-45		19
362493A1	04-17		2	364825A1	06-45		20
362496A1	04-17		5	364826A1	06-46		6
362542A1	06-43		22		06-48		8
362543A1	06-43		23	364827A1	06-46		7
362563A1	06-23		6		06-48		9
	06-38		6	364828A1	06-46		9
362564A1	06-38		8	364830A1	06-46		10
362565A1	06-38		9	364831A1	06-47		2
362566A1	06-23		11		06-48		2
	06-38		11	364832A1	06-47		5
362567A1	06-23		13	364833A1	06-47		10
	06-38		13	364967A1	05-01		40
362568A1	06-38		15		05-09		40
362569A1	06-38		16	365035A5	04-15	01	17
362570A1	06-38		17		04-15	02	15
362571A1	06-38		18		04-15	03	11
362572A1	06-38		19	365039A1	06-57		18
362573A1	06-38		20	365357A1	04-15	01	11
362574A1	06-38		21		04-15	02	3
362575A1	06-38		23	365358A2	04-15	01	12
362576A1	06-38		24	365414A1	09-29		8
362577A1	06-38		24	365674A1	09-25		1
362578A1	06-38		25	365841A1	04-14		2
	06-51			365842A1	04-14		1
362579A1	06-38		26	365853A1	06-61		11
362580A1	06-38		27	365945A1	09-11		
362598A1	06-38		36		09-11	01	
362601A1	06-38		37	365946A1	09-25		19
362602A1	06-38		39	365947A1	08-29		
362603A1	06-38		40		08-32		
362604A1	06-23		41	365979A1	04-04		
	06-38		41	366631A2	04-10		1
362610A1	06-45		3	366662A1	02-01		27
362611A1	06-45		5	366701A1	06-57		27
	06-46		4	366703A2	06-57		24
	06-48		7	366720A1	06-14		17
362612A1	06-45		7	366721A1	06-14		13
362613A1	06-45		8	366724A1	04-15	01	2
362614A1	06-45		9		04-15	02	6

INDEX - INDICE - INDEX - ZAHLENVERZEICHNIS - INDICE - INDICE - INDHOLD - INHOUD

Number	Figure	Sequence	Ref.	Number	Figure	Sequence	Ref.
366725A2	04-15	01	5	370551A1	06-18		32
	04-15	02	11		06-19		32
366774A2	09-56		2		06-19	01	32
	09-56	01	2	370554A1	06-47		12
366892A2	04-15	02	2	370555A1	06-42		11
366964A1	04-17		19		06-47		13
367145A1	04-24		15	370556A1	06-42		13
367146A1	04-24		34		06-47		15
367147A1	04-24		14	370558A1	06-47		16
367194A1	04-17		1	370559A1	06-47		17
367243A1	05-01		19	370561A1	06-47		19
	05-09		19	370562A1	06-47		20
367244A1	05-01		15	370566A1	06-48		10
	05-09		15	370568A1	06-48		11
367321A1	04-17		6	370590A2	06-49		4
	04-18			370591A1	06-49		7
367322A1	04-29		22	370593A1	06-49		9
367538A1	08-16		3	370596A1	06-49		25
367545A1	08-16		4		06-49	01	2
367607A1	03-01		1	370597A1	06-49		12
	06-03		4		06-49	01	4
367755A1	08-33		13	370600A1	06-49		20
367925A1	09-35		12		06-49	01	6
367926A2	09-35		9		06-50		14
367930A1	06-18		34	370601A1	06-50		1
	06-19		34	370604A1	06-50		7
	06-19	01	34	370606A1	06-50		8
368048A1	03-01		5	370608A1	06-51		1
368224A1	04-24		31	370610A1	06-51		4
368313A1	09-47		47	370611A1	06-51		
	09-47	01	47	370632A1	06-25		6
	09-48		57		06-39		3
	09-48	01	47	370633A1	06-39		5
368459A1	04-24		33	370634A1	06-39		7
369275A1	09-30		8	370635A2	06-39		9
369532A2	06-82		6	370636A1	06-38		1
	06-82	01	6		06-39		10
369566A1	09-16		31		06-40		8
369635A2	09-25		16	370637A1	06-39		12
369666A1	09-35		6	370783A2	06-75		10
369708A1	04-03		9		06-76		16
369719A1	09-15		9	370980A1	08-41		8
369765A1	06-75		4	370981A1	09-57		9
	06-76		7	370984A1	09-57		10
369837A1	09-55		1	370990A1	09-41		26
369838A1	09-55		6		09-42		25
369843A1	03-03		58	371017A2	08-41		19
369844A1	03-03		42	371043A1	09-12		3
369851A1	07-01		11	371122A2	04-20		35
369878A1	06-83		1		04-20	01	29
369929A1	06-04		44	371554A1	09-15		10
	09-14		41	371685A4	09-14		19
369937A1	09-14		40	371737A1	06-49		
37-1832	06-71		18		06-49	01	
370152A1	08-23		10		06-50		
	08-28		12	371738A1	06-49		18
370157A1	06-57		1		06-49	01	7
	06-58		1		06-50		
	06-59		1	371739A1	06-49		19
	08-07		59		06-49	01	5
370163A1	06-57		7		06-50		15
370246A1	06-57		25	371802A1	09-42		13
	06-58		17	371838A1	08-17		40
	06-59		17		08-18		51
370247A3	06-01		3		09-30		10
	06-02		20	371878A1	06-11		3
	07-01		2		06-11	01	21
370250A1	06-59		20		06-12		5
370252A2	06-59		19		06-12	01	5
370542A1	06-40		12	371884A1	06-11		2
370543A1	06-40		13		06-11	01	20
370544A1	06-40		14		06-12		4
370545A1	06-40		15		06-12	01	4
370546A1	06-18		1	372071A1	06-31		5
	06-19		1	372072A1	06-31		17
	06-19	01	1	372228A1	08-35		22
370550A1	06-37		6	372269A1	06-10		21
	06-50				06-10	01	21

INDEX - INDICE - INDEX - ZAHLENVERZEICHNIS - INDICE - INDICE - INHOLD - INHOUD

Number	Figure	Sequence	Ref.	Number	Figure	Sequence	Ref.
372269A1	06-10	02	21	375531A1	06-64		10
372455A1	09-30		4	375532A1	06-64		11
372892A1	09-20		18	375533A1	06-64		12
372913A1	03-03		8	375534A1	06-64		14
373136A1	06-23		6	375535A1	06-64		15
	06-38		6	375536A1	06-64		16
373137A1	06-38		36	375538A1	06-64		17
373138A1	06-23		41	375540A1	06-64		22
	06-38		41	375541A1	06-64		24
373193A1	05-05		7	375542A1	06-64		25
373194A1	05-05		33	375543A1	06-64		26
373267A1	05-05		32	375544A1	06-64		27
373374A2	05-01		1		06-64		30
	05-03			375545A1	06-64		28
	05-05		29	375546A1	06-64		29
	05-09		1	375547A1	06-64		30
373388A2	05-06			375548A1	06-64		30
373457A1	04-26		1	375550A1	06-63		1
373463A1	09-27		18	375551A1	06-63		2
373464A1	09-27		19	375552A1	06-63		3
373465A1	09-27		20	375553A1	06-63		4
373466A1	09-27		21	375554A1	06-63		14
	09-27	01	21	375555A1	06-63		15
373468A1	09-27		25	375556A1	06-63		18
	09-27	01	24	375559A1	06-63		16
373469A1	09-28	01	11	375560A1	06-63		17
373470A2	09-28	01	19	375662A1	08-10		28
	09-28	02	19	375663A1	08-09		33
373472A1	09-28	01	20		08-09	01	7
373473A1	09-28	01	21		08-09	02	7
	09-28	02	21	375665A3	08-10		32
373476A1	09-27	01	1	375681A1	04-25		4
373756A1	08-36		35	375695A1	09-56		5
373757A1	08-36		36		09-56	01	5
373758A1	08-36		34	375696A1	09-56		4
373761A1	08-36		29		09-56	01	4
373767A1	08-36		20	375697A1	09-56		7
374353A2	09-26		2		09-56	01	7
	09-28	01		375719A1	09-08		25
374359A1	09-28	02	23		09-09		3
374361A1	09-27		16		09-10		3
374386A1	09-27		26	375720A1	09-08		10
374387A1	09-27		12		09-09		14
374388A1	09-27		15		09-10		12
374705A1	04-01		31	375721A1	09-08		26
	04-01	01	31		09-09		4
374990A1	09-23		37		09-10		4
375198A1	09-27		3	375844A1	04-01		39
375200A1	09-27		16		04-01	01	39
375224A2	09-27		5	376530A1	08-11		14
375450A1	06-38		31		09-36		20
375456A1	06-23		45	376553A1	09-13		23
	06-38		45		09-14		23
375459A1	06-50		3	376597A2	09-13		22
375486A1	06-38		2		09-14		22
	06-40		1	376785A1	05-05		26
375500A1	06-62		1		05-07		
375501A1	06-62		2	376972A1	06-63		30
375502A1	06-62		4	377385A3	09-13		4
375503A1	06-62		5		09-14		4
375504A1	06-62		6	377522A1	08-08		8
375505A1	06-62		6	377614A1	08-01		4
375506A1	06-62		6	377650A1	06-81		23
375507A1	06-62		6	377678A1	09-12		2
375508A1	06-62		7	378094A1	06-11		15
375509A1	06-62		9	378758A2	06-53		2
375510A1	06-62		11	379523A1	09-55		9
375511A1	06-62		12	379596A4	05-05		2
375512A1	06-62		15	379611A1	06-16		5
	06-63		10		06-17		5
375514A1	06-62		19	379694A2	06-10		2
375515A1	06-62		23	379702A2	06-10		3
375523A1	06-64		3	379703A1	06-10		28
375525A1	06-64		4		06-10	01	28
375527A1	06-64		5	379708A3	06-11		4
375528A1	06-64		6		06-12		6
375529A1	06-64		8	379711A2	06-11		13
375530A1	06-64		9	379713A2	06-11		14

INDEX - INDICE - INDEX - ZAHLENVERZEICHNIS - INDICE - INDICE - INHOLD - INHOUD

Number	Figure	Sequence	Ref.	Number	Figure	Sequence	Ref.
379713A2	06-11	01	14	385781A1	06-49		3
379715A2	06-10		4	385900A1	06-82		19
	06-10	01	4	385957A1	06-37		2
	06-12	02	14		06-49		
38-11608	06-08		6	386535A1	09-47		3
38-1812	08-34		80		09-47	01	3
38-32018	09-07		15		09-48		3
38-33240	09-07		7		09-48	01	3
38-3816	02-02	01	36	387030A1	09-58		9
380756A2	09-13		6	387530A1	08-42		15
	09-14		6	387647A1	06-04		
380778A4	02-02	01	28	387648A1	05-02		20
380779A4	02-02	01	29	387650A1	05-02		19
381027A1	09-21		27	387651A1	05-02		13
381065A1	09-11		14	387652A1	05-02		14
	09-11	01	14		05-10		11
381151A1	09-27		30	387654A1	05-02		
381152A1	09-27		32	387840A1	08-17		21
	09-27	01	26		08-17		27
381201A1	09-27		33		08-18		27
	09-27	01	27		08-18		29
381389A2	06-61		16		08-18		44
381678A1	08-08		12	387938A2	04-11		5
381794A1	02-02	01	37	388120A2	09-16		21
382094A1	08-06		12	388122A1	09-16		20
382095A2	07-04		5	388150A1	08-42		4
382235A1	02-10		11	388152A1	08-42		12
382247A1	04-01		37	388153A1	08-42		
	04-01	01	37	388289A1	04-24		1
382840A2	09-36		15	388292A1	08-26		
383347A1	09-07		18	388293A1	08-22		
383586A1	05-01		56		08-49		28
	05-09		56	388308A1	06-69		26
383593A1	09-27				06-71		17
383716A1	06-61		24		06-71		29
383968A2	08-09		21		06-79		17
383969A2	07-10		9	388337A1	04-13		
	07-10	01	5		09-38		37
	07-11		9		09-39		38
	07-11	01	5	388338A1	04-13		
383983A1	04-11		1		09-38		38
383986A1	04-22		3		09-39		39
	04-23		3	388366A1	06-82		18
384139A1	04-03		21		06-82	01	18
384140A1	04-03		24	388370A1	06-72		19
384141A1	04-03		22	388444A1	04-10		5
384142A1	04-03		25	388445A1	04-10		3
384163A1	09-38		31	388469A1	09-06		12
	09-39		31	388475A1	08-05		15
384758A1	09-21		28		08-07		15
384759A1	09-20		28		08-07	01	15
384786A1	09-21		29		08-07	02	15
384950A2	09-46		3		08-09		17
384976A1	08-43		1	388489A1	04-10		18
384977A1	07-05		46	388554A1	09-42		26
	07-05	01	57	388705A1	03-01		16
	07-08		40		06-03		7
	07-08	01	57	388706A1	06-03		6
	07-11		15	388764A1	09-15		27
	07-11	01	57	388785A2	09-16		1
	08-43			388810A1	04-23		16
385357A1	08-37		8	388811A1	04-22		12
385358A1	08-37		7		04-23		12
	08-38		9	388813A1	04-23		13
385380A1	09-55		17	388851A1	06-16		1
385486A1	06-18		35	388864A1	03-01		16
	06-19		35		06-03		7
	06-19	01	35	388872A1	04-14		11
385592A1	09-58		7	388874A2	09-16		6
385744A1	02-05	01	31	388934A1	09-16		2
	02-05	02	31	388936A1	09-16		26
385746A1	02-05	01	32	388968A1	06-68		
	02-05	02	32	389120	04-15	03	21
385747A1	02-05	01	33	389175A3	09-15		
	02-05	02	33	389176A1	09-15		15
385748A1	02-05	01	34	389277A1	09-26		4
385778A1	06-49		10	389329A1	06-69		
385780A1	06-49		2		06-70		

INDEX - INDICE - INDEX - ZAHLENVERZEICHNIS - INDICE - INDICE - INHOLD - INHOUD

Number	Figure	Sequence	Ref.	Number	Figure	Sequence	Ref.
389718A1	09-27		26	392748A1	07-05		32
389761A1	06-10		2		07-05	01	32
	06-10	01	2		07-07		32
	06-10	02	2		07-07	01	32
389763A1	06-10		3		07-08		32
	06-10	01	3		07-08	01	32
	06-10	02	3		07-10		15
389794A1	09-60		8		07-10	01	32
389889A2	05-06				07-11		43
389979A2	05-06				07-11	01	32
389980A1	05-06		25	393821A1	09-59		12
390348A1	08-07		38	393878A1	09-08		29
	08-07	01	38		09-09		7
	08-07	02	38		09-10		29
	08-09		40	393972A3	08-32		12
	08-09	01	38		08-35		
	08-09	02	38	393973A2	08-47		8
390360A1	09-15		6	393973A3	08-32		17
390633A1	06-37		7		08-35		
390659A2	08-05		4	394002A1	09-42		28
	08-05	01	4	394302A1	08-05		51
	08-05	02	4		08-07		55
390873A1	06-71		28		08-09		49
390918A2	07-04		33		08-09	01	55
	07-07		33		08-09	02	30
	07-10		39	394304A1	08-05		46
390918A3	07-04	01	33	394364A1	09-38		24
	07-05		33		09-39		24
	07-05	01	33	394446A1	05-01		49
	07-07	01	33	394732A1	08-40		17
	07-08		33		08-41		20
	07-08	01	33	394733A1	08-41		21
	07-10	01	33	394828A1	09-25		17
	07-11		39	395207A1	06-67		33
	07-11	01	33	395209A1	06-66		24
390960A1	09-45		10	395752A1	06-49		1
391112A2	04-19		4	395756A1	06-50		9
	04-24		44	395757A1	06-50		10
391243A2	07-06		4	395758A1	06-50		11
	07-09		1	395875A1	08-20		35
391340A1	06-10		29	395933A1	08-07		14
	06-10	01	29		08-07	01	14
391364A1	04-31		10		08-07	02	14
391414A1	09-27		23		08-09		28
391460A1	09-45		34		08-09	01	14
391492A2	09-44		7		08-09	02	14
391667A2	02-01		6	396-11131	06-54		17
391790A2	07-10		1	396-31081	06-08		3
	07-10	01	8	396093A1	09-32		
	07-11		46	396094A1	09-32		1
	07-11	01	8	396113A1	06-06		2
391884A1	06-49		11		06-07		1
392073A1	06-46		12	396412A1	09-31		3
392082A1	06-39		13		09-33		37
392132A1	07-03		4	396431A1	06-05		30
392149A1	04-26		4	396435A2	06-04		2
	09-18		15	396444A1	06-04		3
392223A2	09-44		5	396445A1	06-04		4
392227A1	04-27		23	396446A1	06-04		5
	04-28		24	396447A1	06-04		6
	04-29		27	396484A1	04-11		8
392355A1	02-04			396490A1	08-05		48
392377A1	02-04		4		08-05	01	48
392428A2	09-41		27		08-05	02	48
392434A3	09-41		28		08-07		52
392690A1	08-05		38		08-07	01	52
	08-05	01	38		08-07	02	52
	08-05	02	38		08-09		46
	08-07		36		08-09	01	52
	08-07	01	36		08-09	02	52
	08-07	02	36		08-24	01	54
	08-09		37	396676A1	06-11		10
	08-09	01	36	397144A1	06-02		6
	08-09	02	36	397244A1	08-19		44
392699A1	05-05		36		08-20		44
	05-07		16		08-24		68
392748A1	07-04		32	397449A1	06-81		22
	07-04	01	32	397496A1	04-21		3



INDEX - INDICE - INDEX - ZAHLENVERZEICHNIS - INDICE - INDICE - INDHOLD - INHOUD

Number	Figure	Sequence	Ref.	Number	Figure	Sequence	Ref.
397496A1	04-21	01	3	401613A4	08-19		7
	04-22		8	401615A3	08-19		9
	04-23		8	401617A3	08-19		3
397519A2	09-26			401760A1	07-03		1
397525A1	09-26		1		07-06		1
	09-27				07-09		2
397527A1	09-27		2	402184A1	06-53		1
397528A1	09-27		1		06-54		
397581A1	06-16		8	402185A1	06-53		1
397702A1	09-48		47		06-54		
397704A1	09-48		36	402186A1	06-53		7
397780A1	09-48		15		06-54		
398274A2	08-19		24	402187A1	06-53		8
	08-20		24		06-54		
398296A3	09-15		4	402188A1	06-53		9
398299A1	06-50		19		06-54		
398362A1	06-71			402189A1	06-53		1
398441A1	06-37				06-54		
	06-38			402190A1	06-53		1
	06-49				06-54		
	06-50			402191A1	06-53		7
398443A1	06-49		5		06-54		
	06-49	01	17	402192A1	06-53		8
398444A1	06-49		6		06-54		
	06-49	01	19	402193A1	06-53		9
398445A1	06-49		8		06-54		
	06-49	01	18	402200A1	04-20	01	30
398447A1	06-62		14		04-20		10
	06-63		11	402484A1	08-19		1
398453A1	06-79			402484A2	08-20		1
398454A1	06-79			402654A1	09-09		1
398554A1	06-56		11		09-10		1
398714A1	04-03		7	402661A1	09-08		1
398715A1	04-03		6	402749A1	06-04		25
398730A2	06-15		1		06-04		7
398763A1	09-59		13	402751A1	03-01		11
398870A1	06-04		12	402797A1	03-01		1
	06-05		21	402800A1	03-03		27
399032A1	08-05		39	403037A1	06-06		2
	08-05	01	39	403073A1	06-61		1
	08-05	02	39		06-62		
	08-07		37	403194A1	09-08		4
	08-07	01	37	403195A1	09-08		5
	08-07	02	37	403196A1	09-08		13
	08-09		38	403199A1	09-08		3
	08-09	01	37	403204A1	09-01		23
	08-09	02	37		09-01		42
399083A1	09-59		19	403206A1	08-40		1
399285A1	04-01		32		08-41		1
399302A3	04-24		42		08-42		
399446A1	06-56		7		09-01		37
399447A1	06-56		6	403207A1	08-41		9
399576A1	09-41		29	403209A1	09-09		20
400163A2	09-26				09-10		18
400184A1	09-26		2	403213A2	09-26		
	09-28	02		403217A1	09-10		20
400193A1	09-49		8	403218A1	09-10		21
400702A1	05-03			403219A1	09-10		26
400703A1	05-03			403220A1	09-09		22
400787A1	02-09	02	1	403221A1	09-09		23
400787A2	02-09	01	1	403325A1	09-17		4
400823A1	02-06		2	403390A1	06-19		11
400875A1	02-05	01	38	403438A1	02-09	01	1
	02-05	02	38		02-09	02	1
400876A1	02-05	01	16	403538A1	08-19		13
	02-05	02	16	403717A1	09-01		7
400908A2	02-09	01	3	403719A1	09-06		4
	02-09	02	3	403720A1	09-06		2
401096A1	02-09	01	24	403726A1	09-05		1
	02-09	02	24	403728A1	09-05		14
401200A3	02-09	02	14	403729A1	09-05		8
401201A2	02-09	01	12		09-06		3
	02-09	02	12	403730A1	09-05		9
401330A1	09-41		2	403731A1	09-05		2
401365A2	06-20		11	403733A1	09-05		15
401385A3	02-01		2	403735A1	09-01		15
401398A1	06-20		18	403736A1	09-03		13
401556A2	09-15		1	403737A1	09-03		3

INDEX - INDICE - INDEX - ZAHLENVERZEICHNIS - INDICE - INDICE - INHOLD - INHOUD

Number	Figure	Sequence	Ref.	Number	Figure	Sequence	Ref.
403737A1	09-04		6	405572A1	08-24	01	25
403738A1	09-04		1	405574A1	08-24		72
403739A1	09-03		1		08-24	01	72
403741A1	09-01		1	405576A3	08-24		38
403743A1	09-01		2		08-24	01	38
	09-02			405578A1	08-24		29
403744A1	09-01		16		08-24	01	29
403745A1	09-01		17	405687A1	04-30		23
403746A1	09-01		18		04-30	01	23
403747A1	09-01		19	405713A2	08-24		32
403748A1	09-01		20		08-24	01	32
403749A1	06-04		10	405816A1	06-08		2
	06-04		28	405821A1	06-08		1
	09-15		33	405822A1	06-06		4
	09-16		13	405823A1	06-06		5
403755A1	04-19		1	405824A1	06-06		6
403757A1	04-22		13	405829A1	09-53		1
403817A2	05-04		1	405830A1	09-53		1
403820A2	05-04		1	405846A3	09-51		14
403822A1	05-04		5		09-51	01	14
403824A2	05-04		1		09-52		12
404151A1	06-54		12	406056A1	06-53		14
	06-54		4	406324A2	04-01	01	16
404287A1	04-35		18	406328A1	09-37		13
	06-04		32	406346A1	09-31		19
	06-04		35		09-33		18
	09-15		37	406390A1	09-38		32
	09-17		8		09-39		32
404434A1	08-30			406449A1	04-30		21
	08-31		1		04-30	01	21
	08-32		1	406450A1	04-30		20
404450A1	06-49		26		04-30	01	20
	06-49	01	8		04-33		14
404451A1	06-54		16		04-33	01	14
404604A1	06-55		5	406576A1	08-19		58
	08-17		23		08-20		58
	08-18		23		08-24		6
404630A3	06-05		1		08-24	01	6
404631A3	06-05		4	406682A1	09-25		9
404632A3	06-05		2	406719A2	09-56		3
404633A3	06-05		3	406720A2	09-56		16
404634A1	06-05		13	406721A1	02-01		31
404635A1	06-05		9	406961A1	04-01		3
404639A1	06-04		26		04-01	01	3
404644A2	06-05		18		04-35		11
404798A1	06-55		1	406962A1	04-01		5
	06-56				04-01	01	5
404799A1	06-55		8		04-35		12
	06-56			406999A1	05-01		14
404824A1	02-09	01	19		05-02		
	02-09	02	19		05-09		14
404882A1	09-17		22	407259A1	08-31		
404991A1	08-05		11	407476A1	08-46		1
	08-05	01	11		08-49		
	08-05	02	11	407633A1	06-54		16
405029A2	04-30		1	407759A1	09-23		33
	04-30	01	1	408021A1	04-01		1
405030A1	04-30		17		09-23		
405032A1	04-30		26	408566A1	04-32	01	11
	09-56		1	408581A1	06-19		4
	09-56	01	1		06-19	01	4
405033A1	02-09	02	25	408591A1	06-37		8
405387A2	04-30		5	408706A1	06-17		1
	04-30	01	5	408777A4	06-10		1
405394A1	06-61		2	408786A1	06-10		32
405395A1	06-61		7		06-10	01	32
405396A1	06-61		6		06-10	02	25
405397A1	06-61		8	408793A1	09-55		4
405517A1	08-17		2	408795A1	09-55		10
	08-18		2	408796A1	09-55		12
405518A1	08-17		3	408798A1	06-09		1
	08-18		3	408799A1	06-09		2
405519A1	08-17		9	408800A1	06-09		8
	08-18		9	408801A1	06-09		9
405520A1	08-18		4	409391A1	09-30		1
405521A1	08-17		18	409467A1	09-32		12
	08-18		18		09-32	01	12
405572A1	08-24		25	409583A1	06-10		14

INDEX - INDICE - INDEX - ZAHLENVERZEICHNIS - INDICE - INDICE - INHOLD - INHOUD

Number	Figure	Sequence	Ref.	Number	Figure	Sequence	Ref.
409609A1	08-05	01	51	411705A3	04-01		38
	08-05	02	51		04-01	01	38
	08-07	01	55	411978A4	08-47		
	08-07	02	55	411981A3	04-35		16
409612A2	05-01		33	411996A1	08-07		48
409614A1	08-05	01	46	412027A2	04-34		6
	08-05	02	46	412070A1	04-35		22
	08-07		50	412085A1	08-24		35
	08-07	01	50		08-24	01	35
	08-07	02	50	412086A1	08-24		15
	08-09		44		08-24	01	15
	08-09	01	50	412088A1	08-24		11
	08-09	02	50		08-24	01	11
409638A1	04-01			412295A1	04-35		17
	04-01	01		412354A2	06-04		40
409653A1	09-07		1	412355A1	06-04		14
409654A1	09-07		2	412596A1	08-44	01	26
409655A1	09-07		21		08-49		27
409656A1	09-07		8	413022A2	09-15		14
409658A1	09-07		9		09-16		
409659A1	09-07		10	413148A1	04-35		5
409660A1	09-07		11	413152A1	08-44	01	
409661A1	09-07		12		08-44	02	1
409662A1	09-07		13	413207A1	08-07		60
409664A1	09-07		4		08-09		51
409685A1	05-02		1	413236A1	06-49		31
	05-10		20	413238A1	06-49		32
409751A1	09-55		19	413310A1	09-51		1
409753A1	09-55		5		09-51	01	1
409790A5	06-05		16	413312A1	09-51		4
409793A3	06-05		17		09-51	01	4
409795A2	06-05		8	413313A1	09-51		6
409796A2	06-05		12		09-51	01	6
409797A1	06-05		29	413314A1	09-51		8
409808A1	09-13		42	413315A1	09-51		10
	09-14		45	413316A1	09-51		15
409987A1	06-07		2		09-51	01	15
410704A1	09-60		3	413320A1	07-04		30
410814A1	09-54		10		07-05		30
410815A2	09-54		11		07-07		30
410816A1	09-54		20		07-08		30
410817A1	09-54		17		07-10		16
410846A3	06-04		39		07-11		16
410846A4	06-04		39	413322A1	08-06		30
410995A1	08-44	01	25		08-08		30
	08-49		26		08-08	02	27
411019A1	04-20		26		08-10		11
411019A3	02-10		6		08-10	02	27
	04-20	01	25	413324A1	07-04		20
411104A1	08-08	02	3		07-05		20
	08-09	01	16		07-07		20
	08-09	02	16		07-08		20
411104A2	07-04		18		07-10		23
	07-04	01	18		07-11		23
	07-05		18	413327A1	08-05		25
	07-05	01	18		08-09		10
	07-07		18	413330A1	07-04		25
	07-07	01	18		07-05		25
	07-08		18		07-07		25
	07-08	01	18		07-08		25
	07-10		18		07-10		25
	07-10	01	18		07-11		25
	07-11		18	413332A1	07-04		22
	07-11	01	18		07-05		22
	08-05		16		07-07		22
	08-05	01	16		07-08		22
	08-05	02	16		07-10		24
	08-06		16		07-11		24
	08-07		16	413334A1	08-05		21
	08-07	01	16		08-07		21
	08-07	02	16		08-07	01	21
	08-08		16		08-07	02	21
	08-09		1		08-09		6
	08-10		1		08-09	01	21
	08-10	02	3		08-09	02	21
	08-13			413338A1	08-05		20
411301A2	02-10		21		08-05	01	20
411564A1	09-60		1		08-05	02	20

INDEX - INDICE - INDEX - ZAHLENVERZEICHNIS - INDICE - INDICE - INHOLD - INHOUD

Number	Figure	Sequence	Ref.	Number	Figure	Sequence	Ref.
413338A1	08-07		20	414900A1	08-44	02	15
	08-07	01	20	414902A1	08-44	02	53
	08-07	02	20	414936A1	04-09		1
	08-09		2	414937A1	04-09		12
	08-09	01	20	414938A1	04-31		2
	08-09	02	20	416087A1	06-57		12
413340A1	07-11		14		06-58		11
	07-11	01	62		06-59		11
413389A1	09-52		1	416102A1	08-06	01	22
413390A1	09-52		2		08-08	01	14
413391A2	09-52		3		08-10	01	14
413392A2	09-52		4	416123A1	04-25		4
413393A1	09-52		10	416124A1	04-25		5
413410A1	06-77			416276A1	07-05		56
	06-78				07-05	01	27
413458A1	08-07		10	416280A1	08-05		12
413507A1	02-01		24		08-09		31
413510A1	02-01		29	416280A2	08-05	01	12
413537A1	02-01		36		08-05	02	12
413677A1	02-09	01	4		08-09	01	12
	02-09	02	4		08-09	02	12
413678A1	02-09	01	5	416282A1	07-05		40
	02-09	02	5		07-05	01	52
413807A1	04-20		22	416512A1	08-05		42
	04-20	01	22		08-05	01	42
413810A3	08-24		38		08-05	02	42
413812A1	08-24		29		08-06		40
	08-24	01	29		08-06	01	16
413814A2	08-24		72	416623A1	08-09		39
	08-24	01	72	416697A1	07-08		1
413816A2	08-24		32		07-08	01	1
	08-24	01	32	416699A1	08-06		33
413830A1	06-13		1		08-08		33
413944A1	06-20		24		08-10		17
	06-21		24	416699A2	08-10	02	20
	06-52			416701A1	08-06		21
414-424	04-02		28		08-08		21
414-58	04-32		23		08-08	02	8
	04-32	01	23		08-10		16
414077A1	08-46		16		08-10	02	8
414192A1	08-49		25	416703A1	08-06		27
414196A1	08-46		17		08-08		27
414219A1	08-46		31		08-10		24
	08-50		1		08-10	02	14
414331A1	04-25				08-46		80
	05-05		27	416705A1	08-07		12
	05-08			416705A2	08-07	01	12
414332A1	04-25				08-07	02	12
	05-05		27	416708A1	08-06		34
	05-08				08-08		34
414429A2	08-46		9		08-08	02	21
414438A2	09-23		32		08-10		18
414440A1	08-15		18		08-10	02	21
414440A2	08-15		18	416710A1	08-09		22
	09-23		32	416712A1	08-06		20
414464A1	08-46		23		08-08		20
414465A2	08-46		8		08-10		13
414480A2	06-18		11		08-10	02	7
	06-19	01	39	416714A1	08-07		49
414481A2	02-02	01	1	416727A1	08-05		14
414495A1	04-01		29		08-05	01	14
	04-01	01	29		08-05	02	14
414550A1	06-21		17	416729A1	08-05		41
414552A1	06-21		4		08-05	01	41
414553A1	06-21		18		08-05	02	41
414577A1	02-03	02	4	416731A1	08-09		26
	02-10		2	417270A1	08-06		35
414616A1	02-03	02	5		08-08		35
414617A1	02-03	02	6		08-10		19
414663A1	08-46		4	417271A1	08-08		43
414699A1	09-15		35		08-08	01	33
414782A2	02-10		2	417272A1	06-14		1
414785A1	02-02	01	3		08-08		50
	02-02	02	3		08-08	01	36
414854A1	08-46		35	417564A1	08-16		10
414855A1	08-46		42	417788A1	04-13		
414856A1	08-46		10		09-38		38
414898A1	08-44	02	46		09-39		39

INDEX - INDICE - INDEX - ZAHLENVERZEICHNIS - INDICE - INDICE - INDHOLD - INHOUD

Number	Figure	Sequence	Ref.	Number	Figure	Sequence	Ref.
417819A2	04-01		1	419848A1	09-31		17
	09-23				09-33		35
417856A2	08-46		30	419858A1	02-10		19
417862A1	09-38		4	420580	04-15	03	40
417863A1	09-38		19	425-104	09-16		15
417927A1	06-02		16		09-30		7
418038A1	06-04		41		09-56	02	6
418039A1	06-04		42		09-59		8
418107A1	04-16		4	425-105	04-15	03	49
	04-16	01	4		04-20		8
418115A1	09-39		4		09-33		14
418116A1	09-39		19		09-36		11
418148A2	04-35		13	425-106	04-24		4
418324A1	08-25		11	425-145	09-31		25
418325A1	08-21		21		09-33		29
418456A4	08-47		7	425-1510	08-34		38
	08-48			425-1528	09-38		26
418506A1	09-13		41	425-155	06-02		9
	09-14		44	426-1012	02-10		23
418696A1	02-05	01	36	426-1024	06-53		5
418701A2	02-05	01	1	426-1028	08-25		3
	02-05	02	1	426-16120	09-07		23
	02-07			426-412	04-32		6
418702A1	02-05	01	17		09-25		14
418704A2	08-47				09-59		21
418705A1	08-47		11	426-416	08-15		28
418707A1	02-05	01	4	426-512	06-50		6
418718A2	09-33		31	426-536	06-49		13
418811A1	05-01		31	426-636	09-26		7
	05-09		31	426-644	08-20		25
418812A1	07-04		8	426-812	09-40		17
	07-04	01	8	426-816	09-07		6
	07-05		8	426-824	06-18		7
	07-05	01	8		08-21		17
	07-07		8		08-25		7
	07-07	01	8		09-07		17
	07-08		8	426012A1	09-34		7
	07-08	01	8		09-34	01	7
418813A1	08-05		5	426020A1	02-07		2
418814A1	07-04	01	5	426021A1	02-07		3
	07-05		5	426080A2	09-31		1
	07-05	01	5	426084A1	09-31		30
418816A2	08-08	02	26	426305A2	02-09	01	2
	08-46		79	426306A2	02-09	02	2
418818A1	08-08	02	7	426376A1	09-33		1
418820A1	08-08	02	20	426737A1	09-38		1
418959A1	09-31		32	426766A2	04-25		1
418979A1	09-31		18	426892A1	09-31		22
	09-33		36		09-33		16
419123A1	02-05	01	3	426962A2	09-15		3
	02-05	02	3	427-4090	08-15		8
419137A1	02-05	01	2	427-6081	06-02		7
	02-05	02	2	427-8325	05-04		3
419267A2	02-05	01	10	427104A1	08-33		3
419280A1	02-05	01	14	427139A1	02-01		17
419295A1	02-05	02	4	427244A1	09-31		20
419303A1	02-05	02	36		09-33		15
419312A1	02-05	02	17	427356A1	09-47		20
419317A2	02-05	02	10		09-47	01	20
419322A1	02-05	02	34		09-48		20
419331A1	02-05	02	14		09-48	01	20
419334A1	02-05	02	18	427514A1	06-23		38
419418A1	04-21		19		06-38		38
	04-21	01	16	427515A1	06-23		33
419491A3	06-18		41		06-38		33
	06-19	01	11	427516A1	06-18		37
419597A2	06-05		24	427517A1	06-23		34
419631A1	09-31		29		06-38		34
	09-33		12	427519A1	06-23		34
419655A1	08-46		29		06-38		34
419660A2	06-05		19	427521A1	06-18		40
419661A1	08-46		24	427523A1	06-18		38
419665A2	08-20		3	427524A1	06-25		5
419668A2	08-20		59		06-39		2
419671A1	08-20		62	427530A1	06-26		2
419684A1	08-46		62		06-40		7
419737A1	06-05		23		06-62		20
419816A1	04-08		4		06-63		19

INDEX - INDICE - INDEX - ZAHLENVERZEICHNIS - INDICE - INDICE - INDHOLD - INHOUD

Number	Figure	Sequence	Ref.	Number	Figure	Sequence	Ref.
427534A1	06-29		5	427613A1	06-28		2
	06-30		13	427614A1	06-24		25
427537A1	06-34		21	427615A1	06-24		23
427538A1	06-23		1	427616A1	06-24		11
	06-24		18	427617A1	06-28		4
	06-26		14	427618A1	06-28		12
427539A1	06-23		3	427619A1	06-28		5
	06-38		3	427620A1	06-28		3
427545A1	06-24		43	427621A1	06-28		15
427546A1	06-24		37	427622A1	06-28		15
427547A1	06-23		40	427623A1	06-28		15
427548A1	06-24		41	427624A1	06-28		15
427549A1	06-23		37	427625A1	06-28		15
427550A1	06-23		36	427626A1	06-28		15
427551A1	06-23		36	427627A1	06-28		15
427553A1	06-24		14	427628A1	06-28		15
427554A1	06-24		15	427629A1	06-28		15
427556A1	06-23		28	427630A1	06-28		15
427557A1	06-23		19	427631A1	06-28		15
427558A1	06-23		42	427632A1	06-28		15
	06-38		42	427633A1	06-28		15
427559A1	06-23		24	427634A1	06-28		15
	06-38		59	427635A1	06-28		15
427560A1	06-23		4	427636A1	06-28		15
	06-38		4	427637A1	06-28		15
427561A1	06-23		4	427638A1	06-28		15
	06-38		4	427639A1	06-28		15
427562A1	06-23		4	427640A1	06-28		15
	06-38		4	427641A1	06-28		15
427563A1	06-23		39	427642A1	06-28		15
427564A1	06-23		10	427643A1	06-28		1
	06-38		28	427644A1	06-28		1
427565A1	06-23		10	427645A1	06-28		1
	06-38		28	427646A1	06-28		1
427566A1	06-23		10	427647A1	06-26		7
	06-38		28		06-31		
427567A1	06-23		10	427648A1	06-31		16
	06-38		28	427649A1	06-31		20
427568A1	06-23		10		06-32		2
	06-38		28		06-33		16
427569A1	06-23		22	427651A1	06-31		19
427570A1	06-24		26	427653A1	06-31		9
427571A1	06-24		26	427654A1	06-31		7
427572A1	06-24		26		06-33		7
427573A1	06-24		26	427655A1	06-31		13
427574A1	06-25		3	427656A1	06-31		3
427575A1	06-25		2	427657A1	06-31		14
427576A1	06-24		17	427658A1	06-31		18
427577A1	06-26		3	427659A1	06-24		5
427578A1	06-24		10	427660A1	06-31		15
427579A1	06-24		20	427661A1	06-24		7
427580A1	06-24		21	427662A1	06-24		4
427581A1	06-22		10	427663A1	06-31		6
427582A1	06-23		20	427664A1	06-24		3
427583A1	06-23		27	427666A1	06-24		1
427586A1	06-23		26	427667A1	06-31		11
427588A1	06-23		2	427668A1	06-31		1
	06-26		11	427669A1	06-31		1
427591A1	06-23		18	427670A1	06-31		1
427592A1	06-23		17	427671A1	06-31		1
427593A1	06-22		6	427672A1	06-31		1
427594A1	06-22		5	427673A1	06-31		1
427595A1	06-28		18	427674A1	06-29		15
427596A1	06-28		27		06-32		1
427597A1	06-28		29		06-45		1
427599A1	06-28		24		06-46		1
427600A1	06-28		23	427675A1	06-29		15
427601A1	06-28		20		06-32		1
427602A1	06-28		19		06-45		1
427603A1	06-28		19		06-46		1
427604A1	06-28		28	427676A1	06-29		15
427605A1	06-28		25		06-32		1
427606A1	06-28		21		06-45		1
427607A1	06-28		26	427678A1	06-29		15
427608A1	06-28		7		06-32		1
427610A1	06-28		6		06-45		1
427612A1	06-28		8		06-46		1
427613A1	06-24		24	427679A1	06-29		15

INDEX - INDICE - INDEX - ZAHLENVERZEICHNIS - INDICE - INDICE - INDHOLD - INHOUD

Number	Figure	Sequence	Ref.	Number	Figure	Sequence	Ref.
427679A1	06-32		1	428113A1	06-30		21
	06-45		1	428114A1	06-22		1
	06-46		1	428115A1	06-30		3
427680A1	06-29		15	428116A1	06-30		4
	06-32		1	428117A1	06-30		7
	06-45		1	428118A1	06-30		20
	06-46		1	428119A1	06-28		30
427681A1	06-26		6	428120A1	06-26		5
	06-32				06-28		
427682A1	06-32		5		06-29		
427683A1	06-33		17	428121A1	06-26		13
427684A1	06-32		3		06-30		
427685A1	06-32		4	428122A1	06-30		24
427686A1	06-32		6	428123A1	06-22		2
427687A1	06-32		7	428124A1	06-30		6
427688A1	06-32		10	428125A1	06-30		5
427689A1	06-32		11	428126A1	06-23		15
427690A1	06-26		8	428127A1	06-24		35
	06-33				06-25		9
427691A1	06-33		13	428128A1	06-24		33
428074A1	06-31		2		06-25		14
	06-33		1	428129A1	06-24		34
428075A1	06-33		11		06-25		13
428076A1	06-33		5	428130A1	06-26		15
428077A1	06-33		12		06-27		1
428078A1	07-10		52	428131A1	06-26		15
	07-10	01	1		06-27		10
	07-11		58	428132A1	06-26		15
	07-11	01	1		06-27		12
	08-46		70	428133A1	06-26		15
428079A1	06-33		14		06-27		11
428080A1	06-33		15	428134A1	06-27		6
428081A1	06-33		6	428135A1	06-27		5
428082A1	06-33		9	428136A1	06-27		13
428083A1	06-22		7	428137A1	06-27		9
	06-34			428138A1	06-26		10
428084A1	06-34		12	428139A1	06-27		3
428085A1	06-34		22	428140A1	06-24		30
428086A1	06-35		2	428141A1	06-25		12
428087A1	06-35		7	428142A1	06-24		36
428088A1	06-35		5	428143A1	06-25		15
428089A1	06-35		4	428144A1	06-24		28
428090A1	06-35		1	428145A1	06-25		7
428091A1	06-22		4	428146A1	06-24		29
	06-35			428147A1	06-25		8
428092A1	06-35		6	428149A1	06-23		25
428093A1	06-35		8	428150A1	06-27		8
428094A1	06-35		3	428151A1	06-24		2
428095A1	06-35		9	428152A1	06-24		27
428096A1	06-22		11	428153A1	06-30		19
	06-36			428154A1	06-27		4
428097A1	06-36		1	428155A1	06-27		2
428098A1	06-23		8	428156A1	06-25		4
428099A1	06-23		9		06-39		1
428100A1	06-23		16	428157A1	06-24		22
428101A1	06-28		14	428159A1	06-23		7
428102A1	06-29		16		06-38		7
	06-46		11	428162A1	06-23		5
428103A1	06-29		14		06-38		5
	06-30		25	428163A1	06-29		11
428104A1	06-29		2		06-30		2
	06-30		10		06-41		18
428105A1	06-29		13	428165A1	06-23		35
428106A1	06-29		10		06-38		35
	06-30		23	428170A1	08-07		8
428107A1	06-29		12	428171A1	07-07		5
	06-30		22		07-07		5
428108A1	06-29		1		07-08	01	5
	06-30		9		07-08	01	5
	06-42		15	428172A1	06-24		12
	06-47		11	428178A1	06-30		27
428109A1	06-29		6	428180A1	06-23		50
	06-30		14	428181A1	06-23		49
428110A1	06-29		3		06-38		49
	06-30		11	428183A1	06-30		1
428111A1	06-29		8		06-41		2
	06-30		16		06-43		5
428112A1	06-28		16		06-62		3

INDEX - INDICE - INDEX - ZAHLENVERZEICHNIS - INDICE - INDICE - INHOLD - INHOUD

Number	Figure	Sequence	Ref.	Number	Figure	Sequence	Ref.
428197A1	02-04		7	430710A1	06-10	02	30
428314A1	06-03		1	430739A1	09-31		23
428660A1	06-63		27	430747A1	08-40		13
428665A1	06-62		8	430792A1	09-36		1
428666A1	06-62		8	430834A1	04-34		1
428667A1	06-62		8	430835A1	04-34		2
428668A1	06-62		8	430841A1	06-05		7
428669A1	06-62		8	430893A1	04-16		11
428673A1	06-43		1	430894A1	04-16		19
428674A1	06-43		2	431052A1	06-04		11
428675A1	06-45		2		06-05		25
	06-46		2	431117A1	09-11		3
	06-47		1	431190A1	09-32		4
	06-48		1		09-32	01	4
428676A1	06-49		17		09-34		9
	06-49	01	13		09-34	01	9
	06-50		16	431198A1	06-04		8
428678A1	06-49		15	431209A1	06-04		
	06-49	01	14	431210A1	06-04		
	06-50		18	431211A1	06-04		
428679A1	06-49		16	431212A1	06-04		
	06-49	01	3	431213A1	06-04		
	06-50		12	431228A1	09-19		1
428680A1	06-50		2		09-20		1
428681A1	06-38		14	431230A1	04-16		8
428682A1	06-38		22		04-16	01	8
428862A1	06-83		1		09-19		2
429-1016	09-07		24		09-59		1
	09-08		8	431461A1	08-46		39
429-107	09-31		14	431479A1	08-48		11
	09-33		24	431500A2	04-23		
	09-42		10		04-24		
429-1110	02-03	02	14	431610A2	04-22		
429193A1	06-18		47		04-24		
	06-19	01	43	431621A1	06-54		11
429325A1	02-02	01	4		06-54		15
	02-02	02	4		06-54		8
429325A3	02-03	02	1	431802A1	08-44	02	9
429329A1	02-03	02	3	431806A1	08-44	02	65
429384A1	08-46		19	431929A1	08-44	02	35
429385A1	04-13			432-412	08-15		14
	09-38		37	432-612	06-02		8
	09-39		38	432006A1	06-12	02	5
429414A1	08-46		20	432008A2	06-11		19
429495A1	04-21		1	432436A1	04-06	02	3
429730A2	08-47		4	432437A1	04-06	02	10
429731A1	08-47		1	432439A1	04-06	02	4
429733A2	04-20		1	432444A1	04-15	01	19
429746A1	04-21		2		06-19		37
	04-21	01	2		06-19	01	37
429839A2	08-44	02	20		09-38		13
429850A1	04-29		1		09-39		13
429941A2	08-46		43		09-45		29
429943A2	08-46		67	432675A1	08-49		22
430116A1	04-24		18	433047A2	08-46		18
430250A1	09-38		14	433109A1	09-37		9
	09-39		14	433213A2	08-17		14
430257A1	02-01		25		08-18		14
430264A1	09-59		17	433355A1	08-17		1
430265A1	09-59		10	433446A1	09-11		
430313A1	08-44	02	27		09-11	01	
430337A1	08-49		22	433478A1	09-38		11
430339A1	08-44	02	19		09-39		11
430383A1	08-44	02	11	433479A1	09-38		2
430406A1	02-10		31		09-39		2
430415A1	06-04		15	433480A2	09-38		16
	06-04		36		09-39		16
430452A1	06-80			433481A1	09-38		
430515A1	02-05	01	13		09-39		
	02-05	02	13	433671A1	08-44	02	68
430536A1	08-46		72	433671A2	08-45		1
430546A1	06-04		16	433723A1	09-45		3
	06-04		38	433731A1	08-45		2
430620A1	09-09		15	433781A1	09-35		5
	09-10		13	433891A1	08-44	02	59
430654A2	04-25		1	434004A1	08-44	02	69
430710A1	06-10		30	434023A1	02-02	01	22
	06-10	01	30		02-02	02	22



INDEX - INDICE - INDEX - ZAHLENVERZEICHNIS - INDICE - INDICE - INDHOLD - INHOUD

Number	Figure	Sequence	Ref.	Number	Figure	Sequence	Ref.
434121A1	08-44	02	28	436514A1	08-25		16
434122A1	08-44	02	29		08-26		21
434126A1	08-44	02	4	436518A1	08-35		27
434176A1	02-05	01	24	436533A1	08-44	01	11
	02-05	02	24	436534A1	08-44	01	12
434177A1	02-06		6	436535A1	08-44	01	23
434179A1	02-05	01	37	436536A1	08-44	01	20
	02-05	02	37	436617A1	09-56	01	16
434180A1	02-05	01	15	436750A1	08-44	01	16
	02-05	02	15	436751A1	08-44	01	19
434240A1	09-45		5	436752A1	06-72		13
434241A1	09-45		13		06-81		13
434243A1	08-44	02	63	436864A1	08-08		4
434252A2	08-44	02	47		08-08	01	4
434257A1	08-44	02	61	436927A1	08-06		4
434402A1	09-11		20		08-06	01	24
	09-11	01	20		08-06	01	4
434526A1	08-44	02	7	437116A1	08-05	01	53
434711A1	04-04		1		08-05	02	53
434727A1	08-05	01	55	437144A1	08-10		37
	08-05	02	52		08-10	01	4
	08-06	01	11	437145A1	04-20	01	32
	08-07	01	48	437253A1S	08-20		17
	08-07	02	48		08-24		35
	08-08	01	17	437254A1S	06-18		20
	08-09	01	48		06-19	01	20
	08-09	02	48	437255A1S	06-18		19
	08-10	01	17		06-19	01	19
434856A1	09-59		20	437256A1S	05-01		30
435030A1	08-11		10		05-09		30
	08-12		4	437257A1S	08-24		37
435031A1	08-11		9	437260A2S	08-18		14
	08-12		3	437262A1S	07-10	01	15
435032A1	08-11		21		07-11	01	15
	08-12		9	437263A1S	08-24		15
435215A1	06-81		19		08-24	01	15
435216A1	06-81		31	437264A1S	08-19		17
435219A1	06-81				08-24		34
435221A1	06-81				08-24	01	34
435222A1	06-72		12	437265A1S	07-09		11
	06-81		12	437267A1S	07-11	01	45
435375A1	08-31		7	437270A1S	08-18		15
	08-32		4	437271A1S	08-24		11
	08-33				08-24	01	11
435436A1	09-18		19	437272A1S	08-18		12
435437A1	04-03		13	437273A1S	08-18		16
	04-14		17	437274A1S	08-24		10
	04-15	03	52		08-24	01	10
	04-21		15	437276A1S	06-14		13
	04-21	01	15	437277A1S	05-01		19
	04-30	01	12		05-09		19
	04-33		13	437278A1S	05-01		15
	04-34		8		05-09		15
	08-29		10	437282A1S	08-01		4
435457A1	08-05		40	437285A1S	08-24		24
	08-05	01	40		08-24	01	24
	08-05	02	40	437288A1S	07-11	01	5
435468A1	07-07	01	42	437290A1S	07-06		4
	07-08	01	42		07-09		1
435470A1	07-07	01	41	437292A1S	08-19		44
	07-08	01	41		08-20		44
435476A1	06-02		3		08-24		68
435498A1	09-08		6	437369A1	06-02		25
435500A1	09-02		2	437378A1	06-14		12
435507A1	06-10		26		06-14		9
	06-10	01	26	437379A1	06-14		10
	06-10	02	26		06-14		11
435529A1	09-40		4	437392A1	06-72		14
435596A1	06-20		4		06-81		14
435598A1	06-20		17	437393A1	06-72		14
435668A1	09-58		3		06-81		14
435698A1	02-03	01	15	437394A1	06-72		14
435901A1	06-20		3		06-81		14
435902A1	06-20		28	437395A1	06-72		14
436005A1	02-07		4		06-81		14
436249A1	08-37		9	437396A1	06-72		14
436514A1	08-21		27		06-81		14
	08-22		23	437398A1	02-06		1

INDEX - INDICE - INDEX - ZAHLENVERZEICHNIS - INDICE - INDICE - INHOLD - INHOUD

Number	Figure	Sequence	Ref.	Number	Figure	Sequence	Ref.
437739A1	06-15		1	449813A2	08-09	01	59
438237A1	04-35		15		08-09	02	27
438262A1	02-04			449815A2	08-05	01	34
438263A1	02-09	01			08-05	02	34
	02-09	02			08-07	01	57
440-12510	09-25		7		08-07	02	5
440086A1	08-50		3		08-09	01	63
440518A1	05-04		2		08-09	02	5
440646A1	08-47		10	449817A2	08-06	01	31
441651A1	09-08		30		08-08	01	21
	09-09		31		08-10	01	21
	09-10		32	449821A2	08-06	01	9
442085A1	09-15		12		08-08	01	8
442120A2	04-35		1		08-10	01	8
442477A2	08-37		12	449823A1	08-06	01	34
442615A1	08-44	02	16		08-08	01	30
442762A1	04-15	01	15		08-10	01	30
	04-15	02	17	449825A1	08-06	01	23
	04-15	03	5		08-08	01	29
442803A1	06-42		14		08-10	01	29
443-13116	09-56		13	449827A1	07-04	01	20
	09-56	01	13		07-07	01	20
	09-56	02	3		07-08	01	20
443297A1	09-41		16		07-11	01	20
	09-42		22	449827A2	07-05	01	20
443908A1	09-30		6		07-10	01	20
444060A1	08-37		13	449830A1	07-04	01	30
444422A1S	06-14		12		07-05	01	30
444867A1	04-02		6		07-07	01	30
	04-35		7		07-08	01	30
444868A1	04-35		3		07-10	01	30
444877A1	09-26		15		07-11	01	30
445143A1	04-27		1	450547A1	09-32		11
445144A1	04-28		1		09-32	01	11
445440A1	05-10		15		09-34		19
445701A1	08-46		56		09-34	01	19
445932A1	09-41		9	450905A1	08-06	01	8
446059A1	08-24		24		08-08	01	20
	08-24	01	24		08-10	01	20
446133A1	09-11		18	450945A1	05-05		39
	09-11	01	18	451013A1	08-07	01	10
446312A1	06-81		20		08-07	02	10
446410A1	02-02	02	1		08-09	01	10
446562A1	09-59		9		08-09	02	10
446687A1	09-21		32	451015A1	08-09	01	49
446720A1	09-38		6		08-09	02	49
	09-39		6	451507A1	08-08	02	22
447177A1	08-24		24		08-10	02	22
	08-24	01	24	451767A1	06-53		10
447742A1	04-12		2		06-54		19
448088A1	09-34	01	1	458-412	06-02		12
448713A1	09-41		47	459329C1	04-30		3
449071A1	04-10		17		04-30	01	3
449794A1	08-06	01	7	459330C1	04-30		4
	08-08	01	28		04-30	01	4
	08-10	01	28	460-1240	09-07		3
449796A1	07-04	01	3	461-33844	08-19		25
	07-05	01	3	461-35040	08-24		17
	07-07	01	22		08-24	01	17
	07-08	01	22	461-42512	09-16		27
	07-10	01	22	47-4208	02-02	01	17
	07-11	01	22		02-02	02	17
449798A1	07-04	01	22	47112222	04-35		19
	07-05	01	22	480523R1	09-61		6
	07-07	01	25	481849C1	04-27		5
	07-08	01	25		04-28		5
	07-10	01	25		04-29		5
	07-11	01	25	484-21010	08-16		21
449800A1	08-05	01	21	492-11062	02-10		22
	08-05	02	21	493-21020	08-03		5
449802A2	08-05	01	25		08-04		6
	08-07	01	25	493-41026	09-19		15
	08-09	01	25		09-20		14
449805A1	08-10	01	31		09-29		2
449813A2	08-05	01	33	493-81002	09-47		29
	08-05	02	33		09-47	01	29
	08-07	01	59		09-48		29
	08-07	02	30		09-48	01	29

INDEX - INDICE - INDEX - ZAHLENVERZEICHNIS - INDICE - INDICE - INDHOLD - INHOUD

Number	Figure	Sequence	Ref.	Number	Figure	Sequence	Ref.
495-11028	04-02		29	514-703	06-24		38
	04-32		7		06-26		9
	08-15		29		06-39		15
	09-59		7	514-712	06-24		31
495-11034	02-05	01	27		06-25		11
	02-05	02	27		06-38		52
	04-15	03	48	514-718	06-23		29
	04-20		7		06-28		31
	08-25		12	514-720	06-23		53
495-11053	09-40		16	514-721	06-18		33
495-11066	02-03	02	10		06-19		33
495-11081	09-07		19		06-19	01	33
495-21063	04-07		22		06-23		21
495-21069	09-09		18		06-28		17
	09-10		16		06-29		17
495-31022	04-15	03	50	514-723	06-38		53
	04-20		25	514-729	06-22		8
495-81022	03-01		7		06-37		5
495-81145	05-05		24	514-730	06-24		16
495-81166	04-33	01	20		06-38		50
496-11047	09-31		16		06-64		23
	09-33		26	514-738	06-23		52
496-21034	08-14		15	514-739	06-22		9
496-21066	05-01		23		06-37		9
	05-09		23	514-830	06-26		12
	09-08		19		06-62		24
	09-09		12	514-831	06-40		16
	09-10		10	514-832	06-23		55
	09-11		16		06-24		13
	09-11	01	16	514-834	06-23		23
496-21106	09-07		22	514-841	06-23		51
496-31041	09-26		6	514-842	06-23		56
496-31094	06-07		3		06-24		40
	06-09		6		06-38		29
	06-10		16		06-39		6
	06-10	01	16	514-843	06-26		1
	06-10	01	34	514-846	06-63		21
	06-13		2	514-847	06-63		25
496-41034	02-10		28	514-853	06-38		55
	06-09	01	16	514-854	06-63		26
496-41041	02-06		10	514-855	06-63		22
496-41066	02-10		9	514-865	09-29		11
	08-25		2		09-29		6
496-81022	08-21		4	515-21127	09-47		37
50-2037T1	04-27		26		09-47	01	37
	04-28		25		09-48	01	37
	04-29		30	515-2179	02-04		11
50-2533T1	05-01		39	515-2195	09-48		37
	05-09		39	515-22127	06-20		20
	07-08		56		06-21		20
	07-09		19	515-22159	08-24	01	73
	07-10	01	42	515-22254	08-06		36
	07-11	01	42		08-08		36
50-2551T1	05-01		38		08-08	02	23
	05-09		38		08-10		20
	07-08		55		08-10	02	23
	07-09		20		08-29		4
	07-10	01	41		08-44	02	57
	07-11	01	41	515-2279	06-66		11
50-2703T1	05-03		13		06-67		14
50-2705T1	05-03		15		06-73		11
50-2706T1	05-03		19		06-74		14
50-2707T1	05-03		7		09-02		6
50-2708T1	05-03		16	515-2295	04-20		36
50-2710T1	05-03		5		04-20	01	30
50-2990T91	05-03		6		06-20		19
50-3590T91	08-03		11		06-21		19
50-3604T1	05-03		8	515-23127	02-01		11
51-128	02-10		16		04-27		8
510828	08-21		3		04-28		8
	08-25		4		04-29		23
511-10200	08-36		10		06-14		6
511-1060	08-14		4		08-06	01	28
	08-15		16	515-23143	02-01		15
514-1021	06-24		8	515-23159	03-03		15
	06-62		18		08-17		41
	06-63		24		08-18		52
514-633	05-05		18		08-19		45

INDEX - INDICE - INDEX - ZAHLENVERZEICHNIS - INDICE - INDICE - INHOLD - INHOUD

Number	Figure	Sequence	Ref.	Number	Figure	Sequence	Ref.
515-23159	08-20		45	515-25254	04-15	01	10
	08-24		69		04-15	02	12
	08-24	01	69		04-15	03	26
	08-44	02	55		08-44	02	36
	09-44		4		09-45		30
515-23190	03-03		19	515-25381	04-20		24
	08-06		41		04-20	01	24
	08-06	01	17	515-2563	08-44	02	34
	08-08		44		09-42		38
	08-44	02	48	515-2595	04-20		27
515-23206	05-01		37		04-20	01	26
	05-01		57		04-29		20
	05-09		37	516-23190	04-15	03	39
	07-03		13		09-45		39
	07-04		16	527-205	08-39		3
	07-06		13	529761R1	09-42		5
	07-07		16	543-704	06-05		6
	07-08		16	555-12	09-19		17
	07-09		16		09-20		16
	07-10		30	561-707	09-27		17
	07-11		30		09-27	01	17
	08-05	01	32	565-103	04-35		14
	08-05	02	32	565-104	04-34		7
	08-06		13	572182R1	06-64		20
	08-06	01	15	582785C91	04-15	03	31
	08-08		13	60-1436T91	04-02		
	08-08	01	10	60-2404T1	03-02		15
	08-08	01	13		06-01		12
	08-10		33		08-16		15
	08-10	01	10	60-2416T1	09-21		11
	08-37		3	60-3495T1	04-02		14
	08-40		10	60-3496T2	04-02		15
	08-41		13	60-3497T1	04-02		16
	08-44	02	57	60-3498T1	04-02		17
515-23222	05-01		59	60-3499T2	04-02		18
515-23238	06-59	01	13	60-4346T1	08-15		21
515-23254	08-17		13	60-6241T1	06-02		23
	08-18		13	60-6267T1	09-32		13
	08-46		34		09-32	01	13
515-23270	08-08		52		09-34		8
515-23286	05-01		58		09-34	01	8
	08-41		23	60-6581T91	04-02		7
515-23317	05-01		60	60-6633T1	04-02		3
515-2379	02-04		13	60-6634T1	04-02		19
515-2395	09-45		36	60-6635T1	04-02		20
515-24222	04-15	03	27	60-7021T1	09-13		25
515-24302	04-27		4		09-14		25
	04-28		4	60-7083T1	09-16		4
	04-29		4	613-12030	09-45		33
515-24317	06-19		27	613-8020	08-08	01	35
	06-19	01	27	614-10025	04-20		18
515-24349	04-03		16		04-20	01	18
	06-18		27		04-21		5
	06-19		27		04-21	01	5
	08-19		20		06-01		18
	08-20		20		06-02		18
	08-24		12		07-01		3
	08-24	01	12	614-10030	04-20		11
515-2495	04-03		17		04-20	01	33
	04-29		8		04-27		7
	08-46		34		04-28		7
515-25127	02-01		38	614-10035	04-29		7
515-25143	02-01		46		04-30		10
515-25159	08-46		11		04-30	01	10
	09-45		27	614-12016	04-20		29
515-25190	04-28		20		04-20		34
	04-30		13		04-20	01	28
	04-30	01	13		04-20	01	6
	04-34		3	614-16100	08-17		25
	06-58		4		08-18		25
	08-44	02	31	614-5012	04-30		16
	09-22		11		04-30	01	16
	09-23		44	614-5020	04-12		3
	09-45		19		04-14		14
515-25238	04-15	02	19	614-5045	04-05		3
	04-15	03	19	614-6012	04-27		15
	06-57		28		04-28		22
515-25254	02-01		13		04-29		24

INDEX - INDICE - INDEX - ZAHLENVERZEICHNIS - INDICE - INDICE - INDHOLD - INHOUD

Number	Figure	Sequence	Ref.	Number	Figure	Sequence	Ref.
614-6012	06-24		9	627-10025	09-32	01	21
	06-25		1		09-34	01	20
	06-26		4		09-42		37
	06-39		8		09-45		38
	06-63		31		09-54		8
	08-16		18	627-10030	04-15	03	20
	09-47		26		04-17		9
	09-47	01	26		05-05		6
	09-48		26		05-11		6
614-6016	06-05		20		06-04		27
	08-16		12		06-04		9
	09-48	01	26		06-61		18
614-6020	04-27		10		08-06	01	37
	04-28		15		08-08	01	40
	04-29		15		08-10	01	13
	06-04		34		08-17		20
	06-05		11		08-18		20
	09-15		36		08-19		26
	09-48		53		08-20		26
614-6025	04-20		17		08-24		4
	04-20	01	17		08-24	01	4
	09-16		5		08-44	02	6
614-8016	06-23		54		09-38		28
614-8020	03-03		46		09-41		30
	06-21		21		09-41		40
	06-36		6		09-61		2
	09-41		52	627-10035	02-05	01	21
614-8025	04-20		15		02-05	02	21
	04-20	01	15		04-09		5
	08-17		17		04-31		7
	08-18		17		06-04		29
614-8030	06-63		23		08-11		18
614-8040	06-01		15		09-03		16
	06-38		54		09-32		9
614-8065	06-22		12		09-32	01	9
614-8075	06-22		13		09-34		4
614-8080	02-10		7		09-34	01	4
	06-37		4		09-36		21
619697C1	06-82		4		09-39		28
622336C1	06-69		19	627-10070	05-05		25
	06-70		28	627-12020	09-45		32
	06-71		25	627-12025	02-09	02	13
	06-77		19		02-10		26
	06-78		28		06-57		33
	06-79		25		08-47		6
622337C1	06-69		18	627-12030	02-01		41
	06-77		18		02-10		7
	06-78		29		06-20		30
625743C1	06-12	02	8		06-61		10
627-10020	02-01		12		06-61		10
	02-02	01	10		06-65		10
	02-02	02	10		08-25		9
	02-08		5		08-32		14
	04-32	01	25		09-22		3
	06-01		4	627-12035	02-01		39
	08-06		31		02-09	01	13
	08-08		31		06-19		7
	08-08	02	29		06-19	01	7
	08-10		9		08-21		12
	08-10	02	29		08-44	02	3
	08-46		33		09-31		7
	09-35		14		09-33		5
	09-40		15		09-54		16
	09-42		32		09-54		19
627-10025	02-01		37	627-12040	08-30		24
	02-04		6		08-47		3
	02-05	01	23		09-23		30
	02-05	02	23		09-31		5
	04-06	02	6		09-33		6
	04-15	01	18		09-41		20
	04-15	02	13	627-12045	09-22		3
	04-15	03	18		09-23		30
	06-57		11		09-31		33
	06-58		13		09-41		5
	06-59		13	627-16025	06-61		15
	06-59	01	2		09-01		35
	08-01		11		09-03		9
	09-25		10		09-04		12

INDEX - INDICE - INDEX - ZAHLENVERZEICHNIS - INDICE - INDICE - INHOLD - INHOUD

Number	Figure	Sequence	Ref.	Number	Figure	Sequence	Ref.
627-16030	06-65		7	627-8012	02-09	01	23
627-16035	04-32		18		02-09	02	23
	05-02		5		09-05		13
	05-10		25	627-8016	04-01		28
	06-09	01	27		04-01	01	28
	06-10	01	33		04-14		6
	06-20		13		04-19		6
	09-01		38		04-24		45
	09-01		4		08-41		14
	09-05		6		09-02		7
	09-06		9	627-8020	02-01		21
	09-08		12		02-09	01	22
	09-09		16		02-09	02	22
	09-10		14		03-03		16
	09-17		12		04-15	03	38
	09-18		18		04-17		10
627-16040	05-01		24		04-33		5
	05-09		24		04-33	01	5
	06-10		33		05-05		35
	06-10	02	23		06-14		8
	06-14		27		06-57		31
	06-56		13		07-07		17
	09-08		20		07-07	01	17
	09-09		13		07-08		17
	09-10		11		07-08	01	17
	09-11		17		07-10		2
	09-11	01	17		07-10	01	17
	09-40		8		07-11		47
	09-52		11		07-11	01	17
	09-55		14		08-02		5
627-16045	08-46		2		08-05		44
627-16050	06-06		12		08-05	01	44
	06-10		12		08-05	02	44
	06-10	01	12		08-06		42
	06-10	02	12		08-06	01	18
	08-21		5		08-08		46
627-16055	08-46		2		08-45		3
627-16060	09-01		10		09-13		10
	09-10		17		09-14		10
627-16320	09-51		7		09-41		36
	09-51	01	7		09-44		10
627-20050	09-01		36		09-56		10
627-20060	06-16		2		09-56	01	10
	06-17		2	627-8025	02-01		45
	09-51	01	9		02-05	01	30
627-20110	06-09		10		02-05	02	30
	09-51		9		02-10		29
627-22060	06-09		7		04-27		19
	06-10		17		04-28		19
	06-10	01	17		04-29		19
627-24060	09-01		32		06-02		27
627-24070	06-09		11		07-03		15
	06-13		3		07-06		15
	09-08		23		07-09		17
	09-09		29		08-05		6
	09-10		31		08-05	01	6
627-6012	03-02		11		08-05	02	6
	09-46		14		08-06		14
627-6016	03-03		28		08-06	01	12
	04-15	03	10		08-07		32
	04-24		43		08-07	01	32
	09-15		22		08-07	02	32
	09-21		19		08-08		14
	09-35		4		08-08	01	16
	09-54		6		08-08	02	1
627-6020	02-02	01	25		08-09		32
	02-02	02	25		08-09	01	32
	02-04		1		08-09	02	32
	04-31		4		08-10		21
	06-04		18		08-10	01	16
	06-04		37		08-10	02	1
627-6025	02-02	01	7		08-20		22
	02-02	02	7		08-24		14
	04-21		9		08-24	01	14
	04-21	01	9		09-17		27
	08-16		19		09-18		6
	09-41		24		09-23		13
	09-42		41		09-30		3

INDEX - INDICE - INDEX - ZAHLENVERZEICHNIS - INDICE - INDICE - INDHOLD - INHOUD

Number	Figure	Sequence	Ref.	Number	Figure	Sequence	Ref.
627-8025	09-31		36	637-63113	06-38		58
	09-35		7		06-49		22
	09-45		25		06-49	01	10
	09-47		28		06-50		5
	09-47	01	28		06-52		21
	09-48		28		06-63		6
627-8030	09-48	01	28		06-66		32
	04-32		9		06-67		29
	05-01		53		06-83		10
	06-04		31		07-04		48
	06-05		5		07-04	01	44
	06-20		21		07-05		43
	08-08		51		07-05		51
	08-08	01	37		07-05	01	44
	08-19		22		07-05	01	54
	08-21		24		07-07		44
	08-25		14		07-07	01	50
	08-29		5		07-08		43
	08-40		11		07-08		50
627-8035	03-03		11		07-08	01	50
	04-15	03	42		07-08	01	60
	06-02		15		07-10		47
627-8100	06-09	01	17		07-10		53
	08-17		8		07-10	01	2
	08-18		8		07-10	01	50
628-10025	08-31		8		07-11		13
	08-32		5		07-11		53
	08-47		12		07-11		59
628-10035	06-83		15		07-11	01	2
628-12035	06-68		6		07-11	01	50
	06-76		6		07-11	01	60
628-6012	09-21		14		08-13		24
628-6020	09-13		18		08-14		3
	09-14		18		08-18		34
628-6025	09-23		17		08-19		30
628-8016	06-66		15		08-19		41
	06-67		16		08-20		30
	06-72		16		08-20		41
	06-73		15		08-24		45
	06-74		16		08-24		59
	06-81		16		08-24		66
628-8020	07-01		13		08-24	01	45
637-63093	05-01		9		08-29		14
	05-09		9		08-29		9
	06-11		21		08-30		17
	06-11	01	17		08-31		13
	06-12		14		08-46		59
	06-12	01	13		08-46		65
	06-12	02	4		08-46		71
	06-66		21		08-48		4
	06-67		23	637-63133	06-59	01	9
	06-74		23		08-05		19
	08-05	01	27		08-05	01	19
	08-05	02	27		08-05	02	19
	08-06	01	6		08-07		19
	08-07	01	43		08-07	01	19
	08-07	02	43		08-07	02	19
	08-08	01	19		08-09		5
	08-09	01	43		08-09	01	19
	08-09	02	43		08-09	02	19
	08-10	01	19	637-63153	04-20		20
	08-14		7		04-20	01	20
	08-17		33		05-01		17
	08-18		37		05-01		41
	08-30		15		05-09		17
	08-44	02	13		05-09		41
	08-44	02	44		06-14		22
637-63113	05-01		45		06-20		10
	05-09		45		06-21		10
	06-14		15		06-23		31
	06-14		19		06-49		24
	06-20		7		06-49	01	16
	06-21		3		06-52		3
	06-21		7		06-57		14
	06-23		48		06-57		20
	06-23		59		06-57		23
	06-36		3		06-58		10
	06-38		48		06-58		16

**INDEX - INDICE - INDEX - ZAHLENVERZEICHNIS - INDICE - INDICE - INHOLD - INHOUD**

Number	Figure	Sequence	Ref.	Number	Figure	Sequence	Ref.	
637-63153	06-58		23	637-63193	07-04	01	50	
	06-59		10		07-05			14
	06-59		16		07-05			2
	06-59	01	5		07-05	01		14
	06-62		22		07-05	01		50
	06-72		18		07-06			18
	06-73		23		07-06			3
	06-73		30		07-07			14
	06-74		21		07-07			3
	06-80		13		07-07	01		14
	06-80		19		07-07	01		54
	06-81		18		07-08			14
	06-83		8		07-08			4
	07-03		7		07-08	01		14
	07-04		11		07-08	01		55
	07-04	01	11		07-09			4
	07-05		11		07-09			7
	07-05	01	11		07-10			11
	07-06		7		07-10			37
	07-07		11		07-10	01		14
	07-07	01	11		07-10	01		55
	07-08		11		07-11			3
	07-08	01	11		07-11			37
	07-09		15		07-11	01		14
	07-10		22		07-11	01		55
	07-10		34		08-05			3
	07-10	01	11		08-05			33
	07-11		22		08-05			37
	07-11		34		08-05	01		3
	07-11	01	11		08-05	01		37
	08-05		24		08-05	02		3
	08-05		36		08-06			7
	08-05	01	24		08-06	01		27
	08-05	01	36		08-06	01		30
	08-05	02	24		08-07			3
	08-06		2		08-07			34
	08-06	01	2		08-07			35
	08-07		24		08-07	01		3
	08-07		43		08-07	01		34
	08-07		46		08-07	01		35
	08-07		6		08-07	01		46
	08-07	01	24		08-07	02		3
	08-07	01	6		08-08			41
	08-07	02	35		08-08			7
	08-07	02	6		08-08	01		26
	08-08		3		08-09			20
	08-08	01	3		08-09			36
	08-09		24		08-09	01		3
	08-09		35		08-09	01		34
	08-09		9		08-09	01		46
	08-09	01	24		08-09	02		3
	08-09	01	6		08-10			27
	08-09	02	6		08-10	01		26
	08-10		36		08-13			15
	08-10	01	3		08-13			8
	08-10	01	36		08-14			14
	08-13		22		08-14			18
	08-14		11		08-19			32
	08-18		49		08-20			32
	08-19		11		08-41			11
	08-20		11		08-41			17
	08-24		47		08-48			10
	08-24	01	47		637-64236	02-01		34
	08-30		13		05-01			28
	08-30		23		05-01			3
	08-38		10		05-09			28
	08-40		4		05-09			3
08-40		7	06-20			15		
08-41		4	06-21			12		
08-41		7	06-52			15		
08-48		6	06-57			6		
637-63193	06-83		12	06-58		6		
	07-03		17	06-59		6		
	07-03		3	06-66		23		
	07-04		14	06-67		31		
	07-04		2	06-83		6		
	07-04		41	08-01		7		
	07-04	01	14	08-19		52		



INDEX - INDICE - INDEX - ZAHLENVERZEICHNIS - INDICE - INDICE - INDHOLD - INHOUD

Number	Figure	Sequence	Ref.	Number	Figure	Sequence	Ref.		
637-64236	08-20		52	67190R91	06-74		9		
	08-24		56		09-07		16		
	08-24	01	56		70-1894T1	09-07		5	
	08-30		19		70-1895T1	09-40		2	
	08-37		14		70-5468T1	05-01		22	
	08-38		11		70-5967T1	05-02		4	
	08-44	02	41			05-09		22	
	08-48		8			05-10		23	
	09-44		14			06-09		12	
	09-44		2			06-61		22	
	637-64296	06-18			10		06-65		5
		06-18			14		09-01		33
		06-18			17		09-01		39
		06-18			22		09-01		6
06-19			10		09-03		7		
06-19			14		09-04		10		
06-19			17		09-05		4		
06-19			23		09-06		7		
06-19		01	10		09-08		18		
06-19		01	14		09-09		11		
06-19		01	17		09-10		9		
06-19		01	23		09-11		15		
06-57			26		09-11	01	15		
06-58			18		09-40		6		
06-59			18		09-55		11		
06-67			27		09-01		40		
06-75			15	70-5973T2	05-02		3		
06-76			21	70-6013T2	05-10		22		
08-01			10		09-01		3		
08-06			19		09-05		3		
08-06			25		09-06		6		
08-07			39	70-6076T3	05-01		20		
08-07		01	39		05-09		20		
08-07		02	39	70-6085T2	05-01		21		
08-08			19		05-09		21		
08-08			25	70-6221T1	09-39		26		
08-08		02	12	70-6520T2	06-11		6		
08-08		02	6		06-11	01	6		
08-09			41		06-12		7		
08-09		01	35		06-12	01	7		
08-09		01	39		06-12	02	9		
08-09		02	39	70-6748T1	09-54		2		
08-10			3	700-101	06-21		1		
08-10			7		08-13		26		
08-10		02	12		08-19		40		
08-10		02	6		08-20		40		
08-17			30		08-24		65		
08-17			36		08-24	01	65		
08-18			31	700-102	06-20		14		
08-18			40		06-21		11		
08-19			37		06-21		8		
08-19			49		06-57		13		
08-20			37		06-58		14		
08-20			49		06-59		14		
08-24			20		06-59	01	4		
08-24			50		07-10		32		
08-24			53		07-11		32		
08-24		01	20		08-05		22		
08-44		02	38		08-05	01	22		
08-46			27		08-05	02	22		
08-46			46		08-06	01	1		
08-46			54		08-07		22		
08-48			14		08-07		4		
637-64386		06-23		44	08-07		45		
	06-23		46	08-07	01	22			
	06-38		44	08-07	01	4			
	06-38		46	08-07	02	22			
638-53300	06-58		7	08-07	02	4			
	06-59		7	08-07	01	1			
	09-19		13	08-08		1			
64-086T3	09-20		12	08-09		7			
	09-15		31	08-09	01	4			
64-146				08-09	02	4			
64370H	06-82	01	8	08-10	01	34			
64371H0	06-82	01	4	08-14		9			
65457C1	08-34		39	700-103	01	8			
67190R91	06-66		7	06-59		12			
	06-67		9	07-04		12			
	06-73		7	07-04	01	12			
				07-05		12			

**INDEX - INDICE - INDEX - ZAHLENVERZEICHNIS - INDICE - INDICE - INDHOLD - INHOUD**

Number	Figure	Sequence	Ref.	Number	Figure	Sequence	Ref.
700-103	07-05	01	12	700-303	08-44	02	43
	07-07		12	700-304	06-20		5
	07-07	01	12		06-21		5
	07-08		12		08-24		58
	07-08	01	12		08-24	01	58
	07-10		35		08-46		64
	07-10	01	12	700-305	05-01		16
	07-11		35		05-09		16
	07-11	01	12		06-20		8
	08-41		16		06-57		19
700-104	08-01		5		07-03		5
	08-44	02	40		07-06		5
	09-44		1		07-09		13
700-105	06-18		16		08-07		42
	06-18		21		08-09		23
	06-19		16		08-09	01	22
	06-19		21		08-09	02	22
	06-19	01	16		08-10	01	1
	06-19	01	21		08-40		5
	08-01		8		08-41		5
	08-17		35	700-307	09-44		13
	08-18		39	700-308	06-18		13
	08-24		18		06-19		13
	08-24	01	18		06-19	01	13
	08-44	02	37		08-06		17
700-106	08-06		1		08-08		17
	08-08		1		08-08	02	4
	08-10		34		08-10		5
700-115	07-04		9		08-10	02	4
	07-04	01	9		08-17		29
	07-05		9		08-18		30
	07-05	01	9		08-19		48
	07-07		9		08-20		48
	07-07	01	9		08-24		49
	07-08		9		08-24		52
	07-08	01	9		08-24	01	49
	07-10		20		08-24	01	52
	07-10	01	9		08-46		26
	07-11		20		08-46		53
	07-11	01	9	700-311	05-01		8
700-133	06-18		8		05-09		8
	06-19		8	700-318	08-19		36
	06-19	01	8		08-20		36
700-153	06-14		14		08-46		45
700-154	07-05		42	700-326	07-04		1
	07-05	01	53		07-07		1
	07-08		42		07-07	01	53
	07-08	01	59		07-10		10
	07-11		11		07-10	01	53
	07-11	01	59		08-06	01	26
700-159	08-19		31		08-08		40
	08-20		31		08-10		25
700-162	07-04		40	700-332	08-29		7
	07-04	01	49		08-46		58
	08-05		1	700-348	06-58		22
	08-05	01	1	700-378	06-14		18
	08-05	02	1	700-387	05-01		2
	08-06		5		05-09		2
	08-06	01	29		08-19		51
	08-07	01	45		08-20		51
	08-07	02	45		08-24		55
	08-08		5		08-24	01	55
	08-08	01	25	700-388	05-01		27
	08-09	01	45		05-09		27
	08-09	02	45	700-412	08-40		2
	08-10	01	25		08-41		2
	08-14		12	700-445	07-03		16
700-165	08-18		36		07-05		1
700-166	02-01		33		07-05	01	49
700-169	08-05		17		07-06		16
	08-05	01	17		07-08		2
	08-05	02	17		07-08	01	56
	08-07		17		07-09		5
	08-07	01	17		07-11		1
	08-07	02	17		07-11	01	56
	08-09		3		08-05		32
	08-09	01	17		08-07		1
	08-09	02	17		08-07	01	1

INDEX - INDICE - INDEX - ZAHLENVERZEICHNIS - INDICE - INDICE - INDHOLD - INHOUD

Number	Figure	Sequence	Ref.	Number	Figure	Sequence	Ref.
700-445	08-07	02	1	701-416	08-37		18
	08-09		18		08-46		78
	08-09	01	1	701-422	08-19		54
	08-09	02	1		08-20		54
	08-41		10		08-24		61
700-447	08-05	02	23		08-24	01	61
	08-07	02	46		08-46		74
	08-09	02	44	701-423	05-01		11
701-108	08-44	02	24		05-09		11
701-121	08-05		28		07-04		6
	08-05	01	28		07-04	01	6
	08-05	02	28		07-05		6
	08-06	01	35		07-05	01	6
	08-07		29		07-07		6
	08-07	01	29		07-07	01	6
	08-07	02	29		07-08		6
	08-08	01	23		07-08	01	6
	08-09		14		07-10		4
	08-09	01	29		07-10	01	6
	08-09	02	29		07-11		4
	08-10	01	23		07-11	01	6
701-1249	08-44	02	23		08-05		26
701-1254	06-14		4		08-06		9
	08-44	02	26		08-07		26
701-140	08-44	02	21		08-08		9
701-301	07-03		11		08-09		12
	07-04		23		08-10		29
	07-04	01	2	701-429	07-04		49
	07-05		23		07-04	01	45
	07-05	01	2		07-05		52
	07-06		11		07-05	01	45
	07-07		23		07-07		45
	07-07	01	23		07-07	01	51
	07-08		23		07-08		51
	07-08	01	23		07-08	01	51
	07-09		8		07-10		48
	07-10		26		07-10	01	51
	07-10	01	23		07-11		54
	07-11		26		07-11	01	51
	07-11	01	23	701-433	08-46		40
	08-05	01	54	701-453	06-14		2
	08-05	02	37	701-900	08-20		60
	08-06	01	20		08-24		39
	08-07	01	26		08-24	01	67
	08-07	02	26	701-903	05-01		13
	08-08	01	5		05-09		13
	08-09	01	26		07-03		10
	08-09	02	26		07-04		52
	08-10	01	5		07-04	01	1
701-319	08-46		68		07-05		55
701-320	05-01		55		07-05	01	1
	05-09		55		07-06		10
	06-20		1		07-07		48
	06-57		16		07-07	01	40
	07-04		26		07-07	01	43
	07-04	01	23		07-08		54
	07-05		26		07-08	01	40
	07-05	01	23		07-08	01	43
	07-07		26		07-09		10
	07-07	01	26		07-10		51
	07-08		26		07-10	01	40
	07-08	01	26		07-11		57
	07-10		7		07-11	01	40
	07-10	01	26		08-05		8
	07-11		7		08-05	01	8
	07-11	01	26		08-05	02	8
	08-08	01	39		08-06		46
	08-10		43		08-06	01	19
	08-37		17		08-06	01	33
701-329	06-14		28		08-07		28
701-339	08-19		18		08-07	01	28
	08-20		18		08-07	02	28
	08-24		41		08-08		39
	08-24	01	41		08-08	01	24
	08-46		61		08-08	01	7
	08-46		76		08-09		11
701-416	08-06		44		08-09	01	28
	08-08	01	38		08-09	02	28

INDEX - INDICE - INDEX - ZAHLENVERZEICHNIS - INDICE - INDICE - INHOLD - INHOUD

Number	Figure	Sequence	Ref.	Number	Figure	Sequence	Ref.
701-903	08-10		39	800-21110	06-12	02	12
	08-10	01	24	800-2112	06-40		10
	08-10	01	7	800-21130	06-11		9
	08-37		11		06-11	01	9
701-906	08-08		49		06-12		10
	08-08	02	17		06-12	01	10
	08-10	02	17	800-2116	06-23		32
	08-20		63		06-42		2
701-908	08-44	02	30	800-2128	06-23		12
701-909	06-14		4		06-38		12
701-919	07-04		21	800-2147	06-63		28
	07-04	01	21	800-2150	06-18		39
	07-05		21		06-23		14
	07-05	01	21	800-4310	04-05		7
	07-07		21	800-435	03-02		6
	07-07	01	21		09-56		17
	07-08		21	800-51100	06-72		30
	07-08	01	21	805-6035	09-16		16
	07-10		6	806-12030	09-26		16
	07-10	01	21	806-12040	09-26		13
	07-11		6	806-8025	02-05	01	26
	07-11	01	21	811-10020	09-43		8
703-903	08-18		45	811-10025	05-11		7
713-1110	07-01		10		08-11		15
713-226	09-16		7	811-12025	09-31		21
719517003	08-37				09-33		17
	08-38			811-12040	09-43		5
719546003	09-55			811-6030	03-01		18
719582003	04-10		22	811-6035	09-32		7
719618003	04-12		9		09-32	01	7
719619003	04-14		19		09-34		12
719702013	04-12		10		09-34	01	12
719972003	09-61			811-6070	09-32		3
72323	09-23		4		09-32	01	3
728-1240	09-55		15		09-34		10
728-1290	09-43		12		09-34	01	10
728-16100	09-41		4	811-8020	09-33		20
728-620	09-41		10	811-8030	04-03		3
728-840	09-43		17	814-8075	06-22		3
728-860	09-43		18	81774C1	04-08		
729-1030	07-01		15	82029421	09-60		7
729-1035	09-35		10	824-1403	04-24		30
729-845	05-05		20		09-22		9
733-1610	09-16		10	824-1404	04-24		11
	09-41		21		04-32		14
733-2012	05-05		21		04-32	01	14
	06-61		13		04-35		9
	09-43		16		08-15		38
733-2512	07-01		16		09-23		41
733-3220	09-15		7	824-1405	04-17		7
	09-16		32		04-24		7
	09-35		11	825-11410	06-39		11
	09-43		13		09-54		14
733-3232	09-32		15	825-11414	05-05		11
	09-32	01	15	825-1405	04-30		15
	09-34		16		04-30	01	15
	09-34	01	16	825-2406	09-15		23
	09-36		5	825-2408	09-22		4
733-4032	09-41		3		09-23		31
760-14316	04-01		15		09-26		3
	04-01	01	15	825-2410	09-25		11
	08-15		20		09-27		29
	09-16		23	825-51410	04-10		7
	09-21		18		09-42		17
	09-23		36		09-51		13
760-14395	04-10		6	825-5145	04-24		17
760-17316	09-16		17	825-5146	04-24		12
765-14319	04-10		6		09-56	01	3
765-17316	09-13		28	825-5148	04-10		7
	09-14		28	827-10040	02-06		8
779-14613	04-10		15		02-09	01	9
7807271	05-05		31		02-09	02	9
80-1716	06-53		3		09-38		15
800-1110	06-01		13		09-39		15
800-11115	06-81		30		09-59		14
800-1112	03-02		18		09-61		1
	06-05		15	827-10045	06-18		44
800-1125	06-02		4		06-19	01	40

INDEX - INDICE - INDEX - ZAHLENVERZEICHNIS - INDICE - INDICE - INDHOLD - INHOUD

Number	Figure	Sequence	Ref.	Number	Figure	Sequence	Ref.
827-10045	08-11		12	827-20080	09-03		10
	09-36		18		09-04		2
827-10050	07-04	01	19	827-20090	09-03		5
	07-05	01	19		09-04		8
827-10055	04-32	01	18		09-52		6
827-10060	09-51		17	827-20100	06-60		3
	09-51	01	11		09-52		9
827-10070	06-20		23		09-55		8
	08-29		1	827-20110	09-08		28
827-10080	06-57		10		09-09		6
	06-58		8		09-10		6
	06-59		8	827-20120	06-16		9
827-10100	02-05	01	9	827-20130	09-51		3
	02-05	02	9		09-51	01	3
	08-24		71	827-20190	06-61		20
	08-24	01	71	827-20200	06-10		18
827-10110	02-06		9		06-10	01	18
	08-47		14		06-10	02	18
827-10130	08-10		8	827-20230	09-04		3
827-10150	07-04		19	827-20250	06-53		11
	07-05		19	827-22080	06-06		8
	07-07		19		06-07		6
	07-07	01	19		06-08		9
	07-08		19		06-10		17
	07-08	01	19		06-10	01	17
	07-10		19		06-13		3
	07-10	01	19	827-22130	06-06		9
	07-11		19		06-10		20
	07-11	01	19		06-10	01	20
	08-06		29		06-10	01	35
	08-08		29	827-22140	06-07		4
	08-08	02	16		06-10	02	20
	08-10	02	16	827-22160	06-06		7
827-12045	02-03	02	12	827-24080	06-10	02	17
827-12050	06-53		6		09-11		11
	06-54		10		09-11	01	11
	06-54		14	827-24100	06-10	02	31
	06-54		3	827-24110	09-01		27
	06-54		7		09-09		25
827-12055	06-61		3	827-24120	09-12		5
827-12060	02-02	01	12	827-24130	06-09	01	13
	02-02	02	12	827-24140	09-11		4
	06-53		6		09-11	01	4
	06-54		10	827-24190	06-09	01	14
	06-54		14	827-24200	06-65		1
	06-54		3	827-24270	06-09		4
	06-54		7		06-10		24
	09-42		35		06-10	01	24
827-12065	09-01		12		06-65		1
827-12080	02-02	01	18		09-10		24
	02-02	02	18	827-6040	09-41		13
	09-31		34		09-42		21
827-12120	09-33		34	827-6050	08-24	01	51
827-16060	09-01		44	827-6060	06-05		26
	09-09		19	827-6070	07-04		34
827-16070	09-55		18		07-04	01	34
827-16080	06-55		6		07-05		34
	09-01		25		07-05	01	34
827-16090	06-55		6		07-07		34
827-16100	06-55		6		07-07	01	34
	09-36		14		07-08		34
827-16110	02-10		12		07-08	01	34
	06-10		27		07-10		40
	06-10	01	27		07-10	01	34
	06-10	02	27		07-11		40
827-16120	09-53		4		07-11	01	34
827-16140	06-10		31	827-6080	08-46		22
	06-10	01	31	827-6100	04-09		10
	06-10	02	24	827-8040	04-32	01	9
827-16150	06-11		17		08-06		23
827-16180	06-10		13		08-08		23
	06-10	01	13		08-08	02	10
	06-10	02	13		08-10		15
827-16200	02-10		8		08-10	02	10
	09-53		4		09-30		9
827-16250	06-09		17		09-45		22
827-20070	09-52		7	827-8045	04-15	03	29
827-20080	06-09	01	20		04-17		14

INDEX - INDICE - INDEX - ZAHLENVERZEICHNIS - INDICE - INDICE - INHOLD - INHOUD

Number	Figure	Sequence	Ref.	Number	Figure	Sequence	Ref.
827-8050	04-32	01	6	829-1406	04-23		11
	09-38		22		04-24		21
	09-39		22		04-29		21
827-8060	03-03		38		04-31		5
	08-17		42		06-05		10
	08-18		53		08-16		11
	09-42		7		08-24	01	37
827-8070	05-01		32		08-24	01	53
	05-09		32		09-13		7
	07-08		57		09-14		7
	07-09		21		09-16		11
	07-10	01	43		09-42		20
	07-11	01	43		09-42		42
827-8080	08-46		12		09-47		30
827-8090	03-03		50		09-47	01	30
	06-05		27		09-48		30
	08-19		47		09-48	01	30
	08-20		47	829-1408	02-02	01	33
827-8100	09-45		35		02-02	02	33
827-8110	06-05		14		03-03		47
828-10060	08-30		27		04-01		21
	08-30		9		04-01	01	21
828-10070	06-21		23		04-03		4
828-10075	06-83		14		04-05		10
828-10110	08-31		11		04-14		10
	08-32		6		04-15	03	17
828-10160	08-32		7		04-17		15
828-12045	06-66		28		04-19		7
	06-67		20		04-20		16
	06-75		19		04-20	01	16
828-12055	09-36		8		04-24		47
828-12065	08-30		8		04-27		9
828-12070	06-80		9		04-28		9
828-12080	06-66		17		04-29		9
	06-67		21		04-33		6
	06-71		15		04-33	01	6
828-12090	06-71		16		05-01		48
	06-79		16		05-09		48
828-12100	06-79		15		06-01		14
828-12110	08-31		10		06-02		14
	08-32		8		06-14		5
	08-47		13		06-18		28
828-12160	08-32		9		06-19		28
828-14055	06-79		29		06-19	01	28
828-16055	06-69		14		06-20		22
	06-70		26		06-21		22
	06-73		28		06-57		32
	06-74		7		07-03		14
	06-77		14		07-04		39
	06-78		26		07-04	01	39
828-16060	06-80		16		07-05		39
828-16070	06-80		15		07-05	01	39
828-16130	06-81		29		07-06		14
828-16150	06-09		3		07-07		39
	06-72	01	29		07-07	01	2
	06-81		29		07-08		39
	06-82		14		07-08	01	53
828-16180	06-71		5		07-09		18
828-16220	06-82		15		07-10		31
828-22190	06-16		4		07-10	01	39
	06-17		4		07-11		31
828-24110	06-67		36		07-11	01	39
	06-74		29		07-11	01	53
829-1310	04-34		5		08-05		45
	07-04	01	26		08-05	01	45
	07-05	01	26		08-05	02	45
	07-07	01	39		08-06		15
	07-08	01	39		08-06	01	13
	08-06	01	39		08-07		58
	08-08	01	42		08-07	01	58
	08-10	01	32		08-07	02	34
	09-21		23		08-08		15
829-1312	09-26		10		08-08	01	12
829-1406	02-04		12		08-08	01	15
	04-09		8		08-08	02	2
	04-15	03	47		08-09	01	58
	04-20		9		08-09	02	34
	04-22		11		08-10		23

INDEX - INDICE - INDEX - ZAHLENVERZEICHNIS - INDICE - INDICE - INDHOLD - INHOUD

Number	Figure	Sequence	Ref.	Number	Figure	Sequence	Ref.
829-1408	08-10	01	12	829-1412	07-04		37
	08-10	02	2		07-04	01	37
	08-15		34		07-05		37
	08-17		7		07-05	01	37
	08-18		7		07-07		37
	08-29		6		07-07	01	37
	08-39		6		07-08		37
	08-40		16		07-08	01	37
	08-44	02	50		07-10		13
	09-15		34		07-10	01	37
	09-17		18		07-11		45
	09-17		25		07-11	01	37
	09-17		3		08-18		21
	09-31		28		09-31		8
	09-33		25		09-33		4
	09-38		30		09-41		57
	09-41		49		09-41		6
	09-44		9		09-42		33
	09-45		23		09-43		6
	09-46		7		09-45		37
	09-56		14	829-1416	06-09		18
	09-56	01	14		08-17		26
829-1410	02-01		14		08-18		26
	02-04		15		09-01		11
	03-03		30		09-01		28
	04-03		10	829-1420	06-53		13
	04-09		6		09-03		12
	04-12		8		09-04		13
	04-13		7		09-52		8
	04-15	01	9	829-1422	06-17		7
	04-15	02	10	829-1424	06-09		5
	04-15	03	4		06-10		25
	04-17		11		06-10	01	25
	04-20		3		06-65		3
	04-20	01	3		09-01		31
	04-21		7		09-08		2
	04-21	01	7		09-09		26
	04-24		38		09-09		30
	04-27		3		09-10		25
	04-28		3		09-11		6
	04-29		3		09-11	01	6
	04-30		8	829-1508	05-05		17
	04-30	01	8	829-2416	09-15		40
	04-31		8	829-4420	06-09	01	11
	04-32	01	24	830-1110	09-27		6
	05-05		4		09-27	01	6
	06-04		13	832-10404	04-06	01	15
	06-18		25		04-06	01	9
	06-19		25		04-21		12
	06-19	01	25		09-21		7
	06-57		8		09-23		22
	07-01		12	832-10405	04-05		5
	08-01		15		04-12		5
	08-17		11		04-14		16
	08-18		11	832-10406	03-01		10
	08-19		27		04-21		11
	08-20		27		04-21	01	11
	08-24		5		05-01		54
	08-24	01	5		06-05		31
	08-44	02	33		07-04		35
	09-03		15		07-04	01	35
	09-18		10		07-05		35
	09-32	01	20		07-05	01	35
	09-34	01	21		07-07		35
	09-41		31		07-07	01	35
	09-43		10		07-08		35
	09-45		26		07-08	01	35
	09-46		5		07-10		41
	09-51		5		07-10	01	35
	09-51	01	5		07-11		41
	09-54		9		07-11	01	35
829-1412	02-01		42		08-08	02	18
	02-09	01	16		08-10	02	18
	02-09	02	16		09-15		44
	04-15	03	23		09-23		23
	05-01		26		09-35		17
	05-09		26		09-41		15
	06-61		5		09-42		23

INDEX - INDICE - INDEX - ZAHLENVERZEICHNIS - INDICE - INDICE - INHOLD - INHOUD

Number	Figure	Sequence	Ref.	Number	Figure	Sequence	Ref.
832-10406	09-54		5	832-41310	09-56	01	8
832-10408	02-01		44	832-46404	03-01		12
	02-02	01	20		09-48	01	53
	02-02	02	29	832-46406	09-32		6
	02-03	02	8		09-32	01	6
	02-05	01	22		09-34		5
	02-05	02	22		09-34	01	13
	02-10		5	832-46410	02-09	01	11
	02-10		5		02-09	02	11
	03-03		13	832-46416	06-10		6
	04-02		32		06-10	01	6
	04-11		7		06-10	02	6
	04-15	01	14	832-46420	06-10		19
	04-15	02	5		06-10	01	19
	04-15	03	35		06-10	02	19
	04-32		15	832-4748	09-15		26
	04-32	01	15	834-502	09-19		4
	05-01		7		09-20		8
	05-09		7	837-12025	06-68		22
	06-05		28		06-75		3
	08-05		50		06-76		4
	08-05	01	50	837-12035	06-80		10
	08-05	02	50	837-16040	06-09	01	2
	08-07		54		06-72		2
	08-07	01	54		06-75		2
	08-07	02	54		06-76		3
	08-08		53		06-80		11
	08-09		48		06-81		2
	08-09	01	54		06-82		2
	08-09	02	54		06-82	01	2
	08-11		11	837-6055	06-68		21
	08-12		5	838-1318	06-40		9
	08-15		13	838-31025	06-81		25
	08-21		26	838-3655	09-05		7
	08-24	01	59		09-06		14
	08-25		13	838-3826	06-72		25
	09-17		28		06-82	01	23
	09-18		7	838-51045	06-39		4
	09-23		15	838-5518	06-24		19
	09-33		21	838-5860	06-27		7
	09-38		23	83882C91	09-19		18
	09-39		23		09-20		21
	09-41		53	840-1312	04-24		28
	09-42		8	840-1316	09-22		8
	09-46		16	840-1410	05-07		6
832-10410	02-05	01	8		05-08		6
	02-05	02	8		09-21		21
	02-06		7	840-1412	08-15		36
	03-03		49		09-23		43
	05-11		9	840-1414	09-23		20
	06-18		43	840-1416	09-21		8
	06-19	01	41	840-148	09-21		9
	08-11		13	840-1510	04-27		12
	08-29		3		04-28		12
	08-30		28		04-29		12
	09-32		10	840-1512	08-15		25
	09-32	01	10	840-1516	04-24		5
	09-34	01	5	840-1530	06-01		9
	09-36		19	840-1535	09-18		8
	09-37		10	840-1616	04-22		7
	09-39		30	840-1620	04-23		7
	09-59		16		09-17		30
	09-61		4	840-1625	09-17		29
832-10412	02-02	01	15	840-258	09-50		4
	02-02	02	15	840-2820	09-17		21
	02-03	02	13	841-4512	04-24		16
	08-30		26	843-1812	06-68		12
	08-32		16		06-75		17
	09-31		35		06-76		12
	09-33		19		06-79		5
	09-36		10	843-1825	04-32		4
832-10416	02-10		14		04-32	01	4
	09-36		13	843-2512	04-17		4
	09-53		3	844-10035	03-03		35
832-10422	06-16		7		08-11		26
832-10424	09-12		1		08-12		11
	09-37		7		09-13		34
832-41310	09-56		8		09-14		34



INDEX - INDICE - INDEX - ZAHLENVERZEICHNIS - INDICE - INDICE - INHOLD - INHOUD

Number	Figure	Sequence	Ref.	Number	Figure	Sequence	Ref.
844-6020	09-15		21	86991559	08-08		28
844-8020	09-45		28		08-08	02	15
8500571	04-15	03	30		08-10		12
855-8030	09-13		24		08-10	02	15
	09-14		24	86991869	08-49		29
86000308	06-54		5	86991897	05-07		5
86015582	09-34	01	3	86991898	04-25		
863-10025	02-03	02	9	86992232	08-24		16
863-6020	04-22		9		08-24	01	16
	04-23		9	86992408	06-59	01	3
864-10020	04-21		8	86992542	08-06	01	32
	04-21	01	8		08-08	01	22
864-10065	08-30		10		08-10	01	22
864-10070	08-30		11	86992594	06-12	02	2
864-4010	04-35		10	86992784	06-12	02	2
864-4012	09-22		6	86992953	08-06	01	10
864-4016	04-01		34		08-08	01	9
	04-01	01	34		08-10	01	9
	08-35		18	86993463	09-45		1
	09-23		39	86993622	06-12	02	6
864-4020	03-01		13	86993937	08-08	01	31
	04-01		6	86994155	09-27	01	3
	04-01	01	6	86994165	09-27	01	22
	04-32		12	86994203	09-28	02	9
	04-32	01	12	86994250	09-27	01	24
	04-35		8	86994256	09-28	02	3
	09-23		38	86994258	09-28	02	4
864-4035	03-01		17	86994260	09-28	02	15
864-5012	04-10		19	86994268	09-28	02	26
864-5016	03-02		17	86994269	09-28	02	6
864-6016	09-56	01	15	86994373	08-06	01	36
864-6020	08-35		21	86994525	06-59	01	7
864-6025	08-34		15	86998223	04-10		1
864-6040	05-11		5	87018506	04-06	02	2
86502201	04-25		3	87026277	02-05	02	26
86505748	09-12		5	87030421	09-38		36
86505868	04-02		5		09-39		36
86598103	08-47		18	87037462	09-27	01	12
86625138	08-35		11	87038806	06-11	01	10
86632547	08-35		45	871-5012	06-04		43
86639256	06-82		23	87301259	06-82	01	15
868-10020	06-55		3	87301260	06-82	01	11
868-10025	02-09	01	20	87303782	08-24	01	38
	02-09	02	20	87303880	08-24	01	66
86836488	06-09	01	23	87304016	06-12	01	2
86983411	05-05		1	87304018	06-12	02	2
86983416	09-41			87304198	08-24	01	64
86983451	05-05		38	87304199	08-24	01	68
86983592	04-06	01	10	87304763	04-32	01	1
86983593	04-06	01	11	87304767	04-32	01	2
86984140	06-12	02	11	87304771	04-32	01	7
86985626	06-67		4	87305067	02-10		32
86985627	06-66		4		04-20	01	31
86985628	06-68		18	87305334	02-07		5
	06-75		10	87305940	06-44		2
	06-75		9	87305994	04-16	01	6
	06-76		16	87306491	04-24		1
	06-76		18	87306495	09-47	01	19
86985634	06-82		20		09-48	01	19
	06-82	01	20	87306548	06-14		9
86985636	06-66		25	87306549	06-14		10
	06-67		24		06-14		12
	06-73		25	87306550	06-14		11
	06-74		25	87306551	06-14		17
86985638	06-81		19	87306552	06-14		1
86989494	04-04		1	87306651	06-14		13
86989939	04-16	01	9	87306706	09-48	01	23
86989947	04-01	01	8	87306773	09-47	01	22
86989951	04-01	01	35		09-48	01	22
86989953	04-16	01	19	87306776	09-47	01	7
86989955	04-16	01	11		09-48	01	7
86990262	09-47		2	87306888	09-58		10
	09-47	01	2	87307050	06-10	01	1
86990406	04-01	01	19		06-10	02	1
86990421	05-01		50	87307236	09-54		3
86991553	09-17		14	87307237	09-54		21
86991559	08-04		1	87307521	08-05	02	18
	08-06		28		08-07	02	44

INDEX - INDICE - INDEX - ZAHLENVERZEICHNIS - INDICE - INDICE - INHOLD - INHOUD

Number	Figure	Sequence	Ref.	Number	Figure	Sequence	Ref.
87307521	08-09	02	35	87346305	08-24	01	50
87307544	08-05	02	25	87346308	08-24	01	66
	08-07	02	25	87346310	08-24	01	62
	08-09	02	25	87347872	09-26		1
87307899	04-04		8		09-27	01	
87307900	04-04		8	87347873	09-26		1
87307954	04-02		1		09-27	01	
87307957	04-02		4	87347885	09-26		2
87308130	09-27	01	11		09-28	01	
87308180	04-02		1	87347886	09-26		2
87308226	04-02				09-28	02	
	04-02		1	87347893	09-27	01	2
87308230	04-02		1	87347894	09-27	01	2
	04-02		1	87347895	09-27	01	1
87308304	06-82	01		87347934	09-27	01	18
87308327	04-01	01	40	87347936	09-27	01	23
87308356	04-01		32	87347939	09-27	01	24
87308467	04-33	01	11	87347941	09-27	01	20
87308468	04-33	01	17	87347942	09-27	01	19
87308658	04-21	01	18	87347943	09-28	02	7
87309531	06-82	01	9	87347944	09-28	01	6
87309541	09-51	01	8		09-28	02	6
87309542	09-51	01	10	87347950	09-28	01	15
87309812	06-10	02	4	87347951	09-28	01	10
	06-12	02	14	87347952	09-28	02	10
87310588	04-01		40	87347953	09-28	02	20
87310751	04-21	01	1	87347955	09-28	01	23
87310755	04-20	01	1	87347956	09-27	01	10
87310965	05-09		62	87347958	09-27	01	13
87310970	08-08	02	14	87347960	09-28	02	25
87311041	08-10	02	26	87351882	04-33	01	21
87311247	04-33	01	11	87352762	06-06		14
87311248	04-33	01	17	87353799	09-41		22
87311759	06-60		1	87354471	08-35		
87312759	08-01		1	87354472	08-35		
	08-02		1	87400024	08-07	01	49
87312787	06-06		3		08-07	02	49
87313212	08-11		1	87400028	08-07	01	60
87313218	08-12		1		08-07	02	27
87313413	09-26		12		08-09	01	60
87313870	04-33	01	23		08-09	02	24
87313871	04-33	01	22	87400117	08-08	01	27
87314358	04-04		11		08-10	01	27
87315600	09-45		2	87400234	06-59	01	10
87324220	06-10	02	29	87400403	06-59	01	10
87324810	06-11	01	14	87402778	06-11		1
87324951	09-47	01	14	87402781	06-11		22
	09-48	01	14		06-12		12
87325332	09-54		1	87402782	06-12		2
87326311	08-24	01	35	87403320	09-59		17
87326440	04-23			87403321	09-59		10
	04-24			87403661	06-12	02	1
87326446	04-23			87403790	06-15		1
	04-24			87404689	06-12	02	13
87330331	08-13			87404986	08-04		10
87330336	08-13		37	87405340	04-06	01	13
87331275	09-27		22	87405636	04-16	01	2
87331930	03-03		56	87407038	09-28	02	10
87332463	03-03		14	87407042	09-27		1
87333671	03-03		57		09-27	01	1
87333676	03-03		55	87407043	09-27		2
87333679	03-03		53		09-27	01	2
87333929	04-33	01	2	87407044	09-27		1
87335428	08-37		20	87407045	09-27		2
	08-38		12	87407046	09-27		14
87335430	08-37		20		09-27	01	14
	08-38		12	87407047	09-28	02	11
87335431	08-37		20	87407048	09-27		31
	08-38		12		09-27	01	25
87343754	04-10		23	87407429	05-10		2
87346267	06-14		17	87407446	09-31		17
87346268	06-14		9		09-33		35
87346279	06-14		10	87408174	06-11		8
87346286	06-14		11		06-11	01	8
87346290	08-44	02	15		06-12		9
87346293	08-44	02	47		06-12	01	9
87346300	08-24	01	68	87408490	04-02		
87346304	08-24	01	64	87408659	06-81		

INDEX - INDICE - INDEX - ZAHLENVERZEICHNIS - INDICE - INDICE - INDHOLD - INHOUD

Number	Figure	Sequence	Ref.	Number	Figure	Sequence	Ref.
87409251	04-06	02	1	87415707	09-15		4
87409252	04-06	02	1	87416123	07-04	01	8
87409260	04-08				07-05	01	8
87409261	04-08				07-07	01	8
87409340	08-01		2		07-08	01	8
	08-03		1	87416213	09-31		1
87409341	08-01		3	87416354	04-22		
	08-03		1		04-24		
87409342	08-04		2	87416364	09-14		15
87409368	09-14		33	87416422	02-02	02	20
87409376	06-38		32	87416475	09-27	01	4
87409377	09-47		52	87416602	06-11	01	13
	09-47	01	34	87416606	06-11	01	4
	09-48		56		06-12	01	6
	09-48	01	52	87416960	02-01		1
87409378	03-03		54		02-02	02	2
87409380	03-03		41	87417039	02-05	01	1
87409404	06-49		14		02-05	02	1
	06-49	01	12		02-07		
	06-50		17	87417040	02-07		2
87409406	08-11		5	87417041	02-07		3
	08-12		2	87417060	04-01	01	17
87409408	04-08			87417061	04-01	01	18
87409411	02-03	01	1	87417139	09-61		7
	02-03	02	2	87417260	06-82		7
87409414	04-06	02	1	87417270	09-34	01	22
87410063	08-35		23	87417332	02-05	01	18
87411129	08-35		28	87417338	04-08	01	1
87411517	08-19		8	87417495	04-15	03	43
	08-20		8	87417508	04-20	01	1
	08-24		40	87417509	04-21	01	1
87412343	02-05	01	5	87417510	04-15	03	46
	02-05	02	5	87417513	04-19		2
87412651	04-01	01	1		04-20	01	11
	09-23			87417550	02-09	01	25
	09-23		34		02-09	02	26
87412700	09-59		11	87418058	04-15	03	25
87413678	04-15	03	33	87418084	09-18		14
87413679	04-15	03	36	87418149	05-01		56
87413731	08-06	01	25		05-09		56
87413733	08-06	01	40		08-24		21
87413792	04-15	03	16		08-24	01	21
87413873	08-09	01	8	87418233	02-05	02	14
	08-09	02	8	87418234	02-05	01	14
87413874	08-07	01	8	87418236	02-05	01	37
	08-07	02	8		02-05	02	37
87413875	08-05	01	5	87418384	04-23		
	08-05	02	5		04-24		
87414079	07-07	01	38	87418389	09-15		20
	07-08	01	38	87419100	02-10		30
	07-10	01	38	87419127	09-32	01	1
	07-11	01	38	87419158	08-21		21
87414080	08-05	01	15	87419159	08-21		22
	08-05	02	15		08-25		10
	08-09	01	15	87419160	08-25		11
	08-09	02	15	87419459	08-25		11
87414325	04-16	01	12	87419460	08-21		21
87414327	04-01	01	36	87419583	04-12		6
87414514	09-56	02	4	87419587	04-12		1
87414714	04-30	01	17	87419591	04-12		1
87414764	04-30	01	26	87420877	09-15		17
87414866	02-04		16	87420884	09-61		9
	04-24		32	87420942	02-02	02	21
	09-47		33	87421420	04-32		8
	09-48		33		04-32	01	8
87415235	04-33		2	87421443	04-32		11
87415314	05-01		31	87421511	09-34	01	23
	05-09		31	87422010	09-32	01	22
87415315	05-01		5	87422287	09-12		6
	05-09		5	87422371	09-41		50
87415316	07-10	01	8	87422372	09-41		48
	07-11	01	8	87422373	09-41		35
87415318	07-09		12	87422374	09-41		
87415320	05-01		61	87422375	09-41		
	05-09		29	87422383	09-41		45
	08-19		39	87422384	09-41		54
	08-20		39	87422388	04-33		11
87415661	04-08	01	1	87422430	09-34	01	2

INDEX - INDICE - INDEX - ZAHLENVERZEICHNIS - INDICE - INDICE - INHOLD - INHOUD

Number	Figure	Sequence	Ref.	Number	Figure	Sequence	Ref.
87422562	09-41		44	87428366	04-33		10
87422563	09-41		42		04-33	01	10
87422779	09-34		1	87428367	04-33		9
87422906	09-15		18		04-33	01	9
87422995	02-10		25	87428369	04-33		15
87423202	06-09	01	28		04-33	01	15
87423203	06-10	01	14	87428396	04-33		16
	06-10	02	14		04-33	01	16
87423204	06-10	01	15	87428412	08-21		2
	06-10	02	15		08-25		5
87423303	06-09	01	1		08-27		
87423389	09-15		32	87428425	04-32		16
87423414	09-15		19		04-32	01	16
87423436	09-40		12	87428426	09-33		31
87423437	09-40		13	87428518	04-32		5
87423532	09-15		25		04-32	01	5
87423607	09-41		46	87428519	04-32		20
87423671	08-36		39	87428687	06-15		1
87423680	09-39		1	87428750	09-31		32
87423716	09-15		42	87428948	06-09	01	21
87423721	09-41		43	87429542	05-11		1
87423819	06-09	01	25	87429544	05-11		3
87423822	06-09	01	24	87429553	04-32		17
87423866	09-60		2		04-32	01	17
87424309	05-01		5	87429555	05-11		2
	05-09		5	87429557	05-09		60
87424310	05-01		31		05-10		
	05-09		31	87429793	04-08	01	6
87424312	08-44	02	4	87429794	04-08	01	10
87424313	08-44	02	11	87429795	04-08	01	10
87424316	08-44	02	19	87429796	04-08	01	2
87424317	08-44	02	46	87429797	04-08	01	7
87424319	08-44	02	28	87429798	04-08	01	7
87424320	08-44	02	29	87429799	04-08	01	5
87424323	05-01		56	87429800	04-08	01	11
	05-09		56	87429801	04-08	01	9
	08-24		21	87429802	04-08	01	9
	08-24	01	21	87429803	04-08	01	3
87424325	08-09	01	7	87429804	04-08	01	12
	08-09	02	7	87429877	09-15		27
87424326	08-09	01	8	87429902	09-48		52
	08-09	02	8	87429903	09-47		15
87424327	07-11	01	8		09-47	01	15
87424328	07-09		12	87430152	08-36		38
87424329	08-10	01	4	87430156	02-09	01	1
87424330	08-10	01	31		02-09	02	1
87424331	08-09	01	15	87430157	02-09	01	1
	08-09	02	15		02-09	02	1
87424332	07-05	01	58	87430158	02-09	01	1
	07-11	01	38		02-09	02	1
87424333	08-10	01	9	87430159	02-09	01	1
87424335	08-10	01	27		02-09	02	1
87424337	08-37		13	87430632	02-09	01	17
87425311	09-58		12	87430634	02-09	01	18
87425313	09-58		11		02-09	02	18
87425318	09-58		10	87430635	02-09	02	17
87425760	04-15	03	32	87430645	02-05	02	10
87425780	06-09	01	15	87430646	02-05	01	10
87426208	04-15	03	12	87431244	02-01		25
87426775	06-05		32	87431253	06-12	02	1
87427008	06-12	02	5	87431389	06-40		2
87427009	06-11		5		06-41		
	06-12		11		06-42		
	06-12	01	11	87431390	06-41		10
87427034	06-12	02	1		06-43		13
87427037	06-11		1	87431391	06-41		15
87427096	04-15	03	14		06-43		18
	09-60		5	87431392	06-41		21
87427097	09-60		4	87431393	06-42		6
87427312	09-61		8	87431394	06-43		26
87427317	04-15	03	15	87431395	06-40		3
	09-60		6		06-43		
87427434	07-03		8	87431396	06-43		9
87427437	07-06		8	87431397	06-44		1
87427689	04-14		18	87431399	06-40		5
87427690	04-14		13		06-45		
87427995	08-41		19		06-46		
87428328	05-11		4	87431400	06-45		17

INDEX - INDICE - INDEX - ZAHLENVERZEICHNIS - INDICE - INDICE - INDHOLD - INHOUD

Number	Figure	Sequence	Ref.	Number	Figure	Sequence	Ref.
87431400	06-47		17	87439068	06-09	01	18
87431401	06-46		11	87439069	06-09	01	19
87431402	06-40		6	87439070	06-09	01	10
	06-47			87439071	06-09	01	8
	06-48			87440096	02-10		3
87431403	06-37		3	87440452	04-33		17
	06-49	01		87440465	09-28	02	20
87431405	06-49	01	22	87440700	04-33		18
87431406	06-49	01	23		04-33	01	18
87431407	06-49	01	20	87440713	04-01		33
87431408	06-49	01	21	87440715	04-01	01	33
87431409	06-49	01		87440736	04-32		2
87431410	06-49	01	24	87440737	04-32		1
87431411	06-49	01	25	87440738	04-32		3
87431412	06-49	01	11		04-32	01	3
87431413	06-38		17	87440932	05-09		59
87431414	06-38		18	87440933	05-09		58
87431415	06-38		19	87440934	05-09		61
87431416	06-37		1	87440935	05-09		18
87431487	09-26		9	87441017	09-46		1
87431772	08-24		8		09-47	01	
87432355	09-27	01	15	87441018	09-46		
87432424	06-66		10		09-48	01	
	06-67		11	87441100	06-10	02	11
	06-73		10		06-11	01	18
	06-74		11		06-12	01	14
87432749	06-37			87441101	06-11	01	19
	06-38				06-12	01	15
	06-50			87441130	09-09		2
87432750	06-37				09-10		2
	06-38			87441131	09-08		24
	06-41			87441225	09-08		21
	06-42				09-09		27
	06-43				09-10		30
	06-45			87441344	06-82	01	7
	06-46			87441927	08-24	01	50
	06-47			87442098	04-16	01	14
	06-48			87442153	06-80		
	06-49			87443702	06-06		2
	06-50			87444730	06-09		20
87433098	09-21		1	87444987	09-22		1
87434087	08-24	01	40	87445996	06-12		1
87434200	08-24	01	57	87446202	09-41		38
87434311	08-24	01	62	87446203	09-41		37
87434676	04-27		24	87447339	06-09	01	12
	04-28		10	87447392	09-48	01	15
	04-29		10	87448334	09-11	01	3
87435206	09-28	02	25	87449801	06-11		7
87435907	06-72		22		06-11	01	7
	06-82	01	19		06-12		8
87435928	06-09		19		06-12	01	8
87436213	05-10		8		06-12	02	10
87436214	05-10		1	87449936	06-82	01	10
87436215	05-10		6	87450019	06-11		5
87436443	05-10		18		06-12		11
87436715	04-33		1	87450400	09-19		19
	04-33	01	1		09-20		23
87437009	06-12	02	5	87450401	06-14		25
87437010	06-11	01	5	87450974	04-16	01	7
	06-12	01	11		09-59		4
87437207	04-15	03	8	87451047	06-11	01	15
87437226	02-10		20	87451058	06-12	01	1
	04-06	01	16	87451060	06-11	01	1
	04-06	02	11	87451251	09-57		2
	09-45		40	87451252	09-57		1
87437247	04-15	03	6	87451253	09-57		3
87437248	04-15	03	37	87451254	09-57		4
87437249	04-15	03	24	87451255	09-57		5
87438232	06-75			87451256	09-57		6
87438234	06-76			87451257	09-57		7
87438235	06-76			87451258	09-57		8
87438585	09-46		1	87451761	06-09	01	5
	09-47			87452321	04-23		15
87438586	09-46		1	87452664	09-33		1
	09-48			87453068	09-26		
87438650	04-27		25	87453069	09-26		
	04-28		11	87453071	09-26		
	04-29		11	87453141	09-20		1

INDEX - INDICE - INDEX - ZAHLENVERZEICHNIS - INDICE - INDICE - INHOLD - INHOUD

Number	Figure	Sequence	Ref.	Number	Figure	Sequence	Ref.
87454441	09-48	01	36	895-11005	04-24		46
87454442	09-48	01	34		04-24		6
87454482	04-08	01	8		06-38		30
87454558	04-16	01	2		06-40		11
87454949	04-01	01	32		08-15		24
878-1046	08-16		16		09-49		4
878-1066	04-11		2	895-11006	02-04		10
878-10812	07-05		45		03-02		12
	07-08		41		03-03		34
	07-08	01	58		04-10		13
	07-11		10		04-15	03	9
	07-11	01	58		04-20		5
892-1008	04-28		18		04-20	01	5
892-11004	04-24		10		04-21		10
	05-07		10		04-21		16
	05-08		10		04-21	01	10
	08-35		17		04-22		6
892-11005	04-30		14		04-23		6
	04-30	01	14		04-24		20
892-11006	03-01		19		04-27		14
	04-09		9		04-28		14
	04-22		10		04-29		14
	04-23		10		08-16		13
	09-47		25		08-24	01	19
	09-47	01	25		09-13		8
	09-48		25		09-14		8
	09-48	01	25		09-15		11
892-11008	04-05		9		09-15		43
	04-14		9		09-21		30
	04-27		18		09-23		18
	04-29		18		09-41		14
	09-47		27		09-42		19
	09-47	01	27		09-48		54
	09-48		27		09-54		4
	09-48	01	27		09-56		15
892-11010	04-09		4	895-11008	02-01		22
	04-21		17		03-03		12
	04-21	01	12		03-03		45
	04-24		3		04-01		27
	04-27		22		04-01	01	27
	04-28		21		04-02		31
	04-29		25		04-03		2
	04-30		7		04-15	03	28
	04-30	01	7		04-17		13
	05-11		10		04-19		5
892-11012	06-38		51		04-20		14
	02-10		27		04-20	01	14
	05-01		47		04-24		35
	05-09		47		04-27		6
	06-61		4		04-28		6
892-11016	09-36		12		04-29		6
892-11020	06-65		9		04-32		10
893-11006	04-10		14		04-32	01	10
893-11008	02-10		24		04-33		8
893-11010	04-24		36		04-33	01	8
	04-27		17		05-01		6
	04-28		17		05-05		34
	04-29		17		05-09		6
	04-30		6		06-02		28
	04-30	01	6		06-14		7
895-10008	09-18		5		06-18		29
895-11003	04-22		4		06-19		29
	04-23		4		06-19	01	29
	04-24		29		06-20		26
	09-22		10		07-01		14
895-11004	04-16		5		07-03		19
	04-24		9		07-04		17
	04-32		13		07-04	01	17
	04-32	01	13		07-05		17
	08-15		37		07-05	01	17
	09-21		10		07-06		19
	09-22		7		07-07	01	44
	09-23		21		07-08		58
	09-23		40		07-08	01	44
895-11005	03-02		5		07-09		22
	04-05		4		07-10	01	44
	04-12		4		07-11	01	44
	04-14		15		08-05		43

INDEX - INDICE - INDEX - ZAHLENVERZEICHNIS - INDICE - INDICE - INDHOLD - INHOUD

Number	Figure	Sequence	Ref.	Number	Figure	Sequence	Ref.
895-11008	08-05		49	895-11010	06-19		26
	08-05	01	43		06-19	01	26
	08-05	01	49		06-39		14
	08-05	02	43		06-57		9
	08-05	02	49		06-58		12
	08-06		37		06-59		12
	08-06	01	14		06-59	01	1
	08-07		53		06-83		13
	08-07	01	53		07-04	01	25
	08-07	02	53		07-05	01	25
	08-08		37		07-07	01	3
	08-08	01	11		07-08	01	3
	08-08	01	32		07-10	01	3
	08-08	02	24		07-11	01	3
	08-09		47		08-01		12
	08-09	01	53		08-11		17
	08-09	02	53		08-17		10
	08-10		22		08-18		10
	08-10	01	11		08-19		59
	08-10	02	24		08-20		9
	08-15		12		08-24		70
	08-17		6		08-24	01	70
	08-18		6		08-44	02	32
	08-19		21		08-46		32
	08-20		21		08-47		5
	08-21		25		09-03		14
	08-24		13		09-21		22
	08-24	01	13		09-32		19
	08-39		5		09-32	01	19
	08-40		12		09-34		18
	08-41		15		09-34	01	18
	08-44	02	49		09-35		15
	08-46		13		09-36		22
	09-02		9		09-38		29
	09-05		12		09-39		29
	09-15		39		09-40		14
	09-17		17		09-41		39
	09-17		2		09-45		21
	09-30		2		09-46		4
	09-31		26		09-54		7
	09-31		37		09-56		6
	09-33		11		09-56	01	6
	09-35		2		09-59		15
	09-36		25	895-11012	02-01		40
	09-38		21		04-15	03	22
	09-39		21		06-57		4
	09-41		51		07-04		36
	09-42		6		07-04	01	36
	09-44		8		07-05		36
	09-45		20		07-05	01	36
	09-56		9		07-07		36
	09-56	01	9		07-07	01	36
895-11010	02-01		28		07-08		36
	02-02	01	9		07-08	01	36
	02-04		8		07-10		14
	02-05	01	7		07-10	01	36
	02-05	02	7		07-11		44
	02-06		11		07-11	01	36
	03-03		6		08-18		19
	04-09		3		09-45		31
	04-13		6		09-54		18
	04-15	01	8	895-11016	06-20		29
	04-15	02	9	895-15006	02-02	01	6
	04-15	03	3		02-02	02	6
	04-17		8		03-02		10
	04-20		2		09-25		12
	04-20	01	2		09-32		5
	04-24		37		09-32	01	5
	04-27		2		09-34		11
	04-28		2		09-34	01	11
	04-29		2		09-35		13
	04-31		6	895-15008	02-02	01	32
	04-32	01	19		02-02	02	32
	04-34		4		02-05	01	35
	05-05		5		02-05	02	35
	05-11		8		02-09	01	21
	06-18		26		02-09	02	21
	06-18		42		02-10		4

**INDEX - INDICE - INDEX - ZAHLENVERZEICHNIS - INDICE - INDICE - INDHOLD - INHOUD**

Number	Figure	Sequence	Ref.	Number	Figure	Sequence	Ref.
895-15008	03-03		36	896-11010	08-10	01	15
	04-15	01	13		08-17		19
	04-15	02	4		08-18		50
	05-01		52		08-29		2
	06-04		30		08-30		29
	06-61		12		09-51		16
	08-02		4		09-51	01	16
	08-17		43	896-11012	02-01		43
	08-18		54		02-02	01	34
	08-29		15		02-02	02	34
	08-44	02	52		02-03	02	11
	08-45		4		02-10		24
	09-17		26		04-06	02	7
	09-23		14		04-20		28
	09-33		22		04-20		33
	09-46		15		04-20	01	27
895-15010	02-01		23		04-20	01	7
	02-02	01	38		06-09	01	22
	02-02	02	9		06-20		12
	02-05	01	29		06-61		9
	02-05	02	29		08-30		25
	09-43		9		08-32		15
	09-61		3		08-47		2
895-15012	09-22		2		09-26		11
	09-23		28		09-31		6
895-15016	04-32		19		09-33		3
	09-18		17		09-36		9
895-18010	02-08		4		09-41		41
	04-21		6		09-41		7
	04-21	01	6		09-42		9
	04-30		9		09-43		7
	04-30	01	9	896-11016	05-02		6
	07-01		17		05-05		10
	07-04		51		05-10		24
	07-04	01	38		06-06		13
	07-05		54		06-09		15
	07-05	01	38		06-09	01	26
	07-07		47		06-10		7
	07-07	01	4		06-10	01	7
	07-08		53		06-10	02	7
	07-08	01	4		06-11		16
	07-10		50		06-14		26
	07-10	01	4		06-55		7
	07-11		56		06-61		23
	07-11	01	4		06-65		6
	08-06		32		06-69		13
	08-08		32		06-70		25
	08-08	02	19		06-77		13
	08-08	02	28		06-78		25
	08-10		10		08-17		24
	08-10	02	19		08-18		24
	08-10	02	28		08-46		3
	08-16		6		09-01		34
	09-37		12		09-01		41
895-18012	06-05		22		09-01		5
895-25006	02-02	01	16		09-03		8
	02-02	02	16		09-04		11
	04-09		7		09-05		5
	06-04		17		09-06		8
	06-04		33		09-08		11
	08-46		21		09-40		7
	09-13		29		09-53		2
	09-14		29	896-11020	06-60		2
	09-16		9		06-61		19
	09-41		11		09-01		29
	09-42		40		09-03		4
895-25008	02-03	02	7		09-04		7
895-30101	09-16		24		09-08		27
895-30103	06-09		16		09-09		5
895-30106	09-19		23		09-10		5
896-11006	04-31		3		09-51		2
896-11008	09-15		45		09-51	01	2
896-11010	02-09	01	10		09-52		5
	02-09	02	10		09-55		7
	06-53		4	896-11022	06-06		10
	06-61		17		06-08		8
	08-06	01	38		06-10	02	28
	08-08	01	41		06-16		3



INDEX - INDICE - INDEX - ZAHLENVERZEICHNIS - INDICE - INDICE - INDHOLD - INHOUD

Number	Figure	Sequence	Ref.	Number	Figure	Sequence	Ref.
896-11022	06-17		3	90-7717T2	02-01		18
896-11024	06-09		3	90-7731T1	02-01		16
	06-09	01	6	90-7732T1	03-03		25
	06-10		23	90-8047T1	06-02		21
	06-10	01	23	90-8048T1	06-02		13
	06-10	02	16	905-10025	09-31		13
	06-13		2		09-51		12
	06-65		2		09-54		13
	09-01		26	905974R1	05-07		18
	09-08		22		05-08		11
	09-09		24	906020R1	09-16		8
	09-10		23	906051R1	09-25		15
	09-11		5	92100C2	04-16		20
	09-11	01	5		04-16	01	3
	09-12		4	92269C1	04-13		
	09-37		8		09-18		4
896-12012	06-66		27	92718C2	06-69		9
	06-67		32		06-70		9
	06-71		14		06-77		9
	06-75		18		06-78		9
	06-76		5	92905C1	06-69		10
	06-79		14		06-70		10
	06-80		8		06-77		10
896-12014	06-79		28		06-78		10
896-12016	06-09	01	4	92906C1	06-69		5
	06-71		4		06-70		5
	06-72		28		06-77		5
	06-73		27		06-78		5
	06-74		24	92907C1	06-69		3
	06-80		14		06-70		3
	06-81		28		06-77		3
	06-82		13		06-78		3
	06-82	01	13	92915C1	06-70		13
	07-04		45		06-78		13
	07-04	01	16	93330C1	08-33		11
	07-05		48	93332C1	08-33		9
	07-05	01	48	934120R1	04-19		8
	07-07		41		04-20		32
	07-07	01	47		04-20	01	8
	07-08		47	95-31038	06-67		15
	07-08	01	47		06-72		15
	07-10		44		06-74		15
	07-10	01	47		06-81		15
	07-11		50	95-81100	06-68		11
	07-11	01	47		06-75		16
896-15008	04-15	03	34		06-76		11
896-15010	02-09	01	7		06-79		4
	02-09	02	7	9617873	08-35		46
	08-11		19	97268C1	09-15		24
	09-36		23		09-16		22
	09-42		31		09-17		15
896-15012	02-09	01	15	9780129	06-09	01	7
	02-09	02	15	A12301	08-44	02	5
	04-12		7	A12306	08-46		6
	08-44	02	2	A136253	06-72		4
	09-38		33		06-81		4
	09-39		33	A136255	06-81		5
	09-43		11	A14141	06-18		6
	09-54		15		06-19		6
896-15016	09-17		11		06-19	01	6
	09-51		19		08-21		16
	09-51	01	13		08-25		6
	09-55		13		08-46		15
896-15020	06-09	01	9	A16961	08-44	02	10
	06-53		12	A177462	09-19		14
896-16008	09-13		39		09-20		13
	09-14		43		09-29		1
896-16018	09-36		6	A186004	04-19		3
896-19012	09-29		12		04-20		31
	09-29		7		04-20	01	9
90-1322T1	06-56		8	A186194	04-07		17
90-1862T1	06-56		9	A187504	04-07		12
90-1934T2	06-56		10	A187523	04-24		39
90-6743T1	08-21		22	A187583	04-15	03	13
	08-25		10	A20058	06-06		11
	06-57		30		06-07		5
90-6894T1	09-35		16	A27328	03-03		37
90-6966T1	09-08		7	A30338	09-01		22

INDEX - INDICE - INDEX - ZAHLENVERZEICHNIS - INDICE - INDICE - INHOLD - INHOUD

Number	Figure	Sequence	Ref.	Number	Figure	Sequence	Ref.
A39888	04-01		7	H434163	07-07	01	48
	04-01	01	7		07-08		48
A41264	04-13		13		07-08	01	48
	04-18		4		07-10		45
A59514	05-05		23		07-10	01	48
A61447	06-12	02	7		07-11		51
A63171	06-70		29		07-11	01	48
	06-71		25		08-19		28
A63219	06-08		7		08-20		28
A63399	08-14		20		08-24		43
A64737	04-33	01	19		08-24	01	43
A67295	08-16		8	H434809	02-02	02	24
	08-39		2	L100096	05-05		30
A75158	06-28		11	L101181	03-03		10
	06-33		3	L106237	09-42		39
BCH4DLTW	04-15	03	7	L111928	04-20		21
BMF31GS	04-15	01	1		04-20	01	21
	04-15	02	1		04-21		14
CBCH4DLTW	04-15	03	7		04-21	01	14
D121972	04-31		1		07-04		43
D135342	09-56		12		07-04	01	41
	09-56	01	12		07-05		41
	09-56	02	2		07-05	01	41
D22200	09-36		3		08-07		57
D53692	08-49		23		08-09	01	57
D55216	09-31		31		08-21		23
	09-33		33		08-25		15
D82777	08-23		3	L11541	04-33	01	13
D82804	05-03		20	L115548	02-01		3
	05-03		9	L115549	02-01		5
D95143	05-02		2	L116247	06-18		30
	05-10		21		06-19		30
	09-40		11		06-19	01	30
D95148	09-38		12	L116943	06-55		2
	09-39		12	L124635	02-06		5
E35556	09-19		22	L129243	09-42		4
	09-20		10	L129280	02-02	01	35
F13537	08-34		71	L13142	02-02	01	13
F53473	05-02		10		02-02	02	13
	05-10		30	L14386	08-25		8
	09-02		10	L18331	07-03		21
G101060	08-34		76		07-06		21
G103862	08-34		55		08-10	01	37
	08-35		33		08-17		28
G107780	08-34		25	L18337	08-05		31
G108723	08-13		6		08-05	01	31
	08-34		44		08-05	02	31
	08-34		57		08-06		43
	08-35		34		08-07		41
	08-35		5		08-07	01	41
G108727	08-34		53		08-07	02	41
	08-35		37		08-08		48
G108728	08-34		22		08-09		43
G108908	08-34		18		08-09	01	41
G108911	08-34		17		08-09	02	41
G108912	08-34		14		08-10		42
G108918	08-34		30		08-18		28
G108921	08-34			L50641	05-01		51
G108922	08-34		19	L53928	08-15		27
G108956	08-34		72		08-16		5
G108957	08-34		70	N13313	05-03		12
G109275	08-34		33	N6755	08-03		3
G110152	08-34		23		08-04		4
G110279	08-34		31	N7673	09-33		13
G110281	08-34		32		09-36		24
G110289	08-34		34	N9026	08-04		12
G110300	08-34		37	NSS	02-03	01	10
G13609	05-03		10		02-03	01	11
G33955	09-37		11		02-03	01	12
G35540	08-13		38		02-03	01	13
H434163	05-01		43		02-03	01	14
	05-09		43		02-03	01	2
	06-23		57		02-03	01	3
	06-38		56		02-03	01	4
	07-04	01	42		02-03	01	5
	07-05		49		02-03	01	6
	07-05	01	42		02-03	01	7
	07-07		42		02-03	01	8

INDEX - INDICE - INDEX - ZAHLENVERZEICHNIS - INDICE - INDICE - INDHOLD - INHOUD

Number	Figure	Sequence	Ref.	Number	Figure	Sequence	Ref.
NSS	02-03	01	9	NSS	05-06		20
	02-04		3		05-06		21
	02-07		1		05-06		22
	02-10		1		05-06		23
	04-02		10		05-06		24
	04-02		24		05-06		3
	04-02		8		05-06		4
	04-02		9		05-06		5
	04-04		2		05-06		6
	04-04		5		05-06		7
	04-04		9		05-06		8
	04-06	01	2		05-06		9
	04-06	01	4		05-08		2
	04-06	01	5		05-08		5
	04-06	01	6		05-08		7
	04-06	01	7		05-09		44
	04-06	01	8		05-10		10
	04-06	02	5		05-10		12
	04-06	02	8		05-10		13
	04-06	02	9		05-10		14
	04-07		34		05-10		16
	04-08		1		05-10		17
	04-08		10		05-10		3
	04-08		11		05-10		4
	04-08		12		05-10		5
	04-08		13		05-10		7
	04-08		14		05-10		9
	04-08		2		06-04		19
	04-08		3		06-04		20
	04-08		5		06-04		21
	04-08		6		06-04		22
	04-08		7		06-04		23
	04-08		8		06-04		24
	04-08		9		06-11	01	2
	04-08	01	13		06-11	01	3
	04-08	01	4		06-23		58
	04-10		11		06-38		57
	04-13		10		06-40		4
	04-13		14		06-49	01	1
	04-13		8		06-50		13
	04-15	01	4		06-50		13
	04-15	02	7		06-50		13
	04-22		1		06-50		13
	04-23		1		06-51		2
	04-33		3		06-51		3
	04-33		4		06-52		1
	04-33		7		06-52		10
	04-33	01	3		06-52		14
	04-33	01	4		06-52		4
	04-33	01	7		06-52		5
	04-35		21		06-52		6
	04-35		6		06-54		1
	05-01		44		06-54		13
	05-02		15		06-54		2
	05-02		16		06-54		6
	05-02		17		06-54		9
	05-02		18		06-55		4
	05-02		22		06-56		1
	05-02		23		06-56		15
	05-02		24		06-56		16
	05-02		25		06-56		2
	05-02		26		06-63		29
	05-03		1		06-66		1
	05-03		18		06-67		1
	05-03		2		06-68		1
	05-03		21		06-68		2
	05-06		1		06-68		3
	05-06		10		06-68		4
	05-06		11		06-69		1
	05-06		12		06-69		21
	05-06		13		06-69		22
	05-06		14		06-70		1
	05-06		15		06-70		21
	05-06		16		06-70		22
	05-06		17		06-71		1
	05-06		18		06-71		2
	05-06		19		06-72		1
	05-06		2		06-72		5

**INDEX - INDICE - INDEX - ZAHLENVERZEICHNIS - INDICE - INDICE - INHOLD - INHOUD**

Number	Figure	Sequence	Ref.	Number	Figure	Sequence	Ref.
NSS	06-72		7	NSS	08-23		9
	06-73		1		08-24		44
	06-74		1		08-24	01	44
	06-75		1		08-26		1
	06-76		1		08-26		10
	06-77		1		08-26		11
	06-77		21		08-26		12
	06-77		22		08-26		13
	06-78		1		08-26		14
	06-78		21		08-26		15
	06-78		22		08-26		17
	06-79		1		08-26		18
	06-79		1		08-26		19
	06-79		18		08-26		2
	06-79		2		08-26		3
	06-80		1		08-26		4
	06-80		2		08-26		5
	06-81		1		08-26		6
	06-81		7		08-26		7
	06-82		1		08-26		8
	06-82	01	1		08-26		9
	07-02		1		08-27		1
	07-04		47		08-27		10
	07-04	01	43		08-27		11
	07-05		50		08-27		12
	07-05	01	43		08-27		13
	07-05	01	56		08-27		14
	07-07		43		08-27		15
	07-07	01	49		08-27		16
	07-08		49		08-27		17
	07-08	01	49		08-27		18
	07-10		46		08-27		19
	07-10	01	49		08-27		2
	07-11		52		08-27		20
	07-11	01	49		08-27		21
	08-03		2		08-27		22
	08-03		8		08-27		23
	08-04		11		08-27		24
	08-04		3		08-27		25
	08-04		5		08-27		26
	08-13		1		08-27		3
	08-13		14		08-27		4
	08-13		23		08-27		5
	08-13		33		08-27		6
	08-13		34		08-27		7
	08-13		36		08-27		8
	08-14		1		08-27		9
	08-14		22		08-28		1
	08-14		24		08-28		11
	08-19		29		08-28		13
	08-20		29		08-28		2
	08-22		1		08-28		3
	08-22		10		08-28		6
	08-22		11		08-30		1
	08-22		12		08-30		5
	08-22		13		08-30		6
	08-22		14		08-33		1
	08-22		15		08-34		1
	08-22		16		08-34		12
	08-22		18		08-34		2
	08-22		19		08-34		24
	08-22		2		08-34		3
	08-22		20		08-34		4
	08-22		21		08-34		46
	08-22		22		08-34		47
	08-22		3		08-34		48
	08-22		4		08-34		50
	08-22		5		08-34		51
	08-22		6		08-34		58
	08-22		7		08-34		64
	08-22		8		08-34		66
	08-22		9		08-35		1
	08-23		1		08-35		13
	08-23		2		08-35		14
	08-23		4		08-35		2
	08-23		6		08-35		29
	08-23		7		08-35		30
	08-23		8		08-35		31

INDEX - INDICE - INDEX - ZAHLENVERZEICHNIS - INDICE - INDICE - INDHOLD - INHOUD

Number	Figure	Sequence	Ref.	Number	Figure	Sequence	Ref.
NSS	08-35		38	NSS	09-11		2
	08-35		39		09-11		7
	08-35		4		09-11		8
	08-35		40		09-11		9
	08-35		41		09-11	01	1
	08-35		43		09-11	01	10
	08-35		44		09-11	01	2
	08-36		1		09-11	01	21
	08-36		11		09-11	01	7
	08-36		12		09-11	01	8
	08-36		14		09-11	01	9
	08-36		15		09-17		9
	08-36		2		09-19		6
	08-36		21		09-20		2
	08-36		22		09-23		1
	08-36		23		09-23		10
	08-36		24		09-23		11
	08-42		1		09-23		2
	08-42		10		09-23		25
	08-42		11		09-23		27
	08-42		13		09-23		29
	08-42		14		09-23		5
	08-42		2		09-23		7
	08-42		5		09-23		8
	08-42		6		09-23		9
	08-42		7		09-26		5
	08-42		8		09-27	01	5
	08-42		9		09-31		10
	08-43		6		09-31		11
	08-44	01	1		09-33		2
	08-44	01	10		09-33		8
	08-44	01	13		09-36		2
	08-44	01	14		09-38		10
	08-44	01	15		09-38		9
	08-44	01	17		09-39		10
	08-44	01	18		09-39		9
	08-44	01	2		09-40		1
	08-44	01	21		09-41		32
	08-44	01	22		09-41		33
	08-44	01	24		09-46		9
	08-44	01	3		09-47		43
	08-44	01	4		09-47		46
	08-44	01	5		09-47	01	43
	08-44	01	6		09-47	01	46
	08-44	01	7		09-48		2
	08-44	01	8		09-48	01	2
	08-44	01	9		09-48	01	46
	08-48		1		09-49		1
	08-49		1		09-49		7
	08-49		10		09-59		5
	08-49		11		09-61		5
	08-49		12	R15257	08-01		13
	08-49		13		08-06		22
	08-49		14		08-08		22
	08-49		15		08-08	02	9
	08-49		16		08-10		14
	08-49		18		08-10	02	9
	08-49		19	R43926	04-15	03	41
	08-49		2		06-02		26
	08-49		20	R51754	09-15		28
	08-49		21	R54363	03-03		20
	08-49		3		07-04	01	24
	08-49		4		07-05	01	24
	08-49		5		07-07	01	16
	08-49		6		07-08	01	16
	08-49		7		07-10	01	16
	08-49		8		07-11	01	16
	08-49		9		08-37		4
	08-50		2		08-44	02	51
	08-50		5		09-44		12
	08-50		6		09-45		18
	09-01		13	REF	04-04		12
	09-01		14		04-34		9
	09-02		1		05-09		33
	09-03		11		06-04		1
	09-04		4		06-10		10
	09-11		1		06-10		8
	09-11		10		06-10	01	10

INDEX - INDICE - INDEX - ZAHLENVERZEICHNIS - INDICE - INDICE - INHOLD - INHOUD

Number	Figure	Sequence	Ref.	Number	Figure	Sequence	Ref.
REF	06-10	01	8	S5070S00F	06-31		10
	06-10	02	10		06-33		4
	06-10	02	8		06-46		8
	06-10	02	9		06-47		6
	08-15		17		06-48		5
S1150S02F	06-22		14	S5090S00F	06-31		12
S120426	07-03		20		06-32		8
	07-06		20		06-33		10
	08-05	01	30	S5230S00F	06-28		10
	08-05	02	30		06-33		2
	08-06		39	S5510S00F	06-42		8
	08-07		40		06-64		21
	08-07	01	40	S6010S00F	06-34		4
	08-07	02	40	S6020S00F	06-34		6
	08-10		41	S6030S00F	06-34		7
	08-17		15	S6040S00F	06-34		8
S14701960	06-18		31	S6060S00F	06-34		13
	06-19		31	S6080S00F	06-34		15
	06-19	01	31	S6100S00F	06-34		20
	06-28		13	S6110S00F	06-34		24
	06-41		26	S6120S00F	06-34		23
	06-45		21	S6130S00F	06-34		19
	06-47		21	S6140S00F	06-34		17
S2080S00F	06-41		12	S6150S00F	06-34		16
	06-43		15	S6160S00F	06-34		9
	06-64		7	S6170S00F	06-34		1
S2090S00F	06-41		12	S6180S00F	06-34		2
	06-43		15	S6200S00F	06-34		18
S2220S00F	06-64		19	S6210S00F	06-34		14
S2240S00F	06-62		10	S6220S00F	06-34		5
	06-64		18	S6230S00F	06-34		11
S2610S00F	06-41		16	S6240S00F	06-34		10
	06-43		19	S6260S00F	06-34		3
S2630S00F	06-29		9	S7010S00F	06-36		8
	06-30		17	S7020S00F	06-36		11
	06-42		6	S7030S01F	06-36		7
S2640S00F	06-29		7	S7050S00F	06-36		10
	06-30		15	S7060S00F	06-36		13
S300313	06-56		18	S7070S00F	06-36		14
	06-56		4	S7080S00F	06-36		12
S300791	08-28		8	S7090S00F	06-36		4
S300792	08-28		7	S7110S00F	06-36		5
S301999	05-03		4	S7120S00F	06-36		9
S302004	05-03		3	S8730S00F	06-64		2
S302014	08-28		4	S8820S00F	06-62		13
S302016	08-28		9		06-63		12
S302018	08-28		5	S8860S00F	06-62		17
S3070S00F	06-30		26		06-63		8
	06-43		25	S92378	06-56		19
	06-64		1		06-56		5
S3200S00F	06-42		5	S95569	09-42		36
S3210S00F	06-42		4	S9910S00F	06-63		7
S3220S00F	06-42		3	S9920S00F	06-63		7
S4070S00F	06-29		4	S9930S00F	06-63		7
	06-30		12	S9940S00F	06-63		7
	06-42		12	S9950S00F	06-24		6
	06-47		14		06-62		16
S4110S00F	06-29		4		06-63		9
	06-30		12	S9960S00F	06-24		6
	06-42		12		06-62		16
	06-47		14		06-63		9
S4150S00F	06-33		18	S9970S00F	06-24		6
	06-42		21		06-62		16
	06-48		12		06-63		9
S4410S00F	06-28		22	S9980S00F	06-24		6
	06-29		19		06-62		16
	06-30		18		06-63		9
	06-45		18	SM8124208	06-63		20
	06-47		18	SM831050	06-24		32
S5040S00F	06-28		9		06-25		10
	06-29		18	SM832508	06-31		8
	06-30		8		06-33		8
	06-31		4	SM8911240	06-24		42
	06-32		9	SM8915440	06-24		39
	06-45		4	ST293	06-63		13
	06-46		3				
	06-47		8				
	06-48		6				