

AXIAL-FLOW COMBINE
7120, 8120, 9120

Parts Catalog

CNH America LLC
700 State Street
Racine, WI. 53404 U.S.A.
Printed in U.S.A.

© 2010 CNH America LLC. All Rights Reserved.
Case IH is a registered trademark of CNH America LLC.

84301008
Issued March, 2010
Replaces 84176454

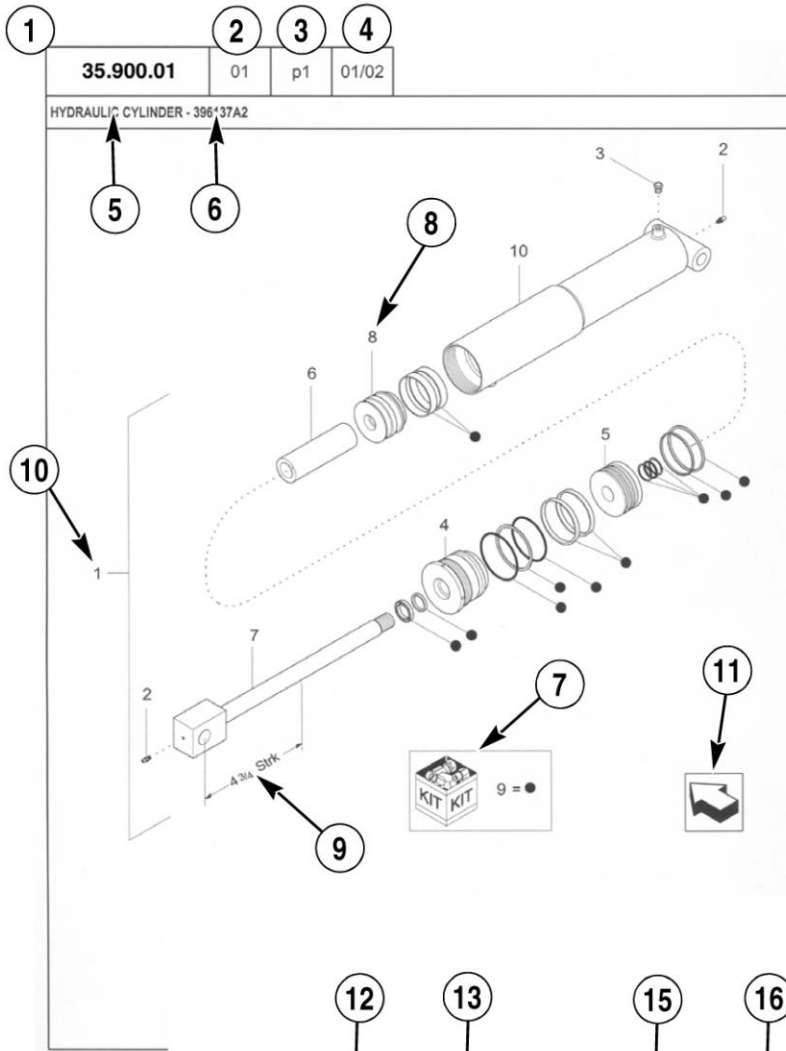


GENERAL INFORMATION

1. Whenever the terms left and right are used, it should be understood to mean from a position facing in direction of travel.
2. Throughout this manual you may find common hardware not illustrated, but listed in the description column. The service part immediately preceding a hardware listing is the part using these particular items for mounting purposes. This hardware is not included with the service part or assembly when ordered as a replacement.
3. The illustrations show typical assemblies plus individual parts but in all cases may not show the exact shape or detail of parts required. However, the purpose for the illustrations is to identify parts performing like functions. Whenever possible illustrations are located at the beginning of each section or immediately adjacent to the applicable text.
4. CNH America LLC is continually striving to improve its products. We must, therefore, reserve the right to make improvements or changes when it becomes practical and possible to do so, without incurring any obligation to make changes or additions to the equipment sold previously.

CNH America LLC, Racine, WI 53404 U.S.A.

How to Use Your Parts Catalog



<div style="display: flex; justify-content: space-between;"> 1 2 3 4 </div> <div style="display: flex; justify-content: space-between;"> 35.900.01 01 p1 01/02 </div>					
HYDRAULIC CYLINDER - 396137A2					
REF	FN	PART NUMBER	YR/SN	QTY	DESCRIPTION
1	1	396137A2	BTW 01/85 & 02/02	1	CYLINDER ASSY. 4-3/4 in strk, Inc 2-10
2		31-95	Before 01/85	2	FITTING
2		219-8	From 01/85	2	NIPPLE, LUBE Grease, 1/4 tpr x 17/32
3		{402475A2}		1	BREATHER
4		402474A		1	CAP CYLINDER END
5		402468A1	BSN JJC0189200	1	PISTON ROD/GLAND
5		145221C3	ASN JJC0189200	1	PISTON
6		402471A1		1	SPACER
7		402473A1		1	ROD, PISTON
8		402469A1		1	PISTON ROD/GLAND
9		402476A1		1	PACKAGE, SEALS
10		NSS		1	NOT SERVICED SEPARAT CASE ASSEMBLY
<div style="display: flex; justify-content: space-between;"> 12 13 15 16 1 2 3 4 </div> <div style="display: flex; justify-content: space-between;"> 35.900.01 01 p1 01/02 </div>					
HYDRAULIC CYLINDER - 396137A2					
<div style="display: flex; justify-content: space-between;"> 8 17 </div>					
<div style="display: flex; justify-content: space-between;"> 12 14 10 18 </div>					
<div style="display: flex; justify-content: space-between;"> 12 19 20 </div>					
STANDARD			MODELS		

How to Use Your Parts Catalog

1. Figure Number
2. Sequence code within the Figure Number
3. Page number within the Sequence Code
4. Date of Printing (month / year)
5. Figure Description
6. General information regarding the figure
7. Parts supplied in repair kits per symbol reference
8. Figure call-out of the part number (REF)
9. Technical Specifications relating to the part indicated
10. Figure call-out includes bracketed items, the included items may also be listed in the additional description area
11. Orientation - Arrow indicates front of the machine
12. Footnote - Additional information relating to the part number. In this example, 08-20 equals another figure that this part is shown on.
13. Part Number NSS = Non-serviced parts Bracketed numbers = not available as service parts in this market
14. Not Available as service part in this market
15. YR/SN
Year Before 01/85 = Part valid for production January 1985 and before From 01/85 = Part valid for production from January 1985 and after BTW 01/85 & 02/02 = Part valid for machines produced between January 1985 and February 2002.

Serial Number (P.I.N.)
BSN JJC0268800 = Part valid for serial number JJC0268800 and below
ASN JJC0268800 = Part valid for serial number JJC0268800 and above
BTW JJC0178000 & JJC0179000 = Part valid for serial numbers between JJC0178000 & JJC0179000
16. Total Quantity of the Part referred to in the page. The quantity can be replaced by the following indications:
AR = quantity as required X = as required
17. Part Description
18. Additional description of the part to help confirm identification
19. Figure Notes
20. Model Number(s)

Explanation of Abbreviations

Abbreviation	Meaning
adj	adjustable
amp	ampere
AR	As required
ASN	Serial number and after / P.I.N. and after
barb	barb
blkhd	bulkhead
boss	boss
BSN	before serial number / before P.I.N
BTW	between
cc	cubic centimetre
chain	chain
cl	class
cp pt	cup point
CRS	Chrome Alloy Steel
CST	Carbon Steel
cu yd	cubic yard
deg	degree
dia	diameter
dr type	drive type
dry	dry
fc	face
fc sl	face seal
fem	female
fem PT	female pipe thread
fl	flare
ft	feet (or foot)
gal	gallon(s)
gr	grade
hd	head
hp	horsepower
ID	inside diameter

Abbreviation	Meaning
in	inch(es)
Inc.	includes
inv fl	inverted flare
K	kilo
kg	kilogram
L	litre
lb	pound(s)
lg	long
LH	left hand
LH thd	left hand thread
links	links
M	(prefix) metric thread size
m	metre
male	male
mm	millimetre
NF	National Fine
No.	number
NS	National Super Fine
OD	outside diameter
ohm	electrical unit of resis- tance
Or	O-ring
orifice	orifice
P	pitch
piece	piece
psi	pounds per square inch
PT	pipe thread
rd	round
rd holes	round holes
RH	right hand
RH thd	right hand thread
rpm	revolutions per minute

Explanation of Abbreviations

Abbreviation	Meaning
sl	self locking
slat	slat
spool	spool
sq	square
SST	Stainless Steel
st	self tapping
stem	stem
strk	stroke
sw	swivel
T	teeth
Teflon	Teflon
thin	thin
thk	thick
tpr	taper

Abbreviation	Meaning
tube	tube
type	type
V	volt(s)
W	watt(s)
way	way
wide	wide
X	as required
yd	yard

Dimensions

Metric and U.S. hardware dimensions do not show the numeric designations of standard coarse threads. A number following a semi colon (;) is the class or grade of hardware. A comma (,) represents the decimal point (.) used in U.S. dimensions.



ALPHABETICAL INDEX	FIGURE	SEQ.
A/C & HEATER HOSES - 7120/7120(LA)	50.200.04	01
A/C & HEATER HOSES - 8120/8120(LA)	50.200.04	02
A/C & HEATER HOSES - 9120	50.200.04	03
A/C COMPRESSOR AND DRIVE - 8120/8120(LA)	50.200.07	
ACCUMULATOR - RIDE CONTROL	55.440.11	
ACTUATOR, SELF LEVELING	55.780.11	
ADJUSTABLE DISTRIBUTOR	88.230.20	
AFS PRO 600 TOUCH SCREEN DISPLAY - 8120	55.440.06	
AIR CLEANER & FILTERS - ENGINE 7120/7120(LA) - 8120/8120(LA)	10.202.02	
AIR COMPRESSION KIT AFX9120, MODEL YEAR 2010	88.230.21	01
AIR COMPRESSOR KIT, AFX7120	88.230.21	02
AIR COMPRESSOR KIT, AFX8120	88.230.21	03
AIR CONDITIONING UNIT - MOUNTING GROUP	50.200.02	
AIR DAM, LOWER SIEVES	74.118.03	01
AIR DAM, LOWER SIEVES	74.118.03	02
AIR FILTER & BLOWER	90.150.05	
AIR GUN ASSEMBLY, BLOWOFF	88.431.03	
AIR INTAKE - ENGINE - 7120/7120(LA)	10.254.08	01
AIR INTAKE - ENGINE - 8120/8120(LA)	10.254.08	02
AIR INTAKE - ENGINE - 9120	10.254.08	03
AIRCO UNIT, ATC	50.206.02	
ALTERNATOR COMPONENTS - 7120/7120(LA)	55.301.03	01
ALTERNATOR COMPONENTS - 8120/8120(LA)	55.301.03	02
ALTERNATOR COMPONENTS - 9120	55.301.03	03
ALTERNATOR MOUNTING - 7120/7120(LA)	55.301.02	01
ALTERNATOR MOUNTING - 8120/8120(LA)	55.301.02	02
ALTERNATOR MOUNTING - 9120	55.301.02	03
ANGLE DRIVE	74.140.06	
ANTENNA - NA/LATIN AMERICA ONLY	55.510.07	01
ARM, REAR DECK LADDER	90.118.44	
AUGER SPRING & CABLE, BUBBLE-UP AUGER DRIVE	80.101.26	
AUGER UNLOADING ASSY - 4 FT EXT WEAR RED	80.180.17	02
AUGER UNLOADING ASSY - 4 FT STD WEAR RED	80.180.17	01
AUTO GUIDANCE-READY, AFS252 COMPLETING EXT	88.430.07	
AUTO GUIDANCE-READY, CONTROL MODULE	88.430.01	
AUTO GUIDANCE-READY, ELECTRICAL WIRING	88.430.02	01
AUTO GUIDANCE-READY, ELECTRICAL WIRING	88.430.02	02
	88.430.06	
AUTO GUIDANCE-READY, HYDRAULIC VALVE W/PRESSURE RELIEF		
AUTO GUIDANCE-READY, HYDRAULICS - 7120, 8120	88.430.05	01
AUTO GUIDANCE-READY, HYDRAULICS - 7120, 8120/8120(LA), 9120	88.430.05	02
AUTO GUIDANCE-READY, STEERING WHEEL SENSOR	88.430.03	
BATTERY SYSTEM	55.100.10	
BATTERY TRAY	55.301.05	
BEACON, REAR, ROTATING	55.408.02	
BEACONS, CAB ROOF, ROTATING	55.408.03	
BEARING PLATE	66.101.09	01
BEARING PLATE	66.101.09	02
BEARING SUPPORT, ROTOR	66.101.08	
BEATER DRIVE (BELT)	66.350.03	
BEATER DRIVES - 7120/7120(LA)	66.350.03	01
BEATER DRIVES - 8120/8120(LA), 9120	66.350.03	02
BEATER, DISCHARGE	66.350.01	
BELT PULLEY DRIVE & COVER - 7120/7120(LA)	10.114.01	01
BELT PULLEY DRIVE & COVER - 8120/8120(LA)	10.114.01	02
BELT PULLEY DRIVE & COVER - 9120	10.114.01	03

BELTS & CHAINS - LEFT SIDE	05.000.02	01
BELTS & CHAINS - RIGHT SIDE	05.000.02	02
BOTTOM BOOT, CLEAN GRAIN ELEVATOR	80.101.19	
BRACKETS & HINGE, R.H. LOWER	90.118.37	
BRACKETS, FRONT SUPPORTING	39.100.06	
BRACKETS, LOWER SHIELDS - TRACK - NA - 8120, 9120	90.118.40	
BRAKE CALIPER	33.202.06	
BRAKE GEARBOX	33.202.07	
BRUSH KIT, ROTARY DUST SCREEN	10.414.14	
BUBBLE-UP AUGER	80.101.10	
BUBBLE-UP AUGER - LATIN AMERICA ONLY	80.101.10	01
BUBBLE-UP AUGER DRIVE	80.101.25	
BUBBLE-UP AUGER TANDEM GEARBOX, ASN Y9G207858	80.101.21	02
BUBBLE-UP AUGER TANDEM GEARBOX, BSN Y9G207858	80.101.21	01
CAB DOOR, L.H.	90.154.02	01
CAB DOOR, R.H.	90.154.05	
CAB FRAME	90.150.01	
CAB MOUNTING	90.150.06	
CAB ROOF ELECTRICAL	55.510.05	
CAB ROOF, INNER	90.160.03	
CAB ROOF, OUTER	90.150.04	
CAB SKIRT - EU - 7120, 8120, 9120	90.150.07	03
CAB SKIRT - NA & LATIN AMERICA	90.150.07	02
CAMSHAFT - 7120/7120(LA)	10.106.01	01
CAMSHAFT - 8120/8120(LA)	10.106.01	02
CAMSHAFT - 9120	10.106.01	03
CCM MODULES, YMIU CONTROLLER & SHAFT SPEED MONITOR	55.440.05	01
CENTRAL STEERING BRIDGE, POWERED & HEAVY DUTY, W/EXTENSIONS	44.151.06	
CHAFF WIPER - 8120/8120(LA)	10.418.31	
CHAIN ASSY AND FEEDER SLATS	60.105.03	
CHAIN ASSY AND FEEDER SLATS - MY10 PRODUCTION - U SHAPED SLAT PROFILE	60.105.03	01
CHARGE AIR CIRCUIT - 7120/7120(LA)	10.310.02	01
CHARGE AIR CIRCUIT - 8120/8120(LA)	10.310.02	02
CHARGE AIR CIRCUIT - 9120	10.310.02	03
CLEANING FAN	74.130.01	
CLEANING FAN - UPDATED TO MY10	74.130.01	01
CLEANING FAN DRIVE MOUNTING	35.910.04	
CLEANING FAN DRIVE MOUNTING, NARROW TIRE OPTION - FROM MY2010 EUROPEAN ONLY	35.910.04	01
CLUTCH ASSEMBLY, ELEVATOR HOUSING	18.110.02	
CLUTCH, FRICTION DISC	60.150.10	
COMPLETE ENGINE - 7120/7120(LA)	10.100.01	01
COMPLETE ENGINE - 8120/8120(LA)	10.100.01	02
COMPLETE ENGINE - 9120	10.100.01	03
COMPRESSOR, AIRCOND. - 7120/7120(LA)	50.200.09	01
COMPRESSOR, AIRCOND. - 9120	50.200.09	02
CONCAVE WITH ROUND BARS	66.105.20	
CONCAVES, CORN / BEAN	66.105.16	
CONCAVES, CORN/BEAN - SKIP WIRE	66.105.17	
CONCAVES, ROUND BAR CORN/BEAN	66.105.23	
CONCAVES, SLOTTED	66.105.12	
CONCAVES, SMALL GRAIN	66.105.13	
CONCAVES, SMOOTH	66.105.25	

CONCAVES, STANDARD BAR	66.105.26	
CONNECTORS, VALVE, FEEDER STACK - W/LATERAL TILT, ASN YAG208243	35.480.02	02
CONNECTORS, VALVE, FEEDER STACK - W/LATERAL TILT, BSN YAG208243	35.480.02	01
CONSOLE AND CONTROLS, R.H.	90.160.02	02
CONSOLE, IGNITION KEY	55.512.10	
CONSOLE, R.H., TOUCH SCREEN DISPLAY	55.785.01	
CONTROLS, ATC	50.206.01	
COOLANT HEATER - 7120/7120(LA)	10.254.05	01
COOLANT HEATER - 8120/8120(LA) - 9120	10.254.05	02
COOLANT LINES - 7120/7120(LA)	10.406.03	01
COOLANT LINES - 8120/8120(LA)	10.406.03	02
COOLANT LINES - 9120	10.406.03	03
CRANKSHAFT - 7120/7120(LA)	10.103.01	01
CRANKSHAFT - 9120	10.103.01	02
CRANKSHAFT & RELATED PARTS - 8120/8120(LA)	10.103.02	
CVT FEEDER/HEADER DRIVE	35.204.01	
CYLINDER BARREL LUBRICATION NOZZLE - 7120/7120(LA)	10.001.02	01
CYLINDER BARREL LUBRICATION NOZZLE - 8120/8120(LA)	10.001.02	02
CYLINDER BARREL LUBRICATION NOZZLE - 9120	10.001.02	03
CYLINDER BLOCK & RELATED PARTS - 7120/7120(LA)	10.001.04	01
CYLINDER BLOCK & RELATED PARTS - 8120/8120(LA)	10.001.04	02
CYLINDER BLOCK & RELATED PARTS - 9120	10.001.04	03
CYLINDER HEAD & RELATED PARTS - 7120/7120(LA)	10.101.02	01
CYLINDER HEAD & RELATED PARTS - 8120/8120(LA)	10.101.02	02
CYLINDER HEAD & RELATED PARTS - 9120	10.101.02	03
DAMPER - 7120/7120(LA)	10.110.01	01
DAMPER - 8120/8120(LA)	10.110.01	02
DAMPER - 9120	10.110.01	03
DEALER INITIAL STOCKING LIST - 7120/7120(LA), 8120/8120(LA)	05.000.01	01
DEALER INITIAL STOCKING LIST - 9120	05.000.01	02
DECALS	90.108.01	01
DECALS	90.108.01	02
DECALS - EU	90.108.02	03
DECALS - EU	90.108.02	01
DECALS - EU	90.108.02	02
DECALS - MODEL & BRAND	90.108.11	
DECALS - RUSSIA ONLY - 7120, 8120, 9120	90.108.10	
DECK, REAR - 7120/7120(LA), 8120/8120(LA)	90.118.41	01
DECK, REAR - 9120	90.118.41	02
DECK, REAR, LADDER	90.118.41	
DEFLECTOR, R.H. CHOPPER DISCHARGE	88.210.04	
DEFLECTOR, REMOTE ADJUSTABLE CHOPPER DISCHARGE	88.230.04	
DIA HARVEST KIT, ADDITIONAL FUEL FILTER	10.206.08	
DIA HARVEST KIT, LIGHTS, HID ROOF	55.404.32	
DIA HARVEST KIT, MID DISTANCE HID LIGHT - R.H. MIRROR MOUNTED	55.404.33	
DIA HARVEST KIT, NON STONE TRAP	60.110.21	
DIA HARVEST KIT, STONE TRAP SUMP COVER	66.101.12	
DIA HARVEST KIT, STRAW HOOD DOOR	90.118.29	
DIA HARVEST KIT, STRAW SPREADER SUPPORT & DEFLECTORS	88.230.13	01
DIA HARVEST KITS, LATERAL TILT	60.110.22	
DIA KIT CANVAS ASSY, GRAINTANK EXT. AFX7120	80.154.04	
DIA KIT CANVAS ASSY, GRAINTANK EXT. AFX8120, AFX9120	80.154.06	
DIA KIT LOWER SHIELDING WA AFX8010, AFX8120, AFX9120	48.999.01	05

DIA KIT TRACK FRAME AFX8120, AFX9120	48.999.01	04
DIA KIT, AIR COMPRESSION, AFX7120	88.431.00	
DIA KIT, AIR COMPRESSION, AFX8120	88.431.02	
DIA KIT, AIR COMPRESSION, AFX9120	88.431.01	
DIA KIT, SHEAR BAR ASSEMBLY	88.210.13	04
DIA KIT, UNLOADING AUGER EXTENSION 1.3M/ 4.4' EXTENDED WEAR RED	80.180.17	03
DIA KIT, UNLOADING AUGER EXTENSION 1.3M/ 4.4FT STANDARD WEAR	80.180.17	04
DIA KIT. DUAL SPEED PRA AXLE	44.200.11	
DIA TRACK KIT HARDWARE, AFX8010, AFX8120, AFX9120	48.999.01	02
DIA TRACK KIT HYD TUBES, AFX8010, AFX8120, AFX9120	48.999.01	03
DIA TRACK KIT, AFX8010 AFX8120 AFX9120	48.999.01	01
DIA, HARVEST KIT, AXLE EXTENSION, EUROPEAN ONLY	44.101.02	
DIA, HARVEST KIT, EXTENDED WEAR, GRAIN TANK BOTTOM	80.154.07	
DIA, HARVEST KIT, FRAME REINFORCEMENT	39.101.03	
DIA, HARVEST KITS, FRONT AXLE EXTENSION - 7120/7120(LA)	44.101.01	01
DIA, HARVEST KITS, FRONT AXLE EXTENSION - 8120/8120(LA), 9120	44.101.01	02
DIFFERENTIAL	21.184.02	
DIFFERENTIAL LOCK	21.110.01	
DIFFERENTIAL LOCK CONTROL	21.182.02	
DIVIDER CROP ASSEMBLY DELUXE NARROW	88.230.19	02
DOOR, HANDLE ASSEMBLY	90.154.04	
DOOR, METAL DUST SCREEN - 8120/8120(LA)	10.414.09	
DRIVE BELT & CRANKSHAFT PULLEY - 7120/7120LA	10.103.07	01
DRIVE BELT & CRANKSHAFT PULLEY - 9120	10.103.07	02
DRIVE SHAFT, FEEDER/HEADER	60.120.10	
DRIVE SHAFT, LOWER - FEEDER/HEADER	60.120.11	02
DRIVE SHAFT, LOWER - FEEDER/HEADER	60.120.11	01
DRIVE SHAFT, UPPER - FEEDER/HEADER	60.120.12	
DRIVE SHAFTS AND RODS, TRACK - NA - 7120	41.106.03	01
DRIVE SHAFTS AND RODS, TRACK - NA ONLY - 8120, 9120	41.106.03	02
DRIVE, HYDRAULIC ROTARY SCREEN - 8120/8120(LA)	10.414.12	
DUAL WHEEL MOUNT (DELAYED)	44.100.13	
DUST SCREEN	10.414.13	
DUST SCREEN MOUNTING, METAL - 8120/8120(LA)	10.414.10	
ECCENTRIC AND SHAKER SHOE DRIVE	74.101.13	
ELECTRICS ON HITCH	55.100.32	
ELECTRONIC CONTROL UNIT - 7120/7120(LA)	55.440.03	01
ELECTRONIC CONTROL UNIT - 8120/8120(LA)	55.440.03	02
ELECTRONIC CONTROL UNIT - 9120	55.440.03	03
ELEVATOR HEAD	80.101.08	
ELEVATOR HOUSING AND DRIVES	80.101.15	
ENGINE BLOCK FRONT COVER - 8120/8120(LA)	10.102.04	01
ENGINE BLOCK FRONT COVER - 9120	10.102.04	02
ENGINE BREATHERS - 7120/7120(LA)	10.101.04	01
ENGINE BREATHERS - 8120/8120(LA)	10.101.04	02
ENGINE BREATHERS - 9120	10.101.04	03
ENGINE ELECTRIC INSTALLATION - 7120/7120(LA)	55.100.08	01
ENGINE ELECTRIC INSTALLATION - 8120/8120(LA)	55.100.08	02
ENGINE ELECTRIC INSTALLATION - 9120	55.100.08	03
ENGINE GUARD, 7120 (LA)	90.102.02	01
ENGINE GUARD, 8120 (LA)	90.102.02	02
ENGINE GUARDS - 7120	90.102.03	01
ENGINE GUARDS - 8120	90.102.03	02
ENGINE GUARDS - 9120	90.102.03	03

ENGINE GUARDS - NEW GRAIN TANK FEATURES, MY2010	90.102.05	01
ENGINE GUARDS - NEW GRAIN TANK FEATURES, MY2010	90.102.05	02
ENGINE GUARDS - NEW GRAIN TANK FEATURES, MY2010	90.102.05	03
ENGINE OIL FILTER & LUBE LINES - 7120/7120(LA)	10.206.05	
ENGINE SENSORS - 7120/7120(LA)	55.414.01	01
ENGINE SENSORS - 9120	55.414.01	02
ENGINE SENSORS & ECU - 8120/8120(LA)	55.440.02	
ENGINE SUSPENSION - 7120/7120(LA)	10.012.01	01
ENGINE SUSPENSION - 8120/8120(LA)	10.012.01	02
ENGINE SUSPENSION - 9120	10.012.01	03
ENHANCED CLEANING - DIA KIT, P/N 87525427	74.999.01	02
ENHANCED CLEANING - DIA KIT, P/N 87582923	74.999.01	01
ENHANCING CLEANING - DIA KIT, P/N 87352563	74.999.01	03
EVAPORATOR, ATC AIRCO UNIT	50.200.12	
EXHAUST MANIFOLD - 7120/7120(LA)	10.254.10	01
EXHAUST MANIFOLD - 8120/8120(LA)	10.254.10	02
EXHAUST MANIFOLD - 9120	10.254.10	03
EXTENSION GRAIN BIN - MY2010 - NA AND LA	80.101.07	
EXTENSION, GRAIN BIN	80.154.03	
FAN DRIVE - ENGINE - 7120/7120LA	10.414.02	01
FAN DRIVE - ENGINE - 9120	10.414.02	02
FAN SHROUD - 7120/7120(LA)	10.406.08	01
FAN SHROUD - 8120/8120(LA)	10.406.08	02
FAN SHROUD - 9120	10.406.08	03
FEEDER - CONVEYOR JACKSHAFT	60.130.01	
FEEDER - GEARBOX ASSY	21.102.01	
FEEDER ADAPTER, FIXED	60.110.20	
FEEDER ELECTRIC	55.100.14	
FEEDER FLOOR AND CHAINS - WITH ROCK TRAP	60.110.06	02
FEEDER FLOOR AND CHAINS - WITHOUT ROCK TRAP	60.110.06	01
FEEDER FRAME	60.110.08	
FEEDER HOUSING AND SHIELDS	60.110.09	
FEEDER IDLER ROLLER	60.105.05	
FEEDPLATE	88.230.07	
FILTER ASSY - HYDRO CHARGE	29.204.06	
FILTER, ENGINE OIL - 8120/8120(LA) - 9120 (504037241)	10.206.04	
FILTERS & CAPACITIES	05.100.01	
FILTERS AND MAIN STACK VALVE	35.204.11	
FINAL DRIVE, MOUNTING HARDWARE (DELAYED)	25.310.04	
FINAL DRIVE, PLANETARY	25.310.02	01
FINAL DRIVE, PLANETARY	25.310.02	02
FINAL DRIVE, PLANETARY, MOUNTING HARDWARE	25.310.05	
FINAL DRIVE, STANDARD	25.310.03	02
FINAL DRIVE, STANDARD	25.310.03	01
FIRE EXTINGUISHER - EU - 7120, 8120, 9120	05.102.01	01
FIRE EXTINGUISHER - NA, ANZ, & LATIN AMERICA - 8120	05.102.01	02
FIXED SPEED - FEEDER/HEADER DRIVE HYDRAULICS - 7120, 8120	35.910.05	01
FIXED SPEED - FEEDER/HEADER DRIVE HYDRAULICS - 7120, 8120/8120(LA), 9120	35.910.05	02
FLYWHEEL - 7120/7120(LA)	10.103.03	01
FLYWHEEL - 8120/8120(LA)	10.103.03	02
FLYWHEEL - 9120	10.103.03	03
FLYWHEEL CASE - 7120/7120(LA)	10.103.04	01
FLYWHEEL CASE - 8120/8120(LA)	10.103.04	02
FLYWHEEL CASE - 9120	10.103.04	03
FRAME & COOLERS - 7120/7120(LA)	10.414.01	01

FRAME & COOLERS - 8120/8120(LA)	10.414.01	02
FRAME & COOLERS - 9120	10.414.01	03
FRAME, ENGINE - 7120/7120(LA)	10.012.04	01
FRAME, ENGINE - 8120/8120(LA)	10.012.04	02
FRAME, ENGINE - 9120	10.012.04	03
FRAME, LOWER & PIVOT, CLEANING SHOE, SELF-LEVELING	39.100.04	
FRAME, SELF-LEVELING	39.100.01	
FRAME, SEPARATOR	66.360.09	
FRAME, THRESHING	39.100.05	
FRONT AXLE	44.104.01	
FRONT GUARD MY2010 - 7120, 8120, 9120	88.210.09	
FUEL FILTER & RELATED PARTS - 7120/7120(LA)	10.206.02	
FUEL FILTER W/WATER SENSOR	10.206.03	
FUEL FILTER, ENGINE MOUNTED - 8120/8120(LA)	10.206.01	01
FUEL FILTER, ENGINE MOUNTED - 9120	10.206.01	02
FUEL INJECTION LINES - 7120/7120(LA)	10.218.01	
FUEL LINES - 7120/7120(LA)	10.214.01	
FUEL LINES & RELATED PARTS - 8120/8120(LA)	10.214.02	01
FUEL LINES & RELATED PARTS - 9120	10.214.02	02
FUEL PUMP & RELATED PARTS - 8120/8120(LA)	10.210.02	01
FUEL PUMP & RELATED PARTS - 9120	10.210.02	02
FUEL SYSTEM	10.246.03	
FUEL SYSTEM, PUMP AND FILTER	10.114.02	
GEARBOX, FEEDER CONVEYOR DRIVE, WITH ROCK TRAP	60.150.02	
GEARBOX, FEEDER CONVEYOR DRIVE, WITHOUT ROCK TRAP	60.150.03	
GEARBOX, FEEDER/HEADER, W/PTO	60.150.01	
GEARBOX, HEADER/FEEDER - FIXED SPEED, INPUT HALF	60.150.07	
GEARBOX, HEADER/FEEDER - FIXED SPEED, OUTPUT HALF	60.150.06	
GEARBOX, HEADER/FEEDER, VARIABLE SPEED, INPUT HALF	60.150.05	
GEARBOX, HEADER/FEEDER, VARIABLE SPEED, OUTPUT HALF	60.150.04	
GEARBOX, ROTOR - 3 SPEED	66.260.21	
GPS MOUNT	55.440.12	
GPS MOUNT - EU SPECIFIC - 7120, 8120, 9120	55.440.12	01
GRAIN ELEVATOR TENSIONER & CHAIN	80.101.18	
GRAIN FLOW SENSOR	55.418.01	
GRAIN HEADER ILLUMINATION	55.100.26	
GRAIN PAN	74.110.06	
GRAIN PAN DRIVE	74.110.03	
GRAIN PAN, SUPPORTS & SEALS	74.110.04	
GRAIN TANK - BOTTOM AND AUGERS	80.150.11	
GRAIN TANK - BOTTOM AND AUGERS - LATIN AMERICA ONLY	80.150.11	02
GRAIN TANK - MY2010	80.150.03	01
GRAIN TANK - MY2010	80.150.03	02
GRAIN TANK CORNER PANELS	80.150.16	
GRAIN TANK COVER - MY10 - 350 BU, 315 BU	80.150.07	
GRAIN TANK COVERS	80.150.06	
GRAIN TANK ELECTRICITY	55.404.28	
GRAIN TANK, L.H.	80.150.05	
GRAIN TANK, R.H.	80.150.02	
GUARD, STRAW SPREADER - EU ONLY - 7120, 8120, 9120	90.114.08	
HALF-SHAFTS WITHOUT EXTENSIONS - 7120/7120(LA)	44.151.08	01
HALF-SHAFTS WITHOUT EXTENSIONS - 8120/8120(LA), 9120	44.151.08	02
HEAD COVER - 7120/7120(LA)	10.101.03	01
HEAD COVER - 8120/8120(LA)	10.101.03	02
HEAD COVER - 9120	10.101.03	03
HEAT EXCHANGER - 7120/7120(LA)	10.408.03	01

HEAT EXCHANGER - 8120/8120(LA)	10.408.03	02
HEAT EXCHANGER - 9120	10.408.03	03
HINGE SYSTEM, GRAIN TANK COVERS	80.154.09	
HITCH, TRAILER	39.110.02	
HOUSING, FAN	74.130.08	
HYDRAULIC CYLINDER, UNLOADING AUGER, SWING,	35.440.04	
HYDRAULIC LINES - CLEANING FAN DRIVE	35.910.02	
HYDRAULIC LINES - CLEANING FAN DRIVE; NARROW TIRE OPTION - FROM MY2010	35.910.02	01
HYDRAULIC LINES, POWERED REAR AXLE	44.200.09	
HYDRAULIC LINES, PTO 1	41.203.01	
HYDRAULIC LINES, PTO 2	41.203.02	
HYDRAULIC MANIFOLD, GRAIN COVER, MY2010	35.440.06	
HYDRAULIC MANIFOLD, UNLOADING DRIVE, SPECIAL FOR RICE - NA ONLY - 7120, 8120, 9120	88.100.03	
HYDRAULIC MOTOR, CLEANING FAN DRIVE; NARROW TIRE OPTION - FROM MY10 EUROPEAN ONLY	74.135.02	01
HYDRAULIC MOTOR, UNLOADING DRIVE, SPECIAL FOR RICE - NA ONLY - 7120, 8120, 9120	88.100.02	
HYDRAULIC TUBES - ENGINE COMPARTMENT	35.910.03	01
HYDRAULIC TUBES - ENGINE COMPARTMENT	35.910.03	02
HYDRAULIC TUBES - PARK VALVE	33.110.03	
HYDRAULIC, GT COVER MANIFOLD	35.910.13	
HYDRAULICS - BRAKE CONTROL LINES	33.202.15	
HYDRAULICS - FEEDER LIFT	35.162.02	
HYDRAULICS - FEEDER STACK VALVE	35.480.05	
HYDRAULICS - MAIN LINES	21.104.02	
HYDRAULICS - SPREADER AND ROTARY SCREEN DRIVE - 7120/7120(LA)	35.752.03	01
HYDRAULICS - SPREADER AND ROTARY SCREEN DRIVE - 8120/8120(LA)	35.752.03	02
HYDRAULICS - SPREADER AND ROTARY SCREEN DRIVE - 9120	35.752.03	03
	35.300.01	02
HYDRAULICS LINES, PTO 3 (PTO REGULATOR VALVE) - FROM 4/2009		
HYDRAULICS LINES, PTO 3 (PTO REGULATOR VALVE) - PRIOR TO 4/2009	35.300.01	01
HYDRAULICS, GRAIN COVER MY2010	35.440.07	
HYDRO DRIVE	29.204.05	
HYDROSTATIC MOTOR, 107CC OR 125CC	29.212.20	
INJECTION PUMP - 7120/7120(LA)	10.246.01	
INJECTION PUMP - COMPONENTS - 7120/7120(LA)	10.246.02	
INJECTOR & RELATED PARTS - 7120/7120(LA)	10.218.03	01
INJECTOR & RELATED PARTS - 8120/8120(LA)	10.218.03	02
INJECTOR & RELATED PARTS - 9120	10.218.03	03
INPUT SHAFT & GEARS, ROTOR GEARBOX	66.260.24	
INSPECTION LAMP	55.404.21	
INSTRUCTOR SEAT, AFTER MARCH 2009	90.120.05	01
INTAKE MANIFOLD & HEATER - 7120/7120(LA)	10.254.01	01
INTAKE MANIFOLD & HEATER - 8120/8120(LA)	10.254.01	02
INTAKE MANIFOLD & HEATER - 9120	10.254.01	03
INTERMEDIATE GEARS, CAMSHAFT - 8120/8120(LA)	10.106.02	
KIT, ADDITIONAL WINDSHIELD WIPER (ARM)	55.518.05	
KIT, ANTI-STATIC	88.230.13	02
KIT, DIA - GRAIN FLOW/MOISTURE SENSOR	55.785.03	01
KIT, DIA - GRAIN FLOW/MOISTURE SENSOR - UPDATED TO MY10	55.785.03	02
KIT, DIA HARVEST, STONE TRAP	66.101.02	

KIT, DUAL SPEED - POWERED REAR AXLE	44.200.13	
KIT, DUAL WHEELS MOUNTING	44.100.14	
KIT, FAN SHIELD - 8120/8120(LA), 9120	90.115.10	
KIT, FRONT FILLER PLATE, ROTOR CAGE	66.360.11	
KIT, GRATE COVER, BEATER DISCHARGE - 8120/8120(LA)	66.350.05	
KIT, HARD THRESHING	66.105.28	
KIT, HEAVY DUTY FEEDER LIFT	35.162.04	
KIT, KNIFE PROTECTION, FOR 3X3 INTEGRATED CHOPPER	88.210.14	
KIT, PROPULSION HANDLE	55.512.13	
KIT, REAR FILLER PLATE, ROTOR CAGE	66.360.12	
KIT, ROTOR IMPELLER	66.330.17	
KIT, SCRAPER BLADES - ELEVATOR CHAIN	80.101.34	
KIT, SERRATED FLAIL STRAWCHOPPER	88.210.11	
KIT, SERVICE BRAKE PRESSURE LIMITER	33.202.23	
KIT, SLOW DOWN - ELEVATOR & GRAIN TANK	80.101.35	
KIT, SOFTWARE, AF162 QRC	55.440.16	
KIT, TRACK - NA ONLY - 8120, 9120	44.151.12	
KIT, UNLOADER VERTICAL DISCHARGE	80.180.07	
KIT, UNLOADING CHAIN DRIVE, SPECIAL FOR RICE - NA ONLY - 7120, 8120, 9120	80.175.11	
KNIFE FRAME, FIXED, FROM PIN HAJ202001	88.220.03	02
KNIFE FRAME, FIXED; FOR USE W/3X3 INTEGRATED CHOPPER, ASN, YAG208311	88.230.11	02
KNIFE FRAME, FIXED; FOR USE W/3X3 INTEGRATED CHOPPER, BSN, YAG208311	88.230.11	01
LATCH ASSEMBLY - CLEANOUT DOOR	74.140.15	
	90.118.36	
LATCHES, SECONDARY PANEL - EU ONLY - 7120, 8120/8120(LA), 9120		
LATERAL TILT FEEDER ADAPTER	60.110.03	
LATERAL TILT FEEDER, PIVOT FRONT FACE HARDWARE	60.110.02	
LIGHT, UNLOADING AUGER	55.404.31	
LIGHTING, LICENSE PLATE - EU - 7120, 8120, 9120	55.404.34	
	55.404.08	
LIGHTS, FRONT PLATFORM - STANDARD - EU ONLY - 7120, 8120, 9120		
LIGHTS, FRONT PLATFORM, WIDE - EU ONLY - 7120, 8120, 9120	55.404.09	
LIGHTS, HALOGEN CAB ROOF	55.404.11	
LIGHTS, HID CAB ROOF	55.404.12	01
LIGHTS, HID CAB ROOF, DELUXE	55.404.12	02
LIGHTS, REAR - STANDARD - FOR NA, LA & AUSTRALIA	55.404.10	
LIGHTS, SERVICE	55.404.20	
LIGHTS, SIDE MARKER - EU - 7120, 8120, 9120	55.408.08	
LIGHTS, SIDE MARKER, HEADER - EU - 7120, 8120, 9120	55.404.17	
LIGHTS, WARNING, REAR - EU ONLY - 7120, 8120, 9120	55.408.05	
LINKAGE FOR GRAIN TANK COVER - MY2010 - 350 BU AND 315 BU	80.154.10	
LOWER SHOE DRIVE	74.101.12	
LOWER SIEVE, INTERCHANGEABLE	74.118.07	
LOWER SIEVE, INTERCHANGEABLE, FRAME, BLANK	74.118.08	
LOWER SIEVES	74.118.01	
MAIN CAB ELECTRICITY	55.100.41	
MANIFOLD, CHARGE PRESSURE	35.310.41	
MANIFOLD, DRAIN	31.114.05	
MECHANICAL TRANSMISSION OUTPUT SHAFT	21.140.03	
MECHANICAL TRANSMISSION, COMPLETE	21.114.01	
MECHANICAL TRANSMISSION, DRIVE SHAFT	21.140.02	
MECHANICAL TRANSMISSION, GEARSHIFT CONTROL	21.130.03	
MECHANICAL TRANSMISSION, HOUSING	21.120.02	

MECHANICAL TRANSMISSION, INPUT SHAFT	21.145.01	
MIRROR FOR GERMANY - 7120, 8120, 9120	90.118.04	
MIRROR, REAR VIEW, DELUXE	90.118.27	
MIRROR, REAR VIEW, STANDARD	90.118.26	
MOISTURE SENSOR	55.424.02	
MOTOR, CONCAVE ADJUSTMENT	55.627.11	
MOTOR, HEADER - FEEDER	35.910.06	
MOTOR, HYDRAULIC - ROTOR	35.710.02	
MOTOR, HYDRAULIC - SPREADER W/ DRAIN	35.910.07	01
MOTOR, HYDRAULIC - SPREADER W/ SENSOR	35.910.07	02
MOTOR, HYDROSTATIC, PRA	44.200.07	
MOTOR, WINDSHIELD WIPER	55.518.01	
MUFFLER & EXHAUST - 7120/7120(LA) - 8120/8120(LA)	10.254.11	01
MUFFLER & EXHAUST - 9120	10.254.11	02
OIL DIPSTICK & TUBE - 8120/8120(LA)	10.103.09	01
OIL DRAIN LINES	10.102.07	
OIL HOUSING - 7120/7120(LA)	10.206.07	
OIL LEVEL CHECK - 7120/7120(LA)	10.103.10	01
OIL LEVEL CHECK - 7120/7120(LA) FROM 01/01/2009	10.103.10	02
OIL LEVEL CHECK - 9120	10.103.10	03
OIL PRESSURE REGULATION VALVE - 7120/7120(LA)	10.304.05	01
OIL PRESSURE REGULATION VALVE - 8120/8120(LA)	10.304.05	02
OIL PRESSURE REGULATION VALVE - 9120	10.304.05	03
OIL PUMP PIPING - 7120/7120(LA)	10.304.02	01
OIL PUMP PIPING - 8120/8120(LA)	10.304.02	02
OIL PUMP PIPING - 9120	10.304.02	03
OIL SUMP & RELATED PARTS - 7120/7120(LA)	10.102.02	01
OIL SUMP & RELATED PARTS - 8120/8120(LA)	10.102.02	02
OIL SUMP & RELATED PARTS - 9120	10.102.02	03
OSCILLATING CHAFFER PAN - ASN Y9G206592 - 7120/7120(LA)	74.135.05	02A
	74.135.05	02B
OSCILLATING CHAFFER PAN - ASN Y9G206592 - 8120/8120(LA), 9120		
OSCILLATING CHAFFER PAN - BSN Y9G206592 - 7120/7120(LA)	74.135.05	01A
	74.135.05	01B
OSCILLATING CHAFFER PAN - BSN Y9G206592 - 8120/8120(LA), 9120		
OUTPUT SHAFT & GEARS, ROTOR GEARBOX	66.260.26	
PAN, PTO GEARBOX	66.260.22	
PANEL, REAR - LOWER	90.160.04	02
PANEL, REAR, UPPER, CAB INTERIOR	90.110.12	
PANEL, SIDE - FRONT; L.H. & R.H.	90.100.17	
PANEL, SIDE - REAR; L.H.	90.100.19	
PANEL, SIDE - REAR; R.H.	90.100.18	
PANELS, REAR	90.160.04	01
PANELS, REAR - EU - 7120, 8120, 9120	90.110.11	
PICTORIAL INDEX - AXLE AND WHEELS	00.000.44	
PICTORIAL INDEX - BODY PANEL MOUNTS & HINGES	00.000.90	02
PICTORIAL INDEX - BODY PANELS	00.000.90	03
PICTORIAL INDEX - BRAKES & CONTROLS	00.000.33	
PICTORIAL INDEX - CAB	00.000.90	01
PICTORIAL INDEX - CAB CLIMATE CONTROL	00.000.50	
PICTORIAL INDEX - CLEANING SHOE	00.000.74	03
PICTORIAL INDEX - CLUTCH	00.000.18	
PICTORIAL INDEX - COOLER BOX - 7120/7120(LA)	00.000.10	04A
PICTORIAL INDEX - COOLER BOX - 8120/8120(LA)	00.000.10	04B
PICTORIAL INDEX - COOLER BOX - 9120	00.000.10	04C
PICTORIAL INDEX - ELECTRICAL, HARNESSSES - 7120/7120(LA)	00.000.55	01A

PICTORIAL INDEX - ELECTRICAL, HARNESSSES - 8120/8120(LA)	00.000.55	01B
PICTORIAL INDEX - ELECTRICAL, HARNESSSES - 9120	00.000.55	01C
PICTORIAL INDEX - ELECTRICAL, LIGHTING	00.000.55	02
PICTORIAL INDEX - ENGINE, INTAKE & EXHAUST - 7120/7120(LA), 8120/8120(LA)	00.000.10	01
	00.000.10	01A
PICTORIAL INDEX - ENGINE, INTERNAL COMPONENTS - 7120/7120(LA)		
	00.000.10	01B
PICTORIAL INDEX - ENGINE, INTERNAL COMPONENTS - 8120/8120(LA)		
PICTORIAL INDEX - ENGINE, INTERNAL COMPONENTS - 9120	00.000.10	01C
PICTORIAL INDEX - FRAMES	00.000.39	
PICTORIAL INDEX - FRONT MECHANICAL DRIVE	00.000.25	
PICTORIAL INDEX - FUEL SYSTEM - 7120/7120(LA)	00.000.10	03A
PICTORIAL INDEX - FUEL SYSTEM - 8120/8120(LA)	00.000.10	03B
PICTORIAL INDEX - FUEL SYSTEM - 9120	00.000.10	03C
PICTORIAL INDEX - GRAIN TANK	00.000.80	01
PICTORIAL INDEX - GRAIN UNLOADING	00.000.80	02
PICTORIAL INDEX - HYDRAULICS, ENGINE GEARBOX	00.000.35	02
PICTORIAL INDEX - HYDRAULICS, ENGINE GEARBOX	00.000.35	01
PICTORIAL INDEX - HYDROSTATIC TRANSMISSION	00.000.29	
PICTORIAL INDEX - IMPLEMENT POWER TAKE OFF	00.000.31	
PICTORIAL INDEX - LIVE PTO	00.000.14	
PICTORIAL INDEX - MACHINE COMPLETION AND EQUIPMENT	00.000.05	
PICTORIAL INDEX - MAINTENANCE	00.000.00	
PICTORIAL INDEX - PRODUCT FEEDING	00.000.60	
PICTORIAL INDEX - ROTARY AIR SCREEN - 7120/7120(LA)	00.000.10	02A
PICTORIAL INDEX - ROTARY AIR SCREEN - 8120/8120(LA)	00.000.10	02B
PICTORIAL INDEX - ROTARY AIR SCREEN - 9120	00.000.10	02C
PICTORIAL INDEX - STEERING	00.000.41	
PICTORIAL INDEX - STRAW SPREADER	00.000.88	
PICTORIAL INDEX - SUSPENSION AND TRACKS	00.000.48	
PICTORIAL INDEX - TAILINGS PROCESSOR	00.000.74	04
PICTORIAL INDEX - THRESHING (FRAME, ROTOR AND CONCAVES)	00.000.66	
PICTORIAL INDEX - TRANSMISSION	00.000.21	
PISTON & CONNECTING ROD - 7120/7120(LA)	10.105.03	01
PISTON & CONNECTING ROD - 8120/8120(LA)	10.105.03	02
PISTON & CONNECTING ROD - 9120	10.105.03	03
PIVOT SHAFT, FEEDER/HEADER	60.150.08	
PLATFORM & FAN BLADE, COOLING BOX - 7120/7120(LA)	10.414.06	01
PLATFORM & FAN BLADE, COOLING BOX - 8120/8120(LA)	10.414.06	02
PLATFORM & FAN BLADE, COOLING BOX - 9120	10.414.06	03
PLATFORM EXTENSIONS	90.118.09	
PLUGS - ENGINE COOLING SYSTEM - 7120/7120(LA)	10.400.02	01
PLUGS - ENGINE COOLING SYSTEM - 9120	10.400.02	02
PLUGS, LESS POWERED REAR AXLE	44.200.17	
POTENTIOMETER, CONCAVE ADJUSTMENT	55.627.10	
POWERED REAR AXLE	44.200.12	
POWERED REAR AXLE, SELECTOR VALVE	44.200.15	
PRESIEVE	74.114.04	02
PRESIEVE	74.114.04	01
PRINTER, CAB	55.440.19	
PTO, CLUTCH	14.102.02	
PTO, CLUTCHES & VALVES, ENGINE GEARBOX	31.114.04	
PTO, COVERS, OUTPUT GEARS, ENGINE GEARBOX	31.114.02	
PTO, INPUT SHAFT, ENGINE GEARBOX	66.260.01	
PTO, OUTPUT GEARS, ENGINE GEARBOX	31.114.01	

PTO, ROTOR VARIATOR ASSY, ENGINE GEARBOX	14.100.11	
PTO, VALVE - CLUTCH CONTROL	18.100.03	
PTO, VALVES & TUBES, ENGINE GEARBOX	35.300.15	
PUMP, ENGINE OIL - 7120/7120(LA)	10.304.01	
PUMP, ENGINE OIL & RELATED PARTS - 8120/8120(LA)	10.304.06	01
PUMP, ENGINE OIL & RELATED PARTS - 9120	10.304.06	02
PUMP, HYD. FEEDER	35.220.04	
PUMP, HYD. ROTOR	35.105.01	
PUMP, HYDRAULIC, PFC	35.700.01	01
PUMP, PROPULSION	29.212.09	
PUMP, TRIPLE GEAR, ASN Y9G207763	35.220.03	02
PUMP, TRIPLE GEAR, BSN Y9G207763	35.220.03	01
RADIO	55.510.06	
RAILING, PLATFORM, EU - 7120, 8120, 9120	90.118.39	02
RAILING, PLATFORM, NA/LATIN AMERICA	90.118.39	01
RAILING, REAR - 7120/7120(LA), 8120/8120(LA)	90.118.43	01
RAILING, REAR - 9120	90.118.43	02
REMOTE ENGINE OIL FILTER LUBE LINES - 8120/8120(LA), 9120	10.304.04	
REMOTE LOWER SIEVE, ADJUSTMENT	74.118.04	01
REMOTE LOWER SIEVE, ADJUSTMENT	74.118.04	02
REMOTE UPPER SIEVE ADJUSTMENT	74.114.03	01
REMOTE UPPER SIEVE ADJUSTMENT	74.114.03	02
RESERVOIR - HYDRAULIC, WITH HOSES AND SUPPORTS - 7120/7120(LA)	35.300.09	01
RESERVOIR - HYDRAULIC, WITH HOSES AND SUPPORTS - 8120/8120(LA), 9120	35.300.09	02
RESERVOIR - OIL, HYDRAULIC	35.300.06	
ROTARY SCREEN - 7120/7120(LA)	10.418.16	01
ROTARY SCREEN - 9120	10.418.16	02
ROTOR	66.330.01	
ROTOR ASSEMBLY, GRAIN ABR. W/ SEPERATOR BAR	66.330.21	
ROTOR CAGE	66.360.10	
ROTOR LOSS SENSOR	55.418.05	
ROTOR VARIATOR - 7120/7120(LA), 8120/8120(LA)	66.320.02	01
ROTOR VARIATOR - 9120	66.320.02	02
SEAT COMPONENTS, INSTRUCTIONAL	90.120.04	
SEAT COMPONENTS, OPERATOR (HEATED)	90.120.06	
SEAT COMPONENTS, OPERATOR (NON-HEATED)	90.120.03	
SEAT, INSTRUCTIONAL	90.120.05	
SEAT, OPERATOR	90.124.02	
SEAT, SUPPORT	90.120.08	
SEAT, SUSPENSION	90.120.07	
SECTION INDEX - AXLE AND WHEELS	44.000.00	
SECTION INDEX - BODY PANEL MOUNTS & HINGES	90.000.00	02
SECTION INDEX - BODY PANELS	90.000.00	03
SECTION INDEX - BRAKES & CONTROLS	33.000.00	
SECTION INDEX - CAB	90.000.00	01
SECTION INDEX - CAB CLIMATE CONTROL	50.000.00	
SECTION INDEX - CLEANING SHOE	74.000.00	03
SECTION INDEX - CLUTCH	18.000.00	
SECTION INDEX - COOLER BOX - 7120/7120(LA)	10.000.00	04A
SECTION INDEX - COOLER BOX - 8120/8120(LA)	10.000.00	04B
SECTION INDEX - COOLER BOX - 9120	10.000.00	04C
SECTION INDEX - ELECTRICAL, HARNESSSES - 7120/7120(LA)	55.000.00	01A
SECTION INDEX - ELECTRICAL, HARNESSSES - 8120/8120(LA)	55.000.00	01B

SECTION INDEX - ELECTRICAL, HARNESSSES - 9120	55.000.00	01C
SECTION INDEX - ELECTRICAL, LIGHTING	55.000.00	02
SECTION INDEX - ENGINE, INTAKE & EXHAUST - 7120/7120(LA), 8120/8120(LA)	10.000.00	01
SECTION INDEX - ENGINE, INTERNAL COMPONENTS - 7120/7120(LA)	10.000.00	01A
SECTION INDEX - ENGINE, INTERNAL COMPONENTS - 8120/8120(LA)	10.000.00	01B
SECTION INDEX - ENGINE, INTERNAL COMPONENTS - 9120	10.000.00	01C
SECTION INDEX - FRAMES	39.000.00	
SECTION INDEX - FRONT MECHANICAL DRIVE	25.000.00	
SECTION INDEX - FUEL SYSTEM - 7120/7120(LA)	10.000.00	03A
SECTION INDEX - FUEL SYSTEM - 8120/8120(LA)	10.000.00	03B
SECTION INDEX - FUEL SYSTEM - 9120	10.000.00	03C
SECTION INDEX - GRAIN TANK	80.000.00	01
SECTION INDEX - GRAIN UNLOADING	80.000.00	02
SECTION INDEX - HYDRAULICS, ENGINE GEARBOX	35.000.00	02
SECTION INDEX - HYDRAULICS, ENGINE GEARBOX	35.000.00	01
SECTION INDEX - HYDROSTATIC TRANSMISSION	29.000.00	
SECTION INDEX - IMPLEMENT POWER TAKE OFF	31.000.00	
SECTION INDEX - LIVE PTO	14.000.00	
SECTION INDEX - MACHINE COMPLETION AND EQUIPMENT	05.000.00	
SECTION INDEX - PRODUCT FEEDING	60.000.00	
SECTION INDEX - ROTARY AIR SCREEN - 7120/7120(LA)	10.000.00	02A
SECTION INDEX - ROTARY AIR SCREEN - 8120/8120(LA)	10.000.00	02B
SECTION INDEX - ROTARY AIR SCREEN - 9120	10.000.00	02C
SECTION INDEX - STEERING	41.000.00	
SECTION INDEX - STRAW SPREADER	88.000.00	
SECTION INDEX - SUSPENSION AND TRACKS	48.000.00	
SECTION INDEX - TAILINGS PROCESSOR	74.000.00	04
SECTION INDEX - THRESHING (FRAME, ROTOR AND CONCAVES)	66.000.00	
SECTION INDEX - TRANSMISSION	21.000.00	
SELF-LEVELING AUGER HOUSING, FRONT & REAR SEALS	74.140.14	02
SELF-LEVELING AUGER HOUSING, MAIN BODY	74.140.14	01
SENSOR ASSEMBLY	55.785.11	
SENSOR, TAILINGS VOLUME	55.785.04	
SERVICE BRAKE COMMAND	33.202.18	
SERVICE BRAKES	33.202.04	
SHAFT & ROCKER ARMS - 7120/7120(LA)	10.106.04	01
SHAFT & ROCKER ARMS - 8120/8120(LA)	10.106.04	02
SHAFT & ROCKER ARMS - 9120	10.106.04	03
SHAFT, CLUTCH PTO	66.260.23	
SHEAR BAR ASSEMBLY, STANDARD	88.210.13	03
SHIELD & BRACKET, FRONT L.H.	90.156.11	01
SHIELD & BRACKET, FRONT R.H.	90.156.11	02
SHIELD ASSY, LOWER R.H. NARROW TREAD - MY 2010	90.118.24	02
SHIELD, FAN BOTTOM	90.114.07	
SHIELD, FRONT AXLE	90.118.45	
SHIELDS, LOWER, L.H.	90.118.22	01
SHIELDS, LOWER, R.H. STANDARD THREAD, INCLUDES NEW LOWER	90.118.23	02
SHIELDING FOR NEW NARROW TIRES		
SHIELDS, UPPER REAR	90.105.10	
SHIFTING COMPONENTS, ROTOR GEARBOX	66.260.17	
SHOE DRIVE	74.101.10	
SIGNAL PLATE FOR UNLOADING TUBE, EUROPEAN ONLY	88.120.03	02
SIGNAL PLATES FOR UNLOADING TUBE; EUROPE ONLY - 7120, 8120, 9120	88.120.03	01
SIGNAL PLATES, FRONT - GERMANY - 7120, 8120, 9120	88.120.06	

SIGNAL PLATES, REAR - EU - 7120, 8120, 9120	88.120.02	
SMART STEER AUTO-GUIDANCE KIT - EDGE DETECTION SENSOR	88.430.08	
SMART STEER AUTO-GUIDANCE KIT - ELECTRICAL WIRING	88.430.09	
SPREADER CHUTE, WINDROW	88.230.17	
SPREADER CHUTE, WINDROW - EU - 7120, 8120, 9120	88.230.18	
SPREADER CONTROL VALVE, COMPONENTS	35.910.12	
SPREADER CONTROL VALVE, CONNECTORS - FROM 3/09	35.910.11	02
SPREADER CONTROL VALVE, CONNECTORS - PRIOR TO 3/09	35.910.11	01
SPREADER CONTROL VALVE, MOUNT	35.910.10	
SPREADER WIDTH CONTROL DELUXE NARROW	88.230.19	01
SPREADER, LOWER, W/FINGER BAR DISTRIBUTOR	88.230.19	
SPREADER, UPPER	88.230.15	
STANDARD STEERING AXLE SPINDLES	44.200.03	
STARTER MOTOR - 7120	10.201.01	01
STARTER MOTOR - 8120/8120(LA)	10.201.01	02
STARTER MOTOR - 9120	10.201.01	03
STARTER MOTOR - COMPONENTS - 7120/7210(LA)	10.201.02	
STARTER MOTOR BREAKDOWN (504042667) - 8120/8120(LA)	55.201.04	01
STARTER MOTOR BREAKDOWN (99486046) - 8120/8120(LA), 9120	55.201.04	02
STEERING COLUMN, EXTERNAL COMPONENTS	41.204.06	
STEERING COLUMN, INTERNAL COMPONENTS	41.204.07	
STEERING CONTROL VALVE	41.200.02	
STEERING CONTROL VALVE, MOUNTING	41.200.03	
STEERING CYLINDER	41.216.01	
STEERING LINES	41.204.04	
STONE TRAP AND ROLLER	66.101.11	
STRAW HOOD & DEFLECTORS	90.118.33	
STRAW HOOD FRAME	90.116.02	
STRAWCHOPPER DRIVE - 7120/7120(LA)	88.210.01	01
STRAWCHOPPER DRIVE - 8120/8120(LA), 9120	88.210.01	02
STRAWCHOPPER DRIVE - PULLEYS AND BELTS	88.210.05	
STRAWCHOPPER, INTEGRAL, 3X3, ASN YAG208311	88.210.13	02
STRAWCHOPPER, INTEGRAL, 3X3, BSN YAG208311	88.210.13	01
STRAWCHOPPER, STANDARD AND FINE	88.210.10	
SUPPORT TUBE & HINGE, L.H. REAR TAIL LIGHT PANEL	55.404.15	
SUPPORT TUBE & HINGE, L.H. SIDE REAR PANEL	90.100.22	
SUPPORT TUBE & HINGE, L.H. SIDE UPPER PANEL	90.100.20	
SUPPORT TUBE & HINGE, R.H. REAR TAIL LIGHT PANEL	55.404.16	
SUPPORT TUBE & HINGE, R.H. SIDE REAR UPPER PANEL	90.100.21	
SYSTEM, WINDSHIELD WASHER	55.518.03	
TAILINGS DRIVE AND AUGER	74.140.09	
TAILINGS PROCESSOR HOUSING ASSEMBLY	74.140.05	
TANK, MAIN FUEL	10.216.03	
TEMPERATURE CONTROL (THERMOSTAT) - 7120/7120(LA)	10.402.08	01
TEMPERATURE CONTROL (THERMOSTAT) - 8120/8120(LA)	10.402.08	02
TEMPERATURE CONTROL (THERMOSTAT) - 9120	10.402.08	03
TENSIONER	74.101.05	
TENSIONER - STRAWCHOPPER	88.210.02	
TENSIONER ASSEMBLY, BEATER DRIVE	66.350.02	
TIMING GEARS - 7120/7120(LA)	10.106.07	01
TIMING GEARS - 9120	10.106.07	03
TIMING GEARS, CAMSHAFT - 8120/8120(LA)	10.106.07	02
	48.134.02	
TRACK DRIVE - FRONT IDLER WHEELS AXLE - NA ONLY - 8120, 9120		
TRACK DRIVE - IDLER WHEELS - NA ONLY - 8120, 9120	48.134.05	
TRACK DRIVE - REAR IDLER WHEELS AXLE - NA ONLY - 8120, 9120	48.130.02	

TRACK DRIVE - ROLLER BEAM - NA ONLY - 8120, 9120	48.110.03	
TRACK DRIVE - RUBBER TRACK; NA ONLY - 8120, 9120	48.100.02	
TRACK DRIVE - TENSIONING MECHANISM, ADJUSTER-RECOIL - NA ONLY - 8120, 9120	48.134.06	
TRACK DRIVE - UNDERCARRIAGE - NA ONLY - 8120, 9120	48.130.03	
TRACK DRIVE - YOKE FRAME - NA ONLY - 8120, 9120	48.134.07	
TRACK DRIVE, FINAL - NA ONLY - 8120, 9120	48.130.01	
TRACK TENSIONING HYDRAULIC PLUMBING - NA ONLY - 8120, 9120	48.134.03	
TRACK TENSIONING MECHANISM - NA ONLY - 8120, 9120	48.134.04	
TRANSFER SHAFT & GEARS, ROTOR GEARBOX	66.260.25	
TRANSITION CONE	66.101.05	
TURBOCHARGER - 7120/7120(LA)	10.250.05	01
TURBOCHARGER - 8120/8120(LA)	10.250.05	02
TURBOCHARGER - 9120	10.250.05	03
TURBOCHARGER LUBE LINES - 7120/7120(LA)	10.250.10	
TURBOCHARGER OIL TUBES - 8120/8120(LA)	10.250.03	
TURBOCHARGER OIL TUBES - 9120	10.250.09	
UNIVERSAL DISPLAY PLUS MONITOR, TOUCH SCREEN DISPLAY	55.440.07	
UNIVERSAL DISPLAY PLUS MONITOR, TOUCH SCREEN DISPLAY - UPDATED TO MY10	55.440.07	02
UNLOADER SWING CYLINDER AND LINES	35.440.03	
UNLOADING AUGER EXTENSION, 0.9 M (3 FT)	80.180.11	
UNLOADING AUGER, GEARBOX, LOWER	80.175.07	
UNLOADING AUGER, GEARBOX, UPPER	80.175.06	
UNLOADING AUGER, HORIZONTAL, 21 FT (6.4M)	80.180.05	
UNLOADING AUGER, VERTICAL - 7120, 8120, 9120	80.180.01	
UNLOADING AUGER, VERTICAL - LATIN AMERICA ONLY - 7120, 8120	80.180.01	01
UNLOADING CHAIN DRIVE	80.175.02	
UNLOADING CHAIN DRIVE, HYDRAULICS, SPECIAL FOR RICE - NA ONLY - 7120, 8120, 9120	80.175.12	
UNLOADING CHAIN DRIVE, SPECIAL FOR RICE, NA ONLY, FROM PIN Y9G206259 - 7120, 8120, 9120	80.175.10	
UNLOADING DRIVE	80.180.12	
UPPER SHAKER SHOE	74.114.06	
UPPER SHOE DRIVE, L.H.	74.101.15	
UPPER SHOE DRIVE, R.H.	74.101.16	
UPPER SIEVES, NARROW	74.114.01	01
UPPER SIEVES, WIDE	74.114.01	02
USER PLATFORM & LADDER	90.118.38	
USER PLATFORM, R.H.	90.115.03	
VALVE, CLEANING FAN	35.910.08	
VALVE, FEEDER LIFT	35.204.02	
VALVE, FEEDER STACK & LATERAL TILT	35.204.08	
VALVE, FEEDER STACK W/ LATERAL TILT	35.204.05	
VALVE, FEEDER STACK, FIXED	35.480.06	
VALVE, FEEDER STACK, STANDARD	35.204.06	
VALVE, FEEDER/HEADER LIFT CONTROL	35.204.04	
VALVE, HYDRAULIC	35.910.09	
VALVE, HYDRAULIC - MAIN STACK	35.204.10	
VALVE, HYDRAULIC PTO/CHARGE REGULATOR - COMPONENTS	35.300.14	
VALVE, HYDRAULIC PTO/CHARGE REGULATOR - CONNECTORS	35.300.13	
VALVE, HYDRAULIC REVERSER	18.148.01	
VALVE, HYDRAULIC, PARK - COMPONENTS	33.202.20	
VALVE, HYDRAULIC, PARK - CONNECTORS	33.202.19	
VALVE, LATERAL TILT, COMPONENTS, ASN YAG208243	35.204.07	02

VALVE, LATERAL TILT, COMPONENTS, BSN YAG208243	35.204.07	01
VALVE, REEL DRIVE	35.910.01	
WARNING LIGHT, L.H. PLATFORM & EXTENSIONS - NA, LA, & ANZ ONLY	55.404.13	
WATER PUMP - 7120/7120(LA)	10.402.01	01
WATER PUMP - 8120/8120(LA)	10.402.01	02
WATER PUMP - 9120	10.402.01	03
WATER PUMP PIPES - 7120/7120(LA)	10.402.04	01
WATER PUMP PIPES - 8120/8120(LA)	10.402.04	02
WATER PUMP PIPES - 9120	10.402.04	03
WHEEL CHOCK - GERMANY, AUSTRIA, & SWITZERLAND ONLY - 7120, 8120, 9120	88.100.01	
WHEELS, DUAL	44.511.07	
WHEELS, FRONT - 32 X DW27A	44.100.05	
WHEELS, FRONT - 32 X DW27A (DELAYED)	44.100.04	
WHEELS, FRONT - 32 X DW36A	44.100.03	
WHEELS, FRONT - 32 X DW36A (DELAYED)	44.100.02	
WHEELS, FRONT - EU - 7120, 8120, 9120	44.511.05	
WHEELS, FRONT - EU, 32 X DW27A (DELAYED)	44.100.10	
WHEELS, FRONT - EU, 38 X MW23A (DELAYED)	44.100.09	
WHEELS, FRONT - EU, DWW36A X 32 (DELAYED)	44.100.11	
WHEELS, FRONT 900/60R32 176A8 AND 900/75R32 184A8	44.511.04	
WHEELS, FRONT FLOTATION - 76 X 50.00-32 X DW44A (DELAYED)	44.100.07	
WHEELS, REAR	44.520.02	
WINDSHIELD WIPER - DOUBLE BLADE	55.518.04	
WIRE HARNESS, CROSS AUGER DRIVE, SPECIAL FOR RICE - NA ONLY - PIN Y9G206259 AND AFTER - 7120, 8120, 9120	55.100.53	
WIRE HARNESS, ENGINE GEARBOX - 7120/7120(LA)	55.100.34	01
WIRE HARNESS, ENGINE GEARBOX - 8120/8120(LA)	55.100.34	02
WIRE HARNESS, ENGINE GEARBOX - 9120	55.100.34	03
WIRE HARNESS, EXPANSION	55.100.37	
WIRE HARNESS, FRONT, LOWER FRAME	55.100.13	
WIRE HARNESS, MAIN FRAME	55.100.17	
WIRE HARNESS, REAR, LOWER FRAME	55.100.42	
WIRE HARNESS, STRAWHOOD - FRONT	55.100.31	
WIRE HARNESS, STRAWHOOD - REAR	55.100.30	
WIRE HARNESS, THRESHING FRAME	55.100.22	
WIRE HARNESSES, ENGINE - 7120/7120(LA)	55.100.07	01
WIRE HARNESSES, ENGINE - 8120/8120(LA)	55.100.07	02
WIRE HARNESSES, ENGINE - 9120	55.100.07	03
WIRING HARNESS, GRAIN TANK COVER, 350 BUSHEL, MY2010 ASN Y9G207611	55.100.24	

TABLE OF CONTENTS

00.000.00		PICTORIAL INDEX - MAINTENANCE
00.000.05		PICTORIAL INDEX - MACHINE COMPLETION AND EQUIPMENT
00.000.10	01	PICTORIAL INDEX - ENGINE, INTAKE & EXHAUST - 7120/7120(LA), 8120/8120(LA)
00.000.10	01A	PICTORIAL INDEX - ENGINE, INTERNAL COMPONENTS - 7120/7120(LA)
00.000.10	01B	PICTORIAL INDEX - ENGINE, INTERNAL COMPONENTS - 8120/8120(LA)
00.000.10	01C	PICTORIAL INDEX - ENGINE, INTERNAL COMPONENTS - 9120
00.000.10	02A	PICTORIAL INDEX - ROTARY AIR SCREEN - 7120/7120(LA)
00.000.10	02B	PICTORIAL INDEX - ROTARY AIR SCREEN - 8120/8120(LA)
00.000.10	02C	PICTORIAL INDEX - ROTARY AIR SCREEN - 9120
00.000.10	03A	PICTORIAL INDEX - FUEL SYSTEM - 7120/7120(LA)
00.000.10	03B	PICTORIAL INDEX - FUEL SYSTEM - 8120/8120(LA)
00.000.10	03C	PICTORIAL INDEX - FUEL SYSTEM - 9120
00.000.10	04A	PICTORIAL INDEX - COOLER BOX - 7120/7120(LA)
00.000.10	04B	PICTORIAL INDEX - COOLER BOX - 8120/8120(LA)
00.000.10	04C	PICTORIAL INDEX - COOLER BOX - 9120
00.000.14		PICTORIAL INDEX - LIVE PTO
00.000.18		PICTORIAL INDEX - CLUTCH
00.000.21		PICTORIAL INDEX - TRANSMISSION
00.000.25		PICTORIAL INDEX - FRONT MECHANICAL DRIVE
00.000.29		PICTORIAL INDEX - HYDROSTATIC TRANSMISSION
00.000.31		PICTORIAL INDEX - IMPLEMENT POWER TAKE OFF
00.000.33		PICTORIAL INDEX - BRAKES & CONTROLS
00.000.35	01	PICTORIAL INDEX - HYDRAULICS, ENGINE GEARBOX
00.000.35	02	PICTORIAL INDEX - HYDRAULICS, ENGINE GEARBOX
00.000.39		PICTORIAL INDEX - FRAMES
00.000.41		PICTORIAL INDEX - STEERING
00.000.44		PICTORIAL INDEX - AXLE AND WHEELS
00.000.48		PICTORIAL INDEX - SUSPENSION AND TRACKS
00.000.50		PICTORIAL INDEX - CAB CLIMATE CONTROL
00.000.55	01A	PICTORIAL INDEX - ELECTRICAL, HARNESSSES - 7120/7120(LA)
00.000.55	01B	PICTORIAL INDEX - ELECTRICAL, HARNESSSES - 8120/8120(LA)
00.000.55	01C	PICTORIAL INDEX - ELECTRICAL, HARNESSSES - 9120
00.000.55	02	PICTORIAL INDEX - ELECTRICAL, LIGHTING
00.000.60		PICTORIAL INDEX - PRODUCT FEEDING
00.000.66		PICTORIAL INDEX - THRESHING (FRAME, ROTOR AND CONCAVES)
00.000.74	03	PICTORIAL INDEX - CLEANING SHOE
00.000.74	04	PICTORIAL INDEX - TAILINGS PROCESSOR
00.000.80	01	PICTORIAL INDEX - GRAIN TANK
00.000.80	02	PICTORIAL INDEX - GRAIN UNLOADING
00.000.88		PICTORIAL INDEX - STRAW SPREADER
00.000.90	01	PICTORIAL INDEX - CAB
00.000.90	02	PICTORIAL INDEX - BODY PANEL MOUNTS & HINGES
00.000.90	03	PICTORIAL INDEX - BODY PANELS
05.000.00		SECTION INDEX - MACHINE COMPLETION AND EQUIPMENT
05.000.01	01	DEALER INITIAL STOCKING LIST - 7120/7120(LA), 8120/8120(LA)
05.000.01	02	DEALER INITIAL STOCKING LIST - 9120
05.000.02	01	BELTS & CHAINS - LEFT SIDE
05.000.02	02	BELTS & CHAINS - RIGHT SIDE
05.100.01		FILTERS & CAPACITIES
05.102.01	01	FIRE EXTINGUISHER - EU - 7120, 8120, 9120
05.102.01	02	FIRE EXTINGUISHER - NA, ANZ, & LATIN AMERICA - 8120

TABLE OF CONTENTS

10.000.00	01	SECTION INDEX - ENGINE, INTAKE & EXHAUST - 7120/7120(LA), 8120/8120(LA)
10.000.00	01A	SECTION INDEX - ENGINE, INTERNAL COMPONENTS - 7120/7120(LA)
10.000.00	01B	SECTION INDEX - ENGINE, INTERNAL COMPONENTS - 8120/8120(LA)
10.000.00	01C	SECTION INDEX - ENGINE, INTERNAL COMPONENTS - 9120
10.000.00	02A	SECTION INDEX - ROTARY AIR SCREEN - 7120/7120(LA)
10.000.00	02B	SECTION INDEX - ROTARY AIR SCREEN - 8120/8120(LA)
10.000.00	02C	SECTION INDEX - ROTARY AIR SCREEN - 9120
10.000.00	03A	SECTION INDEX - FUEL SYSTEM - 7120/7120(LA)
10.000.00	03B	SECTION INDEX - FUEL SYSTEM - 8120/8120(LA)
10.000.00	03C	SECTION INDEX - FUEL SYSTEM - 9120
10.000.00	04A	SECTION INDEX - COOLER BOX - 7120/7120(LA)
10.000.00	04B	SECTION INDEX - COOLER BOX - 8120/8120(LA)
10.000.00	04C	SECTION INDEX - COOLER BOX - 9120
10.001.02	01	CYLINDER BARREL LUBRICATION NOZZLE - 7120/7120(LA)
10.001.02	02	CYLINDER BARREL LUBRICATION NOZZLE - 8120/8120(LA)
10.001.02	03	CYLINDER BARREL LUBRICATION NOZZLE - 9120
10.001.04	01	CYLINDER BLOCK & RELATED PARTS - 7120/7120(LA)
10.001.04	02	CYLINDER BLOCK & RELATED PARTS - 8120/8120(LA)
10.001.04	03	CYLINDER BLOCK & RELATED PARTS - 9120
10.012.01	01	ENGINE SUSPENSION - 7120/7120(LA)
10.012.01	02	ENGINE SUSPENSION - 8120/8120(LA)
10.012.01	03	ENGINE SUSPENSION - 9120
10.012.04	01	FRAME, ENGINE - 7120/7120(LA)
10.012.04	02	FRAME, ENGINE - 8120/8120(LA)
10.012.04	03	FRAME, ENGINE - 9120
10.100.01	01	COMPLETE ENGINE - 7120/7120(LA)
10.100.01	02	COMPLETE ENGINE - 8120/8120(LA)
10.100.01	03	COMPLETE ENGINE - 9120
10.101.02	01	CYLINDER HEAD & RELATED PARTS - 7120/7120(LA)
10.101.02	02	CYLINDER HEAD & RELATED PARTS - 8120/8120(LA)
10.101.02	03	CYLINDER HEAD & RELATED PARTS - 9120
10.101.03	01	HEAD COVER - 7120/7120(LA)
10.101.03	02	HEAD COVER - 8120/8120(LA)
10.101.03	03	HEAD COVER - 9120
10.101.04	01	ENGINE BREATHERS - 7120/7120(LA)
10.101.04	02	ENGINE BREATHERS - 8120/8120(LA)
10.101.04	03	ENGINE BREATHERS - 9120
10.102.02	01	OIL SUMP & RELATED PARTS - 7120/7120(LA)
10.102.02	02	OIL SUMP & RELATED PARTS - 8120/8120(LA)
10.102.02	03	OIL SUMP & RELATED PARTS - 9120
10.102.04	01	ENGINE BLOCK FRONT COVER - 8120/8120(LA)
10.102.04	02	ENGINE BLOCK FRONT COVER - 9120
10.102.07		OIL DRAIN LINES
10.103.01	01	CRANKSHAFT - 7120/7120(LA)
10.103.01	02	CRANKSHAFT - 9120
10.103.02		CRANKSHAFT & RELATED PARTS - 8120/8120(LA)
10.103.03	01	FLYWHEEL - 7120/7120(LA)
10.103.03	02	FLYWHEEL - 8120/8120(LA)
10.103.03	03	FLYWHEEL - 9120
10.103.04	01	FLYWHEEL CASE - 7120/7120(LA)
10.103.04	02	FLYWHEEL CASE - 8120/8120(LA)

TABLE OF CONTENTS

10.103.04	03	FLYWHEEL CASE - 9120
10.103.07	01	DRIVE BELT & CRANKSHAFT PULLEY - 7120/7120LA
10.103.07	02	DRIVE BELT & CRANKSHAFT PULLEY - 9120
10.103.09	01	OIL DIPSTICK & TUBE - 8120/8120(LA)
10.103.10	01	OIL LEVEL CHECK - 7120/7120(LA)
10.103.10	02	OIL LEVEL CHECK - 7120/7120(LA) FROM 01/01/2009
10.103.10	03	OIL LEVEL CHECK - 9120
10.105.03	01	PISTON & CONNECTING ROD - 7120/7120(LA)
10.105.03	02	PISTON & CONNECTING ROD - 8120/8120(LA)
10.105.03	03	PISTON & CONNECTING ROD - 9120
10.106.01	01	CAMSHAFT - 7120/7120(LA)
10.106.01	02	CAMSHAFT - 8120/8120(LA)
10.106.01	03	CAMSHAFT - 9120
10.106.02		INTERMEDIATE GEARS, CAMSHAFT - 8120/8120(LA)
10.106.04	01	SHAFT & ROCKER ARMS - 7120/7120(LA)
10.106.04	02	SHAFT & ROCKER ARMS - 8120/8120(LA)
10.106.04	03	SHAFT & ROCKER ARMS - 9120
10.106.07	01	TIMING GEARS - 7120/7120(LA)
10.106.07	02	TIMING GEARS, CAMSHAFT - 8120/8120(LA)
10.106.07	03	TIMING GEARS - 9120
10.110.01	01	DAMPER - 7120/7120(LA)
10.110.01	02	DAMPER - 8120/8120(LA)
10.110.01	03	DAMPER - 9120
10.114.01	01	BELT PULLEY DRIVE & COVER - 7120/7120(LA)
10.114.01	02	BELT PULLEY DRIVE & COVER - 8120/8120(LA)
10.114.01	03	BELT PULLEY DRIVE & COVER - 9120
10.114.02		FUEL SYSTEM, PUMP AND FILTER
10.201.01	01	STARTER MOTOR - 7120
10.201.01	02	STARTER MOTOR - 8120/8120(LA)
10.201.01	03	STARTER MOTOR - 9120
10.201.02		STARTER MOTOR - COMPONENTS - 7120/7210(LA)
10.202.02		AIR CLEANER & FILTERS - ENGINE 7120/7120(LA) - 8120/8120(LA)
10.206.01	01	FUEL FILTER, ENGINE MOUNTED - 8120/8120(LA)
10.206.01	02	FUEL FILTER, ENGINE MOUNTED - 9120
10.206.02		FUEL FILTER & RELATED PARTS - 7120/7120(LA)
10.206.03		FUEL FILTER W/WATER SENSOR
10.206.04		FILTER, ENGINE OIL - 8120/8120(LA) - 9120 (504037241)
10.206.05		ENGINE OIL FILTER & LUBE LINES - 7120/7120(LA)
10.206.07		OIL HOUSING - 7120/7120(LA)
10.206.08		DIA HARVEST KIT, ADDITIONAL FUEL FILTER
10.210.02	01	FUEL PUMP & RELATED PARTS - 8120/8120(LA)
10.210.02	02	FUEL PUMP & RELATED PARTS - 9120
10.214.01		FUEL LINES - 7120/7120(LA)
10.214.02	01	FUEL LINES & RELATED PARTS - 8120/8120(LA)
10.214.02	02	FUEL LINES & RELATED PARTS - 9120
10.216.03		TANK, MAIN FUEL
10.218.01		FUEL INJECTION LINES - 7120/7120(LA)
10.218.03	01	INJECTOR & RELATED PARTS - 7120/7120(LA)
10.218.03	02	INJECTOR & RELATED PARTS - 8120/8120(LA)
10.218.03	03	INJECTOR & RELATED PARTS - 9120
10.246.01		INJECTION PUMP - 7120/7120(LA)

TABLE OF CONTENTS

10.246.02		INJECTION PUMP - COMPONENTS - 7120/7120(LA)
10.246.03		FUEL SYSTEM
10.250.03		TURBOCHARGER OIL TUBES - 8120/8120(LA)
10.250.05	01	TURBOCHARGER - 7120/7120(LA)
10.250.05	02	TURBOCHARGER - 8120/8120(LA)
10.250.05	03	TURBOCHARGER - 9120
10.250.09		TURBOCHARGER OIL TUBES - 9120
10.250.10		TURBOCHARGER LUBE LINES - 7120/7120(LA)
10.254.01	01	INTAKE MANIFOLD & HEATER - 7120/7120(LA)
10.254.01	02	INTAKE MANIFOLD & HEATER - 8120/8120(LA)
10.254.01	03	INTAKE MANIFOLD & HEATER - 9120
10.254.05	01	COOLANT HEATER - 7120/7120(LA)
10.254.05	02	COOLANT HEATER - 8120/8120(LA) - 9120
10.254.08	01	AIR INTAKE - ENGINE - 7120/7120(LA)
10.254.08	02	AIR INTAKE - ENGINE - 8120/8120(LA)
10.254.08	03	AIR INTAKE - ENGINE - 9120
10.254.10	01	EXHAUST MANIFOLD - 7120/7120(LA)
10.254.10	02	EXHAUST MANIFOLD - 8120/8120(LA)
10.254.10	03	EXHAUST MANIFOLD - 9120
10.254.11	01	MUFFLER & EXHAUST - 7120/7120(LA) - 8120/8120(LA)
10.254.11	02	MUFFLER & EXHAUST - 9120
10.304.01		PUMP, ENGINE OIL - 7120/7120(LA)
10.304.02	01	OIL PUMP PIPING - 7120/7120(LA)
10.304.02	02	OIL PUMP PIPING - 8120/8120(LA)
10.304.02	03	OIL PUMP PIPING - 9120
10.304.04		REMOTE ENGINE OIL FILTER LUBE LINES - 8120/8120(LA), 9120
10.304.05	01	OIL PRESSURE REGULATION VALVE - 7120/7120(LA)
10.304.05	02	OIL PRESSURE REGULATION VALVE - 8120/8120(LA)
10.304.05	03	OIL PRESSURE REGULATION VALVE - 9120
10.304.06	01	PUMP, ENGINE OIL & RELATED PARTS - 8120/8120(LA)
10.304.06	02	PUMP, ENGINE OIL & RELATED PARTS - 9120
10.310.02	01	CHARGE AIR CIRCUIT - 7120/7120(LA)
10.310.02	02	CHARGE AIR CIRCUIT - 8120/8120(LA)
10.310.02	03	CHARGE AIR CIRCUIT - 9120
10.400.02	01	PLUGS - ENGINE COOLING SYSTEM - 7120/7120(LA)
10.400.02	02	PLUGS - ENGINE COOLING SYSTEM - 9120
10.402.01	01	WATER PUMP - 7120/7120(LA)
10.402.01	02	WATER PUMP - 8120/8120(LA)
10.402.01	03	WATER PUMP - 9120
10.402.04	01	WATER PUMP PIPES - 7120/7120(LA)
10.402.04	02	WATER PUMP PIPES - 8120/8120(LA)
10.402.04	03	WATER PUMP PIPES - 9120
10.402.08	01	TEMPERATURE CONTROL (THERMOSTAT) - 7120/7120(LA)
10.402.08	02	TEMPERATURE CONTROL (THERMOSTAT) - 8120/8120(LA)
10.402.08	03	TEMPERATURE CONTROL (THERMOSTAT) - 9120
10.406.03	01	COOLANT LINES - 7120/7120(LA)
10.406.03	02	COOLANT LINES - 8120/8120(LA)
10.406.03	03	COOLANT LINES - 9120
10.406.08	01	FAN SHROUD - 7120/7120(LA)
10.406.08	02	FAN SHROUD - 8120/8120(LA)
10.406.08	03	FAN SHROUD - 9120

TABLE OF CONTENTS

10.408.03	01	HEAT EXCHANGER - 7120/7120(LA)
10.408.03	02	HEAT EXCHANGER - 8120/8120(LA)
10.408.03	03	HEAT EXCHANGER - 9120
10.414.01	01	FRAME & COOLERS - 7120/7120(LA)
10.414.01	02	FRAME & COOLERS - 8120/8120(LA)
10.414.01	03	FRAME & COOLERS - 9120
10.414.02	01	FAN DRIVE - ENGINE - 7120/7120LA
10.414.02	02	FAN DRIVE - ENGINE - 9120
10.414.06	01	PLATFORM & FAN BLADE, COOLING BOX - 7120/7120(LA)
10.414.06	02	PLATFORM & FAN BLADE, COOLING BOX - 8120/8120(LA)
10.414.06	03	PLATFORM & FAN BLADE, COOLING BOX - 9120
10.414.08		BELT TENSIONER - 8120/8120(LA)
10.414.09		DOOR, METAL DUST SCREEN - 8120/8120(LA)
10.414.10		DUST SCREEN MOUNTING, METAL - 8120/8120(LA)
10.414.12		DRIVE, HYDRAULIC ROTARY SCREEN - 8120/8120(LA)
10.414.13		DUST SCREEN
10.414.14		BRUSH KIT, ROTARY DUST SCREEN
10.418.16	01	ROTARY SCREEN - 7120/7120(LA)
10.418.16	02	ROTARY SCREEN - 9120
10.418.31		CHAFF WIPER - 8120/8120(LA)
14.000.00		SECTION INDEX - LIVE PTO
14.100.11		PTO, ROTOR VARIATOR ASSY, ENGINE GEARBOX
14.102.02		PTO, CLUTCH
18.000.00		SECTION INDEX - CLUTCH
18.100.03		PTO, VALVE - CLUTCH CONTROL
18.110.02		CLUTCH ASSEMBLY, ELEVATOR HOUSING
18.148.01		VALVE, HYDRAULIC REVERSER
21.000.00		SECTION INDEX - TRANSMISSION
21.102.01		FEEDER - GEARBOX ASSY
21.104.02		HYDRAULICS - MAIN LINES
21.110.01		DIFFERENTIAL LOCK
21.114.01		MECHANICAL TRANSMISSION, COMPLETE
21.120.02		MECHANICAL TRANSMISSION, HOUSING
21.130.03		MECHANICAL TRANSMISSION, GEARSHIFT CONTROL
21.140.02		MECHANICAL TRANSMISSION, DRIVE SHAFT
21.140.03		MECHANICAL TRANSMISSION OUTPUT SHAFT
21.145.01		MECHANICAL TRANSMISSION, INPUT SHAFT
21.182.02		DIFFERENTIAL LOCK CONTROL
21.184.02		DIFFERENTIAL
25.000.00		SECTION INDEX - FRONT MECHANICAL DRIVE
25.310.02	01	FINAL DRIVE, PLANETARY
25.310.02	02	FINAL DRIVE, PLANETARY
25.310.03	01	FINAL DRIVE, STANDARD
25.310.03	02	FINAL DRIVE, STANDARD
25.310.04		FINAL DRIVE, MOUNTING HARDWARE (DELAYED)
25.310.05		FINAL DRIVE, PLANETARY, MOUNTING HARDWARE
29.000.00		SECTION INDEX - HYDROSTATIC TRANSMISSION
29.204.05		HYDRO DRIVE
29.204.06		FILTER ASSY - HYDRO CHARGE
29.212.09		PUMP, PROPULSION
29.212.20		HYDROSTATIC MOTOR, 107CC OR 125CC

TABLE OF CONTENTS

31.000.00		SECTION INDEX - IMPLEMENT POWER TAKE OFF
31.114.01		PTO, OUTPUT GEARS, ENGINE GEARBOX
31.114.02		PTO, COVERS, OUTPUT GEARS, ENGINE GEARBOX
31.114.04		PTO, CLUTCHES & VALVES, ENGINE GEARBOX
31.114.05		MANIFOLD, DRAIN
33.000.00		SECTION INDEX - BRAKES & CONTROLS
33.110.03		HYDRAULIC TUBES - PARK VALVE
33.202.04		SERVICE BRAKES
33.202.06		BRAKE CALIPER
33.202.07		BRAKE GEARBOX
33.202.15		HYDRAULICS - BRAKE CONTROL LINES
33.202.18		SERVICE BRAKE COMMAND
33.202.19		VALVE, HYDRAULIC, PARK - CONNECTORS
33.202.20		VALVE, HYDRAULIC, PARK - COMPONENTS
33.202.23		KIT, SERVICE BRAKE PRESSURE LIMITER
35.000.00	01	SECTION INDEX - HYDRAULICS, ENGINE GEARBOX
35.000.00	02	SECTION INDEX - HYDRAULICS, ENGINE GEARBOX
35.105.01		PUMP, HYD. ROTOR
35.162.02		HYDRAULICS - FEEDER LIFT
35.162.04		KIT, HEAVY DUTY FEEDER LIFT
35.204.01		CVT FEEDER/HEADER DRIVE
35.204.02		VALVE, FEEDER LIFT
35.204.04		VALVE, FEEDER/HEADER LIFT CONTROL
35.204.05		VALVE, FEEDER STACK W/ LATERAL TILT
35.204.06		VALVE, FEEDER STACK, STANDARD
35.204.07	01	VALVE, LATERAL TILT, COMPONENTS, BSN YAG208243
35.204.07	02	VALVE, LATERAL TILT, COMPONENTS, ASN YAG208243
35.204.08		VALVE, FEEDER STACK & LATERAL TILT
35.204.10		VALVE, HYDRAULIC - MAIN STACK
35.204.11		FILTERS AND MAIN STACK VALVE
35.220.03	01	PUMP, TRIPLE GEAR, BSN Y9G207763
35.220.03	02	PUMP, TRIPLE GEAR, ASN Y9G207763
35.220.04		PUMP, HYD. FEEDER
35.300.01	01	HYDRAULICS LINES, PTO 3 (PTO REGULATOR VALVE) - PRIOR TO 4/2009
35.300.01	02	HYDRAULICS LINES, PTO 3 (PTO REGULATOR VALVE) - FROM 4/2009
35.300.06		RESERVOIR - OIL, HYDRAULIC
35.300.09	01	RESERVOIR - HYDRAULIC, WITH HOSES AND SUPPORTS - 7120/7120(LA)
35.300.09	02	RESERVOIR - HYDRAULIC, WITH HOSES AND SUPPORTS - 8120/8120(LA), 9120
35.300.13		VALVE, HYDRAULIC PTO/CHARGE REGULATOR - CONNECTORS
35.300.14		VALVE, HYDRAULIC PTO/CHARGE REGULATOR - COMPONENTS
35.300.15		PTO, VALVES & TUBES, ENGINE GEARBOX
35.310.41		MANIFOLD, CHARGE PRESSURE
35.440.03		UNLOADER SWING CYLINDER AND LINES
35.440.04		HYDRAULIC CYLINDER, UNLOADING AUGER, SWING,
35.440.06		HYDRAULIC MANIFOLD, GRAIN COVER, MY2010
35.440.07		HYDRAULICS, GRAIN COVER MY2010
35.480.02	01	CONNECTORS, VALVE, FEEDER STACK - W/LATERAL TILT, BSN YAG208243
35.480.02	02	CONNECTORS, VALVE, FEEDER STACK - W/LATERAL TILT, ASN YAG208243
35.480.05		HYDRAULICS - FEEDER STACK VALVE
35.480.06		VALVE, FEEDER STACK, FIXED
35.700.01	01	PUMP, HYDRAULIC, PFC

TABLE OF CONTENTS

35.710.02		MOTOR, HYDRAULIC - ROTOR
35.752.03	01	HYDRAULICS - SPREADER AND ROTARY SCREEN DRIVE - 7120/7120(LA)
35.752.03	02	HYDRAULICS - SPREADER AND ROTARY SCREEN DRIVE - 8120/8120(LA)
35.752.03	03	HYDRAULICS - SPREADER AND ROTARY SCREEN DRIVE - 9120
35.910.01		VALVE, REEL DRIVE
35.910.02		HYDRAULIC LINES - CLEANING FAN DRIVE
35.910.02	01	HYDRAULIC LINES - CLEANING FAN DRIVE; NARROW TIRE OPTION - FROM MY2010
35.910.03	01	HYDRAULIC TUBES - ENGINE COMPARTMENT
35.910.03	02	HYDRAULIC TUBES - ENGINE COMPARTMENT
35.910.04		CLEANING FAN DRIVE MOUNTING
35.910.04	01	CLEANING FAN DRIVE MOUNTING, NARROW TIRE OPTION - FROM MY2010 EUROPEAN ONLY
35.910.05	01	FIXED SPEED - FEEDER/HEADER DRIVE HYDRAULICS - 7120, 8120
35.910.05	02	FIXED SPEED - FEEDER/HEADER DRIVE HYDRAULICS - 7120, 8120/8120(LA), 9120
35.910.06		MOTOR, HEADER - FEEDER
35.910.07	01	MOTOR, HYDRAULIC - SPREADER W/ DRAIN
35.910.07	02	MOTOR, HYDRAULIC - SPREADER W/ SENSOR
35.910.08		VALVE, CLEANING FAN
35.910.09		VALVE, HYDRAULIC
35.910.10		SPREADER CONTROL VALVE, MOUNT
35.910.11	01	SPREADER CONTROL VALVE, CONNECTORS - PRIOR TO 3/09
35.910.11	02	SPREADER CONTROL VALVE, CONNECTORS - FROM 3/09
35.910.12		SPREADER CONTROL VALVE, COMPONENTS
35.910.13		HYDRAULIC, GT COVER MANIFOLD
39.000.00		SECTION INDEX - FRAMES
39.100.01		FRAME, SELF-LEVELING
39.100.04		FRAME, LOWER & PIVOT, CLEANING SHOE, SELF-LEVELING
39.100.05		FRAME, THRESHING
39.100.06		BRACKETS, FRONT SUPPORTING
39.101.03		DIA, HARVEST KIT, FRAME REINFORCEMENT
39.110.02		HITCH, TRAILER
41.000.00		SECTION INDEX - STEERING
41.106.03	01	DRIVE SHAFTS AND RODS, TRACK - NA - 7120
41.106.03	02	DRIVE SHAFTS AND RODS, TRACK - NA ONLY - 8120, 9120
41.200.02		STEERING CONTROL VALVE
41.200.03		STEERING CONTROL VALVE, MOUNTING
41.203.01		HYDRAULIC LINES, PTO 1
41.203.02		HYDRAULIC LINES, PTO 2
41.204.04		STEERING LINES
41.204.06		STEERING COLUMN, EXTERNAL COMPONENTS
41.204.07		STEERING COLUMN, INTERNAL COMPONENTS
41.216.01		STEERING CYLINDER
44.000.00		SECTION INDEX - AXLE AND WHEELS
44.100.02		WHEELS, FRONT - 32 X DW36A (DELAYED)
44.100.03		WHEELS, FRONT - 32 X DW36A
44.100.04		WHEELS, FRONT - 32 X DW27A (DELAYED)
44.100.05		WHEELS, FRONT - 32 X DW27A
44.100.07		WHEELS, FRONT FLOTATION - 76 X 50.00-32 X DW44A (DELAYED)
44.100.09		WHEELS, FRONT - EU, 38 X MW23A (DELAYED)
44.100.10		WHEELS, FRONT - EU, 32 X DW27A (DELAYED)
44.100.11		WHEELS, FRONT - EU, DWW36A X 32 (DELAYED)

TABLE OF CONTENTS

44.100.13		DUAL WHEEL MOUNT (DELAYED)
44.100.14		KIT, DUAL WHEELS MOUNTING
44.101.01	01	DIA, HARVEST KITS, FRONT AXLE EXTENSION - 7120/7120(LA)
44.101.01	02	DIA, HARVEST KITS, FRONT AXLE EXTENSION - 8120/8120(LA), 9120
44.101.02		DIA, HARVEST KIT, AXLE EXTENSION, EUROPEAN ONLY
44.104.01		FRONT AXLE
44.151.06		CENTRAL STEERING BRIDGE, POWERED & HEAVY DUTY, W/EXTENSIONS
44.151.08	01	HALF-SHAFTS WITHOUT EXTENSIONS - 7120/7120(LA)
44.151.08	02	HALF-SHAFTS WITHOUT EXTENSIONS - 8120/8120(LA), 9120
44.151.12		KIT, TRACK - NA ONLY - 8120, 9120
44.200.03		STANDARD STEERING AXLE SPINDLES
44.200.07		MOTOR, HYDROSTATIC, PRA
44.200.09		HYDRAULIC LINES, POWERED REAR AXLE
44.200.11		DIA KIT. DUAL SPEED PRA AXLE
44.200.12		POWERED REAR AXLE
44.200.13		KIT, DUAL SPEED - POWERED REAR AXLE
44.200.15		POWERED REAR AXLE, SELECTOR VALVE
44.200.17		PLUGS, LESS POWERED REAR AXLE
44.511.04		WHEELS, FRONT 900/60R32 176A8 AND 900/75R32 184A8
44.511.05		WHEELS, FRONT - EU - 7120, 8120, 9120
44.511.07		WHEELS, DUAL
44.520.02		WHEELS, REAR
48.000.00		SECTION INDEX - SUSPENSION AND TRACKS
48.100.02		TRACK DRIVE - RUBBER TRACK; NA ONLY - 8120, 9120
48.110.03		TRACK DRIVE - ROLLER BEAM - NA ONLY - 8120, 9120
48.130.01		TRACK DRIVE, FINAL - NA ONLY - 8120, 9120
48.130.02		TRACK DRIVE - REAR IDLER WHEELS AXLE - NA ONLY - 8120, 9120
48.130.03		TRACK DRIVE - UNDERCARRIAGE - NA ONLY - 8120, 9120
48.134.02		TRACK DRIVE - FRONT IDLER WHEELS AXLE - NA ONLY - 8120, 9120
48.134.03		TRACK TENSIONING HYDRAULIC PLUMBING - NA ONLY - 8120, 9120
48.134.04		TRACK TENSIONING MECHANISM - NA ONLY - 8120, 9120
48.134.05		TRACK DRIVE - IDLER WHEELS - NA ONLY - 8120, 9120
48.134.06		TRACK DRIVE - TENSIONING MECHANISM, ADJUSTER-RECOIL - NA ONLY - 8120, 9120
48.134.07		TRACK DRIVE - YOKE FRAME - NA ONLY - 8120, 9120
48.999.01	01	DIA TRACK KIT, AFX8010 AFX8120 AFX9120
48.999.01	02	DIA TRACK KIT HARDWARE, AFX8010, AFX8120, AFX9120
48.999.01	03	DIA TRACK KIT HYD TUBES, AFX8010, AFX8120, AFX9120
48.999.01	04	DIA KIT TRACK FRAME AFX8120, AFX9120
48.999.01	05	DIA KIT LOWER SHIELDING WA AFX8010, AFX8120, AFX9120
50.000.00		SECTION INDEX - CAB CLIMATE CONTROL
50.200.02		AIR CONDITIONING UNIT - MOUNTING GROUP
50.200.04	01	A/C & HEATER HOSES - 7120/7120(LA)
50.200.04	02	A/C & HEATER HOSES - 8120/8120(LA)
50.200.04	03	A/C & HEATER HOSES - 9120
50.200.07		A/C COMPRESSOR AND DRIVE - 8120/8120(LA)
50.200.09	01	COMPRESSOR, AIRCOND. - 7120/7120(LA)
50.200.09	02	COMPRESSOR, AIRCOND. - 9120
50.200.12		EVAPORATOR, ATC AIRCO UNIT
50.206.01		CONTROLS, ATC
50.206.02		AIRCO UNIT, ATC

TABLE OF CONTENTS

55.000.00	01A	SECTION INDEX - ELECTRICAL, HARNESSSES - 7120/7120(LA)
55.000.00	01B	SECTION INDEX - ELECTRICAL, HARNESSSES - 8120/8120(LA)
55.000.00	01C	SECTION INDEX - ELECTRICAL, HARNESSSES - 9120
55.000.00	02	SECTION INDEX - ELECTRICAL, LIGHTING
55.100.07	01	WIRE HARNESSSES, ENGINE - 7120/7120(LA)
55.100.07	02	WIRE HARNESSSES, ENGINE - 8120/8120(LA)
55.100.07	03	WIRE HARNESSSES, ENGINE - 9120
55.100.08	01	ENGINE ELECTRIC INSTALLATION - 7120/7120(LA)
55.100.08	02	ENGINE ELECTRIC INSTALLATION - 8120/8120(LA)
55.100.08	03	ENGINE ELECTRIC INSTALLATION - 9120
55.100.10		BATTERY SYSTEM
55.100.13		WIRE HARNESS, FRONT, LOWER FRAME
55.100.14		FEEDER ELECTRIC
55.100.17		WIRE HARNESS, MAIN FRAME
55.100.22		WIRE HARNESS, THRESHING FRAME
55.100.24		WIRING HARNESS, GRAIN TANK COVER, 350 BUSHEL, MY2010 ASN Y9G207611
55.100.26		GRAIN HEADER ILLUMINATION
55.100.30		WIRE HARNESS, STRAWHOOD - REAR
55.100.31		WIRE HARNESS, STRAWHOOD - FRONT
55.100.32		ELECTRICS ON HITCH
55.100.34	01	WIRE HARNESS, ENGINE GEARBOX - 7120/7120(LA)
55.100.34	02	WIRE HARNESS, ENGINE GEARBOX - 8120/8120(LA)
55.100.34	03	WIRE HARNESS, ENGINE GEARBOX - 9120
55.100.37		WIRE HARNESS, EXPANSION
55.100.41		MAIN CAB ELECTRICITY
55.100.42		WIRE HARNESS, REAR, LOWER FRAME
55.100.53		WIRE HARNESS, CROSS AUGER DRIVE, SPECIAL FOR RICE - NA ONLY - PIN Y9G206259 AND AFTER - 7120, 8120, 9120
55.201.04	01	STARTER MOTOR BREAKDOWN (504042667) - 8120/8120(LA)
55.201.04	02	STARTER MOTOR BREAKDOWN (99486046) - 8120/8120(LA), 9120
55.301.02	01	ALTERNATOR MOUNTING - 7120/7120(LA)
55.301.02	02	ALTERNATOR MOUNTING - 8120/8120(LA)
55.301.02	03	ALTERNATOR MOUNTING - 9120
55.301.03	01	ALTERNATOR COMPONENTS - 7120/7120(LA)
55.301.03	02	ALTERNATOR COMPONENTS - 8120/8120(LA)
55.301.03	03	ALTERNATOR COMPONENTS - 9120
55.301.05		BATTERY TRAY
55.404.08		LIGHTS, FRONT PLATFORM - STANDARD - EU ONLY - 7120, 8120, 9120
55.404.09		LIGHTS, FRONT PLATFORM, WIDE - EU ONLY - 7120, 8120, 9120
55.404.10		LIGHTS, REAR - STANDARD - FOR NA, LA & AUSTRALIA
55.404.11		LIGHTS, HALOGEN CAB ROOF
55.404.12	01	LIGHTS, HID CAB ROOF
55.404.12	02	LIGHTS, HID CAB ROOF, DELUXE
55.404.13		WARNING LIGHT, L.H. PLATFORM & EXTENSIONS - NA, LA, & ANZ ONLY
55.404.15		SUPPORT TUBE & HINGE, L.H. REAR TAIL LIGHT PANEL
55.404.16		SUPPORT TUBE & HINGE, R.H. REAR TAIL LIGHT PANEL
55.404.17		LIGHTS, SIDE MARKER, HEADER - EU - 7120, 8120, 9120
55.404.20		LIGHTS, SERVICE
55.404.21		INSPECTION LAMP
55.404.28		GRAIN TANK ELECTRICITY
55.404.31		LIGHT, UNLOADING AUGER

TABLE OF CONTENTS

55.404.32		DIA HARVEST KIT, LIGHTS, HID ROOF
55.404.33		DIA HARVEST KIT, MID DISTANCE HID LIGHT - R.H. MIRROR MOUNTED
55.404.34		LIGHTING, LICENSE PLATE - EU - 7120, 8120, 9120
55.408.02		BEACON, REAR, ROTATING
55.408.03		BEACONS, CAB ROOF, ROTATING
55.408.05		LIGHTS, WARNING, REAR - EU ONLY - 7120, 8120, 9120
55.408.08		LIGHTS, SIDE MARKER - EU - 7120, 8120, 9120
55.414.01	01	ENGINE SENSORS - 7120/7120(LA)
55.414.01	02	ENGINE SENSORS - 9120
55.418.01		GRAIN FLOW SENSOR
55.418.05		ROTOR LOSS SENSOR
55.424.02		MOISTURE SENSOR
55.440.02		ENGINE SENSORS & ECU - 8120/8120(LA)
55.440.03	01	ELECTRONIC CONTROL UNIT - 7120/7120(LA)
55.440.03	02	ELECTRONIC CONTROL UNIT - 8120/8120(LA)
55.440.03	03	ELECTRONIC CONTROL UNIT - 9120
55.440.05	01	CCM MODULES, YMIU CONTROLLER & SHAFT SPEED MONITOR
55.440.06		AFS PRO 600 TOUCH SCREEN DISPLAY - 8120
55.440.07		UNIVERSAL DISPLAY PLUS MONITOR, TOUCH SCREEN DISPLAY
55.440.07	02	UNIVERSAL DISPLAY PLUS MONITOR, TOUCH SCREEN DISPLAY - UPDATED TO MY10
55.440.11		ACCUMULATOR - RIDE CONTROL
55.440.12		GPS MOUNT
55.440.12	01	GPS MOUNT - EU SPECIFIC - 7120, 8120, 9120
55.440.16		KIT, SOFTWARE, AF162 QRC
55.440.19		PRINTER, CAB
55.510.05		CAB ROOF ELECTRICAL
55.510.06		RADIO
55.510.07	01	ANTENNA - NA/LATIN AMERICA ONLY
55.512.10		CONSOLE, IGNITION KEY
55.512.13		KIT, PROPULSION HANDLE
55.518.01		MOTOR, WINDSHIELD WIPER
55.518.03		SYSTEM, WINDSHIELD WASHER
55.518.04		WINDSHIELD WIPER - DOUBLE BLADE
55.518.05		KIT, ADDITIONAL WINDSHIELD WIPER (ARM)
55.627.10		POTENTIOMETER, CONCAVE ADJUSTMENT
55.627.11		MOTOR, CONCAVE ADJUSTMENT
55.780.11		ACTUATOR, SELF LEVELING
55.785.01		CONSOLE, R.H., TOUCH SCREEN DISPLAY
55.785.03	01	KIT, DIA - GRAIN FLOW/MOISTURE SENSOR
55.785.03	02	KIT, DIA - GRAIN FLOW/MOISTURE SENSOR - UPDATED TO MY10
55.785.04		SENSOR, TAILINGS VOLUME
55.785.11		SENSOR ASSEMBLY
60.000.00		SECTION INDEX - PRODUCT FEEDING
60.105.03		CHAIN ASSY AND FEEDER SLATS
60.105.03	01	CHAIN ASSY AND FEEDER SLATS - MY10 PRODUCTION - U SHAPED SLAT PROFILE
60.105.05		FEEDER IDLER ROLLER
60.110.02		LATERAL TILT FEEDER, PIVOT FRONT FACE HARDWARE
60.110.03		LATERAL TILT FEEDER ADAPTER
60.110.06	01	FEEDER FLOOR AND CHAINS - WITHOUT ROCK TRAP
60.110.06	02	FEEDER FLOOR AND CHAINS - WITH ROCK TRAP

TABLE OF CONTENTS

60.110.08		FEEDER FRAME
60.110.09		FEEDER HOUSING AND SHIELDS
60.110.20		FEEDER ADAPTER, FIXED
60.110.21		DIA HARVEST KIT, NON STONE TRAP
60.110.22		DIA HARVEST KITS, LATERAL TILT
60.120.10		DRIVE SHAFT, FEEDER/HEADER
60.120.11	01	DRIVE SHAFT, LOWER - FEEDER/HEADER
60.120.11	02	DRIVE SHAFT, LOWER - FEEDER/HEADER
60.120.12		DRIVE SHAFT, UPPER - FEEDER/HEADER
60.130.01		FEEDER - CONVEYOR JACKSHAFT
60.150.01		GEARBOX, FEEDER/HEADER, W/PTO
60.150.02		GEARBOX, FEEDER CONVEYOR DRIVE, WITH ROCK TRAP
60.150.03		GEARBOX, FEEDER CONVEYOR DRIVE, WITHOUT ROCK TRAP
60.150.04		GEARBOX, HEADER/FEEDER, VARIABLE SPEED, OUTPUT HALF
60.150.05		GEARBOX, HEADER/FEEDER, VARIABLE SPEED, INPUT HALF
60.150.06		GEARBOX, HEADER/FEEDER - FIXED SPEED, OUTPUT HALF
60.150.07		GEARBOX, HEADER/FEEDER - FIXED SPEED, INPUT HALF
60.150.08		PIVOT SHAFT, FEEDER/HEADER
60.150.10		CLUTCH, FRICTION DISC
66.000.00		SECTION INDEX - THRESHING (FRAME, ROTOR AND CONCAVES)
66.101.02		KIT, DIA HARVEST, STONE TRAP
66.101.05		TRANSITION CONE
66.101.08		BEARING SUPPORT, ROTOR
66.101.09	01	BEARING PLATE
66.101.09	02	BEARING PLATE
66.101.11		STONE TRAP AND ROLLER
66.101.12		DIA HARVEST KIT, STONE TRAP SUMP COVER
66.105.12		CONCAVES, SLOTTED
66.105.13		CONCAVES, SMALL GRAIN
66.105.16		CONCAVES, CORN / BEAN
66.105.17		CONCAVES, CORN/BEAN - SKIP WIRE
66.105.20		CONCAVE WITH ROUND BARS
66.105.23		CONCAVES, ROUND BAR CORN/BEAN
66.105.25		CONCAVES, SMOOTH
66.105.26		CONCAVES, STANDARD BAR
66.105.28		KIT, HARD THRESHING
66.260.01		PTO, INPUT SHAFT, ENGINE GEARBOX
66.260.17		SHIFTING COMPONENTS, ROTOR GEARBOX
66.260.21		GEARBOX, ROTOR - 3 SPEED
66.260.22		PAN, PTO GEARBOX
66.260.23		SHAFT, CLUTCH PTO
66.260.24		INPUT SHAFT & GEARS, ROTOR GEARBOX
66.260.25		TRANSFER SHAFT & GEARS, ROTOR GEARBOX
66.260.26		OUTPUT SHAFT & GEARS, ROTOR GEARBOX
66.320.02	01	ROTOR VARIATOR - 7120/7120(LA), 8120/8120(LA)
66.320.02	02	ROTOR VARIATOR - 9120
66.330.01		ROTOR
66.330.17		KIT, ROTOR IMPELLER
66.330.21		ROTOR ASSEMBLY, GRAIN ABR. W/ SEPERATOR BAR
66.350.01		BEATER, DISCHARGE
66.350.02		TENSIONER ASSEMBLY, BEATER DRIVE

TABLE OF CONTENTS

66.350.03		BEATER DRIVE (BELT)
66.350.03	01	BEATER DRIVES - 7120/7120(LA)
66.350.03	02	BEATER DRIVES - 8120/8120(LA), 9120
66.350.05		KIT, GRATE COVER, BEATER DISCHARGE - 8120/8120(LA)
66.360.09		FRAME, SEPARATOR
66.360.10		ROTOR CAGE
66.360.11		KIT, FRONT FILLER PLATE, ROTOR CAGE
66.360.12		KIT, REAR FILLER PLATE, ROTOR CAGE
74.000.00	03	SECTION INDEX - CLEANING SHOE
74.000.00	04	SECTION INDEX - TAILINGS PROCESSOR
74.101.05		TENSIONER
74.101.10		SHOE DRIVE
74.101.12		LOWER SHOE DRIVE
74.101.13		ECCENTRIC AND SHAKER SHOE DRIVE
74.101.15		UPPER SHOE DRIVE, L.H.
74.101.16		UPPER SHOE DRIVE, R.H.
74.110.03		GRAIN PAN DRIVE
74.110.04		GRAIN PAN, SUPPORTS & SEALS
74.110.06		GRAIN PAN
74.114.01	01	UPPER SIEVES, NARROW
74.114.01	02	UPPER SIEVES, WIDE
74.114.03	01	REMOTE UPPER SIEVE ADJUSTMENT
74.114.03	02	REMOTE UPPER SIEVE ADJUSTMENT
74.114.04	01	PRESIEVE
74.114.04	02	PRESIEVE
74.114.06		UPPER SHAKER SHOE
74.118.01		LOWER SIEVES
74.118.03	01	AIR DAM, LOWER SIEVES
74.118.03	02	AIR DAM, LOWER SIEVES
74.118.04	01	REMOTE LOWER SIEVE, ADJUSTMENT
74.118.04	02	REMOTE LOWER SIEVE, ADJUSTMENT
74.118.07		LOWER SIEVE, INTERCHANGEABLE
74.118.08		LOWER SIEVE, INTERCHANGEABLE, FRAME, BLANK
74.130.01		CLEANING FAN
74.130.01	01	CLEANING FAN - UPDATED TO MY10
74.130.08		HOUSING, FAN
74.135.02	01	HYDRAULIC MOTOR, CLEANING FAN DRIVE; NARROW TIRE OPTION - FROM MY10 EUROPEAN ONLY
74.135.05	01A	OSCILLATING CHAFFER PAN - BSN Y9G206592 - 7120/7120(LA)
74.135.05	01B	OSCILLATING CHAFFER PAN - BSN Y9G206592 - 8120/8120(LA), 9120
74.135.05	02A	OSCILLATING CHAFFER PAN - ASN Y9G206592 - 7120/7120(LA)
74.135.05	02B	OSCILLATING CHAFFER PAN - ASN Y9G206592 - 8120/8120(LA), 9120
74.140.05		TAILINGS PROCESSOR HOUSING ASSEMBLY
74.140.06		ANGLE DRIVE
74.140.07		GEAR BOX ASSEMBLY, BUBBLER AUGER DRIVE
74.140.09		TAILINGS DRIVE AND AUGER
74.140.14	01	SELF-LEVELING AUGER HOUSING, MAIN BODY
74.140.14	02	SELF-LEVELING AUGER HOUSING, FRONT & REAR SEALS
74.140.15		LATCH ASSEMBLY - CLEANOUT DOOR
74.999.01	01	ENHANCED CLEANING - DIA KIT, P/N 87582923
74.999.01	02	ENHANCED CLEANING - DIA KIT, P/N 87525427

TABLE OF CONTENTS

74.999.01	03	ENHANCING CLEANING - DIA KIT, P/N 87352563
80.000.00	01	SECTION INDEX - GRAIN TANK
80.000.00	02	SECTION INDEX - GRAIN UNLOADING
80.101.07		EXTENSION GRAIN BIN - MY2010 - NA AND LA
80.101.08		ELEVATOR HEAD
80.101.10		BUBBLE-UP AUGER
80.101.10	01	BUBBLE-UP AUGER - LATIN AMERICA ONLY
80.101.15		ELEVATOR HOUSING AND DRIVES
80.101.18		GRAIN ELEVATOR TENSIONER & CHAIN
80.101.19		BOTTOM BOOT, CLEAN GRAIN ELEVATOR
80.101.21	01	BUBBLE-UP AUGER TANDEM GEARBOX, BSN Y9G207858
80.101.21	02	BUBBLE-UP AUGER TANDEM GEARBOX, ASN Y9G207858
80.101.25		BUBBLE-UP AUGER DRIVE
80.101.26		AUGER SPRING & CABLE, BUBBLE-UP AUGER DRIVE
80.101.34		KIT, SCRAPER BLADES - ELEVATOR CHAIN
80.101.35		KIT, SLOW DOWN - ELEVATOR & GRAIN TANK
80.150.02		GRAIN TANK, R.H.
80.150.03	01	GRAIN TANK - MY2010
80.150.03	02	GRAIN TANK - MY2010
80.150.05		GRAIN TANK, L.H.
80.150.06		GRAIN TANK COVERS
80.150.07		GRAIN TANK COVER - MY10 - 350 BU, 315 BU
80.150.11		GRAIN TANK - BOTTOM AND AUGERS
80.150.11	02	GRAIN TANK - BOTTOM AND AUGERS - LATIN AMERICA ONLY
80.150.16		GRAIN TANK CORNER PANELS
80.154.03		EXTENSION, GRAIN BIN
80.154.04		DIA KIT CANVAS ASSY, GRAINTANK EXT. AFX7120
80.154.06		DIA KIT CANVAS ASSY, GRAINTANK EXT. AFX8120, AFX9120
80.154.07		DIA, HARVEST KIT, EXTENDED WEAR, GRAIN TANK BOTTOM
80.154.09		HINGE SYSTEM, GRAIN TANK COVERS
80.154.10		LINKAGE FOR GRAIN TANK COVER - MY2010 - 350 BU AND 315 BU
80.175.02		UNLOADING CHAIN DRIVE
80.175.06		UNLOADING AUGER, GEARBOX, UPPER
80.175.07		UNLOADING AUGER, GEARBOX, LOWER
80.175.10		UNLOADING CHAIN DRIVE, SPECIAL FOR RICE, NA ONLY, FROM PIN Y9G206259 - 7120, 8120, 9120
80.175.11		KIT, UNLOADING CHAIN DRIVE, SPECIAL FOR RICE - NA ONLY - 7120, 8120, 9120
80.175.12		UNLOADING CHAIN DRIVE, HYDRAULICS, SPECIAL FOR RICE - NA ONLY - 7120, 8120, 9120
80.180.01		UNLOADING AUGER, VERTICAL - 7120, 8120, 9120
80.180.01	01	UNLOADING AUGER, VERTICAL - LATIN AMERICA ONLY - 7120, 8120
80.180.05		UNLOADING AUGER, HORIZONTAL, 21 FT (6.4M)
80.180.07		KIT, UNLOADER VERTICAL DISCHARGE
80.180.11		UNLOADING AUGER EXTENSION, 0.9 M (3 FT)
80.180.12		UNLOADING DRIVE
80.180.17	01	AUGER UNLOADING ASSY - 4 FT STD WEAR RED
80.180.17	02	AUGER UNLOADING ASSY - 4 FT EXT WEAR RED
80.180.17	03	DIA KIT, UNLOADING AUGER EXTENSION 1.3M/ 4.4' EXTENDED WEAR RED
80.180.17	04	DIA KIT, UNLOADING AUGER EXTENSION 1.3M/ 4.4FT STANDARD WEAR
88.000.00		SECTION INDEX - STRAW SPREADER
88.100.01		WHEEL CHOCK - GERMANY, AUSTRIA, & SWITZERLAND ONLY - 7120, 8120, 9120

TABLE OF CONTENTS

88.100.02		HYDRAULIC MOTOR, UNLOADING DRIVE, SPECIAL FOR RICE - NA ONLY - 7120, 8120, 9120
88.100.03		HYDRAULIC MANIFOLD, UNLOADING DRIVE, SPECIAL FOR RICE - NA ONLY - 7120, 8120, 9120
88.120.02		SIGNAL PLATES, REAR - EU - 7120, 8120, 9120
88.120.03	01	SIGNAL PLATES FOR UNLOADING TUBE; EUROPE ONLY - 7120, 8120, 9120
88.120.03	02	SIGNAL PLATE FOR UNLOADING TUBE, EUROPEAN ONLY
88.120.06		SIGNAL PLATES, FRONT - GERMANY - 7120, 8120, 9120
88.210.01	01	STRAWCHOPPER DRIVE - 7120/7120(LA)
88.210.01	02	STRAWCHOPPER DRIVE - 8120/8120(LA), 9120
88.210.02		TENSIONER - STRAWCHOPPER
88.210.04		DEFLECTOR, R.H. CHOPPER DISCHARGE
88.210.05		STRAWCHOPPER DRIVE - PULLEYS AND BELTS
88.210.09		FRONT GUARD MY2010 - 7120, 8120, 9120
88.210.10		STRAWCHOPPER, STANDARD AND FINE
88.210.11		KIT, SERRATED FLAIL STRAWCHOPPER
88.210.13	01	STRAWCHOPPER, INTEGRAL, 3X3, BSN YAG208311
88.210.13	02	STRAWCHOPPER, INTEGRAL, 3X3, ASN YAG208311
88.210.13	03	SHEAR BAR ASSEMBLY, STANDARD
88.210.13	04	DIA KIT, SHEAR BAR ASSEMBLY
88.210.14		KIT, KNIFE PROTECTION, FOR 3X3 INTEGRATED CHOPPER
88.220.03	02	KNIFE FRAME, FIXED, FROM PIN HAJ202001
88.230.04		DEFLECTOR, REMOTE ADJUSTABLE CHOPPER DISCHARGE
88.230.07		FEEDPLATE
88.230.11	01	KNIFE FRAME, FIXED; FOR USE W/3X3 INTEGRATED CHOPPER, BSN, YAG208311
88.230.11	02	KNIFE FRAME, FIXED; FOR USE W/3X3 INTEGRATED CHOPPER, ASN, YAG208311
88.230.13	01	DIA HARVEST KIT, STRAW SPREADER SUPPORT & DEFLECTORS
88.230.13	02	KIT, ANTI-STATIC
88.230.15		SPREADER, UPPER
88.230.17		SPREADER CHUTE, WINDROW
88.230.18		SPREADER CHUTE, WINDROW - EU - 7120, 8120, 9120
88.230.19		SPREADER, LOWER, W/FINGER BAR DISTRIBUTOR
88.230.19	01	SPREADER WIDTH CONTROL DELUXE NARROW
88.230.19	02	DIVIDER CROP ASSEMBLY DELUXE NARROW
88.230.20		ADJUSTABLE DISTRIBUTOR
88.230.21	01	AIR COMPRESSION KIT AFX9120, MODEL YEAR 2010
88.230.21	02	AIR COMPRESSOR KIT, AFX7120
88.230.21	03	AIR COMPRESSOR KIT, AFX8120
88.430.01		AUTO GUIDANCE-READY, CONTROL MODULE
88.430.02	01	AUTO GUIDANCE-READY, ELECTRICAL WIRING
88.430.02	02	AUTO GUIDANCE-READY, ELECTRICAL WIRING
88.430.03		AUTO GUIDANCE-READY, STEERING WHEEL SENSOR
88.430.05	01	AUTO GUIDANCE-READY, HYDRAULICS - 7120, 8120
88.430.05	02	AUTO GUIDANCE-READY, HYDRAULICS - 7120, 8120/8120(LA), 9120
88.430.06		AUTO GUIDANCE-READY, HYDRAULIC VALVE W/PRESSURE RELIEF
88.430.07		AUTO GUIDANCE-READY, AFS252 COMPLETING EXT
88.430.08		SMART STEER AUTO-GUIDANCE KIT - EDGE DETECTION SENSOR
88.430.09		SMART STEER AUTO-GUIDANCE KIT - ELECTRICAL WIRING
88.431.00		DIA KIT, AIR COMPRESSION, AFX7120
88.431.01		DIA KIT, AIR COMPRESSION, AFX9120
88.431.02		DIA KIT, AIR COMPRESSION, AFX8120

TABLE OF CONTENTS

88.431.03		AIR GUN ASSEMBLY, BLOWOFF
90.000.00	01	SECTION INDEX - CAB
90.000.00	02	SECTION INDEX - BODY PANEL MOUNTS & HINGES
90.000.00	03	SECTION INDEX - BODY PANELS
90.100.17		PANEL, SIDE - FRONT; L.H. & R.H.
90.100.18		PANEL, SIDE - REAR; R.H.
90.100.19		PANEL, SIDE - REAR; L.H.
90.100.20		SUPPORT TUBE & HINGE, L.H. SIDE UPPER PANEL
90.100.21		SUPPORT TUBE & HINGE, R.H. SIDE REAR UPPER PANEL
90.100.22		SUPPORT TUBE & HINGE, L.H. SIDE REAR PANEL
90.102.02	01	ENGINE GUARD, 7120 (LA)
90.102.02	02	ENGINE GUARD, 8120 (LA)
90.102.03	01	ENGINE GUARDS - 7120
90.102.03	02	ENGINE GUARDS - 8120
90.102.03	03	ENGINE GUARDS - 9120
90.102.05	01	ENGINE GUARDS - NEW GRAIN TANK FEATURES, MY2010
90.102.05	02	ENGINE GUARDS - NEW GRAIN TANK FEATURES, MY2010
90.102.05	03	ENGINE GUARDS - NEW GRAIN TANK FEATURES, MY2010
90.105.10		SHIELDS, UPPER REAR
90.108.01	01	DECALS
90.108.01	02	DECALS
90.108.02	01	DECALS - EU
90.108.02	02	DECALS - EU
90.108.02	03	DECALS - EU
90.108.10		DECALS - RUSSIA ONLY - 7120, 8120, 9120
90.108.11		DECALS - MODEL & BRAND
90.110.11		PANELS, REAR - EU - 7120, 8120, 9120
90.110.12		PANEL, REAR, UPPER, CAB INTERIOR
90.114.07		SHIELD, FAN BOTTOM
90.114.08		GUARD, STRAW SPREADER - EU ONLY - 7120, 8120, 9120
90.115.03		USER PLATFORM, R.H.
90.115.10		KIT, FAN SHIELD - 8120/8120(LA), 9120
90.116.02		STRAW HOOD FRAME
90.118.04		MIRROR FOR GERMANY - 7120, 8120, 9120
90.118.09		PLATFORM EXTENSIONS
90.118.22	01	SHIELDS, LOWER, L.H.
90.118.23	02	SHIELDS, LOWER, R.H. STANDARD THREAD, INCLUDES NEW LOWER SHIELDING FOR NEW NARROW TIRES
90.118.24	02	SHIELD ASSY, LOWER R.H. NARROW TREAD - MY 2010
90.118.26		MIRROR, REAR VIEW, STANDARD
90.118.27		MIRROR, REAR VIEW, DELUXE
90.118.29		DIA HARVEST KIT, STRAW HOOD DOOR
90.118.33		STRAW HOOD & DEFLECTORS
90.118.36		LATCHES, SECONDARY PANEL - EU ONLY - 7120, 8120/8120(LA), 9120
90.118.37		BRACKETS & HINGE, R.H. LOWER
90.118.38		USER PLATFORM & LADDER
90.118.39	01	RAILING, PLATFORM, NA/LATIN AMERICA
90.118.39	02	RAILING, PLATFORM, EU - 7120, 8120, 9120
90.118.40		BRACKETS, LOWER SHIELDS - TRACK - NA - 8120, 9120
90.118.41		DECK, REAR, LADDER
90.118.41	01	DECK, REAR - 7120/7120(LA), 8120/8120(LA)

TABLE OF CONTENTS

90.118.41	02	DECK, REAR - 9120
90.118.43	01	RAILING, REAR - 7120/7120(LA), 8120/8120(LA)
90.118.43	02	RAILING, REAR - 9120
90.118.44		ARM, REAR DECK LADDER
90.118.45		SHIELD, FRONT AXLE
90.120.03		SEAT COMPONENTS, OPERATOR (NON-HEATED)
90.120.04		SEAT COMPONENTS, INSTRUCTIONAL
90.120.05		SEAT, INSTRUCTIONAL
90.120.05	01	INSTRUCTOR SEAT, AFTER MARCH 2009
90.120.06		SEAT COMPONENTS, OPERATOR (HEATED)
90.120.07		SEAT, SUSPENSION
90.120.08		SEAT, SUPPORT
90.124.02		SEAT, OPERATOR
90.150.01		CAB FRAME
90.150.04		CAB ROOF, OUTER
90.150.05		AIR FILTER & BLOWER
90.150.06		CAB MOUNTING
90.150.07	02	CAB SKIRT - NA & LATIN AMERICA
90.150.07	03	CAB SKIRT - EU - 7120, 8120, 9120
90.154.02	01	CAB DOOR, L.H.
90.154.04		DOOR, HANDLE ASSEMBLY
90.154.05		CAB DOOR, R.H.
90.156.11	01	SHIELD & BRACKET, FRONT L.H.
90.156.11	02	SHIELD & BRACKET, FRONT R.H.
90.160.02	02	CONSOLE AND CONTROLS, R.H.
90.160.03		CAB ROOF, INNER
90.160.04	01	PANELS, REAR
90.160.04	02	PANEL, REAR - LOWER

SECTION INDEX

00 - Maintenance

00.000.00		PICTORIAL INDEX - MAINTENANCE
00.000.05		PICTORIAL INDEX - MACHINE COMPLETION AND EQUIPMENT
00.000.10	01	PICTORIAL INDEX - ENGINE, INTAKE & EXHAUST - 7120/7120(LA), 8120/8120(LA)
00.000.10	01A	PICTORIAL INDEX - ENGINE, INTERNAL COMPONENTS - 7120/7120(LA)
00.000.10	01B	PICTORIAL INDEX - ENGINE, INTERNAL COMPONENTS - 8120/8120(LA)
00.000.10	01C	PICTORIAL INDEX - ENGINE, INTERNAL COMPONENTS - 9120
00.000.10	02A	PICTORIAL INDEX - ROTARY AIR SCREEN - 7120/7120(LA)
00.000.10	02B	PICTORIAL INDEX - ROTARY AIR SCREEN - 8120/8120(LA)
00.000.10	02C	PICTORIAL INDEX - ROTARY AIR SCREEN - 9120
00.000.10	03A	PICTORIAL INDEX - FUEL SYSTEM - 7120/7120(LA)
00.000.10	03B	PICTORIAL INDEX - FUEL SYSTEM - 8120/8120(LA)
00.000.10	03C	PICTORIAL INDEX - FUEL SYSTEM - 9120
00.000.10	04A	PICTORIAL INDEX - COOLER BOX - 7120/7120(LA)
00.000.10	04B	PICTORIAL INDEX - COOLER BOX - 8120/8120(LA)
00.000.10	04C	PICTORIAL INDEX - COOLER BOX - 9120
00.000.14		PICTORIAL INDEX - LIVE PTO
00.000.18		PICTORIAL INDEX - CLUTCH
00.000.21		PICTORIAL INDEX - TRANSMISSION
00.000.25		PICTORIAL INDEX - FRONT MECHANICAL DRIVE
00.000.29		PICTORIAL INDEX - HYDROSTATIC TRANSMISSION
00.000.31		PICTORIAL INDEX - IMPLEMENT POWER TAKE OFF
00.000.33		PICTORIAL INDEX - BRAKES & CONTROLS
00.000.35	01	PICTORIAL INDEX - HYDRAULICS, ENGINE GEARBOX
00.000.35	02	PICTORIAL INDEX - HYDRAULICS, ENGINE GEARBOX
00.000.39		PICTORIAL INDEX - FRAMES
00.000.41		PICTORIAL INDEX - STEERING
00.000.44		PICTORIAL INDEX - AXLE AND WHEELS
00.000.48		PICTORIAL INDEX - SUSPENSION AND TRACKS
00.000.50		PICTORIAL INDEX - CAB CLIMATE CONTROL
00.000.55	01A	PICTORIAL INDEX - ELECTRICAL, HARNESSSES - 7120/7120(LA)
00.000.55	01B	PICTORIAL INDEX - ELECTRICAL, HARNESSSES - 8120/8120(LA)
00.000.55	01C	PICTORIAL INDEX - ELECTRICAL, HARNESSSES - 9120
00.000.55	02	PICTORIAL INDEX - ELECTRICAL, LIGHTING
00.000.60		PICTORIAL INDEX - PRODUCT FEEDING
00.000.66		PICTORIAL INDEX - THRESHING (FRAME, ROTOR AND CONCAVES)
00.000.74	03	PICTORIAL INDEX - CLEANING SHOE
00.000.74	04	PICTORIAL INDEX - TAILINGS PROCESSOR
00.000.80	01	PICTORIAL INDEX - GRAIN TANK
00.000.80	02	PICTORIAL INDEX - GRAIN UNLOADING
00.000.88		PICTORIAL INDEX - STRAW SPREADER
00.000.90	01	PICTORIAL INDEX - CAB
00.000.90	02	PICTORIAL INDEX - BODY PANEL MOUNTS & HINGES
00.000.90	03	PICTORIAL INDEX - BODY PANELS

00.000.00

p1

10/09

PICTORIAL INDEX - MAINTENANCE

**ART
NOT
AVAILABLE**

PICTORIAL INDEX - MAINTENANCE

REF	FN	PART NUMBER	YR/SN	QTY	DESCRIPTION
-----	----	-------------	-------	-----	-------------

--	--	--	--	--	--

7120 7120 8120 9120 8120

**ART
NOT
AVAILABLE**

00.000.05

p1

10/09

PICTORIAL INDEX - MACHINE COMPLETION AND EQUIPMENT

REF	FN	PART NUMBER	YR/SN	QTY	DESCRIPTION
------------	-----------	--------------------	--------------	------------	--------------------

					7120 7120 8120 9120 8120
--	--	--	--	--	-------------------------------------

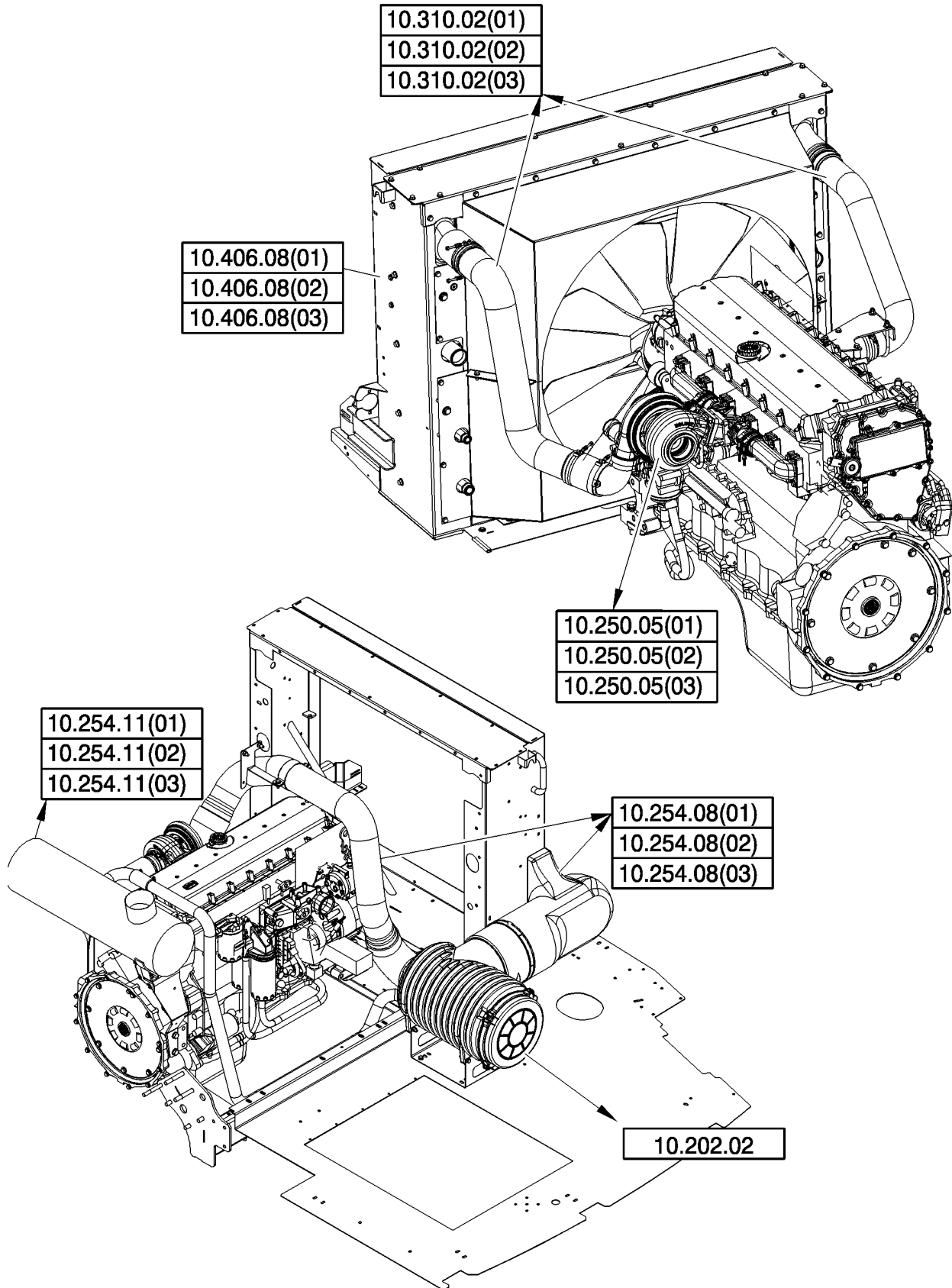
00.000.10

01

p1

08/09

PICTORIAL INDEX - ENGINE, INTAKE & EXHAUST - 7120/7120(LA), 8120/8120(LA)



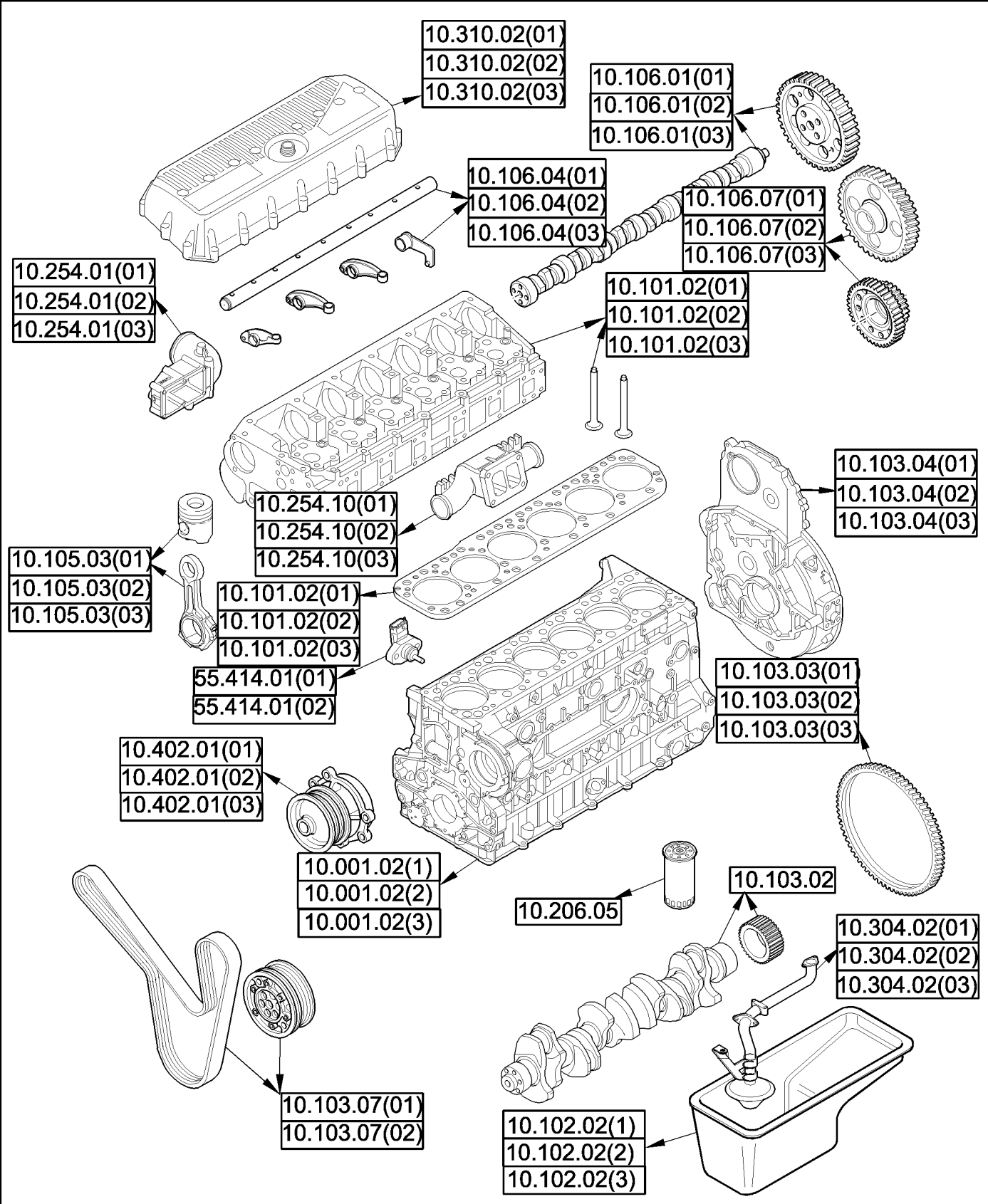
PICTORIAL INDEX - ENGINE, INTAKE & EXHAUST - 7120/7120(LA), 8120/8120(LA)

REF	FN	PART NUMBER	YR/SN	QTY	DESCRIPTION
-----	----	-------------	-------	-----	-------------

--	--	--	--	--	--

	7120 7120 8120 8120
--	----------------------------

PICTORIAL INDEX - ENGINE, INTERNAL COMPONENTS - 7120/7120(LA)



00.000.10

01A

p1

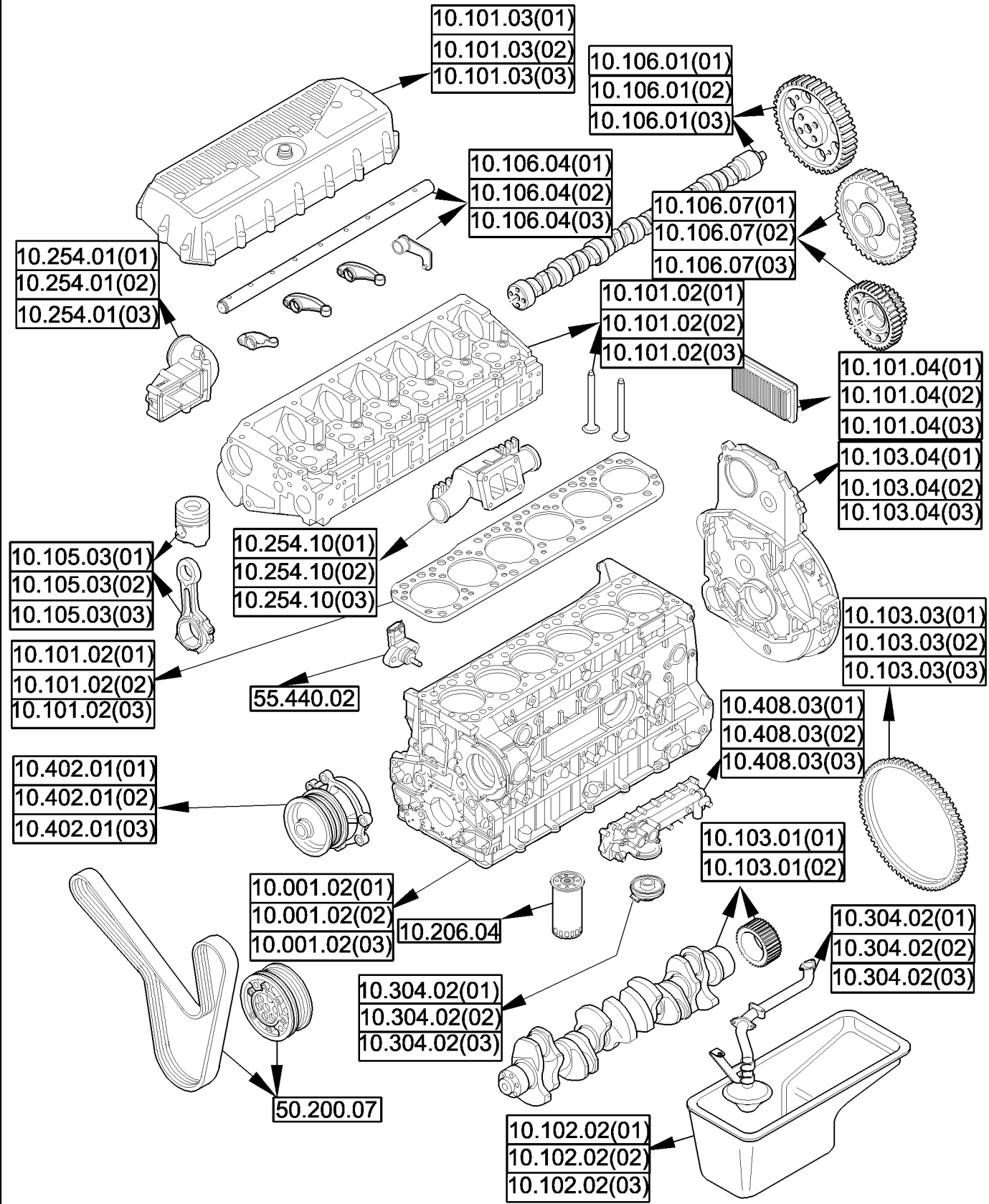
02/10

PICTORIAL INDEX - ENGINE, INTERNAL COMPONENTS - 7120/7120(LA)

REF	FN	PART NUMBER	YR/SN	QTY	DESCRIPTION
-----	----	-------------	-------	-----	-------------

					7120 7120
--	--	--	--	--	------------------

PICTORIAL INDEX - ENGINE, INTERNAL COMPONENTS - 8120/8120(LA)



00.000.10

01B

p1

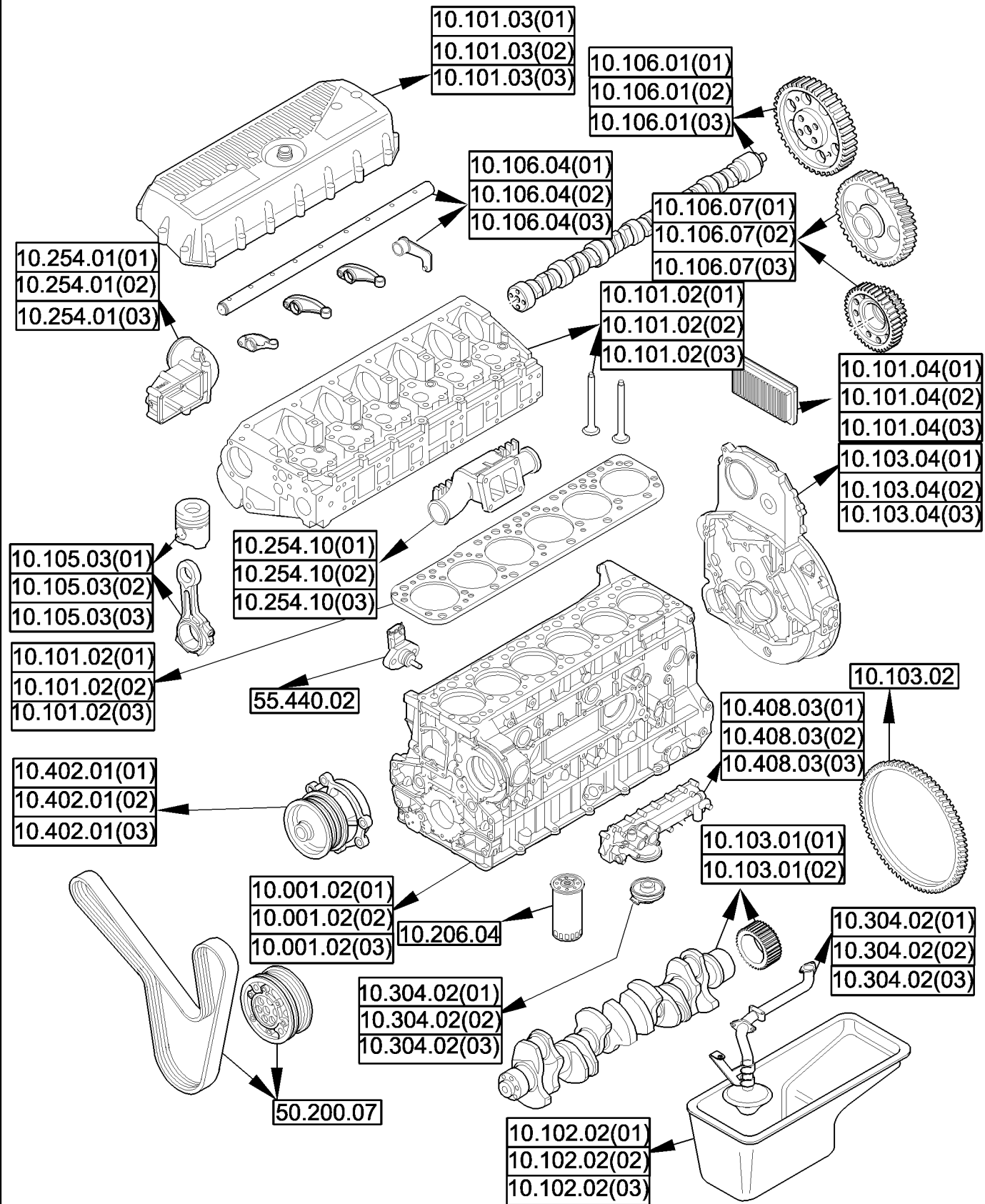
02/10

PICTORIAL INDEX - ENGINE, INTERNAL COMPONENTS - 8120/8120(LA)

REF	FN	PART NUMBER	YR/SN	QTY	DESCRIPTION
-----	----	-------------	-------	-----	-------------

					8120 8120
--	--	--	--	--	------------------

PICTORIAL INDEX - ENGINE, INTERNAL COMPONENTS - 9120



00.000.10

01C

p1

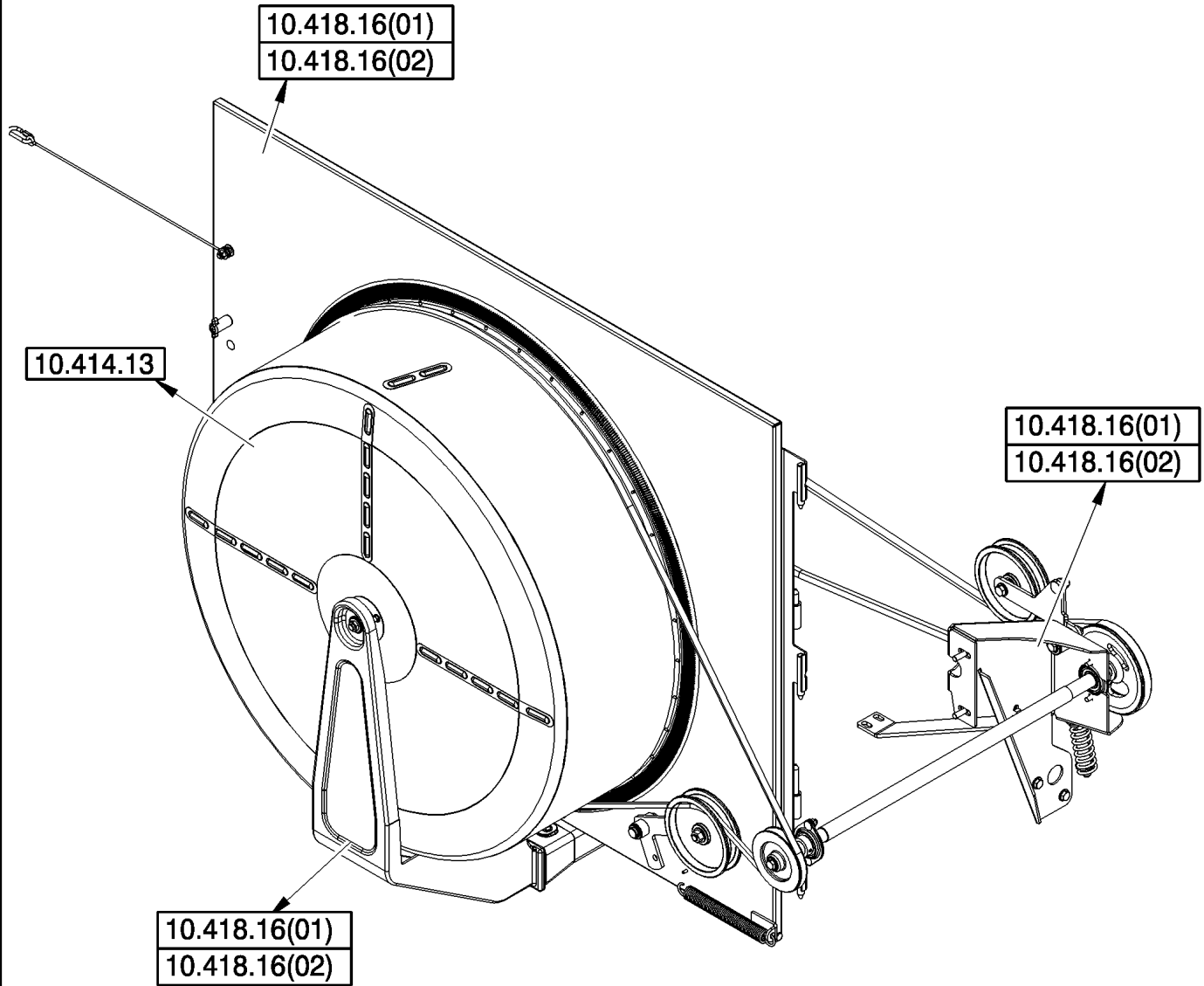
02/10

PICTORIAL INDEX - ENGINE, INTERNAL COMPONENTS - 9120

REF	FN	PART NUMBER	YR/SN	QTY	DESCRIPTION
-----	----	-------------	-------	-----	-------------

					9120
--	--	--	--	--	-------------

PICTORIAL INDEX - ROTARY AIR SCREEN - 7120/7120(LA)



00.000.10

02A

p1

02/10

PICTORIAL INDEX - ROTARY AIR SCREEN - 7120/7120(LA)

REF	FN	PART NUMBER	YR/SN	QTY	DESCRIPTION
-----	----	-------------	-------	-----	-------------

					7120 7120
--	--	--	--	--	------------------

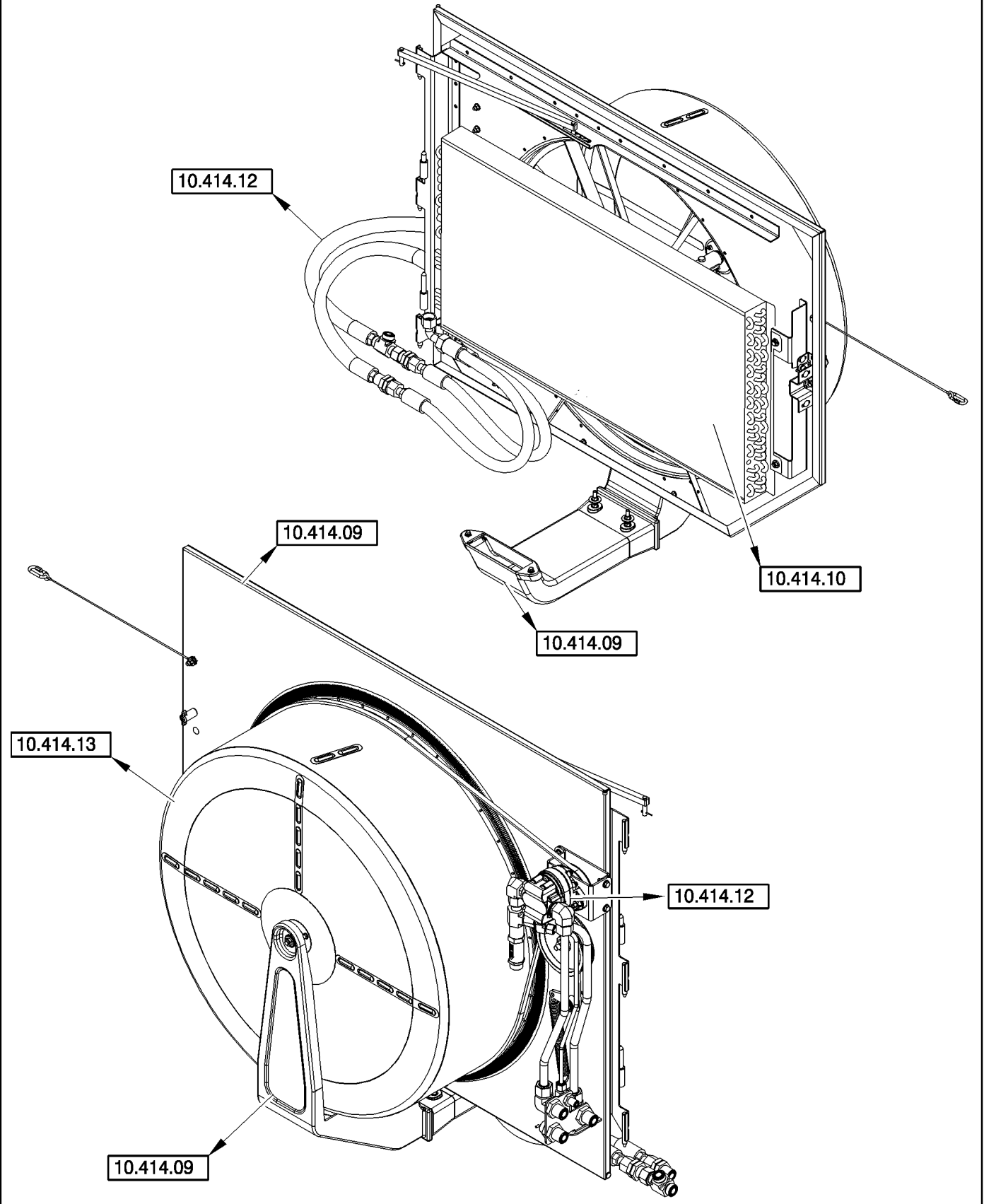
00.000.10

02B

p1

02/10

PICTORIAL INDEX - ROTARY AIR SCREEN - 8120/8120(LA)



00.000.10

02B

p1

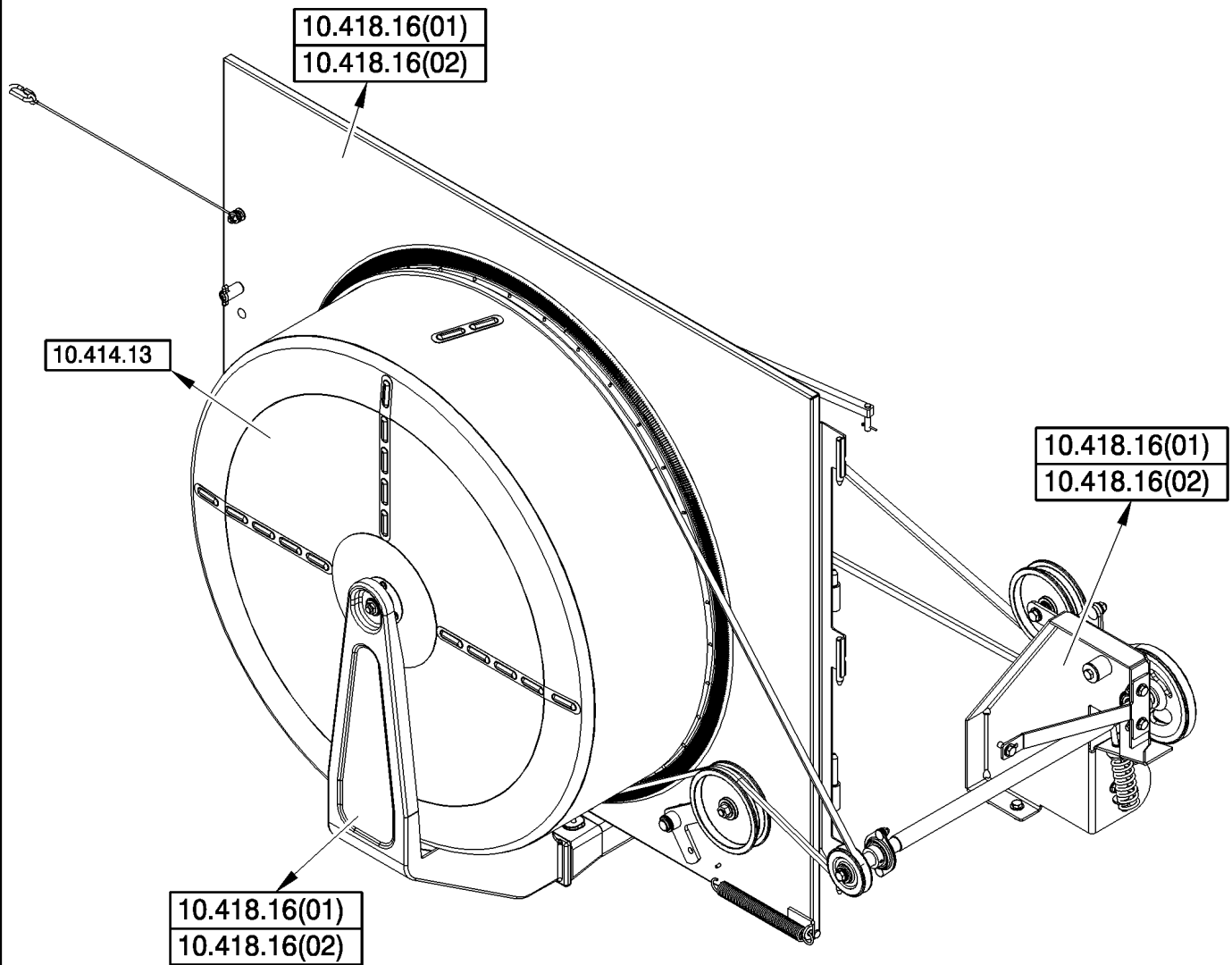
02/10

PICTORIAL INDEX - ROTARY AIR SCREEN - 8120/8120(LA)

REF	FN	PART NUMBER	YR/SN	QTY	DESCRIPTION
-----	----	-------------	-------	-----	-------------

					8120 8120
--	--	--	--	--	------------------

PICTORIAL INDEX - ROTARY AIR SCREEN - 9120



00.000.10

02C

p1

02/10

PICTORIAL INDEX - ROTARY AIR SCREEN - 9120

REF	FN	PART NUMBER	YR/SN	QTY	DESCRIPTION
-----	----	-------------	-------	-----	-------------

					9120
--	--	--	--	--	-------------

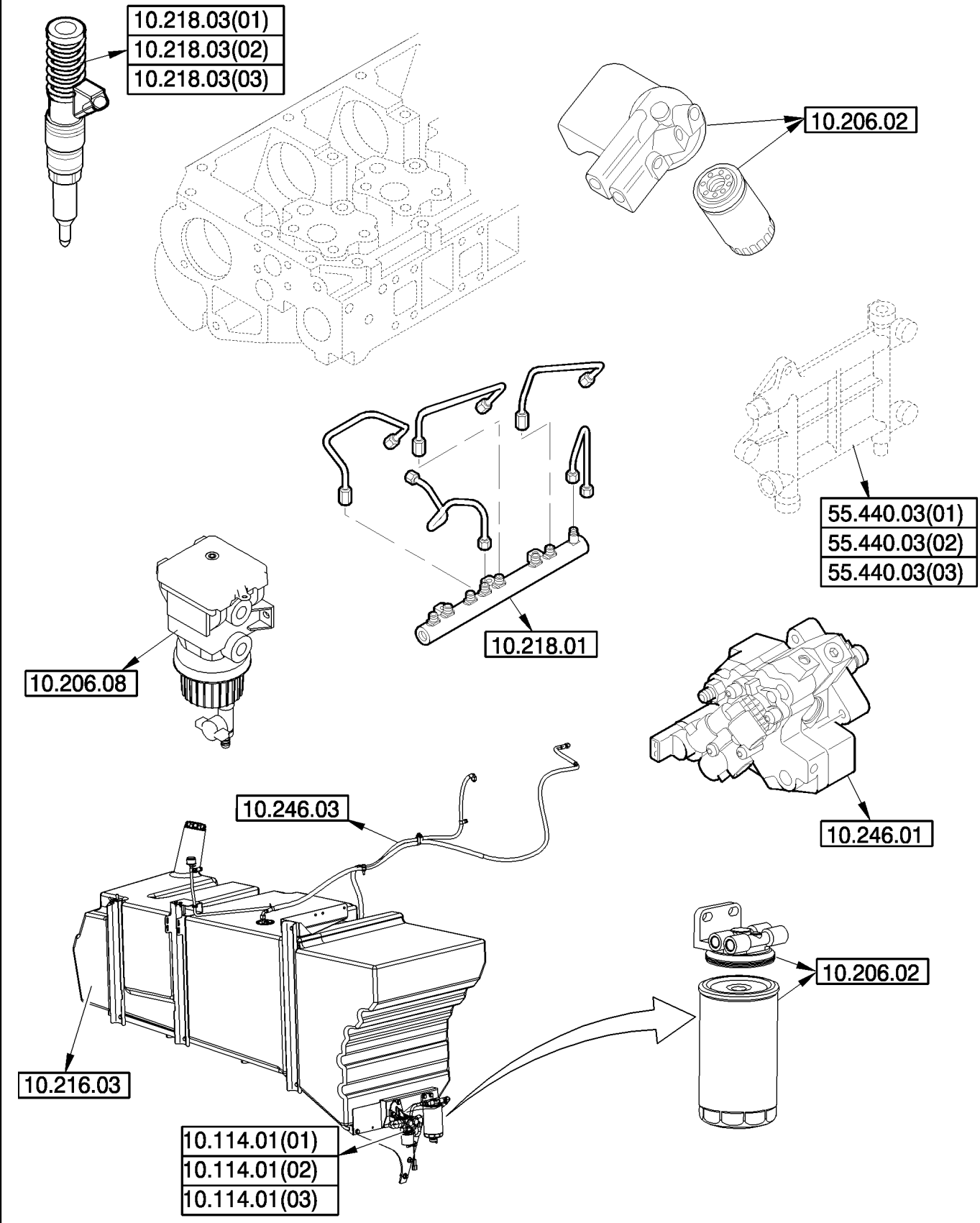
00.000.10

03A

p1

02/10

PICTORIAL INDEX - FUEL SYSTEM - 7120/7120(LA)



00.000.10

03A

p1

02/10

PICTORIAL INDEX - FUEL SYSTEM - 7120/7120(LA)

REF	FN	PART NUMBER	YR/SN	QTY	DESCRIPTION
-----	----	-------------	-------	-----	-------------

					7120 7120
--	--	--	--	--	------------------

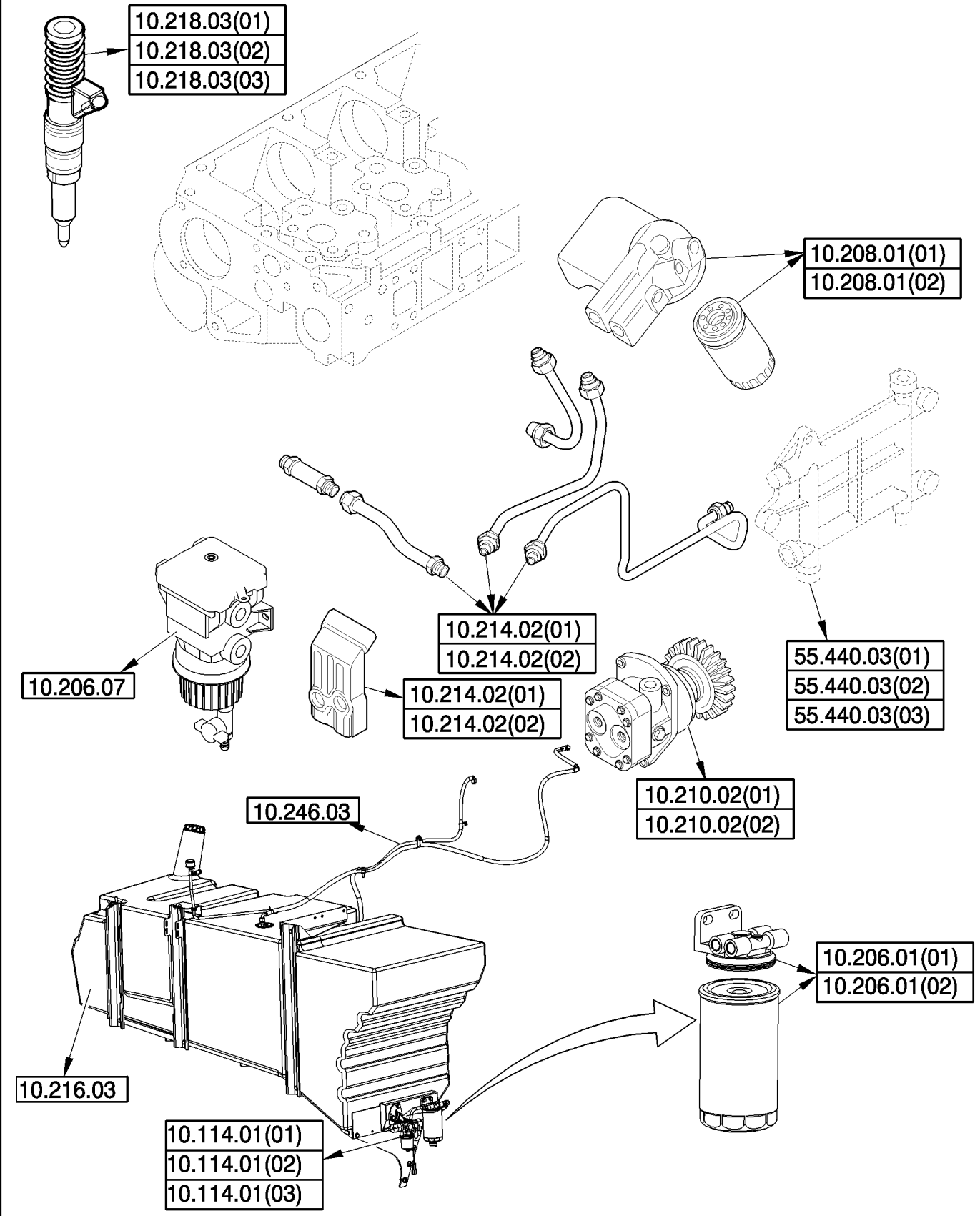
00.000.10

03B

p1

02/10

PICTORIAL INDEX - FUEL SYSTEM - 8120/8120(LA)



00.000.10

03B

p1

02/10

PICTORIAL INDEX - FUEL SYSTEM - 8120/8120(LA)

REF	FN	PART NUMBER	YR/SN	QTY	DESCRIPTION
-----	----	-------------	-------	-----	-------------

					8120 8120
--	--	--	--	--	------------------

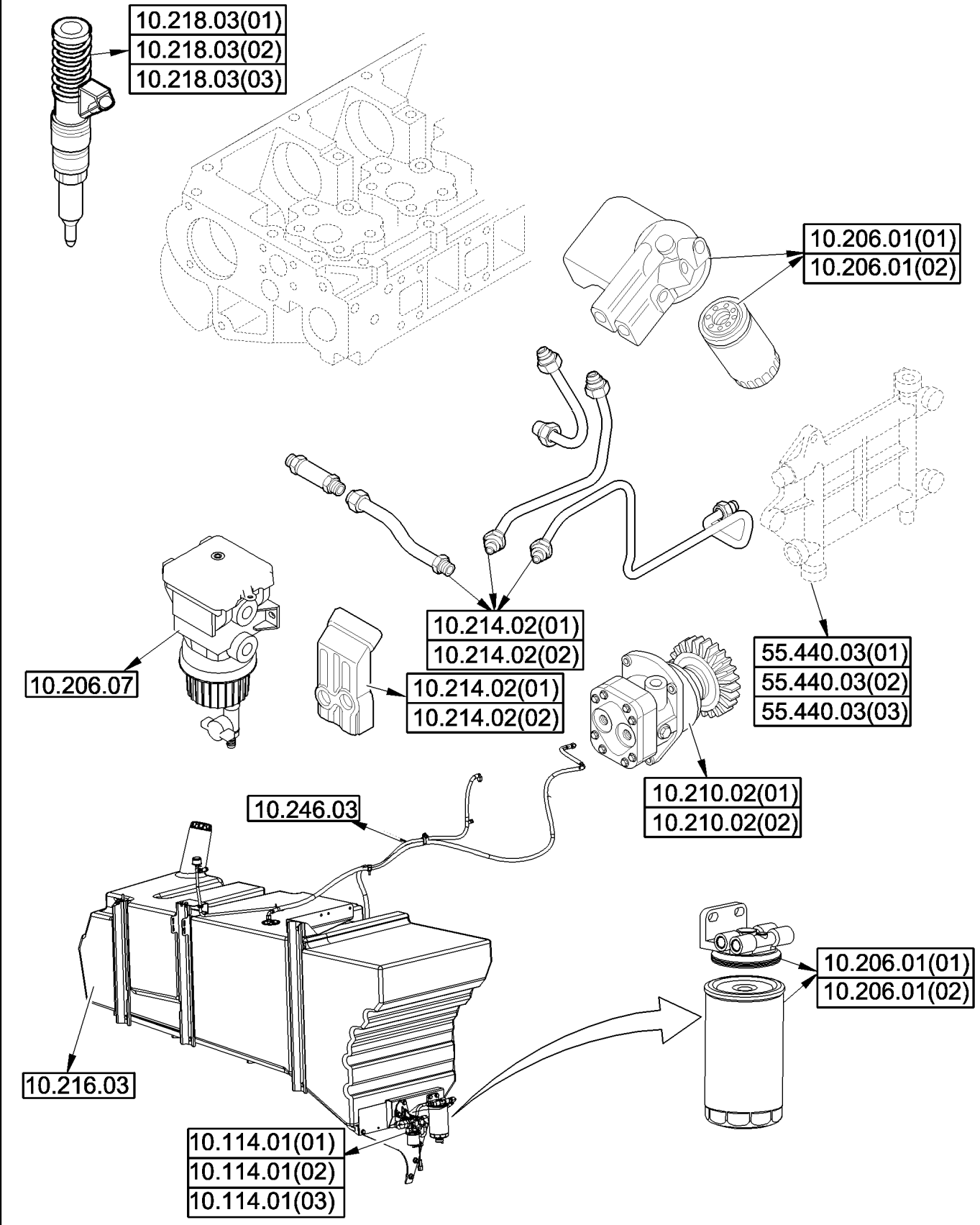
00.000.10

03C

p1

02/10

PICTORIAL INDEX - FUEL SYSTEM - 9120



00.000.10

03C

p1

02/10

PICTORIAL INDEX - FUEL SYSTEM - 9120

REF	FN	PART NUMBER	YR/SN	QTY	DESCRIPTION
-----	----	-------------	-------	-----	-------------

					9120
--	--	--	--	--	-------------

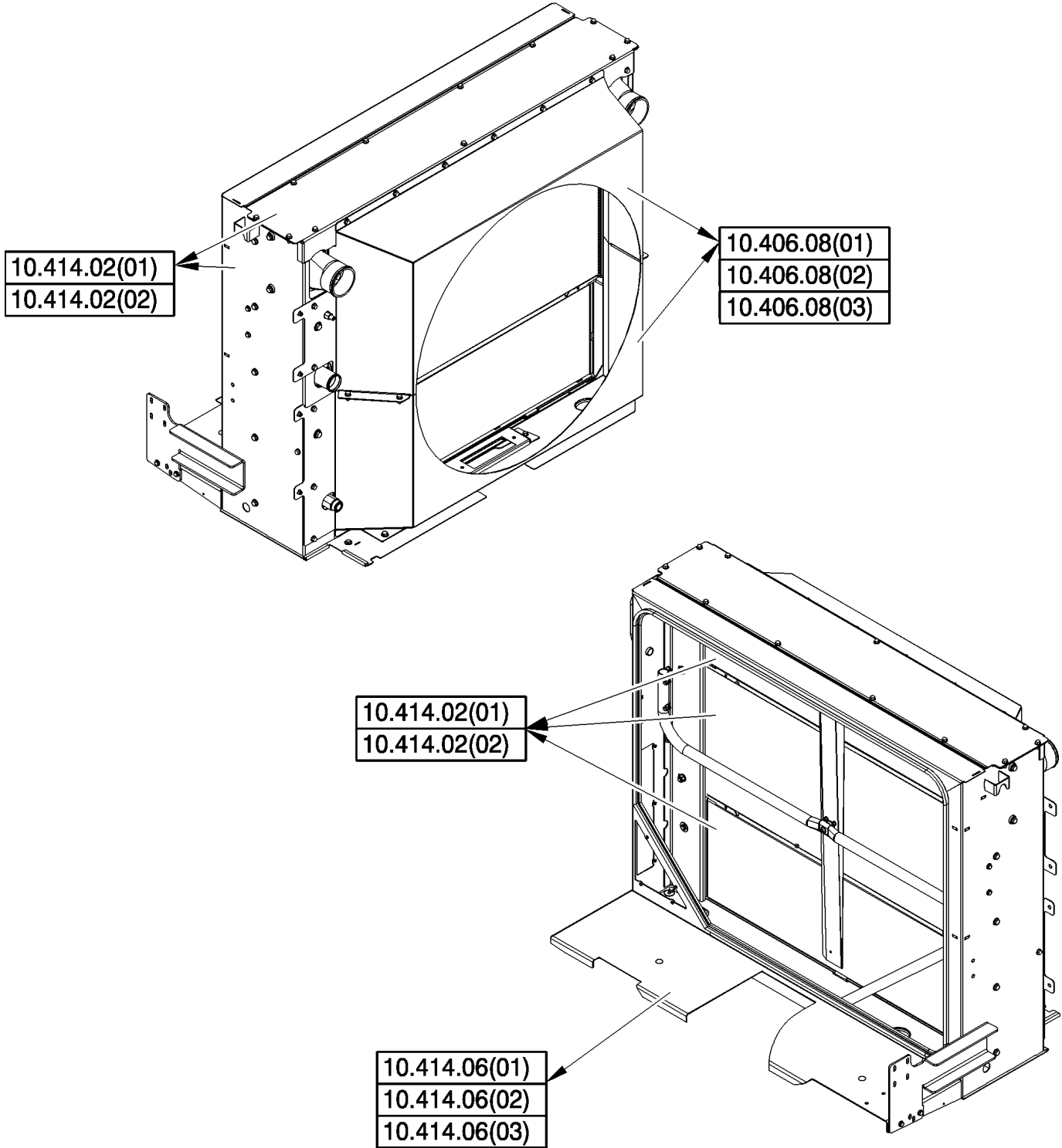
00.000.10

04A

p1

02/10

PICTORIAL INDEX - COOLER BOX - 7120/7120(LA)



00.000.10

04A

p1

02/10

PICTORIAL INDEX - COOLER BOX - 7120/7120(LA)

REF	FN	PART NUMBER	YR/SN	QTY	DESCRIPTION
-----	----	-------------	-------	-----	-------------

					7120 7120
--	--	--	--	--	------------------

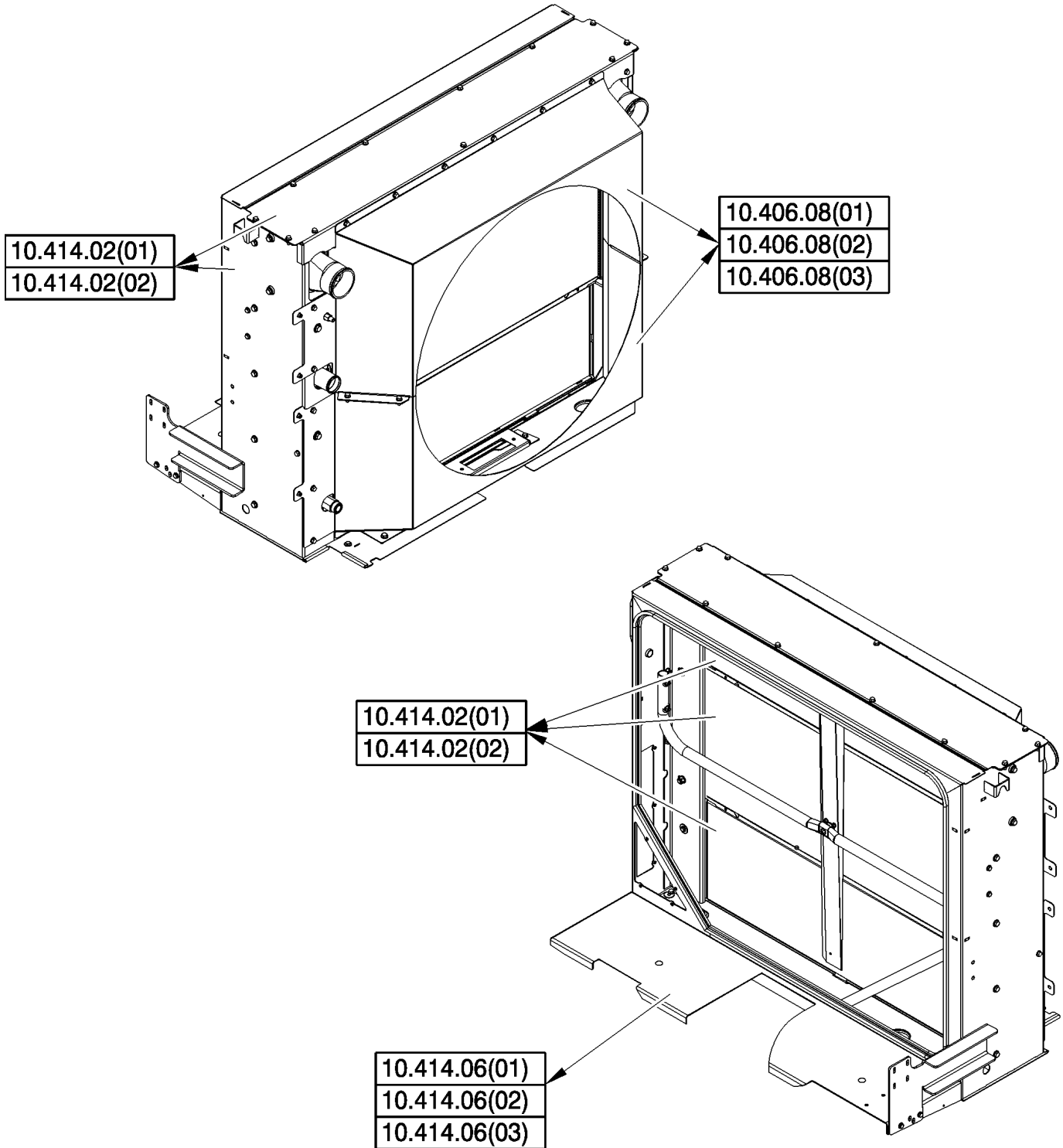
00.000.10

04B

p1

02/10

PICTORIAL INDEX - COOLER BOX - 8120/8120(LA)



00.000.10

04B

p1

02/10

PICTORIAL INDEX - COOLER BOX - 8120/8120(LA)

REF	FN	PART NUMBER	YR/SN	QTY	DESCRIPTION
-----	----	-------------	-------	-----	-------------

					8120 8120
--	--	--	--	--	------------------

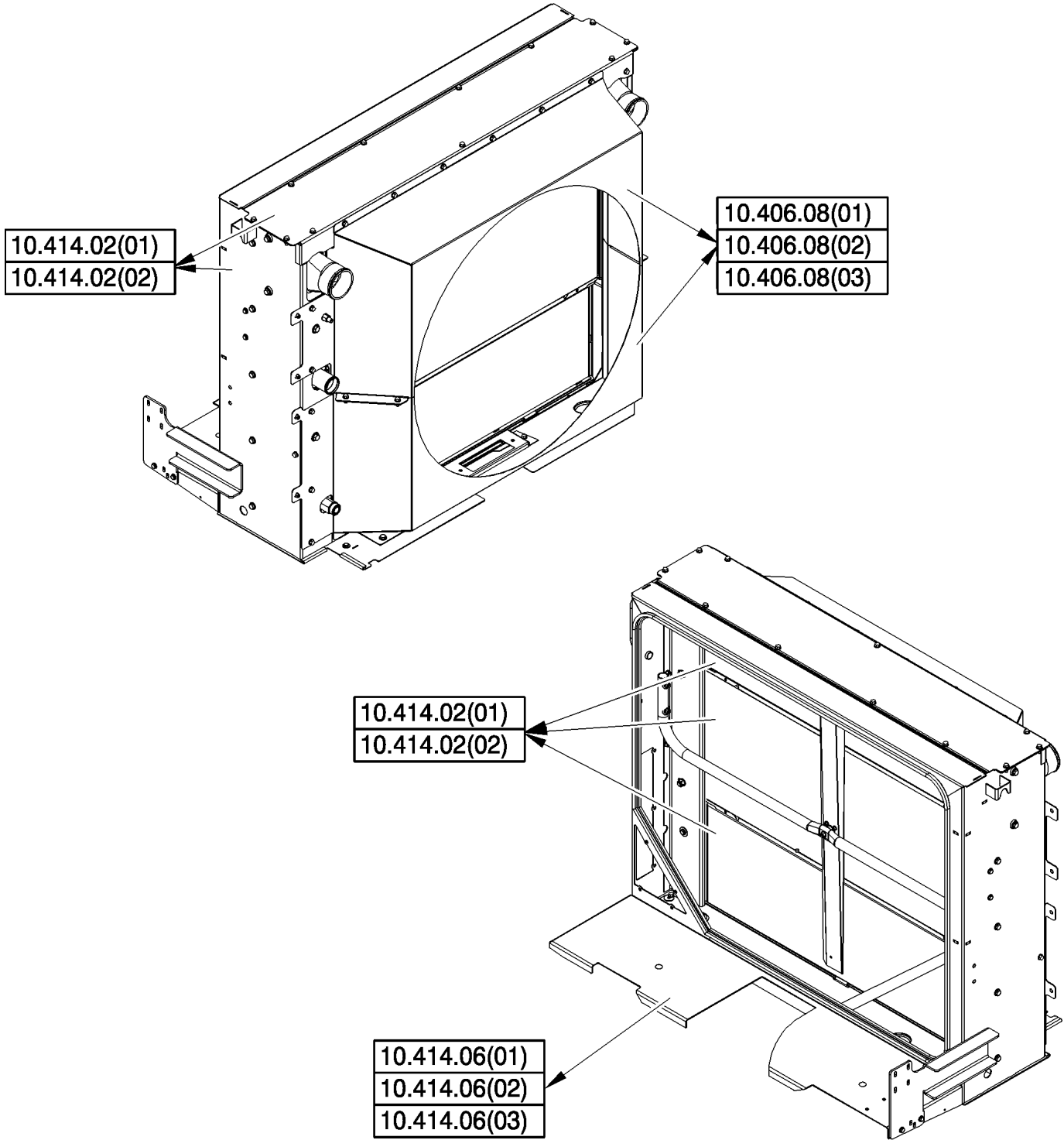
00.000.10

04C

p1

02/10

PICTORIAL INDEX - COOLER BOX - 9120



00.000.10

04C

p1

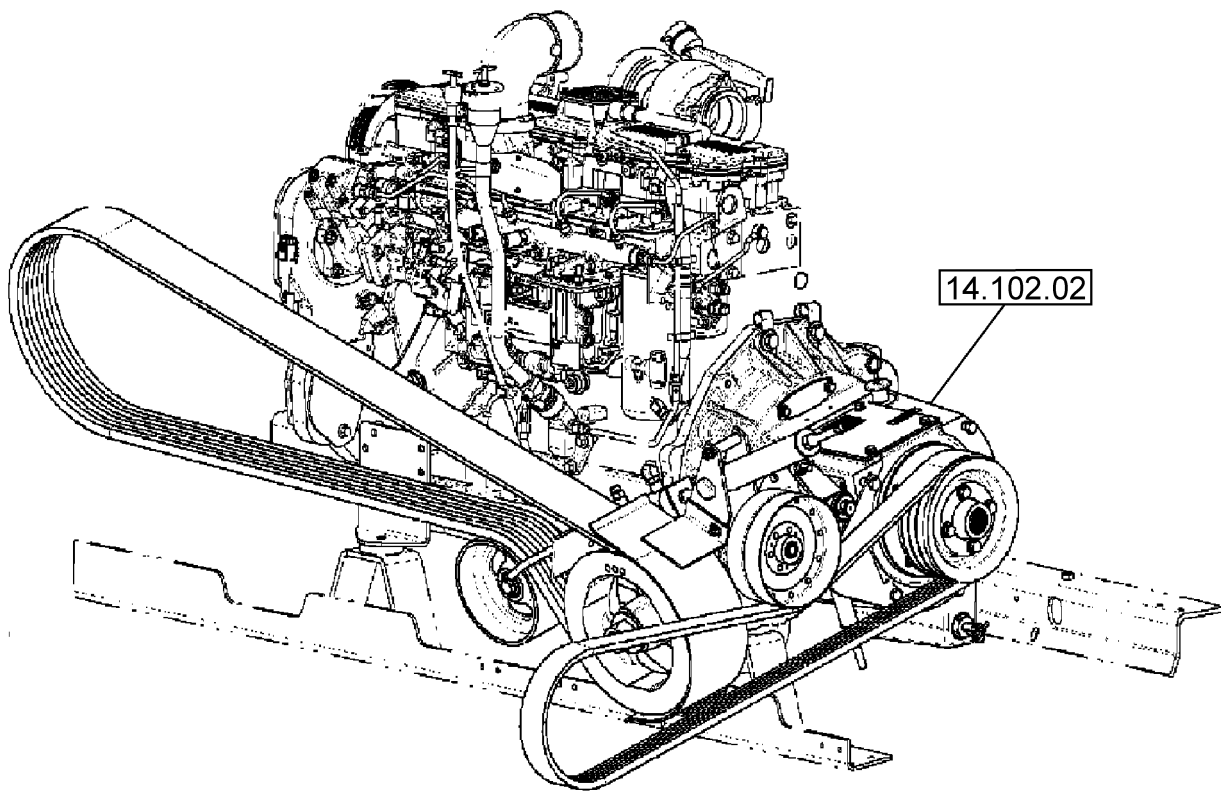
02/10

PICTORIAL INDEX - COOLER BOX - 9120

REF	FN	PART NUMBER	YR/SN	QTY	DESCRIPTION
-----	----	-------------	-------	-----	-------------

					9120
--	--	--	--	--	-------------

PICTORIAL INDEX - LIVE PTO



00.000.14

p1

10/09

PICTORIAL INDEX - LIVE PTO

REF	FN	PART NUMBER	YR/SN	QTY	DESCRIPTION
-----	----	-------------	-------	-----	-------------

					7120 7120 8120 9120 8120
--	--	--	--	--	-------------------------------------

00.000.18

p1

10/09

PICTORIAL INDEX - CLUTCH

**ART
NOT
AVAILABLE**

00.000.18

p1

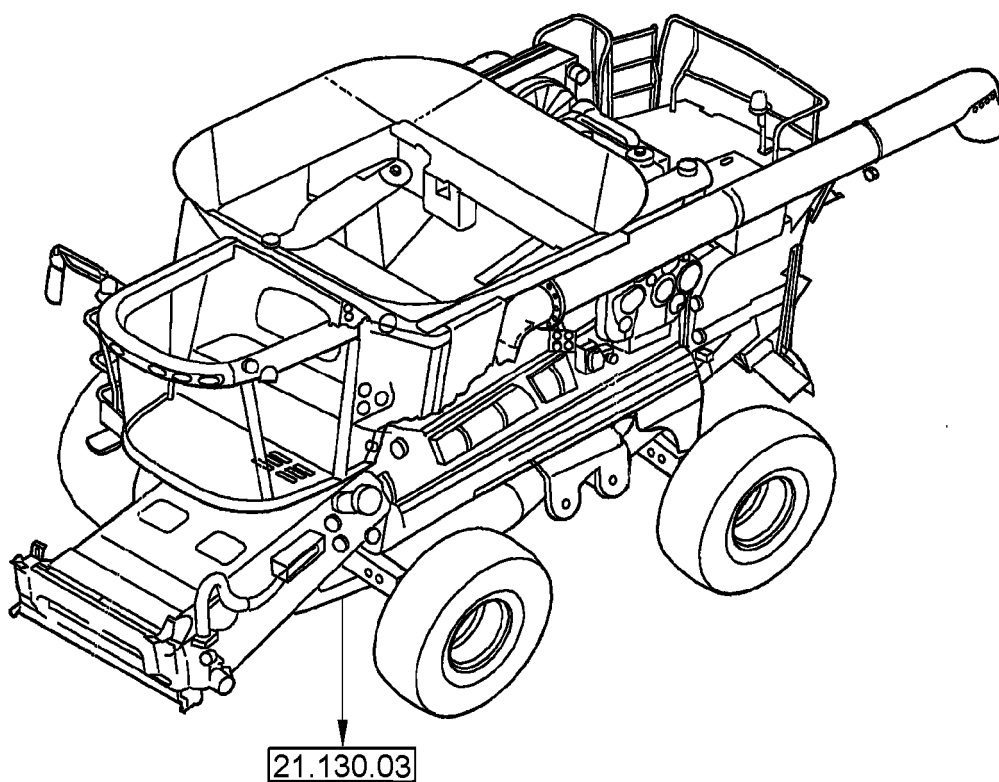
10/09

PICTORIAL INDEX - CLUTCH

REF	FN	PART NUMBER	YR/SN	QTY	DESCRIPTION
------------	-----------	--------------------	--------------	------------	--------------------

					7120 7120 8120 9120 8120
--	--	--	--	--	-------------------------------------

PICTORIAL INDEX - TRANSMISSION



00.000.21

p1

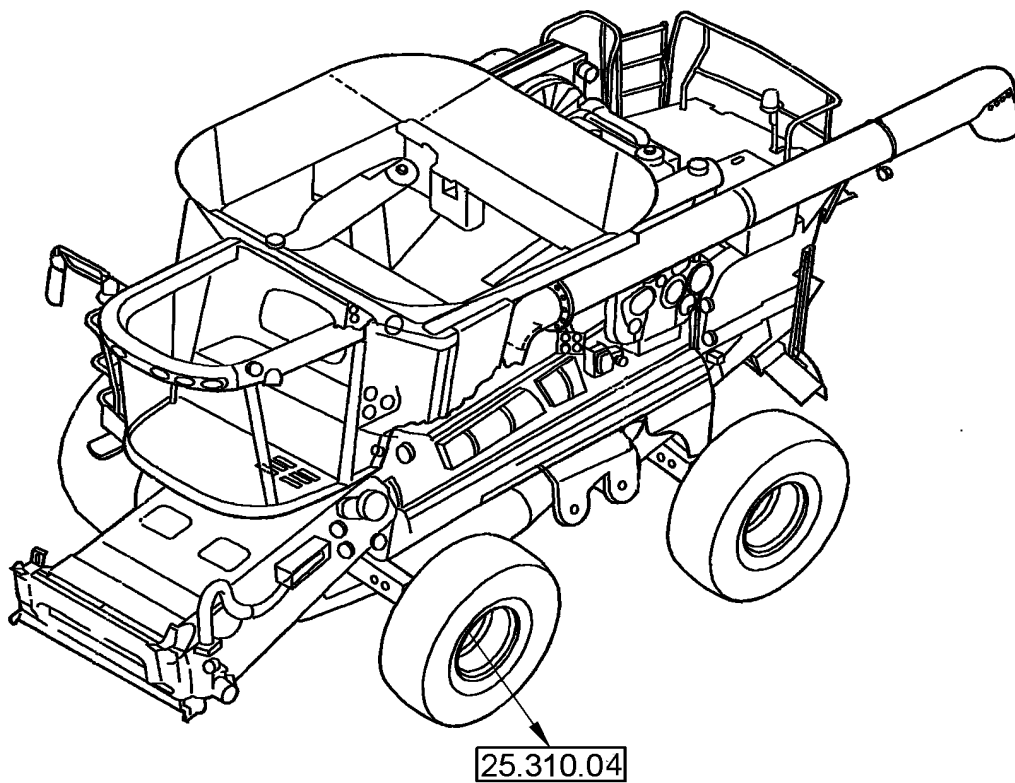
10/09

PICTORIAL INDEX - TRANSMISSION

REF	FN	PART NUMBER	YR/SN	QTY	DESCRIPTION
------------	-----------	--------------------	--------------	------------	--------------------

					7120 7120 8120 9120 8120
--	--	--	--	--	-------------------------------------

PICTORIAL INDEX - FRONT MECHANICAL DRIVE



00.000.25

p1

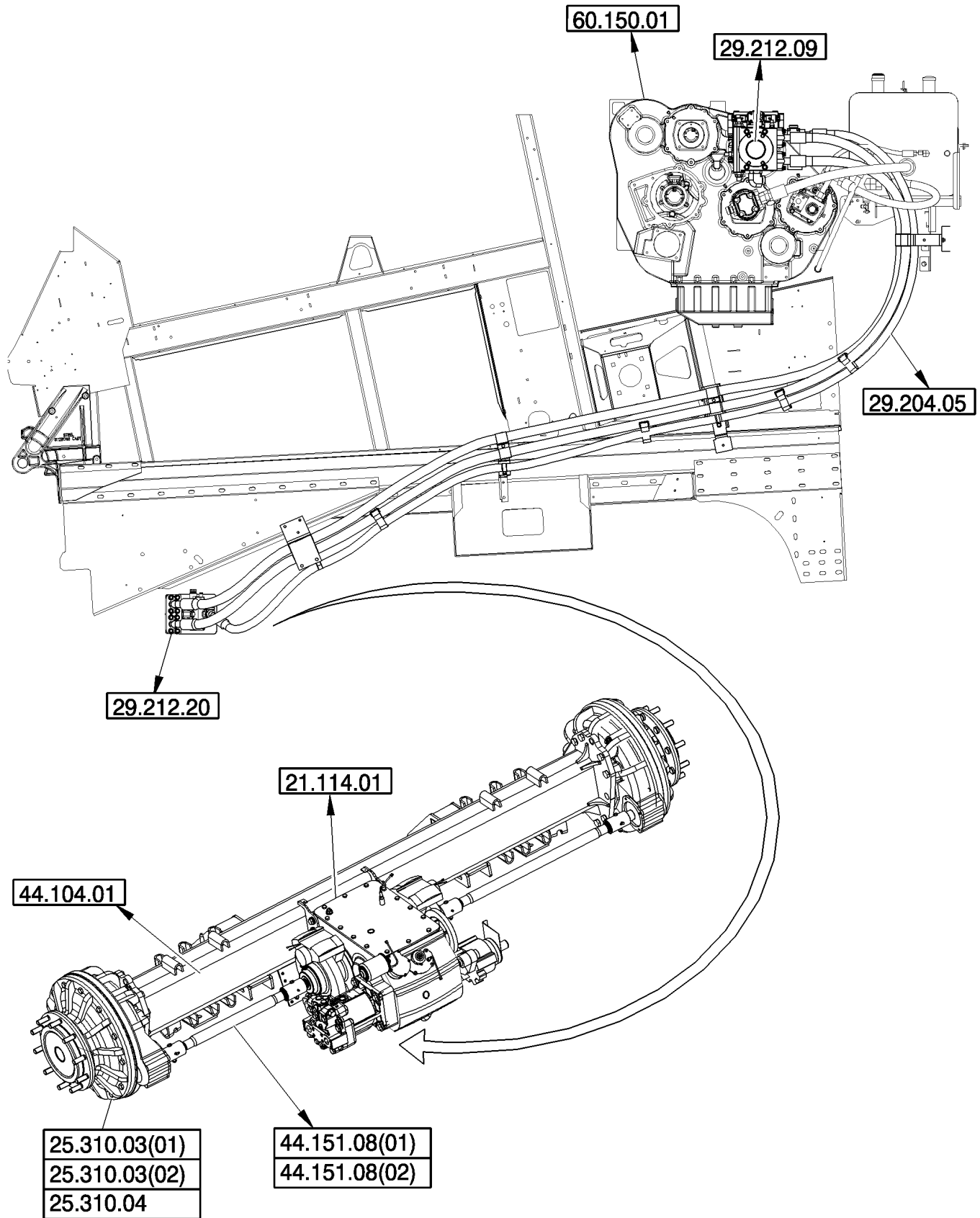
10/09

PICTORIAL INDEX - FRONT MECHANICAL DRIVE

REF	FN	PART NUMBER	YR/SN	QTY	DESCRIPTION
------------	-----------	--------------------	--------------	------------	--------------------

					7120 7120 8120 9120 8120
--	--	--	--	--	-------------------------------------

PICTORIAL INDEX - HYDROSTATIC TRANSMISSION



00.000.29

p1

10/09

PICTORIAL INDEX - HYDROSTATIC TRANSMISSION

REF	FN	PART NUMBER	YR/SN	QTY	DESCRIPTION
------------	-----------	--------------------	--------------	------------	--------------------

					7120 7120 8120 9120 8120
--	--	--	--	--	-------------------------------------

00.000.31

p1

10/09

PICTORIAL INDEX - IMPLEMENT POWER TAKE OFF

**ART
NOT
AVAILABLE**

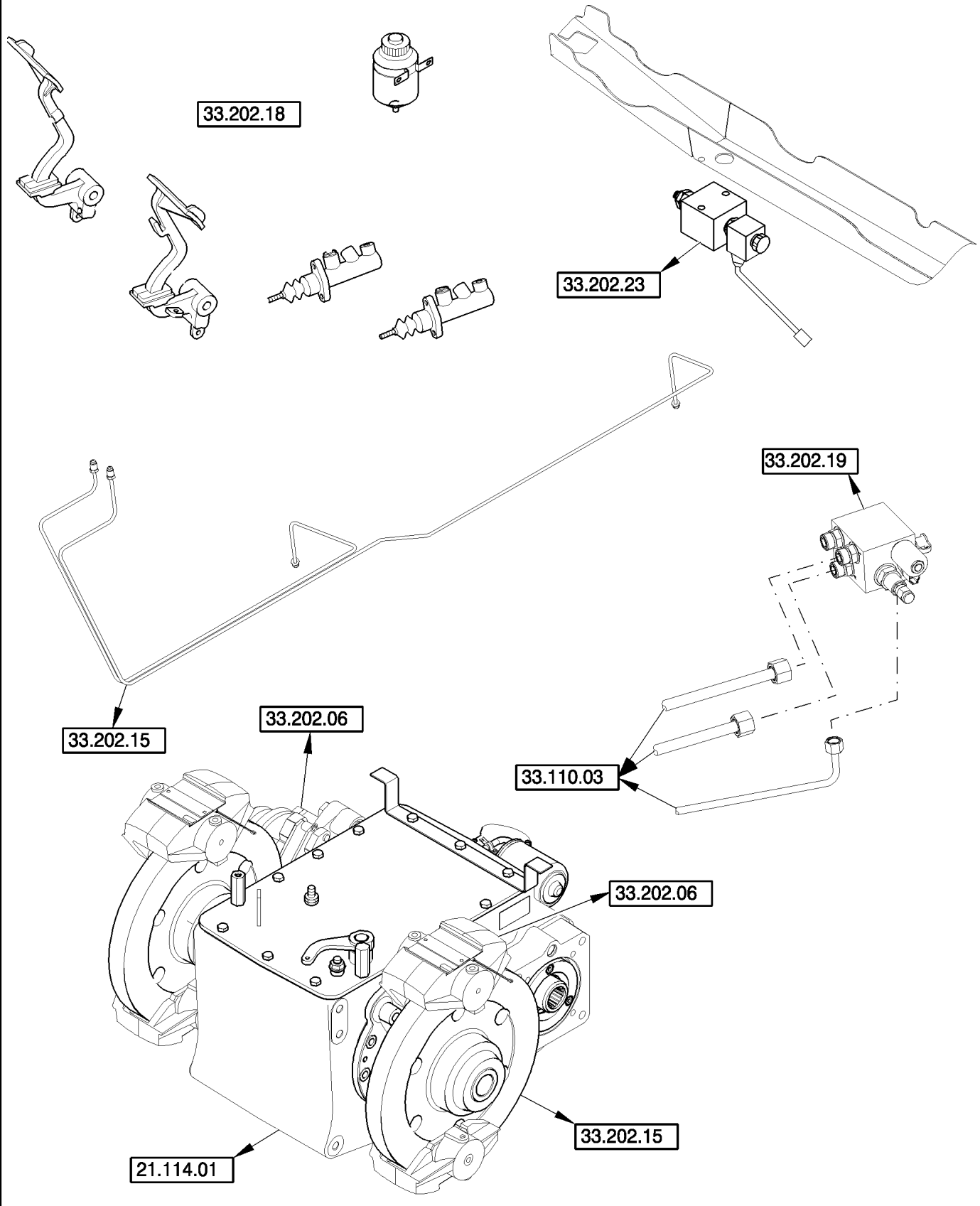
PICTORIAL INDEX - IMPLEMENT POWER TAKE OFF

REF	FN	PART NUMBER	YR/SN	QTY	DESCRIPTION
-----	----	-------------	-------	-----	-------------

--	--	--	--	--	--

7120 7120 8120 9120 8120

PICTORIAL INDEX - BRAKES & CONTROLS



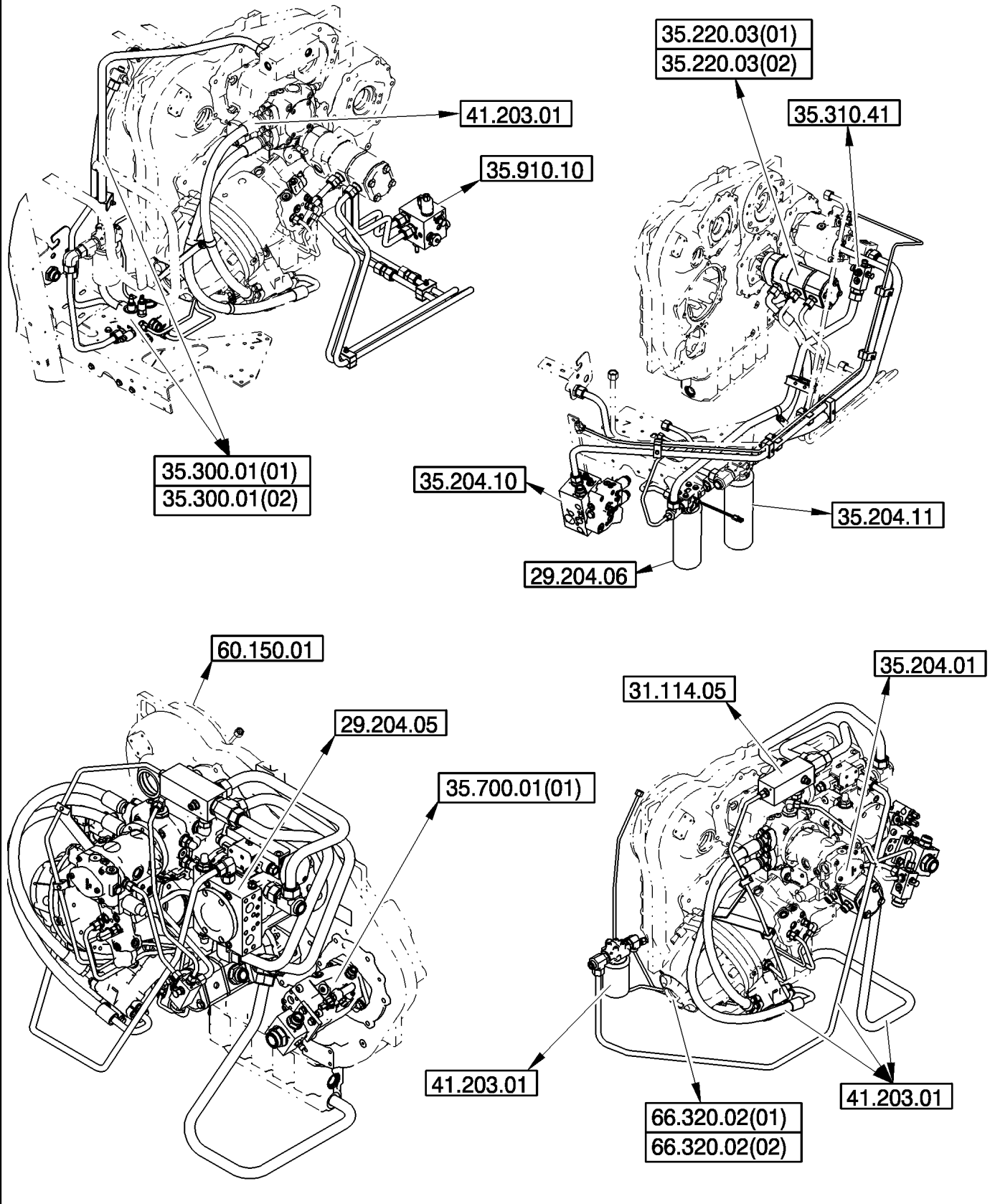
PICTORIAL INDEX - BRAKES & CONTROLS

REF	FN	PART NUMBER	YR/SN	QTY	DESCRIPTION
------------	-----------	--------------------	--------------	------------	--------------------

--	--	--	--	--	--

7120 7120 8120 9120 8120

PICTORIAL INDEX - HYDRAULICS, ENGINE GEARBOX



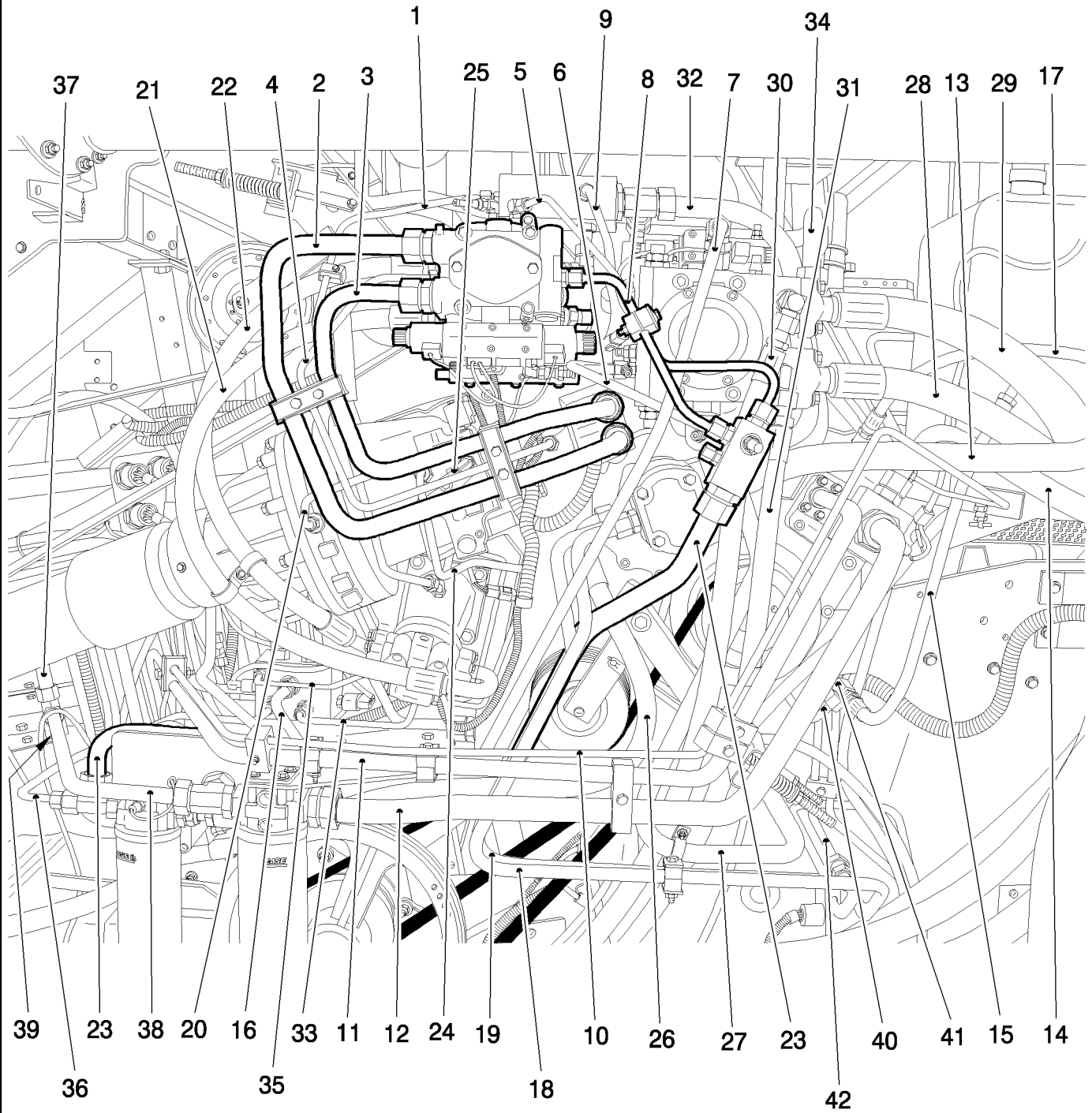
PICTORIAL INDEX - HYDRAULICS, ENGINE GEARBOX

REF	FN	PART NUMBER	YR/SN	QTY	DESCRIPTION
-----	----	-------------	-------	-----	-------------

--	--	--	--	--	--

7120 7120 8120 9120 8120

PICTORIAL INDEX - HYDRAULICS, ENGINE GEARBOX

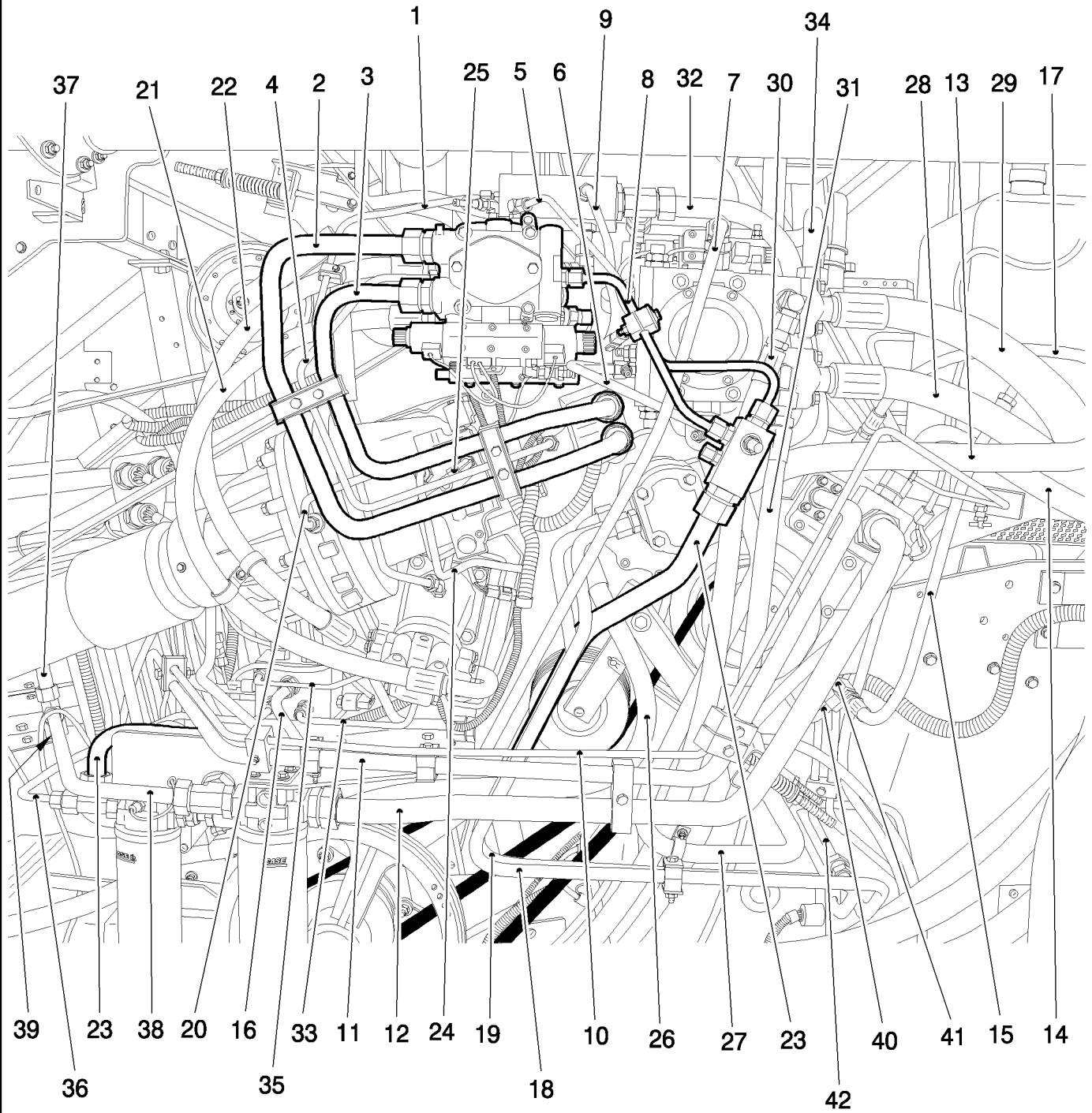


PICTORIAL INDEX - HYDRAULICS, ENGINE GEARBOX

REF	FN	PART NUMBER	YR/SN	QTY	DESCRIPTION
1		87587907		1	HYD. TUBE, Fig. A.10.A.36[01], Ref. 22
2		87587892		1	HYD. TUBE, Fig. K.25.B[01], Ref. 12
3		87587898		1	HYD. TUBE, Fig. K.25.B[01], Ref. 13
4		87587899		1	HYD. TUBE, Fig. K.25.B[01], Ref. 14
5		87709559		1	TUBE ASSY., Fig. A.10.A.36[01], Ref. 12
6		84131660		1	TUBE ASSY., Fig. A.10.A.36[01], Ref. 11
7		87641636		1	TUBE ASSY., Fig. A.10.A.36[01], Ref. 17
8		87709560		1	TUBE ASSY., Fig. K.25.B[01], Ref. 28
9		87686069		1	HOSE ASSY., Fig. K.25.B[01], Ref. 23
10		87284930		1	HYD. TUBE, Fig. A.10.A.36[03], Ref. 8
11		87721406		1	HYD. TUBE, Fig. A.10.A.36[03], Ref. 4
12		84157589		1	HYD. TUBE, Fig. A.10.A.36[03], Ref. 9
13		86999153		1	FLEXIBLE HOSE, Fig. A.10.A.22[01] Or [02], Ref. 9
14		86999154		1	FLEXIBLE HOSE, Fig. A.10.A.22[01] Or [02], Ref. 8
15		87109746		1	FLEXIBLE HOSE, Fig. A.12.A.17[01], Ref. 23
16		87657698		1	TUBE ASSY., Fig. A.10.A.36[03], Ref. 6
17		86999156		1	FLEXIBLE HOSE, Fig. A.10.A.22[01] Or [02], Ref. 7
18		87284932		1	HYD. TUBE, Fig. A.12.A.17[01], Ref. 2
19		87482034		1	TUBE ASSY., Fig. A.12.A.17[01], Ref. 3
20		86995995		1	TUBE, Fig. K.25.B[01], Ref. 19
21		87314311		1	FLEXIBLE HOSE, Fig. A.10.A.36[01], Ref. 21
22		87314312		1	FLEXIBLE HOSE, Fig. A.10.A.36[01], Ref. 20
23		87670280		1	TUBE ASSY., Fig. A.10.A.36[03], Ref. 5
24		86995885		1	HYD. TUBE, Fig. A.10.A.36[01], Ref. 18
25		86995872		1	HYD. TUBE, Fig. A.10.A.36[01], Ref. 19
26		87283082		1	FLEXIBLE HOSE, Fig. A.10.A.36[03], Ref. 2
27		87563478		1	TUBE, Fig. A.10.A.36[01], Ref. 53
28		87644755		1	HOSE ASSY., Fig. C.20.F, Ref. 2
29		87644755		1	HOSE ASSY., Fig. C.20.F, Ref. 2
30		87644662		1	FLEXIBLE HOSE, Fig. D.14.C.36[01], Ref. 5
31		87644661		1	HOSE ASSY., Fig. D.14.C.36[01], Ref. 4
32		87703253		1	TUBE ASSY., Fig. A.10.A.36[01], Ref. 13
33		84176035		1	HOSE ASSY., Fig. A.12.A.17[01], Ref. 8
34		87641633		1	TUBE ASSY., Fig. A.10.A.36[01], Ref. 16
35		87657700		1	TUBE ASSY., Fig. A.12.A.17[01], Ref. 34

**9120 8120 7120 8120
7120**

PICTORIAL INDEX - HYDRAULICS, ENGINE GEARBOX



PICTORIAL INDEX - HYDRAULICS, ENGINE GEARBOX

REF	FN	PART NUMBER	YR/SN	QTY	DESCRIPTION
36		87657697		1	TUBE ASSY., Fig. A.10.A.36[03], Ref. 7
37		86995869		1	HYD. TUBE, Fig. A.10.A.36[02], Ref. 14
38		86995867		1	HYD. TUBE, Fig. A.10.A[01], Ref. 4
39		86995864		1	HYD. TUBE, Fig. A.10.A[01], Ref. 3
40		87397349		1	TUBE ASSY., K.64.D[02], Ref. 23
41		87000880		1	HYD. TUBE, K.62.B.05[02] Or [04], Ref. 17
42		87105711		1	HYD. TUBE, K.62.B.05[02] Or [04], Ref. 15

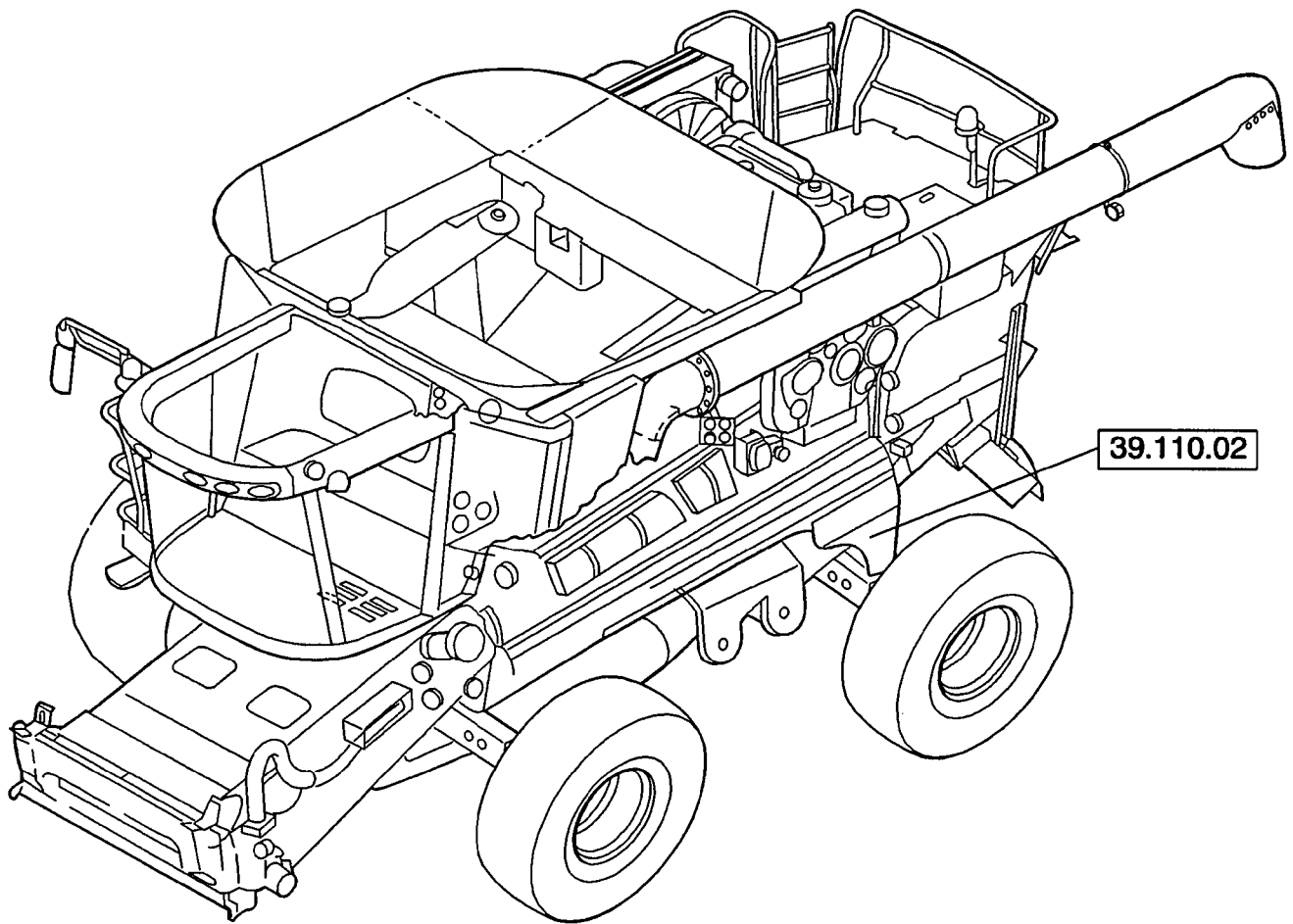
**9120 8120 7120 8120
7120**

00.000.39

p1

10/09

PICTORIAL INDEX - FRAMES



00.000.39

p1

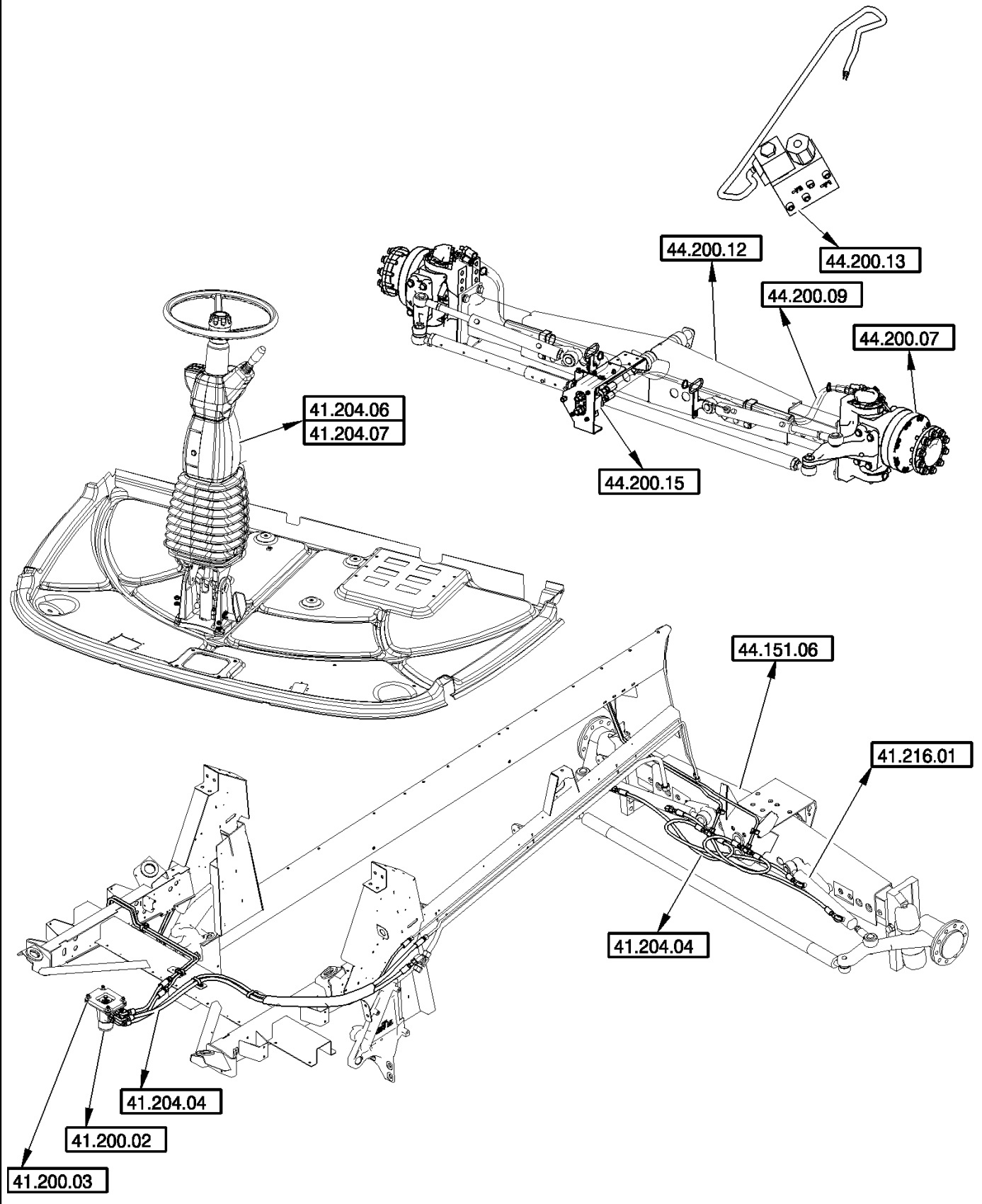
10/09

PICTORIAL INDEX - FRAMES

REF	FN	PART NUMBER	YR/SN	QTY	DESCRIPTION
------------	-----------	--------------------	--------------	------------	--------------------

					7120 7120 8120 9120 8120
--	--	--	--	--	-------------------------------------

PICTORIAL INDEX - STEERING



00.000.41

p1

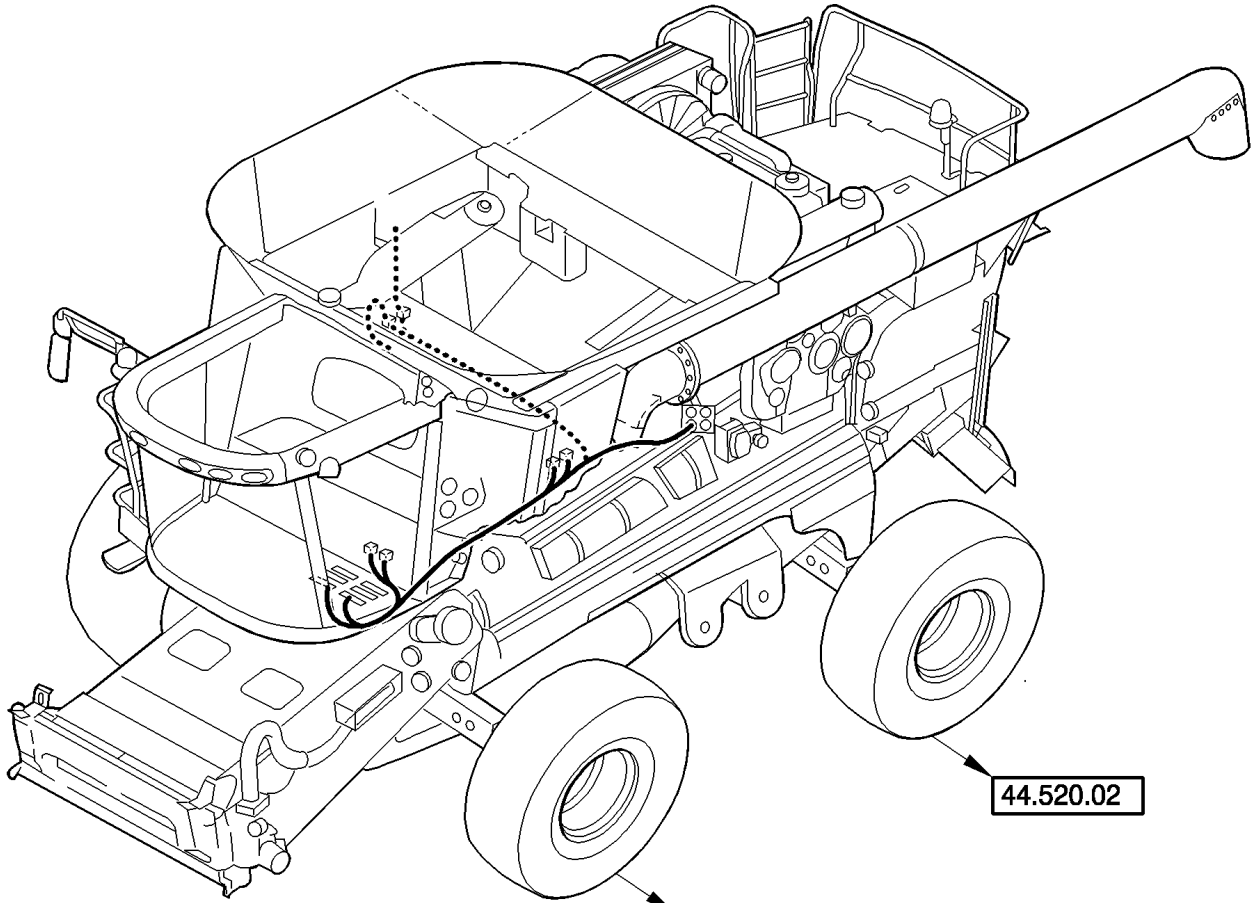
10/09

PICTORIAL INDEX - STEERING

REF	FN	PART NUMBER	YR/SN	QTY	DESCRIPTION
------------	-----------	--------------------	--------------	------------	--------------------

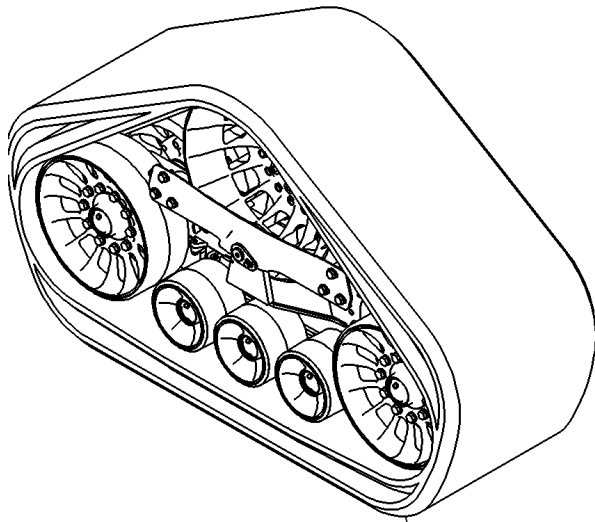
					7120 7120 8120 9120 8120
--	--	--	--	--	-------------------------------------

PICTORIAL INDEX - AXLE AND WHEELS



44.520.02

44.511.07



48.100.02

48.134.06

00.000.44

p1

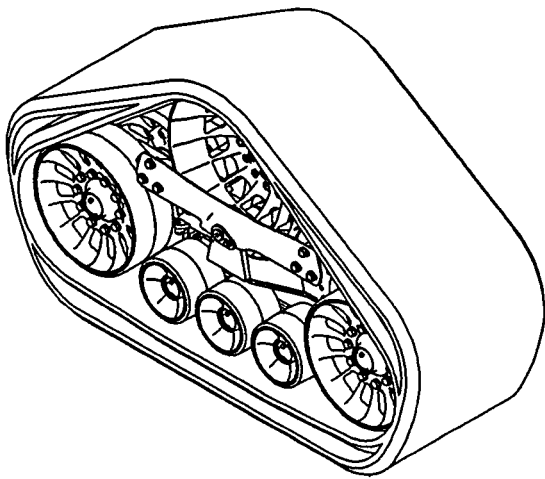
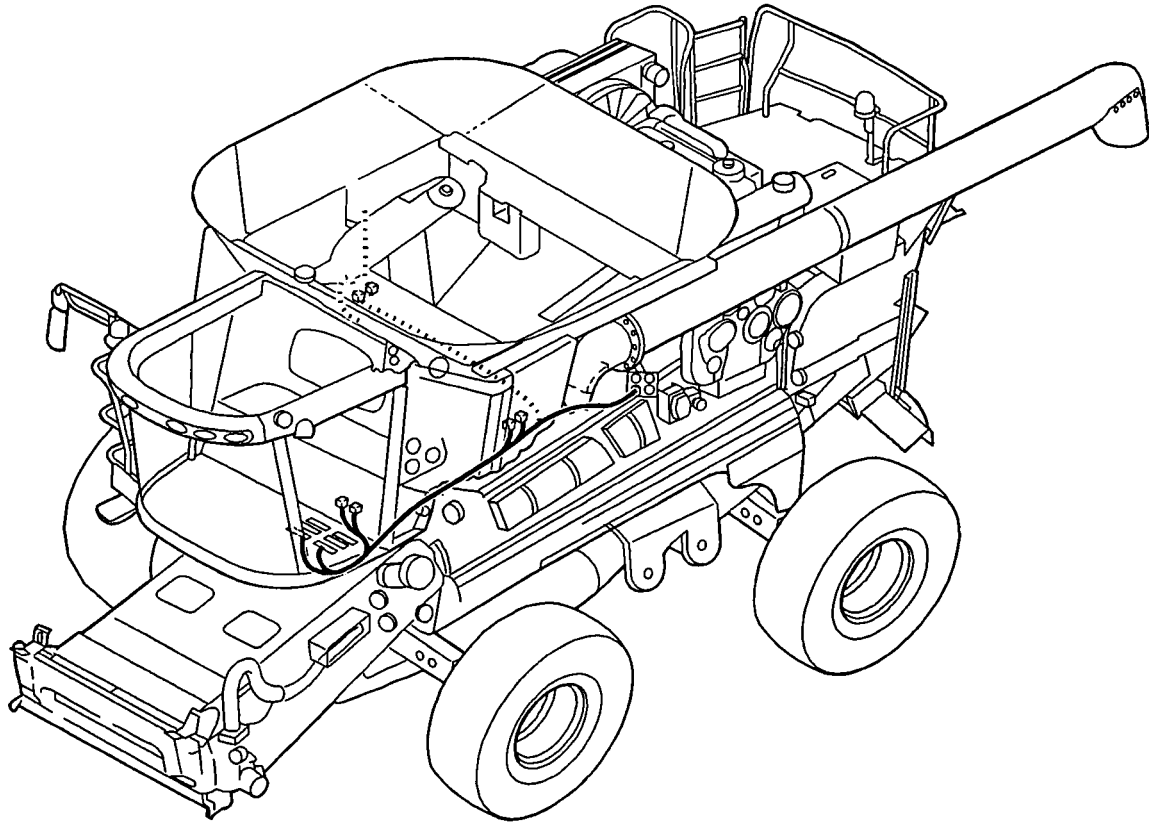
10/09

PICTORIAL INDEX - AXLE AND WHEELS

REF	FN	PART NUMBER	YR/SN	QTY	DESCRIPTION
------------	-----------	--------------------	--------------	------------	--------------------

					9120 8120 7120 8120 7120
--	--	--	--	--	-------------------------------------

PICTORIAL INDEX - SUSPENSION AND TRACKS



00.000.48

p1

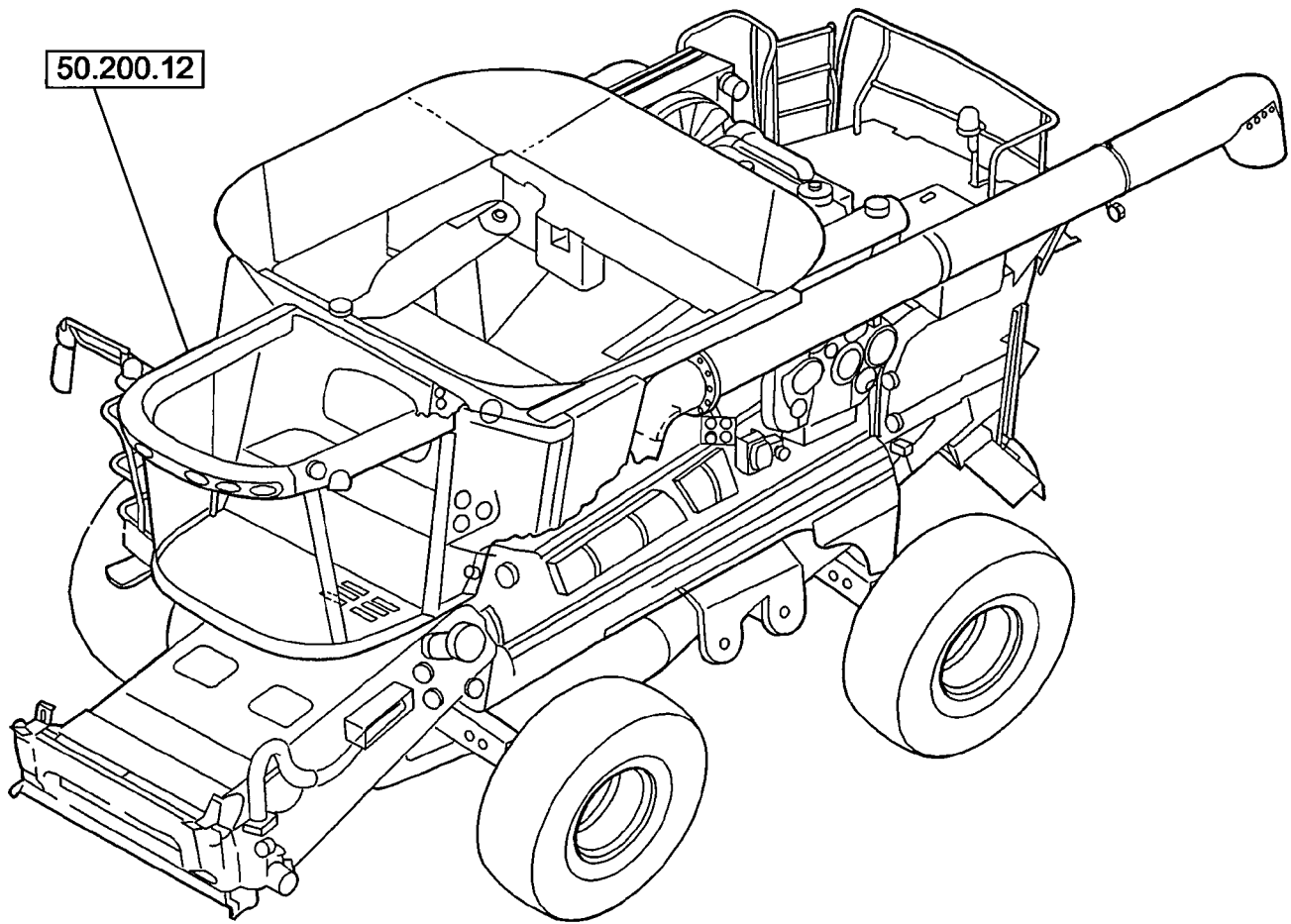
10/09

PICTORIAL INDEX - SUSPENSION AND TRACKS

REF	FN	PART NUMBER	YR/SN	QTY	DESCRIPTION
------------	-----------	--------------------	--------------	------------	--------------------

					7120 7120 8120 9120 8120
--	--	--	--	--	-------------------------------------

PICTORIAL INDEX - CAB CLIMATE CONTROL



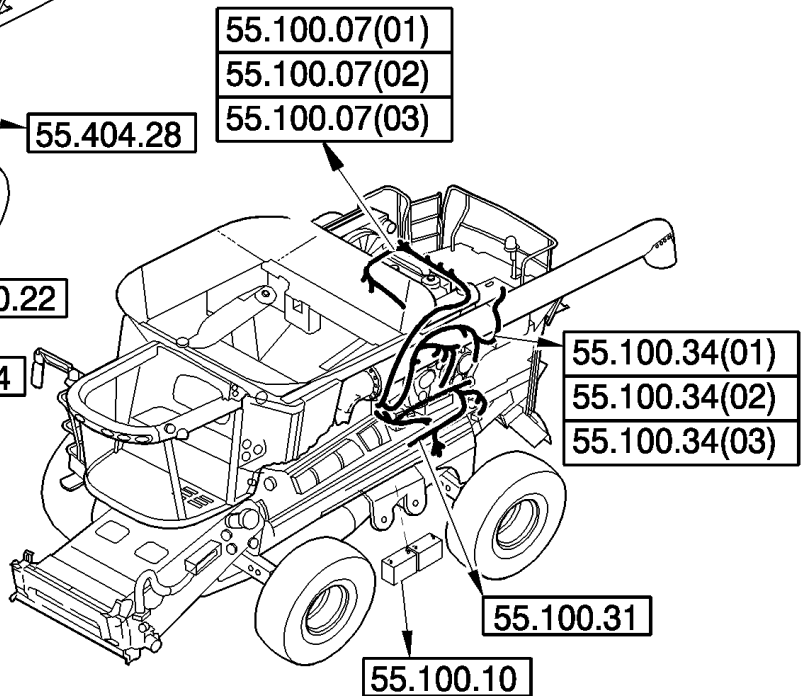
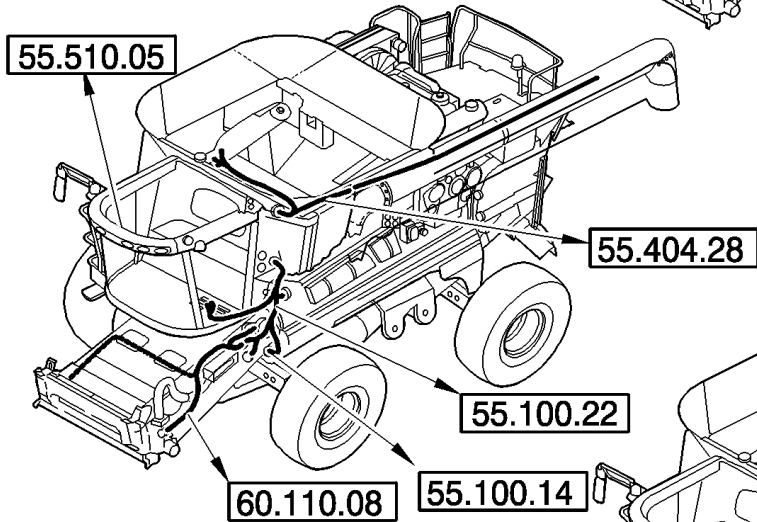
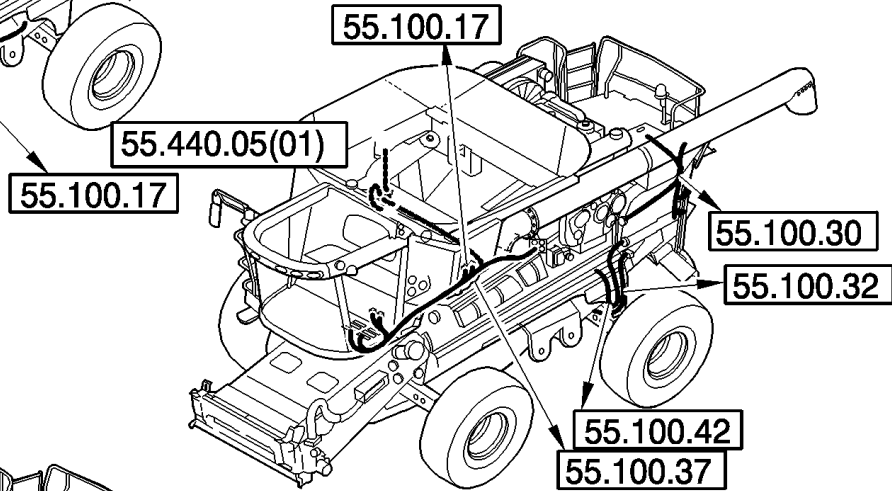
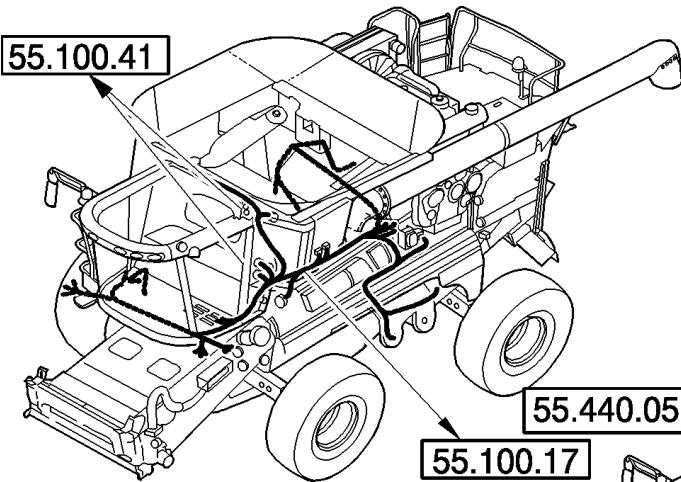
PICTORIAL INDEX - CAB CLIMATE CONTROL

REF	FN	PART NUMBER	YR/SN	QTY	DESCRIPTION
-----	----	-------------	-------	-----	-------------

--	--	--	--	--	--

7120 7120 8120 9120 8120

PICTORIAL INDEX - ELECTRICAL, HARNESSES - 7120/7120(LA)



00.000.55

01A

p1

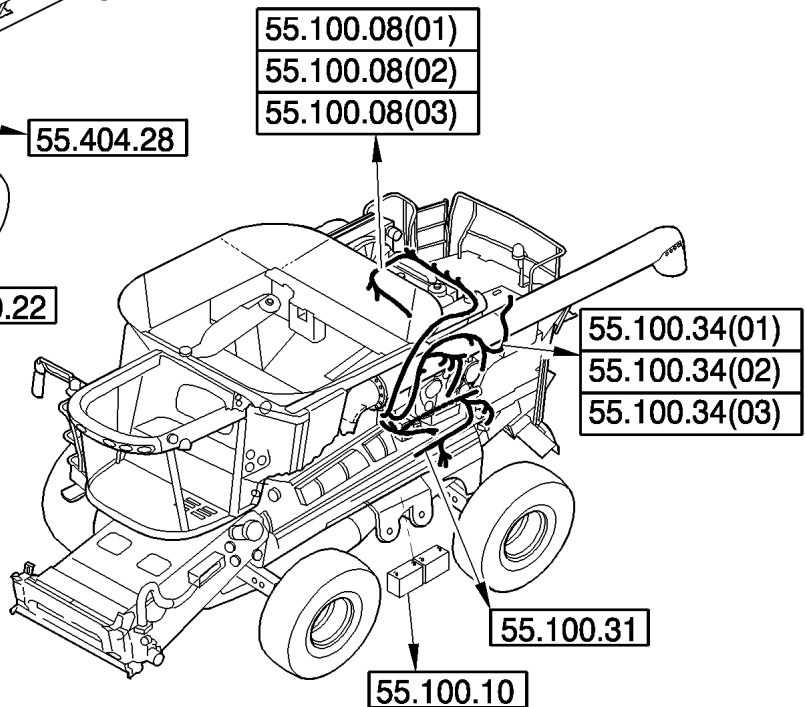
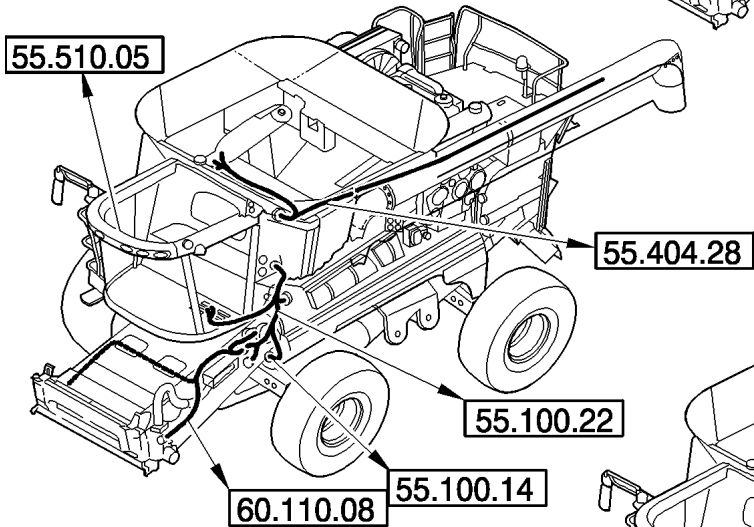
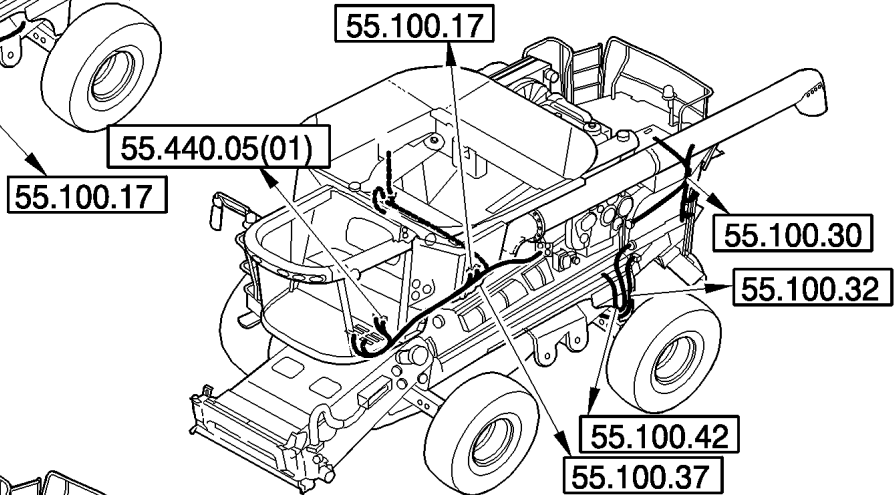
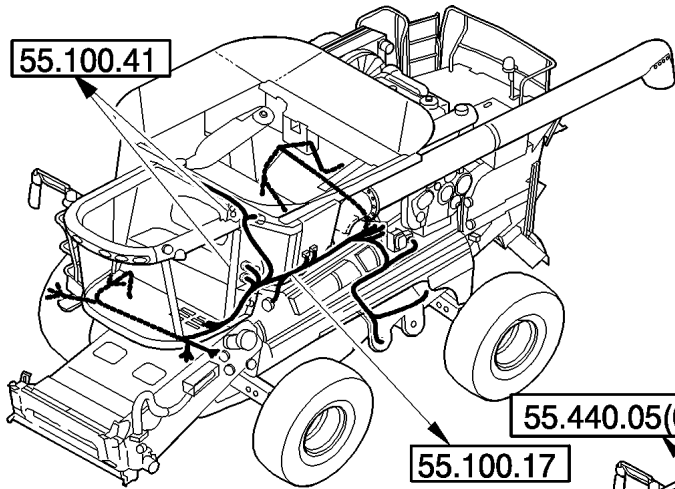
02/10

PICTORIAL INDEX - ELECTRICAL, HARNESSSES - 7120/7120(LA)

REF	FN	PART NUMBER	YR/SN	QTY	DESCRIPTION
-----	----	-------------	-------	-----	-------------

					7120 7120
--	--	--	--	--	------------------

PICTORIAL INDEX - ELECTRICAL, HARNESSES - 8120/8120(LA)



00.000.55

01B

p1

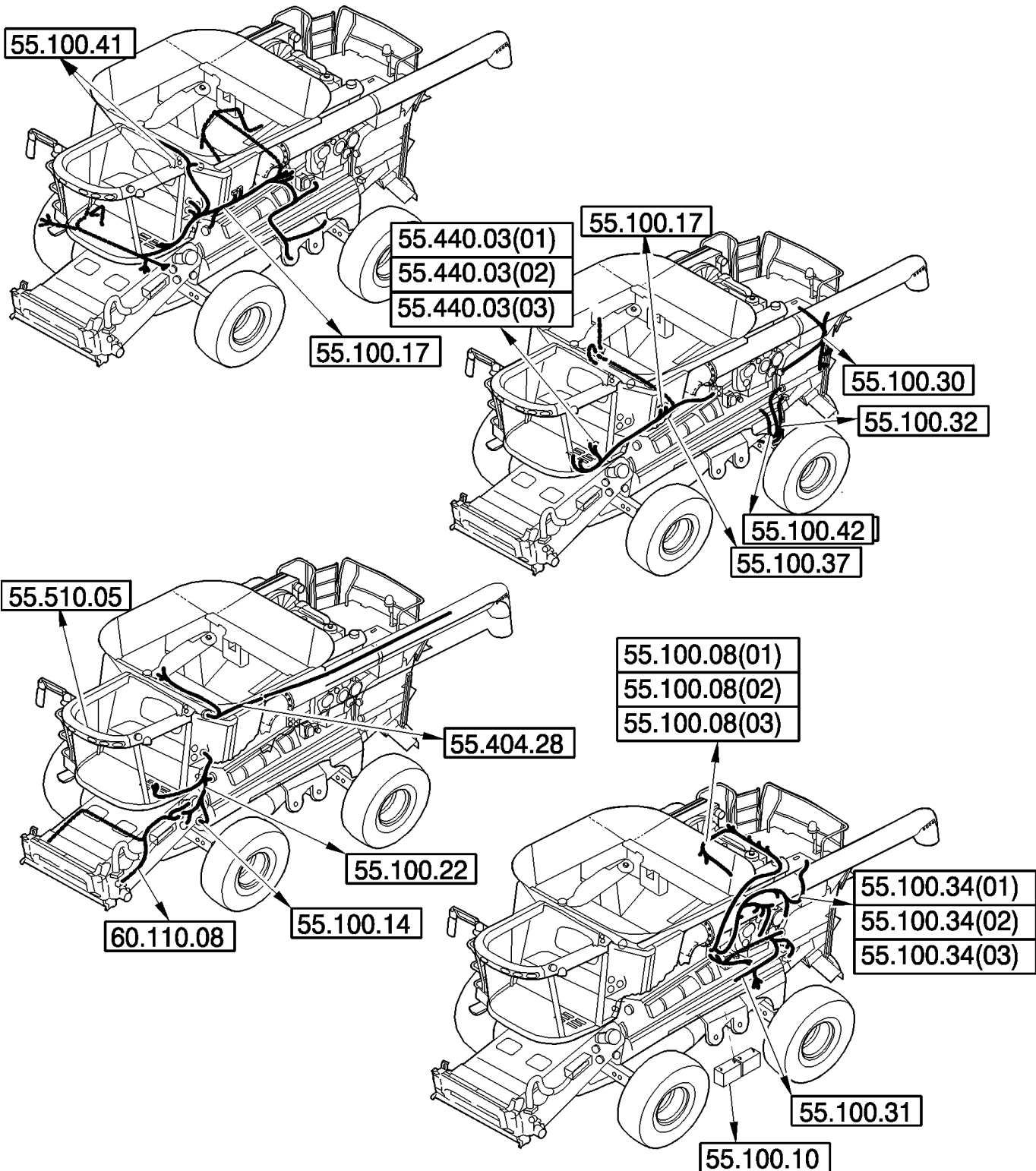
02/10

PICTORIAL INDEX - ELECTRICAL, HARNESSSES - 8120/8120(LA)

REF	FN	PART NUMBER	YR/SN	QTY	DESCRIPTION
-----	----	-------------	-------	-----	-------------

					8120 8120
--	--	--	--	--	------------------

PICTORIAL INDEX - ELECTRICAL, HARNESSES - 9120



00.000.55

01C

p1

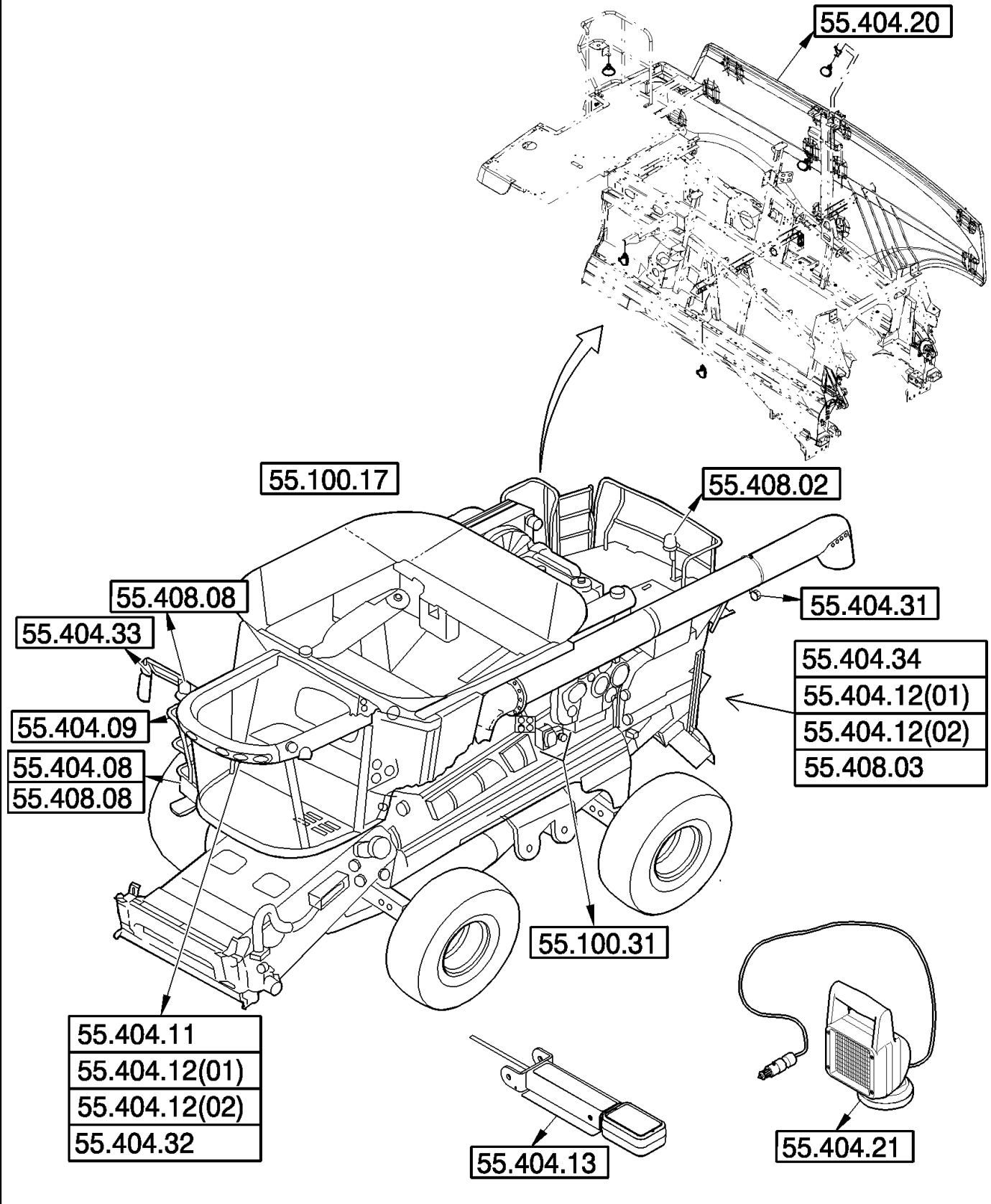
02/10

PICTORIAL INDEX - ELECTRICAL, HARNESSSES - 9120

REF	FN	PART NUMBER	YR/SN	QTY	DESCRIPTION
-----	----	-------------	-------	-----	-------------

					9120
--	--	--	--	--	-------------

PICTORIAL INDEX - ELECTRICAL, LIGHTING



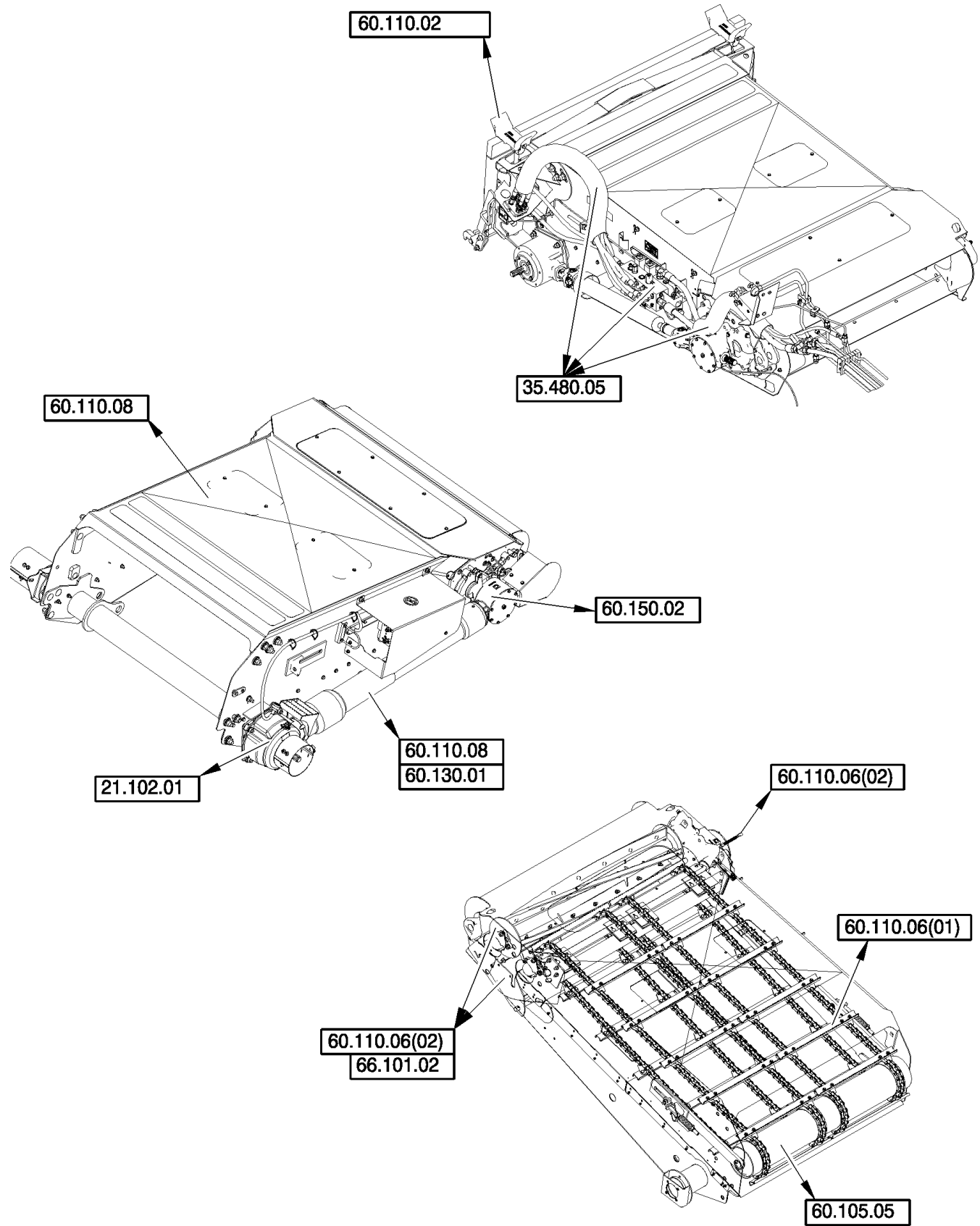
PICTORIAL INDEX - ELECTRICAL, LIGHTING

REF	FN	PART NUMBER	YR/SN	QTY	DESCRIPTION
-----	----	-------------	-------	-----	-------------

--	--	--	--	--	--

9120 8120 7120 8120 7120

PICTORIAL INDEX - PRODUCT FEEDING



00.000.60

p1

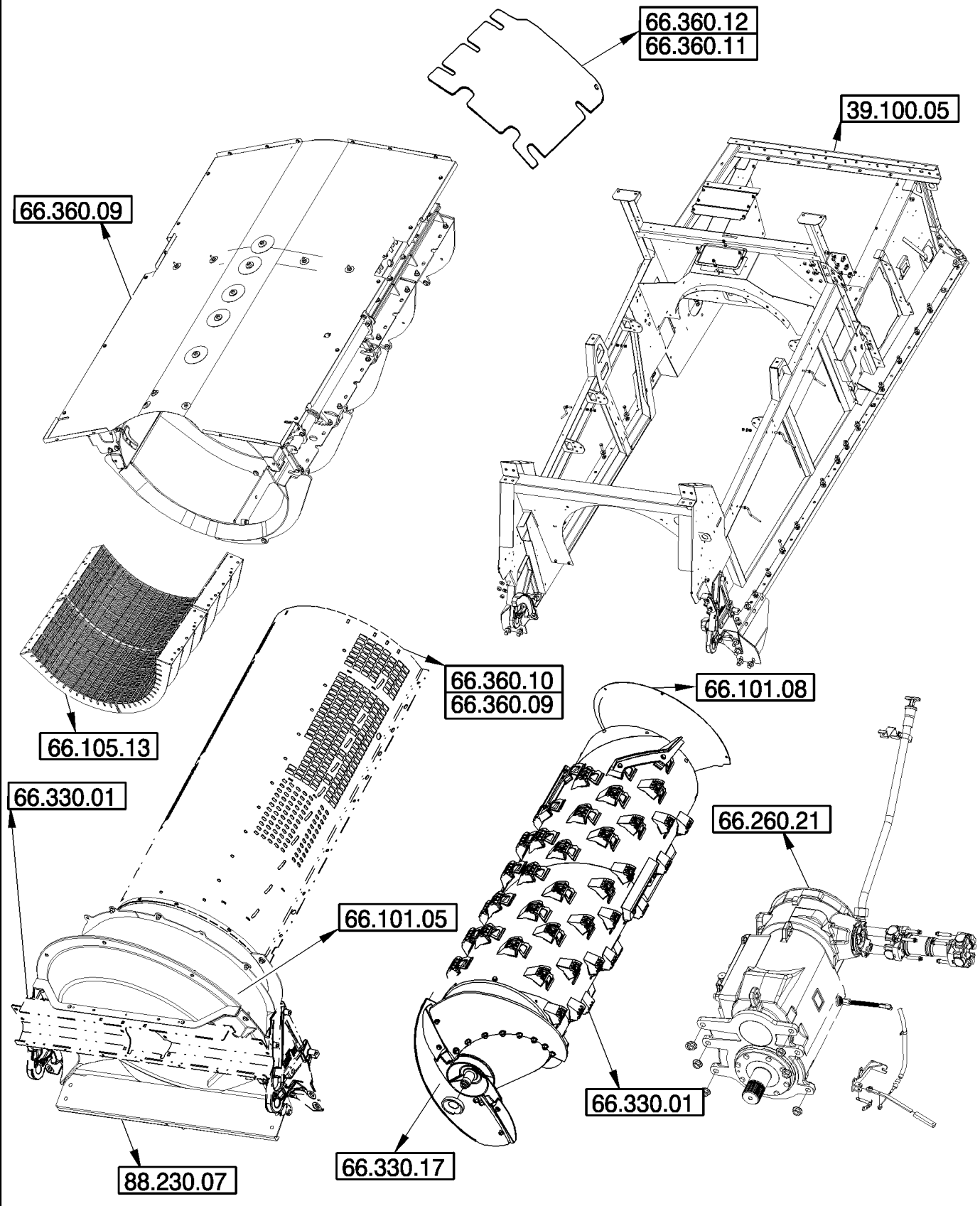
10/09

PICTORIAL INDEX - PRODUCT FEEDING

REF	FN	PART NUMBER	YR/SN	QTY	DESCRIPTION
------------	-----------	--------------------	--------------	------------	--------------------

					9120 8120 7120 8120 7120
--	--	--	--	--	-------------------------------------

PICTORIAL INDEX - THRESHING (FRAME, ROTOR AND CONCAVES)



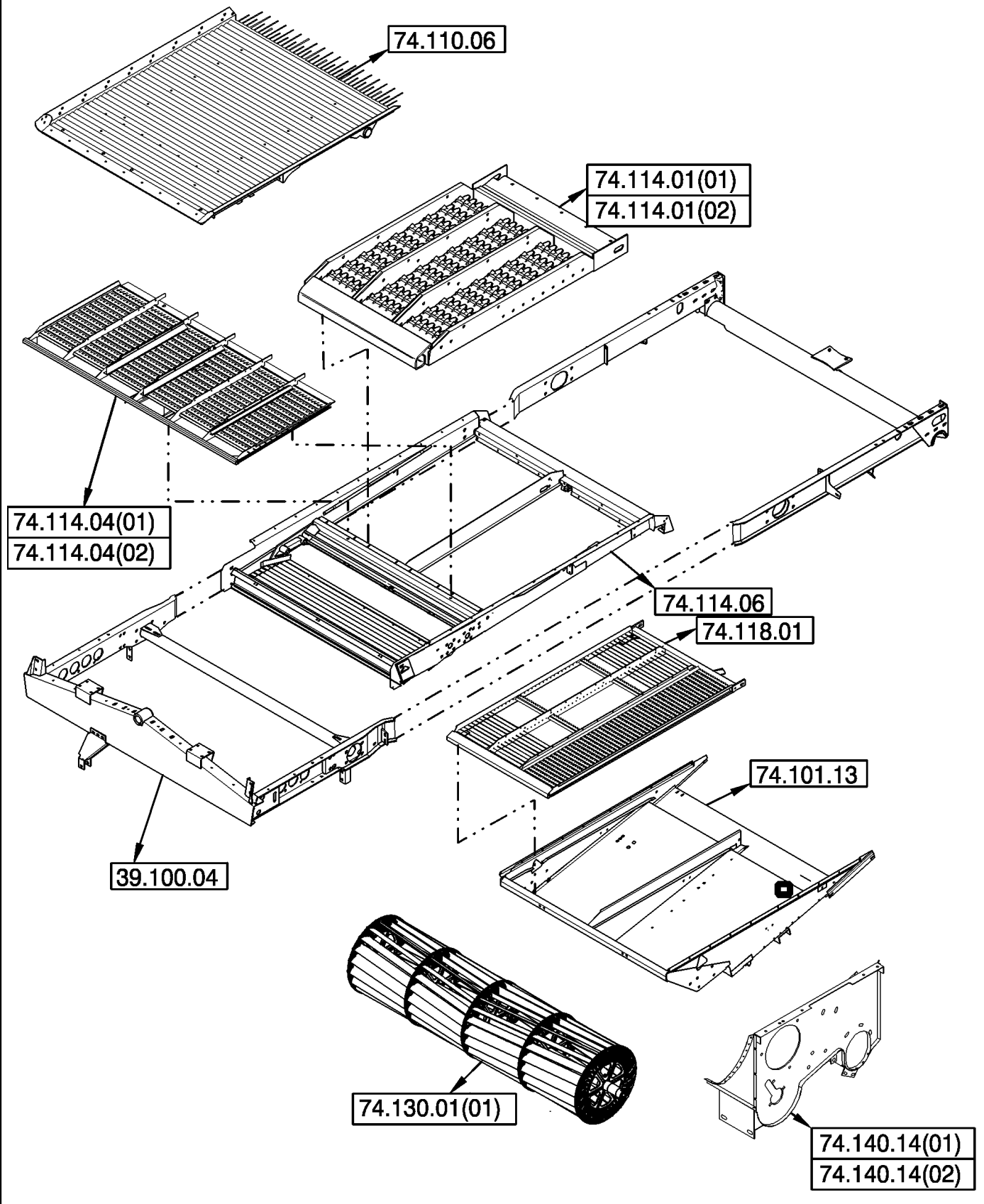
PICTORIAL INDEX - THRESHING (FRAME, ROTOR AND CONCAVES)

REF	FN	PART NUMBER	YR/SN	QTY	DESCRIPTION
-----	----	-------------	-------	-----	-------------

--	--	--	--	--	--

7120 7120 8120 9120 8120

PICTORIAL INDEX - CLEANING SHOE



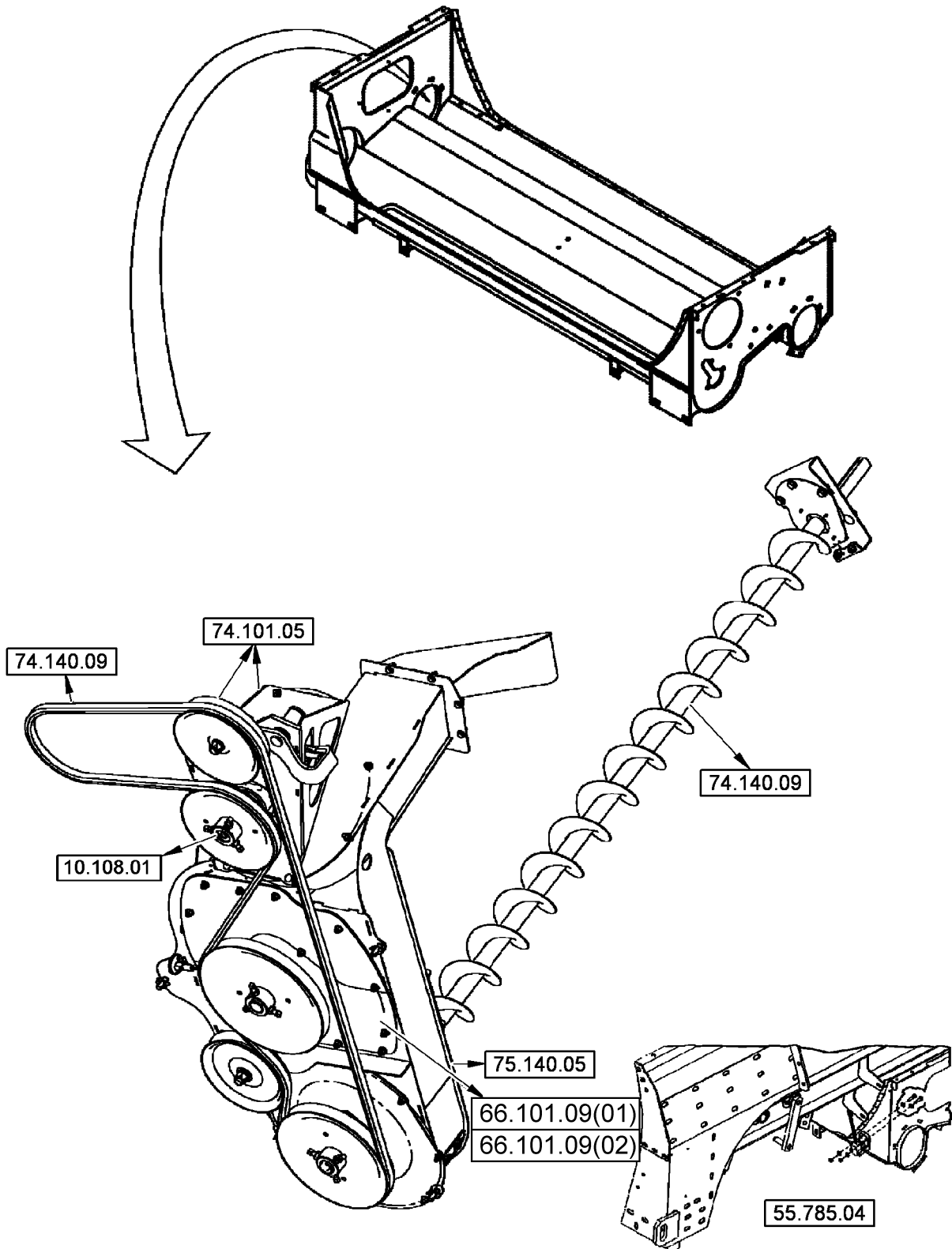
PICTORIAL INDEX - CLEANING SHOE

REF	FN	PART NUMBER	YR/SN	QTY	DESCRIPTION
-----	----	-------------	-------	-----	-------------

--	--	--	--	--	--

7120 7120 8120 9120 8120

PICTORIAL INDEX - TAILINGS PROCESSOR



00.000.74

04

p1

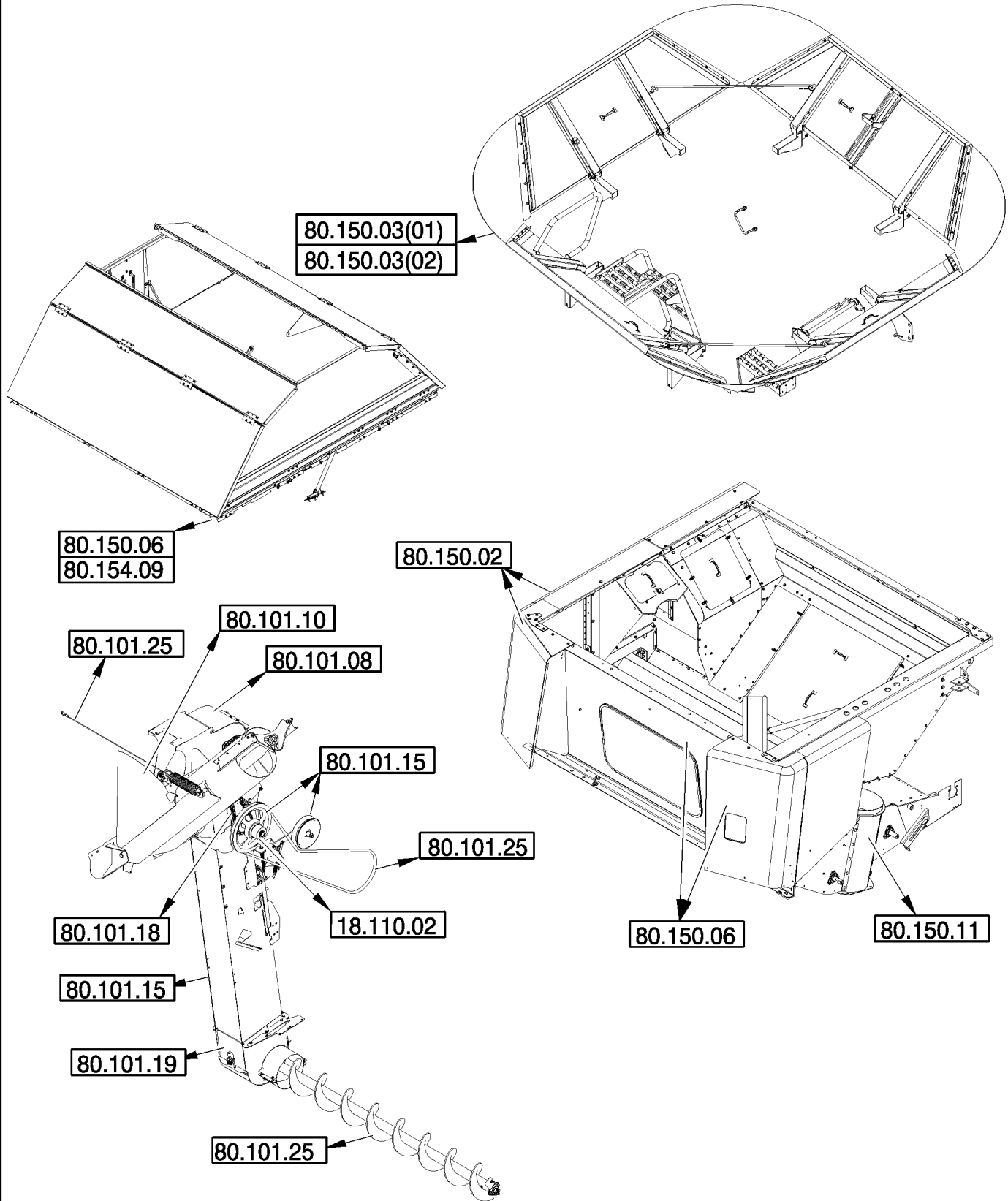
10/09

PICTORIAL INDEX - TAILINGS PROCESSOR

REF	FN	PART NUMBER	YR/SN	QTY	DESCRIPTION
------------	-----------	--------------------	--------------	------------	--------------------

					9120 7120 8120 7120 8120
--	--	--	--	--	-------------------------------------

PICTORIAL INDEX - GRAIN TANK



00.000.80

01

p1

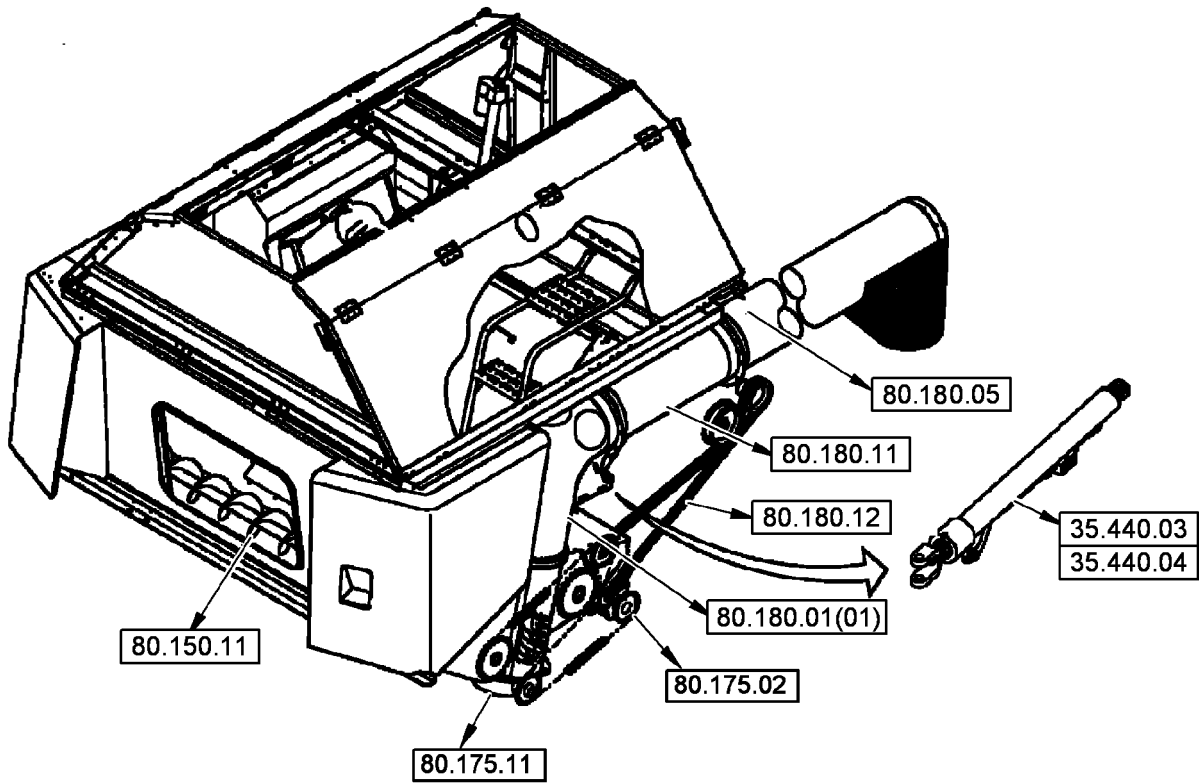
10/09

PICTORIAL INDEX - GRAIN TANK

REF	FN	PART NUMBER	YR/SN	QTY	DESCRIPTION
------------	-----------	--------------------	--------------	------------	--------------------

					7120 7120 8120 9120 8120
--	--	--	--	--	-------------------------------------

PICTORIAL INDEX - GRAIN UNLOADING



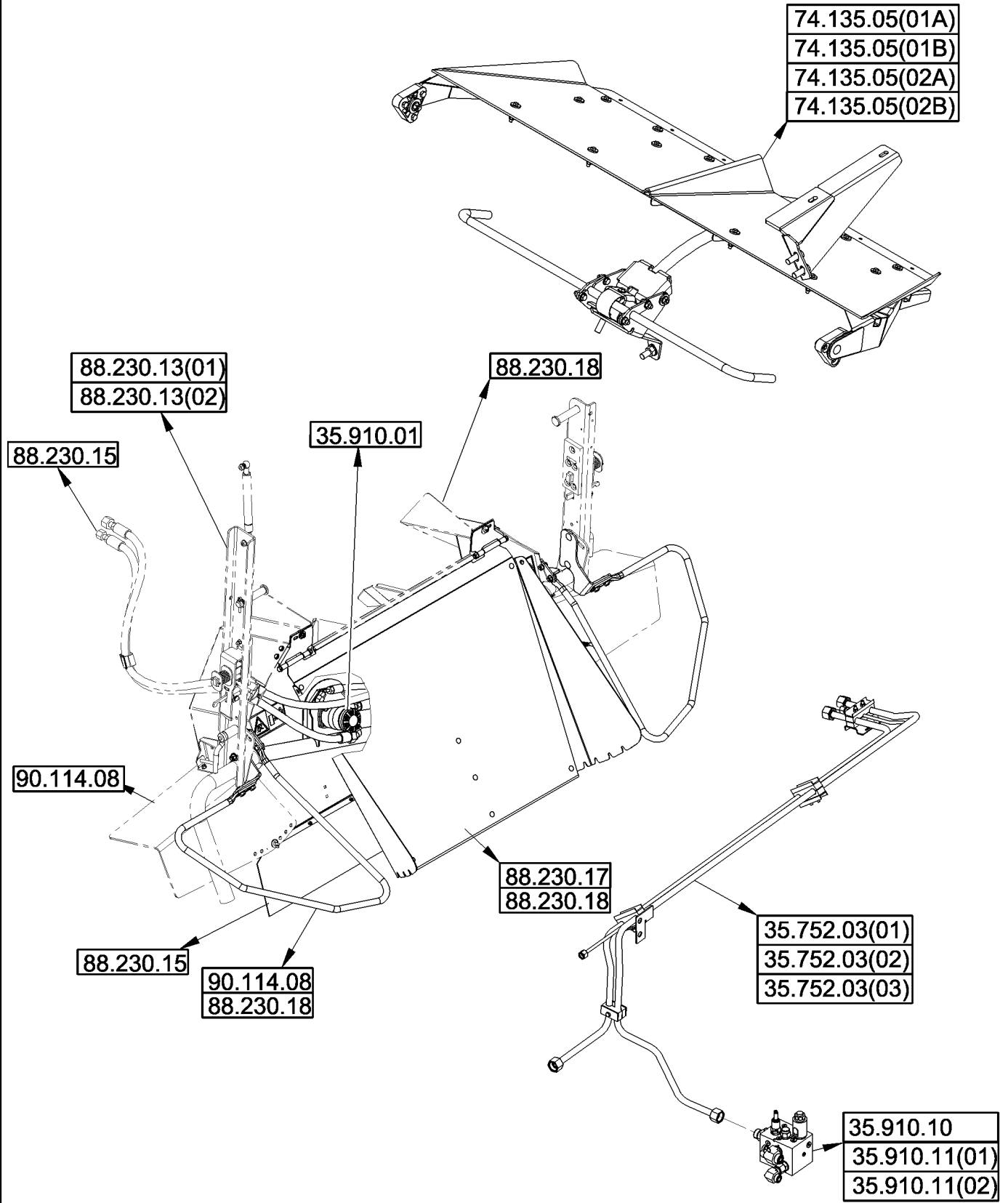
PICTORIAL INDEX - GRAIN UNLOADING

REF	FN	PART NUMBER	YR/SN	QTY	DESCRIPTION
-----	----	-------------	-------	-----	-------------

--	--	--	--	--	--

9120 7120 8120 7120 8120

PICTORIAL INDEX - STRAW SPREADER



00.000.88

p1

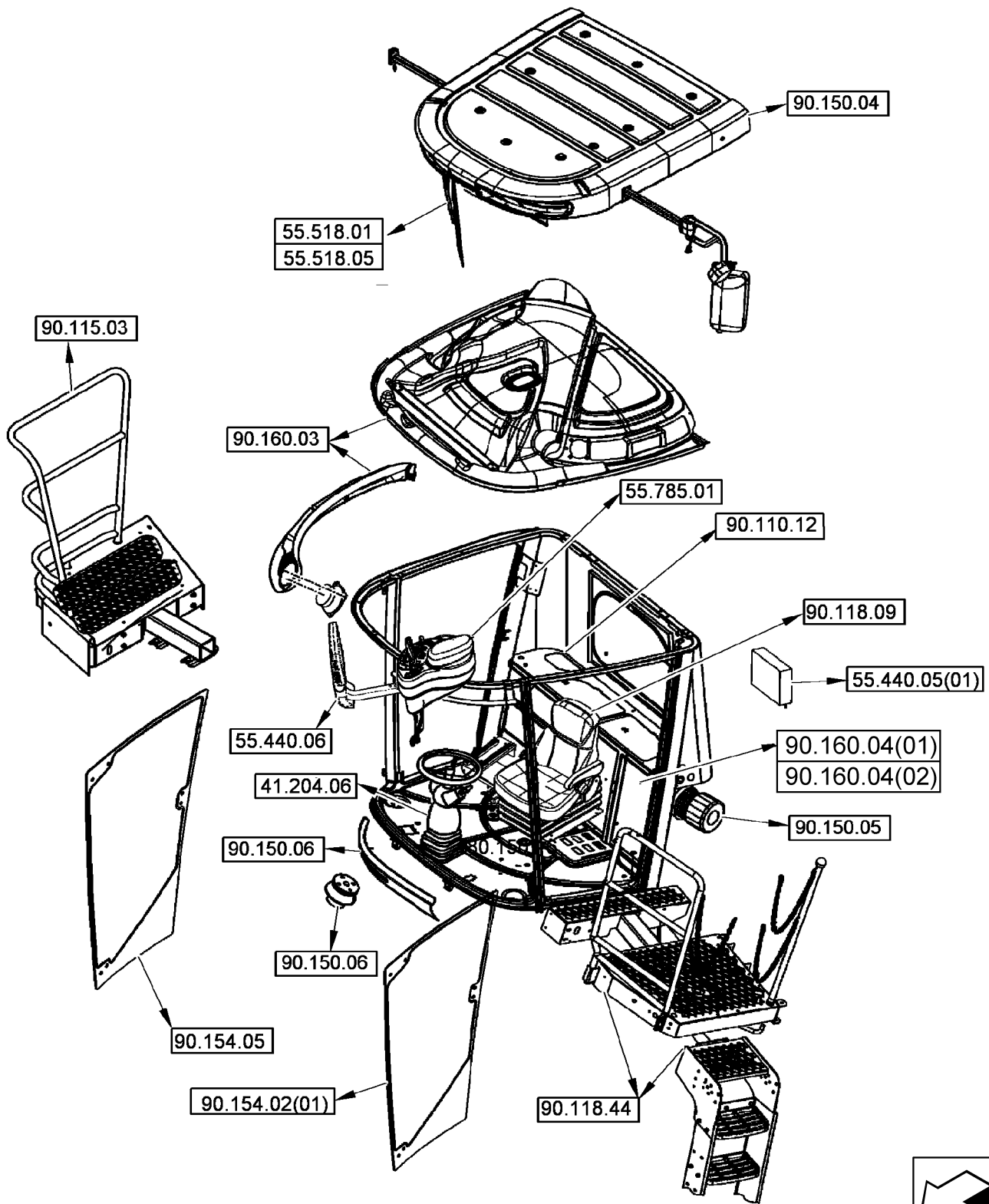
10/09

PICTORIAL INDEX - STRAW SPREADER

REF	FN	PART NUMBER	YR/SN	QTY	DESCRIPTION
------------	-----------	--------------------	--------------	------------	--------------------

					7120 7120 8120 9120 8120
--	--	--	--	--	-------------------------------------

PICTORIAL INDEX - CAB



PICTORIAL INDEX - CAB

REF	FN	PART NUMBER	YR/SN	QTY	DESCRIPTION
-----	----	-------------	-------	-----	-------------

--	--	--	--	--	--

					9120 8120 7120 8120 7120
--	--	--	--	--	-------------------------------------

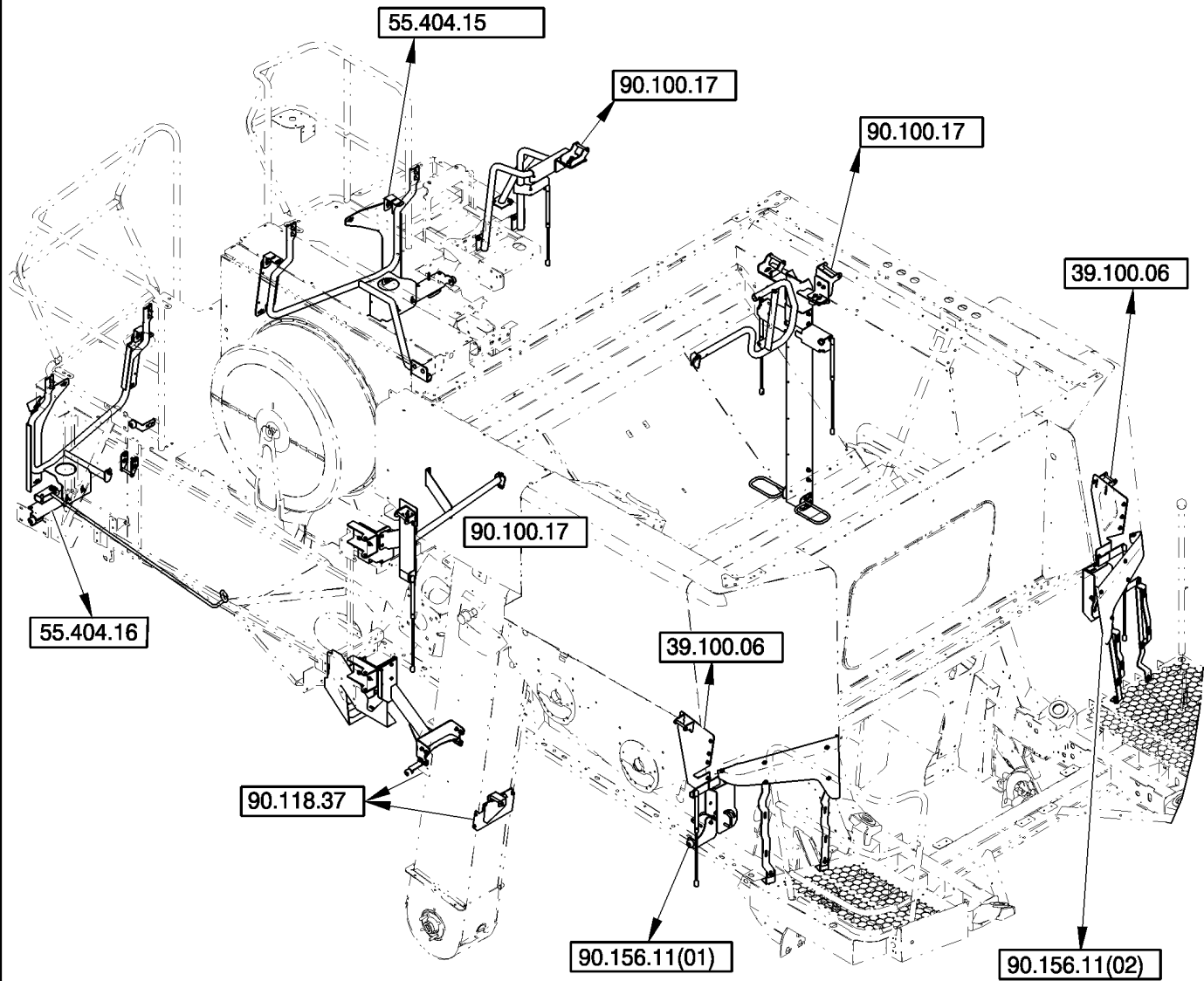
00.000.90

02

p1

10/09

PICTORIAL INDEX - BODY PANEL MOUNTS & HINGES



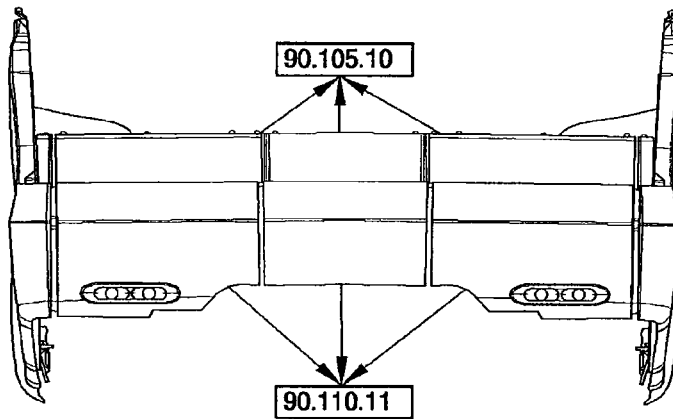
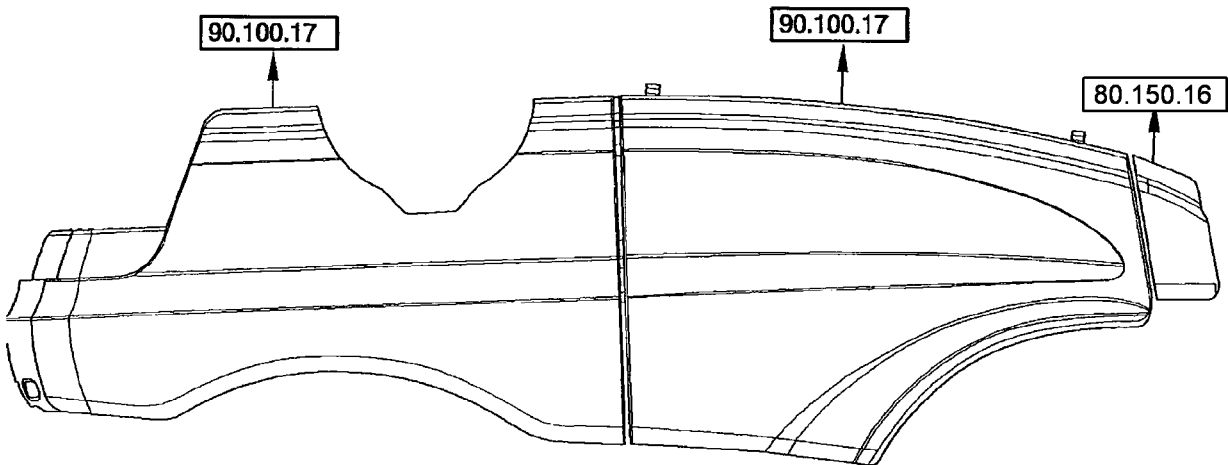
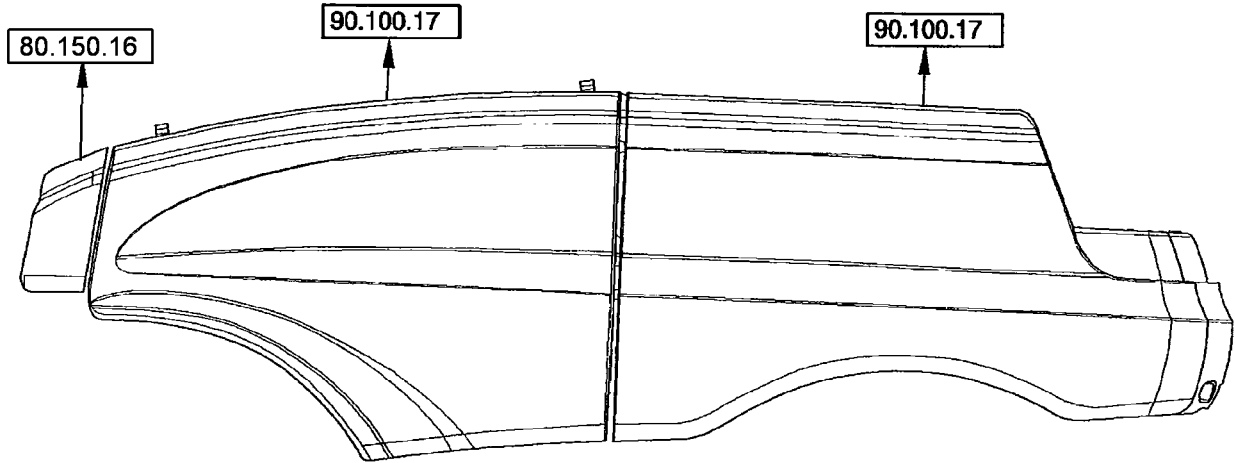
PICTORIAL INDEX - BODY PANEL MOUNTS & HINGES

REF	FN	PART NUMBER	YR/SN	QTY	DESCRIPTION
------------	-----------	--------------------	--------------	------------	--------------------

--	--	--	--	--	--

7120 7120 8120 9120 8120

PICTORIAL INDEX - BODY PANELS



PICTORIAL INDEX - BODY PANELS

REF	FN	PART NUMBER	YR/SN	QTY	DESCRIPTION
-----	----	-------------	-------	-----	-------------

--	--	--	--	--	--

9120 7120 8120 7120 8120

SECTION INDEX

05 - Machine completion and equipment

05.000.00		SECTION INDEX - MACHINE COMPLETION AND EQUIPMENT
05.000.01	01	DEALER INITIAL STOCKING LIST - 7120/7120(LA), 8120/8120(LA)
05.000.01	02	DEALER INITIAL STOCKING LIST - 9120
05.000.02	01	BELTS & CHAINS - LEFT SIDE
05.000.02	02	BELTS & CHAINS - RIGHT SIDE
05.100.01		FILTERS & CAPACITIES
05.102.01	01	FIRE EXTINGUISHER - EU - 7120, 8120, 9120
05.102.01	02	FIRE EXTINGUISHER - NA, ANZ, & LATIN AMERICA - 8120

05.000.00

p1

10/09

SECTION INDEX - MACHINE COMPLETION AND EQUIPMENT

**ART
NOT
AVAILABLE**

05.000.00

p1

10/09

SECTION INDEX - MACHINE COMPLETION AND EQUIPMENT

REF	FN	PART NUMBER	YR/SN	QTY	DESCRIPTION
------------	-----------	--------------------	--------------	------------	--------------------

					7120 7120 8120 9120 8120
--	--	--	--	--	-------------------------------------

05.000.01

01

p1

02/10

DEALER INITIAL STOCKING LIST - 7120/7120(LA), 8120/8120(LA)

**ART
NOT
AVAILABLE**

DEALER INITIAL STOCKING LIST - 7120/7120(LA), 8120/8120(LA)

REF	FN	PART NUMBER	YR/SN	QTY	DESCRIPTION
		{LIST A}			
1		84036676		1	AIR FILTER
2		84607353		4	BRAKE PAD
3		84058793		1	CAB FILTER
4	1	87340333		1	FUEL FILTER
4	2	87592170		1	FUEL FILTER
5		86517680		1	BELT, 3HB, 119.90" Effective Length
6		87011585		1	BELT, 2HB, 3254 mm Effective Length
7		87106692		20	KNIFE SECTION
8		86975809		1	BELT, Drive
9		86976165		1	PULLEY
10		87317063		1	BELT, Shoe Drive, 3651 mm Effective Length
11		87646011		3	SLAT
12		87283139		1	BELT, Tailings Processor
13		{}			Reference Not Used
14		86998332		1	AIR FILTER
15		86998333		2	AIR FILTER
16	1	87282333		1	BELT, Alternator
16	2	504212528		1	BELT, Alternator
17	1	87282305		1	BELT, Fan
17	2	500371653		1	BELT, Fan
18	1	84818745		2	FUEL FILTER
18	2	504199551		2	FUEL FILTER
19		84818743		4	ENGINE OIL FILTER
20		277311A1		1	HYDRAULIC OIL FILTER, Aux
21		254353A1		1	HYDRAULIC OIL FILTER, Hydro
22		294721A1		1	HYDRAULIC OIL FILTER, Lube
23		86502201		1	SET OF 2 KEYS
		{LIST B}			
1		336945		5	NUT, M22 x 1.5, CI 10, Wheel
2		716840		2	FLANGE
3		748961		5	NUT, Wheel
4		84058860		1	SENSOR, Ground RPM

(1) 8120 Only
(2) 7120 Only

7120 7120 8120 8120

05.000.01

01

p2

02/10

DEALER INITIAL STOCKING LIST - 7120/7120(LA), 8120/8120(LA)

**ART
NOT
AVAILABLE**

05.000.01

01

p2

02/10

DEALER INITIAL STOCKING LIST - 7120/7120(LA), 8120/8120(LA)

REF	FN	PART NUMBER	YR/SN	QTY	DESCRIPTION
6		87342073		1	SENSOR
7		84443588		5	WHEEL BOLT, M20 x 76, CI 10.9
8		84062511		5	WHEEL NUT, M20
9		87026294		1	SENSOR, Inclination
10		84186707		1	SENSOR, Feeder Lift
11		86976208		1	BELT, Strawchopper Drive, 2720 mm Effective Length
12		86980769		5	DISC
13		87341038		3	STIFFENER
13		87717923		3	STIFFENER
14		86512554		56	LOCK NUT, M10 x 1.5, CI 10
15		9861444		56	BOLT, Hex, M10 x 20, 10.9, Full Thd
16					Reference Not Used
17		86992048		2	BAR, Rasp
18		86995010		1	STRAINER ELEMENT, Fuel
19		87283349		4	CONNECTING LINK
20		87625526		4	LINK ASSY.
21		87330286		1	SENSOR, Angle
22		1309336C2		25	RASP BAR
23		86996914		1	KEY, Retaining
24		86997034		40	BLADE, Fan
25		87282471		5	BLADE
26		87280494		8	BLADE
27		45631		1	COLLAR
28		87414866		2	RELAY, 20 Amp
29		87106338		12	BOLT
30		87105603		1	SENSOR, Feeder Speed

7120 7120 8120 8120

05.000.01

02

p1

02/10

DEALER INITIAL STOCKING LIST - 9120

**ART
NOT
AVAILABLE**

DEALER INITIAL STOCKING LIST - 9120

REF	FN	PART NUMBER	YR/SN	QTY	DESCRIPTION
		{LIST A}			
1		84036676		1	AIR FILTER, Reference
2		84607353		4	BRAKE PAD
3		84058793		1	CAB FILTER
4		87340333		1	FUEL FILTER
5		86517680		1	BELT, 3HB, 119.90" Effective Length
6		87011585		1	BELT, 2HB, 3254 mm Effective Length
7		87106692		20	KNIFE SECTION
8		86975809		1	BELT, Drive
9		86976165		1	PULLEY
10		87317063		1	BELT, Shoe Drive, 3651 mm Effective Length
11		87646011		3	SLAT
12		87283139		1	BELT, Tailings Processor
13		84432504		1	ELEMENT, Inner
14		84432503		2	ELEMENT, Outer
15		504049425		1	BELT, Alternator
16		504212528		1	BELT, A/C Compressor
17		84818745		2	FUEL FILTER
18		84818743		4	ENGINE OIL FILTER
19		277311A1		1	HYDRAULIC OIL FILTER, Aux
20		254353A1		1	HYDRAULIC OIL FILTER, Hydro
21		294721A1		1	HYDRAULIC OIL FILTER, Lube
22		86502201		1	SET OF 2 KEYS
		{LIST B}			
1		336945		5	NUT, M22 x 1.5, CI 10, Wheel
2		716840		2	FLANGE
3		748961		5	NUT, Wheel
4		84058860		1	SENSOR, Ground RPM
6		87342073		1	SENSOR
7		84443588		5	WHEEL BOLT, M20 x 76, CI 10.9
8		84062511		5	WHEEL NUT, M20
9		87026294		1	SENSOR, Inclination
10		84186707		1	SENSOR, Feeder Lift
11		86976208		1	BELT, Strawchopper Drive, 2720 mm Effective Length
12		86980769		5	DISC

9120

05.000.01

02

p2

02/10

DEALER INITIAL STOCKING LIST - 9120

**ART
NOT
AVAILABLE**

05.000.01

02

p2

02/10

DEALER INITIAL STOCKING LIST - 9120

REF	FN	PART NUMBER	YR/SN	QTY	DESCRIPTION
13		87341038		3	STIFFENER
13		87717923		3	STIFFENER
14		86512554		56	LOCK NUT, M10 x 1.5, CI 10
15		9861444		56	BOLT, Hex, M10 x 20, 10.9, Full Thd
17		86995010		1	STRAINER ELEMENT, Fuel
18		87283349		4	CONNECTING LINK
19		87625526		4	LINK ASSY.
20		86996914		1	KEY, Retaining
21		86997034		40	BLADE, Fan
22		87282471		5	BLADE
23		45631		1	COLLAR
24		87414866		2	RELAY, 20 Amp
25		87106338		12	BOLT
26		87105603		1	SENSOR, Feeder Speed

9120

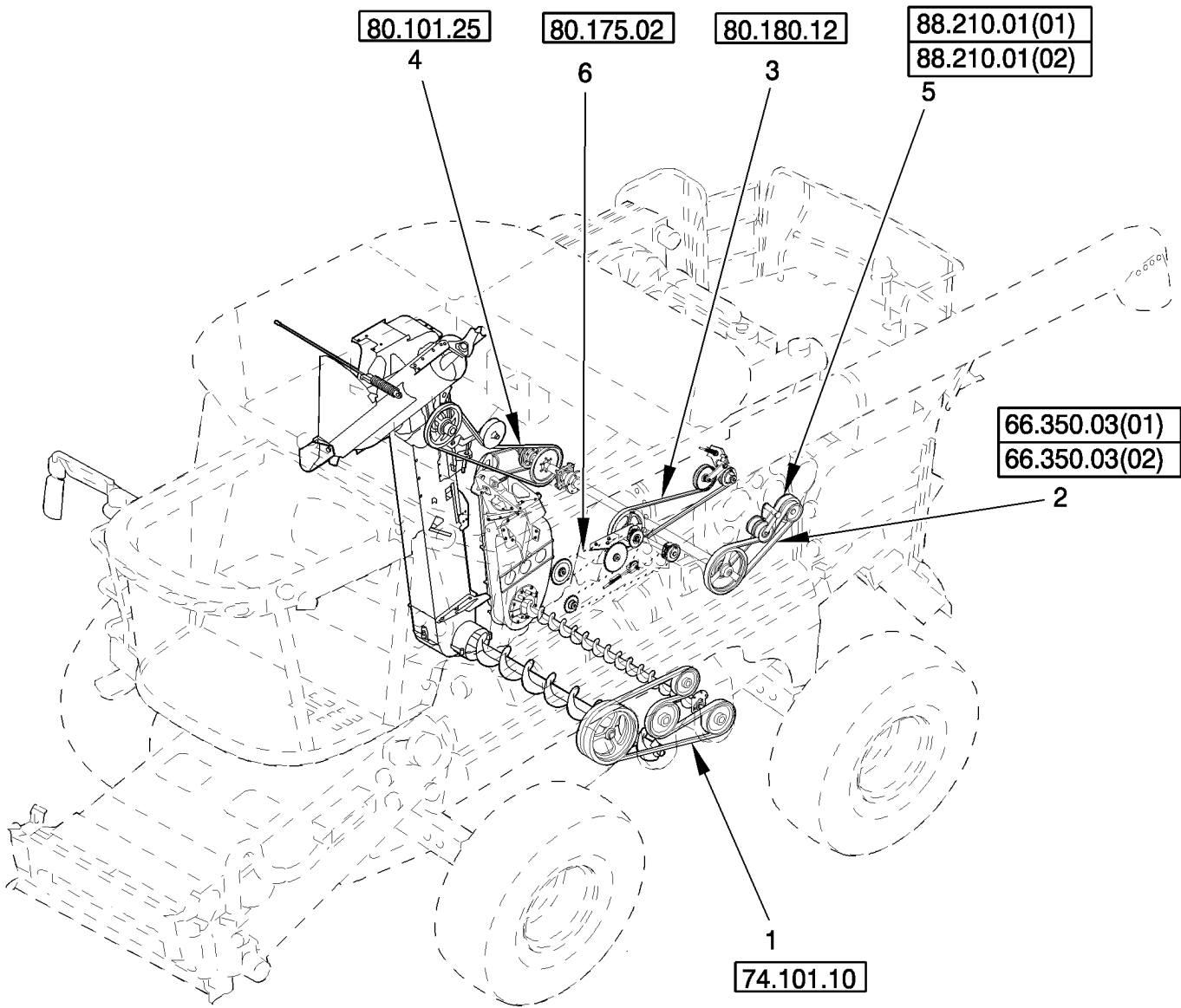
05.000.02

01

p1

10/09

BELTS & CHAINS - LEFT SIDE

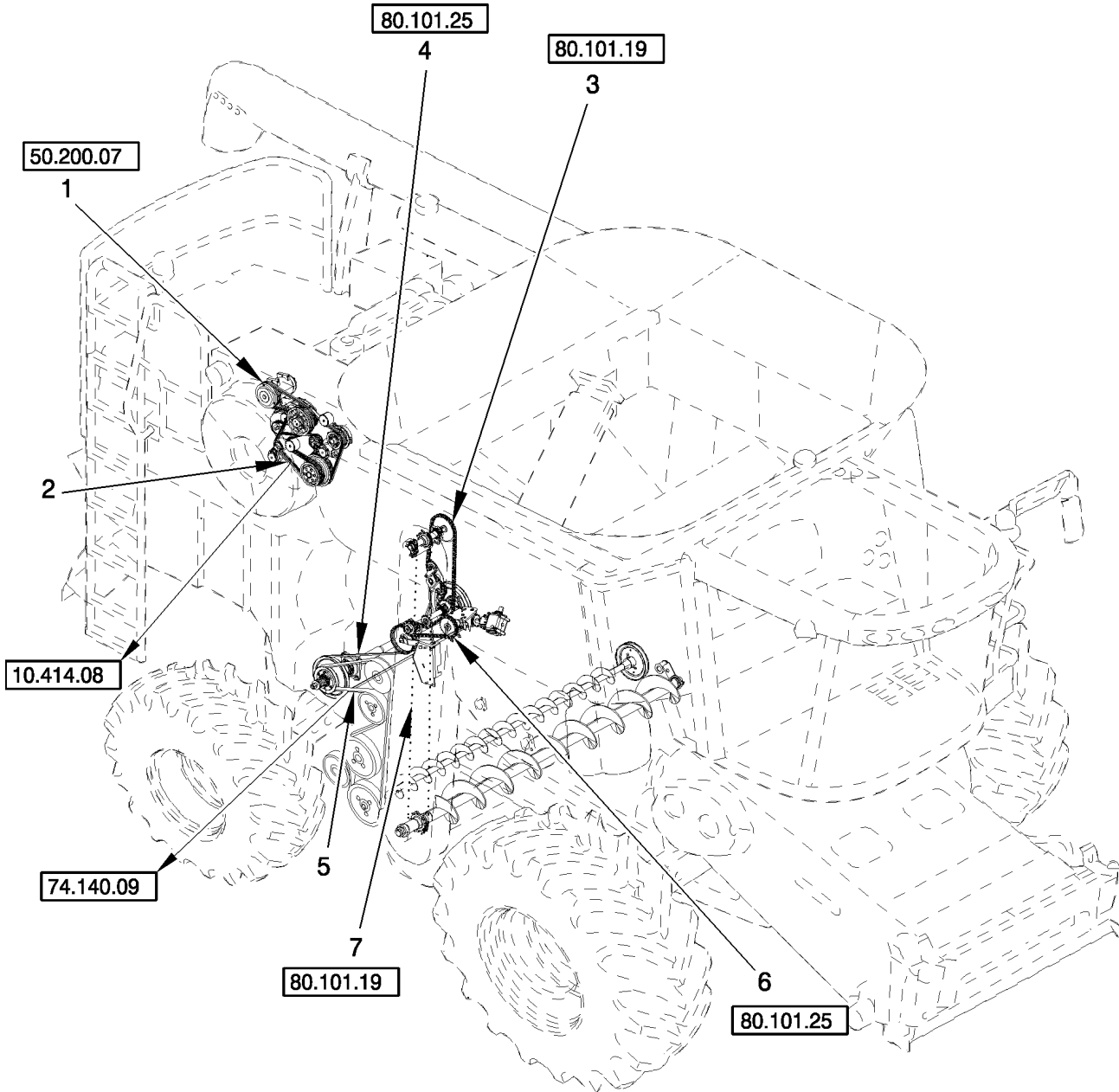
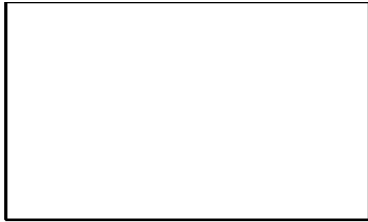


BELTS & CHAINS - LEFT SIDE

REF	FN	PART NUMBER	YR/SN	QTY	DESCRIPTION
1		87317063		1	BELT, Shoe Drive - 3651 mm Effective Length
2		86517680		1	BELT, Beater Drive - 3045.5 mm Effective Length
3		87011585		1	BELT, Unloading Drive - 3254 mm Effective Length
4		86975809		1	BELT, Bubble - Up Drive
5		86976208		1	BELT, Strawchopper Drive - 2720 mm Effective Length
5		87283315		1	BELT, Strawchopper Drive - 2690 mm Effective Length
6		86998066		1	CHAIN, Unloading Drive
6		87680581		1	CHAIN, Unloading Drive; Service Only - Slow Down Drive For Rice Harvest

	7120 7120 8120 9120 8120
--	-------------------------------------

BELTS & CHAINS - RIGHT SIDE

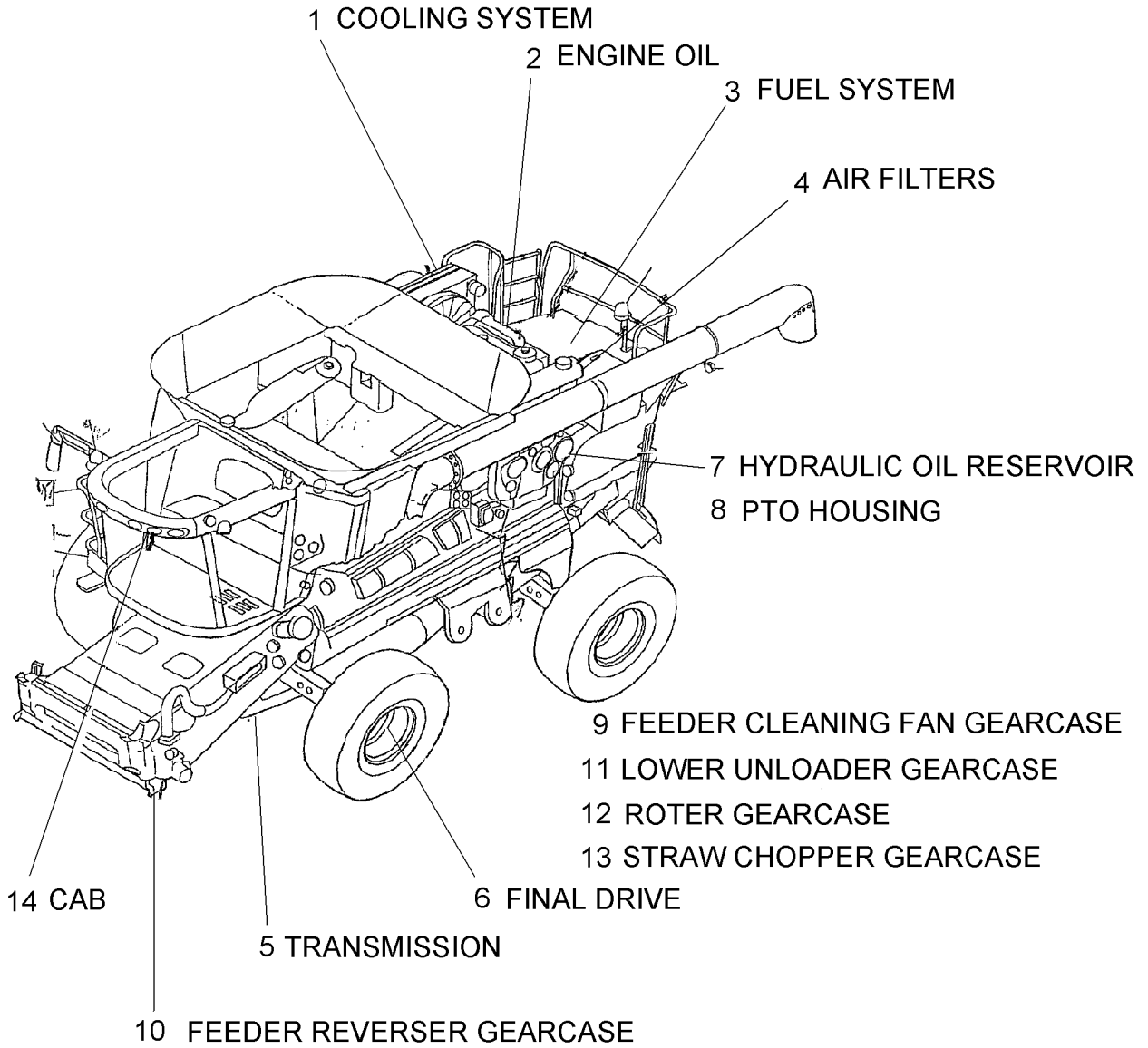


BELTS & CHAINS - RIGHT SIDE

REF	FN	PART NUMBER	YR/SN	QTY	DESCRIPTION
1	1	87282333		1	BELT, Alt, A/C, Water Pump
1		504212528		1	BELT, Alt, A/C, Water Pump
2	1	87282305		1	BELT, Fan
2	2	500371653		1	BELT, Fan
2		504049425		1	BELT, Fan
3		87470737		1	CHAIN, Elevator Drive, 104 Links, 1981.08 MM, Long
4		86975809		1	BELT, Bubble - Up Drive
5		87283139		1	BELT, Tailings Processor, HCC, 182.0" Effective Length
6		87470736		1	CHAIN, Bubble - Up Drive
7		87281911		1	ELEVATOR CHAIN, Includes Paddles
(1)	8120 Only				
(2)	7120 Only				

	7120 7120 8120 9120 8120
--	---

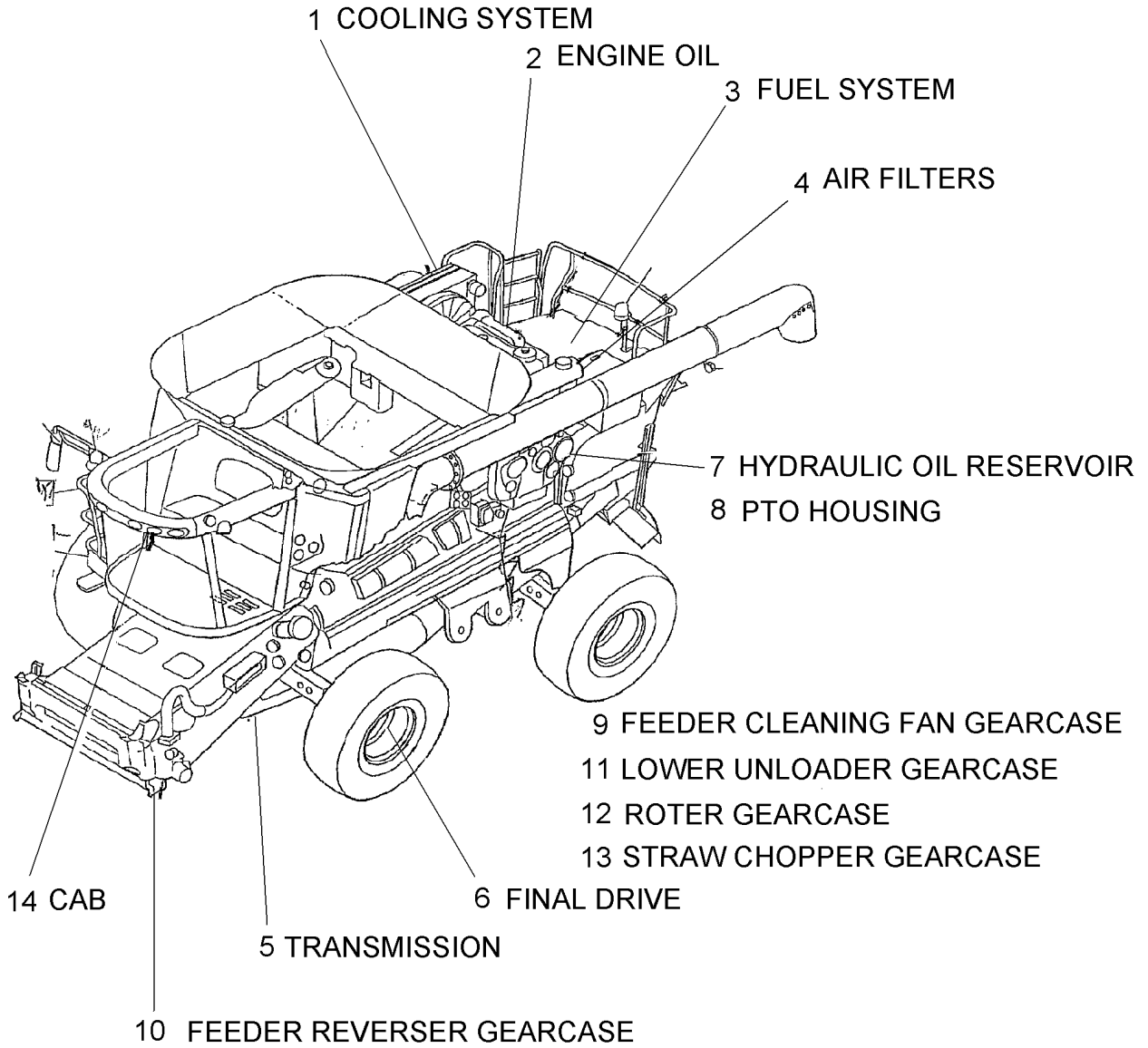
FILTERS & CAPACITIES



FILTERS & CAPACITIES

REF	FN	PART NUMBER	YR/SN	QTY	DESCRIPTION
2		B505693			FLUID, Akcela No. 1 SSL Oil SAE 0W-40 - 9.46 Liters (2.5 US Gallons)
2		407357R4			FLUID, Akcela No. 1 Oil SAE 10W - 18.93 Liters (5 US Gallons)
2		104104A1			FLUID, Akcela No. 1 Oil SAE 10W-30 - .946 Liters (1 US Quart)
2		139033A1			OIL, Akcela No. 1 Oil SAE 10W-30 - 3.785 Liters (1 US Gallon)
2		372253A1			OIL ENGINE, Akcela No. 1 Oil SAE 10W-30 - 9.46 Liters (2.5 US Gallons)
2		104106A1			OIL, Akcela No. 1 Oil SAE 10W-30 - 18.93 Liters (5 US Gallons)
2		407352R4			FLUID, Akcela No. 1 Oil SAE 30 - .946 Liters (1 US Quart)
2		139032A1			FLUID, Akcela No. 1 Oil SAE 30 - 3.785 Liters (1 US Gallon)
2		143947A1			OIL ENGINE, Akcela No. 1 Oil SAE 30 - 9.46 Liters (2.5 US Gallons)
2		407356R4			FLUID, Akcela No. 1 Oil SAE 30 - 18.93 Liters (5 US Gallons)
2		407410R2			OIL, Akcela No. 1 Oil SAE 15W-40 - .946 Liters (1 US Quart)
2		139034A1			OIL, Akcela No. 1 Oil SAE 15W-40 - 3.785 Liters (1 US Gallon)
2		143949A1			OIL, Akcela No. 1 Oil SAE 15W-40 - 9.46 Liters (2.5 US Gallons)
2		407414R2			OIL, Akcela No. 1 Oil SAE 15W-40 - 18.93 Liters (5 US Gallons)
2		332390A1			OIL, Akcela No. 1 Oil SAE 20W-50 - 18.93 Liters (5 US Gallons)
2		372255A1			OIL ENGINE, Akcela Auto Supreme SAE 5W-30 - .946 Liters (1 US Quart)
2		B500401			OIL ENGINE, Akcela Auto Supreme SAE 10W-30 - .946 Liters (1 US Quart)
					7120 7120 8120 9120 8120

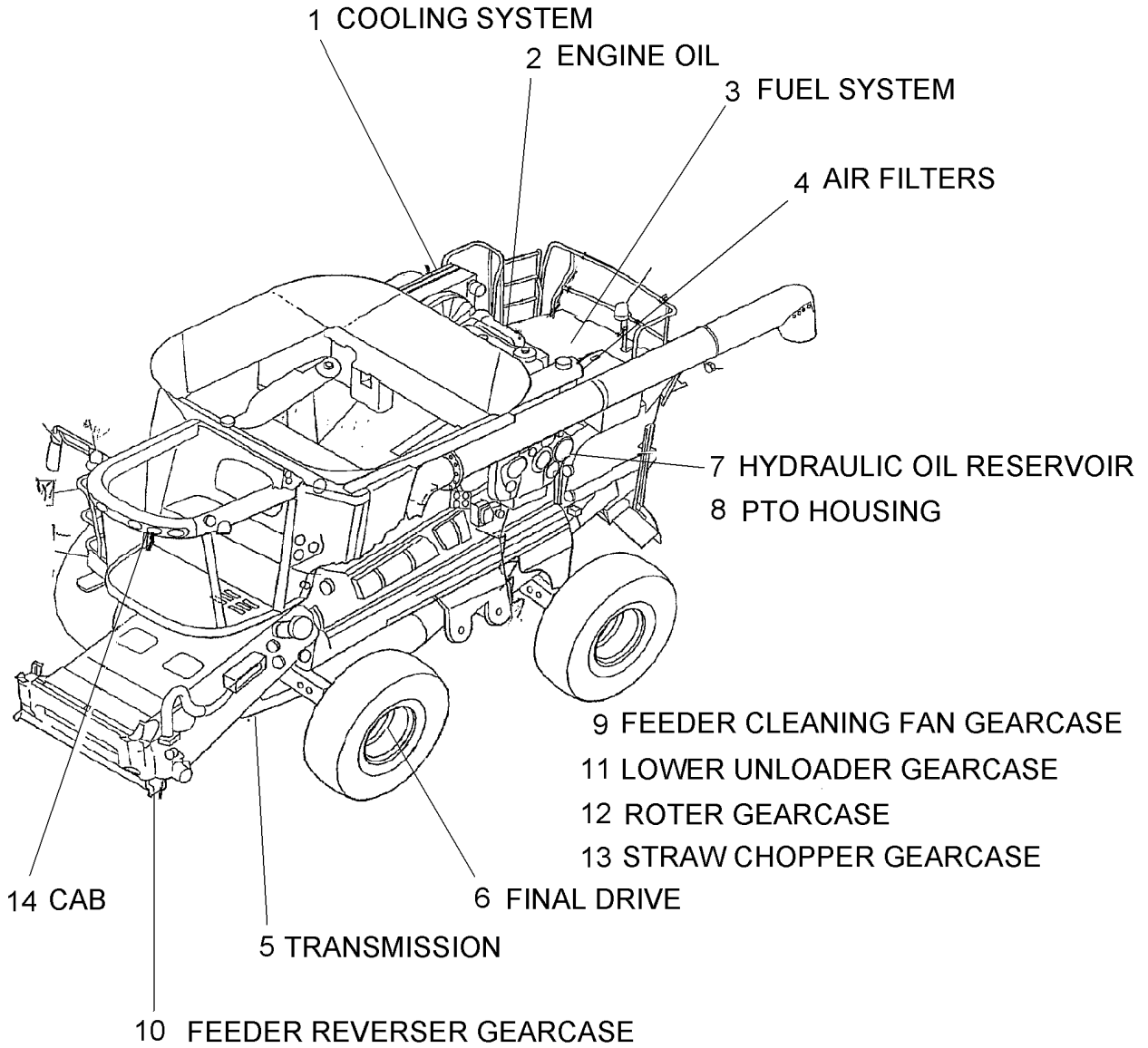
FILTERS & CAPACITIES



FILTERS & CAPACITIES

REF	FN	PART NUMBER	YR/SN	QTY	DESCRIPTION
2		407345R3			FLUID, Akcela Low Ash Oil SAE 10W - 18.93 Liters (5 US Gallons)
2		407340R3			FLUID, Akcela Low Ash Oil SAE 30 - .946 Liters (1 US Quart)
2		139037A1			FLUID, Akcela Low Ash Oil SAE 30 - 3.785 Liters (1 US Gallon)
2		407344R3			FLUID, Akcela Low Ash Oil SAE 30 - 18.93 Liters (5 US Gallons)
5		139029A2			FLUID, Akcela Hy-Tran Ultra - 3.785 Liters (1 US Gallon)
5		143945A2			FLUID, Akcela Hy-Tran Ultra - 9.46 Liters (2.5 US Gallons)
5		372705R7			FLUID, Akcela Hy-Tran Ultra - 18.93 Liters (5 US Gallons)
5		{B505697}			Akcela Hy-Tran Ultra SSL - 9.46 Liters (2.5 US Gallons)
5		B505699			FLUID, Akcela TSM Bio - 9.46 Liters (2.5 US Gallons)
7		116799A1			FLUID, Akcela AW46 Hyd Fluid - 18.93 Liters (5 US Gallons)
7		B505690			FLUID, Akcela AW68 Hyd Fluid - 18.93 Liters (5 US Gallons)
7		339852A1			FLUID, Akcela AW100 Hyd Fluid - 18.93 Liters (5 US Gallons)
7		B17639			FLUID, Akcela Hydraulic Excavator Fluid - 18.93 Liters (5 US Gallons)
7		139030A1			FLUID, Akcela TCH Fluid - 3.785 Liters (1 US Gallon)
7		B53977			FLUID, Akcela TCH Fluid - 18.93 Liters (5 US Gallons)
		282371A1			LUBRICANT, Trans. XHD ATF Oil - .946 Liters (1 US Quart)
		310233A1			LUBRICANT, Trans. XHD ATF Oil - 9.46 Liters (2.5 US Gallons)
		139039A1			FLUID, Akcela 135H EP Gear Lube SAE 80W-90 - 3.785 Liters (1 US Gallon)
					7120 7120 8120 9120 8120

FILTERS & CAPACITIES

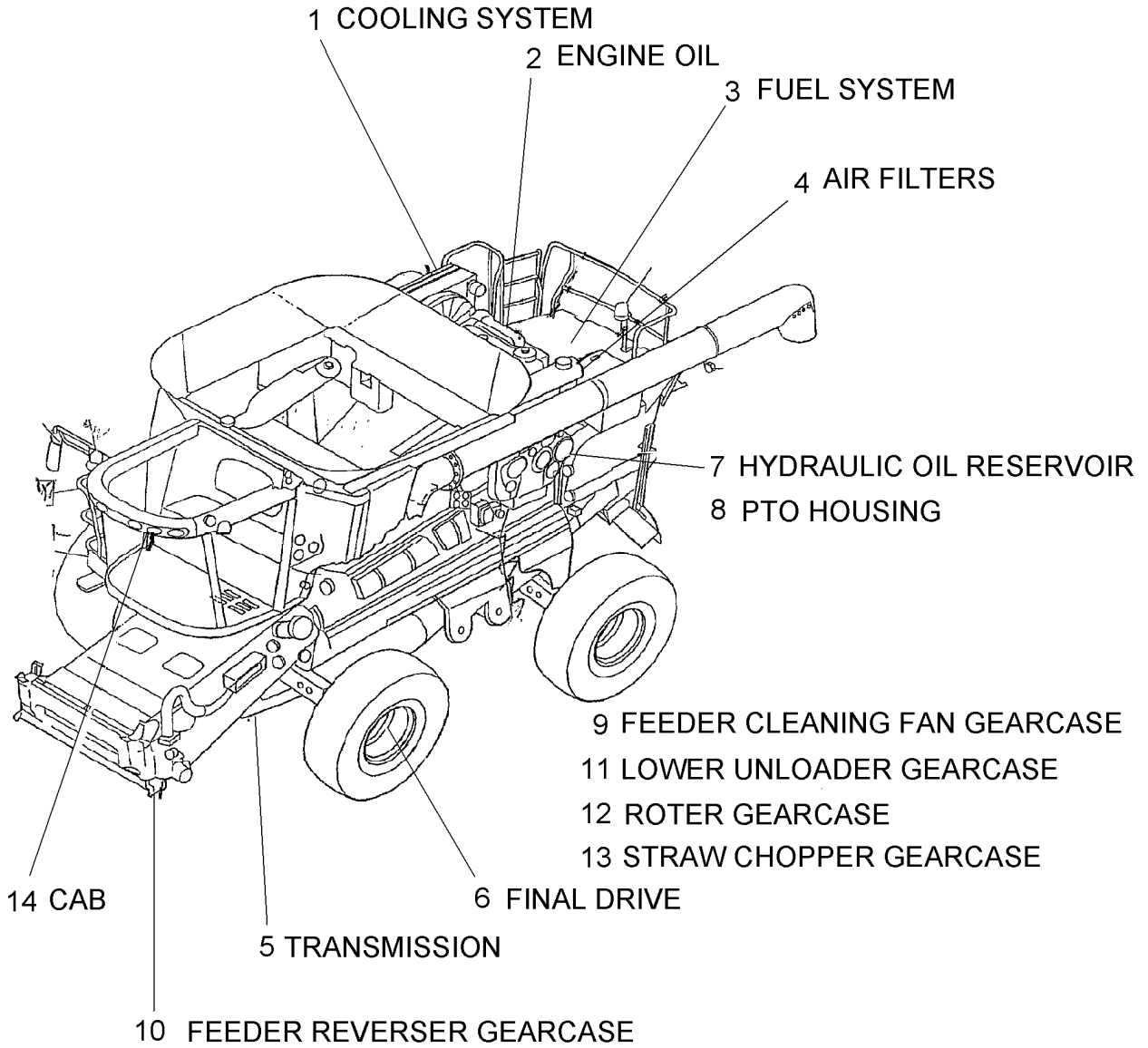


FILTERS & CAPACITIES

REF	FN	PART NUMBER	YR/SN	QTY	DESCRIPTION
		139801A1			FLUID, Akcela 135H EP Gear Lube SAE 80W-90 - 18.93 Liters (5 US Gallons)
		246666A1			FLUID, Akcela 135H EP Gear Lube SAE 80W-90 - 60.6 Liters (16 US Gallons)
		139041A1			FLUID, Akcela 135H EP Gear Lube SAE 85W-140 - 3.785 Liters (1 US Gallon)
		407364R2			LUBRICANT, Akcela 135H EP Gear Lube SAE 85W-140 - 18.93 Liters (5 US Gallons)
		407538R2			FLUID, Akcela 135H EP Gear Lube SAE 85W-140 - 60.6 Liters (16 US Gallons)
		B17632			OIL, Akcela Transaxle Fluid - 18.93 Liters (5 US Gallons)
		B505707			FLUID, Akcela Gear Lube SSL - .946 Liters (1 US Quart)
		132096A1			GREASE, Akcela 251H EP Multi-Purpose Grease - 14 Oz. Tube
		B505708			FLUID, Akcela Premium Grease EP-2 - 14 Oz. Tube
		B505226			LUBRICANT, Akcela EP-0 Grease - 3.35 Oz.
		B95920			GREASE, Akcela Corn Head Grease - 14 Oz. Tube
		132095A1			GREASE, Akcela Moly Grease - 14 Oz. Tube
		B505709			FLUID, Akcela SSL Synthetic Grease - 14 Oz. Tube
		B17508			LUBRICANT, Akcela HTO Additive - .946 Liters (1 US Quart)
		298053A1			LUBRICANT, Akcela HTO Premix - 3.785 Liters (1 US Gallon)
		B91246			LUBRICANT, Akcela Limited Slip Additive - 16 Oz.
		402982A1			OIL, Akcela Axle Oil Additive - 16 Oz.
		B91244			OIL, Akcela Crawler Brake Oil - .946 Liters (1 US Quart)
		156576C91			GREASE, Akcela AG Lubricant - .946 Liters (1 US Quart)
		B500418			BAR, Akcela Durafit Spindle Grease - 15.9 Liter (35 US Lb.)
		407515R1			LUBRICANT, Akcela Cotton Picker Bar Lube - 15.9 Liter (35 US Lb.)

**7120 7120 8120 9120
8120**

FILTERS & CAPACITIES



05.100.01

p4

08/09

FILTERS & CAPACITIES

REF	FN	PART NUMBER	YR/SN	QTY	DESCRIPTION
------------	-----------	--------------------	--------------	------------	--------------------

B91241V

LUBRICANT, Akcela Hi-Speed Spindle Cleaner -
18.93 Liters (5 US Gallons)

**7120 7120 8120 9120
8120**

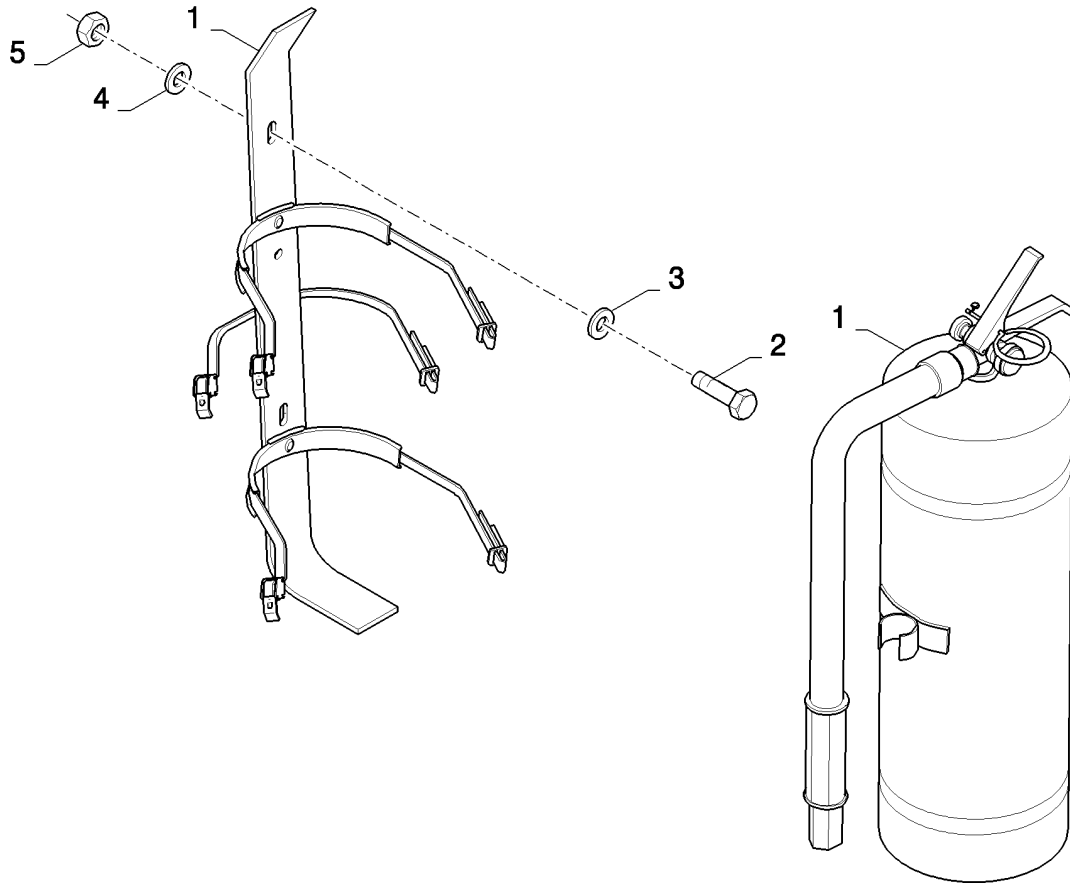
05.102.01

01

p1

08/09

FIRE EXTINGUISHER - EU - 7120, 8120, 9120



05.102.01

01

p1

08/09

FIRE EXTINGUISHER - EU - 7120, 8120, 9120

REF	FN	PART NUMBER	YR/SN	QTY	DESCRIPTION
1		84085886		1	DIA KIT, HARVESTER, Fire Extinguisher
2		84440547		1	FIRE EXTINGUISHER, Includes Bracket
3		9706690		2	NUT, M8, CI 8
4		412650		2	SPRING WASHER, Belleville, M8
5		140016		2	WASHER, M8 x 16 x 1.6
6		43127		2	BOLT, Hex, M8 x 25, 8.8

8120 9120 7120

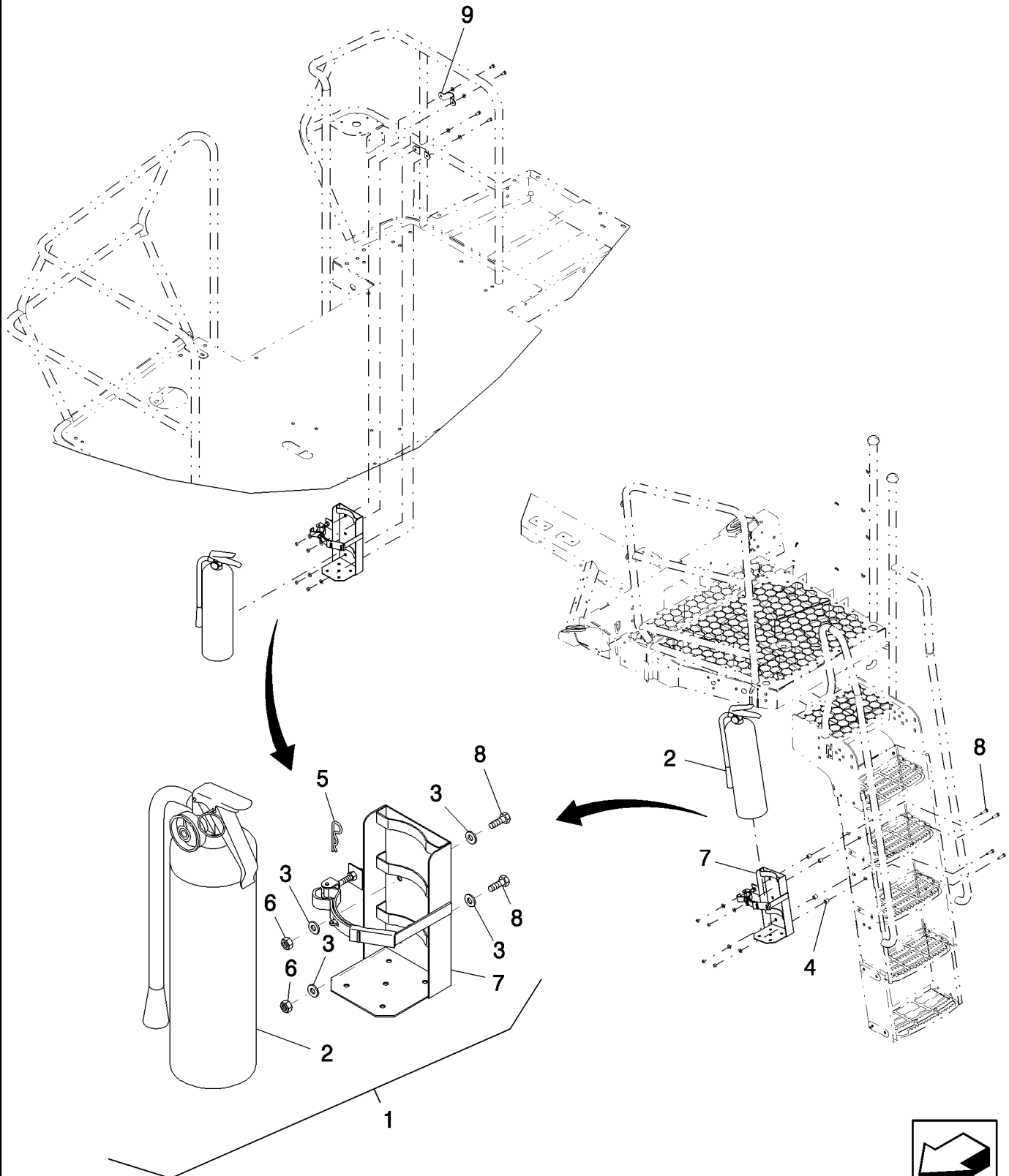
05.102.01

02

p1

08/09

FIRE EXTINGUISHER - NA, ANZ, & LATIN AMERICA - 8120



FIRE EXTINGUISHER - NA, ANZ, & LATIN AMERICA - 8120

REF	FN	PART NUMBER	YR/SN	QTY	DESCRIPTION
1	1	84084936		2	DIA KIT, HARVESTER, Fire Extinguisher
2	1	87414153		1	FIRE EXTINGUISHER
2	2	87425179		1	FIRE EXTINGUISHER
3		322358		8	BELLEVILLE WASHER, M8
4		285394		4	SPACER
5		216698		1	HAIR PIN COTTER, Int, 5/16" x 1.75" x 0.125"
6		9706690		4	NUT, M8, CI 8
7	1	87414154		1	BRACKET
7	2	87561730		1	BRACKET
8		43128		4	SCREW, Hex, M8 x 30, 8.8
9		84139058		2	BRACKET

(1) NA & Latin America Only

(2) After 4/2009, 7020 uses quantity 1 and 8120, 9120 uses quantity of 3

8120

SECTION INDEX

10 - Engine

10.000.00	01	SECTION INDEX - ENGINE, INTAKE & EXHAUST - 7120/7120(LA), 8120/8120(LA)
10.000.00	01A	SECTION INDEX - ENGINE, INTERNAL COMPONENTS - 7120/7120(LA)
10.000.00	01B	SECTION INDEX - ENGINE, INTERNAL COMPONENTS - 8120/8120(LA)
10.000.00	01C	SECTION INDEX - ENGINE, INTERNAL COMPONENTS - 9120
10.000.00	02A	SECTION INDEX - ROTARY AIR SCREEN - 7120/7120(LA)
10.000.00	02B	SECTION INDEX - ROTARY AIR SCREEN - 8120/8120(LA)
10.000.00	02C	SECTION INDEX - ROTARY AIR SCREEN - 9120
10.000.00	03A	SECTION INDEX - FUEL SYSTEM - 7120/7120(LA)
10.000.00	03B	SECTION INDEX - FUEL SYSTEM - 8120/8120(LA)
10.000.00	03C	SECTION INDEX - FUEL SYSTEM - 9120
10.000.00	04A	SECTION INDEX - COOLER BOX - 7120/7120(LA)
10.000.00	04B	SECTION INDEX - COOLER BOX - 8120/8120(LA)
10.000.00	04C	SECTION INDEX - COOLER BOX - 9120
10.001.02	01	CYLINDER BARREL LUBRICATION NOZZLE - 7120/7120(LA)
10.001.02	02	CYLINDER BARREL LUBRICATION NOZZLE - 8120/8120(LA)
10.001.02	03	CYLINDER BARREL LUBRICATION NOZZLE - 9120
10.001.04	01	CYLINDER BLOCK & RELATED PARTS - 7120/7120(LA)
10.001.04	02	CYLINDER BLOCK & RELATED PARTS - 8120/8120(LA)
10.001.04	03	CYLINDER BLOCK & RELATED PARTS - 9120
10.012.01	01	ENGINE SUSPENSION - 7120/7120(LA)
10.012.01	02	ENGINE SUSPENSION - 8120/8120(LA)
10.012.01	03	ENGINE SUSPENSION - 9120
10.012.04	01	FRAME, ENGINE - 7120/7120(LA)
10.012.04	02	FRAME, ENGINE - 8120/8120(LA)
10.012.04	03	FRAME, ENGINE - 9120
10.100.01	01	COMPLETE ENGINE - 7120/7120(LA)
10.100.01	02	COMPLETE ENGINE - 8120/8120(LA)
10.100.01	03	COMPLETE ENGINE - 9120
10.101.02	01	CYLINDER HEAD & RELATED PARTS - 7120/7120(LA)
10.101.02	02	CYLINDER HEAD & RELATED PARTS - 8120/8120(LA)
10.101.02	03	CYLINDER HEAD & RELATED PARTS - 9120
10.101.03	01	HEAD COVER - 7120/7120(LA)
10.101.03	02	HEAD COVER - 8120/8120(LA)
10.101.03	03	HEAD COVER - 9120
10.101.04	01	ENGINE BREATHERS - 7120/7120(LA)
10.101.04	02	ENGINE BREATHERS - 8120/8120(LA)
10.101.04	03	ENGINE BREATHERS - 9120
10.102.02	01	OIL SUMP & RELATED PARTS - 7120/7120(LA)
10.102.02	02	OIL SUMP & RELATED PARTS - 8120/8120(LA)
10.102.02	03	OIL SUMP & RELATED PARTS - 9120
10.102.04	01	ENGINE BLOCK FRONT COVER - 8120/8120(LA)
10.102.04	02	ENGINE BLOCK FRONT COVER - 9120
10.102.07		OIL DRAIN LINES
10.103.01	01	CRANKSHAFT - 7120/7120(LA)
10.103.01	02	CRANKSHAFT - 9120
10.103.02		CRANKSHAFT & RELATED PARTS - 8120/8120(LA)
10.103.03	01	FLYWHEEL - 7120/7120(LA)
10.103.03	02	FLYWHEEL - 8120/8120(LA)
10.103.03	03	FLYWHEEL - 9120
10.103.04	01	FLYWHEEL CASE - 7120/7120(LA)
10.103.04	02	FLYWHEEL CASE - 8120/8120(LA)

SECTION INDEX

10 - Engine

10.103.04	03	FLYWHEEL CASE - 9120
10.103.07	01	DRIVE BELT & CRANKSHAFT PULLEY - 7120/7120LA
10.103.07	02	DRIVE BELT & CRANKSHAFT PULLEY - 9120
10.103.09	01	OIL DIPSTICK & TUBE - 8120/8120(LA)
10.103.10	01	OIL LEVEL CHECK - 7120/7120(LA)
10.103.10	02	OIL LEVEL CHECK - 7120/7120(LA) FROM 01/01/2009
10.103.10	03	OIL LEVEL CHECK - 9120
10.105.03	01	PISTON & CONNECTING ROD - 7120/7120(LA)
10.105.03	02	PISTON & CONNECTING ROD - 8120/8120(LA)
10.105.03	03	PISTON & CONNECTING ROD - 9120
10.106.01	01	CAMSHAFT - 7120/7120(LA)
10.106.01	02	CAMSHAFT - 8120/8120(LA)
10.106.01	03	CAMSHAFT - 9120
10.106.02		INTERMEDIATE GEARS, CAMSHAFT - 8120/8120(LA)
10.106.04	01	SHAFT & ROCKER ARMS - 7120/7120(LA)
10.106.04	02	SHAFT & ROCKER ARMS - 8120/8120(LA)
10.106.04	03	SHAFT & ROCKER ARMS - 9120
10.106.07	01	TIMING GEARS - 7120/7120(LA)
10.106.07	02	TIMING GEARS, CAMSHAFT - 8120/8120(LA)
10.106.07	03	TIMING GEARS - 9120
10.110.01	01	DAMPER - 7120/7120(LA)
10.110.01	02	DAMPER - 8120/8120(LA)
10.110.01	03	DAMPER - 9120
10.114.01	01	BELT PULLEY DRIVE & COVER - 7120/7120(LA)
10.114.01	02	BELT PULLEY DRIVE & COVER - 8120/8120(LA)
10.114.01	03	BELT PULLEY DRIVE & COVER - 9120
10.114.02		FUEL SYSTEM, PUMP AND FILTER
10.201.01	01	STARTER MOTOR - 7120
10.201.01	02	STARTER MOTOR - 8120/8120(LA)
10.201.01	03	STARTER MOTOR - 9120
10.201.02		STARTER MOTOR - COMPONENTS - 7120/7210(LA)
10.202.02		AIR CLEANER & FILTERS - ENGINE 7120/7120(LA) - 8120/8120(LA)
10.206.01	01	FUEL FILTER, ENGINE MOUNTED - 8120/8120(LA)
10.206.01	02	FUEL FILTER, ENGINE MOUNTED - 9120
10.206.02		FUEL FILTER & RELATED PARTS - 7120/7120(LA)
10.206.03		FUEL FILTER W/WATER SENSOR
10.206.04		FILTER, ENGINE OIL - 8120/8120(LA) - 9120 (504037241)
10.206.05		ENGINE OIL FILTER & LUBE LINES - 7120/7120(LA)
10.206.07		OIL HOUSING - 7120/7120(LA)
10.206.08		DIA HARVEST KIT, ADDITIONAL FUEL FILTER
10.210.02	01	FUEL PUMP & RELATED PARTS - 8120/8120(LA)
10.210.02	02	FUEL PUMP & RELATED PARTS - 9120
10.214.01		FUEL LINES - 7120/7120(LA)
10.214.02	01	FUEL LINES & RELATED PARTS - 8120/8120(LA)
10.214.02	02	FUEL LINES & RELATED PARTS - 9120
10.216.03		TANK, MAIN FUEL
10.218.01		FUEL INJECTION LINES - 7120/7120(LA)
10.218.03	01	INJECTOR & RELATED PARTS - 7120/7120(LA)
10.218.03	02	INJECTOR & RELATED PARTS - 8120/8120(LA)
10.218.03	03	INJECTOR & RELATED PARTS - 9120
10.246.01		INJECTION PUMP - 7120/7120(LA)

SECTION INDEX

10 - Engine

10.246.02		INJECTION PUMP - COMPONENTS - 7120/7120(LA)
10.246.03		FUEL SYSTEM
10.250.03		TURBOCHARGER OIL TUBES - 8120/8120(LA)
10.250.05	01	TURBOCHARGER - 7120/7120(LA)
10.250.05	02	TURBOCHARGER - 8120/8120(LA)
10.250.05	03	TURBOCHARGER - 9120
10.250.09		TURBOCHARGER OIL TUBES - 9120
10.250.10		TURBOCHARGER LUBE LINES - 7120/7120(LA)
10.254.01	01	INTAKE MANIFOLD & HEATER - 7120/7120(LA)
10.254.01	02	INTAKE MANIFOLD & HEATER - 8120/8120(LA)
10.254.01	03	INTAKE MANIFOLD & HEATER - 9120
10.254.05	01	COOLANT HEATER - 7120/7120(LA)
10.254.05	02	COOLANT HEATER - 8120/8120(LA) - 9120
10.254.08	01	AIR INTAKE - ENGINE - 7120/7120(LA)
10.254.08	02	AIR INTAKE - ENGINE - 8120/8120(LA)
10.254.08	03	AIR INTAKE - ENGINE - 9120
10.254.10	01	EXHAUST MANIFOLD - 7120/7120(LA)
10.254.10	02	EXHAUST MANIFOLD - 8120/8120(LA)
10.254.10	03	EXHAUST MANIFOLD - 9120
10.254.11	01	MUFFLER & EXHAUST - 7120/7120(LA) - 8120/8120(LA)
10.254.11	02	MUFFLER & EXHAUST - 9120
10.304.01		PUMP, ENGINE OIL - 7120/7120(LA)
10.304.02	01	OIL PUMP PIPING - 7120/7120(LA)
10.304.02	02	OIL PUMP PIPING - 8120/8120(LA)
10.304.02	03	OIL PUMP PIPING - 9120
10.304.04		REMOTE ENGINE OIL FILTER LUBE LINES - 8120/8120(LA), 9120
10.304.05	01	OIL PRESSURE REGULATION VALVE - 7120/7120(LA)
10.304.05	02	OIL PRESSURE REGULATION VALVE - 8120/8120(LA)
10.304.05	03	OIL PRESSURE REGULATION VALVE - 9120
10.304.06	01	PUMP, ENGINE OIL & RELATED PARTS - 8120/8120(LA)
10.304.06	02	PUMP, ENGINE OIL & RELATED PARTS - 9120
10.310.02	01	CHARGE AIR CIRCUIT - 7120/7120(LA)
10.310.02	02	CHARGE AIR CIRCUIT - 8120/8120(LA)
10.310.02	03	CHARGE AIR CIRCUIT - 9120
10.400.02	01	PLUGS - ENGINE COOLING SYSTEM - 7120/7120(LA)
10.400.02	02	PLUGS - ENGINE COOLING SYSTEM - 9120
10.402.01	01	WATER PUMP - 7120/7120(LA)
10.402.01	02	WATER PUMP - 8120/8120(LA)
10.402.01	03	WATER PUMP - 9120
10.402.04	01	WATER PUMP PIPES - 7120/7120(LA)
10.402.04	02	WATER PUMP PIPES - 8120/8120(LA)
10.402.04	03	WATER PUMP PIPES - 9120
10.402.08	01	TEMPERATURE CONTROL (THERMOSTAT) - 7120/7120(LA)
10.402.08	02	TEMPERATURE CONTROL (THERMOSTAT) - 8120/8120(LA)
10.402.08	03	TEMPERATURE CONTROL (THERMOSTAT) - 9120
10.406.03	01	COOLANT LINES - 7120/7120(LA)
10.406.03	02	COOLANT LINES - 8120/8120(LA)
10.406.03	03	COOLANT LINES - 9120
10.406.08	01	FAN SHROUD - 7120/7120(LA)
10.406.08	02	FAN SHROUD - 8120/8120(LA)
10.406.08	03	FAN SHROUD - 9120

SECTION INDEX

10 - Engine

10.408.03	01	HEAT EXCHANGER - 7120/7120(LA)
10.408.03	02	HEAT EXCHANGER - 8120/8120(LA)
10.408.03	03	HEAT EXCHANGER - 9120
10.414.01	01	FRAME & COOLERS - 7120/7120(LA)
10.414.01	02	FRAME & COOLERS - 8120/8120(LA)
10.414.01	03	FRAME & COOLERS - 9120
10.414.02	01	FAN DRIVE - ENGINE - 7120/7120LA
10.414.02	02	FAN DRIVE - ENGINE - 9120
10.414.06	01	PLATFORM & FAN BLADE, COOLING BOX - 7120/7120(LA)
10.414.06	02	PLATFORM & FAN BLADE, COOLING BOX - 8120/8120(LA)
10.414.06	03	PLATFORM & FAN BLADE, COOLING BOX - 9120
10.414.08		BELT TENSIONER - 8120/8120(LA)
10.414.09		DOOR, METAL DUST SCREEN - 8120/8120(LA)
10.414.10		DUST SCREEN MOUNTING, METAL - 8120/8120(LA)
10.414.12		DRIVE, HYDRAULIC ROTARY SCREEN - 8120/8120(LA)
10.414.13		DUST SCREEN
10.414.14		BRUSH KIT, ROTARY DUST SCREEN
10.418.16	01	ROTARY SCREEN - 7120/7120(LA)
10.418.16	02	ROTARY SCREEN - 9120
10.418.31		CHAFF WIPER - 8120/8120(LA)

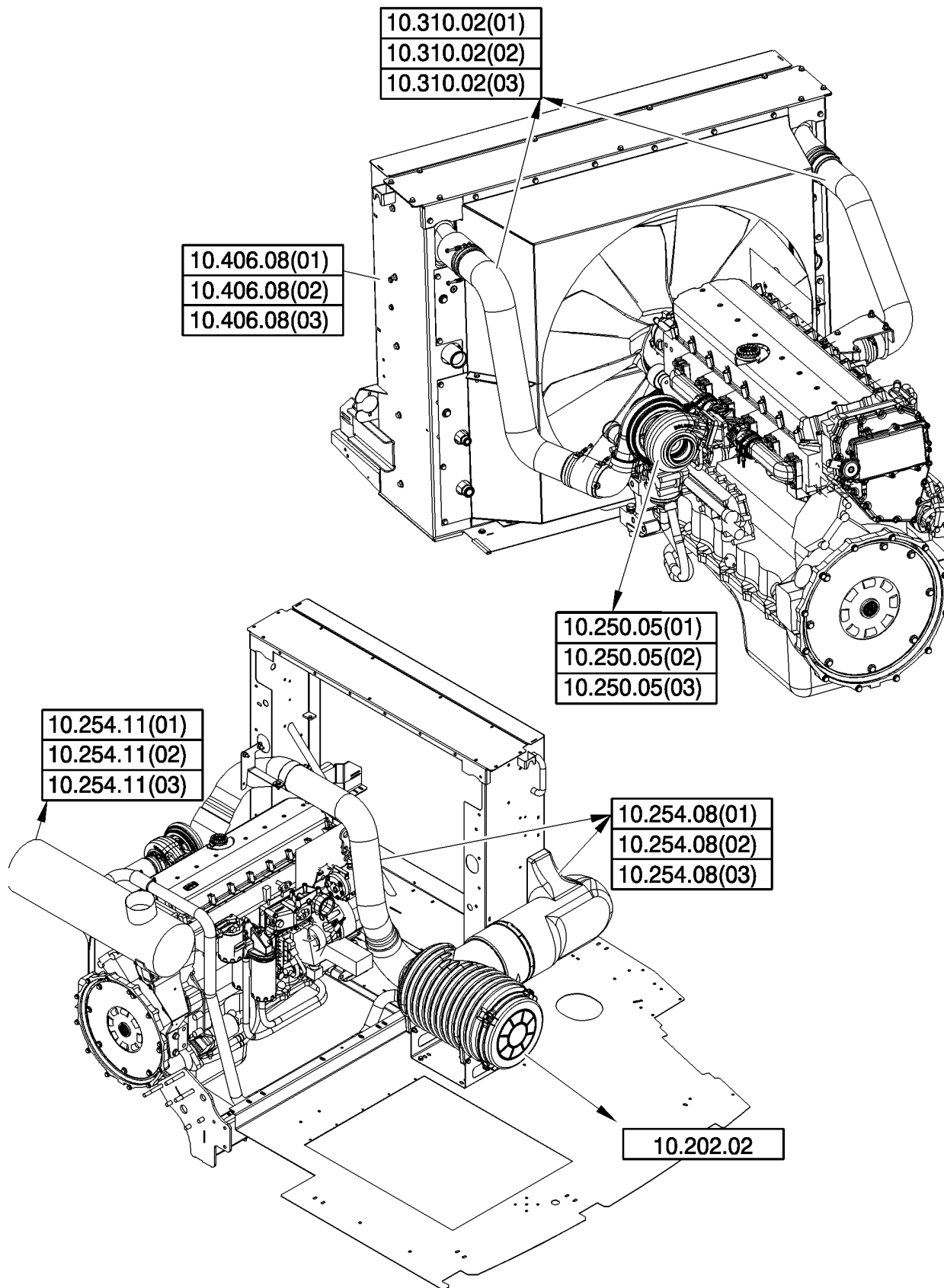
10.000.00

01

p1

08/09

SECTION INDEX - ENGINE, INTAKE & EXHAUST - 7120/7120(LA), 8120/8120(LA)



10.000.00	01	p1	08/09
------------------	----	----	-------

SECTION INDEX - ENGINE, INTAKE & EXHAUST - 7120/7120(LA), 8120/8120(LA)

REF	FN	PART NUMBER	YR/SN	QTY	DESCRIPTION
------------	-----------	--------------------	--------------	------------	--------------------

--	--	--	--	--	--

					7120 7120 8120 8120
--	--	--	--	--	----------------------------

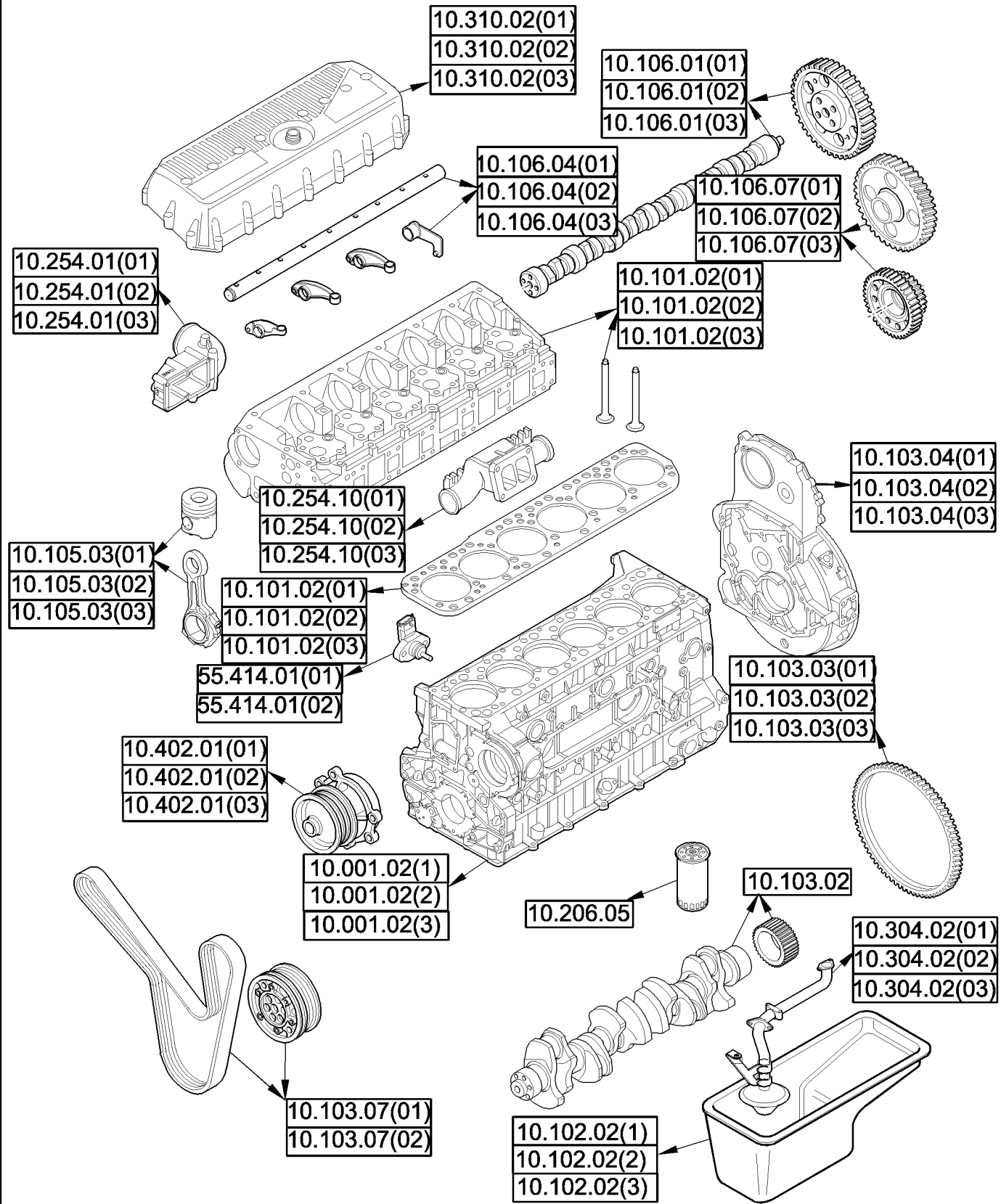
10.000.00

01A

p1

02/10

SECTION INDEX - ENGINE, INTERNAL COMPONENTS - 7120/7120(LA)



10.000.00	01A	p1	02/10
------------------	-----	----	-------

SECTION INDEX - ENGINE, INTERNAL COMPONENTS - 7120/7120(LA)

REF	FN	PART NUMBER	YR/SN	QTY	DESCRIPTION
------------	-----------	--------------------	--------------	------------	--------------------

--	--	--	--	--	--

					7120 7120
--	--	--	--	--	------------------

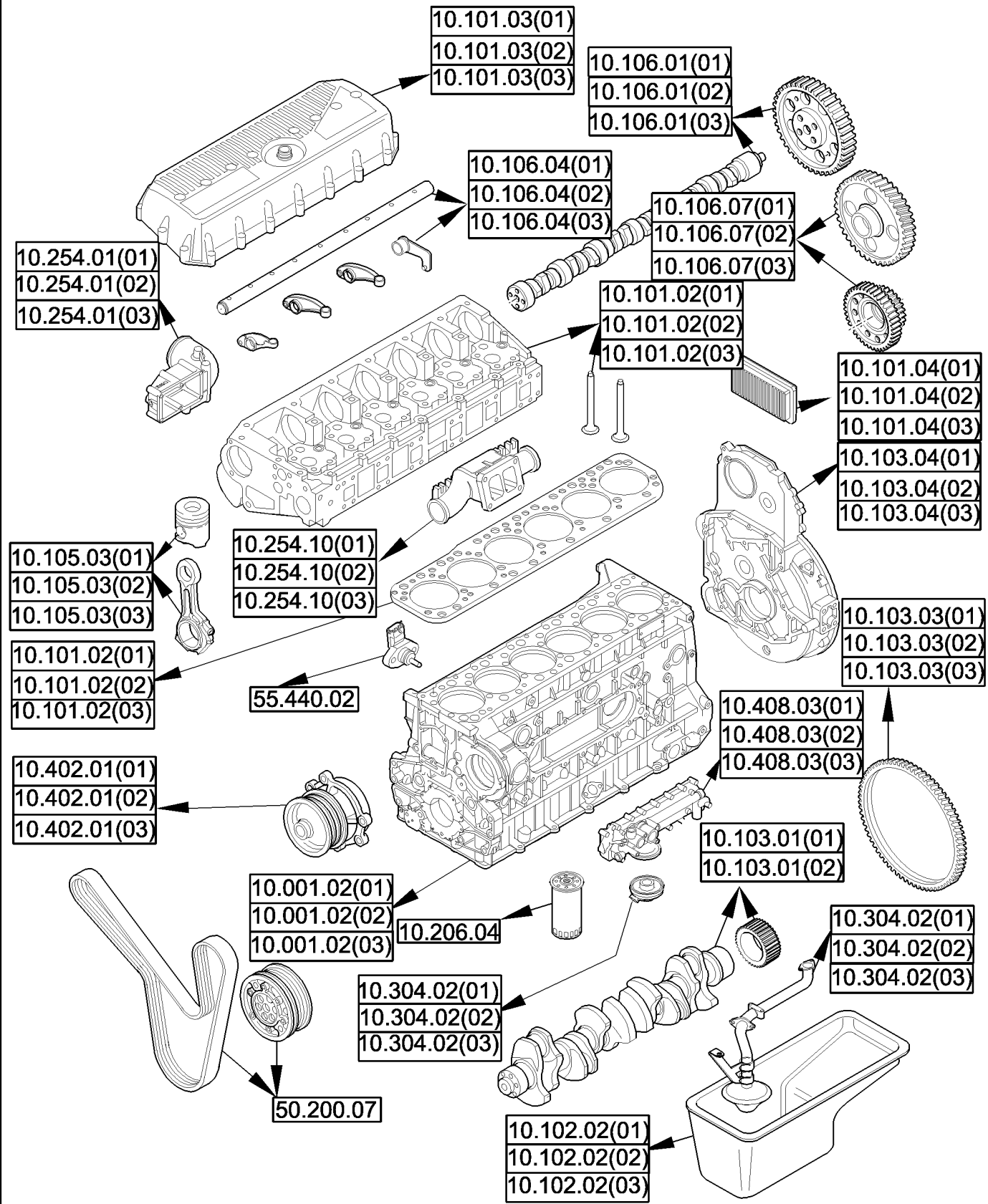
10.000.00

01B

p1

02/10

SECTION INDEX - ENGINE, INTERNAL COMPONENTS - 8120/8120(LA)



10.000.00	01B	p1	02/10
------------------	-----	----	-------

SECTION INDEX - ENGINE, INTERNAL COMPONENTS - 8120/8120(LA)

REF	FN	PART NUMBER	YR/SN	QTY	DESCRIPTION
------------	-----------	--------------------	--------------	------------	--------------------

--	--	--	--	--	--

					8120 8120
--	--	--	--	--	------------------

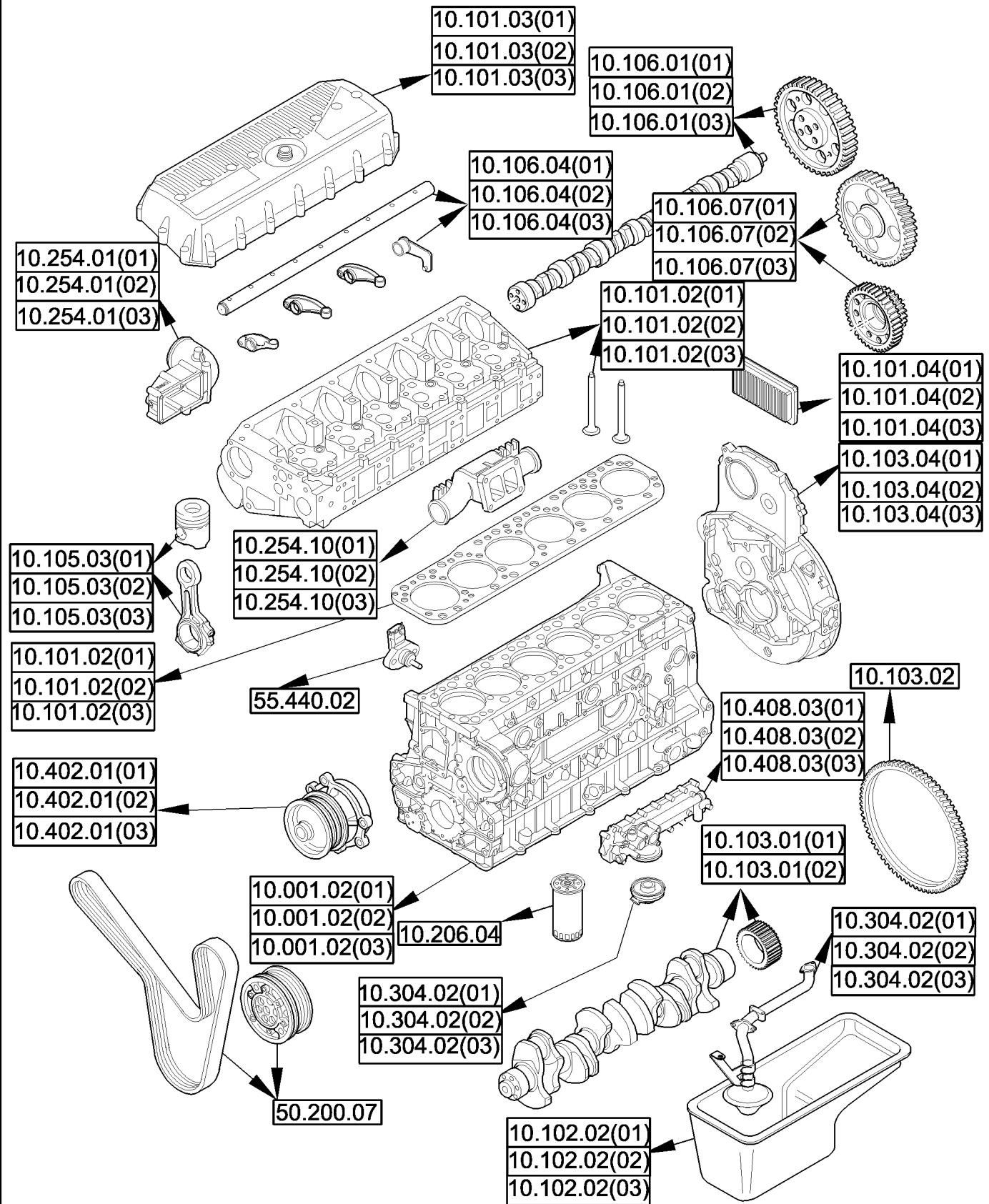
10.000.00

01C

p1

02/10

SECTION INDEX - ENGINE, INTERNAL COMPONENTS - 9120



10.000.00

01C

p1

02/10

SECTION INDEX - ENGINE, INTERNAL COMPONENTS - 9120

REF	FN	PART NUMBER	YR/SN	QTY	DESCRIPTION
------------	-----------	--------------------	--------------	------------	--------------------

					9120
--	--	--	--	--	-------------

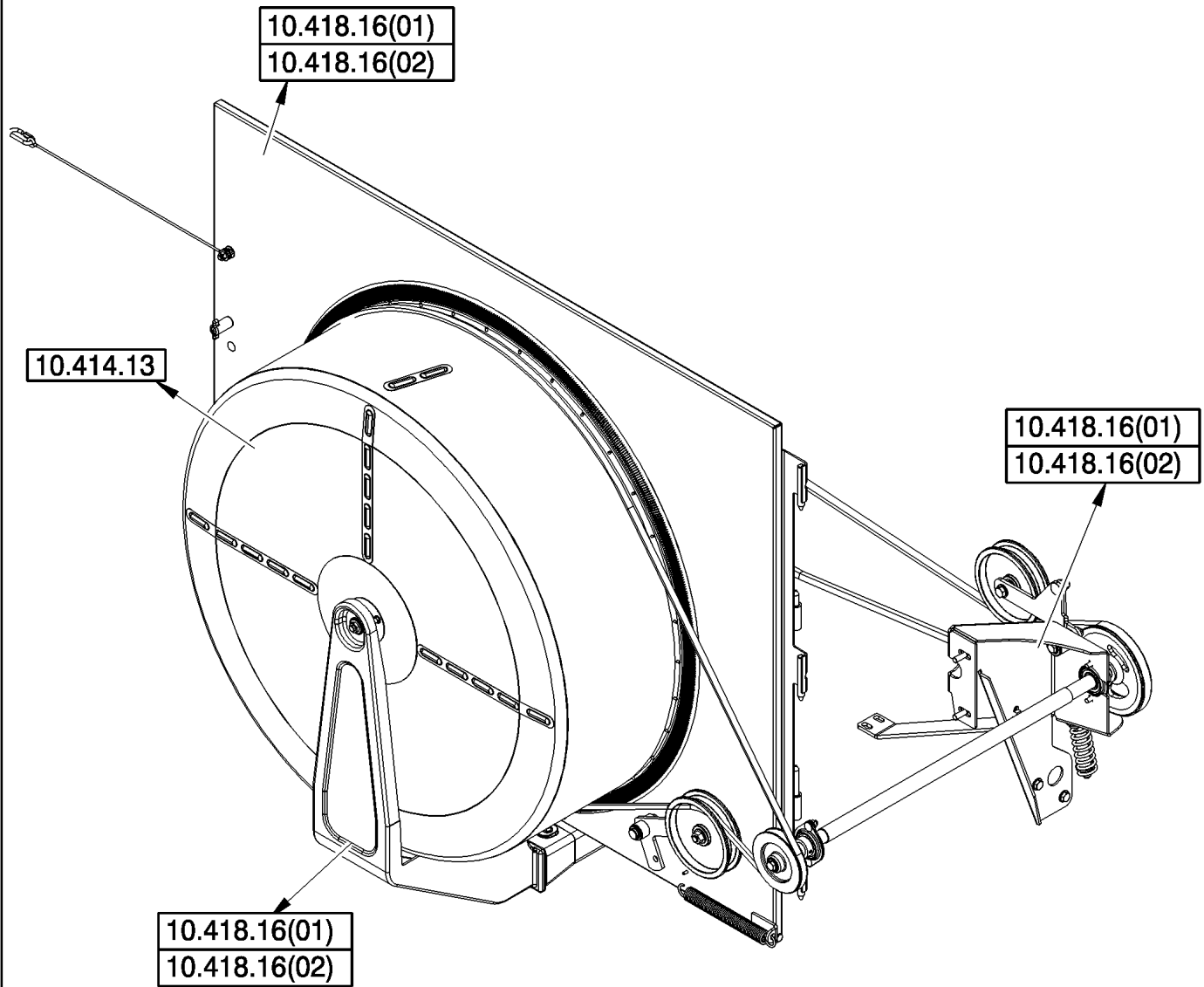
10.000.00

02A

p1

02/10

SECTION INDEX - ROTARY AIR SCREEN - 7120/7120(LA)



10.000.00

02A

p1

02/10

SECTION INDEX - ROTARY AIR SCREEN - 7120/7120(LA)

REF	FN	PART NUMBER	YR/SN	QTY	DESCRIPTION
------------	-----------	--------------------	--------------	------------	--------------------

					7120 7120
--	--	--	--	--	------------------

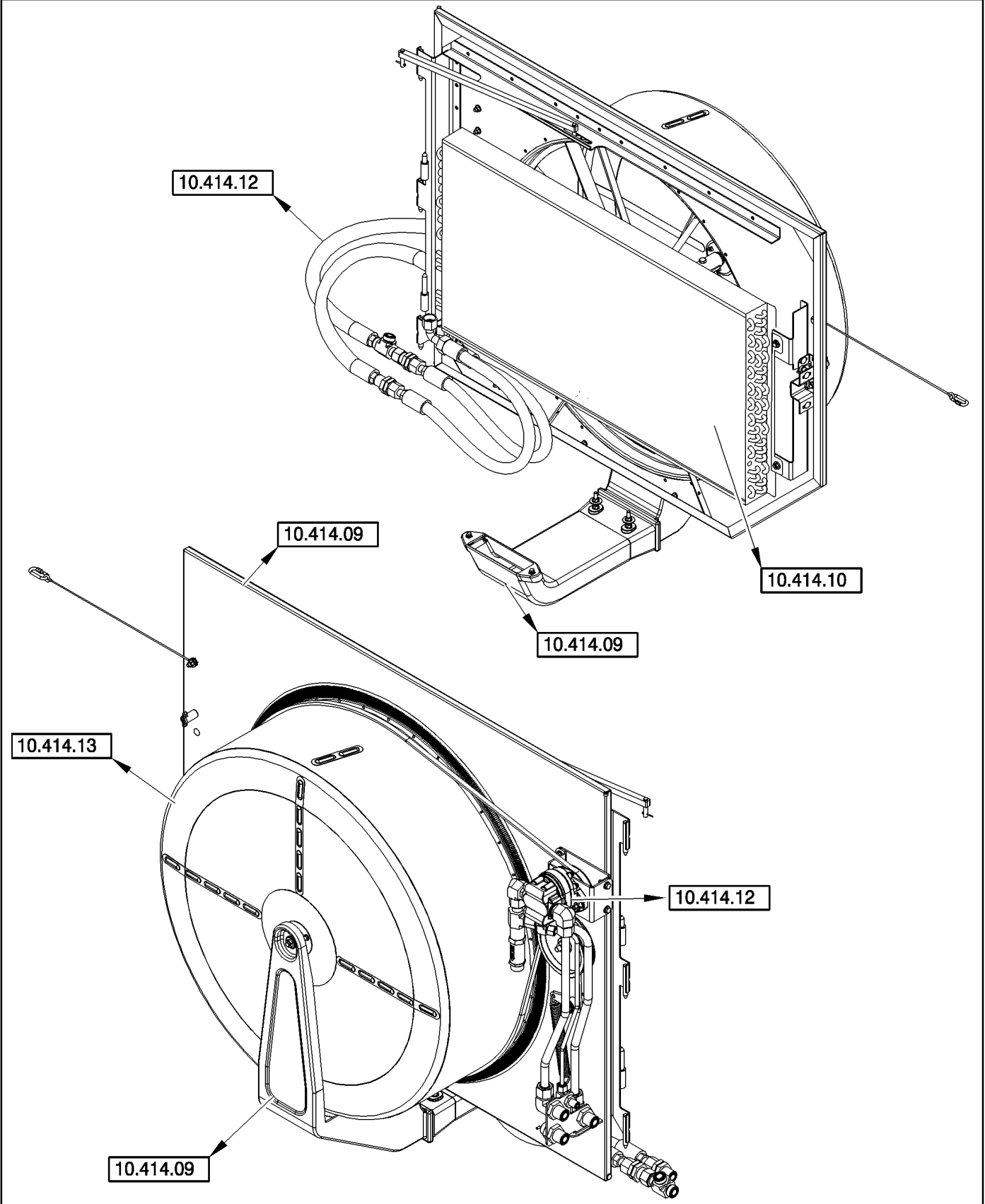
10.000.00

02B

p1

02/10

SECTION INDEX - ROTARY AIR SCREEN - 8120/8120(LA)



10.000.00	02B	p1	02/10
------------------	-----	----	-------

SECTION INDEX - ROTARY AIR SCREEN - 8120/8120(LA)

REF	FN	PART NUMBER	YR/SN	QTY	DESCRIPTION
------------	-----------	--------------------	--------------	------------	--------------------

--	--	--	--	--	--

					8120 8120
--	--	--	--	--	------------------

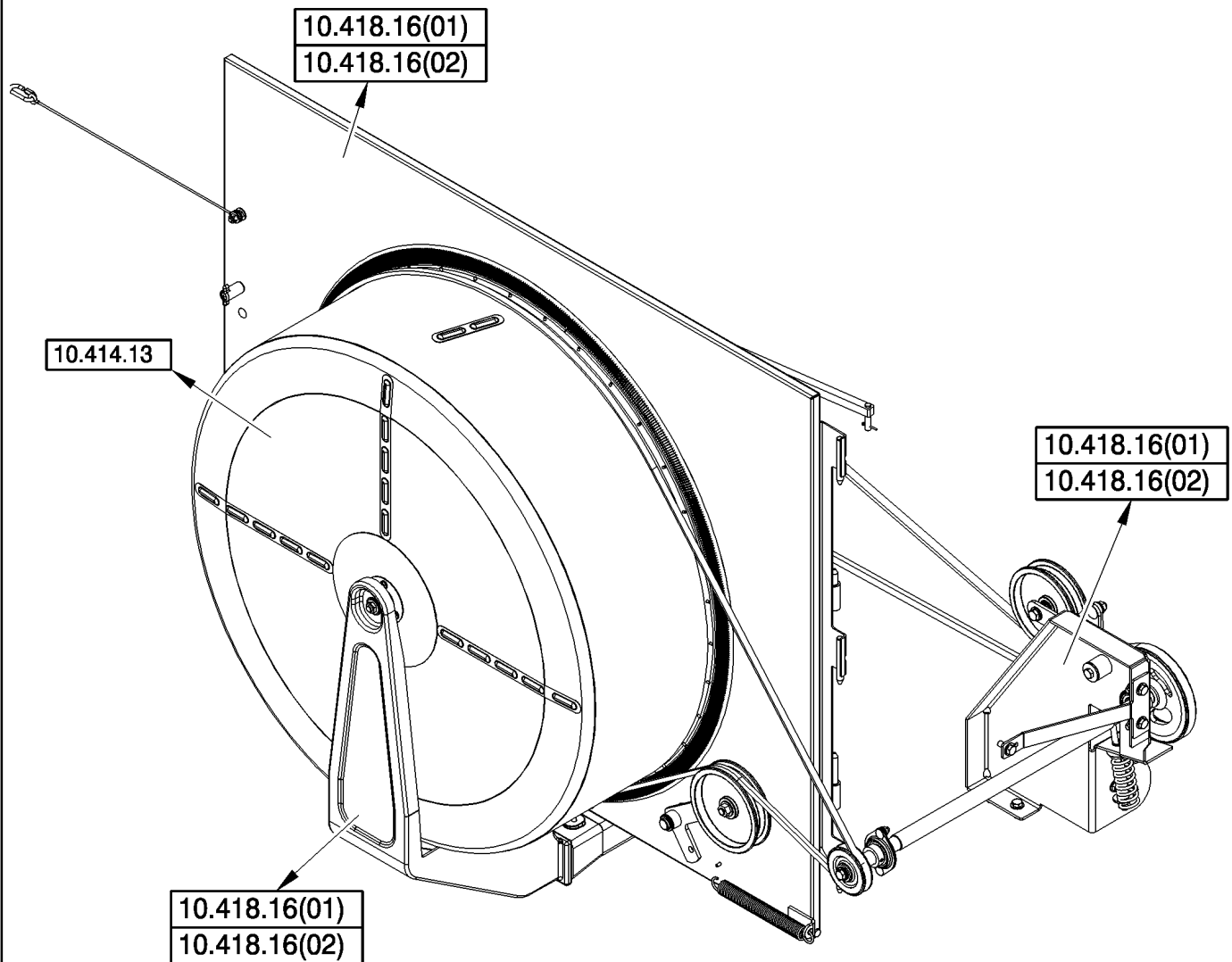
10.000.00

02C

p1

02/10

SECTION INDEX - ROTARY AIR SCREEN - 9120



10.000.00	02C	p1	02/10
------------------	-----	----	-------

SECTION INDEX - ROTARY AIR SCREEN - 9120

REF	FN	PART NUMBER	YR/SN	QTY	DESCRIPTION
-----	----	-------------	-------	-----	-------------

--	--	--	--	--	--

					9120
--	--	--	--	--	-------------

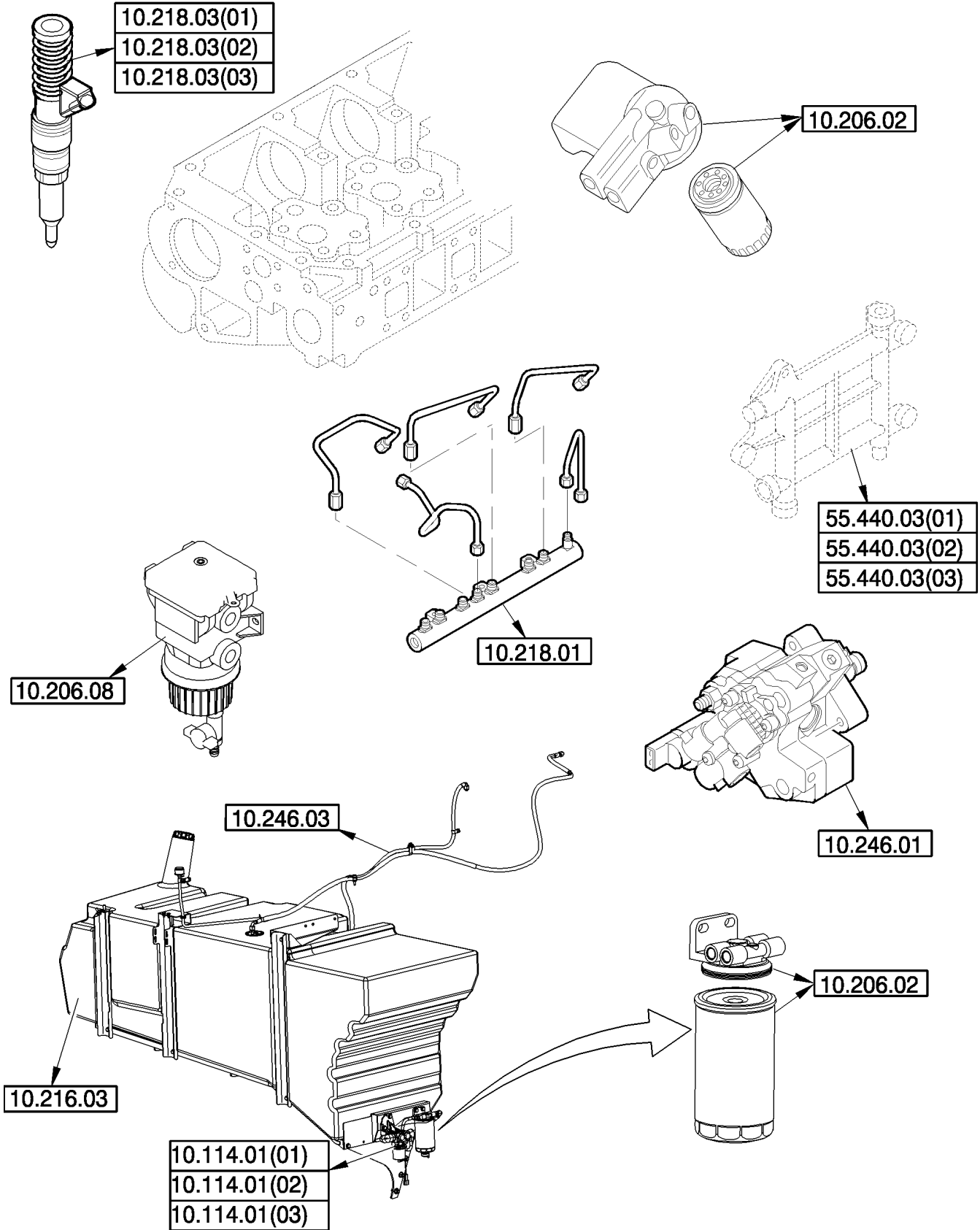
10.000.00

03A

p1

02/10

SECTION INDEX - FUEL SYSTEM - 7120/7120(LA)



10.000.00

03A

p1

02/10

SECTION INDEX - FUEL SYSTEM - 7120/7120(LA)

REF	FN	PART NUMBER	YR/SN	QTY	DESCRIPTION
-----	----	-------------	-------	-----	-------------

					7120 7120
--	--	--	--	--	------------------

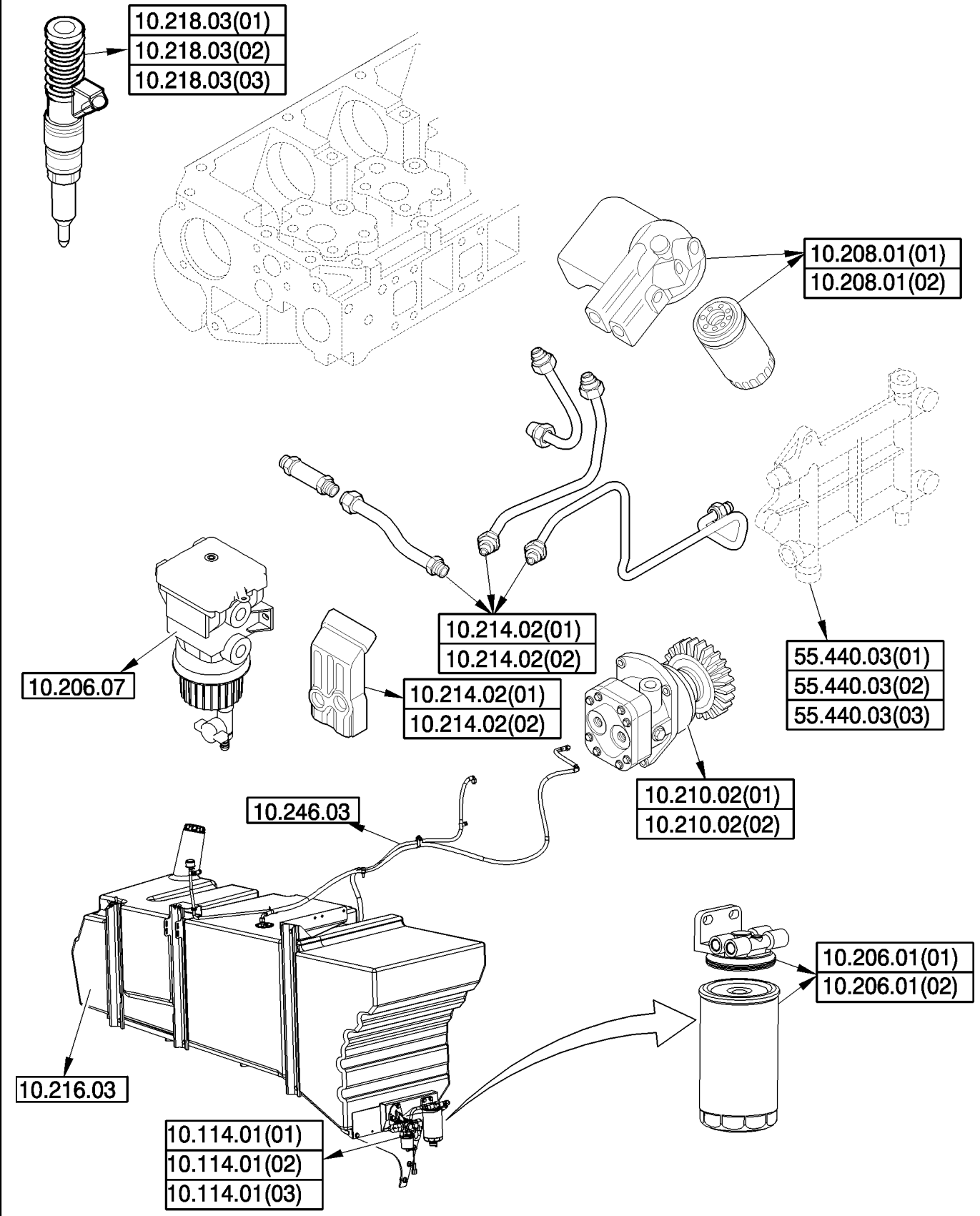
10.000.00

03B

p1

02/10

SECTION INDEX - FUEL SYSTEM - 8120/8120(LA)



10.000.00	03B	p1	02/10
------------------	-----	----	-------

SECTION INDEX - FUEL SYSTEM - 8120/8120(LA)

REF	FN	PART NUMBER	YR/SN	QTY	DESCRIPTION
------------	-----------	--------------------	--------------	------------	--------------------

--	--	--	--	--	--

					8120 8120
--	--	--	--	--	------------------

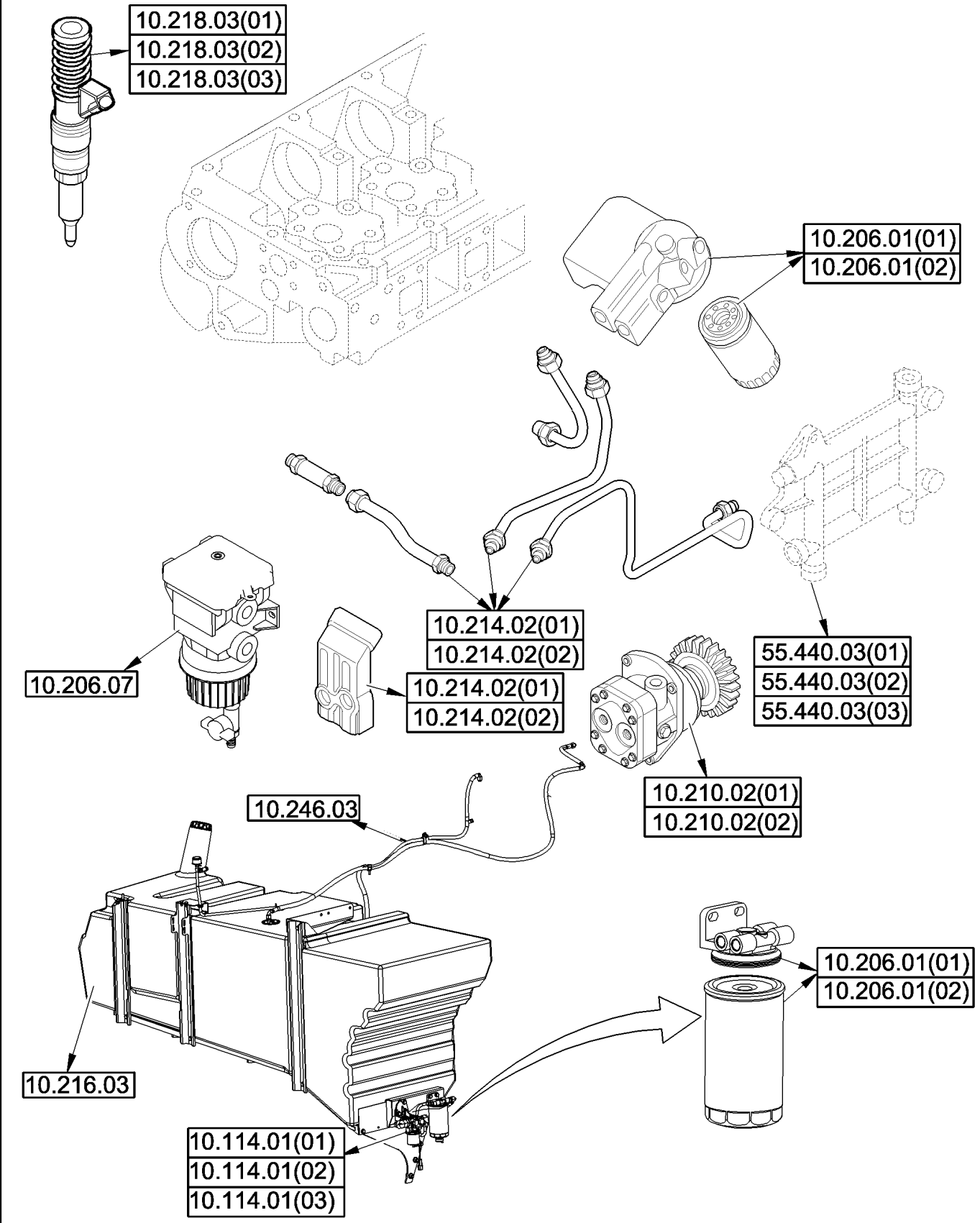
10.000.00

03C

p1

02/10

SECTION INDEX - FUEL SYSTEM - 9120



10.000.00	03C	p1	02/10
------------------	-----	----	-------

SECTION INDEX - FUEL SYSTEM - 9120

REF	FN	PART NUMBER	YR/SN	QTY	DESCRIPTION
-----	----	-------------	-------	-----	-------------

--	--	--	--	--	--

					9120
--	--	--	--	--	-------------

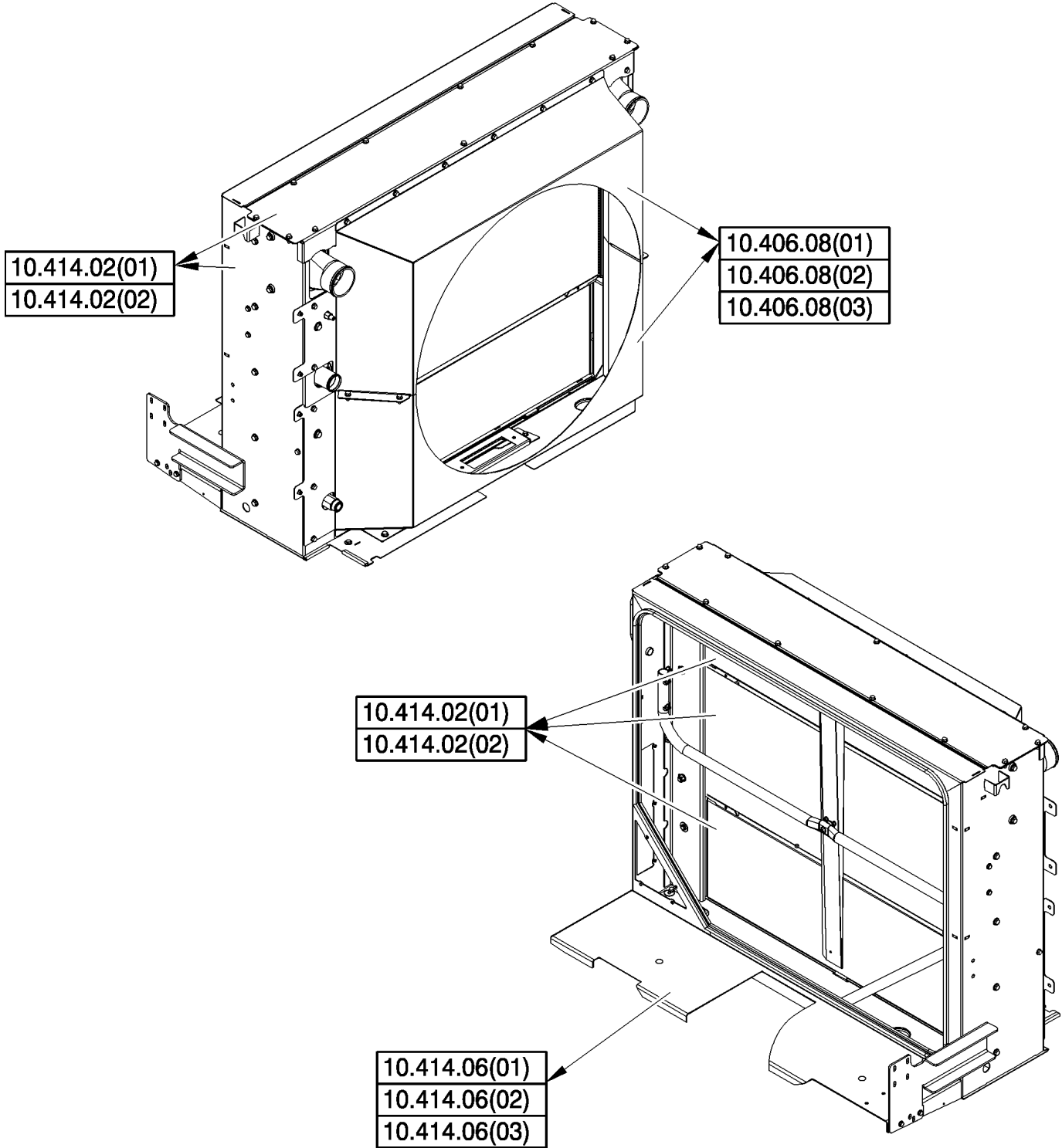
10.000.00

04A

p1

02/10

SECTION INDEX - COOLER BOX - 7120/7120(LA)



10.000.00

04A

p1

02/10

SECTION INDEX - COOLER BOX - 7120/7120(LA)

REF	FN	PART NUMBER	YR/SN	QTY	DESCRIPTION
-----	----	-------------	-------	-----	-------------

					7120 7120
--	--	--	--	--	------------------

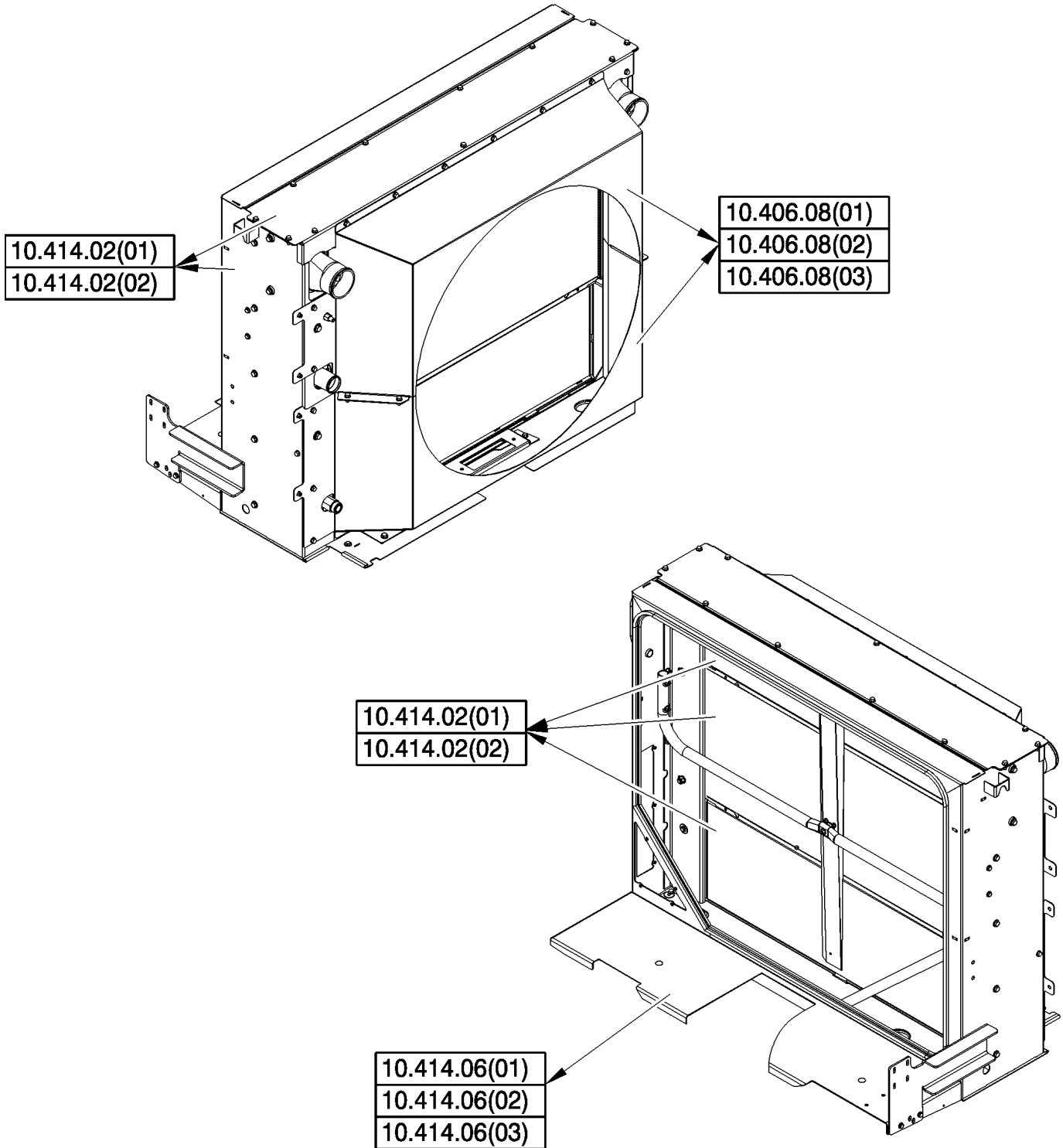
10.000.00

04B

p1

02/10

SECTION INDEX - COOLER BOX - 8120/8120(LA)



10.000.00

04B

p1

02/10

SECTION INDEX - COOLER BOX - 8120/8120(LA)

REF	FN	PART NUMBER	YR/SN	QTY	DESCRIPTION
-----	----	-------------	-------	-----	-------------

					8120 8120
--	--	--	--	--	------------------

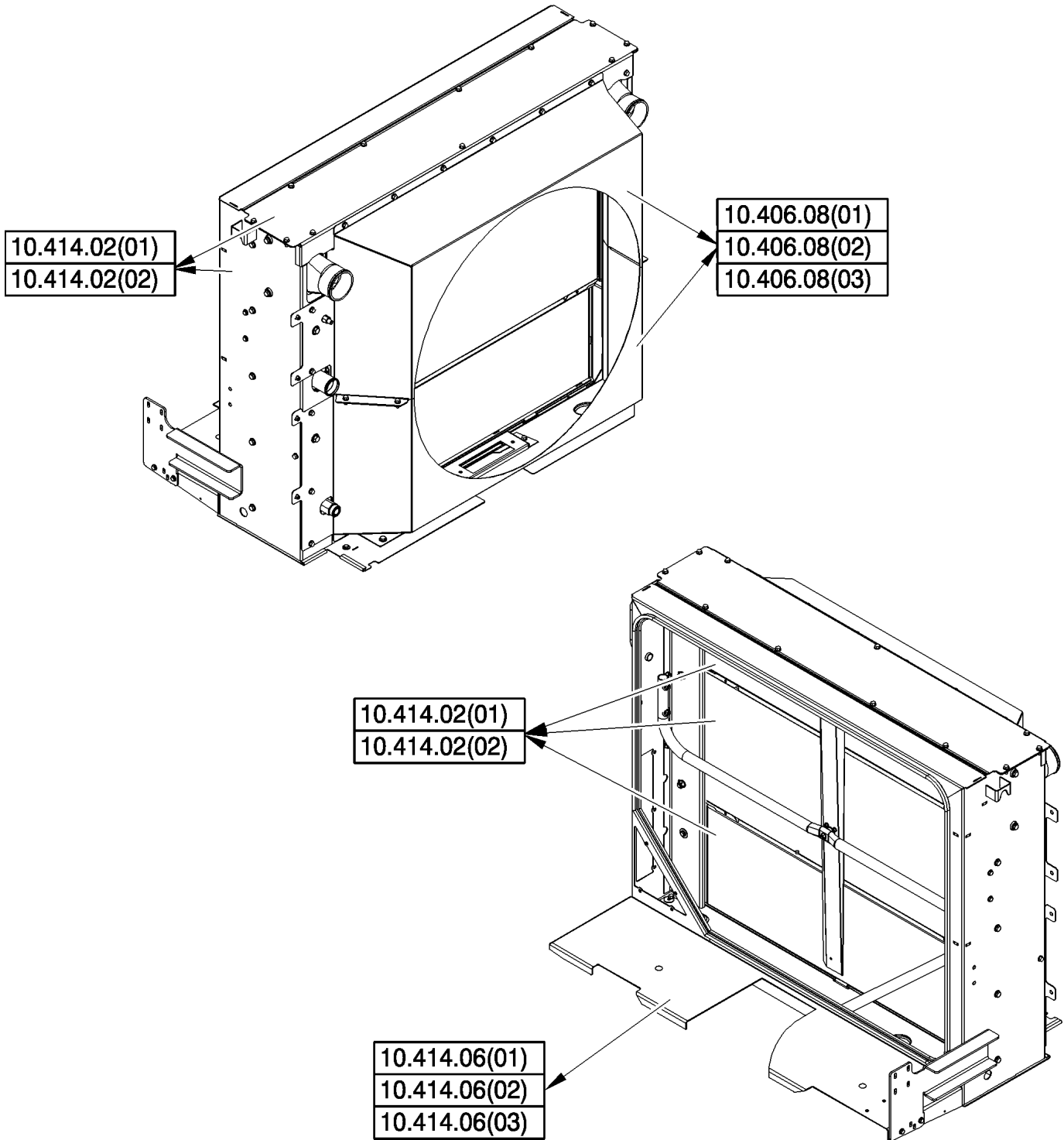
10.000.00

04C

p1

02/10

SECTION INDEX - COOLER BOX - 9120



10.000.00

04C

p1

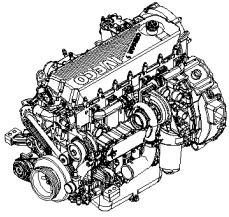
02/10

SECTION INDEX - COOLER BOX - 9120

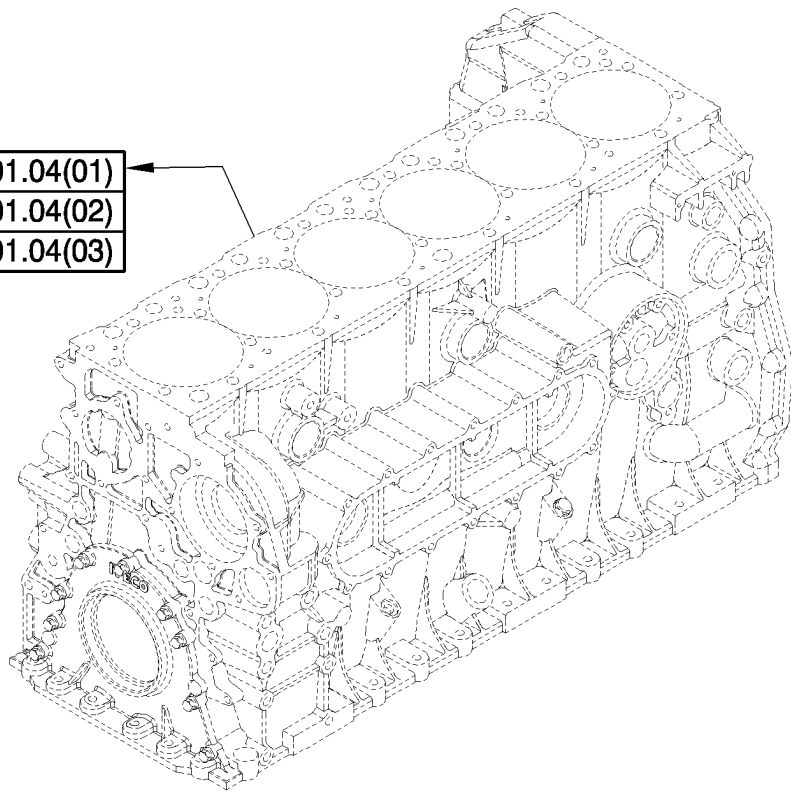
REF	FN	PART NUMBER	YR/SN	QTY	DESCRIPTION
------------	-----------	--------------------	--------------	------------	--------------------

					9120
--	--	--	--	--	-------------

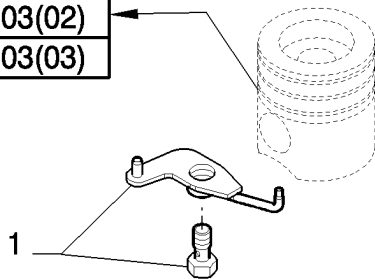
CYLINDER BARREL LUBRICATION NOZZLE - 7120/7120(LA)



- 10.001.04(01)
- 10.001.04(02)
- 10.001.04(03)



- 10.105.03(01)
- 10.105.03(02)
- 10.105.03(03)

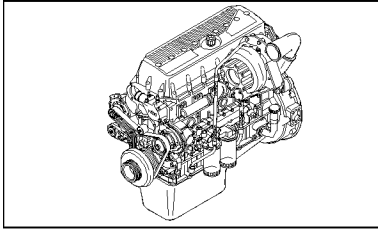


CYLINDER BARREL LUBRICATION NOZZLE - 7120/7120(LA)

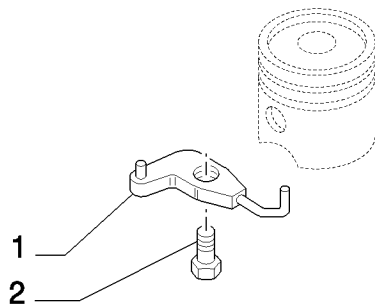
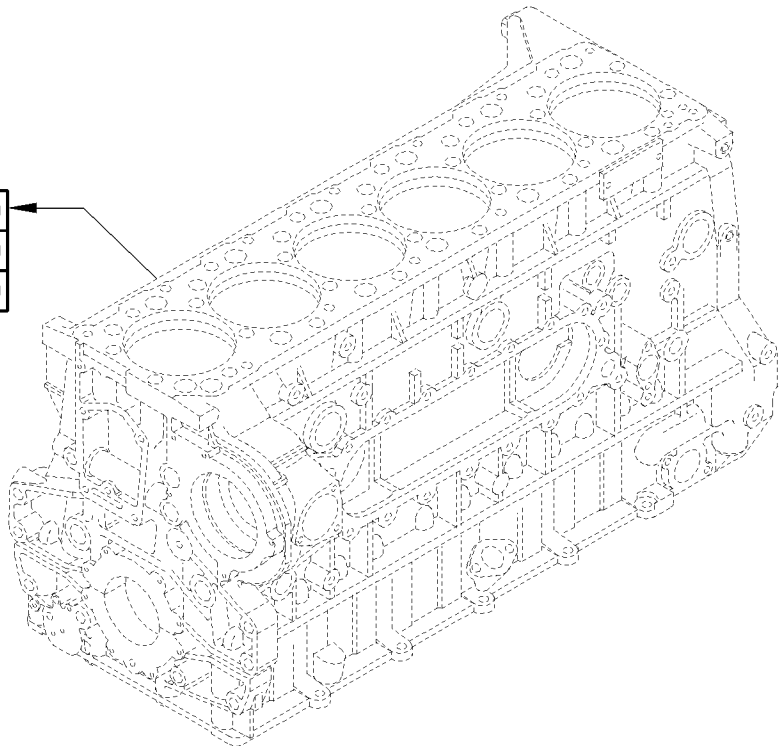
REF	FN	PART NUMBER	YR/SN	QTY	DESCRIPTION
1		504127000		6	LUBE OIL JET NOZZLE

	7120 7120
--	------------------

CYLINDER BARREL LUBRICATION NOZZLE - 8120/8120(LA)



- 10.001.04(01)
- 10.001.04(02)
- 10.001.04(03)



CYLINDER BARREL LUBRICATION NOZZLE - 8120/8120(LA)

REF	FN	PART NUMBER	YR/SN	QTY	DESCRIPTION
1		504026207		6	LUBE OIL JET NOZZLE
2		99474718		6	BANJO BOLT, M12 x 1.5

	8120 8120
--	------------------

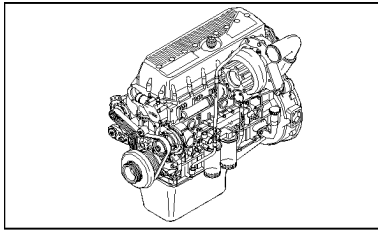
10.001.02

03

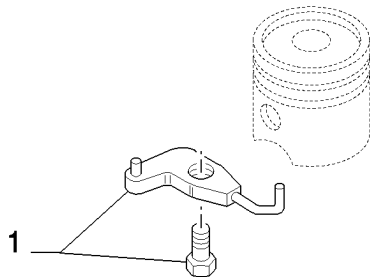
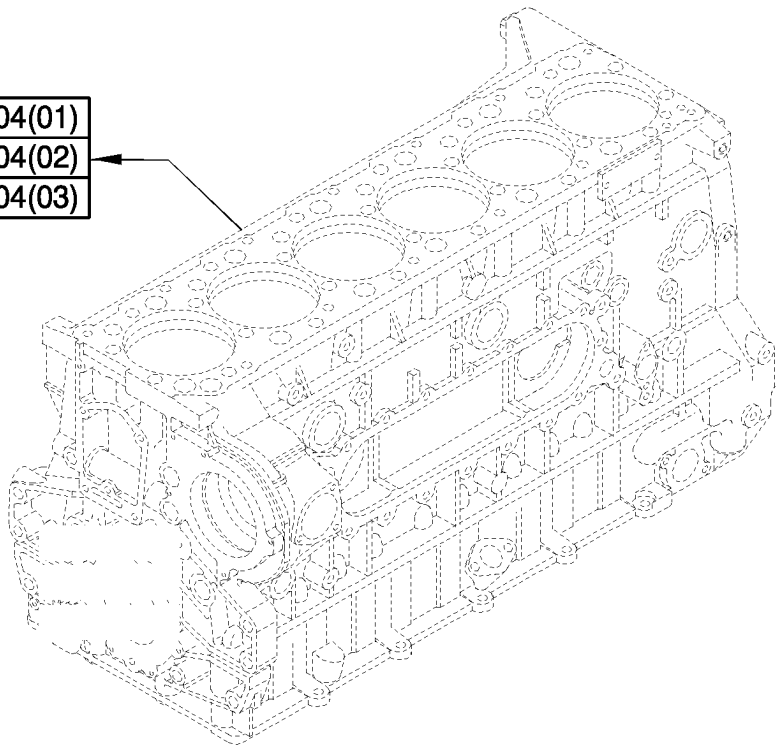
p1

02/10

CYLINDER BARREL LUBRICATION NOZZLE - 9120



- 10.001.04(01)
- 10.001.04(02)
- 10.001.04(03)



- 10.105.03(01)
- 10.105.03(02)
- 10.105.03(03)



CYLINDER BARREL LUBRICATION NOZZLE - 9120

REF	FN	PART NUMBER	YR/SN	QTY	DESCRIPTION
1		504101758		6	LUBE OIL JET NOZZLE

	9120
--	-------------

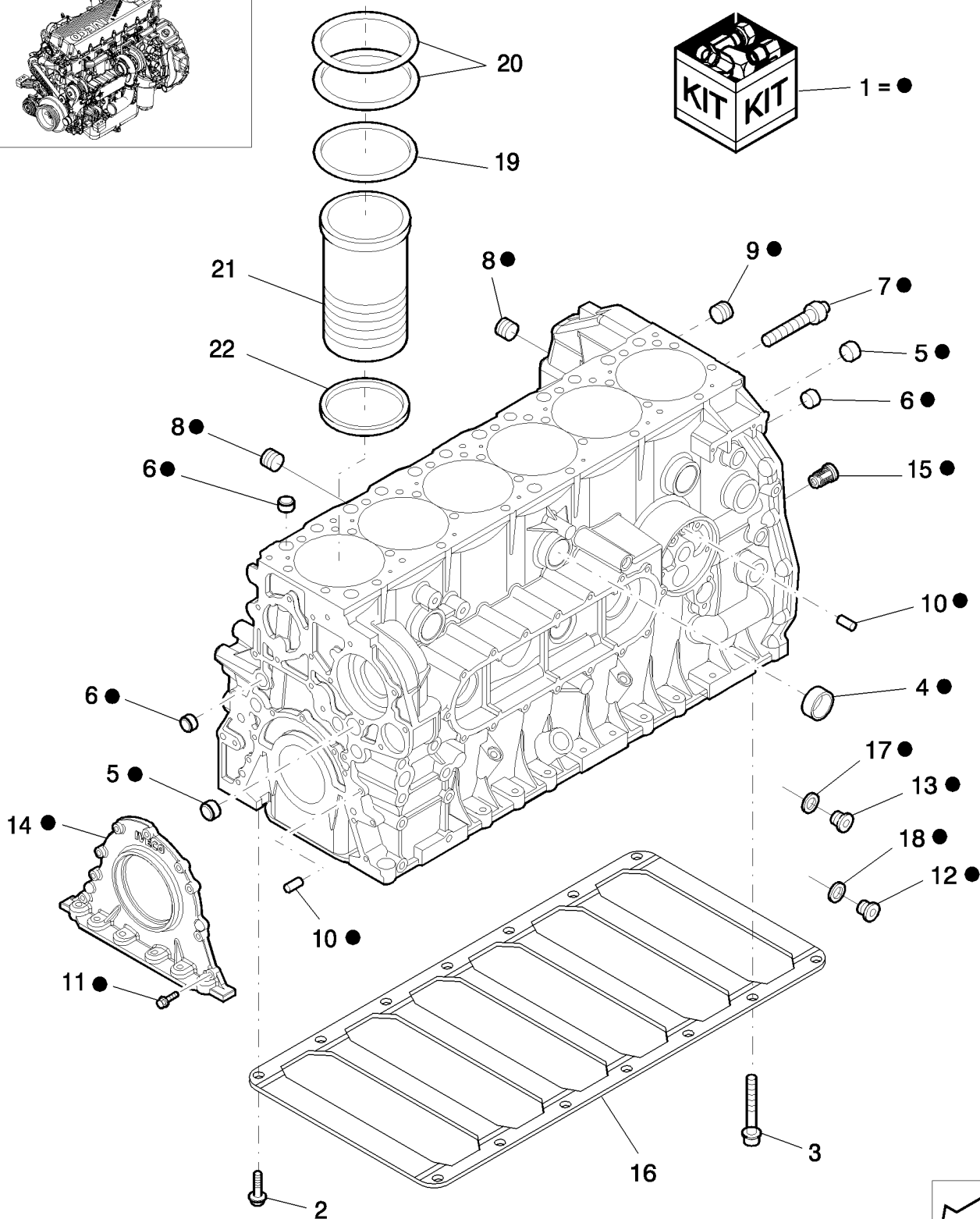
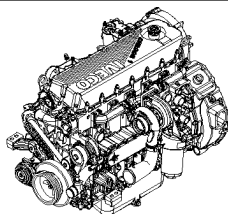
10.001.04

01

p1

02/10

CYLINDER BLOCK & RELATED PARTS - 7120/7120(LA)



10.001.04

01

p1

02/10

CYLINDER BLOCK & RELATED PARTS - 7120/7120(LA)

REF	FN	PART NUMBER	YR/SN	QTY	DESCRIPTION
1		504219039		1	CRANKCASE, Block, Cylinder
2		504125417		14	SCREW, M16 x 2 x 68
3		18139424		12	SCREW, M10 x 20
4		16991370		4	PLUG, D = 45 mm
5		16990870		3	PLUG, D = 28 mm
6		16990670		10	PLUG, D = 22 mm
7		500356932		3	PLUG, D = 12 mm
8		504051237		3	PLUG, D = 1/4"
9		504051236		1	PLUG, D = 1/8"
10		500314967		3	DOWEL, D = 10 mm
11		16673735		9	SCREW, M8 x 25
12		16992515		1	PLUG, Threaded, M19 x 1.5
13		16887515		1	PLUG, Threaded, M12 x 1.5
14		504125098		1	COVER ASSY
15		504142601		1	VALVE
16		504127723		9	PLATE, Stiffener
17		99489017		1	GASKET, D = M12 x 20
18		99489020		1	SEALING WASHER, 18 x 26 x 1.5
19		99459175		6	GASKET, M120.24 x 3.53
20		99459176		12	GASKET, M120.24 x 3.53
21		504305869		6	ENGINE CYLINDER LINER
22		504128648		6	SHIM, THK 0,08 mm
22		504128649		6	SHIM, THK 0,1 mm
22		504128650		6	SHIM, THK 0,12 mm
22		504128651		6	SHIM, THK 0,14 mm

7120 7120

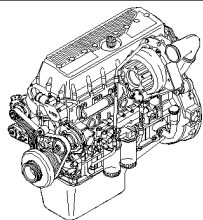
10.001.04

02

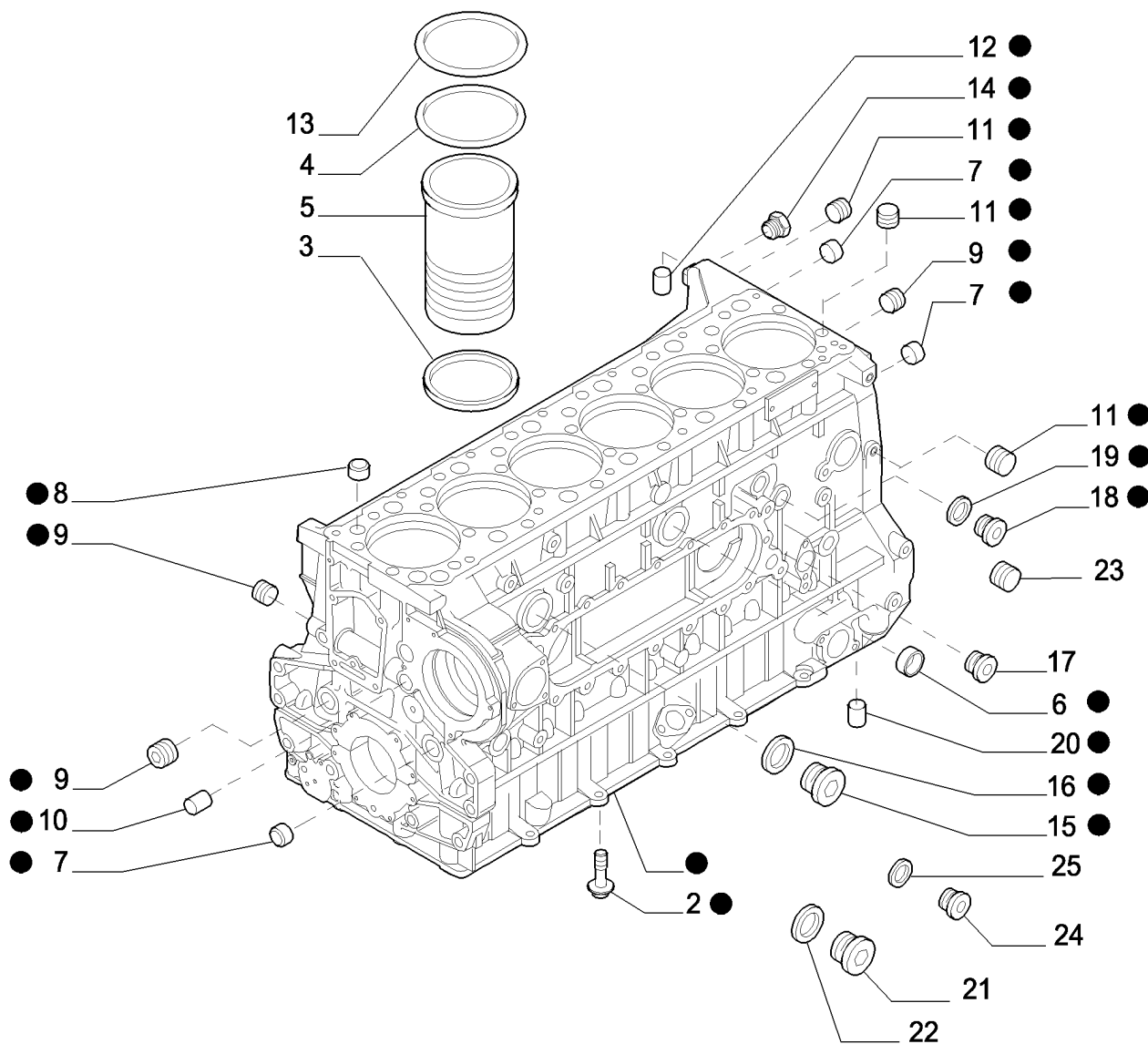
p1

02/10

CYLINDER BLOCK & RELATED PARTS - 8120/8120(LA)



● = 1



CYLINDER BLOCK & RELATED PARTS - 8120/8120(LA)

REF	FN	PART NUMBER	YR/SN	QTY	DESCRIPTION
1		504190997		1	CYLINDER BLOCK
2		99430335		14	SCREW
2		99432869		25	SCREW
2		99433863		1	SCREW
3		99432876		6	GASKET, 0.08 mm Thk
3		99432875		6	GASKET, 0.1 mm Thk
3		99432873		6	GASKET, 0.12 mm Thk
3		500378984		6	GASKET, 0.14 mm Thk
4		99456553		6	GASKET
5		500338224		6	ENGINE CYLINDER LINER, STD
6		16991370		2	PLUG, D = 45 mm
7		16990870		3	PLUG, D = 28 mm
8		16990670		6	PLUG, D = 22 mm
9		500356932		3	PLUG, 12 mm
10		504120669		1	PLUG
11		504051238		3	PLUG
12		500368916		1	DOWEL
13		99456554		12	GASKET
14		504051237		3	PLUG
15		16992511		1	PLUG
16		99489020		1	SEALING WASHER
17		99430692		1	PLUG, D = 1/2"
18		16992411		3	PLUG, M16 x 1.5
19		99489019		3	SEALING WASHER, D = 16 x 24 x 1.5 mm
20		99467554		4	DOWEL, D = 14 mm
21		16887515		1	PLUG
22		99489017		1	GASKET
23		99430692		1	PLUG
24		16992611		1	PLUG, M22
25		99489022		1	SEALING WASHER

8120 8120

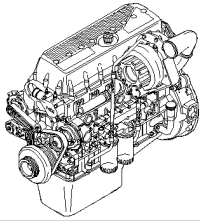
10.001.04

03

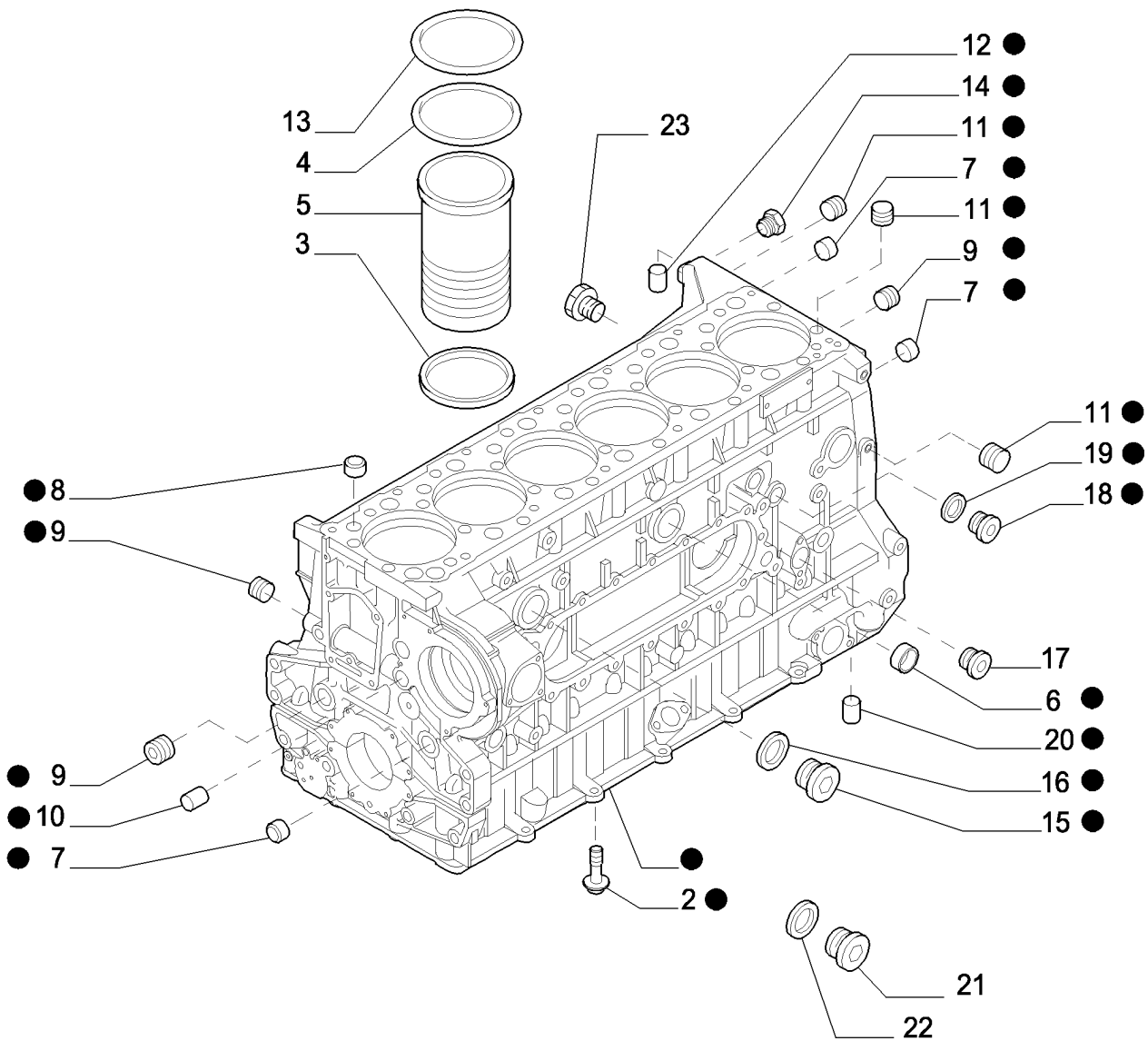
p1

02/10

CYLINDER BLOCK & RELATED PARTS - 9120



● = 1



10.001.04

03

p1

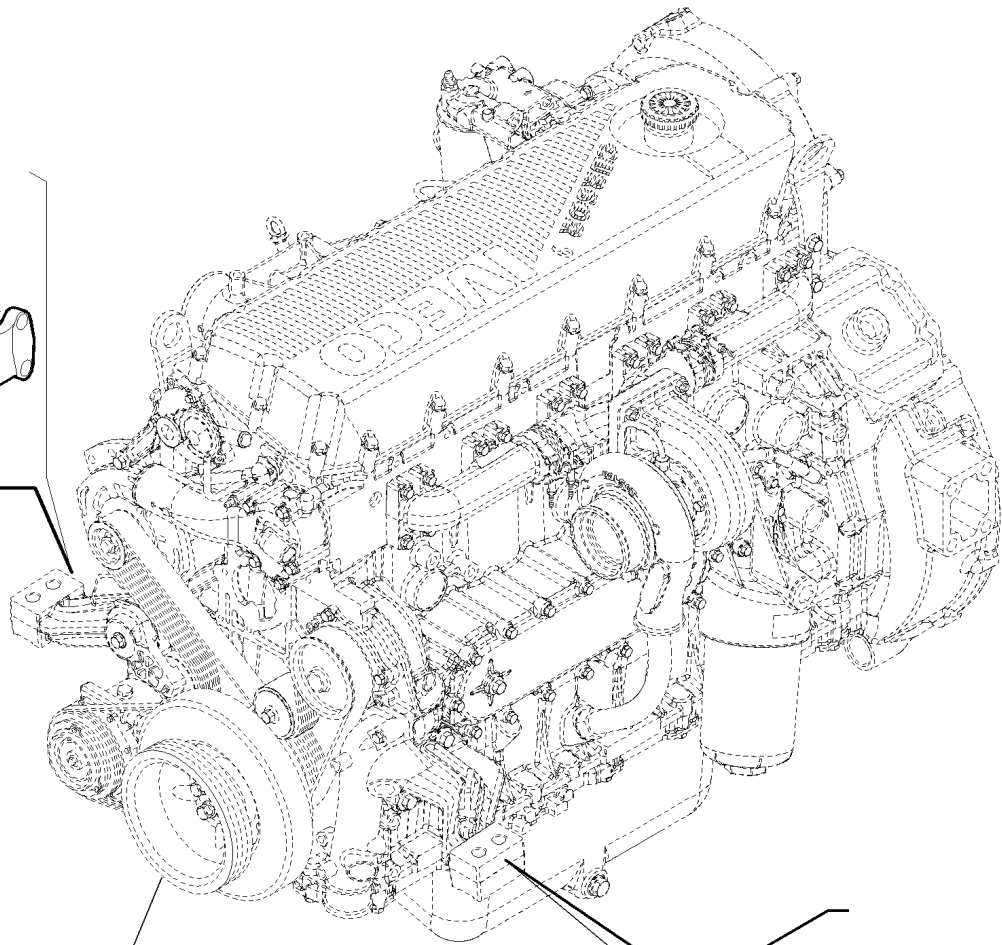
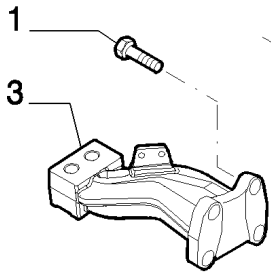
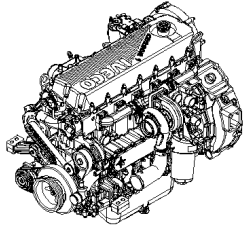
02/10

CYLINDER BLOCK & RELATED PARTS - 9120

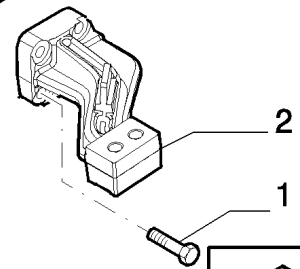
REF	FN	PART NUMBER	YR/SN	QTY	DESCRIPTION
1		504265913		1	CYLINDER BLOCK
2		504108192		14	SCREW
2		99432869		25	SCREW
2		99433863		1	SCREW
3		99448193		6	SHIM, 0.08mm Thk
3		99448192		6	SHIM, 0.10mm Thk
3		99448190		6	SHIM, 0.12mm Thk
3		500378983		6	SHIM, 0.14mm Thk
4		99455400		6	SEALRING
5		500337911		6	ENGINE CYLINDER LINER, STD
6		16991370		2	PLUG, D = 45 mm
7		16990870		3	PLUG, D = 28 mm
8		16990670		6	PLUG, D = 22 mm
9		500356932		3	PLUG, 12 mm
10		504120669		1	PLUG
11		504051238		3	PLUG
12		500368916		1	DOWEL
13		99455401		12	SEALRING
14		99433597		3	SCREW
15		16992515		1	PLUG
16		99489020		1	SEALING WASHER
17		504051237		1	PLUG, 1/4"
18		16992415		3	PLUG, M16 x 1.5
19		99489019		3	SEALING WASHER, D = 16 x 24 x 1.5 mm
20		99467554		4	DOWEL, D = 14 mm
21		16887515		1	PLUG
22		99489017		1	GASKET
23		504138062		2	PLUG

9120

ENGINE SUSPENSION - 7120/7120(LA)



10.414.02(01)
10.414.02(02)



10.012.01

01

p1

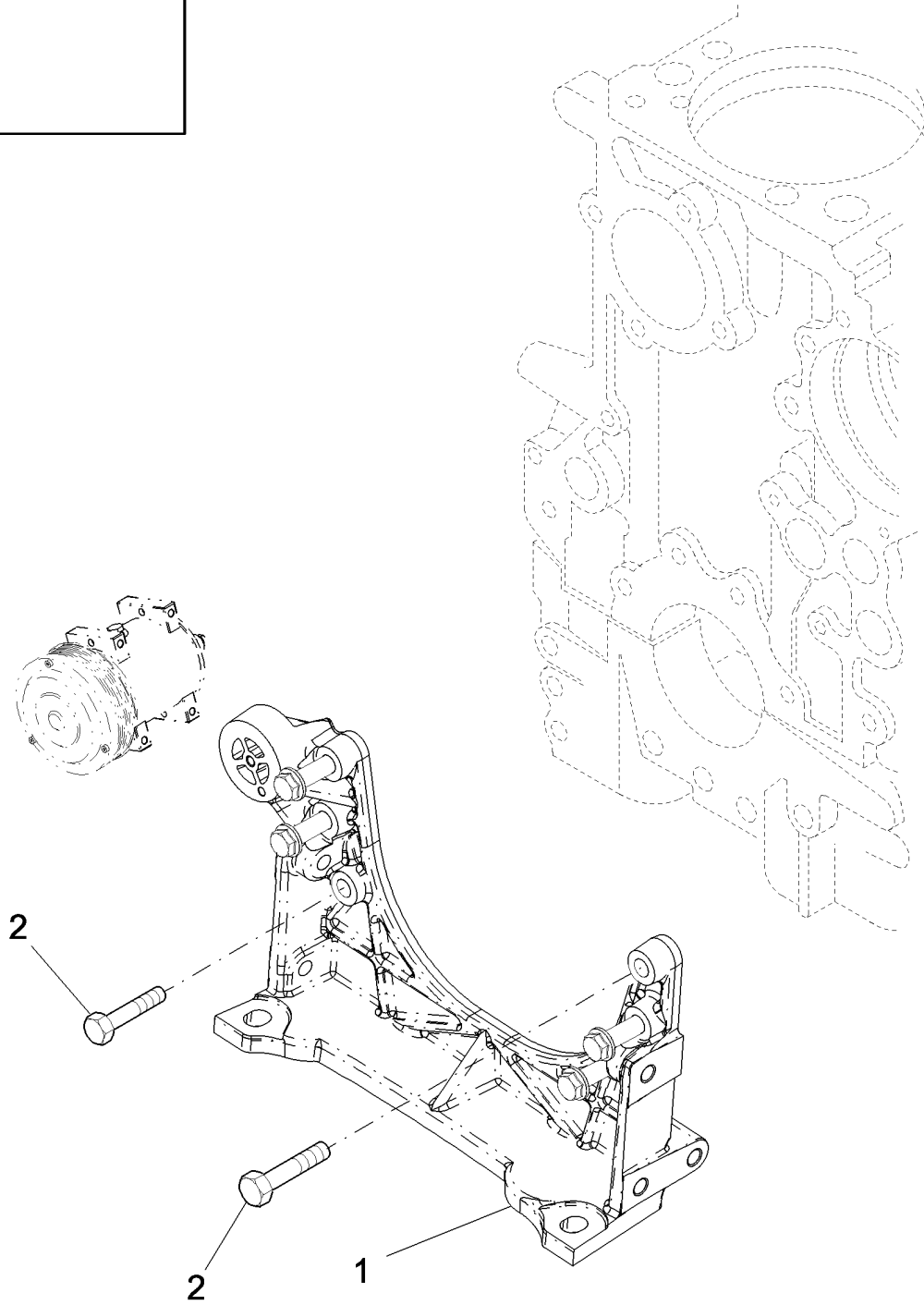
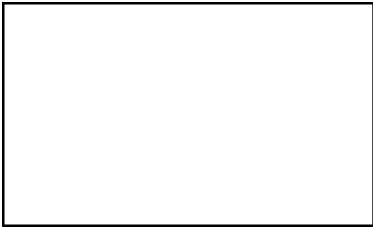
02/10

ENGINE SUSPENSION - 7120/7120(LA)

REF	FN	PART NUMBER	YR/SN	QTY	DESCRIPTION
1		16680535		8	SCREW, M14 x 50 MM
2		504125944		1	ENGINE MOUNT, L.H.
3		504125943		1	ENGINE MOUNT, R.H.

7120 7120

ENGINE SUSPENSION - 8120/8120(LA)

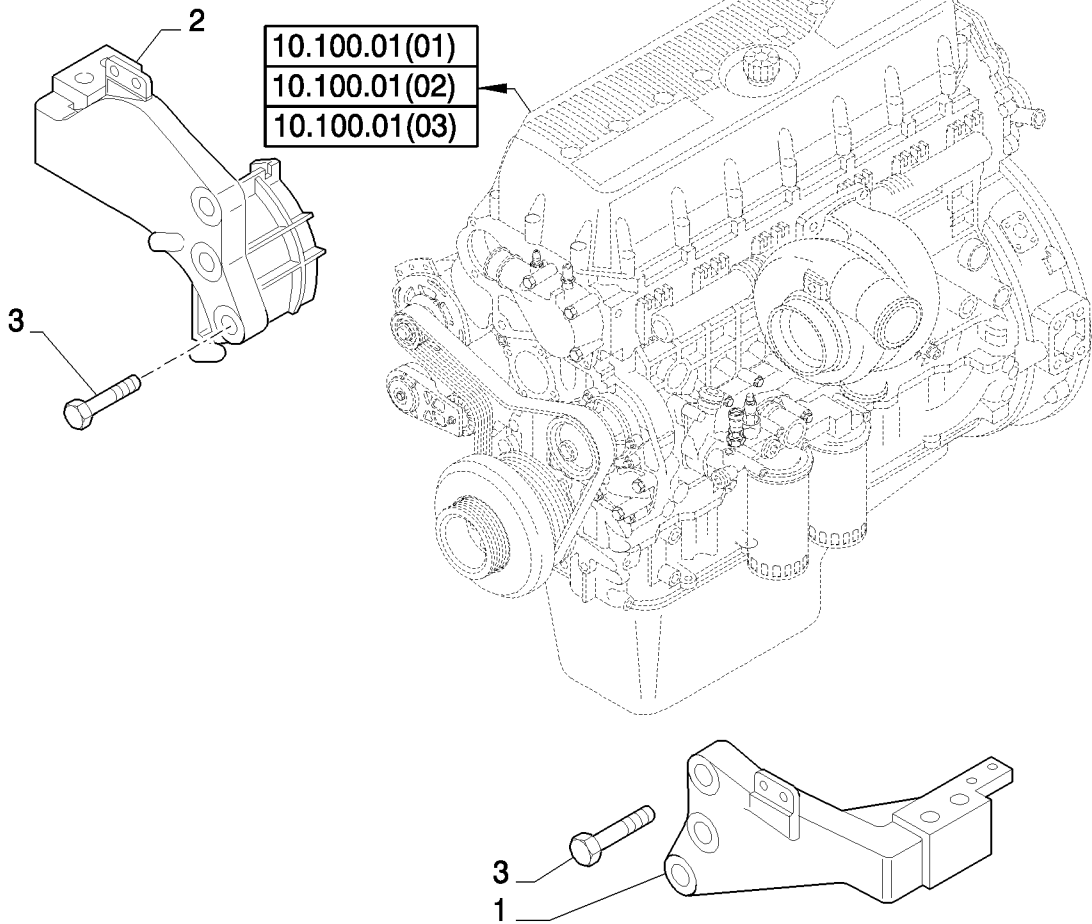
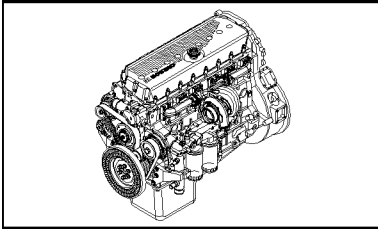


ENGINE SUSPENSION - 8120/8120(LA)

REF	FN	PART NUMBER	YR/SN	QTY	DESCRIPTION
1		504078135		1	ENGINE MOUNT
2		99484191		6	SCREW

	8120 8120
--	------------------

ENGINE SUSPENSION - 9120



10.012.01

03

p1

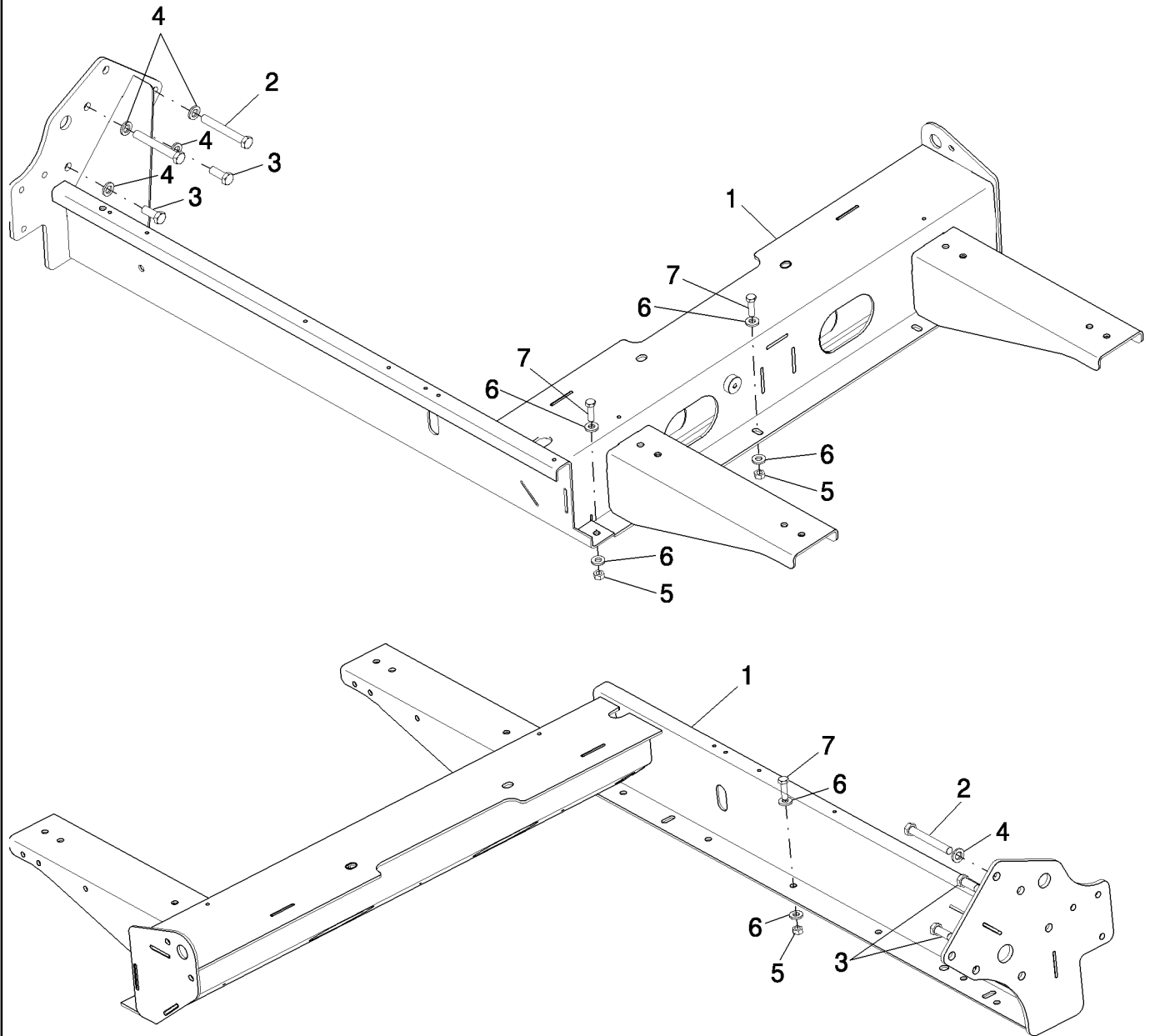
02/10

ENGINE SUSPENSION - 9120

REF	FN	PART NUMBER	YR/SN	QTY	DESCRIPTION
1		500307183		1	SUPPORT, L.H.
2		504266314		1	SUPPORT, R.H.
3		99484191		6	SCREW

9120

FRAME, ENGINE - 7120/7120(LA)



10.012.04

01

p1

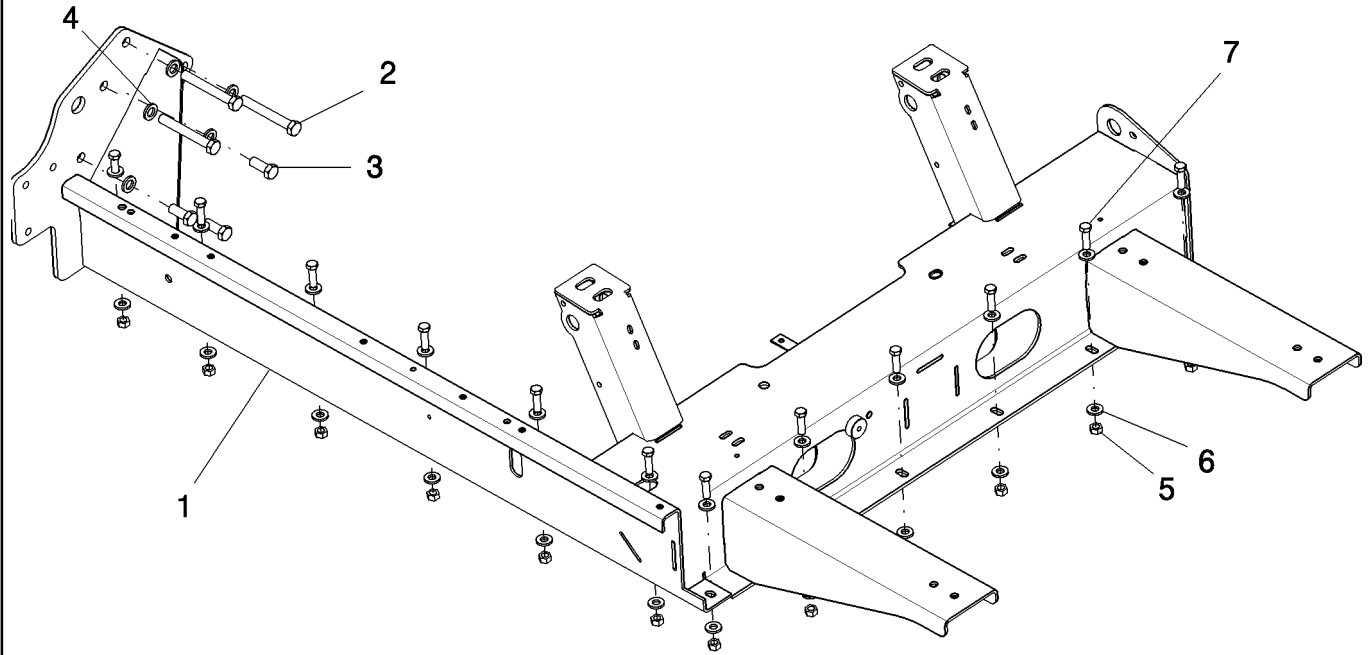
02/10

FRAME, ENGINE - 7120/7120(LA)

REF	FN	PART NUMBER	YR/SN	QTY	DESCRIPTION
1		87524576		1	FRAME ASSY
2		321246		3	BOLT, Hex, M16 x 120, 8.8
3		43168		3	BOLT, Hex, M16 x 2 x 40, 8.8, Full Thd
4		86625266		6	WASHER, M17.5 x 30 x 4, HT
5		9706685		12	NUT, M12, CI 8
6		86625256		24	WASHER, M12 x 28.5 x 4, HT
7		86629541		12	BOLT, Hex, M12 x 40, 8.8, Full Thd

7120 7120

FRAME, ENGINE - 8120/8120(LA)



10.012.04

02

p1

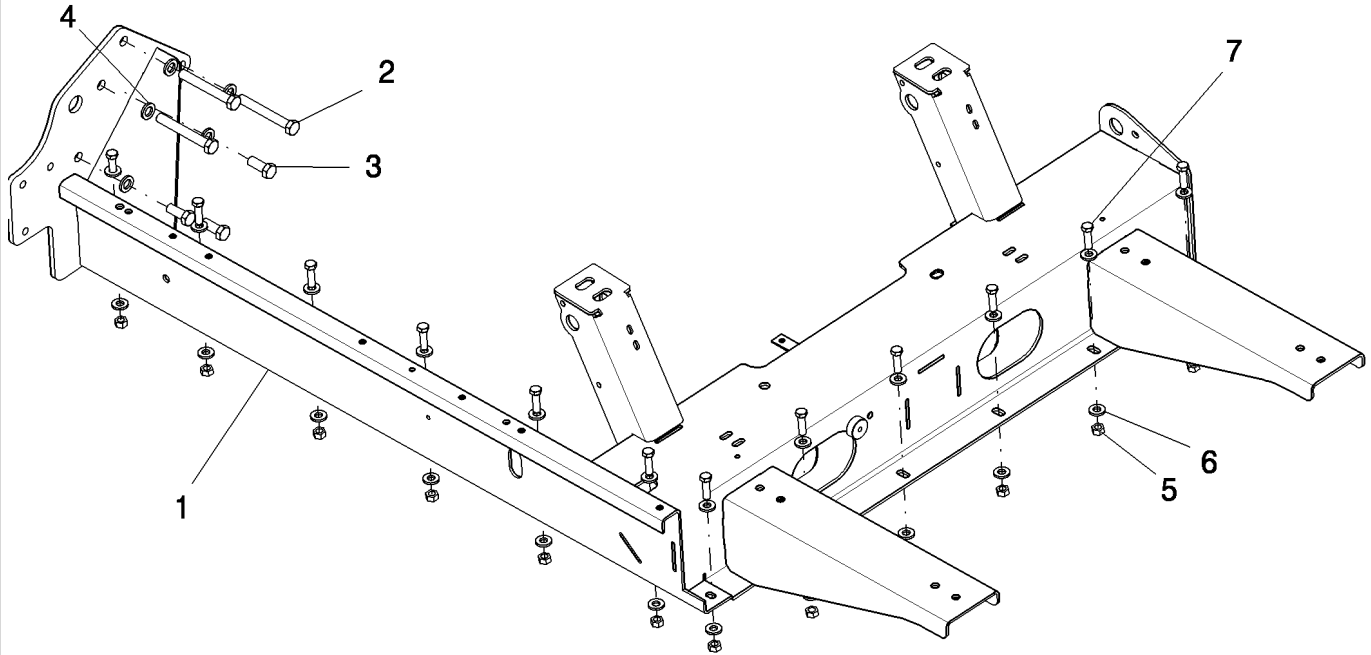
02/10

FRAME, ENGINE - 8120/8120(LA)

REF	FN	PART NUMBER	YR/SN	QTY	DESCRIPTION
1		87545546		1	FRAME
2		321246		3	BOLT, Hex, M16 x 120, 8.8
3		43168		3	BOLT, Hex, M16 x 2 x 40, 8.8, Full Thd
4		86625266		6	WASHER, M17.5 x 30 x 4, HT
5		9706685		12	NUT, M12, CI 8
6		86625256		24	WASHER, M12 x 28.5 x 4, HT
7		86629541		12	BOLT, Hex, M12 x 40, 8.8, Full Thd

8120 8120

FRAME, ENGINE - 9120



10.012.04

03

p1

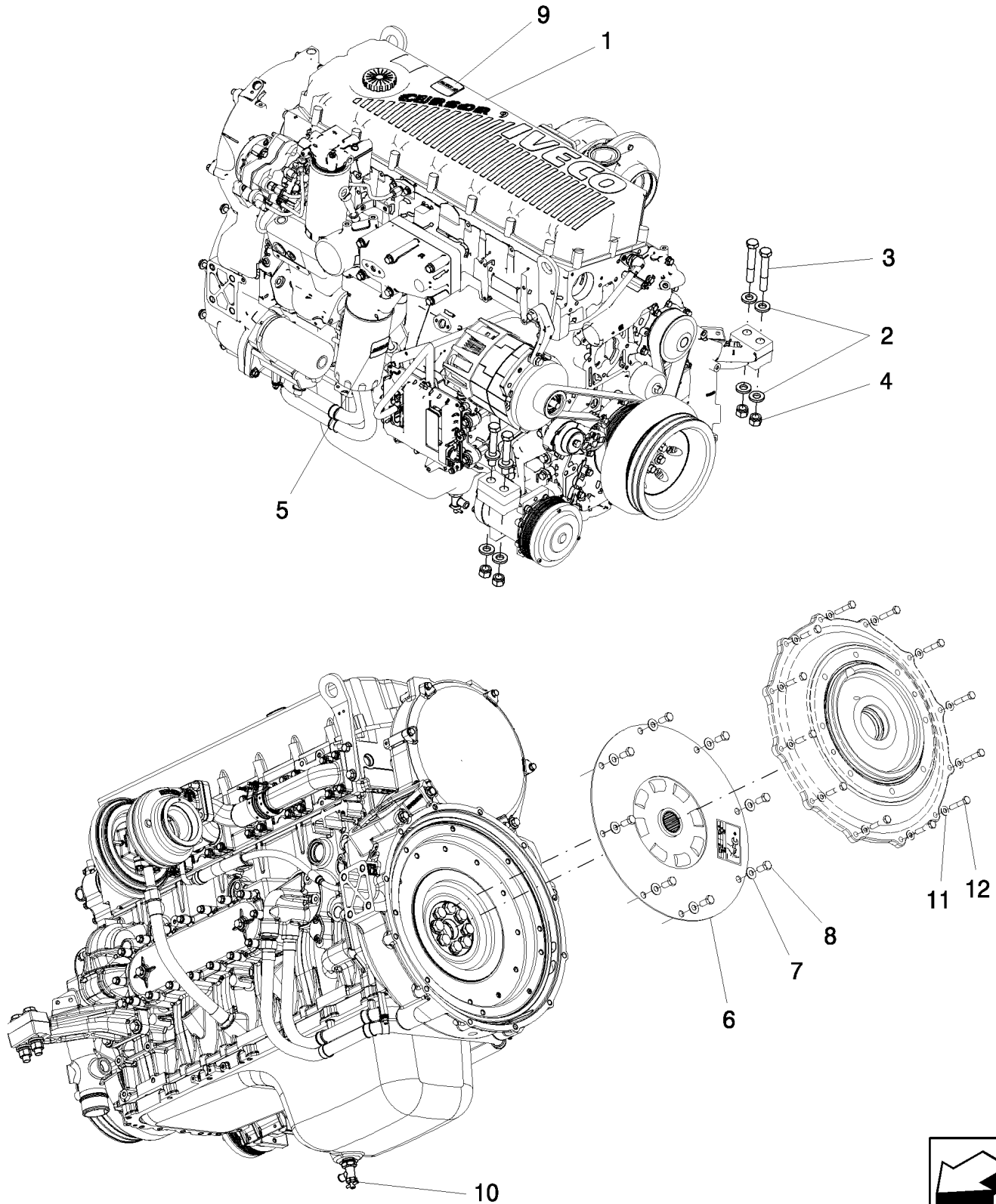
02/10

FRAME, ENGINE - 9120

REF	FN	PART NUMBER	YR/SN	QTY	DESCRIPTION
1		87586119		1	FRAME ASSY
2		321246		3	BOLT, Hex, M16 x 120, 8.8
3		43168		3	BOLT, Hex, M16 x 2 x 40, 8.8, Full Thd
4		86625266		6	WASHER, M17.5 x 30 x 4, HT
5		9706685		12	NUT, M12, CI 8
6		86625256		24	WASHER, M12 x 28.5 x 4, HT
7		86629541		12	BOLT, Hex, M12 x 40, 8.8, Full Thd

9120

COMPLETE ENGINE - 7120/7120(LA)



10.100.01

01

p1

02/10

COMPLETE ENGINE - 7120/7120(LA)

REF	FN	PART NUMBER	YR/SN	QTY	DESCRIPTION
1		87733691		1	ENGINE, Cursor 9
2		86639326		8	WASHER, M17.5 x 34 x 5, HT
3		374889		4	BOLT, Hex, M16 x 100, 8.8
4		412066		4	NUT, M16 x 2, CI 8
5		87679098		2	DECAL, CIH
6		87536815		1	SPLINED COUPLING
7		140046		8	SPRING WASHER, Belleville, M12
8		300388		8	BOLT, Hex, M12 x 25, 8.8
9		87679108		1	DECAL, Emblem Case/IH
10		87105048		1	DRAINCOCK/TAP SUPPLY
11		140045		12	BELLEVILLE WASHER, M10
12		120069		12	BOLT, Hex, M10 x 50, 8.8

7120 7120

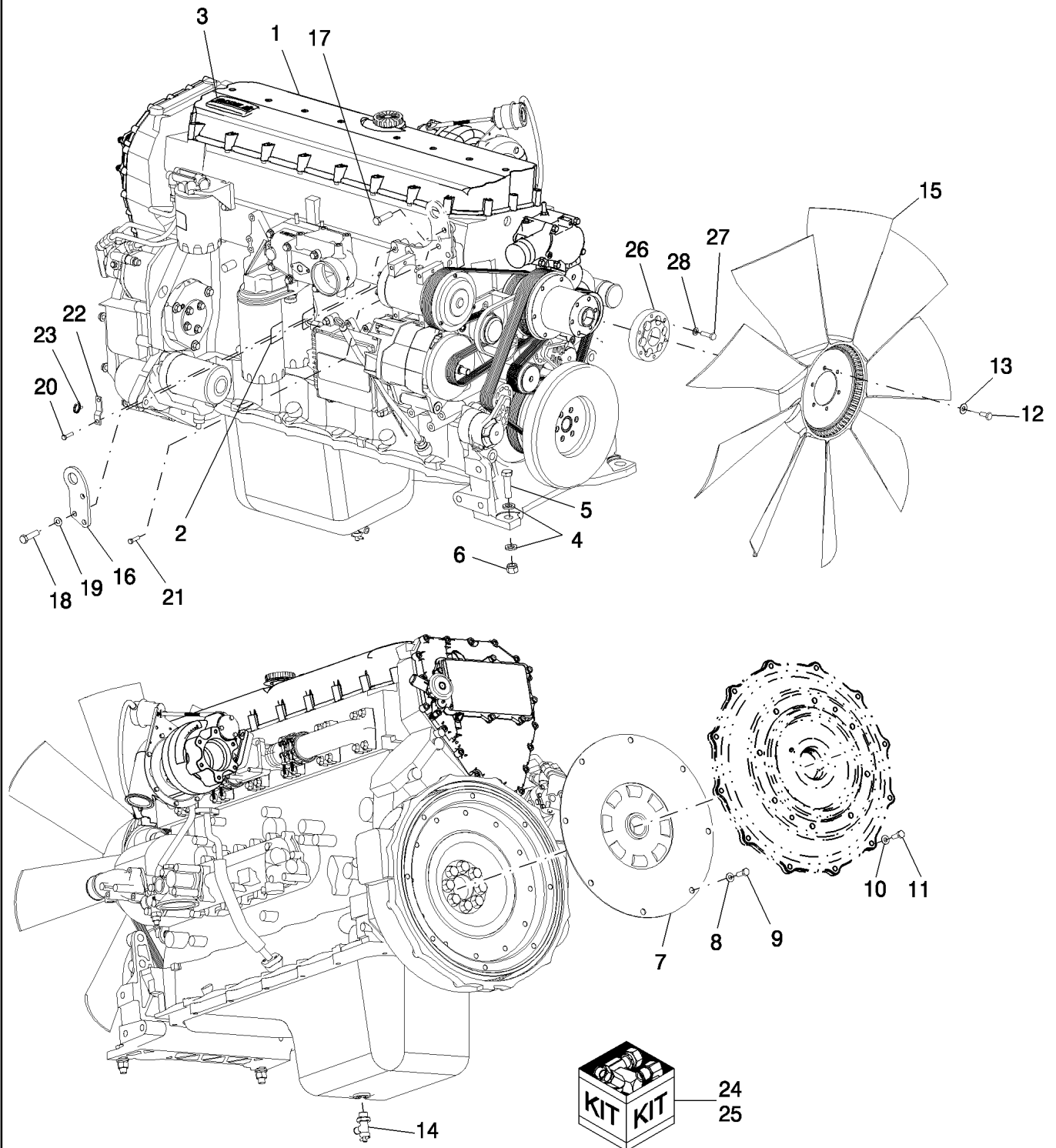
10.100.01

02

p1

02/10

COMPLETE ENGINE - 8120/8120(LA)



COMPLETE ENGINE - 8120/8120(LA)

REF	FN	PART NUMBER	YR/SN	QTY	DESCRIPTION
1		87732803		1	ENGINE, IVECO, F3A
2	1	87679098		3	DECAL, CASE IH
3	1	87679108		1	DECAL, Emblem, CASE/IH
4		86625266		4	WASHER, M17.5 x 30 x 4, HT
5		374889		2	BOLT, Hex, M16 x 100, 8.8
6		412066		2	NUT, M16 x 2, CI 8
7		87536815		1	SPLINED COUPLING, Damper
8		140046		8	SPRING WASHER, Belleville, M12
9		300388		8	BOLT, Hex, M12 x 25, 8.8
10		140045		12	BELLEVILLE WASHER, M10
11		120069		12	BOLT, Hex, M10 x 50, 8.8
12		43139		6	BOLT, Hex, M10 x 25, 8.8, Full Thd
13		140045		6	BELLEVILLE WASHER, M10
14		87105048		1	DRAINCOCK/TAP SUPPLY
15	2	84457703		1	FAN
16		504078127		1	LOAD HOOK, Fan End
16		500372844		1	LOAD HOOK, Gearbox End
17		16587925		1	BOLT, M12
18		16588625		2	BOLT, M12
19		16887624		2	WASHER
20		16692324		2	BOLT, M10
21		504080093		2	BOLT, M7 x 1.0 x 16 mm
22		504060889		1	RETAINER, Support, Cable
23		504023286		1	CLIP, Plastic Collar
24		8094885		1	ENGINE OVERHAUL KIT, Gaskets, Bottom
25		8094886		1	ENGINE TOP GASKETS KIT, Valve Grind
26		87641159		1	ADAPTER, Fan
27		9706704		6	BOLT, Hex, M10 x 35, 8.8, Full Thd
28		140017		6	WASHER, M10 x 20 x 2

(1) Red "I", No Underline

(2) Pilot Hole Dia = 93.7 mm

8120 8120

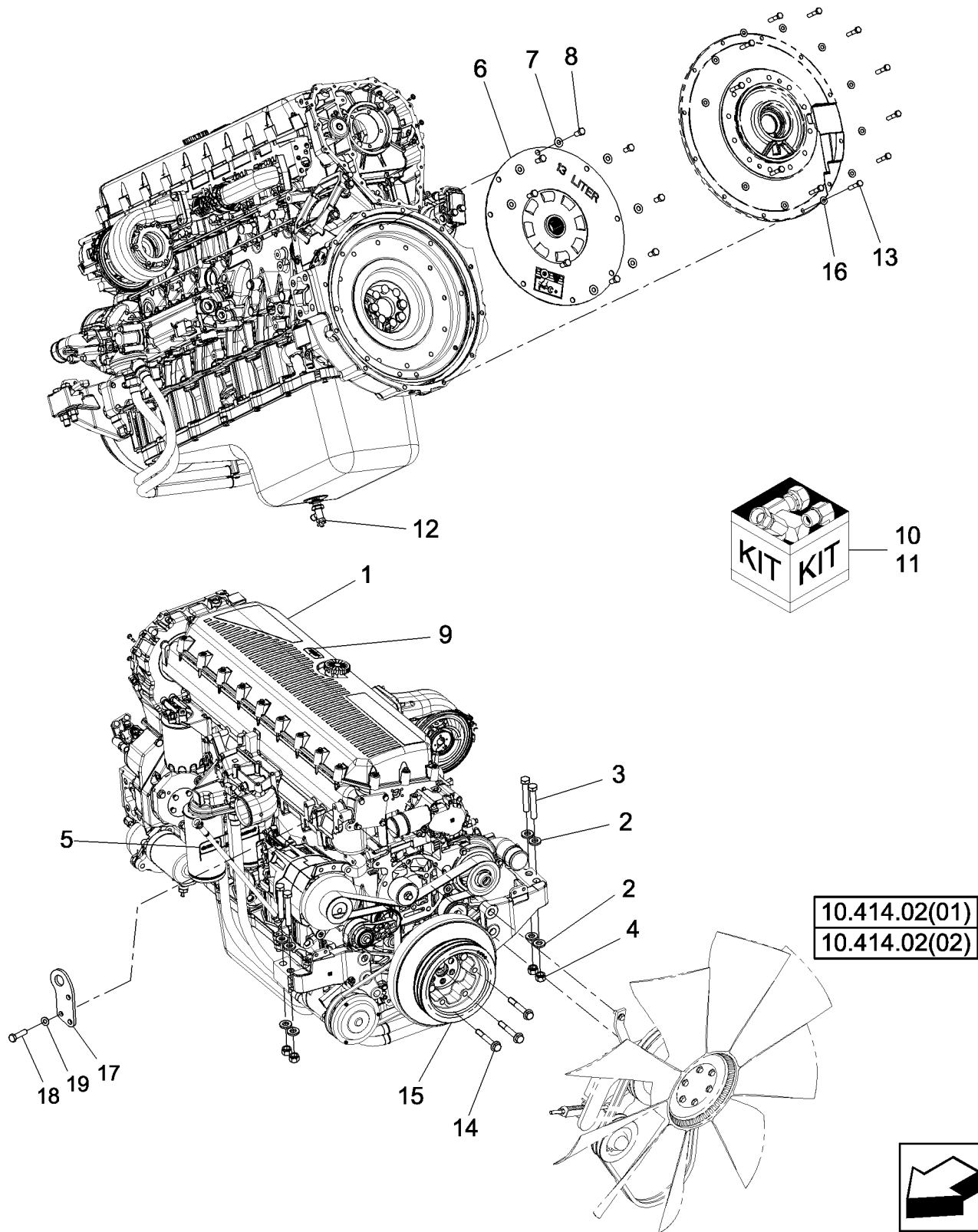
10.100.01

03

p1

02/10

COMPLETE ENGINE - 9120

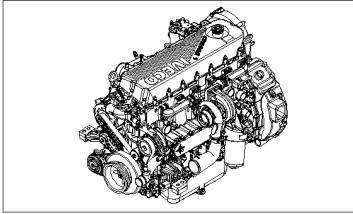


COMPLETE ENGINE - 9120

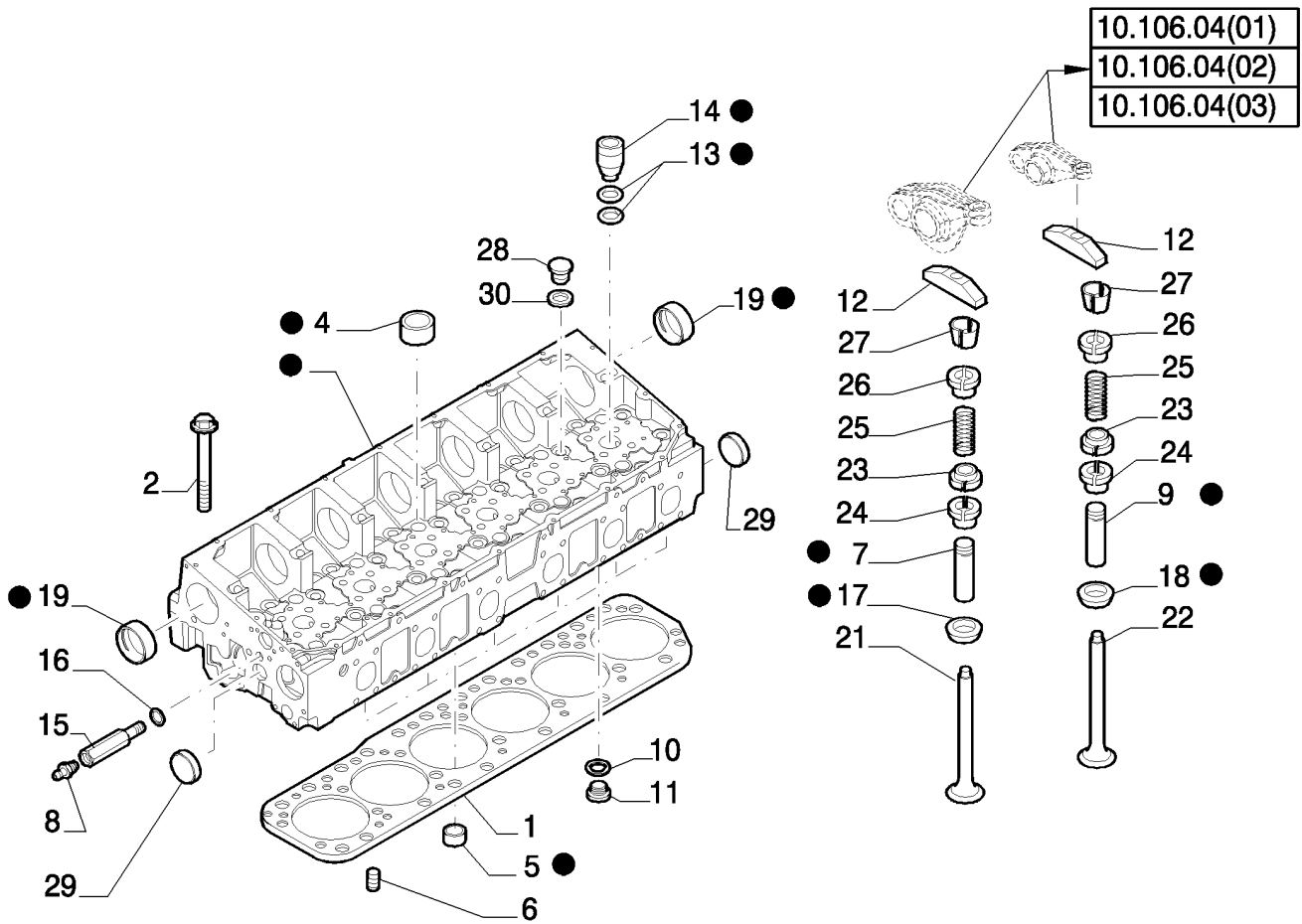
REF	FN	PART NUMBER	YR/SN	QTY	DESCRIPTION
1		87618034		1	ENGINE, Complete, Cursor 13
2		86639326		8	WASHER, M17.5 x 34 x 5, HT
3		374889		4	BOLT, Hex, M16 x 100, 8.8
4		412066		4	NUT, M16 x 2, CI 8
5		87679098		2	DECAL, CIH Filter
6		87643110		1	COUPLING
7		140046		8	SPRING WASHER, Belleville, M12
8		300388		8	BOLT, Hex, M12 x 25, 8.8
9		87679108		1	DECAL, Case IH
10		8097528		1	ENGINE OVERHAUL KIT, Bottom
11		8097529		1	ENGINE TOP GASKETS KIT, Valve Grind
12		87105048		1	DRAINCOCK/TAP SUPPLY
13		120069		12	BOLT, Hex, M10 x 50, 8.8
14		16681435		6	SCREW
15		87671289		1	PULLEY
16		140045		12	BELLEVILLE WASHER, M10
17		99478478		1	LOAD HOOK, Fan End
17		500372844		1	LOAD HOOK, Gearbox End
18		16677735		6	SCREW, M12 x 25 mm
19		16887624		6	WASHER

9120

CYLINDER HEAD & RELATED PARTS - 7120/7120(LA)



● = 3



CYLINDER HEAD & RELATED PARTS - 7120/7120(LA)

REF	FN	PART NUMBER	YR/SN	QTY	DESCRIPTION
1		500382172		1	CYLINDER HEAD GASKET
2		500354580		26	SCREW
3		504217380		1	CYLINDER HEAD, ASSY
4		16990770		12	PLUG, D = 25 mm
5		16991370		2	PLUG, D = 45mm
5		16990570		6	PLUG, D = 20mm
6		500314967		2	DOWEL, D = 10 mm
7		500391440		12	INTAKE VALVE GUIDE
7		500391441		12	OVERSIZE INLET VALVE, + 0.2
7		500391442		12	OVERSIZE INLET VALVE, + 0.4
8		500304562		1	PLUG
9		500391436		12	EXHAUST VALVE GUIDE
9		500391437		12	OVERSIZE EXHAUST VALVE, + 0.2
9		500391438		12	OVERSIZE EXHAUST VALVE, + 0.4
10		99489017		1	GASKET, 12 x 20 x 1.5
11		16992215		1	PLUG, M12 x 1.5
12		504131444		12	BRIDGE
13		17278881		12	O-RING, M23.5 x 1.7
14		504127833		6	NOZZLE HOLDER
15		500328252		1	HYD CONNECTOR
16		98474308		1	SEALING WASHER
17		40101573		12	SEAL, STD
18		40101573		12	SEAL, STD
19		504125778		7	BUSHING
21		504127798		12	STD ENGINE INLET VALVE
22		504127799		12	STD ENGINE EXHAUST VALVE
23		504129182		24	SPRING SEAT
24		40101574		24	GASKET
25		504125776		24	VALVE SPRING
26		504127797		24	SPRING CUP
27		98499819		48	ROCKER ARM COTTER
28		16992115		1	PLUG, M10 x 1
29		16990870		3	PLUG, D = 28 mm
30		99489016		1	GASKET, 10 x 20 x 1.5

7120 7120

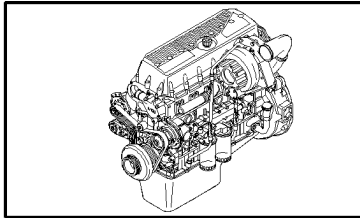
10.101.02

02

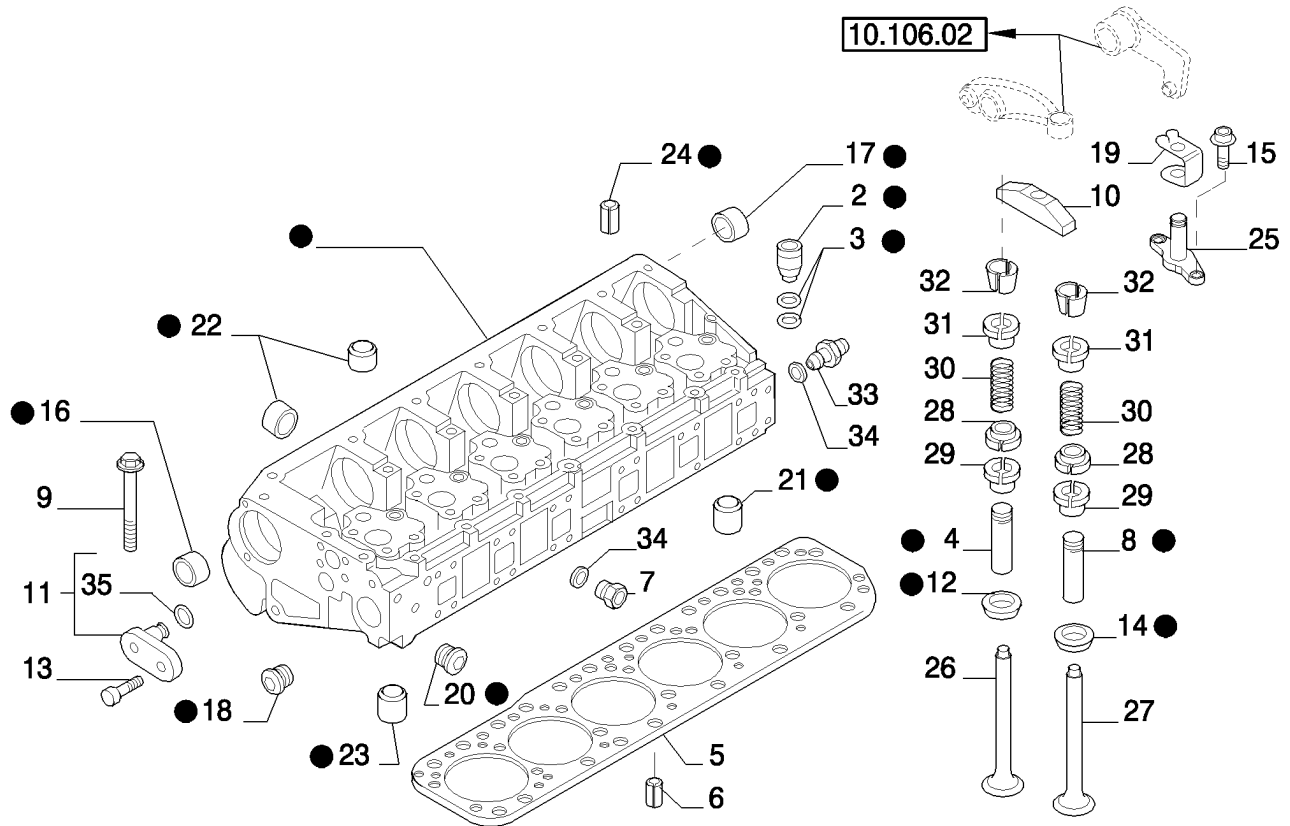
p1

02/10

CYLINDER HEAD & RELATED PARTS - 8120/8120(LA)



● = 1



CYLINDER HEAD & RELATED PARTS - 8120/8120(LA)

REF	FN	PART NUMBER	YR/SN	QTY	DESCRIPTION
1		500380776		1	CYLINDER HEAD
2		99476929		6	CASE
3		17279081		12	GASKET, D=26.7 x 1.7 mm
4		500391479		12	INTAKE VALVE GUIDE, STD
4		500391480		12	INTAKE VALVE GUIDE, + 0.2
4		500391481		12	INTAKE VALVE GUIDE, + 0.4
5		500396535		1	CYLINDER HEAD GASKET
6		17275510		2	DOWEL, D = 10 mm
7		16992411		1	PLUG, M16 x 1.5
8		500391476		12	EXHAUST VALVE GUIDE, STD
8		500391477		12	EXHAUST VALVE GUIDE, + 0.2
8		500391478		12	EXHAUST VALVE GUIDE, + 0.4
9		99430334		20	SCREW
9		99430335		6	SCREW
10		500388169		12	SUPPORT
11		500340761		1	PLUG, ASSY
12		99466613		12	VALVE SEAT, STD
12		500379595		12	VALVE SEAT, + 0,20
13		16586224		1	SCREW, M8 x 1.25 x 16 mm
14		99466612		12	VALVE SEAT, STD
14		500379597		12	VALVE SEAT, + 0.20
15		16707134		12	SCREW, M8 x 20
16		504003914		6	BUSHING
17		504003915		1	BUSHING
18		98472271		7	PLUG
18		500310146		1	PLUG
19		500376911		6	SPRING
20		99430692		1	PLUG
21		16991370		2	PLUG, D = 45 mm
22		16990870		13	PLUG, D = 28 mm
23		16990570		12	PLUG, D = 20 mm
24		17257074		1	ROLL PIN
25		504001460		6	SPACER
26		504042366		12	STD ENGINE INLET VALVE
27		504042367		12	STD ENGINE EXHAUST VALVE

8120 8120

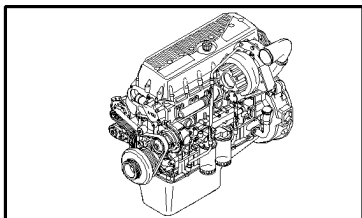
10.101.02

02

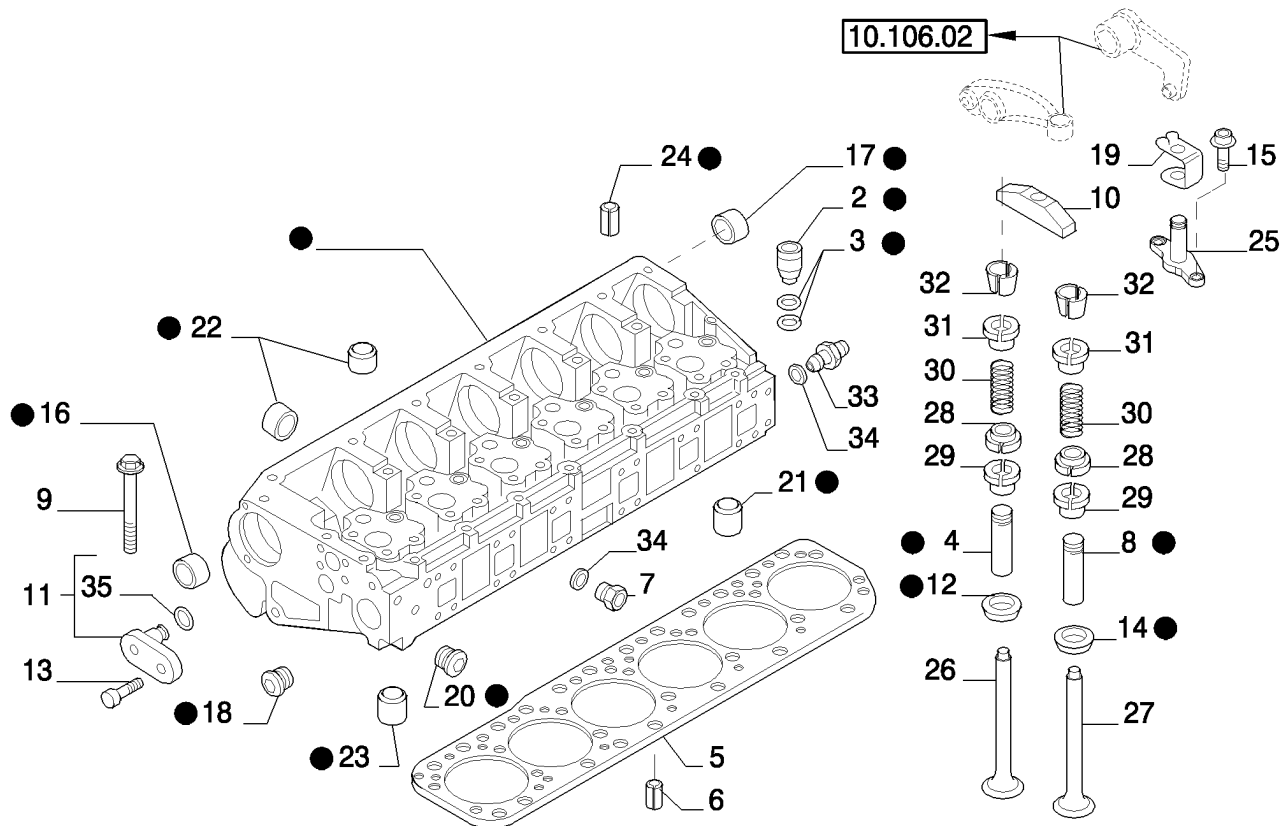
p2

02/10

CYLINDER HEAD & RELATED PARTS - 8120/8120(LA)



● = 1



10.101.02

02

p2

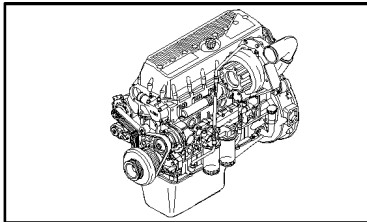
02/10

CYLINDER HEAD & RELATED PARTS - 8120/8120(LA)

REF	FN	PART NUMBER	YR/SN	QTY	DESCRIPTION
28		504000042		24	CUP
29		40101584		12	GASKET
30		504099999		24	SPRING
31		99430785		24	COTTERS PLATE
32		61320851		48	ROCKER ARM COTTER
33		41031569		1	FITTING
34		99489019		2	SEALING WASHER, D = 16 x 24 x 1.5 mm
35		17277981		1	O-RING, D = 9.2 x 1.7 mm

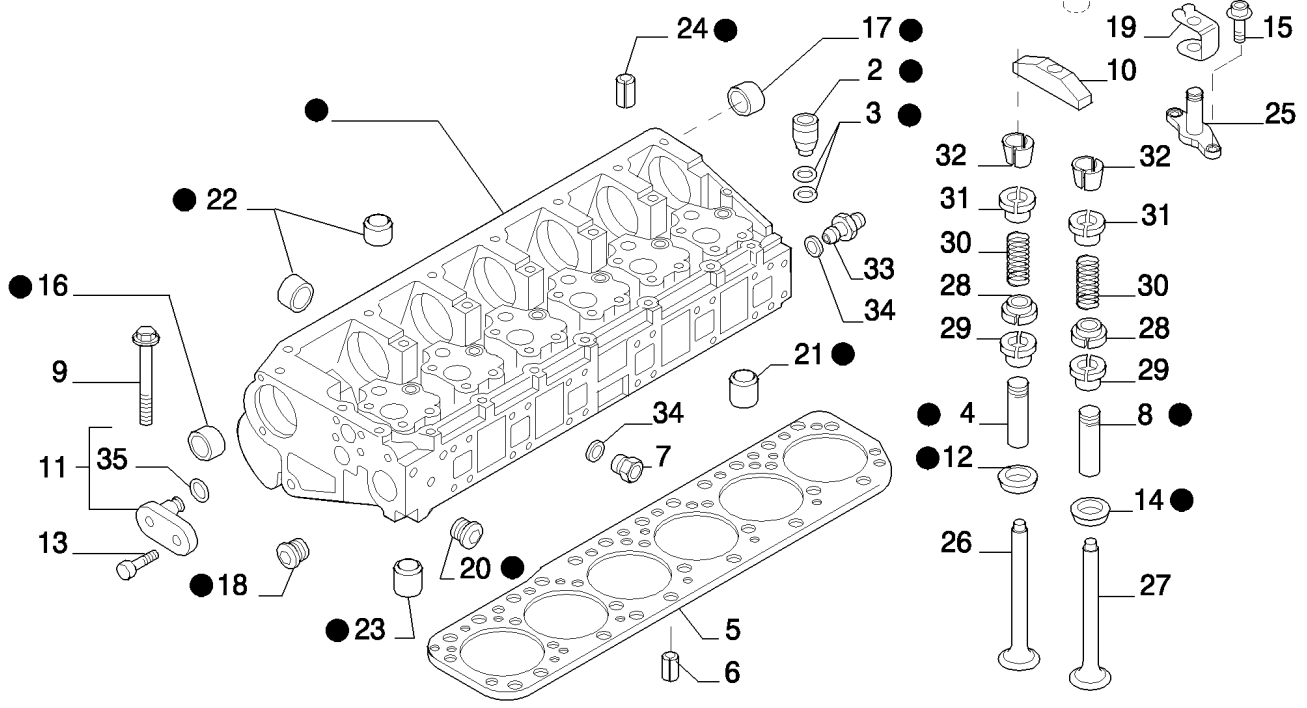
8120 8120

CYLINDER HEAD & RELATED PARTS - 9120



● = 1

- 10.106.04(01)
- 10.106.04(02)
- 10.106.04(03)



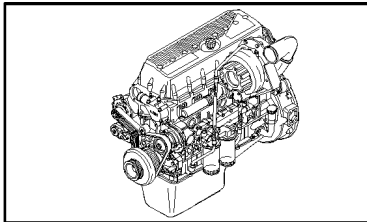
CYLINDER HEAD & RELATED PARTS - 9120

REF	FN	PART NUMBER	YR/SN	QTY	DESCRIPTION
1		504021866		1	CYLINDER HEAD
2		99476929		6	CASE
3		17279081		12	GASKET, D = 26.7 x 1.7 mm
4		500390993		12	INTAKE VALVE GUIDE, STD
4		500390864		12	OVERSIZE INLET VALVE, + 0,2
4		500390866		12	OVERSIZE INLET VALVE, + 0,4
5		504007514		1	GASKET, Cylinder Head
6		17275510		2	DOWEL, D = 10 mm
7		16992411		1	PLUG, M16 x 1.5
8		500390994		12	EXHAUST VALVE GUIDE, STD
8		500390860		12	OVERSIZE EXHAUST VALVE, + 0,2
8		500390861		12	OVERSIZE EXHAUST VALVE, + 0,4
9		504108192		20	SCREW
9		98495528		6	SCREW
10		504002605		12	CROSSRAIL
11		500340761		1	PLUG, ASSY
12		99450511		12	VALVE SEAT, STD
12		504020517		12	VALVE SEAT, + 0,20
13		16586225		1	BOLT, M8 x 16
14		99450512		12	VALVE SEAT, STD
14		504020515		12	VALVE SEAT, + 0,20
15		16707134		12	SCREW, M8 x 20
16		504078222		6	BUSHING
17		504078223		1	BUSHING
18		14282170		12	PLUG, M20, Tapered, Stainless
19		500376911		6	SPRING
20		99430692	ASN 76545	1	PLUG, 1/2"
20	1	504182706		1	PLUG
21		16991370		2	PLUG, D = 45 mm
22		16990870		13	PLUG, D = 28 mm
23		16990570		12	PLUG, D = 20 mm
24		17257074		1	ROLL PIN, M6 x 18
24		17255674		1	ROLL PIN, M5
25		504001460		6	SPACER

(1) NA

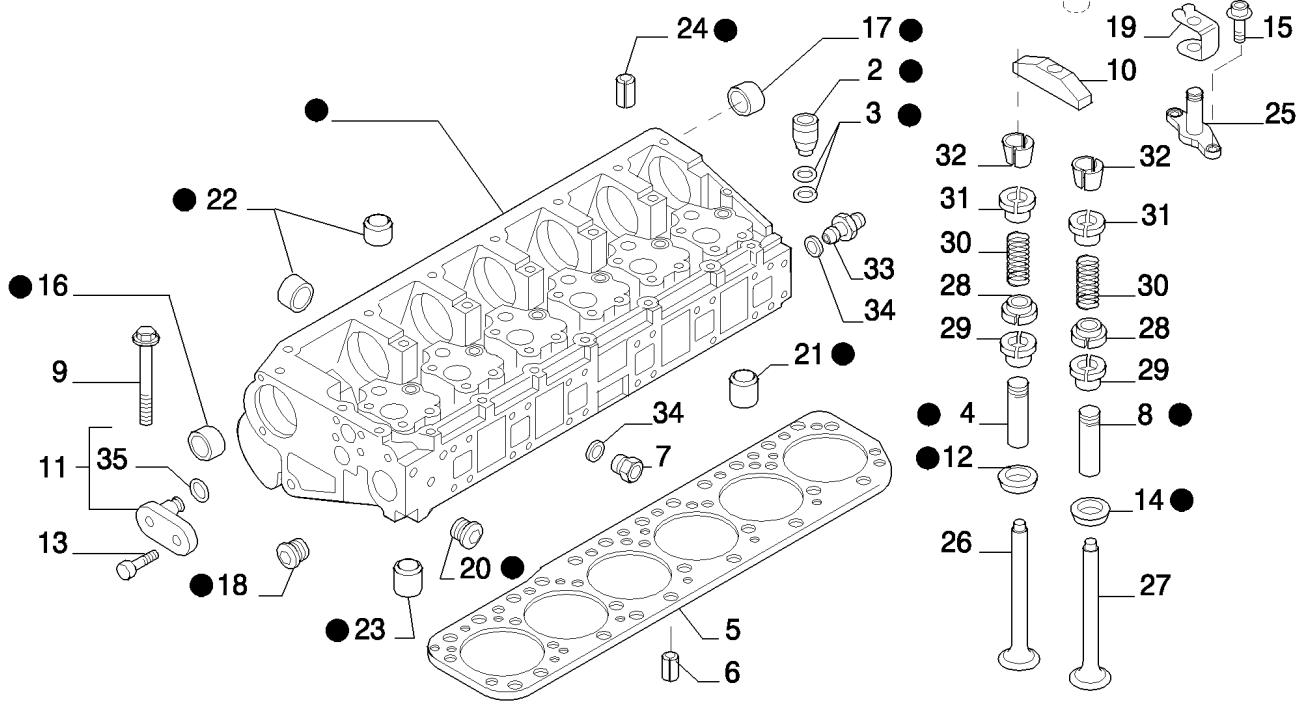
9120

CYLINDER HEAD & RELATED PARTS - 9120



● = 1

- 10.106.04(01)
- 10.106.04(02)
- 10.106.04(03)



10.101.02

03

p2

02/10

CYLINDER HEAD & RELATED PARTS - 9120

REF	FN	PART NUMBER	YR/SN	QTY	DESCRIPTION
26		500355778		12	STD ENGINE INLET VALVE, Inlet
27		504080352		12	STD ENGINE EXHAUST VALVE
28		504107641		24	CUP
29		40101874		12	GASKET
30		504100000		24	SPRING
31		98473050		24	COTTERS PLATE
32		14196370		48	ROCKER ARM COTTER
33		41031569		1	FITTING
34		99489019		2	SEALING WASHER, D = 16 x 24 x1.5 mm
35		17277981		1	O-RING, D = 9.2 x 1.7 mm

9120

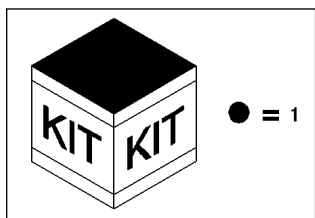
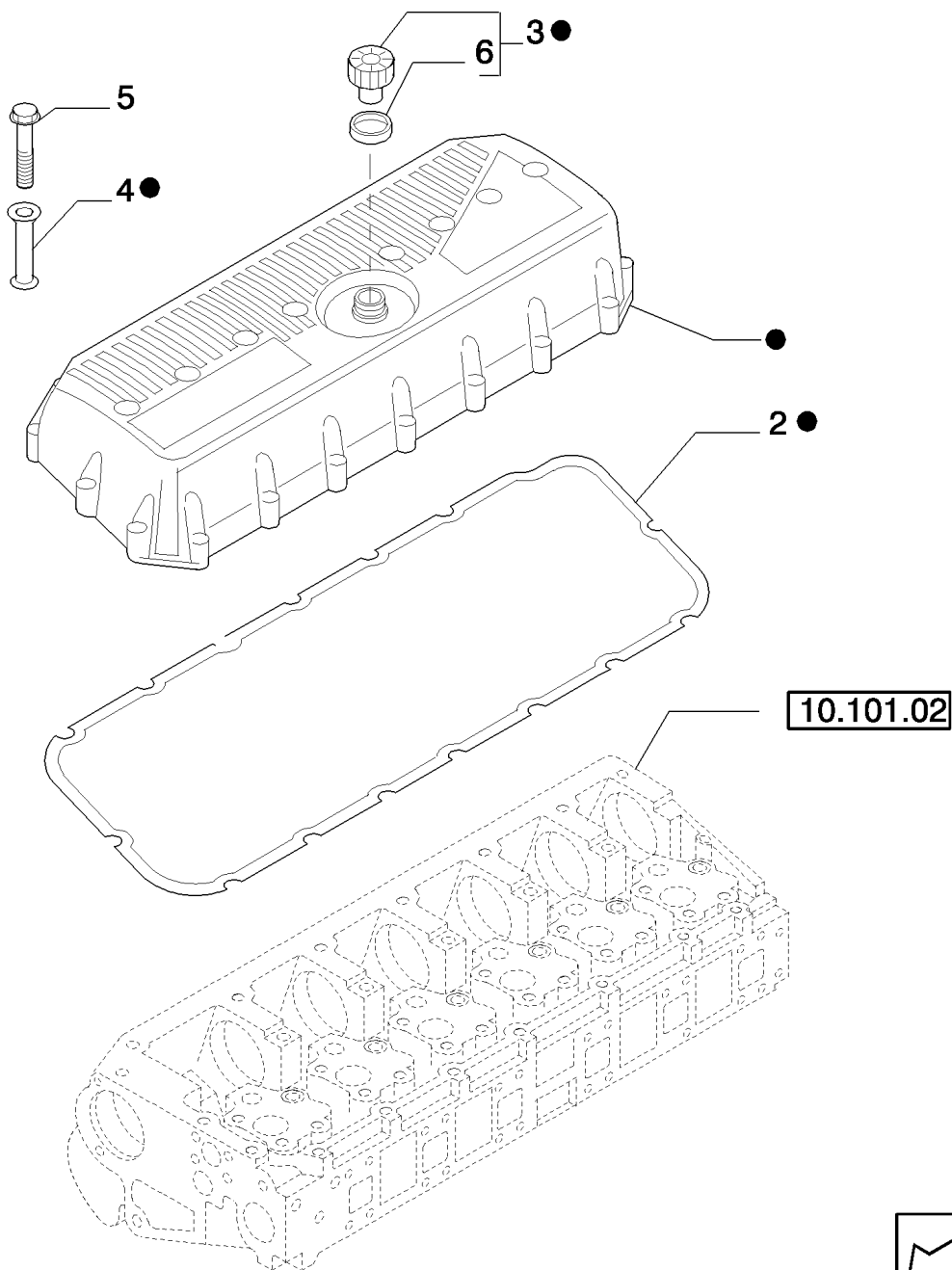
10.101.03

01

p1

02/10

HEAD COVER - 7120/7120(LA)



HEAD COVER - 7120/7120(LA)

REF	FN	PART NUMBER	YR/SN	QTY	DESCRIPTION
1		504008093		1	VALVE COVER, Assembly
2		99446692		1	GASKET
3		98442027		1	CAP, ASSY
4		16591924		20	SCREW, M6 x 50
5		99446693		20	BUSHING
6		98412146		1	GASKET

	7120 7120
--	------------------

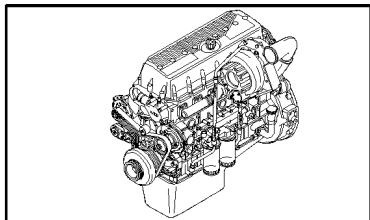
10.101.03

02

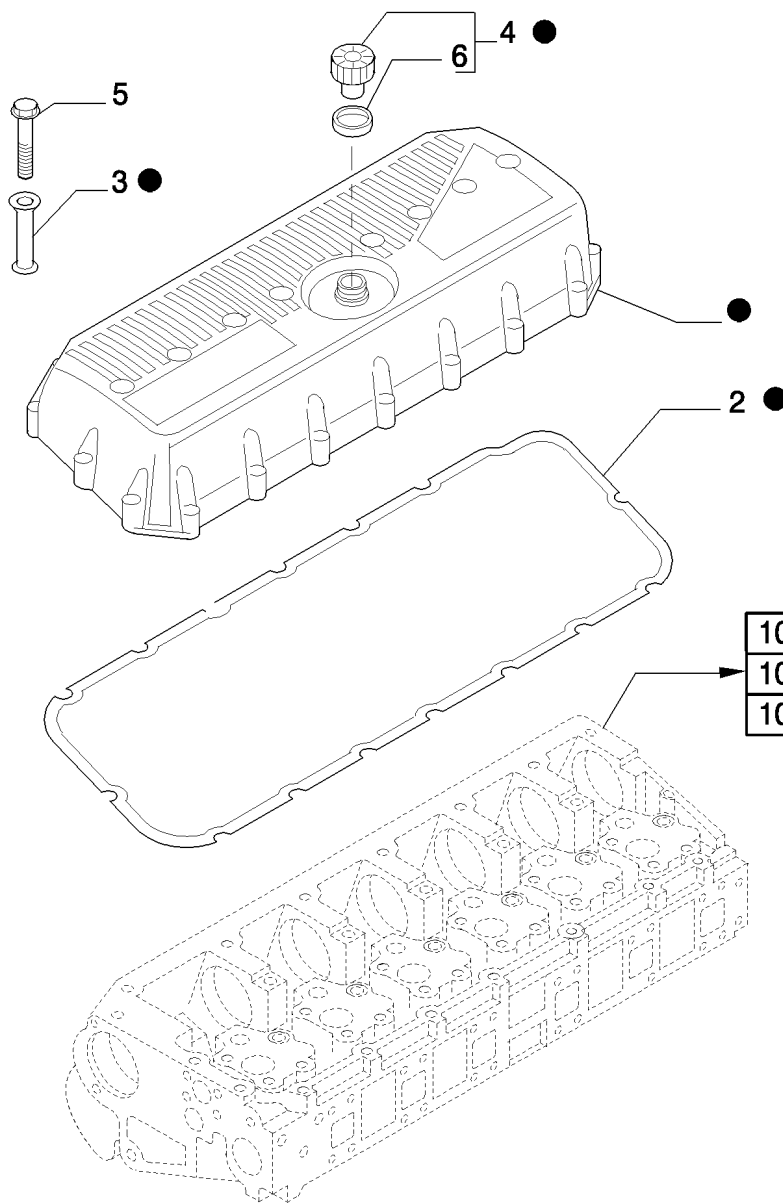
p1

02/10

HEAD COVER - 8120/8120(LA)



● = 1



10.101.02(01)
10.101.02(02)
10.101.02(03)



HEAD COVER - 8120/8120(LA)

REF	FN	PART NUMBER	YR/SN	QTY	DESCRIPTION
1		504033053		1	VALVE COVER
2		500323989		1	GASKET
3		99446693		22	BUSHING
4		98442027		1	CAP, ASSY
5		500309013		22	SCREW
6		98412146		1	GASKET

	8120 8120
--	------------------

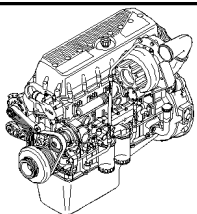
10.101.03

03

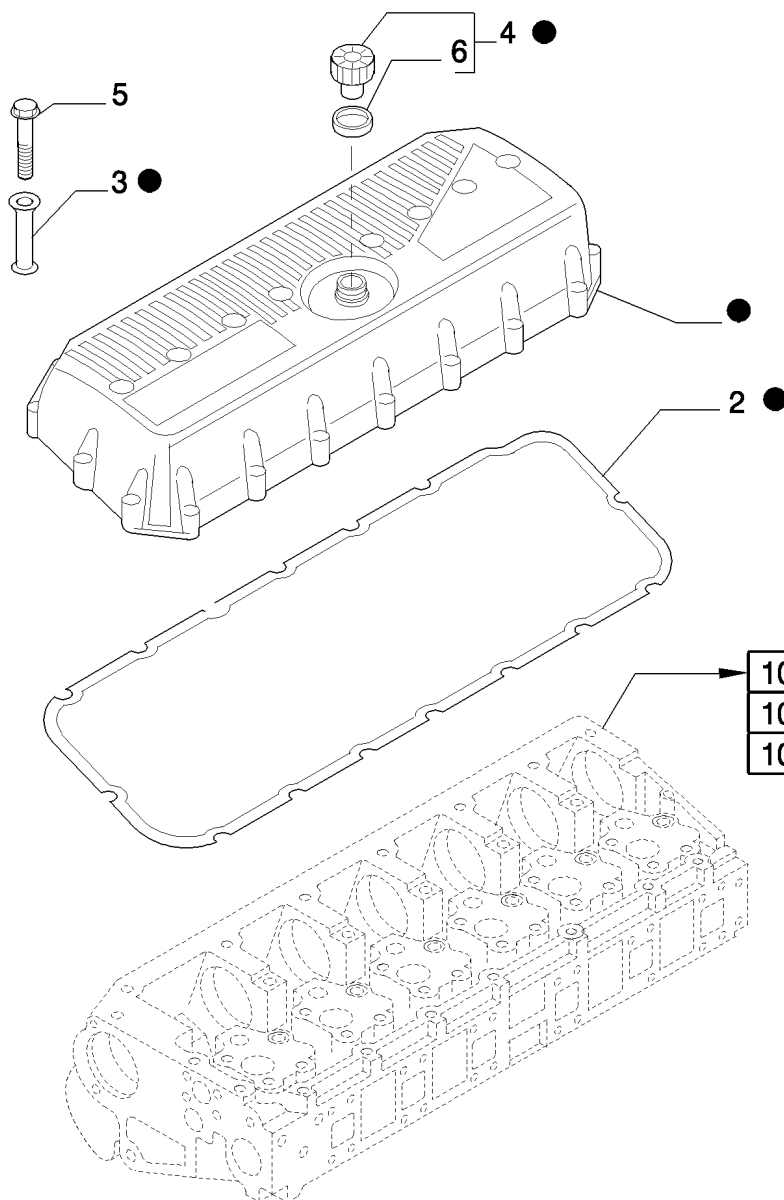
p1

02/10

HEAD COVER - 9120



● = 1

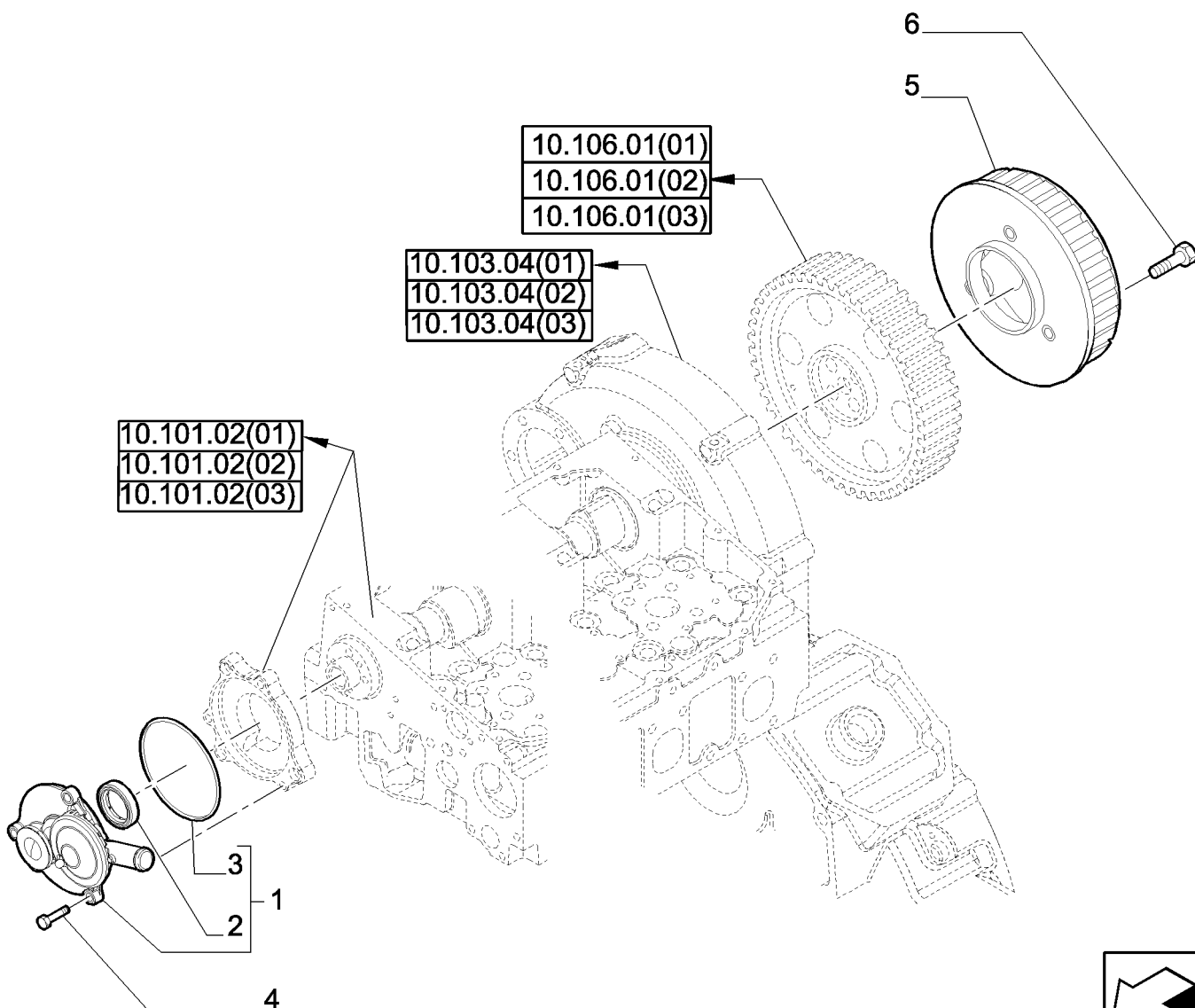
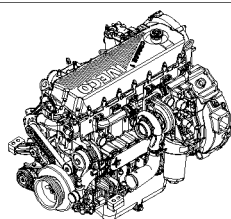


HEAD COVER - 9120

REF	FN	PART NUMBER	YR/SN	QTY	DESCRIPTION
1		504041315		1	COVER
2		500309014		1	GASKET
3		99446693		24	BUSHING
4		98442027		1	CAP, ASSY
5		16591925		24	SCREW
6		98412146		1	GASKET

	9120
--	-------------

ENGINE BREATHERS - 7120/7120(LA)



10.101.04

01

p1

02/10

ENGINE BREATHERS - 7120/7120(LA)

REF	FN	PART NUMBER	YR/SN	QTY	DESCRIPTION
1		504089127		1	BREATHER, ASSY
2		504050244		1	SHAFT SEAL
3		17291281		1	GASKET, M94.84 x 3.53
4		16585825		3	SCREW, M6 x 20
5		504127720		1	ELEMENT
6		16586125		3	SCREW, M6 x 20

7120 7120

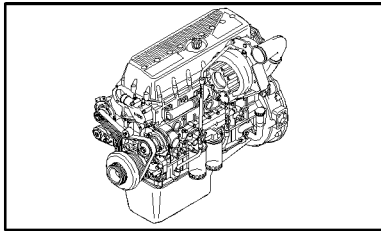
10.101.04

02

p1

02/10

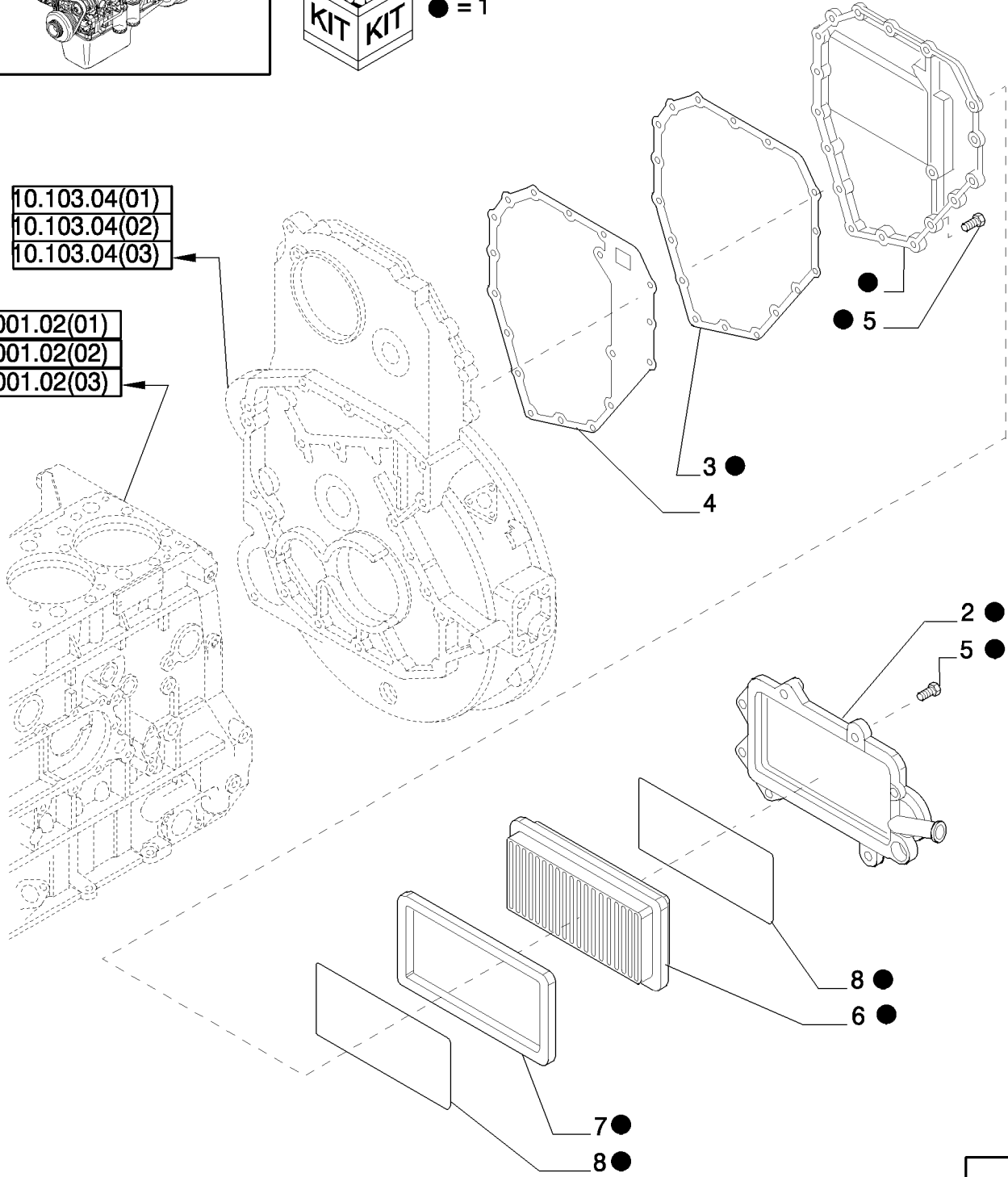
ENGINE BREATHERS - 8120/8120(LA)



● = 1

10.103.04(01)
10.103.04(02)
10.103.04(03)

10.001.02(01)
10.001.02(02)
10.001.02(03)

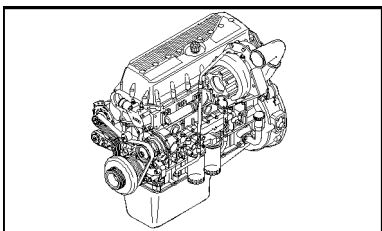


ENGINE BREATHERS - 8120/8120(LA)

REF	FN	PART NUMBER	YR/SN	QTY	DESCRIPTION
1		504212079		1	BREATHER
2		500361556		1	COVER
3		500382999		1	GASKET
4		500383189		1	GASKET
5		500383042		25	SCREW
6		504209107		1	ELEMENT, Engine Breather
7		500398649		1	GASKET
8		500383043		2	GASKET

	8120 8120
--	------------------

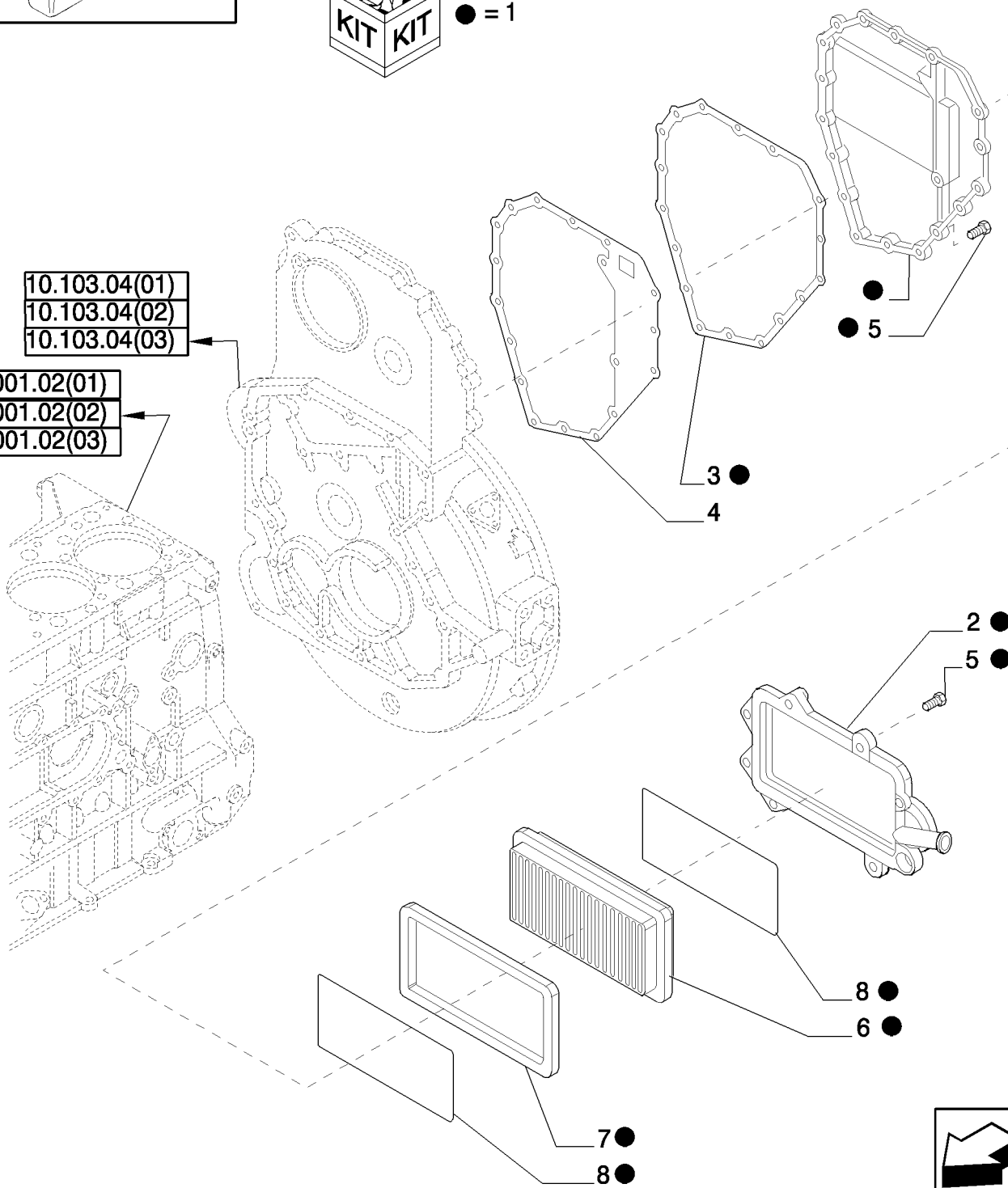
ENGINE BREATHERS - 9120



● = 1

10.103.04(01)
10.103.04(02)
10.103.04(03)

10.001.02(01)
10.001.02(02)
10.001.02(03)

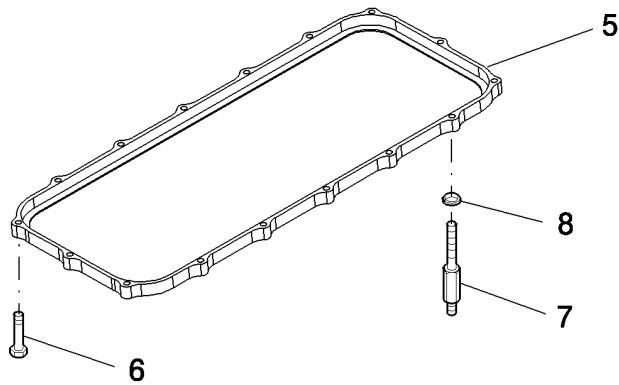
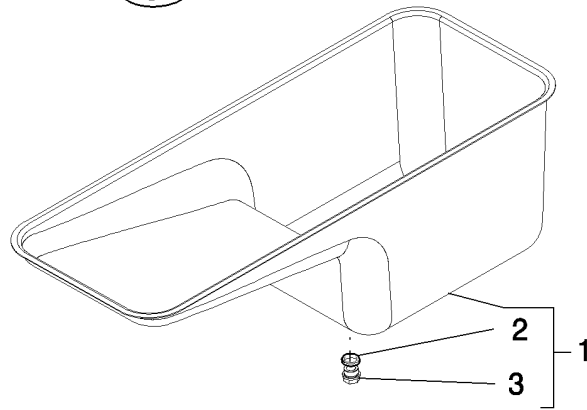
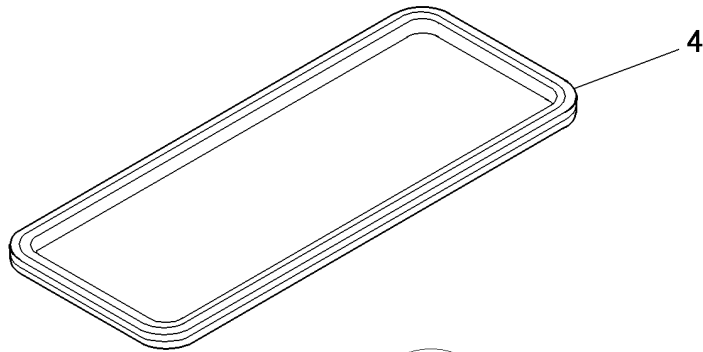
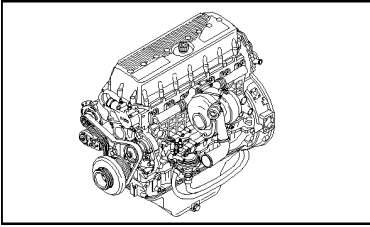


ENGINE BREATHERS - 9120

REF	FN	PART NUMBER	YR/SN	QTY	DESCRIPTION
1		504212079		1	BREATHER
2		500361556		1	COVER
3		500382999		1	GASKET
4		500383189		1	GASKET
5		500383042		25	SCREW
6		504209107		1	ELEMENT
7		500398649		1	GASKET
8		500383043		2	GASKET

9120

OIL SUMP & RELATED PARTS - 7120/7120(LA)



10.102.02

01

p1

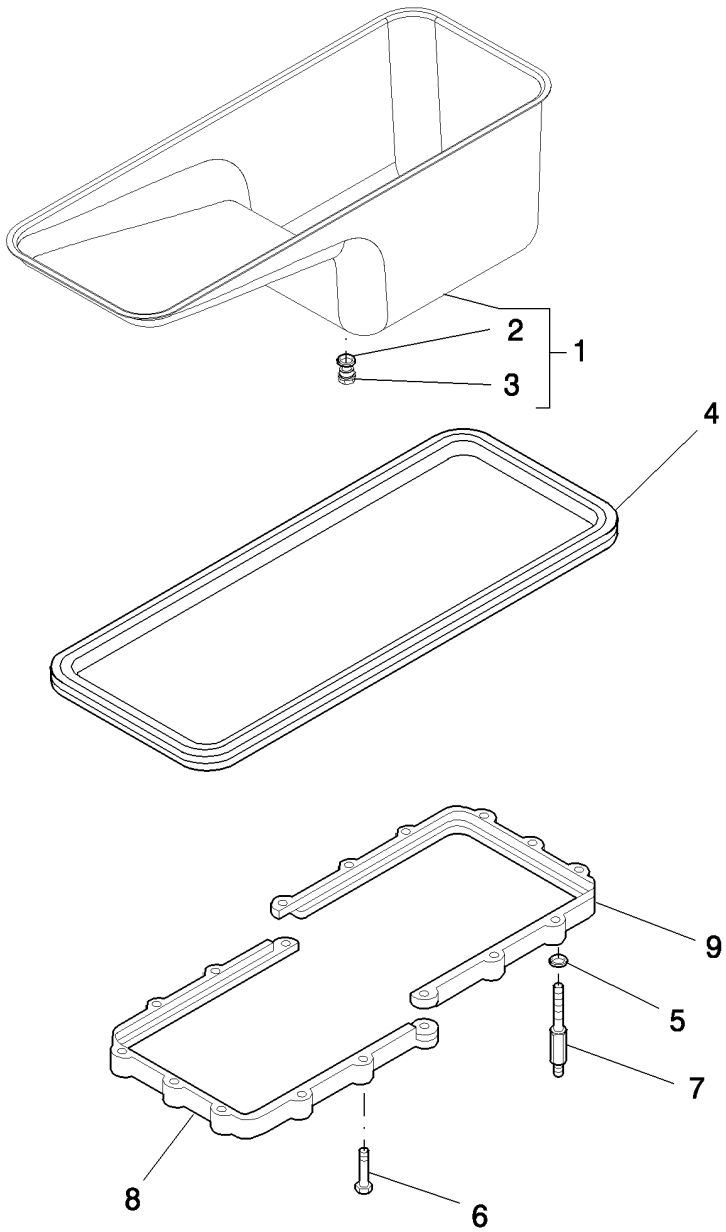
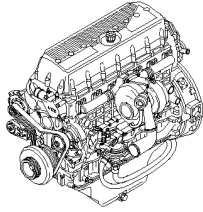
02/10

OIL SUMP & RELATED PARTS - 7120/7120(LA)

REF	FN	PART NUMBER	YR/SN	QTY	DESCRIPTION
1		504158774		1	SUMP
2		16508460		1	GASKET
3		16992611		1	PLUG
4		504125618		1	GASKET
5		504143828		1	SPACER
6		16587525		21	SCREW
7		504005577		5	PROP
8		17095024		5	WASHER

7120 7120

OIL SUMP & RELATED PARTS - 8120/8120(LA)



10.102.02

02

p1

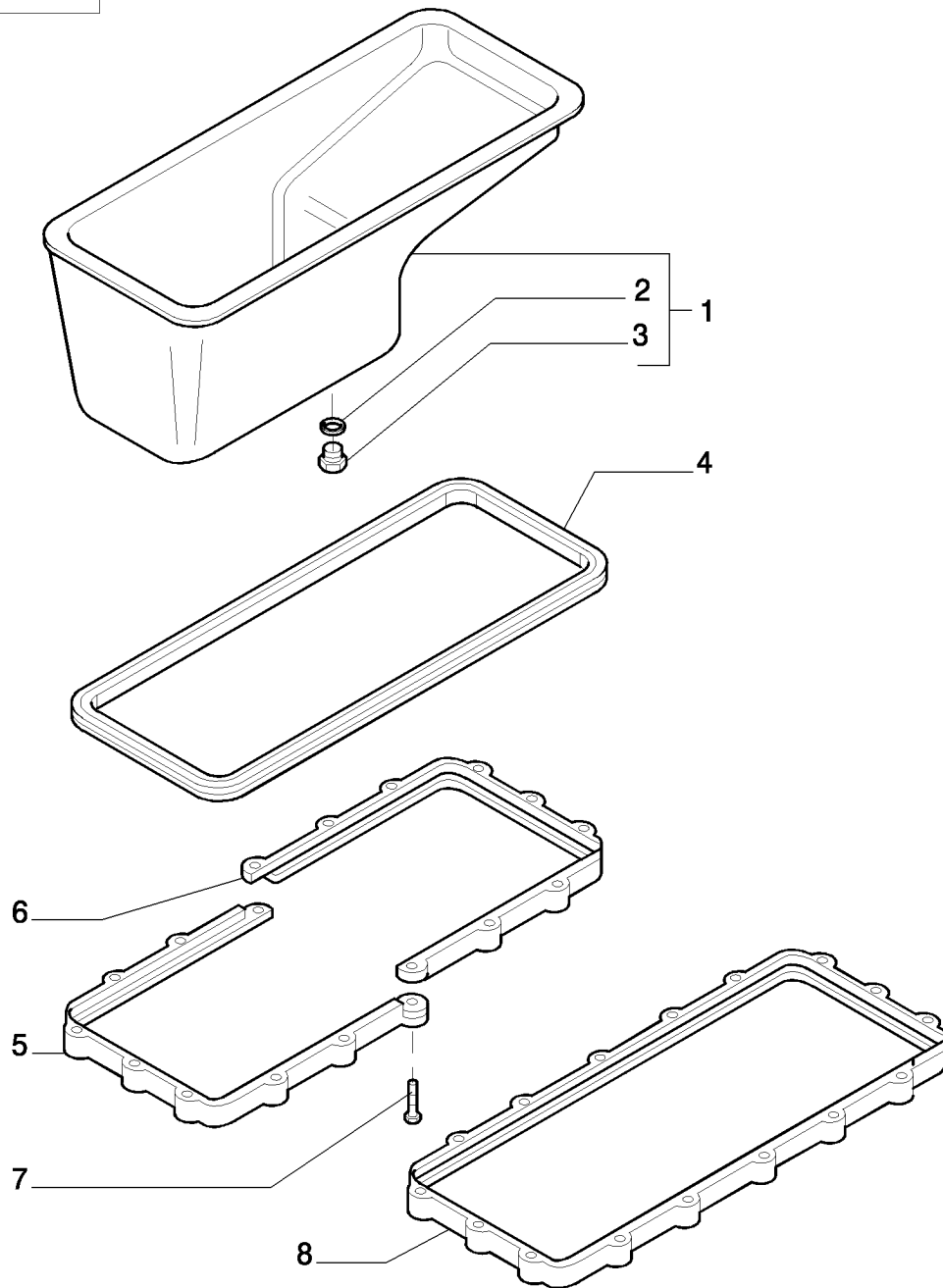
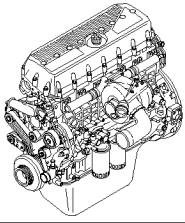
02/10

OIL SUMP & RELATED PARTS - 8120/8120(LA)

REF	FN	PART NUMBER	YR/SN	QTY	DESCRIPTION
1		500336615		1	ENGINE OIL PAN, ASSY
2		99489022		1	SEALING WASHER, D = 22 mm
3		16992611		1	PLUG, M22 x 1.5
4		504028001		1	GASKET
5		17095024		AR	WASHER
6		16587524		AR	SCREW, M10 x 45 mm
7		504005577		AR	PROP
8		99468498		1	SPACER
9		99468497		1	SPACER

8120 8120

OIL SUMP & RELATED PARTS - 9120



10.102.02

03

p1

02/10

OIL SUMP & RELATED PARTS - 9120

REF	FN	PART NUMBER	YR/SN	QTY	DESCRIPTION
1		504024778		1	ENGINE OIL PAN, ASSY
2		99489022		1	SEALING WASHER, D = 22 mm
3		16992611		1	PLUG, M22 x 1.5
4		504024777		1	GASKET
5		99449984	BSN 104597	1	SPACER
6		99449985	BSN 104597	1	SPACER
7		16587525		16	SCREW, M10 x 45 mm
8		504276421	BSN 104598	1	SPACER

9120

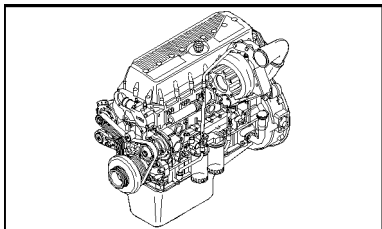
10.102.04

01

p1

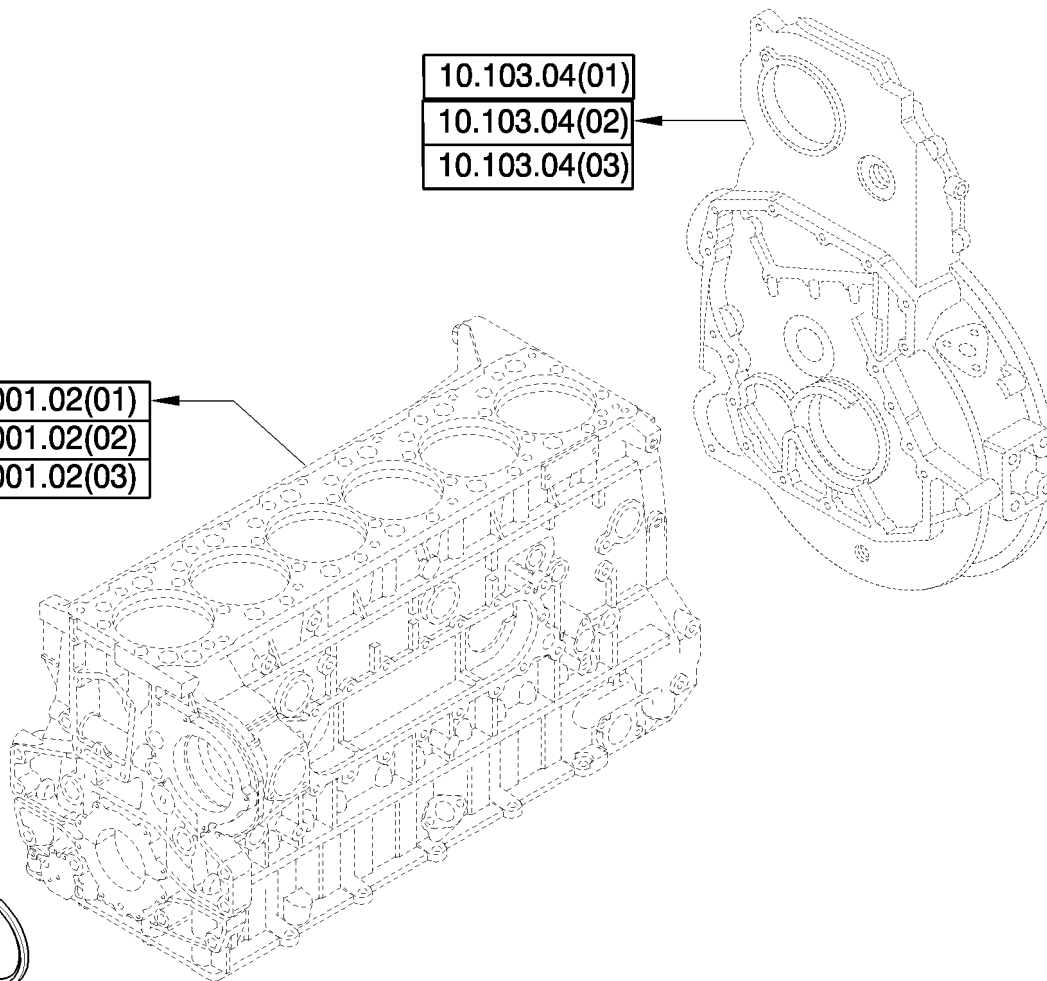
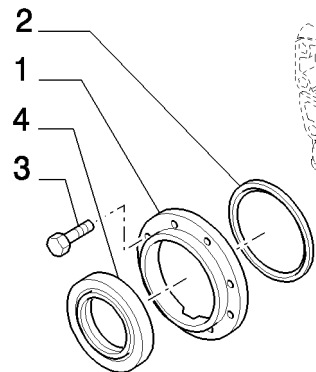
02/10

ENGINE BLOCK FRONT COVER - 8120/8120(LA)



10.001.02(01)
10.001.02(02)
10.001.02(03)

10.103.04(01)
10.103.04(02)
10.103.04(03)



10.102.04

01

p1

02/10

ENGINE BLOCK FRONT COVER - 8120/8120(LA)

REF	FN	PART NUMBER	YR/SN	QTY	DESCRIPTION
1		500304671		1	COVER
2		17292581		1	SEAL
3		16586225		8	BOLT, M8 x 16
4		40102683		1	SEAL

8120 8120

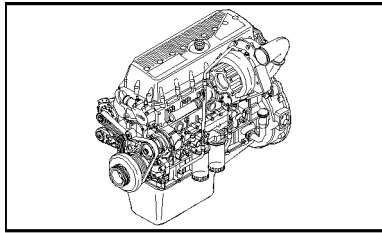
10.102.04

02

p1

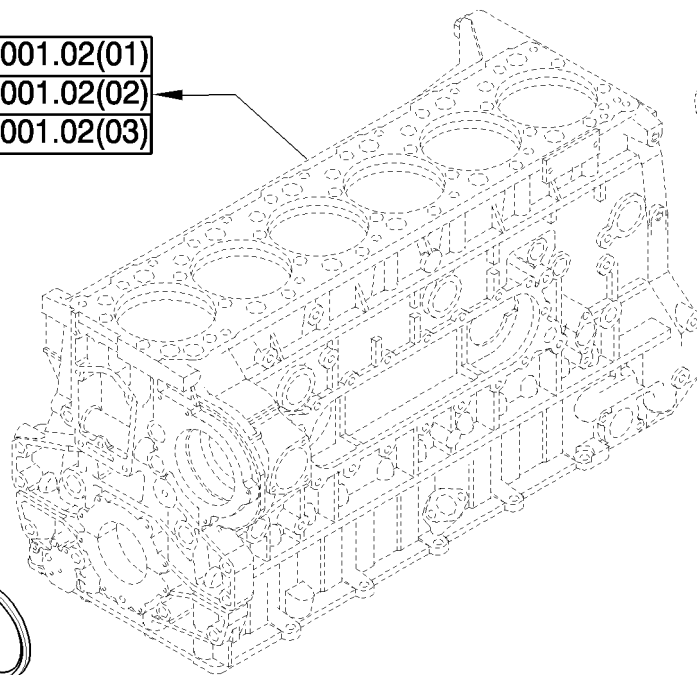
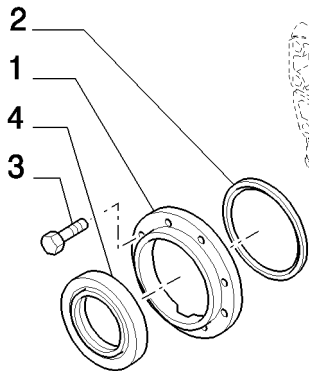
02/10

ENGINE BLOCK FRONT COVER - 9120



10.001.02(01)
10.001.02(02)
10.001.02(03)

10.103.04(01)
10.103.04(02)
10.103.04(03)

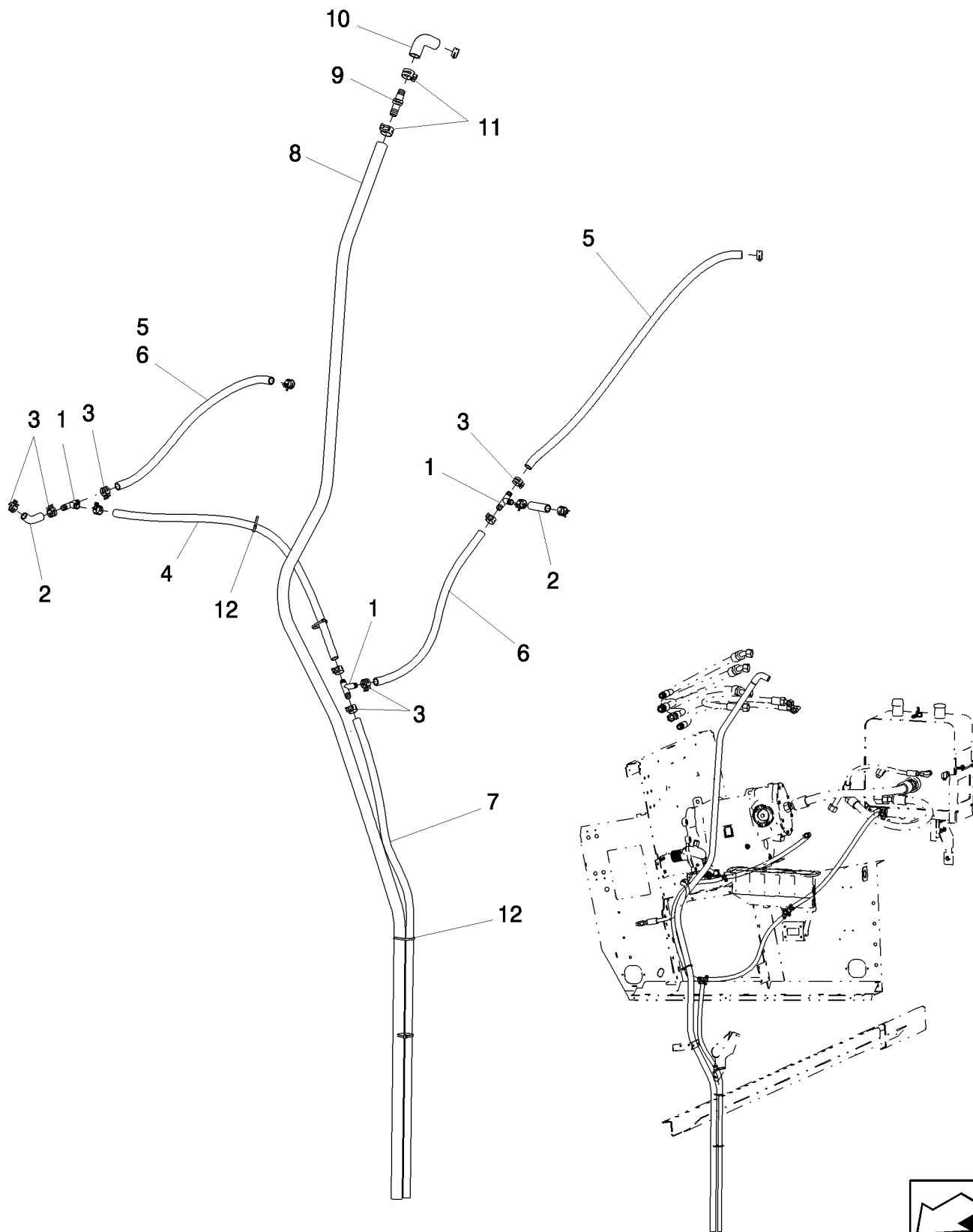


ENGINE BLOCK FRONT COVER - 9120

REF	FN	PART NUMBER	YR/SN	QTY	DESCRIPTION
1		500304671		1	COVER
2		17292581		1	SEAL
3		16586225		8	BOLT, M8 x 16
4		40102683		1	SEAL

	9120
--	-------------

OIL DRAIN LINES



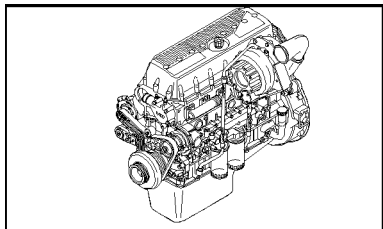
OIL DRAIN LINES

REF	FN	PART NUMBER	YR/SN	QTY	DESCRIPTION
1		87107102		3	TEE
2	1	1977295C1		2	HOSE, 75 mm; From Valves on Rotor Gearbox and PTO Gearbox Oil Pan
3		87000223		13	HOSE CLAMP
4	1	1977295C1		1	HOSE, Drain; 1150 mm
5	1	1977295C1		1	HOSE, Drain, 940 mm - From Valve on Hydraulic Oil Reservoir
6	1	1977295C1		2	HOSE, Drain, 710 mm - (1) From Valve on Engine Oil Pan
7	1	1977295C1		1	HOSE, Drain; 1500 mm
8	1	87107435		1	HOSE, Drain; 900 mm
9	2	87107557		1	FITTING
10	2	84334134		1	HOSE, ELBOW - From Breather Port on Engine
11		382527		3	HOSE CLAMP, M25-40, Worm
12		86566989		AR	CABLE STRAP, M4.75 x 190.5 L

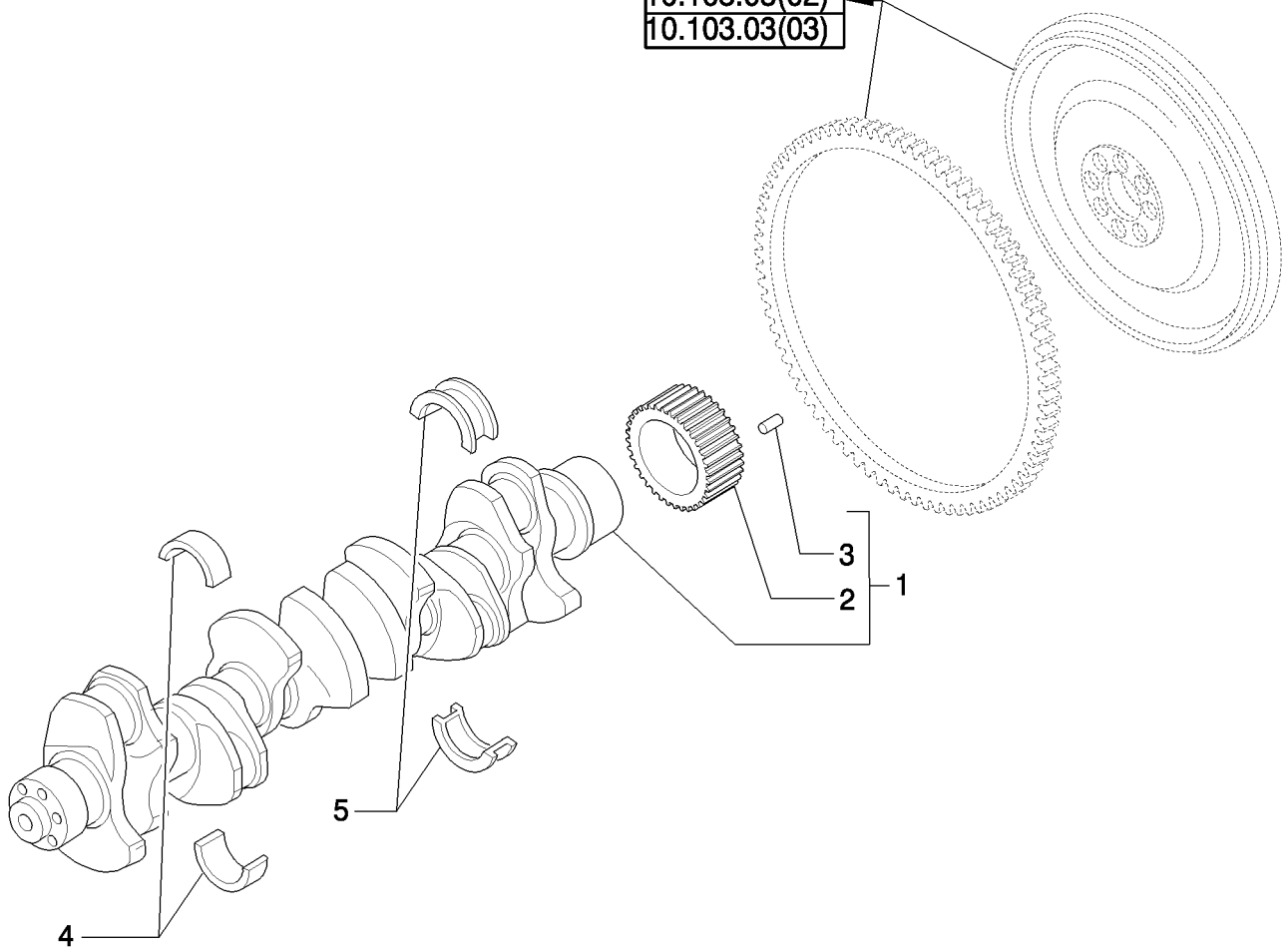
- (1) Order Per Foot, as Needed
- (2) 8120 & 9120 Only

**9120 8120 7120 7120
8120**

CRANKSHAFT - 7120/7120(LA)



10.103.03(01)
10.103.03(02)
10.103.03(03)



CRANKSHAFT - 7120/7120(LA)

REF	FN	PART NUMBER	YR/SN	QTY	DESCRIPTION
1		504128849		1	CRANKSHAFT
2		504124624		1	GEAR
3		17275410		1	DOWEL, D = 8 mm
4		8094915		1	SET OF STD MAIN BRGS
4		8094916		1	SET OF STD MAIN BRGS
4		8094917		1	SET OF MAIN BRGS -0.254
4		8094918		1	SET OF MAIN BRGS -1.016
4		8094919		1	SET OF MAIN BRGS -1.016
4		8094920		1	SET OF MAIN BRGS -0.508
5		8094921		1	SET OF THRUST WASHERS (STD), Bearings

	7120 7120
--	------------------

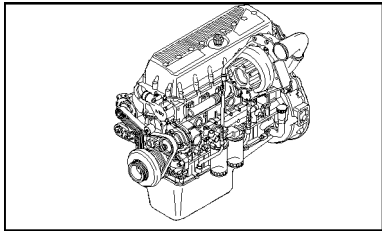
10.103.01

02

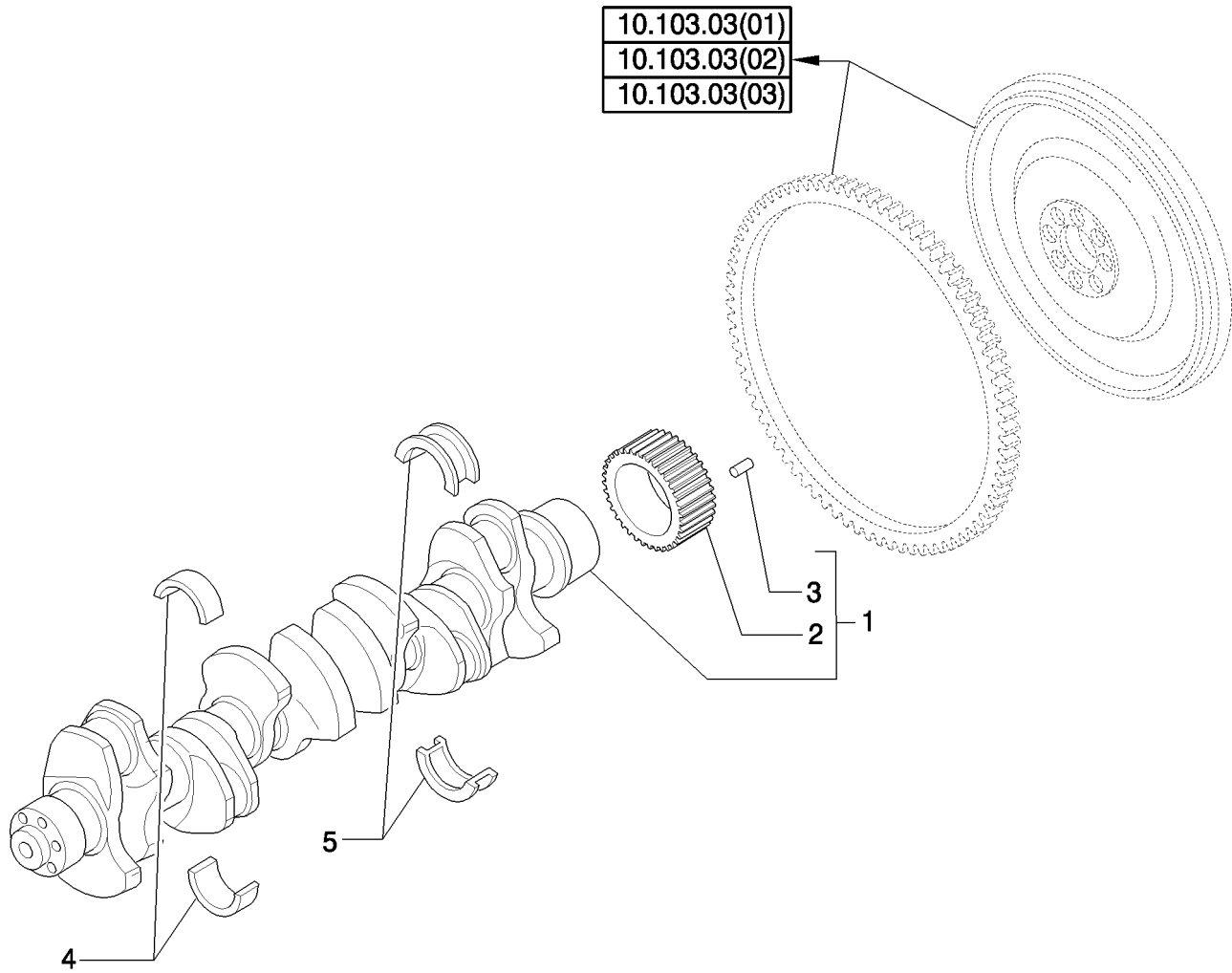
p1

02/10

CRANKSHAFT - 9120



10.103.03(01)
10.103.03(02)
10.103.03(03)



10.103.01

02

p1

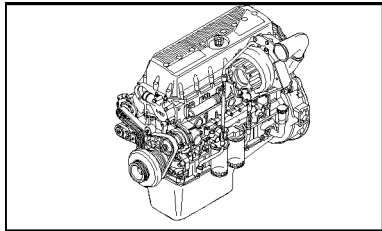
02/10

CRANKSHAFT - 9120

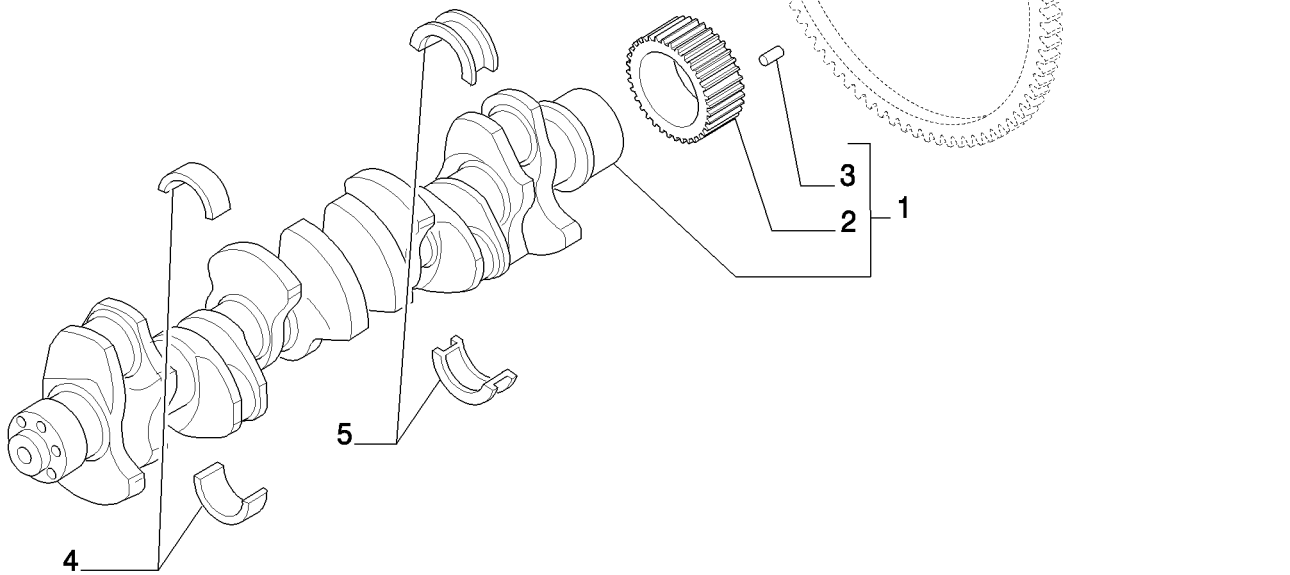
REF	FN	PART NUMBER	YR/SN	QTY	DESCRIPTION
1		99438979		1	CRANKSHAFT
2		99437423		1	DRIVING GEAR
3		17275410		1	DOWEL, D = 8 mm
4		2992137		1	SET OF STD MAIN BRGS, Red
4		2992138		1	SET OF STD MAIN BRGS, Green
4		2992139		1	SET OF CONN ROD BRGS U/S, 0.127 Red/Black
4		2992140		1	SET OF CONN ROD BRGS U/S, 0.127 Green/Black
4		2992141		1	SET OF MAIN BRGS -0.254, Red
4		2992142		1	SET OF MAIN BRGS -0.508, Red
5		2992143		1	SET OF THRUST WASHERS (STD), Red
5		2992144		1	SET OF THRUST WASHERS (STD), Green
5		2992146		1	SET OF THRUST WASHERS +0.508
5		2992145		1	SET OF THRUST WASHERS +0.25

9120

CRANKSHAFT & RELATED PARTS - 8120/8120(LA)



10.103.03(01)
10.103.03(02)
10.103.03(03)



CRANKSHAFT & RELATED PARTS - 8120/8120(LA)

REF	FN	PART NUMBER	YR/SN	QTY	DESCRIPTION
1		99437550		1	CRANKSHAFT, ASSY
2		99437423		1	DRIVING GEAR
3		17275410		1	DOWEL, D = 8 mm
4		2991776		6	SET OF STD MAIN BRGS, Red
4		2991836		6	SET OF STD MAIN BRGS, Green
4		2991777		6	SET OF STD MAIN BRGS, Red Black, 0.127
4		2991837		6	SET OF STD MAIN BRGS, Green Black, 0.127
4		2991838		6	SET OF MAIN BRGS -0.254, Red
4		2991839		6	SET OF MAIN BRGS -0.508, Red
5		2991780		1	SET OF THRUST WASHERS (STD), Red
5		2991840		1	SET OF THRUST WASHERS (STD), Green
5		2991841		1	SET OF THRUST WASHERS +0.25, Red
5		2991842		1	SET OF THRUST WASHERS +0.508, Red

8120 8120

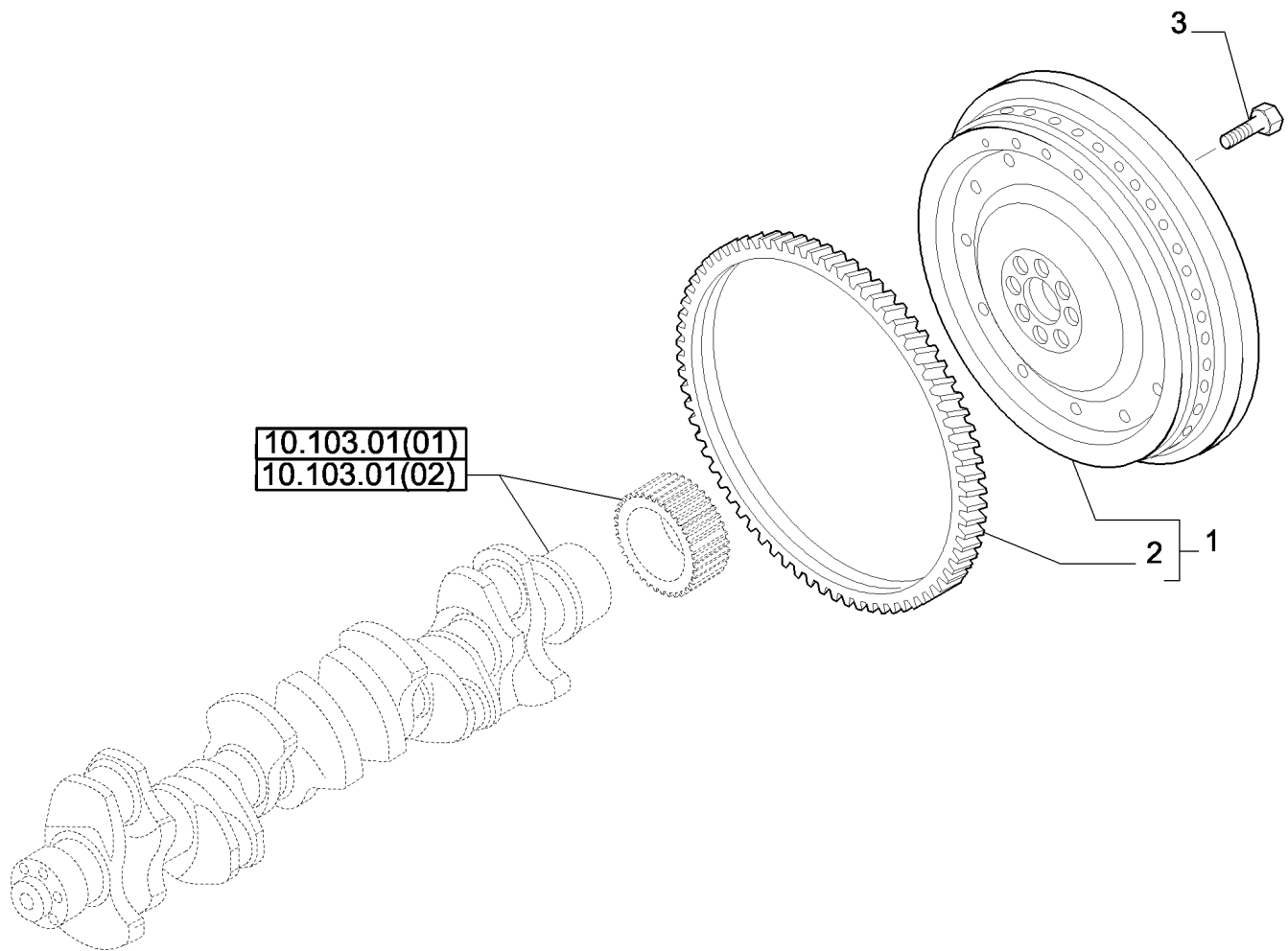
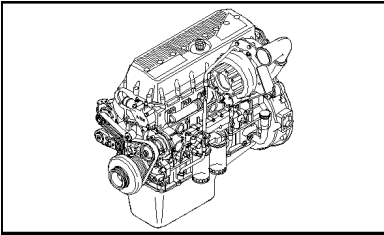
10.103.03

01

p1

02/10

FLYWHEEL - 7120/1720(LA)



FLYWHEEL - 7120/1720(LA)

REF	FN	PART NUMBER	YR/SN	QTY	DESCRIPTION
1		504129520		1	ENGINE FLYWHEEL
2		99438525		1	RING GEAR
3		99430395		8	SCREW

	7120 7120
--	------------------

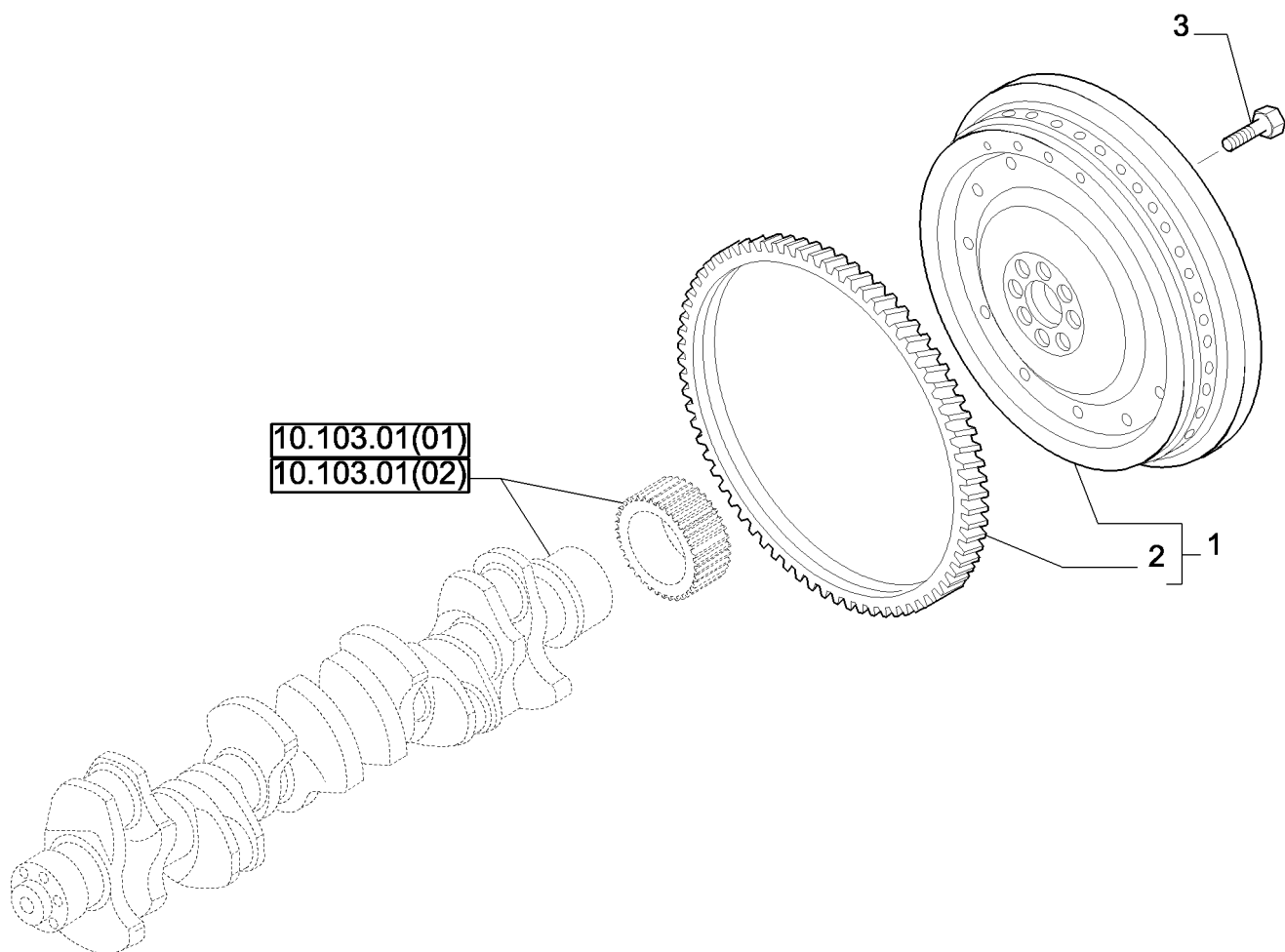
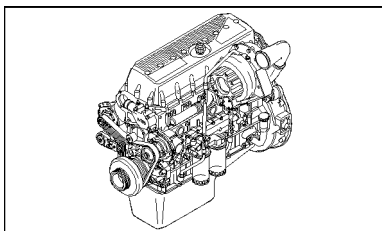
10.103.03

02

p1

02/10

FLYWHEEL - 8120/8120(LA)



10.103.03

02

p1

02/10

FLYWHEEL - 8120/8120(LA)

REF	FN	PART NUMBER	YR/SN	QTY	DESCRIPTION
1		500374302		1	ENGINE FLYWHEEL, ASSY
2		99433386		1	RING GEAR
3		99430395		8	SCREW

8120 8120

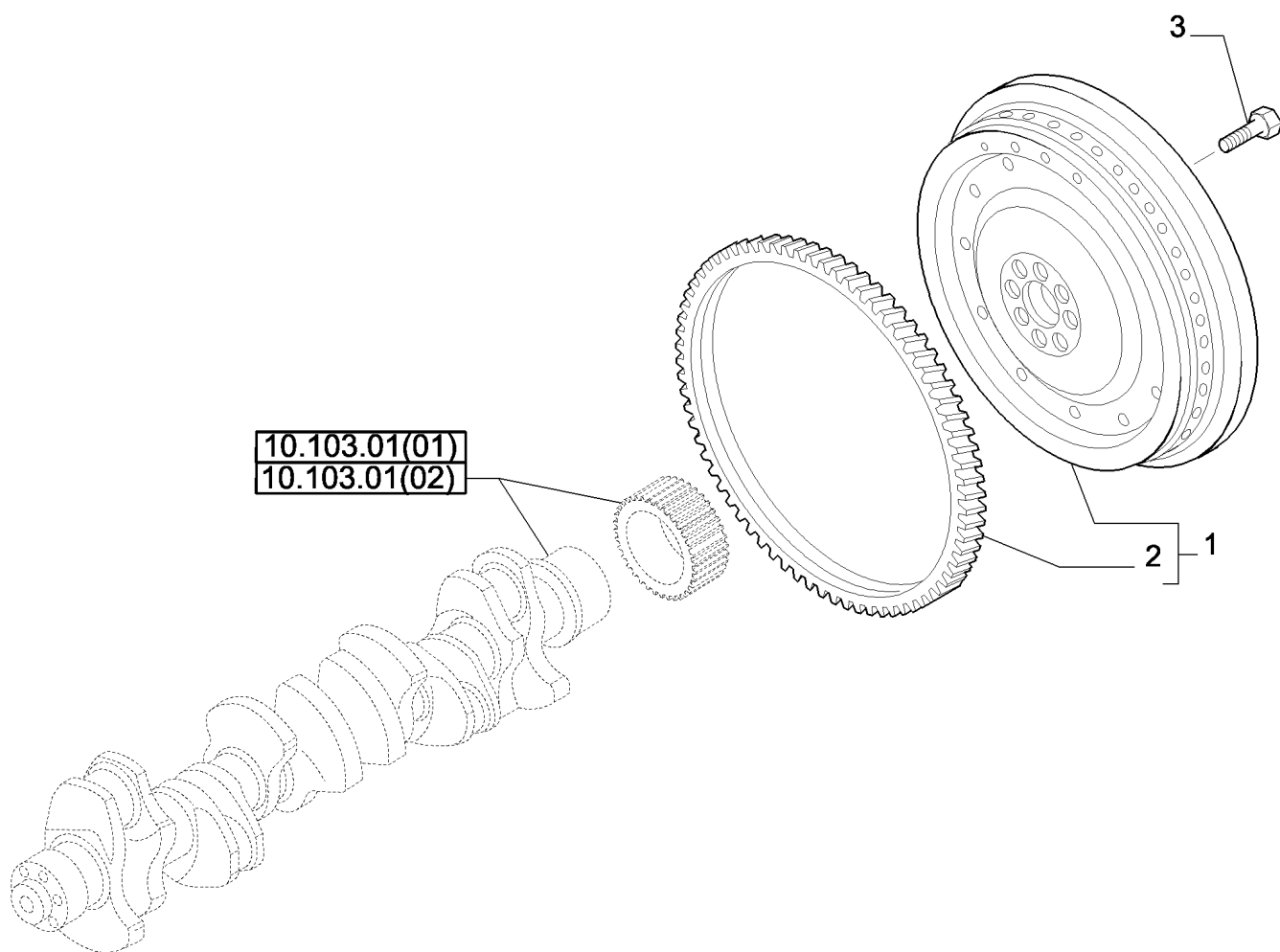
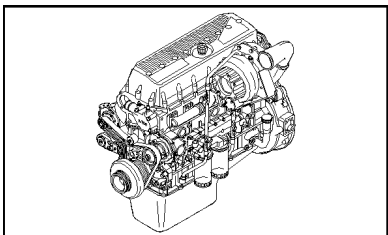
10.103.03

03

p1

02/10

FLYWHEEL - 9120

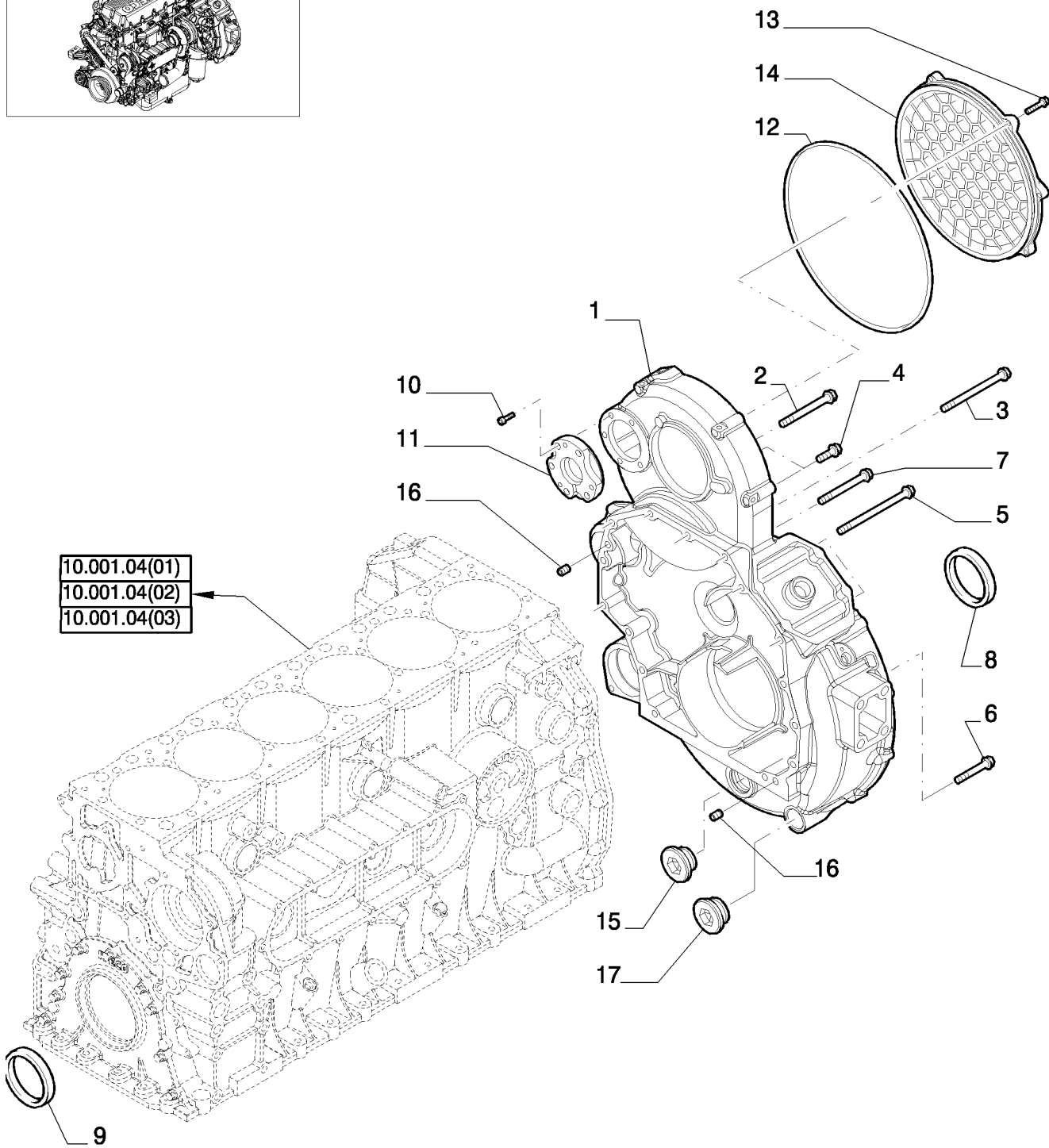
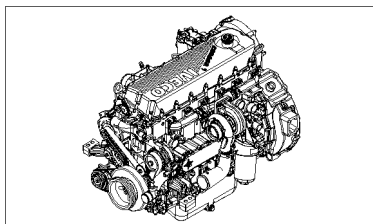


FLYWHEEL - 9120

REF	FN	PART NUMBER	YR/SN	QTY	DESCRIPTION
1		500374302		1	ENGINE FLYWHEEL
2		99433386		1	RING GEAR
3		99430395		8	SCREW

	9120
--	-------------

FLYWHEEL CASE - 7120/7120(LA)



10.001.04(01)
10.001.04(02)
10.001.04(03)

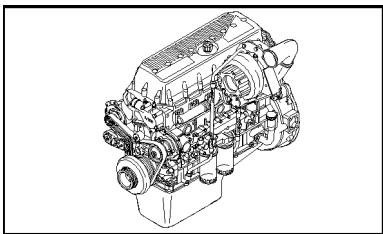


FLYWHEEL CASE - 7120/7120(LA)

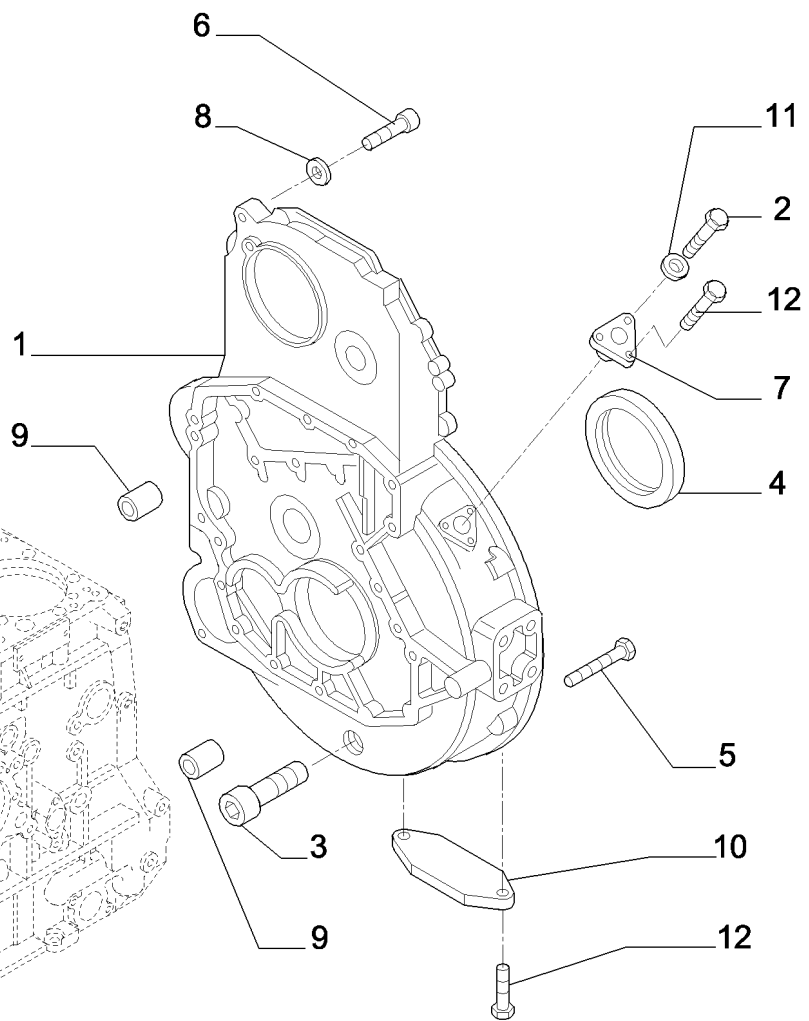
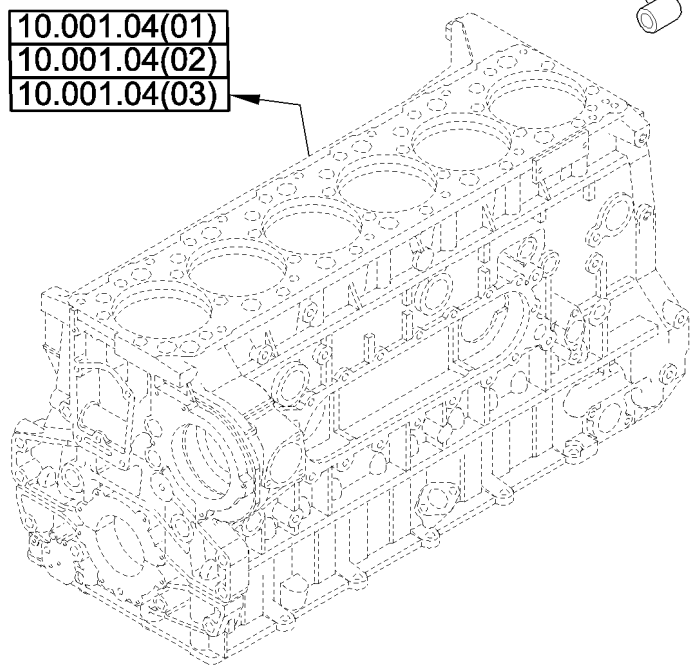
REF	FN	PART NUMBER	YR/SN	QTY	DESCRIPTION
1		504124669		1	HOUSING
2		16593625		1	SCREW, M12 x 120
3		16599424		1	SCREW, M10 x 180
4		16587325		3	SCREW, M10 x 35
5		4892742		2	SCREW, Hex Flg, M10 x 1.5 x 190, 10.9
6		16593224		7	SCREW, M12 x 70
7		16598924		1	SCREW, M10 x 110
8		40102693		1	GASKET
9		504042684		1	SHAFT SEAL
10		16707334		5	SCREW, M8 x 30
11		504126747		1	FLANGE
12		17301181		1	O-RING, M329.6 x 5.33
13		16673835		6	SCREW, M8 x 30
14		504124620		1	COVER
15		17917240		1	PLUG, M42 x 2
16		500314968		2	DOWEL, M12
17		16992915		1	PLUG, M52 x 2

7120 7120

FLYWHEEL CASE - 8120/8120(LA)



10.001.04(01)
10.001.04(02)
10.001.04(03)



10.103.04

02

p1

02/10

FLYWHEEL CASE - 8120/8120(LA)

REF	FN	PART NUMBER	YR/SN	QTY	DESCRIPTION
1		500310414		1	HOUSING
2		61315661		1	SCREW
3		16992911		1	PLUG, M52 x 2
4		40102693		1	GASKET
5		16677934		4	SCREW, M12 x 1.75 x 35 mm
5		16593624		1	SCREW, M12 x 1.75 x 120 mm
5		99475978		2	SCREW
5		16588824		2	SCREW, M12 x 1.75 x 70 mm
5		16593424		10	SCREW, M12 x 100 mm
6		16675834		2	SCREW, M10 x 30 mm
7		504113483		1	MOUNTING PLATE
8		98474305		2	SEALING WASHER, D = 10 x 17 x 2.3 mm
9		17275610		2	DOWEL
10		4851842		1	COVER
11		14496521		1	WASHER, M8 x 17 x 1.6
12		16597924		4	SCREW, M8 x 14 mm

8120 8120

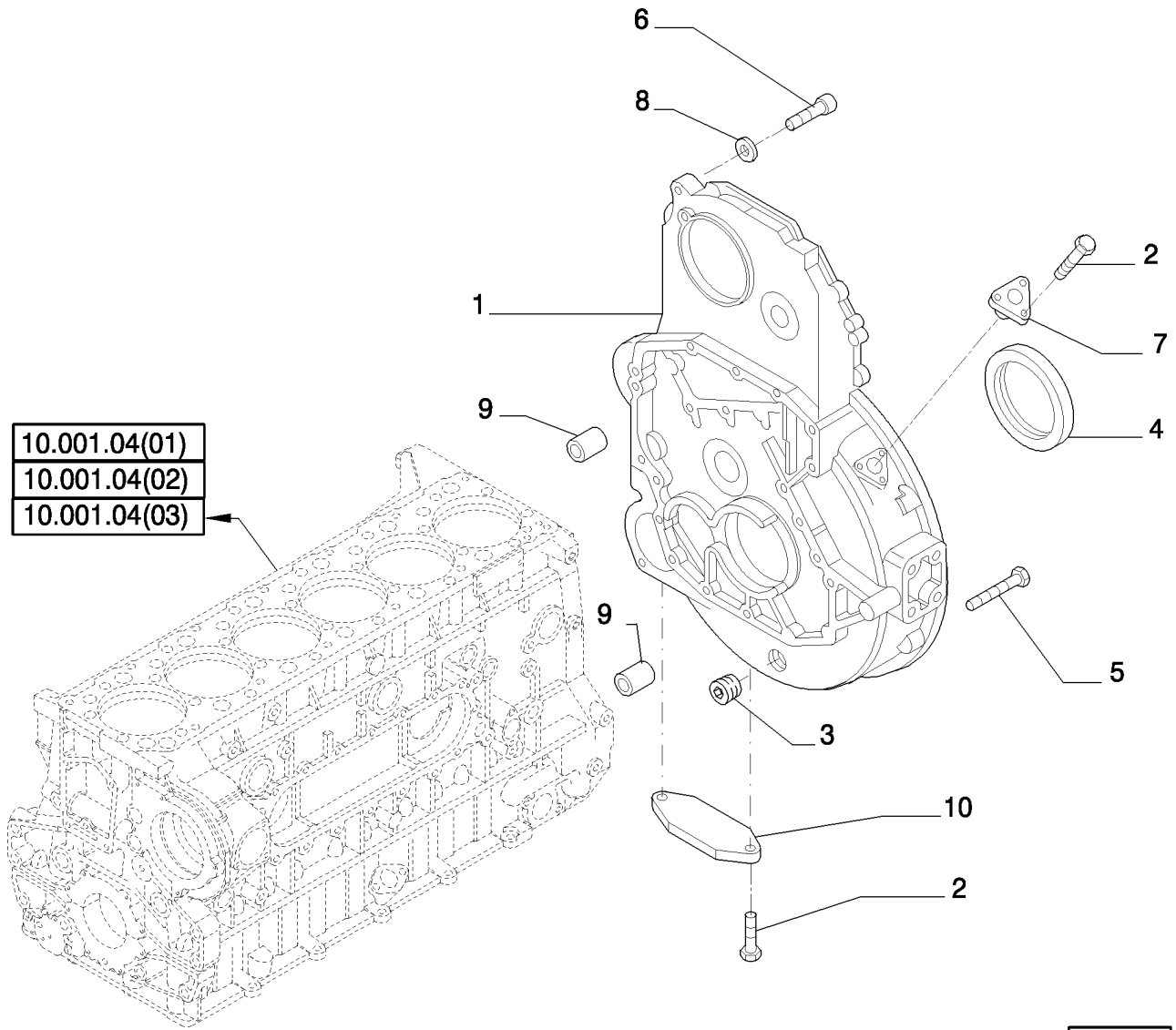
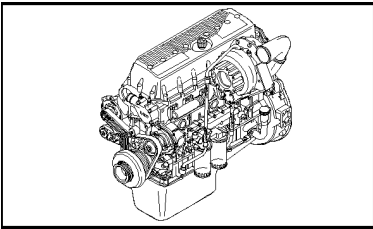
10.103.04

03

p1

02/10

FLYWHEEL CASE - 9120



- 10.001.04(01)
- 10.001.04(02)
- 10.001.04(03)



10.103.04

03

p1

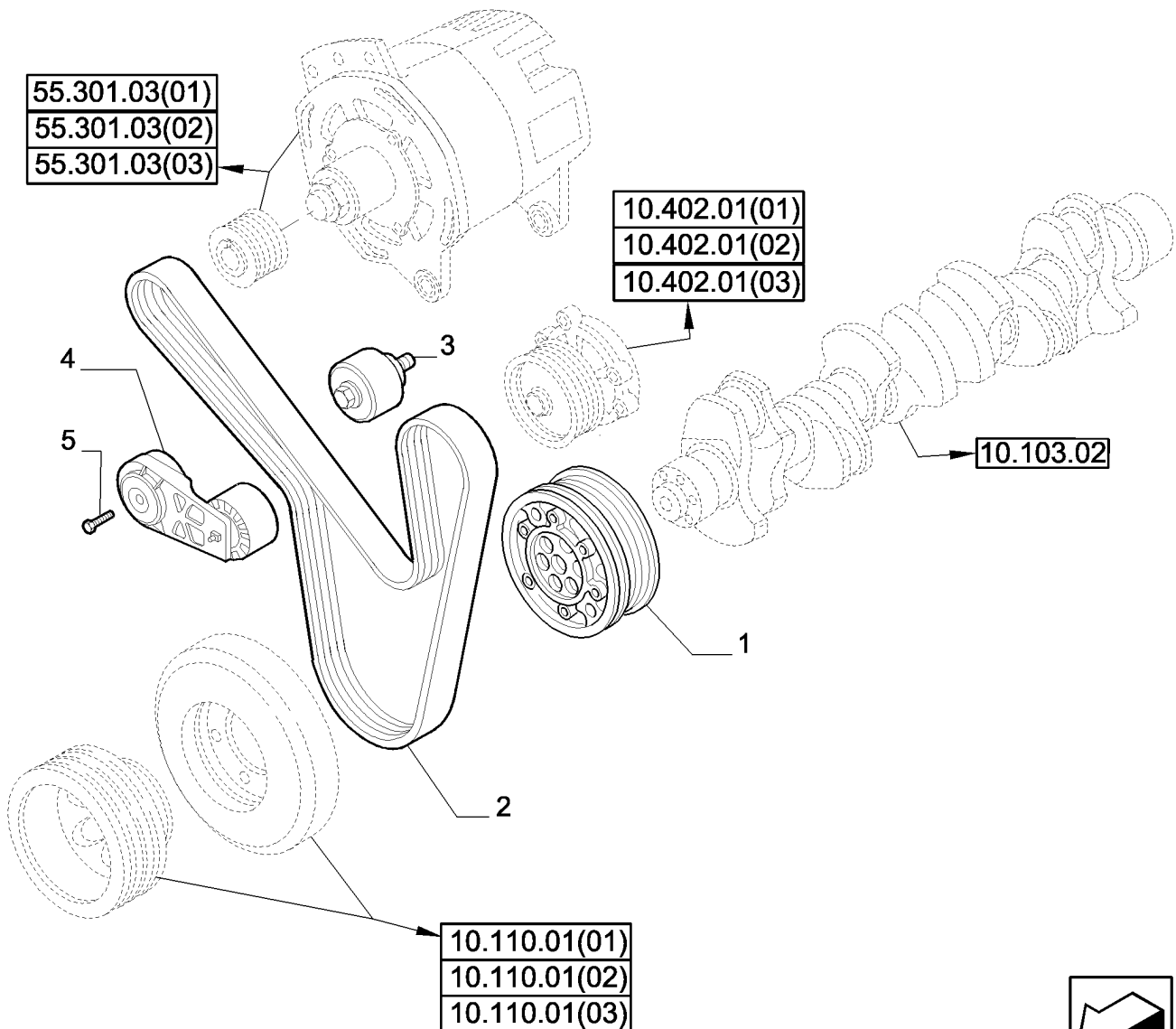
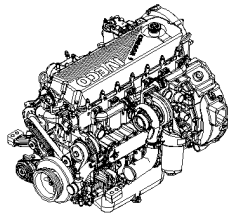
02/10

FLYWHEEL CASE - 9120

REF	FN	PART NUMBER	YR/SN	QTY	DESCRIPTION
1		500324441		1	COVER
2		16597925		4	SCREW, M8 x 14
3		16992915		1	PLUG, M52 x 2
4		40102693		1	GASKET
5		16588125		4	SCREW, M12 x 1.75 x 35
5		16593625		1	SCREW, M12 x 1.75 x 120
5		99475978		2	SCREW
5		16588825		2	SCREW, M12 x 1.75 x 70
5		16593425		10	SCREW, M12 x 100
6		16675835		2	SCREW, M10 x 30
7		99472521		1	COVER
8		98474305		2	SEALING WASHER, D = 10 x 17 x 2.3 mm
9		17275610		2	DOWEL
10		4851842		1	COVER

9120

DRIVE BELT & CRANKSHAFT PULLEY - 7120/7120LA

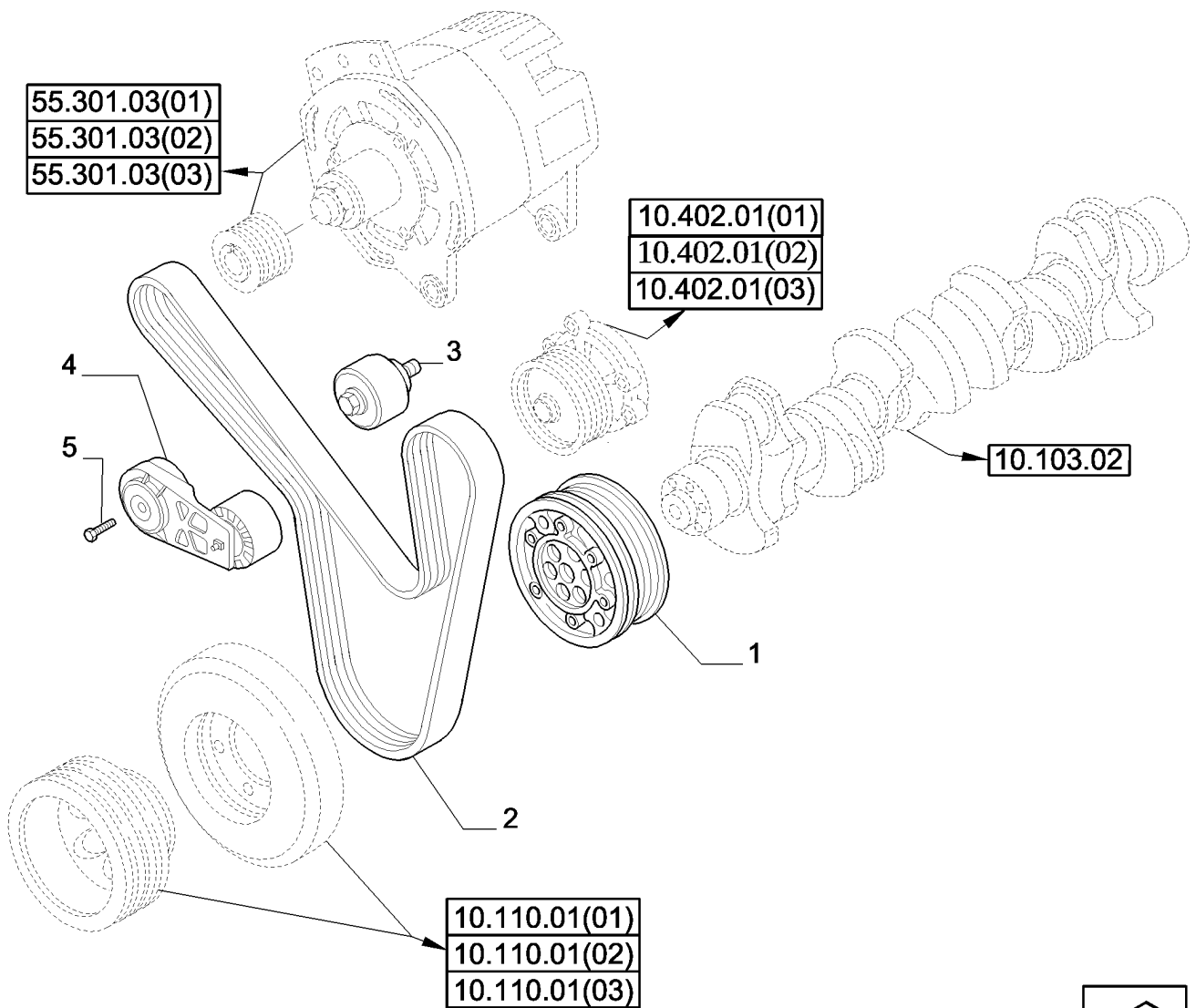
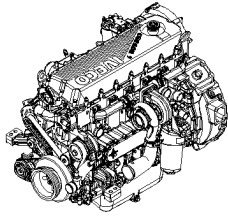


DRIVE BELT & CRANKSHAFT PULLEY - 7120/7120LA

REF	FN	PART NUMBER	YR/SN	QTY	DESCRIPTION
1		500355649		1	PULLEY
2		500371653		1	BELT
3		504006261		1	BELT TENSIONER
4		504046191		1	BELT TENSIONER
5		16676834		1	FLANGE BOLT, Hex, M10 x 70

7120 7120

DRIVE BELT & CRANKSHAFT PULLEY - 9120



10.103.07

02

p1

02/10

DRIVE BELT & CRANKSHAFT PULLEY - 9120

REF	FN	PART NUMBER	YR/SN	QTY	DESCRIPTION
1		504254002		1	PULLEY
2		504049425		1	BELT
3		504006261		1	BELT TENSIONER
4		504046191		1	BELT TENSIONER
5		16676834		1	FLANGE BOLT, Hex, M10 x 70

9120

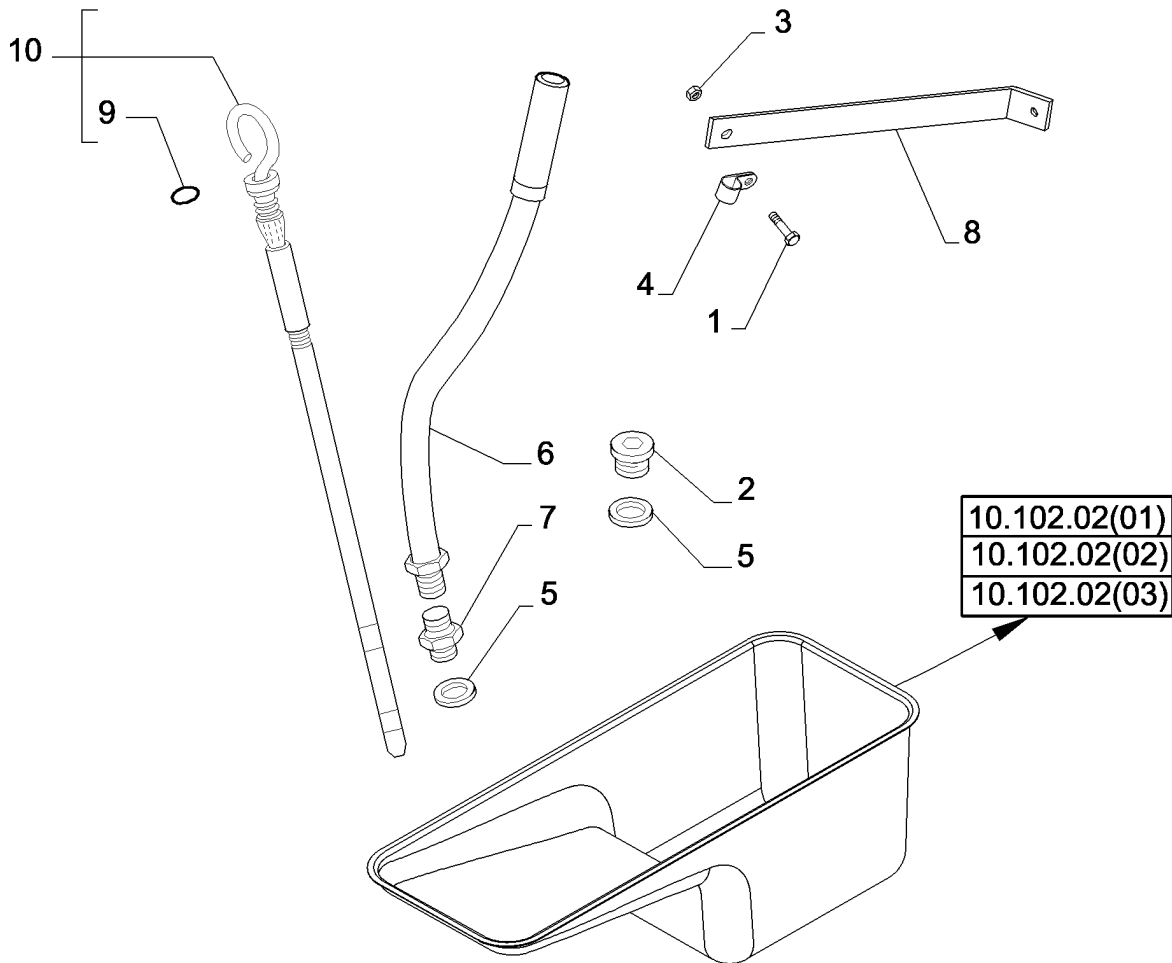
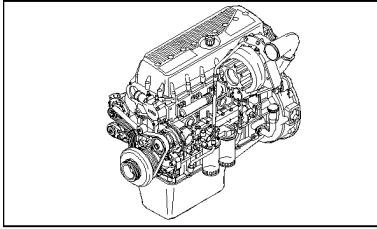
10.103.09

01

p1

10/09

OIL DIPSTICK & TUBE - 8120/8120(LA)



10.103.09

01

p1

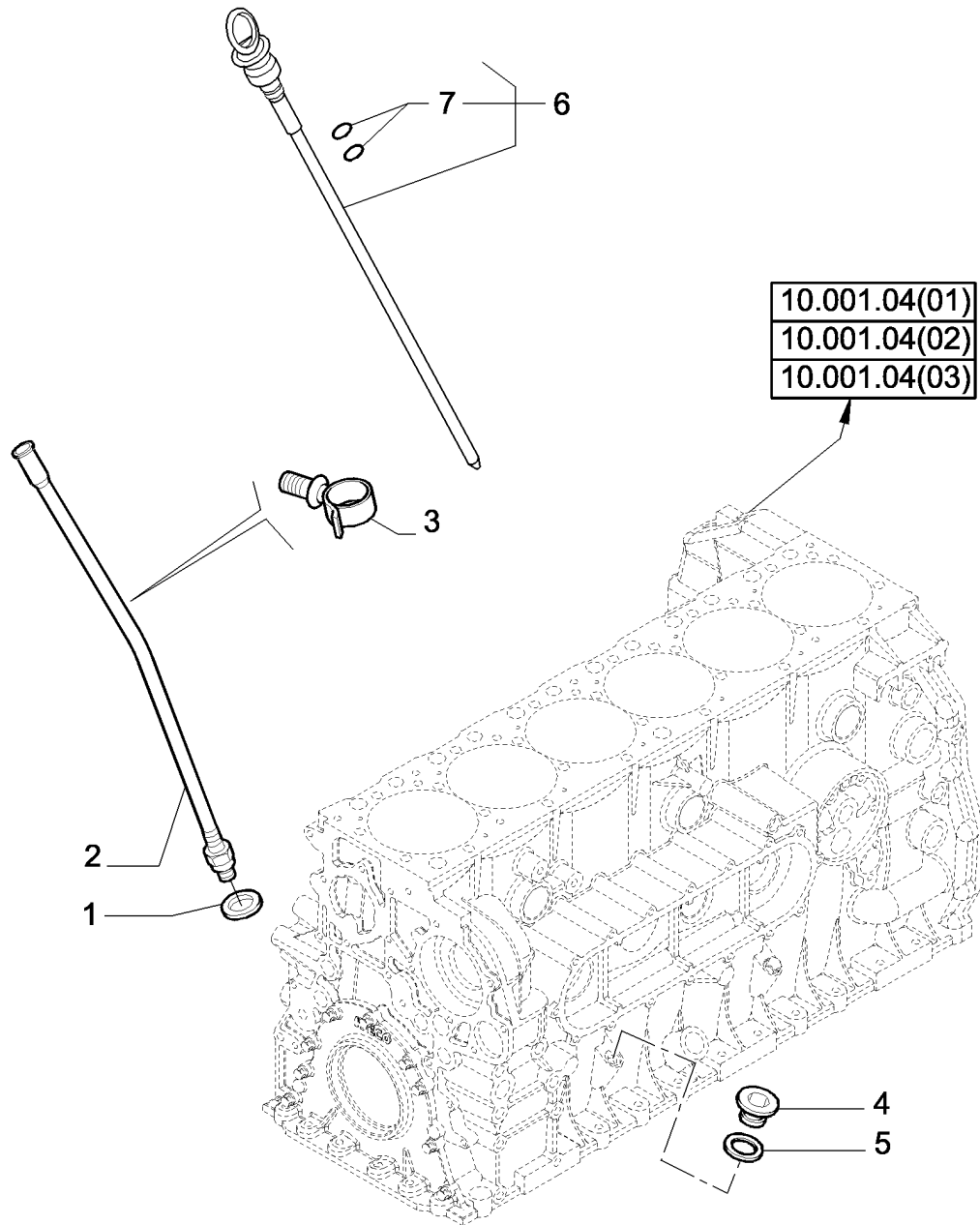
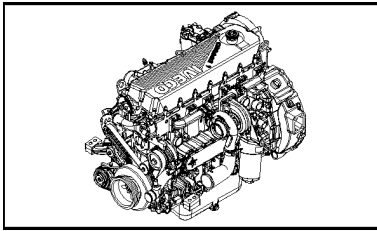
10/09

OIL DIPSTICK & TUBE - 8120/8120(LA)

REF	FN	PART NUMBER	YR/SN	QTY	DESCRIPTION
1		16586224		2	SCREW
2		16992511		2	PLUG
3		17044721		1	NUT
4		17316699		1	CLAMP
5		99489020		3	SEALING WASHER
6		504012076	BSN 72655	1	RIGID TUBE, Dipstick
6		504117963	ASN 72655	1	TUBE, Dipstick
7		504023175		1	HYD CONNECTOR
8		504066745		1	BRACKET
9		504027969		1	SEALRING
10		504164474		1	DIPSTICK

8120 8120

OIL LEVEL CHECK - 7120/7120(LA)



10.001.04(01)
10.001.04(02)
10.001.04(03)

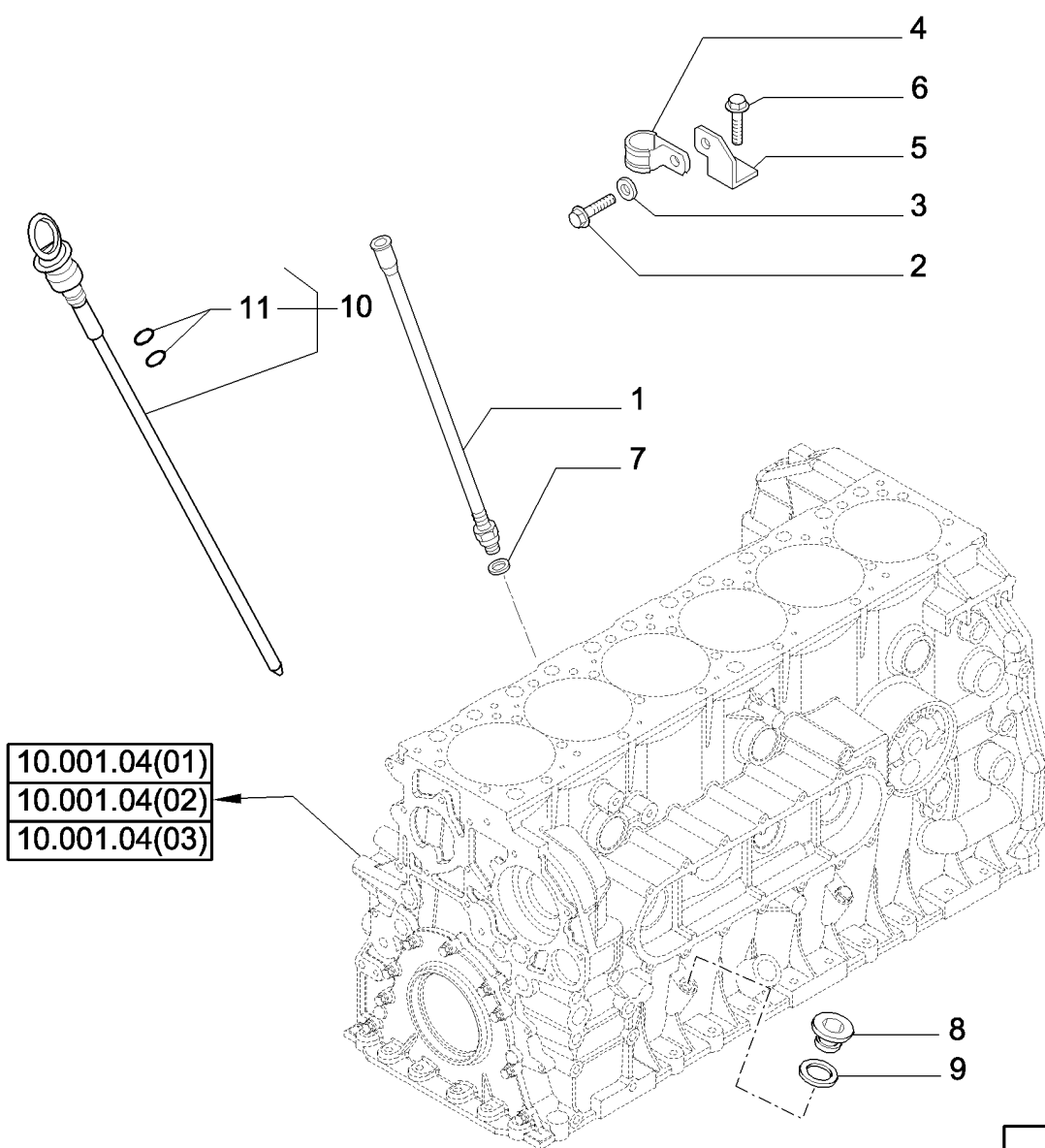
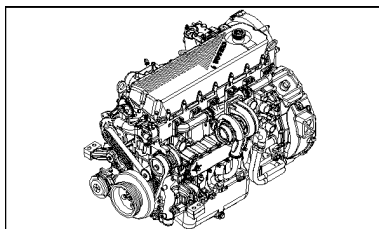


OIL LEVEL CHECK - 7120/7120(LA)

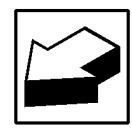
REF	FN	PART NUMBER	YR/SN	QTY	DESCRIPTION
1		99489020		1	SEALING WASHER, 18 x 26 x 1.5
2		504117954		1	TUBE
3		500349848		1	CLAMP
4		16887515		1	PLUG, M12 x 1.5
5		99489017		1	GASKET
6		504210044		1	DIPSTICK
7		504027969		2	SEALRING

	7120 7120
--	------------------

OIL LEVEL CHECK - 7120/7120(LA) FROM 01/01/2009



10.001.04(01)
10.001.04(02)
10.001.04(03)



10.103.10

02

p1

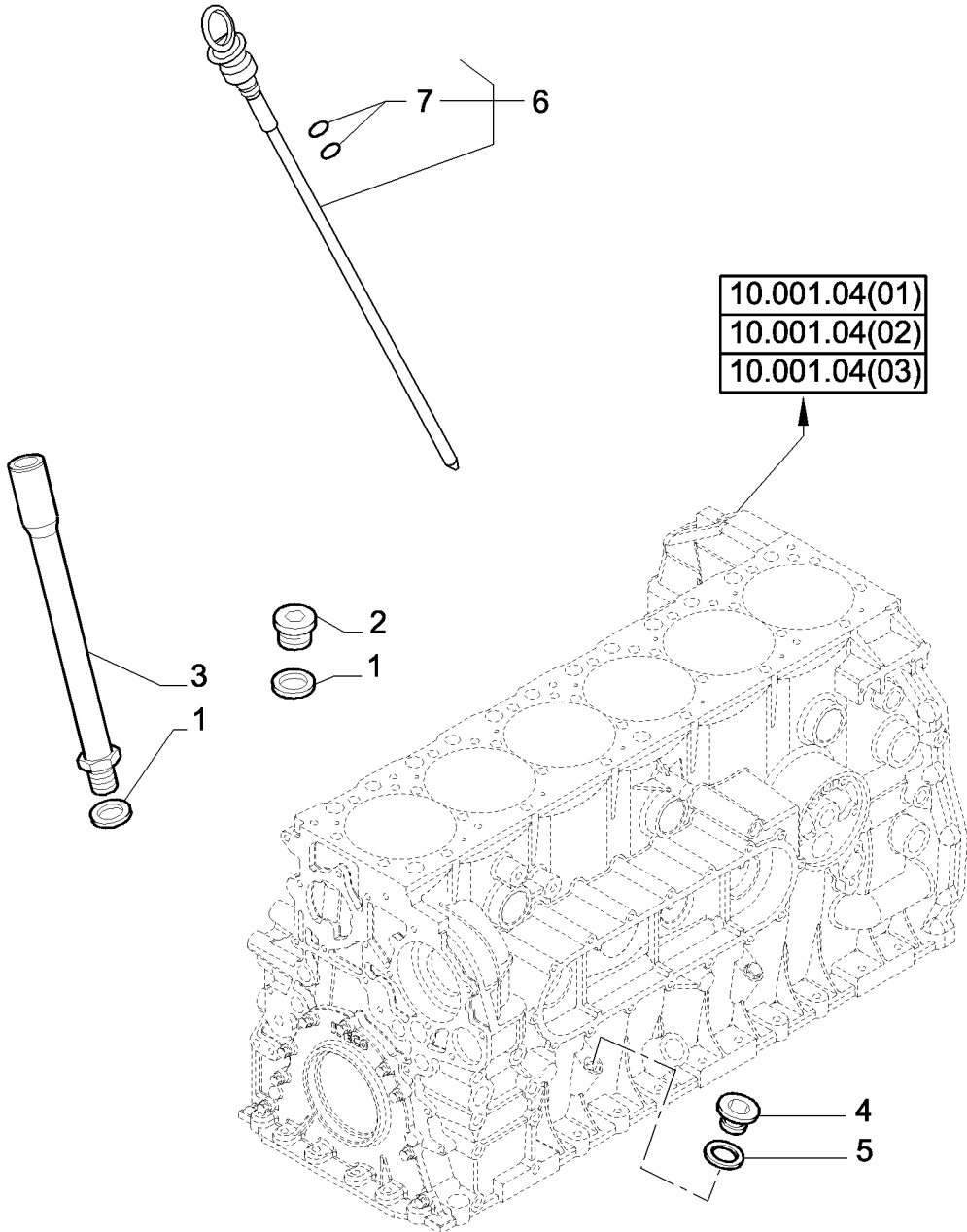
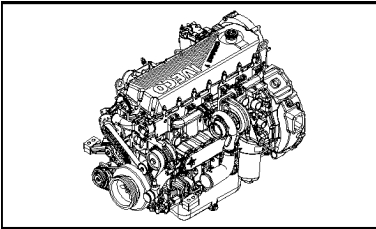
02/10

OIL LEVEL CHECK - 7120/7120(LA) FROM 01/01/2009

REF	FN	PART NUMBER	YR/SN	QTY	DESCRIPTION
1		504117954		1	TUBE
2		16586225		1	BOLT, M8 x 16
3		16666716		1	WASHER
4		17316699		1	CLAMP
5		4791406		1	BRACKET
6		{16587025}		1	
7		4893207		1	SEALING WASHER
8		11903211		1	PLUG, M12 x 1.25 x 12, CI5.8
9		2855325		2	SEAL
10		504210044		1	DIPSTICK
11		504027969		2	SEALRING

7120 7120

OIL LEVEL CHECK - 9120



OIL LEVEL CHECK - 9120

REF	FN	PART NUMBER	YR/SN	QTY	DESCRIPTION
1		99489020		2	SEALING WASHER, 18 x 26 x 1.5
2		16992515		1	PLUG, M18 x 1.5
3		99471019		1	PIPE
4		11903211		1	PLUG, M12 x 1.25 x 12, C15.8
5		99489017		1	GASKET
6		504286096		1	DIPSTICK
7		504027969		2	SEALRING

	9120
--	-------------

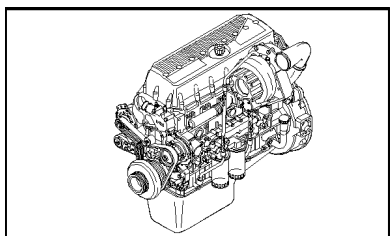
10.105.03

01

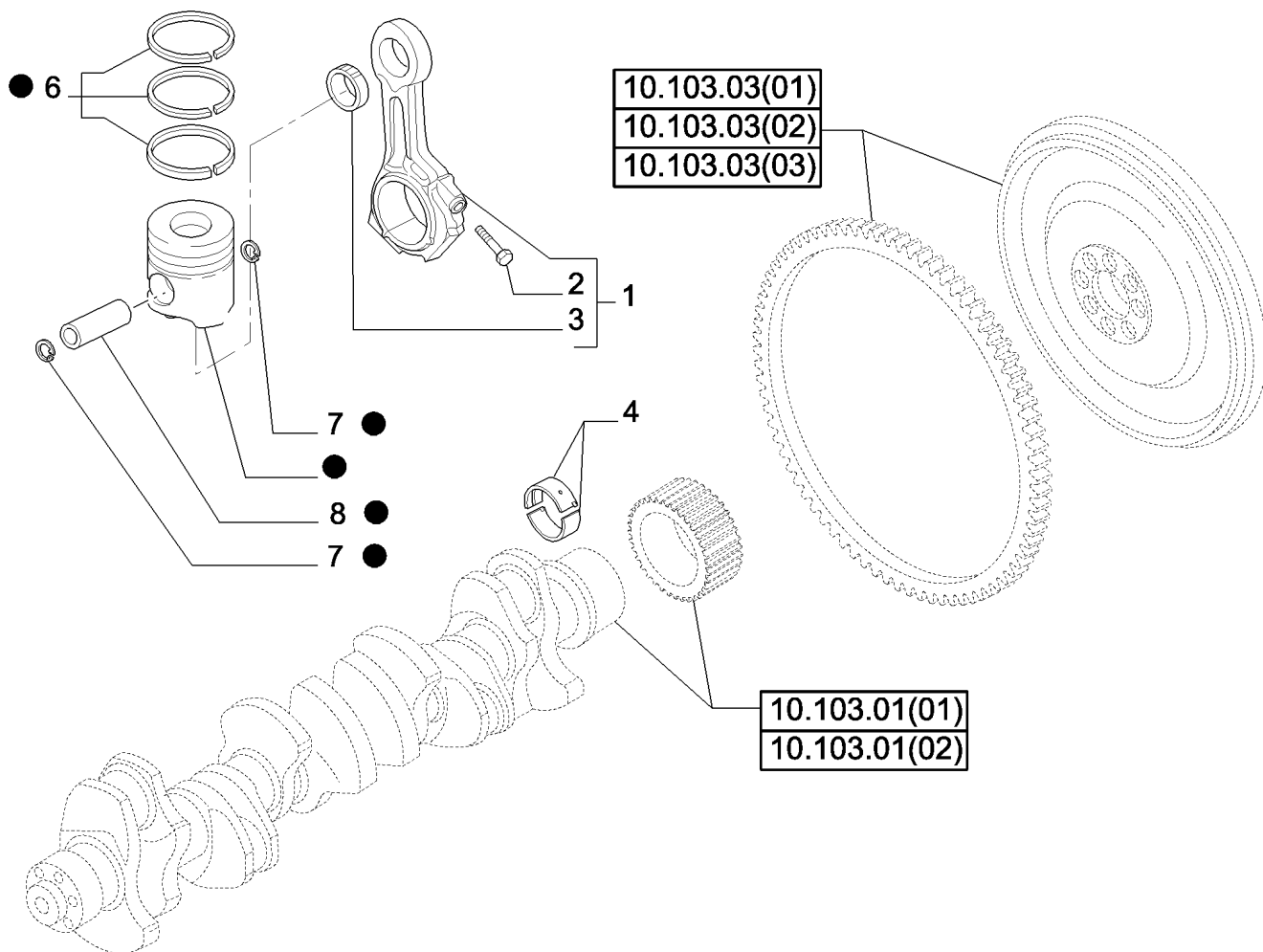
p1

02/10

PISTON & CONNECTING ROD - 7120/7120(LA)



● = 5



10.105.03

01

p1

02/10

PISTON & CONNECTING ROD - 7120/7120(LA)

REF	FN	PART NUMBER	YR/SN	QTY	DESCRIPTION
1		504128706		6	CONNECTING ROD
2		504126229		12	SCREW
3		504126231		6	BUSHING
4		8094907		6	SET OF CONN ROD BRGS (STD), Red
4		8094908		6	SET OF CONN ROD BRGS (STD), Green
4		8094909		6	SET OF CONN ROD BRGS U/S, Red/Black (- 0.127)
4		8094910		6	SET OF CONN ROD BRGS U/S, Green Black (- 0.127)
4		8094911		6	SET OF CONN ROD BRGS U/S, Red (- 0.254)
4		8094912		6	SET OF CONN ROD BRGS U/S, Green (- 0.254)
4		8094913		6	SET OF CONN ROD BRGS U/S, Red (- 0.508)
4		8094914		6	SET OF CONN ROD BRGS U/S, Green (- 0.508)
5		8094893		6	PISTON ASSY, Std
6		8094892		6	SET OF RINGS
7		16873473		12	SNAP RING
8		504126580		6	PISTON PIN

7120 7120

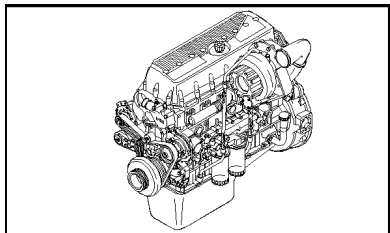
10.105.03

02

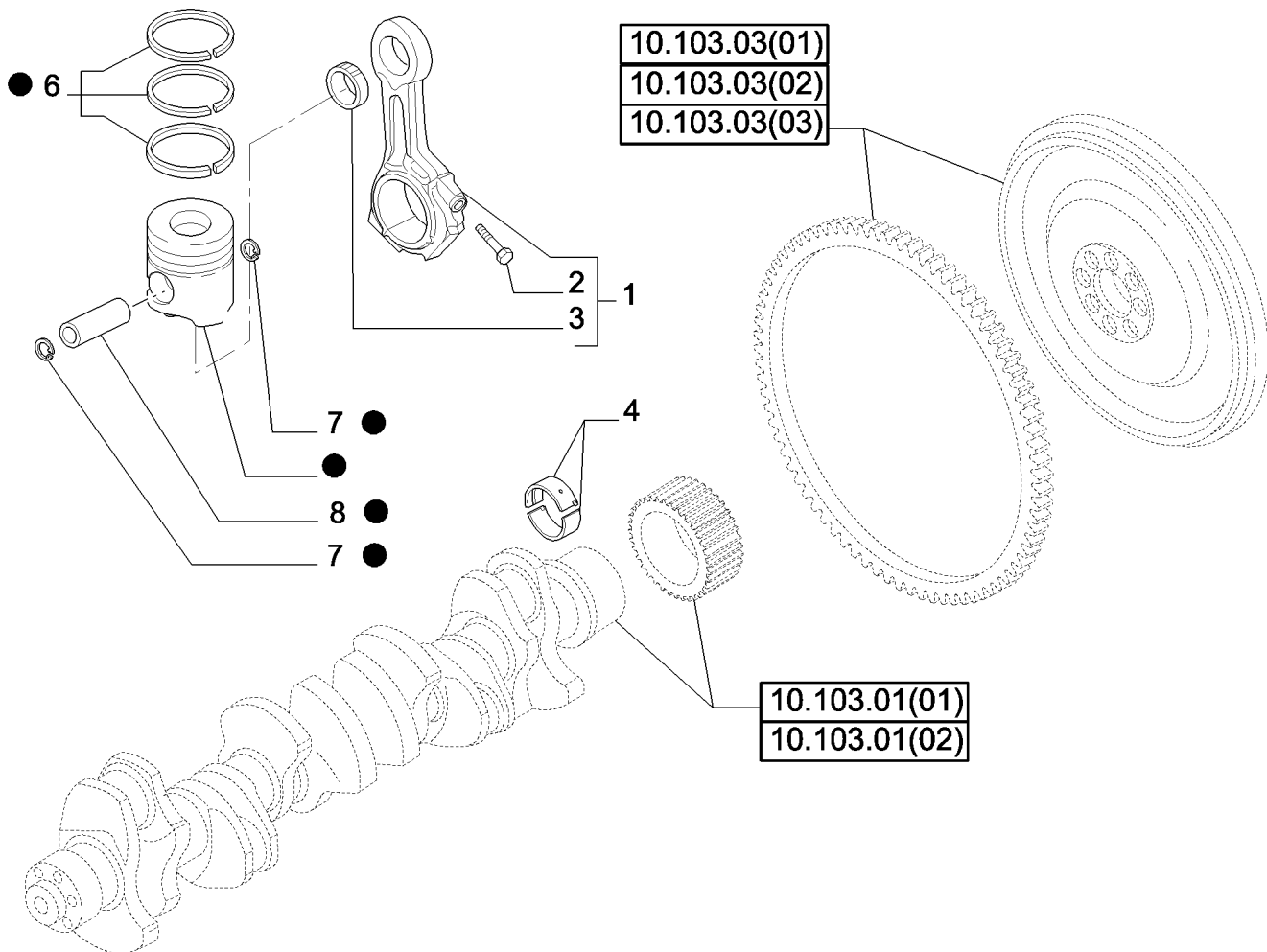
p1

02/10

PISTON & CONNECTING ROD - 8120/8120(LA)



● = 5



10.105.03

02

p1

02/10

PISTON & CONNECTING ROD - 8120/8120(LA)

REF	FN	PART NUMBER	YR/SN	QTY	DESCRIPTION
1		500380287		6	CONNECTING ROD, ASSY
2		99431774		12	SCREW
3		99468352		6	BUSHING
4		2991778		6	SET OF CONN ROD BRGS U/S, Red Standard
4		2991843		6	SET OF CONN ROD BRGS U/S, Green Standard
4		2991779		6	SET OF CONN ROD BRGS (STD), Green - 0.127
4		2991844		6	SET OF CONN ROD BRGS U/S, Green Black - 0.127
4		2991845		6	SET OF CONN ROD BRGS U/S, Red .254
4		2991846		6	SET OF CONN ROD BRGS U/S, Green .254
4		2991847		6	SET OF CONN ROD BRGS U/S, Red .508
4		2991848		6	SET OF CONN ROD BRGS U/S, Green .508
5		2996151		6	PISTON ASSY
6		8094837	BSN 85303	6	PISTON RINGS KIT
6		2996143	ASN 85304	6	PISTON RINGS KIT
7		16873376		12	LOCKING RING
8		504032095		6	PISTON PIN

8120 8120

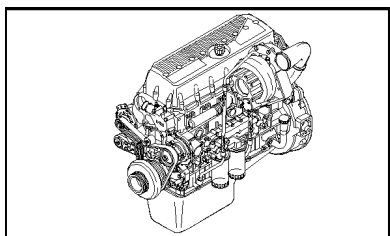
10.105.03

03

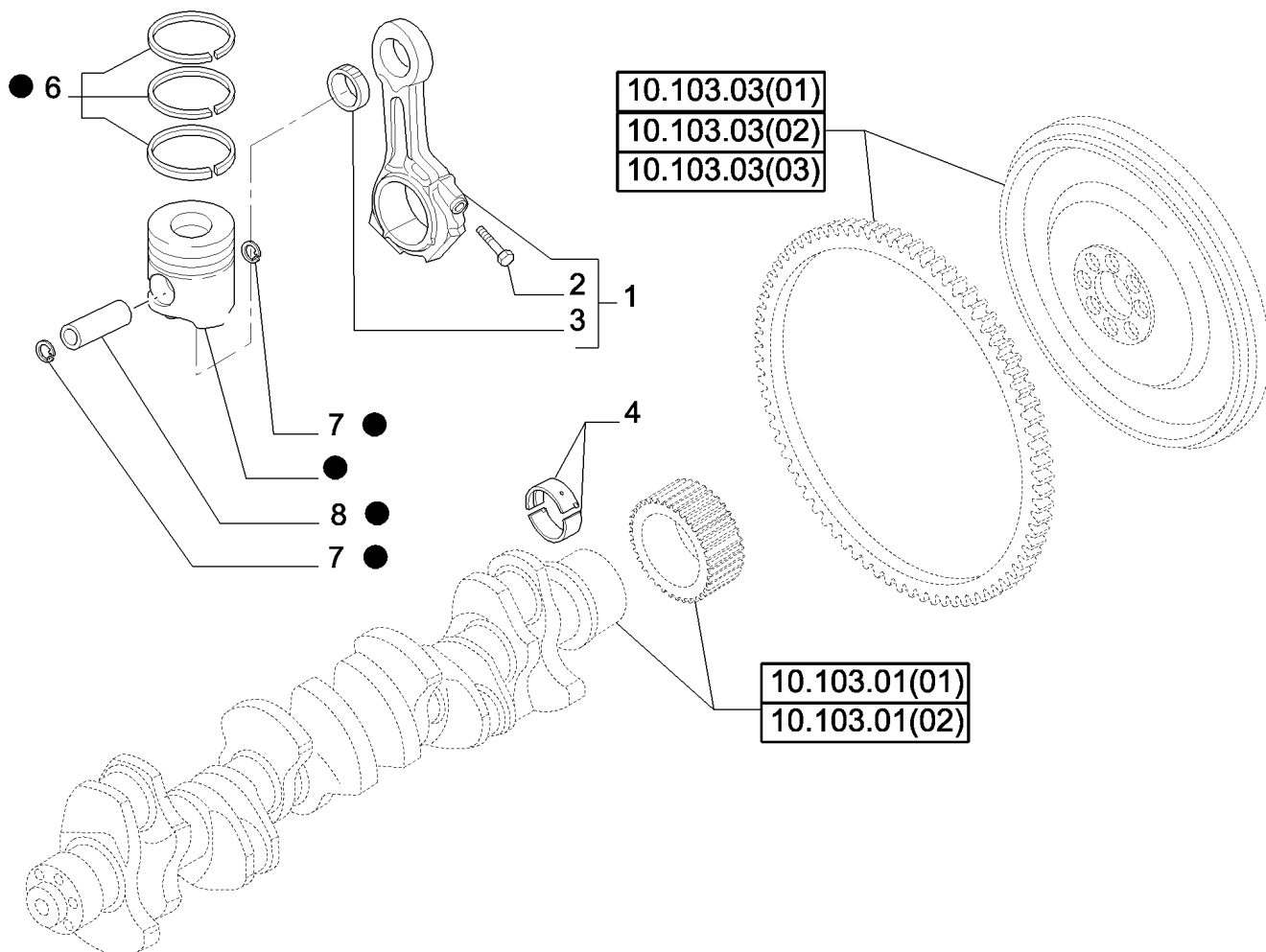
p1

02/10

PISTON & CONNECTING ROD - 9120



● = 5



10.105.03

03

p1

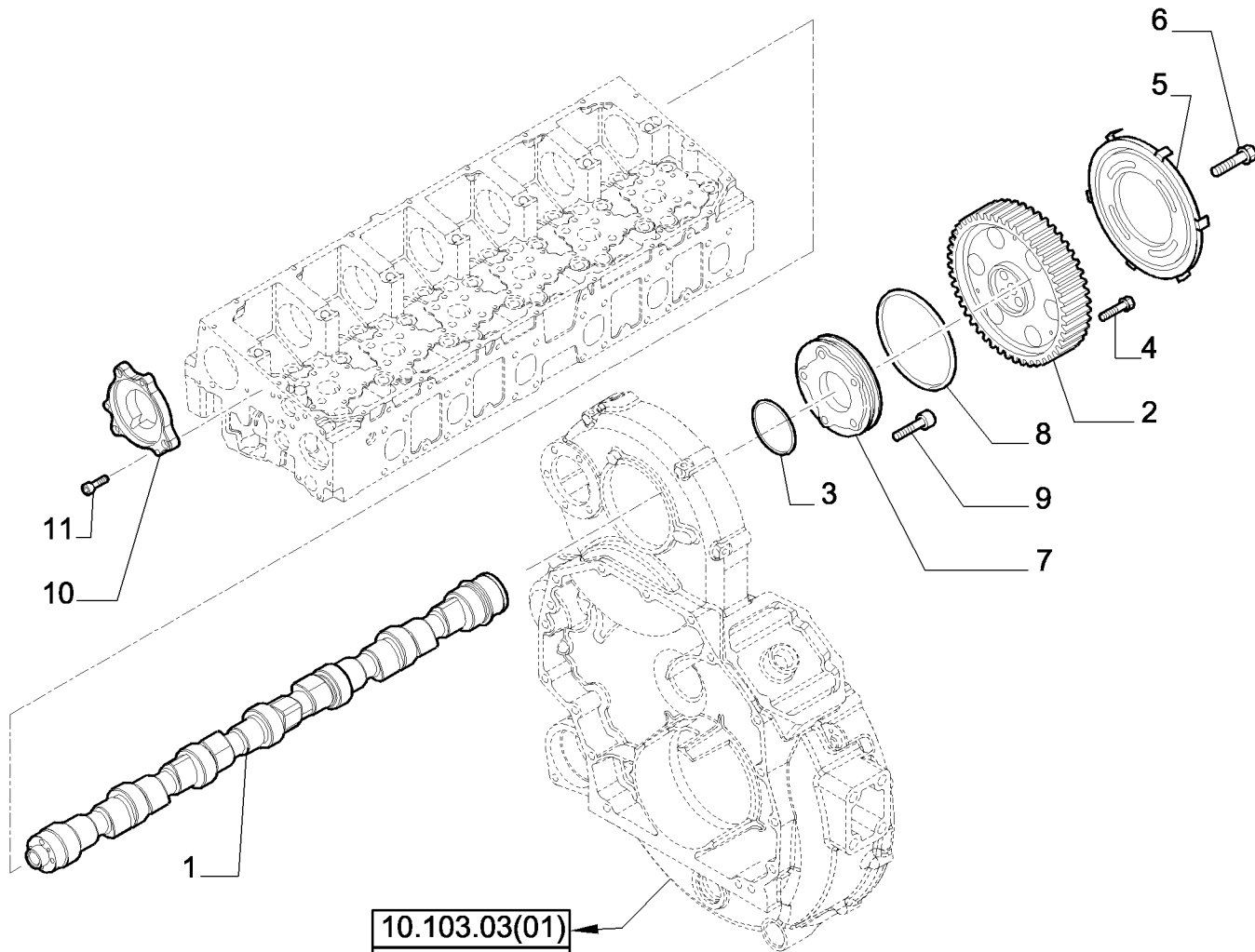
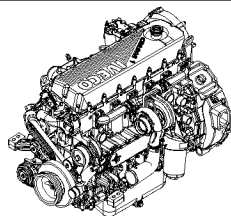
02/10

PISTON & CONNECTING ROD - 9120

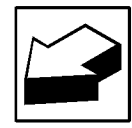
REF	FN	PART NUMBER	YR/SN	QTY	DESCRIPTION
1		504028545		6	CONNECTING ROD
2		99431774		12	SCREW
3		99460197		6	BUSHING
4		2992158		6	SET OF CONN ROD BRGS (STD), Red
4		2992159		6	SET OF CONN ROD BRGS U/S, Green
4		2992160		6	SET OF CONN ROD BRGS U/S, 0.127, Red/Black
4		2992161		6	SET OF CONN ROD BRGS U/S, 0.127, Green/Black
4		2992162		6	SET OF CONN ROD BRGS U/S, 0.254, Red
4		2992163		6	SET OF CONN ROD BRGS U/S, 0.254, Green
4		2992164		6	SET OF CONN ROD BRGS U/S, 0.508, Red
4		2992165		6	SET OF CONN ROD BRGS U/S, 0.508, Green
5		8094840		6	PISTON ASSY, Std
6		8094839		6	PISTON RINGS KIT
7		16877273		12	RING
8		504006110		6	PISTON PIN

9120

CAMSHAFT - 7120/7120(LA)



- 10.103.03(01)
- 10.103.03(02)
- 10.103.03(03)



10.106.01

01

p1

02/10

CAMSHAFT - 7120/7120(LA)

REF	FN	PART NUMBER	YR/SN	QTY	DESCRIPTION
1		504265628		1	CAMSHAFT
2		504124637		1	GEAR
3		14465381		1	O-RING, -235, CI 7, 3.109" ID x .139" Thk
4		500359731		4	SCREW
5		504142643		1	DRIVE PLATE
6		16676135		4	SCREW
7		504127775		1	REAR COVER
8		17292381		1	GASKET, M129.8 x 3.53
9		16586625		5	SCREW, M8 x 35
10		504134066		1	COVER, Front
11		504010467		3	SCREW, M6 x 1 x 20

7120 7120

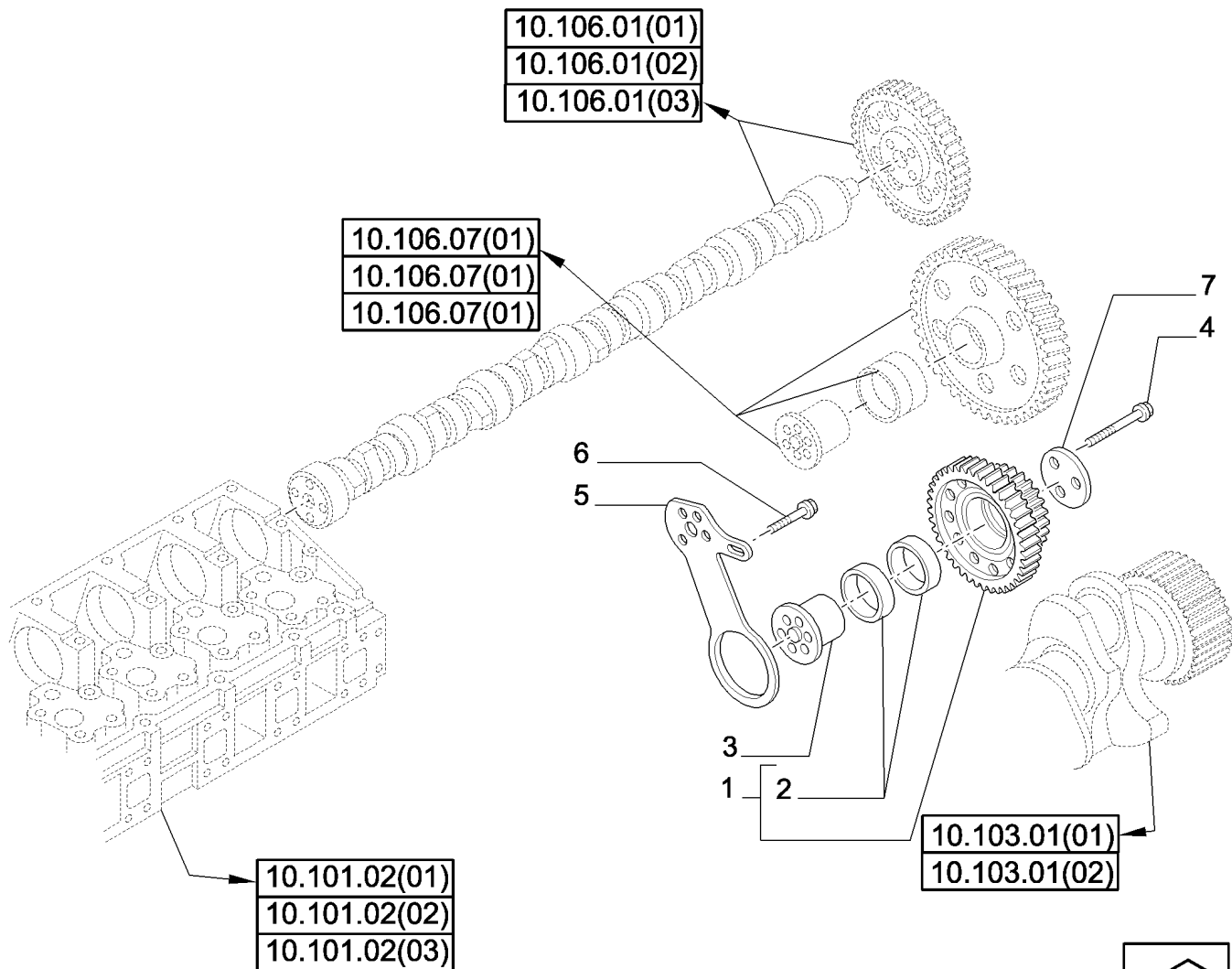
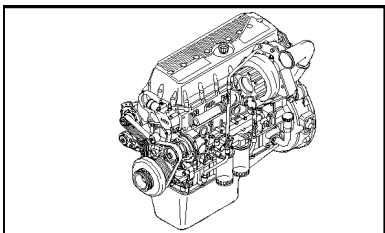
10.106.01

02

p1

02/10

CAMSHAFT - 8120/8120(LA)



10.106.01

02

p1

02/10

CAMSHAFT - 8120/8120(LA)

REF	FN	PART NUMBER	YR/SN	QTY	DESCRIPTION
1		504092824	BSN 82159	1	CAMSHAFT
1		504204063	ASN 82159	1	CAMSHAFT
2		500322294		1	PLATE
3		99448739		1	GASKET
4		17292381		1	GASKET, M129.8 x 3.53
5		16690625		5	SCREW
6		16587125		4	SCREW
7		99450035		1	GEAR
8		98496024		1	SPACER
9		99431774		4	SCREW
10		500336396		1	PLATE
11		500397562		4	SCREW
12		500370032	BSN 85475	1	COVER
12		504204255	ASN 85475	1	COVER
13		500370033		1	GASKET
14		17096824		5	LOCK WASHER
15		17290781	BSN 85475	1	GASKET

8120 8120

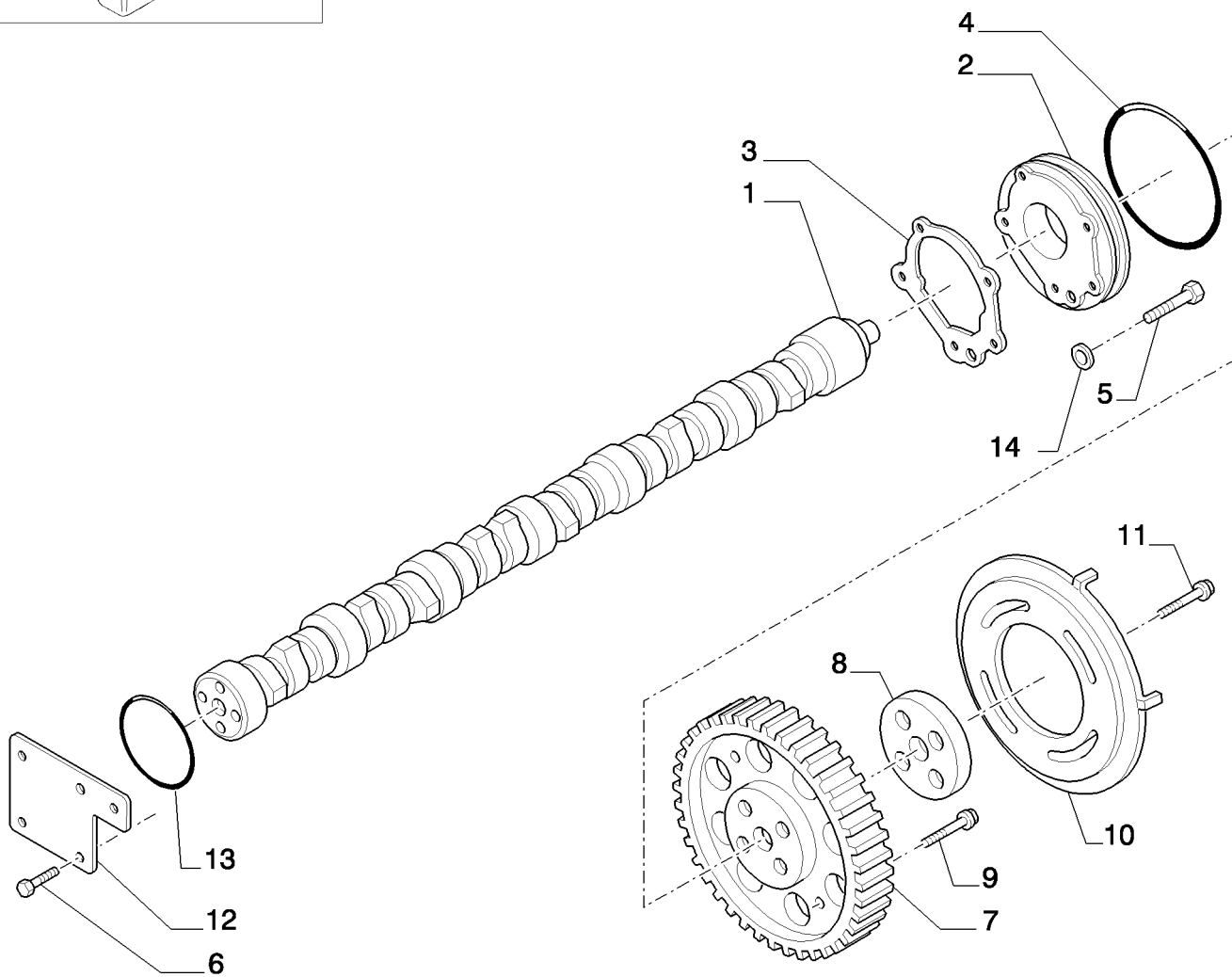
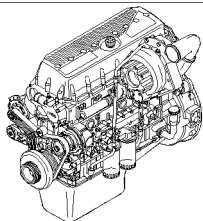
10.106.01

03

p1

02/10

CAMSHAFT - 9120



10.106.01

03

p1

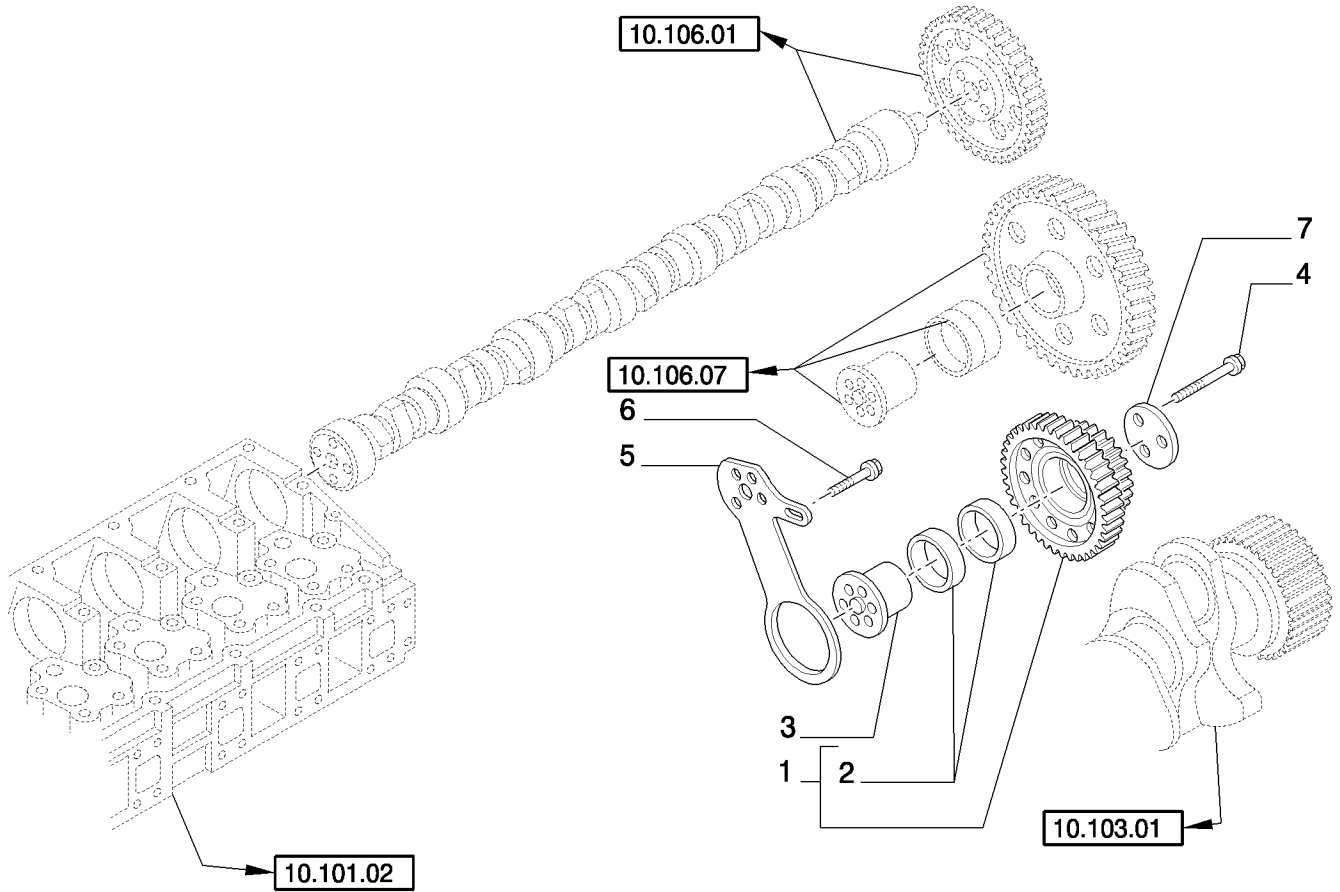
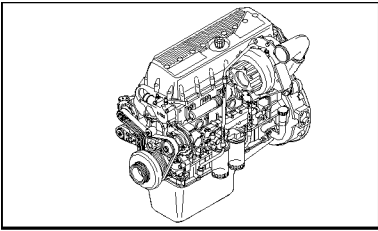
02/10

CAMSHAFT - 9120

REF	FN	PART NUMBER	YR/SN	QTY	DESCRIPTION
1		504227220		1	CAMSHAFT
2		500322294		1	PLATE
3		99448739		1	GASKET
4		17292281		1	O-RING, D = 126.59 x 3.53 mm
5		16690625		5	SCREW
6		16587125		4	SCREW
7		99450035		1	GEAR
8		98496024		1	SPACER
9		99431774		4	SCREW
10		500336396		1	PLATE
11		500397562		4	SCREW
12		504204255		1	COVER
13		17290781		1	GASKET
14		17096824		5	LOCK WASHER

9120

INTERMEDIATE GEARS, CAMSHAFT - 8120/8120(LA)



10.106.02

p1

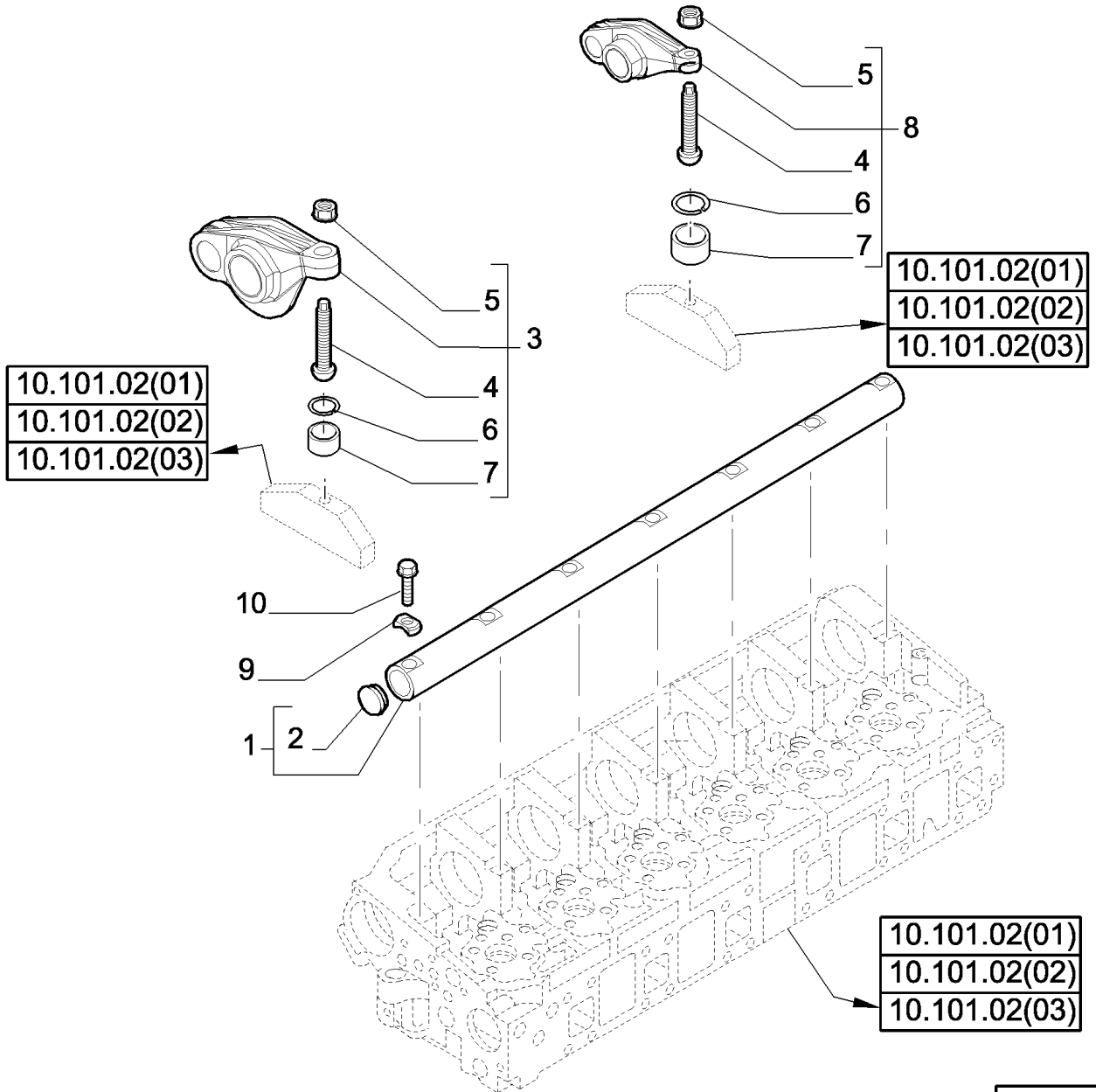
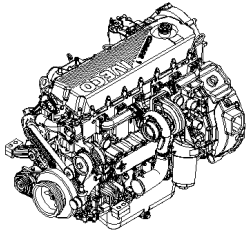
02/10

INTERMEDIATE GEARS, CAMSHAFT - 8120/8120(LA)

REF	FN	PART NUMBER	YR/SN	QTY	DESCRIPTION
1		500339012		1	IDLER GEAR, ASSY
2		98475174		2	BUSHING
3		500304182		1	PIN
4		16679034		3	SCREW, M12 x 90
5		500305483		1	BRACKET
6		16586224		1	SCREW, M8 x 1.25 x 16 mm
7		500305012		1	LOCK WASHER

8120 8120

SHAFT & ROCKER ARMS - 7120/7120(LA)



10.106.04

01

p1

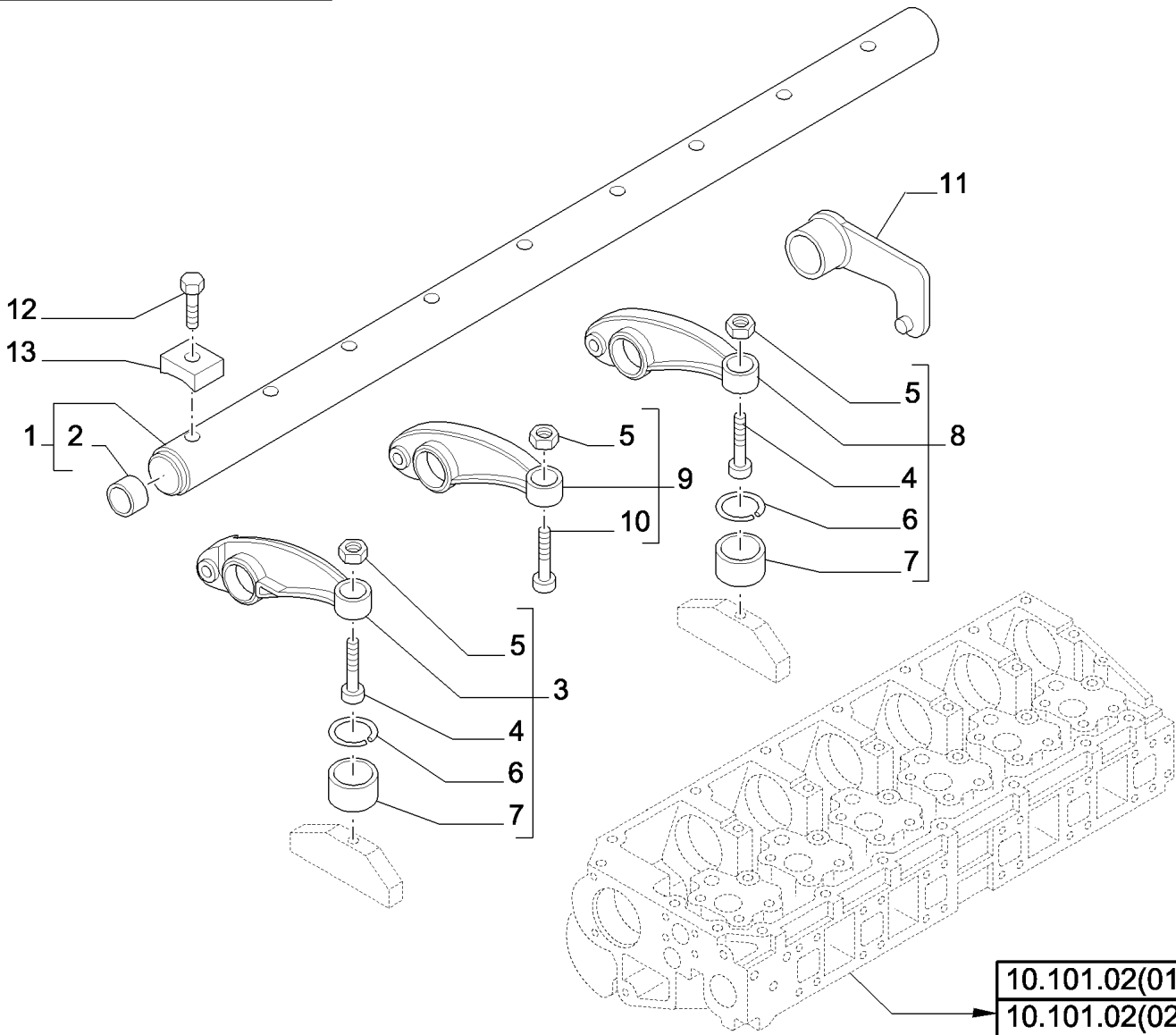
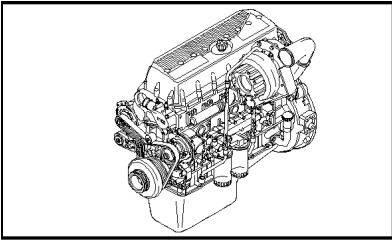
02/10

SHAFT & ROCKER ARMS - 7120/7120(LA)

REF	FN	PART NUMBER	YR/SN	QTY	DESCRIPTION
1		504189213		1	SHAFT, ASSY
2		16988301		2	PLUG, D = 20 mm
3		504127124		6	ROCKER ARM, ASSY
4		NSS		2	NOT SERVICED SEPARATELY, Screw
5		504059553		2	NUT
6		17084376		2	RING
7		500300903		2	SLIDING PAD
8		504165682		6	ROCKER ARM, ASSY
9		504188241		7	SPACER
10		16679435		7	BOLT

7120 7120

SHAFT & ROCKER ARMS - 8120/8120(LA)



- 10.101.02(01)
- 10.101.02(02)
- 10.101.02(03)



10.106.04

02

p1

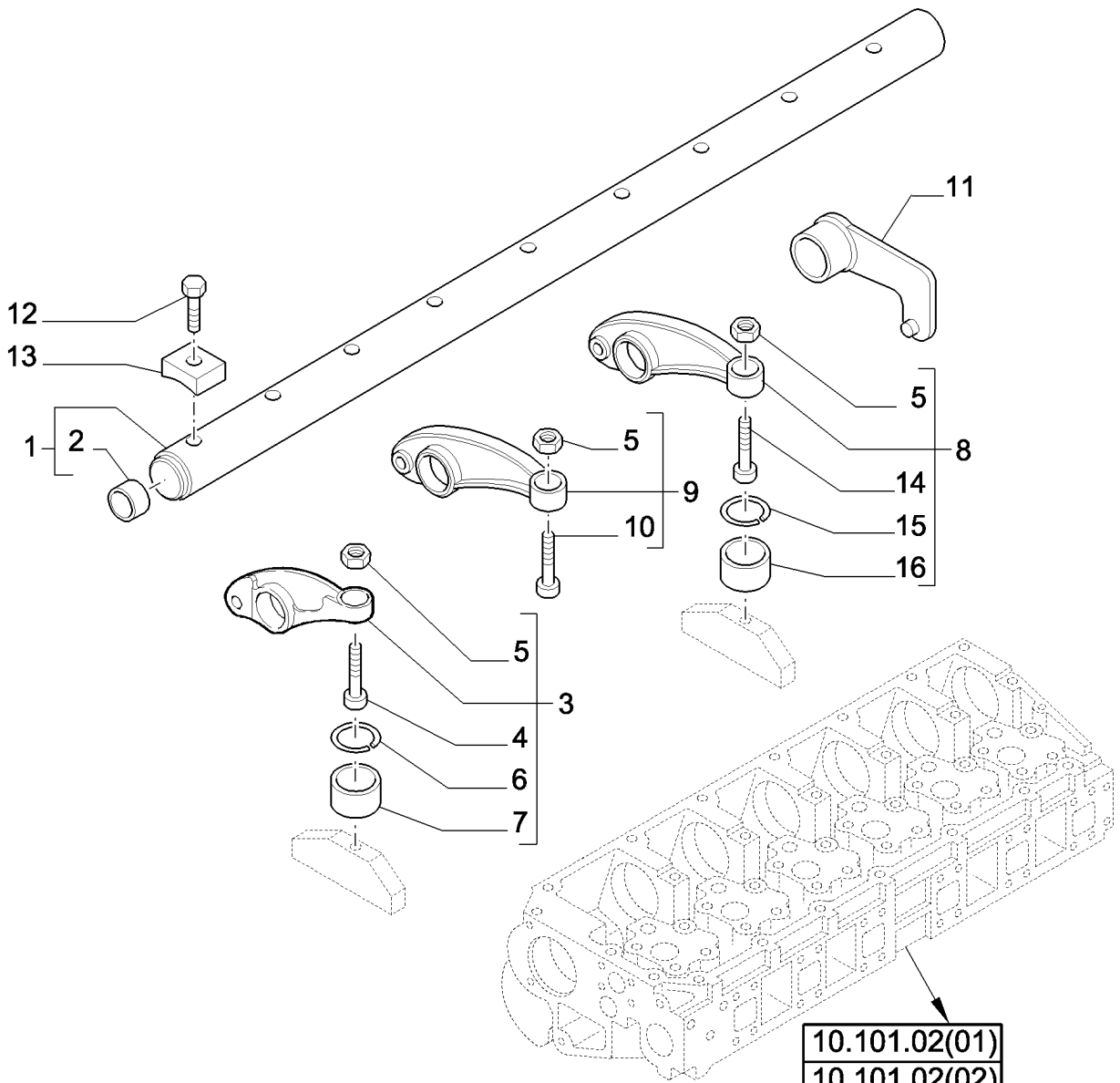
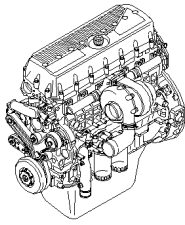
02/10

SHAFT & ROCKER ARMS - 8120/8120(LA)

REF	FN	PART NUMBER	YR/SN	QTY	DESCRIPTION
1		99483035		1	SHAFT, ASSY
2		16988301		2	PLUG, D = 20 mm
3		504137936		6	ROCKER ARM, ASSY
4		98498411		12	SCREW
5		98470656		18	NUT
6		17084376		12	RING
7		500300903		12	SLIDING PAD
8		500315946		6	ROCKER ARM, ASSY
9		500314916		6	ROCKER ARM, ASSY
10		98498410		6	SCREW
11		99483047		6	LEVER
12		99475580		7	SCREW
13		500344277		7	CAP

8120 8120

SHAFT & ROCKER ARMS - 9120



10.106.04

03

p1

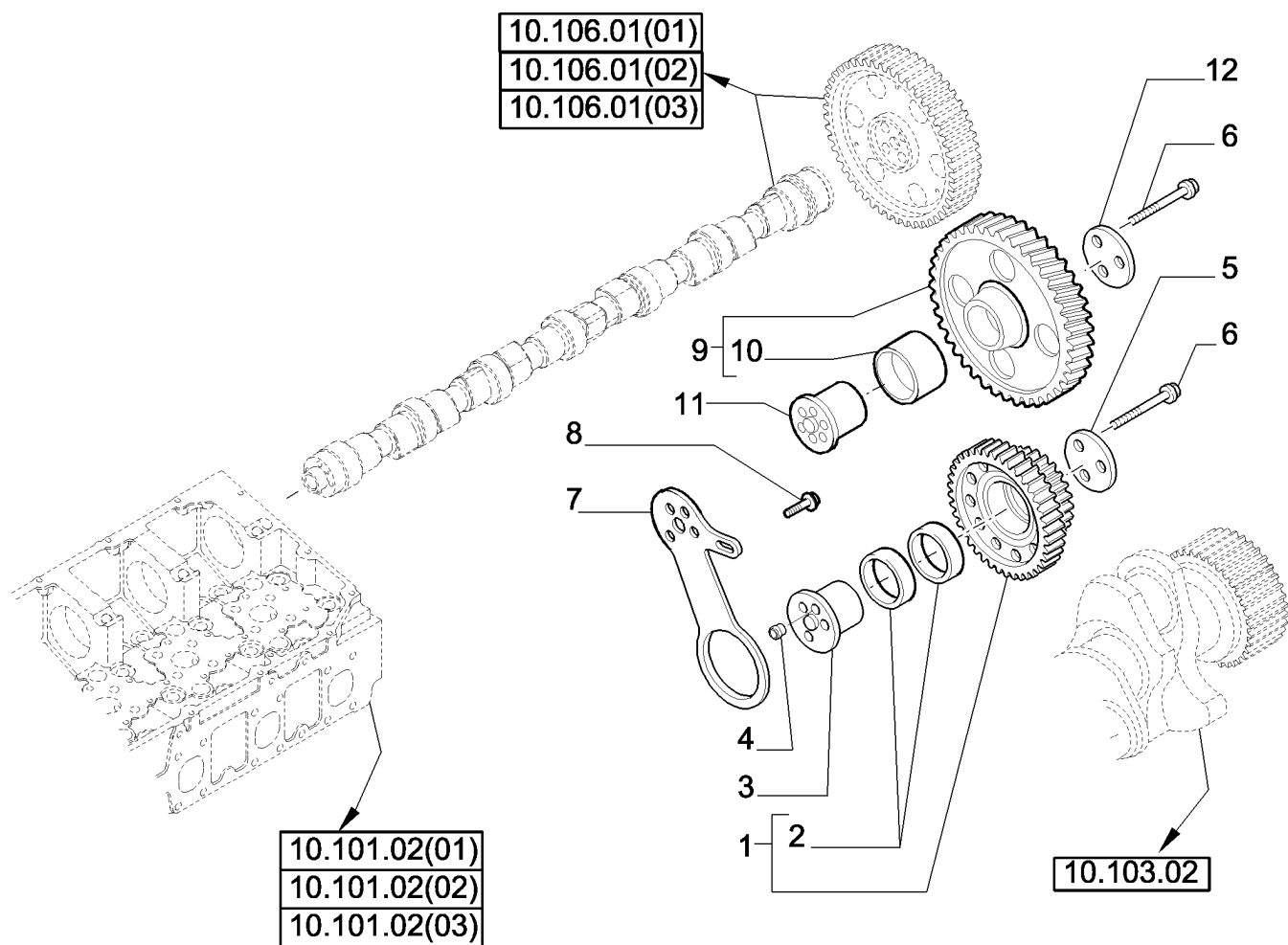
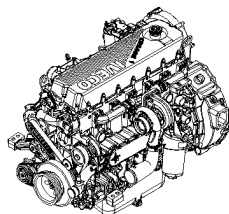
02/10

SHAFT & ROCKER ARMS - 9120

REF	FN	PART NUMBER	YR/SN	QTY	DESCRIPTION
1		99475575		1	SHAFT, ASSY, Incl 2
2		16988301		2	PLUG, D = 20 mm
3		504137043		6	ROCKER ARM
4		98498411		1	SCREW
5		504059553		3	NUT
6		17084376		1	RING
7		500300903		1	SLIDING PAD
8		500316732		6	ROCKER ARM, ASSY (33 mm Wide), Incl 5, 14, 15 & 16
9		500314915		6	ROCKER ARM, ASSY (44 mm Wide), Incl 5 & 10
10		98498410		1	SCREW
11		99476802		6	LEVER
12		99475580		7	SCREW
13		500344277		7	CAP
14		99444739		1	SCREW
15		17084476		1	CIRCLIP
16		99444740		1	BRIDGE

9120

TIMING GEARS - 7120/7120(LA)



10.106.07

01

p1

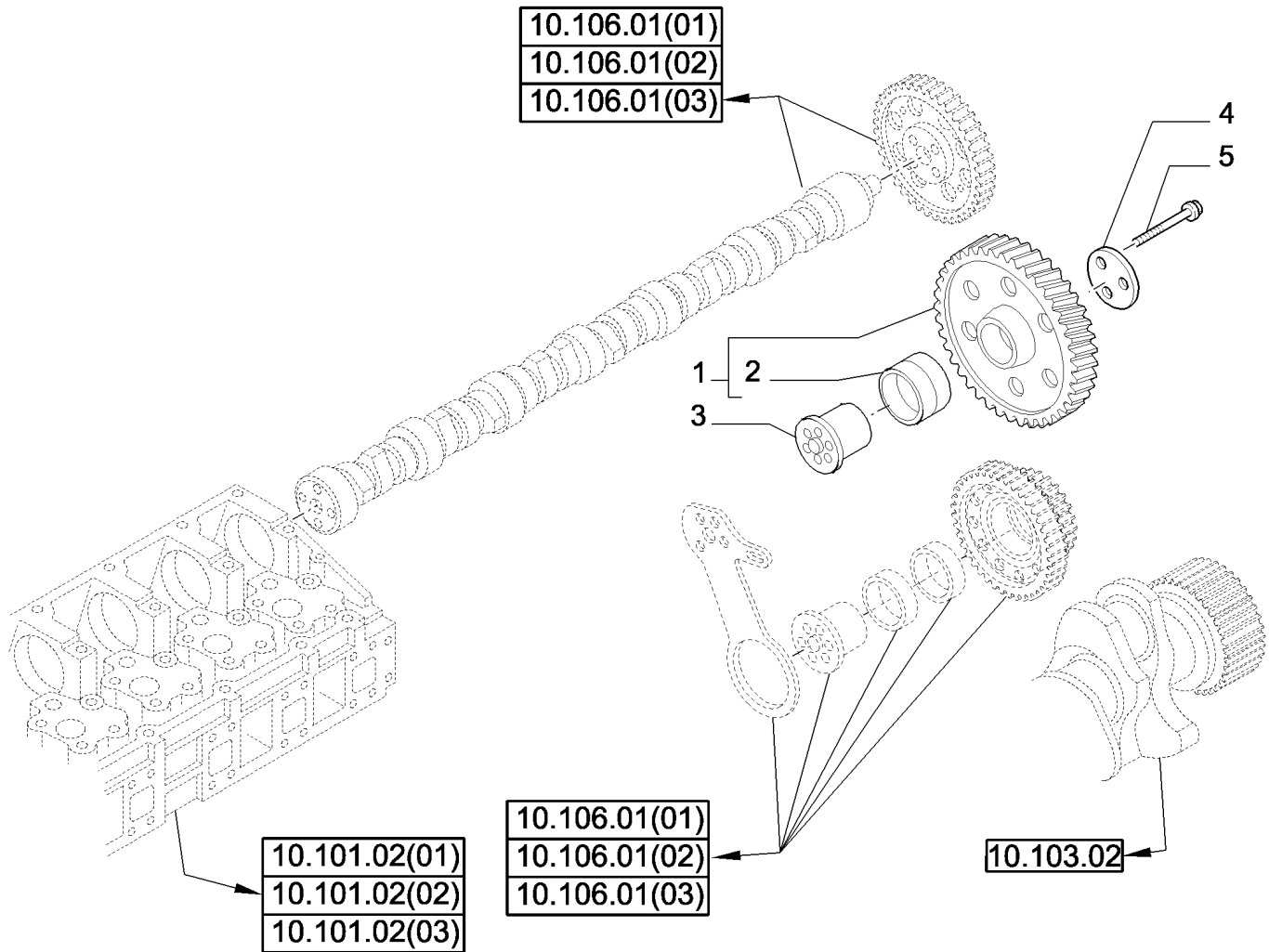
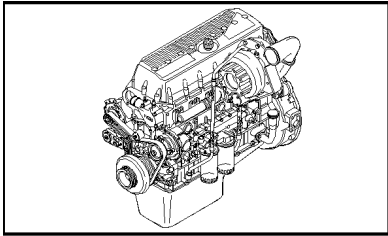
02/10

TIMING GEARS - 7120/7120(LA)

REF	FN	PART NUMBER	YR/SN	QTY	DESCRIPTION
1		504124648		1	GEAR, ASSY
2		504001674		2	BUSHING
3		504127832		1	SPACER
4		504002500		1	DOWEL
5		504128376		1	WASHER, THRUST
6		16679034		6	SCREW, M12 x 90
7		504126996		1	RETAINER
8		16586225		1	BOLT, M8 x 16
9		504124654		1	GEAR
10		99432141		2	BUSHING
11		504133017		1	SPACER
12		504003307		1	LOCK WASHER

7120 7120

TIMING GEARS, CAMSHAFT - 8120/8120(LA)

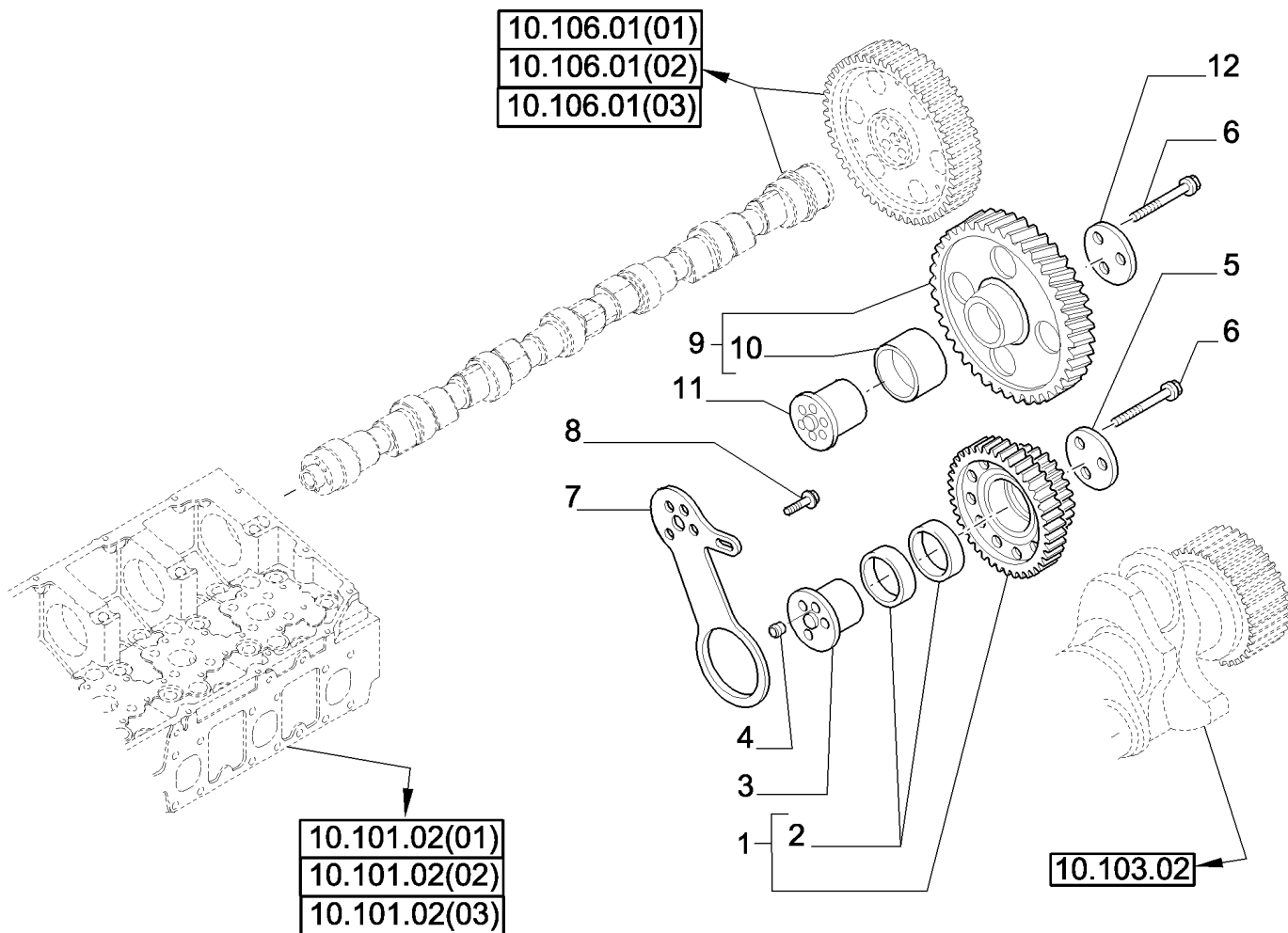
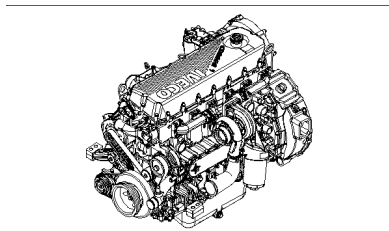


TIMING GEARS, CAMSHAFT - 8120/8120(LA)

REF	FN	PART NUMBER	YR/SN	QTY	DESCRIPTION
1		500305485		1	IDLER GEAR, ASSY
2		500310440		1	BUSHING
3		500305484		1	PIN
4		504003307		1	LOCK WASHER
5		16679234		3	SCREW

	8120 8120
--	------------------

TIMING GEARS - 9120



10.106.07

03

p1

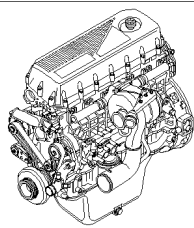
02/10

TIMING GEARS - 9120

REF	FN	PART NUMBER	YR/SN	QTY	DESCRIPTION
1		500339012		1	IDLER GEAR
2		98475174		2	BUSHING
3		500304182		1	PIN
4		504002500		1	DOWEL
5		500305012		1	LOCK WASHER
6		16679034		6	SCREW, M12 x 90
7		500304181		1	BRACKET
8		16586225		1	BOLT, M8 x 16
9		500304189		1	GEAR
10		500304204		2	BUSHING
11		500304187		1	PIN
12		500305013		1	LOCKING RING

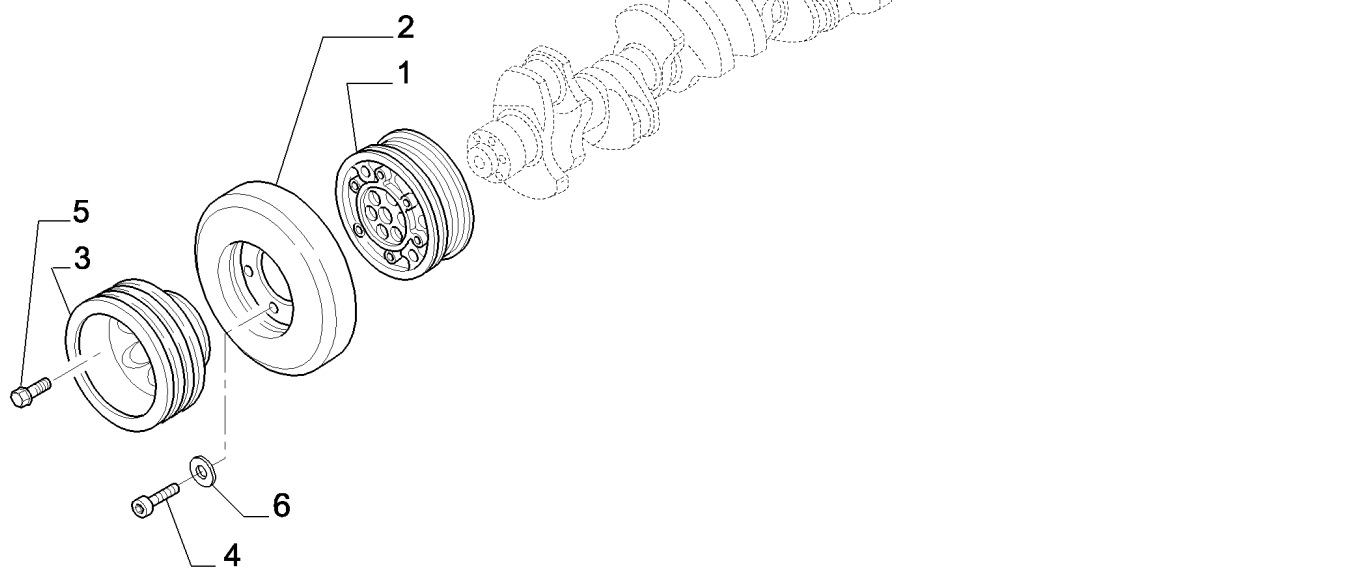
9120

DAMPER - 7120/7120(LA)



10.103.03(01)
10.103.03(02)
10.103.03(03)

10.103.03(01)
10.103.03(02)
10.103.03(03)



DAMPER - 7120/7120(LA)

REF	FN	PART NUMBER	YR/SN	QTY	DESCRIPTION
1		500355649		1	PULLEY
2		99454013		1	DAMPER
3		504211458		1	PULLEY, Driving
4		500356764		6	SCREW, M12 x 1.75 x 30 mm
5		500376251		6	SCREW
6		17095224		6	WASHER, M12 x 20

	7120 7120
--	------------------

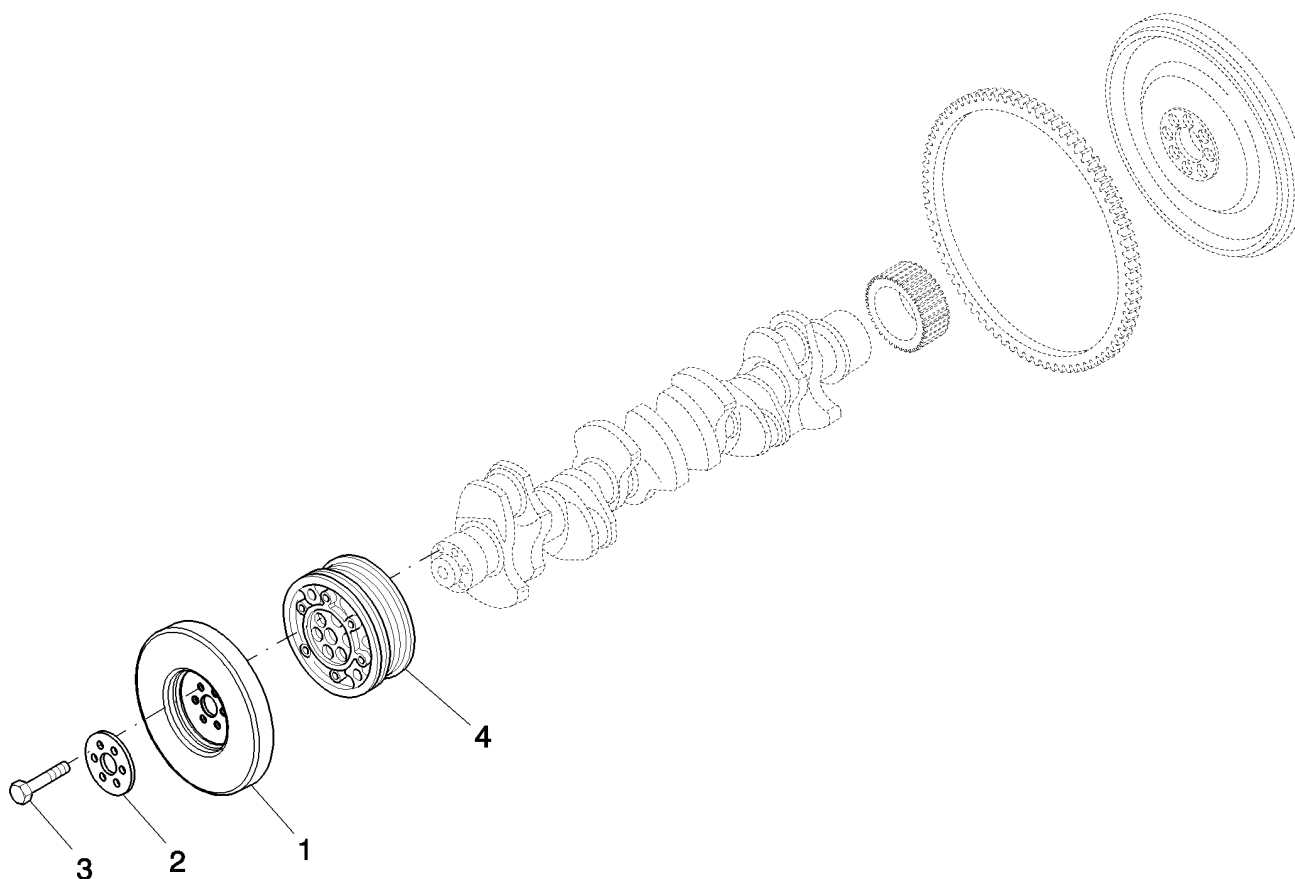
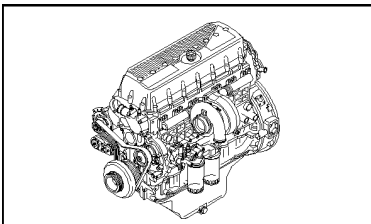
10.110.01

02

p1

02/10

DAMPER - 8120/8120(LA)

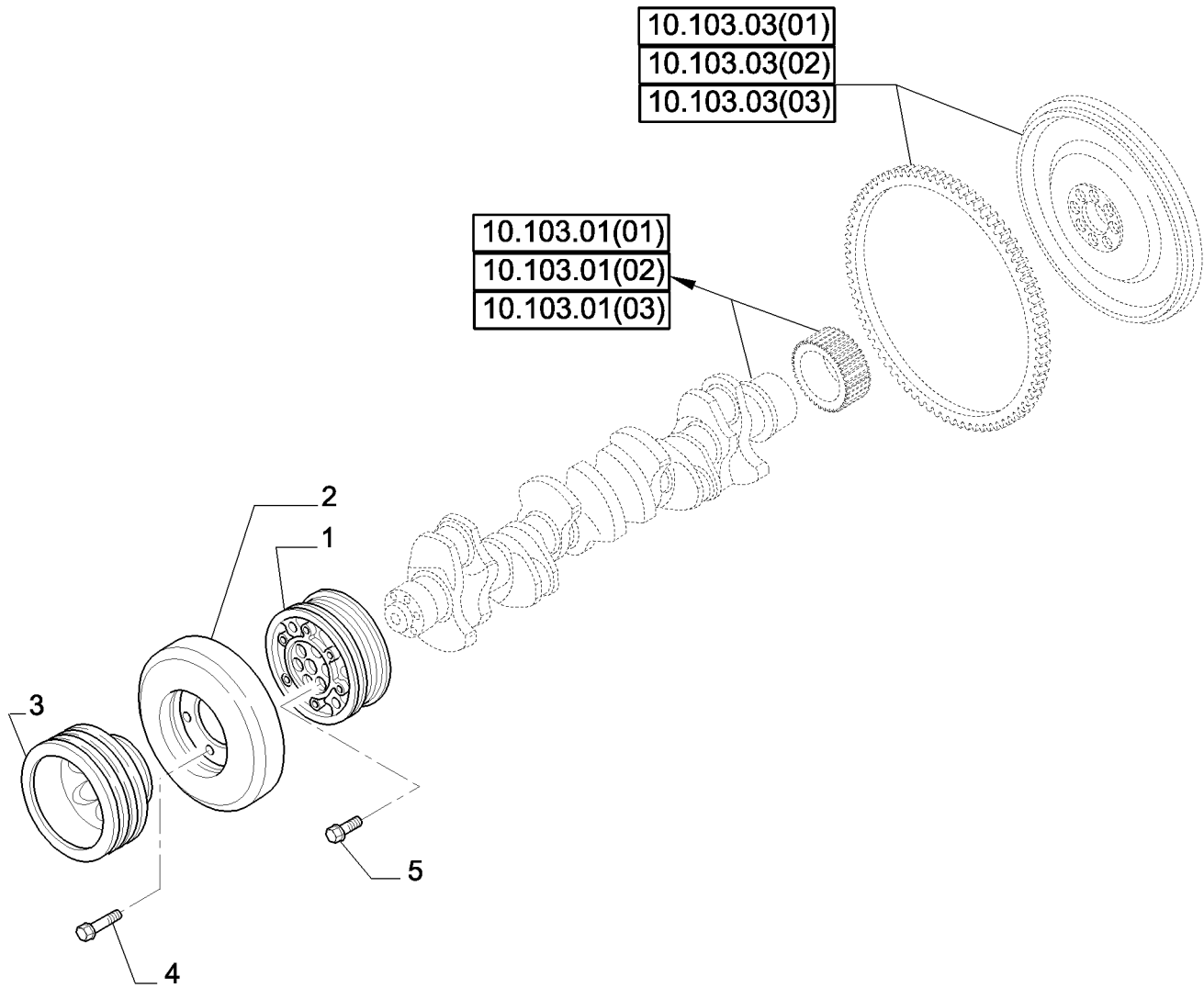
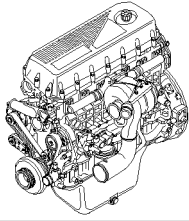


DAMPER - 8120/8120(LA)

REF	FN	PART NUMBER	YR/SN	QTY	DESCRIPTION
1		504145413		1	DAMPER
2		504145946		1	WASHER
3		16681435		6	SCREW
4		504142482		1	PULLEY, Crankshaft

	8120 8120
--	------------------

DAMPER - 9120

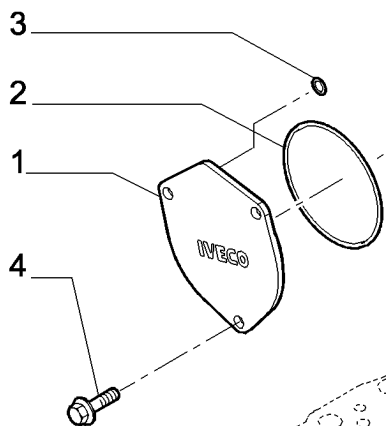
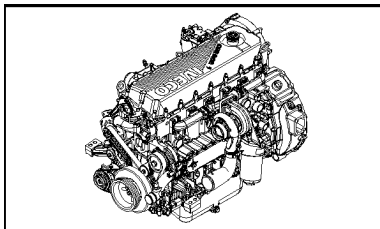


DAMPER - 9120

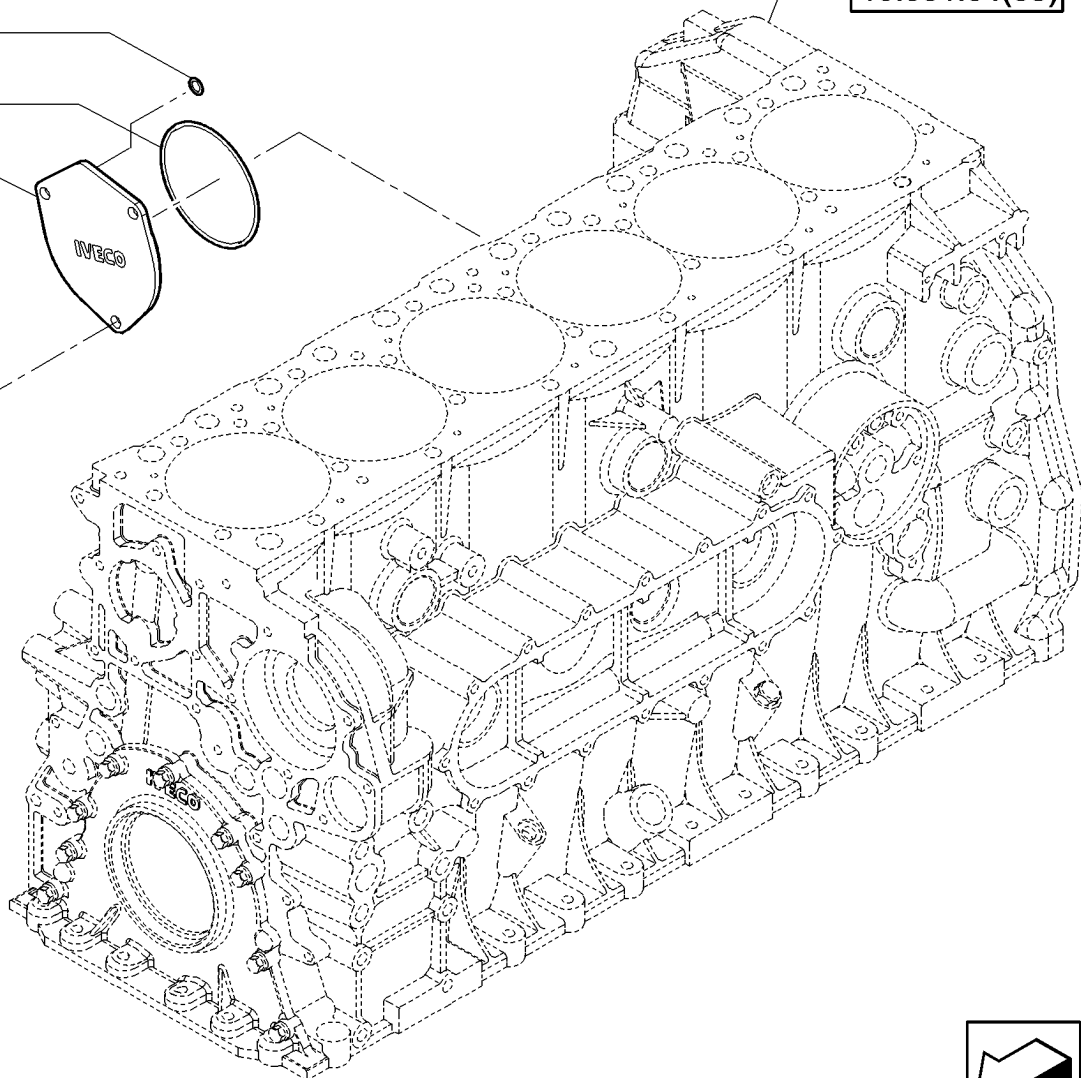
REF	FN	PART NUMBER	YR/SN	QTY	DESCRIPTION
1		504254002		1	PULLEY
2		504105489		1	DAMPER
3		87671289		1	PULLEY
4		16681435		6	SCREW, M14 x 100
5		16680835		6	SCREW, M14 x 65

	9120
--	-------------

BELT PULLEY DRIVE & COVER - 7120/7120(LA)



10.001.04(01)
10.001.04(02)
10.001.04(03)

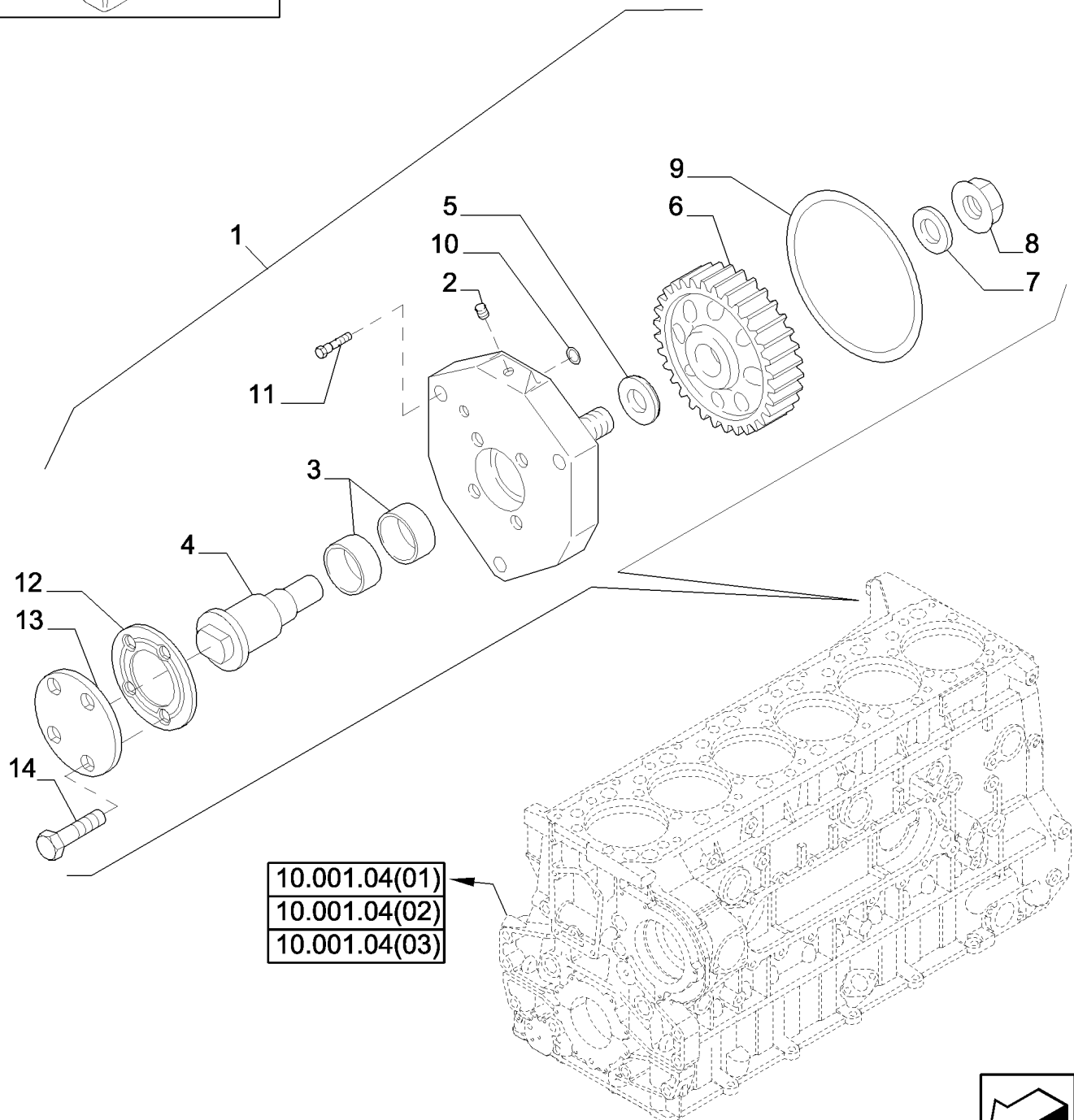
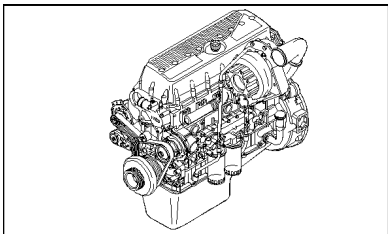


BELT PULLEY DRIVE & COVER - 7120/7120(LA)

REF	FN	PART NUMBER	YR/SN	QTY	DESCRIPTION
1		504150292		1	COVER
2		17292281		1	O-RING, D = 126.59 x 3.53 mm
3		17281381		1	O-RING, D = 9.19 mm
4		16587925		3	BOLT

	7120 7120
--	------------------

BELT PULLEY DRIVE & COVER - 8120/8120(LA)



10.114.01

02

p1

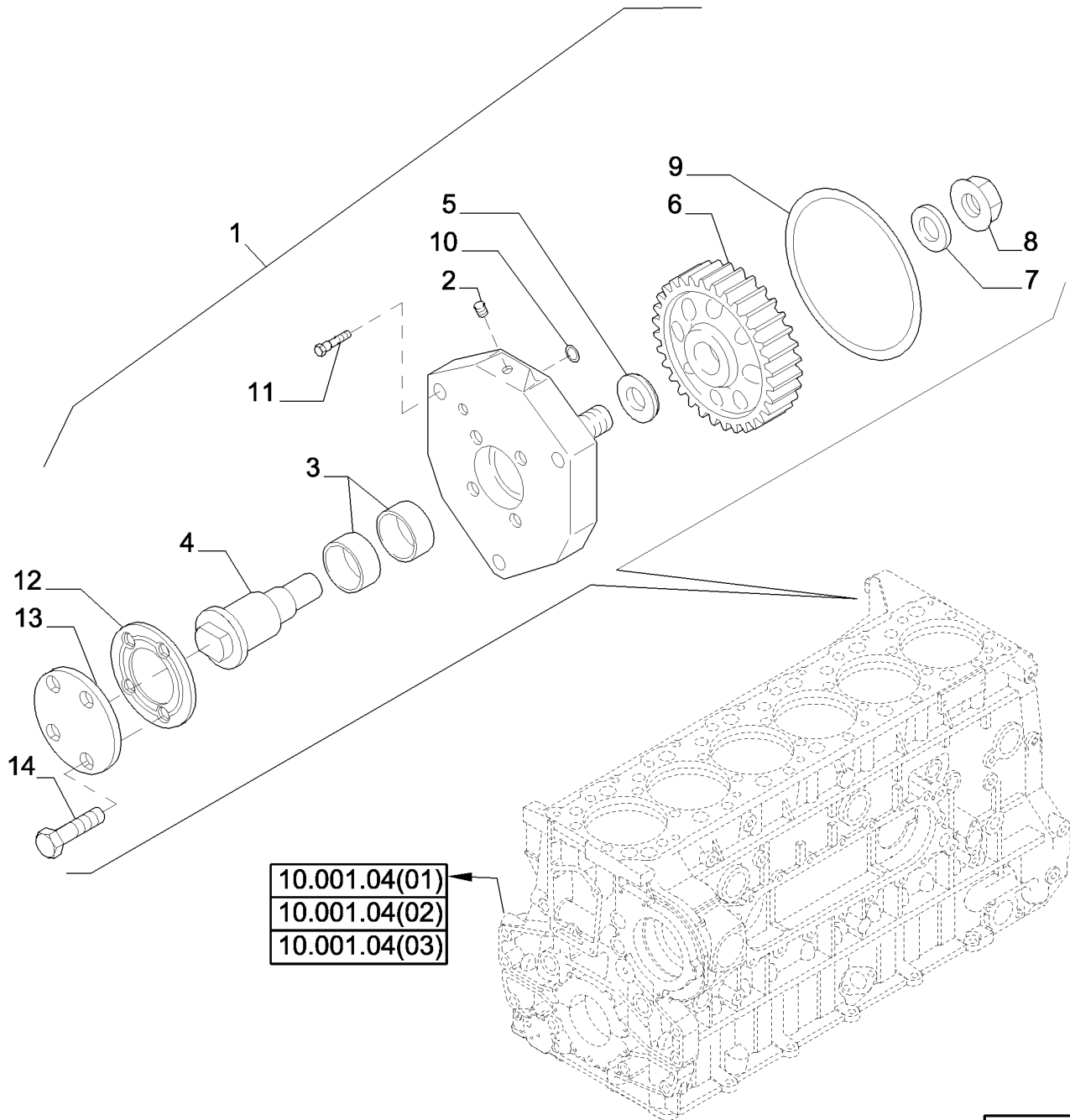
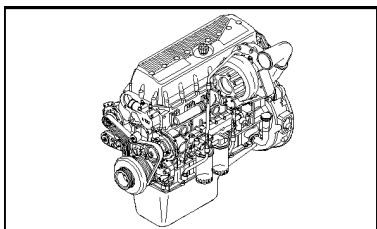
02/10

BELT PULLEY DRIVE & COVER - 8120/8120(LA)

REF	FN	PART NUMBER	YR/SN	QTY	DESCRIPTION
1		500382578		1	SUPPORT, Incl Refs 2 Thru 14
2		504051236		1	PLUG, D = 1/8"
3		4788087		2	BUSHING
4		NSS		1	NOT SERVICED SEPARATELY, Shaft, PTO
5		500351319		1	LOCK WASHER
6		NSS		1	NOT SERVICED SEPARATELY, Gear
7		500382574		1	LOCK WASHER
8		17046231		1	NUT
9		17292281		1	O-RING, D = 126.59 x 3.53 mm
10		17281381		1	O-RING, D = 9.19 mm
11		16678135		3	SCREW, M12 x 45
12		500355018		1	GASKET
13		500355019		1	COVER
14		18139424		4	SCREW, M10 x 20

8120 8120

BELT PULLEY DRIVE & COVER - 9120



10.114.01

03

p1

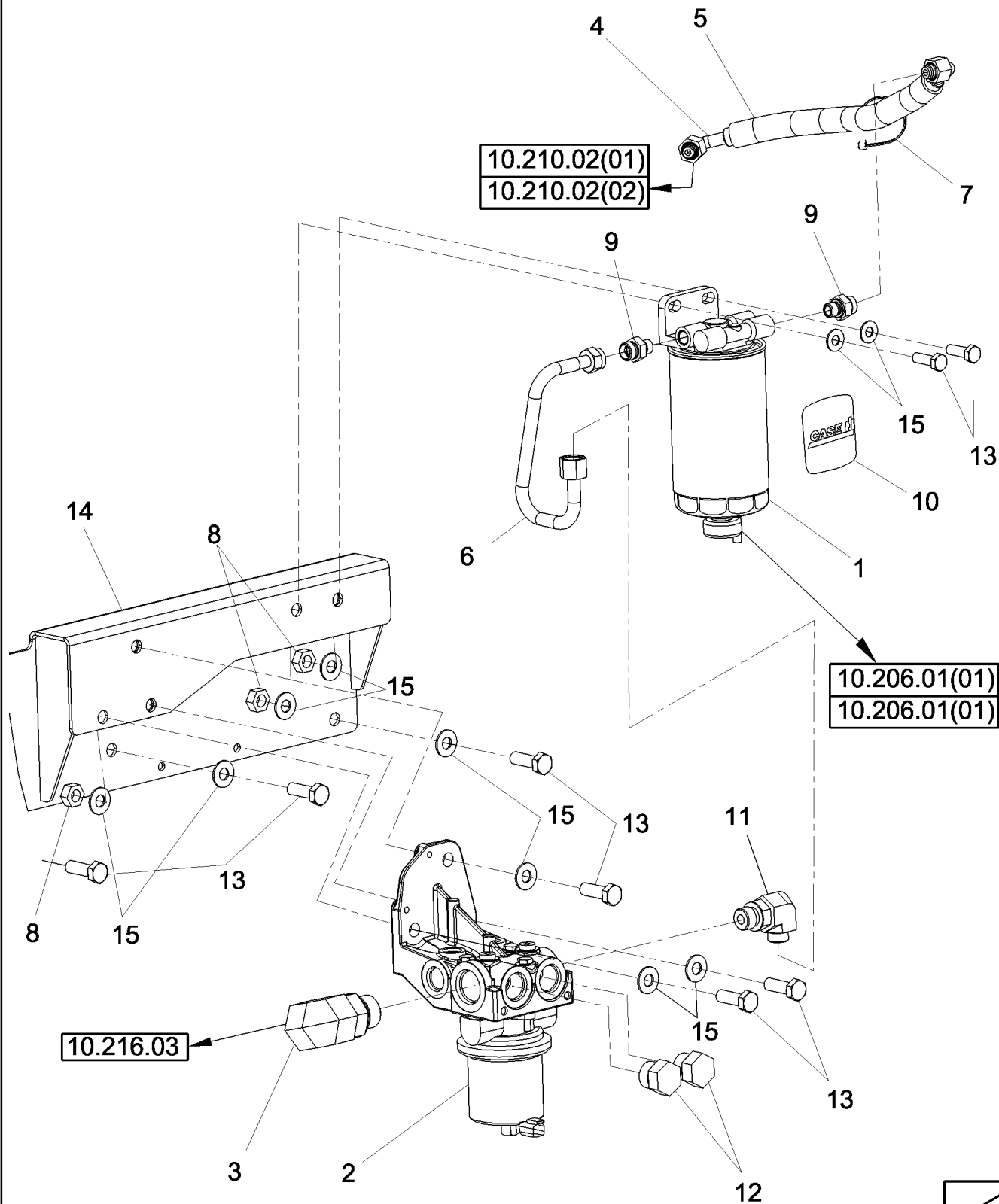
02/10

BELT PULLEY DRIVE & COVER - 9120

REF	FN	PART NUMBER	YR/SN	QTY	DESCRIPTION
1		500382578		1	SUPPORT, Incl Refs 2 Thru 14
2		504051236		1	PLUG, D = 1/8"
3		4788087		2	BUSHING
4		NSS		1	NOT SERVICED SEPARATELY, Shaft, PTO
5		500351319		1	LOCK WASHER
6		NSS		1	NOT SERVICED SEPARATELY, Gear
7		500382574		1	LOCK WASHER
8		17046231		1	NUT
9		17292281		1	O-RING, D = 126.59 x 3.53 mm
10		17281381		1	O-RING, D = 9.19 mm
11		16678135		3	SCREW, M12 x 45
12		500355018		1	GASKET
13		500355019		1	COVER
14		18139424		4	SCREW, M10 x 20

9120

FUEL SYSTEM, PUMP AND FILTER



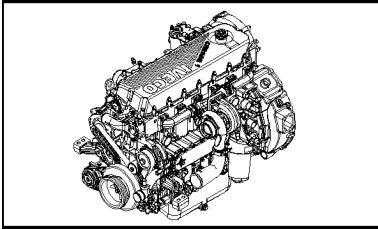
FUEL SYSTEM, PUMP AND FILTER

REF	FN	PART NUMBER	YR/SN	QTY	DESCRIPTION
1	1	0C		1	ORDER COMPONENTS, Filter, Fuel; With Sensor 87519307
1	2	0C		1	ORDER COMPONENTS, Filter, Fuel; With Sensor 87525715
2		87676818		1	FUEL PUMP
3		201-327		1	ELBOW, 90°, 13/16"-16 x 1 1/16"-12, Adj, ORFS
4		87728315		1	HOSE, Fuel
5		87743277		1	CONDUIT
6		87728316		1	TUBE ASSY., Fuel
7		86566989		1	CABLE STRAP, M4.75 x 190.5 L
8		100016		5	NUT, M10, CI 8
9		84431916		2	FITTING
10		87679098		1	DECAL, Case IH, Red "i", No Underline
11		201-326		1	ELBOW, 90°, 13/16"-16 x 7/8"-14, Adj, ORFS
12		86512512		2	PLUG, Hex Hd, 7/8"-14 ORB
13		43140		8	BOLT, Hex, M10 x 30, 8.8, Full Thd
14		87734863		1	PLATE ASSY.
15		140045		9	BELLEVILLE WASHER, M10

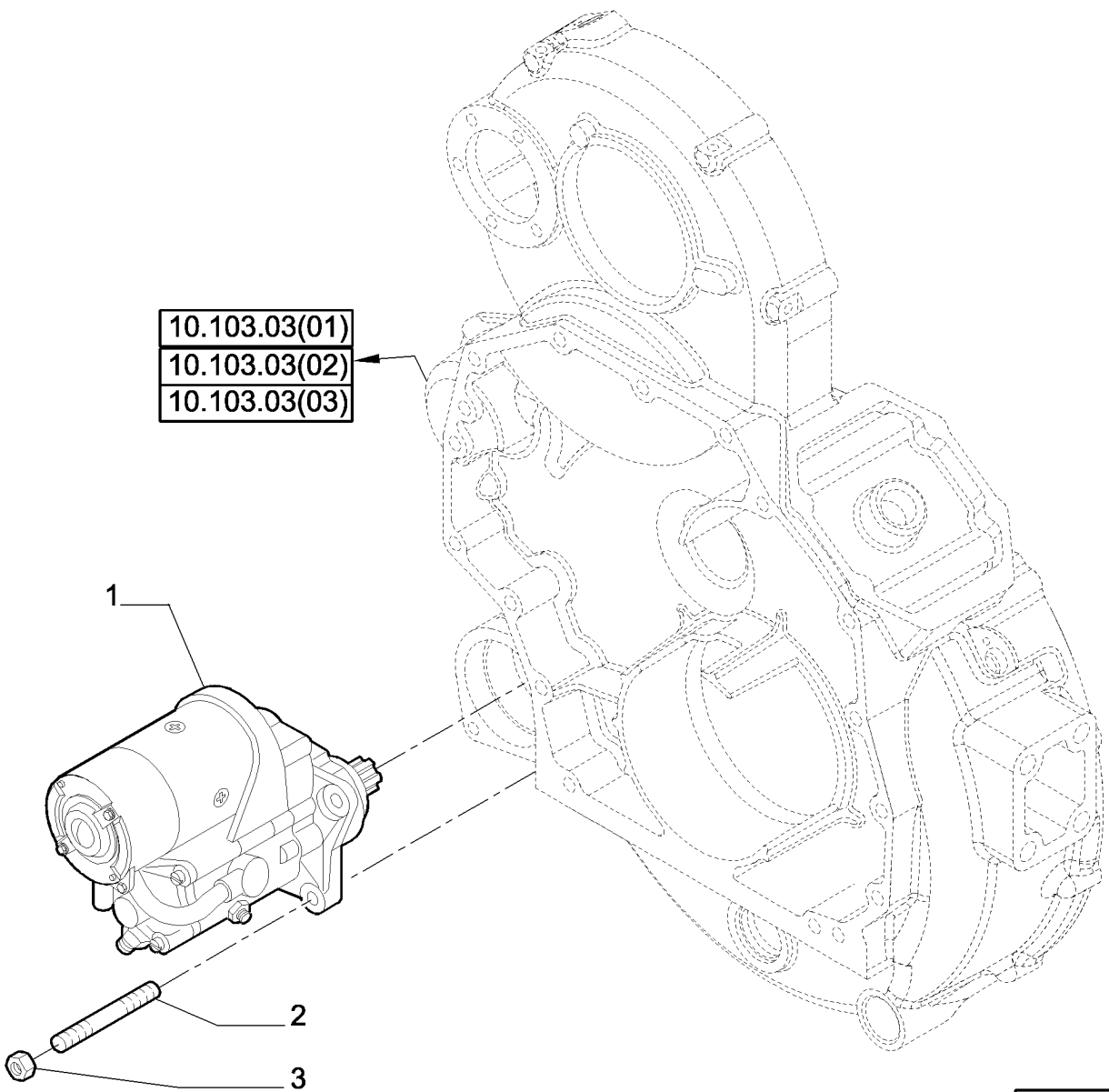
- (1) 7120 Only
- (2) 8120 & 9120 Only

**9120 8120 7120 7120
8120**

STARTER MOTOR - 7120



10.103.03(01)
10.103.03(02)
10.103.03(03)



STARTER MOTOR - 7120

REF	FN	PART NUMBER	YR/SN	QTY	DESCRIPTION
1		99432760		1	STARTER MOTOR
2		16748624		3	STUD, M10 x 30
3		17044821		3	NUT, M10

	7120
--	-------------

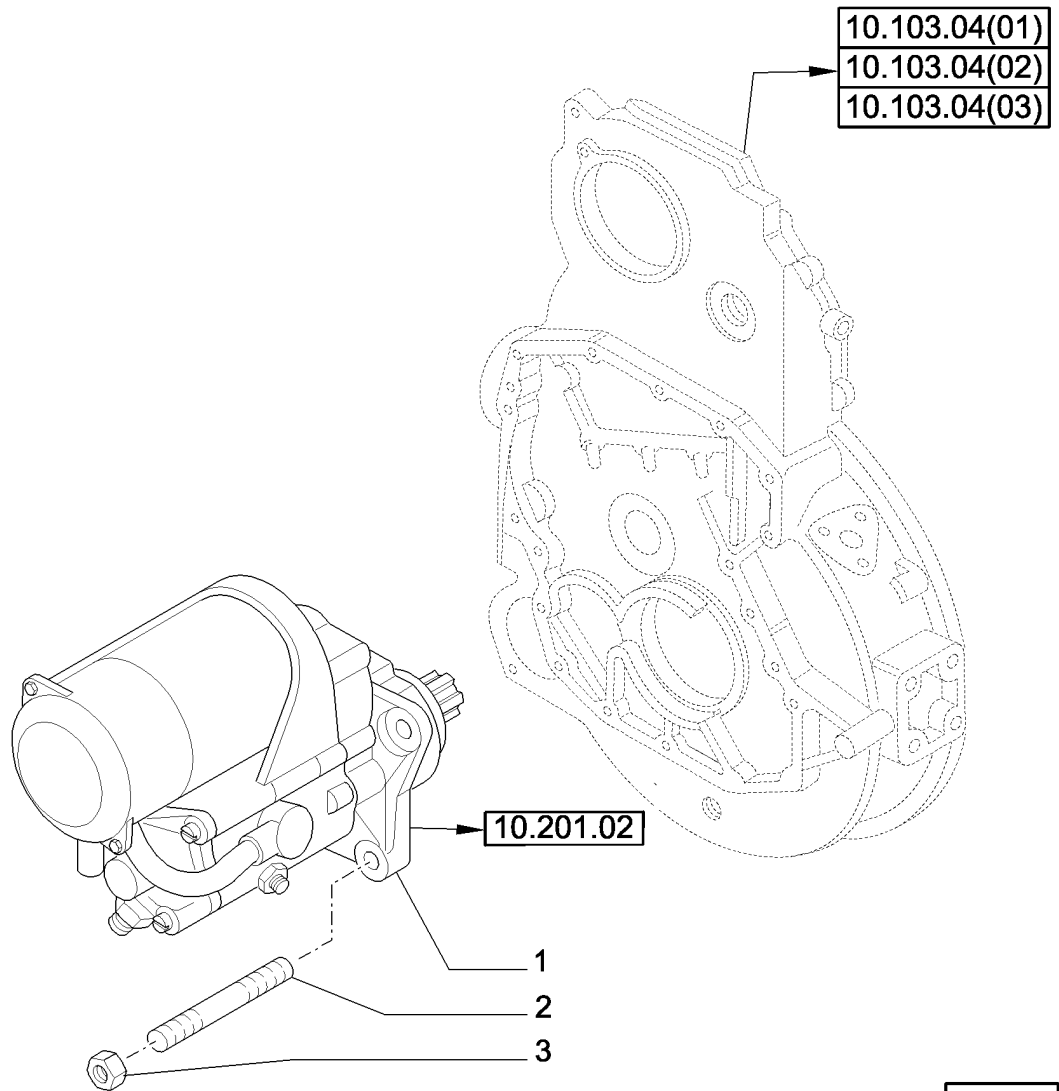
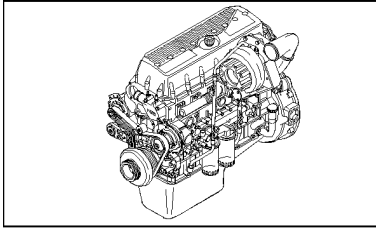
10.201.01

02

p1

02/10

STARTER MOTOR - 8120/8120(LA)



STARTER MOTOR - 8120/8120(LA)

REF	FN	PART NUMBER	YR/SN	QTY	DESCRIPTION
1		99486046		1	STARTER MOTOR
1	1	504042667		1	STARTER MOTOR
2		16760524		3	STUD, M12
3		17044921		3	NUT, M12
(1) No PIN# Break; Used as an Alternate					

	8120 8120
--	------------------

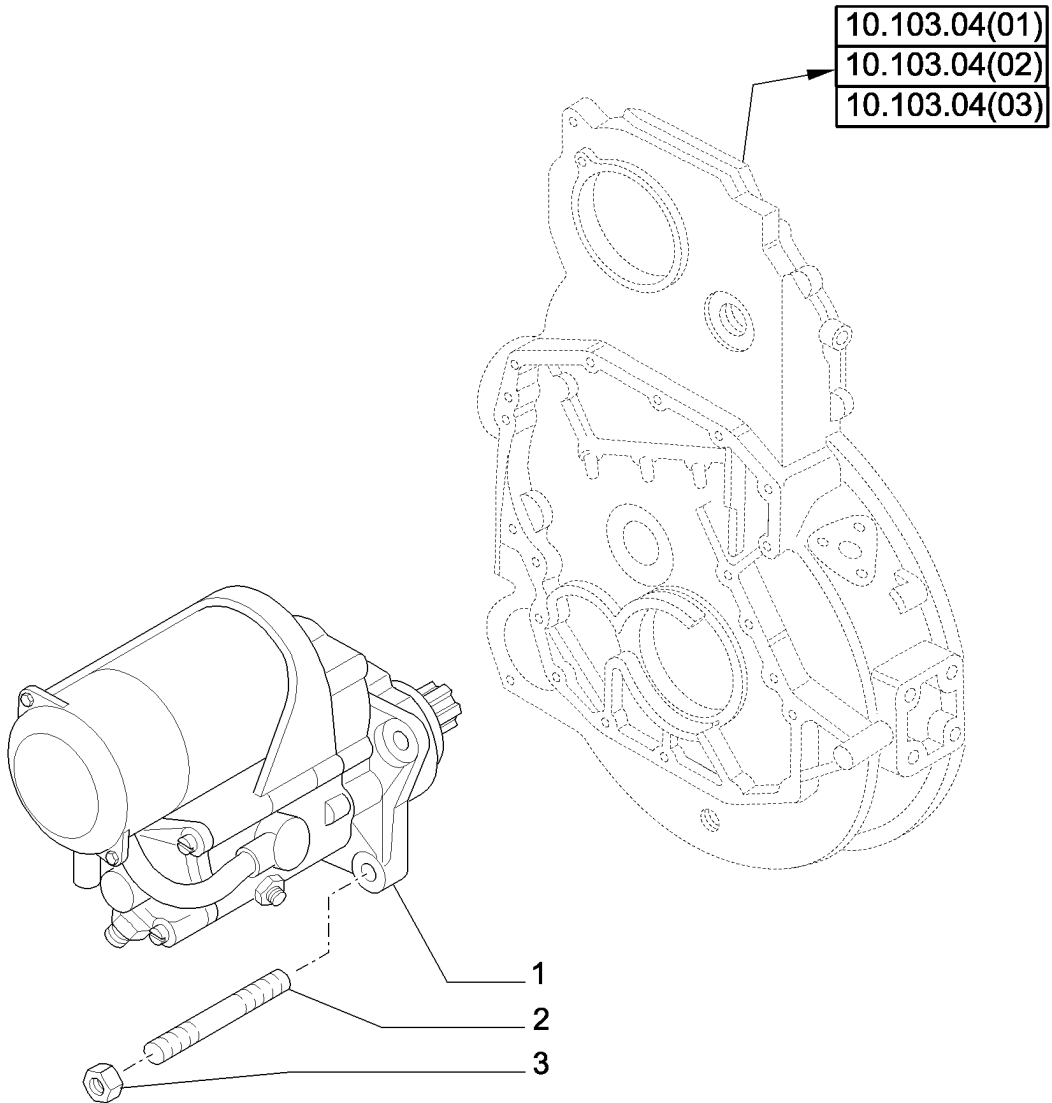
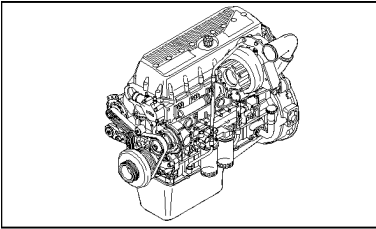
10.201.01

03

p1

02/10

STARTER MOTOR - 9120

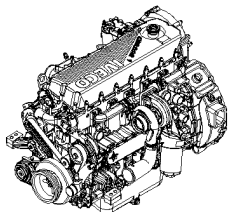


STARTER MOTOR - 9120

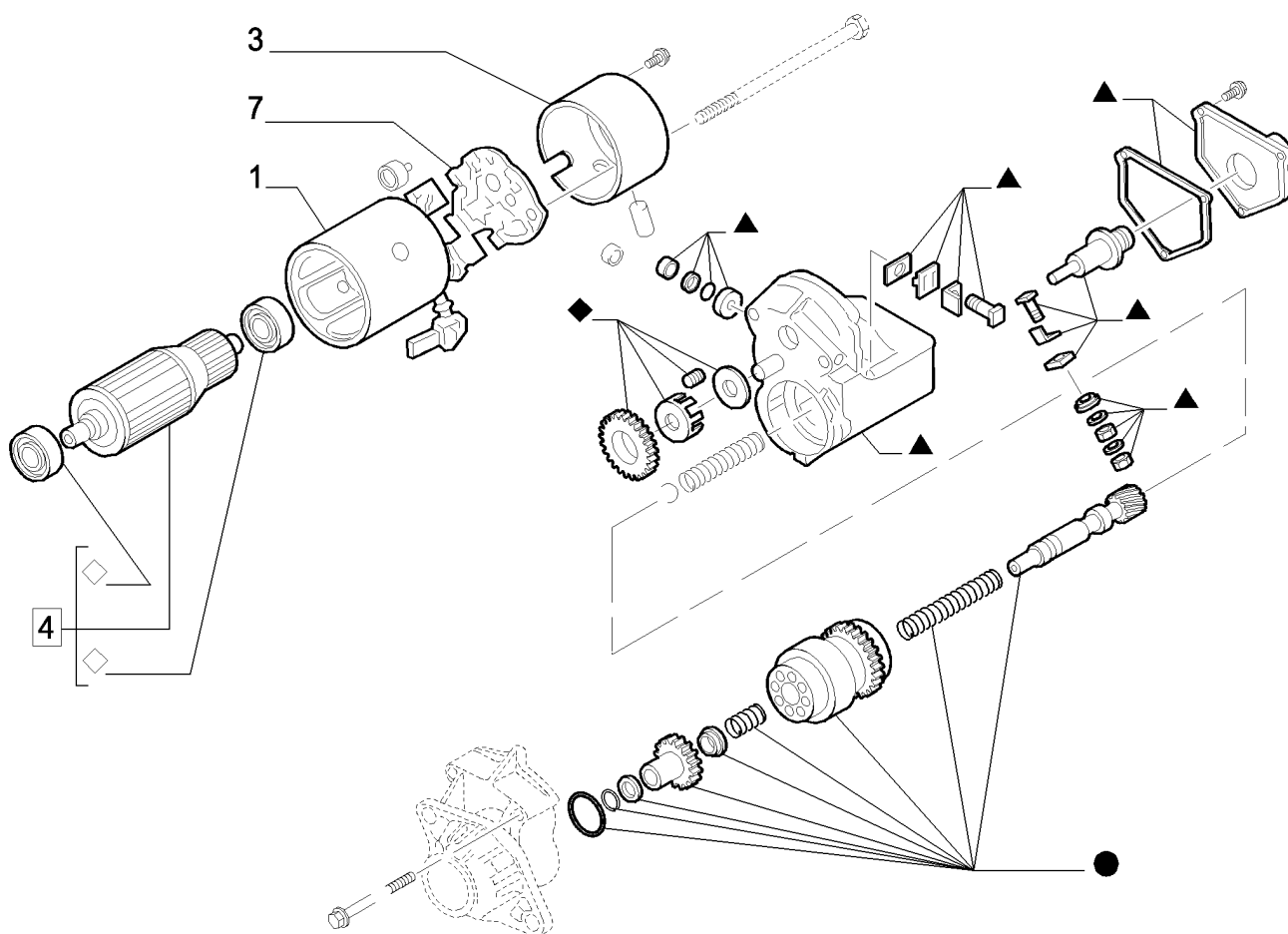
REF	FN	PART NUMBER	YR/SN	QTY	DESCRIPTION
1		99486046		1	STARTER MOTOR
2		16760524		3	STUD, M12
3		17044921		3	NUT, M12

	9120
--	-------------

STARTER MOTOR - COMPONENTS - 7120/7210(LA)



- ◆ = 8
- = 5
- ▲ = 6
- ◇ = 2

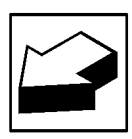
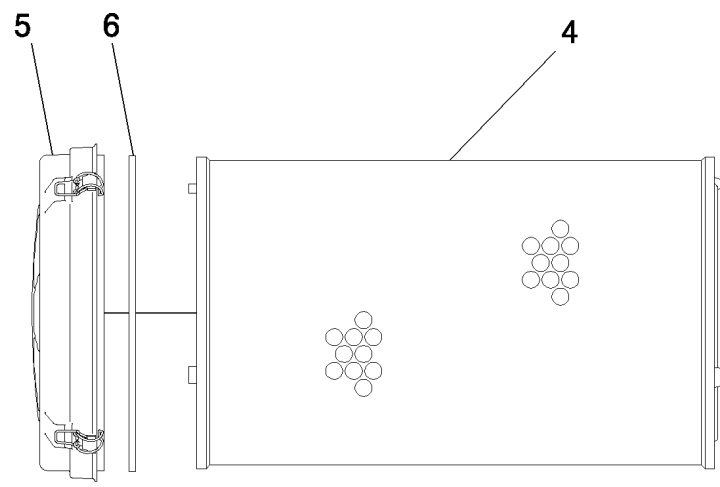
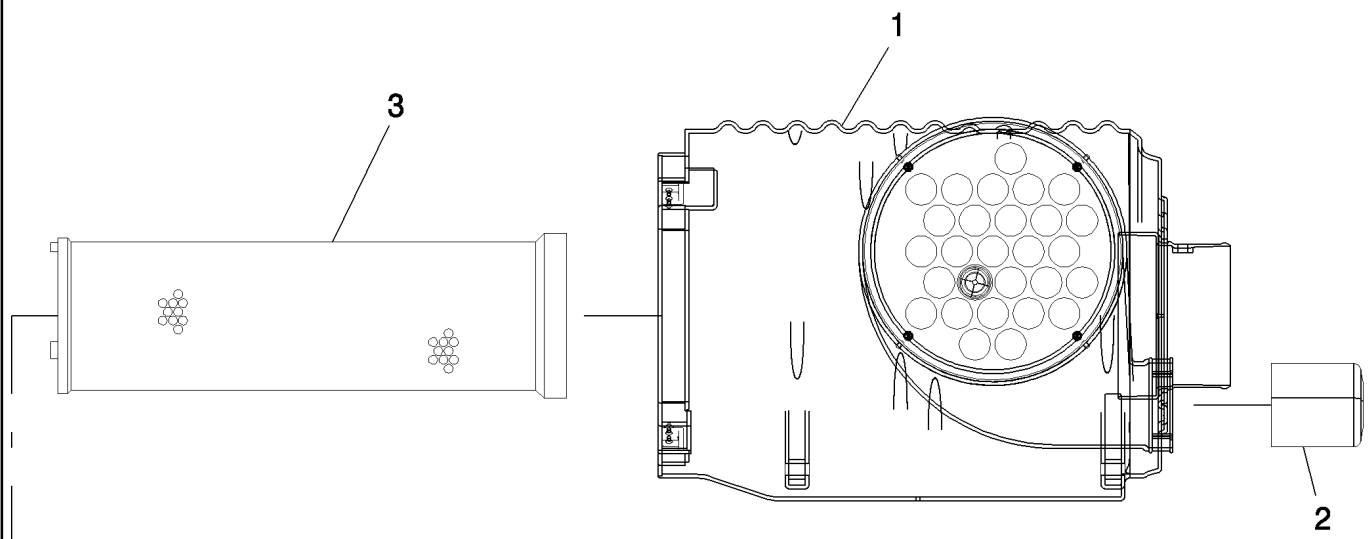


STARTER MOTOR - COMPONENTS - 7120/7210(LA)

REF	FN	PART NUMBER	YR/SN	QTY	DESCRIPTION
1		42471365		1	STATOR
2		42471382		3	STARTER MTR REPAIR KIT
3		42471367		3	COVER
4		42471368		1	ARMATURE
5		42471369		1	STARTER MTR REPAIR KIT
6		42471370		1	STARTER MTR REPAIR KIT
7		8093758		1	BRUSH SET
8		8093757		1	STARTER MTR REPAIR KIT

7120 7120

AIR CLEANER & FILTERS - ENGINE 7120/7120(LA) - 8120/8120(LA)



10.202.02

p1

10/09

AIR CLEANER & FILTERS - ENGINE 7120/7120(LA) - 8120/8120(LA)

REF	FN	PART NUMBER	YR/SN	QTY	DESCRIPTION
1		86998330		1	HOUSING
2		86998331		1	CHECK VALVE
3		86998332		1	AIR FILTER, Inner
4		86998333		1	AIR FILTER, Outer
5		87414982		1	COVER, Incl Ref 6
6		87414805		1	GASKET

8120 7120 7120 8120

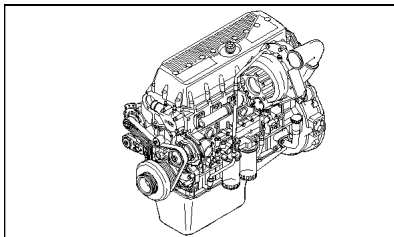
10.206.01

01

p1

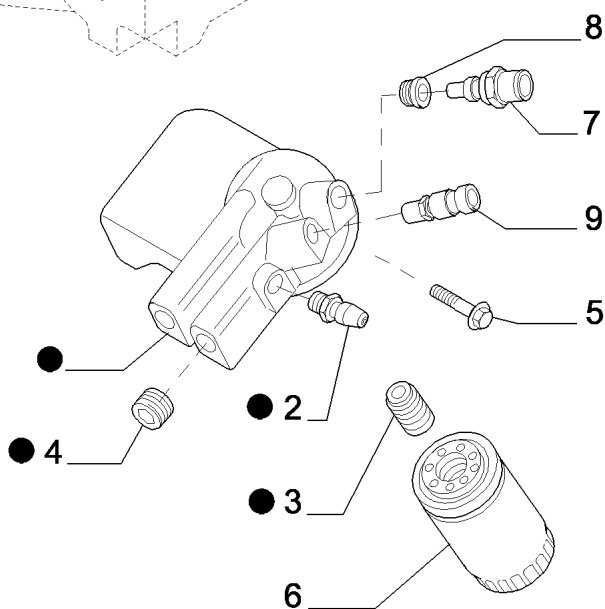
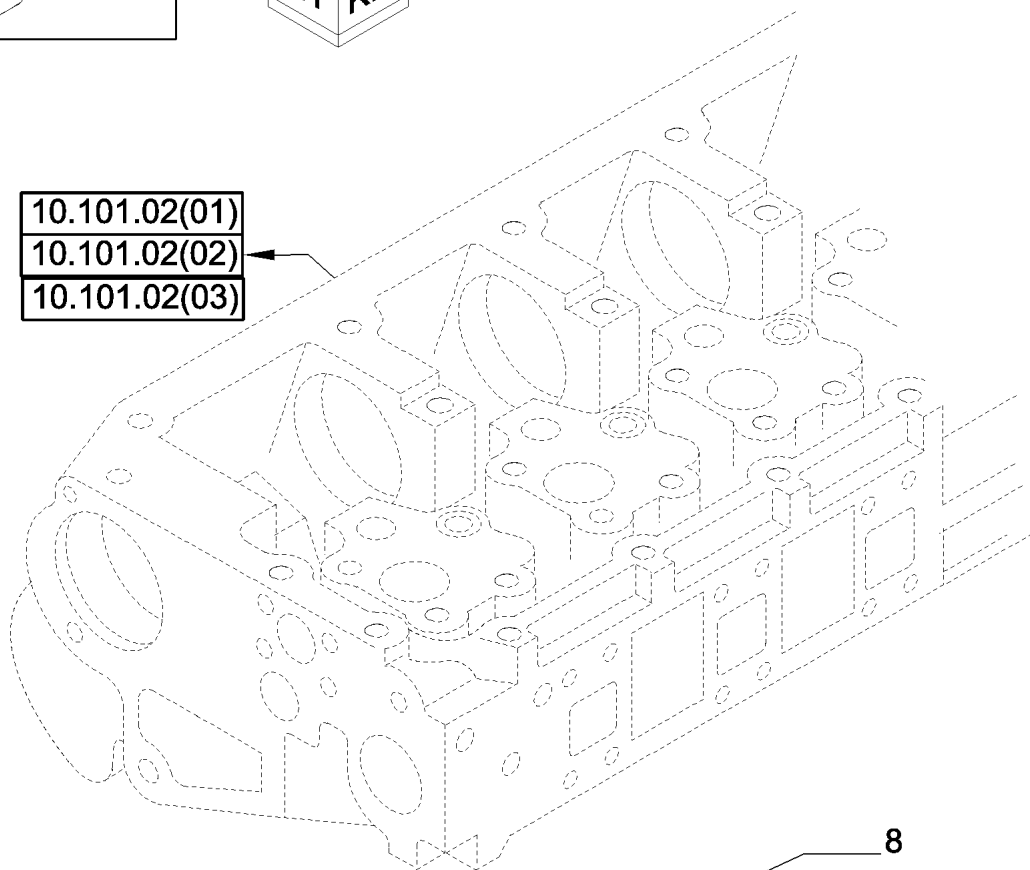
02/10

FUEL FILTER, ENGINE MOUNTED - 8120/8120(LA)



● = 1

- 10.101.02(01)
- 10.101.02(02)
- 10.101.02(03)



FUEL FILTER, ENGINE MOUNTED - 8120/8120(LA)

REF	FN	PART NUMBER	YR/SN	QTY	DESCRIPTION
1		504046809		1	FILTER HEAD
2		500304562		1	PLUG
3		98498837		1	FITTING, M14 x 1.5 - M16 x 1.5
4		504051237		1	PLUG
5		16675835		2	SCREW, M10 x 30
6		84818745		1	FUEL FILTER
7		500382599		1	SENSOR, Coolant Temperature
8		504035912		1	ADAPTER
9		500346074		1	SENDER UNIT, Fuel Filter Pressure Switch

8120 8120

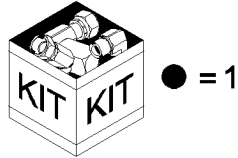
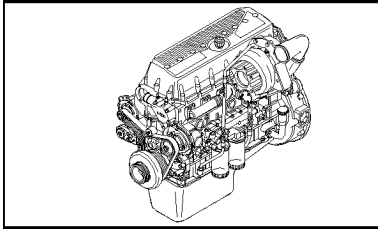
10.206.01

02

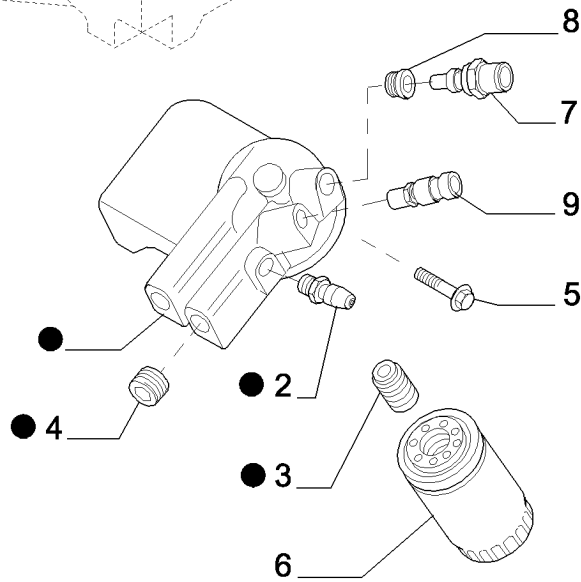
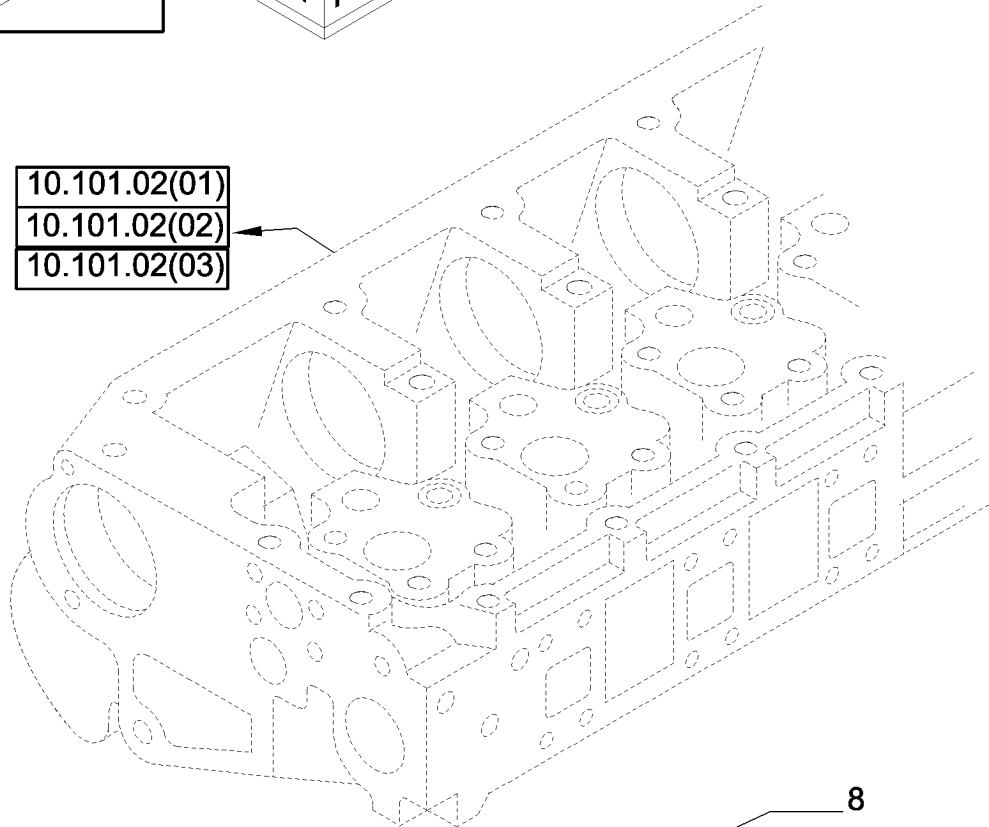
p1

02/10

FUEL FILTER, ENGINE MOUNTED - 9120



- 10.101.02(01)
- 10.101.02(02)
- 10.101.02(03)

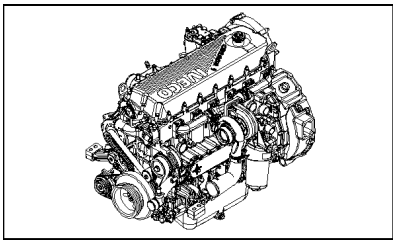


FUEL FILTER, ENGINE MOUNTED - 9120

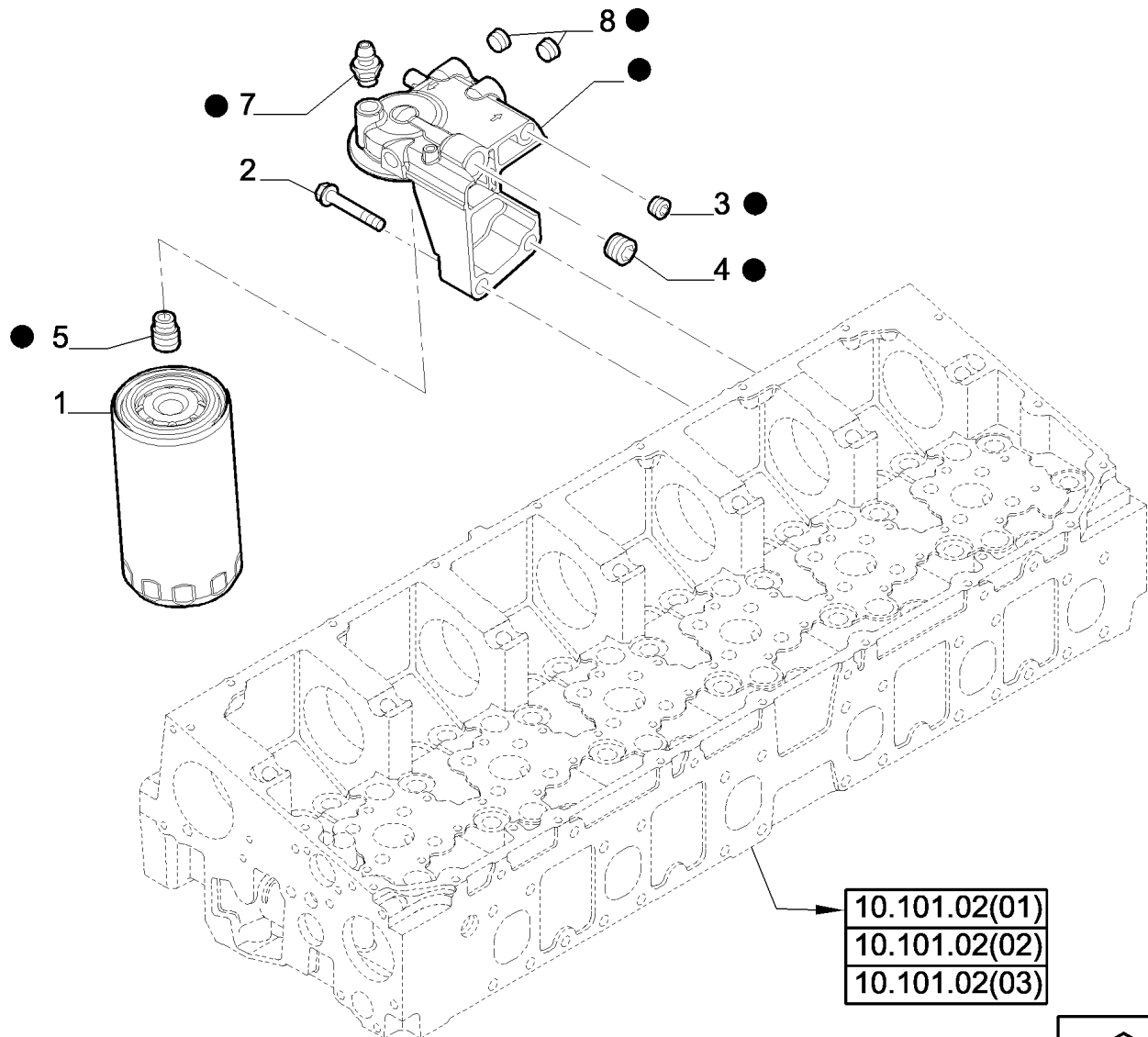
REF	FN	PART NUMBER	YR/SN	QTY	DESCRIPTION
1		504046809		1	FILTER HEAD
2		500304562		1	PLUG
3		98498837		1	FITTING, M14 x 1.5 - M16 x 1.5
4		504051237		1	PLUG
5		16675835		2	SCREW, M10 x 30
6		84818745		1	FUEL FILTER
7		500382599		1	SENSOR, Coolant Temperature
8		504035912		1	ADAPTER
9		500346074		1	SENDER UNIT, Fuel Filter Pressure Switch

	9120
--	-------------

FUEL FILTER & RELATED PARTS - 7120/7120(LA)



● = 6

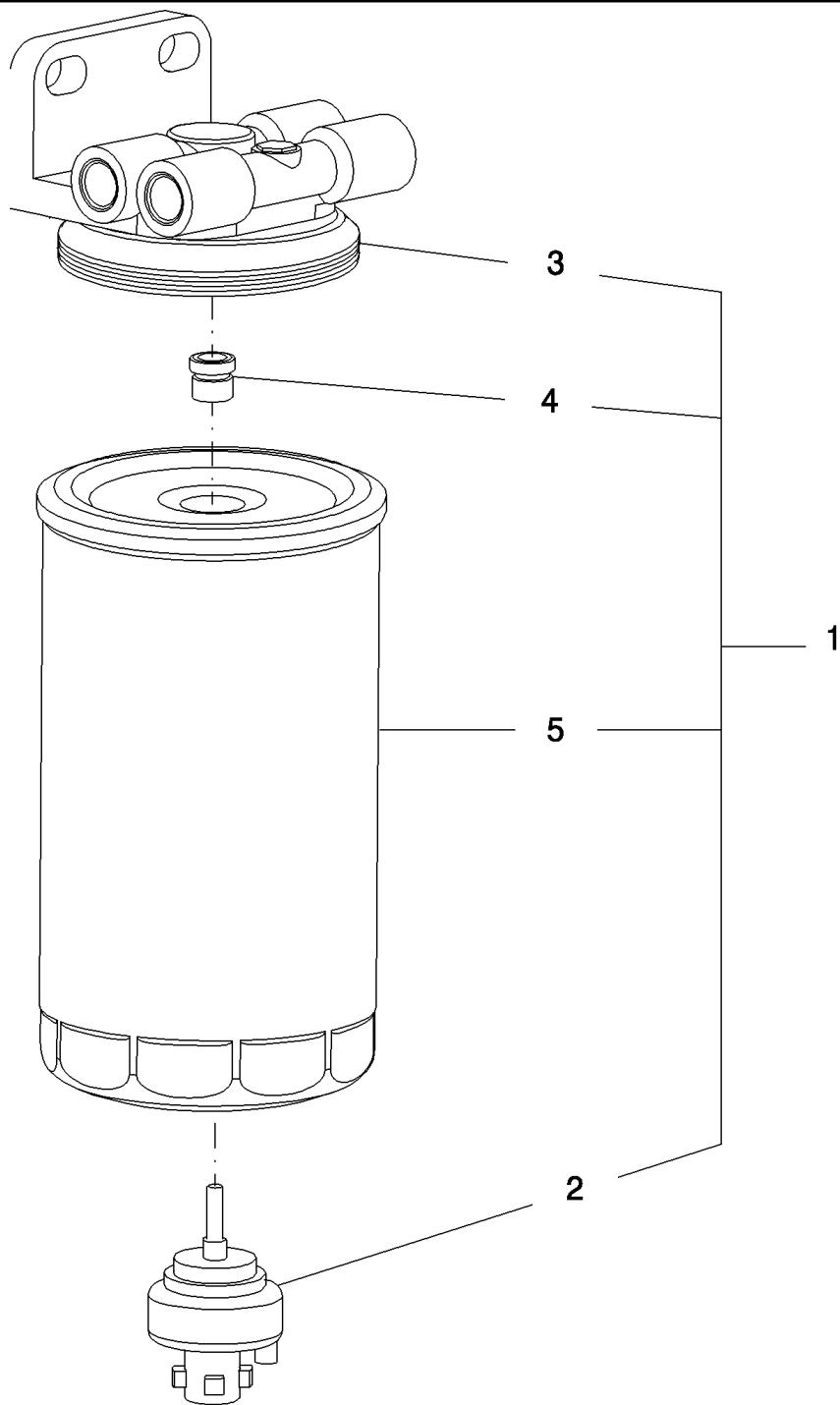


FUEL FILTER & RELATED PARTS - 7120/7120(LA)

REF	FN	PART NUMBER	YR/SN	QTY	DESCRIPTION
1		504199551		1	FUEL FILTER
2		16586724		2	SCREW, M8 x 40
3		99430692		1	PLUG, D = 1/2"
4		98472271		1	PLUG
5		98498837		1	FITTING, M14 x 1.5 - M16 x 1.5
6		500392440		1	FILTER ASSY
7		500304562		1	PLUG
8		98474481		2	PLUG

7120 7120

FUEL FILTER W/WATER SENSOR



FUEL FILTER W/WATER SENSOR

REF	FN	PART NUMBER	YR/SN	QTY	DESCRIPTION
1	1	0C		1	ORDER COMPONENTS, Filter, FuelW/ WIF Sensor - Includes Ref 2, 3, & 5
1	2	0C		1	ORDER COMPONENTS, Filter, Fuel; W/ WIF Sensor - Includes Ref 2 Thru 5
2	1	87519307		1	SENSOR, Water, Fuel Filter
2	2	87525715		1	SENSOR, Water, Fuel Filter
3	1	87607877		1	HEAD
3	2	87340338		1	FILTER HEAD
4	2	87344284		1	FITTING
5	1	87592170		1	FUEL FILTER, Element
5	2	87340333		1	FUEL FILTER, Element

- (1) 7120 Only
- (2) 8120 & 9120 Only

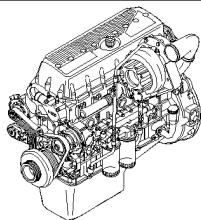
**9120 8120 7120 7120
8120**

10.206.04

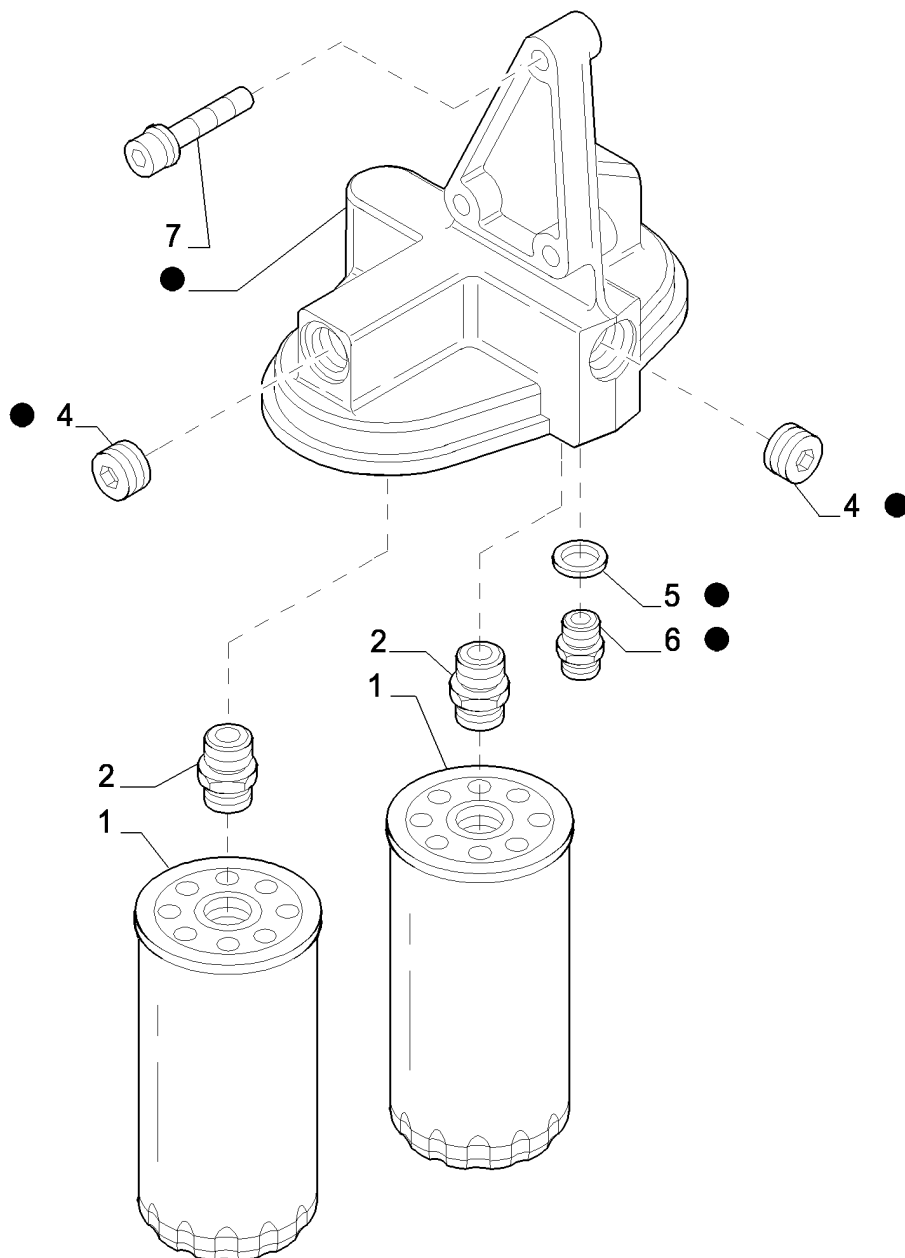
p1

10/09

FILTER, ENGINE OIL - 8120/8120(LA) - 9120 (504037241)



●=3

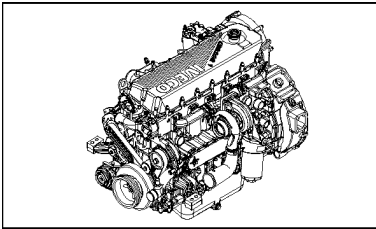


FILTER, ENGINE OIL - 8120/8120(LA) - 9120 (504037241)

REF	FN	PART NUMBER	YR/SN	QTY	DESCRIPTION
1		84818743		2	ENGINE OIL FILTER
2		99431947		2	HYD CONNECTOR, M30 x 20
3		504033726		1	FILTER HEAD, ASSY
4		99430692		2	PLUG
5		99434480		1	GASKET
6		504037176		1	FITTING
7		504010370		3	SCREW

9120 8120 8120

ENGINE OIL FILTER & LUBE LINES - 7120/7120(LA)



- 10.254.08(01)
- 10.254.08(02)
- 10.254.08(03)

- 10.102.02(01)
- 10.102.02(02)
- 10.102.02(03)

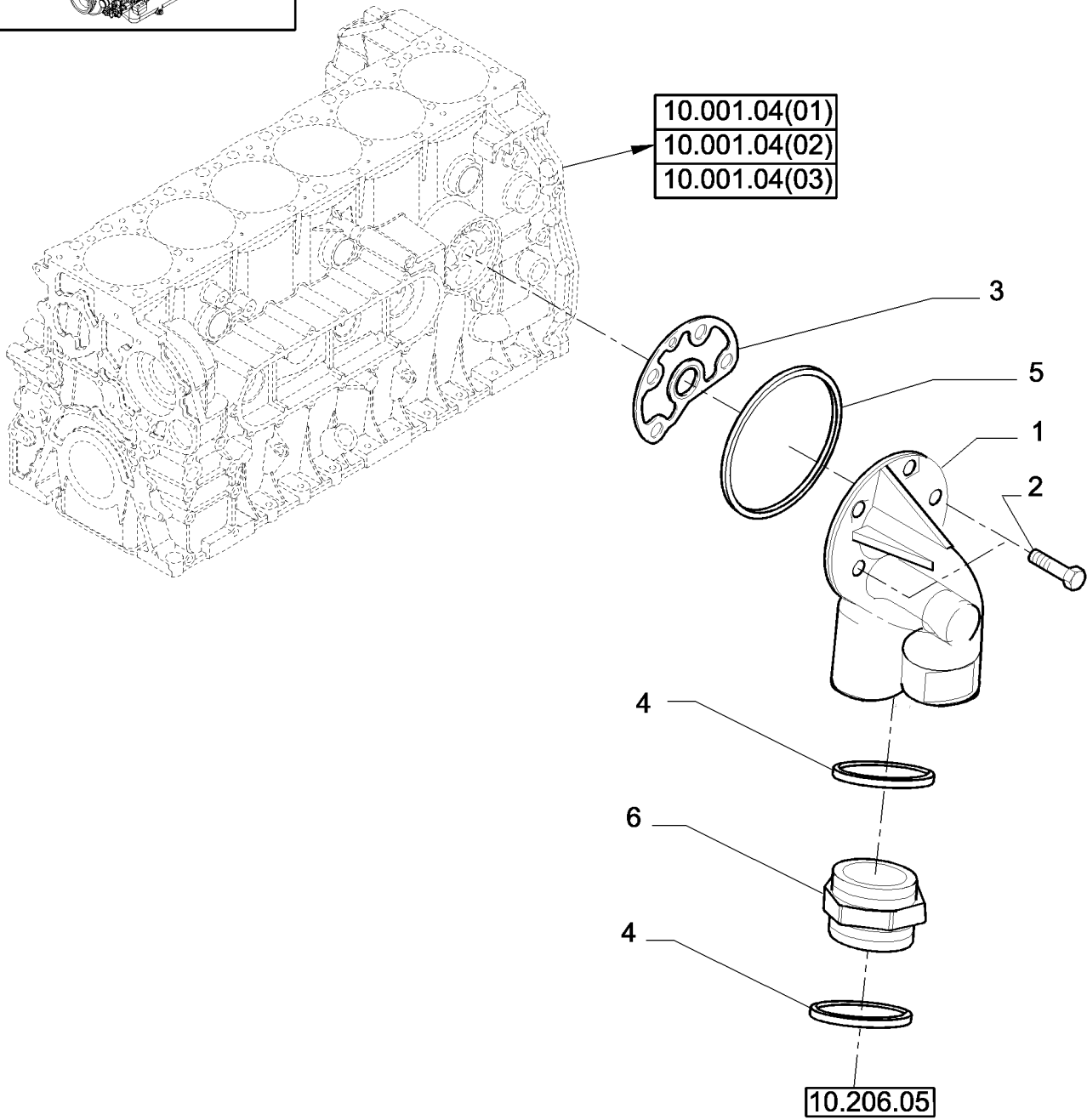
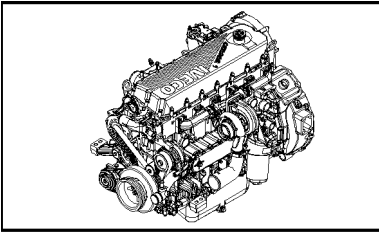


ENGINE OIL FILTER & LUBE LINES - 7120/7120(LA)

REF	FN	PART NUMBER	YR/SN	QTY	DESCRIPTION
1		504005572		1	ELBOW
2		98481998		1	FITTING
3		17282281		2	O-RING
4		16689724		2	SCREW, M6 x 45
5		16689824		4	SCREW, M6 x 50
6		16689924		2	SCREW
7		17088474		8	LOCK WASHER, Dia. = M6 x 12
8		99431947		1	HYD CONNECTOR
9		99434480		3	GASKET
10		84818743		1	ENGINE OIL FILTER
11		17317390		8	CLAMP
12		17094924		5	WASHER
13		17044721		5	NUT, M8 x 1.25
14		504218098		1	BRACKET
15		504218108		2	TUBE, Hose
16		87681214		2	O-RING

7120 7120

OIL HOUSING - 7120/7120(LA)

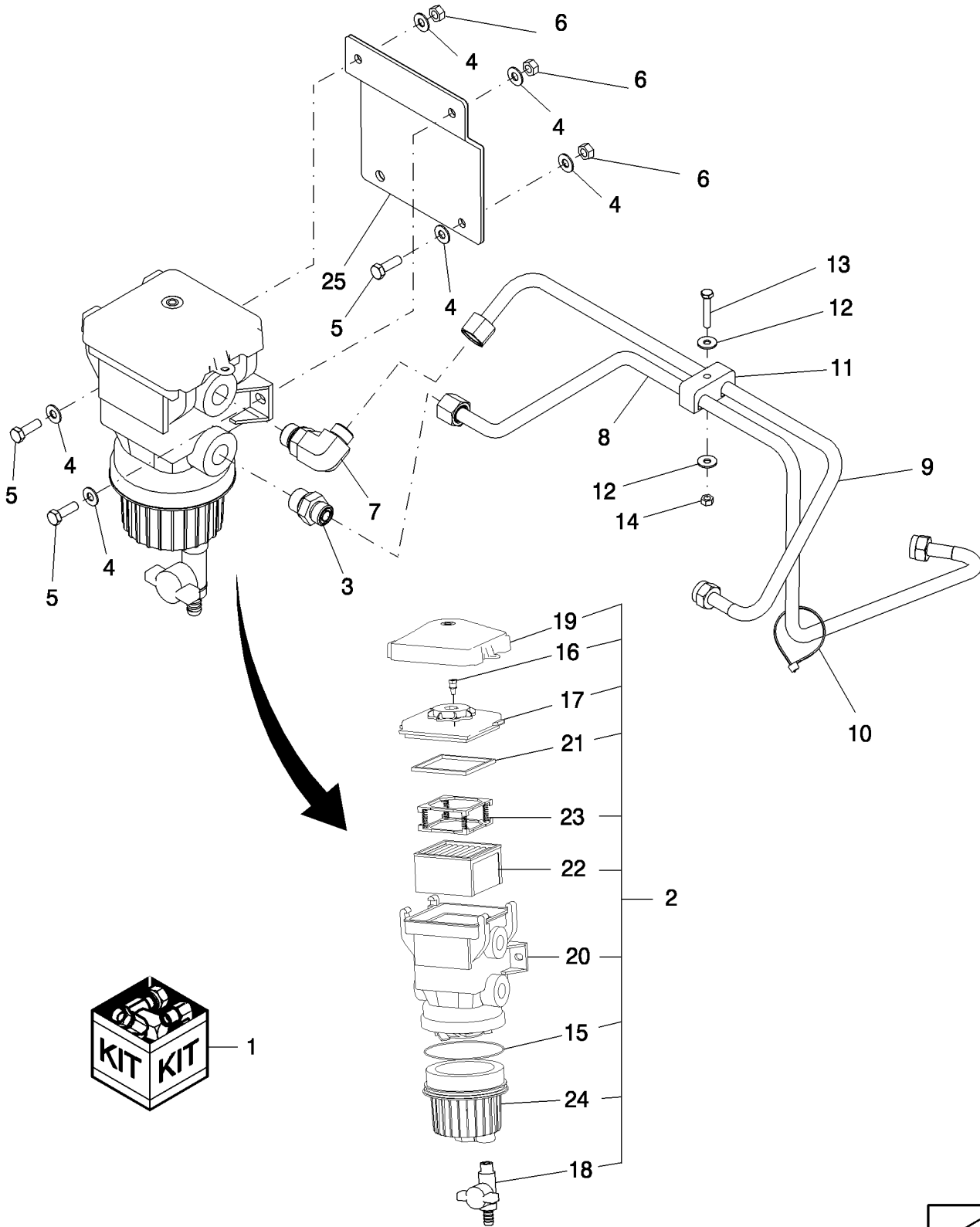


OIL HOUSING - 7120/7120(LA)

REF	FN	PART NUMBER	YR/SN	QTY	DESCRIPTION
1		504190449		1	BRACKET, Support; Incl Refs 4 Thru 6
2		16673835		1	SCREW
3		504147366		1	GASKET
4		99434480		1	GASKET
5		17291881		1	GASKET, M113.89 x 3.53
6		504037176		1	FITTING

	7120 7120
--	------------------

DIA HARVEST KIT, ADDITIONAL FUEL FILTER



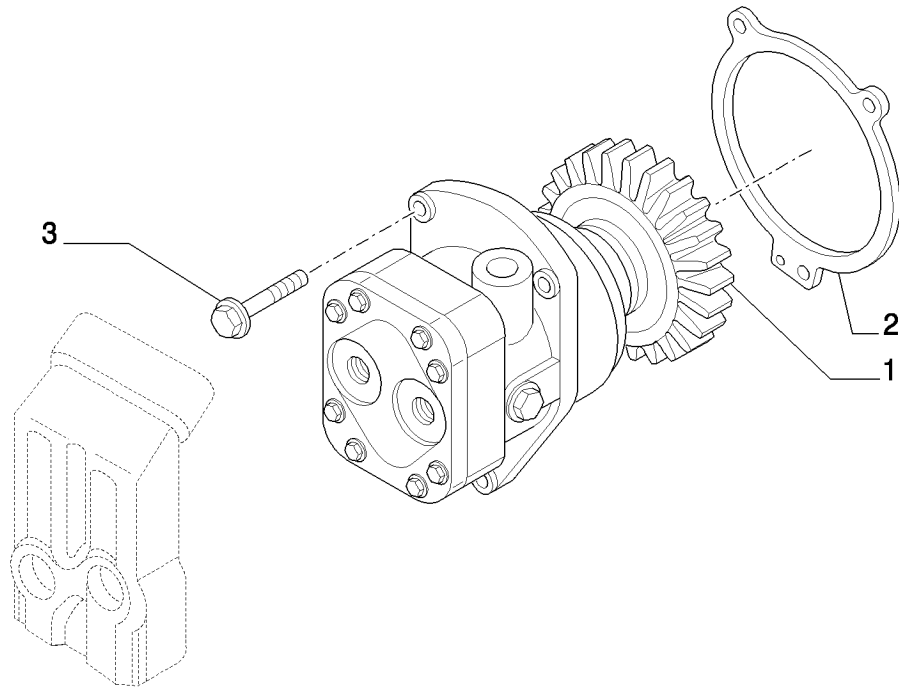
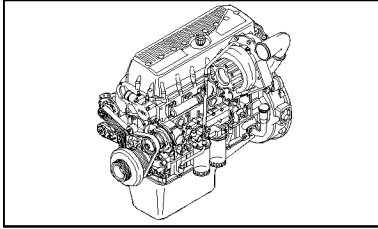
DIA HARVEST KIT, ADDITIONAL FUEL FILTER

REF	FN	PART NUMBER	YR/SN	QTY	DESCRIPTION
1		87755811		1	DIA KIT, HARVESTER, Kit, Additional Fuel Filter; Incl Refs 2 Thru 24
2		87734479		1	SEPARATOR, Filter, Fuel
3		86579678		1	HYD CONNECTOR, 13/16"-16 ORFS x M22 x 1.5 ORB
4		322358		6	BELLEVILLE WASHER, M8
5		43127		3	BOLT, Hex, M8 x 25, 8.8
6		9706690		3	NUT, M8, CI 8
7		86579692		1	ELBOW, 90°, 13/16"-18 ORFS x M22 x 1.5 ORB
8		87743283		1	TUBE ASSY., Additional Fuel Filter
9		87755808		1	TUBE ASSY., Additional Fuel Filter
10		86566989		1	CABLE STRAP, M4.75 x 190.5 L
11		625822		1	CLAMP
12		86624182		2	WASHER, M6 x 18 x 1.6
13		86977789		1	BOLT, Hex, M6 x 35, 8.8
14		9706755		1	NUT, M6, CI 8
15		87473305		1	O-RING
16		87474698		1	BLEEDER VALVE, Screw
17		87473306		1	LID, Filter
18		87473308		1	DRAIN VALVE
19		87474697		1	COVER, Dust
20		NSS		1	NOT SERVICED SEPARATELY, Body, Filter
21		87333676		1	GASKET, Top Lid
22		87409379		1	FILTER, Element, Additional Fuel
23		87333679		1	SPRING
24		87473304		1	BOWL, Water Sensor

To provide additional filtration in those markets where poor fuel quality is a concern.

**9120 8120 7120 7120
8120**

FUEL PUMP & RELATED PARTS - 8120/8120(LA)

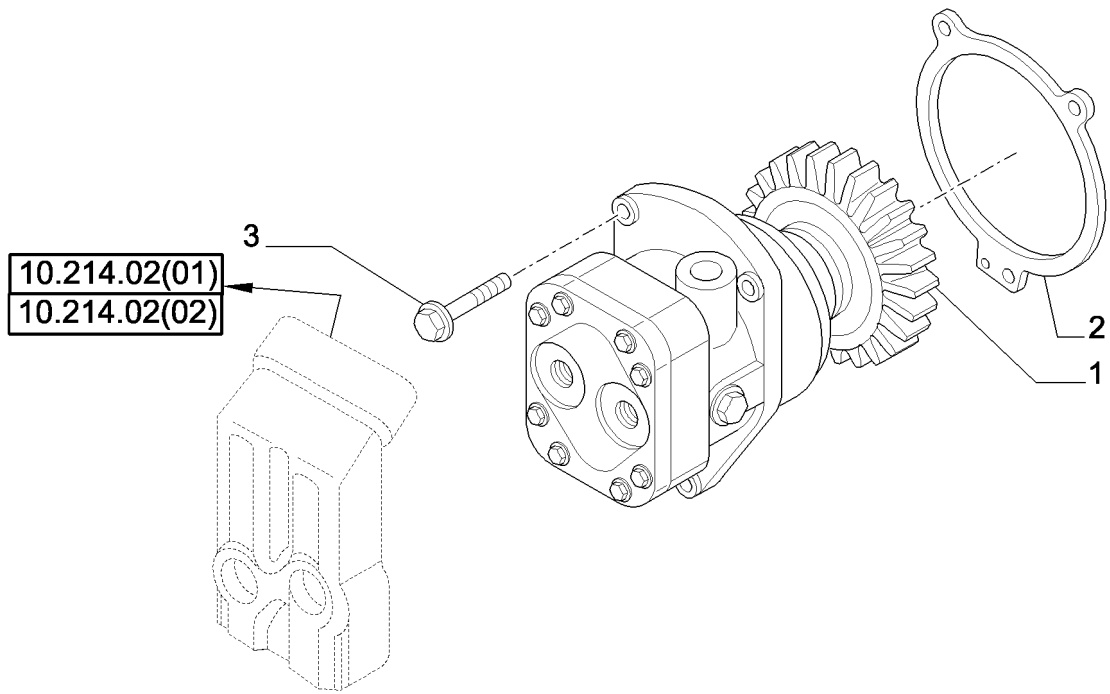
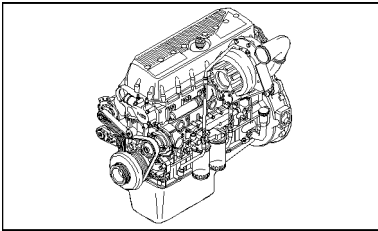


FUEL PUMP & RELATED PARTS - 8120/8120(LA)

REF	FN	PART NUMBER	YR/SN	QTY	DESCRIPTION
1		504040201	BSN 38209	1	FUEL PUMP
1		504066263	ASN 38209	1	FUEL PUMP
2		504045787		1	SEAL
3		16673735		3	SCREW, M8 x 25

	8120 8120
--	------------------

FUEL PUMP & RELATED PARTS - 9120



10.210.02

02

p1

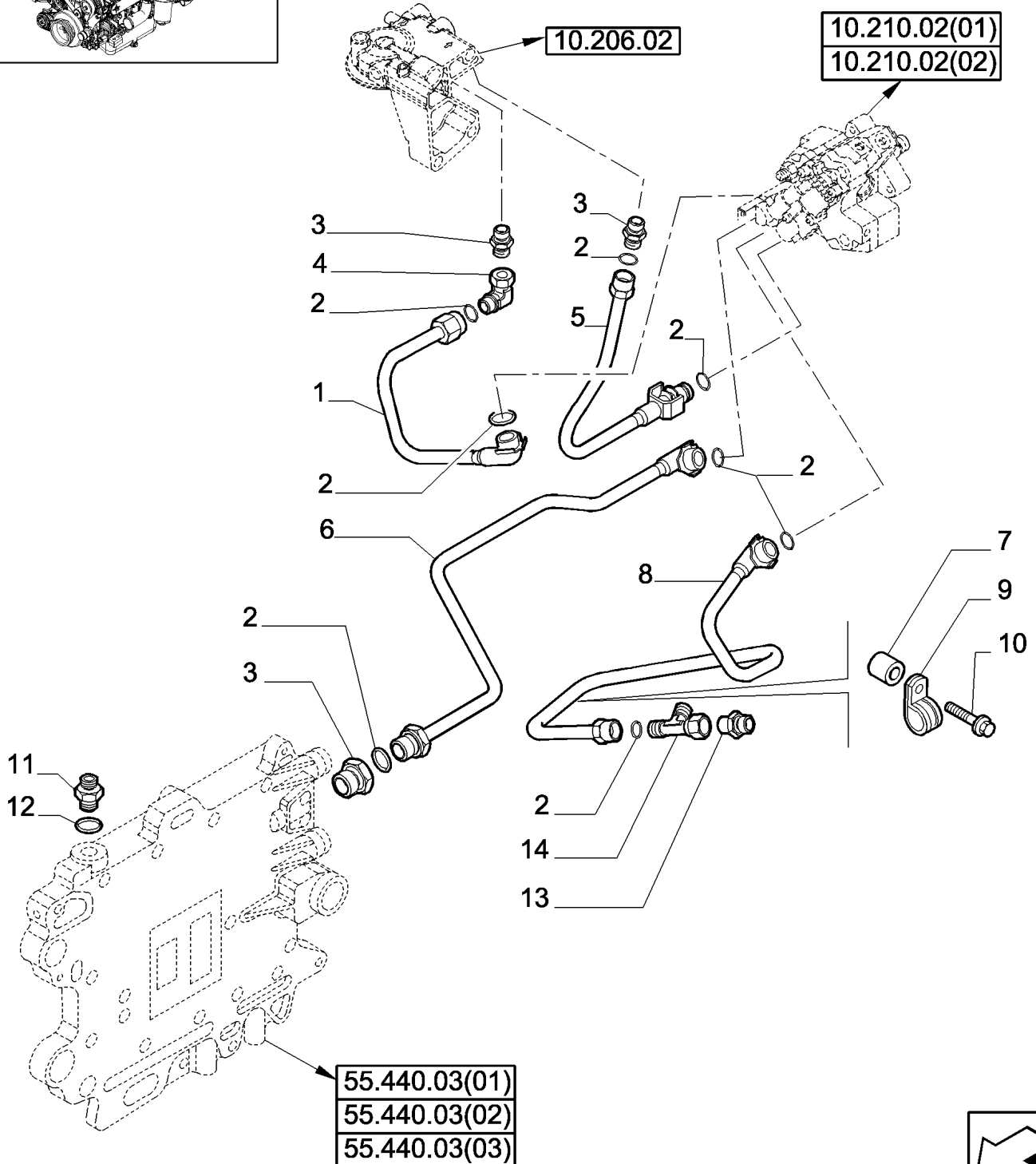
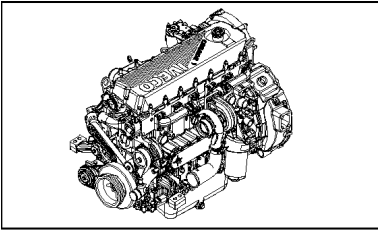
02/10

FUEL PUMP & RELATED PARTS - 9120

REF	FN	PART NUMBER	YR/SN	QTY	DESCRIPTION
1		504040201	BSN 17370	1	FUEL PUMP
1		504066263		1	FUEL PUMP
2		504045787		1	SEAL
3		16673735		3	SCREW, M8 x 25

9120

FUEL LINES - 7120/7120(LA)



10.214.01

p1

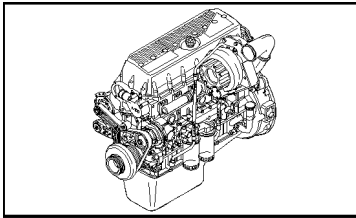
02/10

FUEL LINES - 7120/7120(LA)

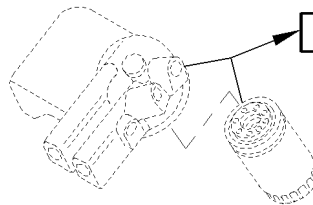
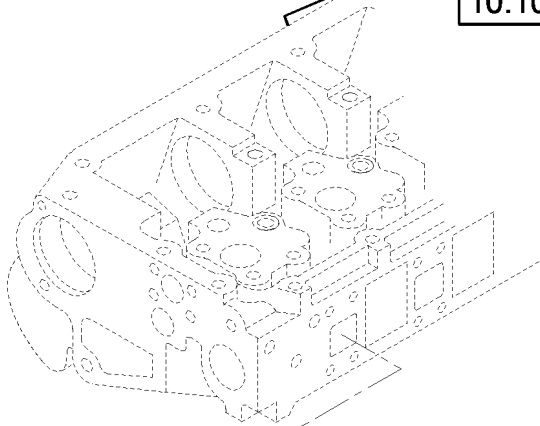
REF	FN	PART NUMBER	YR/SN	QTY	DESCRIPTION
1		504127214		1	PIPE, Tube
2		4894095		8	O-RING, M8 ID x 2.5 Thk
3		504081275		3	HYD CONNECTOR, Fitting
4		16503914		1	ELBOW UNION, M14 x 1,5
5		504160371		1	PIPE
6		504127213		1	PIPE, Tube
7		17816214		1	SPACER
8		504181184		1	PIPE
9		17316399		2	BRACKET
10		16586525		1	BOLT, M6 x 30
11		16500715		1	UNION, M16 x 1,5 / M12 x 1,5
12		98474309		1	GASKET, 16 x 24 x 1,9mm
13		41034988		1	UNION, M12 x 1,5 / M14 x 1,5
14		16504614		1	TEE, M14 x 1,5

7120 7120

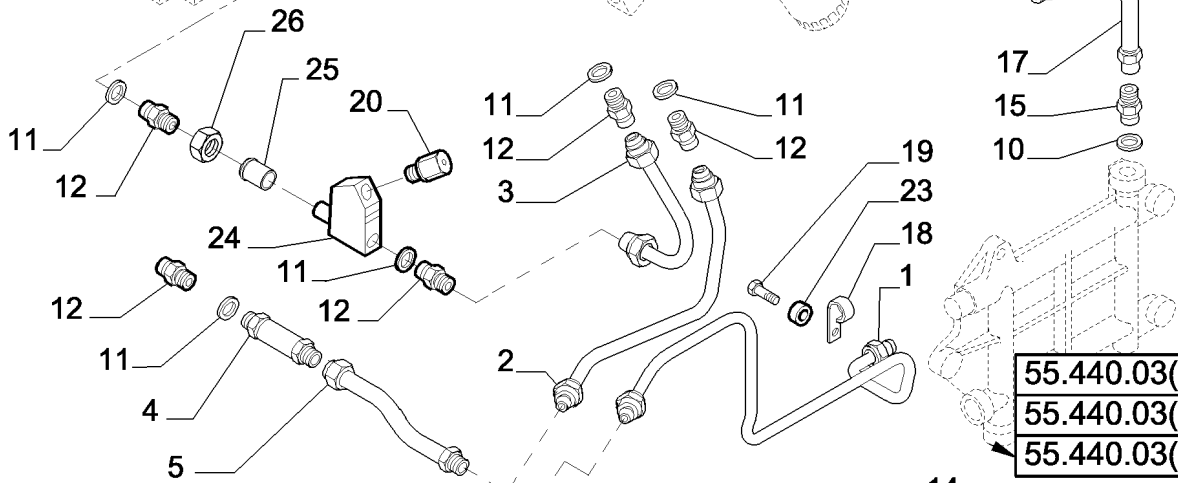
FUEL LINES & RELATED PARTS - 8120/8120(LA)



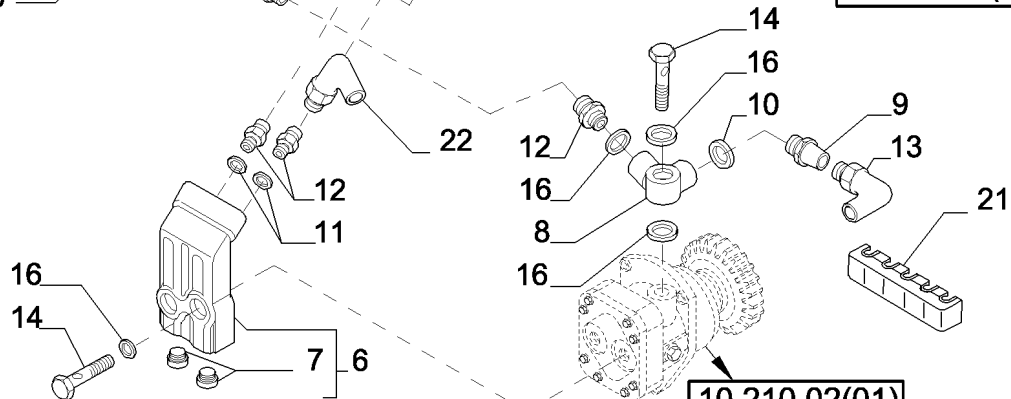
10.101.02(01)
10.101.02(02)
10.101.02(03)



10.206.02



55.440.03(01)
55.440.03(02)
55.440.03(03)



10.210.02(01)
10.210.02(02)



FUEL LINES & RELATED PARTS - 8120/8120(LA)

REF	FN	PART NUMBER	YR/SN	QTY	DESCRIPTION
1		504132108		1	TUBE, Fuel
2		500348310		1	TUBE, Fuel
3		504144836		1	TUBE, Fuel
4		500310076		2	FITTING
5		500348301		1	TUBE, Fuel
6		500314313		1	CONNECTING BLOCK
7		504051237		2	PLUG
8		500348306		1	ELBOW
9		500328251		1	PRESSURE RELIEF VALVE
10		99489018		2	SEALING WASHER, D= M12
11		99489019		8	SEALING WASHER, D= M16 x 24 x 1.5
12		504081274		8	HYD CONNECTOR
13		500350162		1	ELBOW
14		504081282		3	HYD CONNECTOR, Bolt, Banjo M16 x 1.5
15		1244661		1	FITTING
16		98474309		4	GASKET, D= M16 x 24 x 1,9
17		500390069		1	TUBE, Fuel
18		17316599		3	CLAMP
19		16673735		2	SCREW
19		16597925		1	SCREW
20		504112433		3	VALVE, Reduction
21		500306941		2	CLAMP
22		16504114		1	ELBOW
23		17816214		2	SPACER
24		504125079		1	UNION
25		16507614		1	WASHER
26		16506915		1	NUT

8120 8120

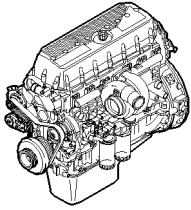
10.214.02

02

p1

02/10

FUEL LINES & RELATED PARTS - 9120

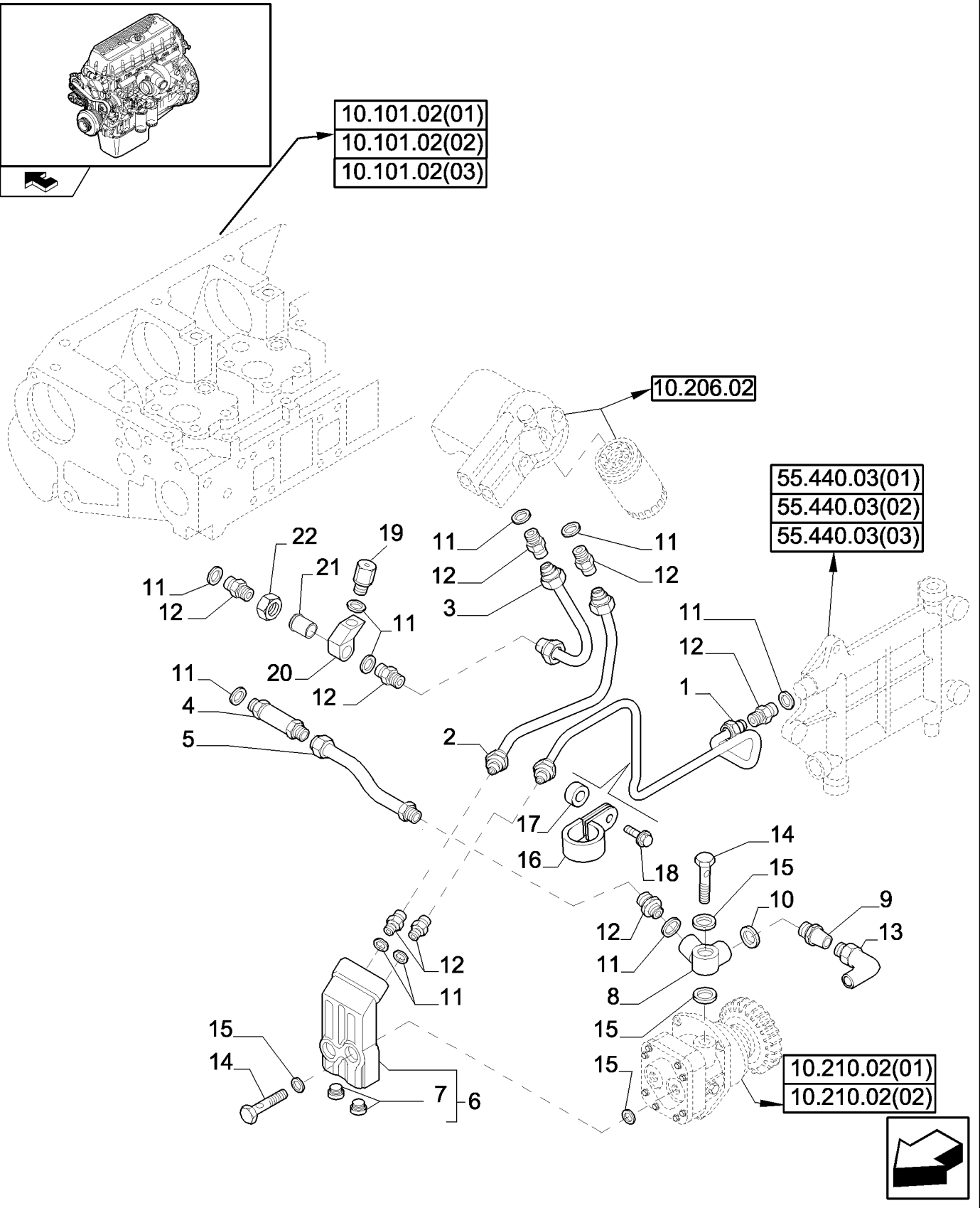


10.101.02(01)
10.101.02(02)
10.101.02(03)

10.206.02

55.440.03(01)
55.440.03(02)
55.440.03(03)

10.210.02(01)
10.210.02(02)



10.214.02

02

p1

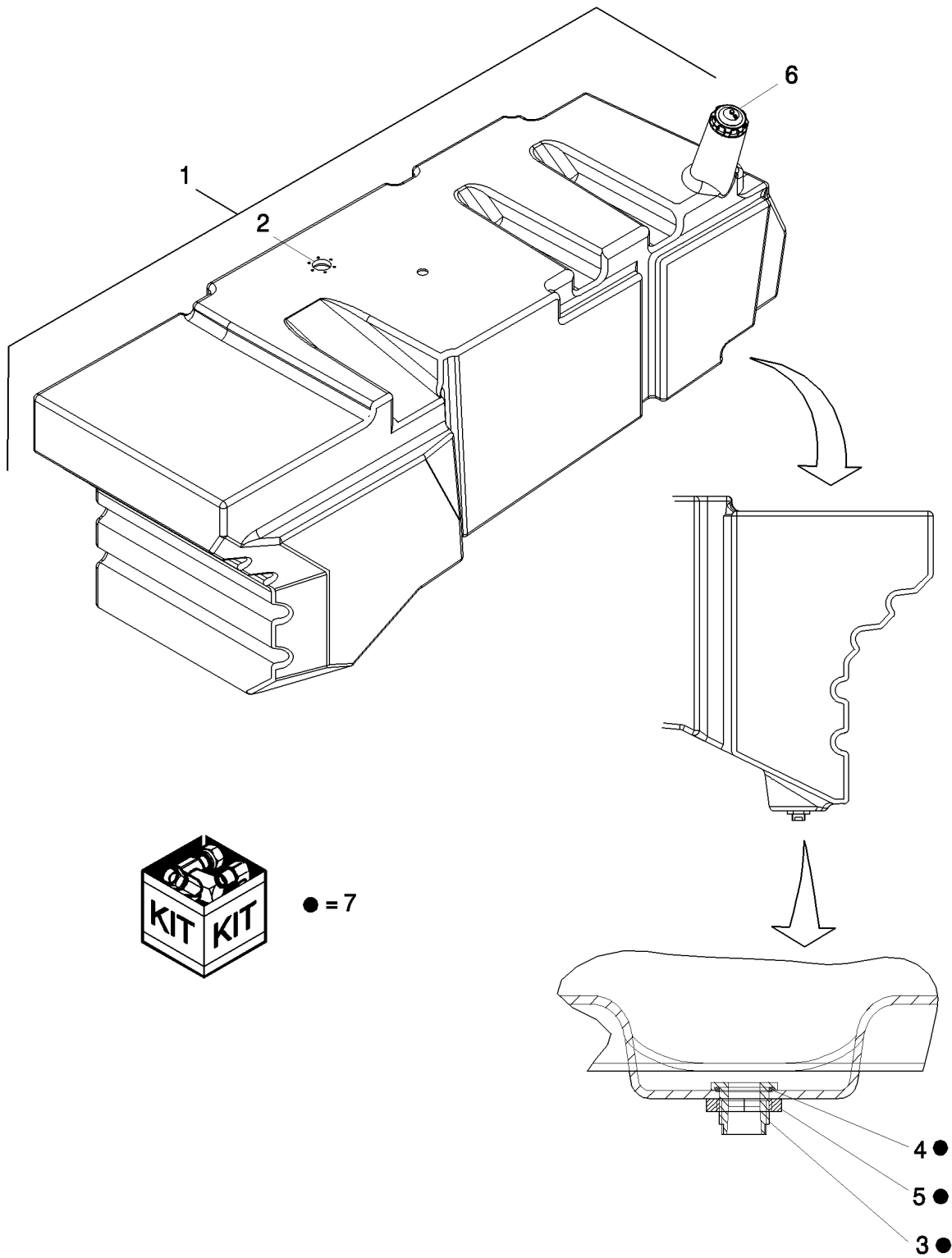
02/10

FUEL LINES & RELATED PARTS - 9120

REF	FN	PART NUMBER	YR/SN	QTY	DESCRIPTION
1		500313907		1	RIGID TUBE
2		500352450		1	RIGID TUBE
3		504251193		1	TUBE
4		500310076		1	FITTING
5		500352447		1	RIGID TUBE
6		500314313		1	CONNECTING BLOCK
7		504051237		2	PLUG
8		500348306		1	ELBOW
9		500328251		1	PRESSURE RELIEF VALVE
10		99489018		1	SEALING WASHER, D = 14 x 22 x 1.5 mm
11		99489019		11	SEALING WASHER, D = 16 x 24 x 1.5 mm
12		504081274		8	HYD CONNECTOR
13		500350162		1	ELBOW
14		504081282		1	HYD CONNECTOR
15		98474309		6	GASKET
16		17316592		2	COLLAR
17		17816214		2	SPACER
18		16673635		2	BOLT, M8 x 20
19		504112433		1	VALVE
20		504125079		1	UNION
21		16507614		1	WASHER
22		16506915		1	NUT

9120

TANK, MAIN FUEL



● = 7



TANK, MAIN FUEL

REF	FN	PART NUMBER	YR/SN	QTY	DESCRIPTION
1		87676814		1	TANK, Incl Refs 2 Thru 6
2		NSS		6	NOT SERVICED SEPARATELY, Insert, Threaded, M5 x 0.8
3		87676820		1	BUSHING
4		235757		1	O-RING, -222, 90 Duro, 1.484" ID x .139" Thk
5		87676821		1	NUT, Brass
6		87324388		1	FILLER CAP
7		84161264		1	SERVICE KIT, Fuel Tank Fitting; Incl Refs 3 Thru 5

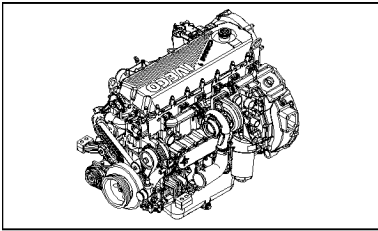
**9120 8120 7120 7120
8120**

10.218.01

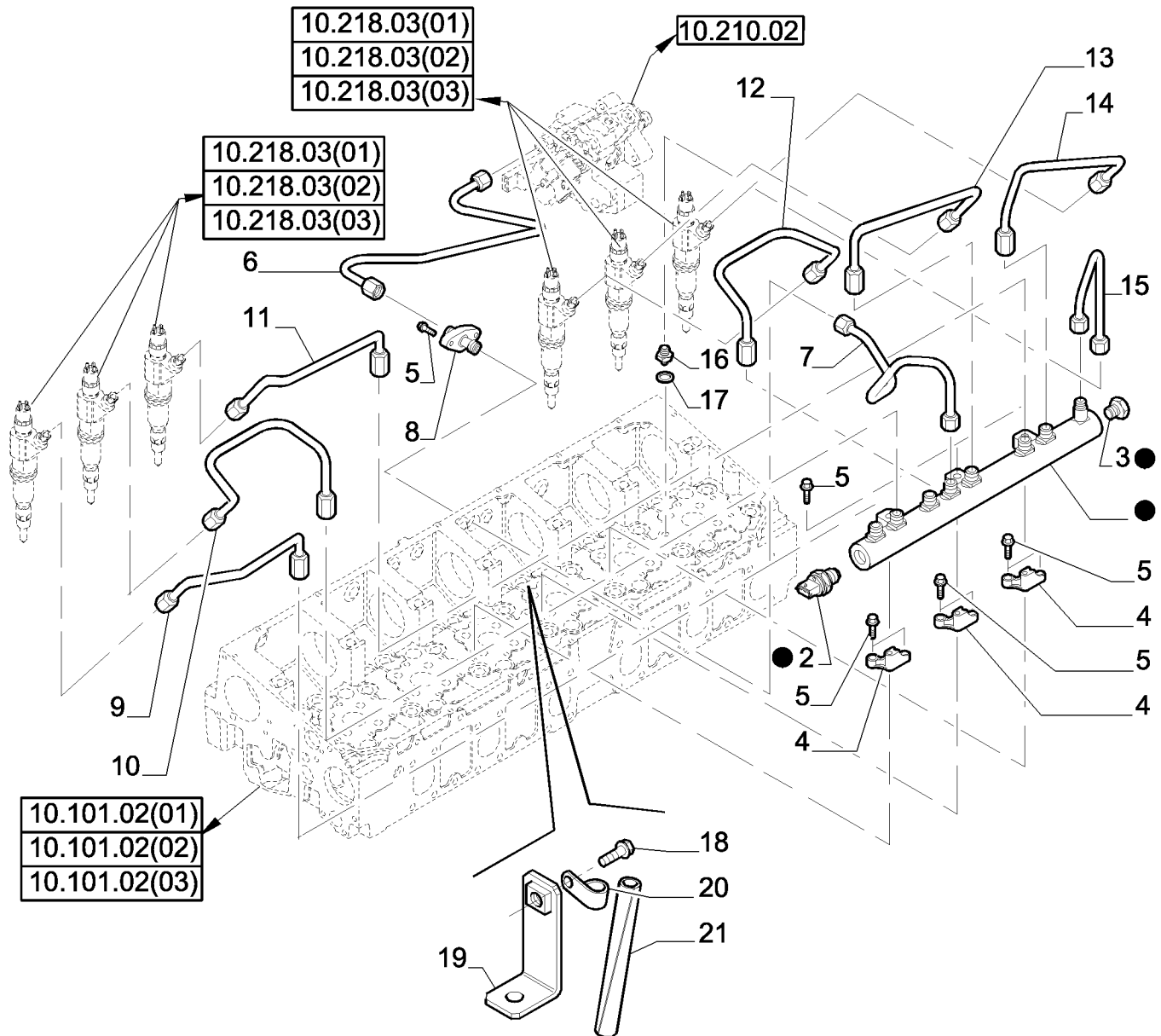
p1

08/09

FUEL INJECTION LINES - 7120/7120(LA)



● = 1

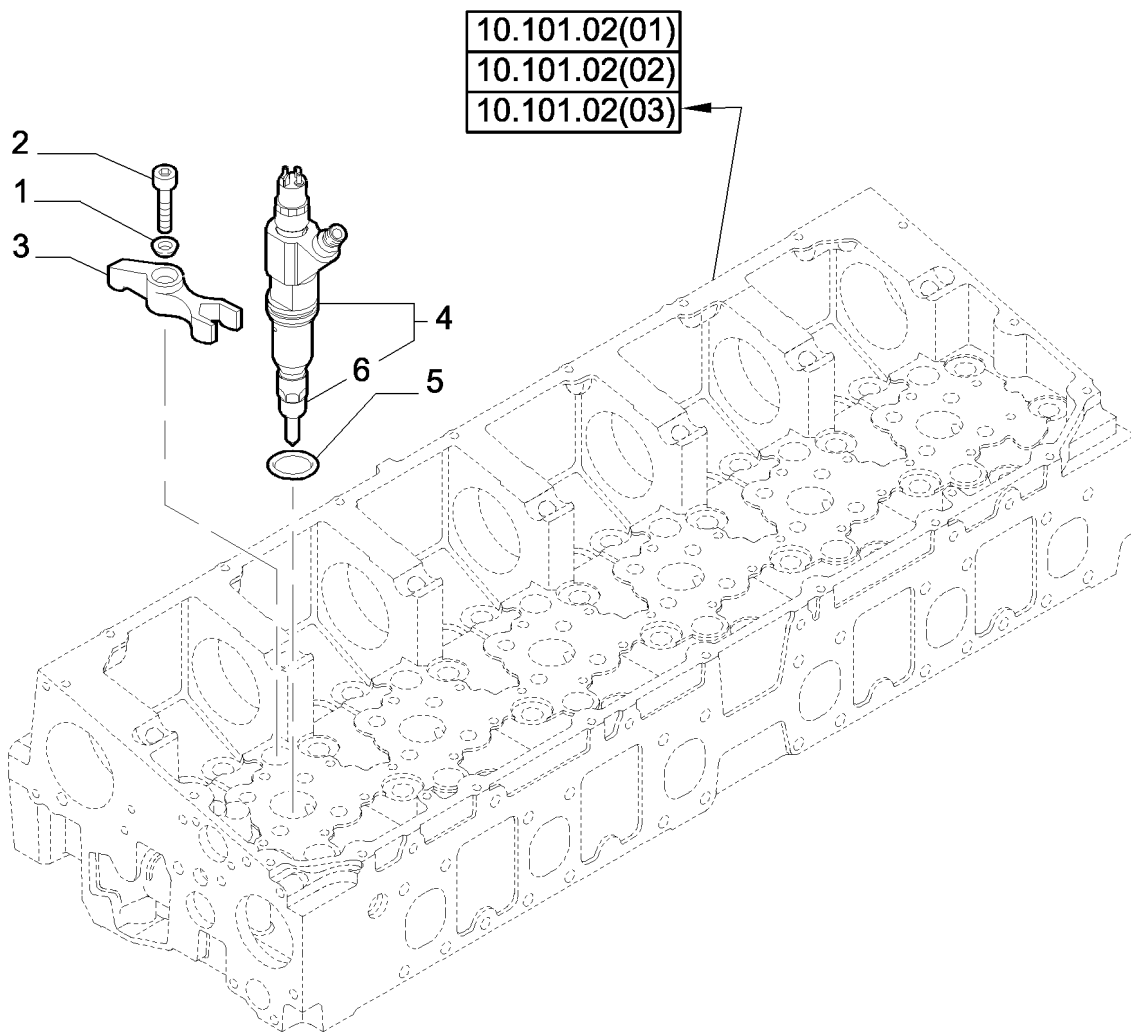
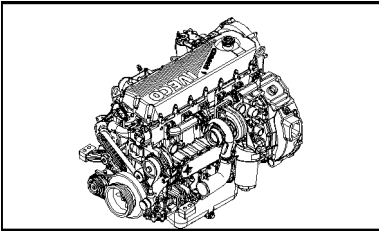


FUEL INJECTION LINES - 7120/7120(LA)

REF	FN	PART NUMBER	YR/SN	QTY	DESCRIPTION
1		504124845		1	ACCUMULATOR, ASSY
2		504157020		1	SENSOR
3		504130662		1	VALVE
4		504165892		3	SPACER
5		16586425		11	SCREW, M8 x 25
6		504126977		1	PIPE, Tube
7		504126978		1	PIPE
8		504174173		1	FITTING
9		504126981		1	INJECTION PIPE
10		504126982		1	INJECTION PIPE
11		504126983		1	INJECTION PIPE
12		504126984		1	INJECTION PIPE
13		504126985		1	INJECTION PIPE
14		504126986		1	INJECTION PIPE
15		504127531		1	RETURN PIPE
16		504154956		1	FITTING
17		98474305		1	SEALING WASHER, D = 10 x 17 x 2.3 mm
18		16585625		2	BOLT
19		NS		1	NOT SERVICED, Angle (504221206)
20		17310501		1	CLAMP
21		NS		1	NOT SERVICED, Tube (504219043)

7120 7120

INJECTOR & RELATED PARTS - 7120/7120(LA)



INJECTOR & RELATED PARTS - 7120/7120(LA)

REF	FN	PART NUMBER	YR/SN	QTY	DESCRIPTION
1		4700162		6	WASHER
2		500356756		6	SCREW
3		504127841		6	FASTENER
4		504194432		6	FUEL SYSTEM INJECTOR
5		17288881		6	GASKET, M28.17 x 3.53
6		504215322		6	NOZZLE

7120 7120

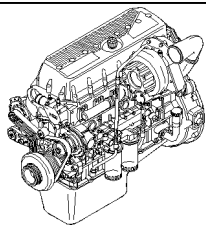
10.218.03

02

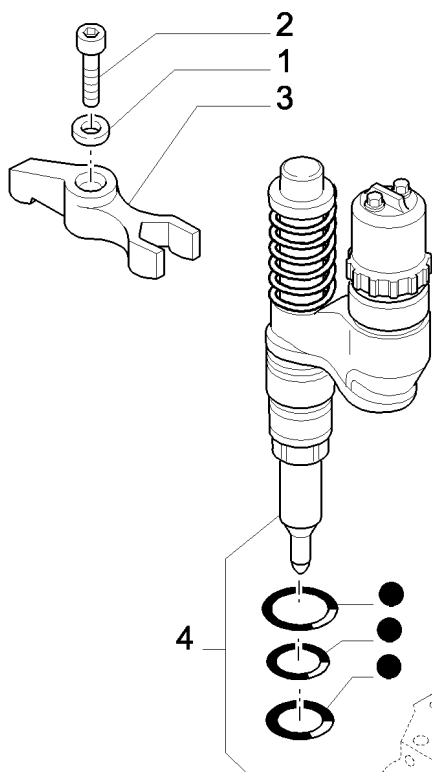
p1

02/10

INJECTOR & RELATED PARTS - 8120/8120(LA)



● = 5



10.101.02(01)
10.101.02(02)
10.101.02(03)



10.218.03

02

p1

02/10

INJECTOR & RELATED PARTS - 8120/8120(LA)

REF	FN	PART NUMBER	YR/SN	QTY	DESCRIPTION
1		99435007		6	LOCK WASHER
2		16707734		6	SCREW
3		99435006		6	BRACKET
4		504287106		6	FUEL SYSTEM INJECTOR
5		504140437		6	REPAIR KIT

8120 8120

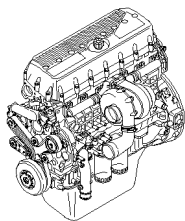
10.218.03

03

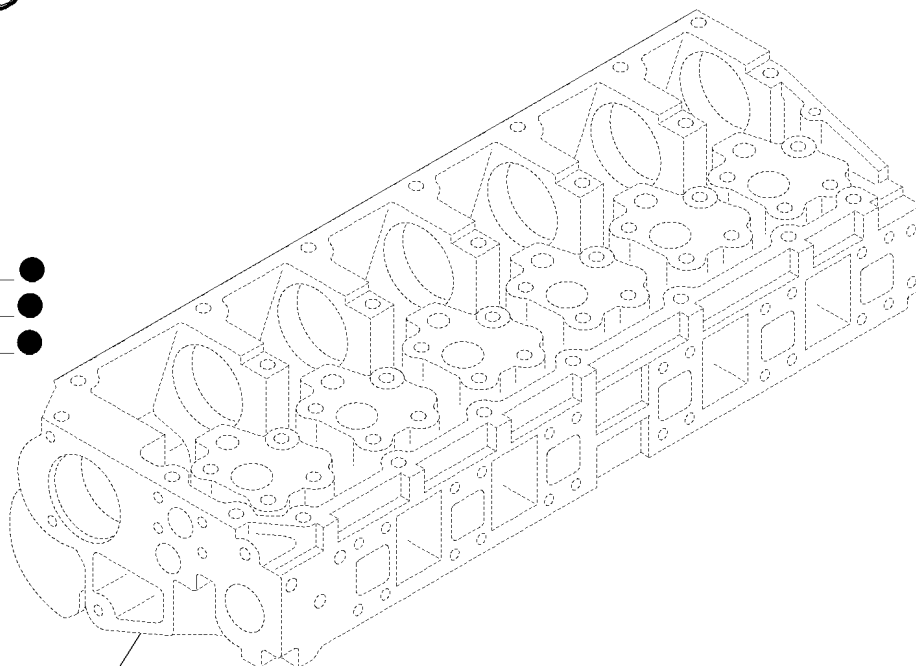
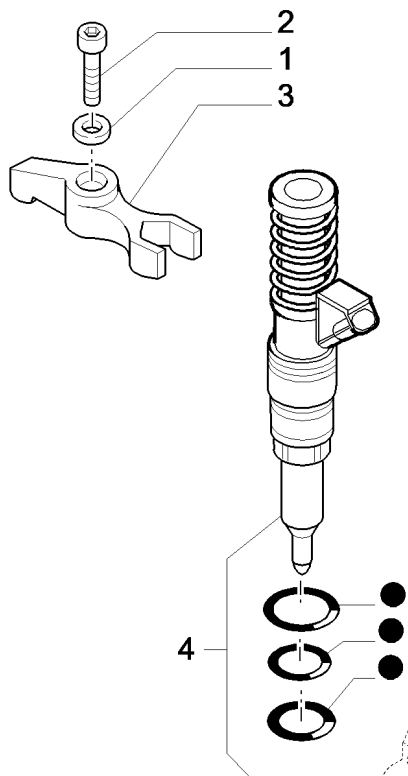
p1

02/10

INJECTOR & RELATED PARTS - 9120



● = 5



10.101.02(01)
10.101.02(02)
10.101.02(03)



INJECTOR & RELATED PARTS - 9120

REF	FN	PART NUMBER	YR/SN	QTY	DESCRIPTION
1		99435007		6	LOCK WASHER
2		16707734		6	SCREW, M8 x 50
3		99435006		6	BRACKET
4		504154922		6	FUEL SYSTEM INJECTOR
5		504140437		6	REPAIR KIT

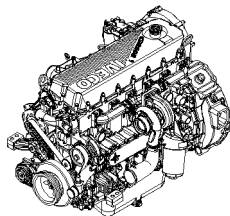
	9120
--	-------------

10.246.01

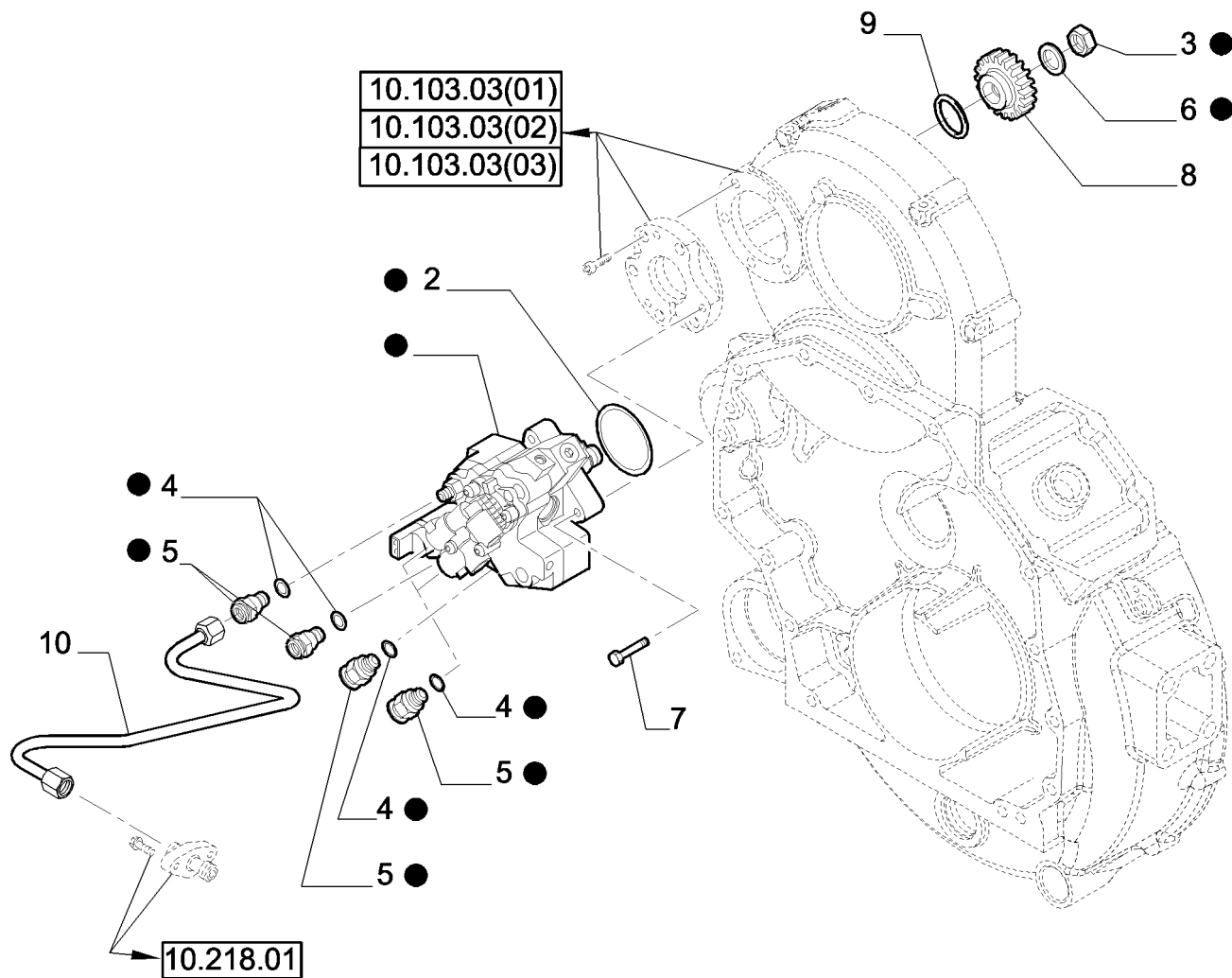
p1

03/10

INJECTION PUMP - 7120/7120(LA)



● = 1



10.246.01

p1

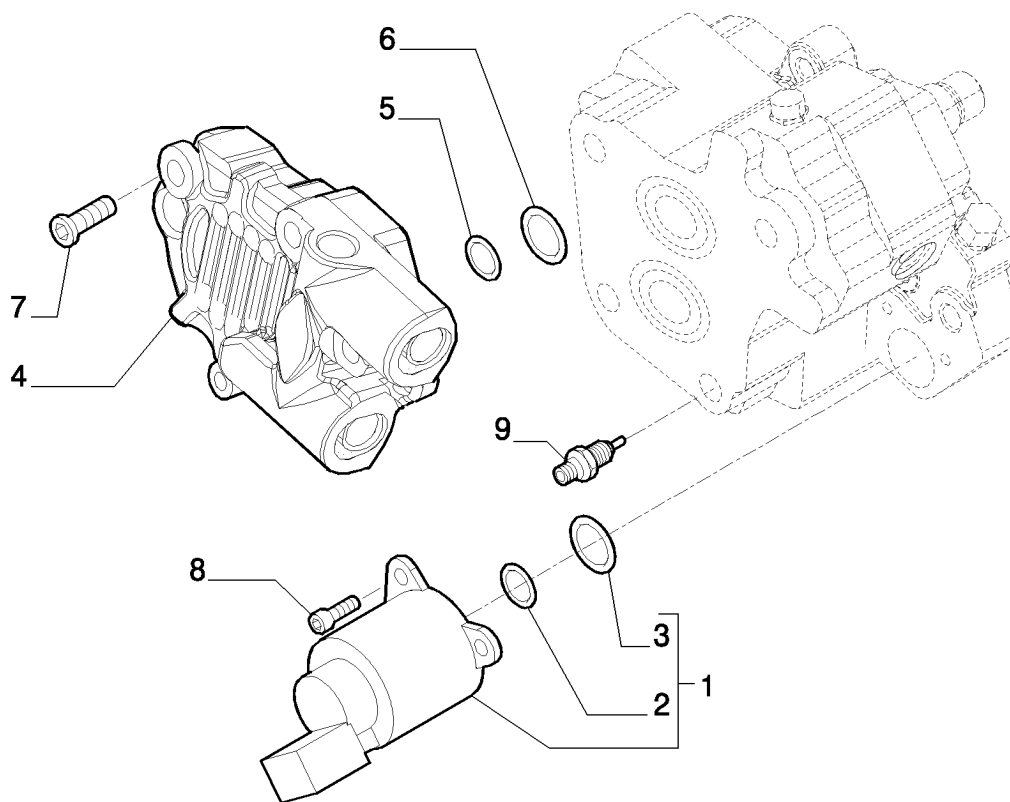
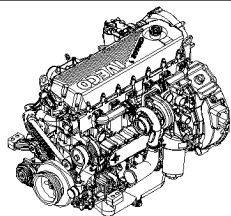
03/10

INJECTION PUMP - 7120/7120(LA)

REF	FN	PART NUMBER	YR/SN	QTY	DESCRIPTION
1		4898921		1	FUEL INJECTION PUMP, ASSY
1		4898921C		1	CORE-INJECTION PUMP, Return Number, N.A. Only
2		4890088		1	O-RING
3		4890634		1	NUT, M18 x 1.5
4		4891385		4	GASKET
5		4893962		4	QUICK MALE COUPLING
6		4890635		1	WASHER
7		16674034		3	SCREW, M8 x 40
8		504130644		1	GEAR
9		98474305		1	SEALING WASHER
10		504126977		1	PIPE

7120 7120

INJECTION PUMP - COMPONENTS - 7120/7120(LA)



10.246.02

p1

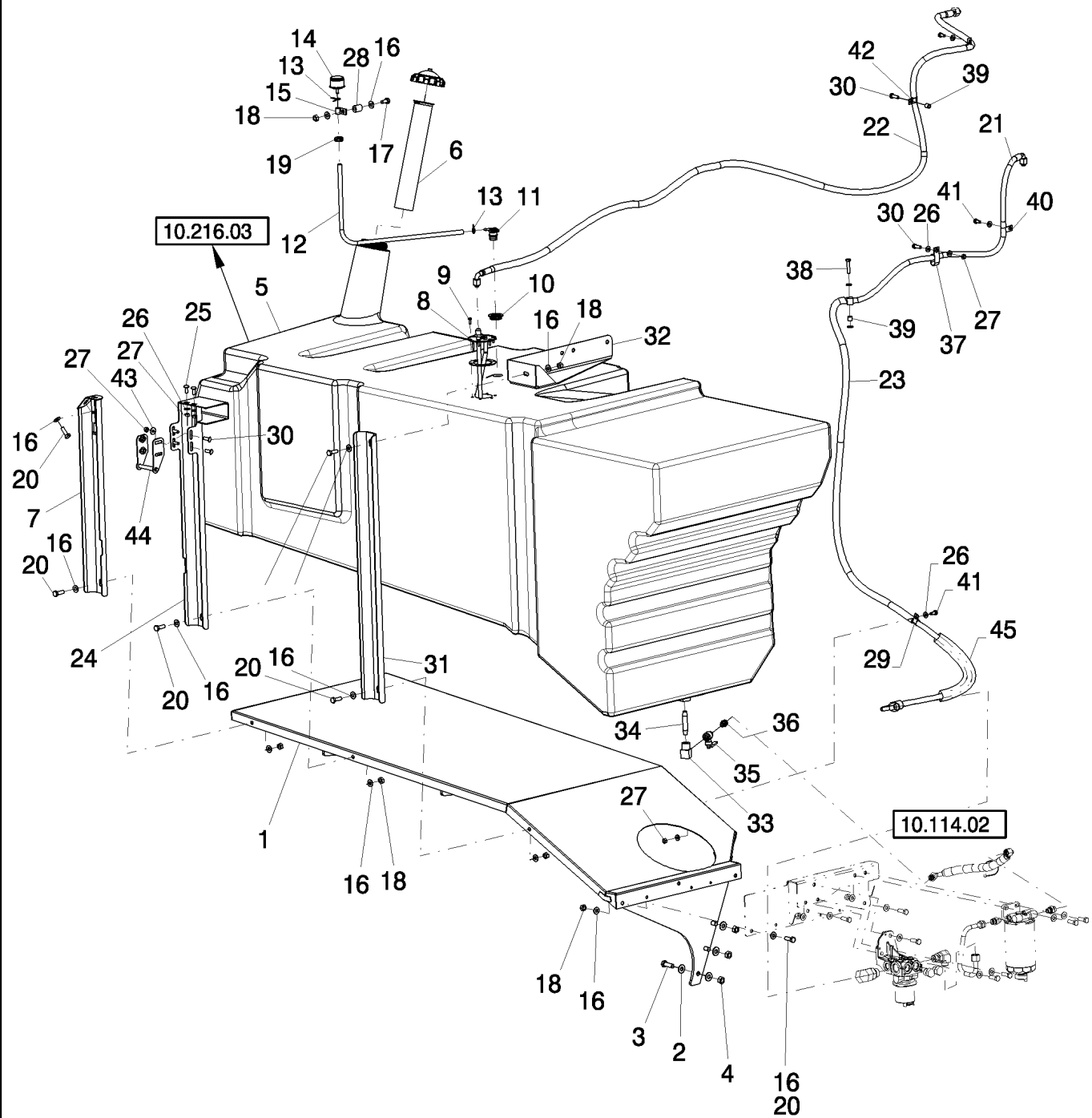
10/09

INJECTION PUMP - COMPONENTS - 7120/7120(LA)

REF	FN	PART NUMBER	YR/SN	QTY	DESCRIPTION
1		42541851		1	SOLENOID, ASSY
2		42541850		1	O-RING
3		42541849		1	O-RING
4		42547619		1	FUEL PUMP
5		42550488		1	O-RING
6		42548060		1	O-RING
7		42550487		4	SCREW
8		42550932		3	SCREW
9		42550486		1	VALVE

7120 7120

FUEL SYSTEM



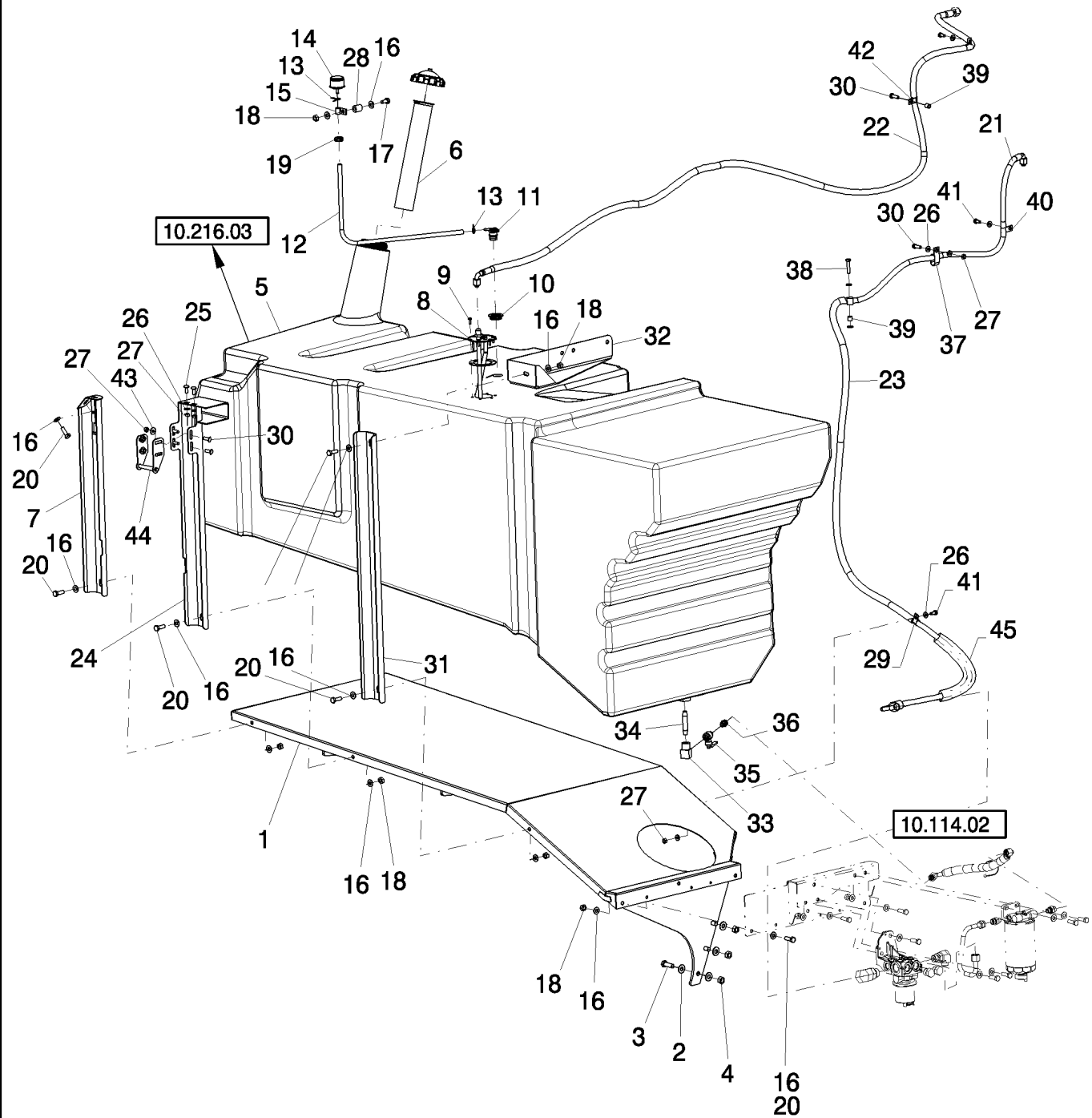
FUEL SYSTEM

REF	FN	PART NUMBER	YR/SN	QTY	DESCRIPTION
1	1	87734868		1	SUPPORT ASSY.
1	2	87710540		1	SUPPORT ASSY.
2		140046		18	SPRING WASHER, Belleville, M12
3		300389		9	BOLT, Hex, M12 x 35, 8.8, Full Thd
4		9706685		6	NUT, M12, CI 8
5		87676814		1	TANK
6		87676819		1	FILTER STRAINER
7		87750278		1	CHANNEL
8		87676817		1	GAUGE ASSY., Level; Incl Seal
8	3	9832364		1	SEAL
9		86511826		6	SCREW, Cross Pan Hd, M5 x 16
10		86999947		1	GROMMET
11		86999948		1	SAFETY VALVE
12		87734872		1	HOSE, Fuel Vent
13		86637701		2	HOSE CLAMP, #8, 1/2", Spring
14		86999949		1	FILTER, Fuel
15		86010402		1	CLAMP, 1/2", Insul, 3/8" Bolt
16		140045		28	BELLEVILLE WASHER, M10
17		120069		1	BOLT, Hex, M10 x 50, 8.8
18		100016		13	NUT, M10, CI 8
19		174266		1	GROMMET
20		43140		9	BOLT, Hex, M10 x 30, 8.8, Full Thd
21	1	87743281		1	HOSE, Fuel Supply
21	4	87495673		1	HOSE ASSY., Fuel Supply
21	5	87743276		1	HOSE, Fuel Supply
22	1	87743282		1	HOSE, Fuel Return
22	2	87743275		1	HOSE, Fuel Return
23		87105416		2	HOSE PROTECTION
24		87734804		1	BRACKET, Tank Mount
25		86507486		2	CARRIAGE BOLT, Short NK, M8 x 20, CI8.8, Full Thd

- (1) 7120 Only
- (2) 8120 & 9120 Only
- (3) Not Shown
- (4) 8120 Only
- (5) 9120 Only

**9120 8120 7120 7120
8120**

FUEL SYSTEM



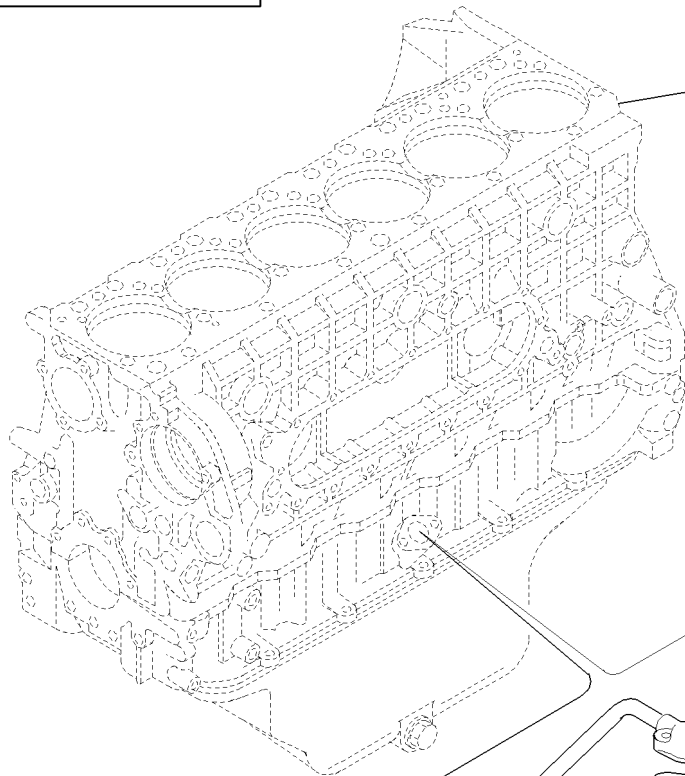
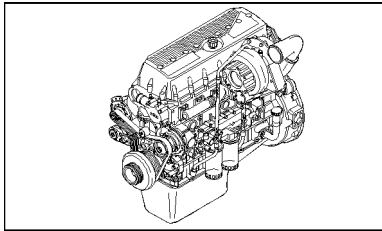
FUEL SYSTEM

REF	FN	PART NUMBER	YR/SN	QTY	DESCRIPTION
26		322358		10	BELLEVILLE WASHER, M8
27		9706690		AR	NUT, M8, CI 8
28		84132594		1	SPACER
29		87029955		1	CLAMP, 7/8", Insul, 3/8" Bolt
30		86619060		AR	CARRIAGE BOLT, Short NK, M8 x 16, CI8.8, Full Thd
31		87734807		1	BRACKET, Tank Mount
32	1	87482602		1	BRACKET, Tank Mount
32	2	87734808		1	BRACKET, Tank Mount
33		87728317		1	ELBOW
34		87532139		1	FITTING
35		84011517		1	DRAINCOCK/TAP SUPPLY
36		84069089		1	HYD CONNECTOR
37	3	578070		2	CLAMP
38	4	43128		1	SCREW, Hex, M8 x 30, 8.8
38	5	43129		1	BOLT, Hex, M8 x 40, 8.8
39		87035448		AR	SPACER, 1/2" Tube x 1/2"
40	2	9706748		2	CLAMP, 5/8", Insul, 5/16" Bolt
41		120103		3	BOLT, Hex, M8 x 16, 8.8
42	4	9706748		3	CLAMP, 5/8", Insul, 5/16" Bolt
43		322358		8	BELLEVILLE WASHER, M8
44		87734815		1	LATCH ASSY.
45		87743277		1	CONDUIT

- (1) 7120 & 8120 Only
- (2) 9120 Only
- (3) 7120 & 9120 Only
- (4) 7120 Only
- (5) 8120 & 9120 Only

**9120 8120 7120 7120
8120**

TURBOCHARGER OIL TUBES - 8120/8120(LA)

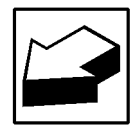


10.001.04(01)
10.001.04(02)
10.001.04(03)

10.250.05(01)
10.250.05(02)
10.250.05(03)

7
4
6
9
5

8
10



10.250.03

p1

10/09

TURBOCHARGER OIL TUBES - 8120/8120(LA)

REF	FN	PART NUMBER	YR/SN	QTY	DESCRIPTION
1		504066924		1	SUCTION PIPE
2		61318303		1	GASKET
3		16586625		2	SCREW
4		504066909		1	RETURN PIPE
5		99475979		AR	GASKET
6		16673735		2	SCREW
7		98412509		1	GASKET
8		504081274		1	HYD CONNECTOR
9		16673635		2	BOLT, M8 x 20
10		99489019		1	SEALING WASHER

8120 8120

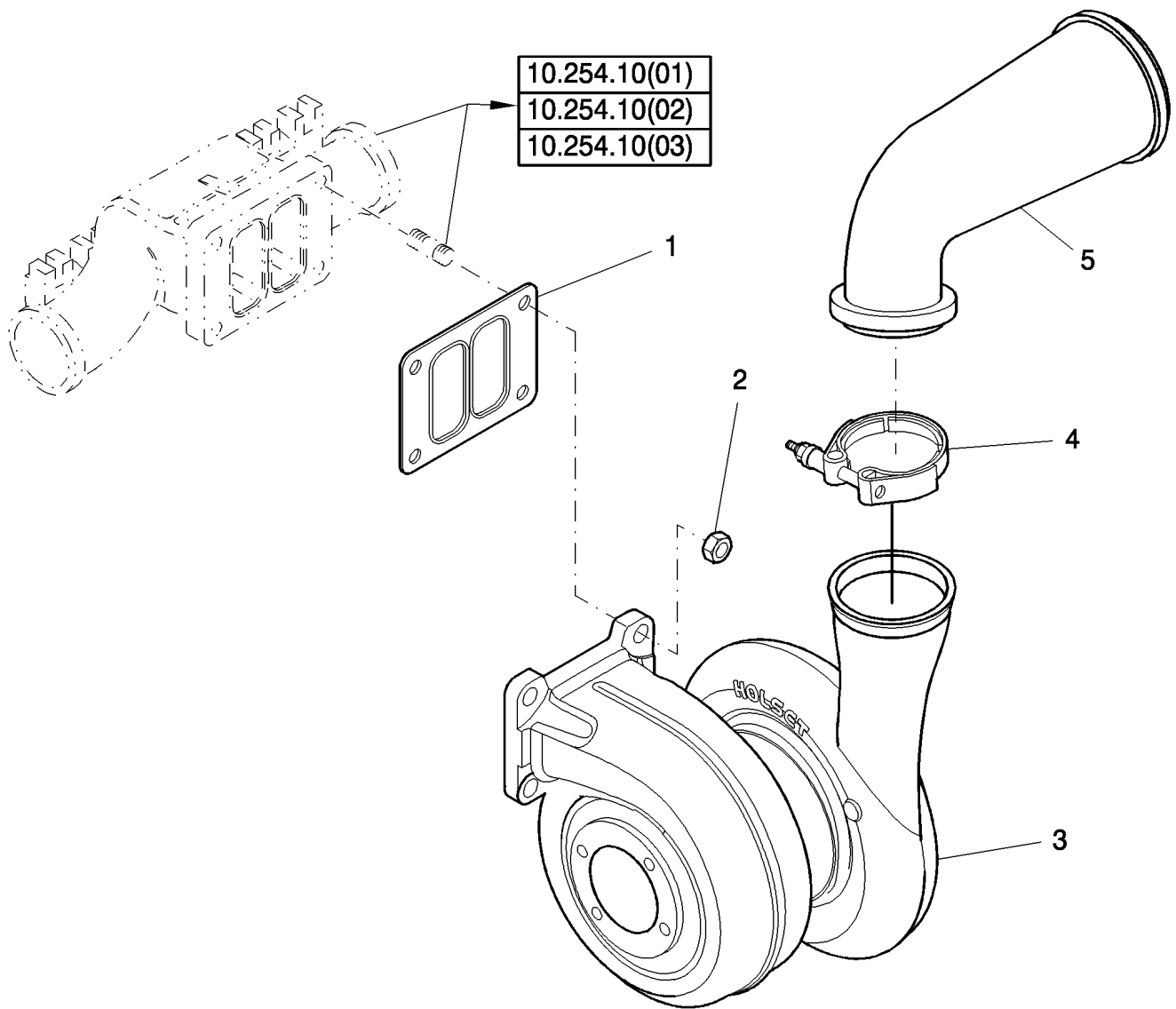
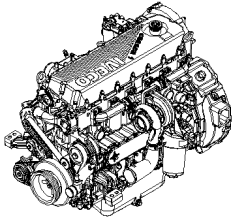
10.250.05

01

p1

02/10

TURBOCHARGER - 7120/7120(LA)



TURBOCHARGER - 7120/7120(LA)

REF	FN	PART NUMBER	YR/SN	QTY	DESCRIPTION
1		98451118		1	GASKET
2		500300795		4	NUT, M10 x 1.5
3		504299976		1	TURBOCHARGER, W/Wastegate
4		86637711		1	HOSE CLAMP, 5.25/5.125 HD Worm, W/liner
5		86995562		1	ELBOW

	7120 7120
--	------------------

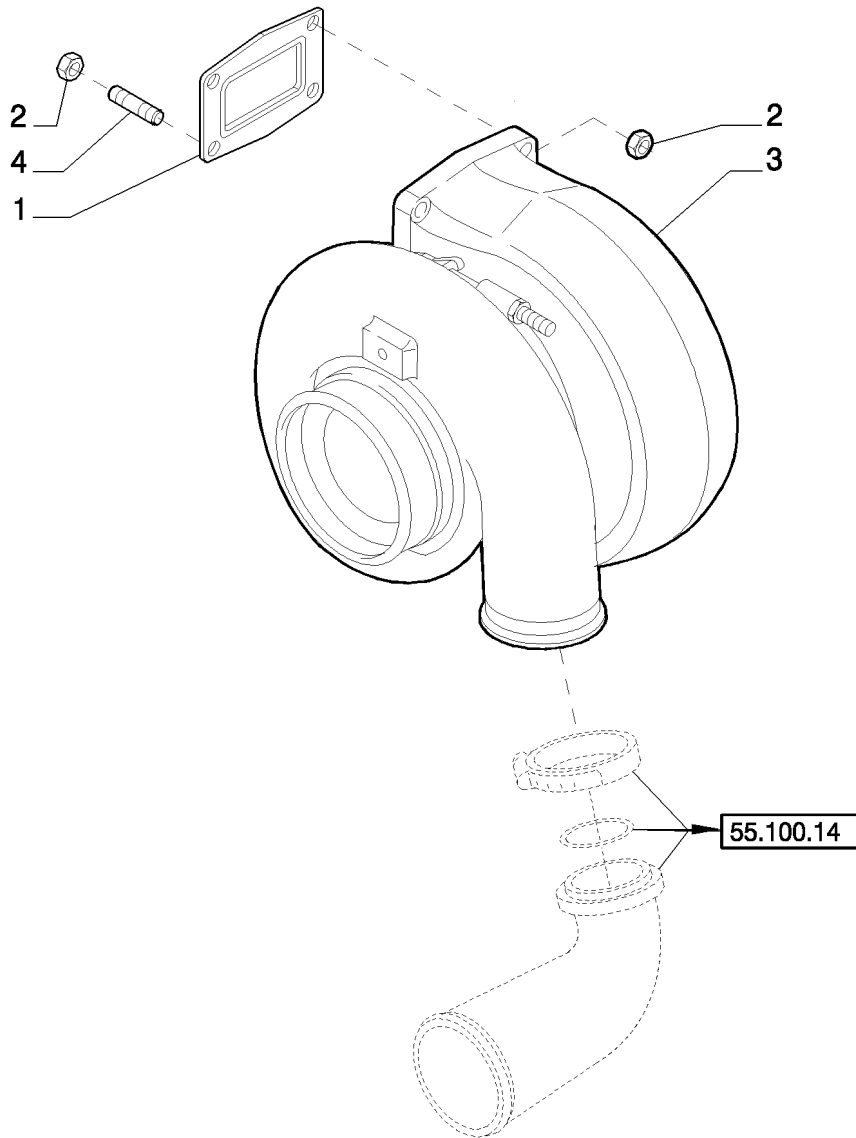
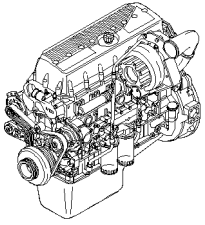
10.250.05

02

p1

02/10

TURBOCHARGER - 8120/8120(LA)



TURBOCHARGER - 8120/8120(LA)

REF	FN	PART NUMBER	YR/SN	QTY	DESCRIPTION
1		98451118		1	GASKET
2		500300795		4	NUT, M10
3		504327397		1	TURBOCHARGER
4		16731370		2	STUD

	8120 8120
--	------------------

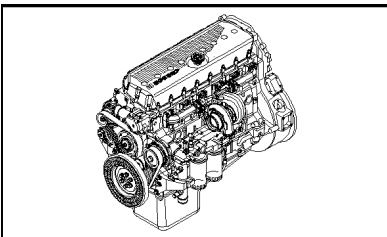
10.250.05

03

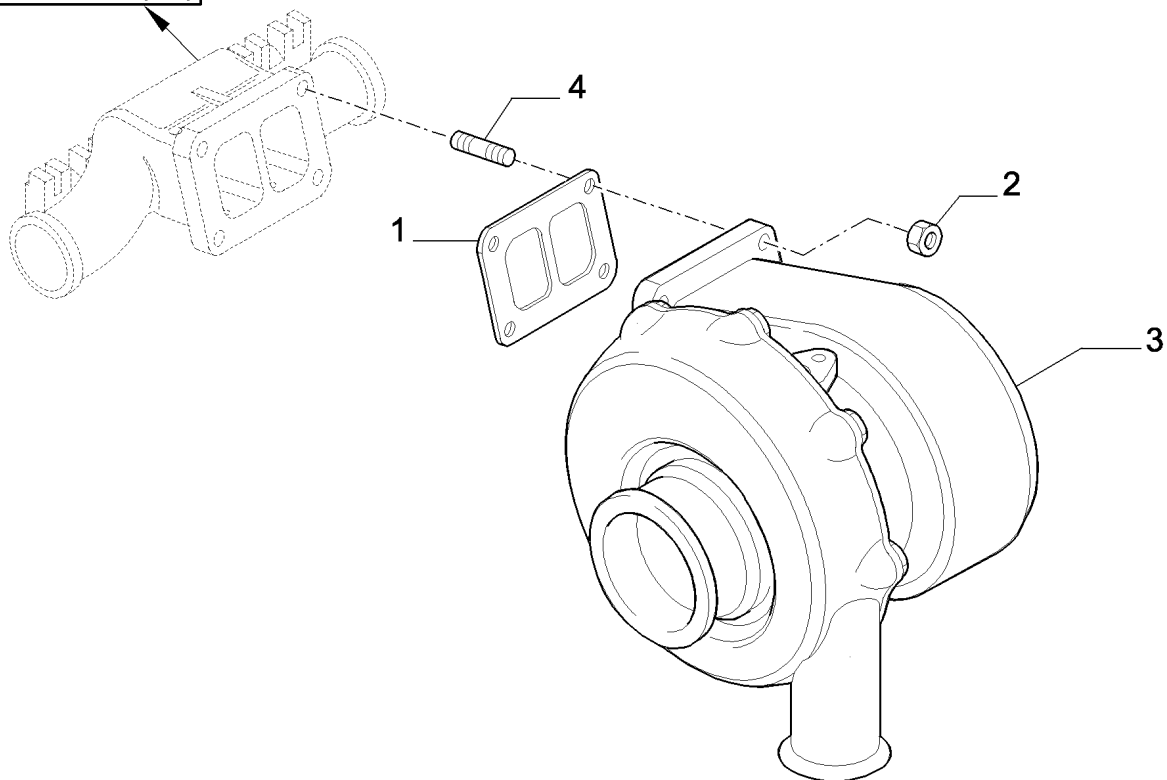
p1

02/10

TURBOCHARGER - 9120



10.254.10(01)
10.254.10(02)
10.254.10(03)

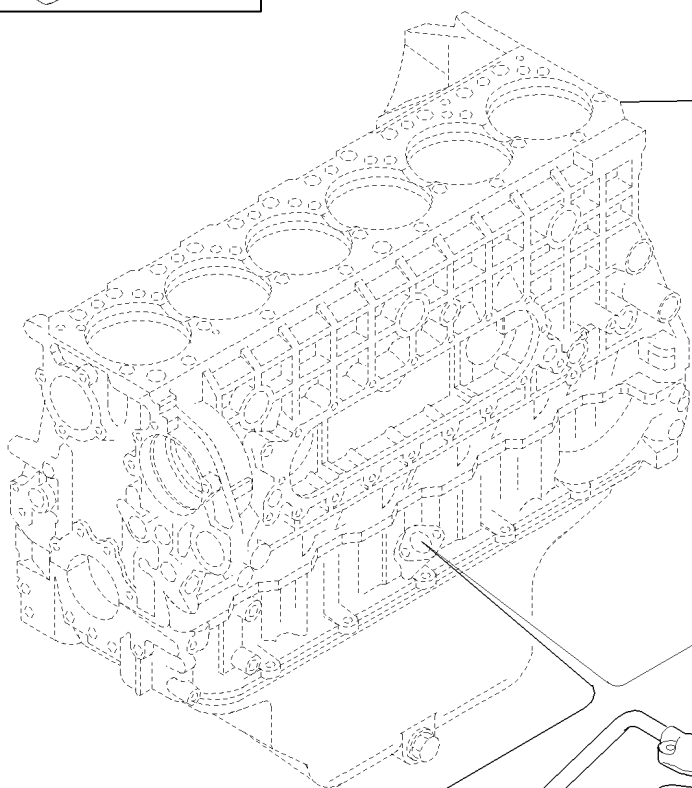
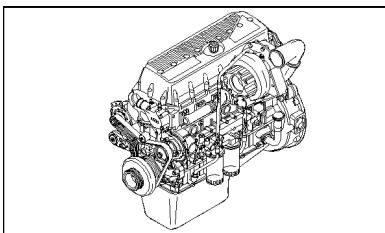


TURBOCHARGER - 9120

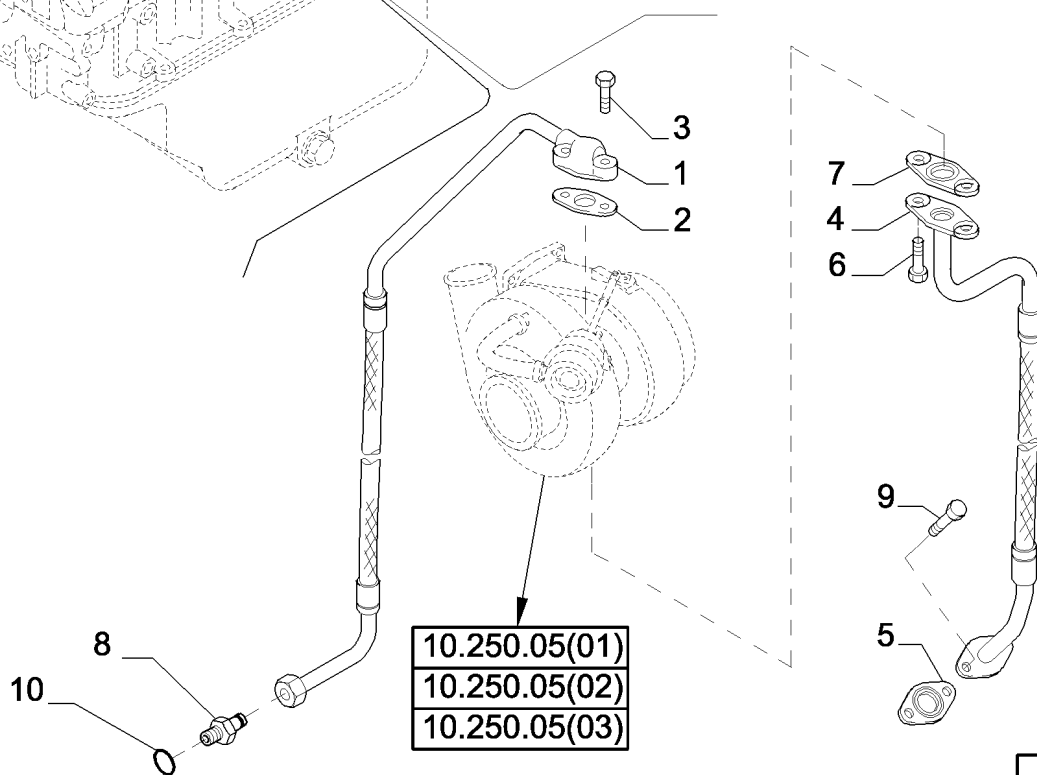
REF	FN	PART NUMBER	YR/SN	QTY	DESCRIPTION
1		98453300		1	GASKET
2		500300795		4	NUT, M10 x 1.5
3		504231411		1	TURBOCHARGER
4		16731370		2	STUD

	9120
--	-------------

TURBOCHARGER OIL TUBES - 9120



10.001.04(01)
10.001.04(02)
10.001.04(03)



10.250.09

p1

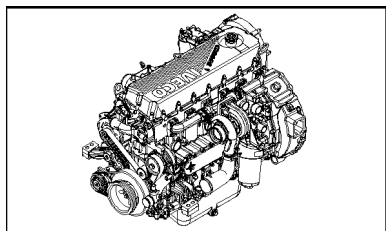
10/09

TURBOCHARGER OIL TUBES - 9120

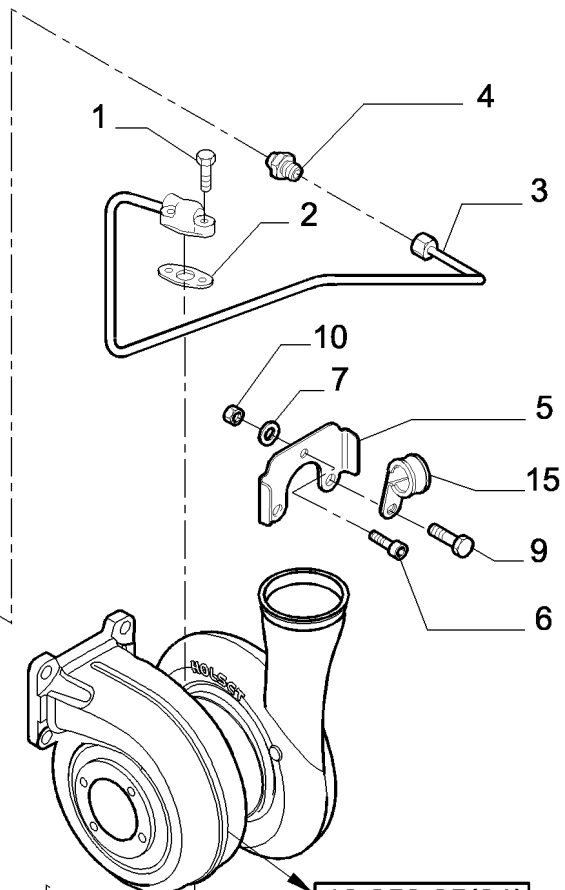
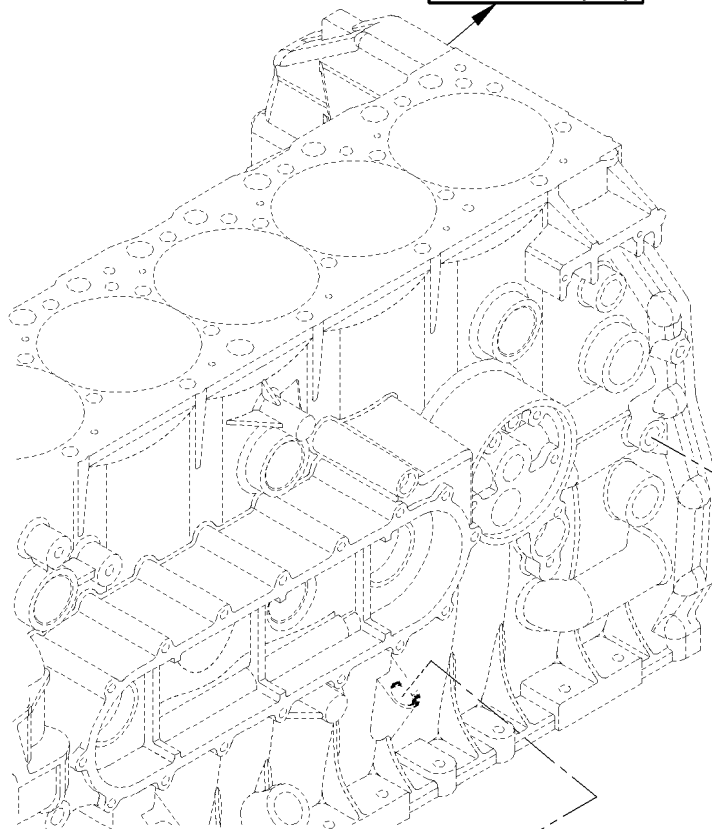
REF	FN	PART NUMBER	YR/SN	QTY	DESCRIPTION
1		504139847		1	RIGID TUBE
2		61318303		1	GASKET
3		16586625		2	SCREW
4		504102835		1	RIGID TUBE
5		99475979		1	GASKET
6		16673735		2	SCREW, M8 x 25
7		98412509		1	GASKET
8		504081274		1	HYD CONNECTOR
9		16673635		2	BOLT, M8 x 20
10		99489019		1	SEALING WASHER

9120

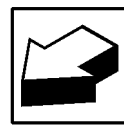
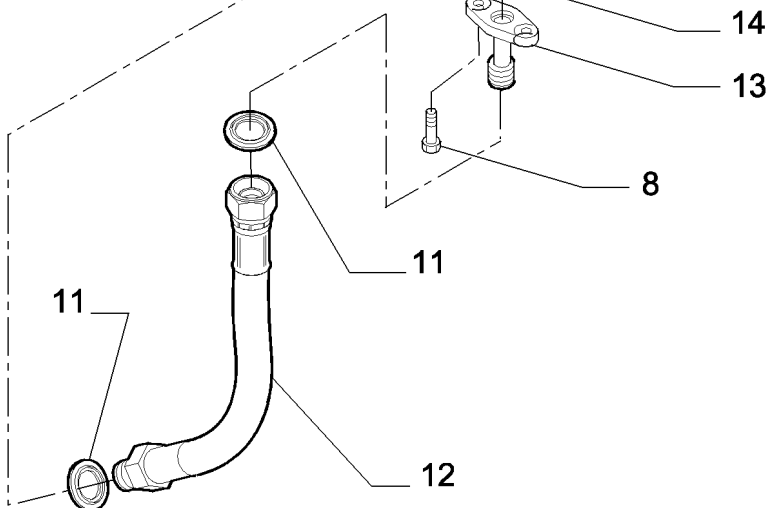
TURBOCHARGER LUBE LINES - 7120/7120(LA)



10.001.04(01)
10.001.04(02)
10.001.04(03)



10.250.05(01)
10.250.05(02)
10.250.05(03)

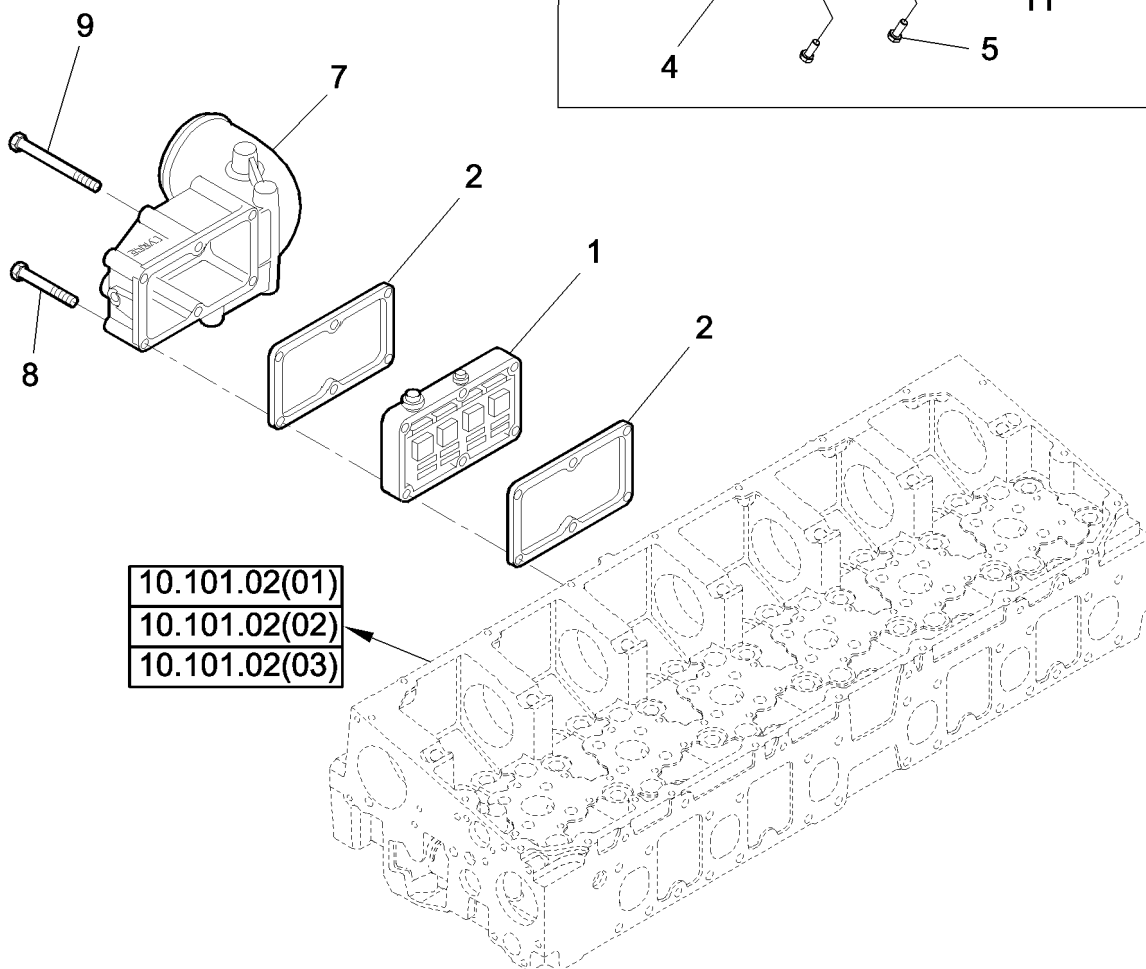
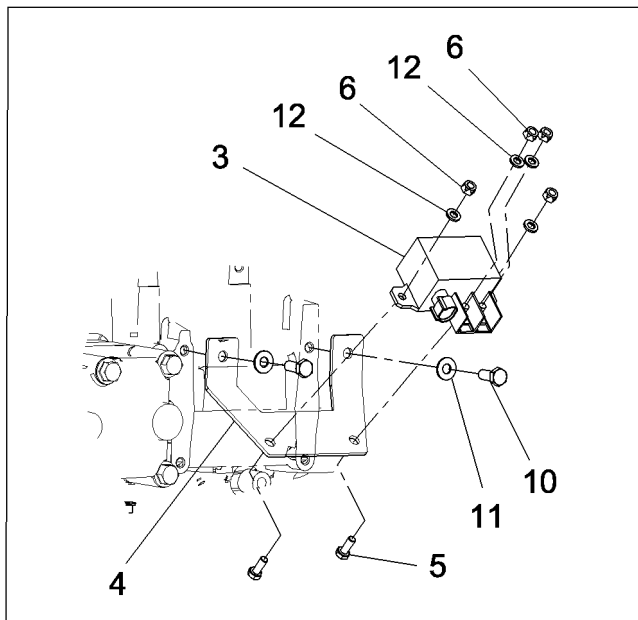
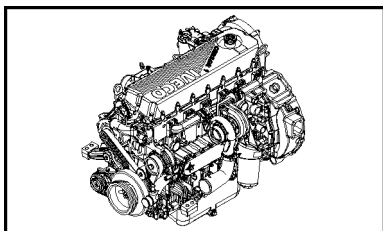


TURBOCHARGER LUBE LINES - 7120/7120(LA)

REF	FN	PART NUMBER	YR/SN	QTY	DESCRIPTION
1		16586625		2	SCREW, M8 x 35
2		61318303		1	GASKET
3		504188873		1	TUBE
4		504081274		1	HYD CONNECTOR
5		504213767		1	RETAINER
6		16691424		2	BOLT, 8 x 65
7		16666716		1	WASHER
8		16673735		2	SCREW
9		16586325		1	SCREW, M8 x 20 mm
10		17044725		1	NUT, M8 x 1.25
11		99434480		1	GASKET, D = 30 x 40 mm
12		504210618		1	HOSE
13		500333923		1	FLANGE
14		98412509		1	GASKET

7120 7120

INTAKE MANIFOLD & HEATER - 7120/7120(LA)



10.254.01

01

p1

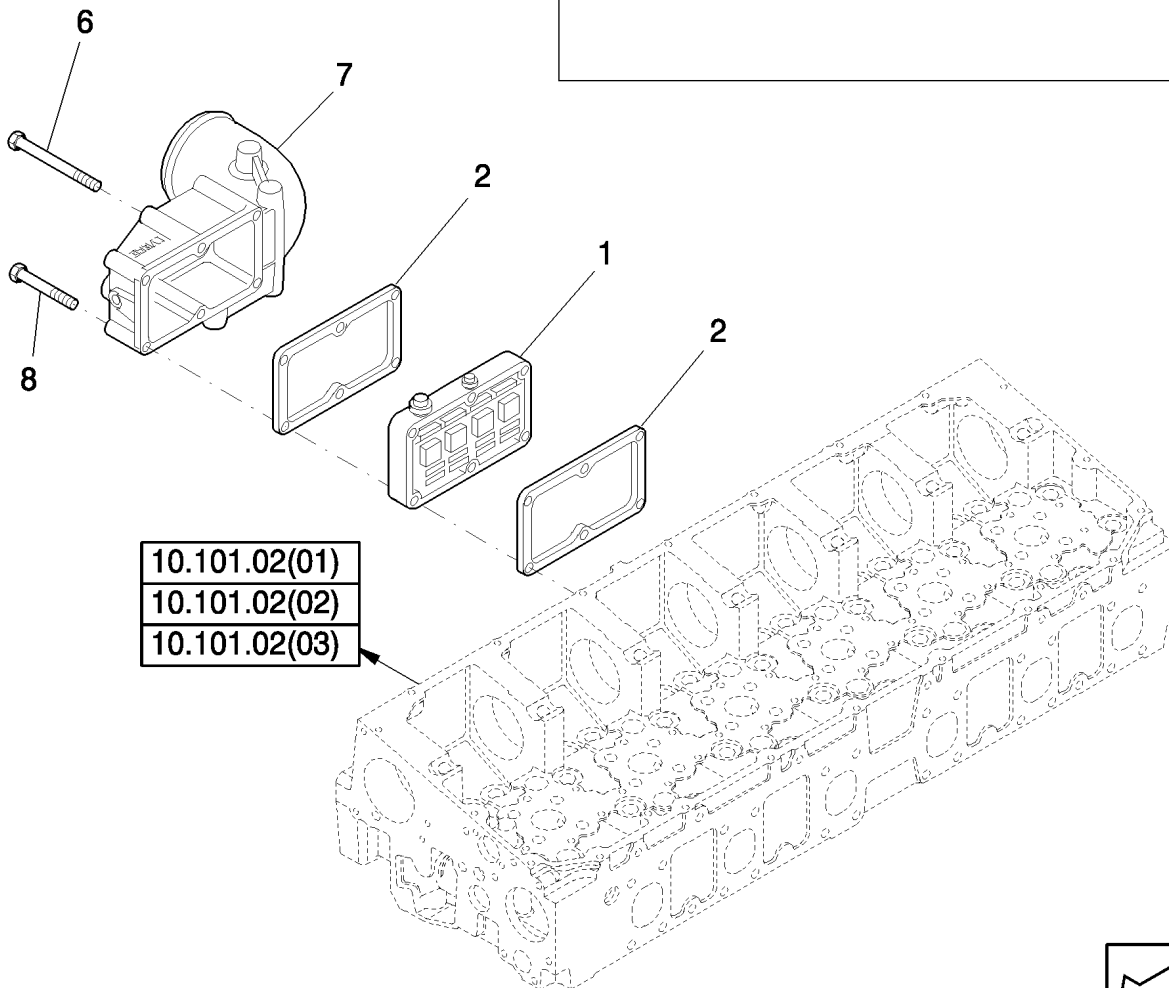
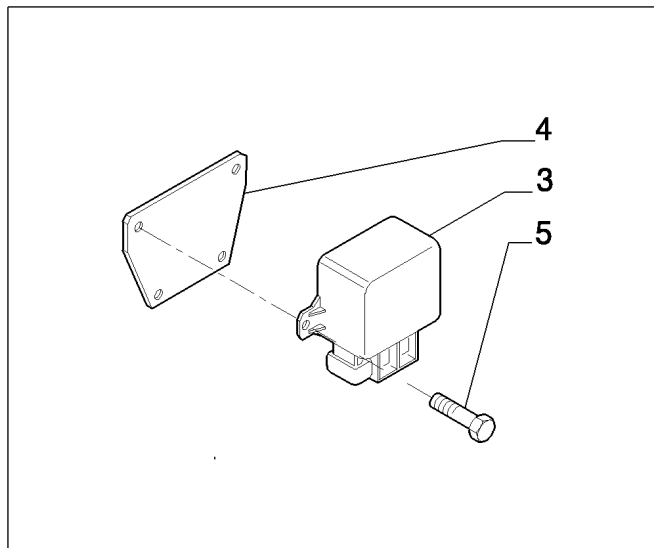
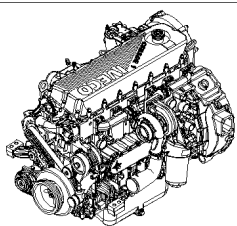
02/10

INTAKE MANIFOLD & HEATER - 7120/7120(LA)

REF	FN	PART NUMBER	YR/SN	QTY	DESCRIPTION
1		504041252		1	RESISTOR
2		504026624		2	GASKET
3		500343161		1	RELAY
4		87582545		1	BRACKET
5		86508568		2	BOLT, Hex, M6 x 16, Cl 8.8, Full Thd
6		353308		4	NUT, M6 x 1, Cl 8
7		504218906		1	PIPE, Manifold
8		16593125		2	SCREW, M10 x 100
9		16599225		4	SCREW, M10 x 140
10		120104		2	BOLT, Hex, M8 x 20, 8.8
11		322358		2	BELLEVILLE WASHER, M8
12		86588450		4	WASHER, M6 x 12 x 1.6 Thk

7120 7120

INTAKE MANIFOLD & HEATER - 8120/8120(LA)



- 10.101.02(01)
- 10.101.02(02)
- 10.101.02(03)

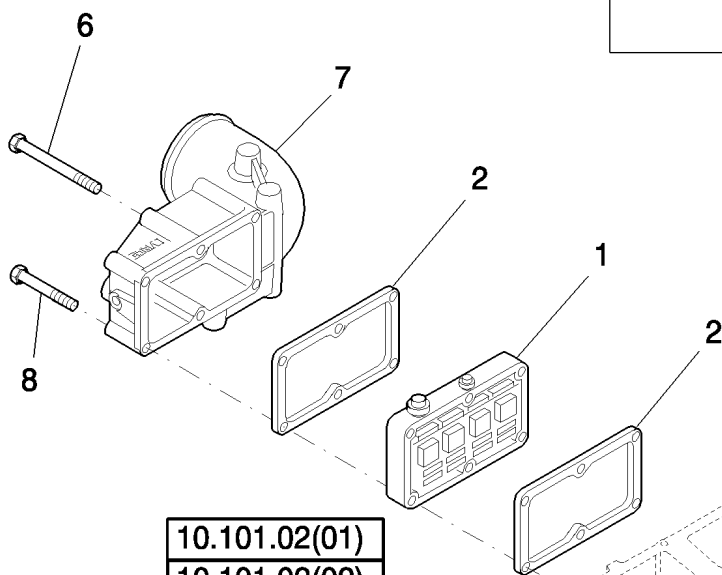
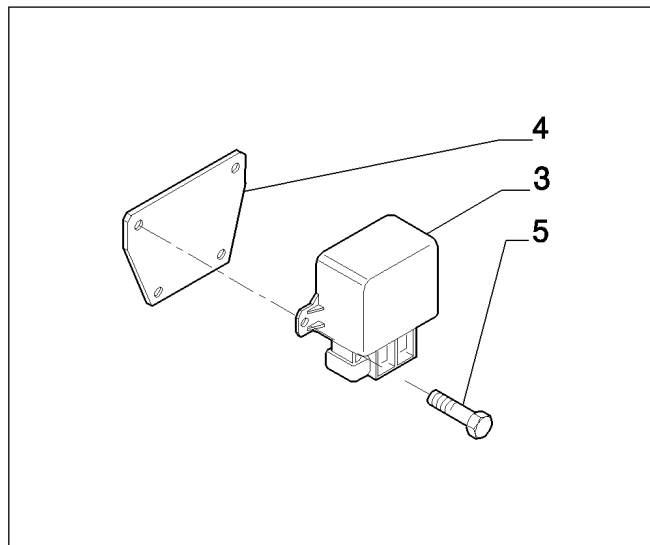
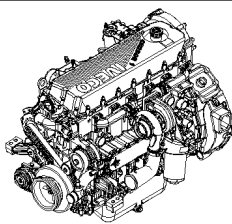


INTAKE MANIFOLD & HEATER - 8120/8120(LA)

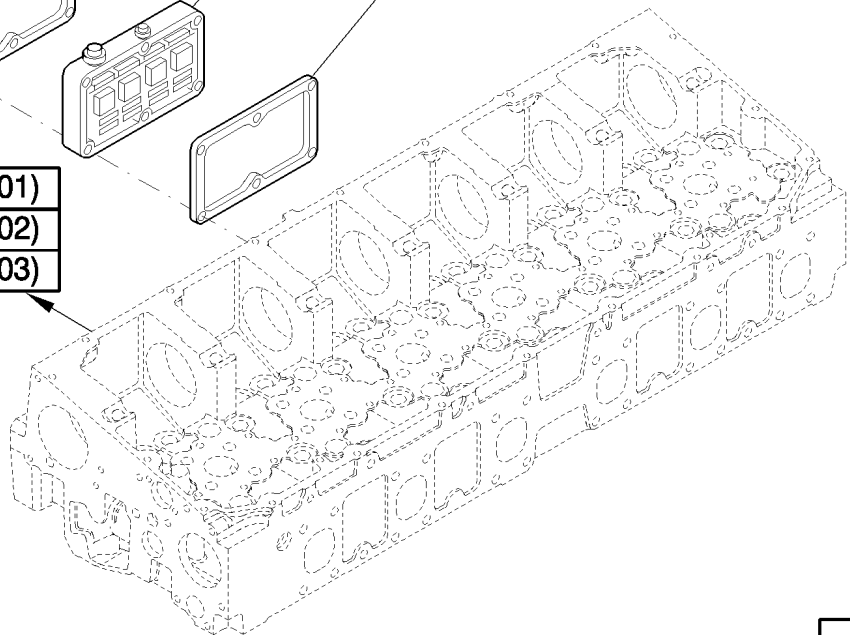
REF	FN	PART NUMBER	YR/SN	QTY	DESCRIPTION
1		504154987		1	HEATER
2		504026624		2	GASKET
3		500343161		1	RELAY
4		504031939		1	BRACKET
5		18137825		4	SCREW, M6 x 16
6		16599225		2	SCREW, M10 x 140
7		504074691		1	AIR INTAKE TUBE
8		16593125		2	SCREW, M10 x 100

	8120 8120
--	------------------

INTAKE MANIFOLD & HEATER - 9120



- 10.101.02(01)
- 10.101.02(02)
- 10.101.02(03)



INTAKE MANIFOLD & HEATER - 9120

REF	FN	PART NUMBER	YR/SN	QTY	DESCRIPTION
1		504154987		1	HEATER
2		504026624		2	GASKET
3		500343161		1	RELAY
4		504031939		1	BRACKET
5		18137825		4	SCREW, M6 x 16
6		16599225		2	SCREW, M10 x 140
7		504005570	BSN 51405	1	INLET MANIFOLD
7		504074691	ASN 51405	1	AIR INTAKE TUBE
8		16593125		2	SCREW, M10 x 100

	9120
--	-------------

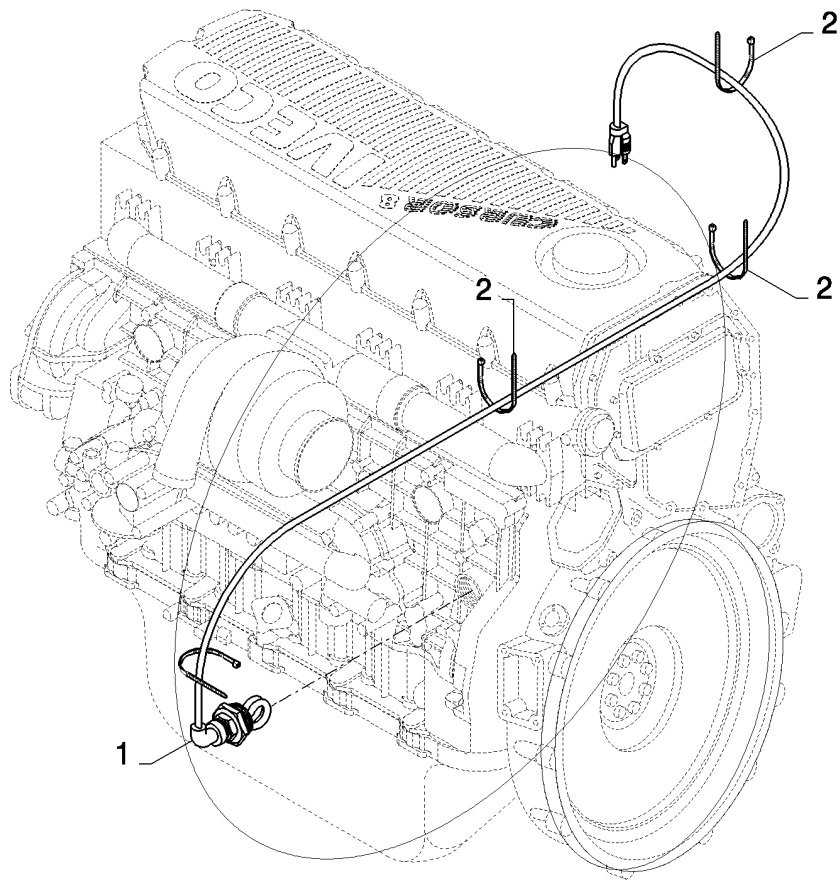
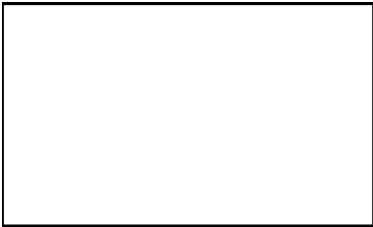
10.254.05

01

p1

02/10

COOLANT HEATER - 7120/7120(LA)



COOLANT HEATER - 7120/7120(LA)

REF	FN	PART NUMBER	YR/SN	QTY	DESCRIPTION
1		84081390		1	DIA KIT, HARVESTER, Heater
2		86566989		4	CABLE STRAP, M4.75 x 190.5 L

	7120 7120
--	------------------

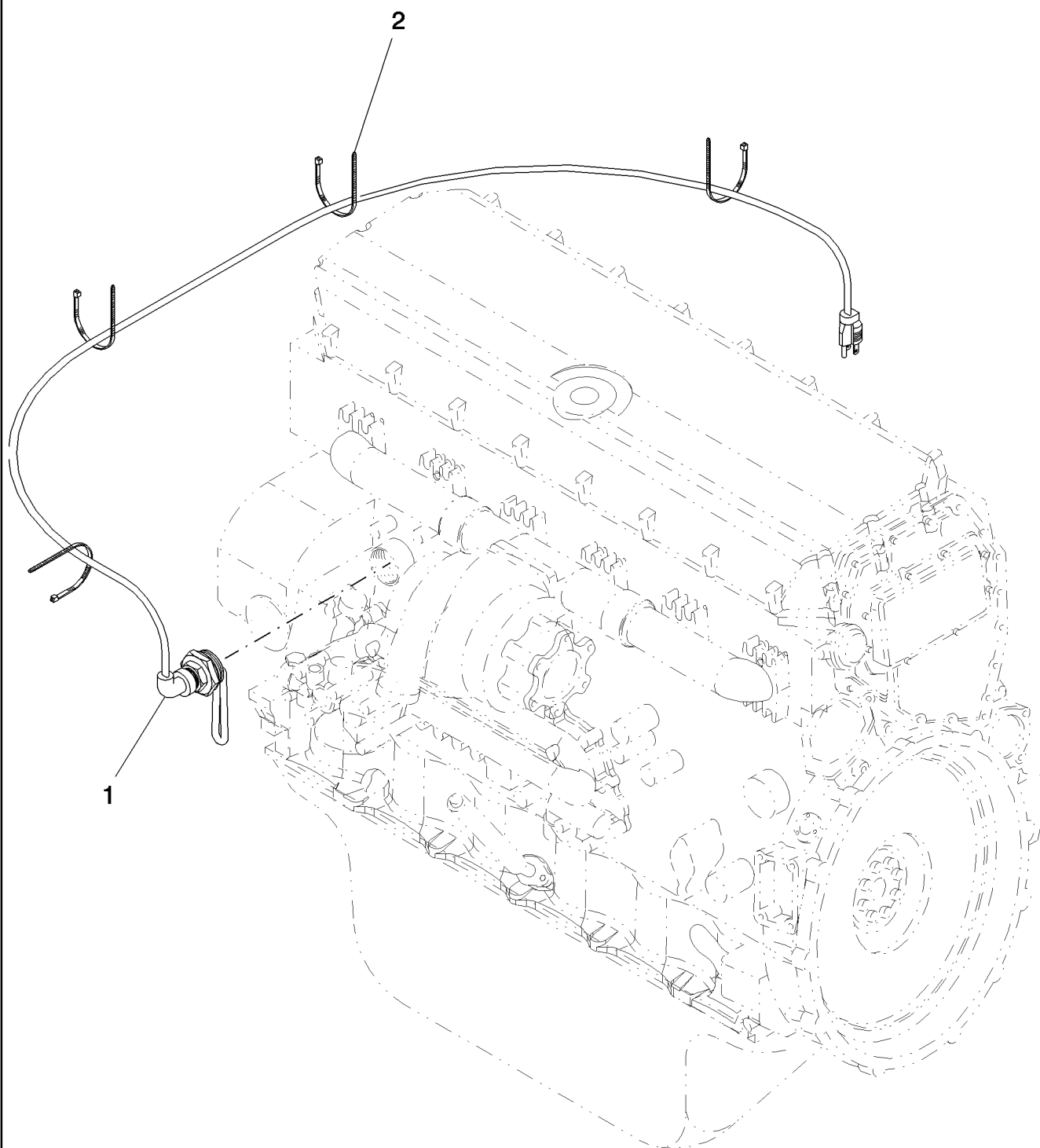
10.254.05

02

p1

02/10

COOLANT HEATER - 8120/8120(LA) - 9120



COOLANT HEATER - 8120/8120(LA) - 9120

REF	FN	PART NUMBER	YR/SN	QTY	DESCRIPTION
1		84438888		1	HEATER
2		86566989		4	CABLE STRAP, M4.75 x 190.5 L

	9120 8120 8120
--	-----------------------

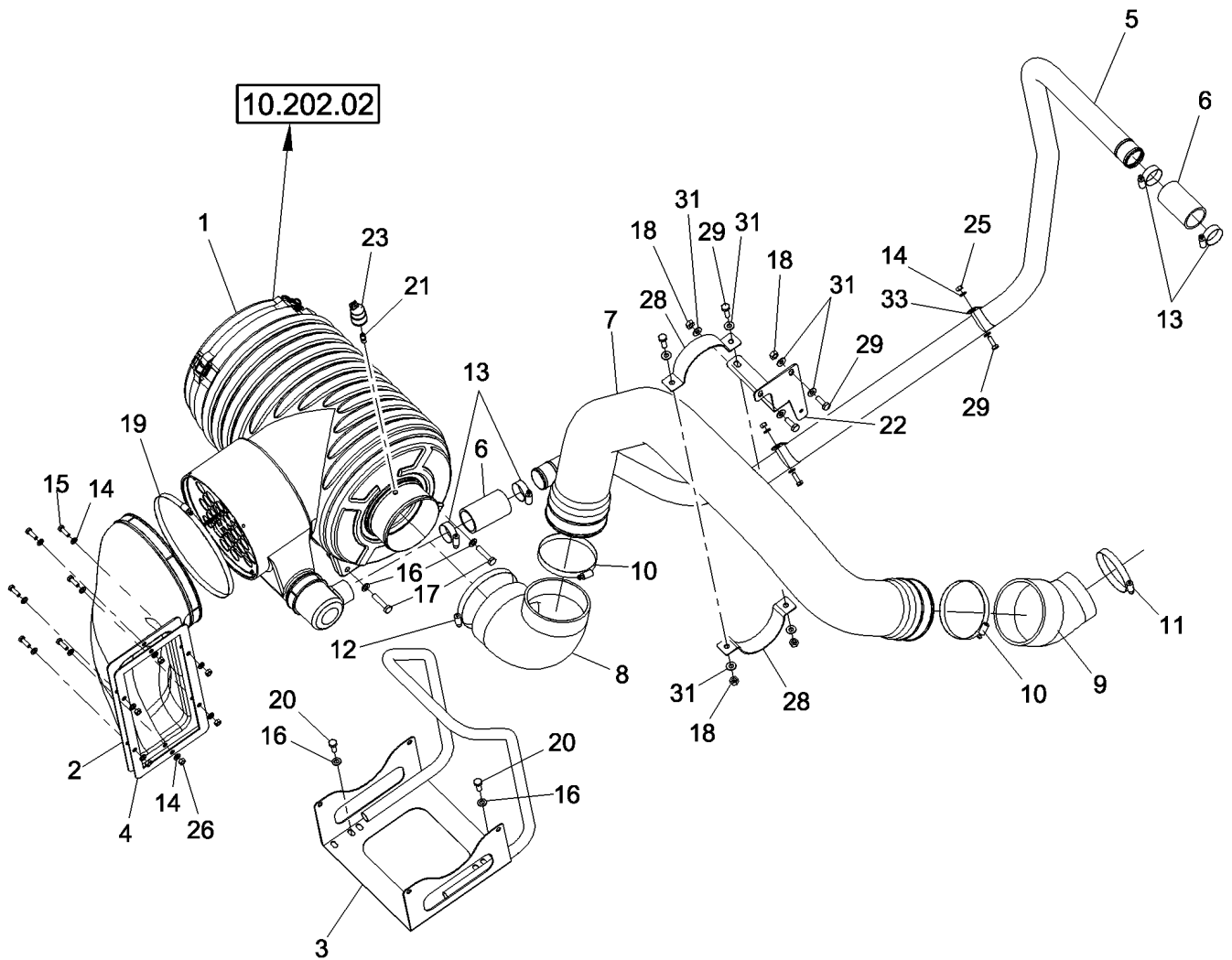
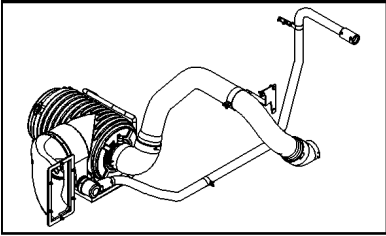
10.254.08

01

p1

02/10

AIR INTAKE - ENGINE - 7120/7120(LA)



10.254.08

01

p1

02/10

AIR INTAKE - ENGINE - 7120/7120(LA)

REF	FN	PART NUMBER	YR/SN	QTY	DESCRIPTION
1		86998329		1	AIR CLEANER
2		87510512		1	AIR DUCT
3		86998339		1	BRACKET
4		86999111		1	GASKET
5		87597317		1	TUBE, Rigid, Engine Air Filter
6		87402766		2	HOSE, Aspirator; L = 101 mm, I.D. = 2"
7		87525276		1	RIGID TUBE, Engine Air Filter
8		86995317		1	ELBOW
9		86995562		1	ELBOW
10		86637712		2	HOSE CLAMP, 5.25/6.125 HD Worm, W/liner, 6"
11		86637711		1	HOSE CLAMP, 5.25/5.125 HD Worm, W/liner, 5"
12		86633350		1	HOSE CLAMP, 6.25/7.125 HD Worm, W/liner, 7"
13		86625019		4	HOSE CLAMP, 1.75/2.625 HD Worm, W/liner, 2.5"
14		140016		14	WASHER, M8 x 16 x 1.6
15		43127		6	BOLT, Hex, M8 x 25, 8.8
16		140017		10	WASHER, M10 x 20 x 2
17		120069		4	BOLT, Hex, M10 x 50, 8.8
18		100016		8	NUT, M10, CI 8
19		86636847		1	HOSE CLAMP, #180, 10.88/11.75 Type F Worm
20		43139		2	BOLT, Hex, M10 x 25, 8.8, Full Thd
21		D36264		1	FITTING
22		87534741		1	BRACKET
23		87013666		1	RESTRICTION SWITCH, Air Intake
25		87035448		2	SPACER, 1/2" Tube x 1/2"
26		140020		1	WASHER, M16 x 30 x 3
27		43167		1	BOLT, Hex, M16 x 30, 8.8, Full Thd
28		87109174		2	CLAMP
29		86625201		2	SELF-TAP SCREW, Hex Flg Hd, M8 x 30
30		9706690		9	NUT, M8, CI 8
31		140045		8	BELLEVILLE WASHER, M10
32		43140		4	BOLT, Hex, M10 x 30, 8.8, Full Thd
33		86634189		2	CLAMP, 2", Insul, 1/2" Bolt

7120 7120

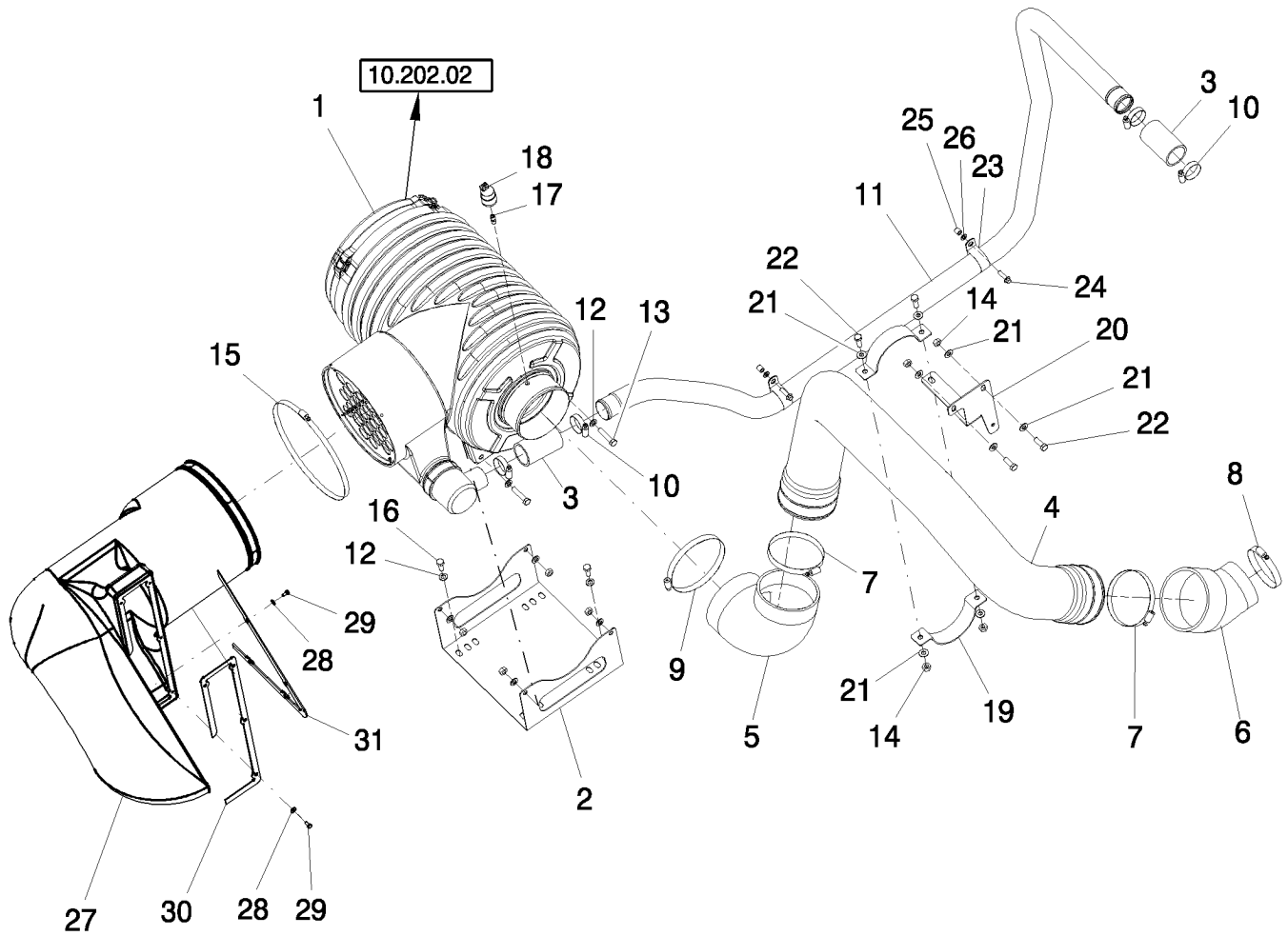
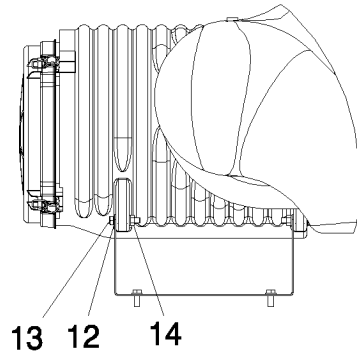
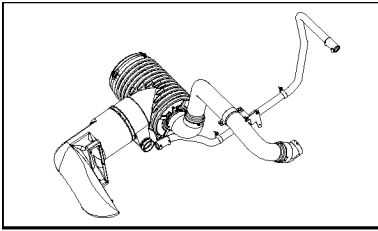
10.254.08

02

p1

02/10

AIR INTAKE - ENGINE - 8120/8120(LA)



10.254.08

02

p1

02/10

AIR INTAKE - ENGINE - 8120/8120(LA)

REF	FN	PART NUMBER	YR/SN	QTY	DESCRIPTION
1		86998329		1	AIR CLEANER
2		87651240		1	BRACKET
3		87402766		2	HOSE, Aspirator; L = 101 mm, I.D. = 2"
4		87582924		1	RIGID TUBE, Engine Air Filter
5		86995317		1	ELBOW
6		86995562		1	ELBOW
7		86637712		2	HOSE CLAMP, 5.25/6.125 HD Worm, W/liner
8		86637711		1	HOSE CLAMP, 5.25/5.125 HD Worm, W/liner
9		86633350		1	HOSE CLAMP, 6.25/7.125 HD Worm, W/liner
10		86625019		4	HOSE CLAMP, 1.75/2.625 HD Worm, W/liner
11		87582925		1	RIGID TUBE, Engine Air Filter
12		140017		10	WASHER, M10 x 20 x 2
13		120069		4	BOLT, Hex, M10 x 50, 8.8
14		100016		8	NUT, M10, CI 8
15		86636847		1	HOSE CLAMP, #180, 10.88/11.75 Type F Worm
16		43139		2	BOLT, Hex, M10 x 25, 8.8, Full Thd
17		D36264		1	FITTING
18		87013666		1	RESTRICTION SWITCH, Air Intake
19		87109174		2	CLAMP
20		87534741		1	BRACKET
21		140045		8	BELLEVILLE WASHER, M10
22		43140		4	BOLT, Hex, M10 x 30, 8.8, Full Thd
23		86634189		2	CLAMP, 2", Insul, 1/2" Bolt
24		86625201		2	SELF-TAP SCREW, Hex Flg Hd, M8 x 30
25		87035448		2	SPACER, 1/2" Tube x 1/2"
26		140016		2	WASHER, M8 x 16 x 1.6
27		87583387		1	AIR DUCT
28		322357		8	BELLEVILLE WASHER, M6
29		86977726		8	BOLT, Hex, M6 x 12, 8.8
30		87731917		1	GASKET, Air Duct
31		87731918		1	GASKET, Air Duct

8120 8120

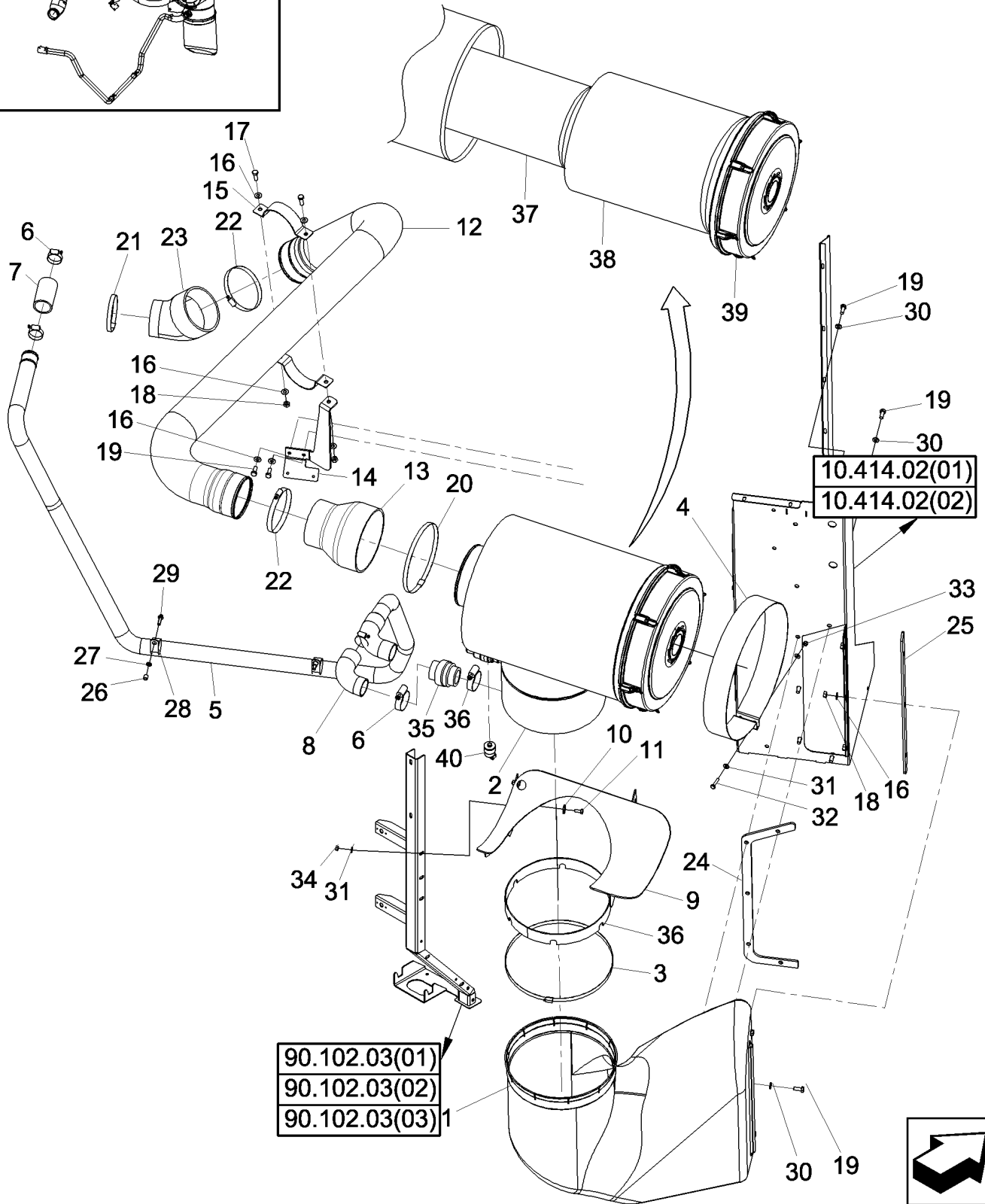
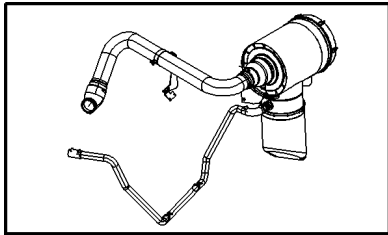
10.254.08

03

p1

02/10

AIR INTAKE - ENGINE - 9120



10.254.08

03

p1

02/10

AIR INTAKE - ENGINE - 9120

REF	FN	PART NUMBER	YR/SN	QTY	DESCRIPTION
1		87661260		1	DUCT
2		87562687		1	AIR CLEANER, Incl Refs 35 Thru 39
3		87564237		1	CLAMP
4		87565924		1	STRAP
5		87685881		1	RIGID TUBE
6		86625019		4	HOSE CLAMP, 1.75/2.625 HD Worm, W/liner
7		87402766		1	HOSE, Aspirator, 2" ID
8		87674853		1	ELBOW
9		87679375		1	SUPPORT ASSY., Air Filter
10		140041		2	WASHER, M8 x 28 x 3
11		120104		2	BOLT, Hex, M8 x 20, 8.8
12		87684844		1	TUBE, Intake
13		87684845		1	ELBOW
14		87686373		1	SUPPORT, Hose
15		87686375		2	HOSE CLAMP
16		140045		9	BELLEVILLE WASHER, M10
17		43140		2	BOLT, Hex, M10 x 30, 8.8, Full Thd
18		100016		5	NUT, M10, CI 8
19		43139		10	BOLT, Hex, M10 x 25, 8.8, Full Thd
20		449815		2	CLAMP
21		9706924		1	HOSE CLAMP, #72, 4.06/5.00 Type F Worm
22		86637712		1	HOSE CLAMP, 5.25/6.125 HD Worm, W/liner
23		86995562		1	ELBOW
24		84153453		1	GASKET
25		84153451		1	GASKET
26		87035448		2	SPACER, 1/2" Tube x 1/2"
27		140016		2	WASHER, M8 x 16 x 1.6
28		86634189		2	CLAMP, 2", Insul, 1/2" Bolt
29		86625201		2	SELF-TAP SCREW, Hex Flg Hd, M8 x 30
30		86511323		8	WASHER, M10 x 20 x 2
31		322358		6	BELLEVILLE WASHER, M8
32		300381		2	BOLT, Hex, M8 x 35, 8.8
33		86629542		2	LOCK NUT, M8 x 1.25, CI 8
34		9706690		2	NUT, M8, CI 8
35		87745355		1	CHECK VALVE

9120

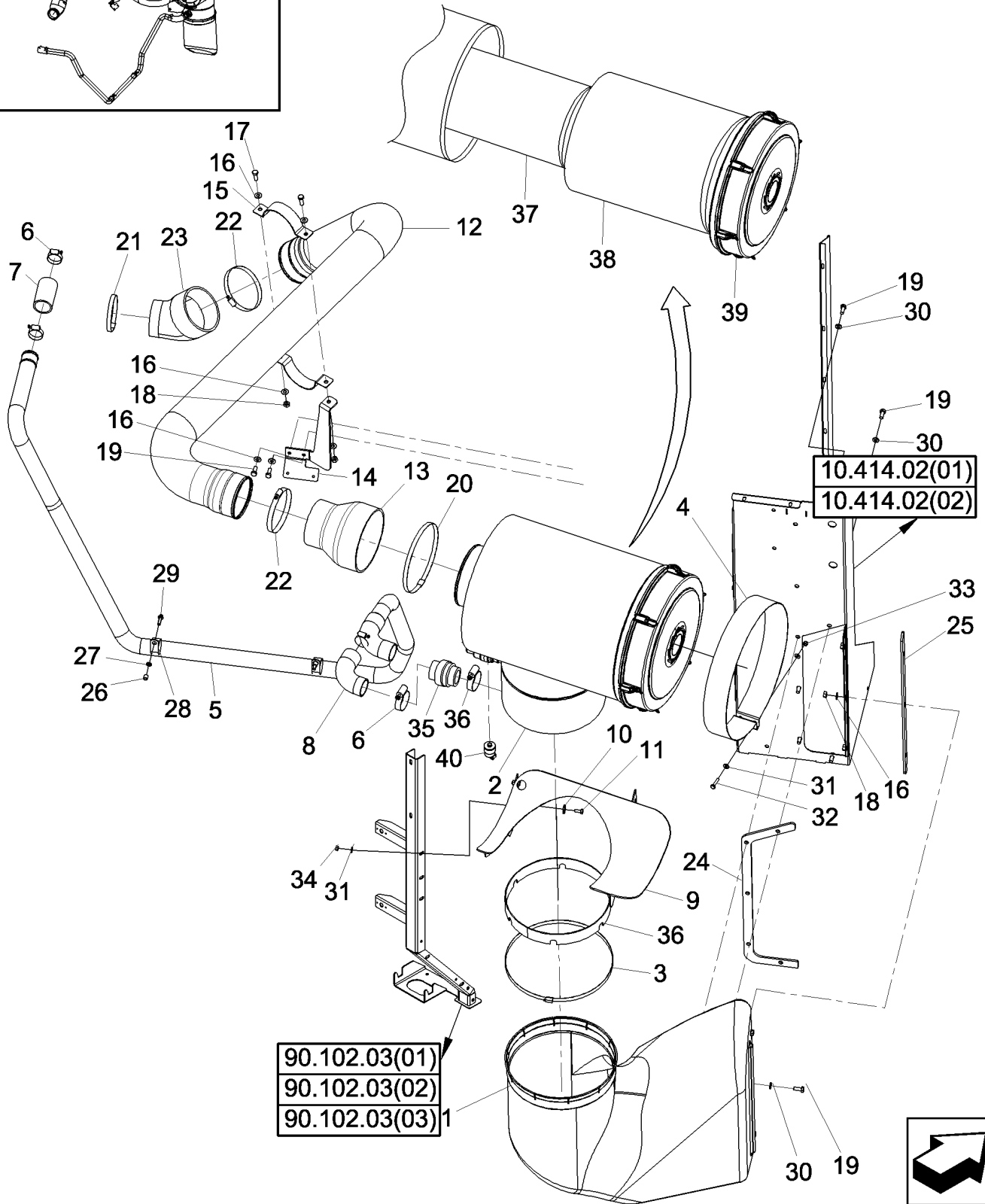
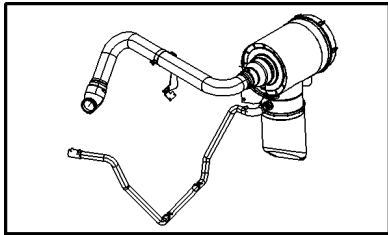
10.254.08

03

p2

02/10

AIR INTAKE - ENGINE - 9120



10.254.08

03

p2

02/10

AIR INTAKE - ENGINE - 9120

REF	FN	PART NUMBER	YR/SN	QTY	DESCRIPTION
36		87734844		1	SEAL
37		84818003		1	ELEMENT, Inner
38		84818002		1	ELEMENT, Outer
39		87745354		1	CAP COVER
40		87013666		1	RESTRICTION SWITCH

9120

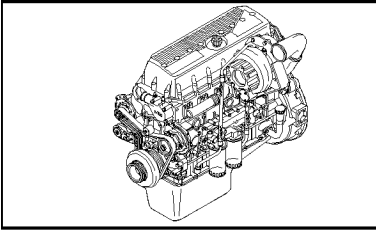
10.254.10

01

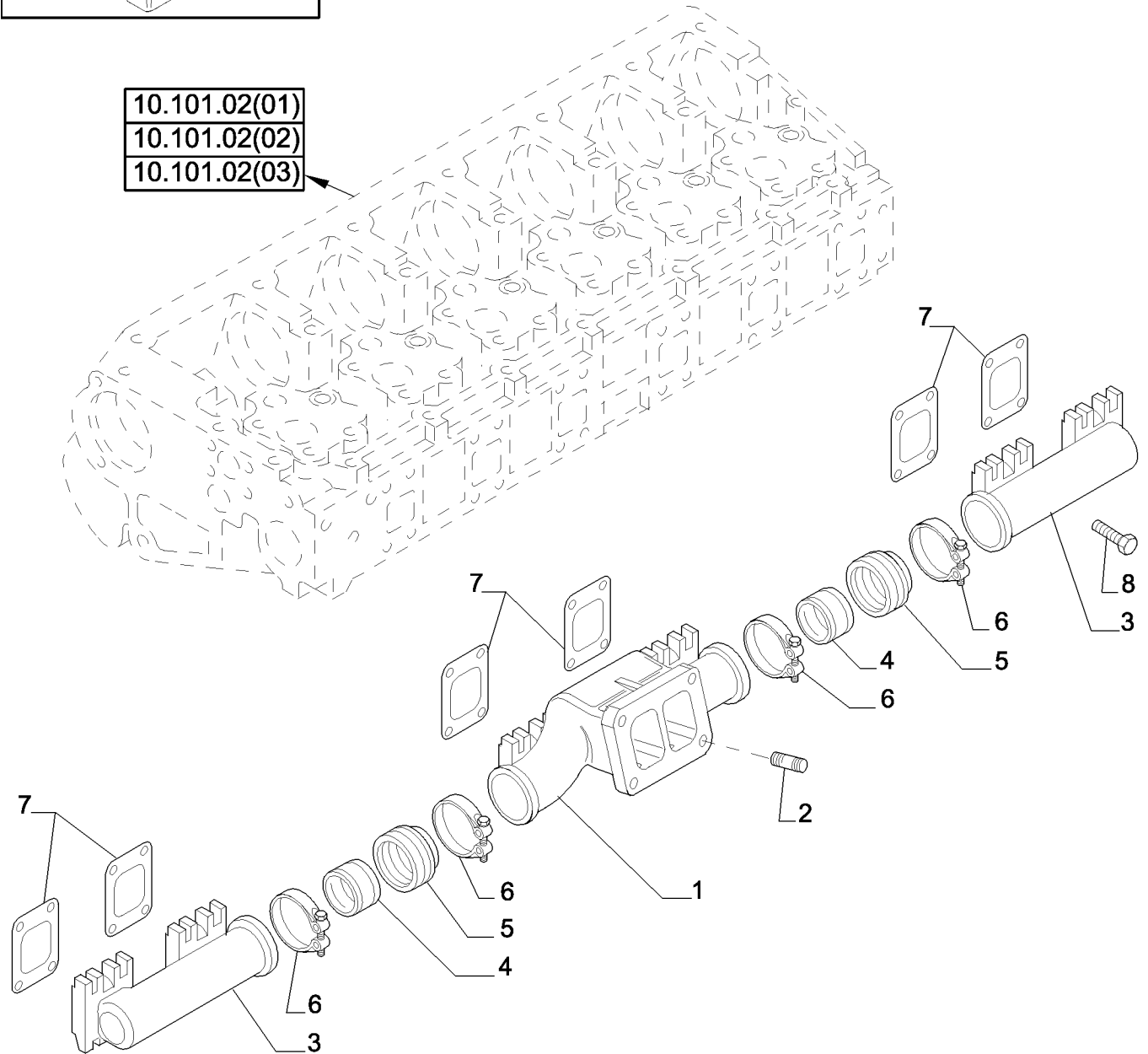
p1

02/10

EXHAUST MANIFOLD - 7120/7120(LA)



10.101.02(01)
10.101.02(02)
10.101.02(03)



10.254.10

01

p1

02/10

EXHAUST MANIFOLD - 7120/7120(LA)

REF	FN	PART NUMBER	YR/SN	QTY	DESCRIPTION
1		504121617		1	EXHAUST MANIFOLD
2		16731270		4	STUD, M10 x 25
3		504030843		2	EXHAUST MANIFOLD
4		99454993		2	RING
5		99454992		2	RING
6		500305814		4	HOSE CLIP
7		504154202		6	MANIFOLD GASKET
8		99443210		24	SCREW, M10 x 1.5 x 40

7120 7120

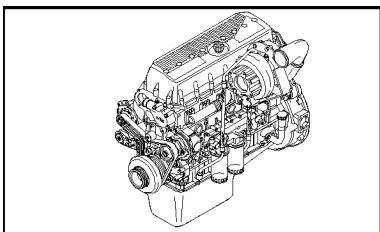
10.254.10

02

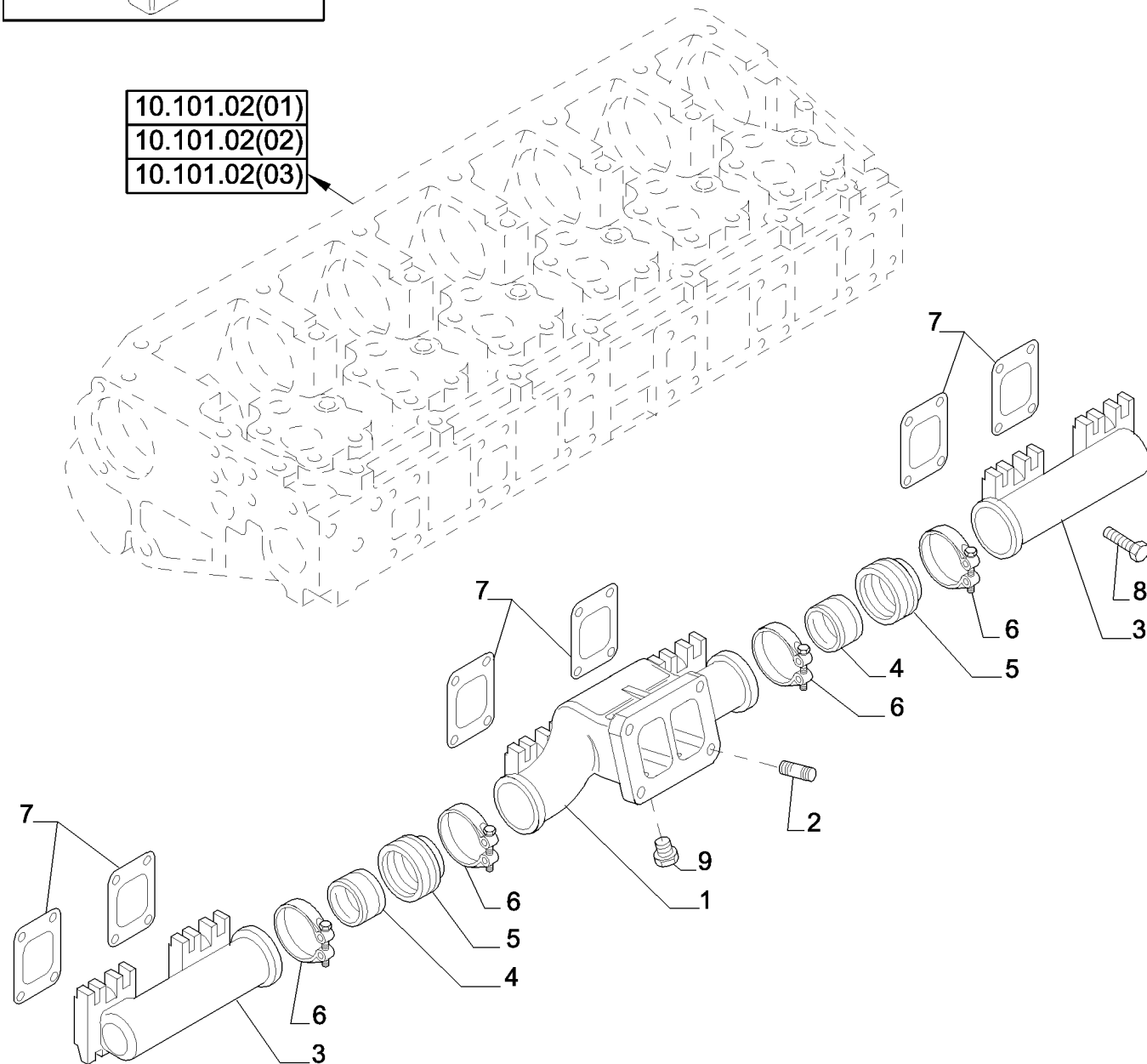
p1

02/10

EXHAUST MANIFOLD - 8120/8120(LA)



10.101.02(01)
10.101.02(02)
10.101.02(03)



10.254.10

02

p1

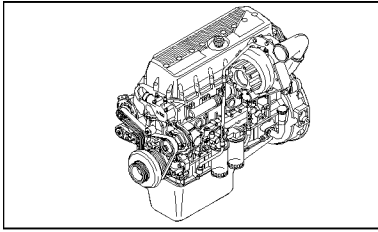
02/10

EXHAUST MANIFOLD - 8120/8120(LA)

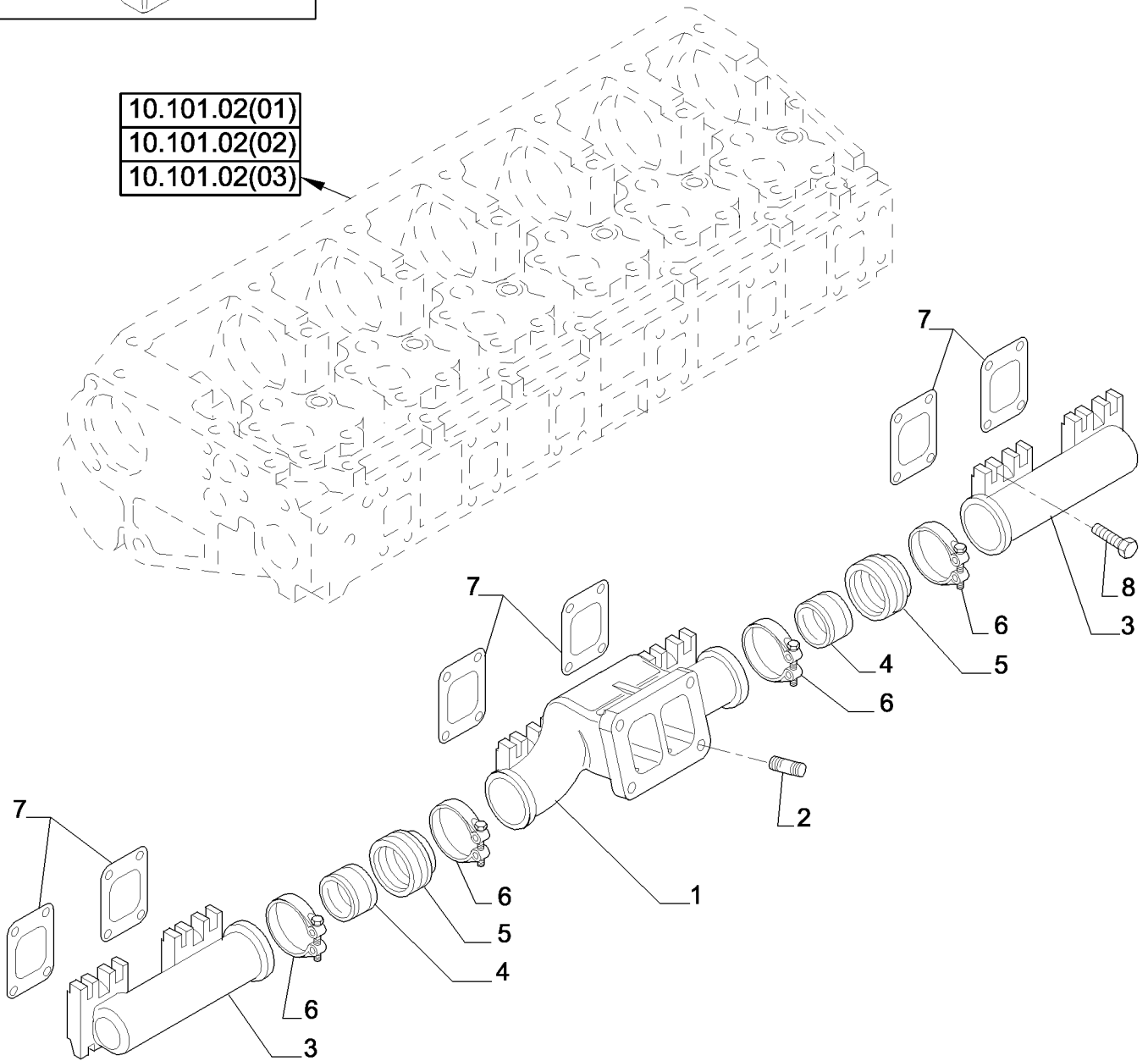
REF	FN	PART NUMBER	YR/SN	QTY	DESCRIPTION
1		504142535		1	EXHAUST MANIFOLD
2		16731370		2	STUD, M10 x 30
3		504027315		2	EXHAUST MANIFOLD
4		99440118		2	RING
5		99440117		2	BELLOWS
6		504047548		4	CLAMP
7		99440116		6	GASKET
8		99443210		24	SCREW
9		99441940		2	PLUG, M12 x 1.5

8120 8120

EXHAUST MANIFOLD - 9120



- 10.101.02(01)
- 10.101.02(02)
- 10.101.02(03)



10.254.10

03

p1

02/10

EXHAUST MANIFOLD - 9120

REF	FN	PART NUMBER	YR/SN	QTY	DESCRIPTION
1		504046508		1	EXHAUST MANIFOLD
2		16731370		4	STUD, M10 x 30
3		504030852		2	EXHAUST MANIFOLD
4		99443770		2	RING
5		99443769		2	RING
6		500305816		4	HOSE CLIP
7		99443768		6	GASKET
8		99443210		24	SCREW, M10 x 1.5 x 40

9120

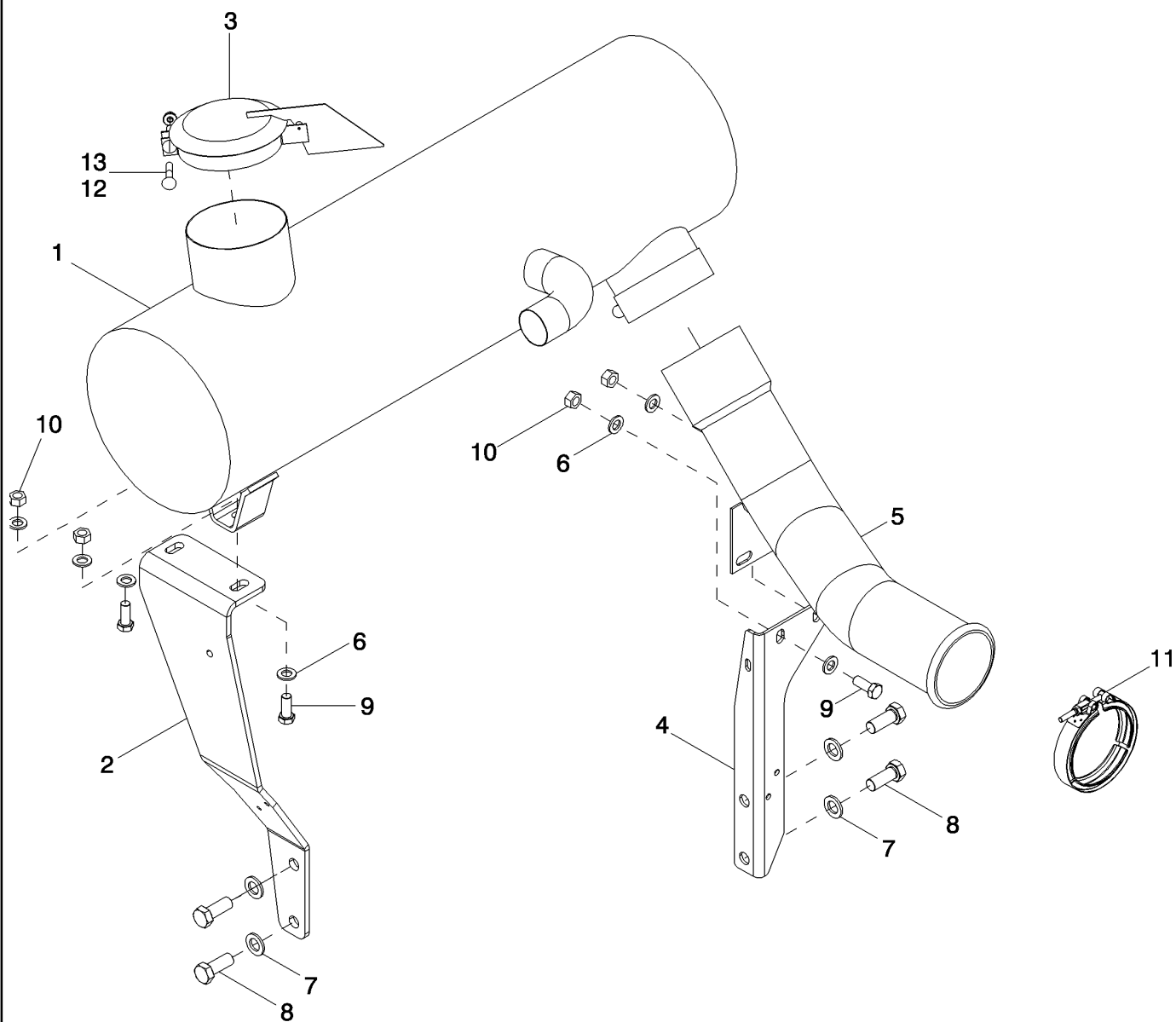
10.254.11

01

p1

02/10

MUFFLER & EXHAUST - 7120/7120(LA) - 8120/8120(LA)



MUFFLER & EXHAUST - 7120/7120(LA) - 8120/8120(LA)

REF	FN	PART NUMBER	YR/SN	QTY	DESCRIPTION
1		87711333		1	MUFFLER
1	1,2	87753882		1	MUFFLER, Spark Arrestor
1		86976531		1	MUFFLER, 8120 only
2		87283490		1	SUPPORT
3		86997809		1	COVER
4		87283492		1	SUPPORT
5	1	87645579		1	EXHAUST SYSTEM PIPE
5	3	87329445		1	EXHAUST SYSTEM PIPE
6		140018		8	WASHER, M12 x 24 x 2.5
7		86997809		1	COVER
8	1	43168		4	BOLT, Hex, M16 x 2 x 40, 8.8, Full Thd
8	3	43167		4	BOLT, Hex, M16 x 30, 8.8, Full Thd
9		9706687		4	BOLT, Hex, M12 x 30, 8.8, Full Thd
10		9706685		4	NUT, M12, Cl 8
11	1	87487061		1	CLAMP
11	3	87329014		1	CLAMP
12		120039		1	CARRIAGE BOLT, Short NK, M8 x 50, Cl8.8, Full Thd
13		86619801		1	LOCK NUT, M8 x 1.25, Flg, Cl 8

- (1) 7120 Only
- (2) NA Only
- (3) 8120 Only

	8120 7120 7120 8120
--	----------------------------

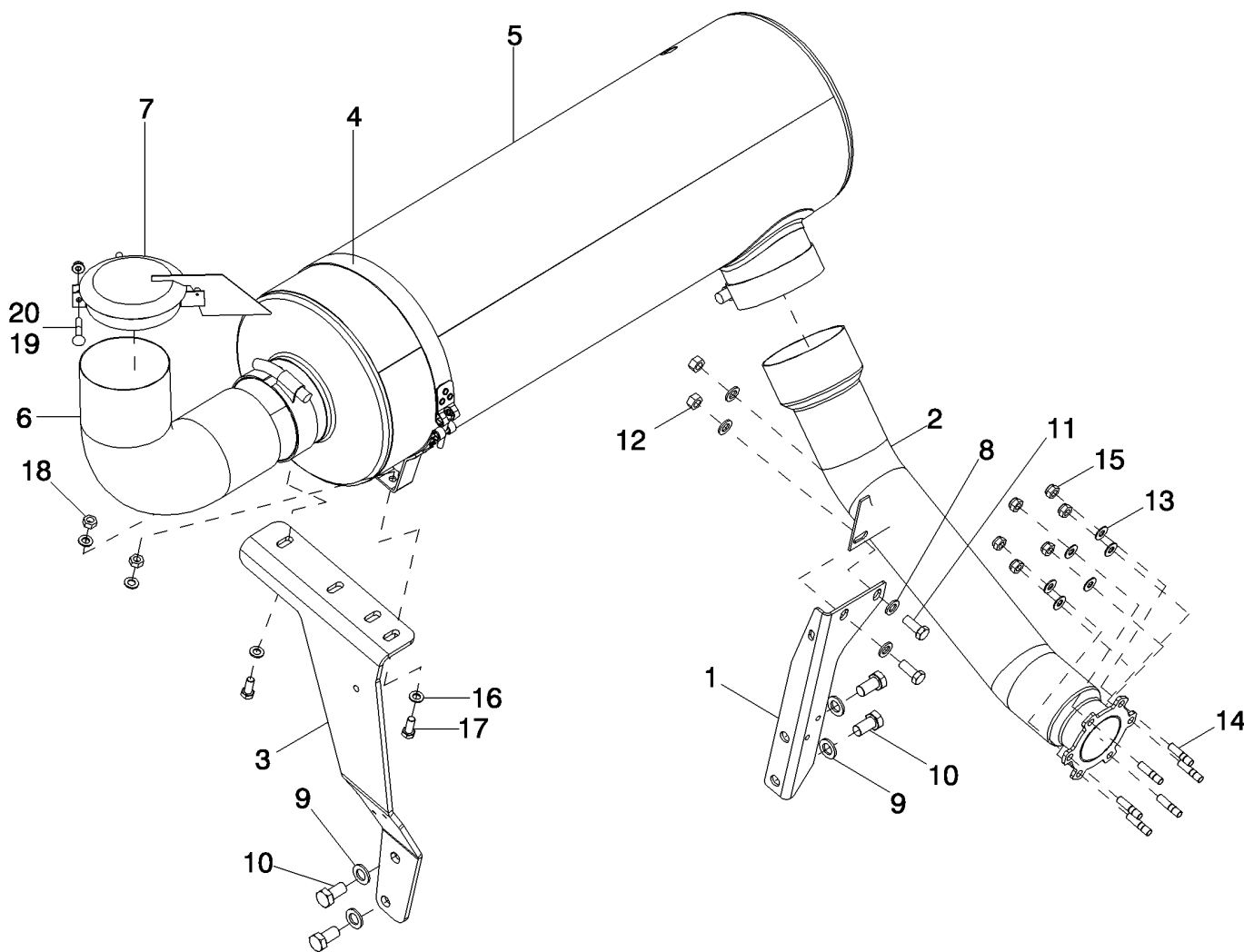
10.254.11

02

p1

02/10

MUFFLER & EXHAUST - 9120



10.254.11

02

p1

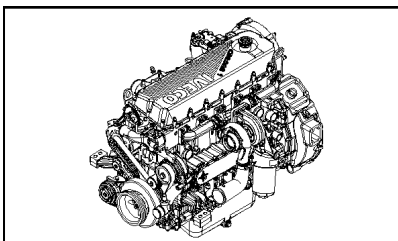
02/10

MUFFLER & EXHAUST - 9120

REF	FN	PART NUMBER	YR/SN	QTY	DESCRIPTION
1		87283492		1	SUPPORT
2		87665176		1	TUBE
3		87674148		1	BRACKET
4		87674852		1	CLAMP
5		87665982		1	MUFFLER
6		87674128		1	TUBE
7		86997809		1	COVER
8		140018		4	WASHER, M12 x 24 x 2.5
9		140020		4	WASHER, M16 x 30 x 3
10		43167		4	BOLT, Hex, M16 x 30, 8.8, Full Thd
11		9706687		2	BOLT, Hex, M12 x 30, 8.8, Full Thd
12		9706685		2	NUT, M12, CI 8
13		140045		6	BELLEVILLE WASHER, M10
14		110020		6	STUD
15		84442904		6	LOCK NUT
16		140017		4	WASHER, M10 x 20 x 2
17		43139		2	BOLT, Hex, M10 x 25, 8.8, Full Thd
18		100016		2	NUT, M10, CI 8
19		120039		1	CARRIAGE BOLT, Short NK, M8 x 50, CI8.8, Full Thd
20		86619801		1	LOCK NUT, M8 x 1.25, Flg, CI 8
N/S		84130986		1	CLAMP, Muffler

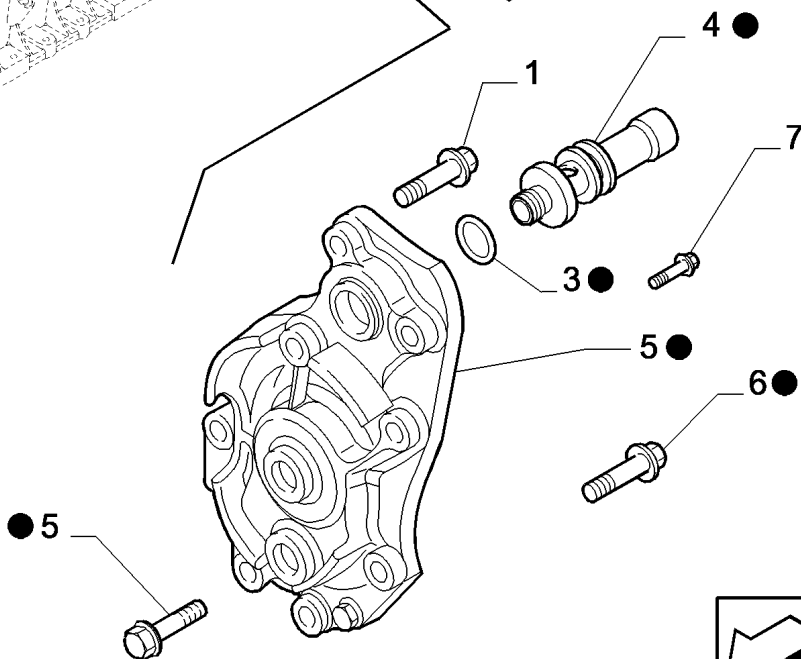
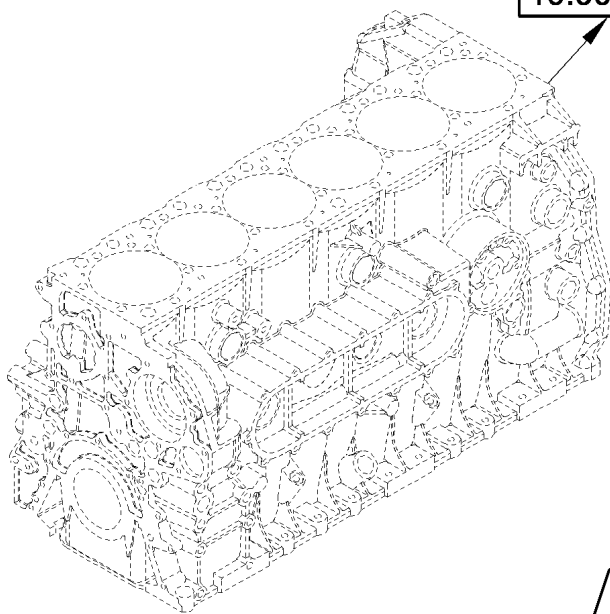
9120

PUMP, ENGINE OIL - 7120/7120(LA)



● = 2

10.001.04(01)
10.001.04(02)
10.001.04(03)



10.304.01

p1

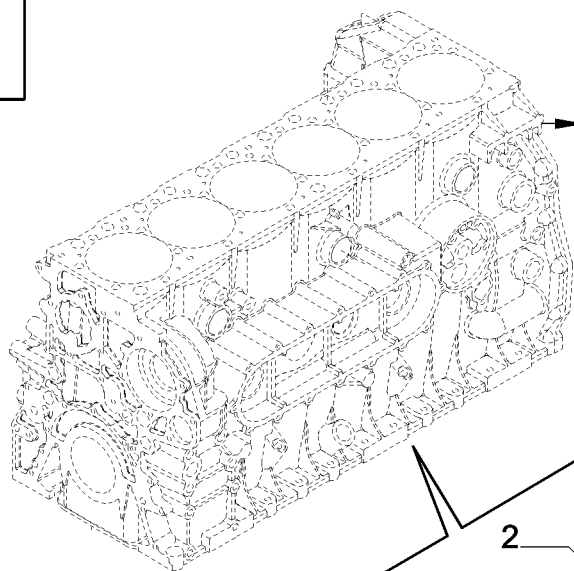
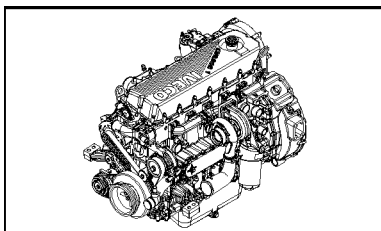
02/10

PUMP, ENGINE OIL - 7120/7120(LA)

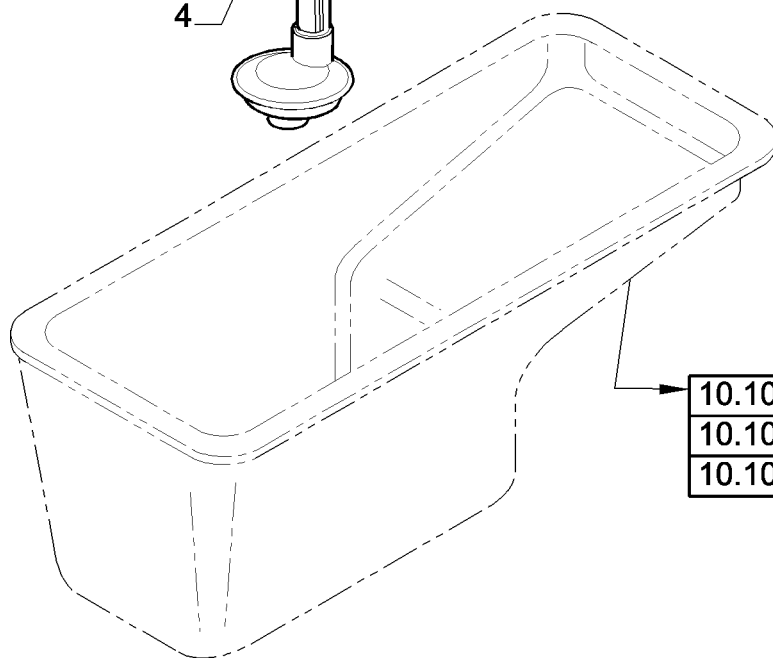
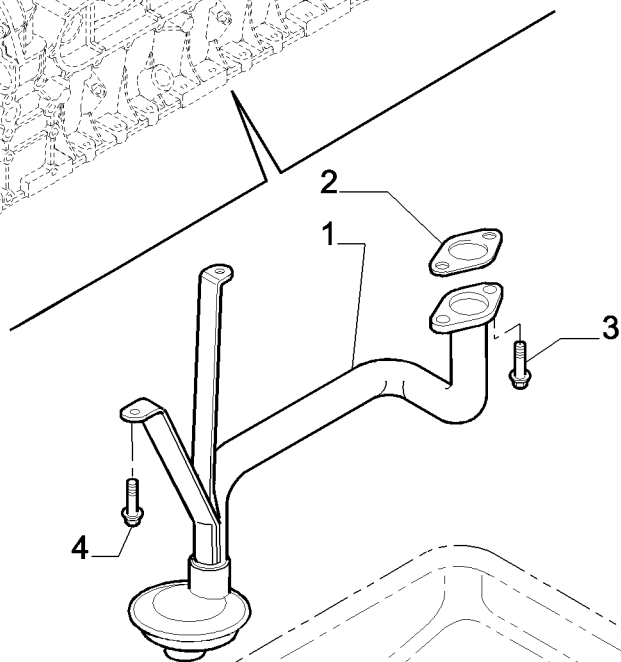
REF	FN	PART NUMBER	YR/SN	QTY	DESCRIPTION
1		500355363		5	SCREW, M8 x 1.25 x 60
2		504131225		1	ENGINE OIL PUMP, ASSY
3		17282181		1	GASKET, D = 21.8 x 2.6 mm
4		500304389		1	SAFETY VALVE
5		18137825		1	SCREW, M6 x 16
6		16591725		1	SCREW
7		504010370		3	SCREW, M8 x 1.25 x 45

7120 7120

OIL PUMP PIPING - 7120/7120(LA)



10.001.04(01)
10.001.04(02)
10.001.04(03)



10.102.02(01)
10.102.02(02)
10.102.02(03)



OIL PUMP PIPING - 7120/7120(LA)

REF	FN	PART NUMBER	YR/SN	QTY	DESCRIPTION
1		504214259		1	RIGID TUBE, Suction
2		504149689		1	GASKET
3		16673735		2	SCREW, M8 x 25
4		16597925		4	SCREW, M8 x 14

	7120 7120
--	------------------

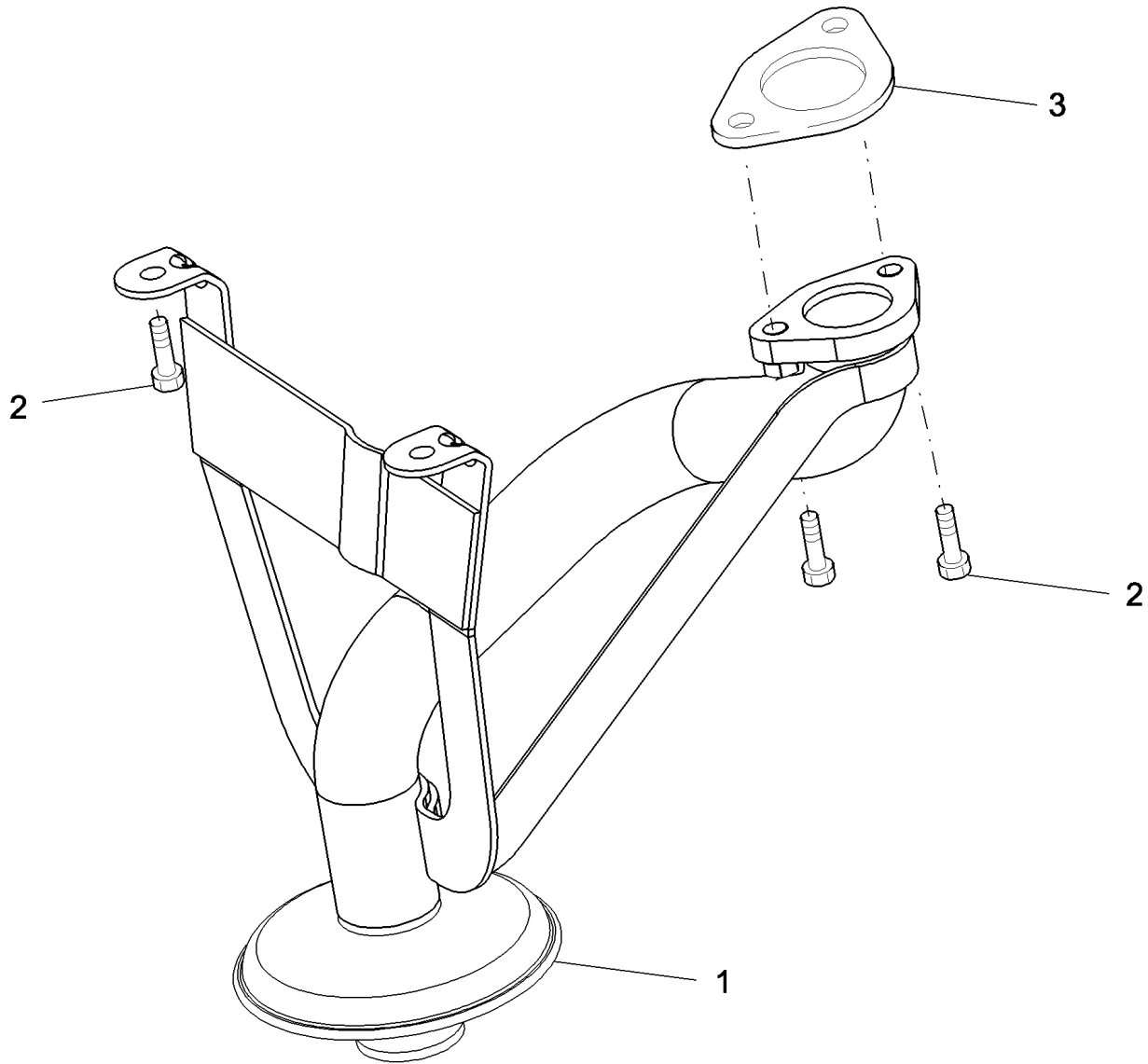
10.304.02

02

p1

02/10

OIL PUMP PIPING - 8120/8120(LA)

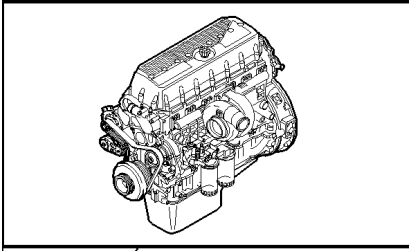


OIL PUMP PIPING - 8120/8120(LA)

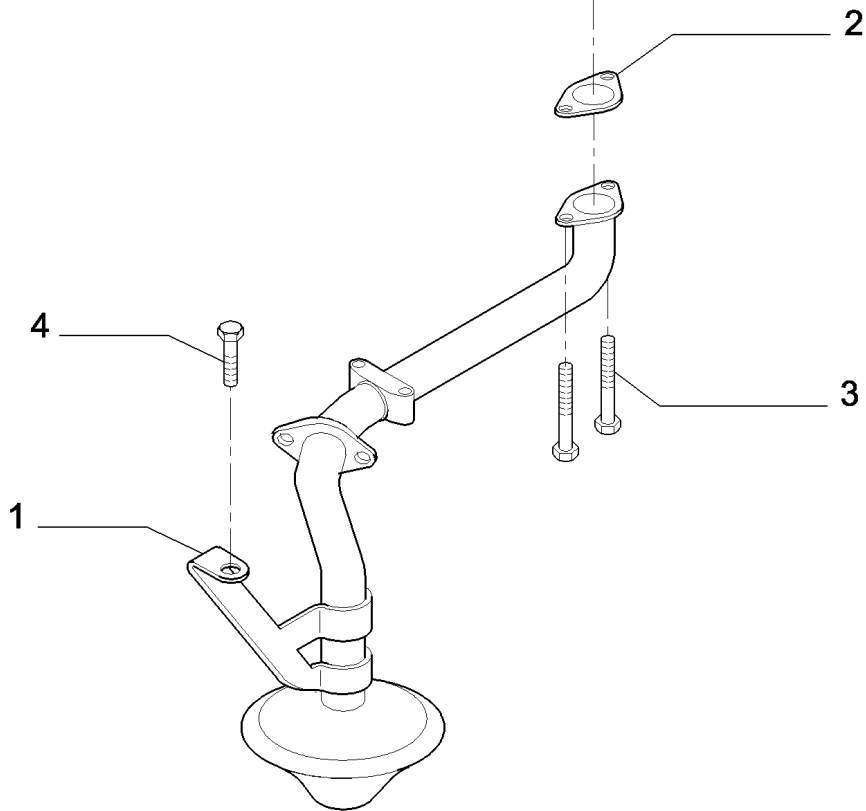
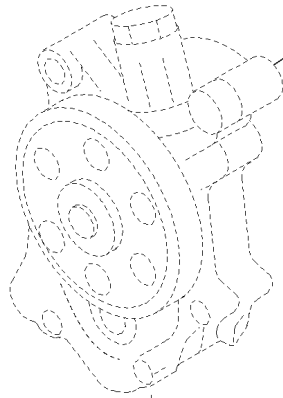
REF	FN	PART NUMBER	YR/SN	QTY	DESCRIPTION
1		504078989		1	SUCTION PIPE
2		16586225		4	BOLT, M8 x 16
3		500343518		1	GASKET

	8120 8120
--	------------------

OIL PUMP PIPING - 9120



10.304.05(01)
10.304.05(02)
10.304.05(03)

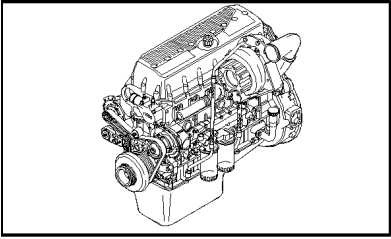


OIL PUMP PIPING - 9120

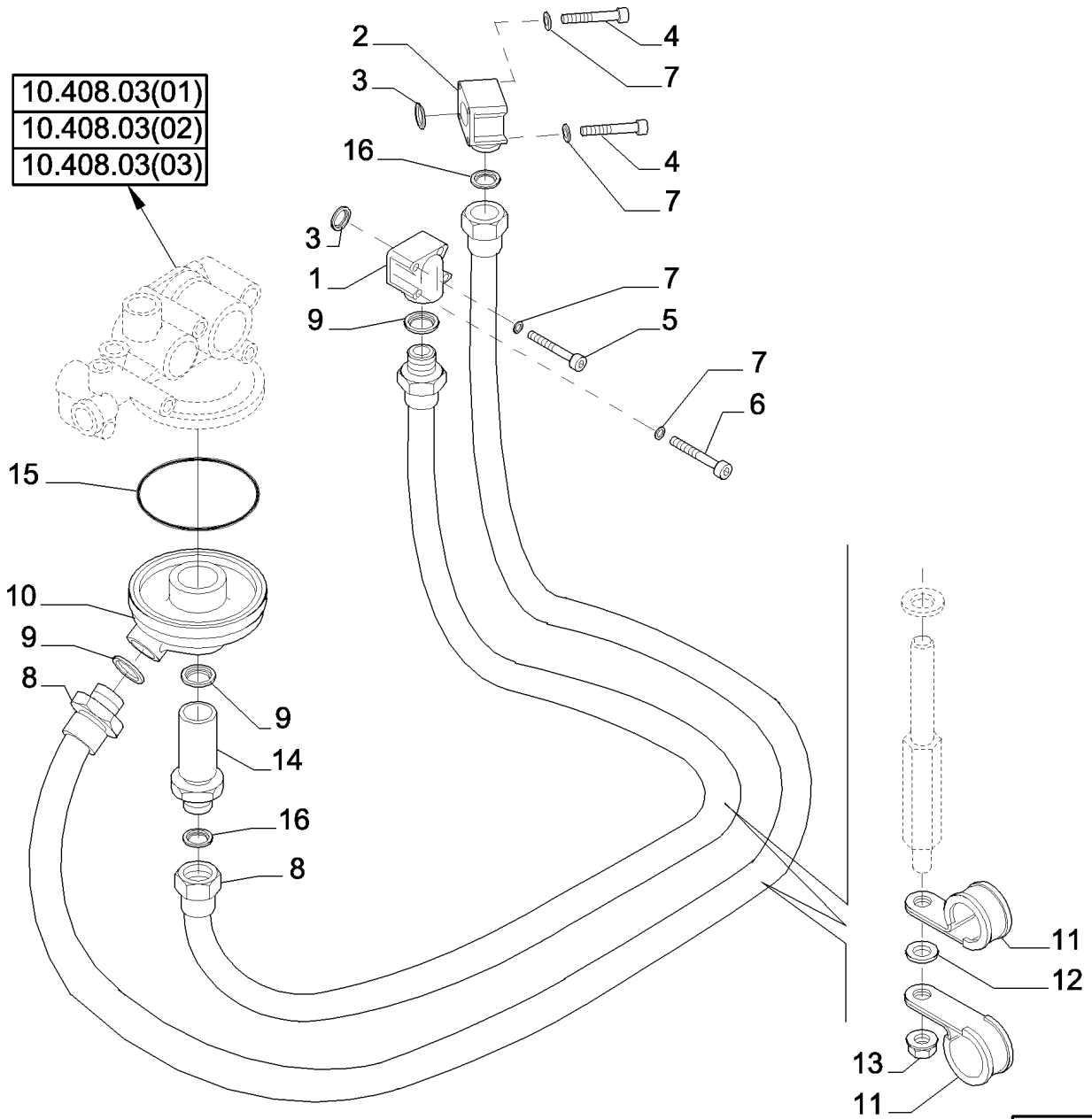
REF	FN	PART NUMBER	YR/SN	QTY	DESCRIPTION
1		500343518		1	GASKET
2		504066586		1	FILTER STRAINER
3		16586925		2	SCREW, M8 x 50
4		16586225		1	BOLT, M8 x 16

	9120
--	-------------

REMOTE ENGINE OIL FILTER LUBE LINES - 8120/8120(LA), 9120



10.408.03(01)
10.408.03(02)
10.408.03(03)



REMOTE ENGINE OIL FILTER LUBE LINES - 8120/8120(LA), 9120

REF	FN	PART NUMBER	YR/SN	QTY	DESCRIPTION
1		504005572		1	ELBOW
2		98481998		1	FITTING
3		17282281		2	O-RING
4		16689724		2	SCREW
5		16689824		2	SCREW
6		16689924		4	SCREW
7		17088474		8	LOCK WASHER
8		504002665		2	HOSE, To Remote Oil Filter Base
9		99434480		3	GASKET
10		504005569		1	SUPPORT
11		17317390		8	CLAMP
12		17094924		5	WASHER
13		17044721		5	NUT, M8 x 1.25
14		500382730		1	FITTING
15		17291281		1	GASKET
16		87681214		2	O-RING

9120 8120 8120

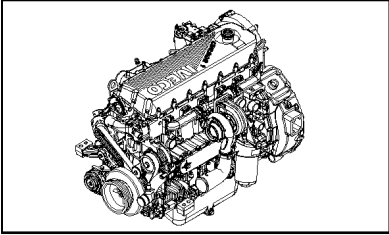
10.304.05

01

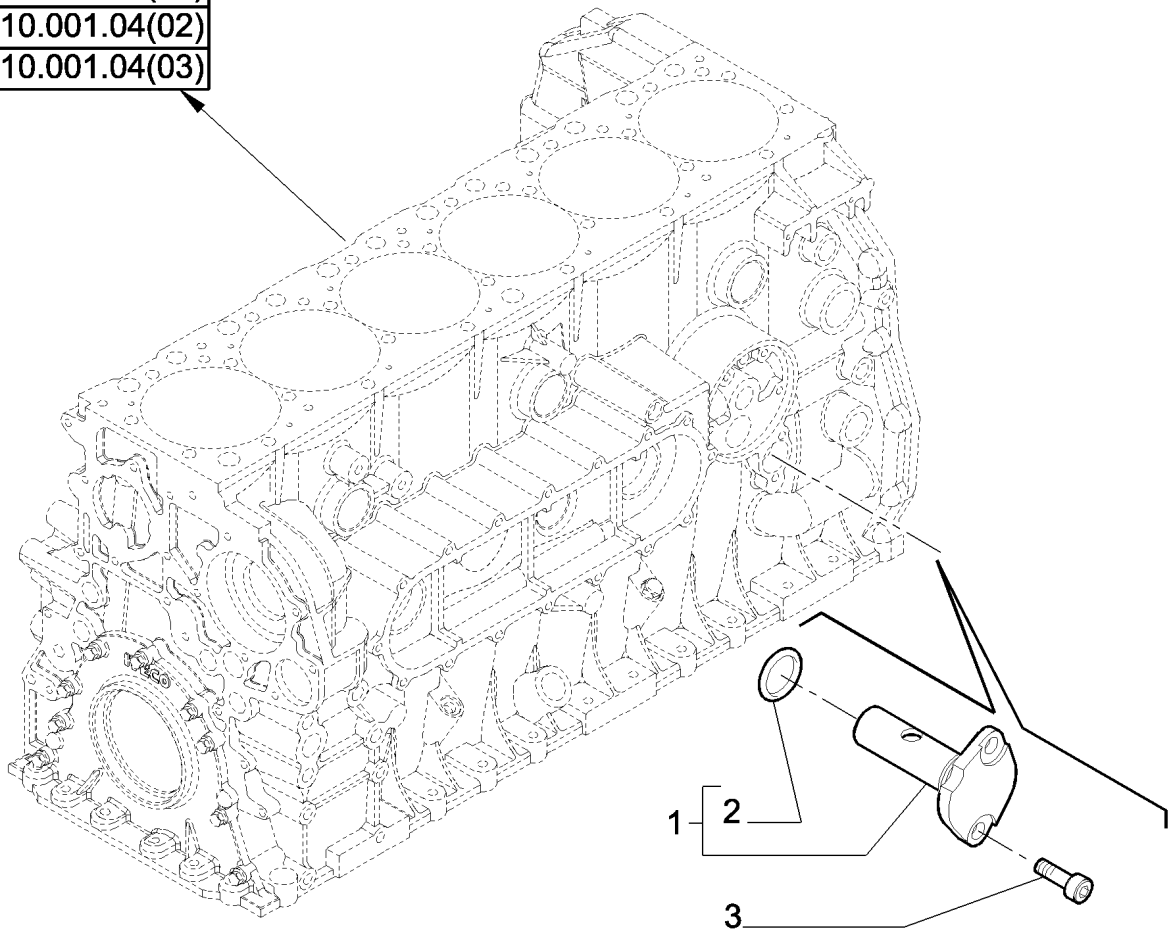
p1

02/10

OIL PRESSURE REGULATION VALVE - 7120/7120(LA)



10.001.04(01)
10.001.04(02)
10.001.04(03)



OIL PRESSURE REGULATION VALVE - 7120/7120(LA)

REF	FN	PART NUMBER	YR/SN	QTY	DESCRIPTION
1		504191876		1	VALVE, ASSY
2		17288681		1	O-RING, D = 24.9 mm, Thk = 3.5 mm
3		18053625		2	SCREW, M8 x 16

	7120 7120
--	------------------

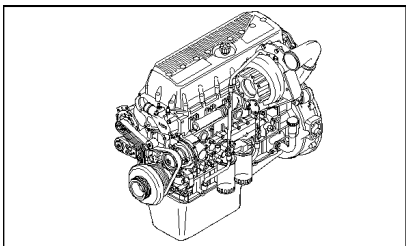
10.304.05

02

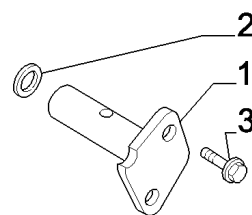
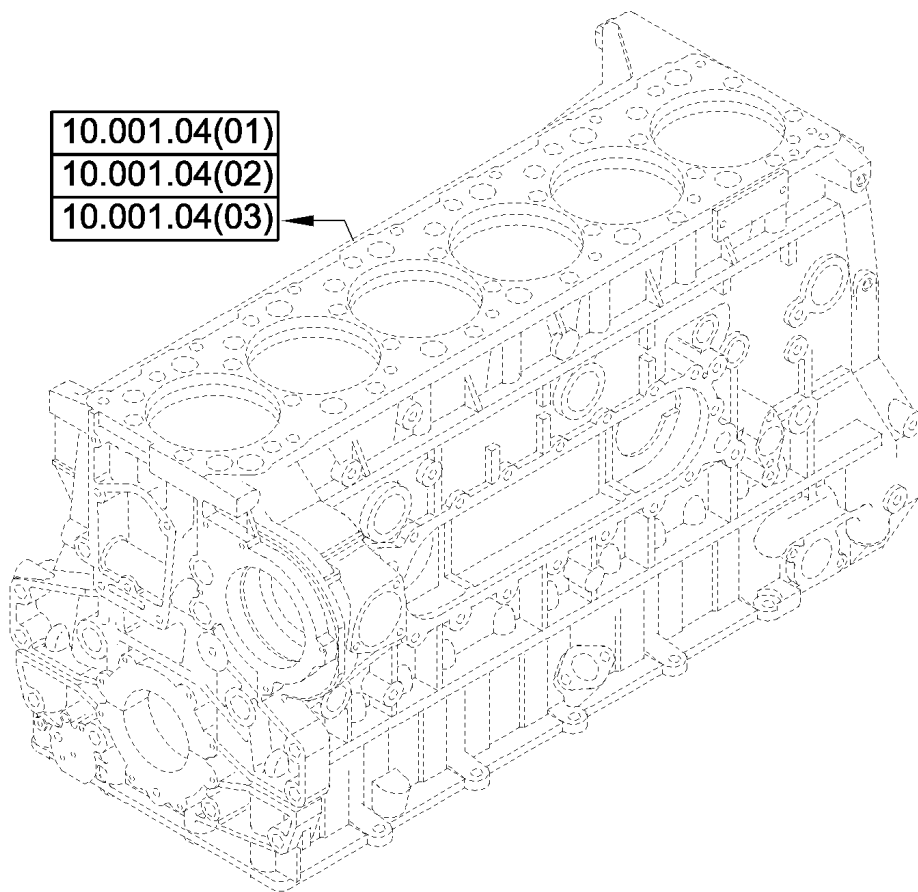
p1

02/10

OIL PRESSURE REGULATION VALVE - 8120/8120(LA)



- 10.001.04(01)
- 10.001.04(02)
- 10.001.04(03)



OIL PRESSURE REGULATION VALVE - 8120/8120(LA)

REF	FN	PART NUMBER	YR/SN	QTY	DESCRIPTION
1		500378929		1	VALVE
2		17288881		1	GASKET, M28.17 x 3.53
3		16586325		2	SCREW, M8 x 1.25 x 20

	8120 8120
--	------------------

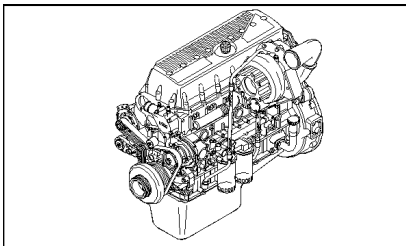
10.304.05

03

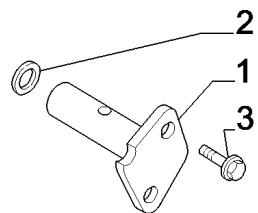
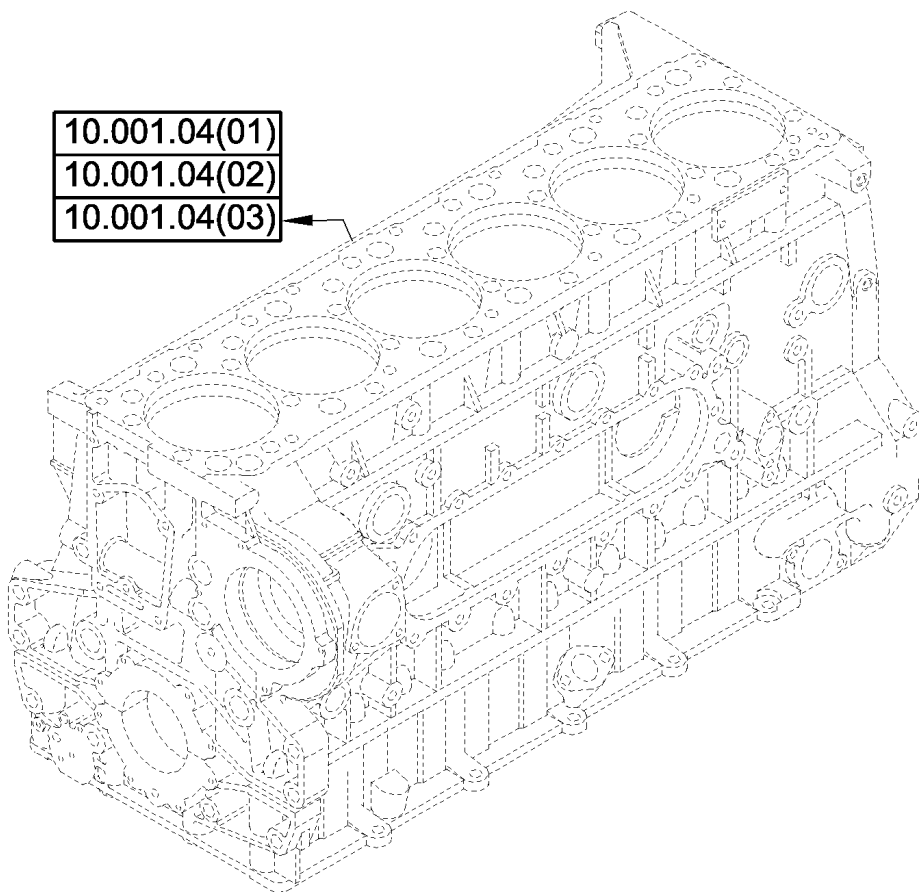
p1

02/10

OIL PRESSURE REGULATION VALVE - 9120



10.001.04(01)
10.001.04(02)
10.001.04(03)



OIL PRESSURE REGULATION VALVE - 9120

REF	FN	PART NUMBER	YR/SN	QTY	DESCRIPTION
1		500378929		1	VALVE
2		17288881		1	GASKET, M28.17 x 3.53
3		16586325		2	SCREW, M8 x 1.25 x 20

	9120
--	-------------

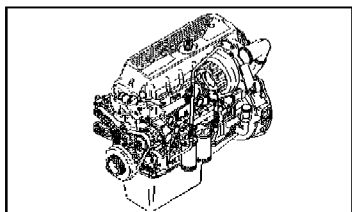
10.304.06

01

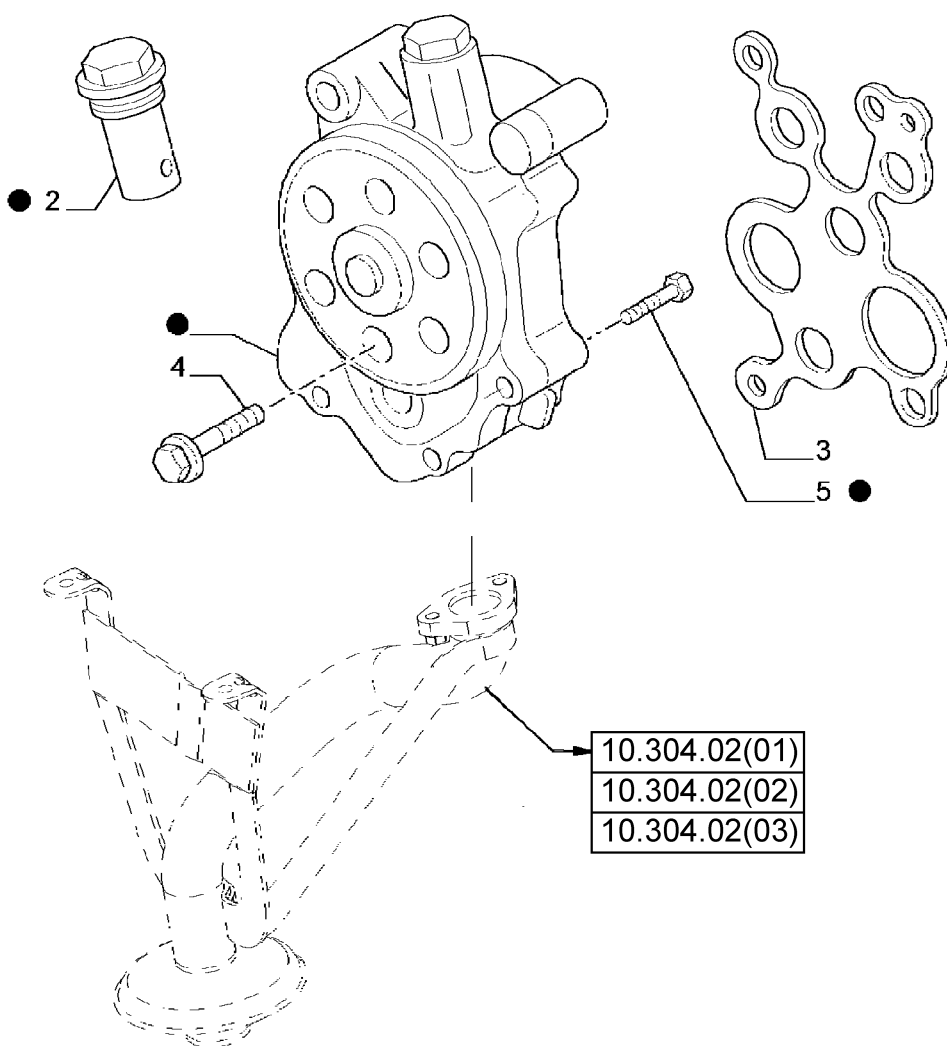
p1

02/10

PUMP, ENGINE OIL & RELATED PARTS - 8120/8120(LA)



● = 1



10.304.06

01

p1

02/10

PUMP, ENGINE OIL & RELATED PARTS - 8120/8120(LA)

REF	FN	PART NUMBER	YR/SN	QTY	DESCRIPTION
1		99468458		1	ENGINE OIL PUMP
2		500359679		1	SAFETY VALVE
3		99452273		1	GASKET
4		16592424		3	SCREW, M8 x 65
4		16586625		1	SCREW, M8 x 35
5		16690924		3	SCREW, M8 x 40

8120 8120

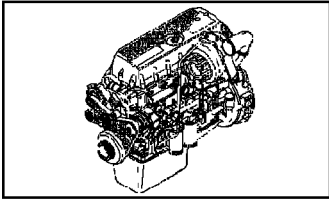
10.304.06

02

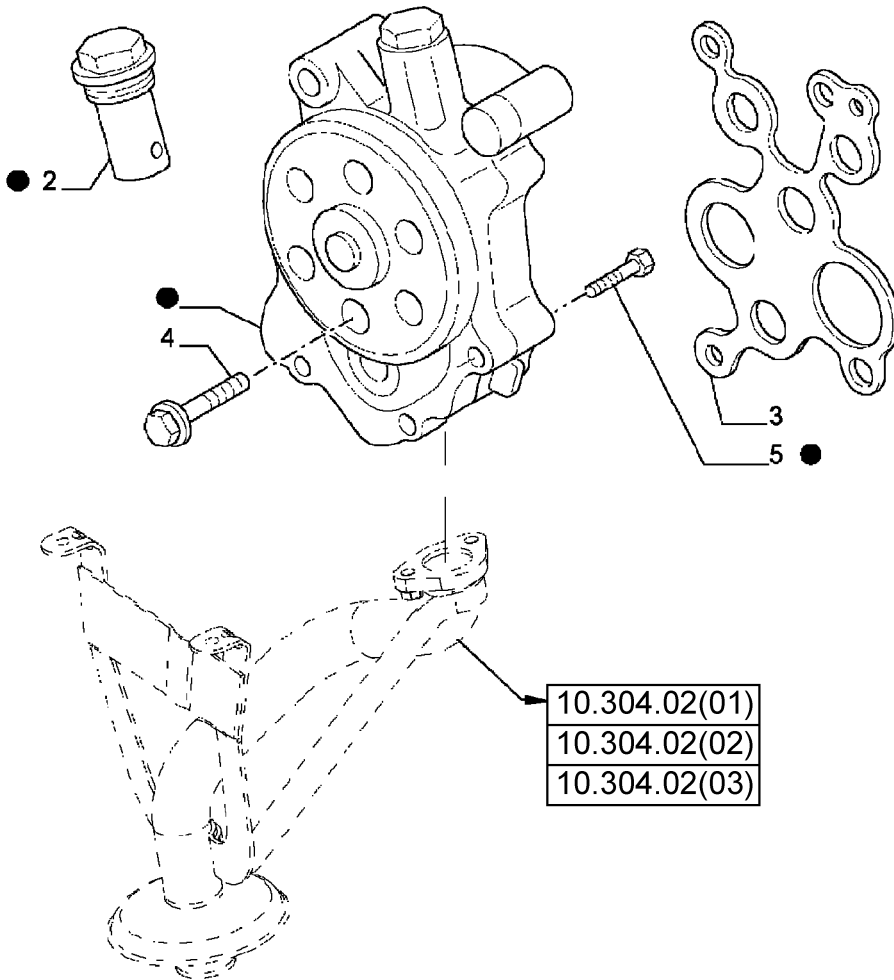
p1

02/10

PUMP, ENGINE OIL & RELATED PARTS - 9120



● = 1



10.304.06

02

p1

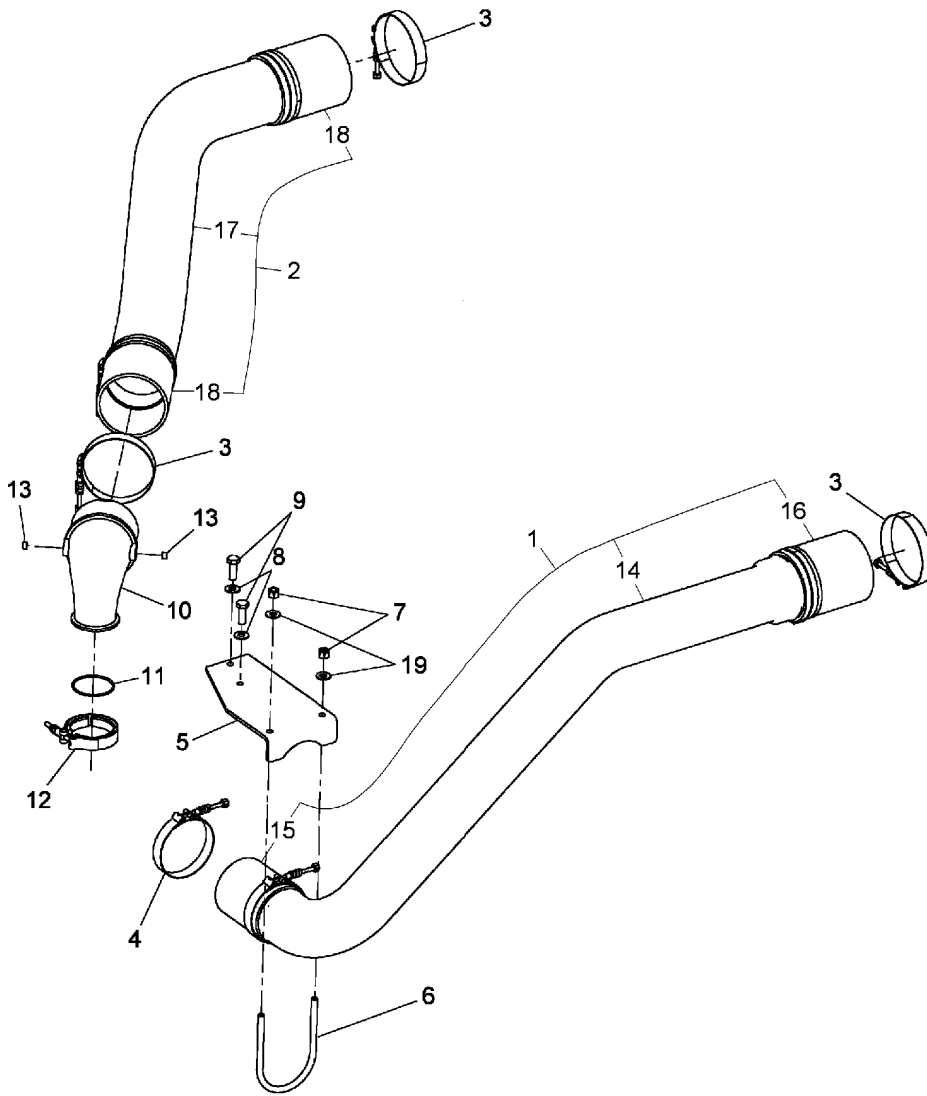
02/10

PUMP, ENGINE OIL & RELATED PARTS - 9120

REF	FN	PART NUMBER	YR/SN	QTY	DESCRIPTION
1		99452340		1	ENGINE OIL PUMP
2		500359679		1	SAFETY VALVE
3		99452273		1	GASKET
4		16592525		3	SCREW, M8 x 70
4		16586625		1	SCREW, M8 x 35
5		16691024		3	SCREW, M8 x 40

9120

CHARGE AIR CIRCUIT - 7120/7120(LA)

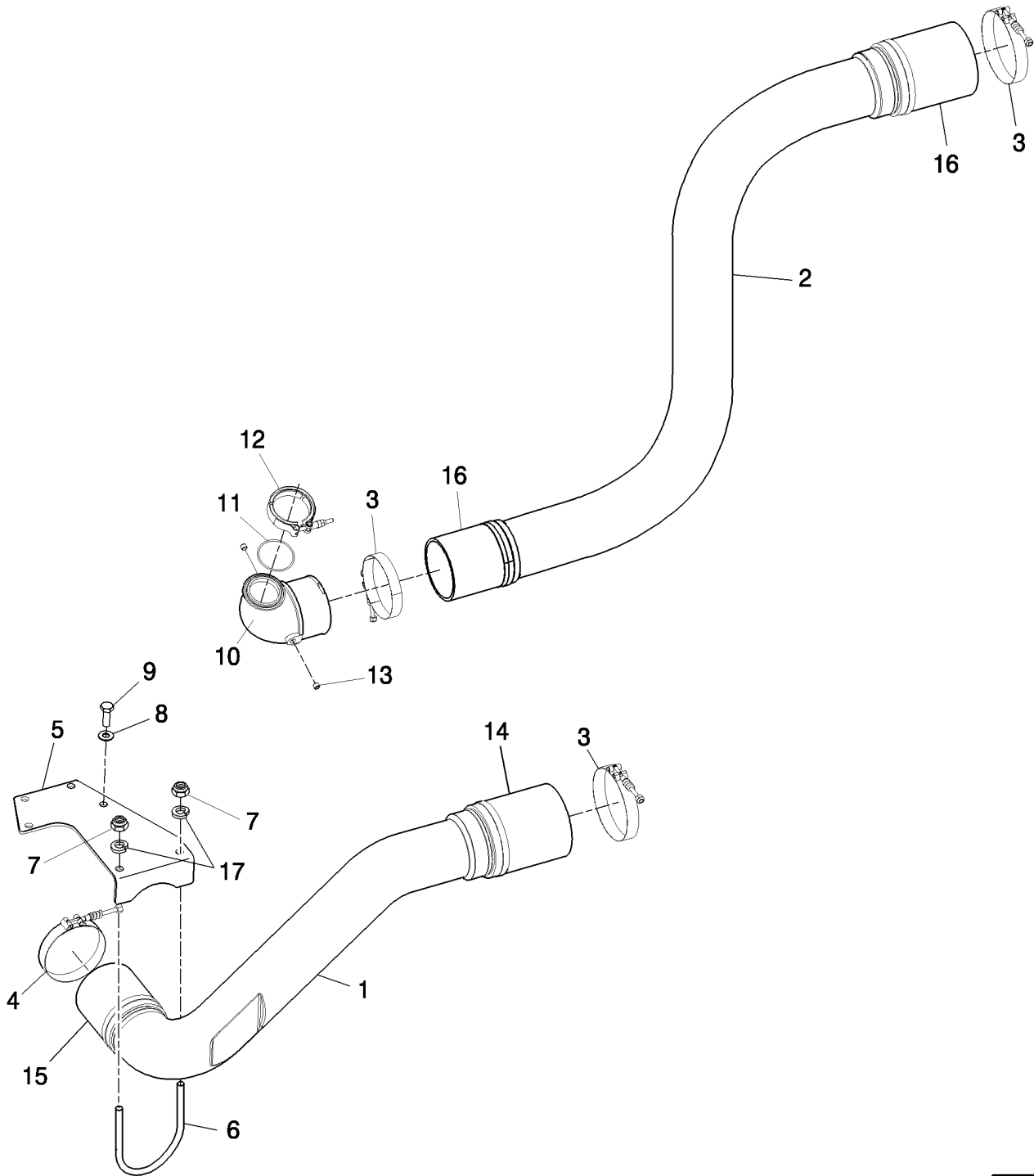


CHARGE AIR CIRCUIT - 7120/7120(LA)

REF	FN	PART NUMBER	YR/SN	QTY	DESCRIPTION
1		87527075		1	TUBE, Assembly, Cold; Includes Refs 14, 15, & 16, Plus Clamps
2		87527073		1	TUBE, Assembly, Hot; Includes Refs 17 & 18, Plus Clamps
3		87420676		4	HOSE CLAMP
4		86976661		1	HOSE CLAMP
5		87572334		1	BRACKET
6		87028029		1	U-BOLT
7		9637692		2	LOCK NUT, 3/8"-16, GB
8		322358		2	BELLEVILLE WASHER, M8
9		120104		2	BOLT, Hex, M8 x 20, 8.8
10		86998476		1	ELBOW
11		J883284		1	O-RING
12		J069053		1	CLAMP
13		86998472		2	PLUG
14		NSS		1	NOT SERVICED SEPARATELY, Tube, Cold
15		87106404		1	HOSE, Charge Air Circuit; Tube End: L = 110 mm
16		87402762		1	HOSE, Charge Air Circuit; Tube End: L = 127 mm
17		NSS		1	NOT SERVICED SEPARATELY, Tube, Hot
18		87402761		2	HOSE, Charge Air Circuit; Tube End: L = 127 mm
19		140045		2	BELLEVILLE WASHER, M10

7120 7120

CHARGE AIR CIRCUIT - 8120/8120(LA)

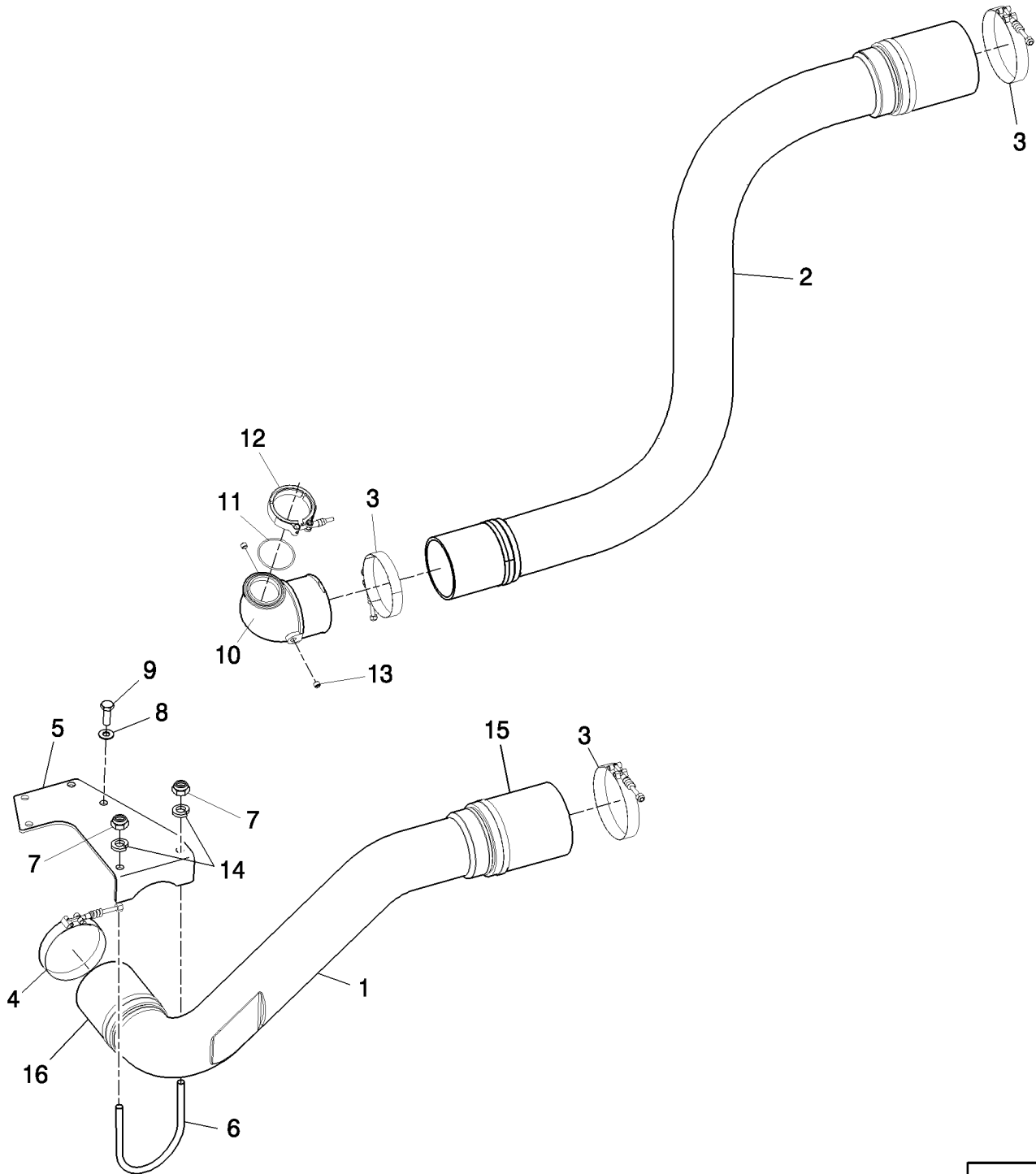


CHARGE AIR CIRCUIT - 8120/8120(LA)

REF	FN	PART NUMBER	YR/SN	QTY	DESCRIPTION
1		87648311		1	TUBE, Cold; Includes: Metal Tube, Plus Hose Ends, Refs 14 & 15
2		87648309		1	TUBE, Hot; Includes: Metal Tube, Plus Hose Ends, Ref 16
3		87420676		AR	HOSE CLAMP
4		86976661		AR	HOSE CLAMP
5		87109471		1	BRACKET, Tube Support
6		87028029		1	U-BOLT, 3/8-16 x 3.56 x 5.5
7		231-4146		2	LOCK NUT, 3/8"-16, GB
8		322358		4	BELLEVILLE WASHER, M8
9		43140		4	BOLT, Hex, M10 x 30, 8.8, Full Thd
10		86998476		1	ELBOW
11		J883284		1	O-RING
12		J069053		1	CLAMP, Turbo Outlet, V-Band
13		86998472		2	PLUG
14		87732308		1	HOSE,LARGE, Charge Air Circuit; Tube End: L = 110 mm
15		87732309		1	HOSE,LARGE, Charge Air Circuit; Tube End: L = 95.25 mm
16		87732307		2	HOSE,LARGE, Charge Air Circuit; Tube End: L = 110 mm
17		140045		2	BELLEVILLE WASHER, M10

8120 8120

CHARGE AIR CIRCUIT - 9120



10.310.02

03

p1

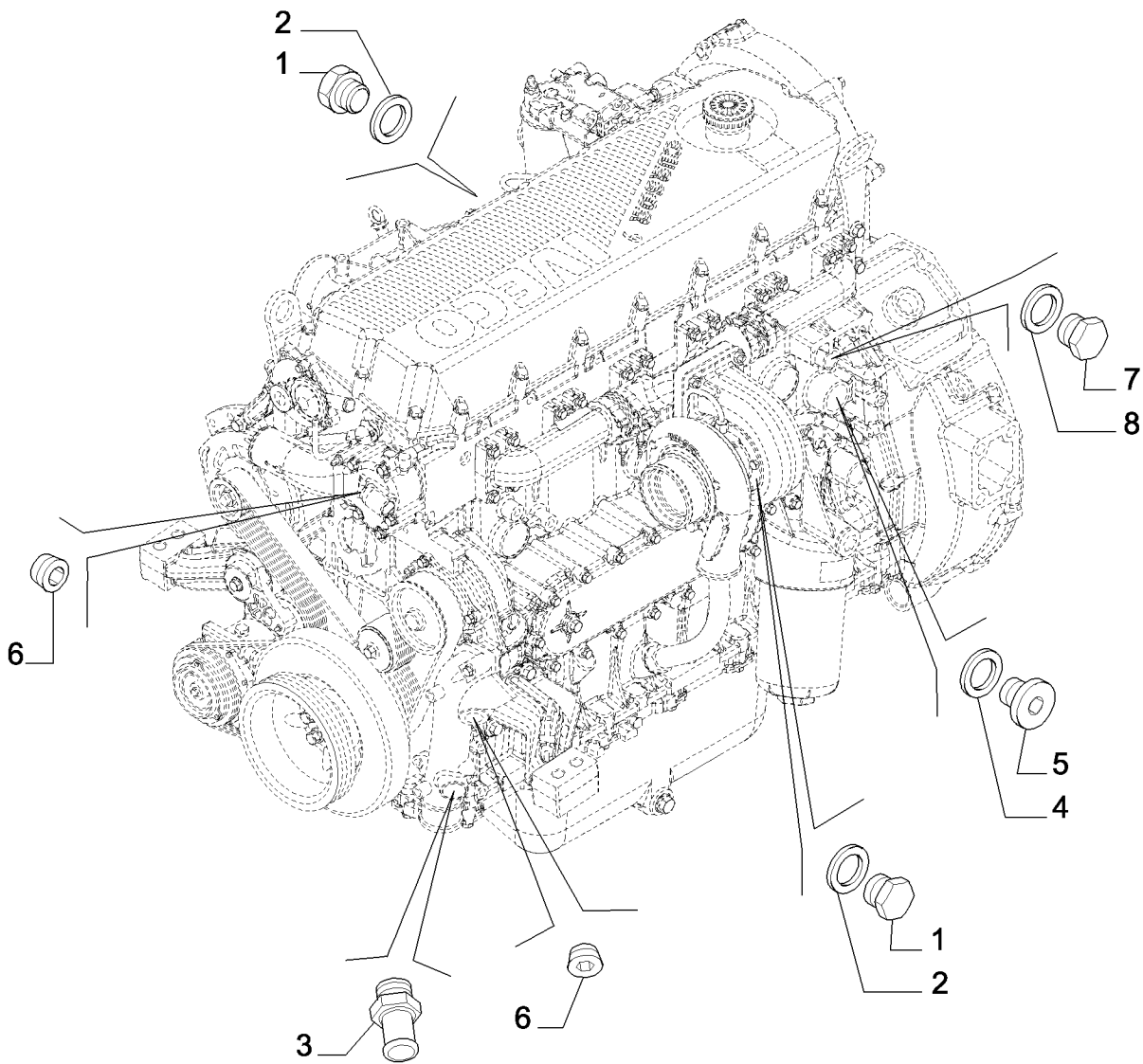
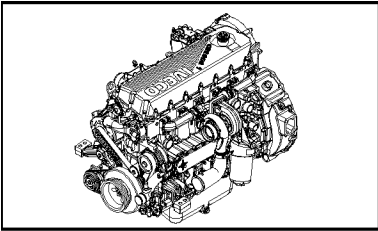
02/10

CHARGE AIR CIRCUIT - 9120

REF	FN	PART NUMBER	YR/SN	QTY	DESCRIPTION
1		87665184		1	TUBE, Charge Air Circuit, Cold
2		87665182		1	TUBE, Charge Air Circuit, Hot
3		87420676		3	HOSE CLAMP
4		86976661		1	HOSE CLAMP
5		87109471		1	BRACKET, Tube Support
6		87028029		1	U-BOLT, 3/8-16 x 3.56 x 5.5
7		231-4146		2	LOCK NUT, 3/8"-16, GB
8		322358		4	BELLEVILLE WASHER, M8
9		43140		4	BOLT, Hex, M10 x 30, 8.8, Full Thd
10		86998476		1	ELBOW
11		J883284		1	O-RING
12		J069053		1	CLAMP, Turbo Outlet, V-Band
13		86998472		2	PLUG
14		140045		2	BELLEVILLE WASHER, M10
15		87402762		1	HOSE, Charge Air Circuit; Tube End: L = 127 mm
16		87106404		1	HOSE, Charge Air Circuit; Tube End: L = 110 mm

9120

PLUGS - ENGINE COOLING SYSTEM - 7120/7120(LA)



10.400.02

01

p1

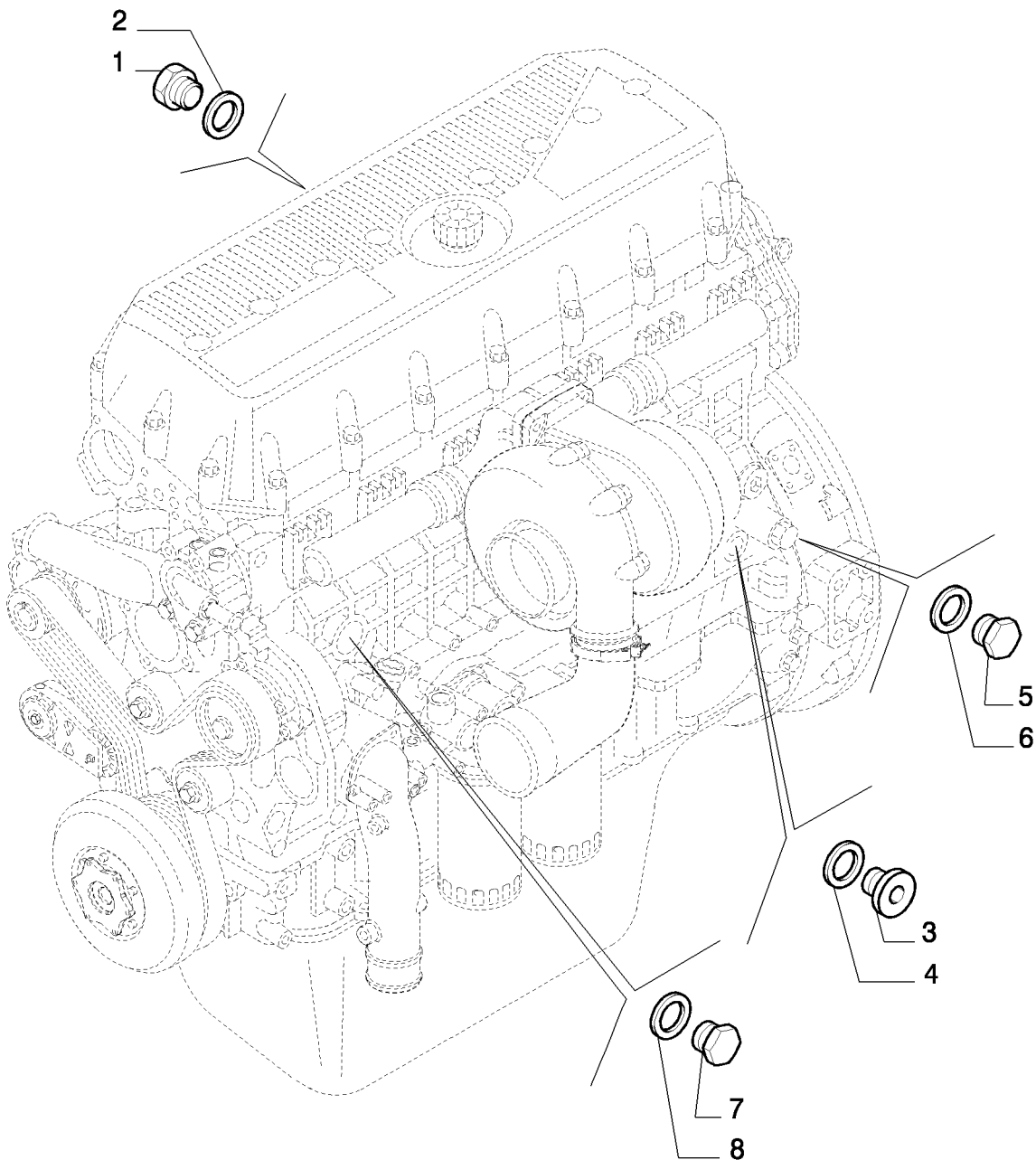
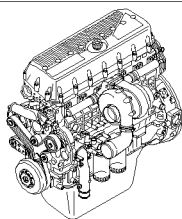
02/10

PLUGS - ENGINE COOLING SYSTEM - 7120/7120(LA)

REF	FN	PART NUMBER	YR/SN	QTY	DESCRIPTION
1		16992415		4	PLUG, M16 x 1.5
2		99489019		4	SEALING WASHER, 16 x 24 x 1,5
3		99464284		1	FITTING, M30 x 1.5
4		99469382		1	SEALING WASHER, 42 x 50 x 2
5		4665029		1	PLUG, M42 x 1.5
6		99430692		2	PLUG, 1/2"
7		86977786		1	BOLT, Hex, M6 x 25, 8.8, Full Thd
8		99489022		1	SEALING WASHER, 22 x 30 x 1,5

7120 7120

PLUGS - ENGINE COOLING SYSTEM - 9120

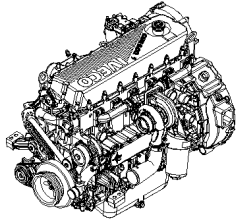


PLUGS - ENGINE COOLING SYSTEM - 9120

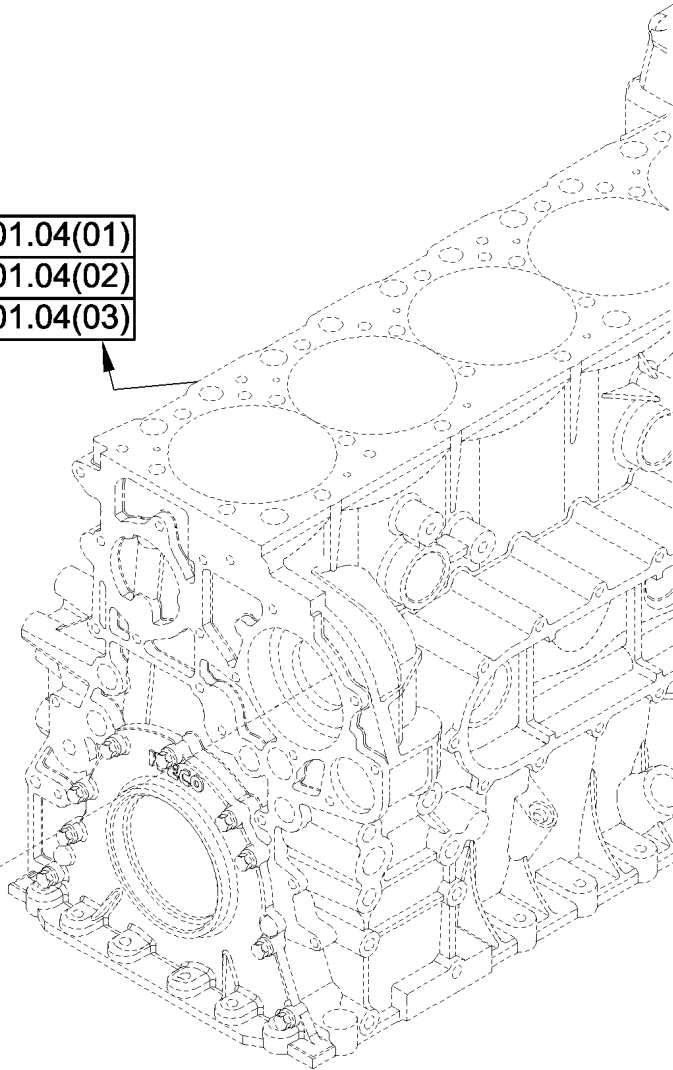
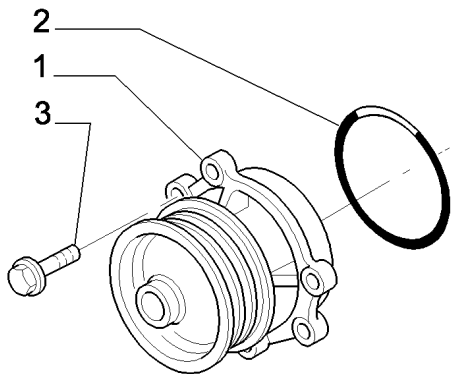
REF	FN	PART NUMBER	YR/SN	QTY	DESCRIPTION
1		16992515		2	PLUG, M18 x 1.5
2		99489020		2	SEALING WASHER
3		16992415		2	PLUG, M16 x 1.5
4		99489019		2	SEALING WASHER
5		16992611		1	PLUG, M22 x 1.5
6		99489022		1	SEALING WASHER
7		4665029		1	PLUG, M42 x 1.5
8		99469382		1	SEALING WASHER

	9120
--	-------------

WATER PUMP - 7120/7120(LA)



10.001.04(01)
10.001.04(02)
10.001.04(03)

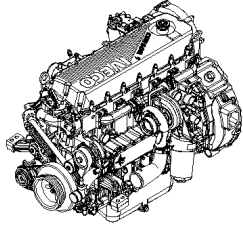


WATER PUMP - 7120/7120(LA)

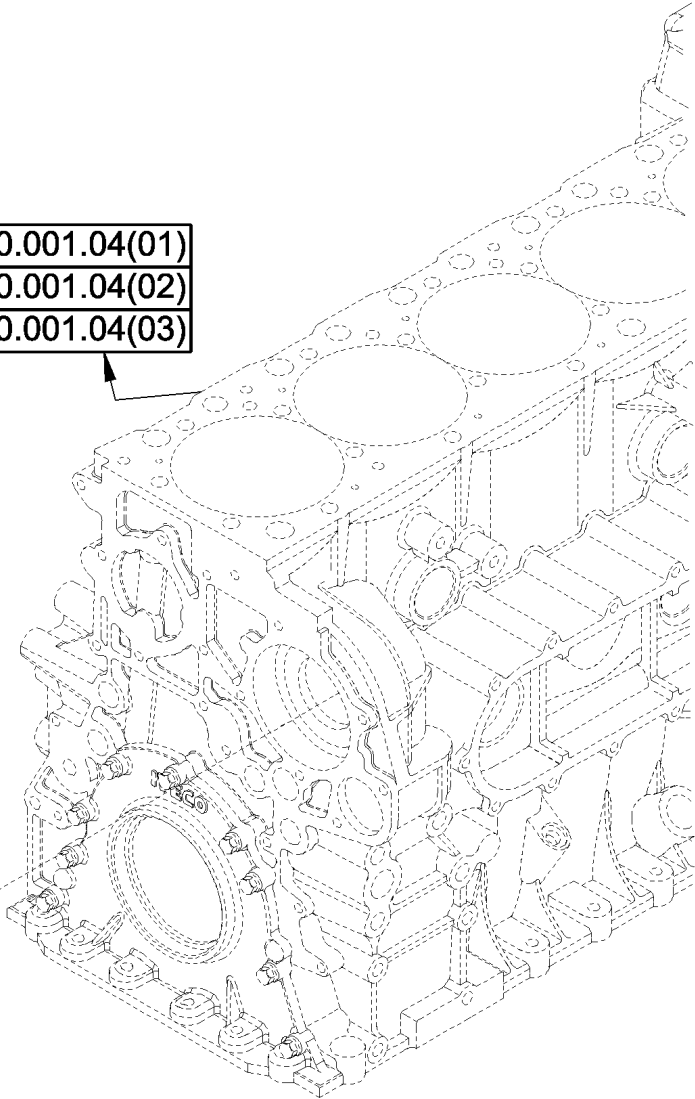
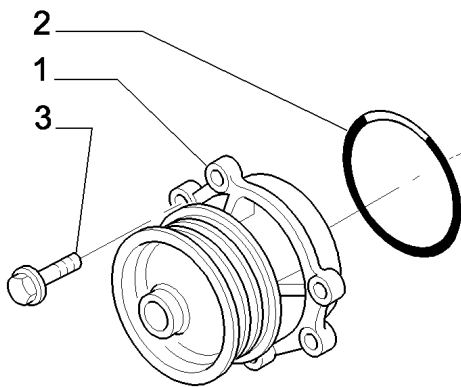
REF	FN	PART NUMBER	YR/SN	QTY	DESCRIPTION
1		99483937		1	WATER PUMP
2		17291781		1	GASKET, M110.72 x 3.53
3		16586425		4	SCREW, M8 x 25

	7120 7120
--	------------------

WATER PUMP - 8120/8120(LA)



10.001.04(01)
10.001.04(02)
10.001.04(03)

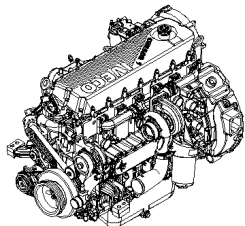


WATER PUMP - 8120/8120(LA)

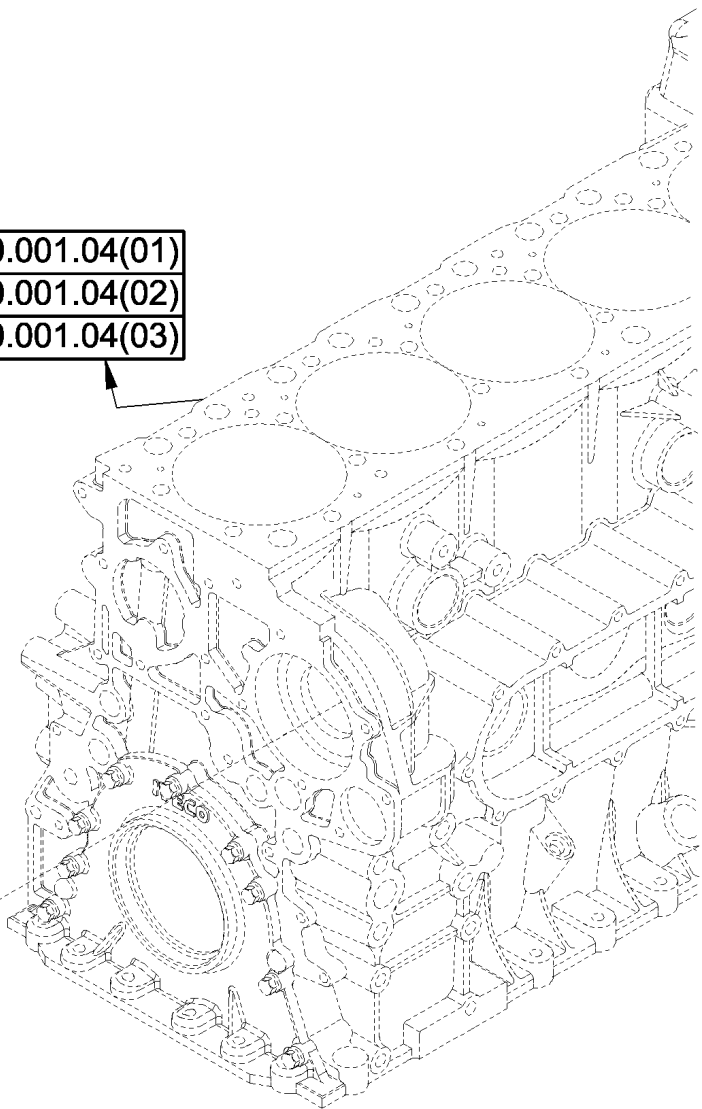
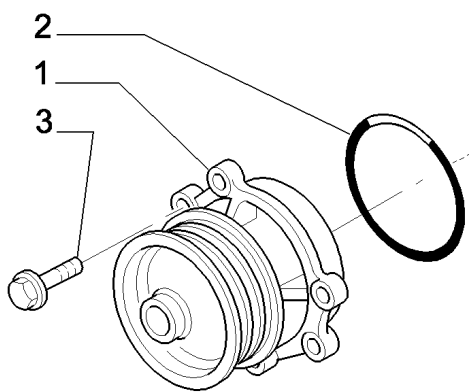
REF	FN	PART NUMBER	YR/SN	QTY	DESCRIPTION
1		504102491		1	WATER PUMP
2		17292081		1	GASKET, D = M120.24, Thk = M3.53
3		16586325		4	SCREW, M8 x 1.25 x 20 mm

	8120 8120
--	------------------

WATER PUMP - 9120



10.001.04(01)
10.001.04(02)
10.001.04(03)



10.402.01

03

p1

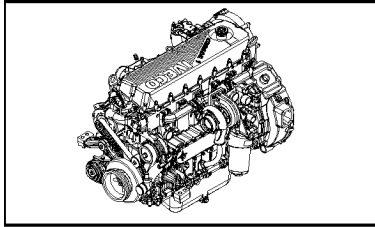
02/10

WATER PUMP - 9120

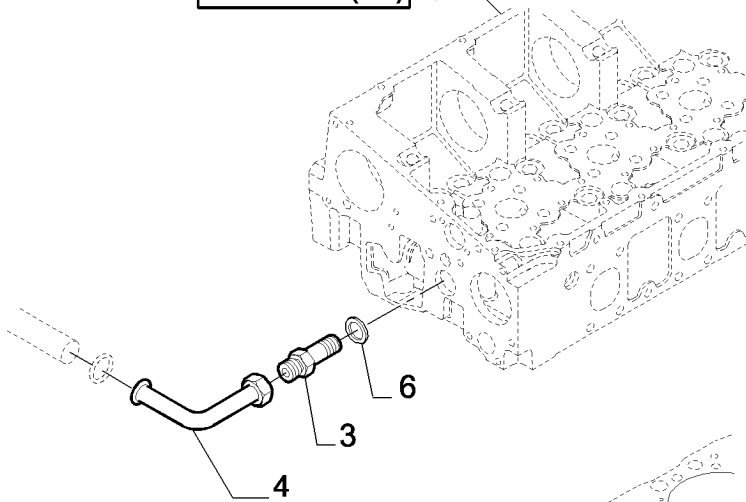
REF	FN	PART NUMBER	YR/SN	QTY	DESCRIPTION
1		8041947		1	WATER PUMP
2		4897111		1	O-RING, D= M110.72 x 3.53
3		16673635		4	BOLT, M8 x 20

9120

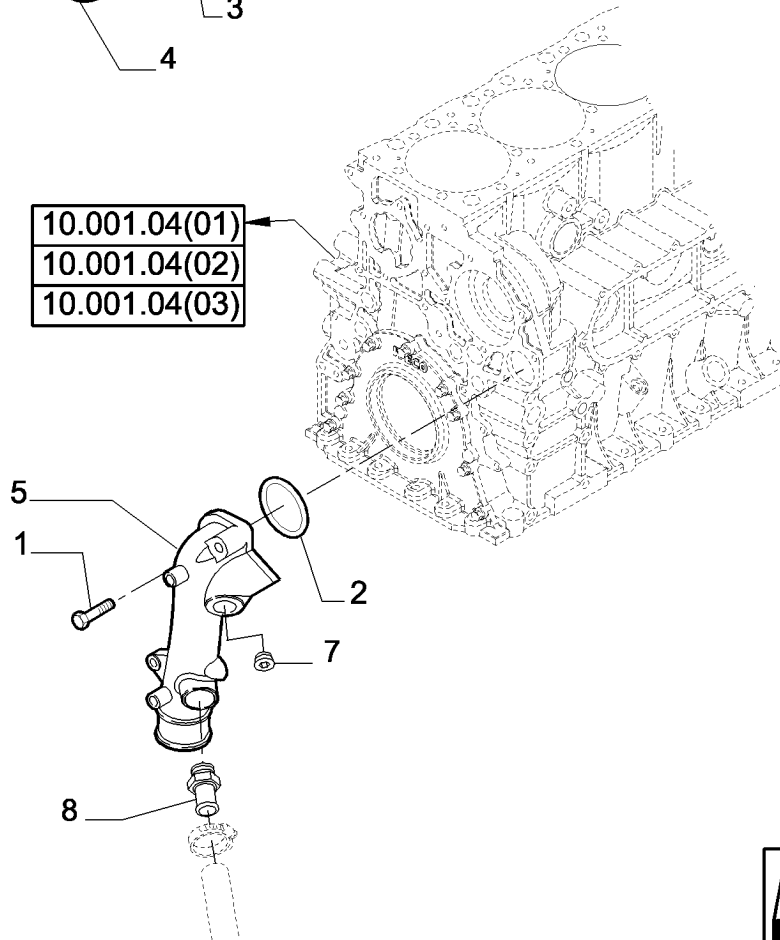
WATER PUMP PIPES - 7120/7120(LA)



10.101.02(01)
10.101.02(02)
10.101.02(03)



10.001.04(01)
10.001.04(02)
10.001.04(03)



10.402.04

01

p1

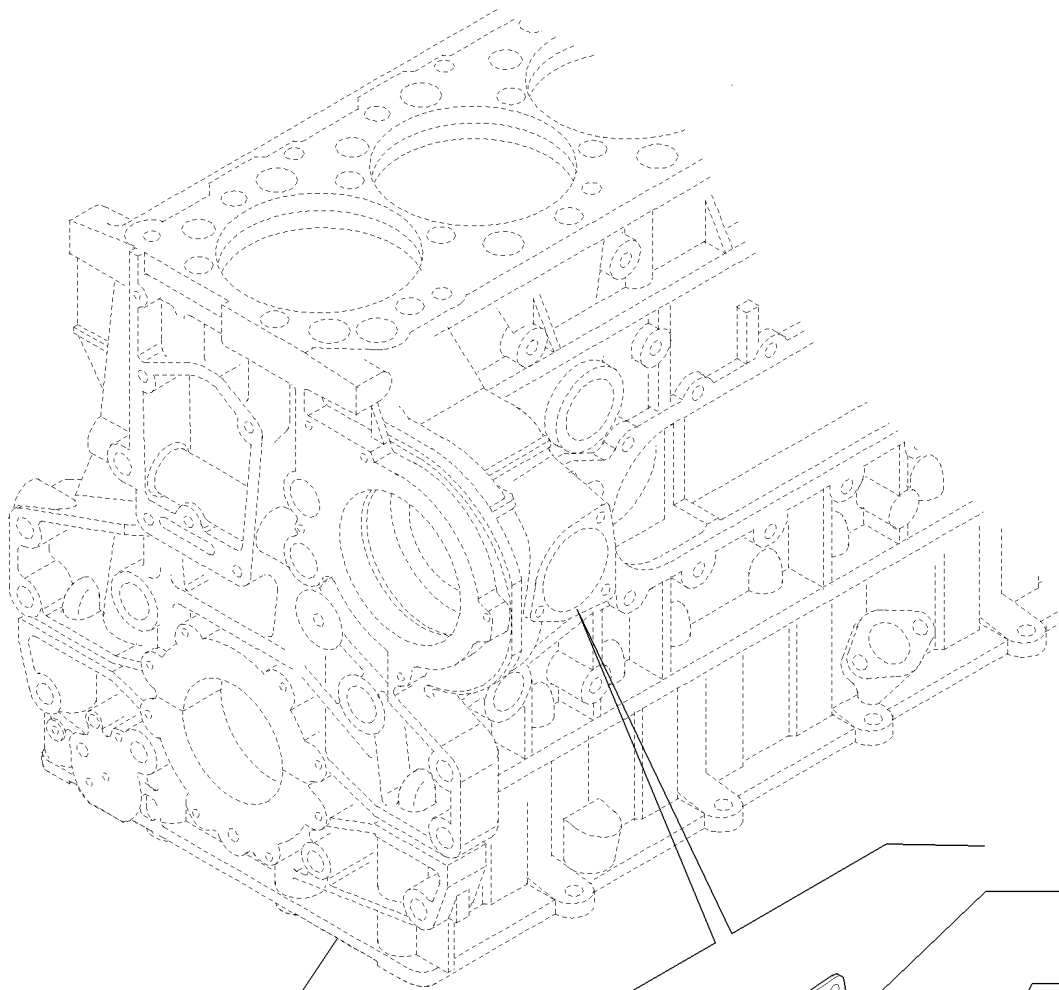
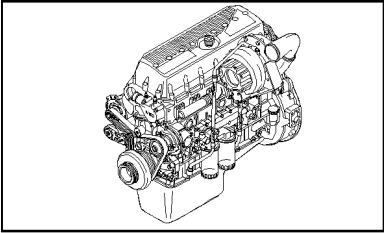
02/10

WATER PUMP PIPES - 7120/7120(LA)

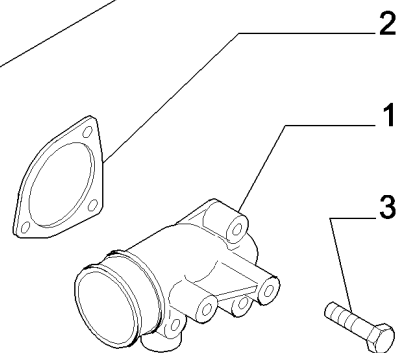
REF	FN	PART NUMBER	YR/SN	QTY	DESCRIPTION
1		16586925		2	SCREW, M8 x 50
2		17290081		1	GASKET, D= M56.74 x 3.53
3		504196249		1	UNION
4		500331700		1	TUBE
5		99469567		1	PIPE, Tube
6		99489016		1	GASKET
7		99430692		1	PLUG
8		99464284		1	FITTING

7120 7120

WATER PUMP PIPES - 8120/8120(LA)



- 10.001.04(01)
- 10.001.04(02)
- 10.001.04(03)

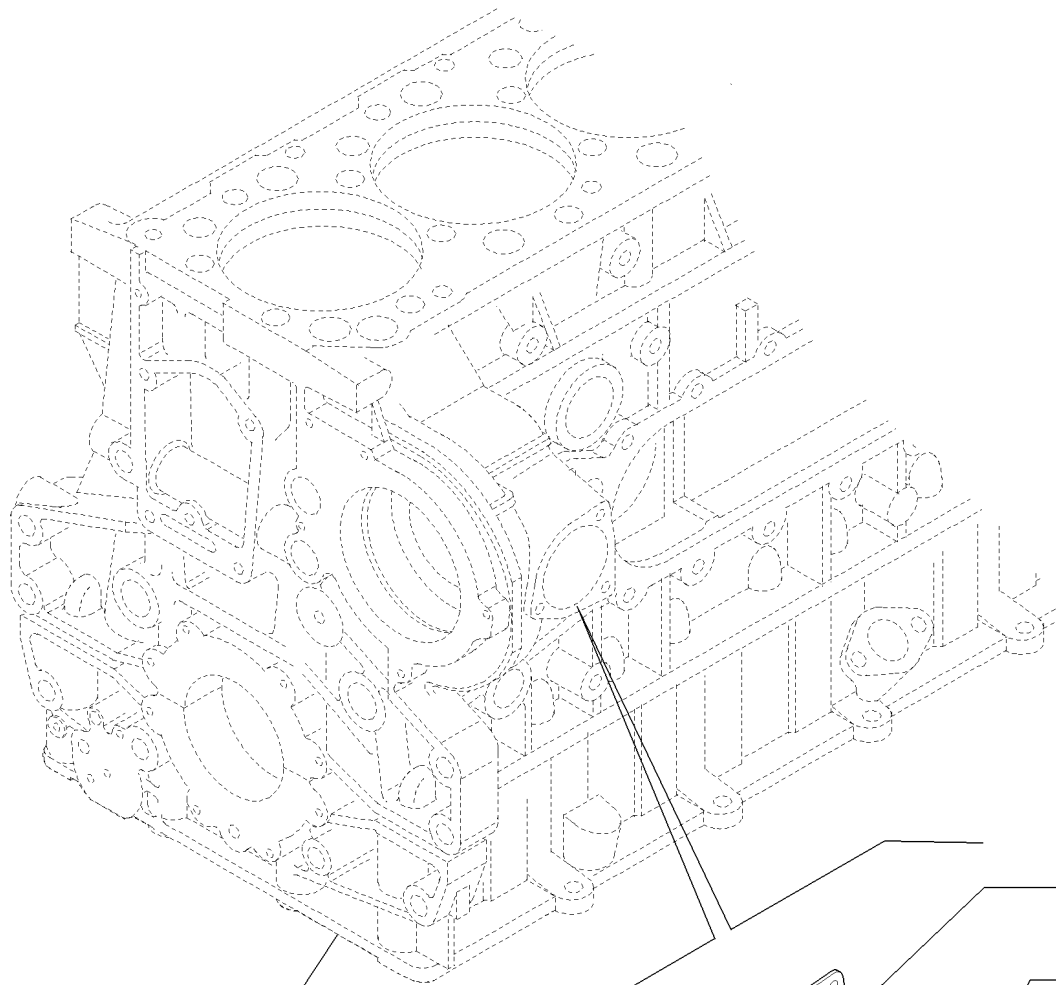
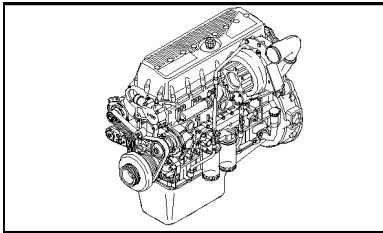


WATER PUMP PIPES - 8120/8120(LA)

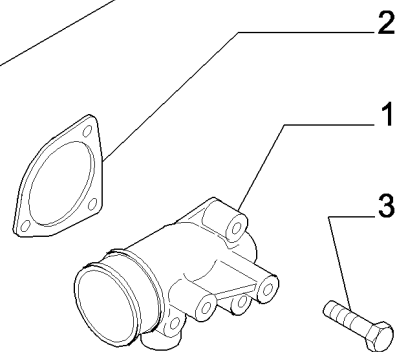
REF	FN	PART NUMBER	YR/SN	QTY	DESCRIPTION
1		500373280		1	OUTLET
2		99466940		1	GASKET
3		16674934		2	SCREW, M8 x 80
3		16674434		1	SCREW

	8120 8120
--	------------------

WATER PUMP PIPES - 9120



- 10.001.04(01)
- 10.001.04(02)
- 10.001.04(03)

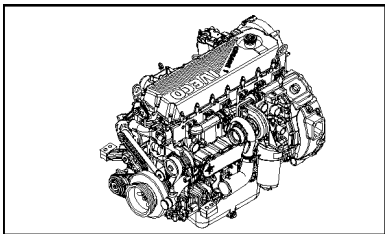


WATER PUMP PIPES - 9120

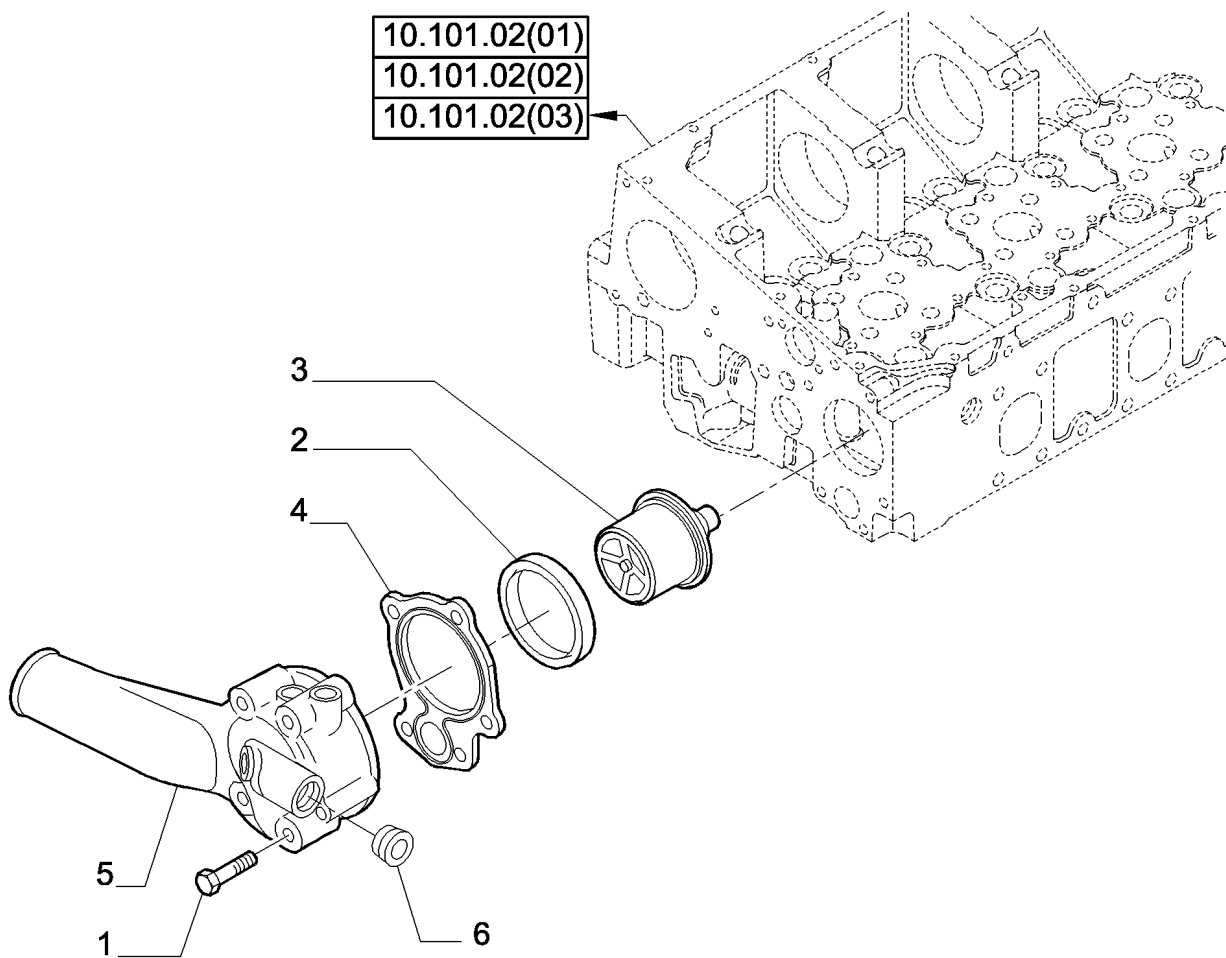
REF	FN	PART NUMBER	YR/SN	QTY	DESCRIPTION
1		500373280		1	OUTLET
2		99466940		1	GASKET
3		16674934		2	SCREW, M8 x 80
3		16674434		1	SCREW

	9120
--	-------------

TEMPERATURE CONTROL (THERMOSTAT) - 7120/7120(LA)



10.101.02(01)
10.101.02(02)
10.101.02(03)



10.402.08

01

p1

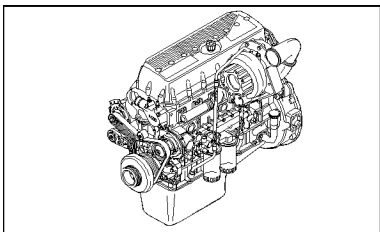
02/10

TEMPERATURE CONTROL (THERMOSTAT) - 7120/7120(LA)

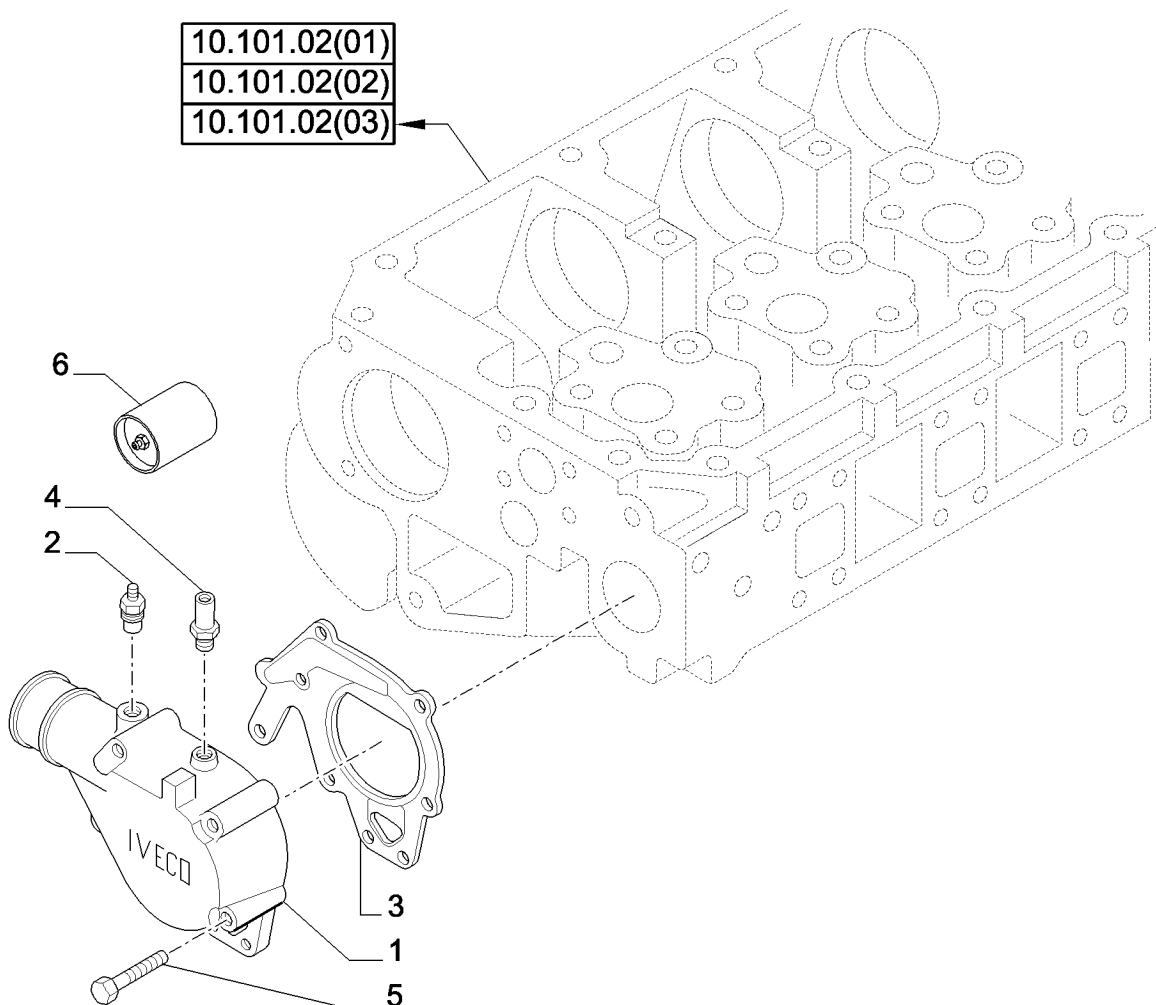
REF	FN	PART NUMBER	YR/SN	QTY	DESCRIPTION
1		16592525		5	SCREW, M6 x 70
2		98451661		1	SEAL, D= M57.7 x 67.5
3		504096443		1	THERMOSTAT
4		99443426		1	GASKET
5		504150921		1	BODY
6		99430692		1	PLUG, 1/2"

7120 7120

TEMPERATURE CONTROL (THERMOSTAT) - 8120/8120(LA)



10.101.02(01)
10.101.02(02)
10.101.02(03)

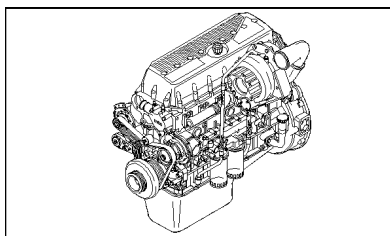


TEMPERATURE CONTROL (THERMOSTAT) - 8120/8120(LA)

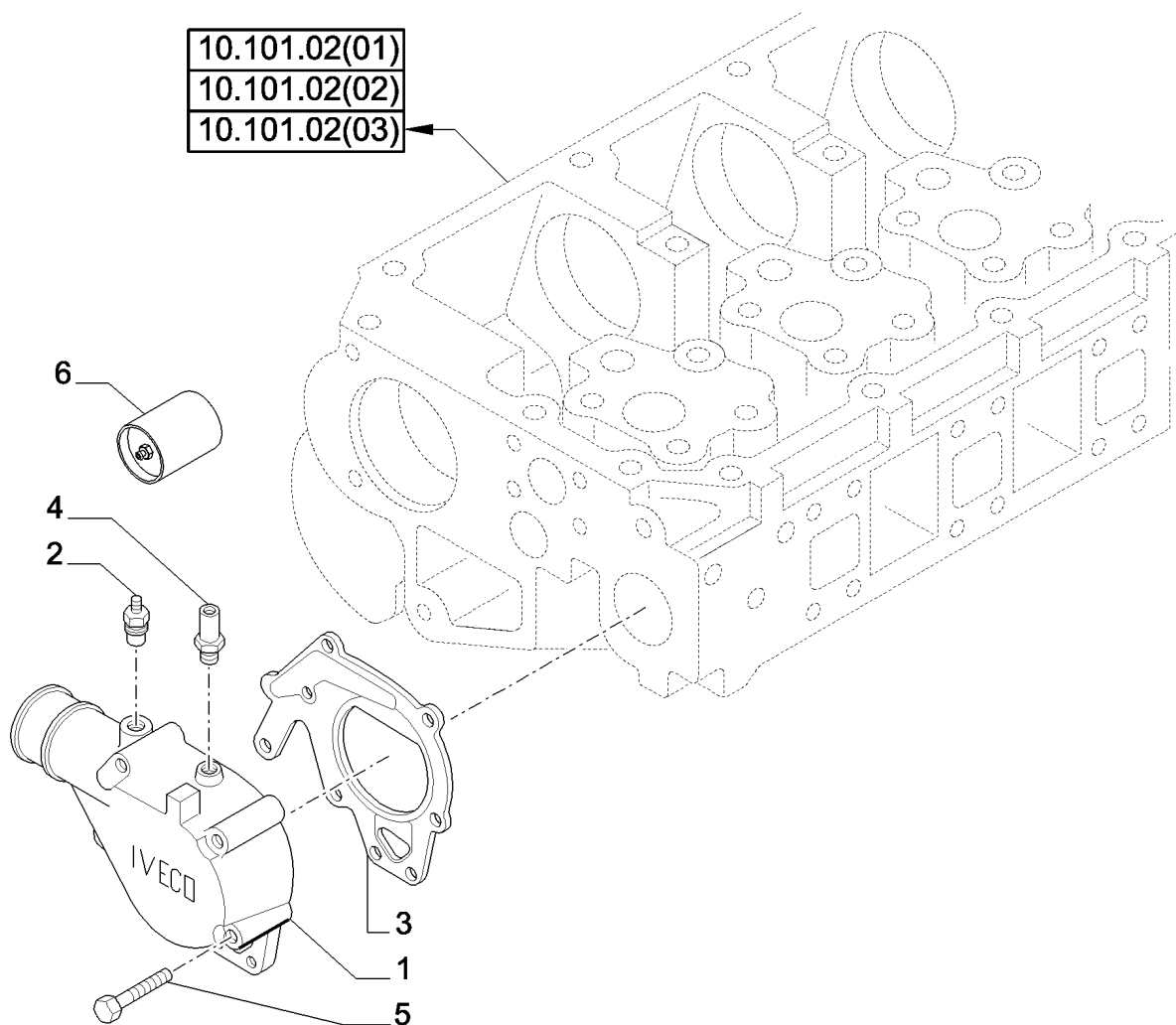
REF	FN	PART NUMBER	YR/SN	QTY	DESCRIPTION
1		504246398		1	BODY, Incl Ref 6
2		500304562		1	PLUG
3		500362150		1	GASKET
4		98475757		1	FITTING
5		16586877		2	BOLT
5		500383813		5	SCREW, M8 x 105
6		504263917		1	COVER

8120 8120

TEMPERATURE CONTROL (THERMOSTAT) - 9120



10.101.02(01)
10.101.02(02)
10.101.02(03)



10.402.08

03

p1

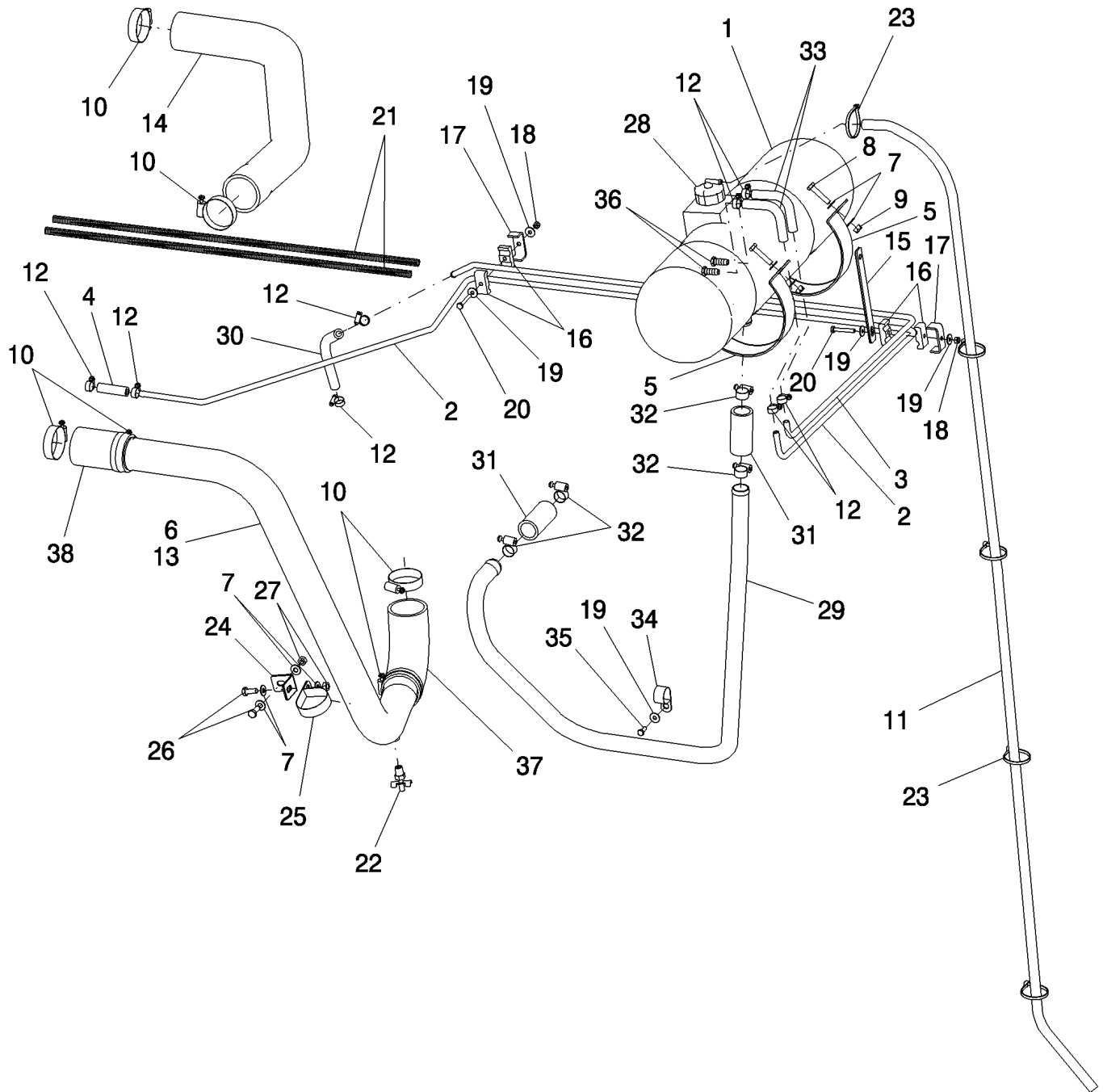
02/10

TEMPERATURE CONTROL (THERMOSTAT) - 9120

REF	FN	PART NUMBER	YR/SN	QTY	DESCRIPTION
1		504238777		1	BODY, Incl Ref 6
2		500304562		1	PLUG
3		500362150		1	GASKET
4		98475757		1	FITTING
5		16586825		2	SCREW, M8 x 1.25 x 45
5		500383813		5	SCREW, M8 x 105
6		504263917		1	COVER, Housing (include 2-pcs)
6		504071087		1	THERMOSTAT, Kit With Internal Parts

9120

COOLANT LINES - 7120/7120(LA)



10.406.03

01

p1

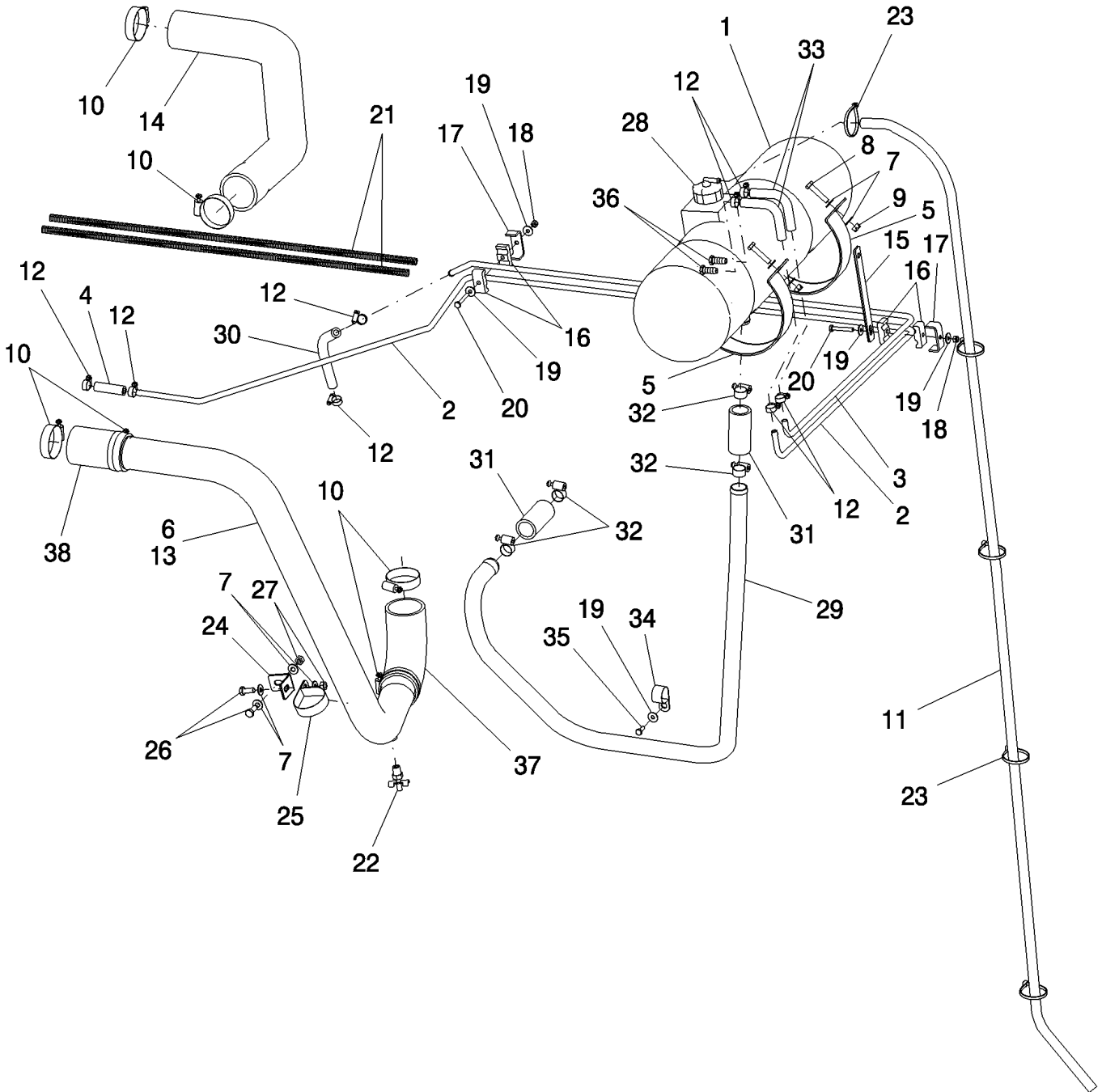
02/10

COOLANT LINES - 7120/7120(LA)

REF	FN	PART NUMBER	YR/SN	QTY	DESCRIPTION
1		87670349		1	COOLANT EXPANSION RESERVOIR, Incl Ref 28 & 36
2		87663939		1	TUBE ASSY., Deaeration
3		87663940		1	TUBE, Deaeration
4		87534733		1	HOSE, Deaeration Connection
5		84442536		2	CLAMP
6		87530575		1	RIGID TUBE, Engine To Cooler
7		322358		12	BELLEVILLE WASHER, M8
8		43129		4	BOLT, Hex, M8 x 40, 8.8
9		86629542		4	LOCK NUT, M8 x 1.25, CI 8
10		86633352		4	HOSE CLAMP
11		87395212		1	HOSE
12		913888		8	HOSE CLAMP
13		87530574		1	RIGID TUBE
14		87530573		1	HOSE, Radiator
15		87664010		1	BRACKET
16		430357		4	CLAMP
17		431941		2	SUPPORT
18		353308		2	NUT, M6 x 1, CI 8
19		412649		5	SPRING WASHER, Belleville, M6
20		120102		2	SCREW, Hex, M6 x 40, 8.8, Full Thd
21		87283963		2	INSULATOR
22		86625234		1	COCK
23		86566989		5	CABLE STRAP, M4.75 x 190.5 L
24		87576259		1	BRACKET
25		515-23571		1	CLAMP, 2 1/4", Insul, 3/8" Bolt
26		120104		2	BOLT, Hex, M8 x 20, 8.8
27		9706690		2	NUT, M8, CI 8
28		84072957		1	CAP
29		87482872		1	RIGID TUBE, Deaeration Bottle To Engine
30		87576257		1	HOSE, Deaeration Connection
31		87551123		2	HOSE, Deaeration
32		507586		4	HOSE CLAMP, #20, 0.81/1.75 Type F Worm
33		87671820		2	HOSE ASSY., Deaeration Connection
34		86637996		1	CLAMP, 1 1/8", Insul, 3/8" Bolt

7120 7120

COOLANT LINES - 7120/7120(LA)



10.406.03

01

p2

02/10

COOLANT LINES - 7120/7120(LA)

REF	FN	PART NUMBER	YR/SN	QTY	DESCRIPTION
35		86508568		1	BOLT, Hex, M6 x 16, Cl 8.8, Full Thd
36		NSS		2	NOT SERVICED SEPARATELY, Hose Barb
37		NSS		1	NOT SERVICED SEPARATELY, Hose Elbow
38		87402765		1	HOSE, Engine Coolant

7120 7120

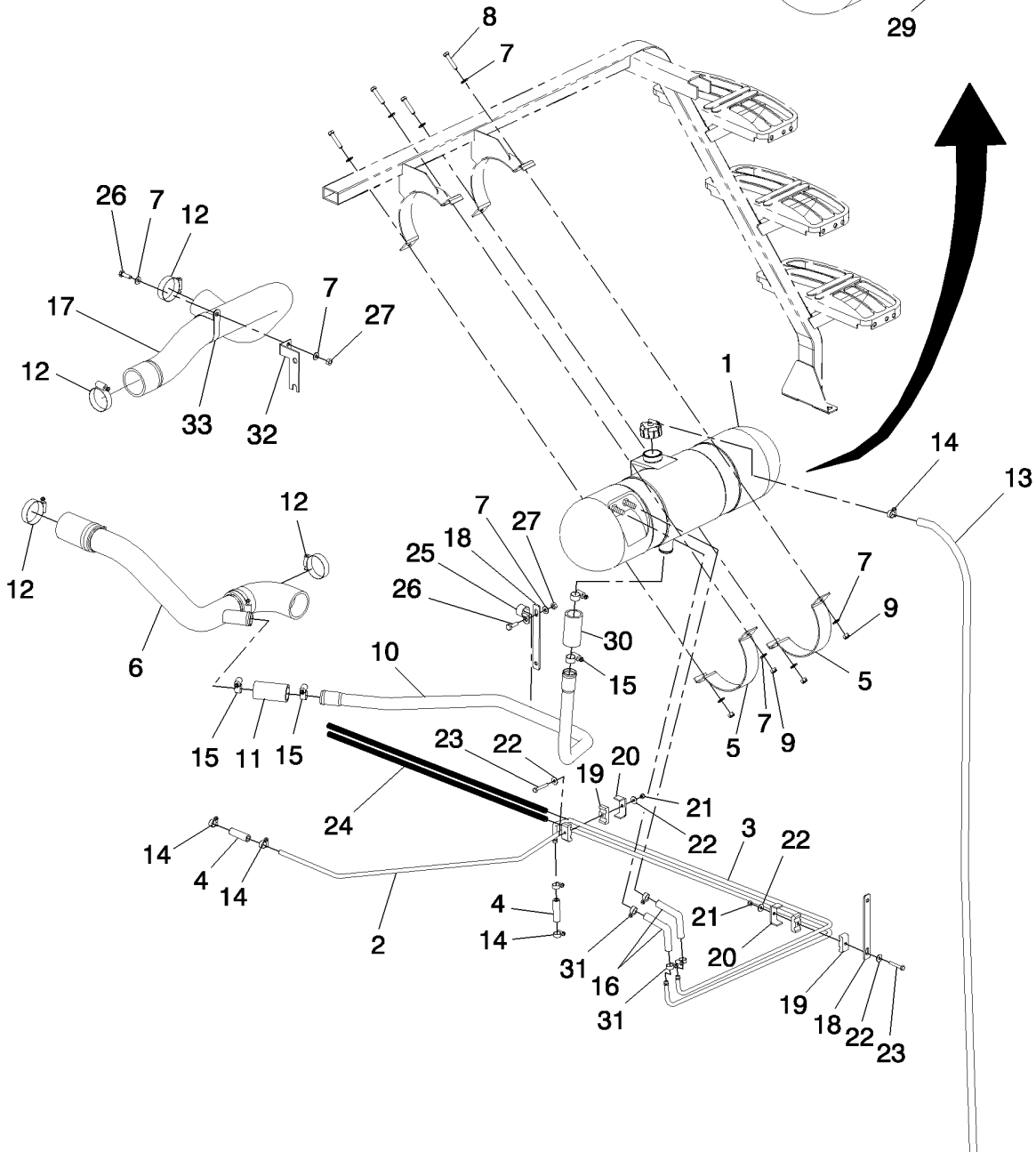
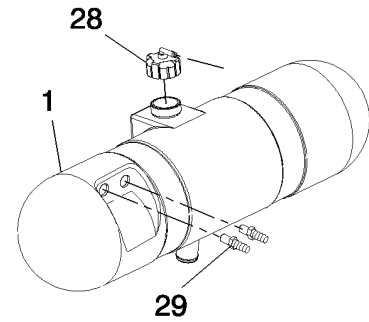
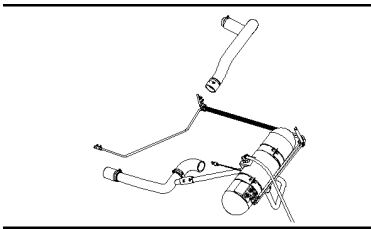
10.406.03

02

p1

02/10

COOLANT LINES - 8120/8120(LA)



COOLANT LINES - 8120/8120(LA)

REF	FN	PART NUMBER	YR/SN	QTY	DESCRIPTION
1		87670349		1	COOLANT EXPANSION RESERVOIR, Incl Ref 28 & 29, As Indicated
2		87570007		1	TUBE ASSY., Deaeration
3		87570004		1	TUBE ASSY., Deaeration
4		87534733		2	HOSE, Deaeration Bottle To Tubes; L = 55 mm
5		84076174		2	CLAMP
6		87569795		1	TUBE ASSY., Engine Coolant
7		322358		11	BELLEVILLE WASHER, M8
8		43129		4	BOLT, Hex, M8 x 40, 8.8
9		86629542		4	LOCK NUT, M8 x 1.25, CI 8
10		87489305		1	TUBE, Rigid
11		87395214		1	HOSE, Between Coolant Tubes; L = 80 mm, I.D.= 31.8 mm
12		86633352		4	HOSE CLAMP
13		87395212		1	HOSE, Deaeration Bottle Vent; L = 3500 mm
14		86566989		5	CABLE STRAP, M4.75 x 190.5 L
15		507586		4	HOSE CLAMP, #20, 0.81/1.75 Type F Worm
16		87671820		2	HOSE ASSY., Deaeration Connection
17		87284666		1	HOSE, Radiator
18		87281676		2	BRACKET
19		430357		4	CLAMP
20		431941		2	SUPPORT
21		353308		2	NUT, M6 x 1, CI 8
22		412649		4	SPRING WASHER, Belleville, M6
23		120102		2	SCREW, Hex, M6 x 40, 8.8, Full Thd
24		87283963		2	INSULATOR
25		86637996		1	CLAMP, 1 1/8", Insul, 3/8" Bolt
26		43127		2	BOLT, Hex, M8 x 25, 8.8
27		9706690		2	NUT, M8, CI 8
28		84072957		1	CAP
29		87742820		2	HOSE, Barb
30		87551123		1	HOSE
31		913888		4	HOSE CLAMP
32		87284821		1	BRACKET
33		87302918		1	CLAMP, 2 3/4", Insul, 3/8" Bolt

8120 8120

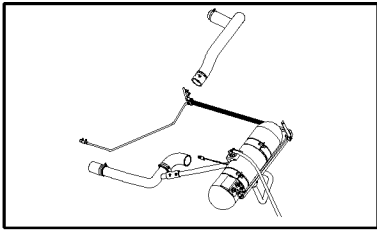
10.406.03

03

p1

02/10

COOLANT LINES - 9120

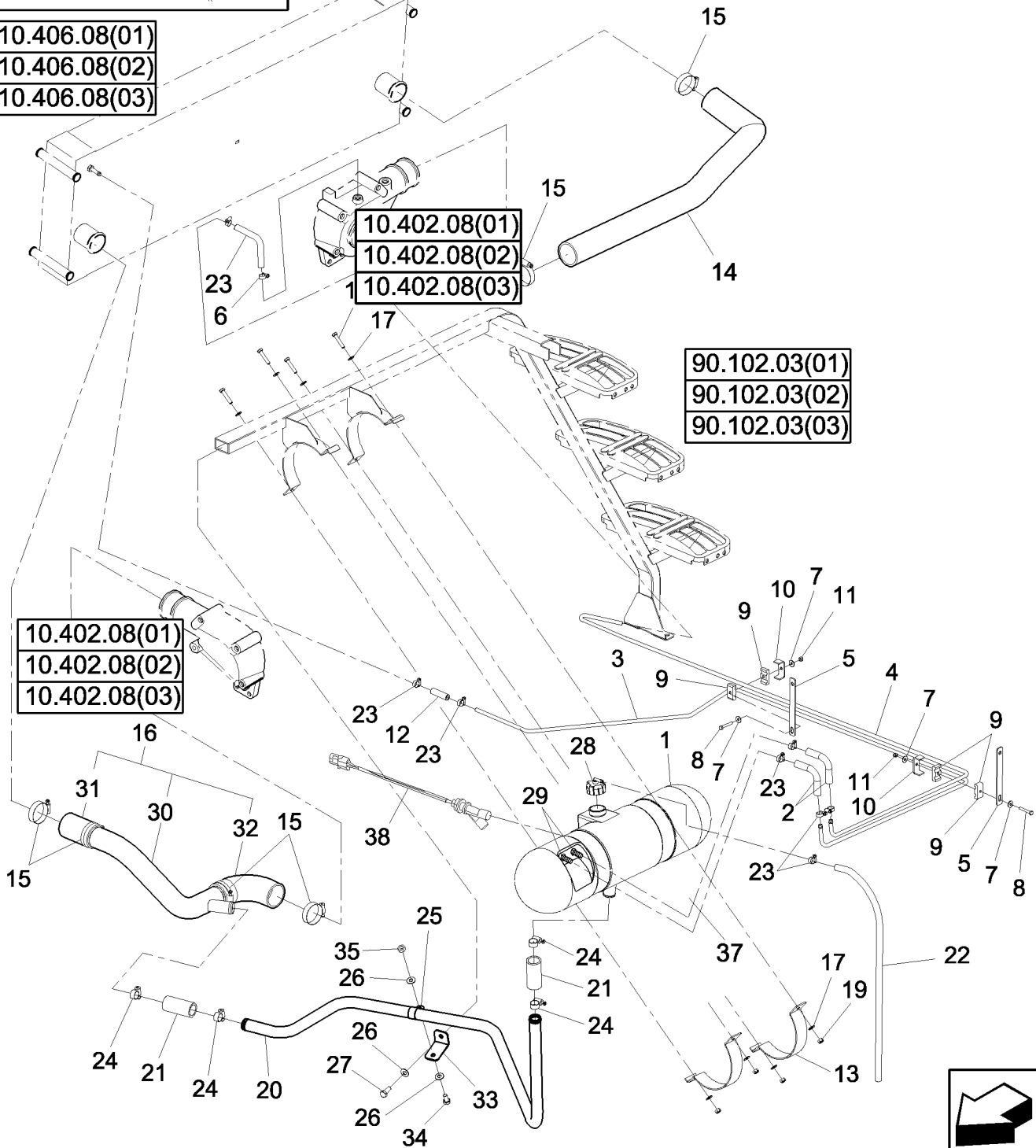


10.406.08(01)
10.406.08(02)
10.406.08(03)

10.402.08(01)
10.402.08(02)
10.402.08(03)

90.102.03(01)
90.102.03(02)
90.102.03(03)

10.402.08(01)
10.402.08(02)
10.402.08(03)



COOLANT LINES - 9120

REF	FN	PART NUMBER	YR/SN	QTY	DESCRIPTION
1		87670349		1	COOLANT EXPANSION RESERVOIR, Incl Ref 28 & 29
2		87671820		2	HOSE ASSY., Deaeration Connection
3		87665332		1	TUBE
4		87710092		1	TUBE, Deaeration - Engine
5		87281676		2	BRACKET
6		87576257		1	HOSE
7		412649		4	SPRING WASHER, Belleville, M6
8		120102		2	SCREW, Hex, M6 x 40, 8.8, Full Thd
9		430357		4	CLAMP
10		431941		2	SUPPORT
11		353308		2	NUT, M6 x 1, CI 8
12		87534733		1	HOSE
13		84442536		2	CLAMP
14		87667721		1	HOSE,LARGE
15		86633352		4	HOSE CLAMP
16		87696886		1	TUBE, Incl Refs 15, 30 Thru 32
17		322358		8	BELLEVILLE WASHER, M8
18		43129		4	BOLT, Hex, M8 x 40, 8.8
19		86629542		4	LOCK NUT, M8 x 1.25, CI 8
20		87665216		1	TUBE
21		87551123		2	HOSE
22		87395212		1	HOSE, Deaeration Bottle Vent; L = 3500 mm
23		913888		9	HOSE CLAMP
24		507586		4	HOSE CLAMP, #20, 0.81/1.75 Type F Worm
25		86637996		1	CLAMP, 1 1/8", Insul, 3/8" Bolt
26		140045		3	BELLEVILLE WASHER, M10
27		43139		1	BOLT, Hex, M10 x 25, 8.8, Full Thd
28		84072957		1	CAP
29		NSS		2	NOT SERVICED SEPARATELY, Barb, Hose To Male Pipe
30		NSS		1	NOT SERVICED SEPARATELY, Tube, Steel
31		87402765		1	HOSE, Radiator; L = 101 mm, I.D. = 57 mm
32		86976412		1	HOSE, Elbow, Engine Coolant
33		87723274		1	BRACKET

9120

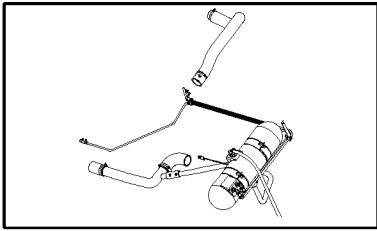
10.406.03

03

p2

02/10

COOLANT LINES - 9120

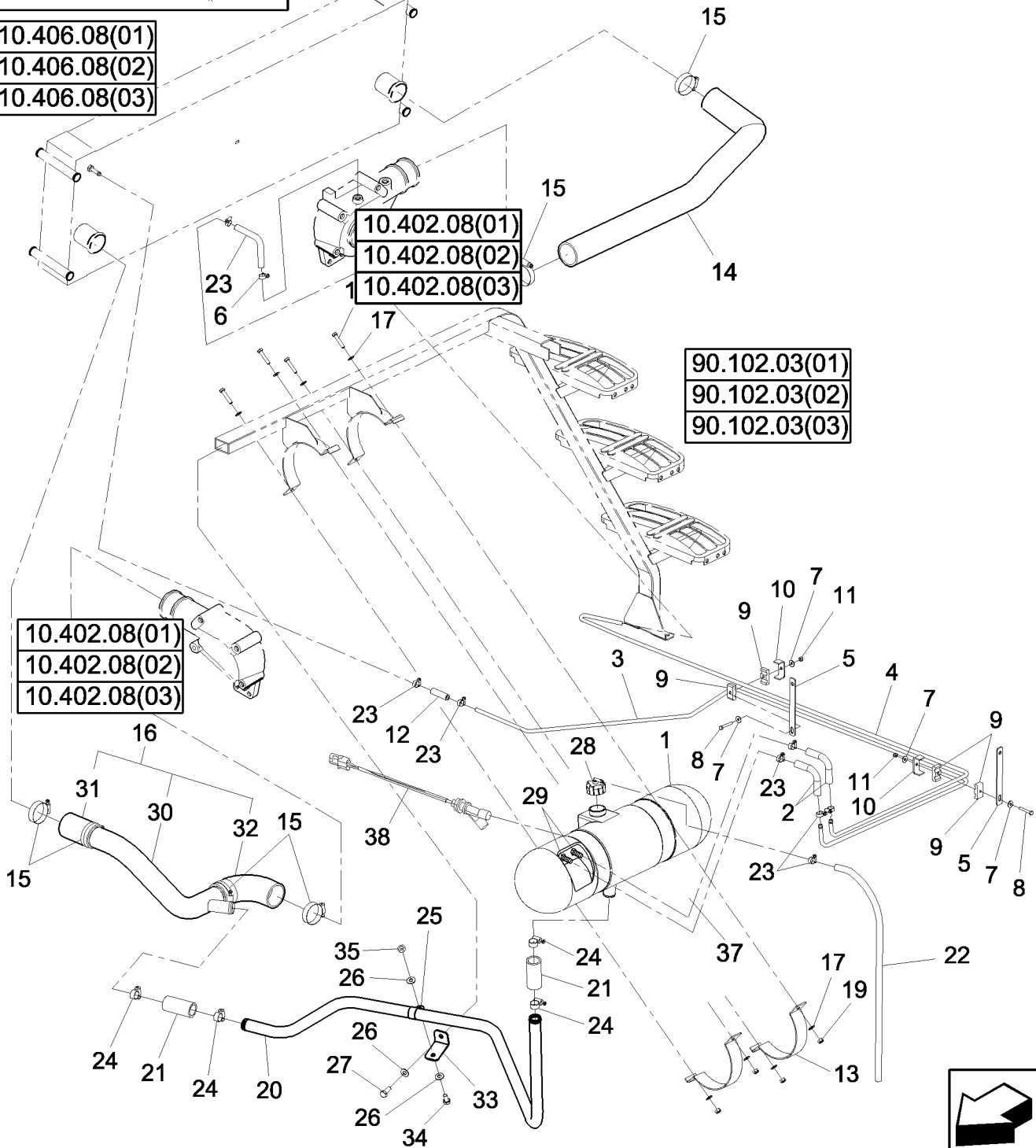


10.406.08(01)
10.406.08(02)
10.406.08(03)

10.402.08(01)
10.402.08(02)
10.402.08(03)

90.102.03(01)
90.102.03(02)
90.102.03(03)

10.402.08(01)
10.402.08(02)
10.402.08(03)



COOLANT LINES - 9120

REF	FN	PART NUMBER	YR/SN	QTY	DESCRIPTION
34		43138		1	BOLT, Hex, M10 x 20, 8.8, Full Thd
35		100016		1	NUT, M10, CI 8

	9120
--	-------------

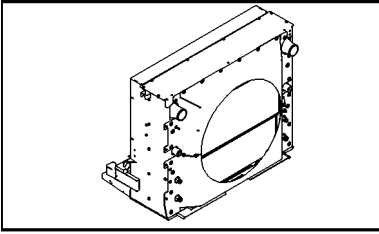
10.406.08

01

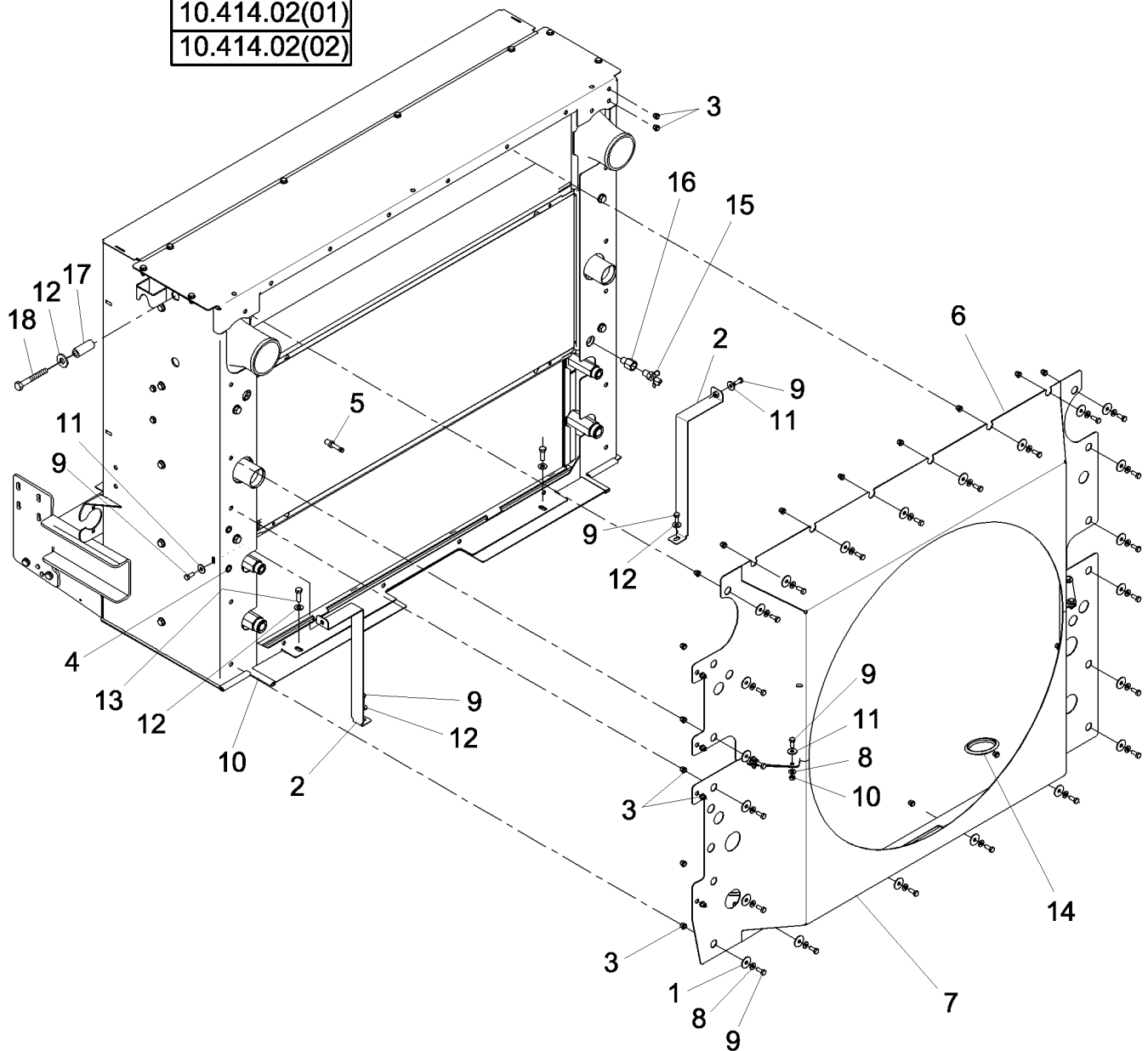
p1

02/10

FAN SHROUD - 7120/7120(LA)



10.414.02(01)
10.414.02(02)



10.406.08

01

p1

02/10

FAN SHROUD - 7120/7120(LA)

REF	FN	PART NUMBER	YR/SN	QTY	DESCRIPTION
1		86979986		22	WASHER
2		87584335		2	PANEL ASSY., Angle
3		87284531		20	NUT
4		86976968		2	INSERT
5		217-151		1	FITTING, 3/8" Hose X 1/4" NPTF Beaded
6		87576498		1	SHROUD, Top
7		87576500		1	SHROUD, Bottom
8		322358		26	BELLEVILLE WASHER, M8
9		120104		30	BOLT, Hex, M8 x 20, 8.8
10		617215		AR	MOLDING, L = 6' (0.15' Needed)
11		86639313		6	WASHER, M8 x 20 x 1.6
12		140045		6	BELLEVILLE WASHER, M10
13		43140		2	BOLT, Hex, M10 x 30, 8.8, Full Thd
14		87000778		2	PLUG
15		86625234		1	COCK
16		87306797		1	ADAPTER, 1/4"-18 Fem NPTF x 1/4"-18 NPTF Male
17		87735597		2	BUSHING
18		412151		2	BOLT, Hex, M10 x 55, 8.8

7120 7120

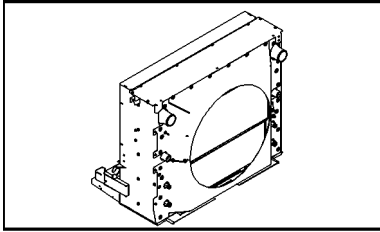
10.406.08

02

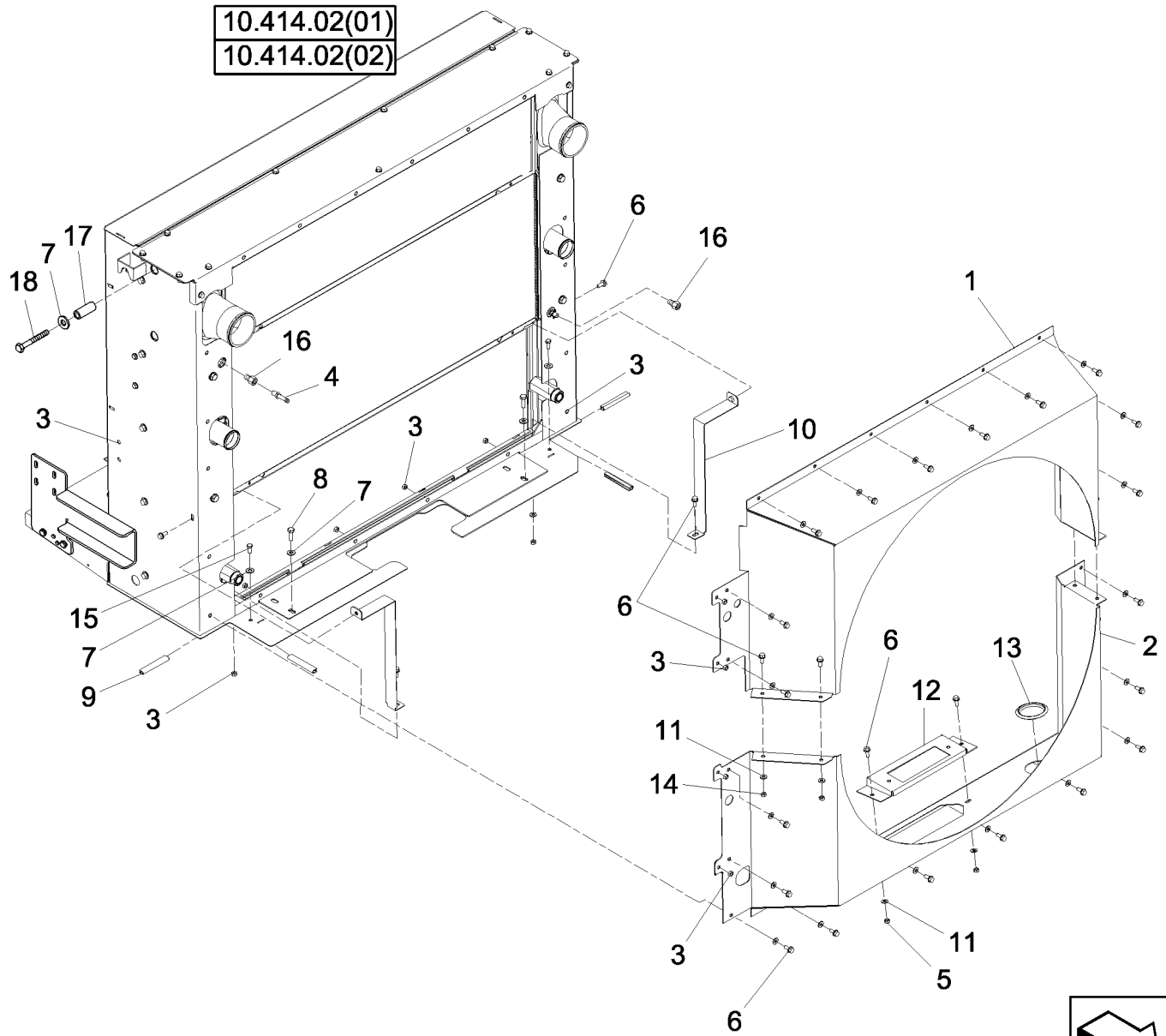
p1

02/10

FAN SHROUD - 8120/8120(LA)



10.414.02(01)
10.414.02(02)



10.406.08

02

p1

02/10

FAN SHROUD - 8120/8120(LA)

REF	FN	PART NUMBER	YR/SN	QTY	DESCRIPTION
1		87714979		1	SHROUD ASSY., Upper Fan
2		87714975		1	SHROUD ASSY., Lower Fan
3		87284531		26	NUT
4		217-151		1	FITTING, 3/8" Hose X 1/4" NPTF Beaded
5		9706690		2	NUT, M8, CI 8
6		9804258		31	BOLT, Hex Flg, M8 x 20, 8.8
7		140045		6	BELLEVILLE WASHER, M10
8		43140		2	BOLT, Hex, M10 x 30, 8.8, Full Thd
9		291186		4	PROTECTION
10		87584335		2	PANEL ASSY.
11		322358		6	BELLEVILLE WASHER, M8
12		87639327		1	BRACKET, Aspiration Duct
13		87000778		1	PLUG
14		9706690		4	NUT, M8, CI 8
15		120104		2	BOLT, Hex, M8 x 20, 8.8
16		87306797		2	ADAPTER, 1/4"-18 Fem NPTF x 1/4"-18 NPTF Male
17		87735597		2	BUSHING
18		120069		2	BOLT, Hex, M10 x 50, 8.8

8120 8120

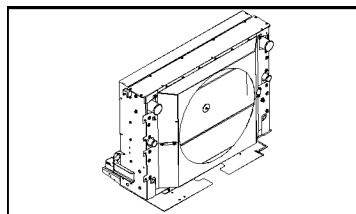
10.406.08

03

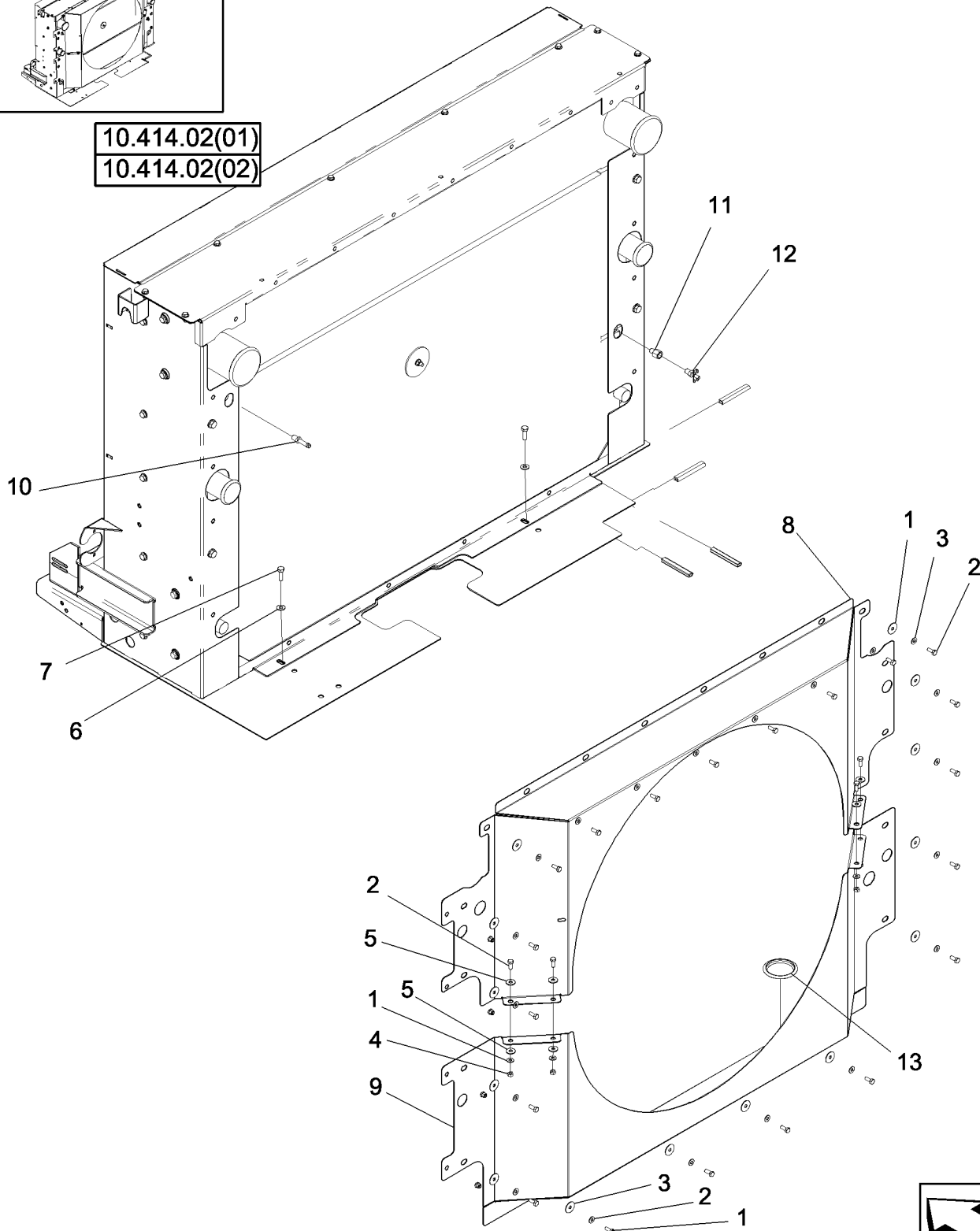
p1

02/10

FAN SHROUD - 9120



10.414.02(01)
10.414.02(02)



10.406.08

03

p1

02/10

FAN SHROUD - 9120

REF	FN	PART NUMBER	YR/SN	QTY	DESCRIPTION
1		322358		17	BELLEVILLE WASHER, M8
2		120104		17	BOLT, Hex, M8 x 20, 8.8
3		86979986		7	WASHER
4		9706690		4	NUT, M8, CI 8
5		86639313		8	WASHER, M8 x 20 x 1.6
6		140045		2	BELLEVILLE WASHER, M10
7		43140		2	BOLT, Hex, M10 x 30, 8.8, Full Thd
8		87495322		1	SHROUD, Top Fan
9		87689611		1	PLATE ASSY., Shroud, Bottom Fan
10		217-151		1	FITTING, 3/8" Hose X 1/4" NPTF Beaded
11		87306797		1	ADAPTER, 1/4"-18 Fem NPTF x 1/4"-18 NPTF Male
12		86625234		1	COCK
13		87000778		2	PLUG

9120

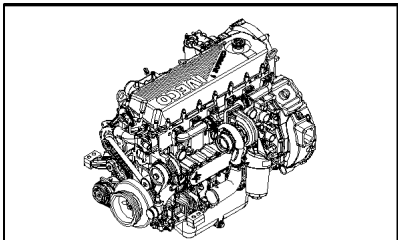
10.408.03

01

p1

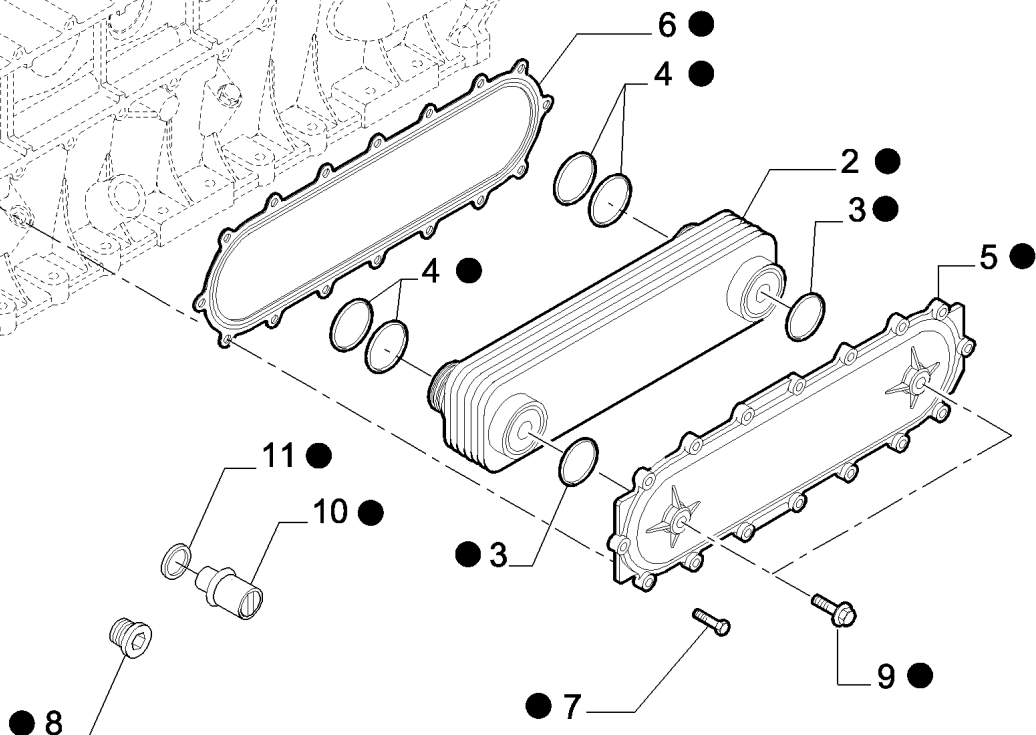
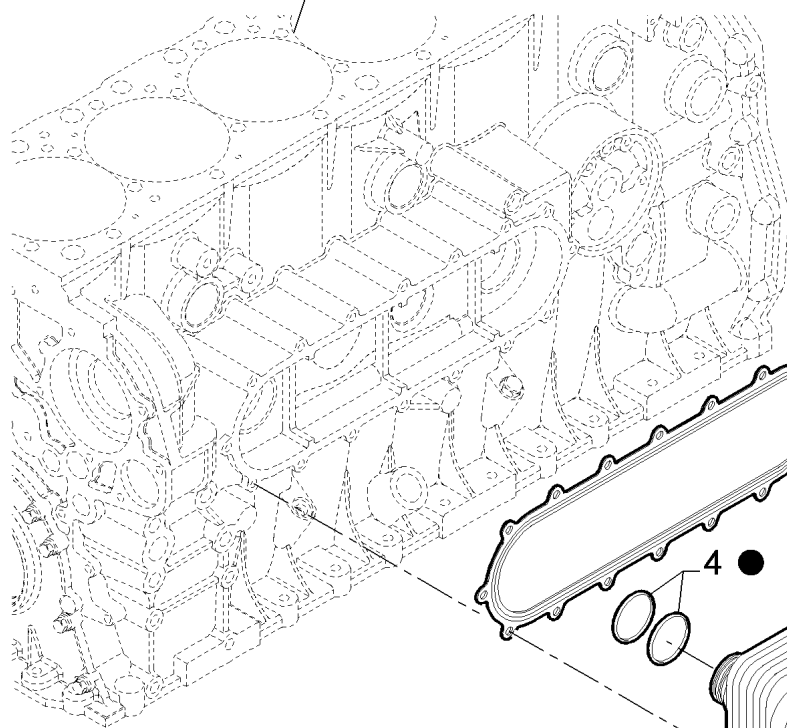
02/10

HEAT EXCHANGER - 7120/7120(LA)



● = 1

10.001.04(01)
10.001.04(02)
10.001.04(03)



10.408.03

01

p1

02/10

HEAT EXCHANGER - 7120/7120(LA)

REF	FN	PART NUMBER	YR/SN	QTY	DESCRIPTION
1		504130575		1	HEAT EXCHANGER, ASSY
2		504127469		1	OIL COOLER
3		17283481		2	O-RING, M42.5 x 2,6
4		17289781		4	O-RING, M47, 22 x 3, 55
5		504127468		1	COVER
6		504128027		1	GASKET
7		16586725		16	SCREW, M8 x 1.25 x 40
8		99433799		1	PLUG
9		16588025		2	SCREW, M12 x 30
10		98498322		1	THERMOSTAT
11		98494952		1	GASKET, M35 x 1.5

7120 7120

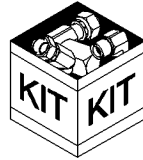
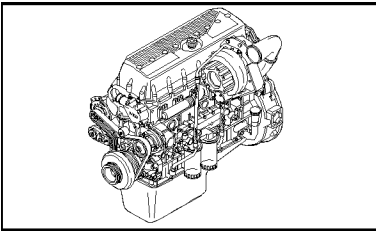
10.408.03

02

p1

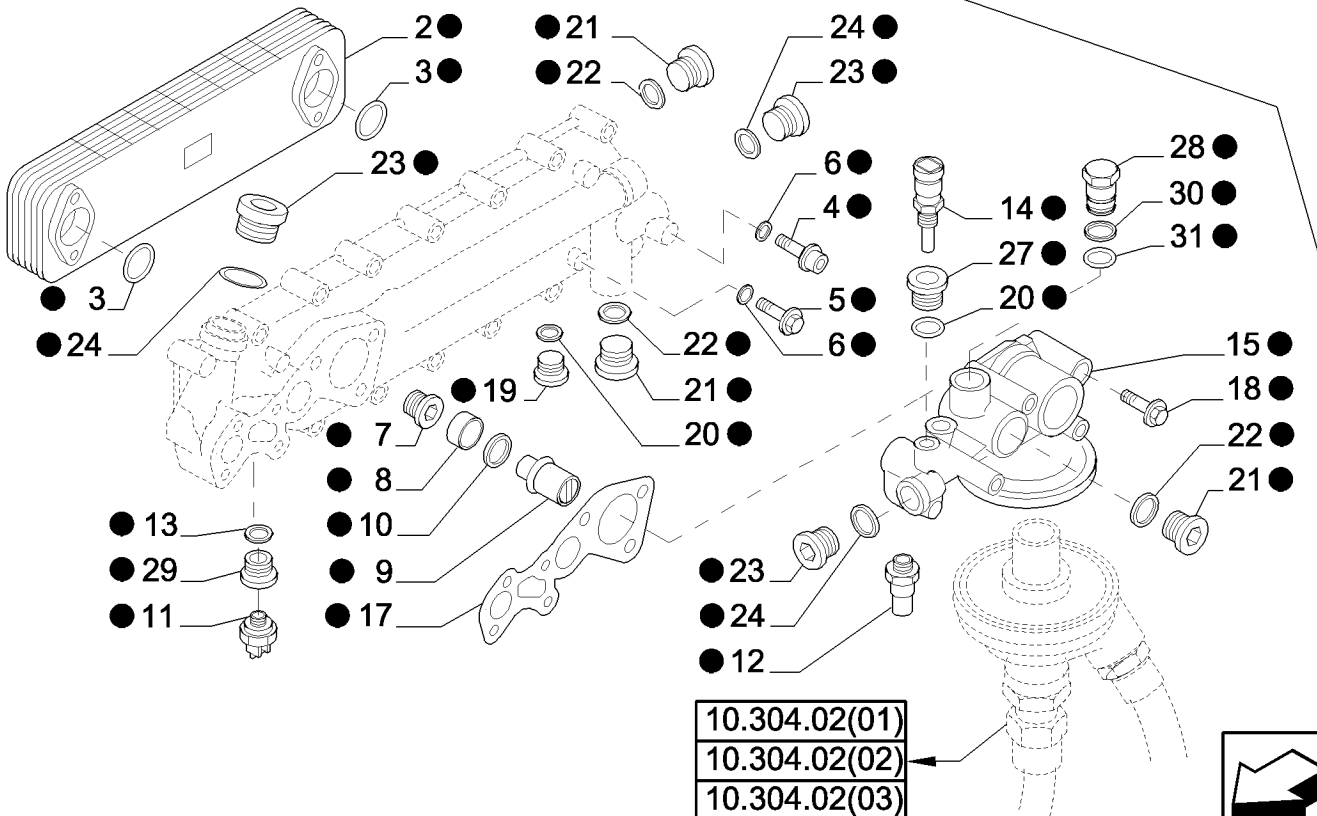
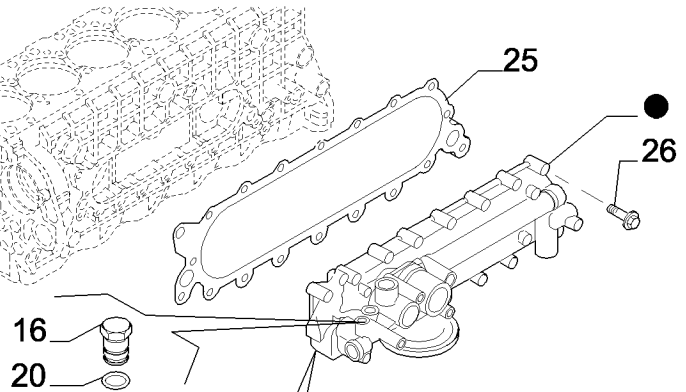
02/10

HEAT EXCHANGER - 8120/8120(LA)



● = 1

10.101.02(01)
10.101.02(02)
10.101.02(03)



10.408.03

02

p1

02/10

HEAT EXCHANGER - 8120/8120(LA)

REF	FN	PART NUMBER	YR/SN	QTY	DESCRIPTION
1		504139734		1	HEAT EXCHANGER, ASSY
2		99434989		1	HEAT EXCHANGER
3		17283581		2	O-RING, M44.12 x 2.62
4		16586625		3	SCREW, M8 x 35
5		16586925		2	SCREW, M8 x 50
6		99489014		4	SEALING WASHER
7		99433799		1	PLUG
8		99433798		1	SPACER
9		98498322		1	THERMOSTAT
10		98494952		1	GASKET
11		500377533		1	SENDER UNIT, Oil Pressure Sensor
12		98445111		1	SWITCH, Oil Temperature - BORLETTI
12		98442879		1	SWITCH, Oil Temperature - SIPEA
13		99489018		1	SEALING WASHER, D=12 mm
14		500382599		1	SENSOR, Coolant Temperature
15		504013552		1	SUPPORT
16		4741616		1	BANJO BOLT
17		504013562		1	GASKET
18		16598224		7	SCREW, M8 x 190
19		16992411		1	PLUG, M16 x 1.5
20		99489019		3	SEALING WASHER, D=6 x 24 x 1.5 mm
21		16993711		3	PLUG, M35 x 1.5
22		99469380		3	SEALING WASHER, D=33 mm
23		16993511		3	PLUG, M28 x 1.5
24		99432291		3	SEALING WASHER, D=28 mm
25		98497873		1	GASKET
26		16674034		14	SCREW, M8 x 40
26		16598624		2	SCREW, Hex Flg, M8 x 1.25 x 140
27		504009680		1	ADAPTER
28		500337200		1	PLUG, M16 x 1.5
29		500356858		1	ADAPTER
30		500337199		1	O-RING
31		17278181		1	O-RING

8120 8120

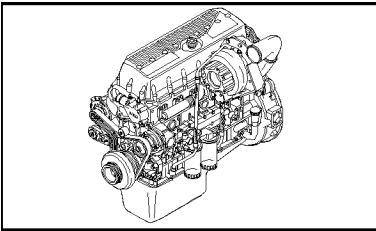
10.408.03

03

p1

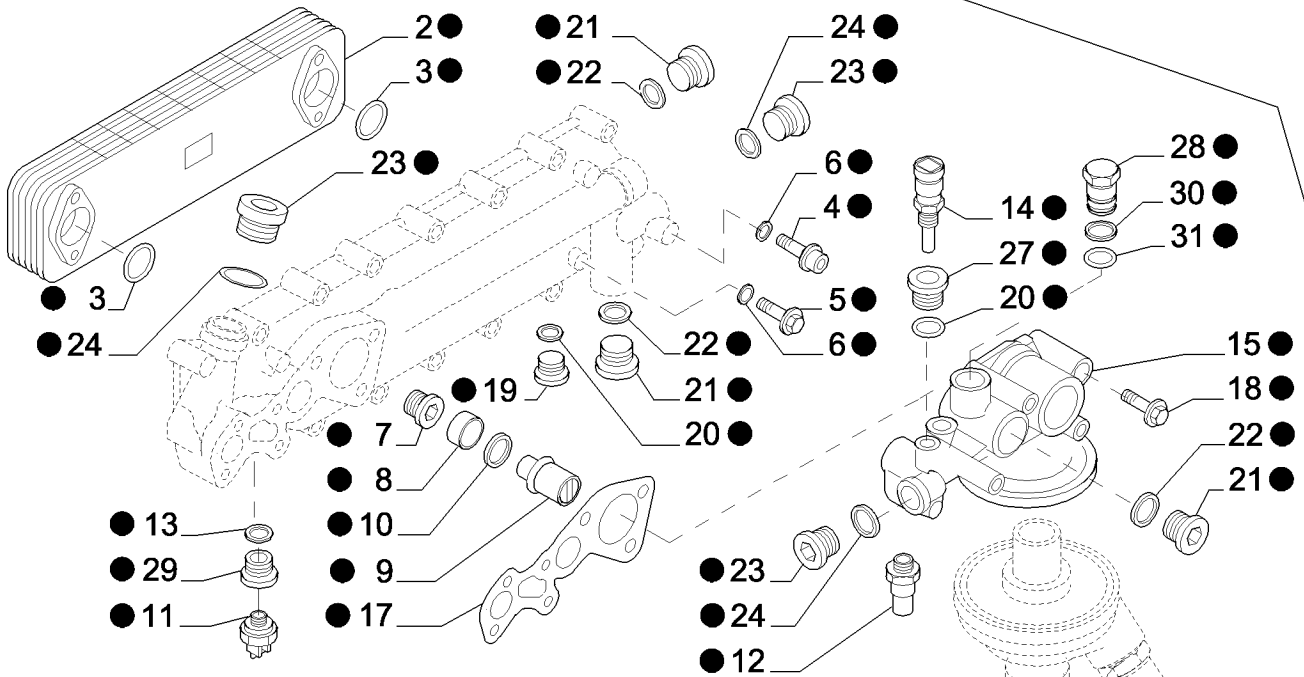
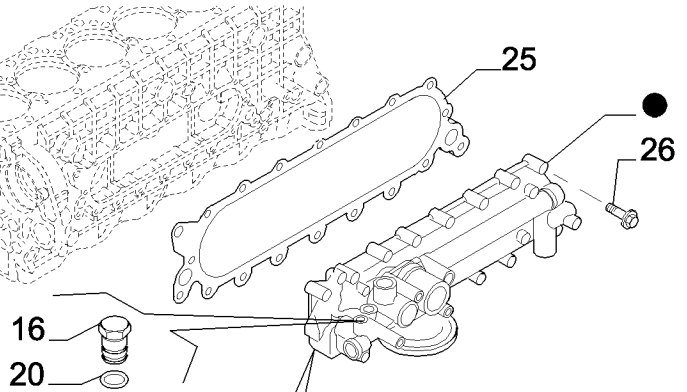
02/10

HEAT EXCHANGER - 9120



● = 1

10.101.02(01)
10.101.02(02)
10.101.02(03)



10.304.02(01)
10.304.02(02)
10.304.02(03)

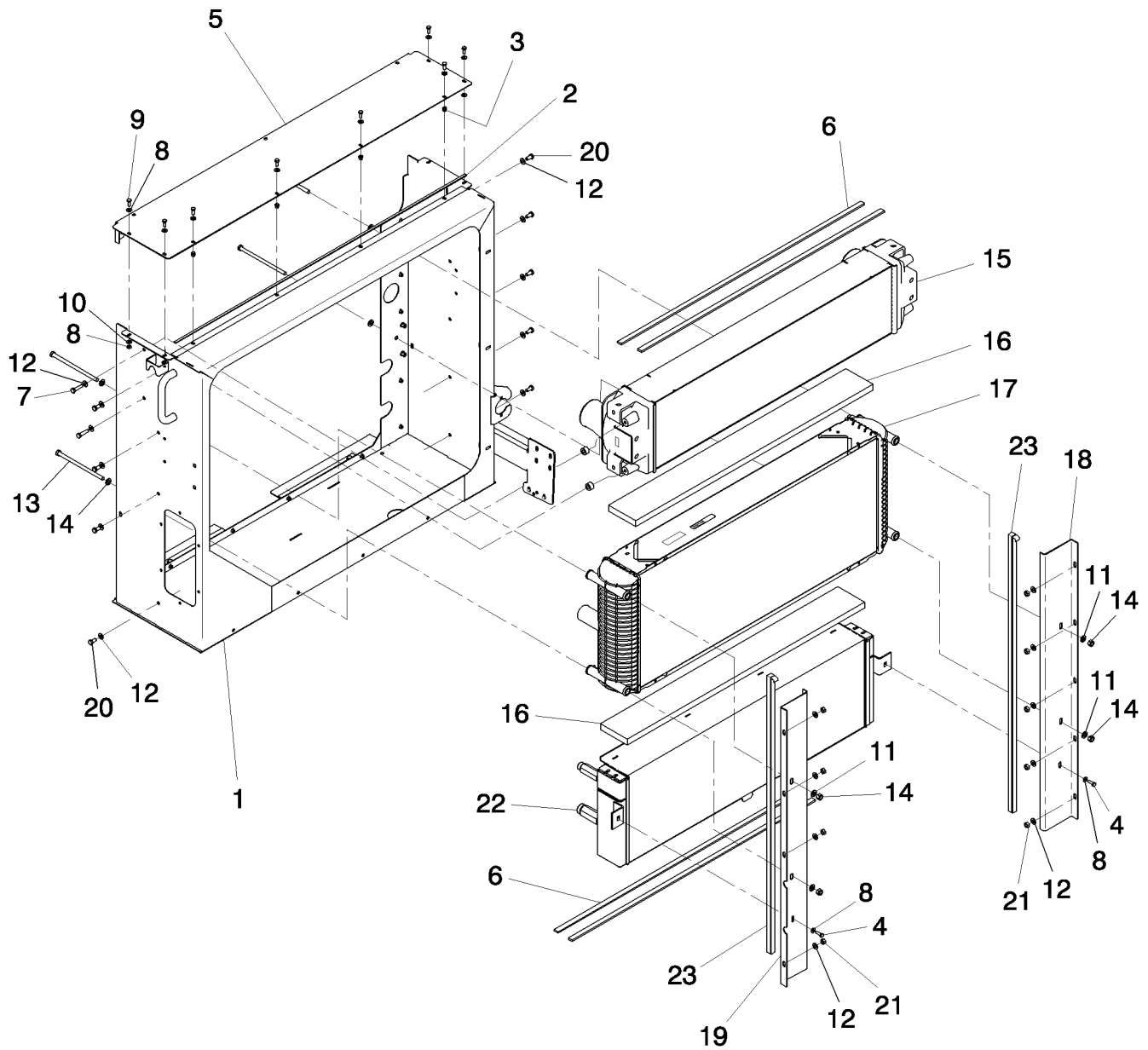
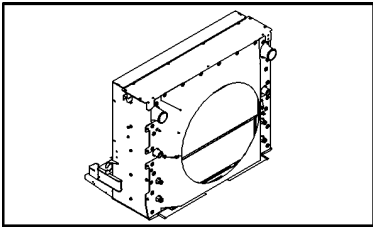


HEAT EXCHANGER - 9120

REF	FN	PART NUMBER	YR/SN	QTY	DESCRIPTION
1		504106451		1	HEAT EXCHANGER, ASSY
2		98498467		1	INTERNAL EXCHANGE UNIT
3		17283581		2	O-RING, M44.12 x 2.62
4		16586625		3	SCREW, M8 x 35
5		16586925		2	SCREW, M8 x 50
6		99489014		4	SEALING WASHER
7		99433799		1	PLUG
8		99433798		1	SPACER
9		98498322		1	THERMOSTAT
10		98494952		1	GASKET
11		500377533		1	SENDER UNIT, Oil Pressure Sensor
12		98445111		1	SWITCH, Oil Temperature - BORLETTI
12		98442879		1	SWITCH, Oil Temperature - SIPEA
13		99489018		1	SEALING WASHER, D=12 mm
14		500382599		1	SENSOR, Coolant Temperature
15		504013552		1	SUPPORT
16		4741616		1	BANJO BOLT
17		504013562		1	GASKET
18		16598224		7	SCREW, M8 x 190
19		16992411		1	PLUG, M16 x 1.5
20		99489019		3	SEALING WASHER, D=6 x 24 x 1.5 mm
21		16993711		3	PLUG, M35 x 1.5
22		99469380		3	SEALING WASHER, D=33 mm
23		16993511		3	PLUG, M28 x 1.5
24		99432291		3	SEALING WASHER, D=28 mm
25		504045796		1	SEAL
26		16674034		14	SCREW, M8 x 40
26		16598624		2	SCREW, Hex Flg, M8 x 1.25 x 140
27		504009680		1	ADAPTER
28		500337200		1	PLUG, M16 x 1.5
29		500356858		1	ADAPTER
30		500337199		1	O-RING
31		17278181		1	O-RING

9120

FRAME & COOLERS - 7120/7120(LA)

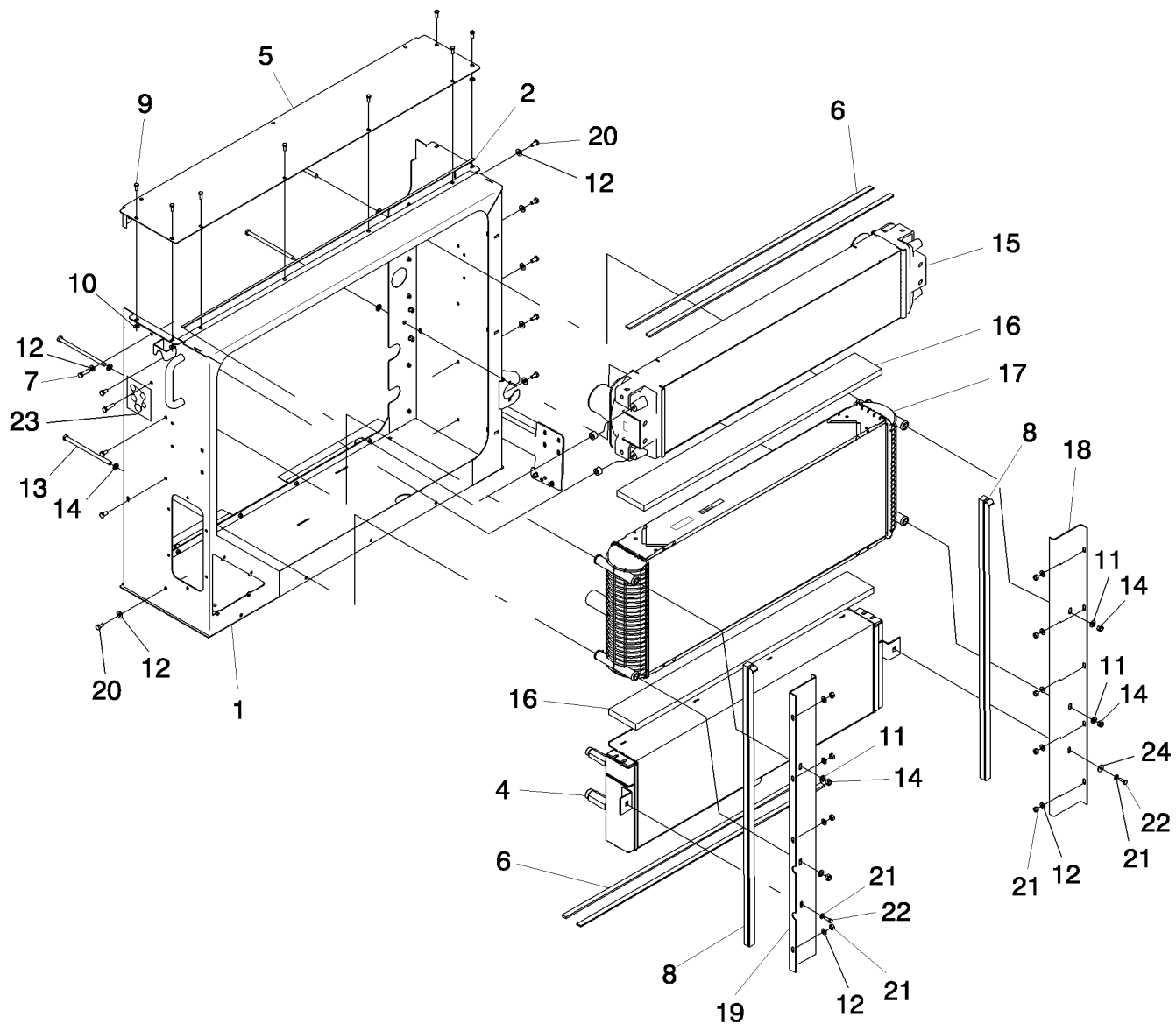
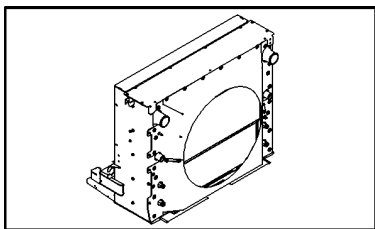


FRAME & COOLERS - 7120/7120(LA)

REF	FN	PART NUMBER	YR/SN	QTY	DESCRIPTION
1		87745484		1	FRAME ASSY
2		87510717		1	RUBBER SEAL
3		87284531		4	NUT
4		43127		2	BOLT, Hex, M8 x 25, 8.8
5		87380303		1	COVER ASSY
6		PL		AR	PROCURE LOCALLY, Tape, Seal; 1/4" x 3/4" Acrylic
7		120069		2	BOLT, Hex, M10 x 50, 8.8
8		322358		14	BELLEVILLE WASHER, M8
9		120104		8	BOLT, Hex, M8 x 20, 8.8
10		9706690		4	NUT, M8, CI 8
11		100038		4	LOCK NUT, M12 x 1.75, CI 8
12		140045		20	BELLEVILLE WASHER, M10
13		364053		4	BOLT, Hex, M12 x 220, 8.8
14		86511324		8	WASHER, M12 x 24 x 2.5
15		87578692		1	INTERCOOLER
16		87584962		2	SEAL
17		87378361		1	RADIATOR
18		87388370		1	PLATE
19		87388375		1	PLATE
20		43138		19	BOLT, Hex, M10 x 20, 8.8, Full Thd
21		100016		19	NUT, M10, CI 8
22		87378363		1	COOLER, OIL
23		87710390		2	FOAM, Sealing Element

7120 7120

FRAME & COOLERS - 8120/8120(LA)



FRAME & COOLERS - 8120/8120(LA)

REF	FN	PART NUMBER	YR/SN	QTY	DESCRIPTION
1		87745478		1	FRAME ASSY
2		87510717		1	RUBBER SEAL
3		100016		8	NUT, M10, CI 8
4		87601208		1	COOLER, OIL, Main
5		87740229		1	COVER ASSY
6		PL		AR	PROCURE LOCALLY, Tape, Seal; 1" x 1" Polyurethane Foam
7		412151		2	BOLT, Hex, M10 x 55, 8.8
8		87710390		2	FOAM, Sealing Element
9		9804258		13	BOLT, Hex Flg, M8 x 20, 8.8
10		9706690		4	NUT, M8, CI 8
11		100038		4	LOCK NUT, M12 x 1.75, CI 8
12		140045		20	BELLEVILLE WASHER, M10
13		364053		4	BOLT, Hex, M12 x 220, 8.8
14		86511324		8	WASHER, M12 x 24 x 2.5
15		87578692		1	INTERCOOLER
16		87584962		2	SEAL
17		87378361		1	RADIATOR
18		87388370		1	PLATE
19		87388375		1	PLATE
20		43140		9	BOLT, Hex, M10 x 30, 8.8, Full Thd
21		322358		2	BELLEVILLE WASHER, M8
22		43127		2	BOLT, Hex, M8 x 25, 8.8
23		87282434		1	DECAL, Belt Routing
24		86979986		2	WASHER

8120 8120

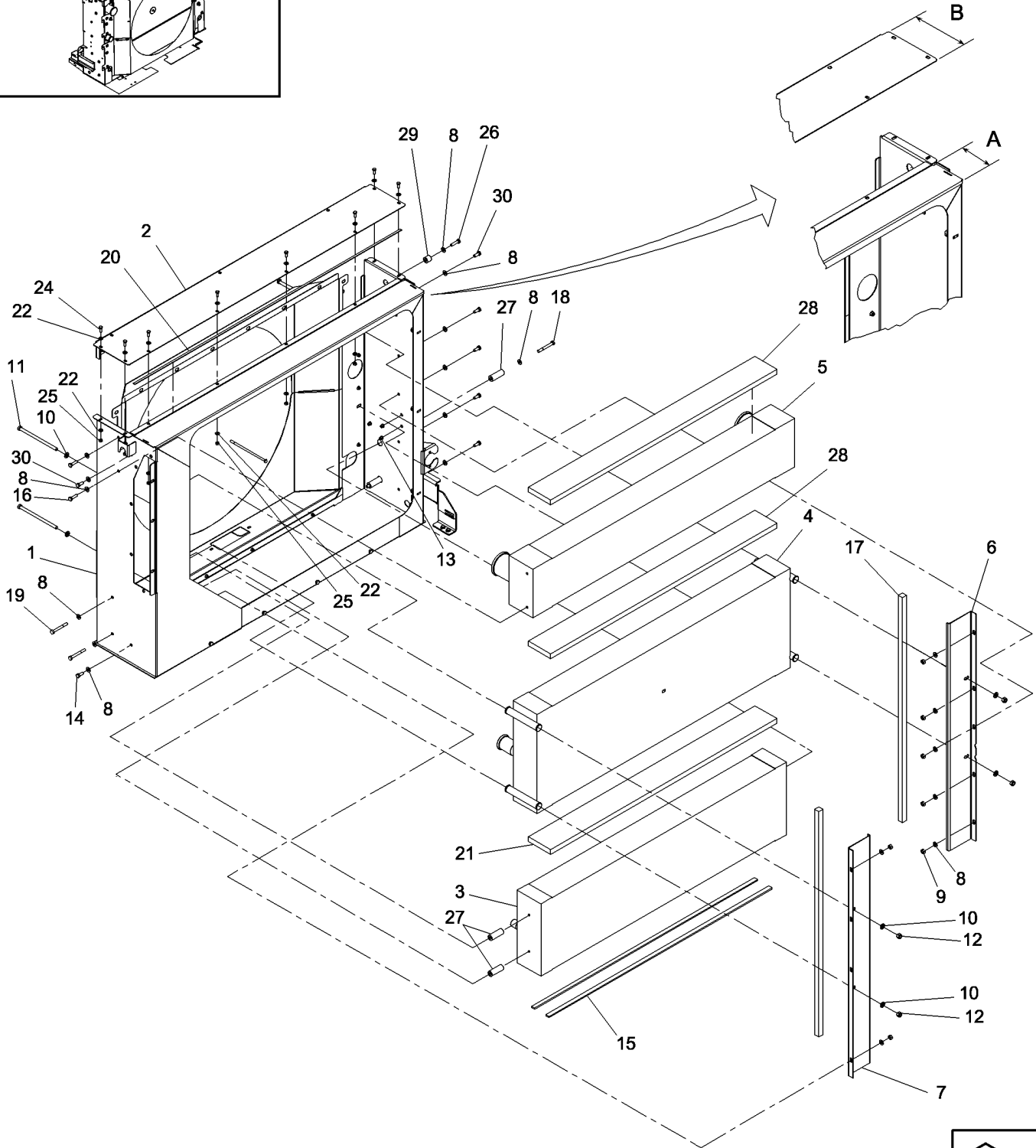
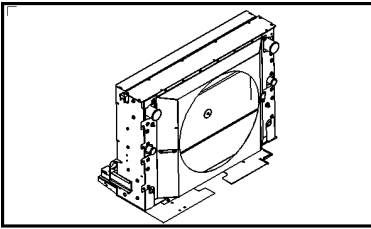
10.414.01

03

p1

02/10

FRAME & COOLERS - 9120



FRAME & COOLERS - 9120

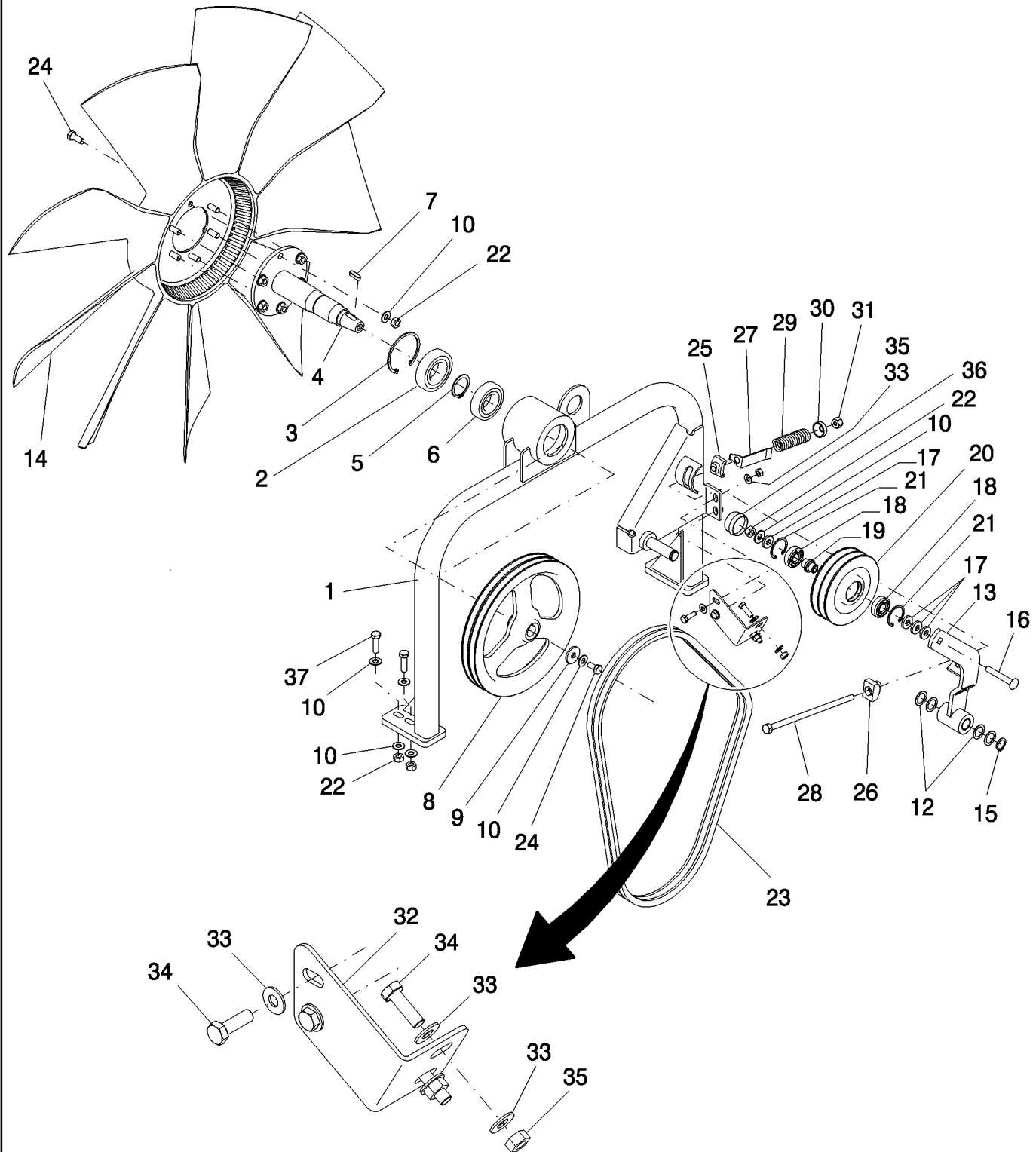
REF	FN	PART NUMBER	YR/SN	QTY	DESCRIPTION
1	1	87686656		1	BOX, Cooling; Dim. "A" = 5"
1	2	84131430		1	FRAME, Box, Cooling; Dim. "A" = 4"
2		87611092		1	COVER ASSY, Dim. "B" = 8.8"
2		84131432		1	COVER, Dim. "B" = 9.8"
3		87601394		1	OIL COOLER
4		87601392		1	RADIATOR
5		87736357		1	COOLER, Charge Air
6		87720404		1	PLATE
7		87687047		1	PLATE ASSY.
8		140045		22	BELLEVILLE WASHER, M10
9		100016		9	NUT, M10, CI 8
10		86511324		8	WASHER, M12 x 24 x 2.5
11		364053		4	BOLT, Hex, M12 x 220, 8.8
12		100038		4	LOCK NUT, M12 x 1.75, CI 8
13		87284531		19	NUT
14		43139		11	BOLT, Hex, M10 x 25, 8.8, Full Thd
15		PL		AR	PROCURE LOCALLY, Tape, Seal; 1/4" x 3/4" Acrylic
16		9706704		2	BOLT, Hex, M10 x 35, 8.8, Full Thd
17		87710390		2	FOAM, Seal Strip, Baffle
18		120074		2	BOLT, Hex, M10 x 90, 8.8
19		120074		2	BOLT, Hex, M10 x 90, 8.8
20		87676089		1	FOAM
21		87674308		1	FOAM
22		322358		16	BELLEVILLE WASHER, M8
23		86629542		1	LOCK NUT, M8 x 1.25, CI 8
24		120104		4	BOLT, Hex, M8 x 20, 8.8
25		9706690		8	NUT, M8, CI 8
26		120068		2	BOLT, Hex, M10 x 40, 8.8, Full Thd
27		87720409		2	SPACER
28		87738339		2	FOAM
29		87697449		2	BUSHING
30		43140		7	BOLT, Hex, M10 x 30, 8.8, Full Thd

(1) After 4/2009, 7020 uses quantity 1 and 8120, 9120 uses quantity of 3

(2) Requires 84131432 on Units Before Serial Number Y8G205103

9120

FAN DRIVE - ENGINE - 7120/7120LA

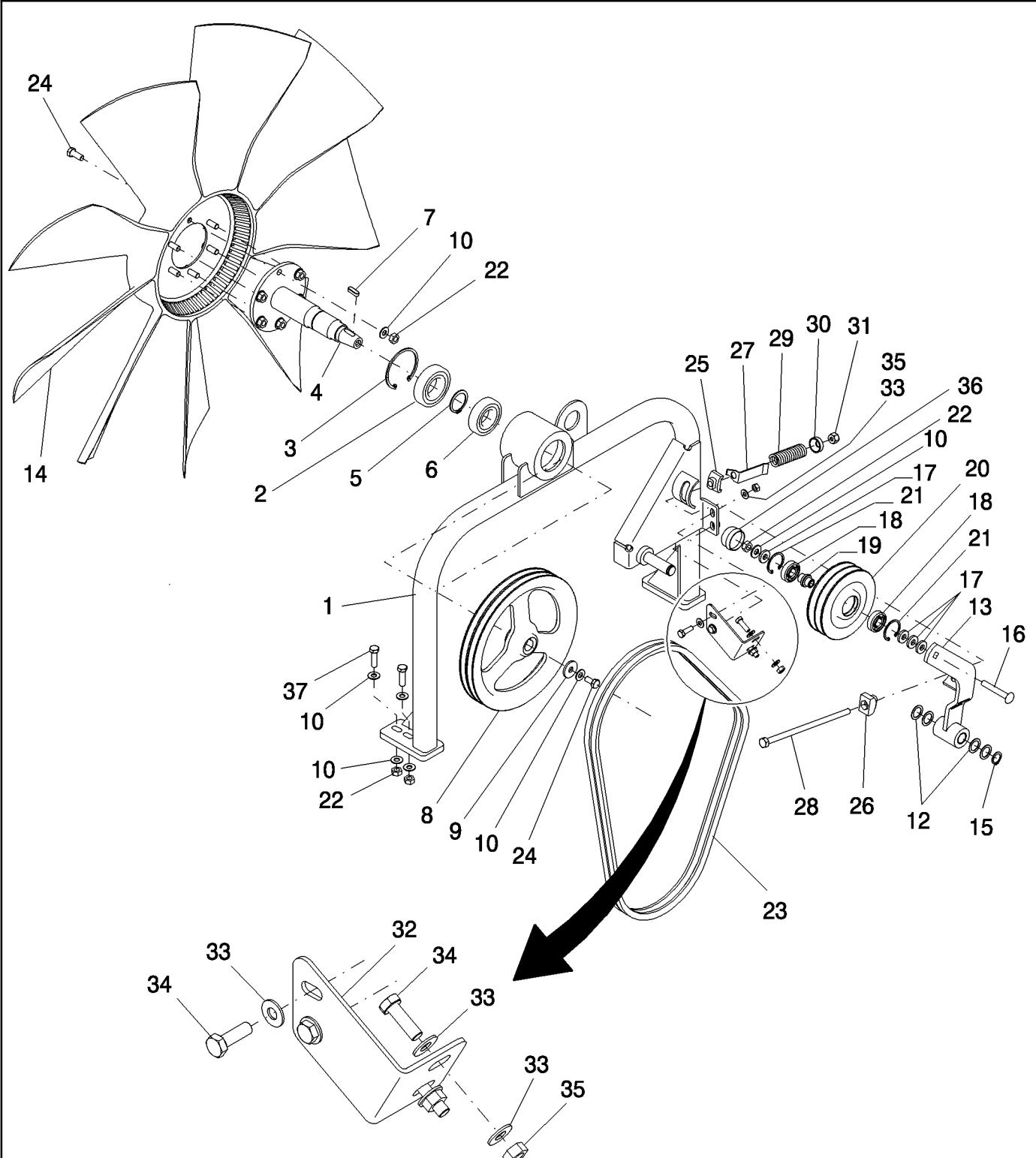


FAN DRIVE - ENGINE - 7120/7120LA

REF	FN	PART NUMBER	YR/SN	QTY	DESCRIPTION
1		87622070		1	SUPPORT ASSY.
2		450716		1	BEARING
3		300633		1	SNAP RING, M80, Int
4		84459805		1	SHAFT
5		370006		1	SNAP RING, M40, Ext
6		87621965		1	BALL BEARING
7		170005		1	KEY, M8 x 7 x 25, Par
8		84071139		1	PULLEY, Belt
9		140042		1	WASHER, M10 x 34 x 3
10		140045		16	BELLEVILLE WASHER, M10
11		NSS		AR	NOT SERVICED SEPARATELY
12		443434		4	WASHER, M20 x 29 x 1
13		87540958		1	ARM ASSY.
14		84444510		1	FAN
15		370024		1	CIRCLIP, M20, Ext
16		374894		1	CARRIAGE BOLT, Short NK, M10 x 70, CI8.8
17		447336		4	WASHER
18		362804		2	BALL BEARING
19		87538002		1	BUSHING
20		87533880		1	PULLEY
21		300644		2	SNAP RING, M40, Int
22		100016		11	NUT, M10, CI 8
23		87526140		1	BELT, Engine Fan Drive
24		43139		6	BOLT, Hex, M10 x 25, 8.8, Full Thd
25		442398		1	GUIDE
26		754131		1	GUIDE
27		913108		1	INDICATOR
28		9514334		1	ROD
29		84069932		1	SPRING
30		356728		1	SPRING SEAT
31		412141		1	LOCK NUT, M10 x 1.5, CI 8
32		87538007		1	SUPPORT
33		322358		8	BELLEVILLE WASHER, M8
34		43127		4	BOLT, Hex, M8 x 25, 8.8
35		9706690		4	NUT, M8, CI 8

7120 7120

FAN DRIVE - ENGINE - 7120/7120LA



FAN DRIVE - ENGINE - 7120/7120LA

REF	FN	PART NUMBER	YR/SN	QTY	DESCRIPTION
36		87540959		1	CAP, Dust
37		120068		4	BOLT, Hex, M10 x 40, 8.8, Full Thd

	7120 7120
--	------------------

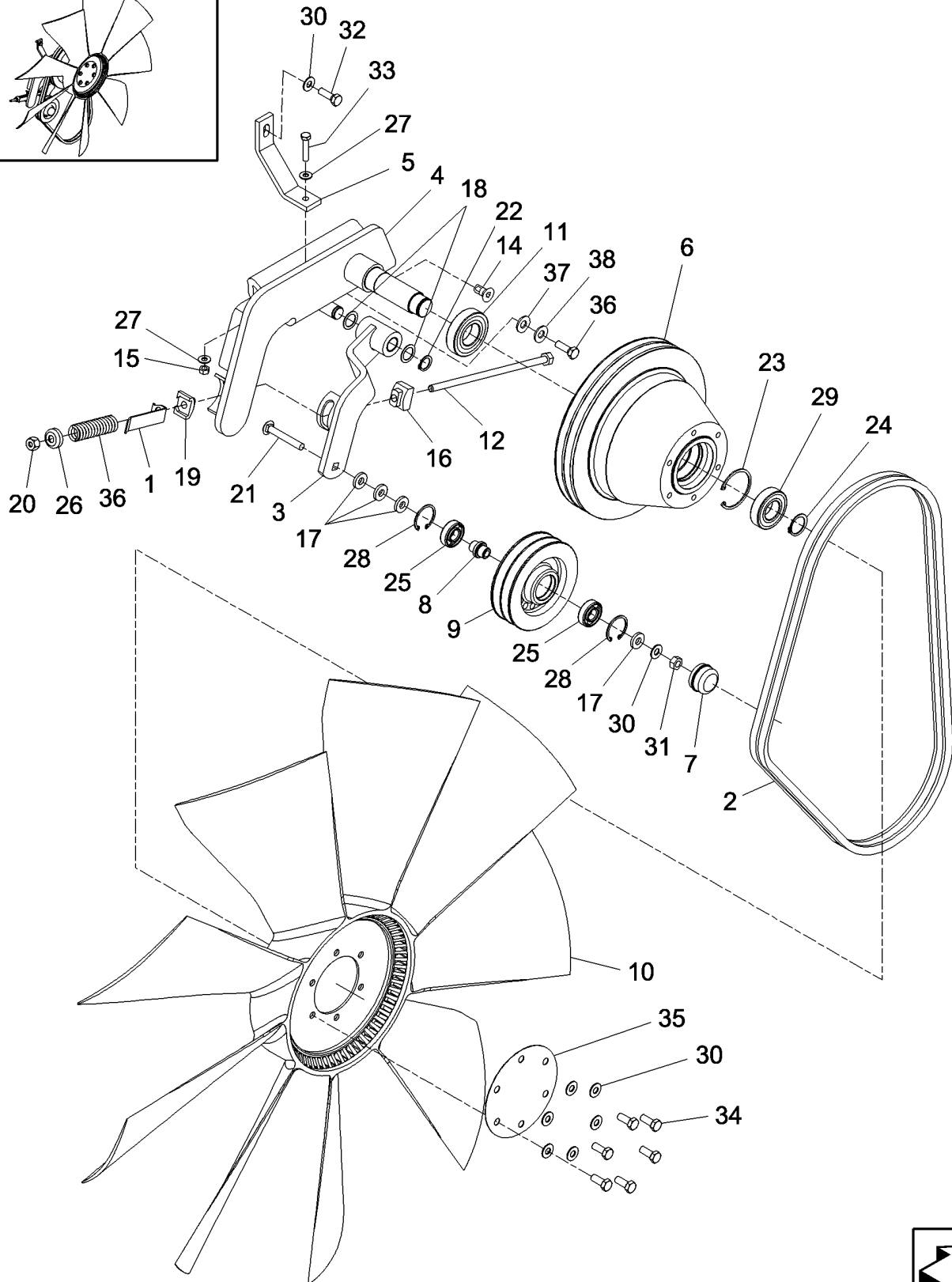
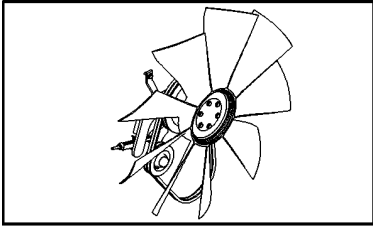
10.414.02

02

p1

02/10

FAN DRIVE - ENGINE - 9120

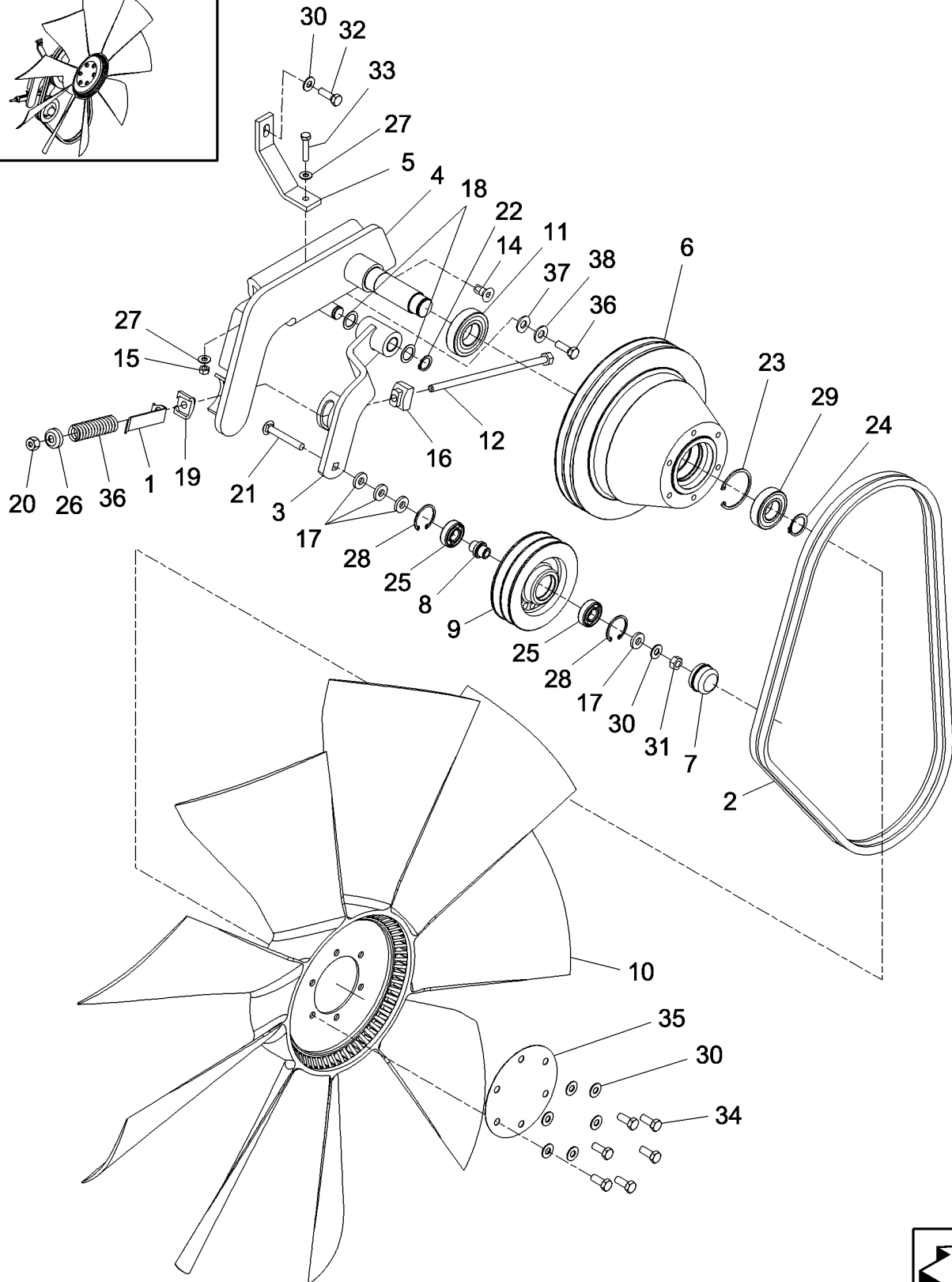
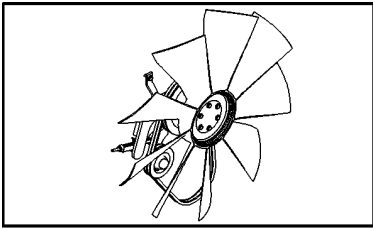


FAN DRIVE - ENGINE - 9120

REF	FN	PART NUMBER	YR/SN	QTY	DESCRIPTION
1		87673661		1	SHEET METAL, Indicator
2		87671291		1	SET OF 2 BELTS
3		87665166		1	ARM ASSY.
4		84189081		1	SUPPORT ASSY.
5		87665142		1	BRACKET
6		87548636		1	PULLEY
7		87540959		1	CAP
8		87538002		1	BUSHING
9		87533880		1	PULLEY
10		84457703		1	FAN
11		84438926		1	BALL BEARING
12		84077701		1	BOLT, Hex, M10 x 250, 8.8, Full Thd
13		84069932		1	SPRING
14		84037971		2	SCREW, CS HS, M12 x 25
15		9706690		1	NUT, M8, CI 8
16		754131		1	GUIDE
17		447336		4	WASHER
18		443434		2	WASHER, M20 x 29 x 1
19		442398		1	GUIDE
20		412141		1	LOCK NUT, M10 x 1.5, CI 8
21		374894		1	CARRIAGE BOLT, Short NK, M10 x 70, CI8.8
22		370024		1	CIRCLIP, M20, Ext
23		370012		1	SNAP RING, M62, Int
24		370003		1	SNAP RING, M30, Ext
25		362804		2	BALL BEARING
26		356728		1	SPRING SEAT
27		322358		2	BELLEVILLE WASHER, M8
28		300644		2	SNAP RING, M40, Int
29		274198		1	BALL BEARING
30		140045		8	BELLEVILLE WASHER, M10
31		100016		1	NUT, M10, CI 8
32		43140		1	BOLT, Hex, M10 x 30, 8.8, Full Thd
33		43129		1	BOLT, Hex, M8 x 40, 8.8
34		43139		6	BOLT, Hex, M10 x 25, 8.8, Full Thd
35		87589697		1	PLATE

9120

FAN DRIVE - ENGINE - 9120



FAN DRIVE - ENGINE - 9120

REF	FN	PART NUMBER	YR/SN	QTY	DESCRIPTION
36		300388		1	BOLT, Hex, M12 x 25, 8.8
37		378245		1	WASHER, M13 x 28 x 2 Thk
38		140046		1	SPRING WASHER, Belleville, M12

	9120
--	-------------

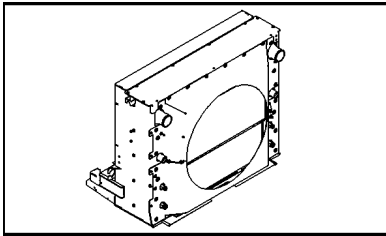
10.414.06

01

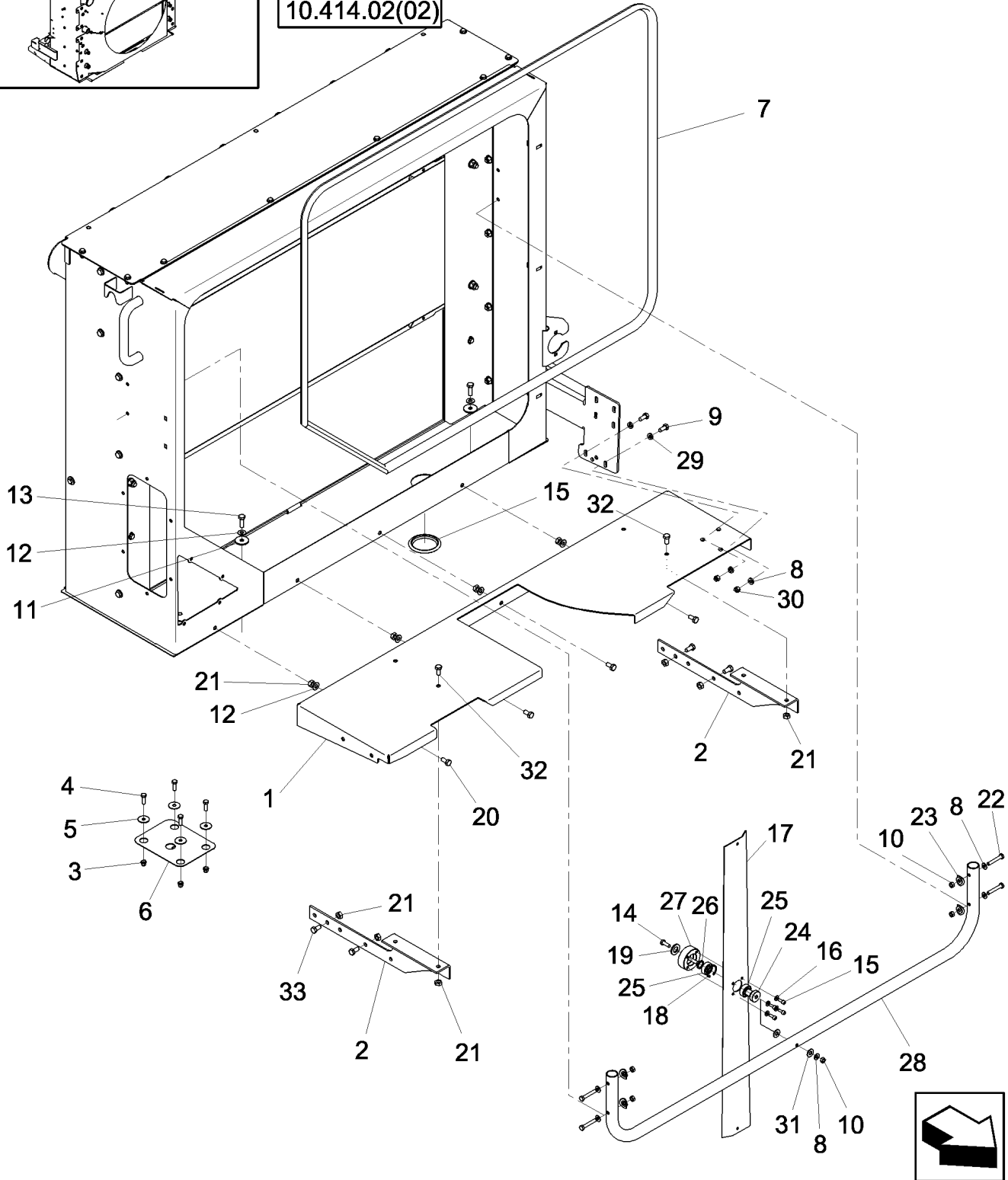
p1

02/10

PLATFORM & FAN BLADE, COOLING BOX - 7120/7120(LA)



10.414.02(01)
10.414.02(02)



PLATFORM & FAN BLADE, COOLING BOX - 7120/7120(LA)

REF	FN	PART NUMBER	YR/SN	QTY	DESCRIPTION
1		87745675		1	FRAME ASSY
2		86976802		2	BRACKET
3		87284531		4	NUT
4		43127		4	BOLT, Hex, M8 x 25, 8.8
5		86979986		4	WASHER
6		87550262		1	COVER PLATE
7		401209		1	GASKET
8		322358		13	BELLEVILLE WASHER, M8
9		120104		2	BOLT, Hex, M8 x 20, 8.8
10		9706690		7	NUT, M8, CI 8
11		86637594		2	WASHER, 13/32" x 1 1/2" x .120"
12		140045		6	BELLEVILLE WASHER, M10
13		43140		2	BOLT, Hex, M10 x 30, 8.8, Full Thd
14		86508571		1	BOLT, Hex, M8 x 90, 8.8
15		1302758C1		1	PLUG
16		322357		4	BELLEVILLE WASHER, M6
17		87720406		1	BLADE, Fan
18		300642		1	SNAP RING, M35, Int
19		86592711		1	WASHER, M8 x 21 x 4
20		43138		4	BOLT, Hex, M10 x 20, 8.8, Full Thd
21		100016		10	NUT, M10, CI 8
22		43130		4	BOLT, Hex, M8 x 50, 8.8
23		333962		4	CLAMP
24		84460219		1	SHAFT
25		86629503		2	BALL BEARING
26		84334251		1	WASHER
27		84437613		1	BUSHING
28		87395329		1	TUBE ASSY.
29		120041		2	CARRIAGE BOLT, Short NK, M10 x 20, CI8.8, Full Thd
30		43139		4	BOLT, Hex, M10 x 25, 8.8, Full Thd

7120 7120

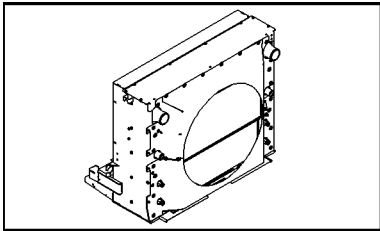
10.414.06

02

p1

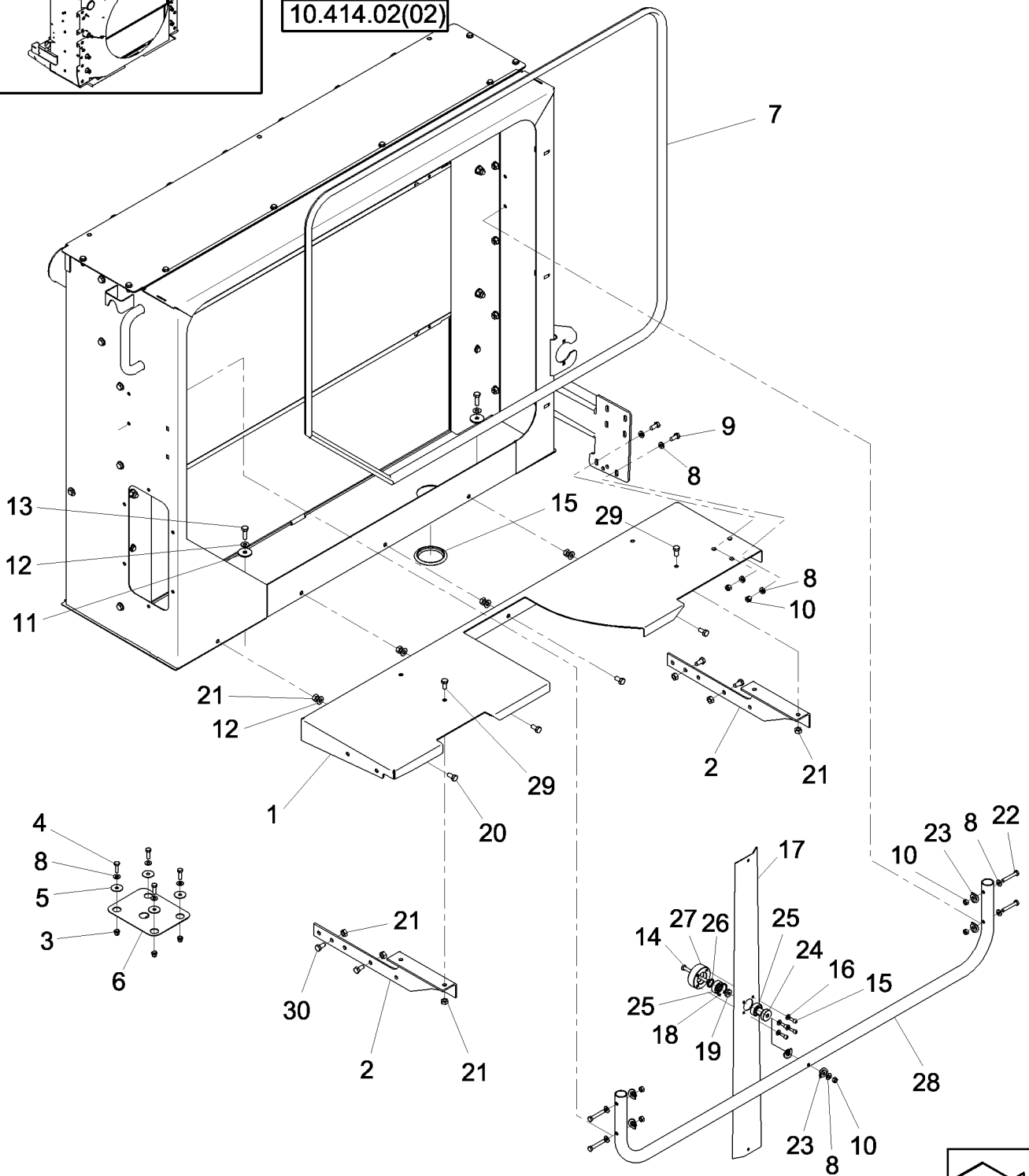
02/10

PLATFORM & FAN BLADE, COOLING BOX - 8120/8120(LA)



10.414.02(01)

10.414.02(02)



PLATFORM & FAN BLADE, COOLING BOX - 8120/8120(LA)

REF	FN	PART NUMBER	YR/SN	QTY	DESCRIPTION
1		87745675		1	FRAME ASSY
2		86976802		2	BRACKET
3		87284531		4	NUT
4		9804258		4	BOLT, Hex Flg, M8 x 20, 8.8
5		86979986		4	WASHER
6		87550262		1	COVER PLATE
7		401209		1	GASKET
8		322358		7	BELLEVILLE WASHER, M8
9		120104		2	BOLT, Hex, M8 x 20, 8.8
10		9706690		4	NUT, M8, CI 8
11		86637594		2	WASHER, 13/32" x 1 1/2" x .120"
12		140045		6	BELLEVILLE WASHER, M10
13		43140		2	BOLT, Hex, M10 x 30, 8.8, Full Thd
14		120062		1	BOLT, Hex, M8 x 70, 8.8
15		84058583		4	SCREW
16		322357		4	BELLEVILLE WASHER, M6
17		87720406		1	BLADE, Fan
18		300642		1	SNAP RING, M35, Int
19		84334251		1	WASHER
20		43138		4	BOLT, Hex, M10 x 20, 8.8, Full Thd
21		100016		10	NUT, M10, CI 8
22		43130		4	BOLT, Hex, M8 x 50, 8.8
23		333962		4	CLAMP
24		84460219		1	SHAFT
25		86629503		2	BALL BEARING
26		84334251		1	WASHER
27		84437613		1	BUSHING
28		87684760		1	SUPPORT, Tube
29		86624184		2	WASHER, M8 x 16 x 1.6
30		43362		4	NUT, M8, CI 10
31		86625263		2	WASHER, M8 x 20 x 1.6
32		120041		2	CARRIAGE BOLT, Short NK, M10 x 20, CI8.8, Full Thd
33		43139		4	BOLT, Hex, M10 x 25, 8.8, Full Thd

8120 8120

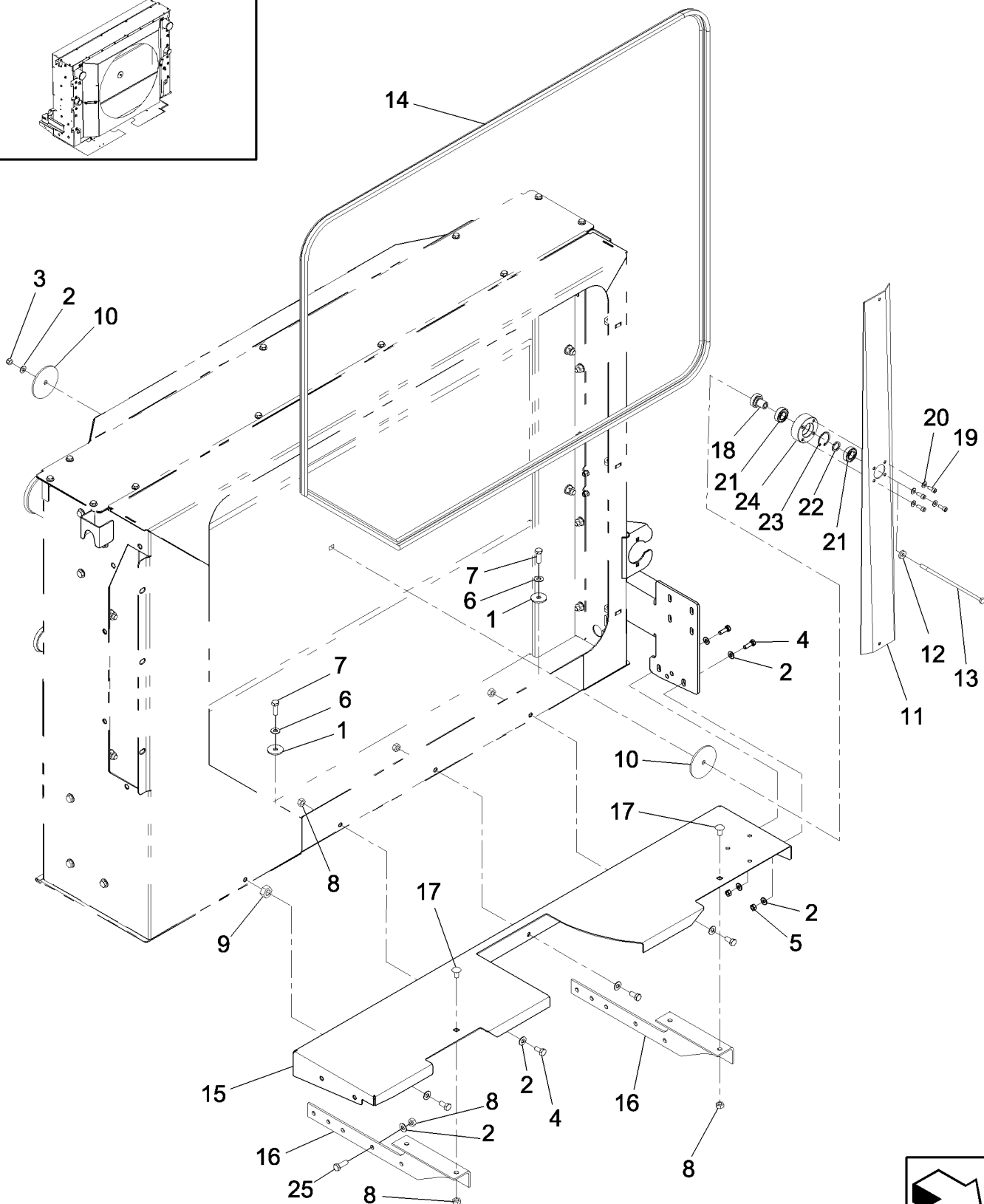
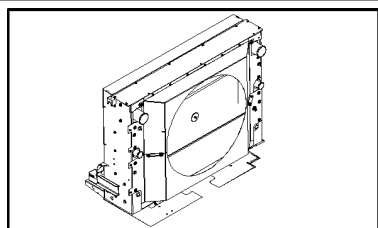
10.414.06

03

p1

02/10

PLATFORM & FAN BLADE, COOLING BOX - 9120



PLATFORM & FAN BLADE, COOLING BOX - 9120

REF	FN	PART NUMBER	YR/SN	QTY	DESCRIPTION
1		86637594		2	WASHER, 13/32" x 1 1/2" x .120"
2		322358		9	BELLEVILLE WASHER, M8
3		86629542		1	LOCK NUT, M8 x 1.25, CI 8
4		43127		6	BOLT, Hex, M8 x 25, 8.8
5		9706690		2	NUT, M8, CI 8
6		140045		2	BELLEVILLE WASHER, M10
7		43140		2	BOLT, Hex, M10 x 30, 8.8, Full Thd
8		100016		6	NUT, M10, CI 8
9		87284531		4	NUT
10		136443		1	WASHER
11		87720406		1	BLADE
12		86592711		1	WASHER, M8 x 21 x 4
13		87695409		1	BOLT, HH, M8 x 210, CI 8.8
14		401209		1	GASKET
15		87687578		1	BRACKET, Plate
16		86976802		2	BRACKET
17		120041		2	CARRIAGE BOLT, Short NK, M10 x 20, CI8.8, Full Thd
18		84460219		1	SHAFT
19		84058583		4	SCREW
20		322357		4	BELLEVILLE WASHER, M6
21		86629503		2	BALL BEARING
22		84334251		1	WASHER
23		300642		1	SNAP RING, M35, Int
24		84437613		1	BUSHING
25		43139		4	BOLT, Hex, M10 x 25, 8.8, Full Thd

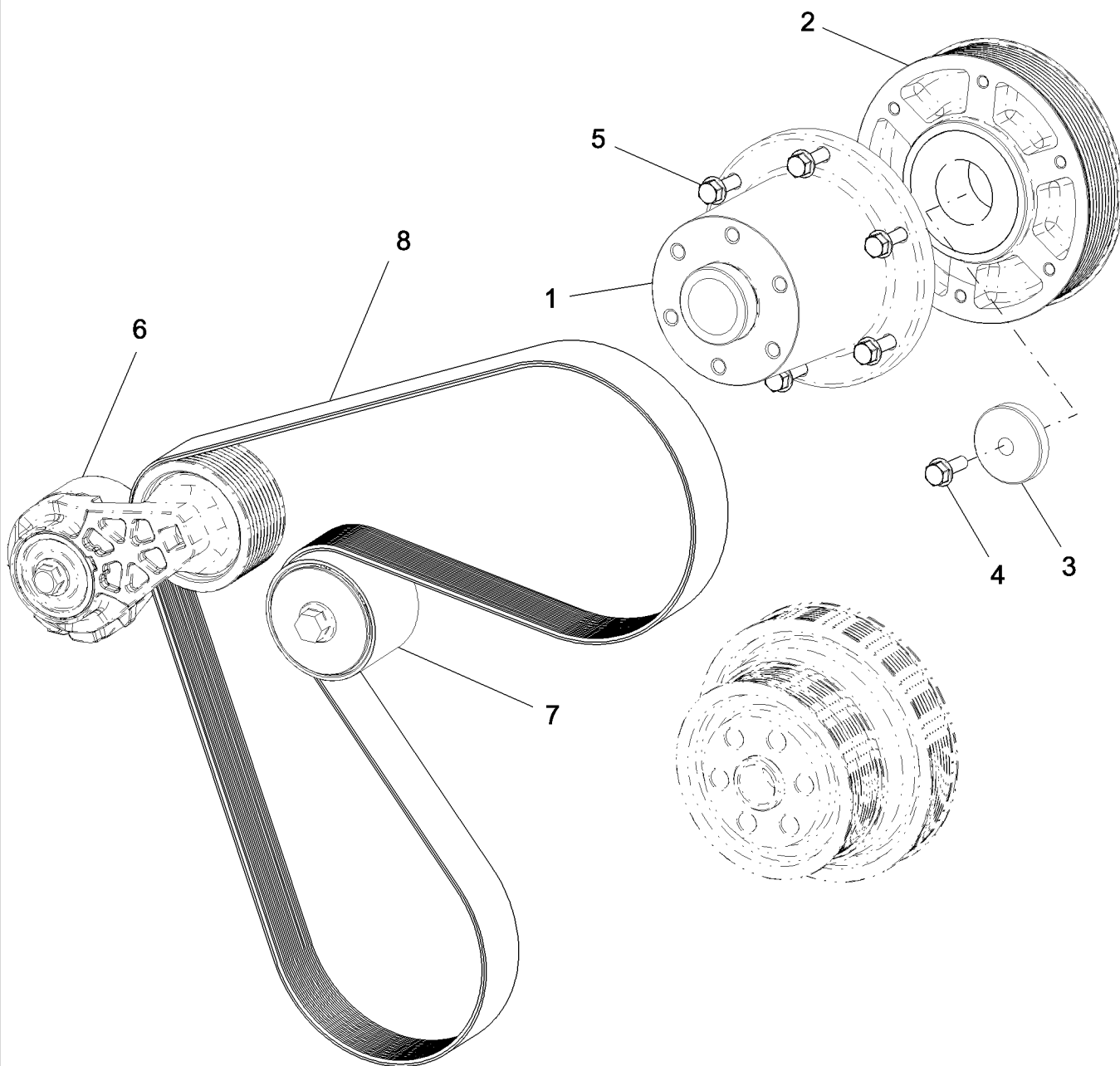
9120

10.414.08

p1

10/09

BELT TENSIONER - 8120/8120(LA)



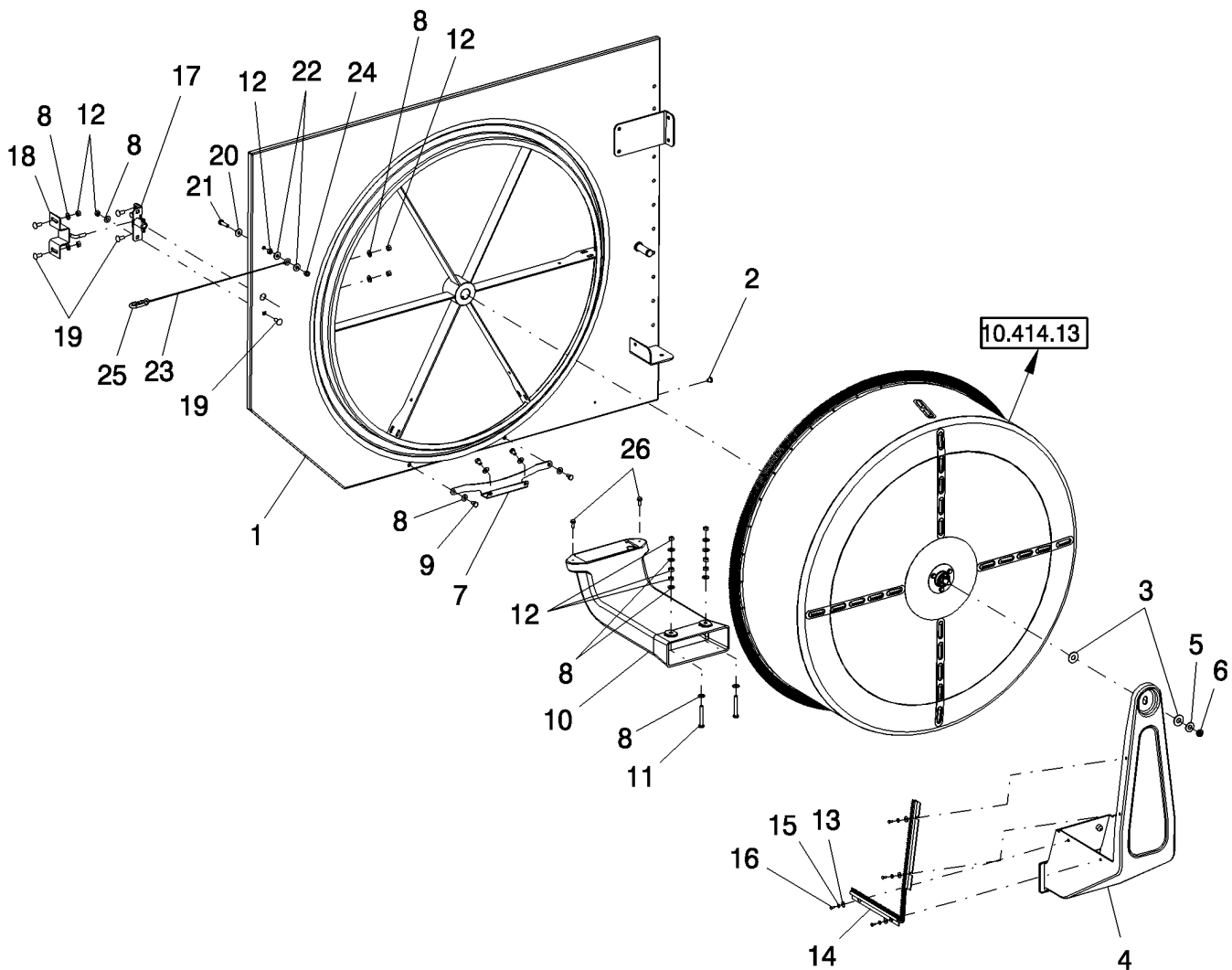
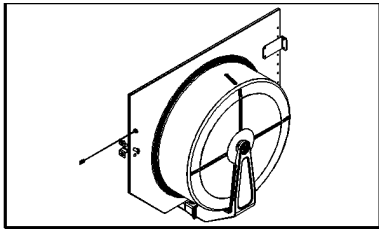
BELT TENSIONER - 8120/8120(LA)

REF	FN	PART NUMBER	YR/SN	QTY	DESCRIPTION
1		504078614		1	SPACER, Fan
2		504079720		1	PULLEY, Fan Drive - Includes 98427607
2		98427607		AR	BEARING ASSY
3		99474237		1	WASHER
4		16676635		1	SCREW
5		16673834		6	SCREW
6		504078069		1	BELT TENSIONER
7		504078065		1	IDLER
8	1	504078068		1	BELT, Fan Drive
8	2	87282305		1	BELT, Fan Drive

- (1) EU Only
- (2) For NA Only

8120 8120

DOOR, METAL DUST SCREEN - 8120/8120(LA)

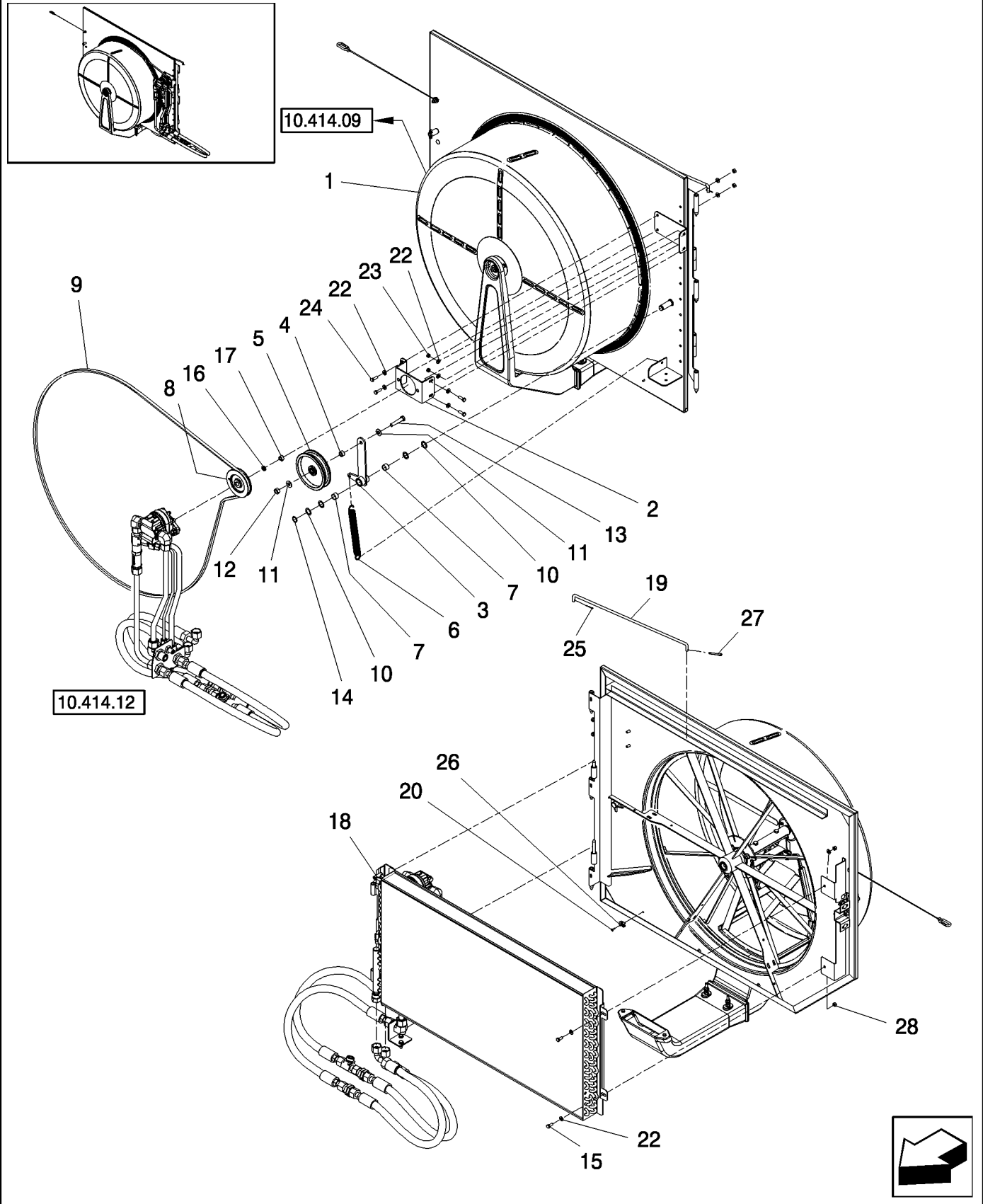


DOOR, METAL DUST SCREEN - 8120/8120(LA)

REF	FN	PART NUMBER	YR/SN	QTY	DESCRIPTION
1		87698271		1	DOOR ASSY.
2		331233		1	PLUG
3		543043		2	WASHER, M13 x 35 x 2.5 Thk
4		87522592		1	CHANNEL
5		140046		1	SPRING WASHER, Belleville, M12
6		323238		1	NUT, Thin, M12 x 1.75, CI 05
7		87350223		1	SUPPORT
8		322358		17	BELLEVILLE WASHER, M8
9		336199		4	BOLT, Hex, M8 x 12, 8.8, Full Thd
10		87571790		1	CHANNEL
11		86977784		2	SCREW, Hex, M8 x 60, CI 8.8, Full Thd
12		9706690		12	NUT, M8, CI 8
13		895-30108		4	WASHER, M4.3 x 15 x 1.2 Thk
14		87642393		4	BRUSH
15		322355		4	WASHER, Belleville, M4
16		86585706		4	SCREW, Cross Pan Hd, M4 x 10
17		84431232		1	LOCK
18		84057181		1	SUPPORT
19		86507486		5	CARRIAGE BOLT, Short NK, M8 x 20, CI8.8, Full Thd
20		412650		2	SPRING WASHER, Belleville, M8
21		43128		1	SCREW, Hex, M8 x 30, 8.8
22		378243		2	WASHER, M8
23		86623991		1	CABLE, 490mm L
24		86629542		1	LOCK NUT, M8 x 1.25, CI 8
25		87107072		1	LINK
26		87019672		29	SELF-TAP SCREW, Hex Wash Hd, 1/4" x 3/4"

8120 8120

DUST SCREEN MOUNTING, METAL - 8120/8120(LA)

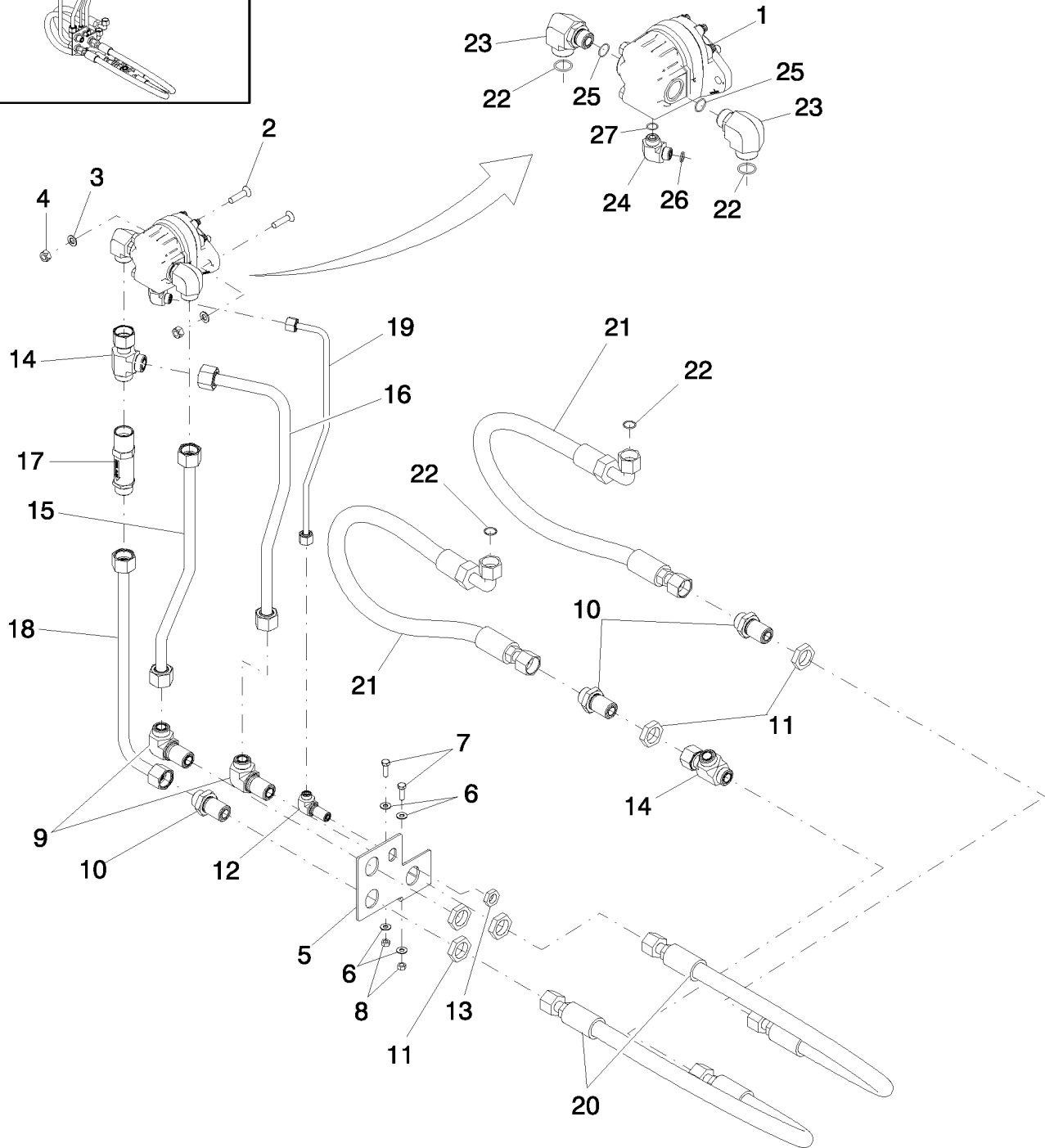
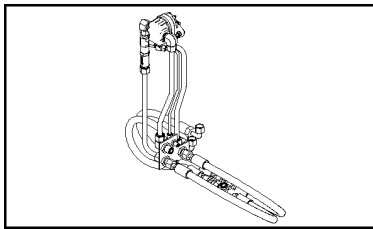


DUST SCREEN MOUNTING, METAL - 8120/8120(LA)

REF	FN	PART NUMBER	YR/SN	QTY	DESCRIPTION
1		0C		1	ORDER COMPONENTS
2		87684843		1	BRACKET, Drive Motor
3		87574217		1	IDLER
4		84069986		1	BUSHING
5		87552112		1	PULLEY
6		87647773		1	SPRING
7		382974		2	BUSHING
8		87352111		1	PULLEY
9		9513136		1	BELT
10		443434		4	WASHER, M20 x 29 x 1
11		140046		2	SPRING WASHER, Belleville, M12
12		9706685		1	NUT, M12, CI 8
13		9706693		1	BOLT, Hex, M12 x 60, 8.8
14		370024		1	CIRCLIP, M20, Ext
15		120104		2	BOLT, Hex, M8 x 20, 8.8
16		81547		1	LOCK WASHER, 7/16"
17		50456		1	NUT, 7/16"-20, G5
18		87601210		1	CONDENSER
19		87729445		1	ROD ASSY.
20		445394		1	RIVET, Pop, M4.8 x 12.7
21		86624184		1	WASHER, M8 x 16 x 1.6
22		322358		7	BELLEVILLE WASHER, M8
23		9706690		2	NUT, M8, CI 8
24		43127		4	BOLT, Hex, M8 x 25, 8.8
25		280251		1	COTTER PIN, 3/32" x 1"
26		86590413		1	CLAMP
27		610784R1		1	SPLIT PIN/SAFETY PIN
28		87284531		2	NUT

8120 8120

DRIVE, HYDRAULIC ROTARY SCREEN - 8120/8120(LA)



DRIVE, HYDRAULIC ROTARY SCREEN - 8120/8120(LA)

REF	FN	PART NUMBER	YR/SN	QTY	DESCRIPTION
1		87594982		1	MOTOR
2		120259		2	SCREW, Hex Soc Flat Hd, M10 x 40, 8.8
3		140017		2	WASHER, M10 x 20 x 2
4		100037		2	NUT, M10 x 1.5, CI 8
5		87563494		1	BRACKET
6		322358		4	BELLEVILLE WASHER, M8
7		43127		2	BOLT, Hex, M8 x 25, 8.8
8		9706690		2	NUT, M8, CI 8
9		86837484		2	ELBOW, 90°, 1 3/16"-12. ORFS, Blkhd
10		86639064		3	UNION, 1 3/16"-12 ORFS, Blkd
11		86639062		5	LOCK NUT, 1 3/16"-12, ORFS Blkhd
12		87317453		1	ELBOW, 90°, 1 1/16"-16, ORFS, Blkhd
13		87010704		1	LOCK NUT, 1 1/16"-16, Blkhd
14		87016915		2	TEE
15		87563495		1	TUBE ASSY., Motor Pressure
16		87563496		1	TUBE ASSY., Motor Outlet
17		87563490		1	VALVE, CHECK, 110 PSI
18		87563497		1	TUBE ASSY., Aux Cool Bypass
19		87563498		1	TUBE ASSY., Motor Drain
20		87646888		2	HOSE ASSY., Aux Cooler; L = 945 mm
21		87646890		2	HOSE ASSY., Aux Cooler Box; L = 1000 mm
22		9991976		4	O-RING, -018, 90 Duro, .739" ID x .070" Thk
23		86579695		2	ELBOW
24		86579686		1	ELBOW, 90°, 1 1/16"-18 ORFS x M14 x 1.5 ORB
25		86598102		2	O-RING, CI 6, 19.3MM ID x 2.2 Thk
26		9993141		1	O-RING, -012, 90 Duro, .364" ID x .070" Thk
27		86598099		1	O-RING, CI 6, 11.3MM ID x 2.2 Thk

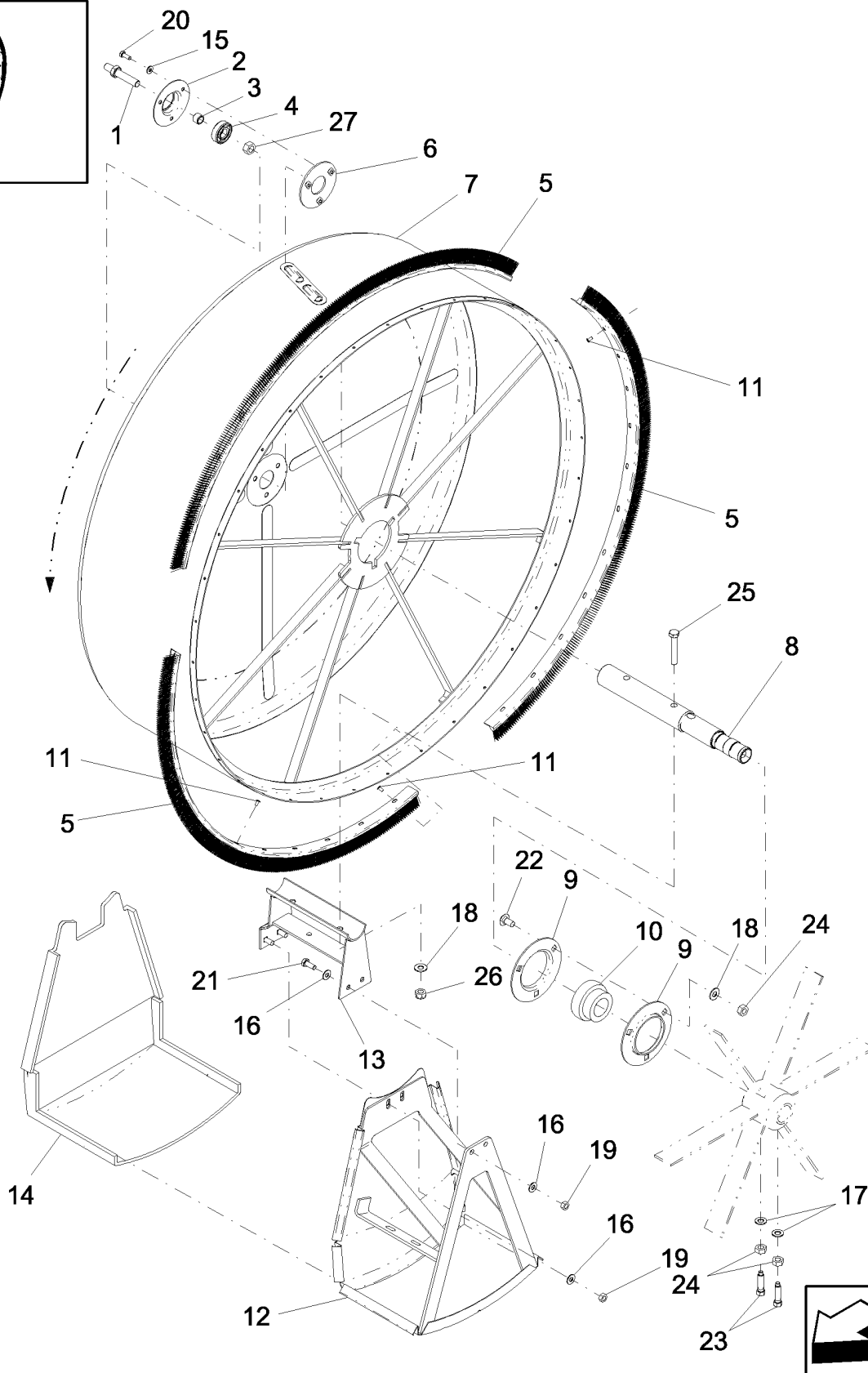
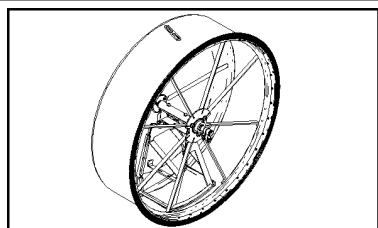
8120 8120

10.414.13

p1

10/09

DUST SCREEN

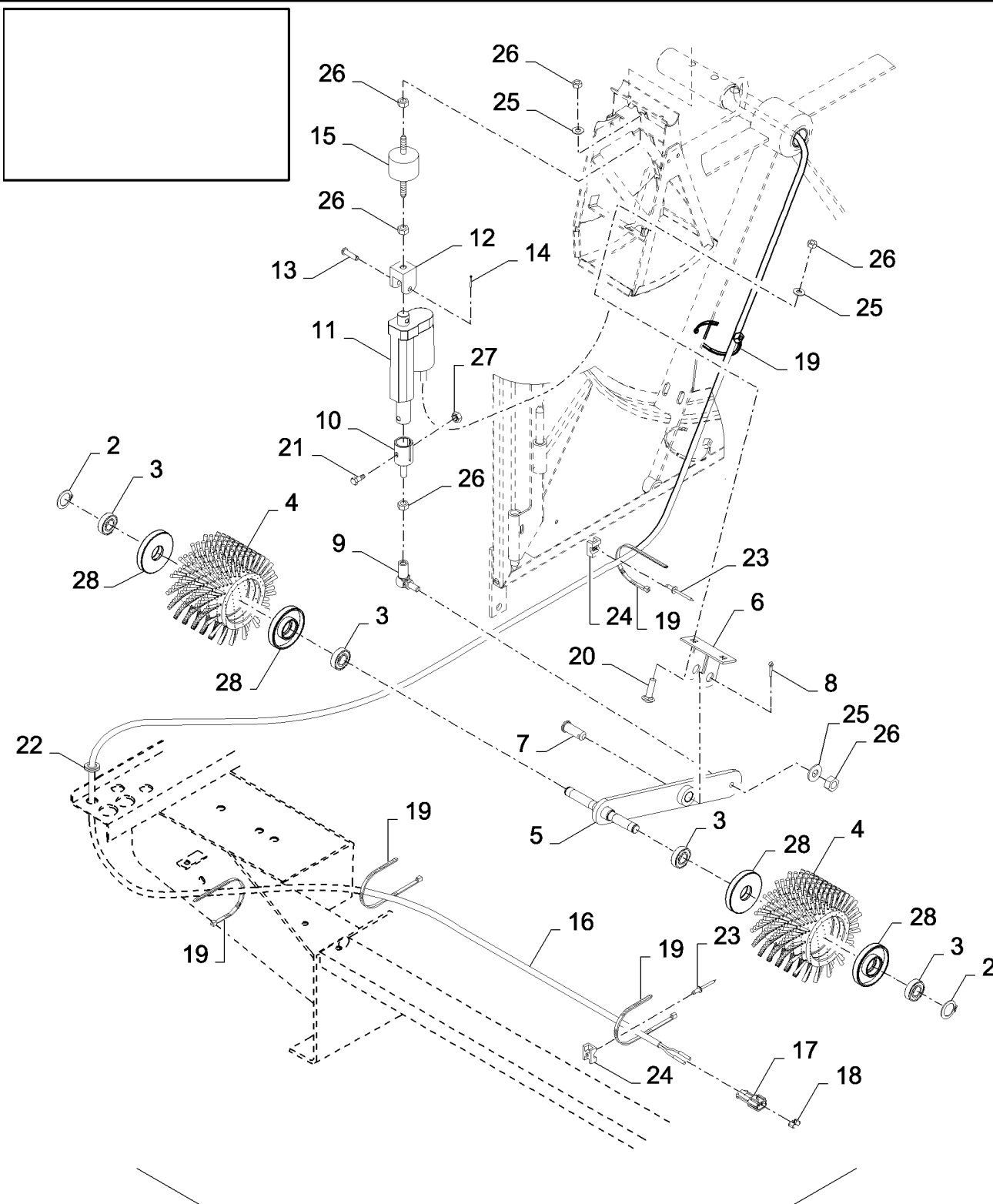


DUST SCREEN

REF	FN	PART NUMBER	YR/SN	QTY	DESCRIPTION
1		84032079		1	SCREW
2		365018		1	FLANGE
3		434182		1	BUSHING
4		362804		1	BALL BEARING
5		84057430		3	COMMUTATOR BRUSH
6		84071581		1	SUPPORT
7		84454696		1	SCREEN, 12" deep
8		84454915		1	SHAFT
9		36403		2	FLANGE
10		322360		1	BALL BEARING
11		PL		36	PROCURE LOCALLY, Rivet, Pop
12		84454748		1	CHUTE
13		84454780		1	SUPPORT
14		87601729		1	ENVELOPE, Trim, Soft
15		322357		3	BELLEVILLE WASHER, M6
16		322358		6	BELLEVILLE WASHER, M8
17		86511323		2	WASHER, M10 x 20 x 2
18		140045		5	BELLEVILLE WASHER, M10
19		9706690		4	NUT, M8, CI 8
20		86508568		3	BOLT, Hex, M6 x 16, CI 8.8, Full Thd
21		120104		2	BOLT, Hex, M8 x 20, 8.8
22		120041		3	CARRIAGE BOLT, Short NK, M10 x 20, CI8.8, Full Thd
23		391136		2	SET SCREW, Hex Soc, M10 x 40
24		100016		5	NUT, M10, CI 8
25		120070		2	BOLT, Hex, M10 x 60, 8.8
26		100037		2	NUT, M10 x 1.5, CI 8
27		9706685		1	NUT, M12, CI 8

**9120 8120 7120 7120
8120**

BRUSH KIT, ROTARY DUST SCREEN

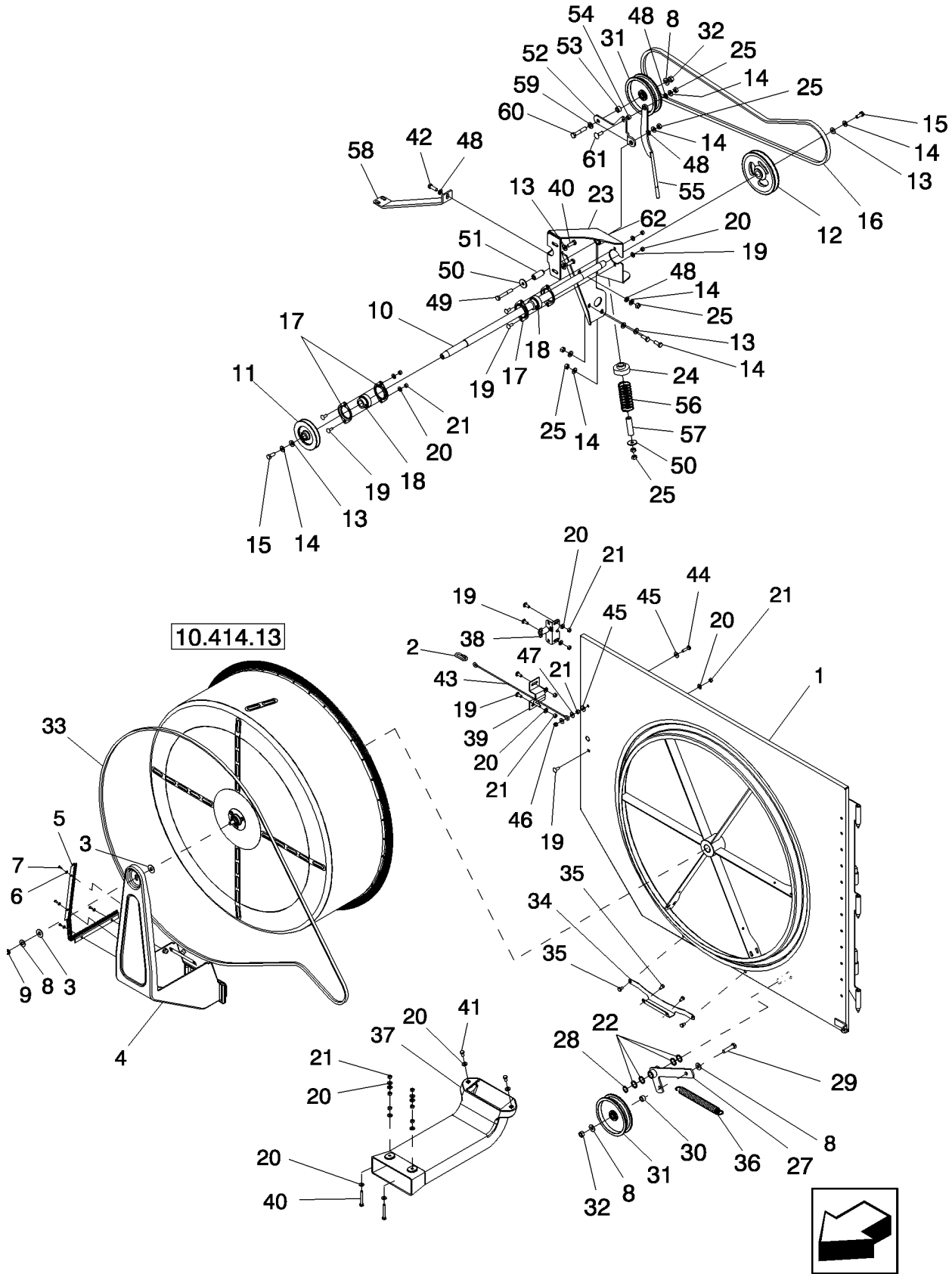


BRUSH KIT, ROTARY DUST SCREEN

REF	FN	PART NUMBER	YR/SN	QTY	DESCRIPTION
1		84111565		1	DIA KIT, HARVESTER, 2 to 28
2		301615		2	SNAP RING, M15, Ext
3		9815813		4	BALL BEARING
4		84449076		2	BRUSH
5		84449090		1	LEVER
6		84071754		1	SUPPORT
7		84072127		1	PIN
8		130007		1	COTTER PIN, M4 x 25
9		412439		1	BALL JOINT
10		84071712		1	CLEVIS, SUPPORT
11		84440048		1	ACTUATOR
12		84026054		1	SUPPORT
13		376876		1	CLEVIS PIN, M6 x 30
14		86977785		1	COTTER PIN, M1.6 x 20
15		393802		1	DAMPER
16		86608490		1	WIRE HARNESS, Rotary Dust Screen Brush
17		86604176		1	WIRE CONNECTOR
18		86604177		1	PLUG, CONNECTOR
19		86566989		7	CABLE STRAP, M4.75 x 190.5 L
20		86507486		2	CARRIAGE BOLT, Short NK, M8 x 20, CI8.8, Full Thd
21		86977789		1	BOLT, Hex, M6 x 35, 8.8
22		411809		1	GROMMET
23		445395		2	RIVET, Pop, M4.8 x 18.1
24		86590413		2	CLAMP
25		322358		4	BELLEVILLE WASHER, M8
26		9706690		7	NUT, M8, CI 8
27		353308		1	NUT, M6 x 1, CI 8
28		84437302		4	BEARING HOUSING

**9120 8120 7120 7120
8120**

ROTARY SCREEN - 7120/7120(LA)



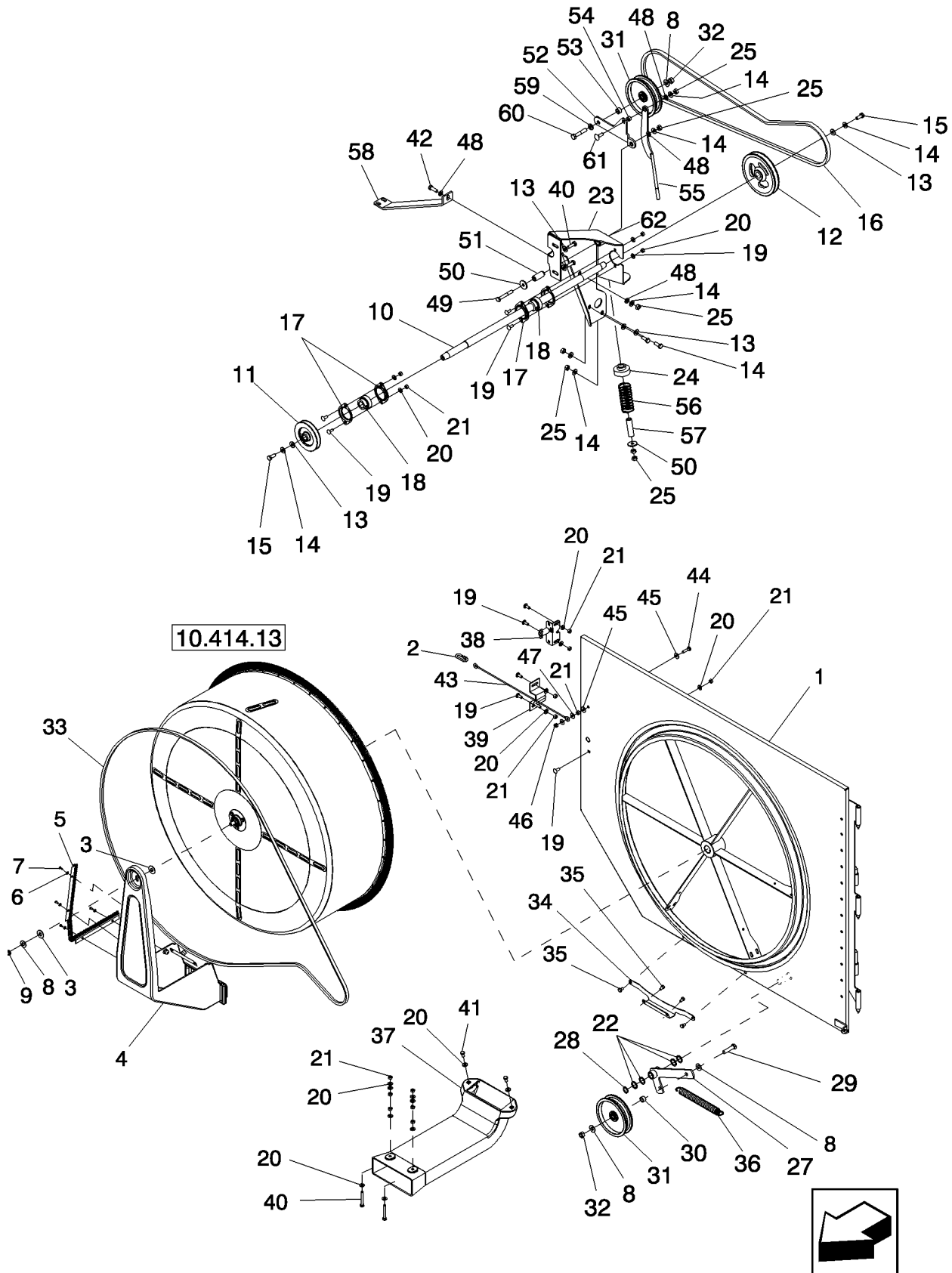
ROTARY SCREEN - 7120/7120(LA)

REF	FN	PART NUMBER	YR/SN	QTY	DESCRIPTION
1		87698896		1	SUPPORT ASSY.
2		87107072		1	LINK
3		543043		2	WASHER, M13 x 35 x 2.5 Thk
4		87522592		1	CHANNEL
5		87642393		1	BRUSH
6		322355		4	WASHER, Belleville, M4
7		86585706		4	SCREW, Cross Pan Hd, M4 x 10
8		140046		4	SPRING WASHER, Belleville, M12
9		323238		1	NUT, Thin, M12 x 1.75, CI 05
10		87526142		1	COUNTERSHAFT
11		87552111		1	PULLEY
12		84069907		1	PULLEY
13		378244		2	WASHER, M10 x 24 x 2 Thk
14		140045		11	BELLEVILLE WASHER, M10
15		43139		4	BOLT, Hex, M10 x 25, 8.8, Full Thd
16		87607871		1	BELT, Rotary Screen, L = 2190 mm
17		86548974		4	FLANGE
18		325103		2	BALL BEARING
19		86507486		9	CARRIAGE BOLT, Short NK, M8 x 20, CI8.8, Full Thd
20		322358		19	BELLEVILLE WASHER, M8
21		9706690		16	NUT, M8, CI 8
22		443434		4	WASHER, M20 x 29 x 1
23		87635700		1	BRACKET
24		87633160		1	BUSHING, Spacer
25		100016		3	NUT, M10, CI 8
26	1	895-30108		4	WASHER, M4.3 x 15 x 1.2 Thk
27		87552113		1	ARM ASSY.
28		370024		1	CIRCLIP, M20, Ext
29		9706702		1	BOLT, Hex, M12 x 50, 8.8
30		84069986		1	BUSHING
31		87552112		2	PULLEY
32		9706685		2	NUT, M12, CI 8
33		86514512		1	BELT, TRANSMISSION, Rotary Screen; L = 142.5"
34		87550068		1	SUPPORT ASSY.

(1) Used if Brush Mounting Holes are Slots

7120 7120

ROTARY SCREEN - 7120/7120(LA)



ROTARY SCREEN - 7120/7120(LA)

REF	FN	PART NUMBER	YR/SN	QTY	DESCRIPTION
35		336199		4	BOLT, Hex, M8 x 12, 8.8, Full Thd
36		87647773		1	SPRING
37		87376998		1	CHANNEL
38		84431232		1	LOCK
39		84057181		1	SUPPORT
40		86977784		2	SCREW, Hex, M8 x 60, Cl 8.8, Full Thd
41		120103		2	BOLT, Hex, M8 x 16, 8.8
42		43140		3	BOLT, Hex, M10 x 30, 8.8, Full Thd
43		86623991		1	CABLE, 490mm L
44		43128		1	SCREW, Hex, M8 x 30, 8.8
45		412650		2	SPRING WASHER, Belleville, M8
46		86629542		1	LOCK NUT, M8 x 1.25, Cl 8
47		378243		2	WASHER, M8
48		86511323		4	WASHER, M10 x 20 x 2
49		43144		1	BOLT, Hex, M10 x 70, 8.8
50		12644301		2	WASHER, M10 x 35 x 3
51		87600703		1	SHAFT, Spindle
52		87600674		1	SPRING SEAT
53		84069986		1	BUSHING
54		133095		1	SPACER
55		87602153		1	LINK
56		38902		1	SPRING
57		NSS		1	NOT SERVICED SEPARATELY, Spacer
58		87623360		1	STRAP
59		86511324		1	WASHER, M12 x 24 x 2.5
60		9706693		1	BOLT, Hex, M12 x 60, 8.8
61		86512424		1	CARRIAGE BOLT, Short NK, M10 x 30, Cl 8.8, Full Thd
62		382974		1	BUSHING

7120 7120

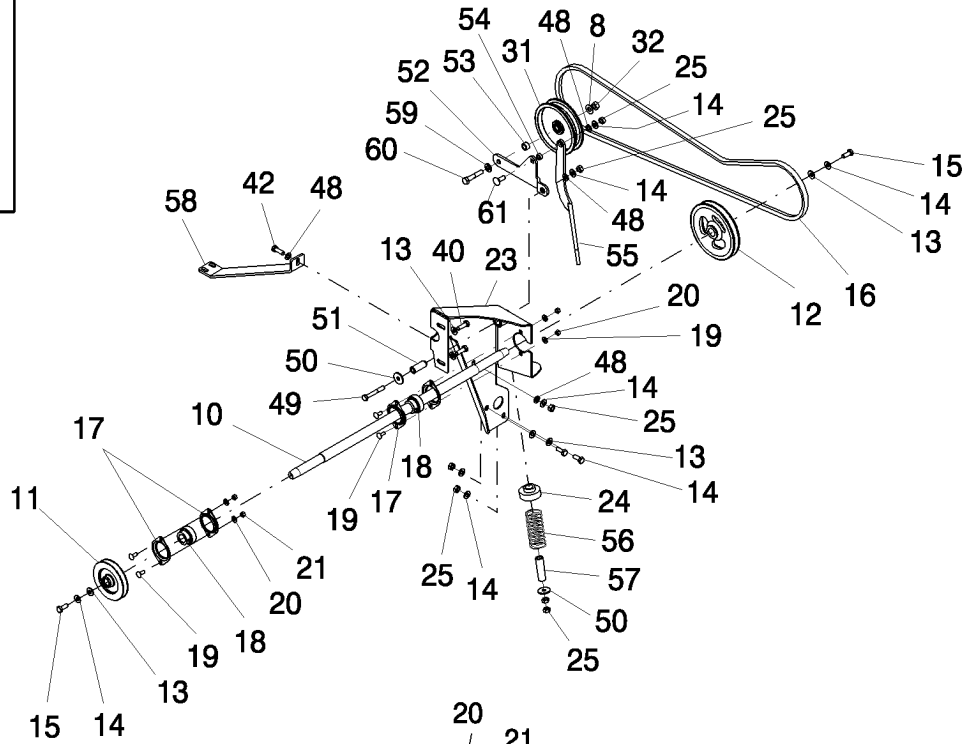
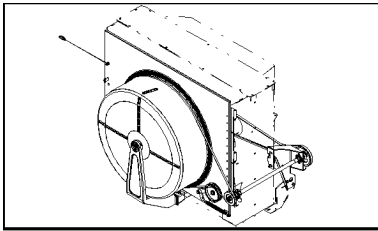
10.418.16

02

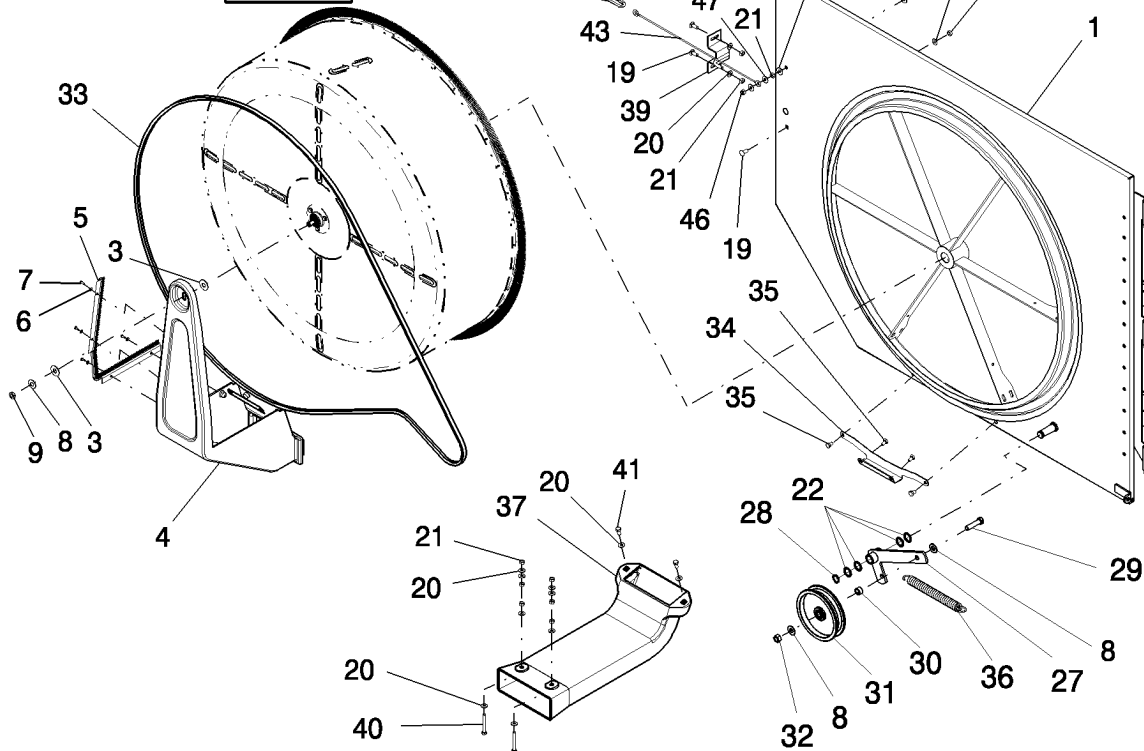
p1

02/10

ROTARY SCREEN - 9120



10.414.13



10.418.16

02

p1

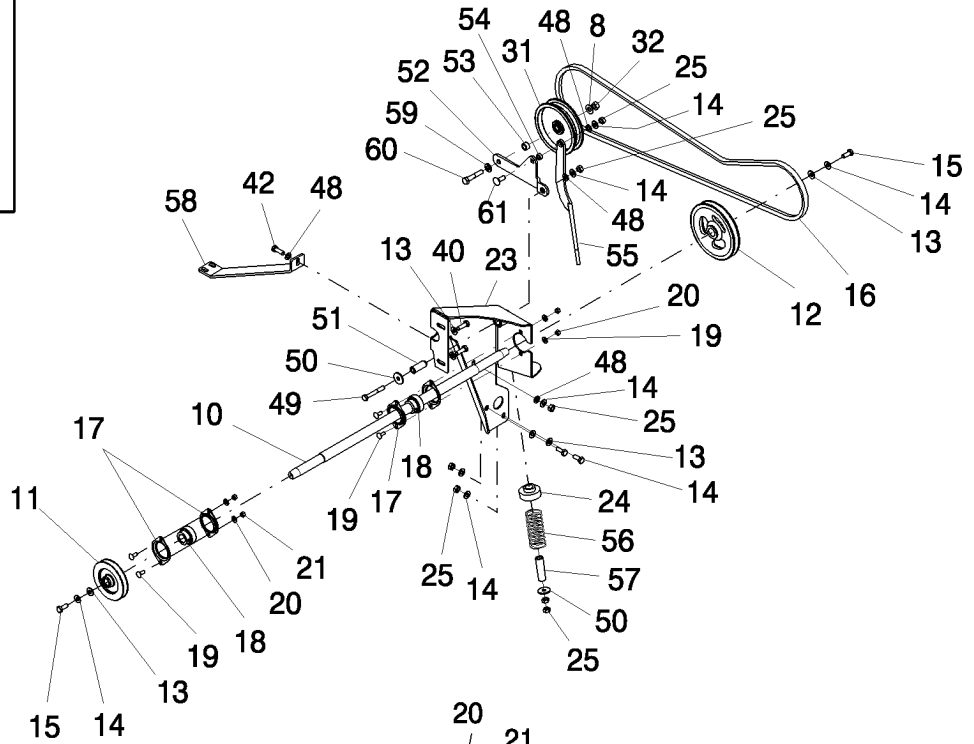
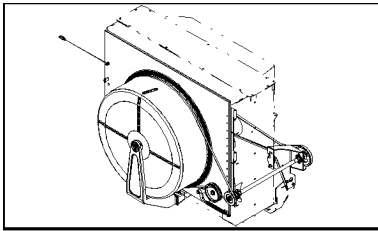
02/10

ROTARY SCREEN - 9120

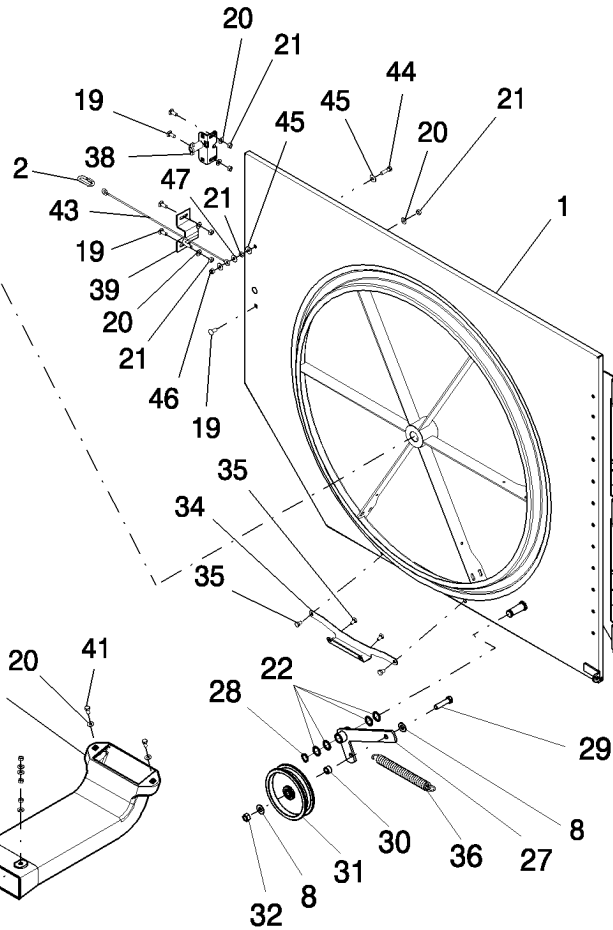
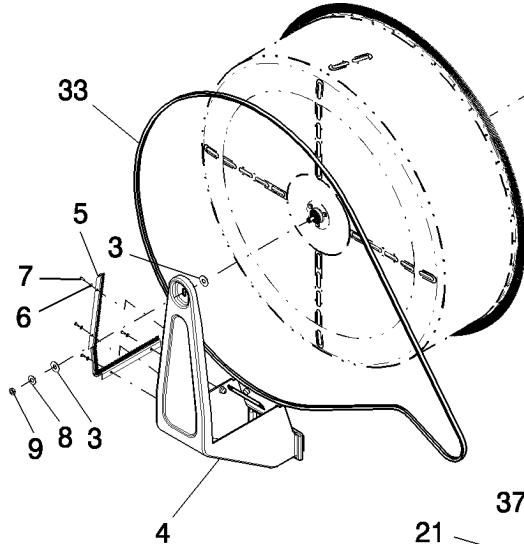
REF	FN	PART NUMBER	YR/SN	QTY	DESCRIPTION
1		87698896		1	SUPPORT ASSY.
2		87107072		1	LINK
3		543043		2	WASHER, M13 x 35 x 2.5 Thk
4		87522592		1	CHANNEL
5		87642393		1	BRUSH
6		322355		4	WASHER, Belleville, M4
7		86585706		4	SCREW, Cross Pan Hd, M4 x 10
8		140046		4	SPRING WASHER, Belleville, M12
9		323238		1	NUT, Thin, M12 x 1.75, CI 05
10		87671282		1	COUNTERSHAFT
11		84989988		1	PULLEY
12		84069907		1	PULLEY
13		378244		2	WASHER, M10 x 24 x 2 Thk
14		140045		15	BELLEVILLE WASHER, M10
15		43139		9	BOLT, Hex, M10 x 25, 8.8, Full Thd
16		87733431		1	BELT, Rotary Screen; L = 2190 mm
17		86548974		4	FLANGE
18		325103		2	BALL BEARING
19		86507486		9	CARRIAGE BOLT, Short NK, M8 x 20, CI8.8, Full Thd
20		322358		19	BELLEVILLE WASHER, M8
21		9706690		17	NUT, M8, CI 8
22		443434		4	WASHER, M20 x 29 x 1
23		87671285		1	BRACKET
24		87633160		1	BUSHING
25		100016		8	NUT, M10, CI 8
26		895-30108		4	WASHER, M4.3 x 15 x 1.2 Thk
27		87552113		1	ARM ASSY.
28		370024		1	CIRCLIP, M20, Ext
29		9706702		1	BOLT, Hex, M12 x 50, 8.8
30		84069986		1	BUSHING
31		87552112		2	PULLEY
32		9706685		2	NUT, M12, CI 8
33		9842161		1	BELT, TRANSMISSION, Rotary Screen; L = 146.1"
34		87550068		1	SUPPORT ASSY.
35		336199		4	BOLT, Hex, M8 x 12, 8.8, Full Thd

9120

ROTARY SCREEN - 9120



10.414.13



ROTARY SCREEN - 9120

REF	FN	PART NUMBER	YR/SN	QTY	DESCRIPTION
36		87647773		1	SPRING
37		87571790		1	CHANNEL
38		84431232		1	LOCK
39		84057181		1	SUPPORT
40		86977784		2	SCREW, Hex, M8 x 60, CI 8.8, Full Thd
41		87019672		2	SELF-TAP SCREW, Hex Wash Hd, 1/4" x 3/4"
42		43140		3	BOLT, Hex, M10 x 30, 8.8, Full Thd
43		86623991		1	CABLE, 490mm L
44		43128		1	SCREW, Hex, M8 x 30, 8.8
45		412650		2	SPRING WASHER, Belleville, M8
46		86629542		1	LOCK NUT, M8 x 1.25, CI 8
47		378243		2	WASHER, M8
48		86511323		2	WASHER, M10 x 20 x 2
49		43144		1	BOLT, Hex, M10 x 70, 8.8
50		12644301		2	WASHER, M10 x 35 x 3
51		NS		1	NOT SERVICED, Spindle
52		87600674		1	SPRING SEAT
53		84069986		1	BUSHING
54		133095		1	SPACER
55		87602153		1	LINK
56		38902		1	SPRING
57		NS		1	NOT SERVICED, Spacer
58		87691322		1	BRACKET
59		86511324		1	WASHER, M12 x 24 x 2.5
60		9706693		1	BOLT, Hex, M12 x 60, 8.8
61		86512424		1	CARRIAGE BOLT, Short NK, M10 x 30, CI8.8, Full Thd
62		86590413		1	CLAMP
63		445394		1	RIVET, Pop, M4.8 x 12.7
64		331233		1	PLUG
65		87729445		1	ROD ASSY.
66		280251		1	COTTER PIN, 3/32" x 1"
67		610784R1		1	SPLIT PIN/SAFETY PIN

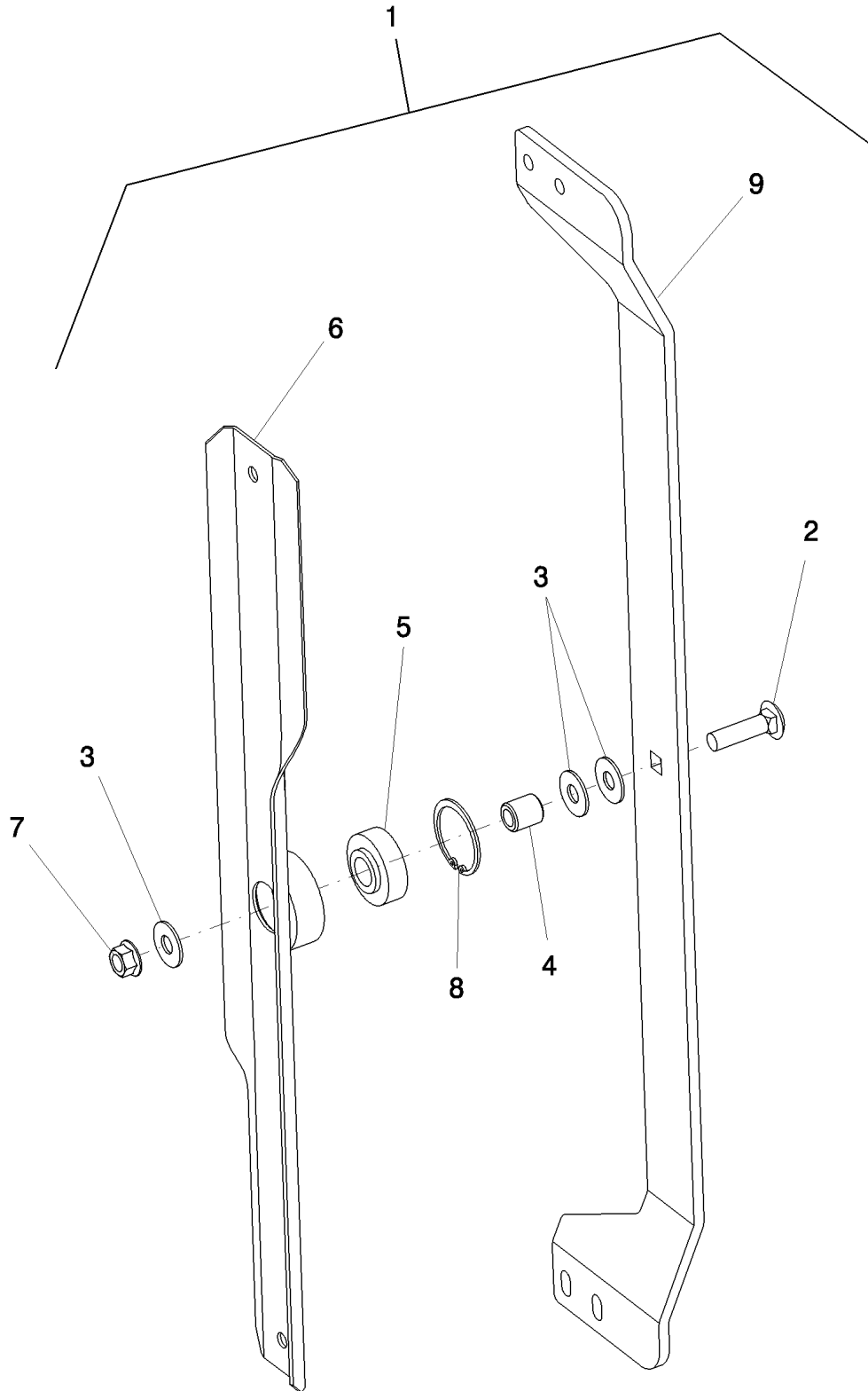
9120

10.418.31

p1

10/09

CHAFF WIPER - 8120/8120(LA)



10.418.31

p1

10/09

CHAFF WIPER - 8120/8120(LA)

REF	FN	PART NUMBER	YR/SN	QTY	DESCRIPTION
1		87579726		1	ARM ASSY., Incl Refs 2 Thru 9
2		433-624		1	CARRIAGE BOLT, Short NK, 3/8"-16 x 1 1/2", G5
3		495-61041		3	WASHER, 3/8" x 1" x .063"
4		87404683		1	BUSHING
5		149261C91		1	BALL BEARING
6		87579723		1	BLADE
7		231-5146		1	NUT, Flg, USR, 3/8"-16
8		100-21156		1	SNAP RING, 1.562", Int, #156
9		87579720		1	BRACKET

8120 8120

SECTION INDEX

14 - Live PTO

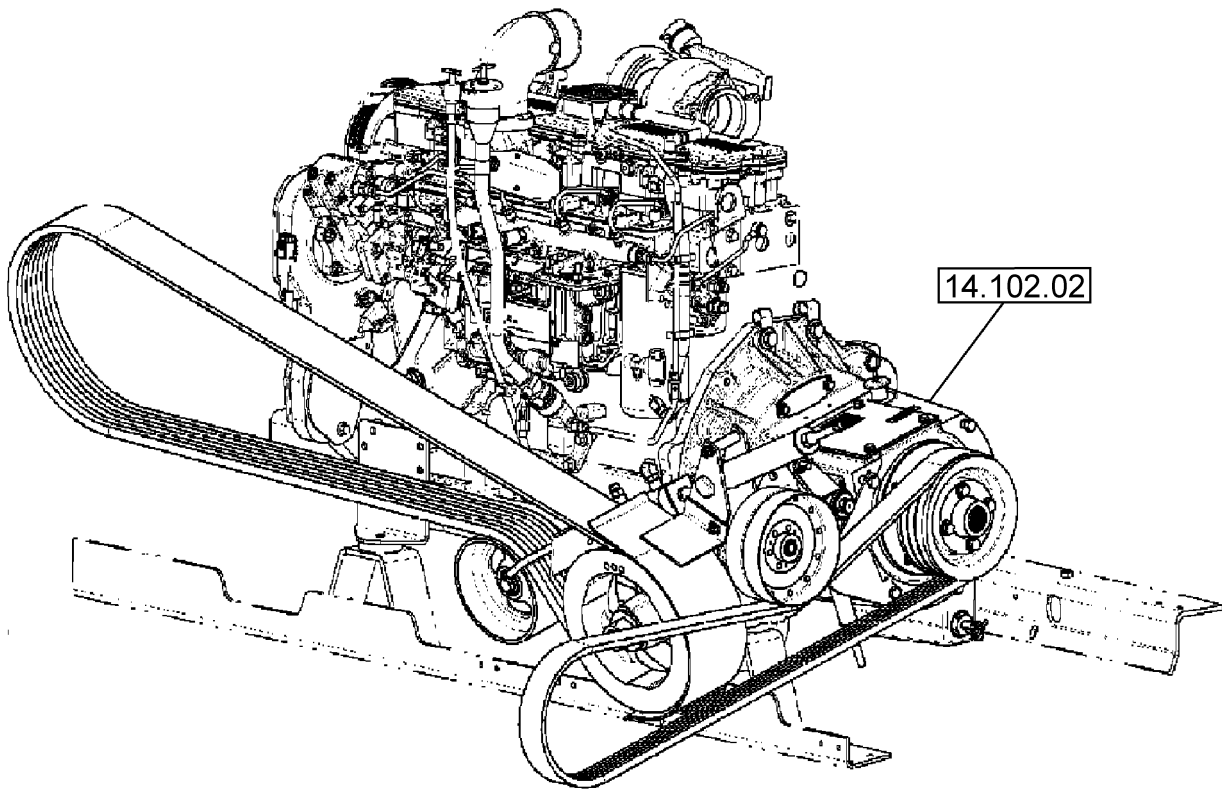
14.000.00	SECTION INDEX - LIVE PTO
14.100.11	PTO, ROTOR VARIATOR ASSY, ENGINE GEARBOX
14.102.02	PTO, CLUTCH

14.000.00

p1

08/09

SECTION INDEX - LIVE PTO



14.000.00

p1

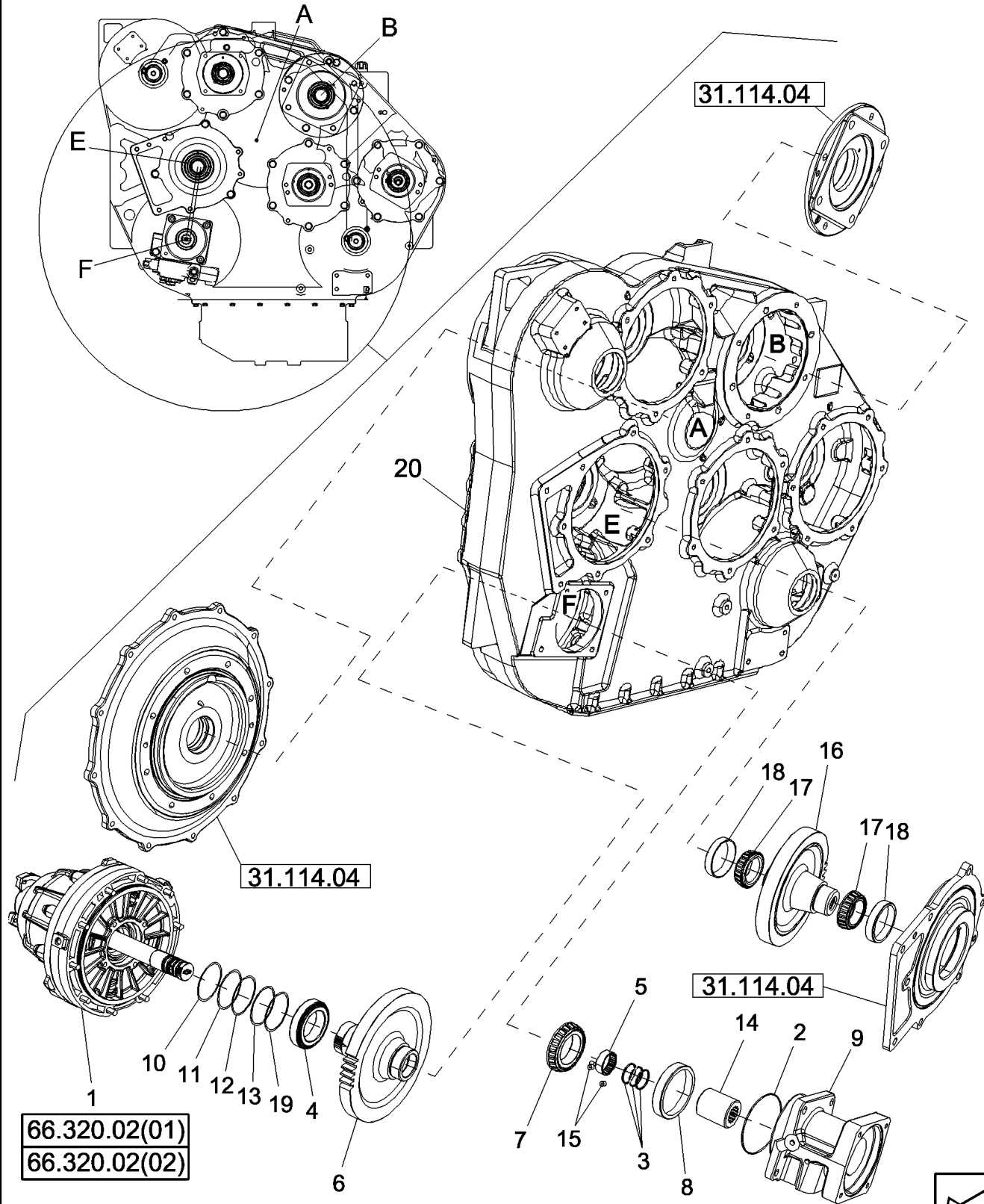
08/09

SECTION INDEX - LIVE PTO

REF	FN	PART NUMBER	YR/SN	QTY	DESCRIPTION
------------	-----------	--------------------	--------------	------------	--------------------

					7120 7120 8120 9120 8120
--	--	--	--	--	-------------------------------------

PTO, ROTOR VARIATOR ASSY, ENGINE GEARBOX



PTO, ROTOR VARIATOR ASSY, ENGINE GEARBOX

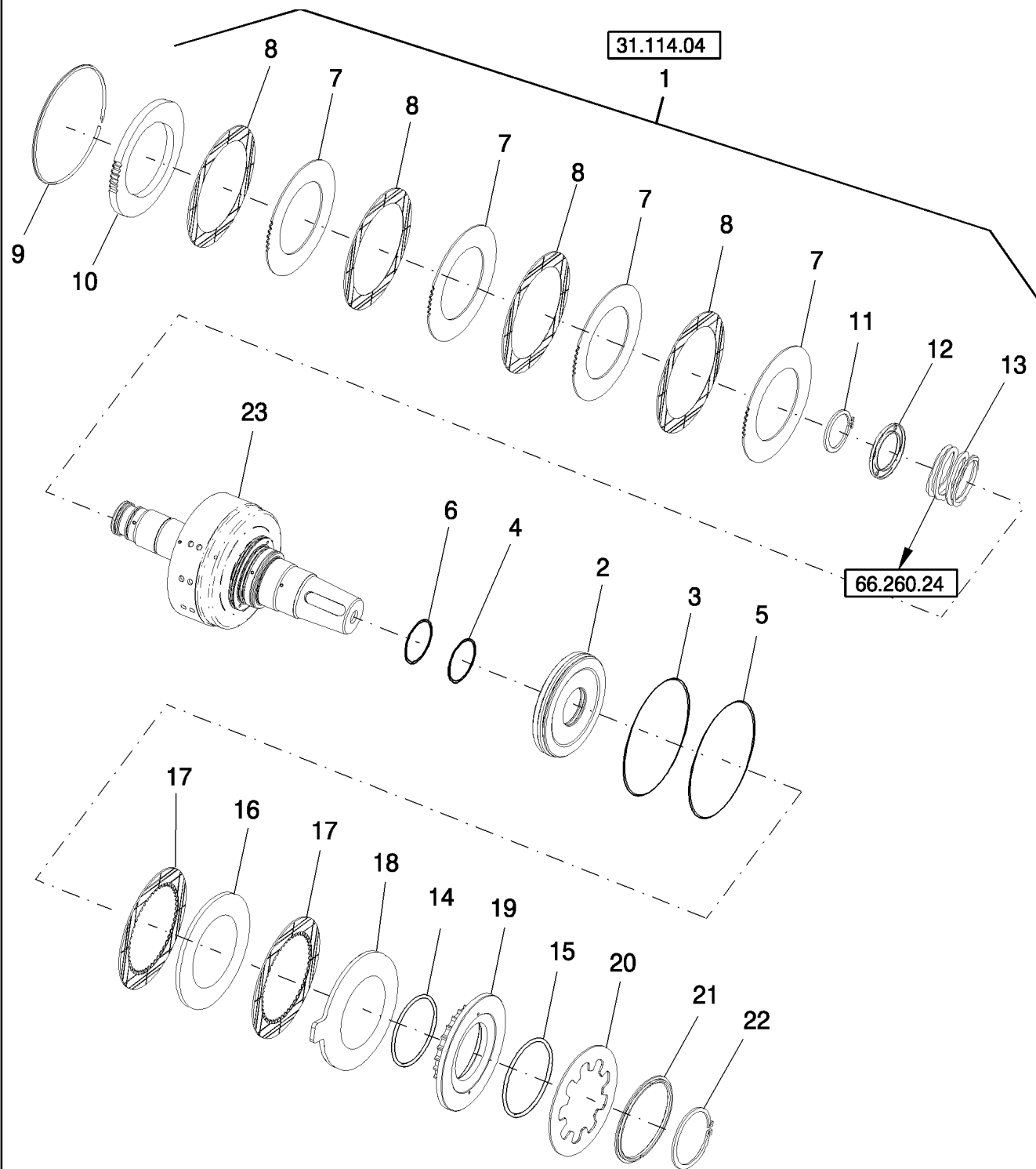
REF	FN	PART NUMBER	YR/SN	QTY	DESCRIPTION
1	1	86998846		1	GEARBOX, Variator, Rotor
1	2	87640684		1	GEARBOX ASSY, Variator, Rotor
2		238-5158		1	O-RING, -158, 70 Duro, 4.737" ID x .103" Thk
3		87587474		3	SEALRING, Shaft
4		86998145		1	TAPERED ROLLER BEARING
5		86996784		1	NEEDLE BEARING
6		86975206		1	GEAR, Rotor Drive, 57 T
7		227488A1		1	BEARING, CONE
8		29214H		1	BEARING CUP
9		397700A1		1	SLEEVE
10		359242A1		AR	SHIM, 0.1mm Thk, 0.004"
11		359243A1		AR	SHIM, 0.15mm Thk, 0.006"
12		359244A1		AR	SHIM, 0.3mm Thk, 0.012"
13		359251A1		AR	SHIM, 0.5mm Thk, 0.020"
14		399972A3		1	HUB, Hydraulic Motor Drive
15		87520607		3	PLUG, Expansion, 9 mm
16		86975205		1	GEAR, 51T
17		L33289		1	BEARING CONE
18		105497H		1	BEARING CUP
19		87282628		AR	SHIM
20		86981235		1	CONTROL VALVE

(1) 7120 & 8120 Only

(2) 9120 Only

**8120 9120 7120 7120
8120**

PTO, CLUTCH



PTO, CLUTCH

REF	FN	PART NUMBER	YR/SN	QTY	DESCRIPTION
1	1, 2	0C		1	ORDER COMPONENTS, Shaft & Clutch
1	3, 4	0C		1	ORDER COMPONENTS, Shaft & Clutch
2		329889A1		1	PISTON
3		329896A1		1	SEAL
4		A159297		1	SEALRING, Clutch Piston
5		238-5158		1	O-RING, -158, 70 Duro, 4.737" ID x .103" Thk
6		238-5137		1	O-RING, -137, 90 Duro, 2.05" ID x .103" Thk
7		345335A2		AR	PLATE, Separator; Unloader Drive (4), Beater/Chopper Drive (6)
8	5	345334A1		AR	FACING, Friction; Unloader Drive (4), Beater/Chopper Drive (6)
8	5	84159803		AR	PLATE, Friction; Unloader Drive (4), Beater/Chopper Drive (6)
9		345337A1		1	RING
10		345336A1		1	CLUTCH DRIVING PLATE
11		100-16175		1	SNAP RING, #175, Ext
12		A188044		1	RETAINER, Piston Return Spring
13		A188080		1	SPRING, Piston Return
14		87105115		1	SEALRING
15		87105116		1	SEALRING
16		87105109		1	PLATE
17	5	86990276		2	DISC, Friction
17	5	84159162		2	CLUTCH PLATE, Disc, Friction
18		87109365		1	PLATE
19		87105676		1	PISTON
20		87105113		1	SPRING, Disc
21		87105114		1	RING
22		800-1170		1	SNAP RING, M70, Ext, Retaining
23	2	87107563		1	SHAFT
23	3	87394766		1	SHAFT

- (1) Available W/Shims as Kit 87325136
- (2) Component of Kit 84223960
- (3) Beater/Chopper Drive
- (4) Available W/Shims as Kit 87737569
- (5) May be Used Interchangeably

**8120 9120 7120 7120
8120**

SECTION INDEX

18 - Clutch

18.000.00	SECTION INDEX - CLUTCH
18.100.03	PTO, VALVE - CLUTCH CONTROL
18.110.02	CLUTCH ASSEMBLY, ELEVATOR HOUSING
18.148.01	VALVE, HYDRAULIC REVERSER

18.000.00

p1

08/09

SECTION INDEX - CLUTCH

**ART
NOT
AVAILABLE**

18.000.00		p1	08/09
------------------	--	----	-------

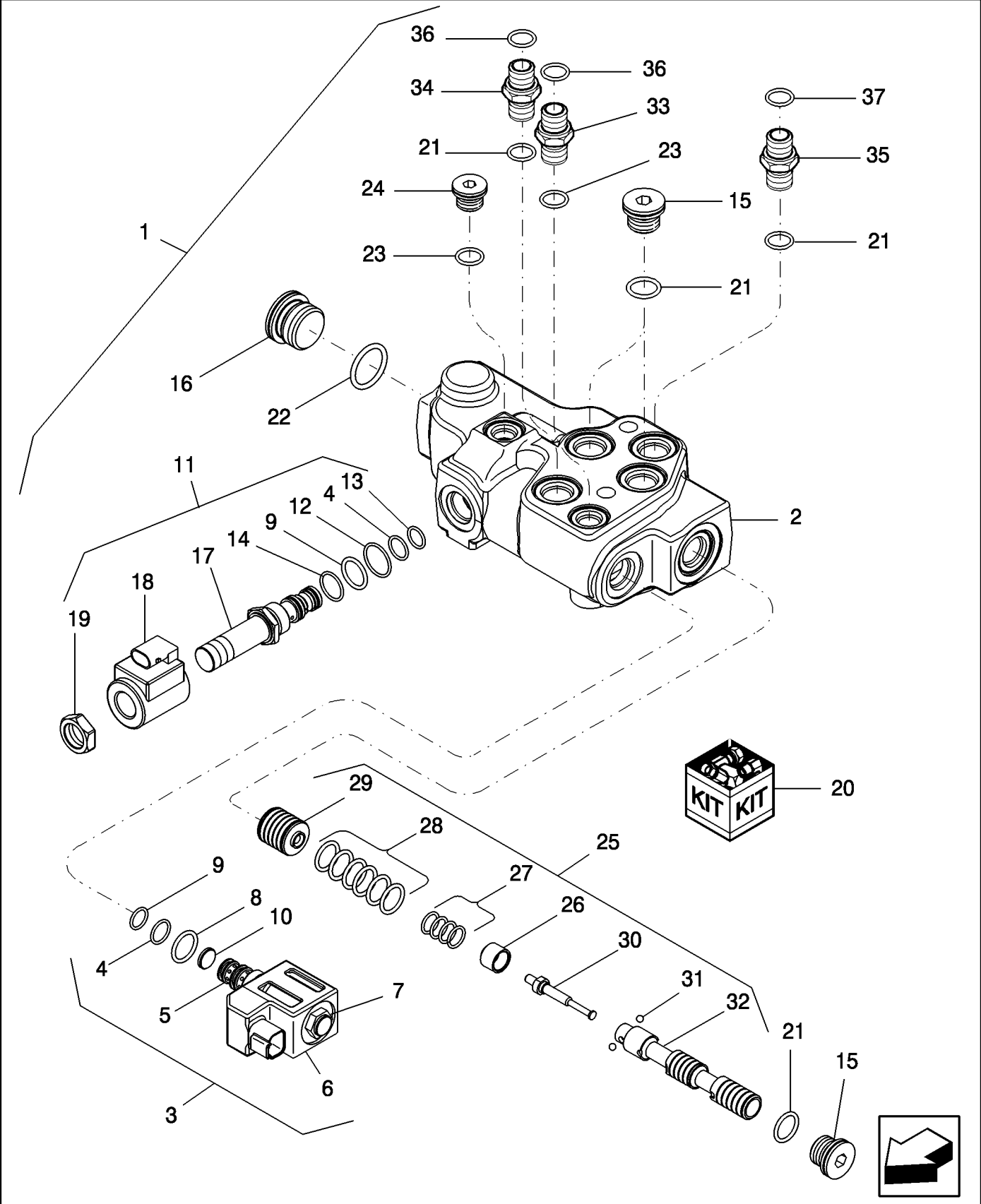
SECTION INDEX - CLUTCH

REF	FN	PART NUMBER	YR/SN	QTY	DESCRIPTION
-----	----	-------------	-------	-----	-------------

--	--	--	--	--	--

					7120 7120 8120 9120 8120
--	--	--	--	--	---

PTO, VALVE - CLUTCH CONTROL

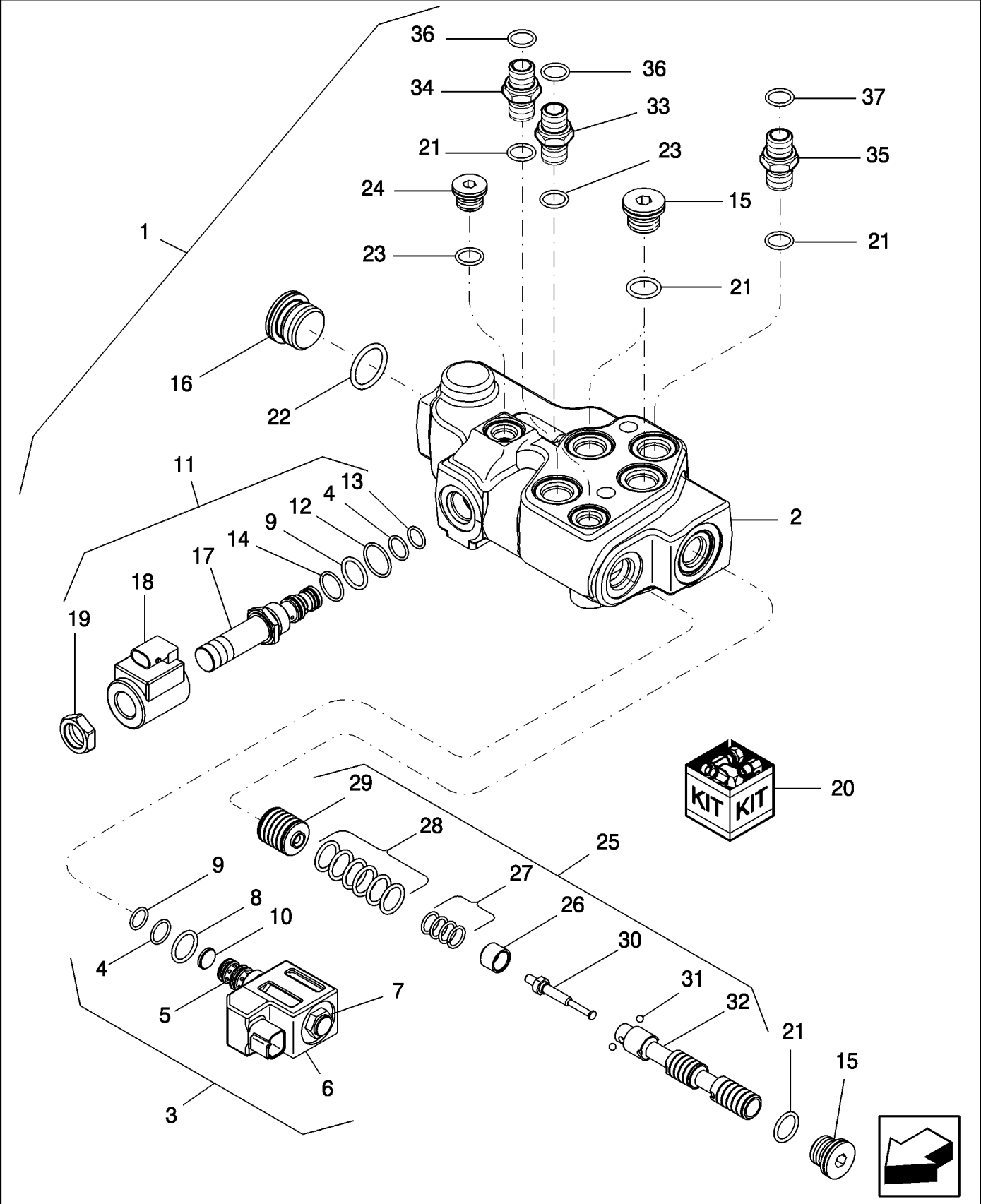


PTO, VALVE - CLUTCH CONTROL

REF	FN	PART NUMBER	YR/SN	QTY	DESCRIPTION
1		86981235		1	CONTROL VALVE, Includes Ref 2 - 37 - Variable Speed
1		87447038		1	CONTROL VALVE, Includes Ref 2 - 37 - Fixed Speed
2		NSS		1	NOT SERVICED SEPARATELY, Body, Valve
3		349295A1		1	SOLENOID VALVE, Incl Ref 4 - 10
4		238-5014		1	O-RING, -014, 70 Duro, .489" ID x .070" Thk
5		349291A1		1	CARTRIDGE
6		298614A1		1	SOLENOID
7		349292A1		1	NUT, Jam
8		237-6008		1	O-RING, 8-1, 90 Duro, .644" ID x .087" Thk
9		238-5013		1	O-RING, -013, 70 Duro, .426" ID x .070" Thk
10		196096A1		1	SCREEN
11		84135530		1	SOLENOID VALVE, Incl Ref 4, 9, 12 - 14, 17 - 19
12		237-6008		1	O-RING, 8-1, 90 Duro, .644" ID x .087" Thk
13		238-7016		1	O-RING, -016, CI 7, .614" ID x .070" Thk
14		238-7018		1	O-RING, -018, CI 7, .739" ID x .070" Thk
15		221578A1		3	PLUG, Hex Soc, M18 x 1.5, ORB
16		221580A1		1	PLUG, Hex Soc, M27 x 2, ORB
17		304831A1		1	SPOOL, Cartridge
18		304834A1		1	SOLENOID
19		304836A1		1	NUT
20		308245A1		AR	SEAL KIT, Incl (1) each Ref 4, 9, 12, 13 & 14
21		86598101		5	O-RING, CI 6, 15.3MM ID x 2.2 Thk
22		86598103		1	O-RING, CI 6, 23.6MM ID x 2.9 Thk
23		86598099		3	O-RING, CI 6, 11.3MM ID x 2.2 Thk
24		221576A1		2	PLUG, Hex Soc, M14 x 1.5, ORB
25		86981236		1	SPOOL, Incl Ref 26 - 32, For 86981235
25		283642A4		1	SPOOL, Incl Ref 26 - 32, For 87447038
26		NSS		1	NOT SERVICED SEPARATELY, Sleeve
27		NSS		1	NOT SERVICED SEPARATELY, Spring
28		NSS		1	NOT SERVICED SEPARATELY, Spring
29		NSS		1	NOT SERVICED SEPARATELY, Piston
30		NSS		1	NOT SERVICED SEPARATELY, Pin
31		511-1040		2	BALL, 4mm Dia
32		86981237		1	SPOOL

7120 7120 8120 9120
8120

PTO, VALVE - CLUTCH CONTROL

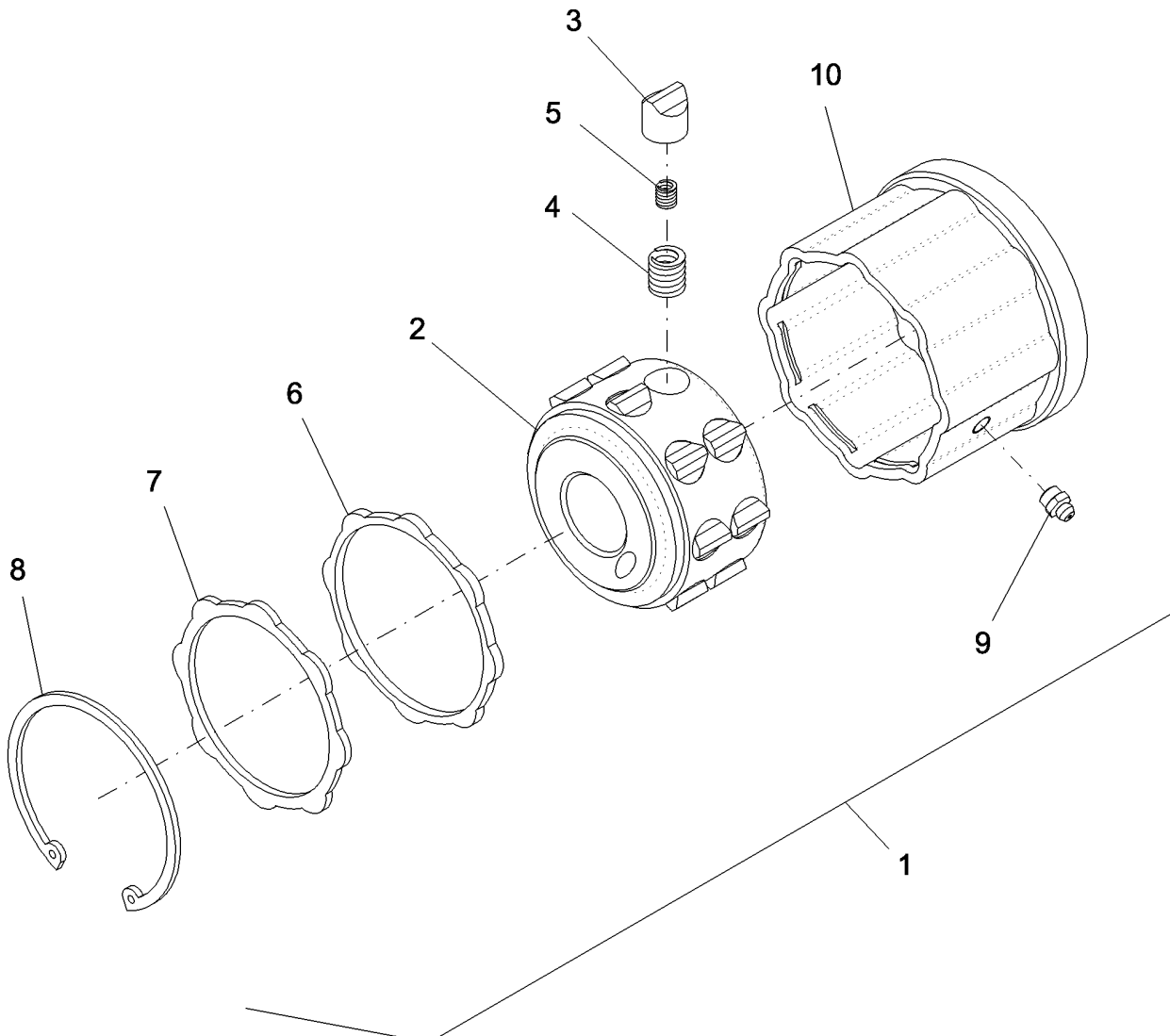
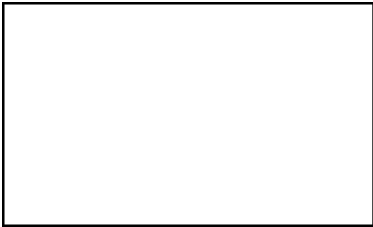


PTO, VALVE - CLUTCH CONTROL

REF	FN	PART NUMBER	YR/SN	QTY	DESCRIPTION
33		700-101		1	HYD CONNECTOR, 11/16"-16 ORFS x M14 x 1.5 ORB
34		86579673		1	HYD CONNECTOR, 11/16"-16 ORFS x M18 x 1.5 ORB
35		700-102		1	HYD CONNECTOR, 13/16"-16 ORFS x M18 x 1.5 ORB
36		9993141		2	O-RING, -012, 90 Duro, .364" ID x .070" Thk
37		9992298		1	O-RING, -014, 90 Duro, .489" ID x .070" Thk

	7120 7120 8120 9120 8120
--	-------------------------------------

CLUTCH ASSEMBLY, ELEVATOR HOUSING

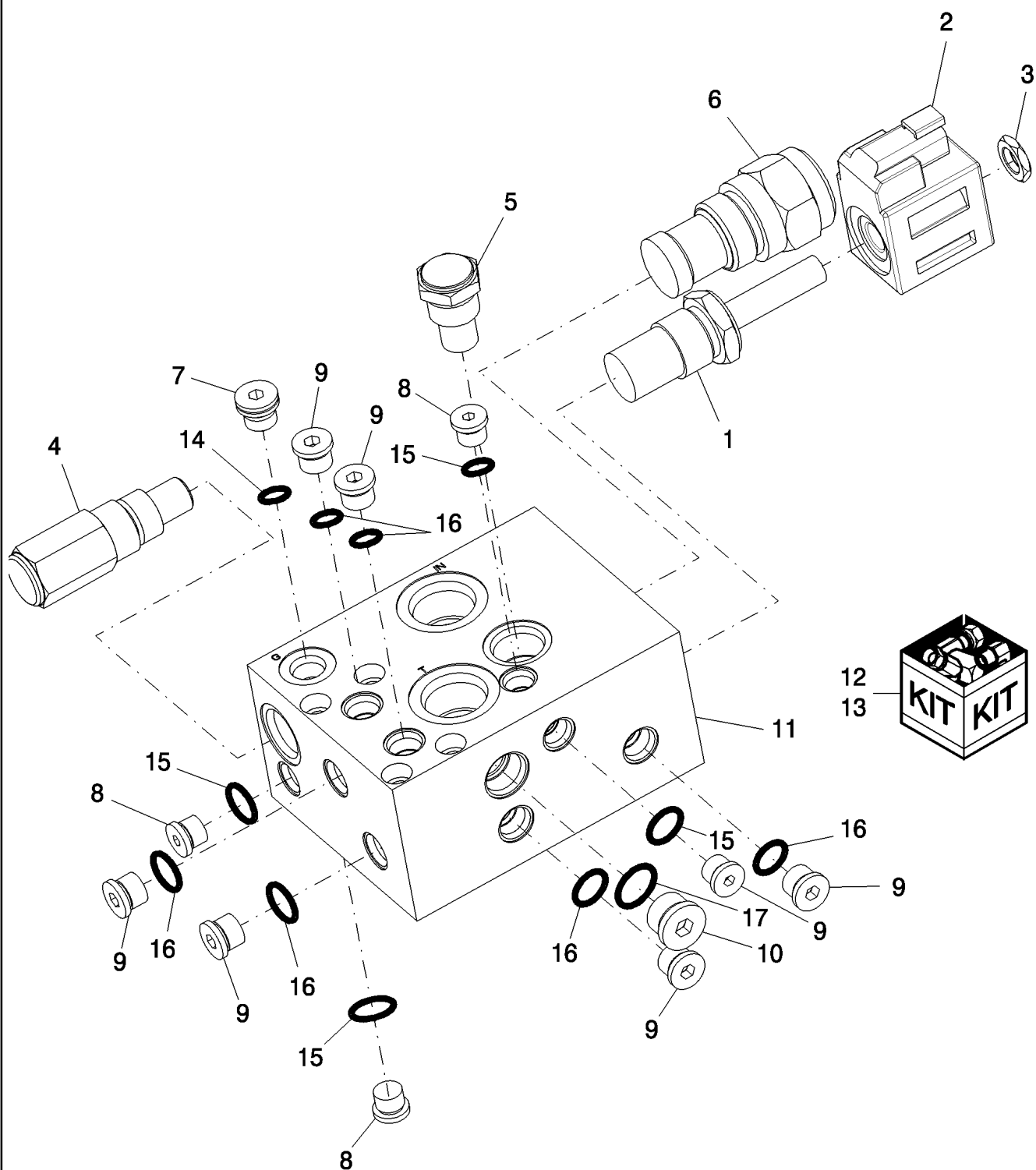


CLUTCH ASSEMBLY, ELEVATOR HOUSING

REF	FN	PART NUMBER	YR/SN	QTY	DESCRIPTION
1		87527860		1	CLUTCH ASSEMBLY, Incl Ref 2 thru 10
2		NSS		1	NOT SERVICED SEPARATELY, Hub, 1-3/8", 21 Spline
3		275246		16	CAM
4		386510		16	SPRING, Outer
5		297908A1		16	SPRING, Inner
6		428144		1	SEAL
7		86636027		1	THRUST WASHER
8		300633		1	SNAP RING, M80, Int
9		84447449		1	LUBE NIPPLE
10		NSS		1	NOT SERVICED SEPARATELY, Housing, Clutch

**7120 7120 9120 8120
8120**

VALVE, HYDRAULIC REVERSER



VALVE, HYDRAULIC REVERSER

REF	FN	PART NUMBER	YR/SN	QTY	DESCRIPTION
		87284673		AR	VALVE, Incl Ref 1 thru 11
1		86514793		1	SOLENOID VALVE, Cartridge
2		87352779		1	SOLENOID
3		195683A1		1	NUT, 1/2"-20, Thin
4		87449364		1	CARTRIDGE, Relief
5		86511474		1	CHECK VALVE
6		87449365		1	CARTRIDGE, Flow Regulator
7		86598044		1	PLUG
8		87035062		4	PLUG, Hex Soc, 1/2"-20 ORB
9		9625178		6	PLUG, Hex Soc, 9/16"-18 ORB
10		86598044		1	PLUG, 1/2"
11		NSS		1	NOT SERVICED SEPARATELY, Body
12		86514794		1	SEAL KIT, For Ref 1
13		86509022		1	SEAL KIT, For Ref 5
14		637-63113		1	O-RING, CI 6, 11.3MM ID x 2.2 Thk
15		237-6002		4	O-RING, 2-1, .239" ID x .064" Thk
16		237-6003		6	O-RING, 3-1, .301" ID x .064" Thk
17		237-6005		1	O-RING, 5-1, 90 Duro, .414" ID x .072" Thk

**9120 7120 8120 7120
8120**

SECTION INDEX

21 - Transmission

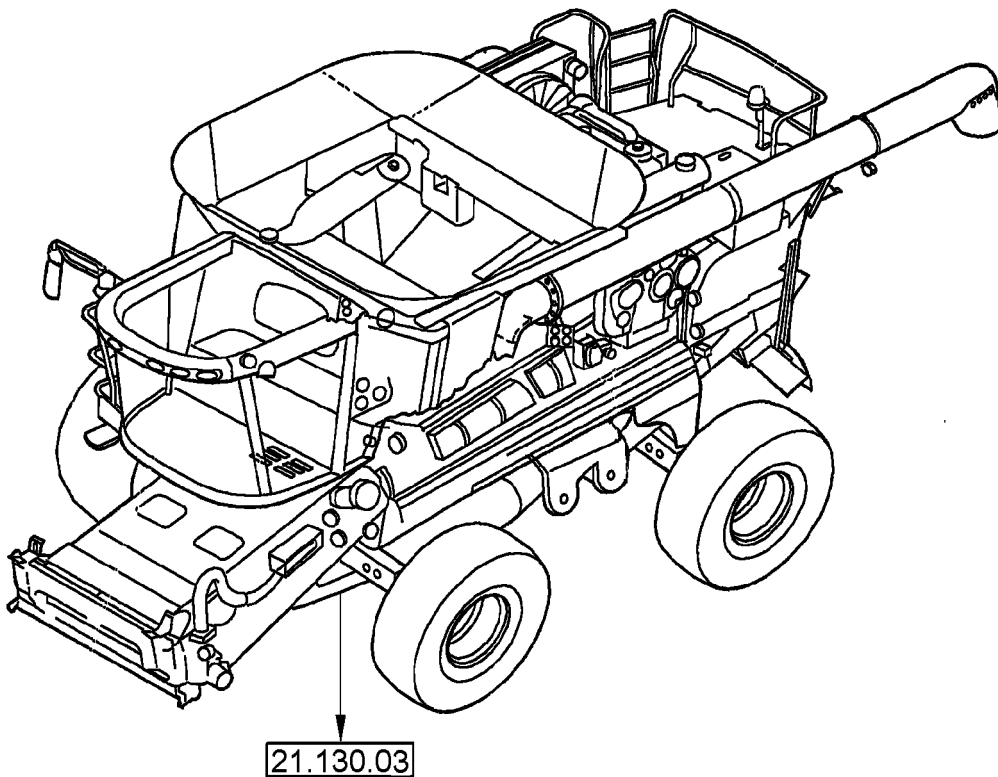
21.000.00	SECTION INDEX - TRANSMISSION
21.102.01	FEEDER - GEARBOX ASSY
21.104.02	HYDRAULICS - MAIN LINES
21.110.01	DIFFERENTIAL LOCK
21.114.01	MECHANICAL TRANSMISSION, COMPLETE
21.120.02	MECHANICAL TRANSMISSION, HOUSING
21.130.03	MECHANICAL TRANSMISSION, GEARSHIFT CONTROL
21.140.02	MECHANICAL TRANSMISSION, DRIVE SHAFT
21.140.03	MECHANICAL TRANSMISSION OUTPUT SHAFT
21.145.01	MECHANICAL TRANSMISSION, INPUT SHAFT
21.182.02	DIFFERENTIAL LOCK CONTROL
21.184.02	DIFFERENTIAL

21.000.00

p1

08/09

SECTION INDEX - TRANSMISSION



21.000.00

p1

08/09

SECTION INDEX - TRANSMISSION

REF	FN	PART NUMBER	YR/SN	QTY	DESCRIPTION
------------	-----------	--------------------	--------------	------------	--------------------

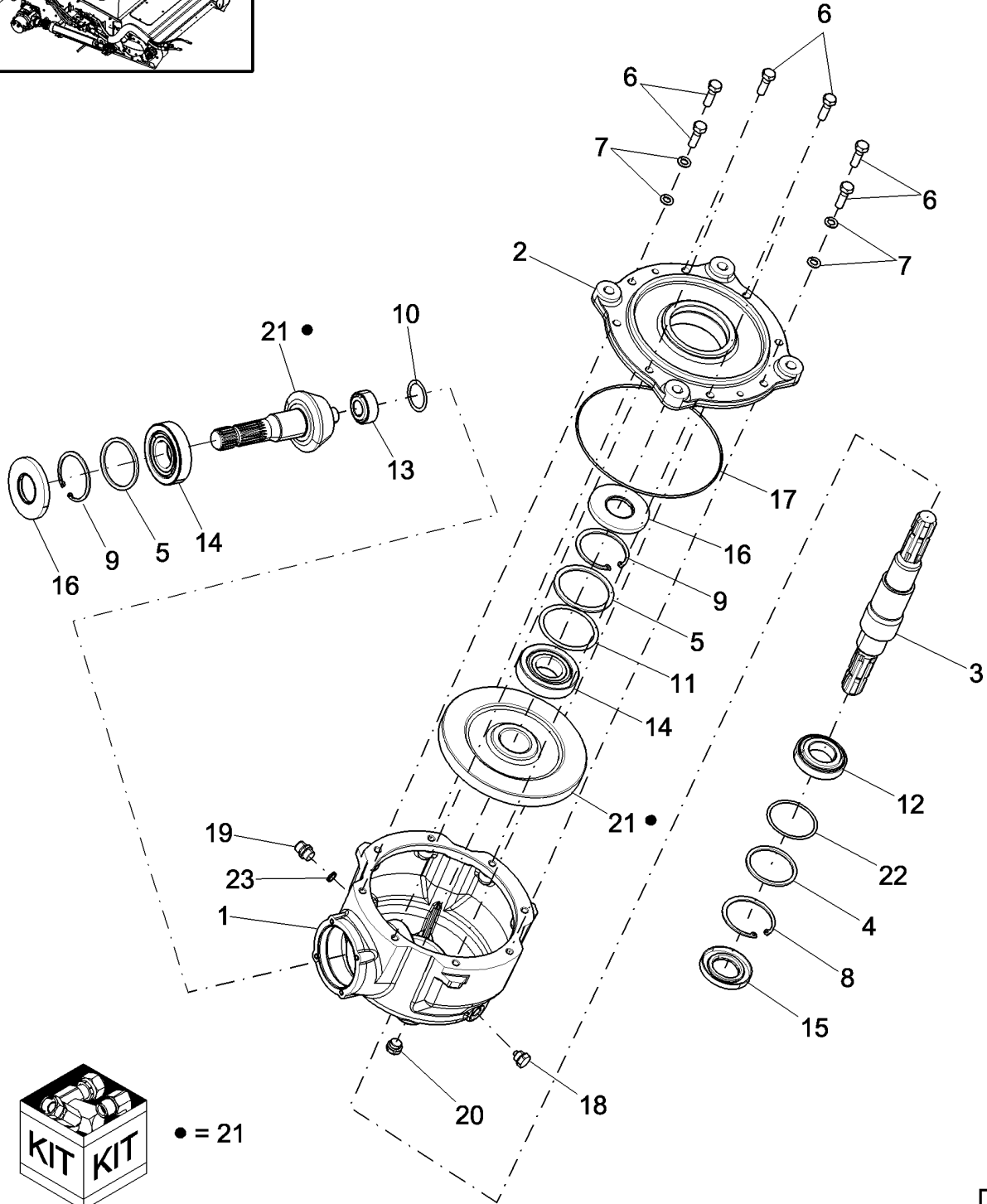
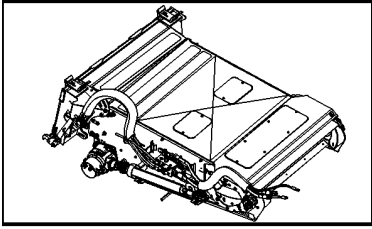
					7120 7120 8120 9120 8120
--	--	--	--	--	-------------------------------------

21.102.01

p1

12/09

FEEDER - GEARBOX ASSY



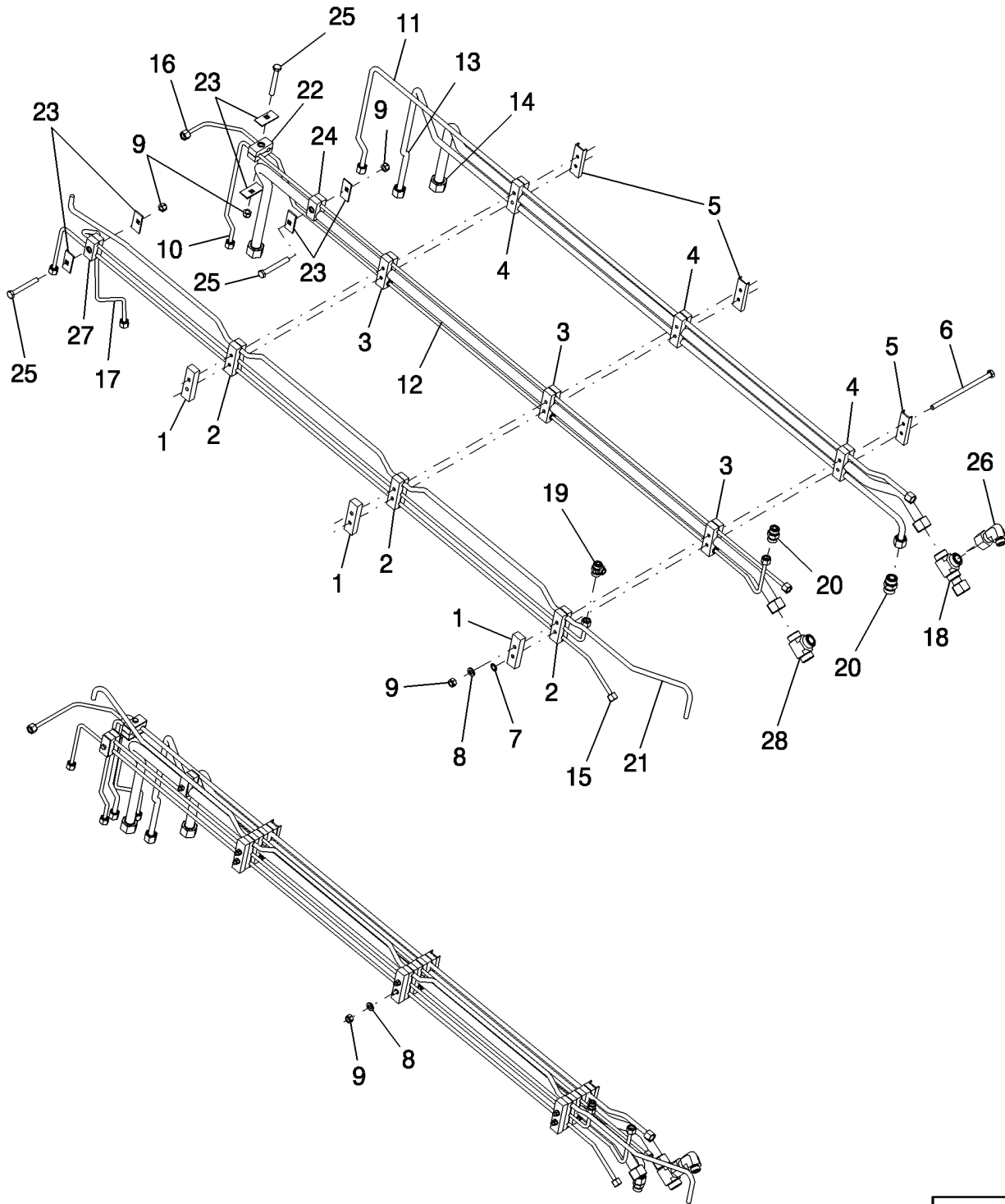
• = 21



FEEDER - GEARBOX ASSY

REF	FN	PART NUMBER	YR/SN	QTY	DESCRIPTION
		87610913		1	GEARBOX ASSY, Incl Refs 1 Thru 23
1		87449554		1	HOUSING
2		87449555		1	COVER
3		87449556		1	SHAFT
4		87449557		1	SPACER, D.74 x 84, 8 x 4
5		87449558		2	SPACER, D.85, 2 x 99, 8 x 4
6		627-12040		8	BOLT, Hex, M12 x 40, 10.9, Full Thd
7		892-11012		8	LOCK WASHER, M12
8		800-2185		1	SNAP RING, M85 x 3, Int
9		800-21100		2	SNAP RING, Int, M100 x 3
10		87449559		1	SHIM KIT
11		87449569		2	SHIM KIT
12		86018152		1	TAPERED ROLLER BEARING
13		81864433		1	TAPERED ROLLER BEARING
14		87449570		2	TAPERED ROLLER BEARING
15		87610910		1	OIL SEAL, Viton, M45 x 89 x 10
16		87610911		1	OIL SEAL, Viton, M45 x 100 x 10
17		238-5271		1	O-RING, -271, 70 Duro, 9.234" ID x .139" Thk
18		87282043		1	MAGNETIC PLUG, Drain, M18 x 1.5
19		87282044		1	PLUG, Breather M18 x 1.5
20		87282045		1	PLUG, Level M18 x 1.5
21		87449573		1	GEAR SET, Kit
22		87449564		1	SHIM KIT
23		3051337R1		1	SEALING WASHER, M18 x 24 x 1.5
					8120 9120 7120 7120 8120

HYDRAULICS - MAIN LINES



HYDRAULICS - MAIN LINES

REF	FN	PART NUMBER	YR/SN	QTY	DESCRIPTION
1		86998428		3	SPACER, Clamp, Tube
2		86998371		3	CLAMP, Hydraulic Tube
3		86998372		3	CLAMP, Hydraulic Tube
4		86998373		3	CLAMP, Hydraulic Tube
5		87000242		3	CHANNEL, Clamp Back-Up
6		412422		6	BOLT, Hex, M8 x 150, 8.8
7		87012484		3	SNAP RING, #31, Ext
8		140016		6	WASHER, M8 x 16 x 1.6
9		832-46408		9	LOCK NUT, M8 x 1.25, CI 8
10		86995857		1	HYD. TUBE, Load Sense to Steering
11		87280106		1	HYD. TUBE, Priority Flow to Steering
12		87280105		1	HYD. TUBE, Extra Flow to Feeder Valve
13		87283796		1	HYD. TUBE, Feeder Lift
14		86995869		1	HYD. TUBE, Return from Feeder Stack
15		86996184		1	TUBE, Load Sense from Feeder Valve
16		87109922		1	HYD. TUBE, Drain
17		87109749		1	HYD. TUBE, Regulator, Pressure to Main Stack
18		86641295		1	TEE, 1 7/16"-12 ORFS to Swivel
19		9840322		1	TEE, 1 1/16"-16 ORFS
20		84431473		2	HYD CONNECTOR, 1"-14 ORFS
21		84131881		1	TUBE ASSY., Wire Harness Support
22		87105732		1	CLAMP, Hydraulic Tube
23		87000230		6	PLATE, Clamp, Hose
24		87000142		1	CLAMP, Hydraulic Tube
25		300510		3	BOLT, Hex, M8 x 65, 8.8
26		87105745		1	ELBOW, Reducer
27		86988833		1	CLAMP, Hydraulic Tube
28		87280130		1	TEE

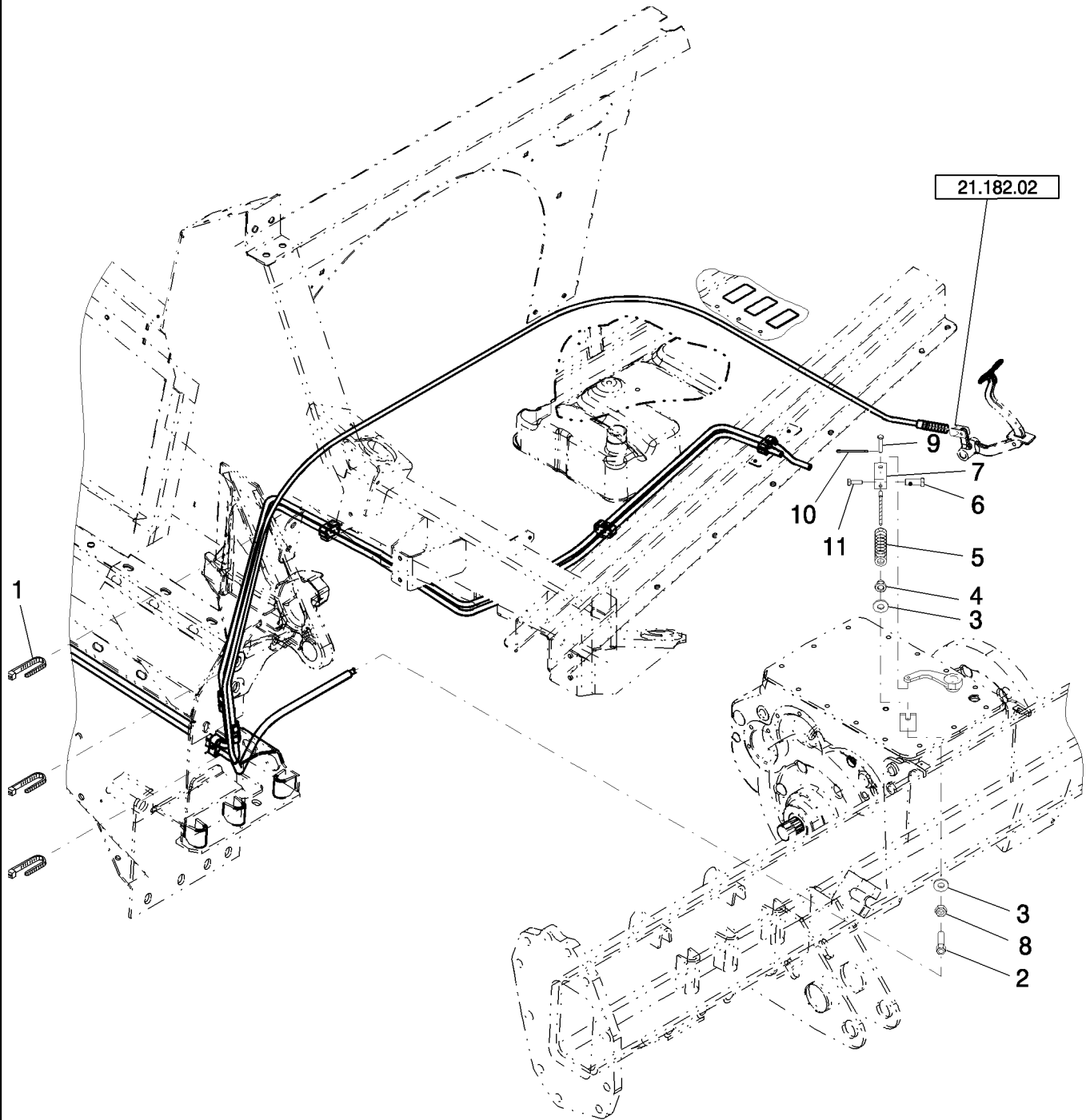
**9120 7120 8120 7120
8120**

21.110.01

p1

08/09

DIFFERENTIAL LOCK



21.182.02

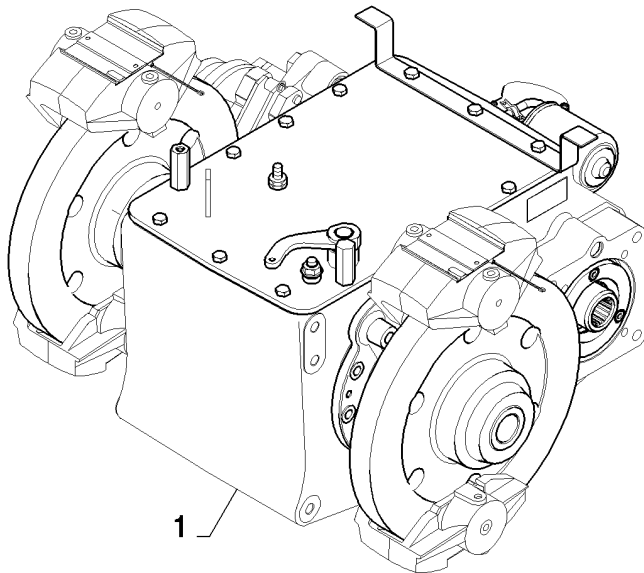
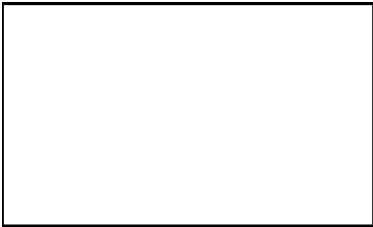


DIFFERENTIAL LOCK

REF	FN	PART NUMBER	YR/SN	QTY	DESCRIPTION
1		9818147		3	CLAMP, Wire Tie
2		449469		1	SCREW, M10 x 38
3		394629		2	LOCK WASHER, M10.5 x 24 x 0.2, HT
4		449470		1	NUT
5		9818291		1	BOOT
6		381140		1	CLAMP
7		388340		1	YOKE
8		100016		1	NUT, M10, CI 8
9		376876		1	CLEVIS PIN, M6 x 30
10		86977785		1	COTTER PIN, M1.6 x 20
11		120100		1	BOLT, Hex, M6 x 20, 8.8

**8120 9120 7120 7120
8120**

MECHANICAL TRANSMISSION, COMPLETE

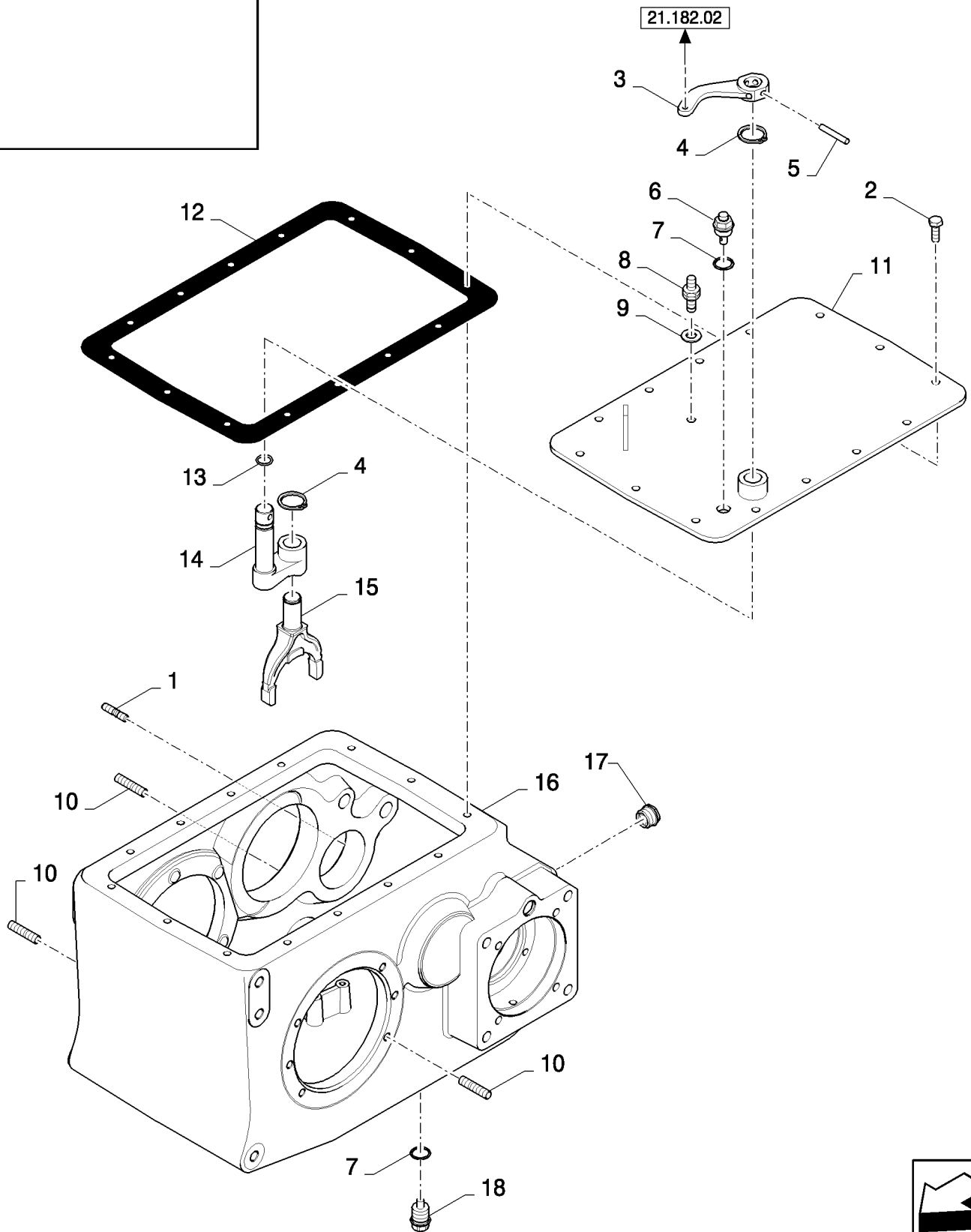
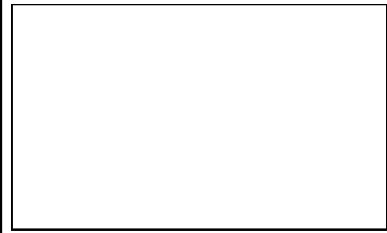


MECHANICAL TRANSMISSION, COMPLETE

REF	FN	PART NUMBER	YR/SN	QTY	DESCRIPTION
1	1, 2	87532432		1	TRANSMISSION, 20/61
1	3, 4	87532430		1	TRANSMISSION, 20/61
1	5, 2	87532436		1	TRANSMISSION, 16/71
1	6, 2	87663474		1	TRANSMISSION, 16/71, 400 mm Dia Brake Discs
1	4, 7	87532434		1	TRANSMISSION, 16/71
(1)	9120 NA or EU, 8120 NA or EU, 7120 NA Only				
(2)	With Differential Lock				
(3)	9120 NA Only, 8120 NA or Latin America, 7120 NA or LA				
(4)	Less DIFF LOCK				
(5)	7120 NA or EU				
(6)	8120 NA Only				
(7)	7120 NA or LA				

**8120 9120 7120 7120
8120**

MECHANICAL TRANSMISSION, HOUSING



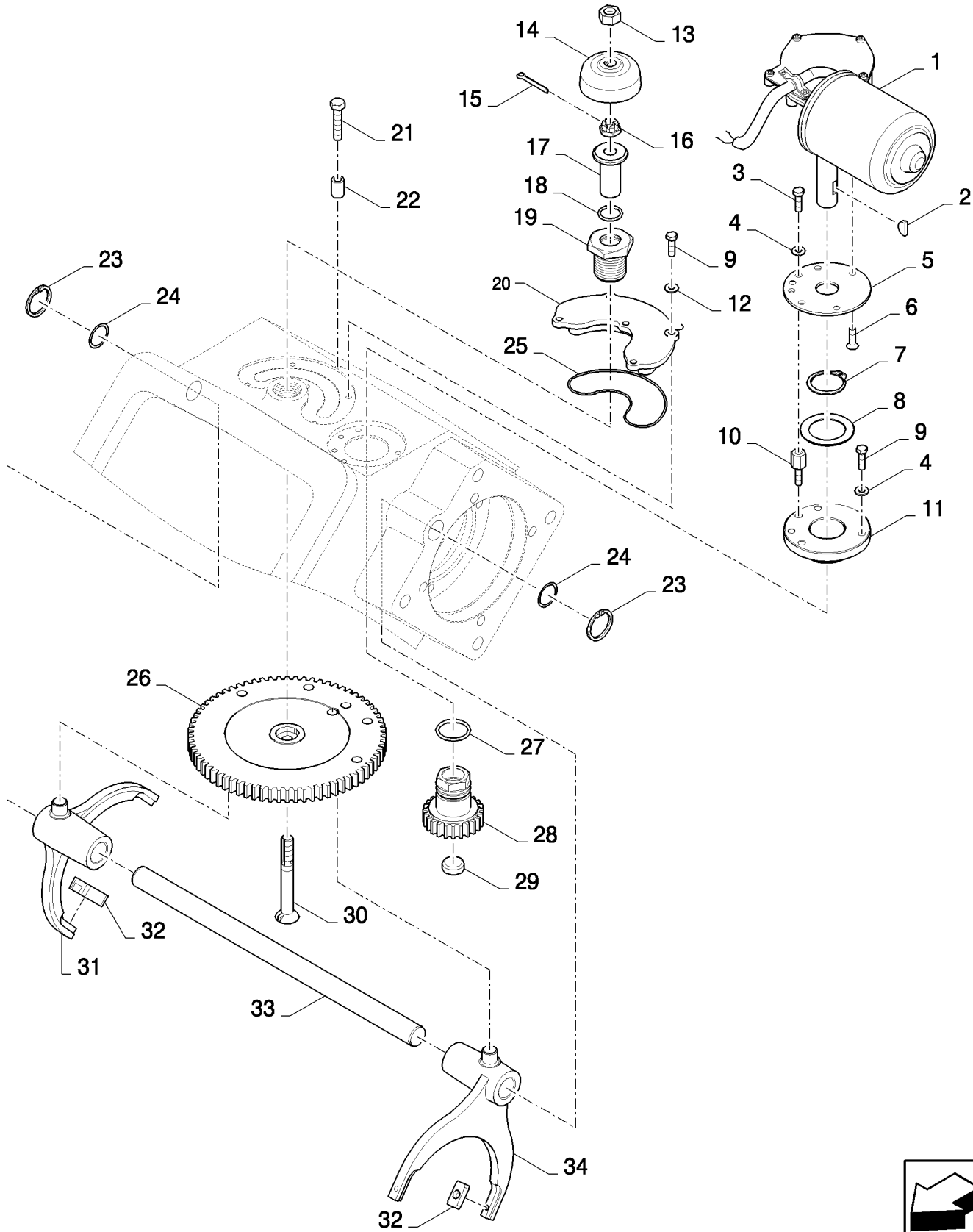
MECHANICAL TRANSMISSION, HOUSING

REF	FN	PART NUMBER	YR/SN	QTY	DESCRIPTION
1		110019		5	STUD, M10 x 37, CI 8.8
2		412621		14	BOLT, Hex Lock, M10 x 30, 8.8
3	1	84334005		1	LEVER
4	1	370002		2	CIRCLIP, M25, Ext
5	1	9506888		1	PIN
6	2	398136		1	BREATHER
6	3	150006		1	DRAIN PLUG, M24 x 1.5
7		220025		2	SEALRING
8		84058860		1	SENSOR, Ground RPM
9		355607		1	SEALRING
10		350341		15	STUD, M12 x 50
11	1	84072053		1	COVER
11	4	84072051		1	COVER
12		84071961		1	GASKET
13	1	89818942		1	O-RING, M18.72 ID x 2.62 Thk
14	1	89818945		1	ARM
15	1	89818947		1	YOKE
16		84439588		1	HOUSING
17		84071596		1	PLASTIC PLUG
18		336897		1	PLUG, Stop

- (1) With Differential Lock
- (2) Shipped from Factory
- (3) Replaces 398136 After Transmission is Run-In
- (4) Standard

**8120 9120 7120 7120
8120**

MECHANICAL TRANSMISSION, GEARSHIFT CONTROL

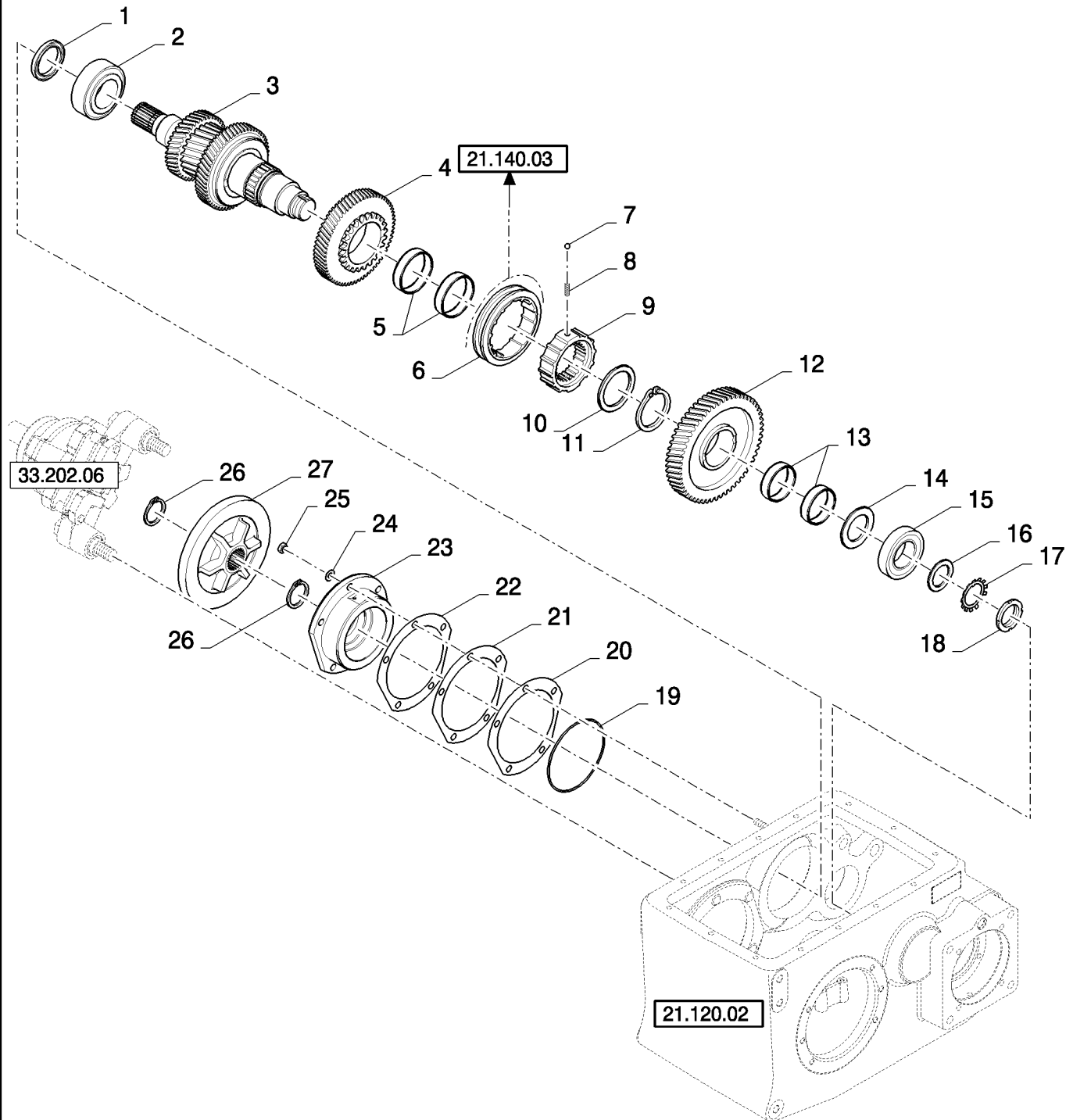


MECHANICAL TRANSMISSION, GEARSHIFT CONTROL

REF	FN	PART NUMBER	YR/SN	QTY	DESCRIPTION
1		84807563		1	ELECTRIC MOTOR
2		84041731		1	WOODRUFF KEY
3		378056		4	BOLT, Hex, M6 x 10, 8.8, Full Thd
4		322357		5	BELLEVILLE WASHER, M6
5		84071166		1	DISC
6		300497		3	SCREW, Hex Soc Flat Hd, M6 x 16, 8.8
7		370004		1	SNAP RING, M35, Ext
8		442245		1	FRICTION WASHER
9		86508568		6	BOLT, Hex, M6 x 16, Cl 8.8, Full Thd
10		84071865		4	SCREW, Distance
11		87588654		1	SPACER
12		9824259		5	WASHER, M6 x 12 x 1.6
13		9706685		1	NUT, M12, Cl 8
14		84072087		1	LID
15		130004		1	COTTER PIN, M3.2 x 25
16		84334523		1	SLOTTED NUT, M14 x 1.5, Cl 8
17		84334799		1	BUSHING
18		304967		1	O-RING, M20 ID x 2.5 Thk
19		84071821		1	THREADED INSERT
20		84457942		1	SENSOR, Mechanical Transmission Gearshift Control (25)
21		120106		1	BOLT, Hex, M8 x 40, 8.8, Full Thd
22		84038824		1	BUSHING
23		84078050		2	SNAP RING, M22, Int
24		48106		2	O-RING, -118, 70 Duro, .862" ID x .103" Thk
25		84042797		1	O-RING
26		84607593		1	GEAR
27		84021955		1	O-RING
28		87591787		1	GEAR
29		396661		1	PLUG
30		84334394		1	SCREW
31		84071587		1	SHIFTER FORK
32		84432249		4	GUIDE
33		84071538		1	SHAFT
34		84071378		1	SHIFTER FORK

8120 9120 7120 7120
8120

MECHANICAL TRANSMISSION, DRIVE SHAFT



MECHANICAL TRANSMISSION, DRIVE SHAFT

REF	FN	PART NUMBER	YR/SN	QTY	DESCRIPTION
1		84017986		1	SEALRING
2		84074759		1	TAPERED ROLLER BEARING
3	1, 2	84433515		1	SHAFT, 16T
3	3	84433499		1	SHAFT, 20T
4		84433264		1	GEAR
5		84071622		1	BEARING SET
6		84433358		1	GEAR
7		84041521		2	BALL
8		84041522		2	SPRING
9		84433352		1	GEAR
10		84072052		1	THRUST WASHER
11		84078051		1	SNAP RING, M72, Ext
12		84459182		1	GEAR, Driven
13		87317816		1	BEARING SET
14		84071394		1	THRUST WASHER
15		84320593		1	ROLLER BEARING
16		84071395		1	THRUST WASHER
17		80410880		1	LOCKING RING
18		9615771		1	LOCK NUT, M45 x 1.5, Bearing
19		84078052		1	O-RING
20		84072115		1	SHIM, 0.5mm Thk
21		84072116		2	SHIM, 0.2mm Thk
22		84072118		4	SHIM, 0.05mm Thk
23		84071119		1	BEARING HOUSING
24		140046		5	SPRING WASHER, Belleville, M12
25		9706685		5	NUT, M12, CI 8
26		370007		2	SNAP RING, M45, Ext
27		84071123		1	BRAKE DISC

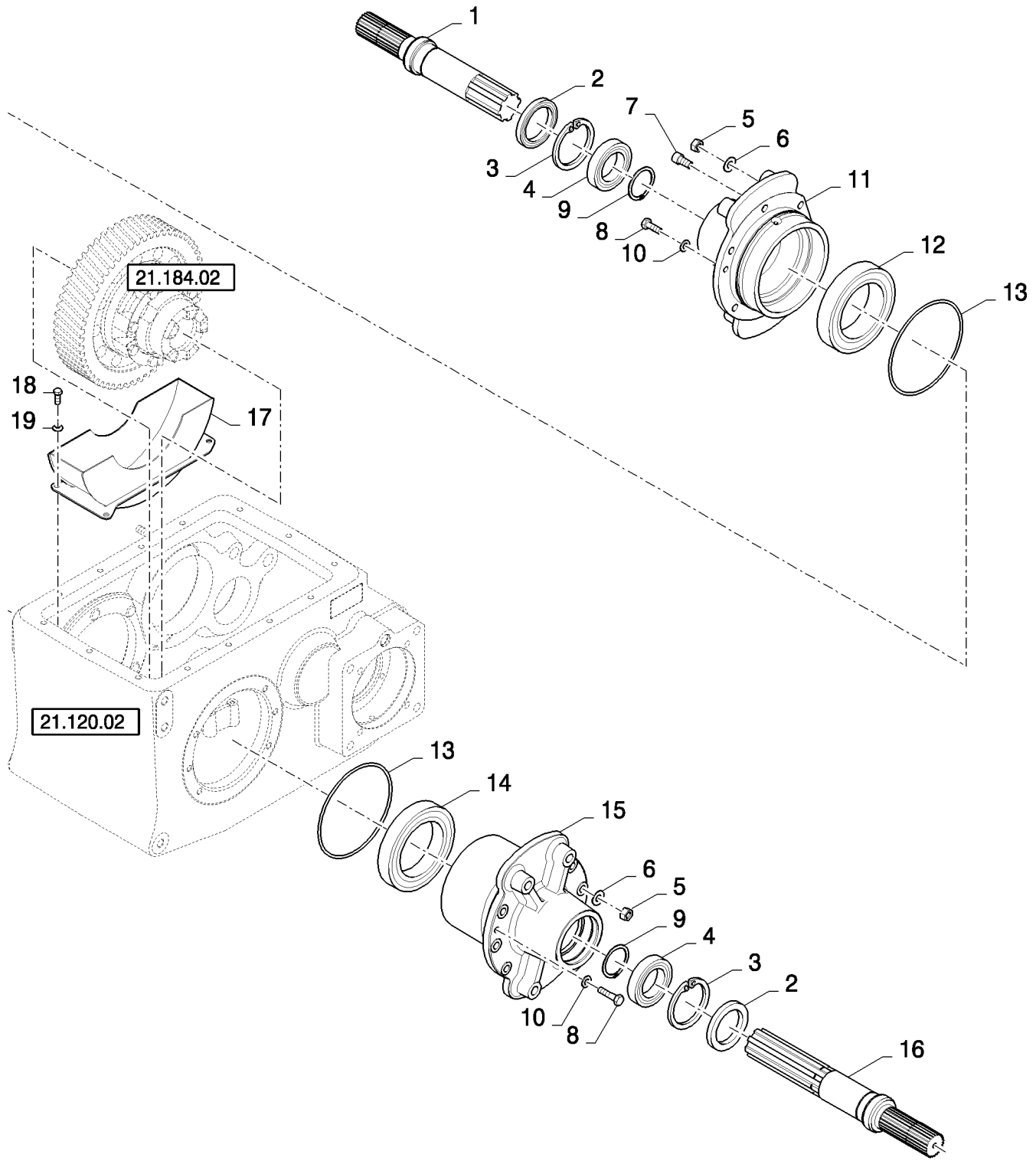
(1) Not Used In 9120

(2) For 16/71 Gearbox

(3) For 20/61 Gearbox

8120 9120 7120 7120
8120

MECHANICAL TRANSMISSION OUTPUT SHAFT



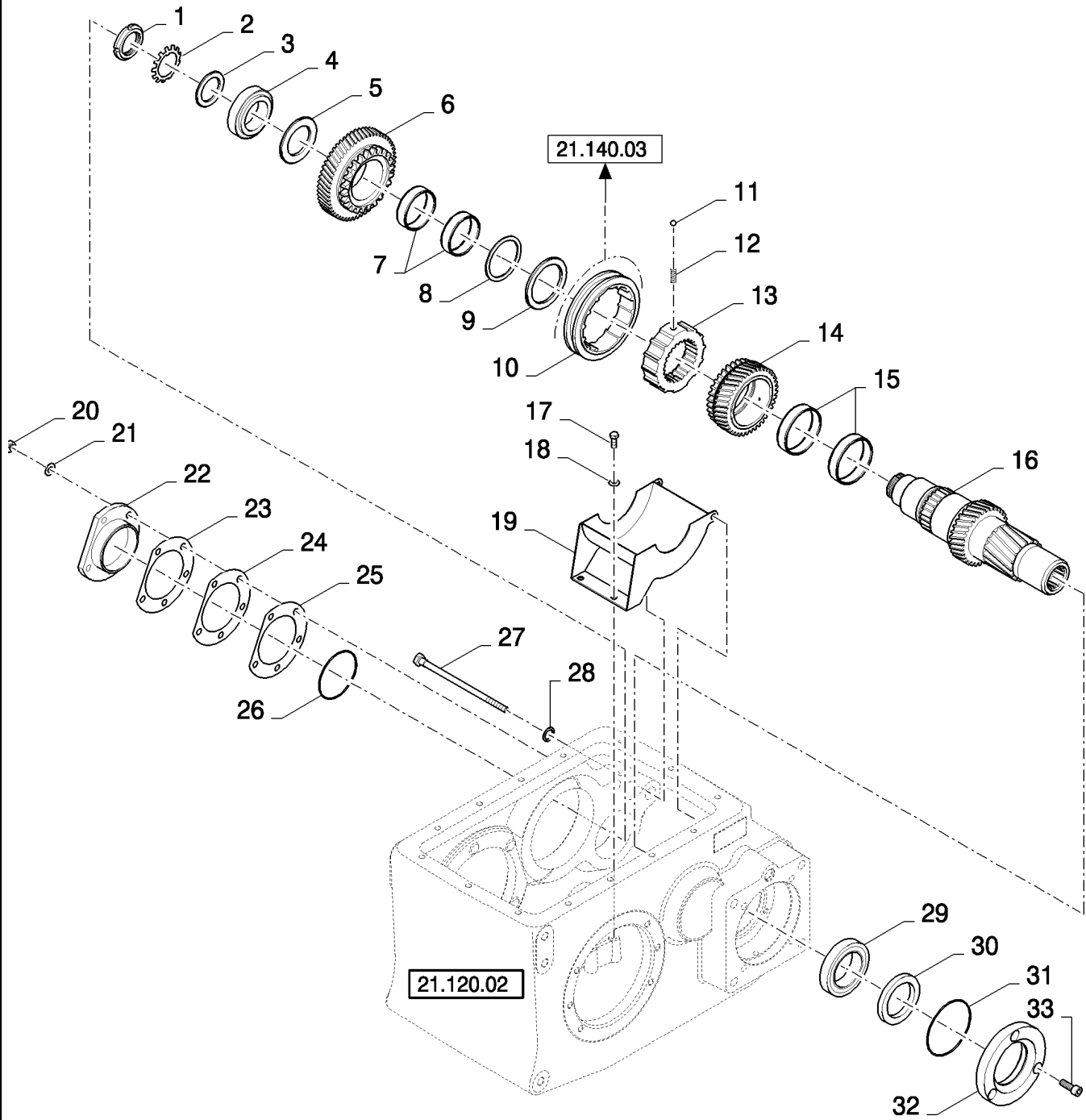
MECHANICAL TRANSMISSION OUTPUT SHAFT

REF	FN	PART NUMBER	YR/SN	QTY	DESCRIPTION
1		84069687		1	SHAFT
2		84045429		2	SEALRING, Oil Scraper
3		370013		2	SNAP RING, M90, Int
4		9825886		3	BALL BEARING
5		9706685		2	NUT, M12, CI 8
6		140046		4	SPRING WASHER, Belleville, M12
7		89837786		2	SCREW, M12 x 1.75 x 20
8		86512298		4	BOLT, Hex, M10 x 12, 8.8, Full Thd
9		327911		2	CIRCLIP, M55, Ext
10		140045		4	BELLEVILLE WASHER, M10
11	1	84071109		1	FLANGE, For 16/71 Differential
11		84071156		1	FLANGE, For 20/61 Differential
12		80210046		1	BALL BEARING
13		89815655		2	O-RING
14		80418831		1	BALL BEARING
15	1	84071206		1	FLANGE, For 16/71 Differential
15		84071210		1	FLANGE, For 20/61 Differential
16		84069822		1	SHAFT, For Std Differential
16		84069688		1	SHAFT, For Differential W/Lock
17	1	84435237		1	SHIELD, For 16/71 Differential
17		84435233		1	SHIELD, For 20/61 Differential
18		120103		4	BOLT, Hex, M8 x 16, 8.8
19		322358		4	BELLEVILLE WASHER, M8

(1) Not Used In 9120

**8120 9120 7120 7120
8120**

MECHANICAL TRANSMISSION, INPUT SHAFT

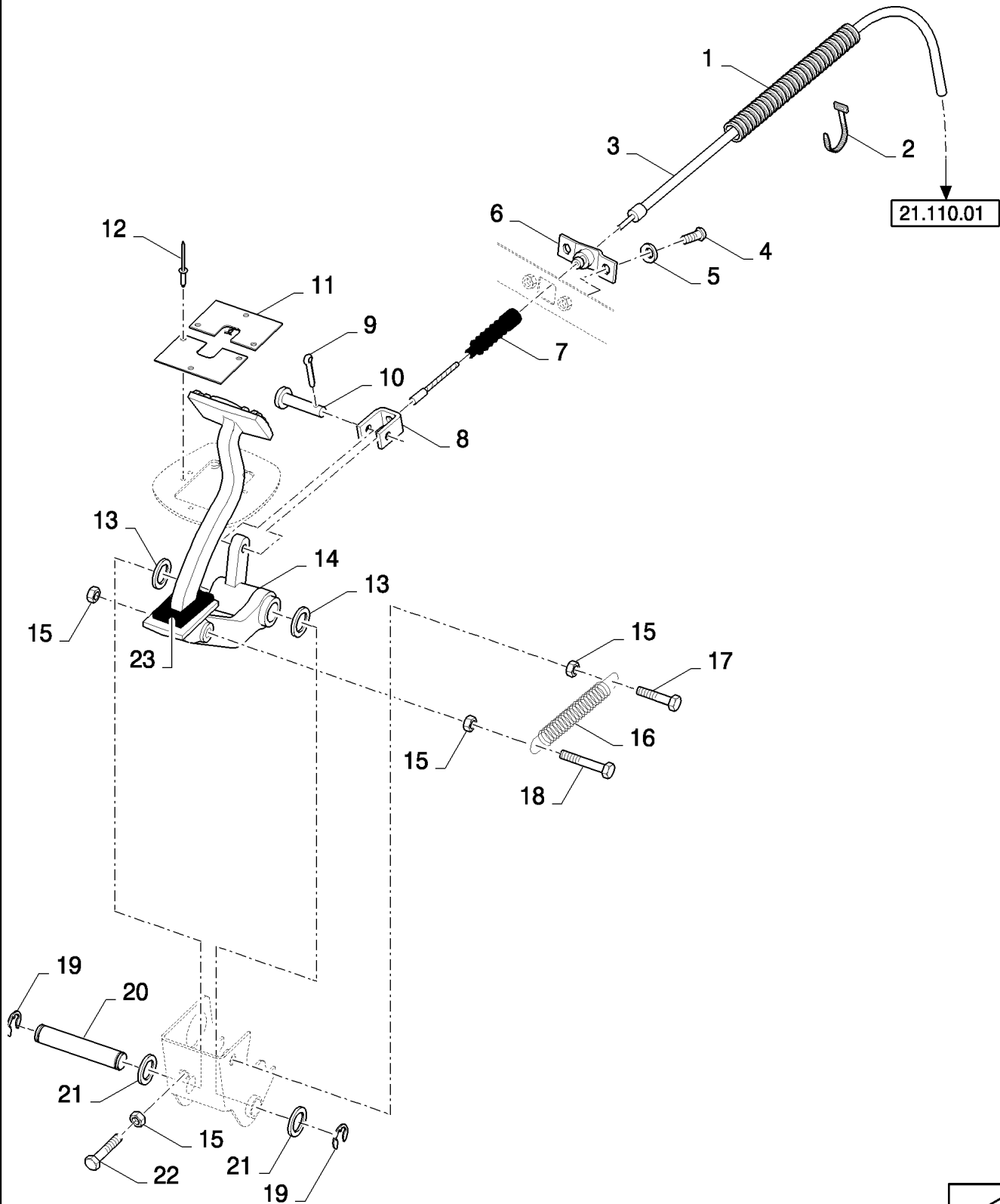


MECHANICAL TRANSMISSION, INPUT SHAFT

REF	FN	PART NUMBER	YR/SN	QTY	DESCRIPTION
1		9615771		1	LOCK NUT, M45 x 1.5, Bearing
2		80410880		1	LOCKING RING
3		84071395		1	THRUST WASHER
4		853116		1	TAPERED ROLLER BEARING
5		84071394		1	THRUST WASHER
6		84435944		1	GEAR
7		87317816		1	BEARING SET
8		84078051		1	SNAP RING, M72, Ext
9		84072052		1	THRUST WASHER
10		84433358		1	GEAR
11		84041521		2	BALL
12		84041522		2	SPRING
13		84433352		1	GEAR
14		84433269		1	GEAR
15		84071622		1	BEARING SET
16		84071392		1	SHAFT
17		120103		2	BOLT, Hex, M8 x 16, 8.8
18		322358		2	BELLEVILLE WASHER, M8
19		84435240		1	SHIELD
20		100016		5	NUT, M10, CI 8
21		140045		5	BELLEVILLE WASHER, M10
22		84071116		1	BEARING HOUSING
23		84072114		4	SHIM, 0.05mm Thk
24		84072113		2	SHIM, 0.2mm Thk
25		84072110		1	SHIM, 0.5mm Thk
26		84078053		1	O-RING
27		84334964		1	SET SCREW, Hex Soc, M12 x 205
28		84011379		1	SEALRING
29		750347		1	ROLLER BEARING
30		84045429		1	SEALRING
31		84032297		1	O-RING, M100 ID x 2 Thk
32		84071648		1	BEARING HOUSING
33		300442		3	SCREW, Hex Soc Hd, M10 x 30, 8.8

8120 9120 7120 7120
8120

DIFFERENTIAL LOCK CONTROL

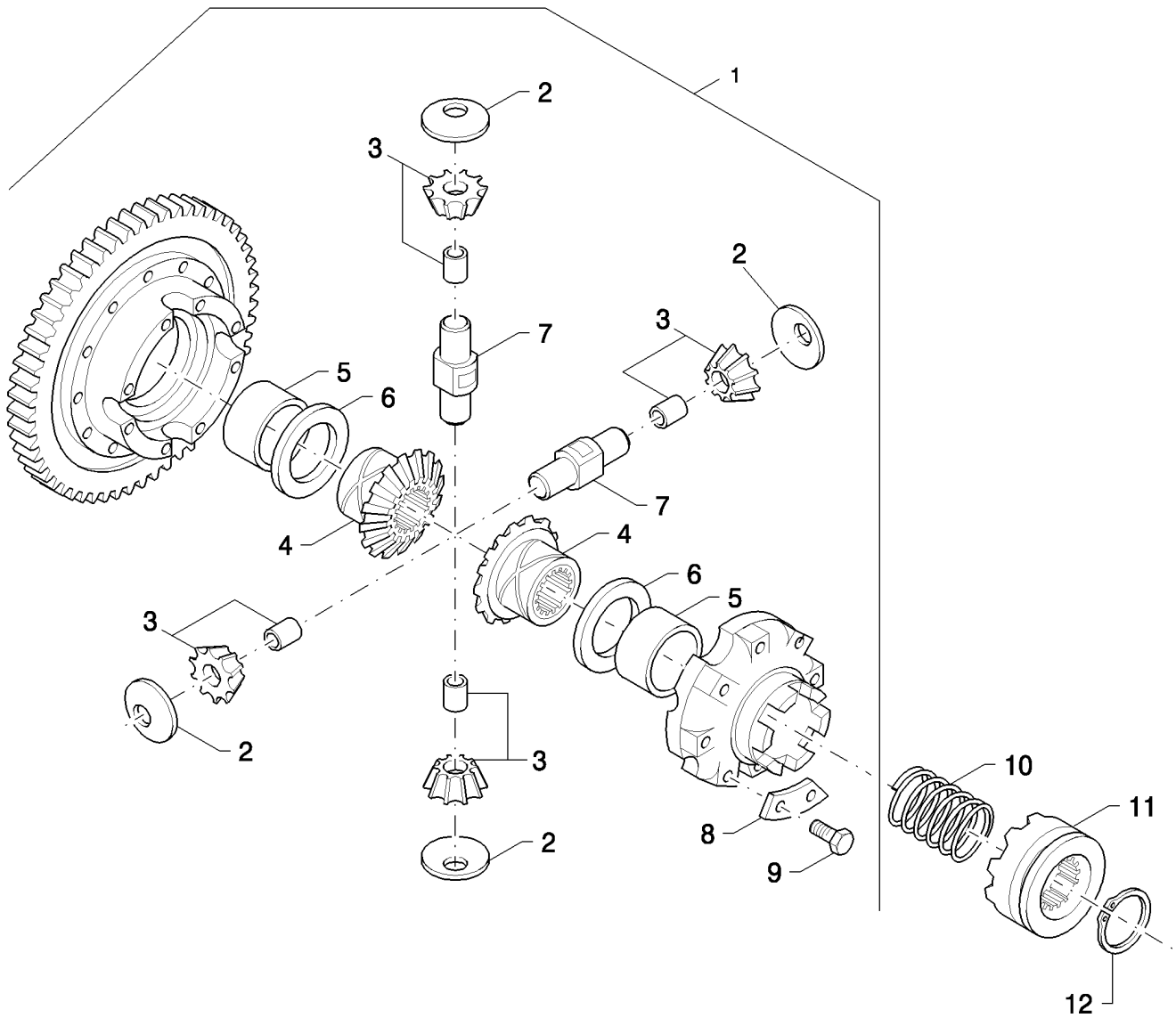


DIFFERENTIAL LOCK CONTROL

REF	FN	PART NUMBER	YR/SN	QTY	DESCRIPTION
1		9507812		AR	SLEEVE, Protection
2		323597		1	CABLE STRAP, M9 x 165 or M5 x 197
3		9508257		1	CABLE
4		120100		2	BOLT, Hex, M6 x 20, 8.8
5		322357		2	BELLEVILLE WASHER, M6
6		84064224		1	BRACKET
7		427705		1	COVER
8		388340		1	YOKE
9		86977785		1	COTTER PIN, M1.6 x 20
10		376876		1	CLEVIS PIN, M6 x 30
11		84064130		2	PLATE
12		425519		6	RIVET, Pop, M4 x 8.6
13		393062		2	WASHER, M17 x 45 x 0.9 Thk
14		84334950		1	PEDAL
15		9706690		4	NUT, M8, CI 8
16		354039		1	SPRING
17		43128		1	SCREW, Hex, M8 x 30, 8.8
18		87015731		1	BOLT, Hex, M8 x 50, 8.8, Full Thd
19		84062118		2	CIRCLIP, M12, Ext
20		84064170		1	PIN
21		9513615		2	WASHER, M16 x 34 x 0.5
22		43129		1	BOLT, Hex, M8 x 40, 8.8
23		9819826		1	SEAL

8120 9120 7120 7120
8120

DIFFERENTIAL



DIFFERENTIAL

REF	FN	PART NUMBER	YR/SN	QTY	DESCRIPTION
1	1	84071411		1	DIFFERENTIAL, 16/71, Std
1		84071412		1	DIFFERENTIAL, 20/61, Std
1	2	84071437		1	DIFFERENTIAL, 16/71, W/Lock
1		84071415		1	DIFFERENTIAL, 20/61, W/Lock
2		80210014		4	WASHER, Dished
3		89850394		4	GEAR, Pinion
4		89514042		2	PLANETARY GEAR
5		89514039		2	BUSHING
6		80210013		2	THRUST WASHER
7		89514041		2	SHAFT, Satellite
8		80331649		4	LOCKING PLATE
9		120073		8	BOLT, Hex, M10 x 80, 8.8
10		80455097		1	SPRING, For Differential W/Lock
11		80455094		1	RING, For Differential W/Lock
12		327911		1	CIRCLIP, M55, Ext, For Differential W/Lock

- (1) 7120 Only
- (2) 7120 & 8120 Only

**8120 9120 7120 7120
8120**

SECTION INDEX

25 - Front mechanical drive

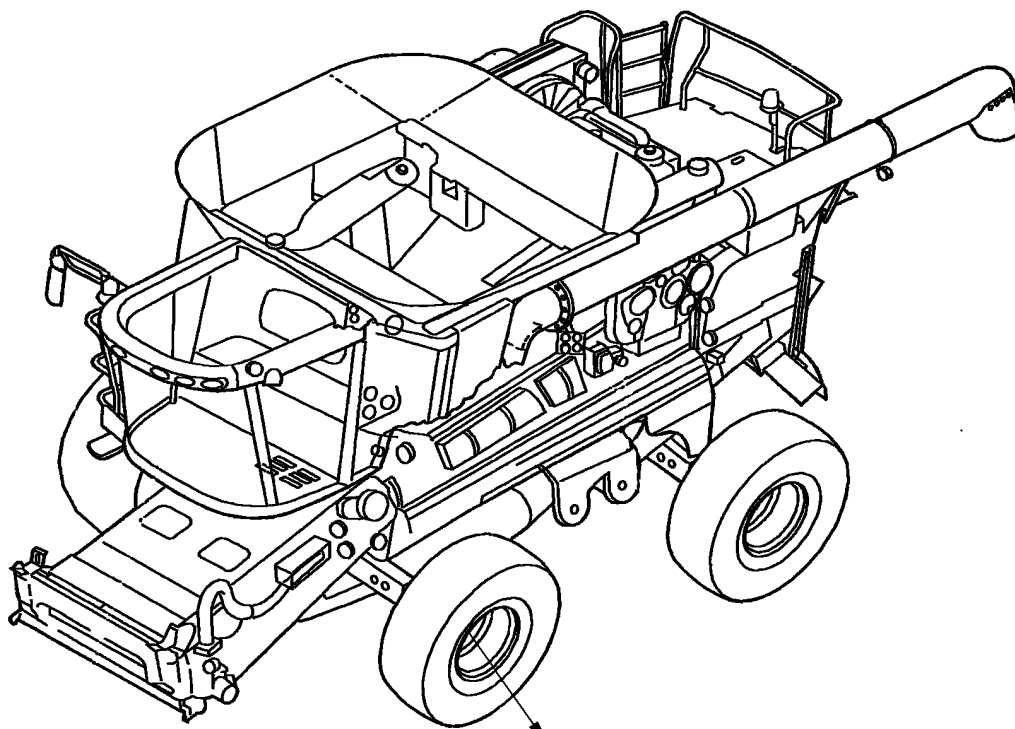
25.000.00		SECTION INDEX - FRONT MECHANICAL DRIVE
25.310.02	01	FINAL DRIVE, PLANETARY
25.310.02	02	FINAL DRIVE, PLANETARY
25.310.03	01	FINAL DRIVE, STANDARD
25.310.03	02	FINAL DRIVE, STANDARD
25.310.04		FINAL DRIVE, MOUNTING HARDWARE (DELAYED)
25.310.05		FINAL DRIVE, PLANETARY, MOUNTING HARDWARE

25.000.00

p1

08/09

SECTION INDEX - FRONT MECHANICAL DRIVE



25.310.04

25.000.00

p1

08/09

SECTION INDEX - FRONT MECHANICAL DRIVE

REF	FN	PART NUMBER	YR/SN	QTY	DESCRIPTION
------------	-----------	--------------------	--------------	------------	--------------------

					7120 7120 8120 9120 8120
--	--	--	--	--	-------------------------------------

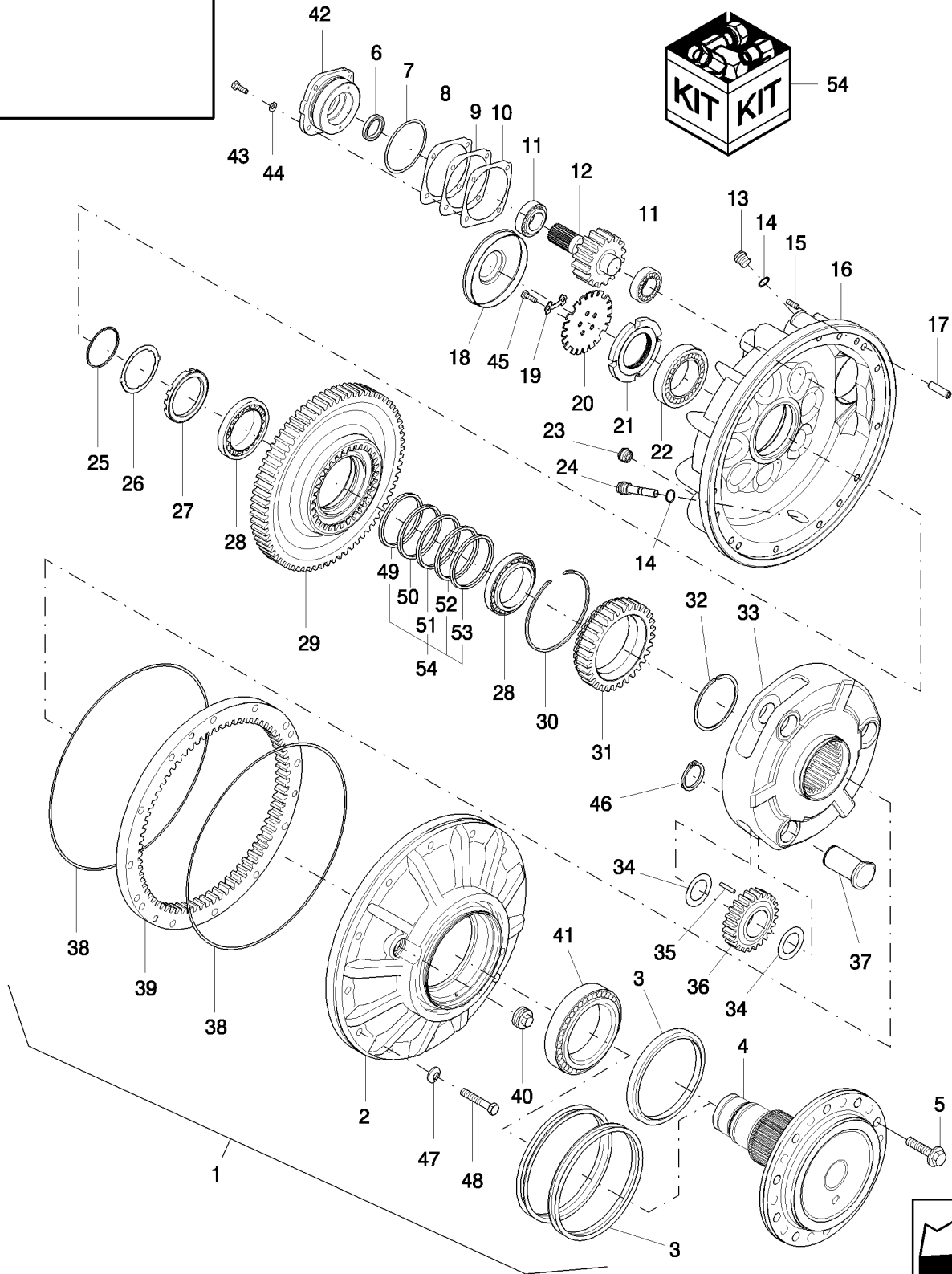
25.310.02

01

p1

02/10

FINAL DRIVE, PLANETARY



FINAL DRIVE, PLANETARY

REF	FN	PART NUMBER	YR/SN	QTY	DESCRIPTION
1		{87726301}		1	Gearbox, Final Drive, Standard
1		{87726303}		1	Gearbox, Final Drive, Mud
2		84448821		1	HOUSING, Standard
2		84074834		1	HOUSING, Mud
3		9832264		1	SEAL, Standard
3		84074404		1	SET OF RINGS, Seal, Mud
4	1	87649849		1	SHAFT, Wheel
4	2	87649850		1	SHAFT, Wheel
5		87327478		15	BOLT
6		5183845		1	SEAL, Shaft
7		84074393		1	O-RING, M120 ID x 5 Thk, NBR70
8		84074713		1AR	SHIM, 0.5mm Thk
9		84074712		2AR	SHIM, 0.2mm Thk
10		84074711		2AR	SHIM, 0.05mm Thk
11		84074701		2	BEARING
12		84449593		1	GEAR, Driving, 18T
13		150006		1	DRAIN PLUG, M24 x 1.5, Fill
14		220025		2	SEALRING, Washer, 28.9 OD x 24.3 ID x 2.0 Thk
15		84074543		3	SET SCREW, Hex Soc, M16 x 30
16		84819478		1	COVER, Inner Shell
17		84074391		2	DOWEL, 16 x 60, M8 Internal Thread
18		84448749		1	COVER
19		84448750		1	LOCKING PLATE
20		84448751		1	LOCKING PLATE
21		84818180		1	LOCK NUT, M90 x 2
22		84074719		1	TAPERED ROLLER BEARING
23		84071596		2	PLASTIC PLUG, Sight, Lower, 26 mm
23		84817215		2	PLUG, Upper, Plastic, 26 mm, Socket Head
24		84074519		1	PLUG, MAGNETIC, M24 x 1.5, 96L
25		84449172		1	SNAP RING, M92, Out, 95.4 OD x 2.5 Thk
26		84449597		1	LOCKING PLATE
27		84449598		1	LOCK NUT, M100 x 2
28		84449190		2	TAPERED ROLLER BEARING

(1) For Standard Only

(2) With Mud Seal

Not For 7120 EU

8120 9120 7120 7120
8120

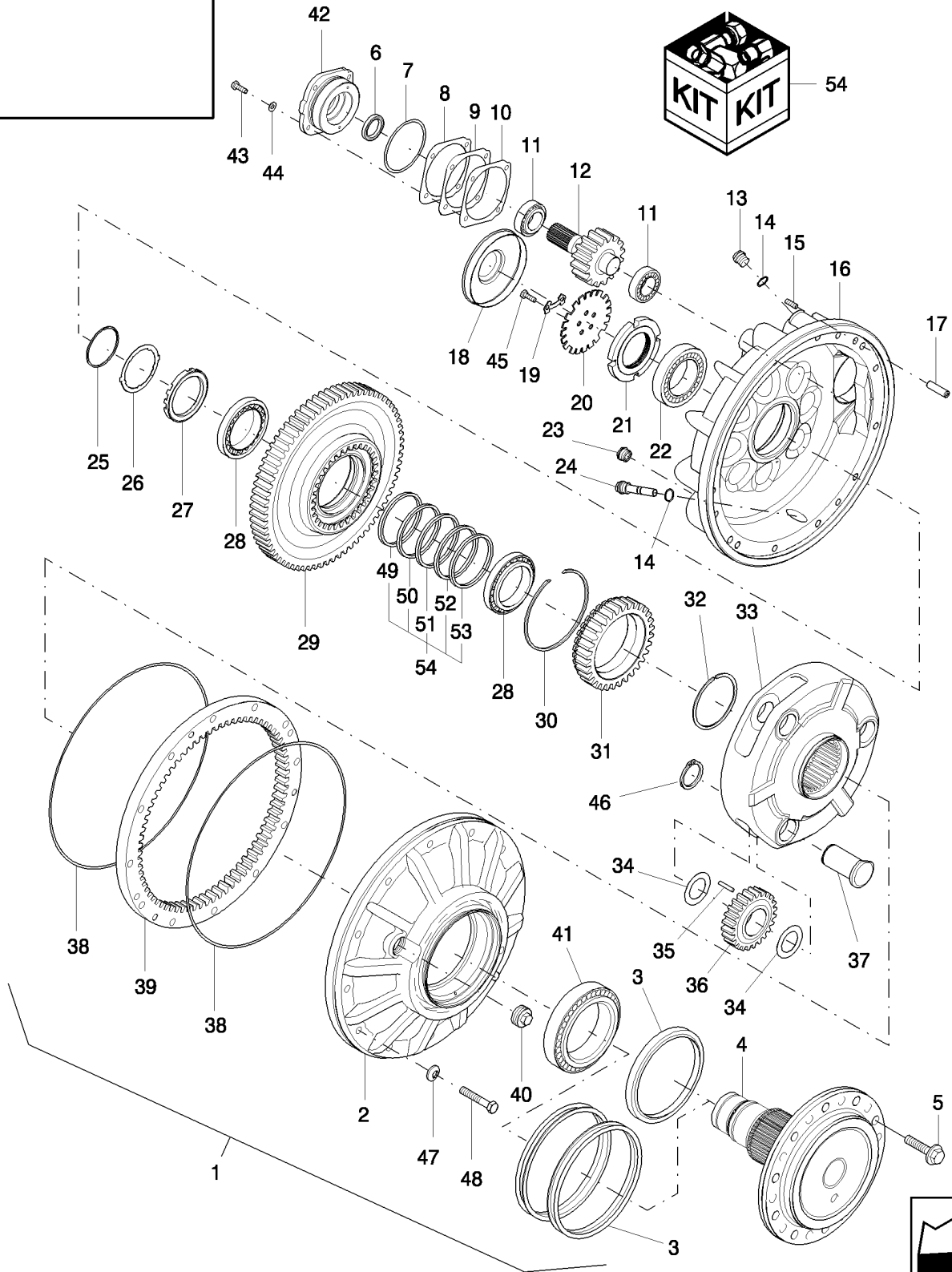
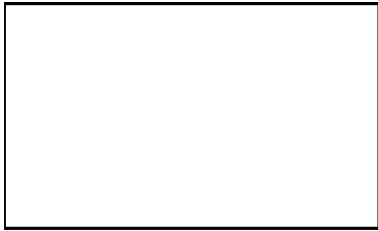
25.310.02

01

p2

02/10

FINAL DRIVE, PLANETARY



FINAL DRIVE, PLANETARY

REF	FN	PART NUMBER	YR/SN	QTY	DESCRIPTION
29		84806528		1	GEAR, 72T x 33T
30		84449173		1	SNAP RING, M199.5, Int., x 3 Thk
31		84806529		1	GEAR, 33T
32		84074395		1	SNAP RING, M123.6, 130.8 OD x 2.82 Thk
33		84449594		1	RETAINER, Carrier Planet
34		84074023		6	RING, M51.5 ID x 80 OD x 1 Thk
35		84074703		69	NEEDLE, 8 x 42
36		84074702		3	PLANETARY GEAR, 21T
37		84072219		3	PIN, 100 x 50
38		84074400		2	O-RING, M500 ID x 4 Thk, NBR70
39		84074723		1	SPLINED RING
40		84074399		1	PLUG, HH, M45 x 1.5, Tapered
41		84074720		1	TAPERED ROLLER BEARING
42		84449197		1	COVER, Housing, Bearing
43		814-10030		5	BOLT, Hex, M10 x 30, 8.8
44		140045		4	BELLEVILLE WASHER, M10
45		814-10020		3	BOLT, Hex, M10 x 20, 8.8, Full Thd
46		370008		3	SNAP RING, M50, Ext
47		140048		12	BELLEVILLE WASHER, M16
48		86521733		12	BOLT, Hex, M16 x 90, 10.9
49		87375317		AR	SHIM, 4.6mm Thk, Adjusting
50		87357938		AR	SHIM, 4.65mm Thk, Adjusting
51		87357939		AR	SHIM, 4.75mm Thk, Adjusting
52		87380319		AR	SHIM, 4.85mm Thk, Adjusting
53		87380320		AR	SHIM, 4.9mm Thk, Adjusting
54		87358151		1	SHIM KIT, Incl Refs 49 - 53

Not For 7120 EU

8120 9120 7120 7120
8120

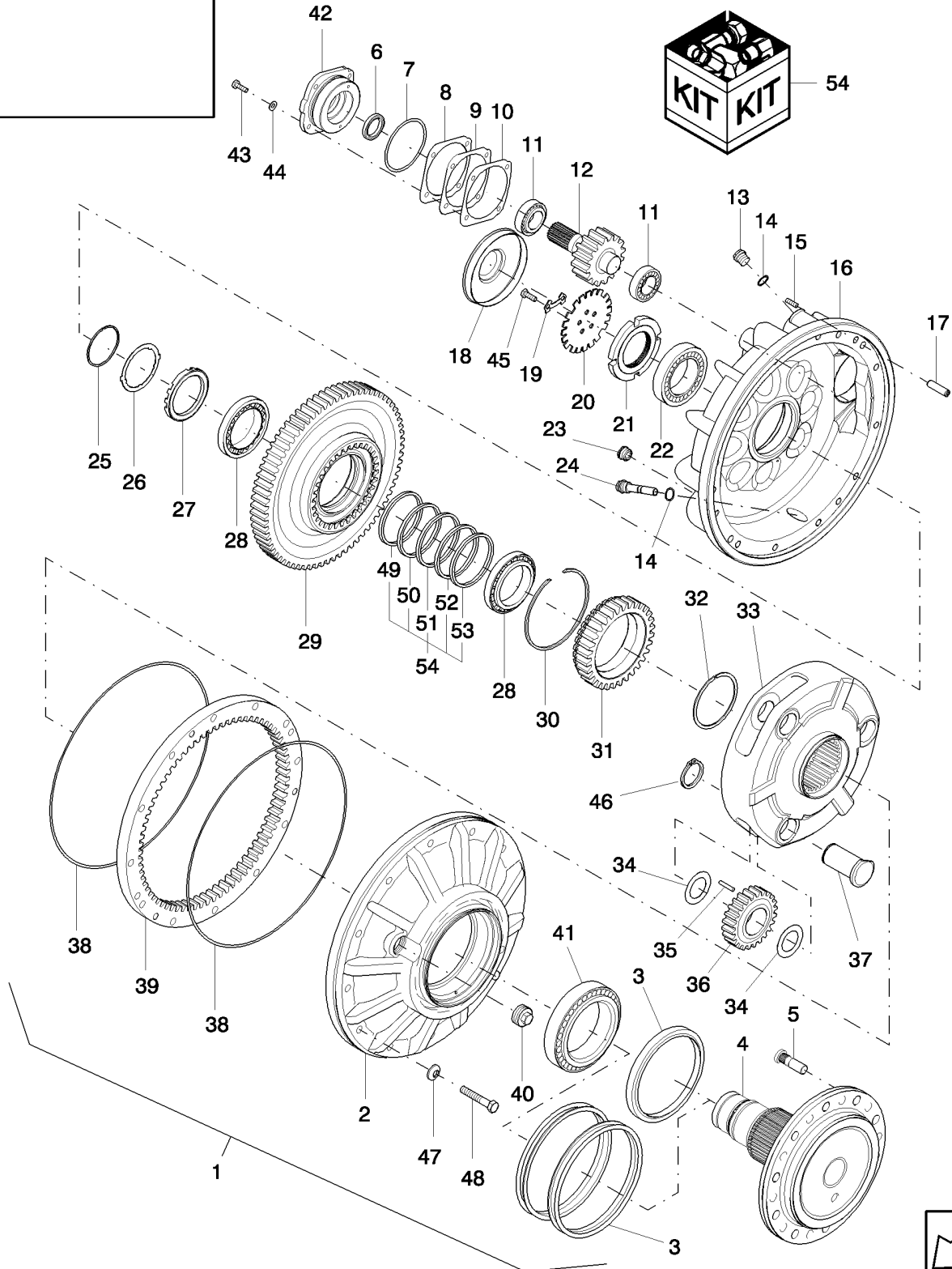
25.310.02

02

p1

02/10

FINAL DRIVE, PLANETARY



FINAL DRIVE, PLANETARY

REF	FN	PART NUMBER	YR/SN	QTY	DESCRIPTION
1	1	84453963		1	FINAL REDUCTION GEARBOX, Final Drive, Standard
1	2	0C		1	ORDER COMPONENTS, Final Drive
1	3,4	84453965		1	FINAL REDUCTION GEARBOX, Final Drive
1	3,2	0C		1	ORDER COMPONENTS, Final Drive
2		84448821		1	HOUSING, Standard
2		84074834		1	HOUSING, Mud
3		9832264		1	SEAL, Standard
3		84074404		1	SET OF RINGS, Seal, Mud
4	1,5	84449320		1	DRIVEN SHAFT, Wheel
4	5,2	84449573		1	AXLE, Shaft, Wheel
4	3,2	84449575		1	AXLE, Shaft, Wheel
4	3,4	84449574		1	AXLE, Shaft, Wheel
5	1	87282493		10	WHEEL BOLT, M22 x 1.5 x 84
5		330291		10	BOLT
6		5183845		1	SEAL, Shaft
7		84074393		1	O-RING, M120 ID x 5 Thk, NBR70
8		84074713		1AR	SHIM, 0.5mm Thk
9		84074712		2AR	SHIM, 0.2mm Thk
10		84074711		2AR	SHIM, 0.05mm Thk
11		84074701		2	BEARING
12		84449593		1	GEAR, Driving, 18T
13		150006		1	DRAIN PLUG, M24 x 1.5, Fill
14		220025		2	SEALRING, Washer, 28.9 OD x 24.3 ID x 2.0 Thk
15		84074543		3	SET SCREW, Hex Soc, M16 x 30
16		84819478		1	COVER, Inner Shell
17		84074391		2	DOWEL, 16 x 60, M8 Internal Thread
18		84448749		1	COVER
19		84448750		1	LOCKING PLATE
20		84448751		1	LOCKING PLATE

(1) NA, All Models, Plus EU 7120

(2) EU Only

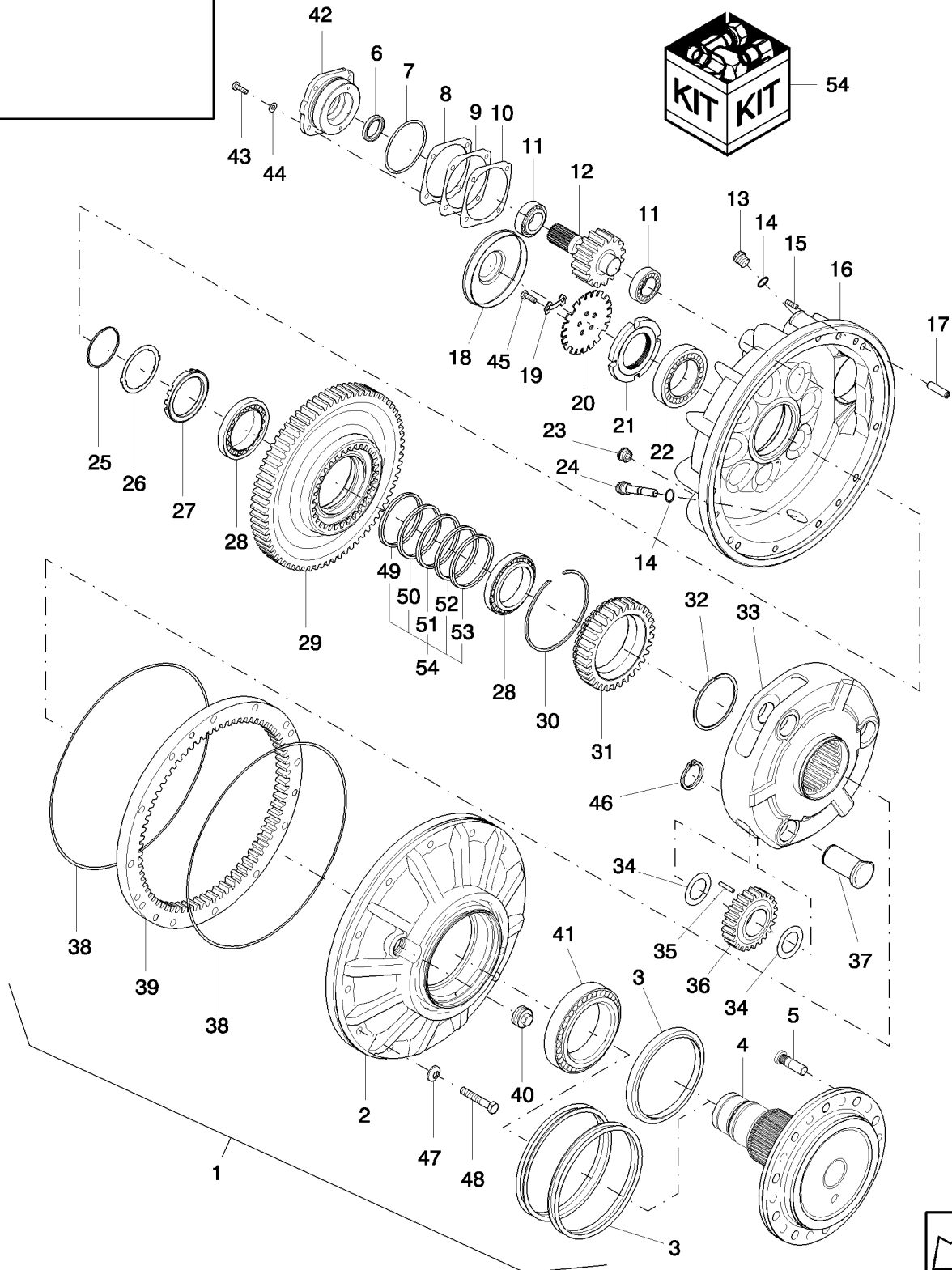
(3) With Mud Seal

(4) For NA Only

(5) For Standard Only

8120 9120 7120 7120
8120

FINAL DRIVE, PLANETARY

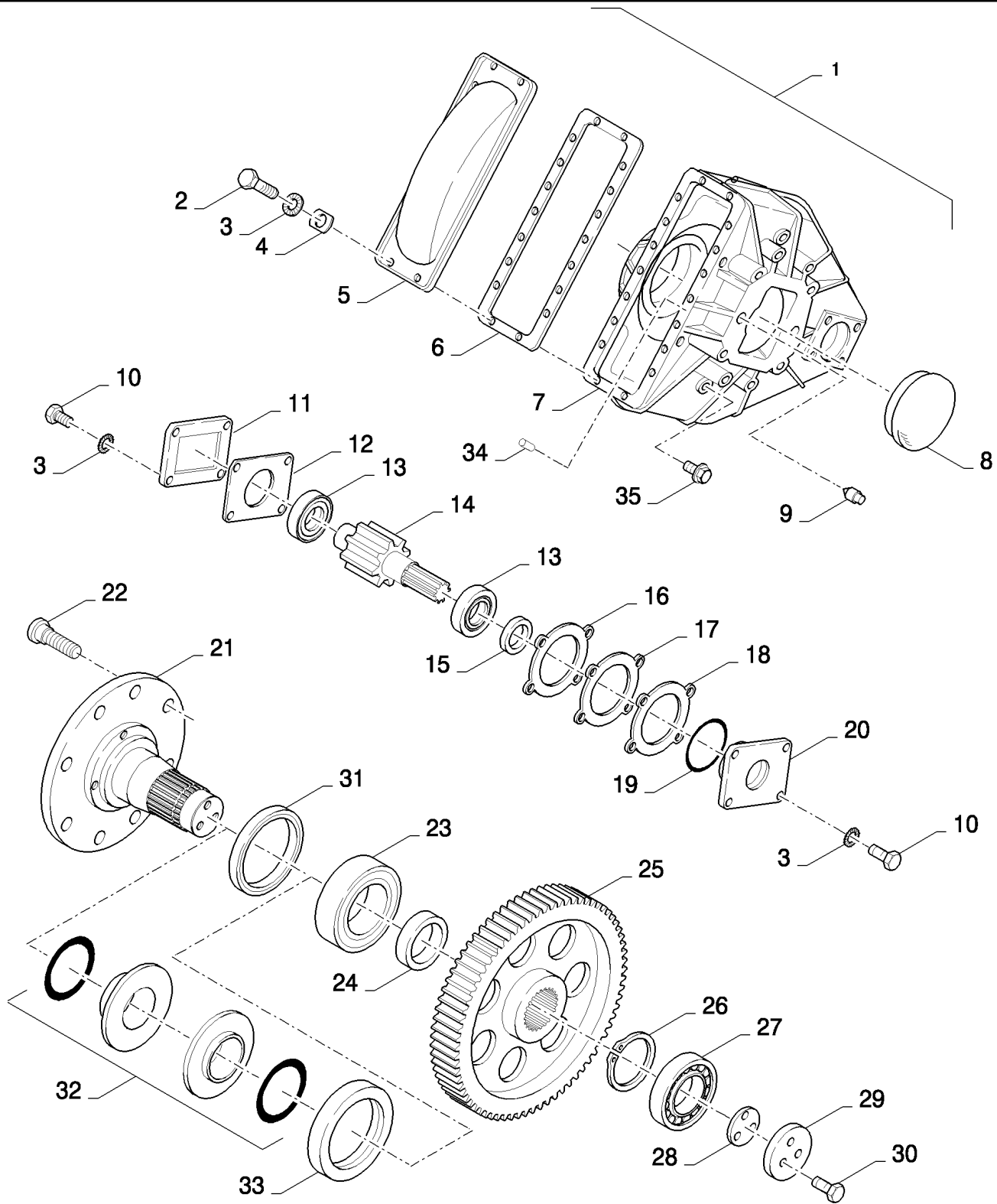


FINAL DRIVE, PLANETARY

REF	FN	PART NUMBER	YR/SN	QTY	DESCRIPTION
21		84818180		1	LOCK NUT, M90 x 2
22		84074719		1	TAPERED ROLLER BEARING
23		84071596		2	PLASTIC PLUG, Sight, Lower, 26 mm
23		84817215		2	PLUG, Upper, Plastic, 26 mm, Socket Head
24		84074519		1	PLUG, MAGNETIC, M24 x 1.5, 96L
25		84449172		1	SNAP RING, M92, Out, 95.4 OD x 2.5 Thk
26		84449597		1	LOCKING PLATE
27		84449598		1	LOCK NUT, M100 x 2
28		84449190		2	TAPERED ROLLER BEARING
29		84806528		1	GEAR, 72T x 33T
30		84449173		1	SNAP RING, M199.5, Int., x 3 Thk
31		84806529		1	GEAR, 33T
32		84074395		1	SNAP RING, M123.6, 130.8 OD x 2.82 Thk
33		84449594		1	RETAINER, Carrier Planet
34		84074023		6	RING, M51.5 ID x 80 OD x 1 Thk
35		84074703		69	NEEDLE, 8 x 42
36		84074702		3	PLANETARY GEAR, 21T
37		84072219		3	PIN, 100 x 50
38		84074400		2	O-RING, M500 ID x 4 Thk, NBR70
39		84074723		1	SPLINED RING
40		84074399		1	PLUG, HH, M45 x 1.5, Tapered
41		84074720		1	TAPERED ROLLER BEARING
42		84449197		1	COVER, Housing, Bearing
43		814-10030		5	BOLT, Hex, M10 x 30, 8.8
44		140045		4	BELLEVILLE WASHER, M10
45		814-10020		3	BOLT, Hex, M10 x 20, 8.8, Full Thd
46		370008		3	SNAP RING, M50, Ext
47		140048		12	BELLEVILLE WASHER, M16
48		86521733		12	BOLT, Hex, M16 x 90, 10.9
49		87375317		AR	SHIM, 4.6mm Thk, Adjusting
50		87357938		AR	SHIM, 4.65mm Thk, Adjusting
51		87357939		AR	SHIM, 4.75mm Thk, Adjusting
52		87380319		AR	SHIM, 4.85mm Thk, Adjusting
53		87380320		AR	SHIM, 4.9mm Thk, Adjusting
54		87358151		1	SHIM KIT, Incl Refs 49 - 53

8120 9120 7120 7120
8120

FINAL DRIVE, STANDARD



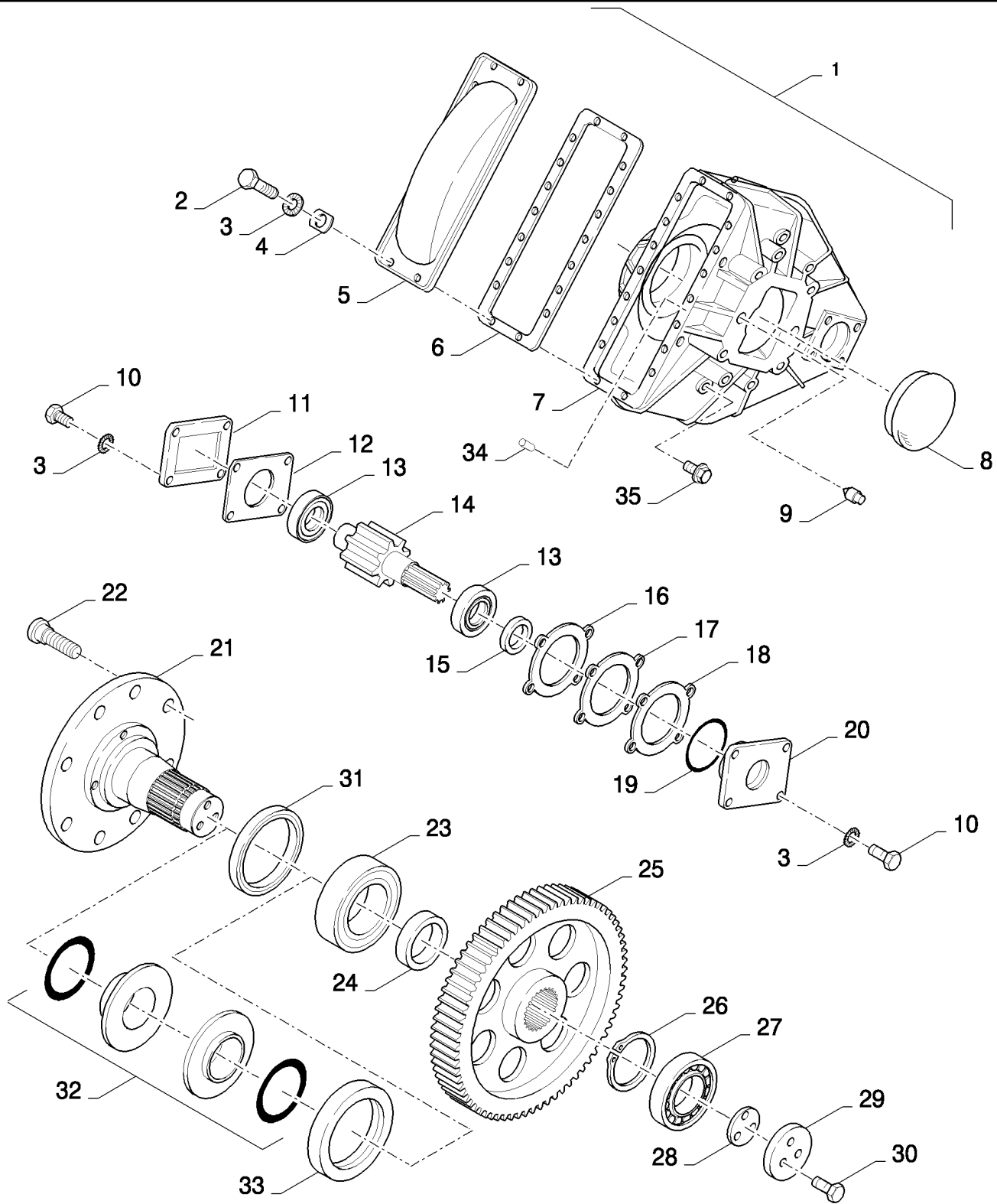
FINAL DRIVE, STANDARD

REF	FN	PART NUMBER	YR/SN	QTY	DESCRIPTION
1		0C		1	ORDER COMPONENTS
2		120052		18	SCREW, Hex Soc Hd, M10 x 25, 8.8
3		140045		26	BELLEVILLE WASHER, M10
4		743794		18	WASHER
5		84129520		1	COVER
6		NS		1	NOT SERVICED, Replace W/Liquid Gasket
7		84814360		1	HOUSING
7		84814362		1	HOUSING
8		613201		1	COVER
9		626826		2	PIN
10		43140		8	BOLT, Hex, M10 x 30, 8.8, Full Thd
11		84074600		1	FLANGE
12		410920		1	SEAL
13		86975647		2	TAPERED ROLLER BEARING
14		84069419		1	SHAFT
15		66807		1	SEAL
16		382948		AR	SHIM, 0.05mm Thk
17		382949		AR	SHIM, 0.2mm Thk
18		382950		AR	SHIM, 0.5mm Thk
19		913107		1	O-RING, -235, 70 Duro, 3.109" ID x .139" Thk
20		84074599		1	FLANGE
21		87392841		1	FLANGE
21	1	87392845		1	FLANGE
22		87282493		10	WHEEL BOLT, M22 x 1.5 x 84
23		86975648		1	TAPERED ROLLER BEARING
24		84814999		1	SPACER
25		84069418		1	GEAR
26		613200		1	SPACER
27		86975646		1	TAPERED ROLLER BEARING
28		395393		1	SHIM, 0.5mm Thk
28		395392		1	SHIM, 0.2mm Thk
28		395391		1	SHIM, 0.05mm Thk
29		382503		1	FLANGE
30		398885		3	BOLT, M16 x 35

(1) For EU Mud Only

**8120 9120 7120 7120
8120**

FINAL DRIVE, STANDARD



25.310.03

01

p2

02/10

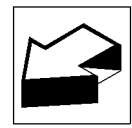
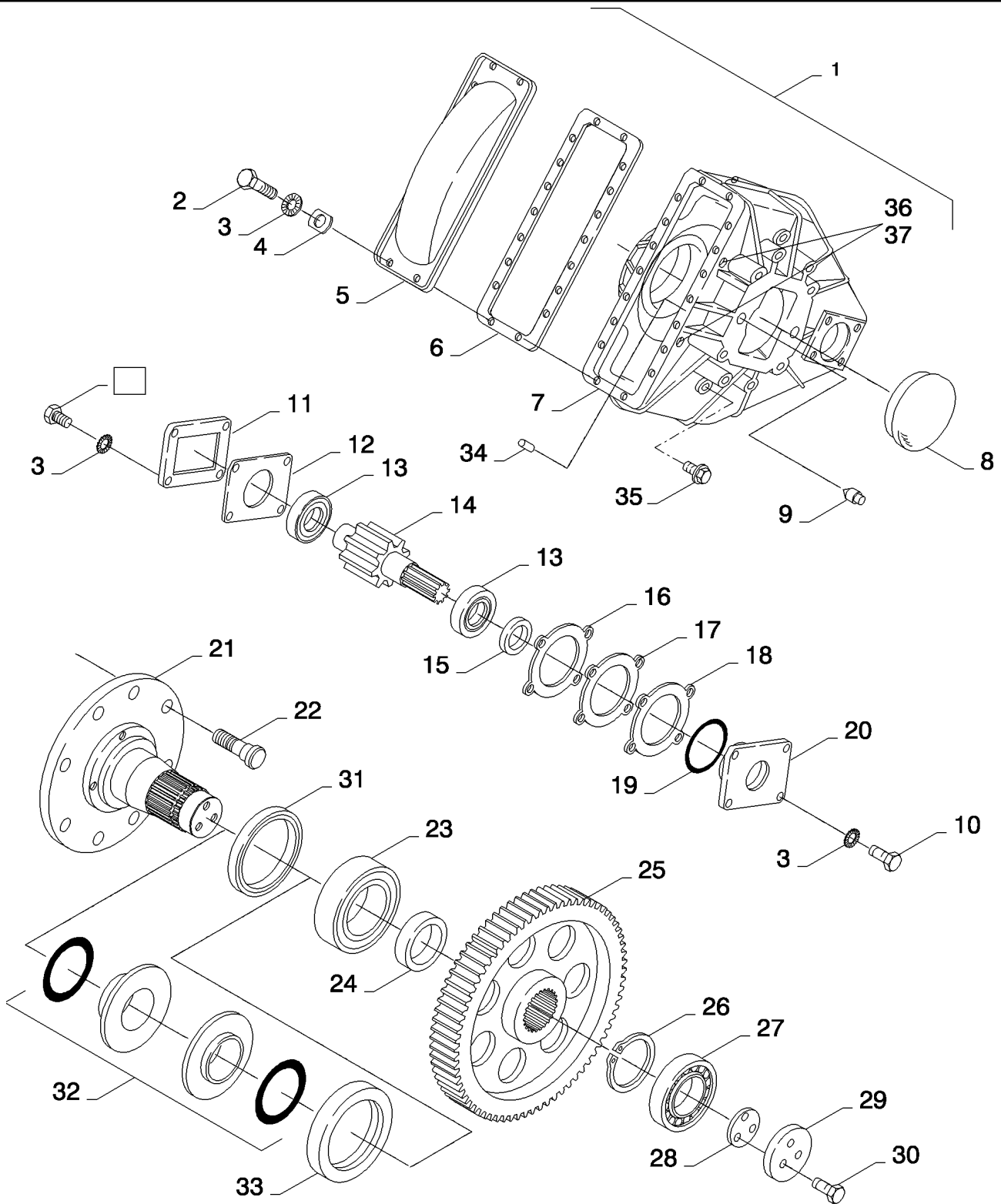
FINAL DRIVE, STANDARD

REF	FN	PART NUMBER	YR/SN	QTY	DESCRIPTION
31		9832264		1	SEAL
32	1	89509555		1	KIT
33	1	89818670		1	RING
34		86978768		2	DOWEL, M12 x 30
35		412413		2	PLUG

(1) For EU Mud Only

**8120 9120 7120 7120
8120**

FINAL DRIVE, STANDARD



FINAL DRIVE, STANDARD

REF	FN	PART NUMBER	YR/SN	QTY	DESCRIPTION
1	1	87283789		1	FINAL REDUCTION GEARBOX, Drive
1	2	0C		1	ORDER COMPONENTS
2		120052		18	SCREW, Hex Soc Hd, M10 x 25, 8.8
3		140045		26	BELLEVILLE WASHER, M10
4		743794		18	WASHER
5		84129520		1	COVER
6		NS		1	NOT SERVICED, Replace W/Liquid Gasket
7	1	84814360		1	HOUSING
7	2	84814362		1	HOUSING
8		613201		1	COVER
9		626826		2	PIN
10		43140		8	BOLT, Hex, M10 x 30, 8.8, Full Thd
11		84074600		1	FLANGE
12		410920		1	SEAL
13		86975647		2	TAPERED ROLLER BEARING
14		84069419		1	SHAFT
15		66807		1	SEAL
16		382948		AR	SHIM, 0.05mm Thk
17		382949		AR	SHIM, 0.2mm Thk
18		382950		AR	SHIM, 0.5mm Thk
19		913107		1	O-RING, -235, 70 Duro, 3.109" ID x .139" Thk
20		84074599		1	FLANGE
21	1	87392841		1	FLANGE
21	2	87392845		1	FLANGE
22		87282493		10	WHEEL BOLT, M22 x 1.5 x 84
23		86975648		1	TAPERED ROLLER BEARING
24		84814999		1	SPACER
25		84069418		1	GEAR
26		613200		1	SPACER
27		86975646		1	TAPERED ROLLER BEARING
28		395393		1	SHIM, 0.5mm Thk
28		395392		1	SHIM, 0.2mm Thk
28		395391		1	SHIM, 0.05mm Thk
(1)	NA				
(2)	EU				

**8120 9120 7120 7120
8120**

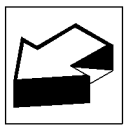
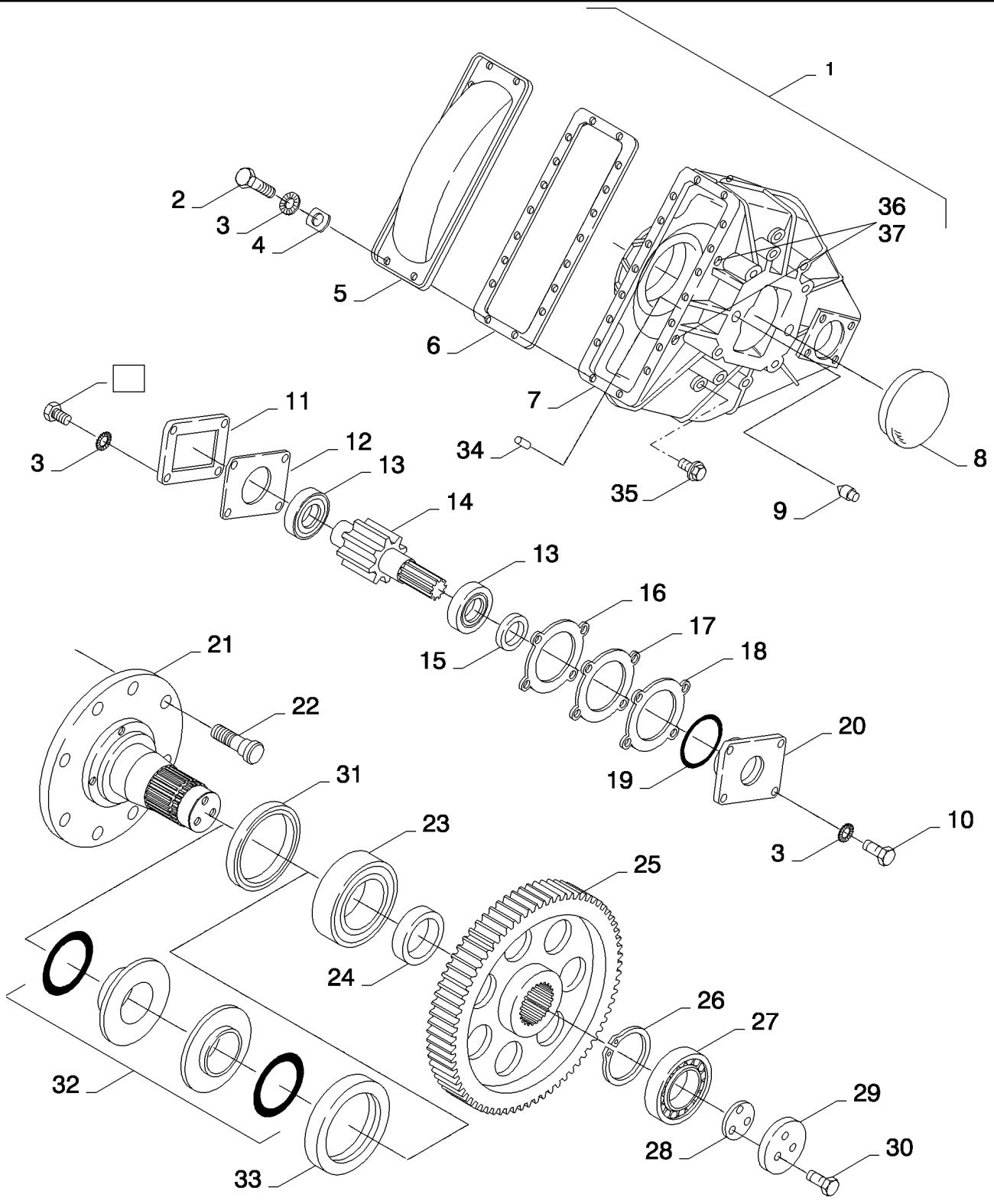
25.310.03

02

p2

02/10

FINAL DRIVE, STANDARD



25.310.03

02

p2

02/10

FINAL DRIVE, STANDARD

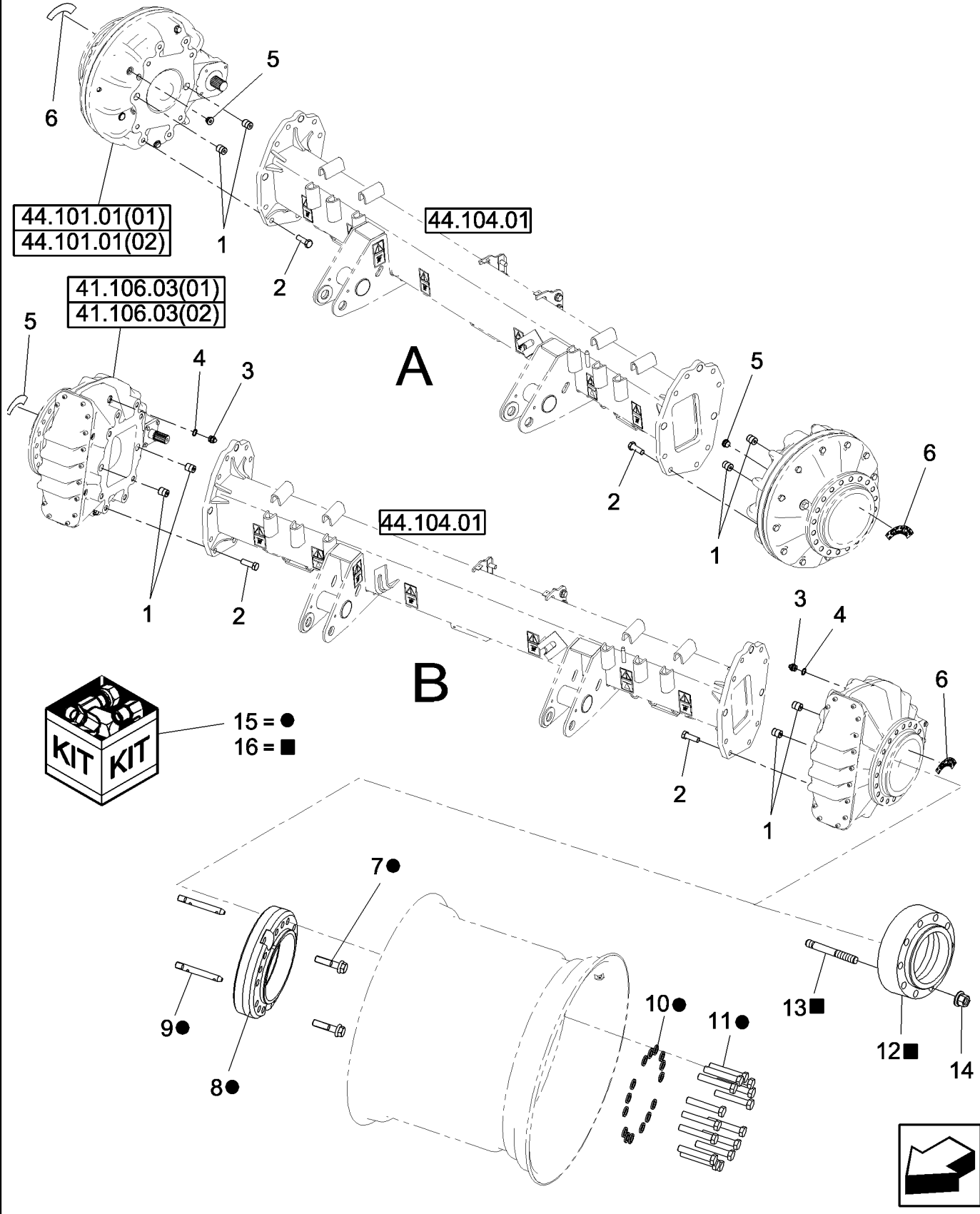
REF	FN	PART NUMBER	YR/SN	QTY	DESCRIPTION
29		382503		1	FLANGE
30		398885		3	BOLT, M16 x 35
31	1	9832264		1	SEAL
32	2	89509555		1	KIT
33	2	89818670		1	RING
34		86978768		2	DOWEL, M12 x 30
35		412413		2	PLUG
36		386287		2	BREATHER
37		220025		2	SEALRING
38		336897		1	PLUG, Drain, Not Shown

(1) NA

(2) EU

**8120 9120 7120 7120
8120**

FINAL DRIVE, MOUNTING HARDWARE (DELAYED)



FINAL DRIVE, MOUNTING HARDWARE (DELAYED)

REF	FN	PART NUMBER	YR/SN	QTY	DESCRIPTION
1		626826		4	PIN
2		9843495		16	SCREW, Hex, M20 x 60, 10.9
3		386287		2	BREATHER
4		220025		2	SEALRING
5		84817215		2	PLUG
6		87563204		2	DECAL, Front Wheel Bolt Torque
7		87367550		4	FLANGE BOLT, Hex, M22 x 95, CI 12.9
8		87398579		2	SPACER
9		87283521		4	STUD, M22 x 180
10		87327481		30	WASHER
11		87515082		30	BOLT
12		84989374		2	SPACER
13		84989380		20	STUD, M22 x 192
14		748961		20	NUT
15	1	87515533		1	SERVICE KIT, Wheel Spacer
16	2	84060286		1	DIA KIT, HARVESTER, Wheel Spacer

- (1) EU Only
- (2) NA Only

A = Planetary Drive.....B = Standard & Track Drive

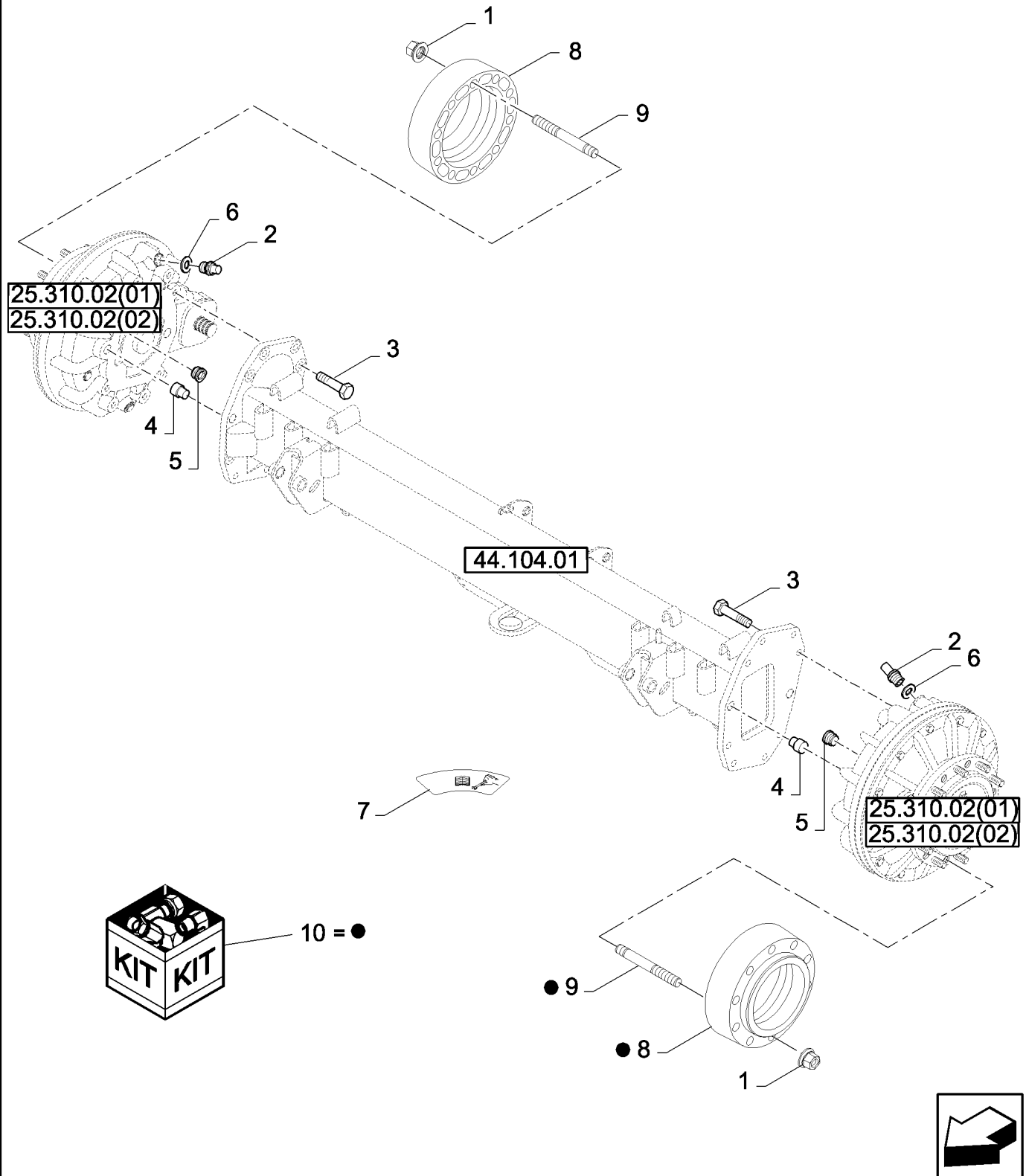
**8120 9120 7120 7120
8120**

25.310.05

p1

10/09

FINAL DRIVE, PLANETARY, MOUNTING HARDWARE



FINAL DRIVE, PLANETARY, MOUNTING HARDWARE

REF	FN	PART NUMBER	YR/SN	QTY	DESCRIPTION
1		748961		20	NUT
2	1	84068655		2	BREATHER
2	2	386287		2	BREATHER
3		9843495		16	SCREW, Hex, M20 x 60, 10.9
4		626826		4	PIN
5		84817215		2	PLUG
6	1	84439102		2	SEALING WASHER
6	2	220025		2	SEALRING
7		87283497		2	DECAL
8		84989374		2	SPACER
9		84989380		20	STUD, M22 x 192
10		84060286		AR	DIA KIT, HARVESTER, Incl Ref 8 (2) & Ref 9 (20)

- (1) Planetary Drive
- (2) Standard Drive

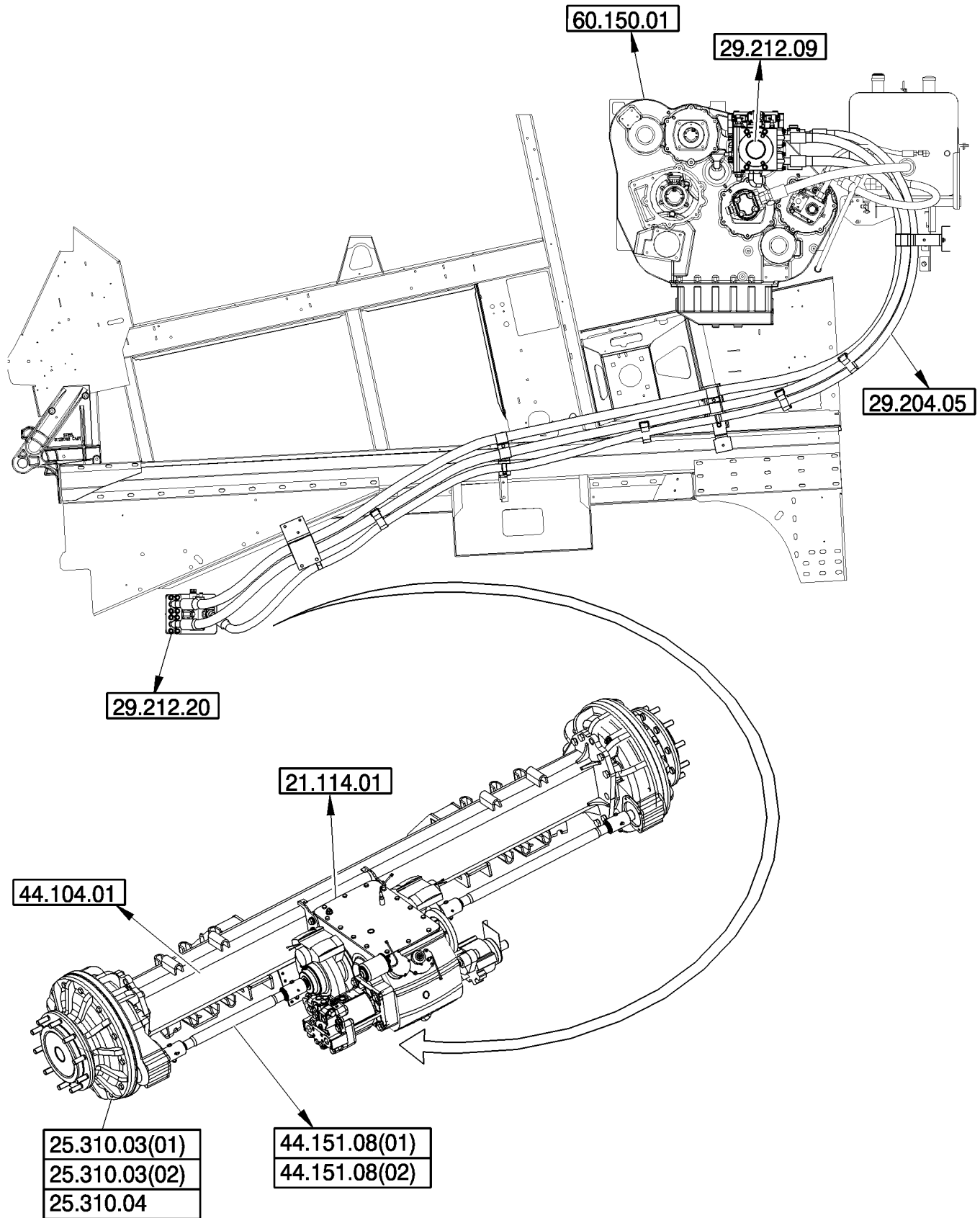
**8120 9120 7120 7120
8120**

SECTION INDEX

29 - Hydrostatic transmission

29.000.00	SECTION INDEX - HYDROSTATIC TRANSMISSION
29.204.05	HYDRO DRIVE
29.204.06	FILTER ASSY - HYDRO CHARGE
29.212.09	PUMP, PROPULSION
29.212.20	HYDROSTATIC MOTOR, 107CC OR 125CC

SECTION INDEX - HYDROSTATIC TRANSMISSION



29.000.00

p1

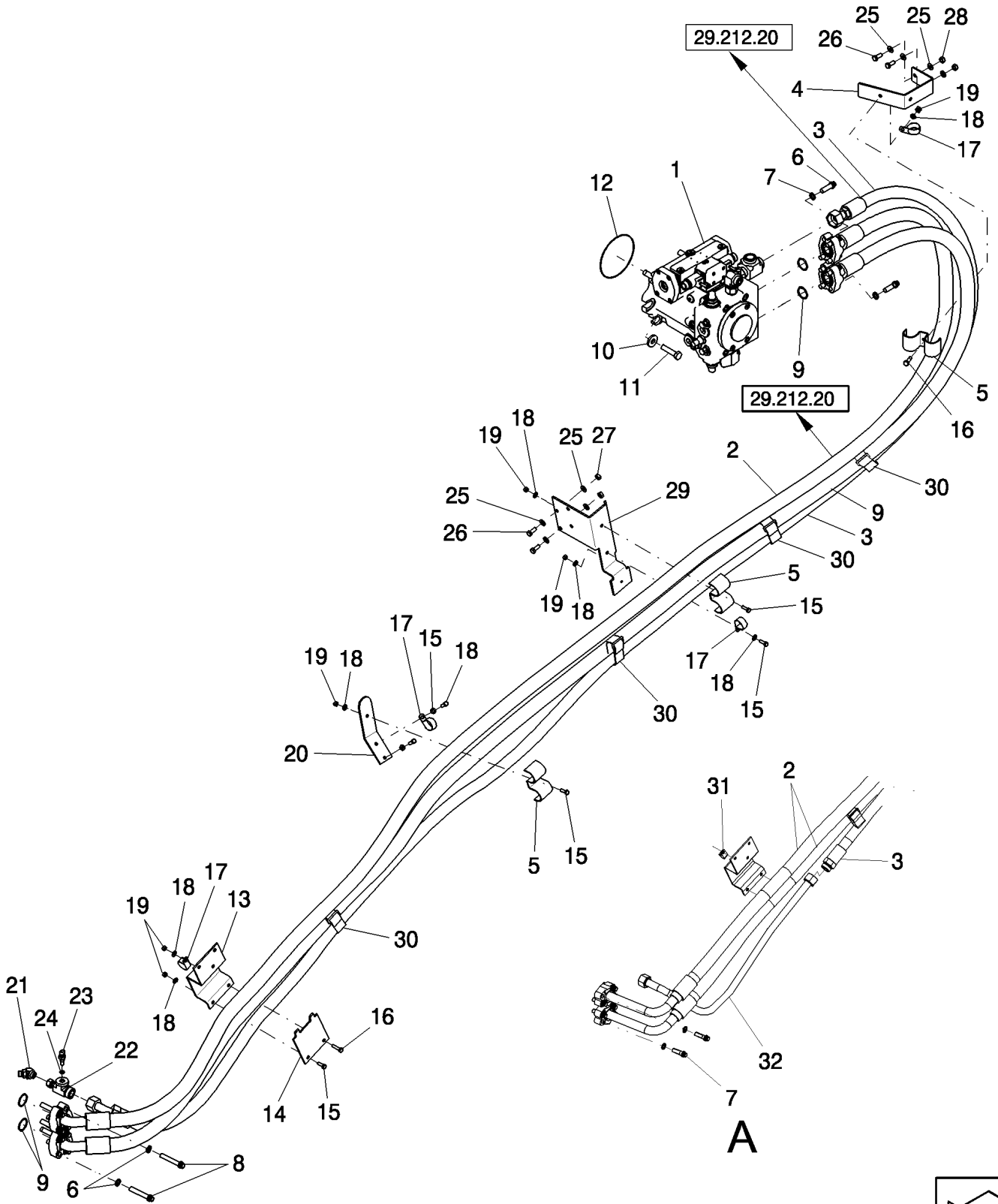
08/09

SECTION INDEX - HYDROSTATIC TRANSMISSION

REF	FN	PART NUMBER	YR/SN	QTY	DESCRIPTION
------------	-----------	--------------------	--------------	------------	--------------------

					9120 8120 7120 8120 7120
--	--	--	--	--	-------------------------------------

HYDRO DRIVE



HYDRO DRIVE

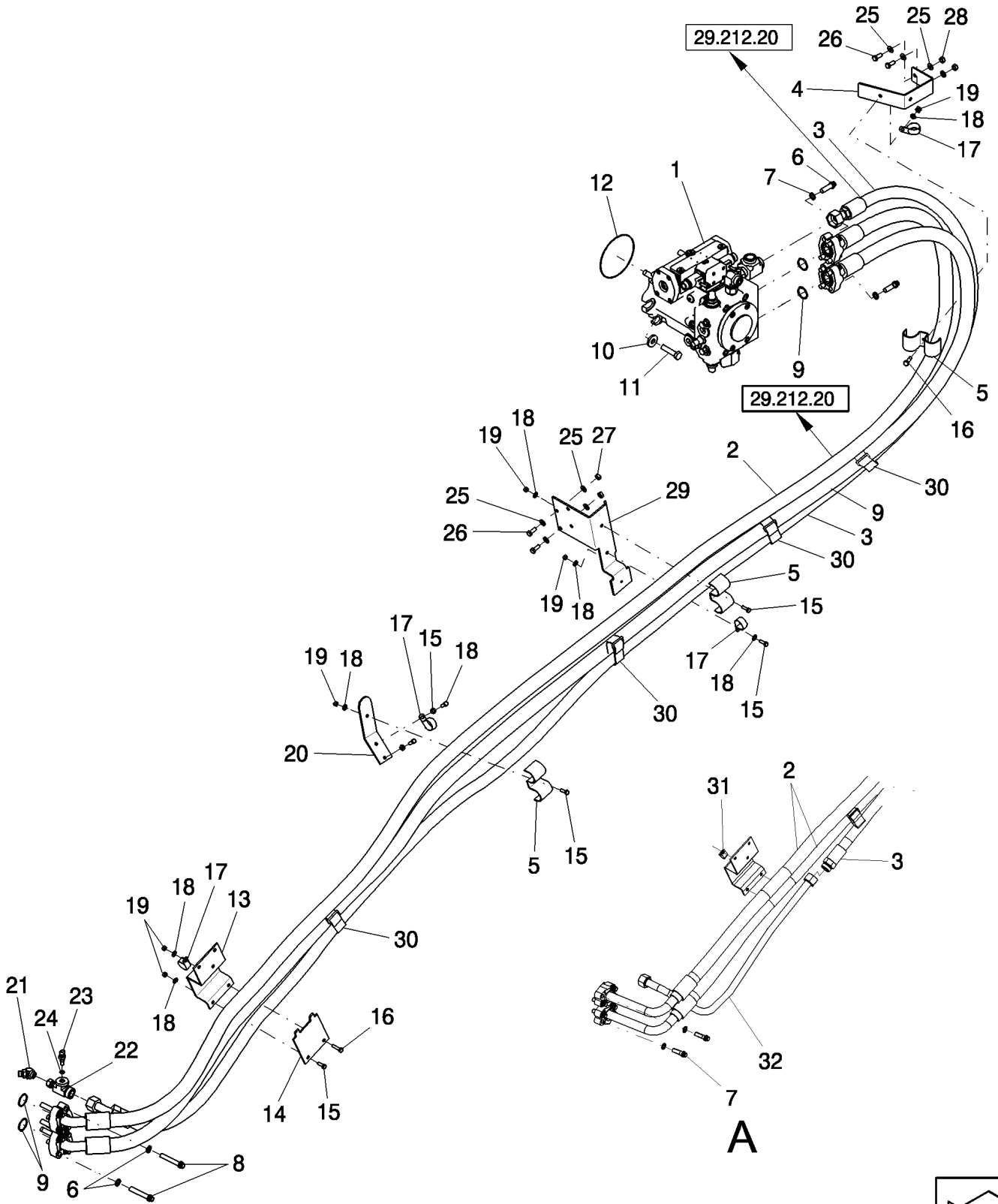
REF	FN	PART NUMBER	YR/SN	QTY	DESCRIPTION
1		87634754		1	HYDROSTATIC PUMP
2	1,2	87644755	BSN Y9G206770	2	HOSE ASSY., Ground Drive High Pressure
2	2,3	84162945	ASN Y9G206770	2	HOSE ASSY., Ground Drive High Pressure
3		84131404	BSN 9G206184	1	HOSE ASSY., Ground Drive Case Drain
3	2	84170752	From 04/09, ASN Y9G206185	1	HOSE ASSY., Ground Drive Case Drain; Used W/Tube, Ref 32
4		87675164		1	BRACKET, Upper Hydro Drive Hose
5		84444101		3	CLAMP
6		87680388		16	WASHER, HTS, M15 x 23 x 2.6
7		87680393		8/16	12 PT SCREW, Flg, M14 x 45, CI 12.9
8		87680391		8	12 PT SCREW, Flg, M14 x 80, CI 12.9
9		235757		4	O-RING, -222, 90 Duro, 1.484" ID x .139" Thk
10		86639326		4	WASHER, M17.5 x 34 x 5, HT
11		87303611		4	BOLT, Hex, M16 x 65, 10.9, Full Thd
12		87017583		1	O-RING, -163, CI 7, 5.987" ID x .103" Thk
13		84069548		1	PLATE
14		84069549		1	PLATE
15		43127		6	BOLT, Hex, M8 x 25, 8.8
16		43129		2	BOLT, Hex, M8 x 40, 8.8
17		86637998		4	CLAMP, 1 1/2", Insul, 3/8" Bolt
18		322358		9	BELLEVILLE WASHER, M8
19		9706690		6	NUT, M8, CI 8
20		87109782		1	BRACKET
21		86639056		1	ELBOW, 45°, 13/16"-18 ORFS x M18 x 1.5 ORB
22		87668483		1	ORIFICE, Fitting, Tee
23		86571273		1	SENSOR
24		86598099		1	O-RING, CI 6, 11.3MM ID x 2.2 Thk
25		140045		8	BELLEVILLE WASHER, M10
26		43139		4	BOLT, Hex, M10 x 25, 8.8, Full Thd
27		100016		4	NUT, M10, CI 8
28		100037		2	NUT, M10 x 1.5, CI 8
29		87655614		1	BRACKET

- (1) Prior to 01/09
- (2) Corresponds to Motor Change
- (3) From 01/09

A = From 01/09

**8120 9120 7120 7120
8120**

HYDRO DRIVE



A



29.204.05

p2

02/10

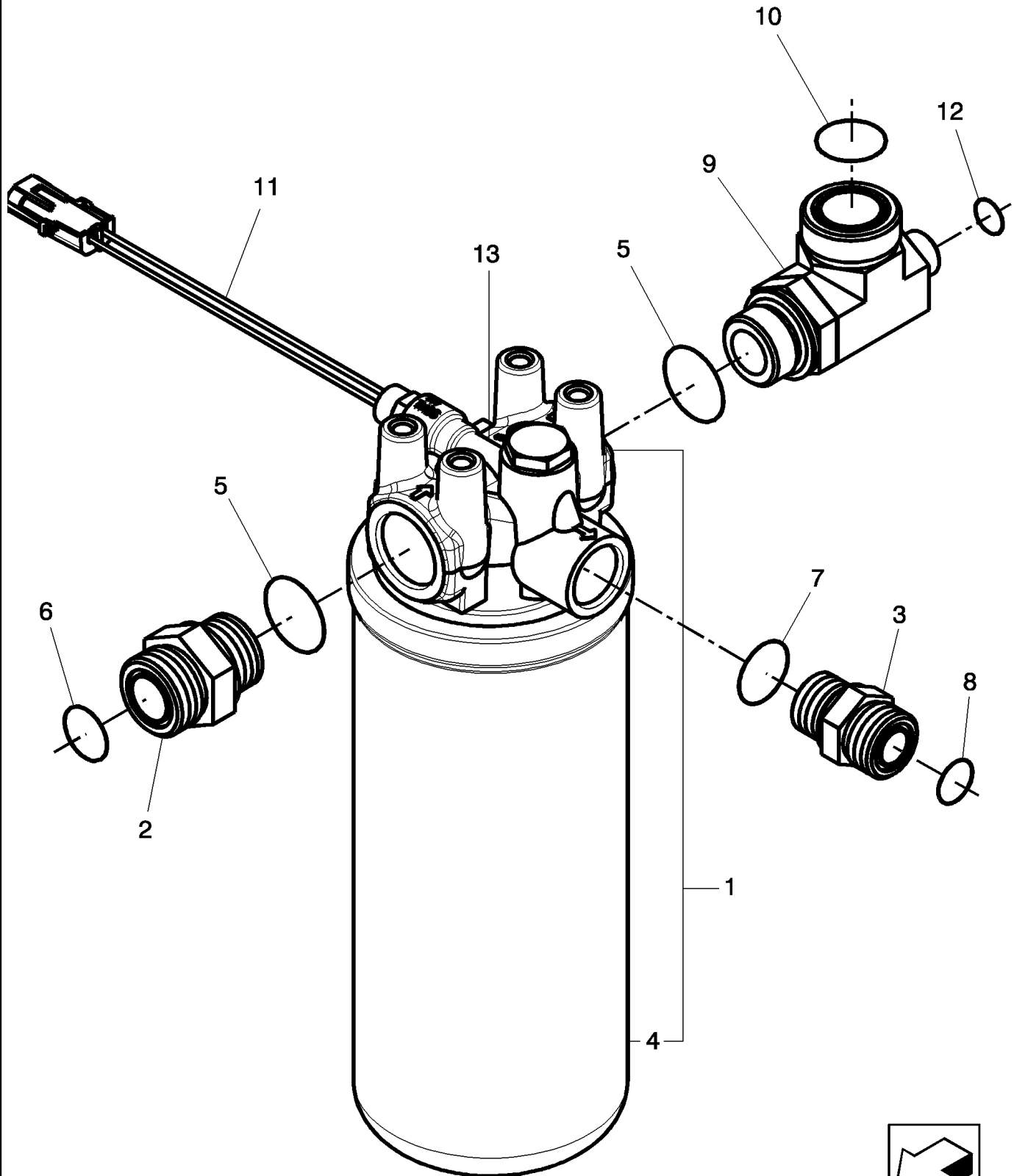
HYDRO DRIVE

REF	FN	PART NUMBER	YR/SN	QTY	DESCRIPTION
30		87108048		4	SECURING STRAP
31		9827902		1	CLAMP, 1", Insul, 3/8" Bolt
32		84169441	From 04/09, ASN Y9G206185	1	TUBE ASSY., Hyd Motor Case Drain

A = From 01/09

**8120 9120 7120 7120
8120**

FILTER ASSY - HYDRO CHARGE

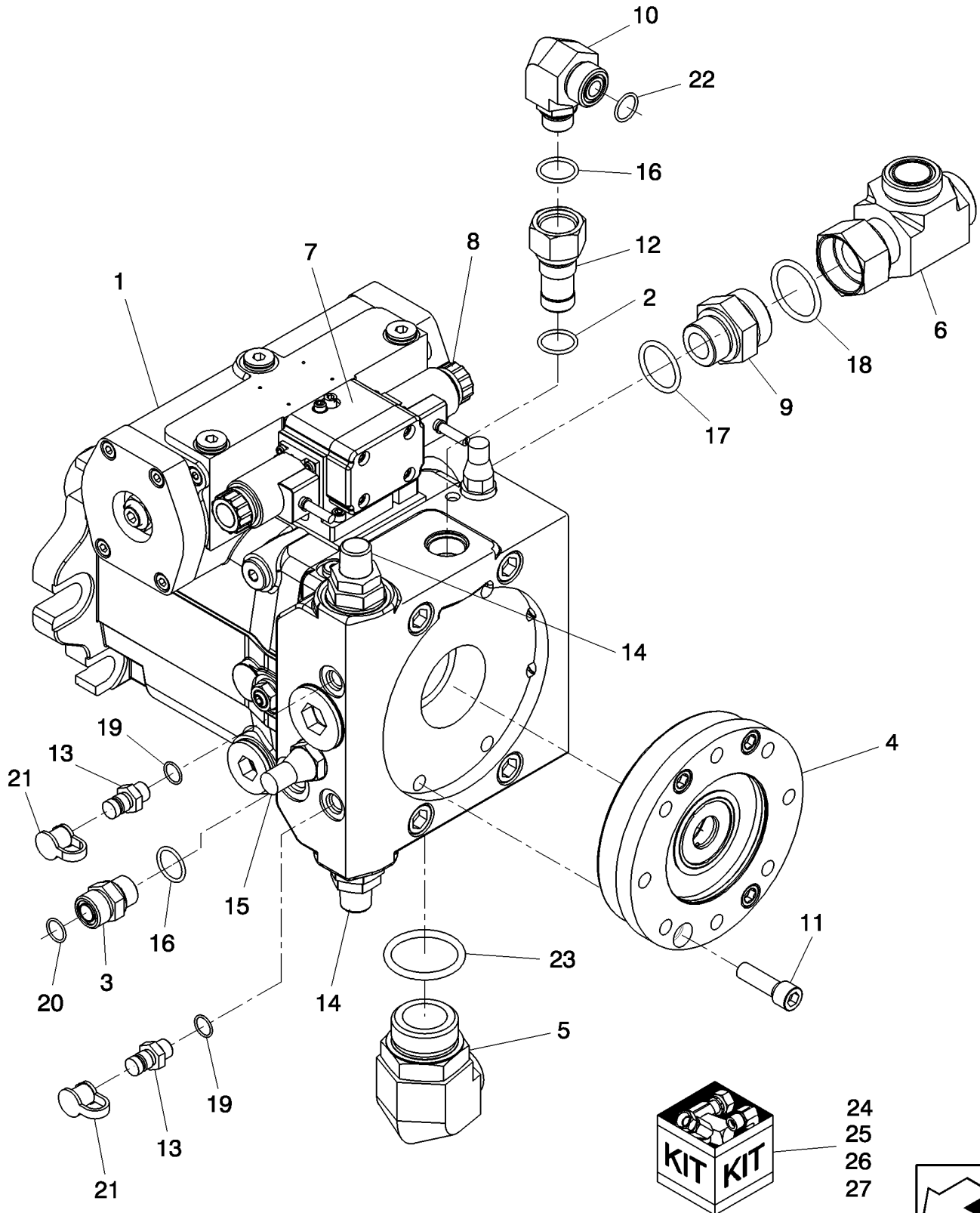


FILTER ASSY - HYDRO CHARGE

REF	FN	PART NUMBER	YR/SN	QTY	DESCRIPTION
1		86975883		1	FILTER ASSY, Hydro Pressure; Incl Ref 4
2		86580179		1	HYD CONNECTOR, 1 7/16"-12 ORFS x M22 x 2 ORB
3		86579682		1	HYD CONNECTOR, 1 3/16"-12 ORFS x M27 x 2 ORB
4		254353A1		1	HYDRAULIC OIL FILTER, Element; 11.6 " Long
5		86598104		2	O-RING, CI 6, 26.6MM ID x 2.9 Thk
6		9824050		1	O-RING, -021, 90 Duro, .926" ID x .070" Thk
7		86598103		1	O-RING, CI 6, 23.6MM ID x 2.9 Thk
8		9991976		1	O-RING, -018, 90 Duro, .739" ID x .070" Thk
9		87661803		1	REDUCER FITTING, Incl Refs 5, 10, & 12
10		9824051		1	O-RING, -025, 90 Duro, 1.176" ID x .070" Thk
11		87447716		1	SWITCH, Indicator, Filter Bypass
12		9992298		1	O-RING, -014, 90 Duro, .489" ID x .070" Thk
13		{84298032}		1	

**9120 7120 8120 7120
8120**

PUMP, PROPULSION



PUMP, PROPULSION

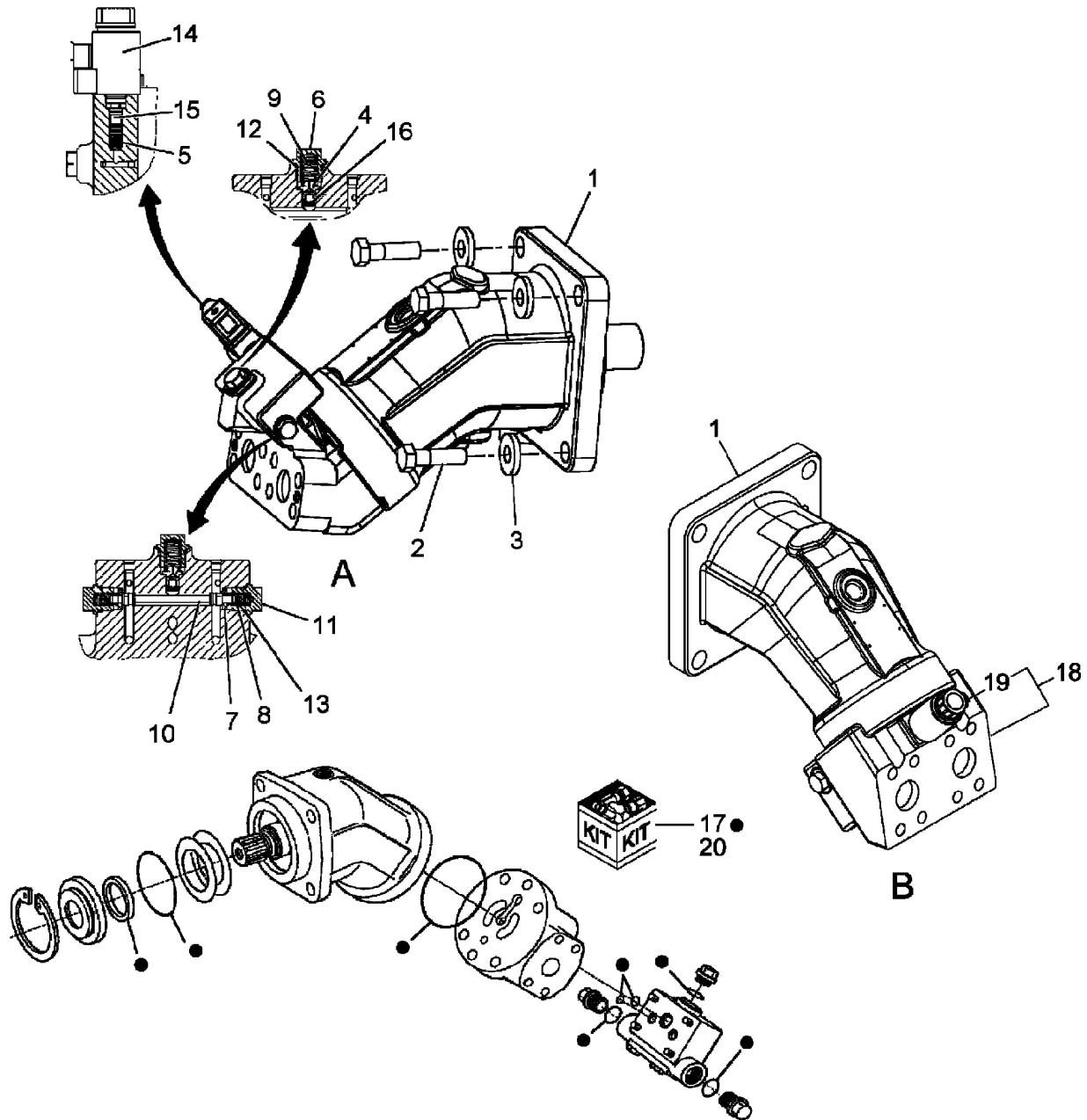
REF	FN	PART NUMBER	YR/SN	QTY	DESCRIPTION
1		87634754		1	HYDROSTATIC PUMP, Incl Refs 4, 7, 8, 11, 14, & 15
2		271913		1	O-RING, -119, 90 Duro, .924" ID x .103" Thk
3		86579680		1	HYD CONNECTOR, 1"-14 ORFS x M22 x 1.5 ORB, Incl Refs 16 & 20
4	1	87693013		1	PUMP
4	2	84148630		1	PUMP
5		87022817		1	FITTING, Elbow; Incl Ref 23
6		201-448		1	TEE, 1 11/16"-12 ORFS x 1 11/16"-12 Sw Run
7		87696316		1	MODULE, Control
8		87686481		1	SOLENOID
9		86579684		1	HYD CONNECTOR, 1 11/16"-12 ORFS x M33 x 2 ORB, Incl Refs 17 & 18
10		86579695		1	ELBOW, Incl Refs 16 & 22
11		14422134		4	SCREW, Hex Soc Hd, M12 x 35, 10.9
12		87651797		1	ADAPTER, M26 x 1.5 To M27 x 2
13		84320565		2	COUPLING, M14 x 1.5, Incl Ref 19
14		87702284		2	PRESSURE RELIEF VALVE, See Also Ref 27
15		87746593		1	PRESSURE RELIEF VALVE
16		86598102		2	O-RING, CI 6, 19.3MM ID x 2.2 Thk
17		86598104		1	O-RING, CI 6, 26.6MM ID x 2.9 Thk
18		9824051		1	O-RING, -025, 90 Duro, 1.176" ID x .070" Thk
19		86598099		2	O-RING, CI 6, 11.3MM ID x 2.2 Thk
20		9992069		1	O-RING, -016, 90 Duro, .614" ID x .070" Thk
21		86502604		2	DUST CAP
22		9991976		1	O-RING, -018, 90 Duro, .739" ID x .070" Thk
23		86583917		1	O-RING, CI 6, 44.6MM ID x 2.9 Thk
24		87696330		1	SEAL KIT, Control Module Seal
25		87695722		1	SEAL KIT, Driveshaft Seal
26		87654434		1	SEAL KIT, Internal Gear Pump Seal
27		87732685		1	SEAL KIT, High Pressure Relief Valve (Ref 14)

(1) 7120 & 8120 Only

(2) 9120 Only

**8120 9120 7120 7120
8120**

HYDROSTATIC MOTOR, 107CC OR 125CC



HYDROSTATIC MOTOR, 107CC OR 125CC

REF	FN	PART NUMBER	YR/SN	QTY	DESCRIPTION
1	1, 2	87634753	BSN Y9G206687	1	HYDROSTATIC MOTOR, 107CC
1	1, 3	84168176	ASN Y9G206687	1	HYDROSTATIC MOTOR, 107CC
1	4, 2	87634752	BSN Y9G206762	1	HYDROSTATIC MOTOR, 125CC
1	4, 3	84168175	ASN Y9G206762	1	HYDROSTATIC MOTOR, 125CC
2		87022685		4	BOLT, Hex, M16 x 55, 10.9, Full Thd
3		84058945		4	WASHER
4		87702168		1	PISTON, Valve
5		NSS		1	NOT SERVICED SEPARATELY, Spring, Pressure
6		87702169		1	SCREW
7		NSS		1	NOT SERVICED SEPARATELY, Washer
8		NSS		1	NOT SERVICED SEPARATELY, Spring
9		87702170		1	SPRING
10		NSS		1	NOT SERVICED SEPARATELY, Piston, Flushing
11		87702165		1	SCREW
12		70925929		1	O-RING, -115, CI 8, .674" ID x .103" Thk
13		NSS		1	NOT SERVICED SEPARATELY
14		87686484		1	SOLENOID
15		NSS		1	NOT SERVICED SEPARATELY, Piston, Control
16		87702171		1	RING, Retaining
17		87696335		1	SEAL KIT, Services Motor Type "A"
18		84179973		1	HYDRAULIC VALVE, Flushing
19		87686484		1	SOLENOID
20		84190056		1	SEAL KIT, Services Motor Type "B"

- (1) Standard Drive
- (2) See Note A
- (3) See Note B
- (4) Planetary or Track Drive

"A" & "B" Represent Two Different Type Motors Used In Production, Which Have Different Internal Components As Noted. The Different "Type" Motors Also Require Different Hoses.

8120 9120 7120 7120
8120

SECTION INDEX

31 - Implement power take-off

31.000.00	SECTION INDEX - IMPLEMENT POWER TAKE OFF
31.114.01	PTO, OUTPUT GEARS, ENGINE GEARBOX
31.114.02	PTO, COVERS, OUTPUT GEARS, ENGINE GEARBOX
31.114.04	PTO, CLUTCHES & VALVES, ENGINE GEARBOX
31.114.05	MANIFOLD, DRAIN

31.000.00

p1

08/09

SECTION INDEX - IMPLEMENT POWER TAKE OFF

**ART
NOT
AVAILABLE**

31.000.00

p1

08/09

SECTION INDEX - IMPLEMENT POWER TAKE OFF

REF	FN	PART NUMBER	YR/SN	QTY	DESCRIPTION
------------	-----------	--------------------	--------------	------------	--------------------

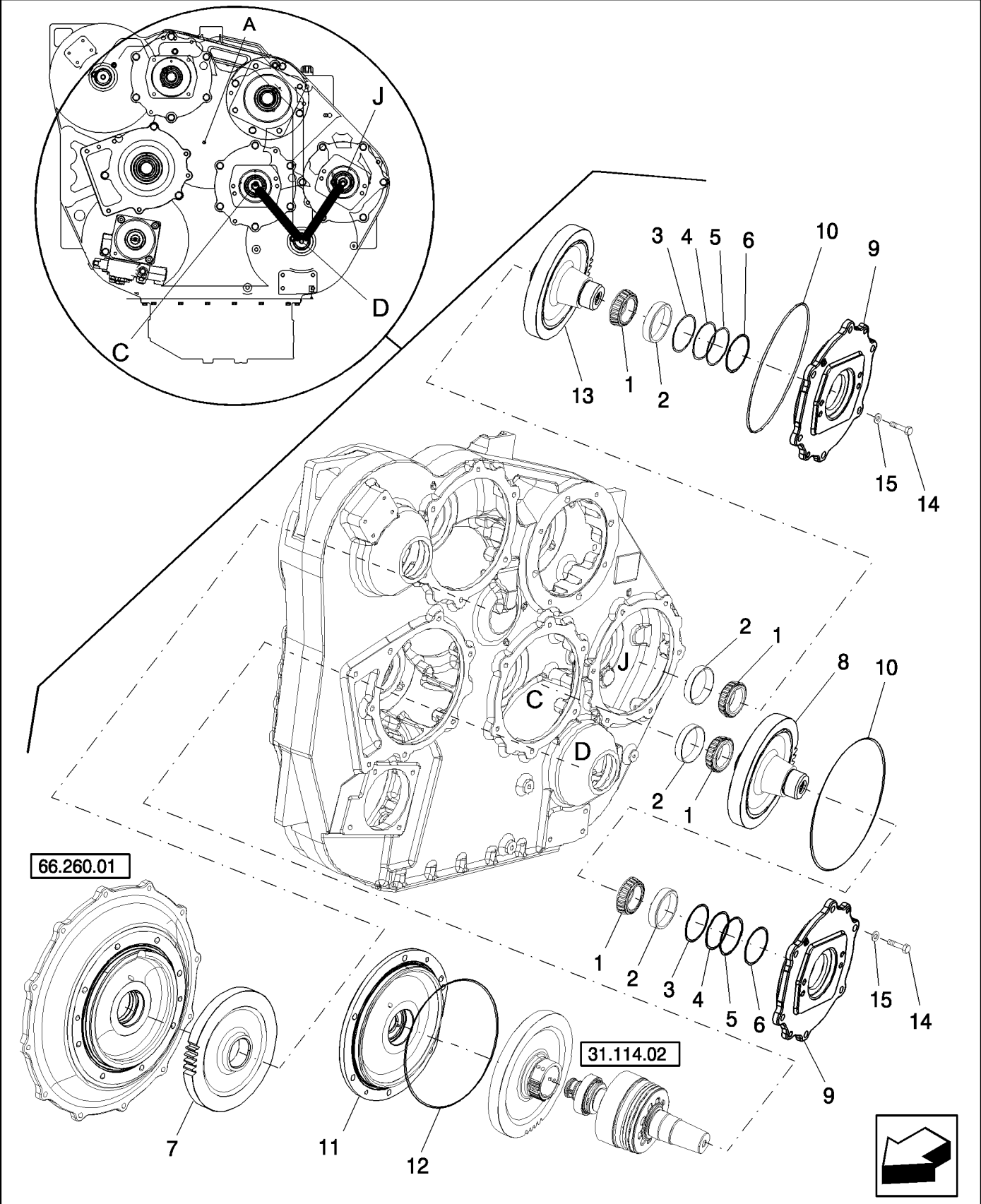
					7120 7120 8120 9120 8120
--	--	--	--	--	-------------------------------------

31.114.01

p1

12/09

PTO, OUTPUT GEARS, ENGINE GEARBOX

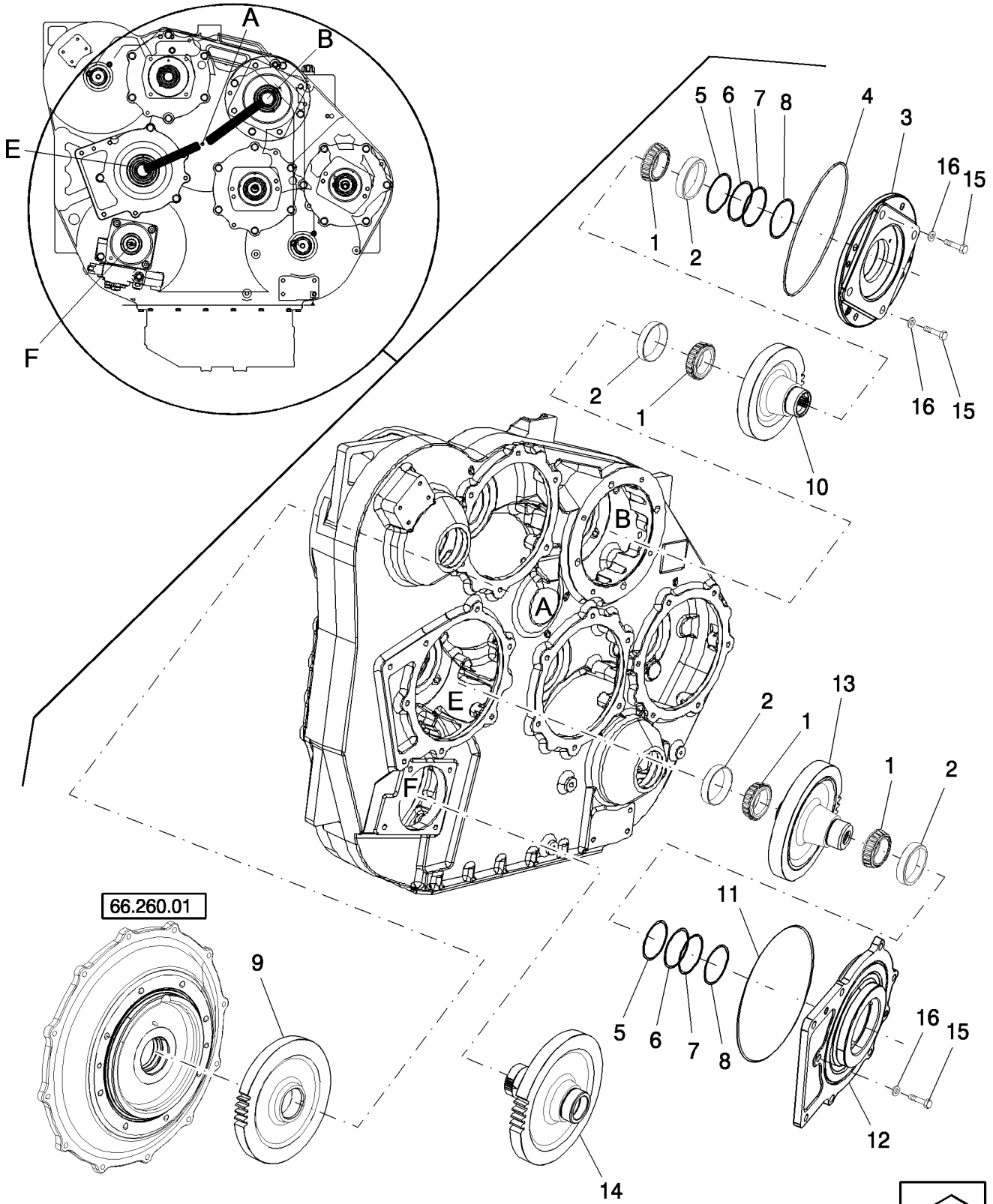


PTO, OUTPUT GEARS, ENGINE GEARBOX

REF	FN	PART NUMBER	YR/SN	QTY	DESCRIPTION
1		364463C91		4	BEARING CONE
2		364462C1		4	BEARING CUP
3		378154A1		AR	SHIM
4		378155A1		AR	SHIM
5		378156A1		AR	SHIM
6		378157A1		AR	SHIM
7		86975202		1	GEAR, PTO Input, 58T
8		86975207		1	GEAR, Pump Drive, 42T
9		87107642		2	FLANGE
10		238-5272		2	O-RING, -272, 70 Duro, 9.484" ID x .139" Thk
11		87105122		1	COVER, Driveshaft, Feeder / Header
12		238-5277		1	O-RING, -277, 70 Duro, 11.484" ID x .139" Thk
13		86975208		1	GEAR, PFC Pump Drive, 48T
14		628-12035		AR	SCREW, Hex, M12 x 35, 10.9, Full Thd
15		896-12012		AR	WASHER, M12 x 24.5 x 3, HT

**8120 9120 7120 7120
8120**

PTO, COVERS, OUTPUT GEARS, ENGINE GEARBOX

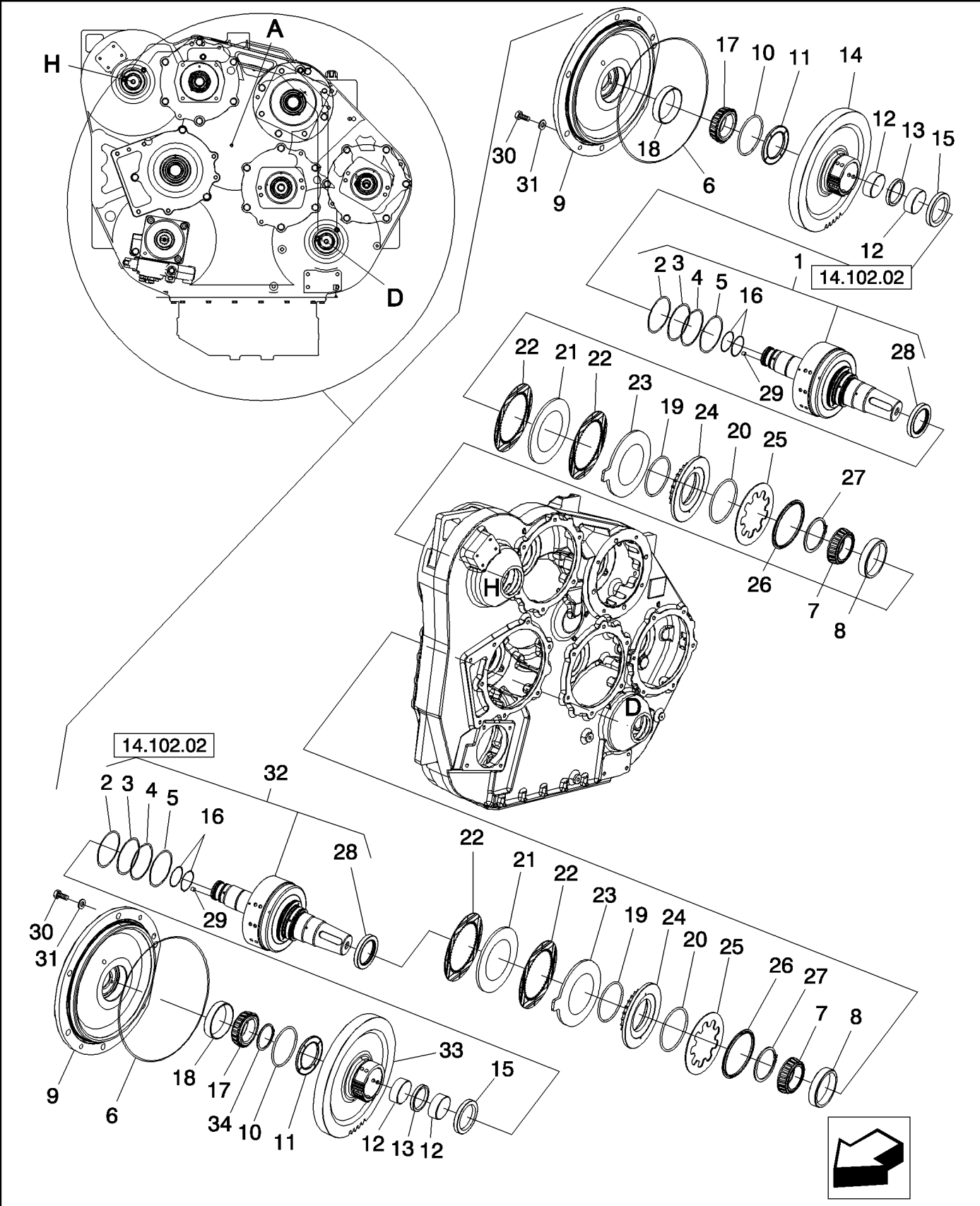


PTO, COVERS, OUTPUT GEARS, ENGINE GEARBOX

REF	FN	PART NUMBER	YR/SN	QTY	DESCRIPTION
1		L33289		4	BEARING CONE
2		105497H		4	BEARING CUP
3		397677A1		1	FLANGE, Pump Mounting
4		238-5171		1	O-RING, 8" ID X 8 13/16" OD, CI 5
5		378158A1		AR	SHIM
6		378159A1		AR	SHIM
7		378160A1		AR	SHIM
8		378161A1		AR	SHIM
9		86975202		1	GEAR, PTO Input, 58T
10		86975203		1	GEAR, Pump Drive, 42T
11		238-5274		1	O-RING, -274, 70 Duro, 9.984" ID x .139" Thk
12		86997812		1	FLANGE, Driveshaft, Feeder / Header
13		86975205		1	GEAR, Drive, Feeder / Header, 51T
14		86975206		1	GEAR, Rotor Drive, 57T
15		628-12035		AR	SCREW, Hex, M12 x 35, 10.9, Full Thd
16		896-12012		AR	WASHER, M12 x 24.5 x 3, HT

**8120 9120 7120 7120
8120**

PTO, CLUTCHES & VALVES, ENGINE GEARBOX



PTO, CLUTCHES & VALVES, ENGINE GEARBOX

REF	FN	PART NUMBER	YR/SN	QTY	DESCRIPTION
1	1, 2	87325136		1	CLUTCH ASSEMBLY
2		378154A1		AR	SHIM
3		378155A1		AR	SHIM
4		378156A1		AR	SHIM
5		378157A1		AR	SHIM
6		238-5277		2	O-RING, -277, 70 Duro, 11.484" ID x .139" Thk
7		L33289		2	BEARING CONE
8		105497H		2	BEARING CUP
9		87105122		2	COVER
10		A188192		4	WASHER, THRUST
11		A183452		4	THRUST BEARING
12		A178460		4	NEEDLE BEARING CAGE
13		A188194		2	RING, Inner
14		87105111		2	GEAR, PTO Clutch, 60 T
15		257277A1		2	SEALRING, Clutch Lube
16		87587474		4	SEALRING, Shaft
17		636826R91		2	BEARING CONE, Roller
18		130503H		2	BEARING CUP
19		87105115		2	SEALRING
20		87105116		2	SEALRING
21		87105109		2	PLATE
22	3	86990276		4	DISC, Friction, Shift Clutch
22	3	84159162		4	CLUTCH PLATE, Disc, Friction, Shift
23		87109365		2	PLATE, Flat
24		87105676		2	PISTON
25		87105113		2	SPRING, Disc
26		87105114		2	RING
27		800-1170		2	SNAP RING, M70, Ext
28		619585C91		2	SEAL, Lip
29		1345887C1		2	PLUG, Expansion, M9
30		628-12035		AR	SCREW, Hex, M12 x 35, 10.9, Full Thd
31		896-12012		AR	WASHER, M12 x 24.5 x 3, HT

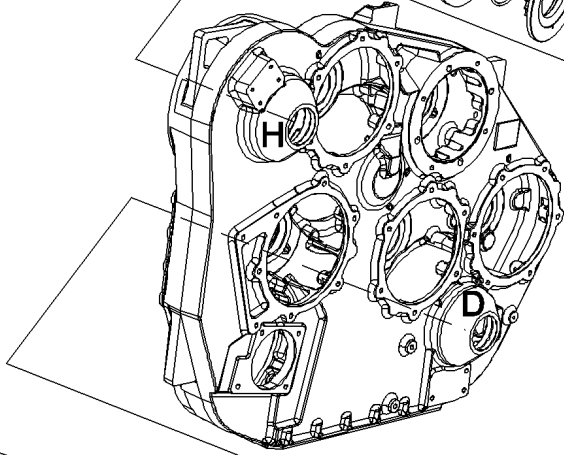
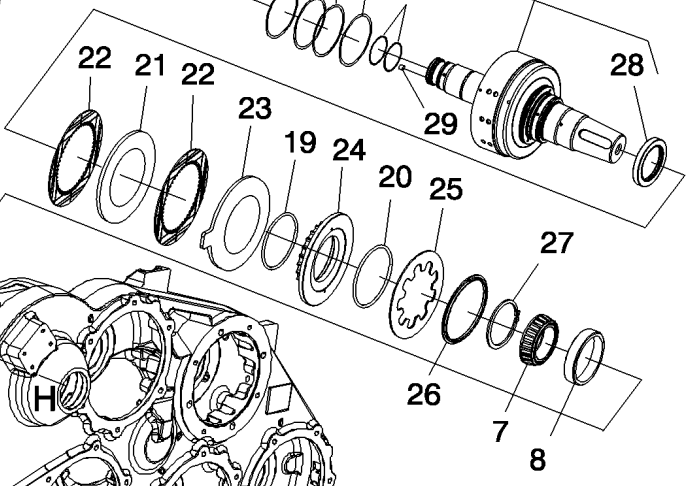
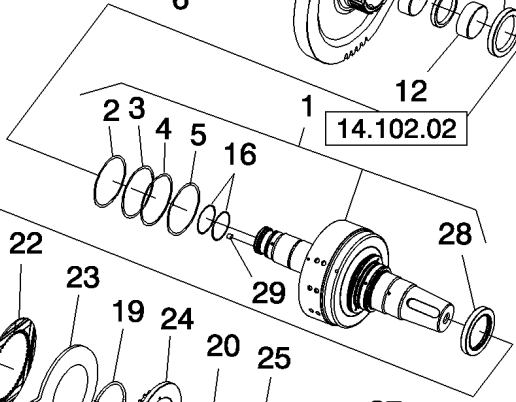
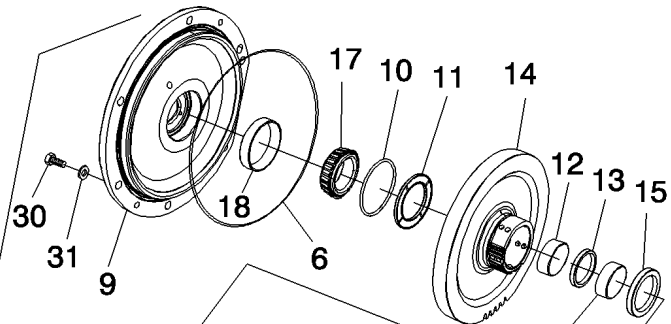
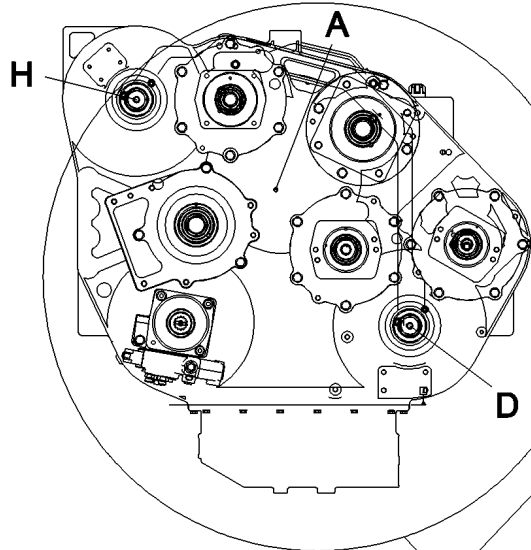
(1) Four Friction Plates

(2) Component of Kit 84223960

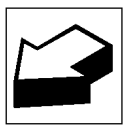
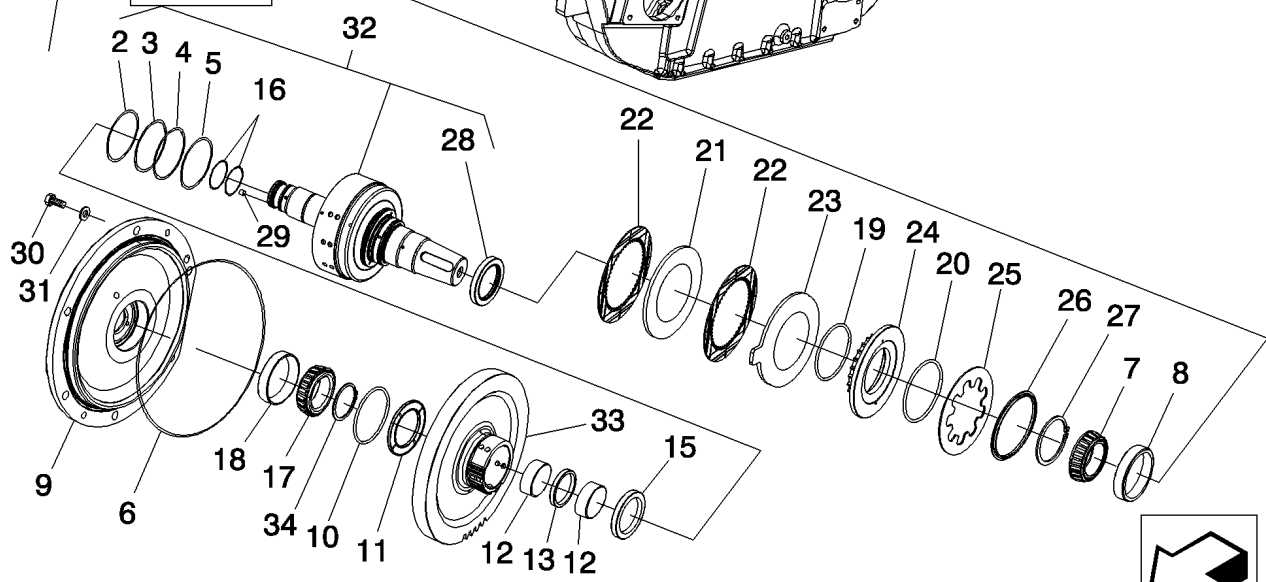
(3) May be Used Interchangeably

8120 9120 7120 7120
8120

PTO, CLUTCHES & VALVES, ENGINE GEARBOX



14.102.02



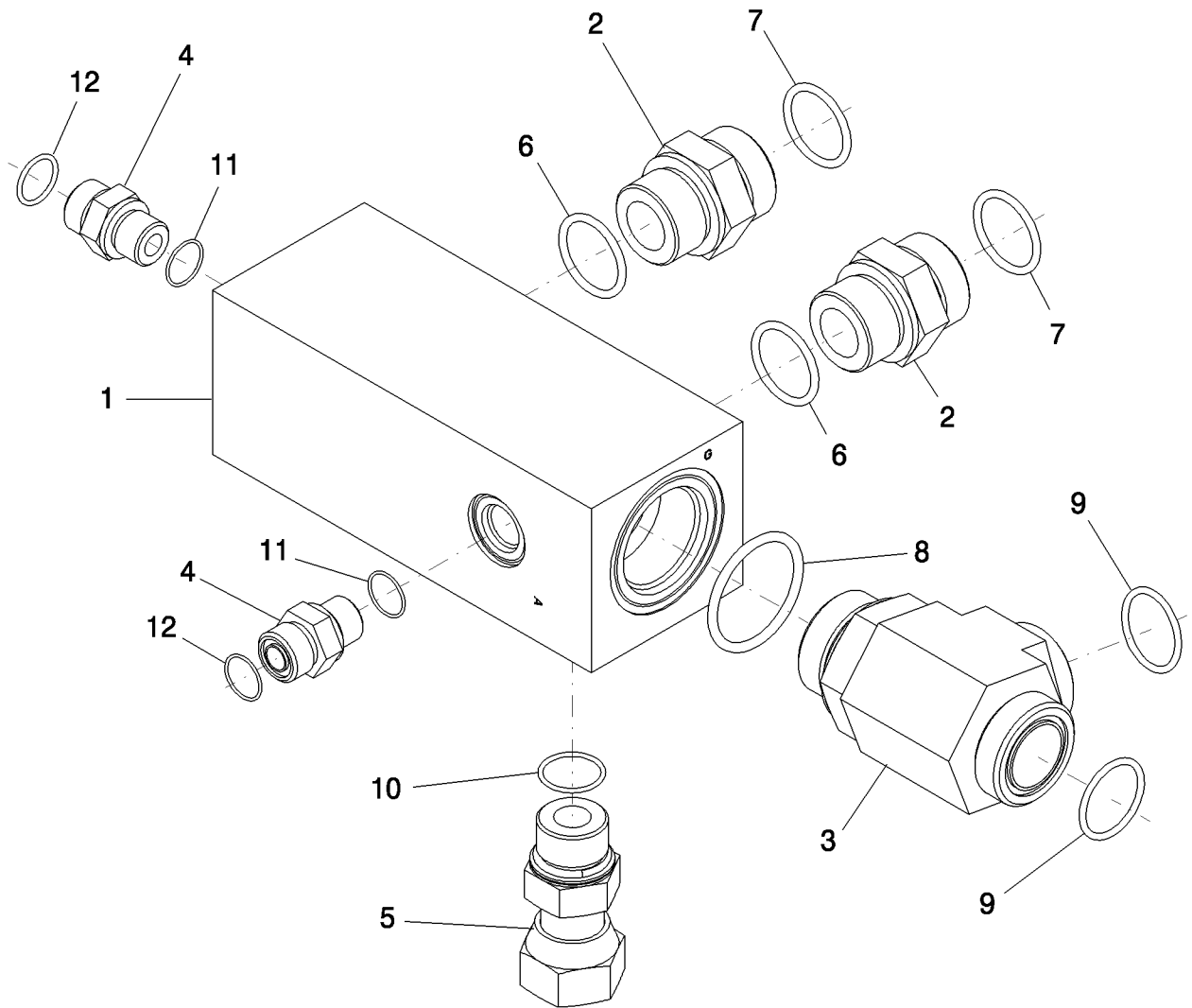
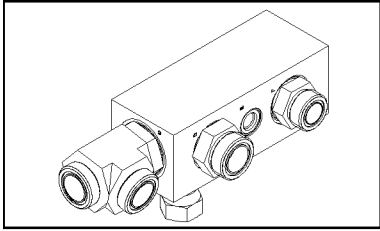
PTO, CLUTCHES & VALVES, ENGINE GEARBOX

REF	FN	PART NUMBER	YR/SN	QTY	DESCRIPTION
32	1, 2	87737569		1	SERVICE KIT, Shaft & Clutch Housing Assembly
33		87332117		1	GEAR
34		100-16175		1	SNAP RING, #175, Ext

- (1) Six Friction Plates
- (2) Beater/Chopper Drive

**8120 9120 7120 7120
8120**

MANIFOLD, DRAIN



MANIFOLD, DRAIN

REF	FN	PART NUMBER	YR/SN	QTY	DESCRIPTION
1		87611498		1	MANIFOLD
2		86580179		2	HYD CONNECTOR, 1 7/16"-12 ORFS x M22 x 2 ORB, Includes Ref 6 (1) & Ref 7 (1)
3		86579708		1	TEE, 1 11/16"-12 ORFS x M42 x 2 ORB Run, Includes Ref 8 (1) & Ref 9 (2)
4		86579676		2	HYD CONNECTOR, 13/16"-16 ORFS x M18 x 1.5 ORB, Includes Ref 11 (1) & Ref 12 (1)
5		86998396		1	FITTING, Includes Ref 10
6		86598104		2	O-RING, CI 6, 26.6MM ID x 2.9 Thk
7		9824050		2	O-RING, -021, 90 Duro, .926" ID x .070" Thk
8		86598105		1	O-RING, CI 6, 38.6MM ID x 2.9 Thk
9		9824051		2	O-RING, -025, 90 Duro, 1.176" ID x .070" Thk
10		86598103		1	O-RING, CI 6, 23.6MM ID x 2.9 Thk
11		86598101		2	O-RING, CI 6, 15.3MM ID x 2.2 Thk
12		9992298		2	O-RING, -014, 90 Duro, .489" ID x .070" Thk

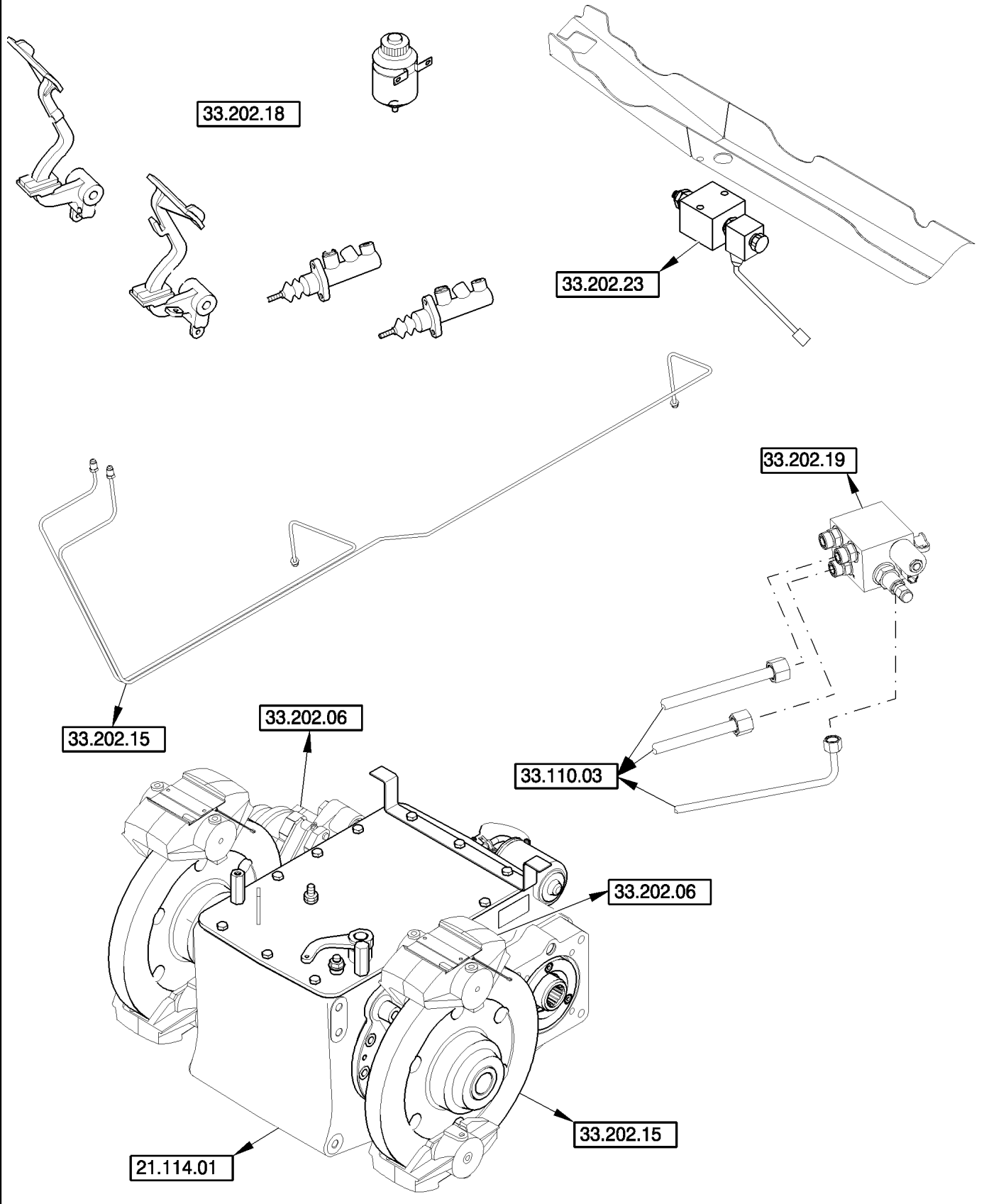
**9120 7120 8120 7120
8120**

SECTION INDEX

33 - Brakes & controls

33.000.00	SECTION INDEX - BRAKES & CONTROLS
33.110.03	HYDRAULIC TUBES - PARK VALVE
33.202.04	SERVICE BRAKES
33.202.06	BRAKE CALIPER
33.202.07	BRAKE GEARBOX
33.202.15	HYDRAULICS - BRAKE CONTROL LINES
33.202.18	SERVICE BRAKE COMMAND
33.202.19	VALVE, HYDRAULIC, PARK - CONNECTORS
33.202.20	VALVE, HYDRAULIC, PARK - COMPONENTS
33.202.23	KIT, SERVICE BRAKE PRESSURE LIMITER

SECTION INDEX - BRAKES & CONTROLS



33.000.00

p1

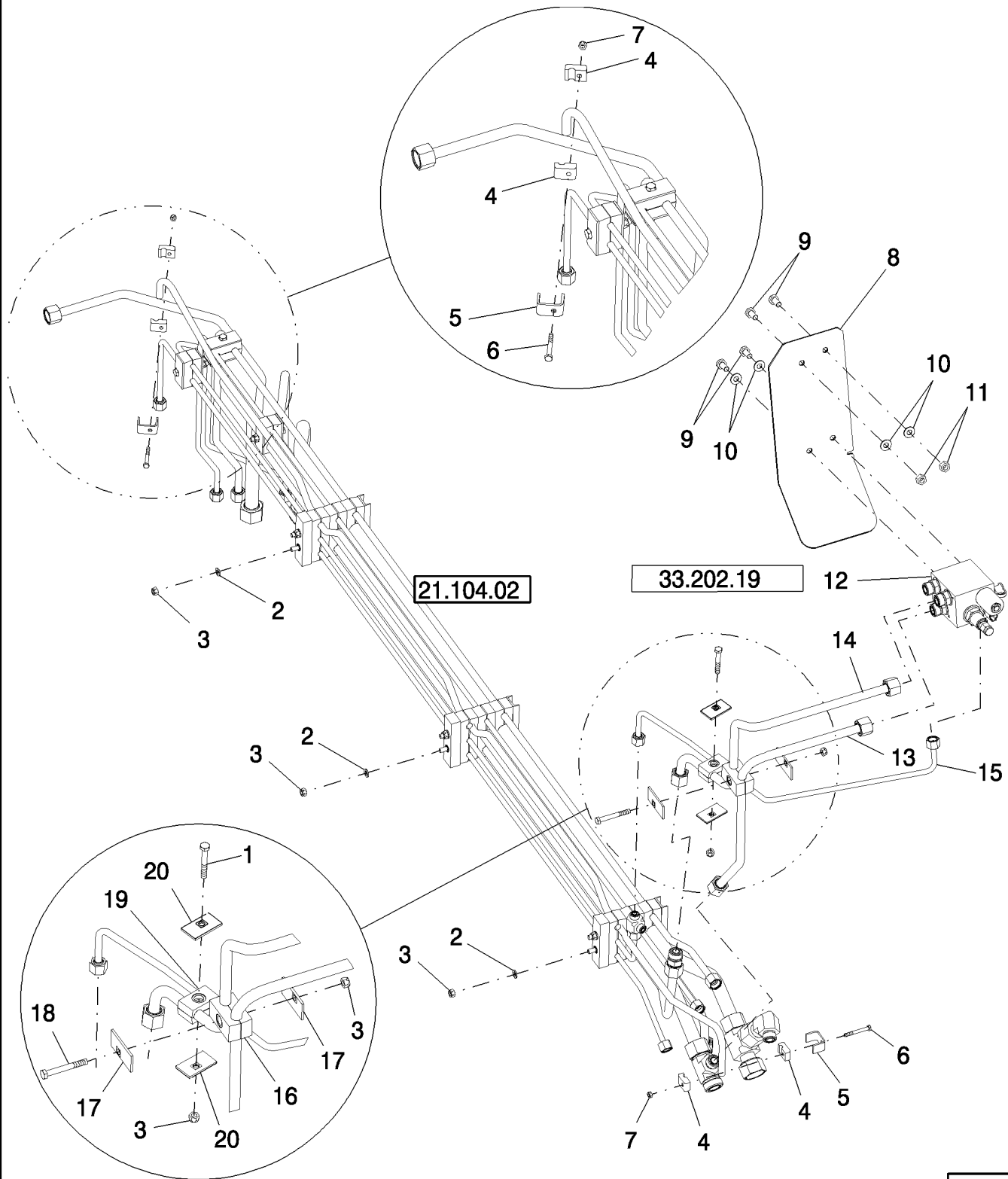
08/09

SECTION INDEX - BRAKES & CONTROLS

REF	FN	PART NUMBER	YR/SN	QTY	DESCRIPTION
------------	-----------	--------------------	--------------	------------	--------------------

					9120 8120 7120 8120 7120
--	--	--	--	--	-------------------------------------

HYDRAULIC TUBES - PARK VALVE

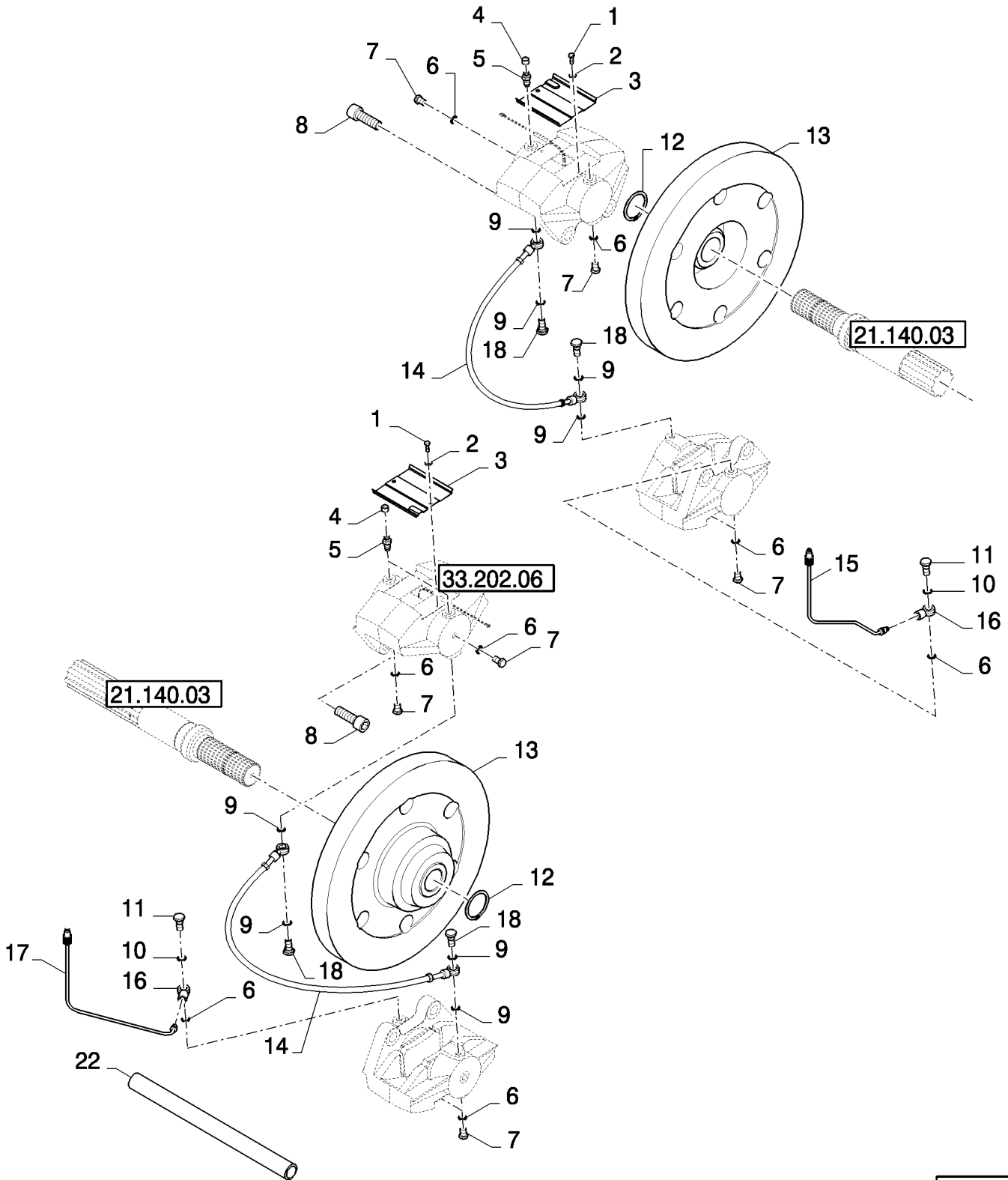


HYDRAULIC TUBES - PARK VALVE

REF	FN	PART NUMBER	YR/SN	QTY	DESCRIPTION
1		16044321		1	BOLT, Hex, M8 x 55, 8.8
2		140016		3	WASHER, M8 x 16 x 1.6
3		832-46408		5	LOCK NUT, M8 x 1.25, CI 8
4		433008		4	CLAMP
5		442340		2	SUPPORT
6		120056		2	BOLT, Hex, M6 x 50, 8.8
7		353308		2	NUT, M6 x 1, CI 8
8		87280113		1	BRACKET
8		87710647		1	BRACKET
9		43138		4	BOLT, Hex, M10 x 20, 8.8, Full Thd
10		140045		4	BELLEVILLE WASHER, M10
11		100016		2	NUT, M10, CI 8
12		0C		1	ORDER COMPONENTS, Valve, Hydraulic, Park
13		87710635		1	TUBE ASSY., Valve Supply
14		87710634		1	TUBE ASSY., Drain
15		87710633		1	TUBE ASSY., Regulated Pressure, Park Valve
16		87000150		1	COLLAR, Tube
17		87000230		2	PLATE, Clamp, Hose
18		300510		1	BOLT, Hex, M8 x 65, 8.8
19		87000159		1	CLAMP, Tube
20		72180326		2	PLATE, Clamp, Hose

**9120 7120 8120 7120
8120**

SERVICE BRAKES

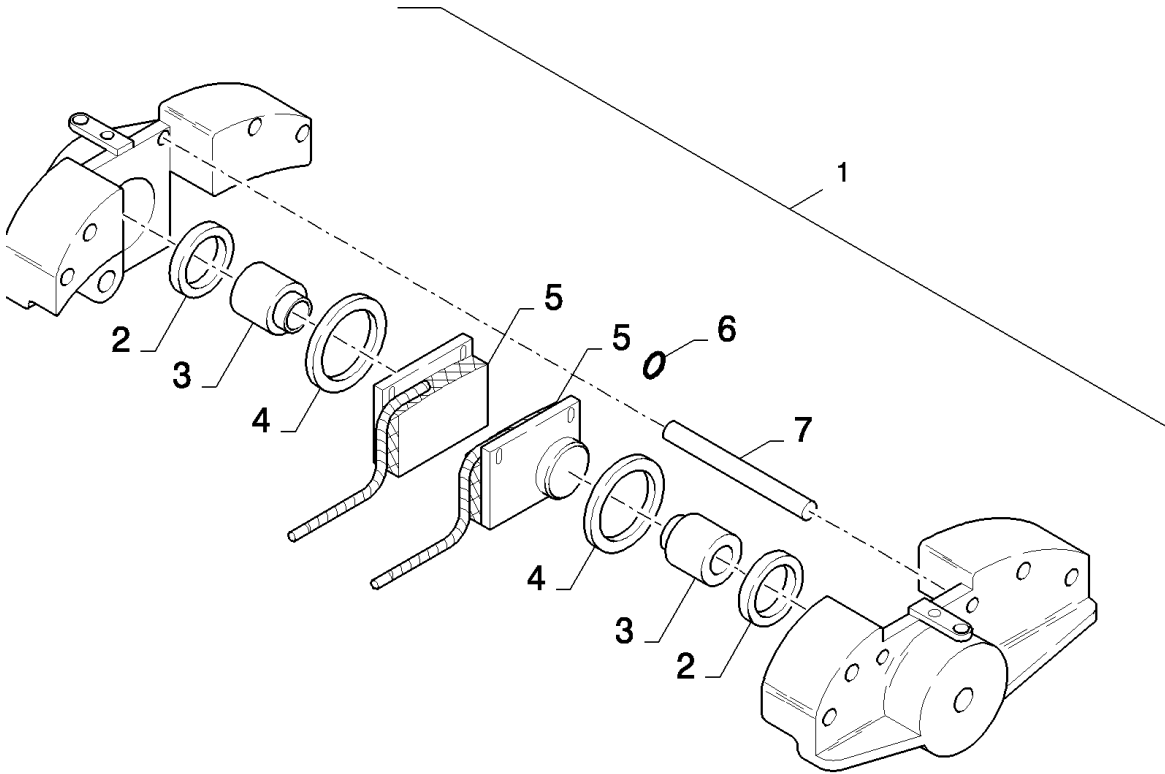


SERVICE BRAKES

REF	FN	PART NUMBER	YR/SN	QTY	DESCRIPTION
1		300806		4	BOLT, Hex, M5 x 10, 8.8, Full Thd
2		80322356		4	WASHER, M5
3		84004317		2	COVER
4		89835349		4	CAP, Seal
5		89832308		4	SCREW, Vent
6		84439102		10	SEALING WASHER
7		89832307		8	SCREW, Sealing
8		89817243		8	SCREW, Cylinder Hd
9		84449206		8	RING
10		80355607		2	SEALRING
11		89832304		2	BANJO BOLT, Hollow
12		370007		2	SNAP RING, M45, Ext
13		84071143		2	BRAKE DISC, Dia. = 330 mm; For 16/71 Differential Only
13		84071125		2	BRAKE DISC, Dia. = 400 mm; For 20/61 Differential Or 16/71 W/Diff Lock (8120 Service Only)
14		84447450		2	BRAKE LINE, L = 360 mm
15		84801453		1	BRAKE LINE, For 16/71 Differential
15		87330717		1	BRAKE LINE, For 20/61 Differential
16		9832303		2	FITTING
17		84801451		1	BRAKE LINE, For 16/71 Differential
17		87330720		1	BRAKE LINE, For 20/61 Differential
18		84449205		4	BANJO BOLT, M10 x 1 x 17
22		87486643		2	PROTECTIVE SLEEVE, For Brake Line Hoses

**8120 9120 7120 7120
8120**

BRAKE CALIPER



33.202.06

p1

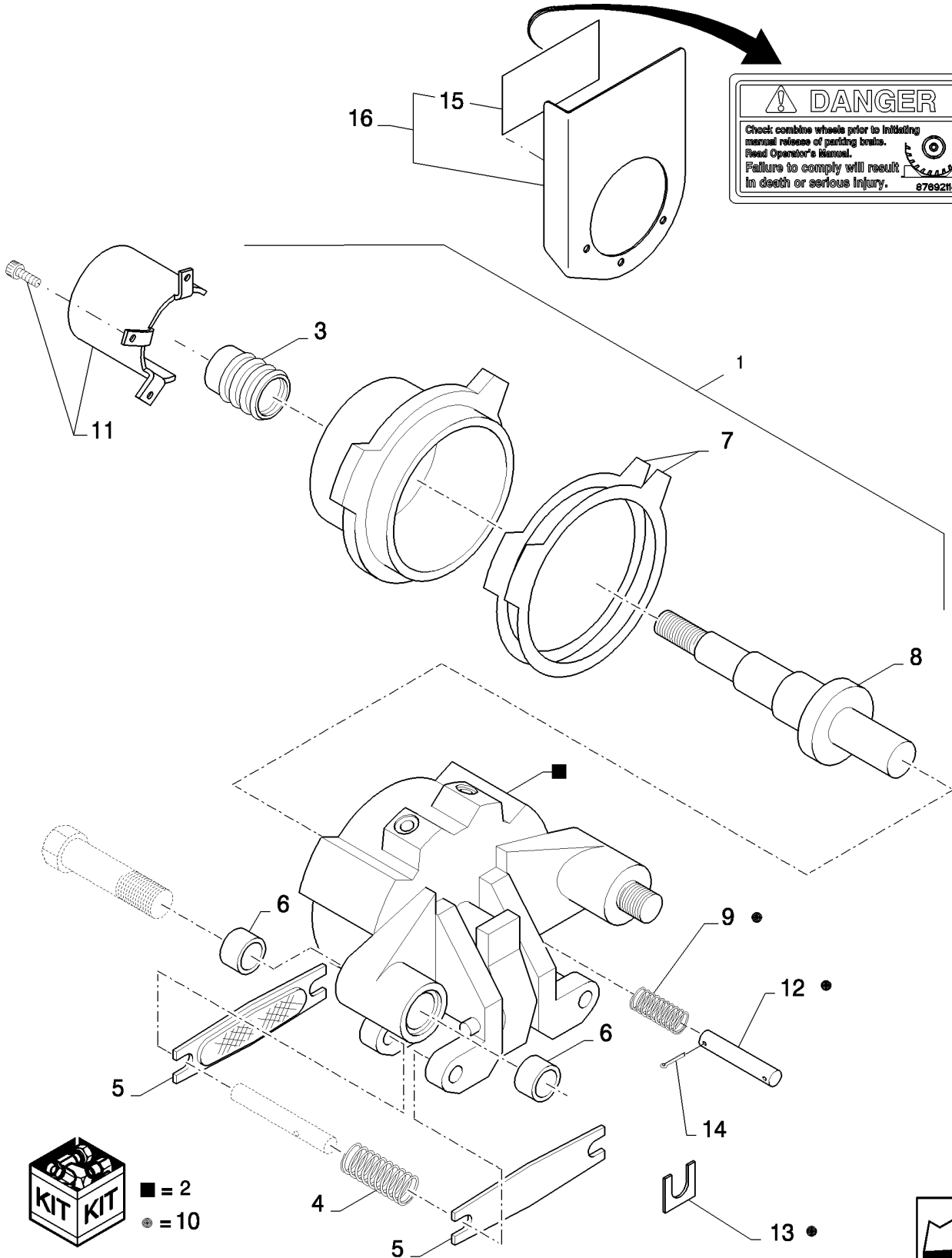
11/09

BRAKE CALIPER

REF	FN	PART NUMBER	YR/SN	QTY	DESCRIPTION
1		84989455		AR	BRAKE CALIPER
2		89835351		2	SEAL
3		89850149		2	PISTON
4		89835350		2	GASKET
5		89832306		2	BRAKE PAD
6		89835353		1	O-RING
7		89850148		2	PIN

**8120 9120 7120 7120
8120**

BRAKE GEARBOX



⚠ DANGER
Check combine wheels prior to initiating manual release of parking brake.
Read Operator's Manual.
Failure to comply will result in death or serious injury.
87892114



■ = 2
● = 10



BRAKE GEARBOX

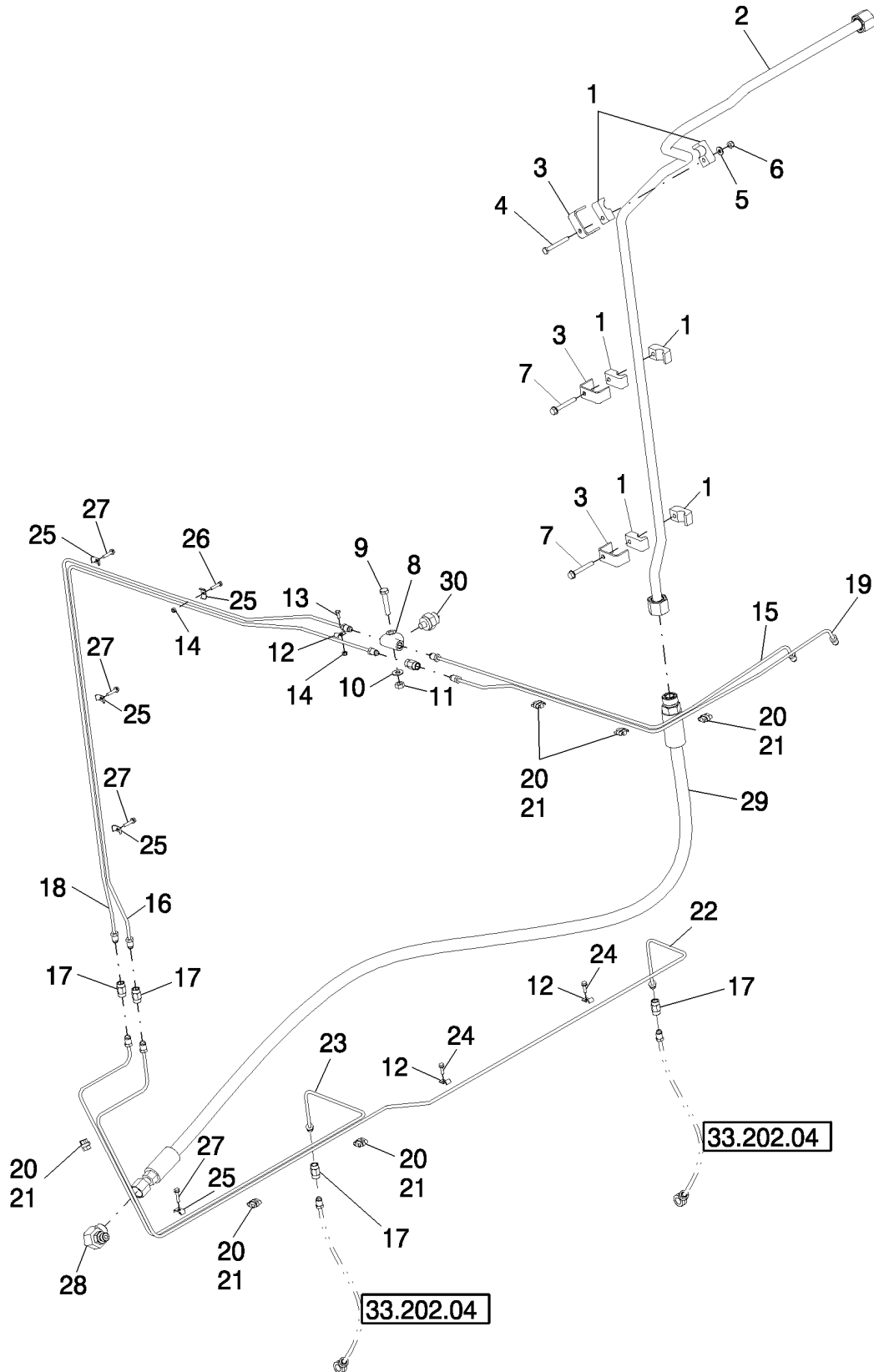
REF	FN	PART NUMBER	YR/SN	QTY	DESCRIPTION
1		84818665		1	HAND BRAKE, (2 to 12)
2		84819189		1	SEAL KIT
3		84607351		1	CAP
4		84607345		2	SPRING
5		84607353		2	BRAKE PAD, Kit of (2)
6		84607354		4	SLEEVE
7		84607355		15	SHIM
8		84817131		1	PISTON, Kit
9		84447472		2	SPRING, Compression
10		84447501		1	KIT, Incl Ref (2) 9, (2) 12, (2) 13
11		84817135		1	KIT, Protection
12		84818666		2	PIN
13		84818667		2	SPRING, RETAINER CLIP
14		PL		2	PROCURE LOCALLY, Pin
15	1	87692114		1	DECAL, DANGER - Chock Combine Wheels
15	2	87699716		1	DECAL, DANGER - Chock Combine Wheels
16	1	87722121		1	PLATE, Park Decal; Includes Ref 15
16	2	87722122		1	PACKAGE,SERVICE, Plate, Park Decal; Includes Ref 15

(1) NA

(2) EU

8120 9120 7120 7120
8120

HYDRAULICS - BRAKE CONTROL LINES



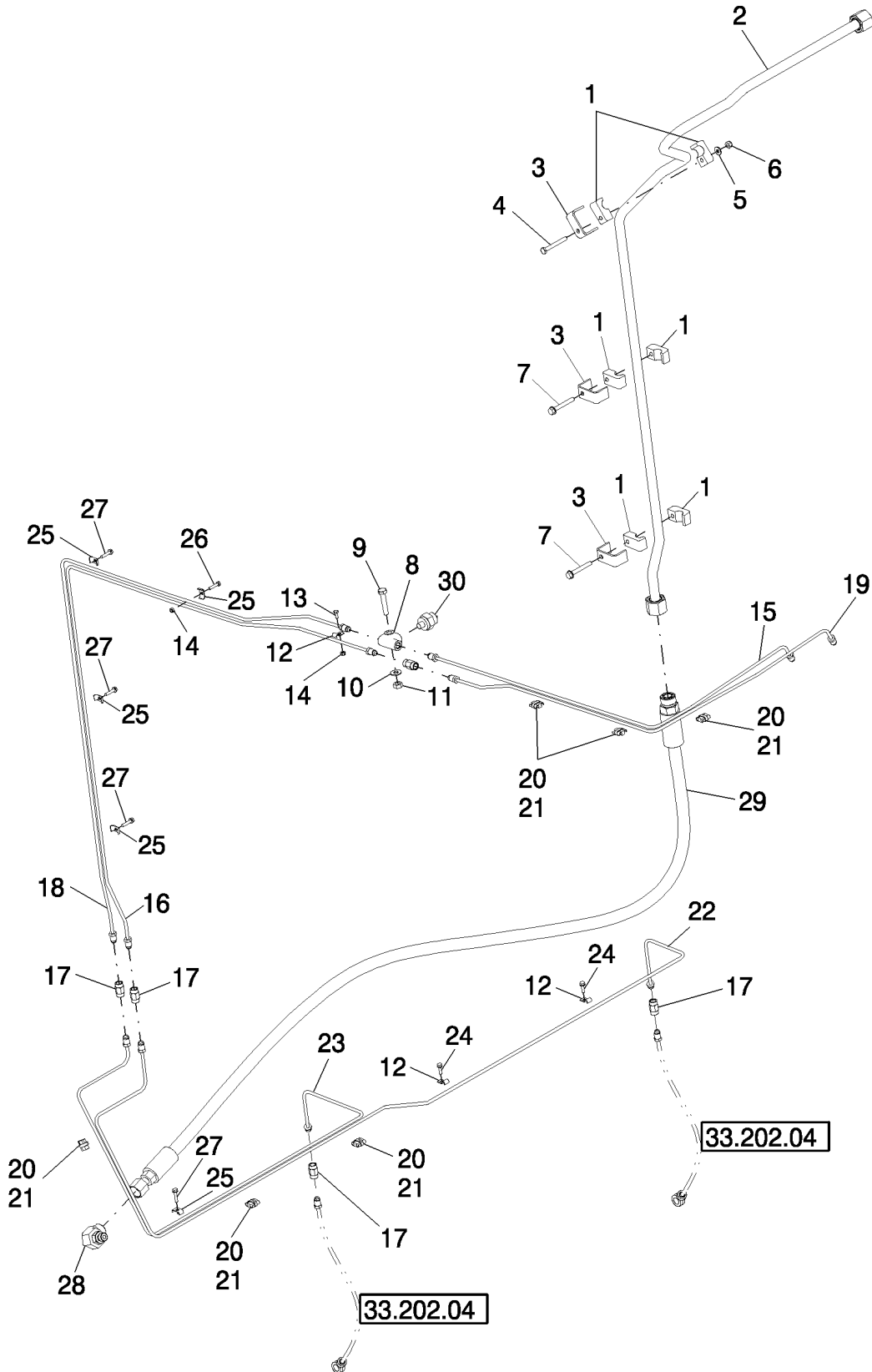
HYDRAULICS - BRAKE CONTROL LINES

REF	FN	PART NUMBER	YR/SN	QTY	DESCRIPTION
1		433007		6	CLAMP
2		87563488		1	TUBE ASSY., Park Brake Work
3		433100		3	SUPPORT
4		120056		1	BOLT, Hex, M6 x 50, 8.8
5		322357		1	BELLEVILLE WASHER, M6
6		353308		1	NUT, M6 x 1, CI 8
7		87028761		2	SELF-TAP SCREW, Hex Wash Hd, M6.3 x 50
8		9505391		1	TEE
9		43129		1	BOLT, Hex, M8 x 40, 8.8
10		322358		1	BELLEVILLE WASHER, M8
11		9706690		1	NUT, M8, CI 8
12		84814932		3	CLAMP
13		385683		1	BOLT, Hex, M4 x 10, 8.8, Full Thd
14		385681		2	LOCK NUT, M4 x .7, CI 8
15		87280703		1	TUBE, Brake, Upper, Right
16	1	87280706		1	TUBE, Brake, Mid, Left
16	2	87563487		1	TUBE, Brake, Mid, Left
17		84062540		5	HYD CONNECTOR
18	1	87280705		1	TUBE, Brake, Mid, Right
18	2	87563486		1	TUBE, Brake, Mid, Right
19		87280704		1	TUBE, Brake, Upper, Left
20		87000394		6	CLIP, Tube
21		86566989		6	CABLE STRAP, M4.75 x 190.5 L
22	1	87376959		1	TUBE ASSY., Brake, Lower, Left
22	2	87692952		1	TUBE ASSY., Brake, Lower, Left
23	1	87376961		1	TUBE ASSY., Brake, Lower, Right
23	2	87692951		1	TUBE ASSY., Brake, Lower, Right
24		87024982		2	SELF-TAP SCREW, Hex Wash Hd, M4.2 x 16
25		84814933		5	CLAMP
26		412255		1	BOLT, Hex, M4 x 20, 8.8, Full Thd
27		86979018		4	SELF-TAP SCREW, Flat Hd, M4.2 x 22
28		86579689		1	ELBOW, 90°, 13/16"-18 ORFS x M14 x 1.5 ORB
29		87280111		1	HOSE, Park Brake Supply

(1) 8120, 9120, 7120 W/Tracks
(2) 7120 Only

8120 9120 7120 7120
8120

HYDRAULICS - BRAKE CONTROL LINES



33.202.15

p2

11/09

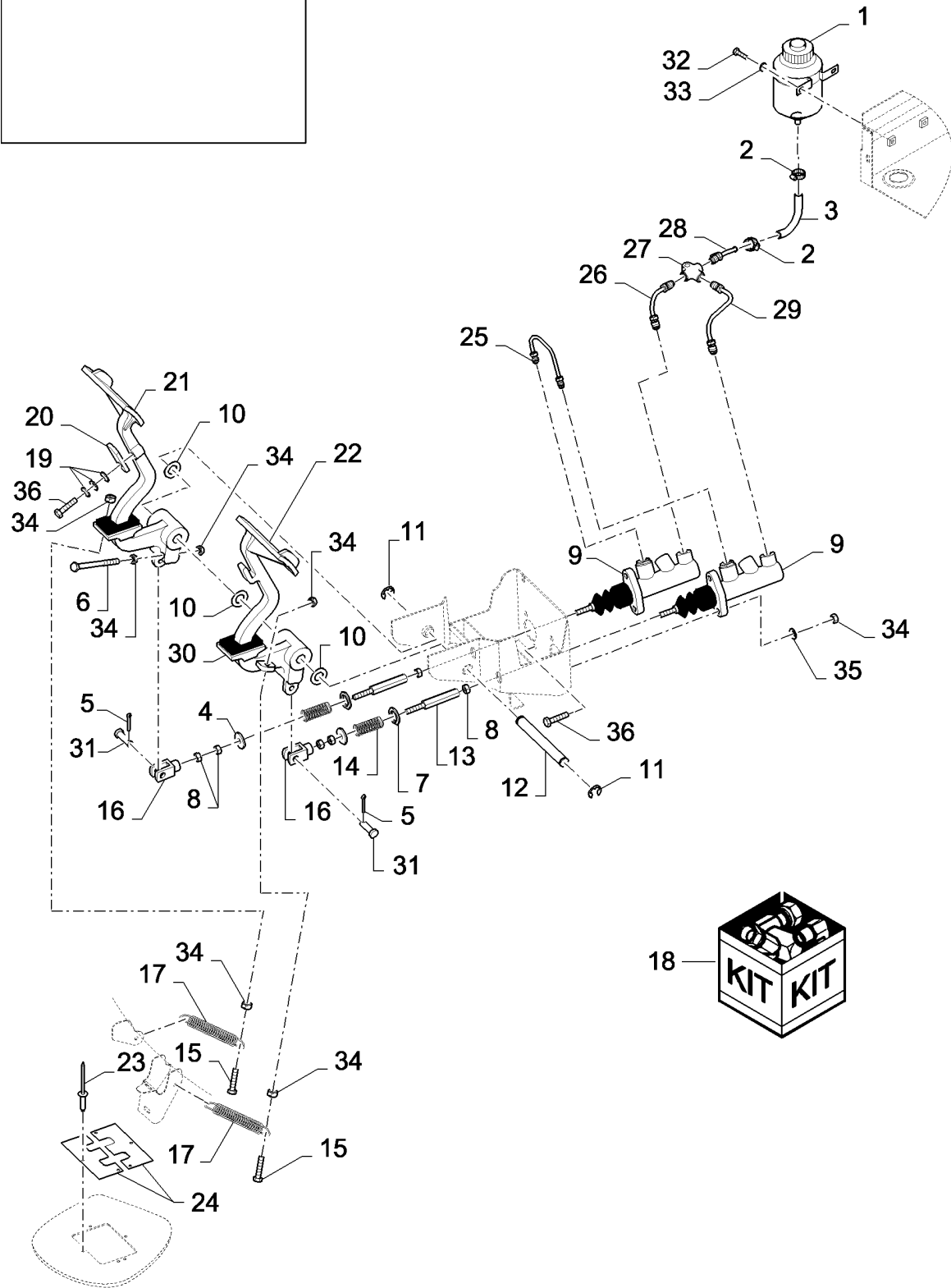
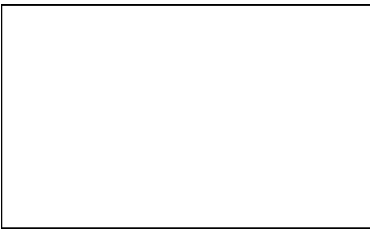
HYDRAULICS - BRAKE CONTROL LINES

REF	FN	PART NUMBER	YR/SN	QTY	DESCRIPTION
------------	-----------	--------------------	--------------	------------	--------------------

30		354372		1	PRESSURE SWITCH, Brake Control Lines
----	--	--------	--	---	--------------------------------------

**8120 9120 7120 7120
8120**

SERVICE BRAKE COMMAND

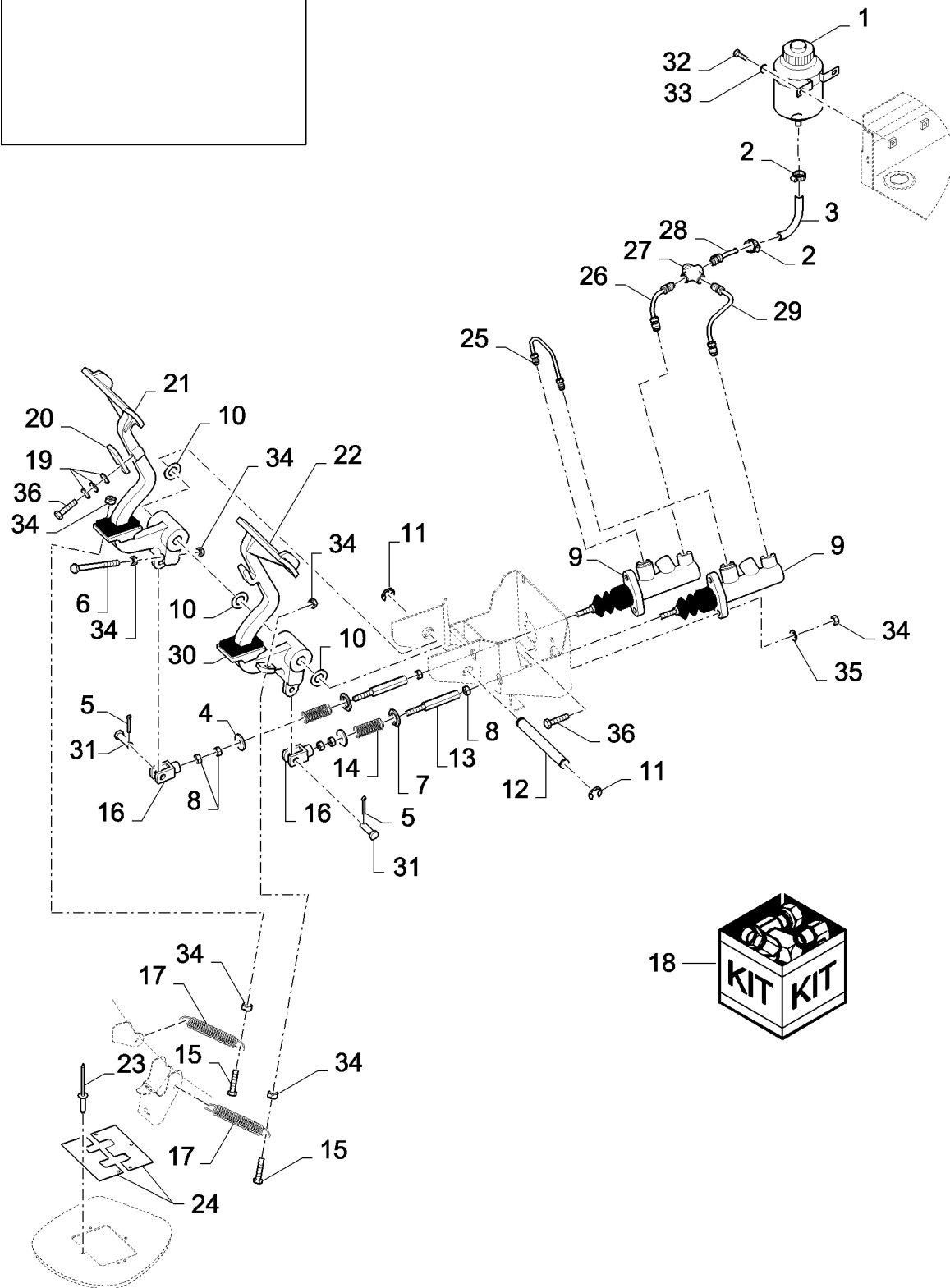
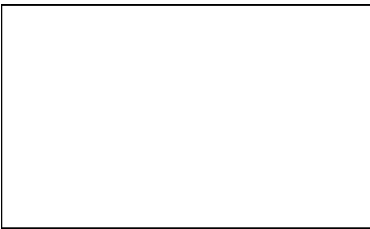


SERVICE BRAKE COMMAND

REF	FN	PART NUMBER	YR/SN	QTY	DESCRIPTION
1		9819520		1	BRAKE FLUID RESERVOIR
2		913888		2	HOSE CLAMP, Worm Gear
3		84206225		1	HYDRAULIC HOSE, Service Brake Command, Upper Left
4		140041		2	WASHER, M8 x 28 x 3
5		9512667		2	COTTER PIN, M2 x 20
6		86639028		2	BOLT, Hex, M8 x 65, 8.8, Full Thd
7		378246		2	WASHER, M16
8		100097		6	NUT, Thin, M8 x 1.25, CI 04
9		84062326		2	MASTER CYLINDER
10		393062		3	WASHER, M17 x 45 x 0.9 Thk
11		84062118		2	CIRCLIP, M12, Ext, Retaining
12		84061893		1	SHAFT
13		84334737		2	COUPLING
14		395710		2	SPRING, Return, Brake Valve
15		120107		2	BOLT, Hex, M8 x 50, 8.8, Full Thd
16		916433		2	CLEVIS
17		9811656		2	SPRING, Clutch
18		84429169		AR	REPAIR KIT, Master Cylinder
19		397881		3	SPRING WASHER
20		84334941		1	PLATE
21		84071203		1	PEDAL, R.H.
22		84071204		1	PEDAL, L.H.
23		PL		10	PROCURE LOCALLY, RIVET, Pop
24		84061895		2	PLATE
25		84989919		1	BRAKE LINE
26		84989893		1	BRAKE LINE
27		919855		1	TEE
28		84989891		1	TUBE, Brake
29		84989866		1	BRAKE LINE
30		9819826		2	SEAL
31		374834		2	CLEVIS PIN, M8 x 22
32		86508568		2	BOLT, Hex, M6 x 16, CI 8.8, Full Thd
33		322357		2	BELLEVILLE WASHER, M6
34		9706690		12	NUT, M8, CI 8

8120 9120 7120 7120
8120

SERVICE BRAKE COMMAND



33.202.18

p2

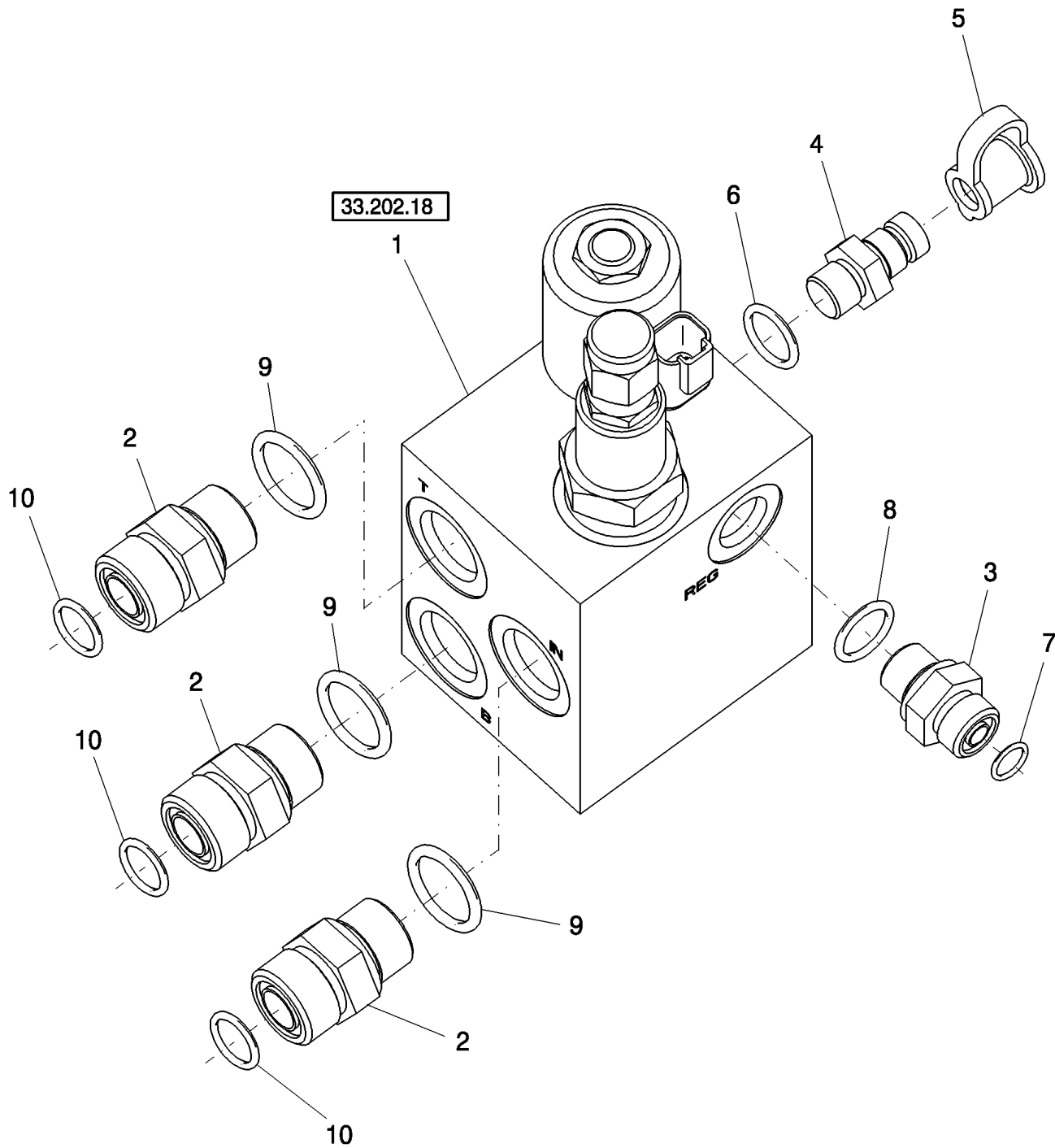
12/09

SERVICE BRAKE COMMAND

REF	FN	PART NUMBER	YR/SN	QTY	DESCRIPTION
35		322358		4	BELLEVILLE WASHER, M8
36		43127		5	BOLT, Hex, M8 x 25, 8.8

**8120 9120 7120 7120
8120**

VALVE, HYDRAULIC, PARK - CONNECTORS



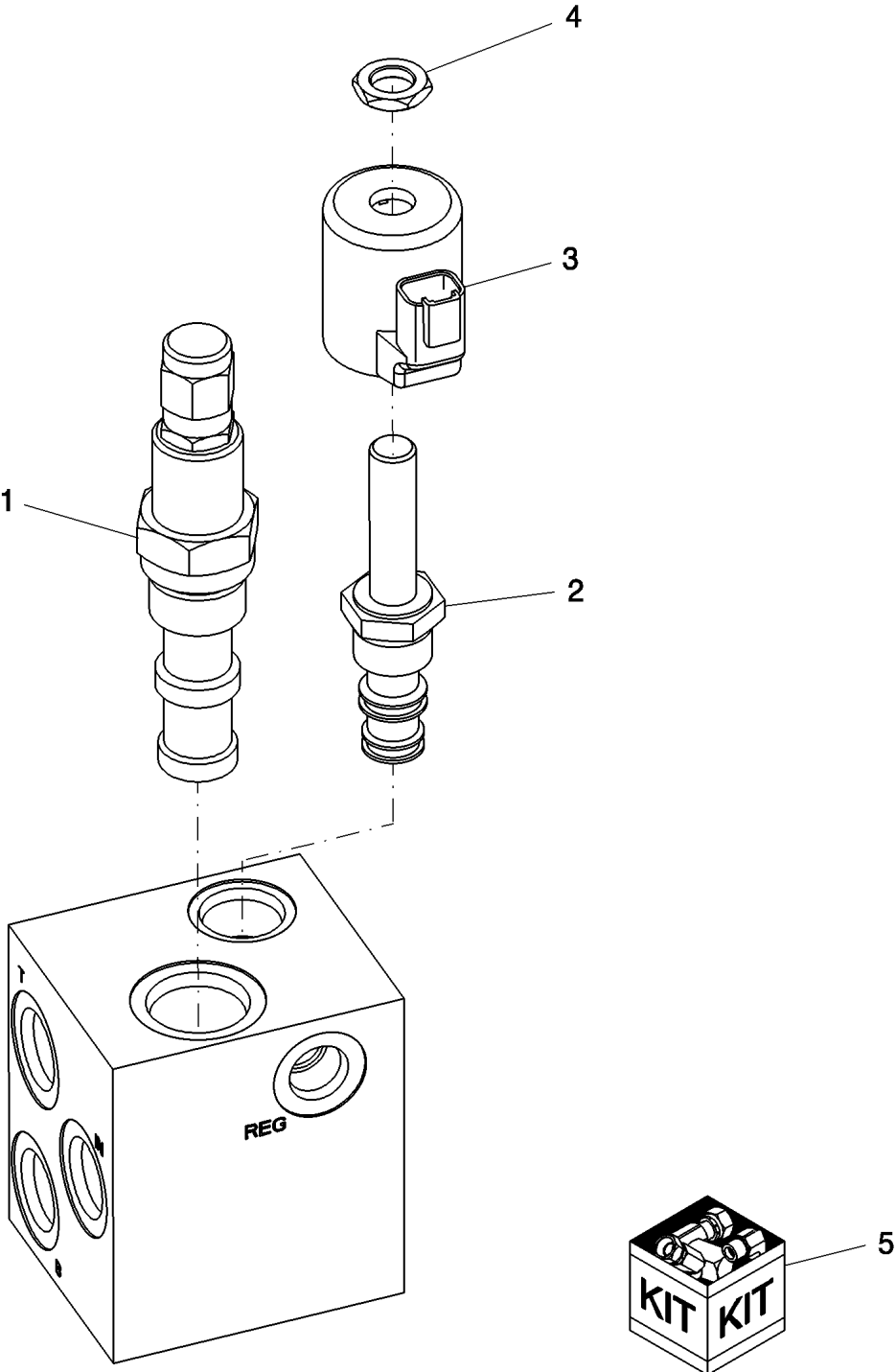
VALVE, HYDRAULIC, PARK - CONNECTORS

REF	FN	PART NUMBER	YR/SN	QTY	DESCRIPTION
1		87708879		1	MANIFOLD, Hyd
2		86579680		3	HYD CONNECTOR, 1"-14 ORFS x M22 x 1.5 ORB, Incl Refs 9 & 10
3		86579672		1	HYD CONNECTOR, 11/16"-16 ORFS x M16 x 1.5 ORB, Incl Refs 7 & 8
4		84320565		1	COUPLING, M14 x 1.5, Incl Ref 6
5		86502604		1	DUST CAP
6		86598099		1	O-RING, CI 6, 11.3MM ID x 2.2 Thk
7		9993141		1	O-RING, -012, 90 Duro, .364" ID x .070" Thk
8		86598100		1	O-RING, CI 6, 13.3MM ID x 2.2 Thk
9		86598102		3	O-RING, CI 6, 19.3MM ID x 2.2 Thk
10		9992069		3	O-RING, -016, 90 Duro, .614" ID x .070" Thk

**8120 9120 7120 7120
8120**

VALVE, HYDRAULIC, PARK - COMPONENTS

33.202.18



33.202.20

p1

02/10

VALVE, HYDRAULIC, PARK - COMPONENTS

REF	FN	PART NUMBER	YR/SN	QTY	DESCRIPTION
1		87280132		1	PRESSURE RELIEF VALVE, Pressure Control, Reducing; See Also Ref 5
2		190711A1		1	VALVE
3		87352779		1	SOLENOID
4		195683A1		1	NUT, 1/2"-20, Thin
5		1260872C91		1	SEAL KIT, Services Ref 2

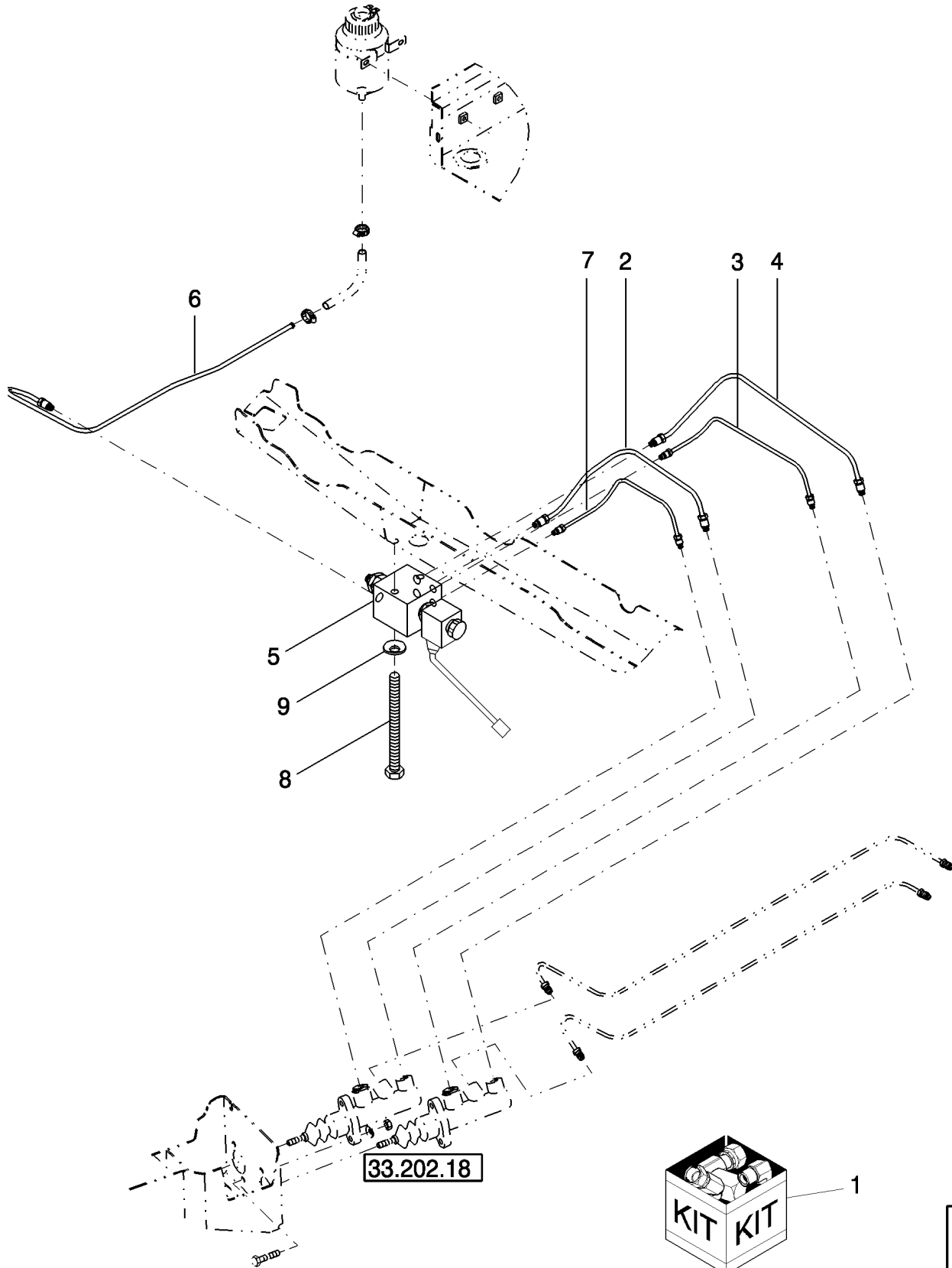
**8120 9120 7120 7120
8120**

33.202.23

p1

11/09

KIT, SERVICE BRAKE PRESSURE LIMITER



33.202.23

p1

11/09

KIT, SERVICE BRAKE PRESSURE LIMITER

REF	FN	PART NUMBER	YR/SN	QTY	DESCRIPTION
1		84111776		1	DIA KIT, HARVESTER, Brake Pressure Limiter
2		84444597		1	HYD. TUBE, Brake
3		84439851		1	TUBE, Brake
4		84444599		1	HYD. TUBE, Brake
5		84607499		1	HYDRAULIC VALVE
6		84444595		1	HYD. TUBE, Brake
7		84439849		1	TUBE, Brake
8		86508569		1	BOLT, Hex, M6 x 70, 8.8
9		322357		1	BELLEVILLE WASHER, M6

EU ONLY

**8120 9120 7120 7120
8120**

SECTION INDEX

35 - Hydraulic systems

35.000.00	01	SECTION INDEX - HYDRAULICS, ENGINE GEARBOX
35.000.00	02	SECTION INDEX - HYDRAULICS, ENGINE GEARBOX
35.105.01		PUMP, HYD. ROTOR
35.162.02		HYDRAULICS - FEEDER LIFT
35.162.04		KIT, HEAVY DUTY FEEDER LIFT
35.204.01		CVT FEEDER/HEADER DRIVE
35.204.02		VALVE, FEEDER LIFT
35.204.04		VALVE, FEEDER/HEADER LIFT CONTROL
35.204.05		VALVE, FEEDER STACK W/ LATERAL TILT
35.204.06		VALVE, FEEDER STACK, STANDARD
35.204.07	01	VALVE, LATERAL TILT, COMPONENTS, BSN YAG208243
35.204.07	02	VALVE, LATERAL TILT, COMPONENTS, ASN YAG208243
35.204.08		VALVE, FEEDER STACK & LATERAL TILT
35.204.10		VALVE, HYDRAULIC - MAIN STACK
35.204.11		FILTERS AND MAIN STACK VALVE
35.220.03	01	PUMP, TRIPLE GEAR, BSN Y9G207763
35.220.03	02	PUMP, TRIPLE GEAR, ASN Y9G207763
35.220.04		PUMP, HYD. FEEDER
35.300.01	01	HYDRAULICS LINES, PTO 3 (PTO REGULATOR VALVE) - PRIOR TO 4/2009
35.300.01	02	HYDRAULICS LINES, PTO 3 (PTO REGULATOR VALVE) - FROM 4/2009
35.300.06		RESERVOIR - OIL, HYDRAULIC
35.300.09	01	RESERVOIR - HYDRAULIC, WITH HOSES AND SUPPORTS - 7120/7120(LA)
35.300.09	02	RESERVOIR - HYDRAULIC, WITH HOSES AND SUPPORTS - 8120/8120(LA), 9120
35.300.13		VALVE, HYDRAULIC PTO/CHARGE REGULATOR - CONNECTORS
35.300.14		VALVE, HYDRAULIC PTO/CHARGE REGULATOR - COMPONENTS
35.300.15		PTO, VALVES & TUBES, ENGINE GEARBOX
35.310.41		MANIFOLD, CHARGE PRESSURE
35.440.03		UNLOADER SWING CYLINDER AND LINES
35.440.04		HYDRAULIC CYLINDER, UNLOADING AUGER, SWING,
35.440.06		HYDRAULIC MANIFOLD, GRAIN COVER, MY2010
35.440.07		HYDRAULICS, GRAIN COVER MY2010
35.480.02	01	CONNECTORS, VALVE, FEEDER STACK - W/LATERAL TILT, BSN YAG208243
35.480.02	02	CONNECTORS, VALVE, FEEDER STACK - W/LATERAL TILT, ASN YAG208243
35.480.05		HYDRAULICS - FEEDER STACK VALVE
35.480.06		VALVE, FEEDER STACK, FIXED
35.700.01	01	PUMP, HYDRAULIC, PFC
35.710.02		MOTOR, HYDRAULIC - ROTOR
35.752.03	01	HYDRAULICS - SPREADER AND ROTARY SCREEN DRIVE - 7120/7120(LA)
35.752.03	02	HYDRAULICS - SPREADER AND ROTARY SCREEN DRIVE - 8120/8120(LA)
35.752.03	03	HYDRAULICS - SPREADER AND ROTARY SCREEN DRIVE - 9120
35.910.01		VALVE, REEL DRIVE
35.910.02		HYDRAULIC LINES - CLEANING FAN DRIVE
35.910.02	01	HYDRAULIC LINES - CLEANING FAN DRIVE; NARROW TIRE OPTION - FROM MY2010
35.910.03	01	HYDRAULIC TUBES - ENGINE COMPARTMENT
35.910.03	02	HYDRAULIC TUBES - ENGINE COMPARTMENT
35.910.04		CLEANING FAN DRIVE MOUNTING
35.910.04	01	CLEANING FAN DRIVE MOUNTING, NARROW TIRE OPTION - FROM MY2010 EUROPEAN ONLY
35.910.05	01	FIXED SPEED - FEEDER/HEADER DRIVE HYDRAULICS - 7120, 8120
35.910.05	02	FIXED SPEED - FEEDER/HEADER DRIVE HYDRAULICS - 7120, 8120/8120(LA), 9120
35.910.06		MOTOR, HEADER - FEEDER

SECTION INDEX

35 - Hydraulic systems

35.910.07	01	MOTOR, HYDRAULIC - SPREADER W/ DRAIN
35.910.07	02	MOTOR, HYDRAULIC - SPREADER W/ SENSOR
35.910.08		VALVE, CLEANING FAN
35.910.09		VALVE, HYDRAULIC
35.910.10		SPREADER CONTROL VALVE, MOUNT
35.910.11	01	SPREADER CONTROL VALVE, CONNECTORS - PRIOR TO 3/09
35.910.11	02	SPREADER CONTROL VALVE, CONNECTORS - FROM 3/09
35.910.12		SPREADER CONTROL VALVE, COMPONENTS
35.910.13		HYDRAULIC, GT COVER MANIFOLD

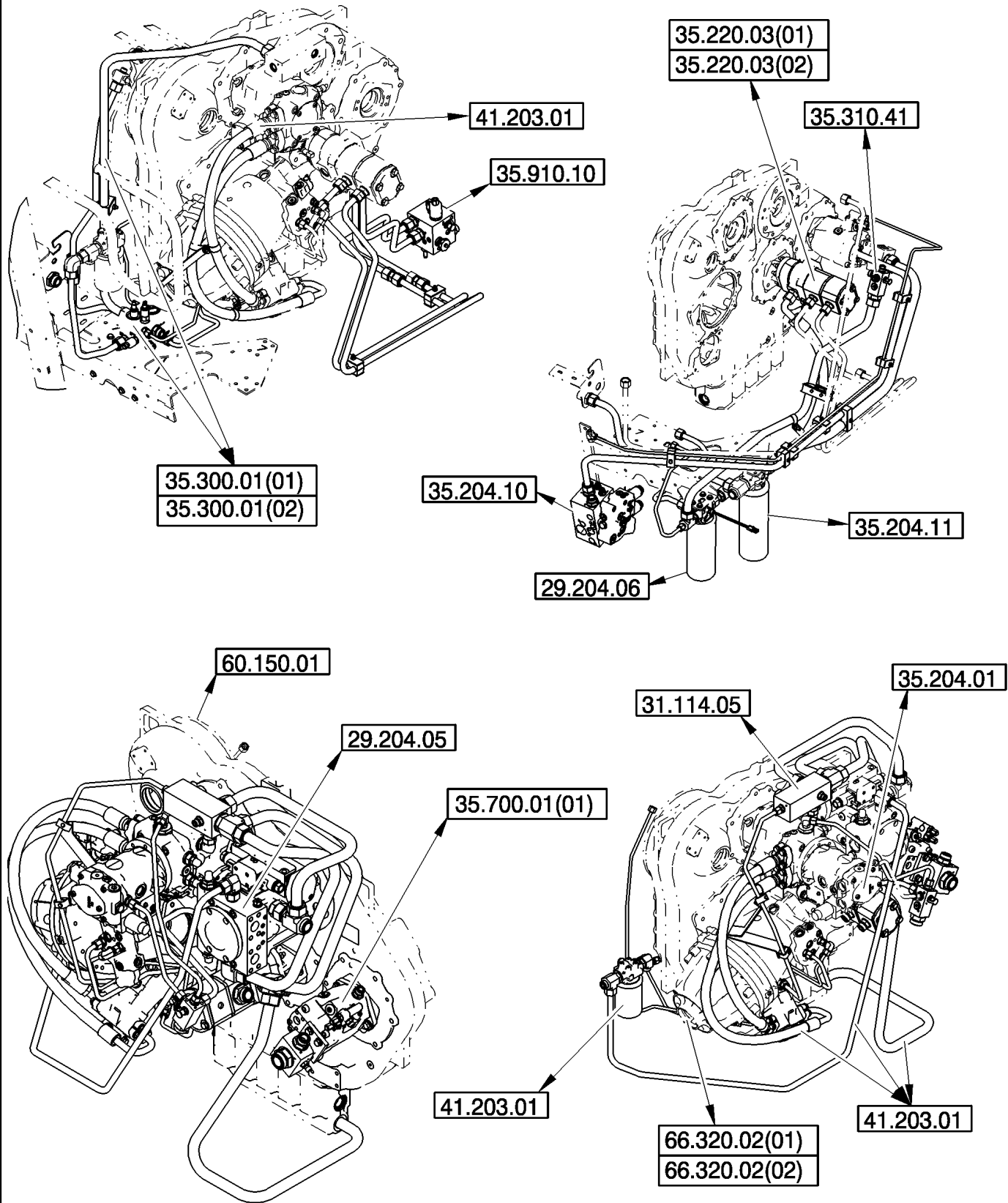
35.000.00

01

p1

11/09

SECTION INDEX - HYDRAULICS, ENGINE GEARBOX



35.000.00	01	p1	11/09
------------------	----	----	-------

SECTION INDEX - HYDRAULICS, ENGINE GEARBOX

REF	FN	PART NUMBER	YR/SN	QTY	DESCRIPTION
------------	-----------	--------------------	--------------	------------	--------------------

--	--	--	--	--	--

					9120 8120 7120 8120 7120
--	--	--	--	--	---

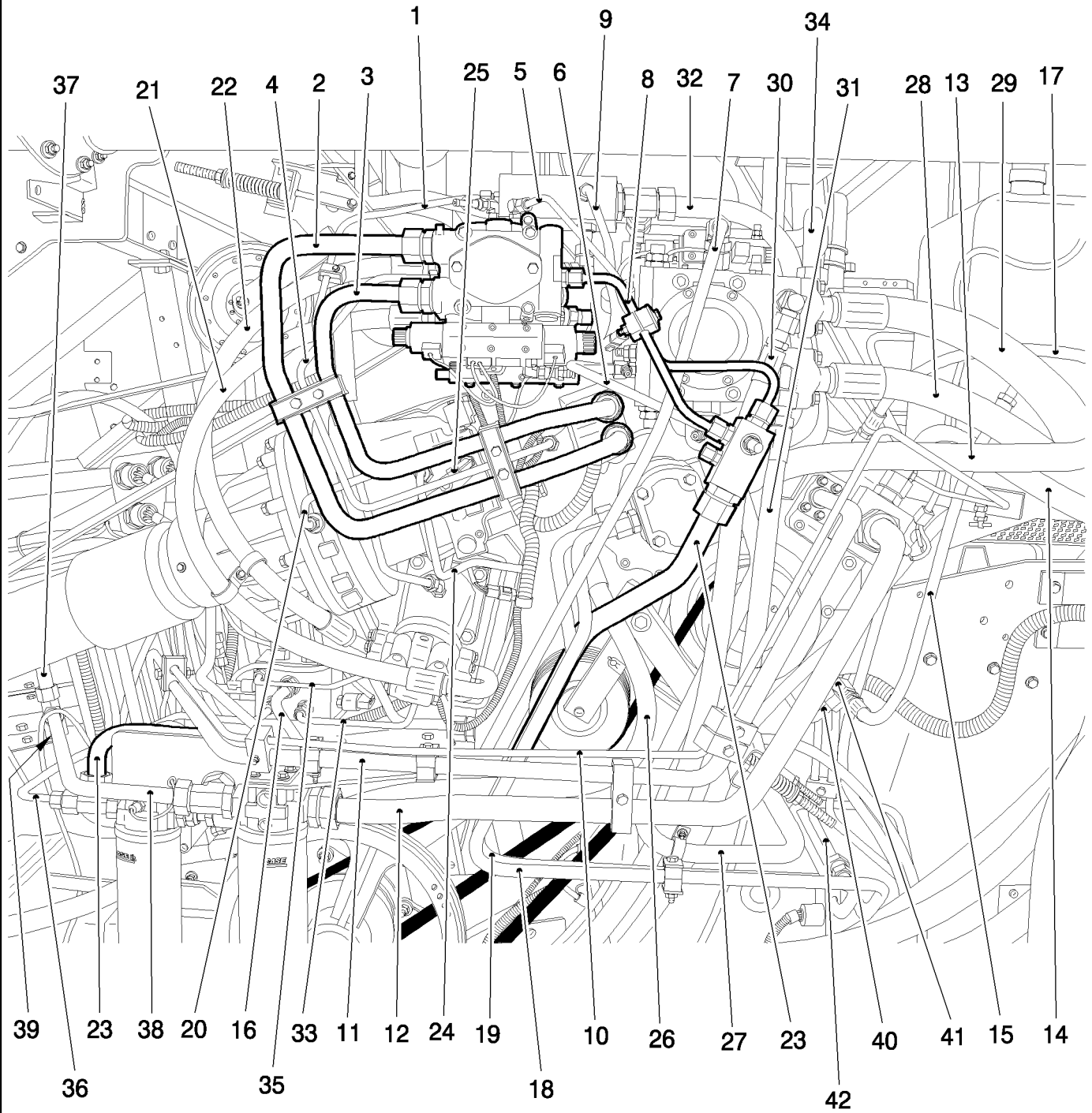
35.000.00

02

p1

01/10

SECTION INDEX - HYDRAULICS, ENGINE GEARBOX



SECTION INDEX - HYDRAULICS, ENGINE GEARBOX

REF	FN	PART NUMBER	YR/SN	QTY	DESCRIPTION
1		87587907		1	HYD. TUBE, Ref 22
2		87587892		1	HYD. TUBE, Ref 12
3		87587898		1	HYD. TUBE, Ref 13
4		87587899		1	HYD. TUBE, Ref 14
5		87709559		1	TUBE ASSY., Ref 12
6		84131660		1	TUBE ASSY., Ref 11
7		87641636		1	TUBE ASSY., Ref 17
8		87709560		1	TUBE ASSY., Ref 28
9		87686069		1	HOSE ASSY., Ref 23
10		87284930		1	HYD. TUBE, Ref 8
11		87721406		1	HYD. TUBE, Ref 4
12		84159425		1	RIGID TUBE, Ref 9
13		86999153		1	FLEXIBLE HOSE, Ref 9
14		86999154		1	FLEXIBLE HOSE, Ref 8
15		87109746		1	FLEXIBLE HOSE, Ref 23
16		87657698		1	TUBE ASSY., Ref 6
17		86999156		1	FLEXIBLE HOSE, Ref 7
18		87284932		1	HYD. TUBE, Ref 2
19		87482034		1	TUBE ASSY., Ref 3
20		86995995		1	TUBE, Ref 19
21		87314311		1	FLEXIBLE HOSE, Ref 21
22		87314312		1	FLEXIBLE HOSE, Ref 20
23		87670280		1	TUBE ASSY., Ref 5
24		86995885		1	HYD. TUBE, Ref 18
25		86995872		1	HYD. TUBE, Ref 19
26		87283082		1	FLEXIBLE HOSE, Ref 2
27		87563478		1	TUBE, Ref 53
28		87644755		1	HOSE ASSY., Ref 2
29		84162945	ASN Y9G206770	1	HOSE ASSY., Ref 2
29		87644755	BSN Y9G206770	1	HOSE ASSY., Ref 2
30		87644662		1	FLEXIBLE HOSE, Ref 5
31		87644661		1	HOSE ASSY., Ref 4
32		87703253		1	TUBE ASSY., Ref 13
33		84176035		1	HOSE ASSY., Ref 8
34		87641633		1	TUBE ASSY., Ref 16

**7120 7120 8120 9120
8120**

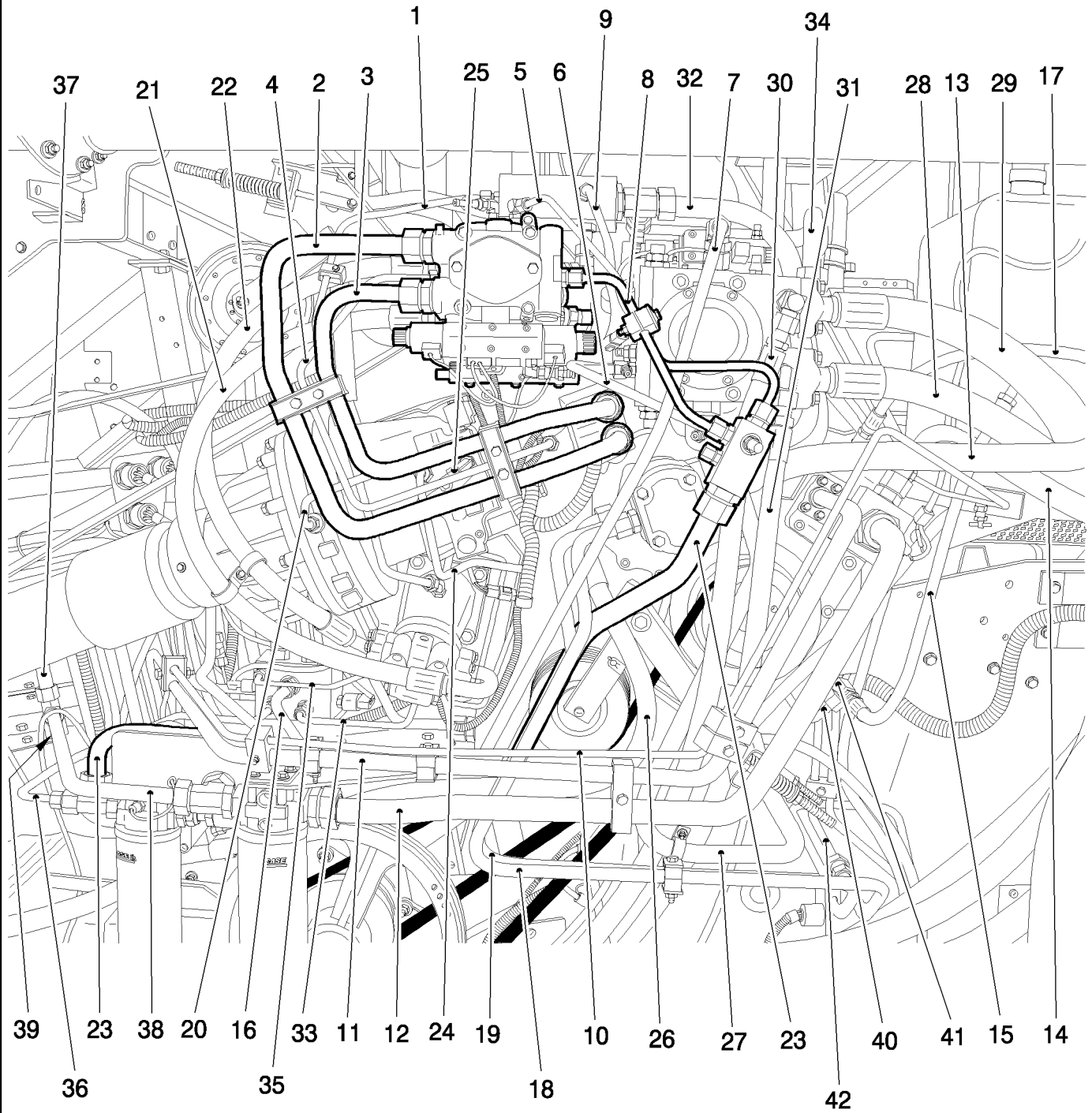
35.000.00

02

p2

01/10

SECTION INDEX - HYDRAULICS, ENGINE GEARBOX



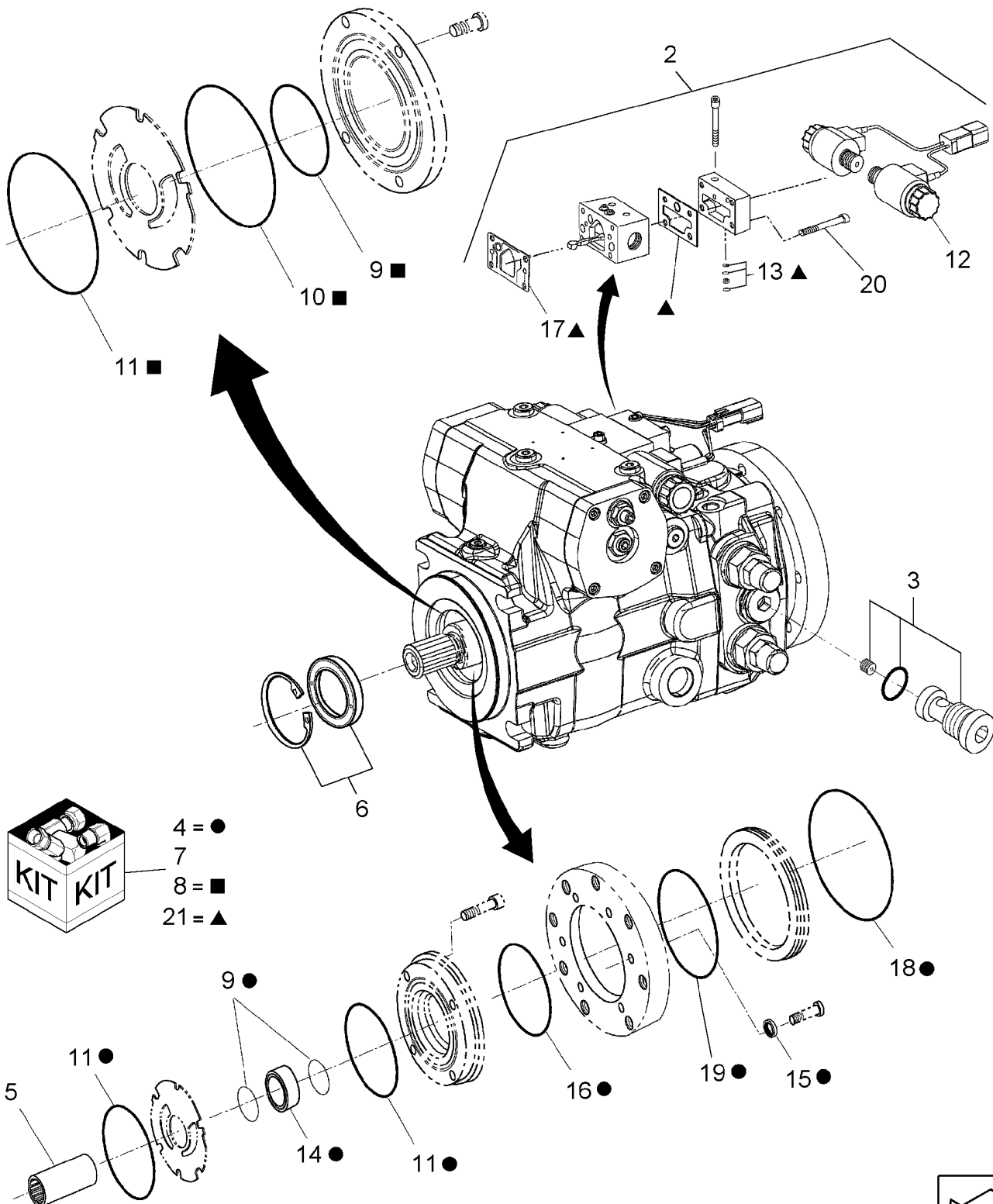
35.000.00	02	p2	01/10
------------------	----	----	-------

SECTION INDEX - HYDRAULICS, ENGINE GEARBOX

REF	FN	PART NUMBER	YR/SN	QTY	DESCRIPTION
35		87657700		1	TUBE ASSY., Ref 34
36		87657697		1	TUBE ASSY., Ref 7
37		86995869		1	HYD. TUBE, Ref 14
38		86995867		1	HYD. TUBE, Ref 4
39		86995864		1	HYD. TUBE, Ref 3
40		87397349		1	TUBE ASSY., Ref 23
41		87000880		1	HYD. TUBE, Ref 17
42		87105711		1	HYD. TUBE, Ref 15

	7120 7120 8120 9120 8120
--	-------------------------------------

PUMP, HYD. ROTOR



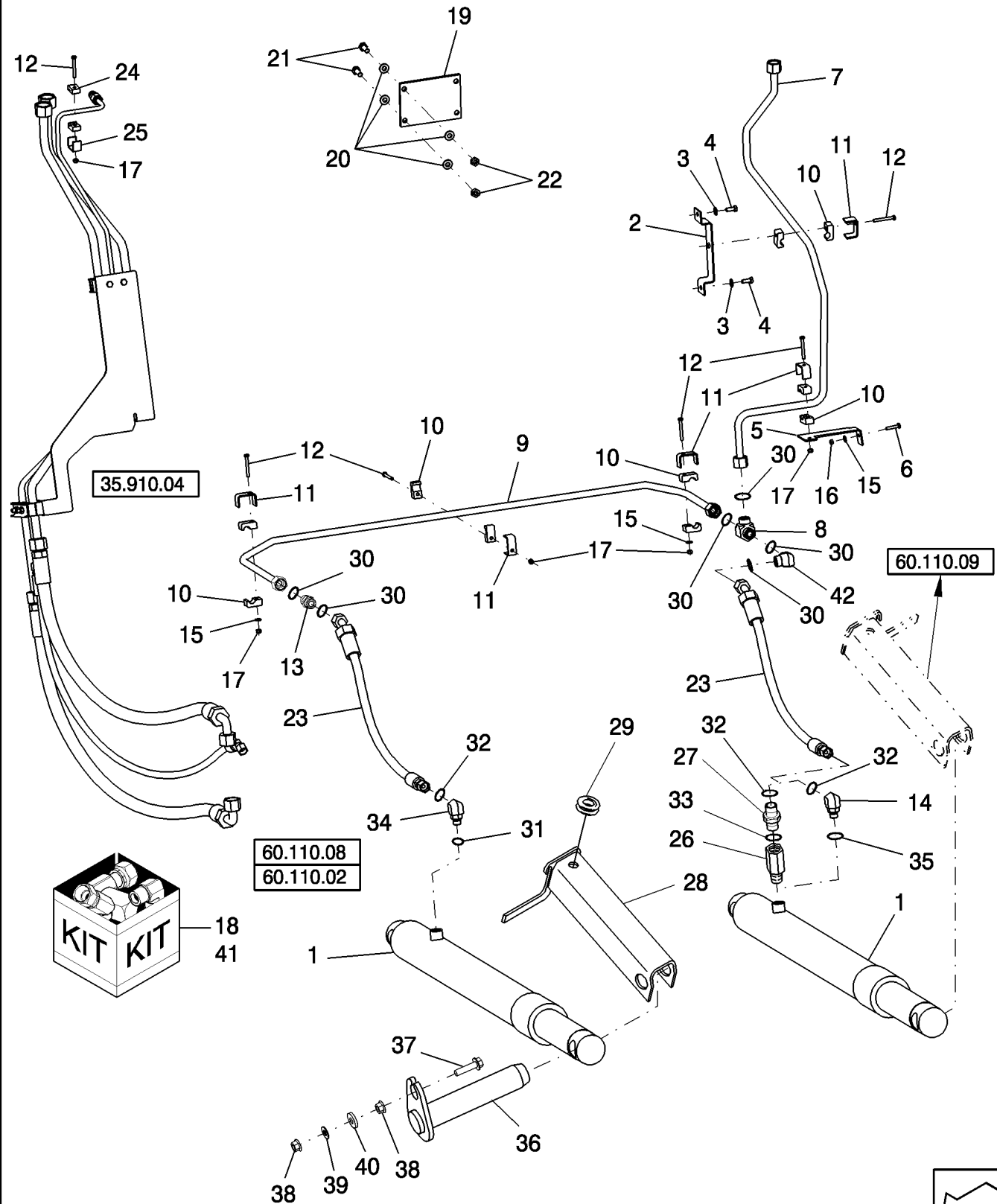
PUMP, HYD. ROTOR

REF	FN	PART NUMBER	YR/SN	QTY	DESCRIPTION
1	1, 2	87577617		1	HYDROSTATIC PUMP, Incl Ref 2 Thru 7
1	3, 4	87577618		1	HYDROSTATIC PUMP, Incl Ref 2, 3, 6, & 8
2		87638867		1	CONTROL, Module
3		87682376		1	ORIFICE, Cartridge
4	2	87682377		1	SERVICE KIT, Thru Drive O-Rings
5		87638866		1	COUPLING
6		87638861		1	SEAL PACKAGE, Shaft
7		87679405		1	PRESSURE RELIEF VALVE
8	3	87687044		1	SUPPORT, Kit, Plate Seals
9		9672455		3	O-RING, 1-3/4" x 1/16"
10		87687045		1	SUPPORT, O-Ring, 3-5/8" x 1/8"
11		259930		3	O-RING, -153, 70 Duro, 3.487" ID x .103" Thk
12		87638868		1	SERVICE KIT, Solenoid, Proportional
13		87686991		1	SEAL KIT
14		87686994		1	SUPPORT, Seal
15		87686995		6	SEALRING
16		14461080		1	O-RING, -152, 70 Duro, 3.237" ID x .103" Thk
17		87682378		1	GASKET
18		274336		1	O-RING, -158, 70 Duro, 4.737" ID x .103" Thk
19		9828498		1	O-RING, -155, 70 Duro, 3.987" ID x .103" Thk
20		4154956		1	SCREW, Hex Soc Hd, M6 x 65, 8.8
21		87638869		1	SEAL PACKAGE, Control Module

- (1) Variable Drive
- (2) W/Thru Drive
- (3) W/O Thru Drive
- (4) Fixed Drive

**9120 7120 8120 7120
8120**

HYDRAULICS - FEEDER LIFT



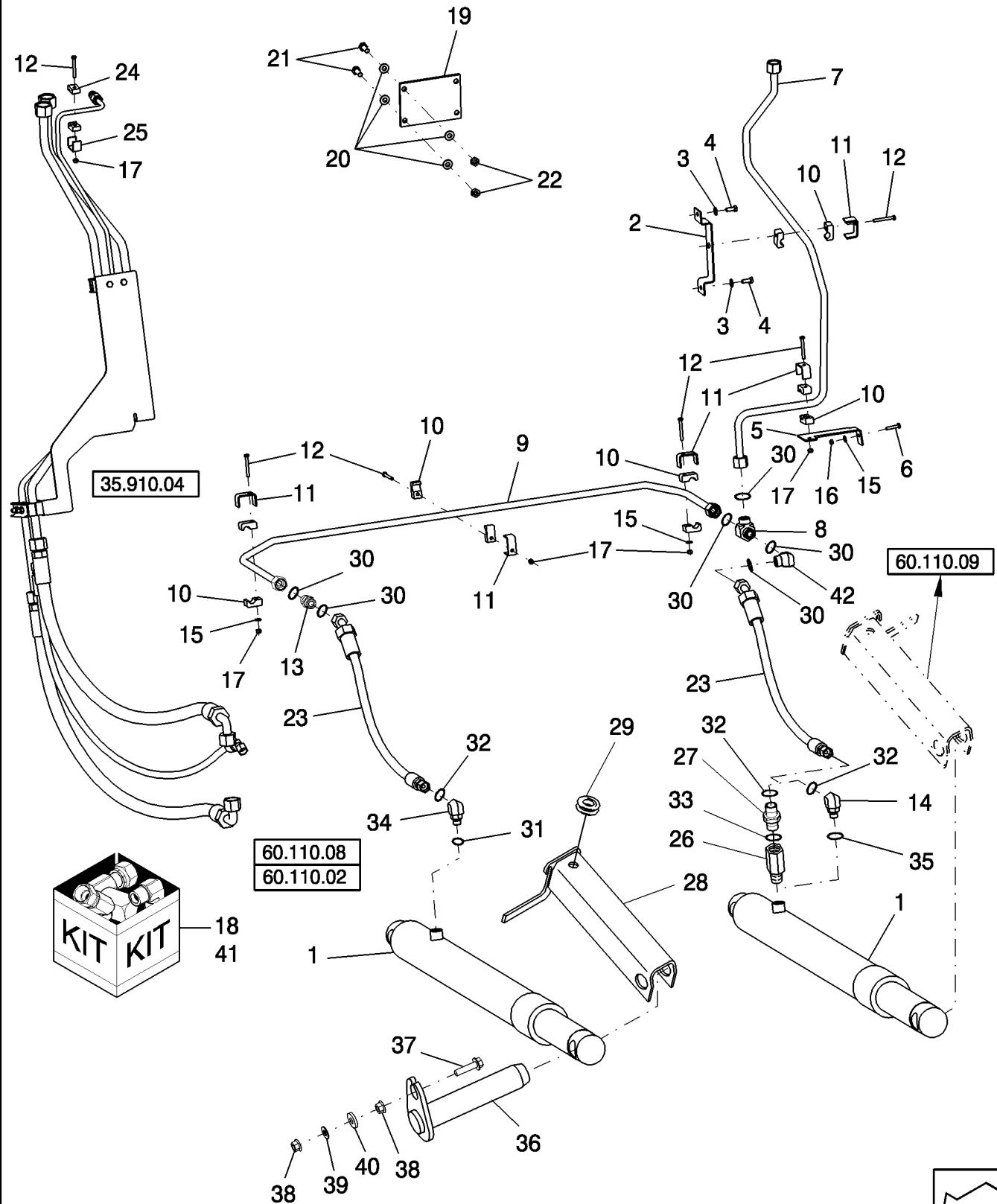
HYDRAULICS - FEEDER LIFT

REF	FN	PART NUMBER	YR/SN	QTY	DESCRIPTION
1		87282426		2	CYLINDER, Feeder Lift; Standard; Rod Dia. = 75 mm
1		87728497		2	CYLINDER ASSY., Feeder Lift; Heavy Duty; Rod Dia. = 90 mm
2		87281787		1	BRACKET
3		322358		AR	BELLEVILLE WASHER, M8
4		120104		AR	BOLT, Hex, M8 x 20, 8.8
5		87108132		1	SUPPORT, Feeder Lift, Case Drain Tubes
6		120100		1	BOLT, Hex, M6 x 20, 8.8
7	1	87000416		1	TUBE, Feeder Lift, Mid
7	2	87000417		1	TUBE, Feeder Lift, Mid
8		84989665		1	TEE, 1"-14 ORFS
9	1	87000418		1	TUBE, Feeder Lift, Lower
9	2	87000419		1	TUBE, Feeder Lift, Lower
10		433007		10	CLAMP
11		433100		5	SUPPORT
12		120056		AR	BOLT, Hex, M6 x 50, 8.8
13		9840570		1	ELBOW
14	3	86579691		1	ELBOW, 90°, 13/16"-18 ORFS x M18 x 1.5 ORB, Incl Refs 32 & 35, As Indicated
14	4	86579692		1	ELBOW, 90°, 13/16"-18 ORFS x M22 x 1.5 ORB, Incl Refs 32 & 35, As Indicated
15		322357		AR	BELLEVILLE WASHER, M6
16		9706755		1	NUT, M6, CI 8
17		353308		AR	NUT, M6 x 1, CI 8
18		87031097		AR	SEAL KIT, Feeder Lift Cylinder, Std; Services 87282426
18		87755975		AR	SEAL KIT, Feeder Lift Cylinder, HD; Services 87728497
19		87397379		1	PLATE, Mounting
20		140045		4	BELLEVILLE WASHER, M10
21		43139		2	BOLT, Hex, M10 x 25, 8.8, Full Thd

- (1) 7120 Only
- (2) 8120 & 9120 Only
- (3) For Use W/Standard Cylinder
- (4) For Use W/Heavy Duty Cylinder

**7120 7120 8120 9120
8120**

HYDRAULICS - FEEDER LIFT



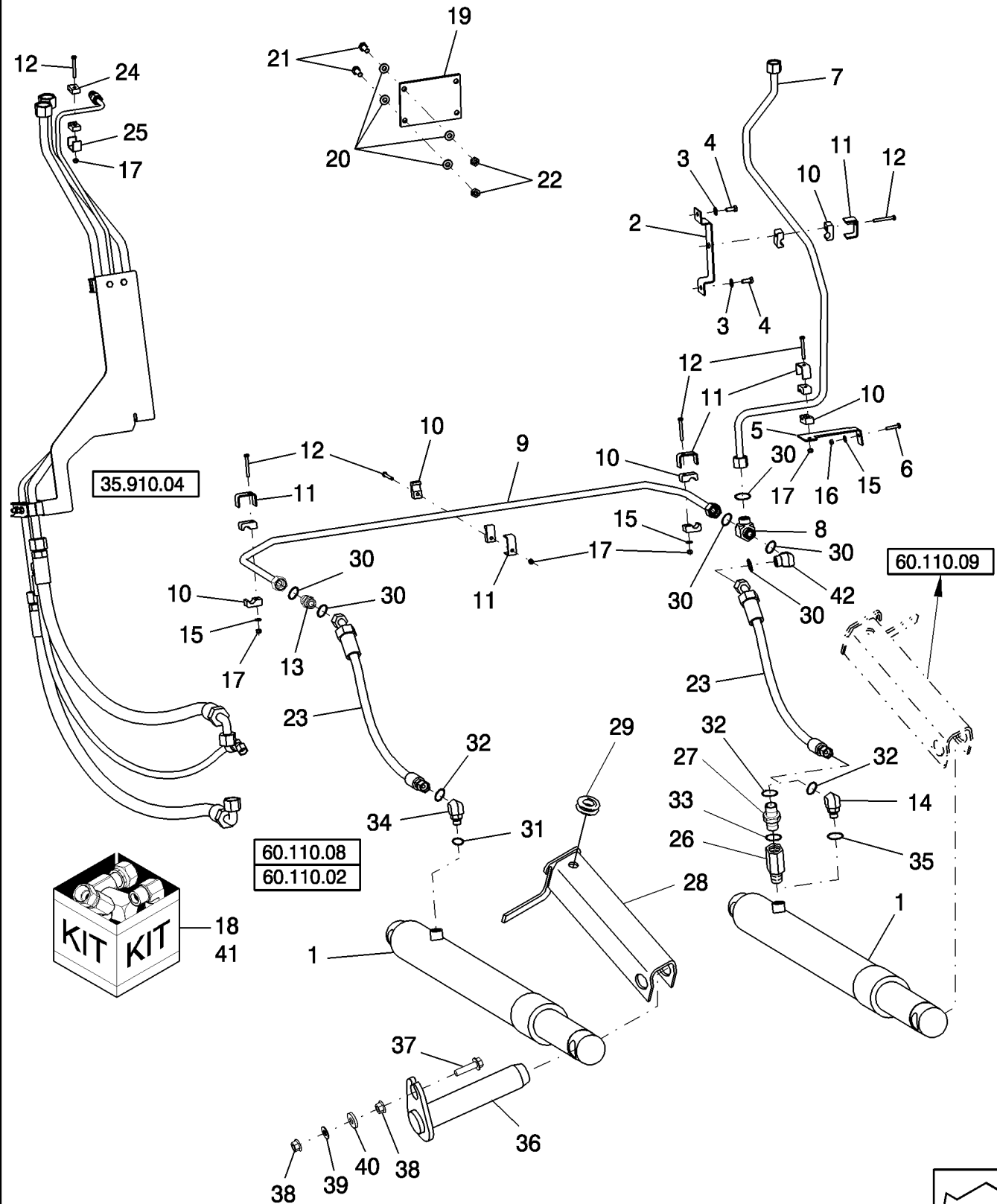
HYDRAULICS - FEEDER LIFT

REF	FN	PART NUMBER	YR/SN	QTY	DESCRIPTION
22		100016		2	NUT, M10, CI 8
23		87105740		2	FLEXIBLE HOSE, Feeder Lift Cylinder
24		433008		2	CLAMP
25		442340		1	SUPPORT
26	1	84442647		1	SAFETY VALVE
27	1, 2	86579678		1	HYD CONNECTOR, 13/16"-16 ORFS x M22 x 1.5 ORB
28	1	87564963		1	CHANNEL
29		87107921		1	GROMMET
30		9992069		6	O-RING, -016, 90 Duro, .614" ID x .070" Thk
31		86598101		1	O-RING, CI 6, 15.3MM ID x 2.2 Thk
32		9992298		3	O-RING, -014, 90 Duro, .489" ID x .070" Thk
33		86598102		1	O-RING, CI 6, 19.3MM ID x 2.2 Thk
34		86579691		1	ELBOW, 90°, 13/16"-18 ORFS x M18 x 1.5 ORB, Incl Refs 31 & 32
35		86598101		1	O-RING, CI 6, 15.3MM ID x 2.2 Thk, Component Of Elbow 86579691
35		86598102		1	O-RING, CI 6, 19.3MM ID x 2.2 Thk, Component Of Elbow 86579692
36		87282445		4	PIN, Yellow Chrome; For Use W/Standard Duty Cylinder
36		87471285		4	PIN ASSY., Black Chrome; For Use W/Heavy Duty Cylinder
37		9804263		4	BOLT, Hex Flg, M10 x 40, 8.8
38		9804278		8	NUT, M10 x 1.5, Flg, CI 8
39		140045		4	BELLEVILLE WASHER, M10
40		86592700		4	WASHER, M10 x 28 x 4, HT
41	3	87751028		1	DIA KIT, HARVESTER, Heavy Duty Feeder Lift, Includes Ref 1(2), Ref 36(4)
41	4	84134532		1	SERVICE KIT, Heavy Duty Feeder Lift, Includes Ref 1(2), Ref 36(4)

- (1) EU Only
- (2) For Use W/Standard Cylinder
- (3) NA
- (4) EU

**7120 7120 8120 9120
8120**

HYDRAULICS - FEEDER LIFT



35.162.02

p3

02/10

HYDRAULICS - FEEDER LIFT

REF	FN	PART NUMBER	YR/SN	QTY	DESCRIPTION
42	1	84989393		1	ELBOW, 90°, 1"-14 ORFS x 1"-14 Fem Sw, Incl Ref 30, begin PIN Y8G205004
(1)	7120 Only				

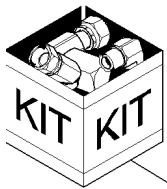
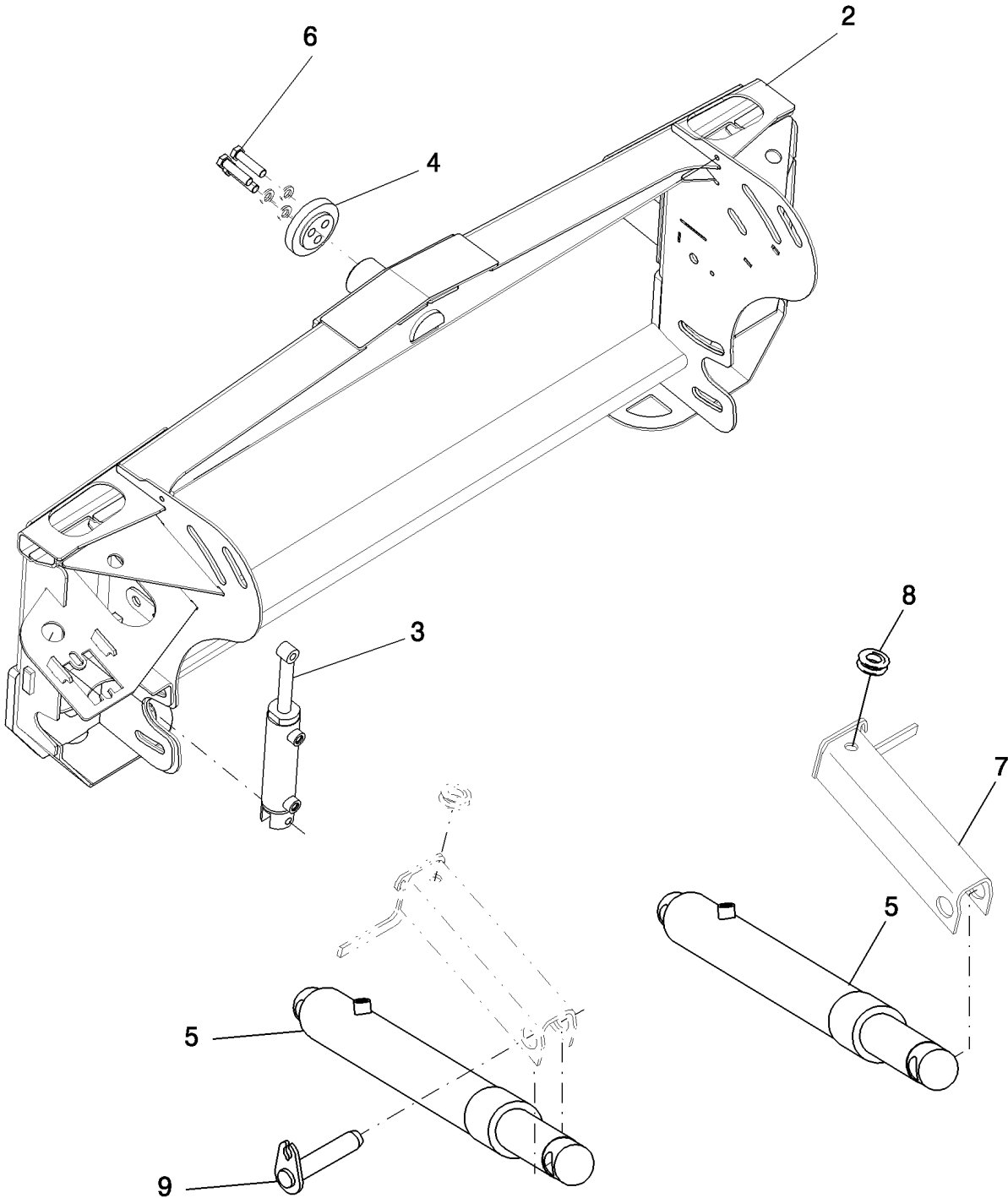
**7120 7120 8120 9120
8120**

35.162.04

p1

02/10

KIT, HEAVY DUTY FEEDER LIFT



10
11



KIT, HEAVY DUTY FEEDER LIFT

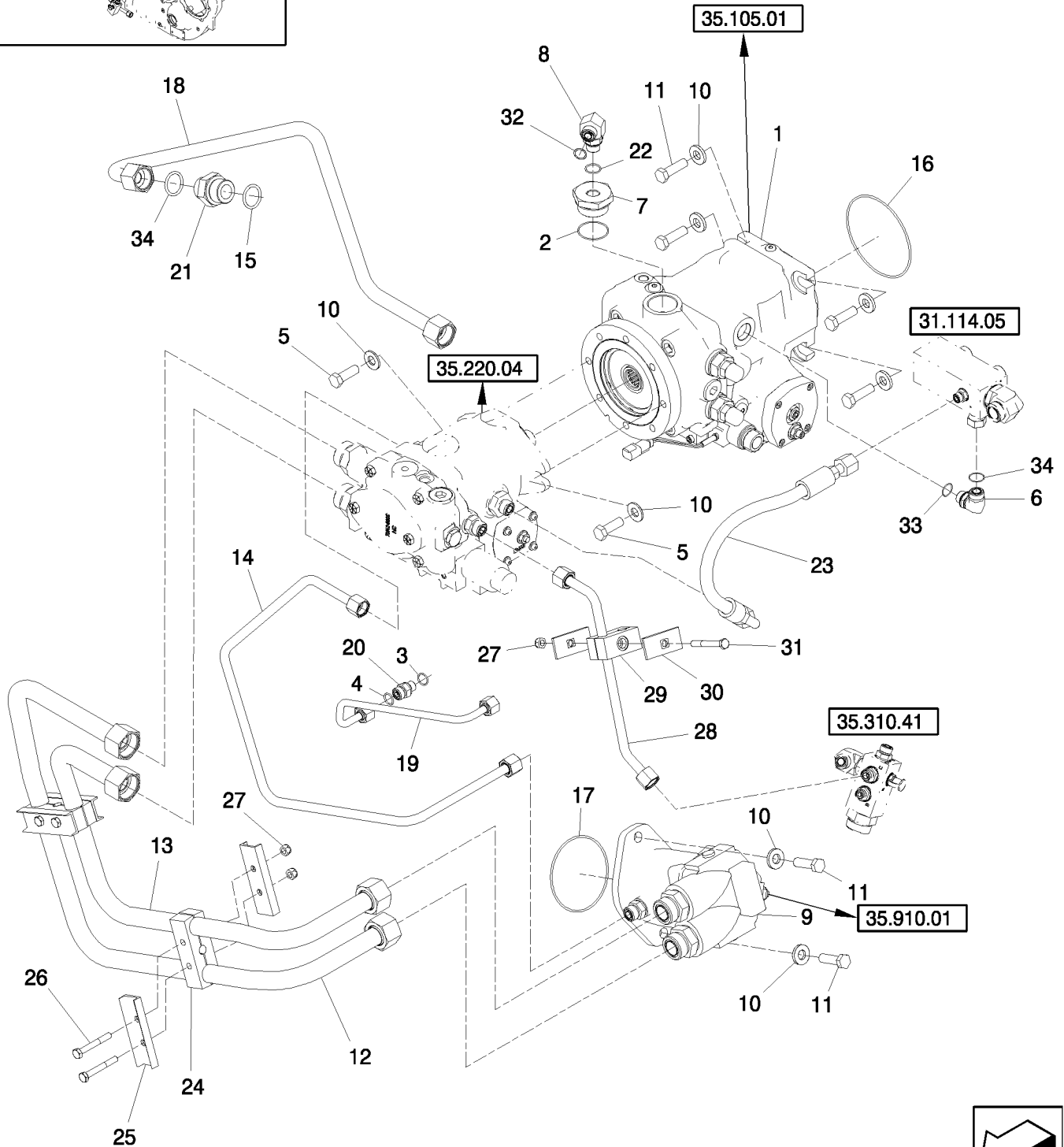
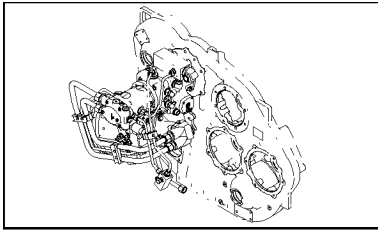
REF	FN	PART NUMBER	YR/SN	QTY	DESCRIPTION
1	1	87751028		1	DIA KIT, HARVESTER, Heavy Duty Feeder Lift; Incl Refs 2 Thru 9, As Indicated
1	2	84134532		1	SERVICE KIT, Heavy Duty Feeder Lift; Incl Refs 2 Thru 9, As Indicated
2	1	87751027		1	FEEDER, Adapter
2	2	87752964		1	SERVICE KIT, Feeder Adapter
3	1	87753846		1	CYLINDER, Lateral Tilt, Heavy Duty; See Also Ref 9
3	2	87758705		1	CYLINDER, Lateral Tilt, Heavy Duty; See Also Ref 9
4		87715218		1	PLATE
5		87728497		2	CYLINDER ASSY., Feeder Lift, Heavy Duty; See Also Ref 10
6		87742368		3	SCREW
7		87732739		1	CHANNEL
8		87107921		1	GROMMET
9		87471285		4	PIN ASSY.
10		87491388		1	SEAL KIT, Services Ref 3
11		87755975		AR	SEAL KIT, Services Ref 5

(1) NA
(2) EU

For Use W/16 Row Corn Heads

**7120 7120 8120 9120
8120**

CVT FEEDER/HEADER DRIVE



35.204.01

p1

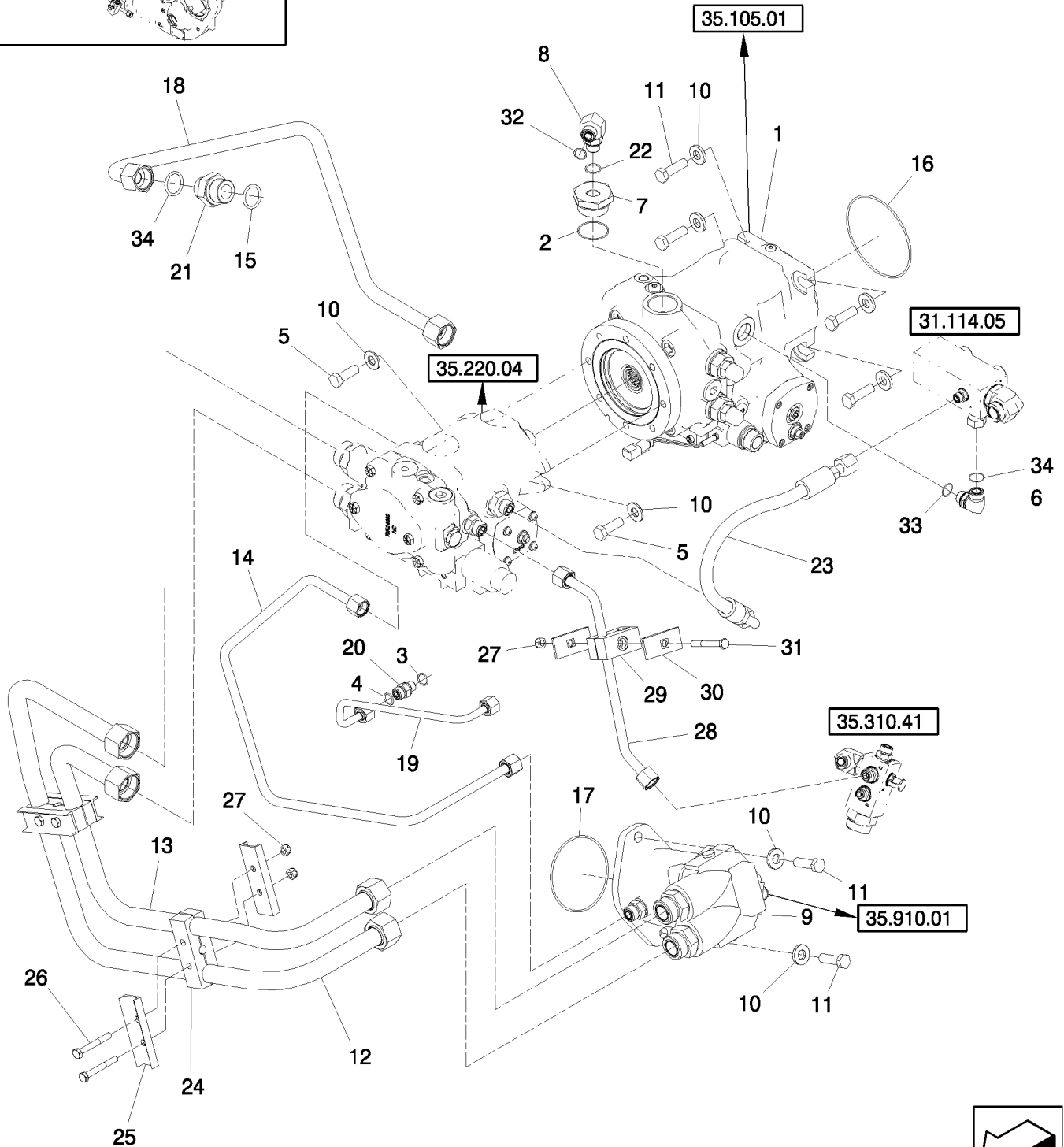
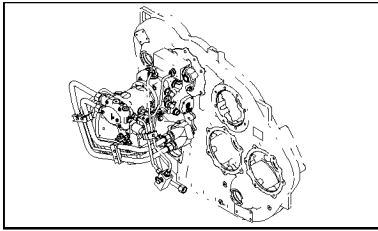
02/10

CVT FEEDER/HEADER DRIVE

REF	FN	PART NUMBER	YR/SN	QTY	DESCRIPTION
1		87577617		1	HYDROSTATIC PUMP
2		87621903		1	O-RING KIT
3		86598099		1	O-RING, CI 6, 11.3MM ID x 2.2 Thk
4		9993141		1	O-RING, -012, 90 Duro, .364" ID x .070" Thk
5		86980422		2	BOLT
6		87598659		1	ELBOW, Incl Refs 33 & 34
7		87607845		1	PLUG, Incl Ref 2
8		86579691		1	ELBOW, 90°, 13/16"-18 ORFS x M18 x 1.5 ORB, Incl Refs 22 & 32
9		86996948		1	MOTOR, HYDRAULIC
10		86625256		8	WASHER, M12 x 28.5 x 4, HT
11		87022683		6	BOLT, Hex, M12 x 40, 10.9, Full Thd
12		87587892		1	HYD. TUBE, Feeder Pump To Feeder-Header Motor
13		87587898		1	HYD. TUBE, Feeder Pump To Feeder-Header Motor
14		87587899		1	HYD. TUBE, Feeder Pump To Feeder-Header Motor
15		86598104		1	O-RING, CI 6, 26.6MM ID x 2.9 Thk
16		274336		1	O-RING, -158, 70 Duro, 4.737" ID x .103" Thk
17		9828498		1	O-RING, -155, 70 Duro, 3.987" ID x .103" Thk
18		86995997		1	HYD. TUBE, Feeder Gearbox Drain
19		86995995		1	TUBE, Feeder Clutch Pressure
20		86579671		1	HYD CONNECTOR, 11/16"-16 ORFS x M14 x 1.5 ORB, Incl Refs 3 & 4
21		86579683		1	HYD CONNECTOR, 1 3/16"-12 ORFS x M33 x 2 ORB, Incl Refs 15 & 34
22		86598101		1	O-RING, CI 6, 15.3MM ID x 2.2 Thk
23		87686069		1	HOSE ASSY., Feeder Pump Drain; L = 465 mm
24		86999893		2	CLAMP
25		87000242		4	CHANNEL
26		120061		4	BOLT, Hex, M8 x 60, 8.8
27		86629542		5	LOCK NUT, M8 x 1.25, CI 8
28		87709560		1	TUBE ASSY.
29		87000149		1	CLAMP
30		87000230		2	PLATE
31		300510		1	BOLT, Hex, M8 x 65, 8.8
32		9992298		1	O-RING, -014, 90 Duro, .489" ID x .070" Thk

7120 7120 8120 9120
8120

CVT FEEDER/HEADER DRIVE



35.204.01

p2

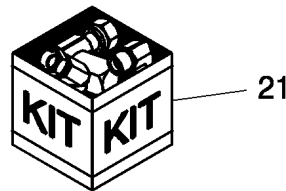
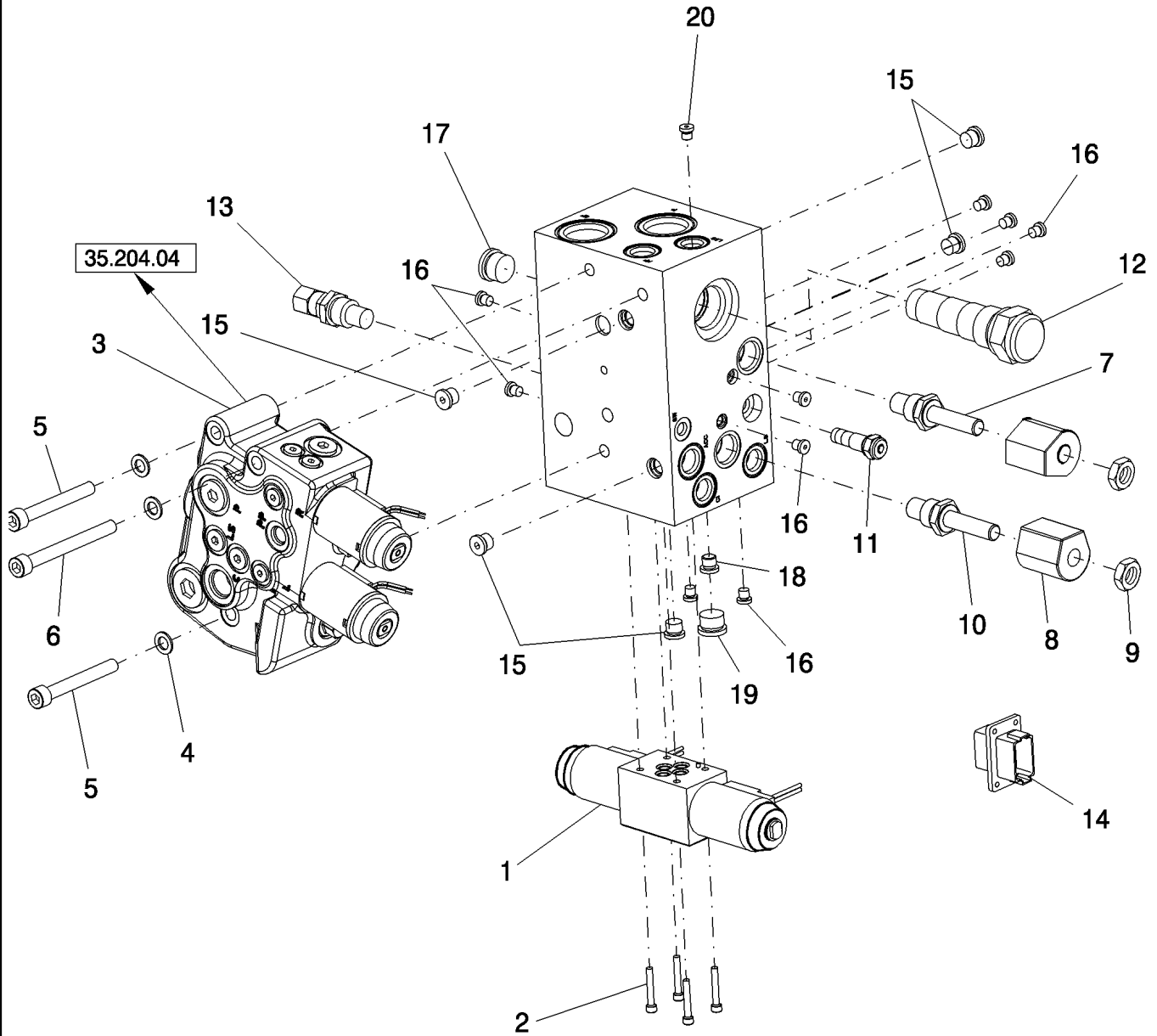
02/10

CVT FEEDER/HEADER DRIVE

REF	FN	PART NUMBER	YR/SN	QTY	DESCRIPTION
33		87621902		1	O-RING KIT
34		9991976		2	O-RING, -018, 90 Duro, .739" ID x .070" Thk

**7120 7120 8120 9120
8120**

VALVE, FEEDER LIFT



VALVE, FEEDER LIFT

REF	FN	PART NUMBER	YR/SN	QTY	DESCRIPTION
1		87434014		1	CONTROL VALVE, Three Position, Four Way
2		280160		4	SCREW, #10-32 x 3/4
3		87434009		1	CONTROL VALVE, Feeder Lift
4		895-18010		3	WASHER, M10 x 18 x 1.6
5		864-10080		2	SCREW, Hex Soc Hd, M10 x 80, 8.8
6		864-10100		1	SCREW, Hex Soc Hd, M10 x 100, 8.8
7		191121A1		1	VALVE, Two Way, Normally Closed (Signal, or Jammer)
8		86995302		2	SOLENOID, Coil, 12 Volt
9		195683A1		2	NUT, 1/2"-20, Thin
10		87281256		1	CHECK VALVE, Two Way, Two Position With Orifice
11		190704A1		1	VALVE, CHECK
11A		190707A1		1	SEAL KIT, Repair Ref 11
12		87678444		1	VALVE, Priority; See Also Ref 21
13		87434000		1	PRESSURE RELIEF VALVE
14		323464A1		1	CONNECTOR
15		87035062		5	PLUG, Hex Soc, 1/2"-20 ORB
16		86632547		10	PLUG, Hex Soc, 5/16"-24 ORB
17		86625138		1	PLUG, Hex Soc, 7/8"-14 ORB
18		87434016		1	PLUG, Orificed With Screen
19		71100209		1	PLUG, Hex Soc, 3/4"-16 ORB
20		87434017		1	PLUG, Orificed, .030
21		87434015		1	SEAL KIT, Services Ref 12

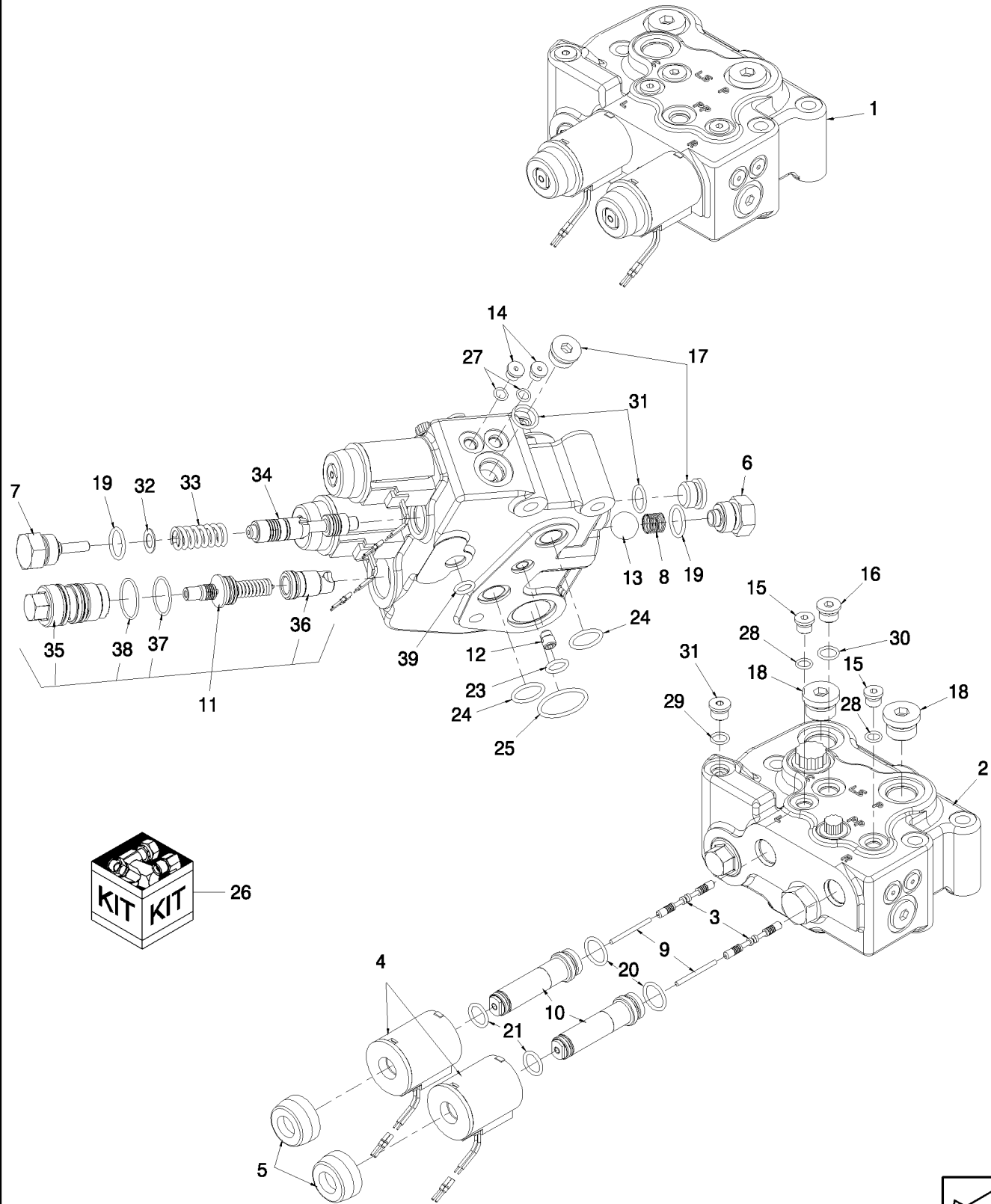
**9120 7120 8120 7120
8120**

35.204.04

p1

10/09

VALVE, FEEDER/HEADER LIFT CONTROL

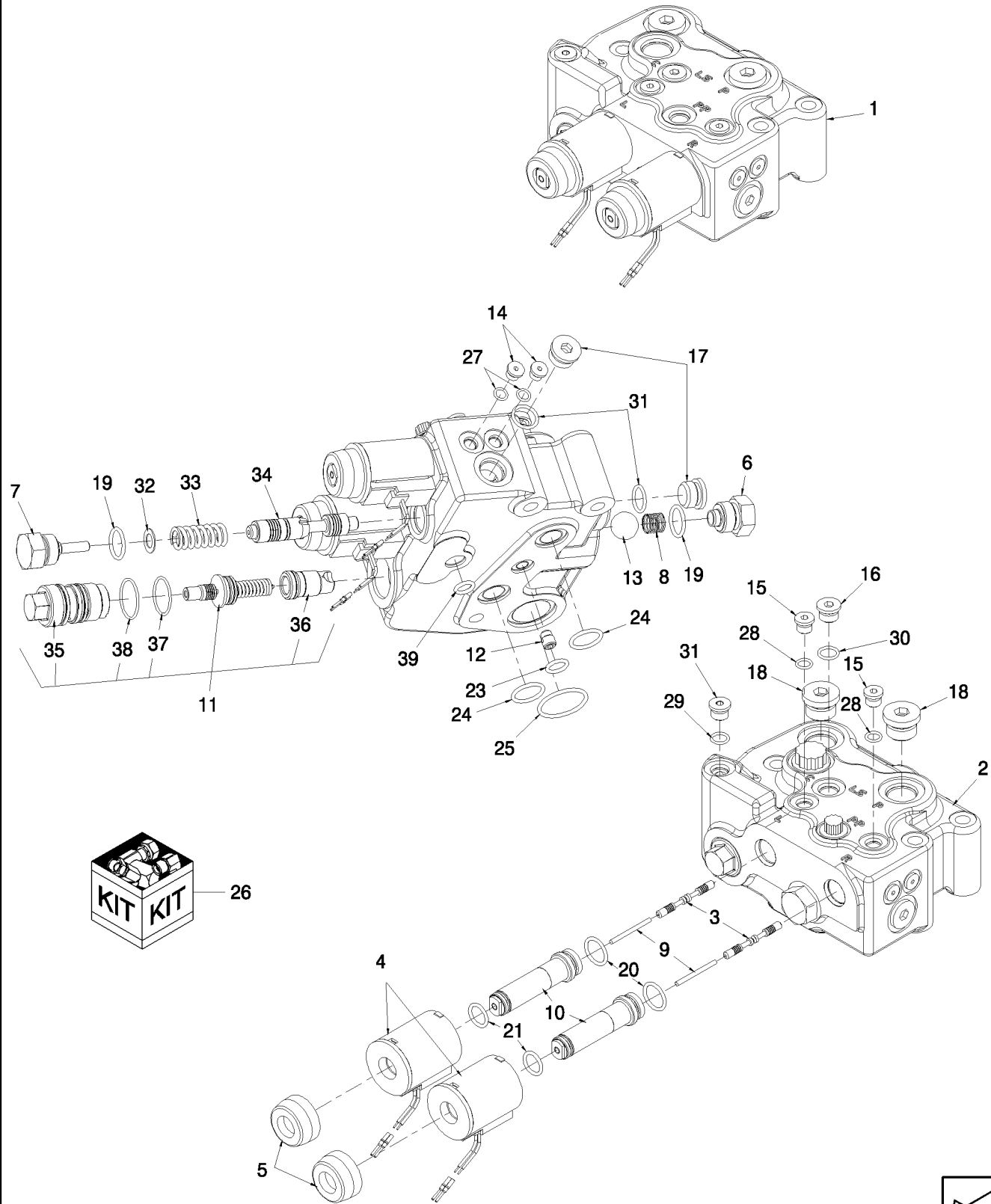


VALVE, FEEDER/HEADER LIFT CONTROL

REF	FN	PART NUMBER	YR/SN	QTY	DESCRIPTION
1		87648197		1	CONTROL VALVE
2		NSS		1	NOT SERVICED SEPARATELY, Body
3		188104A1		2	SPOOL
4		188105A1		2	SOLENOID
5		188106A1		2	NUT
6		188107A1		1	PLUG
7		188110A1		1	PLUG
8		188114A1		1	SPRING
9		188116A1		2	PIN
10		188117A1		2	TUBE, Feeder/Header Lift Control Valve
11		87643252		1	KIT, Meter Out
12		373758A1		1	VALVE
13		511-10200		1	BALL, 20mm Dia
14		86529630		2	PLUG, Hex Soc, 3/8"-24 ORB
15		278548		2	PLUG, Hex Soc, 7/16"-20 ORB
16		9625178		1	PLUG, Hex Soc, 9/16"-18 ORB
17		86590562		2	PLUG, Hex Soc, 3/4"-16 ORB
18		86598047		2	PLUG
19		237-6010		1	O-RING, 10-1, 90 Duro, .755" ID x .097" Thk
20		238-5017		2	O-RING, -017, 70 Duro, .676" ID x .070" Thk
21		238-5114		2	O-RING, -114, 70 Duro, .612" ID x .103" Thk
22		238-6111		1	O-RING, -111, 90 Duro, .424" ID x .103" Thk
23		238-6112		1	O-RING, -112, 90 Duro, .487" ID x .103" Thk
24		238-6117		1	O-RING, -117, 90 Duro, .799" ID x .103" Thk
25		238-6125		1	O-RING, -125, 90 Duro, 1.237" ID x .103" Thk
26		243253A1		1	SEAL KIT
27		NSS		2	NOT SERVICED SEPARATELY
28		NSS		2	NOT SERVICED SEPARATELY
29		NSS		1	NOT SERVICED SEPARATELY
30		NSS		1	NOT SERVICED SEPARATELY
31		NSS		1	NOT SERVICED SEPARATELY
32		NSS		1	NOT SERVICED SEPARATELY
33		NSS		1	NOT SERVICED SEPARATELY
34		NSS		1	NOT SERVICED SEPARATELY
35		NSS		1	NOT SERVICED SEPARATELY

**9120 7120 8120 7120
8120**

VALVE, FEEDER/HEADER LIFT CONTROL

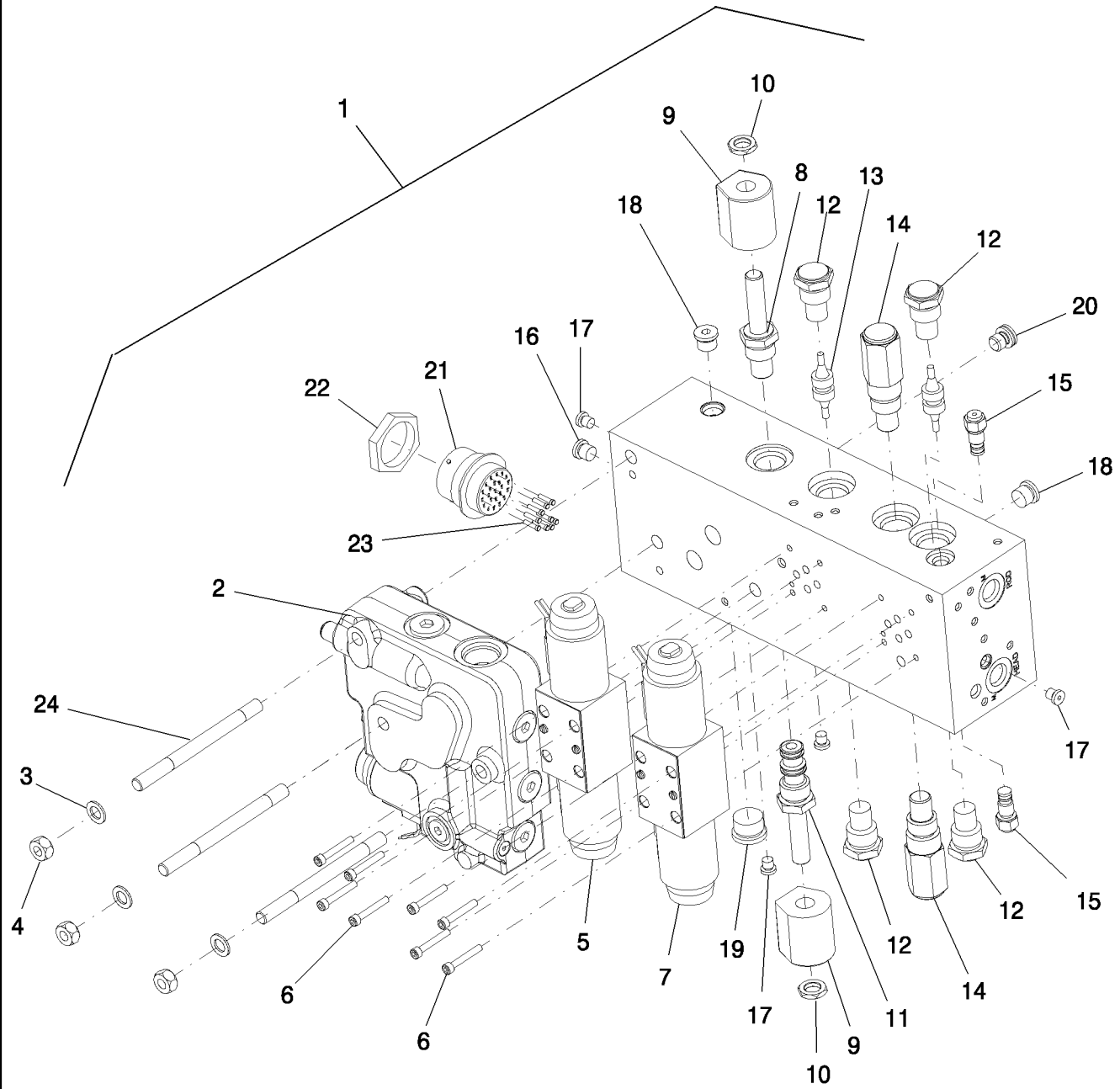


VALVE, FEEDER/HEADER LIFT CONTROL

REF	FN	PART NUMBER	YR/SN	QTY	DESCRIPTION
36		NSS		1	NOT SERVICED SEPARATELY
37		NSS		1	NOT SERVICED SEPARATELY
38		NSS		1	NOT SERVICED SEPARATELY
39		NSS		1	NOT SERVICED SEPARATELY

**9120 7120 8120 7120
8120**

VALVE, FEEDER STACK W/ LATERAL TILT

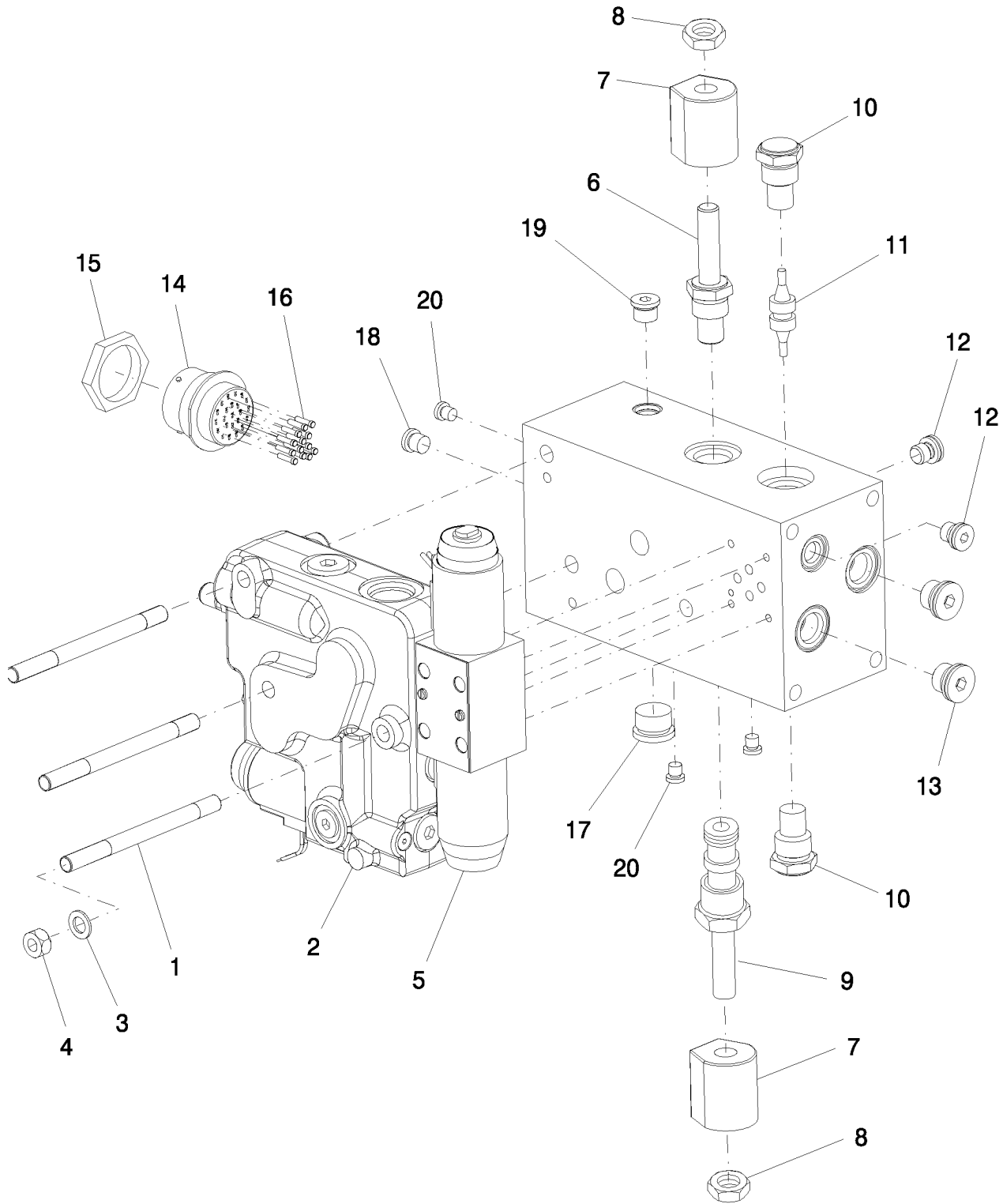


VALVE, FEEDER STACK W/ LATERAL TILT

REF	FN	PART NUMBER	YR/SN	QTY	DESCRIPTION
1		87109742		1	HYDRAULIC VALVE
2		87281778		1	VALVE, Reel Drive
3		895-18010		3	WASHER, M10 x 18 x 1.6
4		829-1410		3	NUT, M10, CI 10
5		87434014		1	CONTROL VALVE, Three Position, Four Way
6		61-31020		8	SCREW, Hex Soc Hd, #10-24 x 1 1/4"
7		86995306		1	VALVE, Three Position, Four Way
8		87436627		1	VALVE
9		86995302		2	SOLENOID, Coil
10		195683A1		2	NUT, 1/2"-20, Thin
11		190711A1		1	VALVE
12		87433998		4	CHECK VALVE
13		149940C1		2	PISTON
14		190986A1		2	PRESSURE RELIEF VALVE
15		190704A1		2	VALVE, CHECK
15A		190707A1		2	SEAL KIT, Repair Ref 15
16		278548		1	PLUG, Hex Soc, 7/16"-20 ORB
17		86632547		4	PLUG, Hex Soc, 5/16"-24 ORB
18		9625178		2	PLUG, Hex Soc, 9/16"-18 ORB
19		86625138		1	PLUG, Hex Soc, 7/8"-14 ORB
20		221573A1		1	PLUG, Hex Soc, M12 x 1.5, ORB
21		319151A1		1	CONNECTOR
22		86619907		1	NUT, 1.6875"-18
23		453133C1		9	PLUG
24		190716A1		3	STUD

**9120 7120 8120 7120
8120**

VALVE, FEEDER STACK, STANDARD

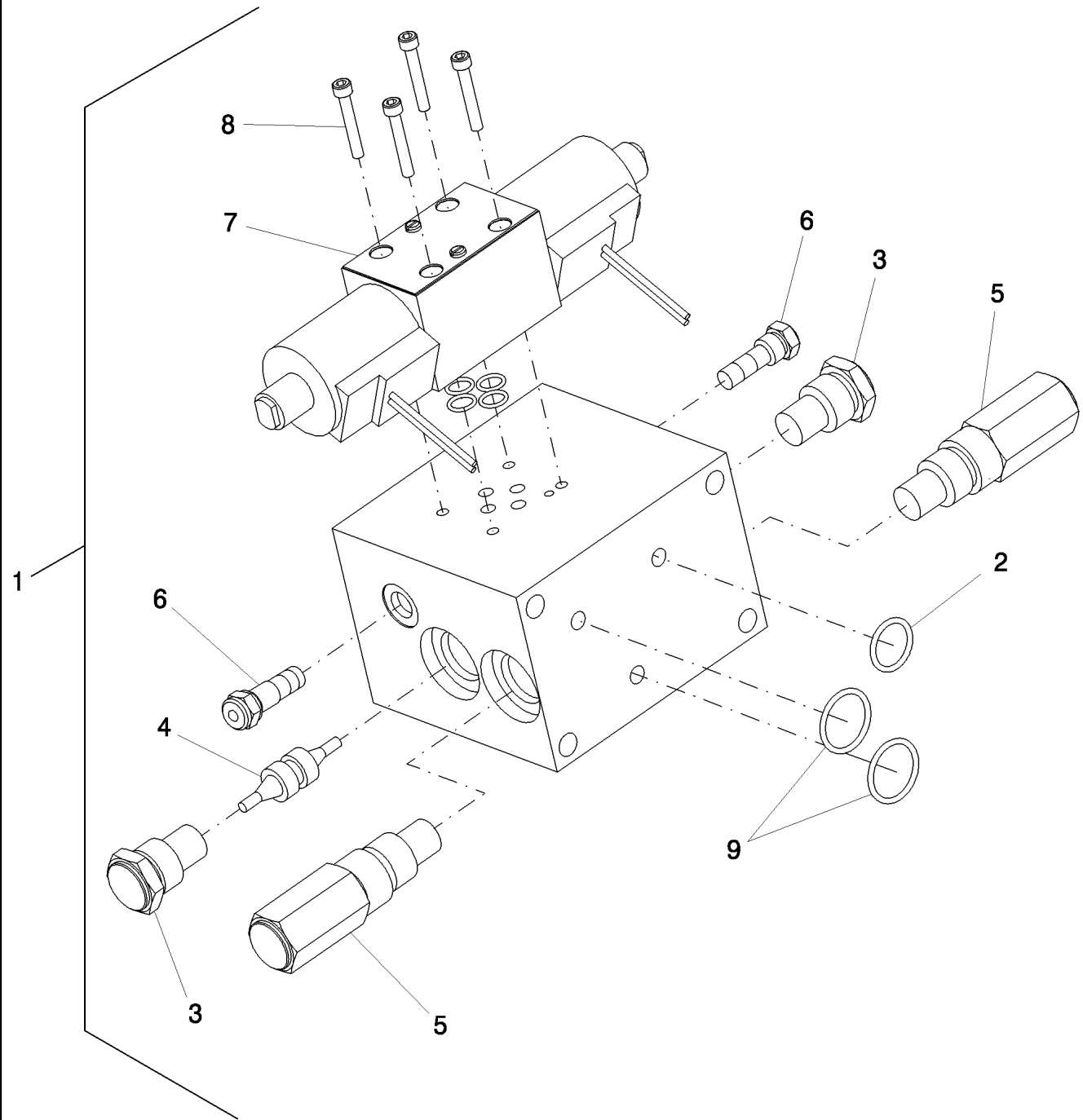


VALVE, FEEDER STACK, STANDARD

REF	FN	PART NUMBER	YR/SN	QTY	DESCRIPTION
		87109740		AR	HYDRAULIC VALVE, STD - Incl Ref 1 - 20
1		190716A1		3	STUD, Threaded
2		87281778		1	VALVE, Reel Drive
3		895-18010		3	WASHER, M10 x 18 x 1.6
4		829-1410		3	NUT, M10, CI 10
5		87434014		1	CONTROL VALVE, Three Position, Four Way
6		87436627		1	VALVE, Normally Closed
7		86995302		2	SOLENOID, Coil, 12 Volt
8		195683A1		2	NUT, 1/2"-20, Thin
9		190711A1		1	VALVE, Three Way, Two Position
10		87433998		2	CHECK VALVE
11		149940C1		1	PISTON
12		221573A1		2	PLUG, Hex Soc, M12 x 1.5, ORB
13		221578A1		2	PLUG, Hex Soc, M18 x 1.5, ORB
14		319151A1		1	CONNECTOR
15		86619907		1	NUT, 1.6875"-18
16		453133C1		13	PLUG
17		86625138		1	PLUG, Hex Soc, 7/8"-14 ORB
18		278548		1	PLUG, Hex Soc, 7/16"-20 ORB
19		9625178		1	PLUG, Hex Soc, 9/16"-18 ORB
20		86632547		3	PLUG, Hex Soc, 5/16"-24 ORB

**9120 7120 8120 7120
8120**

VALVE, LATERAL TILT, COMPONENTS, BSN YAG208243



VALVE, LATERAL TILT, COMPONENTS, BSN YAG208243

REF	FN	PART NUMBER	YR/SN	QTY	DESCRIPTION
1		86995690		1	CONTROL VALVE, ADD - ON - Lateral Tilt
2		238-6116		1	O-RING, -116, 90 Duro, .737" ID x .103" Thk
3		87433998		2	CHECK VALVE
4		149940C1		1	PISTON
5		190986A1		2	PRESSURE RELIEF VALVE
6		190704A1		2	VALVE, CHECK
6A		190707A1		2	SEAL KIT, Repair Ref 6
7		86995306		1	VALVE, Three Position, Four Way
8		61-31020		4	SCREW, Hex Soc Hd, #10-24 x 1 1/4"
9		238-6119		2	O-RING, -119, 90 Duro, .924" ID x .103" Thk

	9120 7120 8120 7120 8120
--	---

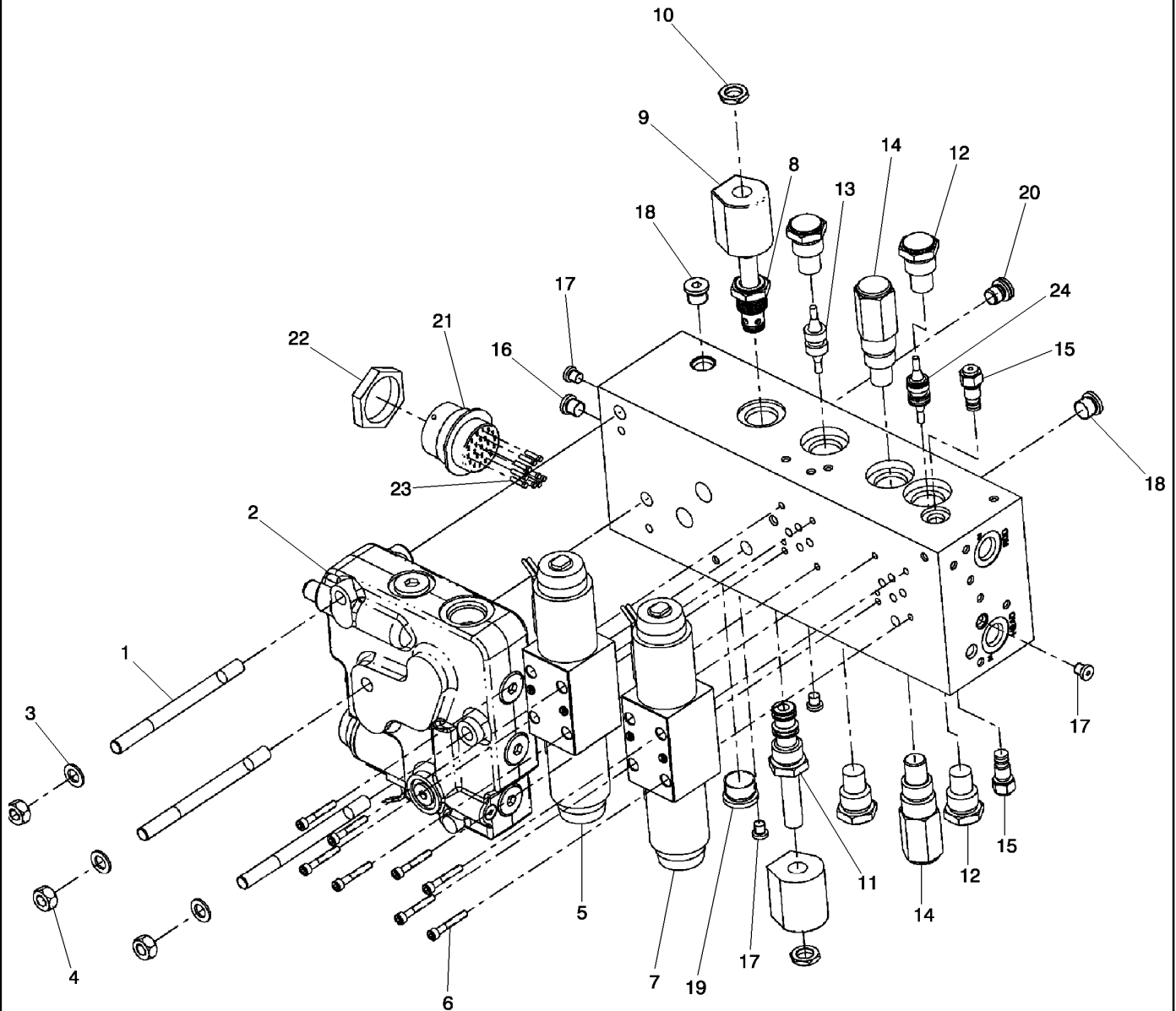
35.204.07

02

p1

02/10

VALVE, LATERAL TILT, COMPONENTS, ASN YAG208243



35.204.07

02

p1

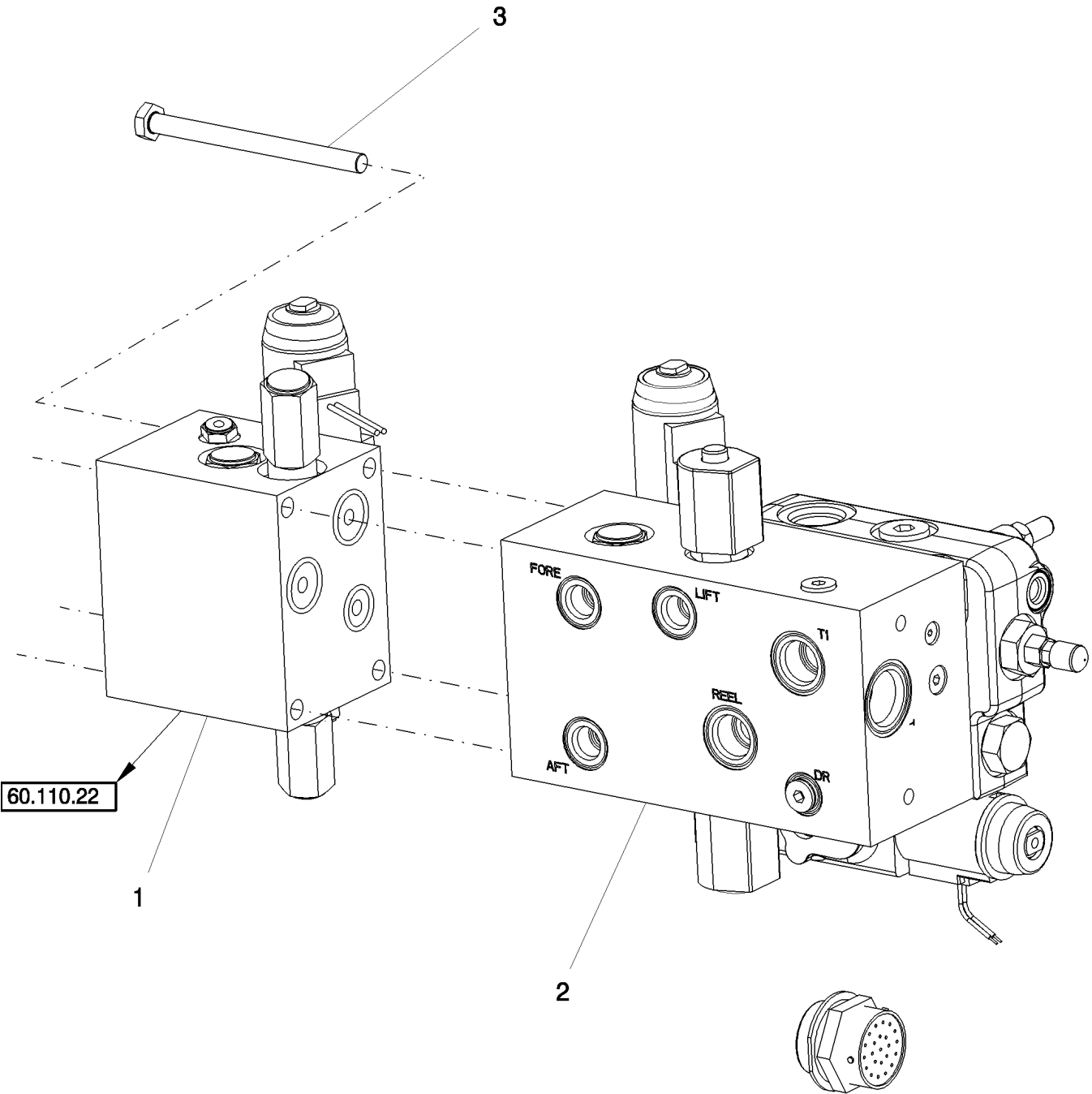
02/10

VALVE, LATERAL TILT, COMPONENTS, ASN YAG208243

REF	FN	PART NUMBER	YR/SN	QTY	DESCRIPTION
1		190716A1		3	STUD
2		87281778		1	VALVE, Flow Control, Reel Drive
3		895-18010		3	WASHER, M10 x 18 x 1.6
4		829-1410		3	NUT, M10, CI 10
5		87434014		1	CONTROL VALVE
6		61-31020		8	SCREW, Hex Soc Hd, #10-24 x 1 1/4"
7		86995306		1	VALVE, 3 Position, 4 Way
8		87436627		1	VALVE, Solenoid Cartridge
9		86995302		2	SOLENOID
10		195683A1		2	NUT, 1/2"-20, Thin
11		190711A1		1	VALVE, 3 Way 2 Position
12		87433998		4	CHECK VALVE
13		149940C1		1	PISTON
14		190986A1		2	PRESSURE RELIEF VALVE
15		190704A1		2	VALVE, CHECK
16		218-5207		1	PLUG, Hex Soc, 7/16"-20 ORB
17		218-5205		4	PLUG, Hex Soc, 5/16"-24 ORB
18		218-5209		2	PLUG, Hex Soc, 9/16"-18 ORB
19		218-5211		1	PLUG, Hex Soc, 7/8"-14 ORB
20		221573A1		1	PLUG, Hex Soc, M12 x 1.5, ORB
21		319151A1		1	CONNECTOR, Deutch HDP 23 Cavity
22		86619907		1	NUT, 1.6875"-18
23		453133C1		9	PLUG, Deutsch P/N 114017
24		84236507		1	PISTON, Pilot x-Over Check

7120 7120 8120 9120
8120

VALVE, FEEDER STACK & LATERAL TILT



35.204.08

p1

10/09

VALVE, FEEDER STACK & LATERAL TILT

REF	FN	PART NUMBER	YR/SN	QTY	DESCRIPTION
1	1	86995690		1	CONTROL VALVE, Lateral Tilt
2		87109740		1	HYDRAULIC VALVE, Feeder Stack - Standard
3		86508575		4	BOLT, Hex, M10 x 130, 8.8

(1) Component of Lateral Tilt Kit 87281928

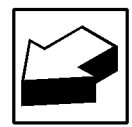
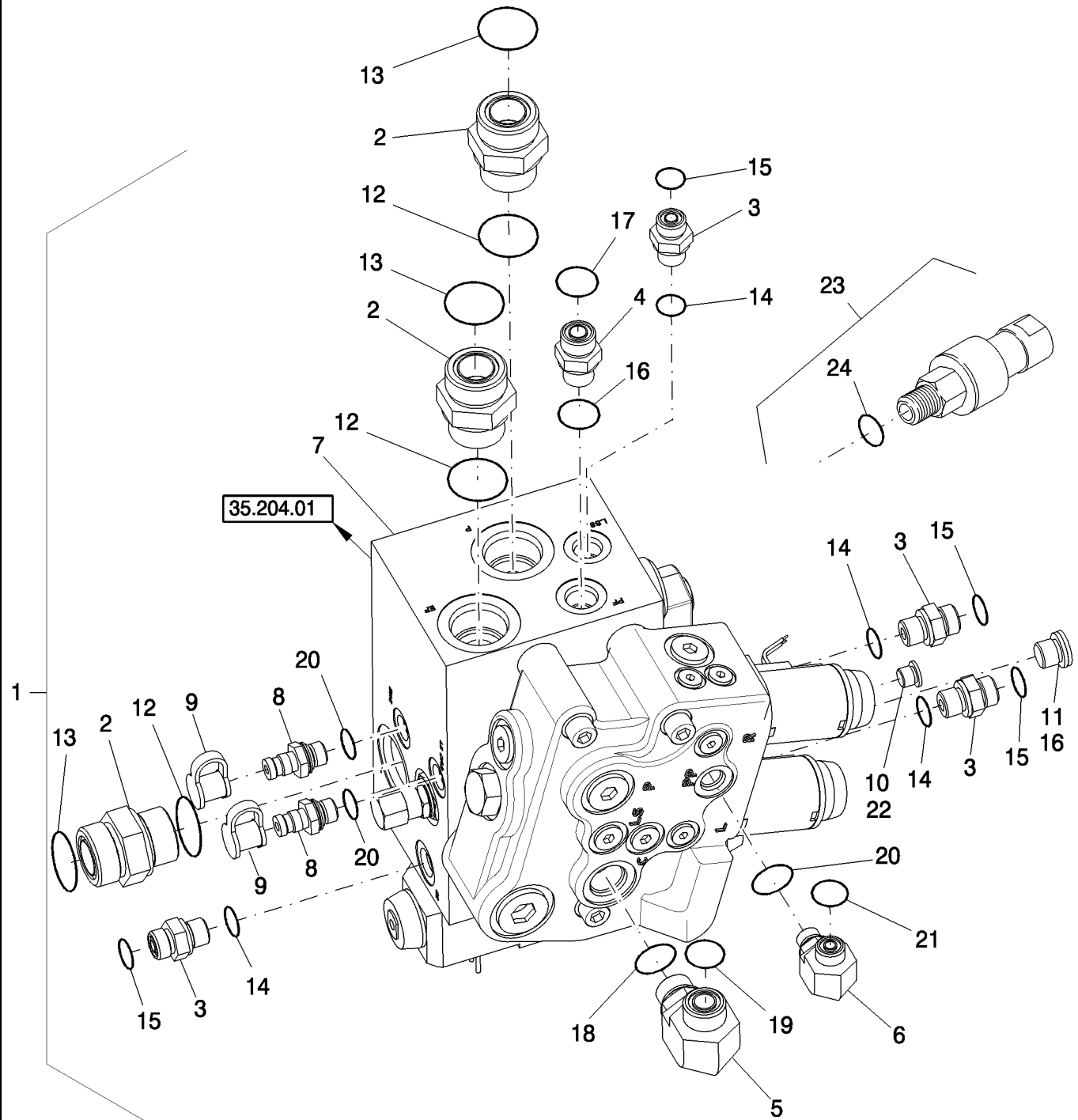
**9120 7120 8120 7120
8120**

35.204.10

p1

12/09

VALVE, HYDRAULIC - MAIN STACK

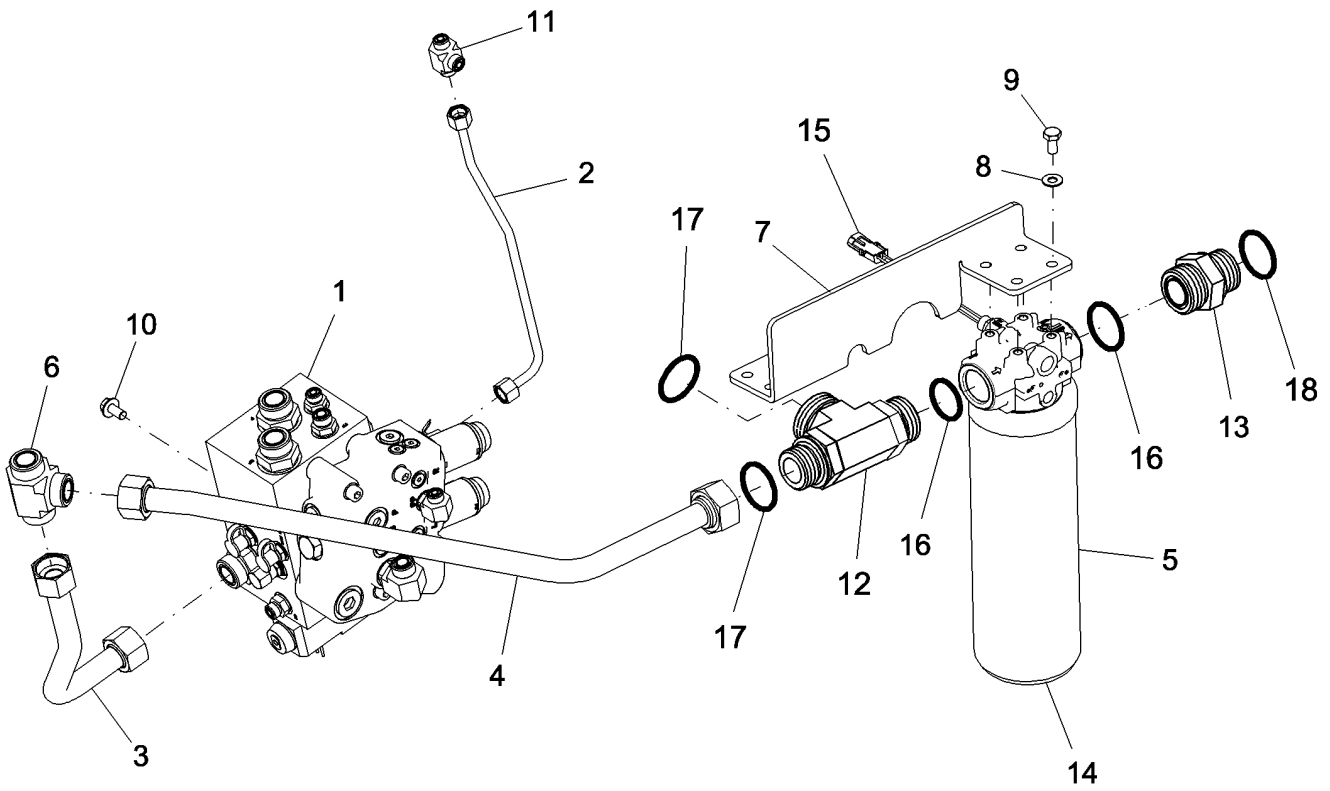
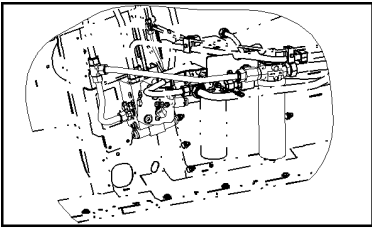


VALVE, HYDRAULIC - MAIN STACK

REF	FN	PART NUMBER	YR/SN	QTY	DESCRIPTION
1		0C		1	ORDER COMPONENTS, Valve, Main Stack
2		86580179		3	HYD CONNECTOR, 1 7/16"-12 ORFS x M22 x 2 ORB
3		86579672		4	HYD CONNECTOR, 11/16"-16 ORFS x M16 x 1.5 ORB
4		86579676		1	HYD CONNECTOR, 13/16"-16 ORFS x M18 x 1.5 ORB
5		86579694		1	ELBOW, 90°, 1"-14 ORFS x M22 x 1.5 ORB
6		86579686		1	ELBOW, 90°, 1 1/16"-18 ORFS x M14 x 1.5 ORB
7		87713405		1	VALVE
8		84320565		2	COUPLING, M14 x 1.5
9		86502604		2	DUST CAP
10		86529630		1	PLUG, Hex Soc, 3/8"-24 ORB
11		86598046		1	PLUG, Hex Soc, M18 x 1.5, ORB
12		86598104		3	O-RING, CI 6, 26.6MM ID x 2.9 Thk
13		9824050		3	O-RING, -021, 90 Duro, .926" ID x .070" Thk
14		86598100		4	O-RING, CI 6, 13.3MM ID x 2.2 Thk
15		9993141		4	O-RING, -012, 90 Duro, .364" ID x .070" Thk
16		86598101		2	O-RING, CI 6, 15.3MM ID x 2.2 Thk
17		9992298		1	O-RING, -014, 90 Duro, .489" ID x .070" Thk
18		86598102		1	O-RING, CI 6, 19.3MM ID x 2.2 Thk
19		9992069		1	O-RING, -016, 90 Duro, .614" ID x .070" Thk
20		86598099		3	O-RING, CI 6, 11.3MM ID x 2.2 Thk
21		9993141		1	O-RING, -012, 90 Duro, .364" ID x .070" Thk
22		86513328		1	O-RING, 3-1, .301" ID x .064" Thk
23		84186707		1	SENSOR, Header Height Lift Cylinder Pressure, Incl Ref 24
24		237-6003		1	O-RING, 3-1, .301" ID x .064" Thk

**9120 7120 8120 7120
8120**

FILTERS AND MAIN STACK VALVE



FILTERS AND MAIN STACK VALVE

REF	FN	PART NUMBER	YR/SN	QTY	DESCRIPTION
1		0C		1	ORDER COMPONENTS, Valve, Main Stack
2		86995855		1	HYD. TUBE, Load Sense from Main Valve
3		86995864		1	HYD. TUBE, Return from Main Valve Stack
4		86995867		1	HYD. TUBE, PFC Return to Filter
5		86998593		1	FILTER ASSY, Aux Return to Reservoir, 17.4" long
6		86705422		1	TEE
7		87284938		1	STRAP, Mounting, Ref #5
8		140045		AR	BELLEVILLE WASHER, M10
9		43139		4	BOLT, Hex, M10 x 25, 8.8, Full Thd
10		274249		3	BOLT, Hex Serr Flg, M10 x 20
11		9840322		1	TEE, 11/16"-16 ORFS
12		86579708		1	TEE, 1 11/16"-12 ORFS x M42 x 2 ORB Run
13		84159338		1	ADAPTER, Adapter Str Beaded Tube 1.25 OD x M42
14		277311A1		1	HYDRAULIC OIL FILTER, Element, 14.4" long
15		87447716		1	SWITCH, Indicator, Filter Bypass
16		637-64386		2	O-RING, CI 6, 38.6MM ID x 2.9 Thk
17		238-6025		2	O-RING, -025, 90 Duro, 1.176" ID x .070" Thk
18		238-6029		1	O-RING, -029, 90 Duro, 1.489" ID x .070" Thk

**9120 7120 8120 7120
8120**

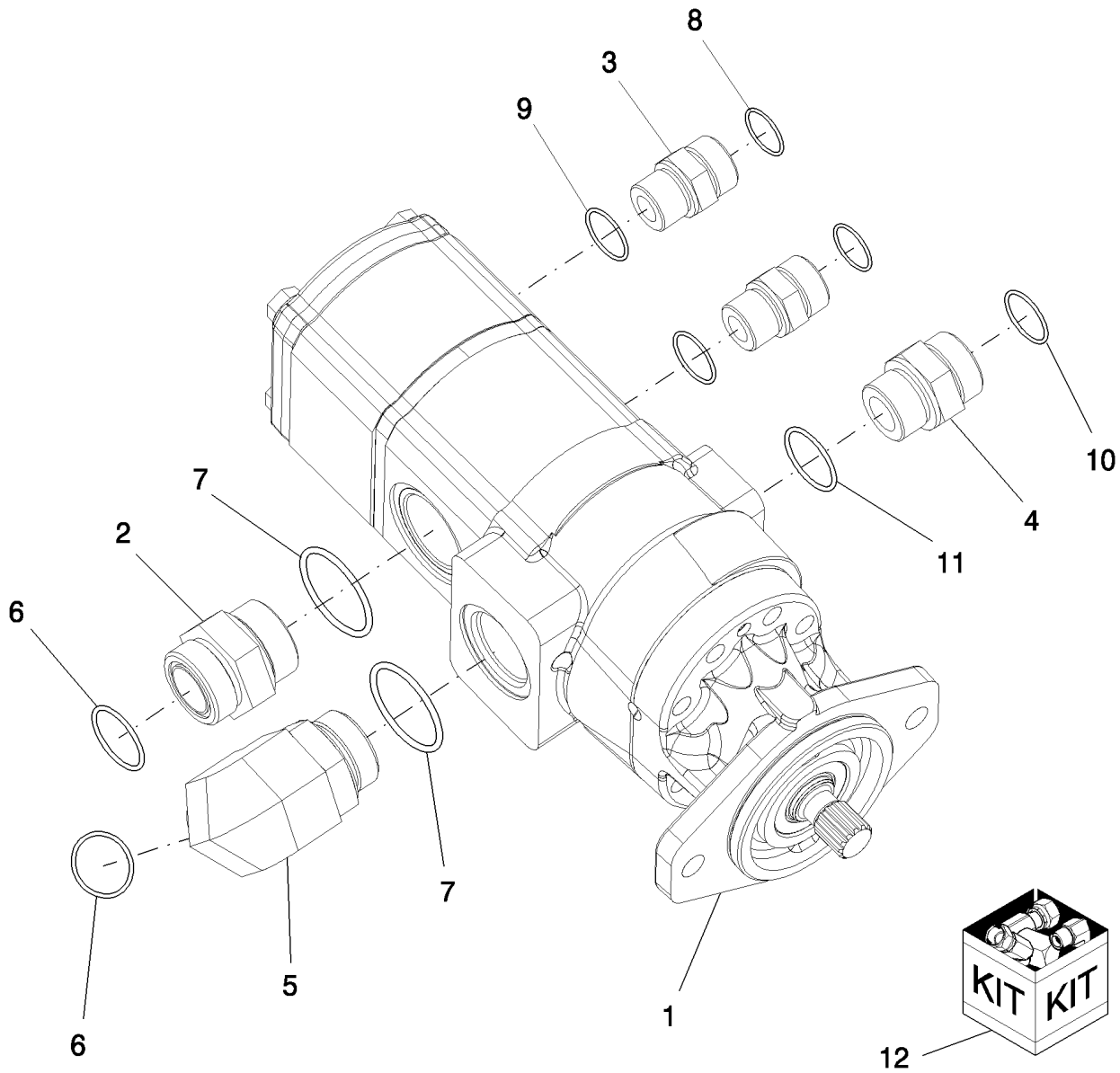
35.220.03

01

p1

02/10

PUMP, TRIPLE GEAR, BSN Y9G207763



PUMP, TRIPLE GEAR, BSN Y9G207763

REF	FN	PART NUMBER	YR/SN	QTY	DESCRIPTION
1		87284569		1	HYDRAULIC PUMP
2		86579685		1	HYD CONNECTOR, 1 11/16"-12 ORFS x M42 x 2 ORB, Incl Ref 6 & 7
3		86579682		2	HYD CONNECTOR, 1 3/16"-12 ORFS x M27 x 2 ORB, Incl Ref 8 & 9
4		86580179		1	HYD CONNECTOR, 1 7/16"-12 ORFS x M22 x 2 ORB, Incl Ref 10 & 11
5		86579708		1	TEE, 1 11/16"-12 ORFS x M42 x 2 ORB Run, Incl Ref 6 & 7
6		9824051		2	O-RING, -025, 90 Duro, 1.176" ID x .070" Thk
7		86598105		2	O-RING, CI 6, 38.6MM ID x 2.9 Thk
8		9991976		2	O-RING, -018, 90 Duro, .739" ID x .070" Thk
9		86598103		2	O-RING, CI 6, 23.6MM ID x 2.9 Thk
10		9824050		1	O-RING, -021, 90 Duro, .926" ID x .070" Thk
11		86598104		1	O-RING, CI 6, 26.6MM ID x 2.9 Thk
12		87284671		1	SEAL KIT

	9120 7120 8120 7120 8120
--	---

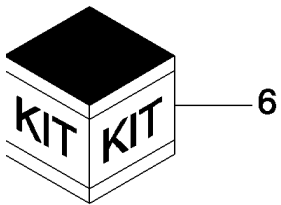
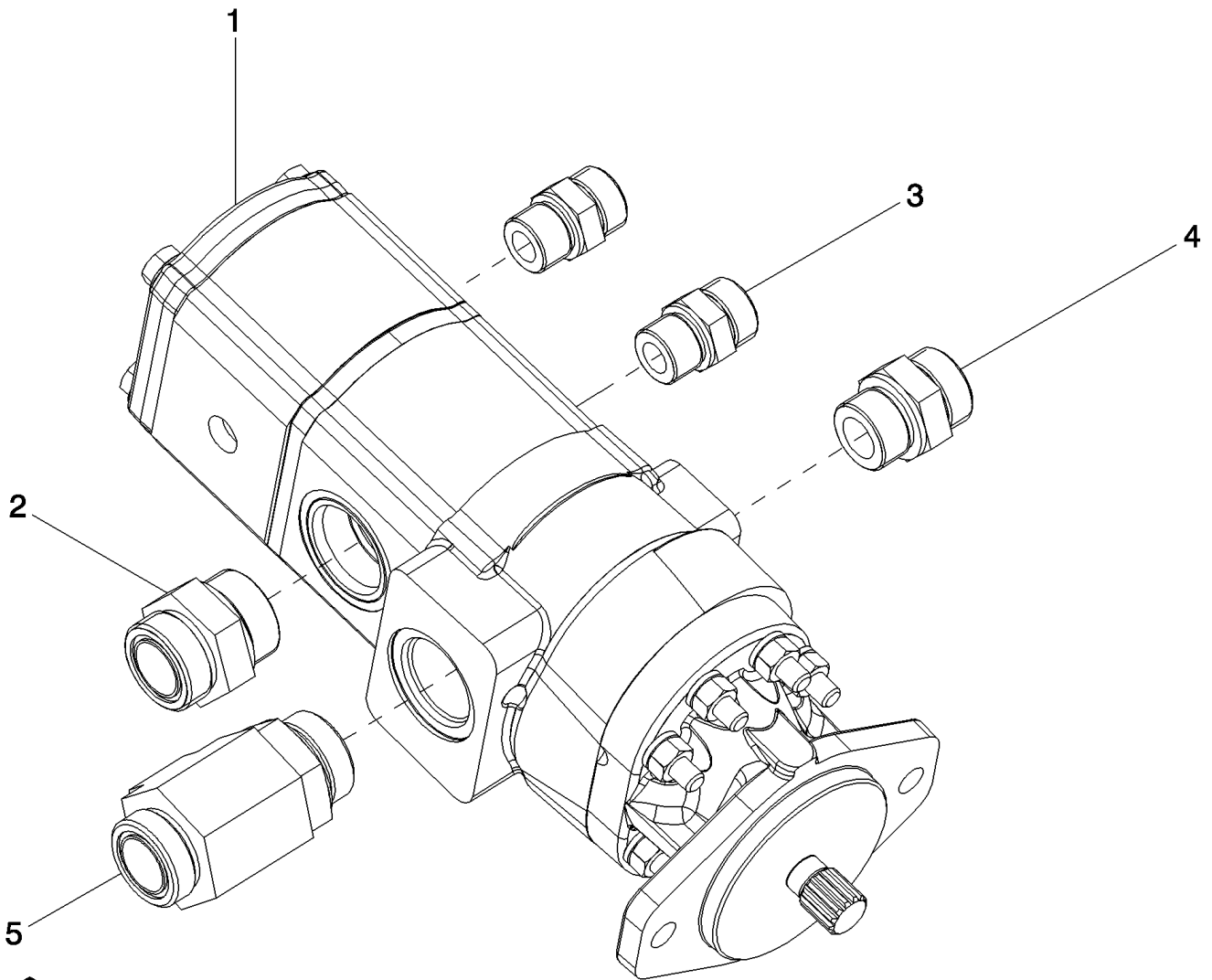
35.220.03

02

p1

02/10

PUMP, TRIPLE GEAR, ASN Y9G207763



PUMP, TRIPLE GEAR, ASN Y9G207763

REF	FN	PART NUMBER	YR/SN	QTY	DESCRIPTION
1		84258982		1	HYDRAULIC PUMP
2		86579685		1	HYD CONNECTOR, 1 11/16"-12 ORFS x M42 x 2 ORB
3		86579682		2	HYD CONNECTOR, 1 3/16"-12 ORFS x M27 x 2 ORB
4		86580179		1	HYD CONNECTOR, 1 7/16"-12 ORFS x M22 x 2 ORB
5		86579708		1	TEE, 1 11/16"-12 ORFS x M42 x 2 ORB Run
6		84272273		1	HYDRAULIC PUMP, Seal Kit

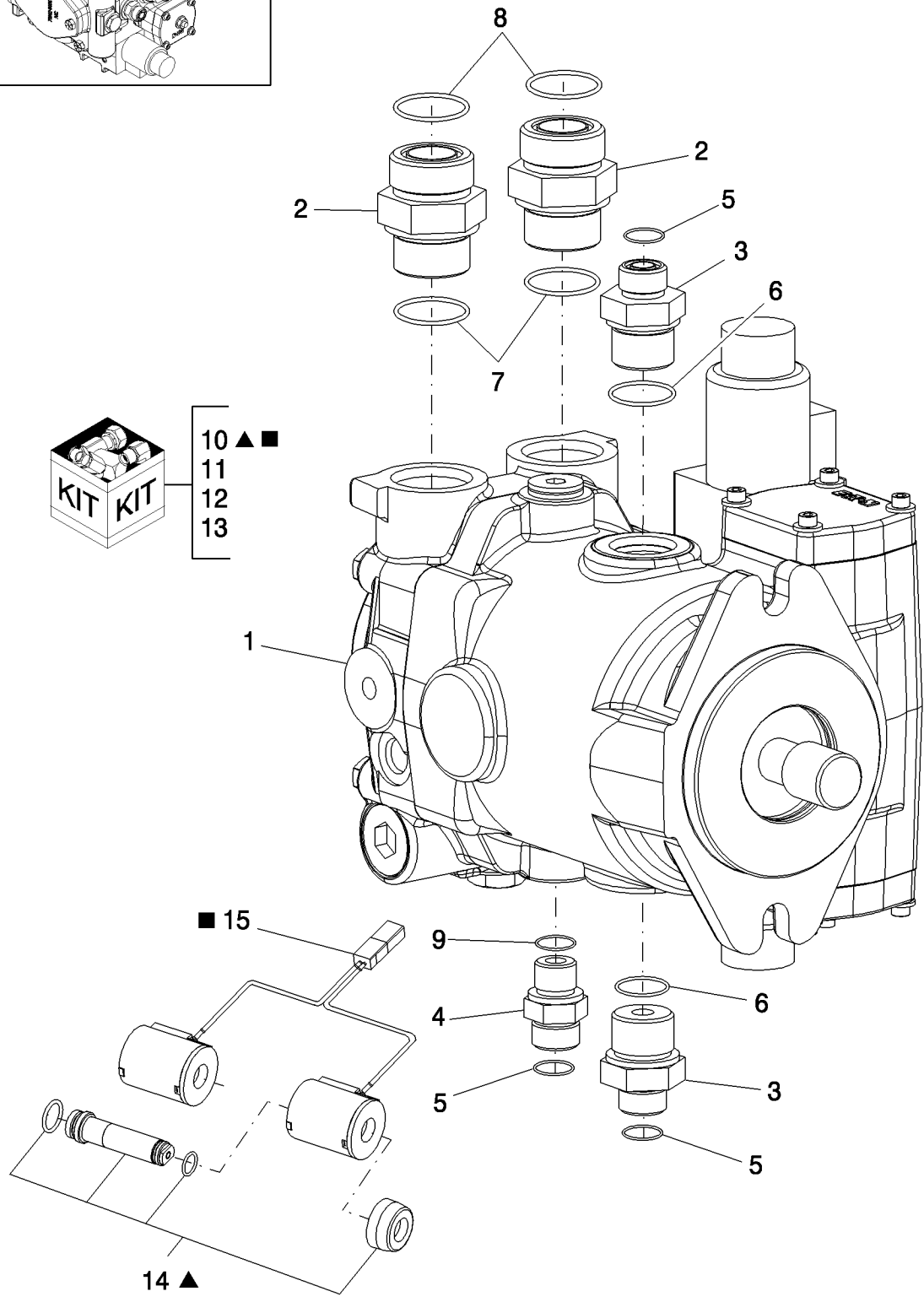
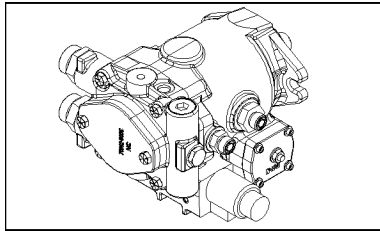
	7120 7120 8120 9120 8120
--	-------------------------------------

35.220.04

p1

10/09

PUMP, HYD. FEEDER



PUMP, HYD. FEEDER

REF	FN	PART NUMBER	YR/SN	QTY	DESCRIPTION
1		86638314		1	HYDRAULIC PUMP
2		86580179		2	HYD CONNECTOR, 1 7/16"-12 ORFS x M22 x 2 ORB
3		86597761		2	HYD CONNECTOR, 13/16"-16 ORFS x M27 x 2 ORB
4		86579676		3	HYD CONNECTOR, 13/16"-16 ORFS x M18 x 1.5 ORB
5		9992298		3	O-RING, -014, 90 Duro, .489" ID x .070" Thk
6		86598103		2	O-RING, CI 6, 23.6MM ID x 2.9 Thk
7		86598104		2	O-RING, CI 6, 26.6MM ID x 2.9 Thk
8		9824050		2	O-RING, -021, 90 Duro, .926" ID x .070" Thk
9		86598101		1	O-RING, CI 6, 15.3MM ID x 2.2 Thk
10		87453375		1	SEAL PACKAGE, Servo Controller; Incl Ref 14, 15, Plus Gasket 87453380 (1) & Screw 61-33132 (6)
11		87453381		1	VALVE, PRESSURE RELIEF
12		87453382		1	SEAL PACKAGE, KIT, Relief
13		87453383		1	SEAL PACKAGE, KIT, Shaft
14		87450565		1	SOLENOID, Tube
15		87450564		1	KIT, Solenoid Coil

For Variable Speed

**9120 7120 8120 7120
8120**

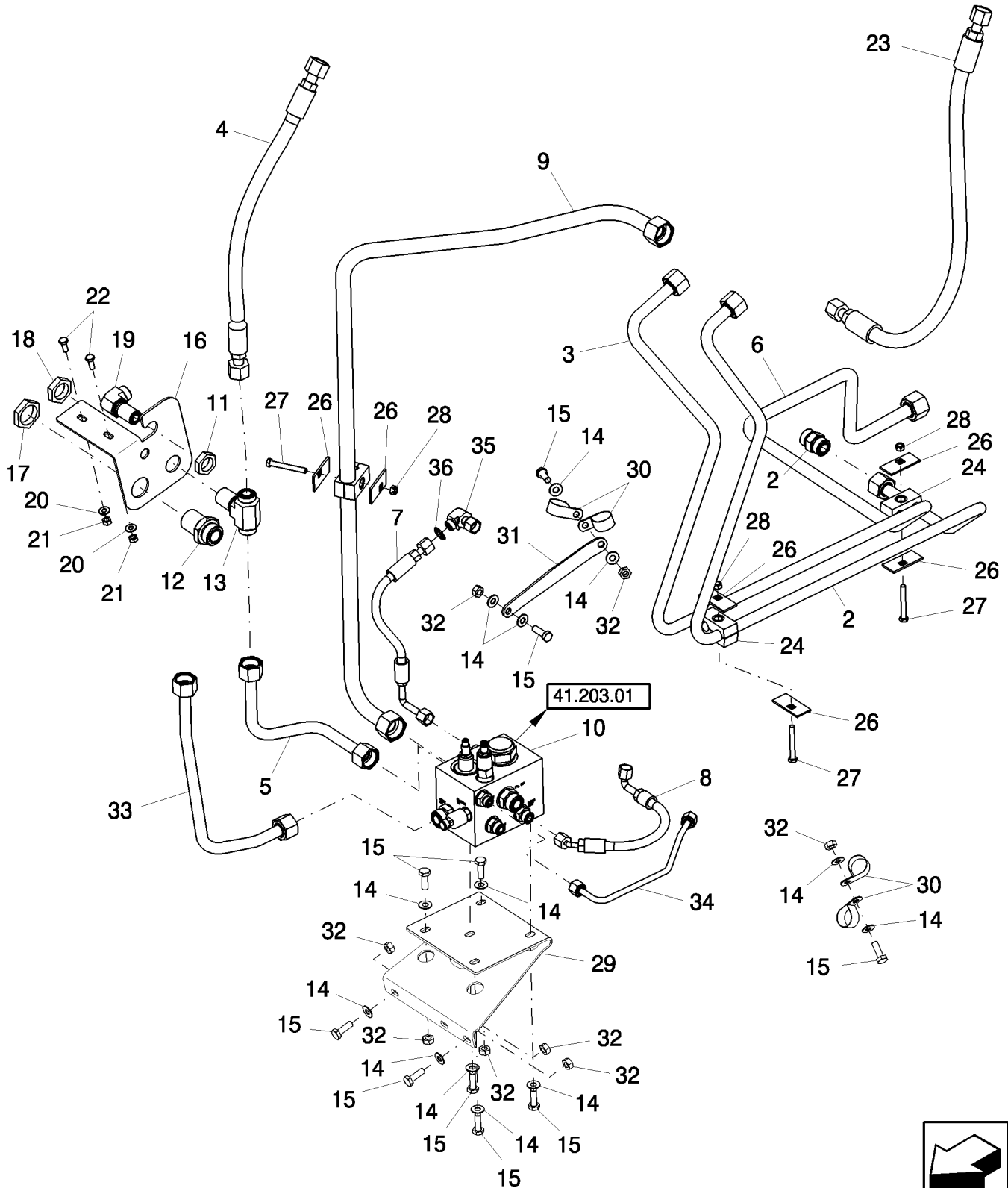
35.300.01

01

p1

11/09

HYDRAULICS LINES, PTO 3 (PTO REGULATOR VALVE) - PRIOR TO 4/2009



35.300.01

01

p1

11/09

HYDRAULICS LINES, PTO 3 (PTO REGULATOR VALVE) - PRIOR TO 4/2009

REF	FN	PART NUMBER	YR/SN	QTY	DESCRIPTION
1		84100407		1	UNION, 1 3/16"-12 ORFS
2		87284932		1	HYD. TUBE, Gear Pump to Fan
3		87482034		1	TUBE ASSY., Gear Pump to RAS and Spreaders
4		87281693	BSN Y9G206208	1	HYD. TUBE, Hose, Lube Supply, Tee to Cross
4		84158714	ASN Y9G206208	1	HOSE ASSY.
5		87281692		1	HYD. TUBE, Lube Regulator, Supply to Valve
7		87106673	BSN Y9G206182	1	HYD. TUBE, Drain, from PTO Regulator Valve
7		84158715	ASN Y9G206182	1	HOSE ASSY.
8		84176035		1	HOSE ASSY., Lube Supply, to Rotor
9		87587910		1	HYD. TUBE, PTO Regulator Valve Bypass
10		0C		1	ORDER COMPONENTS, PTO/ Charge Regulator
11		86639085		1	LOCK NUT, 1"-14, ORFS Blkhd
12		86639060		1	UNION, 1 7/16"-12 ORFS, Blkd
13		86900241		1	TEE, 1 7/16"-12 ORFS, Blkhd Br
14		140045		AR	BELLEVILLE WASHER, M10
15		43140		AR	BOLT, Hex, M10 x 30, 8.8, Full Thd
16		87001274		1	BRACKET, Bulkhead
17		86639084		1	LOCK NUT, 1 7/16"-12, ORFS Blkhd
18		86639062		1	LOCK NUT, 1 3/16"-12, ORFS Blkhd
19		87028944		1	ELBOW, 90°, 1"-14, ORFS, Blkhd
20		322358		2	BELLEVILLE WASHER, M8
21		9706690		2	NUT, M8, CI 8
22		120104		2	BOLT, Hex, M8 x 20, 8.8
23		87109746		1	FLEXIBLE HOSE, Cleaning Fan / Regulator Return
24		87000140		2	CLAMP
25		87000142		1	CLAMP
26		87000230		6	PLATE, Hose Clamp
27		300510		3	BOLT, Hex, M8 x 65, 8.8
28		832-46408		3	LOCK NUT, M8 x 1.25, CI 8
29		87284344		1	SUPPORT
30		86628564		4	CLAMP, 1 1/4", Insul, 3/8" Bolt
31		NS		1	NOT SERVICED, Bracket
32		100016		8	NUT, M10, CI 8
33		87663046		1	TUBE ASSY., Lube RV To Filter
34		87657700	BSN Y9G207865	1	TUBE ASSY., PTO Regulator Valve To Clutches

**9120 7120 8120 7120
8120**

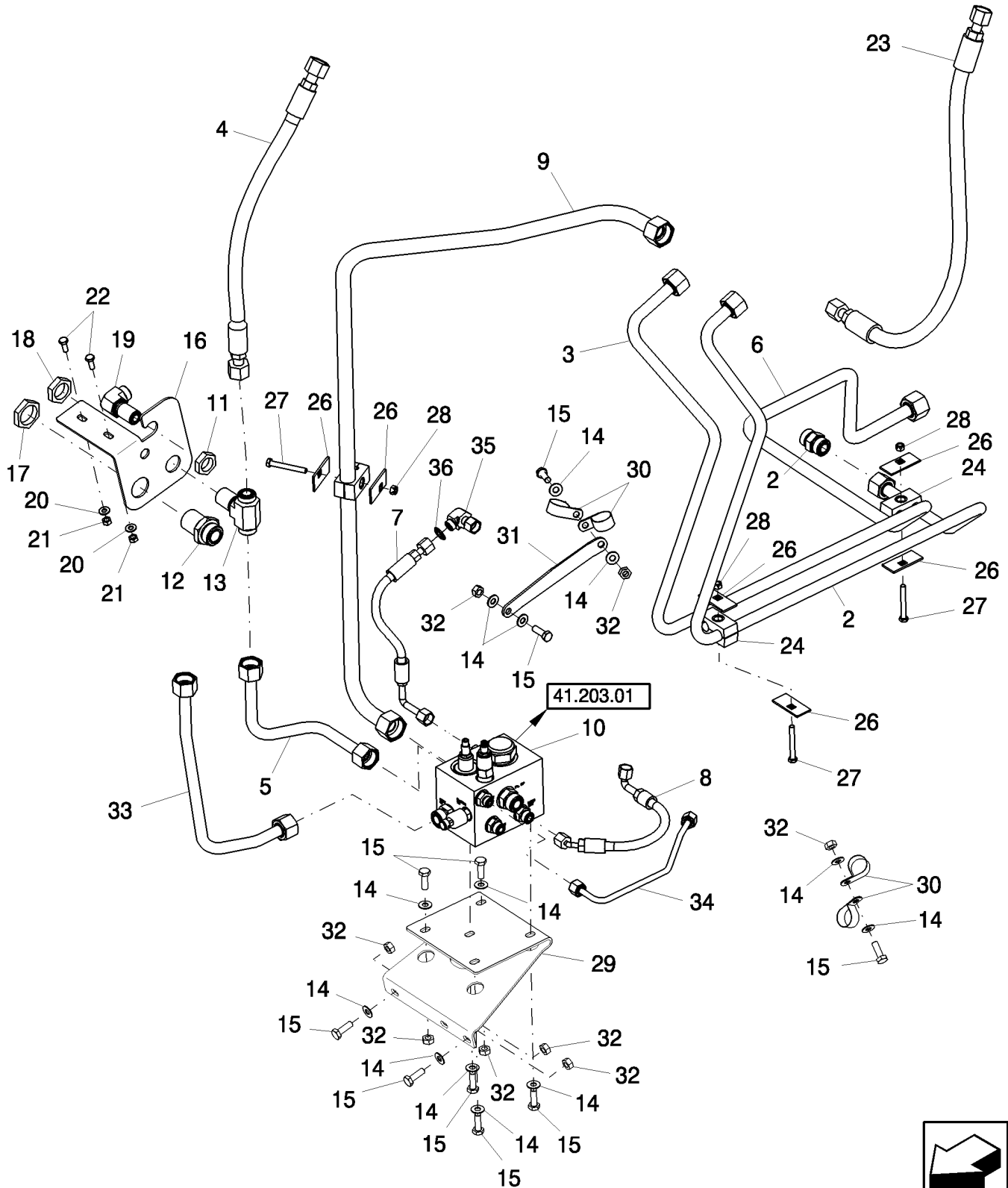
35.300.01

01

p2

11/09

HYDRAULICS LINES, PTO 3 (PTO REGULATOR VALVE) - PRIOR TO 4/2009



HYDRAULICS LINES, PTO 3 (PTO REGULATOR VALVE) - PRIOR TO 4/2009

REF	FN	PART NUMBER	YR/SN	QTY	DESCRIPTION
34		84218078	ASN Y9G207865	1	HYDRAULIC HOSE
35		84989392		1	ELBOW, 90°, 11/16"-16 ORFS x 11/16"-16 Fem Sw, Incl Ref 36
36		9993141		1	O-RING, -012, 90 Duro, .364" ID x .070" Thk

**9120 7120 8120 7120
8120**

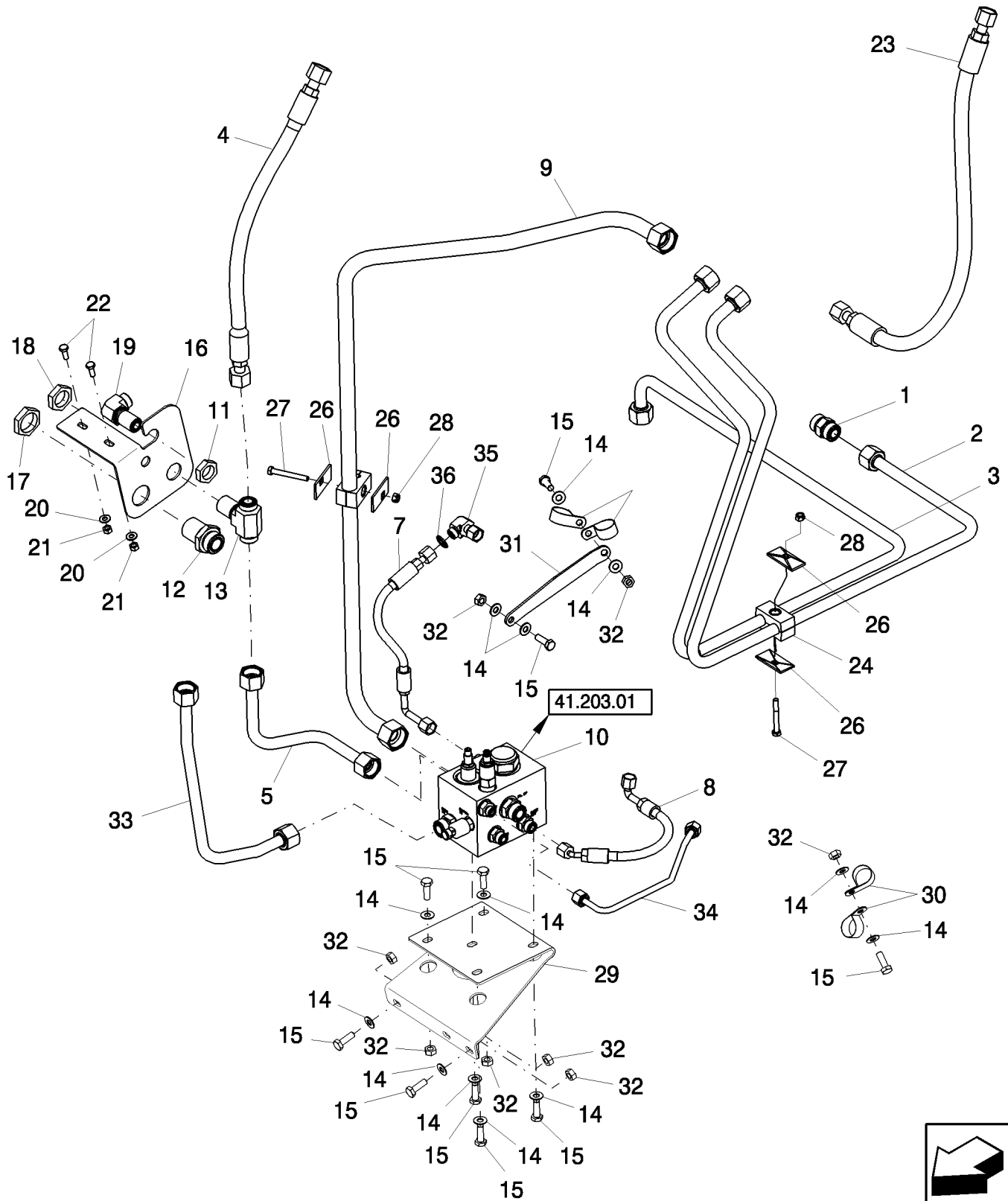
35.300.01

02

p1

02/10

HYDRAULICS LINES, PTO 3 (PTO REGULATOR VALVE) - FROM 4/2009



35.300.01

02

p1

02/10

HYDRAULICS LINES, PTO 3 (PTO REGULATOR VALVE) - FROM 4/2009

REF	FN	PART NUMBER	YR/SN	QTY	DESCRIPTION
1		84100407		1	UNION, 1 3/16"-12 ORFS
2		84166701		1	HYD. TUBE, Gear Pump to Fan
3		84166699		1	TUBE ASSY., Gear Pump to RAS and Spreaders
4		84158714	ASN Y9G206208	1	HOSE ASSY., Lube Supply, Tee to Cross
5		87281692		1	HYD. TUBE, Lube Regulator, Supply to Valve
7		84158715	ASN Y9G206182	1	HOSE ASSY., Drain, from PTO Regulator Valve
8		84176035	ASN Y9G206201	1	HOSE ASSY., Lube Supply, to Rotor
9		87587910		1	HYD. TUBE, PTO Regulator Valve Bypass
10		0C		1	ORDER COMPONENTS, PTO/ Charge Regulator
11		86639085		1	LOCK NUT, 1"-14, ORFS Blkhd
12		86639060		1	UNION, 1 7/16"-12 ORFS, Blkd
13		86900241		1	TEE, 1 7/16"-12 ORFS, Blkhd Br
14		140045		AR	BELLEVILLE WASHER, M10
15		43140		AR	BOLT, Hex, M10 x 30, 8.8, Full Thd
16		87001274		1	BRACKET, Bulkhead
17		86639084		1	LOCK NUT, 1 7/16"-12, ORFS Blkhd
18		86639062		1	LOCK NUT, 1 3/16"-12, ORFS Blkhd
19		87028944		1	ELBOW, 90°, 1"-14, ORFS, Blkhd
20		322358		2	BELLEVILLE WASHER, M8
21		9706690		2	NUT, M8, CI 8
22		120104		2	BOLT, Hex, M8 x 20, 8.8
23		87109746		1	FLEXIBLE HOSE, Cleaning Fan / Regulator Return
24		87000140		2	CLAMP
25		87000142		1	CLAMP
26		87000230		6	PLATE, Hose Clamp
27		300510		3	BOLT, Hex, M8 x 65, 8.8
28		832-46408		3	LOCK NUT, M8 x 1.25, CI 8
29		87284344		1	SUPPORT
30		86628564		4	CLAMP, 1 1/4", Insul, 3/8" Bolt
31		NS		1	NOT SERVICED, Bracket
32		100016		8	NUT, M10, CI 8
33		87663046		1	TUBE ASSY., Lube RV To Filter
34		87657700	BSN Y9G207865	1	TUBE ASSY., PTO Regulator Valve To Clutches
34		84218078	ASN Y9G207865	1	HYDRAULIC HOSE

9120 7120 8120 7120
8120

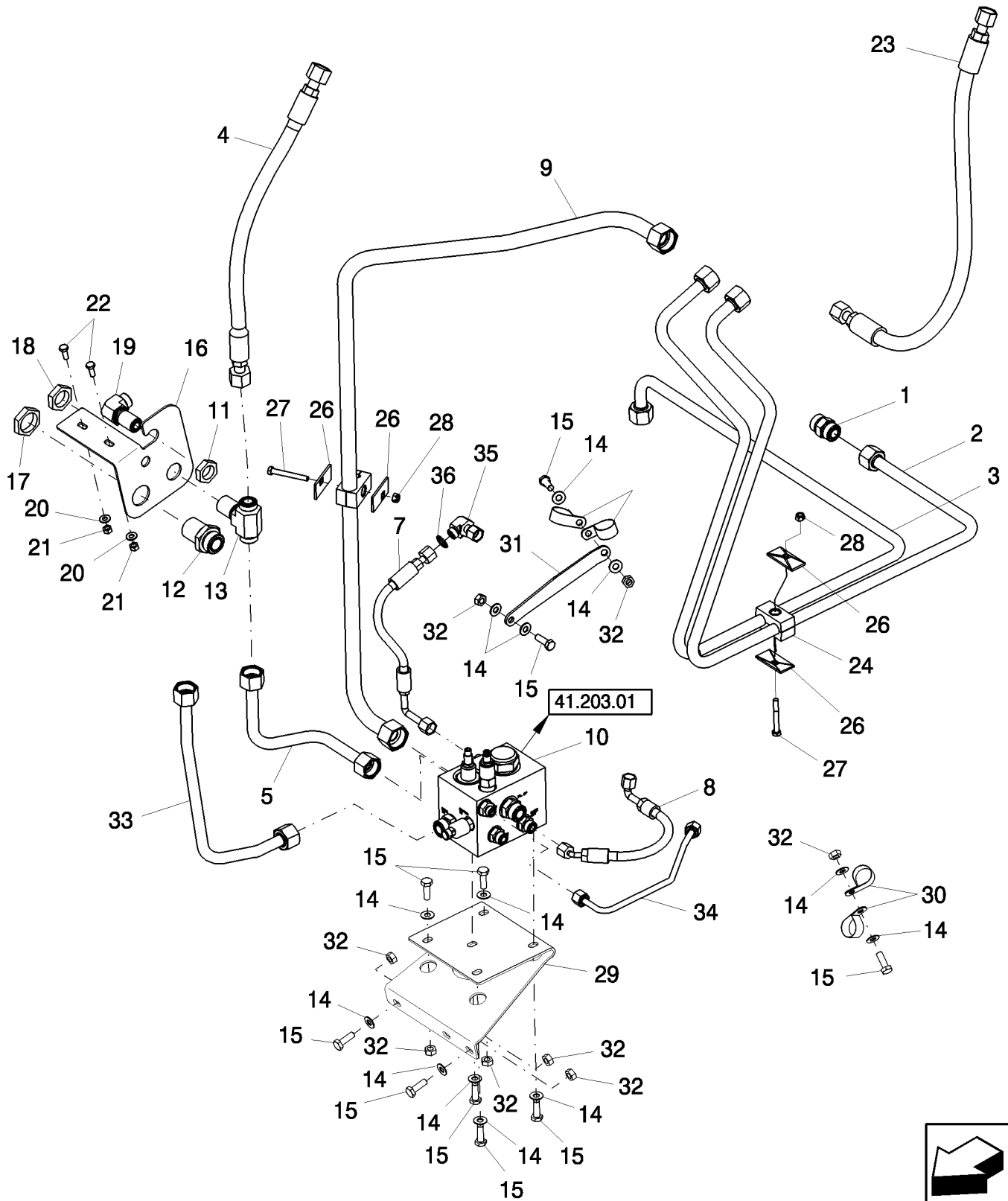
35.300.01

02

p2

02/10

HYDRAULICS LINES, PTO 3 (PTO REGULATOR VALVE) - FROM 4/2009

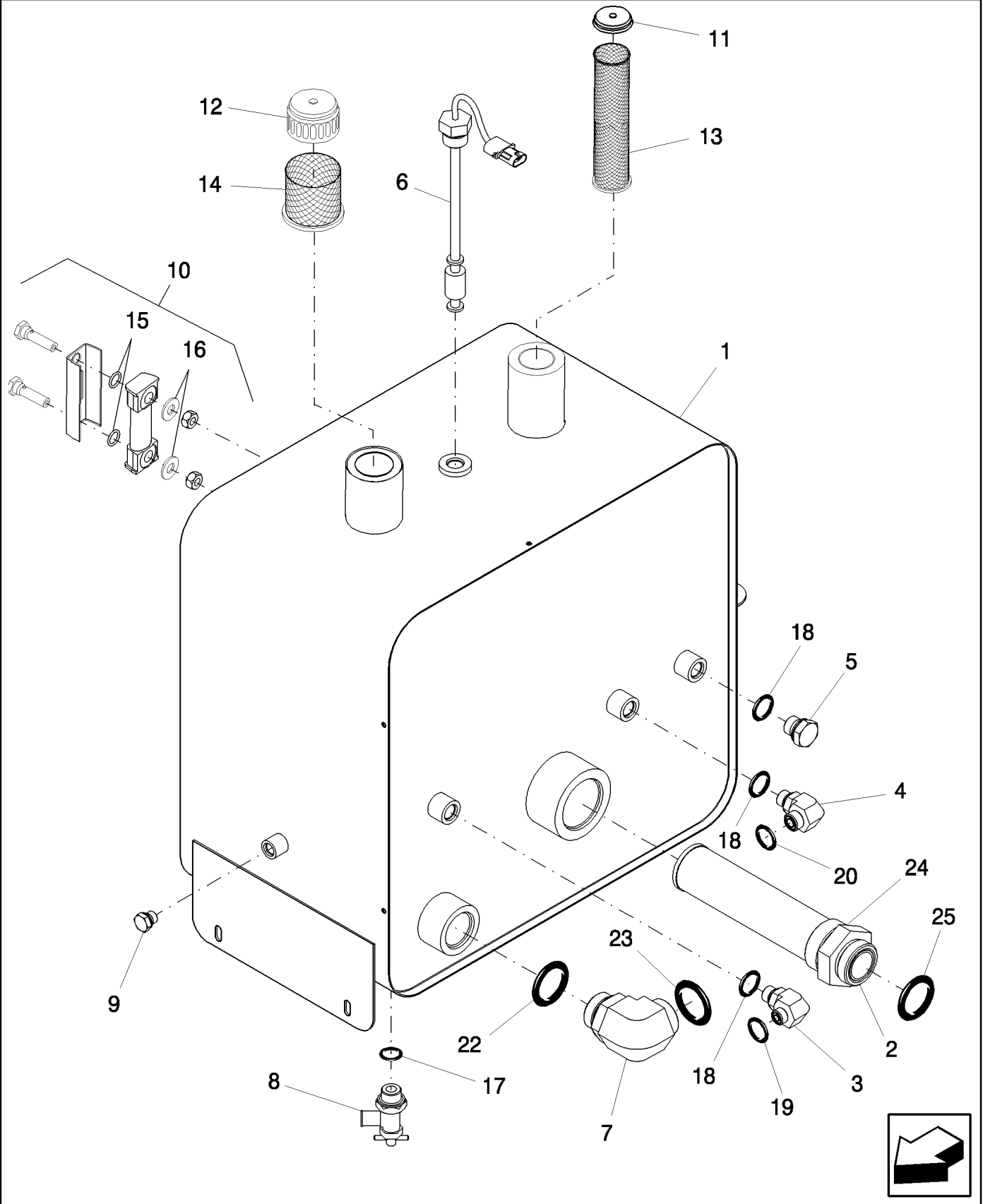


HYDRAULICS LINES, PTO 3 (PTO REGULATOR VALVE) - FROM 4/2009

REF	FN	PART NUMBER	YR/SN	QTY	DESCRIPTION
35		84989392		1	ELBOW, 90°, 11/16"-16 ORFS x 11/16"-16 Fem Sw, Incl Ref 6
36		9993141		1	O-RING, -012, 90 Duro, .364" ID x .070" Thk

	9120 7120 8120 7120 8120
--	-------------------------------------

RESERVOIR - OIL, HYDRAULIC



RESERVOIR - OIL, HYDRAULIC

REF	FN	PART NUMBER	YR/SN	QTY	DESCRIPTION
1		87548960		1	RESERVOIR ASSY., Incl Ref 10, 11, 12, 13, 14, 15 & 16
1	1	87510565		1	RESERVOIR, Incl Ref 10, 11, 12, 13, 14, 15 & 16
2		86995010		1	STRAINER ELEMENT, Suction
3		86579693		1	ELBOW, 90°, 1"-14 ORFS x M18 x 1.5 ORB
4		86579691		1	ELBOW, 90°, 13/16"-18 ORFS x M18 x 1.5 ORB
5		87030025		1	PLUG, Hex, M18 x 1.5 ORB
5		87030025		1	PLUG, Hex, M18 x 1.5 ORB
6		87644162		1	SENSOR, Hydraulic Fluid Level
7		86579700		1	ELBOW, 90°, 1 11/16"-12 ORFS x M42 x 2 ORB
8		87485712		1	DRAINCOCK/TAP SUPPLY, Incl Ref 17
9		86611704		1	PLUG, HH, ORB, M14 x 1.5
10		87107405		1	LEVEL GAUGE, Incl Ref 15 & 16
11		87000624		1	CAP, Fill
12		87000625		1	CAP, With Breather Filter
13		87000623		1	SCREEN, Reservoir Fill
14		87000622		1	ELEMENT, Fill Neck Baffle
15		86598100		2	O-RING, CI 6, 13.3MM ID x 2.2 Thk
16		720060		2	RUBBER WASHER
17		NSS		1	NOT SERVICED SEPARATELY, O-Ring, Incl with Ref 8
18		86598101		3	O-RING, CI 6, 15.3MM ID x 2.2 Thk
19		9992069		1	O-RING, -016, 90 Duro, .614" ID x .070" Thk
20		9992298		1	O-RING, -014, 90 Duro, .489" ID x .070" Thk
22		86598105		1	O-RING, CI 6, 38.6MM ID x 2.9 Thk
23		9824051		1	O-RING, -025, 90 Duro, 1.176" ID x .070" Thk
24		86995010		1	STRAINER ELEMENT
25		9840589		1	O-RING, -029, 90 Duro, 1.489" ID x .070" Thk

(1) EU Only

**9120 7120 8120 7120
8120**

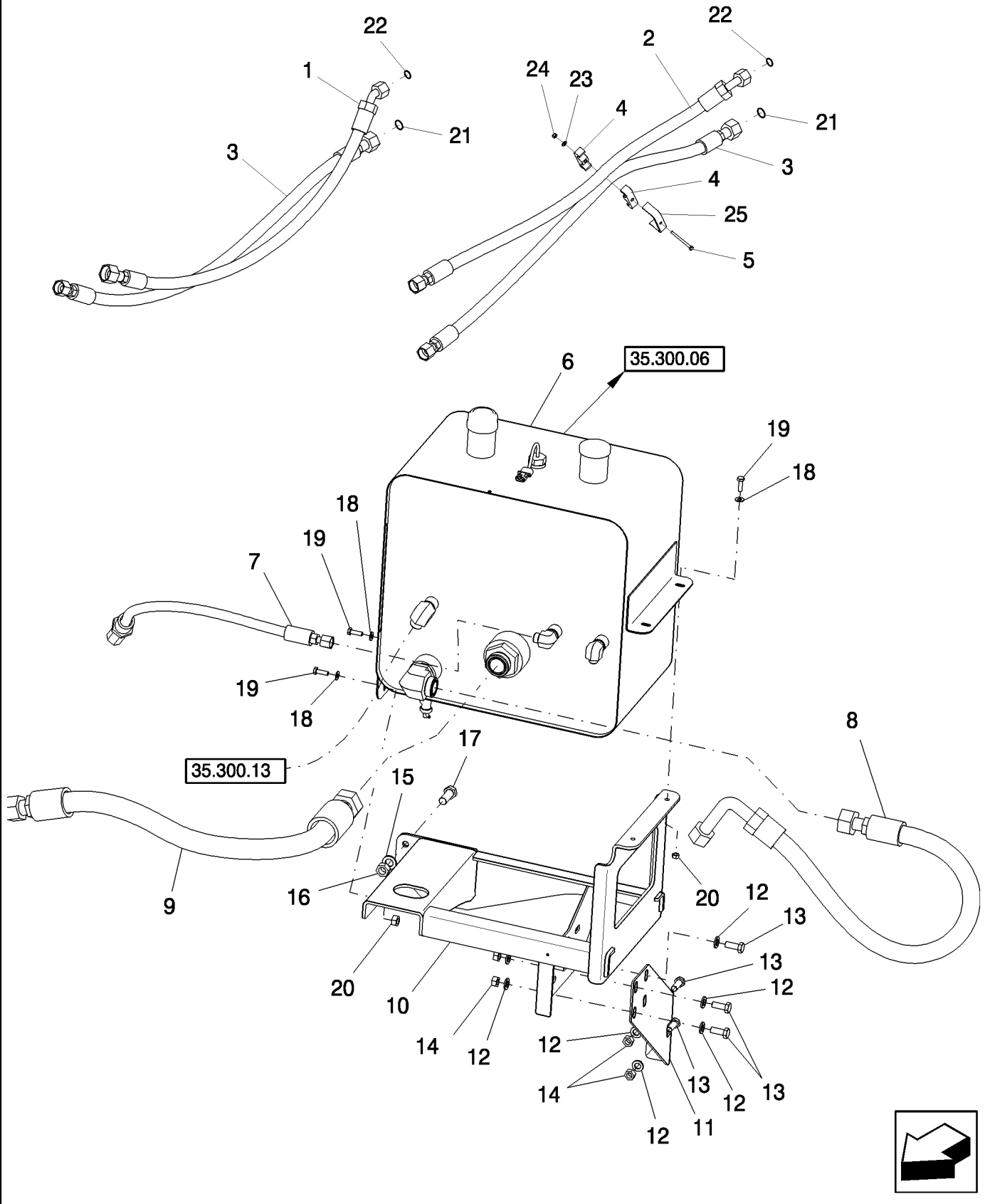
35.300.09

01

p1

02/10

RESERVOIR - HYDRAULIC, WITH HOSES AND SUPPORTS - 7120/7120(LA)



35.300.09

01

p1

02/10

RESERVOIR - HYDRAULIC, WITH HOSES AND SUPPORTS - 7120/7120(LA)

REF	FN	PART NUMBER	YR/SN	QTY	DESCRIPTION
1		87397357		1	HOSE ASSY., Aux Cooler Outlet; L = 957 mm
2		87397352		1	HOSE ASSY., Aux Cooler Inlet; L = 1038 mm
3		87397348		2	HOSE ASSY., Main Cooler; L = 1048 mm
4		457547		2	CLAMP
5		86508569		1	BOLT, Hex, M6 x 70, 8.8
6		87548960		1	RESERVOIR ASSY.
7		86999156		1	FLEXIBLE HOSE, PFC Pump, Drain; L = 675 mm
8		86999154		1	FLEXIBLE HOSE, PFC Pump, Suction; L = 1030 mm
9		86999153		1	FLEXIBLE HOSE, Gear Pump, Suction; L = 1025 mm
10		86975645		1	BRACKET
11		86976375		1	BRACKET
12		140018		AR	WASHER, M12 x 24 x 2.5
13		9706687		6	BOLT, Hex, M12 x 30, 8.8, Full Thd
14		9706685		AR	NUT, M12, CI 8
15		140020		3	WASHER, M16 x 30 x 3
16		825-1416		3	NUT, M16, CI 8
17		86629541		3	BOLT, Hex, M12 x 40, 8.8, Full Thd
18		322358		4	BELLEVILLE WASHER, M8
19		43127		4	BOLT, Hex, M8 x 25, 8.8
20		9706690		4	NUT, M8, CI 8
21		9824050		2	O-RING, -021, 90 Duro, .926" ID x .070" Thk
22		9991976		2	O-RING, -018, 90 Duro, .739" ID x .070" Thk
23		322357		1	BELLEVILLE WASHER, M6
24		353308		1	NUT, M6 x 1, CI 8
25		743320		1	SUPPORT

7120 7120

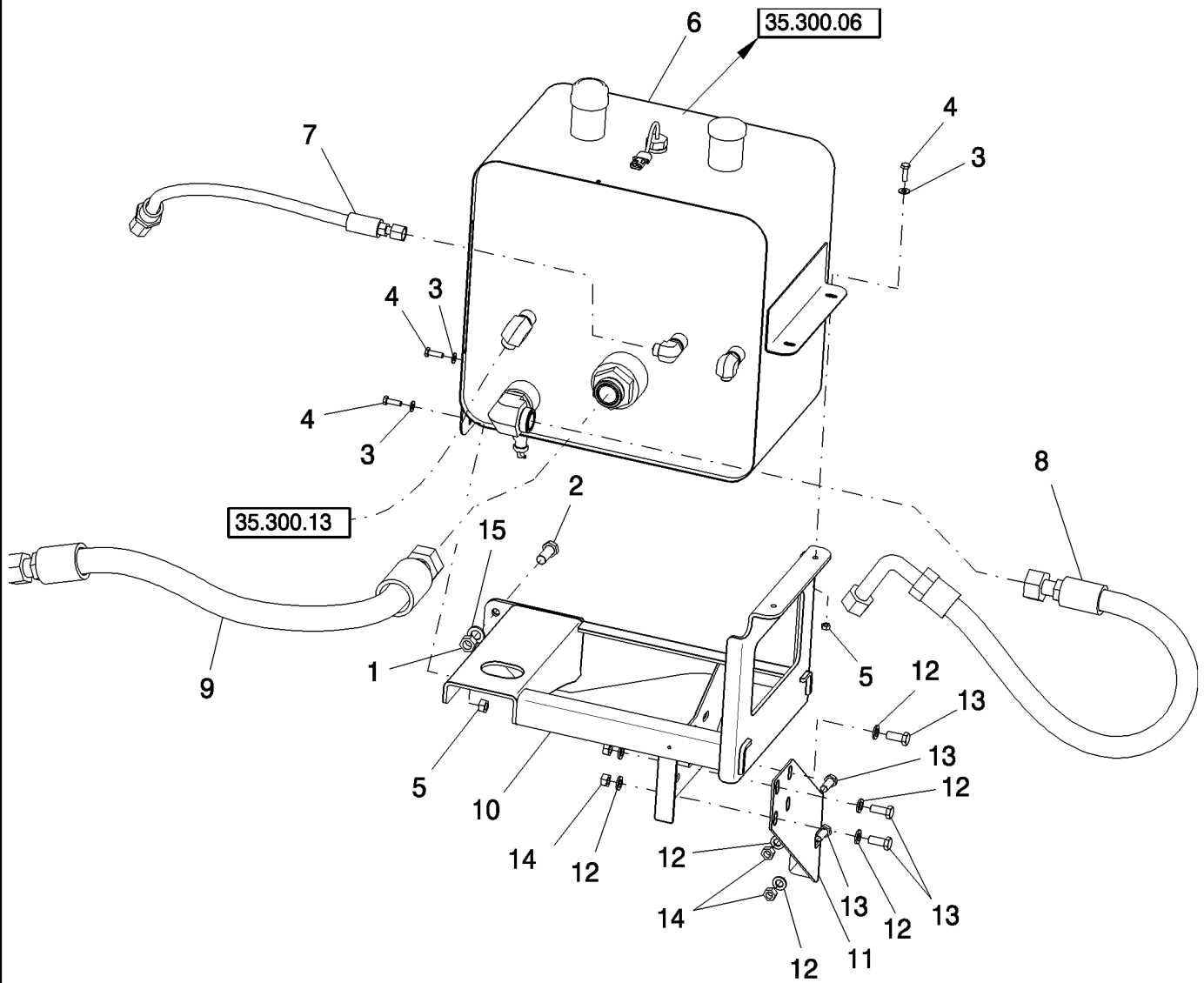
35.300.09

02

p1

02/10

RESERVOIR - HYDRAULIC, WITH HOSES AND SUPPORTS - 8120/8120(LA), 9120



35.300.09

02

p1

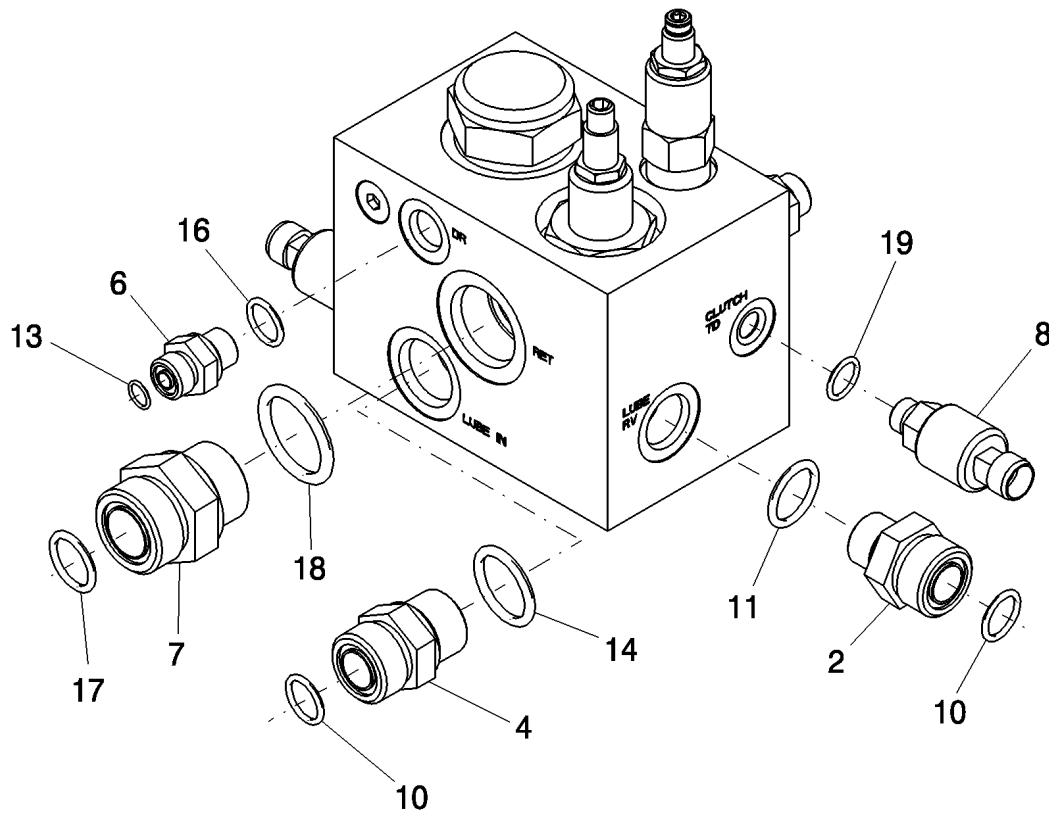
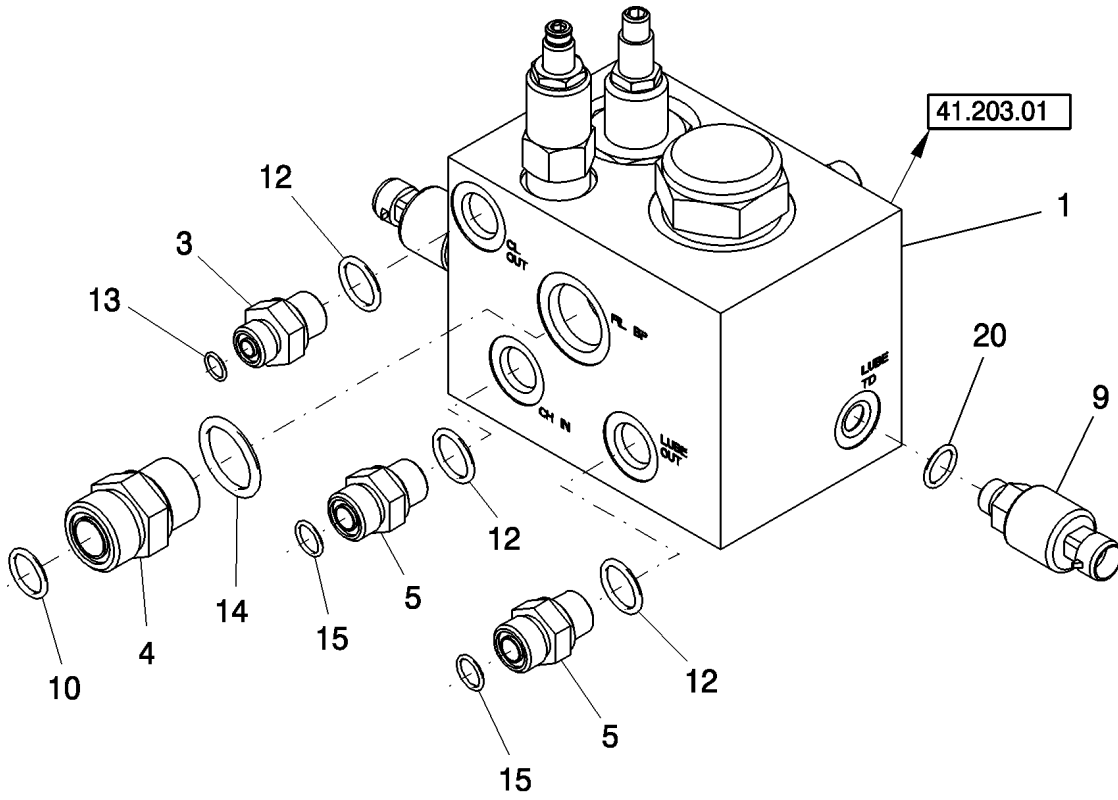
02/10

RESERVOIR - HYDRAULIC, WITH HOSES AND SUPPORTS - 8120/8120(LA), 9120

REF	FN	PART NUMBER	YR/SN	QTY	DESCRIPTION
1		825-1416		3	NUT, M16, CI 8
2		86629541		3	BOLT, Hex, M12 x 40, 8.8, Full Thd
3		322358		4	BELLEVILLE WASHER, M8
4		43127		4	BOLT, Hex, M8 x 25, 8.8
5		9706690		4	NUT, M8, CI 8
6		87548960		1	RESERVOIR ASSY.
7		86999156		1	FLEXIBLE HOSE, PFC Pump, Drain
8		86999154		1	FLEXIBLE HOSE, PFC Pump, Suction
9		86999153		1	FLEXIBLE HOSE, Gear Pump, Suction
10		86975645		1	BRACKET
11		86976375		1	BRACKET
12		140018		AR	WASHER, M12 x 24 x 2.5
13		9706687		6	BOLT, Hex, M12 x 30, 8.8, Full Thd
14		9706685		AR	NUT, M12, CI 8
15		140020		3	WASHER, M16 x 30 x 3

9120 8120 8120

VALVE, HYDRAULIC PTO/CHARGE REGULATOR - CONNECTORS



VALVE, HYDRAULIC PTO/CHARGE REGULATOR - CONNECTORS

REF	FN	PART NUMBER	YR/SN	QTY	DESCRIPTION
1		87645687		1	VALVE, Less Connectors
2		86579681		1	HYD CONNECTOR, 1 3/16"-12 ORFS x M22 x 1.5 ORB, Incl Ref 10 & 11
3		86579673		1	HYD CONNECTOR, 11/16"-16 ORFS x M18 x 1.5 ORB, Incl Ref 12 & 13
4		86579682		2	HYD CONNECTOR, 1 3/16"-12 ORFS x M27 x 2 ORB, Incl Ref 10 & 14
5		86579676		2	HYD CONNECTOR, 13/16"-16 ORFS x M18 x 1.5 ORB, Incl Ref 12 & 15
6		86579672		1	HYD CONNECTOR, 11/16"-16 ORFS x M16 x 1.5 ORB, Incl Ref 13 & 16
7		86580179		1	HYD CONNECTOR, 1 7/16"-12 ORFS x M22 x 2 ORB, Incl Ref 17 & 18
8		87280944		1	SENSOR, Lube Pressure; Incl Ref 19
9		87693034		1	SENSOR, Hyd PTO/Charge Regulator; Incl Ref 20
10		9991976		3	O-RING, -018, 90 Duro, .739" ID x .070" Thk
11		86598102		1	O-RING, CI 6, 19.3MM ID x 2.2 Thk
12		86598101		3	O-RING, CI 6, 15.3MM ID x 2.2 Thk
13		9993141		2	O-RING, -012, 90 Duro, .364" ID x .070" Thk
14		86598103		2	O-RING, CI 6, 23.6MM ID x 2.9 Thk
15		9992298		2	O-RING, -014, 90 Duro, .489" ID x .070" Thk
16		86598100		1	O-RING, CI 6, 13.3MM ID x 2.2 Thk
17		86598104		1	O-RING, CI 6, 26.6MM ID x 2.9 Thk
18		9824050		1	O-RING, -021, 90 Duro, .926" ID x .070" Thk
19		86598099		1	O-RING, CI 6, 11.3MM ID x 2.2 Thk
20		NSS		1	NOT SERVICED SEPARATELY, O-Ring

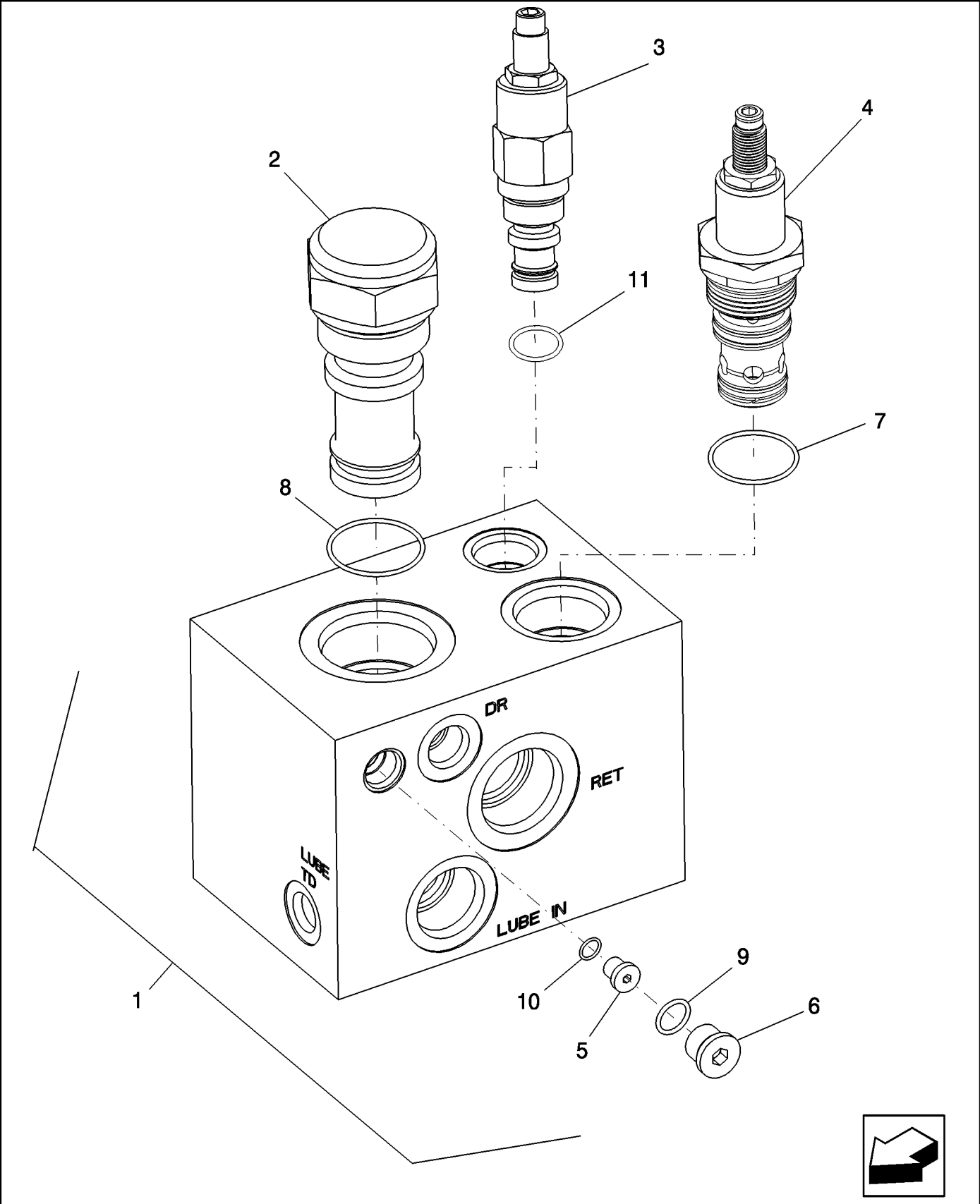
**9120 7120 8120 7120
8120**

35.300.14

p1

10/09

VALVE, HYDRAULIC PTO/CHARGE REGULATOR - COMPONENTS

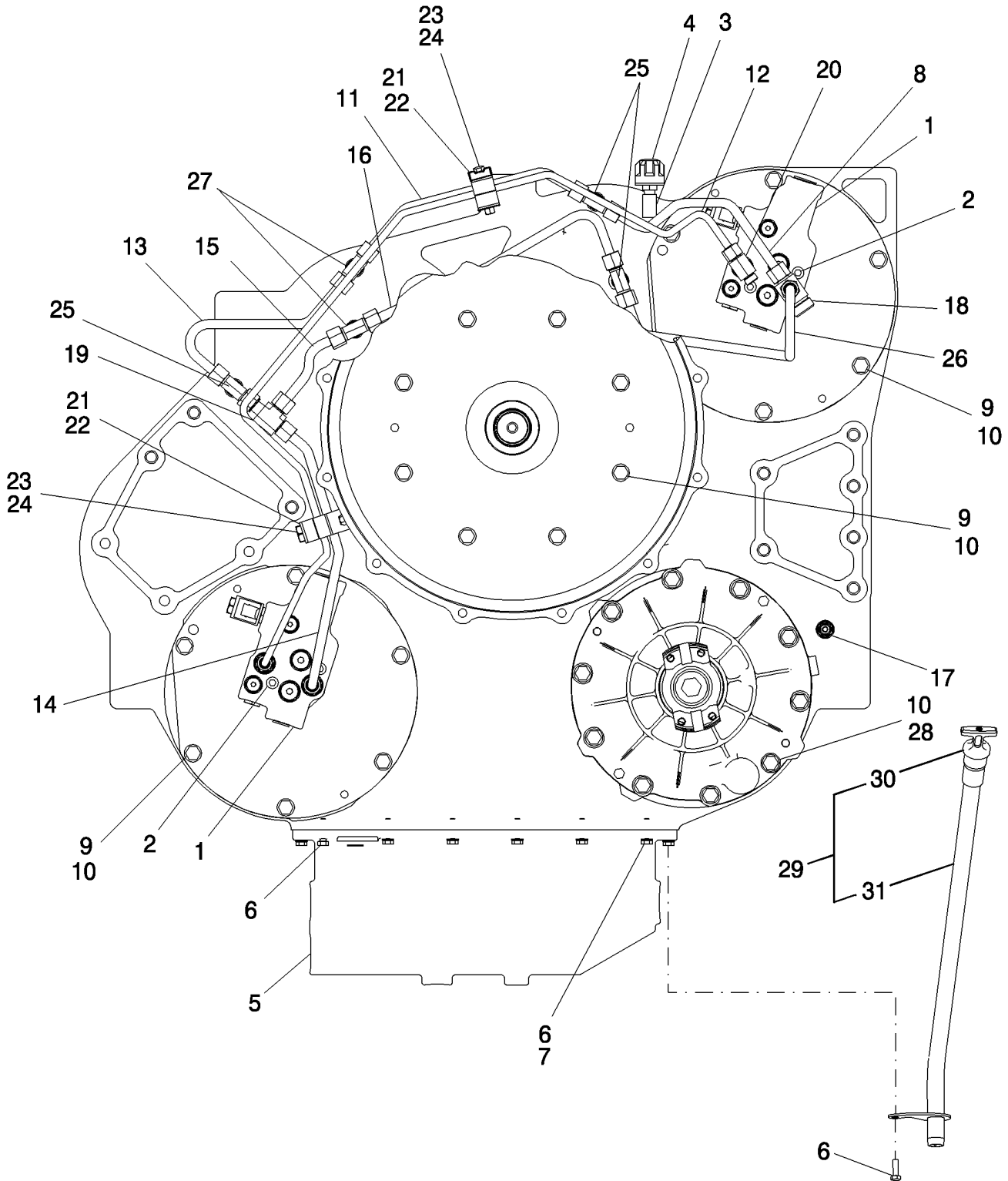


VALVE, HYDRAULIC PTO/CHARGE REGULATOR - COMPONENTS

REF	FN	PART NUMBER	YR/SN	QTY	DESCRIPTION
1		87645687		1	VALVE
2		87281715		1	HYDRAULIC VALVE, Incl Ref 8
3		87729322		1	VALVE, Pressure Reducing; Incl Ref 11
4		87729321		1	VALVE, Pressure Relief; Incl Ref 7
5		87026245		1	ORIFICE, Incl Ref 13
6		9625178		2	PLUG, Hex Soc, 9/16"-18 ORB, Incl Ref 9
7		1978123C1		1	SEAL KIT
8		87025780		1	SEAL KIT
9		86598100		2	O-RING, CI 6, 13.3MM ID x 2.2 Thk
10		9617873		1	O-RING, 6-1, 90 Duro, .468" ID x .078" Thk
11		86509023		1	SEAL KIT

**9120 7120 8120 7120
8120**

PTO, VALVES & TUBES, ENGINE GEARBOX



35.300.15

p1

02/10

PTO, VALVES & TUBES, ENGINE GEARBOX

REF	FN	PART NUMBER	YR/SN	QTY	DESCRIPTION
1		86981234		2	HYDRAULIC VALVE
2		864-10080		6	SCREW, Hex Soc Hd, M10 x 80, 8.8
3		217-1015		1	ELBOW, 90°, 1/4"-18 Female x 1/4"-18 Male
4		1971726C1		1	BREATHER
5		87108616		1	PAN, PTO
6		628-8025		14	BOLT, Hex, M8 x 25, 10.9, Full Thd
7		895-11008		13	WASHER, M8 x 16 x 1.6
8		87108512		1	TUBE, Lube to C7
9		628-12035		49	SCREW, Hex, M12 x 35, 10.9, Full Thd
10		896-12012		59	WASHER, M12 x 24.5 x 3, HT
11		87108513		1	TUBE, Lube to Second Spray Port
12		87449002		1	TUBE, Clutch Valve Supply
13		87108883		1	TUBE, Lube C9 to C2
14		87108884		1	TUBE, Lube C9 to C2
15		87449001		1	TUBE, Lube C2 to C9
16		87449000		1	TUBE, Lube C2 to C7
17		700-101		1	HYD CONNECTOR, 11/16"-16 ORFS x M14 x 1.5 ORB, STR THD 10MM ORFS x M14 ORB
18		87281679		1	FITTING, Special ORFS Cross
19		701-416		1	TEE, 13/16"-16 ORFS x 13/16"-16 Fem Sw Run, ORFS SWVL RUN 12MM or 1/2 IN
20		701-434		1	TEE, 11/16"-16 ORFS x 11/16"-16 Fem Sw Br, ORFS SWVL BR 10 MM or 3/8 IN
21		1347127C1		4	PLATE, Hose Clamp
22		410573A1		2	CLAMP, Hydraulic Tube, 12.7 x 9.52
23		814-8060		2	BOLT, Hex, M8 x 60, 8.8
24		832-10408		2	LOCK NUT, M8 x 1.25, Cl 8
25		87108509		3	FITTING, Orificed Tee
26		87448999		1	TUBE, Lube C8 to C7
27		87108517		2	FITTING, Orificed Tee
28		828-12120		10	BOLT, Hex, M12 x 120, 10.9
29		0C		1	ORDER COMPONENTS
30		84153775		1	DIPSTICK
31		87377334		1	TUBE ASSY.

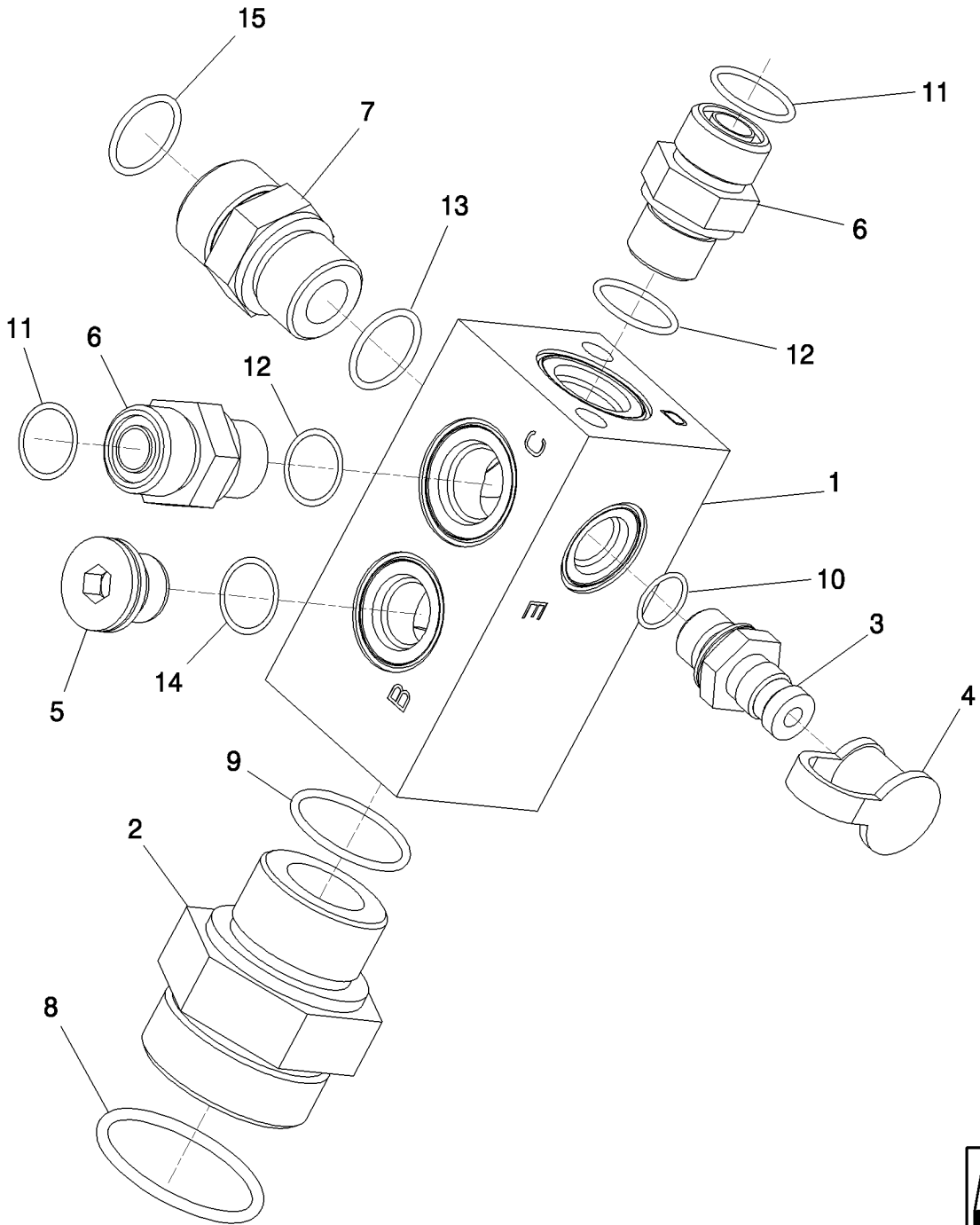
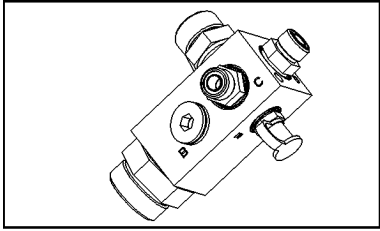
**8120 9120 7120 7120
8120**

35.310.41

p1

08/09

MANIFOLD, CHARGE PRESSURE



MANIFOLD, CHARGE PRESSURE

REF	FN	PART NUMBER	YR/SN	QTY	DESCRIPTION
1		87624695		1	MANIFOLD
2		86579684		1	HYD CONNECTOR, 1 11/16"-12 ORFS x M33 x 2 ORB, Incl Ref 8 & 9
3		84320565		1	COUPLING, M14 x 1.5, Incl Ref 10
4		86502604		1	DUST CAP
5		86598045		1	PLUG, Hex Soc, M16 x 1.5, ORB, Incl Ref 14
6		86579676		2	HYD CONNECTOR, 13/16"-16 ORFS x M18 x 1.5 ORB, Incl Ref 11 & 12
7		86579680		1	HYD CONNECTOR, 1"-14 ORFS x M22 x 1.5 ORB, Incl Ref 13 & 15
8		9824051		1	O-RING, -025, 90 Duro, 1.176" ID x .070" Thk
9		86598104		1	O-RING, CI 6, 26.6MM ID x 2.9 Thk
10		86598099		1	O-RING, CI 6, 11.3MM ID x 2.2 Thk
11		9992298		2	O-RING, -014, 90 Duro, .489" ID x .070" Thk
12		86598101		2	O-RING, CI 6, 15.3MM ID x 2.2 Thk
13		86598102		1	O-RING, CI 6, 19.3MM ID x 2.2 Thk
14		86598100		1	O-RING, CI 6, 13.3MM ID x 2.2 Thk
15		9992069		1	O-RING, -016, 90 Duro, .614" ID x .070" Thk

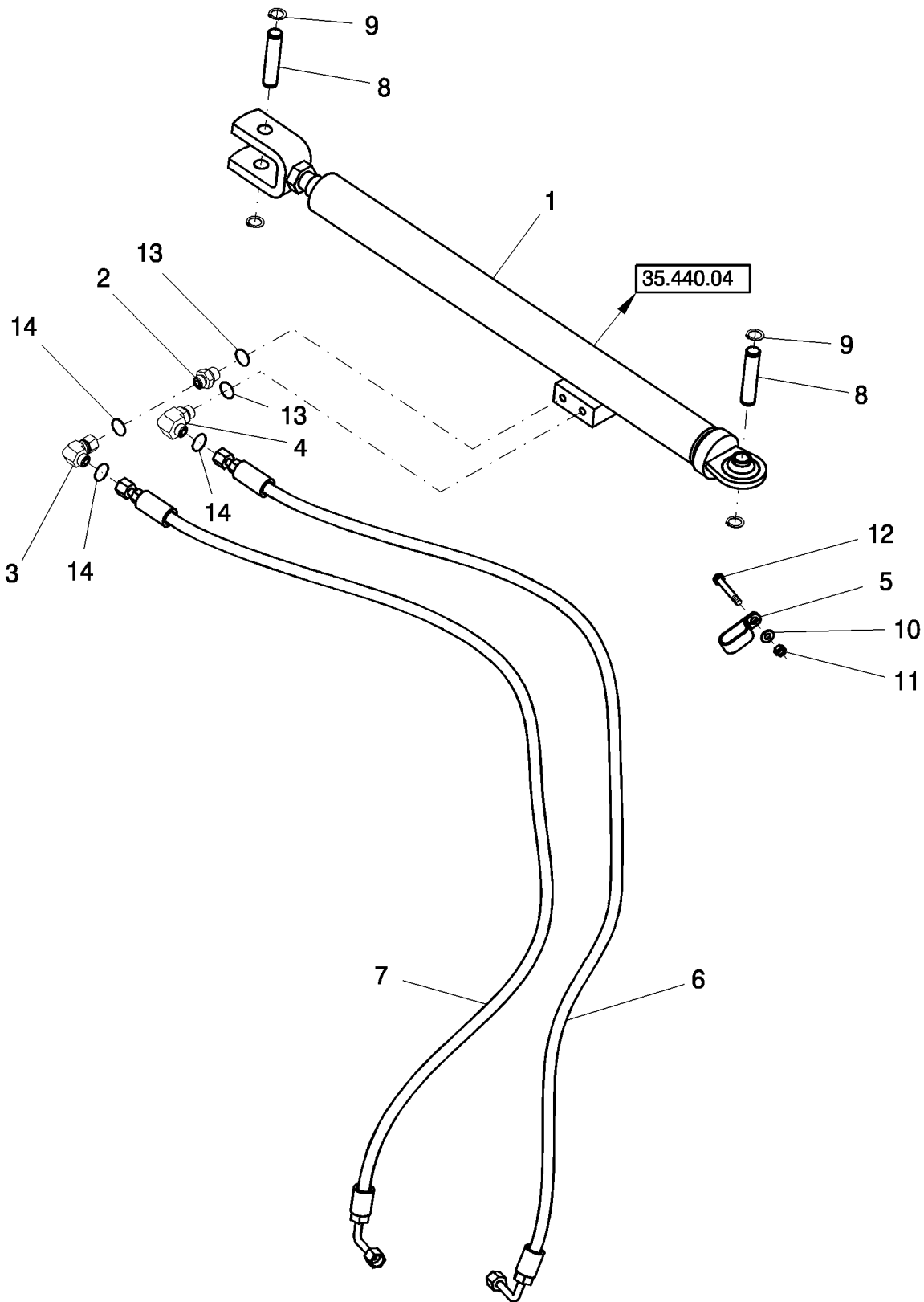
**9120 7120 8120 7120
8120**

35.440.03

p1

02/10

UNLOADER SWING CYLINDER AND LINES



35.440.03

p1

02/10

UNLOADER SWING CYLINDER AND LINES

REF	FN	PART NUMBER	YR/SN	QTY	DESCRIPTION
1		87645216		1	HYDRAULIC CYLINDER, Unloading Auger Swing; Rod Dia = 40MM
1		84126280		1	HYDRAULIC CYLINDER, Replaces 87645216
2		86579673		1	HYD CONNECTOR, 11/16"-16 ORFS x M18 x 1.5 ORB
3		84989392		1	ELBOW, 90°, 11/16"-16 ORFS x 11/16"-16 Fem Sw
4		86579688		1	ELBOW, 90°, 11/16"-18 ORFS x M18 x 1.5 ORB
5		87107812		1	CLAMP
6		87106483		1	FLEXIBLE HOSE, Unloading Tube Swing Cylinder; L = 1780 mm
7		87106482		1	FLEXIBLE HOSE, Unloading Tube Swing Cylinder; L = 1830 mm
8		84254243	ASN Y9G207601	2	PIN
9		300627		4	SNAP RING, M19, Ext
10		322358		1	BELLEVILLE WASHER, M8
11		9706690		1	NUT, M8, CI 8
12		120061		1	BOLT, Hex, M8 x 60, 8.8
13		86598101		2	O-RING, CI 6, 15.3MM ID x 2.2 Thk
14		9993141		3	O-RING, -012, 90 Duro, .364" ID x .070" Thk

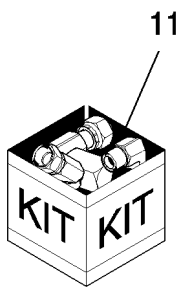
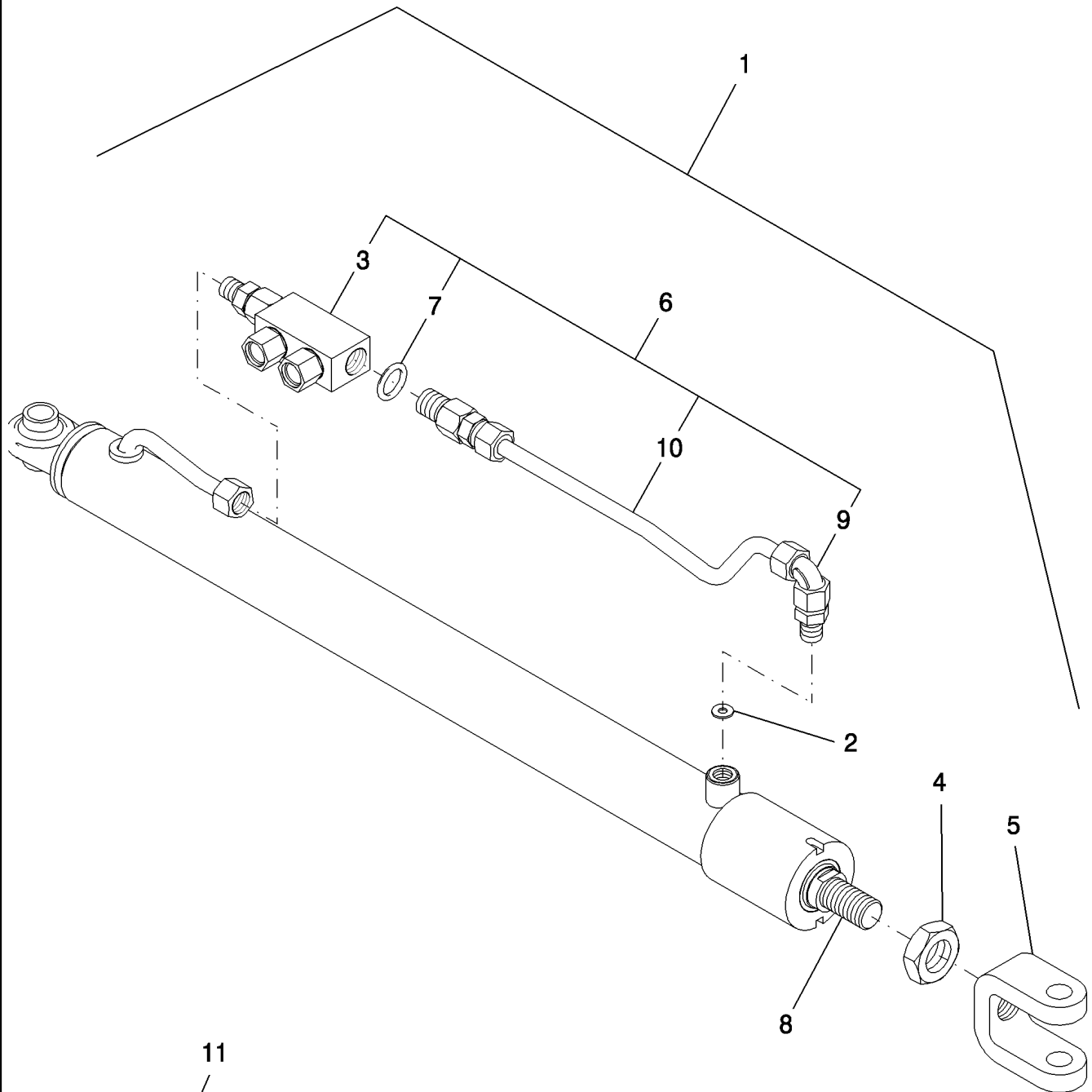
7120 7120 8120 9120
8120

35.440.04

p1

03/10

HYDRAULIC CYLINDER, UNLOADING AUGER, SWING,



HYDRAULIC CYLINDER, UNLOADING AUGER, SWING,

REF	FN	PART NUMBER	YR/SN	QTY	DESCRIPTION
1		87645216	BSN YAG208435	1	HYDRAULIC CYLINDER, Unloading Auger, Swing
1		84126280	ASN YAG208435	1	HYDRAULIC CYLINDER, Unloader Auger Swing
2		84219249		1	CONTROL VALVE, Orifice, Flow Regulator
3		84220776		1	CONTROL VALVE
4		84022122		1	NUT, Thin, M24 x 2, CI 05
5		87031322		1	CLEVIS
6		84219274		1	CONTROL VALVE, Incl Refs 3, 7, 9 & 10
7		722441		1	GASKET
8		NSS		1	NOT SERVICED SEPARATELY, ROD; Dia = 40MM
9		87719937		1	ADAPTER, Elbow
10		87735679		1	HYD. TUBE, & Elbow
11		87691173	ASN YAG208435	1	SEAL KIT
11	1	84218981	BSN YAG208435	1	SEAL KIT

(1) Services Cylinder 84126280

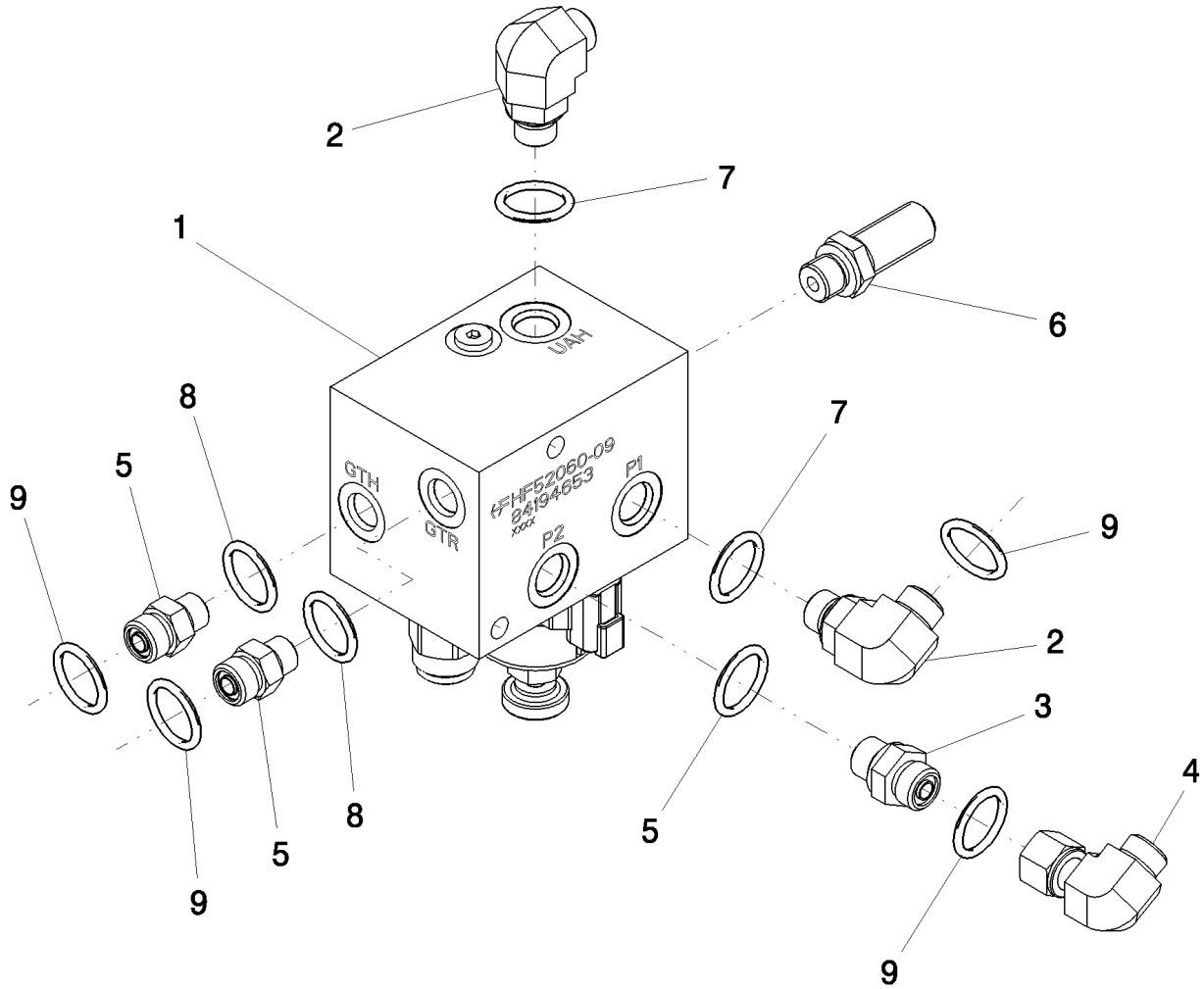
**7120 7120 8120 9120
8120**

35.440.06

p1

10/09

HYDRAULIC MANIFOLD, GRAIN COVER, MY2010

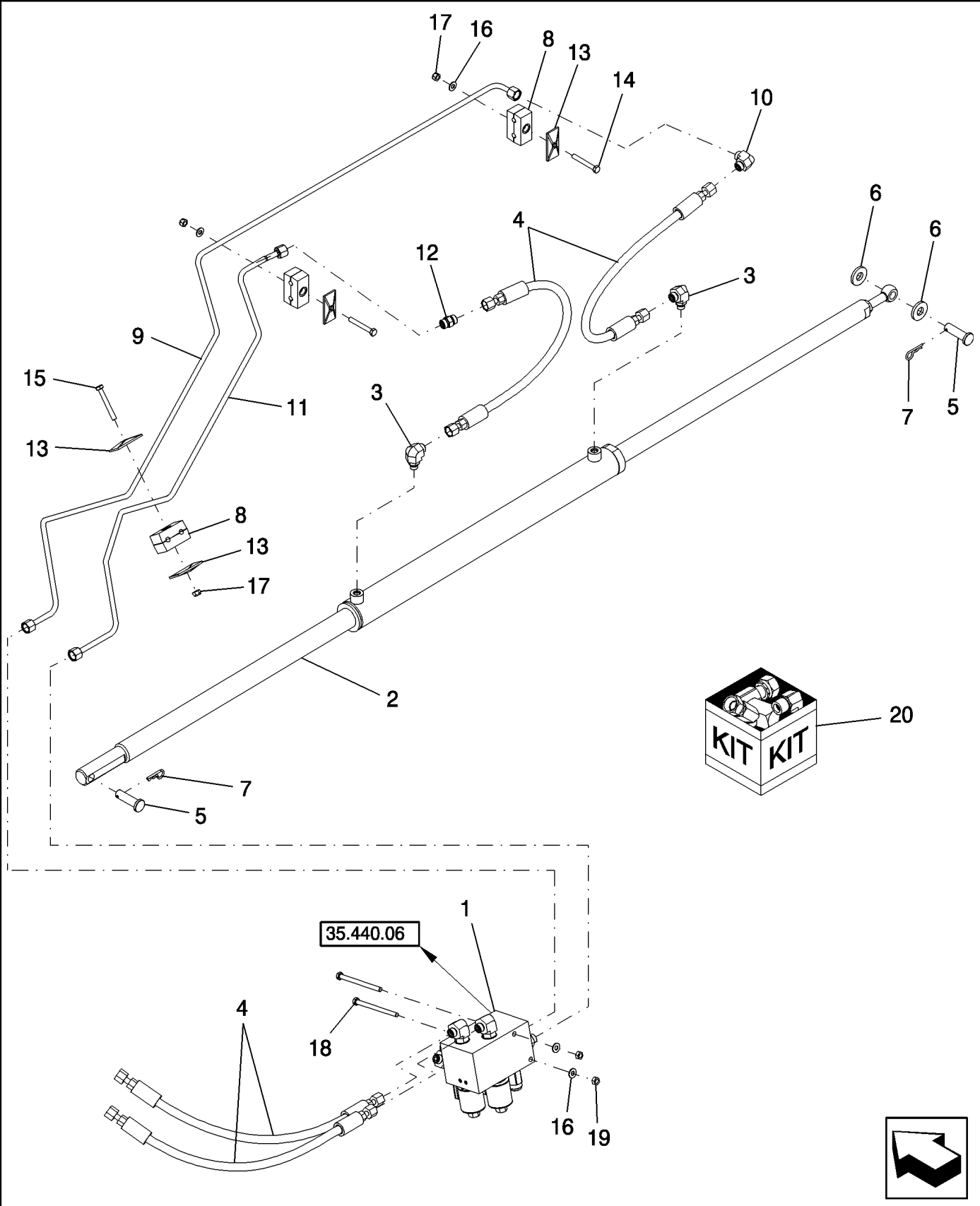


HYDRAULIC MANIFOLD, GRAIN COVER, MY2010

REF	FN	PART NUMBER	YR/SN	QTY	DESCRIPTION
1		84194653		1	MANIFOLD VALVE, Block
2		86579687		2	90 ELBOW, Incl O-Ring 86598100
3		86579672		1	HYD CONNECTOR, 11/16"-16 ORFS x M16 x 1.5 ORB, Incl Ref 7 and 9
4		84989392		1	ELBOW, 90°, 11/16"-16 ORFS x 11/16"-16 Fem Sw
5		9993143		2	HYD CONNECTOR, 11/16"-16 ORFS x 9/16"-18 ORB, Incl Ref 8 and 9
6		84224892		1	HYD CONNECTOR
7		86598100		3	O-RING, CI 6, 13.3MM ID x 2.2 Thk
8		9617873		2	O-RING, 6-1, 90 Duro, .468" ID x .078" Thk
9		9993141		4	O-RING, -012, 90 Duro, .364" ID x .070" Thk

	7120 7120 9120 8120 8120
--	-------------------------------------

HYDRAULICS, GRAIN COVER MY2010



HYDRAULICS, GRAIN COVER MY2010

REF	FN	PART NUMBER	YR/SN	QTY	DESCRIPTION
1		NS		1	NOT SERVICED, Breakdown
2		84191901		1	CYLINDER ASSY.
3		86579686		2	ELBOW, 90°, 11/16"-18 ORFS x M14 x 1.5 ORB
4		84204125		4	HOSE ASSY.
5		84077752		2	CLEVIS PIN
6		496-41066		2	WASHER, 21/32" x 1 1/2" x .188", HDN
7		216698		2	HAIR PIN COTTER, Int, 5/16" x 1.75" x 0.125"
8		86988833		3	CLAMP
9		84204129		1	HYD. TUBE
10		87564749		1	ELBOW, 90°, 11/16"-16, ORFS
11		84204127		1	HYD. TUBE
12		84431546		1	UNION, 11/16"-16 ORFS
13		87000230		4	PLATE, Hose Clamp
14		120061		2	BOLT, Hex, M8 x 60, 8.8
15		300510		1	BOLT, Hex, M8 x 65, 8.8
16		322358		4	BELLEVILLE WASHER, M8
17		86629542		3	LOCK NUT, M8 x 1.25, CI 8
18		412215		2	BOLT, Hex, M8 x 100, 8.8
19		9706690		2	NUT, M8, CI 8
20		84216987		1	SEAL, For Cylinder 84191901

**7120 7120 9120 8120
8120**

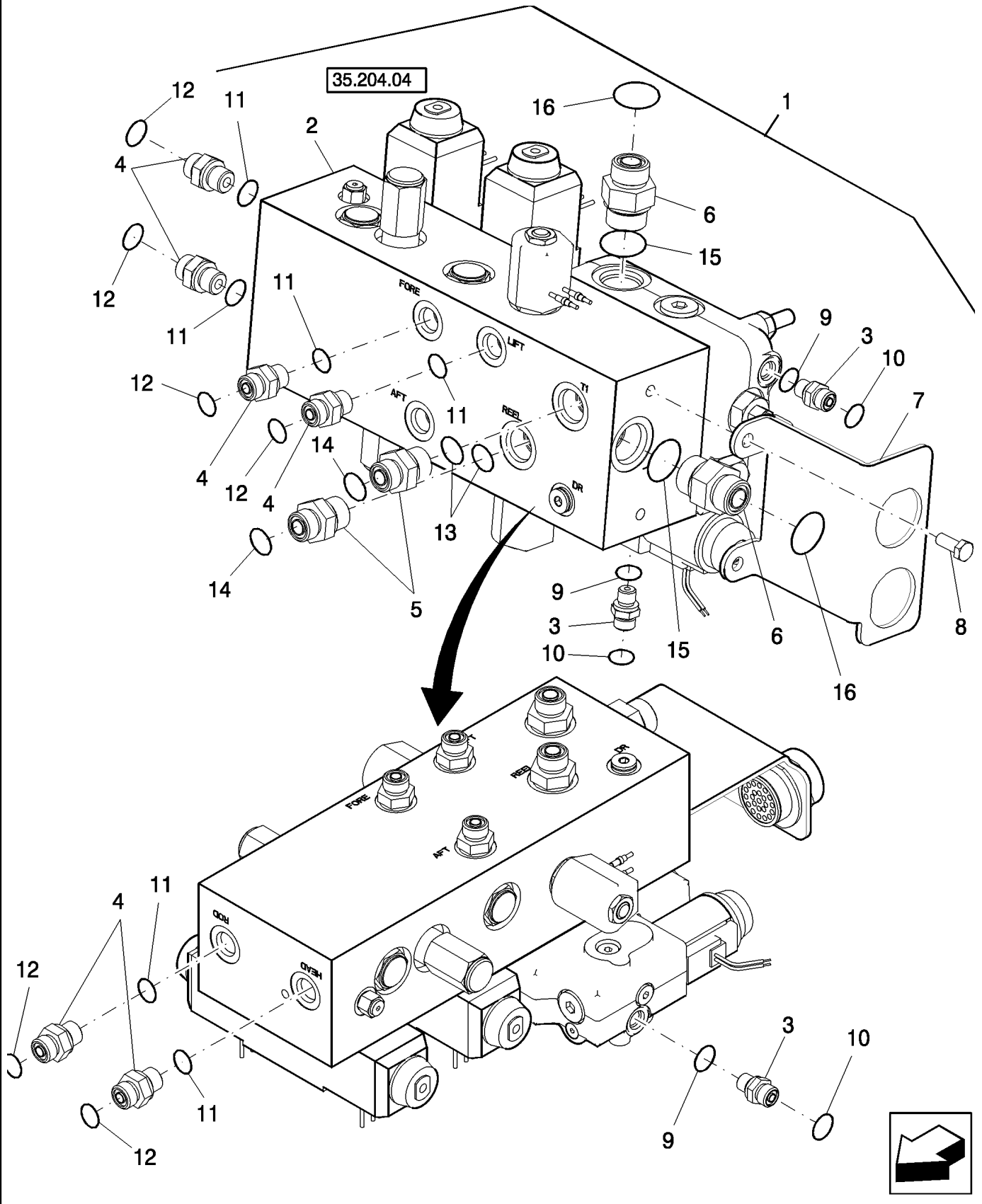
35.480.02

01

p1

02/10

CONNECTORS, VALVE, FEEDER STACK - W/LATERAL TILT, BSN YAG208243



35.480.02

01

p1

02/10

CONNECTORS, VALVE, FEEDER STACK - W/LATERAL TILT, BSN YAG208243

REF	FN	PART NUMBER	YR/SN	QTY	DESCRIPTION
1		87109743		1	HYDRAULIC VALVE, Feeder Stack - With Lateral Tilt - Incl Ref 2 - 9
2		87109742		1	HYDRAULIC VALVE
3		86593173		3	HYD CONNECTOR, 9/16"-18 ORFS x M12 x 1.5 ORB
4		86579672		6	HYD CONNECTOR, 11/16"-16 ORFS x M16 x 1.5 ORB
5		86579678		2	HYD CONNECTOR, 13/16"-16 ORFS x M22 x 1.5 ORB
6		86597760		2	HYD CONNECTOR, 1"-14 ORFS x M27 x 2 ORB
7		86997309		1	BRACKET
8		120104		2	BOLT, Hex, M8 x 20, 8.8
9		86598098		3	O-RING, CI 6, 9.3MM ID x 2.2 Thk
10		9825770		3	O-RING, -011, 90 Duro, .301" ID x .070" Thk
11		86598100		6	O-RING, CI 6, 13.3MM ID x 2.2 Thk
12		9993141		6	O-RING, -012, 90 Duro, .364" ID x .070" Thk
13		86598102		2	O-RING, CI 6, 19.3MM ID x 2.2 Thk
14		9992298		2	O-RING, -014, 90 Duro, .489" ID x .070" Thk
15		86598103		2	O-RING, CI 6, 23.6MM ID x 2.9 Thk
16		9992069		2	O-RING, -016, 90 Duro, .614" ID x .070" Thk

**9120 7120 8120 7120
8120**

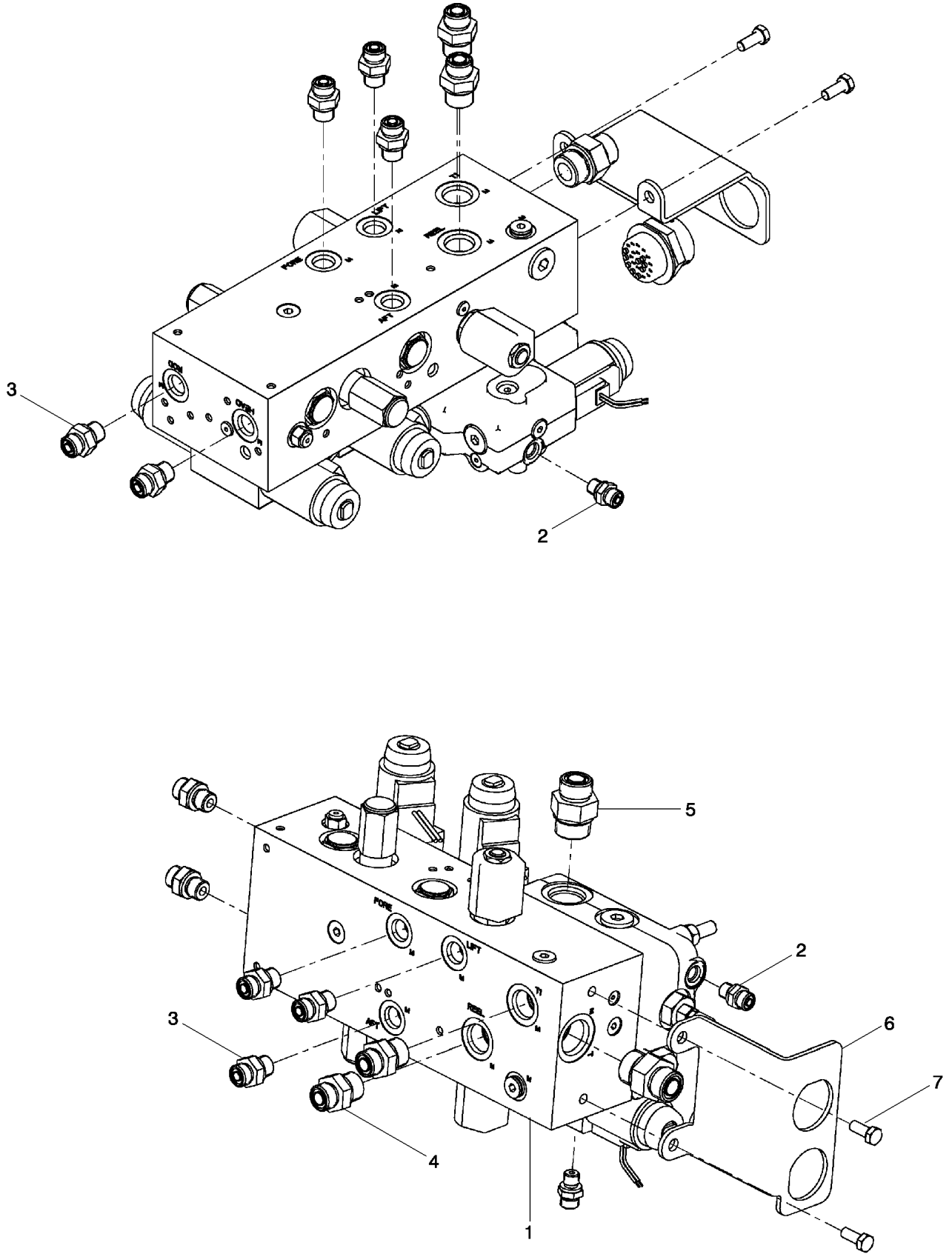
35.480.02

02

p1

02/10

CONNECTORS, VALVE, FEEDER STACK - W/LATERAL TILT, ASN YAG208243

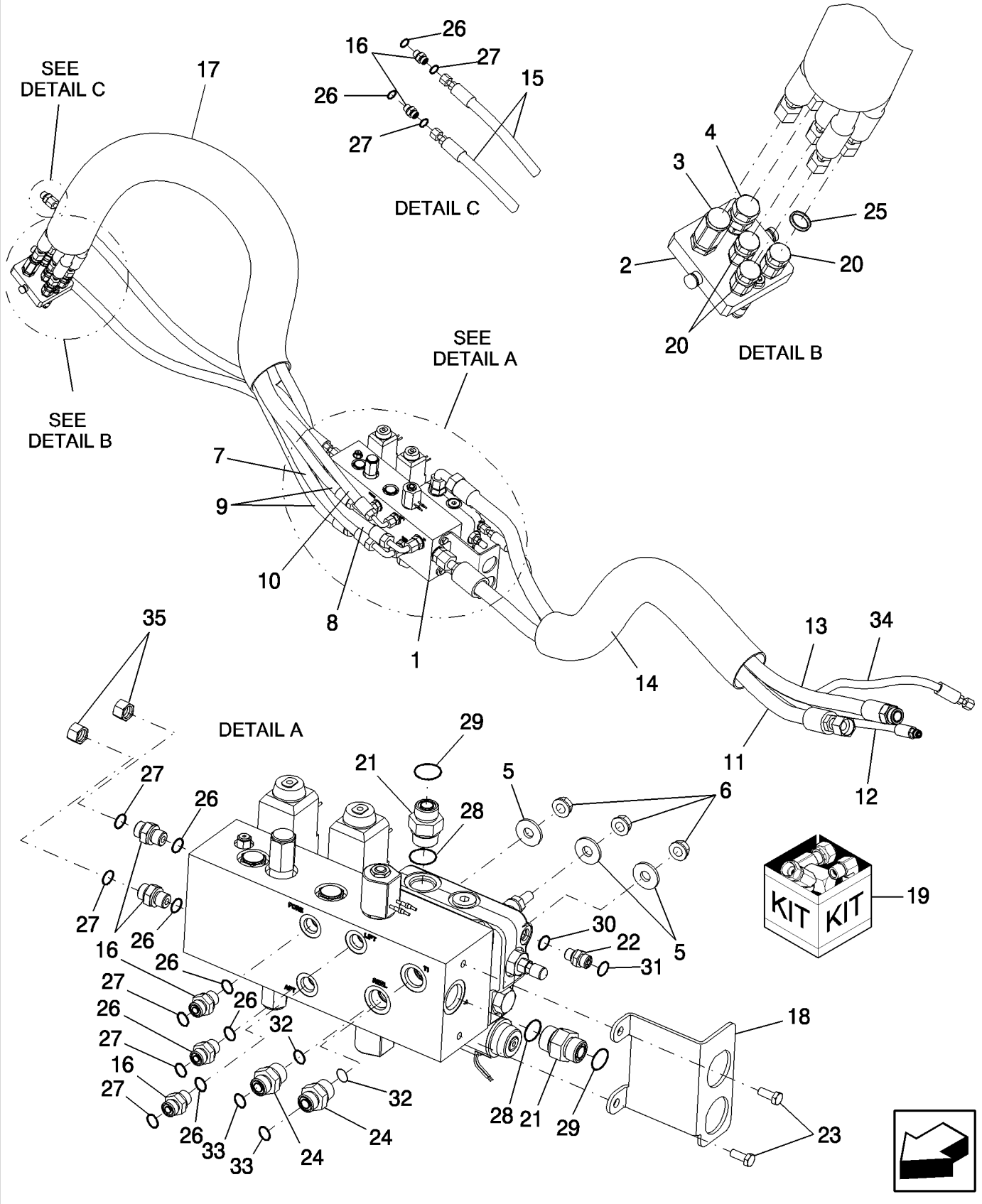


CONNECTORS, VALVE, FEEDER STACK - W/LATERAL TILT, ASN YAG208243

REF	FN	PART NUMBER	YR/SN	QTY	DESCRIPTION
1		{84217254}			NSS Manifold
2		86593173		2	HYD CONNECTOR, 9/16"-18 ORFS x M12 x 1.5 ORB
3		86579672		5	HYD CONNECTOR, 11/16"-16 ORFS x M16 x 1.5 ORB
4		86579678		2	HYD CONNECTOR, 13/16"-16 ORFS x M22 x 1.5 ORB
5		86597760		2	HYD CONNECTOR, 1"-14 ORFS x M27 x 2 ORB
6		86997309		1	BRACKET
7		120104		2	BOLT, Hex, M8 x 20, 8.8

**7120 7120 8120 9120
8120**

HYDRAULICS - FEEDER STACK VALVE



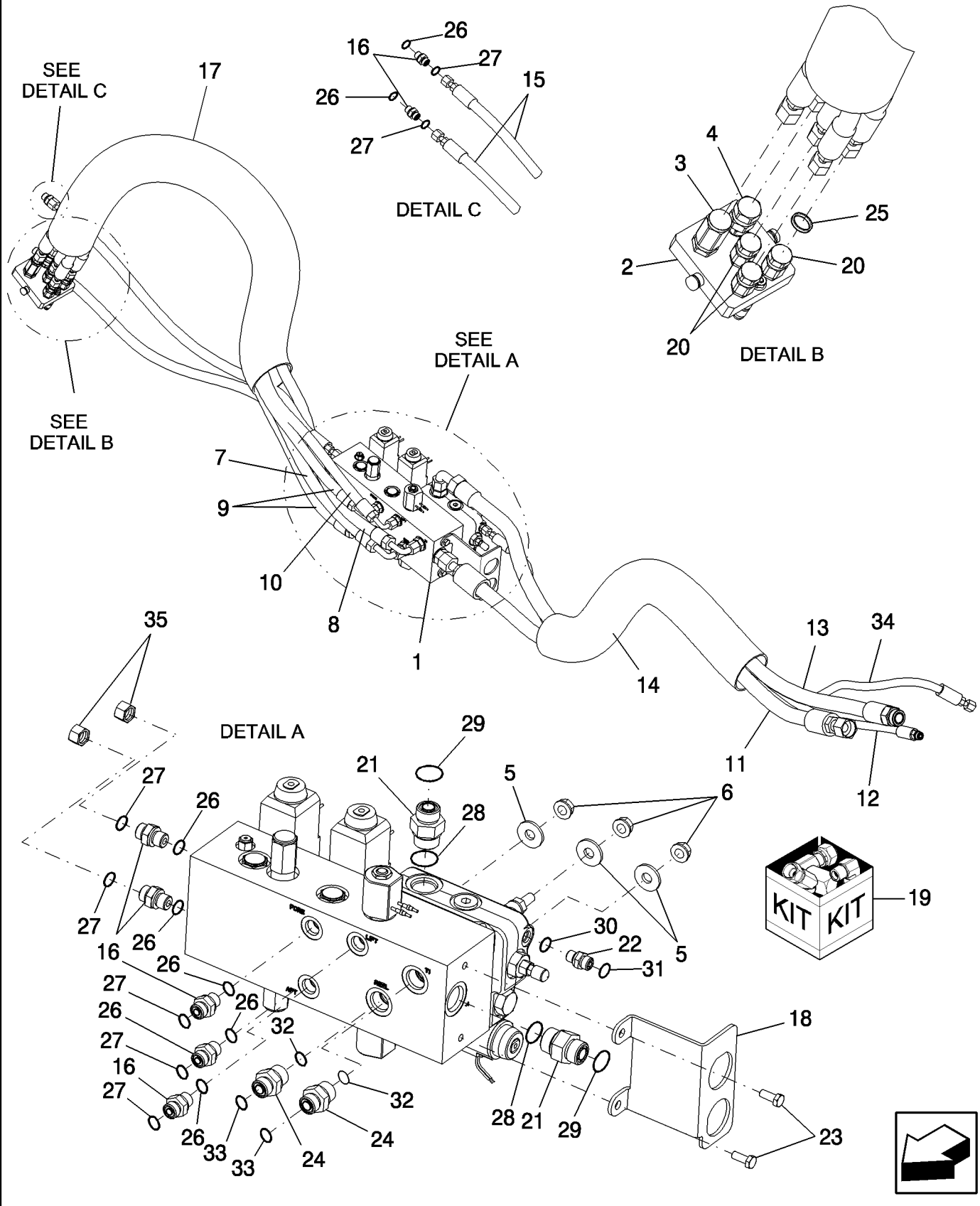
HYDRAULICS - FEEDER STACK VALVE

REF	FN	PART NUMBER	YR/SN	QTY	DESCRIPTION
1		87109742		1	HYDRAULIC VALVE, W/Lateral Tilt
1		87109740		1	HYDRAULIC VALVE, L/Lateral Tilt
2		87721868		1	QUICK MALE COUPLING
3		84435502		1	HYD CONNECTOR, Quick Coupling
4		84435503		1	HYD CONNECTOR, Quick Coupling
5		86642464		3	WASHER, M11 x 30 x 2.5
6		43435		3	NUT, M10, Flg Ser
7		87109346		1	HOSE, Reel Pressure
8		87109347		1	HOSE, Reel Return
9		87109349		2	HOSE, Reel - Fore & Aft
10		87109348		1	HOSE, Reel Lift
11		87281674		1	HOSE, Feeder Stack Return
12		87109105		1	HOSE, Feeder Stack LS
13		87280151		1	HOSE, Feeder Stack Pressure
14		87106239		1	SLEEVE
15	1	87109107		2	HOSE, With Lateral - Tilt
16		86579672		7	HYD CONNECTOR, 11/16"-16 ORFS x M16 x 1.5 ORB
17		87106154		1	SLEEVE
18		86997309		1	BRACKET
19		86623900		1	REPAIR KIT, Aligning Pins and Bolts, For Ref 2
20		87691267		3	COUPLING, Connector, Hyd; Component of 87721868
21		86597760		2	HYD CONNECTOR, 1"-14 ORFS x M27 x 2 ORB
22		86593173		1	HYD CONNECTOR, 9/16"-18 ORFS x M12 x 1.5 ORB
23		120104		2	BOLT, Hex, M8 x 20, 8.8
24		86579678		2	HYD CONNECTOR, 13/16"-16 ORFS x M22 x 1.5 ORB
25		86623898		2	SEAL, M17 OD x 3.2 Thk, For Ref 3 & 4
25		86623899		3	SEAL, M13 OD x 2.5 Thk, For Ref 20
26		86598100		7	O-RING, CI 6, 13.3MM ID x 2.2 Thk
27		9993141		7	O-RING, -012, 90 Duro, .364" ID x .070" Thk
28		86598103		2	O-RING, CI 6, 23.6MM ID x 2.9 Thk
29		9992069		2	O-RING, -016, 90 Duro, .614" ID x .070" Thk

(1) Not Used W/Hillco Feeder

9120 7120 8120 7120
8120

HYDRAULICS - FEEDER STACK VALVE



35.480.05

p2

02/10

HYDRAULICS - FEEDER STACK VALVE

REF	FN	PART NUMBER	YR/SN	QTY	DESCRIPTION
30		86598098		1	O-RING, CI 6, 9.3MM ID x 2.2 Thk
31		9825770		1	O-RING, -011, 90 Duro, .301" ID x .070" Thk
32		86598102		2	O-RING, CI 6, 19.3MM ID x 2.2 Thk
33		9992298		2	O-RING, -014, 90 Duro, .489" ID x .070" Thk
34		87280152		1	HOSE, Feeder Stack, Regulated
35	1	9625546		2	CAP, 11/16"-16 ORFS

(1) Used in Place of Ref 15 W/Hillco Feeder

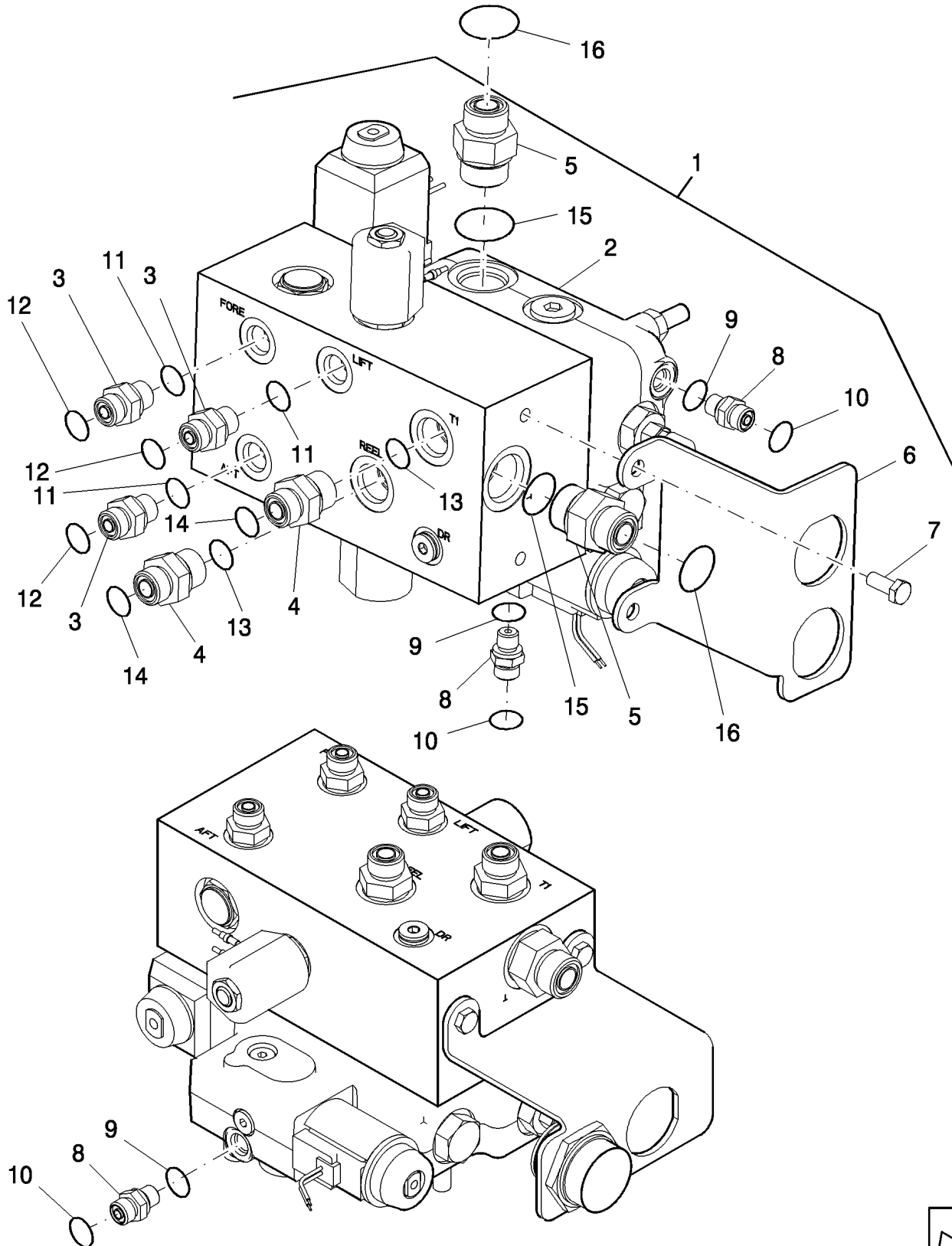
**9120 7120 8120 7120
8120**

35.480.06

p1

10/09

VALVE, FEEDER STACK, FIXED



VALVE, FEEDER STACK, FIXED

REF	FN	PART NUMBER	YR/SN	QTY	DESCRIPTION
1		87109741		1	HYDRAULIC VALVE, Incl Ref 2 thru 8
2		87109740		1	HYDRAULIC VALVE, Feeder Stack, Standard
3		86579672		3	HYD CONNECTOR, 11/16"-16 ORFS x M16 x 1.5 ORB
4		86579678		2	HYD CONNECTOR, 13/16"-16 ORFS x M22 x 1.5 ORB
5		86597760		2	HYD CONNECTOR, 1"-14 ORFS x M27 x 2 ORB
6		86997309		1	BRACKET
7		120104		2	BOLT, Hex, M8 x 20, 8.8
8		86593173		3	HYD CONNECTOR, 9/16"-18 ORFS x M12 x 1.5 ORB
9		86598098		3	O-RING, CI 6, 9.3MM ID x 2.2 Thk
10		9825770		3	O-RING, -011, 90 Duro, .301" ID x .070" Thk
11		86598100		3	O-RING, CI 6, 13.3MM ID x 2.2 Thk
12		9993141		3	O-RING, -012, 90 Duro, .364" ID x .070" Thk
13		86598102		2	O-RING, CI 6, 19.3MM ID x 2.2 Thk
14		9992298		2	O-RING, -014, 90 Duro, .489" ID x .070" Thk
15		86598103		2	O-RING, CI 6, 23.6MM ID x 2.9 Thk
16		9992069		2	O-RING, -016, 90 Duro, .614" ID x .070" Thk

NA Only	9120 7120 8120 7120 8120
---------	-------------------------------------

35.700.01

01

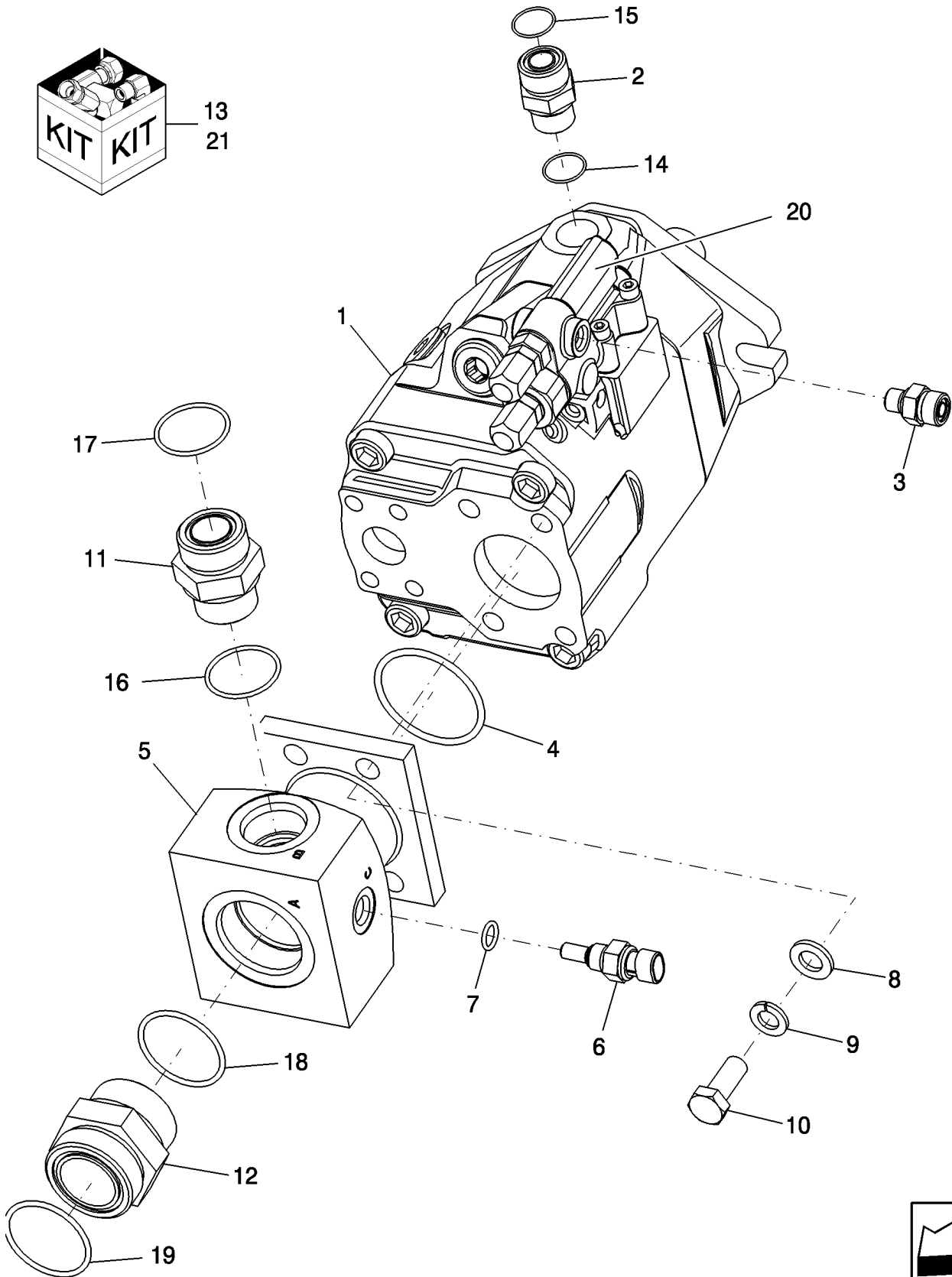
p1

01/10

PUMP, HYDRAULIC, PFC



13
21



PUMP, HYDRAULIC, PFC

REF	FN	PART NUMBER	YR/SN	QTY	DESCRIPTION
1		87105987		1	HYDRAULIC PUMP, Pressure Flow Compensated; Incl Ref 20
2		86579680		1	HYD CONNECTOR, 1"-14 ORFS x M22 x 1.5 ORB
3		87106462		1	ADAPTER, Screen
4		86637769		1	O-RING, -228, 90 Duro, 2.234" ID x .139" Thk
5		86975008		1	MANIFOLD
6		86571273		1	SENSOR, Hydraulic Oil Temperature
7		86598099		1	O-RING, CI 6, 11.3MM ID x 2.2 Thk
8		140018		4	WASHER, M12 x 24 x 2.5
9		412123		4	LOCK WASHER, M12 x 21 x 2.6 Thk
10		300389		4	BOLT, Hex, M12 x 35, 8.8, Full Thd
11		86580179		1	HYD CONNECTOR, 1 7/16"-12 ORFS x M22 x 2 ORB
12		84159421		1	ADAPTER
13		87010918		AR	SEAL KIT
14		86598102		1	O-RING, CI 6, 19.3MM ID x 2.2 Thk
15		9992069		1	O-RING, -016, 90 Duro, .614" ID x .070" Thk
16		86598104		1	O-RING, CI 6, 26.6MM ID x 2.9 Thk
17		9824050		1	O-RING, -021, 90 Duro, .926" ID x .070" Thk
18		86583917		1	O-RING, CI 6, 44.6MM ID x 2.9 Thk
19		9840589		1	O-RING, -029, 90 Duro, 1.489" ID x .070" Thk
20		8604960		1	CONTROL VALVE, Regulator, Pressure
21	1	87380545		AR	SERVICE KIT
22	1,2	86598043		1	PLUG, Hex Soc, M12 x 1.5, ORB
23	1,2	86512136		4	SCREW, Hex Soc Hd, M6 x 30, 12.9
24	1,2	9825770		3	O-RING, -011, 90 Duro, .301" ID x .070" Thk

(1) Services Ref 20
(2) Not Shown

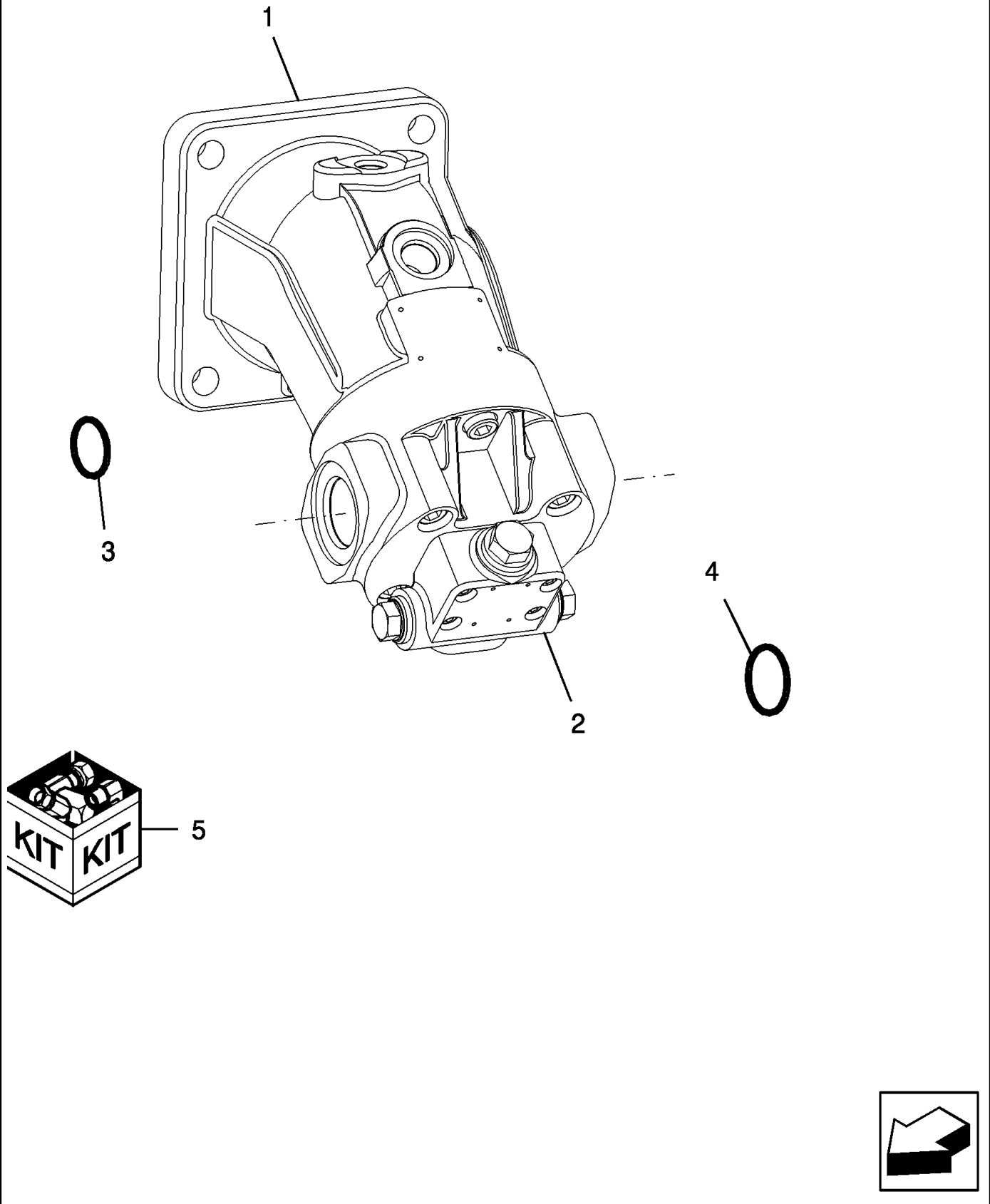
**9120 7120 8120 7120
8120**

35.710.02

p1

10/09

MOTOR, HYDRAULIC - ROTOR



35.710.02

p1

10/09

MOTOR, HYDRAULIC - ROTOR

REF	FN	PART NUMBER	YR/SN	QTY	DESCRIPTION
1		87310111		1	MOTOR, HYDRAULIC
2		87283442		1	VALVE, Motor Flush
3		236535		1	O-RING, -110, 90 Duro, .362" ID x .103" Thk
4		87016958		2	O-RING, -111, 90 Duro, .424" ID x .103" Thk
5		87283441		1	SEAL KIT, For Ref 1

**9120 7120 8120 7120
8120**

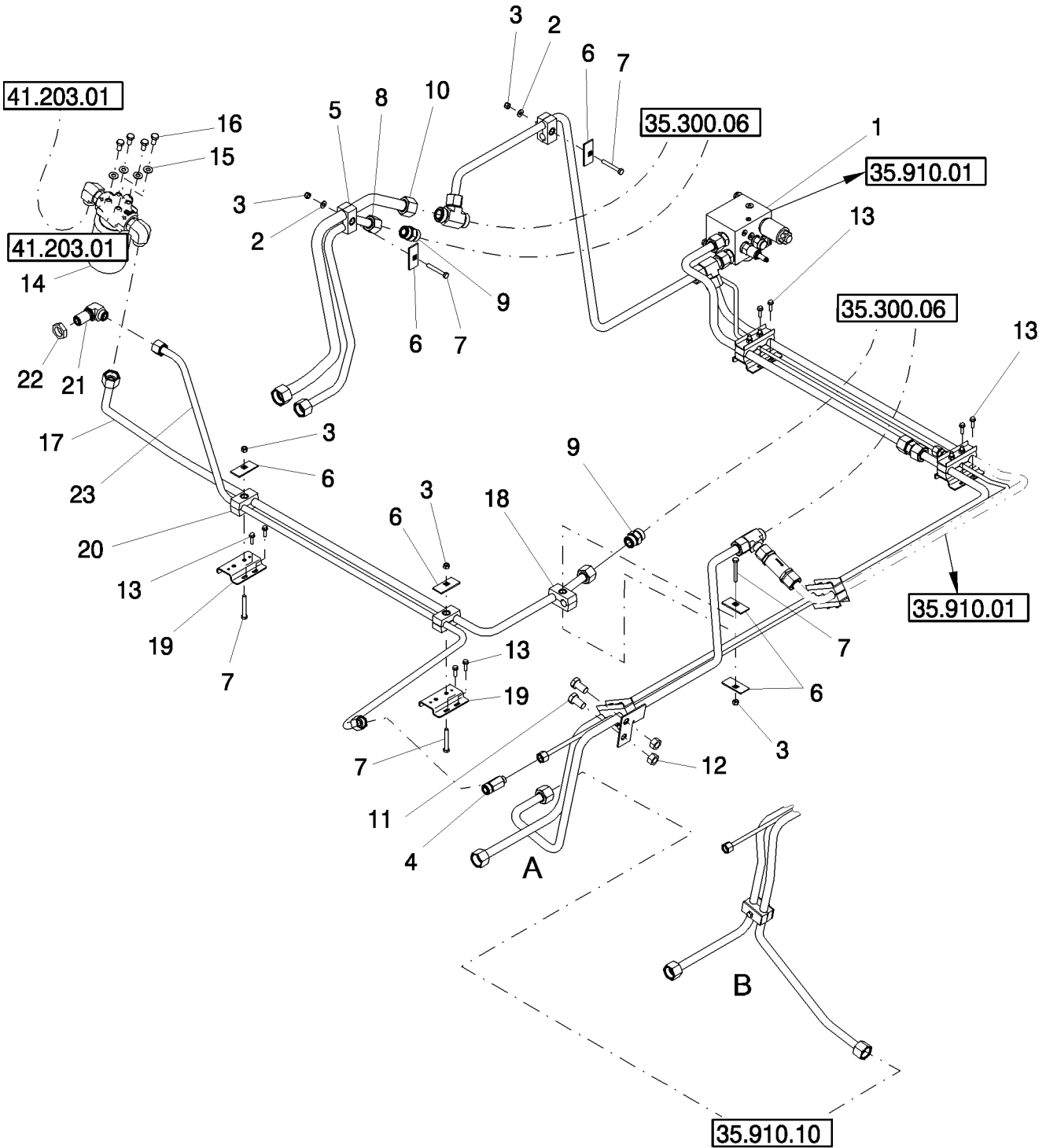
35.752.03

01

p1

02/10

HYDRAULICS - SPREADER AND ROTARY SCREEN DRIVE - 7120/7120(LA)



HYDRAULICS - SPREADER AND ROTARY SCREEN DRIVE - 7120/7120(LA)

REF	FN	PART NUMBER	YR/SN	QTY	DESCRIPTION
1		87107189		1	HYDRAULIC VALVE, Cleaning Fan
2		322358		2	BELLEVILLE WASHER, M8
3		86629542		5	LOCK NUT, M8 x 1.25, CI 8
4		87109744		1	FITTING
5		87000146		1	CLAMP
6		87000230		5	PLATE
7		120061		4	BOLT, Hex, M8 x 60, 8.8
8		87397351		1	TUBE ASSY.
9		84100407		2	UNION, 1 3/16"-12 ORFS
10		87397347		1	TUBE ASSY.
11		43167		2	BOLT, Hex, M16 x 30, 8.8, Full Thd
12		100020		2	NUT, M16, CI 8
13		87010469		8	SELF-TAP SCREW, Hex Wash Hd, M6.3 x 25
14		86998689		1	HYDRAULIC OIL FILTER
15		140045		4	BELLEVILLE WASHER, M10
16		43138		4	BOLT, Hex, M10 x 20, 8.8, Full Thd
17		87397346		1	TUBE ASSY.
18		87000140		1	CLAMP
19		87109755		2	BRACKET
20		87000144		2	CLAMP
21		87028944		1	ELBOW, 90°, 1"-14, ORFS, Blkhd
22		86639085		1	LOCK NUT, 1"-14, ORFS Blkhd
23		87397349		1	TUBE ASSY.

A = From 3/1/09.....B = Prior To 3/1/09

7120 7120

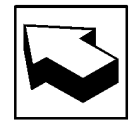
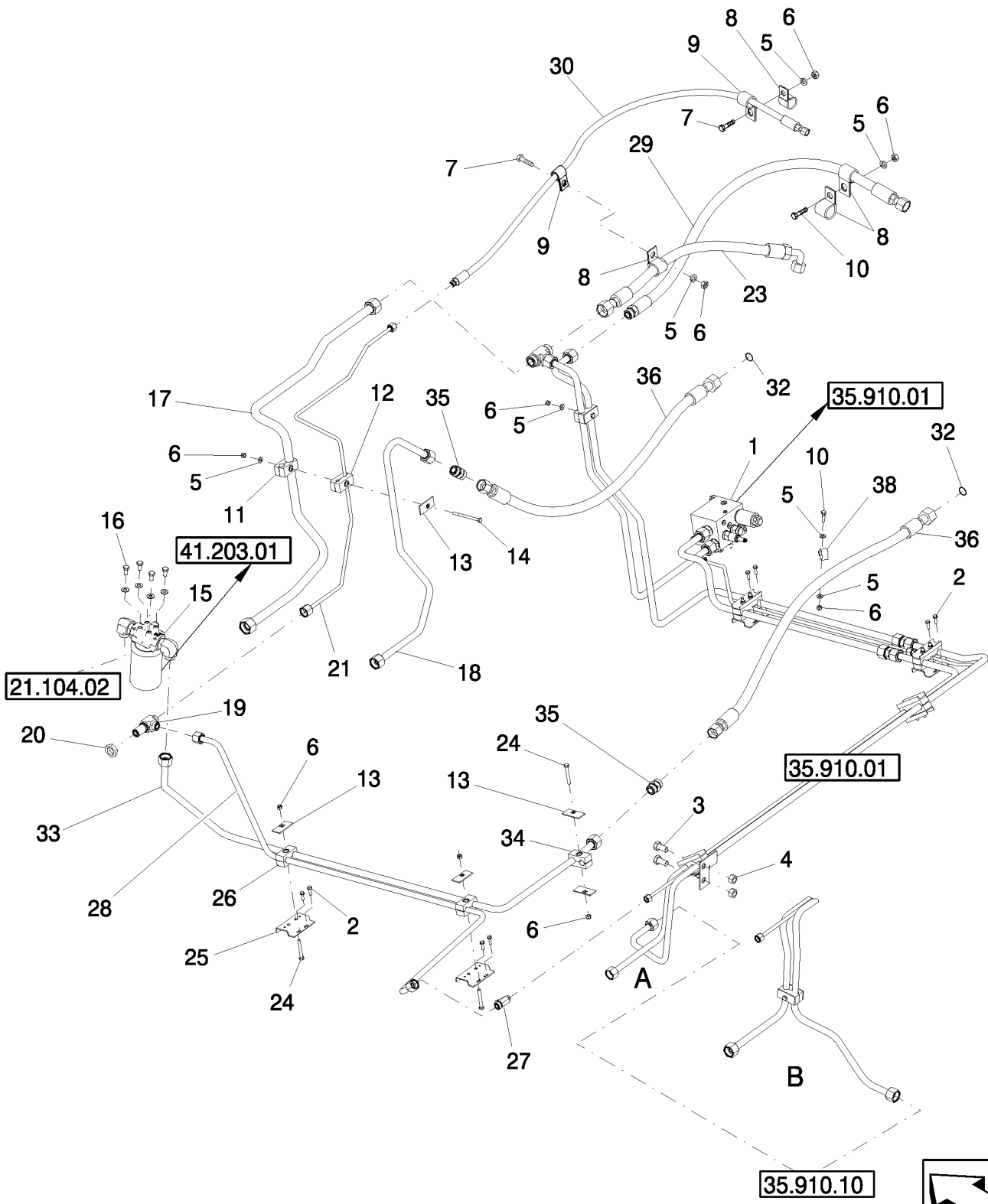
35.752.03

02

p1

02/10

HYDRAULICS - SPREADER AND ROTARY SCREEN DRIVE - 8120/8120(LA)



HYDRAULICS - SPREADER AND ROTARY SCREEN DRIVE - 8120/8120(LA)

REF	FN	PART NUMBER	YR/SN	QTY	DESCRIPTION
1		87107189		1	HYDRAULIC VALVE, Cleaning Fan
2		87010469		8	SELF-TAP SCREW, Hex Wash Hd, M6.3 x 25
3		43167		2	BOLT, Hex, M16 x 30, 8.8, Full Thd
4		100020		2	NUT, M16, CI 8
5		322358		8	BELLEVILLE WASHER, M8
6		86629542		10	LOCK NUT, M8 x 1.25, CI 8
7		43127		2	BOLT, Hex, M8 x 25, 8.8
8		9827902		4	CLAMP, 1", Insul, 3/8" Bolt
9		9706748		2	CLAMP, 5/8", Insul, 5/16" Bolt
10		43128		2	SCREW, Hex, M8 x 30, 8.8
11		87000146		1	CLAMP
12		86988833		1	CLAMP
13		87000230		7	PLATE
14		412215		1	BOLT, Hex, M8 x 100, 8.8
15		86998689		1	HYDRAULIC OIL FILTER
16		43138		4	BOLT, Hex, M10 x 20, 8.8, Full Thd
17		87000875		1	TUBE, Aux Cooler Return
18		87563492		1	TUBE ASSY., Main Cooler Outlet
19		86639081		1	TEE, 1"-14 ORFS, Blkd Run
20		86639085		1	LOCK NUT, 1"-14, ORFS Blkhd
21		87522515		1	TUBE ASSY., Drain
22		87000142		1	CLAMP
23		87105715		1	FLEXIBLE HOSE, Aux Cooler Return
24		120061		4	BOLT, Hex, M8 x 60, 8.8
25		87109755		2	BRACKET
26		87000144		2	CLAMP
27		87109744		1	FITTING
28		87397349		1	TUBE ASSY., Drain: Bulkhead To Tee
29		87529196		1	FLEXIBLE HOSE, Spreader To Air Screen Motor
30		87529198		1	FLEXIBLE HOSE, Air Screen Case Drain
31		86566990		1	CABLE STRAP, M4.8 x 292 L
32		9824050		2	O-RING, -021, 90 Duro, .926" ID x .070" Thk
33		87563491		1	TUBE, Main Cooler Inlet
34		87000140		1	CLAMP
35		84100407		2	UNION, 1 3/16"-12 ORFS

A = From 3/1/09.....B = Prior To 3/1/09

8120 8120

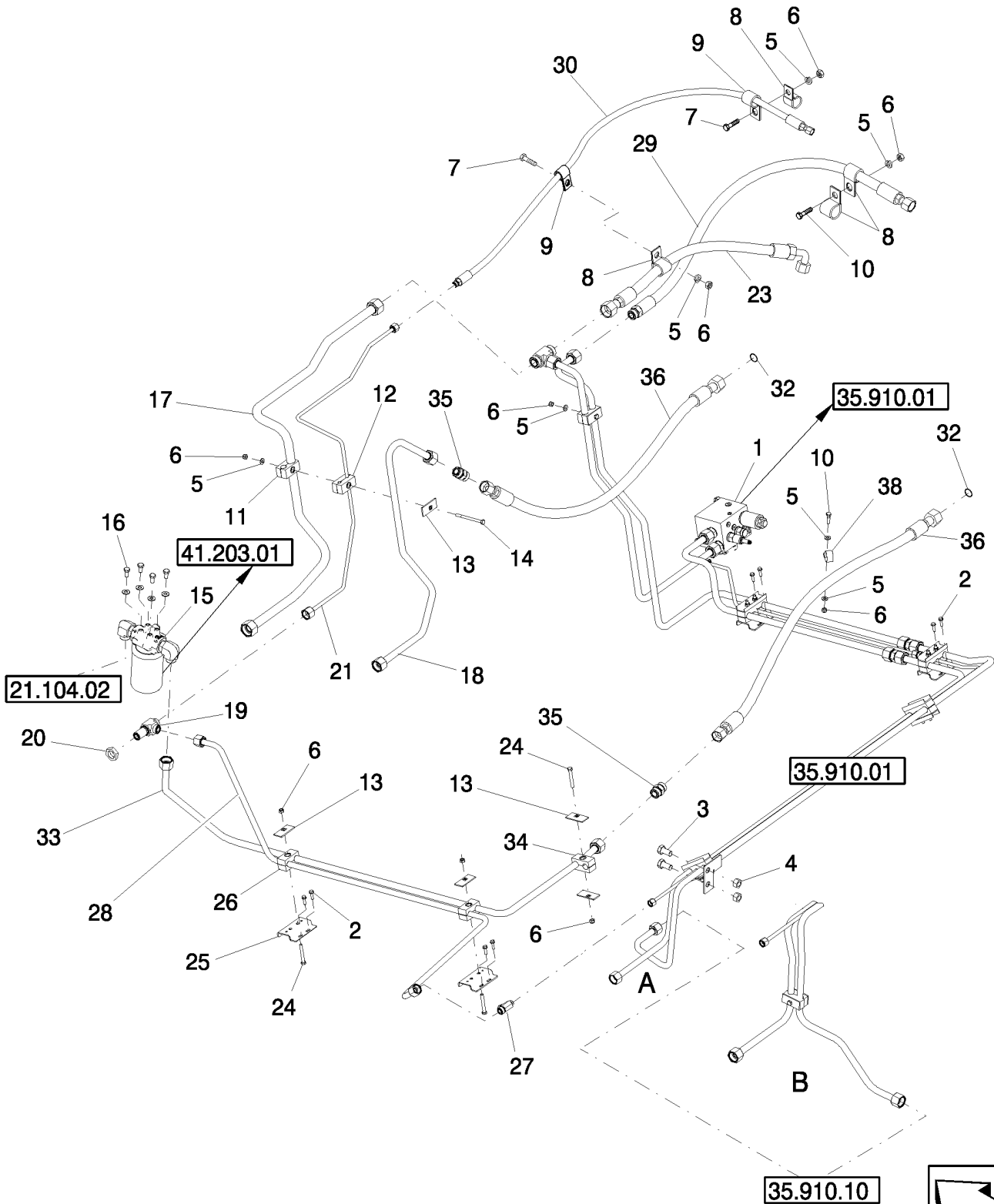
35.752.03

02

p2

02/10

HYDRAULICS - SPREADER AND ROTARY SCREEN DRIVE - 8120/8120(LA)



HYDRAULICS - SPREADER AND ROTARY SCREEN DRIVE - 8120/8120(LA)

REF	FN	PART NUMBER	YR/SN	QTY	DESCRIPTION
36		87397348		2	HOSE ASSY., Main Cooler; L = 1048 mm

A = From 3/1/09.....B = Prior To 3/1/09

8120 8120

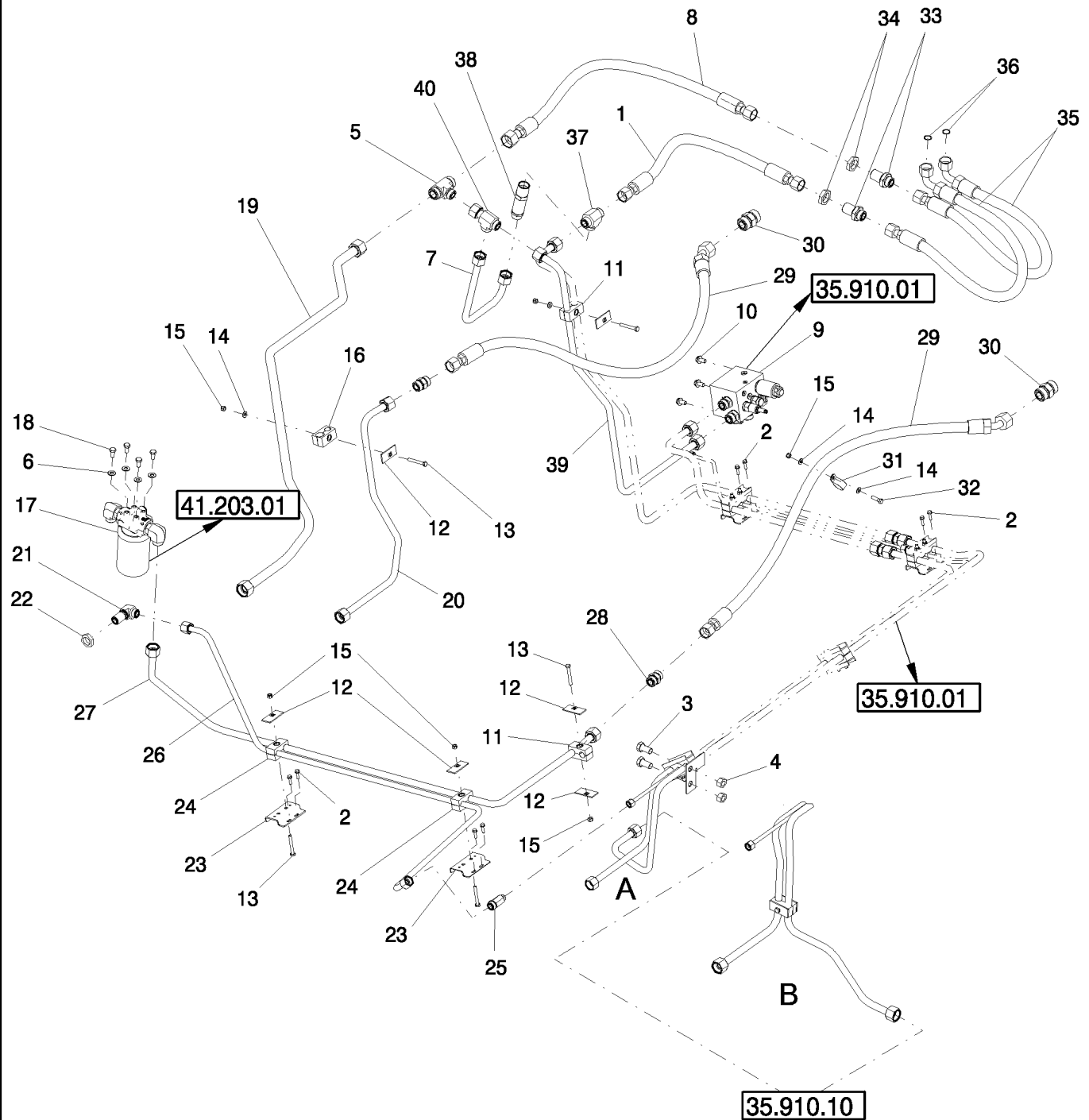
35.752.03

03

p1

02/10

HYDRAULICS - SPREADER AND ROTARY SCREEN DRIVE - 9120



35.752.03

03

p1

02/10

HYDRAULICS - SPREADER AND ROTARY SCREEN DRIVE - 9120

REF	FN	PART NUMBER	YR/SN	QTY	DESCRIPTION
1		87646915		1	HOSE ASSY., Aux Cooler Inlet
2		87010469		8	SELF-TAP SCREW, Hex Wash Hd, M6.3 x 25
3		43167		2	BOLT, Hex, M16 x 30, 8.8, Full Thd
4		100020		2	NUT, M16, CI 8
5		87000837		1	TEE
6		140045		4	BELLEVILLE WASHER, M10
7		87646913		1	TUBE ASSY., Aux Cooler Bypass
8		87646914		1	HOSE ASSY., Aux Cooler Return
9		87107189		1	HYDRAULIC VALVE
10		274249		3	BOLT, Hex Serr Flg, M10 x 20
11		87000140		2	CLAMP
12		87000230		6	PLATE
13		120061		5	BOLT, Hex, M8 x 60, 8.8
14		322358		4	BELLEVILLE WASHER, M8
15		86629542		6	LOCK NUT, M8 x 1.25, CI 8
16		87000146		1	CLAMP
17		86998689		1	HYDRAULIC OIL FILTER
18		43138		4	BOLT, Hex, M10 x 20, 8.8, Full Thd
19		87646895		1	TUBE ASSY., Aux Cooler Return
20		87646896		1	TUBE ASSY., Main Cooler Outlet
21		87028944		1	ELBOW, 90°, 1"-14, ORFS, Blkhd
22		86639085		1	LOCK NUT, 1"-14, ORFS Blkhd
23		87109755		2	BRACKET
24		87000144		2	CLAMP
25		87109744		1	FITTING
26		87397349		1	TUBE ASSY.
27		87563491		1	TUBE
28		84100407		2	UNION, 1 3/16"-12 ORFS
29		87646911		2	HOSE ASSY., Main Cooler
30		9824055		2	HYD CONNECTOR
31		86628564		1	CLAMP, 1 1/4", Insul, 3/8" Bolt
32		43128		1	SCREW, Hex, M8 x 30, 8.8
33		86639064		2	UNION, 1 3/16"-12 ORFS, Blkd
34		86639062		2	LOCK NUT, 1 3/16"-12, ORFS Blkhd
35		87646890		2	HOSE ASSY., Aux Cooler Box; L = 1000 mm

A = From 3/1/09.....B = Prior To 3/1/09

9120

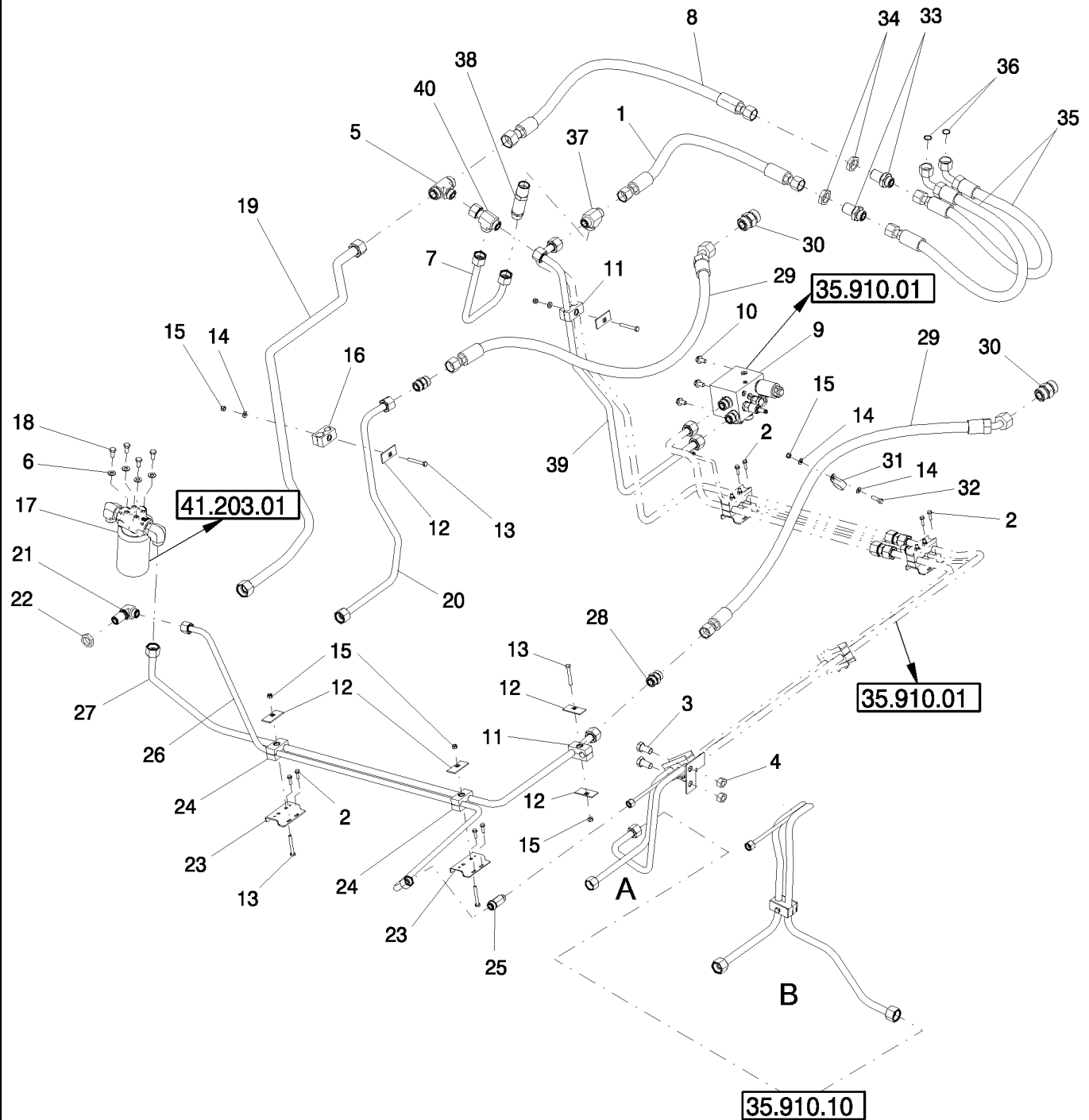
35.752.03

03

p2

02/10

HYDRAULICS - SPREADER AND ROTARY SCREEN DRIVE - 9120



HYDRAULICS - SPREADER AND ROTARY SCREEN DRIVE - 9120

REF	FN	PART NUMBER	YR/SN	QTY	DESCRIPTION
36		9991976		2	O-RING, -018, 90 Duro, .739" ID x .070" Thk
37		87359490		1	UNION, Tee
38		87563490		1	VALVE, CHECK
39		87646912		1	TUBE ASSY., Cleaning Fan Valve Return
40		87016915		1	TEE

A = From 3/1/09.....B = Prior To 3/1/09

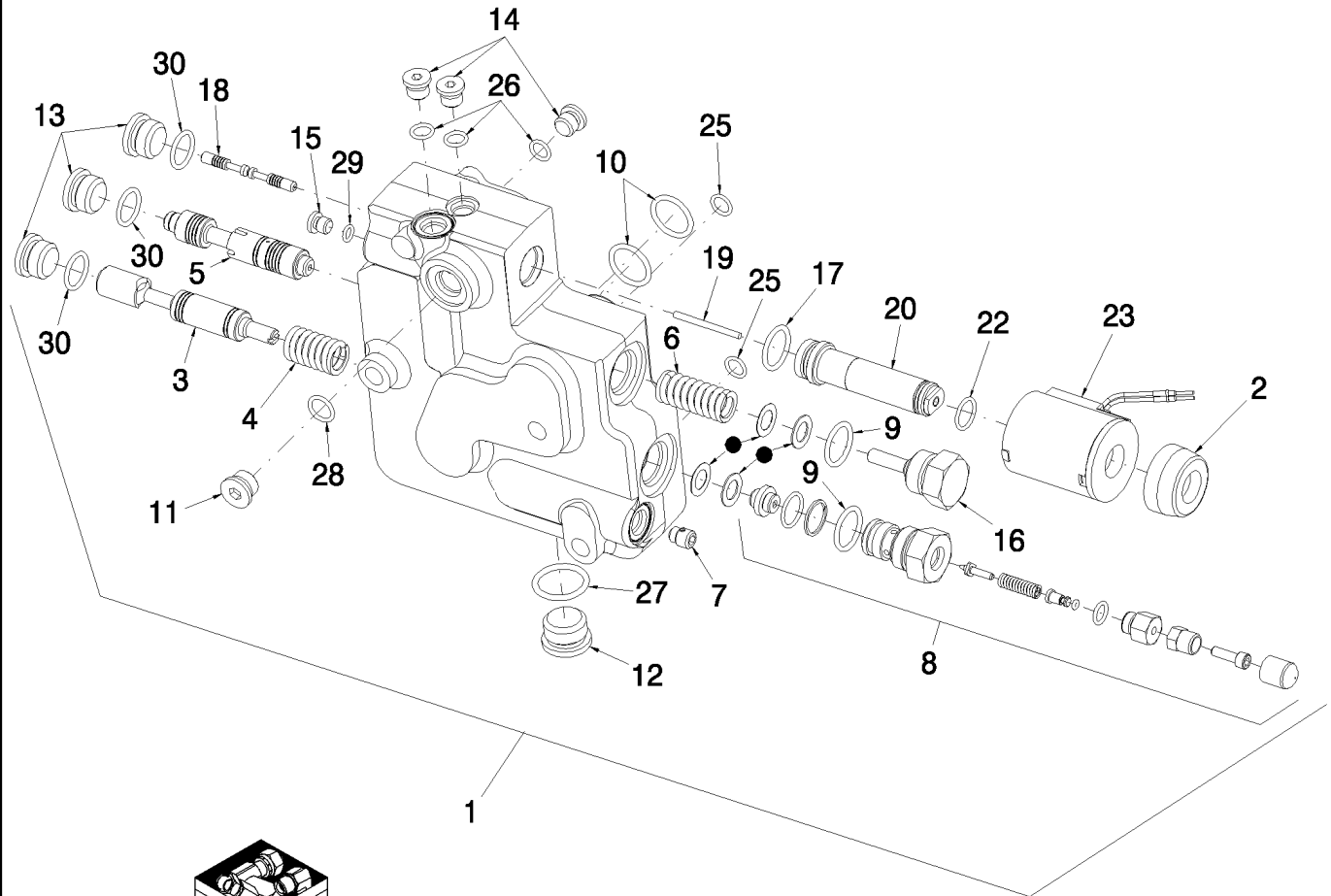
9120

35.910.01

p1

08/09

VALVE, REEL DRIVE



● = 24

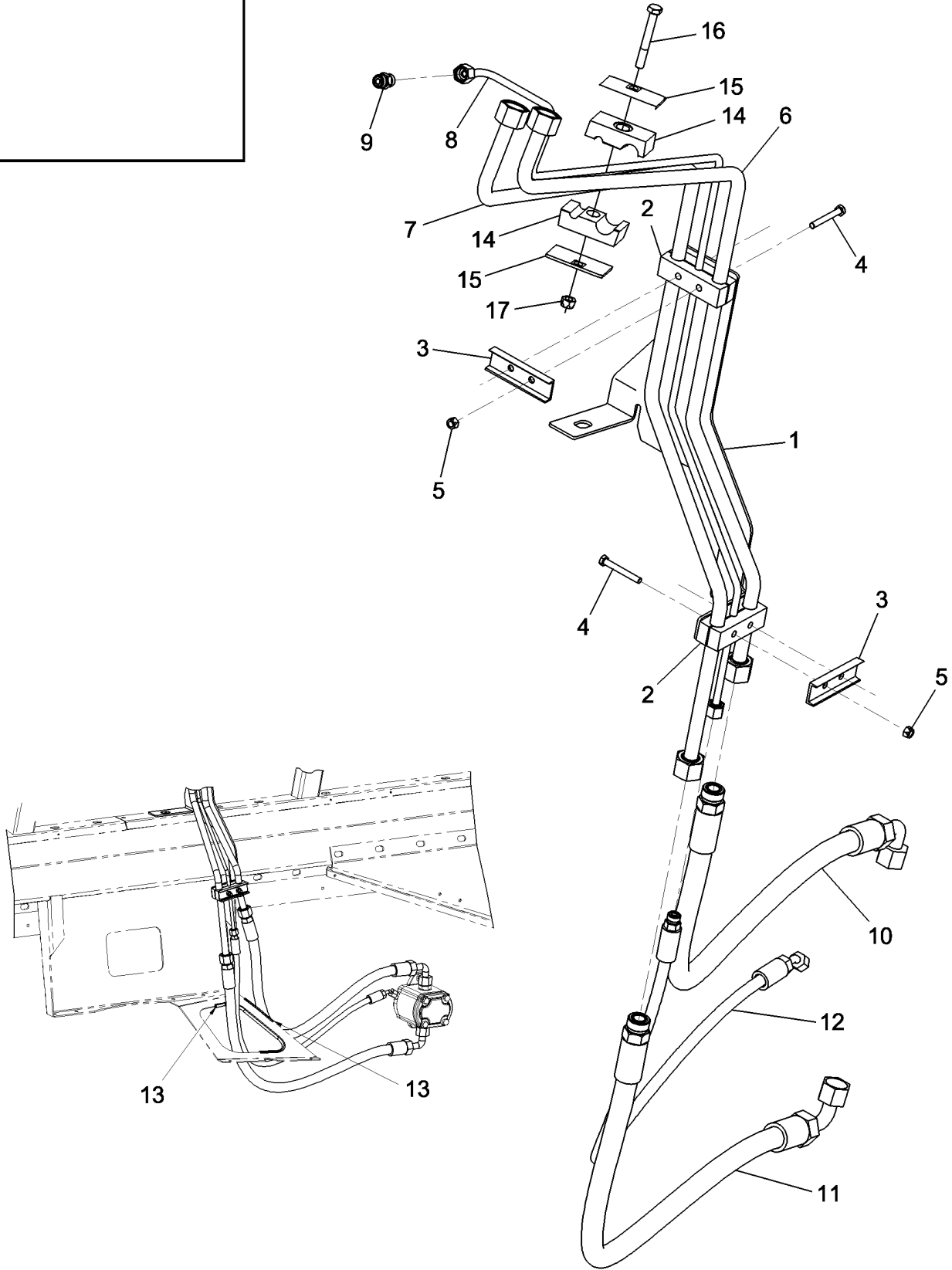


VALVE, REEL DRIVE

REF	FN	PART NUMBER	YR/SN	QTY	DESCRIPTION
1		87281778		1	VALVE, Reel Drive
2		188106A1		1	NUT
3		87434010		1	SPOOL
4		87434024		1	CHECK VALVE
5		87434013		1	SPOOL
6		190699A1		1	SPRING
7		373758A1		1	VALVE, Load Sense, Check
8		190702A1		1	PRESSURE RELIEF VALVE
9		238-6012		2	O-RING, -012, 90 Duro, .364" ID x .070" Thk
10		238-6117		2	O-RING, -117, 90 Duro, .799" ID x .103" Thk
11		9625178		1	PLUG, Hex Soc, 9/16"-18 ORB, Incl Ref 28
12		86625138		1	PLUG, Hex Soc, 7/8"-14 ORB, Incl Ref 27
13		71100209		3	PLUG, Hex Soc, 3/4"-16 ORB
14		278548		2	PLUG, Hex Soc, 7/16"-20 ORB, Incl Ref 26
15		86632547		1	PLUG, Hex Soc, 5/16"-24 ORB, Incl Ref 29
16		188110A1		1	PLUG
17		237-6010		1	O-RING, 10-1, 90 Duro, .755" ID x .097" Thk
18		188104A1		1	SPOOL
19		188116A1		1	PIN
20		188117A1		1	TUBE, Reel Drive Valve
21		238-5017		1	O-RING, -017, 70 Duro, .676" ID x .070" Thk
22		238-5114		1	O-RING, -114, 70 Duro, .612" ID x .103" Thk
23		188105A1		1	SOLENOID
24		190696A1		1	SHIM KIT
25		86598098		1	O-RING, CI 6, 9.3MM ID x 2.2 Thk
26		165202		3	O-RING, 4-1, 90 Duro, .351" ID x .072" Thk
27		167269		1	O-RING, 10-1, 90 Duro, .755" ID x .097" Thk
28		9617873		1	O-RING, 6-1, 90 Duro, .468" ID x .078" Thk
29		86010510		1	O-RING, 2-1, .239" ID x .064" Thk
30		237-6008		3	O-RING, 8-1, 90 Duro, .644" ID x .087" Thk

**9120 7120 8120 7120
8120**

HYDRAULIC LINES - CLEANING FAN DRIVE



HYDRAULIC LINES - CLEANING FAN DRIVE

REF	FN	PART NUMBER	YR/SN	QTY	DESCRIPTION
1	1	87108750		1	BRACKET
1	2	87108752		1	BRACKET
2		86998883		2	CLAMP, Hydraulic Tube
3		87000242		2	CHANNEL, Clamp Back-Up
4		120061		4	BOLT, Hex, M8 x 60, 8.8
5		832-46408		4	LOCK NUT, M8 x 1.25, CI 8
6	1	87397390		1	HYD. TUBE, Supply, Cleaning Fan
6	2	86996187		1	HYD. TUBE, Supply, Cleaning Fan
7	1	86998289		1	HYD. TUBE, Return, Cleaning Fan
7	2	86998285		1	HYD. TUBE, Return, Cleaning Fan
8	1	87106610		1	HYD. TUBE, Drain, Cleaning Fan
8	2	87106611		1	HYD. TUBE, Drain, Cleaning Fan
9		84431546		1	UNION, 11/16"-16 ORFS
10		87105727		1	FLEXIBLE HOSE, Supply, Fan Motor
11		86998746		1	FLEXIBLE HOSE, Return, Fan Motor
12		86998747		1	FLEXIBLE HOSE, Drain, Fan Motor
13		86516805		AR	SOFT TRIM, 31-3/4"; Cut To Fit
14		87000154		1	CLAMP
15		87000230		2	PLATE
16		300510		1	BOLT, Hex, M8 x 65, 8.8
17		86629542		1	LOCK NUT, M8 x 1.25, CI 8

- (1) 7120 Only
- (2) 8120 & 9120 Only

**7120 7120 9120 8120
8120**

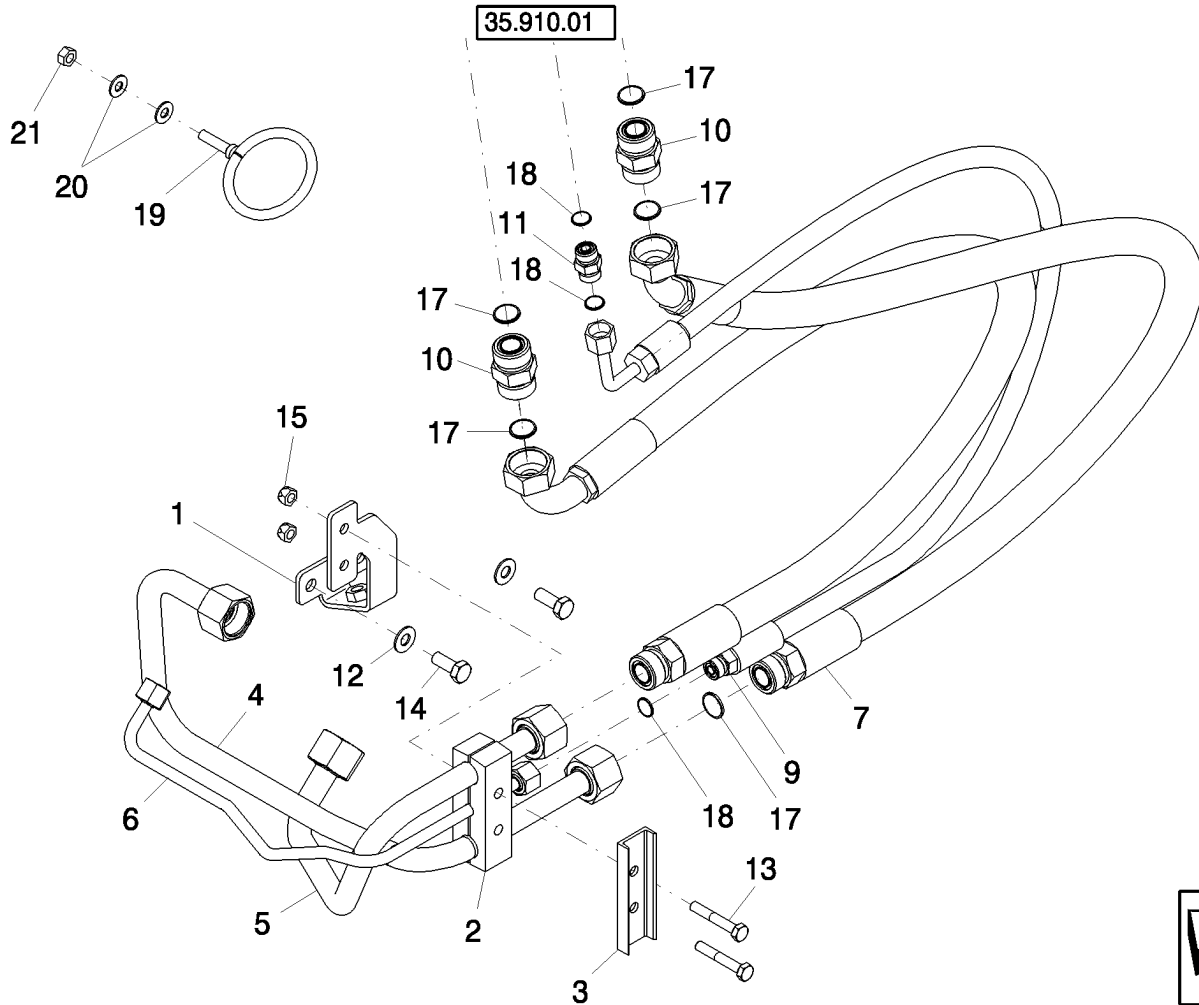
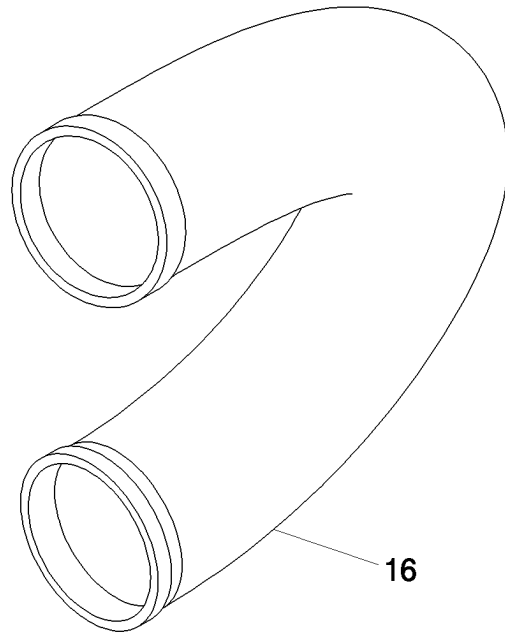
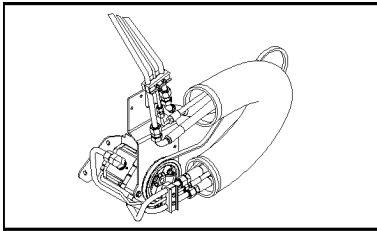
35.910.02

01

p1

12/09

HYDRAULIC LINES - CLEANING FAN DRIVE; NARROW TIRE OPTION - FROM MY2010



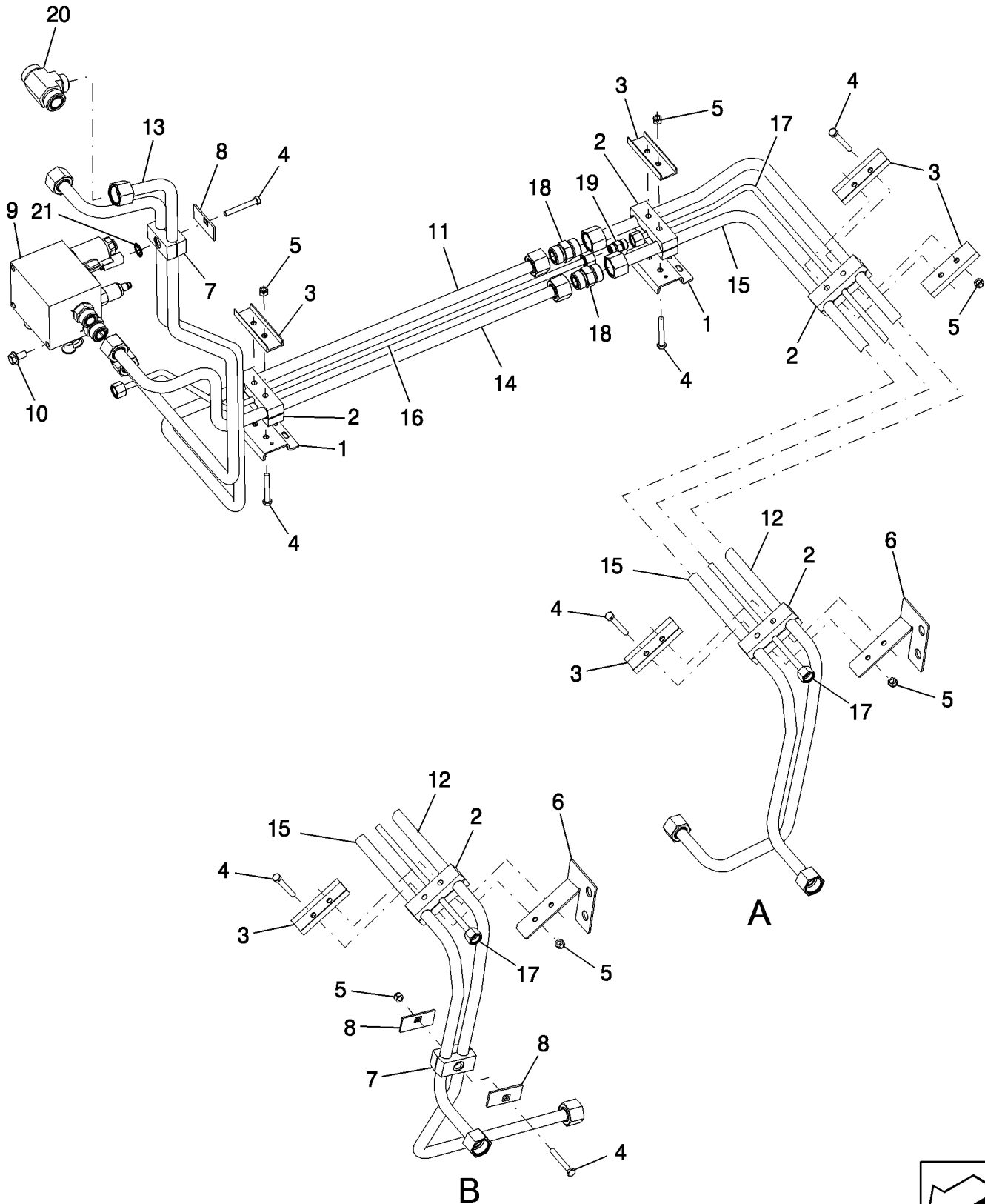
HYDRAULIC LINES - CLEANING FAN DRIVE; NARROW TIRE OPTION - FROM MY2010

REF	FN	PART NUMBER	YR/SN	QTY	DESCRIPTION
1		84160216		1	BRACKET
2		86998883		1	CLAMP
3		87000242		1	CHANNEL
4		84194810		1	HYD. TUBE, Cleaning Fan Belt Supply
5		84194812		1	HYD. TUBE, Cleaning Fan Belt Return
6		84251798		1	HYD. TUBE, Cleaning Fan Belt Drain
7		87499293		1	HOSE ASSY., Cleaning Fan Pressure; Incl Ref 17
8		86998746		1	FLEXIBLE HOSE, Cleaning Fan Return
9		87499294		1	FLEXIBLE HOSE, Cleaning Fan Case Drain; Incl Ref 18
10		84100407		2	UNION, 1 3/16"-12 ORFS, Incl Ref 17(2)
11		84431546		1	UNION, 11/16"-16 ORFS, Incl Ref 18(2)
12		140045		2	BELLEVILLE WASHER, M10
13		43130		2	BOLT, Hex, M8 x 50, 8.8
14		43139		2	BOLT, Hex, M10 x 25, 8.8, Full Thd
15		86629542		2	LOCK NUT, M8 x 1.25, CI 8
16		87106239		1	SLEEVE
17		9991976		5	O-RING, -018, 90 Duro, .739" ID x .070" Thk
18		9993141		3	O-RING, -012, 90 Duro, .364" ID x .070" Thk
19		84251797		1	HOLDER
20		322358		2	BELLEVILLE WASHER, M8
21		9706690		1	NUT, M8, CI 8

North America & EU Only

**7120 7120 9120 8120
8120**

HYDRAULIC TUBES - ENGINE COMPARTMENT



HYDRAULIC TUBES - ENGINE COMPARTMENT

REF	FN	PART NUMBER	YR/SN	QTY	DESCRIPTION
1		87109755		2	BRACKET, Clamp, Tube
2		86998883		4	CLAMP, Hydraulic Tube
3		87000242		5	CHANNEL, Clamp Back-Up
4		120061		10/9	BOLT, Hex, M8 x 60, 8.8
5		832-46408		9/8	LOCK NUT, M8 x 1.25, CI 8
6		87000942		1	BRACKET, Clamp
7		87000140		2/1	CLAMP, Hydraulic Tube
8		87000230		3/1	PLATE, Clamp, Hose
9		87107189		1	HYDRAULIC VALVE, Cleaning Fan
10		274249		3	BOLT, Hex Serr Flg, M10 x 20
11		87000680		1	HYD. TUBE, Rotary Air Screen Motor Pressure (B)
12	1	87482039		1	TUBE ASSY., HYD; Rotary Air Screen Motor Pressure (A)
12	2	84166706		1	TUBE ASSY., HYD; Rotary Air Screen Motor Pressure (A)
13		87000682		1	HYD. TUBE, Cleaning Fan Valve Return
14		87000683		1	HYD. TUBE, Cleaning Fan Valve Pressure (B)
15	1	87105711		1	HYD. TUBE, Cleaning Fan Valve Pressure (A)
15	2	84166704		1	HYD. TUBE, Cleaning Fan Valve Pressure (A)
16		87106690		1	HYD. TUBE, Cleaning Fan Drain (B)
17		87000880		1	HYD. TUBE, Cleaning Fan Drain (C)
18		84100407		2	UNION, 1 3/16"-12 ORFS
19		84431546		1	UNION, 11/16"-16 ORFS, Fitting
20		87000837		1	TEE, Reducer
21		87012484		1	SNAP RING, #31, Ext

(1) Prior to 3/1/09
(2) From 3/1/09

A = From 3/1/09..... B = Prior To 3/1/09	7120 7120 9120 8120 8120
--	-------------------------------------

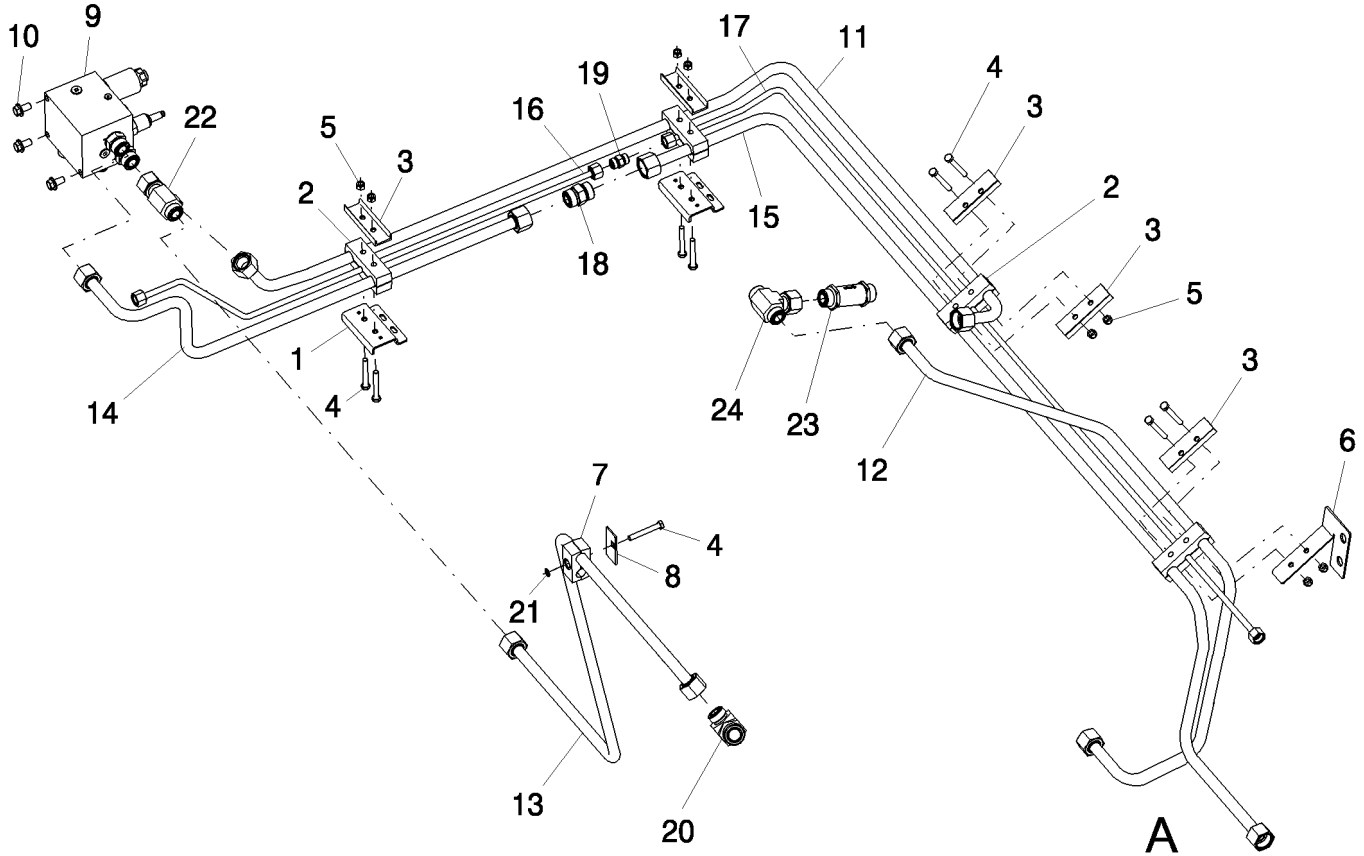
35.910.03

02

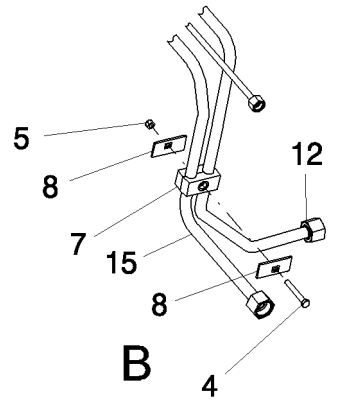
p1

02/10

HYDRAULIC TUBES - ENGINE COMPARTMENT



A



B



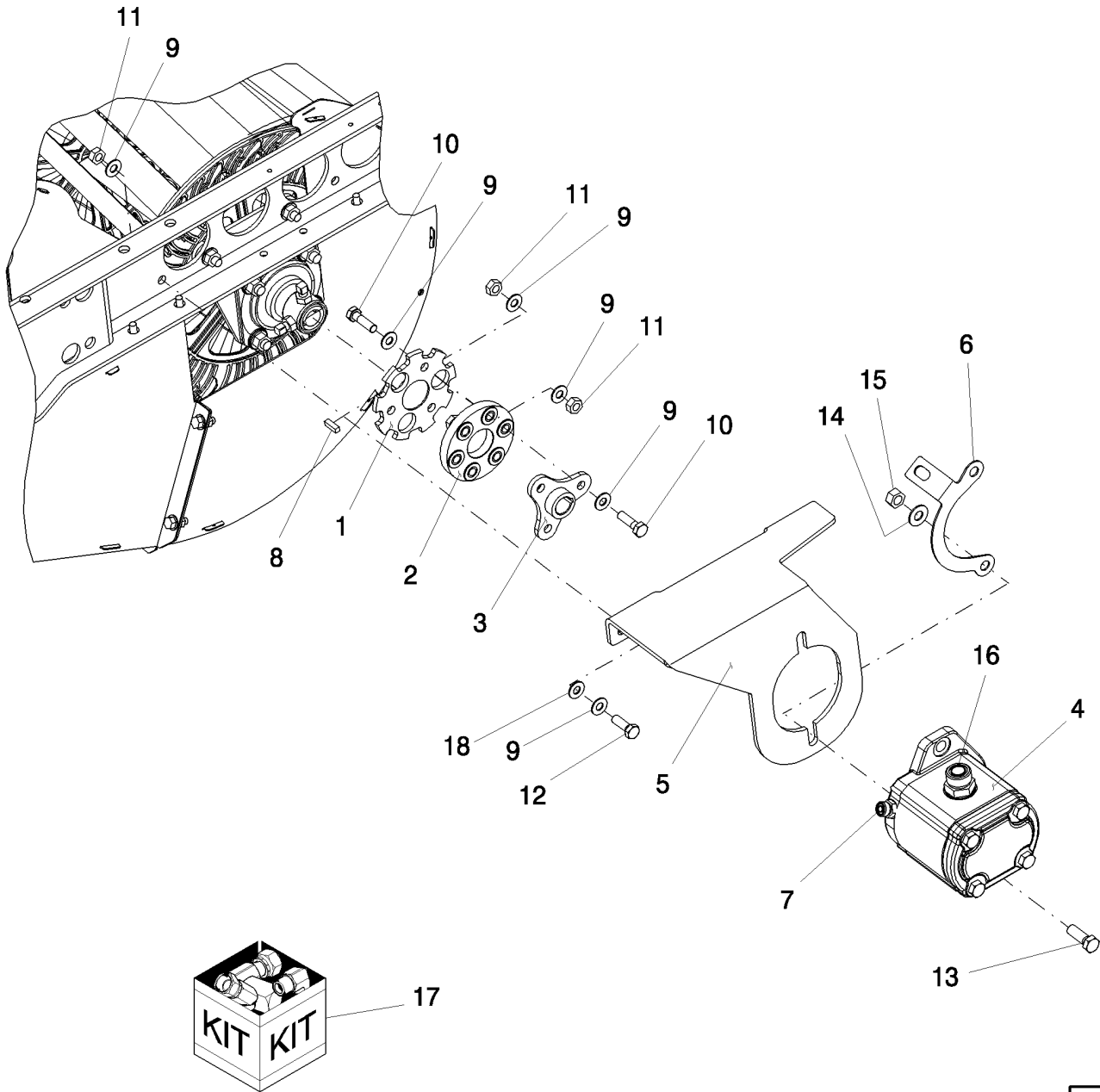
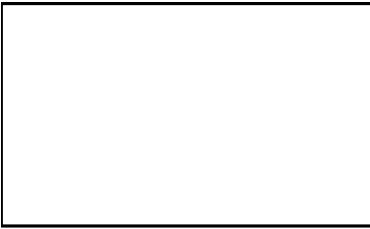
HYDRAULIC TUBES - ENGINE COMPARTMENT

REF	FN	PART NUMBER	YR/SN	QTY	DESCRIPTION
1		87109755		2	BRACKET
2		86998883		4	CLAMP
3		87000242		5	CHANNEL
4		120061		10/9	BOLT, Hex, M8 x 60, 8.8
5		86629542		9/8	LOCK NUT, M8 x 1.25, Cl 8
6		87000942		1	BRACKET
7		87000140		2/1	CLAMP
8		87000230		3/1	PLATE
9		87107189		1	HYDRAULIC VALVE
10		274249		3	BOLT, Hex Serr Flg, M10 x 20
11		87397355		1	TUBE ASSY., Aux Cooler Bypass
12	1	87482040		1	TUBE ASSY., Aux Cooler Inlet
12	2	84169061		1	HYD. TUBE, Aux Cooler Inlet
13		87397354		1	TUBE ASSY., Cleaning Fan Valve Return
14		87000683		1	HYD. TUBE, Cleaning Fan Valve Press
15	1	87105711		1	HYD. TUBE, Cleaning Fan Valve Press
15	2	84166704		1	HYD. TUBE, Cleaning Fan Valve Press
16		87106690		1	HYD. TUBE, Cleaning Fan Drain
17		87000880		1	HYD. TUBE, Cleaning Fan Drain
18		84100407		1	UNION, 1 3/16"-12 ORFS
19		84431546		1	UNION, 11/16"-16 ORFS
20		87000837		1	TEE
21		87012484		1	SNAP RING, #31, Ext
22		87016915		1	TEE
23		87563490		1	VALVE, CHECK
24		87359490		1	UNION, Tee

(1) Prior to 3/1/09
(2) From 3/1/09

A = From 3/1/09.....B = Prior To 3/1/09	7120 7120 9120 8120 8120
---	-------------------------------------

CLEANING FAN DRIVE MOUNTING



CLEANING FAN DRIVE MOUNTING

REF	FN	PART NUMBER	YR/SN	QTY	DESCRIPTION
1		87635900		1	FLANGE ASSY
2		9811514		1	UNIVERSAL JOINT
3		87545435		1	FLANGE ASSY
4		87105499		1	HYDRAULIC MOTOR, See Also Ref 17
5		87545740		1	SUPPORT ASSY.
6		87639847		1	BRACKET
7		86580177		1	HYD CONNECTOR, 11/16"-16 ORFS x M12 x 1.5 ORB
8		87545936		1	KEY
9		140045		16	BELLEVILLE WASHER, M10
10		9706704		6	BOLT, Hex, M10 x 35, 8.8, Full Thd
11		100016		8	NUT, M10, CI 8
12		43140		2	BOLT, Hex, M10 x 30, 8.8, Full Thd
13		300389		2	BOLT, Hex, M12 x 35, 8.8, Full Thd
14		140046		2	SPRING WASHER, Belleville, M12
15		9706685		2	NUT, M12, CI 8
16		86579682		2	HYD CONNECTOR, 1 3/16"-12 ORFS x M27 x 2 ORB
17		87010913		1	SEAL ASSY., Services Ref 4
18		378244		2	WASHER, M10 x 24 x 2 Thk

**7120 7120 9120 8120
8120**

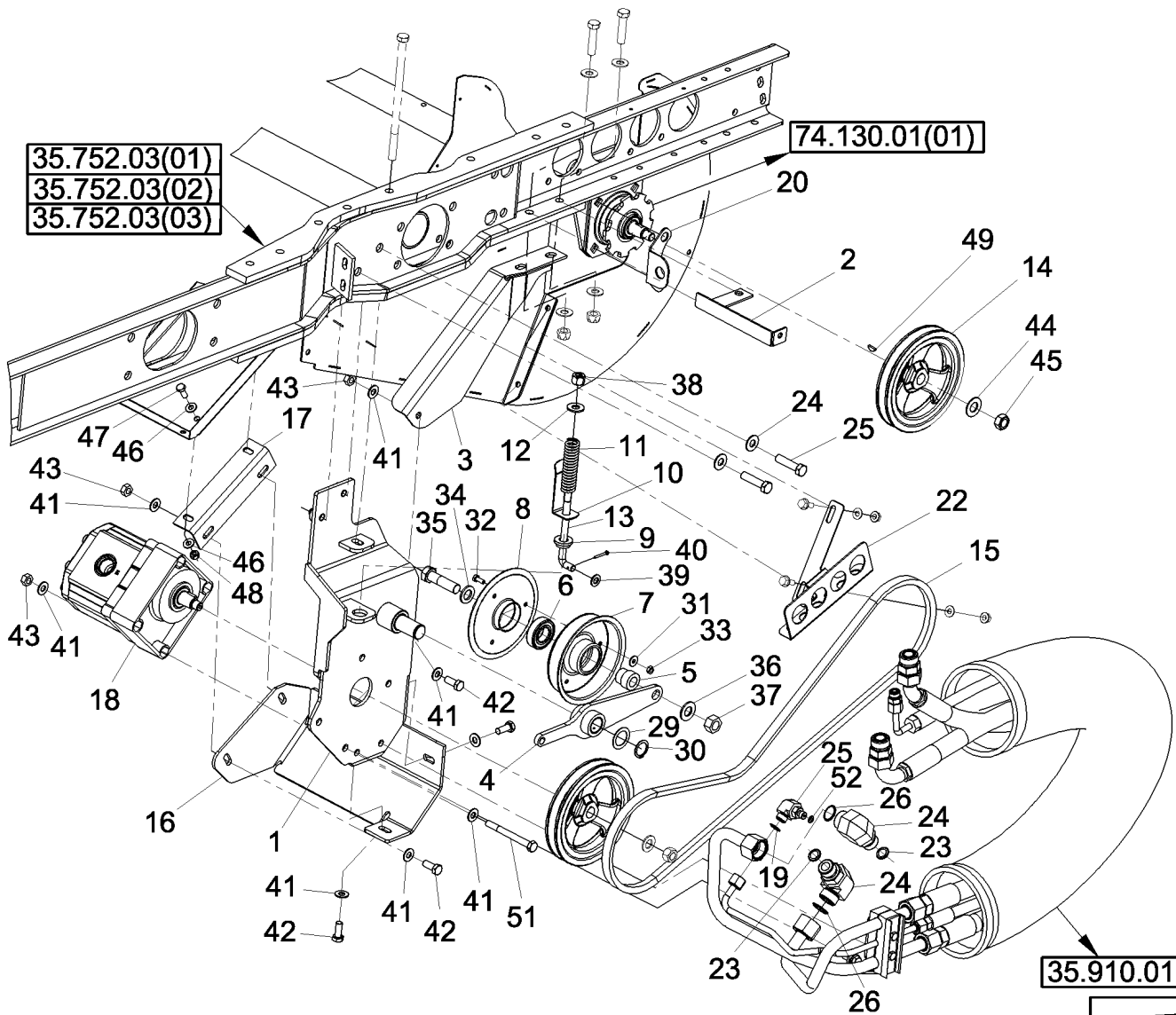
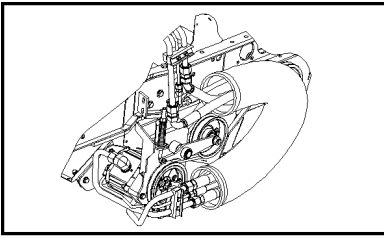
35.910.04

01

p1

11/09

CLEANING FAN DRIVE MOUNTING, NARROW TIRE OPTION - FROM MY2010 EUROPEAN ONLY



CLEANING FAN DRIVE MOUNTING, NARROW TIRE OPTION - FROM MY2010 EUROPEAN ONLY

REF	FN	PART NUMBER	YR/SN	QTY	DESCRIPTION
1		87497372		1	SUPPORT ASSY.
2		84151429		1	BRACKET
3		87497003		1	SUPPORT ASSY.
4		{87572171}		1	Lever
5		9515145		1	BUSHING
6		443898		1	BALL BEARING
7		84441735		1	HALF-PULLEY
8		84441841		1	HALF-PULLEY
9		439857		1	BUSHING
10		87498878		1	BRACKET, Indicator
11		440651		1	SPRING
12		378245		1	WASHER, M13 x 28 x 2 Thk
13		{87573545}		1	Rod
14		{87750927}		2	Pulley
15		87484708		1	BELT, Cleaning Fan Drive; L = 1805 mm
16		87497174		1	SUPPORT ASSY.
17		{87632991}		1	Plate
18		87483975		1	MOTOR, HYDRAULIC, Cleaning Fan
19		9993141		1	O-RING, -012, 90 Duro, .364" ID x .070" Thk
20		87581722		1	BRACKET
23		86598103		2	O-RING, CI 6, 23.6MM ID x 2.9 Thk
24		86579697		2	ELBOW, 90°, 1 3/16"-12 ORFS x M27 x 2 ORB, Incl Refs 23 & 26
25		86580178		1	ELBOW, 90°, 1 1/16"-18 ORFS x M12 x 1.5 ORB, Incl Refs 52 & 53
26		9991976		2	O-RING, -018, 90 Duro, .739" ID x .070" Thk
27		140046		2	SPRING WASHER, Belleville, M12
28		120122		2	BOLT, Hex, M12 x 50, 8.8, Full Thd
29		140103		1	WASHER, M26 x 38 x 1 Thk
30		370002		1	CIRCLIP, M25, Ext
31		412649		3	SPRING WASHER, Belleville, M6
32		86508568		3	BOLT, Hex, M6 x 16, CI 8.8, Full Thd
33		9706755		3	NUT, M6, CI 8
34		140020		1	WASHER, M16 x 30 x 3
35		120091		1	SCREW, Hex, M16 x 60, 8.8

NA & EU Only

7120 9120 8120 8120

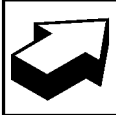
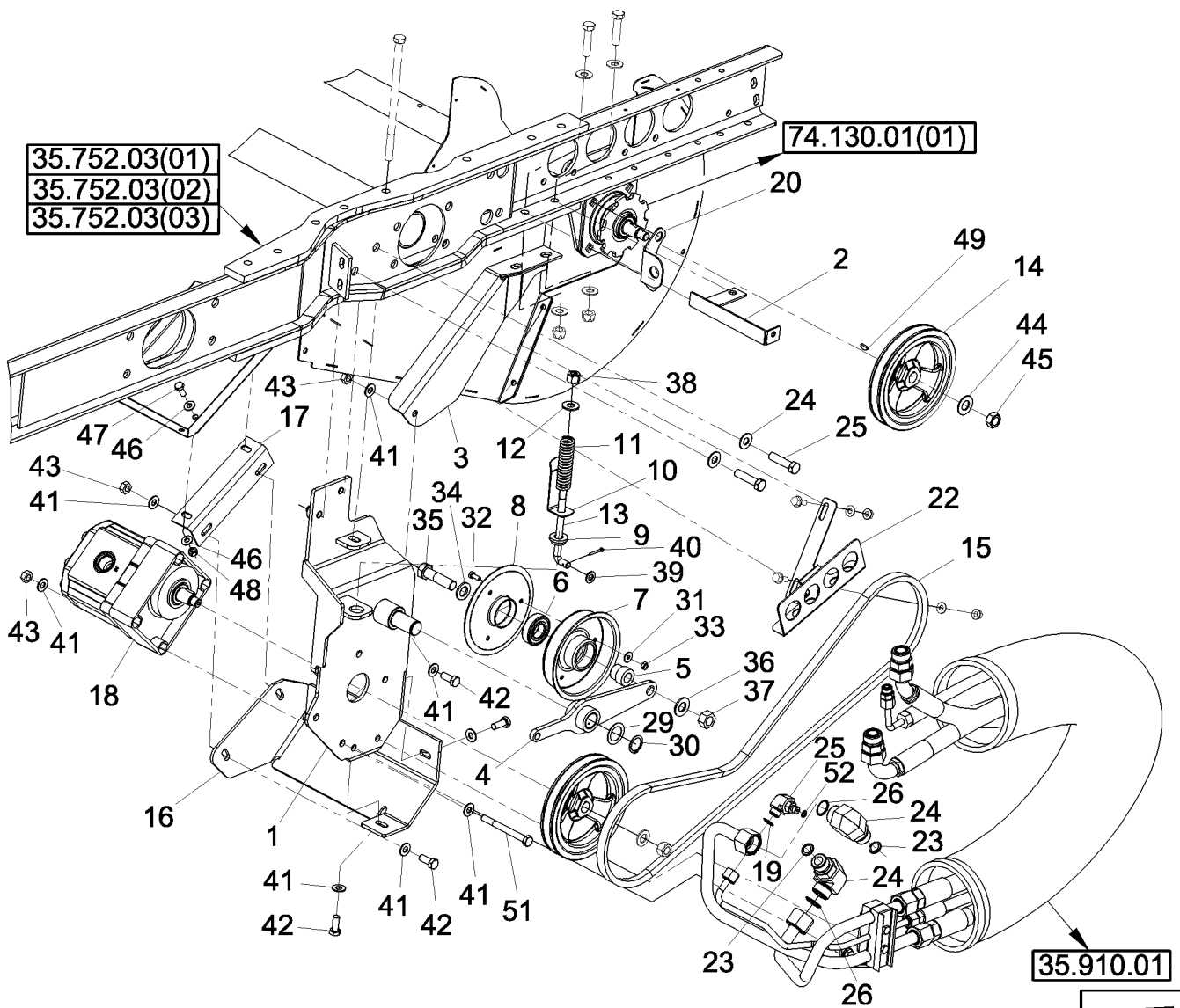
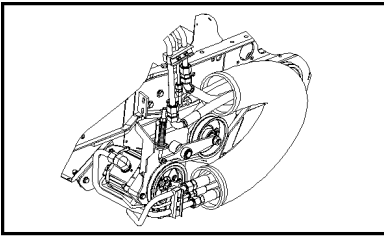
35.910.04

01

p2

11/09

CLEANING FAN DRIVE MOUNTING, NARROW TIRE OPTION - FROM MY2010 EUROPEAN ONLY



35.910.04

01

p2

11/09

CLEANING FAN DRIVE MOUNTING, NARROW TIRE OPTION - FROM MY2010 EUROPEAN ONLY

REF	FN	PART NUMBER	YR/SN	QTY	DESCRIPTION
36		140048		1	BELLEVILLE WASHER, M16
37		100020		1	NUT, M16, CI 8
38		412126		1	LOCK NUT, M12 x 1.75, CI 8
39		140017		1	WASHER, M10 x 20 x 2
40		130004		1	COTTER PIN, M3.2 x 25
41		140045		16	BELLEVILLE WASHER, M10
42		43139		5	BOLT, Hex, M10 x 25, 8.8, Full Thd
43		100016		7	NUT, M10, CI 8
44		86900752		1	WASHER
45		84814897		1	NUT, M12 x 1.5, CI 8
46		322358		4	BELLEVILLE WASHER, M8
47		120104		2	BOLT, Hex, M8 x 20, 8.8
48		824-1408		2	NUT, M8 x 1.25, CI 10
49		170004		1	KEY
51		120075		4	BOLT, Hex, M10 x 100, 8.8
52		86598098		1	O-RING, CI 6, 9.3MM ID x 2.2 Thk

NA & EU Only

7120 9120 8120 8120

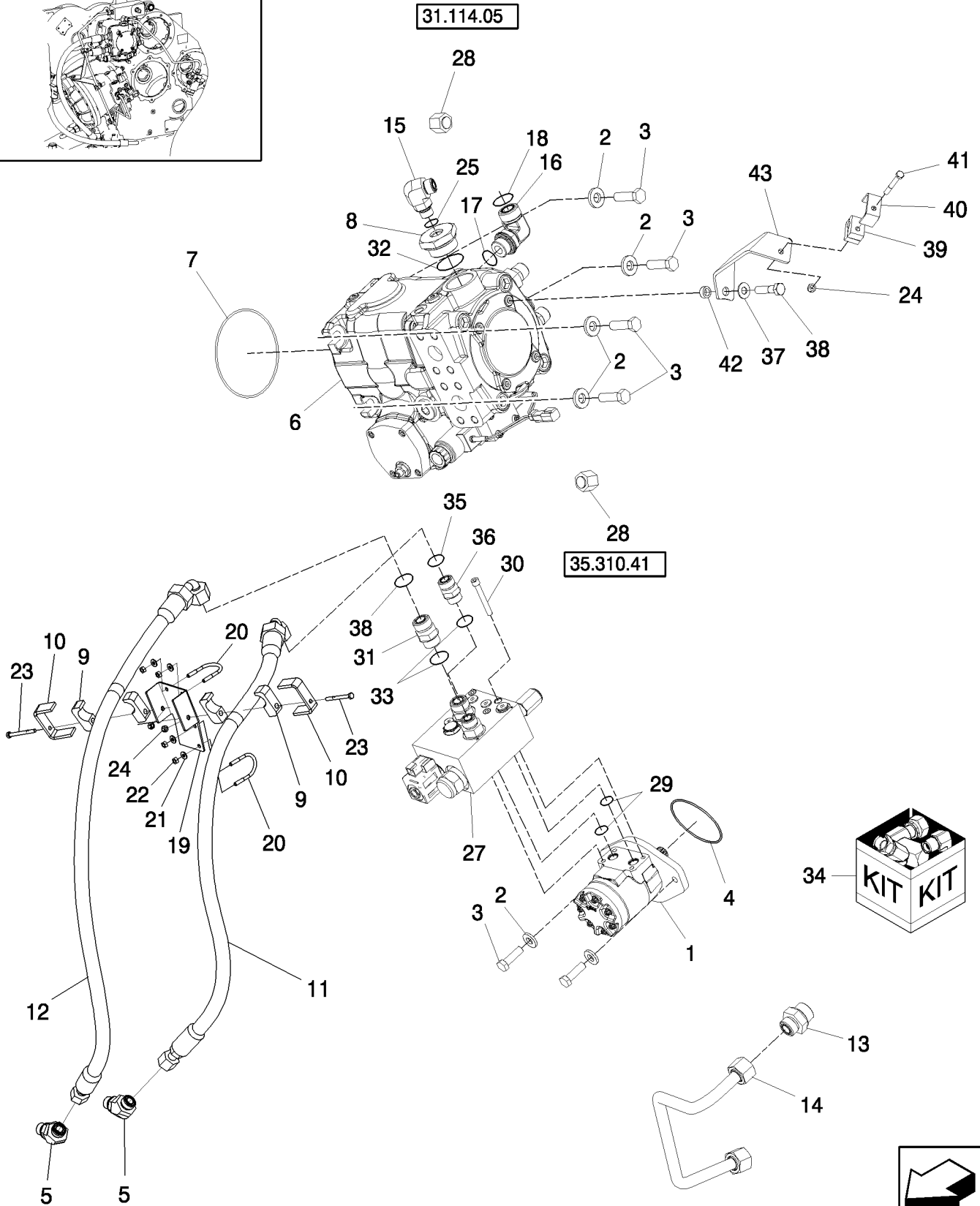
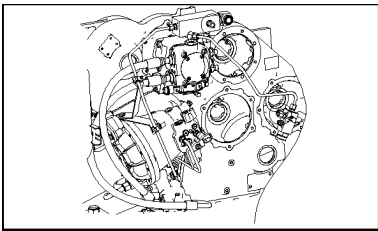
35.910.05

01

p1

02/10

FIXED SPEED - FEEDER/HEADER DRIVE HYDRAULICS - 7120, 8120



35.910.05

01

p1

02/10

FIXED SPEED - FEEDER/HEADER DRIVE HYDRAULICS - 7120, 8120

REF	FN	PART NUMBER	YR/SN	QTY	DESCRIPTION
1		87284672		1	MOTOR, HYDRAULIC
2		86625256		6	WASHER, M12 x 28.5 x 4, HT
3		87022683		6	BOLT, Hex, M12 x 40, 10.9, Full Thd
4		9828498		1	O-RING, -155, 70 Duro, 3.987" ID x .103" Thk
5		86639053		AR	ELBOW, 45°, 1"-14 ORFS x M22 x 1.5 ORB
6		87577618		1	HYDROSTATIC PUMP
7		274336		1	O-RING, -158, 70 Duro, 4.737" ID x .103" Thk
8		87607845		1	PLUG
9		457546		4	CLAMP
10		743318		2	SUPPORT
11		87283792		1	HOSE, Supply, Reverser
12		87284629		1	FLEXIBLE HOSE, Return, Reverser
13		86579683		1	HYD CONNECTOR, 1 3/16"-12 ORFS x M33 x 2 ORB
14		87283801		1	TUBE, Feeder Gearcase Drain
15		86579691		1	ELBOW, 90°, 13/16"-18 ORFS x M18 x 1.5 ORB
16		87598659		1	ELBOW
17		87621902		1	O-RING KIT
18		9991976		1	O-RING, -018, 90 Duro, .739" ID x .070" Thk
19		84176365	From 04/09, ASN Y9G206185	1	BRACKET, Hose Support
20		799339		2	U-BOLT
21		322357		4	BELLEVILLE WASHER, M6
22		9706755		4	NUT, M6, CI 8
23		338413		2	BOLT, Hex, M6 x 60, 8.8
24		353308		2	NUT, M6 x 1, CI 8
25		86598101		1	O-RING, CI 6, 15.3MM ID x 2.2 Thk
26		9992298		1	O-RING, -014, 90 Duro, .489" ID x .070" Thk
27		87284673		1	VALVE, Reverser
28		9840575		2	CAP, 13/16"-16 ORFS
29		272344		2	O-RING, -112, 90 Duro, .487" ID x .103" Thk
30		87302046		4	SCREW, Hex Soc Hd, M8 x 80, 8.8
31		86579682		1	HYD CONNECTOR, 1 3/16"-12 ORFS x M27 x 2 ORB
32		87621903		1	O-RING KIT
33		86598103		2	O-RING, CI 6, 23.6MM ID x 2.9 Thk
34		9807617		AR	SEAL KIT, For Ref 1 Motor

7120 8120

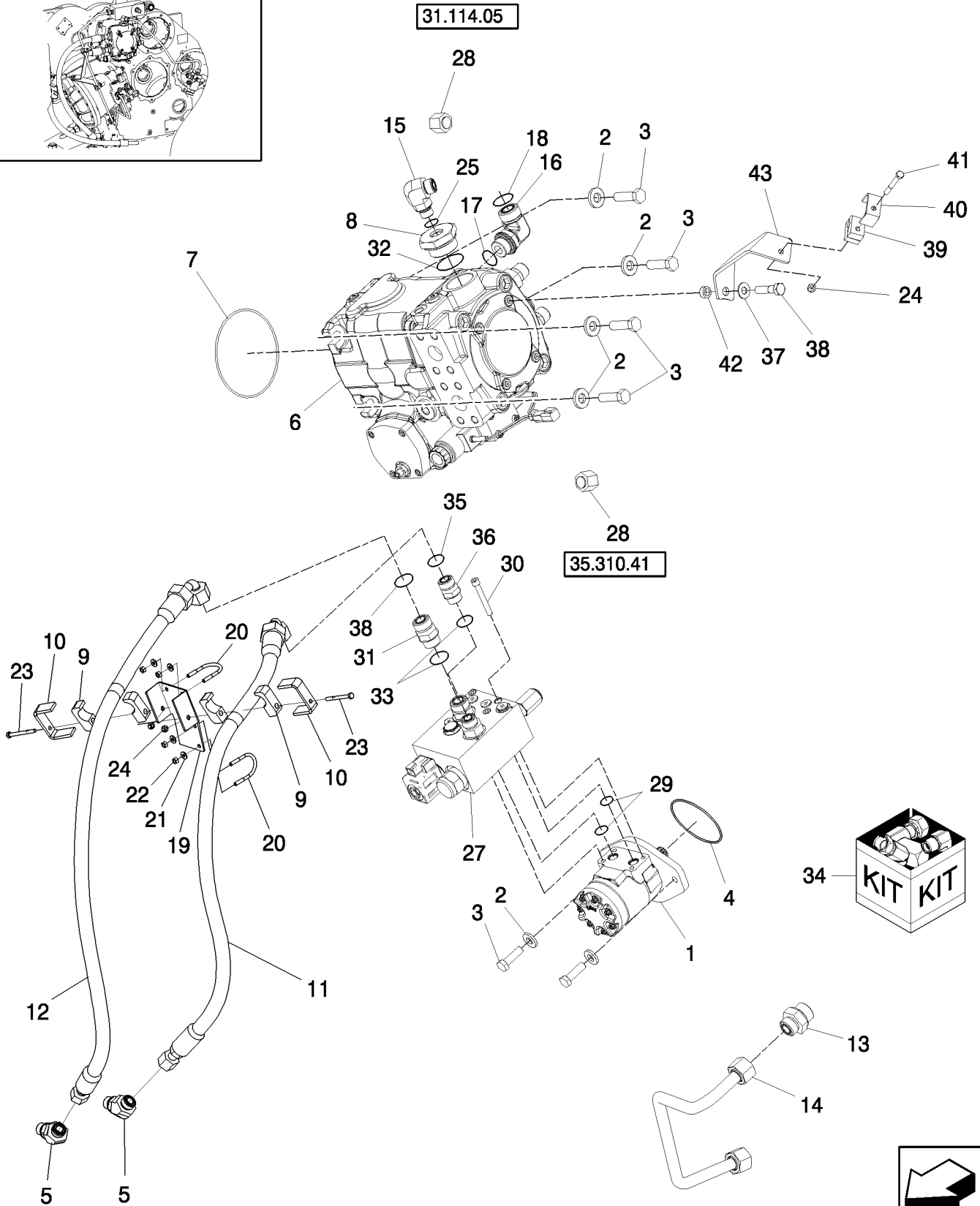
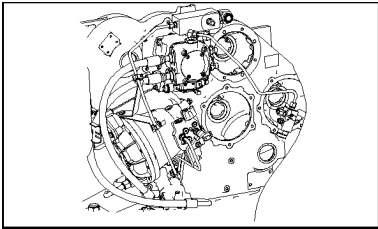
35.910.05

01

p2

02/10

FIXED SPEED - FEEDER/HEADER DRIVE HYDRAULICS - 7120, 8120



35.910.05

01

p2

02/10

FIXED SPEED - FEEDER/HEADER DRIVE HYDRAULICS - 7120, 8120

REF	FN	PART NUMBER	YR/SN	QTY	DESCRIPTION
35		9992069		1	O-RING, -016, 90 Duro, .614" ID x .070" Thk
36		86597760		1	HYD CONNECTOR, 1"-14 ORFS x M27 x 2 ORB
37		140045		1	BELLEVILLE WASHER, M10
38		120068		1	BOLT, Hex, M10 x 40, 8.8, Full Thd
39		433008		2	CLAMP
40		442340		1	SUPPORT
41		120056		1	BOLT, Hex, M6 x 50, 8.8
42		87342153		1	SPACER
43		87646029		1	BRACKET, SUPPORTING

7120 8120

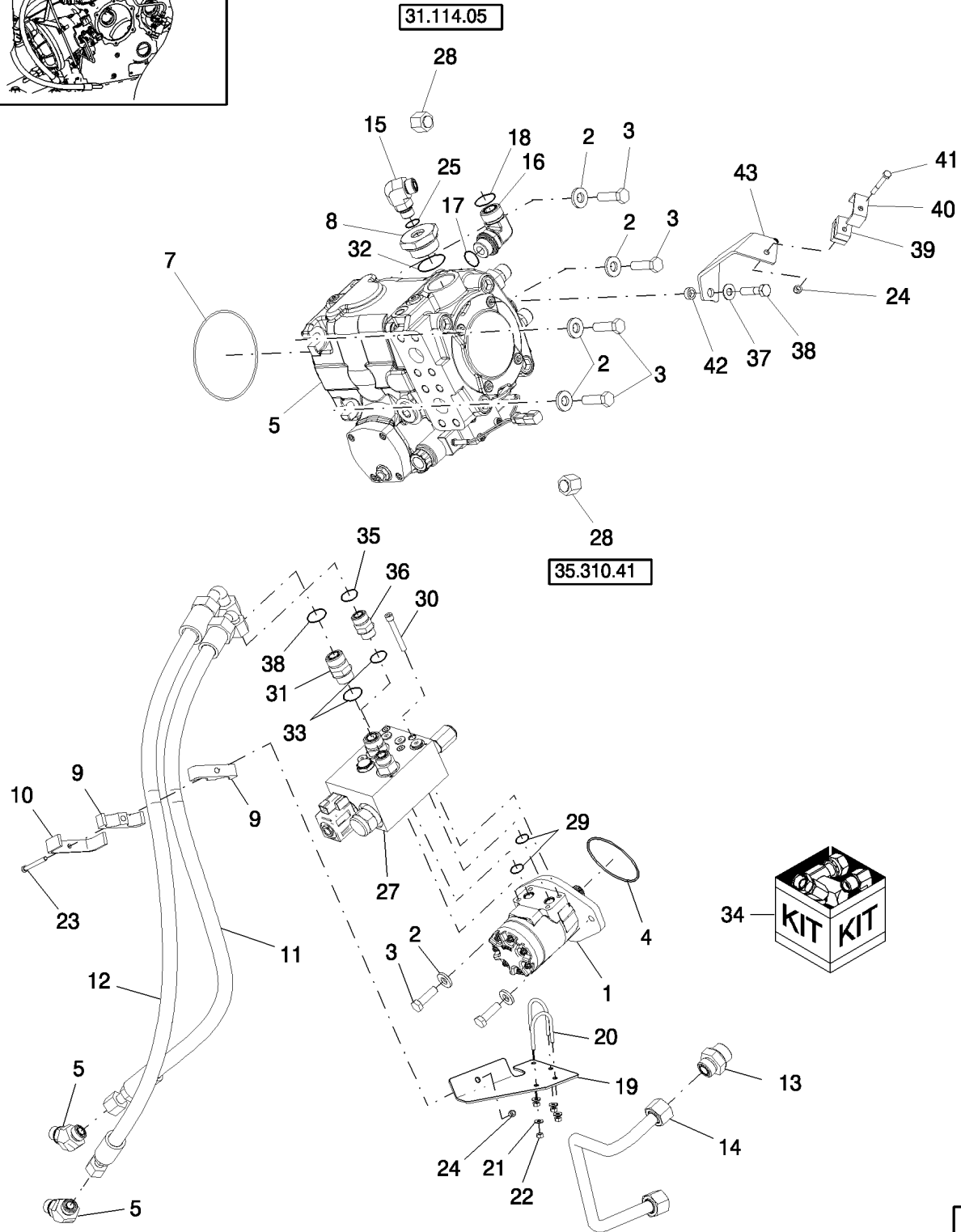
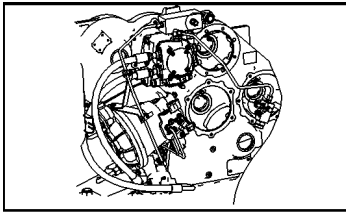
35.910.05

02

p1

02/10

FIXED SPEED - FEEDER/HEADER DRIVE HYDRAULICS - 7120, 8120/8120(LA), 9120



35.910.05

02

p1

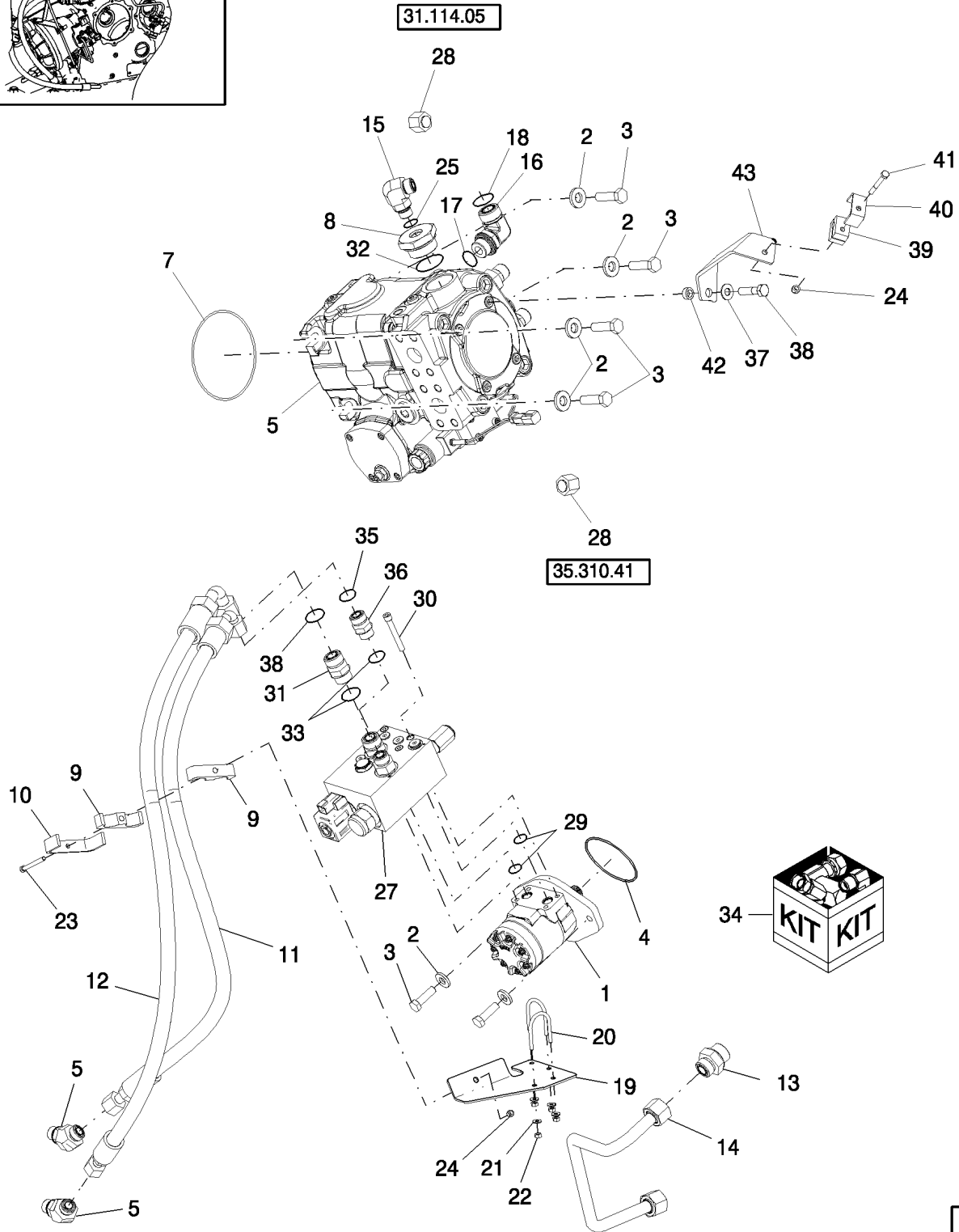
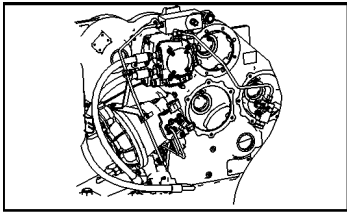
02/10

FIXED SPEED - FEEDER/HEADER DRIVE HYDRAULICS - 7120, 8120/8120(LA), 9120

REF	FN	PART NUMBER	YR/SN	QTY	DESCRIPTION
1		87284672		1	MOTOR, HYDRAULIC
2		86625256		6	WASHER, M12 x 28.5 x 4, HT
3		87022683		6	BOLT, Hex, M12 x 40, 10.9, Full Thd
4		9828498		1	O-RING, -155, 70 Duro, 3.987" ID x .103" Thk
5		86639053		AR	ELBOW, 45°, 1"-14 ORFS x M22 x 1.5 ORB
6		87577618		1	HYDROSTATIC PUMP
7		274336		1	O-RING, -158, 70 Duro, 4.737" ID x .103" Thk
8		87607845		1	PLUG
9		457547		2	CLAMP
10		743320		1	SUPPORT
11		87283792		1	HOSE, Supply, Reverser
12		87284629		1	FLEXIBLE HOSE, Return, Reverser
13		86579683		1	HYD CONNECTOR, 1 3/16"-12 ORFS x M33 x 2 ORB
14		87283801		1	TUBE, Feeder Gearcase Drain
15		86579691		1	ELBOW, 90°, 13/16"-18 ORFS x M18 x 1.5 ORB
16		87598659		1	ELBOW
17		87621902		1	O-RING KIT
18		9991976		1	O-RING, -018, 90 Duro, .739" ID x .070" Thk
19		87283795		1	BRACKET, Hose Support
20		799339		2	U-BOLT
21		322357		4	BELLEVILLE WASHER, M6
22		9706755		4	NUT, M6, CI 8
23		338413		1	BOLT, Hex, M6 x 60, 8.8
24		353308		2	NUT, M6 x 1, CI 8
25		86598101		1	O-RING, CI 6, 15.3MM ID x 2.2 Thk
26		9992298		1	O-RING, -014, 90 Duro, .489" ID x .070" Thk
27		87284673		1	VALVE, Reverser
28		9840575		2	CAP, 13/16"-16 ORFS
29		272344		2	O-RING, -112, 90 Duro, .487" ID x .103" Thk
30		87302046		4	SCREW, Hex Soc Hd, M8 x 80, 8.8
31		86579682		1	HYD CONNECTOR, 1 3/16"-12 ORFS x M27 x 2 ORB
32		87621903		1	O-RING KIT
33		86598103		2	O-RING, CI 6, 23.6MM ID x 2.9 Thk
34		9807617		AR	SEAL KIT, For Ref 1 Motor
35		9992069		1	O-RING, -016, 90 Duro, .614" ID x .070" Thk

9120 7120 8120 8120

FIXED SPEED - FEEDER/HEADER DRIVE HYDRAULICS - 7120, 8120/8120(LA), 9120



35.910.05

02

p2

02/10

FIXED SPEED - FEEDER/HEADER DRIVE HYDRAULICS - 7120, 8120/8120(LA), 9120

REF	FN	PART NUMBER	YR/SN	QTY	DESCRIPTION
36		86597760		1	HYD CONNECTOR, 1"-14 ORFS x M27 x 2 ORB
37		140045		1	BELLEVILLE WASHER, M10
38		120068		1	BOLT, Hex, M10 x 40, 8.8, Full Thd
39		433008		2	CLAMP
40		442340		1	SUPPORT
41		120056		1	BOLT, Hex, M6 x 50, 8.8
42		87342153		1	SPACER
43		87646029		1	BRACKET, SUPPORTING

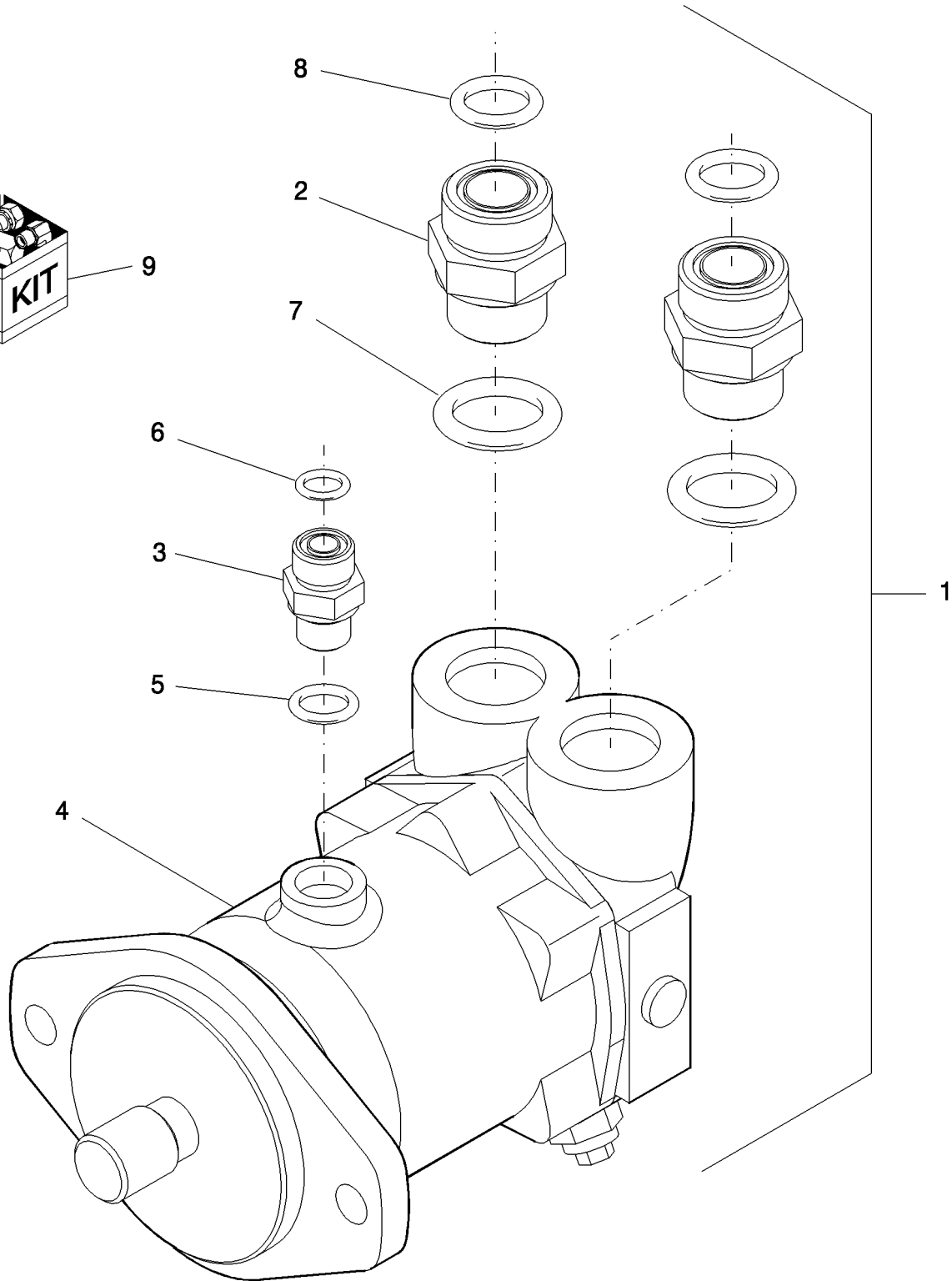
9120 7120 8120 8120

35.910.06

p1

12/09

MOTOR, HEADER - FEEDER



MOTOR, HEADER - FEEDER

REF	FN	PART NUMBER	YR/SN	QTY	DESCRIPTION
1		86996948		1	MOTOR, HYDRAULIC, Header Feeder - Includes Ref 2 thru 9
2		86580179		2	HYD CONNECTOR, 1 7/16"-12 ORFS x M22 x 2 ORB, Includes Ref 7 & 8
3		86579676		1	HYD CONNECTOR, 13/16"-16 ORFS x M18 x 1.5 ORB, Includes Ref 5 & 6
4		86981121		1	HYDRAULIC MOTOR
5		86598101		1	O-RING, CI 6, 15.3MM ID x 2.2 Thk
6		9992298		1	O-RING, -014, 90 Duro, .489" ID x .070" Thk
7		86598104		2	O-RING, CI 6, 26.6MM ID x 2.9 Thk
8		9824050		2	O-RING, -021, 90 Duro, .926" ID x .070" Thk
9		87284675		AR	SEAL KIT

**7120 7120 8120 9120
8120**

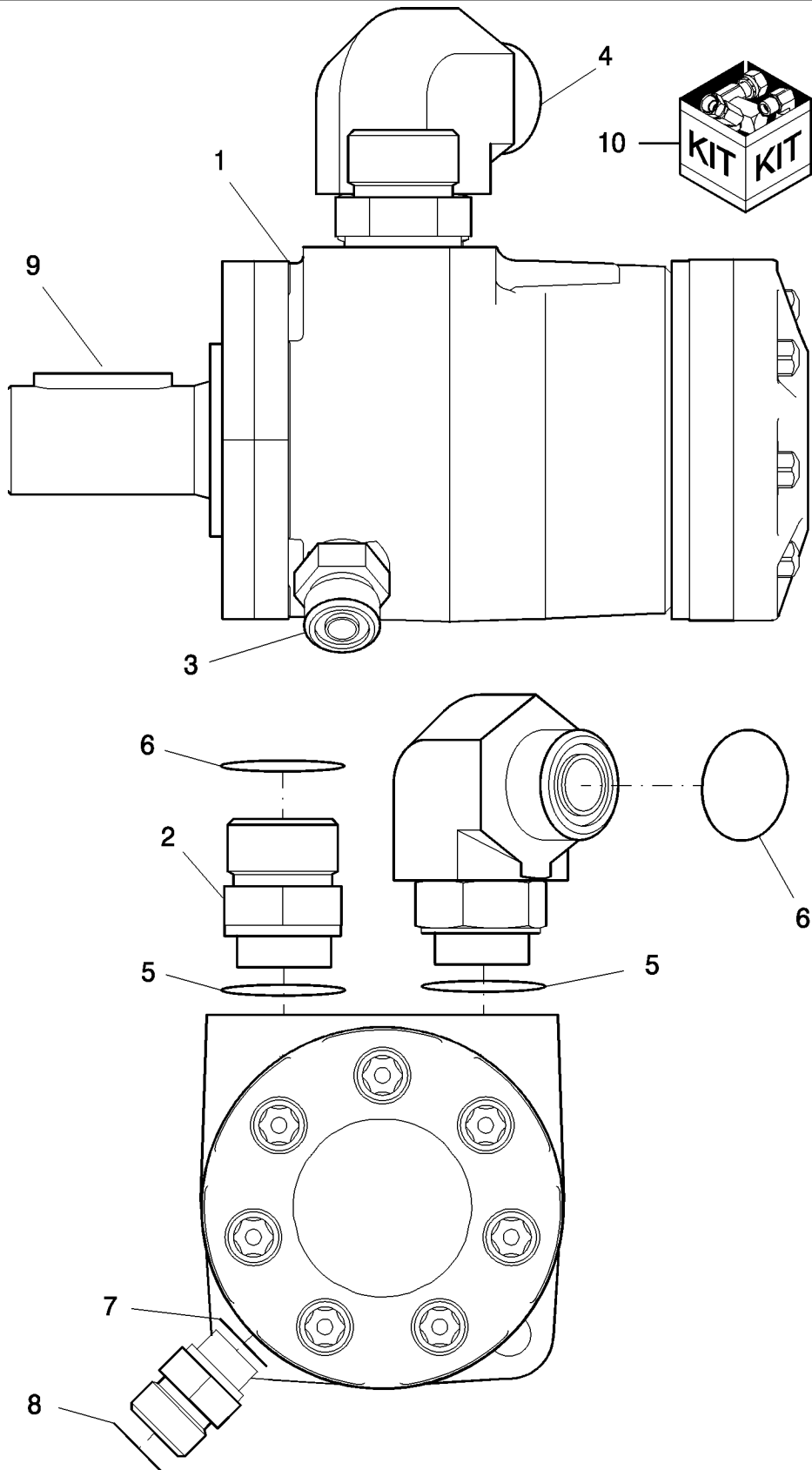
35.910.07

01

p1

11/09

MOTOR, HYDRAULIC - SPREADER W/ DRAIN



MOTOR, HYDRAULIC - SPREADER W/ DRAIN

REF	FN	PART NUMBER	YR/SN	QTY	DESCRIPTION
1		87519075		1	HYDRAULIC MOTOR, W/O Fittings
2		86579680		1	HYD CONNECTOR, 1"-14 ORFS x M22 x 1.5 ORB
3		86580177		1	HYD CONNECTOR, 11/16"-16 ORFS x M12 x 1.5 ORB
4		86579694		1	ELBOW, 90°, 1"-14 ORFS x M22 x 1.5 ORB
5		86598102		2	O-RING, CI 6, 19.3MM ID x 2.2 Thk
6		9992069		2	O-RING, -016, 90 Duro, .614" ID x .070" Thk
7		86598098		1	O-RING, CI 6, 9.3MM ID x 2.2 Thk
8		9993141		1	O-RING, -012, 90 Duro, .364" ID x .070" Thk
9		170030		1	KEY, M8 x 7 x 32, Par
10		9807617		AR	SEAL KIT

	7120 7120 8120 9120 8120
--	-------------------------------------

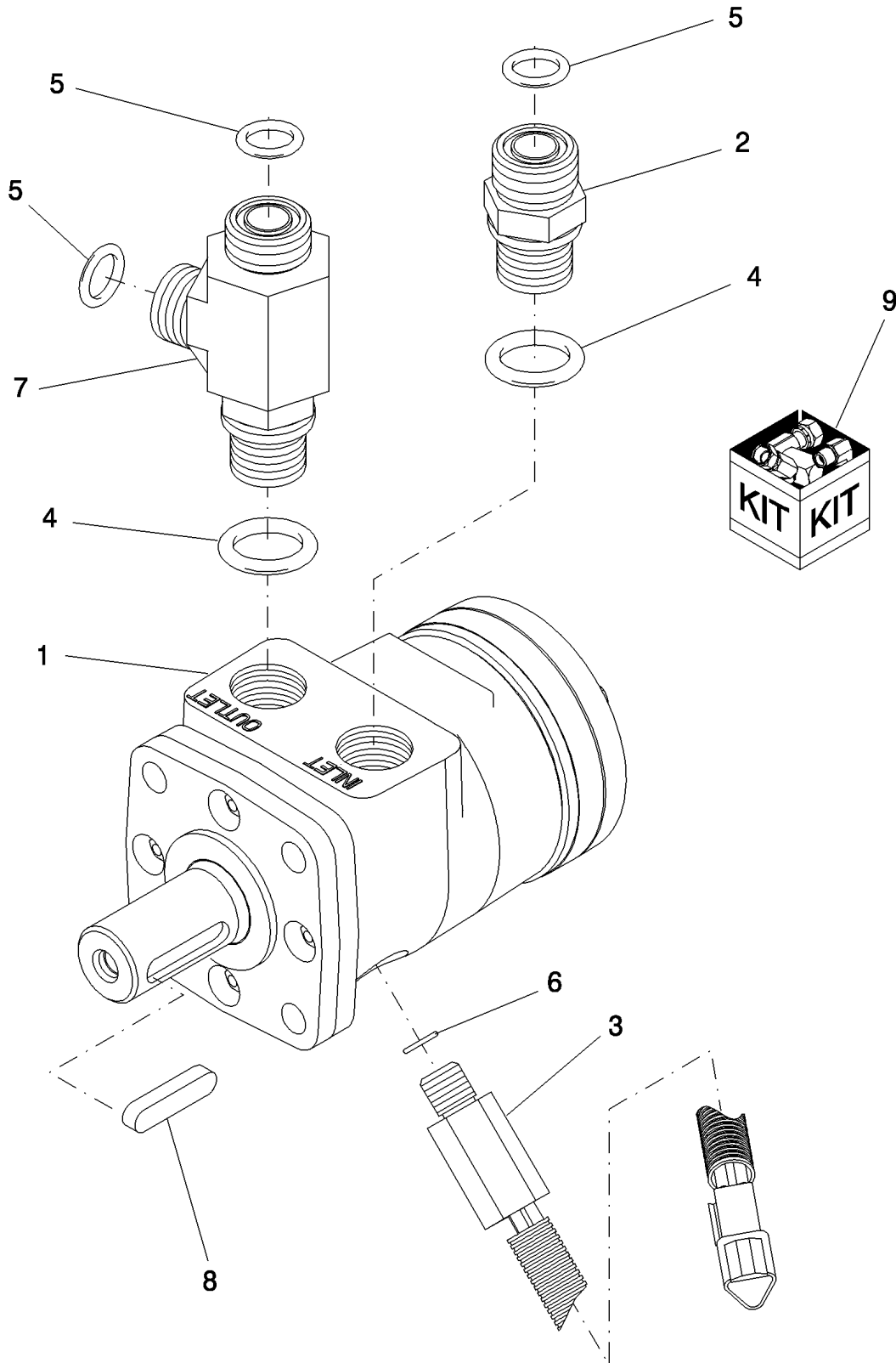
35.910.07

02

p1

12/09

MOTOR, HYDRAULIC - SPREADER W/ SENSOR



MOTOR, HYDRAULIC - SPREADER W/ SENSOR

REF	FN	PART NUMBER	YR/SN	QTY	DESCRIPTION
1		87519076		1	HYDRAULIC MOTOR, W/O Sensor & Ftgs
2		86579680		AR	HYD CONNECTOR, 1"-14 ORFS x M22 x 1.5 ORB
3		86976166		1	SENSOR, Spreader Speed
4		86598102		2	O-RING, CI 6, 19.3MM ID x 2.2 Thk
5		9992069		AR	O-RING, -016, 90 Duro, .614" ID x .070" Thk
6		9617873		1	O-RING, 6-1, 90 Duro, .468" ID x .078" Thk
7		86579705		1	TEE, 1"-14 ORFS x M22 x 1.5 ORB Run
8		170030		1	KEY, M8 x 7 x 32, Par
9		9807617		1	SEAL KIT

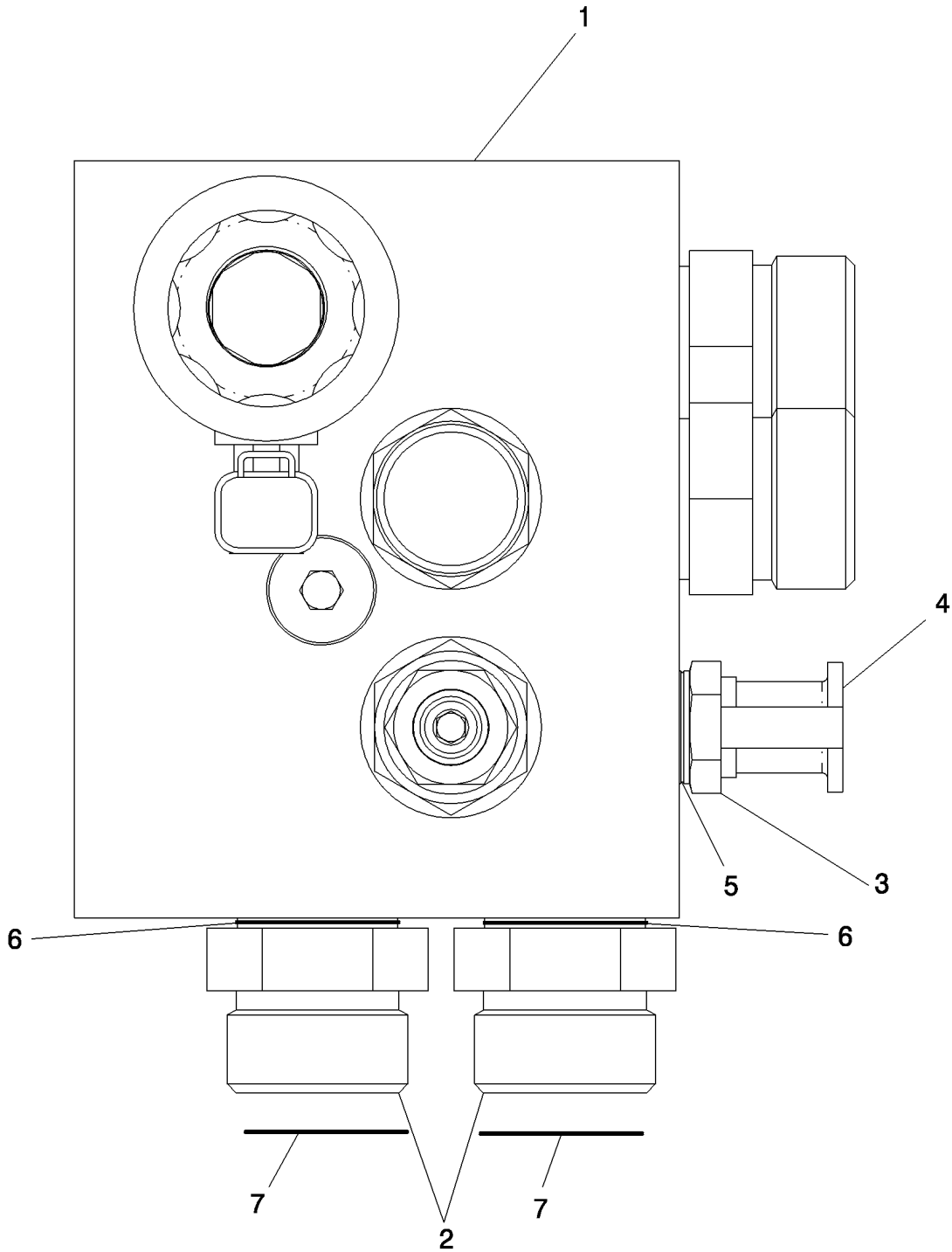
	7120 7120 8120 9120 8120
--	---

35.910.08

p1

08/09

VALVE, CLEANING FAN



VALVE, CLEANING FAN

REF	FN	PART NUMBER	YR/SN	QTY	DESCRIPTION
1		87107189		1	HYDRAULIC VALVE
2		86579681		4	HYD CONNECTOR, 1 3/16"-12 ORFS x M22 x 1.5 ORB
3		84320565		1	COUPLING, M14 x 1.5, Fitting, Diagnostic
4		86502604		1	DUST CAP
5		86598099		1	O-RING, CI 6, 11.3MM ID x 2.2 Thk
6		86598102		2	O-RING, CI 6, 19.3MM ID x 2.2 Thk
7		9991976		2	O-RING, -018, 90 Duro, .739" ID x .070" Thk

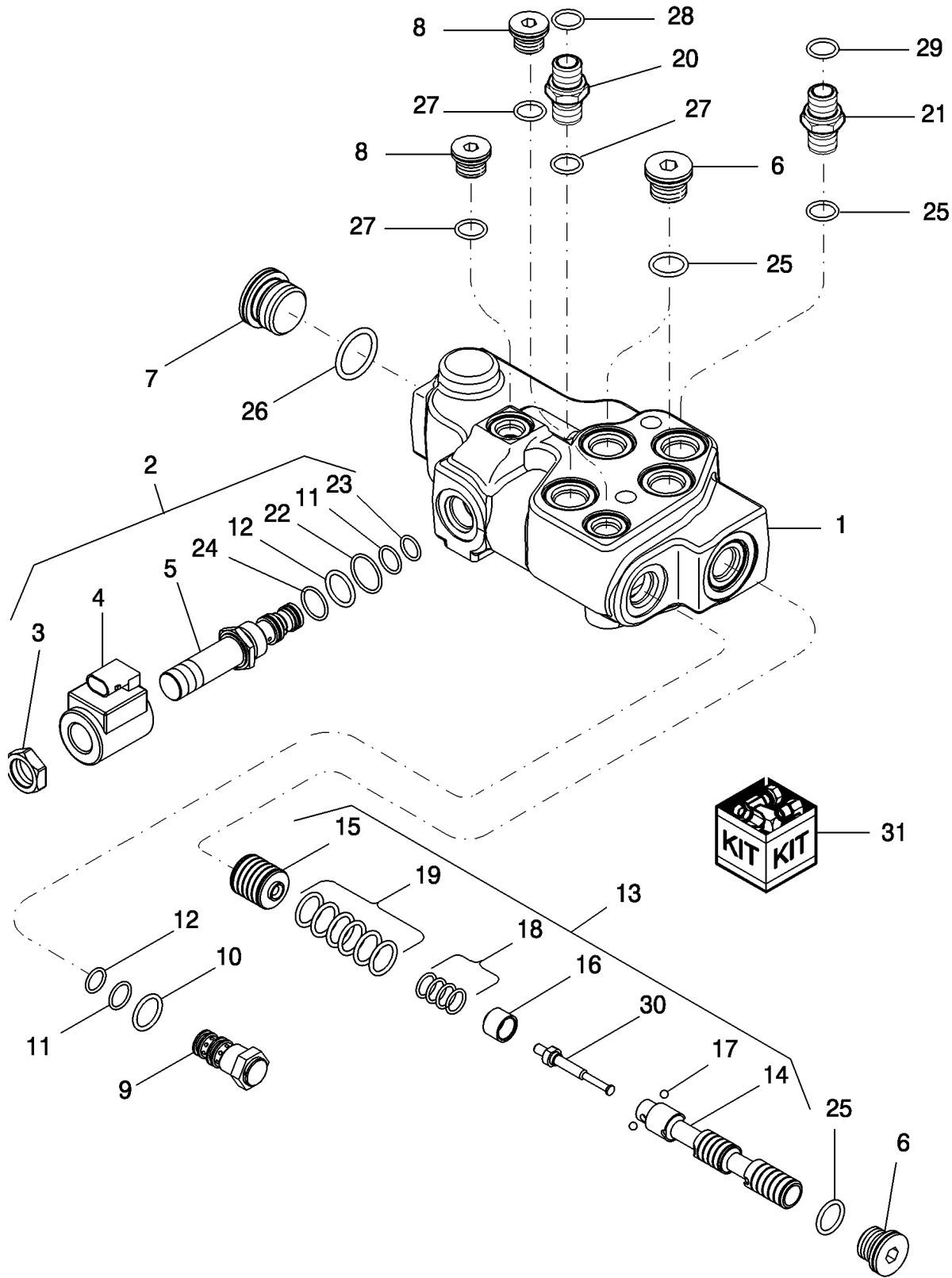
	7120 7120 9120 8120 8120
--	-------------------------------------

35.910.09

p1

02/10

VALVE, HYDRAULIC



VALVE, HYDRAULIC

REF	FN	PART NUMBER	YR/SN	QTY	DESCRIPTION
1		86981234		1	HYDRAULIC VALVE, PTO Clutch Control
2		84135530		1	SOLENOID VALVE, PWM, Includes Ref 3, 4, 5, 11, 12, 22 - 24
3		304836A1		1	NUT, Retainer
4		304834A1		1	SOLENOID
5		304831A1		1	SPOOL, Cartridge
6		221578A1		3	PLUG, Hex Soc, M18 x 1.5, ORB, Incl Ref 25
7		221580A1		1	PLUG, Hex Soc, M27 x 2, ORB, Incl Ref 26
8		221576A1		3	PLUG, Hex Soc, M14 x 1.5, ORB, Incl Ref 27
9		177120A1		1	PLUG, Solenoid Valve, 2 GPM
10		237-6008		1	O-RING, 8-1, 90 Duro, .644" ID x .087" Thk
11		238-5014		2	O-RING, -014, 70 Duro, .489" ID x .070" Thk
12		238-5013		2	O-RING, -013, 70 Duro, .426" ID x .070" Thk
13		86981236		1	SPOOL, ASSEMBLY, Includes Ref 14 - 19, 30
14		86981237		1	SPOOL, Modulation
15		NSS		1	NOT SERVICED SEPARATELY, PISTON Modulator Assembly
16		NSS		1	NOT SERVICED SEPARATELY, SLEEVE Retaining
17		511-1040		2	BALL, 4mm Dia, GR 28 Chrome, ALY STL
18		NSS		1	NOT SERVICED SEPARATELY, SPRING Light Modulation
19		NSS		1	NOT SERVICED SEPARATELY, SPRING Preload
20		700-101		1	HYD CONNECTOR, 11/16"-16 ORFS x M14 x 1.5 ORB, Incl 27, 28
21		700-102		1	HYD CONNECTOR, 13/16"-16 ORFS x M18 x 1.5 ORB, Incl Ref 25, 29
22		237-6008		1	O-RING, 8-1, 90 Duro, .644" ID x .087" Thk
23		238-7016		1	O-RING, -016, CI 7, .614" ID x .070" Thk
24		238-7018		1	O-RING, -018, CI 7, .739" ID x .070" Thk
25		86598101		5	O-RING, CI 6, 15.3MM ID x 2.2 Thk
26		86598103		1	O-RING, CI 6, 23.6MM ID x 2.9 Thk
27		86598099		3	O-RING, CI 6, 11.3MM ID x 2.2 Thk
28		9993141		1	O-RING, -012, 90 Duro, .364" ID x .070" Thk
29		9992298		1	O-RING, -014, 90 Duro, .489" ID x .070" Thk
30		NSS		1	NOT SERVICED SEPARATELY, Pin

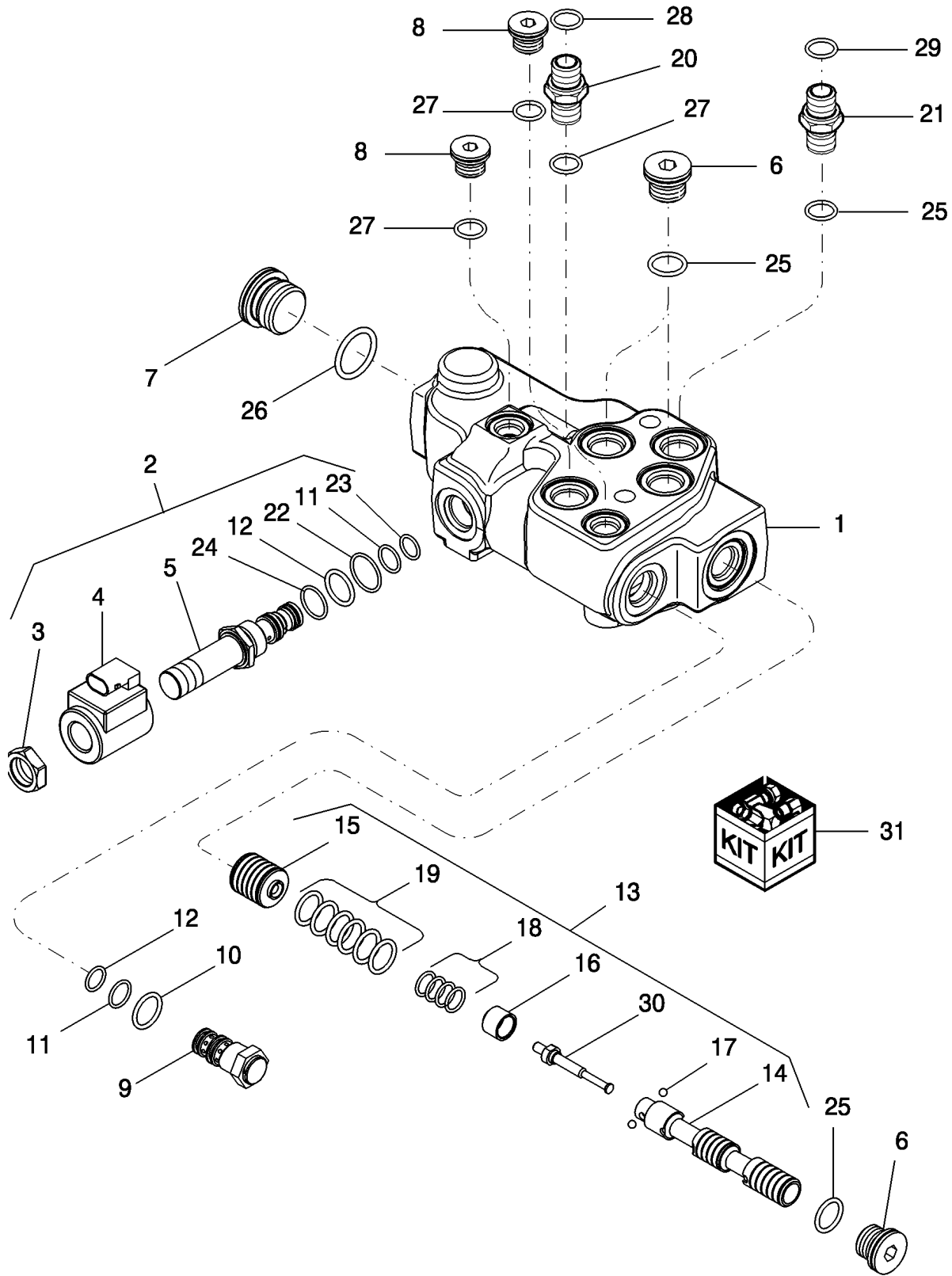
8120 9120 7120 7120
8120

35.910.09

p2

02/10

VALVE, HYDRAULIC



35.910.09

p2

02/10

VALVE, HYDRAULIC

REF	FN	PART NUMBER	YR/SN	QTY	DESCRIPTION
31		308245A1		1	SEAL KIT, Includes (1) each of Ref 11, 12, 22, 23, 24

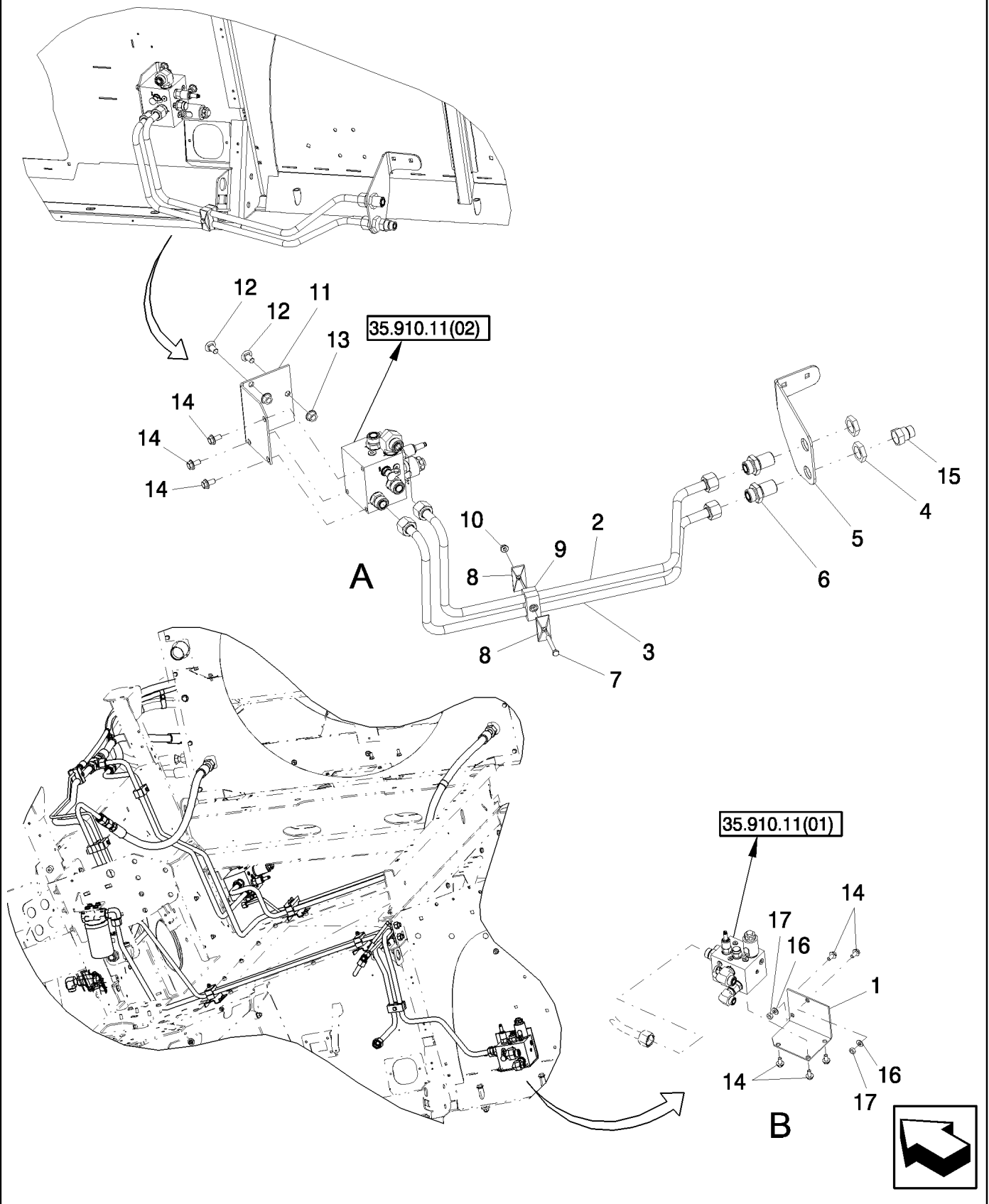
**8120 9120 7120 7120
8120**

35.910.10

p1

08/09

SPREADER CONTROL VALVE, MOUNT



SPREADER CONTROL VALVE, MOUNT

REF	FN	PART NUMBER	YR/SN	QTY	DESCRIPTION
1		87482038		1	BRACKET
2		84180046		1	HYD. TUBE, Spreader Return
3		84180050		1	HYD. TUBE, Spreader Pressure
4		86639062		2	LOCK NUT, 1 3/16"-12, ORFS Blkhd
5		84176412		1	BRACKET
6		86639064		2	UNION, 1 3/16"-12 ORFS, Blkd
7		300510		1	BOLT, Hex, M8 x 65, 8.8
8		87000230		2	PLATE
9		87000140		1	CLAMP
10		9804277		1	NUT, M8 x 1.25, Flg, CI 8
11		87482038		1	BRACKET
12		374895		2	CARRIAGE BOLT, Short NK, M12 x 25, CI8.8, Full Thd
13		9804279		2	NUT, M12 x 1.75, Flg, CI 8
14		274249		5/3	BOLT, Hex Serr Flg, M10 x 20
15		84989617		1	HYD CONNECTOR, 1"-14 M ORFS x 1 3/16"-12 Fem ORFS
16		140045		2	BELLEVILLE WASHER, M10
17		100016		2	NUT, M10, CI 8

A = From 3/09.....B = Prior To 3/09	7120 7120 8120 9120 8120
-------------------------------------	-------------------------------------

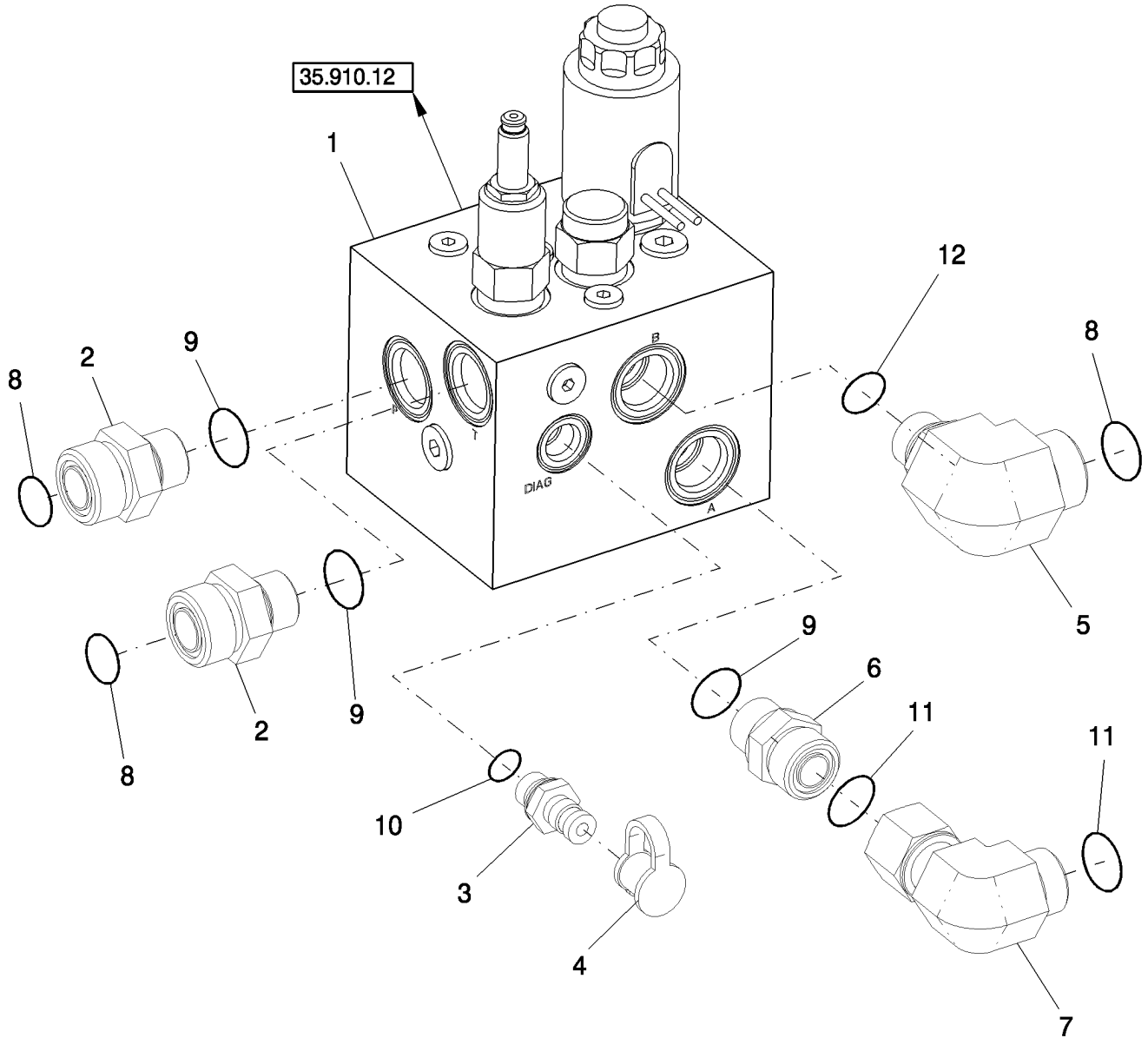
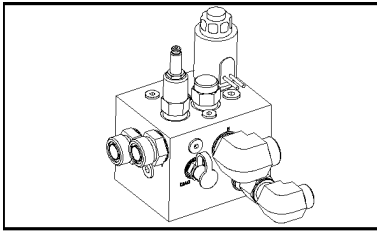
35.910.11

01

p1

11/09

SPREADER CONTROL VALVE, CONNECTORS - PRIOR TO 3/09



35.910.11

01

p1

11/09

SPREADER CONTROL VALVE, CONNECTORS - PRIOR TO 3/09

REF	FN	PART NUMBER	YR/SN	QTY	DESCRIPTION
1		87482032		1	HYDRAULIC VALVE, Spreader
2		86579681		2	HYD CONNECTOR, 1 3/16"-12 ORFS x M22 x 1.5 ORB, Incl Refs 8 & 9
3		84320565		1	COUPLING, M14 x 1.5, Incl Ref 10
4		86502604		1	DUST CAP
5		86579695		1	ELBOW, Incl Refs 8 & 12
6		86579680		1	HYD CONNECTOR, 1"-14 ORFS x M22 x 1.5 ORB, Incl Refs 9 & 11
7		84989393		1	ELBOW, 90°, 1"-14 ORFS x 1"-14 Fem Sw, Incl Ref 11
8		9991976		3	O-RING, -018, 90 Duro, .739" ID x .070" Thk
9		86598102		3	O-RING, CI 6, 19.3MM ID x 2.2 Thk
10		86598099		1	O-RING, CI 6, 11.3MM ID x 2.2 Thk
11		9992069		2	O-RING, -016, 90 Duro, .614" ID x .070" Thk
12		86598102		1	O-RING, CI 6, 19.3MM ID x 2.2 Thk

**7120 7120 8120 9120
8120**

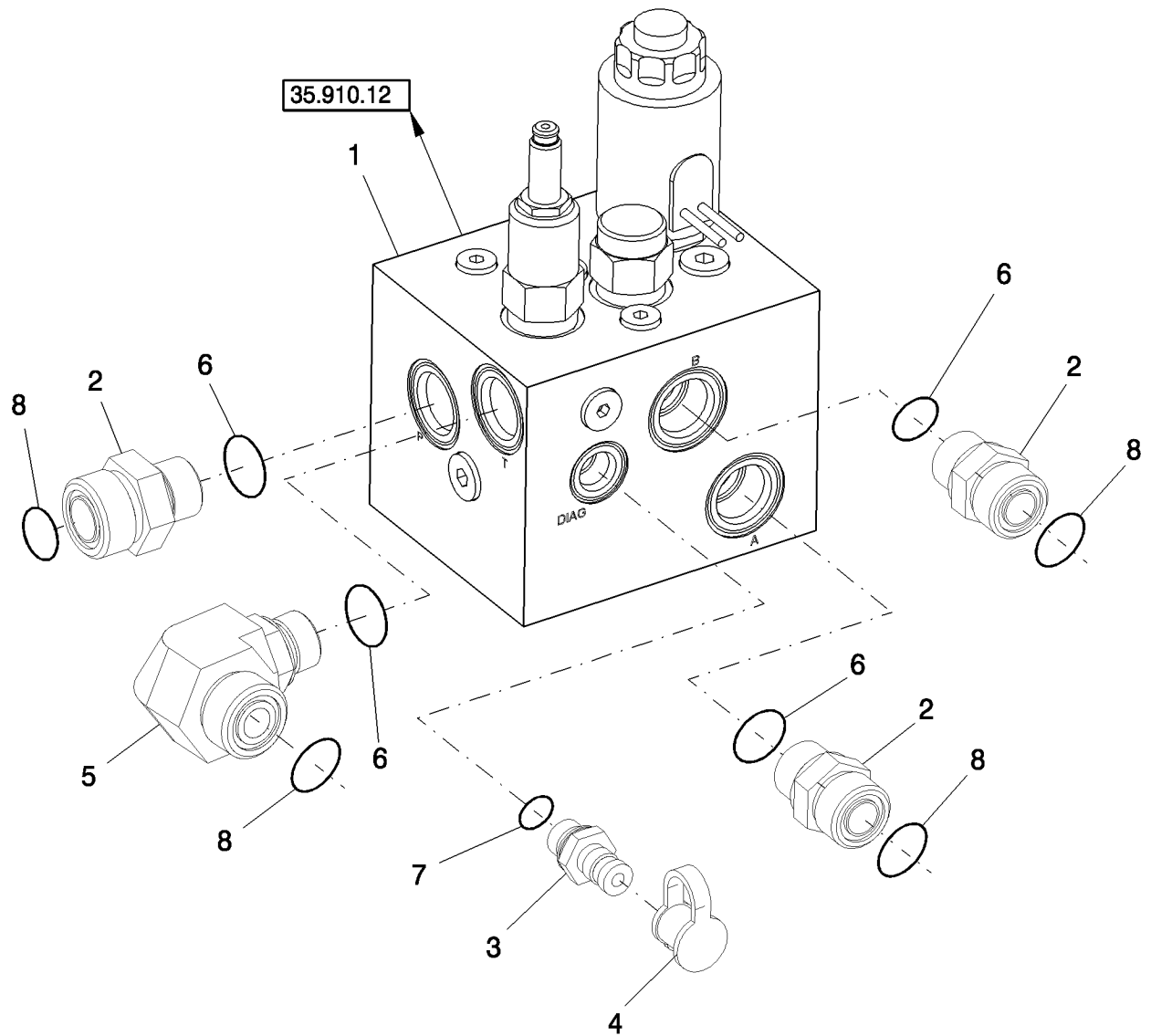
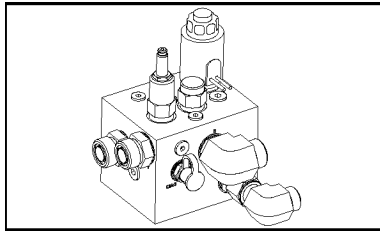
35.910.11

02

p1

11/09

SPREADER CONTROL VALVE, CONNECTORS - FROM 3/09

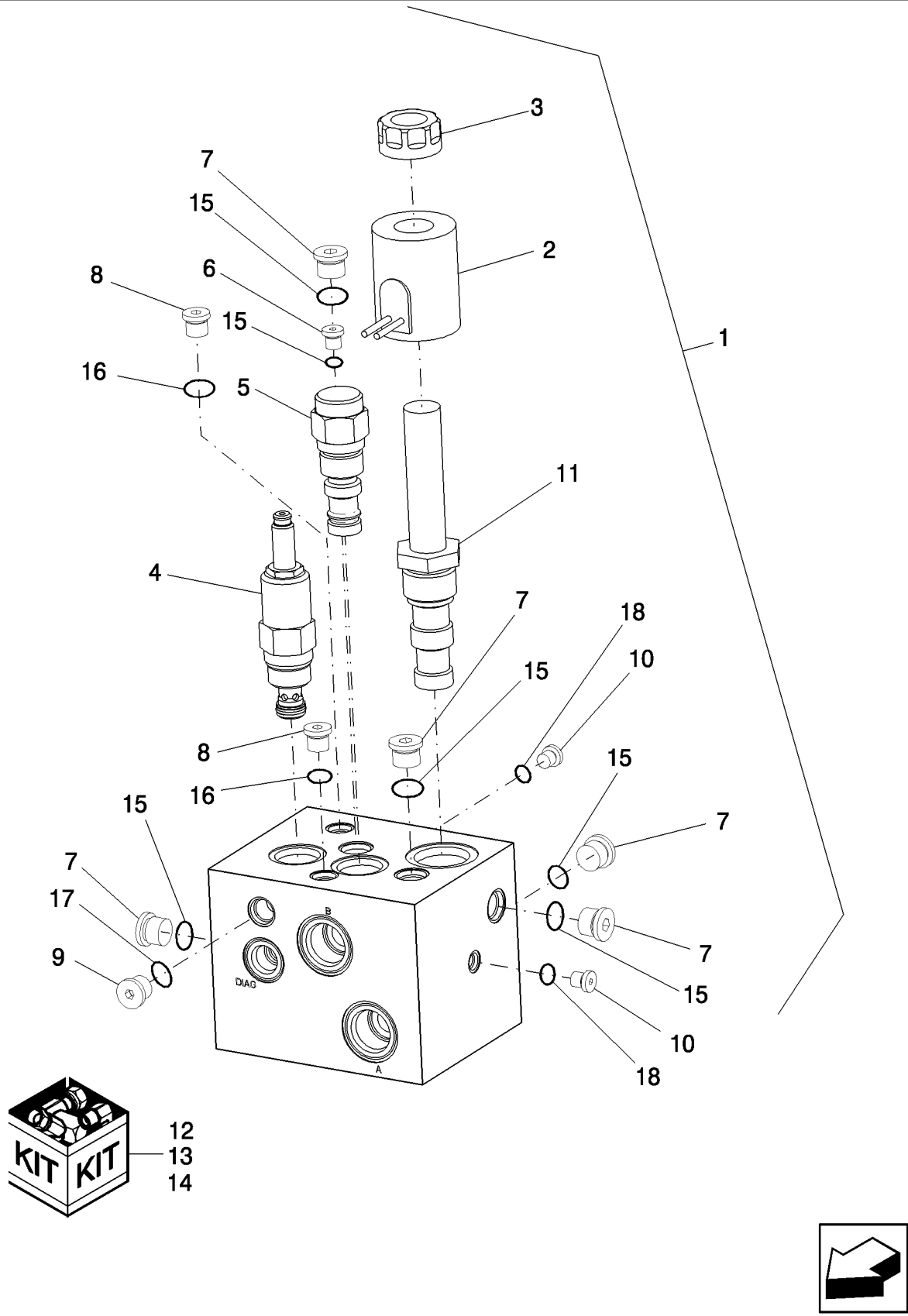


SPREADER CONTROL VALVE, CONNECTORS - FROM 3/09

REF	FN	PART NUMBER	YR/SN	QTY	DESCRIPTION
1		87482032		1	HYDRAULIC VALVE, Spreader
2		86579681		3	HYD CONNECTOR, 1 3/16"-12 ORFS x M22 x 1.5 ORB, Incl Refs 6 & 8
3		84320565		1	COUPLING, M14 x 1.5, Incl Ref 7
4		86502604		1	DUST CAP
5		86579695		1	ELBOW, Incl Refs 6 & 8
6		86598102		3	O-RING, CI 6, 19.3MM ID x 2.2 Thk
7		86598099		1	O-RING, CI 6, 11.3MM ID x 2.2 Thk
8		9991976		4	O-RING, -018, 90 Duro, .739" ID x .070" Thk

	7120 7120 8120 9120 8120
--	---

SPREADER CONTROL VALVE, COMPONENTS



SPREADER CONTROL VALVE, COMPONENTS

REF	FN	PART NUMBER	YR/SN	QTY	DESCRIPTION
1		87482032		1	HYDRAULIC VALVE, Proportional Spreader
2		87434005		1	HYDRAULIC VALVE, Cartridge
3		87435447		1	NUT
4		299075A1		1	VALVE, PRESSURE RELIEF, See Also Ref 12
5		87031239		1	HYDRAULIC VALVE, Pressure Differential; See Also Ref 13
6		87026245		1	ORIFICE, Incl Ref 15
7		218-5209		5	PLUG, Hex Soc, 9/16"-18 ORB, Incl Ref 15
8		218-5207		2	PLUG, Hex Soc, 7/16"-20 ORB, Incl Ref 16
9		218-5208		1	PLUG, Hex Soc, 1/2"-20 ORB, Incl Ref 17
10		218-5205		2	PLUG, Hex Soc, 5/16"-24 ORB, Incl Ref 18
11		87434003		1	HYDRAULIC VALVE, Cartridge Proportional; See Also Ref 14
12		G110098		1	KIT, Services Ref 4
13		87024936		1	SEAL KIT, Services Ref 5
14		87434006		1	SEAL KIT, Services Ref 11
15		9617873		6	O-RING, 6-1, 90 Duro, .468" ID x .078" Thk
16		165202		2	O-RING, 4-1, 90 Duro, .351" ID x .072" Thk
17		237-6005		1	O-RING, 5-1, 90 Duro, .414" ID x .072" Thk
18		86010510		2	O-RING, 2-1, .239" ID x .064" Thk

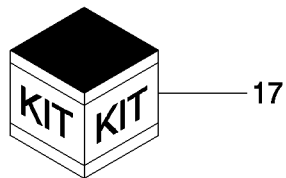
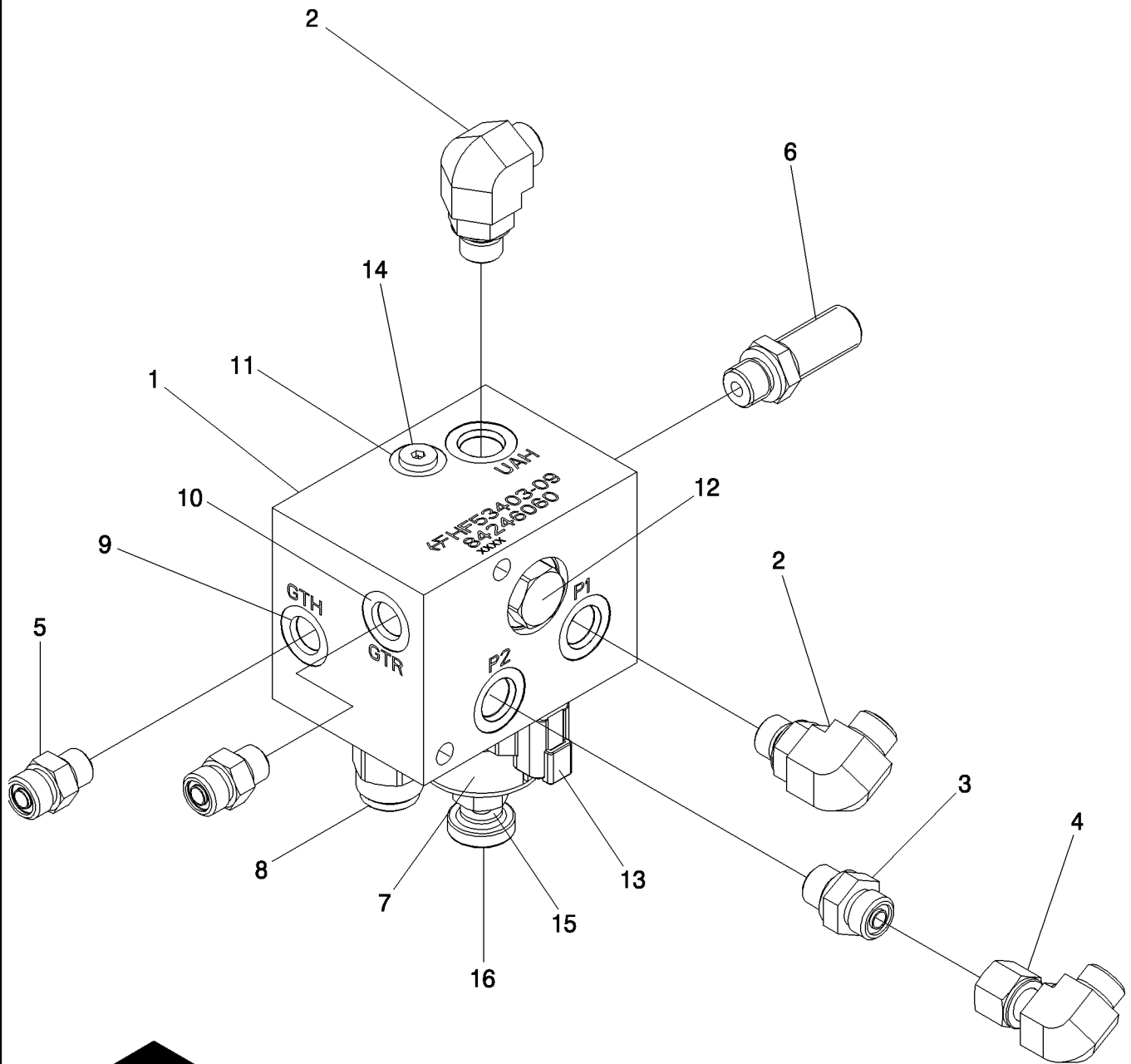
**7120 7120 8120 9120
8120**

35.910.13

p1

11/09

HYDRAULIC, GT COVER MANIFOLD



HYDRAULIC, GT COVER MANIFOLD

REF	FN	PART NUMBER	YR/SN	QTY	DESCRIPTION
1		84246060		1	MANIFOLD VALVE
2		86579687		2	90 ELBOW
3		86579672		1	HYD CONNECTOR, 11/16"-16 ORFS x M16 x 1.5 ORB
4		84989392		1	ELBOW, 90°, 11/16"-16 ORFS x 11/16"-16 Fem Sw
5		9993143		2	HYD CONNECTOR, 11/16"-16 ORFS x 9/16"-18 ORB
6		84224892		1	HYD CONNECTOR
7		84227086		1	SOLENOID VALVE
8		84227087		1	PRESSURE RELIEF VALVE
9		84227092		1	ORIFICE
10		84227093		1	ORIFICE
11		87227094		1	ORIFICE
12		87269963		1	VALVE SECTION
13		84227091		1	COIL
14		278548		1	PLUG, Hex Soc, 7/16"-20 ORB
15		84227089		1	NUT
16		84227091		1	COIL
17		84227088		1	SEAL KIT

**7120 7120 8120 9120
8120**

SECTION INDEX

39 - Frames

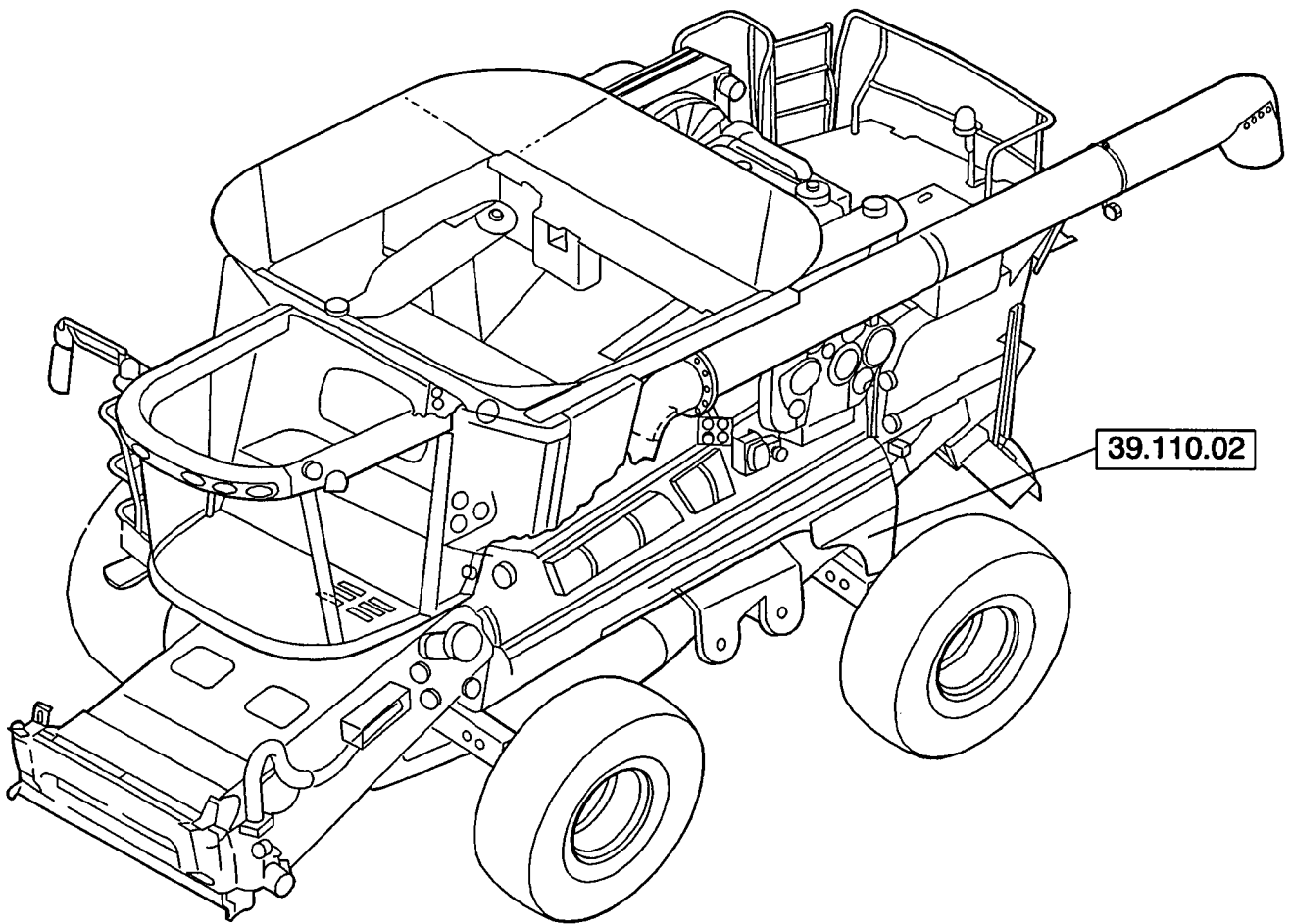
39.000.00	SECTION INDEX - FRAMES
39.100.01	FRAME, SELF-LEVELING
39.100.04	FRAME, LOWER & PIVOT, CLEANING SHOE, SELF-LEVELING
39.100.05	FRAME, THRESHING
39.100.06	BRACKETS, FRONT SUPPORTING
39.101.03	DIA, HARVEST KIT, FRAME REINFORCEMENT
39.110.02	HITCH, TRAILER

39.000.00

p1

08/09

SECTION INDEX - FRAMES



39.000.00

p1

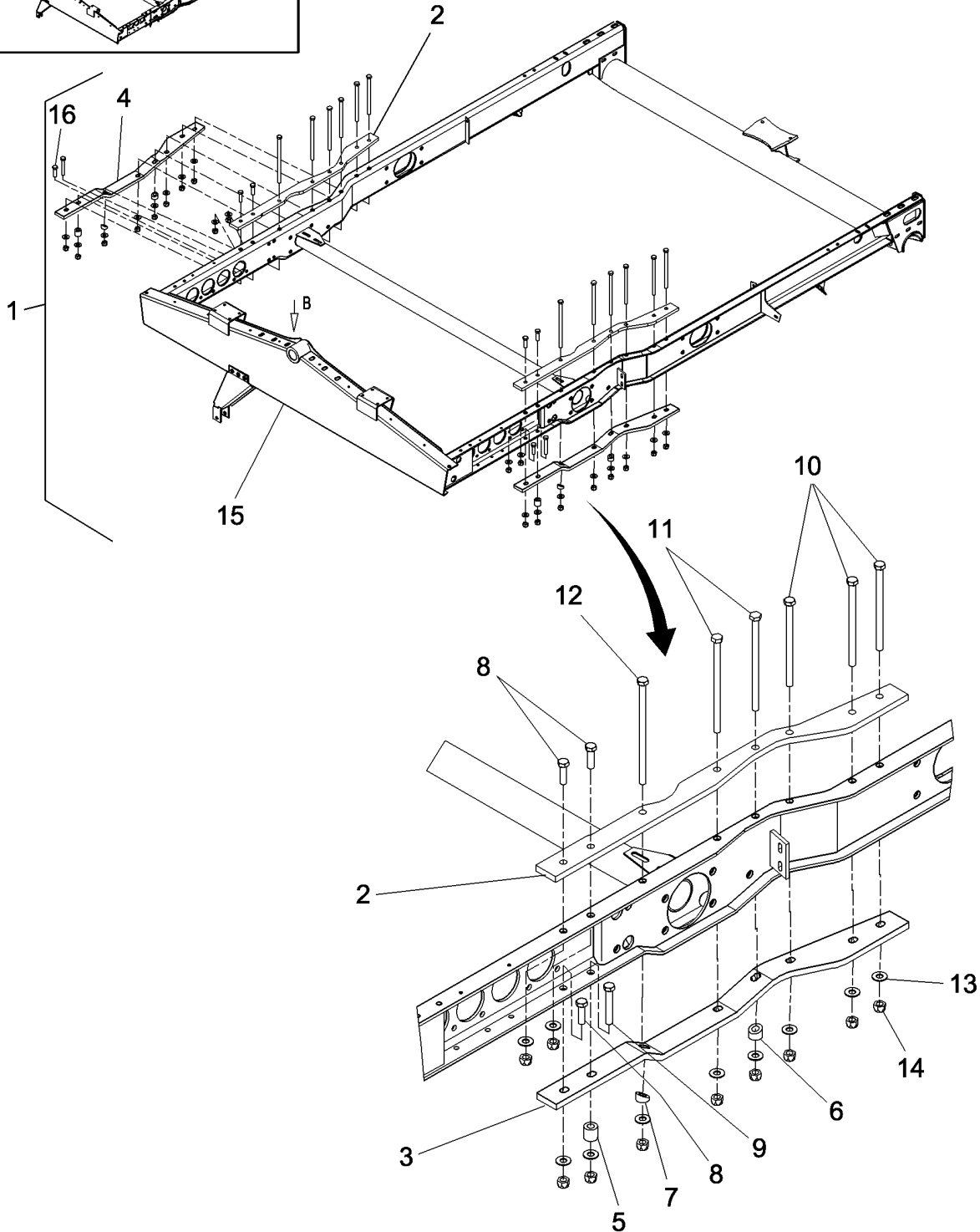
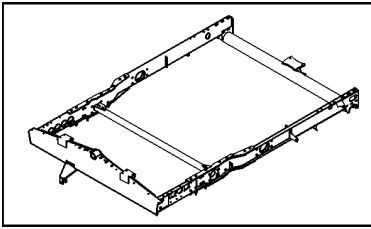
08/09

SECTION INDEX - FRAMES

REF	FN	PART NUMBER	YR/SN	QTY	DESCRIPTION
------------	-----------	--------------------	--------------	------------	--------------------

					7120 7120 8120 9120 8120
--	--	--	--	--	-------------------------------------

FRAME, SELF-LEVELING



FRAME, SELF-LEVELING

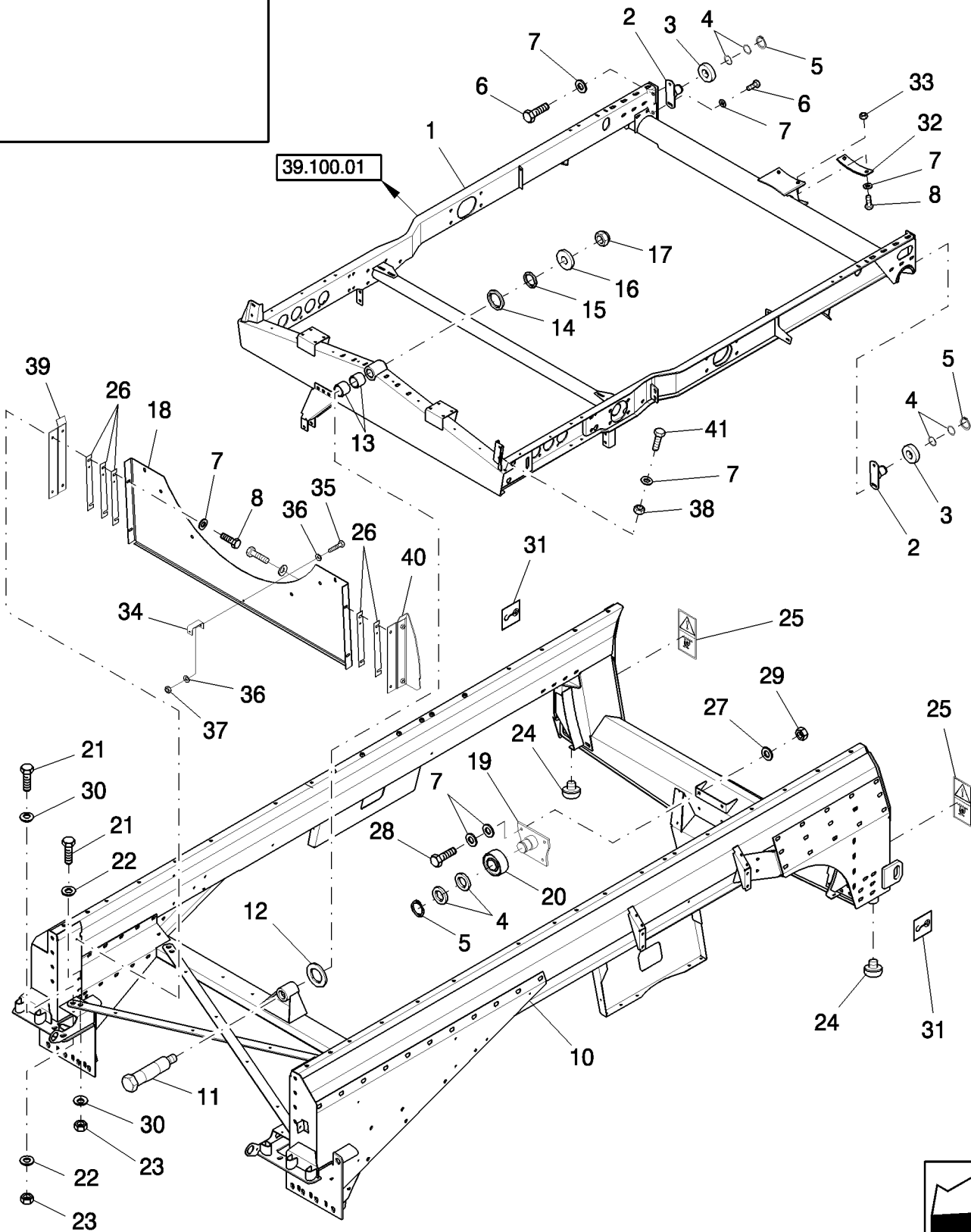
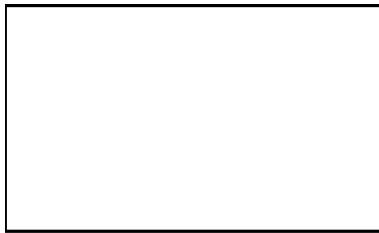
REF	FN	PART NUMBER	YR/SN	QTY	DESCRIPTION
1		87573764	BSN Y9G206376	1	FRAME
1	1	84181481	ASN Y9G206376	1	FRAME ASSY
1		87573766	BSN Y9G206380	1	FRAME
1	2	84181483	ASN Y9G206380	1	FRAME ASSY
2		87369975		2	SUPPORT
3		87538178		1	SUPPORT
4		87538180		1	SUPPORT
5		87373358		2	BUSHING
6		87369974		2	BUSHING
7		87374530		2	BUSHING
8		86629541		6	BOLT, Hex, M12 x 40, 8.8, Full Thd
9		350460		2	BOLT, Hex, M12 x 75, 8.8
10		336383		6	BOLT, Hex, M12 x 180, 8.8
11		87560260		4	BOLT, Hex, M12 x 200, 8.8
12		364053		2	BOLT, Hex, M12 x 220, 8.8
13		140046		20	SPRING WASHER, Belleville, M12
14		100038		20	LOCK NUT, M12 x 1.75, CI 8
15	1	NSS		1	NOT SERVICED SEPARATELY
15	2	NSS		1	NOT SERVICED SEPARATELY
16		120080		1	BOLT

(1) 7120 Only

(2) 8120 & 9120 Only

7120 7120 8120 9120
8120

FRAME, LOWER & PIVOT, CLEANING SHOE, SELF-LEVELING



FRAME, LOWER & PIVOT, CLEANING SHOE, SELF-LEVELING

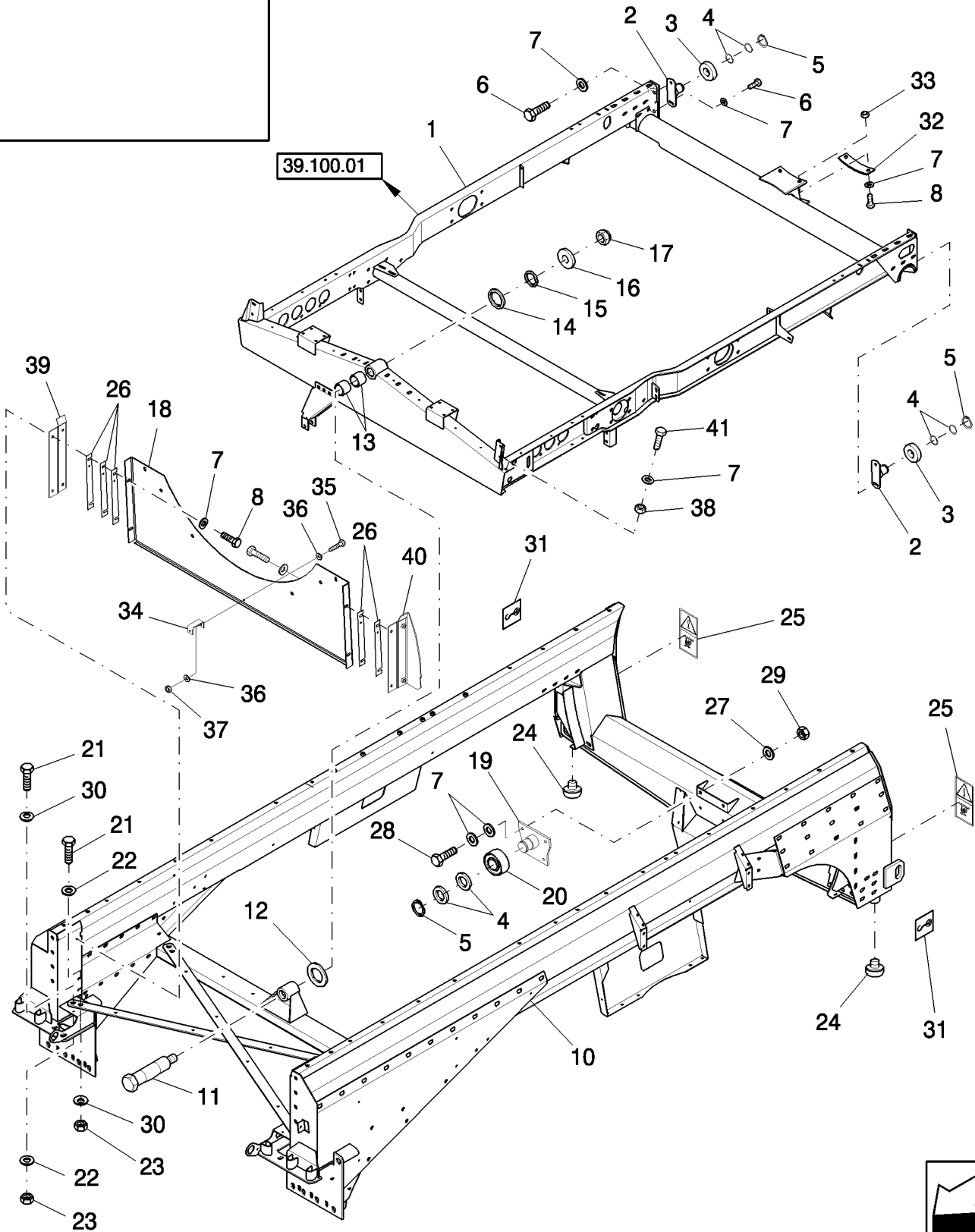
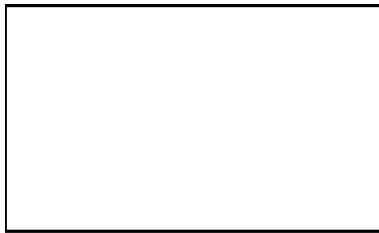
REF	FN	PART NUMBER	YR/SN	QTY	DESCRIPTION
1	1	84181481		1	FRAME ASSY
1	2	84181483		1	FRAME ASSY
2		89504221		2	HINGE
3		80434817		2	ROLLER
4		80442203		6	WASHER
5		440442		3	SNAP RING, M40, Ext
5		370006		3	SNAP RING, M40, Ext
6		43139		4	BOLT, Hex, M10 x 25, 8.8, Full Thd
7		140045		AR	BELLEVILLE WASHER, M10
8		43140		AR	BOLT, Hex, M10 x 30, 8.8, Full Thd
9		825-1410		4	NUT, M10, CI 8
10		87283691	ASN Y9G206596	1	FRAME ASSY, Lower, Main
10	1	84183454	BSN Y9G206596	1	FRAME ASSY, Lower, Main
10		87283693	ASN Y9G206596	1	FRAME, Lower, Main
10	2	84183456	BSN Y9G206596	1	FRAME, Lower, Main
11		89831928		1	SHAFT
12		80140061		1	WASHER
13		80429232		2	BUSHING
14		89508900		1	WASHER
15		89513615		1/AR	WASHER
16		84007183		1	WASHER, M16 x 58 x 6
17		86000441		1	NUT, M16 x 2, CI 8
18	1	87363342		1	PLATE ASSY.
18	2	87332485		1	PLATE
19		87280355		1	SUPPORT, Hinge
20		210049		1	BALL BEARING
21		43168		4	BOLT, Hex, M16 x 2 x 40, 8.8, Full Thd
22		394631		AR	WASHER, M17 x 34 x 4, HT
23		825-1416		4	NUT, M16, CI 8
24		80190029		2	RUBBER BUMPER
25		84100296		2	DECAL, Tie-down Point
26		84071503		AR	SHIM
27		394629		6	LOCK WASHER, M10.5 x 24 x 0.2, HT

(1) 7120 Only

(2) 8120 & 9120 Only

**7120 7120 8120 9120
8120**

FRAME, LOWER & PIVOT, CLEANING SHOE, SELF-LEVELING

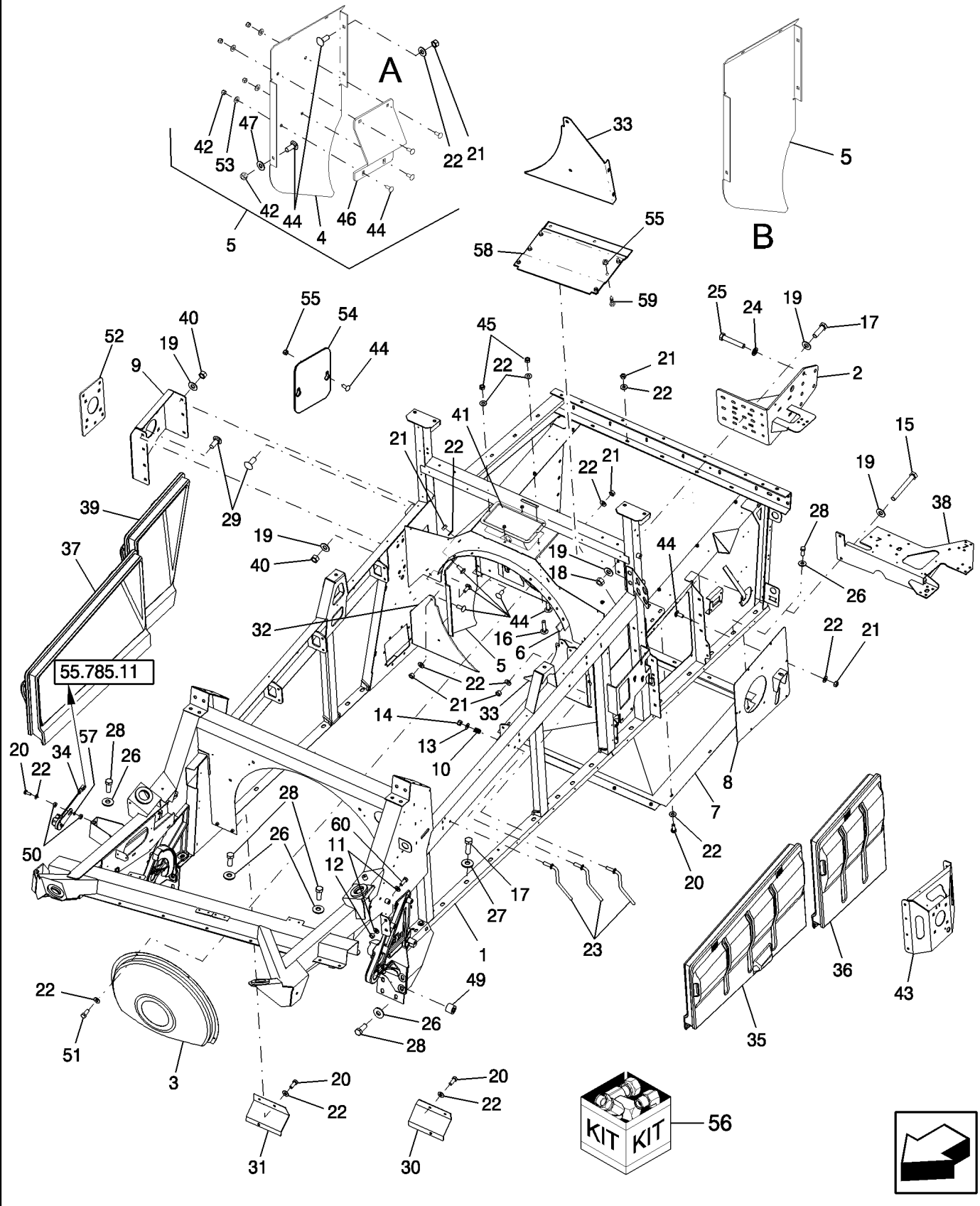


FRAME, LOWER & PIVOT, CLEANING SHOE, SELF-LEVELING

REF	FN	PART NUMBER	YR/SN	QTY	DESCRIPTION
28		87032337		4	BOLT, Hex Flg, M10 x 40, 10.9
29		86981462		2	NUT, M10 x 1.5, Flg, CI 10
30		86589278		4	BELLEVILLE WASHER, M17 x 41.5 x 4.5, HT
31		449973		2	DECAL
32		84457842		1	WEAR PLATE
33		100037		2	NUT, M10 x 1.5, CI 8
34		87318696		1	SUPPORT, Bracket
35		120100		1	BOLT, Hex, M6 x 20, 8.8
36		322357		2	BELLEVILLE WASHER, M6
37		9706755		1	NUT, M6, CI 8
38		100016		2	NUT, M10, CI 8
38		137938		2	SPACER
39		87317610		1	PLATE
39		87332489		1	BRACKET, R.H.
40		87317607		1	PLATE
40		87332486		1	BRACKET, L.H.
41		120068		2	BOLT, Hex, M10 x 40, 8.8, Full Thd

**7120 7120 8120 9120
8120**

FRAME, THRESHING



FRAME, THRESHING

REF	FN	PART NUMBER	YR/SN	QTY	DESCRIPTION
1	1	87324600		1	FRAME
1	2	NS		1	NOT SERVICED, Frame
2		87579208		1	PLATE
3	3	87744743		1	COVER ASSY, Cone
3	4	87603593		1	COVER ASSY, Cone
4		87550492		1	BULKHEAD, Deflector, R.H.
5	5	0C		1	ORDER COMPONENTS, R.H.
5	6	87107510		1	DEFLECTOR
6		87107511		1	DEFLECTOR, L.H.
7		87109397		1	SHEET
8	7	87687319		1	COVER ASSY, Plate
9		87282803		1	BRACKET
10		87281904		6	SPRING
11		140048		8	BELLEVILLE WASHER, M16
12		825-1416		4	NUT, M16, CI 8
13		140045		6	BELLEVILLE WASHER, M10
14		100037		6	NUT, M10 x 1.5, CI 8
15		86508622		2	BOLT, Hex, M12 x 100, 10.9
16		87024996		4	BOLT, Carriage, Short Neck, CL 8.8, M8 x 40
17		86629541		38	BOLT, Hex, M12 x 40, 8.8, Full Thd
18		9706685		14	NUT, M12, CI 8
19		140046		42	SPRING WASHER, Belleville, M12
20		120104		27	BOLT, Hex, M8 x 20, 8.8
21		9706690		31	NUT, M8, CI 8
22		322358		AR	BELLEVILLE WASHER, M8
23		87106461		6	HANDLE, Access Door
24		86625266		6	WASHER, M17.5 x 30 x 4, HT
25		350616		6	BOLT, Hex, M16 x 90, 8.8

(1) 8120 & 9120 Only

(2) 7120 Only

(3) Large Tube Rotor

(4) Small Tube Rotor

(5) Standard

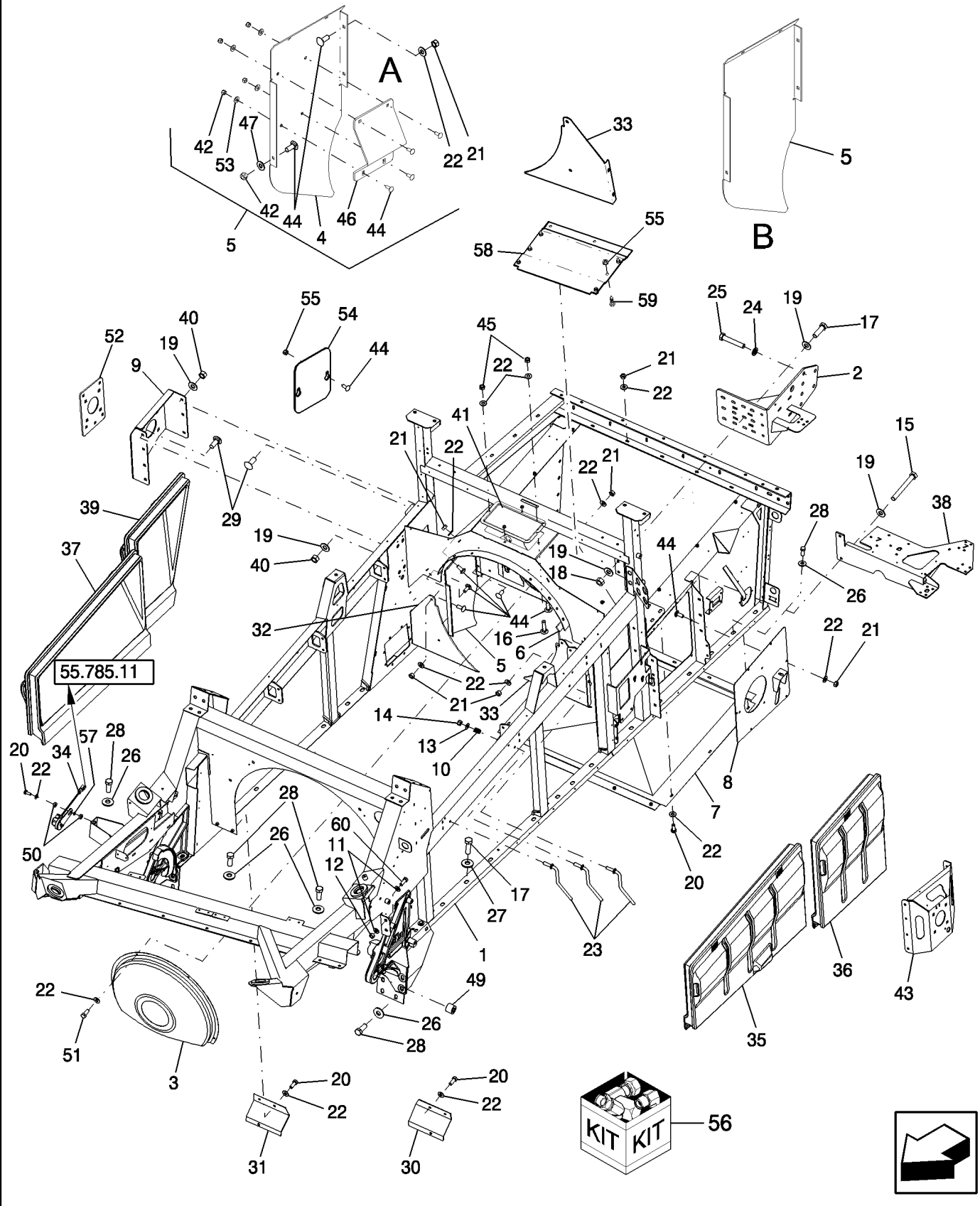
(6) Optional

(7) Part has Eight Small Circular Holes, and One Square Hole About the Perimeter

A = Standard...B = Optional

8120 9120 7120 7120
8120

FRAME, THRESHING



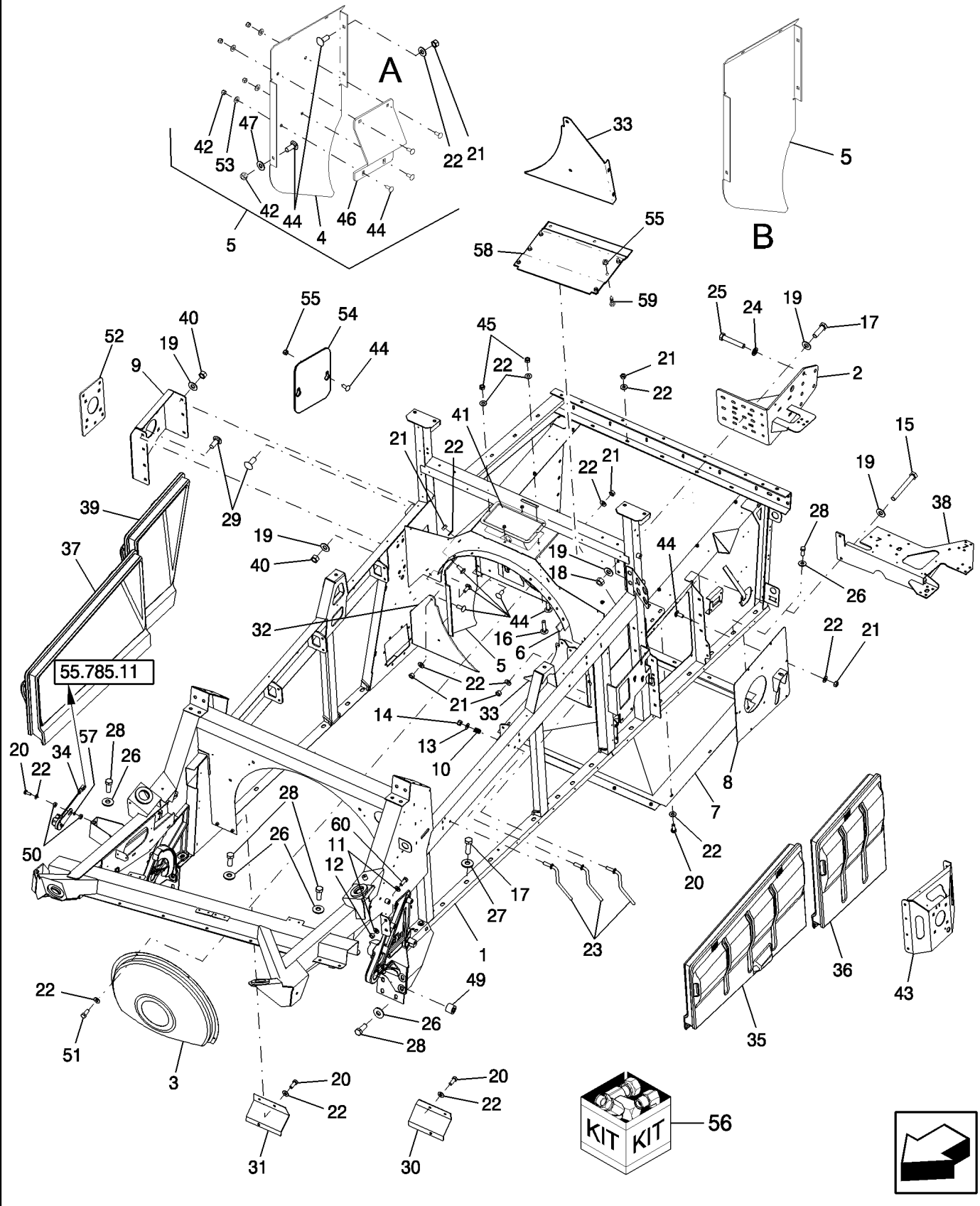
FRAME, THRESHING

REF	FN	PART NUMBER	YR/SN	QTY	DESCRIPTION
26		86589278		16	BELLEVILLE WASHER, M17 x 41.5 x 4.5, HT
27		86585939		26	BELLEVILLE WASHER, M13 x 32 x 3.5, HT
28		43168		20	BOLT, Hex, M16 x 2 x 40, 8.8, Full Thd
29		120044		14	CARRIAGE BOLT, Short NK, M12 x 30, CI8.8, Full Thd
30		87518111		1	COVER, L.H.
31		87516812		1	FILLER, R.H.
32		87107515		1	PLATE, R.H.
33		87107513		1	PLATE, L.H.
34		0C		1	ORDER COMPONENTS, Inclination Sensor
35		87000990		1	DOOR, Rotor, L.H., Front
36		86975027		1	DOOR, Rotor, L.H., Rear
37		87000991		1	DOOR, Rotor, R.H., Front
38		87109087		1	BRACKET
39		86975029		1	DOOR, Rotor, R.H., Rear
40		337475		14	NUT, M12, CI 10
41		87282112		1	COVER
42		86629542		AR	LOCK NUT, M8 x 1.25, CI 8
43		87316122		1	BRACKET, Mounting, L.H.
44		86507486		AR	CARRIAGE BOLT, Short NK, M8 x 20, CI8.8, Full Thd
45		43362		AR	NUT, M8, CI 10
46		87550493		1	DEFLECTOR, R.H.
47		140041		AR	WASHER, M8 x 28 x 3
48		126712A1		AR	TUBE, Prevailing Torque, CL 9, M8 x 1.25
49		87280254		2	BUSHING
50		87033737		2	WASHER, M8 x 28 x 3
51		43127		4	BOLT, Hex, M8 x 25, 8.8
52		87282128		1	BRACKET
53		86625263		4	WASHER, M8 x 20 x 1.6
54		87727894		1	COVER PLATE, Contains Two Slots Plus Four Square Holes
55		86505868		2/8	NUT, M8, Flg Ser

A = Standard...B = Optional

8120 9120 7120 7120
8120

FRAME, THRESHING



FRAME, THRESHING

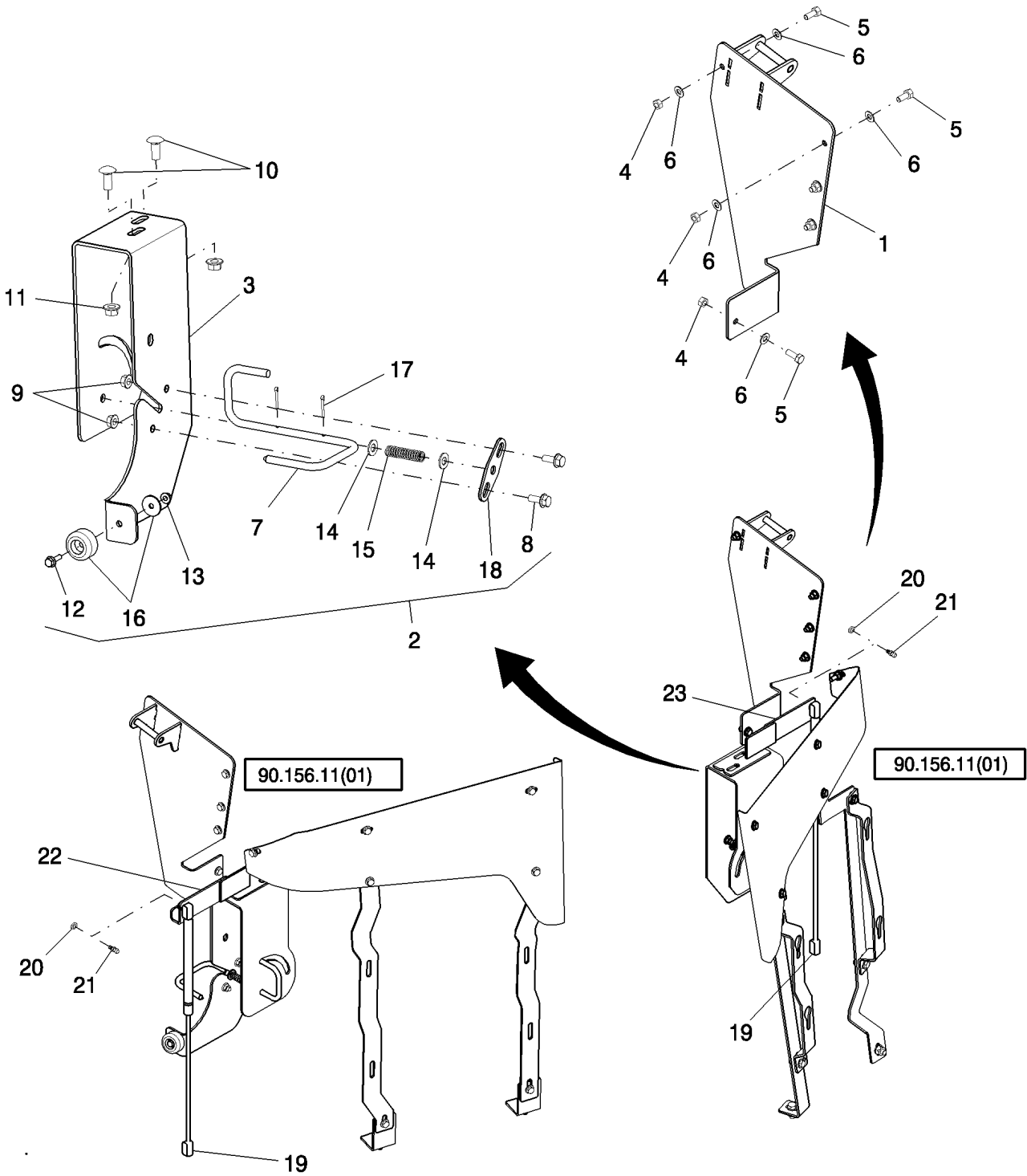
REF	FN	PART NUMBER	YR/SN	QTY	DESCRIPTION
56	1, 2, 3	87580123		1	REPAIR KIT, Frame, Incl RH Front Steering Tube (87536500), LH Front Steering Tube, Support (431941, Plate (434097), Clamp (430357), Plus Hardware
57		87662443		1	SPACER
58		87685701		1	COVER ASSY, Plate
59		308761		6	SCREW, Short NK, M8 x 25, Cl8.8, Full Thd
60		120091		4	SCREW, Hex, M16 x 60, 8.8

- (1) Along with this Kit, Frame Components 87399082, 87518958, 87518959, & 87518960 Must Also be Ordered to Complete the Repair
- (2) Welding Required; When Ordering, Must Provide Certified Welder's Name & Certification
- (3) 8120 & 9120 Only

A = Standard...B = Optional

**8120 9120 7120 7120
8120**

BRACKETS, FRONT SUPPORTING

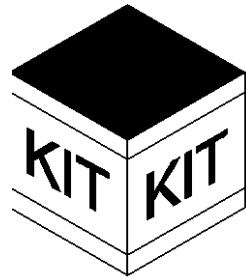


BRACKETS, FRONT SUPPORTING

REF	FN	PART NUMBER	YR/SN	QTY	DESCRIPTION
1		87659014		1	SUPPORT ASSY., L.H.
1		87584402		1	BRACKET, R.H.
2		87711604		1	BRACKET, Lock, L.H. Front Transport
2		87711600		1	BRACKET, Lock, R.H. Front Transport
3		84153346		1	BRACKET, L.H. Transport Lock
3		84150458		1	BRACKET, R.H. Transport Lock
4		9706690		10	NUT, M8, CI 8
5		120104		10	BOLT, Hex, M8 x 20, 8.8
6		322358		20	BELLEVILLE WASHER, M8
7		84150459		1	LATCH, Rod, R.H.
7		87711607		1	LATCH, Rod, L.H.
8		87656137		4	BOLT, Hex Flg, M8 x 20, 10.9, Full Thd
9		86507066		4	NUT, M8 x 1.25, Flg, CI 10
10		87682391		4	CARRIAGE BOLT, Short NK, M10 x 25, CI 10.9
11		86050279		4	NUT, M10 x 1.5, Flg, CI 10
12		87675531		2	BOLT
13		86050300		2	NUT, M6 x 1, Flg, CI10
14		495-11041		4	WASHER, 3/8", SAE
15		192216A1		2	SPRING
16		87602893		2	BUMPER
17		432-812		4	COTTER PIN, 1/8" x 3/4"
18		87676999		2	BRACKET
19		87728305		2	STRUT
20		86619801		AR	LOCK NUT, M8 x 1.25, Flg, CI 8
21		83952214		2	BALL PIN
22		87475024		1	BRACKET, R.H.
23		87475027		1	BRACKET, L.H.

8120 9120 7120 7120
8120

DIA, HARVEST KIT, FRAME REINFORCEMENT



39.101.03

p1

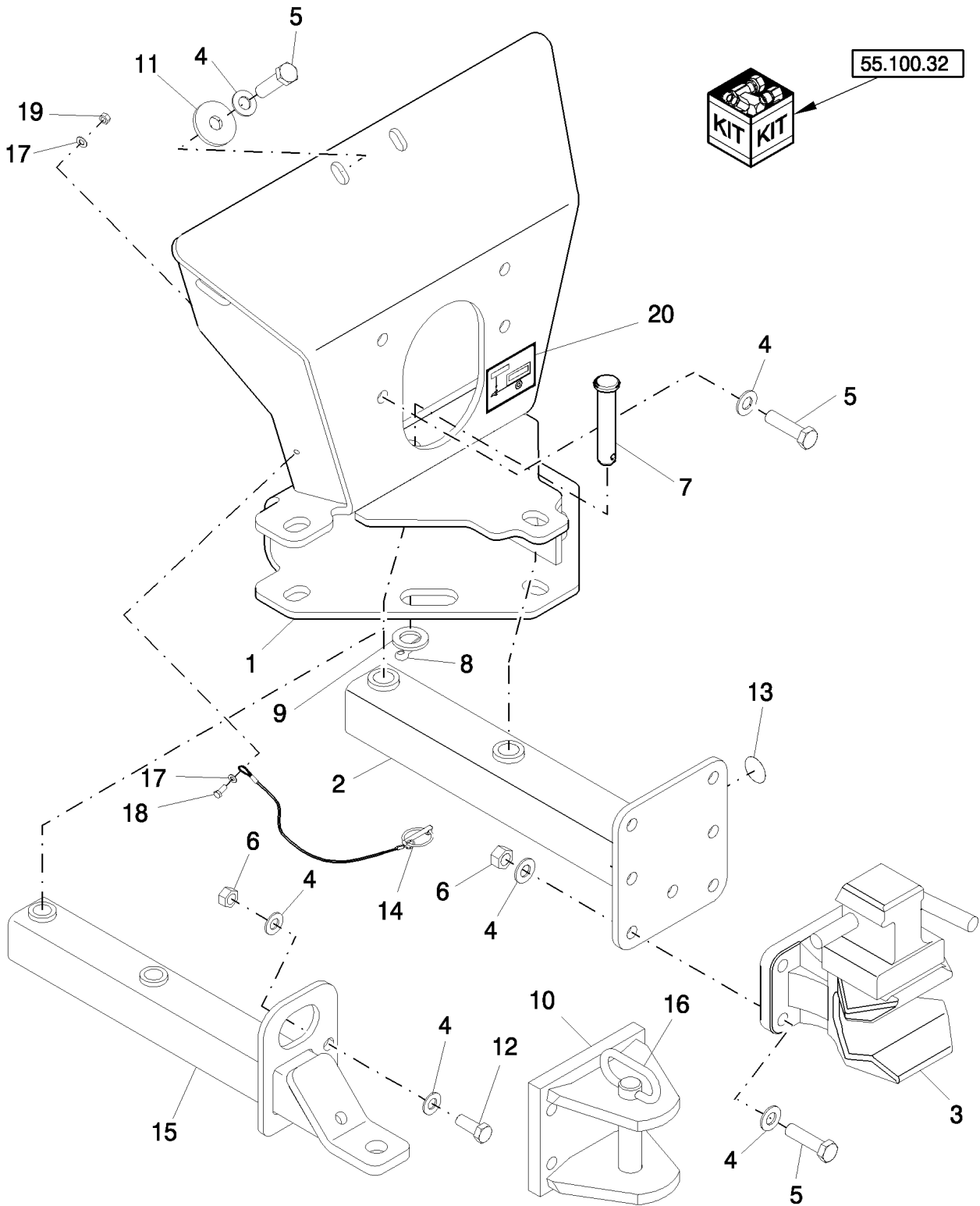
12/09

DIA, HARVEST KIT, FRAME REINFORCEMENT

REF	FN	PART NUMBER	YR/SN	QTY	DESCRIPTION
1		84232053		1	INSTRUCTION
2		84232039		2	PLATE
3		84232038		2	PLATE
4		84253297		2	PLATE, Use For Wide Frame Application
5		84253298		2	PLATE, Use For Narrow Frame Application
6		84232040		2	PLATE

7120 8120 9120

HITCH, TRAILER



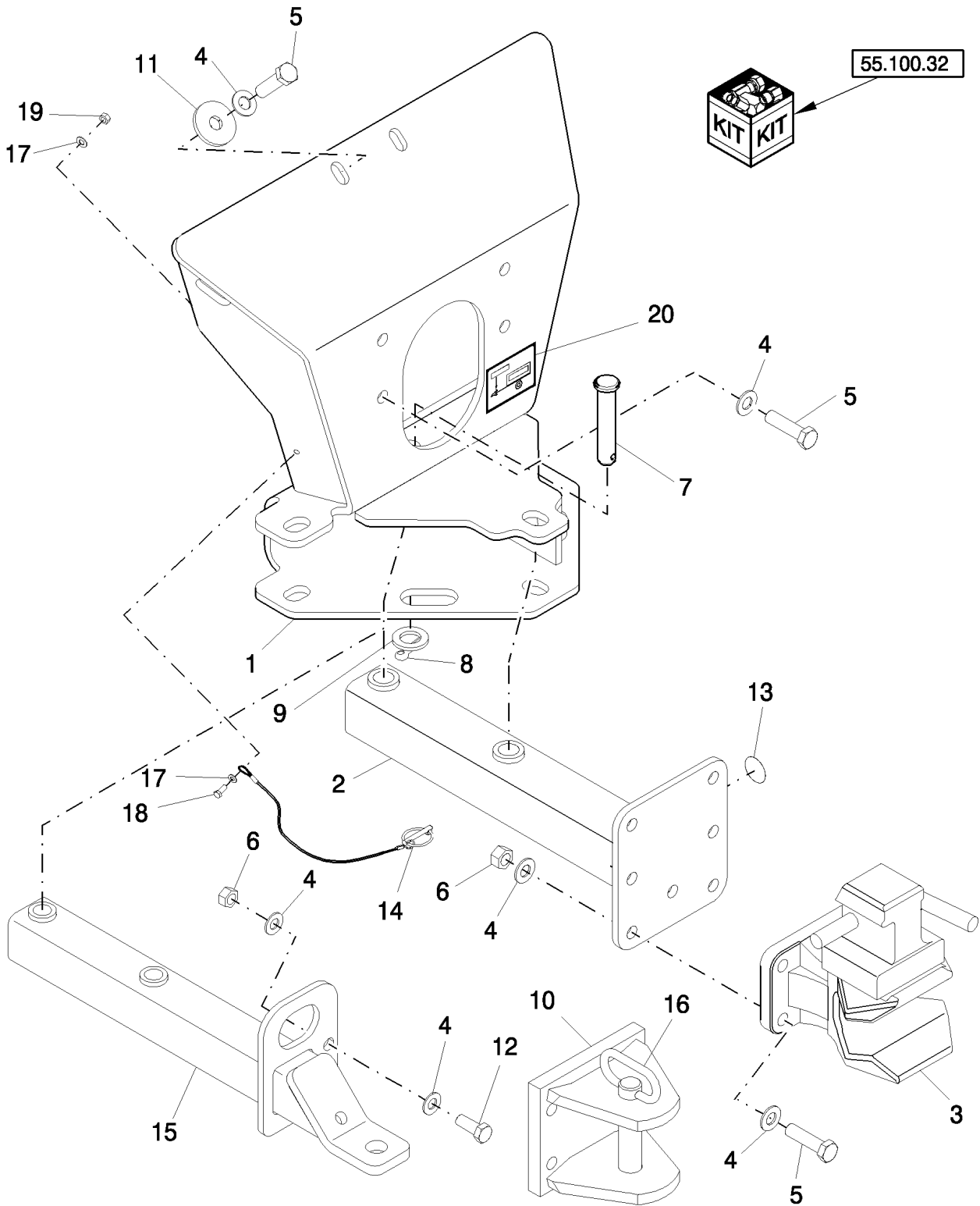
HITCH, TRAILER

REF	FN	PART NUMBER	YR/SN	QTY	DESCRIPTION
	1	84083387		AR	DIA KIT, HARVESTER, Auto-Rotating Hitch, Incl Refs 1 Thru 20, As Indicated
	2	84083385		AR	DIA KIT, HARVESTER, Auto-Rotating Hitch, Incl Refs 1 Thru 20, As Indicated
	3	84084745		AR	HITCH, Kit, Fixed, Incl Refs 1 Thru 20, As Indicated
	3	84083386		AR	DIA KIT, HARVESTER, Fixed, Incl 84084745
	4.2	84083384		AR	DIA KIT, HARVESTER, Fixed, Incl Refs 1 Thru 20, As Indicated
1		87109776		1	HITCH, Incl Decal
2	5	87105060		1	TUBE, Hitch
3		84400986		1	HITCH, Automatic
4		140048		14	BELLEVILLE WASHER, M16
5		120091		10	SCREW, Hex, M16 x 60, 8.8
6		100020		4	NUT, M16, CI 8
7		86984254		2	CLEVIS PIN, M24 x 135
8		9515820		1	COTTER PIN, M6.3 x 40
9		140022		2	WASHER, M24 x 44 x 4
10	2.6	84400985		1	HITCH
11		337522		2	WASHER, M16 x 56 x 5
12		43168		2	BOLT, Hex, M16 x 2 x 40, 8.8, Full Thd
13	7	84334828		1	DECAL, 100 Hour
14		87108028		1	LOCK PIN, Incl Tether
15	6.8	87107917		1	TRAILER HITCH
16	2	84817651		1	HITCH PIN
17		86625263		2	WASHER, M8 x 20 x 1.6
18		43127		1	BOLT, Hex, M8 x 25, 8.8
19		9706690		1	NUT, M8, CI 8

- (1) NA & Latin America Only
- (2) EU Only
- (3) For NA & LA Only
- (4) 7120 Only
- (5) For EU (Fixed or Auto-Rotating) or NA/LA Auto-Rotating Hitch
- (6) Fixed Hitch
- (7) Used W/Ref 3 Only
- (8) For NA Only

**7120 7120 8120 9120
8120**

HITCH, TRAILER



HITCH, TRAILER

REF	FN	PART NUMBER	YR/SN	QTY	DESCRIPTION
20		84433130		1	DECAL, Maximum Weight

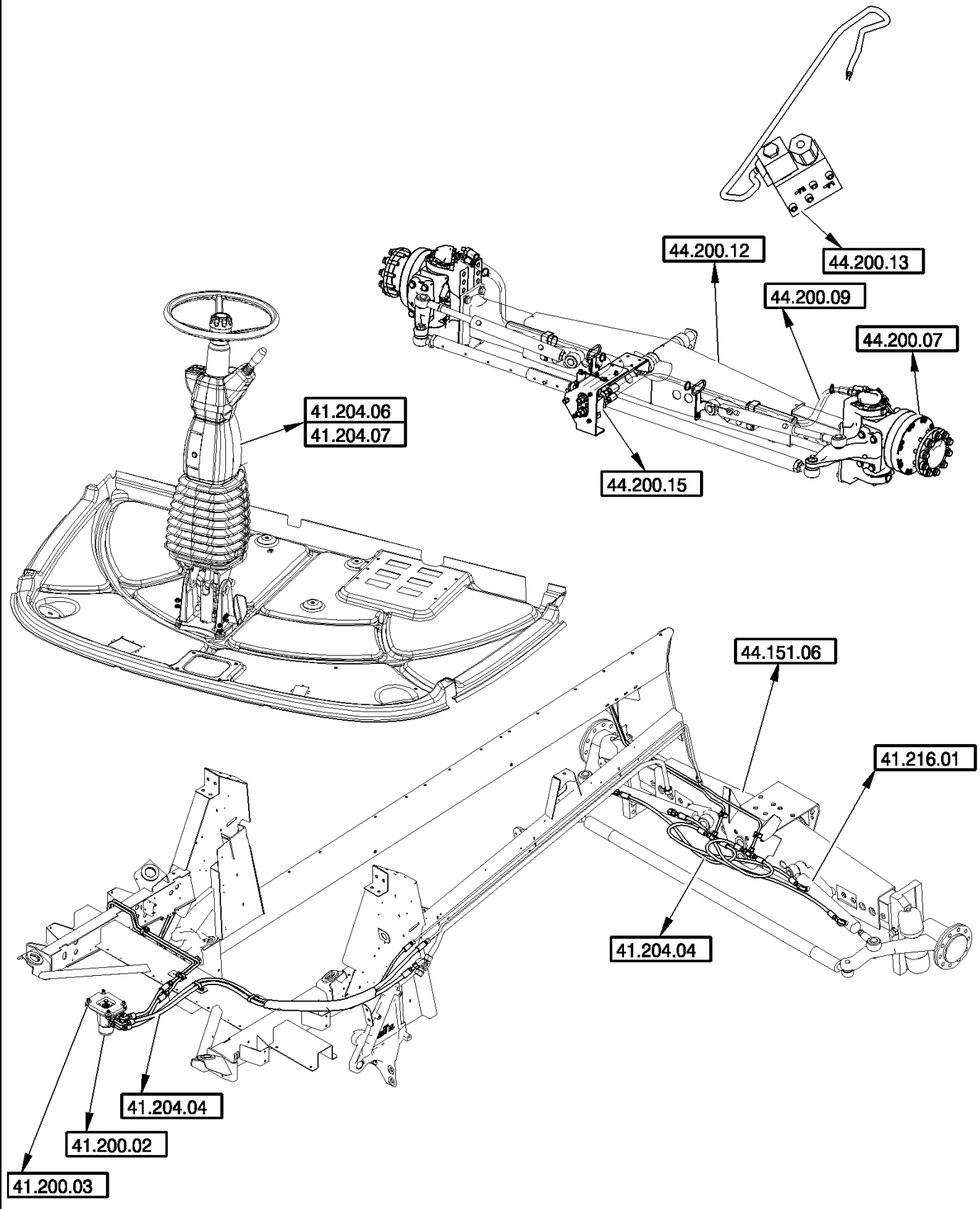
	7120 7120 8120 9120 8120
--	-------------------------------------

SECTION INDEX

41 - Steering

41.000.00		SECTION INDEX - STEERING
41.106.03	01	DRIVE SHAFTS AND RODS, TRACK - NA - 7120
41.106.03	02	DRIVE SHAFTS AND RODS, TRACK - NA ONLY - 8120, 9120
41.200.02		STEERING CONTROL VALVE
41.200.03		STEERING CONTROL VALVE, MOUNTING
41.203.01		HYDRAULIC LINES, PTO 1
41.203.02		HYDRAULIC LINES, PTO 2
41.204.04		STEERING LINES
41.204.06		STEERING COLUMN, EXTERNAL COMPONENTS
41.204.07		STEERING COLUMN, INTERNAL COMPONENTS
41.216.01		STEERING CYLINDER

SECTION INDEX - STEERING



41.000.00

p1

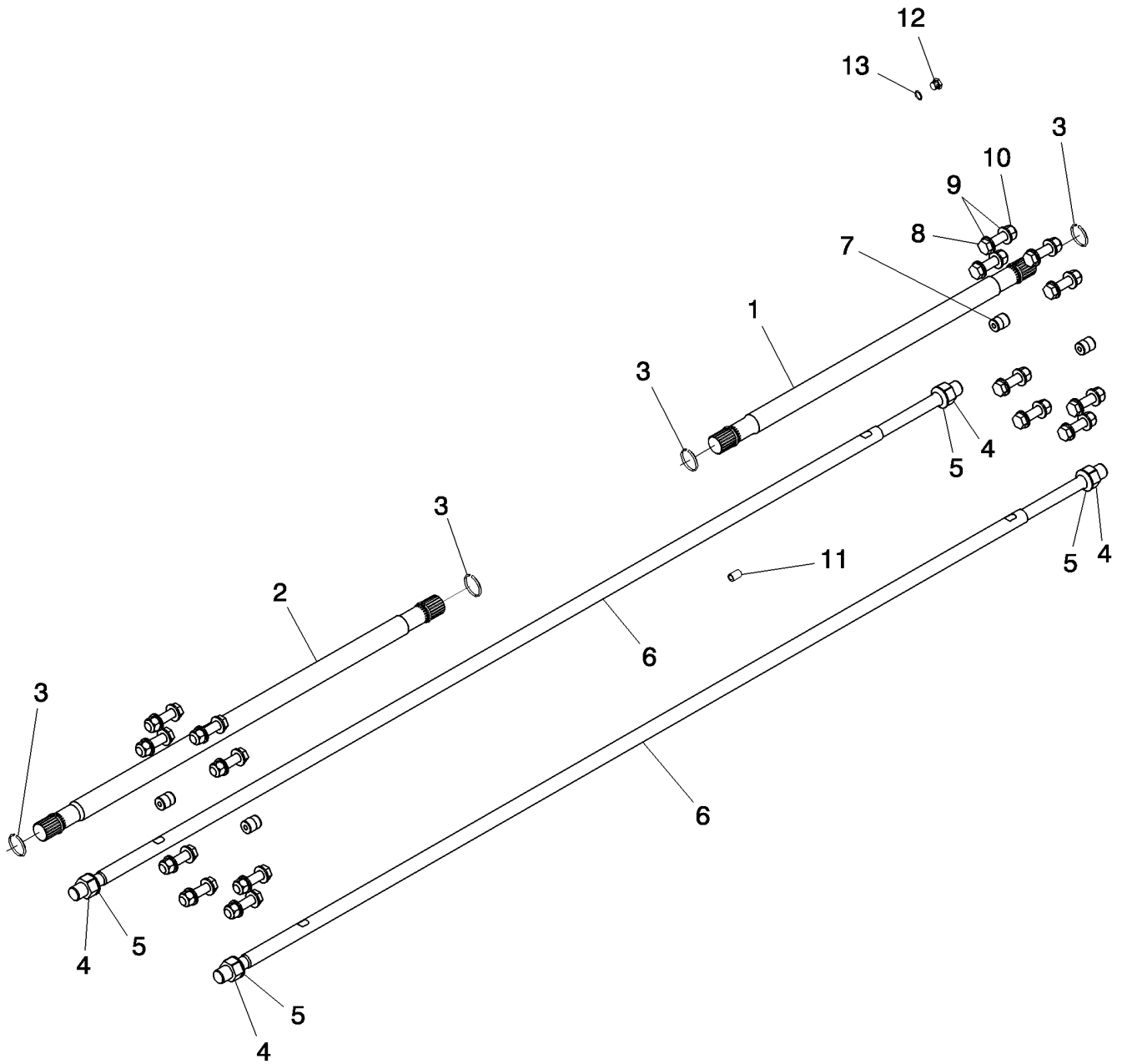
08/09

SECTION INDEX - STEERING

REF	FN	PART NUMBER	YR/SN	QTY	DESCRIPTION
------------	-----------	--------------------	--------------	------------	--------------------

					9120 8120 7120 8120 7120
--	--	--	--	--	-------------------------------------

DRIVE SHAFTS AND RODS, TRACK - NA - 7120



41.106.03

01

p1

02/10

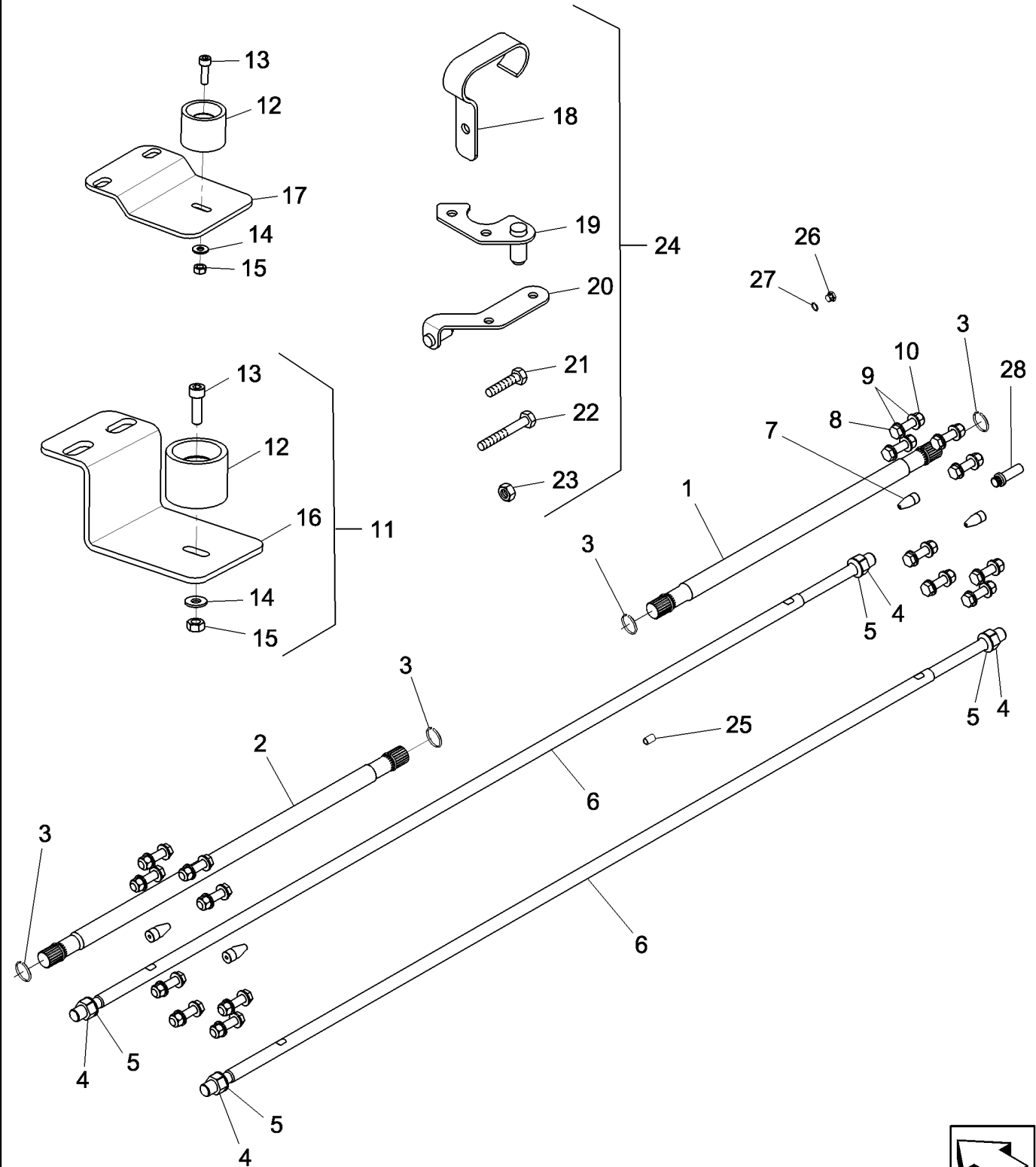
DRIVE SHAFTS AND RODS, TRACK - NA - 7120

REF	FN	PART NUMBER	YR/SN	QTY	DESCRIPTION
1		84440945		1	DRIVE SHAFT
2		84440945		1	DRIVE SHAFT
3		84446910		4	SNAP RING, M40
4	1	300852		4	NUT, M30 x 1.5, CI 8
5		140184		4	WASHER
6		84989399		2	ROD
7		626826		4	PIN
8		87024335		16	BOLT, Hex, M20 x 80, 10.9, Full Thd
9		394632		32	WASHER, M20 x 40 x 4, HT
10		87024336		16	NUT, M20 x 2.5, CI 10
11		84038824		1	BUSHING
12		87282044		2	PLUG, Breather
13		3051337R1		2	SEALING WASHER, M18 x 24 x 1.5

(1) Secure W/Thread Locking Sealant

7120

DRIVE SHAFTS AND RODS, TRACK - NA ONLY - 8120, 9120



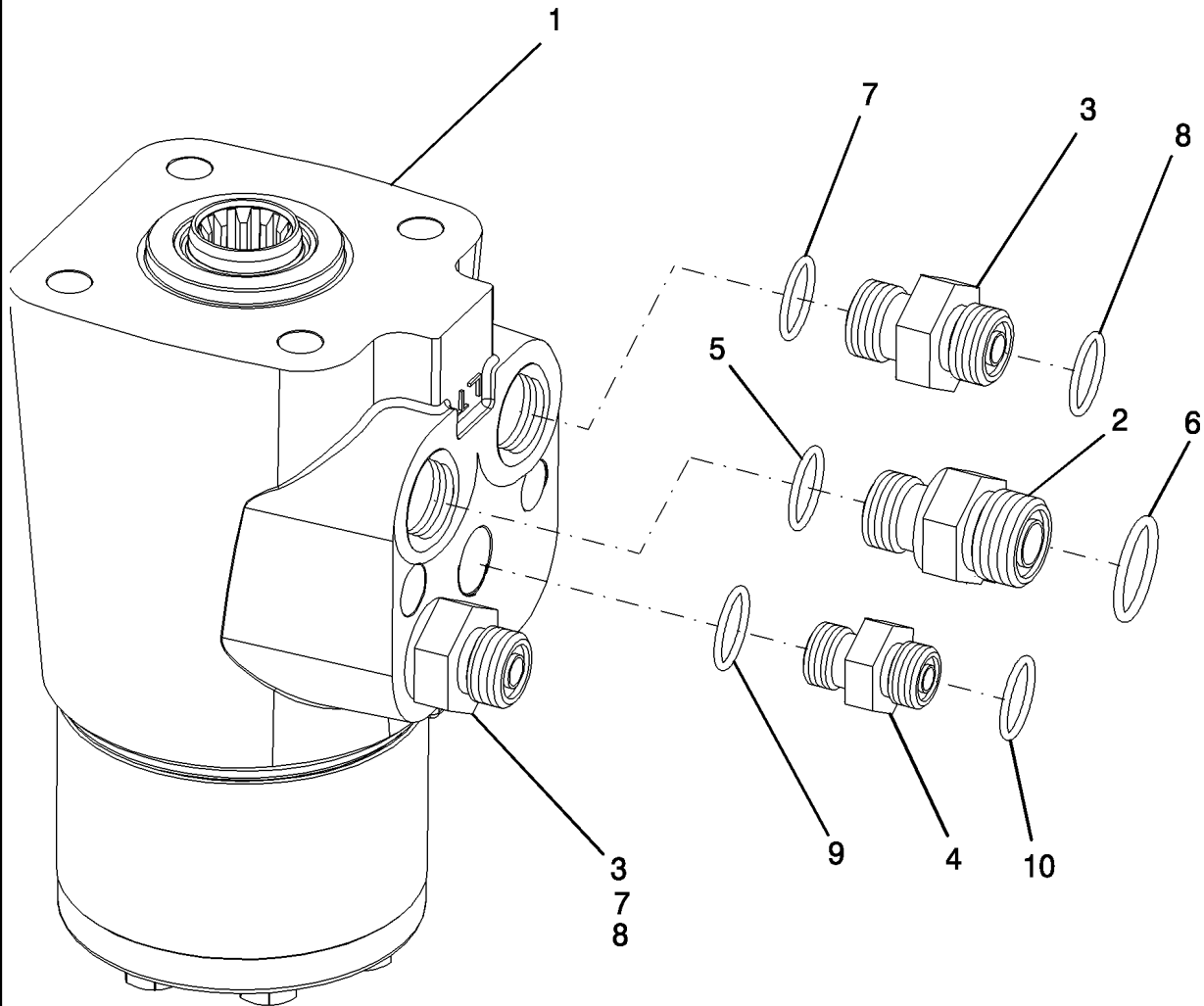
DRIVE SHAFTS AND RODS, TRACK - NA ONLY - 8120, 9120

REF	FN	PART NUMBER	YR/SN	QTY	DESCRIPTION
1		84440951		1	DRIVE SHAFT
2		84440957		1	DRIVE SHAFT
3		84446910		4	SNAP RING, M40
4	1	300852		4	NUT, M30 x 1.5, CI 8
5		140184		4	WASHER
6		84989399		2	ROD
7		84154339		4	PIN, Tapered Dowel
8		87024335		16	BOLT, Hex, M20 x 80, 10.9, Full Thd
9		394632		32	WASHER, M20 x 40 x 4, HT
10		87024336		16	NUT, M20 x 2.5, CI 10
11		87485231		1	PACKAGE, SERVICE, Bracket, Upper; Incl Refs 12 Thru 16
12		NSS		2	NOT SERVICED SEPARATELY, Fastener, Female Snap
13		86512135		2	SCREW, Hex Soc Hd, M6 x 20, 12.9
14		322357		2	BELLEVILLE WASHER, M6
15		86500688		2	NUT, M6 x 1, CI 10
16		NSS		1	NOT SERVICED SEPARATELY, Bracket, Upper
17		NSS		1	NOT SERVICED SEPARATELY, Bracket, Lower
18		NSS		2	NOT SERVICED SEPARATELY, Bracket
19		87498865		1	BRACKET
20		87498861		1	BRACKET
21		86508568		2	BOLT, Hex, M6 x 16, CI 8.8, Full Thd
22		86977789		30	BOLT, Hex, M6 x 35, 8.8
23		86500688		5	NUT, M6 x 1, CI 10
24		87498871		1	SERVICE KIT, Lower Shielding Modifications; Incl Refs 11 Thru 23
25		84038824		1	BUSHING
26		87282044		2	PLUG
27		3051337R1		2	SEALING WASHER, M18 x 24 x 1.5
28		87682412		2	SCREW, Flg 12 PT M20 x 60 CL 12.9

(1) Secure W/Thread Locking Sealant

8120 9120

STEERING CONTROL VALVE

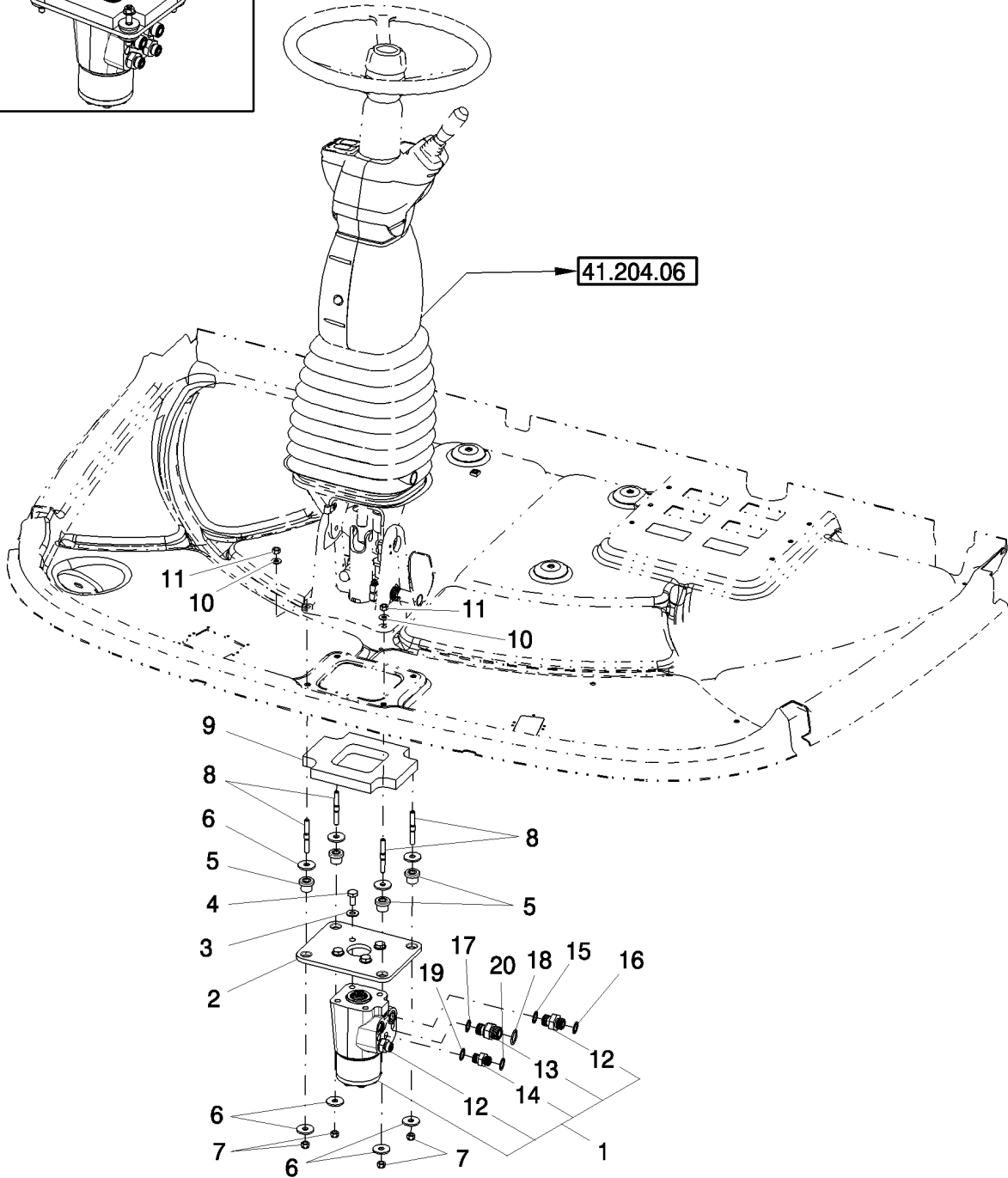
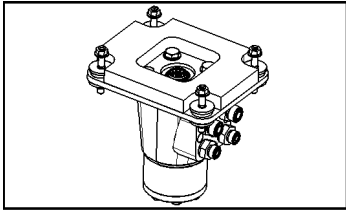


STEERING CONTROL VALVE

REF	FN	PART NUMBER	YR/SN	QTY	DESCRIPTION
1		87280548		1	HYDRAULIC STEERING, NA & Latin America
1		87280549		1	HYDRAULIC STEERING, EU
2		86579676		2	HYD CONNECTOR, 13/16"-16 ORFS x M18 x 1.5 ORB
3		86579673		2	HYD CONNECTOR, 11/16"-16 ORFS x M18 x 1.5 ORB
4		86593173		1	HYD CONNECTOR, 9/16"-18 ORFS x M12 x 1.5 ORB
5		86598101		2	O-RING, CI 6, 15.3MM ID x 2.2 Thk
6		9992298		2	O-RING, -014, 90 Duro, .489" ID x .070" Thk
7		86598101		2	O-RING, CI 6, 15.3MM ID x 2.2 Thk
8		9993143		2	HYD CONNECTOR, 11/16"-16 ORFS x 9/16"-18 ORB
9		86598098		1	O-RING, CI 6, 9.3MM ID x 2.2 Thk
10		9825770		1	O-RING, -011, 90 Duro, .301" ID x .070" Thk

**8120 9120 7120 7120
8120**

STEERING CONTROL VALVE, MOUNTING

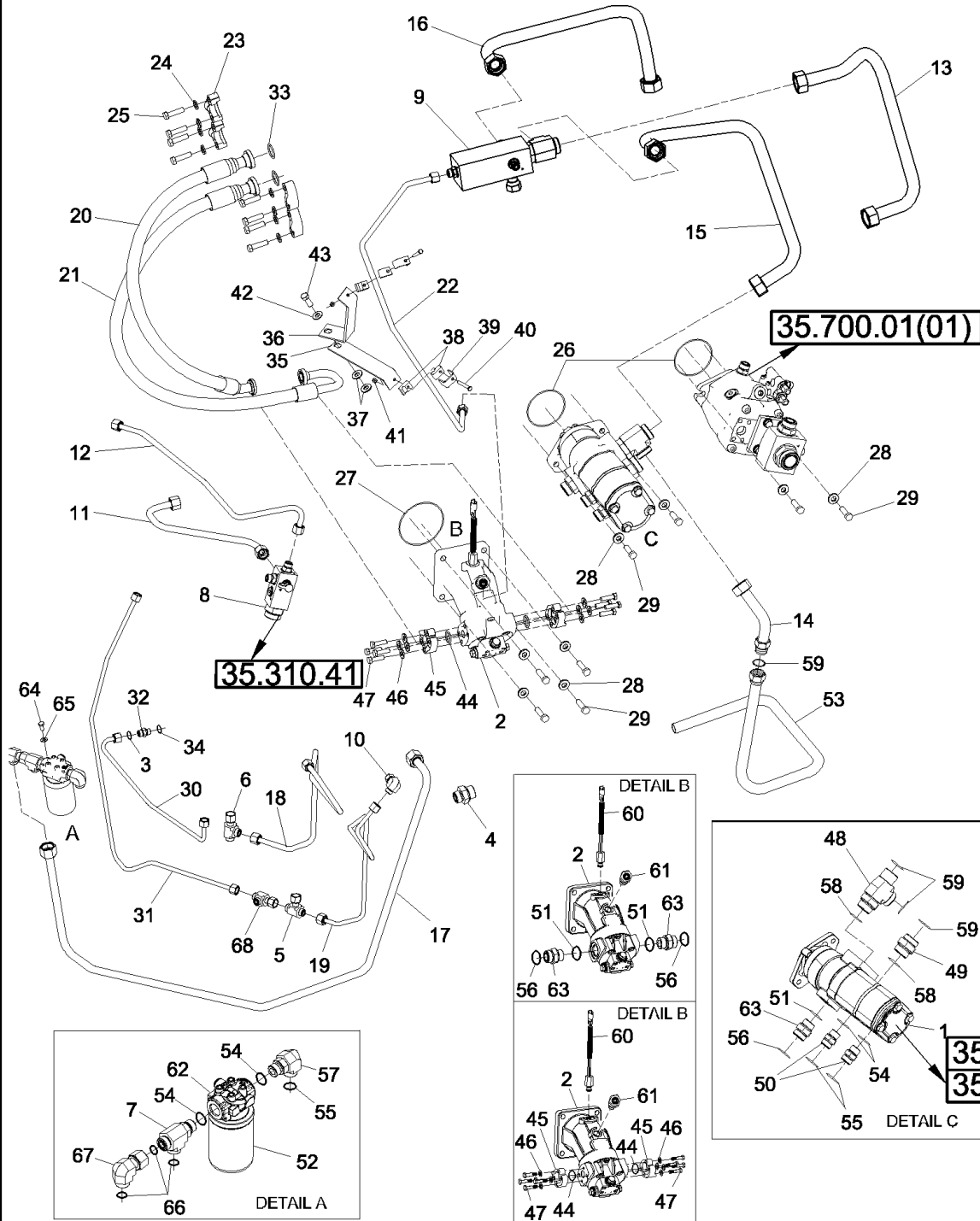


STEERING CONTROL VALVE, MOUNTING

REF	FN	PART NUMBER	YR/SN	QTY	DESCRIPTION
1		87280548		1	HYDRAULIC STEERING, NA & Latin America
1		87280549		1	HYDRAULIC STEERING, EU
2		84075217		1	PLATE
3		140045		4	BELLEVILLE WASHER, M10
4		43138		4	BOLT, Hex, M10 x 20, 8.8, Full Thd
5		601062		4	ISOLATOR, Mounting
6		86012639		8	WASHER
7		832-46408		4	LOCK NUT, M8 x 1.25, CI 8
8		84432508		4	STUD, M8 x 71
9		86974950		1	SEAL
10		322358		4	BELLEVILLE WASHER, M8
11		9706690		4	NUT, M8, CI 8
12		86579673		2	HYD CONNECTOR, 11/16"-16 ORFS x M18 x 1.5 ORB, 10 mm ORFS x M18 ORB
13		86579676		2	HYD CONNECTOR, 13/16"-16 ORFS x M18 x 1.5 ORB, 12 mm ORFS x M18 ORB
14		86593173		1	HYD CONNECTOR, 9/16"-18 ORFS x M12 x 1.5 ORB, 6 mm ORFS x M12 ORB
15		86598101		2	O-RING, CI 6, 15.3MM ID x 2.2 Thk
16		9993141		2	O-RING, -012, 90 Duro, .364" ID x .070" Thk
17		86598101		2	O-RING, CI 6, 15.3MM ID x 2.2 Thk
18		9992298		2	O-RING, -014, 90 Duro, .489" ID x .070" Thk
19		86598098		1	O-RING, CI 6, 9.3MM ID x 2.2 Thk
20		9825770		1	O-RING, -011, 90 Duro, .301" ID x .070" Thk

**8120 9120 7120 7120
8120**

HYDRAULIC LINES, PTO 1



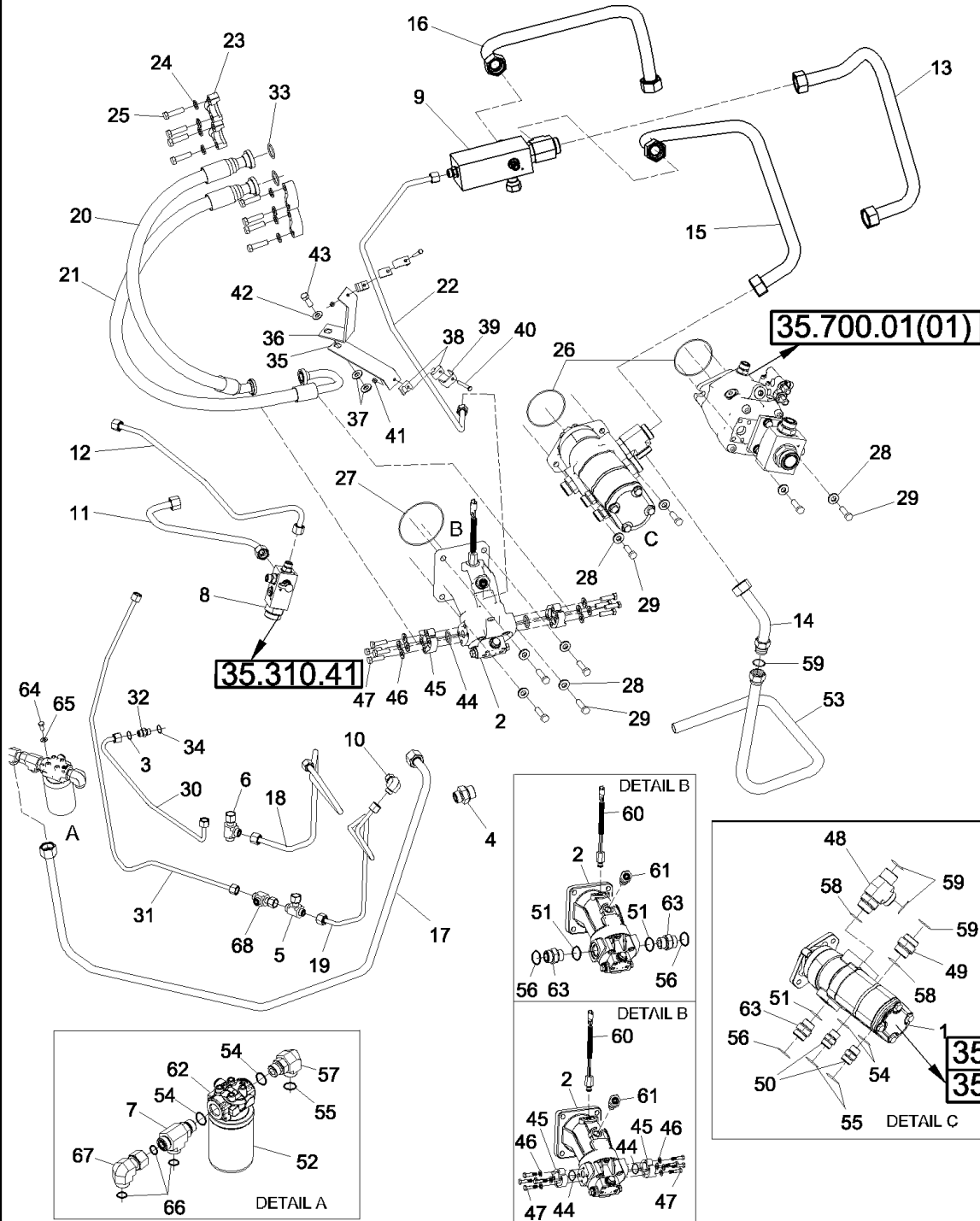
HYDRAULIC LINES, PTO 1

REF	FN	PART NUMBER	YR/SN	QTY	DESCRIPTION
1		87284569		1	HYDRAULIC PUMP
2		87310111		1	MOTOR, HYDRAULIC
3		9993141		3	O-RING, -012, 90 Duro, .364" ID x .070" Thk
4		86579683		1	HYD CONNECTOR, 1 3/16"-12 ORFS x M33 x 2 ORB
5		86591334		1	TEE, 11/16"-16 ORFS x 11/16"-16 Fem Sw Br, Incl Ref 3 (2)
6		86514261		1	TEE, 13/16"-16 ORFS x 13/16"-16 Fem Sw Run
7		86579706		1	TEE, 1 3/16"-12 ORFS x M27 x 2 ORB Run, Incl Ref 54(1) & 66(2)
8		0C		1	ORDER COMPONENTS, Manifold, Control Pressure
9		0C		1	ORDER COMPONENTS, Manifold, Return
10		84989392		1	ELBOW, 90°, 11/16"-16 ORFS x 11/16"-16 Fem Sw
11		84131660		1	TUBE ASSY., Charge To Propulsion Pump
12		87709559		1	TUBE ASSY., Charge To Rotor Pump
13		87703253		1	TUBE ASSY., Lube & Charge Pump Connector
14	1	87563479		1	TUBE, Hyd Pump, PTO 1
15		87703252		1	TUBE ASSY., Return From Drain Manifold
16		87641633		1	TUBE ASSY., Ground Drive Pump Drain
17		87641636		1	TUBE ASSY., Lube To Filter
18		86995885		1	HYD. TUBE, Feeder Clutch Lube Supply
19		86995872		1	HYD. TUBE, Rotor Clutch Regulated Supply
20		87314312		1	FLEXIBLE HOSE, Rotor Drive "B"
21		87314311		1	FLEXIBLE HOSE, Rotor Drive "A"
22		87587907		1	HYD. TUBE, Return Manifold to Rotor Motor
23		86980732		4	CLAMP
24		86625255		8	WASHER, M13.5 x 24.5 x 3, HT
25		87022684		12	BOLT, Hex, M12 x 45, 10.9, Full Thd
26		9828498		2	O-RING, -155, 70 Duro, 3.987" ID x .103" Thk
27		274336		1	O-RING, -158, 70 Duro, 4.737" ID x .103" Thk
28		86625256		8	WASHER, M12 x 28.5 x 4, HT
29		87022683		4	BOLT, Hex, M12 x 40, 10.9, Full Thd
30		86995994		1	HYD. TUBE, Rotor Clutch Pressure
31		86995887		1	HYD. TUBE, Clutch Pressure Supply To Unl

(1) Replaces One-piece Production Tube

9120 7120 8120 7120
8120

HYDRAULIC LINES, PTO 1



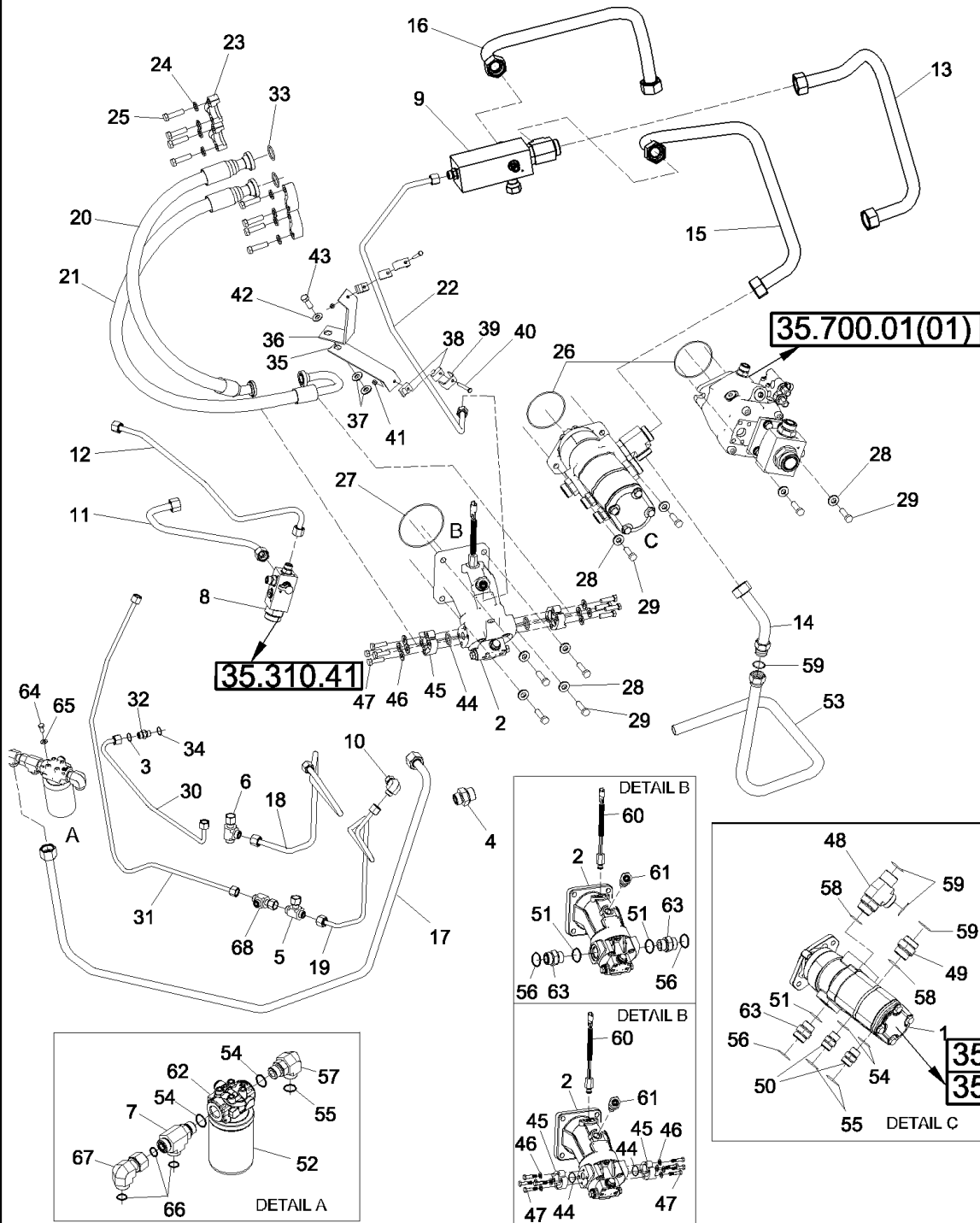
HYDRAULIC LINES, PTO 1

REF	FN	PART NUMBER	YR/SN	QTY	DESCRIPTION
32		86579671		1	HYD CONNECTOR, 11/16"-16 ORFS x M14 x 1.5 ORB
33		86529541		2	O-RING, -219, 90 Duro, 1.296" ID x .139" Thk
34		86598099		1	O-RING, CI 6, 11.3MM ID x 2.2 Thk
35		87324916		1	BRACKET, Lower, Rotor Drain
36		87324918		1	BRACKET, Upper, Rotor Drain
37		378245		2	WASHER, M13 x 28 x 2 Thk
38		433008		4	CLAMP
39		442340		2	SUPPORT
40		120056		2	BOLT, Hex, M6 x 50, 8.8
41		353308		2	NUT, M6 x 1, CI 8
42		140046		1	SPRING WASHER, Belleville, M12
43		9706687		1	BOLT, Hex, M12 x 30, 8.8, Full Thd
44		86503302		2	O-RING, -214, 90 Duro, .984" ID x .139" Thk
45		86980731		4	CLAMP
46		86639325		8	WASHER, M10 x 24.5 x 3, HT
47		87315279		8	BOLT, Hex, M10 x 1.5 x 35, CI 10.9, Full Thd
48		86579708		1	TEE, 1 11/16"-12 ORFS x M42 x 2 ORB Run
49		86579685		1	HYD CONNECTOR, 1 11/16"-12 ORFS x M42 x 2 ORB
50		86579682		2	HYD CONNECTOR, 1 3/16"-12 ORFS x M27 x 2 ORB
51		86598104		3	O-RING, CI 6, 26.6MM ID x 2.9 Thk
52		294721A1		1	HYDRAULIC OIL FILTER, Element
53	1	87563478		1	TUBE, Hyd Pump, PTO 1
54		86598103		3	O-RING, CI 6, 23.6MM ID x 2.9 Thk
55		9991976		3	O-RING, -018, 90 Duro, .739" ID x .070" Thk
56		9824050		2	O-RING, -021, 90 Duro, .926" ID x .070" Thk
57		86579697		1	ELBOW, 90°, 1 3/16"-12 ORFS x M27 x 2 ORB, Incl Ref 54 & 55
58		86598105		2	O-RING, CI 6, 38.6MM ID x 2.9 Thk
59		9824051		4	O-RING, -025, 90 Duro, 1.176" ID x .070" Thk
60		87662557		1	SENSOR, Rotor Motor Speed
61		86639056		1	ELBOW, 45°, 13/16"-18 ORFS x M18 x 1.5 ORB
62		86998689		1	HYDRAULIC OIL FILTER, Incl Ref 52

(1) Replaces One-piece Production Tube

9120 7120 8120 7120
8120

HYDRAULIC LINES, PTO 1

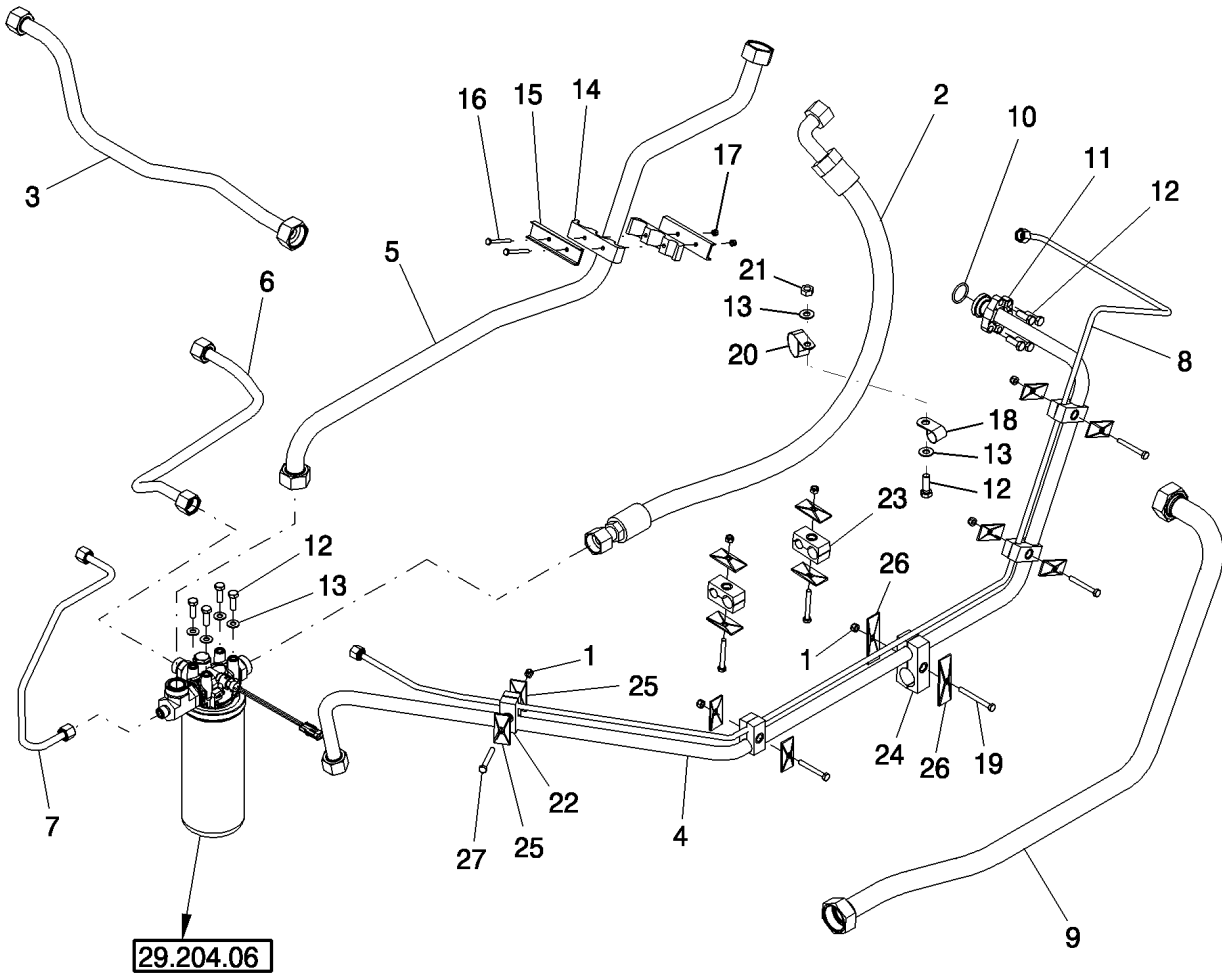
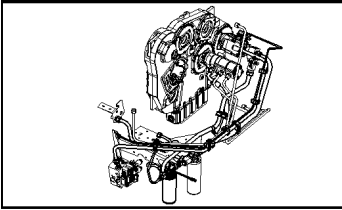


HYDRAULIC LINES, PTO 1

REF	FN	PART NUMBER	YR/SN	QTY	DESCRIPTION
63		86580179		3	HYD CONNECTOR, 1 7/16"-12 ORFS x M22 x 2 ORB, Incl Ref 51 & 56
64		43138		4	BOLT, Hex, M10 x 20, 8.8, Full Thd
65		140045		4	BELLEVILLE WASHER, M10
66		89991976		3	O-RING
67		84989412		1	ELBOW, Incl Ref 66(1)
68		84989848		1	HYD CONNECTOR, Tee

**9120 7120 8120 7120
8120**

HYDRAULIC LINES, PTO 2

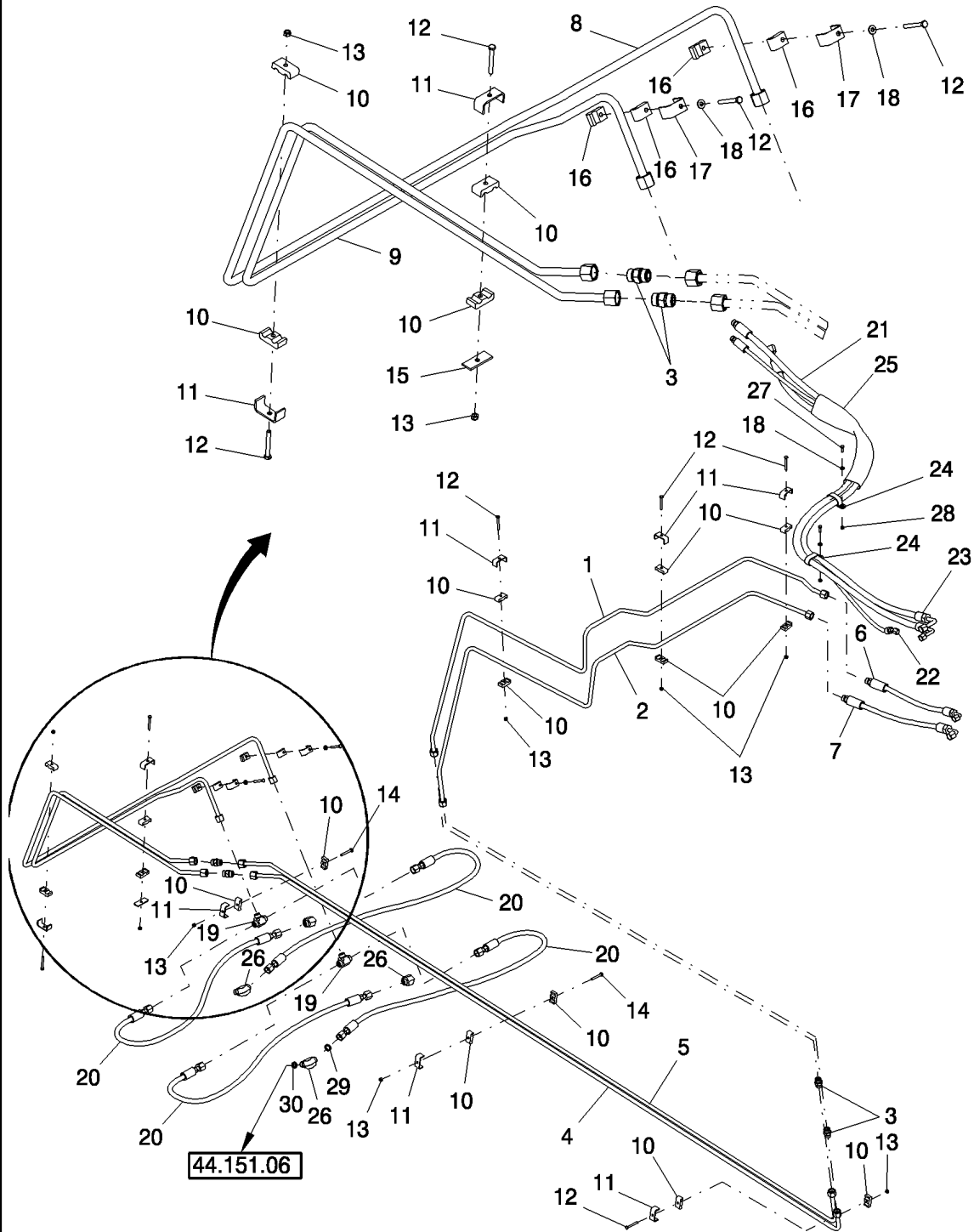


HYDRAULIC LINES, PTO 2

REF	FN	PART NUMBER	YR/SN	QTY	DESCRIPTION
1		86629542		7	LOCK NUT, M8 x 1.25, CI 8
2		87283082		1	FLEXIBLE HOSE, Charge Pump To Filter
3		86996178		1	HYD. TUBE, Gear Flow To Filter
4		87721406		1	HYD. TUBE, PFC To Main Valve
5		87670280		1	TUBE ASSY., Charge Filter To Manifold
6		87657698		1	TUBE ASSY., Charge Filter Bypass
7		87657697		1	TUBE ASSY., Charge Filter To Valve
8		87284930		1	HYD. TUBE, Load Sense To Rexroth PFC
9		84157589	BSN Y9G207865	1	HYD. TUBE, Filter To Rexroth PFC
9		84159425	ASN Y9G207865	1	RIGID TUBE
10		86529541		1	O-RING, -219, 90 Duro, 1.296" ID x .139" Thk
11		86980728		2	COLLAR CLAMP
12		43140		9	BOLT, Hex, M10 x 30, 8.8, Full Thd
13		140045		6	BELLEVILLE WASHER, M10
14		455533		2	CLAMP
15		87283294		2	CHANNEL
16		338413		2	BOLT, Hex, M6 x 60, 8.8
17		353308		2	NUT, M6 x 1, CI 8
18		86637999		1	CLAMP, 3/4", Insul, 7/16" Bolt
19		43133		2	BOLT, Hex, M8 x 80, 8.8
20		86637998		1	CLAMP, 1 1/2", Insul, 3/8" Bolt
21		100016		1	NUT, M10, CI 8
22		87000142		4	CLAMP, 25.4 x 9.52
23		87000146		2	CLAMP, 25.4 x 19.05
24		84214028		1	HOSE CLAMP, 25.4 x 42
25		87000230		12	PLATE
26		87000231		4	PLATE
27		300510		6	BOLT, Hex, M8 x 65, 8.8

**9120 7120 8120 7120
8120**

STEERING LINES



STEERING LINES

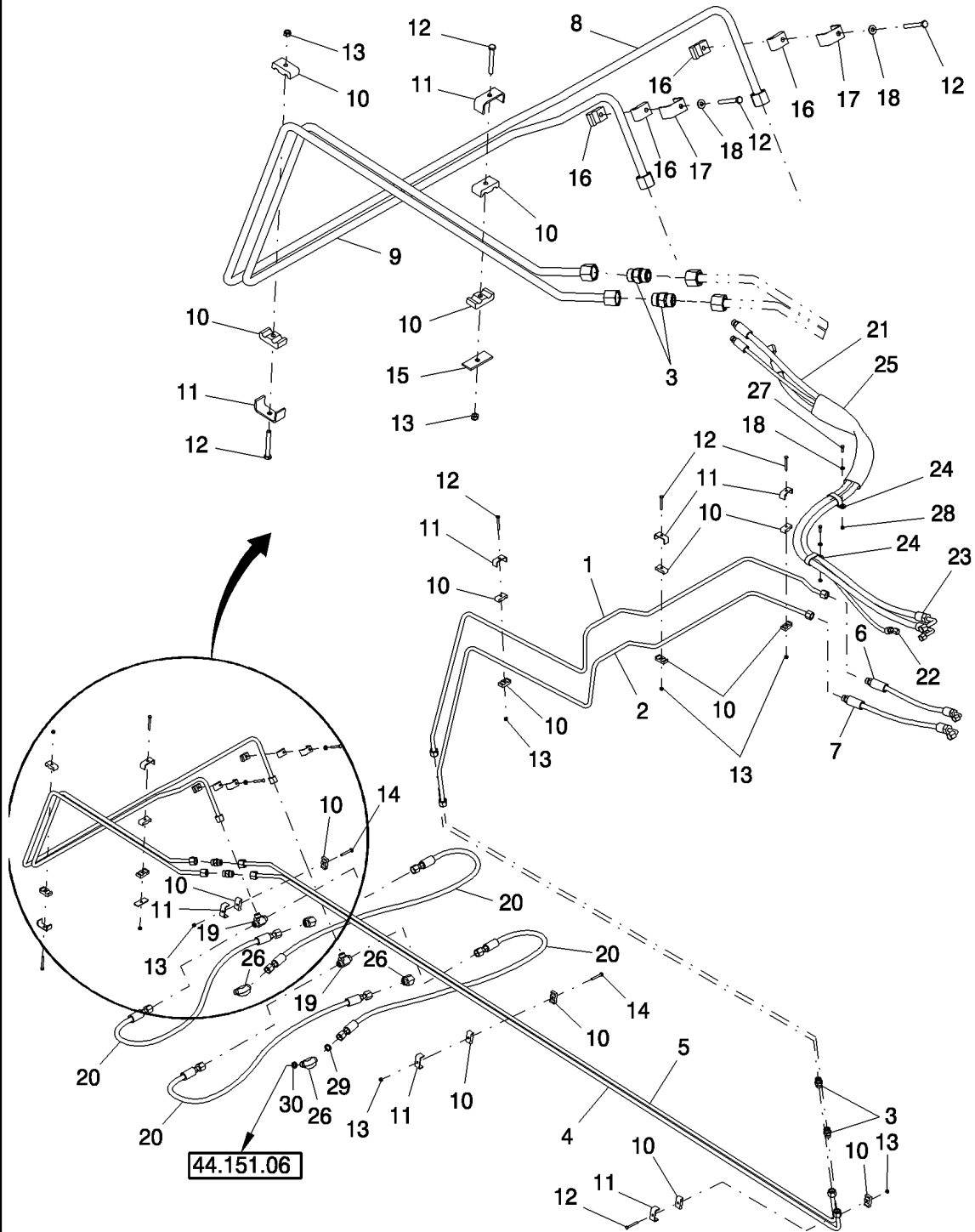
REF	FN	PART NUMBER	YR/SN	QTY	DESCRIPTION
1	1	87536500		1	TUBE ASSY., Steering, Front, R.H.
1	2	87536498		1	TUBE ASSY., Steering, Front, R.H.
2	1	87536501		1	TUBE ASSY., Steering, Front, L.H.
2	2	87536499		1	TUBE ASSY., Steering, Front, L.H.
3		84431547		4	UNION, 13/16"-16 ORFS
4		87280104		1	HYD. TUBE, Lower, Mid
5		86975348		1	HYD. TUBE, Upper, Mid
6		87280679		1	FLEXIBLE HOSE, Steering, R.H., SCU; L = 430 mm
7		87576607		1	HYDRAULIC HOSE, Steering, L.H., SCU; L = 550 mm
8	1	87011296		1	HYD. TUBE, Steering
8	2	87011295		1	HYD. TUBE, Steering
9	1	86575639		1	HYD. TUBE, Steering
9	2	86598056		1	HYD. TUBE, Steering
10		430357		16	CLAMP
11		431941		8	SUPPORT
12		120056		8	BOLT, Hex, M6 x 50, 8.8
13		353308		8	NUT, M6 x 1, CI 8
14		412364		2	CARRIAGE BOLT, Short NK, M6 x 50, CI8.8, Full Thd
15		434097		1	SUPPORT
16		433008		4	CLAMP
17		442340		2	SUPPORT
18		322357		4	BELLEVILLE WASHER, M6
19		86533127		2	TEE, 13/16"-16 ORFS
20		84068103		4	HYDRAULIC HOSE, To Steering Cylinders; L = 1200 mm
21		87280799		1	FLEXIBLE HOSE, Pressure, SCU
22		87280802		1	FLEXIBLE HOSE, Signal, SCU
23		87280801		1	FLEXIBLE HOSE, Return, SCU
24		87000220		2	HOSE CLAMP
25		87106240		1	SLEEVE
26		86579691		4	ELBOW, 90°, 13/16"-18 ORFS x M18 x 1.5 ORB, Incl Refs 29 & 30
27		120100		2	BOLT, Hex, M6 x 20, 8.8

(1) 8120 & 9120 Only

(2) 7120 Only

8120 9120 7120 7120
8120

STEERING LINES



41.204.04

p2

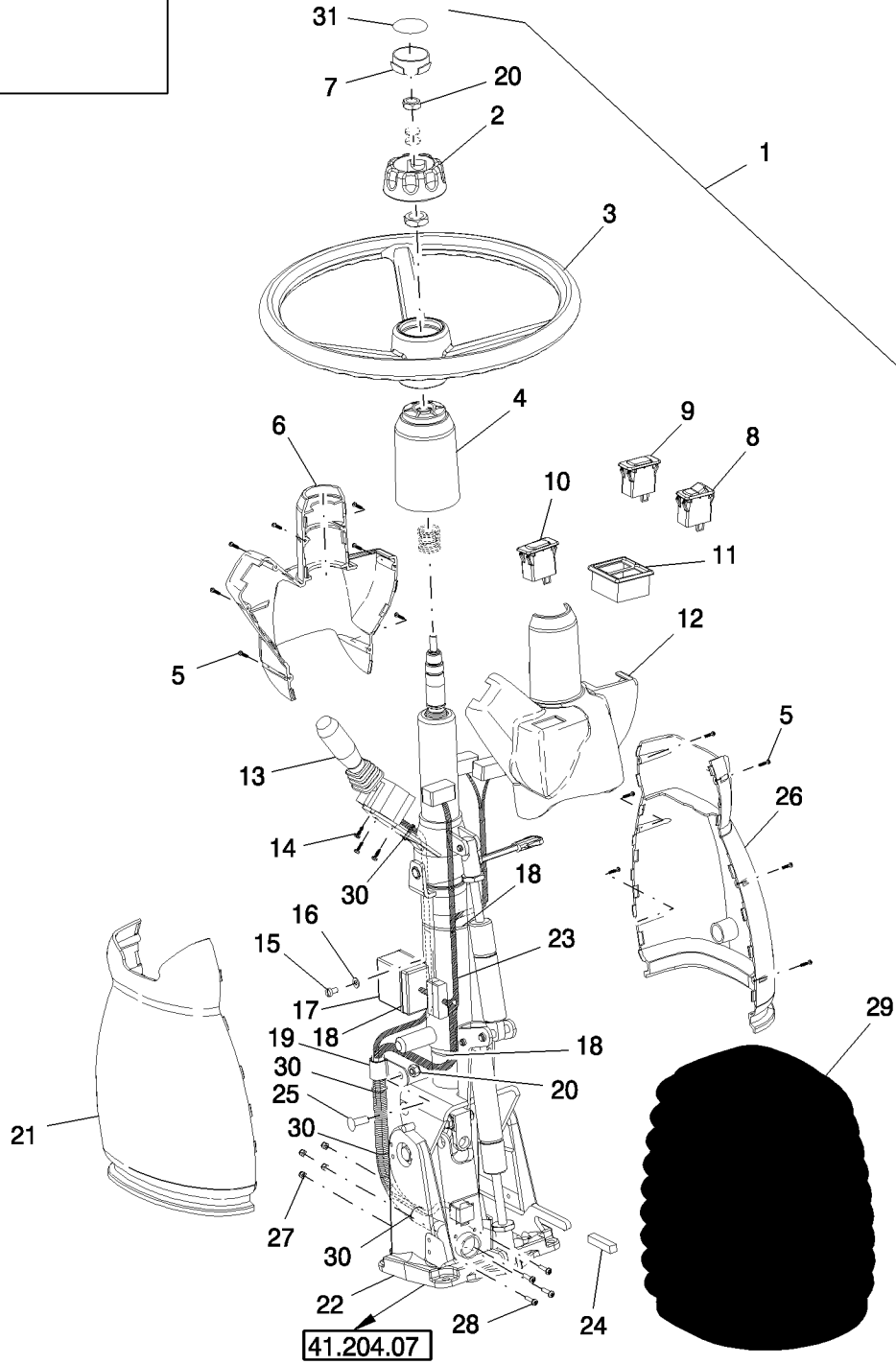
02/10

STEERING LINES

REF	FN	PART NUMBER	YR/SN	QTY	DESCRIPTION
28		9706755		2	NUT, M6, CI 8
29		9992298		4	O-RING, -014, 90 Duro, .489" ID x .070" Thk
30		86598101		4	O-RING, CI 6, 15.3MM ID x 2.2 Thk

**8120 9120 7120 7120
8120**

STEERING COLUMN, EXTERNAL COMPONENTS

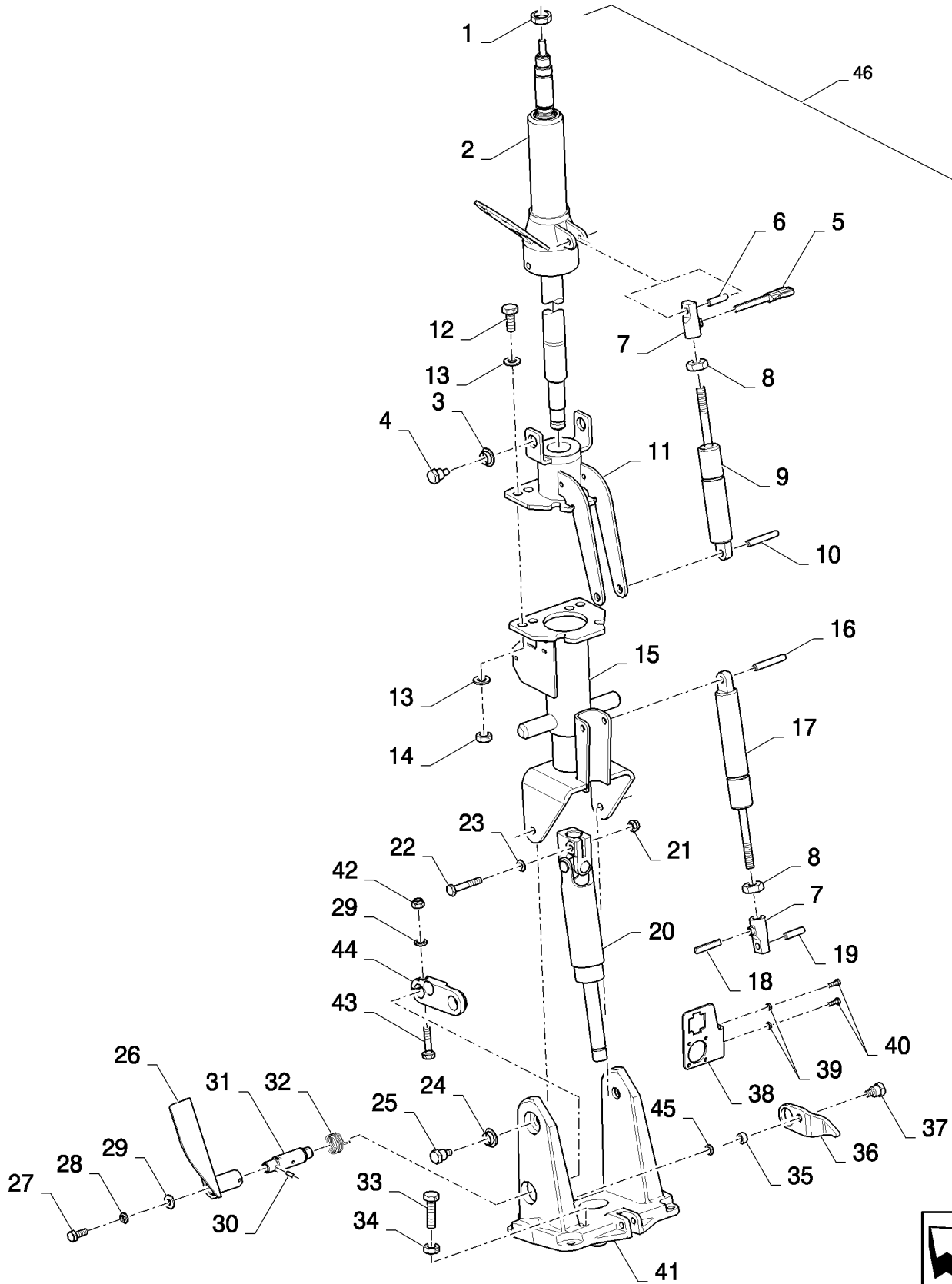


STEERING COLUMN, EXTERNAL COMPONENTS

REF	FN	PART NUMBER	YR/SN	QTY	DESCRIPTION
1		84800572		1	STEERING COLUMN
2		86996214		1	KNOB
3		86995157		1	STEERING WHEEL
4		86995762		1	COVER
5		84067935		13	SCREW
6		86995939		1	COVER, Upper, Front
7		84806242		1	KNOB
8		84800576		1	FLASHER SWITCH, Rocker; Hazard
9		84800577		1	INDICATOR LIGHT, Switch
10		84800578		1	INDICATOR LIGHT
11		84800579		2	BEZEL
12		86995940		1	COVER, Upper, Rear
13		86622301		1	SWITCH, Turn Indicator
14		PL		3	PROCURE LOCALLY, Screw
15		PL		3	PROCURE LOCALLY, Screw
16		PL		1	PROCURE LOCALLY, Washer
17		86578898		1	FLASHER UNIT
18		PL		3	PROCURE LOCALLY, Wire Tie
19		PL		1	PROCURE LOCALLY, Clamp
20		PL		2	PROCURE LOCALLY, Locknut, M8
21		86995941		1	COVER, Lower, L.H.
22		84442024		1	STEERING COLUMN
23		84800580		1	WIRE HARNESS, Steering Column
24		84807930		1	BOOT
25		PL		1	PROCURE LOCALLY, Screw, M8 x 20
26		86995942		1	COVER, Lower, R.H.
27		PL		4	PROCURE LOCALLY, Locknut, M4
28		PL		4	PROCURE LOCALLY, Screw, M4 x 16
29		84800574		1	BOOT
30		PL		6	PROCURE LOCALLY, Wire Tie
31		87614936		1	EMBLEM CASE/IH

8120 9120 7120 7120
8120

STEERING COLUMN, INTERNAL COMPONENTS

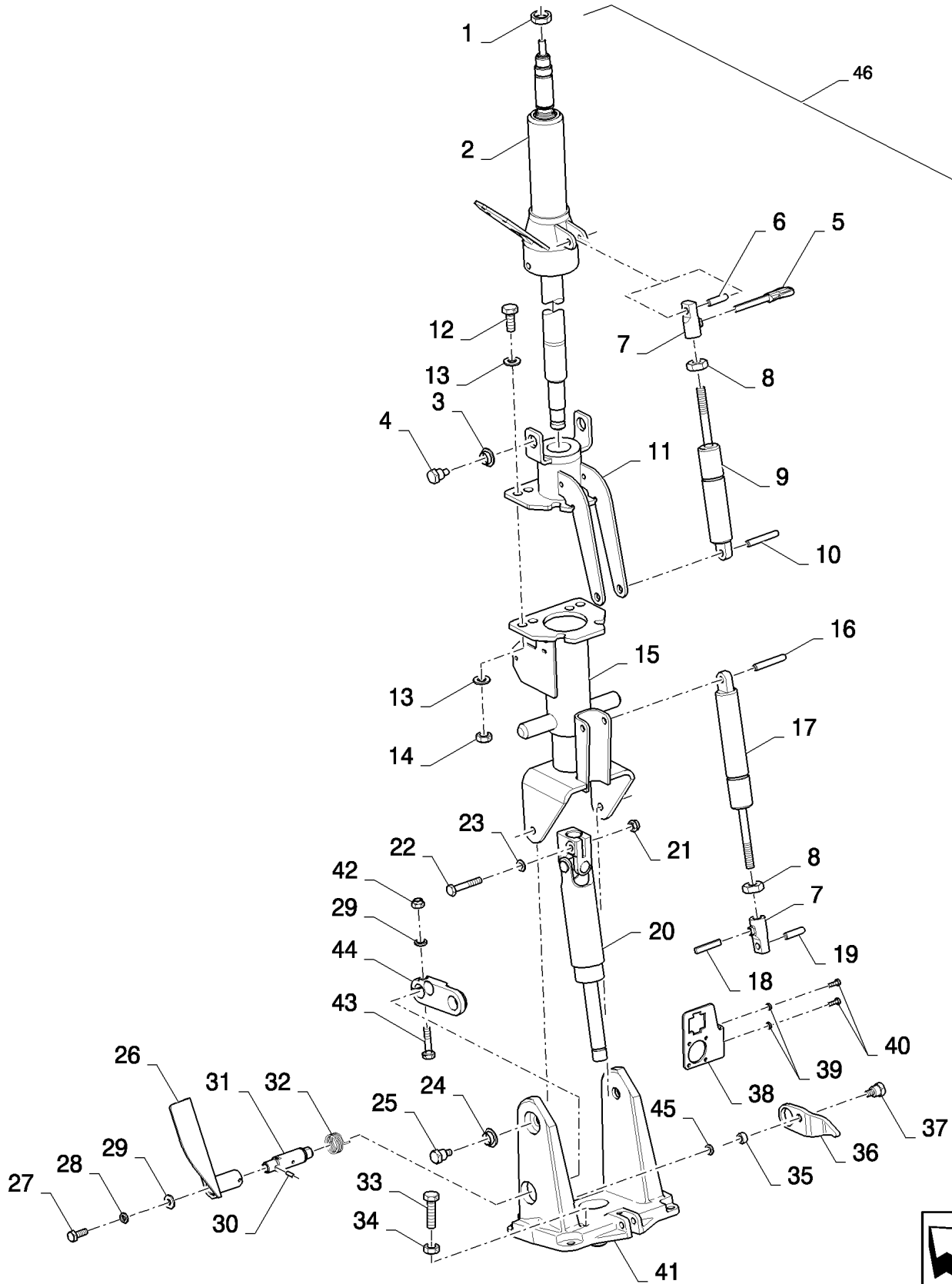


STEERING COLUMN, INTERNAL COMPONENTS

REF	FN	PART NUMBER	YR/SN	QTY	DESCRIPTION
1		87281805		1	NUT, M18
2		87281806		1	SHAFT
3		87281807		2	SLEEVE
4		87281808		2	BOLT
5		87281809		1	LEVER
6		87281810		1	PIN
7		87281811		2	HEAD
8		87281812		2	NUT
9		87281813		1	SPRING
10		87281814		1	PIN
11		87281815		1	SUPPORT
12		87281816		4	SCREW, M10 x 25
13		87281817		8	WASHER
14		87281827		4	NUT, M10
15		87281828		1	HANDLE
16		87281829		1	PIN
17		87281830		1	SPRING
18		87281831		1	SHAFT
19		87281832		1	PIN
20		87281833		1	UNIVERSAL JOINT
21		87281834		1	NUT, M8
22		87281836		1	SCREW, M8 x 40
23		87281837		1	WASHER
24		87281838		2	SLEEVE
25		87281839		2	BOLT
26		87281840		1	PEDAL
27		87281841		1	SCREW
28		87281842		1	WASHER
29		87281844		2	WASHER
30		87281843		1	PIN
31		87281845		1	BOLT
32		87281846		1	SPRING
33		87281847		1	SCREW, M6 x 22
34		87281848		1	NUT, M6
35		87281849		1	BUSHING

**8120 9120 7120 7120
8120**

STEERING COLUMN, INTERNAL COMPONENTS

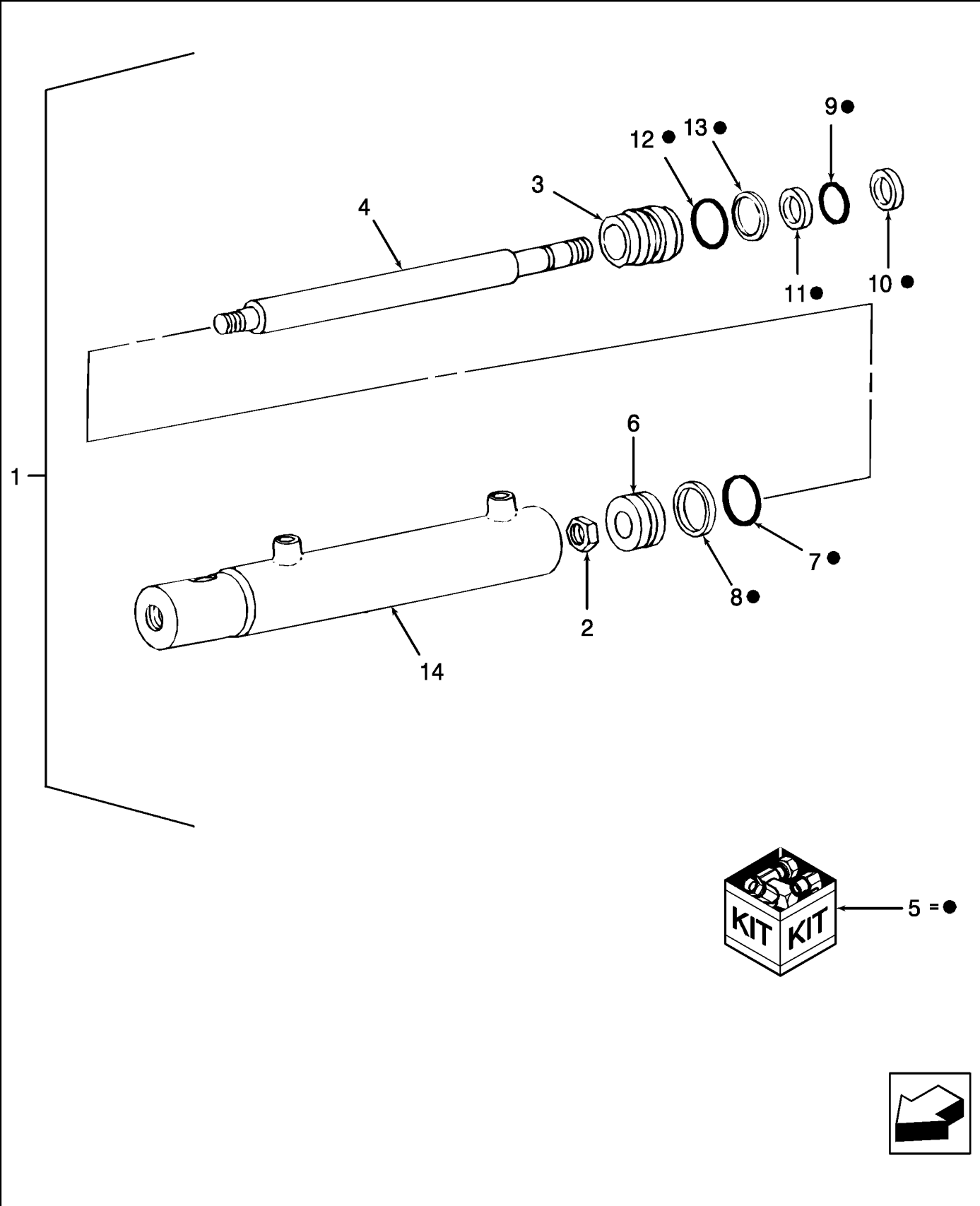


STEERING COLUMN, INTERNAL COMPONENTS

REF	FN	PART NUMBER	YR/SN	QTY	DESCRIPTION
36		87281850		1	LEVER
37		87281851		1	BOLT
38		87281852		1	SUPPORT
39		87281853		2	WASHER
40		87281854		2	SCREW
41		87281855		1	BASE
42		87281856		1	NUT, M6
43		87281857		1	SCREW, M6 x 30
44		87281858		1	LEVER
45		87281859		1	WASHER
46		84442024		1	STEERING COLUMN, 1 to 45

**8120 9120 7120 7120
8120**

STEERING CYLINDER



STEERING CYLINDER

REF	FN	PART NUMBER	YR/SN	QTY	DESCRIPTION
1		84814043		1	STEERING CYLINDER
2		87629		1	LOCK NUT, 5/8"-11, GB
3		NSS		1	NOT SERVICED SEPARATELY, CYLINDER HEAD
4		NSS		1	NOT SERVICED SEPARATELY, PISTON ROD
5		84334447		1	SEAL KIT, Incl Ref 7, 8, 9, 10, 11, 12 & 13
6		86511736		1	PISTON
7		86570920		AR	SEAL, Piston
8		771701		AR	WEAR RING
9		9600664		AR	SEAL
10		46886		AR	SEAL
11		86571906		AR	WEAR RING
12		510121		AR	O-RING, -227, 70 Duro, 2.109" ID x .139" Thk
13		86502489		AR	BACK-UP RING
14		NSS		1	NOT SERVICED SEPARATELY, CYLINDER

**8120 9120 7120 7120
8120**

SECTION INDEX

44 - Axle and wheels

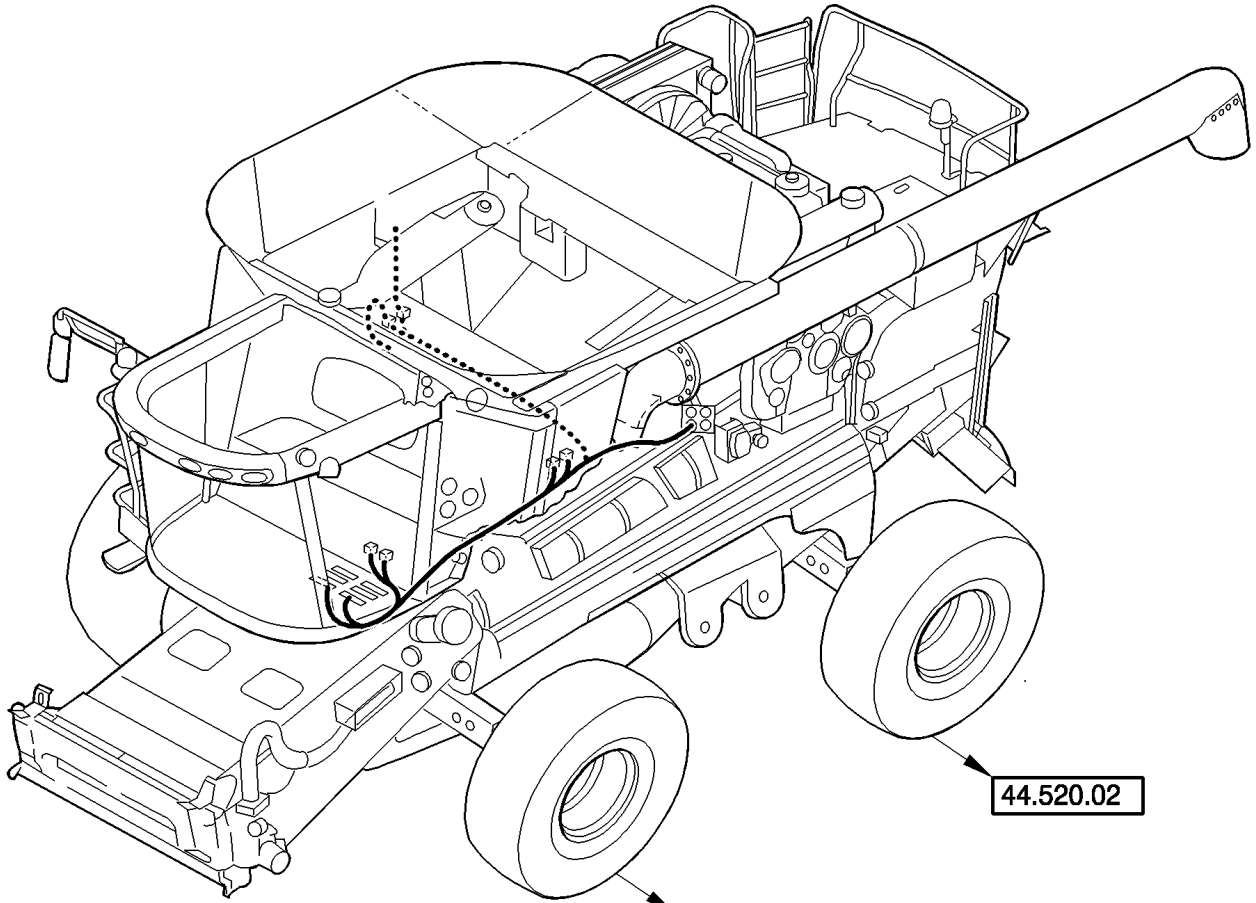
44.000.00		SECTION INDEX - AXLE AND WHEELS
44.100.02		WHEELS, FRONT - 32 X DW36A (DELAYED)
44.100.03		WHEELS, FRONT - 32 X DW36A
44.100.04		WHEELS, FRONT - 32 X DW27A (DELAYED)
44.100.05		WHEELS, FRONT - 32 X DW27A
44.100.07		WHEELS, FRONT FLOTATION - 76 X 50.00-32 X DW44A (DELAYED)
44.100.09		WHEELS, FRONT - EU, 38 X MW23A (DELAYED)
44.100.10		WHEELS, FRONT - EU, 32 X DW27A (DELAYED)
44.100.11		WHEELS, FRONT - EU, DWW36A X 32 (DELAYED)
44.100.13		DUAL WHEEL MOUNT (DELAYED)
44.100.14		KIT, DUAL WHEELS MOUNTING
44.101.01	01	DIA, HARVEST KITS, FRONT AXLE EXTENSION - 7120/7120(LA)
44.101.01	02	DIA, HARVEST KITS, FRONT AXLE EXTENSION - 8120/8120(LA), 9120
44.101.02		DIA, HARVEST KIT, AXLE EXTENSION, EUROPEAN ONLY
44.104.01		FRONT AXLE
44.151.06		CENTRAL STEERING BRIDGE, POWERED & HEAVY DUTY, W/EXTENSIONS
44.151.08	01	HALF-SHAFTS WITHOUT EXTENSIONS - 7120/7120(LA)
44.151.08	02	HALF-SHAFTS WITHOUT EXTENSIONS - 8120/8120(LA), 9120
44.151.12		KIT, TRACK - NA ONLY - 8120, 9120
44.200.03		STANDARD STEERING AXLE SPINDLES
44.200.07		MOTOR, HYDROSTATIC, PRA
44.200.09		HYDRAULIC LINES, POWERED REAR AXLE
44.200.11		DIA KIT. DUAL SPEED PRA AXLE
44.200.12		POWERED REAR AXLE
44.200.13		KIT, DUAL SPEED - POWERED REAR AXLE
44.200.15		POWERED REAR AXLE, SELECTOR VALVE
44.200.17		PLUGS, LESS POWERED REAR AXLE
44.511.04		WHEELS, FRONT 900/60R32 176A8 AND 900/75R32 184A8
44.511.05		WHEELS, FRONT - EU - 7120, 8120, 9120
44.511.07		WHEELS, DUAL
44.520.02		WHEELS, REAR

44.000.00

p1

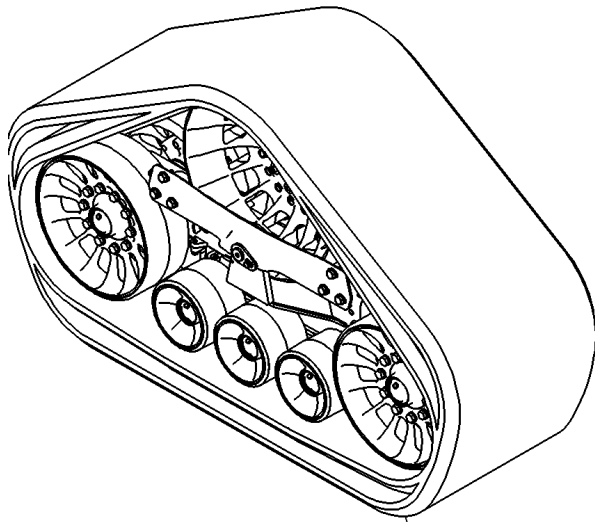
08/09

SECTION INDEX - AXLE AND WHEELS



44.520.02

44.511.07



48.100.02

48.134.06

44.000.00

p1

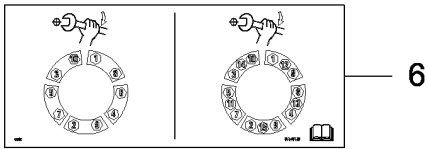
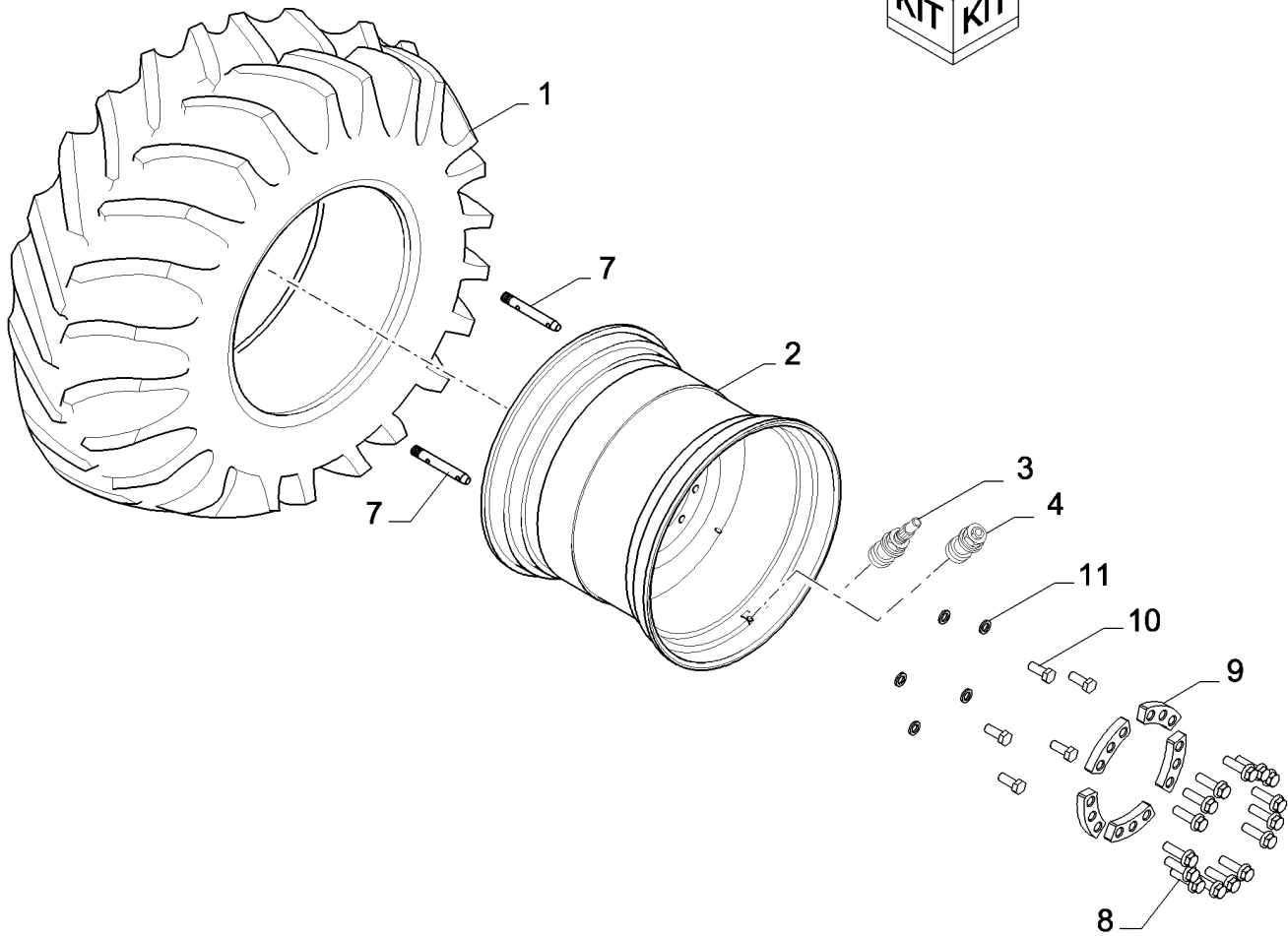
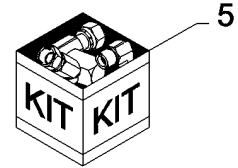
08/09

SECTION INDEX - AXLE AND WHEELS

REF	FN	PART NUMBER	YR/SN	QTY	DESCRIPTION
------------	-----------	--------------------	--------------	------------	--------------------

					7120 7120 8120 9120 8120
--	--	--	--	--	-------------------------------------

WHEELS, FRONT - 32 X DW36A (DELAYED)



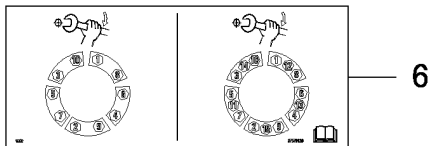
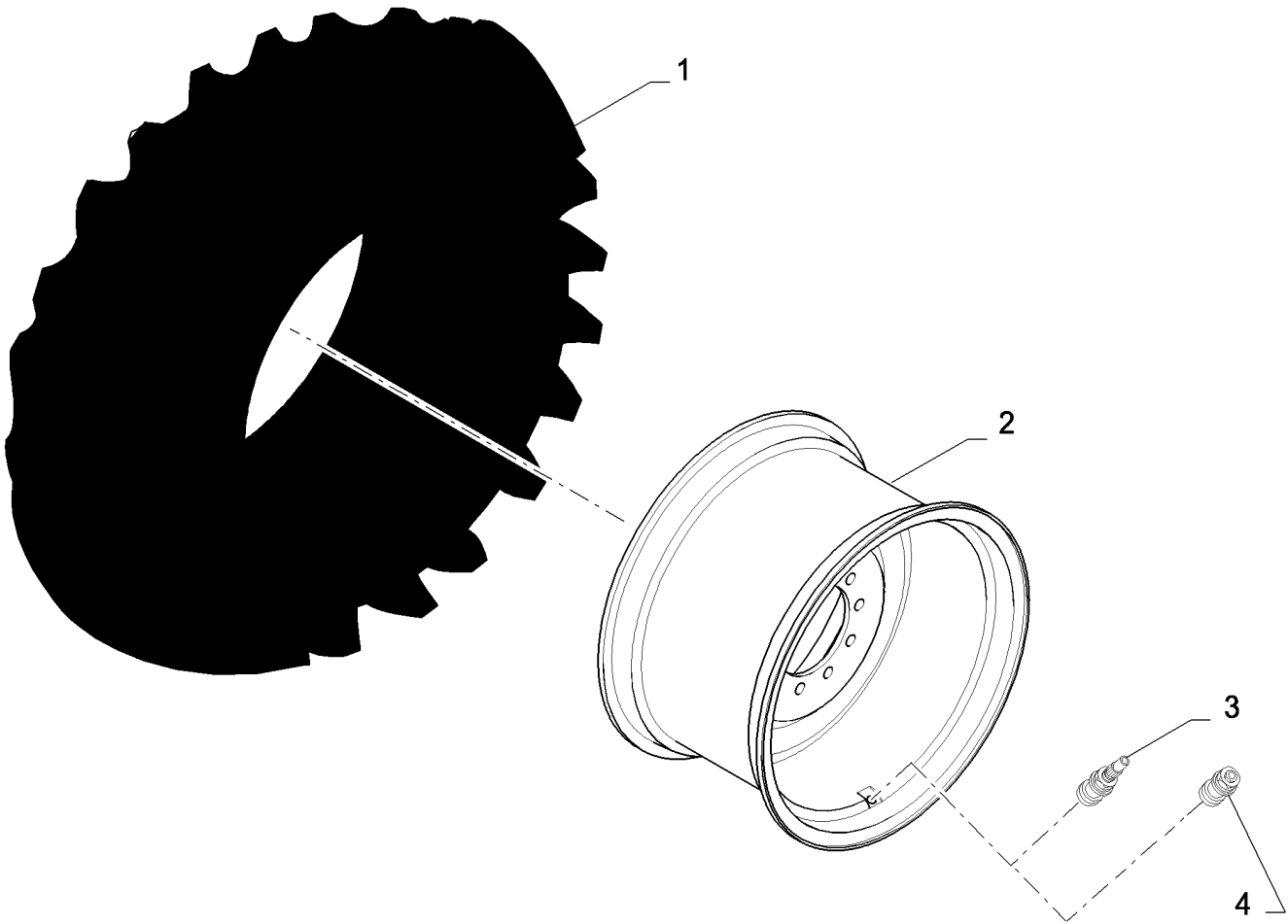
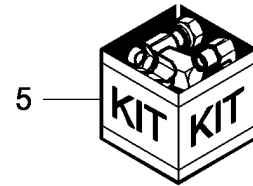
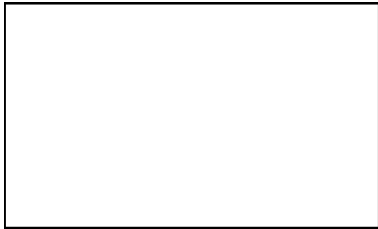
WHEELS, FRONT - 32 X DW36A (DELAYED)

REF	FN	PART NUMBER	YR/SN	QTY	DESCRIPTION
1		PL		1	PROCURE LOCALLY, Tire, 1050/50R32 178A8 HF3
2		87627433		AR	RIM, Wheel, 32 x DW36A
3		87106339		AR	VALVE STEM
4		87106340		AR	PLUG, For Tubeless Tire
5		87327483		1	SERVICE KIT, Fixation; Incl Refs 8(30) & 9(10)
6		87570139		1	DECAL, Bolt Torquing Sequence
7		87283521		2	STUD, M22 x 180
8		87327478		15	BOLT
9		87598803		5	PLATE
10		87340028		5	BOLT
11		87327481		5	WASHER

NA Only

**8120 9120 7120 7120
8120**

WHEELS, FRONT - 32 X DW36A



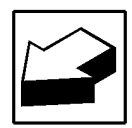
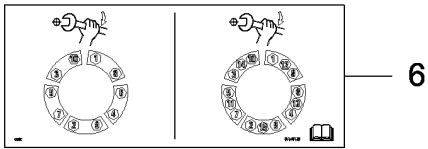
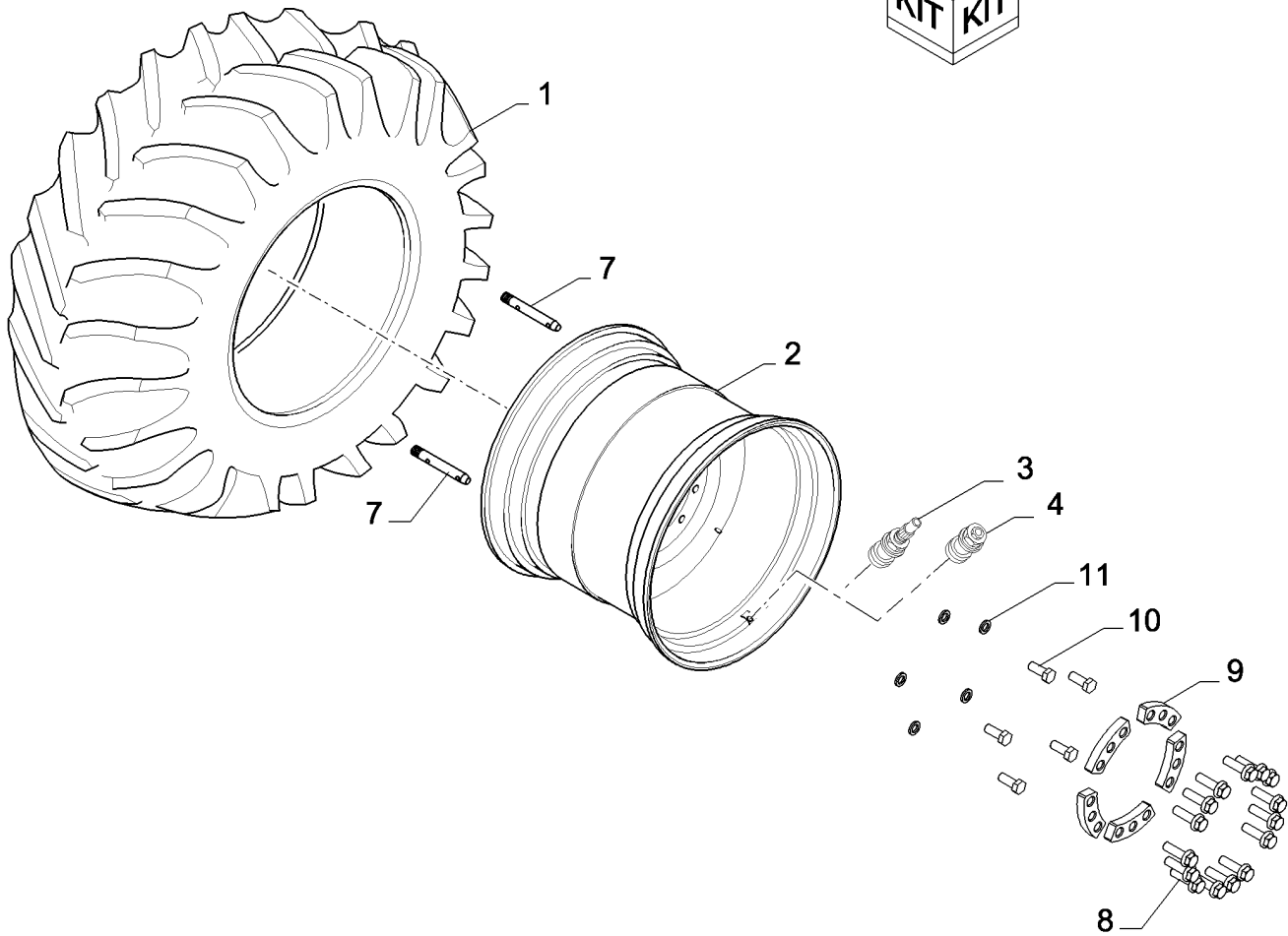
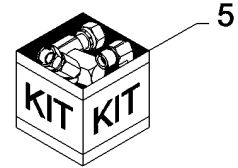
WHEELS, FRONT - 32 X DW36A

REF	FN	PART NUMBER	YR/SN	QTY	DESCRIPTION
1		NS		1	NOT SERVICED, Tire, 1050/50R32 178A8 HF3
2		87490153		AR	RIM, Wheel, 32 x DW36A
3		87106339		AR	VALVE STEM
4		87106340		AR	PLUG, For Tubeless Tire
5		87283866		AR	KIT, Fixation; Incl Refs 7, 8, & 9
6		87570139		1	DECAL, Bolt Torquing Sequence
7		87029972		20	BOLT, Hex, M22 x 1.5 x 55, 10.9, Full Thd
8		9850384		20	WASHER, M23 x 40 x 0.5, HT
9		87283521		2	STUD, M22 x 180

NA/Latin America Only

**8120 9120 7120 7120
8120**

WHEELS, FRONT - 32 X DW27A (DELAYED)

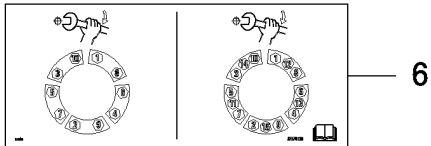
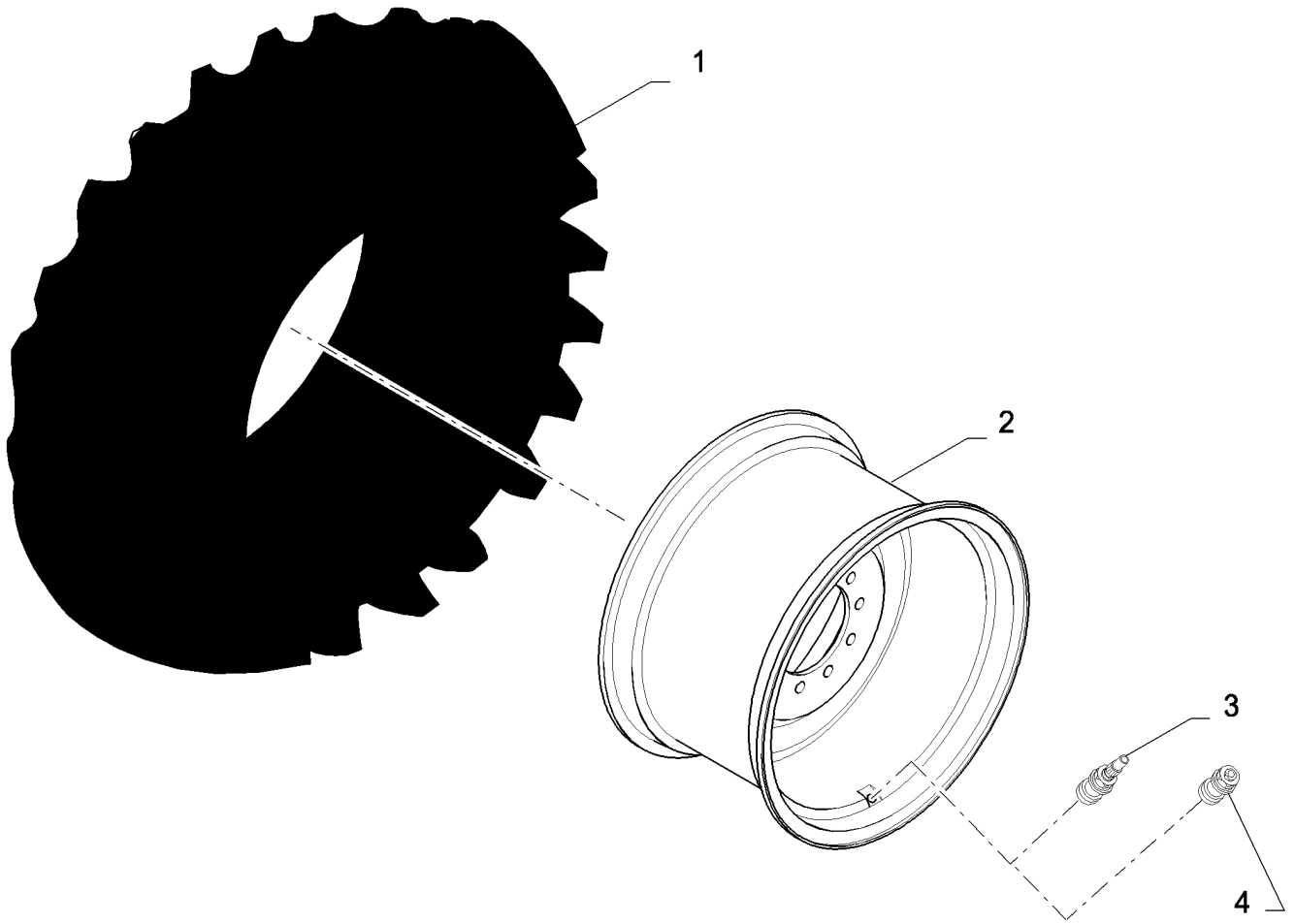
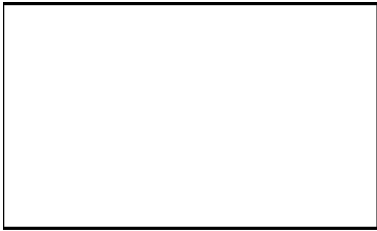


WHEELS, FRONT - 32 X DW27A (DELAYED)

REF	FN	PART NUMBER	YR/SN	QTY	DESCRIPTION
1		PL		1	PROCURE LOCALLY, Tire
2		87692466		1	WHEEL ASSY., 32 x DW27A
3		87106339		AR	VALVE STEM
4		87106340		AR	PLUG, For Tubeless Tire
5		87327483		1	SERVICE KIT, Fixation; Incl Refs 8(30) & 9(10)
6		87570139		1	DECAL, Bolt Torquing Sequence
7		87283521		2	STUD, M22 x 180
8		87327478		15	BOLT
9		87598803		5	PLATE
10		87340028		5	BOLT
11		87327481		5	WASHER

**8120 9120 7120 7120
8120**

WHEELS, FRONT - 32 X DW27A

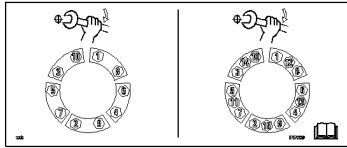
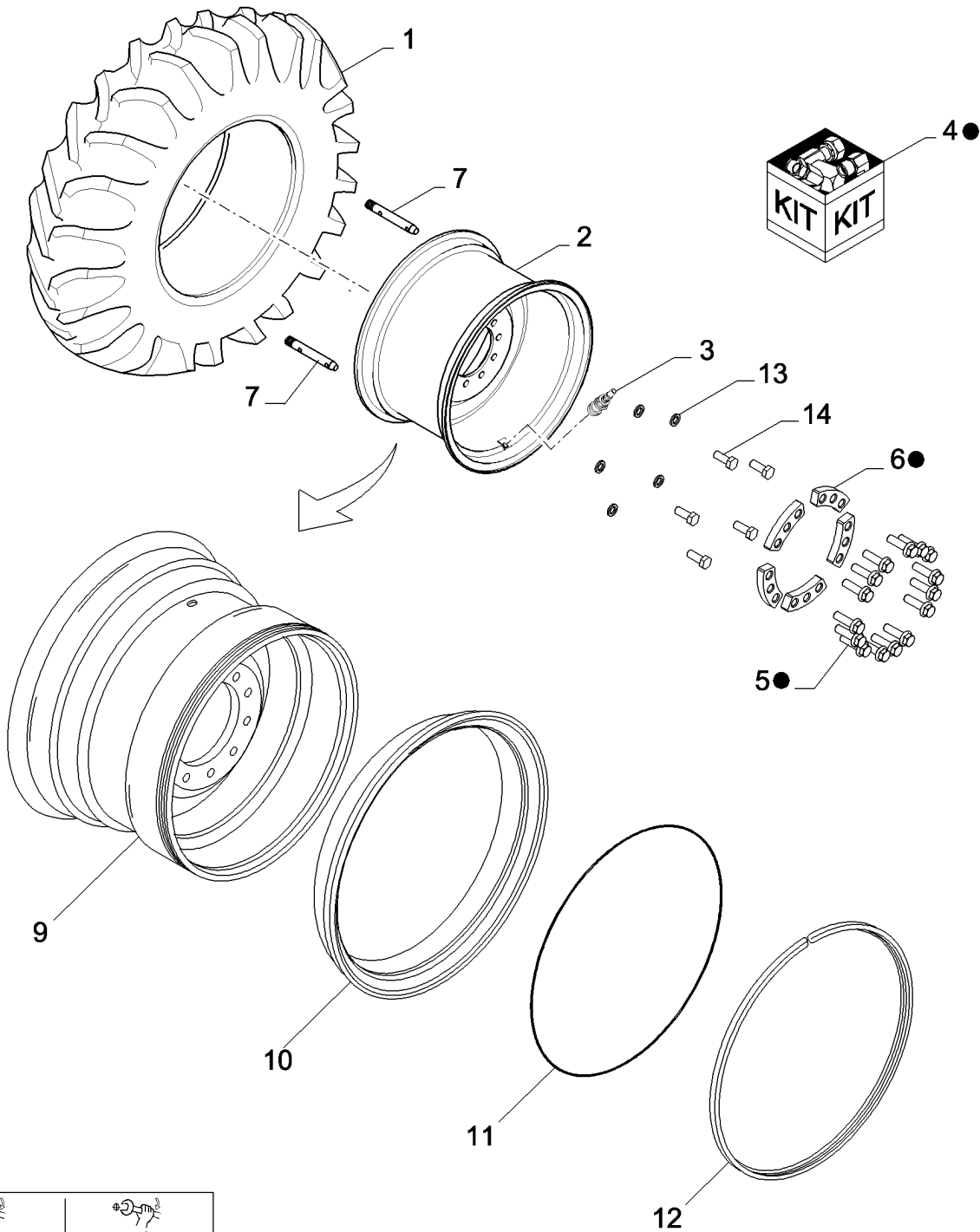


WHEELS, FRONT - 32 X DW27A

REF	FN	PART NUMBER	YR/SN	QTY	DESCRIPTION
1		NS		1	NOT SERVICED, Tire
2		86996617		AR	WHEEL, 32 x DW27A
3		87106339		AR	VALVE STEM
4		87106340		AR	PLUG, For Tubeless Tire
4		86998062		1	PLUG, NOT SHOWN, For Tire with Tube Only
5		NS		AR	NOT SERVICED, NOT SHOWN, Tube
6		87570139		1	DECAL, Bolt Torquing Sequence

**8120 9120 7120 7120
8120**

WHEELS, FRONT FLOTATION - 76 X 50.00-32 X DW44A (DELAYED)

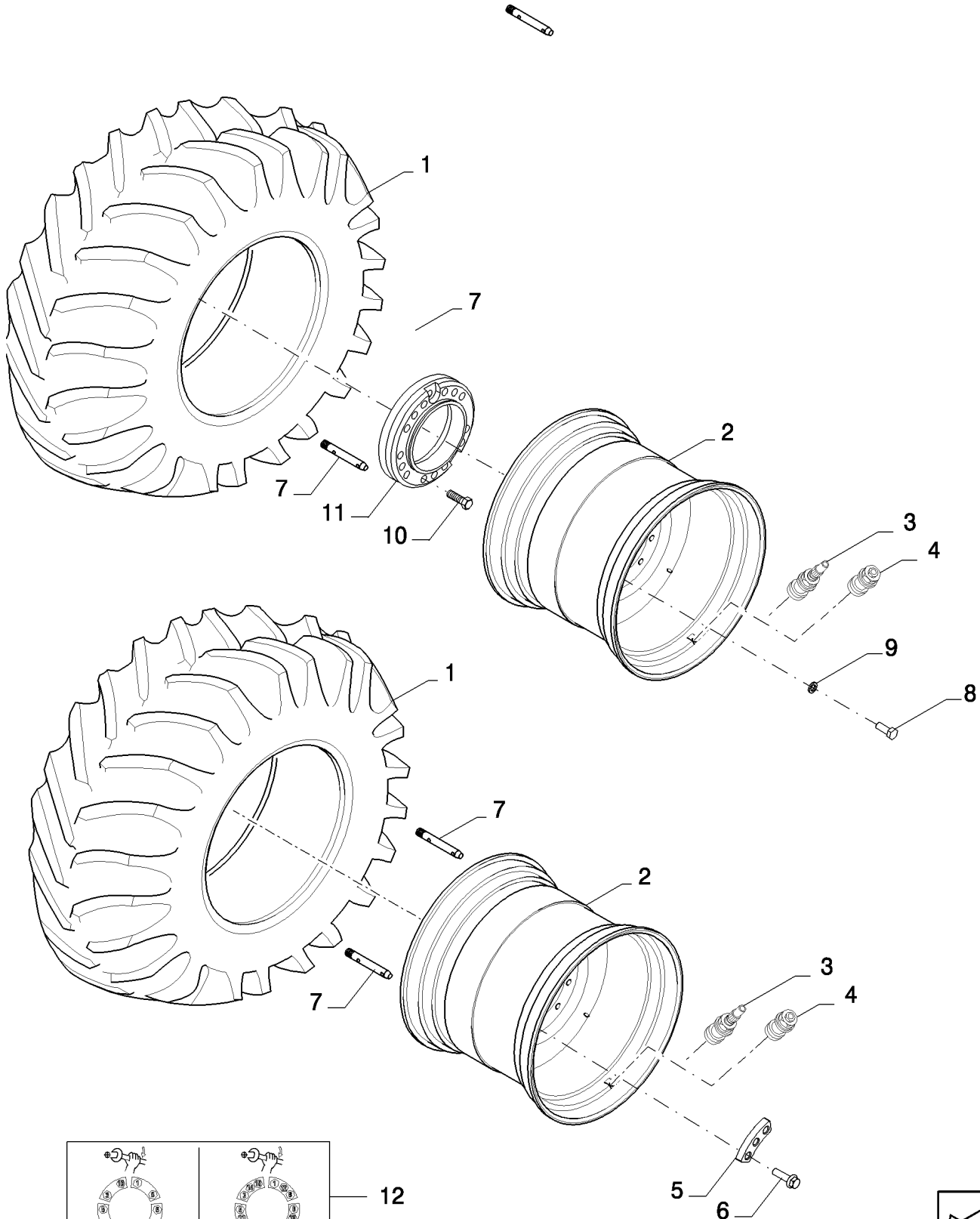


WHEELS, FRONT FLOTATION - 76 X 50.00-32 X DW44A (DELAYED)

REF	FN	PART NUMBER	YR/SN	QTY	DESCRIPTION
1		NS		1	NOT SERVICED, Tire
2		86996678		AR	WHEEL ASSY, Incl Ref 9 thru 12
3		86997685		1	VALVE STEM
4		87327483		AR	SERVICE KIT, Flotation Fixation; Incl Ref 5(30) & 6(10)
5		87327478		15	BOLT
6		87598803		5	PLATE
7		87283521		2	STUD, M22 x 180
8		87570139		1	DECAL, Bolt Torquing Sequence
9		NSS		1	NOT SERVICED SEPARATELY, Wheel
10		87758241		1	LOCKING RING, Side; 32 x 44DWM
11		184473C1		1	O-RING, M29.8 ID x .30 Thk
12		184472C1		1	RING
13		87327481		5	WASHER
14		87340028		5	BOLT, M22 x 1.5 x 55, Full 10.9 DOR

**8120 9120 7120 7120
8120**

WHEELS, FRONT - EU, 38 X MW23A (DELAYED)

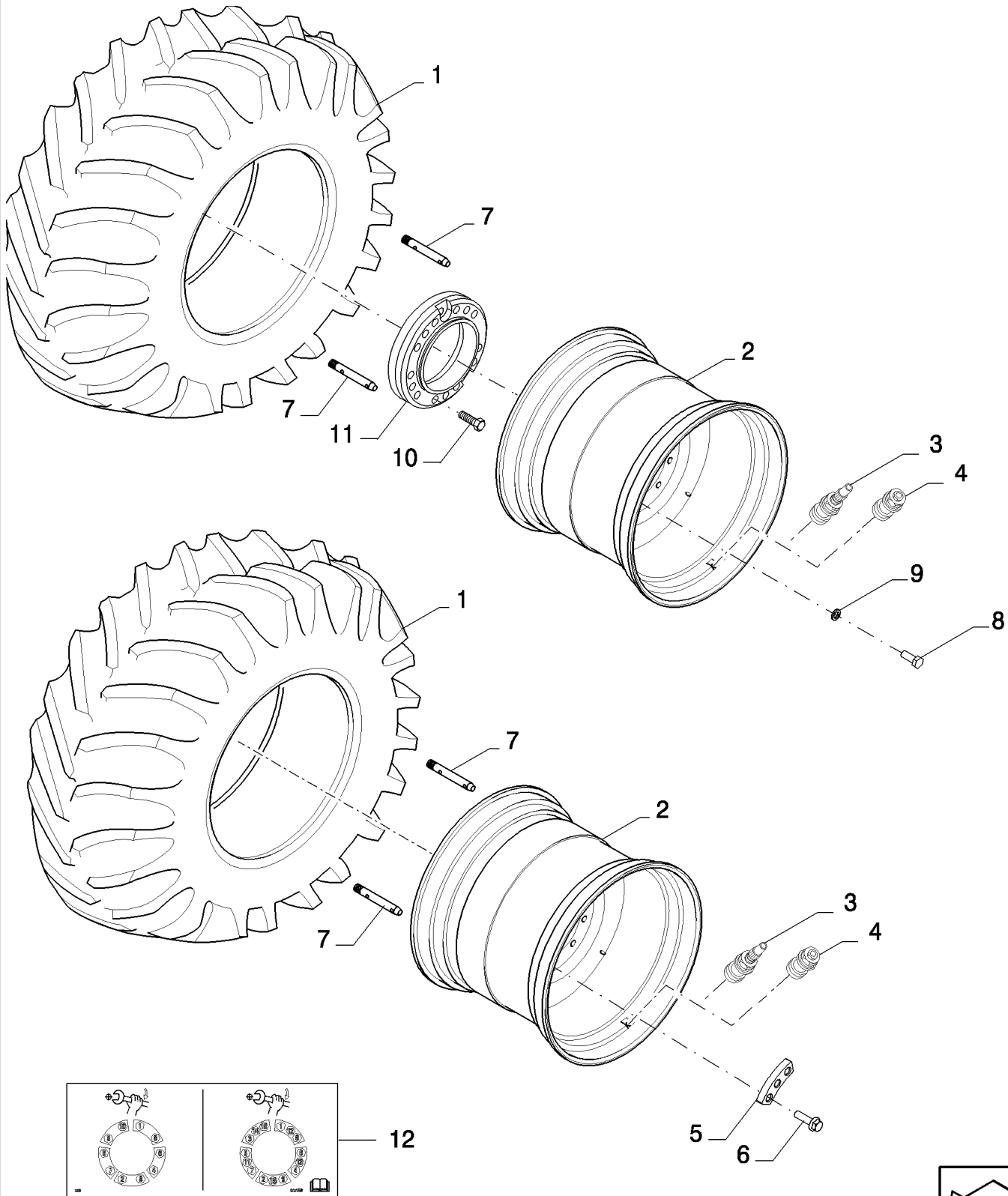


WHEELS, FRONT - EU, 38 X MW23A (DELAYED)

REF	FN	PART NUMBER	YR/SN	QTY	DESCRIPTION
1		PL		1	PROCURE LOCALLY, Tire, 710/70R38 171 A8 R1W
2		87472844		1	WHEEL ASSY., 38 x MW23A
3		87106339		1	VALVE STEM
4		87106340		1	PLUG
5		87598803		5	PLATE
6		87327478		15	BOLT
7		87283521		2	STUD, M22 x 180
8		87515082		15	BOLT
9		87327481		15	WASHER
10		87367550		2	FLANGE BOLT, Hex, M22 x 95, CI 12.9
11		87398579		1	SPACER, 76 mm
12		87570139		1	DECAL, Bolt Torquing Sequence

**8120 9120 7120 7120
8120**

WHEELS, FRONT - EU, 32 X DW27A (DELAYED)

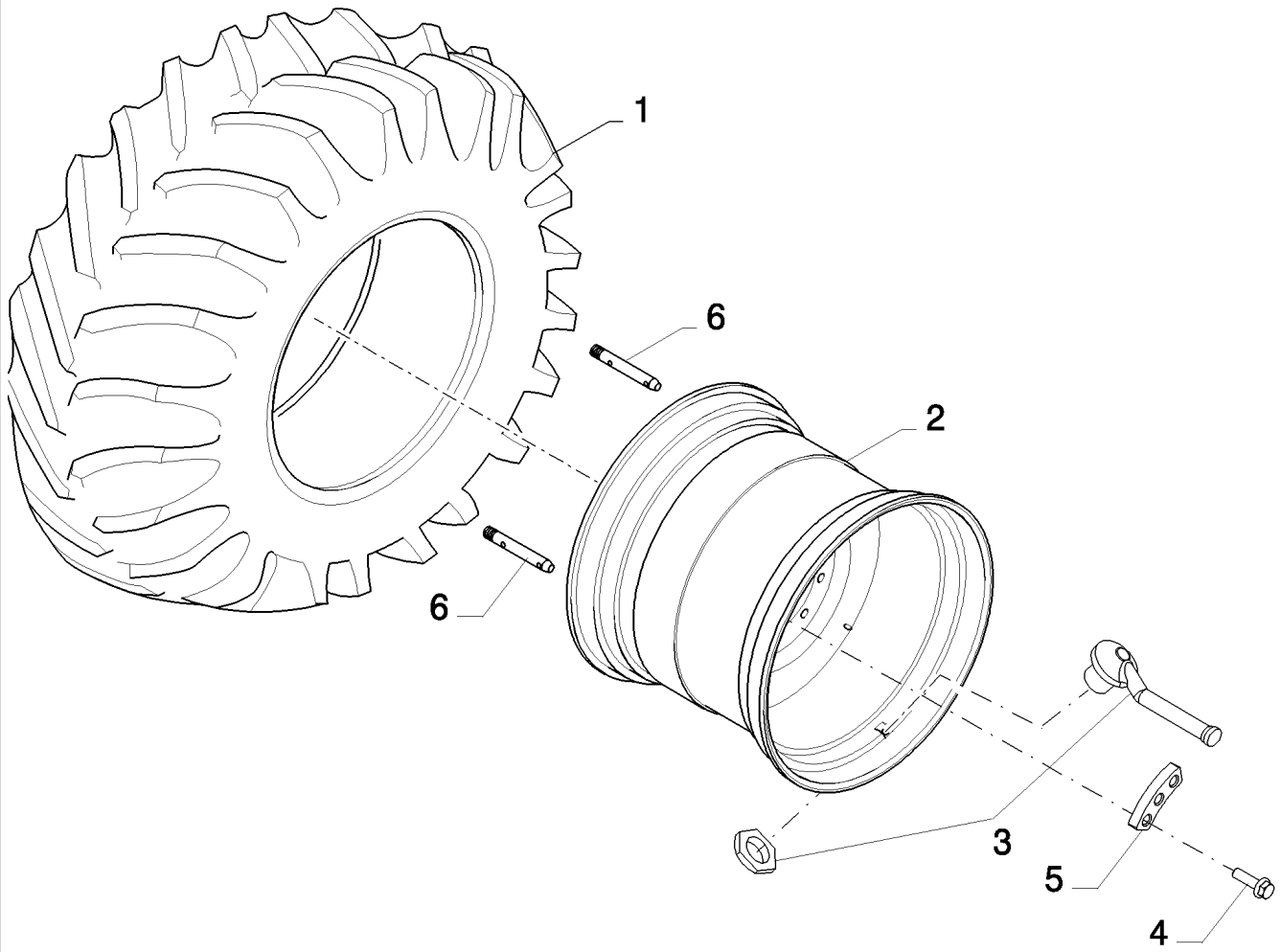


WHEELS, FRONT - EU, 32 X DW27A (DELAYED)

REF	FN	PART NUMBER	YR/SN	QTY	DESCRIPTION
1		PL		1	PROCURE LOCALLY, Tire, 800/65R32 172A8 R1W
1		PL		1	PROCURE LOCALLY, Tire, 900/60R32 176A8 R1W
2		87692466		1	WHEEL ASSY., 32 x DW27A
3		87106339		1	VALVE STEM
4		87106340		1	PLUG
5		87598803		5	PLATE
6		87327478		15	BOLT
7		87283521		2	STUD, M22 x 180
8		87515082		15	BOLT
9		87327481		15	WASHER
10		87367550		2	FLANGE BOLT, Hex, M22 x 95, CI 12.9
11		87398579		1	SPACER, 76 mm
12		87570139		1	DECAL, Bolt Torquing Sequence

**8120 9120 7120 7120
8120**

WHEELS, FRONT - EU, DWW36A X 32 (DELAYED)

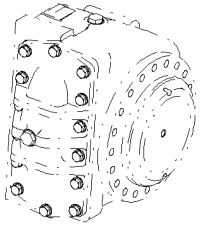


WHEELS, FRONT - EU, DWW36A X 32 (DELAYED)

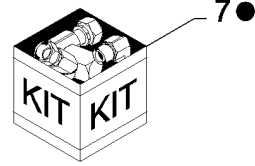
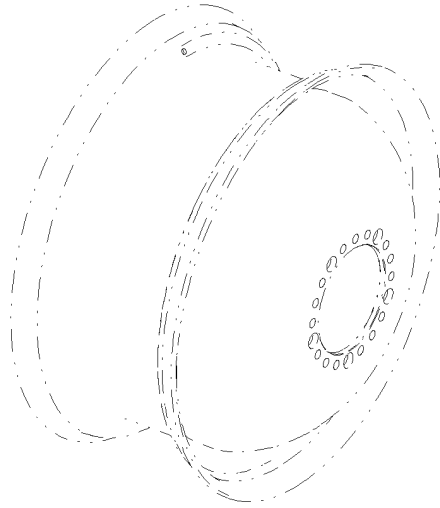
REF	FN	PART NUMBER	YR/SN	QTY	DESCRIPTION
1		PL		1	PROCURE LOCALLY, Tire, TW1050/50R32 - 178A8(-118)A
2		84441712		1	WHEEL, DWW36A x 32
3		84460168		1	VALVE STEM
4		87327478		10	BOLT
5		87598803		5	PLATE
6		87283521		2	STUD, M22 x 180

**8120 9120 7120 7120
8120**

DUAL WHEEL MOUNT (DELAYED)



5

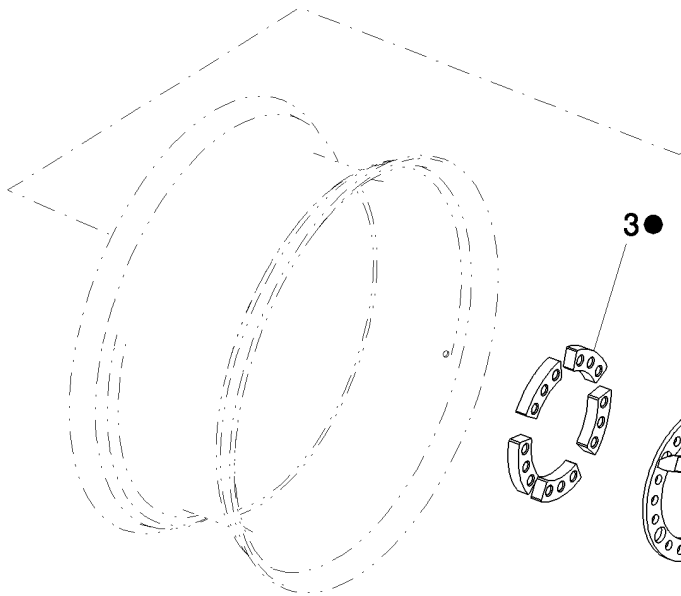
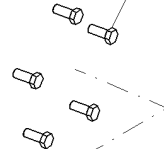


7 ●

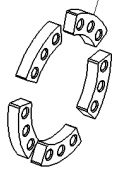
2



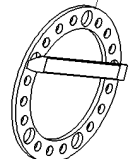
1



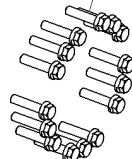
3 ●



6 ●



4 ●



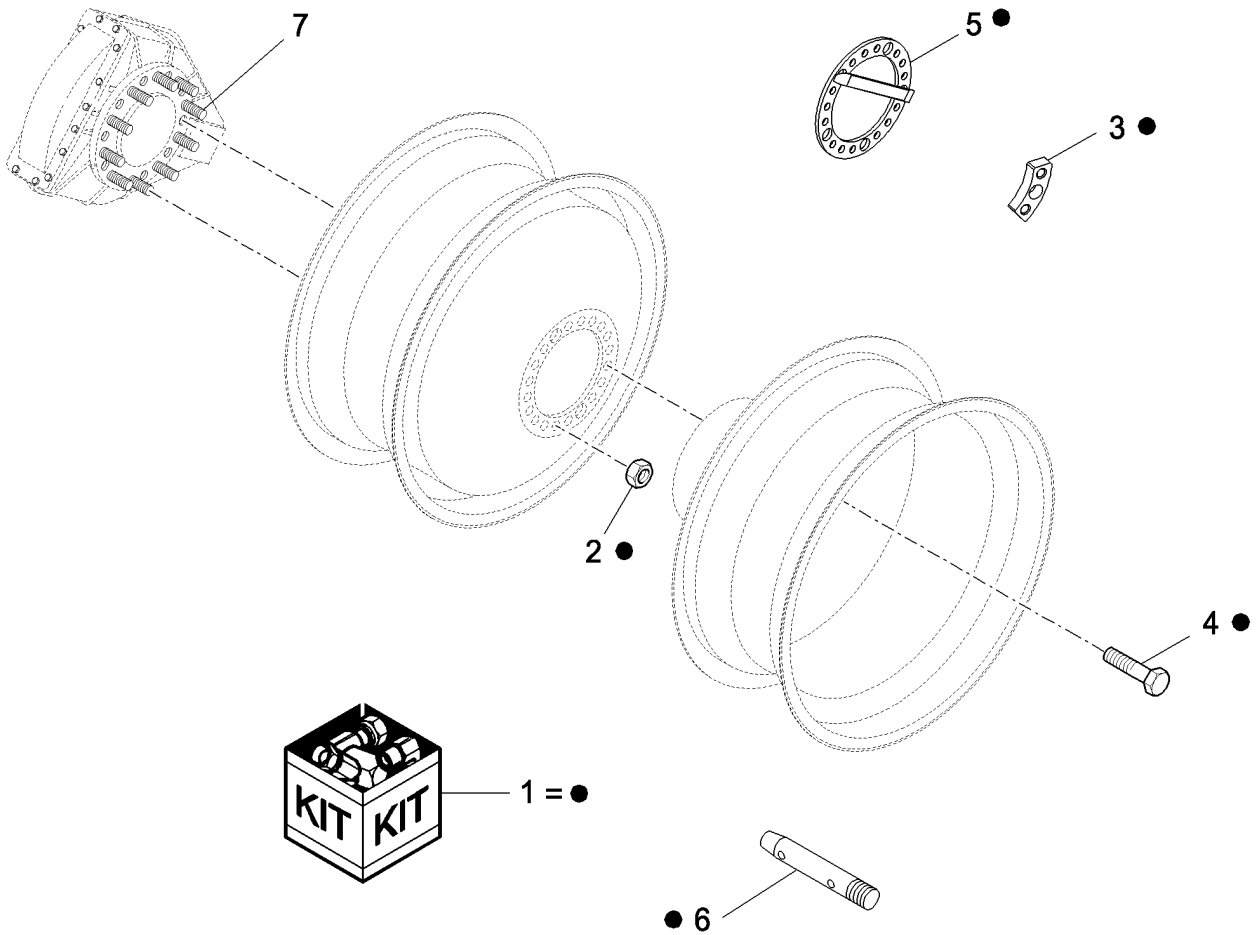
DUAL WHEEL MOUNT (DELAYED)

REF	FN	PART NUMBER	YR/SN	QTY	DESCRIPTION
1		87340028		10	BOLT
2		87327481		10	WASHER
3		87327940		10	PLATE
4		87367550		30	FLANGE BOLT, Hex, M22 x 95, CI 12.9
5		87283521		4	STUD, M22 x 180
6	1	87280385		2	SPACER
7		87752428		1	SERVICE KIT, Dual Wheel Fixation; Incl Refs 3, 4, & 6

(1) For Road Transport

**8120 9120 7120 7120
8120**

KIT, DUAL WHEELS MOUNTING



KIT, DUAL WHEELS MOUNTING

REF	FN	PART NUMBER	YR/SN	QTY	DESCRIPTION
1		87283504		1	KIT, Fixation, Dual Wheels, Incl Ref 2 thru 6
2		336945		20	NUT, M22 x 1.5, CI 10
3		87283501		10	SPACER, Plate, Wheel Mounting
4		87367550		20	FLANGE BOLT, Hex, M22 x 95, CI 12.9
5	1	87280385		2	SPACER
6		87283521		2	STUD, M22 x 180, Starter, Drive Wheel
7		87282493		20	WHEEL BOLT, M22 x 1.5 x 84

(1) Used Only When Inner Dual Wheel Is Installed W/O Outer Dual Wheel

**8120 9120 7120 7120
8120**

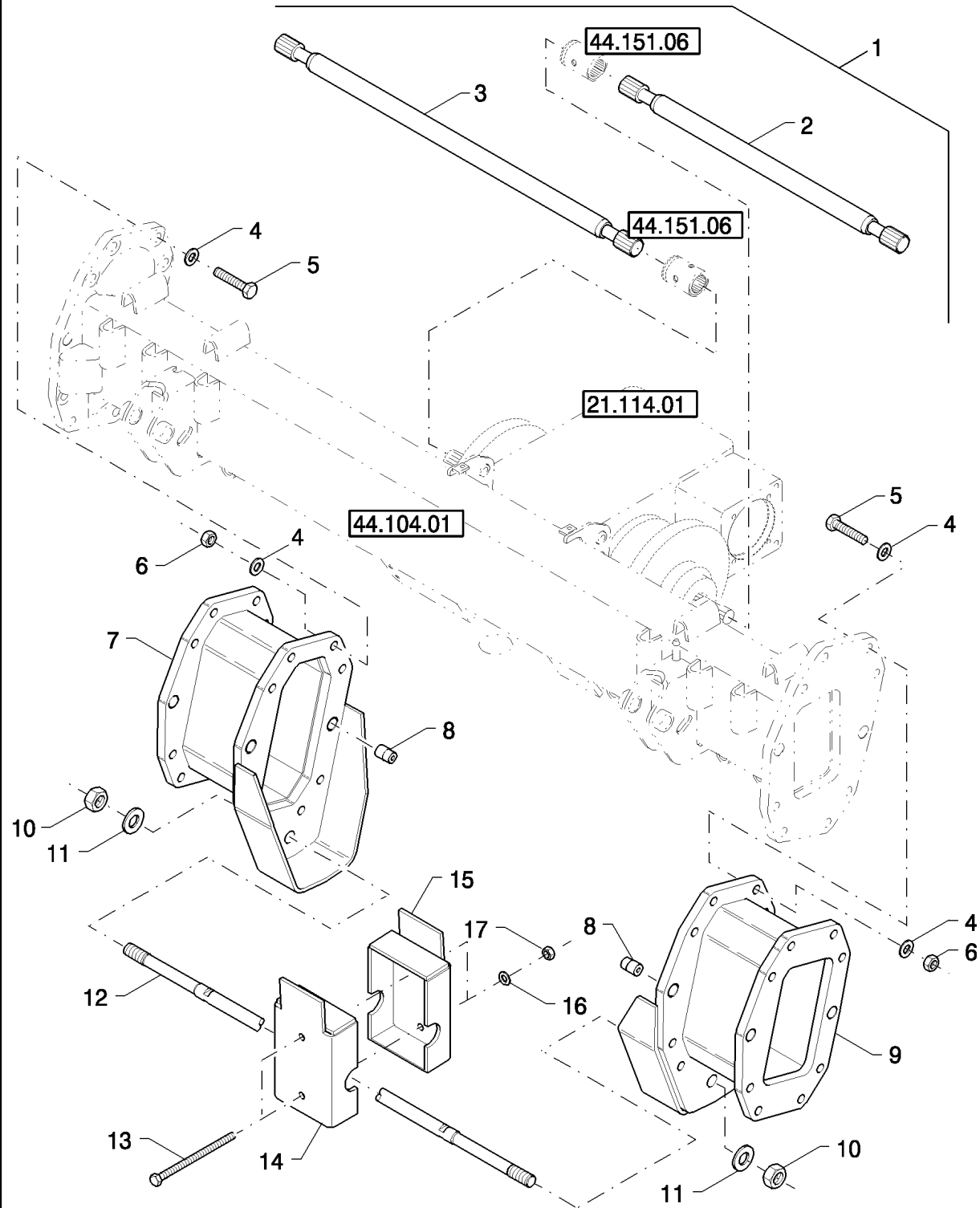
44.101.01

01

p1

02/10

DIA, HARVEST KITS, FRONT AXLE EXTENSION - 7120/7120(LA)



DIA, HARVEST KITS, FRONT AXLE EXTENSION - 7120/7120(LA)

REF	FN	PART NUMBER	YR/SN	QTY	DESCRIPTION
1		84095960		AR	DIA KIT, HARVESTER, Axle Extensions, 265 mm, For 11/111 Final Drive
1		84095961		AR	DIA KIT, HARVESTER, Axle Extensions, 265 mm, For Planetary Final Drive
1	1	84095955		AR	DIA KIT, HARVESTER, Axle Extensions, 316 mm, For 11/111 Final Drive
1	1	84095956		AR	DIA KIT, HARVESTER, Axle Extensions, 316 mm, For Planetary Final Drive
2		84440959		1	DRIVE SHAFT, Transmission Half-shaft, L.H., For 265 mm Extension, For 11/111 Final Drive
2		84440961		1	DRIVE SHAFT, Transmission Half-shaft, L.H., For 265 mm Extension, For Planetary Final Drive
2		84440943		1	DRIVE SHAFT, Transmission Half-shaft, L.H., For 316 mm Extension, For 11/111 Final Drive
2		84440945		1	DRIVE SHAFT, Transmission Half-shaft, L.H., For 316 mm Extension, For Planetary Final Drive
3		84440959		1	DRIVE SHAFT, Transmission Half-shaft, R.H., For 265 mm Extension, For 11/111 Final Drive
3		84440961		1	DRIVE SHAFT, Transmission Half-shaft, R.H., For 265 mm Extension, For Planetary Final Drive
3		84440943		1	DRIVE SHAFT, Transmission Half-shaft, R.H., For 316 mm Extension, For 11/111 Final Drive
3		84440945		1	DRIVE SHAFT, Transmission Half-shaft, R.H., For 316 mm Extension, For Planetary Final Drive
4		394632		32	WASHER, M20 x 40 x 4, HT
5		87024335		16	BOLT, Hex, M20 x 80, 10.9, Full Thd
6		89706694		16	NUT, M20, CI 8
7		87108187		1	EXTENSION, RH, 265mm
7		87108166		1	EXTENSION, RH, 316mm
8		80626826		4	PIN
9		87108189		1	EXTENSION, LH, 265mm
9		87108164		1	EXTENSION, LH, 316mm
10		80300852		2	NUT
11		80140184		2	WASHER

(1) NA & Latin America Only

7120 7120

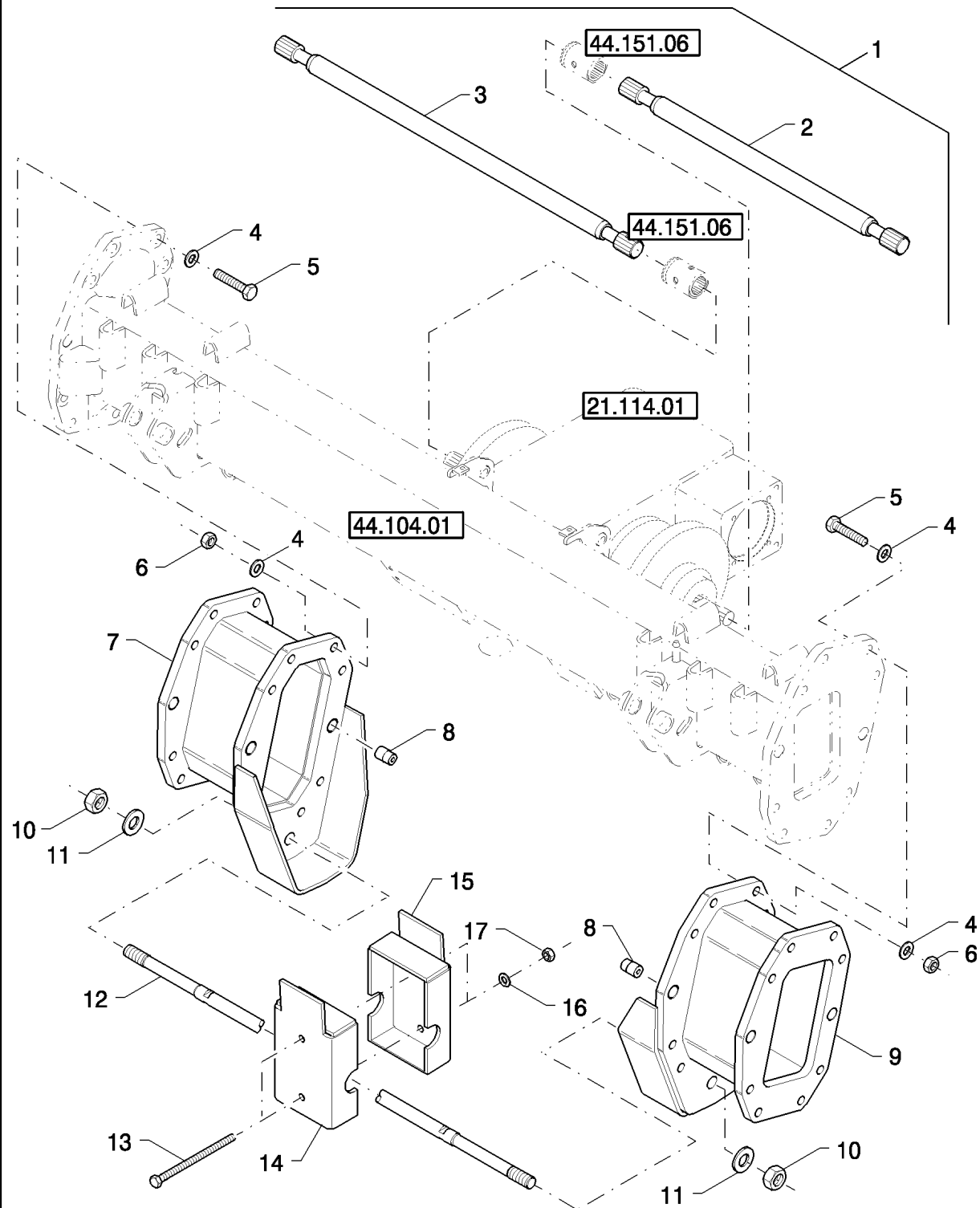
44.101.01

01

p2

02/10

DIA, HARVEST KITS, FRONT AXLE EXTENSION - 7120/7120(LA)



44.101.01

01

p2

02/10

DIA, HARVEST KITS, FRONT AXLE EXTENSION - 7120/7120(LA)

REF	FN	PART NUMBER	YR/SN	QTY	DESCRIPTION
12		84989399		1	ROD
13		382358		2	BOLT, Hex, M16 x 200, 8.8
14		84075648		1	CLAMP
15		84075650		1	CLAMP
16		140048		2	BELLEVILLE WASHER, M16
17		825-1416		2	NUT, M16, CI 8

7120 7120

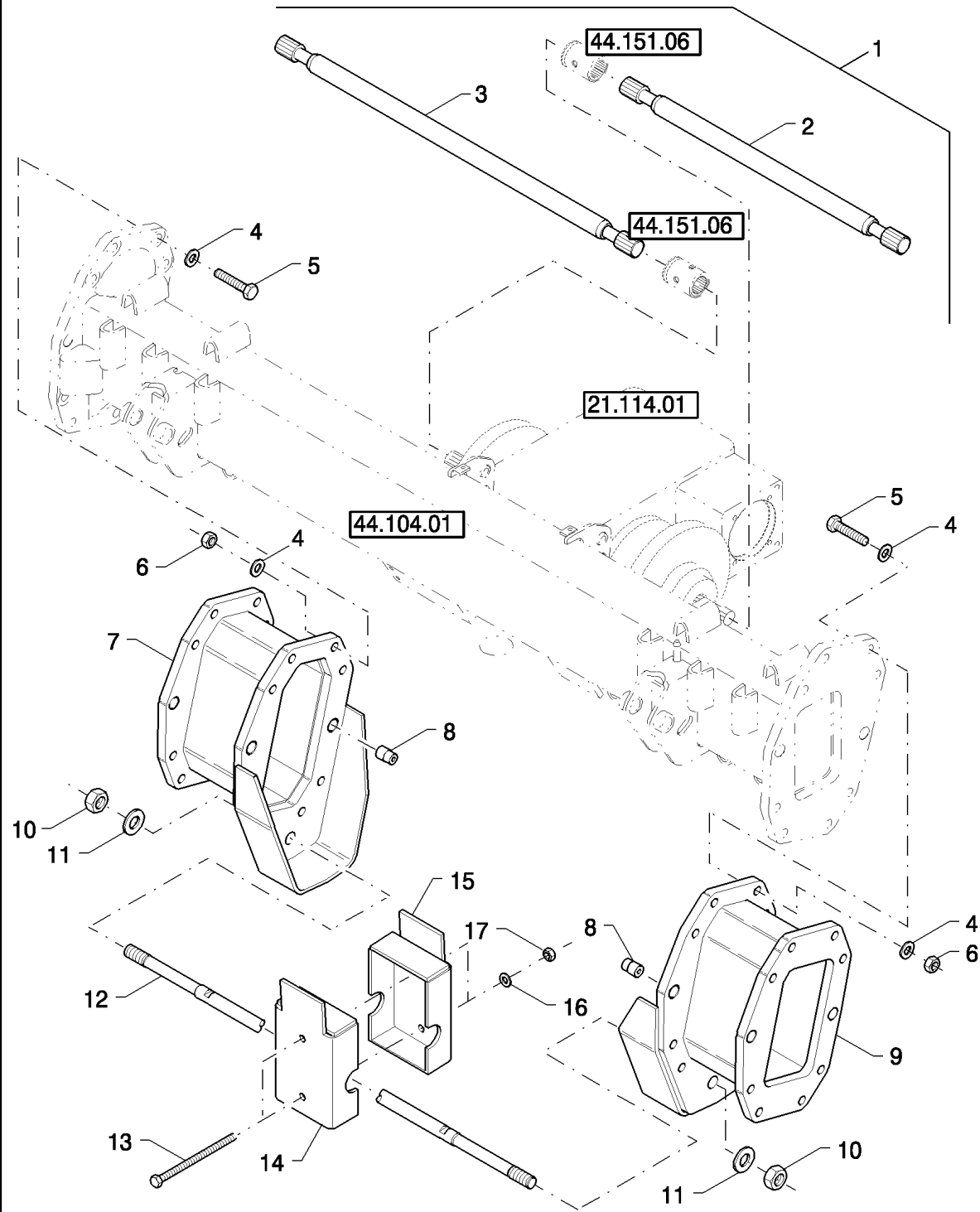
44.101.01

02

p1

02/10

DIA, HARVEST KITS, FRONT AXLE EXTENSION - 8120/8120(LA), 9120



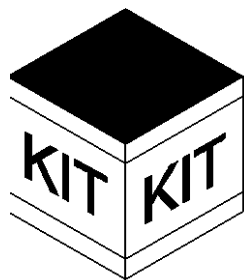
DIA, HARVEST KITS, FRONT AXLE EXTENSION - 8120/8120(LA), 9120

REF	FN	PART NUMBER	YR/SN	QTY	DESCRIPTION
1		84095964		AR	DIA KIT, HARVESTER, Axle Extensions, 265 mm, For Planetary Final Drive
1		84095959		AR	DIA KIT, HARVESTER, Axle Extensions, 316 mm, For Planetary Final Drive
2		84440967		1	DRIVE SHAFT, Transmission Half-shaft, L.H., For 265 mm Extension, For Planetary Final Drive
2		84440951		1	DRIVE SHAFT, Transmission Half-shaft, L.H., For 316 mm Extension, For Planetary Final Drive
3		84440974		1	DRIVE SHAFT, Transmission Half-shaft, R.H., For 265 mm Extension, For Planetary Final Drive
3		84440957		1	DRIVE SHAFT, Transmission Half-shaft, R.H., For 316 mm Extension, For Planetary Final Drive
4		394632		32	WASHER, M20 x 40 x 4, HT
5		87024335		16	BOLT, Hex, M20 x 80, 10.9, Full Thd
6		89706694		16	NUT, M20, CI 8
7		87108187		1	EXTENSION, RH; 265mm
7		87108166		1	EXTENSION, RH, 316mm
8		80626826		4	PIN
9		87108189		1	EXTENSION, LH, 265mm
9		87108164		1	EXTENSION, LH, 316mm
10		80300852		2	NUT
11		80140184		2	WASHER
12		84989399		1	ROD
13		382358		2	BOLT, Hex, M16 x 200, 8.8
14		84075648		1	CLAMP
15		84075650		1	CLAMP
16		140048		2	BELLEVILLE WASHER, M16
17		825-1416		2	NUT, M16, CI 8

For North America & Latin America Only

8120 9120 8120

DIA, HARVEST KIT, AXLE EXTENSION, EUROPEAN ONLY

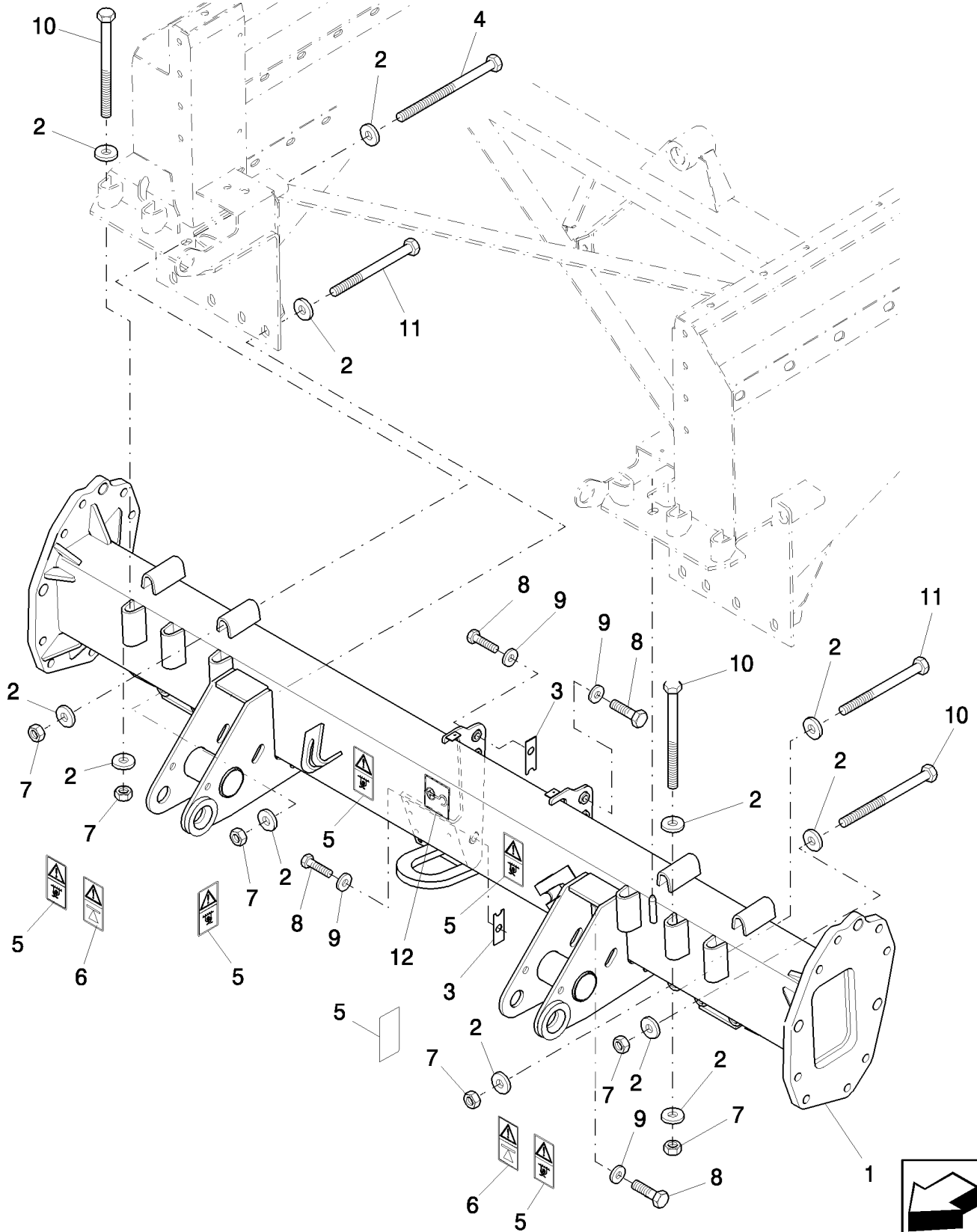


DIA, HARVEST KIT, AXLE EXTENSION, EUROPEAN ONLY

REF	FN	PART NUMBER	YR/SN	QTY	DESCRIPTION
1		84258086		1	SHAFT, Traction 22T-2M x 631
2		84258089		1	SHAFT, Traction 22T-2M x 891
3		84258091		1	CONNECTING ROD, European Axle Extension
4		87108364		1	EXTENSION, L.H. Extension
5		87108362		1	EXTENSION, R.H. Extension
6		626826		4	PIN
7		87024335		16	BOLT, Hex, M20 x 80, 10.9, Full Thd
8		394632		32	WASHER, M20 x 40 x 4, HT
9		87024336		16	NUT, M20 x 2.5, CI 10
10		140184		2	WASHER
11		300852		2	NUT, M30 x 1.5, CI 8
12		87325518		1	INSTRUCTION

7120 8120 9120

FRONT AXLE



FRONT AXLE

REF	FN	PART NUMBER	YR/SN	QTY	DESCRIPTION
1	1, 2	87587586		1	CROSSRAIL, Axle, Incl Ref 5 & 6
1	2, 3	87587580		1	FRONT AXLE, Incl Ref 5 & 6
1	1, 4	87587583		1	CROSSRAIL, Axle, Incl Ref 5 & 6
1	4, 3	87587577		1	AXLE, Incl Ref 5 & 6
2		84439733		32	WASHER, M20.5 x 49 x 8, HT, Lock
3		84073986		2	SHIM
4		84037083		4	BOLT, Hex, M20 x 260, 8.8
5		84100296		AR	DECAL, Tie-Down
6		84078384		2	DECAL, Jack Point
7		9706694		16	NUT, M20, CI 8
8		412398		6	BOLT, Hex, M16 x 50, 10.9
9		394631		6	WASHER, M17 x 34 x 4, HT
10		381523		10	BOLT, Hex, M20 x 210, 8.8
11		384197		2	BOLT, Hex, M20 x 150, 8.8
12		449973		1	DECAL, Towhook Direction

- (1) 7120 Only
- (2) For NA Only
- (3) 8120 & 9120 Only
- (4) EU Only

**8120 9120 7120 7120
8120**

CENTRAL STEERING BRIDGE, POWERED & HEAVY DUTY, W/EXTENSIONS

44.200.03

44.200.03

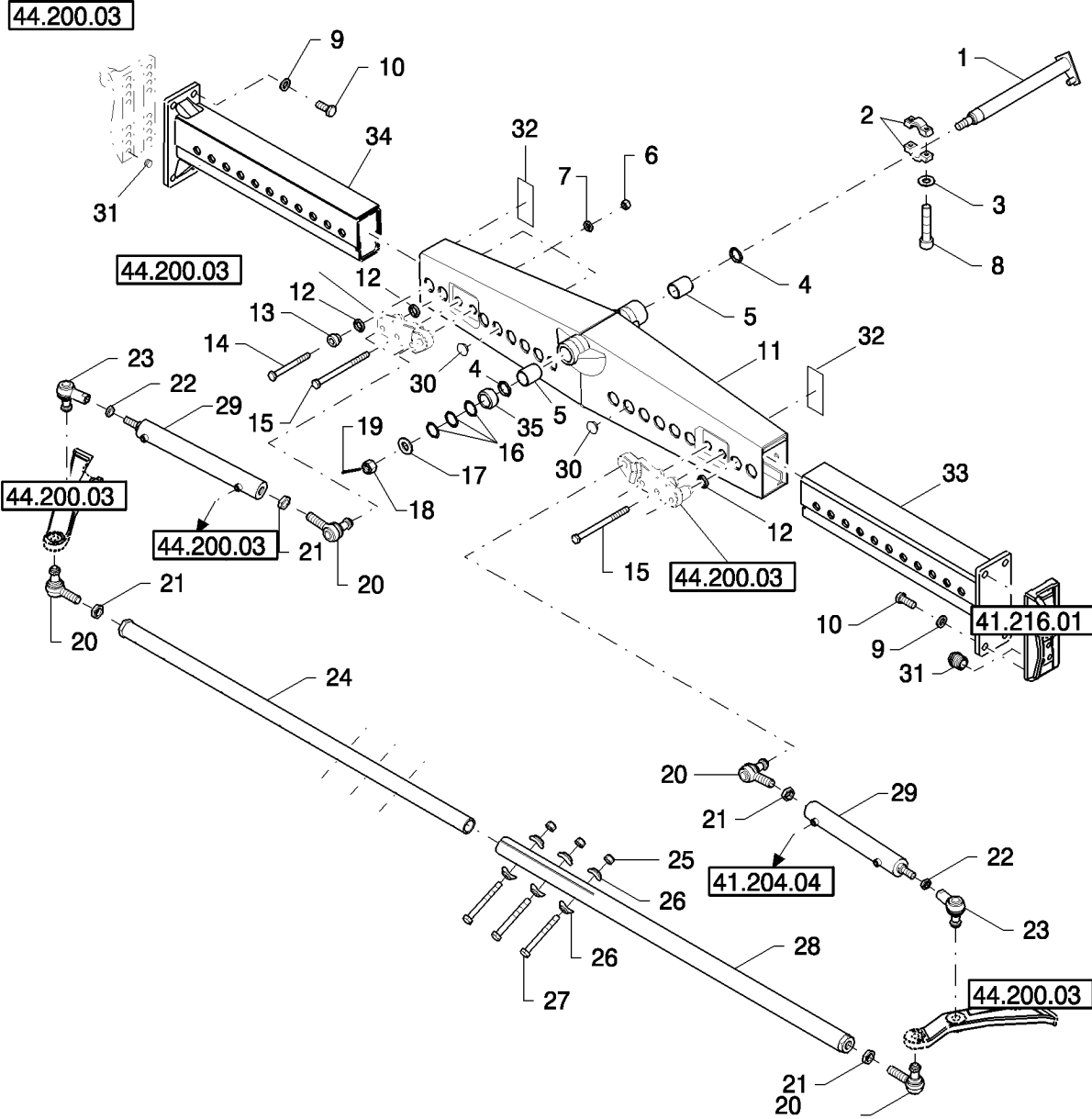
44.200.03

44.200.03

41.204.04

44.200.03

41.216.01



CENTRAL STEERING BRIDGE, POWERED & HEAVY DUTY, W/EXTENSIONS

REF	FN	PART NUMBER	YR/SN	QTY	DESCRIPTION
1		84074397		1	SHAFT
2		84077496		2	CLAMP
3		140045		2	BELLEVILLE WASHER, M10
4		84069736		2	SEAL
5		84334438		2	BUSHING
6		84100564		10	LOCK NUT, M20, GC
7		89850384		10	WASHER
8		84015950		2	HEX SOC SCREW, M10 x 50
9		84015771		8	WASHER
10		84141241		8	BOLT, Hex, M24 x 3 x 60, CI 12.9
11		87284186		1	AXLE
12		84334526		6	WASHER, M33 x 47 x 8
13		84334525		4	BUSHING
14		412290		4	BOLT, Hex, M20 x 180, 8.8
15		84037083		6	BOLT, Hex, M20 x 260, 8.8
16		80539450		3	SHIM
17		80327802		1	WASHER
18		80390822		1	NUT, Slotted, M30 x 1.5
19		80130016		1	COTTER PIN, M6.3 x 63
20		84073399		4	BALL JOINT
21		100034		4	NUT, M30 x 1.5, CI 8
22		412321		2	NUT, M26 x 1.5, CI 8
23		84814042		2	BALL JOINT
24		84074074		1	TRACK ROD ASSY, R.H.
25		80412141		3	LOCK NUT, M10 x 1.5
26		80379401		6	CLAMP, Hose
27		120074		3	BOLT, Hex, M10 x 90, 8.8
28		84074075		1	TRACK ROD ASSY, L.H.
29		84814043		2	STEERING CYLINDER, Complete
30		84440667		12	PLUG
31		84439474		12	PLUG
32		84439510		2	DECAL
33		84461070		1	EXTENSION, L.H.
34		84461068		1	EXTENSION, R.H.
35		87284194		1	SPACER, Pivot

8120 9120 7120 7120
8120

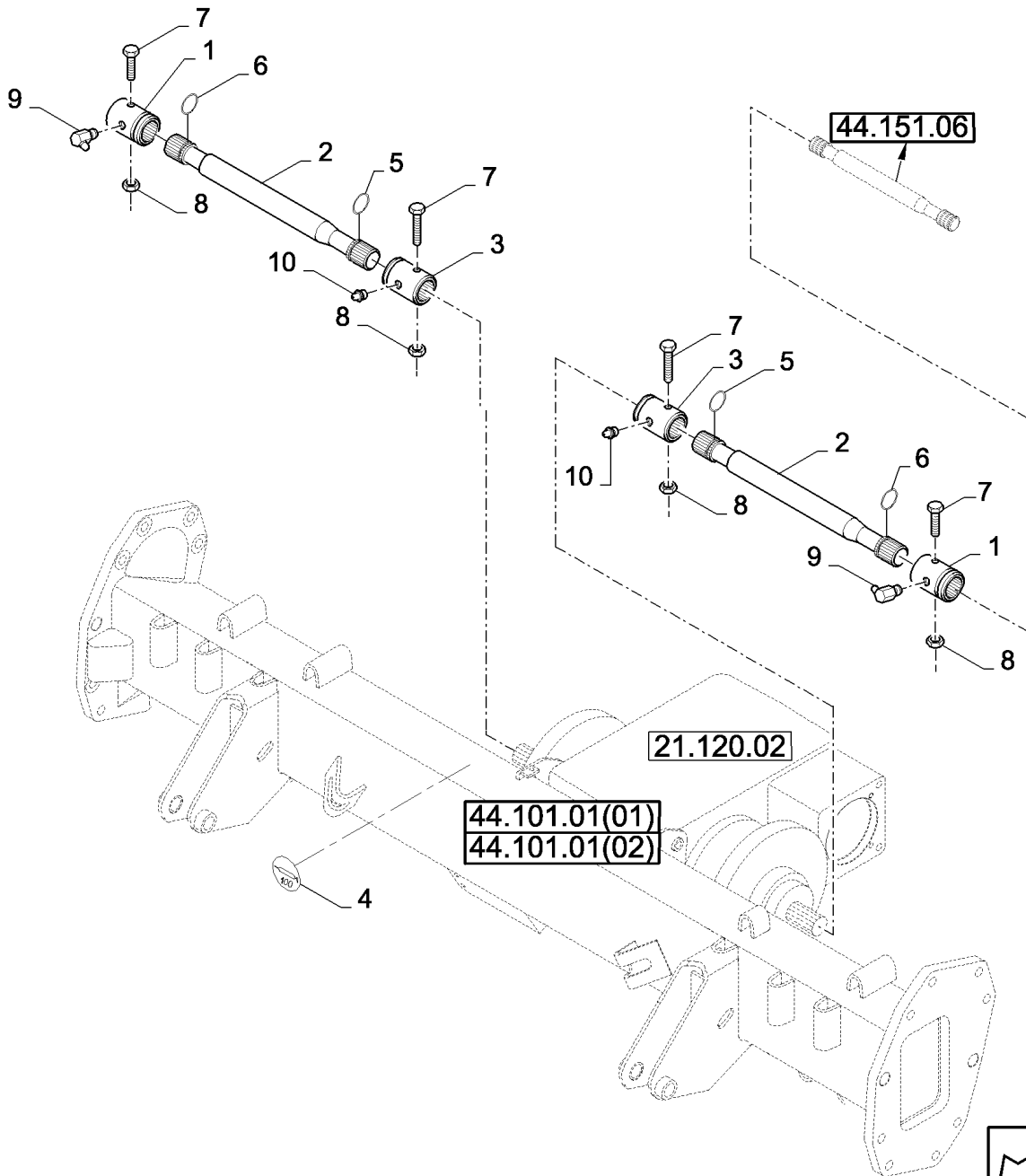
44.151.08

01

p1

02/10

HALF-SHAFTS WITHOUT EXTENSIONS - 7120/7120(LA)



HALF-SHAFTS WITHOUT EXTENSIONS - 7120/7120(LA)

REF	FN	PART NUMBER	YR/SN	QTY	DESCRIPTION
1	1	84439077		2	SPLINED BUSHING
1	2	84438982		2	SPLINED COUPLING
2	1,3	84440152		2	DRIVE SHAFT, L = 804 mm
2	2,3	84440151		2	DRIVE SHAFT, L = 793 mm
2	1,4	87391215		2	SHAFT, Control; L = 634.5 mm
2	2,4	84155711		2	SHAFT, Control; L = 623 mm
3		84438982		2	SPLINED COUPLING
4	3	84334828		4	DECAL
5		84446910		2	SNAP RING, M40
6	1	84446911		2	CIRCLIP
6	2	84446910		2	SNAP RING, M40
7		120073		4	BOLT, Hex, M10 x 80, 8.8
8		100037		4	NUT, M10 x 1.5, Cl 8
9		323713		2	LUBE NIPPLE
10		321204		2	LUBE NIPPLE, M6 x 1, 16mm lg

- (1) Standard Drive
- (2) Planetary Drive
- (3) For NA Only
- (4) EU Only

7120 7120

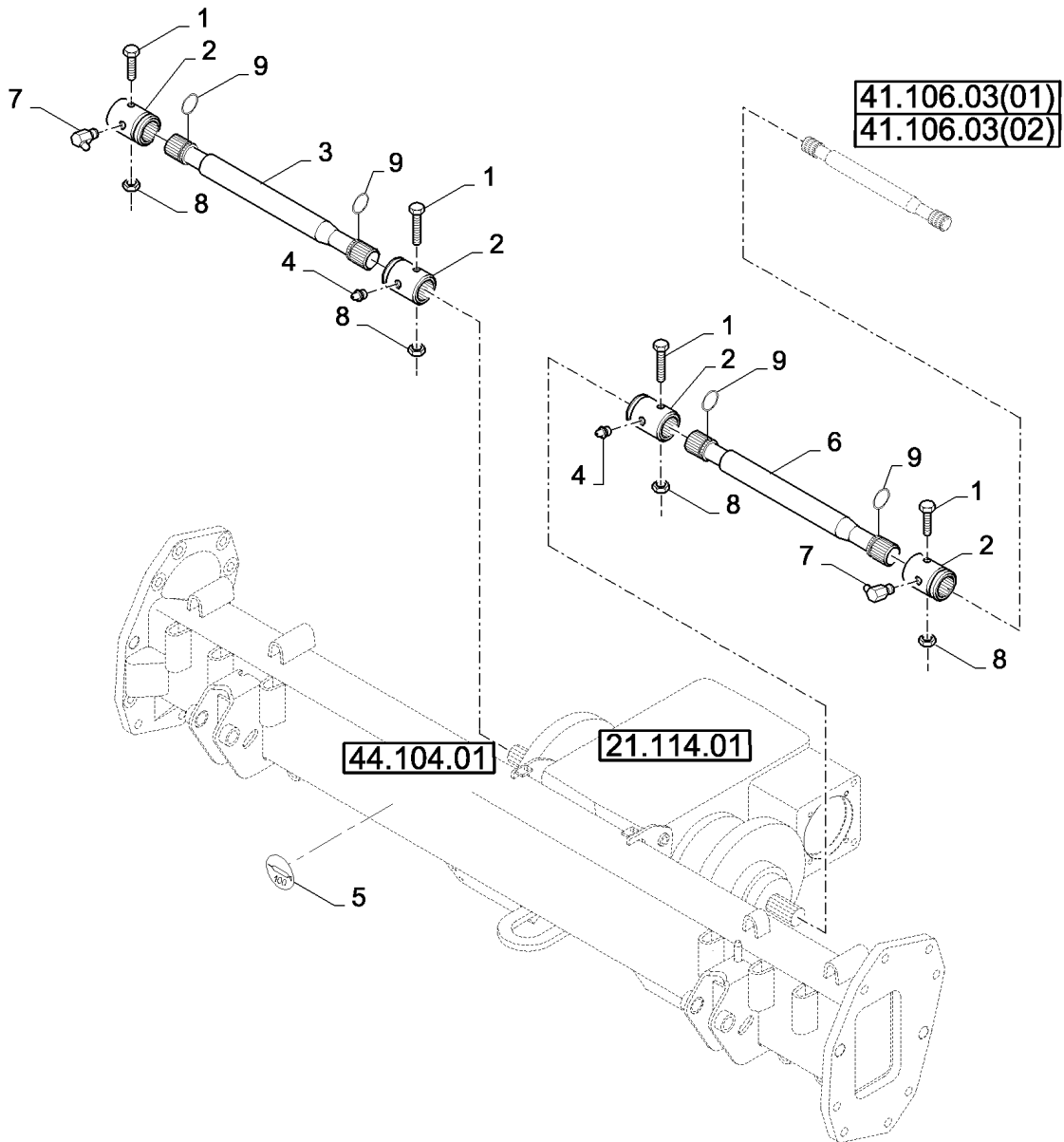
44.151.08

02

p1

02/10

HALF-SHAFTS WITHOUT EXTENSIONS - 8120/8120(LA), 9120



HALF-SHAFTS WITHOUT EXTENSIONS - 8120/8120(LA), 9120

REF	FN	PART NUMBER	YR/SN	QTY	DESCRIPTION
1		120073		4	BOLT, Hex, M10 x 80, 8.8
2		84438982		4	SPLINED COUPLING
3		84440165		1	DRIVE SHAFT, R.H., 923 mm
3	1	84440159		1	DRIVE SHAFT, R.H., 753 mm
4		321204		2	LUBE NIPPLE, M6 x 1, 16mm lg
5	2	84334828		4	DECAL, 100 HR
6		84440162		1	DRIVE SHAFT, L.H., 663 mm
6	1	84440156		1	DRIVE SHAFT, L.H., 493 mm
7		323713		2	LUBE NIPPLE
8		100037		4	NUT, M10 x 1.5, Cl 8
9		84446910		4	SNAP RING, M40

(1) EU Only

(2) For NA Only

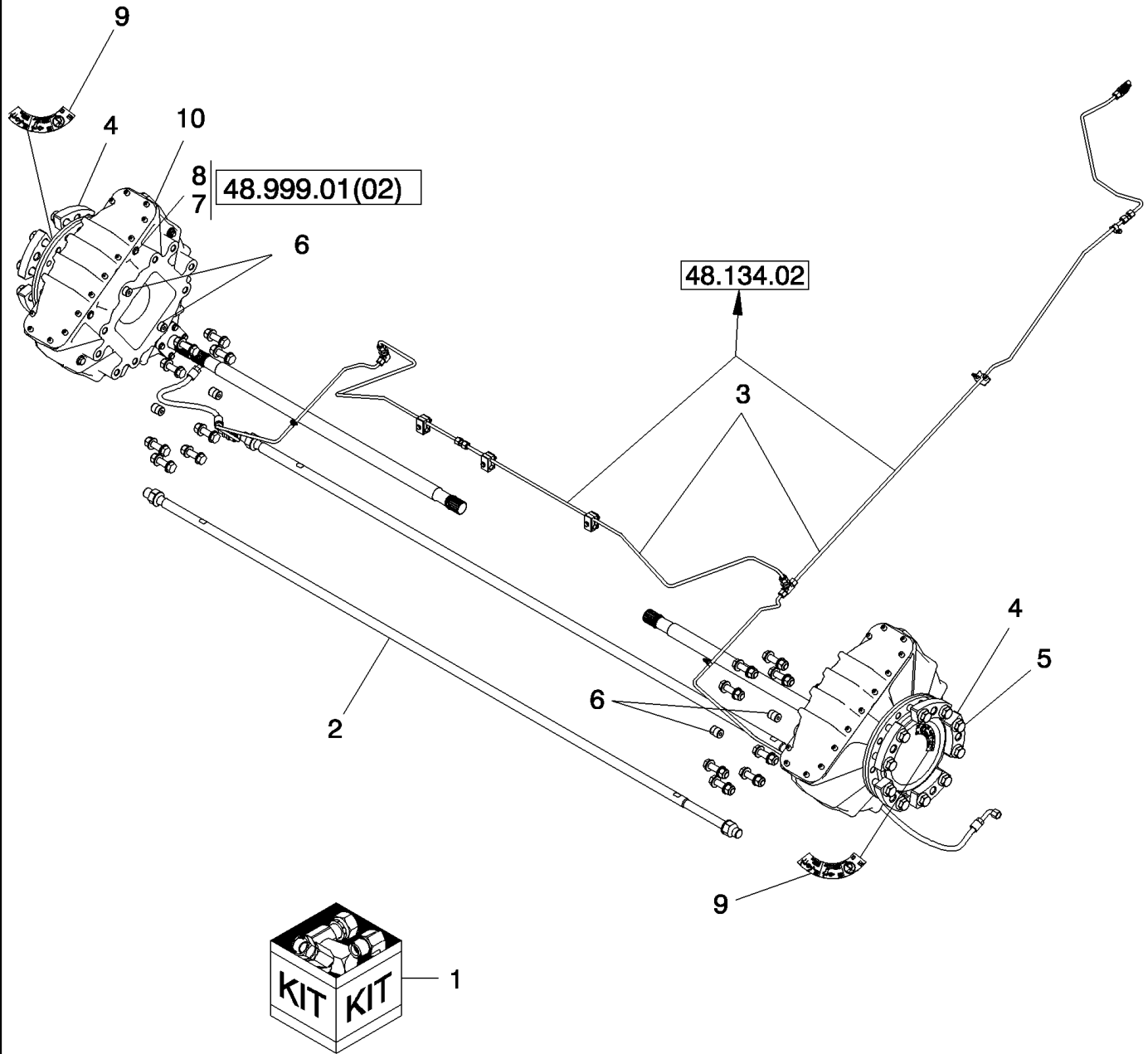
8120 9120 8120

44.151.12

p1

12/09

KIT, TRACK - NA ONLY - 8120, 9120



KIT, TRACK - NA ONLY - 8120, 9120

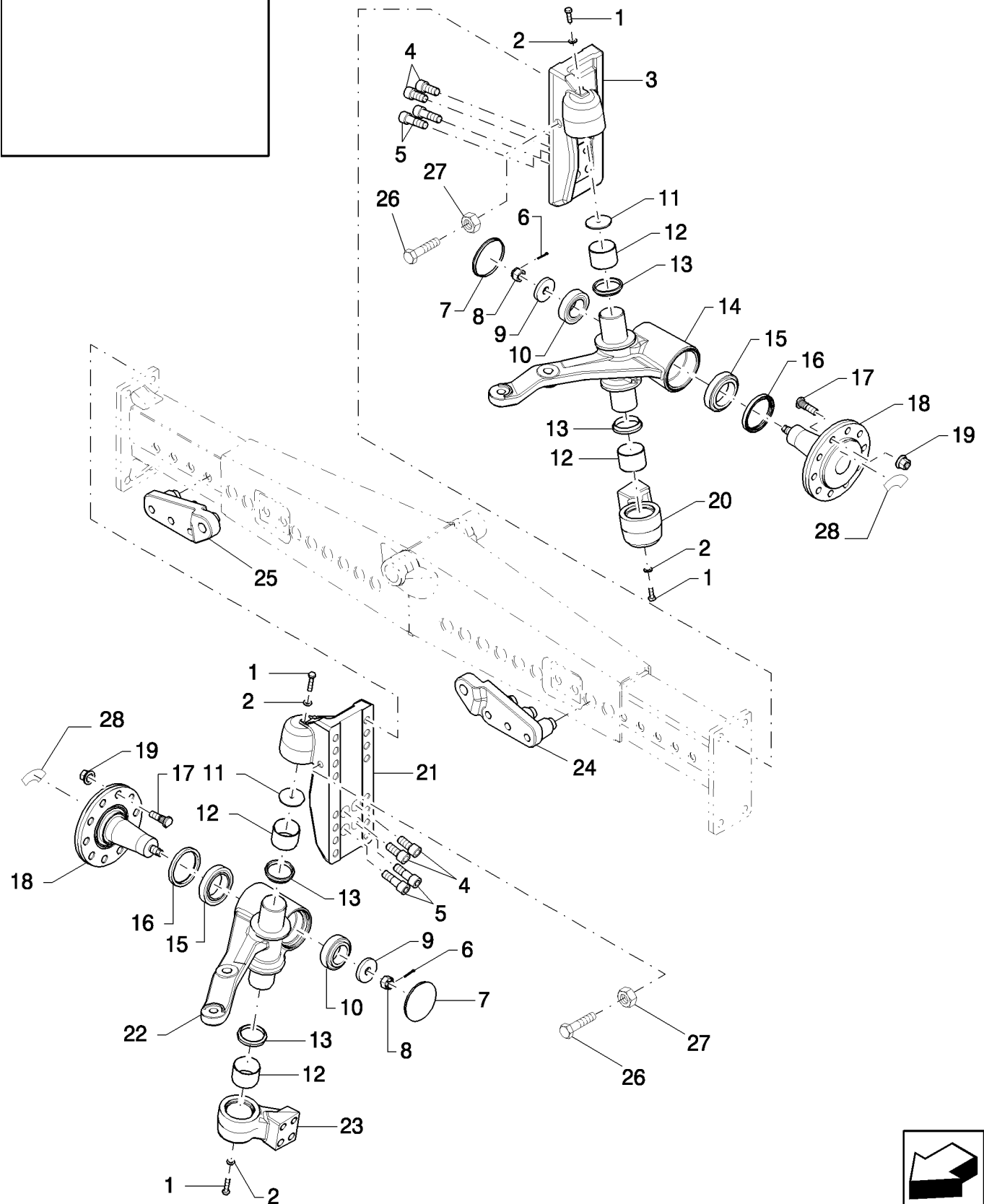
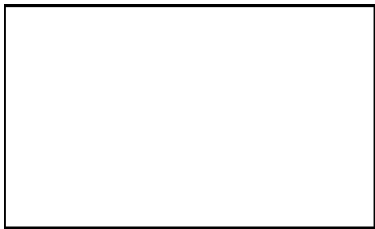
REF	FN	PART NUMBER	YR/SN	QTY	DESCRIPTION
1	1	87477345		1	SERVICE KIT, Track; Incl Refs 2 Thru 10
2		0C		1	ORDER COMPONENTS, Drive Shafts & Rods
3		87748777		1	SERVICE KIT, Tube Assembly
4		87327940		10	PLATE
5		87367550		20	FLANGE BOLT, Hex, M22 x 95, CI 12.9
6		626826		4	PIN
7		NSS		2	NOT SERVICED SEPARATELY
8		NSS		2	NOT SERVICED SEPARATELY
9		87563204		2	DECAL, Front Wheel Bolt Torque
10		87734570		2	HOUSING, Drive, Final

(1) 8120 & 9120 Only

To Retrofit Track Drive On Combines Previously Sold W/Tires - NA Only

8120 9120

STANDARD STEERING AXLE SPINDLES

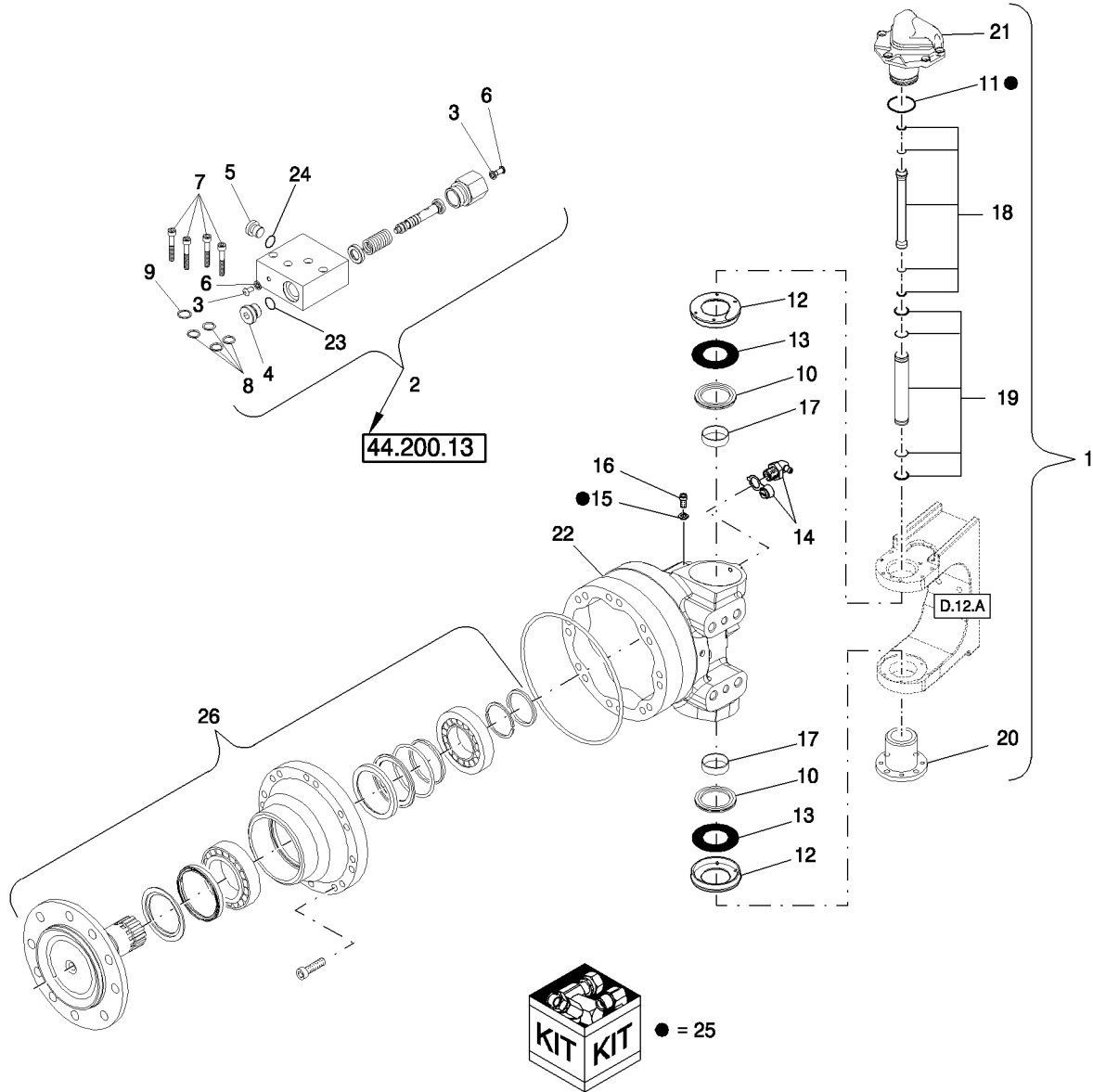


STANDARD STEERING AXLE SPINDLES

REF	FN	PART NUMBER	YR/SN	QTY	DESCRIPTION
1		378056		4	BOLT, Hex, M6 x 10, 8.8, Full Thd
2		80446307		4	SEALRING
3		84446945		1	SUPPORT, L.H.
4		84069447		4	HEX SOC SCREW, M24 x 2 x 50, CI 8.8
5		84069505		4	BOLT, HS, Shoulder, M24 x 2 x 70, CI 8.8
6		80130011		2	COTTER PIN, M5 x 40
7		84429450		2	COVER
8		86571703		2	SLOTTED NUT, M24 x 1.5
9		84064952		2	WASHER, M25 x 80 x 12
10		84068653		2	TAPERED ROLLER BEARING
11		84074068		2	DISC
12		84064163		4	BUSHING
13		84069731		4	SEAL
14		84448541		1	STEERING KNUCKLE, L.H.
15		84068654		2	BEARING ASSY
16		84454949		2	SEAL, 12 x 125 ID x 150 OD
17		84443588		20	WHEEL BOLT, M20 x 76, CI 10.9
18		84448564		2	FLANGE
19		84062511		20	WHEEL NUT, M20
20		84446948		1	SUPPORT, L.H.
21		84446947		1	SUPPORT, R.H.
22		84448540		1	STEERING KNUCKLE, R.H.
23		84446949		1	SUPPORT, L.H.
24		84435031		1	SUPPORT, L.H.
25		84435034		1	SUPPORT, R.H.
26		87035522		2	SET SCREW, Hex Soc, M24 x 85, Flat Pt
27		10717921		2	NUT, Thin, M24 x 3, CI 05
28		87108677		2	DECAL, Torque, Wheel Bolt

**8120 9120 7120 7120
8120**

MOTOR, HYDROSTATIC, PRA



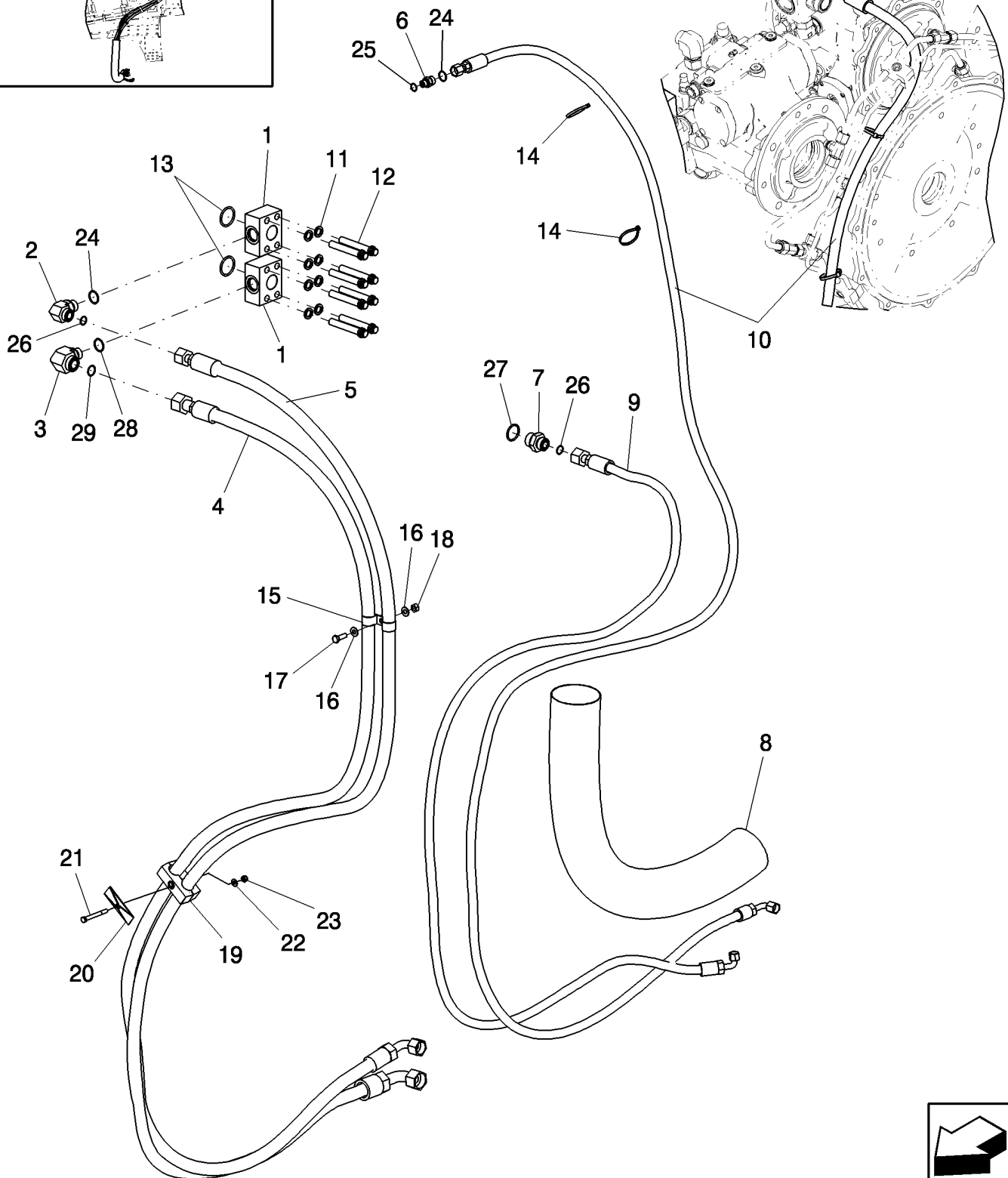
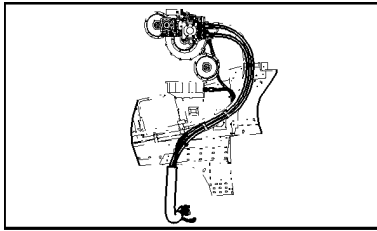
MOTOR, HYDROSTATIC, PRA

REF	FN	PART NUMBER	YR/SN	QTY	DESCRIPTION
1		87281652		1	HYDRAULIC MOTOR, L.H.
1	1	87661746		1	MOTOR, HYDRAULIC, L.H.
1		87281653		1	HYDRAULIC MOTOR, R.H.
1	1	87661747		1	MOTOR, HYDRAULIC, R.H.
2	2	87281713		1	CONTROL VALVE, PRA Valve; Used W/Motors 87281652 & 87281653
2	3	87283383		1	VALVE, PRA; Used W/Motors 87661746 & 87661747
3		863-6010		2	SCREW, Hex Soc Hd, M6 x 10, 12.9
4		221578A1		1	PLUG, Hex Soc, M18 x 1.5, ORB, -08, W/Ref 23
5		254742A1		1	PLUG, M14 x 1.5, -05, W/Ref 24
6		87283879		2	SEALING WASHER, Bleed Screw
7		87035492		4	SCREW, Hex Soc Hd, M6 x 40, 12.9
8		379365R1		4	O-RING, -012, 90 Duro, .364" ID x .070" Thk, -012, 3/8" ID x 1/16" Thick, NBR, 90
9		238-6015		1	O-RING, -015, 90 Duro, .551" ID x .070" Thk
10		84817926		2	SEALRING, Environmental
11		84817917		1	SEALRING, 3.02" OD x 0.21" Thick
12		84817924		2	COVER
13		84817900		2	THRUST WASHER
14		87415		2	LUBE NIPPLE, 90°, 1/4" NPT x .75" lg, Drive
15		87281727		3	SEALING WASHER, Motor Seal, Metal/Rubber
16		87035490		3	SCREW, Hex Soc Hd, M8 x 10, 8.8
17		84817916		2	BUSHING
18		84800213		1	TUBE, Inner
19		84800212		1	SEAL KIT, Outer
20		84800194		1	PIN, Bottom, King
21		87281730		1	PIN, Upper, King
22		NSS		1	NOT SERVICED SEPARATELY, Motor
23		637-63153		1	O-RING, CI 6, 15.3MM ID x 2.2 Thk, NBR, 90
24		637-63113		1	O-RING, CI 6, 11.3MM ID x 2.2 Thk, NBR, 90
25		87360505		AR	SEAL KIT, Includes Ref 11 & 15
26		87552816		AR	REPAIR KIT, Front Side Motor

- (1) Dual Speed
- (2) Shown
- (3) Not Shown

**8120 9120 7120 7120
8120**

HYDRAULIC LINES, POWERED REAR AXLE



HYDRAULIC LINES, POWERED REAR AXLE

REF	FN	PART NUMBER	YR/SN	QTY	DESCRIPTION
1		9818288		2	ADAPTER
2		9846848		1	90 ELBOW, 1 3/16"-12 ORFS x 1 1/16"-12 ORB, Incl Refs 24 & 26
3		9846956		1	ELBOW, 90°, 1 7/16"-12 x 1 1/16"-12, Adj, ORFS, Incl Refs 28 & 29
4		87644661		1	HOSE ASSY., PRA Pressure, A
5		87644662		1	FLEXIBLE HOSE, PRA Pressure, B
6		86579675		1	HYD CONNECTOR, 13/16"-16 ORFS x M16 x 1.5 ORB, Incl Refs 24 & 25
7		86579683		1	HYD CONNECTOR, 1 3/16"-12 ORFS x M33 x 2 ORB, Incl Refs 26 & 27
8		87106155		1	SLEEVE
9		87105633		1	HOSE ASSY., PRA Valve Drain
10		87280418		1	HOSE, PRA Motor Drain
11		87680388		8	WASHER, HTS, M15 x 23 x 2.6
12		87680392		8	12 PT SCREW, Flg, M14 x 2 x 90, CI 12.9
13		235757		2	O-RING, -222, 90 Duro, 1.484" ID x .139" Thk
14		86566989		2	CABLE STRAP, M4.75 x 190.5 L
15		86639001		2	CLAMP, 1 3/16", Insul, 7/16" Bolt
16		140045		2	BELLEVILLE WASHER, M10
17		9706704		1	BOLT, Hex, M10 x 35, 8.8, Full Thd
18		100016		1	NUT, M10, CI 8
19		84154975		1	CLAMP
20		87000231		1	PLATE
21		43133		1	BOLT, Hex, M8 x 80, 8.8
22		322358		1	BELLEVILLE WASHER, M8
23		86629542		1	LOCK NUT, M8 x 1.25, CI 8
24		238-6012		2	O-RING, -012, 90 Duro, .364" ID x .070" Thk
25		637-63133		1	O-RING, CI 6, 13.3MM ID x 2.2 Thk
26		238-6018		2	O-RING, -018, 90 Duro, .739" ID x .070" Thk
27		637-64296		1	O-RING, CI 6, 29.6MM ID x 2.9 Thk
28		167266		1	O-RING, 12-1, 90 Duro, .924 ID x .116" Thk
29		9824050		1	O-RING, -021, 90 Duro, .926" ID x .070" Thk

See Also: Fig. D.12.A, Powered Rear Axle

8120 9120 7120 7120
8120

44.200.11

p1

12/09

DIA KIT. DUAL SPEED PRA AXLE

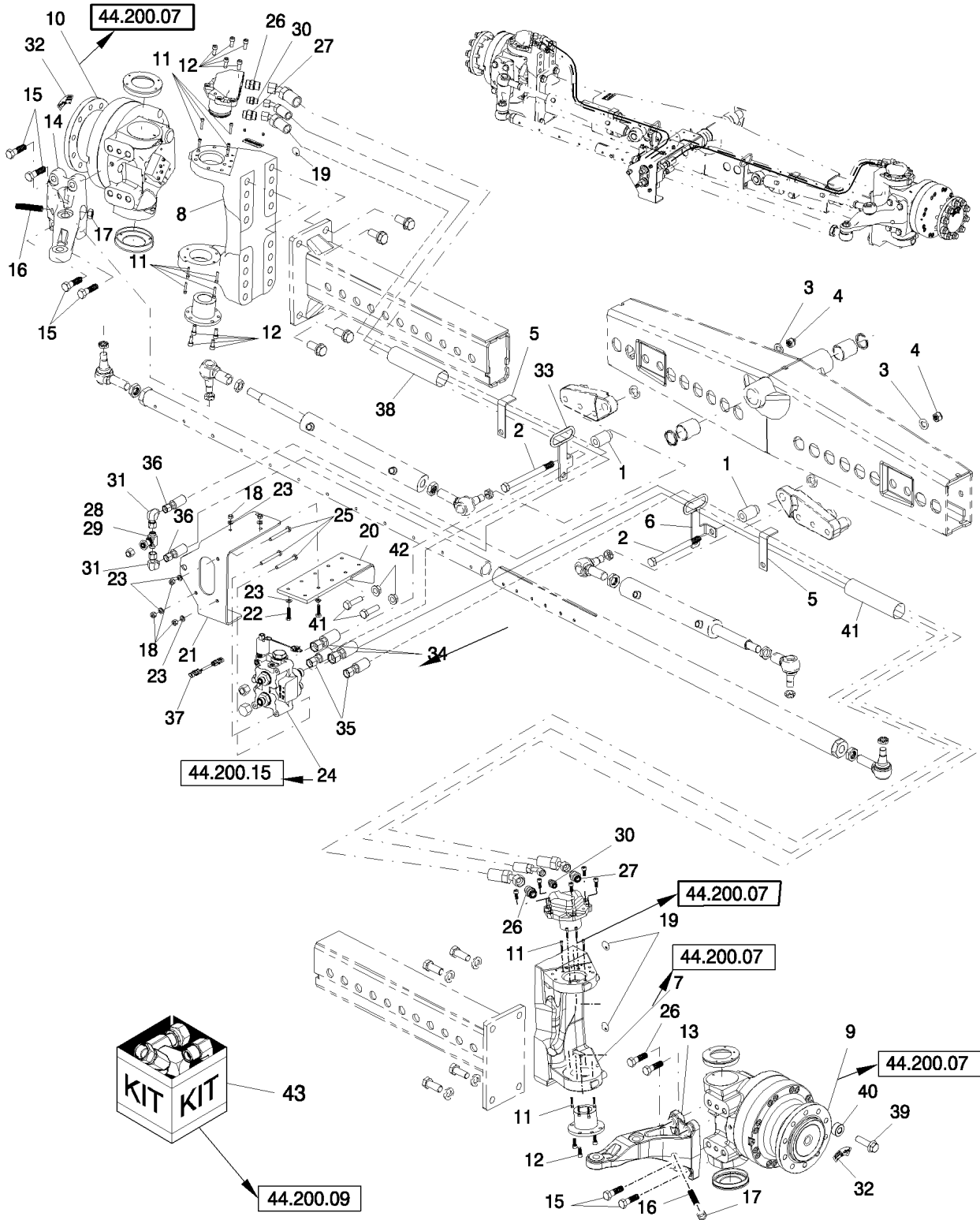


DIA KIT. DUAL SPEED PRA AXLE

REF	FN	PART NUMBER	YR/SN	QTY	DESCRIPTION
1		NSS		1	NOT SERVICED SEPARATELY, DIA Kit, Powered Reared Dual Speed Axle
2		NSS		1	NOT SERVICED SEPARATELY, Hydraulic Assembly, PRA
3		87284218		1	INSTRUCTION

**7120 7120 8120 9120
8120**

POWERED REAR AXLE



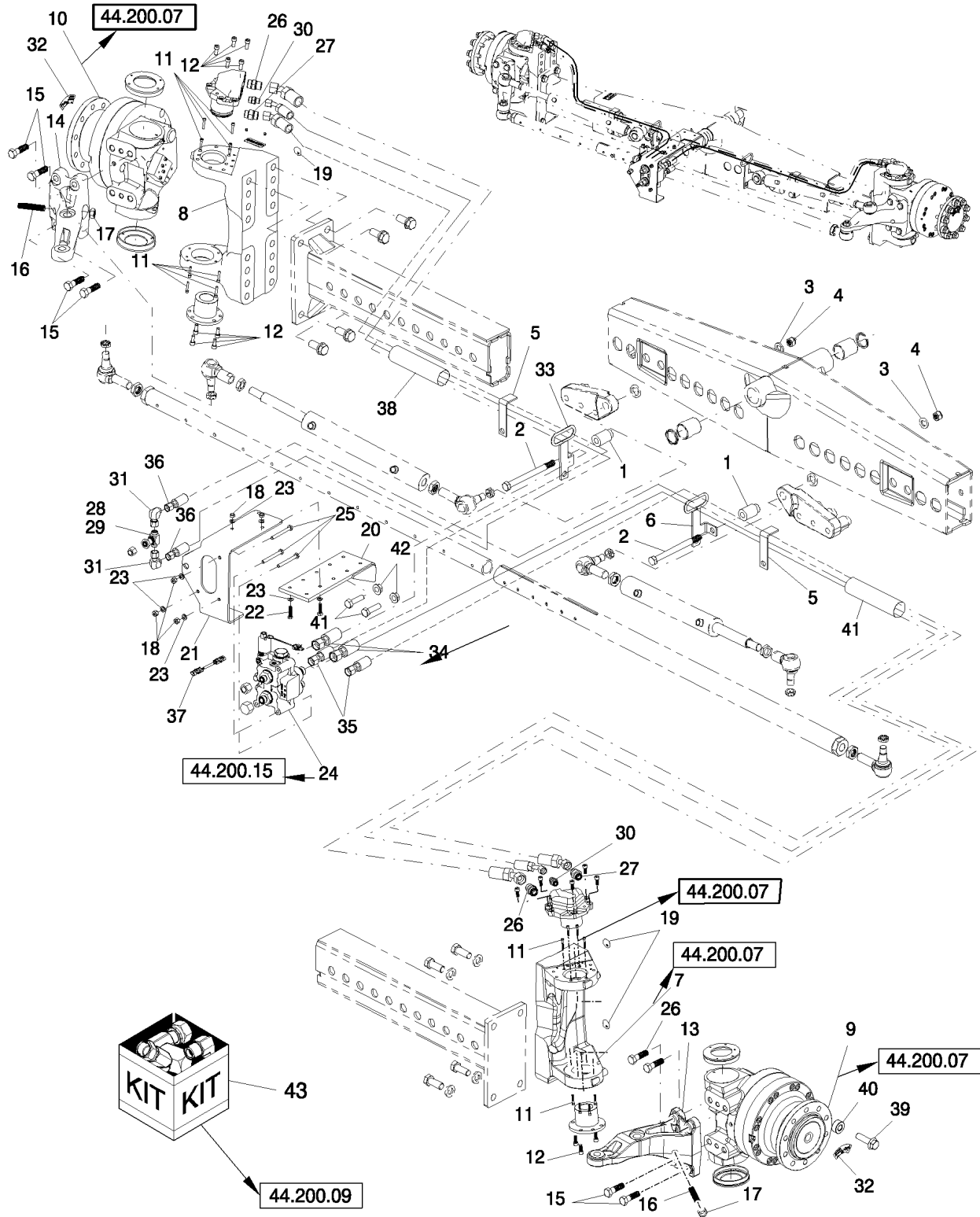
POWERED REAR AXLE

REF	FN	PART NUMBER	YR/SN	QTY	DESCRIPTION
1		84334527		2	BUSHING, 74 mm
2		86509730		2	BOLT, Hex, M20 x 240, 8.8
3		9850384		2	WASHER, M23 x 40 x 0.5, HT
4		84100564		2	LOCK NUT, M20, GC, Nylon Insert
5		87281646		2	BRACKET, Hose Guide
6		87281645		1	GUIDE, Hose, L.H.
7		87281647		1	FRAME, L.H.
8		87281648		1	FRAME, R.H.
9		87281652		1	HYDRAULIC MOTOR, L.H.
9	1	87661746		1	MOTOR, HYDRAULIC, L.H.
10		87281653		1	HYDRAULIC MOTOR, R.H.
10	1	87661747		1	MOTOR, HYDRAULIC, R.H.
11		9515561		16	SCREW, Hex Soc Hd, M6 x 35, 12.9
12		86508097		18	SCREW, Hex Soc Hd, M10 x 25, 12.9
13		87281649		1	BRACKET, L.H.
14		87281650		1	BRACKET, R.H.
15		412641		8	BOLT, Hex, M20 x 70, 10.9
16		87035487		2	SET SCREW, Hex Soc, M20 x 100, Flat Pt
17		9847024		2	NUT, M20, CI 10
18		412141		5	LOCK NUT, M10 x 1.5, CI 8
19		84334828		4	DECAL, 100 Hour Lube
20		9512254		1	BRACKET, Valve Support
21		87281651		1	BRACKET, Valve Mount
22		43248		2	SCREW, Hex, M10 x 40, 10.9, Full Thd
23		86511323		7	WASHER, M10 x 20 x 2
24		87281708		1	VALVE, Selector
25		43253		3	BOLT, Hex, M10 x 100, 10.9
26		86579682		2	HYD CONNECTOR, 1 3/16"-12 ORFS x M27 x 2 ORB
27		86597760		2	HYD CONNECTOR, 1"-14 ORFS x M27 x 2 ORB
28		86639082		1	TEE, 13/16"-16 ORFS, Blkhd Br
29		86639083		1	LOCK NUT, 13/16"-16, ORFS Blkhd
30		86579676		2	HYD CONNECTOR, 13/16"-16 ORFS x M18 x 1.5 ORB
31		84989383		2	ELBOW, 90°, 13/16"-16 ORFS x 13/16"-16 Fem Sw

(1) Dual Speed

8120 9120 7120 7120
8120

POWERED REAR AXLE

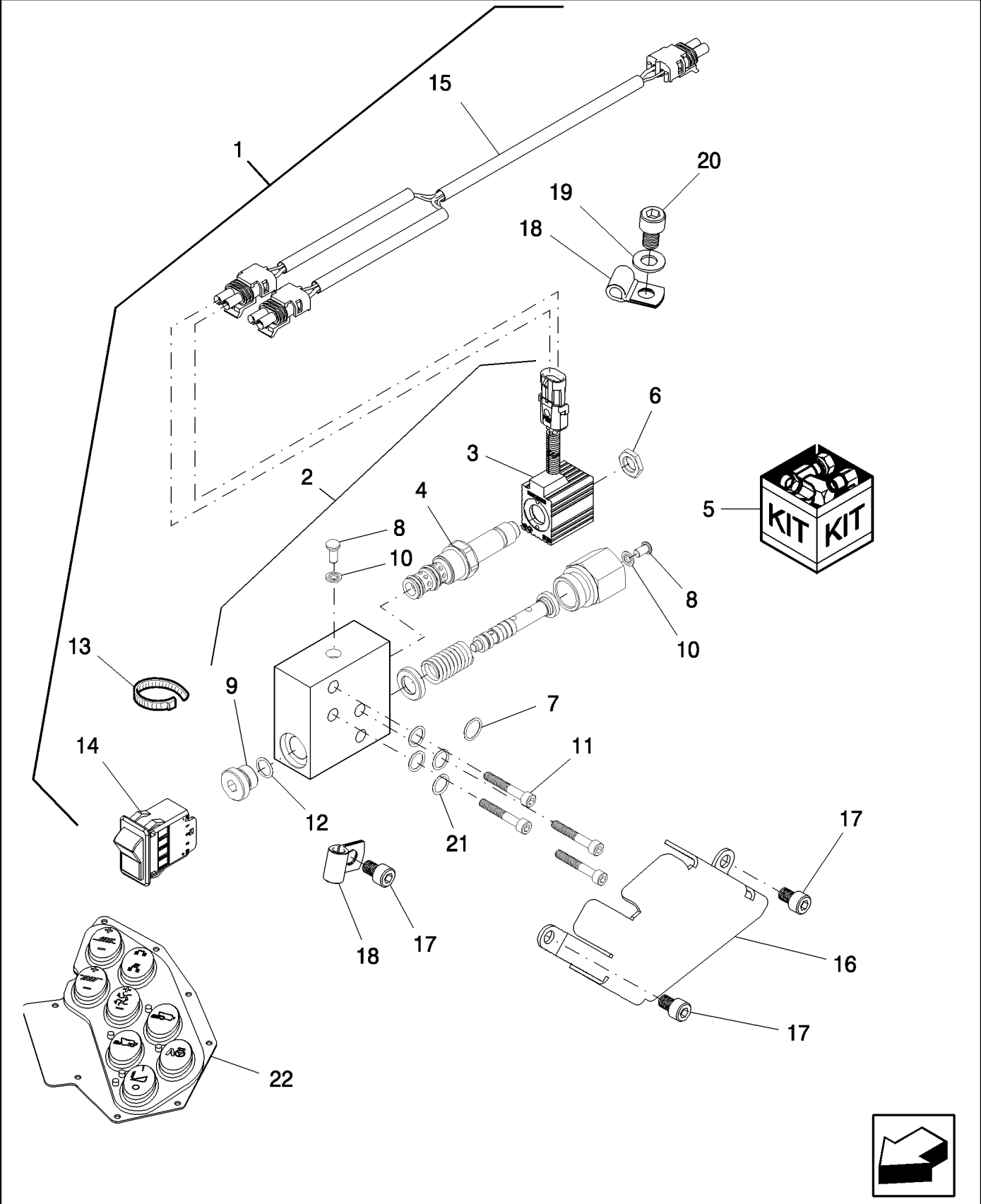


POWERED REAR AXLE

REF	FN	PART NUMBER	YR/SN	QTY	DESCRIPTION
32		87108678		2	DECAL, Wheel Bolt Torque
33		87283481		1	GUIDE, Hose, R.H.
34		87281007		2	HYDRAULIC HOSE, PRA, Forward
35		87281008		2	HYDRAULIC HOSE, PRA, Reverse
36		87281009		2	HYDRAULIC HOSE, PRA, Case Drain
37		84807867		1	WIRE HARNESS, PRA
38		84800193		2	PROTECTIVE SLEEVE, 48" Length
39		87035472		20	SPECIAL BOLT, Hex Flg, M20 x 1.5 x 70, CI 10.9
40		87281709		20	SPACER, Wheel Bolt
41		281074		2	BOLT, Hex, 3/4"-10 x 2 1/2", G8
42		280375		2	LOCK NUT, 3/4"-10, GC
43		87744740		1	AXLE, Powered Rear Kit; Incl Refs 1 Thru 42

**8120 9120 7120 7120
8120**

KIT, DUAL SPEED - POWERED REAR AXLE

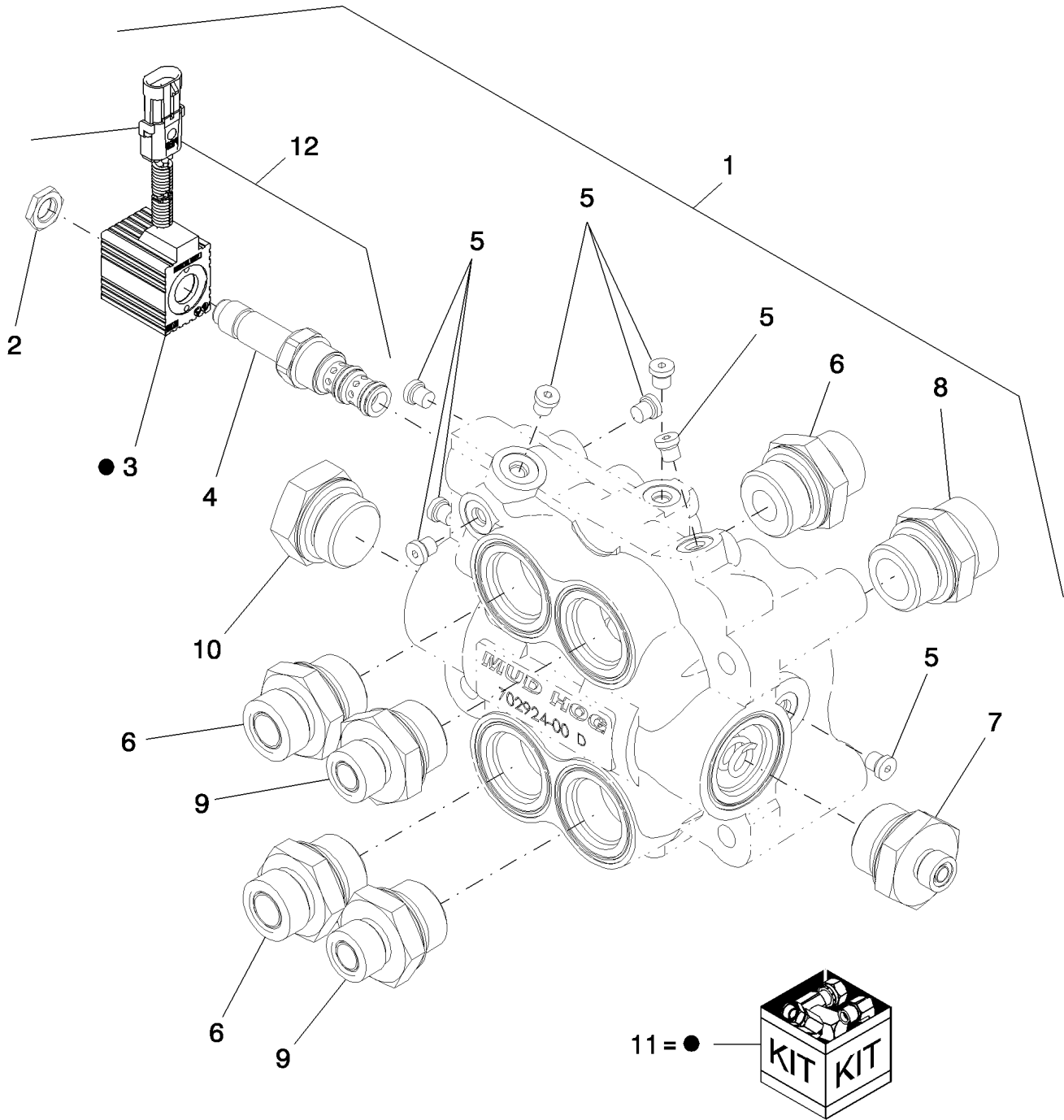


KIT, DUAL SPEED - POWERED REAR AXLE

REF	FN	PART NUMBER	YR/SN	QTY	DESCRIPTION
1		84110799		1	KIT, Incl Ref 2 - 21
2		87283383		1	VALVE, Incl Ref 3 - 12 and 21
3		87283881		1	SOLENOID
4		87283880		1	CARTRIDGE
5		86509023		1	SEAL KIT
6		590907		1	NUT, 1/2"- 20, UNF
7		165212		1	O-RING, -015, 90 Duro, .551" ID x .070" Thk
8		87016478		2	SCREW, Hex Soc Hd, M6 x 10, 12.9
9		86598046		1	PLUG, Hex Soc, M18 x 1.5, ORB
10		87283879		2	SEALING WASHER
11		87035492		4	SCREW, Hex Soc Hd, M6 x 40, 12.9
12		86598101		1	O-RING, CI 6, 15.3MM ID x 2.2 Thk
13		86566989		6	CABLE STRAP, M4.75 x 190.5 L
15		87283382		1	WIRE HARNESS, PRA Dual Speed
16		87283381		2	SHIELD
17		2168745		6	SCREW, M8 x 12
18		515-2348		4	CLAMP, 3/16", Insul, 3/8" Bolt
19		86511323		2	WASHER, M10 x 20 x 2
20		87301307		2	SCREW, M10 x 16
21		9993141		AR	O-RING, -012, 90 Duro, .364" ID x .070" Thk
22		87282484		1	RUBBER PAD, Console, R.H.

**8120 9120 7120 7120
8120**

POWERED REAR AXLE, SELECTOR VALVE

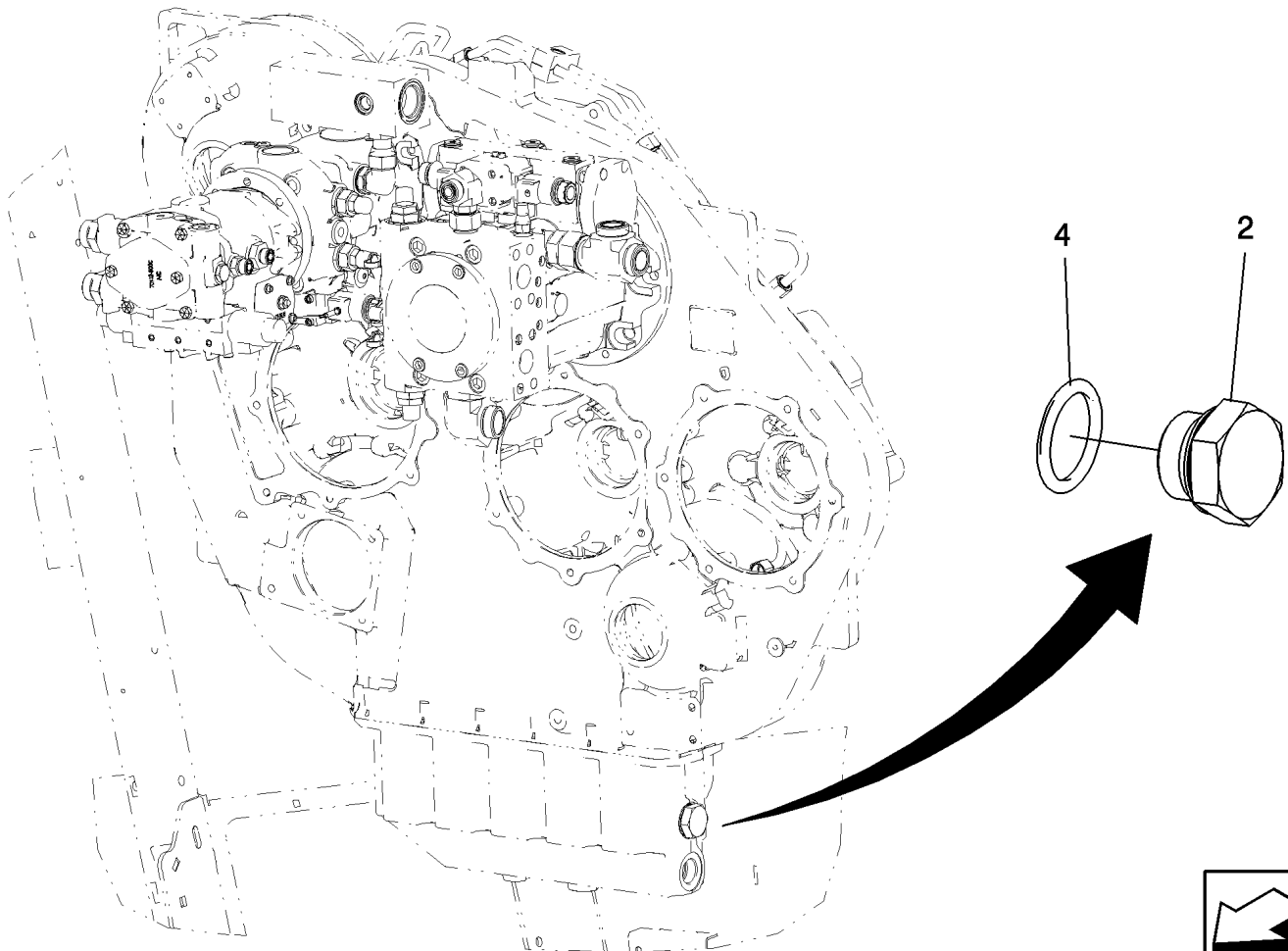


POWERED REAR AXLE, SELECTOR VALVE

REF	FN	PART NUMBER	YR/SN	QTY	DESCRIPTION
1		84800289	ASN Y9G207282	1	VALVE, PRA Selector
1		87281708	BSN Y9G207282	1	VALVE, PRA Selector
2		590907		1	NUT, 1/2"-20, UNF
3		87645123		1	SOLENOID, Coil
4		87283662		1	CARTRIDGE
5		86602475		8	PLUG, -12, O-Ring, Hex Socket
6		700-164		3	HYD CONNECTOR, 1 3/16"-12 ORFS x M33 x 2 ORB, M33 x 2 / -12 ORS
7		87281712		1	HYD CONNECTOR, M33 x 2 / -16 ORS Modified
8		700-105		1	HYD CONNECTOR, 1 7/16"-12 ORFS x M22 x 2 ORB, M33 x 2 / -16 ORS
9		87035471		2	HYD CONNECTOR, 1"-14 ORFS x M33 x 1.5 ORB, M33 x 2 / -10 ORS; Incl O-Rings
9		86598104		2	O-RING, CI 6, 26.6MM ID x 2.9 Thk
9		9992069		2	O-RING, -016, 90 Duro, .614" ID x .070" Thk
10		220069A1		1	PLUG, M33 x 2, ORB
11		86509023		1	SEAL KIT, Ref 3
12		87281710		1	SOLENOID VALVE, Incl Ref 2, 3 & 4

**8120 9120 7120 7120
8120**

PLUGS, LESS POWERED REAR AXLE



44.200.17

p1

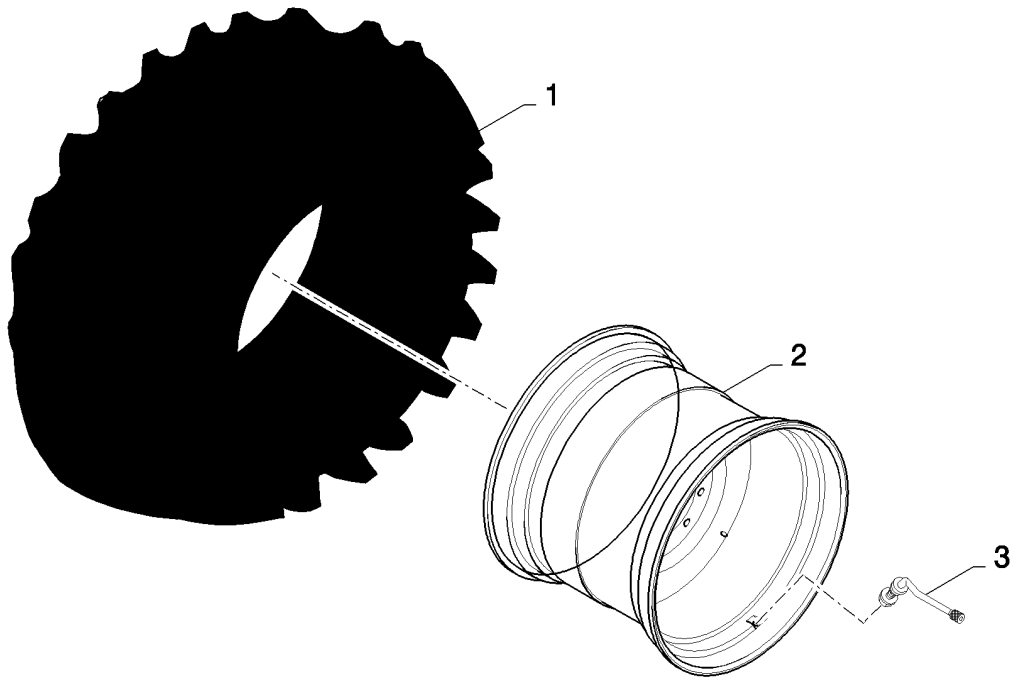
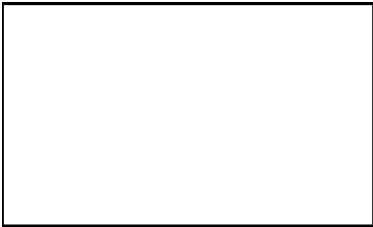
10/09

PLUGS, LESS POWERED REAR AXLE

REF	FN	PART NUMBER	YR/SN	QTY	DESCRIPTION
1		86981620		1	PLUG, M16 x 1.5, ORB, Incl Ref 3
2		87013333		1	PLUG, M33 x 2, ORB, Incl Ref 4
3		637-63133		1	O-RING, CI 6, 13.3MM ID x 2.2 Thk
4		637-64296		1	O-RING, CI 6, 29.6MM ID x 2.9 Thk

**8120 9120 7120 7120
8120**

WHEELS, FRONT 900/60R32 176A8 AND 900/75R32 184A8



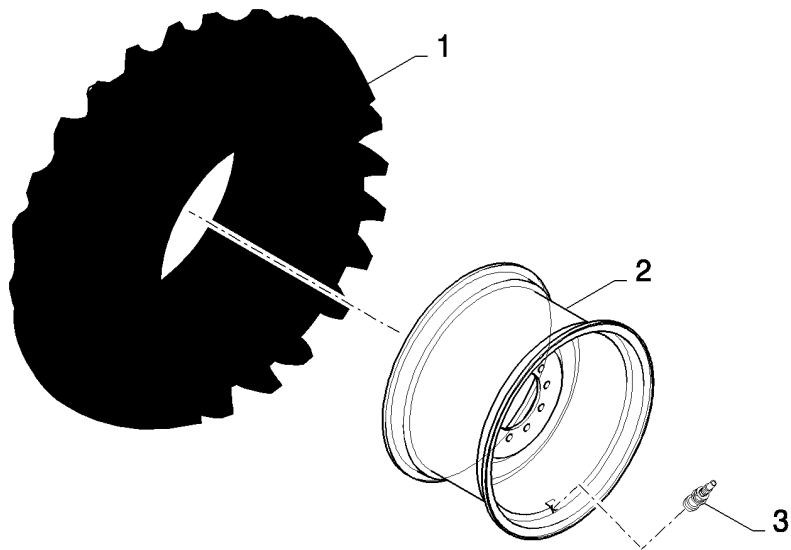
WHEELS, FRONT 900/60R32 176A8 AND 900/75R32 184A8

REF	FN	PART NUMBER	YR/SN	QTY	DESCRIPTION
1		NS		1	NOT SERVICED, Tire, procure locally
2		84200754		1	RIM, 32 X DW30B, Use with tire size 900/60R32 176A8 R1W
2	1	87682368		1	RIM, 32 X DW30B, Use with tire size 900/75R32 184A8 R1W
3		87106339		1	VALVE STEM
		87106340			PLUG, Valve Hole

(1) For NA Only

**8120 9120 7120 7120
8120**

WHEELS, FRONT - EU - 7120, 8120, 9120



44.511.05

p1

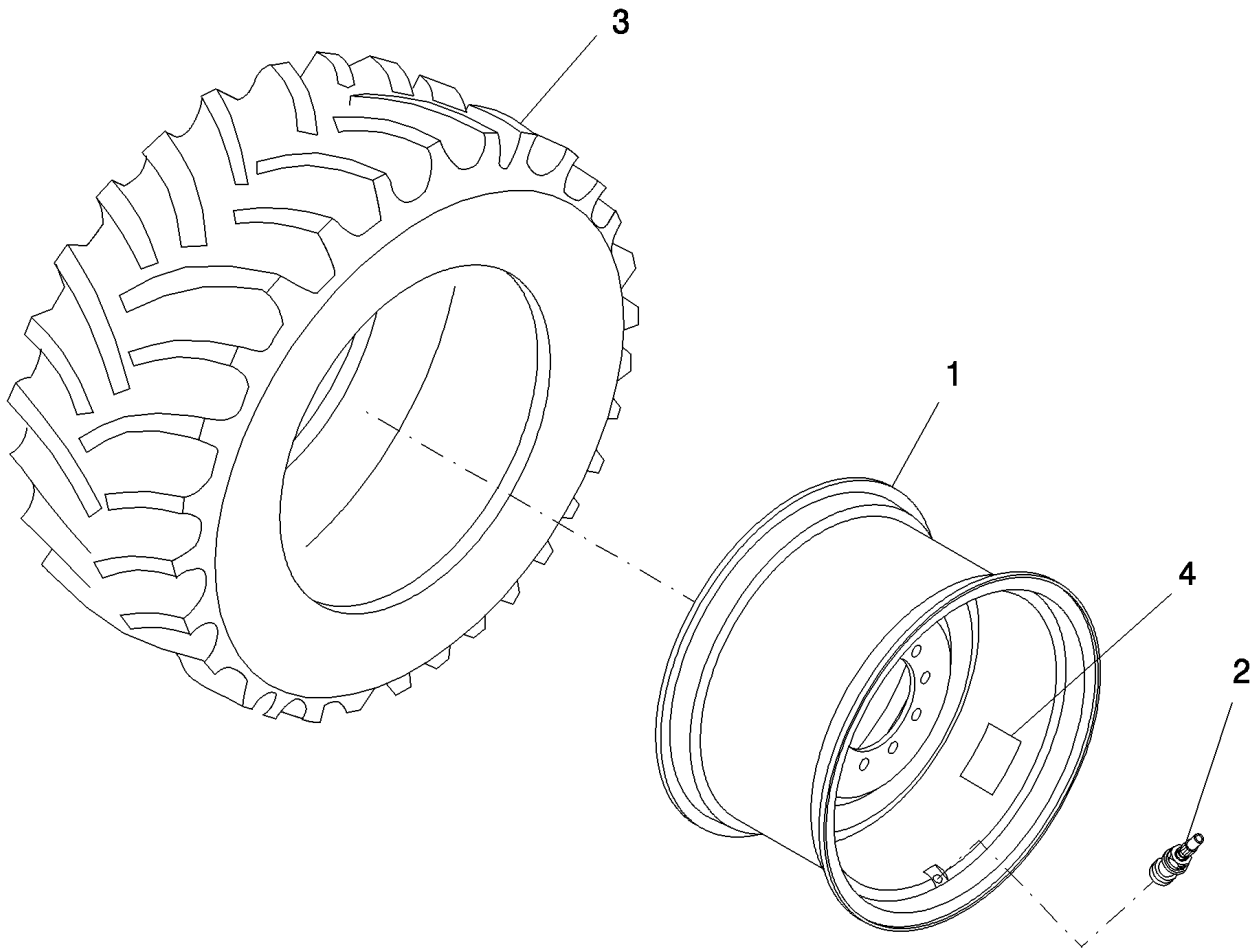
10/09

WHEELS, FRONT - EU - 7120, 8120, 9120

REF	FN	PART NUMBER	YR/SN	QTY	DESCRIPTION
1		NS		1	NOT SERVICED, Tire
2		87106506		AR	WHEEL, 710/70R38 x DW21A
2		86996617		AR	WHEEL, 800/65R32 x DW27A and 900/60R32 x DW27A
2		84182774		AR	RIM, 42XF-DW23B SILVER □42XF-DW23B SILVER □
3		87106339		1	VALVE STEM
4		87106340		1	PLUG, NOT SHOWN

8120 9120 7120

WHEELS, DUAL



DUAL WHEEL INSTRUCTIONS

COMBINES WITH 28 BOLTS	COMBINES WITH 16 STUDS / 16 BOLTS
<p>1. REMOVE OLD TIRE 2. REMOVE OLD NUTS 3. REMOVE OLD BOLTS 4. REMOVE OLD STUDS 5. REMOVE OLD WHEEL RIMS 6. REMOVE OLD TIRE 7. REMOVE OLD NUTS 8. REMOVE OLD BOLTS</p>	<p>1. REMOVE OLD TIRE 2. REMOVE OLD NUTS 3. REMOVE OLD BOLTS 4. REMOVE OLD STUDS 5. REMOVE OLD WHEEL RIMS 6. REMOVE OLD TIRE 7. REMOVE OLD NUTS 8. REMOVE OLD BOLTS</p>

TEMPORARY ROAD TRANSPORT (DOT) MAX on IRON WHEEL ONLY.
Approved with 42 inch tires with 2.0 bar (30 psi) inflation. **EMPTY** grain tank and (RS) header. Install all hardware and torque to specification.

4



44.511.07

p1

10/09

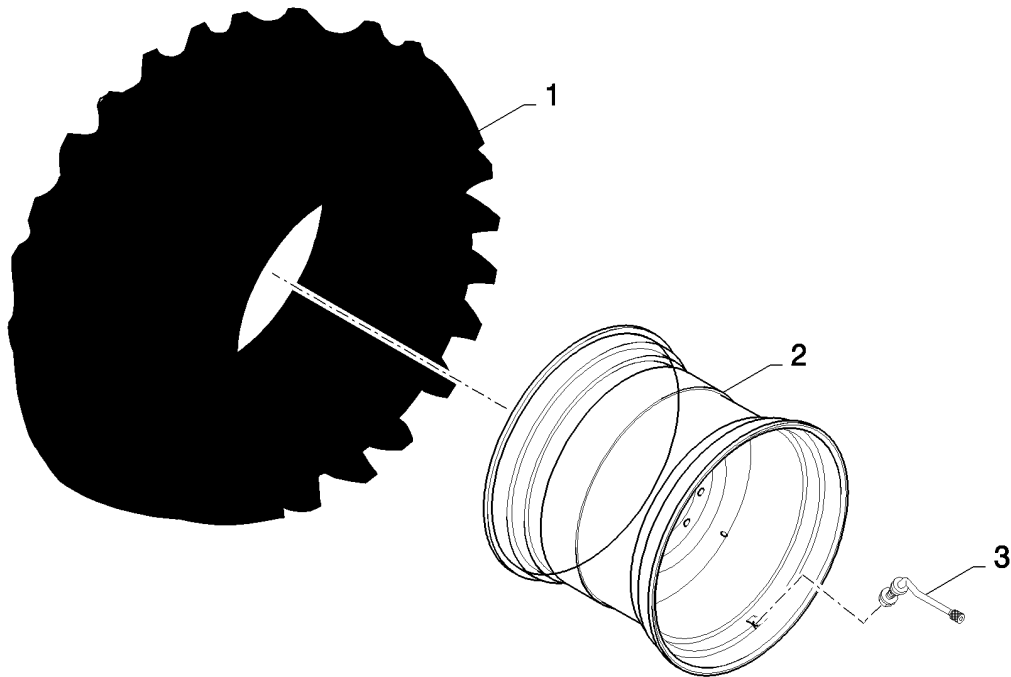
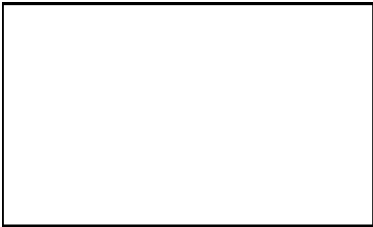
WHEELS, DUAL

REF	FN	PART NUMBER	YR/SN	QTY	DESCRIPTION
1		87386313		AR	WHEEL ASSY, 20.8R42 x DD18
2		395448		1	VALVE STEM
3		PL		1	PROCURE LOCALLY, Tire
4		87563205		2	DECAL, Bolt Torquing Sequence

□

**8120 9120 7120 7120
8120**

WHEELS, REAR



WHEELS, REAR

REF	FN	PART NUMBER	YR/SN	QTY	DESCRIPTION
1		NS		1	NOT SERVICED, Tire, Procure Locally
2	1	86996753		AR	WHEEL, 24 x W15L, Fits Tire 460/70R24
2	2	86996737		AR	WHEEL, 30 x DW15A Fits Tire Sizes 480/70R30 and 540/65R30
2	3	86996749		AR	WHEEL, 26 x DW25A, Fits Tire Size 28L-26 12PR R2 (-140)
2		86996745		AR	WHEEL, 28 x W18L, Fits Tire Size 600/65R28L154 R1W
2	1	84182778		AR	RIM, 24 x WH15L Silver, Fits Tire Size 500/85R24 171A8 R4
2	4	87741512		AR	RIM, 28 x W18L Silver, Fits Tire 600/70R28 161A8 R1W
3		395448		1	VALVE STEM
4		86997821		1	PLUG, NOT SHOWN

- (1) EU Only
- (2) Not for Latin America
- (3) Not for EU
- (4) For NA Only

**8120 9120 7120 7120
8120**

SECTION INDEX

48 - Suspension and tracks

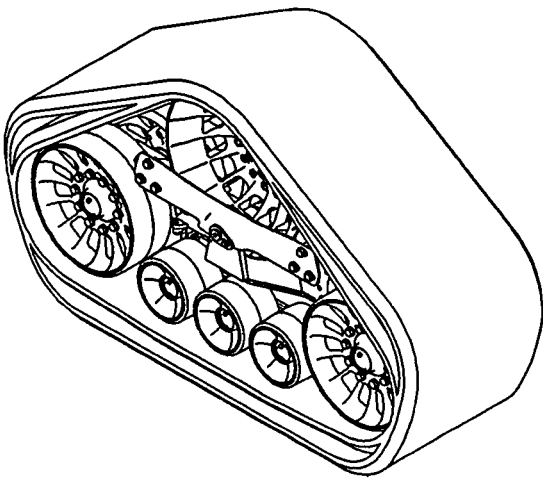
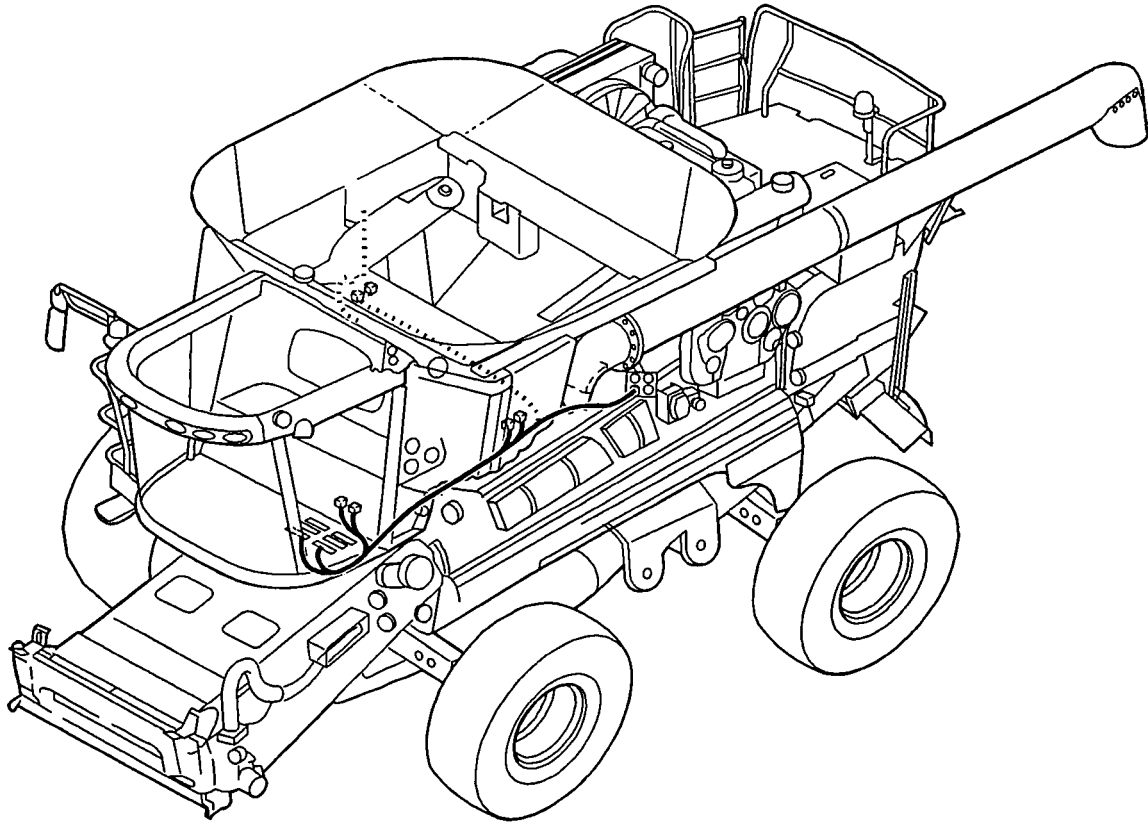
48.000.00		SECTION INDEX - SUSPENSION AND TRACKS
48.100.02		TRACK DRIVE - RUBBER TRACK; NA ONLY - 8120, 9120
48.110.03		TRACK DRIVE - ROLLER BEAM - NA ONLY - 8120, 9120
48.130.01		TRACK DRIVE, FINAL - NA ONLY - 8120, 9120
48.130.02		TRACK DRIVE - REAR IDLER WHEELS AXLE - NA ONLY - 8120, 9120
48.130.03		TRACK DRIVE - UNDERCARRIAGE - NA ONLY - 8120, 9120
48.134.02		TRACK DRIVE - FRONT IDLER WHEELS AXLE - NA ONLY - 8120, 9120
48.134.03		TRACK TENSIONING HYDRAULIC PLUMBING - NA ONLY - 8120, 9120
48.134.04		TRACK TENSIONING MECHANISM - NA ONLY - 8120, 9120
48.134.05		TRACK DRIVE - IDLER WHEELS - NA ONLY - 8120, 9120
48.134.06		TRACK DRIVE - TENSIONING MECHANISM, ADJUSTER-RECOIL - NA ONLY - 8120, 9120
48.134.07		TRACK DRIVE - YOKE FRAME - NA ONLY - 8120, 9120
48.999.01	01	DIA TRACK KIT, AFX8010 AFX8120 AFX9120
48.999.01	02	DIA TRACK KIT HARDWARE, AFX8010, AFX8120, AFX9120
48.999.01	03	DIA TRACK KIT HYD TUBES, AFX8010, AFX8120, AFX9120
48.999.01	04	DIA KIT TRACK FRAME AFX8120, AFX9120
48.999.01	05	DIA KIT LOWER SHIELDING WA AFX8010, AFX8120, AFX9120

48.000.00

p1

08/09

SECTION INDEX - SUSPENSION AND TRACKS



48.000.00

p1

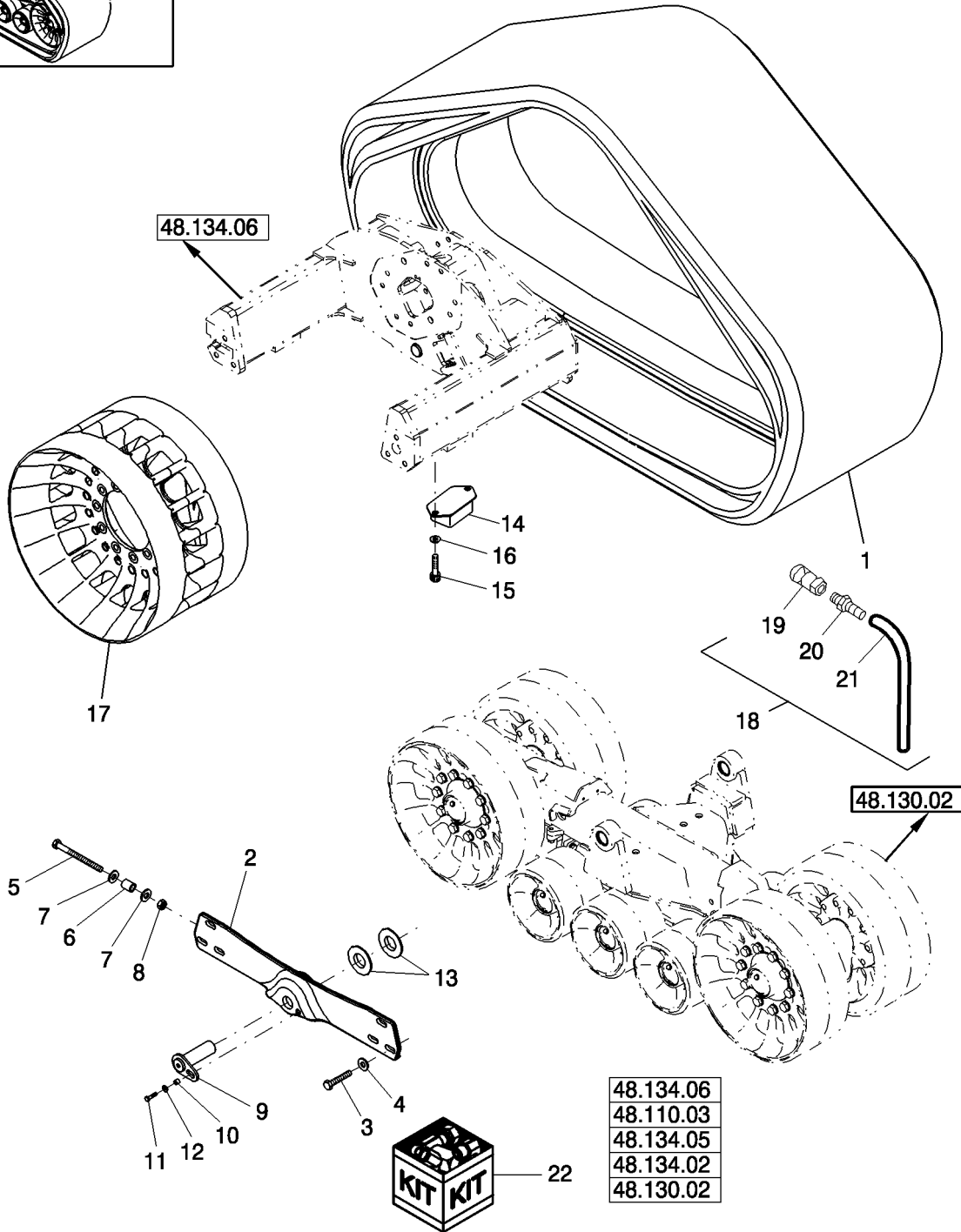
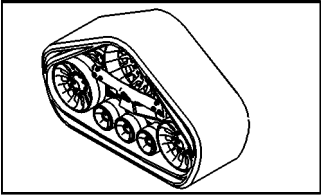
08/09

SECTION INDEX - SUSPENSION AND TRACKS

REF	FN	PART NUMBER	YR/SN	QTY	DESCRIPTION
------------	-----------	--------------------	--------------	------------	--------------------

					7120 7120 8120 9120 8120
--	--	--	--	--	-------------------------------------

TRACK DRIVE - RUBBER TRACK; NA ONLY - 8120, 9120



TRACK DRIVE - RUBBER TRACK; NA ONLY - 8120, 9120

REF	FN	PART NUMBER	YR/SN	QTY	DESCRIPTION
1		87734600		2	RUBBER TRACK, W = 36"
2		87451761		2	END PLATE
3		9780129		12	BOLT, Hex, M24 x 50, 10.9, Full Thd
4		896-15020		12	WASHER, M20 x 44.5 x 5, HT
5		87439071		2	BOLT
6		87439070		2	SPACER
7		896-15020		4	WASHER, M20 x 44.5 x 5, HT
8		829-4420		2	NUT, Thin, M20 x 2.5, CI 05
9		87423822		4	PIN
10		87423819		4	SPACER
11		627-16035		4	BOLT, Hex, M16 x 35, 10.9, Full Thd
12		896-11016		4	WASHER, M17.5 x 30 x 4, HT
13		87423202		4	BEARING
14		87428948		4	BUMPER
15		86836488		8	SCREW, Hex Soc But Hd, M12 x 1.75 x 25, 12.9
16		896-11012		8	WASHER, M13.5 x 24.5 x 3, HT
17		87395733		1	WHEEL, Machined, Track Drive
18		31-3183		1	HOSE, Assembly, Pressure Relief; Incl Refs 19 Thru 21
19		233303A1		1	COUPLING, Quick, Female
20		217-125		1	FITTING, 3/8" Hose x 1/4" NPTF, Barbed, Straight, 3/8 barb end x 1/4 inch PT
21		32-12X		1	HOSE, LARGE, 914 mm (36 inch) long; Cut From 20' Bulk Roll
22		84130512		1	SERVICE KIT, Combine Track; Incl Refs 1 Thru 21

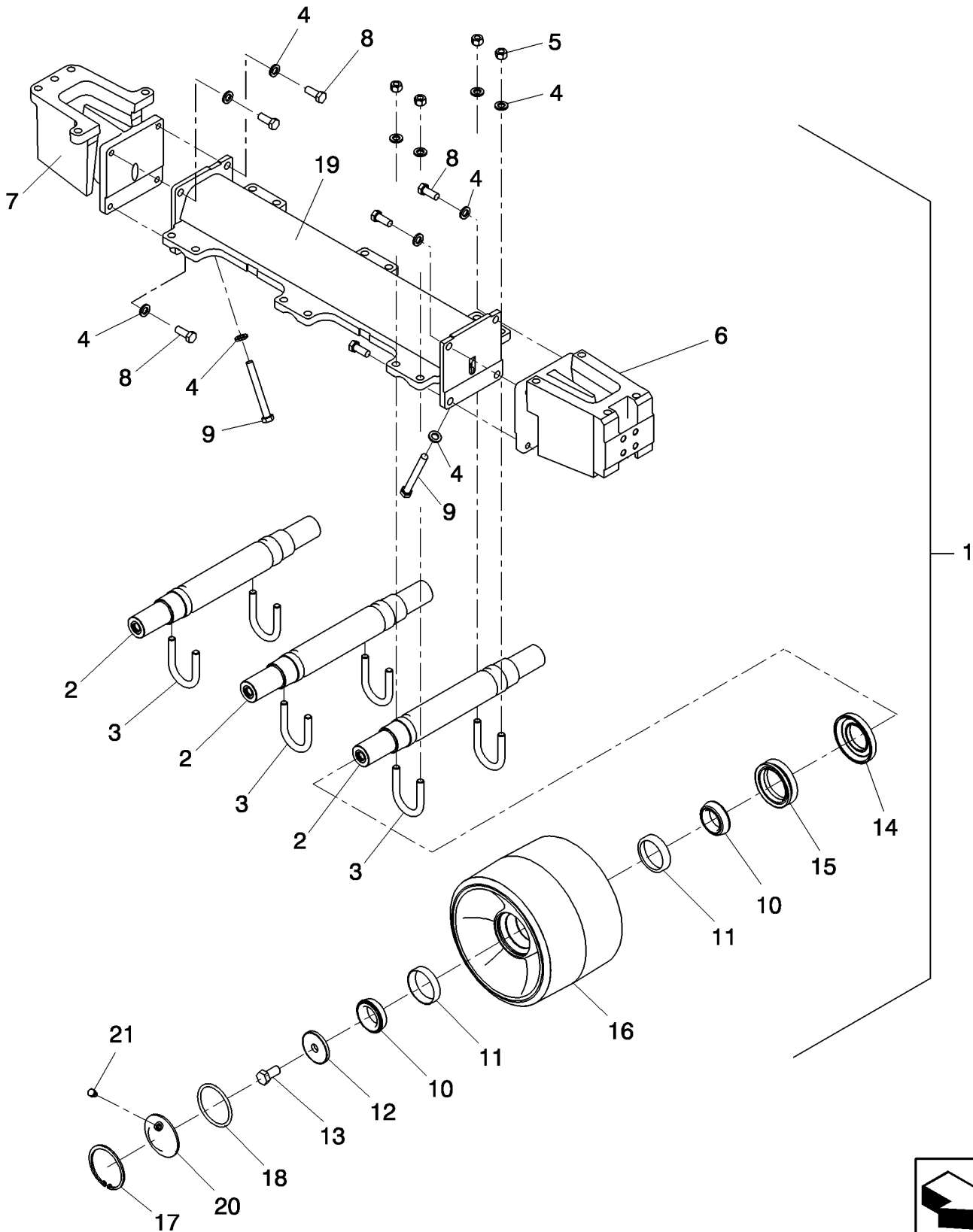
8120 9120

48.110.03

p1

08/09

TRACK DRIVE - ROLLER BEAM - NA ONLY - 8120, 9120

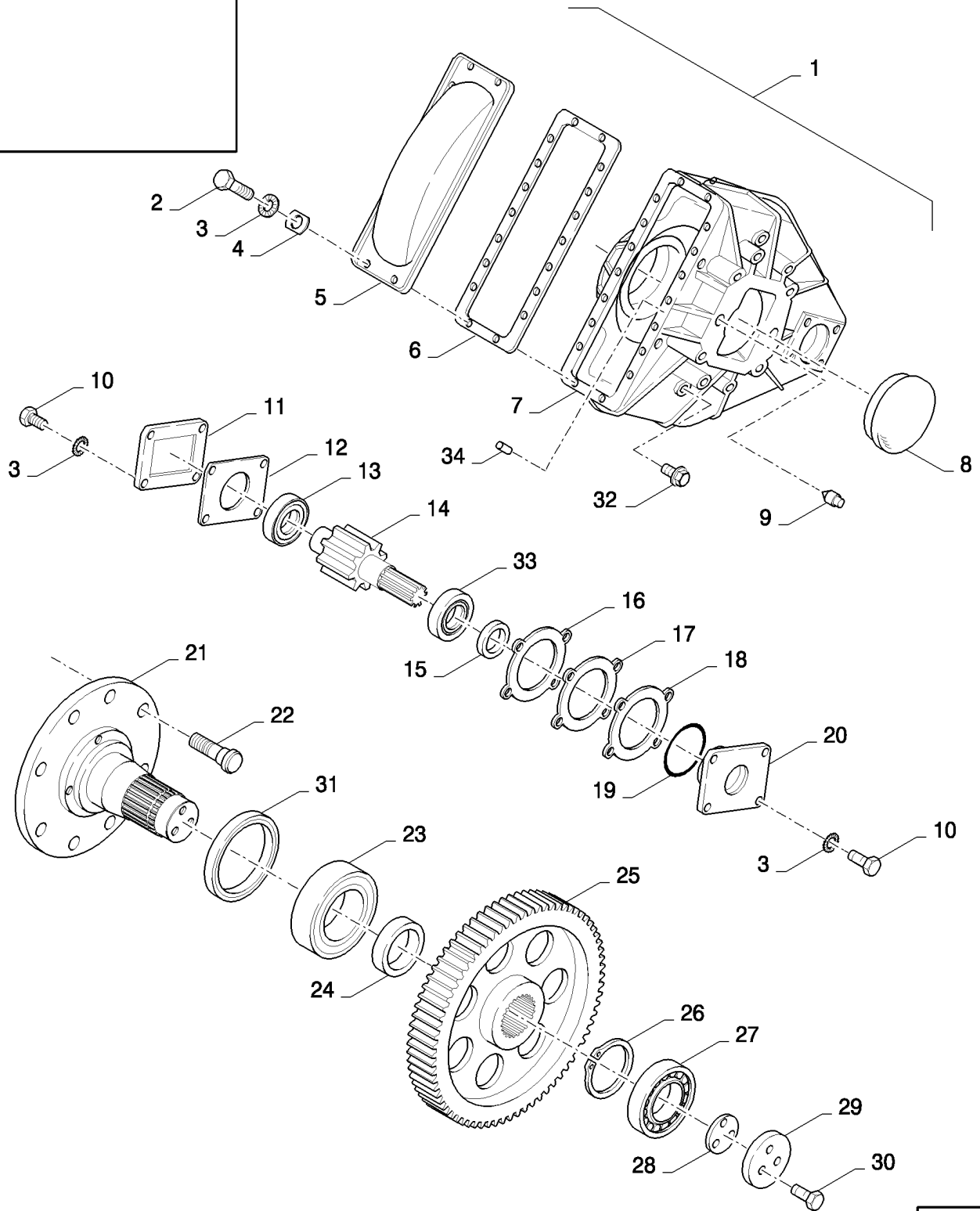


TRACK DRIVE - ROLLER BEAM - NA ONLY - 8120, 9120

REF	FN	PART NUMBER	YR/SN	QTY	DESCRIPTION
1		87434548		2	BEAM ASSY., Roller; Incl Refs 2 Thru 21
2		87431253		6	ROLLER SHAFT
3		231765A1		12	BOLT "U"
4		896-11016		44	WASHER, M17.5 x 30 x 4, HT
5		832-46416		24	LOCK NUT, M16 x 2, CI 8
6		389763A1		2	SUSPENSION, Mount, Front
7		389761A1		2	SUSPENSION, Mount, Rear
8		627-16040		16	BOLT, Hex, M16 x 40, 10.9
9		827-16140		4	BOLT, Hex, M16 x 140, 10.9
10		A61447		24	BEARING, CONE
11		625743C1		24	BEARING CUP
12		87387720		12	RETAINER
13		87449801		12	BOLT, Hex, M20 x 2.5 x 40, 10.9, Full Thd
14		87304018		12	CUP
15		87437009		12	SEAL
16		87438307		12	WHEEL ASSY
17		800-21110		12	SNAP RING, M110, Int
18		86984140		12	SEAL
19		408786A1		2	BEAM
20		87404689		12	CAP
21		246406A1		12	PLUG, M12 x 1.5, ORB

8120 9120

TRACK DRIVE, FINAL - NA ONLY - 8120, 9120

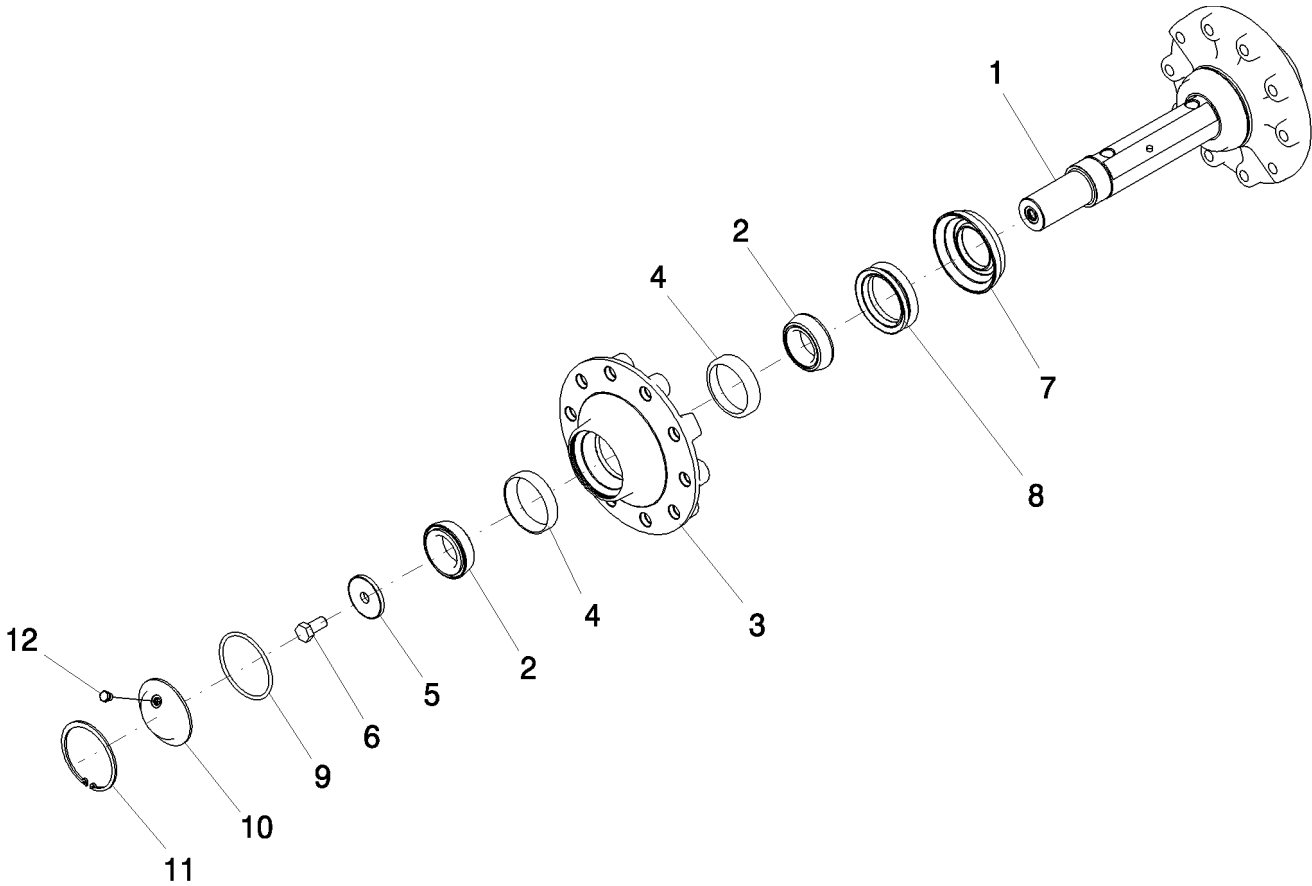


TRACK DRIVE, FINAL - NA ONLY - 8120, 9120

REF	FN	PART NUMBER	YR/SN	QTY	DESCRIPTION
1		87734570		1	HOUSING, Final Drive
2		120052		18	SCREW, Hex Soc Hd, M10 x 25, 8.8
3		86978768		2	DOWEL, M12 x 30
4		86500888		1	ROLLER BEARING
5		84129520		1	COVER
6		NS		1	NOT SERVICED, Replace W/Liquid Gasket
7		87734567		1	HOUSING
8		613201		1	COVER
9		9832264		1	SEAL
10		43140		8	BOLT, Hex, M10 x 30, 8.8, Full Thd
11		613212		1	FLANGE
12		410920		1	SEAL
13		86975647		1	TAPERED ROLLER BEARING
14		87734565		1	GEAR
15		86623595		1	RUBBER SEAL
16		382948		AR	SHIM, 0.05mm Thk
17		382949		AR	SHIM, 0.2mm Thk
18		382950		AR	SHIM, 0.5mm Thk
19		913107		1	O-RING, -235, 70 Duro, 3.109" ID x .139" Thk
20		87736696		1	COVER, Flange
21		87649847		1	AXLE
22		87367550		10	FLANGE BOLT, Hex, M22 x 95, CI 12.9
23		86975648		1	TAPERED ROLLER BEARING
24		84814999		1	SPACER
25		87734566		1	GEAR
26		613200		1	SPACER
27		86975646		1	TAPERED ROLLER BEARING
28		395393		1	SHIM, 0.5mm Thk
28		395392		1	SHIM, 0.2mm Thk
28		395391		1	SHIM, 0.05mm Thk
29		382503		1	FLANGE
30		87036180		3	BOLT, Hex, Lock, M16 x 35, CI 10.9
31		9832264		1	SEAL
32		412413		4	PLUG
33		86500888		1	ROLLER BEARING

8120 9120

TRACK DRIVE - REAR IDLER WHEELS AXLE - NA ONLY - 8120, 9120



48.130.02

p1

10/09

TRACK DRIVE - REAR IDLER WHEELS AXLE - NA ONLY - 8120, 9120

REF	FN	PART NUMBER	YR/SN	QTY	DESCRIPTION
1		87451058		1	SHAFT
2		371884A1		4	BEARING CONE
3		87416606		2	HUB
4		371878A1		4	CUP
5		87387720		2	RETAINER
6		87449801		2	BOLT, Hex, M20 x 2.5 x 40, 10.9, Full Thd
7		87304016		2	CUP
8		87437010		2	SEAL
9		238-5426		2	O-RING, -426, 70 Duro, 4.600" ID x .275" Thk
10		87408174		2	CAP
11		370014		2	SNAP RING, M130, Int
12		246406A1		2	PLUG, M12 x 1.5, ORB

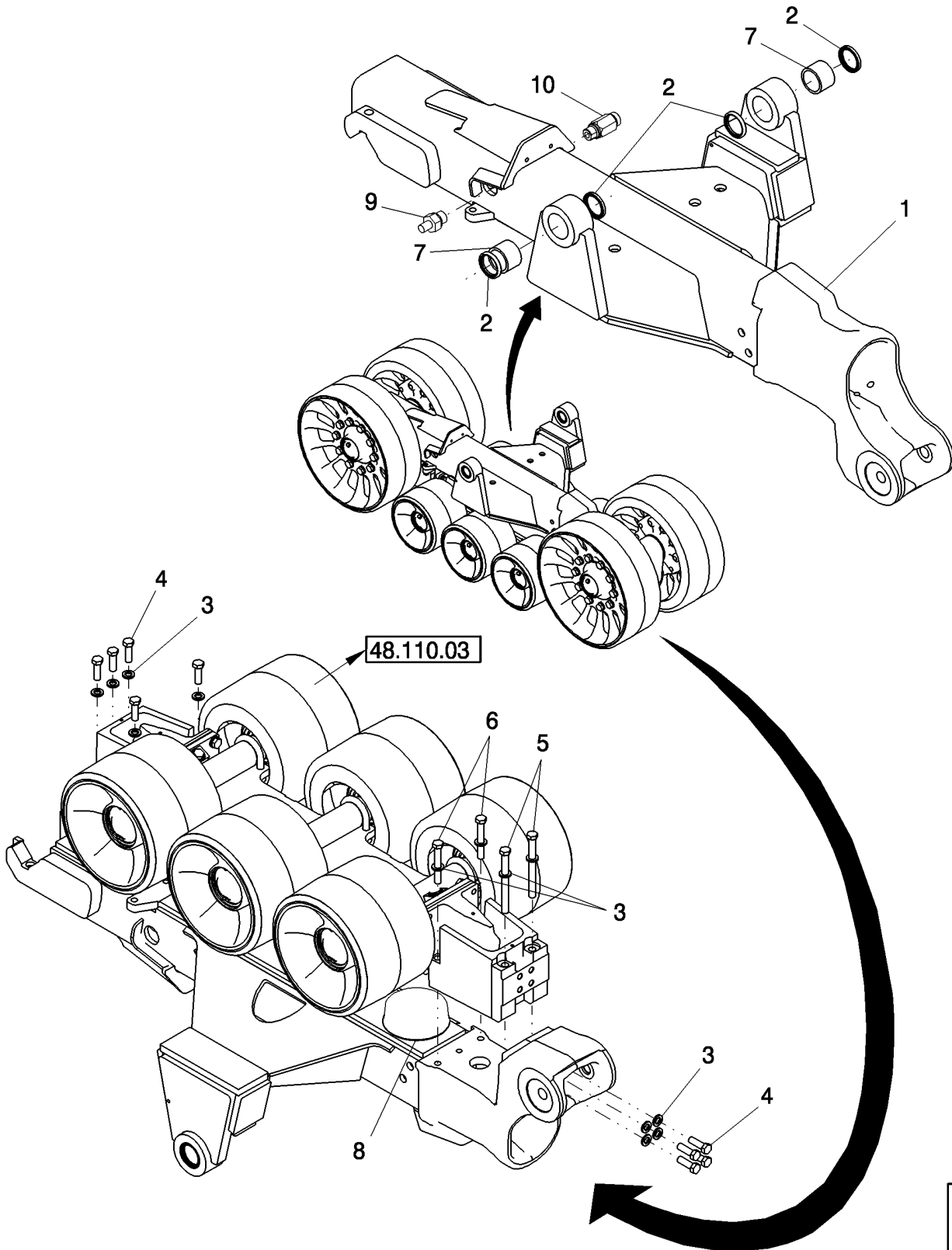
8120 9120

48.130.03

p1

02/10

TRACK DRIVE - UNDERCARRIAGE - NA ONLY - 8120, 9120



48.130.03

p1

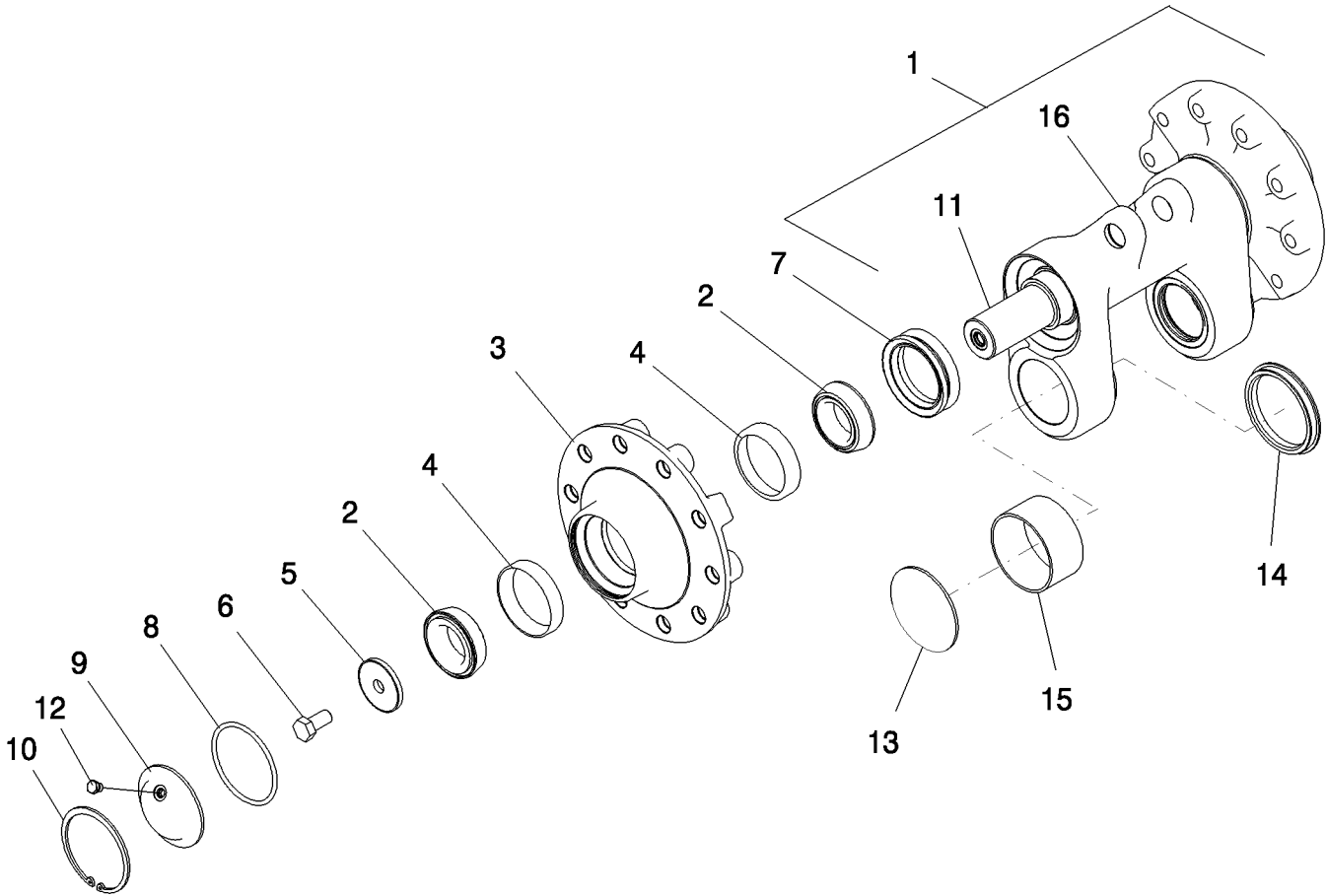
02/10

TRACK DRIVE - UNDERCARRIAGE - NA ONLY - 8120, 9120

REF	FN	PART NUMBER	YR/SN	QTY	DESCRIPTION
1		87748448		1	MOUNTING PARTS, Undercarriage; R.H.
1		87748449		1	MOUNTING PARTS, Undercarriage; L.H.
2		87423203		8	SEAL
3		896-11016		26	WASHER, M17.5 x 30 x 4, HT
4		627-16050		18	BOLT, Hex, M16 x 50, 10.9
5		827-16180		4	BOLT, Hex, M16 x 180, 10.9
6		827-16110		4	BOLT, Hex, M16 x 110, 10.9
7		87423204		4	BEARING ASSY
8		87669420		4	STOP DEVICE
9		325647A2		2	COUPLING
10		87735260		2	CHECK VALVE, 13/16"-16, OR x M18 x 1.5 OR

8120 9120

TRACK DRIVE - FRONT IDLER WHEELS AXLE - NA ONLY - 8120, 9120



48.134.02

p1

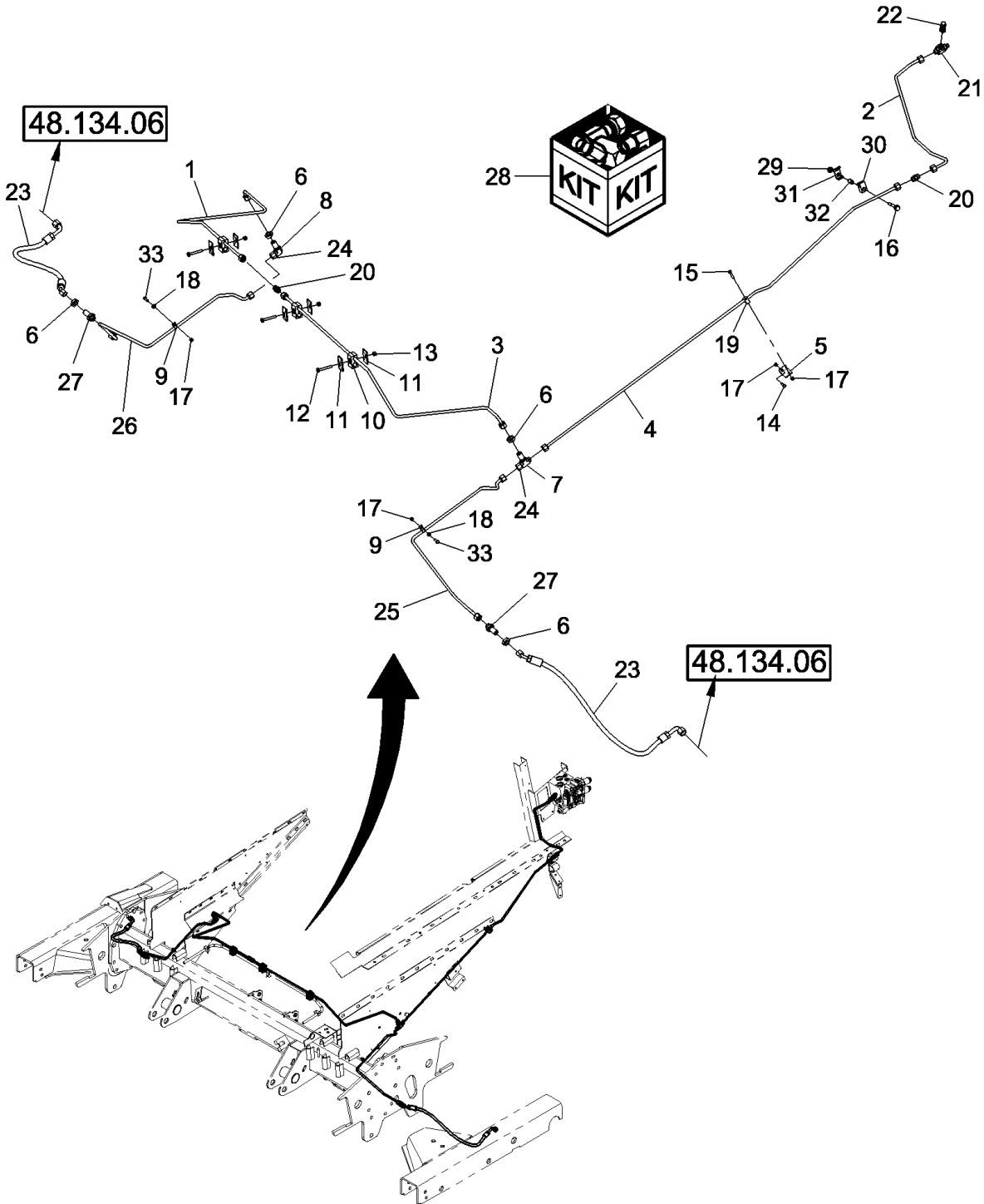
10/09

TRACK DRIVE - FRONT IDLER WHEELS AXLE - NA ONLY - 8120, 9120

REF	FN	PART NUMBER	YR/SN	QTY	DESCRIPTION
1		87681164		1	PIVOT, Incl Refs 11, 13 Thru 16
2		371884A1		4	BEARING CONE
3		87416606		2	HUB
4		371878A1		4	CUP
5		87387720		2	RETAINER
6		87449801		2	BOLT, Hex, M20 x 2.5 x 40, 10.9, Full Thd
7		87437010		2	SEAL
8		238-5426		2	O-RING, -426, 70 Duro, 4.600" ID x .275" Thk
9		87408174		2	CAP
10		370014		2	SNAP RING, M130, Int
11		NSS		1	NOT SERVICED SEPARATELY, Shaft, Idler
12		246406A1		2	PLUG, M12 x 1.5, ORB
13		87416602		2	COVER
14		87451047		2	SEAL
15		87324810		2	BEARING
16		NSS		1	NOT SERVICED SEPARATELY, Pivot, Front Idler

8120 9120

TRACK TENSIONING HYDRAULIC PLUMBING - NA ONLY - 8120, 9120

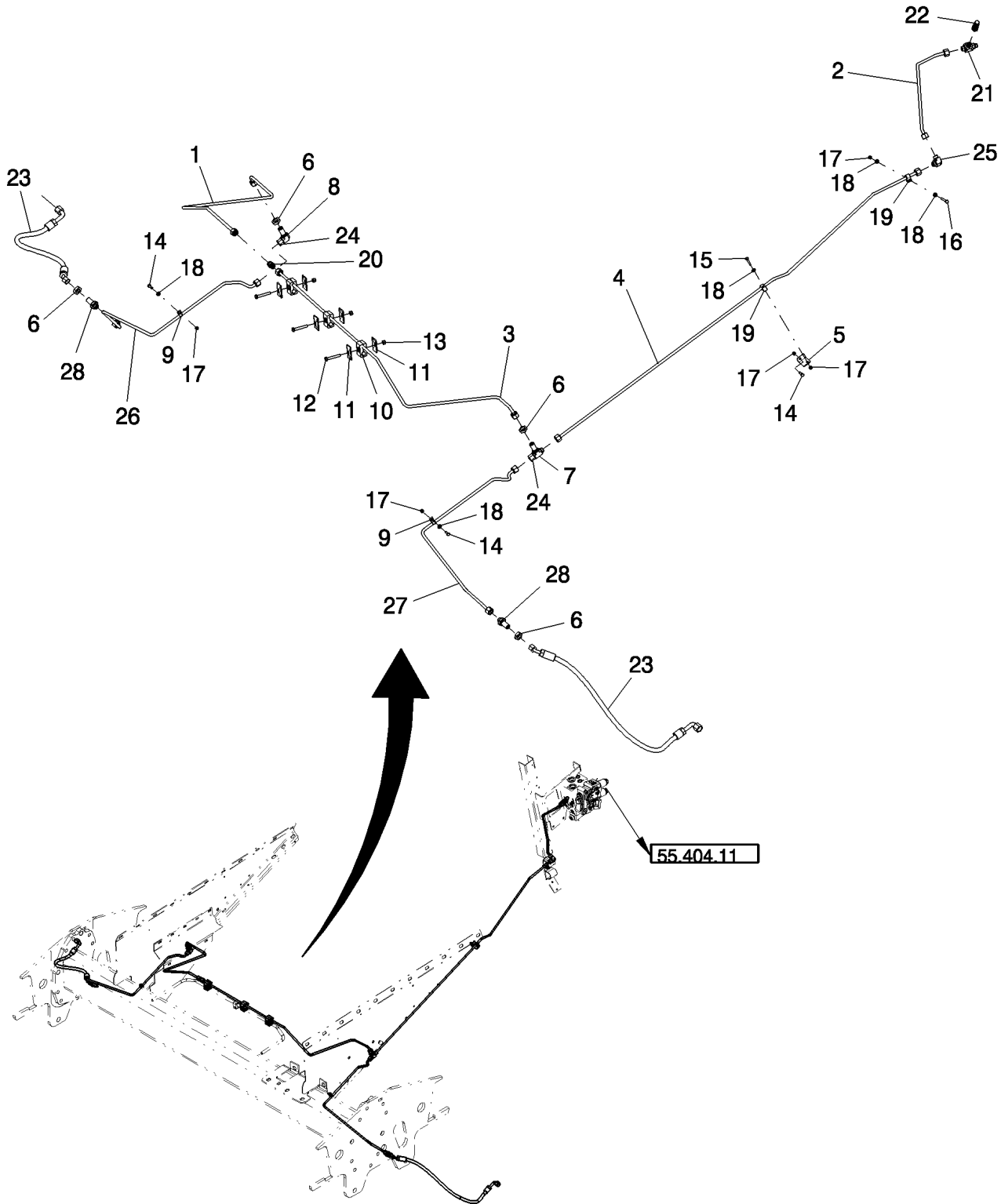


TRACK TENSIONING HYDRAULIC PLUMBING - NA ONLY - 8120, 9120

REF	FN	PART NUMBER	YR/SN	QTY	DESCRIPTION
1		87471949		1	HYD. TUBE, Track Pressure, R.H.
2		87470922		1	HYD. TUBE, Track Pressure, L.H.
3		87471948		1	HYD. TUBE, Track, Front, L.H.
4		87470925		1	HYD. TUBE, Track Pressure, L.H.
5		87496958		1	BRACKET
6		87010704		4	LOCK NUT, 11/16"-16, Blkhd
7		87306678		1	TEE, 11/16"-16 ORFS, Blkhd Br
8		87317453		1	ELBOW, 90°, 11/16"-16, ORFS, Blkhd
9		86050346		2	CLAMP, 3/8", Insul, 1/4" Bolt
10		87000159		3	CLAMP
11		72180326		6	PLATE
12		16044321		3	BOLT, Hex, M8 x 55, 8.8
13		86629542		3	LOCK NUT, M8 x 1.25, CI 8
14		120100		1	BOLT, Hex, M6 x 20, 8.8
15		16286324		1	BOLT, M6 x 30, 8.8 DAC
16		86511843		1	BOLT, Hex Flg, M8 x 60, 8.8
17		353308		4	NUT, M6 x 1, CI 8
18		322357		2	BELLEVILLE WASHER, M6
19		236558A1		2	CLAMP
20		84431546		2	UNION, 11/16"-16 ORFS
21		700-406		1	TEE, 11/16"-16 ORFS x M14 x 1.5 ORB Run
22		243670A1		1	COUPLING
23		87481897		2	HOSE ASSY., Track Pressure
24		87331950		2	CAP ASSY.
25		87480395		1	HYD. TUBE, Track Tensioner, L.H.
26		87485268		1	HYD. TUBE, Track Tensioner, R.H.
27		86978770		2	UNION, 11/16"-6 ORFS, Blkd
28		87748777		1	SERVICE KIT, Incl Ref 1 Thru 27
29		9804277		1	NUT, M8 x 1.25, Flg, CI 8
30		84172494		1	CLAMP, Tube Single 9.5
31		84172253		1	CLAMP, Plate, Tube
32		84172484		1	CLAMP, Spacer, Tube
33		9804256		2	BOLT, Hex Flg, M6 x 20, 8.8

8120 9120

TRACK TENSIONING MECHANISM - NA ONLY - 8120, 9120

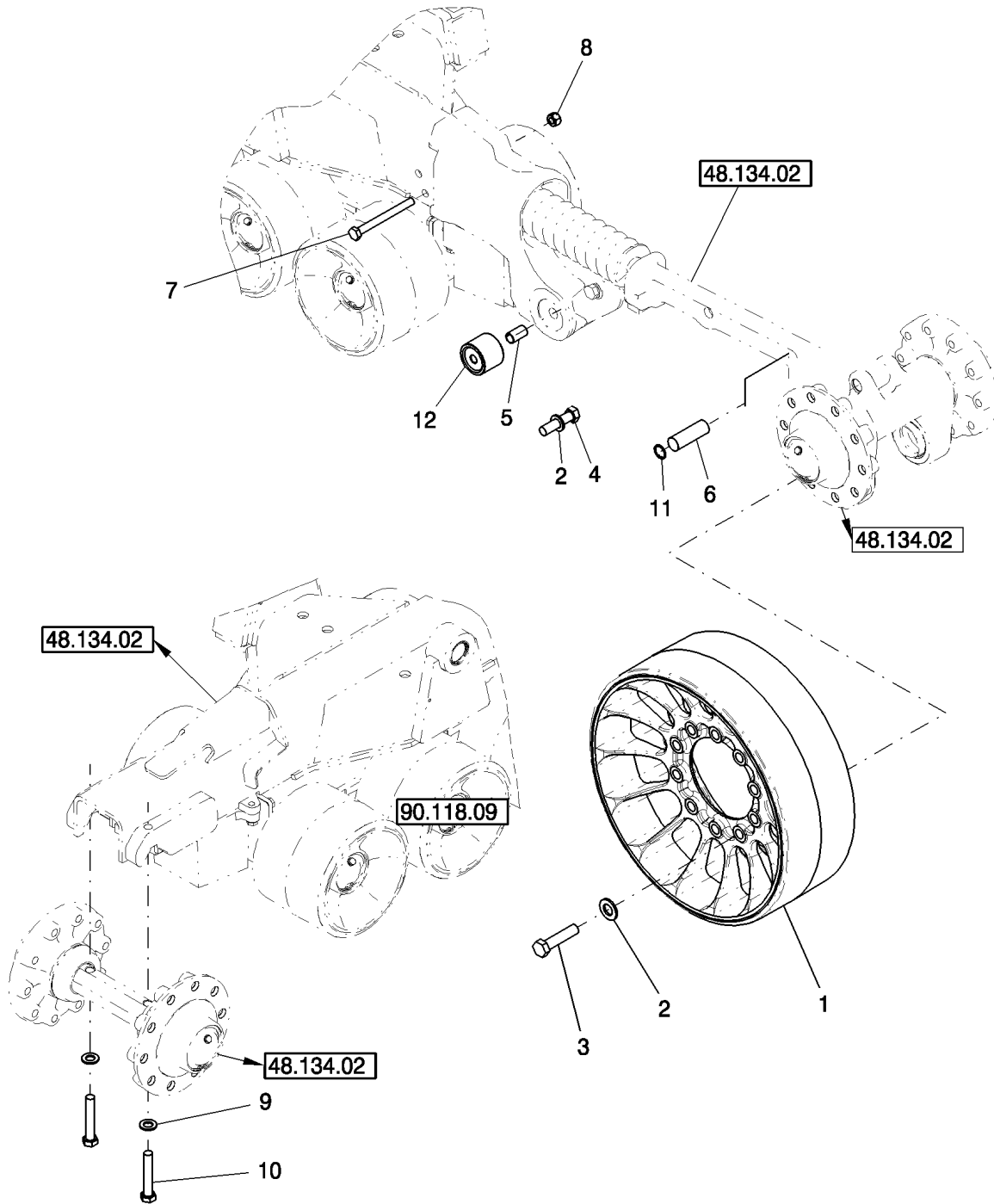


TRACK TENSIONING MECHANISM - NA ONLY - 8120, 9120

REF	FN	PART NUMBER	YR/SN	QTY	DESCRIPTION
1		87472005		1	HYD. TUBE, R.H., Track, Front
2		87484754		1	HYD. TUBE, R.H., Track, Pressure
3		87471948		1	HYD. TUBE, L.H., Track, Front
4		87470925		1	HYD. TUBE, L.H., Track, Pressure
5		87496958		1	BRACKET
6		87010704		4	LOCK NUT, 11/16"-16, Blkhd
7		87306678		1	TEE, 11/16"-16 ORFS, Blkhd Br
8		87317453		1	ELBOW, 90°, 11/16"-16, ORFS, Blkhd
9		86050346		2	CLAMP, 3/8", Insul, 1/4" Bolt
10		87000159		3	CLAMP
11		72180326		6	PLATE
12		16044321		3	BOLT, Hex, M8 x 55, 8.8
13		86629542		3	LOCK NUT, M8 x 1.25, CI 8
14		120100		3	BOLT, Hex, M6 x 20, 8.8
15		43117		1	BOLT, Hex, M6 x 30, 8.8
16		86977790		1	SCREW, Hex, M6 x 45, 8.8
17		353308		5	NUT, M6 x 1, CI 8
18		322357		5	BELLEVILLE WASHER, M6
19		236558A1		2	CLAMP
20		84431546		1	UNION, 11/16"-16 ORFS
21		700-406		1	TEE, 11/16"-16 ORFS x M14 x 1.5 ORB Run
22		243670A1		1	COUPLING
23		87481897		2	HOSE ASSY., Track Tensioner Pressure
24		87331950		2	CAP ASSY.
25		87564749		1	ELBOW, 90°, 11/16"-16, ORFS
26		87489061		1	HYD. TUBE, Track Tensioner, R.H.
27		87481898		1	HYD. TUBE, Track Tensioner, L.H.
28		86978770		2	UNION, 11/16"-6 ORFS, Blkd

8120 9120

TRACK DRIVE - IDLER WHEELS - NA ONLY - 8120, 9120



48.134.05

p1

10/09

TRACK DRIVE - IDLER WHEELS - NA ONLY - 8120, 9120

REF	FN	PART NUMBER	YR/SN	QTY	DESCRIPTION
1		87441100		8	WHEEL ASSY
2		896-11024		84	WASHER, M24 x 44.5 x 5, HT
3		827-24080		80	BOLT, Hex, M24 x 80, 10.9, Full Thd
4		827-24100		4	BOLT, Hex, M24 x 100, 10.9
5		87585083		2	TUBE SPACER
6		329647A1		2	PIN
7		827-20200		2	BOLT, Hex, M20 x 200, 10.9
8		832-46420		2	LOCK NUT, M20 x 2.5, Cl 8
9		896-11022		4	WASHER, M22 x 44 x 4, HT
10		827-22140		4	BOLT, Hex, M22 x 140, 10.9
11		87038806		4	SNAP RING, M38, Int
12		87324220		4	IDLE SHAFT

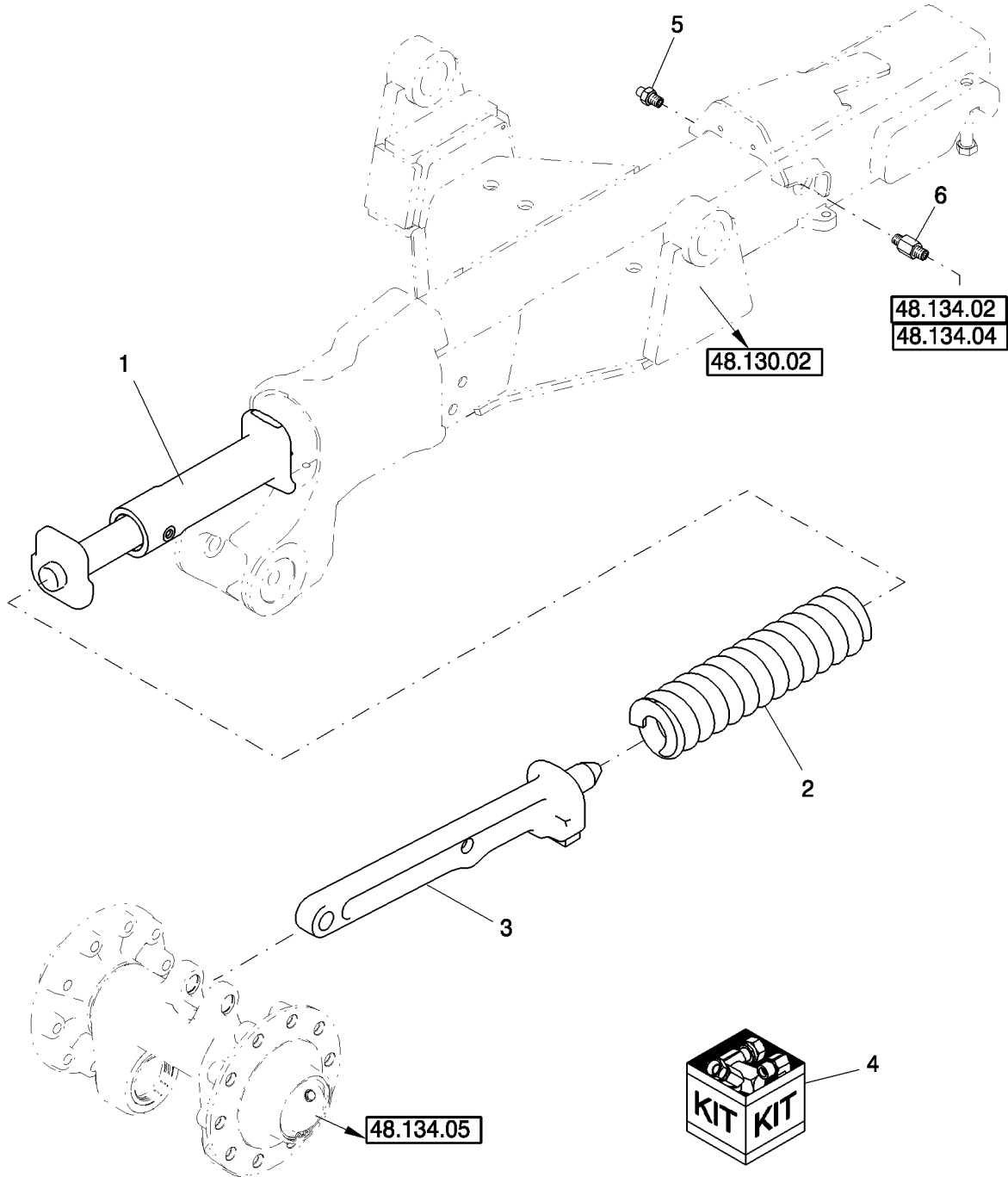
8120 9120

48.134.06

p1

02/10

TRACK DRIVE - TENSIONING MECHANISM, ADJUSTER-RECOIL - NA ONLY - 8120, 9120



48.134.06

p1

02/10

TRACK DRIVE - TENSIONING MECHANISM, ADJUSTER-RECOIL - NA ONLY - 8120, 9120

REF	FN	PART NUMBER	YR/SN	QTY	DESCRIPTION
1		87304299		2	HYDRAULIC CYLINDER, Track Drive; See Also Ref 4
2		255729A1		2	SPRING
3		87436823		2	LINK ASSY., Tension
4		87377667		2	SEAL KIT, Services Ref 1
5		325647A2		2	COUPLING
6		87735260		2	CHECK VALVE, 13/16"-16, OR x M18 x 1.5 OR

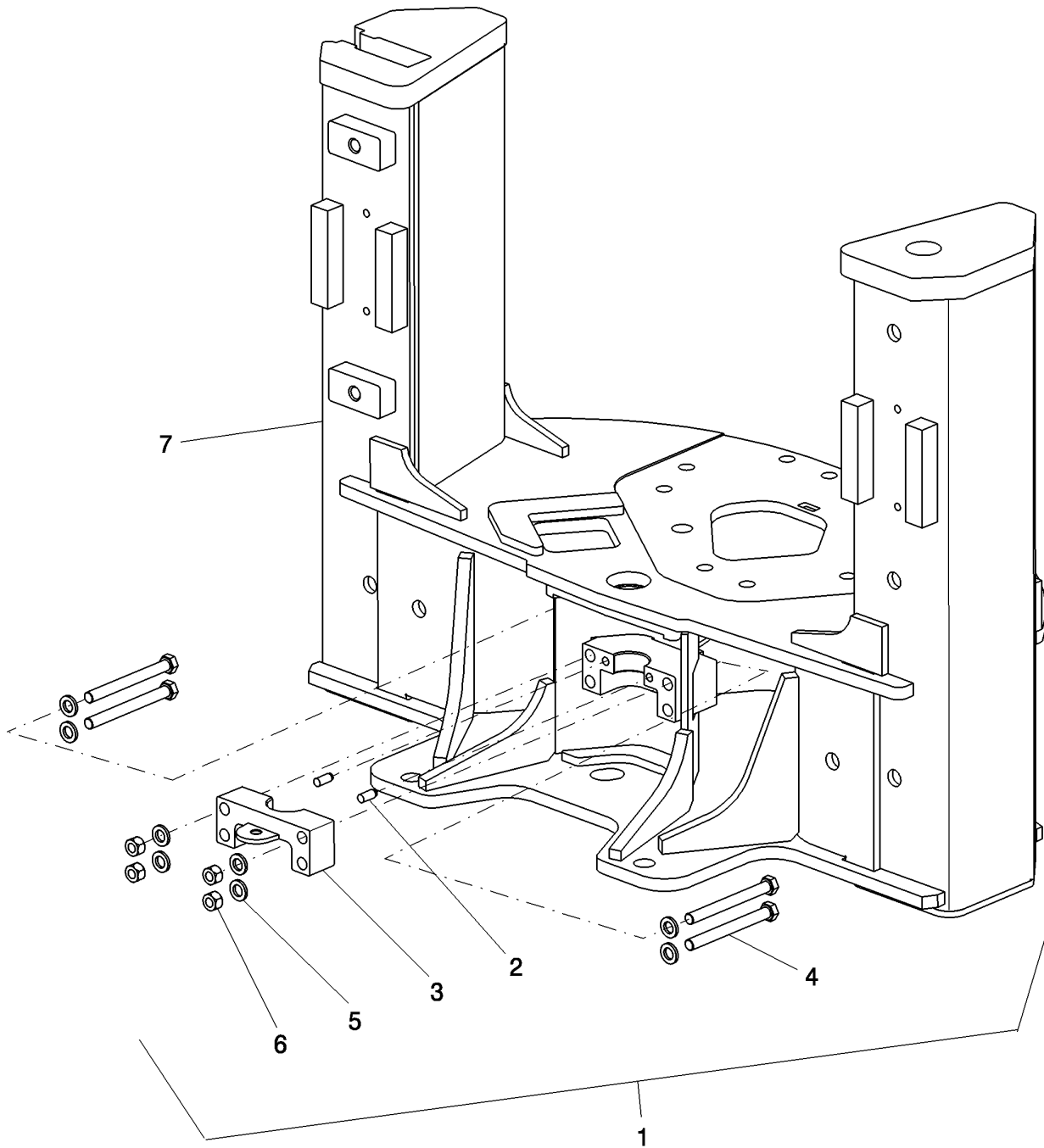
8120 9120

48.134.07

p1

10/09

TRACK DRIVE - YOKE FRAME - NA ONLY - 8120, 9120



48.134.07

p1

10/09

TRACK DRIVE - YOKE FRAME - NA ONLY - 8120, 9120

REF	FN	PART NUMBER	YR/SN	QTY	DESCRIPTION
1		87471510		1	FRAME ASSY, Yoke, L.H.; Incl Refs 2 Through 7
1		87471530		1	FRAME ASSY, Yoke, R.H.; Incl Refs 2 Through 7
2		86978768		2	DOWEL, M12 x 30
3		87471492		1	SUPPORT ASSY.
4		87341864		4	BOLT
5		87529306		8	WASHER
6		86981470		4	NUT, M16, CL 10 DOR
7		NSS		1	NOT SERVICED SEPARATELY, Yoke Frame, L.H.
7		NSS		1	NOT SERVICED SEPARATELY, Yoke Frame, R.H.

8120 9120

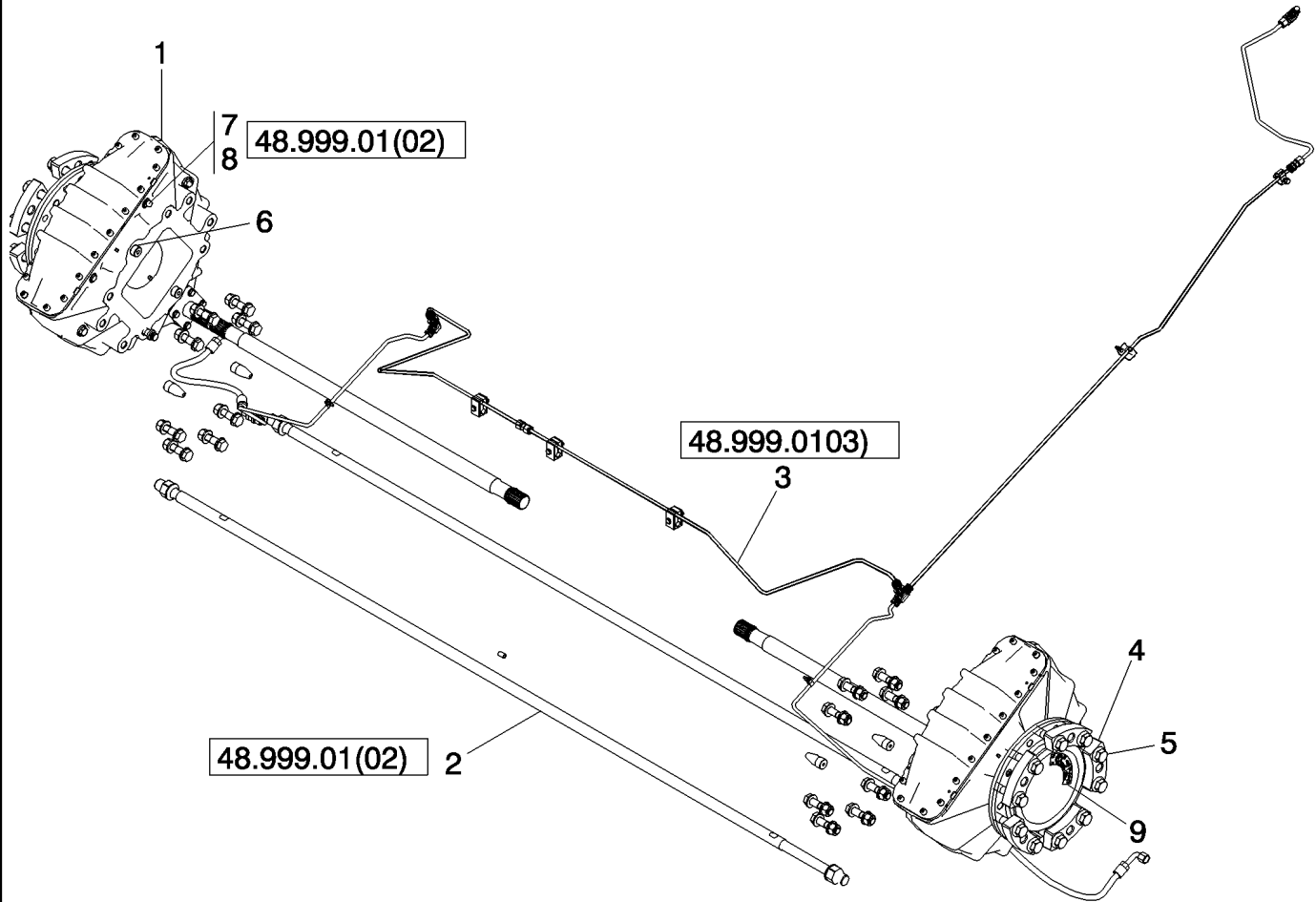
48.999.01

01

p1

02/10

DIA TRACK KIT, AFX8010 AFX8120 AFX9120



48.999.01

01

p1

02/10

DIA TRACK KIT, AFX8010 AFX8120 AFX9120

REF	FN	PART NUMBER	YR/SN	QTY	DESCRIPTION
1		87734570		2	HOUSING
2		87748776		1	SERVICE KIT
3		87748777		1	SERVICE KIT
4		87327940		10	PLATE
5		87367550		20	FLANGE BOLT, Hex, M22 x 95, CI 12.9
6		626826		4	PIN
7		NSS		2	NOT SERVICED SEPARATELY
8		NSS		2	NOT SERVICED SEPARATELY
9		87563204		2	DECAL

8120 9120

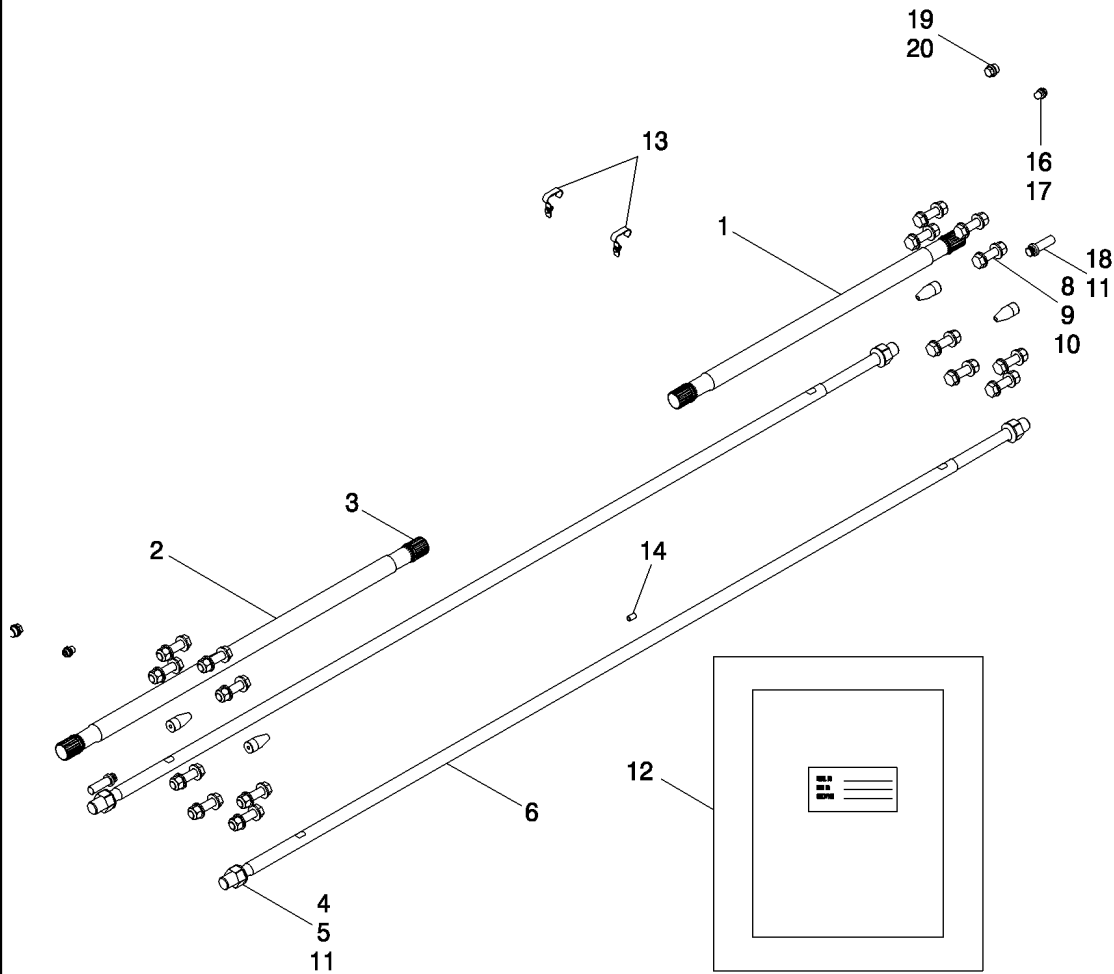
48.999.01

02

p1

11/09

DIA TRACK KIT HARDWARE, AFX8010, AFX8120, AFX9120



48.999.01

02

p1

11/09

DIA TRACK KIT HARDWARE, AFX8010, AFX8120, AFX9120

REF	FN	PART NUMBER	YR/SN	QTY	DESCRIPTION
1		84440951		1	DRIVE SHAFT
2		84440957		1	DRIVE SHAFT
3		84446910		4	SNAP RING, M40
4		300852		4	NUT, M30 x 1.5, CI 8
5		140184		4	WASHER
6		84989399		2	ROD
7		84154339		4	PIN
8		87024335		16	BOLT, Hex, M20 x 80, 10.9, Full Thd
9		394632		32	WASHER, M20 x 40 x 4, HT
10		87024336		16	NUT, M20 x 2.5, CI 10
11		401624		.017	LOCTITE
12		87755889		1	INSTRUCTION
13		87498871		1	SERVICE KIT
14		84038824		1	BUSHING
16		87282044		2	PLUG
17		3051337R1		2	SEALING WASHER, M18 x 24 x 1.5
18		87682412		2	SCREW
19		150006		2	DRAIN PLUG, M24 x 1.5
20		220025		2	SEALRING

8120 9120

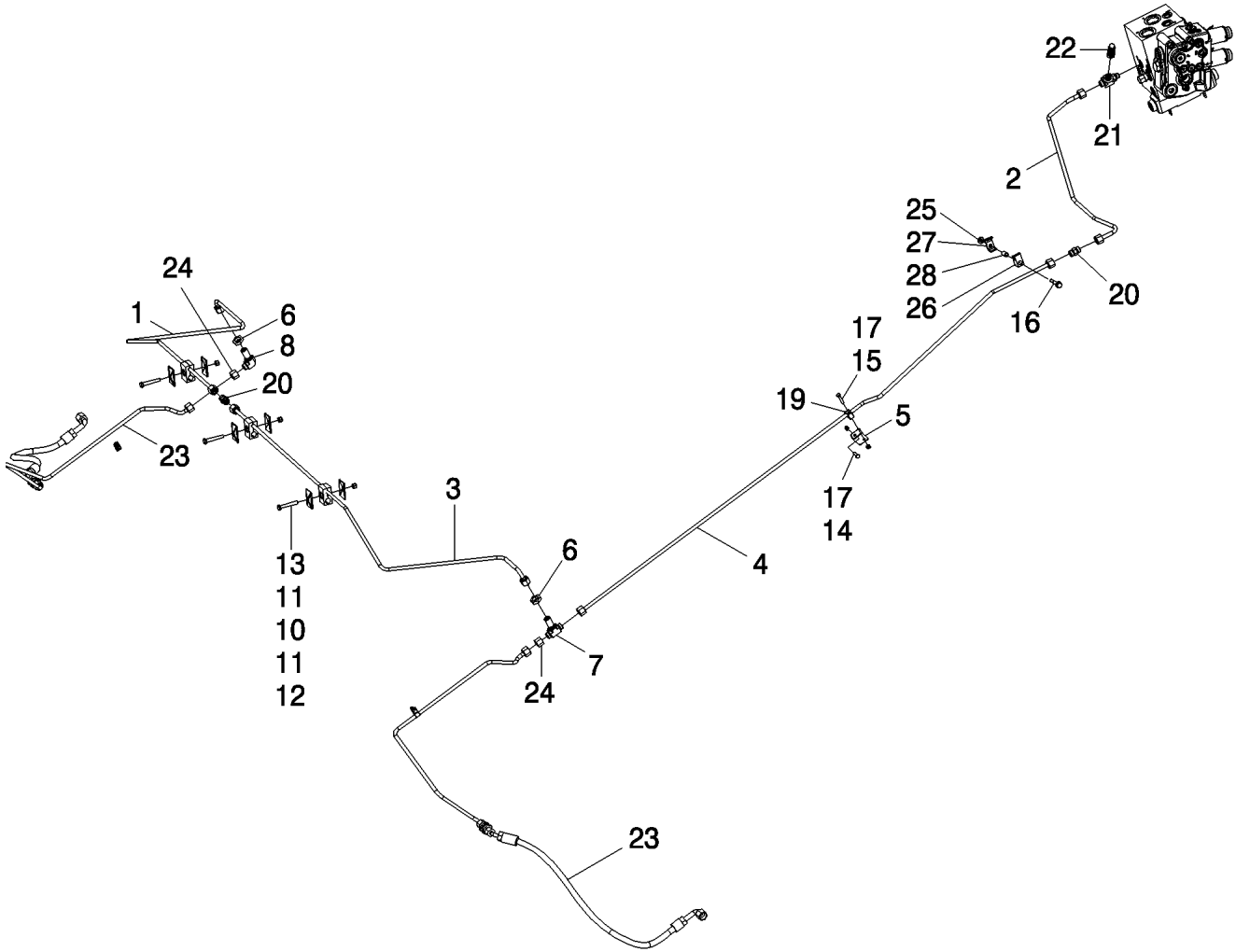
48.999.01

03

p1

02/10

DIA TRACK KIT HYD TUBES, AFX8010, AFX8120, AFX9120



48.999.01

03

p1

02/10

DIA TRACK KIT HYD TUBES, AFX8010, AFX8120, AFX9120

REF	FN	PART NUMBER	YR/SN	QTY	DESCRIPTION
1		87471949		1	HYD. TUBE, Track Pressure R.H.
2		87470922		1	HYD. TUBE, Track Pressure L.H.
3		87471948		1	HYD. TUBE, L.H., Track Front
4		87470925		1	HYD. TUBE, Track Pressure L.H.
5		87496958		1	BRACKET
6		87010704		2	LOCK NUT, 11/16"-16, Blkhd
7		87306678		1	TEE, 11/16"-16 ORFS, Blkhd Br
8		87317453		1	ELBOW, 90°, 11/16"-16, ORFS, Blkhd
10		87000159		3	CLAMP
11		72180326		6	PLATE
12		16044321		3	BOLT, Hex, M8 x 55, 8.8
13		86629542		3	LOCK NUT, M8 x 1.25, CI 8
14		120100		1	BOLT, Hex, M6 x 20, 8.8
15		43117		1	BOLT, Hex, M6 x 30, 8.8
16		87698763		1	BOLT
17		353308		2	NUT, M6 x 1, CI 8
19		236558A1		1	CLAMP
20		84431546		2	UNION, 11/16"-16 ORFS
21		700-406		1	TEE, 11/16"-16 ORFS x M14 x 1.5 ORB Run
22		243670A1		1	COUPLING
23		84242083		1	SERVICE KIT
24		87331950		2	CAP ASSY.
25		86507066		1	NUT, M8 x 1.25, Flg, CI 10
26		84172494		1	CLAMP
27		84172253		1	CLAMP
28		84172484		1	CLAMP

8120 9120

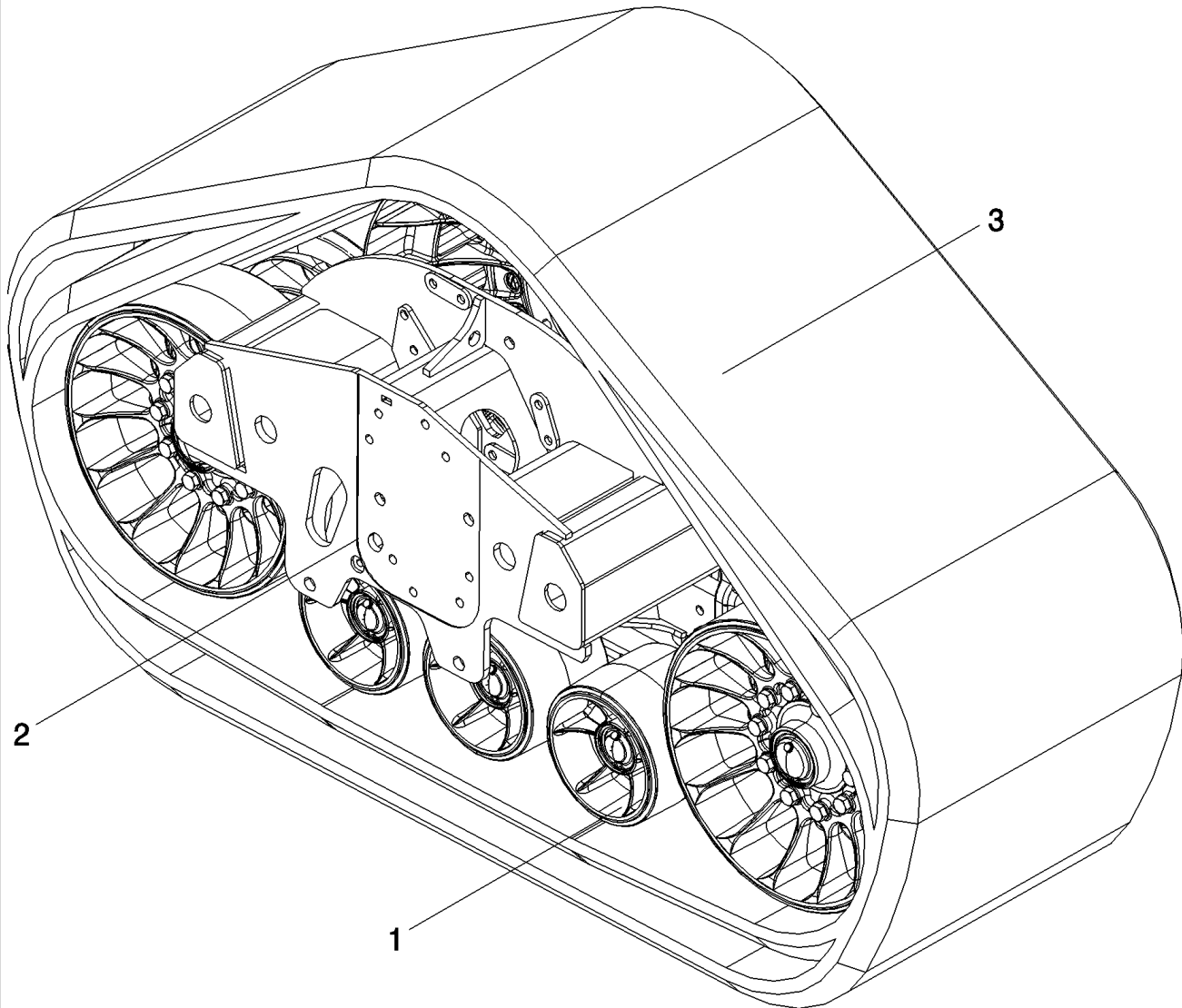
48.999.01

04

p1

11/09

DIA KIT TRACK FRAME AFX8120, AFX9120



48.999.01

04

p1

11/09

DIA KIT TRACK FRAME AFX8120, AFX9120

REF	FN	PART NUMBER	YR/SN	QTY	DESCRIPTION
1		87748778		1	SERVICE KIT, Combine Track
2		87471531		1	SERVICE KIT, Track Frames
3		87471525		2	SERVICE KIT, Track 36" Armorlug

8120 9120

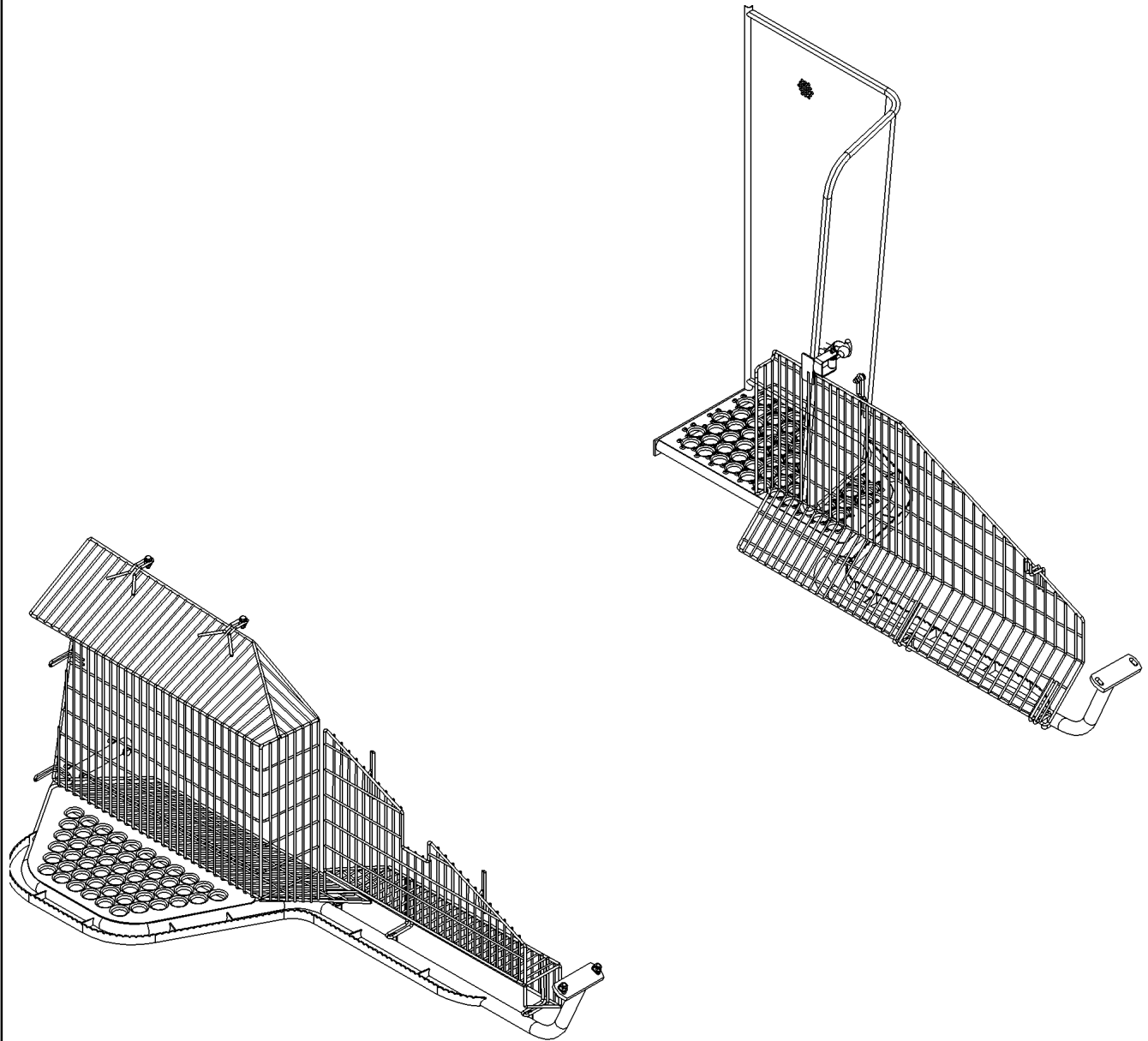
48.999.01

05

p1

11/09

DIA KIT LOWER SHIELDING WA AFX8010, AFX8120, AFX9120



48.999.01

05

p1

11/09

DIA KIT LOWER SHIELDING WA AFX8010, AFX8120, AFX9120

REF	FN	PART NUMBER	YR/SN	QTY	DESCRIPTION
1		84130546		1	SHIELD, Model Year 2008 And Prior
1		84129459		1	INSTRUCTION

8120 9120

SECTION INDEX

50 - Cab climate control

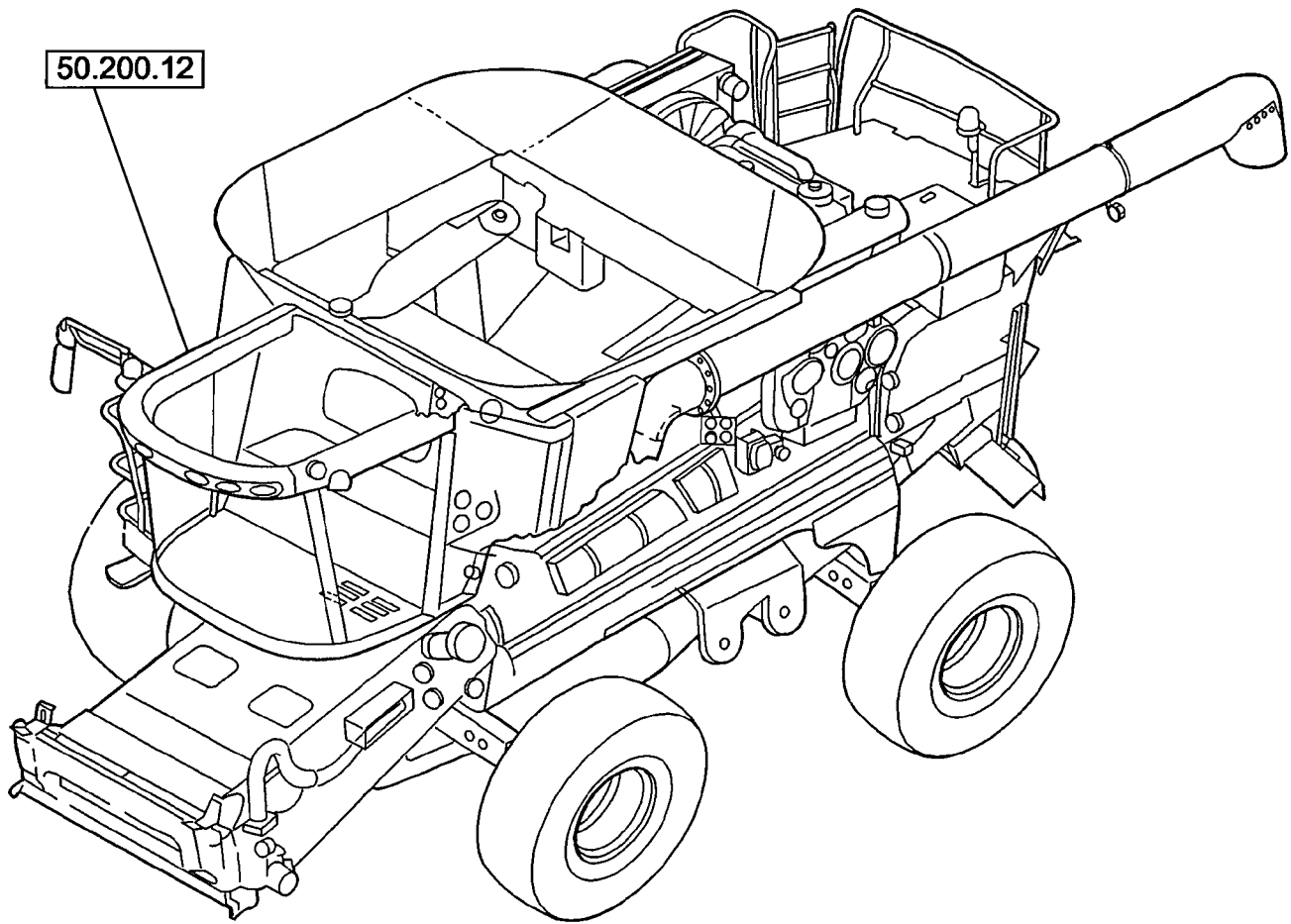
50.000.00		SECTION INDEX - CAB CLIMATE CONTROL
50.200.02		AIR CONDITIONING UNIT - MOUNTING GROUP
50.200.04	01	A/C & HEATER HOSES - 7120/7120(LA)
50.200.04	02	A/C & HEATER HOSES - 8120/8120(LA)
50.200.04	03	A/C & HEATER HOSES - 9120
50.200.07		A/C COMPRESSOR AND DRIVE - 8120/8120(LA)
50.200.09	01	COMPRESSOR, AIRCOND. - 7120/7120(LA)
50.200.09	02	COMPRESSOR, AIRCOND. - 9120
50.200.12		EVAPORATOR, ATC AIRCO UNIT
50.206.01		CONTROLS, ATC
50.206.02		AIRCO UNIT, ATC

50.000.00

p1

08/09

SECTION INDEX - CAB CLIMATE CONTROL



50.000.00

p1

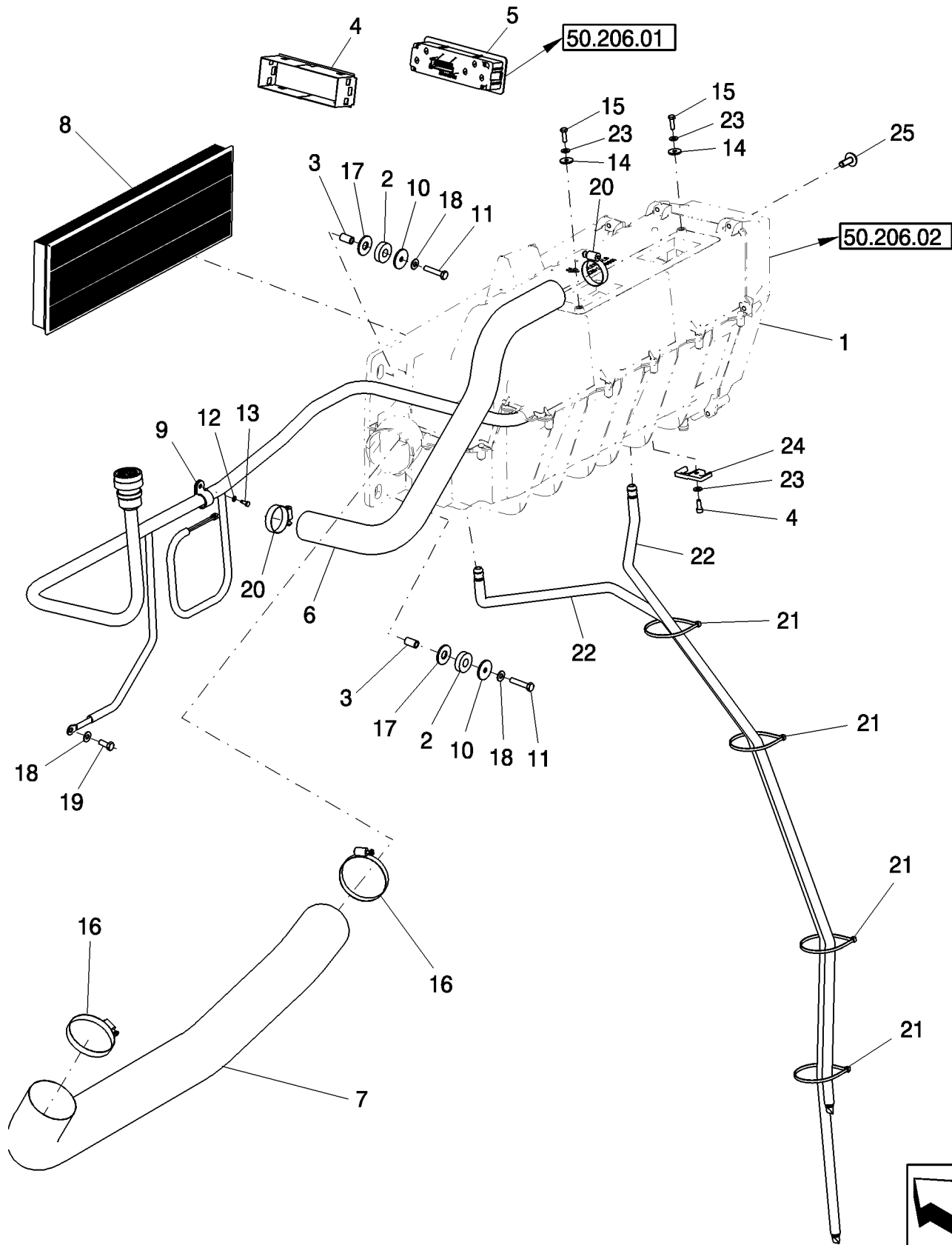
08/09

SECTION INDEX - CAB CLIMATE CONTROL

REF	FN	PART NUMBER	YR/SN	QTY	DESCRIPTION
------------	-----------	--------------------	--------------	------------	--------------------

					7120 7120 8120 9120 8120
--	--	--	--	--	-------------------------------------

AIR CONDITIONING UNIT - MOUNTING GROUP

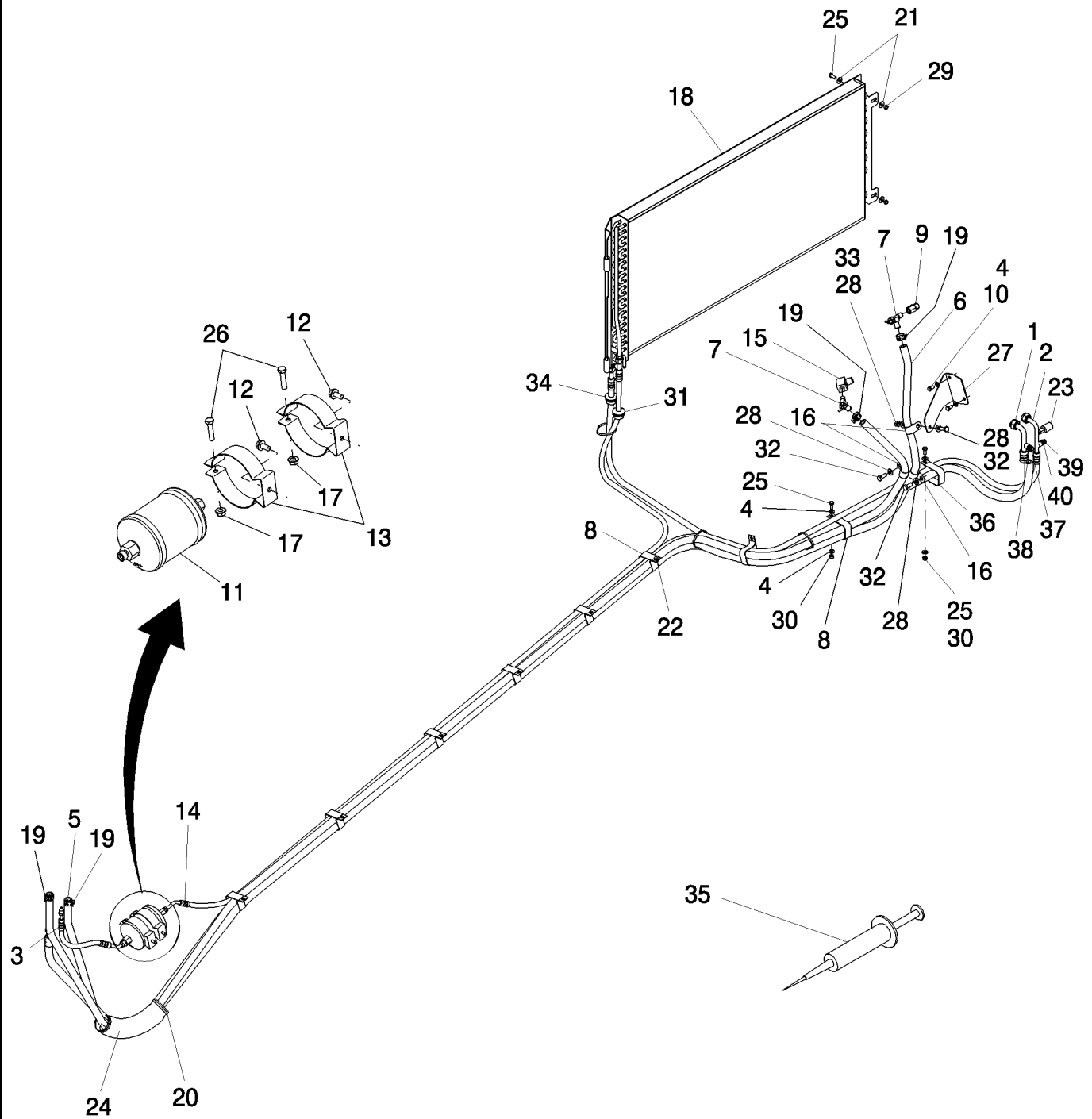


AIR CONDITIONING UNIT - MOUNTING GROUP

REF	FN	PART NUMBER	YR/SN	QTY	DESCRIPTION
1		0C		1	ORDER COMPONENTS, A/C Assy, ATC
2		87653375		4	WASHER, Rubber
3		87653373		4	SPACER
4		87281122		1	SLEEVE
5		87740399		1	CONTROL UNIT
6		86531050		1	AIR DUCT, A/C Unit To Cab; L = 780 mm, I.D. = 50.8 mm
7		86531048		1	FLEXIBLE HOSE, Cab Air Filter To A/C Unit; L = 1190 mm, I.D. = 89 mm
8		84058793		1	CAB FILTER
9		84818444		1	CLAMP
10		12646205		4	WASHER, M8 x 35 x 3
11		43129		4	BOLT, Hex, M8 x 40, 8.8
12		9824840		1	WASHER, M4.3 x 9 x 0.8
13		276-1458		1	SELF-TAP SCREW, Hex Hd, #10 x 1/2"
14		140040		2	WASHER, M6 x 22 x 2
15		120100		2	BOLT, Hex, M6 x 20, 8.8
16		381144		2	HOSE CLAMP, #60, 3.31/4.25 Type F Worm
17		80700		4	WASHER, 1/2"
18		322358		5	BELLEVILLE WASHER, M8
19		120104		1	BOLT, Hex, M8 x 20, 8.8
20		86624194		2	HOSE CLAMP, #36, 1.81/2.75 Type F Worm
21		86566990		4	CABLE STRAP, M4.8 x 292 L
22		86976191		2	FLEXIBLE HOSE
23		322357		3	BELLEVILLE WASHER, M6
24		87754245		1	MOUNTING PLATE
25		87742364		12	SCREW, Truss Hd, M6 x 16
26		14305221		1	SCREW, Hex Soc Hd, M6 x 16, 8.8

**7120 8120 9120 7120
8120**

A/C & HEATER HOSES - 7120/7120(LA)



A/C & HEATER HOSES - 7120/7120(LA)

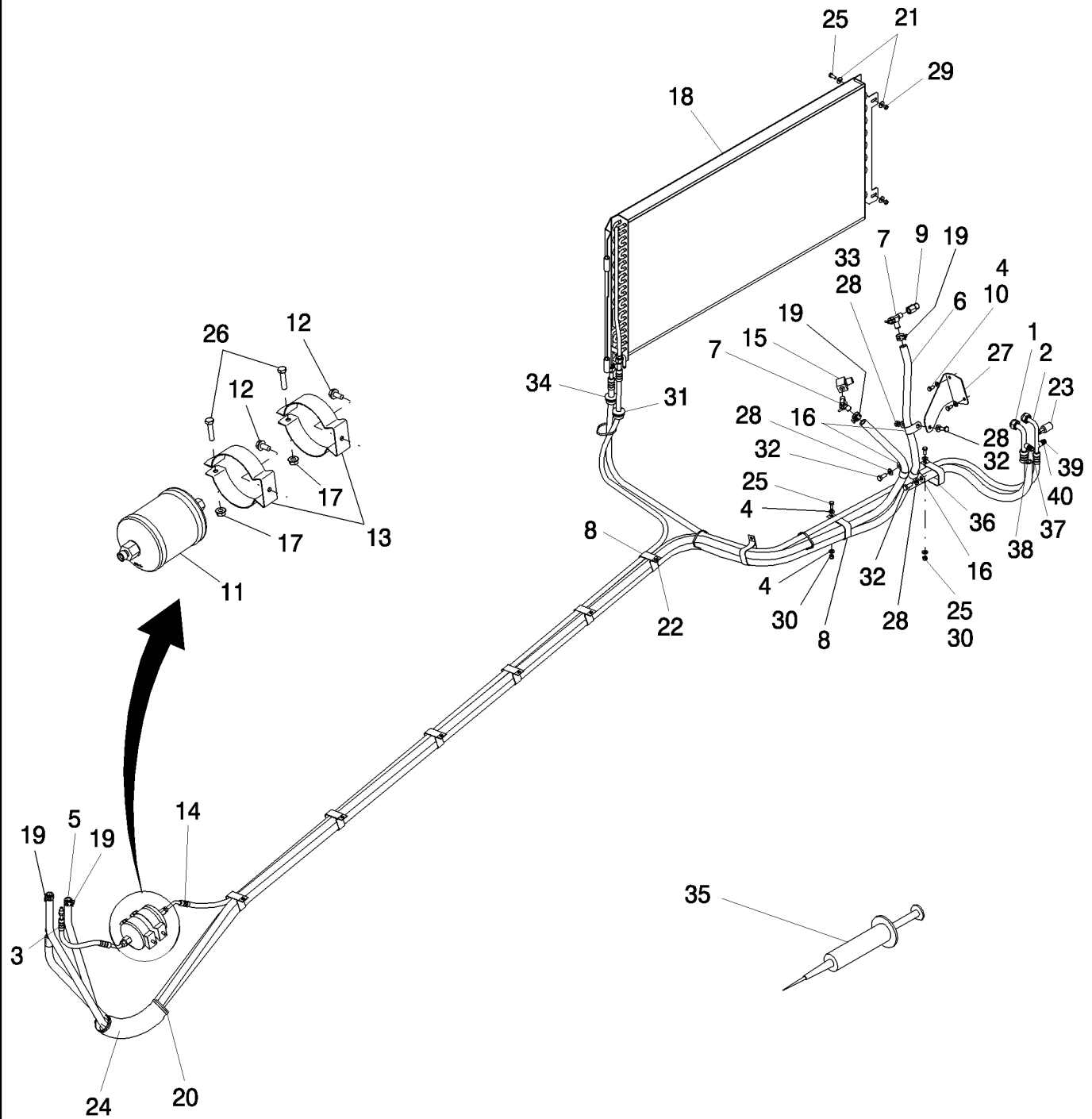
REF	FN	PART NUMBER	YR/SN	QTY	DESCRIPTION
1		87736746		1	HOSE ASSY., HVAC, Cab To Compressor Suction; L = 5195 mm
2		87535466		1	HOSE ASSY.
3		87736742		1	HOSE ASSY., HVAC, Dryer To Cab; L = 475 mm
4		322358		6	BELLEVILLE WASHER, M8
5	1	86997299		1	HEATER HOSE, Return; 179"
6	1	86997299		1	HEATER HOSE, Supply; 196.2"
7		301803R1		2	SHUT-OFF VALVE
8		87000226		8	HOSE CLAMP
9		84334474		1	FITTING, 1/2"-14 M x 3/8"-18 Fem
10		120103		2	BOLT, Hex, M8 x 16, 8.8
11		87105840		1	RECEIVER-DRYER
11	2	87280717		1	RECEIVER-DRYER
12		86978776		2	SELF-TAP SCREW, Hex Wash Hd, 5/16" x 3/4"
13		87105841		2	BRACKET
14		87396028		1	HOSE ASSY.
15		217-1096		1	ELBOW, 90°, 1/2"-14 Male x 3/8"-18 Female
16		515-25254		2	CLAMP, 1", Insul, 1/2" Bolt
17		86505868		2	NUT, M8, Flg Ser
18		87389077		1	CONDENSER
19		87000223		4	HOSE CLAMP
20		529070		5	CABLE STRAP, .30" x 14.5"
21		412650		4	SPRING WASHER, Belleville, M8
22		412093		1	SELF-TAP SCREW
23		87000227		1	A/C HIGH PRESSURE SWITCH, A/C Hose, Compressor to Condensor
24		NS		1	NOT SERVICED, Sheathing
25		120104		4	BOLT, Hex, M8 x 20, 8.8
26		412479		2	BOLT, Hex, M8 x 35, 8.8
27		87542153		1	BRACKET
28		140045		3	BELLEVILLE WASHER, M10
29		9706690		2	NUT, M8, CI 8
30		43442		2	NUT

(1) Cut to Fit

(2) Scandinavia Only

7120 7120

A/C & HEATER HOSES - 7120/7120(LA)



50.200.04

01

p2

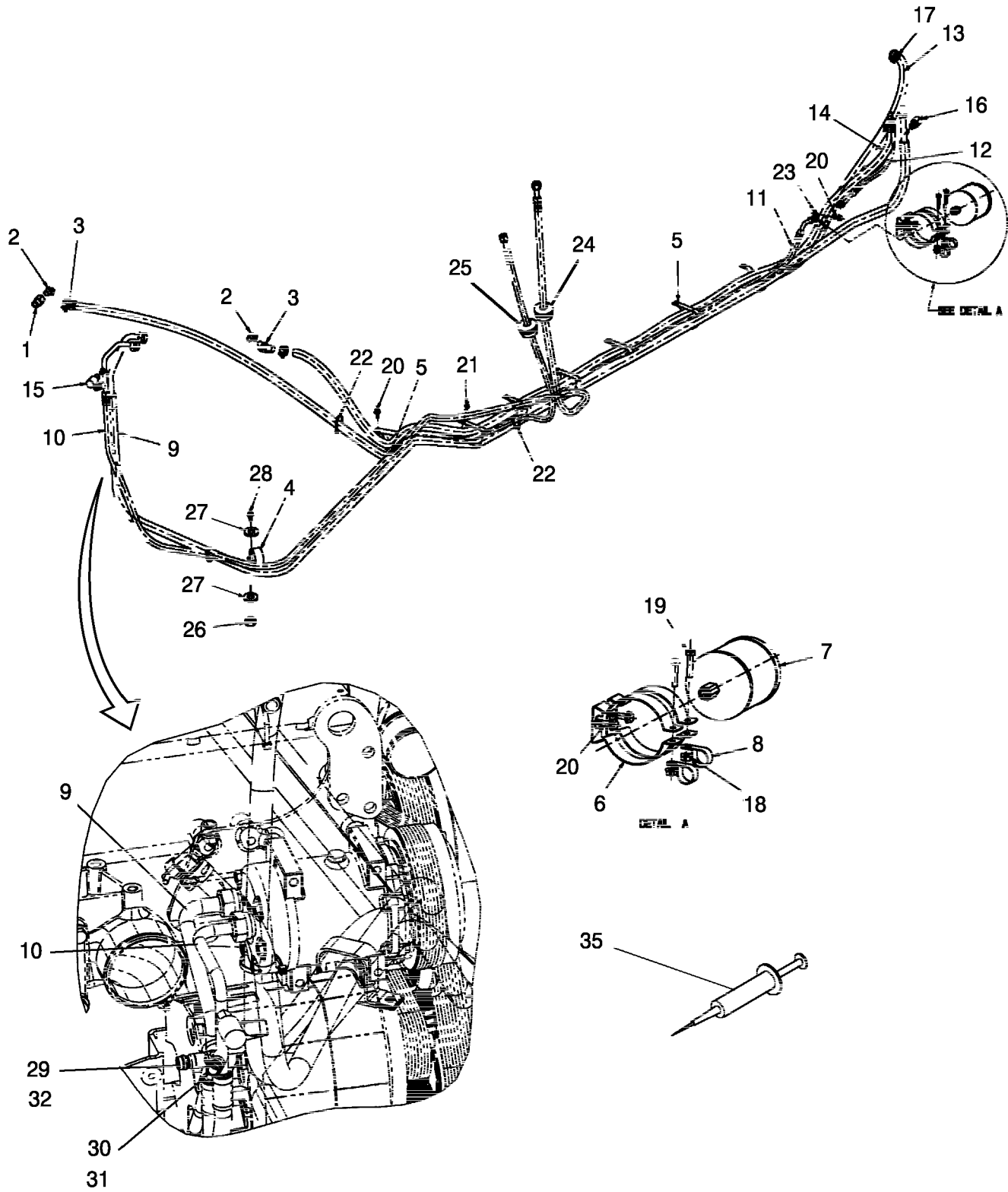
02/10

A/C & HEATER HOSES - 7120/7120(LA)

REF	FN	PART NUMBER	YR/SN	QTY	DESCRIPTION
31		87107420		1	GROMMET
32		43139		2	BOLT, Hex, M10 x 25, 8.8, Full Thd
33		100016		1	NUT, M10, CI 8
34		86976974		1	GROMMET
35		87589867		AR	FLUID, Dye, Leak Detection
36		87000220		1	HOSE CLAMP
37		86511146		1	A/C LOW PRESSURE SWITCH, Valve
38		86511149		1	CAP
39		86511147		1	CONTROL VALVE, CHARGE HIGH SIDE
40		86511148		1	CAP

7120 7120

A/C & HEATER HOSES - 8120/8120(LA)



A/C & HEATER HOSES - 8120/8120(LA)

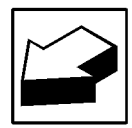
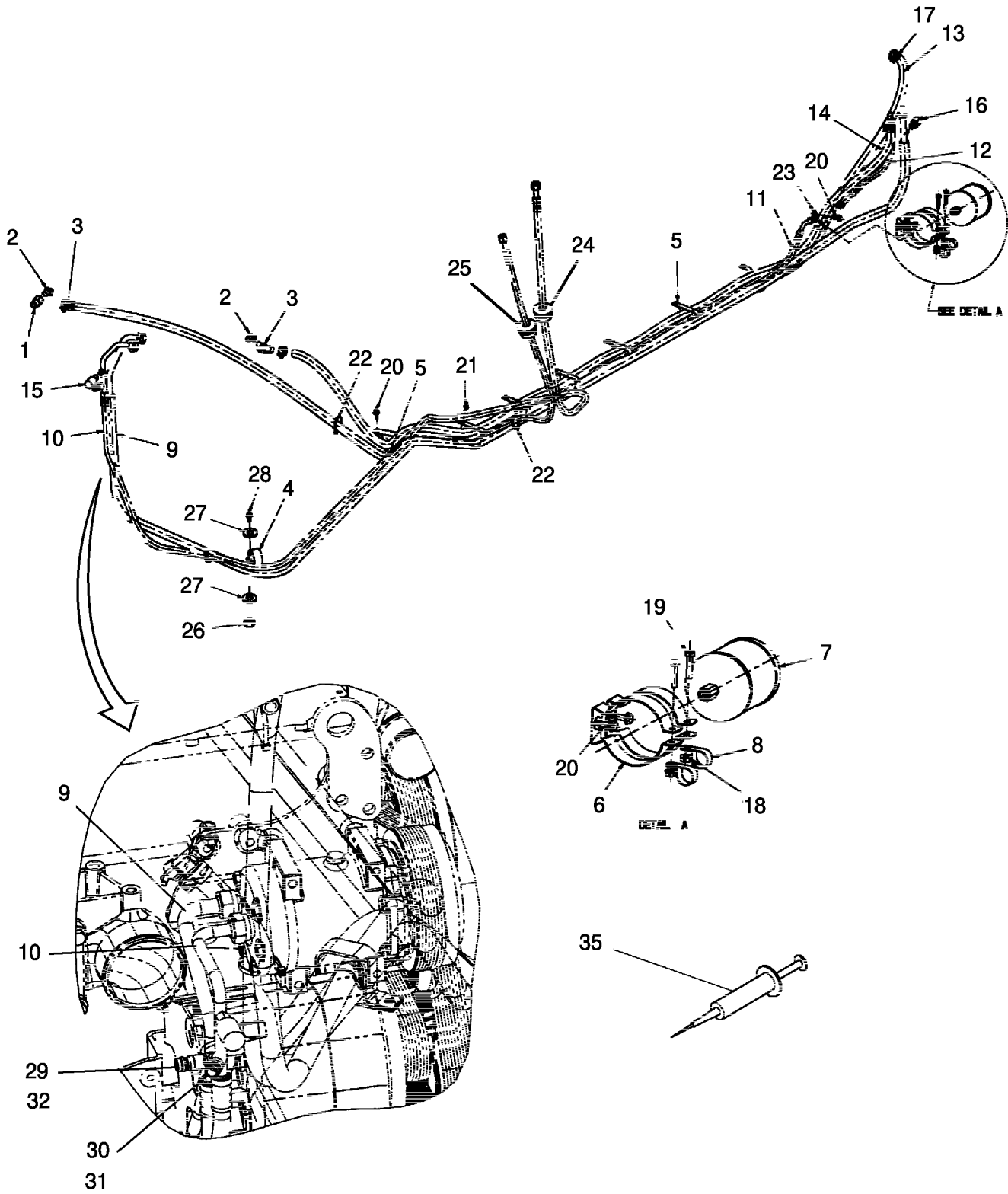
REF	FN	PART NUMBER	YR/SN	QTY	DESCRIPTION
1		84334474		1	FITTING, 1/2"-14 M x 3/8"-18 Fem
2		3905214		2	ELBOW, 45°
3		301803R1		2	SHUT-OFF VALVE
4		470375C1		1	CLAMP
5		87000226		7	HOSE CLAMP
6		87105841		2	BRACKET, Clamp, Hose
7		87105840		1	RECEIVER-DRYER
7	1	87280717		1	RECEIVER-DRYER
8		86637977		2	CLAMP, 1", Insul, 5/16" Bolt
9		87736747		1	HOSE ASSY., A/C, Cab To Compressor Suction; L = 5803 mm Includes Refs 29 & 32
10		87548074		1	HOSE, To Discharge Port on Compressor; L = 3760 Includes Refs 30 & 31
11		86997294		1	A/C HOSE, Condenser To Dryer
12		87736742		1	HOSE ASSY., L = 475 mm
13	2	86997299		1	HEATER HOSE, Supply, 196.2"
14	2	86997299		1	HEATER HOSE, Return, 179"
15		87000227		1	A/C HIGH PRESSURE SWITCH
16		87000220		1	HOSE CLAMP
17		87000223		4	HOSE CLAMP
18		86505868		2	NUT, M8, Flg Ser
19		412479		2	BOLT, Hex, M8 x 35, 8.8
20		86978776		5/AR	SELF-TAP SCREW, Hex Wash Hd, 5/16" x 3/4"
21		412093		1	SELF-TAP SCREW, M6 x 12
22		87000312		3	CABLE STRAP
23		87589867		AR	FLUID, Dye, Leak Detection
24		86976974		1	GROMMET
25		87107420		1	GROMMET
26		9706690		1	NUT, M8, CI 8
27		322358		2	BELLEVILLE WASHER, M8
28		43127		1	BOLT, Hex, M8 x 25, 8.8
29		86511146		1	A/C LOW PRESSURE SWITCH, Valve
30		86511147		1	CONTROL VALVE, CHARGE HIGH SIDE

(1) Scandinavia Only

(2) Cut to Fit

8120 8120

A/C & HEATER HOSES - 8120/8120(LA)

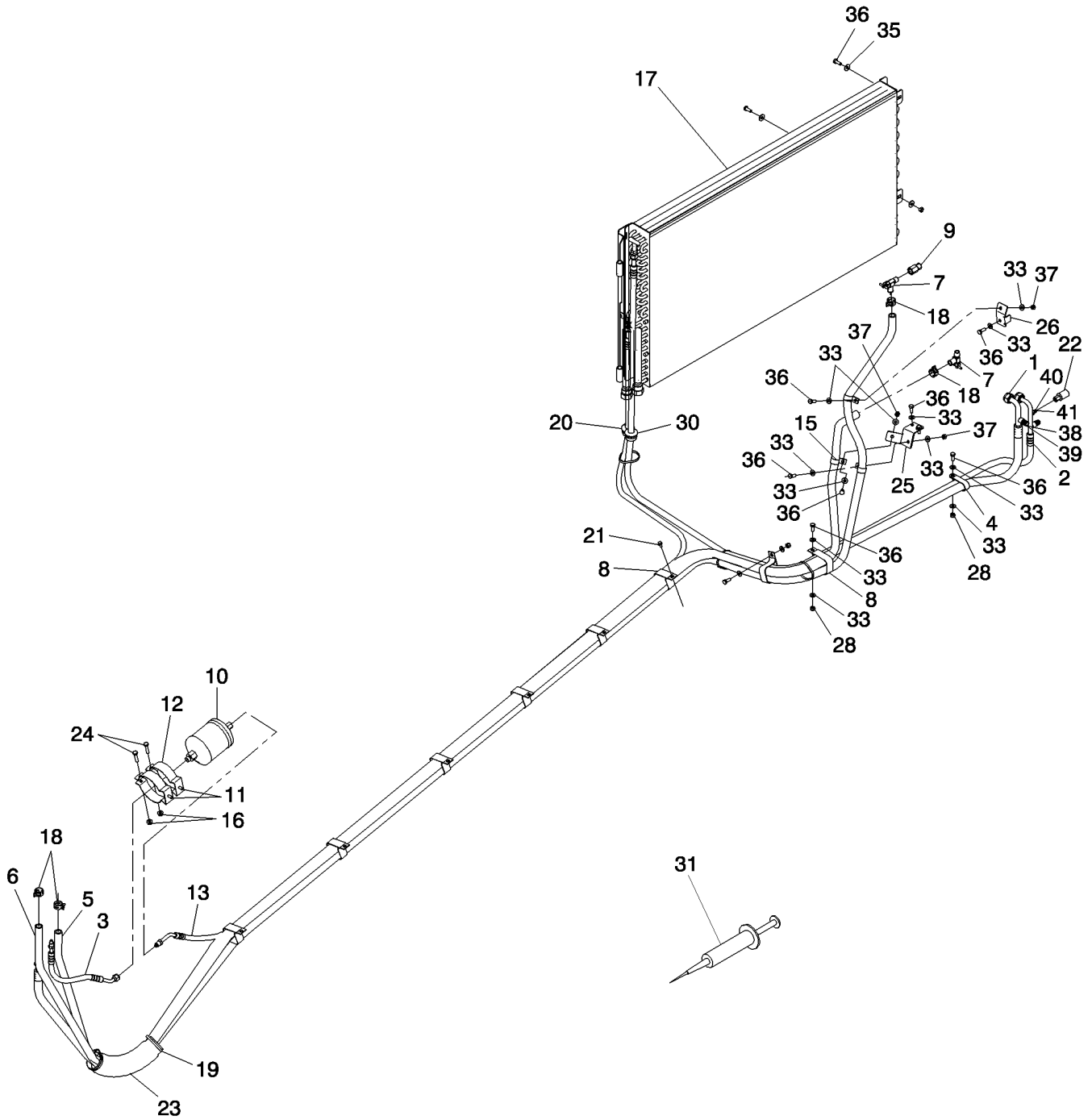


A/C & HEATER HOSES - 8120/8120(LA)

REF	FN	PART NUMBER	YR/SN	QTY	DESCRIPTION
31		86511148		1	CAP
32		86511149		1	CAP

	8120 8120
--	------------------

A/C & HEATER HOSES - 9120



A/C & HEATER HOSES - 9120

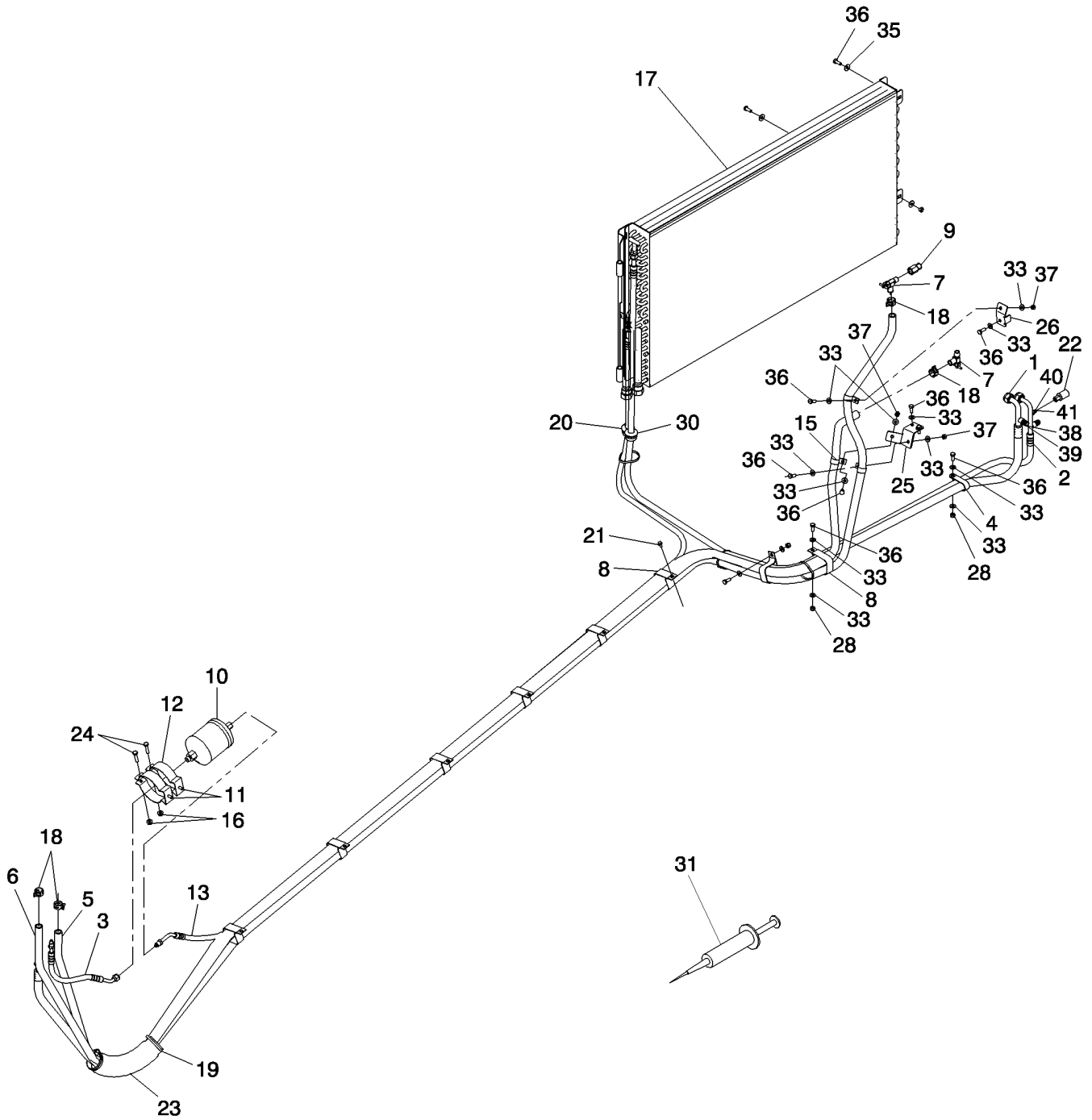
REF	FN	PART NUMBER	YR/SN	QTY	DESCRIPTION
1		87736746		1	HOSE ASSY., HVAC, Cab To Compressor Suction; L = 5195 mm
2		87684281		1	HOSE,LARGE, HVAC
3		87736742		1	HOSE ASSY., HVAC, Dryer To Cab; L = 475 mm
4		87000220		1	HOSE CLAMP
5	1	86997299		1	HEATER HOSE, Return; L = 179"
6	1	86997299		1	HEATER HOSE, Supply; L = 191.1"
7		301803R1		2	SHUT-OFF VALVE
8		87000226		8	HOSE CLAMP
9		84334474		1	FITTING, 1/2"-14 M x 3/8"-18 Fem
10		87105840		1	RECEIVER-DRYER
10	2	87280717		1	RECEIVER-DRYER
11		86978776		2	SELF-TAP SCREW, Hex Wash Hd, 5/16" x 3/4"
12		87105841		2	BRACKET
13		87684283		1	HOSE,LARGE
14		217-1096		1	ELBOW, 90°, 1/2"-14 Male x 3/8"-18 Female
15		9827902		3	CLAMP, 1", Insul, 3/8" Bolt
16		86505868		2	NUT, M8, Flg Ser
17		87601210		1	CONDENSER
18		87000223		4	HOSE CLAMP
19		529070		5	CABLE STRAP, .30" x 14.5"
20		87107420		1	GROMMET
21		412093		1	SELF-TAP SCREW
22		87000227		1	A/C HIGH PRESSURE SWITCH
23		84607268		1	SLEEVE, Cover
24		412479		2	BOLT, Hex, M8 x 35, 8.8
25		87703182		1	BRACKET, Heater Hose
26		87703161		1	BRACKET, Heater Hose
28		43442		3	NUT
30		86976974		1	GROMMET
31		87589867		1	FLUID
33		322358		15	BELLEVILLE WASHER, M8
35		412650		2	SPRING WASHER, Belleville, M8

(1) Cut to Fit

(2) Scandinavia Only

9120

A/C & HEATER HOSES - 9120



50.200.04

03

p2

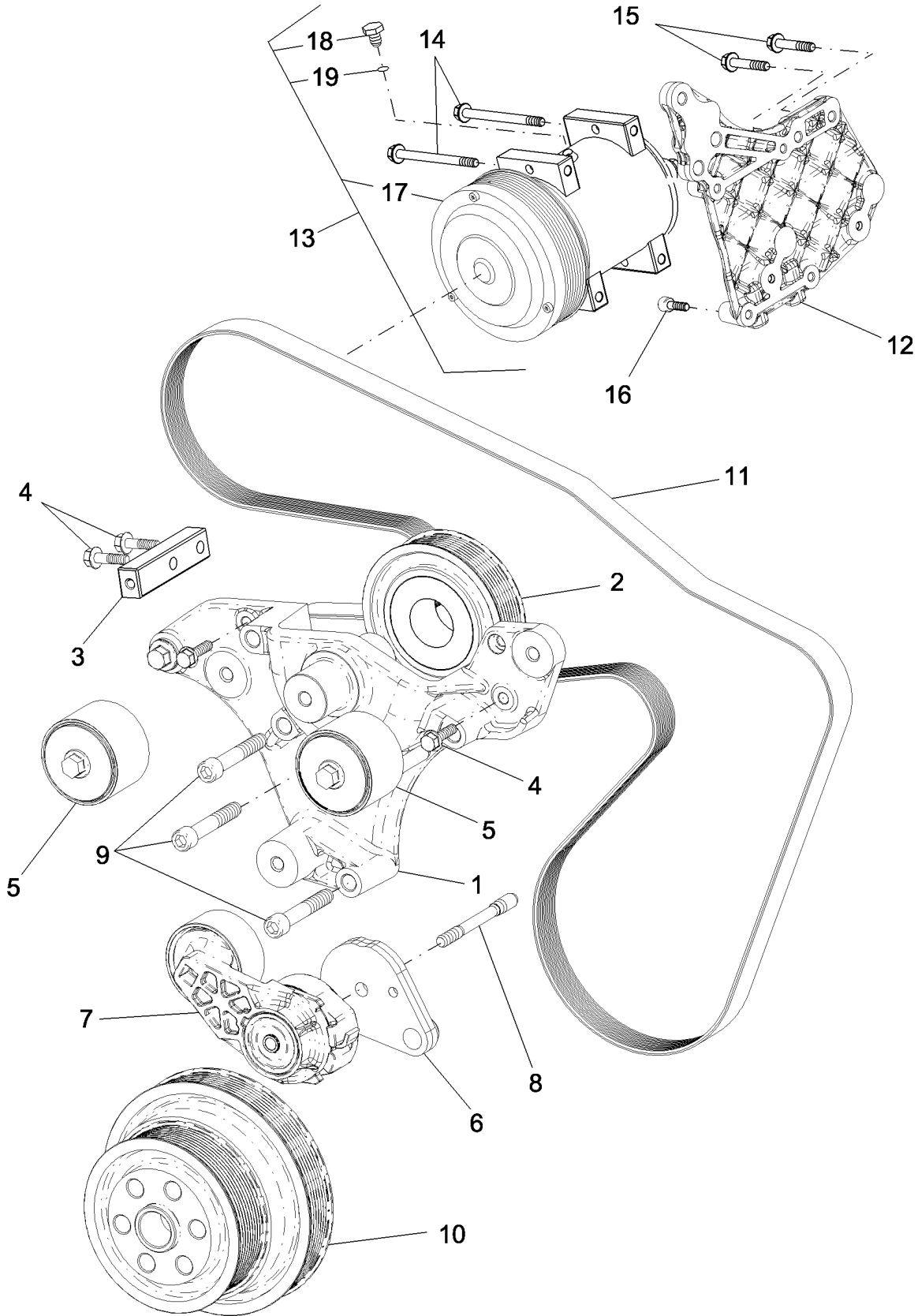
02/10

A/C & HEATER HOSES - 9120

REF	FN	PART NUMBER	YR/SN	QTY	DESCRIPTION
36		120104		11	BOLT, Hex, M8 x 20, 8.8
37		9706690		3	NUT, M8, CI 8
38		86511146		1	A/C LOW PRESSURE SWITCH, Valve
39		86511149		1	CAP
40		86511147		1	CONTROL VALVE, CHARGE HIGH SIDE
41		86511148		1	CAP

9120

A/C COMPRESSOR AND DRIVE - 8120/8120(LA)



A/C COMPRESSOR AND DRIVE - 8120/8120(LA)

REF	FN	PART NUMBER	YR/SN	QTY	DESCRIPTION
1		504078323		1	BODY, Support
2		504079721		1	TENSIONER, Guide, Pulley
3		{504078628}		1	BRACE
4		16673835		4	SCREW
5		504078065		2	IDLER
6		504079738		1	SPACER
7		504078064		1	BELT TENSIONER
8		504079727		1	STUD
9		16711235		4	SCREW, M12 x 1.75, 70 mm Long
10		504077386		1	PULLEY, Drive
11	1	504078066		1	BELT, A/C Compressor Drive
11	2	87282333		1	BELT, A/C Compressor Drive
12		504078148		1	HOLDER, Support
13		86993463		1	AIRCOND. COMPRESSOR, Includes Ref 17, 18 & 19
14		16598325		4	SCREW
15		16586525		2	BOLT
16		504080093		2	BOLT, M7 x 1.0 x 16 mm
17		403585A1		1	CLUTCH
18		A49667		1	PLUG
19		128483A1		1	O-RING, 5/16 ID x 1/16

(1) EU Only

(2) For NA Only

8120 8120

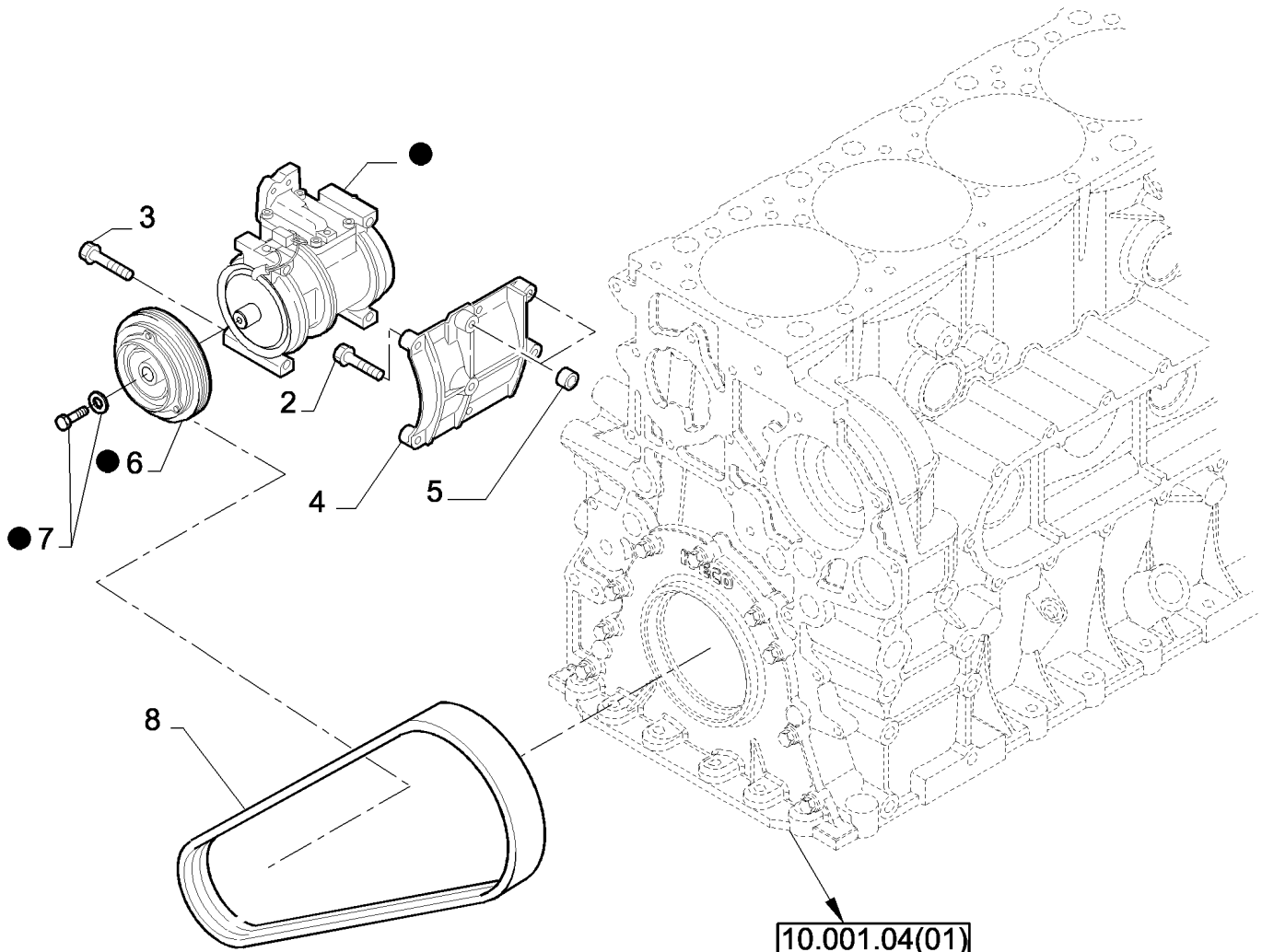
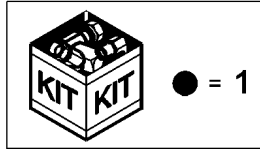
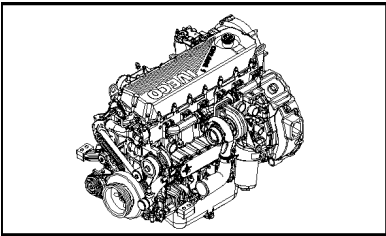
50.200.09

01

p1

02/10

COMPRESSOR, AIRCOND. - 7120/7120(LA)



10.001.04(01)
10.001.04(02)
10.001.04(03)



50.200.09

01

p1

02/10

COMPRESSOR, AIRCOND. - 7120/7120(LA)

REF	FN	PART NUMBER	YR/SN	QTY	DESCRIPTION
1		86993463		1	AIRCOND. COMPRESSOR
2		16587124		1	SCREW, M10 x 25 mm
2		16587424		3	SCREW, M10 x 40 mm
3		16592625		2	SCREW, M8 x 80 mm
3		16598224		2	SCREW, M8 x 90 mm
4		504212900		1	BRACKET
5		98405462		1	DOWEL
6		403585A1		1	CLUTCH
7		42535660		1	BOLT, Set, Bolt & Washer
8		504212528		1	BELT, A/C Compressor Drive

7120 7120

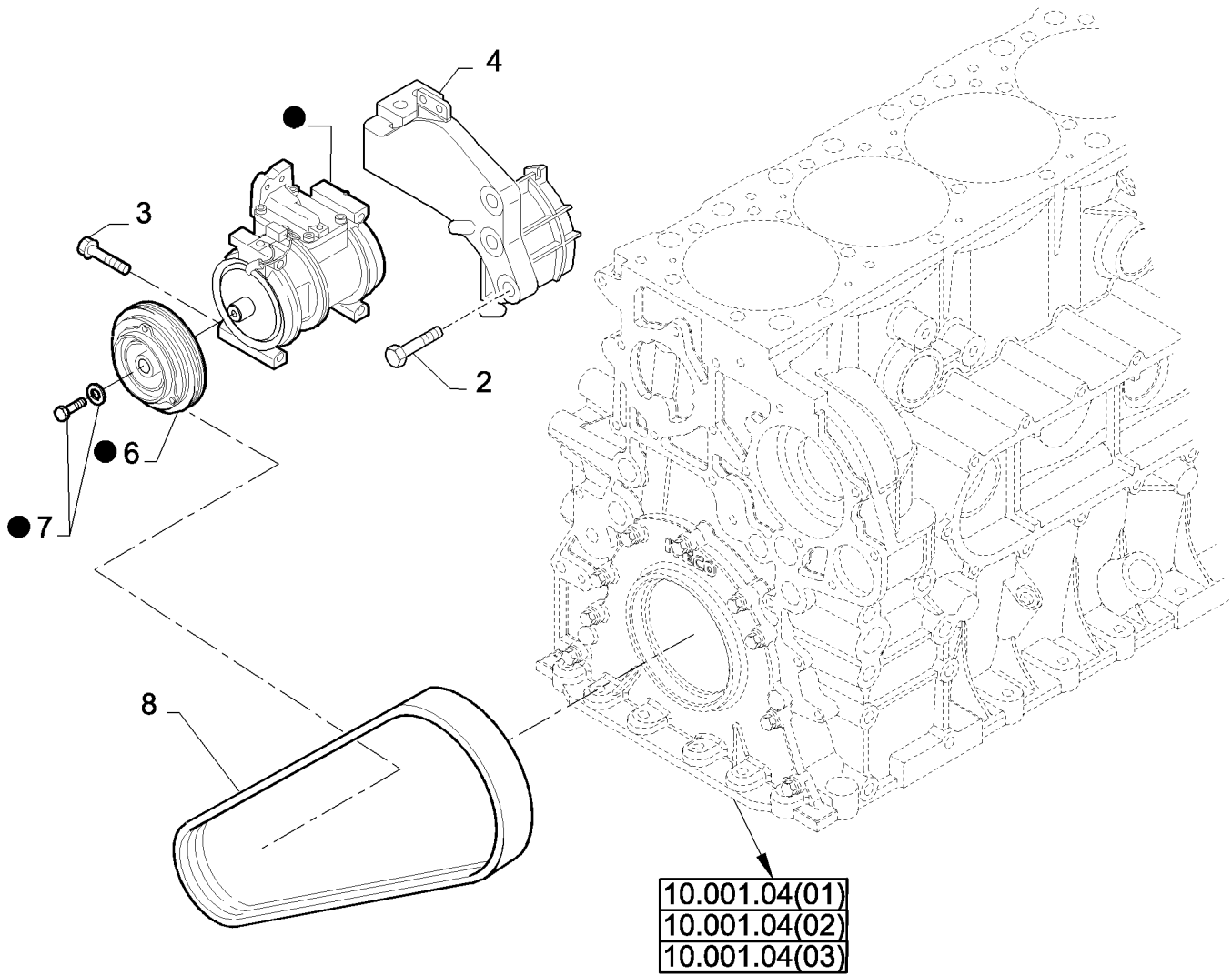
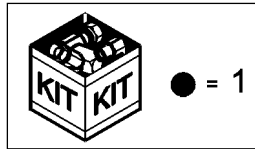
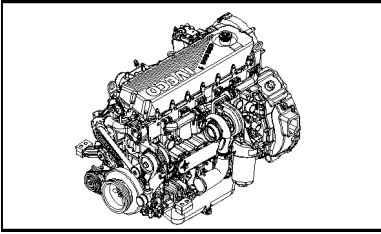
50.200.09

02

p1

02/10

COMPRESSOR, AIRCOND. - 9120



50.200.09

02

p1

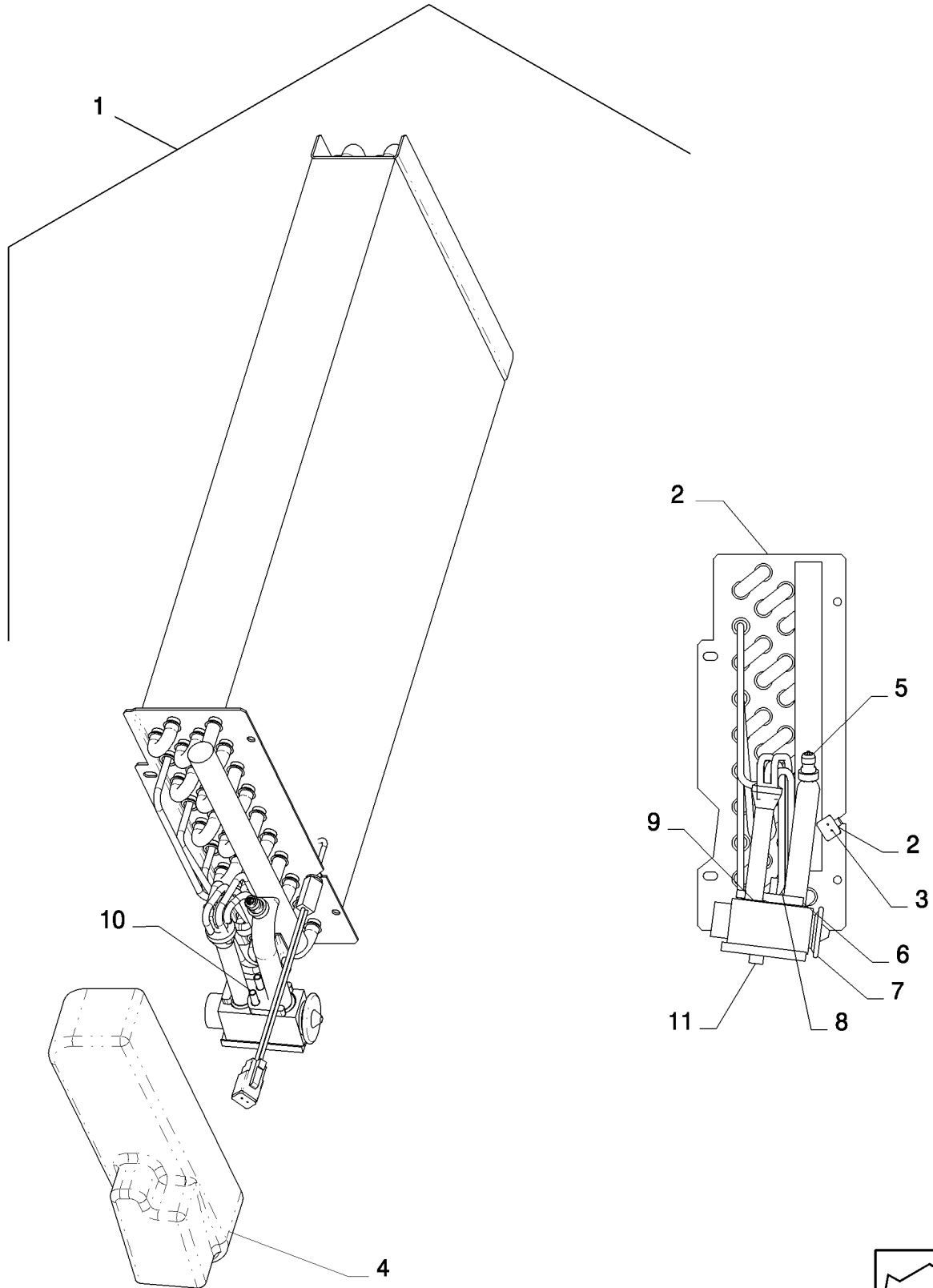
02/10

COMPRESSOR, AIRCOND. - 9120

REF	FN	PART NUMBER	YR/SN	QTY	DESCRIPTION
1		86993463		1	AIRCOND. COMPRESSOR
2		16692324		2	BOLT, M10 x 35 mm
2		504080093		2	BOLT, M7 x 1.0 x 16 mm
3		16598325		4	SCREW, M8 x 100 mm
4		504266314		1	SUPPORT
5		{}			Reference Not Used
6		403585A1		1	CLUTCH
7		42535660		1	BOLT, Set, Bolt & Washer
8		504212528		1	BELT, A/C Compressor Drive

9120

EVAPORATOR, ATC AIRCO UNIT

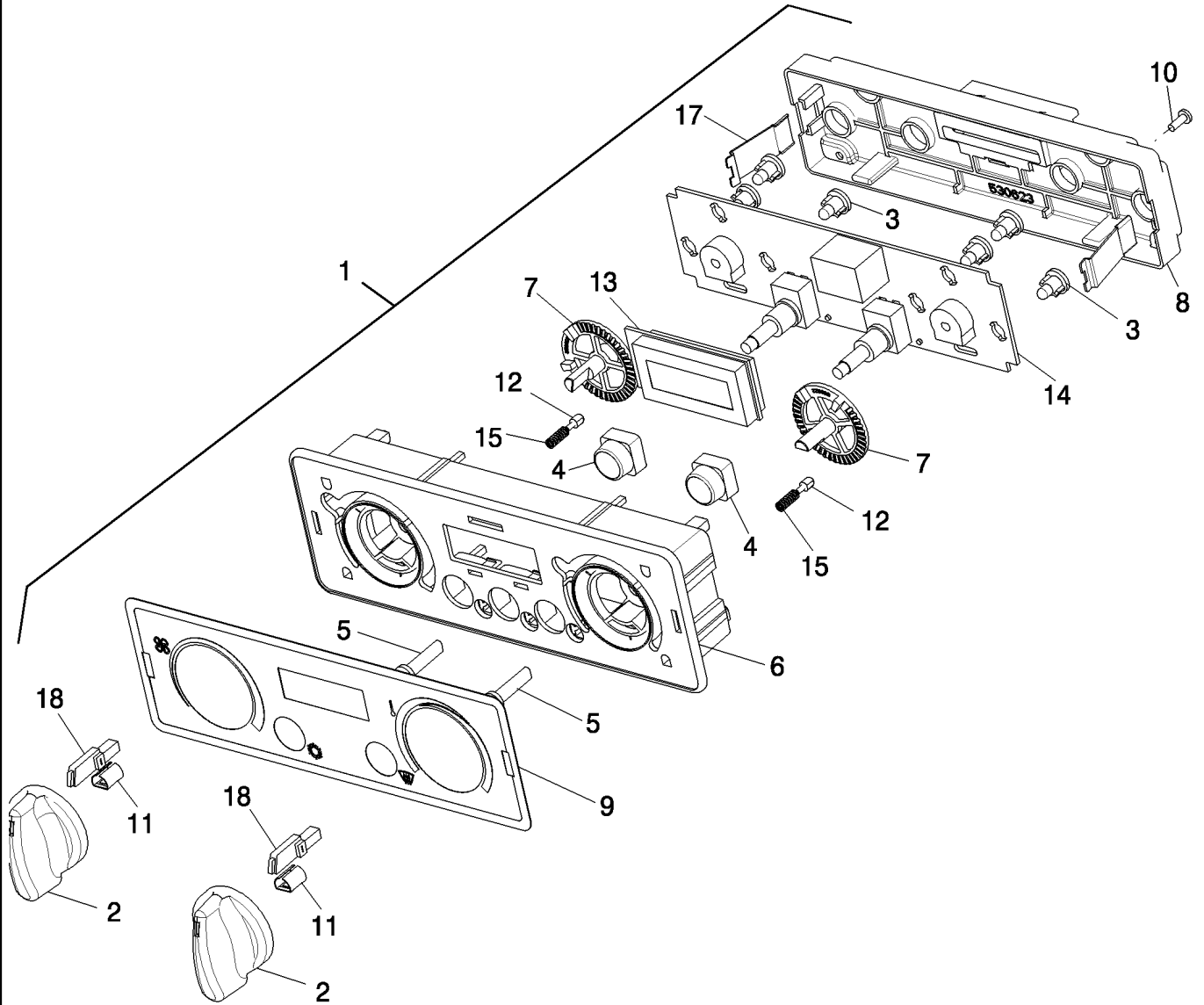


EVAPORATOR, ATC AIRCO UNIT

REF	FN	PART NUMBER	YR/SN	QTY	DESCRIPTION
1		87754243		1	EVAPORATOR
2		84320222		1	GROMMET
3		87754238		1	TEMPERATURE SENDER
4		PL		1	PROCURE LOCALLY, Tape, Insulation
5		1250594C2		1	CORE, Valve
6		9827059		1	O-RING, M14 ID x 1.78 Thk
7		82023542		1	THERMAL EXPANSION VALVE
8		84144154		1	MOUNTING PLATE
9		9827058		1	O-RING, M10.82 ID x 1.78 Thk
10		14358921		2	SCREW, Hex Soc Hd, M5 x 45, 10.9
11		14305221		1	SCREW, Hex Soc Hd, M6 x 16, 8.8

	7120 8120 9120 7120 8120
--	-------------------------------------

CONTROLS, ATC

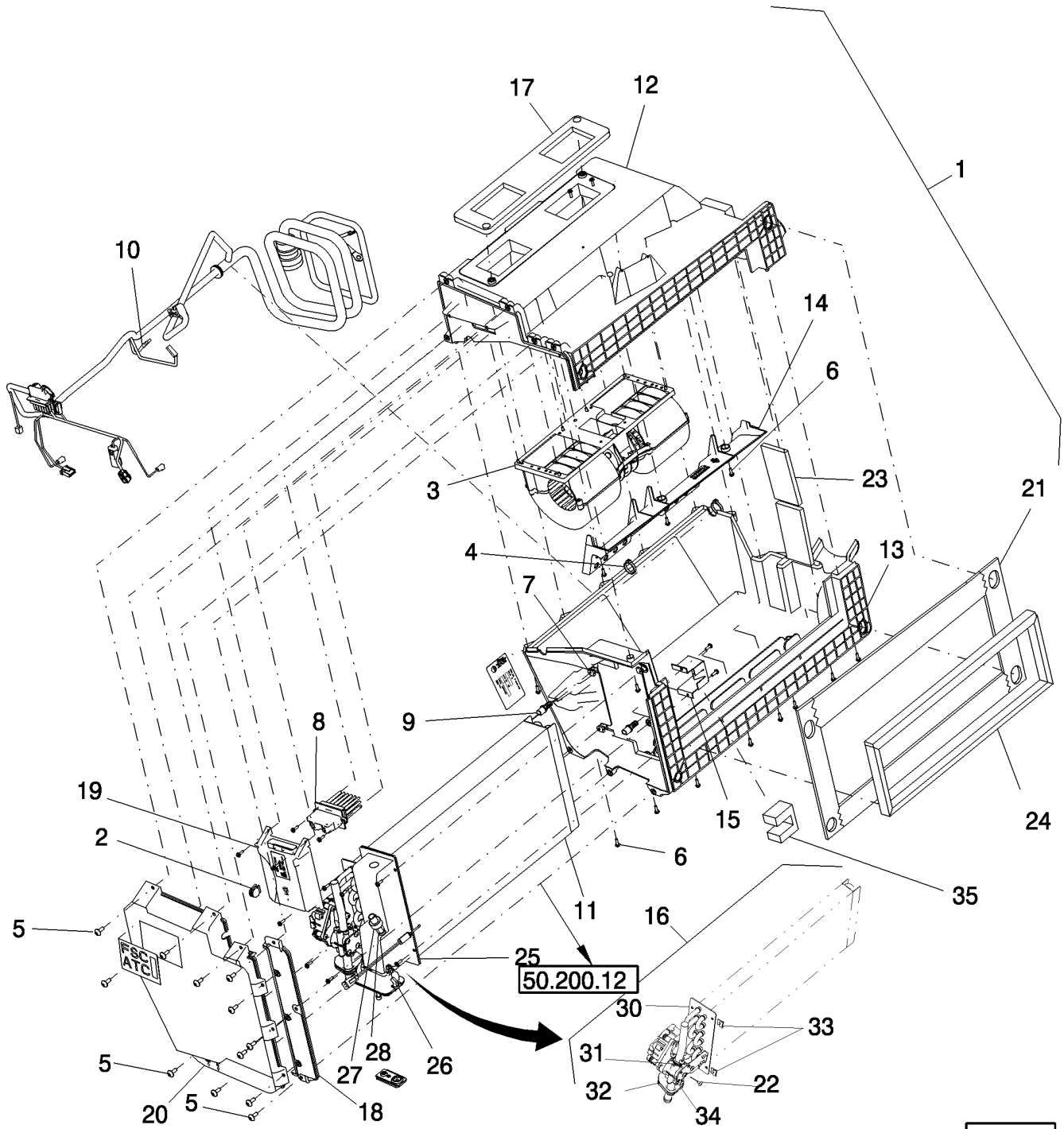


CONTROLS, ATC

REF	FN	PART NUMBER	YR/SN	QTY	DESCRIPTION
1		87740399		1	CONTROL UNIT, ATC
2		NSS		2	NOT SERVICED SEPARATELY
3		87107596		6	BULB
4		NSS		2	NOT SERVICED SEPARATELY, CAP, Pushbutton (Bergstrom 525813)
5		NSS		2	NOT SERVICED SEPARATELY, Light Pipe, Control (530619)
6		NSS		1	NOT SERVICED SEPARATELY, COVER, Control (530621)
7		NSS		2	NOT SERVICED SEPARATELY, SHAFT, Potentiometer (530622)
8		NSS		1	NOT SERVICED SEPARATELY, HOUSING, Rear (530623)
9		NSS		1	NOT SERVICED SEPARATELY, OVERLAY, Control (585477)
10		NSS		4	NOT SERVICED SEPARATELY, SCREW, Plastic (620026)
11		NSS		2	NOT SERVICED SEPARATELY, SLEEVE, Shaft (630049)
12		NSS		2	NOT SERVICED SEPARATELY, DETENT (525706)
13		NSS		1	NOT SERVICED SEPARATELY, LCD Assembly (651278)
14		NSS		1	NOT SERVICED SEPARATELY, Light Board Assembly (651277)
15		NSS		2	NOT SERVICED SEPARATELY, SPRING, Detent (695015)
17		NSS		2	NOT SERVICED SEPARATELY, CLIP, Spring (454312)
18		NSS		2	NOT SERVICED SEPARATELY, Light Pipe, Knob (525701)

**7120 8120 9120 7120
8120**

AIRCO UNIT, ATC

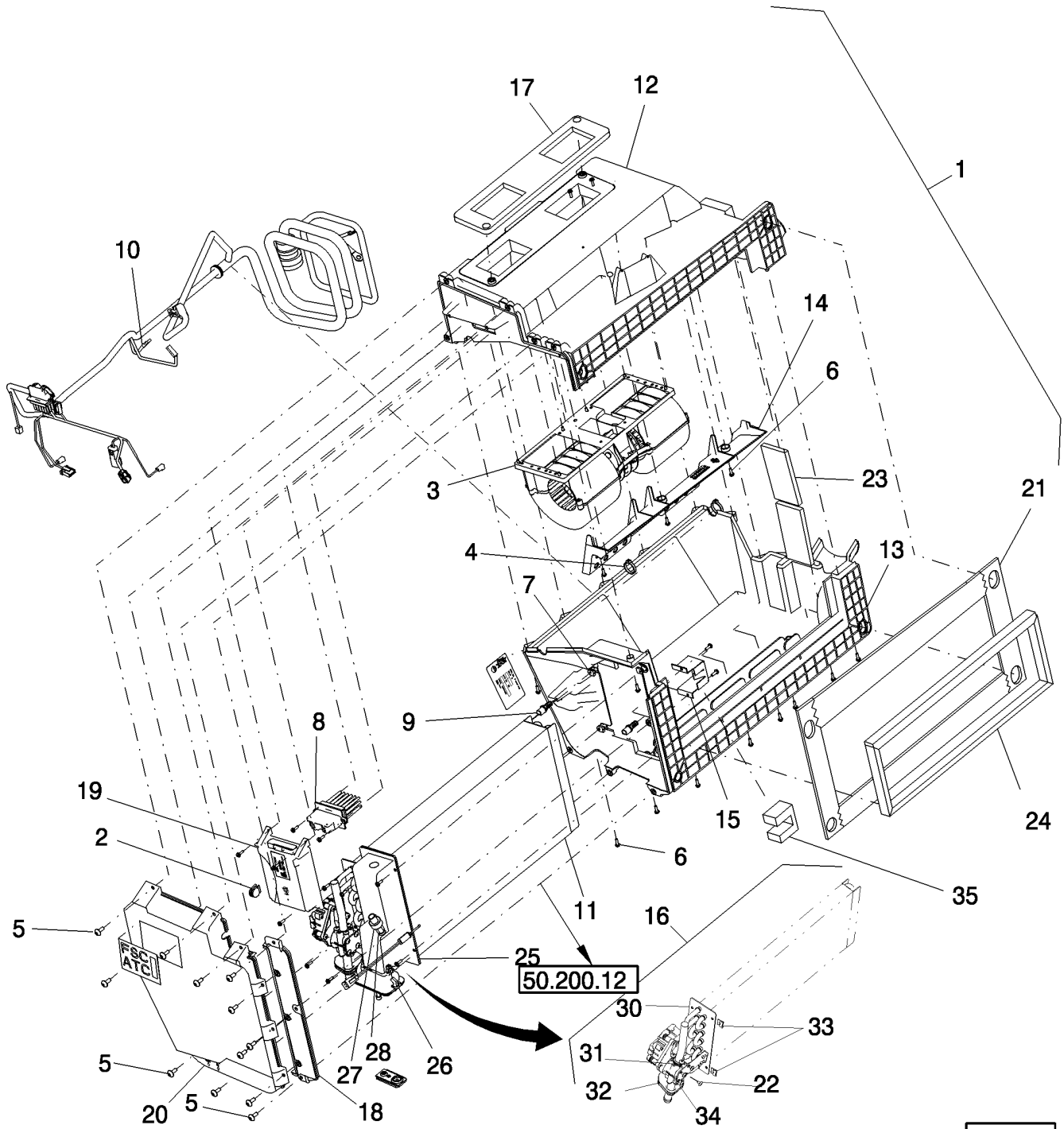


AIRCO UNIT, ATC

REF	FN	PART NUMBER	YR/SN	QTY	DESCRIPTION
1		0C		1	ORDER COMPONENTS, Unit, ATC
2		87754247		1	PLUG
3		87663947		1	BLOWER
4		323597		2	CABLE STRAP, M9 x 165 or M5 x 197
5		87742364		12	SCREW, Truss Hd, M6 x 16
6		87495849		36	SCREW, Hex, WH, ATF, K50 x 14, PT, Plastic
7		87495851		4	SPRING NUT, K50, Plastic
8		87306706		1	TERMINAL CONNECTOR
9		87454442		2	SENSOR
10		87754251		1	WIRE HARNESS, ATC W/Cool Box
11		87754243		1	EVAPORATOR
12		87653379		1	HOUSING, HVAC Unit, Top
13		87653381		1	HOUSING, HVAC Unit, Bottom
14		87655340		1	BAFFLE, HVAC Unit
15		NSS		1	NOT SERVICED SEPARATELY, Bracket
16		0C		1	ORDER COMPONENTS, Coil, Heater; Incl Refs 22, 30 Thru 34
17		87754233		1	GASKET, Duct
18		87656838		1	COVER, HVAC Unit, Front
19		84143879	Before 03/09	1	MODULE, ATC Control
19		{84190047}	From 03/09	1	FSC Module, ATC Control
20		87655335		1	COVER, HVAC Unit, Rear
21		87754236		1	GASKET, Mounting
22		87355939		7	SCREW, #10, Truss, 8-16 x .280
23		87754237		2	GASKET, Housing
24		84143878		1	SEAL, Recirculation Filter
25		87754232		1	GASKET, Evaporator
26		87754230		1	BOOT, TXV
27		87323829		1	A/C LOW PRESSURE SWITCH
28		9827060		1	O-RING, M7.65 ID x 1.78 Thk
30		87754225		1	HEATER COIL
31		128359		1	O-RING, -016, 70 Duro, .614" ID x .070" Thk
32		87754231		1	GROMMET, Tube
33		87495850		2	SPRING NUT, J, #10
35		84158122		1	SEAL, Sensor Housing

**7120 8120 9120 7120
8120**

AIRCO UNIT, ATC



50.206.02

p2

11/09

AIRCO UNIT, ATC

REF	FN	PART NUMBER	YR/SN	QTY	DESCRIPTION
-----	----	-------------	-------	-----	-------------

34		87754256		1	HEATER VALVE
----	--	----------	--	---	--------------

**7120 8120 9120 7120
8120**

SECTION INDEX

55 - Electrical systems

55.000.00	01A	SECTION INDEX - ELECTRICAL, HARNESSSES - 7120/7120(LA)
55.000.00	01B	SECTION INDEX - ELECTRICAL, HARNESSSES - 8120/8120(LA)
55.000.00	01C	SECTION INDEX - ELECTRICAL, HARNESSSES - 9120
55.000.00	02	SECTION INDEX - ELECTRICAL, LIGHTING
55.100.07	01	WIRE HARNESSSES, ENGINE - 7120/7120(LA)
55.100.07	02	WIRE HARNESSSES, ENGINE - 8120/8120(LA)
55.100.07	03	WIRE HARNESSSES, ENGINE - 9120
55.100.08	01	ENGINE ELECTRIC INSTALLATION - 7120/7120(LA)
55.100.08	02	ENGINE ELECTRIC INSTALLATION - 8120/8120(LA)
55.100.08	03	ENGINE ELECTRIC INSTALLATION - 9120
55.100.10		BATTERY SYSTEM
55.100.13		WIRE HARNESS, FRONT, LOWER FRAME
55.100.14		FEEDER ELECTRIC
55.100.17		WIRE HARNESS, MAIN FRAME
55.100.22		WIRE HARNESS, THRESHING FRAME
55.100.24		WIRING HARNESS, GRAIN TANK COVER, 350 BUSHEL, MY2010 ASN Y9G207611
55.100.26		GRAIN HEADER ILLUMINATION
55.100.30		WIRE HARNESS, STRAWHOOD - REAR
55.100.31		WIRE HARNESS, STRAWHOOD - FRONT
55.100.32		ELECTRICS ON HITCH
55.100.34	01	WIRE HARNESS, ENGINE GEARBOX - 7120/7120(LA)
55.100.34	02	WIRE HARNESS, ENGINE GEARBOX - 8120/8120(LA)
55.100.34	03	WIRE HARNESS, ENGINE GEARBOX - 9120
55.100.37		WIRE HARNESS, EXPANSION
55.100.41		MAIN CAB ELECTRICITY
55.100.42		WIRE HARNESS, REAR, LOWER FRAME
55.100.53		WIRE HARNESS, CROSS AUGER DRIVE, SPECIAL FOR RICE - NA ONLY - PIN Y9G206259 AND AFTER - 7120, 8120, 9120
55.201.04	01	STARTER MOTOR BREAKDOWN (504042667) - 8120/8120(LA)
55.201.04	02	STARTER MOTOR BREAKDOWN (99486046) - 8120/8120(LA), 9120
55.301.02	01	ALTERNATOR MOUNTING - 7120/7120(LA)
55.301.02	02	ALTERNATOR MOUNTING - 8120/8120(LA)
55.301.02	03	ALTERNATOR MOUNTING - 9120
55.301.03	01	ALTERNATOR COMPONENTS - 7120/7120(LA)
55.301.03	02	ALTERNATOR COMPONENTS - 8120/8120(LA)
55.301.03	03	ALTERNATOR COMPONENTS - 9120
55.301.05		BATTERY TRAY
55.404.08		LIGHTS, FRONT PLATFORM - STANDARD - EU ONLY - 7120, 8120, 9120
55.404.09		LIGHTS, FRONT PLATFORM, WIDE - EU ONLY - 7120, 8120, 9120
55.404.10		LIGHTS, REAR - STANDARD - FOR NA, LA & AUSTRALIA
55.404.11		LIGHTS, HALOGEN CAB ROOF
55.404.12	01	LIGHTS, HID CAB ROOF
55.404.12	02	LIGHTS, HID CAB ROOF, DELUXE
55.404.13		WARNING LIGHT, L.H. PLATFORM & EXTENSIONS - NA, LA, & ANZ ONLY
55.404.15		SUPPORT TUBE & HINGE, L.H. REAR TAIL LIGHT PANEL
55.404.16		SUPPORT TUBE & HINGE, R.H. REAR TAIL LIGHT PANEL
55.404.17		LIGHTS, SIDE MARKER, HEADER - EU - 7120, 8120, 9120
55.404.20		LIGHTS, SERVICE
55.404.21		INSPECTION LAMP
55.404.28		GRAIN TANK ELECTRICITY
55.404.31		LIGHT, UNLOADING AUGER

SECTION INDEX

55 - Electrical systems

55.404.32		DIA HARVEST KIT, LIGHTS, HID ROOF
55.404.33		DIA HARVEST KIT, MID DISTANCE HID LIGHT - R.H. MIRROR MOUNTED
55.404.34		LIGHTING, LICENSE PLATE - EU - 7120, 8120, 9120
55.408.02		BEACON, REAR, ROTATING
55.408.03		BEACONS, CAB ROOF, ROTATING
55.408.05		LIGHTS, WARNING, REAR - EU ONLY - 7120, 8120, 9120
55.408.08		LIGHTS, SIDE MARKER - EU - 7120, 8120, 9120
55.414.01	01	ENGINE SENSORS - 7120/7120(LA)
55.414.01	02	ENGINE SENSORS - 9120
55.418.01		GRAIN FLOW SENSOR
55.418.05		ROTOR LOSS SENSOR
55.424.02		MOISTURE SENSOR
55.440.02		ENGINE SENSORS & ECU - 8120/8120(LA)
55.440.03	01	ELECTRONIC CONTROL UNIT - 7120/7120(LA)
55.440.03	02	ELECTRONIC CONTROL UNIT - 8120/8120(LA)
55.440.03	03	ELECTRONIC CONTROL UNIT - 9120
55.440.05	01	CCM MODULES, YMIU CONTROLLER & SHAFT SPEED MONITOR
55.440.06		AFS PRO 600 TOUCH SCREEN DISPLAY - 8120
55.440.07		UNIVERSAL DISPLAY PLUS MONITOR, TOUCH SCREEN DISPLAY
55.440.07	02	UNIVERSAL DISPLAY PLUS MONITOR, TOUCH SCREEN DISPLAY - UPDATED TO MY10
55.440.11		ACCUMULATOR - RIDE CONTROL
55.440.12		GPS MOUNT
55.440.12	01	GPS MOUNT - EU SPECIFIC - 7120, 8120, 9120
55.440.16		KIT, SOFTWARE, AF162 QRC
55.440.19		PRINTER, CAB
55.510.05		CAB ROOF ELECTRICAL
55.510.06		RADIO
55.510.07	01	ANTENNA - NA/LATIN AMERICA ONLY
55.512.10		CONSOLE, IGNITION KEY
55.512.13		KIT, PROPULSION HANDLE
55.518.01		MOTOR, WINDSHIELD WIPER
55.518.03		SYSTEM, WINDSHIELD WASHER
55.518.04		WINDSHIELD WIPER - DOUBLE BLADE
55.518.05		KIT, ADDITIONAL WINDSHIELD WIPER (ARM)
55.627.10		POTENTIOMETER, CONCAVE ADJUSTMENT
55.627.11		MOTOR, CONCAVE ADJUSTMENT
55.780.11		ACTUATOR, SELF LEVELING
55.785.01		CONSOLE, R.H., TOUCH SCREEN DISPLAY
55.785.03	01	KIT, DIA - GRAIN FLOW/MOISTURE SENSOR
55.785.03	02	KIT, DIA - GRAIN FLOW/MOISTURE SENSOR - UPDATED TO MY10
55.785.04		SENSOR, TAILINGS VOLUME
55.785.11		SENSOR ASSEMBLY

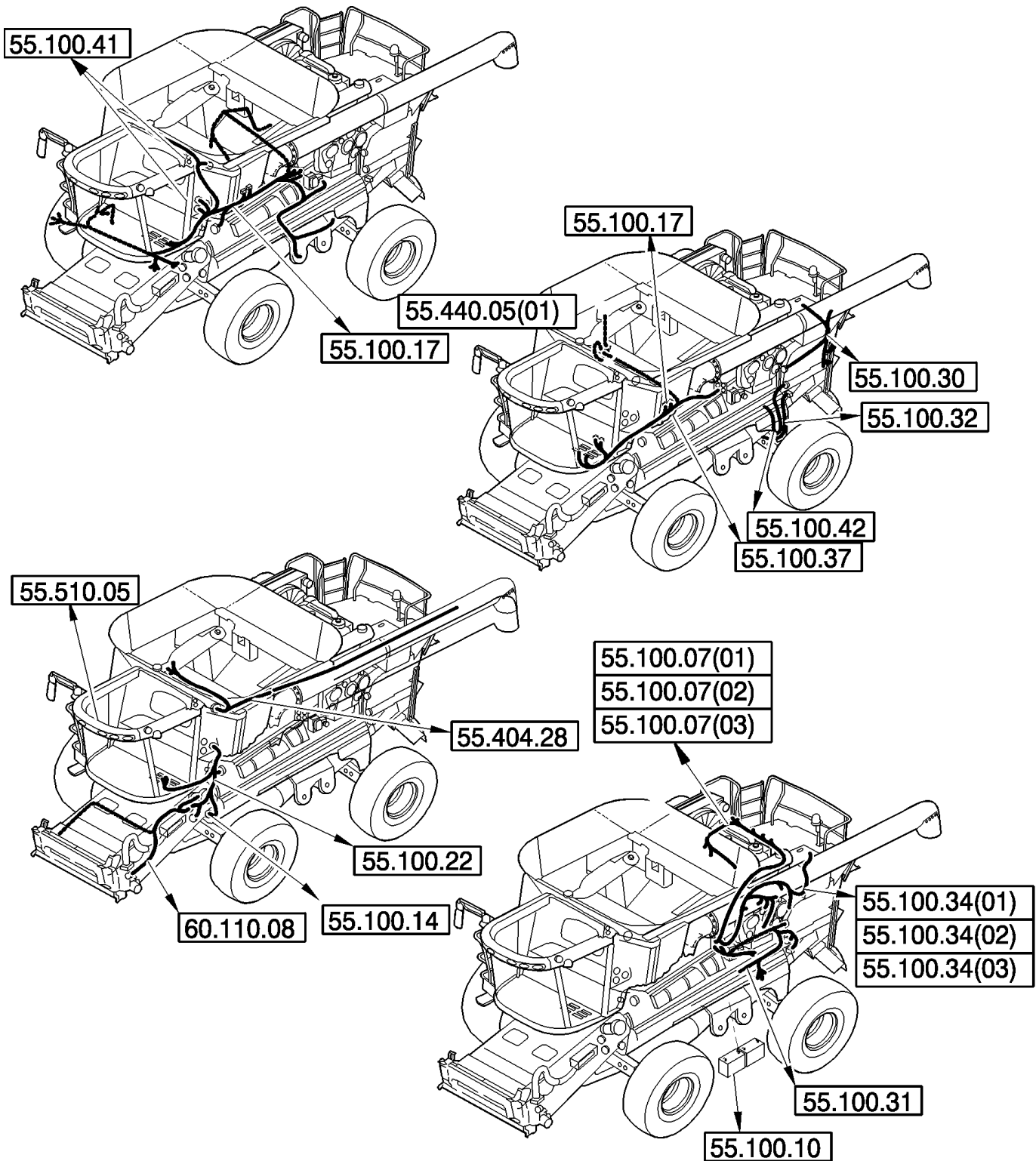
55.000.00

01A

p1

02/10

SECTION INDEX - ELECTRICAL, HARNESSES - 7120/7120(LA)



55.000.00

01A

p1

02/10

SECTION INDEX - ELECTRICAL, HARNESSSES - 7120/7120(LA)

REF	FN	PART NUMBER	YR/SN	QTY	DESCRIPTION
------------	-----------	--------------------	--------------	------------	--------------------

					7120 7120
--	--	--	--	--	------------------

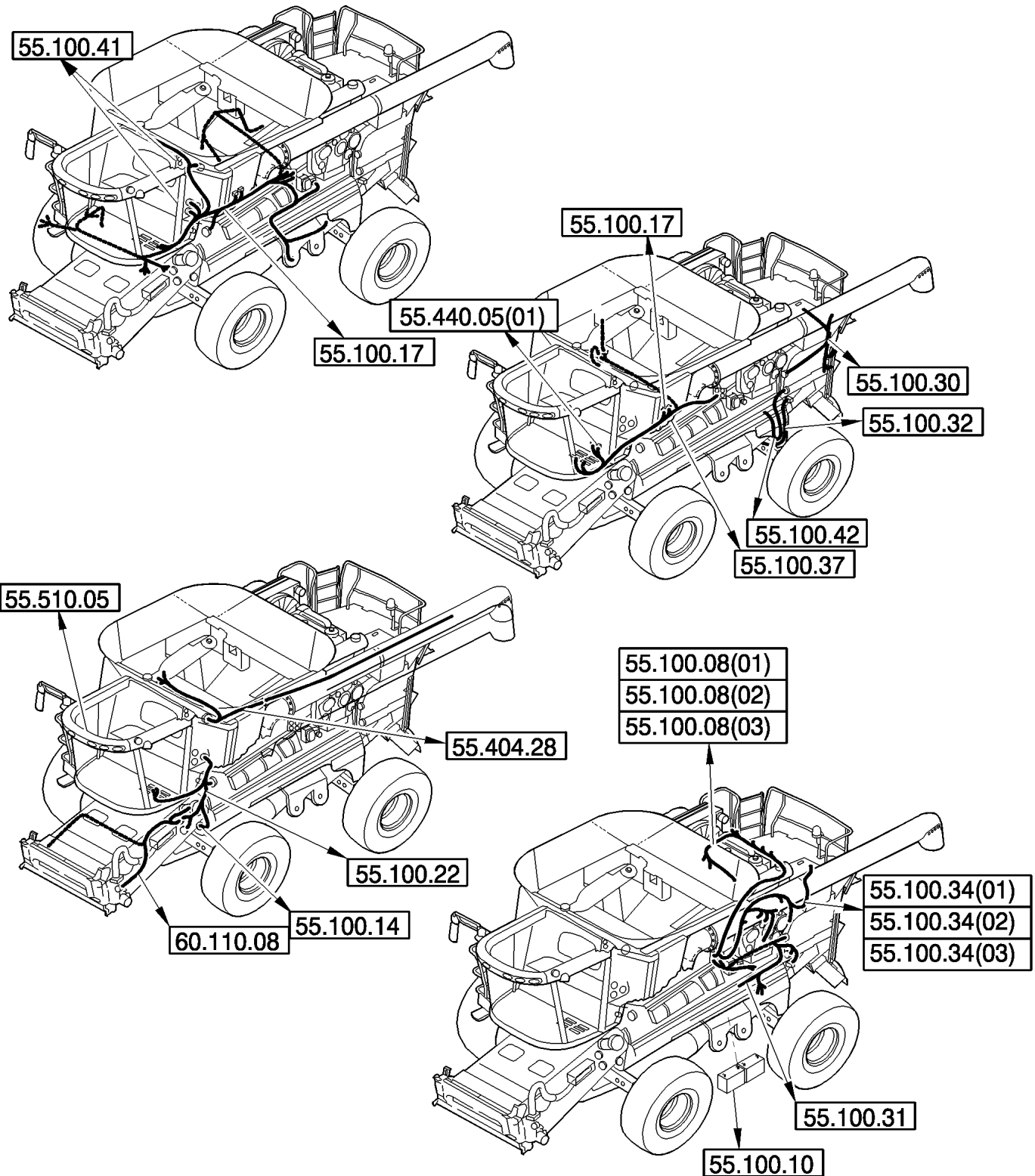
55.000.00

01B

p1

02/10

SECTION INDEX - ELECTRICAL, HARNESSES - 8120/8120(LA)



55.000.00

01B

p1

02/10

SECTION INDEX - ELECTRICAL, HARNESSSES - 8120/8120(LA)

REF	FN	PART NUMBER	YR/SN	QTY	DESCRIPTION
-----	----	-------------	-------	-----	-------------

					8120 8120
--	--	--	--	--	------------------

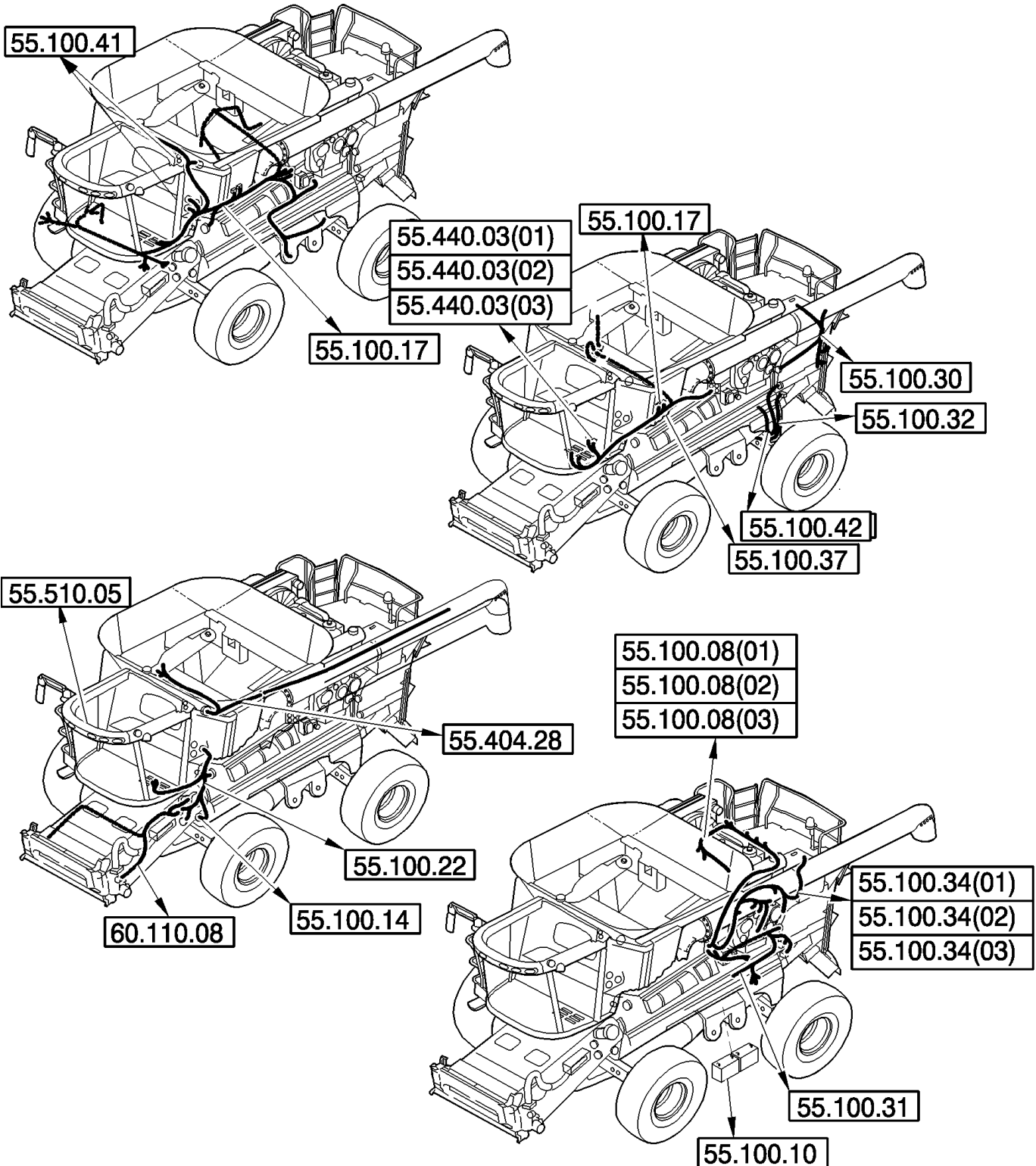
55.000.00

01C

p1

02/10

SECTION INDEX - ELECTRICAL, HARNESSES - 9120



55.000.00

01C

p1

02/10

SECTION INDEX - ELECTRICAL, HARNESSSES - 9120

REF	FN	PART NUMBER	YR/SN	QTY	DESCRIPTION
------------	-----------	--------------------	--------------	------------	--------------------

	9120
--	-------------

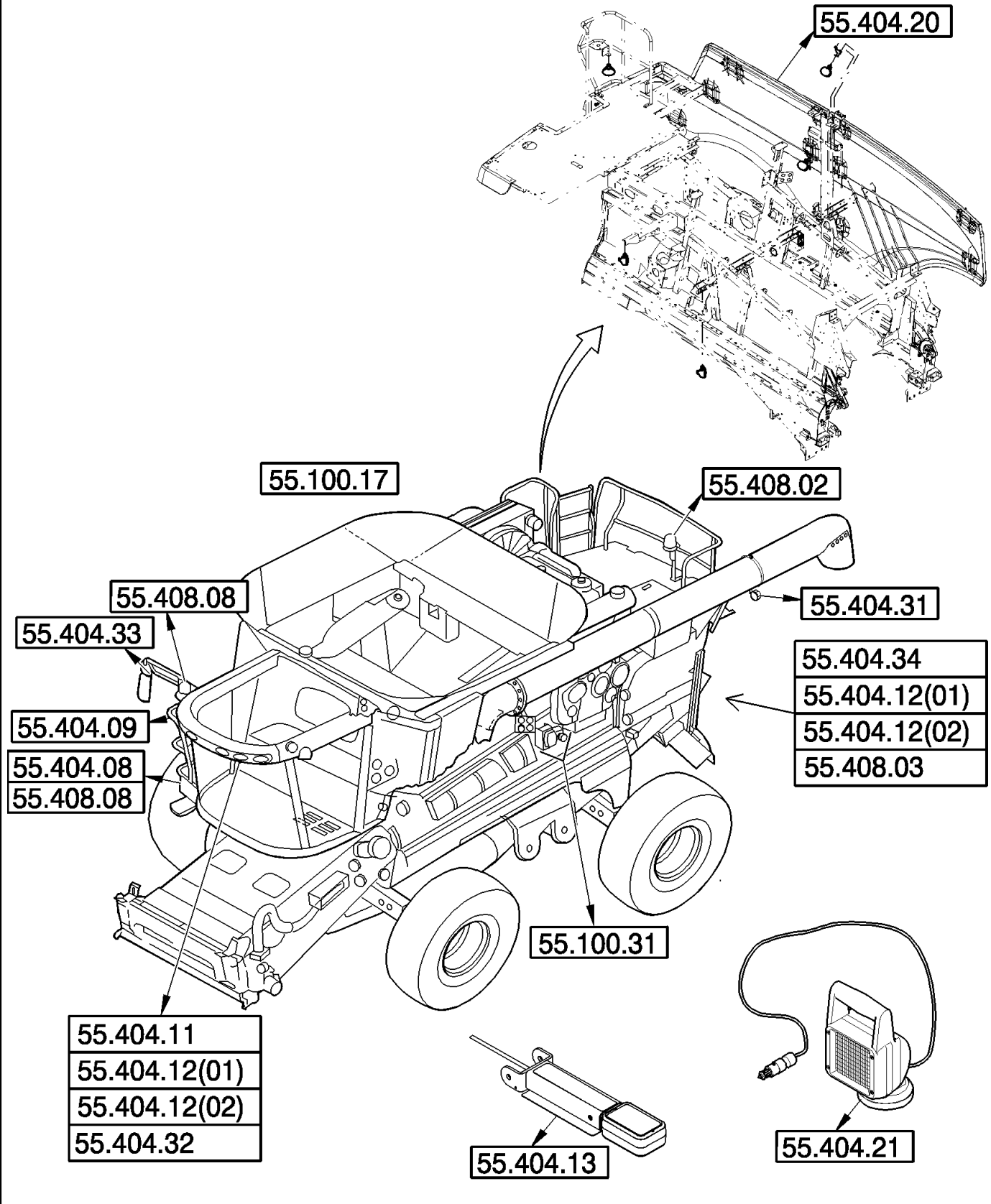
55.000.00

02

p1

11/09

SECTION INDEX - ELECTRICAL, LIGHTING



55.000.00	02	p1	11/09
------------------	----	----	-------

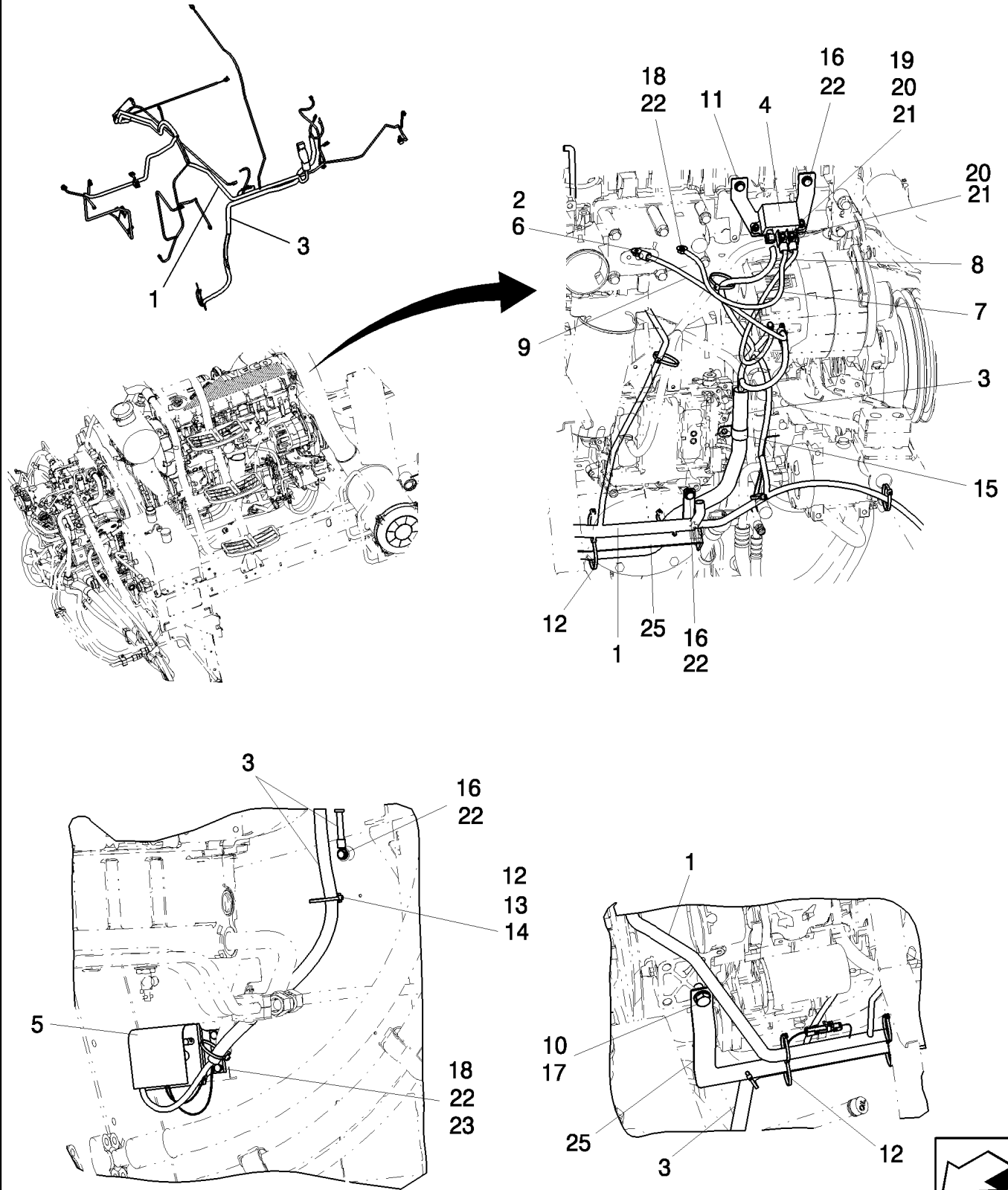
SECTION INDEX - ELECTRICAL, LIGHTING

REF	FN	PART NUMBER	YR/SN	QTY	DESCRIPTION
------------	-----------	--------------------	--------------	------------	--------------------

--	--	--	--	--	--

					7120 7120 8120 9120 8120
--	--	--	--	--	---

WIRE HARNESSES, ENGINE - 7120/7120(LA)



55.100.07

01

p1

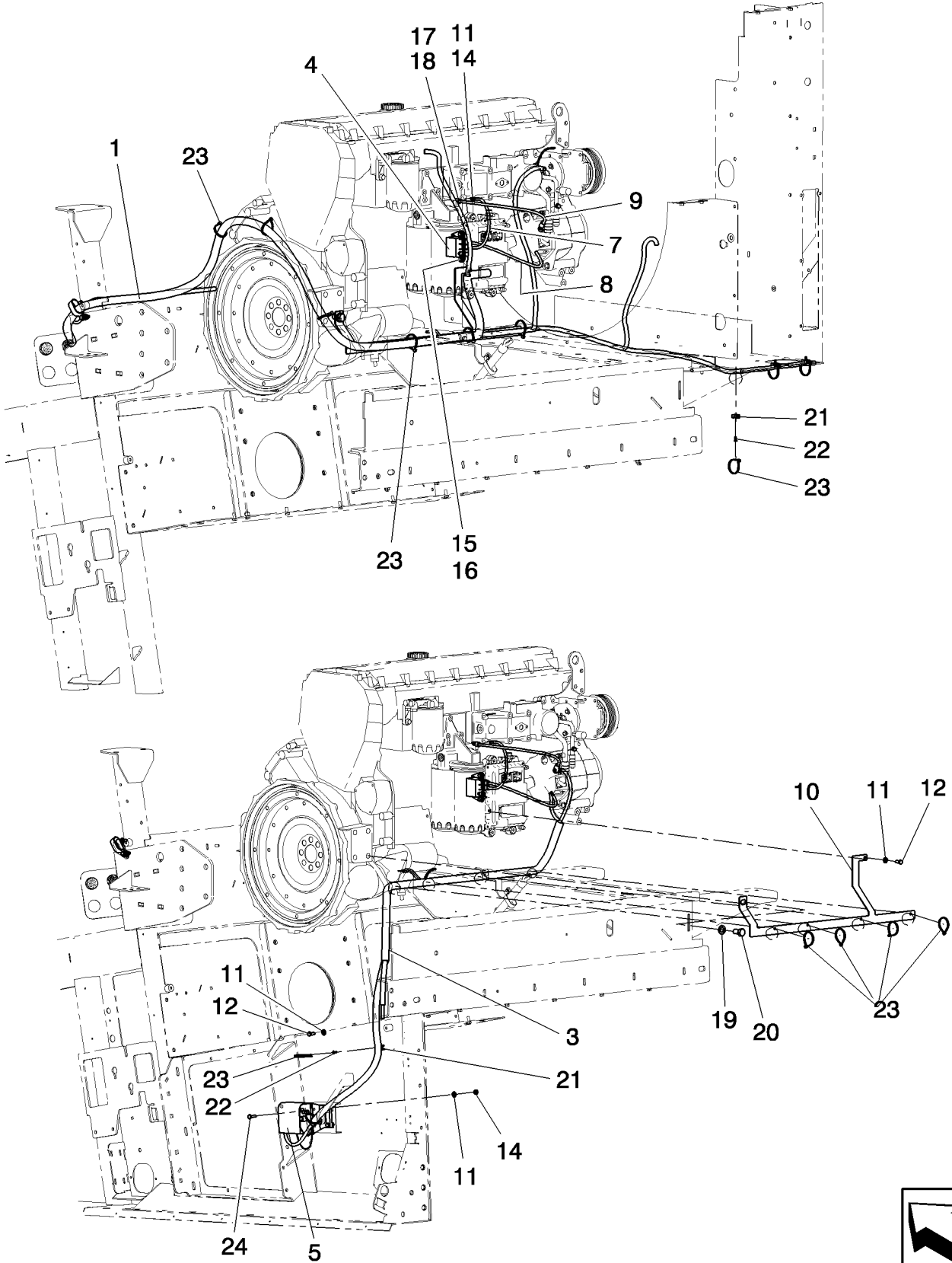
02/10

WIRE HARNESES, ENGINE - 7120/7120(LA)

REF	FN	PART NUMBER	YR/SN	QTY	DESCRIPTION
1		87637795		1	WIRE HARNESS, Engine
2		322357		1	BELLEVILLE WASHER, M6
3		87664683		1	WIRE HARNESS, Alternator
4		86619908		1	RELAY
5		389120		1	RELAY, 24V Starter
6		9706755		1	NUT, M6, CI 8
7		86611285		1	WIRE, White
8		86611286		1	WIRE, Red
9		86611287		1	WIRE, Black
10		140020		1	WASHER, M16 x 30 x 3
11		87582545		1	BRACKET
12		86566989		AR	CABLE STRAP, M4.75 x 190.5 L
13		86590413		AR	CLAMP
14		445394		AR	RIVET, Pop, M4.8 x 12.7
15		9827902		1	CLAMP, 1", Insul, 3/8" Bolt
16		120104		5	BOLT, Hex, M8 x 20, 8.8
17		43167		1	BOLT, Hex, M16 x 30, 8.8, Full Thd
18		9706690		5	NUT, M8, CI 8
19		86508568		2	BOLT, Hex, M6 x 16, CI 8.8, Full Thd
20		353308		2	NUT, M6 x 1, CI 8
21		86588450		2	WASHER, M6 x 12 x 1.6 Thk
22		322358		10	BELLEVILLE WASHER, M8
23		43127		4	BOLT, Hex, M8 x 25, 8.8
25		87583801		1	BRACKET

7120 7120

WIRE HARNESSES, ENGINE - 8120/8120(LA)



55.100.07

02

p1

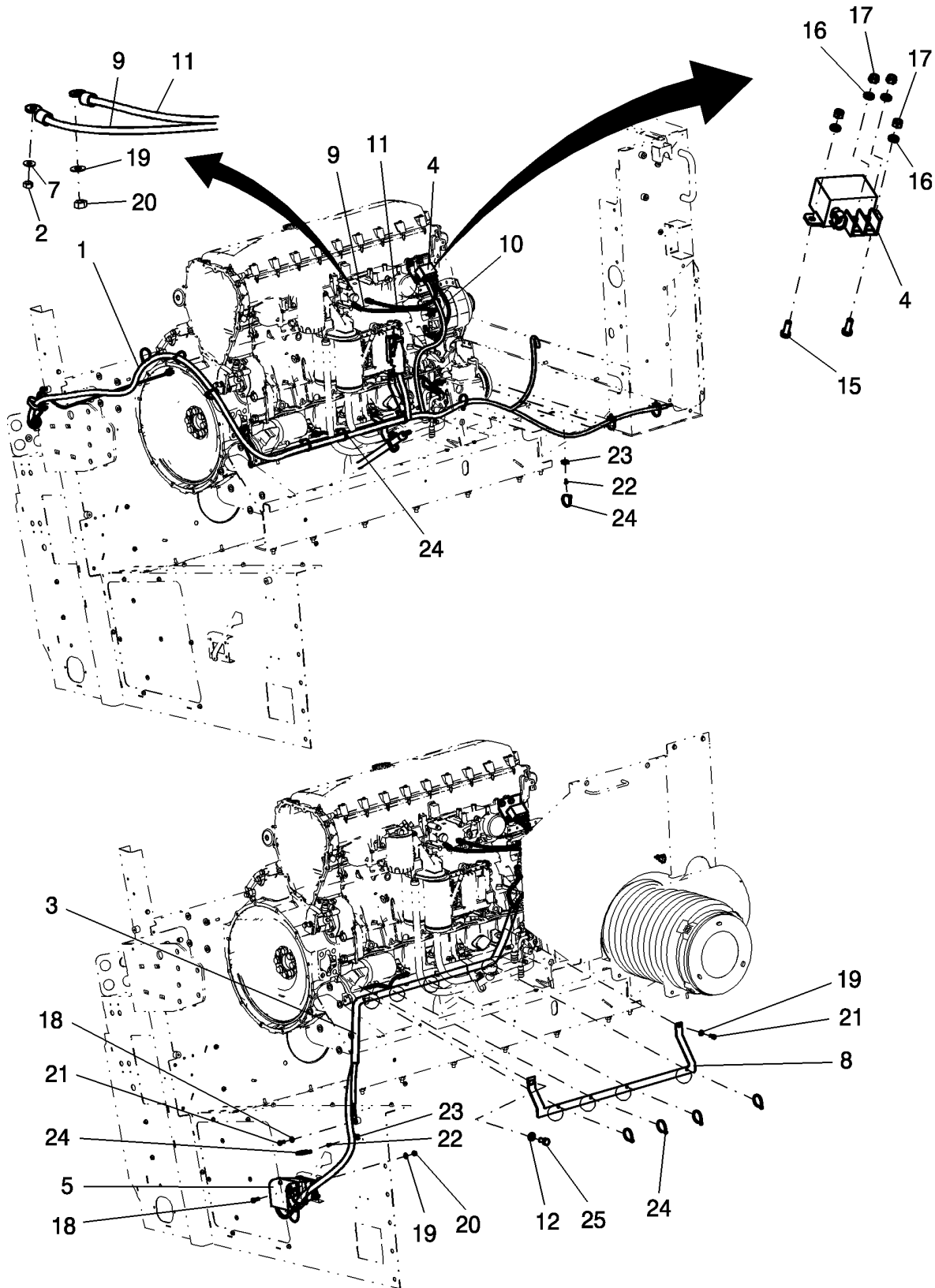
02/10

WIRE HARNESES, ENGINE - 8120/8120(LA)

REF	FN	PART NUMBER	YR/SN	QTY	DESCRIPTION
1		87716827		1	WIRE HARNESS, Engine
3		87664683		1	WIRE HARNESS, Alternator
4		86619908		1	RELAY
5		389120		1	RELAY
7		86611285		1	WIRE, White
8		86611286		1	WIRE, Red
9		86611287		1	WIRE, Black
10		87719453		1	BRACKET, Support, Harness
11		322358		7	BELLEVILLE WASHER, M8
12		120104		2	BOLT, Hex, M8 x 20, 8.8
14		9706690		5	NUT, M8, CI 8
15		86588450		2	WASHER, M6 x 12 x 1.6 Thk
16		353308		2	NUT, M6 x 1, CI 8
17		322357		1	BELLEVILLE WASHER, M6
18		9706755		1	NUT, M6, CI 8
19		140020		1	WASHER, M16 x 30 x 3
20		43167		1	BOLT, Hex, M16 x 30, 8.8, Full Thd
21		86590413		5	CLAMP
22		445394		5	RIVET, Pop, M4.8 x 12.7
23		86566989		15	CABLE STRAP, M4.75 x 190.5 L
24		43127		4	BOLT, Hex, M8 x 25, 8.8

8120 8120

WIRE HARNESSES, ENGINE - 9120

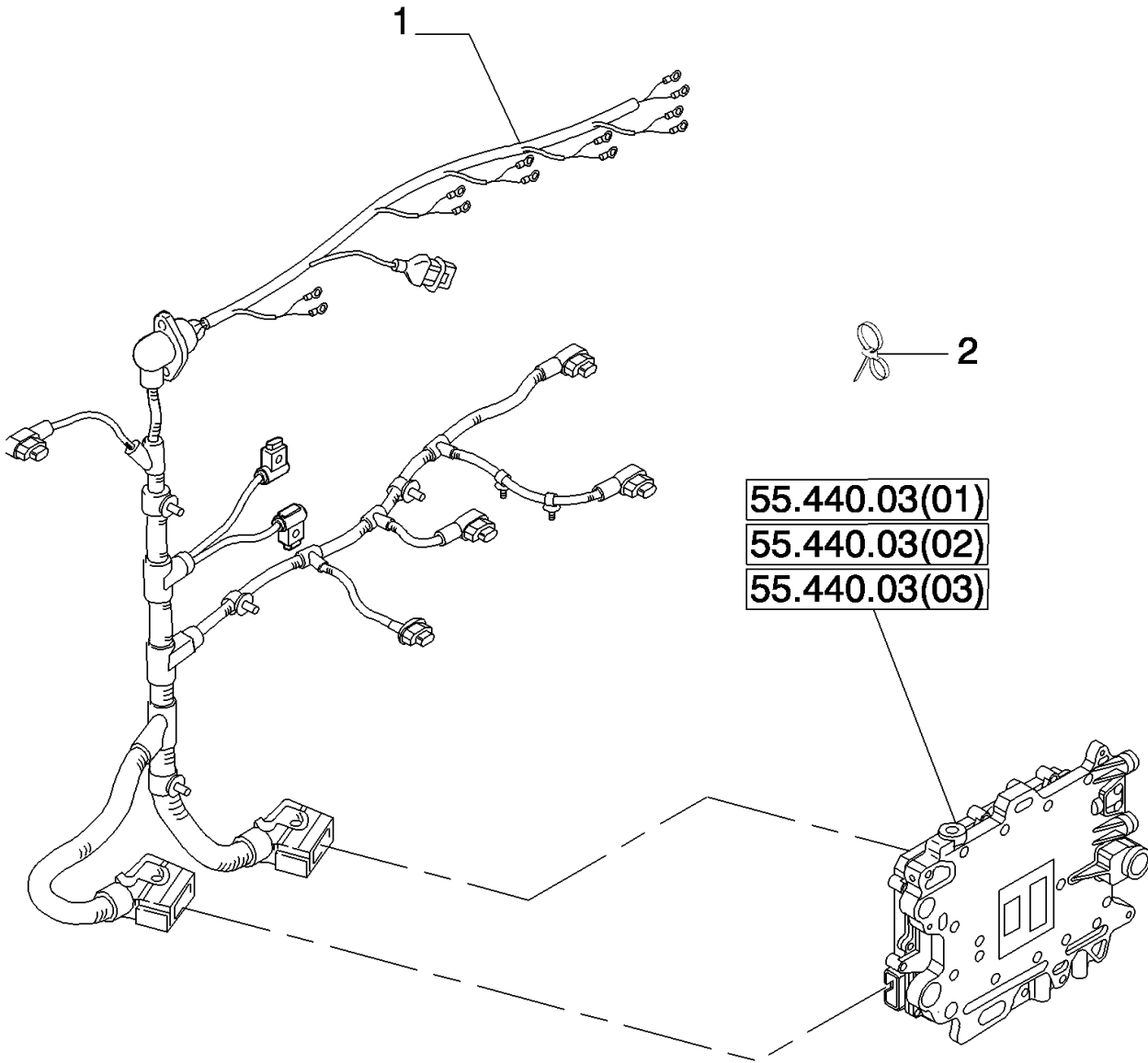


WIRE HARNESES, ENGINE - 9120

REF	FN	PART NUMBER	YR/SN	QTY	DESCRIPTION
1		87637790		1	WIRE HARNESS, Engine
2		9706755		1	NUT, M6, CI 8
3		87664683		1	WIRE HARNESS, Alternator
4		86619908		1	RELAY, Cold Start
5		389120		1	RELAY
7		322357		1	BELLEVILLE WASHER, M6
8		87688537		1	SUPPORT ASSY., Harness
9		86611287		1	WIRE, Black
10		86611286		1	WIRE, Red
11		86611285		1	WIRE, White
12		140020		1	WASHER, M16 x 30 x 3
15		86508568		2	BOLT, Hex, M6 x 16, CI 8.8, Full Thd
16		86588450		4	WASHER, M6 x 12 x 1.6 Thk
17		353308		4	NUT, M6 x 1, CI 8
18		43127		4	BOLT, Hex, M8 x 25, 8.8
19		322358		6	BELLEVILLE WASHER, M8
20		9706690		5	NUT, M8, CI 8
21		120104		3	BOLT, Hex, M8 x 20, 8.8
22		445394		5	RIVET, Pop, M4.8 x 12.7
23		86590413		5	CLAMP
24		86566989		AR	CABLE STRAP, M4.75 x 190.5 L
25		43167		1	BOLT, Hex, M16 x 30, 8.8, Full Thd

9120

ENGINE ELECTRIC INSTALLATION - 7120/7120(LA)



ENGINE ELECTRIC INSTALLATION - 7120/7120(LA)

REF	FN	PART NUMBER	YR/SN	QTY	DESCRIPTION
1		504198495		1	WIRE HARNESS, Engine
2		82013031		4	CABLE STRAP, M4.8 x 193, Double Headed Zip Tie

	7120 7120
--	------------------

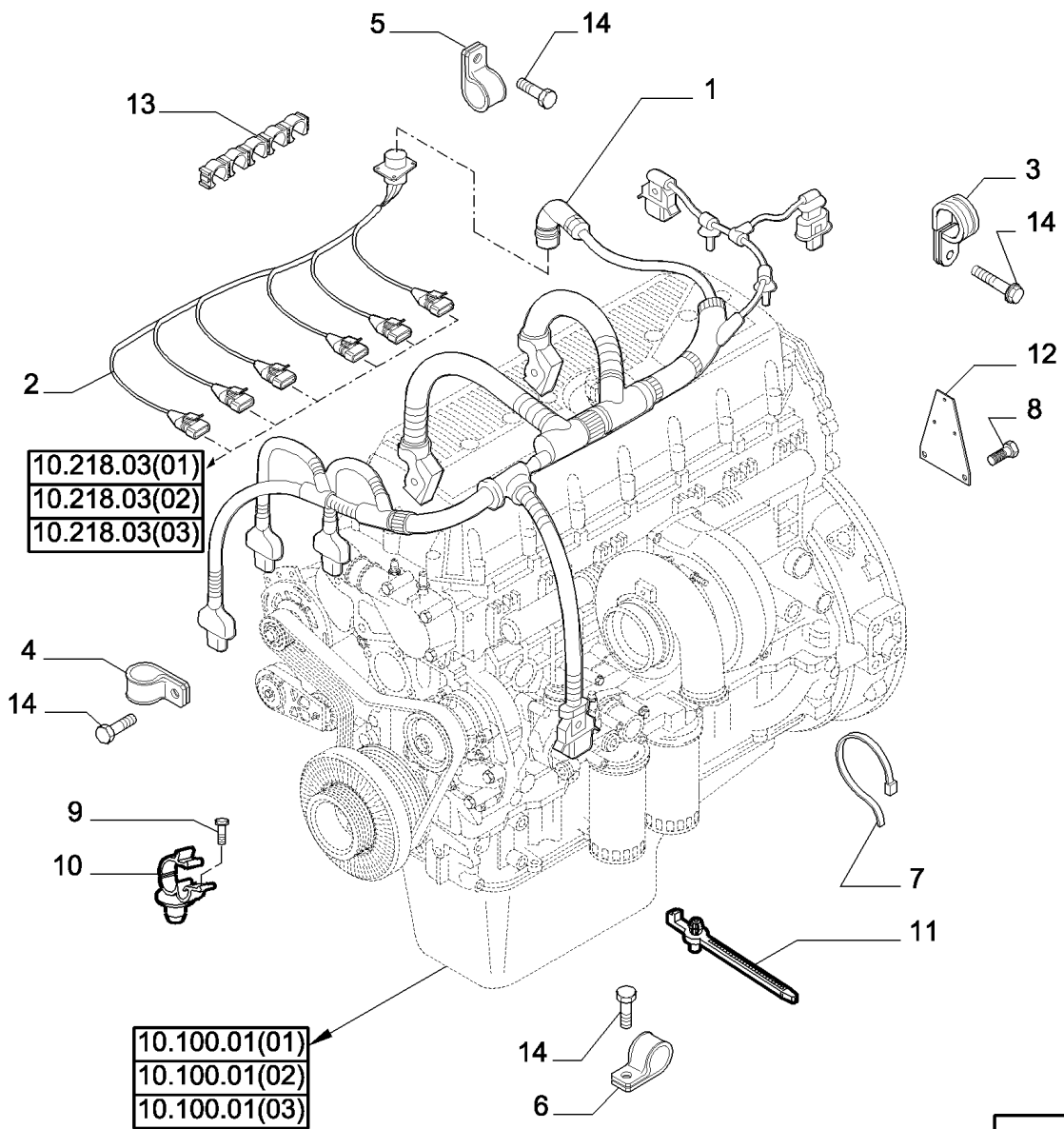
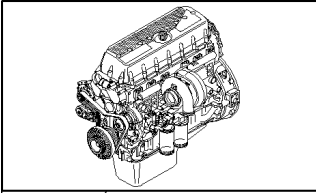
55.100.08

02

p1

02/10

ENGINE ELECTRIC INSTALLATION - 8120/8120(LA)



55.100.08

02

p1

02/10

ENGINE ELECTRIC INSTALLATION - 8120/8120(LA)

REF	FN	PART NUMBER	YR/SN	QTY	DESCRIPTION
1		504122099		1	WIRE HARNESS, Engine
2		504132611		1	WIRE HARNESS, Injectors
3		17315490		1	CLAMP
4		17310001		1	CLAMP, M4
5		17310401		3	CLAMP, M8
6		17310501		1	CLAMP, M10
7		504023286		3	CLIP
8		11612224		5	SCREW
9		16673835		1	SCREW
10		504020897		1	BRACKET
11		99455033		2	CLAMP
12		504067009		1	BRACKET
13		504060889		1	RETAINER
14		16689424		4	SCREW

8120 8120

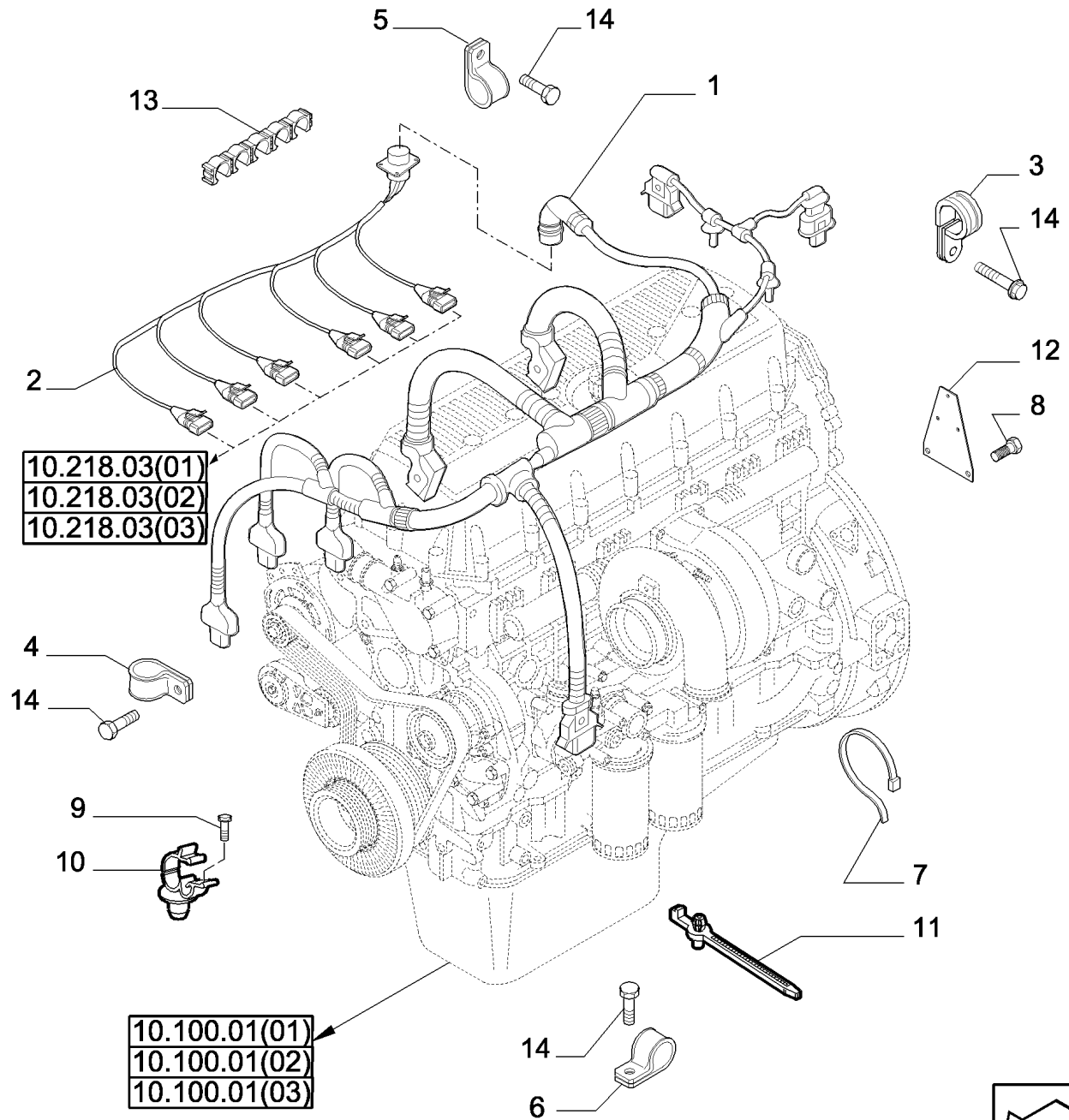
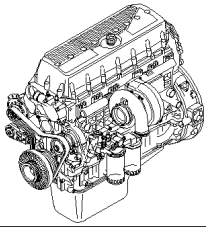
55.100.08

03

p1

02/10

ENGINE ELECTRIC INSTALLATION - 9120



55.100.08

03

p1

02/10

ENGINE ELECTRIC INSTALLATION - 9120

REF	FN	PART NUMBER	YR/SN	QTY	DESCRIPTION
1		504122100		1	HARNESS, Engine
2		504149937		1	WIRE HARNESS, Injectors
3		17315490		1	CLAMP
4		17310001		1	CLAMP, M4
5		17310401		3	CLAMP, M8
6		17310501		1	CLAMP, M10
7		504023286		3	CLIP
8		11612224		5	SCREW
9		16673835		1	SCREW
10		504020897		1	BRACKET
11		99455033		2	CLAMP
12		504067009		1	BRACKET
13		504060889		1	RETAINER
14		16689424		4	SCREW

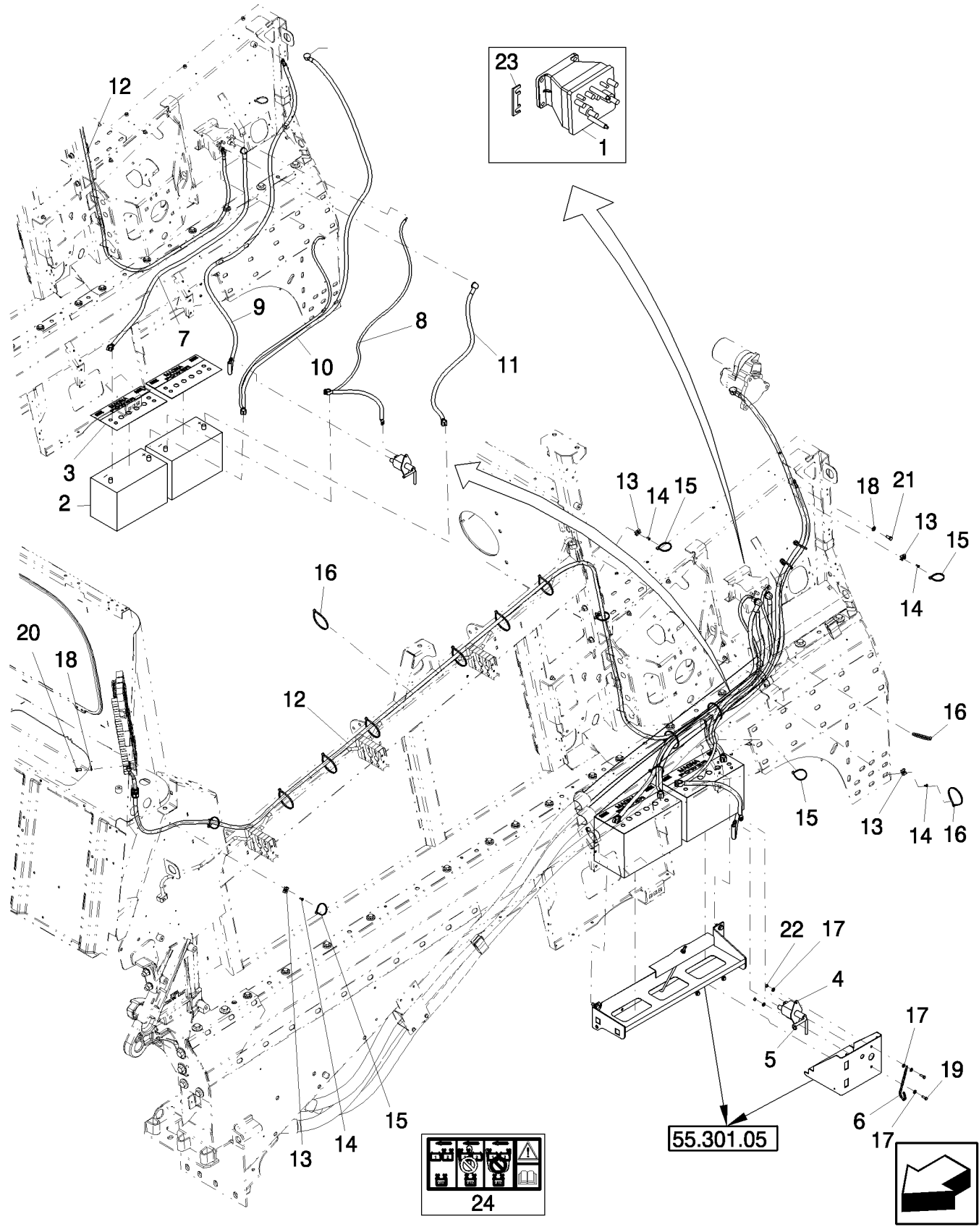
9120

55.100.10

p1

10/09

BATTERY SYSTEM

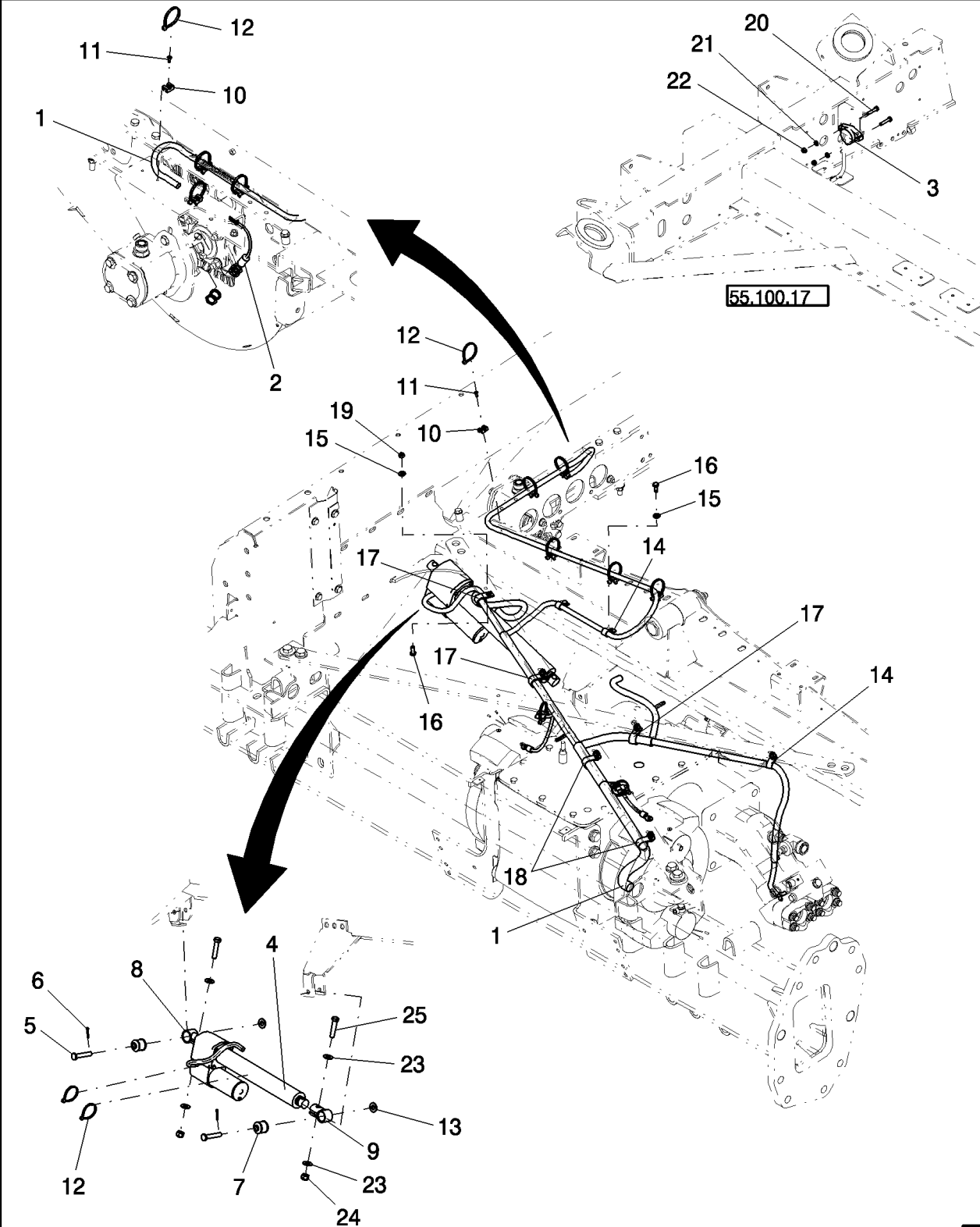


BATTERY SYSTEM

REF	FN	PART NUMBER	YR/SN	QTY	DESCRIPTION
1		389120		1	RELAY, Reverse, 12-24 Volt Swap - Incl Ref 23
2		BMF31GW		2	WET BATTERY, US (86993119)
2		CBMF31G		2	BATTERY, Canada
2		75327663		2	BATTERY, Latin America
3		86993121		2	LABEL
4		84004375		1	SWITCH, Battery Disconnect
5		87026295		1	LOCK WASHER, M20 x 24.6 x 2.8 Thk
6		539289		1	CHAIN
7		87479571		1	NEG BATTERY CABLE
8		87281631		1	NEG BATTERY CABLE
9		87476424		1	GROUND CABLE, Battery
10		87479572		1	POS BATTERY CABLE
11		87479573		1	POS BATTERY CABLE
12		84435752		1	POS BATTERY CABLE, 5200mm L
13		86590413		10	CLAMP
14		445394		10	RIVET, Pop, M4.8 x 12.7
15		86566989		9	CABLE STRAP, M4.75 x 190.5 L
16		86566990		11	CABLE STRAP, M4.8 x 292 L
17		322357		5	BELLEVILLE WASHER, M6
18		322358		2	BELLEVILLE WASHER, M8
19		120100		2	BOLT, Hex, M6 x 20, 8.8
20		120103		1	BOLT, Hex, M8 x 16, 8.8
21		120104		1	BOLT, Hex, M8 x 20, 8.8
22		9706755		2	NUT, M6, CI 8
23		420580		2	FUSE
24		86640426		1	DECAL, Battery, Safety

**9120 7120 8120 7120
8120**

WIRE HARNESS, FRONT, LOWER FRAME

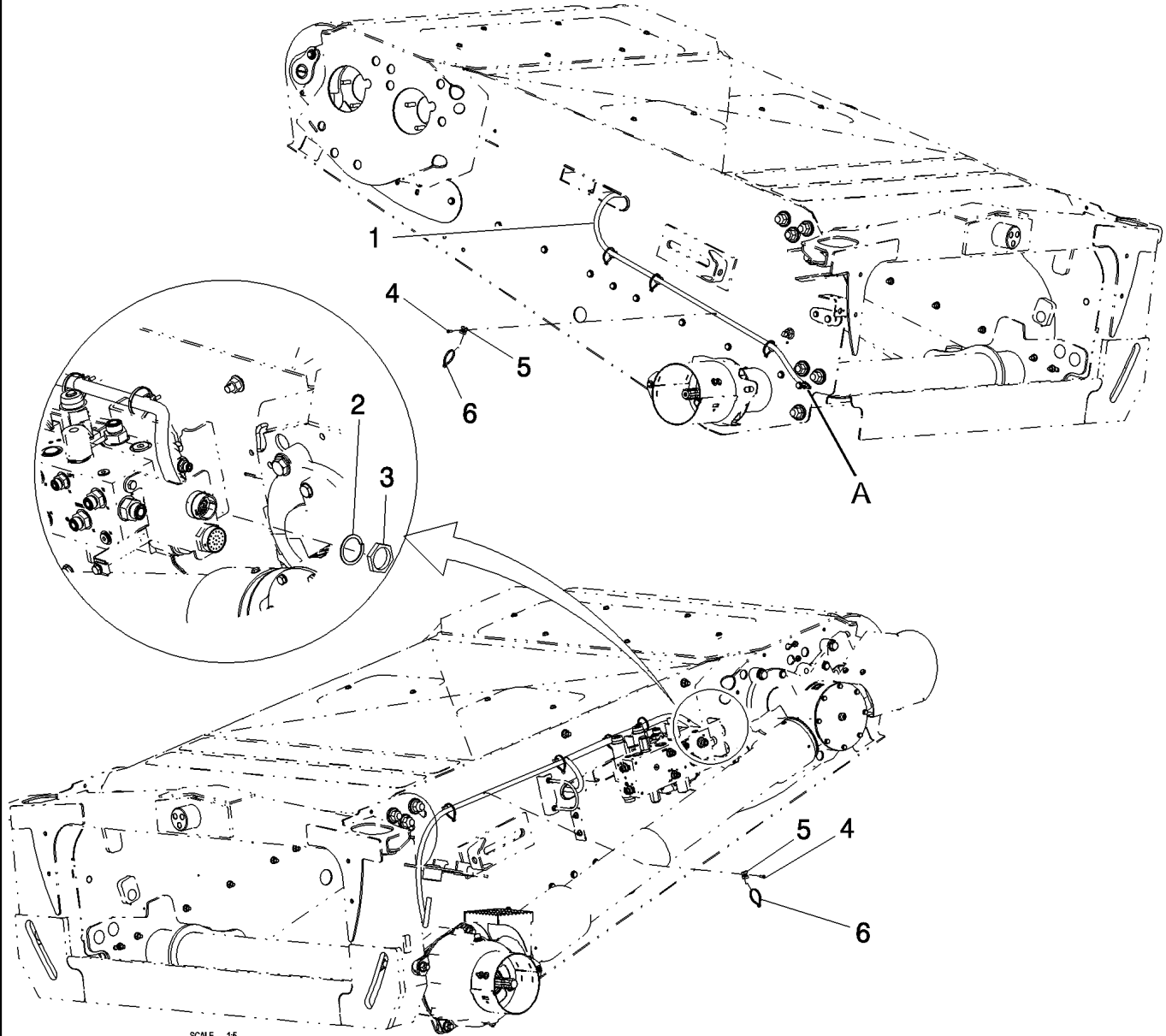


WIRE HARNESS, FRONT, LOWER FRAME

REF	FN	PART NUMBER	YR/SN	QTY	DESCRIPTION
1		87727142	BSN Y9G205755	1	WIRE HARNESS, Lower Frame
1		84173239	ASN Y9G205755	1	WIRE HARNESS, Lower Frame, Effective with PIN Y9G112393
2		87342073		1	SENSOR, SB
3		87026294		1	SENSOR, Inclination
4		87522008		1	ACTUATOR
5		412118		2	CLEVIS PIN, M12 x 65
6		130004		2	COTTER PIN, M3.2 x 25
7		445913		2	RUBBER BUSHING
8		753565		1	CLAMP
9		921250		1	CLAMP
10		86590413		8	CLAMP
11		445394		8	RIVET, Pop, M4.8 x 12.7
12		86566989		12	CABLE STRAP, M4.75 x 190.5 L
13		378245		2	WASHER, M13 x 28 x 2 Thk
14		9706748		3	CLAMP, 5/8", Insul, 5/16" Bolt
15		322358		8	BELLEVILLE WASHER, M8
16		120104		8	BOLT, Hex, M8 x 20, 8.8
17		619284		3	CLAMP, 15/16", Insul, 3/8" Bolt
18		9827902		2	CLAMP, 1", Insul, 3/8" Bolt
19		9706690		6	NUT, M8, CI 8
20		43117		2	BOLT, Hex, M6 x 30, 8.8
21		86588450		2	WASHER, M6 x 12 x 1.6 Thk
22		353308		2	NUT, M6 x 1, CI 8
23		140046		4	SPRING WASHER, Belleville, M12
24		100038		2	LOCK NUT, M12 x 1.75, CI 8
25		300512		2	SCREW, Hex, M12 x 55, 8.8

**9120 7120 8120 7120
8120**

FEEDER ELECTRIC



SCALE 1:5

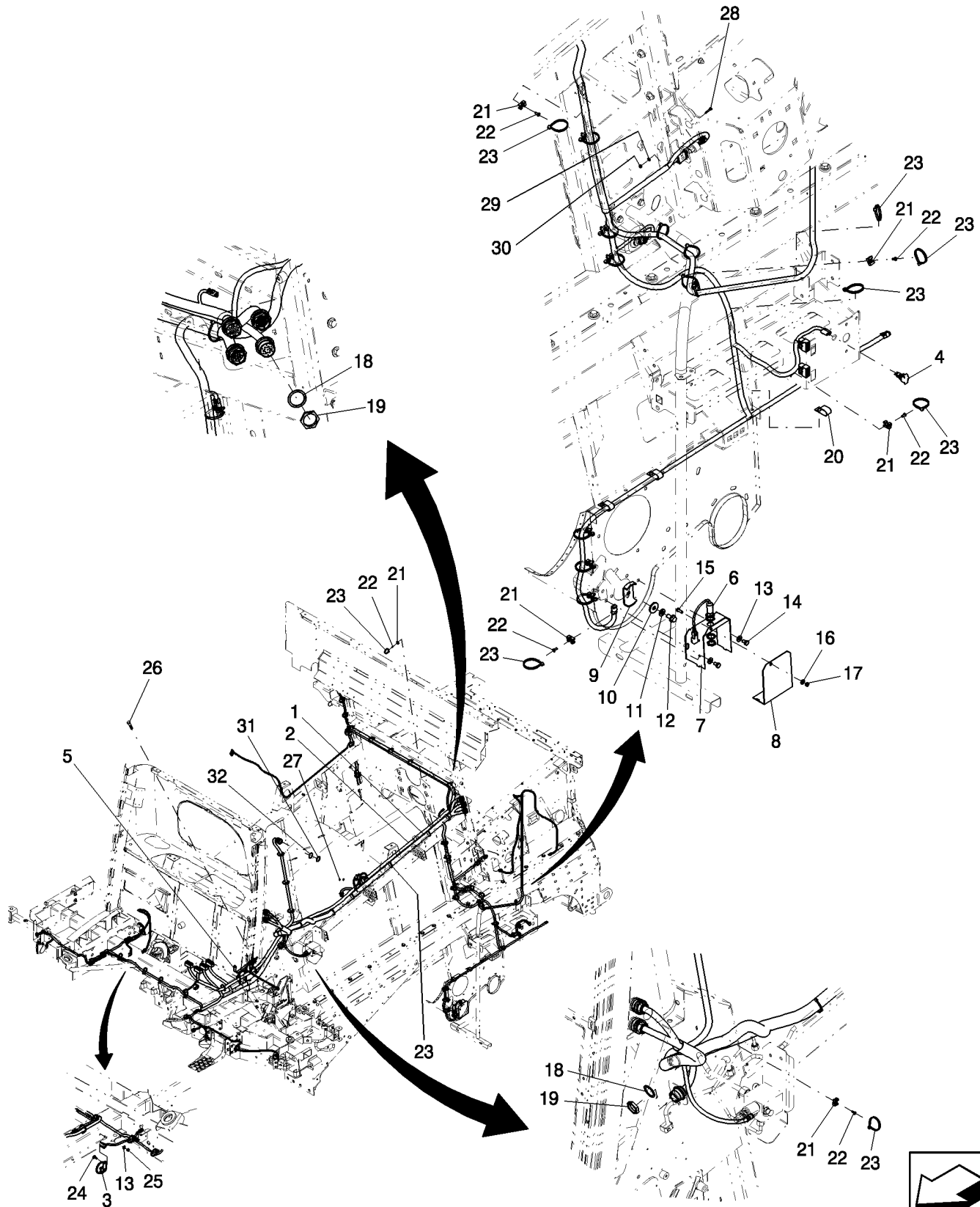


FEEDER ELECTRIC

REF	FN	PART NUMBER	YR/SN	QTY	DESCRIPTION
Y9G207118		84158599	Before 12/09, BSN Y9G207118	1	WIRE HARNESS, Feeder
1		84194265	From 01/10, ASN Y9G207118	1	WIRE HARNESS, Feeder
2		636665		1	LOCK WASHER, M43 x 4.75 x 1.575 Thk
3		86619907		1	NUT, 1.6875"-18
4		445395		9	RIVET, Pop, M4.8 x 18.1
5		86590413		9	CLAMP
6		86566989		9	CABLE STRAP, M4.75 x 190.5 L

A = Connect to lateral float potentiometer	7120 7120 8120 9120 8120
--	-------------------------------------

WIRE HARNESS, MAIN FRAME

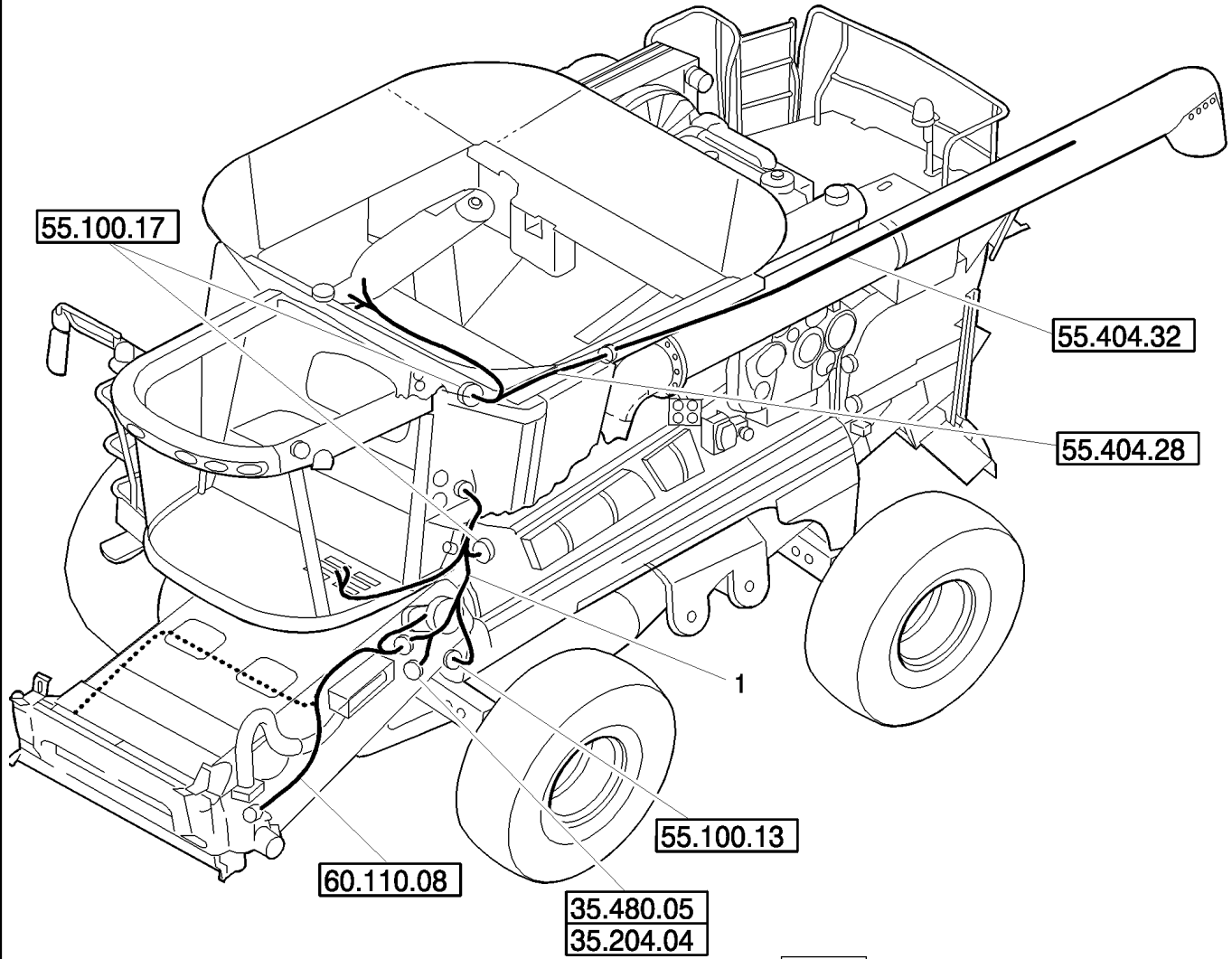





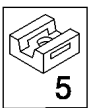
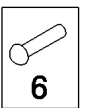
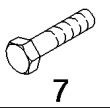
WIRE HARNESS, MAIN FRAME

REF	FN	PART NUMBER	YR/SN	QTY	DESCRIPTION
1		87637787	BSN Y9G206185	1	WIRE HARNESS, Main Frame
1		84177367	From 03/09, ASN Y9G206185	1	WIRE HARNESS, Main Frame, Effective with PIN Y9G206185
2		87727144		1	WIRE HARNESS, Expansion
2		84186665		1	WIRE HARNESS, Expansion
3		87049215		1	HORN
4		82002966		2	POWER SOCKET
5		86534915		1	GROUND CABLE
6		87342073		1	SENSOR
7		87644336		1	COVER
8		87036591		1	COVER
9		87108836		1	PLATE
10		140042		1	WASHER, M10 x 34 x 3
11		140045		1	BELLEVILLE WASHER, M10
12		86050286		1	FLANGE BOLT, Hex, M10 x 20, 8.8, Full Thd
13		322358		4	BELLEVILLE WASHER, M8
14		336199		2	BOLT, Hex, M8 x 12, 8.8, Full Thd
15		86508568		1	BOLT, Hex, M6 x 16, Cl 8.8, Full Thd
16		322357		1	BELLEVILLE WASHER, M6
17		9706755		1	NUT, M6, Cl 8
18		636665		5	LOCK WASHER, M4.3 x 4.75 x 1.575 Thk
19		86619907		5	NUT, 1.6875"-18
20		134577		3	CLIP, J
21		86590413		66	CLAMP
22		445394		66	RIVET, Pop, M4.8 x 12.7
23		86566989		90	CABLE STRAP, M4.75 x 190.5 L
24		86507486		1	CARRIAGE BOLT, Short NK, M8 x 20, Cl 8.8, Full Thd
25		9706690		1	NUT, M8, Cl 8
26		120104		1	BOLT, Hex, M8 x 20, 8.8
27		50773		2	SELF-TAP SCREW
28		412255		2	BOLT, Hex, M4 x 20, 8.8, Full Thd
29		9824840		2	WASHER, M4.3 x 9 x 0.8
30		385681		2	LOCK NUT, M4 x .7, Cl 8
31		9861348		1	NUT, 1 1/2"-18
32		9861349		1	LOCK WASHER, M38 x 1.57 Thk

**9120 7120 8120 7120
8120**

WIRE HARNESS, THRESHING FRAME



- | | | | | | |
|--|---|--|--|--|--|
| 
2 | 
3, 8 | 
4, 9 | 
5 | 
6 | 
7 |
|--|---|--|--|--|--|

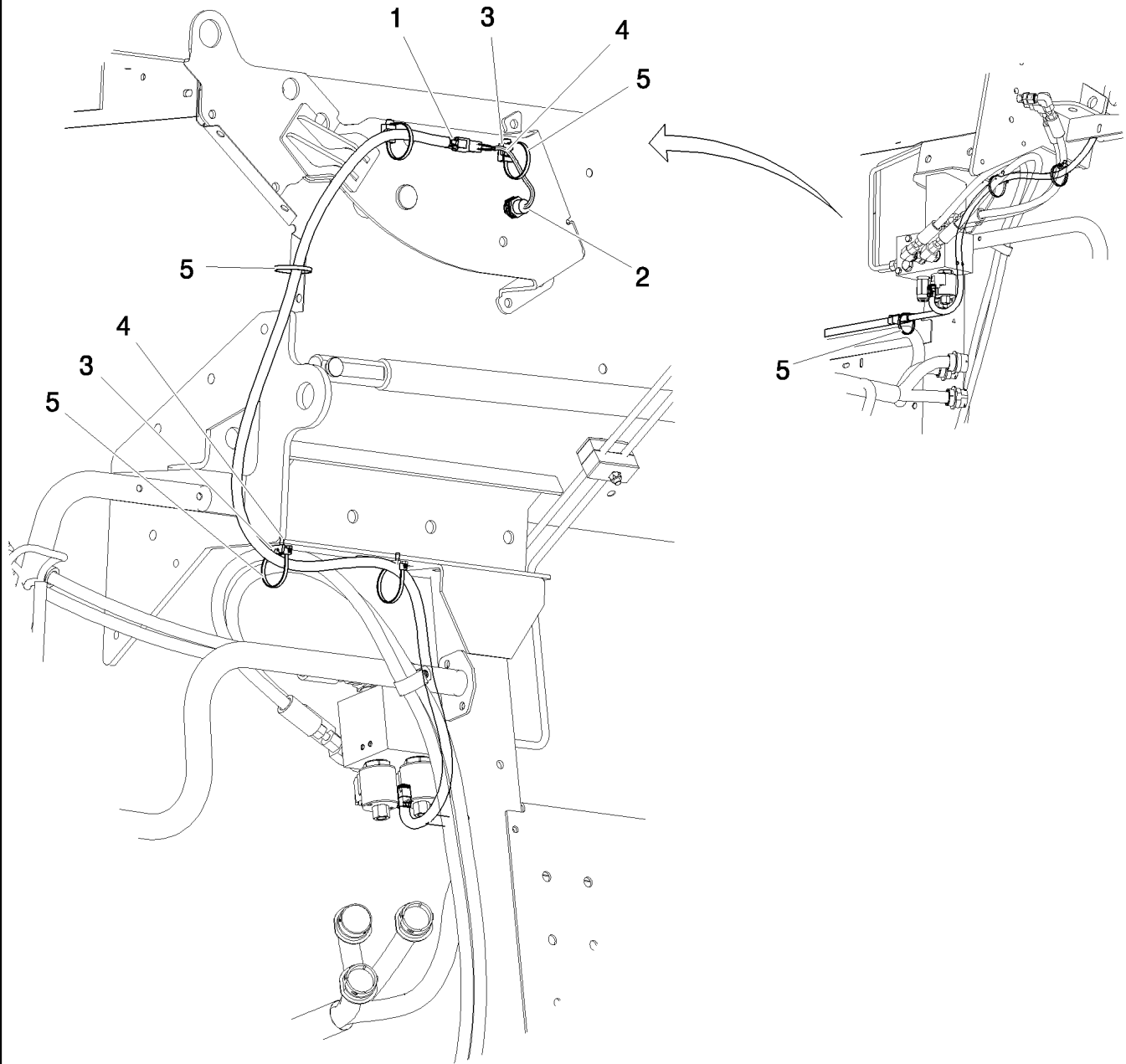


WIRE HARNESS, THRESHING FRAME

REF	FN	PART NUMBER	YR/SN	QTY	DESCRIPTION
1		87490413	Before 12/09, BSN Y9G207118	1	WIRE HARNESS, Threshing Frame
1		84194263	From 01/10, ASN Y9G207118	1	WIRE HARNESS
2		86619907		1	NUT, 1.6875"-18
3		636665		1	LOCK WASHER, M43 x 4.75 x 1.575 Thk
4		86566989		AR	CABLE STRAP, M4.75 x 190.5 L, 7.5"
5		86590413		AR	CLAMP, Base, Wire Tie
6		445394		AR	RIVET, Pop, M4.8 x 12.7
7		120104		1	BOLT, Hex, M8 x 20, 8.8
8		322358		1	BELLEVILLE WASHER, M8
9		86566990		AR	CABLE STRAP, M4.8 x 292 L, 11"

**9120 7120 8120 7120
8120**

WIRING HARNESS, GRAIN TANK COVER, 350 BUSHEL, MY2010 ASN Y9G207611



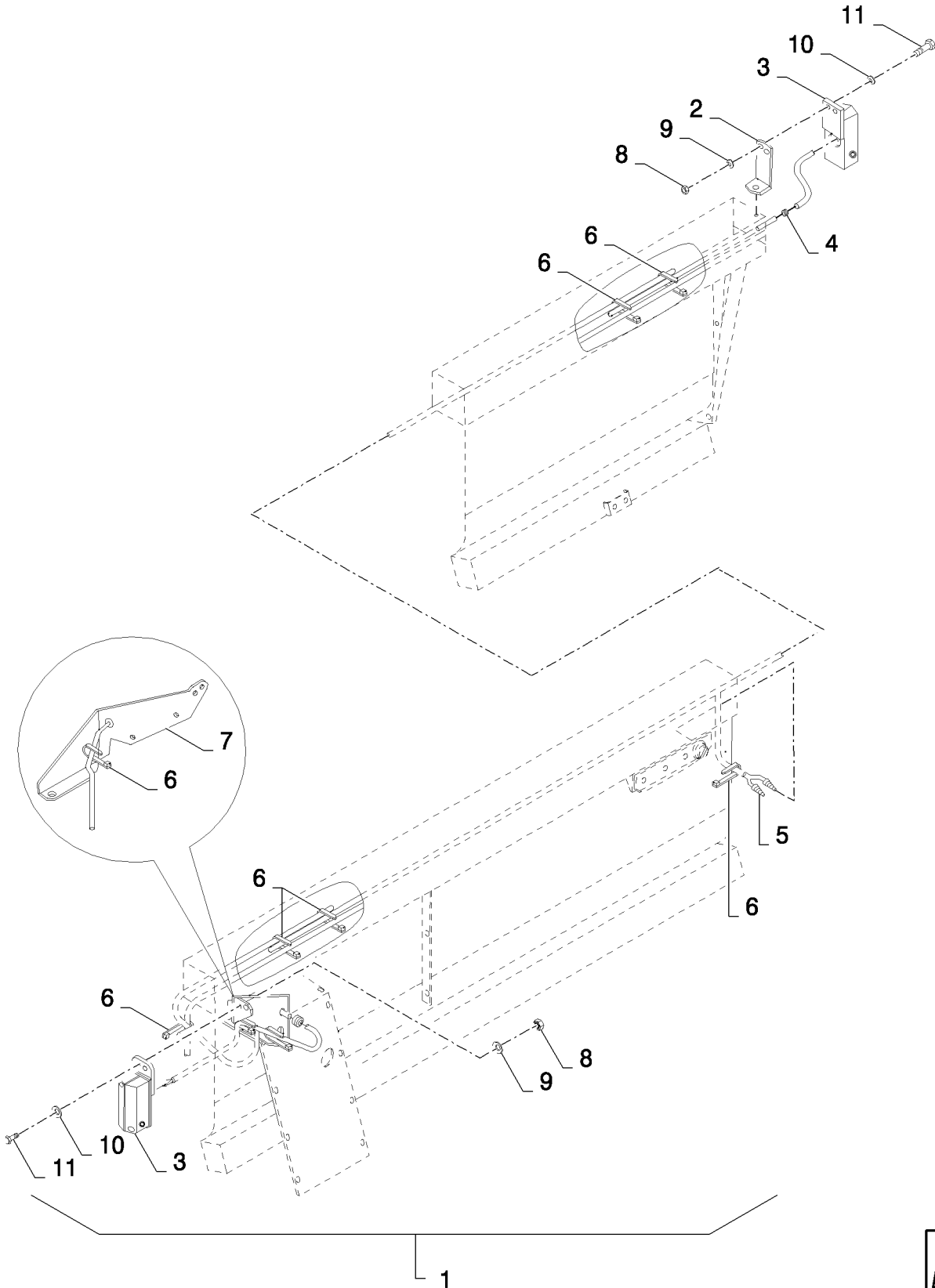
WIRING HARNESS, GRAIN TANK COVER, 350 BUSHEL, MY2010 ASN Y9G207611

REF	FN	PART NUMBER	YR/SN	QTY	DESCRIPTION
1		84137815		1	WIRE HARNESS, Grain Tank Cover, Harness
2		87342073		1	SENSOR
3		86590413		4	CLAMP
4		445394		4	RIVET, Pop, M4.8 x 12.7
5	1	86566989		1	CABLE STRAP, M4.75 x 190.5 L

(1) Sold in Pkg of 10, Only 6 each Needed this Application

**7120 7120 9120 8120
8120**

GRAIN HEADER ILLUMINATION



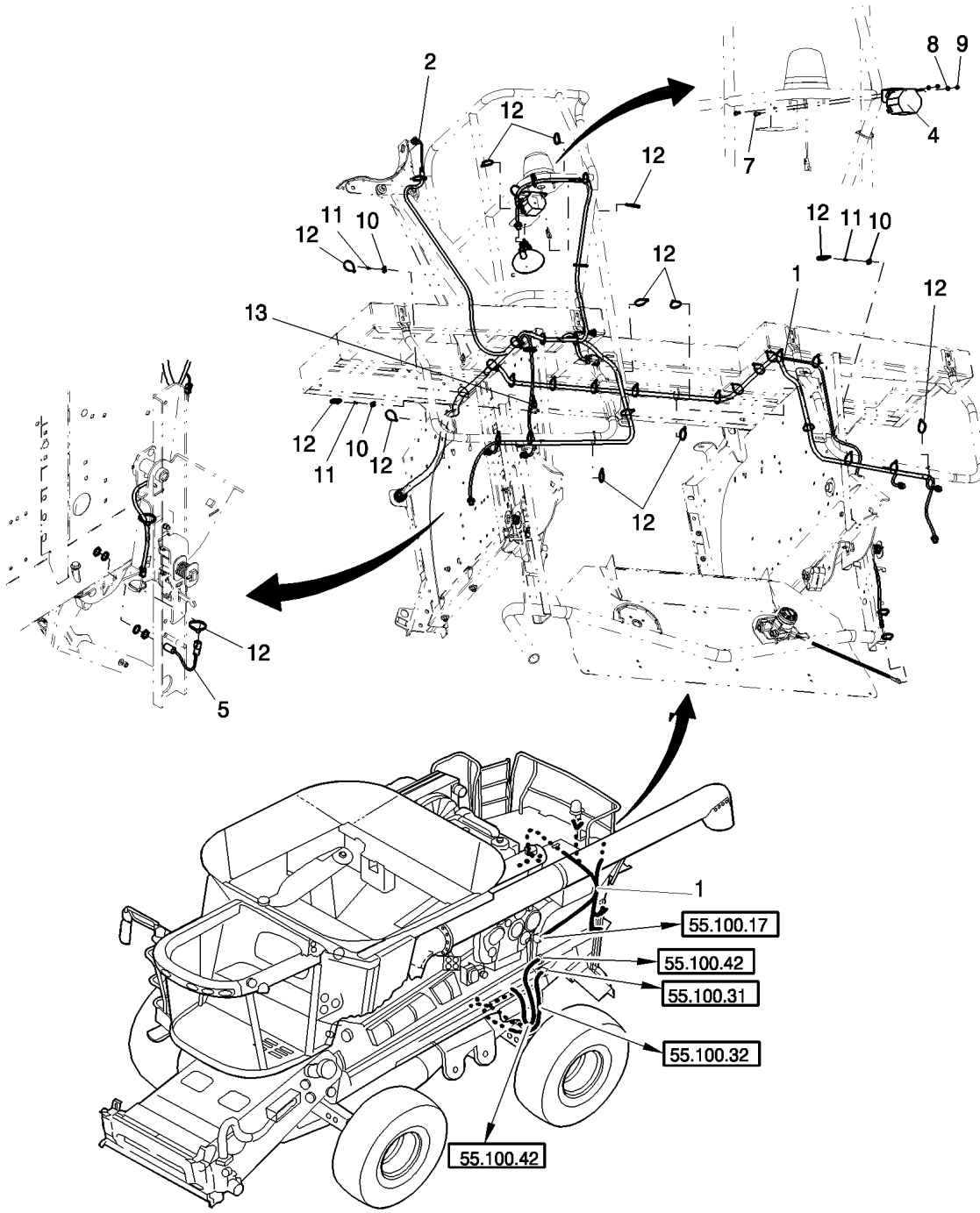
GRAIN HEADER ILLUMINATION

REF	FN	PART NUMBER	YR/SN	QTY	DESCRIPTION
1		84050562		1	DIA KIT, HARVESTER, 2 to 11
2		84077733		1	BRACKET
3		449531		2	LAMP
4		335315		2	GROMMET
5		84432334		1	WIRE HARNESS, Grain Head Illumination
6		86566989		9	CABLE STRAP, M4.75 x 190.5 L
7		84432804		1	SUPPORT
8		353308		4	NUT, M6 x 1, CI 8
9		322357		4	BELLEVILLE WASHER, M6
10		140015		4	WASHER, M6
11		120100		4	BOLT, Hex, M6 x 20, 8.8

EU ONLY

**7120 7120 8120 9120
8120**

WIRE HARNESS, STRAWHOOD - REAR



55.100.30

p1

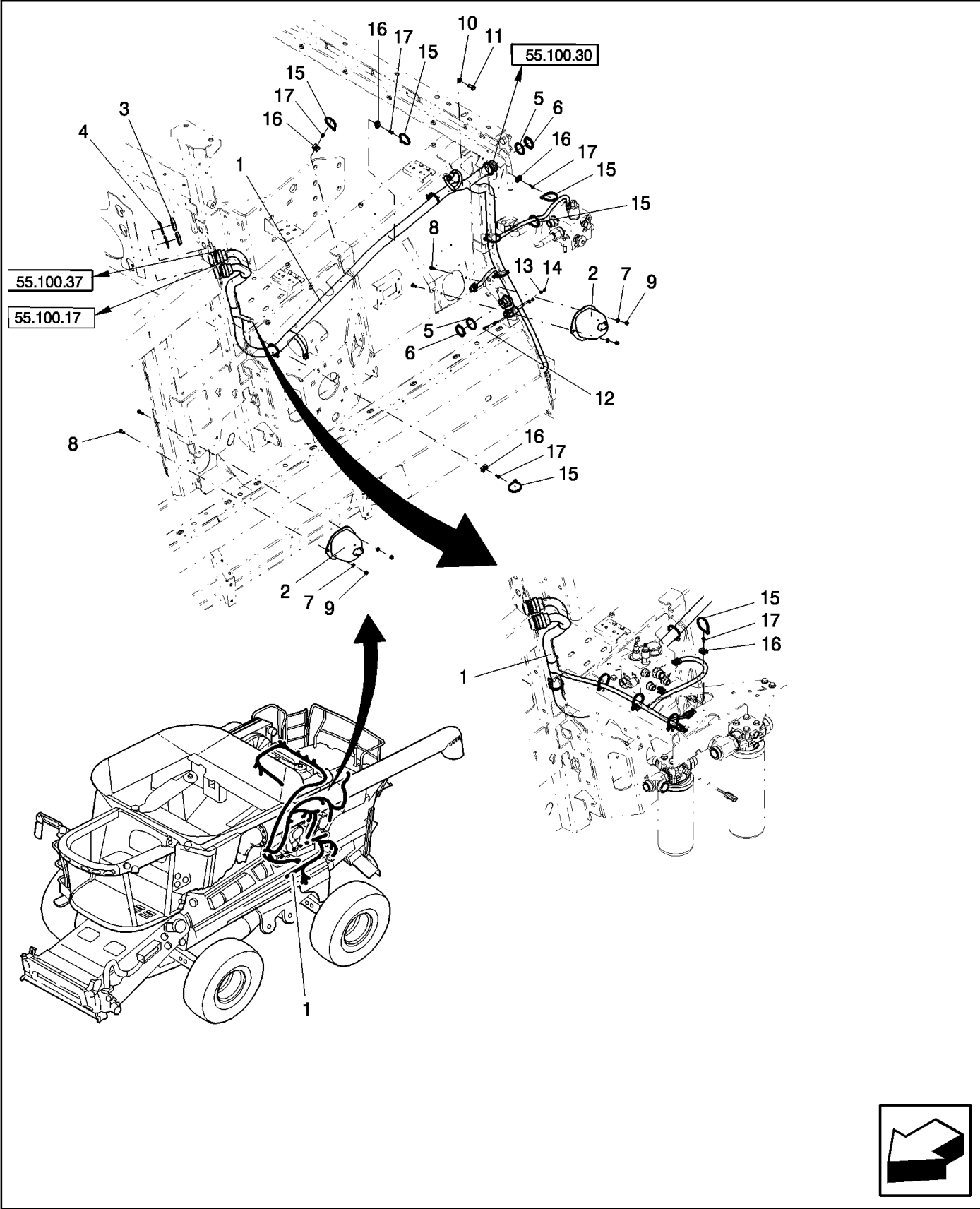
10/09

WIRE HARNESS, STRAWHOOD - REAR

REF	FN	PART NUMBER	YR/SN	QTY	DESCRIPTION
1		87637789		1	WIRE HARNESS, Strawhood, Rear
2		87342073		1	SENSOR, Unloading Tube Position
3		87284332		2	WORK LAMP, Incl Bulb
3		139119A1		2	BULB, #886, 12V, 50W
4		87010223		1	BUZZER, Back-Up Alarm
5		87342073		1	SENSOR, Ladder Position
6		82002966		1	POWER SOCKET
7		120100		2	BOLT, Hex, M6 x 20, 8.8
8		86588450		2	WASHER, M6 x 12 x 1.6 Thk
9		353308		2	NUT, M6 x 1, Cl 8
10		86590413		6	CLAMP
11		445394		6	RIVET, Pop, M4.8 x 12.7
12		86566989		44	CABLE STRAP, M4.75 x 190.5 L
13		87342073		1	SENSOR, Spreader Position

**9120 7120 8120 7120
8120**

WIRE HARNESS, STRAWHOOD - FRONT

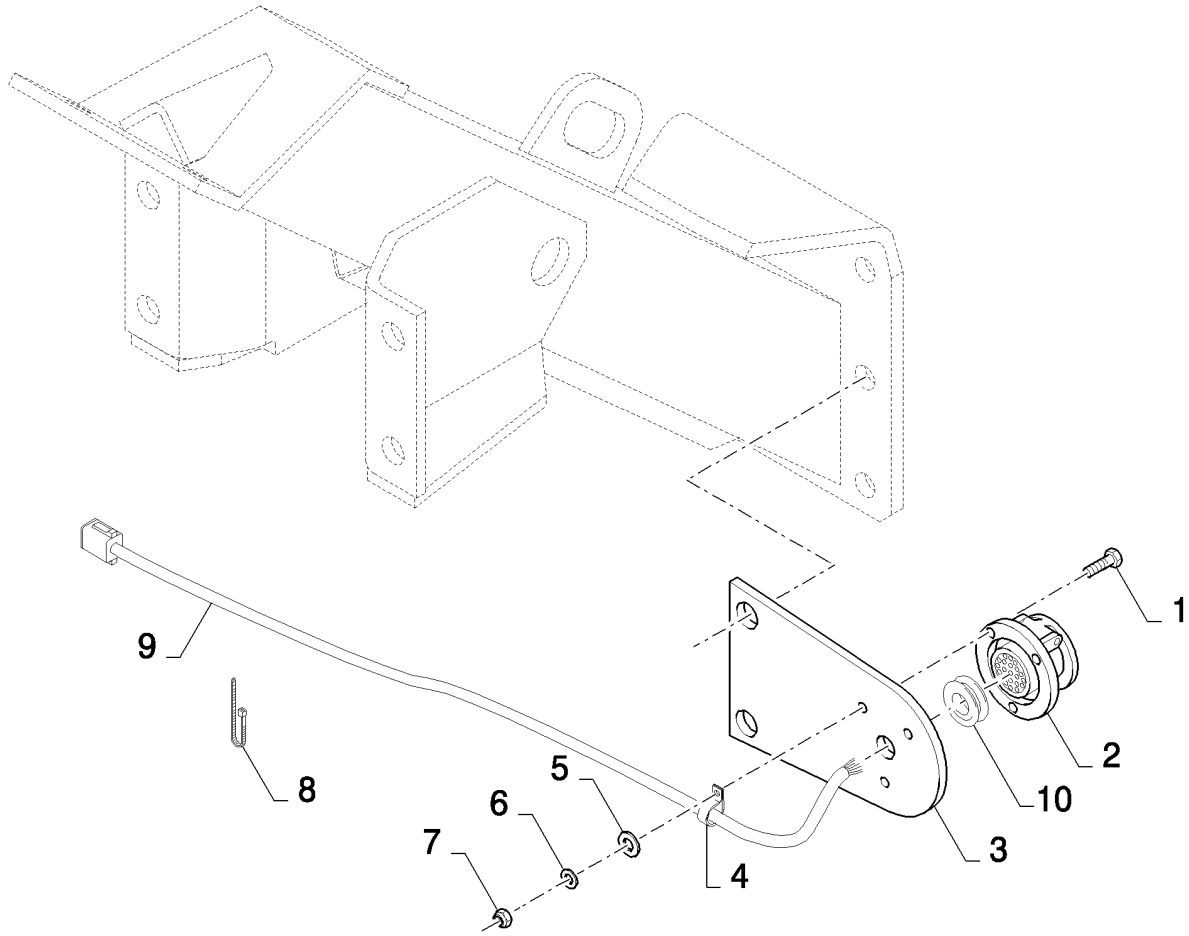
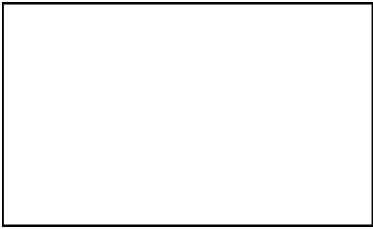


WIRE HARNESS, STRAWHOOD - FRONT

REF	FN	PART NUMBER	YR/SN	QTY	DESCRIPTION
1		87637788		1	WIRE HARNESS, Strawhood, Front
2		86590412		2	LAMP, Incl Bulb
2		9847313		2	BULB, #894, 12V, 37.5W, Used in 86590412
3		86619907		2	NUT, 1.6875"-18
5		9861349		2	LOCK WASHER, M38 x 1.57 Thk
6		9861348		2	NUT, 1 1/2"-18
7		86588450		4	WASHER, M6 x 12 x 1.6 Thk
8		86508568		4	BOLT, Hex, M6 x 16, CI 8.8, Full Thd
9		353308		4	NUT, M6 x 1, CI 8
10		322358		1	BELLEVILLE WASHER, M8
11		120104		1	BOLT, Hex, M8 x 20, 8.8
12		412255		2	BOLT, Hex, M4 x 20, 8.8, Full Thd
13		9824840		2	WASHER, M4.3 x 9 x 0.8
14		385681		2	LOCK NUT, M4 x .7, CI 8
15		86566989		13	CABLE STRAP, M4.75 x 190.5 L
16		86590413		12	CLAMP
17		445394		12	RIVET, Pop, M4.8 x 12.7

**9120 7120 8120 7120
8120**

ELECTRICS ON HITCH



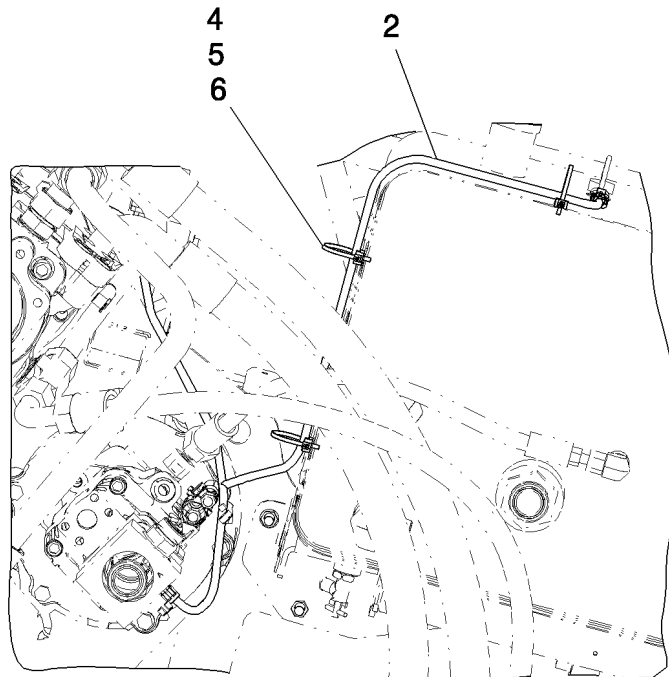
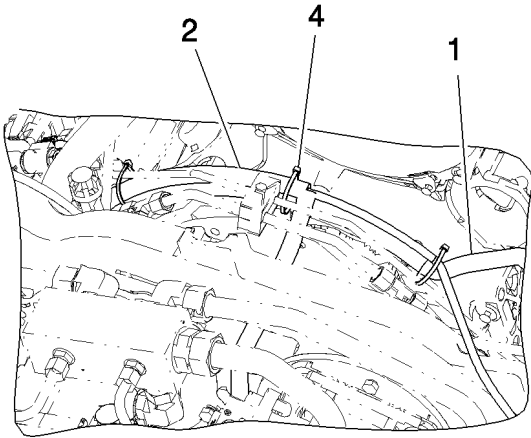
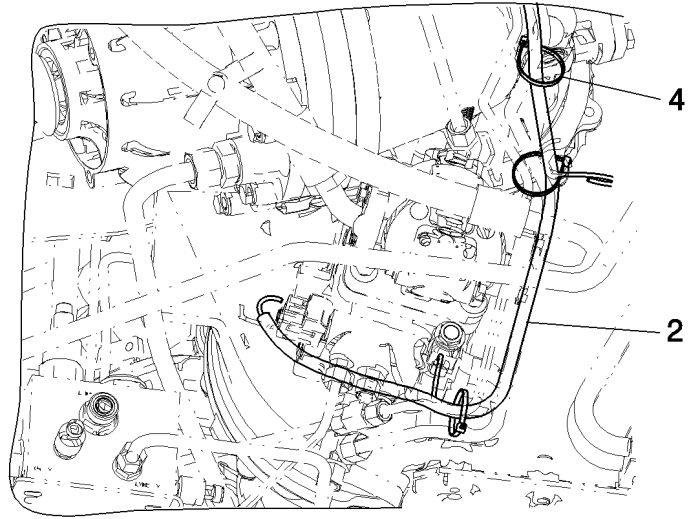
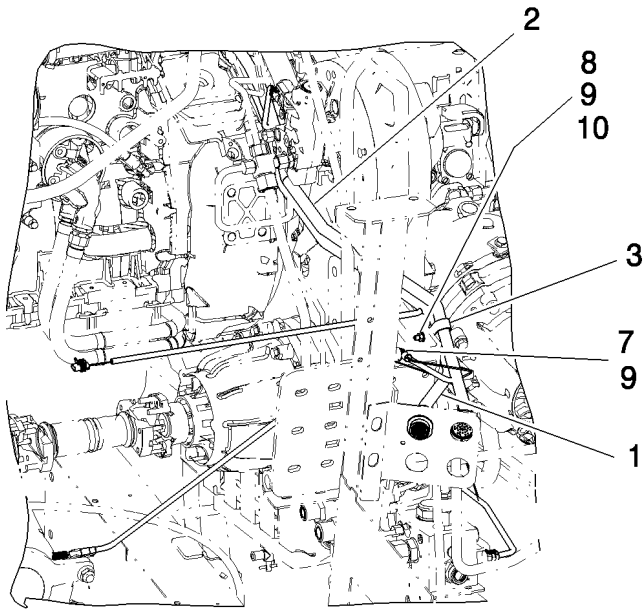
ELECTRICS ON HITCH

REF	FN	PART NUMBER	YR/SN	QTY	DESCRIPTION
	1	84081533			HITCH, Kit
	2	84081530			HITCH, Kit
1	1	86585708		3	SCREW, Cross Pan Hd, M4 x 40
1	2	43127		3	BOLT, Hex, M8 x 25, 8.8
1	1	120104		1	BOLT, Hex, M8 x 20, 8.8
2	1	398224		1	POWER SOCKET
2	2	265927		1	POWER SOCKET
3	1	84432533		1	BRACKET, Plate, Fixing
3	2	86837475		1	BRACKET, Plate, Fixing
4		9706748		2	CLAMP, 5/8", Insul, 5/16" Bolt
5	1	86588450		1	WASHER, M6 x 12 x 1.6 Thk
6	1	89824840		3	WASHER, M4.3 x 9 x 0.8
6	2	322358		AR	BELLEVILLE WASHER, M8
6	1	322358		1	BELLEVILLE WASHER, M8
7	1	385681		3	LOCK NUT, M4 x .7, CI 8
7	2	9706690		3	NUT, M8, CI 8
7	1	9706690		1	NUT, M8, CI 8
8		86566989		7	CABLE STRAP, M4.75 x 190.5 L
9		86604178		1	WIRE HARNESS, Hitch
10	1	102043		1	GROMMET, 3/4" x 1 3/8" x 1 1/16"

(1) For EU & Latin America
(2) For NA Only

**9120 7120 8120 7120
8120**

WIRE HARNESS, ENGINE GEARBOX - 7120/7120(LA)



55.100.34

01

p1

02/10

WIRE HARNESS, ENGINE GEARBOX - 7120/7120(LA)

REF	FN	PART NUMBER	YR/SN	QTY	DESCRIPTION
1		87637795		1	WIRE HARNESS, Engine
2		87637786		1	WIRE HARNESS, Gearbox
3		87000220		1	HOSE CLAMP
4		86566989		AR	CABLE STRAP, M4.75 x 190.5 L
5		86590413		AR	CLAMP
6		445394		AR	RIVET, Pop, M4.8 x 12.7
7		120104		5	BOLT, Hex, M8 x 20, 8.8
8		9706690		5	NUT, M8, CI 8
9		322358		2	BELLEVILLE WASHER, M8
10		43128		1	SCREW, Hex, M8 x 30, 8.8
11		86566990		4	CABLE STRAP, M4.8 x 292 L

7120 7120

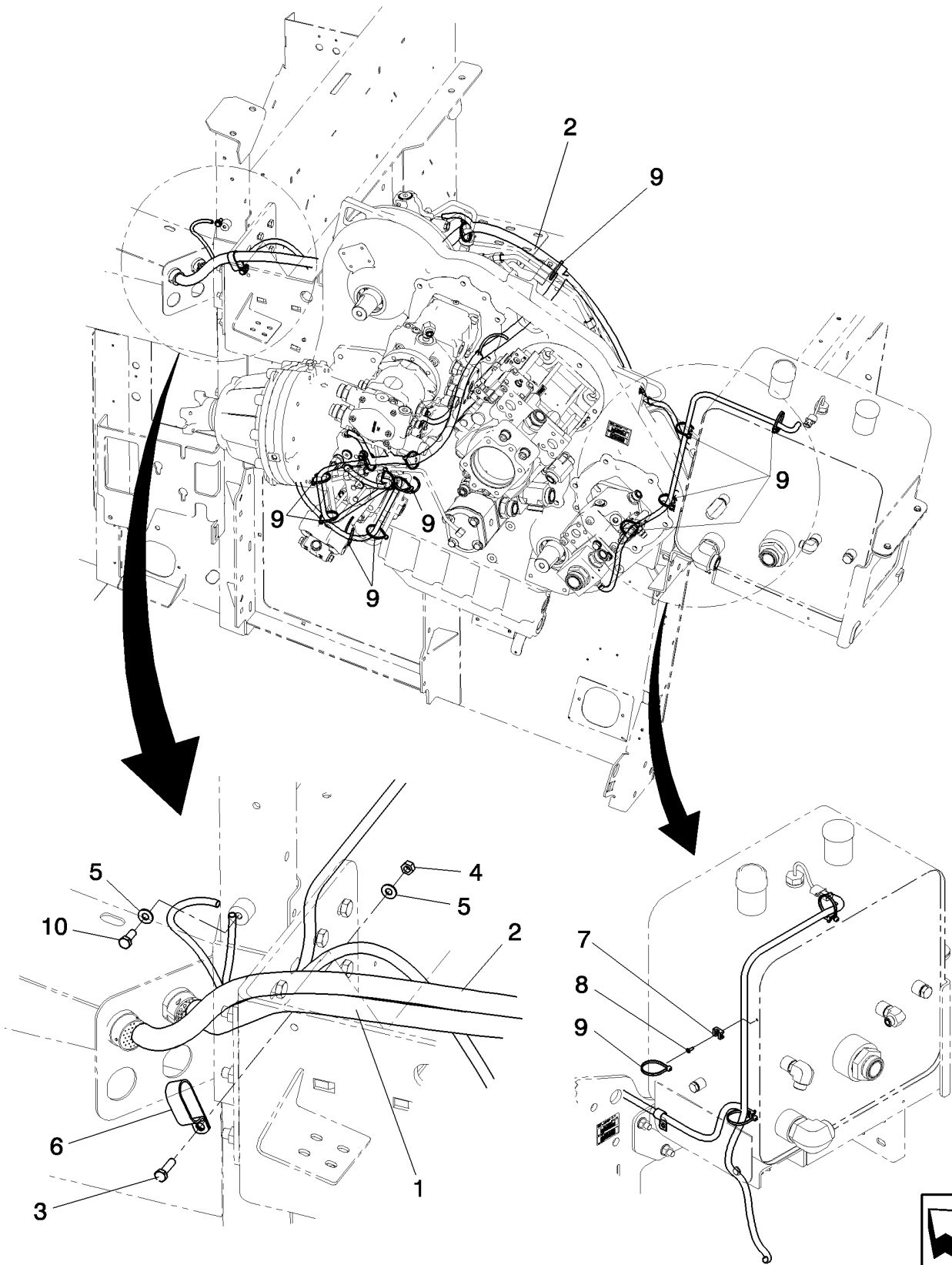
55.100.34

02

p1

02/10

WIRE HARNESS, ENGINE GEARBOX - 8120/8120(LA)



55.100.34

02

p1

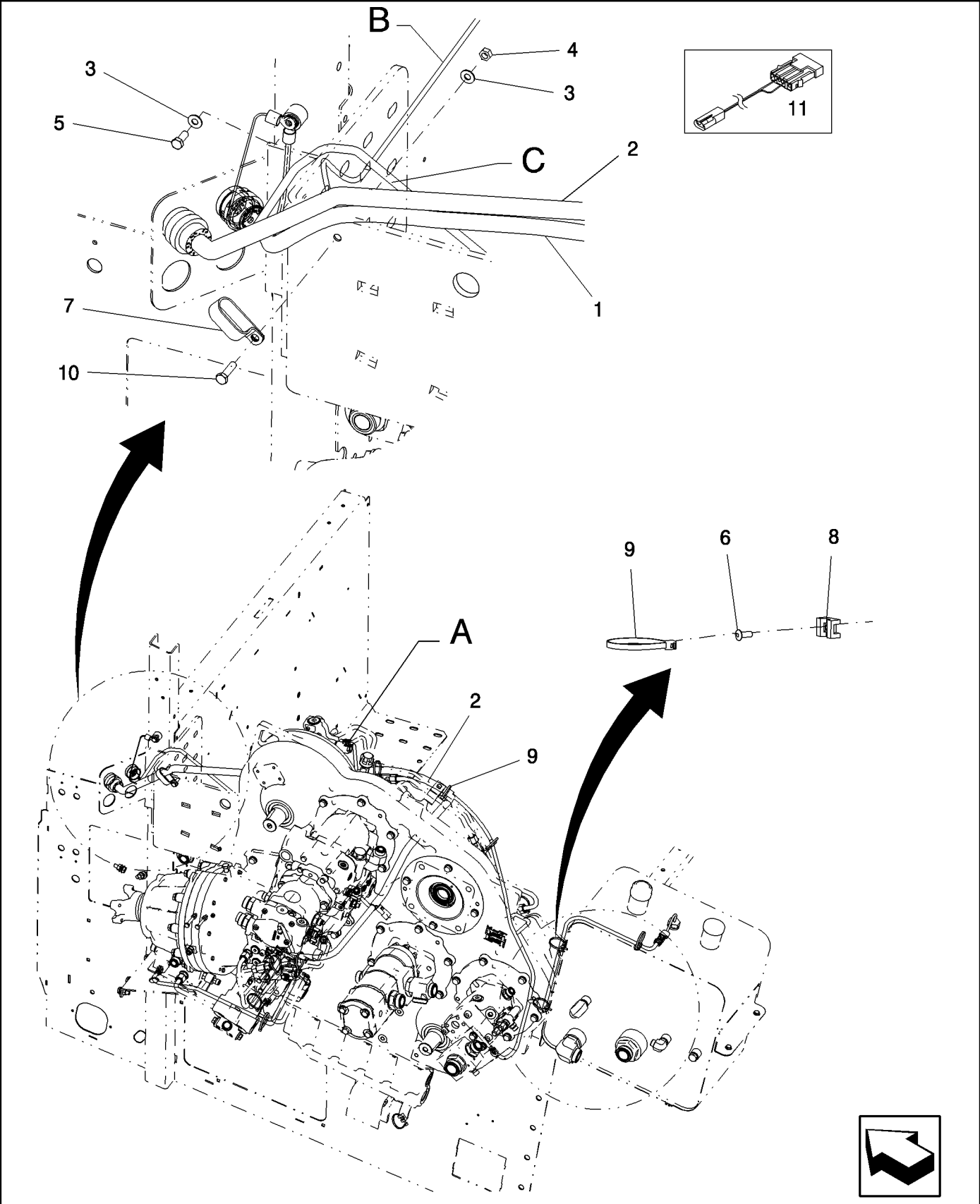
02/10

WIRE HARNESS, ENGINE GEARBOX - 8120/8120(LA)

REF	FN	PART NUMBER	YR/SN	QTY	DESCRIPTION
1		87716827		1	WIRE HARNESS, Engine
2		87637786		1	WIRE HARNESS, Gearbox
3		43128		1	SCREW, Hex, M8 x 30, 8.8
4		9706690		1	NUT, M8, CI 8
5		322358		2	BELLEVILLE WASHER, M8
6		87000220		1	HOSE CLAMP
7		86590413		3	CLAMP
8		445394		3	RIVET, Pop, M4.8 x 12.7
9		86566989		AR	CABLE STRAP, M4.75 x 190.5 L
10		120104		1	BOLT, Hex, M8 x 20, 8.8

8120 8120

WIRE HARNESS, ENGINE GEARBOX - 9120



55.100.34

03

p1

02/10

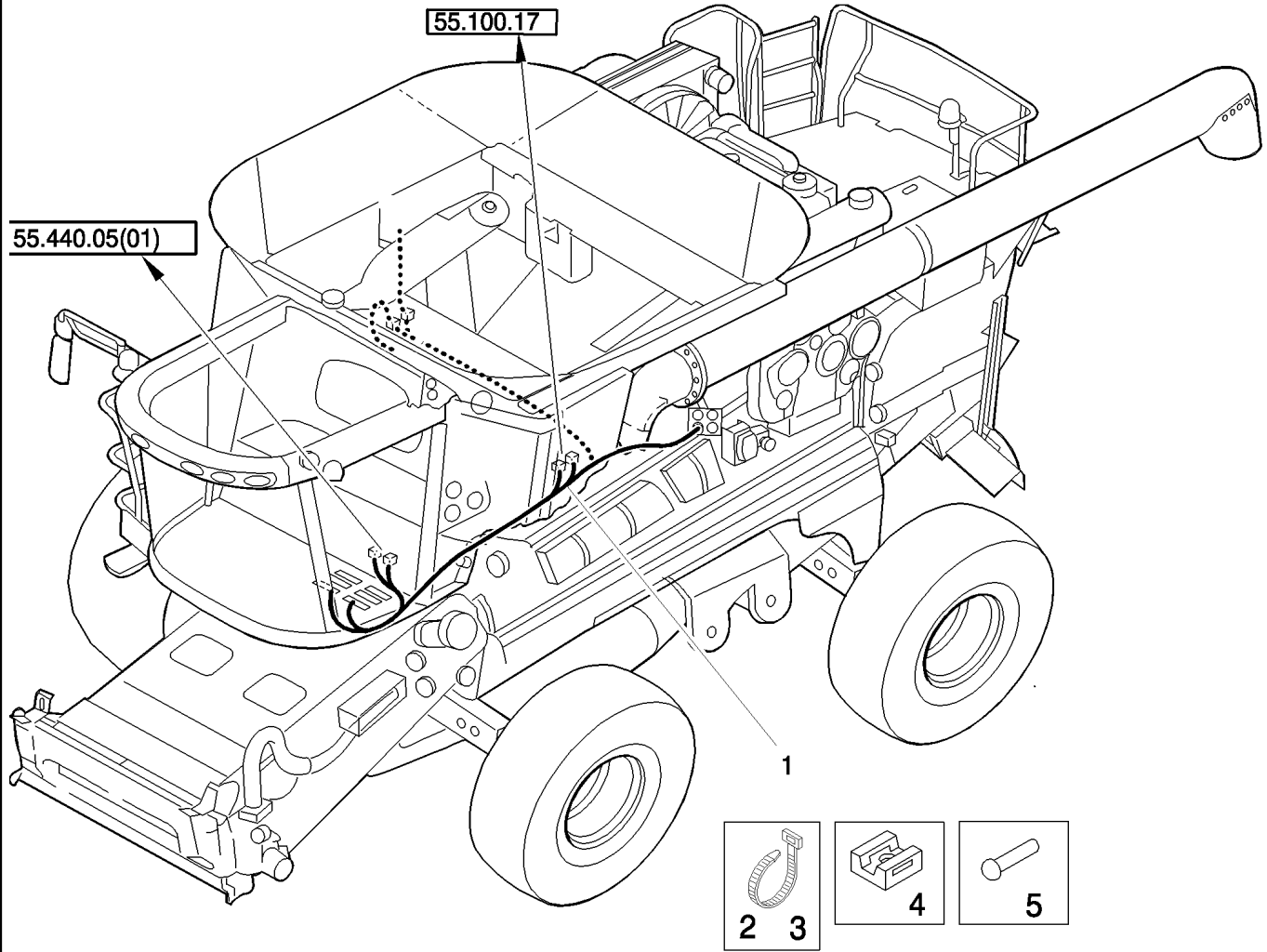
WIRE HARNESS, ENGINE GEARBOX - 9120

REF	FN	PART NUMBER	YR/SN	QTY	DESCRIPTION
1		87637790		1	WIRE HARNESS, Engine
2		87637786		1	WIRE HARNESS, Engine Gearbox
3		322358		2	BELLEVILLE WASHER, M8
4		9706690		1	NUT, M8, CI 8
5		120104		1	BOLT, Hex, M8 x 20, 8.8
6		445394		3	RIVET, Pop, M4.8 x 12.7
7		87000220		1	HOSE CLAMP
8		86590413		3	CLAMP
9		86566989		3	CABLE STRAP, M4.75 x 190.5 L
10		43128		1	SCREW, Hex, M8 x 30, 8.8
11		87284207		1	WIRE HARNESS, Fixed Speed Feeder Adapter

A = To Unloader Valve, B = To Optional Brush Motor, C = Rotor RPM

9120

WIRE HARNESS, EXPANSION

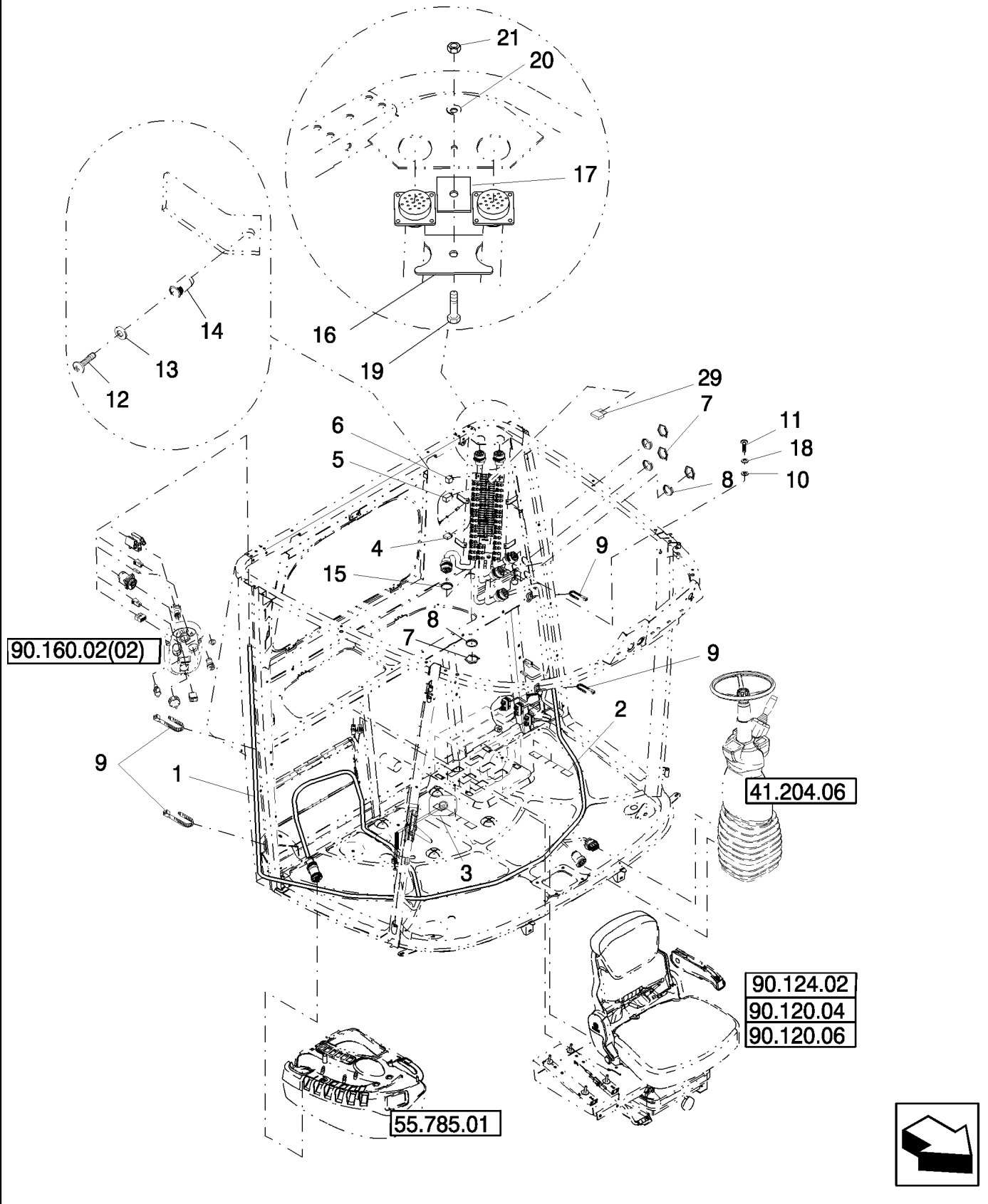


WIRE HARNESS, EXPANSION

REF	FN	PART NUMBER	YR/SN	QTY	DESCRIPTION
1		87727144		1	WIRE HARNESS, Expansion
2		86566990		AR	CABLE STRAP, M4.8 x 292 L, 11"
3		86566989		AR	CABLE STRAP, M4.75 x 190.5 L, 7.5"
4		86590413		AR	CLAMP, Base, Wire Tie
5		445394		AR	RIVET, Pop, M4.8 x 12.7

	<p>9120 7120 8120 7120 8120</p>
--	---

MAIN CAB ELECTRICITY

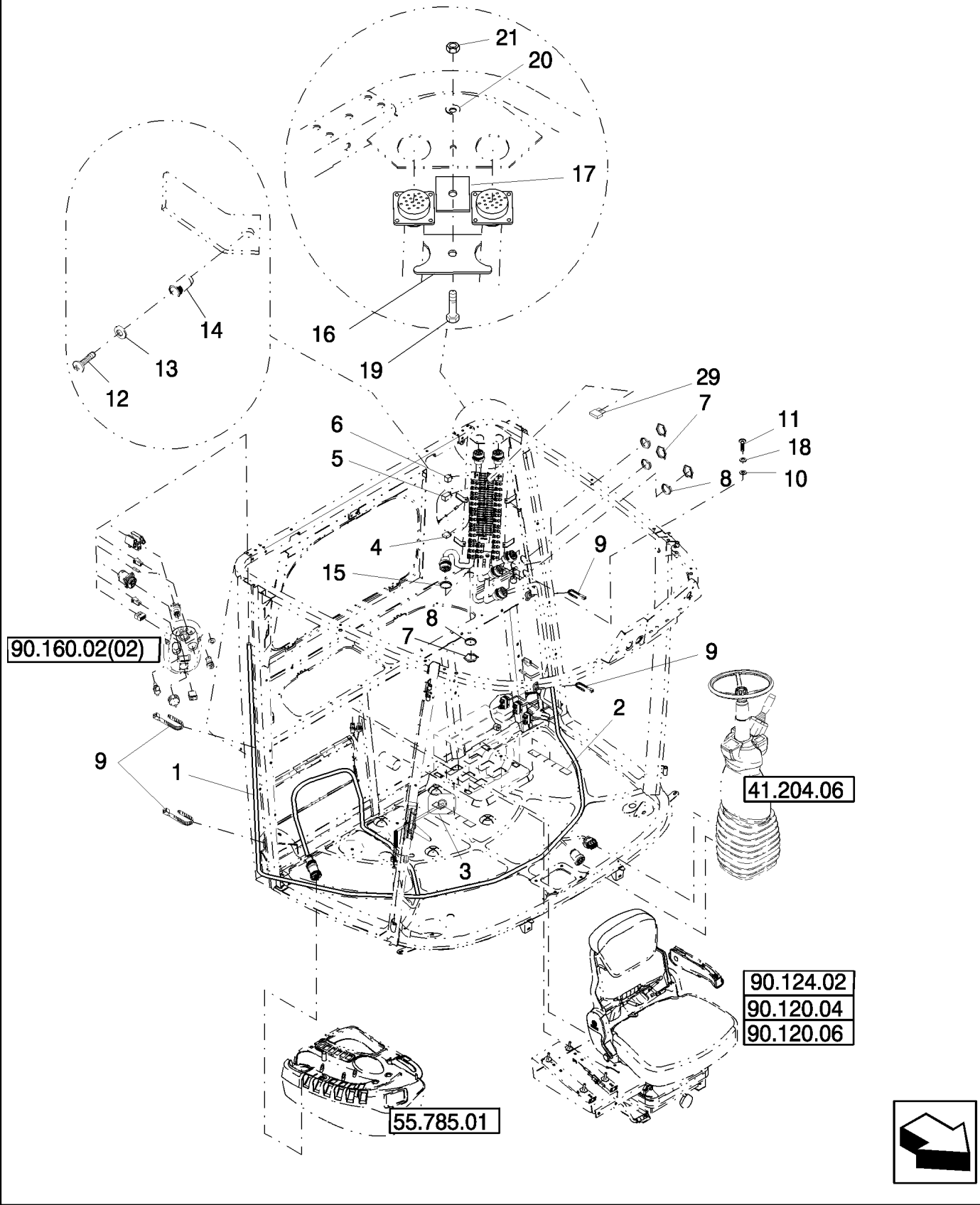


MAIN CAB ELECTRICITY

REF	FN	PART NUMBER	YR/SN	QTY	DESCRIPTION
1		87490411		1	WIRE HARNESS, Main, Cab
2		86611340		1	DECAL, L.H.
3		86611339		1	DECAL, R.H.
4		86509590		33	RELAY, 20 Amp
5		86633776		1	TIMER
6		86529089		1	RELAY, SPDT
7		86619907		4	NUT, 1.6875"-18
8		636665		4	LOCK WASHER, M43 x 4.75 x 1.575 Thk
9		323597		4	CABLE STRAP, M9 x 165 or M5 x 197
10		140016		1	WASHER, M8 x 16 x 1.6
11		120104		1	BOLT, Hex, M8 x 20, 8.8
12		87324967		4	SCREW, Pan Hd, Thd Rolling, M4 x 16, Self-Tapping - Use without Ref 14
13		9824840		4	WASHER, M4.3 x 9 x 0.8
14		84438912		4	THREADED INSERT, M4 x 0.7
15		87010222		4	GASKET
16		87010225		1	PLATE
17		87013665		1	PLATE
18		322358		1	BELLEVILLE WASHER, M8
19		120100		1	BOLT, Hex, M6 x 20, 8.8
20		322357		1	BELLEVILLE WASHER, M6
21		9706755		1	NUT, M6, CI 8
22		178149A1		1	SOLENOID SWITCH, Start Relay, Includes Ref 23 - 28
23		178148A1		1	COVER
24		183038A1		1	SOLENOID SWITCH, Component Of 178149A1
25		225-14210		1	NUT, #10-32
26		231-5145		3	NUT, Flg, USR, 5/16"-18
27		492-11010		1	LOCK WASHER, #10
28		L18337		2	CABLE STRAP, 9.95"-12.1" lg
29		9623775		AR	FUSE, 5 Amp, Tan
29		9623776		AR	FUSE, 7.5 Amp, Brown
29		9811773		AR	FUSE, 10 Amp
29		9623774		AR	FUSE, 15 Amp, Blue
29		9804895		AR	FUSE, 20 Amp, Yellow

**9120 7120 8120 7120
8120**

MAIN CAB ELECTRICITY



MAIN CAB ELECTRICITY						
-----------------------------	--	--	--	--	--	--

REF	FN	PART NUMBER	YR/SN	QTY	DESCRIPTION	
29		83932926		AR	FUSE, 25 Amp, Natural	
29		92277		AR	FUSE, 30 Amp, Green	
29		84038658		AR	FUSE, 40 Amp, Orange	

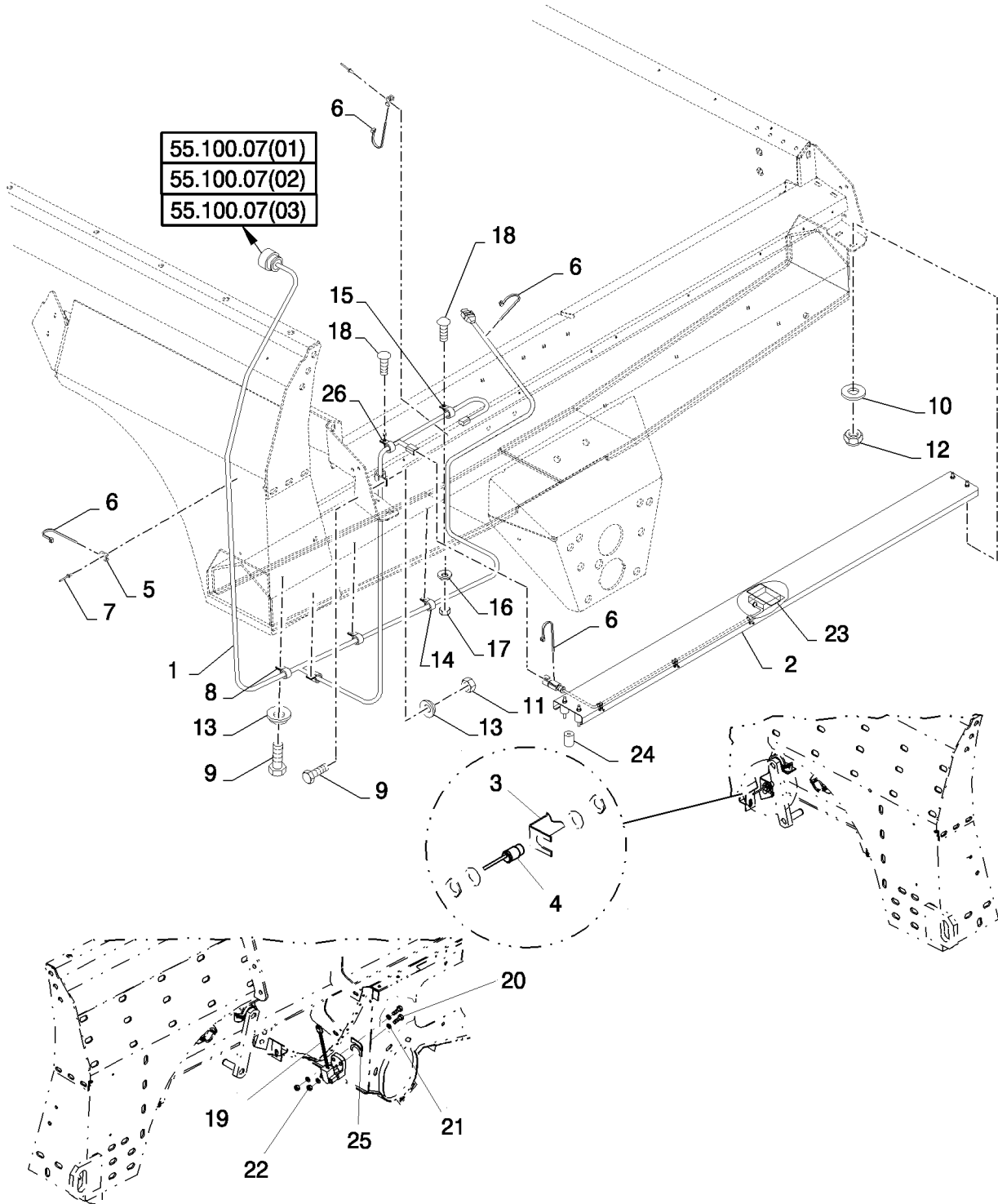
	9120 7120 8120 7120 8120
--	---

55.100.42

p1

12/09

WIRE HARNESS, REAR, LOWER FRAME



WIRE HARNESS, REAR, LOWER FRAME

REF	FN	PART NUMBER	YR/SN	QTY	DESCRIPTION
1	1	86900862		1	WIRE HARNESS, Std Shoe
1	2	86900861		1	WIRE HARNESS, Narrow Shoe
2	1	84131598		1	DETECTOR, Incl Ref 23 & 24
2	2	84131597		1	DETECTOR, Incl Ref 23 & 24
3		86997800		1	BRACKET
4		87342073		1	SENSOR, Shaker Speed
5		86590413		3	CLAMP, Base, Tie Wrap
6		86566989		7	CABLE STRAP, M4.75 x 190.5 L
7		445394		3	RIVET, Pop, M4.8 x 12.7
8		619284		1	CLAMP, 15/16", Insul, 3/8" Bolt
9		120100		5	BOLT, Hex, M6 x 20, 8.8
10		412649		4	SPRING WASHER, Belleville, M6
11		9706755		1	NUT, M6, CI 8
12		353308		4	NUT, M6 x 1, CI 8
13		322357		5	BELLEVILLE WASHER, M6
14		89837692		4	CLAMP
15	3	86010402		4	CLAMP, 1/2", Insul, 3/8" Bolt
16		322358		4	BELLEVILLE WASHER, M8
17		9706690		4	NUT, M8, CI 8
18		86619060		4	CARRIAGE BOLT, Short NK, M8 x 16, CI8.8, Full Thd
19		87630204	BSN Y9G207395	1	SENSOR, Tailings Volume
19		84212481	From 04/09, ASN Y9G207395	1	SENSOR, Tailings Volume
20		43128		2	SCREW, Hex, M8 x 30, 8.8
21		140016		4	WASHER, M8 x 16 x 1.6
22		832-46408		2	LOCK NUT, M8 x 1.25, CI 8
23		NSS		1	NOT SERVICED SEPARATELY, Sensor, Grain Loss
24		84131033		4	DAMPER
25		87494198	From 04/09, ASN Y9G207395	1	ADJUSTING PLATE
26		86594406	From 04/09	1	CLAMP, 5/8", Insul, 3/8" Bolt
(1)	8120 & 9120 Only				
(2)	7120 Only				
(3)	After 4/2009, 7020 uses quantity 1 and 8120, 9120 uses quantity of 3				

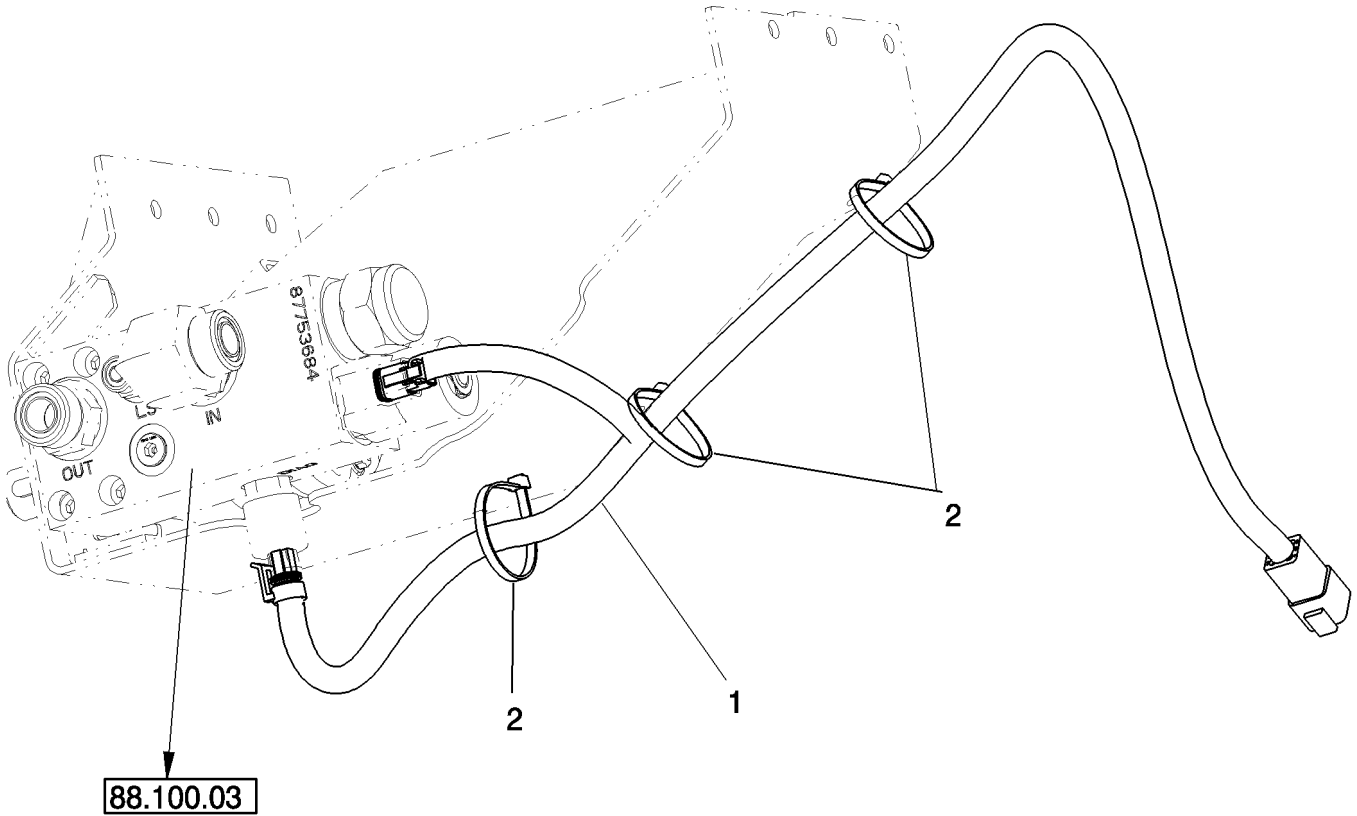
**9120 7120 8120 7120
8120**

55.100.53

p1

10/09

WIRE HARNESS, CROSS AUGER DRIVE, SPECIAL FOR RICE - NA ONLY - PIN Y9G206259 AND AFTER - 7120, 8120, 9120

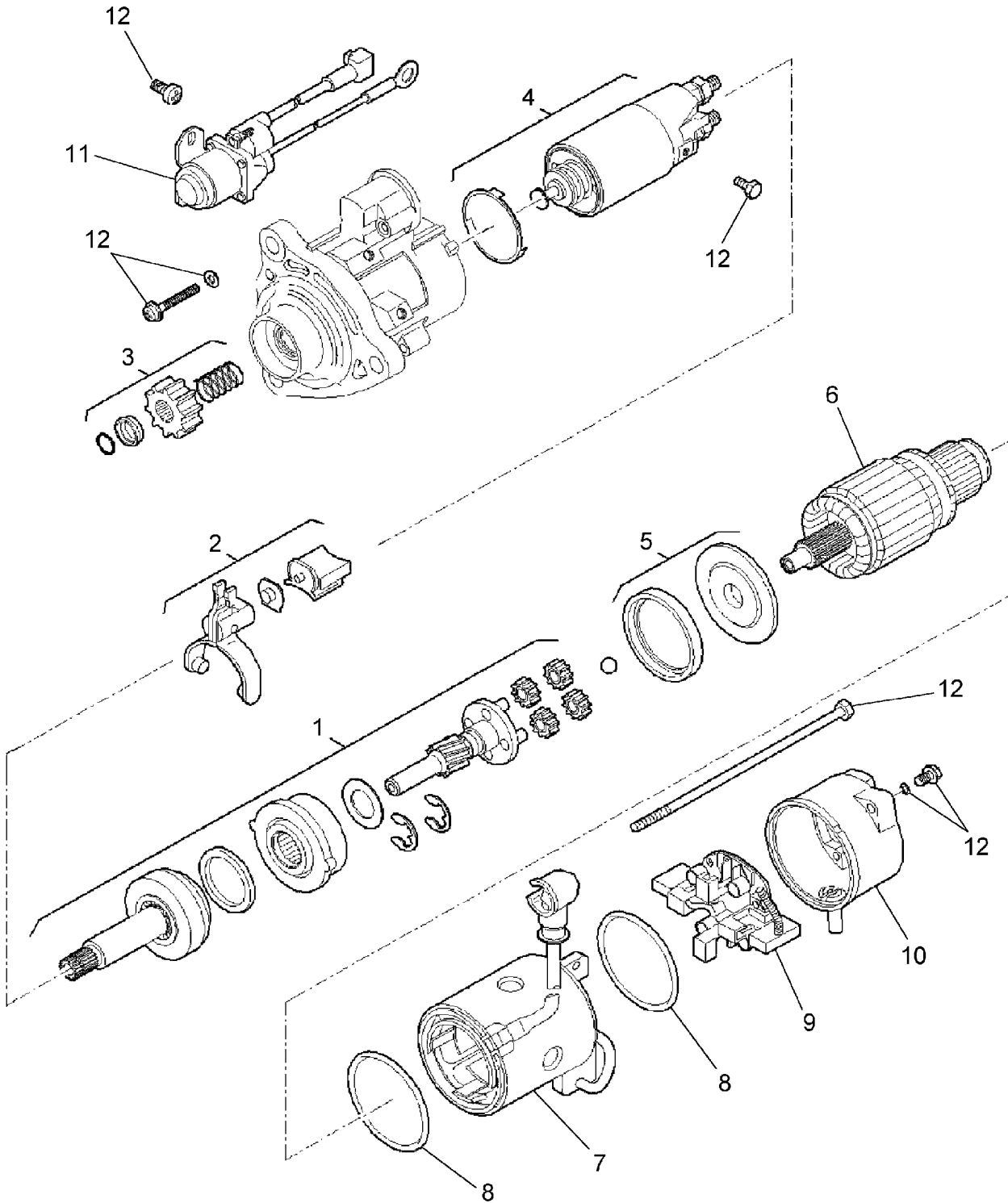


WIRE HARNESS, CROSS AUGER DRIVE, SPECIAL FOR RICE - NA ONLY - PIN Y9G206259 AND AFTER - 7120, 8120, 9120

REF	FN	PART NUMBER	YR/SN	QTY	DESCRIPTION
1		84177371		1	WIRE HARNESS, Cross Auger Drive
2		86566989		3	CABLE STRAP, M4.75 x 190.5 L

	9120 7120 8120
--	-----------------------

STARTER MOTOR BREAKDOWN (504042667) - 8120/8120(LA)



55.201.04

01

p1

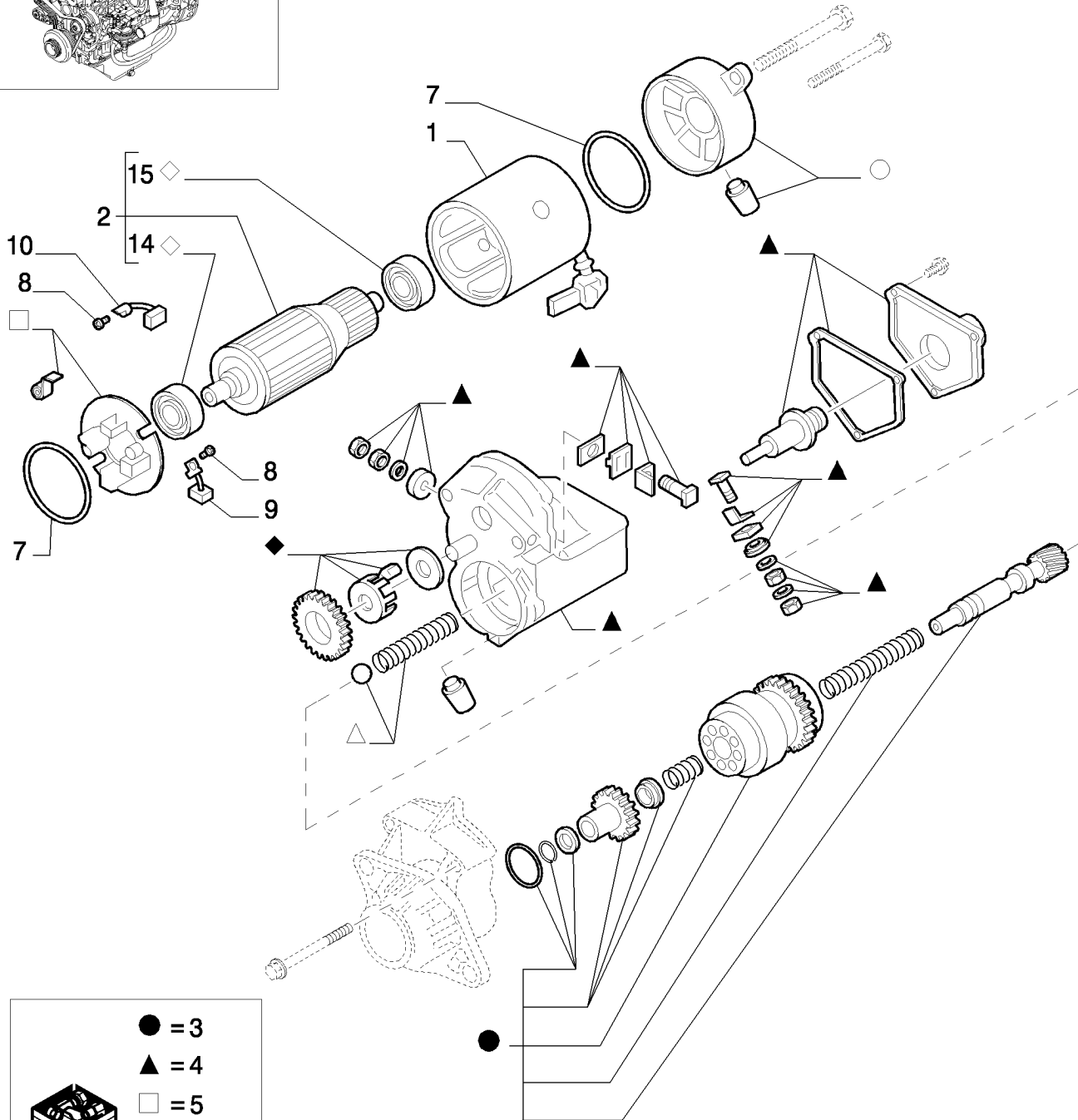
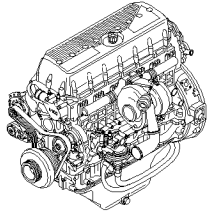
02/10

STARTER MOTOR BREAKDOWN (504042667) - 8120/8120(LA)

REF	FN	PART NUMBER	YR/SN	QTY	DESCRIPTION
1		42549950		1	STARTER MTR REPAIR KIT
2		42549951		1	STARTER MTR REPAIR KIT
3		42549952		1	STARTER MTR REPAIR KIT
4		42549597		1	STARTER MTR REPAIR KIT
5		42549953		1	STARTER MTR REPAIR KIT
6		42549954		1	STARTER MTR REPAIR KIT
7		42549955		1	STARTER MTR REPAIR KIT
8		42549956		1	O-RING
9		42549957		1	BRUSH
10		42549958		1	COVER
11		42549959		1	COMMUTATOR BRUSH
12		42549605		1	STARTER MTR REPAIR KIT

8120 8120

STARTER MOTOR BREAKDOWN (99486046) - 8120/8120(LA), 9120



	● = 3
	▲ = 4
	□ = 5
	○ = 6
	△ = 11
	◆ = 12
	◇ = 13



55.201.04

02

p1

02/10

STARTER MOTOR BREAKDOWN (99486046) - 8120/8120(LA), 9120

REF	FN	PART NUMBER	YR/SN	QTY	DESCRIPTION
1		42471438		1	STATOR, Winding
2		42471439		1	ARMATURE, Kit
3		42471440		1	STARTER MTR REPAIR KIT
4		42471441		1	STARTER MTR REPAIR KIT
5		42471442		1	STARTER MTR REPAIR KIT
6		42471443		1	HOUSING
7		42471444		2	O-RING
8		42471445		4	SCREW
9		42471446		2	BRUSH
10		42471447		2	BRUSH
11		42471378		1	STARTER MTR REPAIR KIT
12		42471450		1	STARTER MTR REPAIR KIT
13		42471451		1	STARTER MTR REPAIR KIT
13		42546503		1	BEARING
14		42471541		1	BEARING
15		42546522		1	BEARING

9120 8120 8120

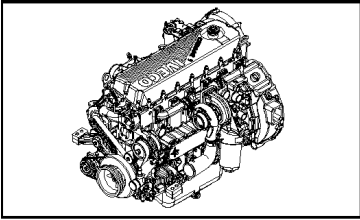
55.301.02

01

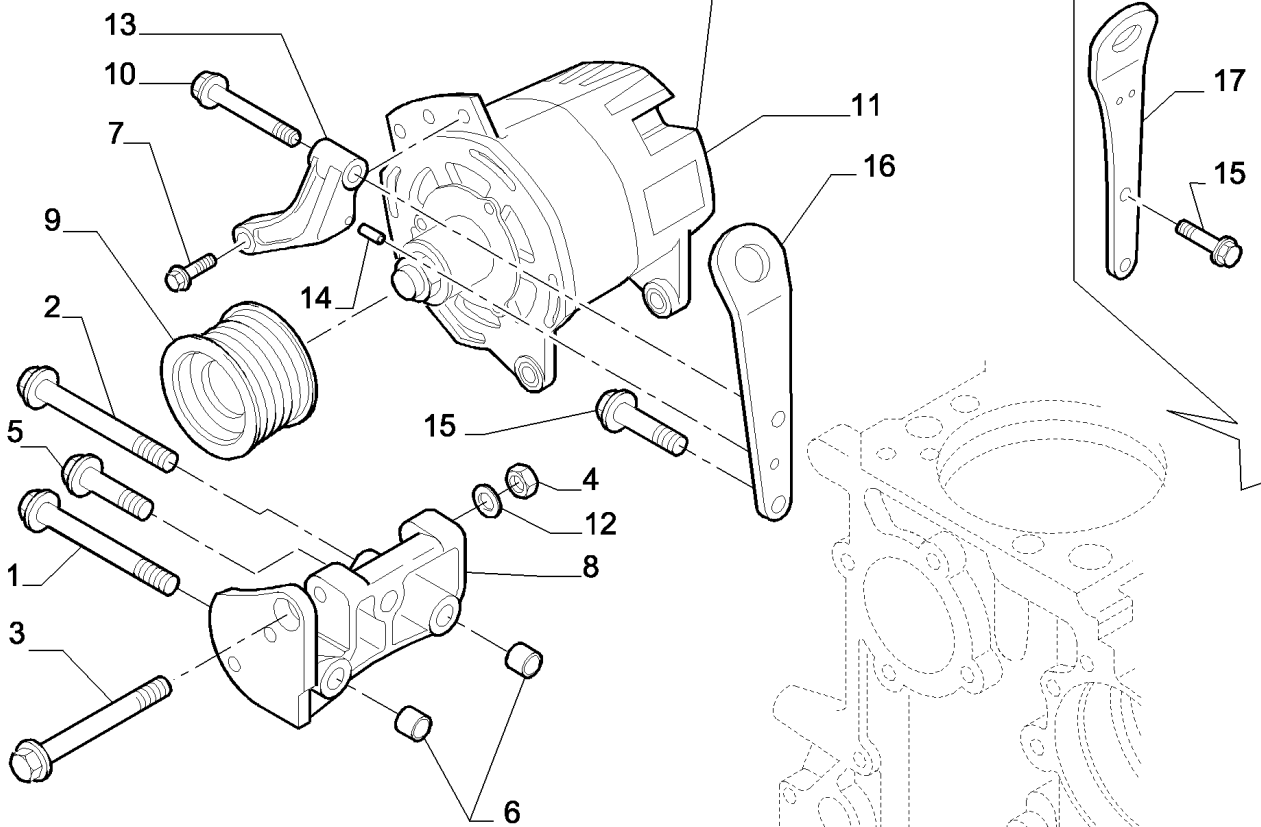
p1

02/10

ALTERNATOR MOUNTING - 7120/7120(LA)



55.301.03(01)
55.301.03(02)
55.301.03(03)



10.001.04(01)
10.001.04(02)
10.001.04(03)



55.301.02

01

p1

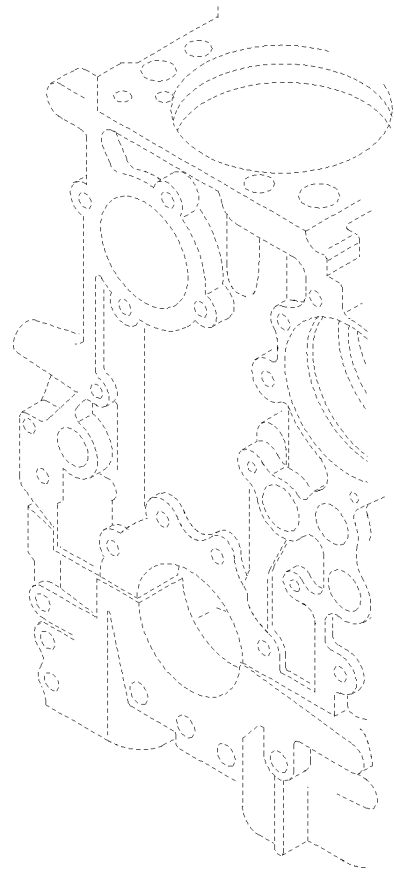
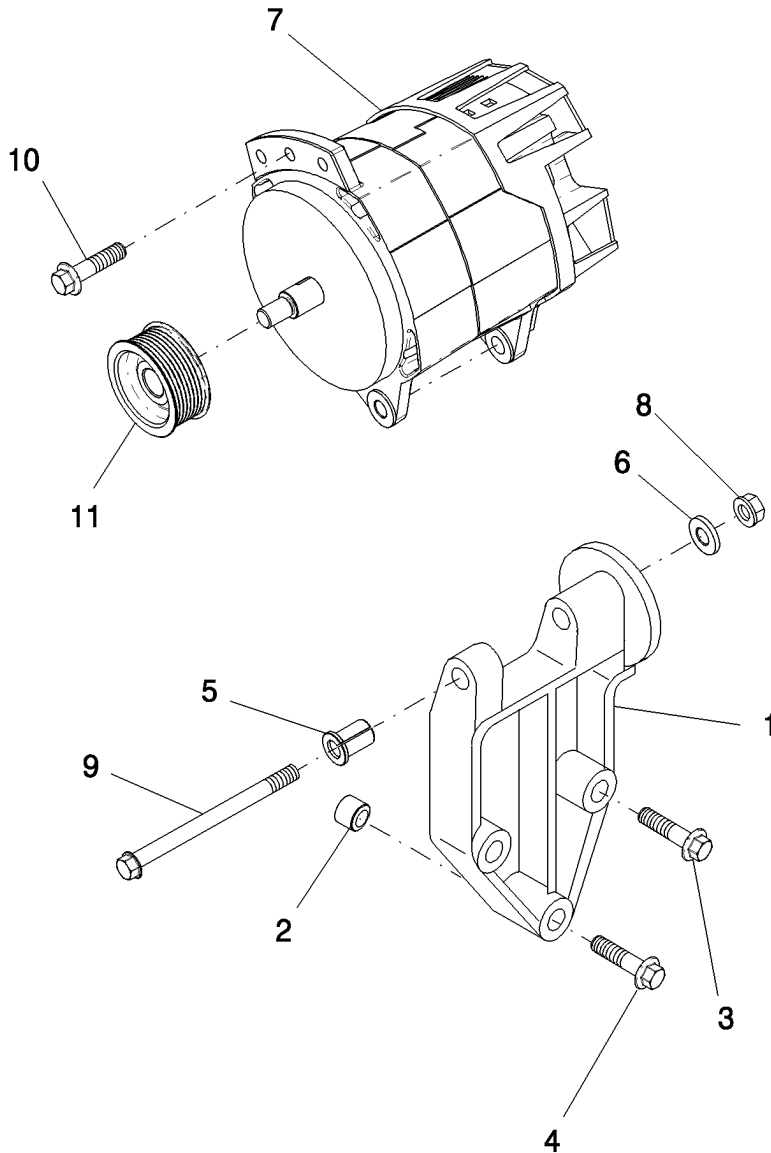
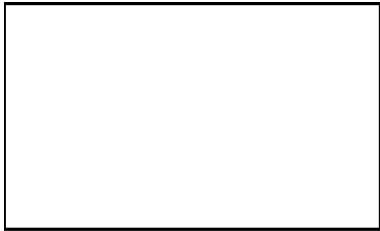
02/10

ALTERNATOR MOUNTING - 7120/7120(LA)

REF	FN	PART NUMBER	YR/SN	QTY	DESCRIPTION
1		16587824		1	SCREW, M10 x 1.5 x 60
2		16593124		1	SCREW, M10 x 100 mm
3		16600024		1	SCREW, M12 x 160
4		17038425		1	NUT, M12
5		16692524		1	SCREW, M10 x 45 mm
6		98405462		2	DOWEL, D=10.2 mm
7		500399332		1	SCREW, 1/2"-13 x 30 mm
8		504127474		1	BRACKET
9		500359878		1	PULLEY
10		16588624		1	SCREW, M12 x 60 mm
11		2856508		1	ALTERNATOR
12		17095314		1	WASHER, D=12 x 24 mm
13		504127473		1	BRACKET
14		17221710		1	DOWEL
15		16587924		3	SCREW
16		500336064		1	LOAD HOOK
17		500361014		1	LOAD HOOK

7120 7120

ALTERNATOR MOUNTING - 8120/8120(LA)



55.301.02

02

p1

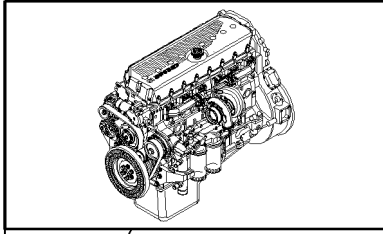
02/10

ALTERNATOR MOUNTING - 8120/8120(LA)

REF	FN	PART NUMBER	YR/SN	QTY	DESCRIPTION
1		500346543		1	SUPPORT
2		98405462		2	DOWEL
3		16593125		2	SCREW
4		16599125		1	BOLT
5		1964737C1		1	BUSHING
6		17097324		1	LOCK WASHER
7		87592254		1	ALTERNATOR
8		17038421		1	NUT
9		16600024		1	SCREW
10		504080581		1	SCREW
11		504078554		1	PULLEY

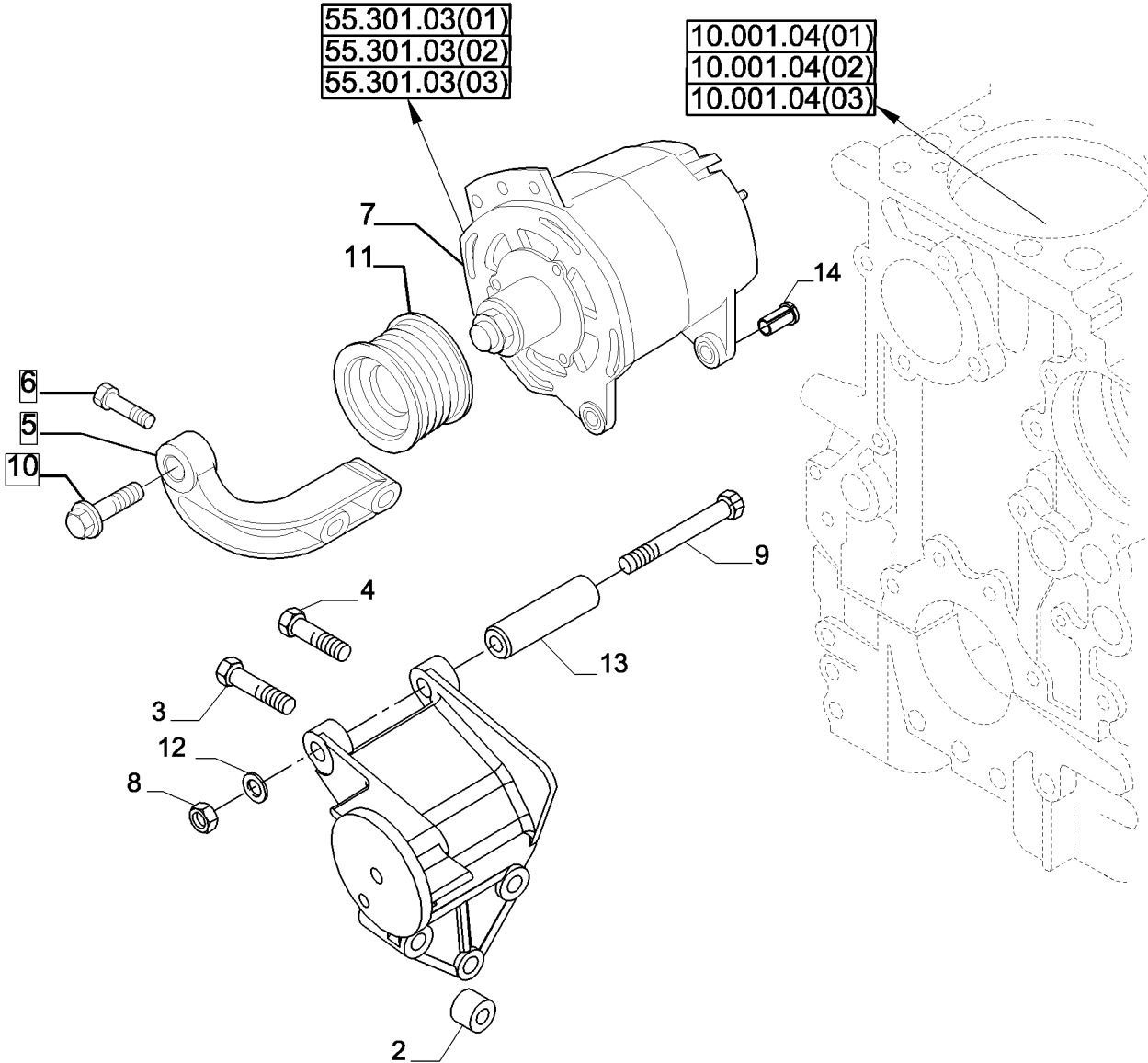
8120 8120

ALTERNATOR MOUNTING - 9120



55.301.03(01)
55.301.03(02)
55.301.03(03)

10.001.04(01)
10.001.04(02)
10.001.04(03)



55.301.02

03

p1

02/10

ALTERNATOR MOUNTING - 9120

REF	FN	PART NUMBER	YR/SN	QTY	DESCRIPTION
1		500389359		1	BODY
2		98405462		2	DOWEL
3		16587824		2	SCREW, M10 x 1.5 x 60
4		16587425		1	SCREW, M10 x 40 mm
5		504037646		1	SUPPORT
6		16586925		2	SCREW, M8 x 50
7		87592254		1	ALTERNATOR
8		17038425		1	NUT, M12
9		16600024		1	SCREW, M12 x 160
10		500399332		1	SCREW
11		504213586		1	PULLEY
12		17097324		1	LOCK WASHER, D = 12 x 24mm
13		504042883		1	SPACER
14		1964737C1		1	BUSHING

9120

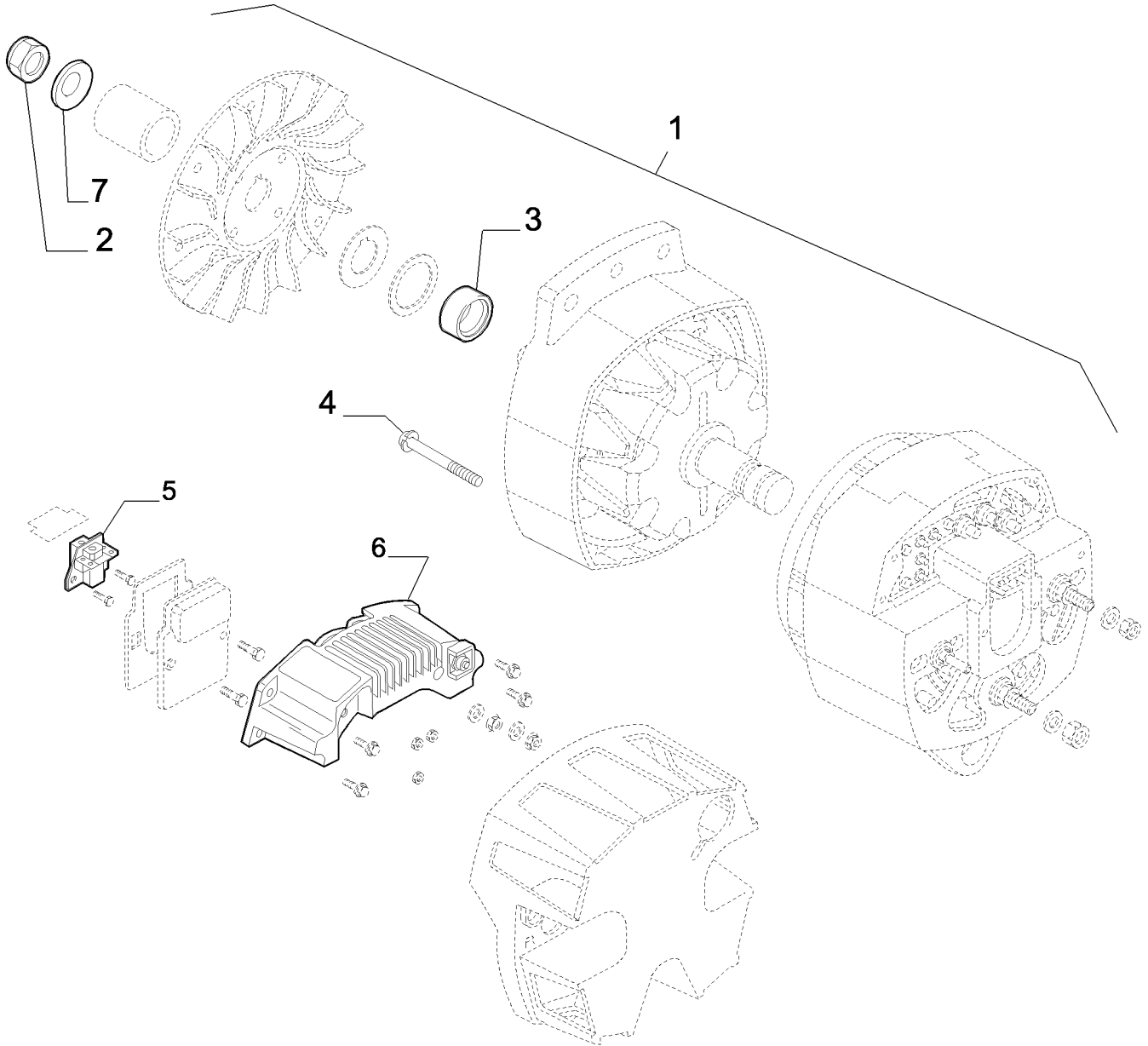
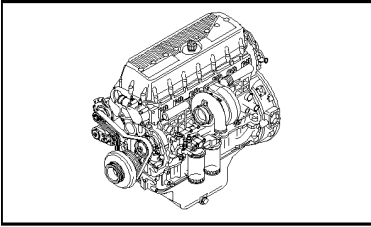
55.301.03

01

p1

02/10

ALTERNATOR COMPONENTS - 7120/7120(LA)



55.301.03

01

p1

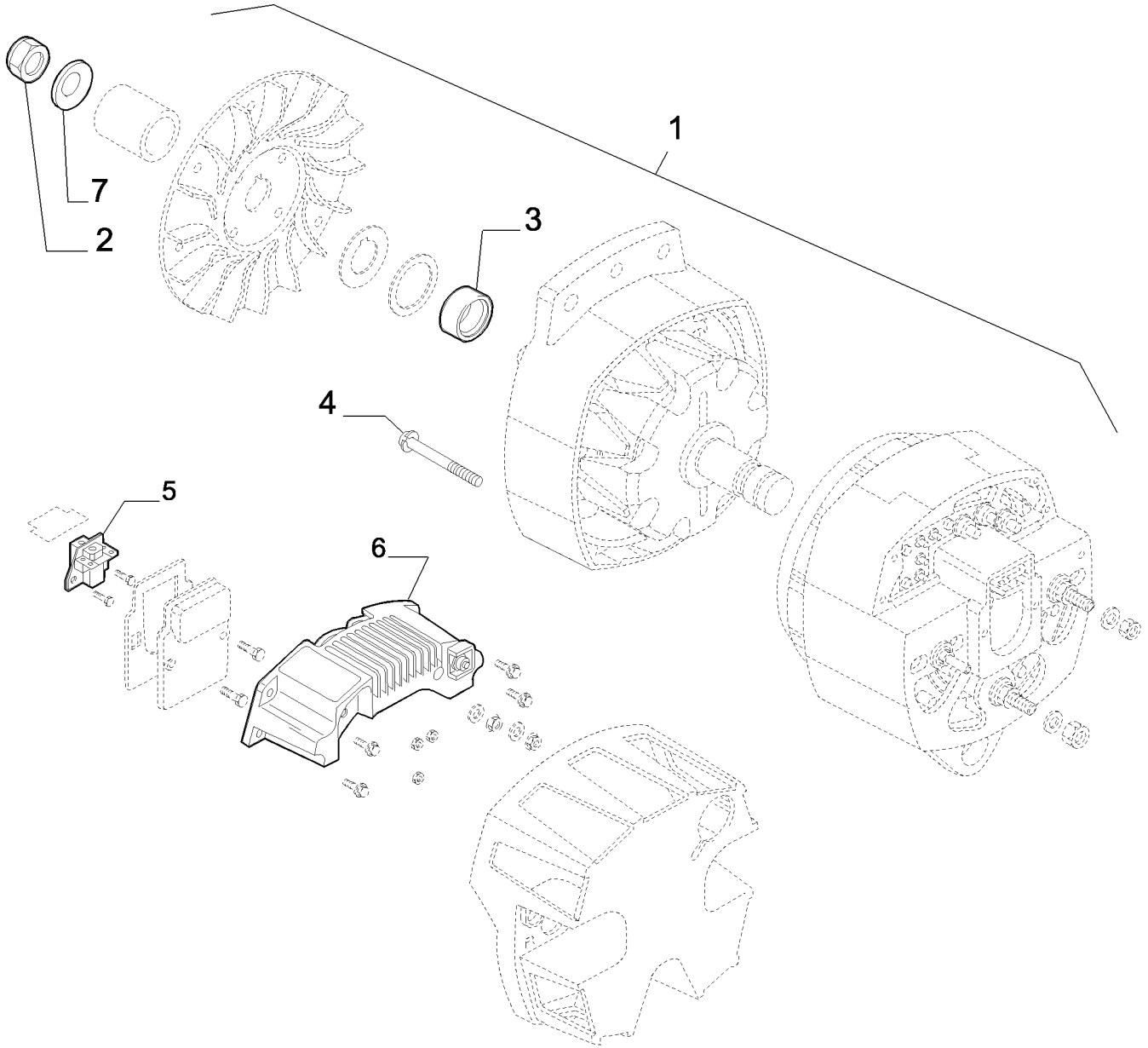
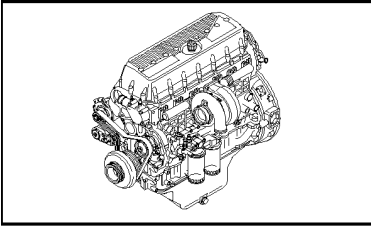
02/10

ALTERNATOR COMPONENTS - 7120/7120(LA)

REF	FN	PART NUMBER	YR/SN	QTY	DESCRIPTION
1		87592254		1	ALTERNATOR
2		8094743		1	NUT
3		8094745		1	SPACER
4		8094748		4	SCREW
5		8094747		1	BRUSH
6		8094746		1	VOLTAGE REGULATOR
7		8094744		1	WASHER

7120 7120

ALTERNATOR COMPONENTS - 8120/8120(LA)



55.301.03

02

p1

02/10

ALTERNATOR COMPONENTS - 8120/8120(LA)

REF	FN	PART NUMBER	YR/SN	QTY	DESCRIPTION
1		87592254		1	ALTERNATOR
2		8094743		1	NUT
3		8094745		1	SPACER
4		8094748		4	SCREW
5		8094747		1	BRUSH
6		8094746		1	VOLTAGE REGULATOR
7		8094744		1	WASHER

8120 8120

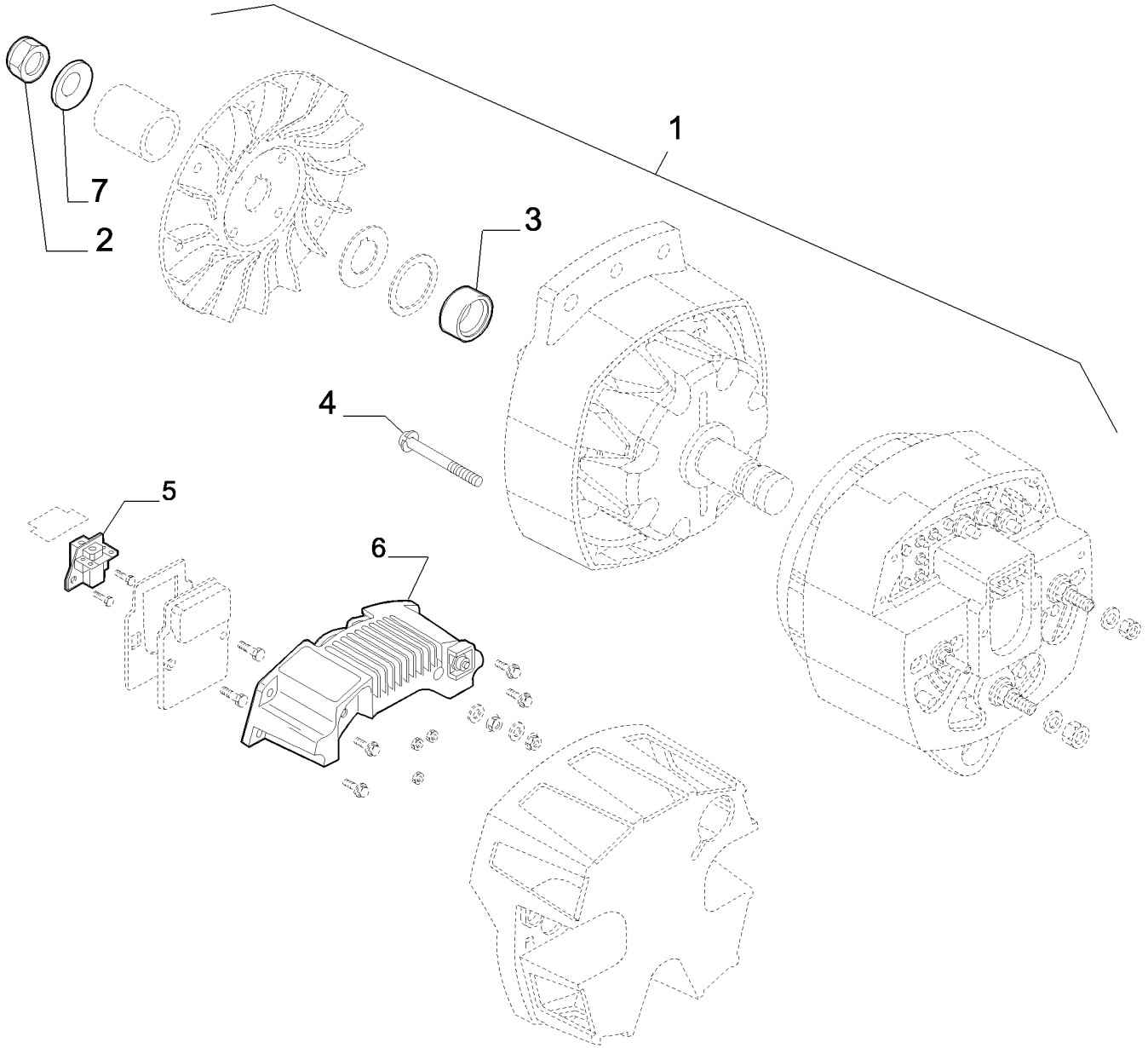
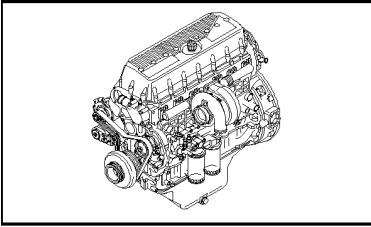
55.301.03

03

p1

02/10

ALTERNATOR COMPONENTS - 9120



55.301.03

03

p1

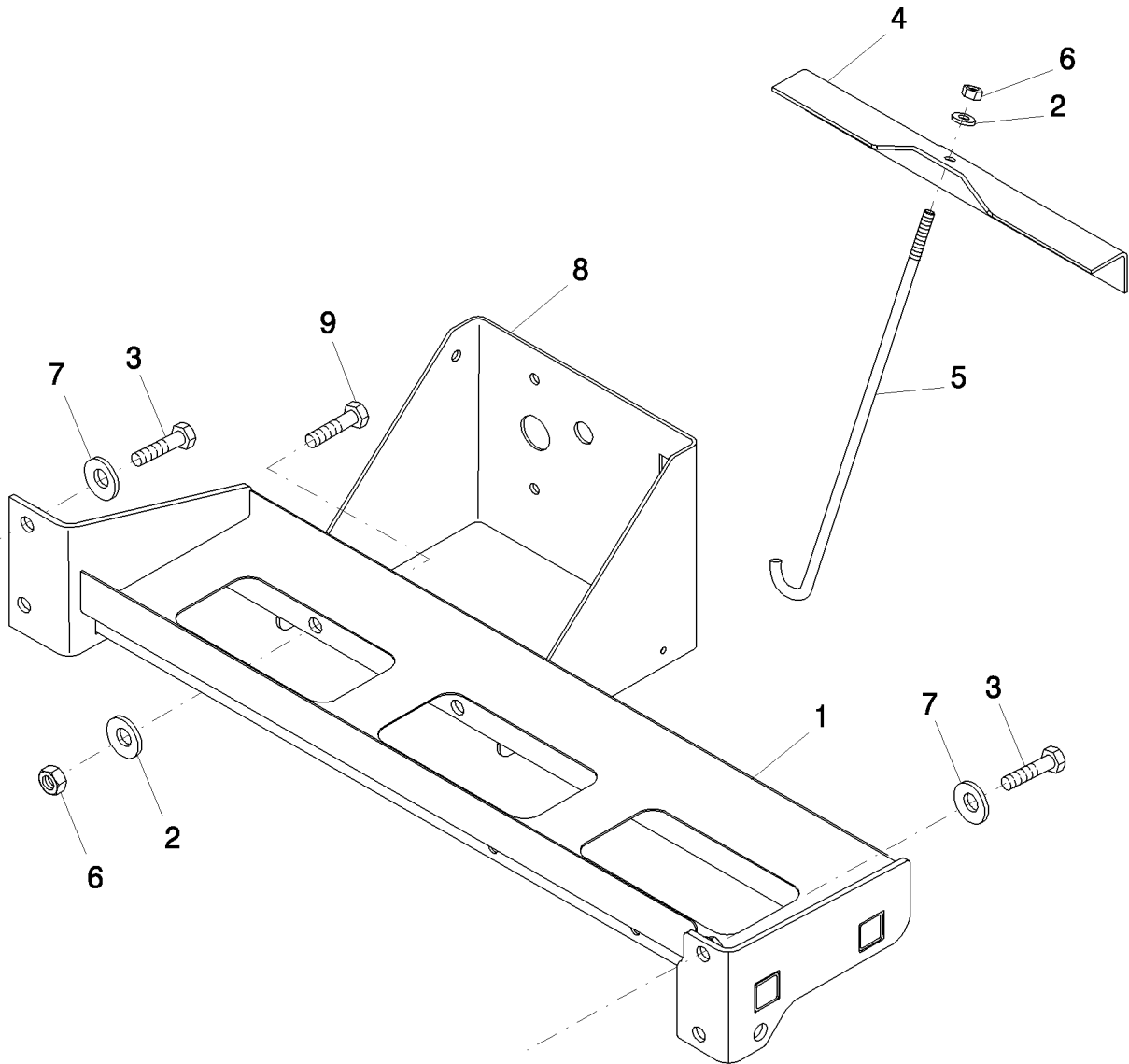
02/10

ALTERNATOR COMPONENTS - 9120

REF	FN	PART NUMBER	YR/SN	QTY	DESCRIPTION
1		2856508		1	ALTERNATOR
2		8094743		1	NUT
3		8094745		1	SPACER
4		8094748		4	SCREW
5		NSS		1	NOT SERVICED SEPARATELY
6		NSS		1	NOT SERVICED SEPARATELY
7		8094744		1	WASHER

9120

BATTERY TRAY



55.301.05

p1

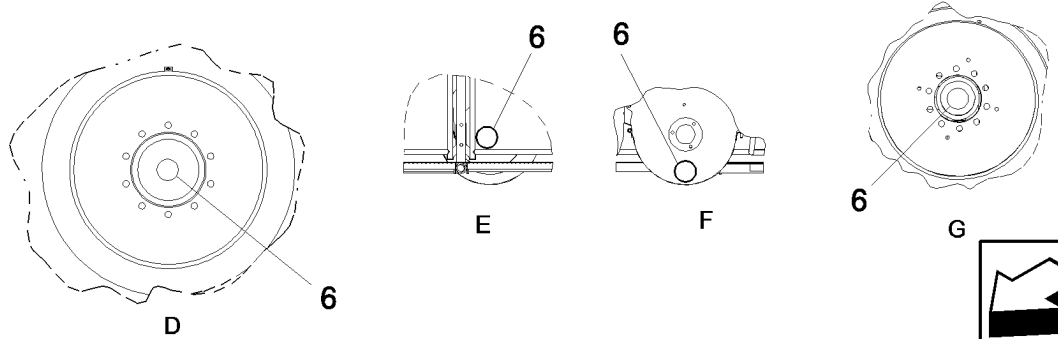
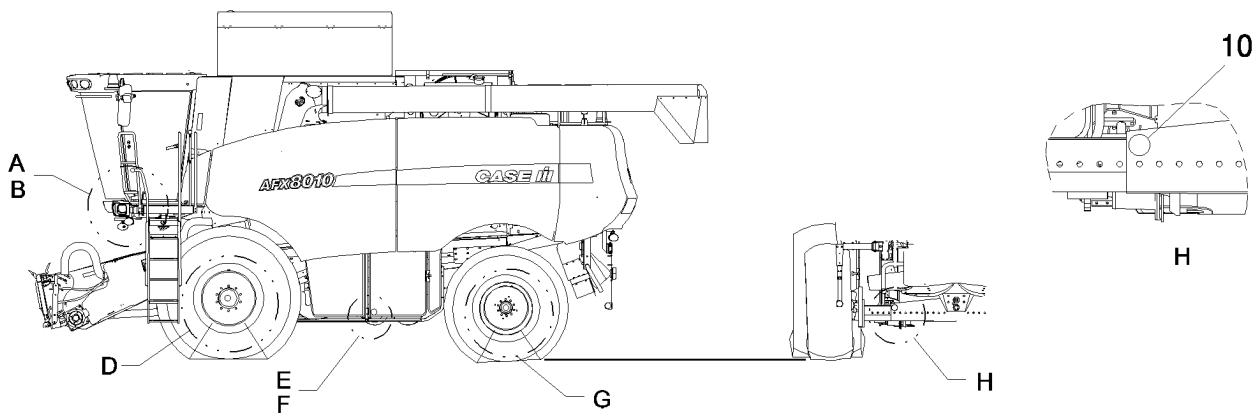
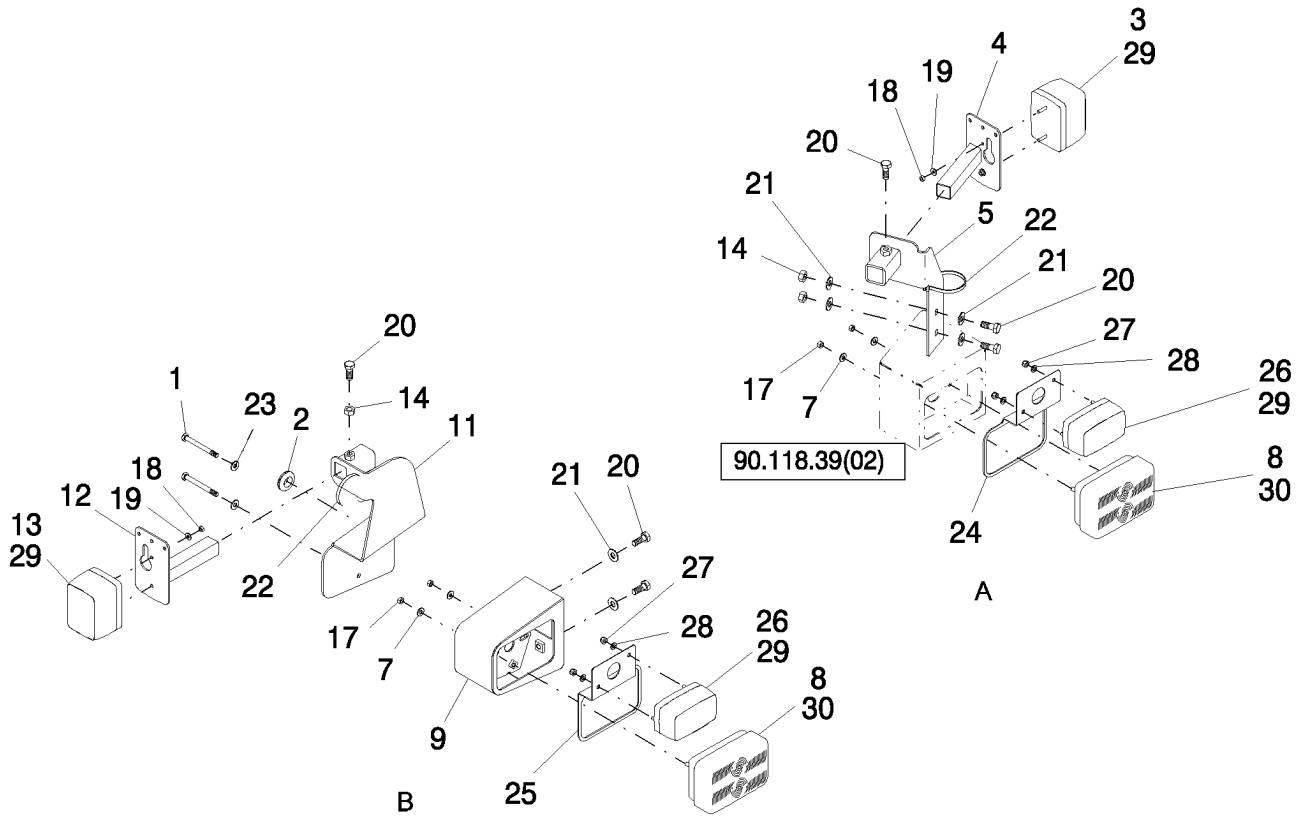
08/09

BATTERY TRAY

REF	FN	PART NUMBER	YR/SN	QTY	DESCRIPTION
1		87282073		1	BATTERY TRAY
2		322358		AR	BELLEVILLE WASHER, M8
3		43139		4	BOLT, Hex, M10 x 25, 8.8, Full Thd
4		87109059		1	BRACKET, CLAMPING PART
5		87109057		1	BOLT
6		9706690		3	NUT, M8, CI 8
7		140045		4	BELLEVILLE WASHER, M10
8		87749891		1	SHIELD
9		120061		2	BOLT, Hex, M8 x 60, 8.8

**9120 7120 8120 7120
8120**

LIGHTS, FRONT PLATFORM - STANDARD - EU ONLY - 7120, 8120, 9120



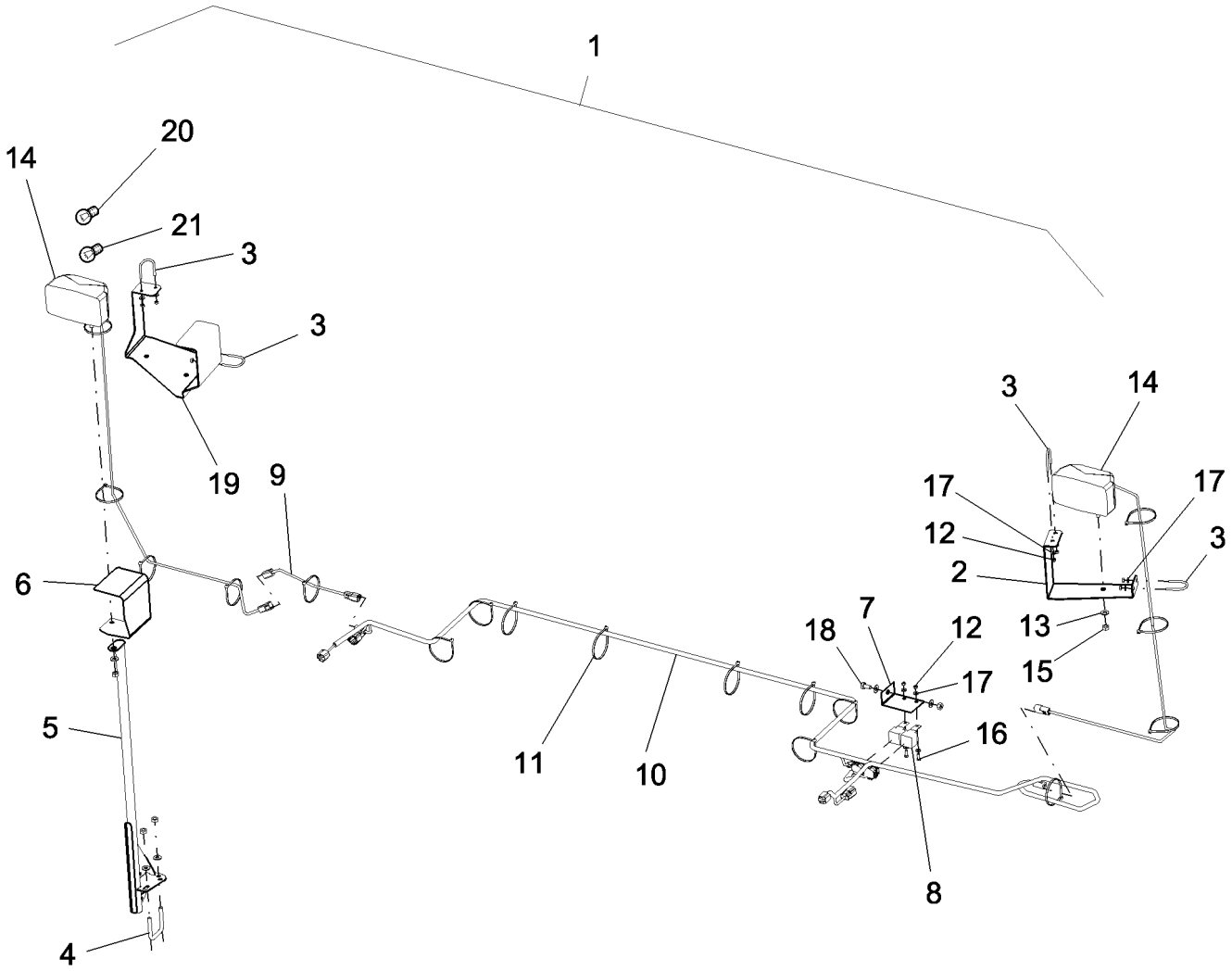
LIGHTS, FRONT PLATFORM - STANDARD - EU ONLY - 7120, 8120, 9120

REF	FN	PART NUMBER	YR/SN	QTY	DESCRIPTION
1		338413		2	BOLT, Hex, M6 x 60, 8.8
2		102043		1	GROMMET, 3/4" x 1 3/8" x 1 1/16"
3		84067994		1	SIDE LAMP ASSY, L.H., Turn
4		84441698		1	SUPPORT, L.H.
5		87281255		1	SUPPORT, L.H.
6		435895		6	REFLECTOR, Amber
7		322356		4	BELLEVILLE WASHER, M5.1 x 12 x 1.85, HDN
8		84067986		2	LAMP
9		84607394		1	HOUSING
10		437024		2	REFLECTOR, Red
11		87494233		1	MOUNTING PLATE
12		84441699		1	SUPPORT
13		84067995		1	SIDE LAMP ASSY, R.H., Turn
14		9706690		3	NUT, M8, CI 8
15		86616173		1	WIRE HARNESS, R.H. - NOT SHOWN
16		86616172		1	WIRE HARNESS, L.H. - NOT SHOWN
17		86508813		4	NUT, M5, CI 8
18		100012		4	NUT, M4, CI 8
19		322355		4	WASHER, Belleville, M4
20		120104		6	BOLT, Hex, M8 x 20, 8.8
21		322358		6	BELLEVILLE WASHER, M8
22		86566989		2	CABLE STRAP, M4.75 x 190.5 L
23		322357		2	BELLEVILLE WASHER, M6
24	1	86596662		1	BRACKET, L.H.
25	1	84431478		1	BRACKET, R.H.
26	1	84067992		2	LAMP
27	1	43440		4	LOCK NUT, M5 x .8, CI 8
28	1	140014		4	WASHER, M5 x 10 x 1
29		398877		4	BULB, 12V, 21W, (1) Included with Ref 3, 8 & 13
30	1	86616250		2	BULB, #W5W, 5w, (1) Included with Ref 26

(1) Austria Only

9120 7120 8120

LIGHTS, FRONT PLATFORM, WIDE - EU ONLY - 7120, 8120, 9120

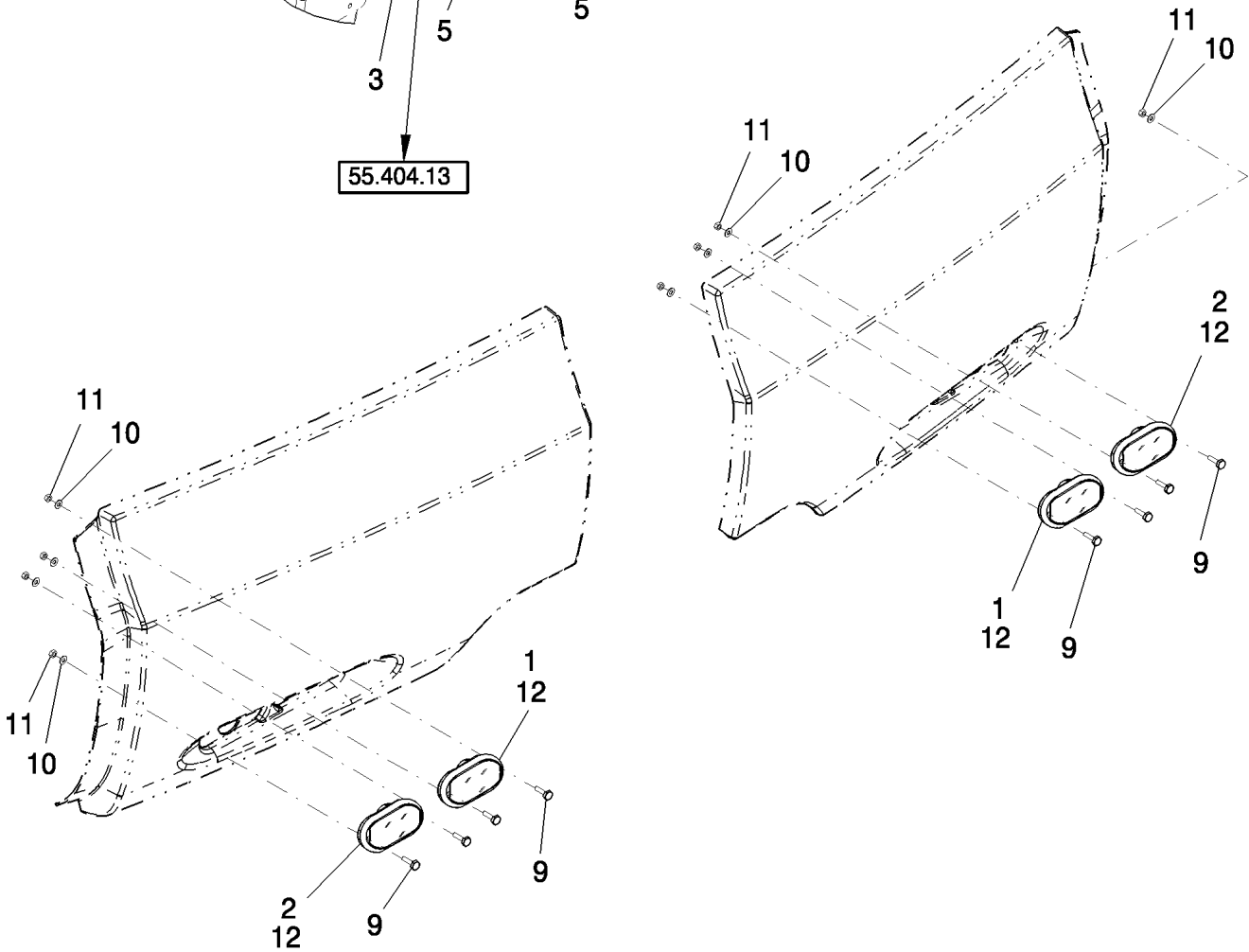
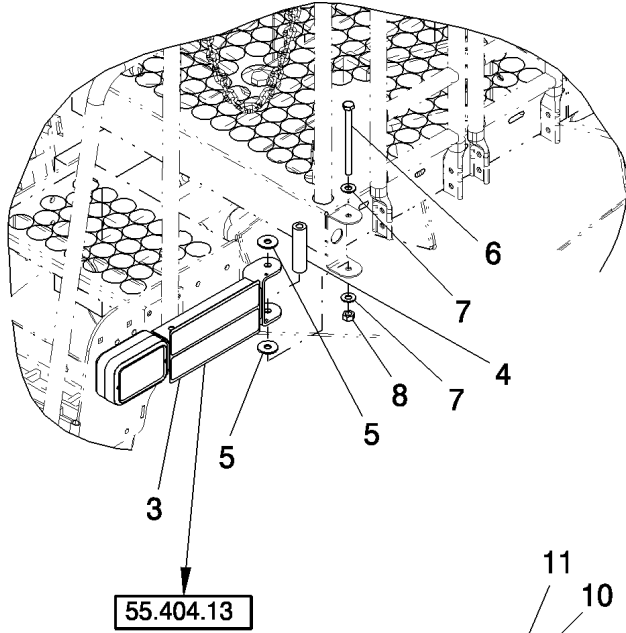


LIGHTS, FRONT PLATFORM, WIDE - EU ONLY - 7120, 8120, 9120

REF	FN	PART NUMBER	YR/SN	QTY	DESCRIPTION
1		84083663		1	DIA KIT, HARVESTER, Light, Front Platform, Wide
2		87106686		1	BRACKET, L.H.
3		799339		4	U-BOLT
4		84334056		1	U-BOLT, M10
5		87283022		1	SUPPORT, R.H., with Platform Extensions
6		84433636		1	SHIELD, R.H.
7		86643195		1	BRACKET
8		86606352		2	RELAY
9		87283194		1	WIRE HARNESS, Front Platform Lights, EU
10		86616161		1	WIRE HARNESS, Front Platform Lights, EU
11		86566990		17	CABLE STRAP, M4.8 x 292 L
12		9706755		10	NUT, M6, CI 8
13		140045		6	BELLEVILLE WASHER, M10
14		86613046		2	LAMP
15		100016		5	NUT, M10, CI 8
16		86508568		2	BOLT, Hex, M6 x 16, CI 8.8, Full Thd
17		322357		12	BELLEVILLE WASHER, M6
18		43138		1	BOLT, Hex, M10 x 20, 8.8, Full Thd
19		87106688		1	BRACKET, R.H., without Platform Extensions
20		446592		1	BULB, H4, 12V, 60/55W
21		353078		1	BULB

9120 7120 8120

LIGHTS, REAR - STANDARD - FOR NA, LA & AUSTRALIA

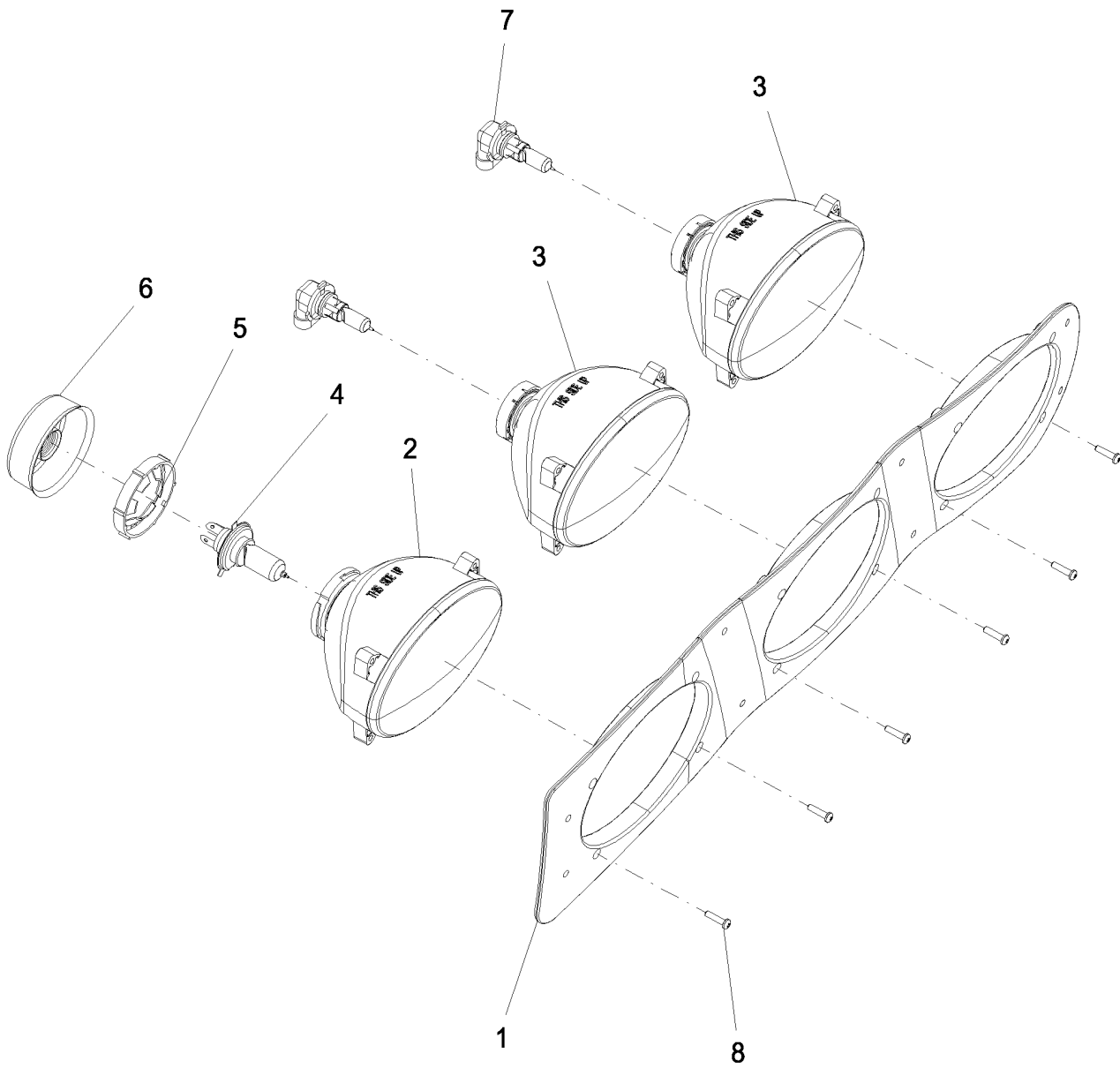
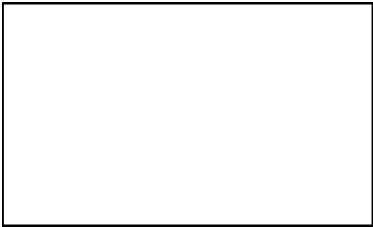


LIGHTS, REAR - STANDARD - FOR NA, LA & AUSTRALIA

REF	FN	PART NUMBER	YR/SN	QTY	DESCRIPTION
1		87627854		2	LIGHT ASSY., Tail/Stop
2		87629587		2	LIGHT ASSY., Turn
3		87283298		1	WARNING LIGHT
4		87105383		1	SPACER
5		86997936		2	WASHER
6		385427		1	BOLT, Hex, M12 x 150, 8.8
7		140046		2	SPRING WASHER, Belleville, M12
8		9706685		1	NUT, M12, CI 8
9		86502967		8	SCREW, Cross Pan Hd, M5 x 30
10		9824326		8	WASHER, M5 x 10 x 1 Thk
11		43440		8	LOCK NUT, M5 x .8, CI 8
12		87106262		4	BULB

**9120 7120 8120 7120
8120**

LIGHTS, HALOGEN CAB ROOF

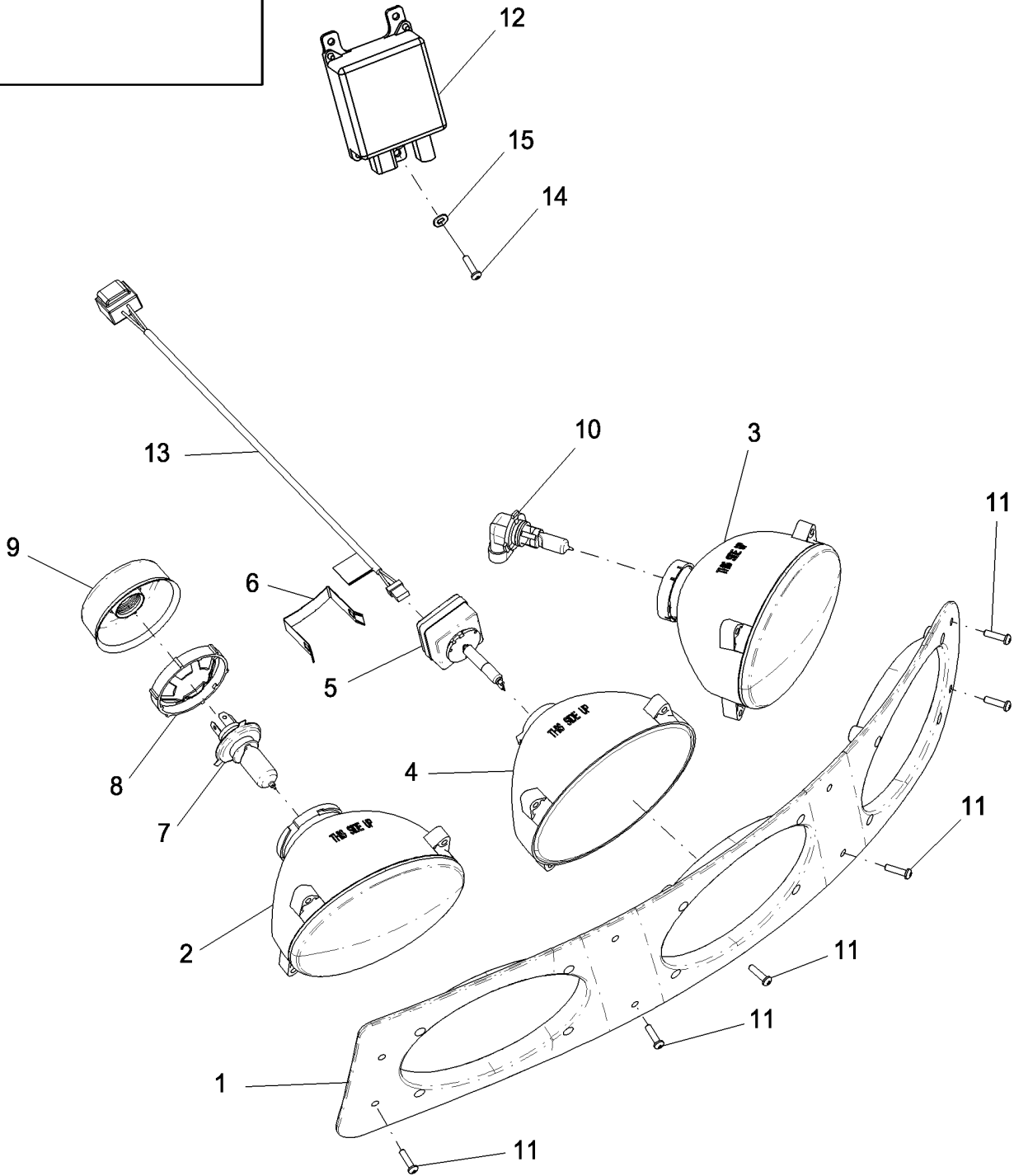
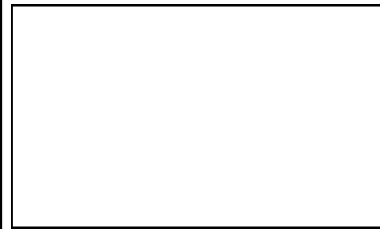


LIGHTS, HALOGEN CAB ROOF

REF	FN	PART NUMBER	YR/SN	QTY	DESCRIPTION
1		86975104		1	BEZEL, L.H. - SHOWN
1		86975551		1	BEZEL, R.H.
2		87106352		1	HEADLAMP, INNER
3		87106353		2	HEADLAMP, CENTER & OUTER
4		87283179		1	BULB, H4-12V - INNER
5		87106302		1	COLLAR
6		87106301		1	SEAL
7		87106291		2	BULB, 9005-12V - CENTER & OUTER
8		87106305		12	SCREW

	9120 7120 8120 7120 8120
--	---

LIGHTS, HID CAB ROOF



LIGHTS, HID CAB ROOF

REF	FN	PART NUMBER	YR/SN	QTY	DESCRIPTION
1		86975104		1	BEZEL, L.H., Fixed Cab Light - SHOWN
1		86975551		1	BEZEL, R.H., Fixed Cab Light
2		87106352		1	HEADLAMP, INNER
3		87106353		AR	HEADLAMP, OUTER
4		87106354		AR	HEADLAMP, CENTER
5		87722023		1	BULB, HID - CENTER
6		87106287		1	CLIP, Locking
7		87283179		1	BULB, H4-12V - INNER
8		87106302		1	COLLAR
9		87106301		1	SEAL
10		87106291		1	BULB, 9005-12V - OUTER
11		87106305		12	SCREW
12		87722022		1	BALLAST
13		87722021		1	WIRE HARNESS, HID Cab Roof Lights
14		86511042		6	SCREW, Cross Pan Hd, M4 x 16
15		335872		6	WASHER, M4 x 15 x 2 Thk

	9120 7120 8120 7120 8120
--	---

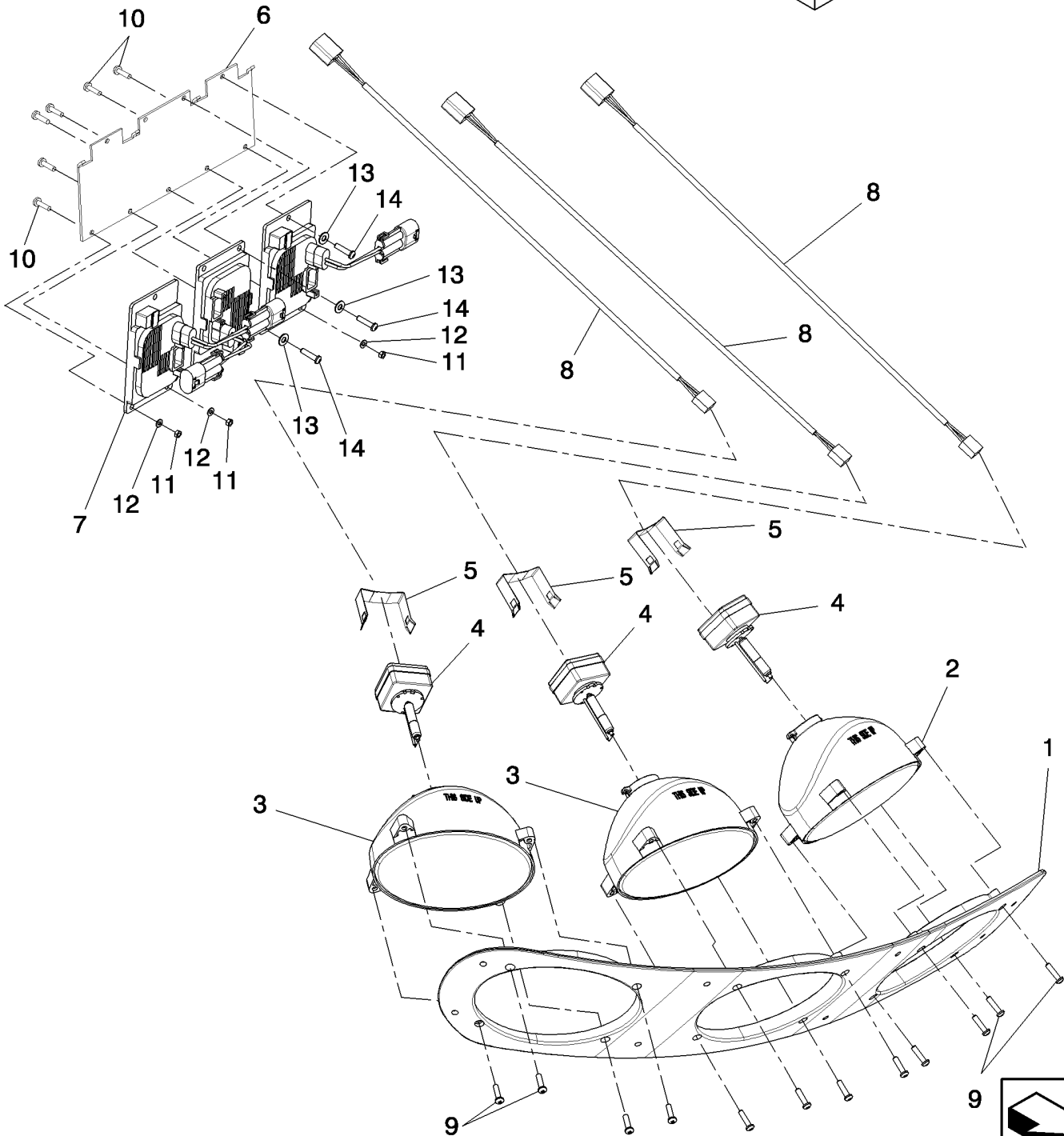
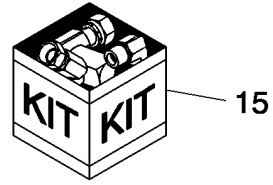
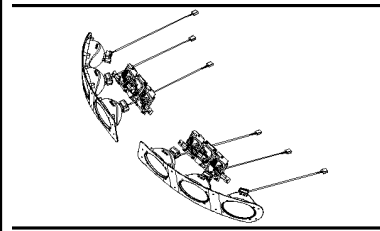
55.404.12

02

p1

02/10

LIGHTS, HID CAB ROOF, DELUXE



LIGHTS, HID CAB ROOF, DELUXE

REF	FN	PART NUMBER	YR/SN	QTY	DESCRIPTION
1	1	86975551		1	BEZEL, R.H.
1		86975104		1	BEZEL, L.H.
2		87693262		2	LIGHT ASSY., Trap Lens - Glass
3		87106354		4	HEADLAMP, 7110WF - HID
4		87722023		6	BULB
5		87106287		6	CLIP
6		87486062		2	SUPPORT ASSY.
7		87722022		6	BALLAST
8		87722021		6	WIRE HARNESS, HID Lights
9		87106305		24	SCREW
10		86511042		12	SCREW, Cross Pan Hd, M4 x 16
11		100012		12	NUT, M4, CI 8
12		9824840		12	WASHER, M4.3 x 9 x 0.8
13		9824840		12	WASHER, M4.3 x 9 x 0.8
14		86511042		12	SCREW, Cross Pan Hd, M4 x 16
15		84137748		1	DIA KIT, HARVESTER, Six-Lamp HID; Incl Refs 2 Thru 14, Plus Instructions

(1) Shown

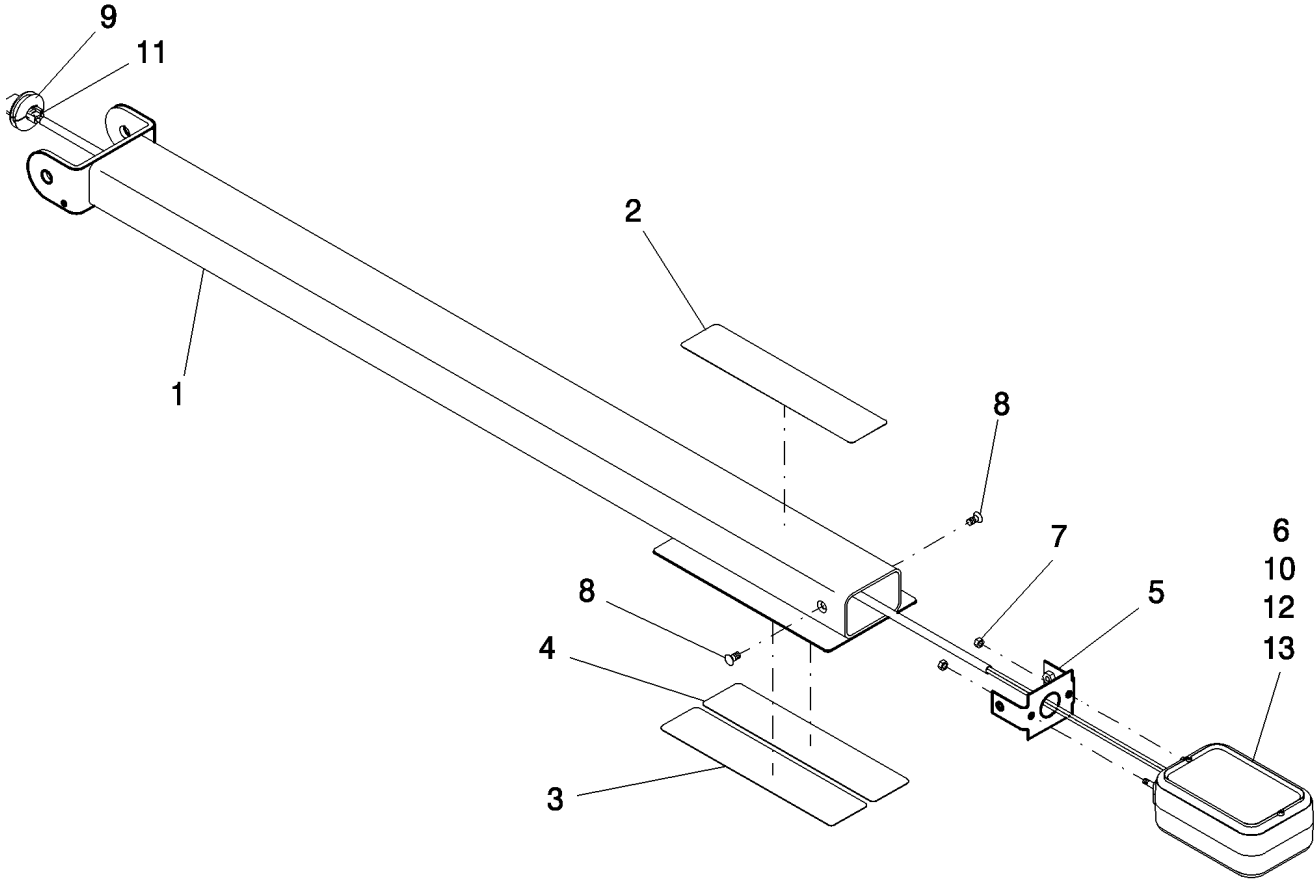
**9120 7120 8120 7120
8120**

55.404.13

p1

02/10

WARNING LIGHT, L.H. PLATFORM & EXTENSIONS - NA, LA, & ANZ ONLY

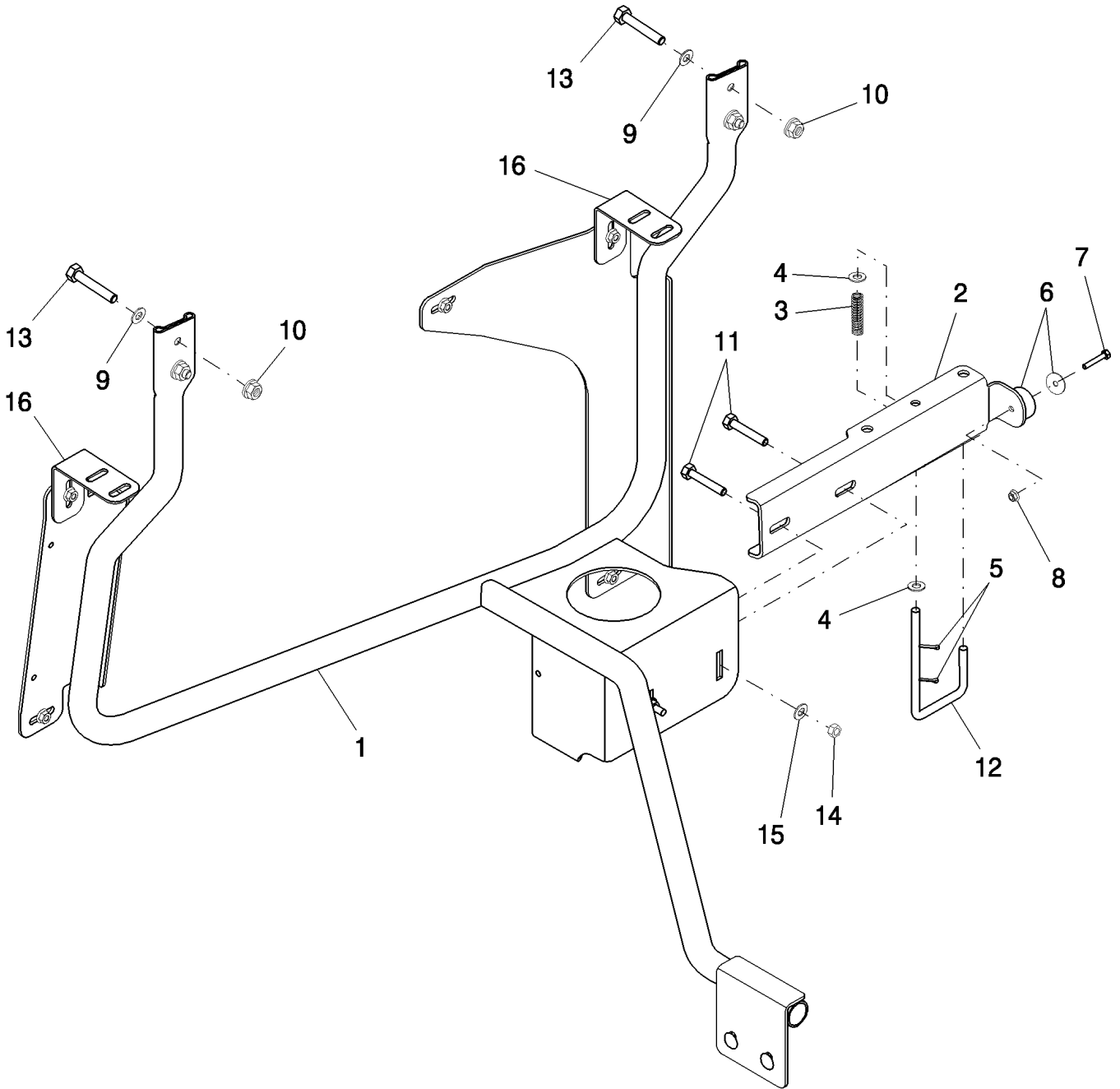


WARNING LIGHT, L.H. PLATFORM & EXTENSIONS - NA, LA, & ANZ ONLY

REF	FN	PART NUMBER	YR/SN	QTY	DESCRIPTION
1		87109527		1	ARM, Supporting - Std
1		87109712		1	ARM, Supporting, For 250 mm Platform Extensions
1		87109716		1	ARM, Supporting, For 500 mm Platform Extensions
1		87109720		1	ARM, Supporting, For 750 mm Platform Extensions
2		87105392		1	REFLECTOR, Yellow, Front
3		87105393		1	REFLECTOR, Red, Rear, Top
4		87105394		1	REFLECTOR, Orange, Rear, Bottom
5		87105372		1	BRACKET
6		87283034		1	WARNING LIGHT, Includes Ref 10 - 13
7		86508813		2	NUT, M5, CI 8
8		86511855		2	SCREW, Hex Flat Hd, M6 x 12, 4.8
9		87015294		1	GROMMET, 1/2" ID x 1 3/4" Groove Dia, Str Cut
10		232212A1		2	LENS, Amber
11		222136A1		1	ELEC CONNECTOR
12		233561A1		2	O-RING
13		A41264		1	BULB, #1156, 12V

	9120 7120 8120 7120 8120
--	---

SUPPORT TUBE & HINGE, L.H. REAR TAIL LIGHT PANEL



SUPPORT TUBE & HINGE, L.H. REAR TAIL LIGHT PANEL

REF	FN	PART NUMBER	YR/SN	QTY	DESCRIPTION
1		84135510		1	BRACKET, L.H. Trim Panel
2		87497819		1	BRACKET, Trim Support
3		192216A1		1	SPRING
4		86588501		2	WASHER
5		432-812		2	COTTER PIN, 1/8" x 3/4"
6		87602893		1	BUMPER
7		87675531		1	BOLT
8		86050300		1	NUT, M6 x 1, Flg, CI10
9		140045		AR	BELLEVILLE WASHER, M10
10		100016		AR	NUT, M10, CI 8
11		43465		6	CARRIAGE BOLT, Short NK, M8 x 30, CI8.8, Full Thd
12		87728300		1	PIN
13		43139		4	BOLT, Hex, M10 x 25, 8.8, Full Thd
14		9706690		AR	NUT, M8, CI 8
15		322358		AR	BELLEVILLE WASHER, M8
16		87728334		2	BRACKET

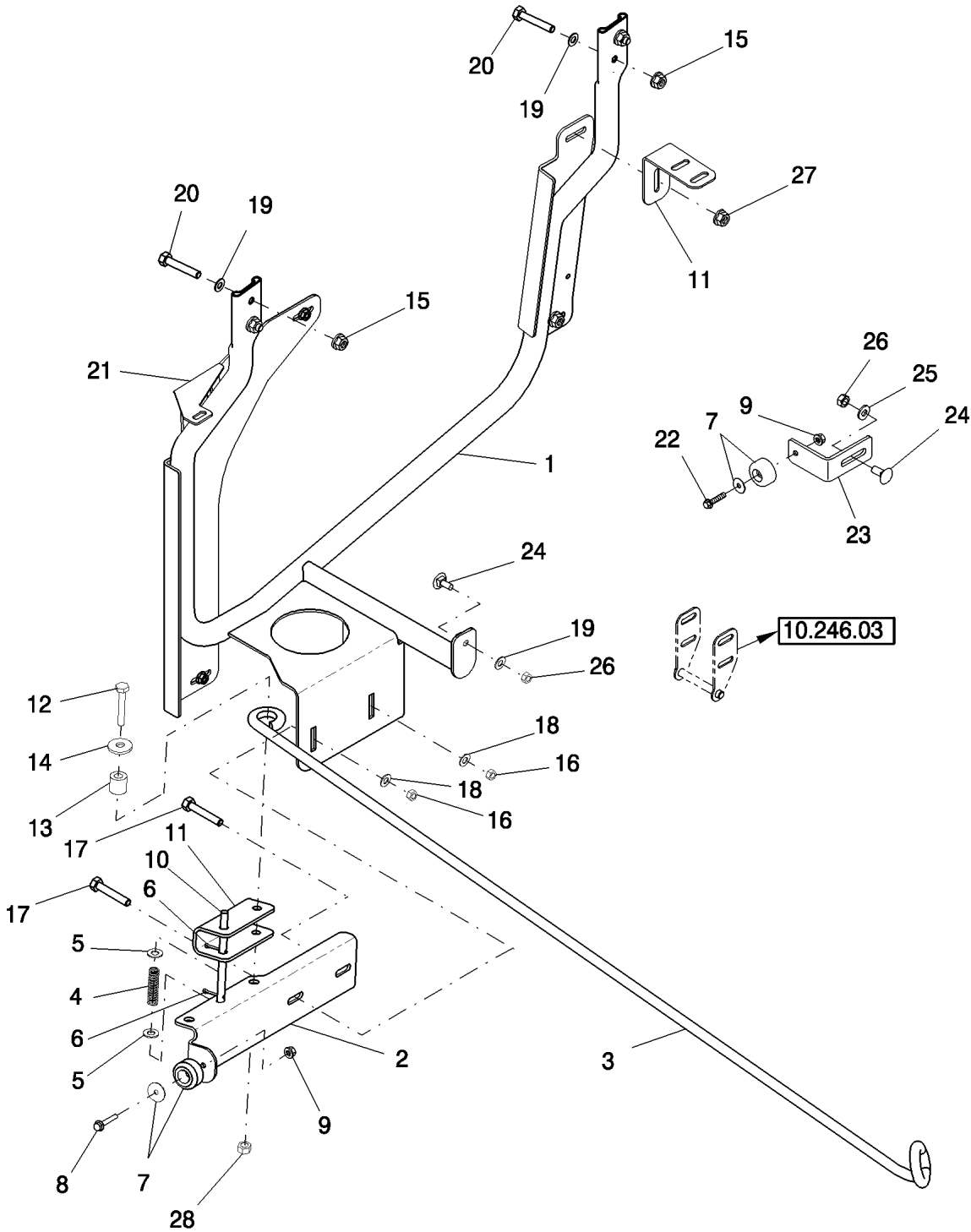
	8120 9120 7120 7120 8120
--	---

55.404.16

p1

10/09

SUPPORT TUBE & HINGE, R.H. REAR TAIL LIGHT PANEL

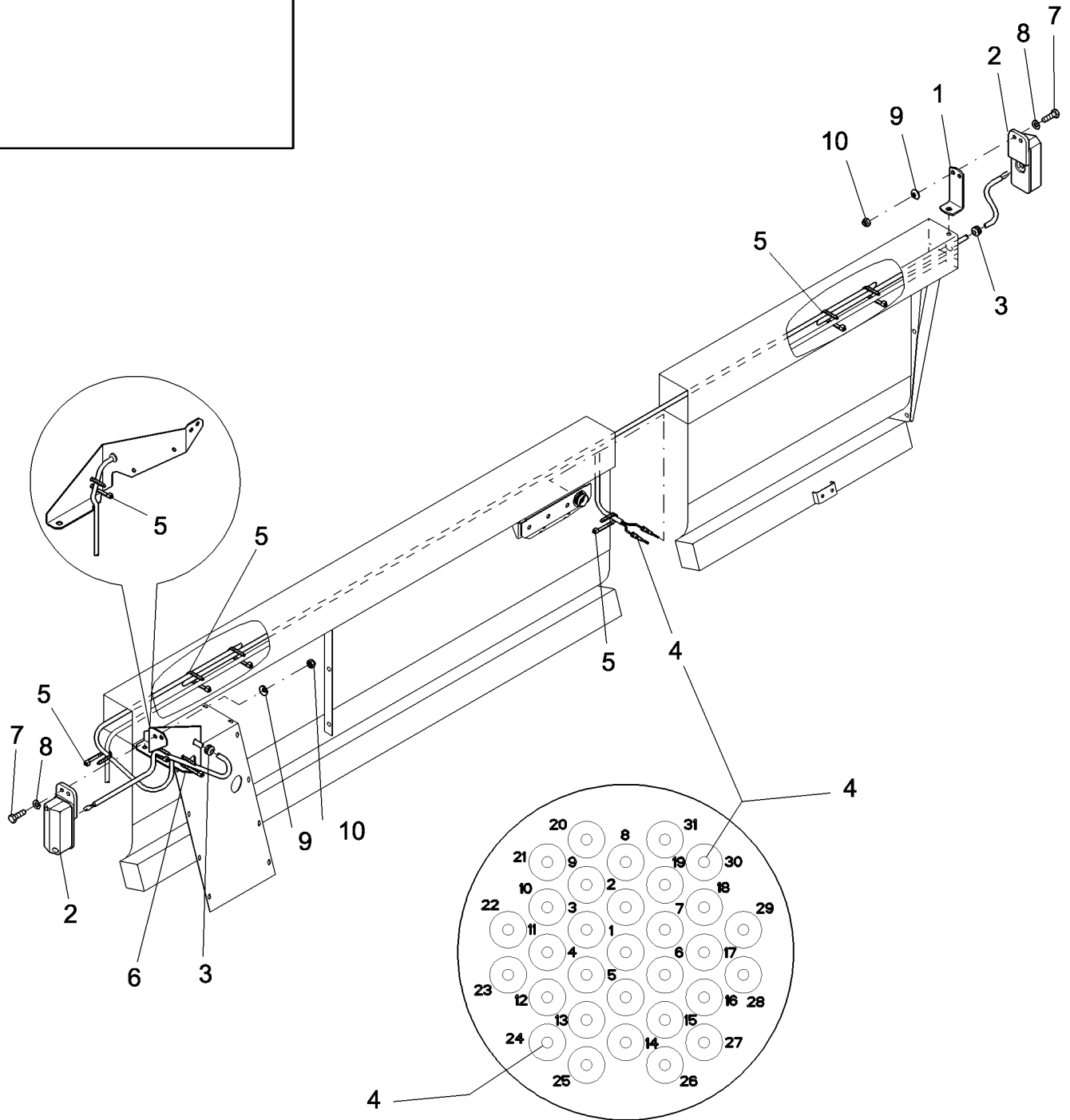
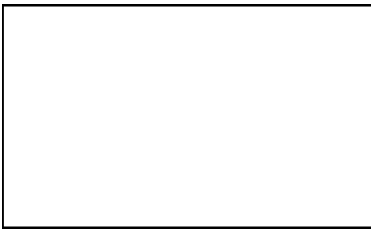


SUPPORT TUBE & HINGE, R.H. REAR TAIL LIGHT PANEL

REF	FN	PART NUMBER	YR/SN	QTY	DESCRIPTION
1		84135512		1	BRACKET
2		87497819		1	BRACKET
3		84130952		1	ROD
4		192216A1		1	SPRING
5		86588501		2	WASHER
6		432-812		2	COTTER PIN, 1/8" x 3/4"
7		87602893		2	BUMPER
8		87675531		1	BOLT
9		86050300		AR	NUT, M6 x 1, Flg, CI10
10		87728300		1	PIN
11		87728334		1	BRACKET
12		87670764		1	BOLT
13		224368A1		1	SPACER
14		87026355		1	WASHER, M12 x 50 x 3, HT
15		100016		AR	NUT, M10, CI 8
16		9706690		2	NUT, M8, CI 8
17		43465		2	CARRIAGE BOLT, Short NK, M8 x 30, CI8.8, Full Thd
18		322358		2	BELLEVILLE WASHER, M8
19		140045		AR	BELLEVILLE WASHER, M10
20		43139		AR	BOLT, Hex, M10 x 25, 8.8, Full Thd
21		84132993		1	BRACKET
22		87670758		1	BOLT
23		84135076		1	BRACKET
24		338949		1	CARRIAGE BOLT, Short NK, M10 x 25, CI8.8, Full Thd
25		140045		1	BELLEVILLE WASHER, M10
26		100016		2	NUT, M10, CI 8
27		86619801		1	LOCK NUT, M8 x 1.25, Flg, CI 8
28		86512497		1	NUT, M12 x 1.75, Flg, CI 10

**8120 9120 7120 7120
8120**

LIGHTS, SIDE MARKER, HEADER - EU - 7120, 8120, 9120



55.404.17

p1

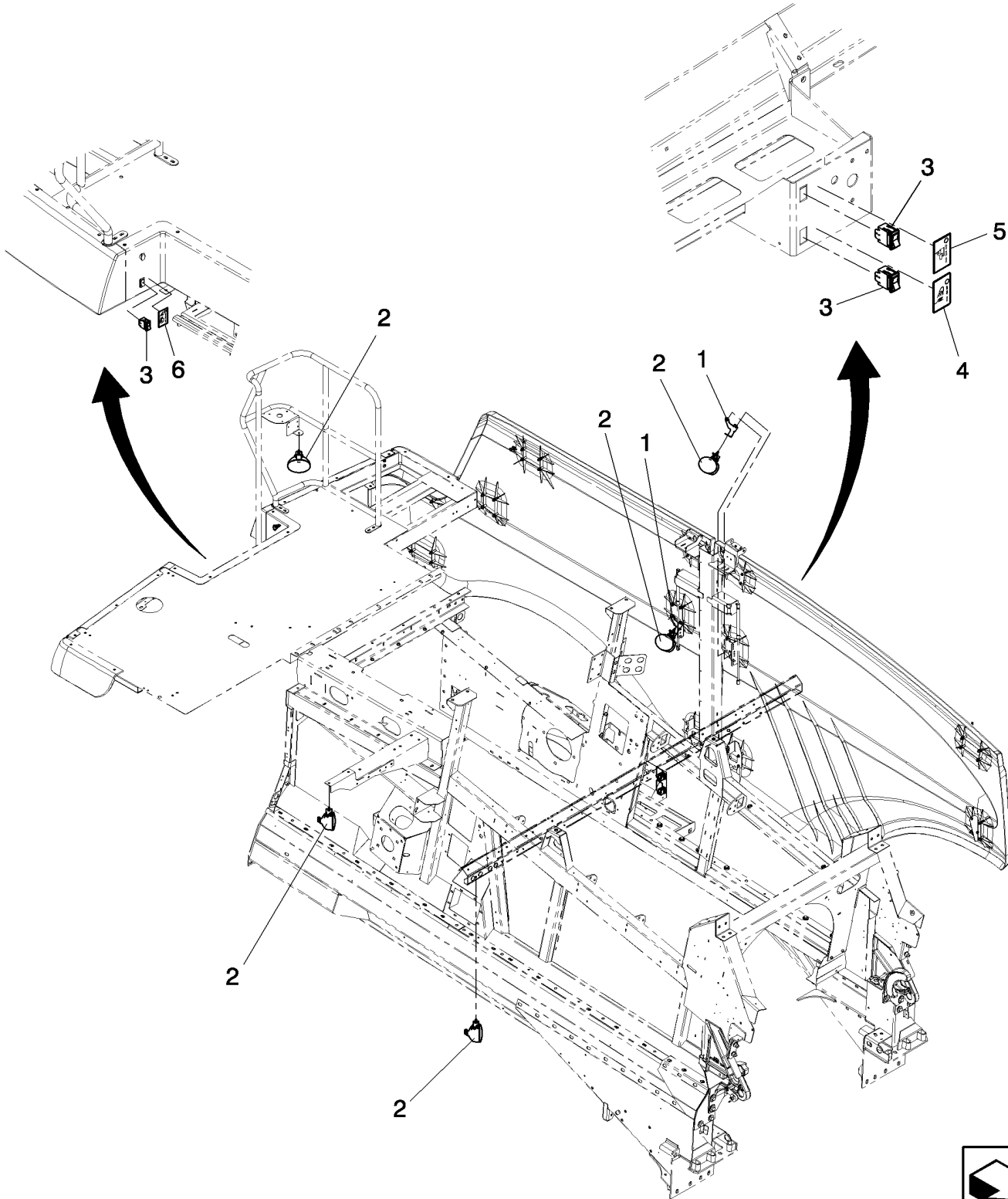
10/09

LIGHTS, SIDE MARKER, HEADER - EU - 7120, 8120, 9120

REF	FN	PART NUMBER	YR/SN	QTY	DESCRIPTION
1		84077733		1	BRACKET, FLAT
2		449531		2	LAMP, Side Marker
3		335315		2	GROMMET
4		84432334		1	WIRE HARNESS, Side Marker Lights
5		86566989		9	CABLE STRAP, M4.75 x 190.5 L
6		84432804		1	SUPPORT
7		120100		4	BOLT, Hex, M6 x 20, 8.8
8		86588450		4	WASHER, M6 x 12 x 1.6 Thk
9		322357		4	BELLEVILLE WASHER, M6
10		353308		4	NUT, M6 x 1, CI 8

9120 7120 8120

LIGHTS, SERVICE



LIGHTS, SERVICE

REF	FN	PART NUMBER	YR/SN	QTY	DESCRIPTION
1		84149175		2	BRACKET
2		87284332		5	WORK LAMP, Incl Bulb
2		139119A1		5	BULB, #886, 12V, 50W
3		87603462		3	LIGHT SWITCH
4		87623369		1	DECAL, Worklight
5		87623370		1	DECAL, Light Switch
6		87623371		1	DECAL, Light Switch

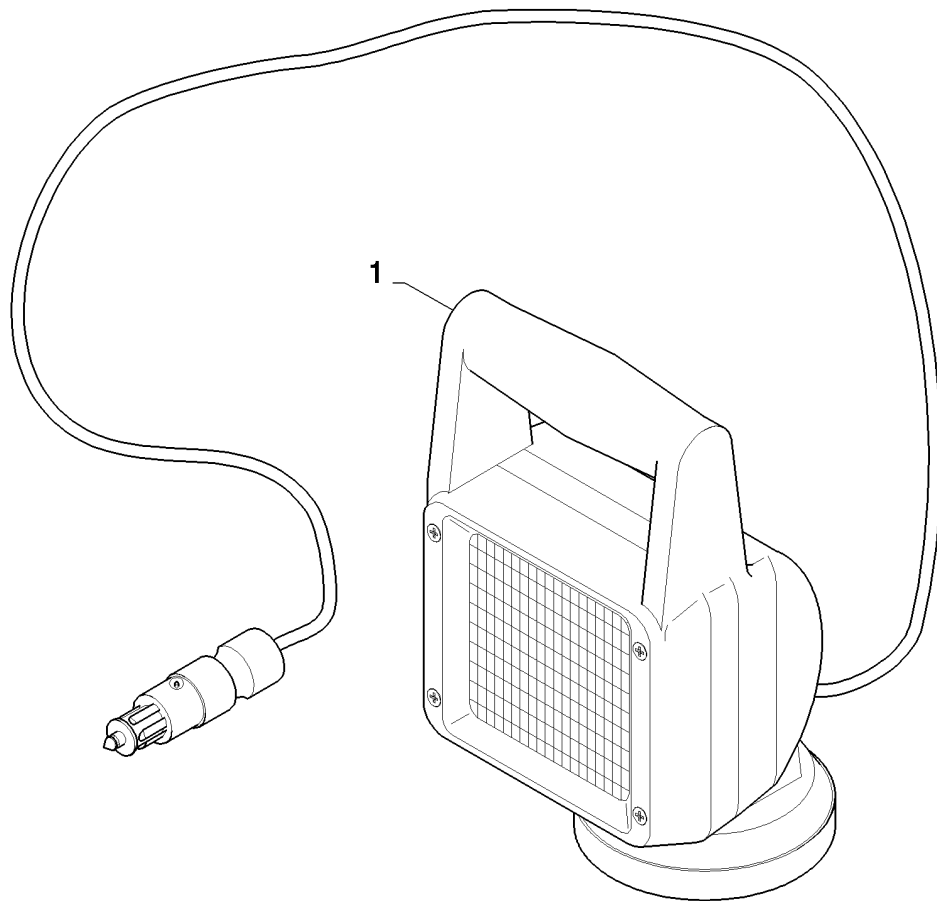
	9120 7120 8120 7120 8120
--	---

55.404.21

p1

10/09

INSPECTION LAMP

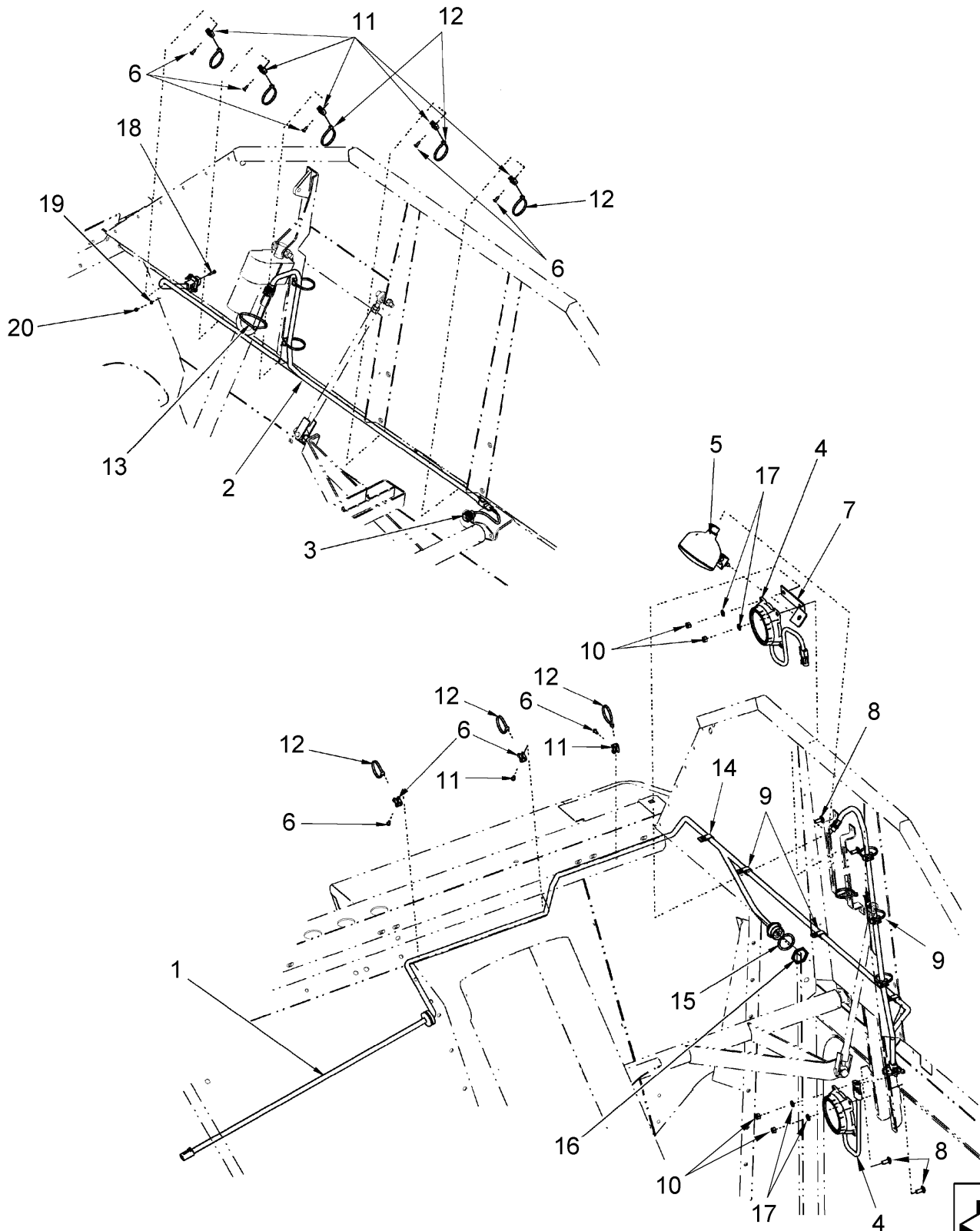


INSPECTION LAMP					
------------------------	--	--	--	--	--

REF	FN	PART NUMBER	YR/SN	QTY	DESCRIPTION
1		84081054		1	ADD. ERRANT LIGHT
1		86508819		1	ELEC CONNECTOR, Male
1		9703399		1	BULB, 12V 55W

	9120 7120 8120 7120 8120
--	---

GRAIN TANK ELECTRICITY



GRAIN TANK ELECTRICITY

REF	FN	PART NUMBER	YR/SN	QTY	DESCRIPTION
1		87352664		1	WIRE HARNESS, Grain Tank
2		87281626		1	WIRE HARNESS, Grain Tank Covers (If Equipped)
3		87342073		1	SENSOR, Covers Position
4		87532857		2	SWITCH, Sensor, Full Tank
5		87329757		1	LAMP, Incl Bulb
5		87329813		1	BULB
6		445394		13	RIVET, Pop, M4.8 x 12.7
7		87350863		1	BRACKET
8		86507486		4	CARRIAGE BOLT, Short NK, M8 x 20, Cl8.8, Full Thd
9		9706748		3	CLAMP, 5/8", Insul, 5/16" Bolt
10		86629542		4	LOCK NUT, M8 x 1.25, Cl 8
11		325911		13	RIVET, Pop, M4.8 x 7.4
12		86566989		15	CABLE STRAP, M4.75 x 190.5 L
13		86566990		1	CABLE STRAP, M4.8 x 292 L
14		86010402		1	CLAMP, 1/2", Insul, 3/8" Bolt
15		9861349		1	LOCK WASHER, M38 x 1.57 Thk
16		9861348		1	NUT, 1 1/2"-18
17		140016		4	WASHER, M8 x 16 x 1.6
18		412255		4	BOLT, Hex, M4 x 20, 8.8, Full Thd
19		9824840		4	WASHER, M4.3 x 9 x 0.8
20		385681		4	LOCK NUT, M4 x .7, Cl 8

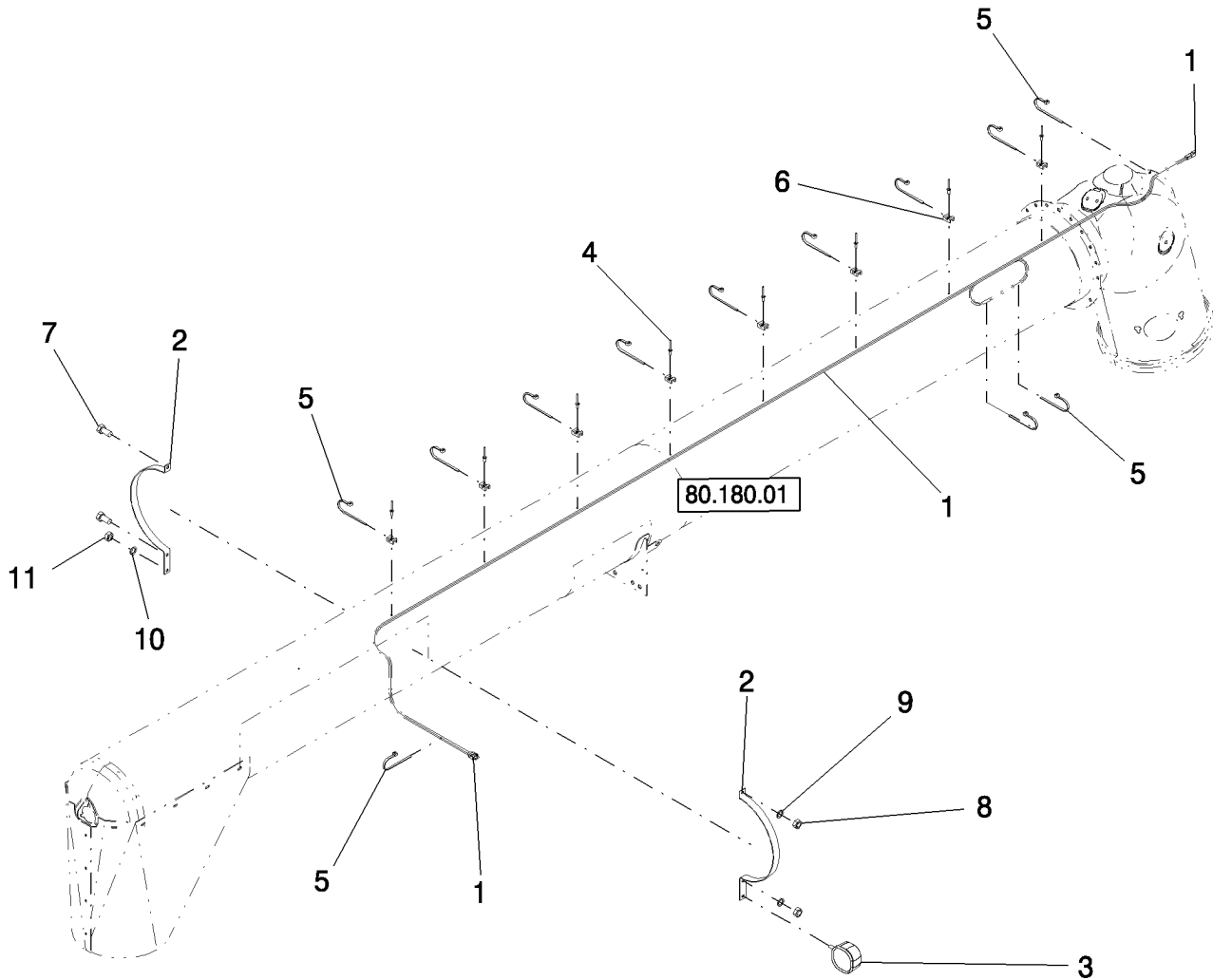
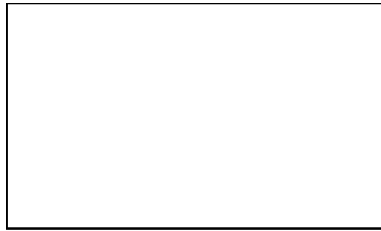
	9120 7120 8120 7120 8120
--	---

55.404.31

p1

10/09

LIGHT, UNLOADING AUGER



LIGHT, UNLOADING AUGER

REF	FN	PART NUMBER	YR/SN	QTY	DESCRIPTION
1		87727145		1	WIRE HARNESS, Unloading Tube Light
2		87553982		2	BRACKET
3		87001315		1	WORK LAMP, Incl Bulb
3		87107077		1	BULB, #862, 37.5w
4		445394		8	RIVET, Pop, M4.8 x 12.7
5		86566989		12	CABLE STRAP, M4.75 x 190.5 L
6		86590413		8	CLAMP
7		43139		2	BOLT, Hex, M10 x 25, 8.8, Full Thd
8		100016		2	NUT, M10, CI 8
9		140045		2	BELLEVILLE WASHER, M10
10		322358		1	BELLEVILLE WASHER, M8
11		9706690		1	NUT, M8, CI 8

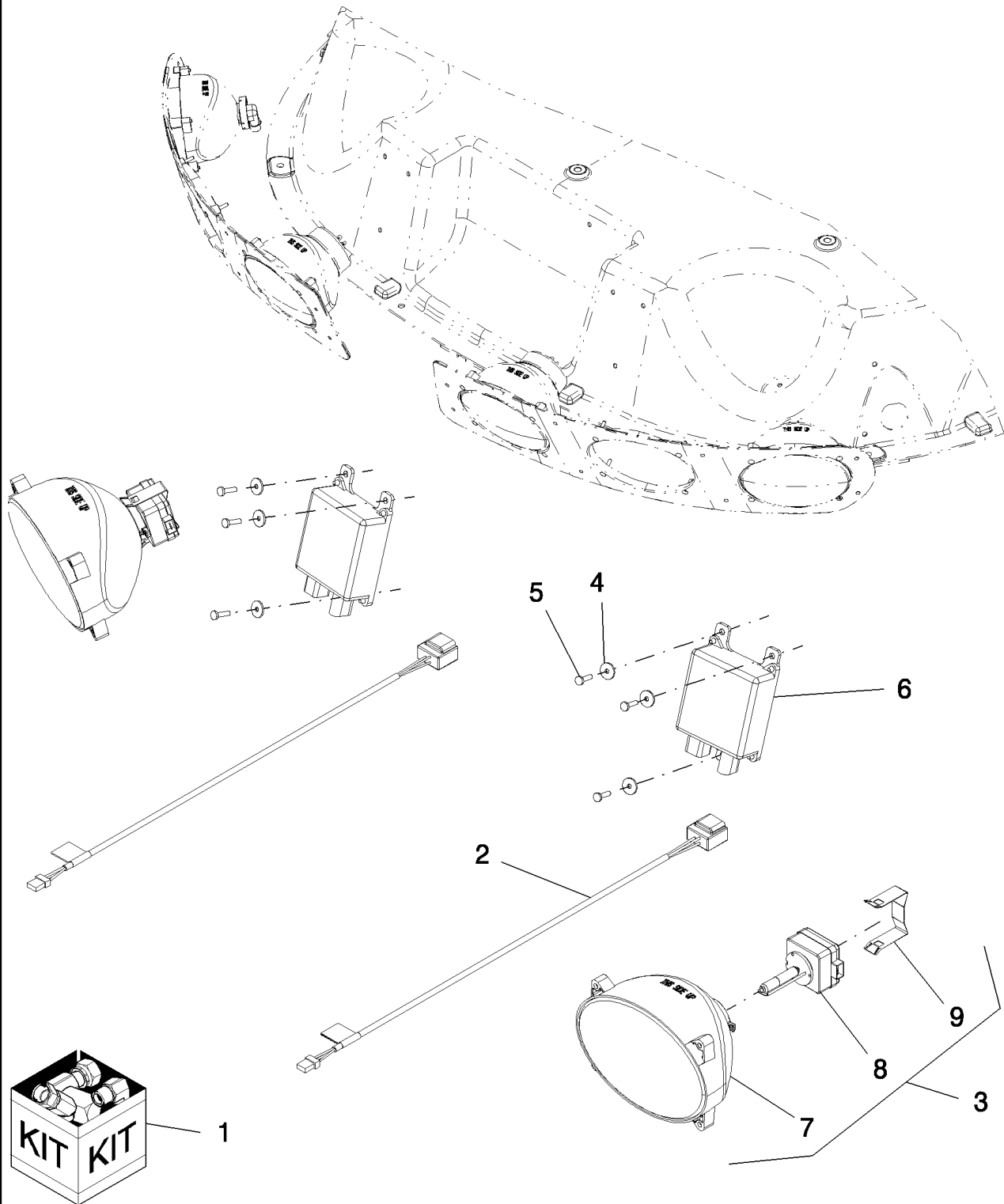
	9120 7120 8120 7120 8120
--	---

55.404.32

p1

11/09

DIA HARVEST KIT, LIGHTS, HID ROOF



55.404.32

p1

11/09

DIA HARVEST KIT, LIGHTS, HID ROOF

REF	FN	PART NUMBER	YR/SN	QTY	DESCRIPTION
1		84084476		1	DIA KIT, HARVESTER, HID Roof Lights - Incl Ref 2 thru 6
2		87108021		2	WIRE HARNESS, HID
3		87283214		2	HEADLAMP
4		335872		6	WASHER, M4 x 15 x 2 Thk
5		86511042		6	SCREW, Cross Pan Hd, M4 x 16
6		87106306		2	BALLAST
7		87106354		2	HEADLAMP
8		87722023		2	BULB, HID
9		87106287		2	CLIP

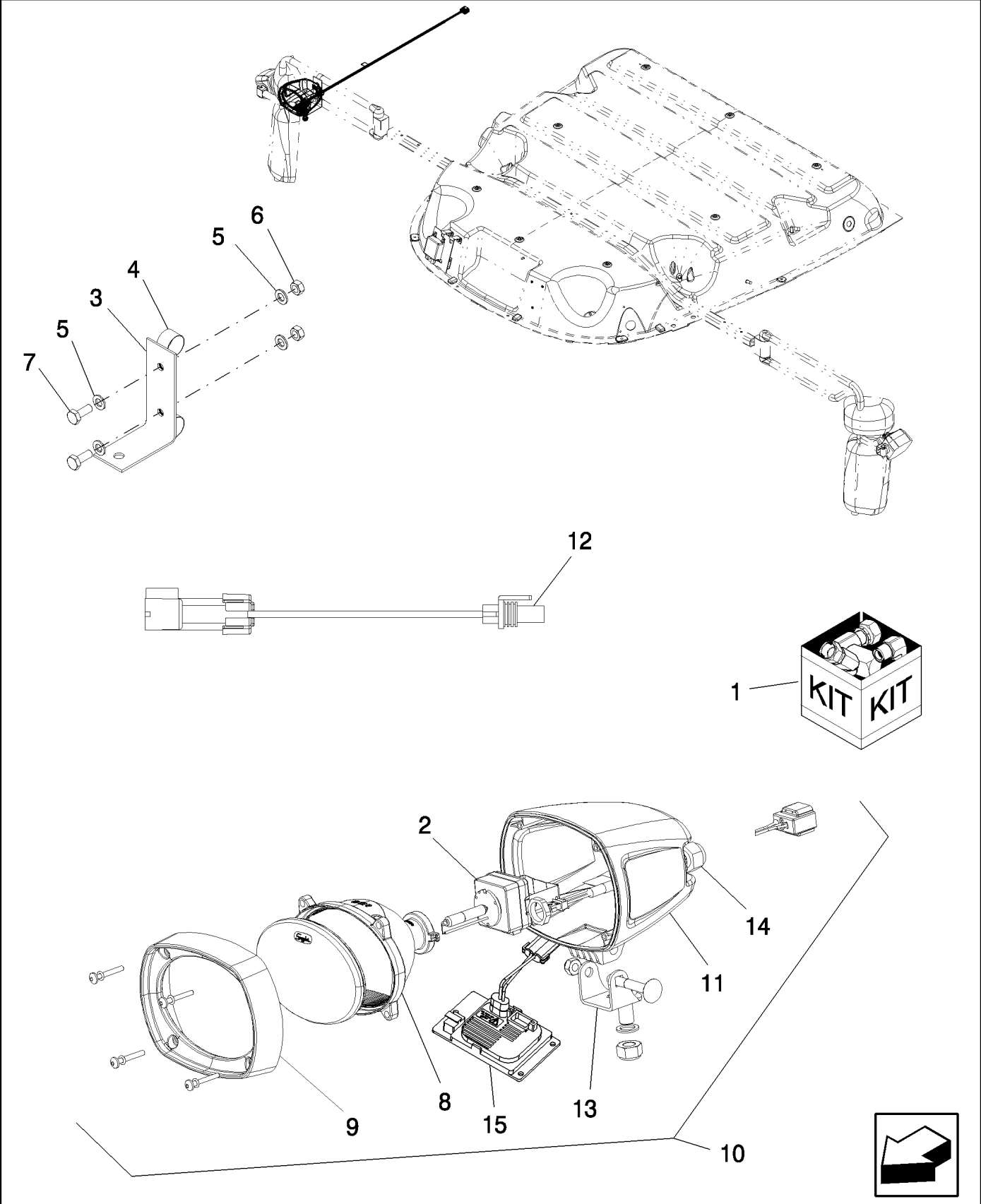
**9120 7120 8120 7120
8120**

55.404.33

p1

02/10

DIA HARVEST KIT, MID DISTANCE HID LIGHT - R.H. MIRROR MOUNTED



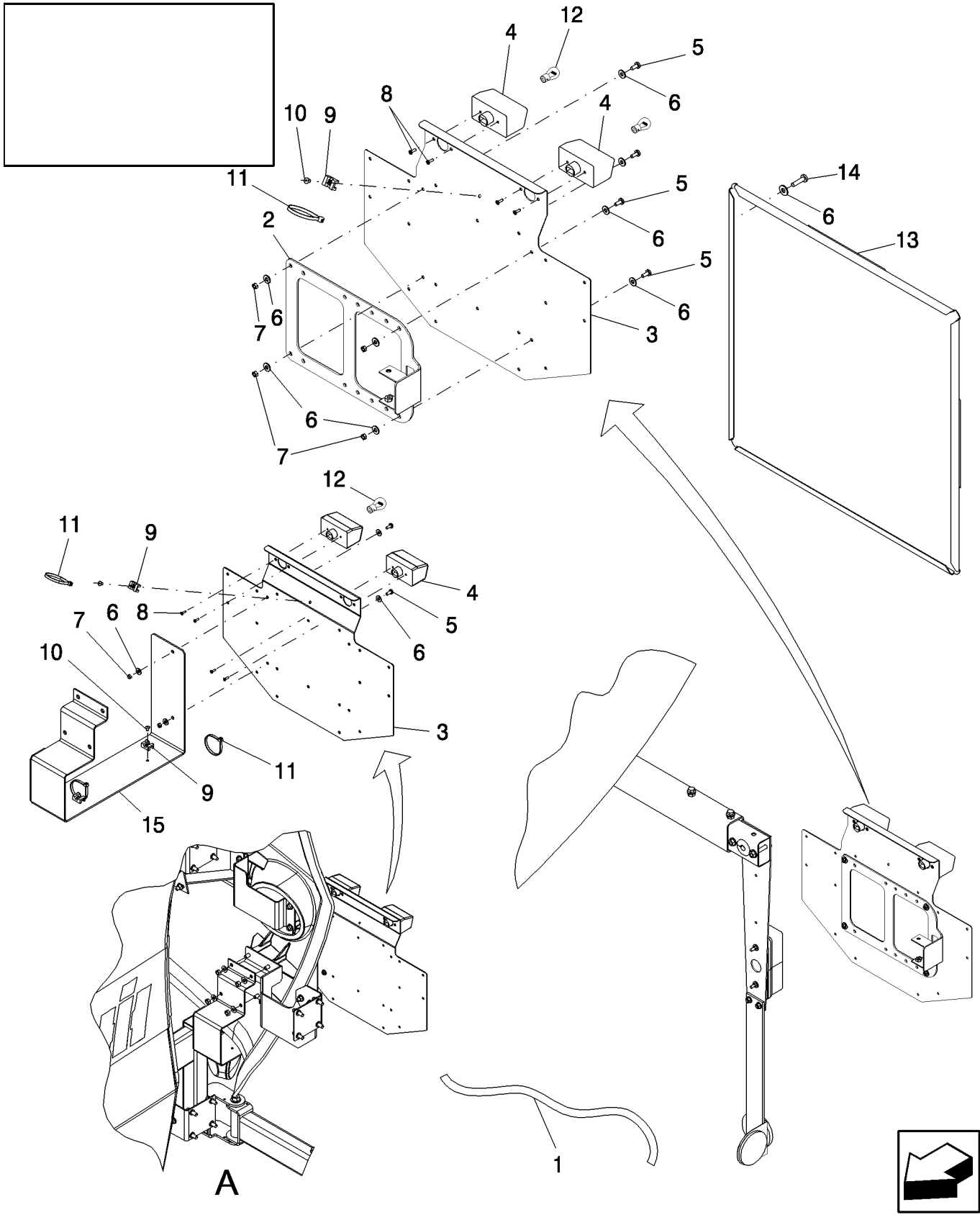
DIA HARVEST KIT, MID DISTANCE HID LIGHT - R.H. MIRROR MOUNTED

REF	FN	PART NUMBER	YR/SN	QTY	DESCRIPTION
1	1	87726717		1	DIA KIT, HARVESTER, Light, HID Mid Distance
2		87722023		1	BULB
3		87756315		1	BRACKET
4		86637996		2	CLAMP, 1 1/8", Insul, 3/8" Bolt
5		86624176		4	WASHER, M10 x 20 x 2
6		829-1410		2	NUT, M10, CI 10
7		43139		2	BOLT, Hex, M10 x 25, 8.8, Full Thd
8		87282634		1	LENS, & Reflector
9		NSS		1	NOT SERVICED SEPARATELY, Bezel W/Foam
10		87746238		1	LIGHT ASSY., Incl Ref 2, 8, 9, 11, 13, Thru 15
11		NSS		1	NOT SERVICED SEPARATELY, Housing
12		87497442		1	WIRE HARNESS, HID Light, R.H. Mirror
13		NSS		1	NOT SERVICED SEPARATELY, Bracket
14		NSS		1	NOT SERVICED SEPARATELY, Harness, Wire; HID Light, R.H. Mirror (Inside Lamp Housing)
15		87539116		1	BALLAST, Internal

(1) Kit will Contain Some Components Not Used in this Application

**9120 7120 8120 7120
8120**

LIGHTING, LICENSE PLATE - EU - 7120, 8120, 9120



LIGHTING, LICENSE PLATE - EU - 7120, 8120, 9120

REF	FN	PART NUMBER	YR/SN	QTY	DESCRIPTION
1		87108347		1	WIRE HARNESS, License Plate Illumination, EU
2		87284856		1	BRACKET
3		87001317		1	RETAINING PLATE
4		84067964		2	NUMBER PLATE LAMP, Includes Ref 12
5		80043982		AR	SCREW, Pan Hd, M5 x 0.8 x 12, CI 4.8
6		322357		AR	BELLEVILLE WASHER, M6
7		86508813		AR	NUT, M5, CI 8
8		9835804		AR	SCREW
9		86590413		AR	CLAMP, Base, Wire Tie
10		325911		AR	RIVET, Pop, M4.8 x 7.4
11		86566989		AR	CABLE STRAP, M4.75 x 190.5 L
12		86616250		2	BULB, #W5W, 5w
13	1	84607381		1	PLATE
14		86511827		AR	SCREW, Cross Pan Hd, M5 x 20
15	2	87109573		1	BRACKET

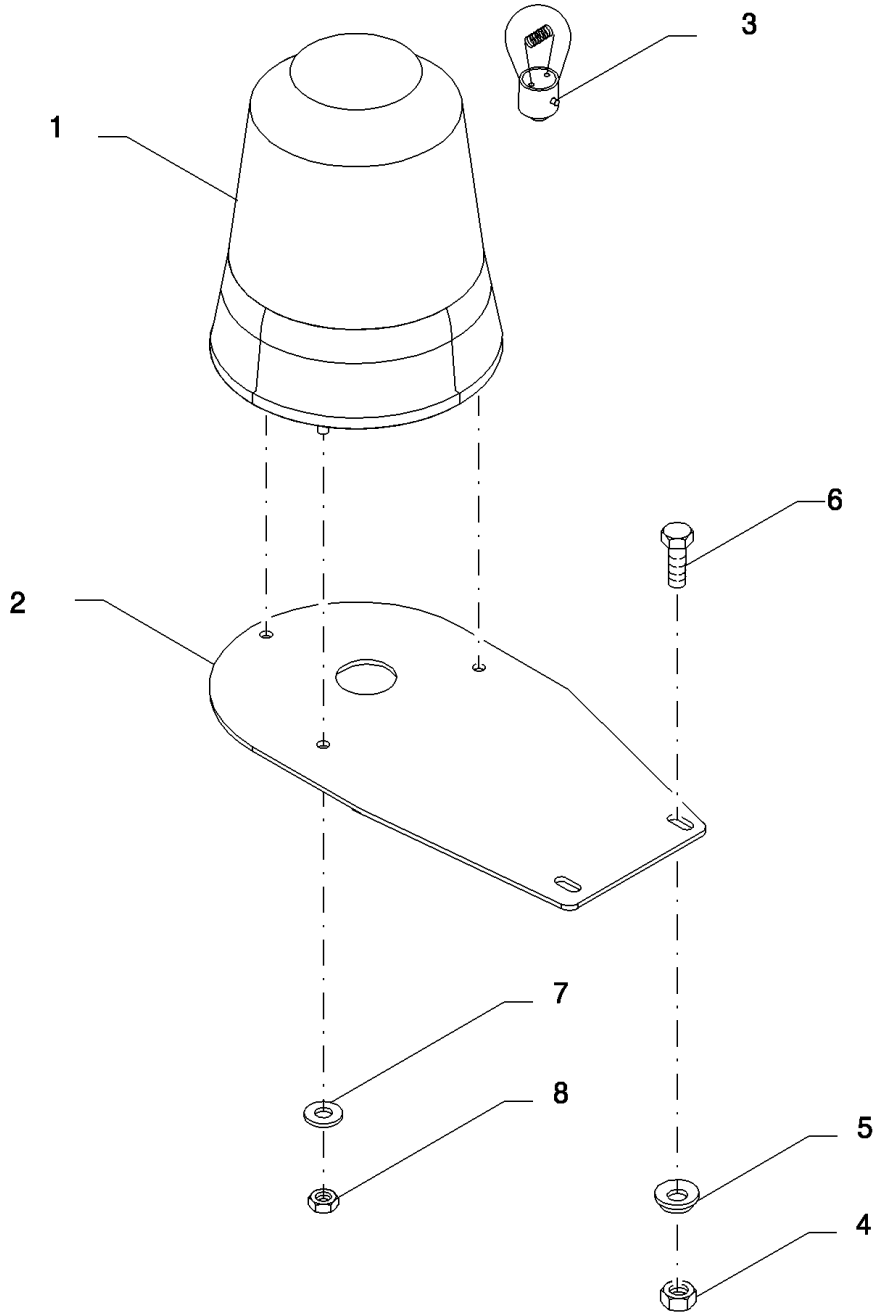
(1) For France Only in this Location

(2) Austria Only

A = Austria Only

9120 7120 8120

BEACON, REAR, ROTATING

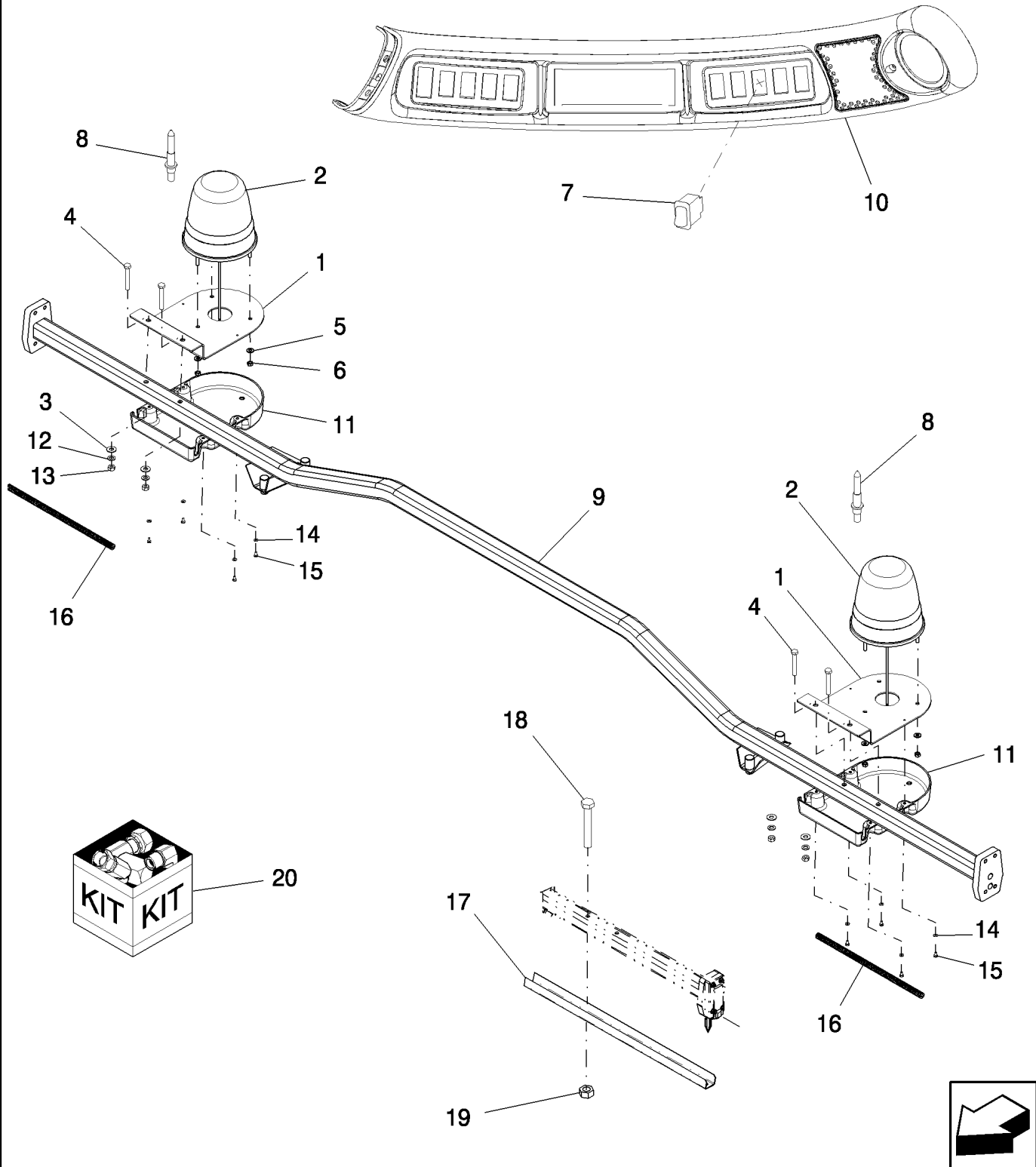


BEACON, REAR, ROTATING

REF	FN	PART NUMBER	YR/SN	QTY	DESCRIPTION
1		87050694		1	BEACON
2		87107403		1	SUPPORT
3		86616248		1	BULB, #HI, 55w
4		9706690		2	NUT, M8, CI 8
5		322358		2	BELLEVILLE WASHER, M8
6		120103		2	BOLT, Hex, M8 x 16, 8.8
7		86517328		3	LOCK WASHER, M6
8		9706755		3	NUT, M6, CI 8

	9120 7120 8120 7120 8120
--	---

BEACONS, CAB ROOF, ROTATING

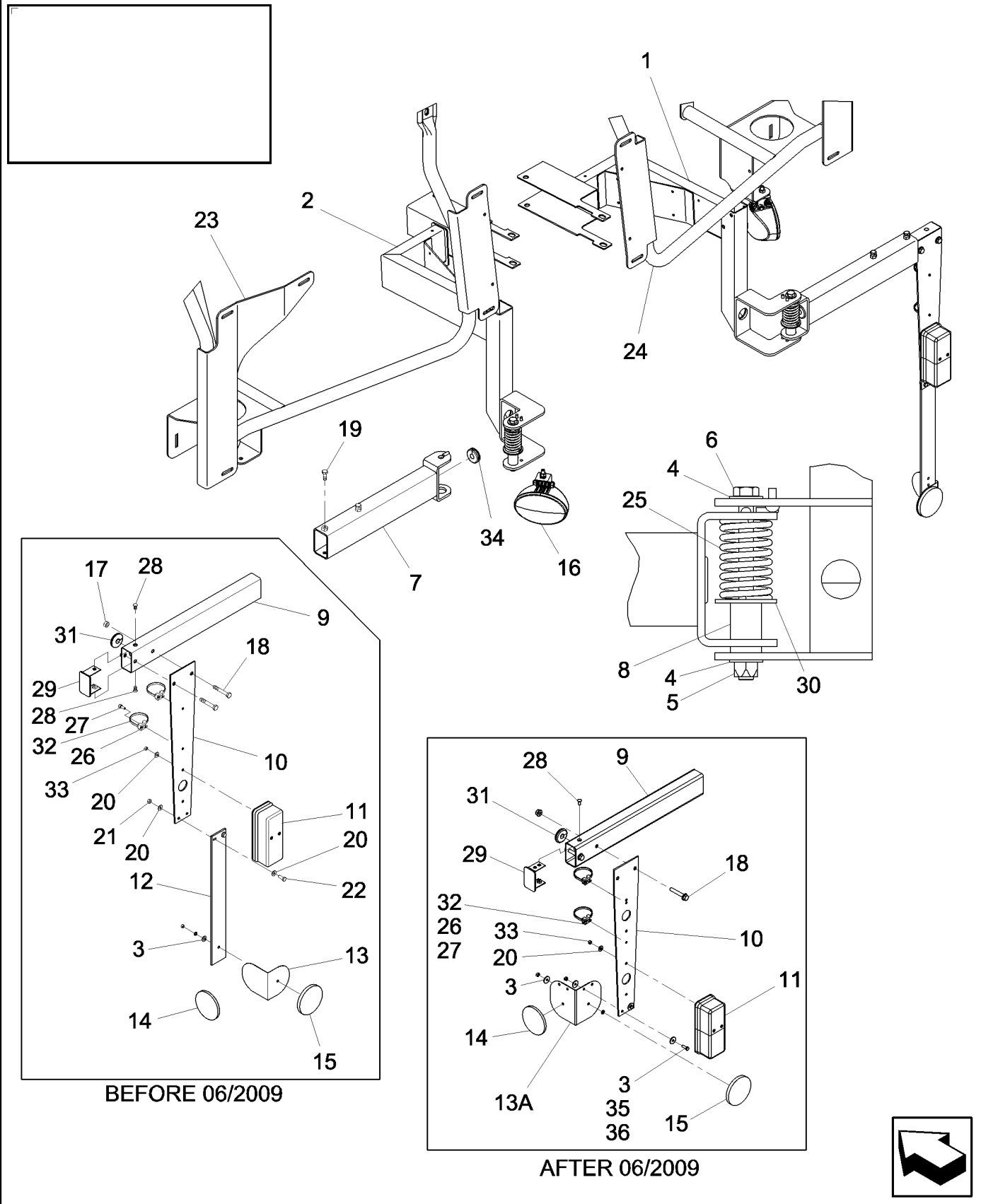


BEACONS, CAB ROOF, ROTATING

REF	FN	PART NUMBER	YR/SN	QTY	DESCRIPTION
1		87341279		2	SUPPORT
2		87050694		2	BEACON
3		86625263		4	WASHER, M8 x 20 x 1.6
4		86900240		4	BOLT, Hex, M8 x 55, 8.8
5		322357		6	BELLEVILLE WASHER, M6
6		9706755		6	NUT, M6, CI 8
7		84320234		1	BEACON SWITCH
8		86616248		2	BULB, #HI, 55w
9		87326681		1	SUPPORT
10		86995945		1	PANEL
11		87331119		2	COVER
12		895-11008		4	WASHER, M8 x 16 x 1.6
13		9706690		4	NUT, M8, CI 8
14		895-11004		8	WASHER, M4
15		87367495		8	SCREW, Thread Rolling, M4 x 8
16		87283961		2	INSULATOR, Conduit
17		87381862		2	BRACKET, Without Beacon
18		120062		4	BOLT, Hex, M8 x 70, 8.8, Without Beacon
19		86629542		4	LOCK NUT, M8 x 1.25, CI 8, Without Beacon
20		84084474		1	DIA KIT, HARVESTER, Three Beacon Lights; Incl Refs 1 Thru 8, 10 Thru 16

	9120 7120 8120 7120 8120
--	---

LIGHTS, WARNING, REAR - EU ONLY - 7120, 8120, 9120



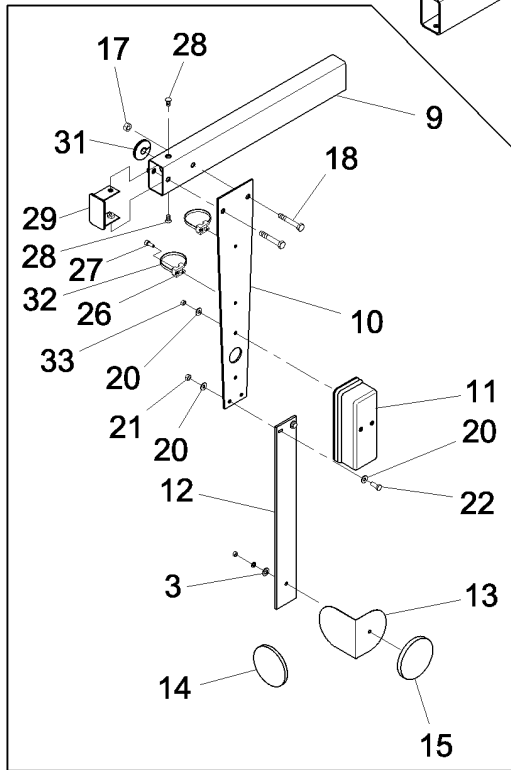
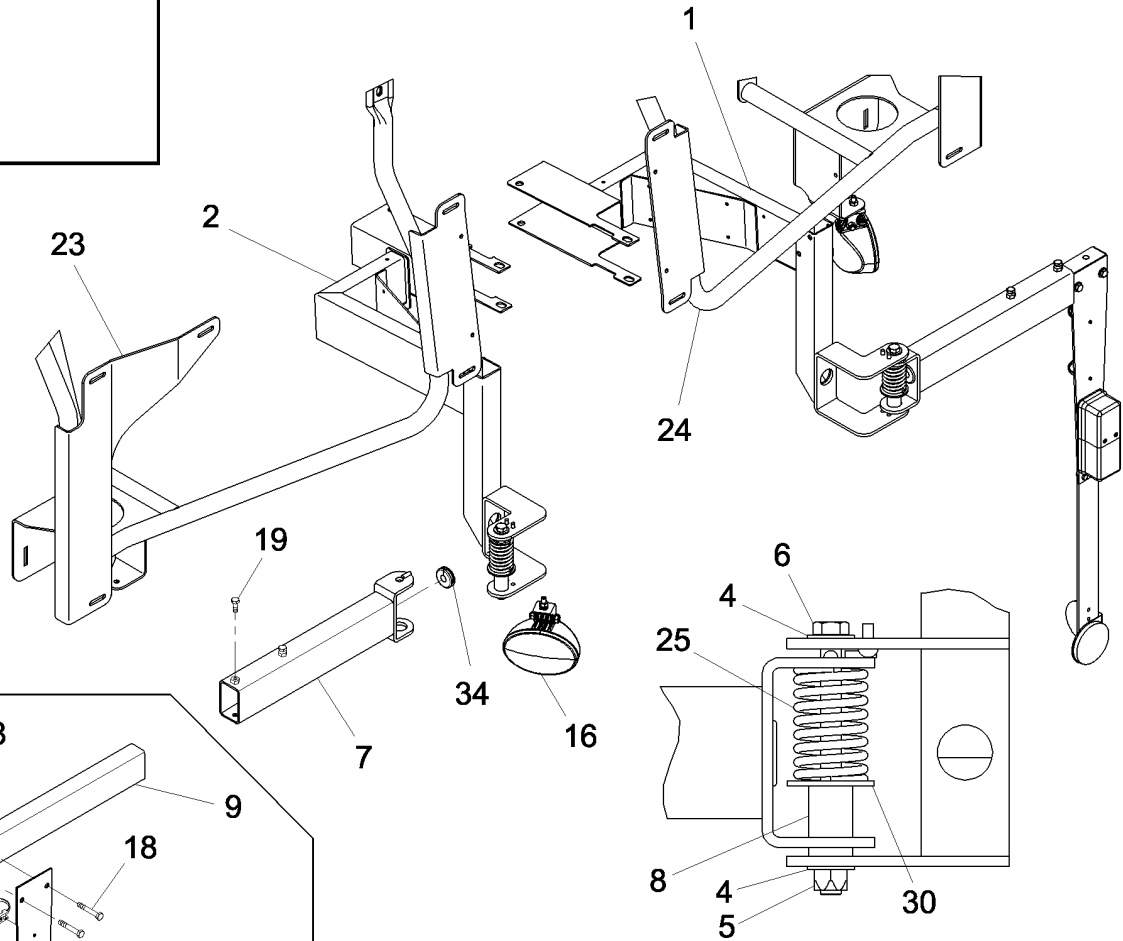
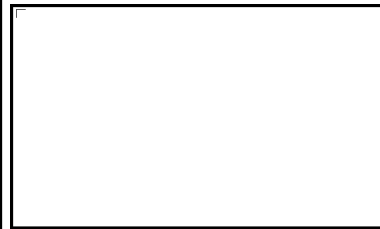
LIGHTS, WARNING, REAR - EU ONLY - 7120, 8120, 9120

REF	FN	PART NUMBER	YR/SN	QTY	DESCRIPTION
1		87738120		1	SUPPORT ASSY., R.H.
2		87738122		1	SUPPORT ASSY., L.H.
3	1	495-61020		2	WASHER, 13/64" x 1/2" x .060"
4		140046		4	SPRING WASHER, Belleville, M12
5		412672		2	LOCK NUT, M12 x 1.75, CI 10
6		385427		2	BOLT, Hex, M12 x 150, 8.8
7		87001248		2	ARM, Supporting
8		87283257		2	SPACER
9		87001250		2	EXTENSION, Rigid
10		87001252		2	PLATE
11		87001253		2	LAMP, Stop / Tail / Turn
12		84442354		2	SUPPORT
13		84433683	Before 06/09	2	BRACKET
13A		84158104	From 06/09	2	BRACKET, When using this arm, Ref 12 is no longer used
14		435895		2	REFLECTOR, Amber
15		470023		2	REFLECTOR, Red
16		87284332		2	WORK LAMP, Incl Bulb
16		139119A1		2	BULB, #886, 12V, 50W
17		86507066		4	NUT, M8 x 1.25, Flg, CI 10
18		87698763		4	BOLT, Flanged, M8 x 50 CL10.9
19		120104		4	BOLT, Hex, M8 x 20, 8.8
20	2	322357		12	BELLEVILLE WASHER, M6
21	3	9706755		4	NUT, M6, CI 8
22	3	86508568		4	BOLT, Hex, M6 x 16, CI 8.8, Full Thd
23		84135512		1	BRACKET, R.H.
24		84135510		1	BRACKET, L.H.
25		87283260		2	SPRING
26		86590413		4	CLAMP, Base, Wire Tie
27		325911		4	RIVET, Pop, M4.8 x 7.4
28		86511855		4	SCREW, Hex Flat Hd, M6 x 12, 4.8
29		87001324		2	BRACKET

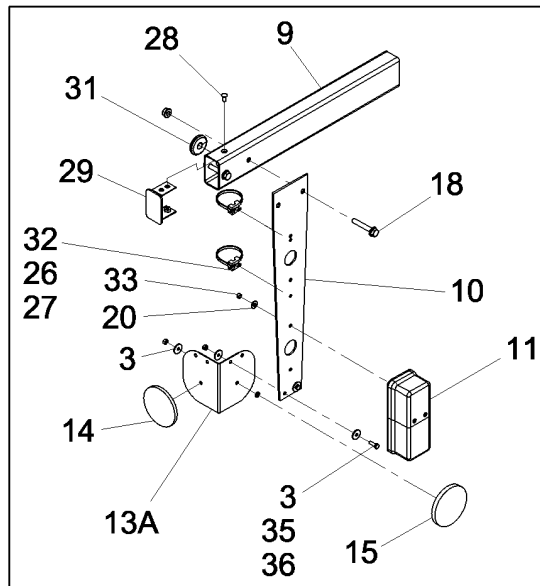
- (1) After 6/2009, When Ref 13 is used, increase quantity of 2 to quantity of 10
(2) After 6/2009, When Ref 13a is used, decrease quantity of 12 to quantity of 4
(3) Not Used After 6/2009, When New Bracket Ref 13a is Used

9120 7120 8120

LIGHTS, WARNING, REAR - EU ONLY - 7120, 8120, 9120



BEFORE 06/2009



AFTER 06/2009

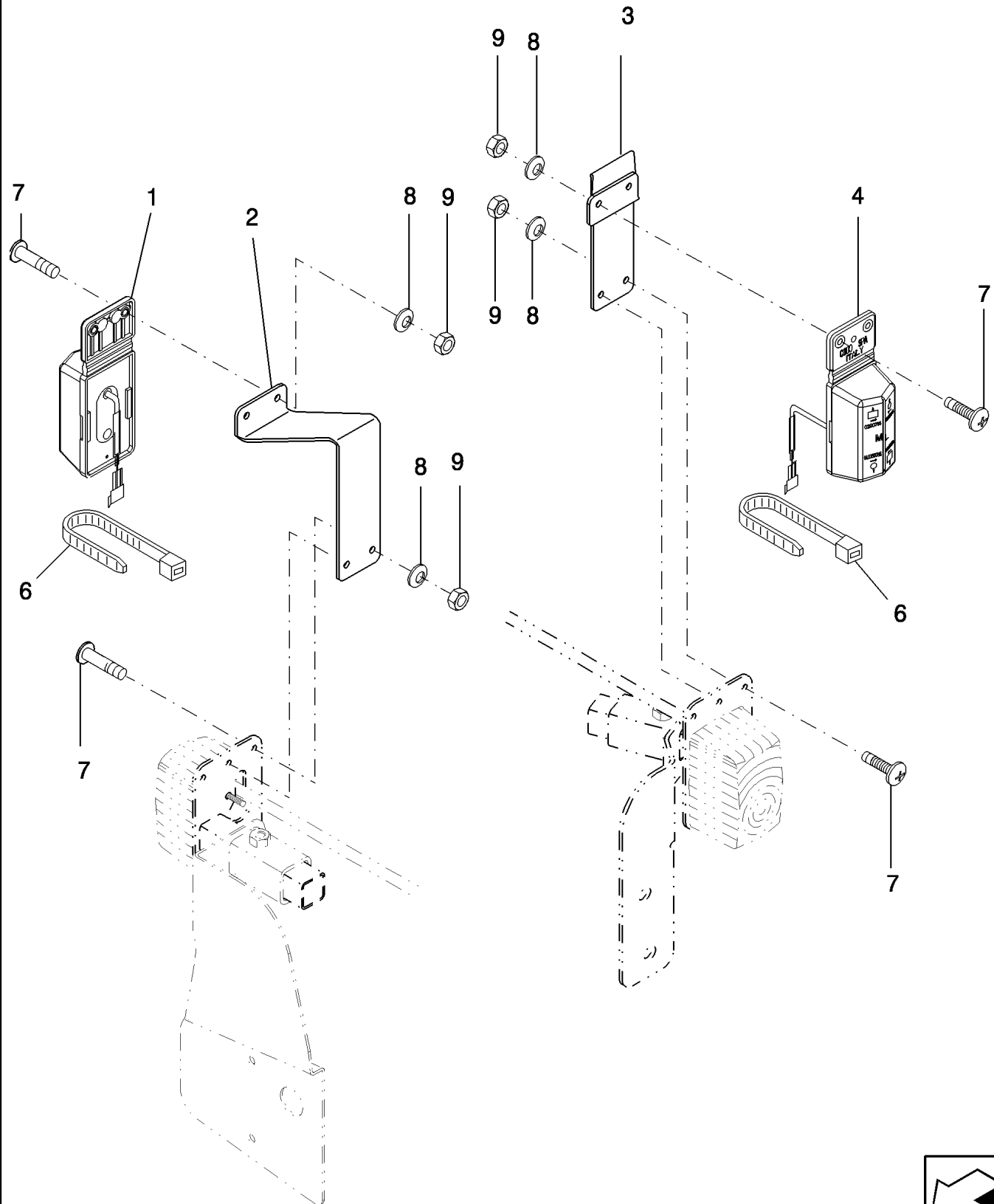


LIGHTS, WARNING, REAR - EU ONLY - 7120, 8120, 9120

REF	FN	PART NUMBER	YR/SN	QTY	DESCRIPTION
29		87284717		2	BRACKET
30		87026355		2	WASHER, M12 x 50 x 3, HT
31		87015293		2	GROMMET, 1/2" ID x 1 1/4" Groove Dia, Str Cut
32		86566989		4	CABLE STRAP, M4.75 x 190.5 L
33		86508813		4	NUT, M5, CI 8
34		87015294		2	GROMMET, 1/2" ID x 1 3/4" Groove Dia, Str Cut
35		43440	From 06/09	4	LOCK NUT, M5 x .8, CI 8
36		86050276	From 06/09	4	BOLT, Hex, M5 x 16, 8.8, Full Thd

	9120 7120 8120
--	-----------------------

LIGHTS, SIDE MARKER - EU - 7120, 8120, 9120



55.408.08

p1

10/09

LIGHTS, SIDE MARKER - EU - 7120, 8120, 9120

REF	FN	PART NUMBER	YR/SN	QTY	DESCRIPTION
1		84437311		1	LAMP, R.H., Incl Ref 5
2		84441701		1	SUPPORT, R.H.
3		84441700		1	BRACKET, L.H.
4		84437310		1	LAMP, L.H., Incl Ref 5
5		89626322		AR	BULB, #R5W, 5w, NOT SHOWN
6		86566989		2	CABLE STRAP, M4.75 x 190.5 L
7		86511042		8	SCREW, Cross Pan Hd, M4 x 16
8		322355		8	WASHER, Belleville, M4
9		100012		8	NUT, M4, CI 8

9120 7120 8120

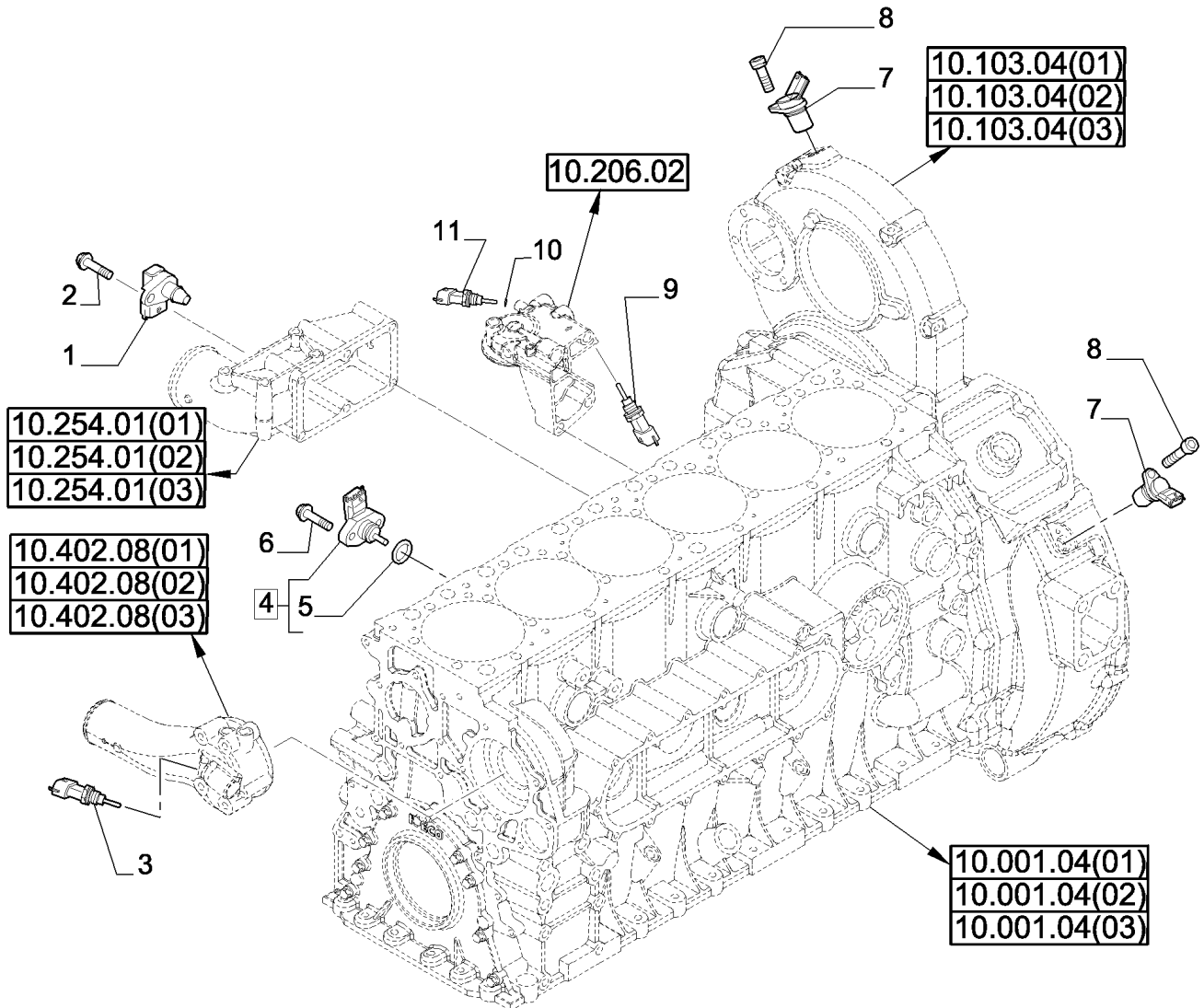
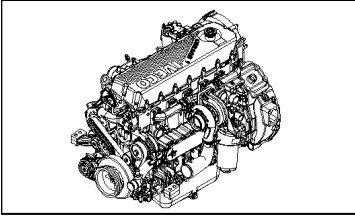
55.414.01

01

p1

03/10

ENGINE SENSORS - 7120/7120(LA)



55.414.01

01

p1

03/10

ENGINE SENSORS - 7120/7120(LA)

REF	FN	PART NUMBER	YR/SN	QTY	DESCRIPTION
1		504073323		1	ELEC CONNECTOR, Air Temperature / Pressure, 4 wire
2		16597225		1	SCREW, M6 x 18
3		500382599		2	SENSOR, Coolant Temperature
4		4890193		1	SENSOR, Oil Pressure & Temp
5		4895477		1	O-RING
6		4899110		2	SCREW, Hex Flg, M6 x 1 x 20
7		504096645		2	SENDER UNIT, 2 Wire
8		16688925		2	SCREW, M6 x 10
9		500382599		1	SENSOR, Sensor, Temp. & Pressure
10		99489018		1	SEALING WASHER
11		500346074		1	SENDER UNIT, Fuel Filter Pressure Switch

7120 7120

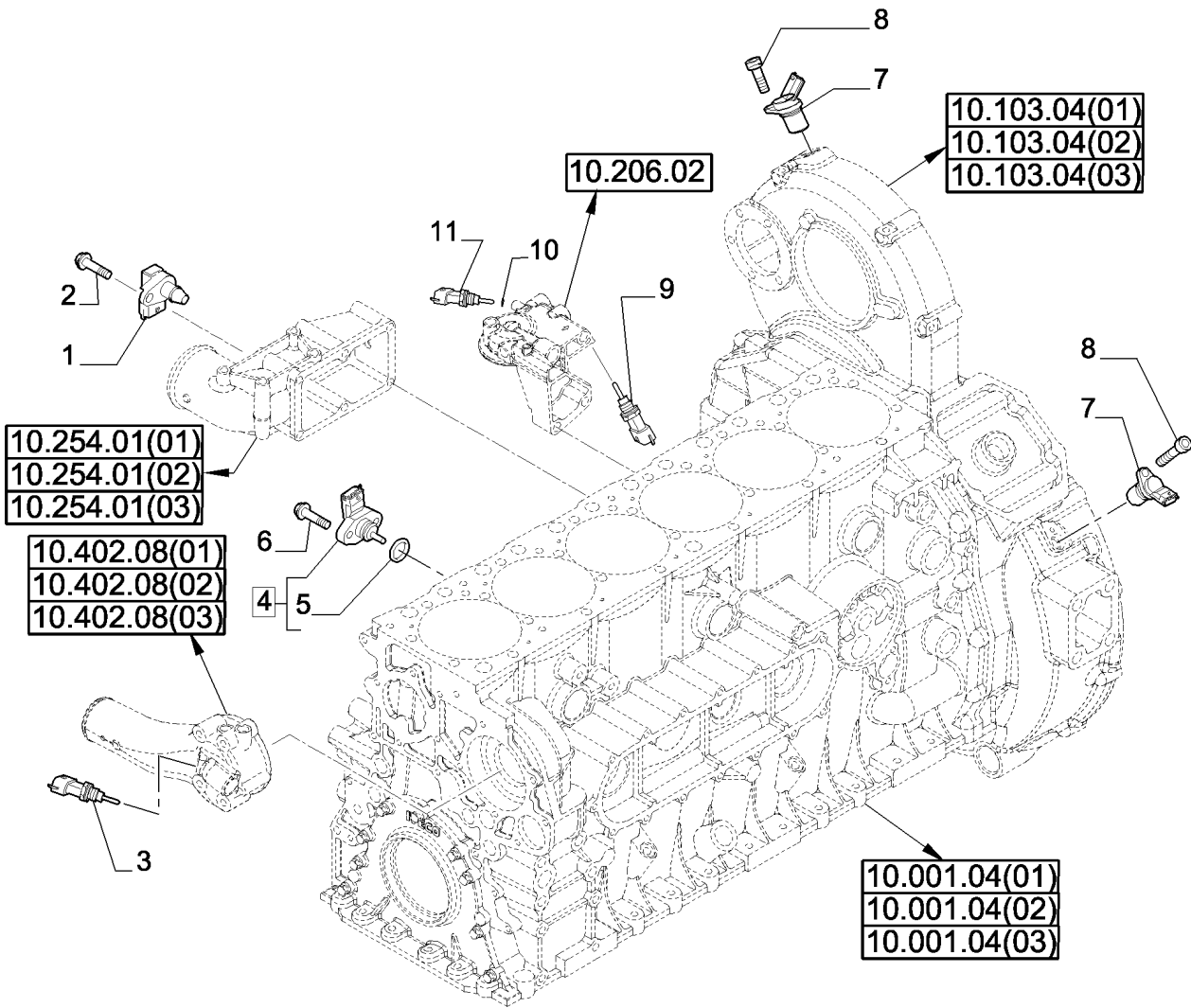
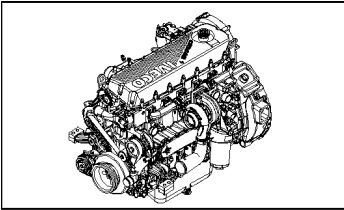
55.414.01

02

p1

02/10

ENGINE SENSORS - 9120



55.414.01

02

p1

02/10

ENGINE SENSORS - 9120

REF	FN	PART NUMBER	YR/SN	QTY	DESCRIPTION
1		504073323		1	ELEC CONNECTOR, Air Temperature / Pressure, 4 wire
2		16597225		1	SCREW, M6 x 18
3		500382599		1	SENSOR, Coolant Temperature
4		4890193		1	SENSOR, Oil Pressure & Temp
5		4895477		1	O-RING
6		4899110		2	SCREW, Hex Flg, M6 x 1 x 20
7		504096645		2	SENDER UNIT, Crankshaft & Camshaft Speed Sensor, 2 Wire
8		16689325		2	SCREW, M6 x 25
9		500382599		1	SENSOR, Temperature & Pressure
10		99489018		1	SEALING WASHER
11		500346074		1	SENDER UNIT, Fuel Filter Pressure Switch

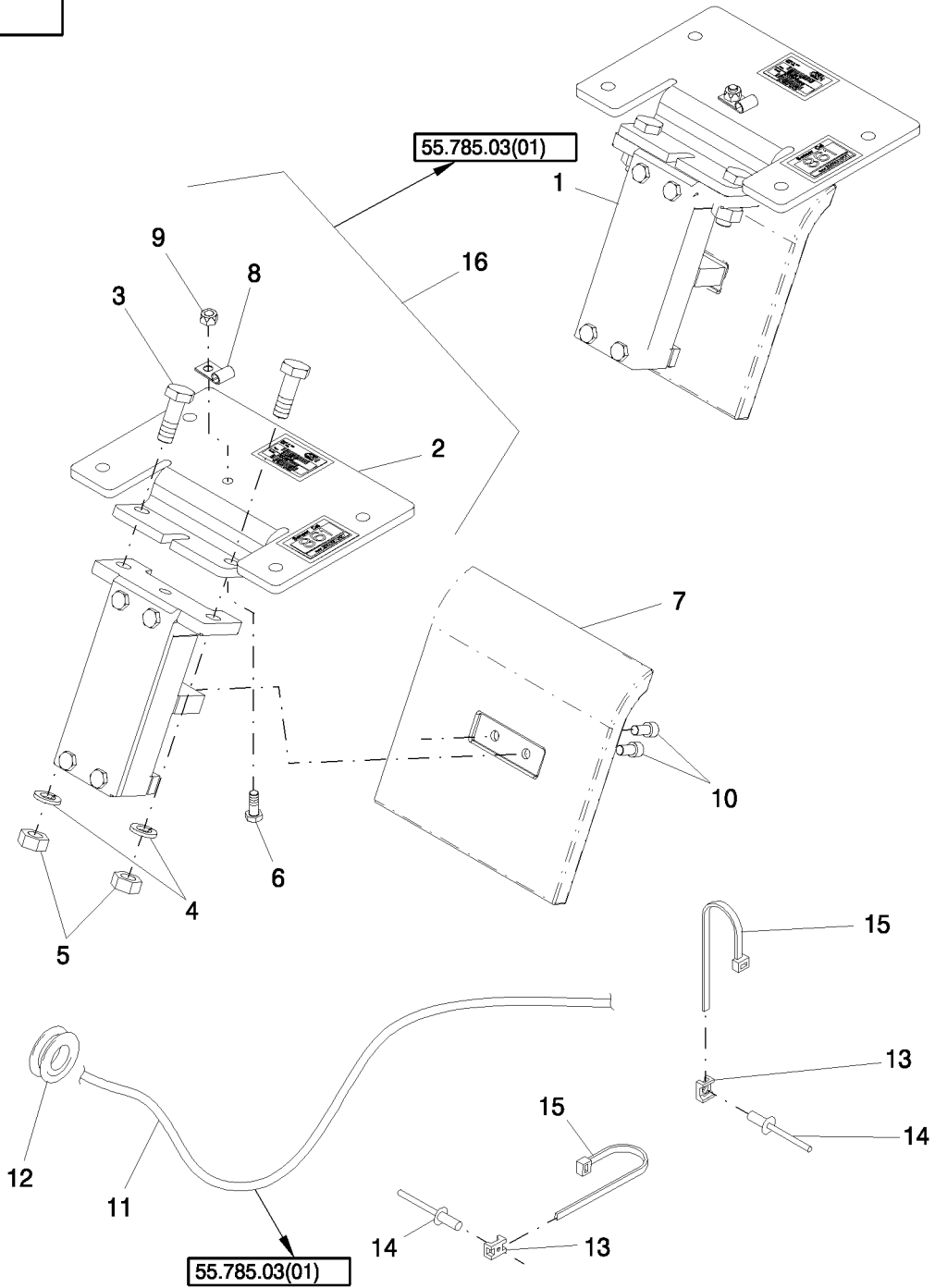
9120

55.418.01

p1

11/09

GRAIN FLOW SENSOR



GRAIN FLOW SENSOR

REF	FN	PART NUMBER	YR/SN	QTY	DESCRIPTION
1		87283659	BSN HAJ202201	1	SENSOR, Grain Flow; Incl Ref 2 thru 10 WITH PLASTIC Plate For AFX7010/ 8010
2		87283658		1	SUPPORT, Plate
3		9515003		2	BOLT, Hex, M10 x 30, 10.9, Full Thd
4		892-11010		2	LOCK WASHER, M10
5		100016		2	NUT, M10, CI 8
6		86508568		1	BOLT, Hex, M6 x 16, CI 8.8, Full Thd
7		87280785		1	PLATE, Aluminum
7		87282433		1	PLATE, Stainless Steel
7		87283836		1	PLATE, Plastic, Incl (2) Ref 10
8		272535		1	CLAMP, 1/8", Insul, 1/4" Bolt
9		353308		1	NUT, M6 x 1, CI 8
10		61-3258		2	SCREW, Hex Soc Hd, 1/4"-20 x 1/2"
11	1	87634523		1	WIRE HARNESS, Flow and Moisture
12		87379691		1	GROMMET
13		86590413		5	CLAMP, Base, Wire Tie
14		425521		5	RIVET
15		86566989		5	CABLE STRAP, M4.75 x 190.5 L
16		87387778		1	SENSOR, Flow - Components NSS

(1) Yield Sensor Connector has Four Pins

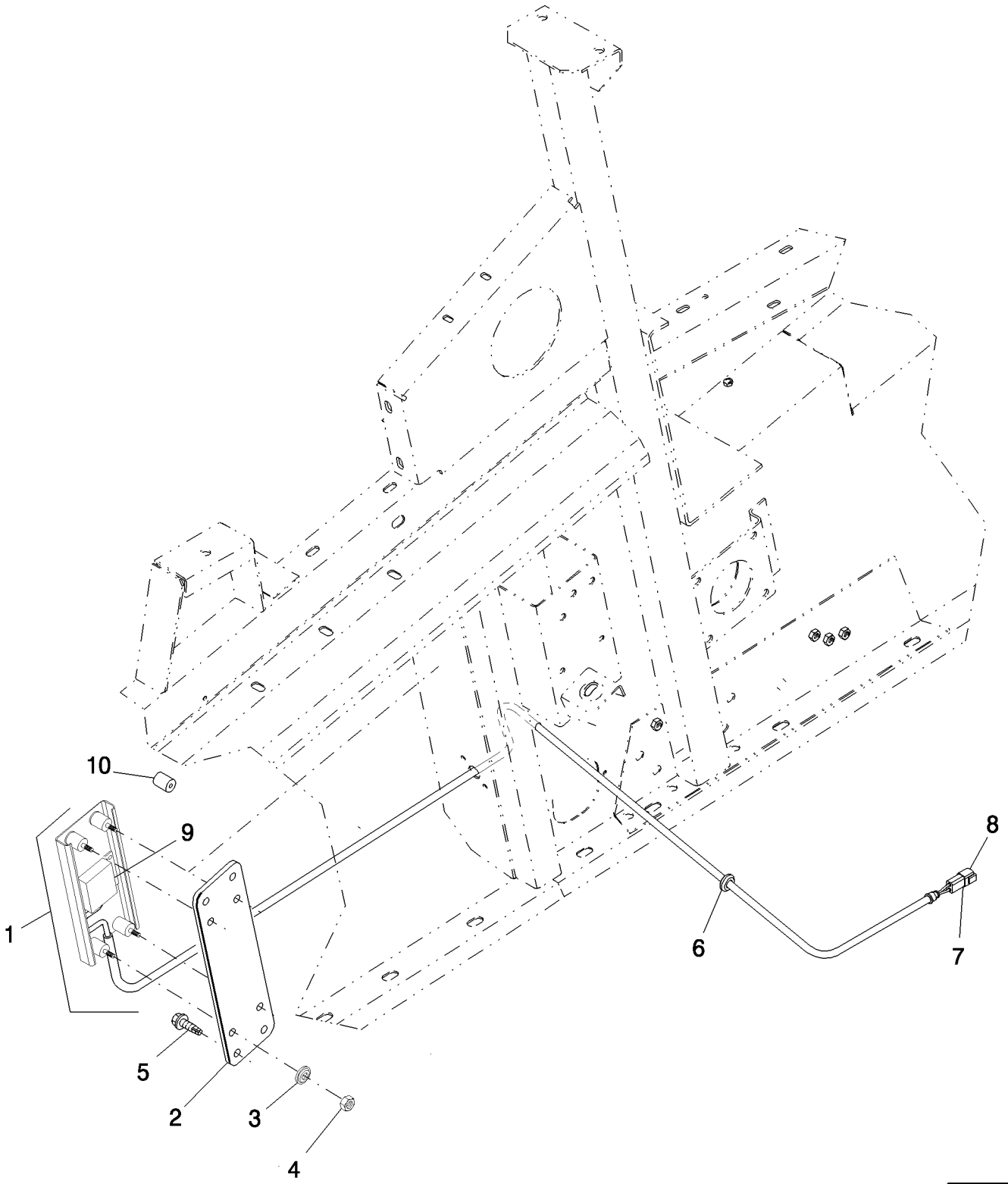
**7120 7120 9120 8120
8120**

55.418.05

p1

08/09

ROTOR LOSS SENSOR

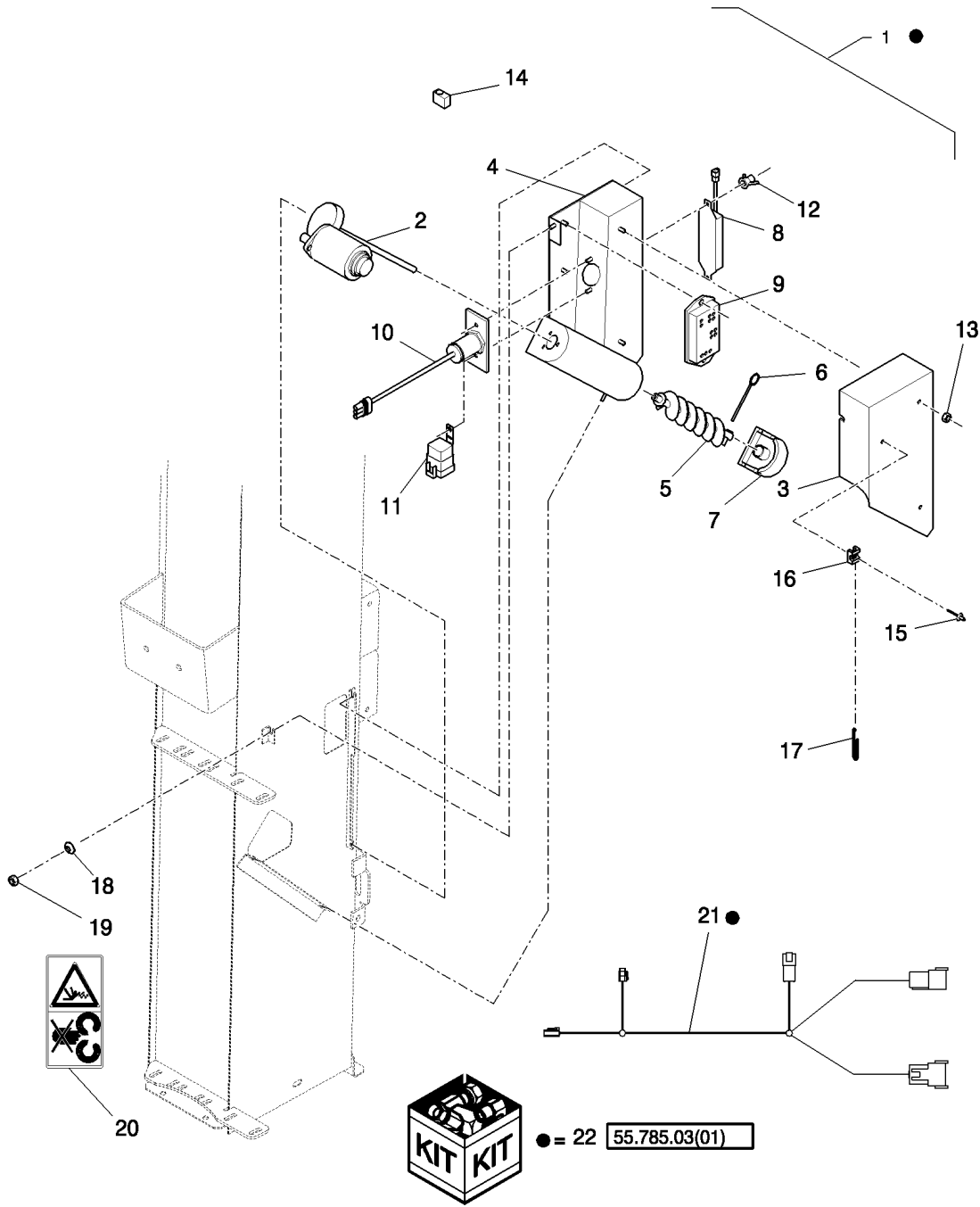


ROTOR LOSS SENSOR

REF	FN	PART NUMBER	YR/SN	QTY	DESCRIPTION
1		84131601		2	SENSOR, Rotor Loss; Incl Ref 6, 7, 8, 9 & 10
2		86997801		2	BRACKET
3		322357		8	BELLEVILLE WASHER, M6
4		9706755		8	NUT, M6, CI 8
5		84733		8	SELF-TAP SCREW, Slotted Hex Wash Hd, 1/4" x 3/8"
6		86837476		2	GROMMET, M16 x 29.5 x 22
7		84074630		2	WIRE CONNECTOR
8		86575790		4	PIN, Cable Lug
9		84000257		2	SENSOR, Rotor Loss; Filter Kit
10		84131033		8	DAMPER

	7120 7120 9120 8120 8120
--	---

MOISTURE SENSOR



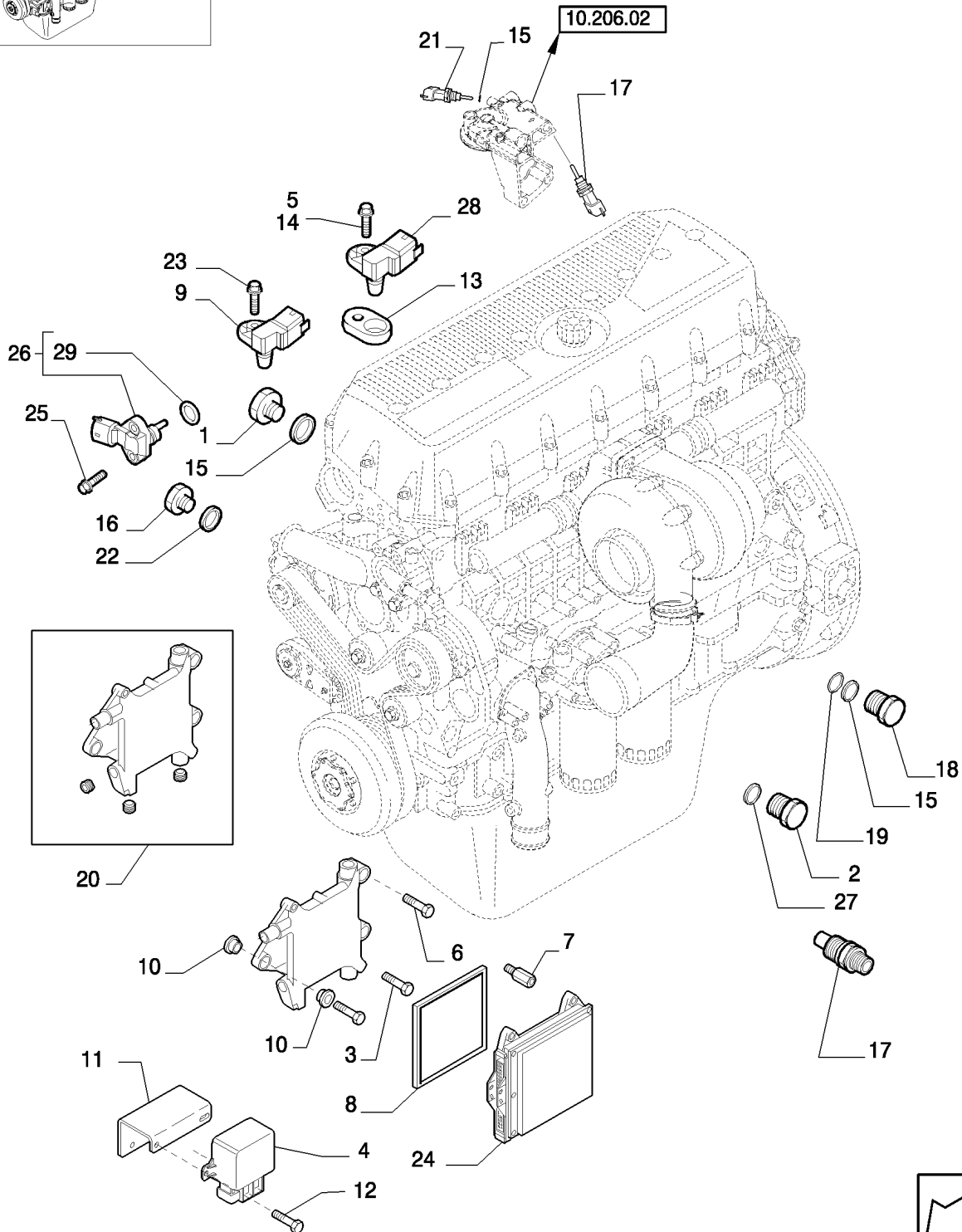
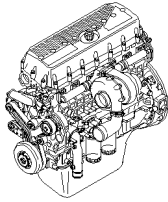
MOISTURE SENSOR

REF	FN	PART NUMBER	YR/SN	QTY	DESCRIPTION
		84081163		1	SENSOR, Moisture; Incl Ref 1, 18, 19, 20, & 21
1		87534936		1	SENSOR, Moisture; Incl 2 Thru 17
2		84435827		1	ELECTRIC MOTOR
3		87536585		1	COVER
4		84435325		1	HOUSING
5		84435828		1	AUGER
6		84435829		2	PIN
7		84435830		1	BLOCK
8		87534933		1	MOISTURE METER
9		84435831		1	PRINTED CIRCUIT BOARD
10		84435833		1	SENSOR, Moisture
11		84435874		1	RELAY
12		84814892		2	WING NUT, M6 x 1
13		86512440		7	LOCK NUT, M6, CI 10
14		84320044		1	FUSE, 5 Amp
15		445394		1	RIVET, Pop, M4.8 x 12.7
16		86590413		1	CLAMP
17		86566989		1	CABLE STRAP, M4.75 x 190.5 L
18		322357		5	BELLEVILLE WASHER, M6
19		9706755		5	NUT, M6, CI 8
20		84004736		1	DECAL
21	1	87634523		1	WIRE HARNESS, Yield & Moisture; Incl In Kit 87712022
22		87712022		AR	DIA KIT, HARVESTER, Yield & Moisture

(1) Yield Sensor Connector has Four Pins

**9120 7120 8120 7120
8120**

ENGINE SENSORS & ECU - 8120/8120(LA)

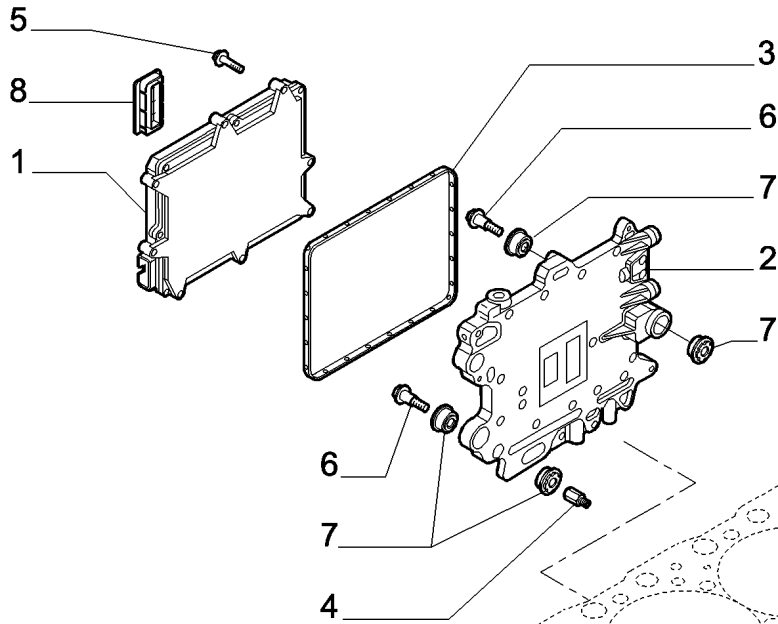
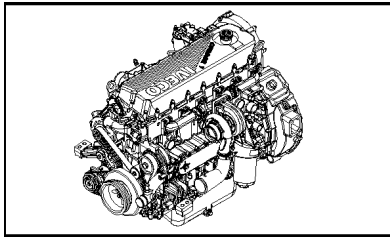


ENGINE SENSORS & ECU - 8120/8120(LA)

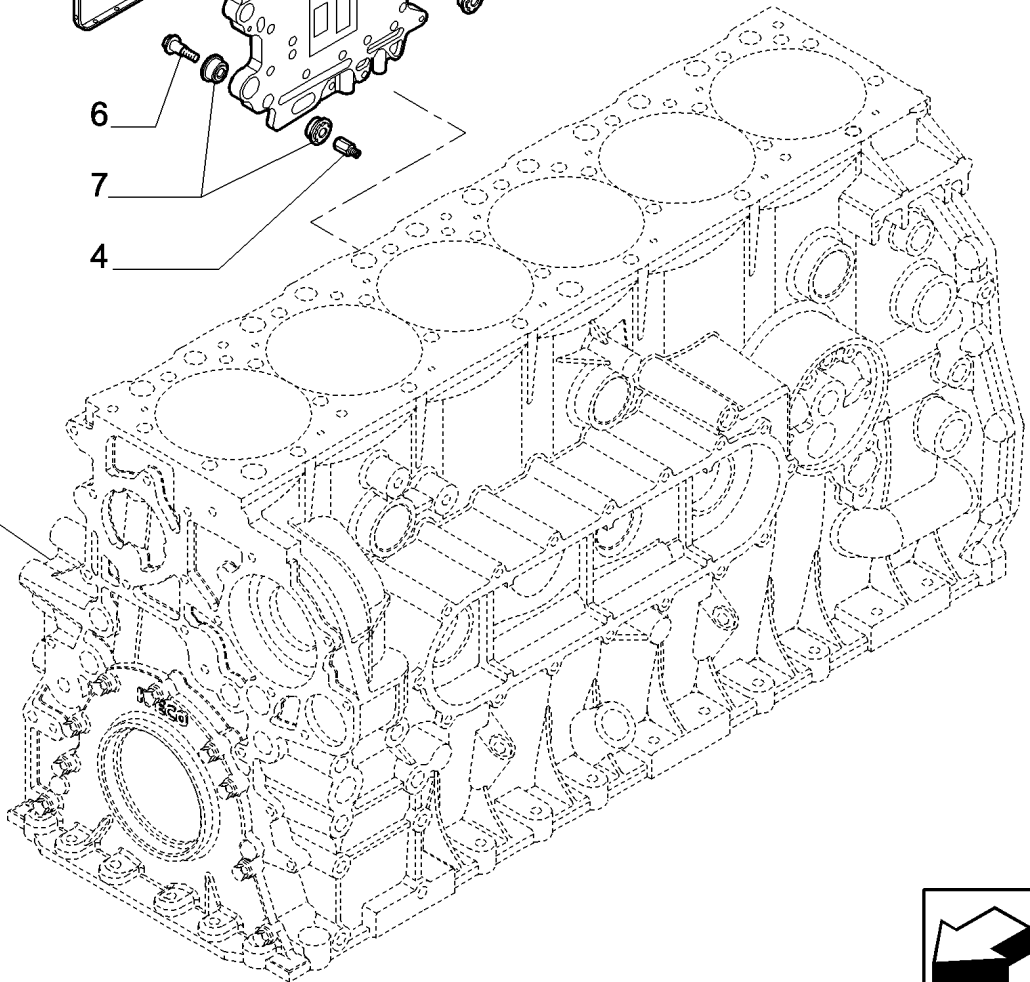
REF	FN	PART NUMBER	YR/SN	QTY	DESCRIPTION
1		10300611		2	PLUG, M14 x 1.5 x 14, Cl5.8
2		16992415		1	PLUG
3		16586025		8	SCREW
4		500343161		1	RELAY
5		16689324		1	SCREW
6		16586825		3	SCREW
7		99475194		1	SPACER
8		504184521		1	GASKET
9		504073323		1	ELEC CONNECTOR, Sensor, Air Pressure & Temperature
10		98498817		6	ISOLATOR
11		504031939		1	BRACKET
12		18137825		4	SCREW
13		504163664		1	SPACER
14		16689024		1	SCREW
15		99489018		4	SEALING WASHER
16		16887515		1	PLUG
17		500382599		2	SENSOR, Coolant Temperature
18		504084571		1	PLUG
19		17277881		1	GASKET
20		504097239		1	SUPPORT
21		500346074		1	SENDER UNIT, Clogged Filter
22		99489017		1	GASKET
23		16597225		1	SCREW
24		8094789		1	ELECTRONIC CONTROL UNIT
25		4899110		2	SCREW, Hex Flg, M6 x 1 x 20
26		4890193		1	SENSOR, Oil Pressure & Temperature
27		99489019		1	SEALING WASHER
28		504096645		2	SENDER UNIT, 2 Wire Camshaft Sensor
29		4895477		1	O-RING

8120 8120

ELECTRONIC CONTROL UNIT - 7120/7120(LA)



- 10.001.04(01)
- 10.001.04(02)
- 10.001.04(03)



55.440.03

01

p1

02/10

ELECTRONIC CONTROL UNIT - 7120/7120(LA)

REF	FN	PART NUMBER	YR/SN	QTY	DESCRIPTION
1		8094789		1	ELECTRONIC CONTROL UNIT
2		504097239		1	SUPPORT
3		504070042		1	GASKET
4		99475194		1	SPACER
5		16586025		8	SCREW, M6 x 30
6		16586825		3	SCREW, M8 x 45
7		98498817		6	ISOLATOR
8		504043102		1	PLUG

7120 7120

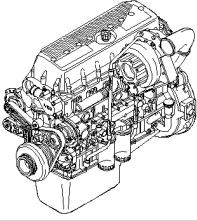
55.440.03

02

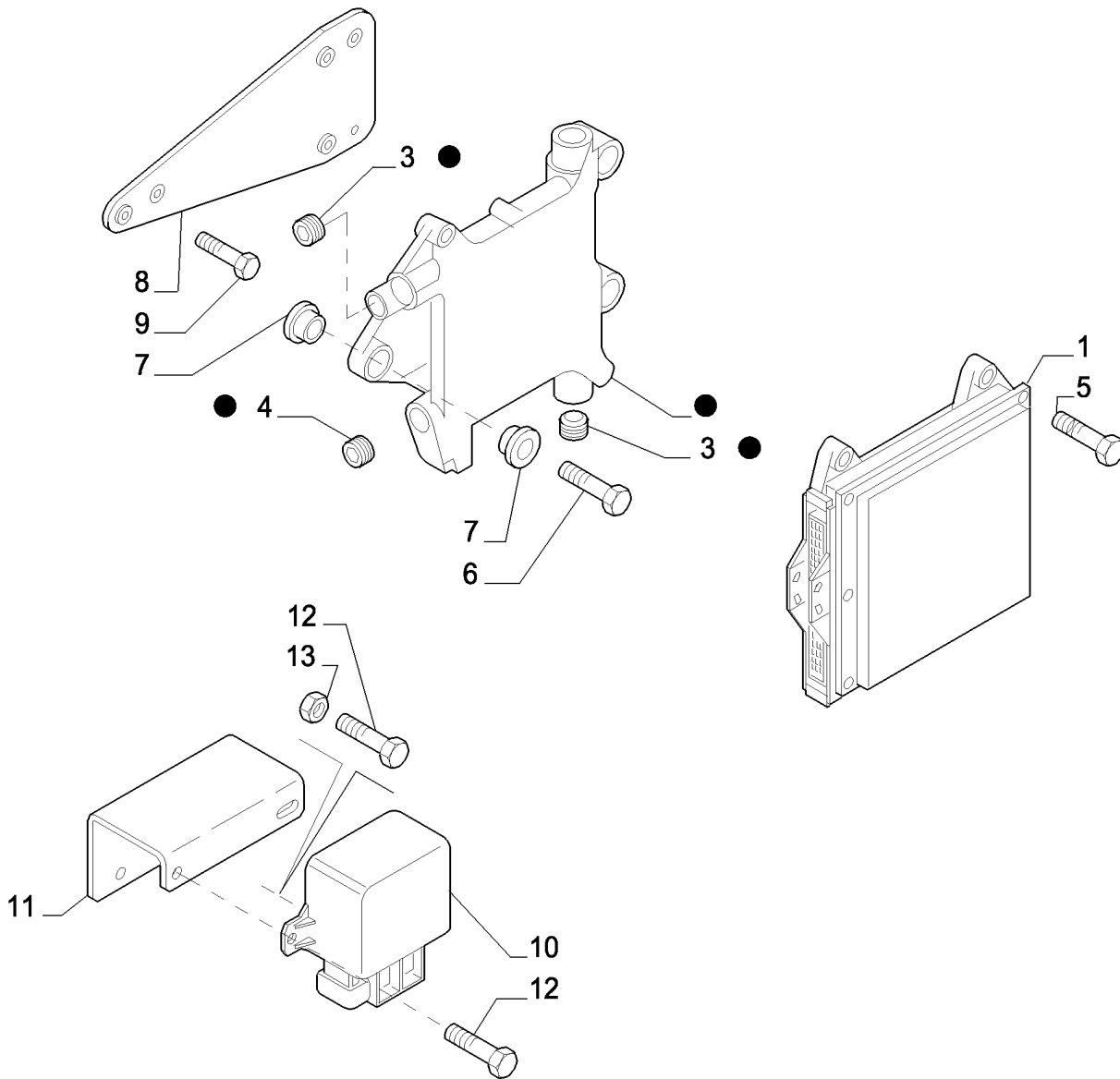
p1

02/10

ELECTRONIC CONTROL UNIT - 8120/8120(LA)



● = 2



55.440.03

02

p1

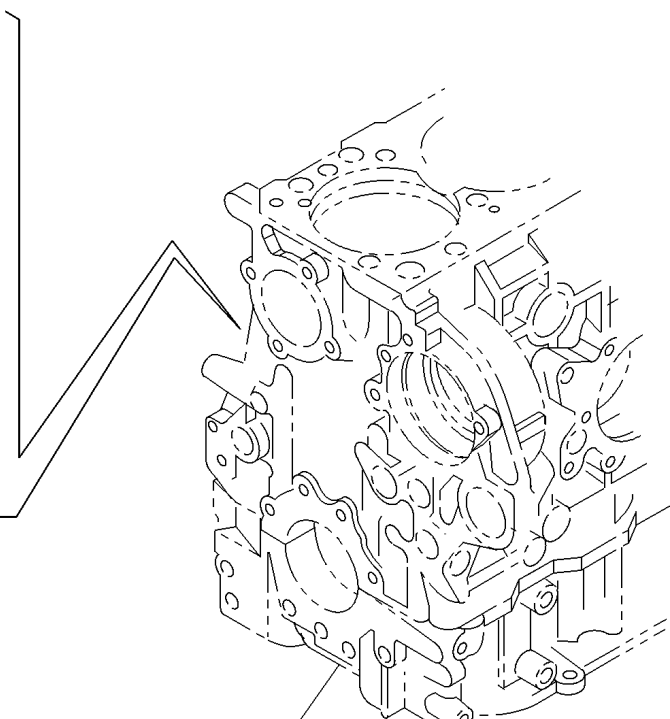
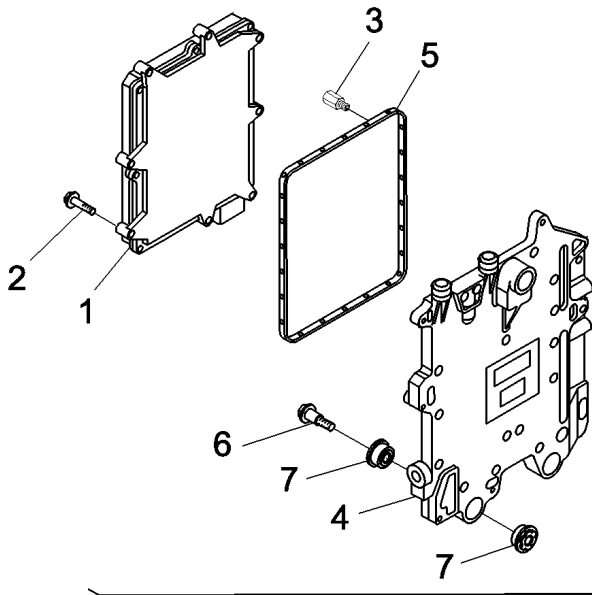
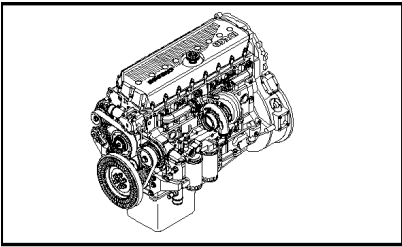
02/10

ELECTRONIC CONTROL UNIT - 8120/8120(LA)

REF	FN	PART NUMBER	YR/SN	QTY	DESCRIPTION
1		8094789		1	ELECTRONIC CONTROL UNIT
2		504097239		1	SUPPORT
3		98474481		2	PLUG
4		99430692		1	PLUG
5		16586624		4	SCREW, M8 x 35
6		16674134		3	SCREW, M8 x 45
7		98498817		6	ISOLATOR
8		504079747		1	BRACKET
9		16600224		1	SCREW, M18 x 1,25 x 18
9		16674134		2	SCREW, M8 x 45
10		500343161		1	RELAY, GRID HEATER
11		504031939		1	BRACKET
12		16585724		4	SCREW, M6 x 16
13		17044621		2	NUT, M6

8120 8120

ELECTRONIC CONTROL UNIT - 9120



10.001.04(01)
10.001.04(02)
10.001.04(03)



55.440.03

03

p1

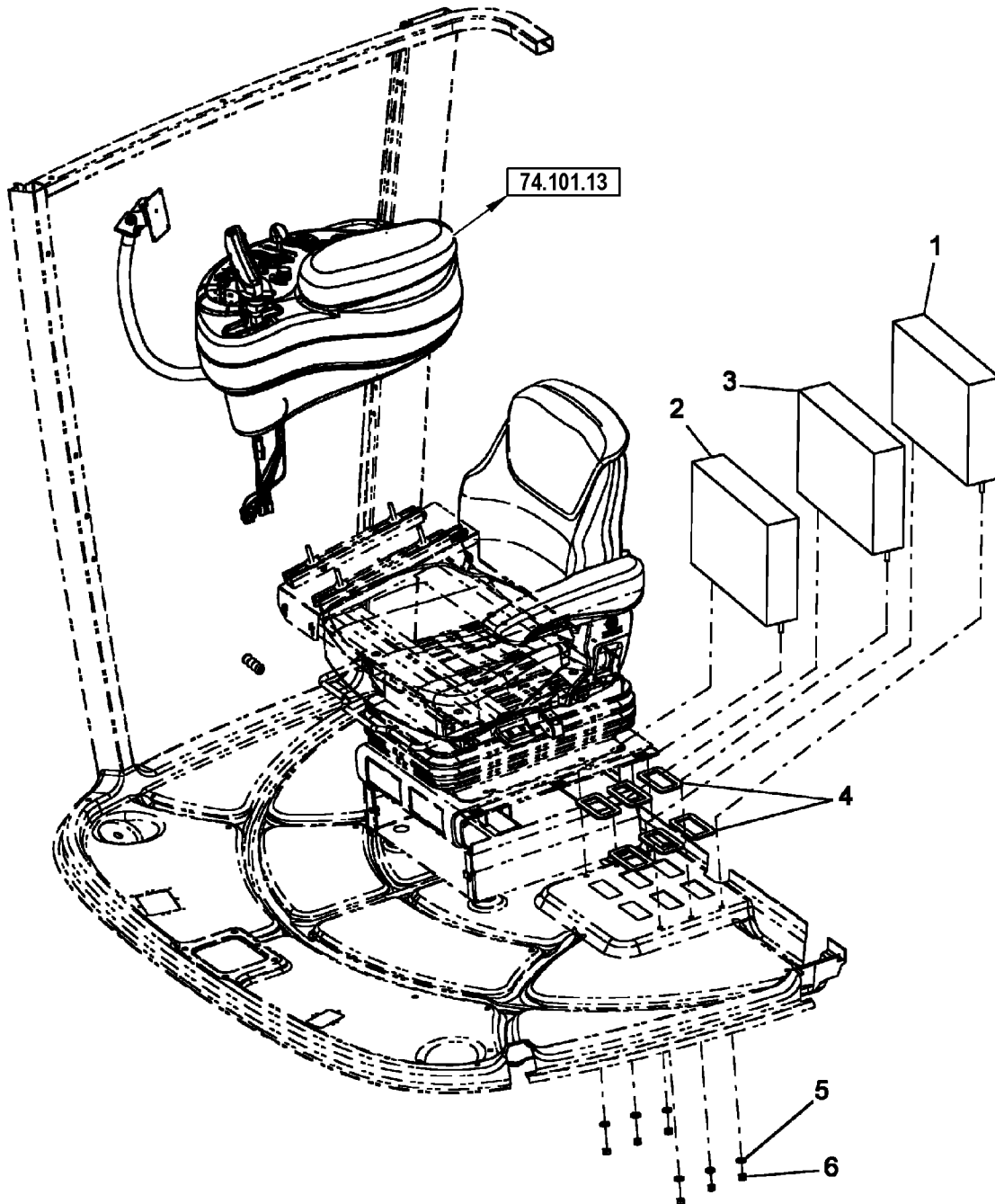
02/10

ELECTRONIC CONTROL UNIT - 9120

REF	FN	PART NUMBER	YR/SN	QTY	DESCRIPTION
1		8094789		1	ELECTRONIC CONTROL UNIT
2		16586025		8	SCREW, M6 x 30
3		99475194		1	SPACER
4		504097239		1	SUPPORT
5		504184521		1	GASKET
6		16586825		1	SCREW, M8 x 1.25 x 45
7		98498817		1	ISOLATOR

9120

CCM MODULES, YMIU CONTROLLER & SHAFT SPEED MONITOR

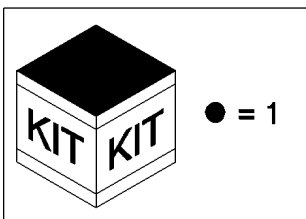
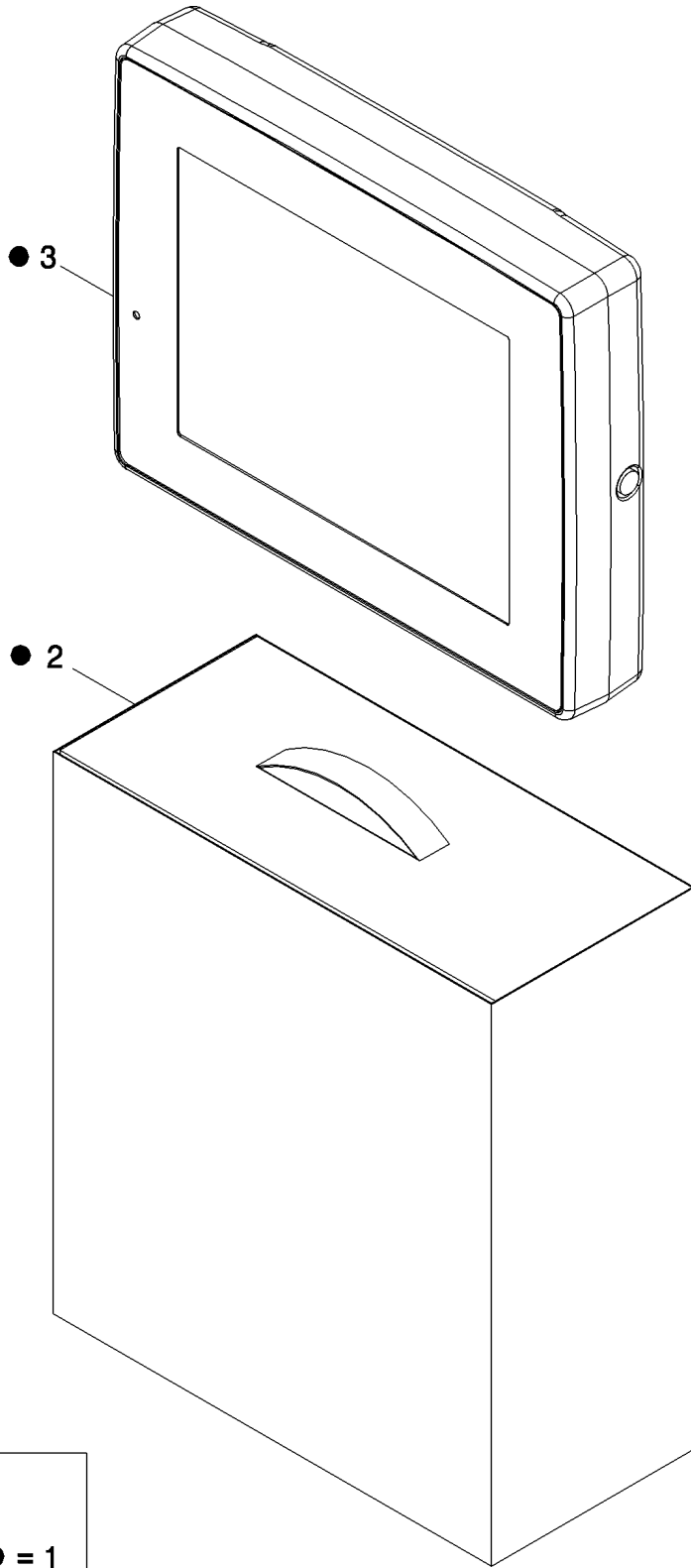


CCM MODULES, YMIU CONTROLLER & SHAFT SPEED MONITOR

REF	FN	PART NUMBER	YR/SN	QTY	DESCRIPTION
1		87014401		1	ELECTRONIC CONTROL UNIT, CCM1
2		87014401		1	ELECTRONIC CONTROL UNIT, CCM2
3		87014401		1	ELECTRONIC CONTROL UNIT, CCM3
4		87011216		6	RUBBER SEAL
5		322358		AR	BELLEVILLE WASHER, M8
6		9706690		AR	NUT, M8, CI 8
7		87282399		1	SOFTWARE, YMIU

	9120 7120 8120 7120 8120
--	---

AFS PRO 600 TOUCH SCREEN DISPLAY - 8120

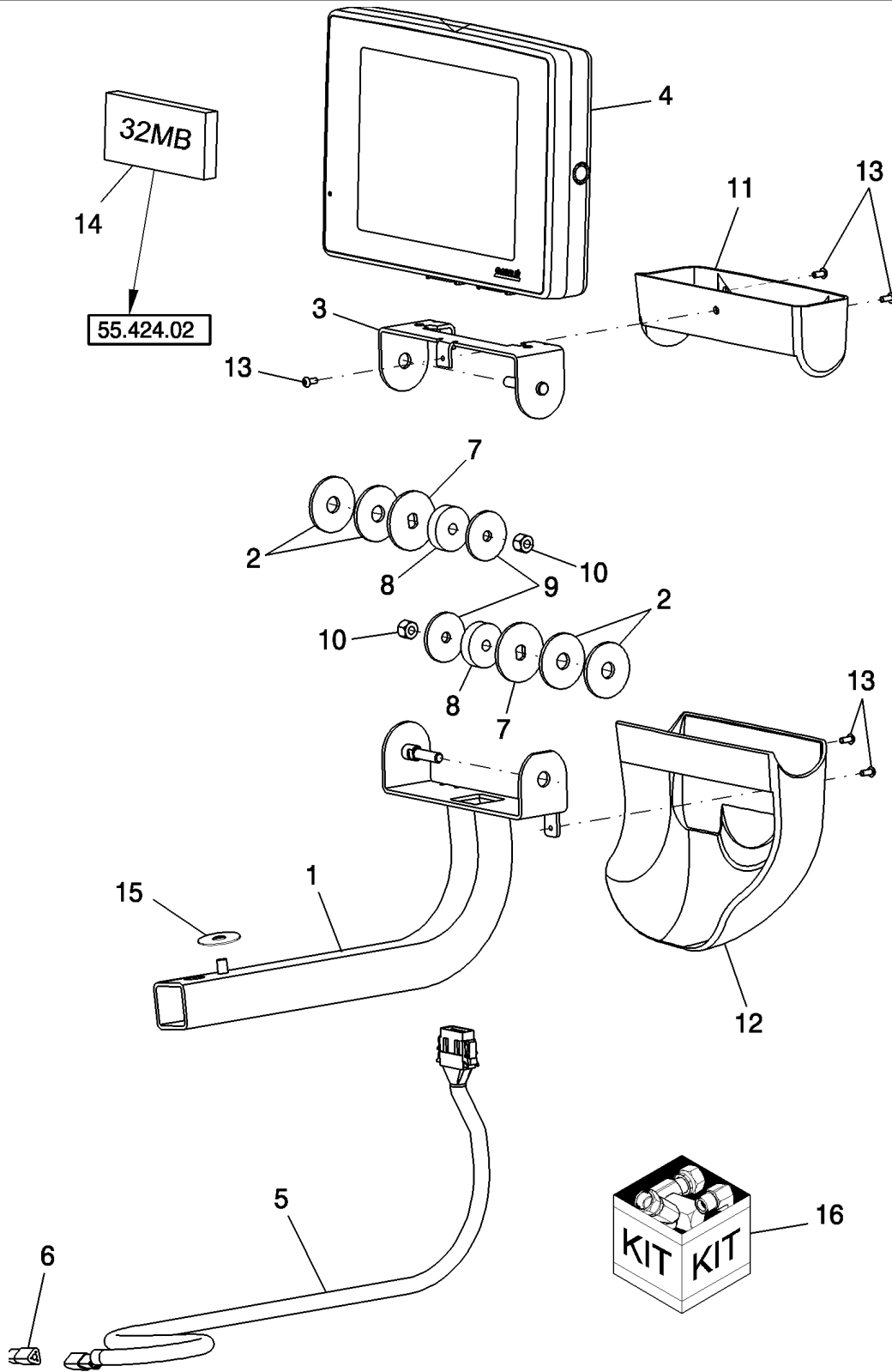


AFS PRO 600 TOUCH SCREEN DISPLAY - 8120

REF	FN	PART NUMBER	YR/SN	QTY	DESCRIPTION
1		87385125		1	DISPLAY, Kit, AFS Pro 600 Display Service, Incl 2, 3
1		87385125R		1	REMAN-ELECT MONITOR
1		87325147C		1	CORE-MONITOR, Wheat
1		87325149C		1	CORE-MONITOR, Grey
1		87668597C		1	CORE-MONITOR, Black
1		84126831C		1	CORE-MONITOR, Black
1		87385125R		1	REMAN-ELECT MONITOR
2		NSS		1	NOT SERVICED SEPARATELY, BOX, Display Storage
3		NSS		1	NOT SERVICED SEPARATELY, DISPLAY, Touchscreen, Black
4		84187624	ASN Y9G204222	1	MODULE
4		87646115	BSN Y9G204222	1	ADAPTER, 512 MB Compact Flash

**9120 7120 8120 7120
8120**

UNIVERSAL DISPLAY PLUS MONITOR, TOUCH SCREEN DISPLAY



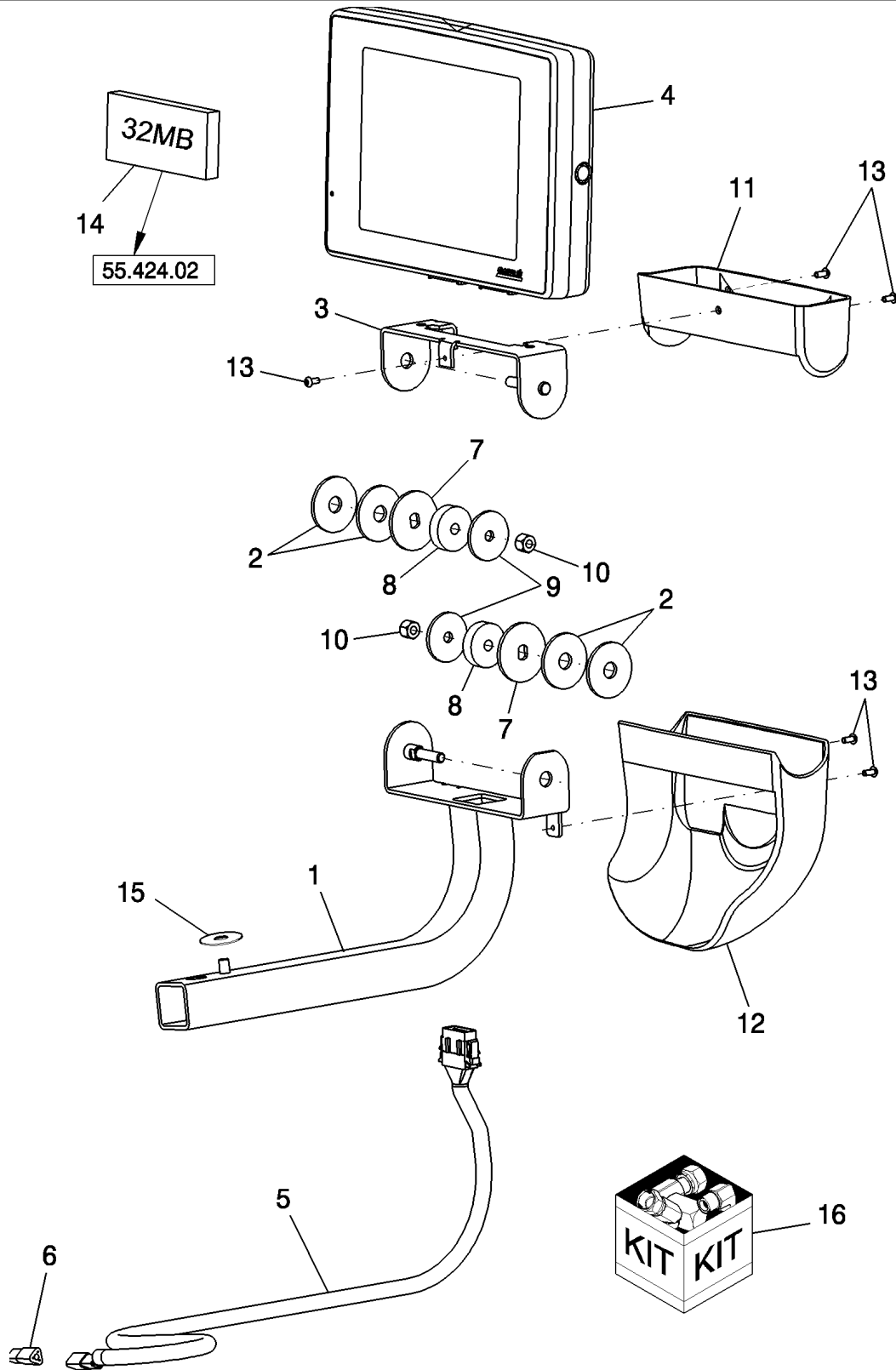
UNIVERSAL DISPLAY PLUS MONITOR, TOUCH SCREEN DISPLAY

REF	FN	PART NUMBER	YR/SN	QTY	DESCRIPTION
1		87555245		1	TUBE, Touch Screen Display
2		86997469		4	DISC, Friction
3		87389768	BSN Y9G207110	1	BRACKET
3		84185362	ASN Y9G207110	1	BRACKET
4		87387964		1	DISPLAY, Touch Screen, AFS PRO600
5		87579738		1	WIRE HARNESS, ICDO Adapter
6		84058092		1	TERMINAL CONNECTOR
7		86997470		2	WASHER
8		86997472		2	WASHER, Plastic
9		86997471		2	WASHER
10		86528579		2	LOCK NUT, M8 x 1.25, CI 10
11		86997517		1	COVER, Upper
12		86976473		1	COVER, Bottom
13		340-1086		5	SCREW, Cross Pan Hd, #8-32 x 3/8"
14	1	87341265		1	SOFTWARE, Data Card; 128MB CF W/Adapter (PCMCIA To Compact Flash)
14		87646115		1	ADAPTER, Software, 512 MB Compact Flash Data Card W/PCMCIA Adapter
14		87745104		1	SOFTWARE, CIH Desktop Version 8.0
15		87284337		1	SHIM
16		87389138		1	ARM ASSY., Mtg, TSD; Incl Refs 1 Thru 3, 5, 7 Thru 13

(1) Also Included in Yield Moisture Kit 84083168

**9120 7120 8120 7120
8120**

UNIVERSAL DISPLAY PLUS MONITOR, TOUCH SCREEN DISPLAY - UPDATED TO MY10



UNIVERSAL DISPLAY PLUS MONITOR, TOUCH SCREEN DISPLAY - UPDATED TO MY10

REF	FN	PART NUMBER	YR/SN	QTY	DESCRIPTION
1		87555245		1	TUBE, Touch Screen Display
2		86997469		4	DISC, Friction
3		84185362		1	BRACKET
4		87387964		1	DISPLAY, Touch Screen, AFS PRO600
5		87579738		1	WIRE HARNESS, ICDU Adapter
6		84058092		1	TERMINAL CONNECTOR
7		86997470		2	WASHER
8		86997472		2	WASHER, Plastic
9		86997471		2	WASHER
10		86528579		2	LOCK NUT, M8 x 1.25, CI 10
11		86997517		1	COVER, Upper
12		86976473		1	COVER, Bottom
13		340-1086		5	SCREW, Cross Pan Hd, #8-32 x 3/8"
14	1	87341265		1	SOFTWARE, Data Card; 128MB CF W/Adapter (PCMCIA To Compact Flash)
14	2	87646115	BSN Y9G112726	1	ADAPTER, Software, 512 MB Compact Flash Data Card W/PCMCIA Adapter
14	3	84187624	ASN Y9G112726	1	MODULE, Adapter, Software; 4 GB Compact Flash Data Card W/PCMCIA Adapter
14		87745104		1	SOFTWARE, CIH Desktop Version 8.0
14		87745105	ASN Y9G206488	1	SOFTWARE, CIH Desktop Version 8.5
14		84195135	BSN Y9G206488	1	SOFTWARE, CIH Desktop Version 9.0
15		87284337		1	SHIM
16		87389138		1	ARM ASSY., Mtg, TSD; Incl Refs 1 Thru 3, 5, 7 Thru 13

- (1) Also Included in Yield Moisture Kit 84083168
- (2) Prior to MY2010
- (3) From MY2010

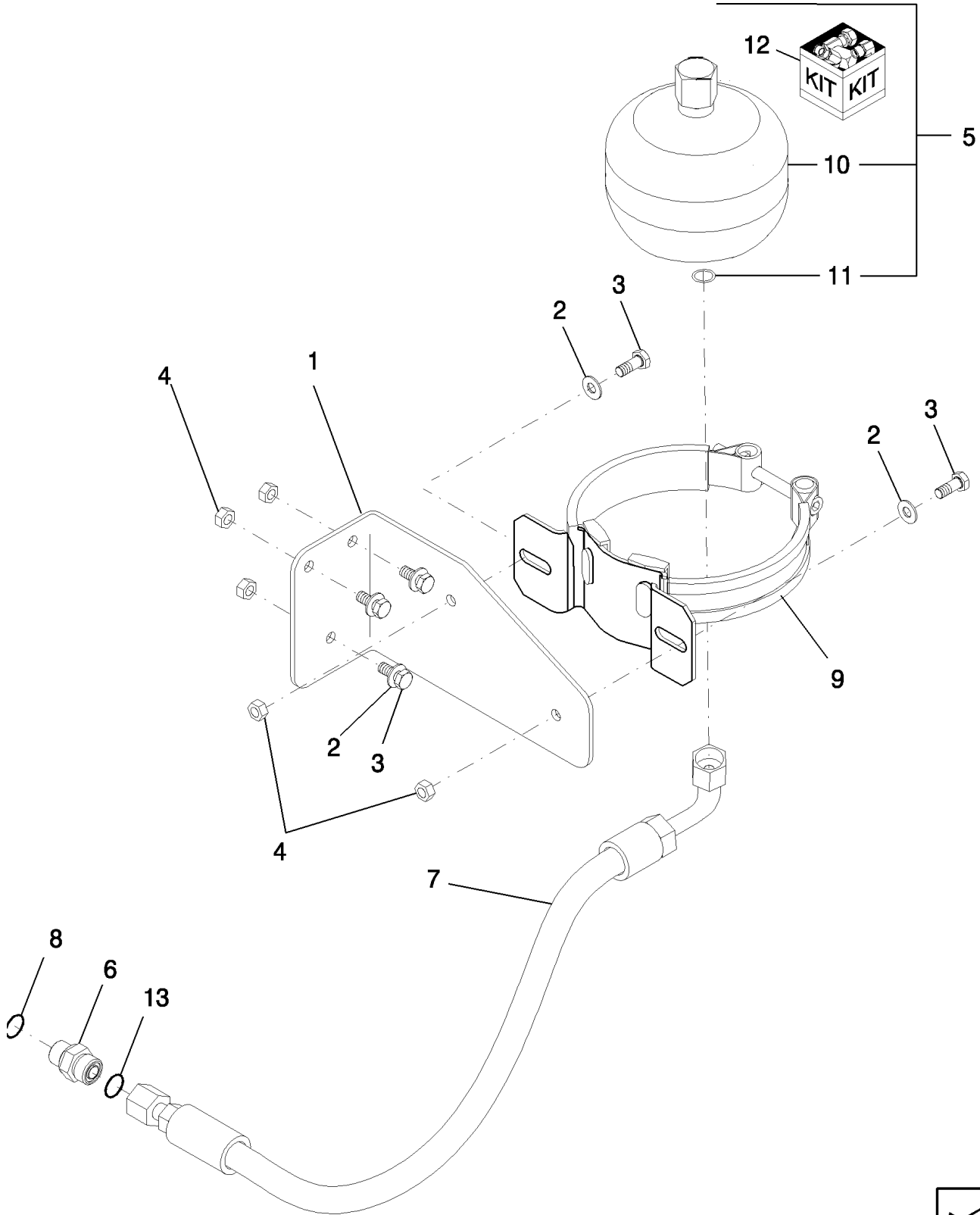
**9120 7120 8120 7120
8120**

55.440.11

p1

02/10

ACCUMULATOR - RIDE CONTROL

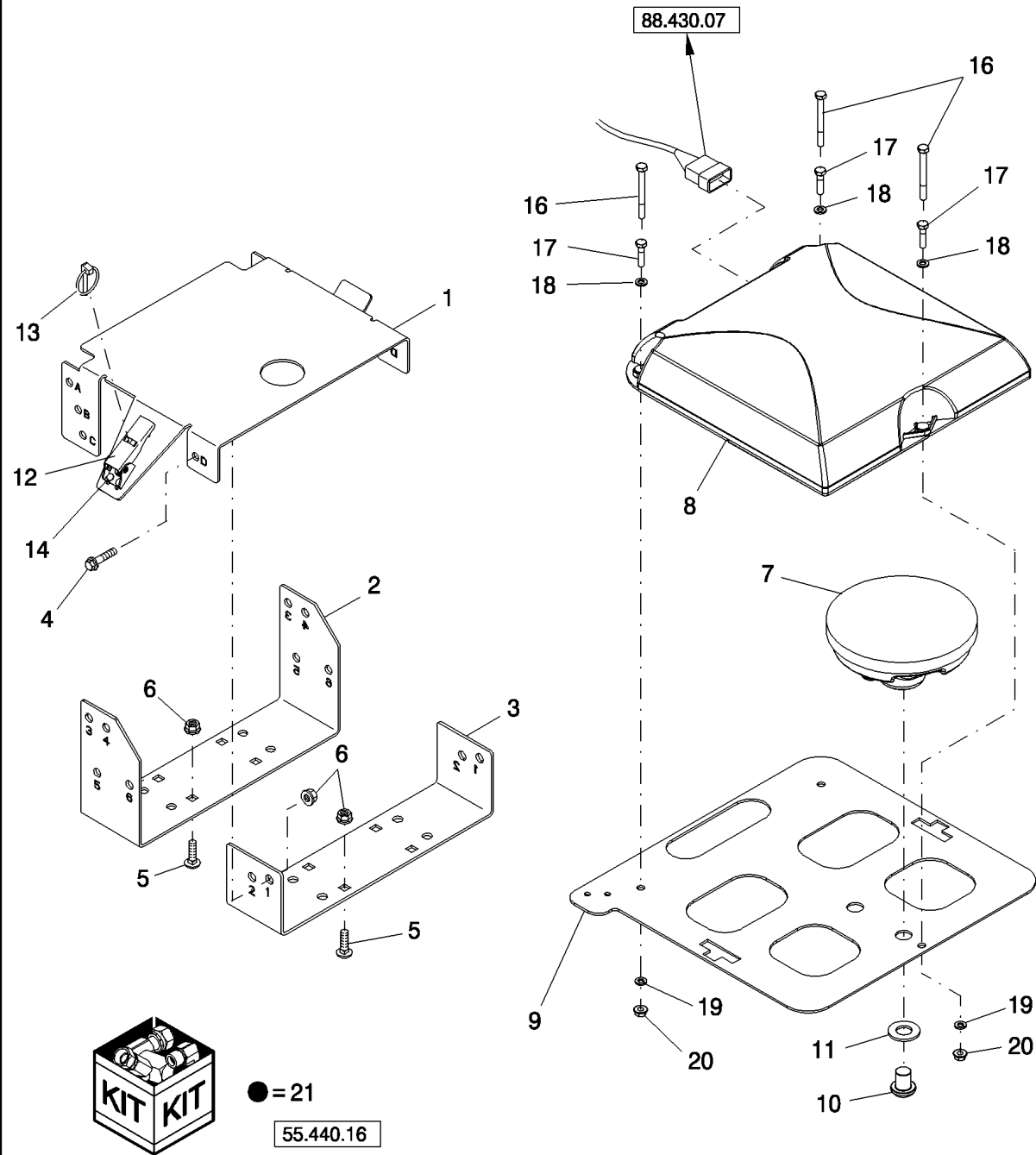


ACCUMULATOR - RIDE CONTROL

REF	FN	PART NUMBER	YR/SN	QTY	DESCRIPTION
		84083383		AR	KIT
1		87105672		1	BRACKET
2		322358		5	BELLEVILLE WASHER, M8
3		120104		5	BOLT, Hex, M8 x 20, 8.8
4		9706690		5	NUT, M8, CI 8
5		86976987		1	ACCUMULATOR, Hydraulic System, Includes Ref 10, 11 & 12
6		86579676		1	HYD CONNECTOR, 13/16"-16 ORFS x M18 x 1.5 ORB
7		87105677		1	HOSE, To Ride Control Accumulator; L = 610 mm
8		9992298		1	O-RING, -014, 90 Duro, .489" ID x .070" Thk
9		84133868		1	CLAMP
10		87105673		1	ACCUMULATOR
11		9992298		1	O-RING, -014, 90 Duro, .489" ID x .070" Thk
12		87106501		1	KIT, Charging Valve
13		86598101		1	O-RING, CI 6, 15.3MM ID x 2.2 Thk

	7120 7120 8120 9120 8120
--	-------------------------------------

GPS MOUNT



GPS MOUNT

REF	FN	PART NUMBER	YR/SN	QTY	DESCRIPTION
1		87488331		1	BRACKET, 252 Receiver Mount With Latch
2		87335677		1	BRACKET, Long
3		87335635		1	BRACKET, Short
4		87656137		4	BOLT, Hex Flg, M8 x 20, 10.9, Full Thd
5		86507486		4	CARRIAGE BOLT, Short NK, M8 x 20, Cl8.8, Full Thd
6		86507066		8	NUT, M8 x 1.25, Flg, Cl 10
7		87491749	ASN Y9G207726	1	ANTENNA, AFS 162
8		87595761	BSN Y9G207726	1	KIT, RECEIVER, AFS262 /WAAS/EGNOS/VBS; Includes: Receiver, Mounting Plate & Hardware
8		84148119		1	MODULE, AFS262 /WAAS/EGNOS/VBS; Receiver Only
8		87369143		1	KIT, RECEIVER, AFS262 WAAS/OMNISTAR - WAAS/VBS/HP/XP; Includes: Receiver, Mounting Plate & Hardware
8		84148115		1	MODULE, AFS262 WAAS/OMNISTAR - WAAS/VBS/HP/XP; Receiver Only
9		87496985		1	MOUNTING PLATE
10		87106351		1	HEX SOC SCREW, Button Hd, 5/8"-11 x M19, To Mount AFS162
11		140048		1	BELLEVILLE WASHER, M16
12		87308870		1	LATCH
13		87109290		1	LOCK PIN
14		87308841		2	RIVET, Pop, 5/32" x .425"
16		338413		3	BOLT, Hex, M6 x 60, 8.8
17		86977786		3	BOLT, Hex, M6 x 25, 8.8, Full Thd
18		86588450		3	WASHER, M6 x 12 x 1.6 Thk
19		86517328		3	LOCK WASHER, M6
20		86511444		3	NUT, M6, Flg Ser
21		84150838		1	ANTENNA, AFS162

**9120 7120 8120 7120
8120**

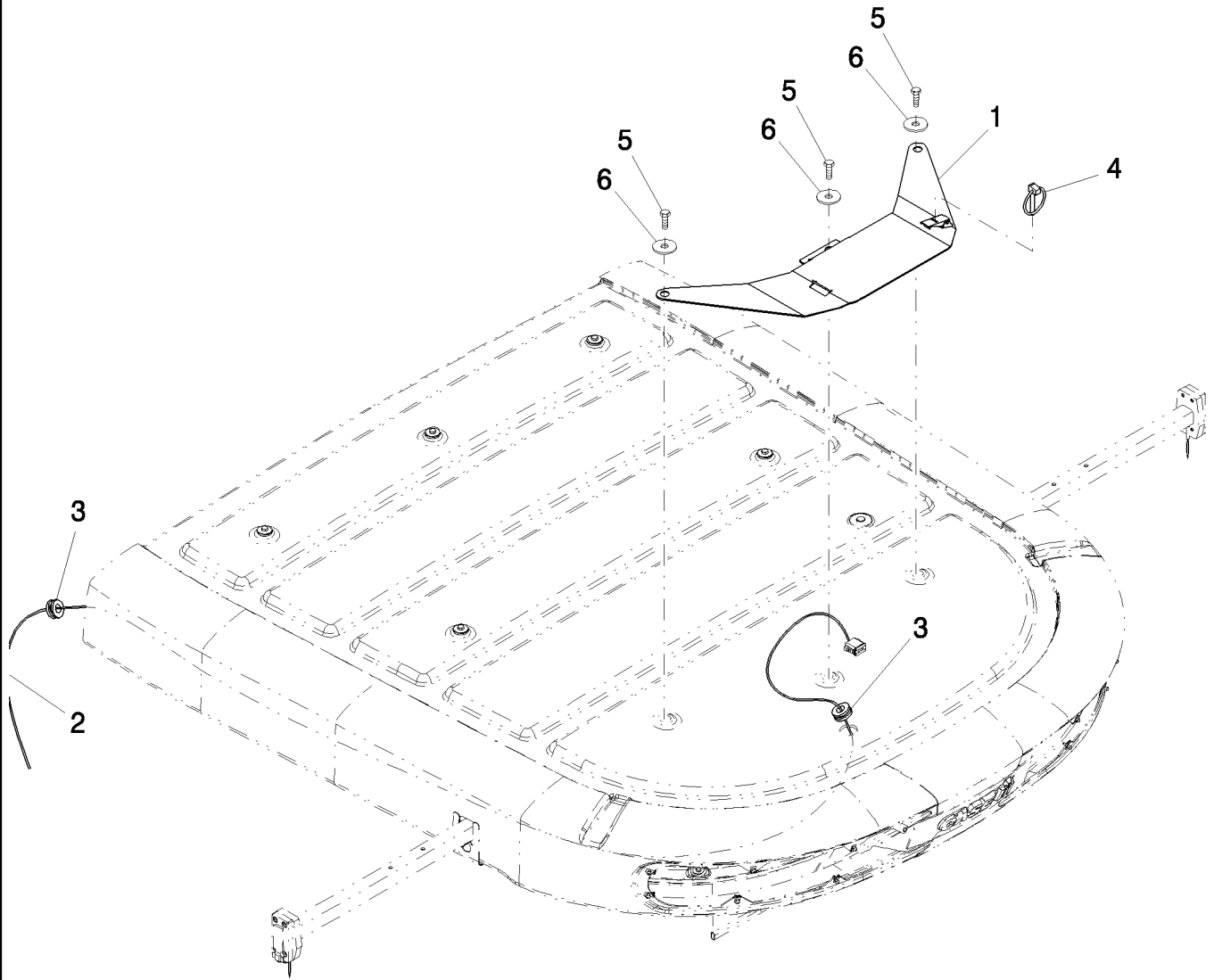
55.440.12

01

p1

11/09

GPS MOUNT - EU SPECIFIC - 7120, 8120, 9120



55.440.12

01

p1

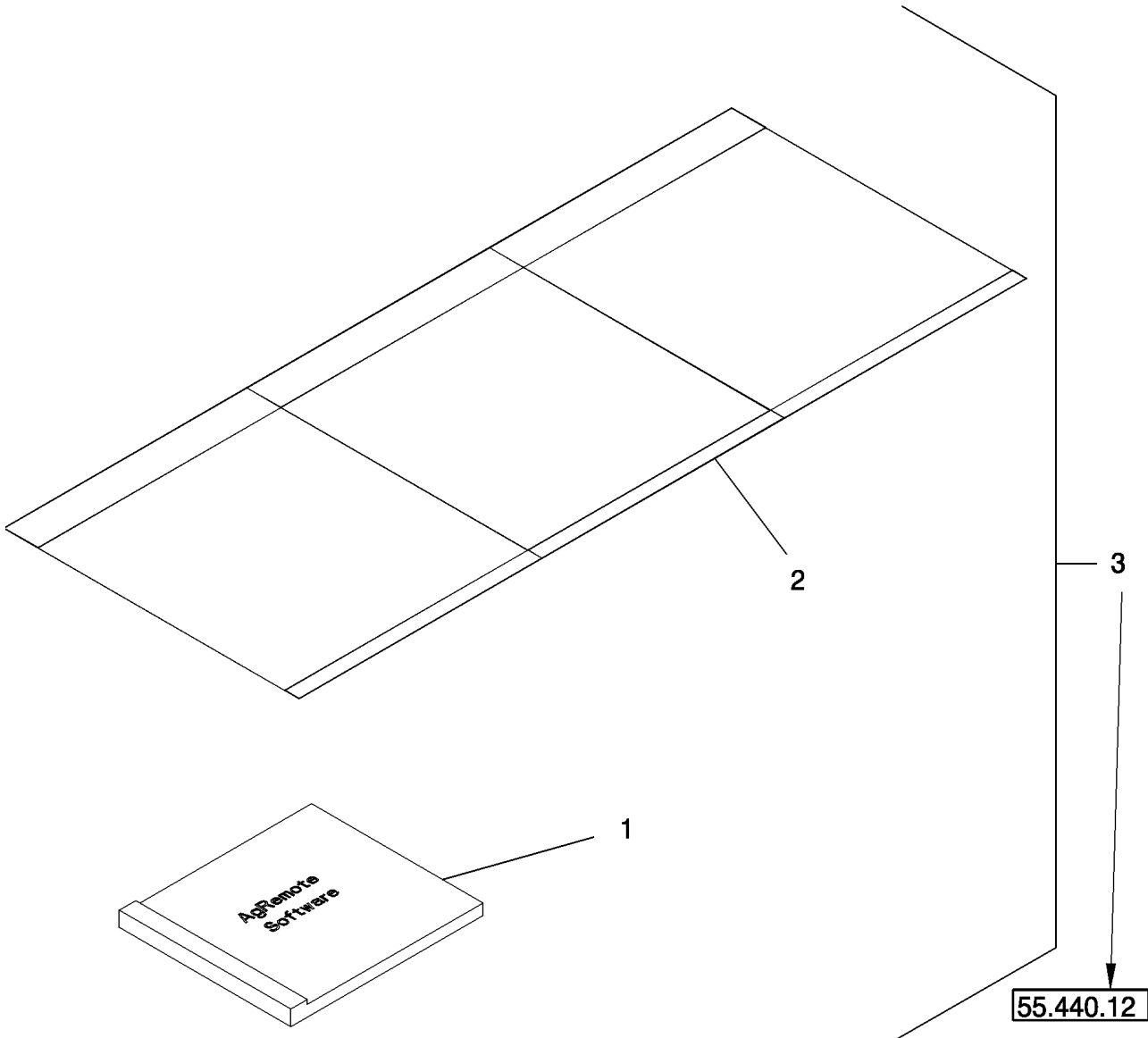
11/09

GPS MOUNT - EU SPECIFIC - 7120, 8120, 9120

REF	FN	PART NUMBER	YR/SN	QTY	DESCRIPTION
1		87529646		1	BRACKET
2		87382741		1	WIRE HARNESS, GPS 252
3		86637780		2	GROMMET, 5/8" ID x 1 1/4" Groove Dia, Str Cut
4		87109290		1	LOCK PIN
5		86512168		3	BOLT, Hex Flg, 5/16"-18 x 1", Serr
6		80664		3	WASHER, 5/16"

9120 7120 8120

KIT, SOFTWARE, AF162 QRC



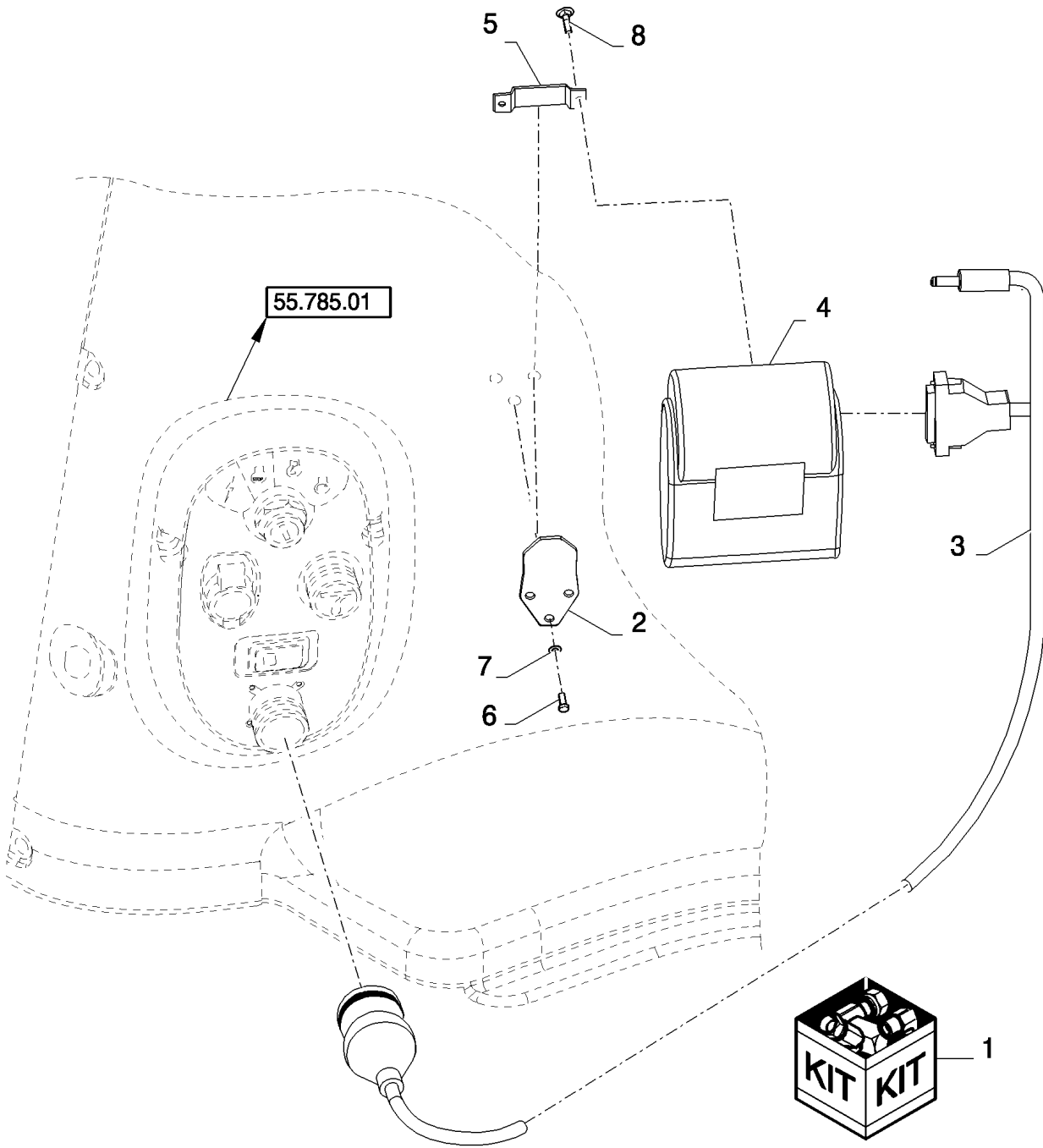
KIT, SOFTWARE, AF162 QRC

REF	FN	PART NUMBER	YR/SN	QTY	DESCRIPTION
1		NSS		1	NOT SERVICED SEPARATELY, Remote
2		NSS		1	NOT SERVICED SEPARATELY, Card Index
3		87284238		1	AFS PARTS & PACKAGES, AFS110; Incl Refs 1 & 2
3	1	NSS		1	NOT SERVICED SEPARATELY, AFS162; Incl Refs 1 & 2
(1) Included in GPS Package 84150838					

For Use With: Yield Moisture W/GPS (Precision Farming GPS) & Yield Map W/O
DISP WAAS/EG

**9120 7120 8120 7120
8120**

PRINTER, CAB

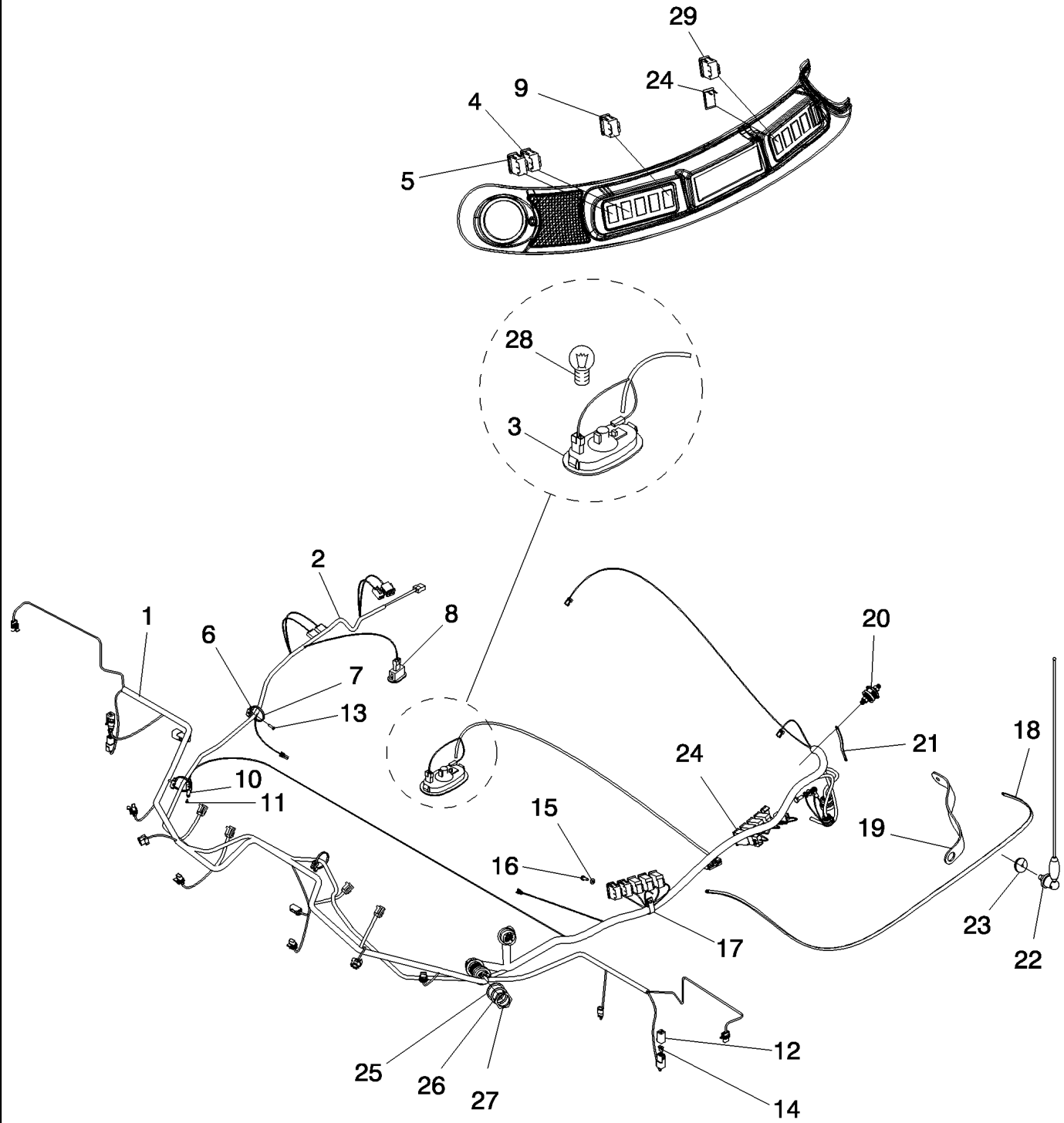


PRINTER, CAB

REF	FN	PART NUMBER	YR/SN	QTY	DESCRIPTION
1		84095875		1	PRINTER IN CAB, Kit; Incl Refs 2 Thru 8
2		84448373		1	HOOK
3		87023084		1	WIRE HARNESS, Cab Printer
4		84442607		1	PRINTER
5		84444485		1	SUPPORT
6		412475		3	SCREW, Pan Hd, M4 x 16, Cl 4.8, Full Thd
7		9824840		3	WASHER, M4.3 x 9 x 0.8
8		86511815		2	SCREW, Cross Pan Hd, M3 x 8

	9120 7120 8120 7120 8120
--	---

CAB ROOF ELECTRICAL

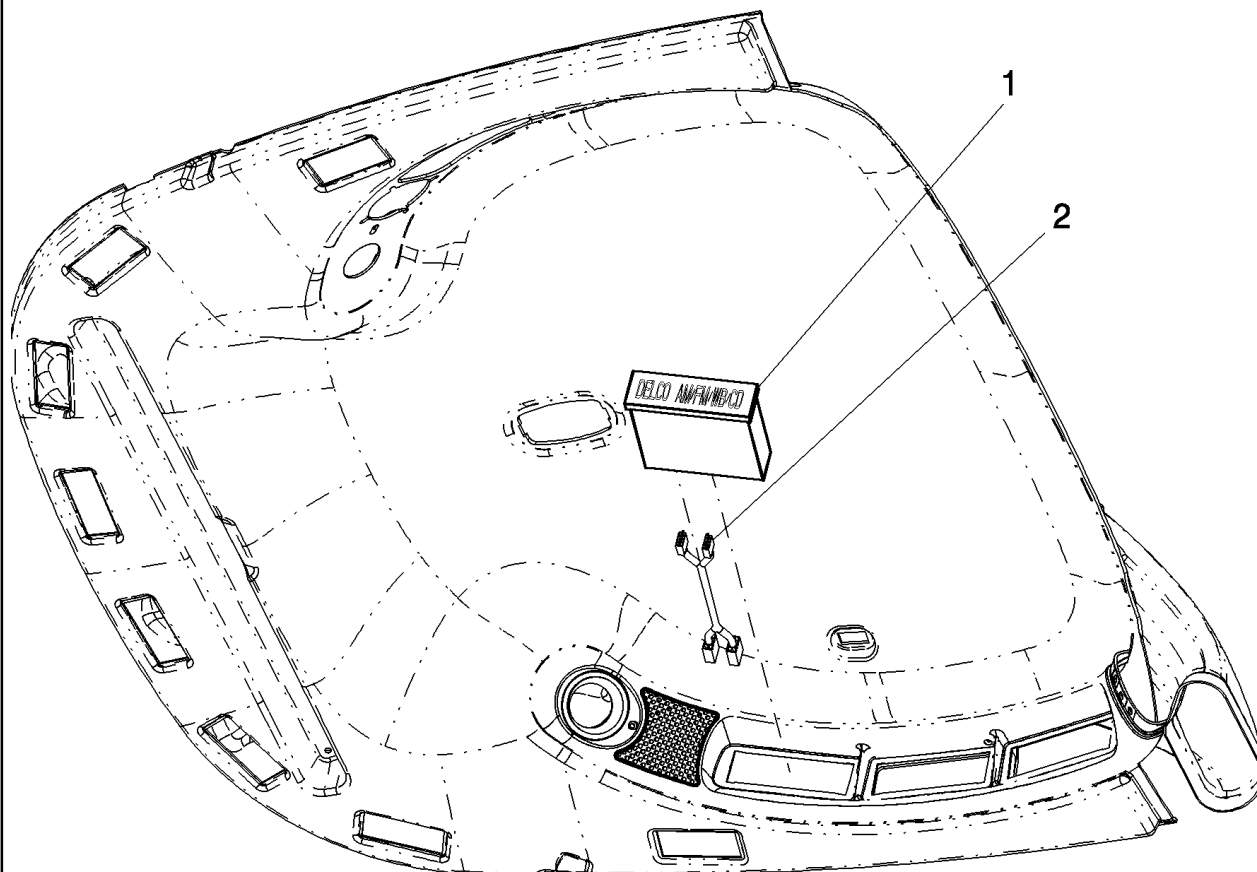


CAB ROOF ELECTRICAL

REF	FN	PART NUMBER	YR/SN	QTY	DESCRIPTION
1		87490412		1	WIRE HARNESS, Cab Roof, Outer
2		87637792		1	WIRE HARNESS, Cab Roof, Inner
3		86622305		1	CEILING LAMP, Includes Ref 28
4		84320248		1	LIGHT SWITCH, Rear Work
5		84320268		1	LIGHT SWITCH, Front
6		86590413		3	CLAMP, Wire Tie
7		86566989		3	CABLE STRAP, M4.75 x 190.5 L
8		84067961		1	CEILING LAMP
9		84320252		1	WINDSHIELD WIPER SWITCH
10		9990447		1	LIGHT SWITCH, Interior Lamp
11		87106463		1	SELF-TAP SCREW, M4 x 7.8
12		84074642		2	WIRE CONNECTOR
13		412475		3	SCREW, Pan Hd, M4 x 16, Cl 4.8, Full Thd
14		700514		1	CLAMP
15		322357		1	BELLEVILLE WASHER, M6
16		86511830		1	SCREW, Cross Pan Hd, M6 x 20
17		9861378		2	ELEC CONNECTOR, 6-Pin Wedge
18		87107165		1	GROUND STRAP, Antenna
19		84149985		1	CABLE, Strap, Ground, Antenna
20		87109037		1	BLOCK
21		87109036		1	CABLE, Ground Strap
22		86975123		1	ANTENNA, Radio
23		84607475		1	GROMMET, M6 x 36.5 x 25
24		84320263		AR	BLANK-OFF PLUG, Cover, Switch; Used In Lieu Of Ref 29
25		87010222		1	GASKET
26		636665		1	LOCK WASHER, M43 x 4.75 x 1.575 Thk
27		86619907		1	NUT, 1.6875"-18
28		86616249		1	BULB, 12V, 10W
29		84320250		1	SWITCH, Grain Tank Covers; Used In Lieu Of Ref 24

**9120 7120 8120 7120
8120**

RADIO



RADIO					
--------------	--	--	--	--	--

REF	FN	PART NUMBER	YR/SN	QTY	DESCRIPTION
1		87714993		1	RADIO, AM/FM/WB
1		87714994		1	RADIO, AM/FM/WB/CD
2		87108325		1	WIRE HARNESS, Radio

	9120 7120 8120 7120 8120
--	---

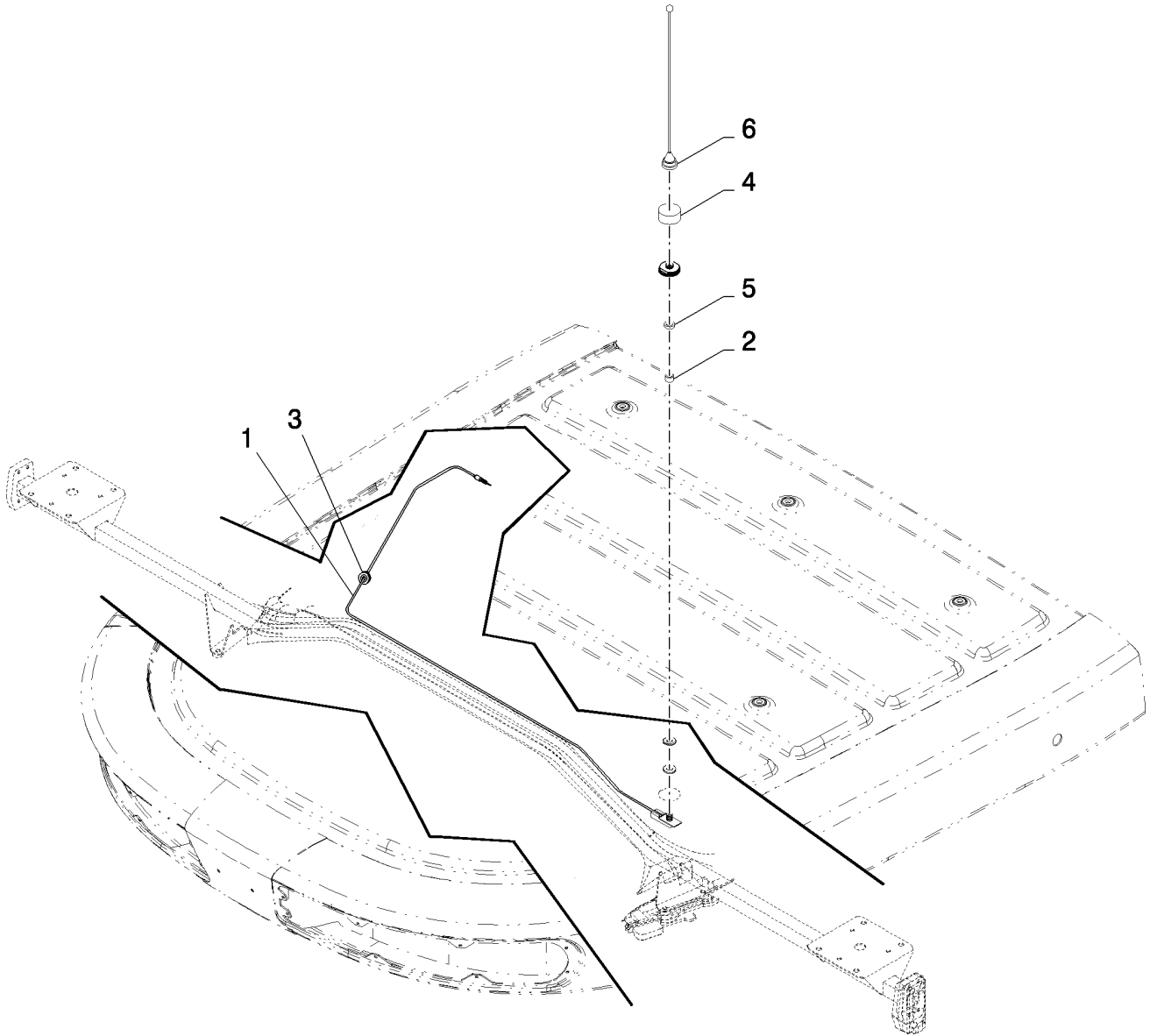
55.510.07

01

p1

10/09

ANTENNA - NA/LATIN AMERICA ONLY

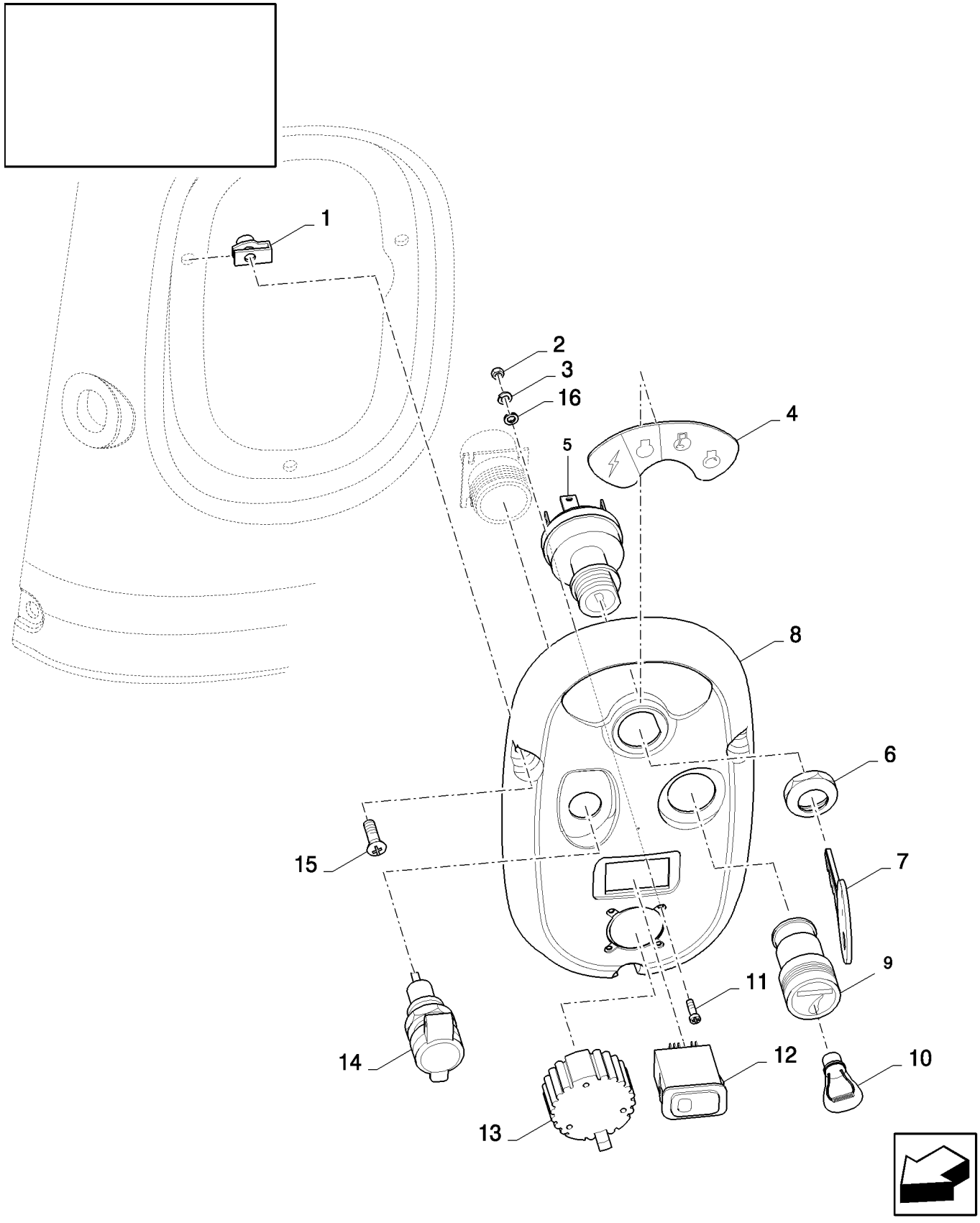


ANTENNA - NA/LATIN AMERICA ONLY

REF	FN	PART NUMBER	YR/SN	QTY	DESCRIPTION
1		86591733		1	ELECTRIC CABLE
2		84076700		1	BUSHING
3		84607475		1	GROMMET, M6 x 36.5 x 25
4		86591730		1	DUST CAP
5		86531234		1	RUBBER WASHER
6		NS		1	NOT SERVICED, Antenna (Should Be Provided W/Radio)

	9120 7120 8120 7120 8120
--	---

CONSOLE, IGNITION KEY



CONSOLE, IGNITION KEY

REF	FN	PART NUMBER	YR/SN	QTY	DESCRIPTION
1		86014250		3	SPRING NUT, U, M6 x 1
2		86508812		4	NUT, M3, CI 8
3		86509827		4	LOCK WASHER, M3
4		87023988		1	DECAL
5		87281750		1	IGNITION SWITCH, Keys NOT Included
6		86502200		1	RING NUT
7		86502201		1	SET OF 2 KEYS, Ignition and Door Locking
8		86995947		1	DASHBOARD
9		5148077		1	CIGARETTE LIGHTER, (10)
10		5148133		1	CIGARETTE LIGHTER
11		86511816		4	SCREW, Cross Pan Hd, M3 x 16
12		84320263		1	BLANK-OFF PLUG
12	1	84320258		1	INDICATOR, Cold Start
13		84074633		1	COVER
14		82002966		1	POWER SOCKET
15		86503049		3	SCREW, Cross Oval Hd, M6 x 30
16		86639310		4	WASHER, M3 x 7 x 0.5 Thk

(1) 8120 Only

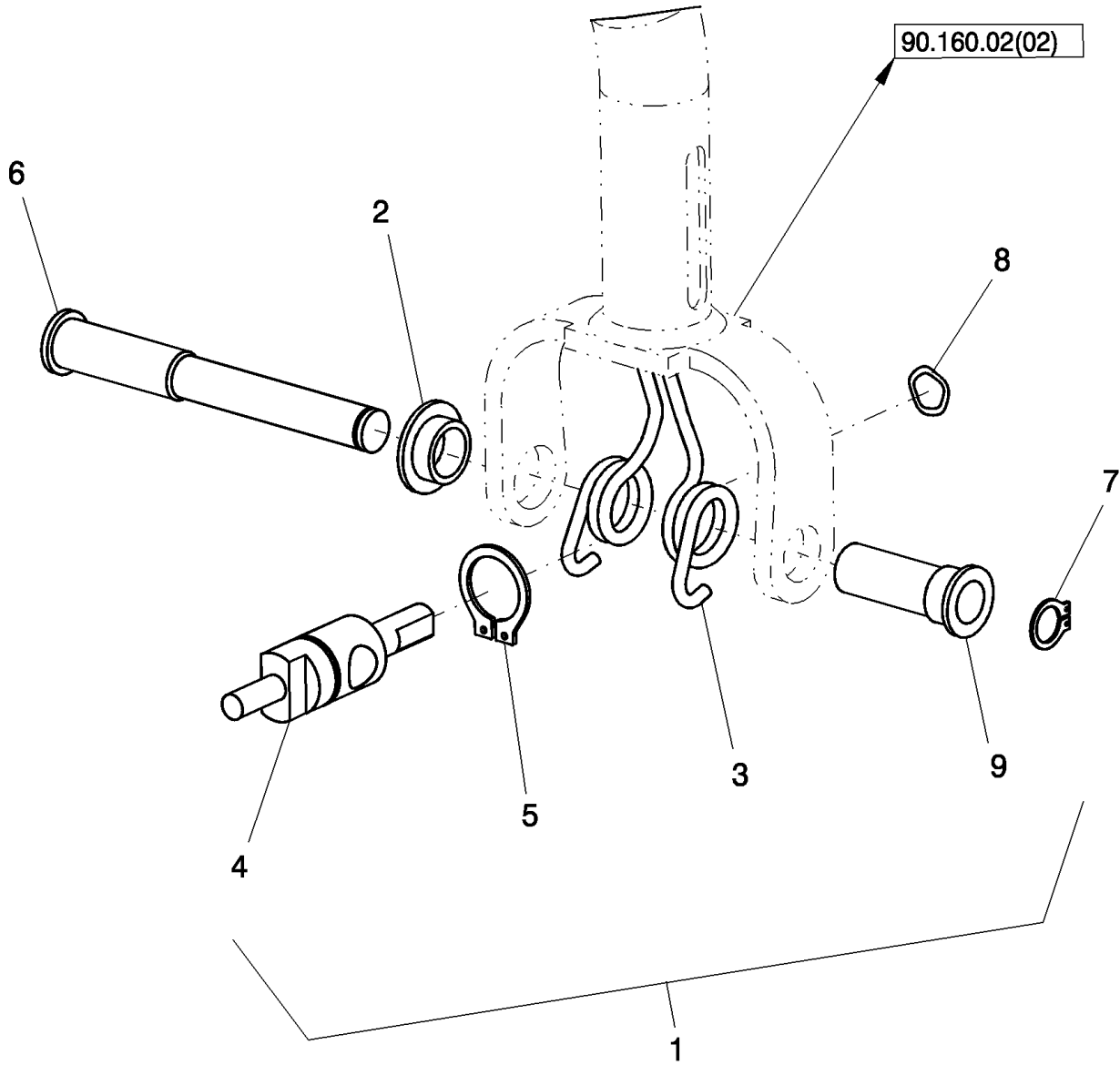
8120 9120 7120 7120
8120

55.512.13

p1

10/09

KIT, PROPULSION HANDLE



KIT, PROPULSION HANDLE

REF	FN	PART NUMBER	YR/SN	QTY	DESCRIPTION
1		87282655		1	KIT, Handle
2		NSS		1	NOT SERVICED SEPARATELY, BUSHING
3		NSS		1	NOT SERVICED SEPARATELY, SPRING, Torsion
4		NSS		1	NOT SERVICED SEPARATELY, SHAFT, Cross
5		NSS		1	NOT SERVICED SEPARATELY, Snap Ring
6		NSS		1	NOT SERVICED SEPARATELY, PIN
7		87282627		1	SNAP RING
8		87107953		1	WASHER, Wave
9		NSS		1	NOT SERVICED SEPARATELY, BUSHING

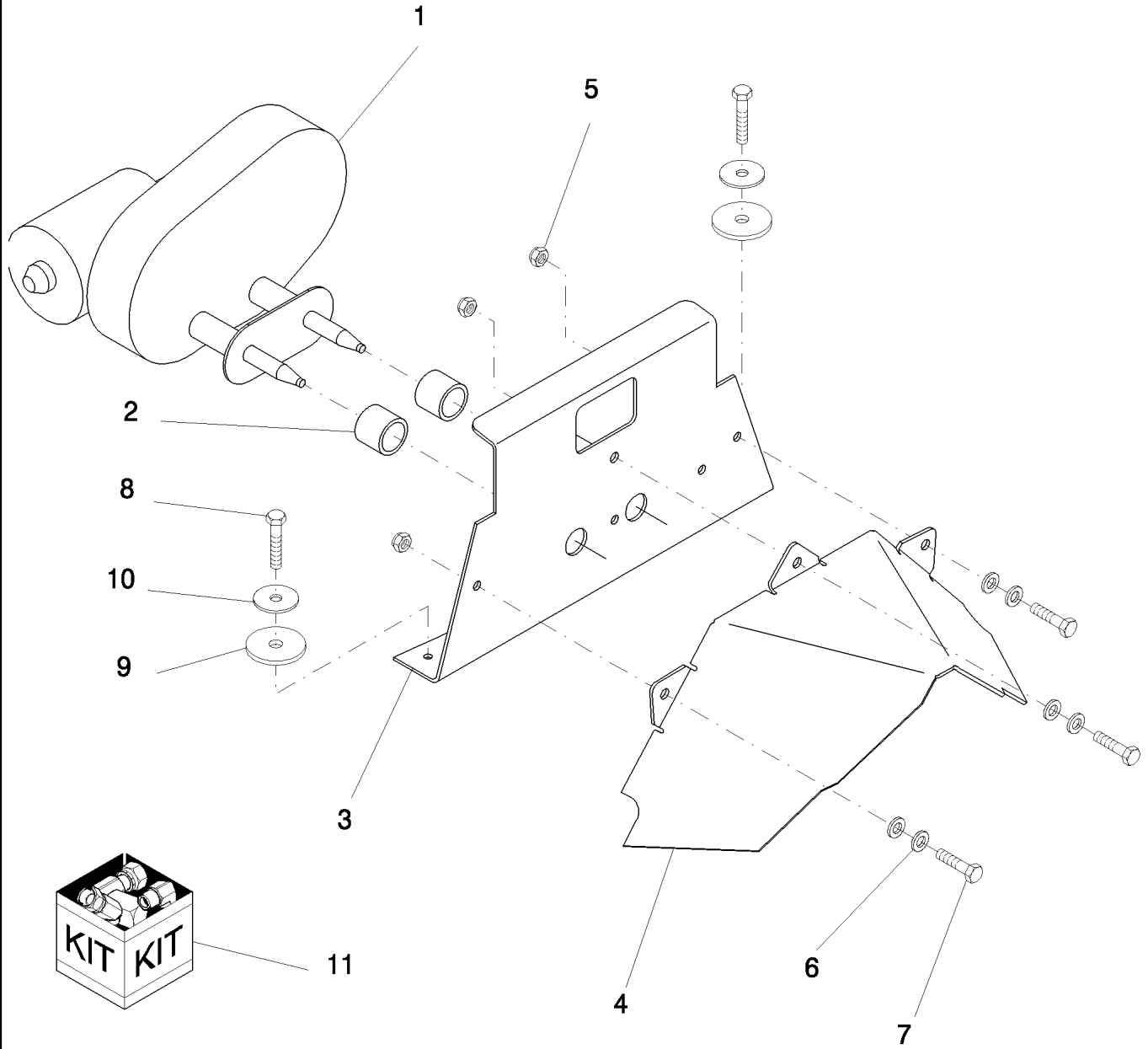
**8120 9120 7120 7120
8120**

55.518.01

p1

03/10

MOTOR, WINDSHIELD WIPER

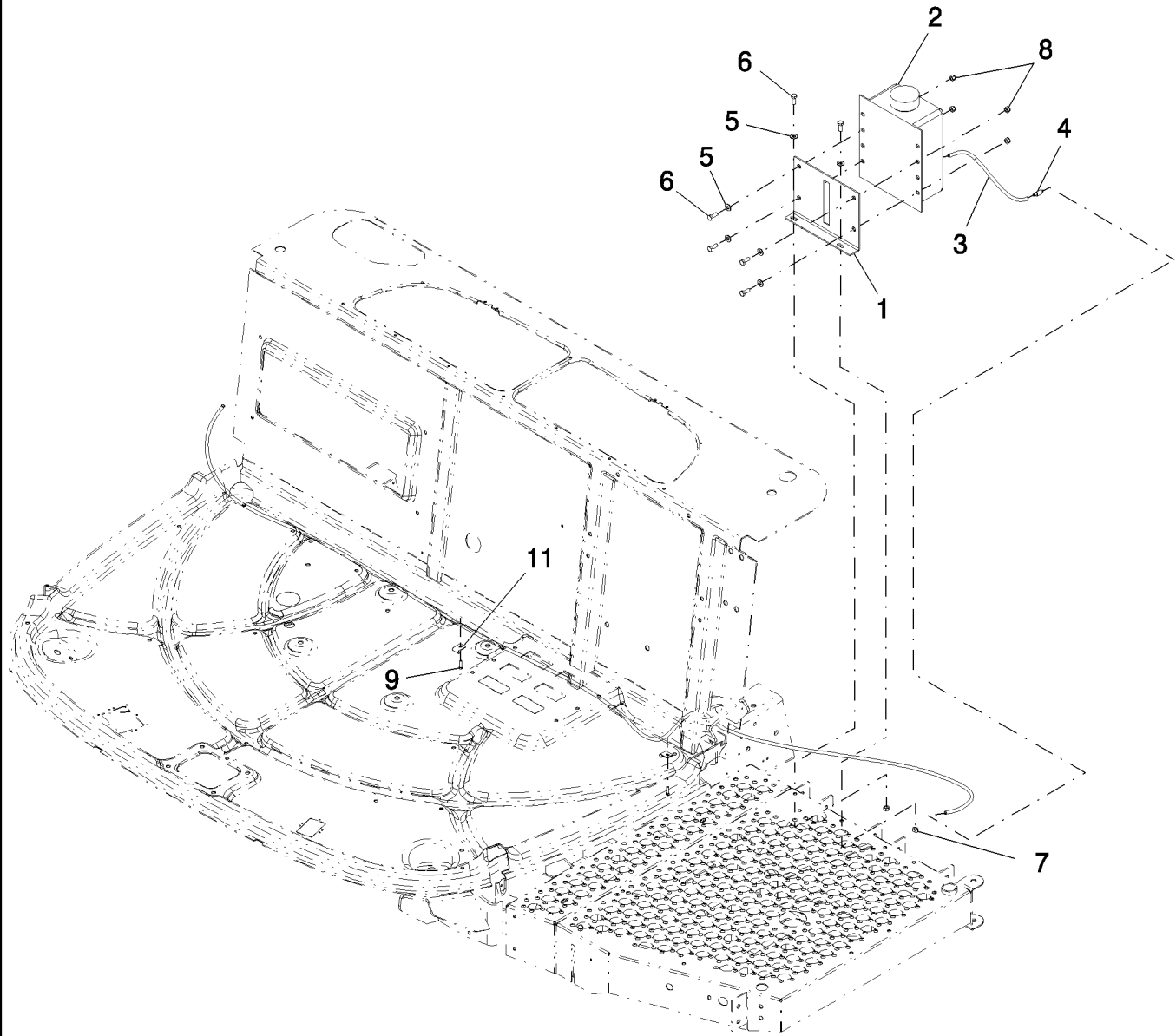


MOTOR, WINDSHIELD WIPER

REF	FN	PART NUMBER	YR/SN	QTY	DESCRIPTION
1		86976257		1	WIPER MOTOR, With An AMP 1/4 inch Blade Connector
1		84246513		1	WIPER MOTOR, With Deutsch Connector
2		86975131		2	SPACER
3		87282810		1	BRACKET
4		87105760		1	COVER
5		393392		3	LOCK NUT, M6 x 1, CI 8
6		322357		2	BELLEVILLE WASHER, M6
7		86977786		3	BOLT, Hex, M6 x 25, 8.8, Full Thd
8		86977789		2	BOLT, Hex, M6 x 35, 8.8
9		87000585		2	SPACER
10		86624183		2	WASHER, M6 x 25 x 1.6
11		138013A1		1	REPAIR KIT, Wiper Motor Hardware

	7120 8120 9120 7120 8120
--	-------------------------------------

SYSTEM, WINDSHIELD WASHER

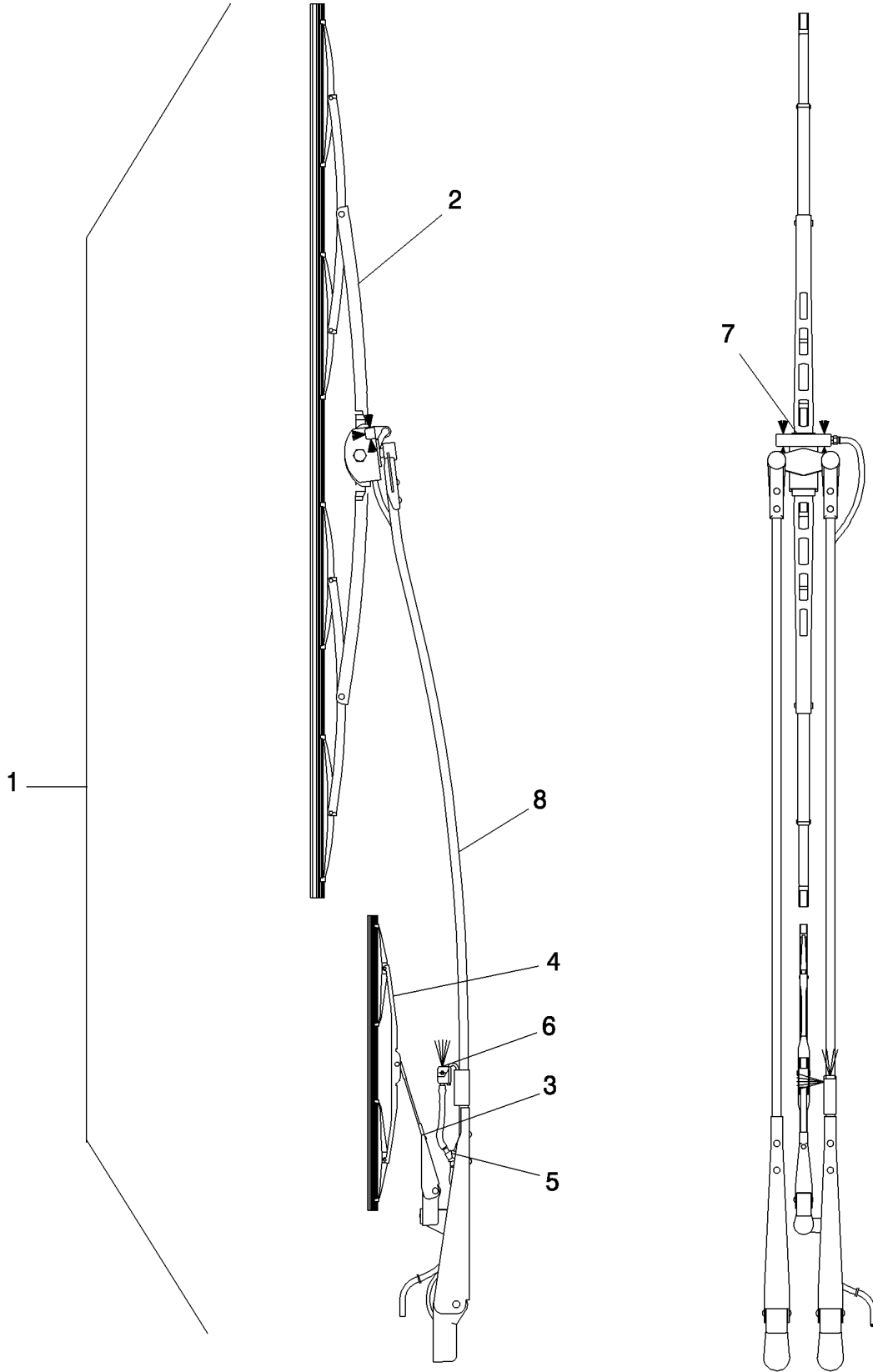


SYSTEM, WINDSHIELD WASHER

REF	FN	PART NUMBER	YR/SN	QTY	DESCRIPTION
1		87044151		1	BRACKET
2		87014923		1	WINDSHIELD WASH RESERVOIR, Incl Cap & Pump
2		BN319829		1	CAP
2		BN98901		1	PUMP
3		87282056		AR	HOSE, Windshield Washer Res
4		84037530		1	CHECK VALVE
5		322358		6	BELLEVILLE WASHER, M8
6		120104		6	BOLT, Hex, M8 x 20, 8.8
7		9706690		2	NUT, M8, CI 8
8		86629542		4	LOCK NUT, M8 x 1.25, CI 8, Prevailing Torque
9		87016553		2	SELF-TAP SCREW, Hex Hd, M4.8 x 19
10		84320245		1	WINDSHIELD WASHER SWITCH
11		237910		2	WIRE CLAMP, .31", Insul, 1/4" Bolt

	7120 8120 9120 7120 8120
--	-------------------------------------

WINDSHIELD WIPER - DOUBLE BLADE



WINDSHIELD WIPER - DOUBLE BLADE

REF	FN	PART NUMBER	YR/SN	QTY	DESCRIPTION
1		87001135		1	WIPER BLADE, Includes Ref 2 Thru 8
2		86975128		1	BLADE
3		86975133		1	WIPER ARM
4		86975129		1	BLADE
5		87282398		1	FITTING
6		87282396		1	NOZZLE CAP
7		87280233		1	NOZZLE
8		86976256		1	WIPER ARM

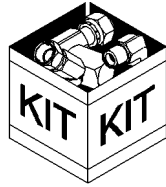
	7120 8120 9120 7120 8120
--	---

55.518.05

p1

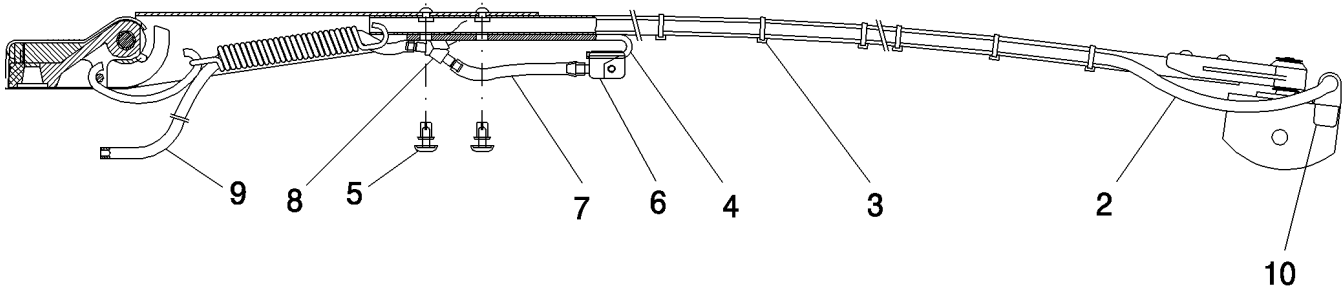
02/10

KIT, ADDITIONAL WINDSHIELD WIPER (ARM)



1
11

55.518.03



55.518.05

p1

02/10

KIT, ADDITIONAL WINDSHIELD WIPER (ARM)

REF	FN	PART NUMBER	YR/SN	QTY	DESCRIPTION
1		87281666		1	WINDSHIELD WASHER, Includes Ref 2 Thru 10
2		87282393		1	HOSE, Additional Windshield Wiper, 870 mm
3		PL		8	PROCURE LOCALLY, Bundling Tie
4		87282394		1	ARM
5		87282395		2	RIVET, Snap
6		87282396		1	NOZZLE CAP, Single
7		87282397		1	HOSE, Additional Windshield Wiper, 70 mm
8		87282398		1	FITTING, Y
9		PL		1	PROCURE LOCALLY, Hose, 450 mm
10		87282392		1	HOLDER, Nozzle, Double
11		84083382		1	DIA KIT, ADDITIONAL PRODUCTS, Wiper; Includes: Ref 2 Thru 10
11		87049763		1	DIA KIT, HARVESTER, Wiper; Includes: Ref 2 Thru 10

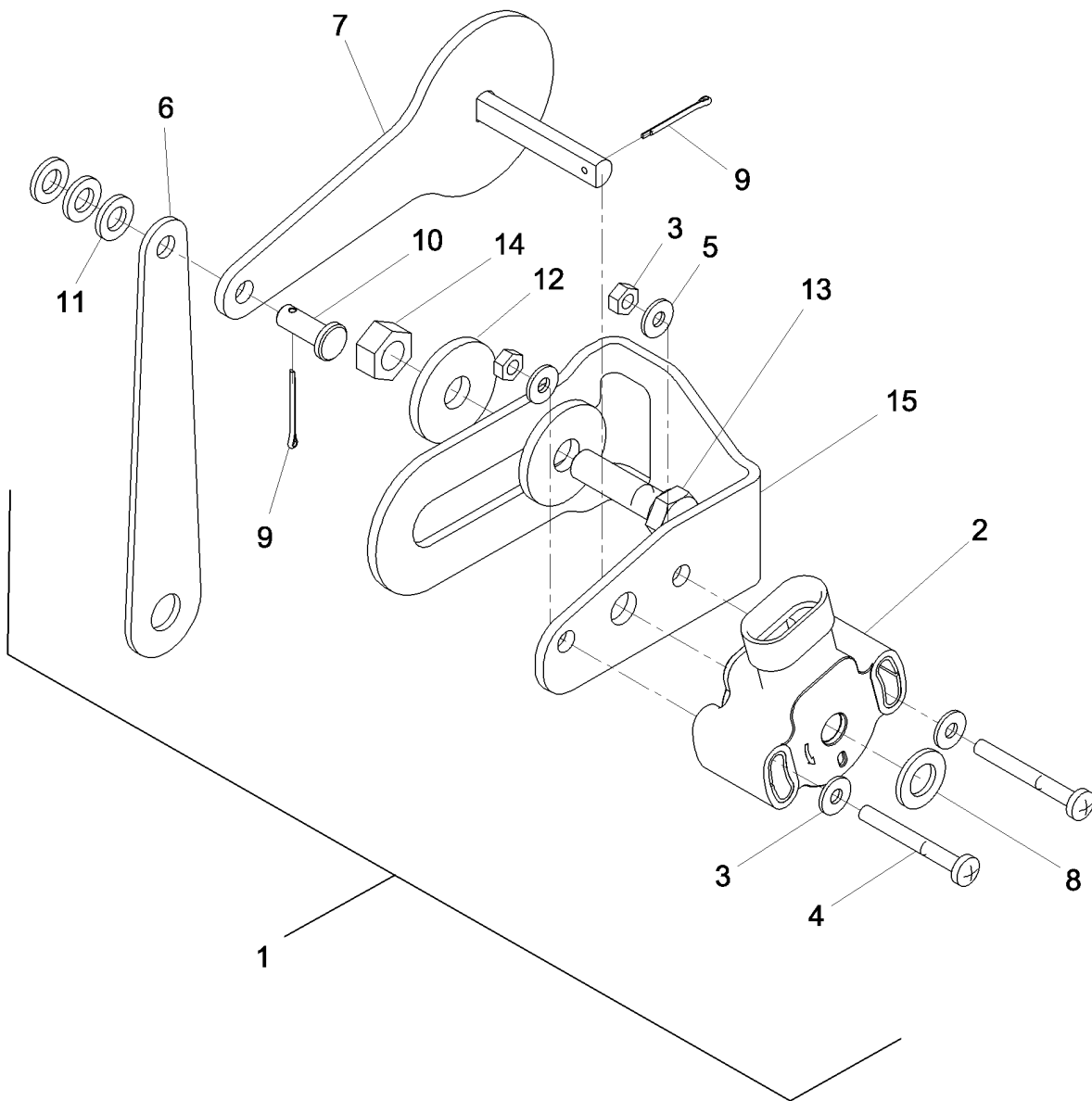
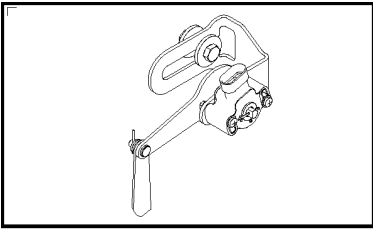
**7120 8120 9120 7120
8120**

55.627.10

p1

08/09

POTENTIOMETER, CONCAVE ADJUSTMENT



POTENTIOMETER, CONCAVE ADJUSTMENT

REF	FN	PART NUMBER	YR/SN	QTY	DESCRIPTION
1		87490175		1	ARM ASSY., Potentiometer; Incl Refs 2 Thru 15
2		86998035		1	POTENTIOMETER
3		322355		4	WASHER, Belleville, M4
4		86585707		2	SCREW, Cross Pan Hd, M4 x 35
5		100012		2	NUT, M4, CI 8
6		87494173		1	ARM
7		87490171		1	ARM
8		86624184		1	WASHER, M8 x 16 x 1.6
9		87016658		2	COTTER PIN
10		412317		1	PIN
11		86588450		3	WASHER, M6 x 12 x 1.6 Thk
12		87033737		2	WASHER, M8 x 28 x 3
13		43128		1	SCREW, Hex, M8 x 30, 8.8
14		9706690		1	NUT, M8, CI 8
15		87490168		1	BRACKET

See Also: Fig. K.40.C.74[01]

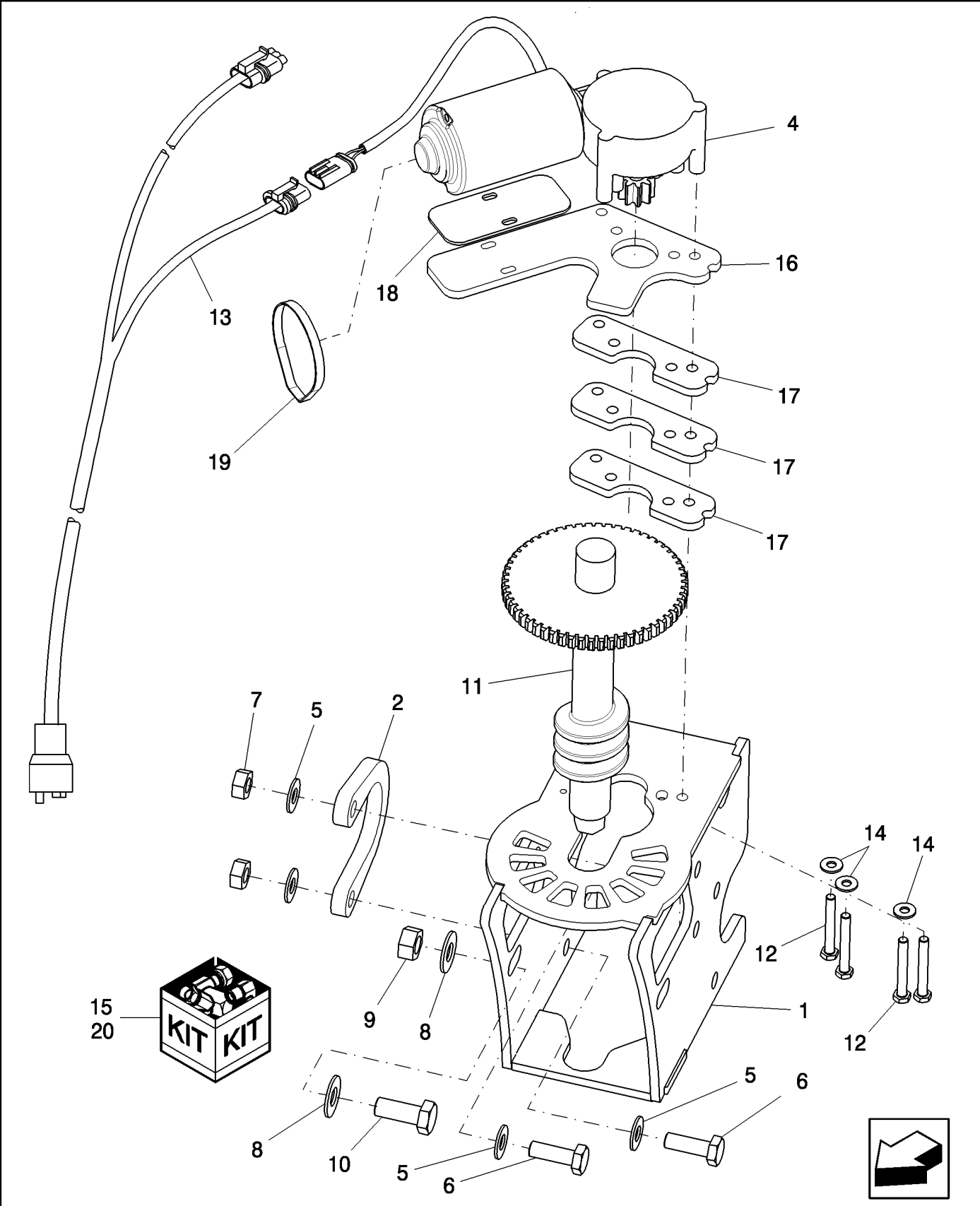
7120 7120 9120 8120
8120

55.627.11

p1

02/10

MOTOR, CONCAVE ADJUSTMENT

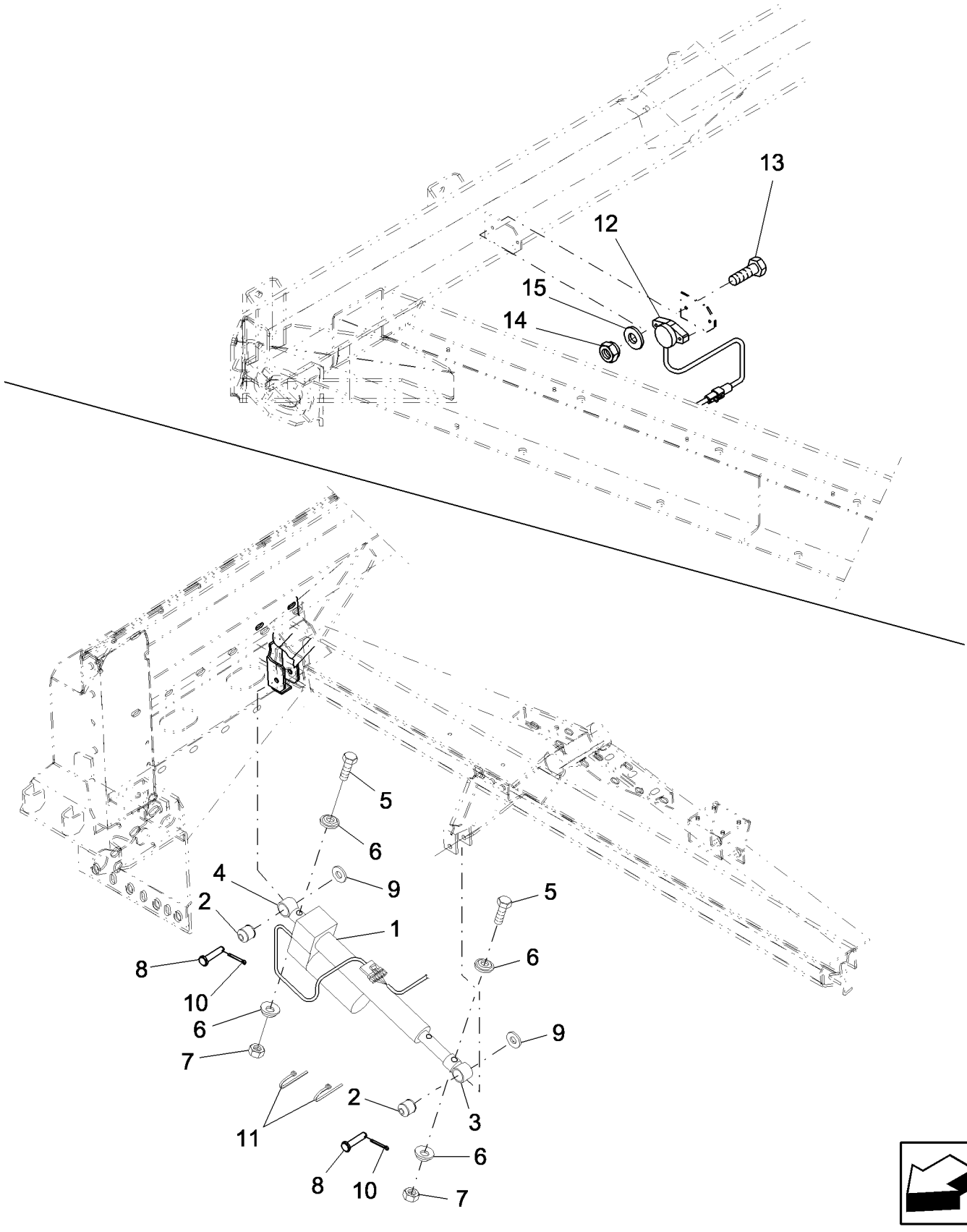


MOTOR, CONCAVE ADJUSTMENT

REF	FN	PART NUMBER	YR/SN	QTY	DESCRIPTION
1		87342204		1	BRACKET
2		86997859		1	BRACKET, Supporting, L.H.
3		{}			Reference Not Used
4		84273916		1	ELECTRIC MOTOR
5		140045		4	BELLEVILLE WASHER, M10
6		43140		2	BOLT, Hex, M10 x 30, 8.8, Full Thd
7		100016		2	NUT, M10, CI 8
8		140046		2	SPRING WASHER, Belleville, M12
9		9706685		1	NUT, M12, CI 8
10		9706687		1	BOLT, Hex, M12 x 30, 8.8, Full Thd
11		87109757		1	SHAFT
12		86977790		4	SCREW, Hex, M6 x 45, 8.8
13		87280772		1	WIRE HARNESS, Concave Adjustment Motor
14		322357		3	BELLEVILLE WASHER, M6
15		87352554		AR	SERVICE KIT, Motor Support - Incl Ref 16, 17, 18 & 19
16		87352933		1	BRACKET, Plate
17		87052251		3	PLATE
18		87352553		1	SHIM
19		529070		1	CABLE STRAP, .30" x 14.5"
20		87727206		1	DIA KIT, HARVESTER, Motor Gear Replacement; Incl Motor Pinion Gear, Adhesive, & Instructions

**7120 7120 9120 8120
8120**

ACTUATOR, SELF LEVELING



ACTUATOR, SELF LEVELING

REF	FN	PART NUMBER	YR/SN	QTY	DESCRIPTION
1		87522008		1	ACTUATOR, Self Leveling
2		445913		2	RUBBER BUSHING
3		921250		1	CLAMP
4		753565		1	CLAMP
5		814-12050		2	BOLT, Hex, M12 x 50, 8.8
6		140046		2	SPRING WASHER, Belleville, M12
7		100038		2	LOCK NUT, M12 x 1.75, CI 8
8		412118		2	CLEVIS PIN, M12 x 65
9		378245		4	WASHER, M13 x 28 x 2 Thk
10		130004		2	COTTER PIN, M3.2 x 25
11		86566990		2	CABLE STRAP, M4.8 x 292 L
12		87026294		1	SENSOR, Inclination
13		43117		2	BOLT, Hex, M6 x 30, 8.8
14		353308		2	NUT, M6 x 1, CI 8
15		86588450		2	WASHER, M6 x 12 x 1.6 Thk

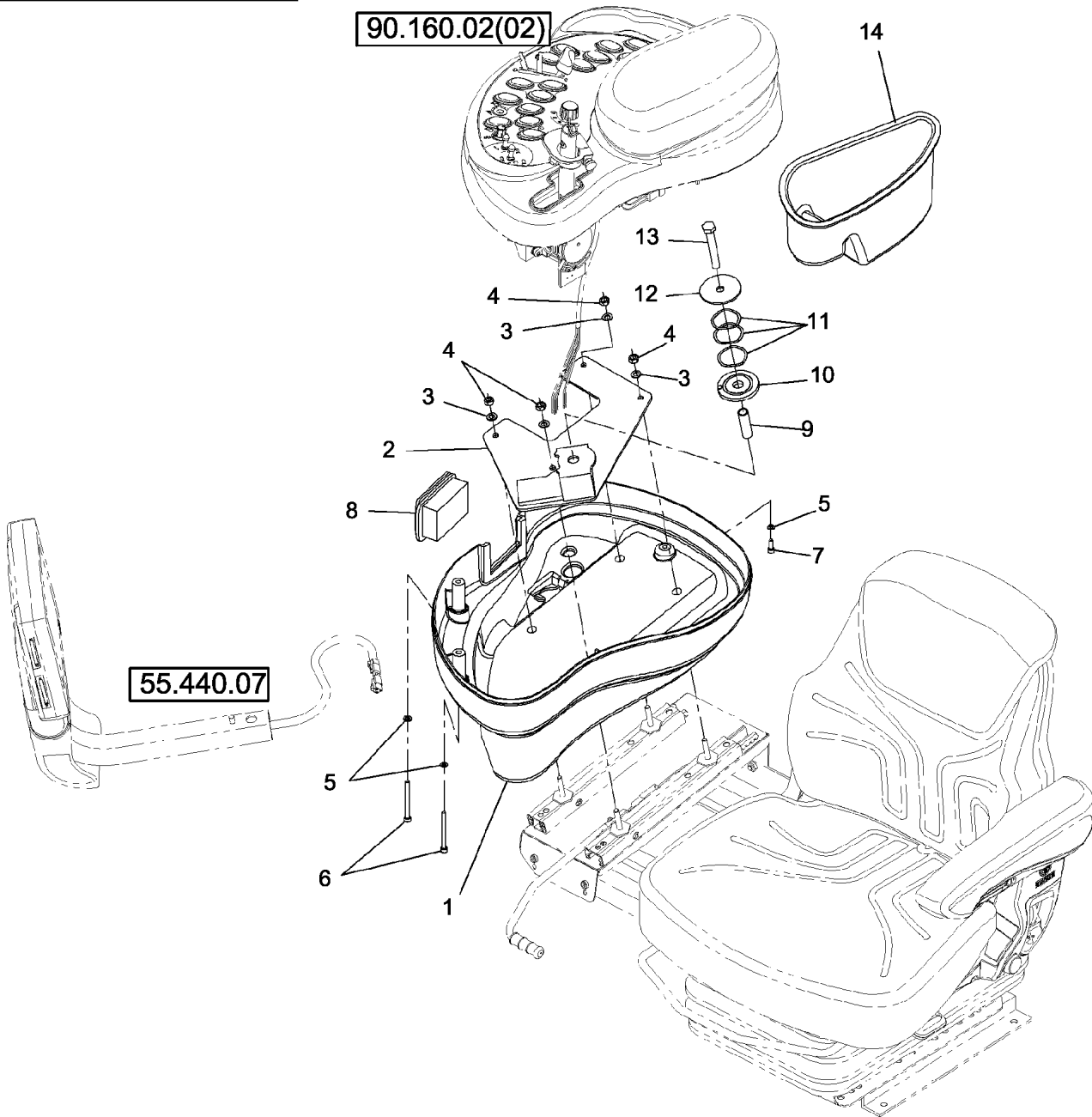
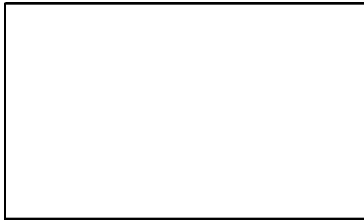
	7120 7120 8120 9120 8120
--	---

55.785.01

p1

10/09

CONSOLE, R.H., TOUCH SCREEN DISPLAY



55.785.01

p1

10/09

CONSOLE, R.H., TOUCH SCREEN DISPLAY

REF	FN	PART NUMBER	YR/SN	QTY	DESCRIPTION
1		86998394		1	CONSOLE, Bottom
2		86975761		1	PLATE
3		895-11008		4	WASHER, M8 x 16 x 1.6
4		43362		4	NUT, M8, CI 10
5		895-11006		3	WASHER, M6
6		864-6070		2	SCREW, Hex Soc Hd, M6 x 70, 8.8
7		864-6016		1	SCREW, Hex Soc Hd, M6 x 16, 8.8
8		9824826		1	ASH TRAY
9		86975763		1	BUSHING
10		86975764		1	WASHER
11		86975889		3	WASHER, Wave
12		86975765		1	WASHER
13		828-12080		1	BOLT, Hex, M12 x 80, 10.9
14		86996699		1	BOX, Storage

**7120 8120 9120 7120
8120**

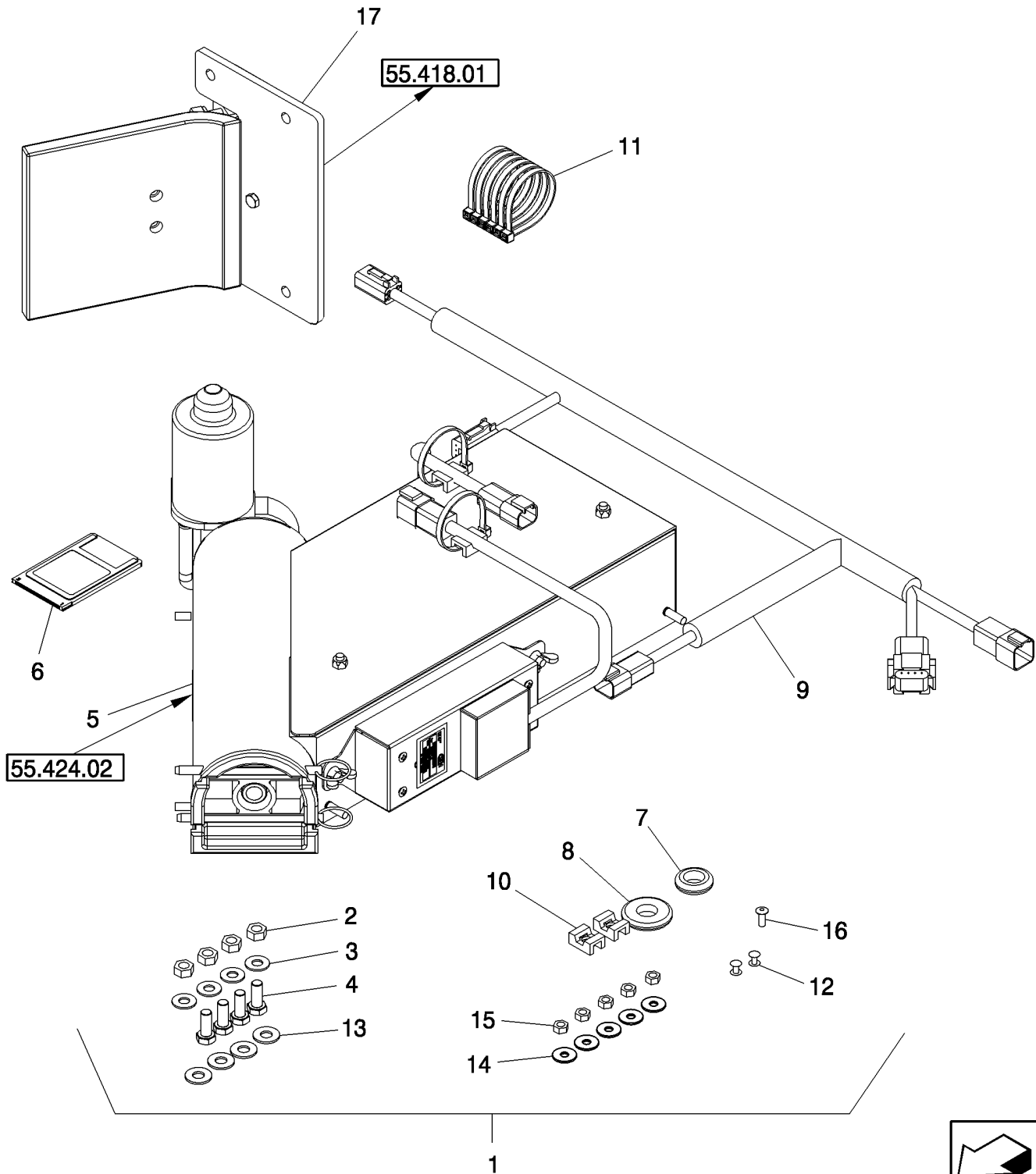
55.785.03

01

p1

10/09

KIT, DIA - GRAIN FLOW/MOISTURE SENSOR



55.785.03

01

p1

10/09

KIT, DIA - GRAIN FLOW/MOISTURE SENSOR

REF	FN	PART NUMBER	YR/SN	QTY	DESCRIPTION
1		87712022		1	DIA KIT, HARVESTER, CAN Yield/Moisture
2		9706690		4	NUT, M8, CI 8
3		322358		4	BELLEVILLE WASHER, M8
4		120104		4	BOLT, Hex, M8 x 20, 8.8
5		87534936		1	SENSOR, Moisture Bypass
6		87646115	BSN Y9G204222	1	ADAPTER, 512MB CF
6		84187624	ASN Y9G204222	1	MODULE
7		103258		1	GROMMET, 5/8" ID x 7/8" Groove Dia
8		87379691		1	GROMMET
9		87634523		1	WIRE HARNESS, Yield & Moisture
10		86590413		2	CLAMP
11		86566989		6	CABLE STRAP, M4.75 x 190.5 L
12		14642095		2	RIVET
13		86625263		4	WASHER, M8 x 20 x 1.6
14		412649		5	SPRING WASHER, Belleville, M6
15		9706755		5	NUT, M6, CI 8
16		445394		1	RIVET, Pop, M4.8 x 12.7
17		87387778		1	SENSOR, CAN Flow
					7120 7120 9120 8120 8120

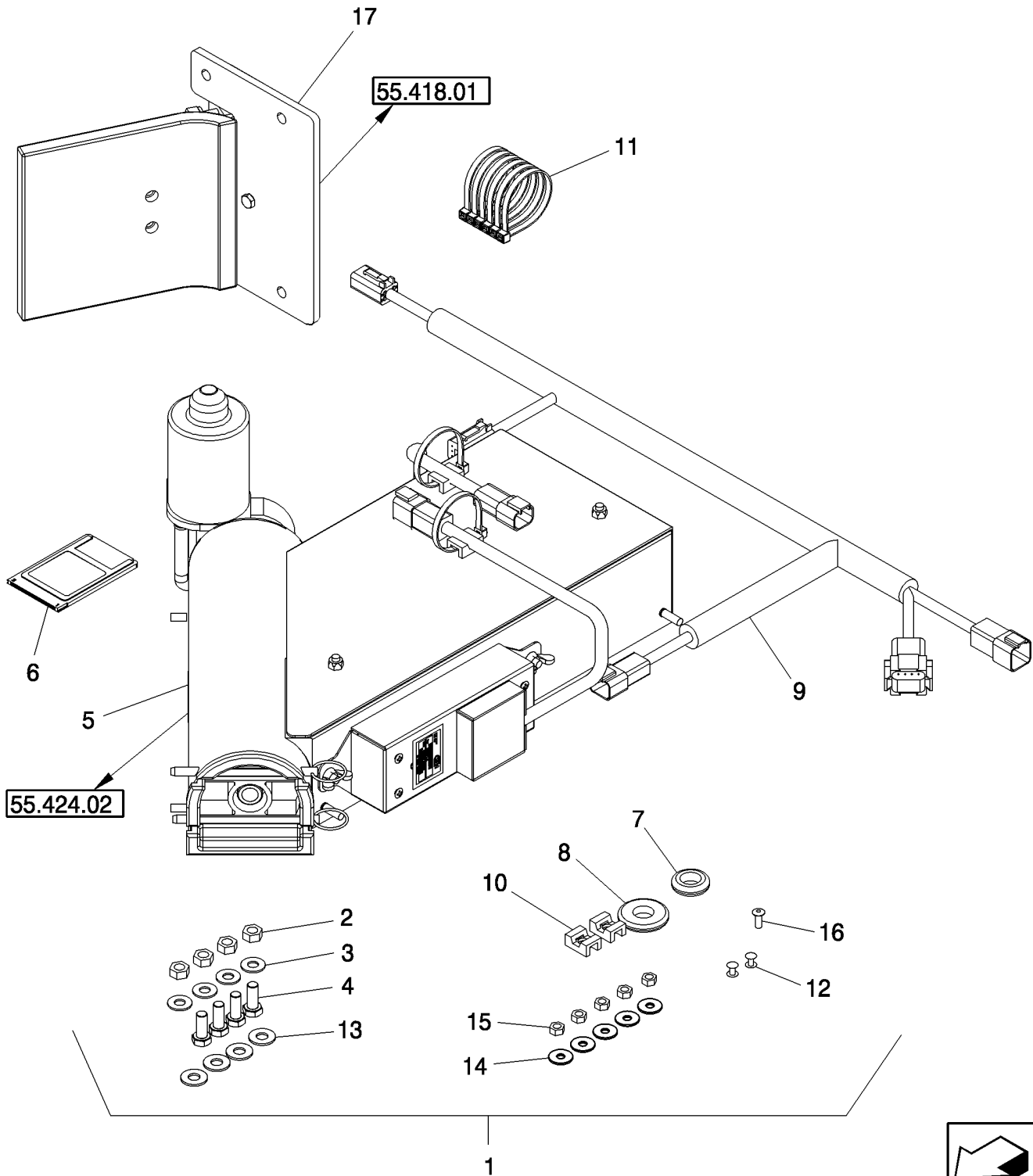
55.785.03

02

p1

10/09

KIT, DIA - GRAIN FLOW/MOISTURE SENSOR - UPDATED TO MY10



KIT, DIA - GRAIN FLOW/MOISTURE SENSOR - UPDATED TO MY10

REF	FN	PART NUMBER	YR/SN	QTY	DESCRIPTION
1		87712022		1	DIA KIT, HARVESTER, CAN Yield/Moisture
2		9706690		4	NUT, M8, CI 8
3		322358		4	BELLEVILLE WASHER, M8
4		120104		4	BOLT, Hex, M8 x 20, 8.8
5		87534936		1	SENSOR, Moisture Bypass
6		84187624	ASN Y9G204222	1	MODULE
6	1	87646115	BSN Y9G204222	1	ADAPTER, 512MB CF
6	2	84187624		1	MODULE, Adapter, 4 GB CF W/Adapter
7		103258		1	GROMMET, 5/8" ID x 7/8" Groove Dia
8		87379691		1	GROMMET
9		87634523		1	WIRE HARNESS, Yield & Moisture
10		86590413		2	CLAMP
11		86566989		6	CABLE STRAP, M4.75 x 190.5 L
12		14642095		2	RIVET
13		86625263		4	WASHER, M8 x 20 x 1.6
14		412649		5	SPRING WASHER, Belleville, M6
15		9706755		5	NUT, M6, CI 8
16		445394		1	RIVET, Pop, M4.8 x 12.7
17		87387778		1	SENSOR, CAN Flow

- (1) Prior to MY2010
- (2) From MY2010

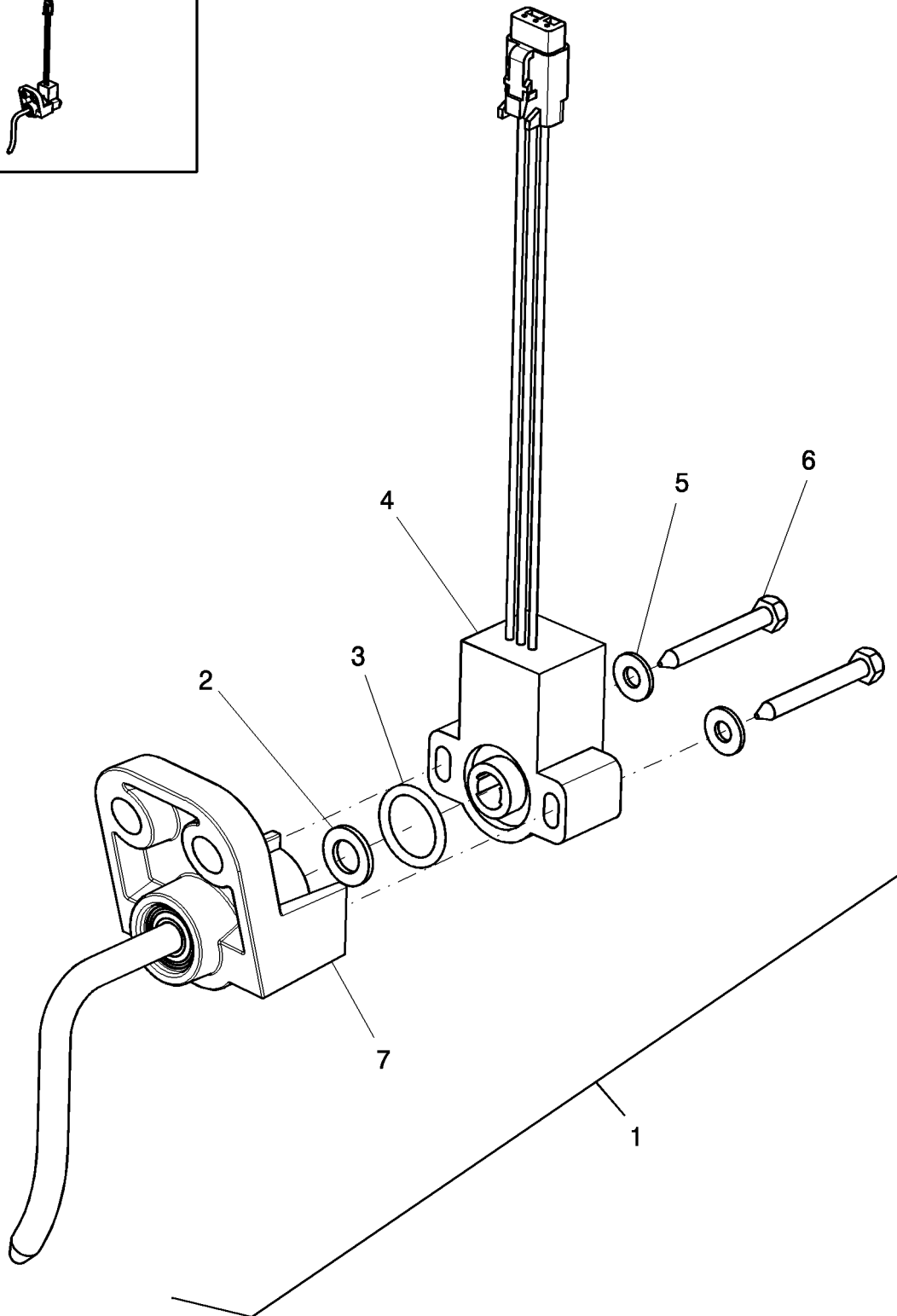
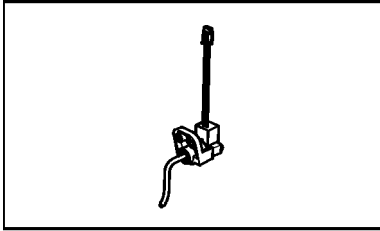
**7120 7120 9120 8120
8120**

55.785.04

p1

11/09

SENSOR, TAILINGS VOLUME



SENSOR, TAILINGS VOLUME

REF	FN	PART NUMBER	YR/SN	QTY	DESCRIPTION
1		87630204	BSN Y9G207395	1	SENSOR, Tailings Volume; Incl Refs 2 Thru 7
1		84212481	From 04/09, ASN Y9G207395	1	SENSOR, Tailings Volume; Incl Refs 2 Thru 7
2		86624184		1	WASHER, M8 x 16 x 1.6
3		75285739		1	O-RING
4		87283865		1	SENSOR, Tailings Volume
5		88612		2	WASHER, #10
6		86837479		2	SELF-TAP SCREW, Hex Hd, M4.8 x 40
7		NSS		1	NOT SERVICED SEPARATELY, Housing

For installation, see figure A.30.A.88[03]

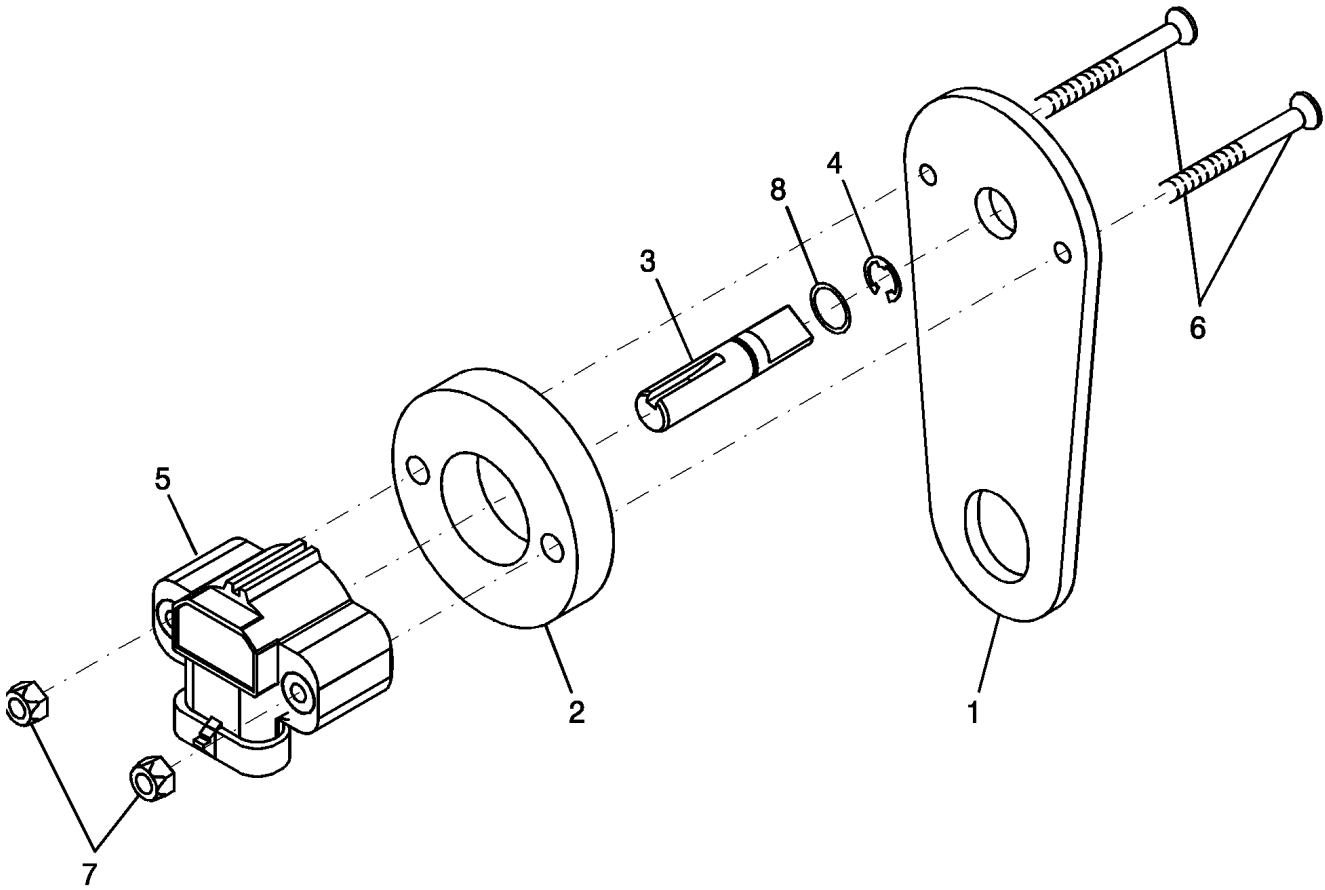
**7120 7120 8120 9120
8120**

55.785.11

p1

08/09

SENSOR ASSEMBLY



SENSOR ASSEMBLY

REF	FN	PART NUMBER	YR/SN	QTY	DESCRIPTION
1		87651712		1	PLATE
2		87651713		1	SPACER
3		87651714		1	SHAFT
4		86000439		1	SNAP RING, #37, Ext
5		87330286		1	SENSOR, Feeder Angle
6		86509204		2	SCREW, Machine
7		43440		2	LOCK NUT, M5 x .8, CI 8
8		86512844		1	O-RING, -010, 90 Duro, .239" ID x .070" Thk

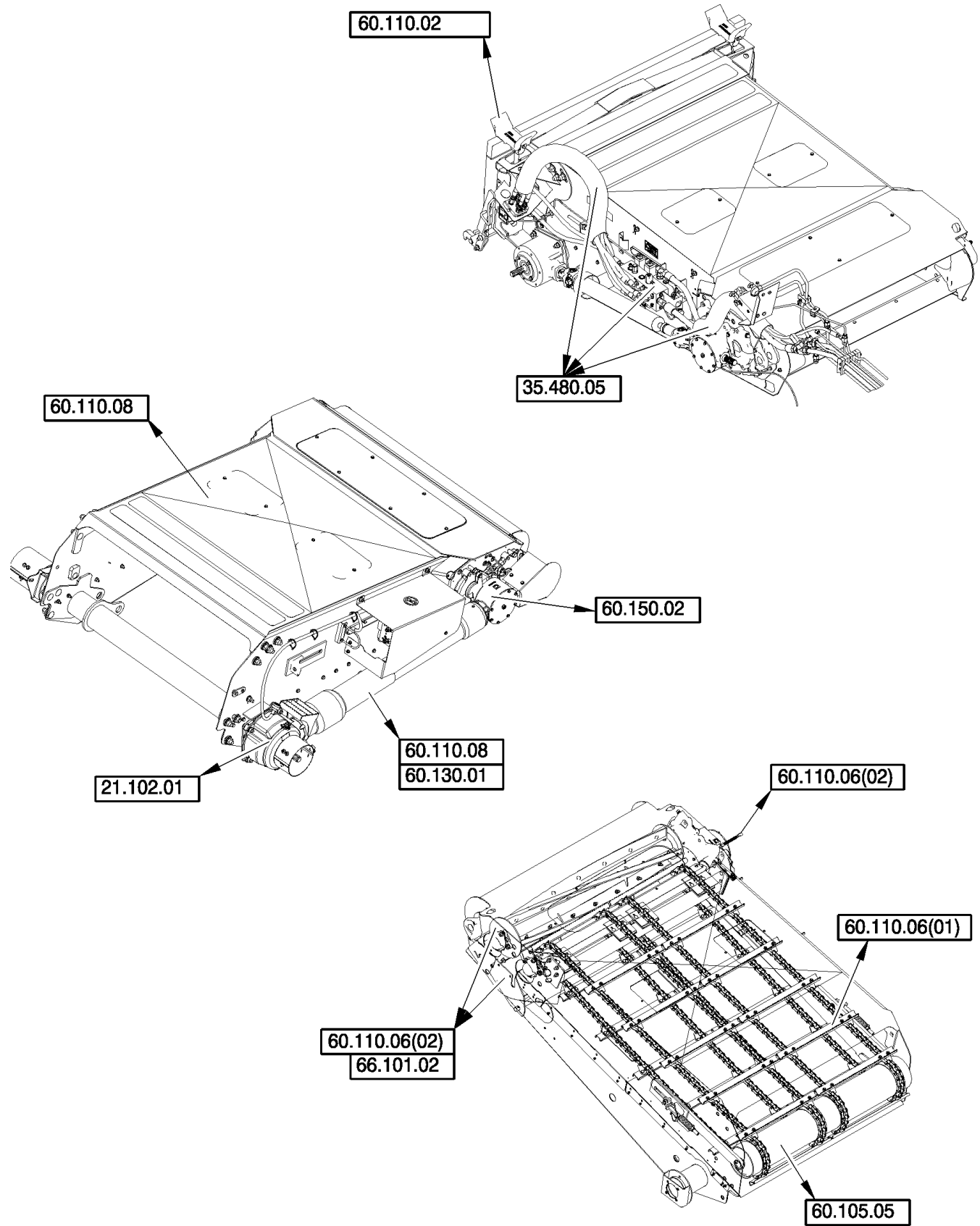
	7120 7120 8120 9120 8120
--	---

SECTION INDEX

60 - Product feeding

60.000.00		SECTION INDEX - PRODUCT FEEDING
60.105.03		CHAIN ASSY AND FEEDER SLATS
60.105.03	01	CHAIN ASSY AND FEEDER SLATS - MY10 PRODUCTION - U SHAPED SLAT PROFILE
60.105.05		FEEDER IDLER ROLLER
60.110.02		LATERAL TILT FEEDER, PIVOT FRONT FACE HARDWARE
60.110.03		LATERAL TILT FEEDER ADAPTER
60.110.06	01	FEEDER FLOOR AND CHAINS - WITHOUT ROCK TRAP
60.110.06	02	FEEDER FLOOR AND CHAINS - WITH ROCK TRAP
60.110.08		FEEDER FRAME
60.110.09		FEEDER HOUSING AND SHIELDS
60.110.20		FEEDER ADAPTER, FIXED
60.110.21		DIA HARVEST KIT, NON STONE TRAP
60.110.22		DIA HARVEST KITS, LATERAL TILT
60.120.10		DRIVE SHAFT, FEEDER/HEADER
60.120.11	01	DRIVE SHAFT, LOWER - FEEDER/HEADER
60.120.11	02	DRIVE SHAFT, LOWER - FEEDER/HEADER
60.120.12		DRIVE SHAFT, UPPER - FEEDER/HEADER
60.130.01		FEEDER - CONVEYOR JACKSHAFT
60.150.01		GEARBOX, FEEDER/HEADER, W/PTO
60.150.02		GEARBOX, FEEDER CONVEYOR DRIVE, WITH ROCK TRAP
60.150.03		GEARBOX, FEEDER CONVEYOR DRIVE, WITHOUT ROCK TRAP
60.150.04		GEARBOX, HEADER/FEEDER, VARIABLE SPEED, OUTPUT HALF
60.150.05		GEARBOX, HEADER/FEEDER, VARIABLE SPEED, INPUT HALF
60.150.06		GEARBOX, HEADER/FEEDER - FIXED SPEED, OUTPUT HALF
60.150.07		GEARBOX, HEADER/FEEDER - FIXED SPEED, INPUT HALF
60.150.08		PIVOT SHAFT, FEEDER/HEADER
60.150.10		CLUTCH, FRICTION DISC

SECTION INDEX - PRODUCT FEEDING



60.000.00

p1

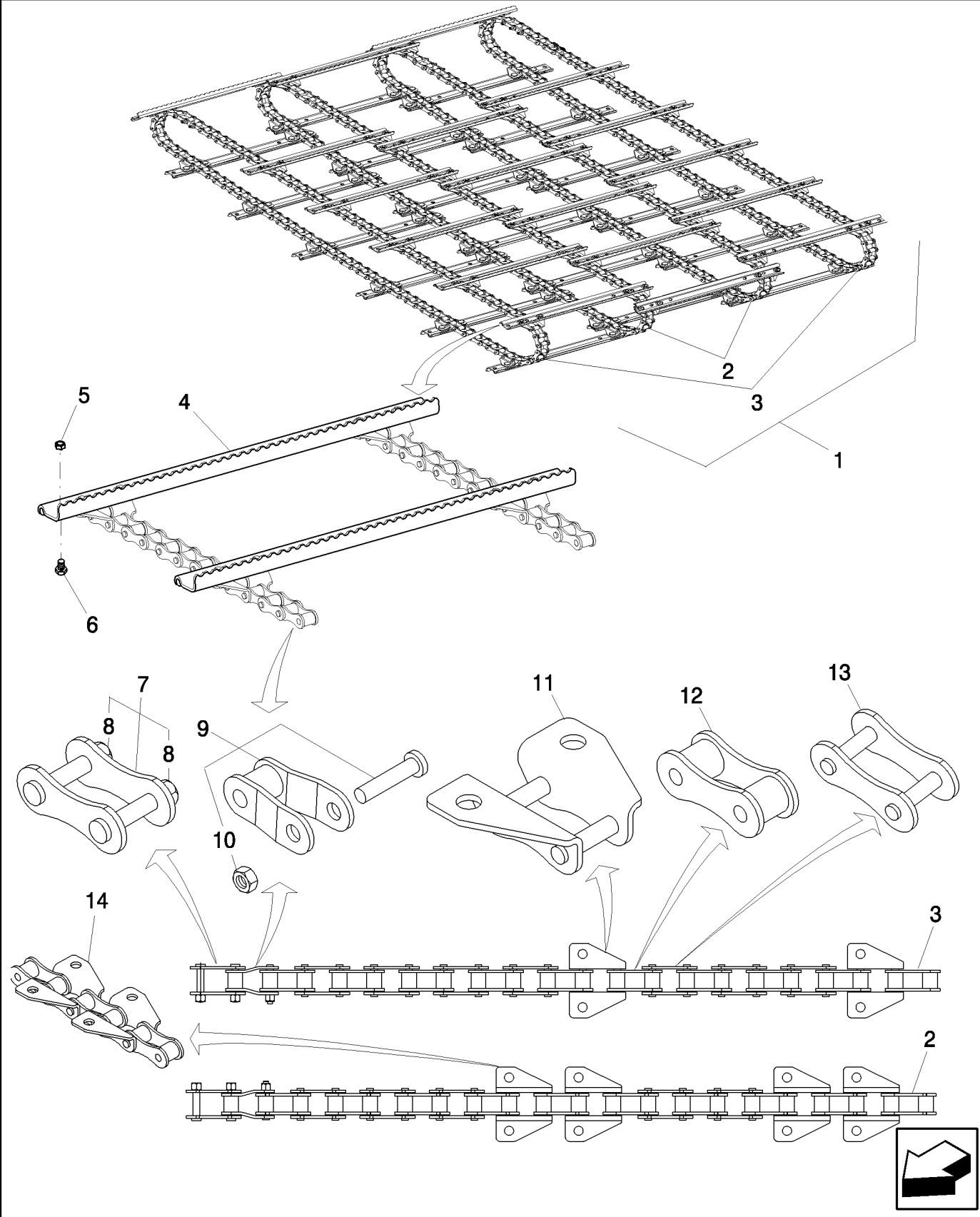
08/09

SECTION INDEX - PRODUCT FEEDING

REF	FN	PART NUMBER	YR/SN	QTY	DESCRIPTION
------------	-----------	--------------------	--------------	------------	--------------------

					7120 7120 8120 9120 8120
--	--	--	--	--	-------------------------------------

CHAIN ASSY AND FEEDER SLATS



CHAIN ASSY AND FEEDER SLATS

REF	FN	PART NUMBER	YR/SN	QTY	DESCRIPTION
1	1	87646015		1	CHAIN (AG)
1		87646005	BSN Y9G207601	1	CHAIN (AG) Non Rock Trap
1	2	84179639	ASN Y9G207601	1	CHAIN (AG)
2	1	87646014		2	CHAIN (AG), Inner
2	2	87646003		2	CHAIN (AG), Inner
3	1	87625522		2	CHAIN (AG), Outer
3	2	87625524		2	CHAIN (AG), Outer
4		87646011		AR	SLAT, Rock Trap (36), Non-Rock Trap (42)
5		86512554		AR	LOCK NUT, M10 x 1.5, Cl 10, Rock Trap (144), Non-Rock Trap (168)
6		9861444		AR	BOLT, Hex, M10 x 20, 10.9, Full Thd, Rock Trap (144), Non-Rock Trap (168)
7		87625526		2	LINK ASSY.
8		86625061		4	LOCK NUT, 1/4"-20, GB
9	3	86974313		2	OFFSET LINK
10	3	86514335		2	LOCK NUT
11		87283352		AR	CONNECTING LINK, Rock Trap (36), Non-Rock Trap (42)
12		87283351		AR	CHAIN LINK, Rock Trap (100), Non-Rock Trap (114)
13		87283349		AR	CONNECTING LINK, Rock Trap (62), Non-Rock Trap (70)
14		87736384		AR	CHAIN (AG), 87646014(12), 87646003(14)

- (1) Rock Trap
- (2) Non-Rock Trap
- (3) Rock Trap Only

Quantities Indicated In Parentheses Are Per Chain Assembly (Ref. 1), Not Per Strand.

**7120 7120 8120 9120
8120**

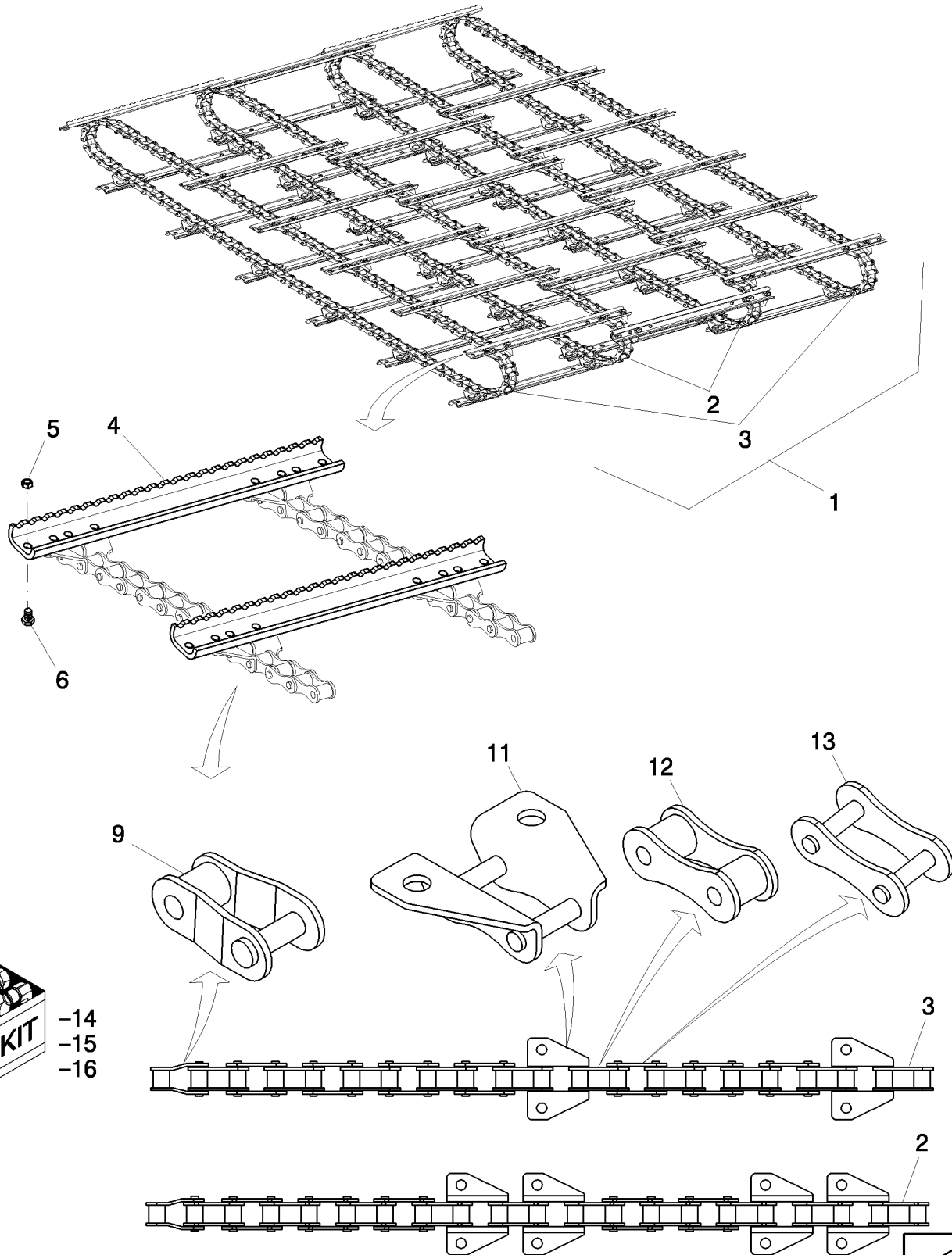
60.105.03

01

p1

02/10

CHAIN ASSY AND FEEDER SLATS - MY10 PRODUCTION - U SHAPED SLAT PROFILE



CHAIN ASSY AND FEEDER SLATS - MY10 PRODUCTION - U SHAPED SLAT PROFILE

REF	FN	PART NUMBER	YR/SN	QTY	DESCRIPTION
1		84179639		1	CHAIN (AG), Rock Trap
1		84179642		1	CHAIN (AG), Non Rock Trap
2		84217941		2	CHAIN (AG), Inner, Rock Trap
2		84217945		2	CHAIN (AG), Inner, Non Rock Trap
3		84217950		2	CHAIN (AG), Outer, Rock Trap
3		84217947		2	CHAIN (AG), Outer, Non Rock Trap
4		NSS		AR	NOT SERVICED SEPARATELY, U Shaped Slats, Rock Trap (36), Non Rock Trap (42) Order Kit #14
5		84207195		AR	NUT, M10 x 1.5, Rock Trap (144), Non Rock Trap (168)
6		9846677		AR	BOLT, Hex, M10 x 25, 10.9, Full Thd, Rock Trap (144), Non Rock Trap (168)
9		1324835C1		2	OFFSET LINK, Used with Rock Trap Only
11		87283352		AR	CONNECTING LINK, Attacking Link, Rock Trap (72), Non Rock Trap (76)
12		87283351		AR	CHAIN LINK, Roller Link with Solid Bushings, Rock Trap (200), Non Rock Trap (228)
13		87283349		AR	CONNECTING LINK, Rock Trap (124), Non Rock Trap (140)
14		84222949		1	KIT, Contains (1) Chain Assy and Rock Trap (4) Conn Links Ref 9
15		84222922		1	KIT, Contains (1) Slat, (4) of Ref 6 and 5
16		84222952		1	KIT, Contains (1) Chain Assy, Non Rock Trap and (4) Conn Links Ref 9

Quantities Indicated In Parentheses Are Per Chain Assembly (Ref. 1), Not Per Strand.

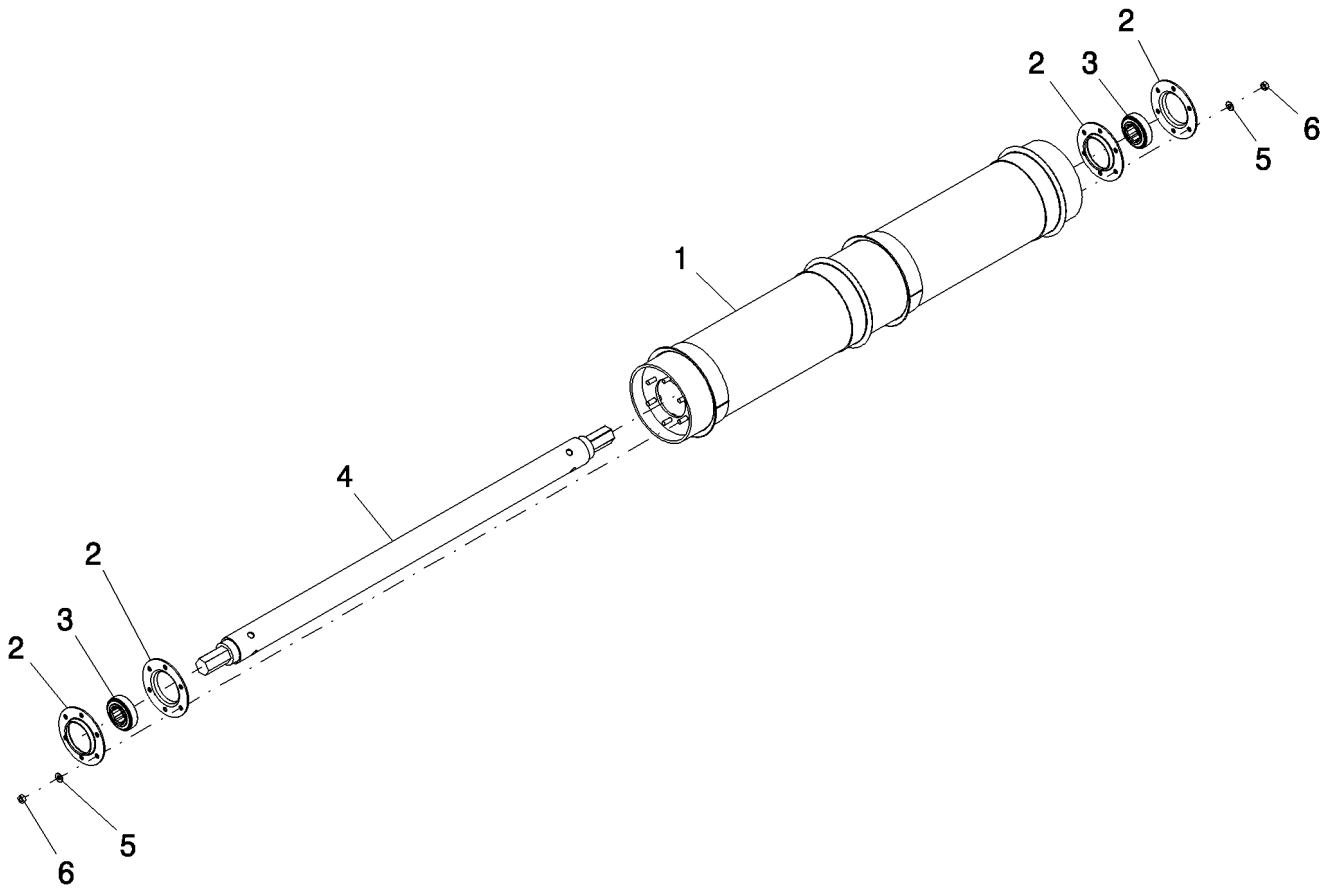
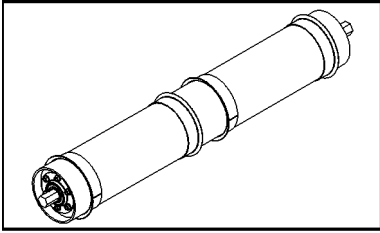
**7120 7120 8120 9120
8120**

60.105.05

p1

10/09

FEEDER IDLER ROLLER



60.105.05

p1

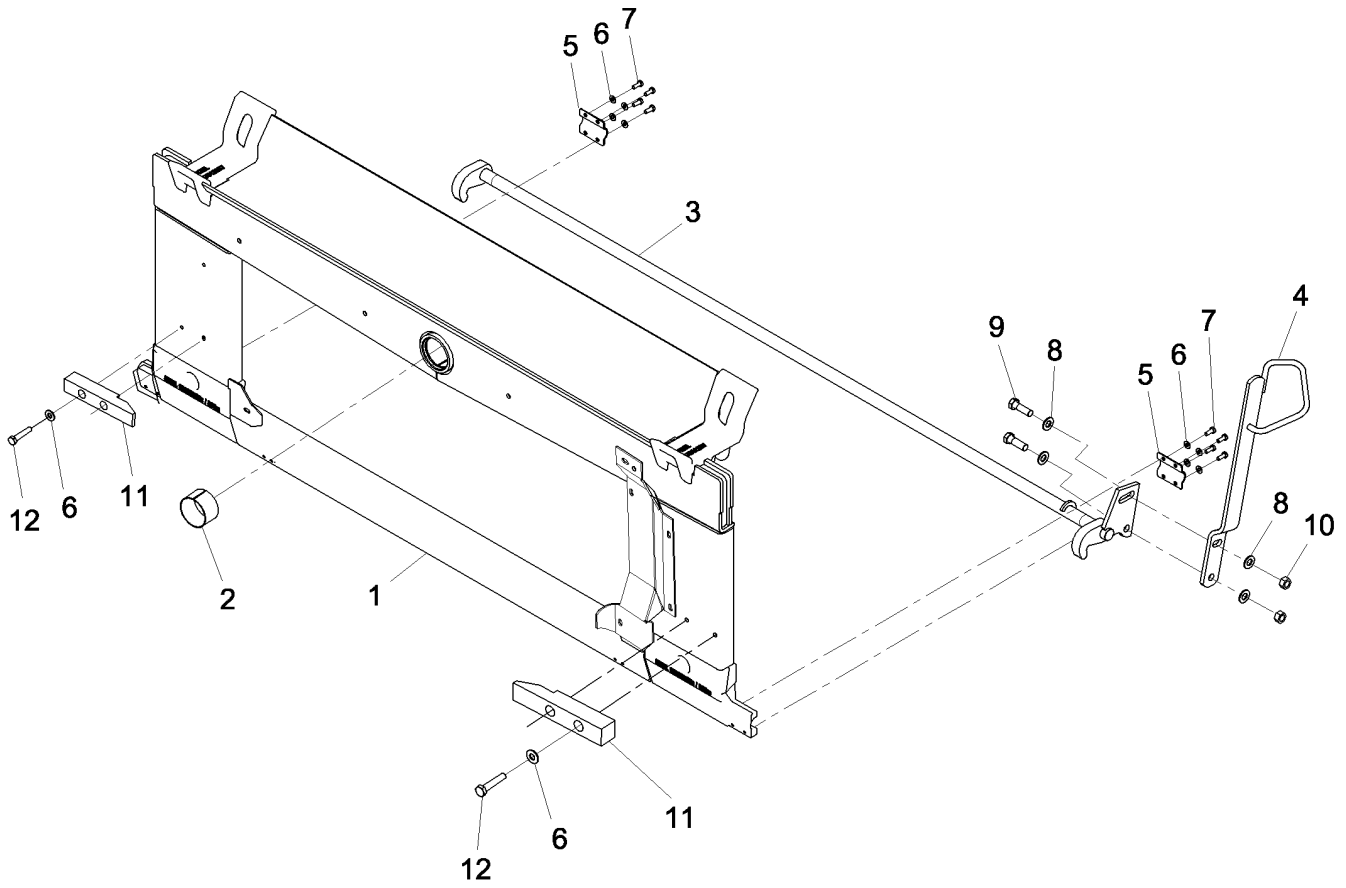
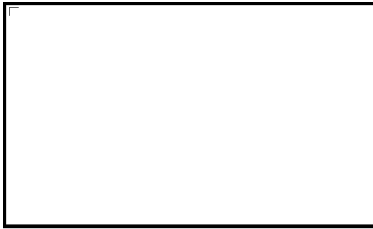
10/09

FEEDER IDLER ROLLER

REF	FN	PART NUMBER	YR/SN	QTY	DESCRIPTION
1		87640483		1	TUBE
2		87660204		4	FLANGE
3		286909		2	BALL BEARING
4		87646024		1	SHAFT
5		140045		12	BELLEVILLE WASHER, M10
6		100016		12	NUT, M10, CI 8

**7120 7120 8120 9120
8120**

LATERAL TILT FEEDER, PIVOT FRONT FACE HARDWARE

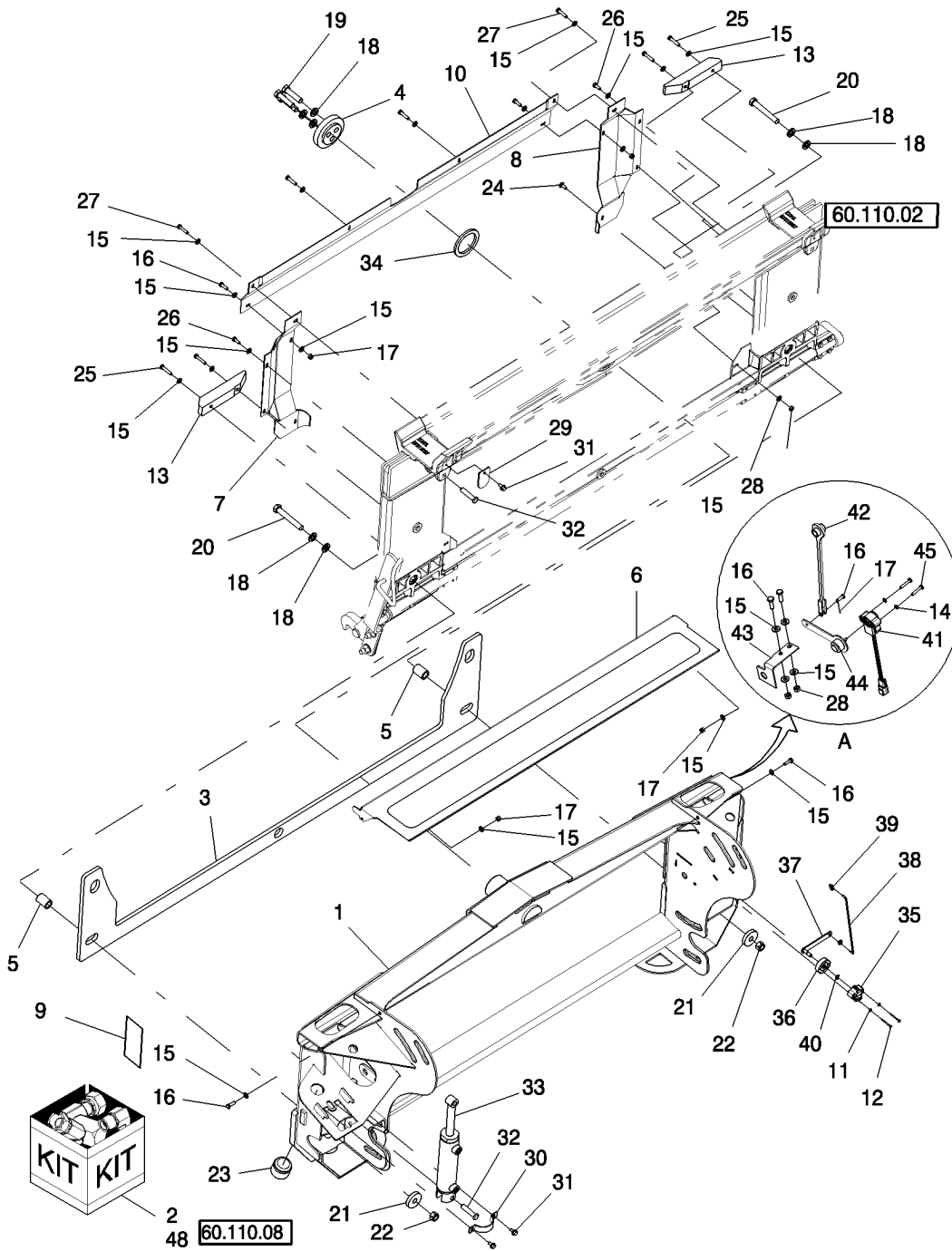


LATERAL TILT FEEDER, PIVOT FRONT FACE HARDWARE

REF	FN	PART NUMBER	YR/SN	QTY	DESCRIPTION
1		87597096		1	FRAME
2		86995533		1	BEARING
3		87583645		1	LATCH ASSY.
4		87583643		1	LEVER ASSY.
5		87107674		2	CLAMP
6		322358		12	BELLEVILLE WASHER, M8
7		120104		8	BOLT, Hex, M8 x 20, 8.8
8		140048		4	BELLEVILLE WASHER, M16
9		614-16050		2	BOLT, Hex, M16 x 50, 8.8
10		825-1416		2	NUT, M16, CI 8
11		84144529		2	SHIELD, Plate, Strip - Off
12		43129		4	BOLT, Hex, M8 x 40, 8.8

**7120 7120 8120 9120
8120**

LATERAL TILT FEEDER ADAPTER



LATERAL TILT FEEDER ADAPTER

REF	FN	PART NUMBER	YR/SN	QTY	DESCRIPTION
1	1	87649361		1	PACKAGE,SERVICE, Adapter, Includes Ref 43
1	1	87751027		1	FEEDER, Adapter, Heavy Duty; Includes Ref 43
1	2	87649363		1	ADAPTER, Includes Ref 43
1	2	87752964		1	SERVICE KIT, Adapter, Heavy Duty; Includes Ref 43
2		87105744		1	SEAL KIT, Services Ref 33, Hyd Cyl, Std Duty
2		87491388		1	SEAL KIT, Services Ref 33, Heavy Duty
3		86995541		1	SHEET
4		87635130		1	RETAINING PLATE
4	3	87715218		1	PLATE
5		84236970		2	TUBE SPACER
6		84155101		1	SHEET
7		87587591		1	SHEET ASSY., L.H.
8		87587593		1	SHEET ASSY., R.H.
9	1	84128537		1	DECAL, DANGER, Pinch Point
9	1	87612725		1	DECAL, Pinch Point, French/Spanish
9	2	87413244		1	DECAL
10		87673524		1	DEFLECTOR, Deflector
11		322355		2	WASHER, Belleville, M4
12		87384106		2	BOLT, Hex, M4 x 40, 8.8
13		84144529		2	SHIELD, Plate, Strip Off
15		322358		AR	BELLEVILLE WASHER, M8
16		43127		AR	BOLT, Hex, M8 x 25, 8.8
17		86629542		4	LOCK NUT, M8 x 1.25, CI 8
18		86625266		7	WASHER, M17.5 x 30 x 4, HT
19		11119231		3	BOLT
19	3	87742368		3	SCREW
20		84036080		2	BOLT, Hex, M16 x 110, 10.9
21		913347		2	WASHER, M17 x 56 x 11 Thk
22		86512555		2	LOCK NUT, M16 x 2, CI 10
23		87105683		1	CAP
24		86507486		2	CARRIAGE BOLT, Short NK, M8 x 20, CI8.8, Full Thd
25		43129		4	BOLT, Hex, M8 x 40, 8.8

(1) NA

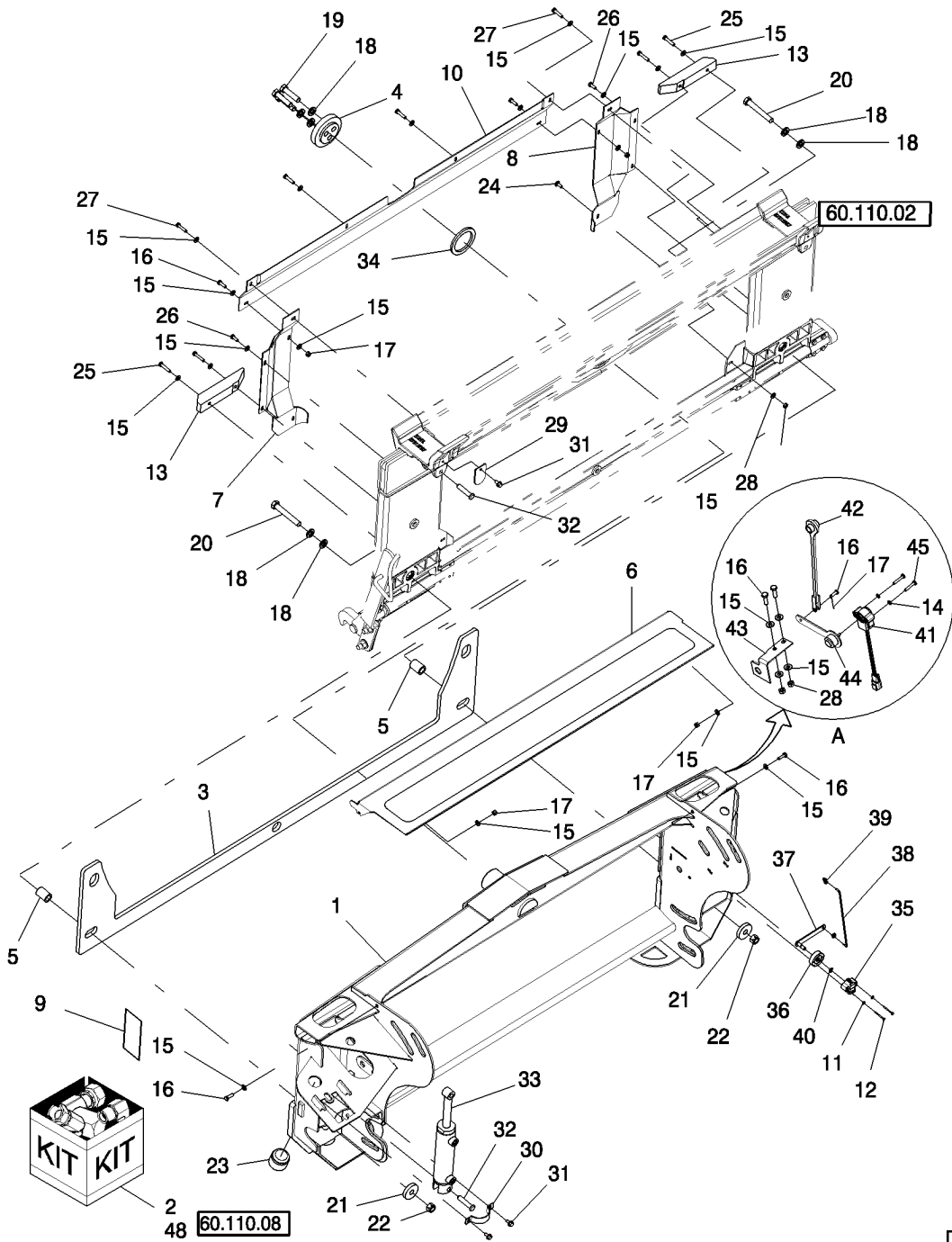
(2) EU

(3) Used W/Heavy Duty Adapter

A = For Hillco Feeder

7120 7120 8120 9120
8120

LATERAL TILT FEEDER ADAPTER



LATERAL TILT FEEDER ADAPTER

REF	FN	PART NUMBER	YR/SN	QTY	DESCRIPTION
26		120104		2	BOLT, Hex, M8 x 20, 8.8
27		300381		4	BOLT, Hex, M8 x 35, 8.8
28		9706690		AR	NUT, M8, CI 8
29		87312141		1	PLATE
30		87107105		1	U-BRACKET
31		86511841		3	BOLT, Hex Flg, M8 x 16, 8.8
32		87312143		2	PIN
33	1	87282645		1	CYLINDER, Lateral Tilt Feeder Adapter
33	2	87282646		1	CYLINDER, Lateral Tilt Feeder Adapter
33	3,1	87753846		1	CYLINDER, Lateral Tilt Feeder Adapter
33	2,3	87758705		1	CYLINDER, Lateral Tilt Feeder Adapter
34		86995542		1	THRUST WASHER
35		87330286		1	SENSOR, Angle
36		87362420		1	MOUNT
37		87643243		1	PLATE ASSY., Shaft
38		87643245		1	LINK
39		9821714		2	CLIP
40		86000439		1	SNAP RING, #37, Ext
41		87283864		1	SENSOR, Angle
42		87283220		1	LINKAGE
43		87001364		1	BRACKET
44		87105024		1	ARM
45		86502967		2	SCREW, Cross Pan Hd, M5 x 30
46		84019930		1	CLEVIS PIN, M6 x 20
47		86523849		1	COTTER PIN, 1/16" x 3/4"
48	4,1	87751028		1	DIA KIT, HARVESTER, Feed Lift, Heavy Duty
48	2,4	84134532		1	SERVICE KIT, Feed Lift, Heavy Duty

(1) NA

(2) EU

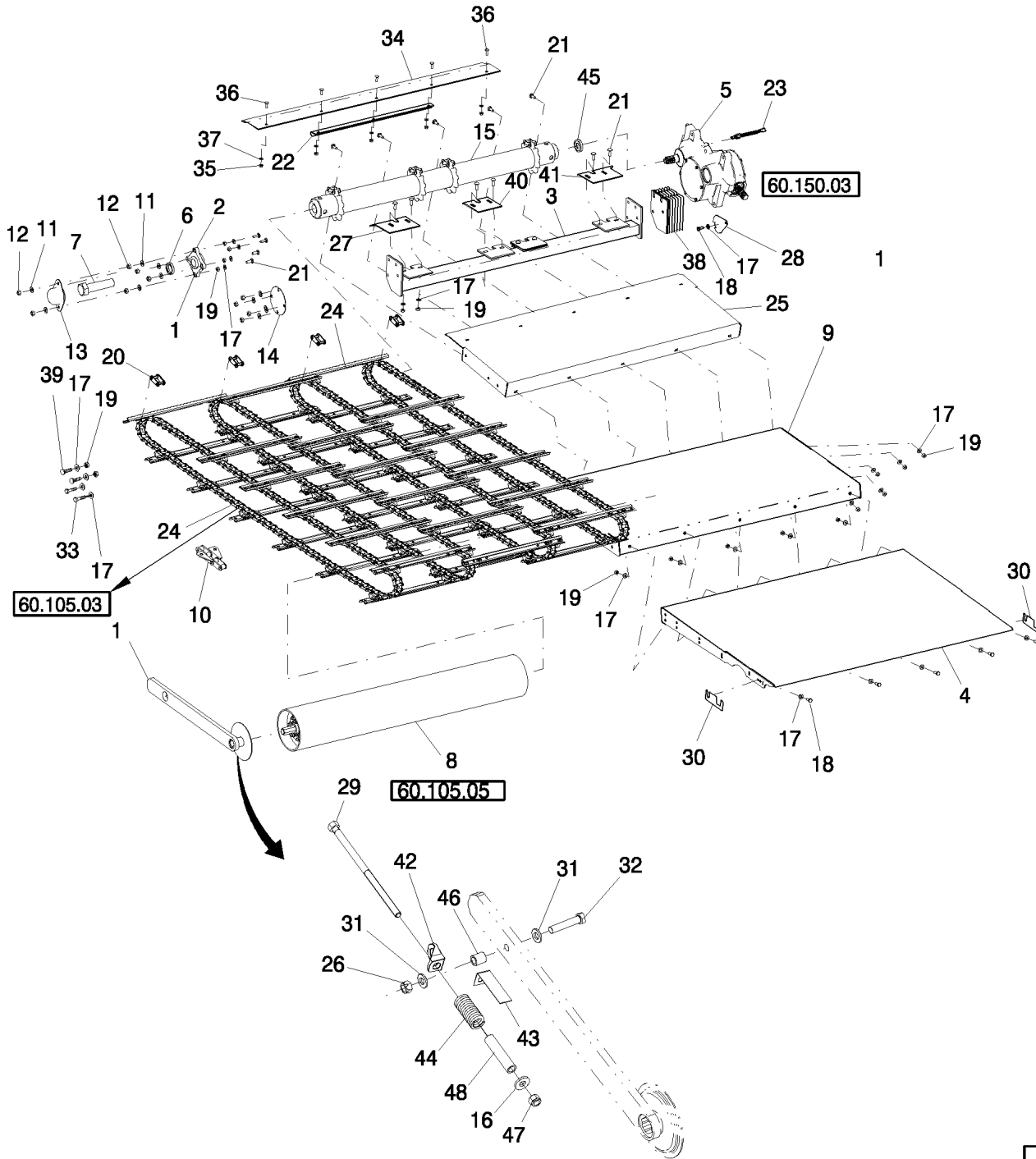
(3) Used W/Heavy Duty Adapter

(4) Required for use W/16 Row Corn Heads

A = For Hillco Feeder

7120 7120 8120 9120
8120

FEEDER FLOOR AND CHAINS - WITHOUT ROCK TRAP



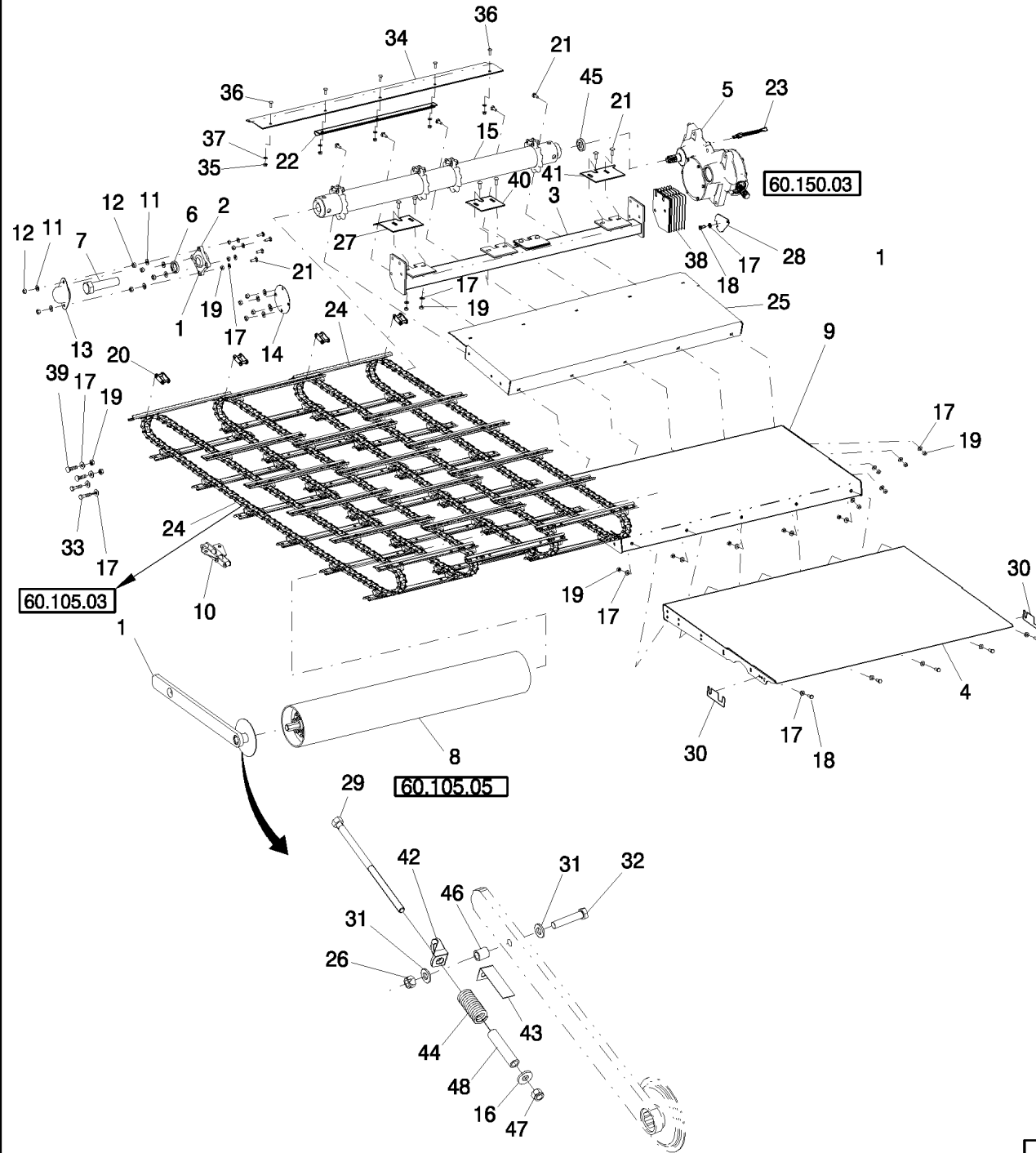
FEEDER FLOOR AND CHAINS - WITHOUT ROCK TRAP

REF	FN	PART NUMBER	YR/SN	QTY	DESCRIPTION
1		87660200		2	ARM ASSY.
2		86995212		1	BEARING HOUSING
3		87667385		1	SUPPORT ASSY.
4		84140379		1	FLOOR
5		87696849		1	GEARBOX ASSY
6		86997123		1	WASHER
7		86981357		1	BOLT
8		0C		1	ORDER COMPONENTS
9		87282537		1	FLOOR
9		84084681		1	DIA KIT, HARVESTER, Perforated Floor; Incl Instructions
10		87283373		AR	CHAIN LINK
11		140046		10	SPRING WASHER, Belleville, M12
12		9706685		10	NUT, M12, CI 8
13		86996082		1	COVER
14		86995710		1	COVER
15		87673520		1	SPROCKET ASSY., Incl Ref 45
15	1	84166317		1	SPROCKET ASSY., Incl Ref 45
16		325594		2	WASHER, M17 x 40 x 5 Thk
17		140045		31	BELLEVILLE WASHER, M10
18		43139		6	BOLT, Hex, M10 x 25, 8.8, Full Thd
19		100016		24	NUT, M10, CI 8
20		87625526		4	LINK ASSY.
21		86512446		17	CARRIAGE BOLT, Short NK, M10 x 30, CI8.8, Full Thd
22		87537644		1	CHANNEL
23		87662555		1	SENSOR, Feeder Speed
24		87646005	BSN Y9G207601	1	CHAIN (AG), Standard; Z Shaped Slat
24		84179639	ASN Y9G207601	1	CHAIN (AG), Standard; Z Shaped Slat
24		84179642	From 06/09	1	CHAIN (AG), U Shaped Slat Profile
25		87730307		1	FLOOR
26		86000441		2	NUT, M16 x 2, CI 8
27		84219816	ASN Y9G207601	1	PLATE, R.H.

(1) Start MY2010

**7120 7120 8120 9120
8120**

FEEDER FLOOR AND CHAINS - WITHOUT ROCK TRAP



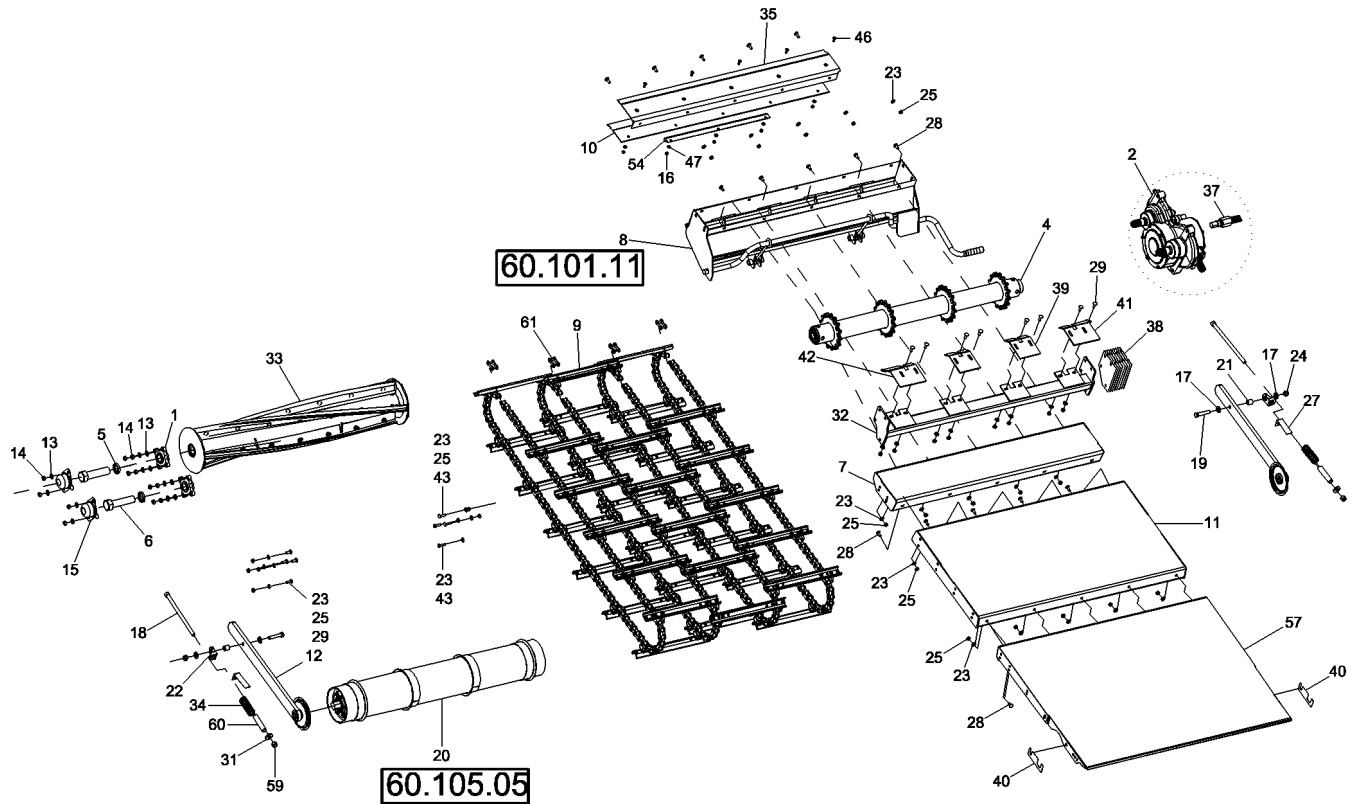
FEEDER FLOOR AND CHAINS - WITHOUT ROCK TRAP

REF	FN	PART NUMBER	YR/SN	QTY	DESCRIPTION
27	1	84158112	BSN Y9G207601	1	PLATE, R.H.
28		87281862		1	PLATE
29		84155550		2	THREADED ROD
30		87537643		2	SHIM
31		394631		4	WASHER, M17 x 34 x 4, HT
32		86577946		2	BOLT, Hex, M16 x 80, 10.9
33		9706704		2	BOLT, Hex, M10 x 35, 8.8, Full Thd
34		87533210		1	SEAL
35		9804277		5	NUT, M8 x 1.25, Fig, CI 8
36		84814921		5	SCREW, Hex Soc Flat Hd, M8 x 25, 10.9
37		322358		5	BELLEVILLE WASHER, M8
38		87667405		8	SHIM
39		374892		2	SCREW, Short NK, M10 x 40, CI8.8, Full Thd
40		84219814	From 04/09, ASN Y9G207601	2	PLATE, Center
40	1	84158107	Before 04/09, BSN Y9G207601	2	PLATE, Center
41		84219812	ASN Y9G207601	1	PLATE, L.H.
41	1	84158109	BSN Y9G207601	1	PLATE, L.H.
42		84163072		2	BRACKET, Flat
43		84163120		2	BRACKET, Indicator
44		693887		2	SPRING, Compression
45		87109491		1	SEAL
46		87021332		2	SPACER
47		412066		2	NUT, M16 x 2, CI 8
48		84157715		2	TUBE, Spacer

(1) MY2010 and After

7120 7120 8120 9120
8120

FEEDER FLOOR AND CHAINS - WITH ROCK TRAP

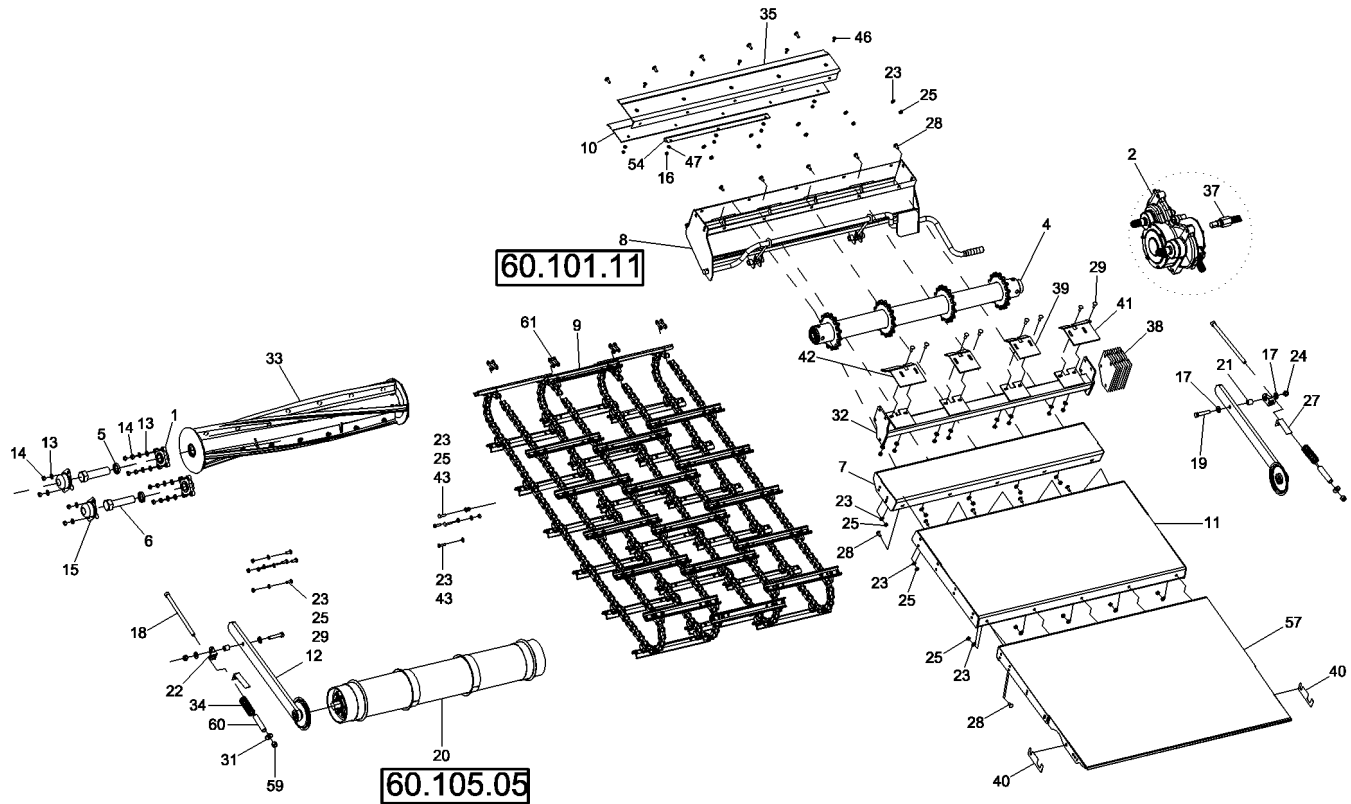


FEEDER FLOOR AND CHAINS - WITH ROCK TRAP

REF	FN	PART NUMBER	YR/SN	QTY	DESCRIPTION
1		86995212		2	BEARING HOUSING
2		84224789		1	GEARBOX
4		84221657		1	SPROCKET
5		86997123		2	WASHER
6		86981357		2	BOLT
7		87673525		1	FLOOR
8		87673527		1	SUMP, Components
9		87646005	ASN Y9G207601	1	CHAIN (AG), Standard Z Shaped Slat
9		84179639	BSN Y9G207601	1	CHAIN (AG), Standard Z Shaped Slat
9		84179642		1	CHAIN (AG), U shaped Slat Profile; From 06/09
10		87533210		1	SEAL
11		87282537		1	FLOOR, Center
12		87660200		2	ARM ASSY.
13		140046		12	SPRING WASHER, Belleville, M12
14		9706685		12	NUT, M12, CI 8
15		86996082		2	COVER
16		86629542		5	LOCK NUT, M8 x 1.25, CI 8
17		394631		4	WASHER, M17 x 34 x 4, HT
18		84155550		2	THREADED ROD
19		86577946		2	BOLT, Hex, M16 x 80, 10.9
20		NSS		1	NOT SERVICED SEPARATELY, Components
21		87021332		2	SPACER
22		84163072		2	BRACKET
23		140045		36	BELLEVILLE WASHER, M10
24		86000441		2	NUT, M16 x 2, CI 8
25		100016		34	NUT, M10, CI 8
27		84163120		2	BRACKET, Indicator, Plated
28		86633356		15	CARRIAGE BOLT, Short NK, M10 x 25, CI8.8, Full Thd
29		86512446		17	CARRIAGE BOLT, Short NK, M10 x 30, CI8.8, Full Thd
31		325594		2	WASHER, M17 x 40 x 5 Thk
32		84161169		1	SUPPORT ASSY.
33		87108961		1	BEATER
34		693887		2	SPRING, Compression

**7120 7120 8120 9120
8120**

FEEDER FLOOR AND CHAINS - WITH ROCK TRAP

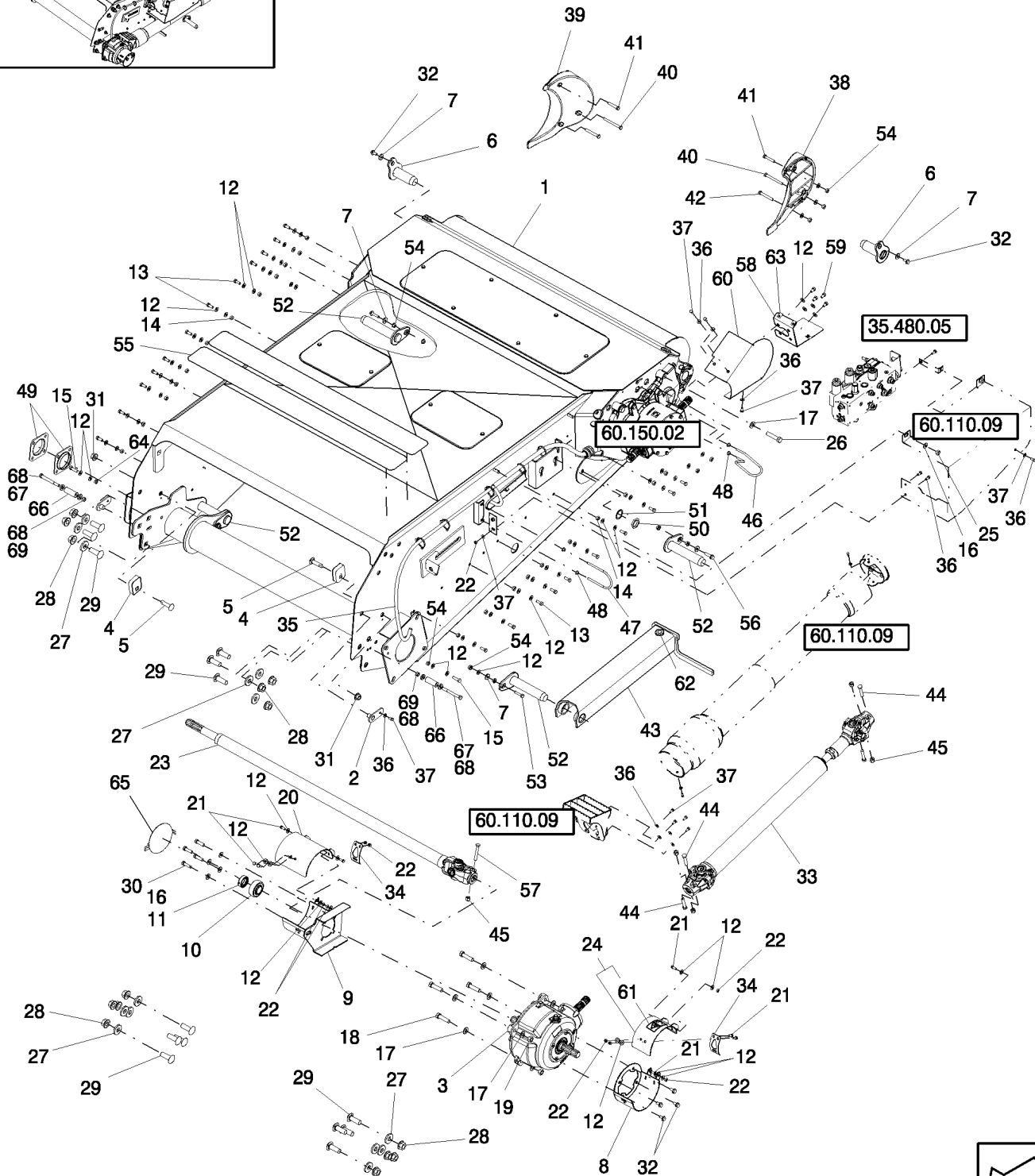
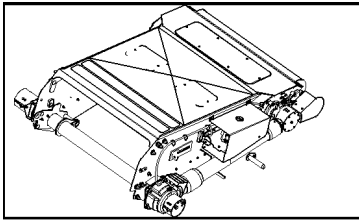


FEEDER FLOOR AND CHAINS - WITH ROCK TRAP

REF	FN	PART NUMBER	YR/SN	QTY	DESCRIPTION
35		87730305		1	FLOOR, Right Rear
37		87662555		1	SENSOR, Feeder Speed
38		87667405		8	SHIM
39		84158107		2	PLATE, Center
40		87537643		2	SHIM
41		84158109		1	PLATE, Left Hand
42		84158112		1	PLATE, Right Hand
43		9706704		2	BOLT, Hex, M10 x 35, 8.8, Full Thd
46		84814921		5	SCREW, Hex Soc Flat Hd, M8 x 25, 10.9, Counter Sunk
47		322358		5	BELLEVILLE WASHER, M8
49		374892		2	SCREW, Short NK, M10 x 40, CI8.8, Full Thd
54		87537644		1	CHANNEL
57		84140379		1	FLOOR, Front Right
59		412066		2	NUT, M16 x 2, CI 8
60		84157715		2	TUBE, Spacer
61		1324294C1		4	CONNECTING LINK, A557 Connecting

	7120 7120 8120 9120 8120
--	---

FEEDER FRAME



FEEDER FRAME

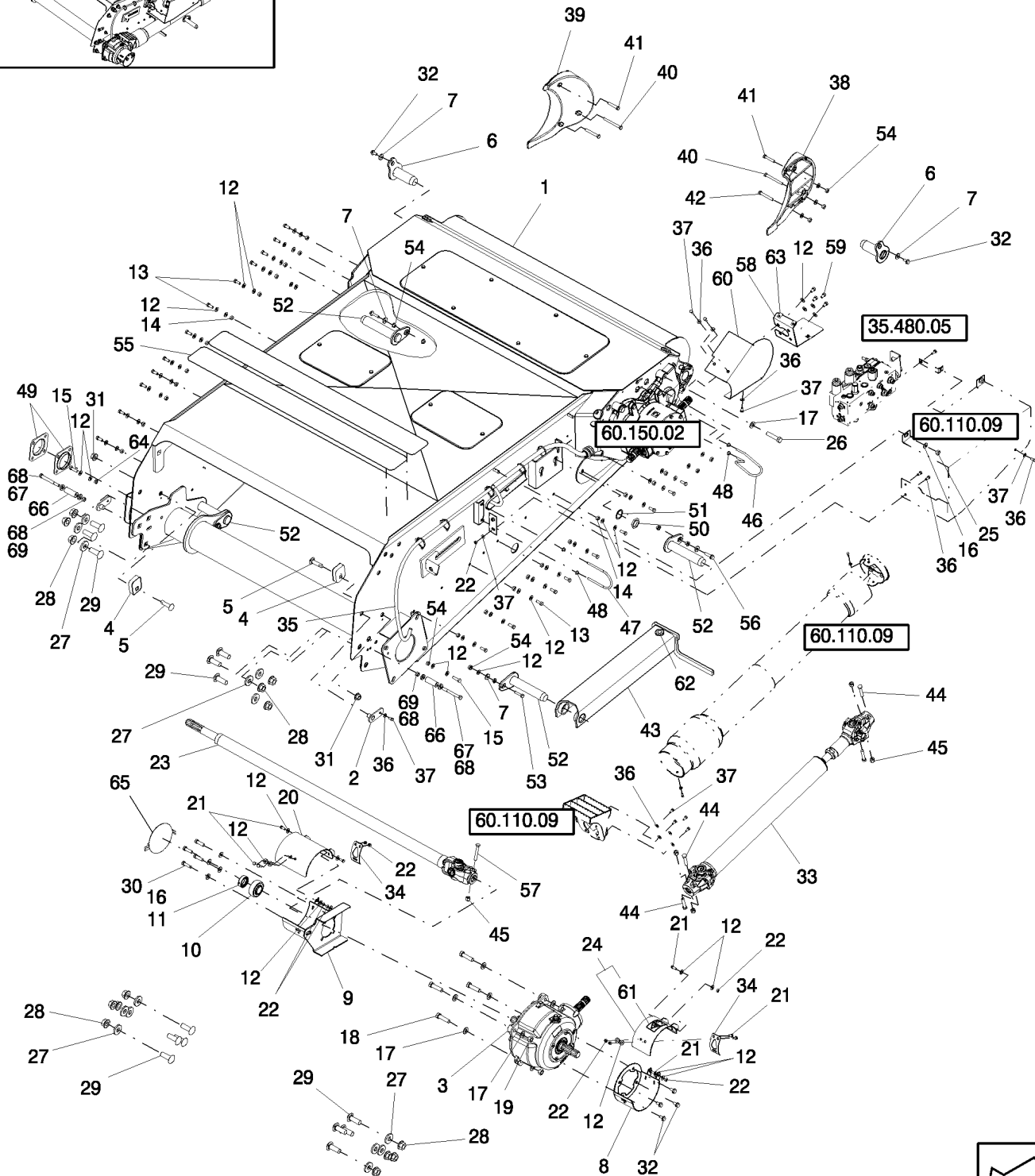
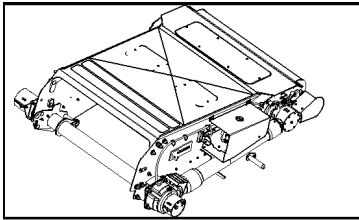
REF	FN	PART NUMBER	YR/SN	QTY	DESCRIPTION
1	1	NS		1	NOT SERVICED, Housing; Not being offered as Assy
1	2	NS		1	NOT SERVICED, Housing; Not being offered as Assy
2		87106719		2	BRACKET
3		87610913		1	GEARBOX ASSY
4		87282452		2	PLATE
5		87281691		2	BOLT
6		87281673		2	PIN
7		86592700		8	WASHER, M10 x 28 x 4, HT
8		87108951		1	SHIELD
9		87108942		1	SHIELD
10		86575514		1	BALL BEARING
11		45393		1	COLLAR
12		140045		83	BELLEVILLE WASHER, M10
13		43139		24	BOLT, Hex, M10 x 25, 8.8, Full Thd
14		100016		30	NUT, M10, CI 8
15		86624978		4	BOLT, Hex, M10 x 35, 10.9, Full Thd
16		140046		4	SPRING WASHER, Belleville, M12
17		140048		12	BELLEVILLE WASHER, M16
18		120091		4	SCREW, Hex, M16 x 60, 8.8
19		100020		4	NUT, M16, CI 8
20		87108949		1	SHIELD
21		120104		8	BOLT, Hex, M8 x 20, 8.8
22		9706690		8	NUT, M8, CI 8
23		86999167		1	SHAFT
24		87108944		1	SHIELD
25		9706685		2	NUT, M12, CI 8
26		120092		4	BOLT, Hex, M16 x 70, 8.8
27		86592703		14	WASHER, M20 x 50 x 6, HT
28		86512499		14	NUT, M20 x 2.5, Flg, CI 10
29		86981478		14	CARRIAGE BOLT, Short NK, M20 x 60, CI10.9
30		86629541		4	BOLT, Hex, M12 x 40, 8.8, Full Thd
31		86512498		2	NUT, M16 x 2, Flg, CI 10
32		87698835		6	BOLT

(1) NA & Latin America Only

(2) EU

7120 7120 8120 9120
8120

FEEDER FRAME



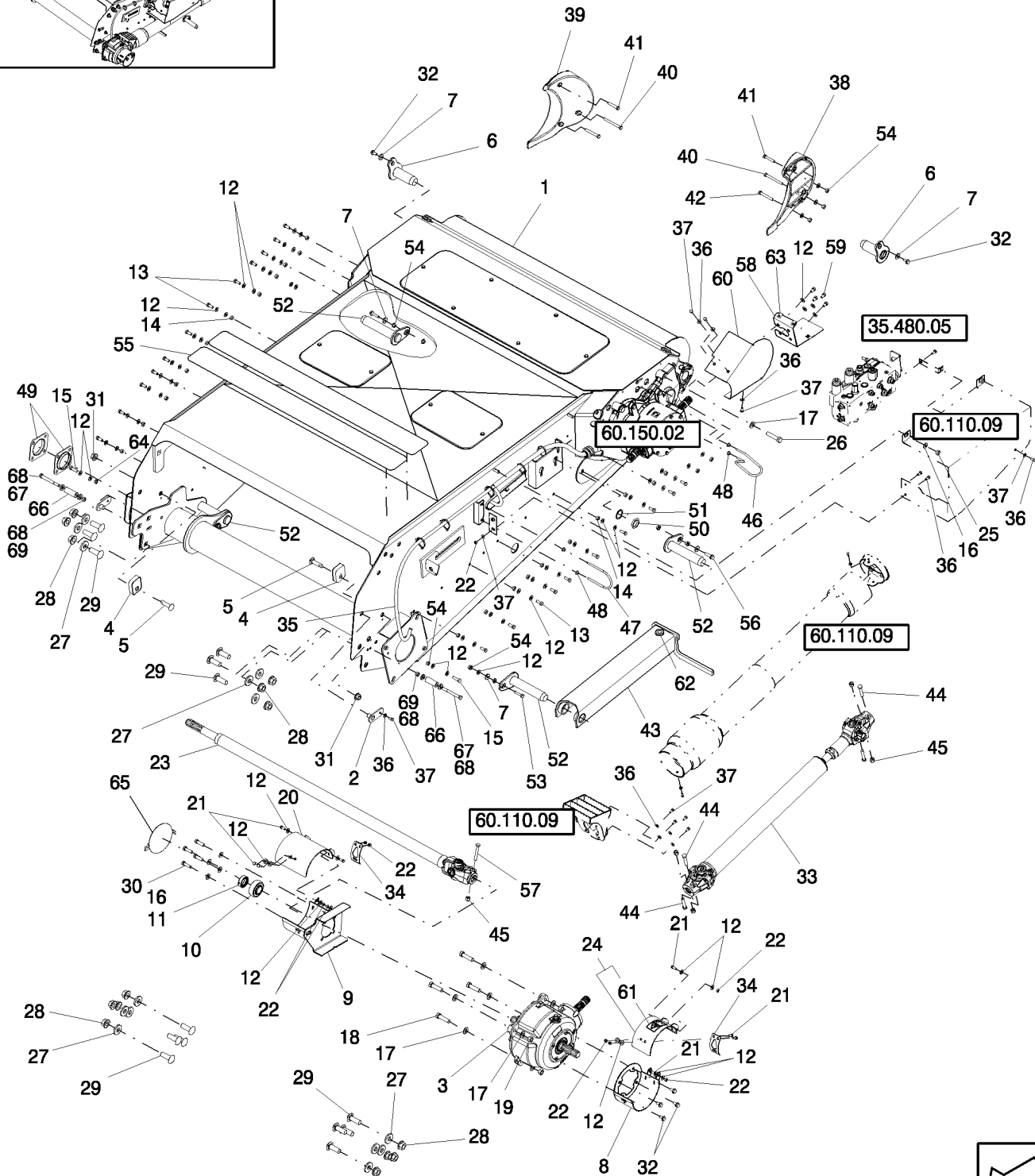
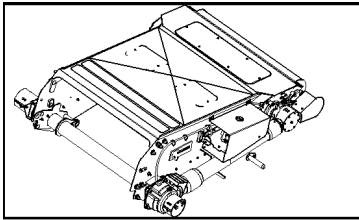
FEEDER FRAME

REF	FN	PART NUMBER	YR/SN	QTY	DESCRIPTION
33		86999166		1	SHAFT
34		86638316		2	LATCH
35		84194265	ASN Y9G207118	1	WIRE HARNESS, Feeder, Electric
35		84158599	BSN Y9G207118	1	WIRE HARNESS, Feeder, Electric
36		322358		8	BELLEVILLE WASHER, M8
37		120103		8	BOLT, Hex, M8 x 16, 8.8
38		87662508		1	DEFLECTOR, L.H.
39		87662509		1	DEFLECTOR, R.H.
40		120075		2	BOLT, Hex, M10 x 100, 8.8
41		412151		2	BOLT, Hex, M10 x 55, 8.8
42		83931335		2	BOLT, Hex, M10 x 75, 8.8
43		87564959		1	CHANNEL, Feeder Lift, Standard
43	1	87732739		1	CHANNEL, Feeder Lift, Heavy Duty
44		87021759		4	BOLT, Hex, M12 x 60, 10.9
45		87021758		5	LOCK NUT, M12 x 1.75, CI 10
46		87283141		1	RETAINING WIRE
47		87108395		1	U-BOLT
48		9804277		8	NUT, M8 x 1.25, Flg, CI 8
49		86974037		2	FLANGE
50		86619907		1	NUT, 1.6875"-18
51		636665		1	LOCK WASHER, M43 x 4.75 x 1.575 Thk
52		87282445		4	PIN, Yellow Chrome
52		87471285		4	PIN ASSY., Black Chrome
53		120112		2	BOLT, Hex, M10 x 40, 8.8, Full Thd
54		86050279		8	NUT, M10 x 1.5, Flg, CI 10
55		86995792		2	PAD
56		9804263		2	BOLT, Hex Flg, M10 x 40, 8.8
57		87301326		1	BOLT, Hex, M12 x 75, 10.9
58		87283860		1	BRACKET
59		300383		4	BOLT, Hex, M10 x 16, 8.8, Full Thd
60		87283858		1	SPLASH SHIELD
61		84004742		1	DECAL
62	1	87107921		1	GROMMET
63		86508354		3	NUT

(1) Also Included in Kits 84134532 (EU) & 87751028 (NA)

7120 7120 8120 9120
8120

FEEDER FRAME



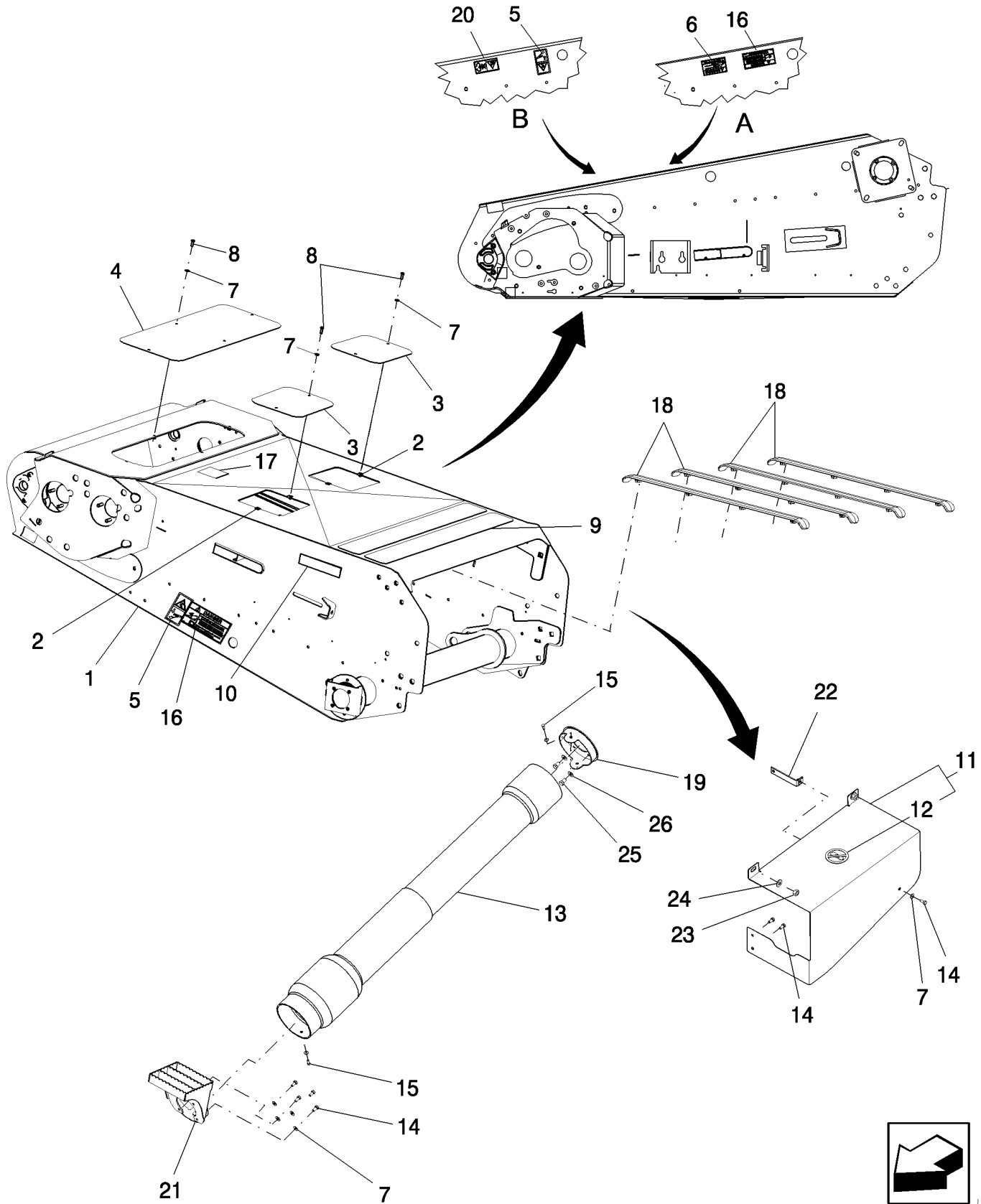
FEEDER FRAME

REF	FN	PART NUMBER	YR/SN	QTY	DESCRIPTION
64		86500689		4	NUT, M10, CI 10
65	1	84164490		1	COVER
66		87484408		2	SPACER
67		87376144		4	WASHER
68		9501756		2	BOLT, Hex, M12 x 110, 10.9
69		337475		2	NUT, M12, CI 10

(1) EU

**7120 7120 8120 9120
8120**

FEEDER HOUSING AND SHIELDS



FEEDER HOUSING AND SHIELDS

REF	FN	PART NUMBER	YR/SN	QTY	DESCRIPTION
1	1	87715221		1	GRAIN ELEVATOR HOUSING, Kit, Feeder Housing, Decals & Ref 18
1	2	87715222		1	GRAIN ELEVATOR HOUSING, Kit, Feeder Housing, Decals & Ref 18
2		86508354		4	NUT
3		86995571		2	COVER
4		87283147		1	COVER
5	2	84004735		2	DECAL, WARNING
6	1	86626958		1	WARNING DECAL, English
7		322358		16	BELLEVILLE WASHER, M8
8		43127		12	BOLT, Hex, M8 x 25, 8.8
9		86995792		2	PAD, Anti-Skid
10		86547782		2	DECAL, Reflective Tape
11		87284925		1	COVER ASSY, Includes Ref 12
12		84432904		1	DECAL, No Step
13		87106571		1	SHIELD
14		120103		6	BOLT, Hex, M8 x 16, 8.8
15		87041331		2	BOLT, Hex, Lock, M6 x 16, CI 8.8
16	1	86624774		2	DANGER DECAL
17	1	86626958		3	WARNING DECAL, English
17	2	84011345		3	DECAL, WARNING
18		86638209		4	STRIP, Feeder Chain, Plastic Wear
19		87283856		1	BRACKET
20	2	84011314		1	DECAL, WARNING
21		87616998		1	BRACKET
22		NS		1	NOT SERVICED, Angle
23		9706685		2	NUT, M12, CI 8
24		140046		2	SPRING WASHER, Belleville, M12
25		300383		4	BOLT, Hex, M10 x 16, 8.8, Full Thd
26		140045		4	BELLEVILLE WASHER, M10

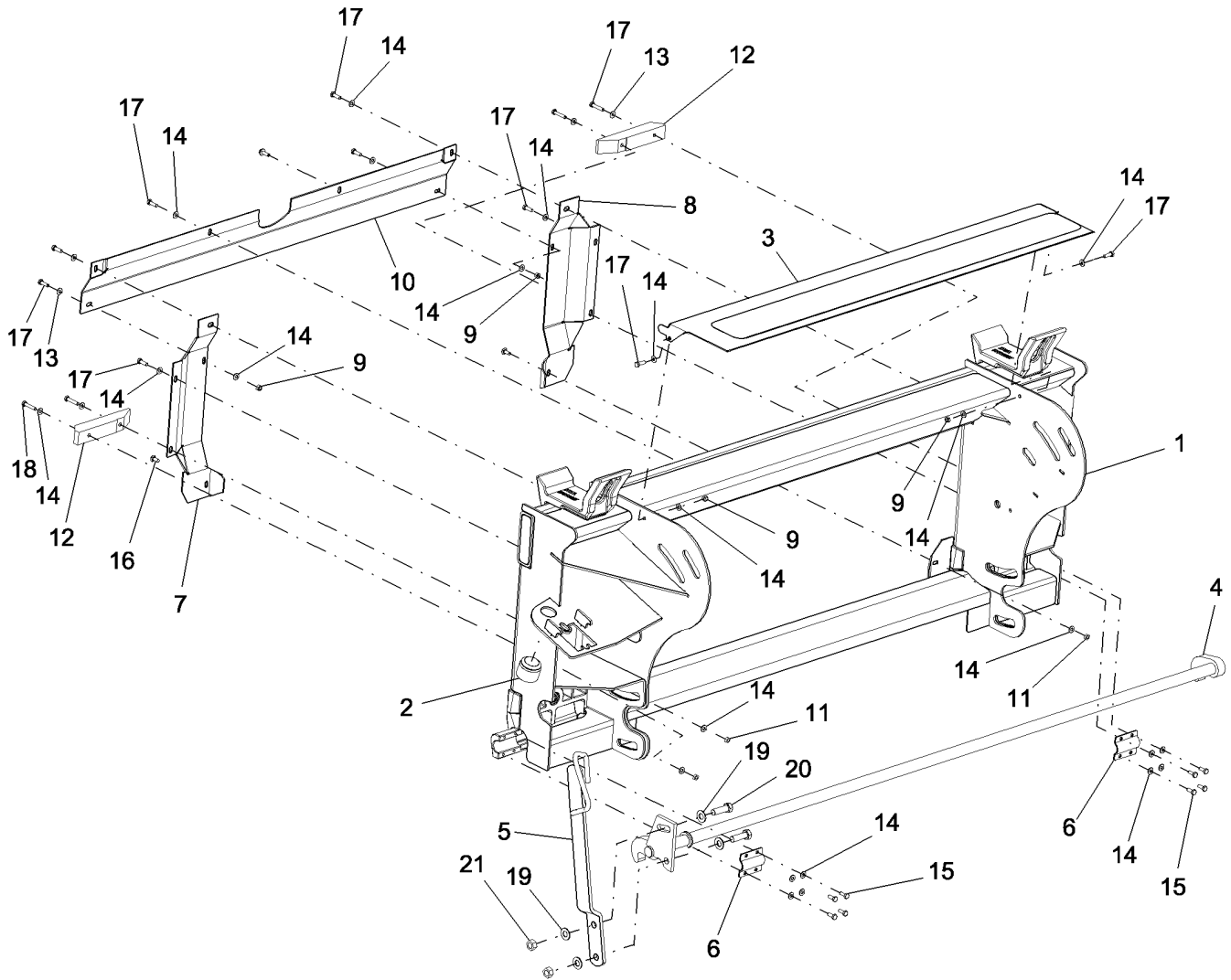
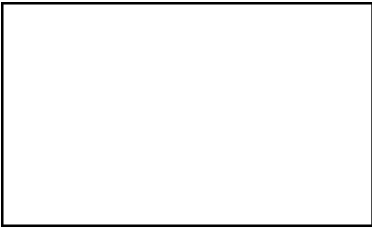
(1) NA

(2) EU & Latin America

A = North America.....B = EU & Latin America

7120 7120 8120 9120
8120

FEEDER ADAPTER, FIXED



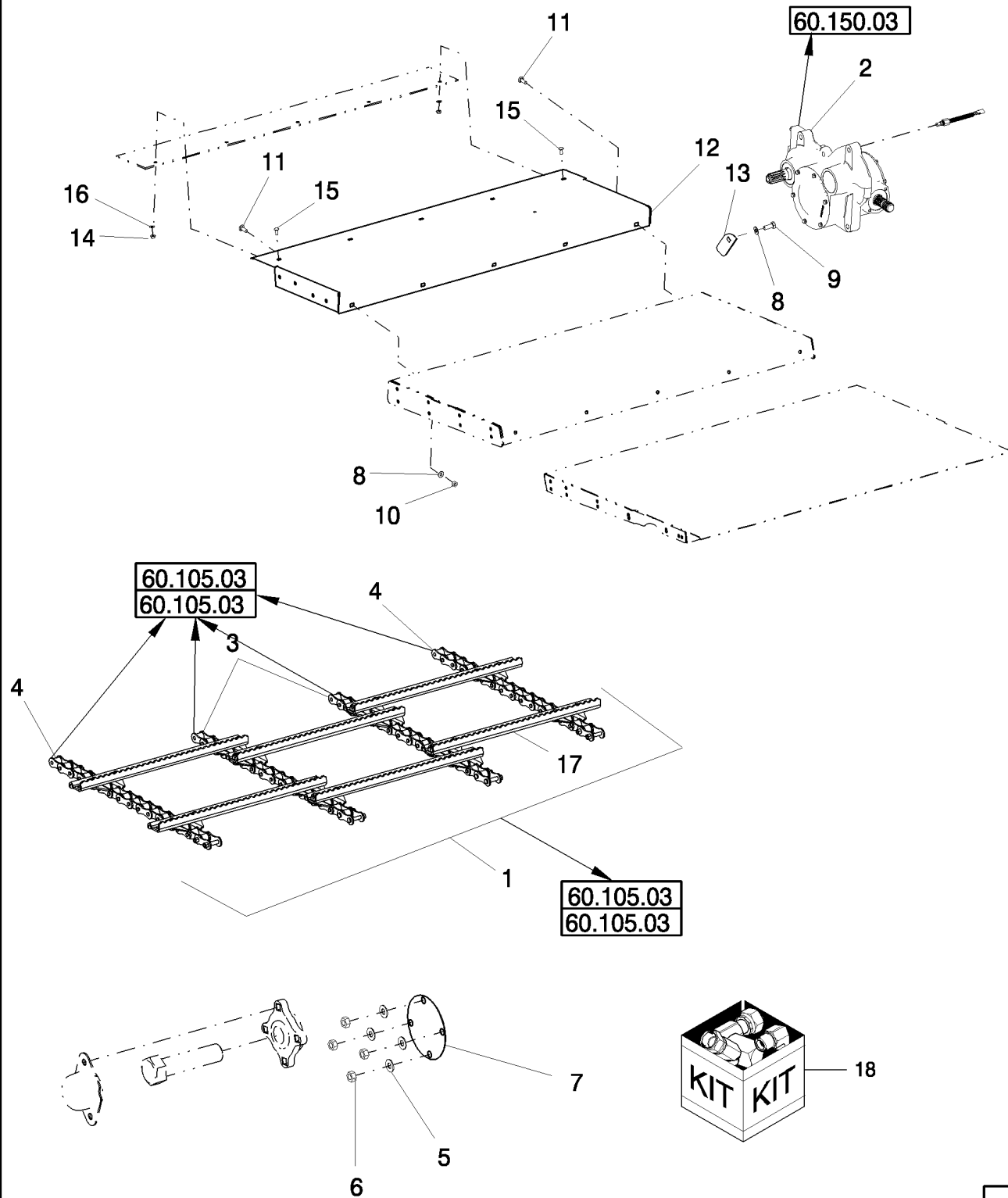
FEEDER ADAPTER, FIXED

REF	FN	PART NUMBER	YR/SN	QTY	DESCRIPTION
1		87626364		1	ADAPTER
2		87105683		1	CAP
3		84155101		1	SHEET, Shield, Top
4		87583645		1	LATCH ASSY.
5		87583643		1	LEVER ASSY.
6		87107674		2	CLAMP
7		87587591		1	SHEET ASSY., L.H.
8		87587593		1	SHEET ASSY., R.H.
9		86629542		4	LOCK NUT, M8 x 1.25, CI 8
10		87673524		1	DEFLECTOR
11		9706690		8	NUT, M8, CI 8
12		84144529		2	SHIELD, Plate, Strip Off
13		100020		2	NUT, M16, CI 8
14		322358		34	BELLEVILLE WASHER, M8
15		120104		8	BOLT, Hex, M8 x 20, 8.8
16		86507486		2	CARRIAGE BOLT, Short NK, M8 x 20, CI8.8, Full Thd
17		43127		10	BOLT, Hex, M8 x 25, 8.8
18		43129		4	BOLT, Hex, M8 x 40, 8.8
19		140048		4	BELLEVILLE WASHER, M16
20		120090		2	BOLT, Hex, M16 x 50, 8.8
21		100020		2	NUT, M16, CI 8

For NA Only

7120 7120 8120 9120
8120

DIA HARVEST KIT, NON STONE TRAP

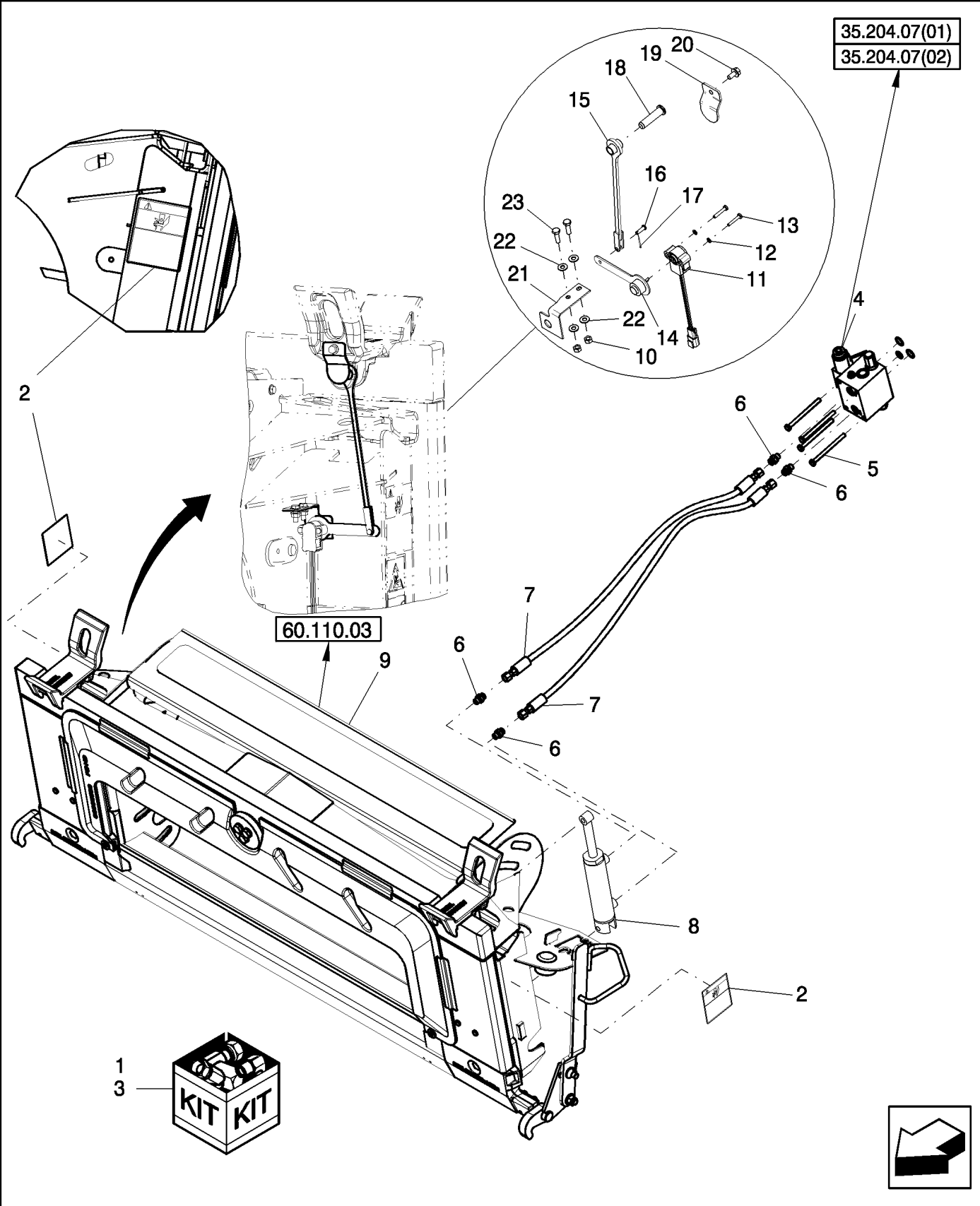


DIA HARVEST KIT, NON STONE TRAP

REF	FN	PART NUMBER	YR/SN	QTY	DESCRIPTION
1		87736377		1	CHAIN (AG), Assy
1		84180958		1	CHAIN (AG), Assy, Replaces 87736377
2		87696849		1	GEARBOX ASSY, w/o Stone Trap
3		87736379		2	CHAIN (AG), Inner
4		87736378		2	CHAIN (AG), Outer
5		140046		4	SPRING WASHER, Belleville, M12
6		9706685		4	NUT, M12, CI 8
7		86995710		1	COVER
8		140045		6	BELLEVILLE WASHER, M10
9		43139		1	BOLT, Hex, M10 x 25, 8.8, Full Thd
10		100016		5	NUT, M10, CI 8
11		86512446		5	CARRIAGE BOLT, Short NK, M10 x 30, CI8.8, Full Thd
12		87533206		1	FLOOR, Rear
12		87730307		1	FLOOR, Rear
14		9804277		5	NUT, M8 x 1.25, Flg, CI 8
15		84814921		5	SCREW, Hex Soc Flat Hd, M8 x 25, 10.9
16		322358		5	BELLEVILLE WASHER, M8
17		87646011		6	SLAT, Component of 87736377 Chain Assy
17		84179662		6	SLAT, Component of 84180958 Chain Assy
18		87730302		1	DIA KIT, HARVESTER
18		84223960		1	KIT, Non-Stone Trap; Incl Refs 2 Thru 17, Plus Instructions

**7120 7120 8120 9120
8120**

DIA HARVEST KITS, LATERAL TILT



DIA HARVEST KITS, LATERAL TILT

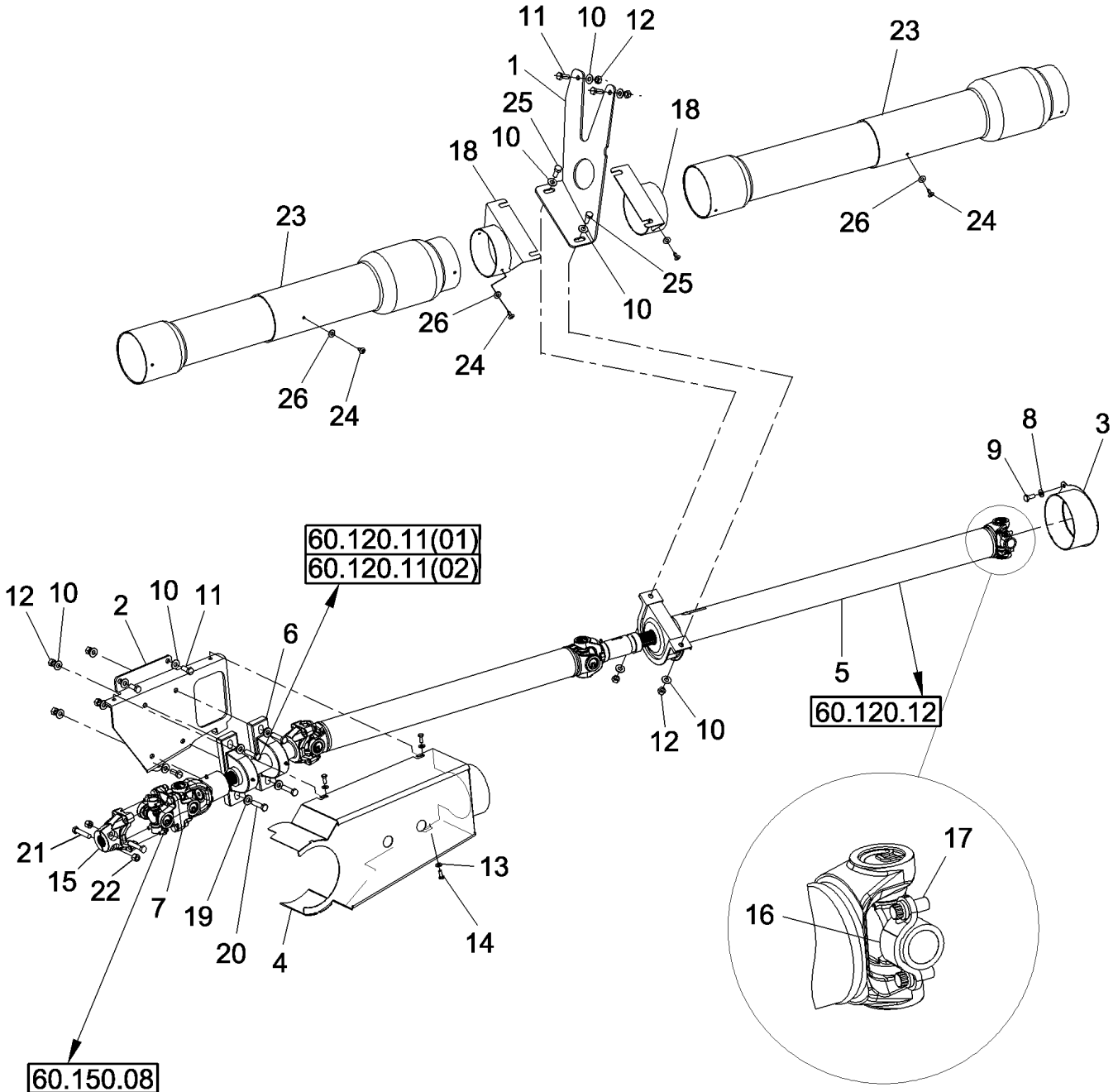
REF	FN	PART NUMBER	YR/SN	QTY	DESCRIPTION
1	1, 2	87715220		1	DIA KIT, HARVESTER, Kit, Service; Includes Refs 4 Thru 9
2		84128537		2	DECAL, Danger, Pinch Point, English
2		87612725		2	DECAL, Danger, Pinch Point, French/Spanish
3		87105744		1	SEAL KIT, Services Ref 8
4		86995690		1	CONTROL VALVE, Hydraulic Assembly, Lateral Tilt Add-on
5		86508575		4	BOLT, Hex, M10 x 130, 8.8
6		86579672		4	HYD CONNECTOR, 11/16"-16 ORFS x M16 x 1.5 ORB
7		87109107		2	HOSE, Lateral Tilt
8		87282645		1	CYLINDER, Hydraulic
9		0C		1	ORDER COMPONENTS, ADAPTER ASSY
10		9706690		2	NUT, M8, CI 8
11		87283864		1	SENSOR, Angle
12		9824326		2	WASHER, M5 x 10 x 1 Thk
13		86502967		2	SCREW, Cross Pan Hd, M5 x 30
14		87105024		1	ARM
15		87283220		1	LINKAGE
16		84019930		1	CLEVIS PIN, M6 x 20
17		86523849		1	COTTER PIN, 1/16" x 3/4"
18		87282857		1	PIN
19		87107104		1	PLATE
20		86511841		1	BOLT, Hex Flg, M8 x 16, 8.8
21		87001364		1	BRACKET
22		322358		4	BELLEVILLE WASHER, M8
23		43127		2	BOLT, Hex, M8 x 25, 8.8

(1) Heavy Duty

(2) NA

7120 7120 8120 9120
8120

DRIVE SHAFT, FEEDER/HEADER



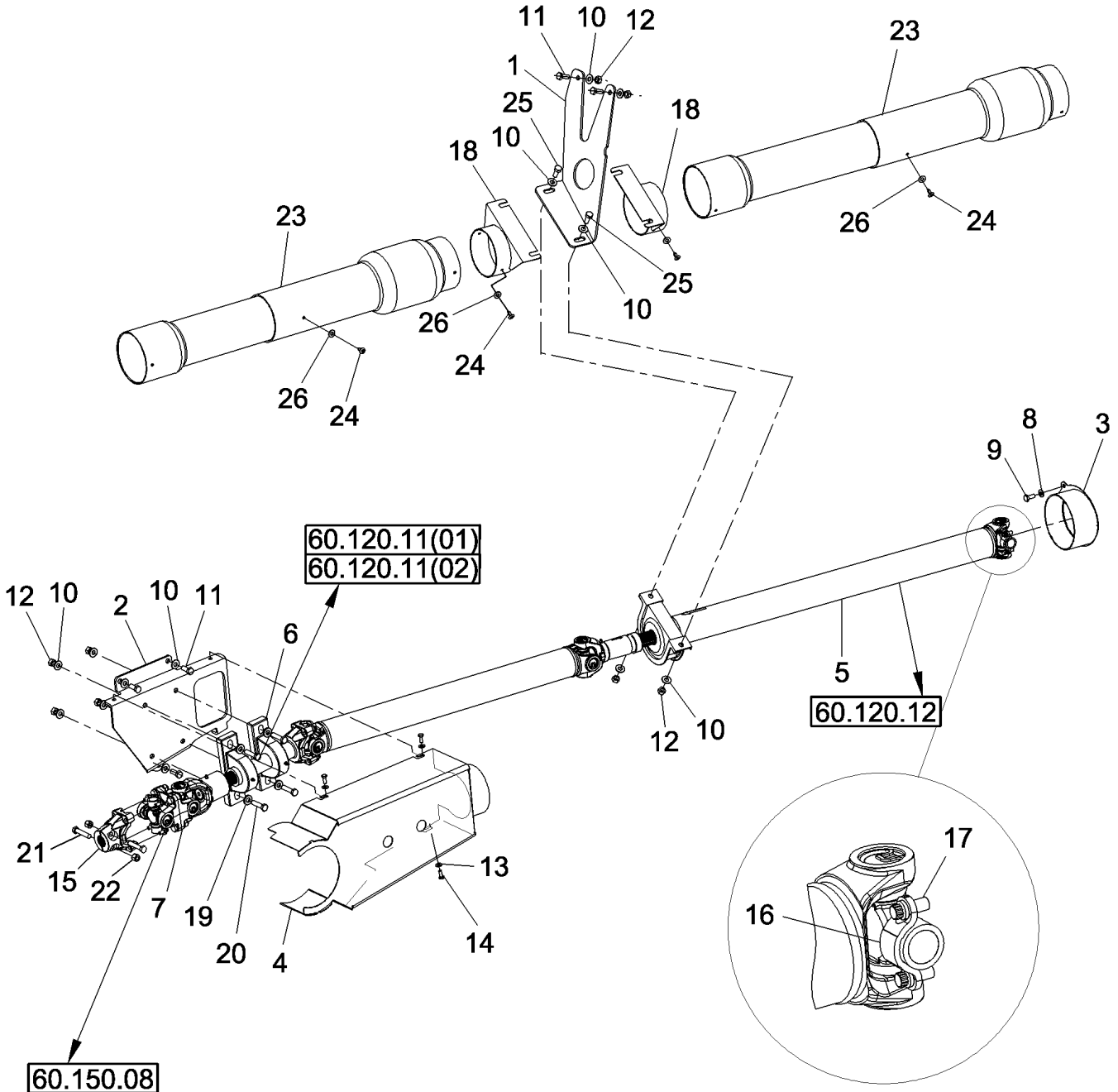
DRIVE SHAFT, FEEDER/HEADER

REF	FN	PART NUMBER	YR/SN	QTY	DESCRIPTION
1		87106570		1	SUPPORT
2		87758673		1	BRACKET
3	1	87107409		1	SHIELD
3	2	87673749		1	SHIELD
4	3,4	87708304		1	SHIELD
4	5,3	87708306		1	GUARD
4	6,4	87708305		1	GUARD
4	6,5	87708307		1	GUARD
5	1	87000204		1	DRIVE SHAFT, Upper
5	2	87282369		1	SHAFT ASSY., Upper
6		87000205		1	DRIVE SHAFT, Lower
7		87000203		1	DRIVE SHAFT, Pivot
8		140045		3	BELLEVILLE WASHER, M10
9		43139		3	BOLT, Hex, M10 x 25, 8.8, Full Thd
10		140046		12	SPRING WASHER, Belleville, M12
11		9706687		5	BOLT, Hex, M12 x 30, 8.8, Full Thd
12		9706685		8	NUT, M12, CI 8
13		322358		3	BELLEVILLE WASHER, M8
14		120104		3	BOLT, Hex, M8 x 20, 8.8
15		87109469		1	YOKE
16		9672925		2	SECURING STRAP
17		87010436		8	SCREW, 12 Pt Fig, 3/8"-24 x 3/4", G8
18		86998389		2	BRACKET, Center
19		86625256		4	WASHER, M12 x 28.5 x 4, HT
20		9706702		4	BOLT, Hex, M12 x 50, 8.8
21		87021759		2	BOLT, Hex, M12 x 60, 10.9
22		87021758		2	LOCK NUT, M12 x 1.75, CI 10
23		87106571		2	SHIELD
24		87041331		4	BOLT, Hex, Lock, M6 x 16, CI 8.8

- (1) Variable Drive
(2) Fixed Drive
(3) 8120 & 9120 Only
(4) NA
(5) EU
(6) 7120 Only

8120 9120 7120 7120
8120

DRIVE SHAFT, FEEDER/HEADER



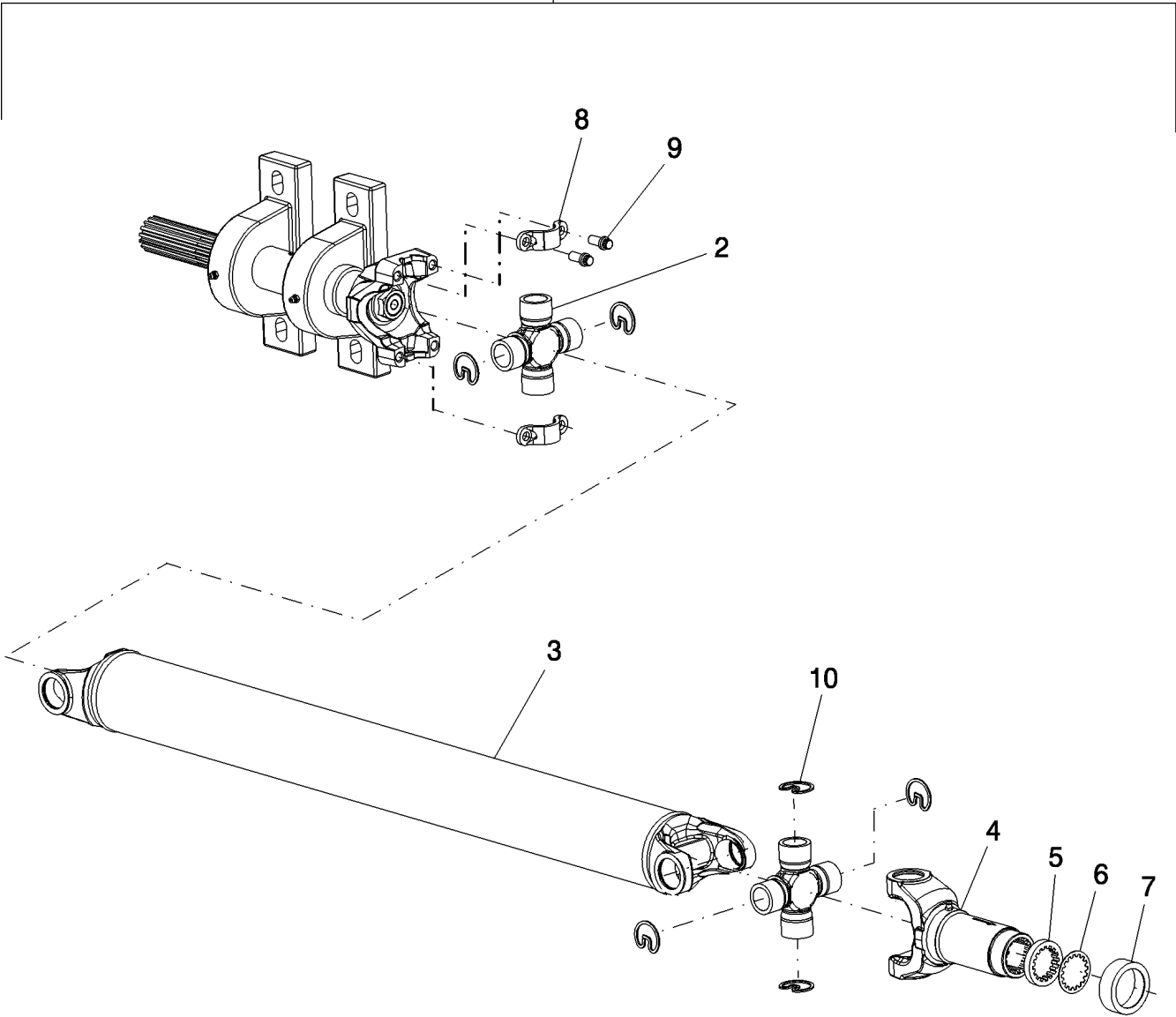
DRIVE SHAFT, FEEDER/HEADER

REF	FN	PART NUMBER	YR/SN	QTY	DESCRIPTION
25		86629541		2	BOLT, Hex, M12 x 40, 8.8, Full Thd
26		322357		4	BELLEVILLE WASHER, M6, Used W/Bolt 87041331

	8120 9120 7120 7120 8120
--	---

DRIVE SHAFT, LOWER - FEEDER/HEADER

1



60.120.11

01

p1

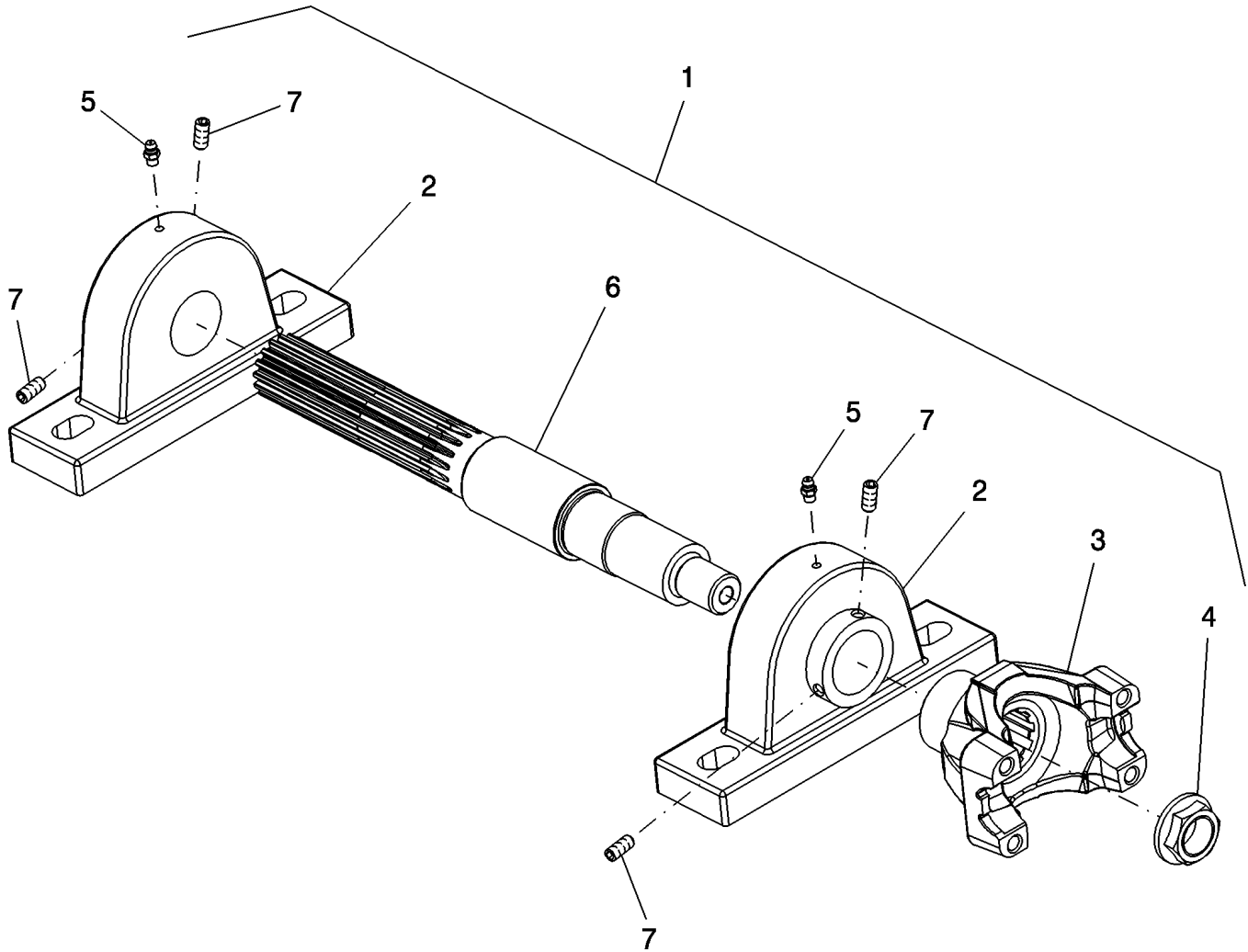
02/10

DRIVE SHAFT, LOWER - FEEDER/HEADER

REF	FN	PART NUMBER	YR/SN	QTY	DESCRIPTION
1		87000205		1	DRIVE SHAFT, Incl 1 - 10
2		87400942		2	SERVICE KIT, Joint
3		NSS		1	NOT SERVICED SEPARATELY, Shaft
4		87280468		1	SHAFT, Yoke
5		87280475		1	SEAL, Cork
6		87280471		1	WASHER, Steel
7		87109468		1	DUST CAP
8		86976817		2	STRAP, Bearing Retaining
9		87010436		4	SCREW, 12 Pt Flg, 3/8"-24 x 3/4", G8
10		87280463		6	SNAP RING

**8120 9120 7120 7120
8120**

DRIVE SHAFT, LOWER - FEEDER/HEADER

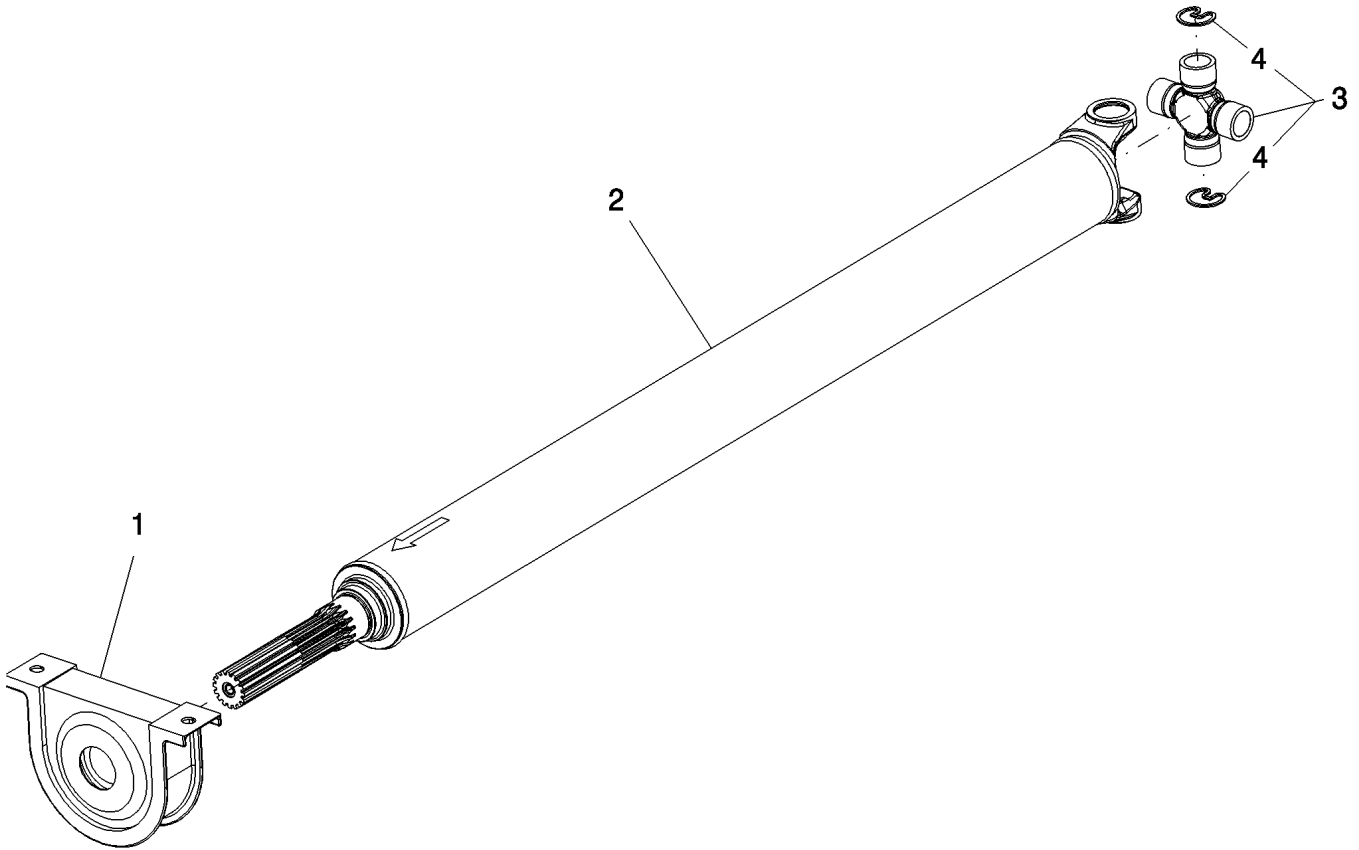


DRIVE SHAFT, LOWER - FEEDER/HEADER

REF	FN	PART NUMBER	YR/SN	QTY	DESCRIPTION
1		87280466		1	DRIVE SHAFT, Incl Ref 2 - 6
2		87457217		2	BEARING ASSY, Pillow Block
3		87457218		1	YOKE
4		L117413		1	NUT
5		219-87		2	LUBE NIPPLE, 1/4"-28 x .56" lg, Self-Tap
5		87563868		2	FITTING, Lube
6		NSS		1	NOT SERVICED SEPARATELY, Shaft
7		877-11010		4	SET SCREW, Hex Soc, M10 x 10, Cup Pt

	8120 9120 7120 7120 8120
--	---

DRIVE SHAFT, UPPER - FEEDER/HEADER

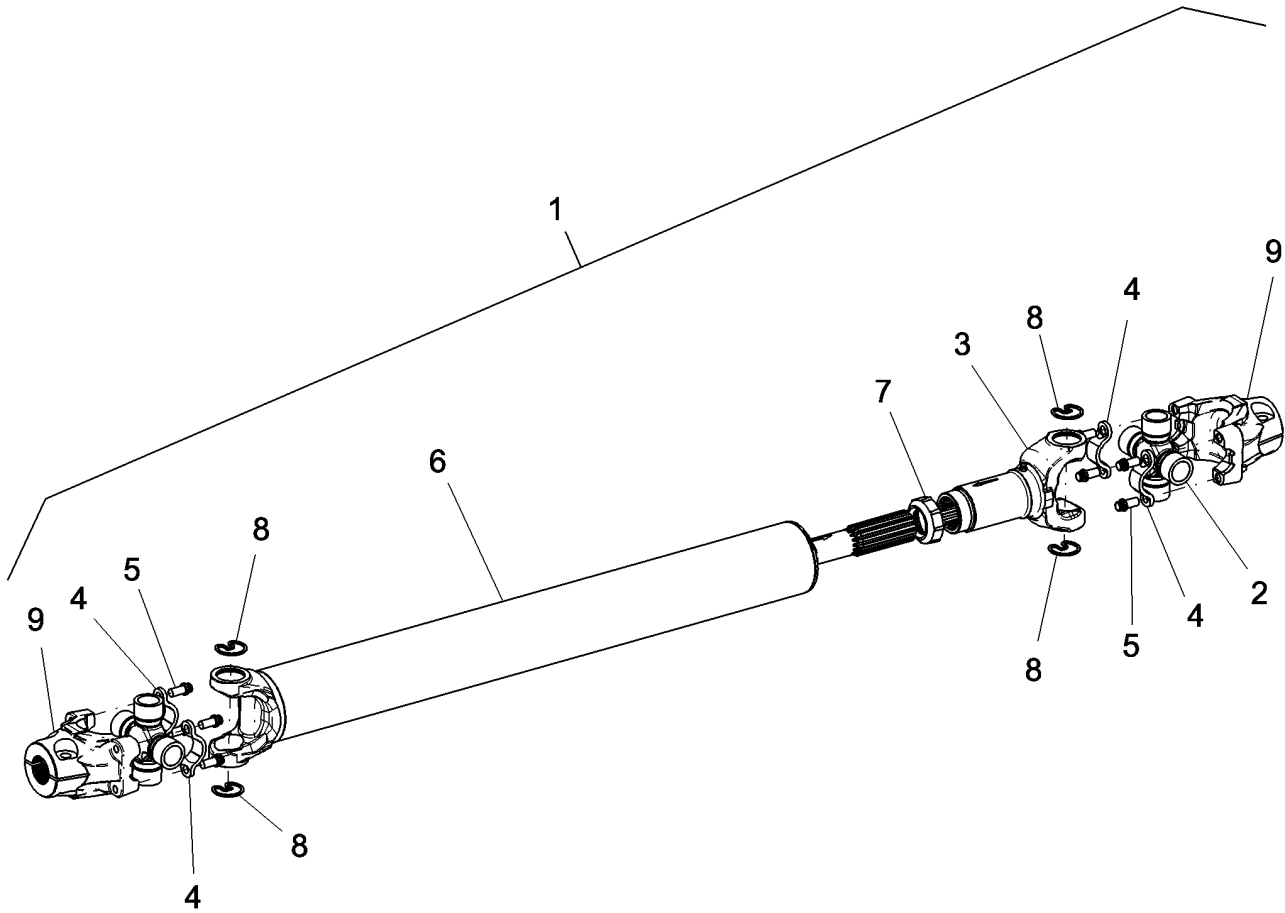
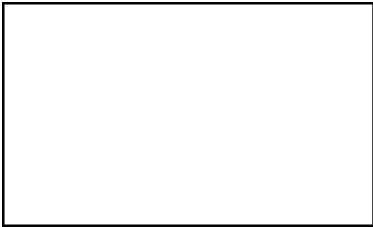


DRIVE SHAFT, UPPER - FEEDER/HEADER

REF	FN	PART NUMBER	YR/SN	QTY	DESCRIPTION
	1	87000204		1	DRIVE SHAFT, Incl 1 - 4
	2	87282369		1	SHAFT ASSY., Incl 1 - 4
1		87280791		1	BEARING, Center Support
2		NSS		1	NOT SERVICED SEPARATELY, SHAFT, Drive
3		87400942		1	SERVICE KIT, Incl (4) Ref 4
4		87280463		AR	SNAP RING
(1)	Variable Drive				
(2)	Fixed Drive				

**8120 9120 7120 7120
8120**

FEEDER - CONVEYOR JACKSHAFT

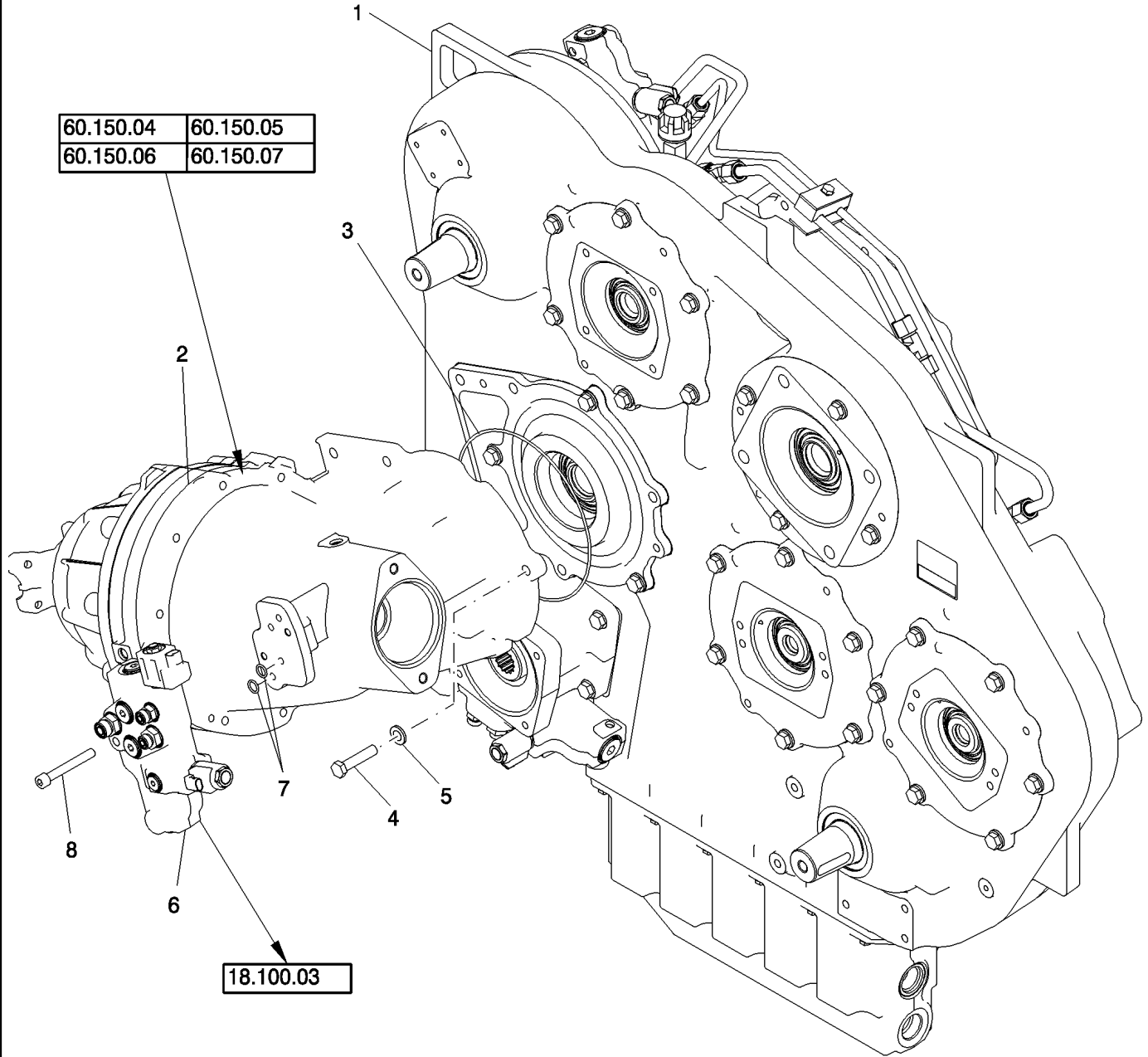


FEEDER - CONVEYOR JACKSHAFT

REF	FN	PART NUMBER	YR/SN	QTY	DESCRIPTION
1		86999166		1	SHAFT, Incl Refs 2 Thru 9
2		87400942		2	SERVICE KIT
3		87280468		1	SHAFT
4		86976817		4	STRAP
5		87010436		8	SCREW, 12 Pt Flg, 3/8"-24 x 3/4", G8
6		NSS		1	NOT SERVICED SEPARATELY, Shaft
7		87280472		1	SEAL
8		87280463		4	SNAP RING
9		87109469		2	YOKE

**8120 9120 7120 7120
8120**

GEARBOX, FEEDER/HEADER, W/PTO

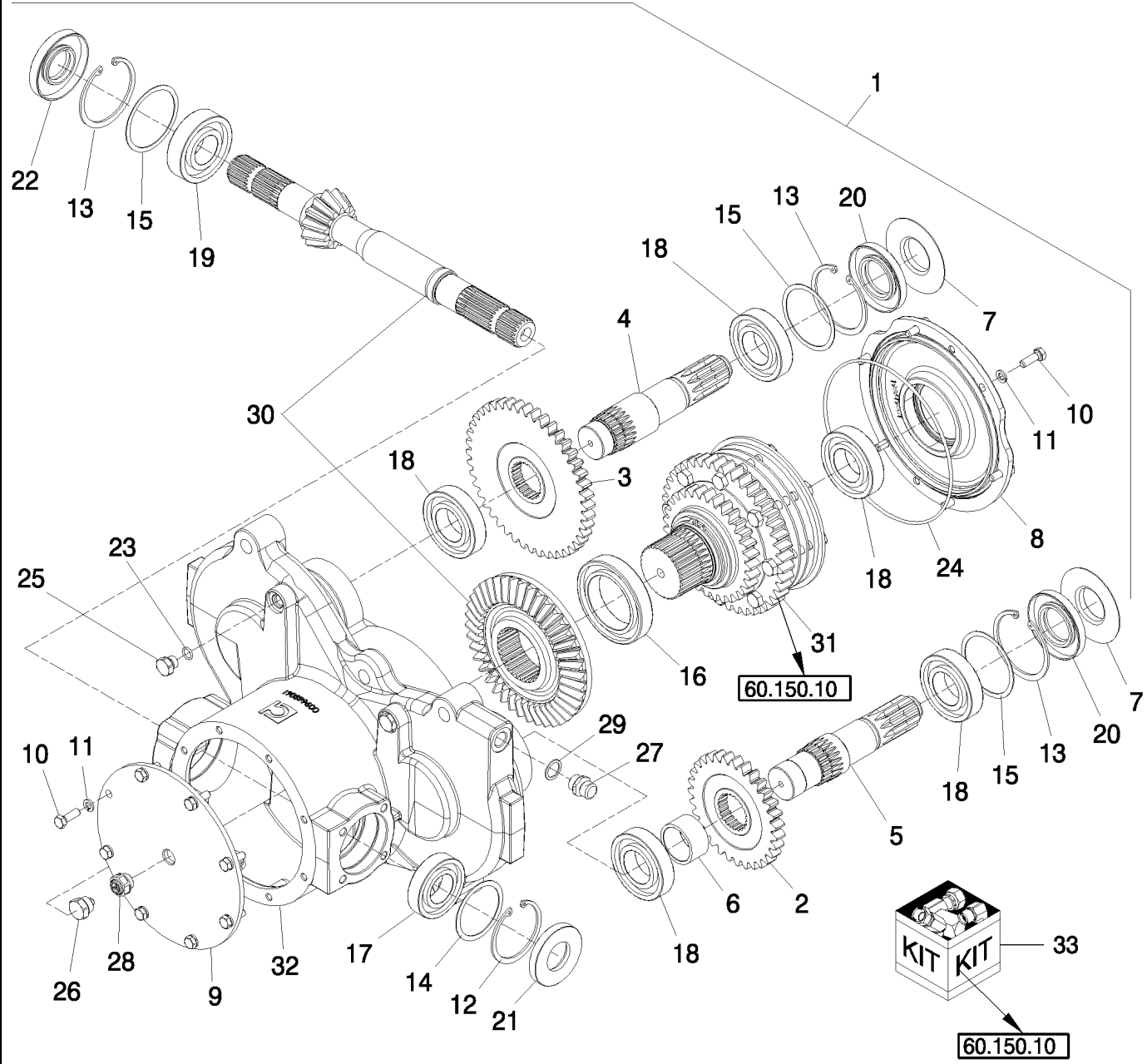


GEARBOX, FEEDER/HEADER, W/PTO

REF	FN	PART NUMBER	YR/SN	QTY	DESCRIPTION
1	1	{87643506}		1	Gearbox
1	2	87705371		1	PTO, Gearbox
2		86998844		1	GEARBOX, Variable Speed, Feeder/Header
2		86998845		1	GEARBOX, Fixed Speed, Feeder/Header
3		238-5269		1	O-RING, -269, 70 Duro, 8.734" ID x .139" Thk
4		87015724		5	BOLT, Hex, M12 x 55, 10.9
5		87016609		5	WASHER, M12 x 24.5 x 3, HT
6		86981235		1	CONTROL VALVE, Variable Speed, Feeder / Header
6		87447038		1	CONTROL VALVE, Fixed Speed, Feeder / Header
7		86637641		4	O-RING, -112, CI 7, .487" ID x .103" Thk
8		84056630		2	SCREW, Hex Soc Hd, M10 x 80, 8.8
(1) 7120 & 8120 Only					
(2) 9120 Only					

	8120 9120 7120 7120 8120
--	---

GEARBOX, FEEDER CONVEYOR DRIVE, WITH ROCK TRAP



GEARBOX, FEEDER CONVEYOR DRIVE, WITH ROCK TRAP

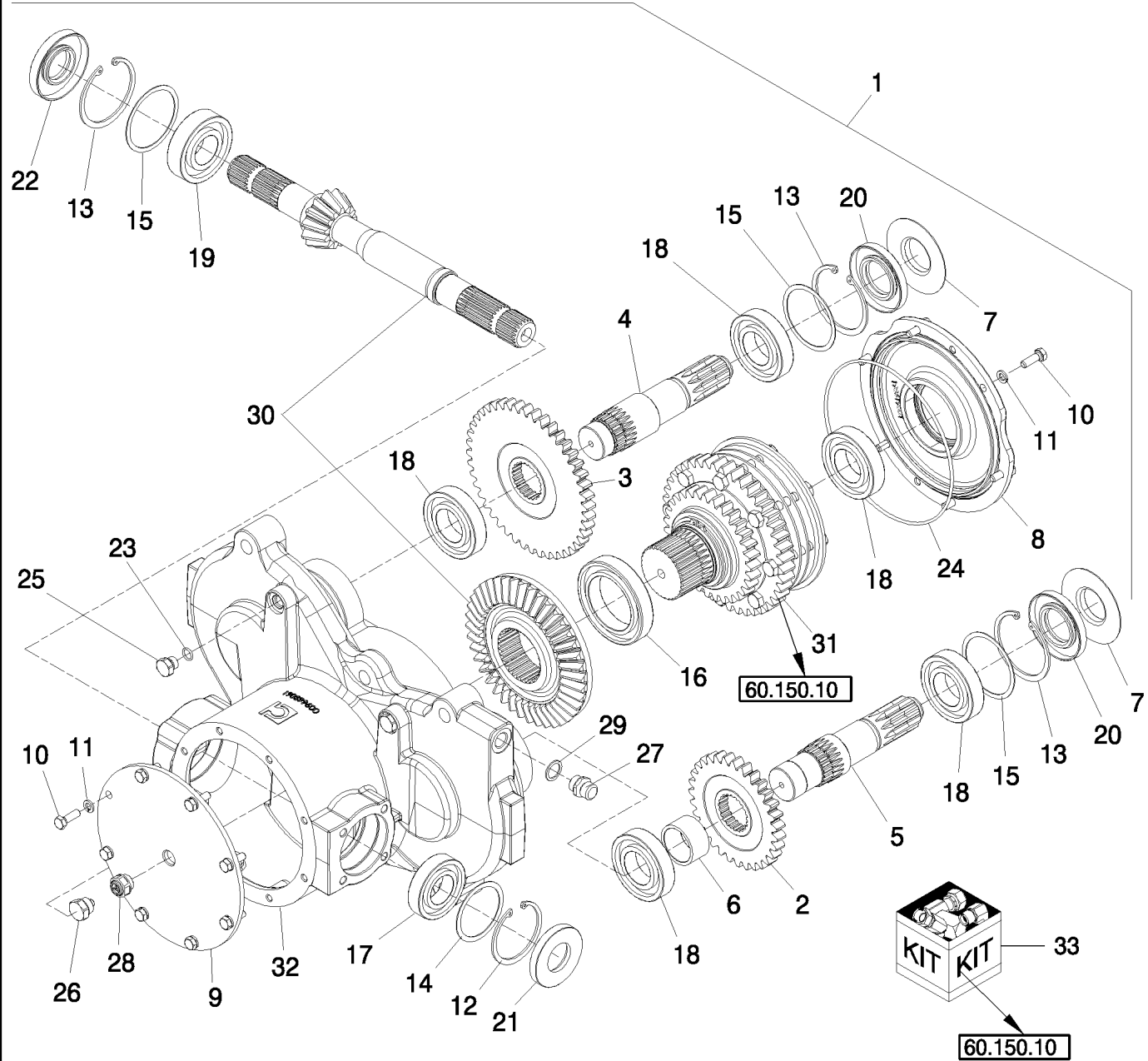
REF	FN	PART NUMBER	YR/SN	QTY	DESCRIPTION
1	1, 2	87696851	BSN Y9G205959 ly9g205 959	1	GEARBOX ASSY
1	3	84177487	ASN Y9G205959 ly9g205 960	1	GEARBOX ASSY
2	1, 4	87696845		1	GEAR, 25T
2	5, 6	87282001		1	GEAR, 31T
3		87696844		1	GEAR, 40T
4		87282003		1	SHAFT
5		87536812		1	SHAFT
6		87536813		1	SPACER
7		87282006		2	GUARD
8		87696846		1	COVER
9		87282008		1	COVER
10		43127		14	BOLT, Hex, M8 x 25, 8.8
11		83990583		14	LOCK WASHER, M8
12		370018		1	SNAP RING, M72, Int
13		300633		3	SNAP RING, M80, Int
14		87282023		1	SHIM, Kit
15		87282025		3	SHIM, Kit
16		5181866		1	BALL BEARING
17		37203		1	BALL BEARING
18		301164		5	BALL BEARING
19		210048		1	BEARING ASSY
20		87612665		2	SEAL
21		87612666		1	SEAL
22		87612667		1	SEAL
23		128999		2	O-RING, -111, 70 Duro, .424" ID x .103" Thk

- (1) Prior to 3/1/09
(2) 1000 RPM
(3) 700 RPM
(4) Used W/Gearbox 87696851
(5) From 3/1/09
(6) Used W/Gearbox 84177487

h

7120 7120 8120 9120
8120

GEARBOX, FEEDER CONVEYOR DRIVE, WITH ROCK TRAP



GEARBOX, FEEDER CONVEYOR DRIVE, WITH ROCK TRAP

REF	FN	PART NUMBER	YR/SN	QTY	DESCRIPTION
24		87345122		1	O-RING, .125 x 8"
25		220064A1		2	PLUG, M14 x 1.5, ORB
26		87282043		1	MAGNETIC PLUG
27		87282044		1	PLUG
28		87282045		1	PLUG
29		3051337R1		1	SEALING WASHER, M18 x 24 x 1.5
30		87282018		1	GEAR SET
31	1, 2	87703798		1	CLUTCH ASSEMBLY, Friction Slip
31	3, 4	84177496		1	CLUTCH ASSEMBLY, Friction Slip
32	1, 2	87696847		1	HOUSING
32	3, 4	84178330		1	GEARBOX ASSY
33		84177488		AR	REPAIR KIT, 700 RPM Beater Drive Conversion; Includes Ref 2 (87282001), and Gear 87725350

- (1) Prior to 3/1/09
- (2) Used W/Gearbox 87696851
- (3) From 3/1/09
- (4) Used W/Gearbox 84177487

h

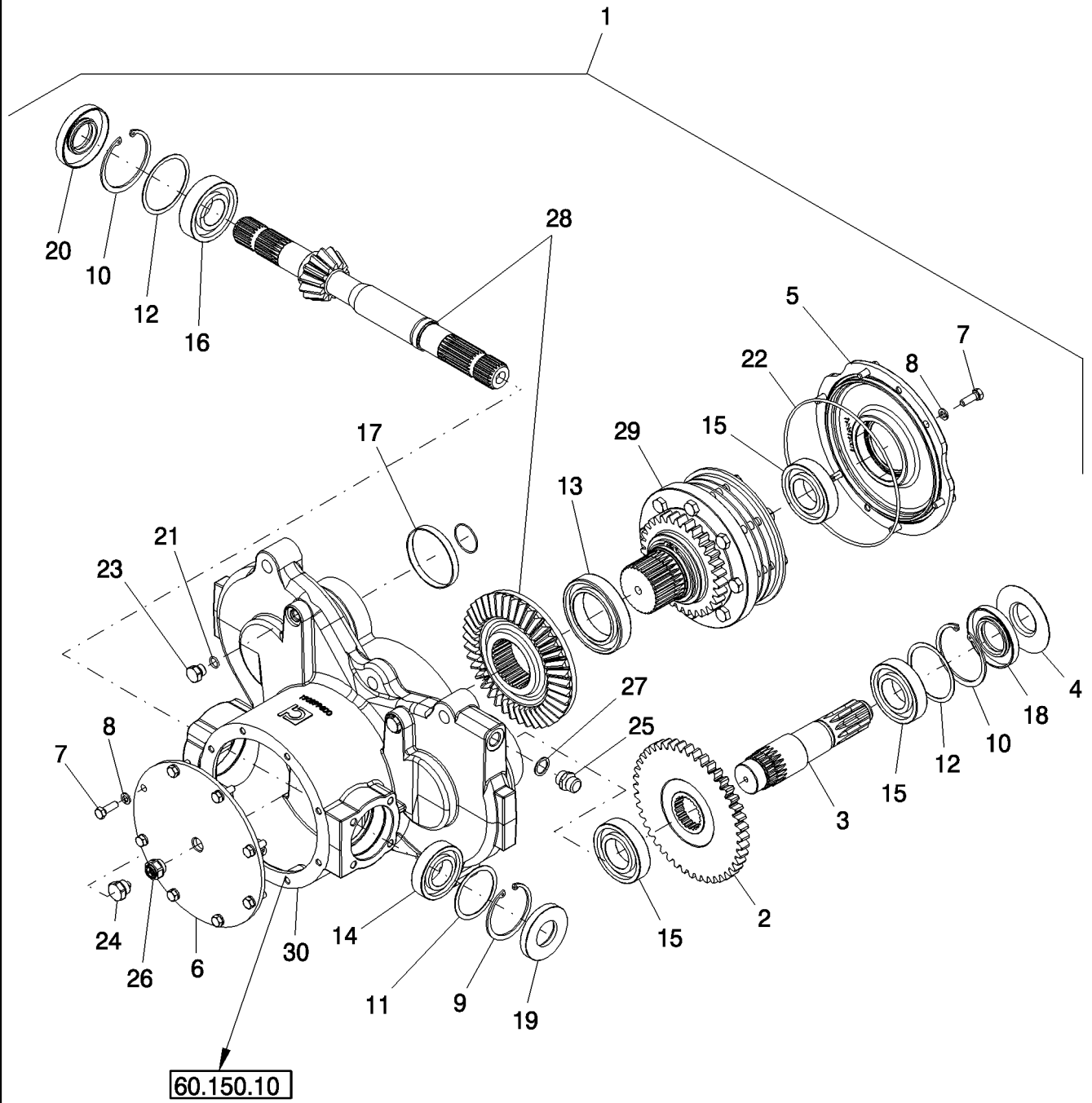
**7120 7120 8120 9120
8120**

60.150.03

p1

08/09

GEARBOX, FEEDER CONVEYOR DRIVE, WITHOUT ROCK TRAP

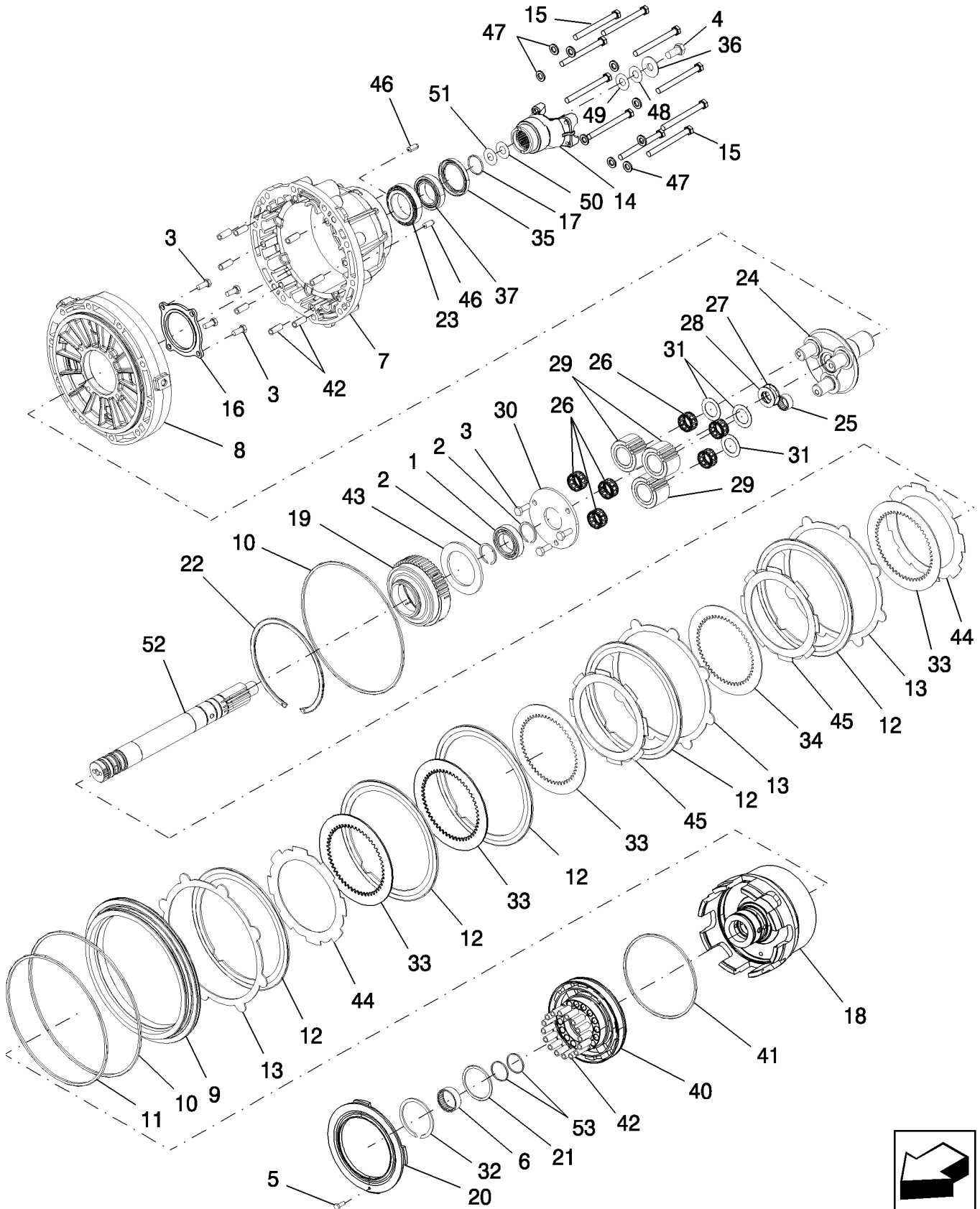


GEARBOX, FEEDER CONVEYOR DRIVE, WITHOUT ROCK TRAP

REF	FN	PART NUMBER	YR/SN	QTY	DESCRIPTION
1		87696849		1	GEARBOX ASSY
2		87696844		1	GEAR, 40T
3		87282003		1	SHAFT
4		87282006		1	GUARD
5		87696846		1	COVER
6		87282008		1	COVER
7		43127		14	BOLT, Hex, M8 x 25, 8.8
8		83990583		14	LOCK WASHER, M8
9		370018		1	SNAP RING, M72, Int
10		300633		2	SNAP RING, M80, Int
11		87282023		1	SHIM
12		87282025		2	SHIM
13		5181866		1	BALL BEARING
14		37203		1	BALL BEARING
15		301164		3	BALL BEARING
16		210048		1	BEARING ASSY
17		87282017		1	PLUG
18		87612665		1	SEAL
19		87612666		1	SEAL
20		87612667		1	SEAL
21		128999		2	O-RING, -111, 70 Duro, .424" ID x .103" Thk
22		87345122		1	O-RING, .125 x 8"
23		220064A1		2	PLUG, M14 x 1.5, ORB
24		87282043		1	MAGNETIC PLUG
25		87282044		1	PLUG
26		87282045		1	PLUG
27		3051337R1		1	SEALING WASHER, M18 x 24 x 1.5
28		87282018		1	GEAR SET
29		87703798		1	CLUTCH ASSEMBLY
30		87696847		1	HOUSING

**7120 7120 8120 9120
8120**

GEARBOX, HEADER/FEDER, VARIABLE SPEED, OUTPUT HALF

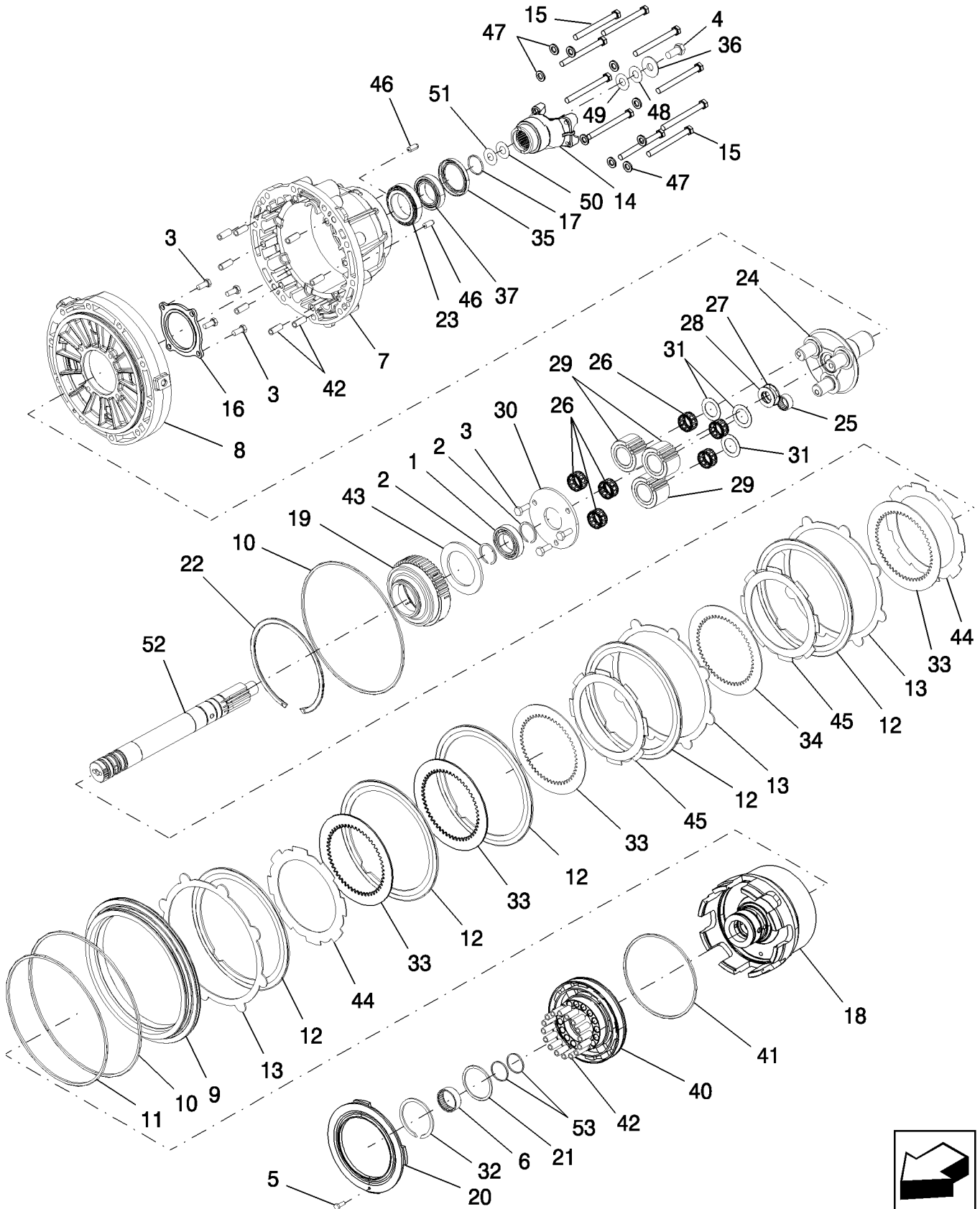


GEARBOX, HEADER/FEEDER, VARIABLE SPEED, OUTPUT HALF

REF	FN	PART NUMBER	YR/SN	QTY	DESCRIPTION
1		A75193		1	BALL BEARING
2		87281477		2	SNAP RING, Retaining
3		614-10025		7	BOLT, Hex, M10 x 25, 8.8, Full Thd
4		514-1021		1	BOLT, Hex, M16 x 1.5 x 35, 10.9, Full Thd
5		614-6010		1	BOLT, Hex, M6 x 10, 8.8, Full Thd
6		86996784		2	NEEDLE BEARING
7		86999534		1	CASE, Front, Output
8		86999536		1	PLATE, Center
9		87281427		1	PISTON, Reverse
10		87281428		1	RING
11		87281429		1	RING
12		87281430		3	CLUTCH DRIVING PLATE
13		87281431		4	PLATE
14		87281432		1	YOKE
15		814-12130		10	BOLT, Hex, M12 x 130, 8.8
16		87281434		1	RETAINER
17		238-5223		1	O-RING, -223, 70 Duro, 1.609" ID x .139" Thk
18		87281443		1	RING GEAR, Drum
19		87281445		1	HUB, Drive
20		87281446		1	PLATE, End
21		87281447		1	RING
22		87281501		1	SNAP RING
23		225805A1		1	ROLLER BEARING
24		87640687		1	SHAFT ASSY., Output
25		87678416		1	NEEDLE BEARING
26		87281504		6	NEEDLE BEARING, Roller
27		87281505		1	THRUST BEARING
28		87281507		1	WASHER, THRUST
29		87281450		3	PLANETARY GEAR, 25 T
30		87281451		1	PLATE WASHER
31		87281508		3	WASHER, THRUST
32		428163A1		1	RING SNAP
33		S2080S00F		AR	CLUTCH DISK, 2.4 mm
34		S2090S00F		AR	CLUTCH DISK, 2.1 mm
35		S8820S00F		1	OIL SEAL

7120 7120 8120 9120
8120

GEARBOX, HEADER/FEDER, VARIABLE SPEED, OUTPUT HALF

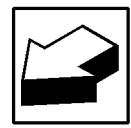
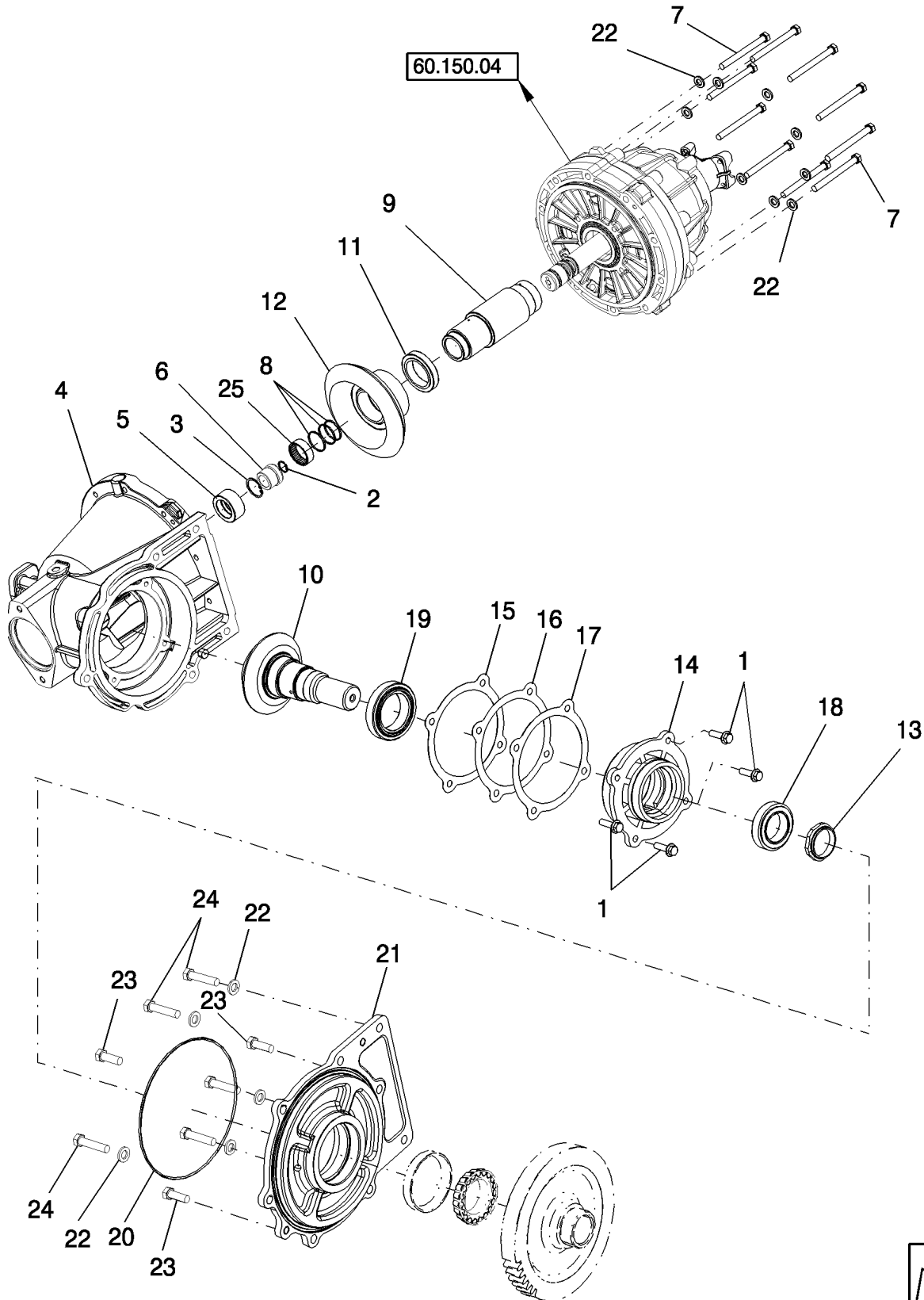


GEARBOX, HEADER/FEEDER, VARIABLE SPEED, OUTPUT HALF

REF	FN	PART NUMBER	YR/SN	QTY	DESCRIPTION
36		S8860S00F		1	THRUST WASHER
37		427662A1		1	TAPERED ROLLER BEARING
38		86998145		2	TAPERED ROLLER BEARING
40		352833A1		1	PISTON, Clutch, 9"
41		87431391		1	RING
42		352828A1		24	SPRING, Return
43		352827A1		1	PLATE, Spring Return
44		375528A1		2	CLUTCH DISK, 7"
45		375529A1		4	CLUTCH DISK, 7"
46		837-12030		2	DOWEL, M12 x 30
47		896-11012		10	WASHER, M13.5 x 24.5 x 3, HT
48		S9950S00F		AR	SHIM, .004" Thk, (0.10 mm)
49		S9960S00F		AR	SHIM, .012" Thk, (0.30 mm)
50		S9970S00F		AR	SHIM, .020" Thk, (0.51 mm)
51		S9980S00F		AR	SHIM, .028" Thk, (0.7 mm)
52		87281437		1	SHAFT
53		87587474		AR	SEALRING

**7120 7120 8120 9120
8120**

GEARBOX, HEADER/FEDER, VARIABLE SPEED, INPUT HALF



GEARBOX, HEADER/FEEDER, VARIABLE SPEED, INPUT HALF

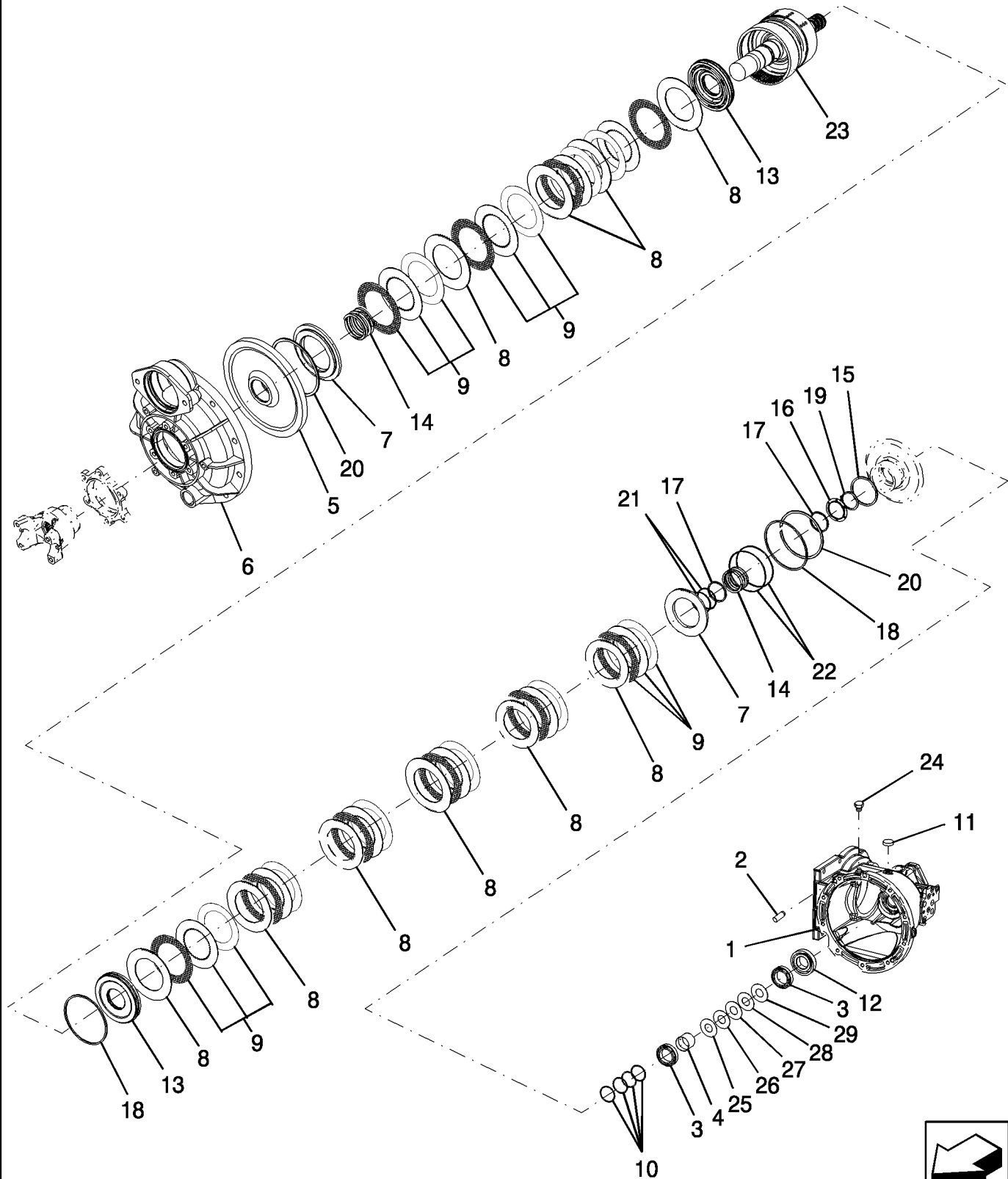
REF	FN	PART NUMBER	YR/SN	QTY	DESCRIPTION
		86998844		1	GEARBOX, Incl Refs 1 Thru 25, Plus Output Half
1		844-10035		4	BOLT, Hex Flg, M10 x 35, 8.8
2		800-2122		1	SNAP RING, M22, Int
3		800-2137		1	SNAP RING, M37, Int
4		87281499		1	HOUSING, Rear
5		87281435		1	SLEEVE
6		87281436		1	ADAPTER
7		814-12130		1Ø	BOLT, Hex, M12 x 130, 8.8
8		87587474		5	SEALRING
9		87281441		1	SHAFT, Bevel Gear
10		87281452		1	BEVEL GEAR
11		87281502		1	ROLLER BEARING
12		87281442		1	BEVEL GEAR, Input
13		87281509		1	NUT, M50
14		87281453		1	SLEEVE, Input
15		87281510		AR	SHIM, 0.4 mm
16		87281511		AR	SHIM, 0.6 mm
17		87281512		AR	SHIM, 0.6 mm
18		86998145		1	TAPERED ROLLER BEARING
19		427662A1		1	TAPERED ROLLER BEARING
20		87281428		1	RING
21		86997812		1	FLANGE
22		896-11012		15	WASHER, M13.5 x 24.5 x 3, HT
23		628-12035		3	SCREW, Hex, M12 x 35, 10.9, Full Thd
24		828-12055		5	BOLT, Hex, M12 x 55, 10.9
25		86996784		1	NEEDLE BEARING
					7120 7120 8120 9120 8120

60.150.06

p1

08/09

GEARBOX, HEADER/FEDER - FIXED SPEED, OUTPUT HALF



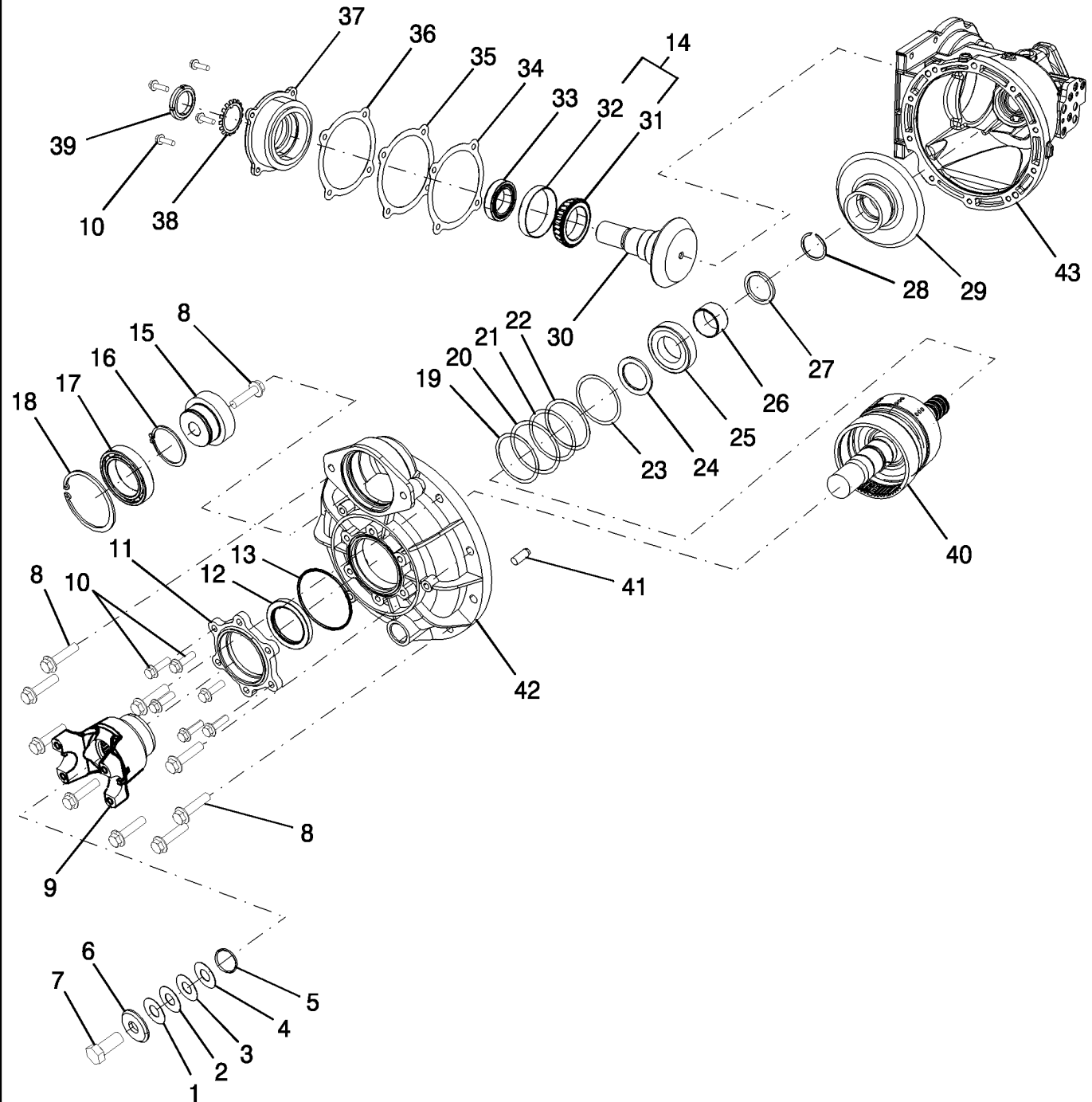
GEARBOX, HEADER/FEEDER - FIXED SPEED, OUTPUT HALF

REF	FN	PART NUMBER	YR/SN	QTY	DESCRIPTION
1		87442523		1	HOUSING
2		837-12030		2	DOWEL, M12 x 30
3		87445164		2	TAPERED ROLLER BEARING
4		87445165		1	SPACER
5		87445172		1	GEAR
6		87442520		1	CASE
7		345336A1		2	CLUTCH DRIVING PLATE
8		345335A2		10	PLATE
9	1	345334A1		10	FACING
9	1	84159803		10	PLATE
10		A188653		4	SEALRING
11		220064A1		1	PLUG, M14 x 1.5, ORB
11		641-1330		1	PLUG, M30, Tapered
12		3142394R91		1	BEARING, ROLLER
13		345005A1		2	PISTON
14		228833A1		2	SPRING
15		257277A1		1	SEALRING
16		232867A1		1	RETAINER
17		235660A1		2	SEAL
18		329896A1		2	SEAL
19		800-1152		1	SNAP RING, M52, Ext
20		345337A1		2	RING
21		238-5141		2	O-RING, -141, 90 Duro, 2.3" ID x .103" Thk
22		238-5158		2	O-RING, -158, 70 Duro, 4.737" ID x .103" Thk
23		87442525		1	SHAFT
24		220064A1		1	PLUG, M14 x 1.5, ORB
25		87445166		AR	SHIM
26		87445167		AR	SHIM
27		87445168		AR	SHIM
28		87445169		AR	SHIM
29		87445170		AR	SHIM

(1) May be Used Interchangeably

7120 7120 8120 9120
8120

GEARBOX, HEADER/FEDER - FIXED SPEED, INPUT HALF

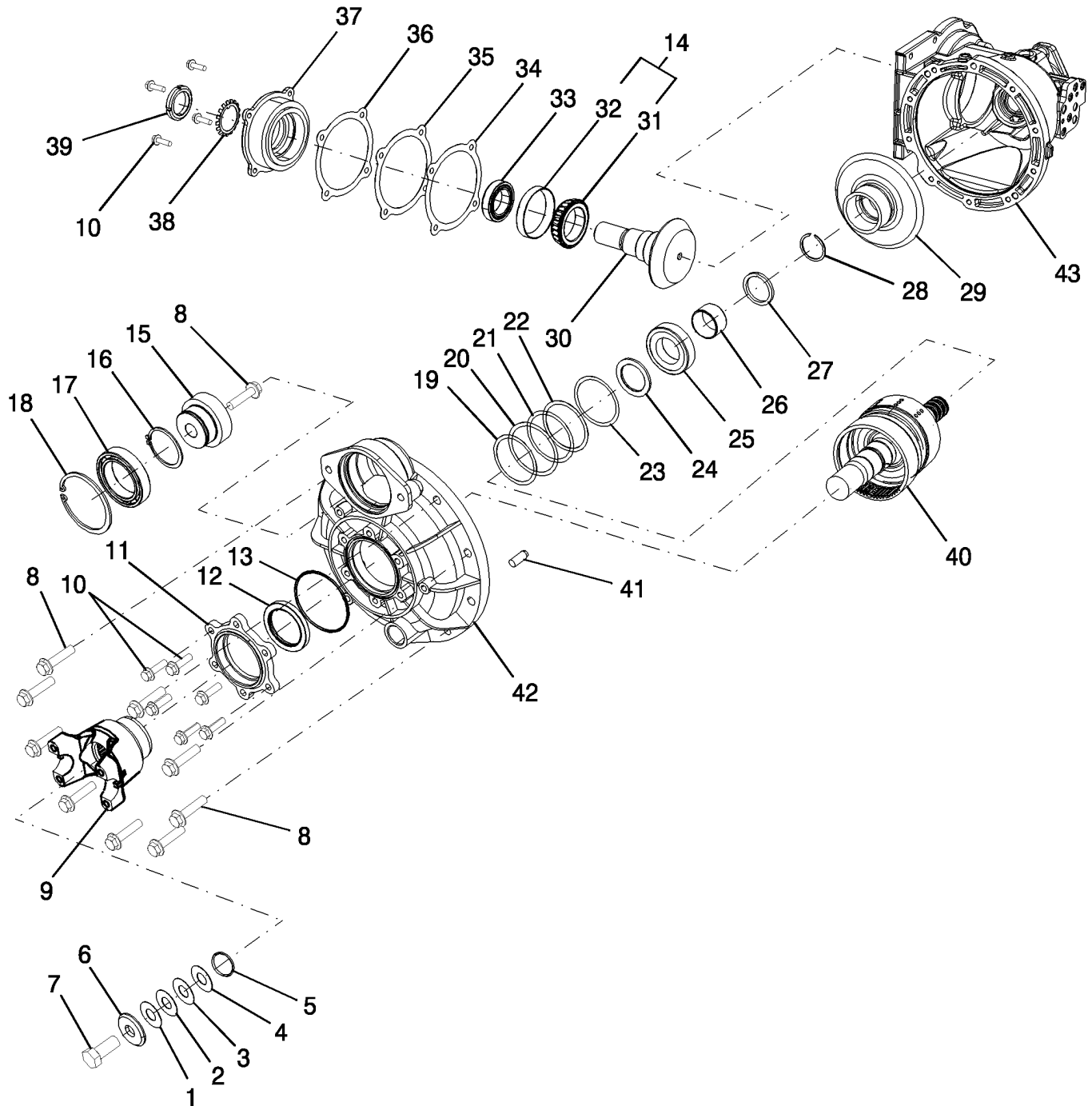


GEARBOX, HEADER/FEEDER - FIXED SPEED, INPUT HALF

REF	FN	PART NUMBER	YR/SN	QTY	DESCRIPTION
1		S9950S00F		1	SHIM, .004" Thk, (0.10 mm)
2		S9960S00F		1	SHIM, .012" Thk, (0.30 mm)
3		S9970S00F		1	SHIM, .020" Thk, (0.51 mm)
4		S9980S00F		1	SHIM, .028" Thk, (0.7 mm)
5		238-5223		1	O-RING, -223, 70 Duro, 1.609" ID x .139" Thk
6		S8860S00F		1	THRUST WASHER
7		514-1021		1	BOLT, Hex, M16 x 1.5 x 35, 10.9, Full Thd
8		844-12050		10	BOLT, Hex Flg, M12 x 50, 8.8
9		87281432		1	YOKE
10		844-10035		10	BOLT, Hex Flg, M10 x 35, 8.8
11		87442521		1	COVER
12		S8820S00F		1	OIL SEAL
13		362574A1		1	O-RING
14		86998145		1	TAPERED ROLLER BEARING
15		87445171		1	GEAR
16		800-1160		1	SNAP RING, M60, Ext
17		70073647		1	BALL BEARING
18		800-2195		1	SNAP RING, M95, Int
19		428665A1		1	SHIM, 0.1mm Thk, (0.004")
20		428666A1		1	SHIM, 0.3mm Thk, (0.012")
21		428667A1		1	SHIM, 0.5mm Thk, (0.020")
22		428668A1		1	SHIM, 0.7mm Thk, (0.028")
23		428669A1		1	SHIM, 0.15mm Thk, (0.006")
24		87445174		2	THRUST WASHER
25		3140666R91		1	BEARING, ROLLER
26		87445173		1	NEEDLE BEARING
27		87445162		1	WASHER
28		375560A1		2	RING SNAP
29		87442526		1	BEVEL GEAR
30		87445175		1	GEAR
31		87281210		1	BEARING
32		87281211		1	BEARING
33		87281696		1	TAPERED ROLLER BEARING
34		87281510		1	SHIM
35		87281511		1	SHIM

7120 7120 8120 9120
8120

GEARBOX, HEADER/FEDER - FIXED SPEED, INPUT HALF



60.150.07

p2

08/09

GEARBOX, HEADER/FEEDER - FIXED SPEED, INPUT HALF

REF	FN	PART NUMBER	YR/SN	QTY	DESCRIPTION
36		87281512		1	SHIM
37		87445178		1	SLEEVE
38		87445176		1	WASHER
39		87445177		1	NUT
40		87442525		1	SHAFT
41		837-12030		2	DOWEL, M12 x 30
42		87442520		1	CASE
43		87442523		1	HOUSING

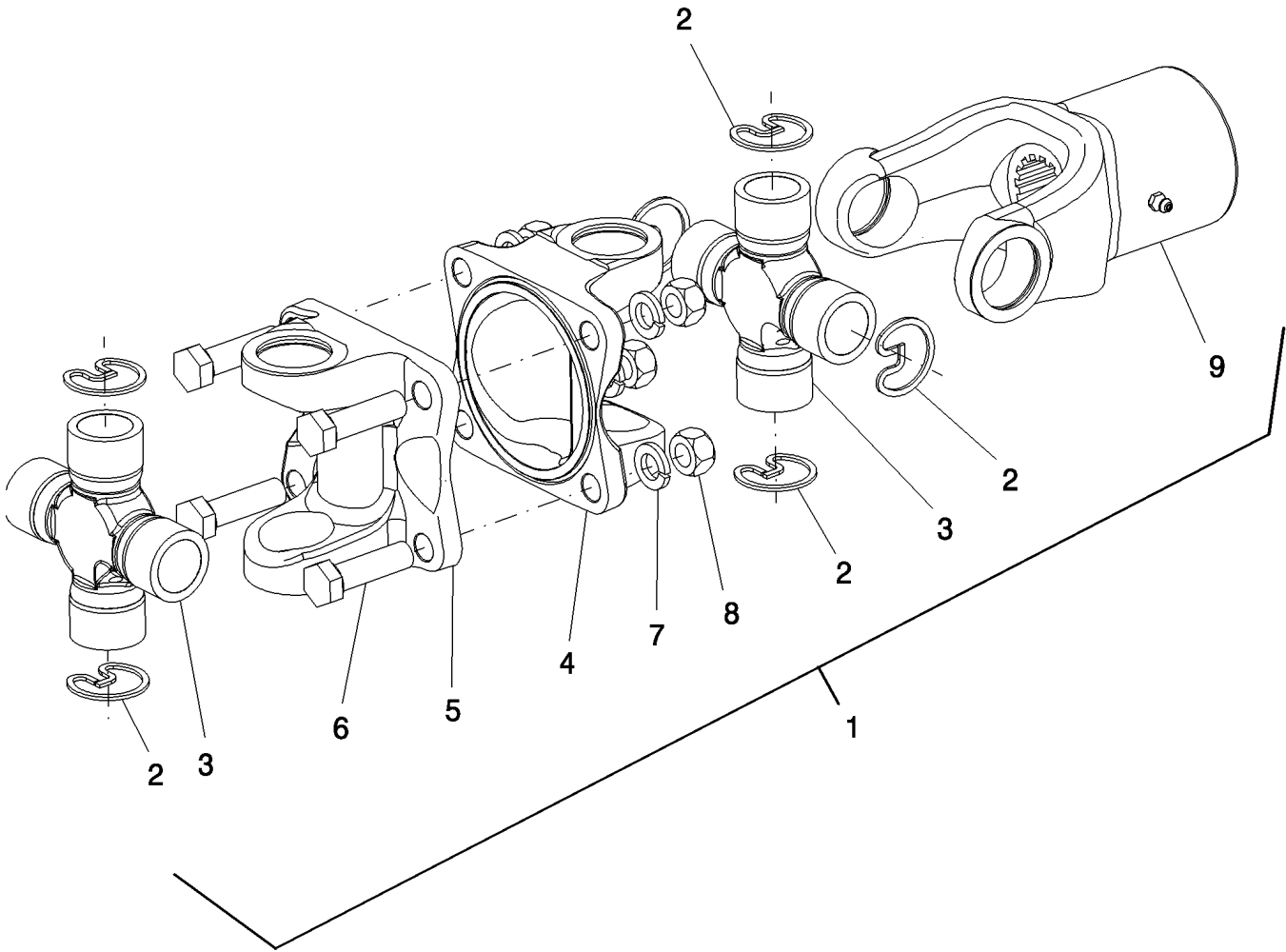
**7120 7120 8120 9120
8120**

60.150.08

p1

08/09

PIVOT SHAFT, FEEDER/HEADER



PIVOT SHAFT, FEEDER/HEADER

REF	FN	PART NUMBER	YR/SN	QTY	DESCRIPTION
1		87000203		1	DRIVE SHAFT, Pivot, Feeder
2		87280463		6	SNAP RING
3		87400942		2	SERVICE KIT, Cross Bearing
4		NSS		1	NOT SERVICED SEPARATELY, Yoke, Flange
5		NSS		1	NOT SERVICED SEPARATELY, Yoke, Flange
6		428-828		4	BOLT, Hex, 1/2"-20 x 1 3/4", G8
7		80679		4	LOCK WASHER, 1/2"
8		86539262		4	NUT, 1/2"-20, G8
9		NSS		1	NOT SERVICED SEPARATELY, Yoke

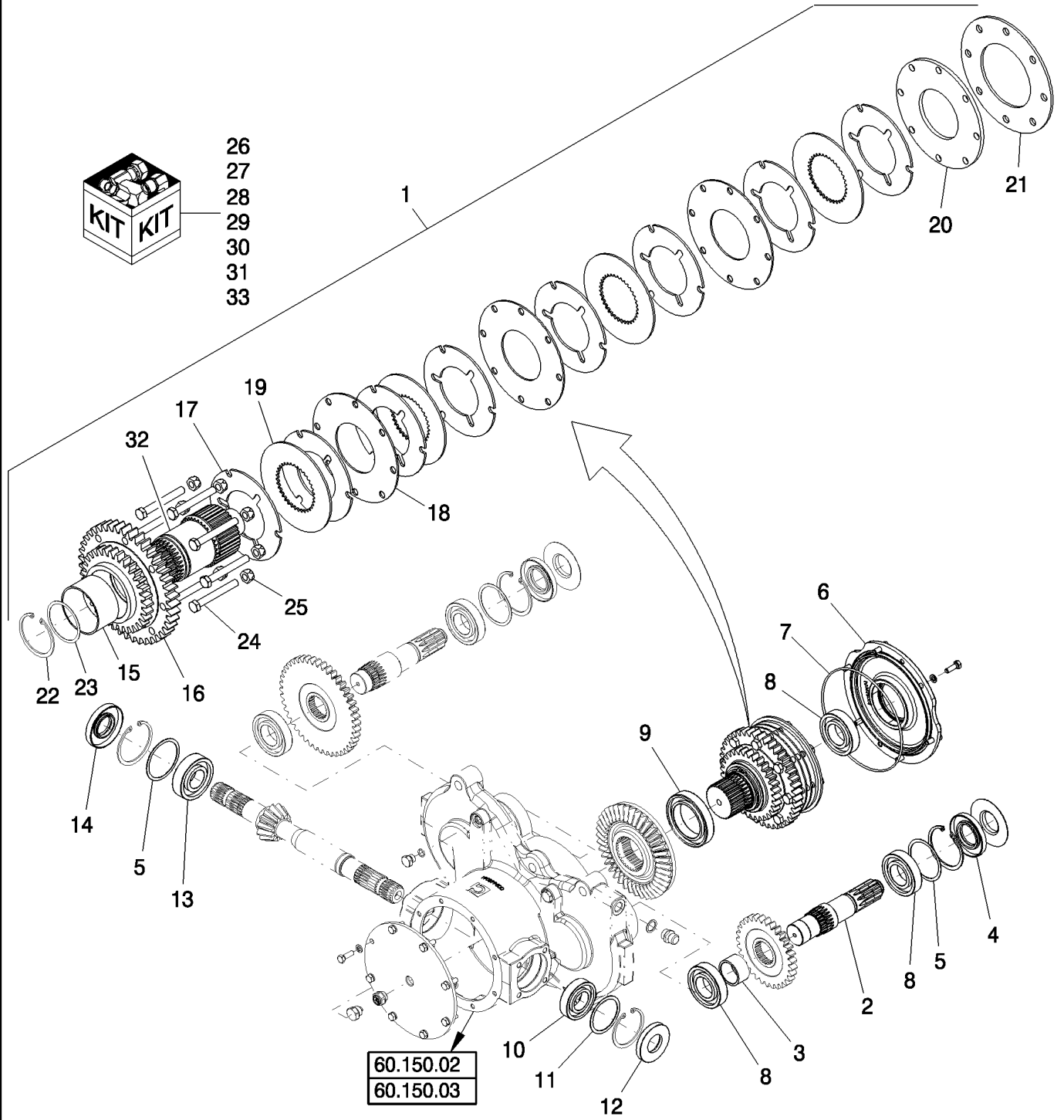
**7120 7120 8120 9120
8120**

60.150.10

p1

11/09

CLUTCH, FRICTION DISC



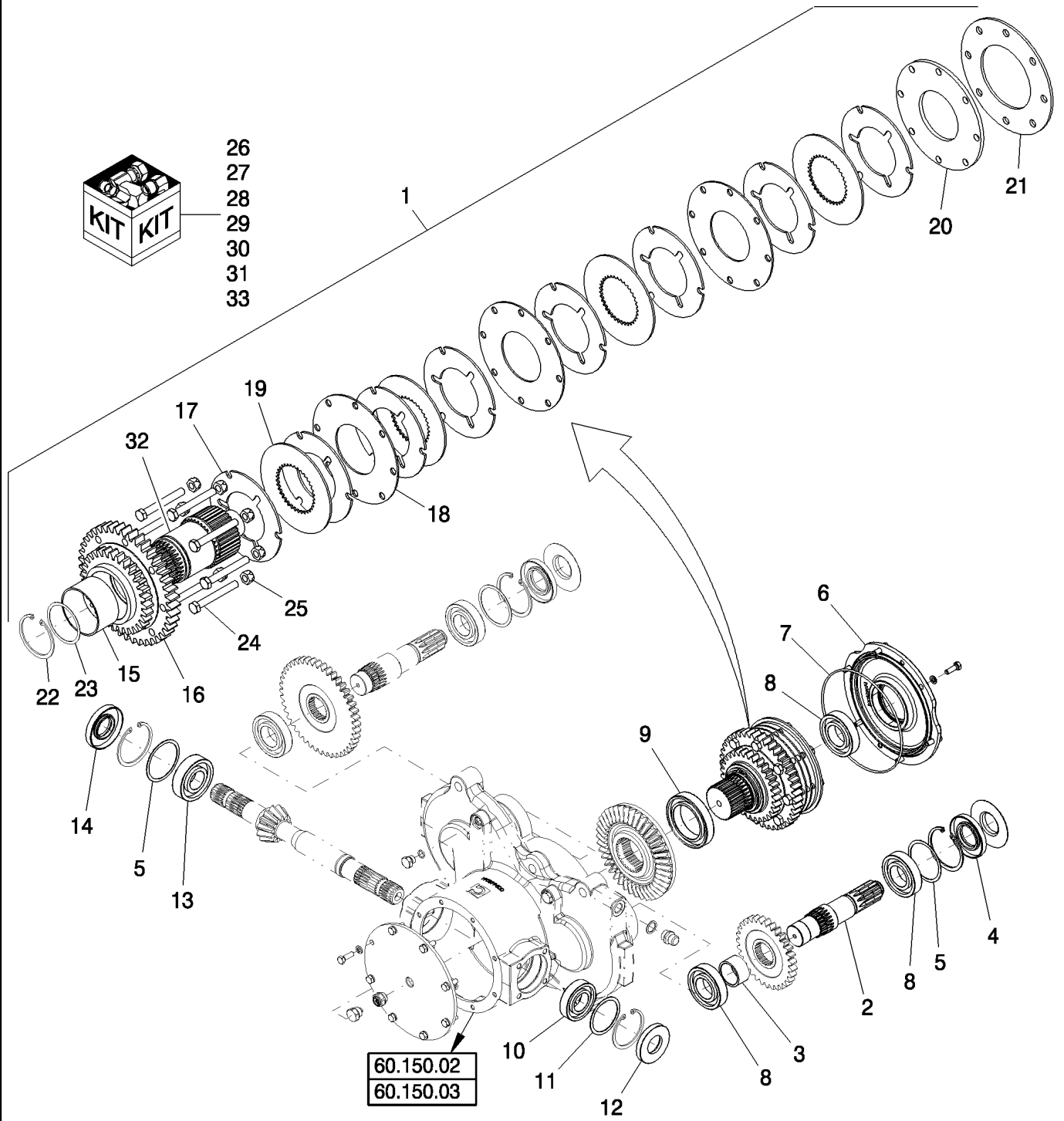
CLUTCH, FRICTION DISC

REF	FN	PART NUMBER	YR/SN	QTY	DESCRIPTION
1	1, 2	87703798		1	CLUTCH ASSEMBLY
1	3, 4	84177496		1	CLUTCH ASSEMBLY
2		87536812		1	SHAFT
3		87536813		1	SPACER
4		87612665		1	SEAL
5		87282025		2	SHIM
6		87696846		1	COVER
7		87345122		1	O-RING, .139" X 7.984"
8		301164		3	BALL BEARING
9		5181866		1	BALL BEARING
10		37203		1	BALL BEARING
11		87282023		1	SHIM
12		87612666		1	SEAL
13		210048		1	BEARING ASSY
14		87612667		1	SEAL
15		NSS		1	NOT SERVICED SEPARATELY, Bushing
16	1, 5	87696843		1	GEAR, Set; Incl Ref 15
16	3, 6	87725350		1	GEAR SET, Incl Ref 15
17		87536805		8	PLATE
18		87536807		3	PLATE, External Separator
19		87536806		4	PLATE, Internal Separator
20		87536808		1	PLATE
21		87536809		1	BELLEVILLE SPRING
22		300636		1	SNAP RING, M70, Ext
23		87536804		1	THRUST WASHER
24		120073		8	BOLT, Hex, M10 x 80, 8.8
25		100037		8	NUT, M10 x 1.5, Cl 8
26		87619913		AR	SERVICE KIT, Friction Slip Clutch; Incl Refs 1, 6, 7, & 8, Plus Instructions

- (1) Prior to 3/1/09
(2) Used W/1000 RPM Gearbox 87696851
(3) From 3/1/09
(4) Used W/700 RPM Gearbox 84177487
(5) Part of Clutch 87703798
(6) Part of Clutch 84177496

7120 7120 8120 9120
8120

CLUTCH, FRICTION DISC



CLUTCH, FRICTION DISC

REF	FN	PART NUMBER	YR/SN	QTY	DESCRIPTION
27		87536816		AR	SHAFT ASSY., Rock Trap; Incl Refs 2, 3, 4, & 5
28		87621731		AR	SERVICE KIT, Rebuild; Incl Refs 5 (1), 8 (2), 9 (1), 10 (1), 11 (1), 12 (1), 13 (1), & 14 (1)
29	1	87624260		AR	SERVICE KIT, Friction Slip Clutch, Complete; Incl Ref 26 & 28
30	2	87624261		AR	SERVICE KIT, Friction Slip Clutch, Complete; Incl Ref 26, 27, & 28
31	2	87624259		AR	SERVICE KIT, Friction Slip Clutch; Incl Ref 26 & 27
32		87536803		1	SHAFT
33		84177488		AR	REPAIR KIT, 700 RPM Beater Drive Conversion; Incl Ref 16 (87725350), & Gear 87282001
(1) W/O Rock Trap					
(2) W/Rock Trap					

	7120 7120 8120 9120 8120
--	---

SECTION INDEX

66 - Threshing

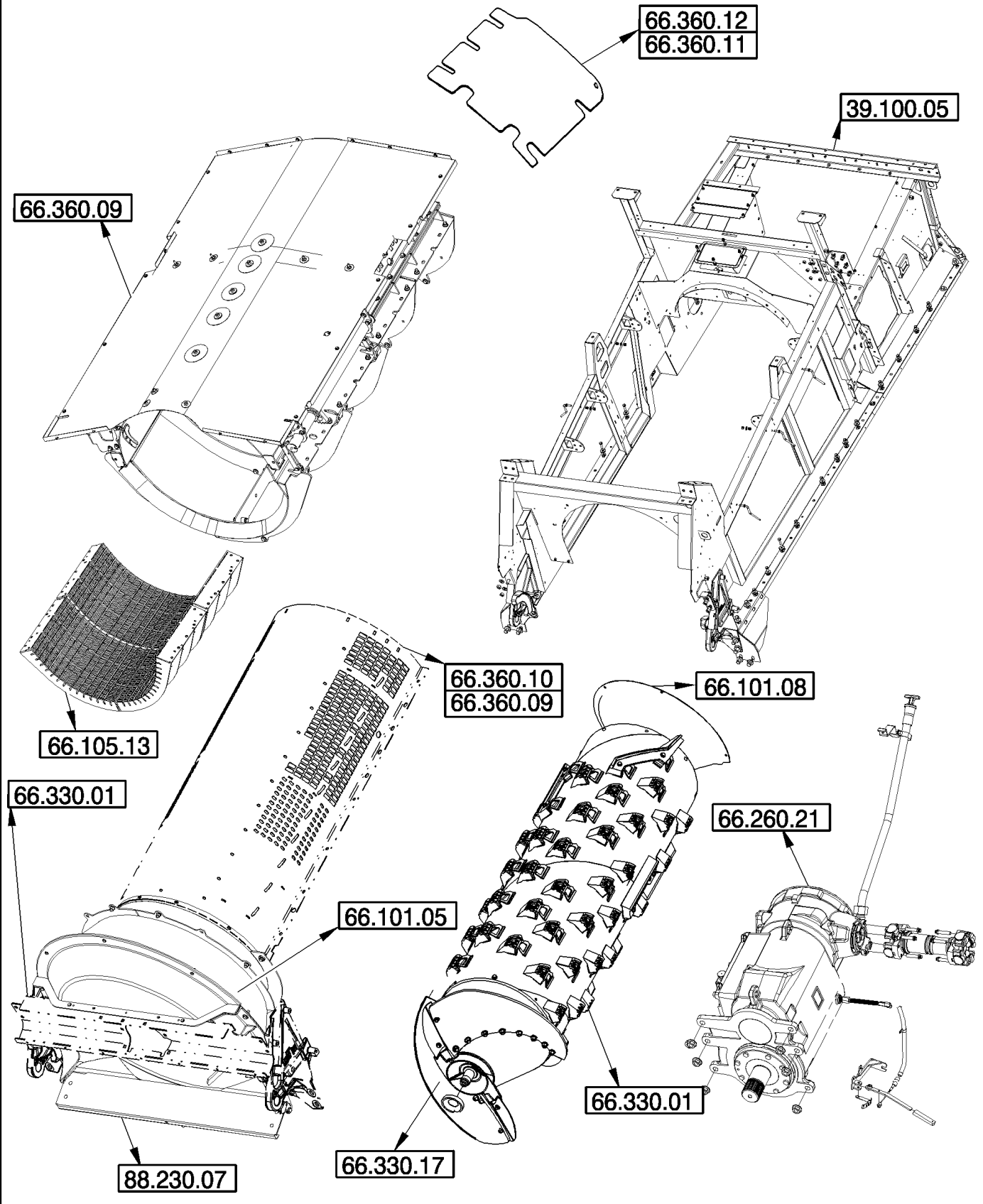
66.000.00		SECTION INDEX - THRESHING (FRAME, ROTOR AND CONCAVES)
66.101.02		KIT, DIA HARVEST, STONE TRAP
66.101.05		TRANSITION CONE
66.101.08		BEARING SUPPORT, ROTOR
66.101.09	01	BEARING PLATE
66.101.09	02	BEARING PLATE
66.101.11		STONE TRAP AND ROLLER
66.101.12		DIA HARVEST KIT, STONE TRAP SUMP COVER
66.105.12		CONCAVES, SLOTTED
66.105.13		CONCAVES, SMALL GRAIN
66.105.16		CONCAVES, CORN / BEAN
66.105.17		CONCAVES, CORN/BEAN - SKIP WIRE
66.105.20		CONCAVE WITH ROUND BARS
66.105.23		CONCAVES, ROUND BAR CORN/BEAN
66.105.25		CONCAVES, SMOOTH
66.105.26		CONCAVES, STANDARD BAR
66.105.28		KIT, HARD THRESHING
66.260.01		PTO, INPUT SHAFT, ENGINE GEARBOX
66.260.17		SHIFTING COMPONENTS, ROTOR GEARBOX
66.260.21		GEARBOX, ROTOR - 3 SPEED
66.260.22		PAN, PTO GEARBOX
66.260.23		SHAFT, CLUTCH PTO
66.260.24		INPUT SHAFT & GEARS, ROTOR GEARBOX
66.260.25		TRANSFER SHAFT & GEARS, ROTOR GEARBOX
66.260.26		OUTPUT SHAFT & GEARS, ROTOR GEARBOX
66.320.02	01	ROTOR VARIATOR - 7120/7120(LA), 8120/8120(LA)
66.320.02	02	ROTOR VARIATOR - 9120
66.330.01		ROTOR
66.330.17		KIT, ROTOR IMPELLER
66.330.21		ROTOR ASSEMBLY, GRAIN ABR. W/ SEPERATOR BAR
66.350.01		BEATER, DISCHARGE
66.350.02		TENSIONER ASSEMBLY, BEATER DRIVE
66.350.03		BEATER DRIVE (BELT)
66.350.03	01	BEATER DRIVES - 7120/7120(LA)
66.350.03	02	BEATER DRIVES - 8120/8120(LA), 9120
66.350.05		KIT, GRATE COVER, BEATER DISCHARGE - 8120/8120(LA)
66.360.09		FRAME, SEPARATOR
66.360.10		ROTOR CAGE
66.360.11		KIT, FRONT FILLER PLATE, ROTOR CAGE
66.360.12		KIT, REAR FILLER PLATE, ROTOR CAGE

66.000.00

p1

08/09

SECTION INDEX - THRESHING (FRAME, ROTOR AND CONCAVES)



66.000.00

p1

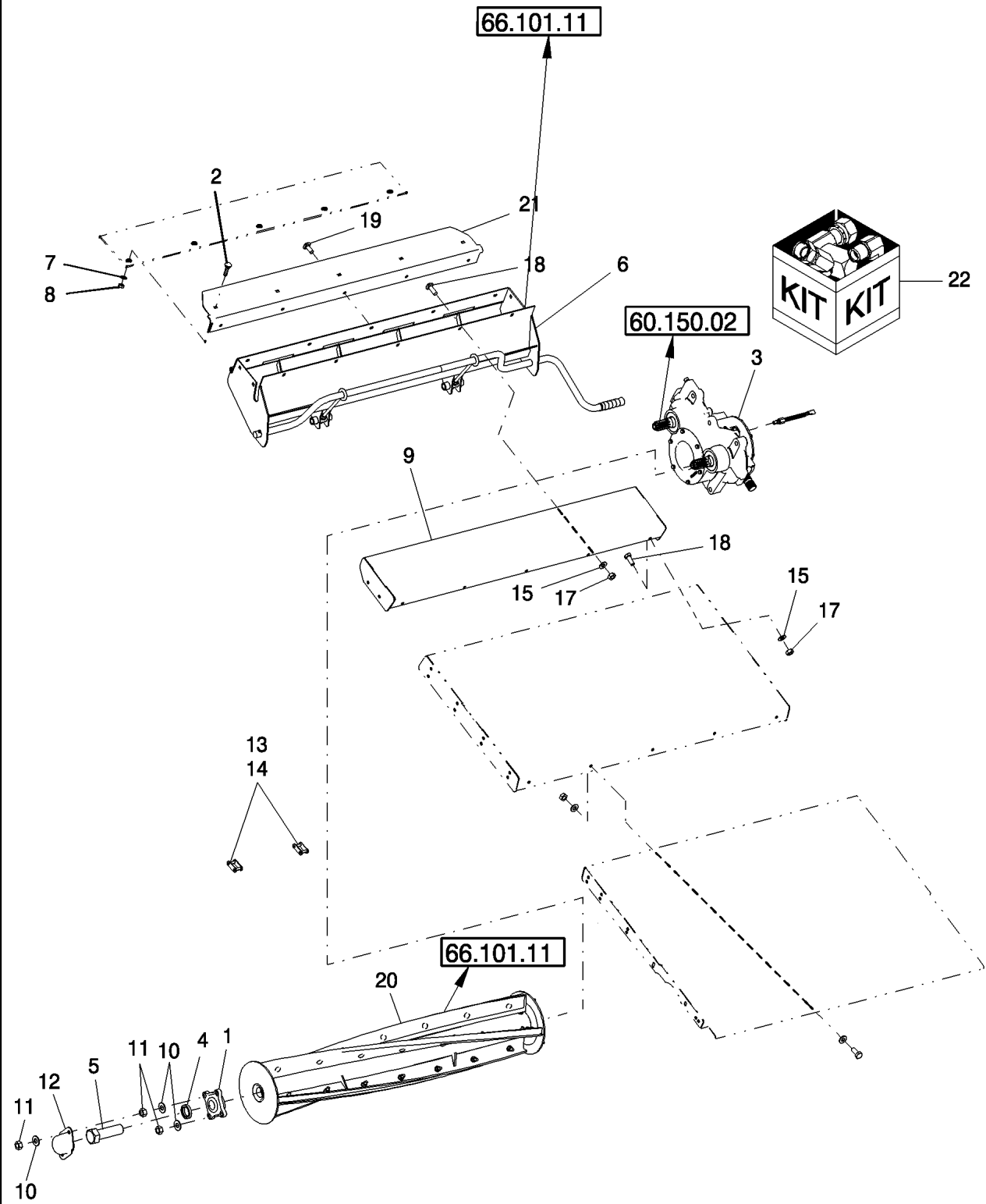
08/09

SECTION INDEX - THRESHING (FRAME, ROTOR AND CONCAVES)

REF	FN	PART NUMBER	YR/SN	QTY	DESCRIPTION
------------	-----------	--------------------	--------------	------------	--------------------

					9120 8120 7120 8120 7120
--	--	--	--	--	-------------------------------------

KIT, DIA HARVEST, STONE TRAP



KIT, DIA HARVEST, STONE TRAP

REF	FN	PART NUMBER	YR/SN	QTY	DESCRIPTION
1		86995212		1	BEARING HOUSING
2		84814921		5	SCREW, Hex Soc Flat Hd, M8 x 25, 10.9
3	1, 2	87696851	BSN Y9G205959 y9g205 959	1	GEARBOX ASSY, w/Stone Trap
3	3, 4	84177487	ASN y9g205960	1	GEARBOX ASSY, w/Stone Trap
4		86997123		1	WASHER
5		86981357		1	BOLT
6		87673527		1	SUMP
7		322358		5	BELLEVILLE WASHER, M8
8		9804277		5	NUT, M8 x 1.25, Flg, Cl 8
9		87673525		1	FLOOR
10		140046		6	SPRING WASHER, Belleville, M12
12		86996082		1	COVER
13		87625526		4	LINK ASSY., Incl Ref 14 (2)
14		86625061		8	LOCK NUT, 1/4"-20, GB
15		140045		15	BELLEVILLE WASHER, M10
16		43139		3	BOLT, Hex, M10 x 25, 8.8, Full Thd
17		100016		15	NUT, M10, Cl 8
18		86633356		10	CARRIAGE BOLT, Short NK, M10 x 25, Cl8.8, Full Thd
19		86512446		5	CARRIAGE BOLT, Short NK, M10 x 30, Cl8.8, Full Thd
20		87284912		1	BEATER
21		87730305		1	FLOOR, RR
22		87730303		1	DIA KIT, HARVESTER, Stone Trap; Incl Ref 1 - 21

(1) Prior to 3/1/09

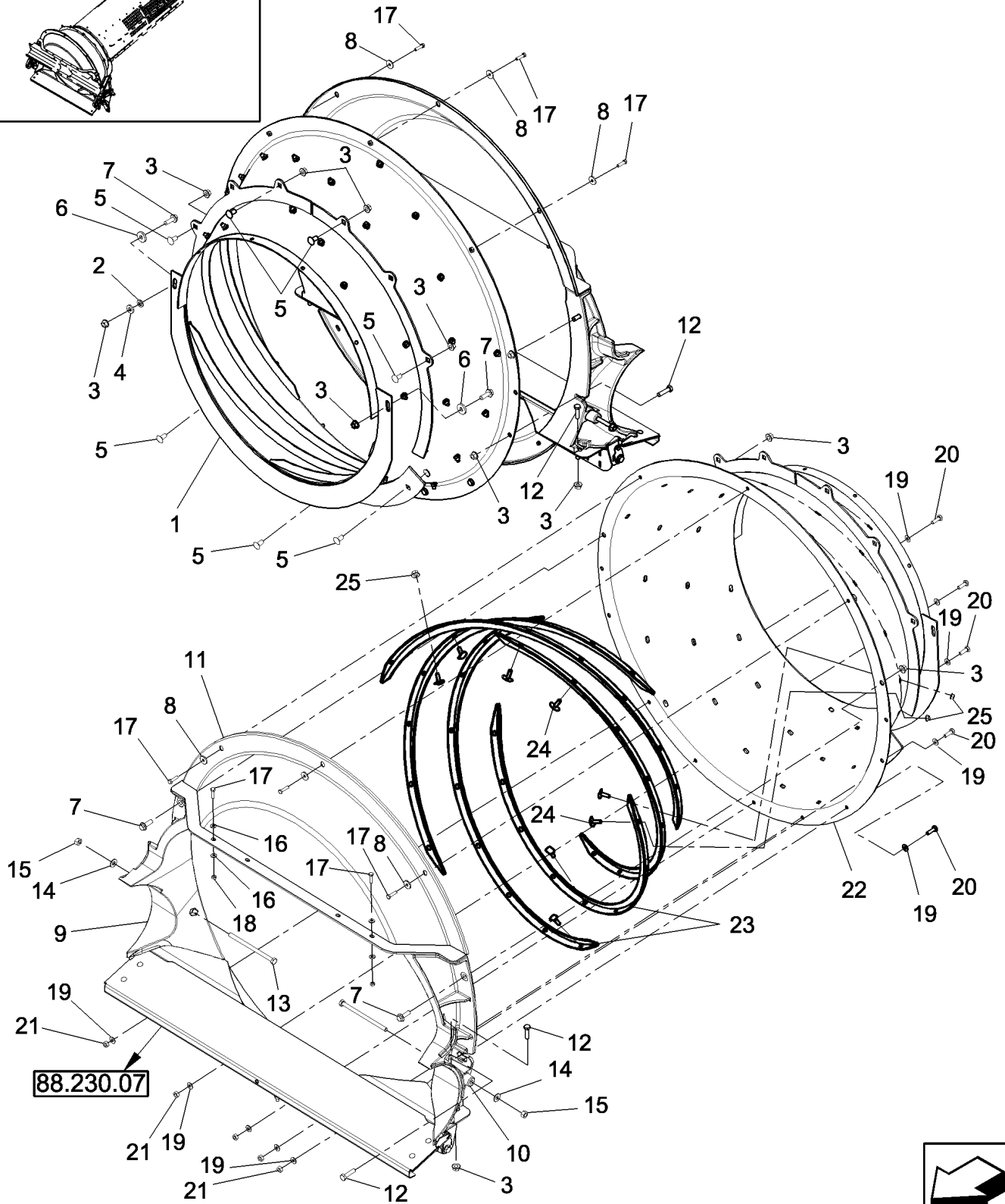
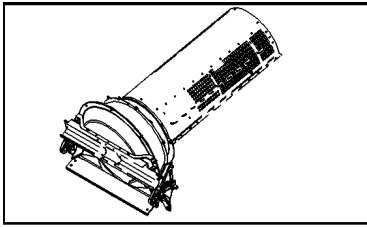
(2) 1000 RPM

(3) From 3/1/09

(4) 700 RPM

7120 7120 8120 9120
8120

TRANSITION CONE

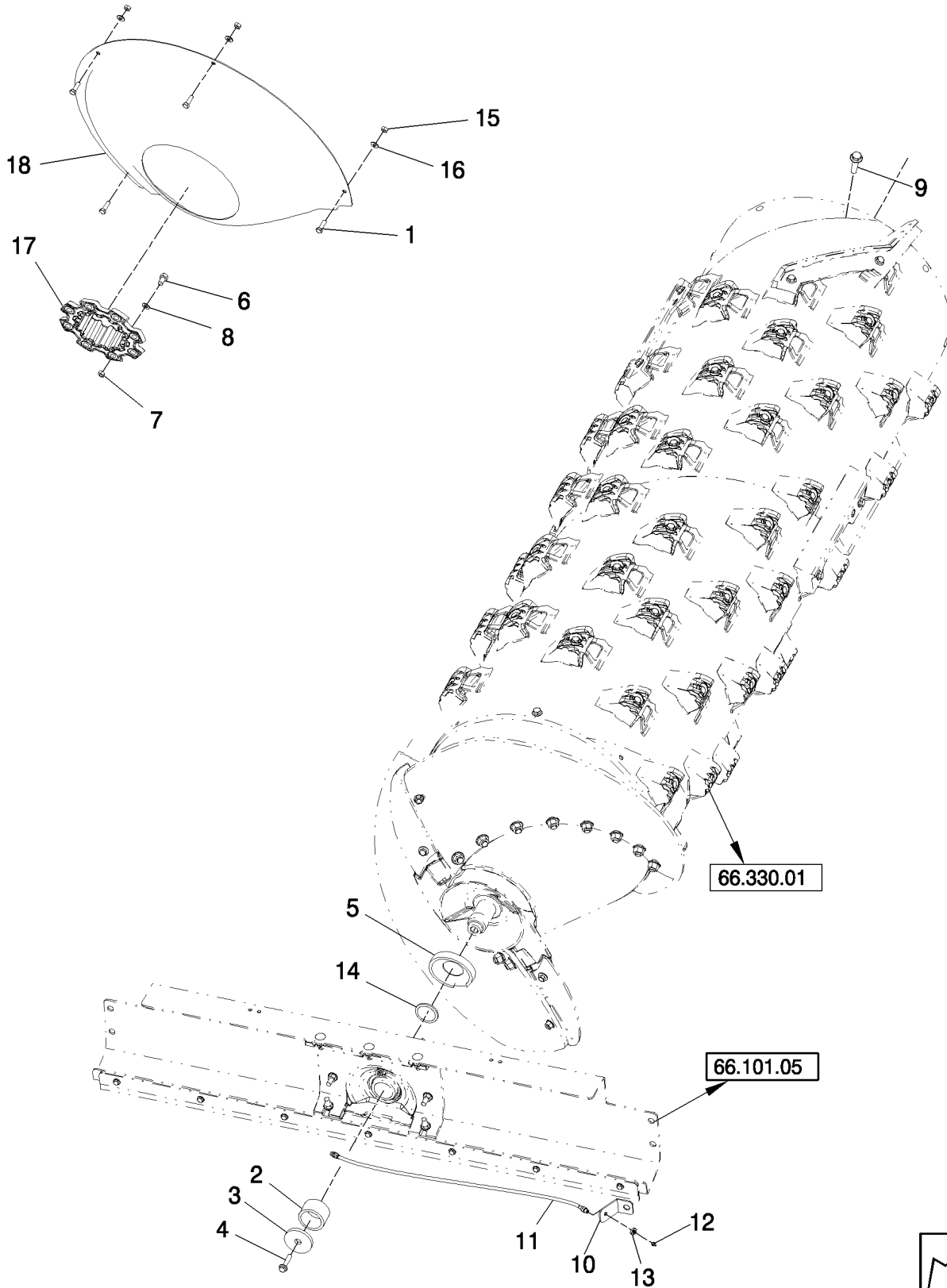


TRANSITION CONE

REF	FN	PART NUMBER	YR/SN	QTY	DESCRIPTION
1		87390937		1	CONE, Extended Wear, Rice; Incl Refs 22, 23, 24, 25
1		87382439		1	CONE, Standard; Incl Refs 22, 23, 24, 25
2		86625255		1	WASHER, M13.5 x 24.5 x 3, HT
3		43436		14	NUT, M12, Flg Ser
4		394630		1	WASHER, M13 x 28 x 4, HT
5		374895		6	CARRIAGE BOLT, Short NK, M12 x 25, Cl8.8, Full Thd
6		86592701		2	WASHER, M12 x 35 x 5, HT
7		86981487		4	BOLT, Hex Flg, M12 x 35, 10.9, Full Thd
8		140041		3	WASHER, M8 x 28 x 3
9		87517351		1	DEFLECTOR, R.H., Extended Wear, Rice
9		87524461		1	DEFLECTOR, R.H., Std
10		87517350		1	DEFLECTOR, L.H., Extended Wear, Rice
10		87524460		1	DEFLECTOR, L.H., Std
11		87492652	ASN Y9G207708	1	DOOR
11		87106704	BSN Y9G207708	1	DOOR
12		9628065		4	SCREW, Hex, M12 x 45, 8.8
13		382181		2	BOLT, Hex, M12 x 190, 8.8
14		140046		2	SPRING WASHER, Belleville, M12
15		9706685		2	NUT, M12, Cl 8
16		322358		4	BELLEVILLE WASHER, M8
17		43128		5	SCREW, Hex, M8 x 30, 8.8
18		9706690		2	NUT, M8, Cl 8
19		140045		10	BELLEVILLE WASHER, M10
20		43140		5	BOLT, Hex, M10 x 30, 8.8, Full Thd
21		100016		5	NUT, M10, Cl 8
22		NSS		1	NOT SERVICED SEPARATELY, CONE, Extended Wear, Rice
22		87382441		1	CONE, Rotor Transition; Does Not Include Stiffening Vanes
23		87053359		5	STIFFENER, Vane
24		433734A1		45	BOLT
25		231-5346		45	LOCK NUT, Flg, 3/8"-16

**7120 7120 8120 9120
8120**

BEARING SUPPORT, ROTOR

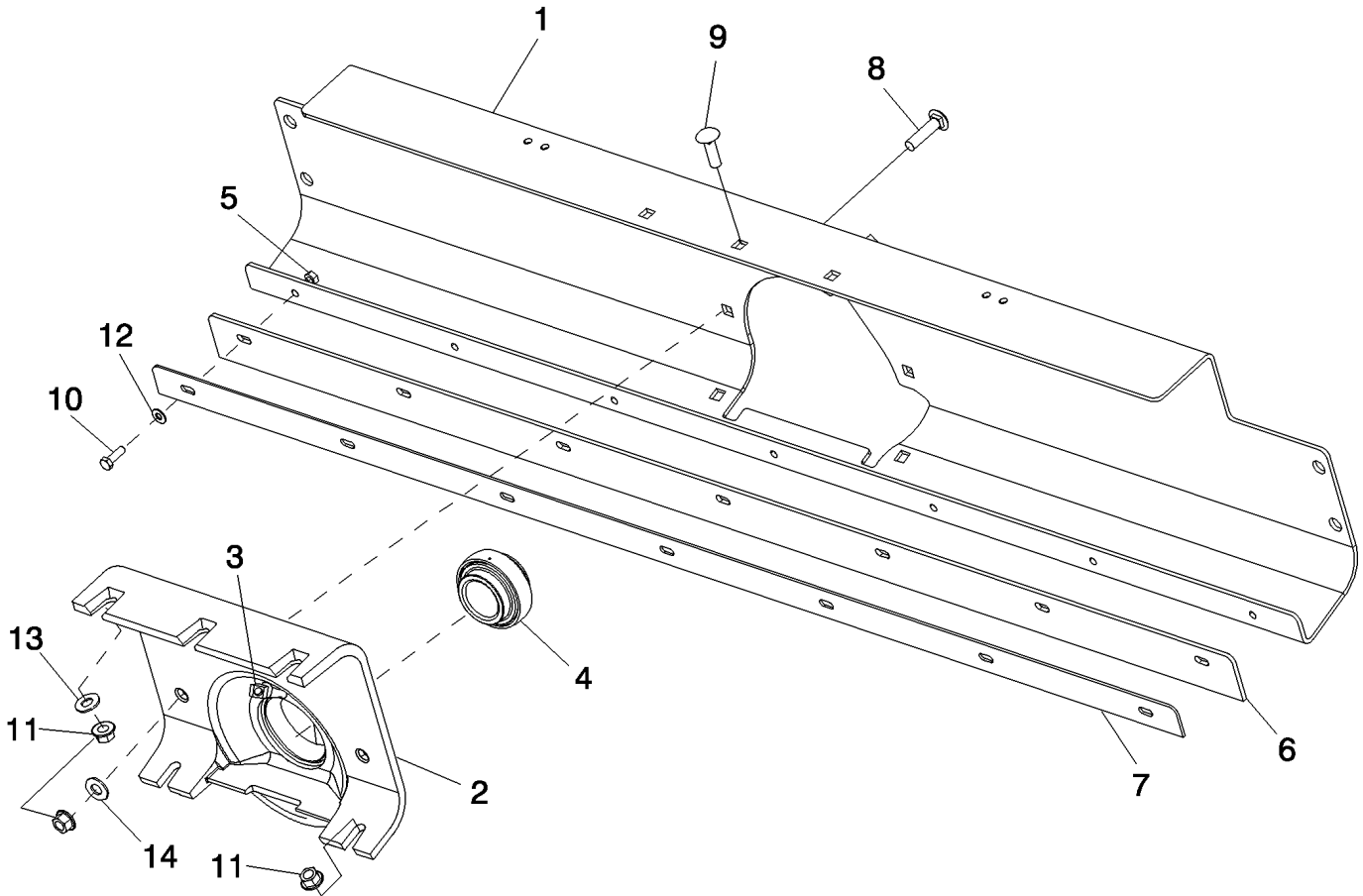


BEARING SUPPORT, ROTOR

REF	FN	PART NUMBER	YR/SN	QTY	DESCRIPTION
1		43127		4	BOLT, Hex, M8 x 25, 8.8
2		87281633		1	SPACER
3		86998693		1	WASHER
4		86981489		1	BOLT, Hex Flg, M16 x 70, 10.9
5	1	87323577		1	RING
6		120093		8	BOLT, Hex, M16 x 80, 8.8
7		86512380		8	NUT, M16, Flg Ser
8		86625266		8	WASHER, M17.5 x 30 x 4, HT
9		86981678		8	BOLT, Hex Flg, M12 x 50, 10.9
10		87107260		1	SUPPORT
11		87107259		1	TUBE, Rotor Bearing Lube
12		219-87		1	LUBE NIPPLE, 1/4"-28 x .56" lg, Self-Tap
13		134814		1	NUT
14		87284474		AR	SHIM
15		9706690		4	NUT, M8, CI 8
16		322358		4	BELLEVILLE WASHER, M8
17		87280751		1	COUPLING, Outer
17		84222993		1	SPLINED COUPLING, Outer, Replacing P/N 7280751
18		87744743		1	COVER ASSY, Bulkhead, Rotor; Large Tube
18		87603593		1	COVER ASSY, Bulkhead, Rotor; Small Tube
19		43127		4	BOLT, Hex, M8 x 25, 8.8
(1) Extended Wear					

**7120 7120 8120 9120
8120**

BEARING PLATE



BEARING PLATE

REF	FN	PART NUMBER	YR/SN	QTY	DESCRIPTION
1		87106336		1	CHANNEL, Std Wear
1		87758303		1	CHANNEL, Extended Wear
2		87324051		1	HOUSING, BEARING, Includes Ref 4
3		87020437		1	ADAPTER, 45°, 1/4"-1/8 NPTF
4		87324171		1	BALL BEARING
5		86629542		7	LOCK NUT, M8 x 1.25, CI 8
6		87283403		1	RUBBER SEAL
7		86998407		1	RUBBER SEAL, Protection
8		328754		2	CARRIAGE BOLT, Short NK, M12 x 40, CI8.8, Full Thd
9		811-12040		5	CARRIAGE BOLT, Short NK, M12 x 40, CI8.8, Full Thd
10		43127		7	BOLT, Hex, M8 x 25, 8.8
11		43436		7	NUT, M12, Flg Ser
12		322358		14	BELLEVILLE WASHER, M8
13		86592701		10	WASHER, M12 x 35 x 5, HT
14		140046		5	SPRING WASHER, Belleville, M12

	7120 7120 8120 9120 8120
--	---

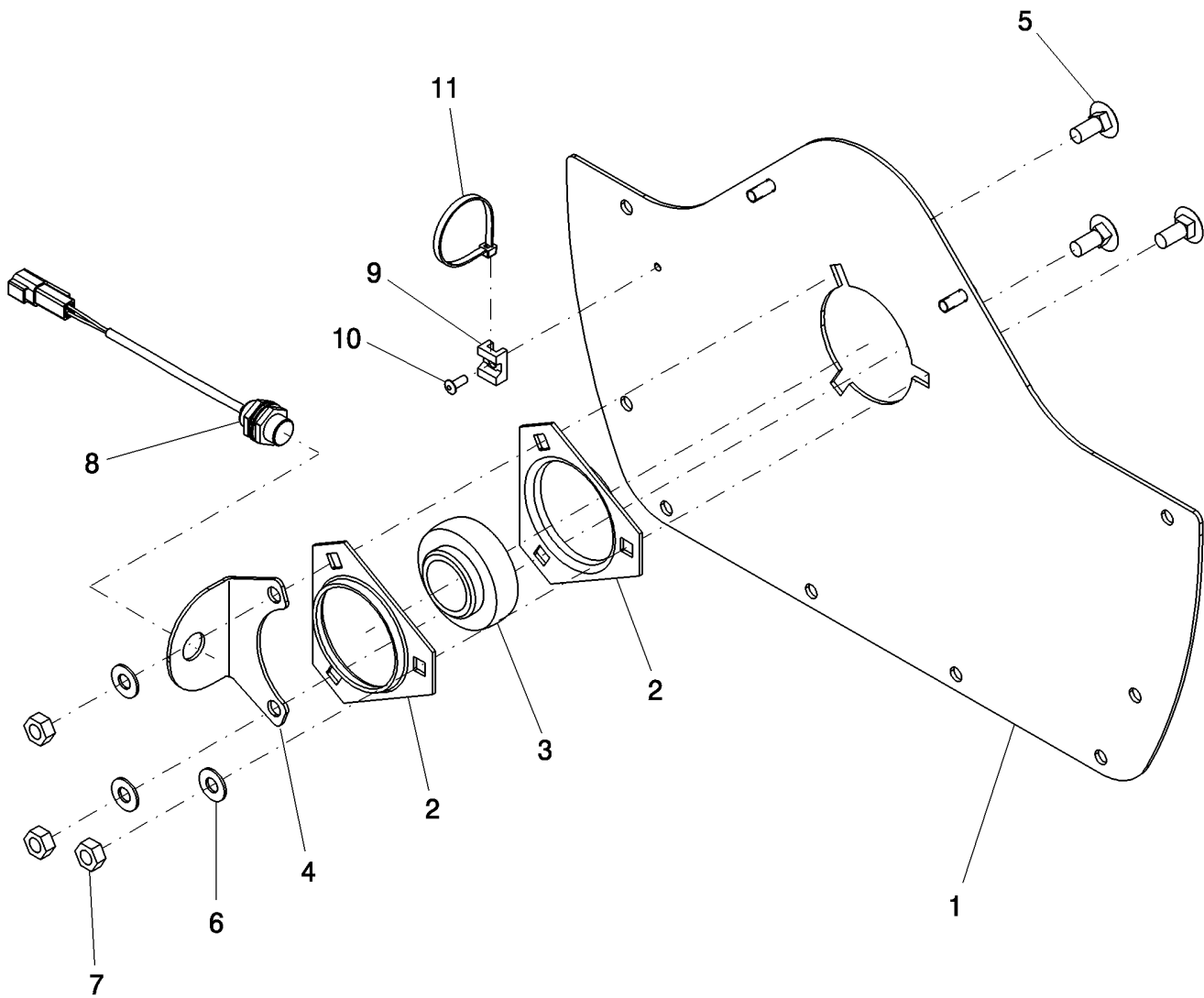
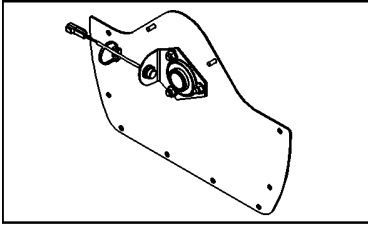
66.101.09

02

p1

02/10

BEARING PLATE

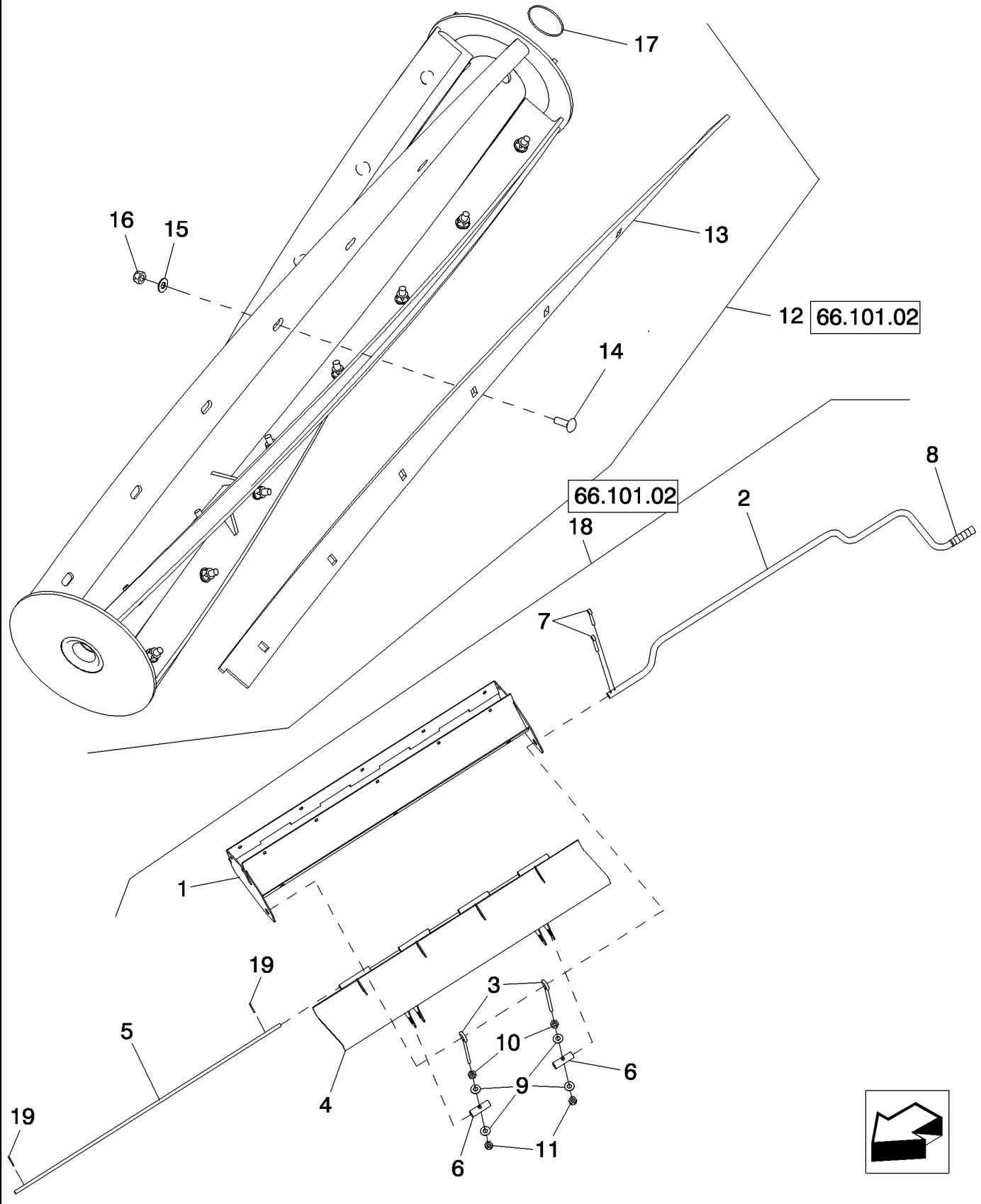


BEARING PLATE

REF	FN	PART NUMBER	YR/SN	QTY	DESCRIPTION
1		87684739		1	PLATE ASSY.
2		86620026		2	FLANGE
3		212607		1	BALL BEARING
4		87581727		1	BRACKET
5		338949		3	CARRIAGE BOLT, Short NK, M10 x 25, Cl8.8, Full Thd
6		140045		3	BELLEVILLE WASHER, M10
7		100016		3	NUT, M10, Cl 8
8		87342073		1	SENSOR
9		86590413		1	CLAMP
10		445394		1	RIVET, Pop, M4.8 x 12.7
11		86566989		1	CABLE STRAP, M4.75 x 190.5 L

**7120 7120 8120 9120
8120**

STONE TRAP AND ROLLER



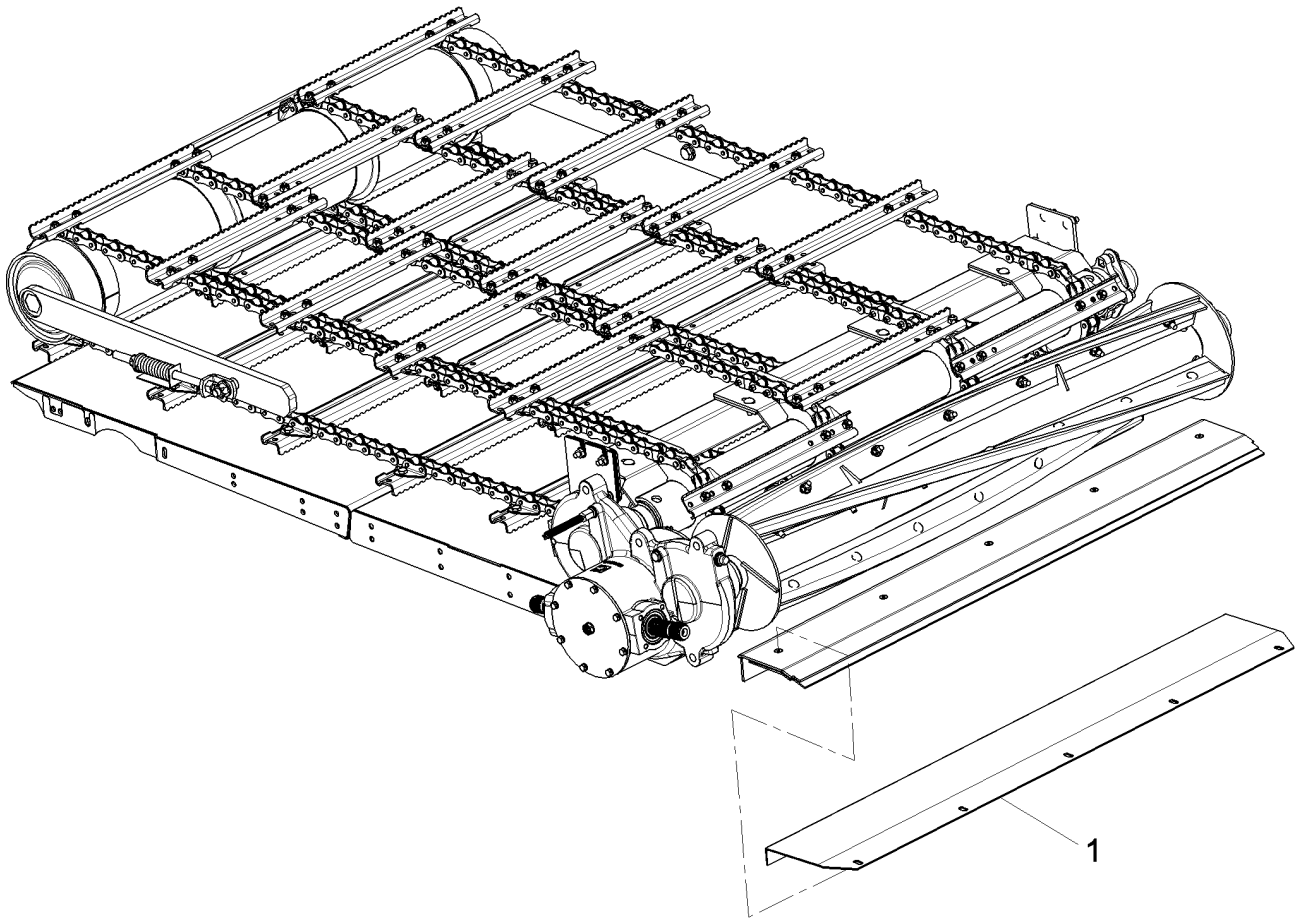
STONE TRAP AND ROLLER

REF	FN	PART NUMBER	YR/SN	QTY	DESCRIPTION
1		87691654		1	SUMP
2		86995758		1	HANDLE
3		86999020		2	EYEBOLT
4		86995745		1	DOOR
5		87719749		1	ROD ASSY.
6		86995747		2	TUBE, Stone Trap Door
7		80754		2	COTTER PIN, 3/16" x 1 1/2"
8		86995153		1	HANDLE, Grab
9		140046		4	SPRING WASHER, Belleville, M12
10		9706685		2	NUT, M12, CI 8
11		100038		2	LOCK NUT, M12 x 1.75, CI 8
12		87284912		1	BEATER, Incl Ref 13 Thru 17
13		87108966		4	KNIFE BLADE, Blade, Spiral - Beater
13	1	87360866		4	KNIFE, Blade, Serrated Spiral - Beater
14		86512446		28	CARRIAGE BOLT, Short NK, M10 x 30, CI8.8, Full Thd
15		140045		28	BELLEVILLE WASHER, M10
16		100037		28	NUT, M10 x 1.5, CI 8
17		87109491		1	SEAL
18		87673527		1	SUMP, Incl Ref 2 Thru 11

(1) To Improve Feeding in Tough Conditions

**7120 7120 8120 9120
8120**

DIA HARVEST KIT, STONE TRAP SUMP COVER



66.101.12

p1

01/10

DIA HARVEST KIT, STONE TRAP SUMP COVER

REF	FN	PART NUMBER	YR/SN	QTY	DESCRIPTION
1		87730304		1	DIA KIT, HARVESTER, Stone Trap Sump Cover
2		87735809		1	COVER PLATE

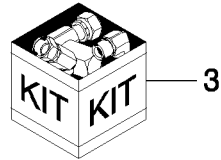
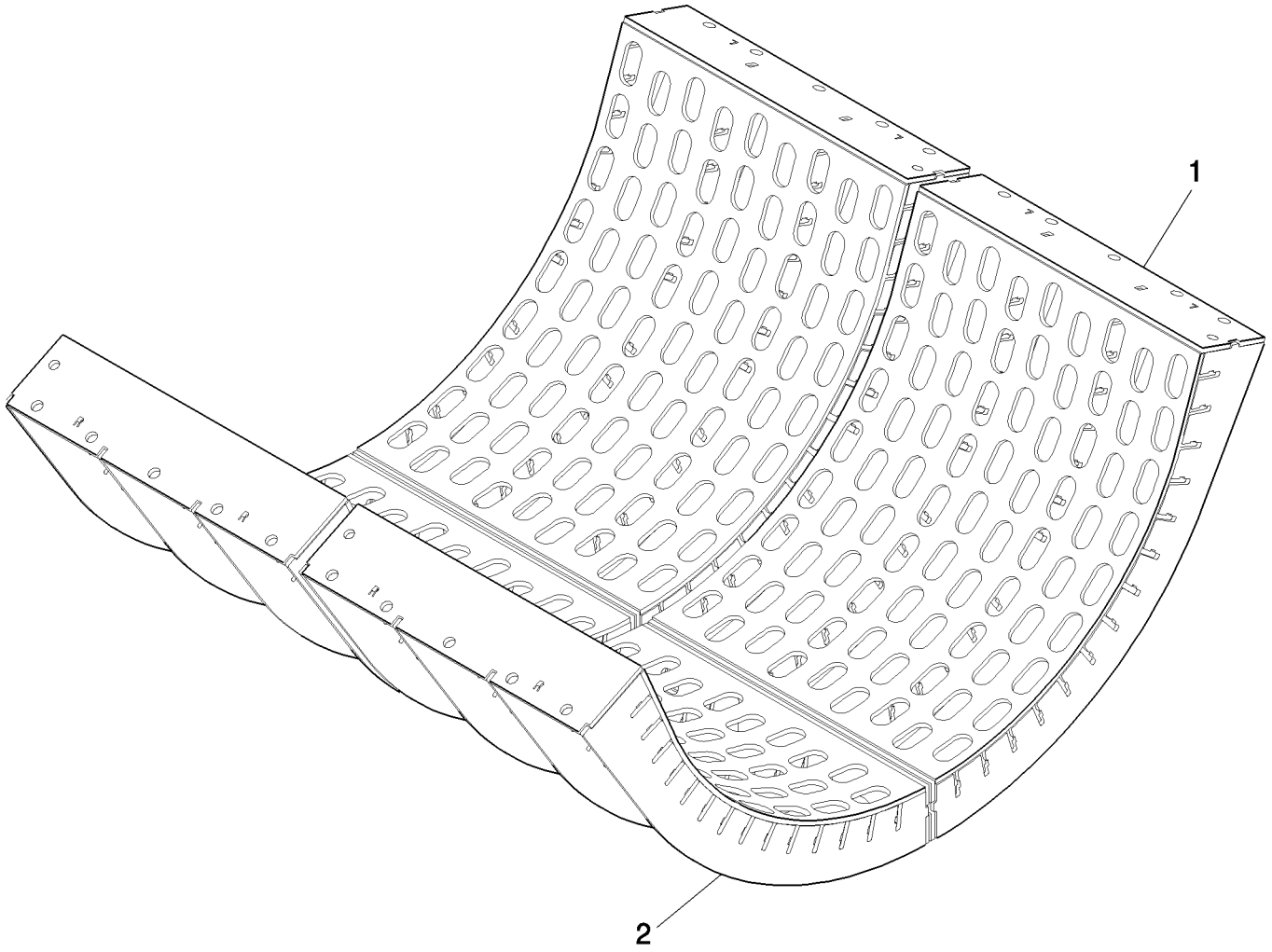
**7120 7120 8120 9120
8120**

66.105.12

p1

02/10

CONCAVES, SLOTTED

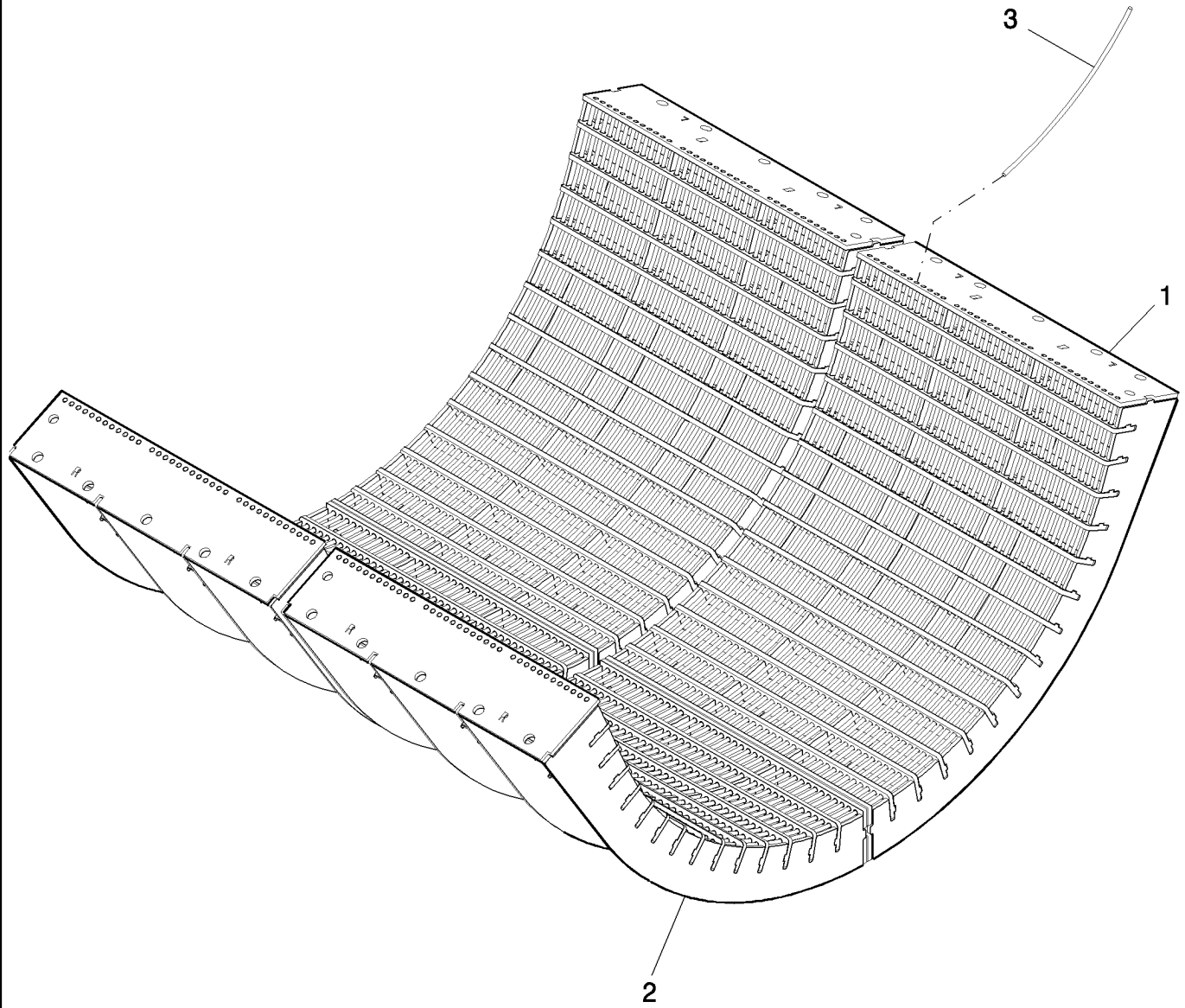


CONCAVES, SLOTTED

REF	FN	PART NUMBER	YR/SN	QTY	DESCRIPTION
1		87000774		2	CONCAVE, R.H.
2		87000772		2	CONCAVE, L.H.
3		84084751		2	DIA KIT, HARVESTER, Includes Ref 1(1) & Ref 2(1)

**7120 7120 9120 8120
8120**

CONCAVES, SMALL GRAIN



66.105.13

p1

10/09

CONCAVES, SMALL GRAIN

REF	FN	PART NUMBER	YR/SN	QTY	DESCRIPTION
1		84182108		2	CONCAVE, L.H., Hardened (Red)
2		84182109		2	CONCAVE, R.H., Hardened (Red)
3		86999063		36	WIRE, L.H., Small
3		86999062		36	WIRE, R.H., Small

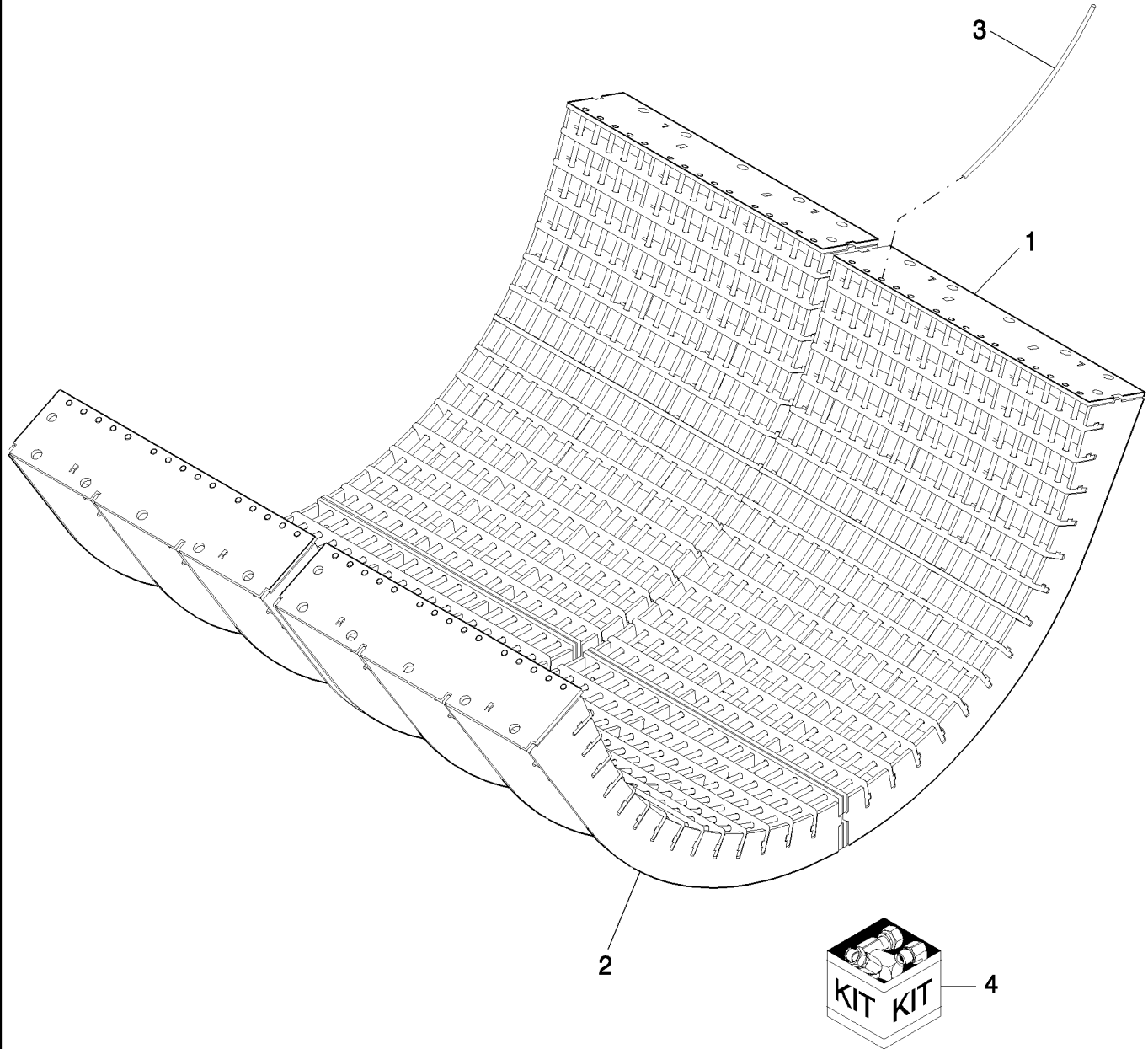
**7120 7120 9120 8120
8120**

66.105.16

p1

10/09

CONCAVES, CORN / BEAN



CONCAVES, CORN / BEAN

REF	FN	PART NUMBER	YR/SN	QTY	DESCRIPTION
1		86999090		2	CONCAVE, L.H.
1		84182110		2	CONCAVE, L.H., Hardened (Red)
2		86999097		2	CONCAVE, R.H.
2		84182111		2	CONCAVE, R.H., Hardened (Red)
3		86999096		15	WIRE, L.H., Large
3		86999101		15	WIRE, R.H., Large
4		84084750		AR	DIA KIT, HARVESTER, Incl Ref 1, 86976416 (1) & Ref 2, 86976414 (1)

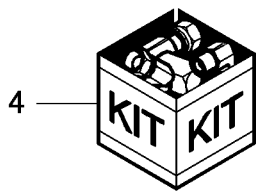
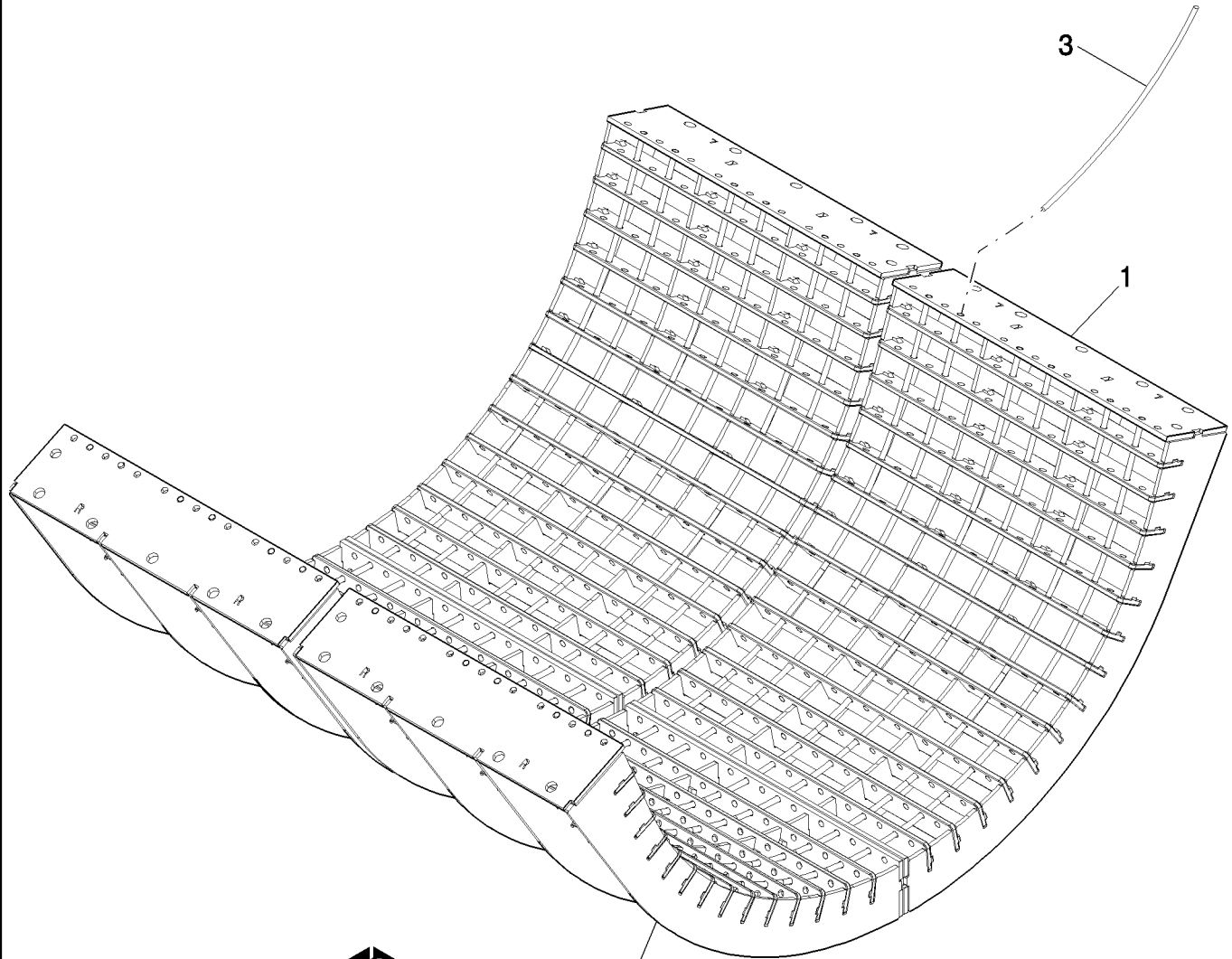
**7120 7120 9120 8120
8120**

66.105.17

p1

02/10

CONCAVES, CORN/BEAN - SKIP WIRE



CONCAVES, CORN/BEAN - SKIP WIRE

REF	FN	PART NUMBER	YR/SN	QTY	DESCRIPTION
1	1	87109198		AR	CONCAVE, L.H.
1	2	87612838		AR	CONCAVE, L.H.
2	1	87109201		AR	CONCAVE, R.H.
2	2	87612841		AR	CONCAVE, R.H.
3		86999096		6	WIRE, L.H., Large
3		86999101		6	WIRE, R.H., Large
4	1	84084944		AR	CONCAVE, Kit, Includes Ref 1 (1) & Ref 2 (1)
4	1	84084945		AR	CONCAVE, Kit, Includes Ref 1 (2) & Ref 2 (2)
4	2	87612843		AR	CONCAVE, Kit, Includes Ref 1 (2) & Ref 2 (2)

- (1) Standard
- (2) Extended Wear

**7120 7120 9120 8120
8120**

66.105.20

p1

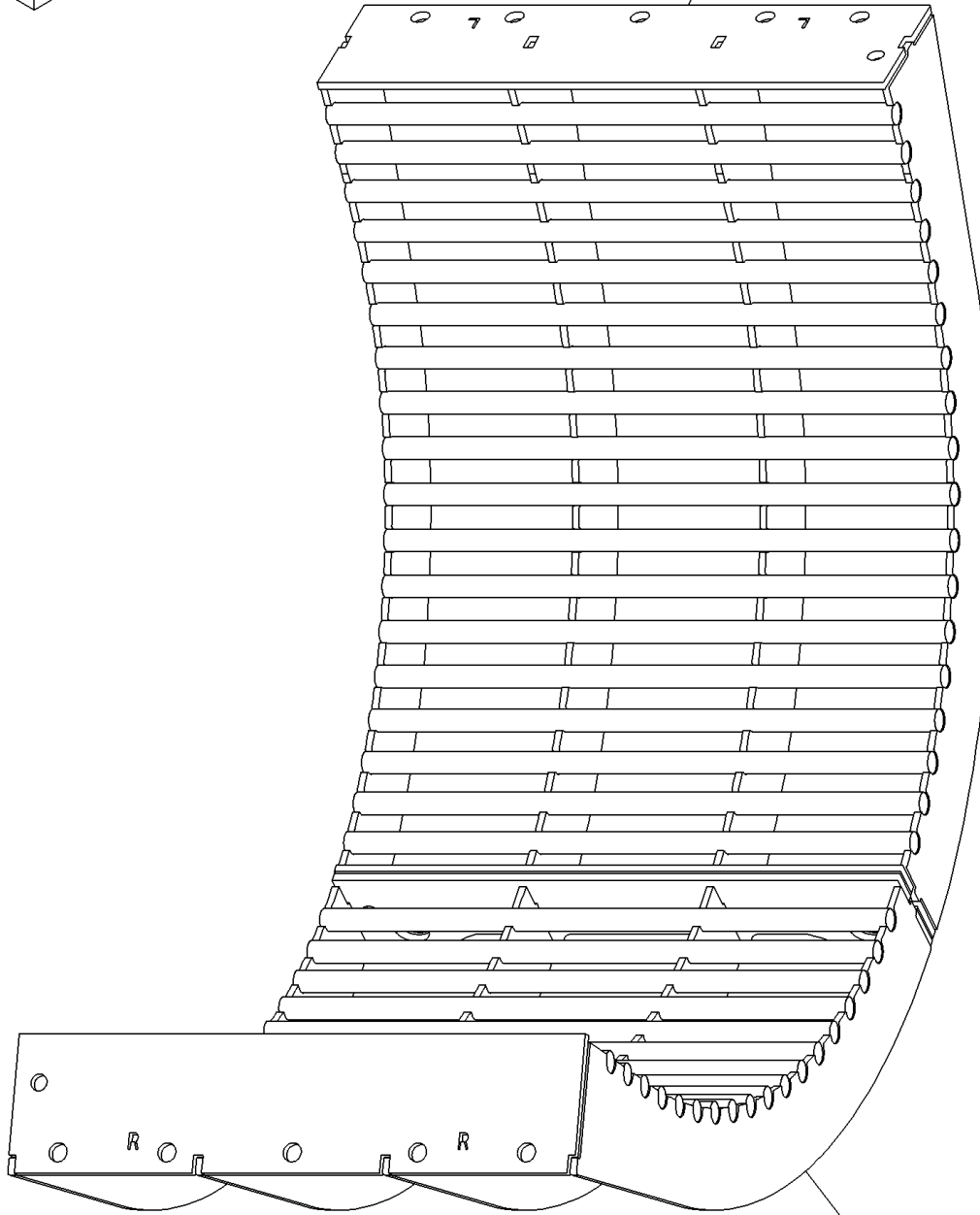
10/09

CONCAVE WITH ROUND BARS



3

1



2



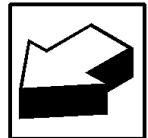
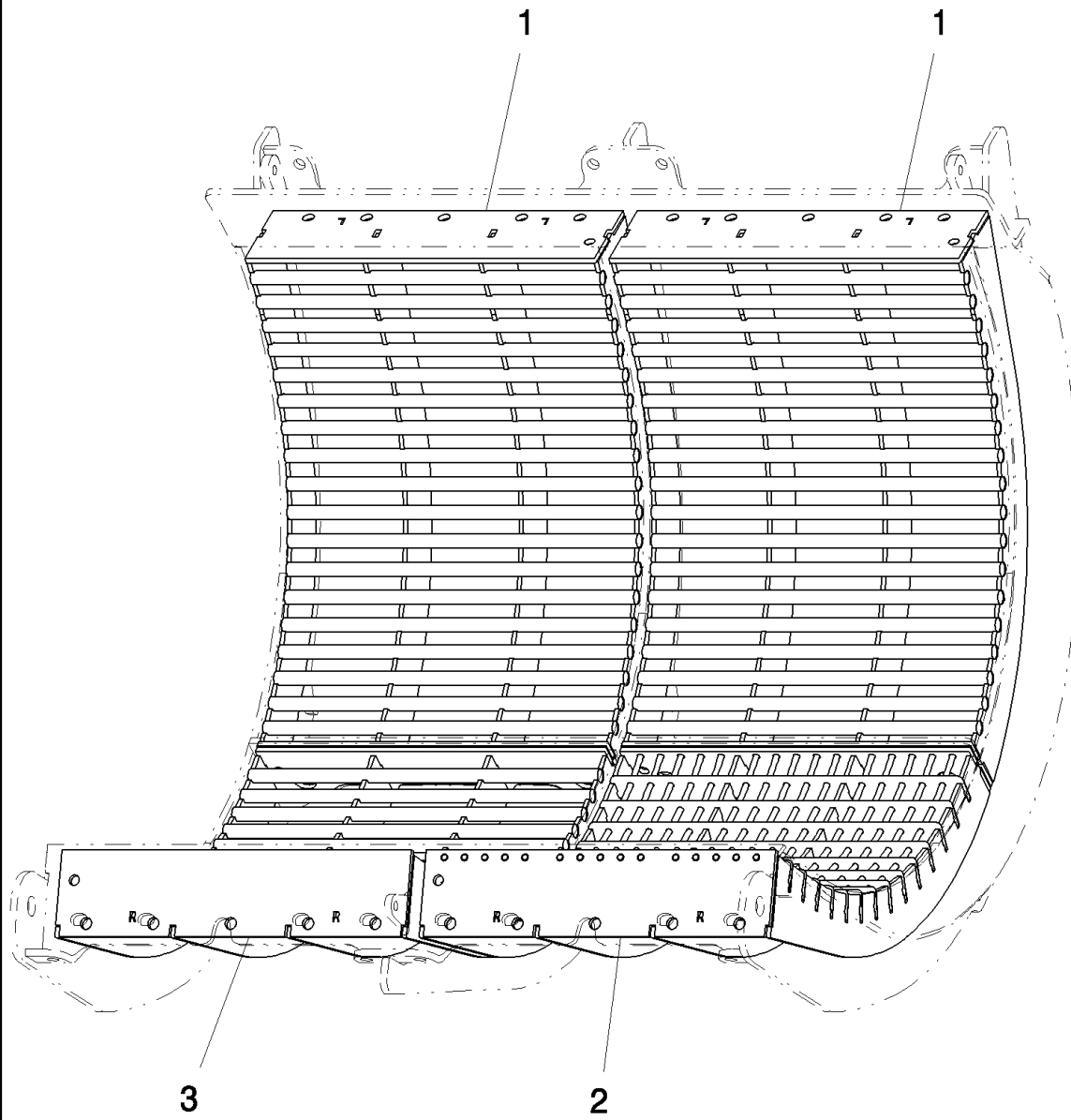
CONCAVE WITH ROUND BARS

REF	FN	PART NUMBER	YR/SN	QTY	DESCRIPTION
1	1	87282761		1	CONCAVE, L.H.
1	2	87600861		1	CONCAVE, L.H.
2	1	87282764		1	CONCAVE, R.H.
2	2	87600863		1	CONCAVE, R.H.
3	2	87612831		AR	CONCAVE, Kit; Incl Ref 1 (2), Ref 2 (2)

- (1) Standard
- (2) Extended Wear

**7120 7120 9120 8120
8120**

CONCAVES, ROUND BAR CORN/BEAN



66.105.23

p1

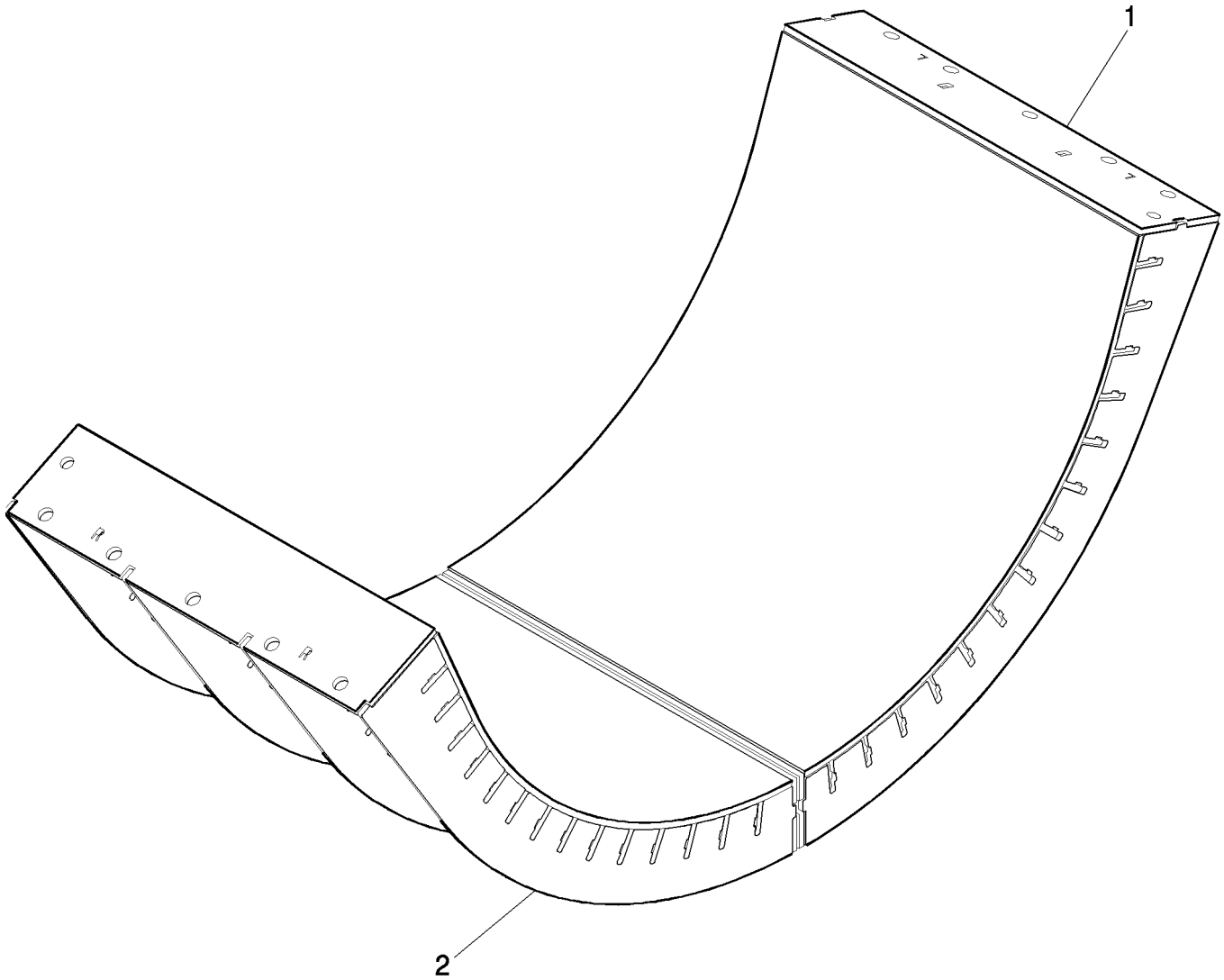
02/10

CONCAVES, ROUND BAR CORN/BEAN

REF	FN	PART NUMBER	YR/SN	QTY	DESCRIPTION
1		87282761		2	CONCAVE, Round Bar, L.H.
2		86999097		1	CONCAVE, Corn/Bean, R.H.
3		87282764		1	CONCAVE, Round Bar, R.H.

**7120 7120 9120 8120
8120**

CONCAVES, SMOOTH



66.105.25

p1

02/10

CONCAVES, SMOOTH

REF	FN	PART NUMBER	YR/SN	QTY	DESCRIPTION
------------	-----------	--------------------	--------------	------------	--------------------

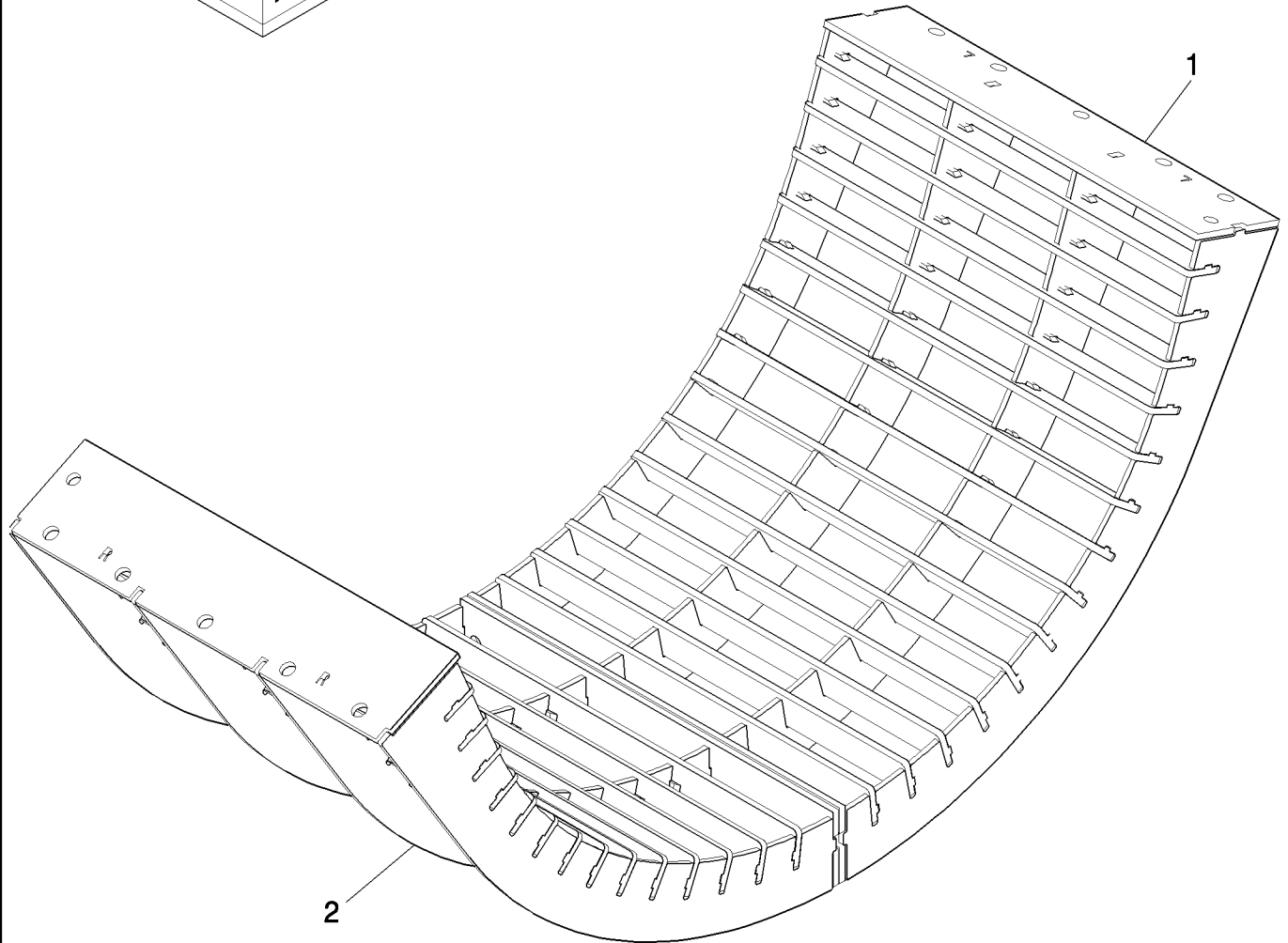
1		87106651		1	CONCAVE, L.H.
2		87106653		1	CONCAVE, R.H.

**7120 7120 9120 8120
8120**

CONCAVES, STANDARD BAR



3
4



66.105.26

p1

02/10

CONCAVES, STANDARD BAR

REF	FN	PART NUMBER	YR/SN	QTY	DESCRIPTION
1		86999103		AR	CONCAVE, L.H., Small Grain
2		86999108		AR	CONCAVE, R.H., Standard
3		84084753		AR	DIA KIT, HARVESTER, Concave, Standard Bar; Includes Ref 1(1) & Ref 2(1)
4		84084890		AR	CONCAVE, Kit, Standard Bar; Includes Ref 1(2) & Ref 2(2)

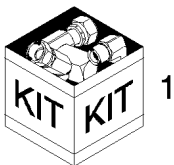
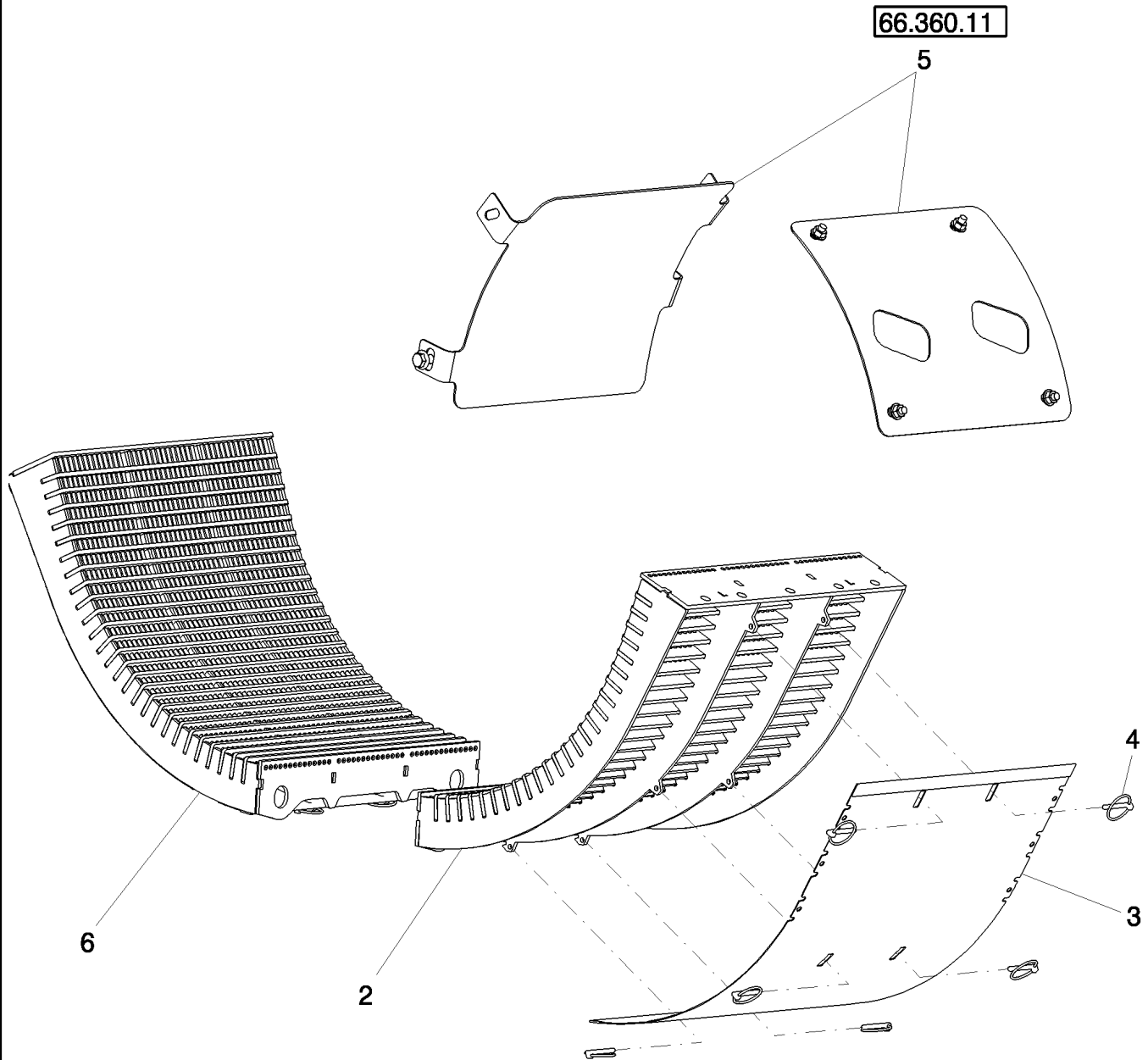
**7120 7120 9120 8120
8120**

66.105.28

p1

10/09

KIT, HARD THRESHING



66.105.28

p1

10/09

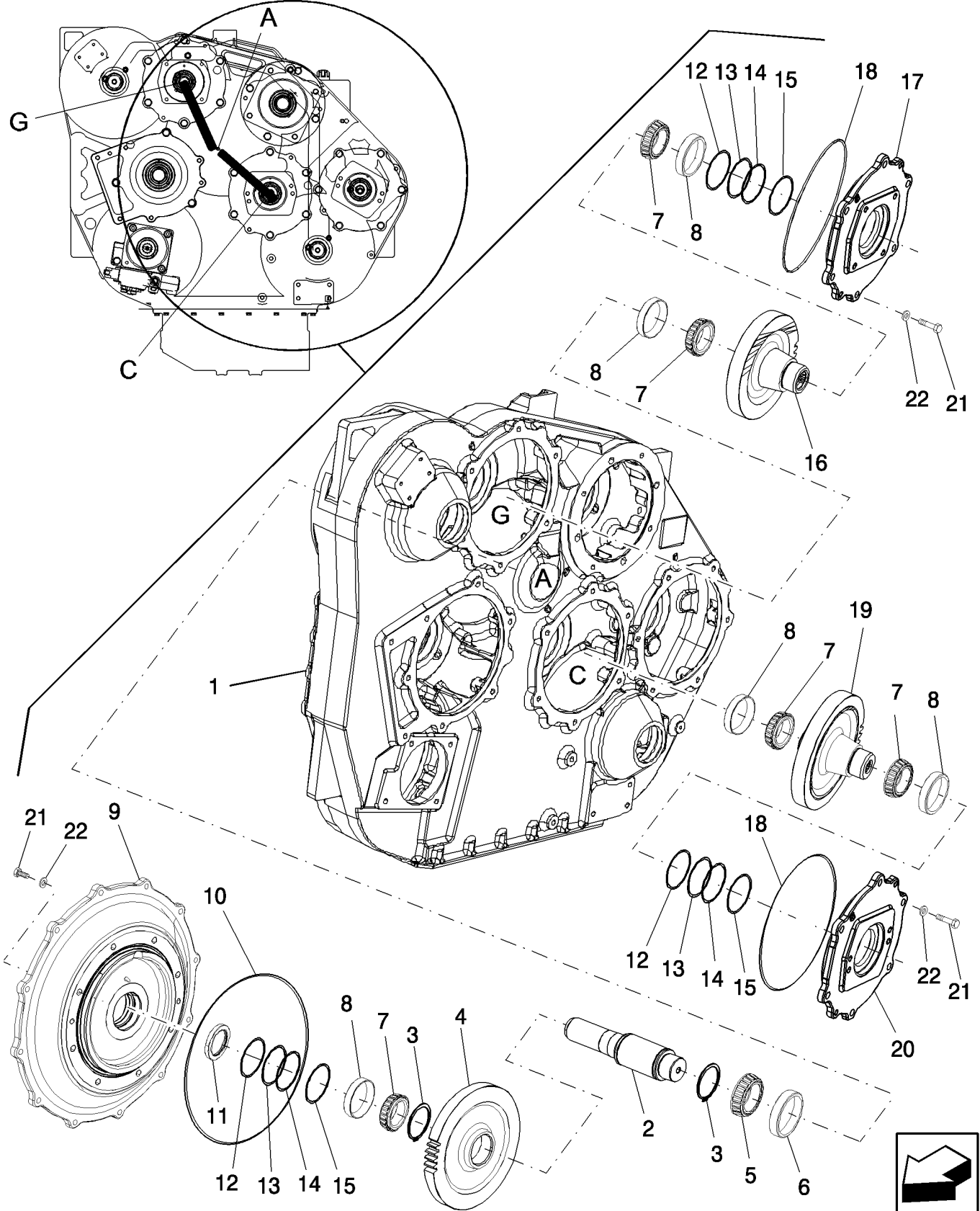
KIT, HARD THRESHING

REF	FN	PART NUMBER	YR/SN	QTY	DESCRIPTION
1		87748389		1	SERVICE KIT, Hard Thresh
2		87741402		1	CONCAVE, L.H.
3		87748386		2	COVER
4		270184		12	LINCH PIN
5		87584185		1	SERVICE KIT, Rotor Cage Filler Plate
6		87741400		1	CONCAVE, R.H.

Provides Improved Wheat Threshing For Some Varieties & Conditions

**7120 7120 9120 8120
8120**

PTO, INPUT SHAFT, ENGINE GEARBOX

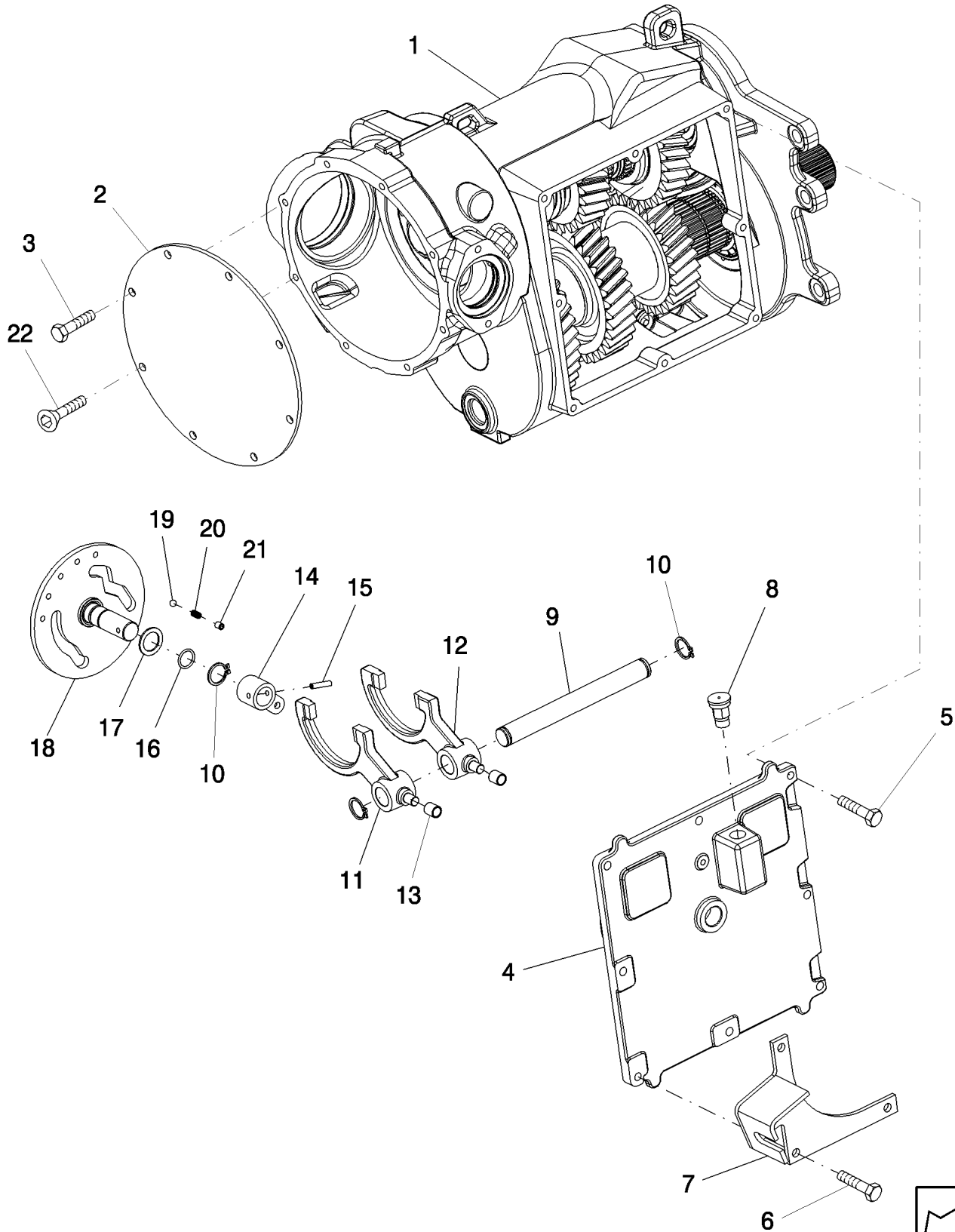


PTO, INPUT SHAFT, ENGINE GEARBOX

REF	FN	PART NUMBER	YR/SN	QTY	DESCRIPTION
1		87643499		1	HOUSING
2		397688A1		1	SHAFT, Input
3		100-11262		2	SNAP RING, #262, Ext
4		86975202		1	GEAR, Input, 58T
5		PO12993		1	BEARING CONE
6		22365V		1	BEARING CUP
7		364463C91		AR	BEARING CONE
8		364462C1		AR	BEARING CUP
9		397675A1		1	COVER, Input, SAE 1
10		238-5277		1	O-RING, -277, 70 Duro, 11.484" ID x .139" Thk
11		87618406		1	SEAL, Lip
12		378154A1		AR	SHIM
13		378155A1		AR	SHIM
14		378156A1		AR	SHIM
15		378157A1		AR	SHIM
16		86975207		1	GEAR, 42T
17		86975218		1	FLANGE
18		238-5272		2	O-RING, -272, 70 Duro, 9.484" ID x .139" Thk
19		86975204		1	GEAR, 48T
20		87107642		1	FLANGE
21		628-12035		AR	SCREW, Hex, M12 x 35, 10.9, Full Thd
22		896-12012		AR	WASHER, M12 x 24.5 x 3, HT

8120 9120 7120 7120
8120

SHIFTING COMPONENTS, ROTOR GEARBOX

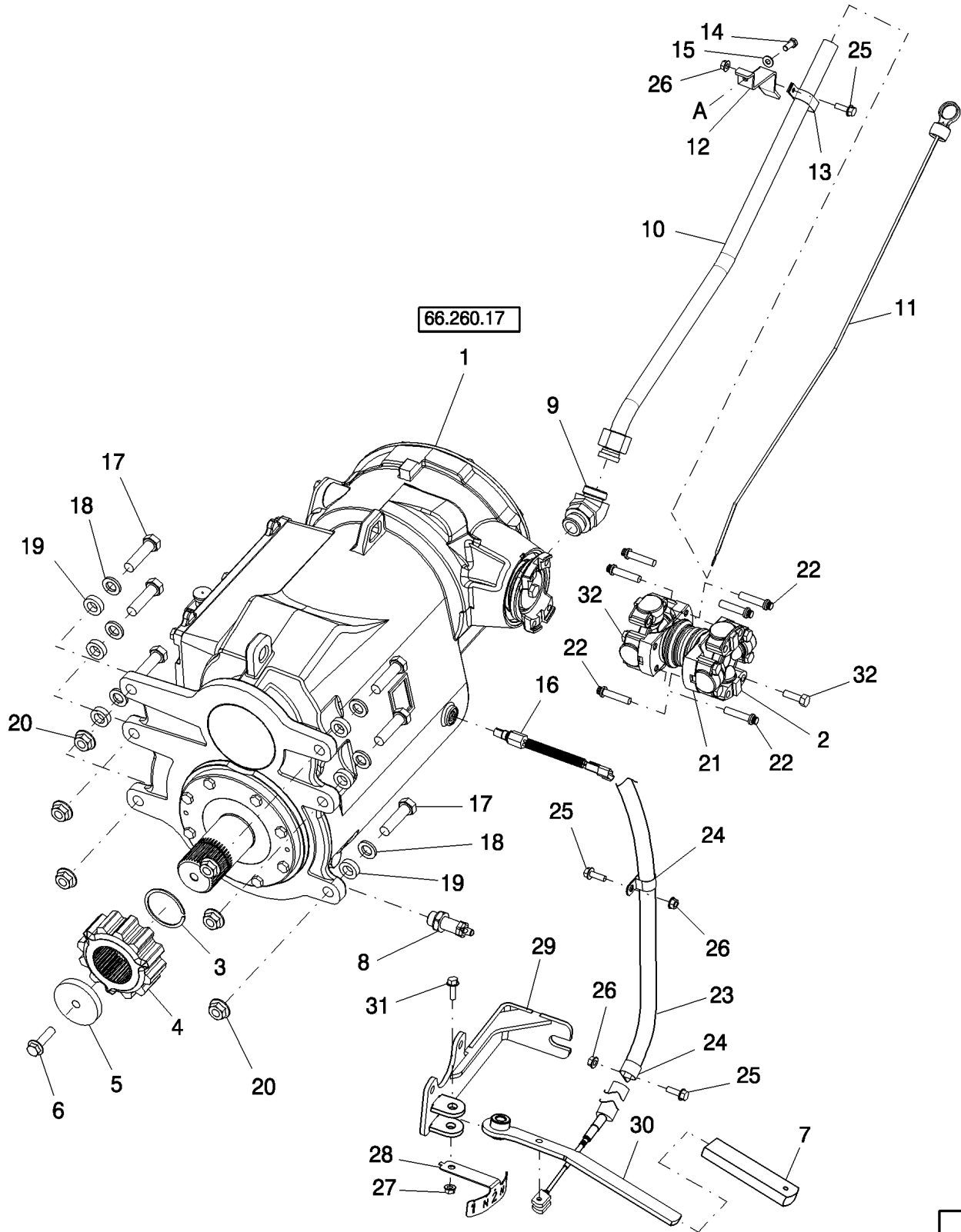


SHIFTING COMPONENTS, ROTOR GEARBOX

REF	FN	PART NUMBER	YR/SN	QTY	DESCRIPTION
1		87282569		1	HOUSING
2		87673484		1	COVER, Rear
3		87015732		7	BOLT, Hex, M10 x 20, 10.9, Full Thd
4		87280566		1	COVER, Side
5		87015733		5	BOLT
6		87015734		3	BOLT
7		87280961		1	BRACKET, Shift Cable
8		87283549		1	BREATHER
9		87280505		1	SHIFT RAIL
10		800-5125		3	CIRCLIP, M25, Ext
11		87280503		1	SHIFTER FORK
12		87281245		1	SHIFTER FORK, 2ND & 3RD Gear
13		87281117		2	BUSHING
14		87280568		1	LEVER
15		86979985		1	PIN, M6 x 30, Coiled
16		14457580		1	O-RING, -117, 70 Duro, .799" ID x .103" Thk
17		87034239		1	WASHER
18		87719018		1	PLATE ASSY., Shift
19		86642304		1	BALL, 5/16" Dia
20		87281285		1	SPRING, Compression
21		878-10810		1	SET SCREW, Hex Soc, M8 x 10 Cup Pt
22		725583		1	SCREW

**7120 7120 8120 9120
8120**

GEARBOX, ROTOR - 3 SPEED



GEARBOX, ROTOR - 3 SPEED

REF	FN	PART NUMBER	YR/SN	QTY	DESCRIPTION
1	1	87696391		1	GEARBOX ASSY, Rotor, Three Speed
1	2	87687514		1	GEARBOX ASSY, Rotor, Three Speed
2	1	258854A2		2	U-JOINT SPIDER
2	2	259076A2		2	U-JOINT SPIDER
3		87016255		1	SNAP RING, #250, 2.356, Ext
4		86980985		1	COUPLING, Center Rotor, Inner
5		87000091		1	WASHER
6		87018388		1	BOLT, Hex Flg, M12 x 45, 10.9
7		357545		1	HANDLE GRIP
8		87485712		1	DRAINCOCK/TAP SUPPLY
9		86639054		1	ELBOW, 45°, 1 7/16"-12 ORFS x M33 x 2 ORB, 45°
10		87553424		1	TUBE ASSY., Rotor Gearbox Dipstick
11		84153776		1	DIPSTICK
12	3	87106209		1	BRACKET
13		600427		1	CLAMP
14		120104		1	BOLT, Hex, M8 x 20, 8.8
15		322358		1	BELLEVILLE WASHER, M8
16		87105603		1	SENSOR, Feeder Speed
17		87017895		6	BOLT, Hex, M16 x 60, 10.9, Full Thd
18		86625266		6	WASHER, M17.5 x 30 x 4, HT
19		87106105		6	SPACER
20		86981464		6	NUT, M16 x 2, Flg, CI 10
21	1	87109129		1	DRIVE SHAFT, Includes Ref 2 & 32, As Indicated
21	2	87655130		1	SHAFT, Includes Ref 2 & 32, As Indicated
22		87017891		8	SCREW, 12 Pt Hd, M10 x 45, 12.9
23		86998008		1	CABLE
24		9827902		2	CLAMP, 1", Insul, 3/8" Bolt
25		844-8025		3	BOLT, Hex Flg, M8 x 25, 8.8
26		9804277		3	NUT, M8 x 1.25, Flg, CI 8
27		412126		1	LOCK NUT, M12 x 1.75, CI 8
28		87106667		1	INDICATOR, Gear
29		87107830		1	BRACKET, Shift Cable

(1) 7120 & 8120 Only

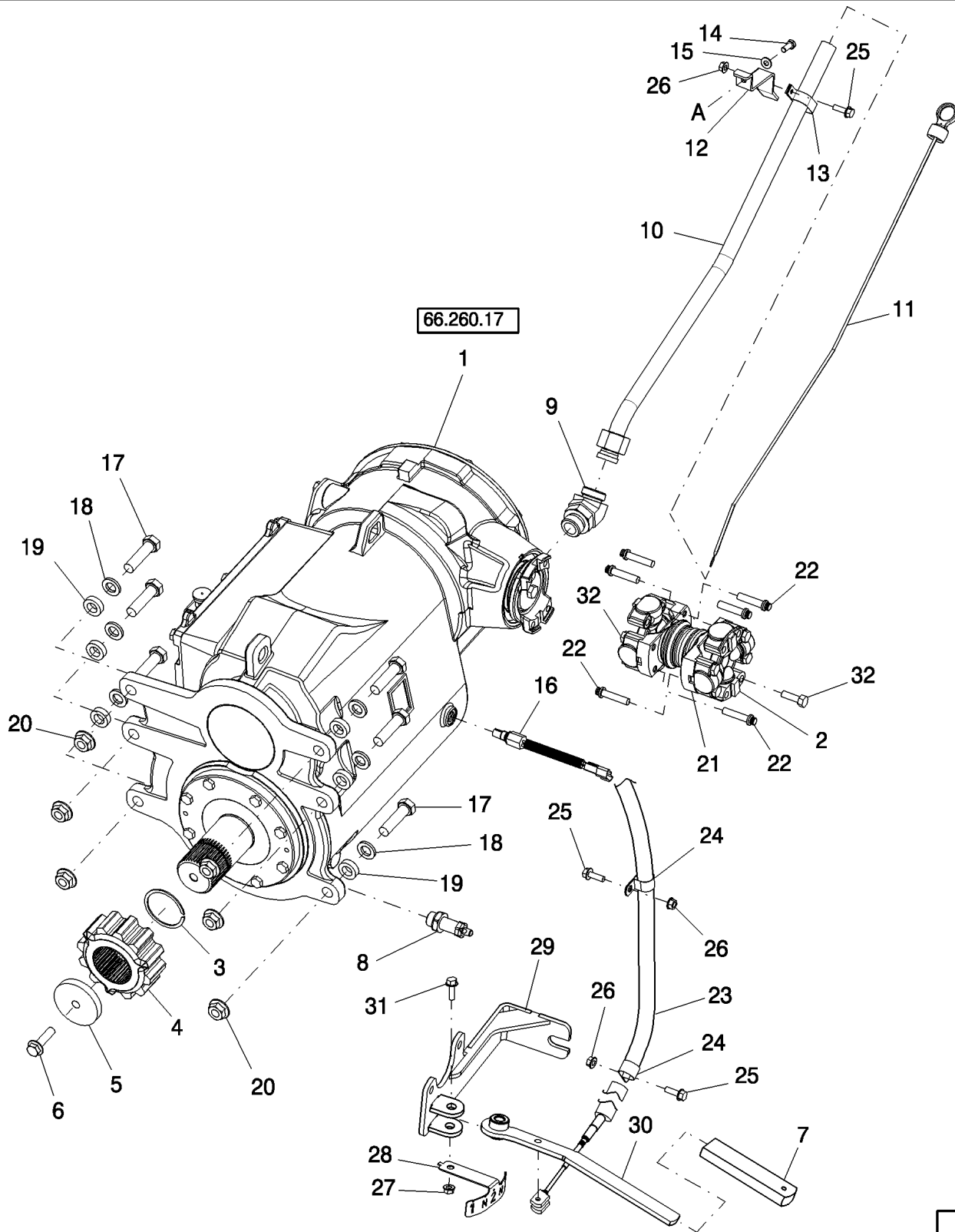
(2) 9120 Only

(3) 8120 & 9120 Only

A = Bolts To Engine

7120 7120 8120 9120
8120

GEARBOX, ROTOR - 3 SPEED



66.260.21

p2

02/10

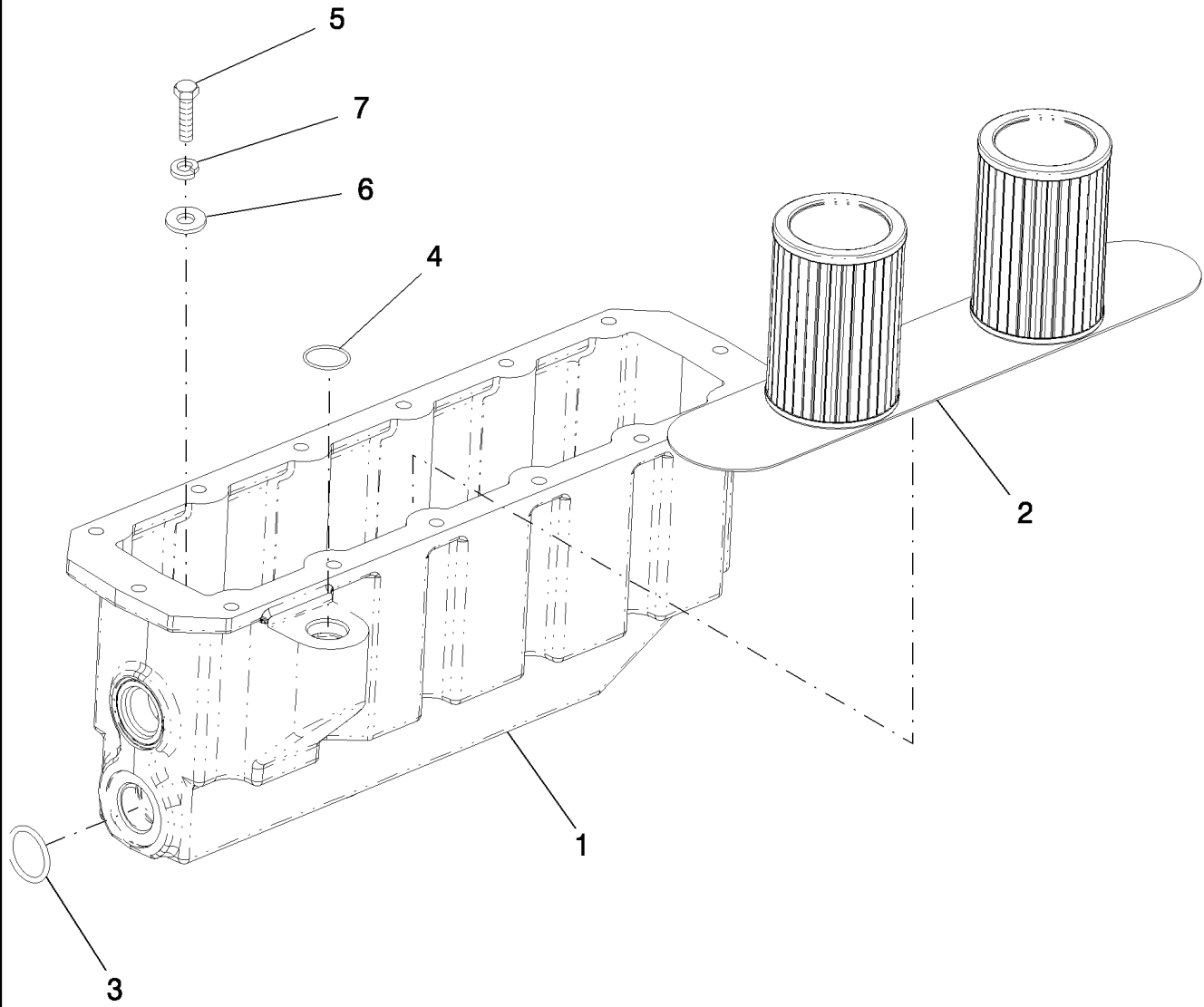
GEARBOX, ROTOR - 3 SPEED

REF	FN	PART NUMBER	YR/SN	QTY	DESCRIPTION
30		87107827		1	LEVER, Shift
31		9706693		1	BOLT, Hex, M12 x 60, 8.8
32		87015535		8	BOLT, Hex, M10 x 45, 10.9

A = Bolts To Engine

**7120 7120 8120 9120
8120**

PAN, PTO GEARBOX

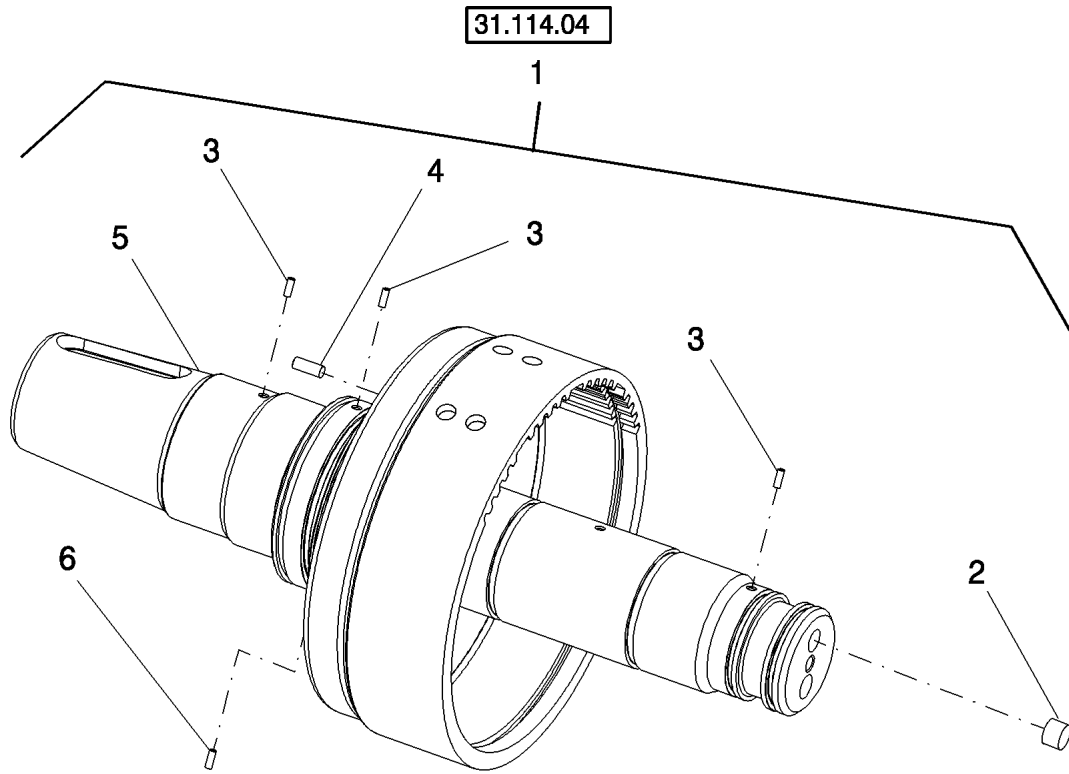


PAN, PTO GEARBOX

REF	FN	PART NUMBER	YR/SN	QTY	DESCRIPTION
1		87108616		1	PAN, PTO - Incl Ref 1 thru 7
2		87107440		1	FILTER SCREEN
3		14463680		1	O-RING, -218, 70 Duro, 1.234" ID x .139" Thk
4		238-5022		1	O-RING, -022, 70 Duro, .989" ID x .070" Thk
5		614-6012		2	BOLT, Hex, M6 x 12, 8.8
6		895-11006		2	WASHER, M6
7		892-11006		2	LOCK WASHER, M6

**8120 9120 7120 7120
8120**

SHAFT, CLUTCH PTO



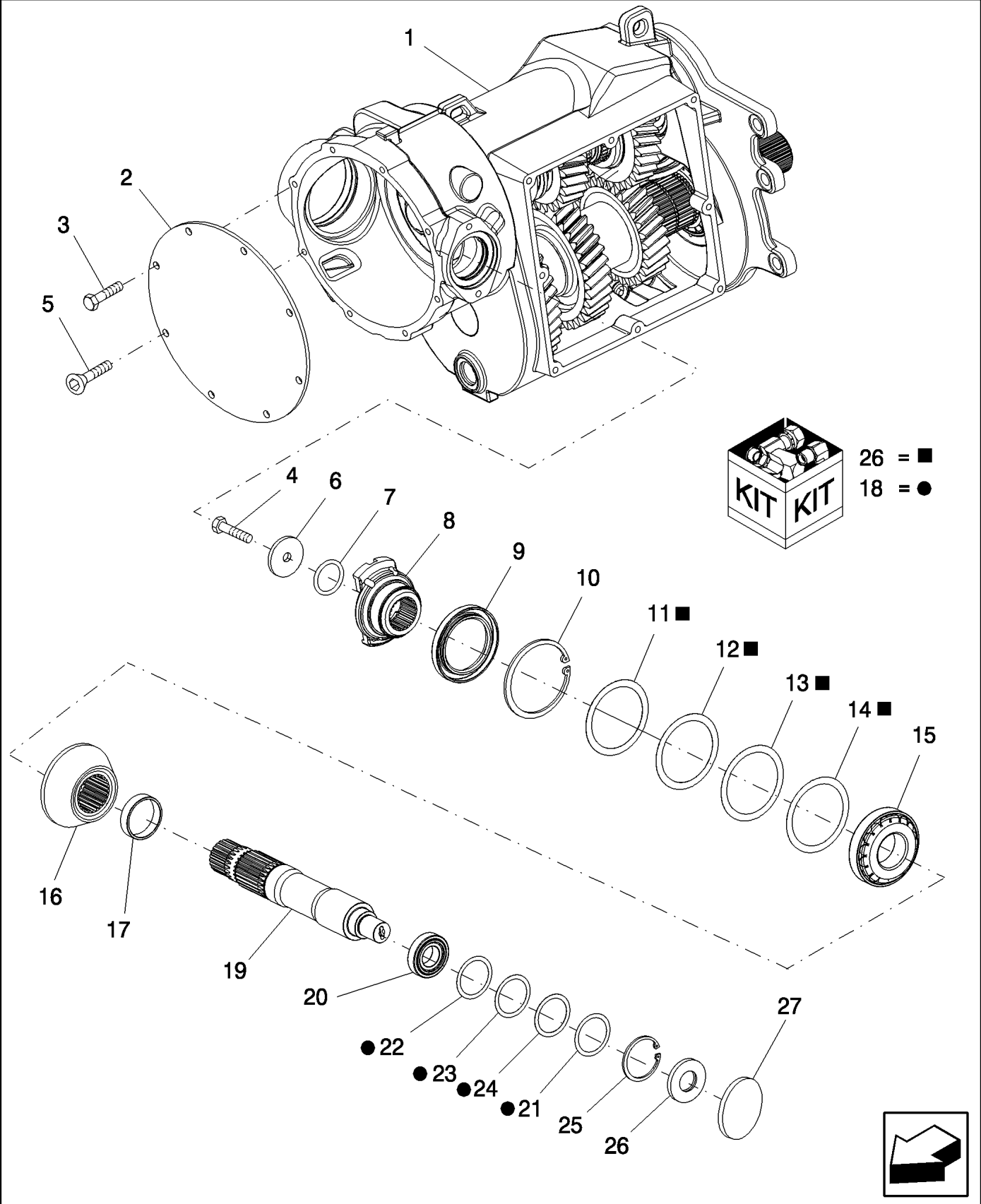
SHAFT, CLUTCH PTO

REF	FN	PART NUMBER	YR/SN	QTY	DESCRIPTION
1	1	87107563		1	SHAFT, Includes Ref 2 thru 6
1	2	87394766		1	SHAFT, Includes Ref 2 thru 6
2		87520607		1	PLUG
3		38-3605		3	PIN, 3/32" x 5/16", Coiled
4		31263R1		2	DOWEL, M4 x 12
5		NSS		1	NOT SERVICED SEPARATELY, Shaft
6		932625R1		1	LOCK PIN, M3 x 8, Slotted

(1) Component of Kit 84223960
 (2) Beater/Chopper Drive

**8120 9120 7120 7120
8120**

INPUT SHAFT & GEARS, ROTOR GEARBOX



INPUT SHAFT & GEARS, ROTOR GEARBOX

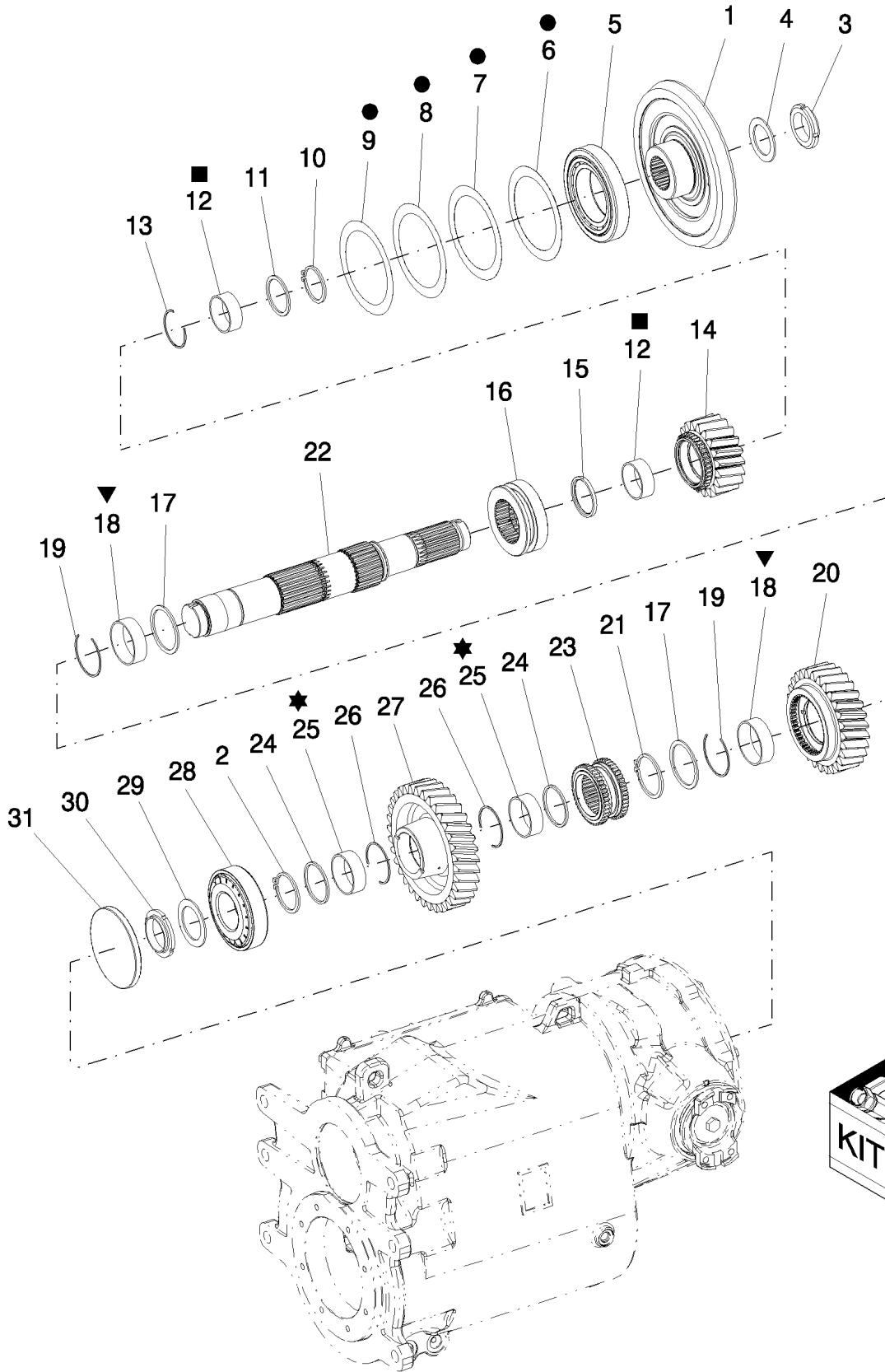
REF	FN	PART NUMBER	YR/SN	QTY	DESCRIPTION
1		87282569		1	HOUSING
2		87673484		1	COVER, Rear
3		628-10020		7	BOLT, Hex, M10 x 20, 10.9, Full Thd
4		87015736		1	BOLT, Hex, M12 x 30, 10.9, Full Thd
5		725583		1	SCREW
6		86975743		1	WASHER, Shaker Drive
7		104258		1	O-RING, -326, 70 Duro, 1.600" ID x .210" Thk
8	1	87280573		1	YOKE, Input Shaft
8	2	87657887		1	YOKE, Input Shaft
9		87280576		1	OIL SEAL, 75 x 110 x 13
9		84192176		1	SEAL, 75 x 110 x 12, replaces 87280576
10		301652		1	SNAP RING, M110, Int, Retaining, Internal
11		87033537		1	SHIM, 0.5
12		87033536		1	SHIM, 0.3
13		87033535		1	SHIM, 0.15
14		87033534		1	SHIM, 0.10
15		87280574		1	TAPERED ROLLER BEARING
16		87688722		1	GEAR SET, Bevel
17		87280577		1	SPACER
18		87281004		1	SHIM KIT
19		87684709		1	SHAFT
20		87280575		1	TAPERED ROLLER BEARING
21		87025487		1	SHIM, M50 ID x 62 OD x .1 Thk, 0.10
22		87033533		1	SHIM, 0.15
23		87025488		1	SHIM, M50 ID x 62 OD x .3 Thk, 0.30
24		87025489		1	SHIM, M50 ID x 62 OD x .5 Thk, 0.50
25		87040216		1	SNAP RING, M62, int
26		87281005		AR	SHIM KIT
27		87280587		AR	PLUG, Cover

(1) 7120 & 8120 Only

(2) 9120 Only

7120 7120 8120 9120
8120

TRANSFER SHAFT & GEARS, ROTOR GEARBOX

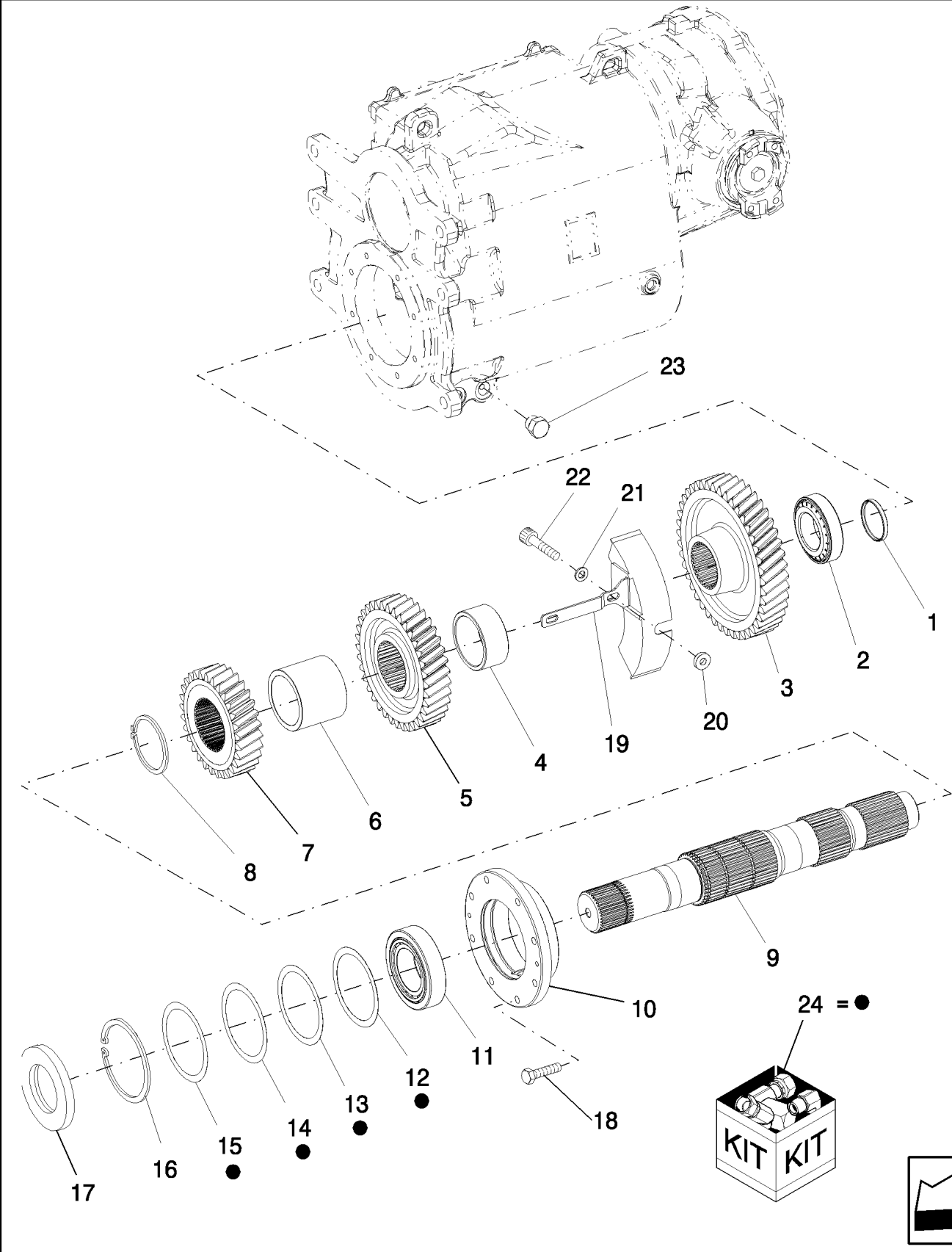


TRANSFER SHAFT & GEARS, ROTOR GEARBOX

REF	FN	PART NUMBER	YR/SN	QTY	DESCRIPTION
1		87688722		1	GEAR SET, Bevel
2		800-5155		2	SNAP RING, M55, Ext, Hvy, Retaining, External
3		87031062		1	LOCK NUT, M45 x 1.5, Stake
4		87281243		1	THRUST WASHER
5		87280579		1	TAPERED ROLLER BEARING
6		87033548		1	SHIM, 0.50
7		87033546		1	SHIM, 0.30
8		87033545		1	SHIM, 0.15
9		87033544		1	SHIM, 0.10
10		800-5155		1	SNAP RING, M55, Ext, Hvy
11		87684703		1	THRUST WASHER
12		87280994		2	NEEDLE BEARING
13		87280998		2	SNAP RING
14		87684701		1	GEAR, Driver
15		87684704		1	THRUST WASHER
16		87282384		1	COLLAR, Shift, 1st Gear
17		87282385		2	WASHER
18		87280992		2	NEEDLE BEARING
19		87280999		2	SNAP RING
20		87282386		1	GEAR, 2nd, 28T
21		86625143		1	RING, Snap, External
22		87684680		1	SHAFT, Intermediate
23		87280583		1	COLLAR, Shift, 2nd & 3rd Gear
24		87282496		2	THRUST WASHER
25		87280994		2	NEEDLE BEARING
26		87280998		2	SNAP RING, Internal
27		87684677		1	GEAR, 3rd, 34T
28		86509784		1	BEARING ASSY
29		87031063		1	THRUST WASHER
30		87020897		1	NUT, M50 x 1.5, Stake
31		375413A1		1	CAP, Cover
32		87743037		1	SHIM KIT
33		87282441		1	KIT
34		87282440		1	KIT
35		87282441		1	KIT

7120 7120 8120 9120
8120

OUTPUT SHAFT & GEARS, ROTOR GEARBOX



OUTPUT SHAFT & GEARS, ROTOR GEARBOX

REF	FN	PART NUMBER	YR/SN	QTY	DESCRIPTION
1		87280587		1	PLUG
2		87280588		1	TAPERED ROLLER BEARING
3		87280589		1	GEAR, Driven
4		87280590		1	SPACER
5		87280591		1	GEAR, Driven
6		87280592		1	SPACER
7		87684678		1	GEAR, Driven
8		800-5180		1	SNAP RING, M80, Ext, Hvy, External
9		87280595		1	SHAFT, Output
10		87280597		1	PLATE ASSY., Bearing
11		87281035		1	TAPERED ROLLER BEARING
12		87033543		1	SHIM, 0.50
13		87033542		1	SHIM, 0.30
14		87033541		1	SHIM, 0.15
15		87033538		1	SHIM, 0.10
16		412270		1	SNAP RING, M120, Int, Internal
17		87020821		1	OIL SEAL
18		86625011		8	BOLT, Hex, M10 x 35, 10.9, Full Thd
19		87280599		1	SHIELD, WRAPPER
20		87281116		1	SPACER
21		86625252		2	WASHER, M10 x 21.5 x 2.5, HT
22		86625209		2	SCREW, Hex Soc Hd, M10 x 25, 12.9
23		87108781		1	PLUG, Magnetic, M22
24		87281006		1	SHIM KIT

**7120 7120 9120 8120
8120**

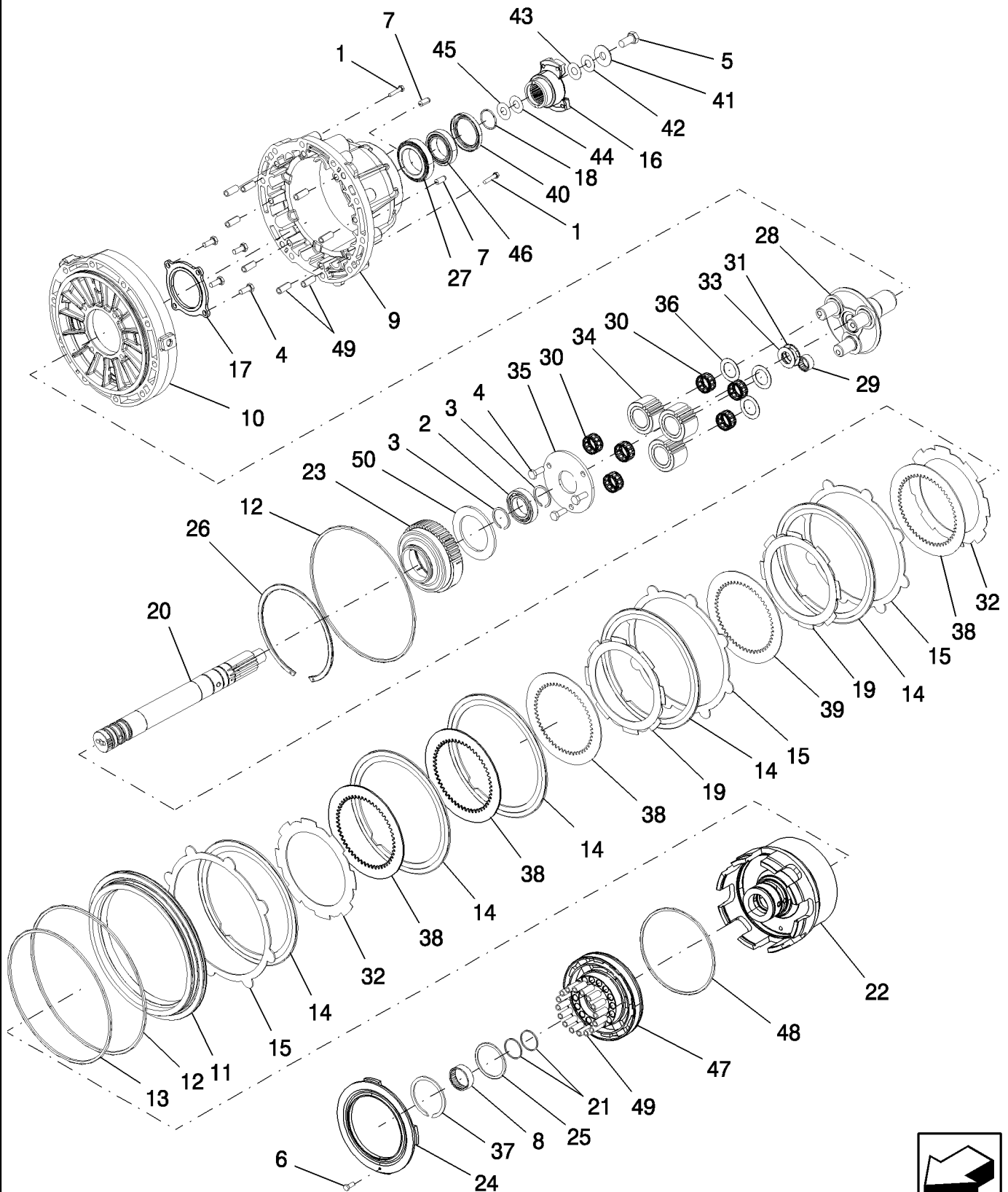
66.320.02

01

p1

02/10

ROTOR VARIATOR - 7120/7120(LA), 8120/8120(LA)



66.320.02

01

p1

02/10

ROTOR VARIATOR - 7120/7120(LA), 8120/8120(LA)

REF	FN	PART NUMBER	YR/SN	QTY	DESCRIPTION
1		43129		2	BOLT, Hex, M8 x 40, 8.8
2		A75193		1	BALL BEARING
3		87281477		2	SNAP RING
4		614-10025		7	BOLT, Hex, M10 x 25, 8.8, Full Thd
5		514-1021		1	BOLT, Hex, M16 x 1.5 x 35, 10.9, Full Thd
6		614-6010		1	BOLT, Hex, M6 x 10, 8.8, Full Thd
7		837-12030		2	DOWEL, M12 x 30
8		86996784		1	NEEDLE BEARING
9		87281492		1	HOUSING, Front
10		86999536		1	PLATE, Center
11		87281427		1	PISTON, Reverse
12		87281428		2	RING
13		87281429		1	RING
14		87281430		5	CLUTCH DRIVING PLATE
15		87281431		6	PLATE
16		87281433		1	YOKE
17		87281434		1	RETAINER
18		238-5223		1	O-RING, -223, 70 Duro, 1.609" ID x .139" Thk
19		375529A1		4	CLUTCH DISK
20		87675694		1	SHAFT
21		87587474		2	SEALRING
22		87281443		1	RING GEAR
23		87281445		1	HUB, Drive
24		87281446		1	PLATE, End
25		87281447		1	RING
26		87281501		1	SNAP RING
27		225805A1		1	ROLLER BEARING
28		87640687		1	SHAFT ASSY., Output
29		87678416		1	NEEDLE BEARING
30		87281504		6	NEEDLE BEARING
31		87281505		1	THRUST BEARING
32		375528A1		2	CLUTCH DISK
33		87281507		1	WASHER, THRUST
34		87281450		3	PLANETARY GEAR, 25 T
35		87281451		1	PLATE WASHER

8120 7120 7120 8120

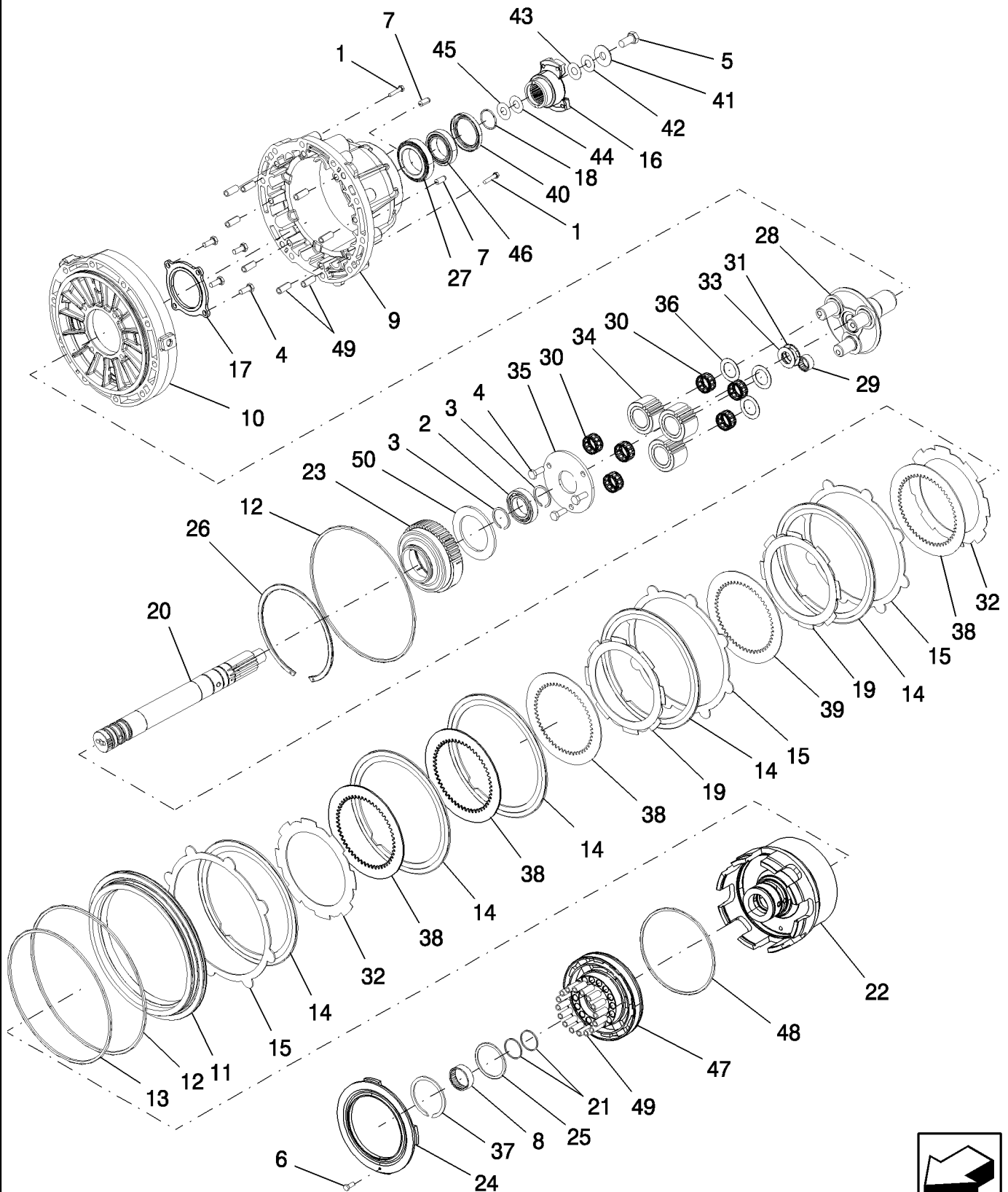
66.320.02

01

p2

02/10

ROTOR VARIATOR - 7120/7120(LA), 8120/8120(LA)



66.320.02

01

p2

02/10

ROTOR VARIATOR - 7120/7120(LA), 8120/8120(LA)

REF	FN	PART NUMBER	YR/SN	QTY	DESCRIPTION
36		87281508		3	WASHER, THRUST
37		428163A1		1	RING SNAP
38		S2080S00F		AR	CLUTCH DISK
39		S2090S00F		AR	CLUTCH DISK
40		S8820S00F		1	OIL SEAL
41		S8860S00F		1	THRUST WASHER
42		S9950S00F		AR	SHIM, .004" Thk, (0.10 mm)
43		S9960S00F		AR	SHIM, .012" Thk, (0.30 mm)
44		S9970S00F		AR	SHIM, .020" Thk, (0.51 mm)
45		S9980S00F		AR	SHIM, .028" Thk, (0.7 mm)
46		427662A1		1	TAPERED ROLLER BEARING
47		352833A1		1	PISTON
48		87431391		1	RING
49		352828A1		24	SPRING, Return
50		352827A1		1	PLATE

8120 7120 7120 8120

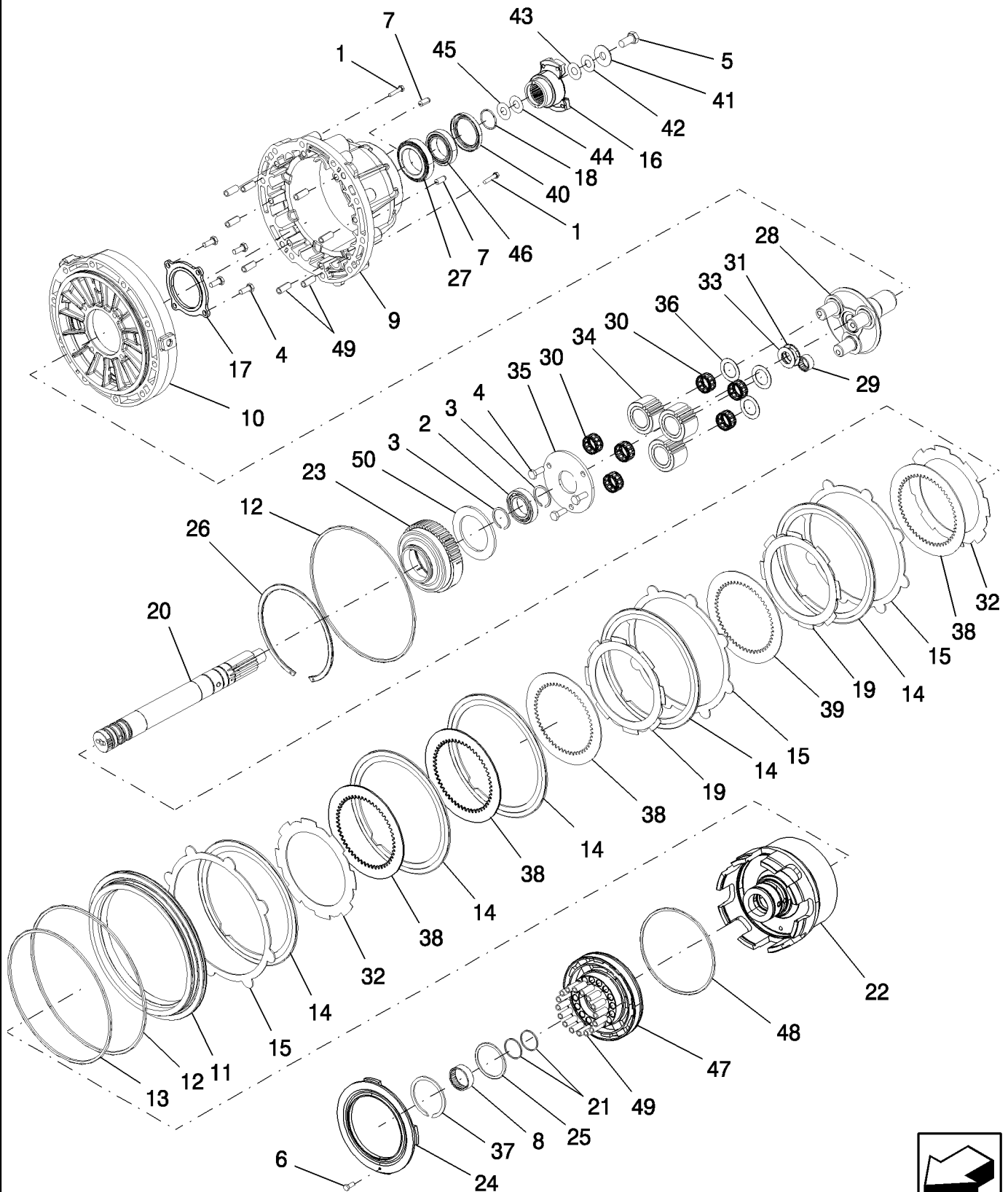
66.320.02

02

p1

02/10

ROTOR VARIATOR - 9120



66.320.02

02

p1

02/10

ROTOR VARIATOR - 9120

REF	FN	PART NUMBER	YR/SN	QTY	DESCRIPTION
1		43129		2	BOLT, Hex, M8 x 40, 8.8
2		A75193		1	BALL BEARING
3		87281477		2	SNAP RING
4		11106231		7	BOLT, Hex, M10 x 25, 10.9, Full Thd
5		86637960		1	BOLT, Hex, M16 x 1.5 x 35, 10.9, Full Thd
6		378056		1	BOLT, Hex, M6 x 10, 8.8, Full Thd
7		86978768		2	DOWEL, M12 x 30
8		86996784		1	NEEDLE BEARING
9		87281492		1	HOUSING, Front
10		86999536		1	PLATE, Center
11		87281427		1	PISTON, Reverse
12		87281428		2	RING
13		87281429		1	RING
14		87281430		5	CLUTCH DRIVING PLATE
15		87281431		6	PLATE
16		87640688		1	YOKE
17		87281434		1	RETAINER
18		66805		1	O-RING, -223, 70 Duro, 1.609" ID x .139" Thk
19		375529A1		4	CLUTCH DISK
20		87640685		1	SHAFT ASSY., Rotor Variator Sun
21		87587474		2	SEALRING
22		87640686		1	GEAR, Ring
23		87281445		1	HUB, Drive
24		87281446		1	PLATE, End
25		87281447		1	RING
26		87281501		1	SNAP RING
27		225805A1		1	ROLLER BEARING
28		87640687		1	SHAFT ASSY., Output
29		87678416		1	NEEDLE BEARING
30		87281504		6	NEEDLE BEARING
31		87281505		1	THRUST BEARING
32		375528A1		2	CLUTCH DISK
33		87281507		1	WASHER, THRUST
34		87281450		3	PLANETARY GEAR, 25 T
35		87281451		1	PLATE WASHER

9120

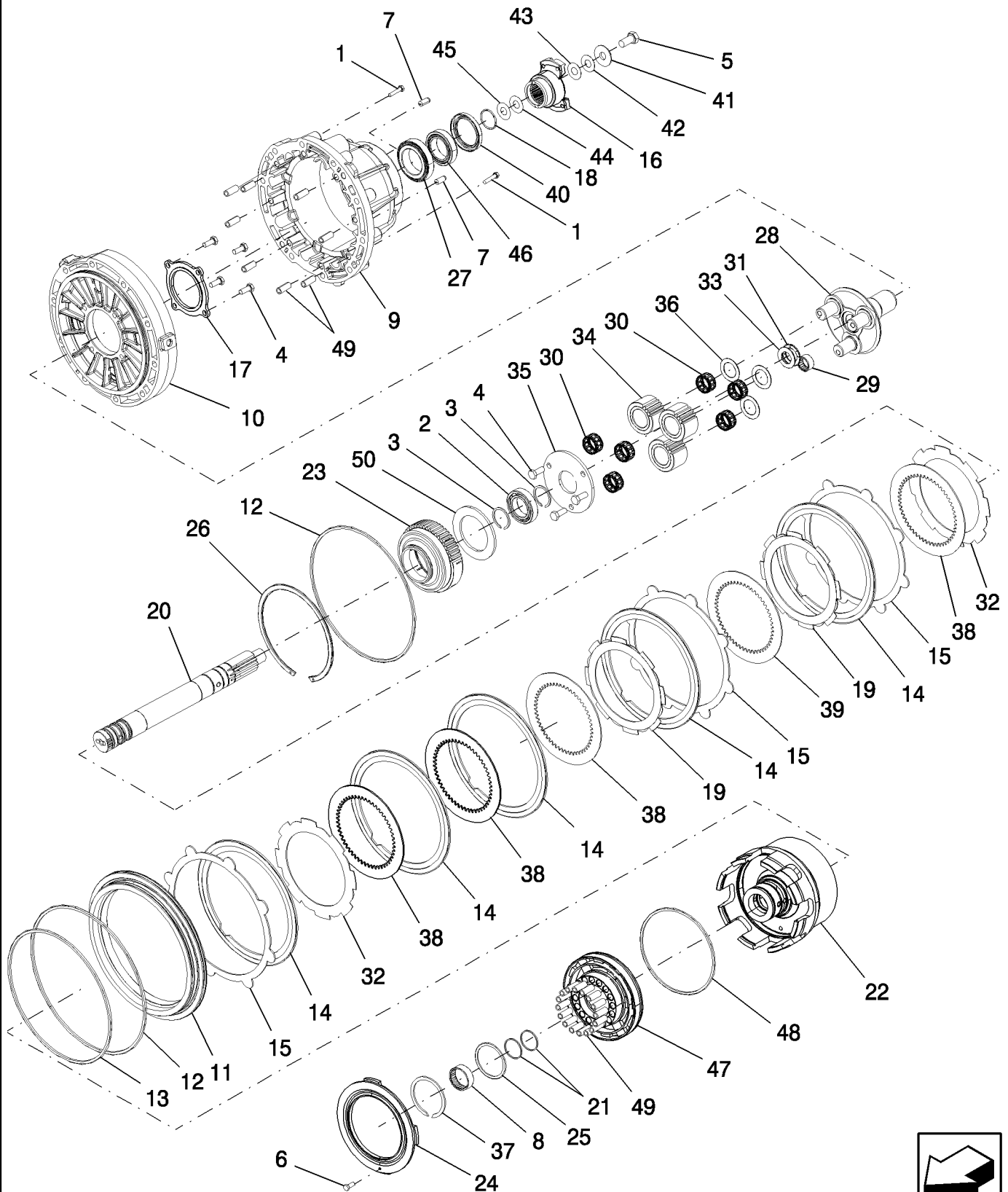
66.320.02

02

p2

02/10

ROTOR VARIATOR - 9120



66.320.02

02

p2

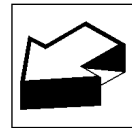
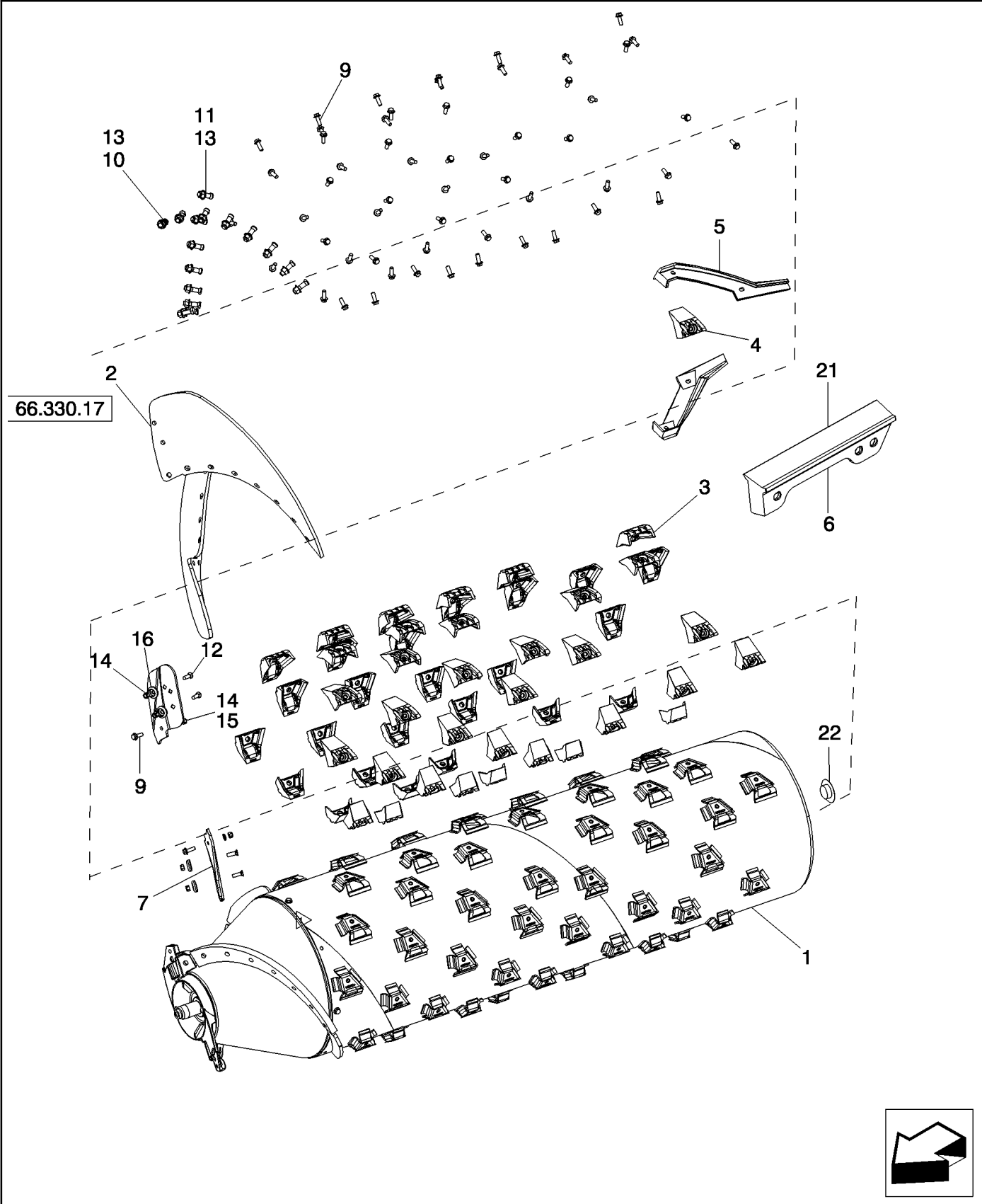
02/10

ROTOR VARIATOR - 9120

REF	FN	PART NUMBER	YR/SN	QTY	DESCRIPTION
36		87281508		3	WASHER, THRUST
37		428163A1		1	RING SNAP
38		S2080S00F		AR	CLUTCH DISK
39		S2090S00F		AR	CLUTCH DISK
40		S8820S00F		1	OIL SEAL
41		S8860S00F		1	THRUST WASHER
42		S9950S00F		AR	SHIM, .004" Thk, (0.10 mm)
43		S9960S00F		AR	SHIM, .012" Thk, (0.30 mm)
44		S9970S00F		AR	SHIM, .020" Thk, (0.51 mm)
45		S9980S00F		AR	SHIM, .028" Thk, (0.7 mm)
46		427662A1		1	TAPERED ROLLER BEARING
47		352833A1		1	PISTON
48		87431391		1	RING
49		352828A1		24	SPRING, Return
50		352827A1		1	PLATE

9120

ROTOR



ROTOR

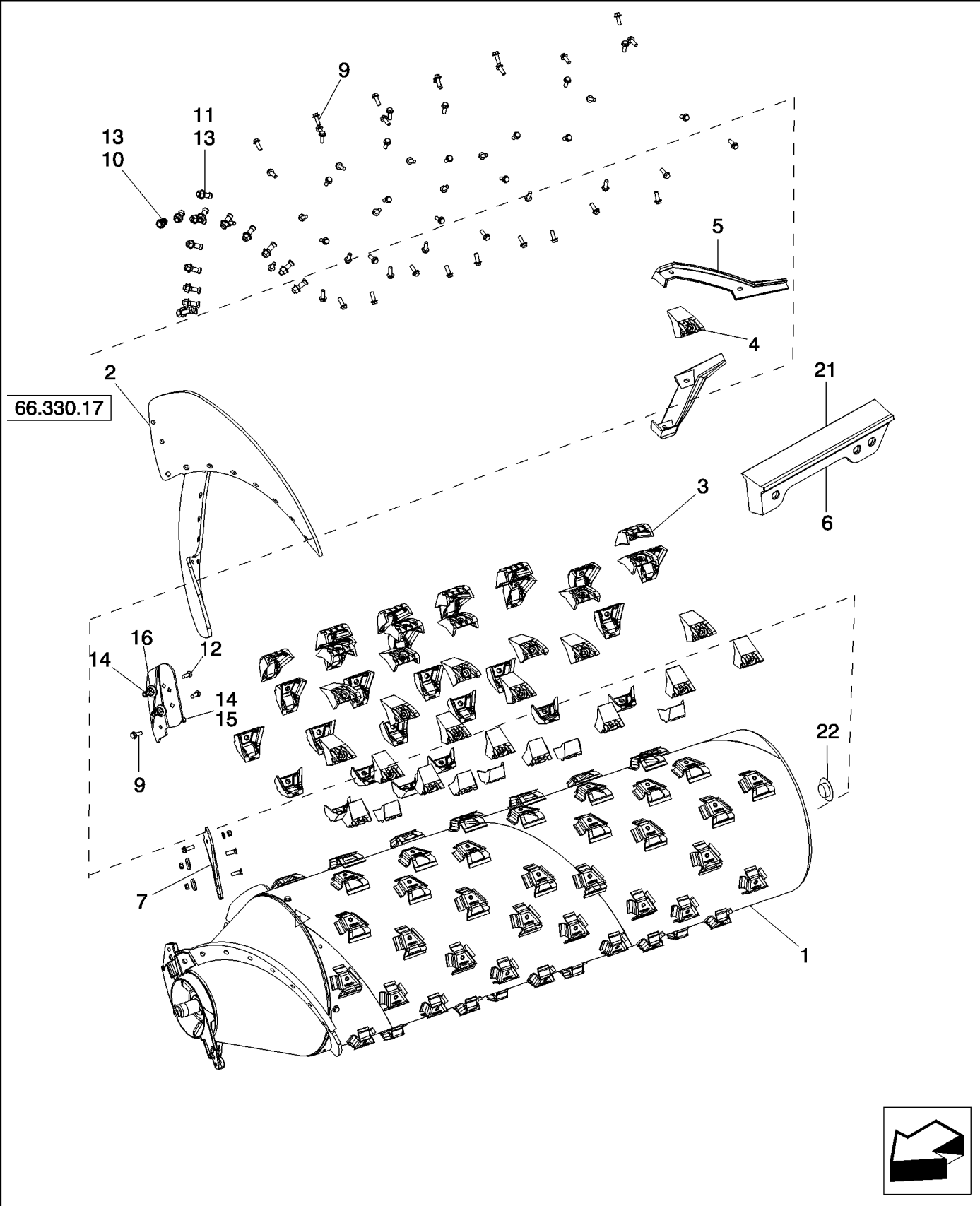
REF	FN	PART NUMBER	YR/SN	QTY	DESCRIPTION
1	1, 2	87745154		1	ROTOR ASSY., Specialty, Grain/Corn
1	1, 3	87723898		1	ROTOR ASSY., 36 Element, Rice
1	1, 3	87608738E	ASN YAG208274	1	ROTOR, 40 Element, Rice
1	4, 5, 6, 2	87745163		1	ROTOR ASSY., Specialty, Grain/Corn
1	1, 3	87620394		1	ROTOR ASSY., 36 Element Grain/Corn
1		84286030	ASN YAG208270	1	ROTOR ASSY., 40 Element Grain/Corn
		{}			Extended Wear
		{}			Small Tube
2		NSS		2	NOT SERVICED SEPARATELY, Flighting, Auger; Must Order Kit 87715003
3	7	278821A2		64	RASP BAR, CHROME, Without Spike - SPECIAL
3	7	278820A4		72	RASP BAR, With Spike - RICE
3	3, 7	87368806		AR	RASP BAR, With Spike, Hardened; 87620394 (8), 87723898 (36)
3	7	1309336C2		64	RASP BAR, Without Rear Spike - GRAIN
4		278820A4		8	RASP BAR, With Spike - GRAIN & SPECIAL
4	3, 7, 8	87368807		AR	RASP BAR, Hardened, Grain, Abrasion Resistant; 87620394 (28)
5		86992048		2	BAR, Extended Wear
5	3	87396383		2	PLATE ASSY., Rice, Helical Kicker Wear
5		1327676C1		2	BAR, Standard Wear
6	2	86981487		AR	BOLT, Hex Flg, M12 x 35, 10.9, Full Thd, 87745154 & 87745163 (78), 87620394 (38)
6	3	87314103		6	PLOW BOLT
7		9843611		AR	BOLT, Hex, M16 x 55, 10.9, Full Thd
8		86512380		14	NUT, M16, Flg Ser
9	7	87376702		1	KIT, Blade

- (1) Extended Wear
- (2) Large Tube
- (3) Small Tube
- (4) Not for Latin America
- (5) 7120 & 8120 Only
- (6) Standard Wear
- (7) Replace in Pairs to Maintain Rotor Balance
- (8) Non-Spiked

Note: Small Tube I.D. = 575mm

**7120 7120 9120 8120
8120**

ROTOR



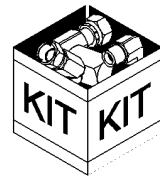
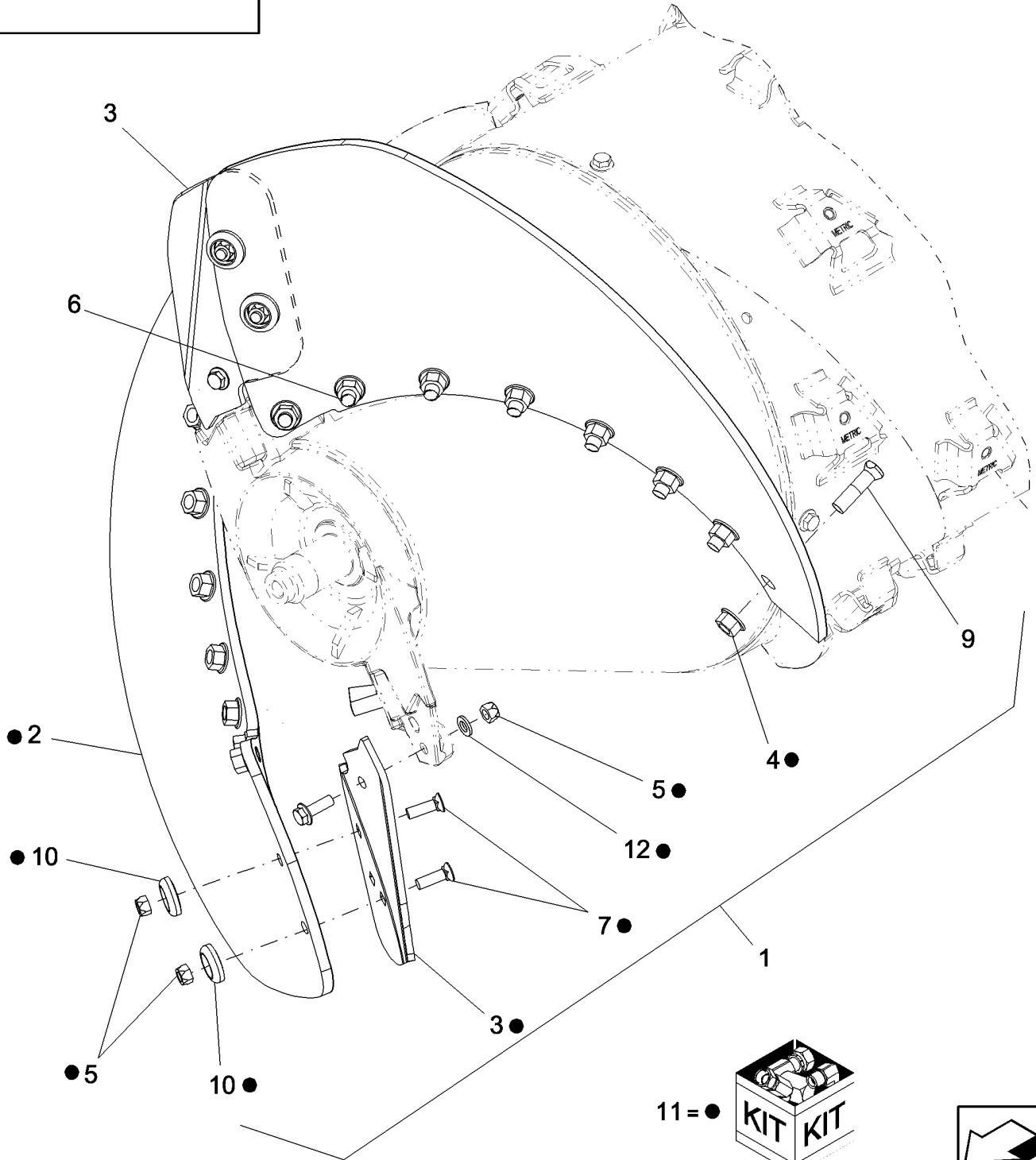
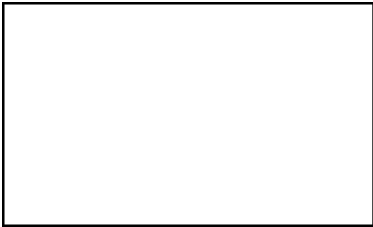
ROTOR

REF	FN	PART NUMBER	YR/SN	QTY	DESCRIPTION
10	1	87315598		2	SHIELD
11		87314103		2	PLOW BOLT
12		86512259		2	BOLT, Hex Serr Flg, M12 x 35
13		87281818		14	SCREW, Countersunk Special Hd, CL 10.9, M16 x 65
14		412672		4	LOCK NUT, M12 x 1.75, CI 10
15	2	87281664		AR	SUPPORT
15	3	87601297		40	SUPPORT ASSY.
16	2	9843611		AR	BOLT, Hex, M16 x 55, 10.9, Full Thd
16	3	87394282		AR	PLOW BOLT, M16 x 55
17		203960H1		3+/-	COUNTERWEIGHT
18		87602594		8	SHOE, Small Rotor, Straight Separator bar
19		86992047		4	BAR, Large Rotor, Straight Separator, Extended Wear Grain
20		86981487		AR	BOLT, Hex Flg, M12 x 35, 10.9, Full Thd
21		87697368		1	PLASTIC PLUG

- (1) Replace in Pairs to Maintain Rotor Balance
- (2) Large Tube
- (3) Small Tube

<p>Note: Small Tube I.D. = 575mm</p>	<p>7120 7120 9120 8120 8120</p>
--------------------------------------	---

KIT, ROTOR IMPELLER



KIT, ROTOR IMPELLER

REF	FN	PART NUMBER	YR/SN	QTY	DESCRIPTION
1		87715003		AR	SERVICE KIT, Rotor Impeller, Includes Ref 2, 4, 6, 9 & 11
2		NSS		2	NOT SERVICED SEPARATELY, Fighting, Auger
3		87376702		1	KIT, Blade
4		86512380		16	NUT, M16, Flg Ser
5		412672		6	LOCK NUT, M12 x 1.75, CI 10
6		9843611		2	BOLT, Hex, M16 x 55, 10.9, Full Thd
7		87314103		4	PLOW BOLT, CL 10.9, M12 x 40
8		86981487		2	BOLT, Hex Flg, M12 x 35, 10.9, Full Thd
9		87394282		14	PLOW BOLT, CL 10.9, M16 x 2 x 65
10		87315598		4	SHIELD
11		87376702		1	KIT, Wear Blade, Includes Ref 3, 4, 5, 7, 8, 10 & 12
12		86625255		2	WASHER, M13.5 x 24.5 x 3, HT

	7120 7120 8120 9120 8120
--	---

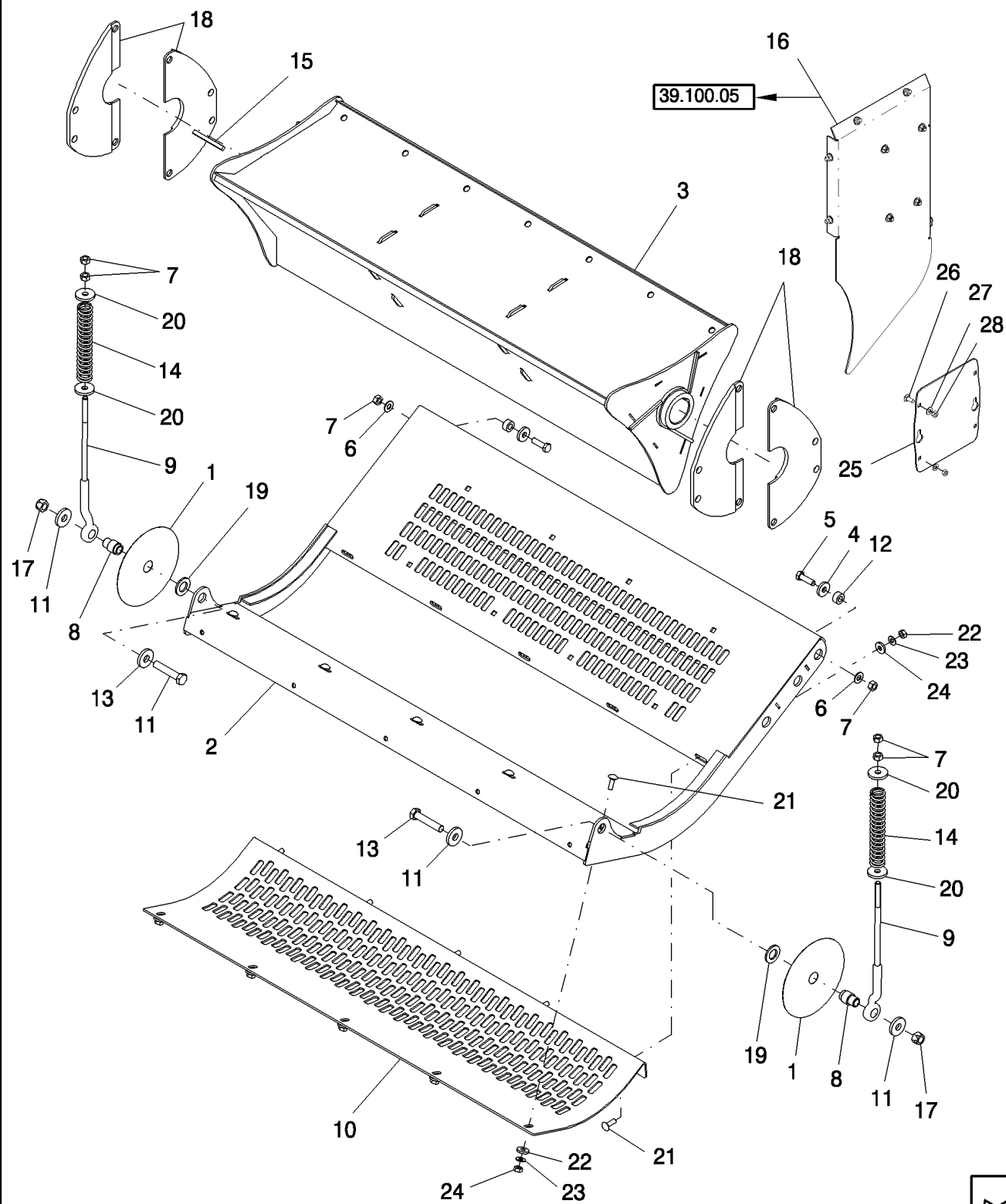
**ART
NOT
AVAILABLE**

ROTOR ASSEMBLY, GRAIN ABR. W/ SEPERATOR BAR

REF	FN	PART NUMBER	YR/SN	QTY	DESCRIPTION
1		84217014		1	ROTOR, Coated
1		84232194		1	ROTOR, Painted Red
2		87715003		1	SERVICE KIT
3		278821A2		56	RASP BAR
4		278820A4		8	RASP BAR
5		86992048		2	BAR
6		86992047		4	BAR
7		87342923		2	BLADE
9		86981487		78	BOLT, Hex Flg, M12 x 35, 10.9, Full Thd
10		9843611		2	BOLT, Hex, M16 x 55, 10.9, Full Thd
11		87281818		14	SCREW
12		87314103		4	PLOW BOLT
13		86512380		16	NUT, M16, Flg Ser
14		412672		6	LOCK NUT, M12 x 1.75, CI 10
15		86625255		2	WASHER, M13.5 x 24.5 x 3, HT
16		87315598		4	SHIELD

**7120 7120 8120 9120
8120**

BEATER, DISCHARGE

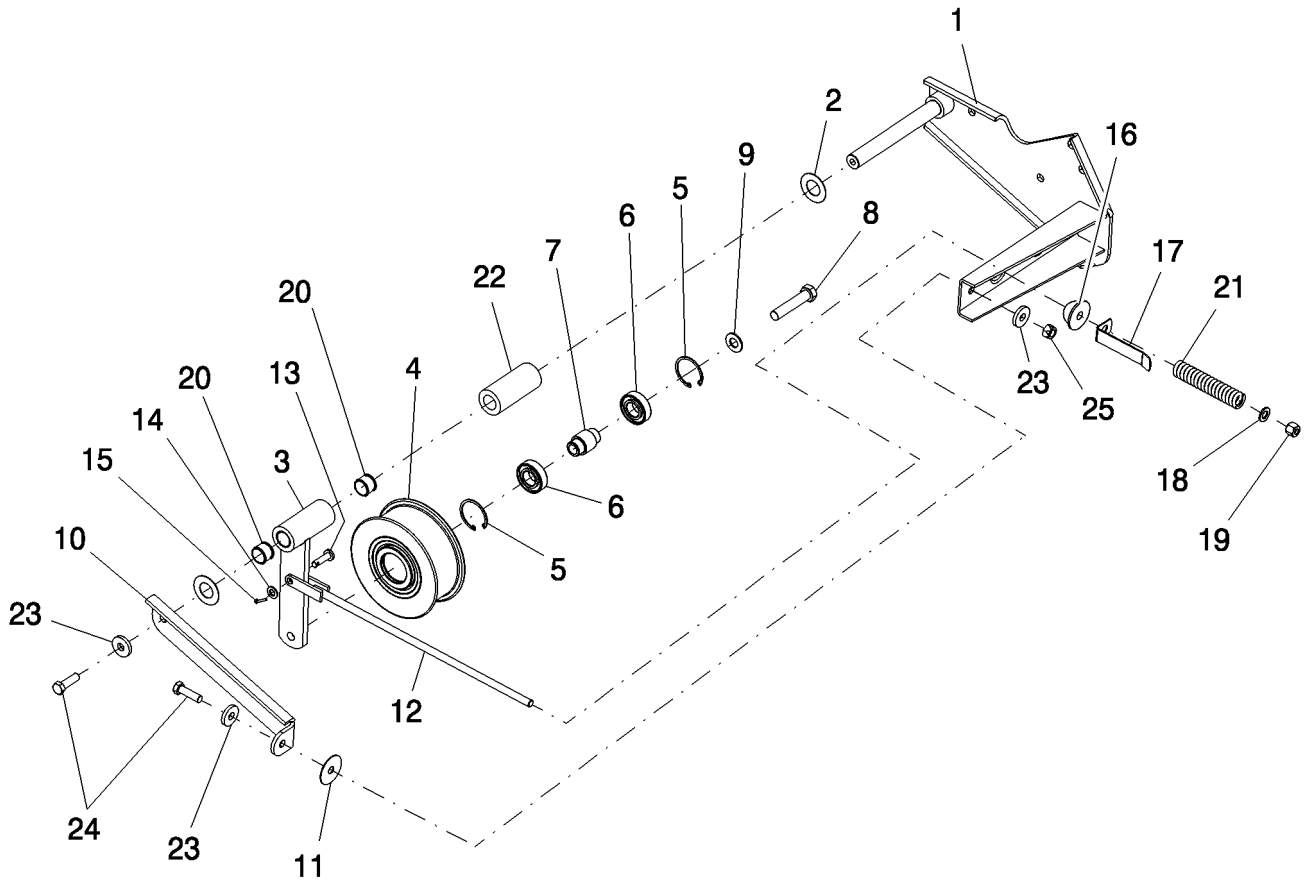
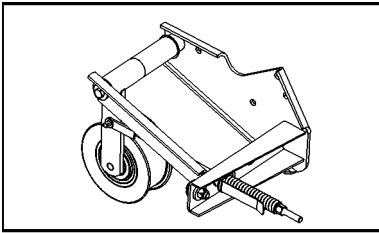


BEATER, DISCHARGE

REF	FN	PART NUMBER	YR/SN	QTY	DESCRIPTION
1		87105606		2	SHIELD, Cover
2		87563854		1	PAN ASSY.
3		87282088		1	BEATER
4		86592701		2	WASHER, M12 x 35 x 5, HT
5		337563		2	BOLT, Hex, M12 x 40, 10.9, Full Thd
5		9824642		2	BOLT, Hex, M12 x 35, 10.9
6		140046		2	SPRING WASHER, Belleville, M12
7		9706685		AR	NUT, M12, CI 8
8		86997586		2	BUSHING
9		87591008		2	EYEBOLT
10		87587528		1	BEATER, Concave
11		86592702		4	WASHER, M16 x 45 x 6, HT
12		699963		2	SPACER
13		86577946		2	BOLT, Hex, M16 x 80, 10.9
14		87656535		2	COMPRESSION SPRING
15		86997578		1	KEY
16		0C		1	ORDER COMPONENTS, Deflector, R.H. Rotor Discharge
17		86512555		2	LOCK NUT, M16 x 2, CI 10
18		87283248		4	SEAL
19		86511328		AR	WASHER, M25 x 44 x 4
20		9838302		4	WASHER, M13.5 x 45 x 6 Thk
21		86512446		10	CARRIAGE BOLT, Short NK, M10 x 30, CI8.8, Full Thd
22		86592700		10	WASHER, M10 x 28 x 4, HT
23		140045		10	BELLEVILLE WASHER, M10
24		100016		10	NUT, M10, CI 8
25		87727894		1	COVER PLATE
26		86507486		2	CARRIAGE BOLT, Short NK, M8 x 20, CI8.8, Full Thd
27		322358		2	BELLEVILLE WASHER, M8
28		9706690		2	NUT, M8, CI 8

**7120 7120 8120 9120
8120**

TENSIONER ASSEMBLY, BEATER DRIVE

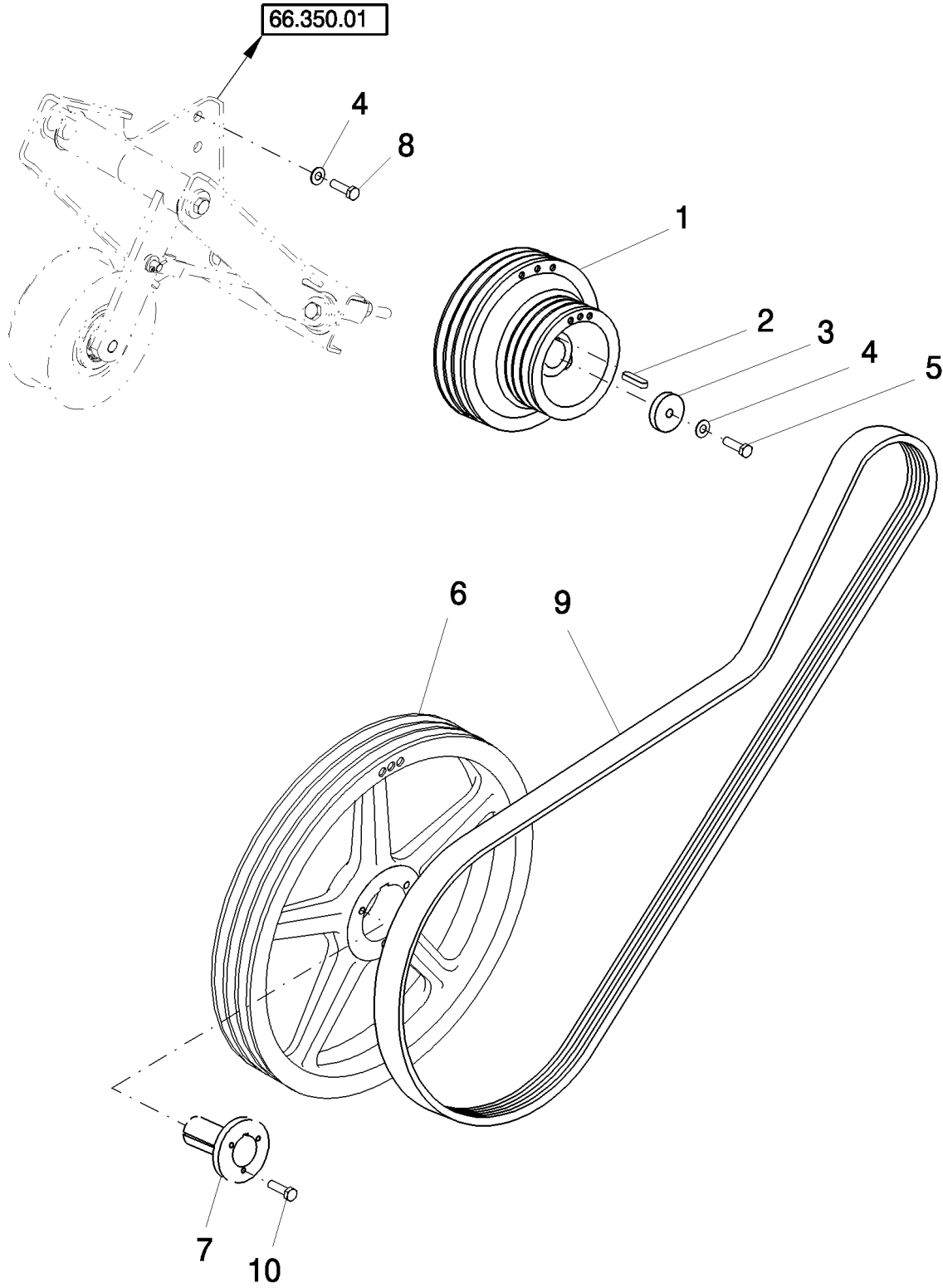


TENSIONER ASSEMBLY, BEATER DRIVE

REF	FN	PART NUMBER	YR/SN	QTY	DESCRIPTION
1		87397837		1	BRACKET
2		27317		2	WASHER, 1" x 2" x .036" Thk
3		87398361		1	LEVER ASSY., Incl Ref 20 (2)
4		84072441		1	IDLER
5		370011		2	SNAP RING, M52, Int
6		84057966		2	BALL BEARING
7		84057817		1	BUSHING
8		120093		1	BOLT, Hex, M16 x 80, 8.8
9		140048		1	BELLEVILLE WASHER, M16
10		87397839		1	PLATE
11		87397840		1	SHIM
12		86975966		1	ROD
13		390040		1	CLEVIS PIN, M10 x 35
14		140017		1	WASHER, M10 x 20 x 2
15		130003		1	COTTER PIN, M3.2 x 20
16		86560521		1	PIVOT
17		86596885		1	INDICATOR
18		140018		1	WASHER, M12 x 24 x 2.5
19		412126		1	LOCK NUT, M12 x 1.75, Cl 8
20		NSS		2	NOT SERVICED SEPARATELY, Bushing
21		87540186		1	SPRING
22		87398793		1	SPACER
23		86592701		3	WASHER, M12 x 35 x 5, HT
24		86629541		2	BOLT, Hex, M12 x 40, 8.8, Full Thd
25		100038		1	LOCK NUT, M12 x 1.75, Cl 8

**7120 7120 8120 9120
8120**

BEATER DRIVE (BELT)



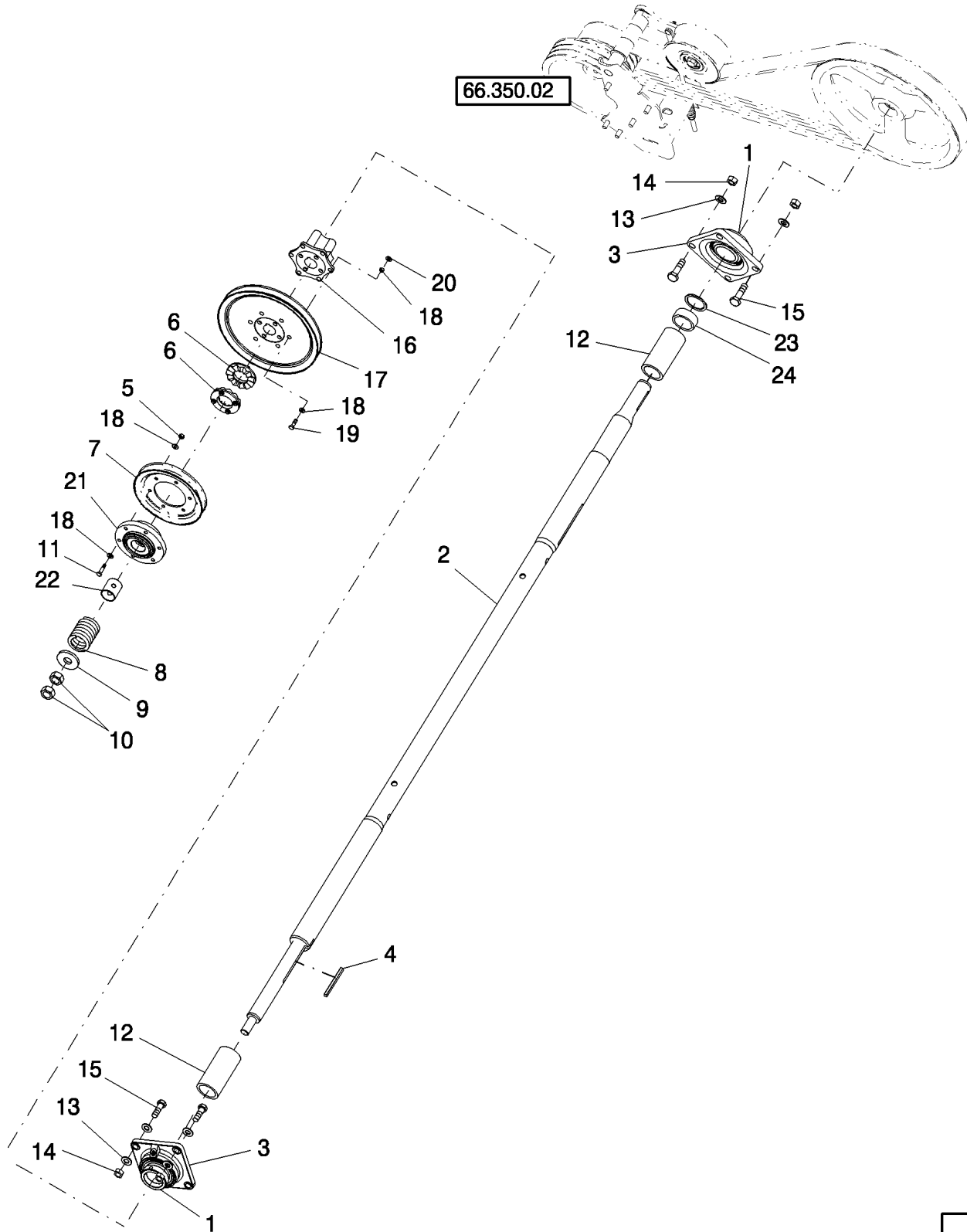
BEATER DRIVE (BELT)

REF	FN	PART NUMBER	YR/SN	QTY	DESCRIPTION
1		87283335		1	PULLEY, Dual, Grooved
2		170066		1	KEY, M14 x 9 x 50, Par
3		84073172		1	WASHER, M13 x 60 x 12 Thk
4		140046		6	SPRING WASHER, Belleville, M12
5		9706717		1	BOLT, Hex, M12 x 70, 8.8, Full Thd
6		87282664		1	PULLEY
7		87282665		1	BUSHING
8		9706687		5	BOLT, Hex, M12 x 30, 8.8, Full Thd
9		86517680		1	BELT, Drive, 3HB, 119.90" Effective Length
10		88011		3	BOLT, Hex, 3/8"-16 x 1 1/4", G5, Full Thd

	7120 7120 8120 9120 8120
--	---

BEATER DRIVES - 7120/7120(LA)

66.350.02



BEATER DRIVES - 7120/7120(LA)

REF	FN	PART NUMBER	YR/SN	QTY	DESCRIPTION
1		NSS		2	NOT SERVICED SEPARATELY, BEARING
2		87394733		1	SHAFT ASSY.
3	1	87109088		2	BEARING ASSY
4		86997578		1	KEY, Retaining
5		9706690		7	NUT, M8, CI 8
6		168370C2		2	RATCHET
7		86999341		1	PULLEY, Drive, Tailing
8		420927		1	SPRING
9		86997063		1	GROOVED BUSHING
10		9848973		2	NUT, M24, CI 10
11		412479		7	BOLT, Hex, M8 x 35, 8.8
12		87397716		2	BUSHING
13		140048		8	BELLEVILLE WASHER, M16
14		392530		8	NUT, M16, CI 10
15		9845488		8	BOLT, Rd Hd, Short Neck, CL 10.9, M16 x 50
16		87011488		1	HUB
17	2	84128455		1	PULLEY ASSY., Single Speed
17		86999007		1	SHEAVE, Two Speed (Double Pulley)
18		322358		24	BELLEVILLE WASHER, M8
19		43235		6	BOLT, Hex, M8 x 30, 10.9
20		43362		6	NUT, M8, CI 10
21		87282507		1	HUB, Plated
22		86997496		1	BUSHING
23		87397720		AR	SHIM
24		87397718		1	BUSHING

(1) Please see Figure Note

(2) Shown

Ref. 3: Part number 87109088, SEE THE BEATHER/CHOPPER SECTION IN THE SERVICE MANUAL AND THE LOCKING PROCEDURE TO PROPERLY SET AND LOCK THE BEARING ASSEMBLY TO THE SHAFT. THIS SPECIFIES THAT THE 3 SET SCREWS BE EVENLY TORQUED TO 5 - 6.5 LB. FT. (7-9NM)

7120 7120

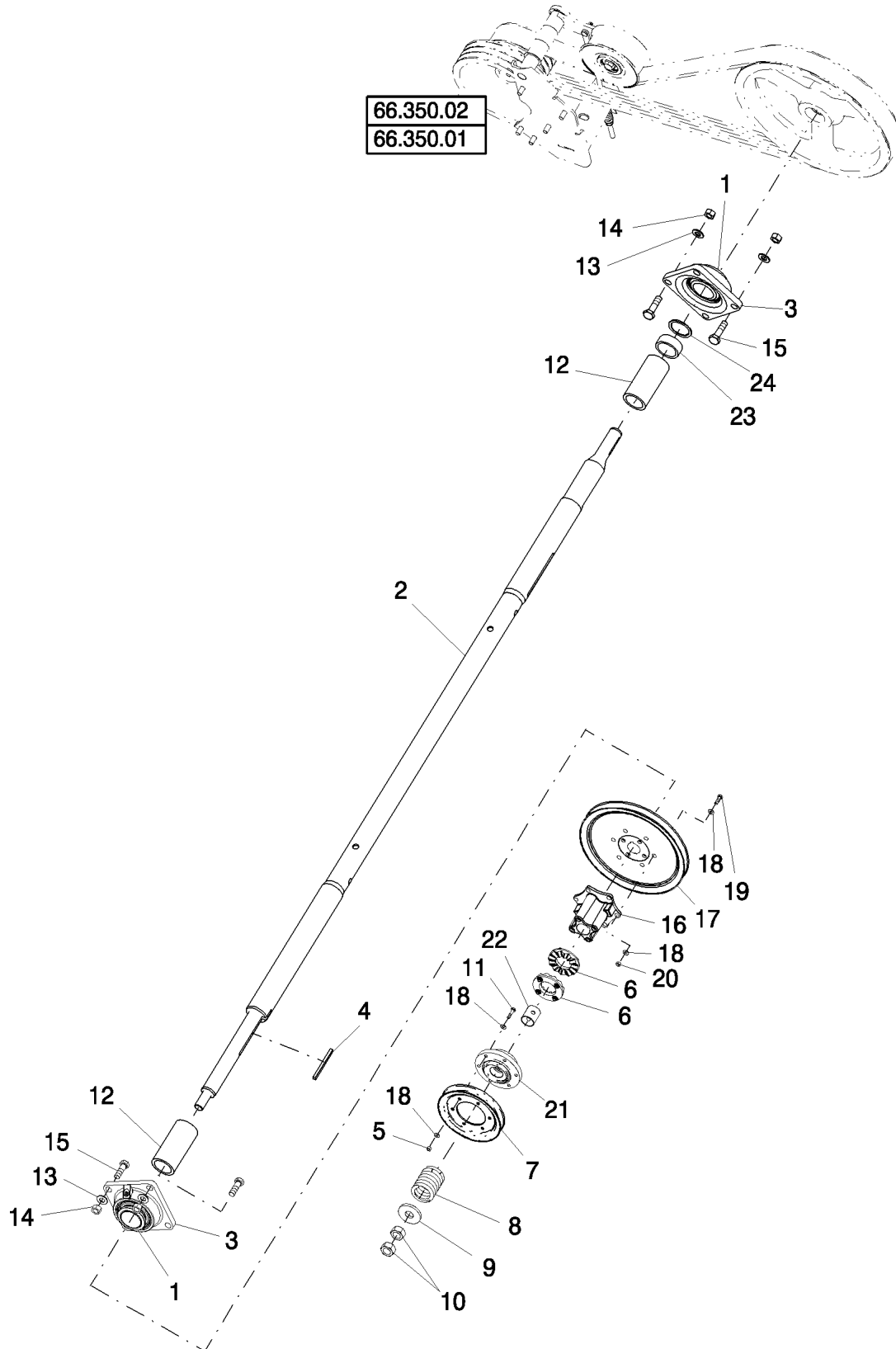
66.350.03

02

p1

02/10

BEATER DRIVES - 8120/8120(LA), 9120



BEATER DRIVES - 8120/8120(LA), 9120

REF	FN	PART NUMBER	YR/SN	QTY	DESCRIPTION
1		NSS		2	NOT SERVICED SEPARATELY, BEARING
2		87282886		1	SHAFT
3	1	87109088		2	BEARING ASSY, & Housing, Incl Ref 1
4		86997578		1	KEY, Retaining
5		9706690		7	NUT, M8, CI 8
6		168370C2		2	RATCHET
7		86999341		1	PULLEY, Drive, Tailing, 218 mm DIA
8		420927		1	SPRING
9		86997063		1	GROOVED BUSHING
10		9848973		2	NUT, M24, CI 10
11		412479		7	BOLT, Hex, M8 x 35, 8.8
12		87397716		2	BUSHING
13		140048		8	BELLEVILLE WASHER, M16
14		392530		8	NUT, M16, CI 10
15		9845488		8	BOLT, Rd Hd, Short Neck, CL 10.9, M16 x 50
16		87011488		1	HUB
17	2	84128455		1	PULLEY ASSY., Single Speed
17		86999007		1	SHEAVE, Two Speed (Double Pulley)
18		322358		24	BELLEVILLE WASHER, M8
19		43235		6	BOLT, Hex, M8 x 30, 10.9
20		43362		6	NUT, M8, CI 10
21		87282507		1	HUB, Plated
22		86997496		1	BUSHING
23		87397718		1	BUSHING
24		87397720		7/AR	SHIM

- (1) Please see Figure Note
- (2) Shown

Ref. 3: Part number 87109088, SEE THE BEATHER/CHOPPER SECTION IN THE SERVICE MANUAL AND THE LOCKING PROCEDURE TO PROPERLY SET AND LOCK THE BEARING ASSEMBLY TO THE SHAFT. THIS SPECIFIES THAT THE 3 SET SCREWS BE EVENLY TORQUED TO 5 - 6.5 LB. FT. (7-9NM)

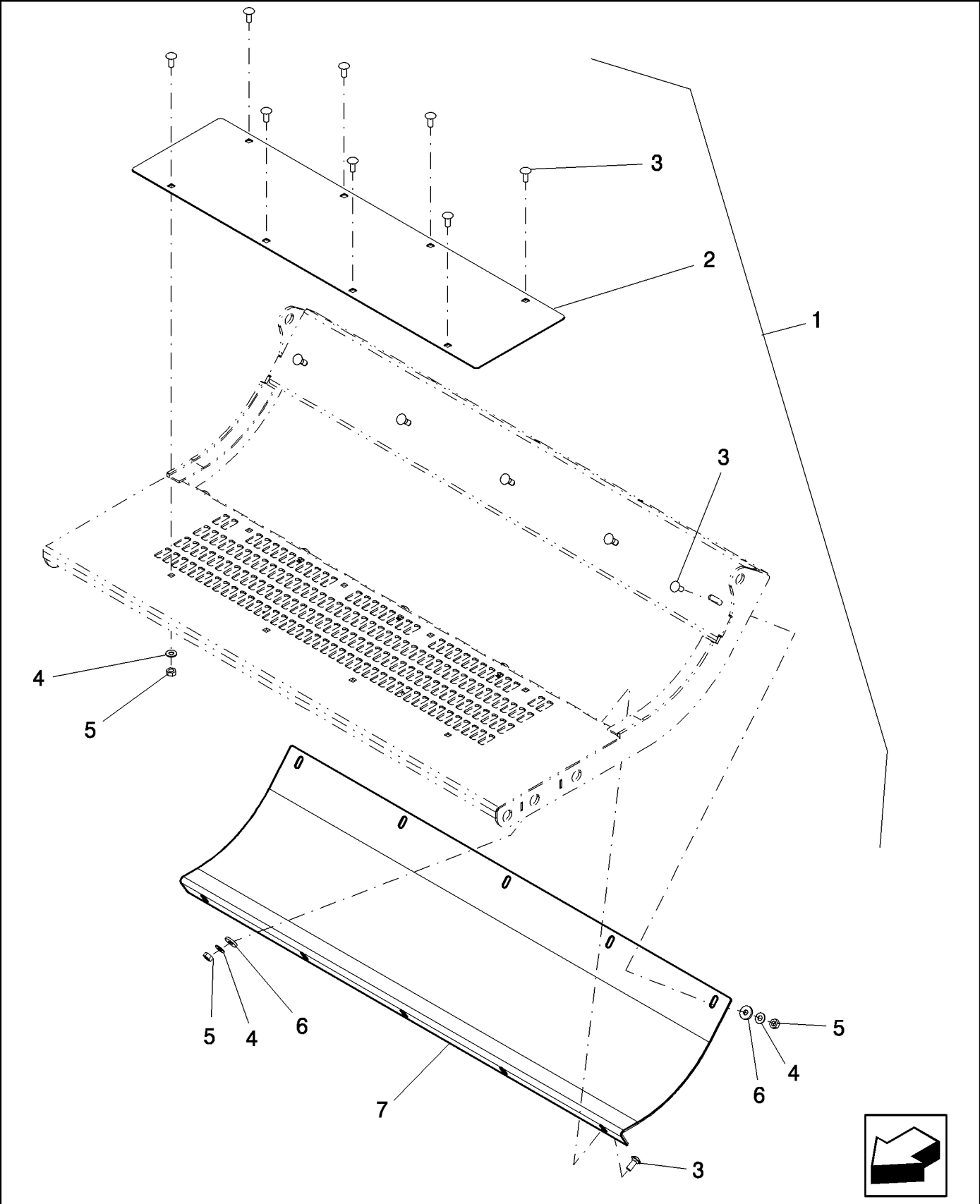
8120 9120 8120

66.350.05

p1

08/09

KIT, GRATE COVER, BEATER DISCHARGE - 8120/8120(LA)



66.350.05

p1

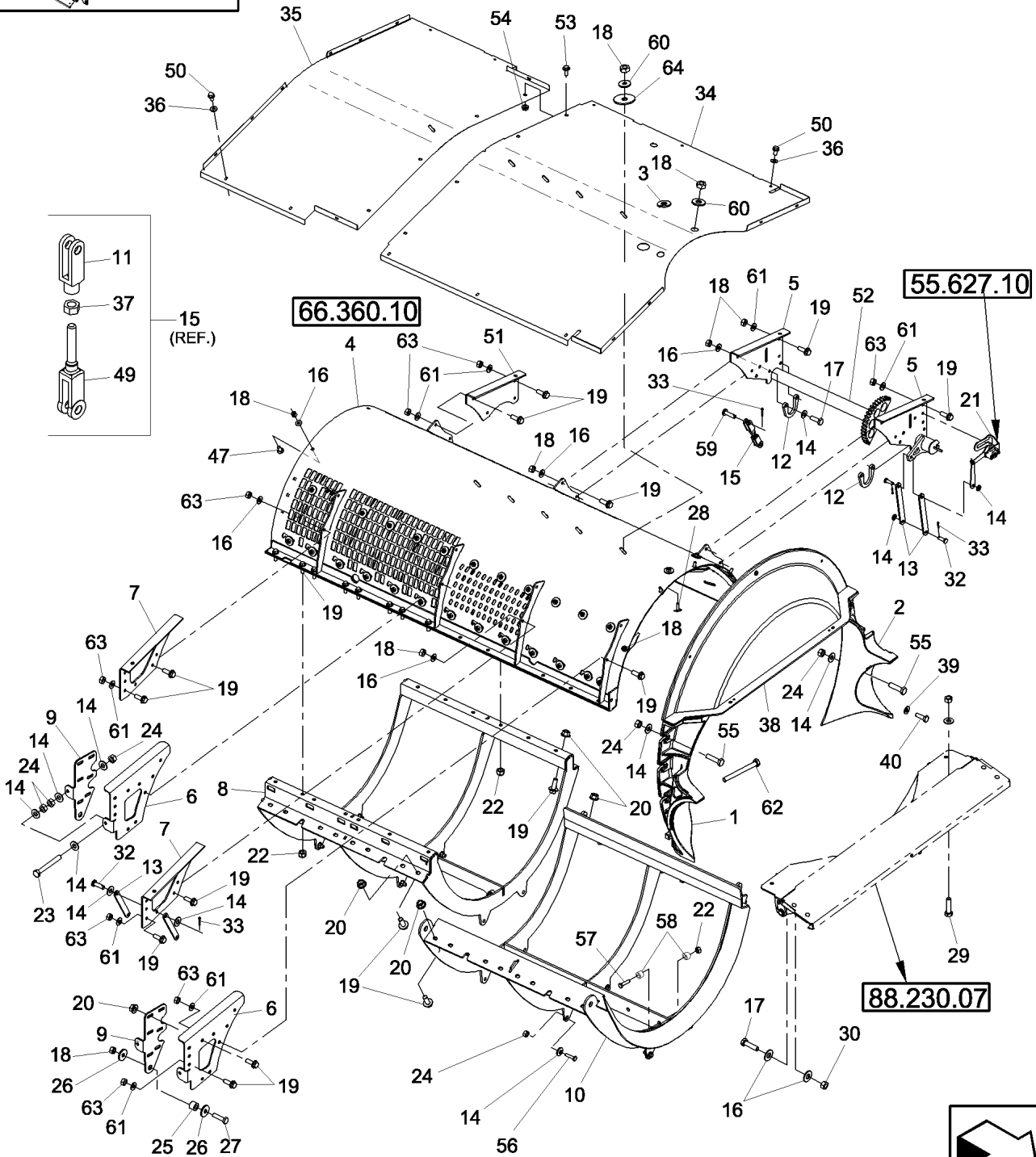
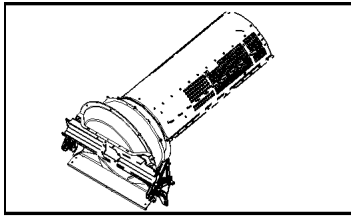
08/09

KIT, GRATE COVER, BEATER DISCHARGE - 8120/8120(LA)

REF	FN	PART NUMBER	YR/SN	QTY	DESCRIPTION
1		87587538		1	SERVICE KIT, Beater Cover; Incl Refs 2 Thru 7, Plus Instructions
2		87606640		1	PLATE
3		86633356		18	CARRIAGE BOLT, Short NK, M10 x 25, CI8.8, Full Thd
4		140045		18	BELLEVILLE WASHER, M10
5		100016		18	NUT, M10, CI 8
6		86592700		10	WASHER, M10 x 28 x 4, HT
7		87587530		1	BEATER, Concave

8120 8120

FRAME, SEPARATOR



FRAME, SEPARATOR

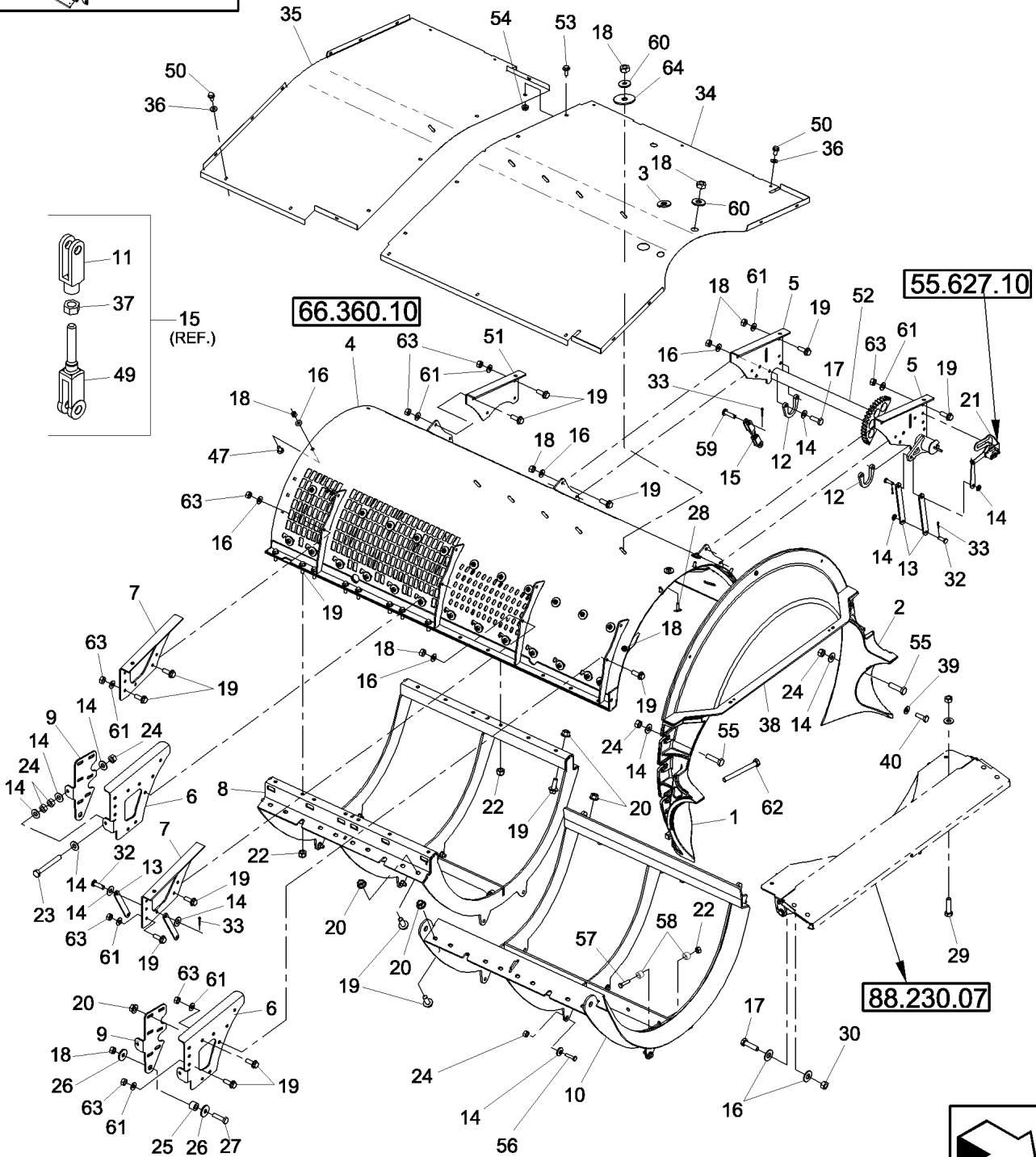
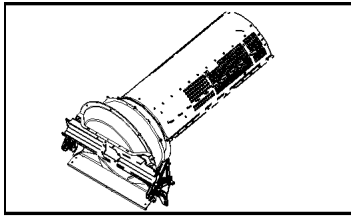
REF	FN	PART NUMBER	YR/SN	QTY	DESCRIPTION
1	1	87517351		1	DEFLECTOR, R.H.
1	2	87524461		1	DEFLECTOR, R.H.
2	1	87517350		1	DEFLECTOR, L.H.
2	2	87524460		1	DEFLECTOR, L.H.
3		393062		11	WASHER, M17 x 45 x 0.9 Thk
4	1	87391297		1	CAGE
4	2	87393080		1	CAGE
5		87359399		2	ANGLE, L.H.
6		87281793		2	ANGLE, R.H.
7		87281795		2	ANGLE, R.H.
8		87325990		1	FRAME ASSY, Threshing, Rear
9		87281797		2	BAR, Plate
10		87391299		1	FRAME, CONCAVE
11		86633519		2	CLEVIS
12		86997859		2	BRACKET, Supporting, L.H.
13		86998439		4	BAR
14		140046		36	SPRING WASHER, Belleville, M12
15		86980964		1	CONNECTING LINK, Includes Ref 11, 37 & 49
16		140045		33	BELLEVILLE WASHER, M10
17		43140		6	BOLT, Hex, M10 x 30, 8.8, Full Thd
18		100016		AR	NUT, M10, CI 8
19		86981487		76	BOLT, Hex Flg, M12 x 35, 10.9, Full Thd
20		43436		30	NUT, M12, Flg Ser
21		87490175		1	ARM ASSY., Potentiometer
22		100038		39	LOCK NUT, M12 x 1.75, CI 8
23		9837937		2	BOLT, Hex, M12 x 100, 8.8, Full Thd
24		9706685		22	NUT, M12, CI 8
25		86998150		2	SPACER, R.H.
26		140042		4	WASHER, M10 x 34 x 3
27		120068		2	BOLT, Hex, M10 x 40, 8.8, Full Thd
28		87106338		AR	BOLT
29		86629541		2	BOLT, Hex, M12 x 40, 8.8, Full Thd
30		9706690		4	NUT, M8, CI 8

(1) Extended Wear

(2) Standard

7120 7120 9120 8120
8120

FRAME, SEPARATOR

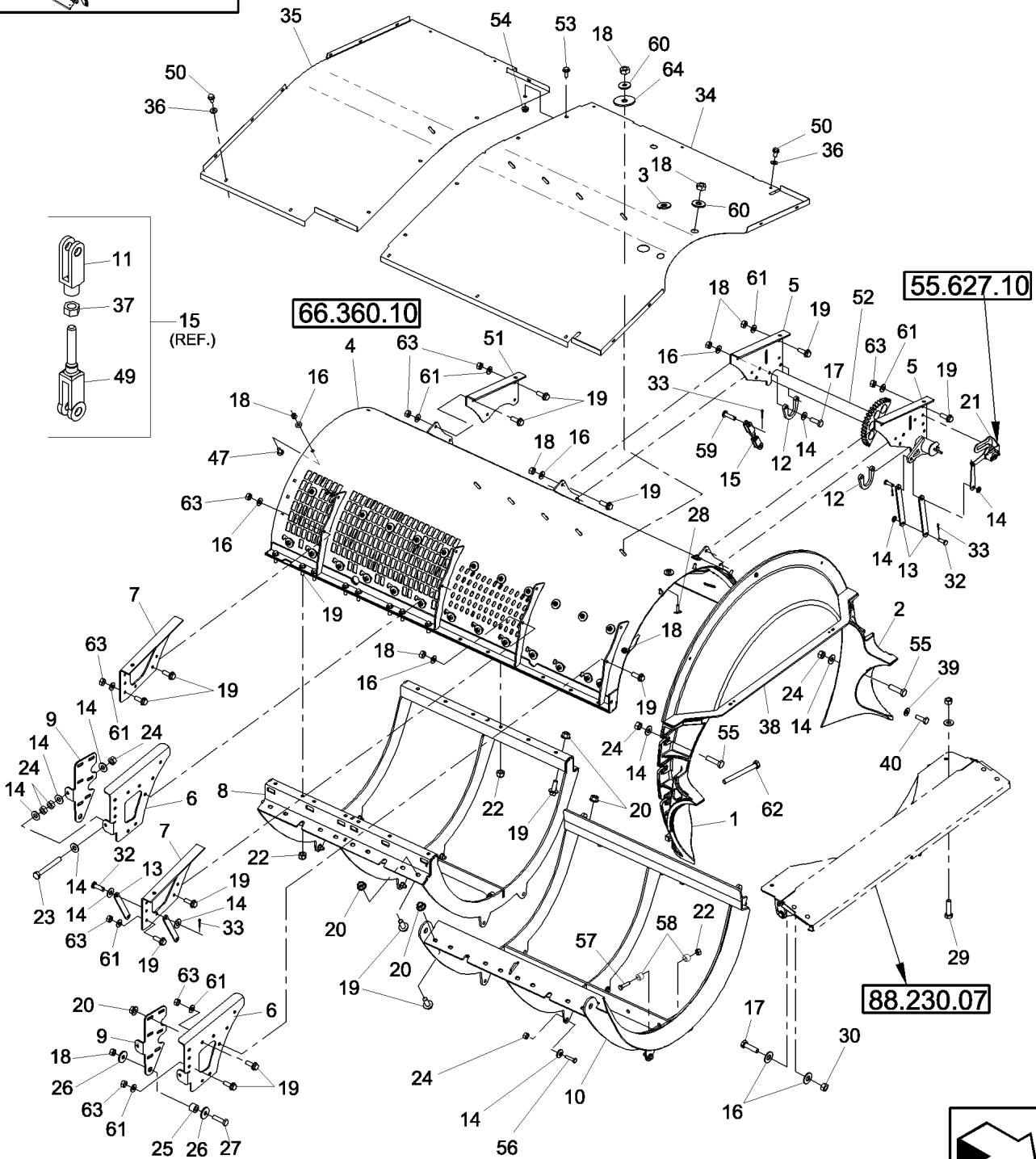
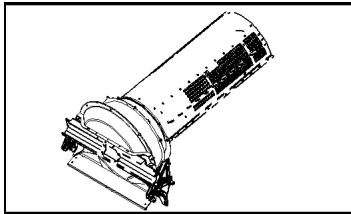


FRAME, SEPARATOR

REF	FN	PART NUMBER	YR/SN	QTY	DESCRIPTION
31		43128		4	SCREW, Hex, M8 x 30, 8.8
32		390040		4	CLEVIS PIN, M10 x 35
33		130003		4	COTTER PIN, M3.2 x 20
34		87341413		1	ROOF, Front - With (4) Center Slots
35		87341565		1	ROOF, Rear - With (1) Center Slot
36		86624182		22	WASHER, M6 x 18 x 1.6
37		9706685		2	NUT, M12, CI 8
38		87492652	ASN Y9G207708	1	DOOR
38		87106704	BSN Y9G207708	1	DOOR
39		322358		7	BELLEVILLE WASHER, M8
40		43127		5	BOLT, Hex, M8 x 25, 8.8
41		87282743		1	SUPPORT, Plate, Potentiometer - 186 mm Long, Flat style
43		{ }			Reference Not Used
44		{ }			Reference Not Used
45		{ }			Reference Not Used
46		{ }			Reference Not Used
47		86633356		6	CARRIAGE BOLT, Short NK, M10 x 25, CI8.8, Full Thd
49		87000108		1	SHAFT
50		412093		22	SELF-TAP SCREW, M6 x 1 x 12
51		87281791		1	ANGLE, L.H.
52		87361505		1	BAR, Torsion
53		86508568		6	BOLT, Hex, M6 x 16, CI 8.8, Full Thd
54		9706755		6	NUT, M6, CI 8
55		9628065		6	SCREW, Hex, M12 x 45, 8.8
56		300388		8	BOLT, Hex, M12 x 25, 8.8
57		9706693		8	BOLT, Hex, M12 x 60, 8.8
57		9706717		AR	BOLT, Hex, M12 x 70, 8.8, Full Thd
58		86998116		16	BALL PIN
59		9507095		2	CLEVIS PIN, M10 x 40
60		140219		AR	WASHER
61		86592701		48	WASHER, M12 x 35 x 5, HT
62		382181		2	BOLT, Hex, M12 x 190, 8.8
63		412672		AR	LOCK NUT, M12 x 1.75, CI 10

**7120 7120 9120 8120
8120**

FRAME, SEPARATOR



66.360.09

p3

02/10

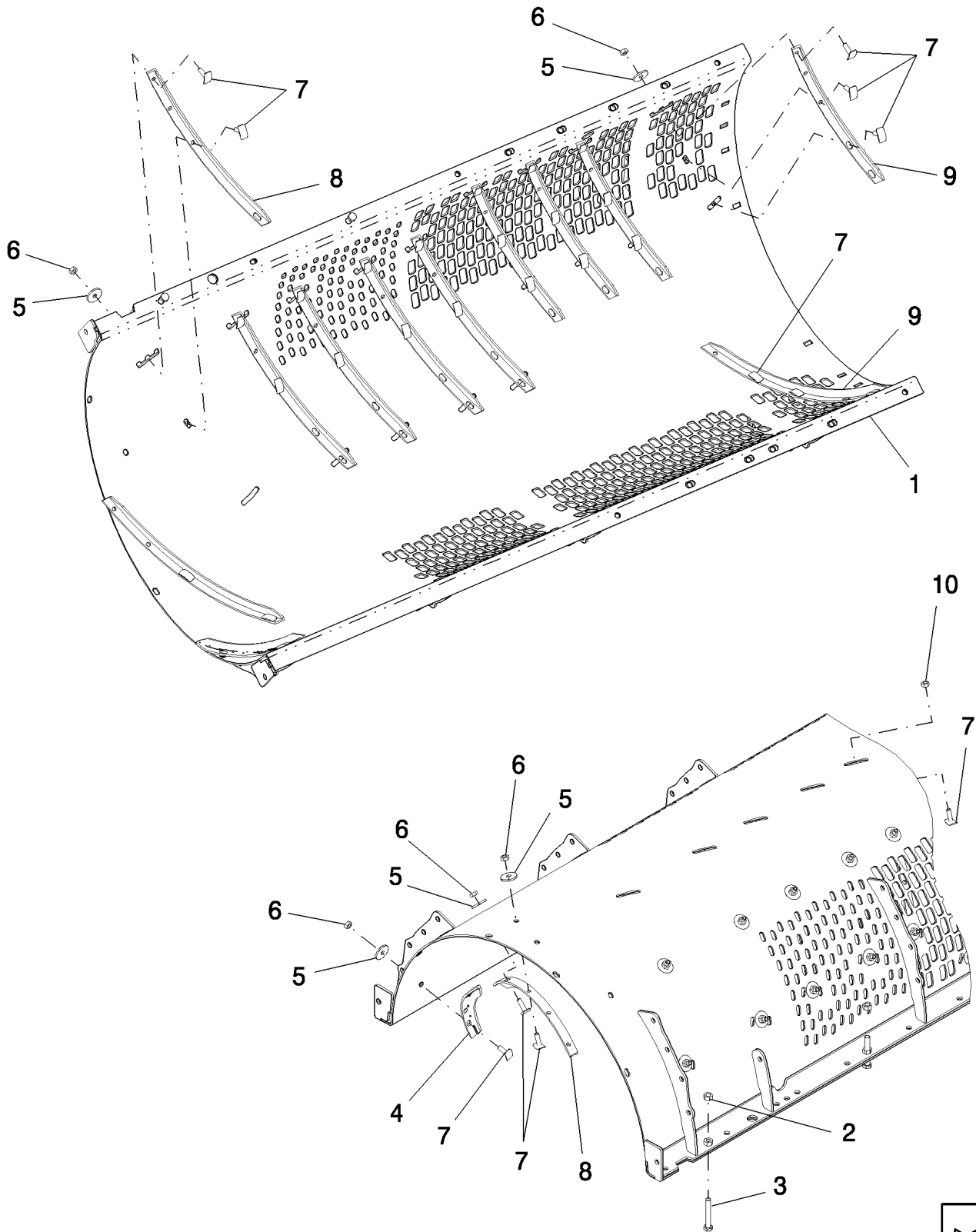
FRAME, SEPARATOR

REF	FN	PART NUMBER	YR/SN	QTY	DESCRIPTION
-----	----	-------------	-------	-----	-------------

64		87341291		5	COVER
----	--	----------	--	---	-------

**7120 7120 9120 8120
8120**

ROTOR CAGE

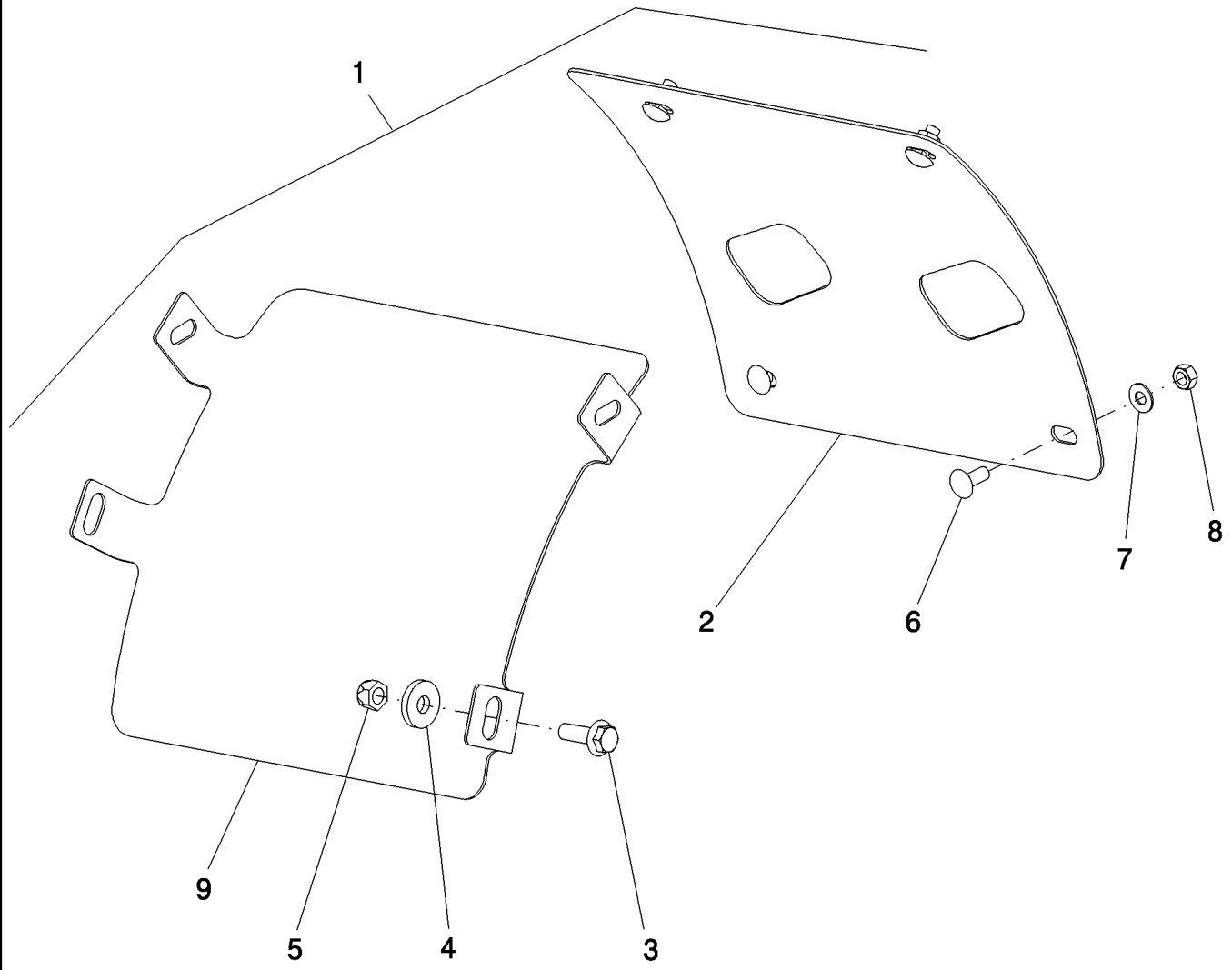


ROTOR CAGE

REF	FN	PART NUMBER	YR/SN	QTY	DESCRIPTION
1		87391297		1	CAGE, Extended Wear; Incl Refs 2 Thru 10
1		87393080		1	CAGE, Standard Wear; Incl Refs 2 Thru 10
1		87339502		1	CAGE, Standard Wear
2		9706685		2	NUT, M12, CI 8
3		161441		2	BOLT, Hex, M12 x 80, 8.8, Full Thd
4		87107892		1	ANGLE
5		140219		28	WASHER
6		100016		28	NUT, M10, CI 8
7		87106338		33	BOLT
8		87341038		5	STIFFENER, VANE
9		87717923		6	STIFFENER, VANE
10		131-415		5	LOCK NUT, Push, Bolt Retainer, 3/8" x 25/32"

	7120 7120 9120 8120 8120
--	---

KIT, FRONT FILLER PLATE, ROTOR CAGE

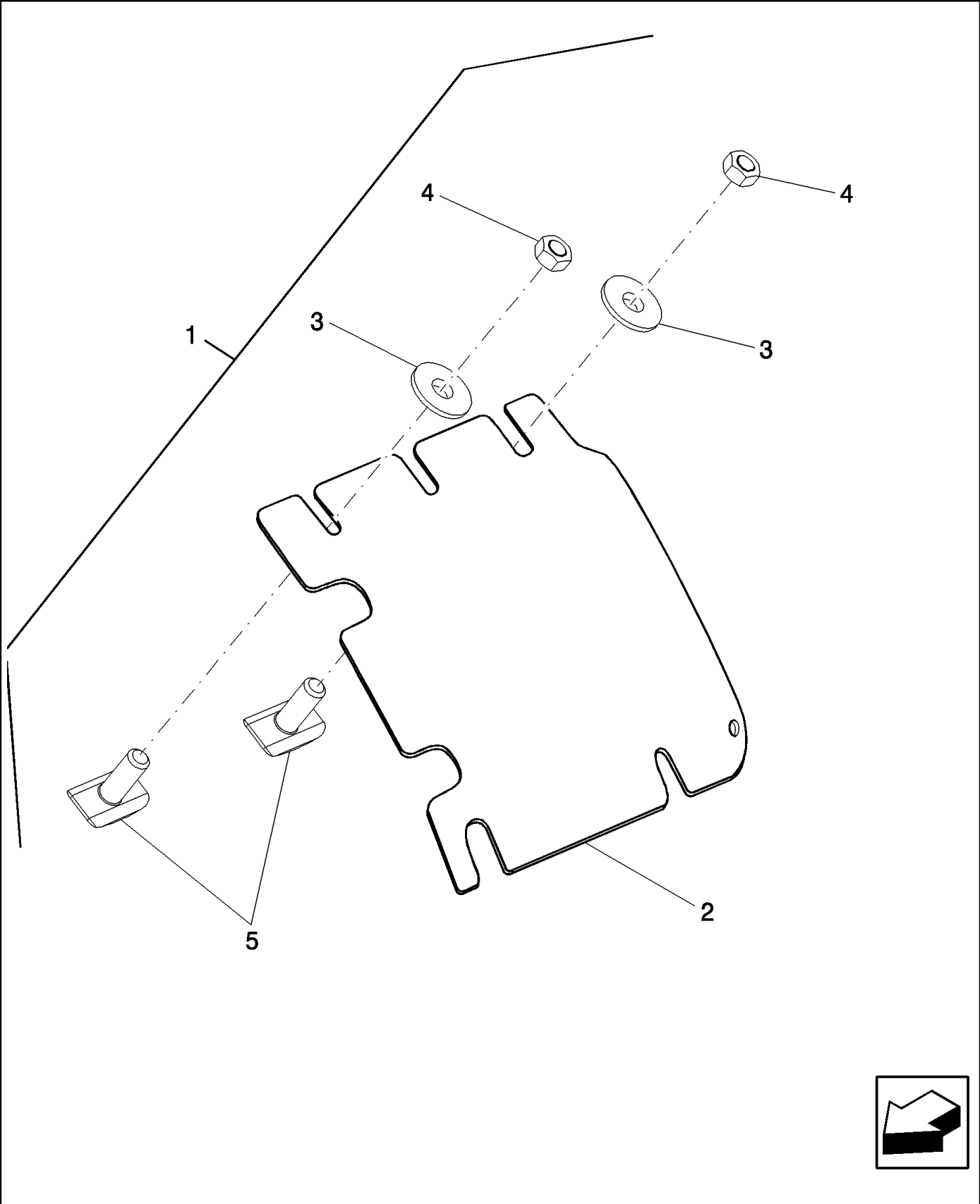


KIT, FRONT FILLER PLATE, ROTOR CAGE

REF	FN	PART NUMBER	YR/SN	QTY	DESCRIPTION
1		87584185		AR	SERVICE KIT, Front Filler Plate; Incl Refs 2 Thru 9
2		87584187		1	COVER, L.H.
3		86981487		1	BOLT, Hex Flg, M12 x 35, 10.9, Full Thd
4		86592701		1	WASHER, M12 x 35 x 5, HT
5		412672		1	LOCK NUT, M12 x 1.75, CI 10
6		86633356		4	CARRIAGE BOLT, Short NK, M10 x 25, CI8.8, Full Thd
7		140045		4	BELLEVILLE WASHER, M10
8		86500689		4	NUT, M10, CI 10
9		87584186		1	COVER, R.H.

Aids In Hard Threshing Conditions	7120 7120 9120 8120 8120
-----------------------------------	-------------------------------------

KIT, REAR FILLER PLATE, ROTOR CAGE



66.360.12

p1

02/10

KIT, REAR FILLER PLATE, ROTOR CAGE

REF	FN	PART NUMBER	YR/SN	QTY	DESCRIPTION
1		84084762		AR	KIT, Includes Ref 2 thru 5
2		87106382		4	COVER
3		140042		4	WASHER, M10 x 34 x 3
4		100016		4	NUT, M10, CI 8
5		87106338		4	BOLT

**7120 7120 9120 8120
8120**

SECTION INDEX

74 - Cleaning

74.000.00	03	SECTION INDEX - CLEANING SHOE
74.000.00	04	SECTION INDEX - TAILINGS PROCESSOR
74.101.05		TENSIONER
74.101.10		SHOE DRIVE
74.101.12		LOWER SHOE DRIVE
74.101.13		ECCENTRIC AND SHAKER SHOE DRIVE
74.101.15		UPPER SHOE DRIVE, L.H.
74.101.16		UPPER SHOE DRIVE, R.H.
74.110.03		GRAIN PAN DRIVE
74.110.04		GRAIN PAN, SUPPORTS & SEALS
74.110.06		GRAIN PAN
74.114.01	01	UPPER SIEVES, NARROW
74.114.01	02	UPPER SIEVES, WIDE
74.114.03	01	REMOTE UPPER SIEVE ADJUSTMENT
74.114.03	02	REMOTE UPPER SIEVE ADJUSTMENT
74.114.04	01	PRESIEVE
74.114.04	02	PRESIEVE
74.114.06		UPPER SHAKER SHOE
74.118.01		LOWER SIEVES
74.118.03	01	AIR DAM, LOWER SIEVES
74.118.03	02	AIR DAM, LOWER SIEVES
74.118.04	01	REMOTE LOWER SIEVE, ADJUSTMENT
74.118.04	02	REMOTE LOWER SIEVE, ADJUSTMENT
74.118.07		LOWER SIEVE, INTERCHANGEABLE
74.118.08		LOWER SIEVE, INTERCHANGEABLE, FRAME, BLANK
74.130.01		CLEANING FAN
74.130.01	01	CLEANING FAN - UPDATED TO MY10
74.130.08		HOUSING, FAN
74.135.02	01	HYDRAULIC MOTOR, CLEANING FAN DRIVE; NARROW TIRE OPTION - FROM MY10 EUROPEAN ONLY
74.135.05	01A	OSCILLATING CHAFFER PAN - BSN Y9G206592 - 7120/7120(LA)
74.135.05	01B	OSCILLATING CHAFFER PAN - BSN Y9G206592 - 8120/8120(LA), 9120
74.135.05	02A	OSCILLATING CHAFFER PAN - ASN Y9G206592 - 7120/7120(LA)
74.135.05	02B	OSCILLATING CHAFFER PAN - ASN Y9G206592 - 8120/8120(LA), 9120
74.140.05		TAILINGS PROCESSOR HOUSING ASSEMBLY
74.140.06		ANGLE DRIVE
74.140.07		GEAR BOX ASSEMBLY, BUBBLER AUGER DRIVE
74.140.09		TAILINGS DRIVE AND AUGER
74.140.14	01	SELF-LEVELING AUGER HOUSING, MAIN BODY
74.140.14	02	SELF-LEVELING AUGER HOUSING, FRONT & REAR SEALS
74.140.15		LATCH ASSEMBLY - CLEANOUT DOOR
74.999.01	01	ENHANCED CLEANING - DIA KIT, P/N 87582923
74.999.01	02	ENHANCED CLEANING - DIA KIT, P/N 87525427
74.999.01	03	ENHANCING CLEANING - DIA KIT, P/N 87352563

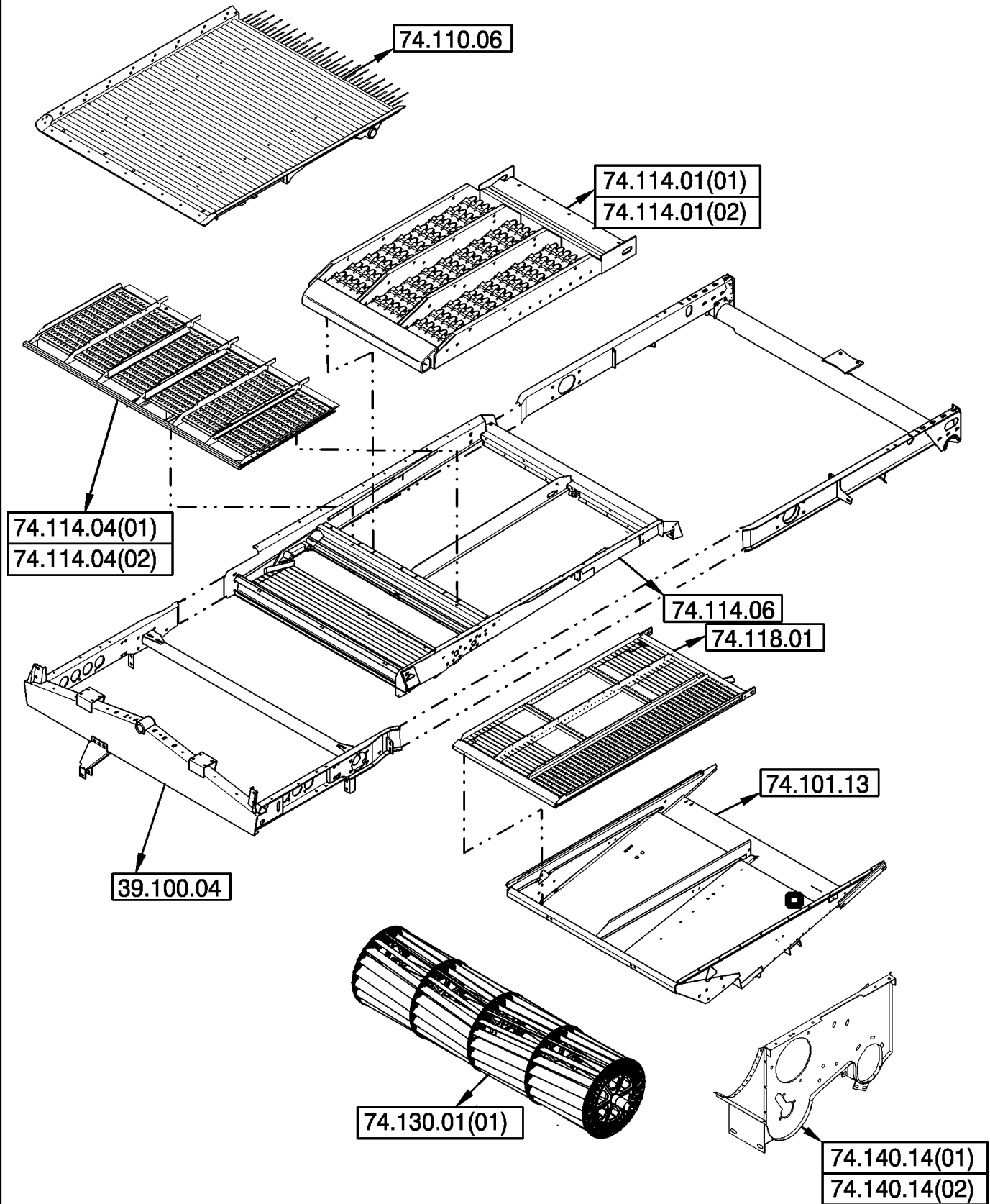
74.000.00

03

p1

10/09

SECTION INDEX - CLEANING SHOE



74.000.00	03	p1	10/09
------------------	----	----	-------

SECTION INDEX - CLEANING SHOE

REF	FN	PART NUMBER	YR/SN	QTY	DESCRIPTION
-----	----	-------------	-------	-----	-------------

--	--	--	--	--	--

					9120 8120 7120 8120 7120
--	--	--	--	--	---

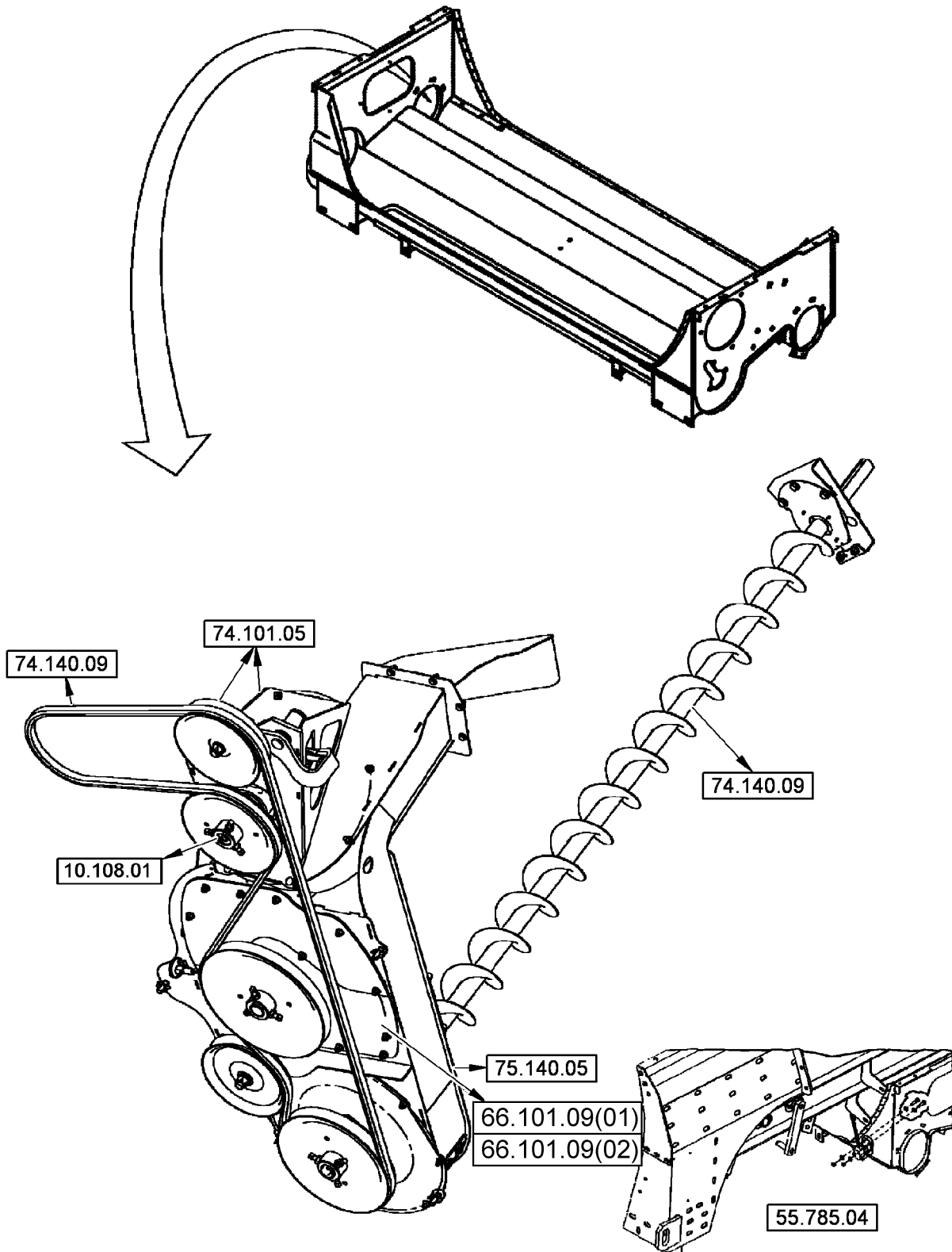
74.000.00

04

p1

10/09

SECTION INDEX - TAILINGS PROCESSOR



74.000.00

04

p1

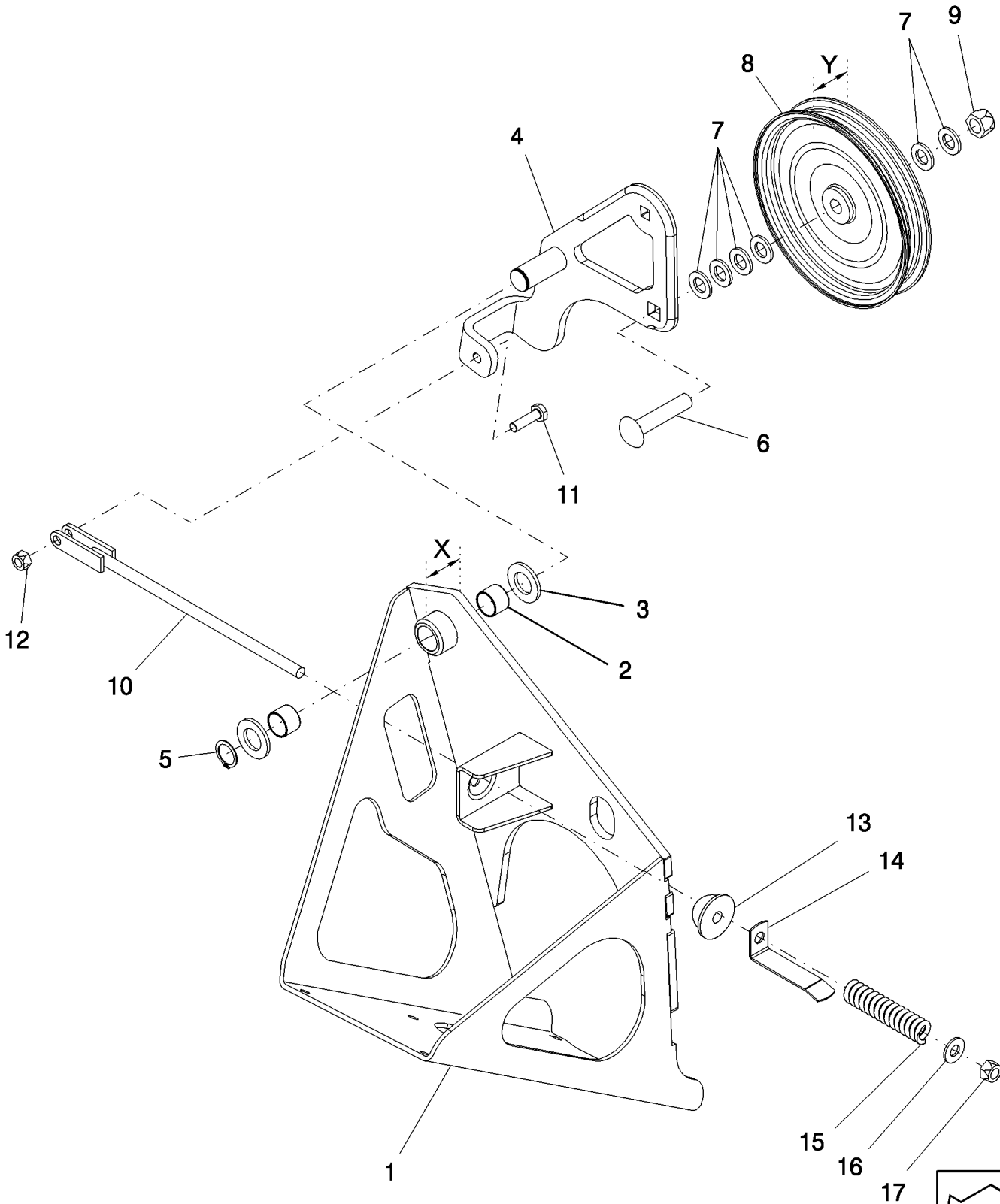
10/09

SECTION INDEX - TAILINGS PROCESSOR

REF	FN	PART NUMBER	YR/SN	QTY	DESCRIPTION
------------	-----------	--------------------	--------------	------------	--------------------

					7120 7120 8120 9120 8120
--	--	--	--	--	-------------------------------------

TENSIONER

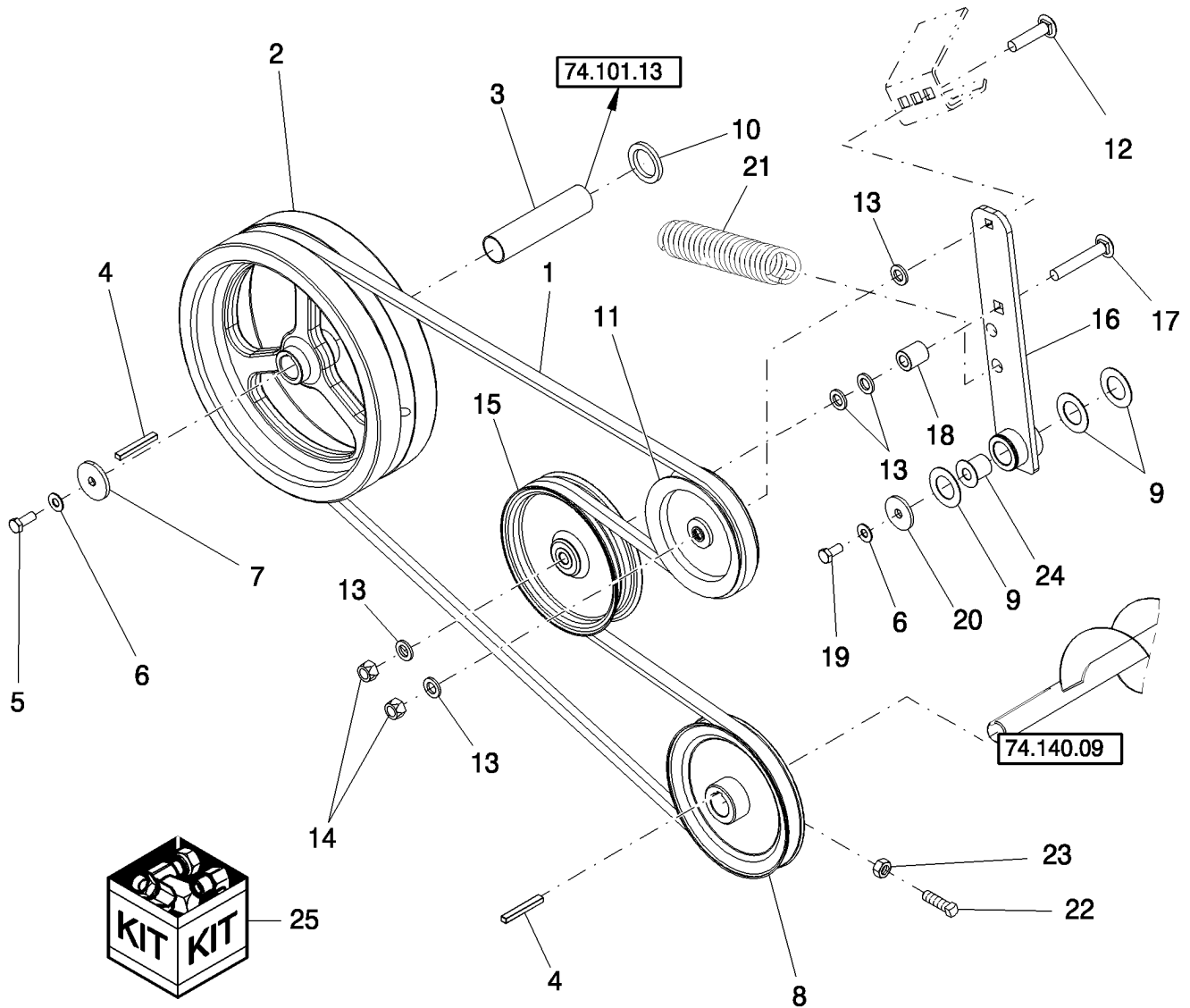
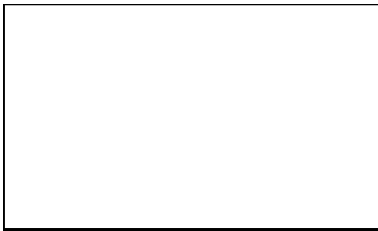


TENSIONER

REF	FN	PART NUMBER	YR/SN	QTY	DESCRIPTION
1		87640473		1	BRACKET, Hub Length (X) = 75.3 MM
2		84057311		2	BUSHING, Length = 20 MM
2		395589		2	SLEEVE, Length = 30 MM
3		86511328		3	WASHER, M25 x 44 x 4
4		87640479		1	LEVER, Idler
5		370002		1	CIRCLIP, M25, Ext
6		120048		1	CARRIAGE BOLT, Short NK, M16 x 80, Cl8.8
7		86511326		7	WASHER, M16 x 30 x 3
8		86588003		1	IDLER, Width (Y) = 51 MM
9		86000441		1	NUT, M16 x 2, Cl 8
10		86587035		1	ROD, Tensioner
11		9706704		1	BOLT, Hex, M10 x 35, 8.8, Full Thd
12		100037		1	NUT, M10 x 1.5, Cl 8
13		86560521		1	PIVOT
14		84057943		1	INDICATOR
15		84814905		1	SPRING
16		378245		1	WASHER, M13 x 28 x 2 Thk
17		100038		1	LOCK NUT, M12 x 1.75, Cl 8

**7120 7120 8120 9120
8120**

SHOE DRIVE

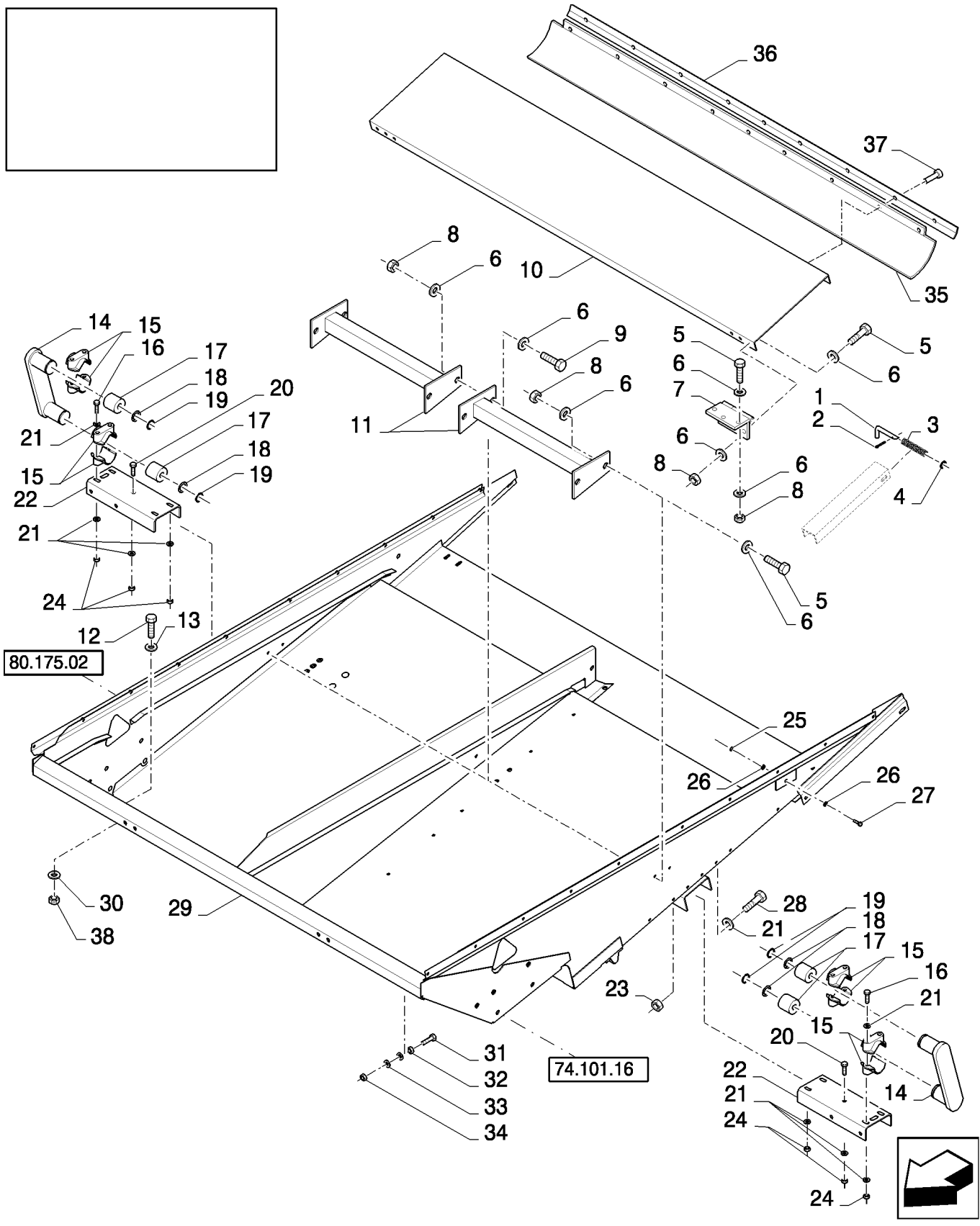


SHOE DRIVE

REF	FN	PART NUMBER	YR/SN	QTY	DESCRIPTION
1		87317063		1	BELT, Drive - 3651 mm Effective Length
2		86996714		1	PULLEY, Shaker Flywheel
3		87545449		1	SPACER, Shaker Shaft
4		86996914		2	KEY, M10 x 8 x 75
5		300389		1	BOLT, Hex, M12 x 35, 8.8, Full Thd
6		140046		2	SPRING WASHER, Belleville, M12
7		87023036		1	WASHER, 1/2" x 2 x 1/4" Thk, HDN
8		87313372		1	PULLEY, 205 mm OD, 1 HC, Incl Ref 22 & 23
9		130357		3	WASHER
10		9832773		1	SPACER, M36 x 7 Thk
11		87499861		1	PULLEY, Idler
12		120047		1	CARRIAGE BOLT, Short NK, M16 x 70, CI8.8
13		140020		5	WASHER, M16 x 30 x 3
14		86512555		2	LOCK NUT, M16 x 2, CI 10
15		86588003		1	IDLER
16		87629478		1	ARM, Shaker Pivot Idler - Incl Ref 24
17		300663		1	CARRIAGE BOLT, Short NK, M16 x 120, CI8.8
18		86999741		1	SPACER, Shaker Pivot Idler
19		300388		1	BOLT, Hex, M12 x 25, 8.8
20		29684		1	WASHER, 17/32" ID x 2" OD x 3/16" Thk
21		86980549		1	SPRING, Shaker Pivot Idler
22		393599		3	SET SCREW, Sq Hd, M10 x 25, CI 12.9
23		100016		3	NUT, M10, CI 8
24		87629473		1	BUSHING

**7120 7120 8120 9120
8120**

LOWER SHOE DRIVE



LOWER SHOE DRIVE

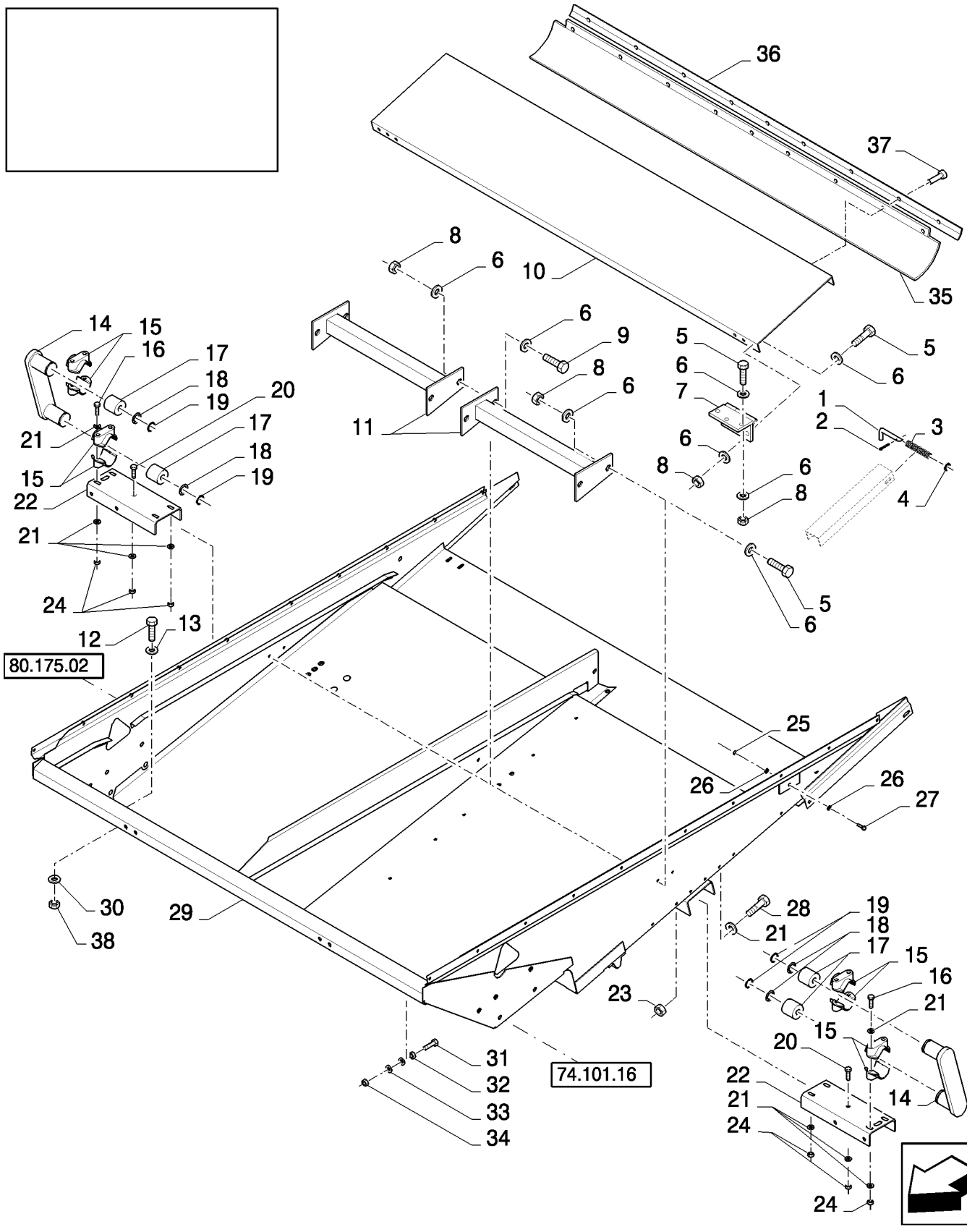
REF	FN	PART NUMBER	YR/SN	QTY	DESCRIPTION
1		394549		2	HANDLE
2		130003		2	COTTER PIN, M3.2 x 20
3		84814911		2	SPRING
4		140223		2	WASHER
5		86508568		8	BOLT, Hex, M6 x 16, CI 8.8, Full Thd
6		412649		14	SPRING WASHER, Belleville, M6
7		9833212		3	HINGE
8		9706755		14	NUT, M6, CI 8
9		120100		2	BOLT, Hex, M6 x 20, 8.8
10	1	84073622		1	COVER
10	2	84073389		1	COVER
11	1	84320452		2	PROFILE
11	2	84320454		2	PROFILE
12		120104		2	BOLT, Hex, M8 x 20, 8.8
13		322		2	WASHER, 11/32" x 1 21/32" x .135" Thk
14		87562561		2	ARM
15		320033		8	HOUSING
16		120062		4	BOLT, Hex, M8 x 70, 8.8
17		84000052		4	RUBBER BUSHING
18		84032520		4	WASHER, M19.5 x 29 x 1 Thk
19		300627		4	SNAP RING, M19, Ext
20		412597		2	CARRIAGE BOLT, Short NK, M8 x 25, CI8.8, Full Thd
21		322358		18	BELLEVILLE WASHER, M8
22		747826		2	SUPPORT
23		9706690		AR	NUT, M8, CI 8
24		86629542		6	LOCK NUT, M8 x 1.25, CI 8
25		9706685		1	NUT, M12, CI 8
26		140046		2	SPRING WASHER, Belleville, M12
27		43154		1	SEALRING, M12 x 40
28		120104		4	BOLT, Hex, M8 x 20, 8.8
29	1	87497408		1	SHAKER SHOE, Lower
29	2	87497407		1	SHAKER, Shoe, Lower
30		322358		2	BELLEVILLE WASHER, M8

(1) 8120 & 9120 Only

(2) 7120 Only

7120 7120 9120 8120
8120

LOWER SHOE DRIVE



LOWER SHOE DRIVE

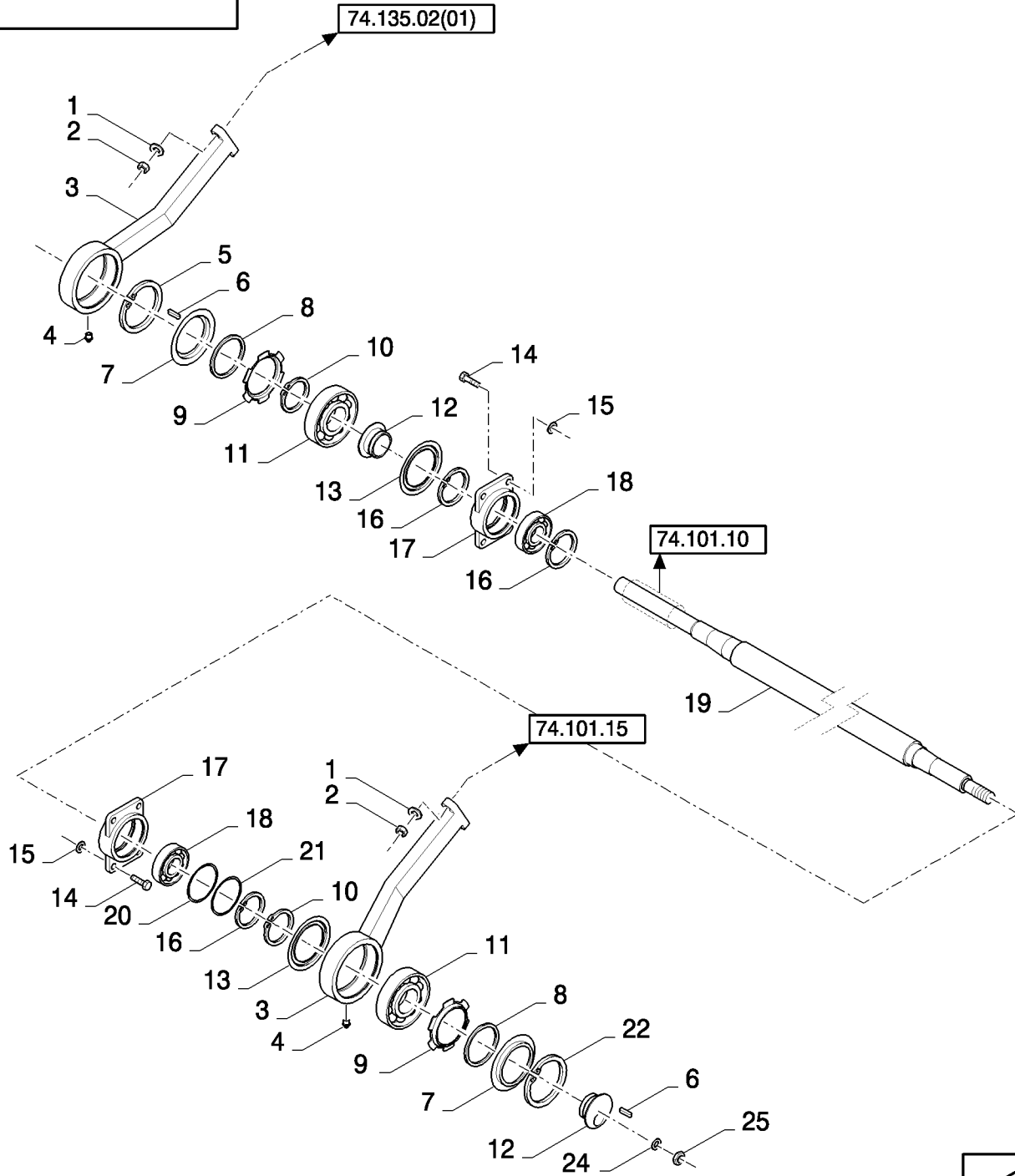
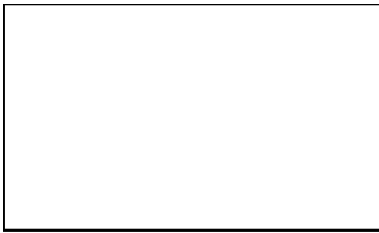
REF	FN	PART NUMBER	YR/SN	QTY	DESCRIPTION
31		86977775		1	BOLT, Hex, M10 x 60, 8.8, Full Thd
32		320648		1	NUT, M10, CI 8
33		378244		2	WASHER, M10 x 24 x 2 Thk
34		100016		1	NUT, M10, CI 8
35	1	87105832		1	SEAL, Rubber
35	2	87000266		1	SEAL, Rubber
36	1	87000280		1	STRIP
36	2	87000278		1	STRIP
37		84446204		AR	RIVET, Pop, M6 x 19.5
38		86629542		2	LOCK NUT, M8 x 1.25, CI 8

(1) 8120 & 9120 Only

(2) 7120 Only

**7120 7120 9120 8120
8120**

ECCENTRIC AND SHAKER SHOE DRIVE



ECCENTRIC AND SHAKER SHOE DRIVE

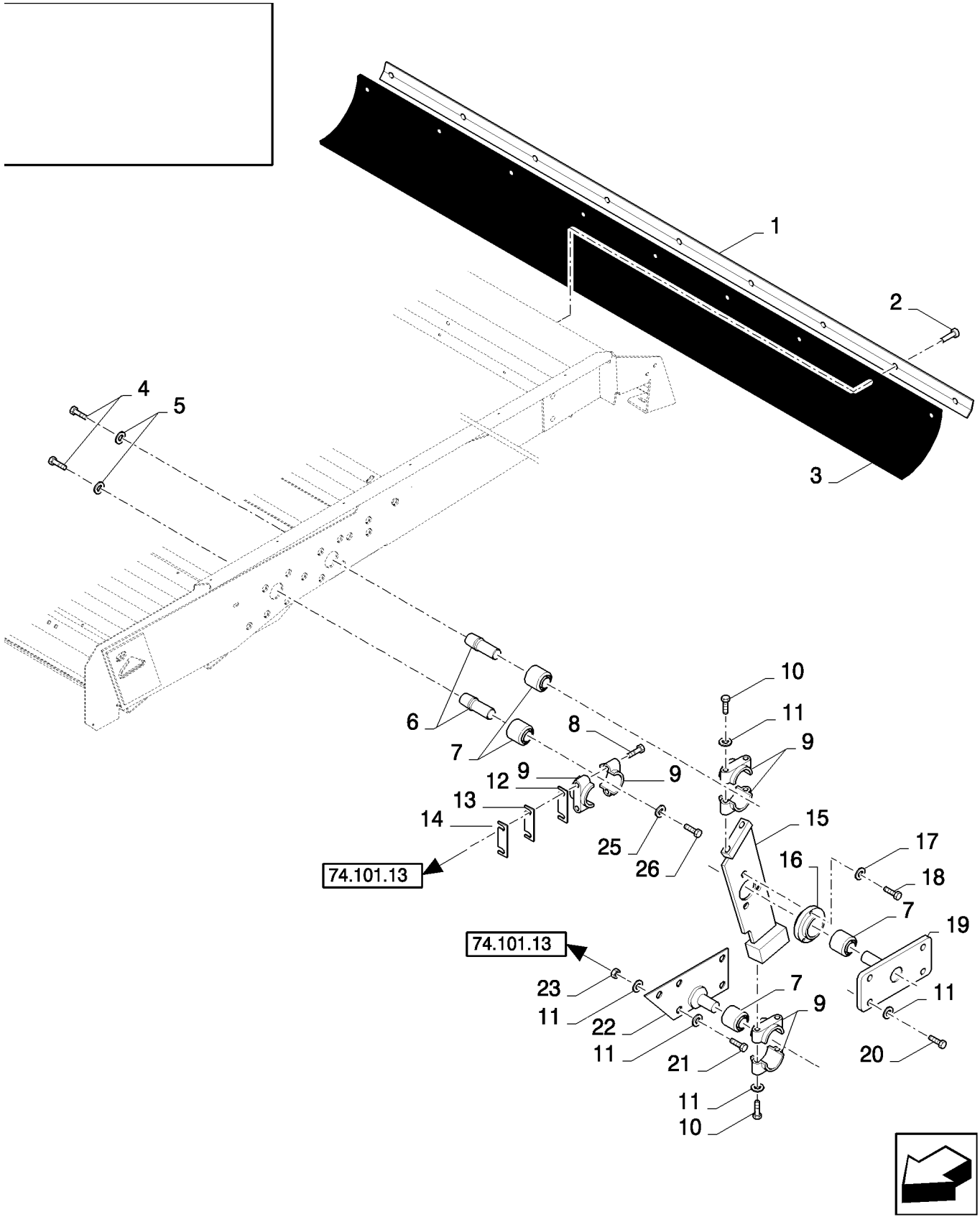
REF	FN	PART NUMBER	YR/SN	QTY	DESCRIPTION
1		140018		4	WASHER, M12 x 24 x 2.5
2		100038		4	LOCK NUT, M12 x 1.75, CI 8
3		87317702		2	ARM
4		321204		2	LUBE NIPPLE, M6 x 1, 16mm lg
5		370014		2	SNAP RING, M130, Int
6		9817851		2	KEY, M7 x 8 x 32
7		9832769		2	FLANGE
8		448736		2	SEALRING
9		9831118		2	FLANGE, Bearing Cover
10		370010		2	SNAP RING, M100, Ext
11		87315721		2	BALL BEARING
12		87316081		2	ECCENTRIC
13		9832772		2	RING
14		9706687		8	BOLT, Hex, M12 x 30, 8.8, Full Thd
15		140046		8	SPRING WASHER, Belleville, M12
16		370013		3	SNAP RING, M90, Int
17		84320474		2	BEARING HOUSING
18		913716		2	BALL BEARING
19	1	86980613		1	SHAFT
19	2	86980825		1	SHAFT
20		80435045		2	SHIM
21		80448780		2	SHIM
22		11077476		2	SNAP RING, M150, Int
24		378247		1	WASHER, M20
25		320771		1	NUT, Thin, M20 x 1.5, CI 04

(1) 8120 & 9120 Only

(2) 7120 Only

7120 7120 9120 8120
8120

UPPER SHOE DRIVE, L.H.



UPPER SHOE DRIVE, L.H.

REF	FN	PART NUMBER	YR/SN	QTY	DESCRIPTION
1	1	84989486		1	STRIP
1	2	84075413		1	STRIP
2		80445395		AR	RIVET, Pop, M4.8 x 18.1
3	1	87318656		1	SEAL
3	2	87325651		1	SEAL
4		120091		2	SCREW, Hex, M16 x 60, 8.8
5		86592702		2	WASHER, M16 x 45 x 6, HT
6		84037184		4	SHAFT
7		442446		4	RUBBER BUSHING
8		9501756		2	BOLT, Hex, M12 x 110, 10.9
9		84446877		6	BEARING HOUSING
10		80300810		4	BOLT, Hex, M12 x 85, CI 8.8
11		140046		AR	SPRING WASHER, Belleville, M12
12		445474		1	SHIM, THK: 0.5 MM
13		445473		1	SHIM, THK: 1 MM
14		445472		1	PLATE
15		87314571		1	ARM, L.H.
16		9811082		1	BUSHING
17		140045		3	BELLEVILLE WASHER, M10
18		9706704		3	BOLT, Hex, M10 x 35, 8.8, Full Thd
19		84320470		1	SUPPORT, L.H.
20		43154		4	SEALRING, M12 x 40, 8.8
21		9706687		5	BOLT, Hex, M12 x 30, 8.8, Full Thd
22		84334452		1	SUPPORT
23		9706685		5	NUT, M12, CI 8
25		140045		1	BELLEVILLE WASHER, M10
26		43138		1	BOLT, Hex, M10 x 20, 8.8, Full Thd

(1) 8120 & 9120 Only

(2) 7120 Only

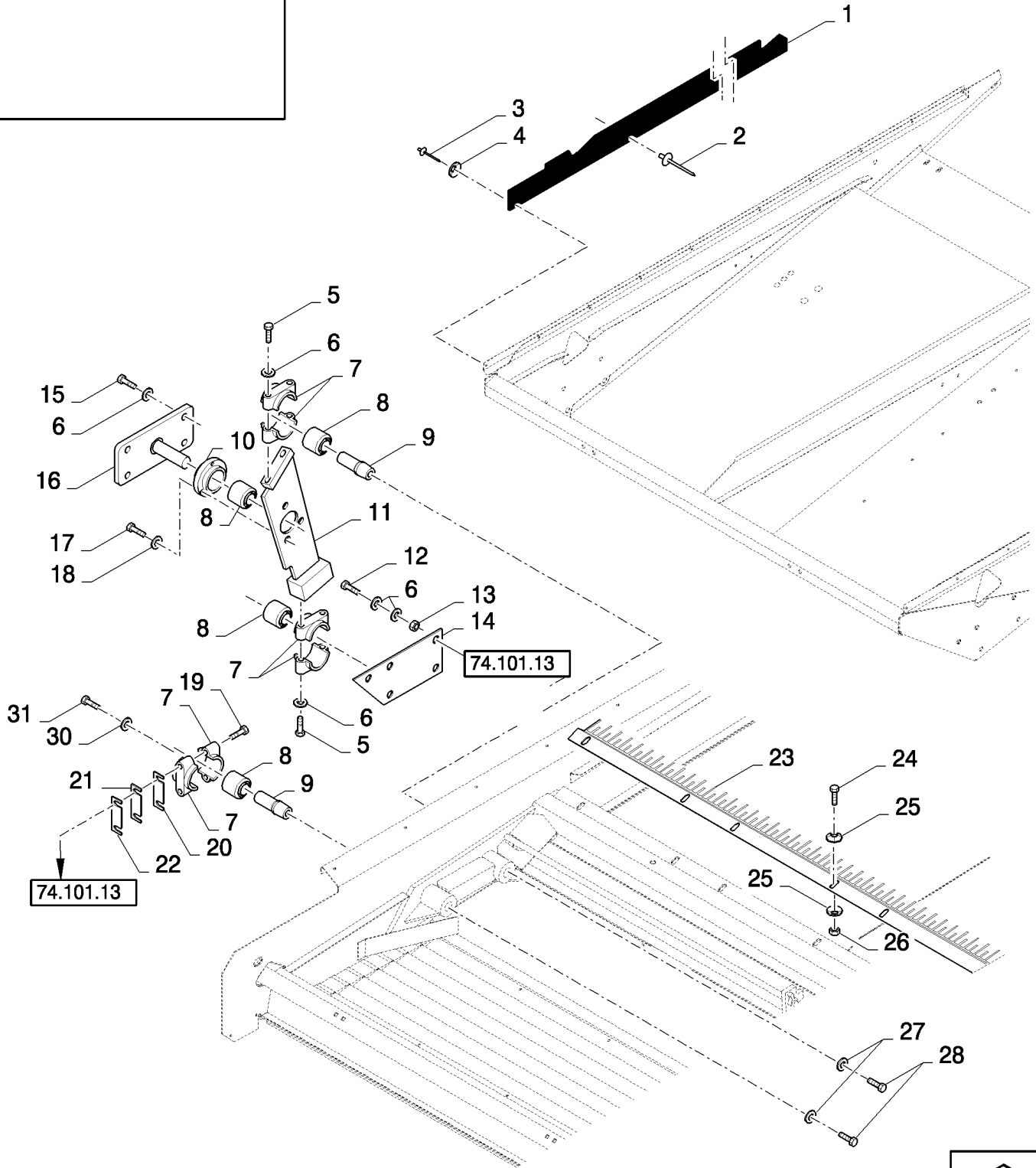
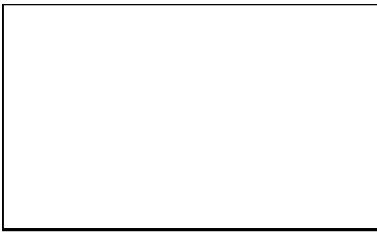
7120 7120 9120 8120
8120

74.101.16

p1

10/09

UPPER SHOE DRIVE, R.H.



UPPER SHOE DRIVE, R.H.

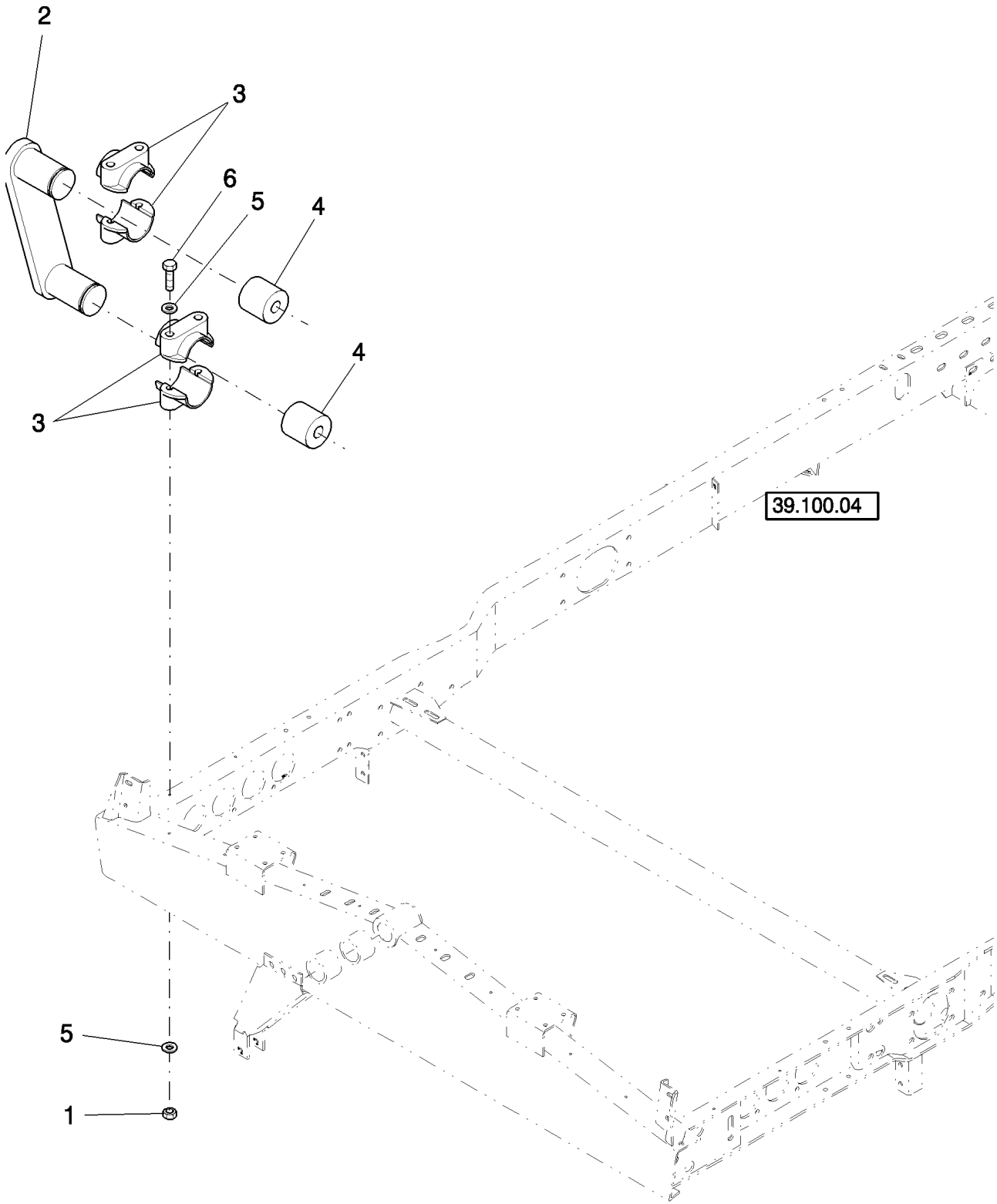
REF	FN	PART NUMBER	YR/SN	QTY	DESCRIPTION
1		87585352		2	CANVAS
2		84446204		18	RIVET, Pop, M6 x 19.5
3		NS		4	NOT SERVICED, Rivet
4		322356		4	BELLEVILLE WASHER, M5.1 x 12 x 1.85, HDN
5		80300810		4	BOLT, Hex, M12 x 85, CI 8.8
6		140046		18	SPRING WASHER, Belleville, M12
7		84446877		6	BEARING HOUSING
8		442446		4	RUBBER BUSHING
9		84037184		4	SHAFT
10		9811082		1	BUSHING
11		87314573		1	ARM, R.H.
12		9706687		5	BOLT, Hex, M12 x 30, 8.8, Full Thd
13		9706685		5	NUT, M12, CI 8
14		84334453		1	SUPPORT, R.H.
15		43154		4	SEALRING, M12 x 40
16		84320472		1	SUPPORT, R.H.
16		84320470		1	SUPPORT, L.H.
17		9706704		3	BOLT, Hex, M10 x 35, 8.8, Full Thd
18		140045		3	BELLEVILLE WASHER, M10
19		9501756		2	BOLT, Hex, M12 x 110, 10.9
20		445473		1	SHIM, THK: 1 MM
21		445474		1	SHIM, THK: 0.5 MM
22		445472		1	PLATE
23	1	84989436		1	RAKE
23	2	84989439		1	RAKE
24		120104		AR	BOLT, Hex, M8 x 20, 8.8
25		412650		AR	SPRING WASHER, Belleville, M8
26		9706690		AR	NUT, M8, CI 8
27		86592702		2	WASHER, M16 x 45 x 6, HT
28		120091		2	SCREW, Hex, M16 x 60, 8.8
30		140045		1	BELLEVILLE WASHER, M10
31		43138		1	BOLT, Hex, M10 x 20, 8.8, Full Thd
		87323178		1	DIA KIT, HARVESTER, Incl Ref 1, 11

(1) 8120 & 9120 Only

(2) 7120 Only

7120 7120 8120 9120
8120

GRAIN PAN DRIVE



74.110.03

p1

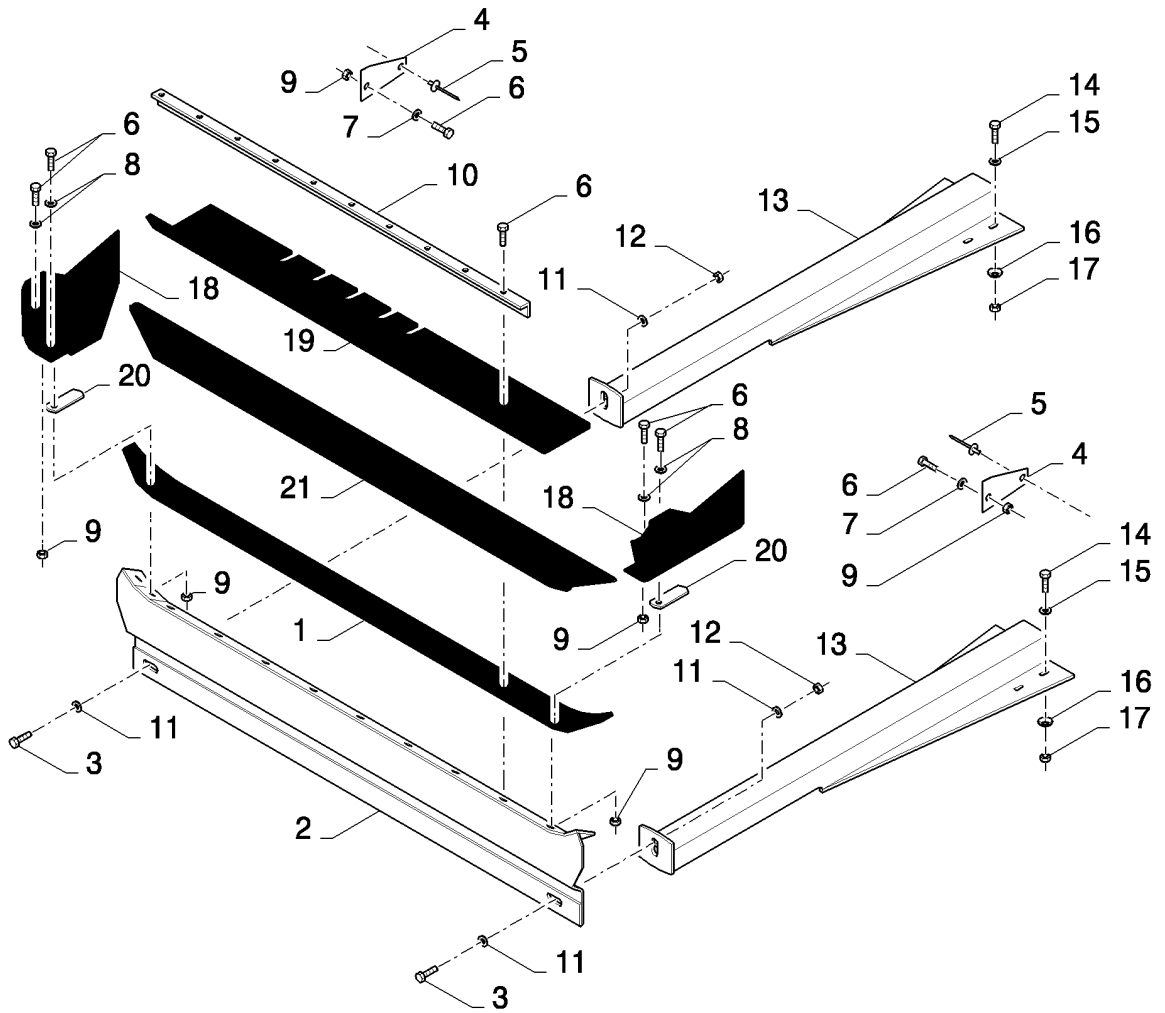
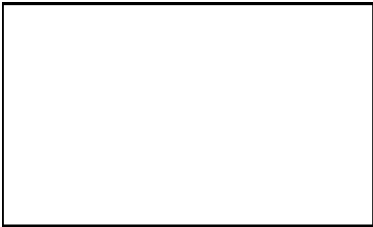
10/09

GRAIN PAN DRIVE

REF	FN	PART NUMBER	YR/SN	QTY	DESCRIPTION
1		86629542		8	LOCK NUT, M8 x 1.25, CI 8
2		87486176		2	ARM, Incl Ref 4, 87391745
3		320033		8	HOUSING
4		87391745		4	RUBBER BUSHING
5		322358		16	BELLEVILLE WASHER, M8
6		120062		8	BOLT, Hex, M8 x 70, 8.8

**7120 7120 8120 9120
8120**

GRAIN PAN, SUPPORTS & SEALS



GRAIN PAN, SUPPORTS & SEALS

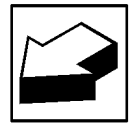
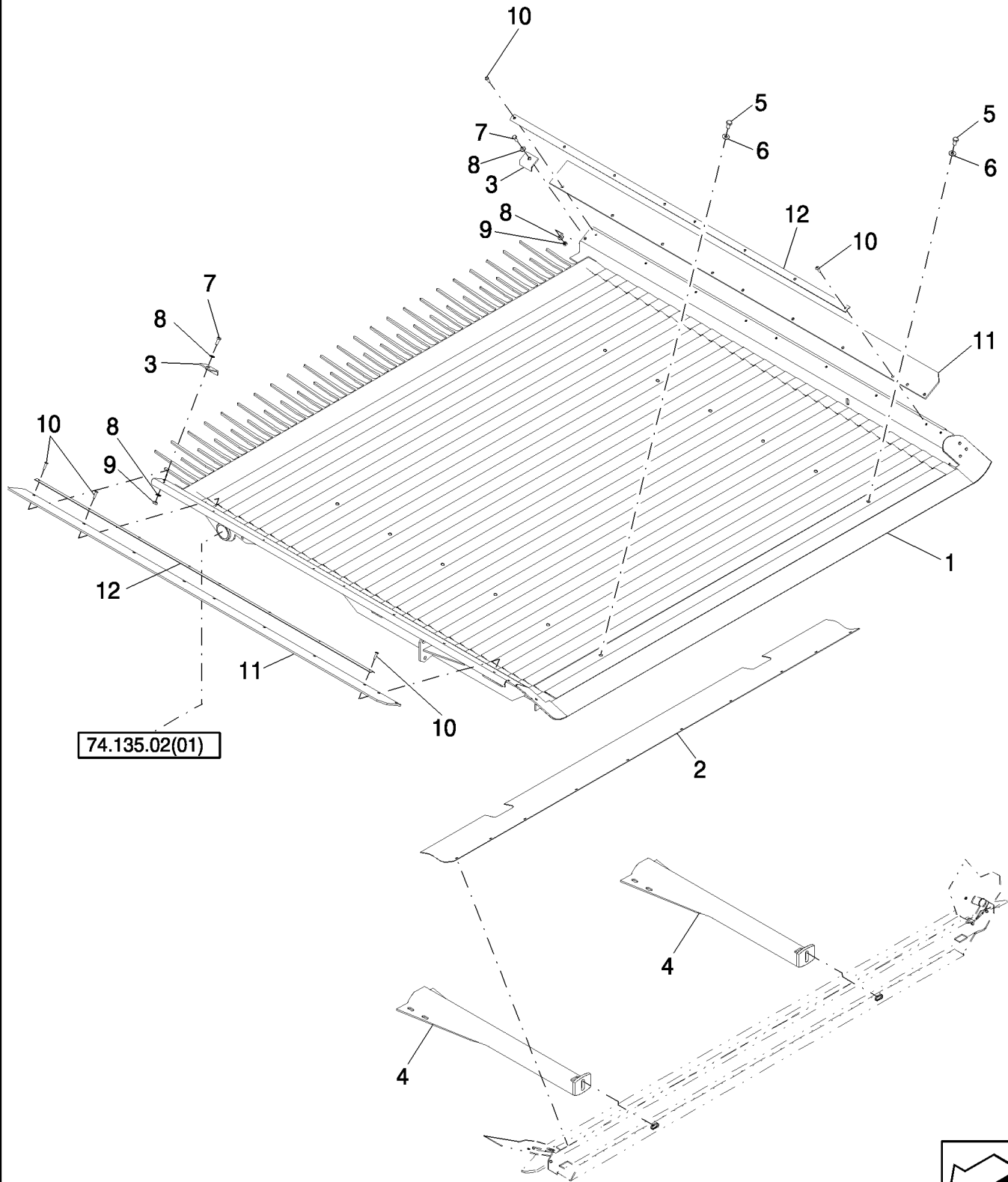
REF	FN	PART NUMBER	YR/SN	QTY	DESCRIPTION
1	1	87323002		1	SEAL
1	2	84462460		1	SEAL
2	1	87323004		1	SUPPORT
2	2	84462472		1	SUPPORT
3		43140		2	BOLT, Hex, M10 x 30, 8.8, Full Thd
4		84989409		2	PLATE
5		445394		AR	RIVET, Pop, M4.8 x 12.7
6		86977786		AR	BOLT, Hex, M6 x 25, 8.8, Full Thd
7		322357		AR	BELLEVILLE WASHER, M6
8		140040		4	WASHER, M6 x 22 x 2
9		353308		AR	NUT, M6 x 1, CI 8
10	1	84320380		2	STRIP
10	2	84000704		2	STRIP
11		140045		4	BELLEVILLE WASHER, M10
12		100016		2	NUT, M10, CI 8
13		84433388		2	SUPPORT
14		43127		8	BOLT, Hex, M8 x 25, 8.8
15		140041		8	WASHER, M8 x 28 x 3
16		412650		16	SPRING WASHER, Belleville, M8
17		89706690		8	NUT, M8, CI 8
18		87323001		2	SEAL
19	1	84005865		1	RUBBER SEAL
19	2	84005167		1	RUBBER SEAL
20		84007182		2	BRACKET
21	1	87333181		1	SEAL
21	2	87333212		1	SEAL

(1) 7120 Only

(2) 8120 & 9120 Only

7120 7120 8120 9120
8120

GRAIN PAN



GRAIN PAN

REF	FN	PART NUMBER	YR/SN	QTY	DESCRIPTION
1	1	87742787		1	GRAIN PAN
1	2	87742812		1	GRAIN PAN
2	1	87391543		1	SEAL
2	2	87376934		1	CANVAS
3		429635		2	SUPPORT
4		87318664		2	SUPPORT, Arm
5	2	120103		12	BOLT, Hex, M8 x 16, 8.8
6	2	412650		12	SPRING WASHER, Belleville, M8
7		86508568		2	BOLT, Hex, M6 x 16, CI 8.8, Full Thd
8		322357		24	BELLEVILLE WASHER, M6
9		9706755		2	NUT, M6, CI 8
10		445395		16	RIVET, Pop, M4.8 x 18.1
11		87318666		2	SEAL
12		87318665		2	STRIP

(1) 7120 Only

(2) 8120 & 9120 Only

7120 7120 8120 9120
8120

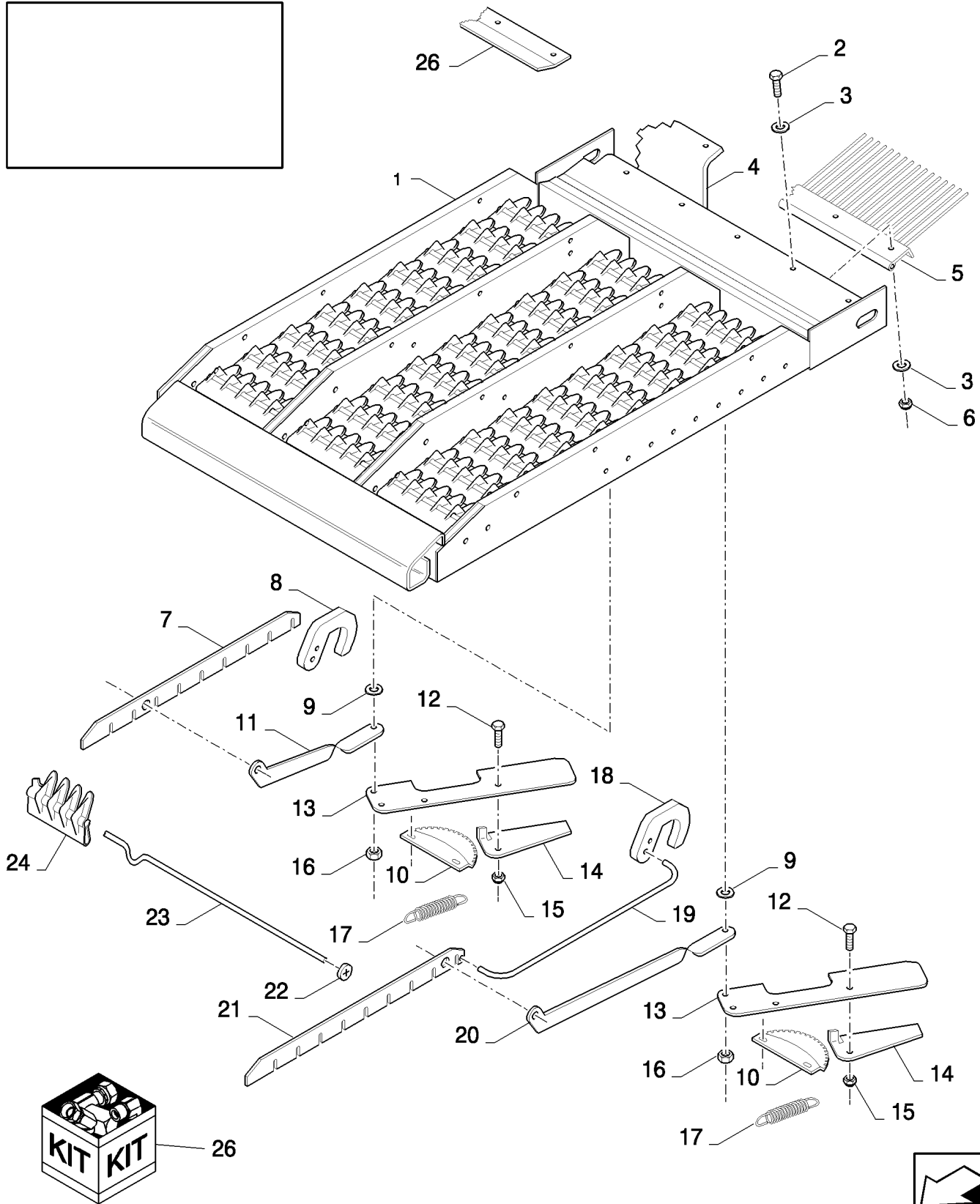
74.114.01

01

p1

10/09

UPPER SIEVES, NARROW



UPPER SIEVES, NARROW

REF	FN	PART NUMBER	YR/SN	QTY	DESCRIPTION
1	1	87109828		1	SIEVE, 1-1/8" (7 Thru 9, 11 Thru 24)
1	1	87109832		1	SIEVE, Corn, 1 5/8" (7 to 24)
1	1	87109840		1	SIEVE, Peterson 1-1/8" (7 to 24)
1	1	87109836		1	SIEVE, CLOSZ, 1-5/8" (7 Thru 9, 11 Thru 24)
2		120100		AR	BOLT, Hex, M6 x 20, 8.8
2		86508568		AR	BOLT, Hex, M6 x 16, CI 8.8, Full Thd
3		412653		AR	SPRING WASHER, Belleville, M6
4		84446197		1	SEAL, 1-5/8", Corn, Man
5		84100963		1	RAKE
6		9706755		AR	NUT, M6, CI 8
7		NSS		1	NOT SERVICED SEPARATELY, Plate, Adjusting
8	2	84056254		1	INDICATOR
8	3	84056253		1	INDICATOR
9		378243		2	WASHER, M8
10	4	426565		2	QUADRANT
11		87280884		1	HANDLE
12		86508568		2	BOLT, Hex, M6 x 16, CI 8.8, Full Thd
13		87109910		2	HANDLE
14		432187		2	HANDLE
15		353308		2	NUT, M6 x 1, CI 8
16		86629542		2	LOCK NUT, M8 x 1.25, CI 8, Prevailing Torque
17		449942		2	SPRING
18	2	84056802		1	INDICATOR
19	2	84056247		1	ROD
20	2	87280882		1	HANDLE
21		NSS		1	NOT SERVICED SEPARATELY, Plate, Adjusting
22		398561		6	CLIP
23		NSS		AR	NOT SERVICED SEPARATELY, Wire, Retaining
24		NSS		AR	NOT SERVICED SEPARATELY, Slat
25		84100992		1	PLATE

(1) Part is Not Remote Ready; Refer to Ref 26

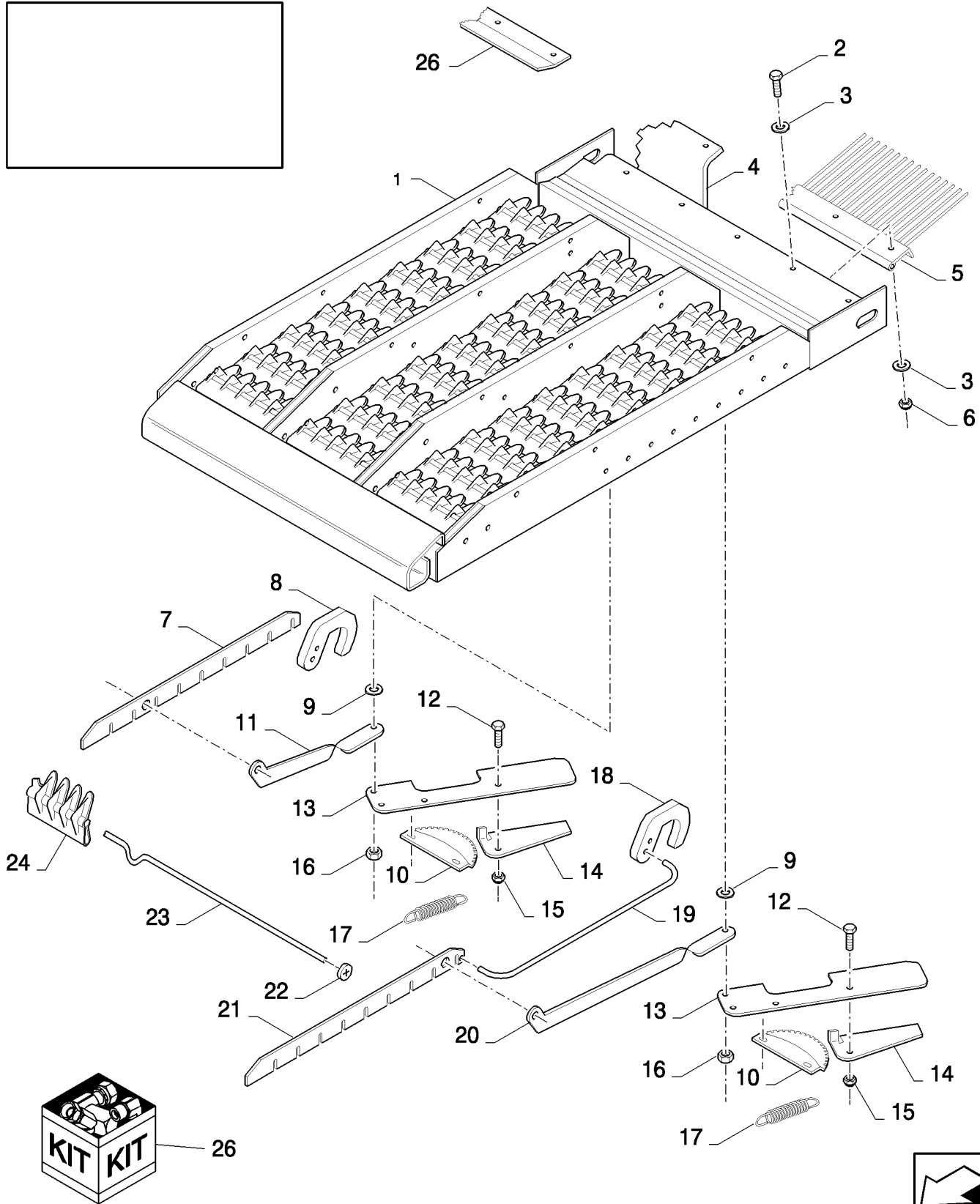
(2) For 1-1/8" Sieve Only

(3) For 1-5/8" Sieve Only

(4) Welded

**7120 7120 8120 9120
8120**

UPPER SIEVES, NARROW



UPPER SIEVES, NARROW

REF	FN	PART NUMBER	YR/SN	QTY	DESCRIPTION
26		84084985		1	SIEVE, Kit; Incl Ref 1 (87109828) And 5, Plus Adjusting Parts & Hardware
26		84084662		1	DIA KIT, HARVESTER, Incl Ref 1 (87109832), 4, And 5, Plus Adjusting Parts & Hardware
26		84084982		1	SIEVE, Kit; Incl Ref 1 (87109840), 4, And 5, Plus Adjusting Parts & Hardware
26		84084323		1	DIA KIT, HARVESTER, Incl Ref 1 (87109836) And 5, Plus Adjusting Parts & Hardware

**7120 7120 8120 9120
8120**

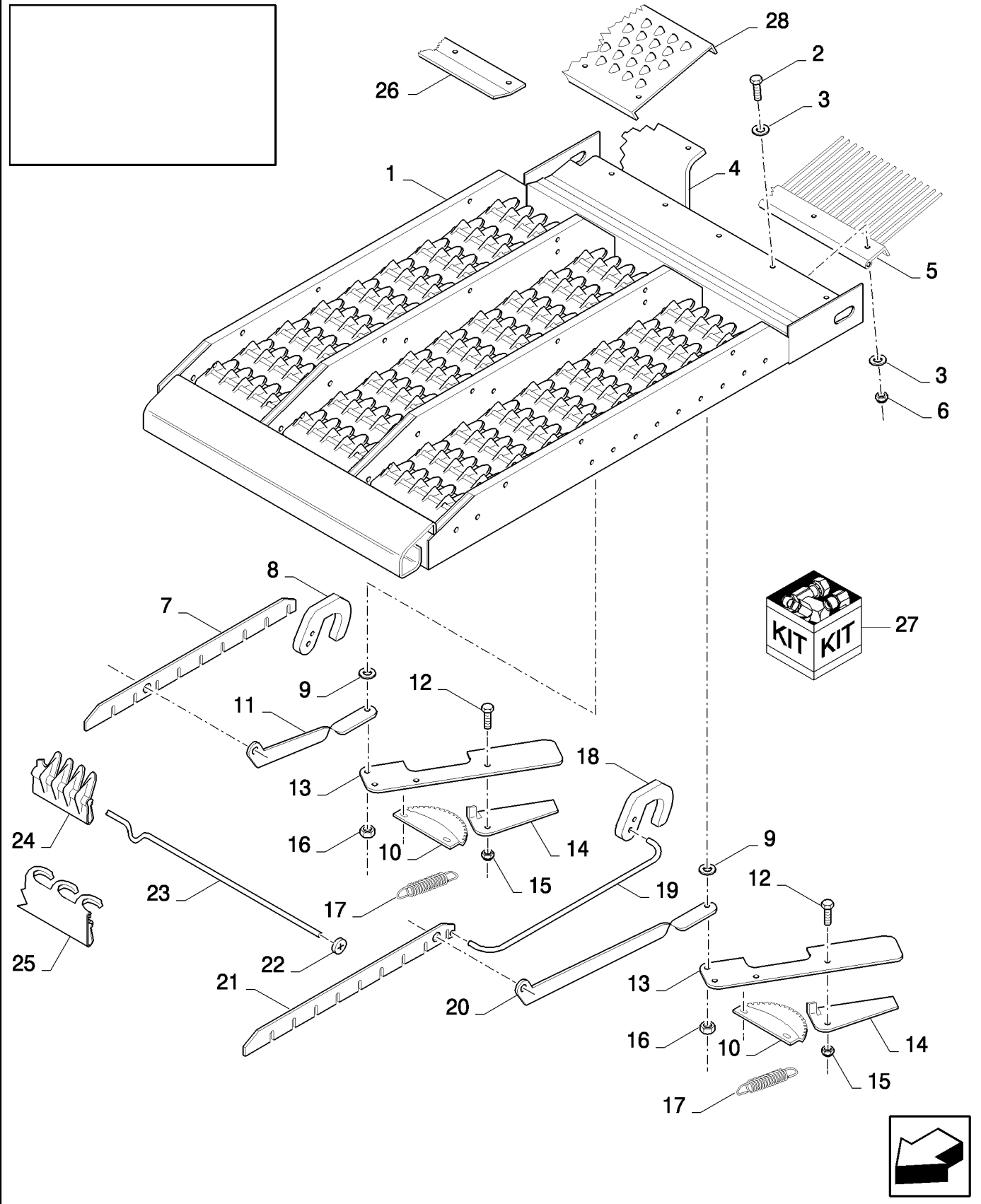
74.114.01

02

p1

02/10

UPPER SIEVES, WIDE



UPPER SIEVES, WIDE

REF	FN	PART NUMBER	YR/SN	QTY	DESCRIPTION
1	1	84100965		2	SIEVE, HC Slat, 1 1/8" (7 to 24) - PAINTED
1	1	87109830		2	SIEVE, CLOSZ Slat, 1 1/8"(7 to 24) - GALVANIZED
1	1	84320037		2	SIEVE, Closz Slat, 1 5/8" (7 to 17, 22 to 24) - PAINTED
1	1	87109834		2	SIEVE, Corn, 1 5/8"(7 to 24) - GALVANIZED
1	1	87109838		2	SIEVE, CLOSZ Slat, 1 5/8"(7 to 24) - GALVANIZED
1	1	84100990		2	SIEVE, Peterson, 1 1/8"(7 to 24) - PAINTED
1	1	87109842		2	SIEVE, Peterson, 1 1/8"(7 to 24) - GALVANIZED
1	1	84437315		2	SIEVE, CLOSZ Slat, 1 1/8" (7 to 24) - PAINTED
2		120100		AR	BOLT, Hex, M6 x 20, 8.8
2		86508568		AR	BOLT, Hex, M6 x 16, CI 8.8, Full Thd
3		412653		AR	SPRING WASHER, Belleville, M6
4		84320875		AR	SEAL
5		84100961		2	RAKE
6		9706755		AR	NUT, M6, CI 8
7	2	84056237		1	ADJUSTING PLATE
7	3	84056235		1	ADJUSTING PLATE
8	2	84056254		1	INDICATOR
8	3	84056253		1	INDICATOR
9		378243		2	WASHER, M8
10		426565		2	QUADRANT
11	2	84053320		1	LEVER
11	3	84056678		1	LEVER
12		86508568		2	BOLT, Hex, M6 x 16, CI 8.8, Full Thd
13		9817781		2	HANDLE
14		432187		2	HANDLE
15		353308		2	NUT, M6 x 1, CI 8
16		86629542		2	LOCK NUT, M8 x 1.25, CI 8, Prevailing Torque
17		449942		2	SPRING
18	2	84056802		1	INDICATOR
19	2	84056247		1	ROD
20	2	84053321		1	LEVER

(1) Part is Not Remote Ready; Refer to Ref 27

(2) For 1-1/8" Sieve Only

(3) For 1-5/8" Sieve Only

7120 7120 8120 9120
8120

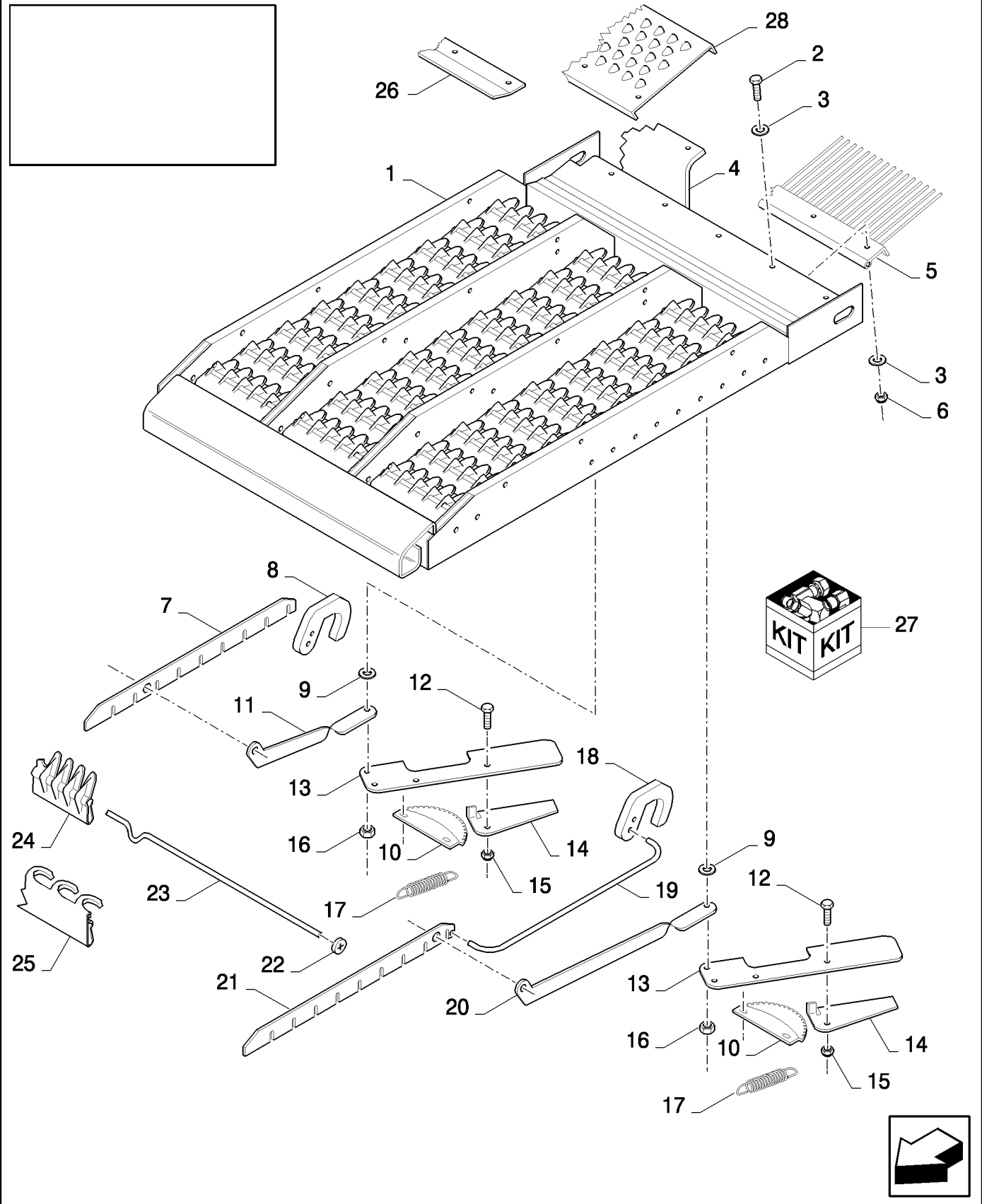
74.114.01

02

p2

02/10

UPPER SIEVES, WIDE



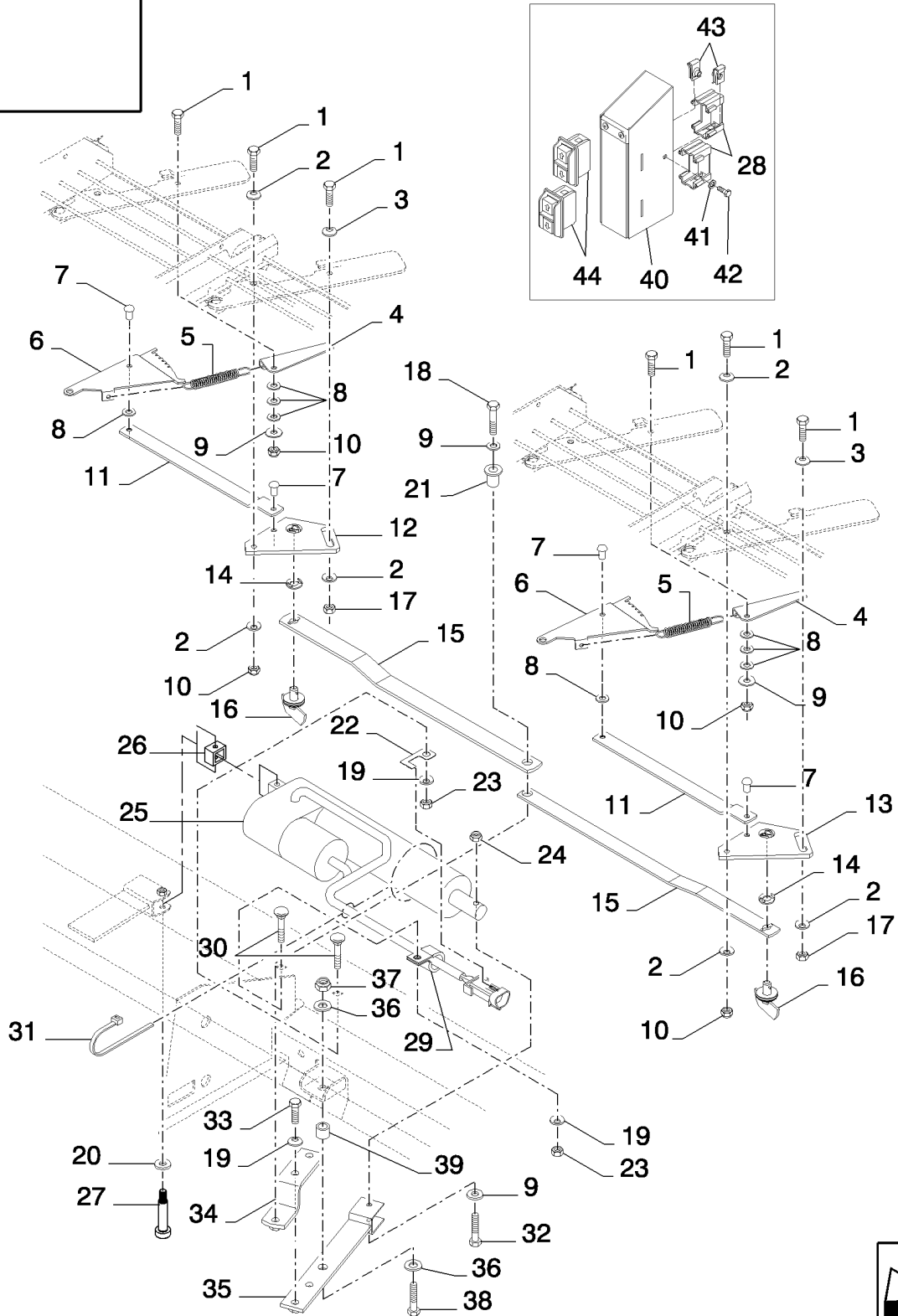
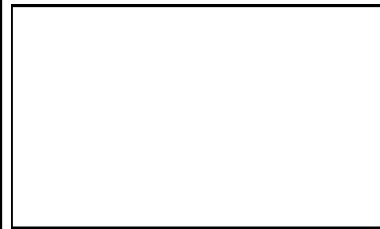
UPPER SIEVES, WIDE

REF	FN	PART NUMBER	YR/SN	QTY	DESCRIPTION
21	1	84056236		1	ADJUSTING PLATE
22		398561		6	CLIP
23		453189		AR	RETAINING WIRE
24	1	445569		47	BAR, HC 1 1/8"-240
24		324715		94	BAR, HC 1 1/8"-230
24		445569		235	BAR, HC 1 1/8"-240
24		80445568		33	BAR, HC 1 5/8"-240
24		80396505		66	BAR, HC 1 5/8"-230
24		80445568		165	BAR, HC 1 5/8"-240
25		89832566		47	BAR, HC 1 1/8"-240
25		89832565		94	BAR, HC 1 1/8"-230
25		89832566		235	BAR, HC 1 1/8"-240
26		84100993		2	PLATE
27		84084984		AR	SIEVE, Kit, HC, 1-1/8"; Incl Ref 1, 87109830 (2), Ref 2, 86508568 (8), Ref 3, 412653 (16), Ref 5, 84100961 (2), Ref 6, 9706755 (8)
27		84084981		AR	SIEVE, Kit, PET, 1-1/8"; Incl Ref 1, 87109842 (2), Ref 2, 86508568 (8), Ref. 3, 412653 (16), Ref 5, 84100961 (2), Ref 6, 9706755 (8)
27		84084324		AR	DIA KIT, HARVESTER, Closz, 1-5/8"; Incl Ref 1, 87109838 (2), Ref 2, 86508568 (8), Ref. 3 412653 (16), Ref 5, 84100961 (2), Ref 6, 9706755 (8)
28		453266		2	SIEVE EXTENSION, Optional Graepel Sieve Extension - 784 mm Long
28		430384		1	SIEVE EXTENSION, Optional Graepel Sieve Extension - 1316 mm Long
29		84084664		1	DIA KIT, HARVESTER, Chaffer, Adj, 1-5/8"; Incl Ref 1, 87109834 (2), Ref 2, 120100 (8), Ref 3 (16), Ref 4 (2), Ref 5, 84100961 (2), Ref 6 (8), Plus Remote Plates & Hdw

(1) For 1-1/8" Sieve Only

**7120 7120 8120 9120
8120**

REMOTE UPPER SIEVE ADJUSTMENT



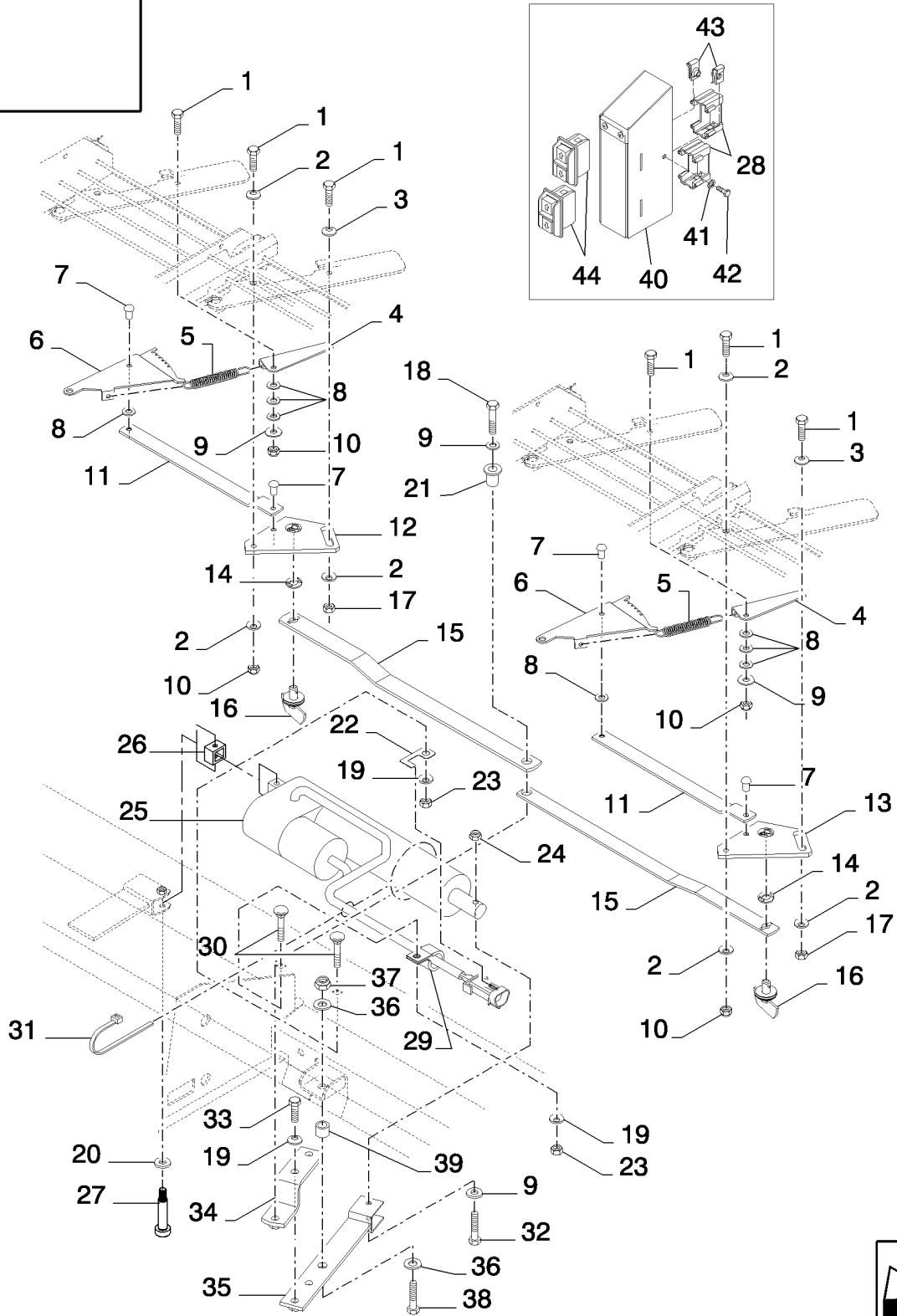
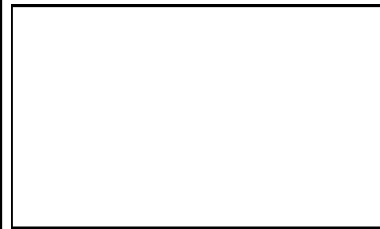
REMOTE UPPER SIEVE ADJUSTMENT

REF	FN	PART NUMBER	YR/SN	QTY	DESCRIPTION
1		120100		AR	BOLT, Hex, M6 x 20, 8.8
2		412649		AR	SPRING WASHER, Belleville, M6
3		322357		AR	BELLEVILLE WASHER, M6
4	1	84053675		2	PLATE
5	1	449942		2	SPRING
6	1	84053678		2	TOOTHED SECTOR
7		281061		AR	RIVET, Rd Hd, M6 x 12
8		86588450		AR	WASHER, M6 x 12 x 1.6 Thk
9		140040		AR	WASHER, M6 x 22 x 2
10		353308		AR	NUT, M6 x 1, CI 8
11	1, 2	84053679		2	BRACKET
11	1, 3	87637643		2	BRACKET
12		84053677		1	PLATE
13		84062611		1	PLATE
14		9514605		2	LOCK WASHER, M9.8 x 18.5
15		87011099		2	LEVER
16		9831581		2	LOCK
17		9706755		2	NUT, M6, CI 8
18		43128		1	SCREW, Hex, M8 x 30, 8.8
19		322358		4	BELLEVILLE WASHER, M8
20		378243		1	WASHER, M8
21		87013640		1	BUSHING
22		87013667		1	CLIP
23		89706690		2	NUT, M8, CI 8
24		280129		1	LOCK NUT, 1/4"-20, GC
25		87711042	BSN Y9G207358	1	ACTUATOR
25		84208481	ASN Y9G207358	1	ACTUATOR
26		87711044		1	BLOCK
27		87471830		1	HEX SOC SCREW, Shldr, M6 x 41, 12.9
28		86627352		2	CLAMP
29		853764		1	CLAMP, 5/16", Insul, 5/16" Bolt
30		86619060		2	CARRIAGE BOLT, Short NK, M8 x 16, CI8.8, Full Thd

- (1) Not Used W/Corn Sieves
(2) Use W/Painted Sieves
(3) Use W/Galvanized Sieves

**7120 7120 8120 9120
8120**

REMOTE UPPER SIEVE ADJUSTMENT



74.114.03

01

p2

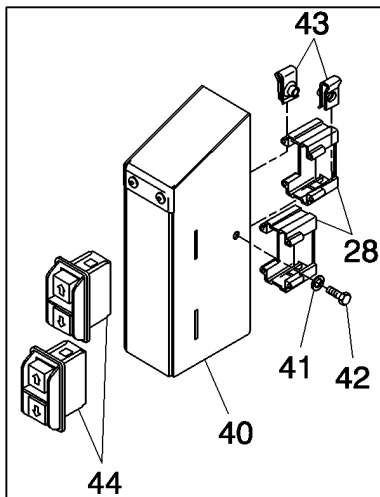
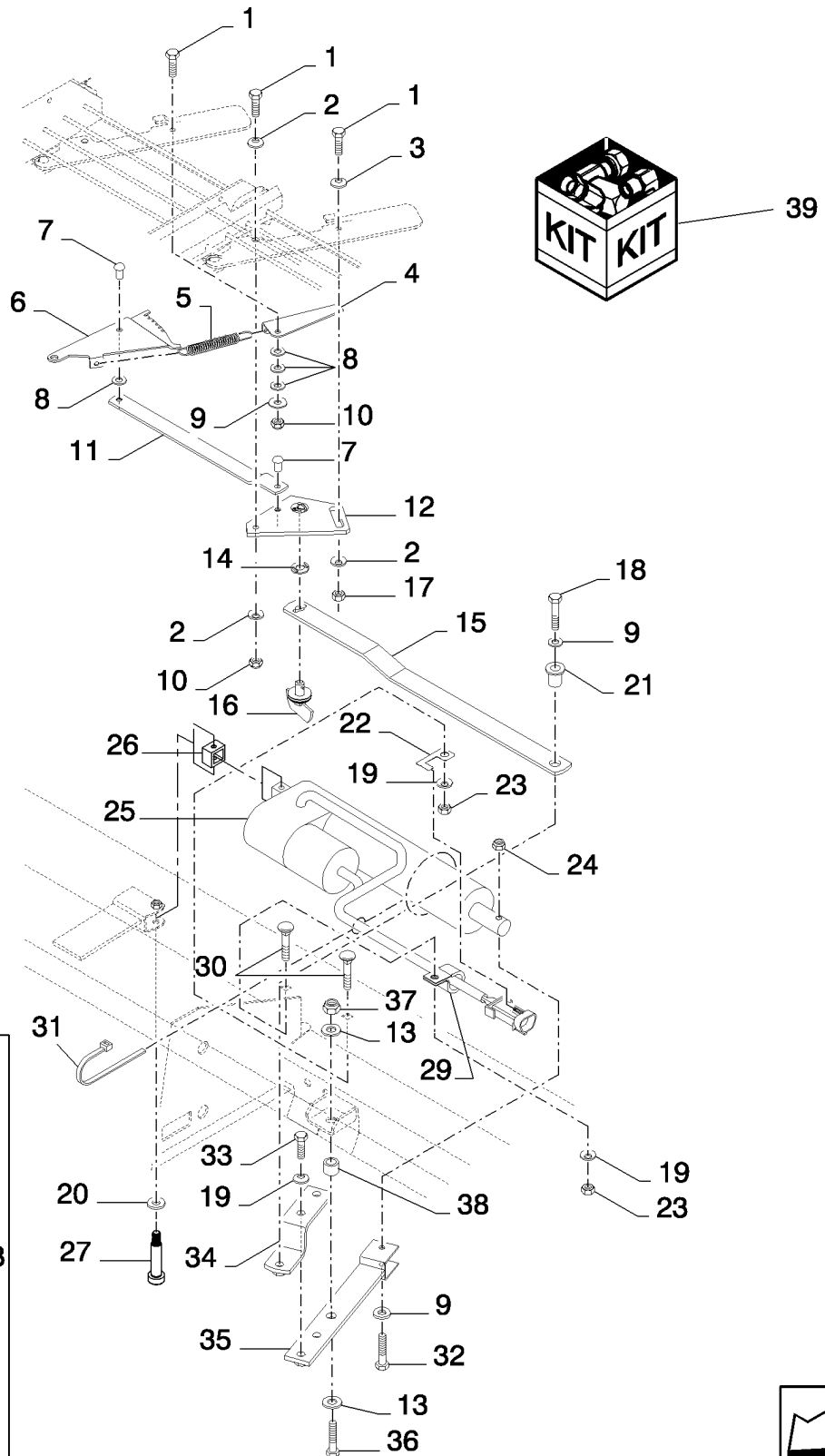
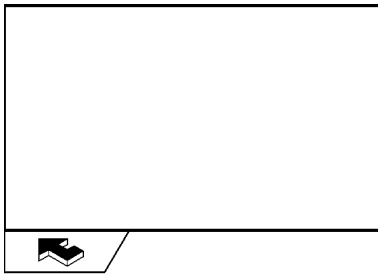
02/10

REMOTE UPPER SIEVE ADJUSTMENT

REF	FN	PART NUMBER	YR/SN	QTY	DESCRIPTION
31		86566989		1	CABLE STRAP, M4.75 x 190.5 L
32		87716		1	BOLT, Hex, 1/4"-20 x 1 1/4", G5
33		120104		2	BOLT, Hex, M8 x 20, 8.8
34		84053313		1	BRACKET
35		87011097		1	LEVER
36		378244		1	WASHER, M10 x 24 x 2 Thk
37		100037		1	NUT, M10 x 1.5, CI 8
38		43139		1	BOLT, Hex, M10 x 25, 8.8, Full Thd
39		28384		1	SPACER
40		87011998		1	HOUSING
41		322357		2	BELLEVILLE WASHER, M6
42		86508568		2	BOLT, Hex, M6 x 16, CI 8.8, Full Thd
43		86014250		2	SPRING NUT, U, M6 x 1
44		86627351		2	SWITCH, Remote Upper Sieve Adjust

**7120 7120 8120 9120
8120**

REMOTE UPPER SIEVE ADJUSTMENT



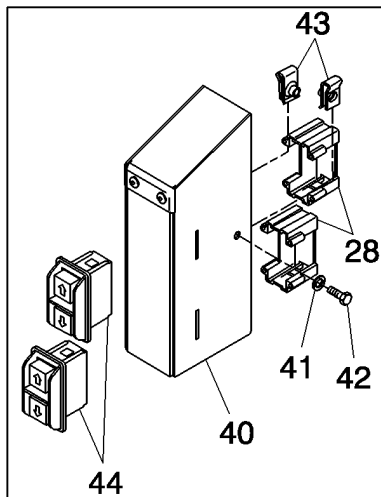
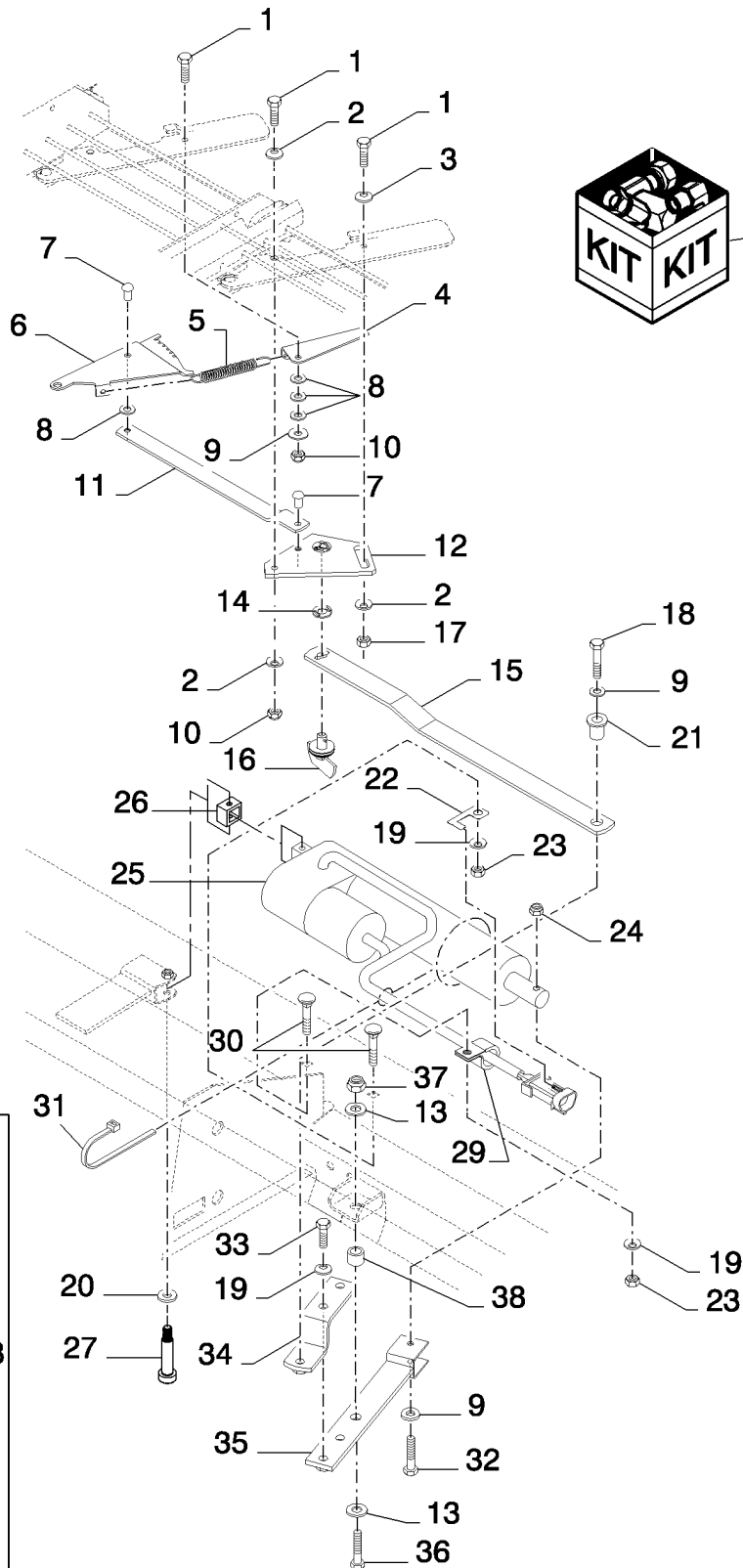
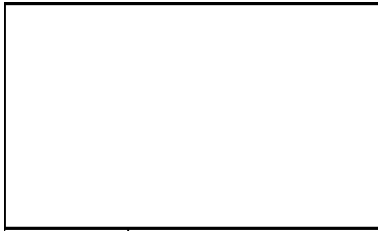
REMOTE UPPER SIEVE ADJUSTMENT

REF	FN	PART NUMBER	YR/SN	QTY	DESCRIPTION
1		120100		AR	BOLT, Hex, M6 x 20, 8.8
2		412649		3	SPRING WASHER, Belleville, M6
3		322357		1	BELLEVILLE WASHER, M6
4		84053675		1	PLATE
5	1	449942		1	SPRING
6	1	84053678		1	TOOTHED SECTOR
7		281061		2	RIVET, Rd Hd, M6 x 12
8		86588450		4	WASHER, M6 x 12 x 1.6 Thk
9		140040		1	WASHER, M6 x 22 x 2
10		353308		2	NUT, M6 x 1, CI 8
11	1, 2	84053679		1	BRACKET
11	1, 3	87637643		1	BRACKET
12		84053677		1	PLATE
13		378244		2	WASHER, M10 x 24 x 2 Thk
14		9514605		1	LOCK WASHER, M9.8 x 18.5
15		87011099		1	LEVER
16		9831581		1	LOCK
17		9706755		1	NUT, M6, CI 8
18		43127		1	BOLT, Hex, M8 x 25, 8.8
19		322358		4	BELLEVILLE WASHER, M8
20		378243		1	WASHER, M8
21		133246		1	BUSHING
22		87013667		1	CLIP
23		9706690		3	NUT, M8, CI 8
24		280129		1	LOCK NUT, 1/4"-20, GC
25		87711042	BSN Y9G207358	1	ACTUATOR
25		84208481	ASN Y9G207358	1	ACTUATOR
26		87711044		1	BLOCK
27		87471830		1	HEX SOC SCREW, Shldr, M6 x 41, 12.9
28		86627352		2	CLAMP
29		853764		1	CLAMP, 5/16", Insul, 5/16" Bolt
30		86619060		2	CARRIAGE BOLT, Short NK, M8 x 16, CI8.8, Full Thd

- (1) Not Used W/Corn Sieves
(2) Use W/Painted Sieves
(3) Use W/Galvanized Sieves

**7120 7120 8120 9120
8120**

REMOTE UPPER SIEVE ADJUSTMENT



74.114.03

02

p2

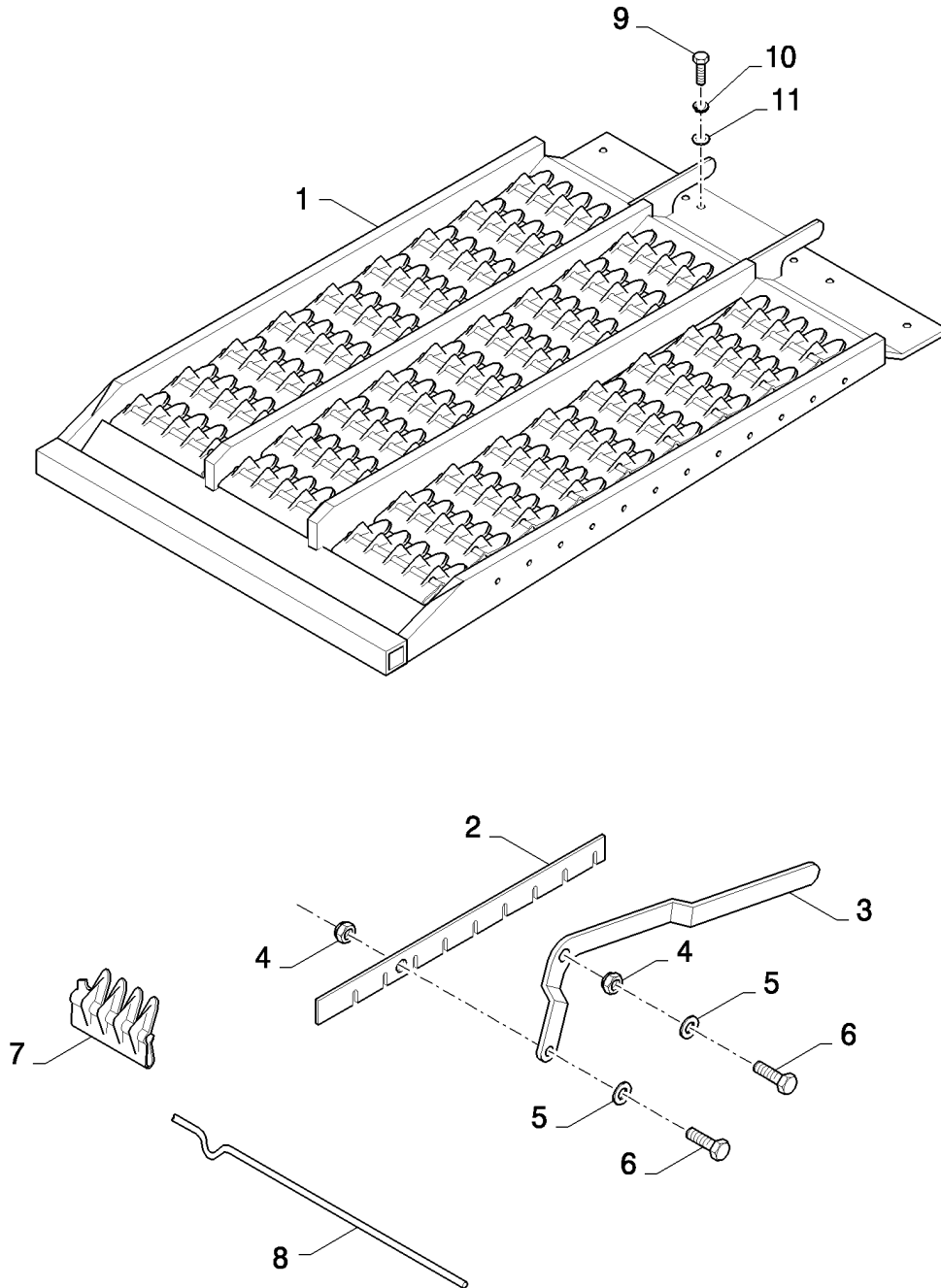
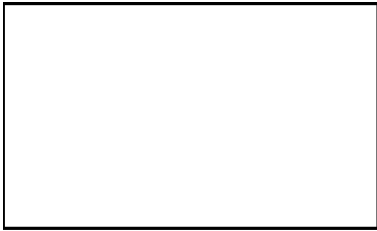
02/10

REMOTE UPPER SIEVE ADJUSTMENT

REF	FN	PART NUMBER	YR/SN	QTY	DESCRIPTION
31		86566989		1	CABLE STRAP, M4.75 x 190.5 L
32		87716		1	BOLT, Hex, 1/4"-20 x 1 1/4", G5
33		120104		2	BOLT, Hex, M8 x 20, 8.8
34		84053313		1	BRACKET
35		87011097		1	LEVER
36		43139		1	BOLT, Hex, M10 x 25, 8.8, Full Thd
37		100037		1	NUT, M10 x 1.5, CI 8
38		28384		1	SPACER
39		87033908		1	HOUSING ASSY., Incl Refs 40 Thru 45
40		87011998		1	HOUSING
41		322357		2	BELLEVILLE WASHER, M6
42		86508568		2	BOLT, Hex, M6 x 16, CI 8.8, Full Thd
43		86014250		2	SPRING NUT, U, M6 x 1
44		86627351		2	SWITCH, Remote Upper Sieve Adjust

**7120 7120 8120 9120
8120**

PRESIEVE



PRESIEVE

REF	FN	PART NUMBER	YR/SN	QTY	DESCRIPTION
1		87109815		1	SIEVE, 1-1/8"
1		87109824		1	SIEVE, CLOSZ, Galvanized Slats 1-5/8"
1		87109819		1	SIEVE, Corn; Galvanized Slats For 7120 / 8120 /9120
2		NSS		1	NOT SERVICED SEPARATELY, PLATE, Adjusting
3		84434245		1	LEVER
4		353308		2	NUT, M6 x 1, CI 8
5		86588450		2	WASHER, M6 x 12 x 1.6 Thk
6		86508568		2	BOLT, Hex, M6 x 16, CI 8.8, Full Thd
7		NSS		70	NOT SERVICED SEPARATELY, Slat
8		NSS		14	NOT SERVICED SEPARATELY, WIRE, Corn, Galvanized Slats
9		43139		2	BOLT, Hex, M10 x 25, 8.8, Full Thd
10		140045		2	BELLEVILLE WASHER, M10
11		378244		2	WASHER, M10 x 24 x 2 Thk

**7120 7120 8120 9120
8120**

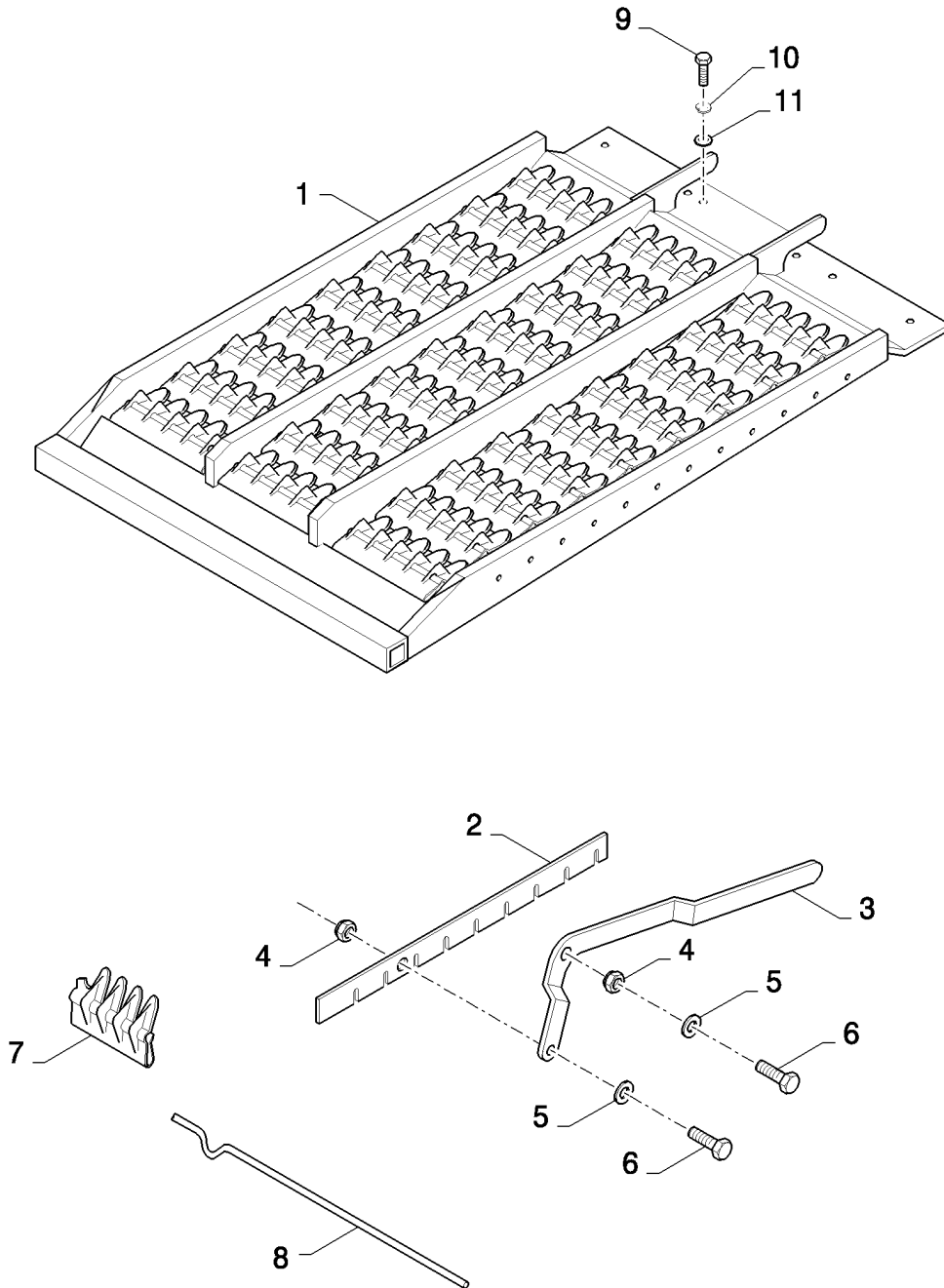
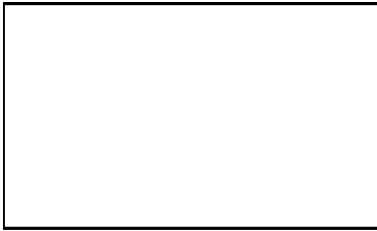
74.114.04

02

p1

02/10

PRESIEVE



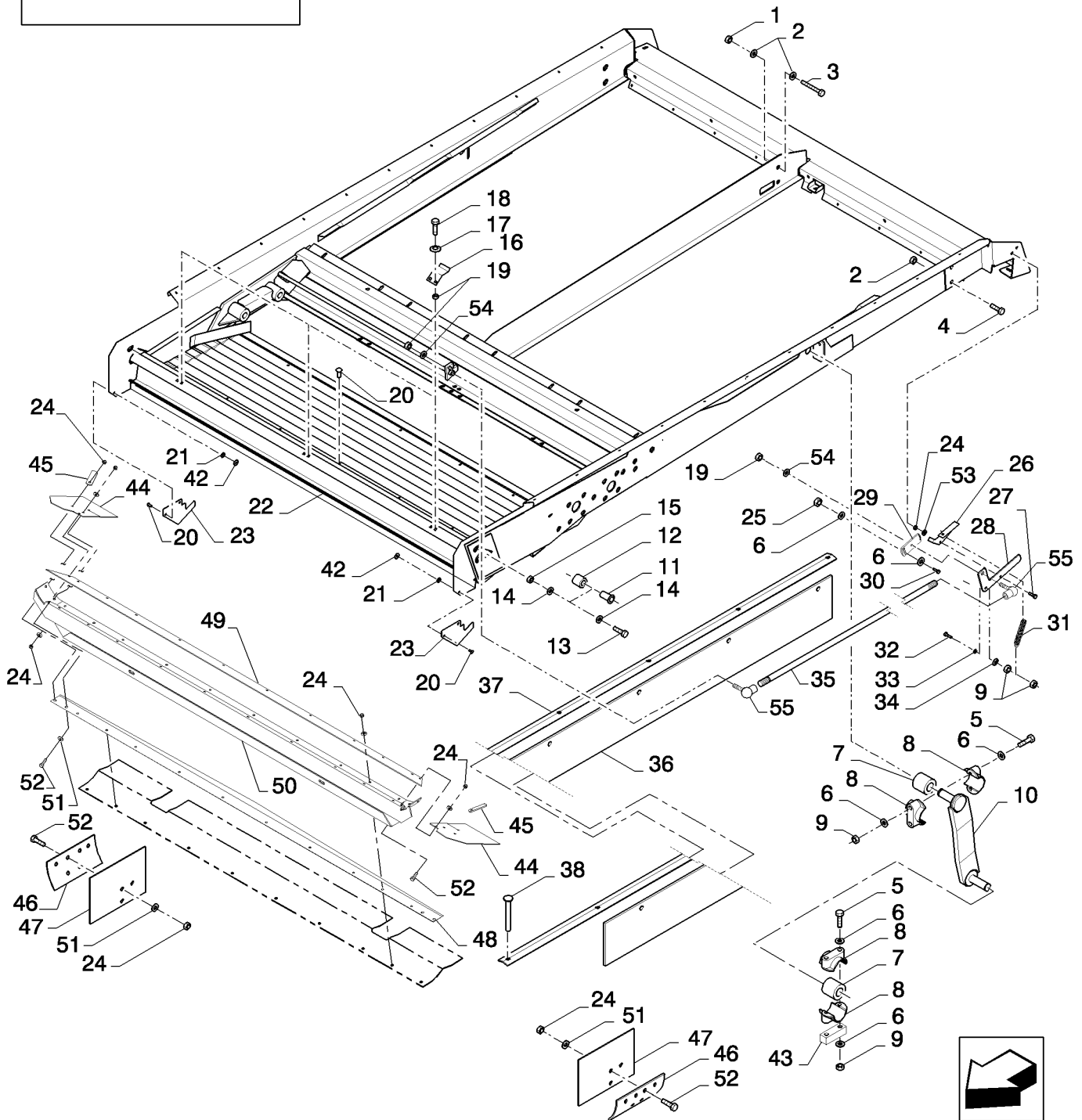
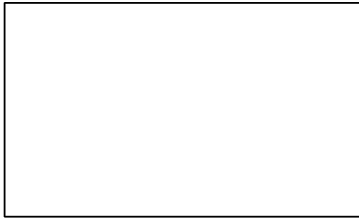
PRESIEVE

REF	FN	PART NUMBER	YR/SN	QTY	DESCRIPTION
1		87109817		1	GRAIN SIEVE, 1-1/8" - Galvanized
1		84076561		1	SIEVE, 1-1/8" - Painted
1		87105820		1	SIEVE, CL 1-1/8"
1		87109826		1	SIEVE, CL 1-5/8" - Galvanized
1		87109821		1	SIEVE, Corn, Galvanized Slats For AFX 8120/9120
1	1	84432132		1	SIEVE, Corn, H-C, 1-5/8"
2		NS		1	NOT SERVICED, Plate
3		84434245		1	LEVER
4		353308		2	NUT, M6 x 1, CI 8
5		86588450		2	WASHER, M6 x 12 x 1.6 Thk
6		86508568		2	BOLT, Hex, M6 x 16, CI 8.8, Full Thd
7		481730		40	BAR, L=230 MM
7		445571		80	BAR, L=240 MM
7		87281019		28	BAR, SLAT, Corn, Galvanized - L=233 MM
7		87281020		56	BAR, SLAT, Corn, Galvanized - L=240.5 MM
8		452791		20	RETAINING WIRE
8		NS		14	NOT SERVICED, WIRE, Corn, Galvanized Slats
9		43139		2	BOLT, Hex, M10 x 25, 8.8, Full Thd
10		140045		2	BELLEVILLE WASHER, M10
11		378244		2	WASHER, M10 x 24 x 2 Thk

(1) EU Only

7120 7120 8120 9120
8120

UPPER SHAKER SHOE



UPPER SHAKER SHOE

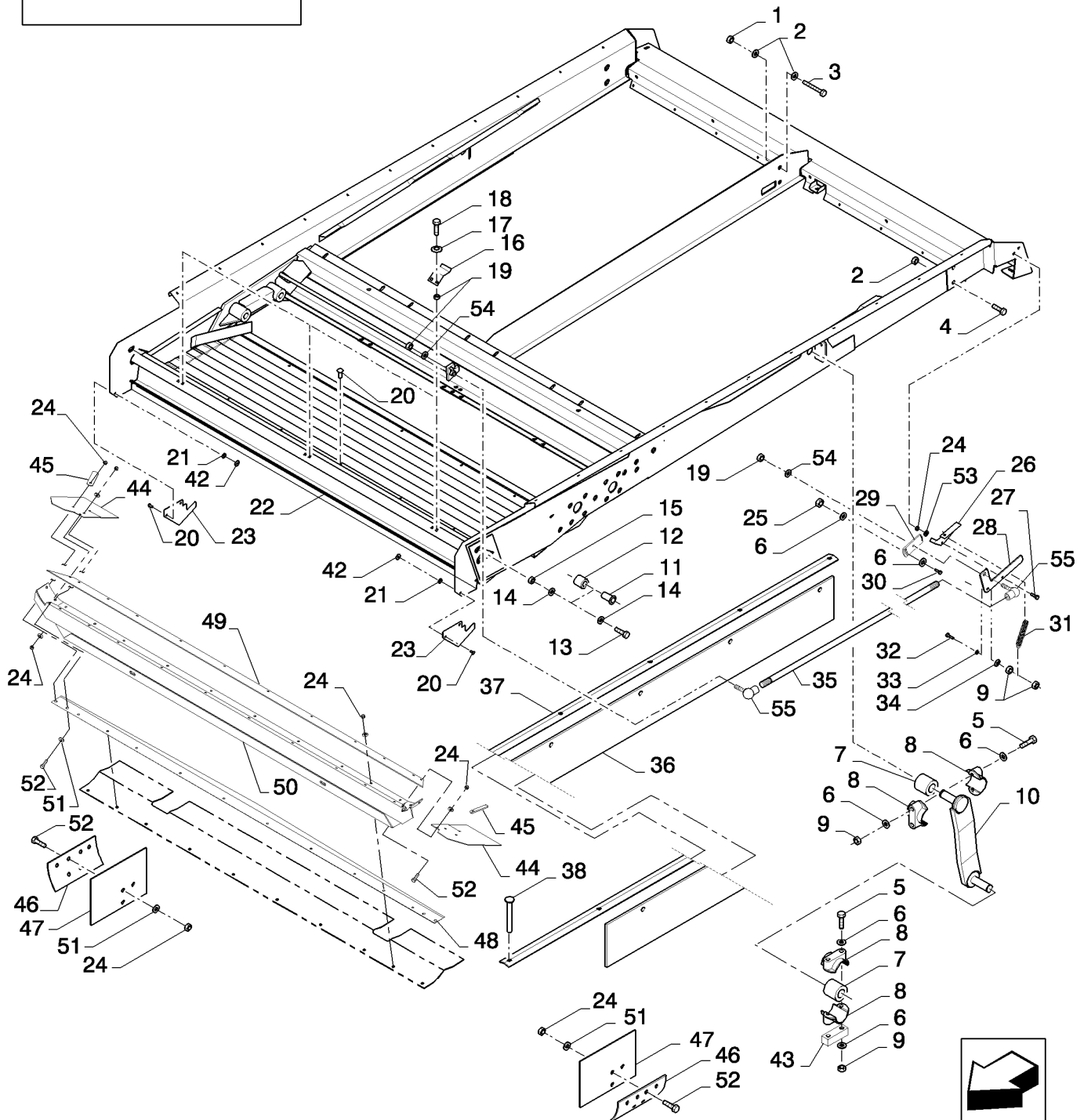
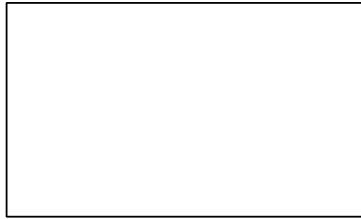
REF	FN	PART NUMBER	YR/SN	QTY	DESCRIPTION
1		9706685		1	NUT, M12, CI 8
2		140046		4	SPRING WASHER, Belleville, M12
3		86629541		10	BOLT, Hex, M12 x 40, 8.8, Full Thd
4		9706687		2	BOLT, Hex, M12 x 30, 8.8, Full Thd
5		120062		8	BOLT, Hex, M8 x 70, 8.8
6		322358		17	BELLEVILLE WASHER, M8
7		84000052		4	RUBBER BUSHING
8		320033		8	HOUSING
9		86629542		10	LOCK NUT, M8 x 1.25, CI 8
10		87314041		2	ARM, 282 mm Long
11		84052651		2	BUSHING
12		338222		2	RUBBER BUSHING
13		350616		2	BOLT, Hex, M16 x 90, 8.8
14		378246		2	WASHER, M16
15		86000441		2	NUT, M16 x 2, CI 8
16		84462716		3	TAB SPRING
17		412649		6	SPRING WASHER, Belleville, M6
18		86512439		6	CARRIAGE BOLT, Short NK, M6 x 16, CI8.8, Full Thd
19		9706755		6	NUT, M6, CI 8
20		445394		AR	RIVET, Pop, M4.8 x 12.7
21		140182		4	WASHER, M5 x 18 x 2
22	1	87491648		1	SHOE (ASSY), Upper Shaker
22	2	87491650		1	SHOE (ASSY), Upper Shaker
23		87333110		2	SEAL
23		84989409		2	PLATE
24		353308		2	NUT, M6 x 1, CI 8
25		9706690		1	NUT, M8, CI 8
26		84434086		1	HANDLE
27		86508568		1	BOLT, Hex, M6 x 16, CI 8.8, Full Thd
28		84457706		1	HANDLE
29		84457729		1	PLATE, Tappet
30		120104		1	BOLT, Hex, M8 x 20, 8.8
31		9832711		1	SPRING

(1) 7120 Only

(2) 8120 & 9120 Only

7120 7120 8120 9120
8120

UPPER SHAKER SHOE



UPPER SHAKER SHOE

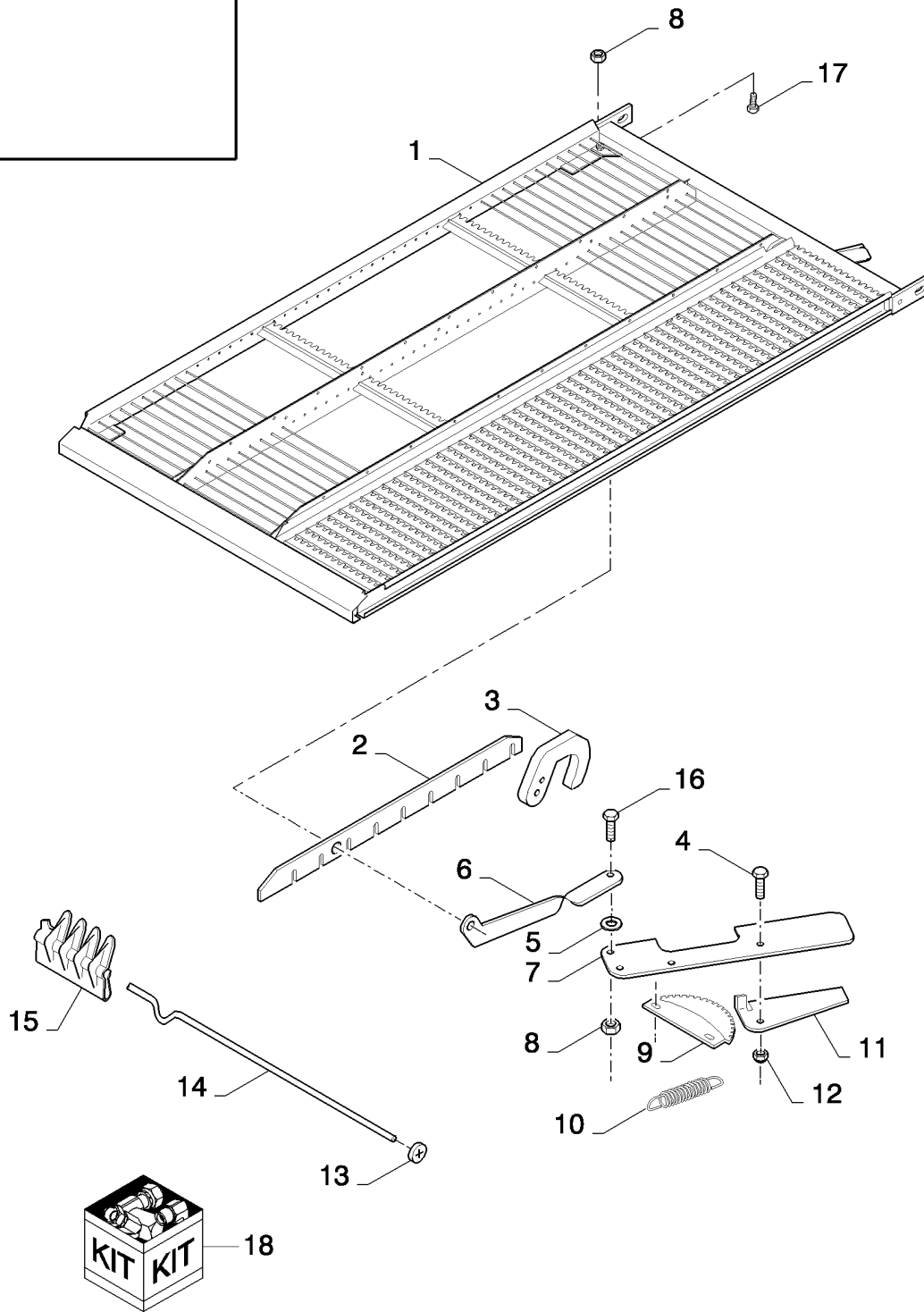
REF	FN	PART NUMBER	YR/SN	QTY	DESCRIPTION
32		300381		1	BOLT, Hex, M8 x 35, 8.8
33		378243		1	WASHER, M8
34		397881		1	SPRING WASHER
35		84457696		1	ROD
36		84071063		2	SEAL
37		84076111		2	STRIP
38		80445395		22	RIVET, Pop, M4.8 x 18.1
39		{ }			Reference Not Used
40		84032520		4	WASHER, M19.5 x 29 x 1 Thk
41		300627		4	SNAP RING, M19, Ext
42		86508813		4	NUT, M5, CI 8
43		87314695		2	SPACER
44		87323001		2	SEAL
45		84007182		2	BRACKET
46		84462477		2	PLATE
47		84462428		2	SEAL
48	1	87323002		4	SEAL
48	2	84462460		1	SEAL
49	1	87333181		1	SEAL
49	2	87333212		1	SEAL
50	1	87323004		1	SUPPORT
50	2	84462472		1	SUPPORT
51		140040		AR	WASHER, M6 x 22 x 2
52		86977786		AR	BOLT, Hex, M6 x 25, 8.8, Full Thd
53		9824259		1	WASHER, M6 x 12 x 1.6
54		322357		2	BELLEVILLE WASHER, M6
55		84021043		2	BALL JOINT

(1) 7120 Only

(2) 8120 & 9120 Only

7120 7120 8120 9120
8120

LOWER SIEVES



LOWER SIEVES

REF	FN	PART NUMBER	YR/SN	QTY	DESCRIPTION
1	1, 2	84320021		2	SIEVE, GRAIN 1 1/8"(3 to 15) - Painted
1	1, 2	87109846		2	SIEVE, GRAIN 1 1/8"(3 to 15) - Galvanized
1	1, 2	84400473		2	SIEVE, CLOSZ 1 5/8"(3 to 15) - Painted
1	1, 2	87109850		2	SIEVE, CLOSZ 1 5/8"(3 to 15) - Galvanized
1	3, 1	87109844		1	SIEVE, GRAIN 1 1/8"(3 to 15) - Galvanized
1	3, 1	87109848		1	SIEVE, CLOSZ 1 5/8"(3 to 15) - Galvanized
2		84056239		1	ADJUSTING PLATE, GRAIN
3		84056254		1	INDICATOR
4		86508568		1	BOLT, Hex, M6 x 16, CI 8.8, Full Thd
5		378243		1	WASHER, M8
6		84056678		1	LEVER
7		9817781		1	HANDLE
8		86629542		5	LOCK NUT, M8 x 1.25, CI 8
9		426565		1	QUADRANT
10		449942		1	SPRING
11		432187		1	HANDLE
12		353308		1	NUT, M6 x 1, CI 8
13		398561		AR	CLIP
14		453189		47	RETAINING WIRE, L = 766 MM
14		428728		47	RETAINING WIRE, L = 1298 MM
15		445571		47	BAR, CL 1-1/8"-240
15		481730		94	BAR, CL 1-1/8"-230
15		445571		235	BAR, CL 1-1/8"-240
16		120104		1	BOLT, Hex, M8 x 20, 8.8
17		412495		4	SCREW, Hex Soc Flat Hd, M8 x 20, 8.8
18	2	84084326		1	DIA KIT, HARVESTER, Sieve; Incl Ref 1, 87109846 (2), Plus Adjusting Plates 84062611 (1), 84053677 (1), And Necessary Mounting Hardware
18	2	84084328		1	DIA KIT, HARVESTER, Sieve; Incl Ref 1, 87109850 (2), Adjusting Plates 84062611 (1) & 84053677 (1), Plus Mounting Hardware

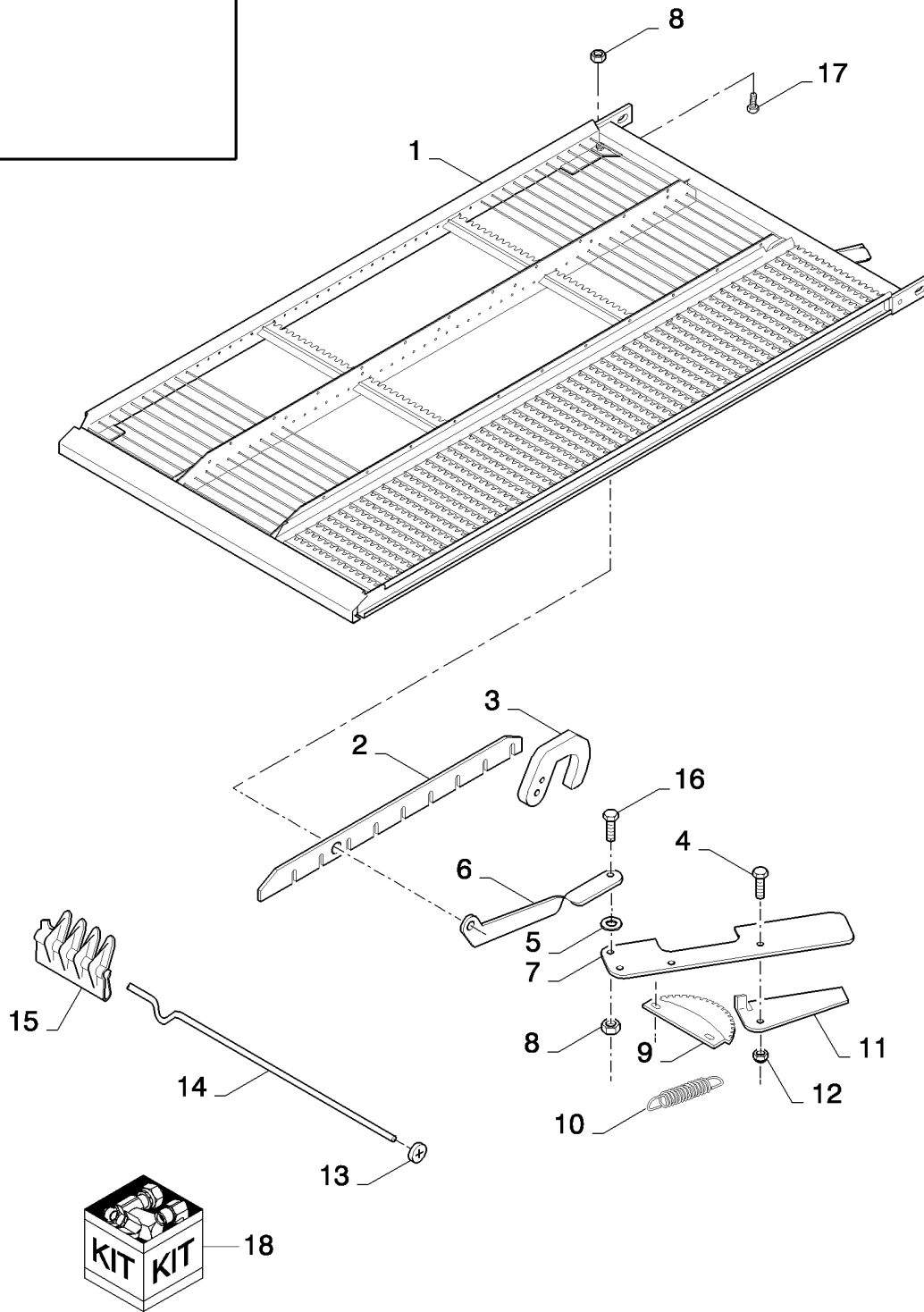
(1) Part is Not Remote Ready; Refer to Ref 18

(2) 8120 & 9120 Only

(3) 7120 Only

7120 7120 8120 9120
8120

LOWER SIEVES

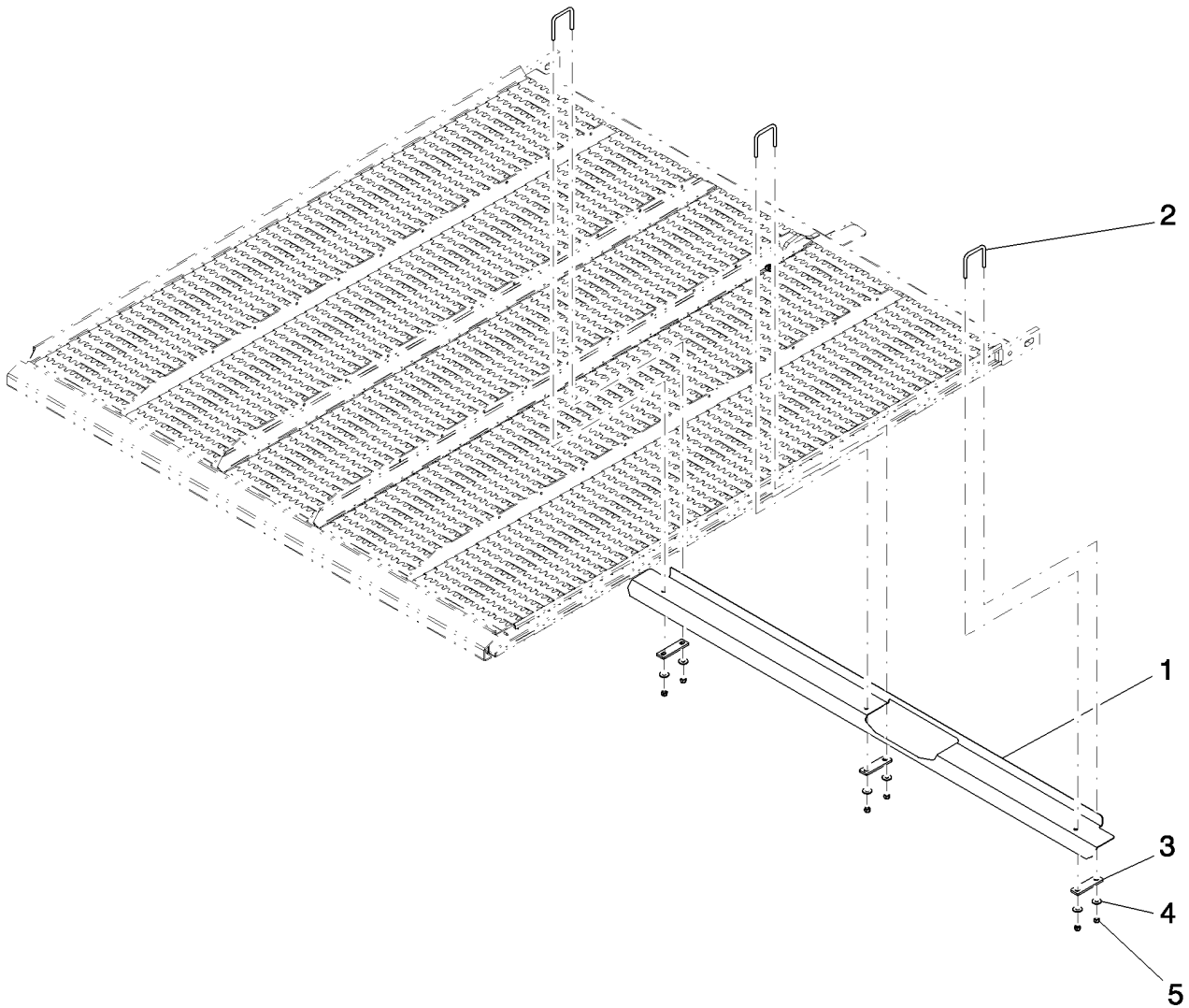


LOWER SIEVES

REF	FN	PART NUMBER	YR/SN	QTY	DESCRIPTION
18	1	84084325		1	DIA KIT, HARVESTER, Sieve; Incl Ref 1, 87109844 (1), Adjusting Plate 84053677 (1), Plus Mounting Hardware
18	1	84084327		1	DIA KIT, HARVESTER, Sieve; Incl Ref 1, 87109848 (1), Adjusting Plate 84053677 (1), Plus Mounting Hardware
(1)	7120	Only			

**7120 7120 8120 9120
8120**

AIR DAM, LOWER SIEVES



74.118.03

01

p1

02/10

AIR DAM, LOWER SIEVES

REF	FN	PART NUMBER	YR/SN	QTY	DESCRIPTION
1		87668173		1	BRACKET, Air Dam
2		87668420		3	U-BOLT, M6
3		87668213		3	PLATE
4		412649		6	SPRING WASHER, Belleville, M6
5		353308		6	NUT, M6 x 1, CI 8

**7120 7120 8120 9120
8120**

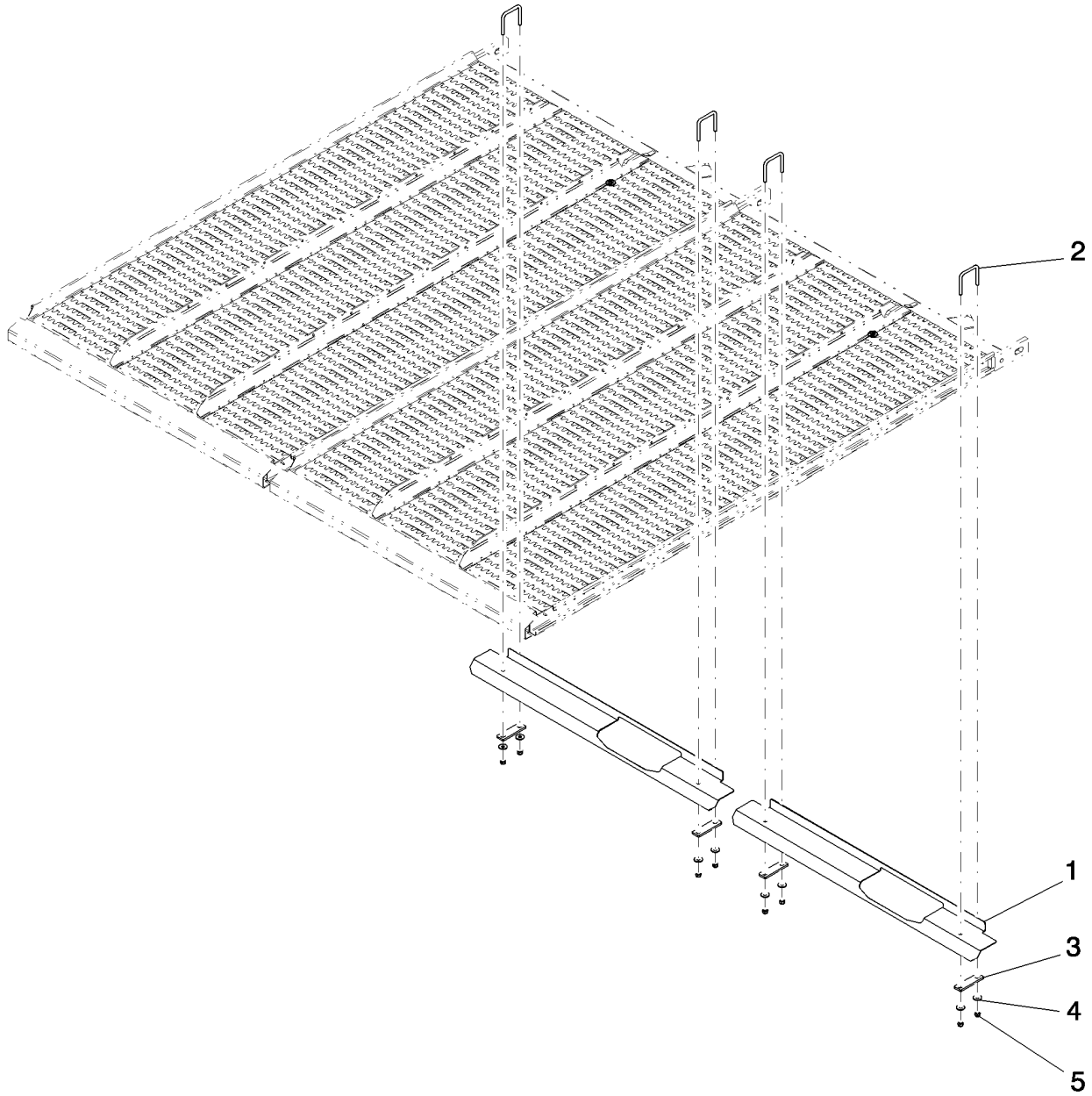
74.118.03

02

p1

02/10

AIR DAM, LOWER SIEVES

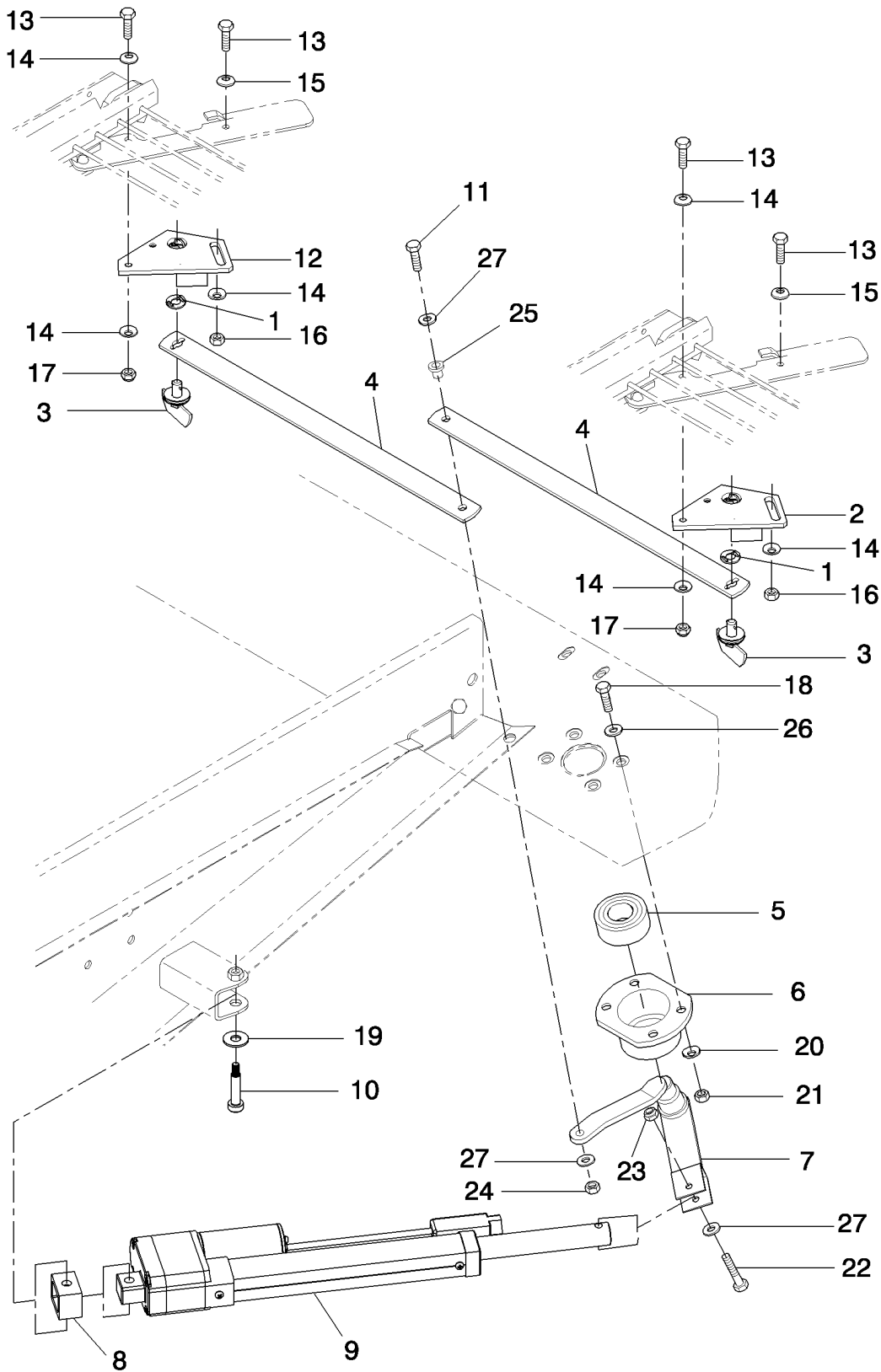


AIR DAM, LOWER SIEVES

REF	FN	PART NUMBER	YR/SN	QTY	DESCRIPTION
1		87668175		2	BRACKET, Air Dam
2		87668420		4	U-BOLT, M6
3		87668213		4	PLATE
4		412649		8	SPRING WASHER, Belleville, M6
5		353308		8	NUT, M6 x 1, CI 8

	7120 7120 8120 9120 8120
--	---

REMOTE LOWER SIEVE, ADJUSTMENT

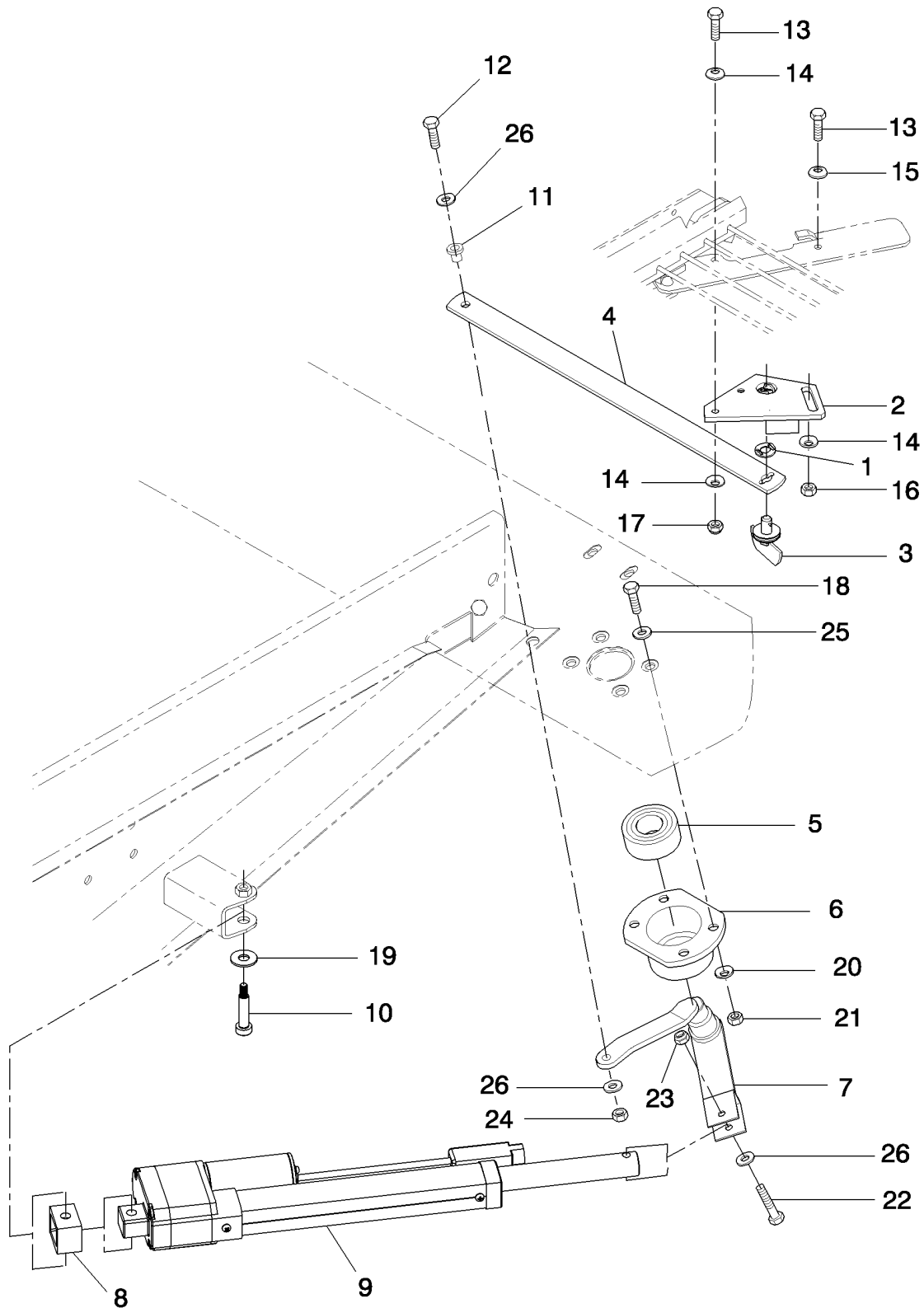


REMOTE LOWER SIEVE, ADJUSTMENT

REF	FN	PART NUMBER	YR/SN	QTY	DESCRIPTION
1		9514605		2	LOCK WASHER, M9.8 x 18.5
2		84062611		1	PLATE
3		9831581		2	LOCK
4		87011102		2	LEVER
5		34439		1	BALL BEARING
6		87526988		1	COVER
7		87011804		1	LEVER
8		87711044		1	BLOCK
9		87711042	BSN Y9G207358	1	ACTUATOR
9		84208481	ASN Y9G207358	1	ACTUATOR
10		87471830		1	HEX SOC SCREW, Shldr, M6 x 41, 12.9
11		43128		1	SCREW, Hex, M8 x 30, 8.8
12		84053677		1	PLATE
13		120100		4	BOLT, Hex, M6 x 20, 8.8
14		412649		6	SPRING WASHER, Belleville, M6
15		322357		2	BELLEVILLE WASHER, M6
16		9706755		2	NUT, M6, CI 8
17		353308		2	NUT, M6 x 1, CI 8
18		120104		4	BOLT, Hex, M8 x 20, 8.8
19		378243		1	WASHER, M8
20		322358		4	BELLEVILLE WASHER, M8
21		9706690		4	NUT, M8, CI 8
22		87716		1	BOLT, Hex, 1/4"-20 x 1 1/4", G5
23		280129		1	LOCK NUT, 1/4"-20, GC
24		86629542		1	LOCK NUT, M8 x 1.25, CI 8
25		87013640		1	BUSHING
26		140041		4	WASHER, M8 x 28 x 3
27		140040		3	WASHER, M6 x 22 x 2

**7120 7120 8120 9120
8120**

REMOTE LOWER SIEVE, ADJUSTMENT



REMOTE LOWER SIEVE, ADJUSTMENT

REF	FN	PART NUMBER	YR/SN	QTY	DESCRIPTION
1		9514605		1	LOCK WASHER, M9.8 x 18.5
2		84053677		1	PLATE
3		9831581		1	LOCK
4		87011102		1	LEVER
5		34439		1	BALL BEARING
6		87526988		1	COVER
7		87011804		1	LEVER
8		87711044		1	BLOCK
9		87711042	BSN Y9G207358	1	ACTUATOR
9		84208481	ASN Y9G207358	1	ACTUATOR
10		87471830		1	HEX SOC SCREW, Shldr, M6 x 41, 12.9
11		87013640		1	BUSHING
12		43127		1	BOLT, Hex, M8 x 25, 8.8
13		120100		2	BOLT, Hex, M6 x 20, 8.8
14		412649		3	SPRING WASHER, Belleville, M6
15		322357		1	BELLEVILLE WASHER, M6
16		9706755		1	NUT, M6, CI 8
17		353308		1	NUT, M6 x 1, CI 8
18		120104		4	BOLT, Hex, M8 x 20, 8.8
19		378243		1	WASHER, M8
20		322358		4	BELLEVILLE WASHER, M8
21		9706690		4	NUT, M8, CI 8
22		87716		1	BOLT, Hex, 1/4"-20 x 1 1/4", G5
23		280129		1	LOCK NUT, 1/4"-20, GC
24		86629542		1	LOCK NUT, M8 x 1.25, CI 8
25		140041		4	WASHER, M8 x 28 x 3
26		140040		3	WASHER, M6 x 22 x 2

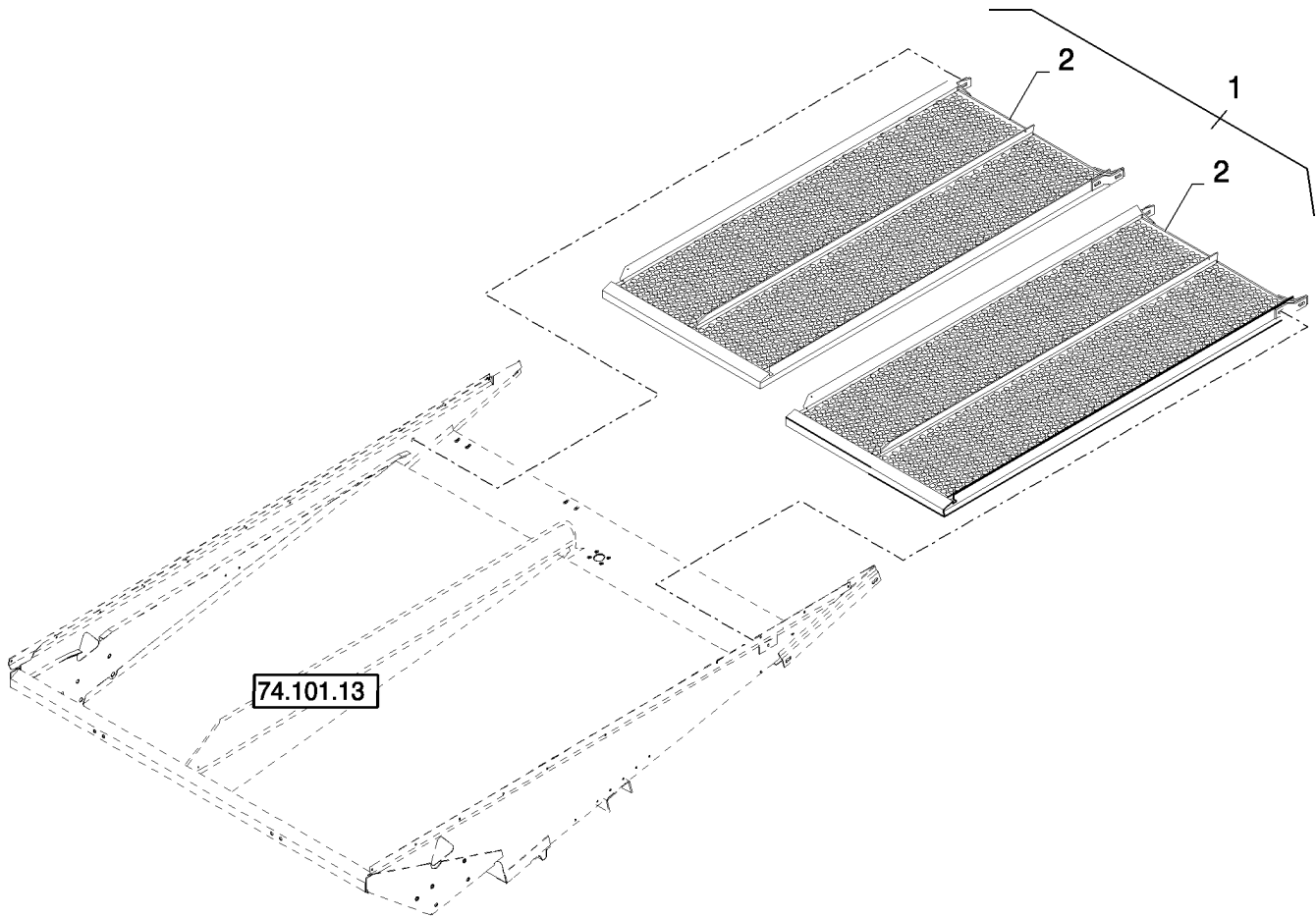
**7120 7120 8120 9120
8120**

74.118.07

p1

02/10

LOWER SIEVE, INTERCHANGEABLE



LOWER SIEVE, INTERCHANGEABLE

REF	FN	PART NUMBER	YR/SN	QTY	DESCRIPTION
1		742135		1	DIA KIT, HARVESTER, Frame, Blank
1		9560147		1	ROUNDHOLE SIEVE, D=16 MM
1		9560148		1	ROUNDHOLE SIEVE, D=18 MM
1		84084507		1	SIEVE, Kit, Round Hole; D=2.5 MM
1		84084511		1	SIEVE, Kit, Round Hole; D=10 MM
2		740819		2	FRAME, Blank
2		9500737		2	SIEVE, D=16 MM
2		9500738		2	SIEVE, D=18 MM
2		86975821		2	SIEVE, Kit, Round Hole; D=2.5 MM
2		86975827		2	SIEVE, Kit, Round Hole; D=10 MM

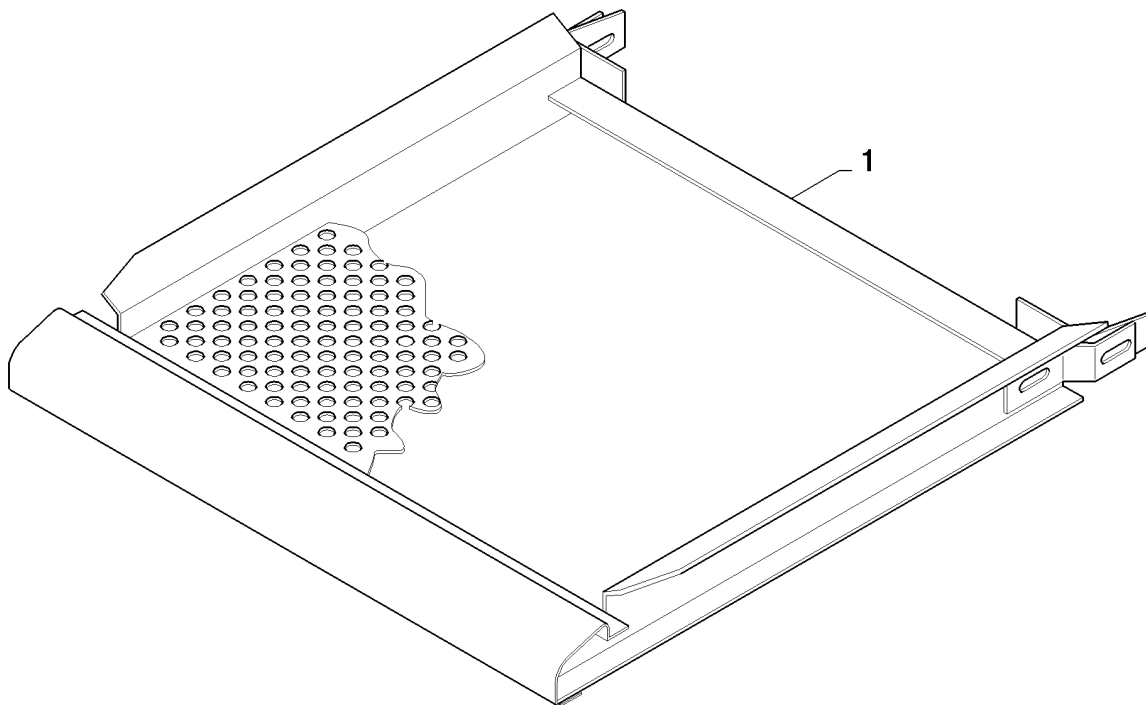
**7120 7120 8120 9120
8120**

74.118.08

p1

02/10

LOWER SIEVE, INTERCHANGEABLE, FRAME, BLANK



74.118.08

p1

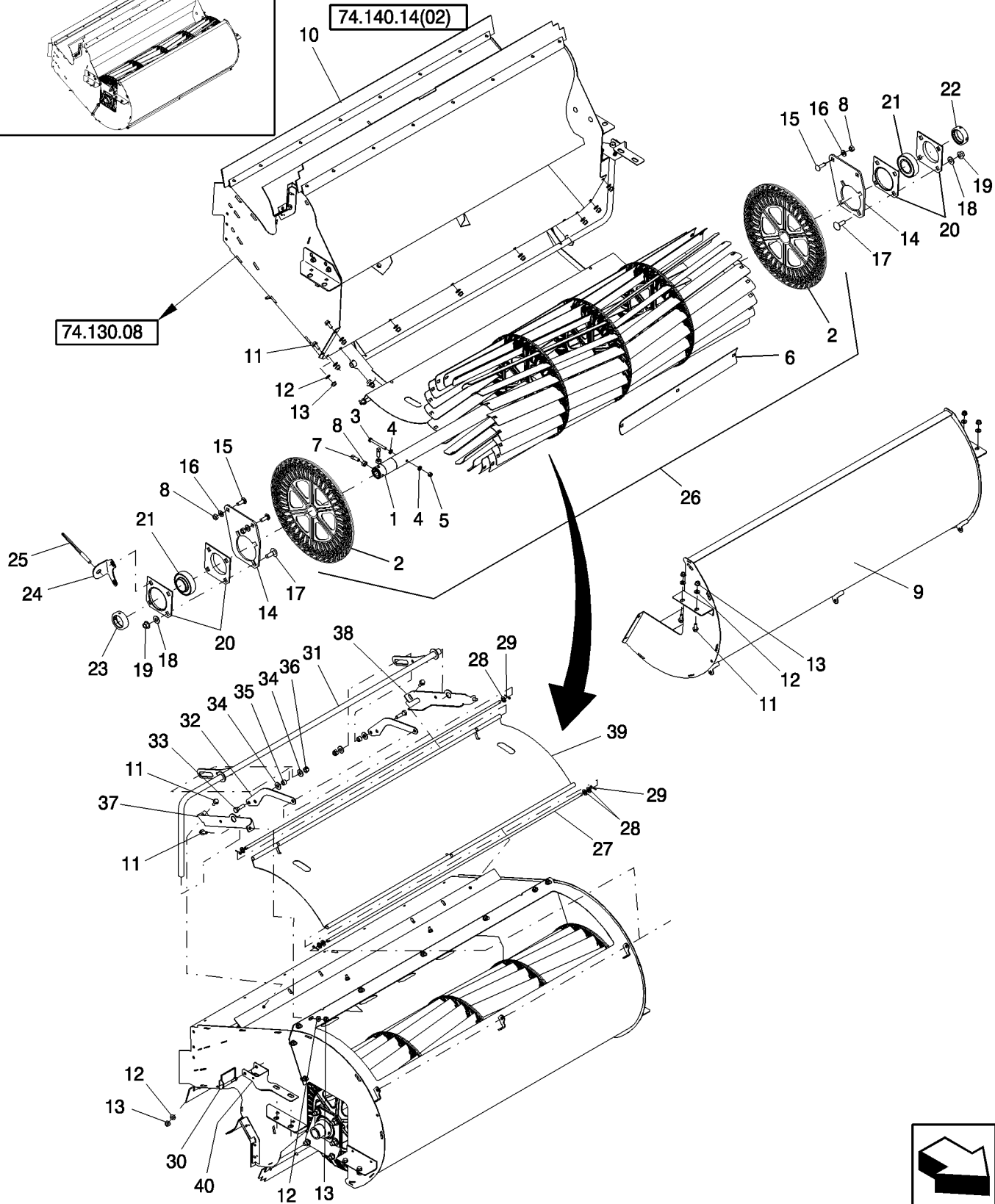
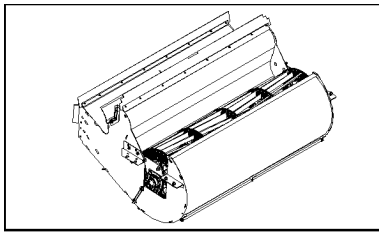
02/10

LOWER SIEVE, INTERCHANGEABLE, FRAME, BLANK

REF	FN	PART NUMBER	YR/SN	QTY	DESCRIPTION
1		742134		1	DIA KIT, HARVESTER, Frame, Blank
1		9560145		1	ROUNDHOLE SIEVE, D=16 MM
1		9560146		1	ROUNDHOLE SIEVE, D=18 MM
1		84084506		1	SIEVE, Round Hole, D=2.5 MM
1		84084510		1	DIA KIT, HARVESTER, Sieve, Round Hole, D=10 MM

**7120 7120 8120 9120
8120**

CLEANING FAN



CLEANING FAN

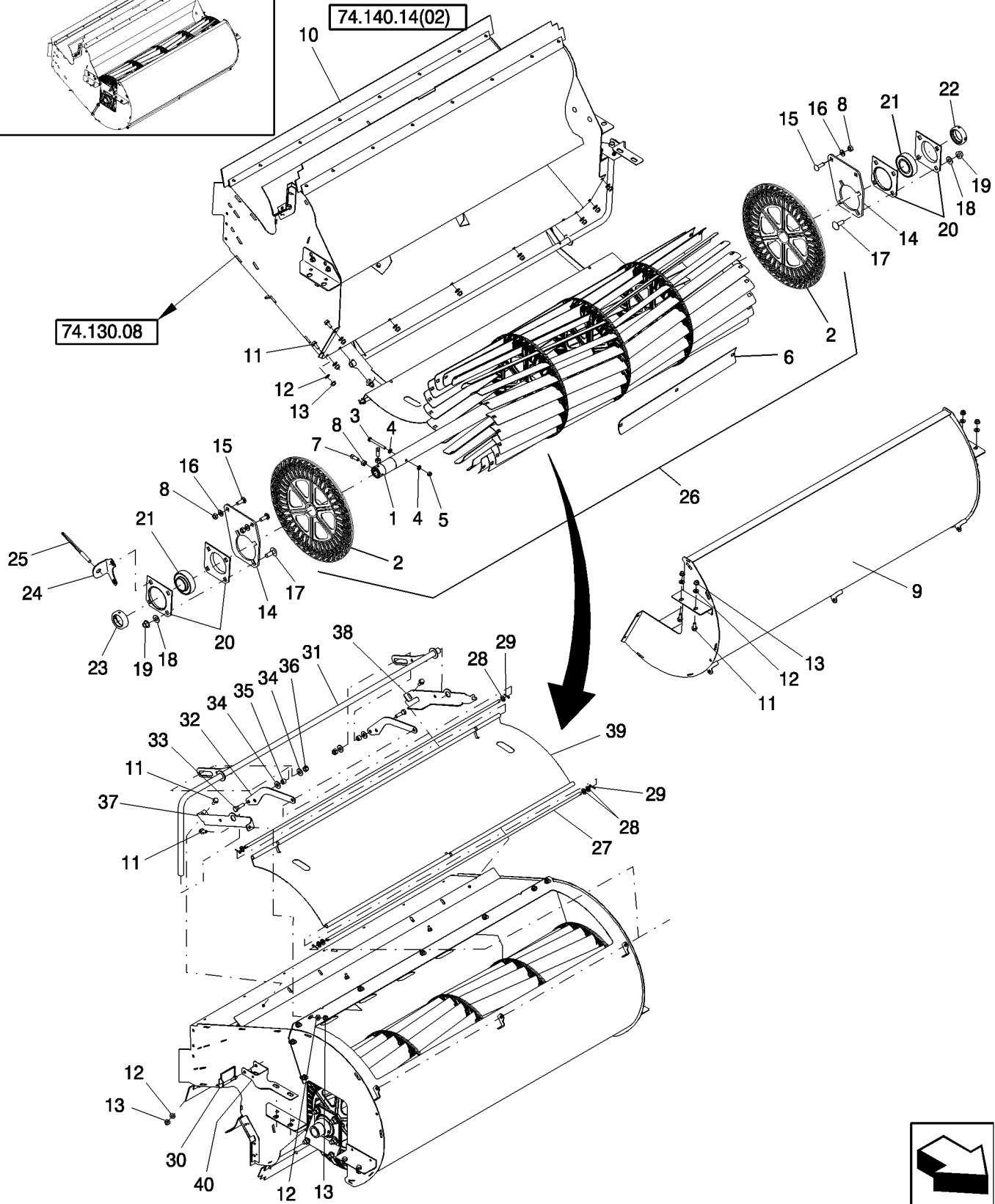
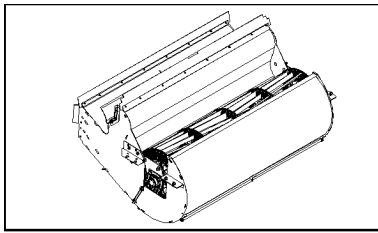
REF	FN	PART NUMBER	YR/SN	QTY	DESCRIPTION
1	1	87589410		1	SHAFT, Cleaning Fan
1	2	87589411		1	SHAFT, Cleaning Fan
2		86980769		5	DISC, Cleaning Fan
3		80331175		5	SCREW, Cap, HH, CL 8.8, M8 x 1.25 s 75
4		140016		10	WASHER, M8 x 16 x 1.6
5		832-46408		5	LOCK NUT, M8 x 1.25, CI 8
6	1	86997035		40	BLADE, Cleaning Fan
6	2	86997034		40	BLADE, Cleaning Fan
7		393599		2	SET SCREW, Sq Hd, M10 x 25, CI 12.9
8		100016		6	NUT, M10, CI 8
9	1	87493902		1	COVER ASSY, Wrapper, Cleaning Fan
9	2	87635286		1	COVER ASSY, Wrapper, Cleaning Fan
10	1	87364259		1	FAN
10	2	87318136		1	HOUSING
11		9804258		17	BOLT, Hex Flg, M8 x 20, 8.8
12		322358		17	BELLEVILLE WASHER, M8
13		9804277		11	NUT, M8 x 1.25, Flg, CI 8
14		86997109		2	PLATE, Fan Bearing Support
15		86512446		4	CARRIAGE BOLT, Short NK, M10 x 30, CI8.8, Full Thd
16		140045		4	BELLEVILLE WASHER, M10
17		80328430		8	BOLT, Carriage, CL 8.8, M12 x 1.75 x 35
18		140046		8	SPRING WASHER, Belleville, M12
19		9804279		8	NUT, M12 x 1.75, Flg, CI 8
20		716840		4	FLANGE
21		668719R92		2	BALL BEARING
22		45631		1	COLLAR, Locking
23		86996957		1	COLLAR, Cleaning Fan, Speed Pick-up
24		86999732		1	BRACKET, Cleaning Fan Speed Sensor
25		84058861		1	SENSOR, Cleaning Fan Speed, Two-Wire
26	1	87107365		1	FAN, Assembly; Incl Refs 1 Thru 7
26	2	87107366		1	FAN, Assembly; Incl Refs 1 Thru 7
27		87635283		2	ROD

(1) 7120 Only

(2) 8120 & 9120 Only

7120 7120 8120 9120
8120

CLEANING FAN



CLEANING FAN

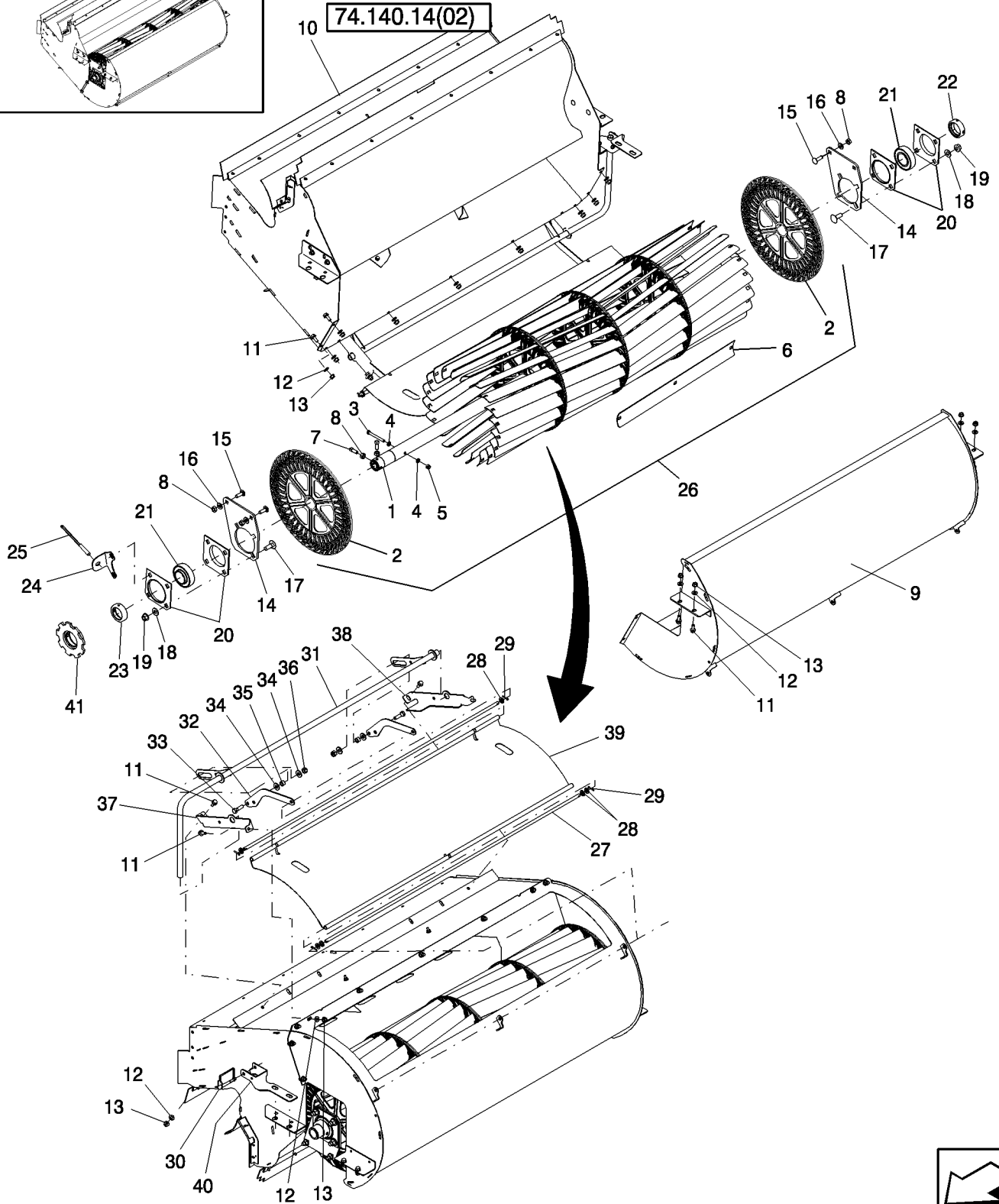
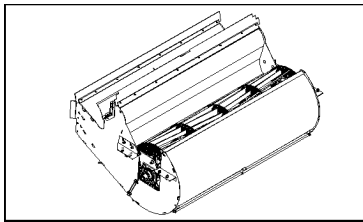
REF	FN	PART NUMBER	YR/SN	QTY	DESCRIPTION
28		86624176		6	WASHER, M10 x 20 x 2
29		130003		4	COTTER PIN, M3.2 x 20
30		647695		1	PIN
31	1	87493897		1	HANDLE
31	2	87663339		1	HANDLE
32		87663335		2	ARM, Link
33		43140		2	BOLT, Hex, M10 x 30, 8.8, Full Thd
34		80702		4	WASHER, 3/8"
35		626698		2	SPACER
36		100037		2	NUT, M10 x 1.5, Cl 8
37		87477999		1	BRACKET, L.H.
38		87478001		1	BRACKET, R.H.
39		87478003		1	DOOR
40		87663341		1	LATCH

(1) 7120 Only

(2) 8120 & 9120 Only

7120 7120 8120 9120
8120

CLEANING FAN - UPDATED TO MY10



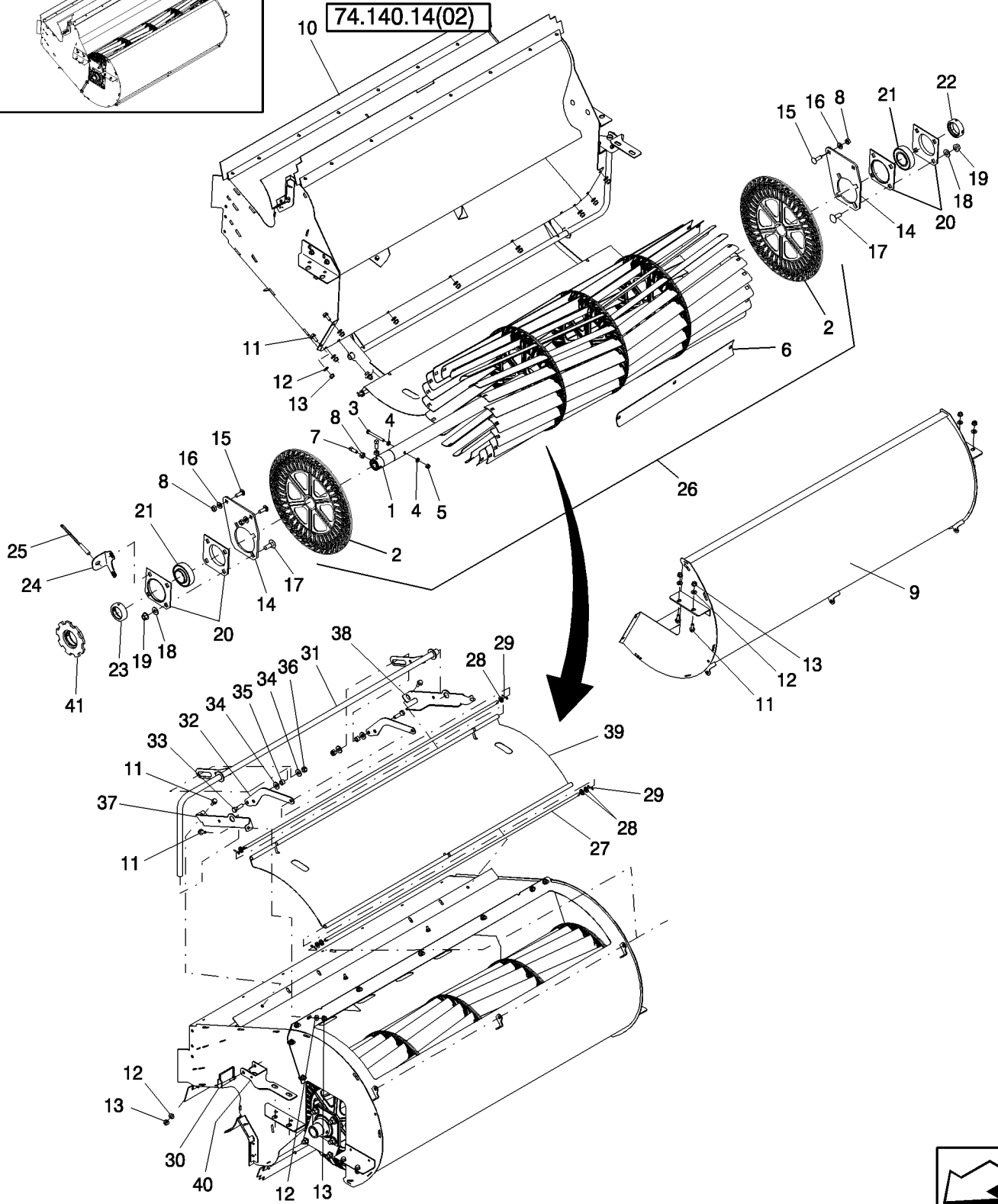
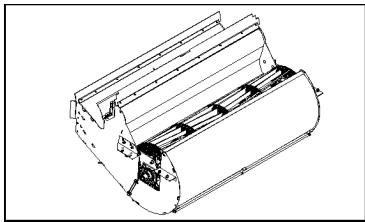
CLEANING FAN - UPDATED TO MY10

REF	FN	PART NUMBER	YR/SN	QTY	DESCRIPTION
1	1	87589410		1	SHAFT, Cleaning Fan
1	2	87589411		1	SHAFT, Cleaning Fan
1	3, 4, 5, 2	87495205		1	SHAFT ASSY., Cleaning Fan
2		86980769		5	DISC, Cleaning Fan
3		80331175		5	SCREW, Cap, HH, CL 8.8, M8 x 1.25 s 75
4		140016		10	WASHER, M8 x 16 x 1.6
5		832-46408		5	LOCK NUT, M8 x 1.25, CI 8
6	1	86997035		40	BLADE, Cleaning Fan
6	2	86997034		40	BLADE, Cleaning Fan
7		393599		2	SET SCREW, Sq Hd, M10 x 25, CI 12.9
8		100016		6	NUT, M10, CI 8
9	1	87493902		1	COVER ASSY, Wrapper, Cleaning Fan
9	2	87635286		1	COVER ASSY, Wrapper, Cleaning Fan
10	1	87364259		1	FAN
10	2	87318136		1	HOUSING
11		9804258		17	BOLT, Hex Flg, M8 x 20, 8.8
12		322358		17	BELLEVILLE WASHER, M8
13		9804277		11	NUT, M8 x 1.25, Flg, CI 8
14		86997109		2	PLATE, Fan Bearing Support
15		86512446		4	CARRIAGE BOLT, Short NK, M10 x 30, CI8.8, Full Thd
16		140045		4	BELLEVILLE WASHER, M10
17		80328430		8	BOLT, Carriage, CL 8.8, M12 x 1.75 x 35
18		140046		8	SPRING WASHER, Belleville, M12
19		9804279		8	NUT, M12 x 1.75, Flg, CI 8
20		716840		4	FLANGE
21		668719R92		2	BALL BEARING
22		45631		1	COLLAR, Locking
23		86996957		1	COLLAR, Cleaning Fan, Speed Pick-up
24		86999732		1	BRACKET, Cleaning Fan Speed Sensor

- (1) 7120 Only
(2) 8120 & 9120 Only
(3) From MY2010
(4) NA & EU
(5) Used Only W/710 or 900 Narrow Tire Option

**7120 7120 8120 9120
8120**

CLEANING FAN - UPDATED TO MY10



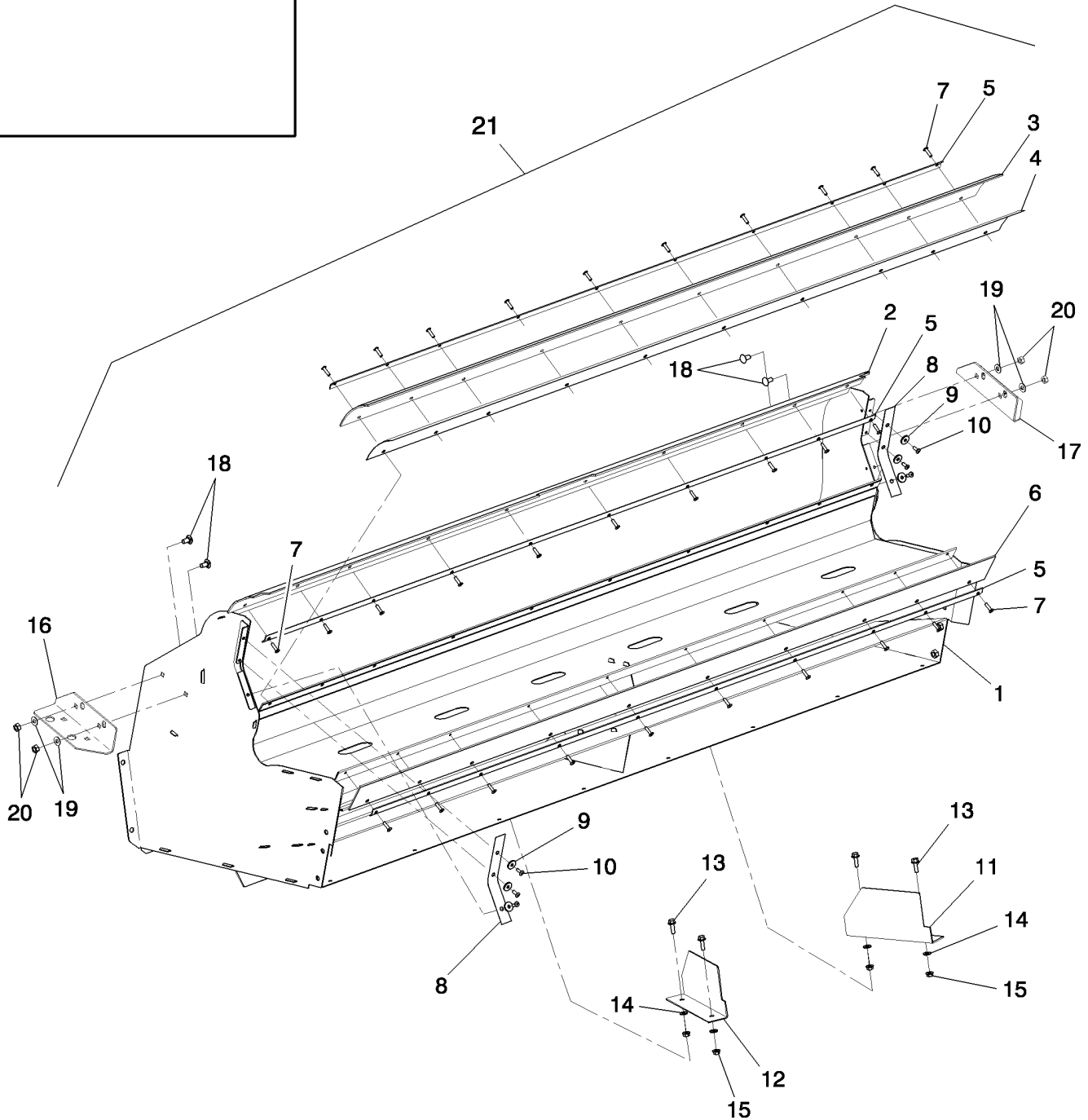
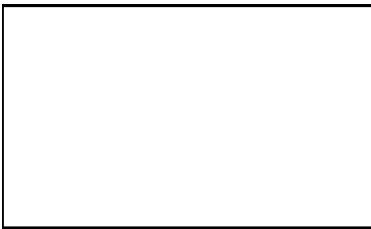
CLEANING FAN - UPDATED TO MY10

REF	FN	PART NUMBER	YR/SN	QTY	DESCRIPTION
25		84058861		1	SENSOR, Cleaning Fan Speed, Two-Wire
26	1	87107365		1	FAN, Assembly; Incl Refs 1 Thru 7
26	2	87107366		1	FAN, Assembly; Incl Refs 1 Thru 7
26	3, 4, 5, 2	87487017		1	FAN, Assembly; Incl Refs 1 Thru 7
27		87635283		2	ROD
28		86624176		6	WASHER, M10 x 20 x 2
29		130003		4	COTTER PIN, M3.2 x 20
30		647695		1	PIN
31	1	87493897		1	HANDLE
31	2	87663339		1	HANDLE
32		87663335		2	ARM, Link
33		43140		2	BOLT, Hex, M10 x 30, 8.8, Full Thd
34		80702		4	WASHER, 3/8"
35		626698		2	SPACER
36		100037		2	NUT, M10 x 1.5, Cl 8
37		87477999		1	BRACKET, L.H.
38		87478001		1	BRACKET, R.H.
39		87478003		1	DOOR
40		87663341		1	LATCH
41	5	87399163		1	SPROCKET, Speed Pickup

- (1) 7120 Only
(2) 8120 & 9120 Only
(3) From MY2010
(4) NA & EU
(5) Used Only W/710 or 900 Narrow Tire Option

**7120 7120 8120 9120
8120**

HOUSING, FAN



HOUSING, FAN

REF	FN	PART NUMBER	YR/SN	QTY	DESCRIPTION
1	1	NSS		1	NOT SERVICED SEPARATELY, Housing, Fan
1	2	87535853		1	HOUSING, Fan
2	1	87542965		1	CANVAS
2	2	87361668		1	SEAL
3	1	87318138		1	CANVAS
3	2	84462407		1	SEAL
4	1	87318137		1	CANVAS
4	2	84462409		1	SEAL
5	1	451800		3	STRIP
5	2	747558		3	STRIP
6	1	87282882		1	SEAL
6	2	84818312		1	SEAL
7		445395		AR	RIVET, Pop, M4.8 x 18.1, 7120 (24), 8120 Or 9120 (30)
8		84071827		2	SEAL
9		140182		6	WASHER, M5 x 18 x 2
10		445394		6	RIVET, Pop, M4.8 x 12.7
11		87109364		1	DEFLECTOR, R.H.
12		87109363		1	DEFLECTOR, L.H.
13		9804256		4	BOLT, Hex Flg, M6 x 20, 8.8
14		322357		4	BELLEVILLE WASHER, M6
15		9804276		4	NUT, M6 x 1, Flg, CI 8
16		87541857		1	SUPPORT
17		87541859		1	SUPPORT
18		86619060		4	CARRIAGE BOLT, Short NK, M8 x 16, CI8.8, Full Thd
19		322358		4	BELLEVILLE WASHER, M8
20		9706690		4	NUT, M8, CI 8
21	1	87364259		1	FAN, Incl Refs 1 Thru 20, As Indicated
21	2	87318136		1	HOUSING, Incl Refs 1 Thru 20, As Indicated

(1) 7120 Only

(2) 8120 & 9120 Only

7120 7120 8120 9120
8120

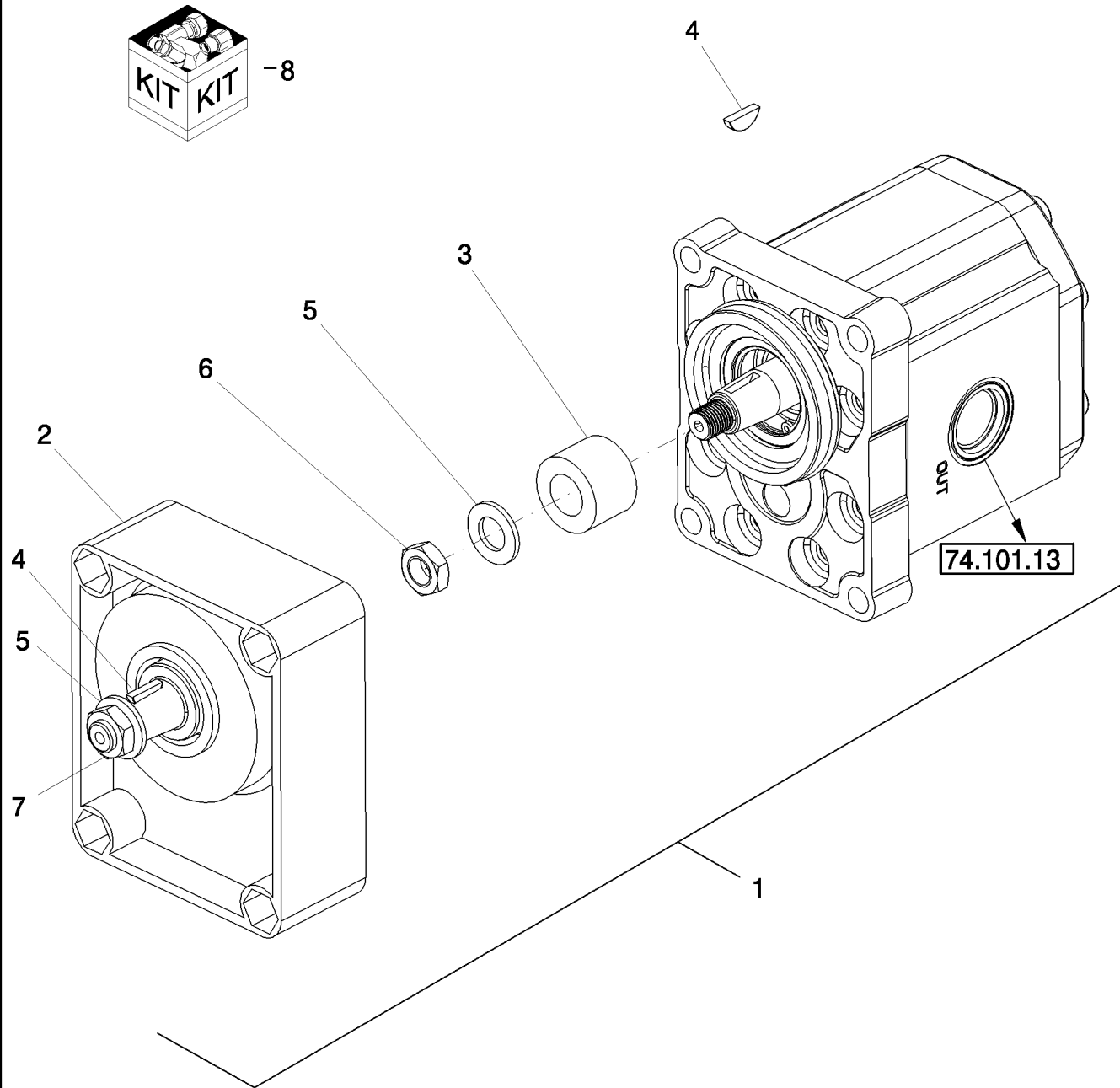
74.135.02

01

p1

10/09

HYDRAULIC MOTOR, CLEANING FAN DRIVE; NARROW TIRE OPTION - FROM MY10 EUROPEAN ONLY



74.135.02

01

p1

10/09

HYDRAULIC MOTOR, CLEANING FAN DRIVE; NARROW TIRE OPTION - FROM MY10 EUROPEAN ONLY

REF	FN	PART NUMBER	YR/SN	QTY	DESCRIPTION
1		87483975		1	MOTOR, HYDRAULIC, Cleaning Fan
2		84141590		1	BEARING CUP, Assy; Incl Refs 4, 5 & 7
3		84141969		1	SHAFT, Adapter
4		{84139325}		2	Key, Woodruff, 4 x 7.5 mm
5		87016605		2	WASHER, M14 x 28 x 2.5
6		829-23414		1	NUT, Thin, M14 x 1.5, CI 05
7		86639148		1	NUT, M14 x 1.5, CI 8
8		84141980		1	SEAL KIT

**7120 7120 8120 9120
8120**

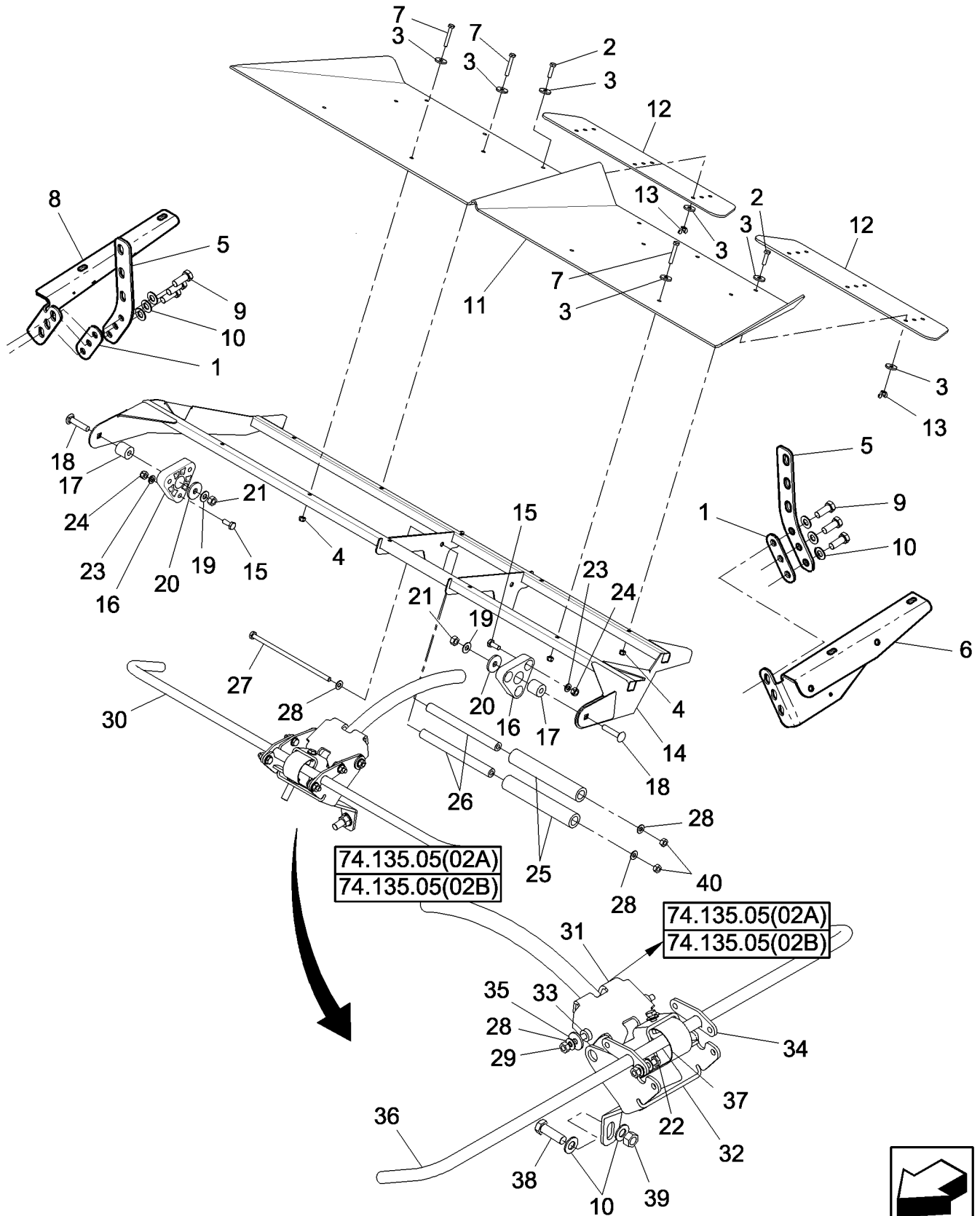
74.135.05

01A

p1

02/10

OSCILLATING CHAFFER PAN - BSN Y9G206592 - 7120/7120(LA)



74.135.05

01A

p1

02/10

OSCILLATING CHAFFER PAN - BSN Y9G206592 - 7120/7120(LA)

REF	FN	PART NUMBER	YR/SN	QTY	DESCRIPTION
1		87108562		2	PLATE
2		43128		6	SCREW, Hex, M8 x 30, 8.8
3		80140041		20	WASHER, M8
4		9628098		8	LOCK NUT, M8 x 1.25, CI 10
5		87108482		2	PLATE
6		87044106		1	BRACKET, Support, L.H.
7		43130		6	BOLT, Hex, M8 x 50, 8.8
8		87108536		1	BRACKET
9		43168		6	BOLT, Hex, M16 x 2 x 40, 8.8, Full Thd
10		140048		10	BELLEVILLE WASHER, M16
11		87000124		1	SHEET
12		87000125		2	SHEET
13		84807781		6	WING NUT, M8
14		NSS		1	NOT SERVICED SEPARATELY, Frame
15		43139		6	BOLT, Hex, M10 x 25, 8.8, Full Thd
16		87105202		2	BUSHING
17		87000413		2	BUSHING, Plated
18		412097		2	CARRIAGE BOLT, Short NK, M12 x 60, CI8.8
19		140046		2	SPRING WASHER, Belleville, M12
20		9511052		2	WASHER, M12 x 44 x 4
21		100038		2	LOCK NUT, M12 x 1.75, CI 8
22		43140		7	BOLT, Hex, M10 x 30, 8.8, Full Thd
23		80140017		6	LOCK WASHER, M10
24		86512554		6	LOCK NUT, M10 x 1.5, CI 10
25	1	NSS		2	NOT SERVICED SEPARATELY, Roller
26	1	NSS		2	NOT SERVICED SEPARATELY, Bushing
27		412004		2	BOLT, Hex, M10 x 260, 8.8
28		140045		18	BELLEVILLE WASHER, M10
29		100016		7	NUT, M10, CI 8
30		86999517		1	SUPPORT
31	1	NSS		1	NOT SERVICED SEPARATELY, Bracket
32		86999506		1	BRACKET
33		86997386		2	BUSHING
34		86999529		2	PLATE

(1) When Replacement Is Necessary, Must Install Chaffer Pan Upgrade Kit

7120 7120

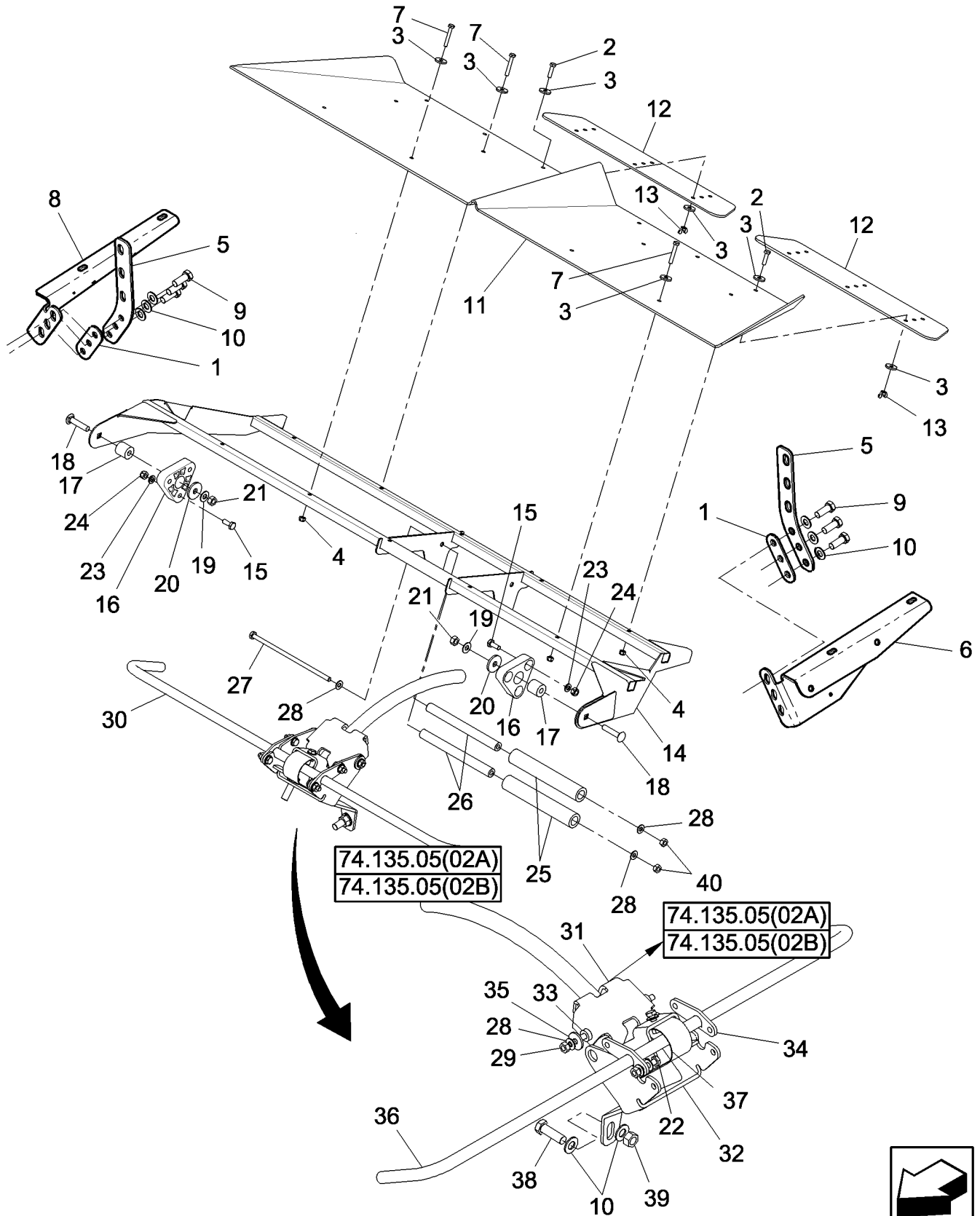
74.135.05

01A

p2

02/10

OSCILLATING CHAFFER PAN - BSN Y9G206592 - 7120/7120(LA)



74.135.05

01A

p2

02/10

OSCILLATING CHAFFER PAN - BSN Y9G206592 - 7120/7120(LA)

REF	FN	PART NUMBER	YR/SN	QTY	DESCRIPTION
35		80140042		2	WASHER, M10
36		86999516		1	LATCH
37		86638213		1	SPRING
38		614-16050		2	BOLT, Hex, M16 x 50, 8.8
39		825-1416		1	NUT, M16, CI 8
40		100037		2	NUT, M10 x 1.5, CI 8

7120 7120

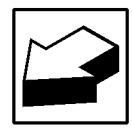
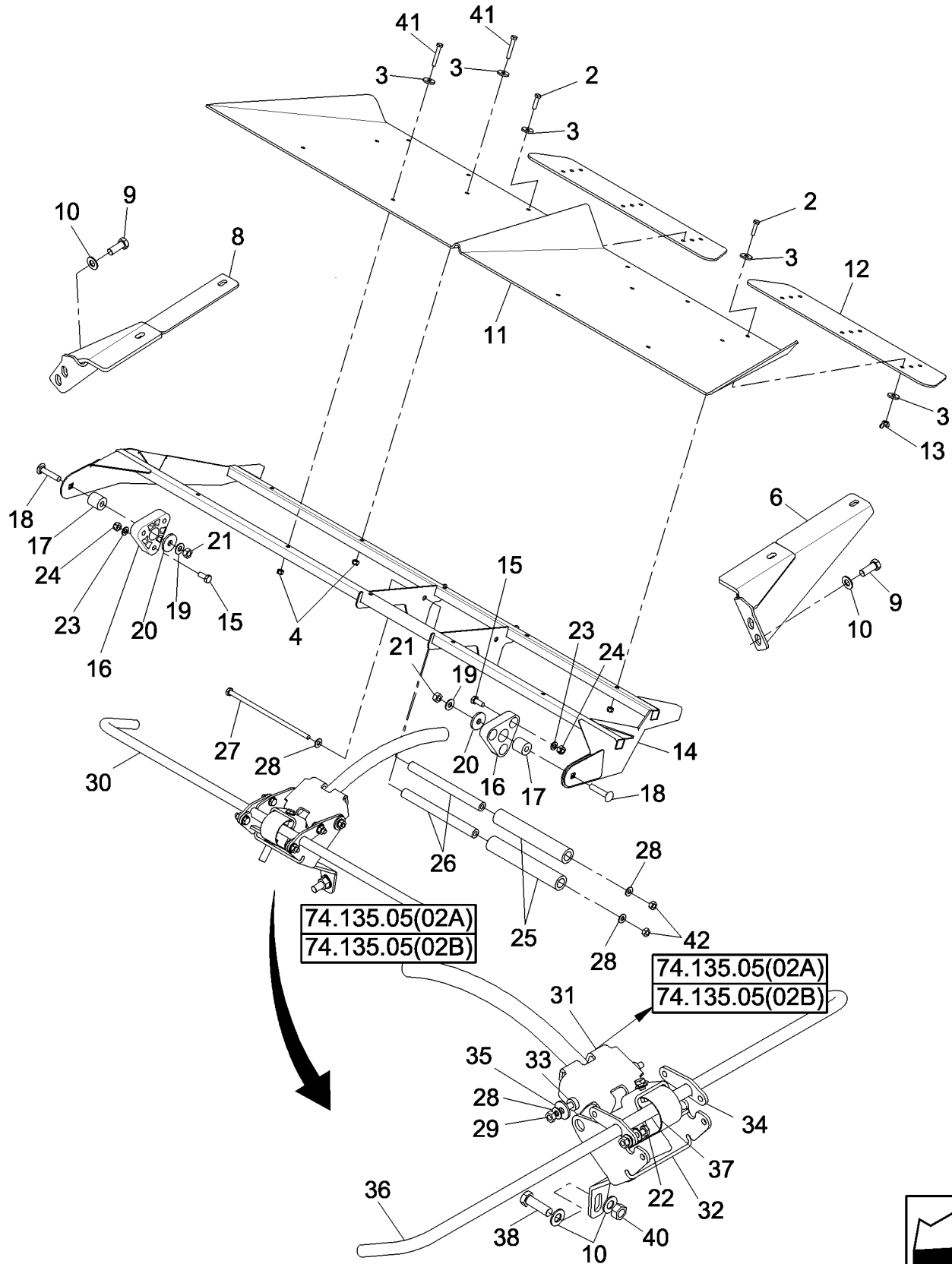
74.135.05

01B

p1

02/10

OSCILLATING CHAFFER PAN - BSN Y9G206592 - 8120/8120(LA), 9120



74.135.05

01B

p1

02/10

OSCILLATING CHAFFER PAN - BSN Y9G206592 - 8120/8120(LA), 9120

REF	FN	PART NUMBER	YR/SN	QTY	DESCRIPTION
2		43128		6	SCREW, Hex, M8 x 30, 8.8
3		80140041		20	WASHER, M8
4		9628098		8	LOCK NUT, M8 x 1.25, CI 10
6		87281225		1	BRACKET, L.H.
8		87281226		1	BRACKET, R.H.
9		43168		4	BOLT, Hex, M16 x 2 x 40, 8.8, Full Thd
10		140048		8	BELLEVILLE WASHER, M16
11		87000126		1	SHEET
12		87000125		2	SHEET
13		84807781		6	WING NUT, M8
14		87108990		1	FRAME
15		43139		6	BOLT, Hex, M10 x 25, 8.8, Full Thd
16		87105202		2	BUSHING
17		87000413		2	BUSHING, Plated
18		412097		2	CARRIAGE BOLT, Short NK, M12 x 60, CI8.8
19		140046		2	SPRING WASHER, Belleville, M12
20		9511052		2	WASHER, M12 x 44 x 4
21		100038		2	LOCK NUT, M12 x 1.75, CI 8
22		43140		7	BOLT, Hex, M10 x 30, 8.8, Full Thd
23		80140017		6	LOCK WASHER, M10
24		86512554		6	LOCK NUT, M10 x 1.5, CI 10
25	1	NSS		2	NOT SERVICED SEPARATELY, Roller
26	1	NSS		2	NOT SERVICED SEPARATELY, Bushing
27		412004		2	BOLT, Hex, M10 x 260, 8.8
28		140045		18	BELLEVILLE WASHER, M10
29		100016		7	NUT, M10, CI 8
30		86999517		1	SUPPORT
31	1	NSS		1	NOT SERVICED SEPARATELY, Bracket
32		86999506		1	BRACKET
33		86997386		2	BUSHING
34		86999529		2	PLATE
35		80140042		2	WASHER, M10
36		86999516		1	LATCH
37		86638213		1	SPRING

(1) When Replacement Is Necessary, Must Install Chaffer Pan Upgrade Kit

8120 9120 8120

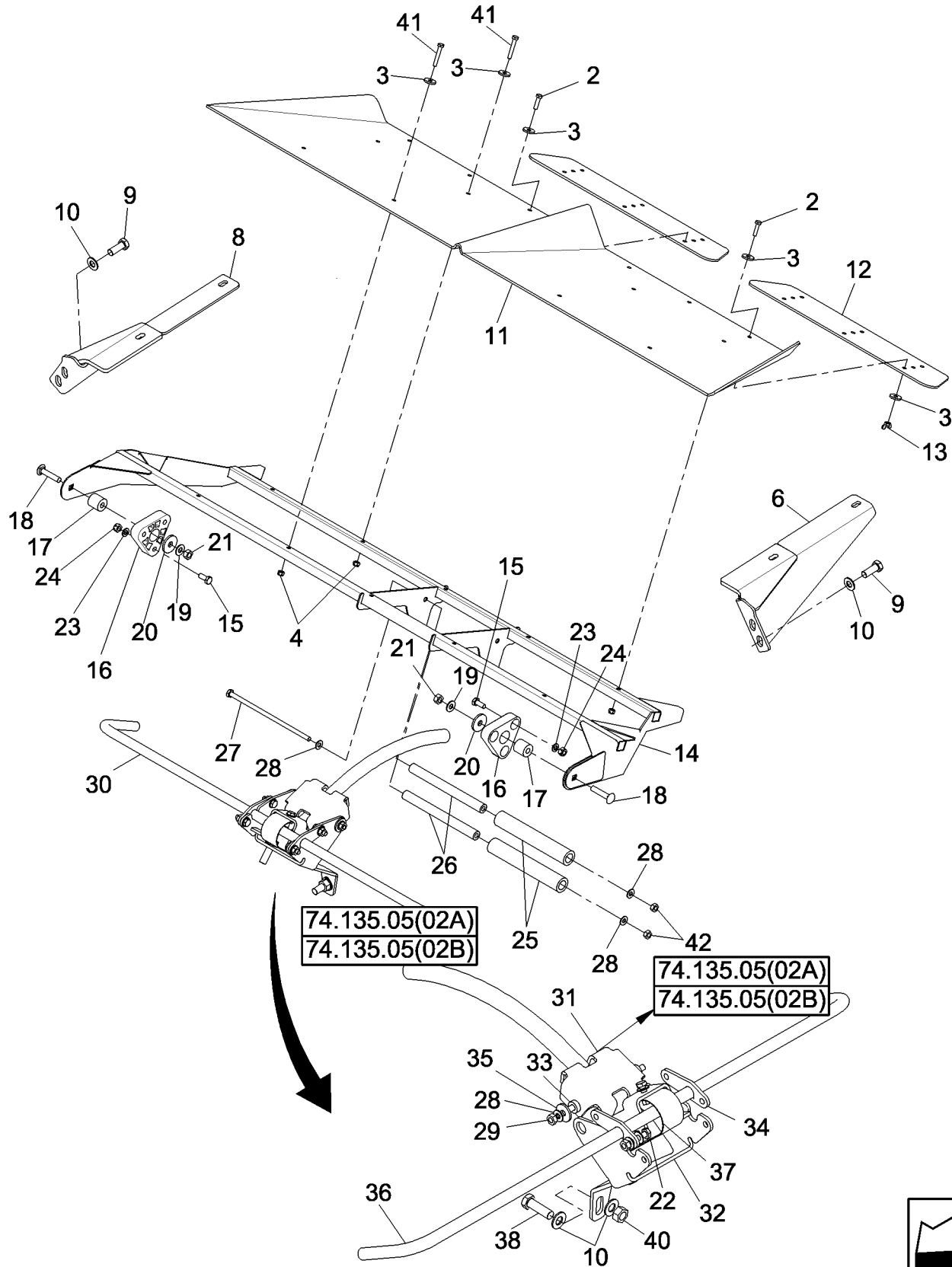
74.135.05

01B

p2

02/10

OSCILLATING CHAFFER PAN - BSN Y9G206592 - 8120/8120(LA), 9120



74.135.05

01B

p2

02/10

OSCILLATING CHAFFER PAN - BSN Y9G206592 - 8120/8120(LA), 9120

REF	FN	PART NUMBER	YR/SN	QTY	DESCRIPTION
38		614-16050		2	BOLT, Hex, M16 x 50, 8.8
40		825-1416		1	NUT, M16, CI 8
41		43130		8	BOLT, Hex, M8 x 50, 8.8
42		100037		2	NUT, M10 x 1.5, CI 8

8120 9120 8120

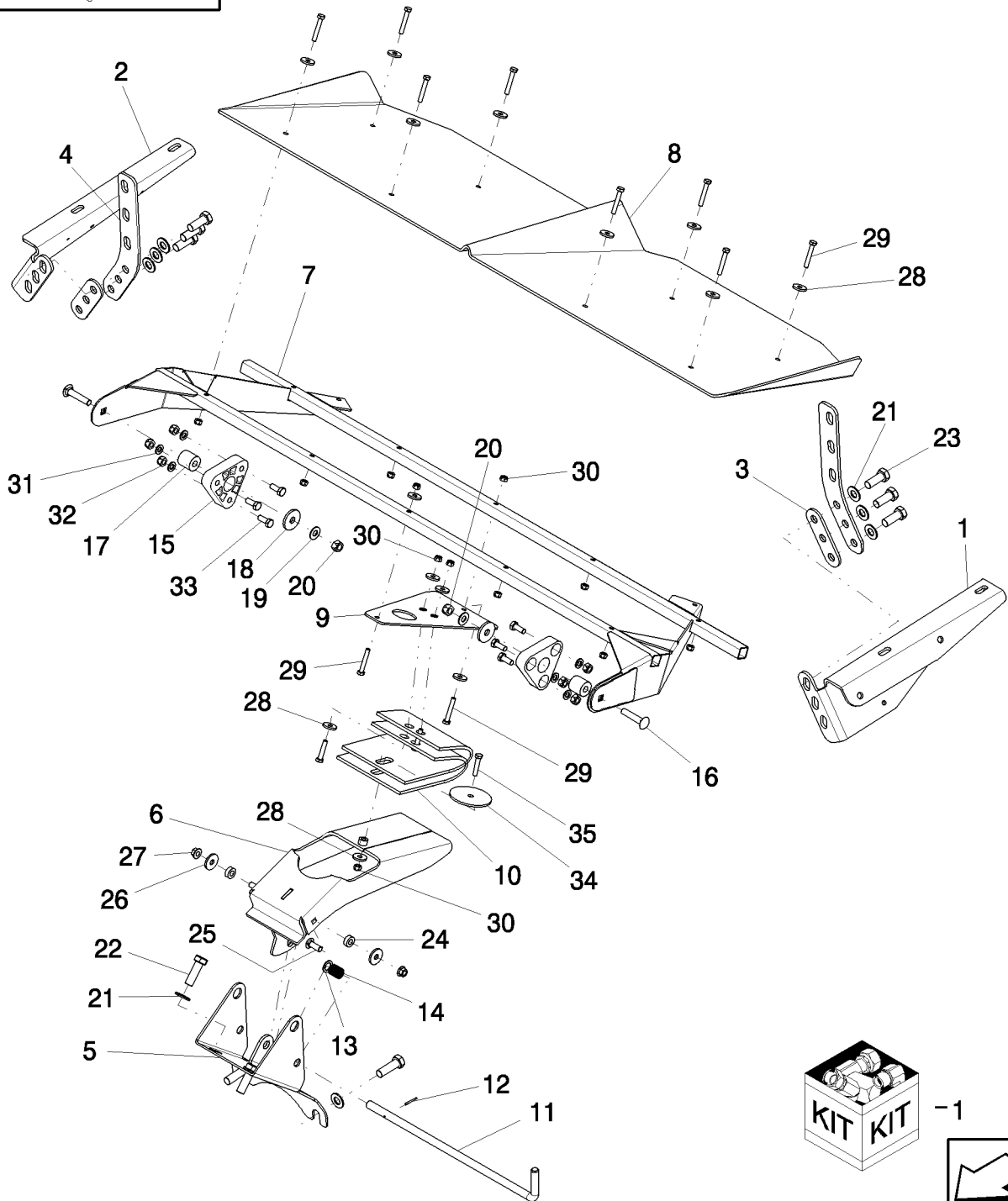
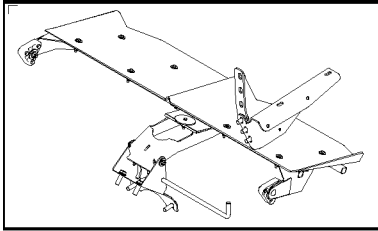
74.135.05

02A

p1

02/10

OSCILLATING CHAFFER PAN - ASN Y9G206592 - 7120/7120(LA)



-1



74.135.05

02A

p1

02/10

OSCILLATING CHAFFER PAN - ASN Y9G206592 - 7120/7120(LA)

REF	FN	PART NUMBER	YR/SN	QTY	DESCRIPTION
1		84190587		1	SERVICE KIT, Chaffer Pan Upgrade; Incl Refs 3, 4, 7 Thru 12, 19, 20, 22 Thru 28, 32, 33, & Instructions
2		87108536		1	BRACKET
3		87108562		2	PLATE
4		87108482		2	PLATE
5		84185911		1	CHANNEL, Support
6		84184117		1	SUPPORT ASSY.
7		84183483		1	FRAME
8		84187174		1	SHEET, Pan
9		84154907		1	PLATE ASSY.
10		84154916		2	BELT
11		84162351		1	PIN
12		87913		1	LOCK PIN, 1/8" x 1 1/4", Slotted
13		87613216		1	WASHER
14		86611329	BSN Y9G207610	1	SPRING
14		47603	ASN Y9G207610	1	SPRING
15		87105202		2	BUSHING
16		412097		2	CARRIAGE BOLT, Short NK, M12 x 60, Cl8.8
17		87000413		2	BUSHING
18		9511052		2	WASHER, M12 x 44 x 4
19		140046		2	SPRING WASHER, Belleville, M12
20		100038		2	LOCK NUT, M12 x 1.75, Cl 8
21		140048		10	BELLEVILLE WASHER, M16
22		120090		4	BOLT, Hex, M16 x 50, 8.8
23		43168		6	BOLT, Hex, M16 x 2 x 40, 8.8, Full Thd
24		86997386		2	BUSHING
25		87682392		2	BOLT
26		140042		2	WASHER, M10 x 34 x 3
27		86050279		2	NUT, M10 x 1.5, Flg, Cl 10
28		140041		15	WASHER, M8 x 28 x 3
29		43130		10	BOLT, Hex, M8 x 50, 8.8
30		9628098		13	LOCK NUT, M8 x 1.25, Cl 10
31		140017		6	WASHER, M10 x 20 x 2
32		86512554		6	LOCK NUT, M10 x 1.5, Cl 10
33		43139		6	BOLT, Hex, M10 x 25, 8.8, Full Thd

7120 7120

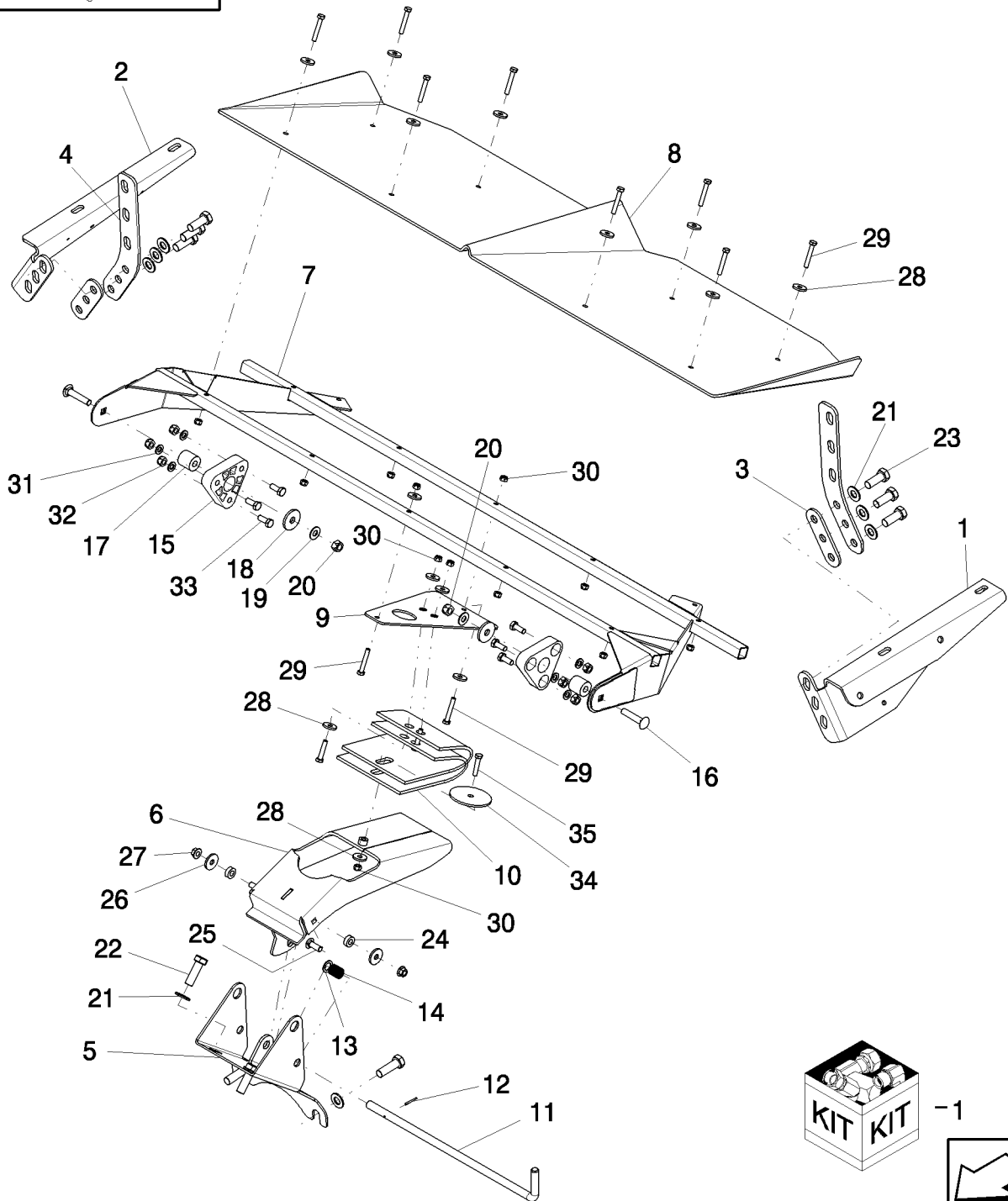
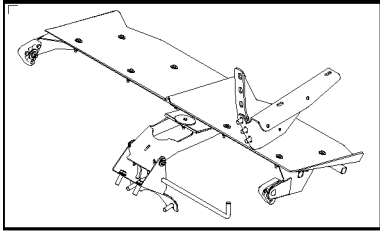
74.135.05

02A

p2

02/10

OSCILLATING CHAFFER PAN - ASN Y9G206592 - 7120/7120(LA)



-1



74.135.05

02A

p2

02/10

OSCILLATING CHAFFER PAN - ASN Y9G206592 - 7120/7120(LA)

REF	FN	PART NUMBER	YR/SN	QTY	DESCRIPTION
34		136443		1	WASHER
35		43129		3	BOLT, Hex, M8 x 40, 8.8
36		87044106		1	BRACKET

7120 7120

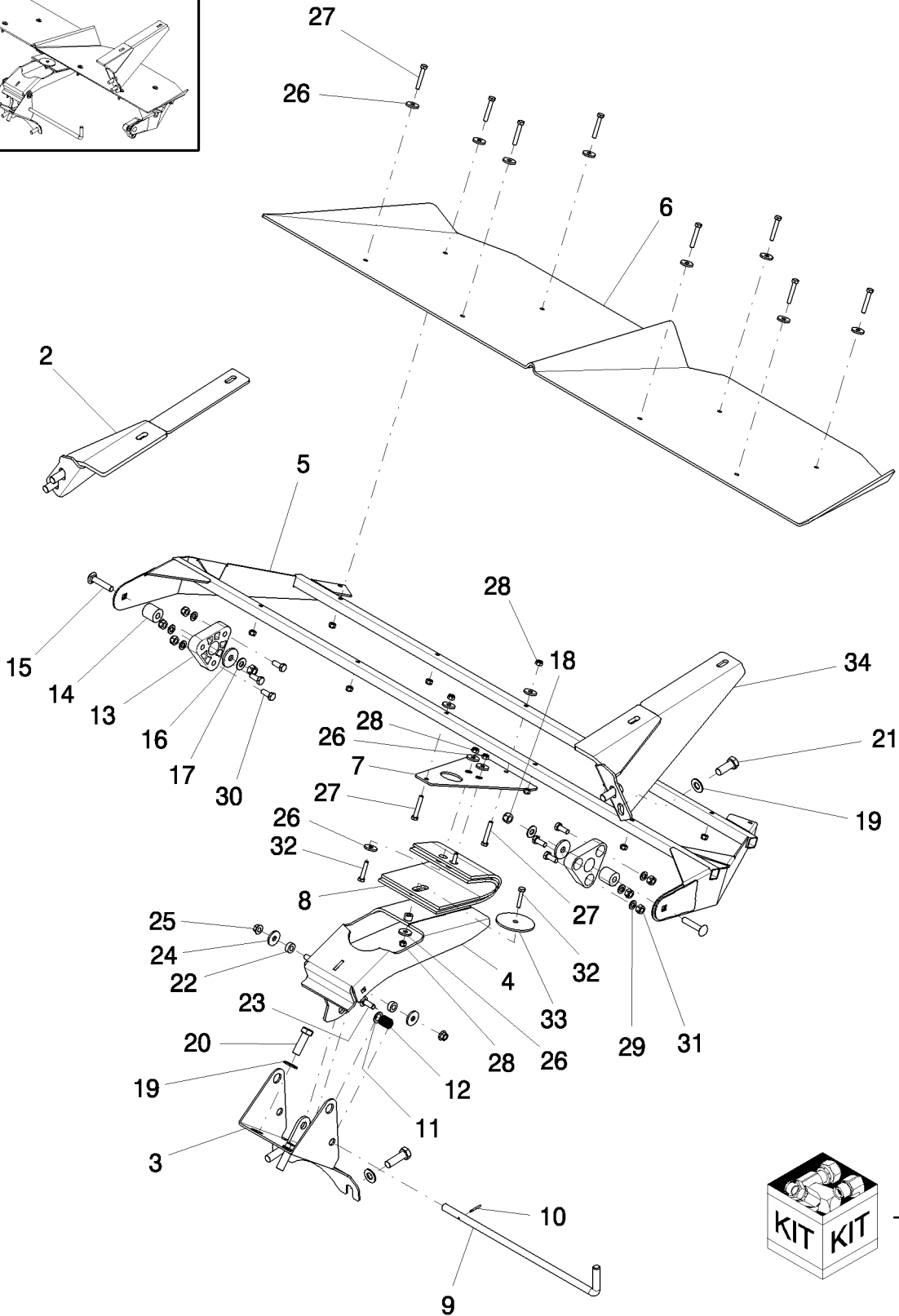
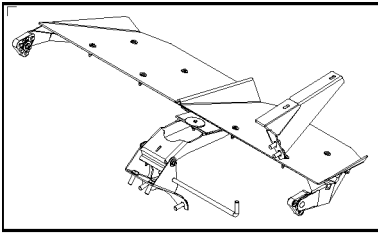
74.135.05

02B

p1

02/10

OSCILLATING CHAFFER PAN - ASN Y9G206592 - 8120/8120(LA), 9120



-1



74.135.05

02B

p1

02/10

OSCILLATING CHAFFER PAN - ASN Y9G206592 - 8120/8120(LA), 9120

REF	FN	PART NUMBER	YR/SN	QTY	DESCRIPTION
1		84190587		1	SERVICE KIT, Chaffer Pan Upgrade; Incl Refs 3, 4, 7 Thru 12, 19, 20, 22 Thru 28, 32, 33, & Instructions
2		87281226		1	BRACKET
3		84185911		1	CHANNEL, Support
4		84184117		1	SUPPORT ASSY.
5		84154912		1	FRAME
6		84186831		1	SHEET, Pan
7		84154907		1	PLATE ASSY.
8		84154916		2	BELT
9		84162351		1	PIN
10		87913		1	LOCK PIN, 1/8" x 1 1/4", Slotted
11		87613216		1	WASHER
12		86611329	BSN Y9G207610	1	SPRING
12		47603	ASN Y9G207610	1	SPRING
13		87105202		2	BUSHING
14		87000413		2	BUSHING
15		412097		2	CARRIAGE BOLT, Short NK, M12 x 60, CI8.8
16		9511052		2	WASHER, M12 x 44 x 4
17		140046		2	SPRING WASHER, Belleville, M12
18		100038		2	LOCK NUT, M12 x 1.75, CI 8
19		140048		8	BELLEVILLE WASHER, M16
20		120090		4	BOLT, Hex, M16 x 50, 8.8
21		43168		4	BOLT, Hex, M16 x 2 x 40, 8.8, Full Thd
22		86997386		2	BUSHING
23		87682392		2	BOLT
24		140042		2	WASHER, M10 x 34 x 3
25		86050279		2	NUT, M10 x 1.5, Flg, CI 10
26		140041		15	WASHER, M8 x 28 x 3
27		43130		10	BOLT, Hex, M8 x 50, 8.8
28		9628098		13	LOCK NUT, M8 x 1.25, CI 10
29		140017		6	WASHER, M10 x 20 x 2
30		43139		6	BOLT, Hex, M10 x 25, 8.8, Full Thd
31		86512554		6	LOCK NUT, M10 x 1.5, CI 10
32		43129		3	BOLT, Hex, M8 x 40, 8.8
33		136443		1	WASHER

8120 9120 8120

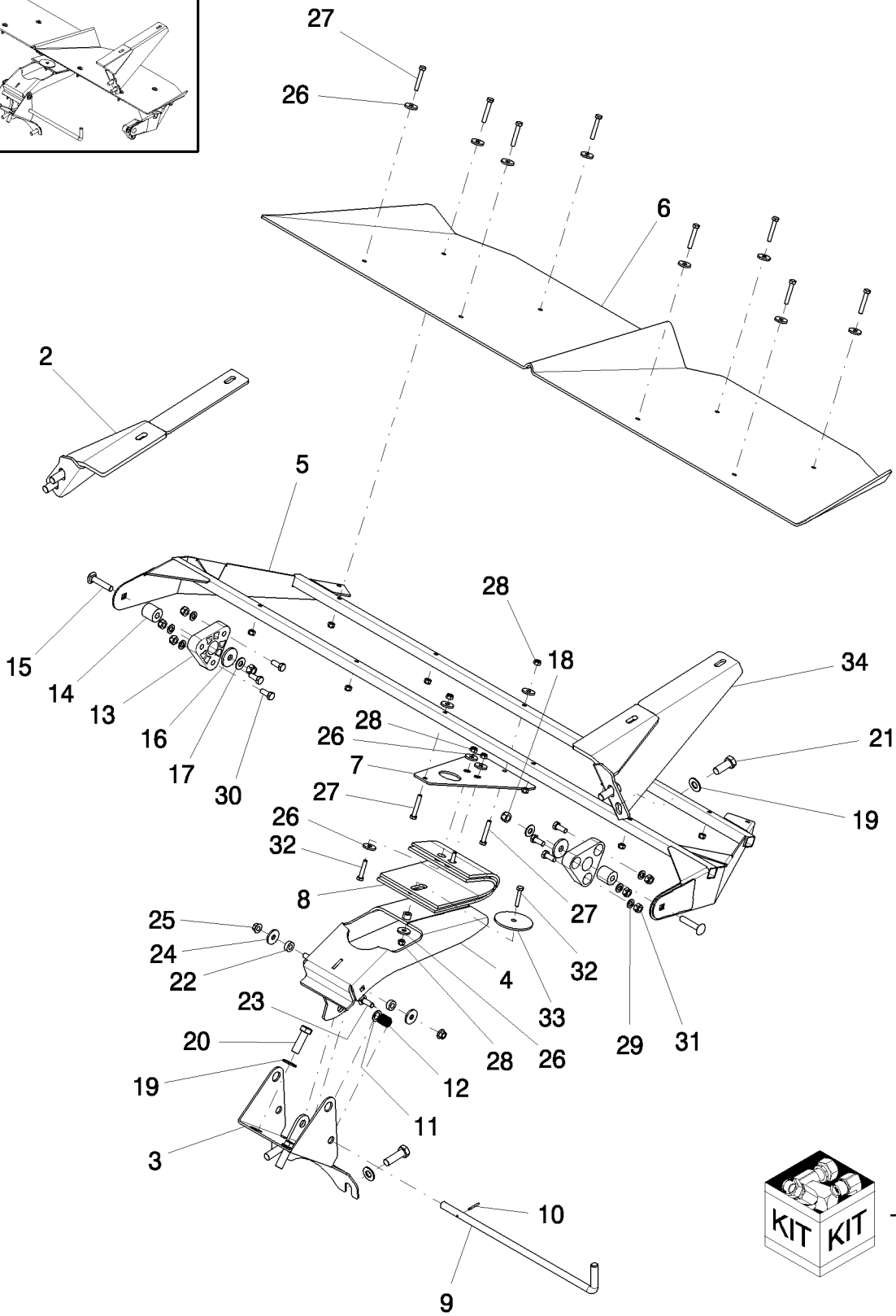
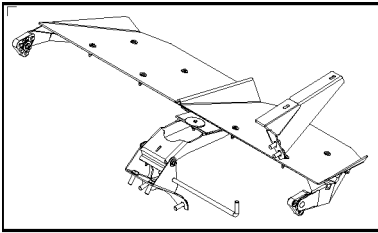
74.135.05

02B

p2

02/10

OSCILLATING CHAFFER PAN - ASN Y9G206592 - 8120/8120(LA), 9120



-1



74.135.05

02B

p2

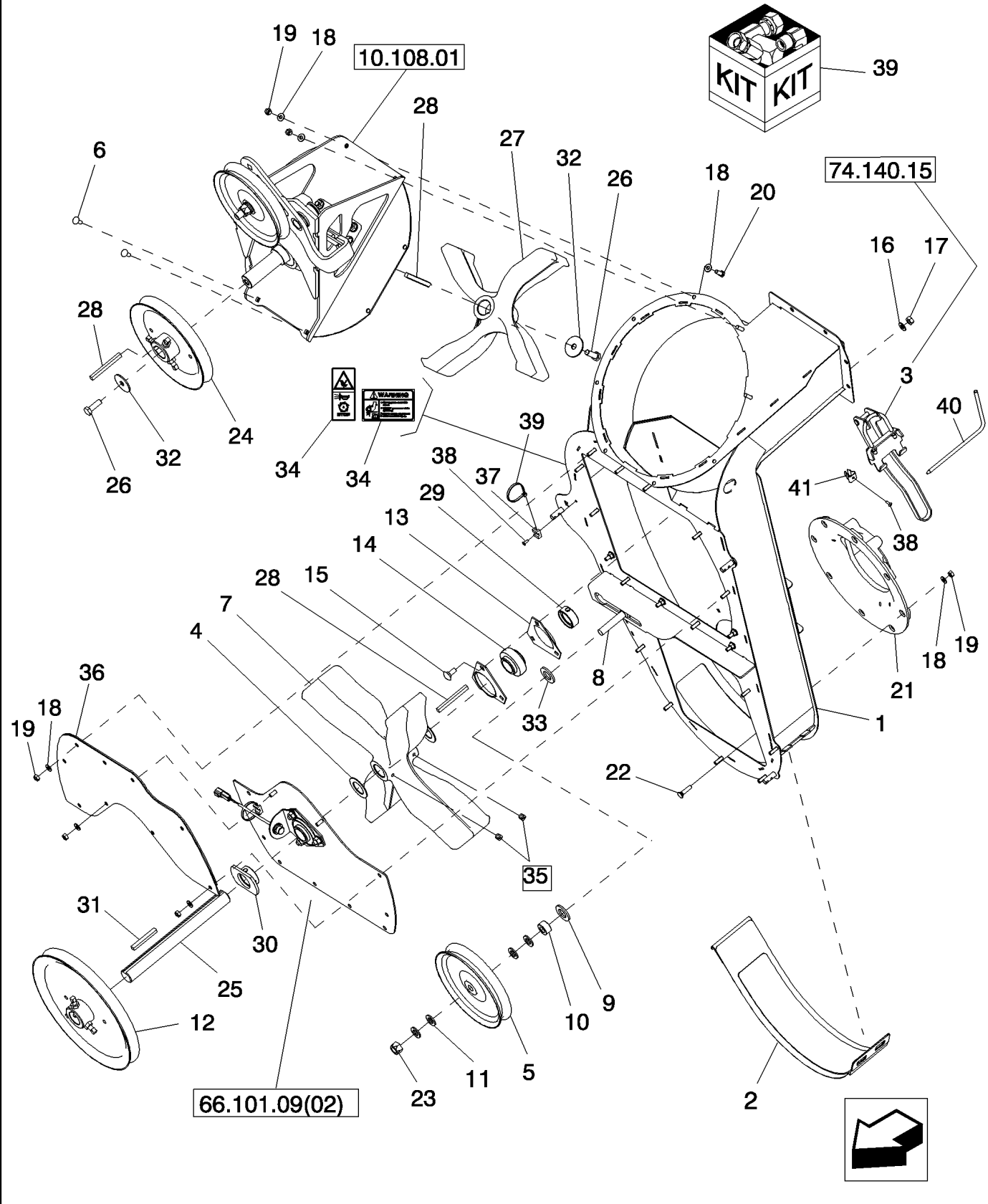
02/10

OSCILLATING CHAFFER PAN - ASN Y9G206592 - 8120/8120(LA), 9120

REF	FN	PART NUMBER	YR/SN	QTY	DESCRIPTION
34		87281225		1	BRACKET

8120 9120 8120

TAILINGS PROCESSOR HOUSING ASSEMBLY



TAILINGS PROCESSOR HOUSING ASSEMBLY

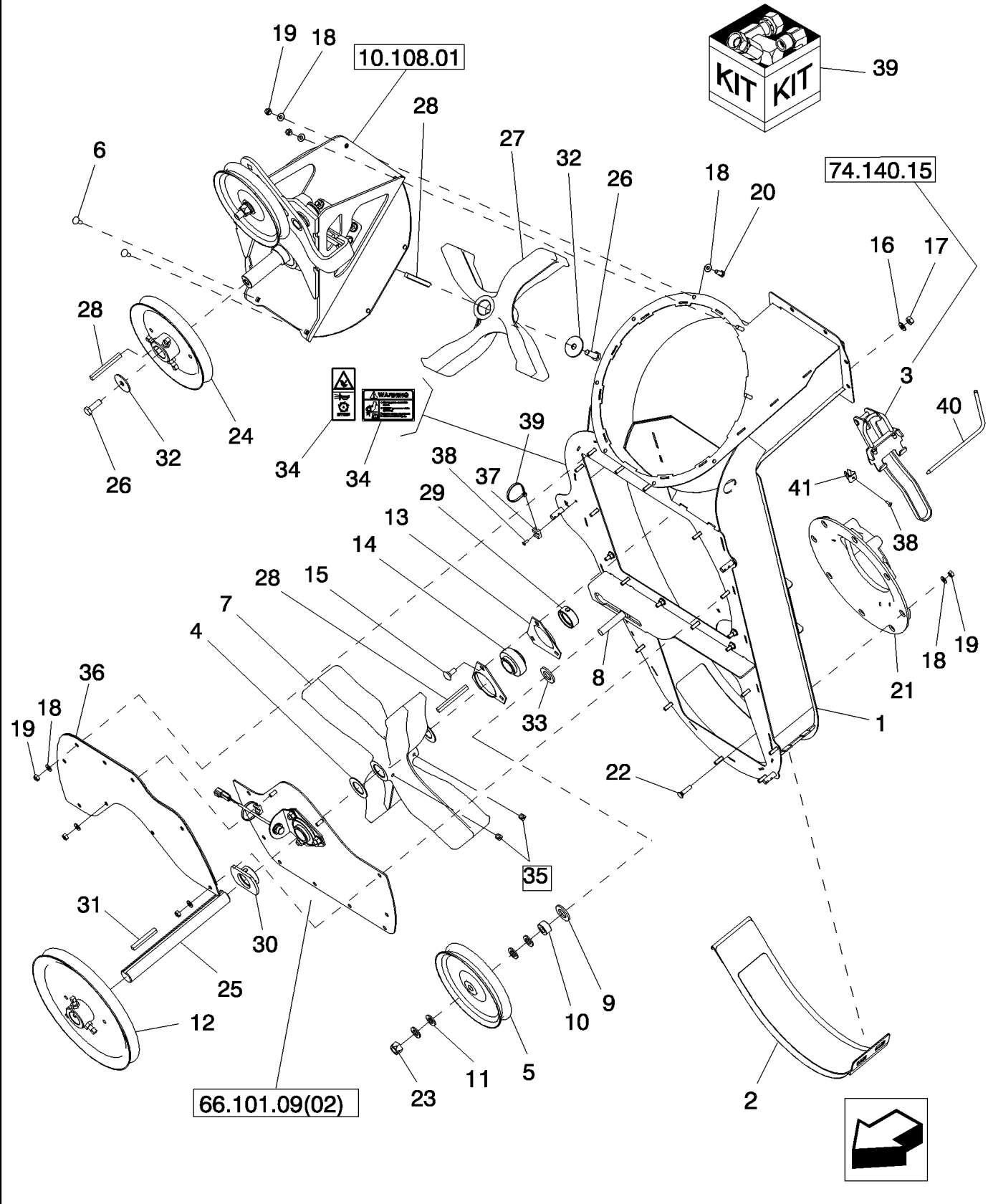
REF	FN	PART NUMBER	YR/SN	QTY	DESCRIPTION
1	1	87737487		1	HOUSING, Incl Ref 34
1	2,1	87737488		1	HOUSING, Incl Ref 34
2		87728882		1	DOOR, Clean-out
2	1	87736624		1	DOOR ASSY., Clean-out
2		87737486		1	DOOR ASSY., Clean-out, Hard Threshing; Included In Kit 87743232
2	1	87737484		1	DOOR ASSY., Clean-out, Hard Threshing; Included In Kit 87743231
3		0C		1	ORDER COMPONENTS, Latch
4		87109160		1	SPACER
5		86976165		1	PULLEY, Idler
6		86507486		2	CARRIAGE BOLT, Short NK, M8 x 20, CI8.8, Full Thd
7		87541978		1	BLOWER, Machined Impeller; See Also Ref 35
8		120048		1	CARRIAGE BOLT, Short NK, M16 x 80, CI8.8
9		86625256		1	WASHER, M12 x 28.5 x 4, HT
10		87108015		1	SPACER
11		86511326		4	WASHER, M16 x 30 x 3
12		87283318		1	PULLEY, Tailings
13		86620026		2	FLANGE
14		87605592		1	SPHERICAL BEARING
15		338949		3	CARRIAGE BOLT, Short NK, M10 x 25, CI8.8, Full Thd
16		140045		3	BELLEVILLE WASHER, M10
17		100016		3	NUT, M10, CI 8
18		322358		33	BELLEVILLE WASHER, M8
19		9706690		27	NUT, M8, CI 8
20		120104		4	BOLT, Hex, M8 x 20, 8.8
21		86997060		1	HOUSING
22		62196		8	BOLT, Plow, M8
23		86000441		1	NUT, M16 x 2, CI 8
24		87283292		1	PULLEY, Tailings
25		86997062		1	SHAFT, Upper Blower Drive
26		9824642		2	BOLT, Hex, M12 x 35, 10.9

(1) Extended Wear

(2) EU Only

7120 7120 8120 9120
8120

TAILINGS PROCESSOR HOUSING ASSEMBLY



TAILINGS PROCESSOR HOUSING ASSEMBLY

REF	FN	PART NUMBER	YR/SN	QTY	DESCRIPTION
27		87542137		1	BLOWER, Machined Impeller
27	1	87549450		1	IMPELLER
28		86997578		3	KEY
29		86997053		1	COLLAR
30		87107362		1	ROTOR
31		86996914		1	KEY
32		87026355		2	WASHER, M12 x 50 x 3, HT
33		498-81010		1	WASHER, 41/64" x 1 1/2" x .105", Sq Hole
34		86626958		1	WARNING DECAL, Safety, English
34	2	84014117		1	DECAL, Safety
35		84814918		2	SET SCREW, Hex Soc, M8 x 12, Cup Pt
36		87684737		1	COVER ASSY
37		86590413		1	CLAMP
38		445394		2	RIVET, Pop, M4.8 x 12.7
40		9819720		1	PIN
41		323307		1	CLAMP

(1) Extended Wear

(2) EU Only

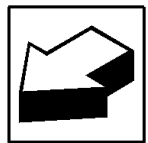
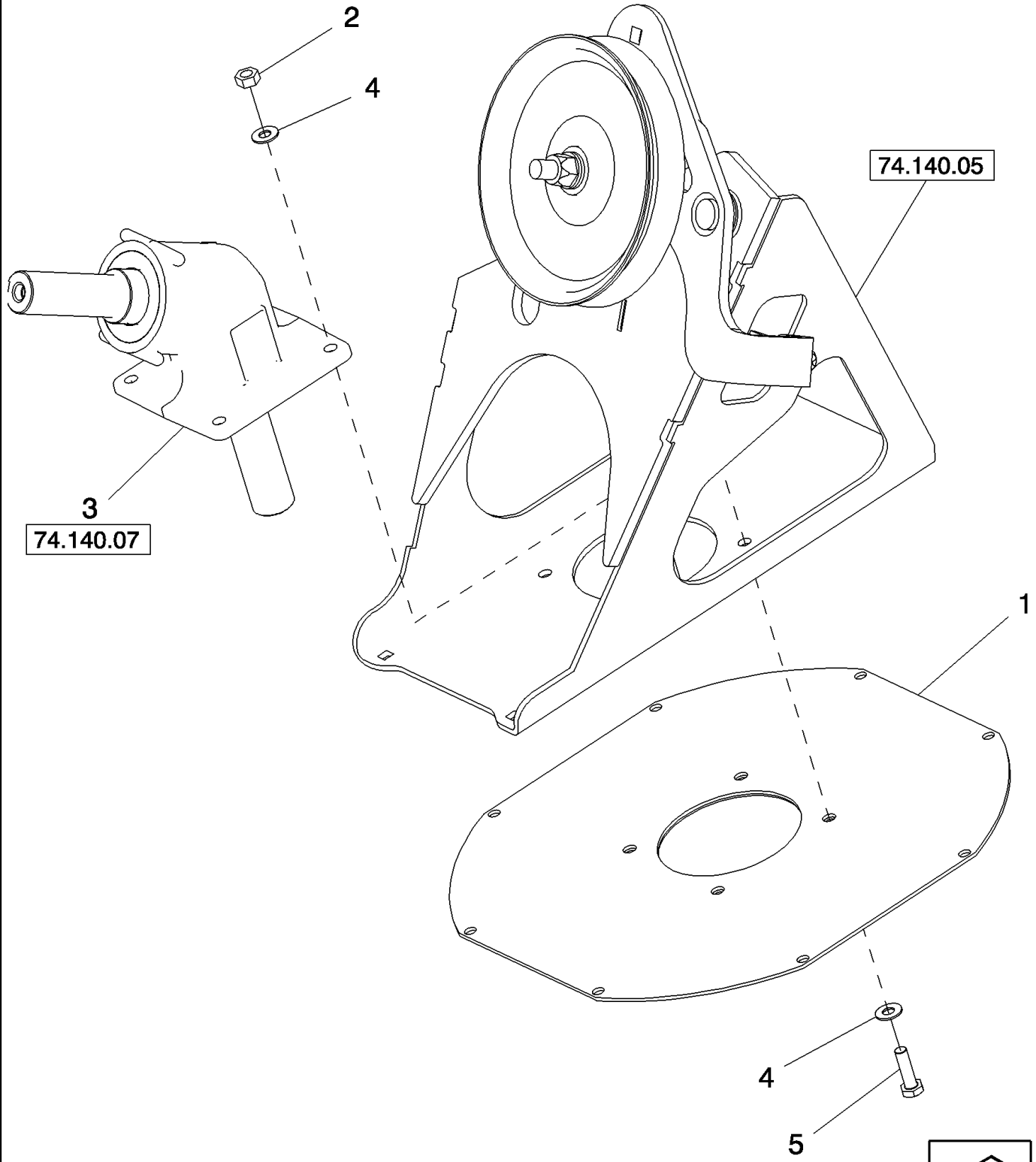
7120 7120 8120 9120
8120

74.140.06

p1

02/10

ANGLE DRIVE



74.140.06

p1

02/10

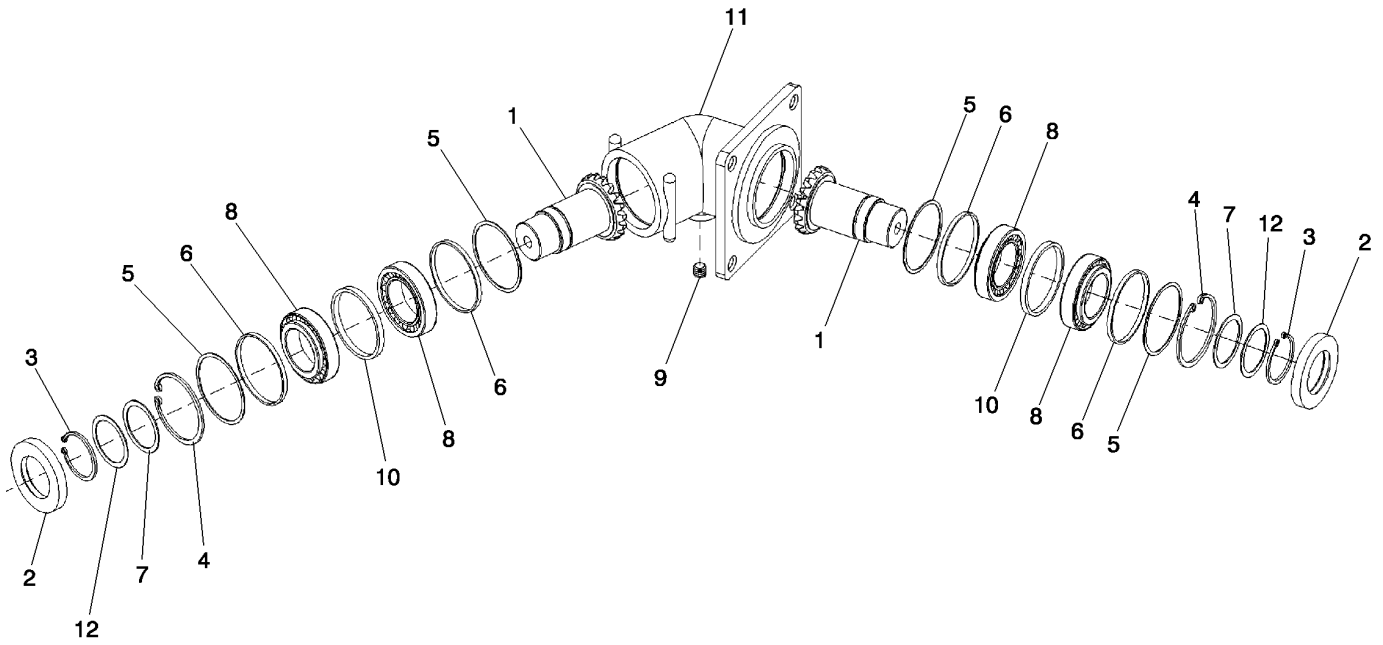
ANGLE DRIVE

REF	FN	PART NUMBER	YR/SN	QTY	DESCRIPTION
1		87342462		1	PLATE
1	1	87737490		1	TOP COVER
2		100016		4	NUT, M10, CI 8
3		87107888		1	GEARBOX
4		140045		8	BELLEVILLE WASHER, M10
5		9706704		4	BOLT, Hex, M10 x 35, 8.8, Full Thd

(1) Extended Wear

**7120 7120 8120 9120
8120**

GEAR BOX ASSEMBLY, BUBBLER AUGER DRIVE

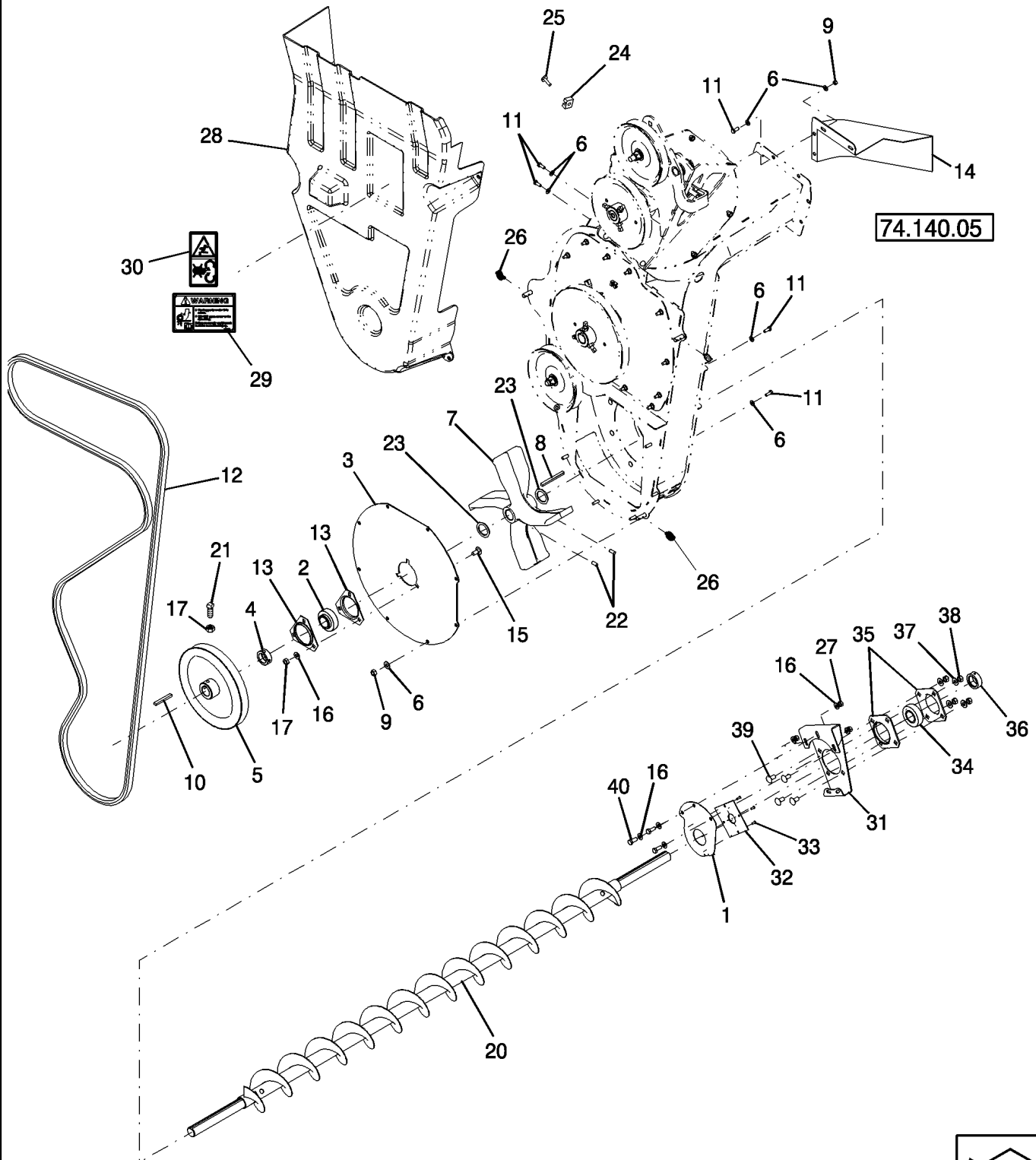


GEAR BOX ASSEMBLY, BUBBLER AUGER DRIVE

REF	FN	PART NUMBER	YR/SN	QTY	DESCRIPTION
1		87011511		2	SHAFT
2		84437282		2	RUBBER SEAL
3		84437572		2	SNAP RING, Ext, M41.5
4		382103		2	SNAP RING, M75, Int
5		84437581		4	SHIM KIT
6		84437569		4	SPACER
7		84437580		2	SHIM, 1mm Thk
8		84438713		4	TAPERED ROLLER BEARING, Bearing
9		84437573		2	PLUG, 1/4" Gas
10		84437570		2	SPACER
11		84437272		1	HOUSING
12		84437582		2	SHIM KIT

**7120 7120 8120 9120
8120**

TAILINGS DRIVE AND AUGER



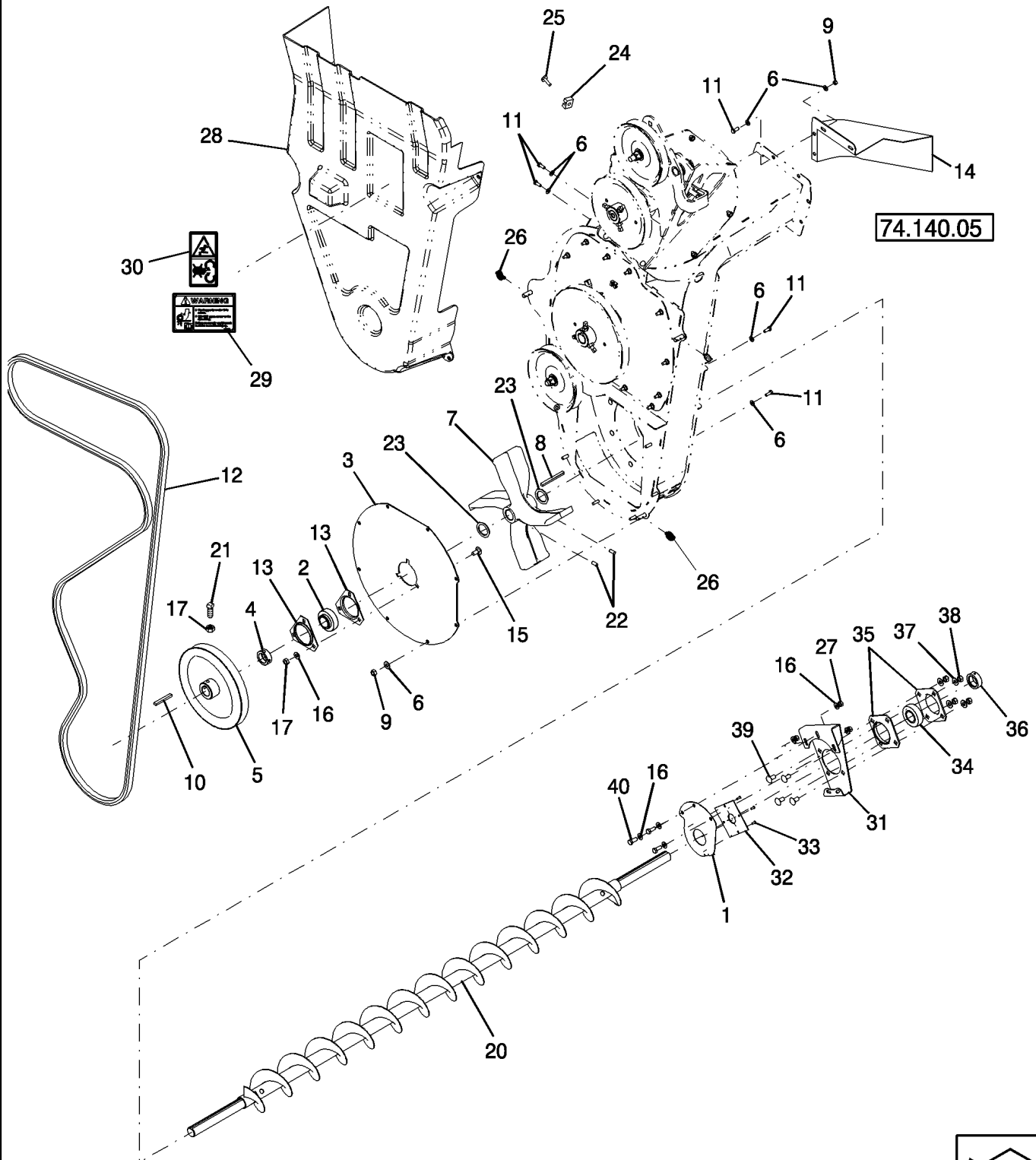
TAILINGS DRIVE AND AUGER

REF	FN	PART NUMBER	YR/SN	QTY	DESCRIPTION
1		87574415		1	COVER, Bracket, L.H., Tailings Bearing Mount
2		87605592		1	SPHERICAL BEARING
3		87109655		1	PLATE, Bearing Cover, Tailings Processor
3	1	87736618		1	DOOR ASSY., Plate, Bearing Cover, Tailings Processor
4		86997053		1	COLLAR
5		87282789		1	PULLEY, Driven, Tailings - Incl (3) Ref 17 & (3) Ref 21
6		322358		31	BELLEVILLE WASHER, M8
7		87542137		1	BLOWER, Machined Impeller
7	1	87549450		1	IMPELLER, Coated
8		86997578		1	KEY, Retaining
9		9706690		14	NUT, M8, CI 8
10		86996914		1	KEY, Retaining, M10 x 8 x 75
11		120104		17	BOLT, Hex, M8 x 20, 8.8
12		87283139		1	BELT, Tailings Processor, HCC 182.0"
13		86620026		2	FLANGE
14		87339975		1	DEFLECTOR
14	1	87735231		1	DEFLECTOR
15		338949		3	CARRIAGE BOLT, Short NK, M10 x 25, CI8.8, Full Thd
16		140045		6	BELLEVILLE WASHER, M10
17		100016		AR	NUT, M10, CI 8
18		322358		10	BELLEVILLE WASHER, M8
19		43127		5	BOLT, Hex, M8 x 25, 8.8
20	2	87573645		1	AUGER, Std Wear
20	2	87730185		1	AUGER, Extended Wear
20	3	87573646		1	AUGER, Std Wear
20	3	87730183		1	AUGER, Extended Wear
21		393599		AR	SET SCREW, Sq Hd, M10 x 25, CI 12.9
22		84814918		2	SET SCREW, Hex Soc, M8 x 12, Cup Pt
23		87109160		2	SPACER
25		445394		2	RIVET, Pop, M4.8 x 12.7

- (1) Extended Wear
(2) 8120 & 9120 Only
(3) 7120 Only

7120 7120 8120 9120
8120

TAILINGS DRIVE AND AUGER



TAILINGS DRIVE AND AUGER

REF	FN	PART NUMBER	YR/SN	QTY	DESCRIPTION
26		87109290		3	LOCK PIN
27		86500689		3	NUT, M10, CI 10
28	1	87495667	BSN Y9G207350	1	PACKAGE,SERVICE, Shield, Tailings Processor; Incl Ref 29 & 30
28	2	87495666		1	PACKAGE,SERVICE, Shield, Tailings Processor; Incl Ref 29 & 30
28	3	84202382	From 01/10, ASN Y9G207350	1	PACKAGE,SERVICE, Shield, Tailings Processor; Incl Ref 29 & 30
29		86626958		1	WARNING DECAL, English
30		84004734		1	DECAL, Safety
31		87542571		1	SUPPORT
32		87528798		1	SEAL
33		9512968		4	RIVET
34		52443		1	BALL BEARING
35		86974037		2	FLANGE
36		52444		1	COLLAR
37		140046		4	SPRING WASHER, Belleville, M12
38		337475		4	NUT, M12, CI 10
39		374895		4	CARRIAGE BOLT, Short NK, M12 x 25, CI8.8, Full Thd
40		43139		3	BOLT, Hex, M10 x 25, 8.8, Full Thd

(1) 7120 Only

(2) 8120 & 9120 Only

(3) For Year 2010, to Provide Additional Tire Clearance, 7120, 8120 and 9120

7120 7120 8120 9120
8120

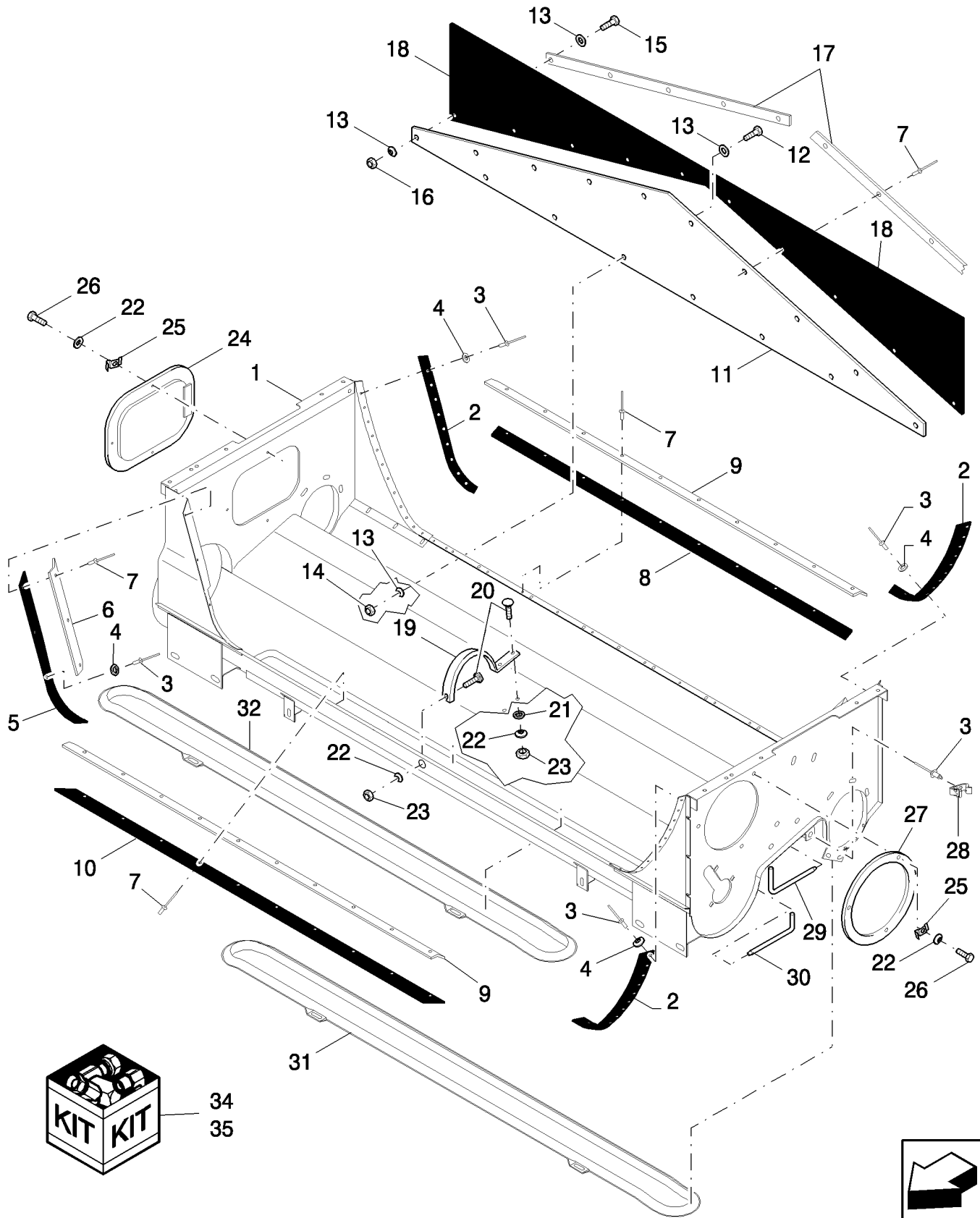
74.140.14

01

p1

01/10

SELF-LEVELING AUGER HOUSING, MAIN BODY



SELF-LEVELING AUGER HOUSING, MAIN BODY

REF	FN	PART NUMBER	YR/SN	QTY	DESCRIPTION
1		87380544		1	HOUSING, Auger used on AFX7010, AFX 7120 Narrow Machine
1	1	87044524		1	HOUSING, Auger
2		87282881		3	SEAL
3		80445394		52	RIVET, M5 x 15
4		80140182		48	WASHER, M5
5		87282880		1	SEAL
6		84320082		1	STRIP, Seal
7		445395		AR	RIVET, Pop, M4.8 x 18.1, M4.8 x 16
8	2	80442793		1	SEAL
8	1	80451792		1	SEAL
9	2	84320081		2	STRIP, Seal
9	1	84320089		2	STRIP, Seal
10	2	80428401		1	SEALING ELEMENT
10	1	80451794		1	SEAL
11	2	87696060		1	MOUNTING PLATE
11	1	87696056		1	MOUNTING PLATE
12		86508568		AR	BOLT, Hex, M6 x 16, CI 8.8, Full Thd, 7120 (14), 8120 & 9120 (16)
13		80412649		AR	LOCK WASHER, 7120(48), 8120 & 9120 (56)
14		9706755		AR	NUT, M6, CI 8, 7120(14), 8120 & 9120 (16)
15		120100		8	BOLT, Hex, M6 x 20, 8.8
16		353308		AR	NUT, M6 x 1, CI 8, 7120 (10), 8120 & 9120 (12)
17	2	84320085		2	PLATE, Seal
17	1	84320079		2	STRIP, Seal
18	2	87552400		2	SEAL
18	1	87552399		2	SEAL
19		84072271		1	SUPPORT
20		86507486		3	CARRIAGE BOLT, Short NK, M8 x 20, CI8.8, Full Thd
21		80140041		2	WASHER, M8
22		80412650		9	WASHER, M8
23		9706690		3	NUT, M8, CI 8
24		84320078		1	DOOR

(1) 8120 & 9120 Only
(2) 7120 Only

7120 7120 8120 9120
8120

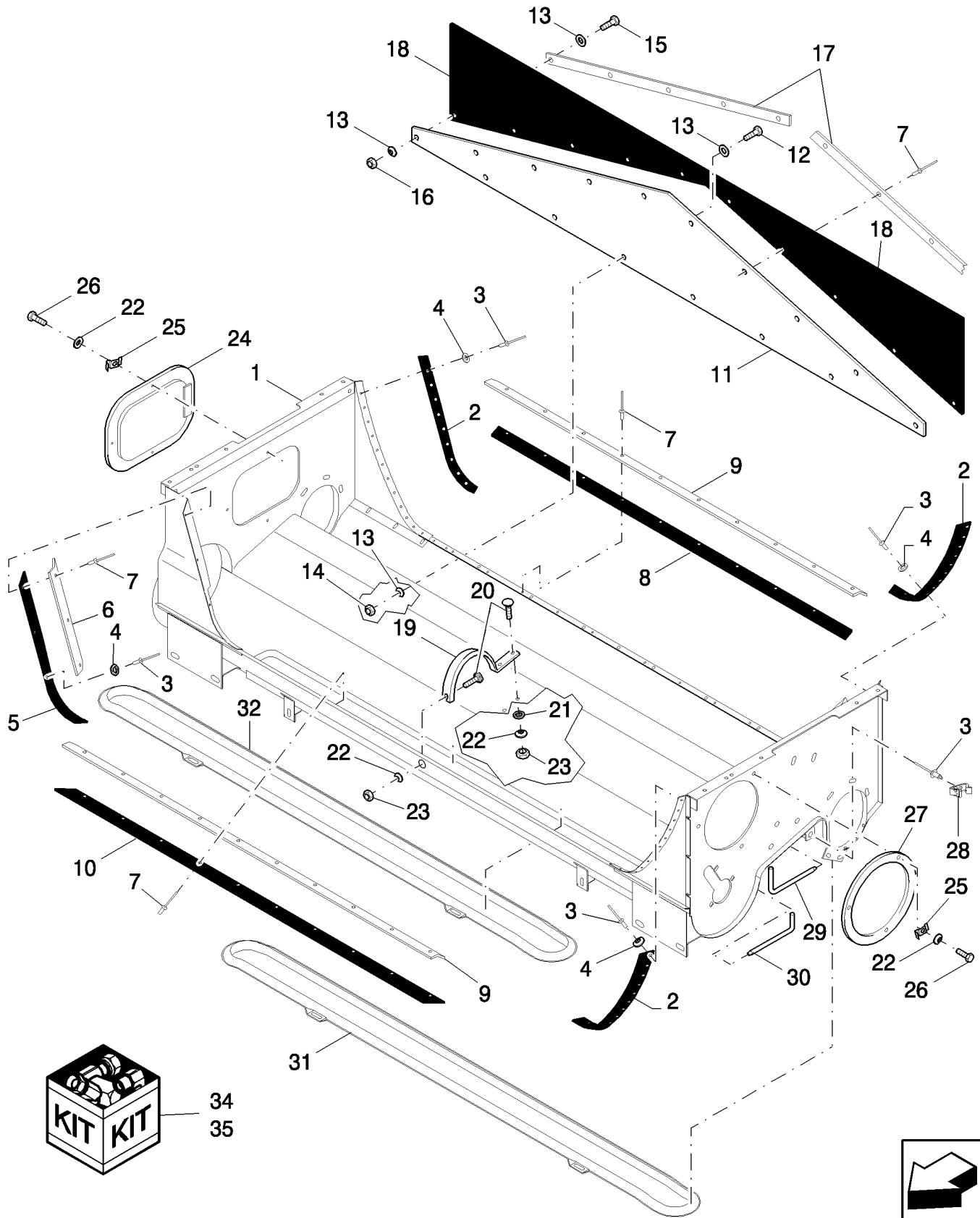
74.140.14

01

p2

01/10

SELF-LEVELING AUGER HOUSING, MAIN BODY

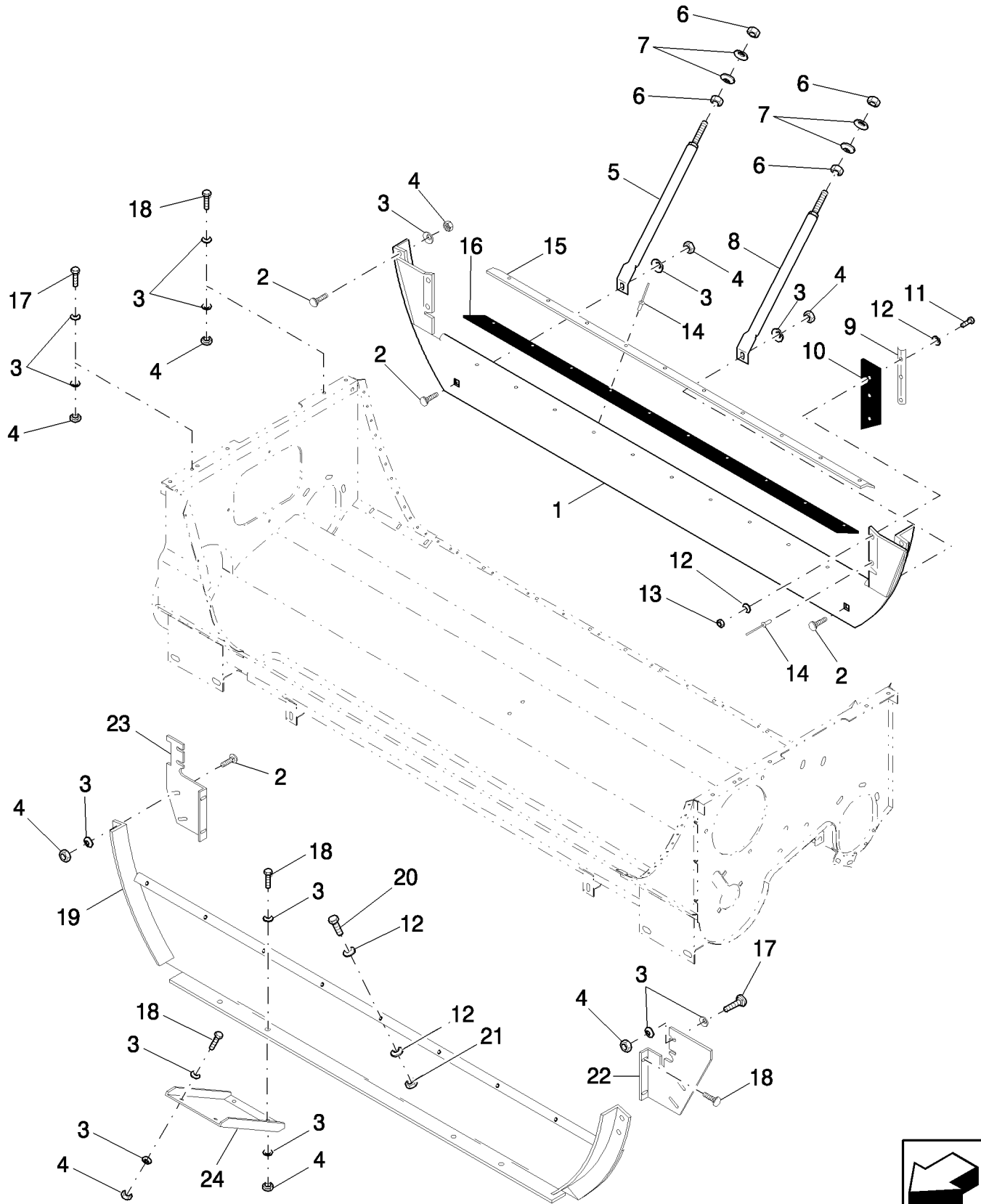


SELF-LEVELING AUGER HOUSING, MAIN BODY

REF	FN	PART NUMBER	YR/SN	QTY	DESCRIPTION
25		80425093		6	CLIP
26		120104		6	BOLT, Hex, M8 x 20, 8.8
27		84320087		1	DOOR
28		80323307		4	SPRING CLIP
29		89819720		2	PIN
30		89819719		2	PIN
31		84078027		1	COVER, Return Tailings, STD
31		84429238		1	COVER, Return Tailings, Round Holes
31		740667		1	COVER, Return Tailings, Slotted Holes
32		87693856		1	COVER, Clean Grain, Reinforced
32		84429240		1	COVER, Clean Grain, Round Holes
32		740666		1	COVER, Clean Grain, Slotted Holes
32		87283418		1	COVER, Hard Threshing - Incl in Kits 87743232 & 87743231
34		84084680		1	COVER, Round Hole Perforated; Incl Ref 31 & 32
35		87743232		1	DIA KIT, HARVESTER, Hard Thresh Tailings; Incl Ref 32, As Indicated
35		87743231		1	DIA KIT, HARVESTER, Hard Thresh Tailings; Incl Ref 32, As Indicated

**7120 7120 8120 9120
8120**

SELF-LEVELING AUGER HOUSING, FRONT & REAR SEALS



SELF-LEVELING AUGER HOUSING, FRONT & REAR SEALS

REF	FN	PART NUMBER	YR/SN	QTY	DESCRIPTION
1	1	84320098		1	PLATE, Rear
1	2	84320102		1	PLATE, Rear
2		86507486		8	CARRIAGE BOLT, Short NK, M8 x 20, CI8.8, Full Thd
3		80412650		52	WASHER, M8
4		9706690		30	NUT, M8, CI 8
5		80444439		1	SUPPORT
6		9706685		4	NUT, M12, CI 8
7		140046		4	SPRING WASHER, Belleville, M12
8		80444438		1	SUPPORT
9		84320082		2	STRIP, Seal
10		80922272		2	SEALING ELEMENT
11		86977786		2	BOLT, Hex, M6 x 25, 8.8, Full Thd
12		80412649		AR	LOCK WASHER, M6
13		353308		2	NUT, M6 x 1, CI 8
14		80445395		AR	RIVET, Pop, M4.8 x 18.1, M4.8 x 16
15	1	84320080		1	STRIP, Seal
15	2	84320105		1	STRIP, Seal
16	1	80922273		1	CANVAS
16	2	84818311		1	SEAL
17		308761		4	SCREW, Short NK, M8 x 25, CI8.8, Full Thd
18		120104		20	BOLT, Hex, M8 x 20, 8.8
19	1	84320096		1	PLATE, Front
19	2	84320100		1	PLATE, Front
20		86508568		AR	BOLT, Hex, M6 x 16, CI 8.8, Full Thd
21		9706755		AR	NUT, M6, CI 8
22		87377008		1	PLATE, L.H.
23		87377010		1	PLATE, R.H.
24		87658114		2	SUPPORT

(1) 7120 Only

(2) 8120 & 9120 Only

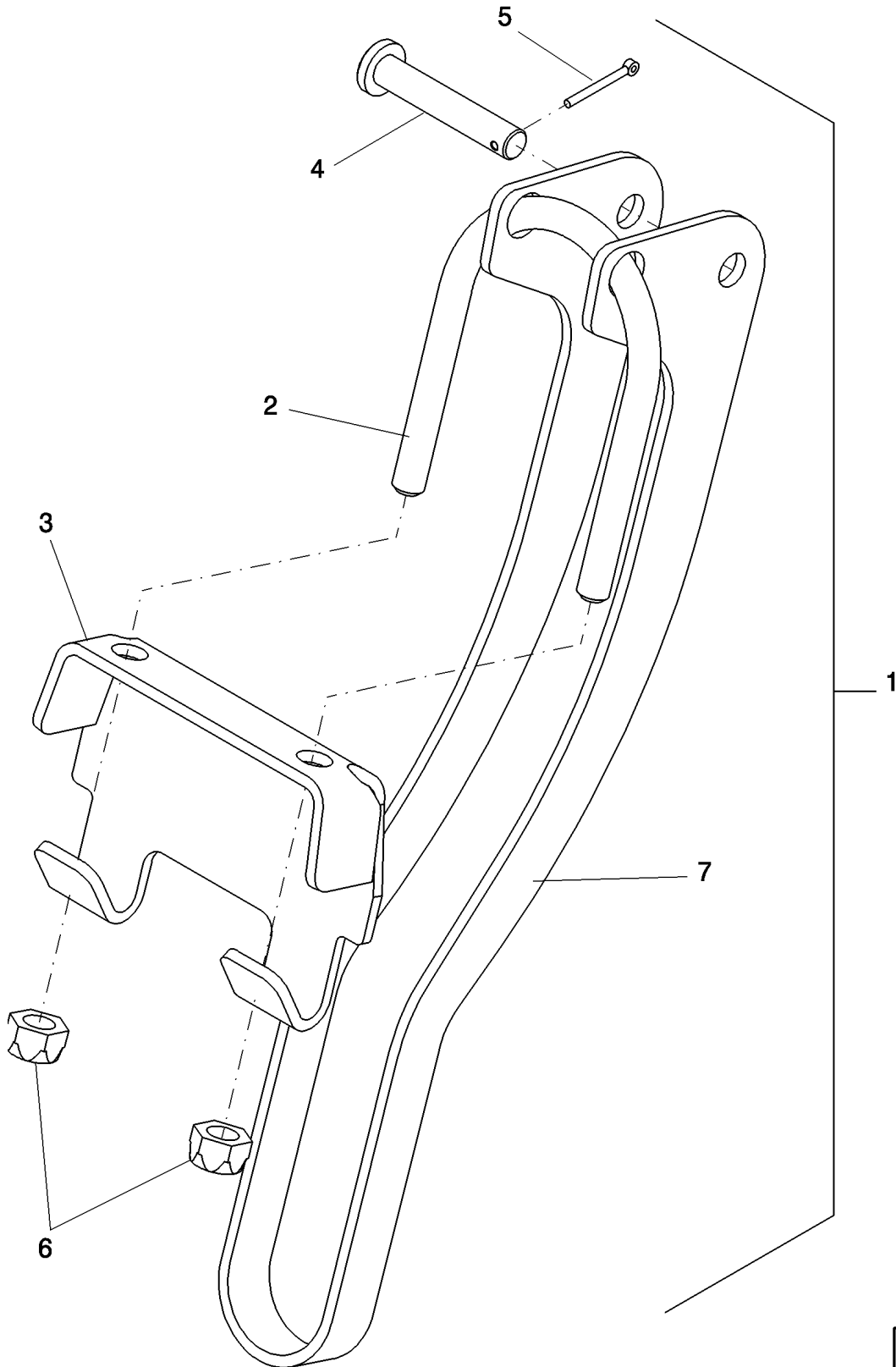
7120 7120 8120 9120
8120

74.140.15

p1

10/09

LATCH ASSEMBLY - CLEANOUT DOOR



LATCH ASSEMBLY - CLEANOUT DOOR

REF	FN	PART NUMBER	YR/SN	QTY	DESCRIPTION
1		0C		1	ORDER COMPONENTS, Latch Assembly; Incl Refs 2 Thru 7
2		84989315		1	U-BOLT, M8
3		87743236		1	HOOK
4		353216		1	CLEVIS PIN, M8 x 45
5		9512667		1	COTTER PIN, M2 x 20
6		86629542		2	LOCK NUT, M8 x 1.25, CI 8
7		87757469		1	HANDLE

**7120 7120 8120 9120
8120**

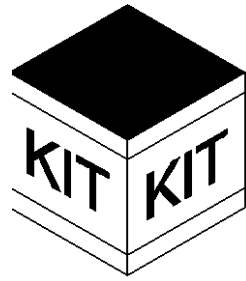
74.999.01

01

p1

12/09

ENHANCED CLEANING - DIA KIT, P/N 87582923



ENHANCED CLEANING - DIA KIT, P/N 87582923

REF	FN	PART NUMBER	YR/SN	QTY	DESCRIPTION
		87582923		AR	DIA KIT, HARVESTER, AFX 7120, 8120, 9120
		87582928		1	INSTRUCTION, KIT, AFX Cleaning Sys DIA 11
		87579698		1	DIA KIT, HARVESTER, Enhanced Cleaning DIA Kit, AFX Common Parts

	7120 7120 8120 9120 8120
--	-------------------------------------

74.999.01

02

p1

01/10

ENHANCED CLEANING - DIA KIT, P/N 87525427



ENHANCED CLEANING - DIA KIT, P/N 87525427

REF	FN	PART NUMBER	YR/SN	QTY	DESCRIPTION
		87525427		AR	DIA KIT, HARVESTER, Models AFX8010, AFX7120, AFX8120, AFX9120
		87582928		1	INSTRUCTION, KIT, AFX Cleaning Sys DIA 11
		87579698		1	DIA KIT, HARVESTER, Enhanced Cleaning DIA Kit, AFX Common Parts
		87588613		1	DIA KIT, HARVESTER, Enhanced Cleaning DIA Kit, Wide, Common Parts

	7120 7120 8120 9120 8120
--	-------------------------------------

74.999.01

03

p1

02/10

ENHANCING CLEANING - DIA KIT, P/N 87352563



ENHANCING CLEANING - DIA KIT, P/N 87352563

REF	FN	PART NUMBER	YR/SN	QTY	DESCRIPTION
		87352563		AR	DIA KIT, HARVESTER, AFX 8120
		87582928		1	INSTRUCTION, KIT, AFX Cleaning Sys DIA 11
		87579698		1	DIA KIT, HARVESTER, Enhanced Cleaning DIA Kit, AFX Common Parts

	7120 7120 8120 9120 8120
--	-------------------------------------

SECTION INDEX

80 - Grain/grape storage

80.000.00	01	SECTION INDEX - GRAIN TANK
80.000.00	02	SECTION INDEX - GRAIN UNLOADING
80.101.07		EXTENSION GRAIN BIN - MY2010 - NA AND LA
80.101.08		ELEVATOR HEAD
80.101.10		BUBBLE-UP AUGER
80.101.10	01	BUBBLE-UP AUGER - LATIN AMERICA ONLY
80.101.15		ELEVATOR HOUSING AND DRIVES
80.101.18		GRAIN ELEVATOR TENSIONER & CHAIN
80.101.19		BOTTOM BOOT, CLEAN GRAIN ELEVATOR
80.101.21	01	BUBBLE-UP AUGER TANDEM GEARBOX, BSN Y9G207858
80.101.21	02	BUBBLE-UP AUGER TANDEM GEARBOX, ASN Y9G207858
80.101.25		BUBBLE-UP AUGER DRIVE
80.101.26		AUGER SPRING & CABLE, BUBBLE-UP AUGER DRIVE
80.101.34		KIT, SCRAPER BLADES - ELEVATOR CHAIN
80.101.35		KIT, SLOW DOWN - ELEVATOR & GRAIN TANK
80.150.02		GRAIN TANK, R.H.
80.150.03	01	GRAIN TANK - MY2010
80.150.03	02	GRAIN TANK - MY2010
80.150.05		GRAIN TANK, L.H.
80.150.06		GRAIN TANK COVERS
80.150.07		GRAIN TANK COVER - MY10 - 350 BU, 315 BU
80.150.11		GRAIN TANK - BOTTOM AND AUGERS
80.150.11	02	GRAIN TANK - BOTTOM AND AUGERS - LATIN AMERICA ONLY
80.150.16		GRAIN TANK CORNER PANELS
80.154.03		EXTENSION, GRAIN BIN
80.154.04		DIA KIT CANVAS ASSY, GRAINTANK EXT. AFX7120
80.154.06		DIA KIT CANVAS ASSY, GRAINTANK EXT. AFX8120, AFX9120
80.154.07		DIA, HARVEST KIT, EXTENDED WEAR, GRAIN TANK BOTTOM
80.154.09		HINGE SYSTEM, GRAIN TANK COVERS
80.154.10		LINKAGE FOR GRAIN TANK COVER - MY2010 - 350 BU AND 315 BU
80.175.02		UNLOADING CHAIN DRIVE
80.175.06		UNLOADING AUGER, GEARBOX, UPPER
80.175.07		UNLOADING AUGER, GEARBOX, LOWER
80.175.10		UNLOADING CHAIN DRIVE, SPECIAL FOR RICE, NA ONLY, FROM PIN Y9G206259 - 7120, 8120, 9120
80.175.11		KIT, UNLOADING CHAIN DRIVE, SPECIAL FOR RICE - NA ONLY - 7120, 8120, 9120
80.175.12		UNLOADING CHAIN DRIVE, HYDRAULICS, SPECIAL FOR RICE - NA ONLY - 7120, 8120, 9120
80.180.01		UNLOADING AUGER, VERTICAL - 7120, 8120, 9120
80.180.01	01	UNLOADING AUGER, VERTICAL - LATIN AMERICA ONLY - 7120, 8120
80.180.05		UNLOADING AUGER, HORIZONTAL, 21 FT (6.4M)
80.180.07		KIT, UNLOADER VERTICAL DISCHARGE
80.180.11		UNLOADING AUGER EXTENSION, 0.9 M (3 FT)
80.180.12		UNLOADING DRIVE
80.180.17	01	AUGER UNLOADING ASSY - 4 FT STD WEAR RED
80.180.17	02	AUGER UNLOADING ASSY - 4 FT EXT WEAR RED
80.180.17	03	DIA KIT, UNLOADING AUGER EXTENSION 1.3M/ 4.4' EXTENDED WEAR RED
80.180.17	04	DIA KIT, UNLOADING AUGER EXTENSION 1.3M/ 4.4FT STANDARD WEAR

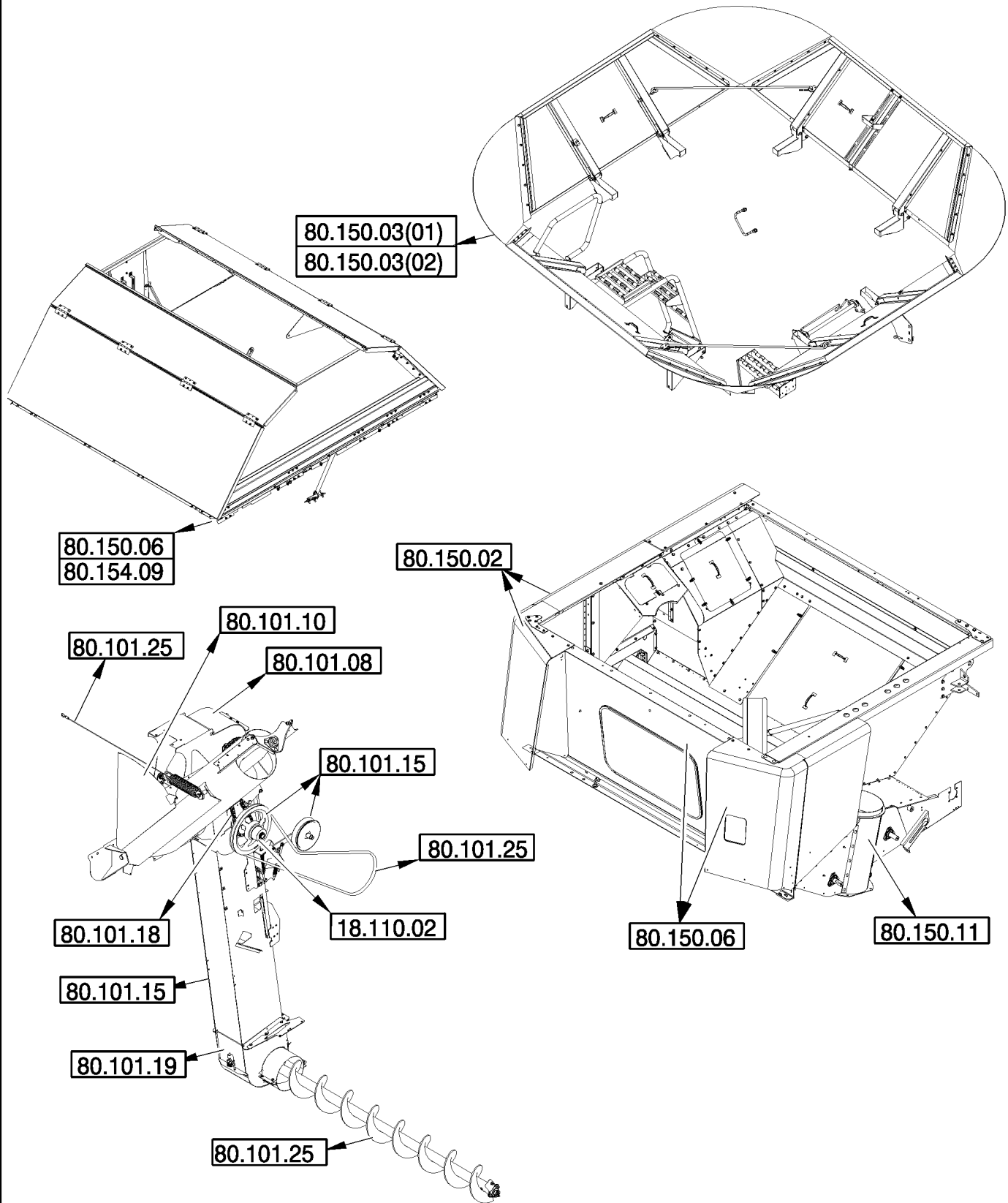
80.000.00

01

p1

08/09

SECTION INDEX - GRAIN TANK



80.000.00	01	p1	08/09
------------------	----	----	-------

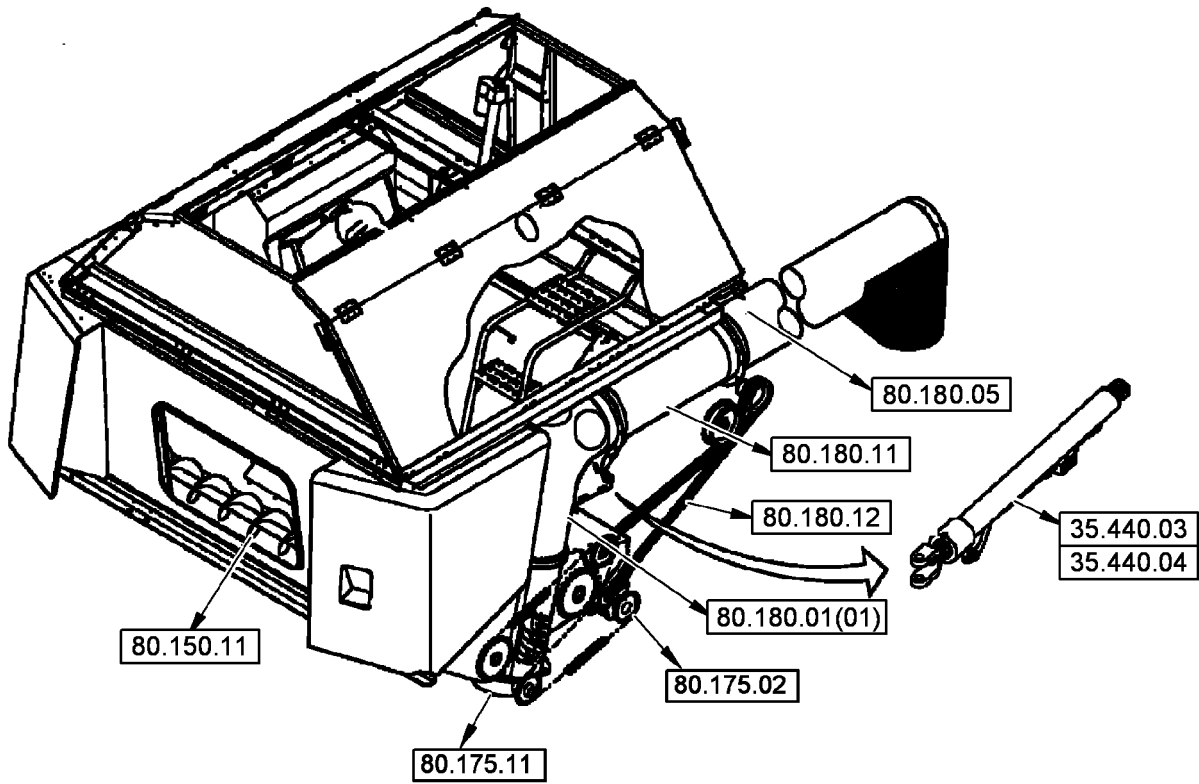
SECTION INDEX - GRAIN TANK

REF	FN	PART NUMBER	YR/SN	QTY	DESCRIPTION
------------	-----------	--------------------	--------------	------------	--------------------

--	--	--	--	--	--

					9120 7120 8120 7120 8120
--	--	--	--	--	---

SECTION INDEX - GRAIN UNLOADING



80.000.00	02	p1	08/09
------------------	----	----	-------

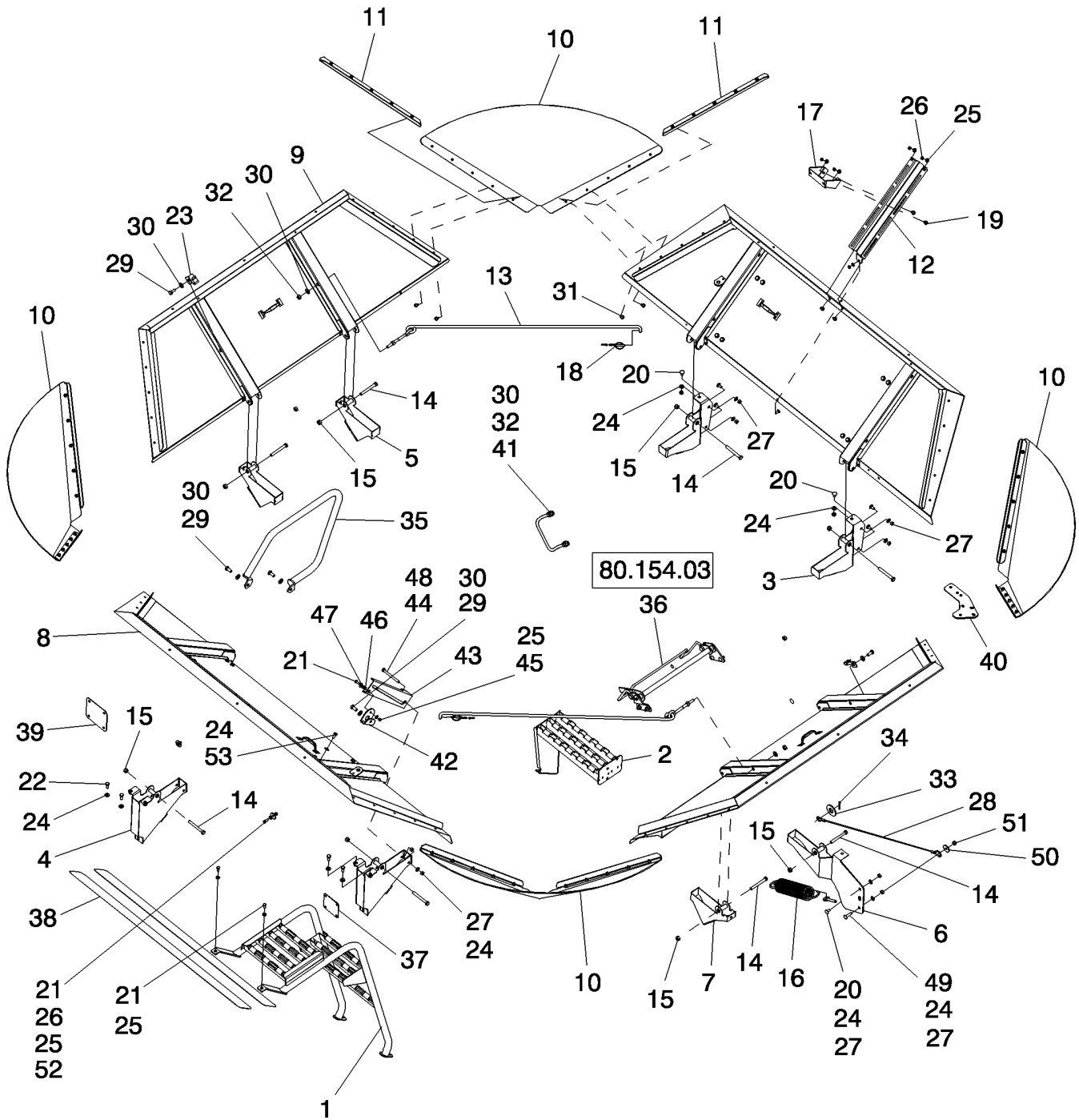
SECTION INDEX - GRAIN UNLOADING

REF	FN	PART NUMBER	YR/SN	QTY	DESCRIPTION
------------	-----------	--------------------	--------------	------------	--------------------

--	--	--	--	--	--

					7120 7120 8120 9120 8120
--	--	--	--	--	---

EXTENSION GRAIN BIN - MY2010 - NA AND LA

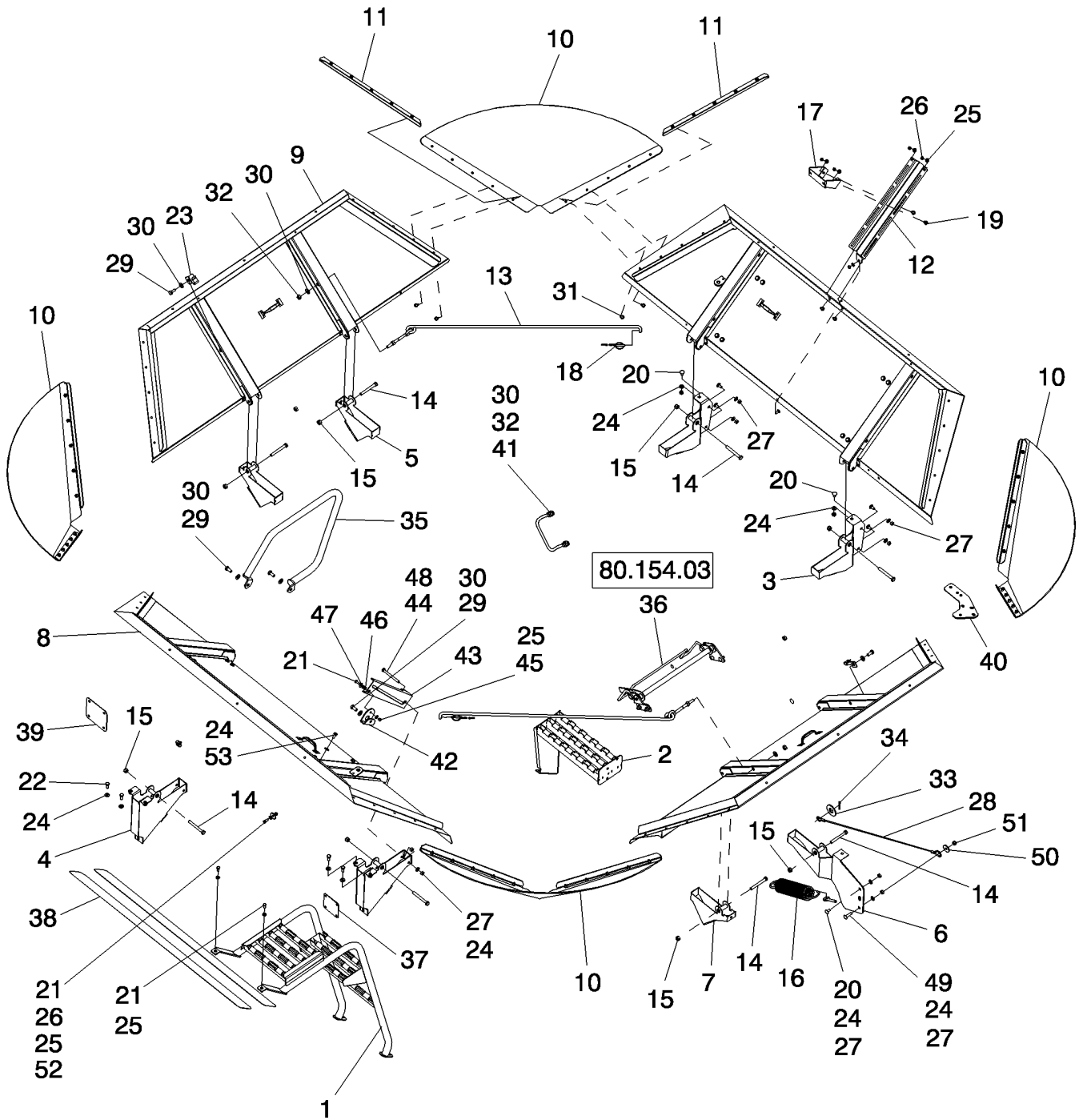


EXTENSION GRAIN BIN - MY2010 - NA AND LA

REF	FN	PART NUMBER	YR/SN	QTY	DESCRIPTION
1		86976398		1	LADDER
2		87107056		1	STEP
3		87552212		2	BRACKET
4		84174215		2	HINGE, Rear
5		87552230		2	HINGE, L.H.
6		87643079		1	HINGE, R.H.
7		87552233		1	HINGE, R.H.
8		84216233		2	EXTENSION, Front & Rear, 7120 Only
8		84216228		2	EXTENSION, Front & Rear, 8120, 9120 Only
9		84187766		2	EXTENSION, LH & RH
9		84187768		2	EXTENSION, LH & RH, 8120, 9120 Only
10		86975520		4	SHEET, 7120
10		86975734		4	SHEET, 8120, 9120
11		86975516		8	ANGLE, 7120
11		86975514		8	ANGLE, 8120, 9120
12		86975528		1	BRACKET, 7120
12		86975526		1	BRACKET, 8120, 9120
13		86975790		2	ROD
14		374887		8	BOLT, Hex, M12 x 100, 8.8
15		100038		8	LOCK NUT, M12 x 1.75, CI 8
16		86975571		1	SPRING
17		86975897		1	BRACKET
18		87106279		2	PIN
19		86507486		5	CARRIAGE BOLT, Short NK, M8 x 20, CI8.8, Full Thd
20		120041		7	CARRIAGE BOLT, Short NK, M10 x 20, CI8.8, Full Thd
21		120104		5	BOLT, Hex, M8 x 20, 8.8
22		43139		4	BOLT, Hex, M10 x 25, 8.8, Full Thd
23		86976901		2	CLIP
24		140045		29	BELLEVILLE WASHER, M10
25		322358		10	BELLEVILLE WASHER, M8
26		9706690		7	NUT, M8, CI 8
27		100016		10	NUT, M10, CI 8
28		87668051		1	CABLE ASSY.
29		300388		5	BOLT, Hex, M12 x 25, 8.8

**7120 7120 9120 8120
8120**

EXTENSION GRAIN BIN - MY2010 - NA AND LA

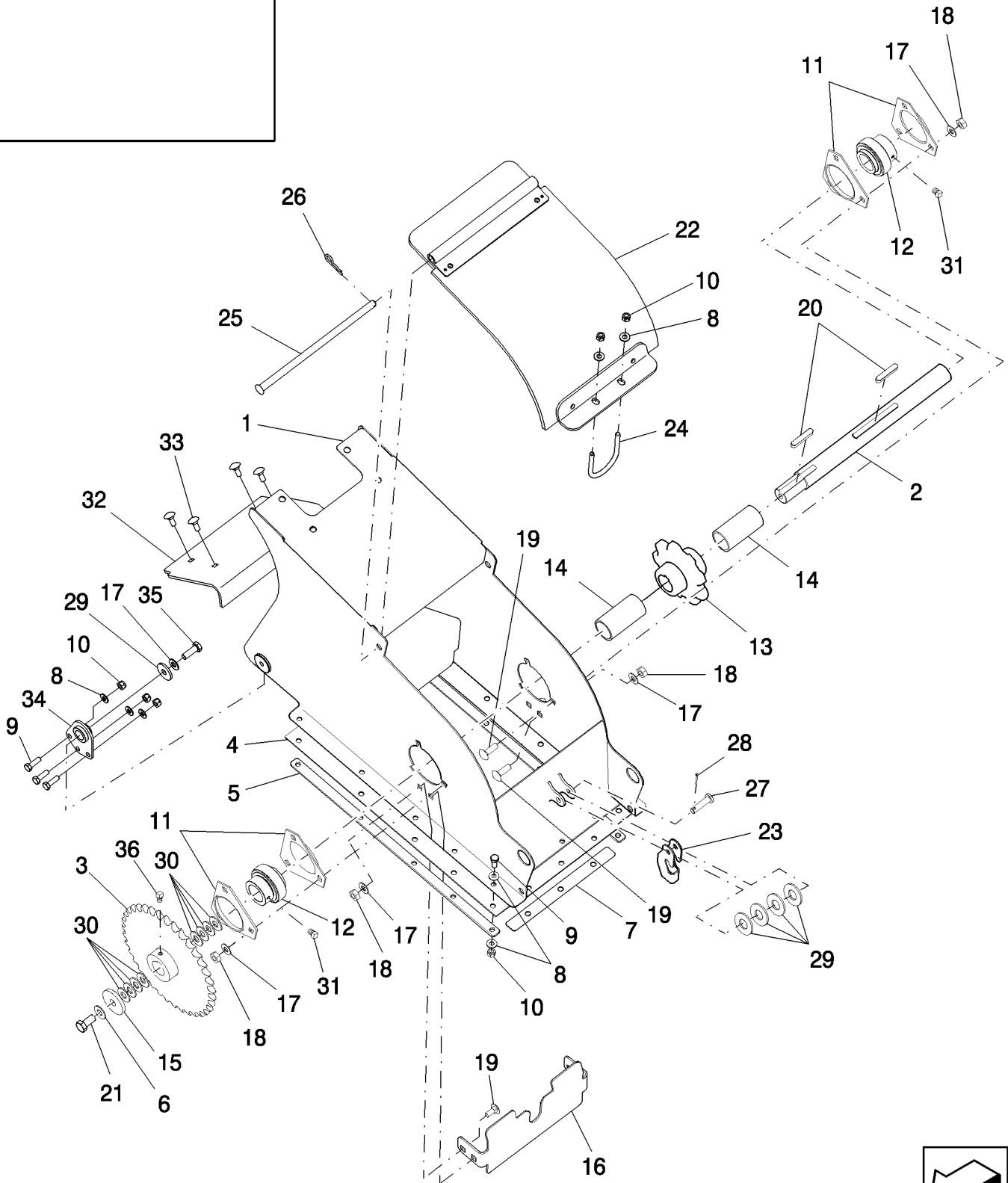
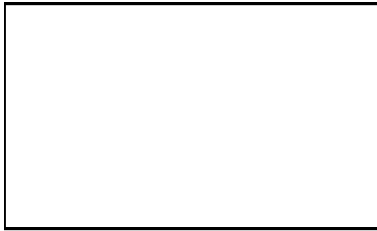


EXTENSION GRAIN BIN - MY2010 - NA AND LA

REF	FN	PART NUMBER	YR/SN	QTY	DESCRIPTION
30		140046		11	SPRING WASHER, Belleville, M12
31		86975890		40	SCREW, Torx Hd, M8 x 1.25 x 20
32		9706685		6	NUT, M12, CI 8
33		87374		1	WASHER, 1"
34		87399		1	COTTER PIN, 3/16" x 1 3/4"
35		87548619		1	HANDLE
36		NSS		1	NOT SERVICED SEPARATELY, Handle Assembly
37		84120345		1	COVER, R.H.
38		86995792		2	PAD
39		84120343		1	COVER, L.H.
40		87551365		1	PLATE
41		87105130		1	HANDLE
42		87107781		1	BRACKET
43		87107588		1	LATCH
44		120117		1	BOLT, Hex, M10 x 110, 8.8, Full Thd
45		86629542		1	LOCK NUT, M8 x 1.25, CI 8
46		86511315		2	WASHER, M8 x 16 x 1.6
47		378243		1	WASHER, M8
48		378244		1	WASHER, M10 x 24 x 2 Thk
49		374892		1	SCREW, Short NK, M10 x 40, CI8.8, Full Thd
50		140219		1	WASHER
51		100037		1	NUT, M10 x 1.5, CI 8
52		12646205		2	WASHER, M8 x 35 x 3
53		43138		16	BOLT, Hex, M10 x 20, 8.8, Full Thd

**7120 7120 9120 8120
8120**

ELEVATOR HEAD

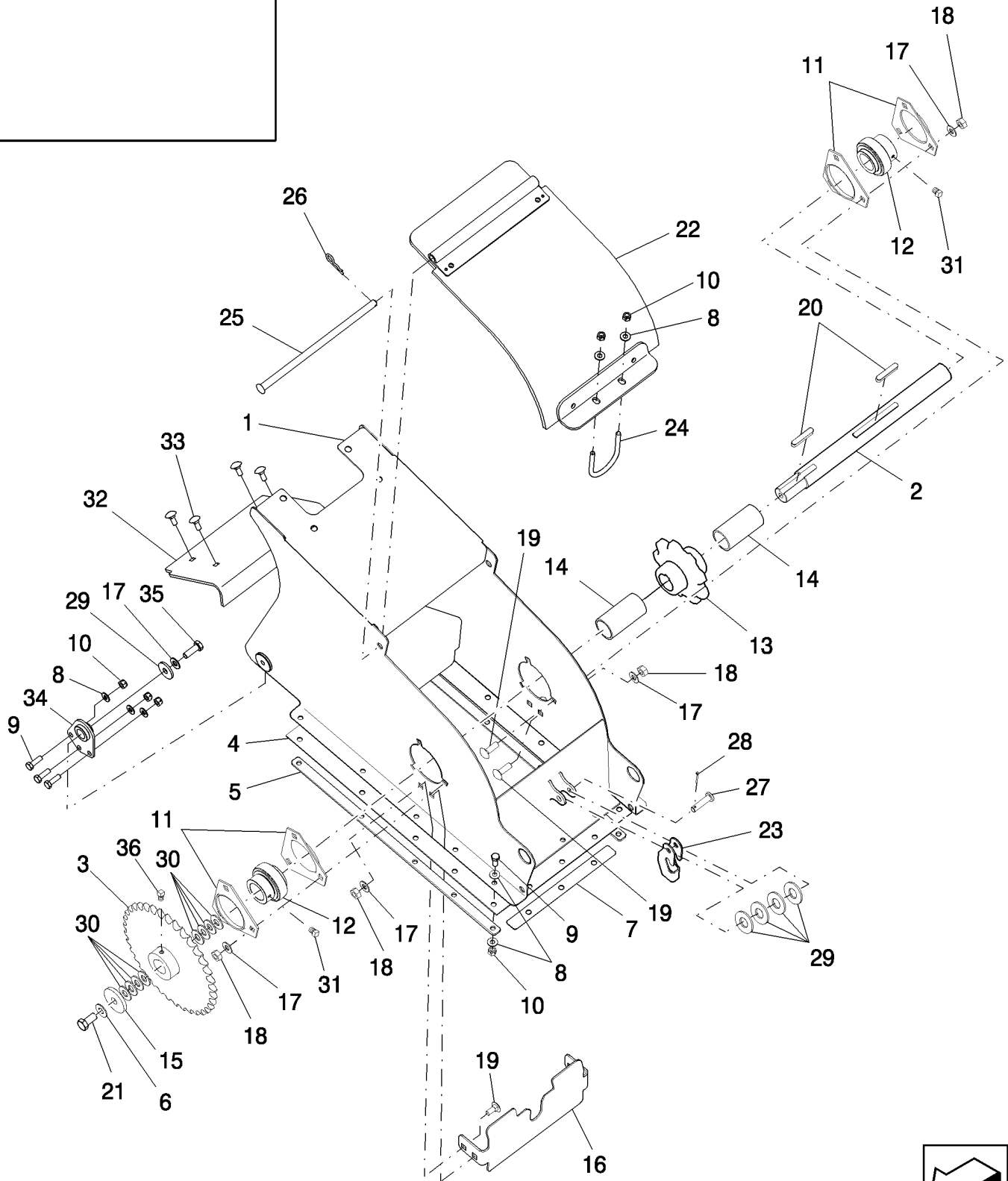
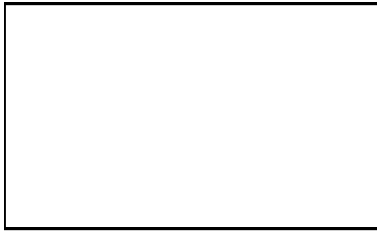


ELEVATOR HEAD

REF	FN	PART NUMBER	YR/SN	QTY	DESCRIPTION
1		87584809		1	FRAME
1		87733833		1	FRAME, Extended Wear
2		86998178		1	SHAFT
3		87748377		1	SPROCKET ASSY., Driven
4		87283706		1	SEAL
5		86998906		2	PLATE
6		140046		1	SPRING WASHER, Belleville, M12
7		86998908		1	PLATE
8		322358		AR	BELLEVILLE WASHER, M8, 28 (Std Wear), 32 (Ext Wear)
9		43127		19	BOLT, Hex, M8 x 25, 8.8
10		86629542		AR	LOCK NUT, M8 x 1.25, CI 8, 15 (Std Wear), 19 (Ext Wear)
11		86620026		4	FLANGE
12		87605590		2	SPHERICAL BEARING, & Locking Collar
13		87283438		1	SPROCKET, Drive
14		86998922		2	TUBE, Spacer, Elevator Head
15		87023036		1	WASHER, 1/2" x 2 x 1/4" Thk, HDN
16		86998886		1	PLATE, Strip-off
17		140045		12	BELLEVILLE WASHER, M10
18		100016		10	NUT, M10, CI 8
19		86512446		10	CARRIAGE BOLT, Short NK, M10 x 30, CI8.8, Full Thd
20		170012		2	KEY, M10 x 8 x 50, Par
21		300388		1	BOLT, Hex, M12 x 25, 8.8
22		87109213		1	COVER, Top
22		87733829		1	COVER ASSY, Top; Extended Wear
23		86581559		1	HANDLE
24		84989315		1	U-BOLT, M8
25		86998942	BSN Y9G207610	1	PIN
25		84214452	ASN Y9G207610	1	GROOVED PIN, MY10, Headless Pin, Use Ref 26, One on Each Side, Must Be Used with New Grain Covers
26		216698		2	HAIR PIN COTTER, Int, 5/16" x 1.75" x 0.125"
27		9507095		1	CLEVIS PIN, M10 x 40

**7120 7120 9120 8120
8120**

ELEVATOR HEAD



ELEVATOR HEAD

REF	FN	PART NUMBER	YR/SN	QTY	DESCRIPTION
28		280251		1	COTTER PIN, 3/32" x 1"
29		140042		6	WASHER, M10 x 34 x 3
30		87584813		8/AR	WASHER, M30 x 51 x 1 Thk
31		87016482		2	SET SCREW, Hex Soc, M10 x 10, Cup Pt
32		87733824		1	WEAR PLATE, Extended Wear
33		86512420		4	CARRIAGE BOLT, Short NK, M8 x 20, Cl8.8, Full Thd
34		87678426		2	PIVOT ASSY.
35		43140		2	BOLT, Hex, M10 x 30, 8.8, Full Thd
36		380530		1	SET SCREW, Hex Soc, M8 x 10, Cup Pt

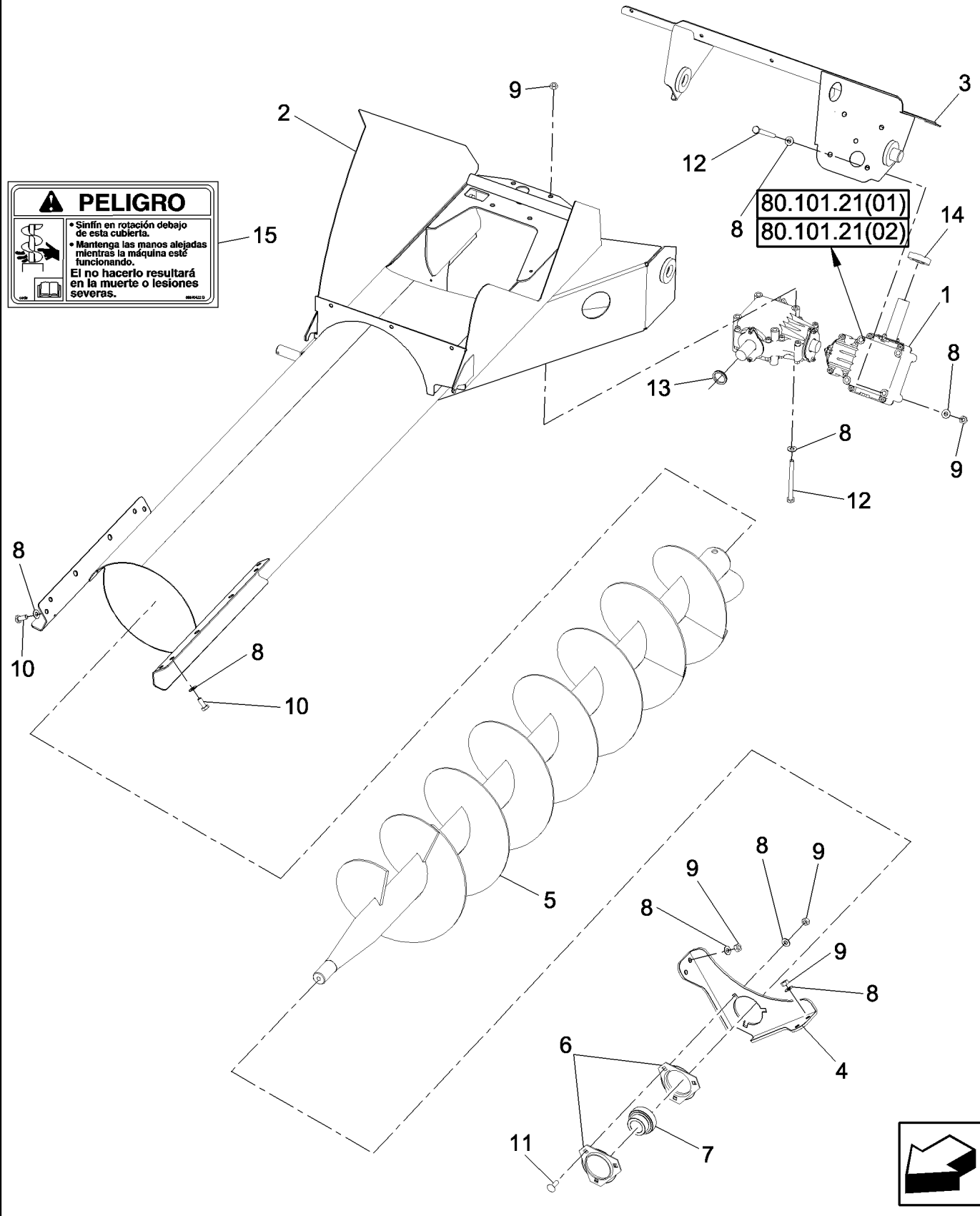
**7120 7120 9120 8120
8120**

BUBBLE-UP AUGER

⚠ PELIGRO

- Sinfin en rotación debajo de esta cubierta.
- Mantenga las manos alejadas mientras la máquina esté funcionando.

El no hacerlo resultará en la muerte o lesiones severas.



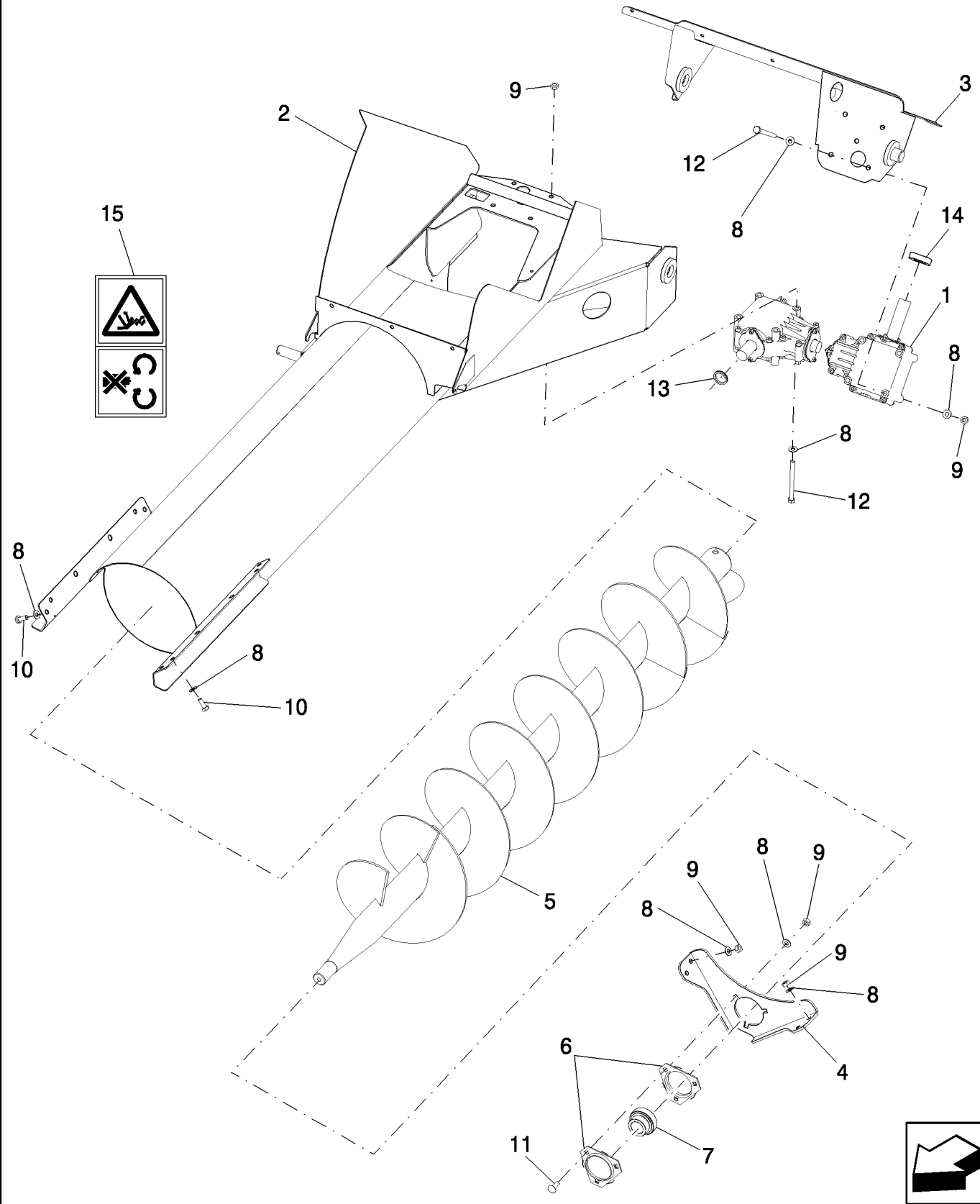
BUBBLE-UP AUGER

REF	FN	PART NUMBER	YR/SN	QTY	DESCRIPTION
1	1	86638425		1	GEARBOX
2	2	87662993		1	SERVICE KIT, Std; L = 2148 mm; Incl Ref 16
2	3	87668036		1	SERVICE KIT, Std; L = 1918 mm; Incl Ref 15
2	2	87668035		1	SERVICE KIT, Extended Wear; L = 2148 mm; Incl Ref 16
2	3	87668037		1	SERVICE KIT, Extended Wear; L=1918 mm; Incl Ref 15
3		87107022		1	SUPPORT
4		86998682		1	BRACKET
5		87106625		1	AUGER, Std Wear, L = 1842 mm
5		87106615		1	AUGER, Std Wear, L = 2072 mm
5		87733272		1	AUGER, Extended Wear, L = 1842 mm
5		87733275		1	AUGER, Extended Wear, L = 2072 mm
6		86620026		2	FLANGE
7		87605590		1	SPHERICAL BEARING
7	4	87016482		1	SET SCREW, Hex Soc, M10 x 10, Cup Pt
8		140045		23	BELLEVILLE WASHER, M10
9		100016		15	NUT, M10, CI 8
10		43139		4	BOLT, Hex, M10 x 25, 8.8, Full Thd
11		86512446		3	CARRIAGE BOLT, Short NK, M10 x 30, CI8.8, Full Thd
12		86508574		8	BOLT, Hex, M10 x 120, 8.8
13		87280933		AR	SEAL
14		87282653		1	SEAL
15		84004736		1	DECAL, Never Reach Into Rotating Auger
16		86640420		1	DANGER DECAL

- (1) This is a Tandem Assembly; Part Includes Both Gearboxes Shown
(2) NA & Latin America Only
(3) Used W/Grain Tank Covers
(4) Not Shown

**7120 7120 9120 8120
8120**

BUBBLE-UP AUGER - LATIN AMERICA ONLY



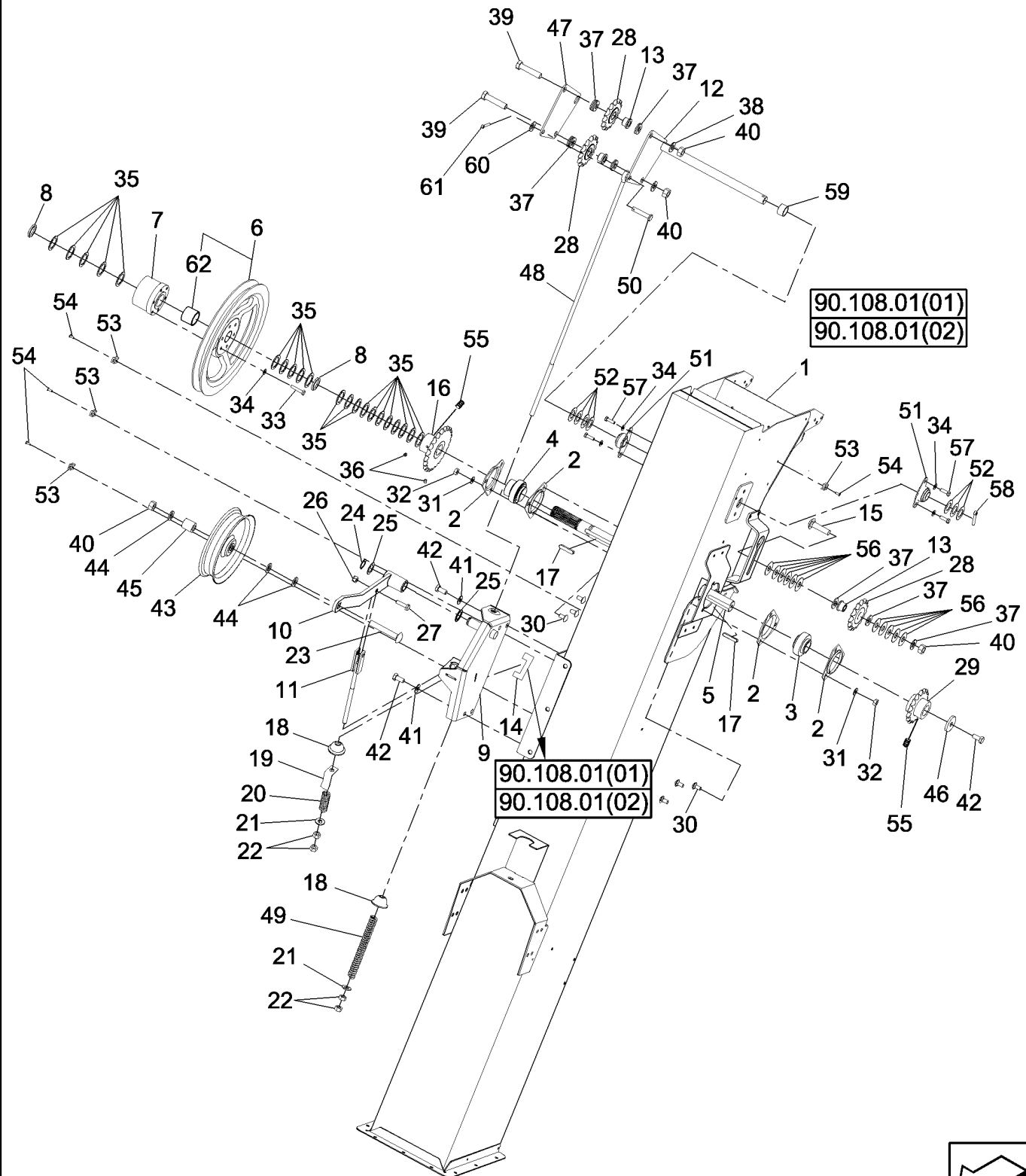
BUBBLE-UP AUGER - LATIN AMERICA ONLY

REF	FN	PART NUMBER	YR/SN	QTY	DESCRIPTION
1	1	86638425		1	GEARBOX
1	2	87721343		1	GEARBOX, MY2010
2		87662993		1	SERVICE KIT, Std L = 2148 mm, Includes Ref 15
2	3	84122660		1	TUBE, Std L = 2148 mm, Includes Ref 15
2		87668035		1	SERVICE KIT, Extended Wear & Special; L = 2148 mm, Includes Ref 15
2	3	84122662		1	TUBE, Extended Wear & Special; L = 2148 mm, Includes Ref 15
3		87107022		1	SUPPORT
4		86998682		1	BRACKET
5		87106615		1	AUGER, Std Wear, L = 2072 mm
5		87733275		1	AUGER, Extended Wear & Special, L = 2072 mm
6		86620026		2	FLANGE
7		87605590		1	SPHERICAL BEARING
7	4	87016482		1	SET SCREW, Hex Soc, M10 x 10, Cup Pt
8		140045		23	BELLEVILLE WASHER, M10
9		100016		15	NUT, M10, CI 8
10		43139		4	BOLT, Hex, M10 x 25, 8.8, Full Thd
11		86512446		3	CARRIAGE BOLT, Short NK, M10 x 30, CI8.8, Full Thd
12		86508574		8	BOLT, Hex, M10 x 120, 8.8
13		87280933		AR	SEAL
14		87282653		1	SEAL
15		86640420		1	DANGER DECAL, English
15		86640422		1	DANGER DECAL, Spanish
15		86640421		1	DANGER DECAL, French

- (1) This is a Tandem Assembly; Part Includes Both Gearboxes Shown
(2) Bubbler Gearboxes get a Dipstick in Rear Box for MY2010. Old Sheet Metal Housing will not Accomodate New Gearbox
(3) MY2010 and After
(4) Not Shown

**7120 7120 9120 8120
8120**

ELEVATOR HOUSING AND DRIVES



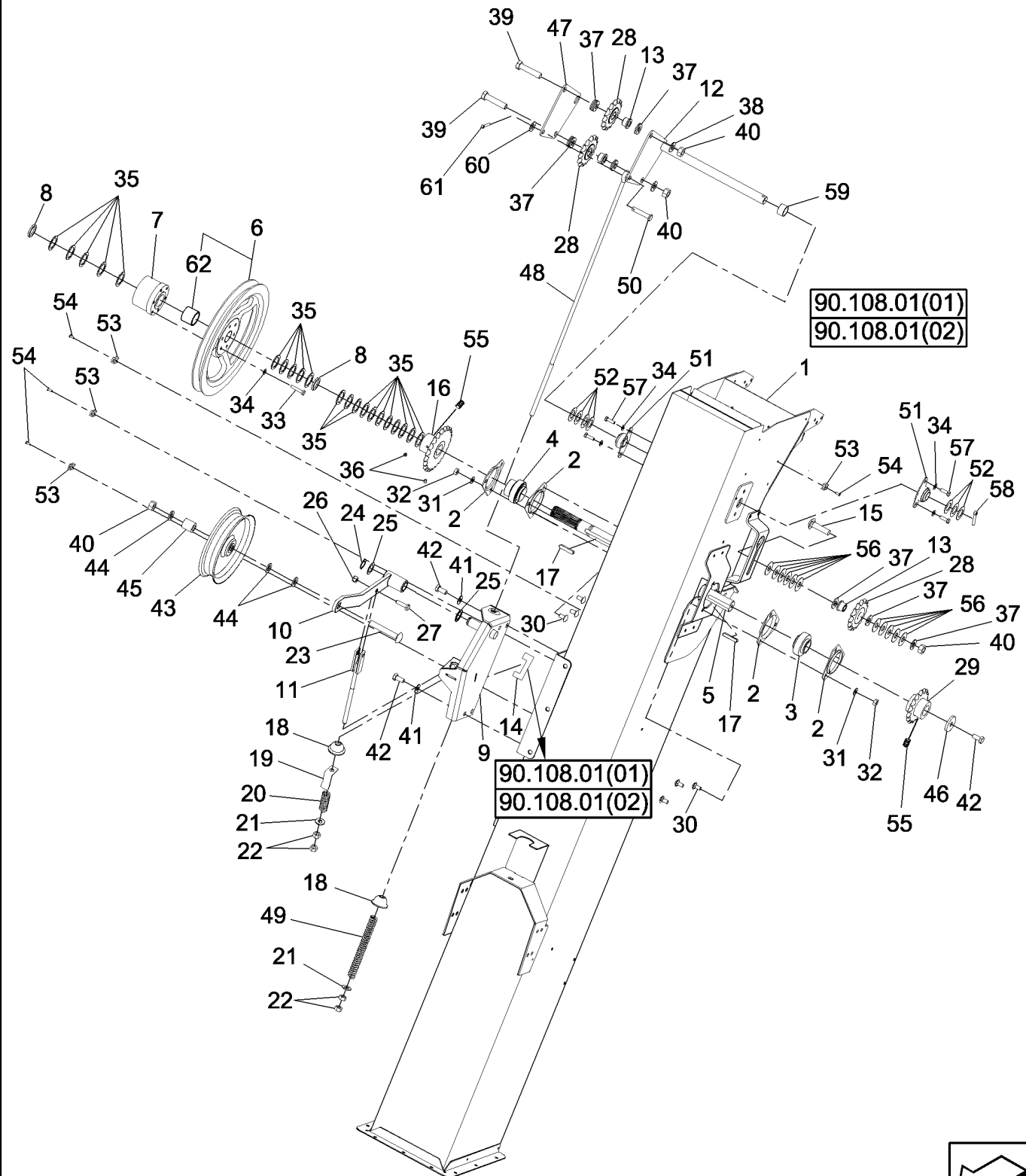
ELEVATOR HOUSING AND DRIVES

REF	FN	PART NUMBER	YR/SN	QTY	DESCRIPTION
1		87586570		1	ELEVATOR, Housing; Includes, Decal 87283387 (1)
1		87586569		1	ELEVATOR, Housing - Extended Wear; Includes, Decal 87283387 (1)
2		86620026		4	FLANGE, TRIANGULAR
3		87605592		1	SPHERICAL BEARING
4		87605590		1	SPHERICAL BEARING
4	1	87016482		1	SET SCREW, Hex Soc, M10 x 10, Cup Pt
5		87283680		1	SHAFT
6		84128631		1	PULLEY ASSY., Includes Ref 62
6	2, 3	86976480		1	PULLEY, Includes Ref 62
7		87527860		1	CLUTCH ASSEMBLY
8		851000		2	SNAP RING, 1.276"
9		87108857		1	MOUNTING PLATE
10		86999187		1	ARM
11		86999557		1	ADJUSTMENT ROD
12		87550645		1	SUPPORT ASSY.
13		84334697		3	BUSHING, Hub
14		87719433		1	DECAL, Spring Adjustment
15		120047		1	CARRIAGE BOLT, Short NK, M16 x 70, CI8.8
16		87283695		1	SPROCKET
17		87283679		2	KEY, M8 x 10 x 41
18		86560521		2	PIVOT
19		84073601		1	INDICATOR
20		681902		1	SPRING, .80 ID x 3.49
21		378245		2	WASHER, M13 x 28 x 2 Thk
22		9706685		4	NUT, M12, CI 8
23		322362		1	CARRIAGE BOLT, Short NK, M16 x 100, CI8.8
24		370002		1	CIRCLIP, M25, Ext
25		140103		2	WASHER, M26 x 38 x 1 Thk
26		100037		1	NUT, M10 x 1.5, CI 8
27		9706704		1	BOLT, Hex, M10 x 35, 8.8, Full Thd
28		87283101		3	SPROCKET

- (1) Not Shown
(2) For NA Only
(3) 2 Speed

**7120 7120 9120 8120
8120**

ELEVATOR HOUSING AND DRIVES

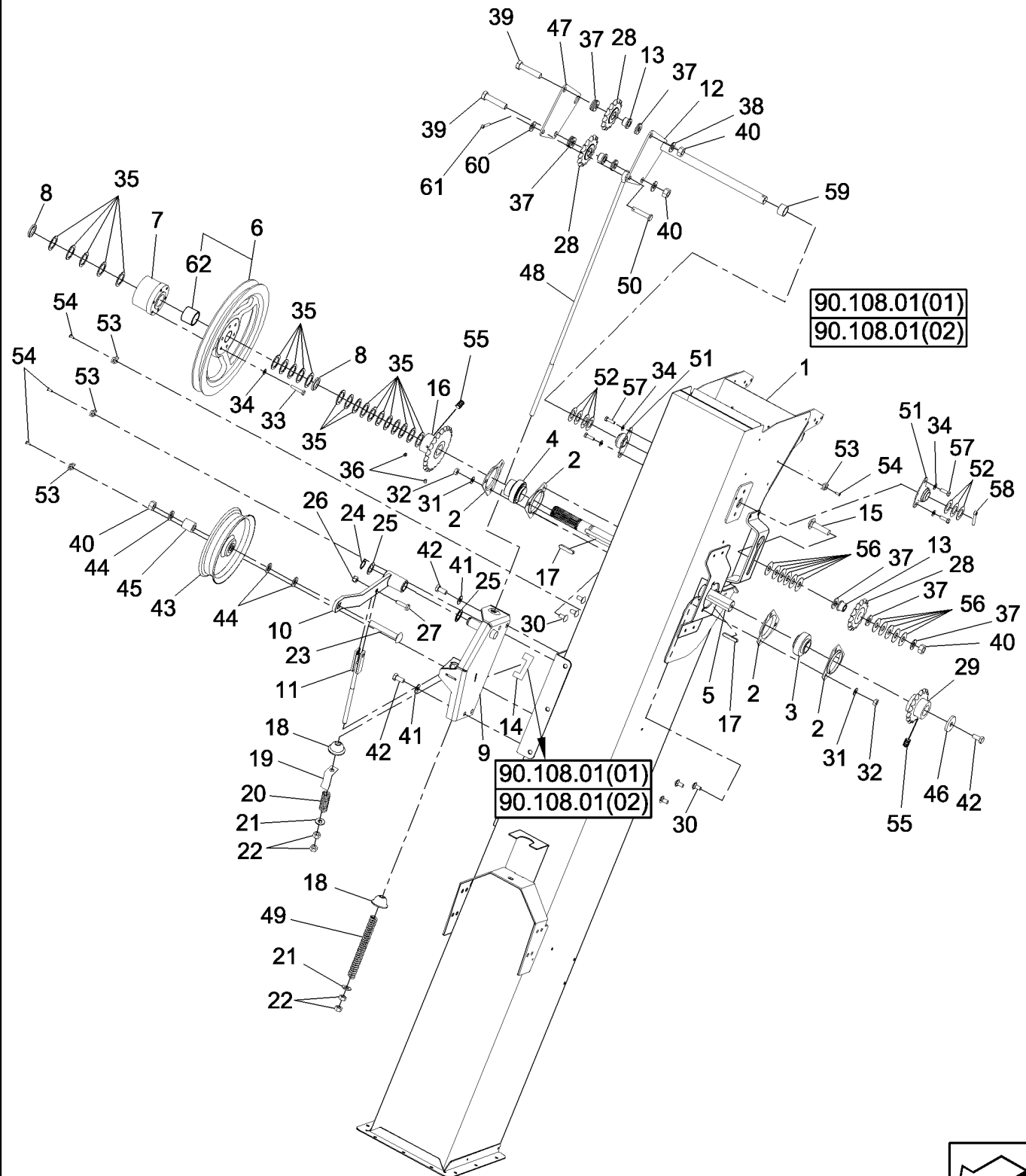


ELEVATOR HOUSING AND DRIVES

REF	FN	PART NUMBER	YR/SN	QTY	DESCRIPTION
29		87731456		1	SPROCKET, W/Set Screw Hole
30		120041		6	CARRIAGE BOLT, Short NK, M10 x 20, CI8.8, Full Thd
31		140045		6	BELLEVILLE WASHER, M10
32		100016		6	NUT, M10, CI 8
33		43129		6	BOLT, Hex, M8 x 40, 8.8
34		322358		10	BELLEVILLE WASHER, M8
35		87280749		AR	WASHER, Flat
36		380530		2	SET SCREW, Hex Soc, M8 x 10, Cup Pt
37		378246		14	WASHER, M16
38		140048		5	BELLEVILLE WASHER, M16
39		120092		2	BOLT, Hex, M16 x 70, 8.8
40		825-1416		4	NUT, M16, CI 8
41		140046		4	SPRING WASHER, Belleville, M12
42		300388		AR	BOLT, Hex, M12 x 25, 8.8
43		86588003		1	IDLER
44		86511326		3	WASHER, M16 x 30 x 3
45		86975913		1	SPACER
46		87280750		1	WASHER, 13.49 mm ID x 50.8 mm OD
46		87284462		1	THRUST WASHER, Countersunk, 50 mm OD
47		87550634		1	PLATE ASSY.
48		87108864		1	EYEBOLT
49		87719434		1	COIL SPRING
50		84018348		1	CLEVIS PIN, M12 x 60
51		682452		2	FLANGED BEARING
52		86624167		8	WASHER, 1 1/64" x 1 3/4" x .033"
53		86590413		4	CLAMP, Base, Wire Tie
54		445394		4	RIVET, Pop, M4.8 x 12.7
55		380530		2	SET SCREW, Hex Soc, M8 x 10, Cup Pt, HS, M8 x 10
56		393062		14	WASHER, M17 x 45 x 0.9 Thk
57		43127		4	BOLT, Hex, M8 x 25, 8.8
58		9515820		1	COTTER PIN, M6.3 x 40
59		87036419		1	SPACER, 1" Pipe x 3/4"
60		140018		1	WASHER, M12 x 24 x 2.5
61		130004		1	COTTER PIN, M3.2 x 25

**7120 7120 9120 8120
8120**

ELEVATOR HOUSING AND DRIVES



80.101.15

p3

02/10

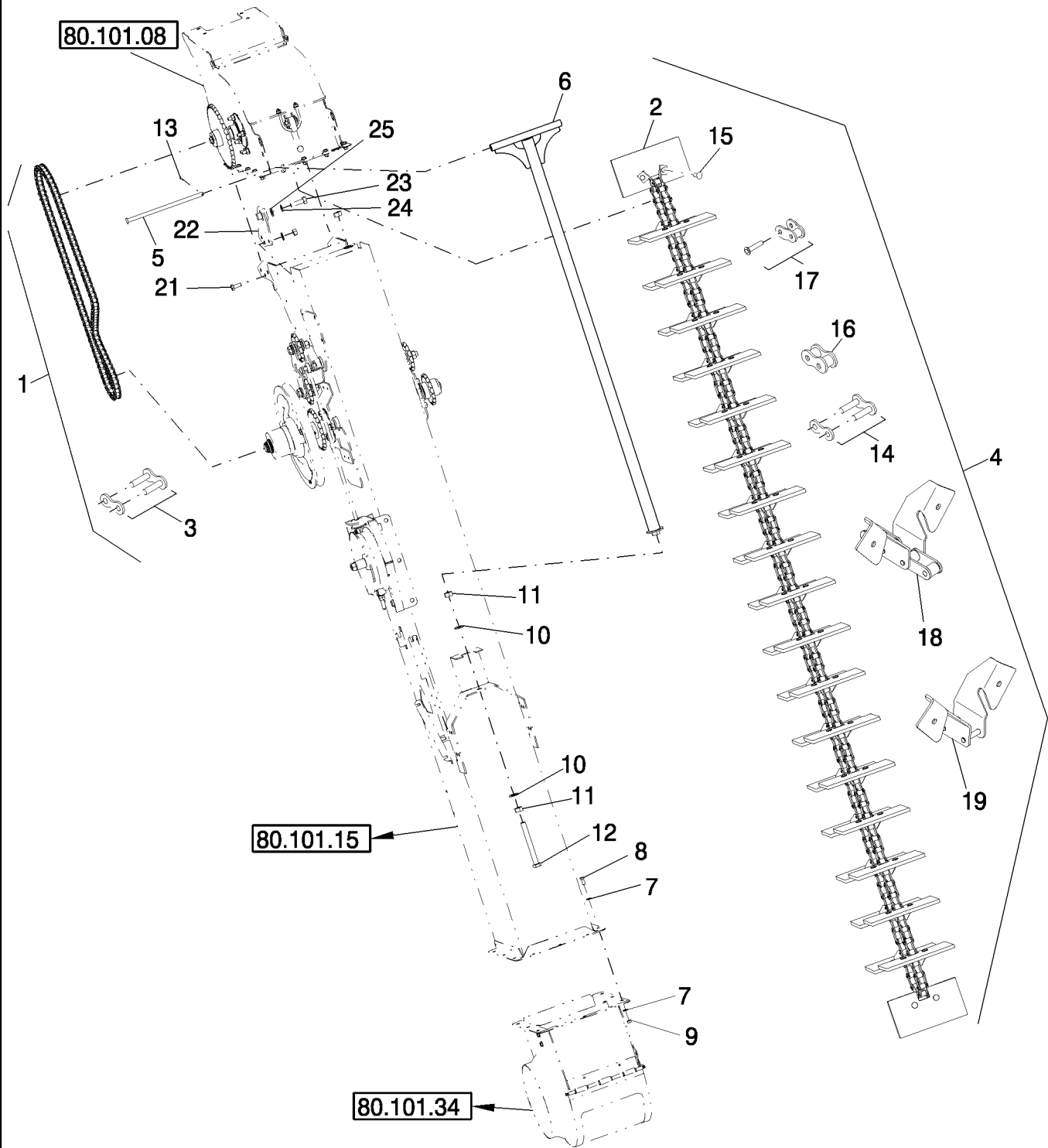
ELEVATOR HOUSING AND DRIVES

REF	FN	PART NUMBER	YR/SN	QTY	DESCRIPTION
------------	-----------	--------------------	--------------	------------	--------------------

62		80535318		1	BUSHING
----	--	----------	--	---	---------

**7120 7120 9120 8120
8120**

GRAIN ELEVATOR TENSIONER & CHAIN

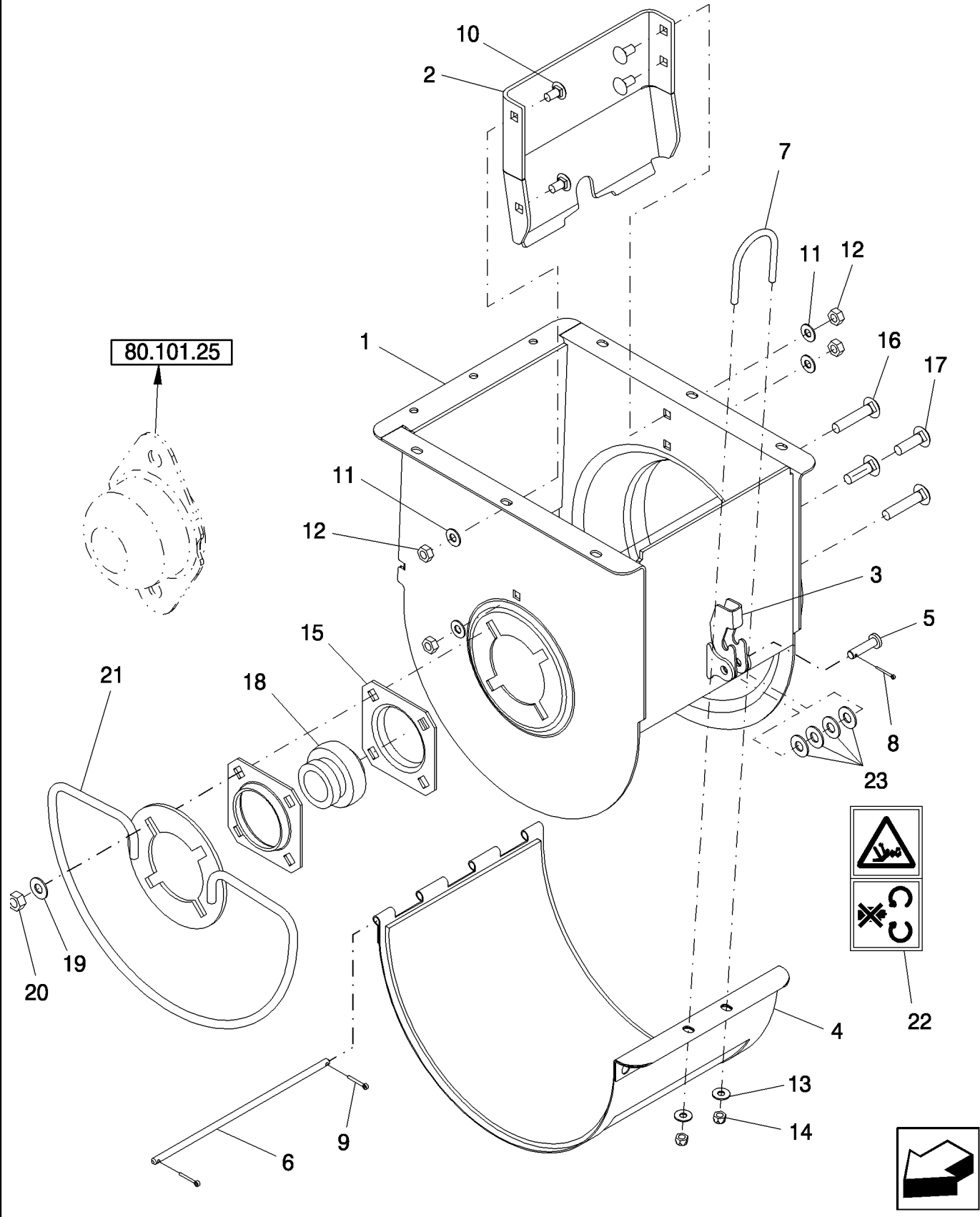


GRAIN ELEVATOR TENSIONER & CHAIN

REF	FN	PART NUMBER	YR/SN	QTY	DESCRIPTION
1		87470737		1	CHAIN, Roller, 104 Links, 1981.08 MM, Long
2		87282471		35	BLADE
3		87470738		1	LINK, Connector; Incl Shepherd's Hook Fastener
4		87281911		1	ELEVATOR CHAIN
5		86998942		1	PIN
5		84214452		1	GROOVED PIN, MY10, must be used for new Grain Tank Cover
6		87284481		1	SUPPORT
7		322358		20	BELLEVILLE WASHER, M8
8		120104		7	BOLT, Hex, M8 x 20, 8.8
9		9706690		13	NUT, M8, CI 8
10		140048		2	BELLEVILLE WASHER, M16
11		825-1416		2	NUT, M16, CI 8
12		359211		1	BOLT, Hex, M16 x 150, 8.8, Full Thd
13		216698		2	HAIR PIN COTTER, Int, 5/16" x 1.75" x 0.125"
14		87282356		AR	CONNECTING LINK, Incl S-Pin
14		87610182		AR	PIN, S
15		86999835		AR	RIVET
16		86575773		AR	LINK CHAIN, Roller
17		86995345		6	OFFSET LINK
18		87281918		AR	CHAIN LINK, Blade Attachment
19		87281909		AR	LINK CHAIN, Attachment
20		23442R1		AR	PIN, S - For Ref 17 - NOT SHOWN
21		43127		6	BOLT, Hex, M8 x 25, 8.8
22		87678426		2	PIVOT ASSY.
23		43140		2	BOLT, Hex, M10 x 30, 8.8, Full Thd
24		140045		2	BELLEVILLE WASHER, M10
25		140042		2	WASHER, M10 x 34 x 3

**7120 7120 9120 8120
8120**

BOTTOM BOOT, CLEAN GRAIN ELEVATOR



BOTTOM BOOT, CLEAN GRAIN ELEVATOR

REF	FN	PART NUMBER	YR/SN	QTY	DESCRIPTION
1		87510515	Before 09/09	1	DOOR, Boot with Decal, NA and LA
1		87284082	Before 09/09, BSN Y9G207650	1	BOOT, with decal, EU Only
1		84194821	ASN Y9G207650	1	BOOT, with Decal, NA and LA, MY10
1		84194822	ASN Y9G207650	1	BOOT, with Decal, EU Only, MY10
2		87282158		1	SUPPORT, PLATE, Strip Off
3		86581559		1	HANDLE
4		87282183		1	DOOR
5		9507095		1	CLEVIS PIN, M10 x 40
6		86998877		1	PIN
7		84989315		1	U-BOLT, M8
8		280251		1	COTTER PIN, 3/32" x 1"
9		80755		2	COTTER PIN, 1/8" x 1" L
10		120041		4	CARRIAGE BOLT, Short NK, M10 x 20, CI8.8, Full Thd
11		140045		4	BELLEVILLE WASHER, M10
12		100016		4	NUT, M10, CI 8
13		378243		2	WASHER, M8
14		832-46408		2	LOCK NUT, M8 x 1.25, CI 8
15		1307583C1		2	FLANGE, Bearing
16		412097		2	CARRIAGE BOLT, Short NK, M12 x 60, CI8.8
17		811-12040		2	CARRIAGE BOLT, Short NK, M12 x 40, CI8.8, Full Thd
18		87605593		1	BEARING
19		140046		4	SPRING WASHER, Belleville, M12
20		9706685		4	NUT, M12, CI 8
21		NS		1	NOT SERVICED, GUARD - GERMANY Only
22		84004734		1	DECAL, Do Not Open or Remove Safety Shields while Engine is Running
23		140042		4	WASHER, M10 x 34 x 3

**7120 7120 9120 8120
8120**

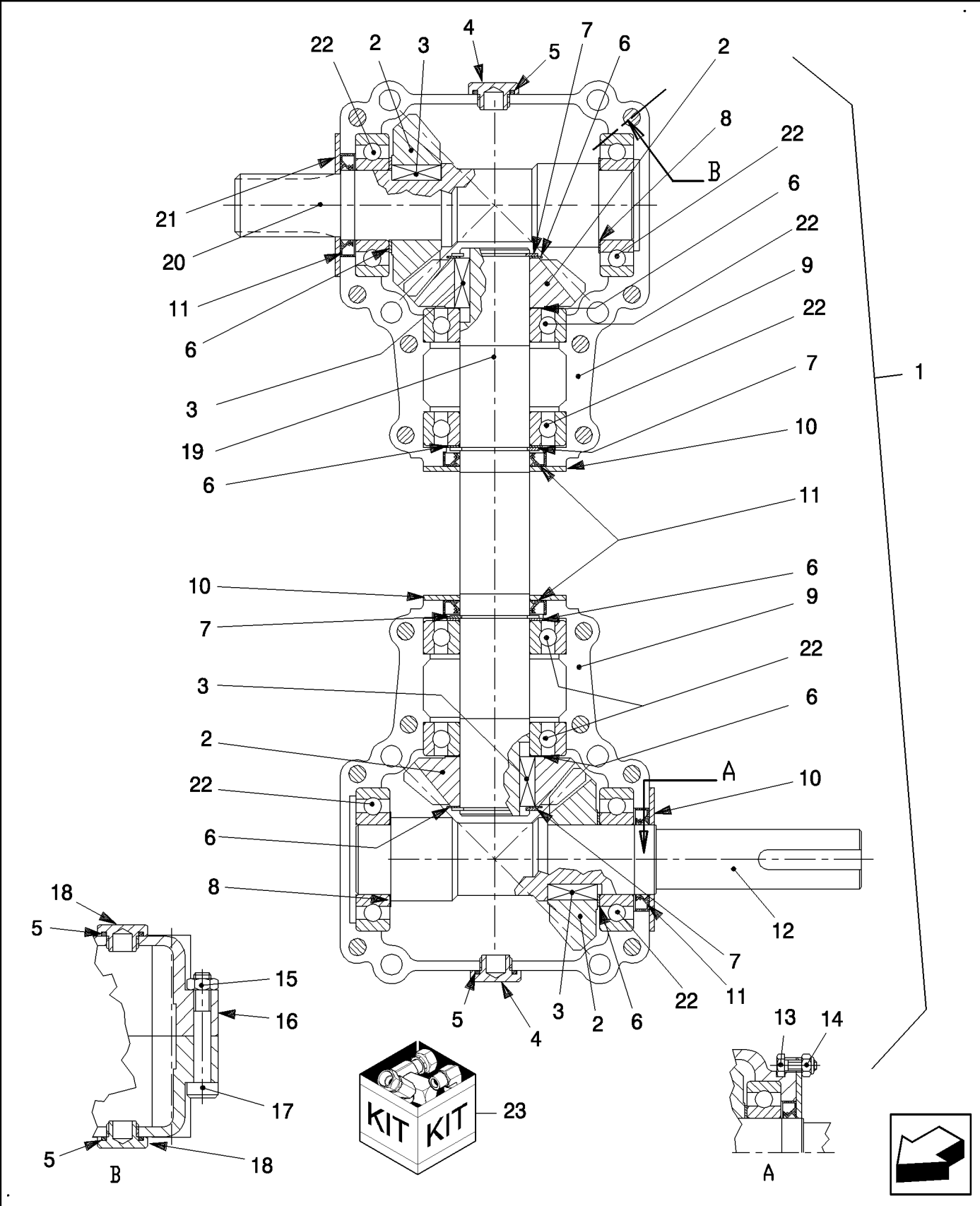
80.101.21

01

p1

02/10

BUBBLE-UP AUGER TANDEM GEARBOX, BSN Y9G207858



BUBBLE-UP AUGER TANDEM GEARBOX, BSN Y9G207858

REF	FN	PART NUMBER	YR/SN	QTY	DESCRIPTION
1		86638425		1	GEARBOX
2		87441215		4	GEAR, Bevel, 18T
3		368317		4	KEY
4		87452540		2	DRAIN PLUG
5		238-5115		6	O-RING, -115, 70 Duro, .674" ID x .103" Thk
6		87039409		8	WASHER
7		800-1135		4	SNAP RING, M35, Ext
8		87039408		12	WASHER
9		87441214		2	HOUSING
10		87281180		3	COVER PLATE
11		87441213		4	OIL SEAL
12		87441212		1	SHAFT, Output
13		614-6016		8	BOLT, Hex, M6 x 16, 8.8
14		832-46406		8	LOCK NUT, M6 x 1, CI 8
15		825-1408		16	NUT, M8, CI 8
16		87441211		2	HOUSING, Top Half
17		864-8055		16	SCREW, Hex Soc Hd, M8 x 55, 8.8
18		87441210		4	PLUG
19		87441209		1	SHAFT
20		87441208		1	SHAFT
21		87281170		1	COVER PLATE, 30mm
22		76491H		8	BEARING, BALL
23		87282026		1	SHIM, Kit; Services Refs 6 & 8

**7120 7120 9120 8120
8120**

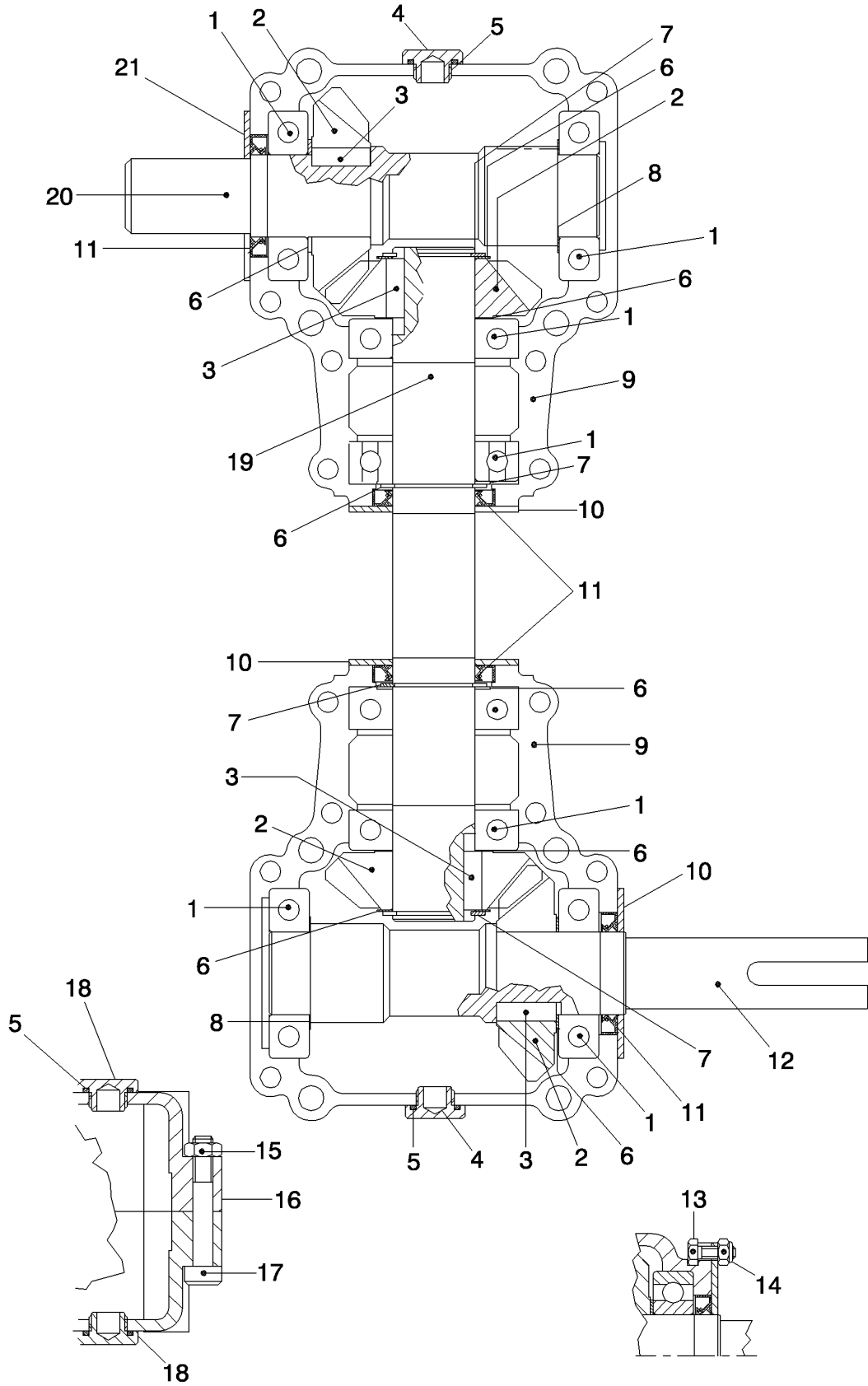
80.101.21

02

p1

02/10

BUBBLE-UP AUGER TANDEM GEARBOX, ASN Y9G207858

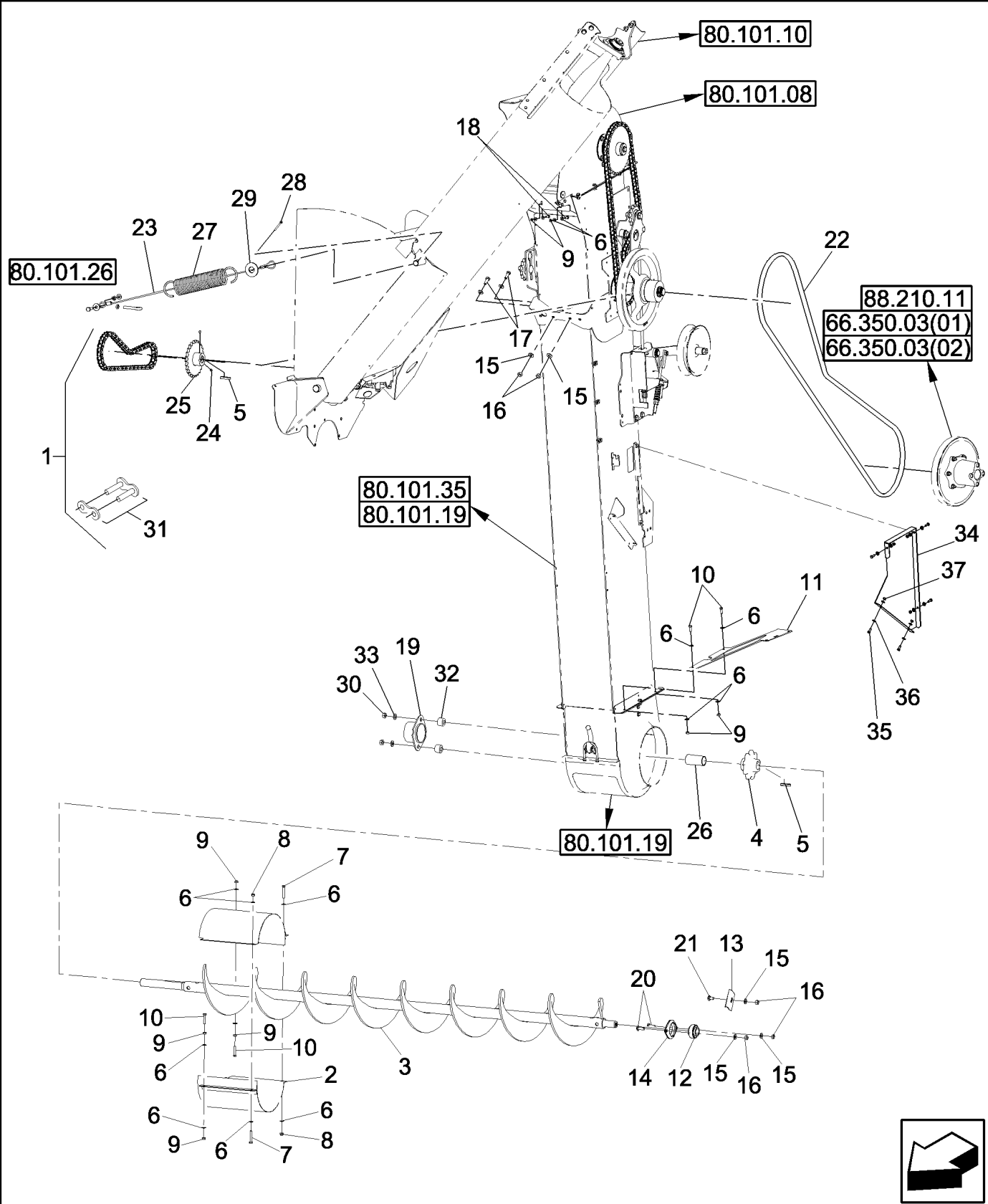


BUBBLE-UP AUGER TANDEM GEARBOX, ASN Y9G207858

REF	FN	PART NUMBER	YR/SN	QTY	DESCRIPTION
2		87441215		4	GEAR
3		368317		4	KEY
4		87452540		2	DRAIN PLUG
5		238-5115		6	O-RING, -115, 70 Duro, .674" ID x .103" Thk
6		87039409		8	WASHER
7		800-1135		4	SNAP RING, M35, Ext
8		87039408		12	WASHER
9		87441214		2	HOUSING
10		87281180		3	COVER PLATE
11		87441213		4	OIL SEAL
12		87441212		1	SHAFT
13		614-6016		8	BOLT, Hex, M6 x 16, 8.8
14		832-46406		8	LOCK NUT, M6 x 1, CI 8
15		825-1408		16	NUT, M8, CI 8
16		87441211		2	HOUSING
17		864-8055		16	SCREW, Hex Soc Hd, M8 x 55, 8.8
18		87441210		4	PLUG
19		87441209		1	SHAFT
20		87441208		1	SHAFT
21		87281170		1	COVER PLATE

**7120 7120 8120 9120
8120**

BUBBLE-UP AUGER DRIVE



BUBBLE-UP AUGER DRIVE

REF	FN	PART NUMBER	YR/SN	QTY	DESCRIPTION
1		87470736		1	CHAIN, Roller
2	1	86999477		2	TROUGH
2	2	86999480		2	TROUGH
3	1	87380417		1	AUGER, STD
3	1	87380422		1	AUGER, Extended Wear
3	2	87283266		1	AUGER, STD
3	2	87283130		1	AUGER, Extended Wear
4		87283436		1	SPROCKET, 45 mm I.D.
5		170012		2	KEY, M10 x 8 x 50, Par
6		322358		16	BELLEVILLE WASHER, M8
7		43130		2	BOLT, Hex, M8 x 50, 8.8
8		832-46408		2	LOCK NUT, M8 x 1.25, CI 8
9		9706690		8	NUT, M8, CI 8
10		43128		4	SCREW, Hex, M8 x 30, 8.8
11	1	86999225		1	BRACKET
11	3	84172627		1	BRACKET, MY2010, 7120 Only
11	2	86999223		1	BRACKET
11	4,3	84172628		1	BRACKET, 8120LA for MY10
12		87044350		1	BALL BEARING
13		87313383		1	COVER
14		86548970		2	FLANGE
15		140045		8	BELLEVILLE WASHER, M10
16		100016		6	NUT, M10, CI 8
17		43140		2	BOLT, Hex, M10 x 30, 8.8, Full Thd
18		120104		2	BOLT, Hex, M8 x 20, 8.8
19		86996082		1	COVER
20		86512446		2	CARRIAGE BOLT, Short NK, M10 x 30, CI8.8, Full Thd
21		120041		1	CARRIAGE BOLT, Short NK, M10 x 20, CI8.8, Full Thd
22		86975809		1	BELT, Drive

(1) 7120 Only

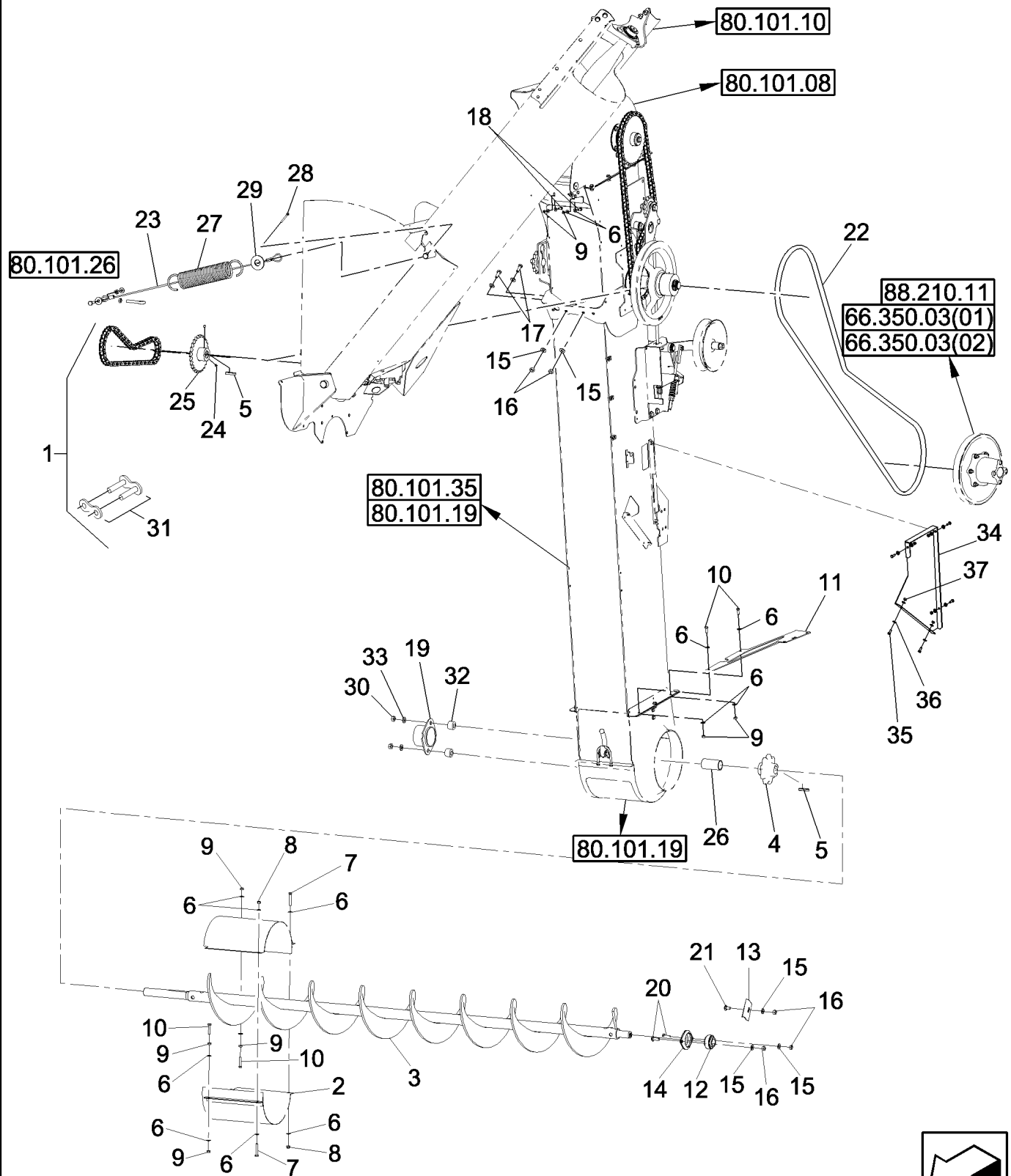
(2) 8120 & 9120 Only

(3) When Utilizing New Bracket, Ref 27, 28, 29 and 23 are No Longer Used

(4) 86999223 Will Still Work, but 84172628 Allows More Adjustment to Provide More Auger to Housing Clearance if Needed

7120 7120 9120 8120
8120

BUBBLE-UP AUGER DRIVE



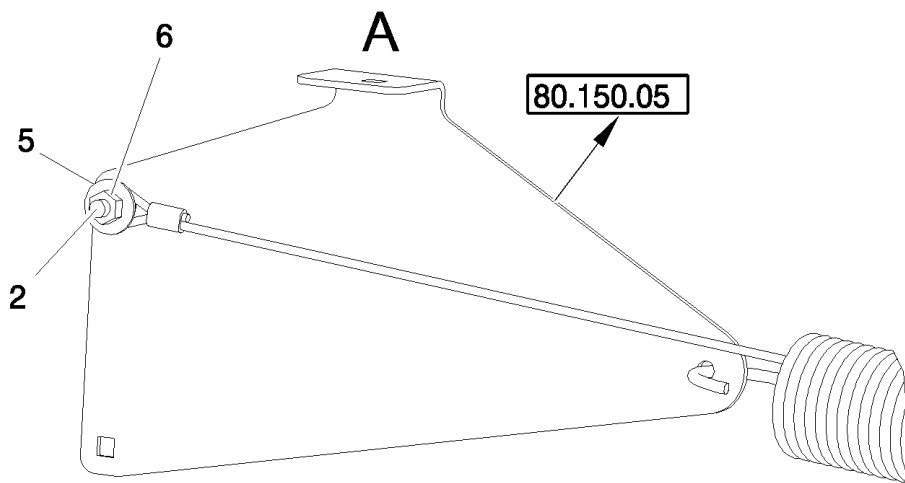
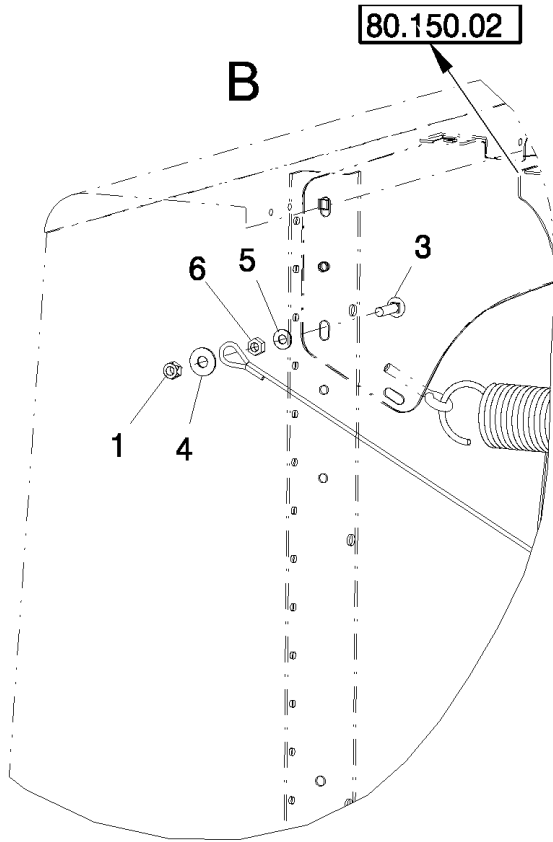
BUBBLE-UP AUGER DRIVE

REF	FN	PART NUMBER	YR/SN	QTY	DESCRIPTION
23		87668051		1	CABLE ASSY., L = 1000 mm
23	1	87107054		1	CABLE, L = 1350 mm
24		80428		2	SET SCREW, Hex Soc, 5/16"-18 x 3/8", HS, Cup Point, .313 x .375
25		86999492		1	SPROCKET, Driven
26		87283950		1	TUBE, Bubble-Up Auger Drive
27		86975571		1	SPRING
28		87399		1	COTTER PIN, 3/16" x 1 3/4"
29		87374		1	WASHER, 1"
30		100038		2	LOCK NUT, M12 x 1.75, CI 8
31		87470738		1	LINK, Connecting; W/Shepherd's Hook Connector
32		168368		2	SPACER
33		378245		2	WASHER, M13 x 28 x 2 Thk
34		84435183		1	COVER, No Yield Monitor
35		86508568		5	BOLT, Hex, M6 x 16, CI 8.8, Full Thd
36		322357		10	BELLEVILLE WASHER, M6
37		9706755		5	NUT, M6, CI 8

(1) Used W/Grain Tank Covers

**7120 7120 9120 8120
8120**

AUGER SPRING & CABLE, BUBBLE-UP AUGER DRIVE



AUGER SPRING & CABLE, BUBBLE-UP AUGER DRIVE

REF	FN	PART NUMBER	YR/SN	QTY	DESCRIPTION
1		100037		AR	NUT, M10 x 1.5, CI 8
2		86512446		AR	CARRIAGE BOLT, Short NK, M10 x 30, CI8.8, Full Thd
3		374892		AR	SCREW, Short NK, M10 x 40, CI8.8, Full Thd
4		81541		AR	WASHER, 7/16"
5		140045		AR	BELLEVILLE WASHER, M10
6		100016		AR	NUT, M10, CI 8

A = Used W/Grain Tank Covers..... B =
Used L/Grain Tank Covers

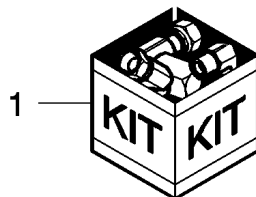
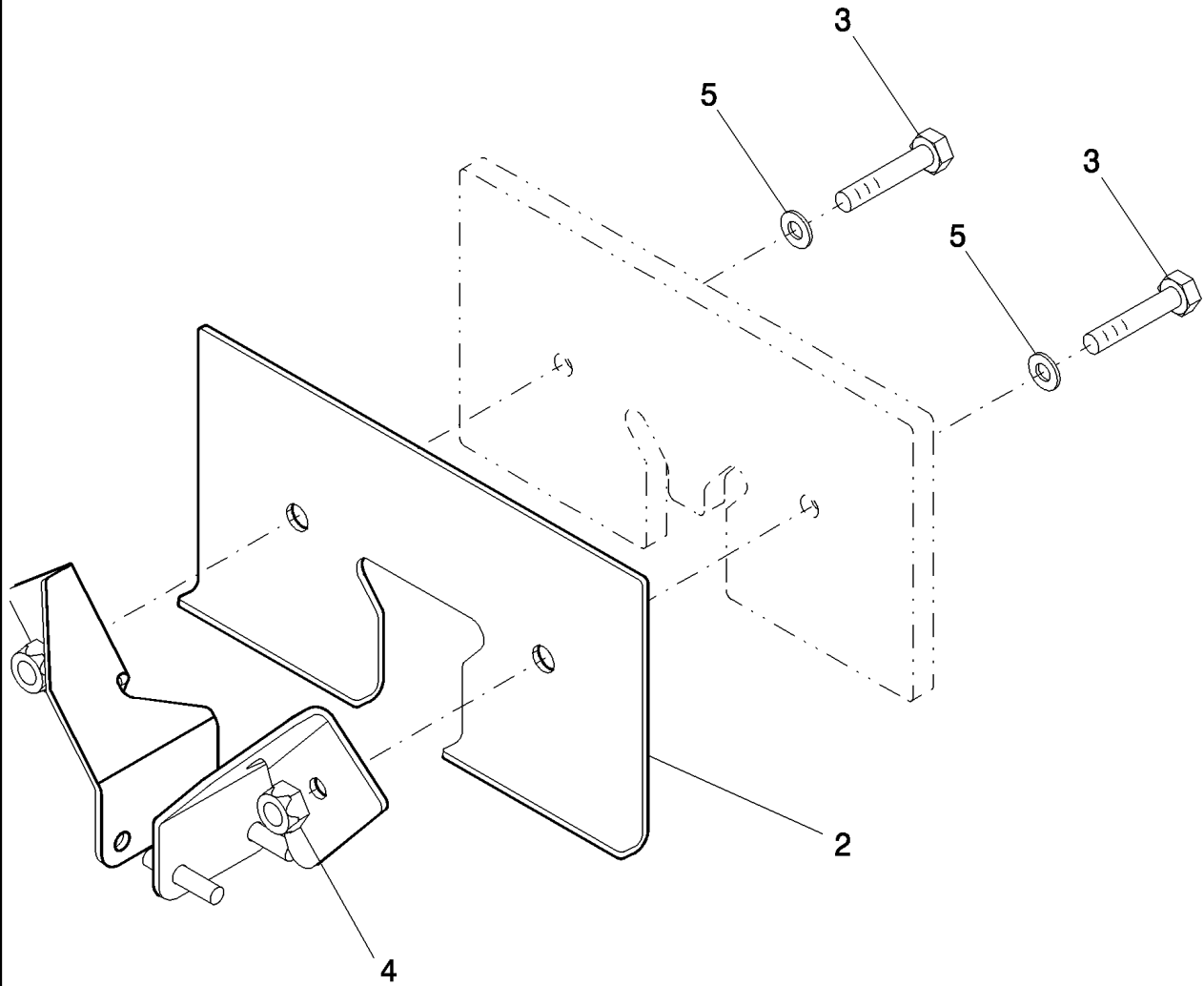
**7120 7120 9120 8120
8120**

80.101.34

p1

10/09

KIT, SCRAPER BLADES - ELEVATOR CHAIN



80.101.34

p1

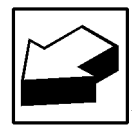
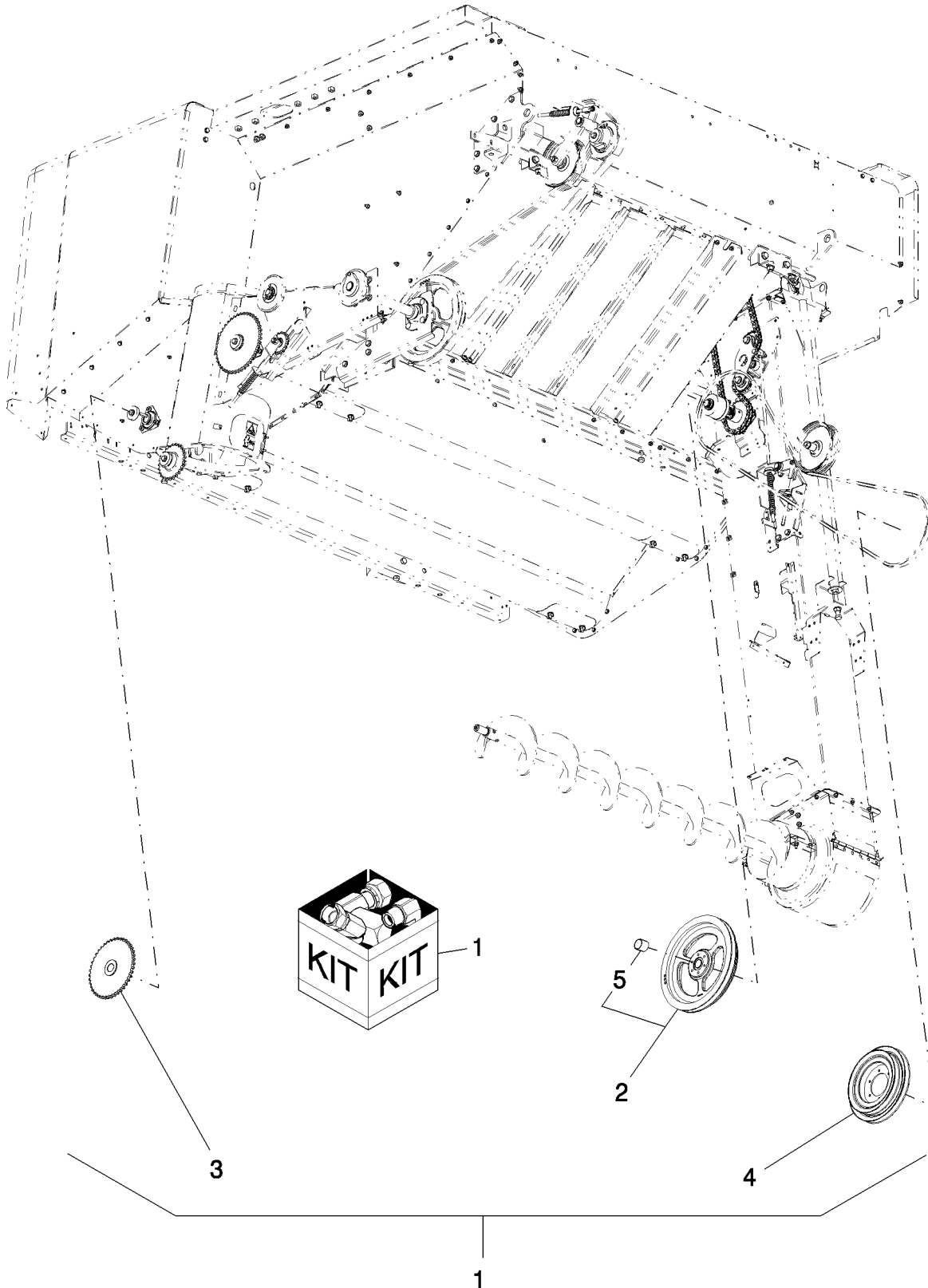
10/09

KIT, SCRAPER BLADES - ELEVATOR CHAIN

REF	FN	PART NUMBER	YR/SN	QTY	DESCRIPTION
1		84083472		1	KIT, Scraper Blades
2		87283161		2	BLADE, Scraper
3		43128		4	SCREW, Hex, M8 x 30, 8.8
4		86629542		4	LOCK NUT, M8 x 1.25, Cl 8
5		140041		4	WASHER, M8 x 28 x 3

**7120 7120 9120 8120
8120**

KIT, SLOW DOWN - ELEVATOR & GRAIN TANK



80.101.35

p1

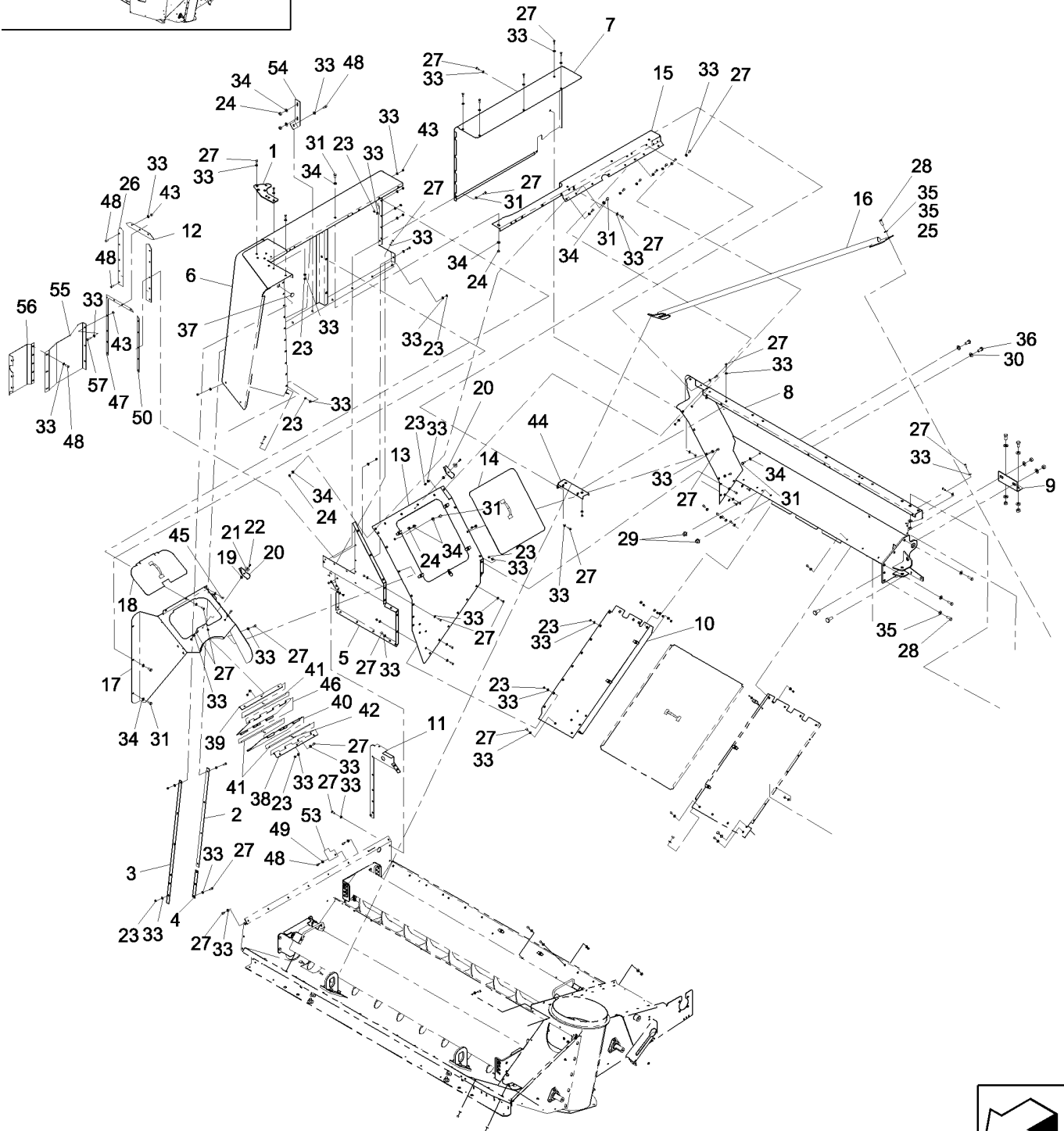
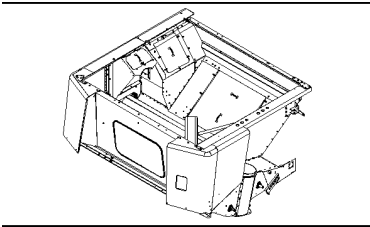
02/10

KIT, SLOW DOWN - ELEVATOR & GRAIN TANK

REF	FN	PART NUMBER	YR/SN	QTY	DESCRIPTION
1		84084386		1	DIA KIT, HARVESTER, Slow Down - Elevator & Grain Tank, Includes Ref 2, 3, 4 & 5
2		86976480		1	PULLEY, Driven; Includes Ref 5
3		84069677		1	SPROCKET
4		86999007		1	SHEAVE
5		80535318		1	BUSHING

**7120 7120 9120 8120
8120**

GRAIN TANK, R.H.



GRAIN TANK, R.H.

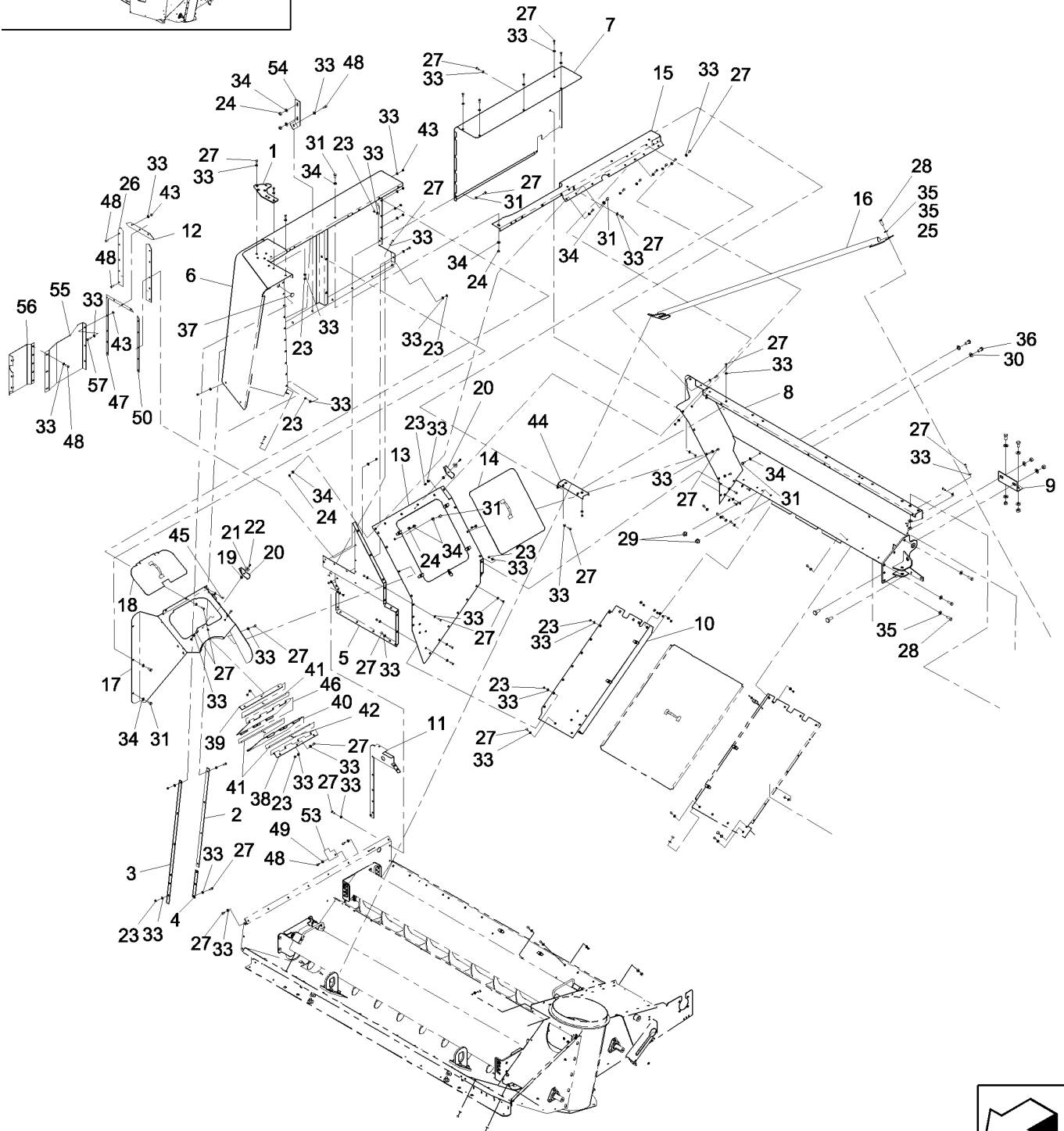
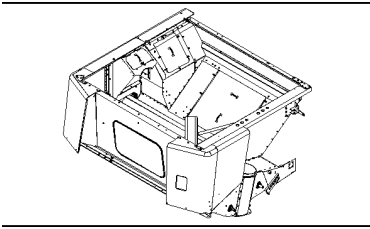
REF	FN	PART NUMBER	YR/SN	QTY	DESCRIPTION
1		87551365		1	PLATE
2		87551410		1	STRAP
3		87551411		1	STRAP
4		87551412		1	STRAP
5		87551391		1	SHEET ASSY.
6		87693022		1	PANEL, Side, R.H.
7		84177110		1	COVER, Top, R.H.
8	1	87662989		1	PANEL ASSY.
8	2	84152417		1	PANEL ASSY.
9		86600174		1	BRACKET
10		87551374		1	FLOOR, R.H.
11		87634778		1	SHEET ASSY., Front Side, R.H.
12		87634844		2	SEAL
13		87551395		1	SHEET ASSY.
14		87551397		1	COVER
15		87551294		1	CHANNEL
16		87551403		1	TUBE ASSY.
17		87551404		1	SHIELD
18		87551406		1	COVER
19		9824840		AR	WASHER, M4.3 x 9 x 0.8
20		362786		AR	FASTENER
21		362785		AR	BELLEVILLE WASHER, M5.5 x 15 x 0.5 Thk
22		446453		AR	RIVET
23		9706690		AR	NUT, M8, CI 8
24		100016		AR	NUT, M10, CI 8
25		337475		AR	NUT, M12, CI 10
26		87524453		2	SEAL
27		120104		AR	BOLT, Hex, M8 x 20, 8.8
28		9824642		7	BOLT, Hex, M12 x 35, 10.9
29		43167		6	BOLT, Hex, M16 x 30, 8.8, Full Thd
30		140048		12	BELLEVILLE WASHER, M16
31		43138		AR	BOLT, Hex, M10 x 20, 8.8, Full Thd
32		86585939		5	BELLEVILLE WASHER, M13 x 32 x 3.5, HT, Spring

(1) Prior to PIN Y9G205653

(2) From PIN Y9G205653

7120 7120 9120 8120
8120

GRAIN TANK, R.H.



GRAIN TANK, R.H.

REF	FN	PART NUMBER	YR/SN	QTY	DESCRIPTION
33		322358		AR	BELLEVILLE WASHER, M8
34		140045		AR	BELLEVILLE WASHER, M10
35		140046		AR	SPRING WASHER, Belleville, M12
36		825-1416		6	NUT, M16, CI 8
37		353-422		1	PLUG, Dome, 1.250" hole, Nylon, Rubber
38		87551723		1	HINGE
39		87551726		1	HINGE
40		87551740		2	SHEET
41		87106007		3	PIN
42		88467		3	ROLL PIN, 1/8" x 1/2", Slotted
43		832-46408		AR	LOCK NUT, M8 x 1.25, CI 8
44		84177024		1	REINFORCEMENT, Brace
45		43139		3	BOLT, Hex, M10 x 25, 8.8, Full Thd
46		87565811		1	TRAP DOOR, Incline Auger
47		87634845		1	STRIP, Sheet, Backing Strip Elevator Head Seal
48		43127		16	BOLT, Hex, M8 x 25, 8.8
49		140041		3	WASHER, M8 x 28 x 3
50		87551673		1	SHEET, Backing Strip Elevator Head Seal
51		86625130		1	PLUG, Dome, 1.250" hole, Nylon, Not Shown
52		43128		3	SCREW, Hex, M8 x 30, 8.8
53	1	87363857		1	BRACKET, Panel Stop
54		87657054		1	STRAP
55	2	87645802		1	PLATE
56	2	87645805		1	PLATE

(1) Used Only on Early Production Units
(2) Extended Wear

**7120 7120 9120 8120
8120**

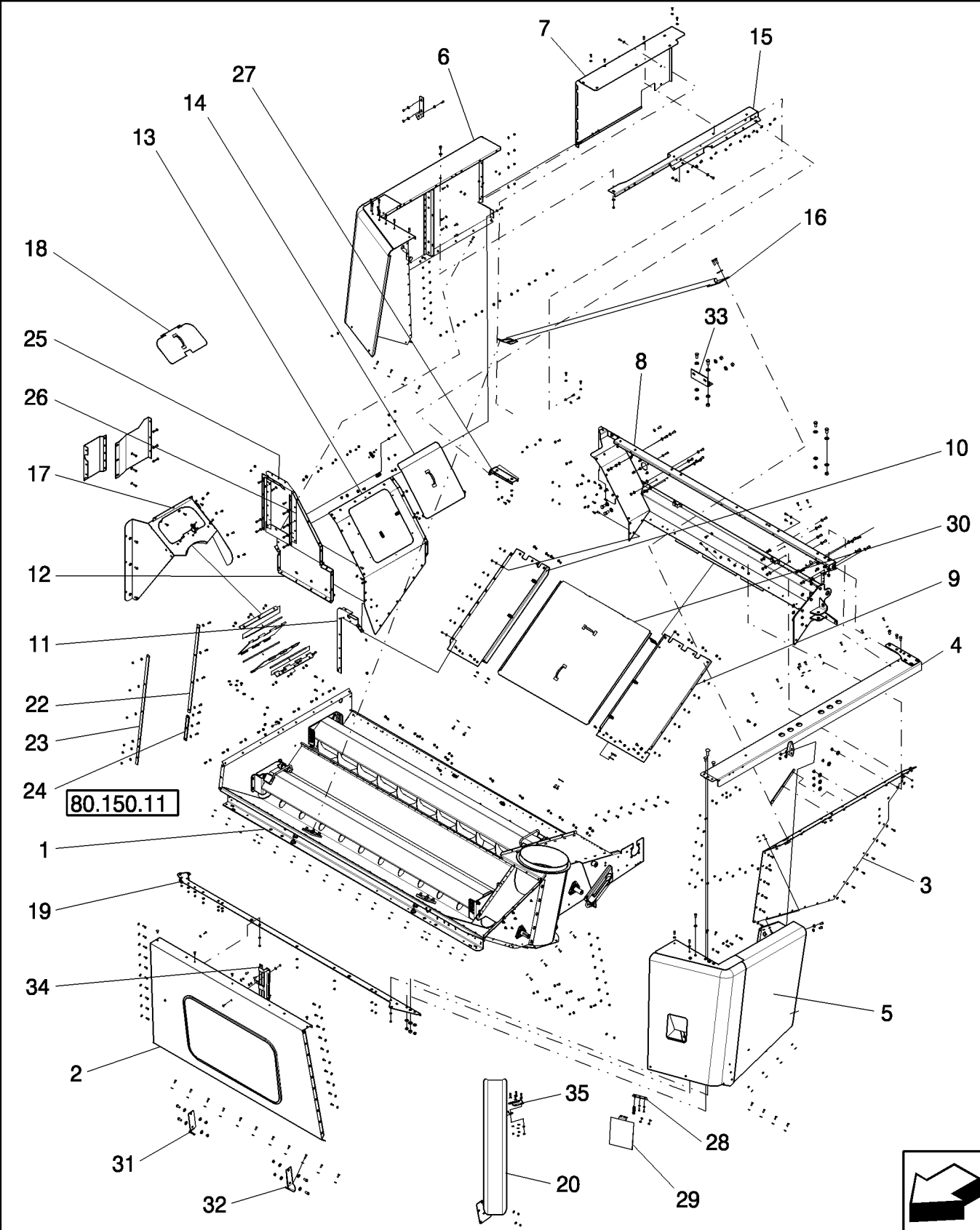
80.150.03

01

p1

02/10

GRAIN TANK - MY2010



GRAIN TANK - MY2010

REF	FN	PART NUMBER	YR/SN	QTY	DESCRIPTION
1		REF		1	INSTRUCTION, 3.3M Bottom, Standard
1		REF		1	INSTRUCTION, 3.3M Bottom, RFC - Reinforced, Extended Wear
2		87551223		1	SHEET ASSY.
3		87551230		1	SHEET ASSY.
4		87492568		1	PROFILE
5		87492571		1	PANEL, L.H.
6		87693022		1	PANEL, R.H.
7		84187764		1	COVER, R.H., Top
8		84185817		1	PANEL, Rear
9		87551366		1	FLOOR, L.H.
10		84182842		1	FLOOR, R.H.
11		87634778		1	SHEET ASSY., GT Elev Inter
12		87551391		1	SHEET ASSY., FR WA GT/ELEV INTERFACE
13		87551395		1	SHEET ASSY.
14		87551397		1	COVER, R.H.
15		87492574		1	CHANNEL
16		87551403		1	TUBE ASSY.
17		87551404		1	SHIELD
18		87551406		1	COVER
19		84120348		1	REINFORCEMENT
20		87106204		1	CHUTE
22		87551410		1	STRAP
23		87551411		1	STRAP
24		87551412		1	STRAP
25		87634844		1	SEAL
26		87524453		2	SEAL
27		84177024		1	REINFORCEMENT
28		84077042		1	BRACKET
29		87551345		1	DOOR
30		87551376		1	DOOR
31		87551415		1	BRACKET
32		87551414		1	BRACKET
33		86600174		1	BRACKET
34		87551580		1	BRACKET

**7120 7120 9120 8120
8120**

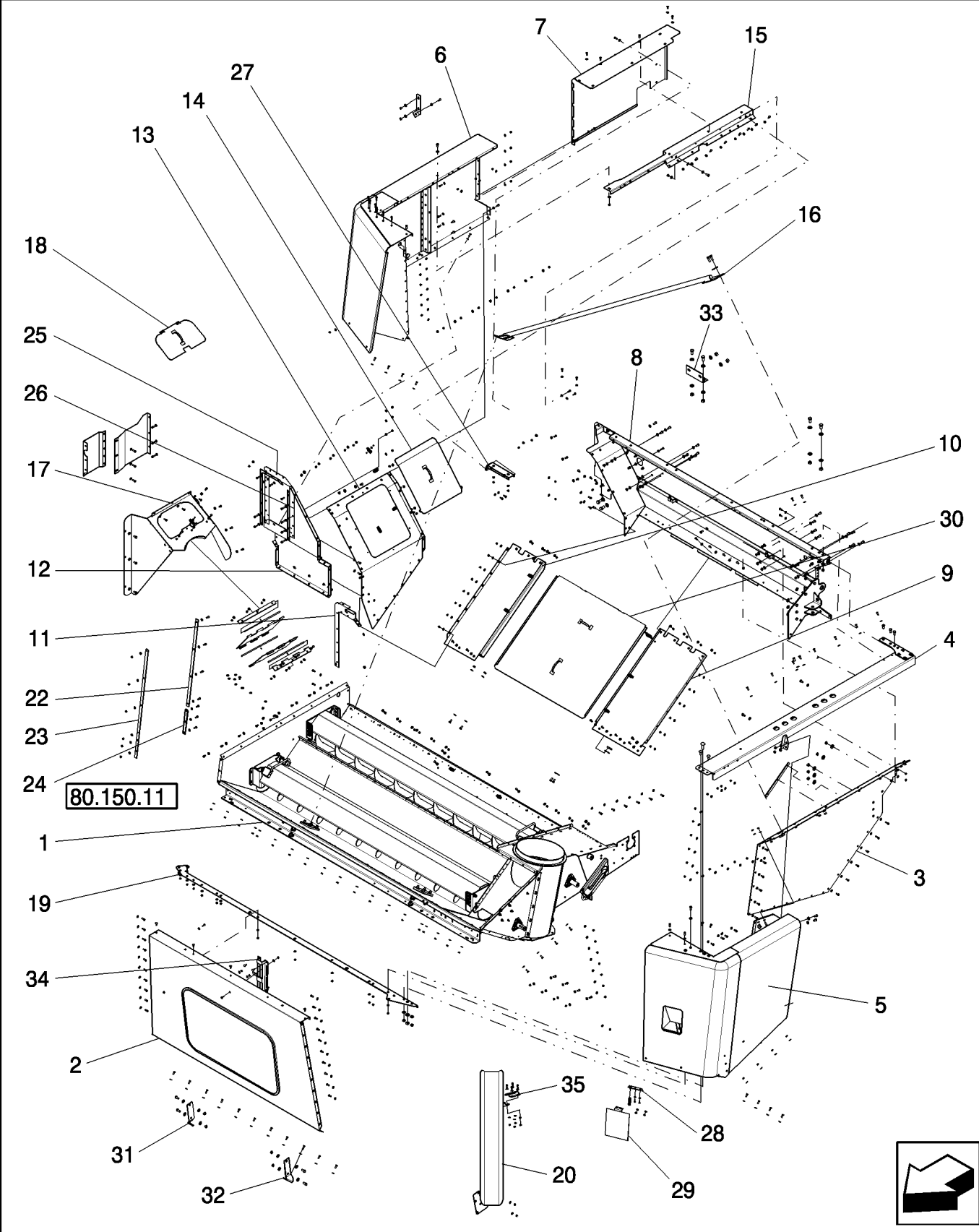
80.150.03

01

p2

02/10

GRAIN TANK - MY2010



80.150.03

01

p2

02/10

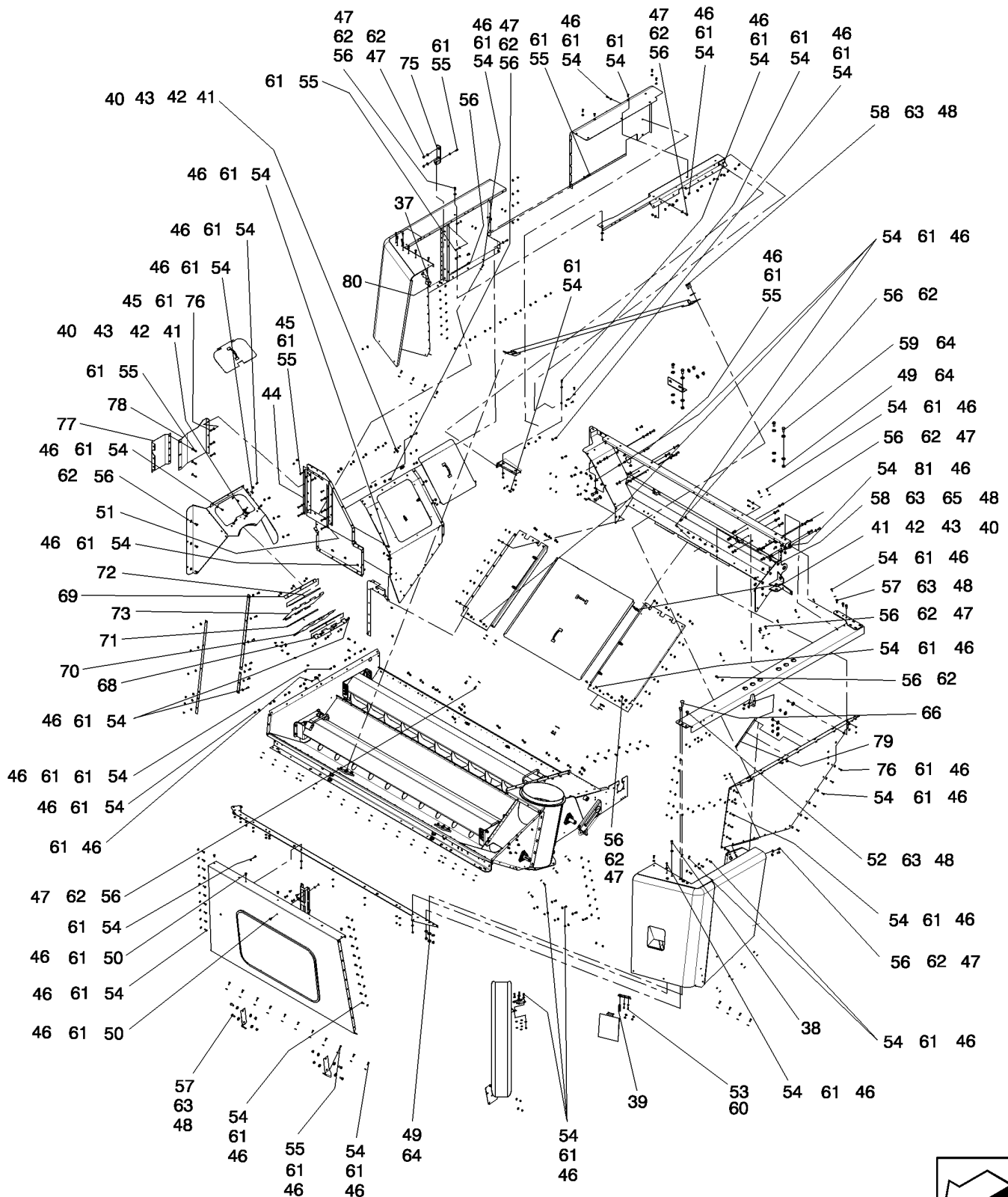
GRAIN TANK - MY2010

REF	FN	PART NUMBER	YR/SN	QTY	DESCRIPTION
------------	-----------	--------------------	--------------	------------	--------------------

35		87551606		1	CLIP
----	--	----------	--	---	------

**7120 7120 9120 8120
8120**

GRAIN TANK - MY2010



80.150.03

02

p1

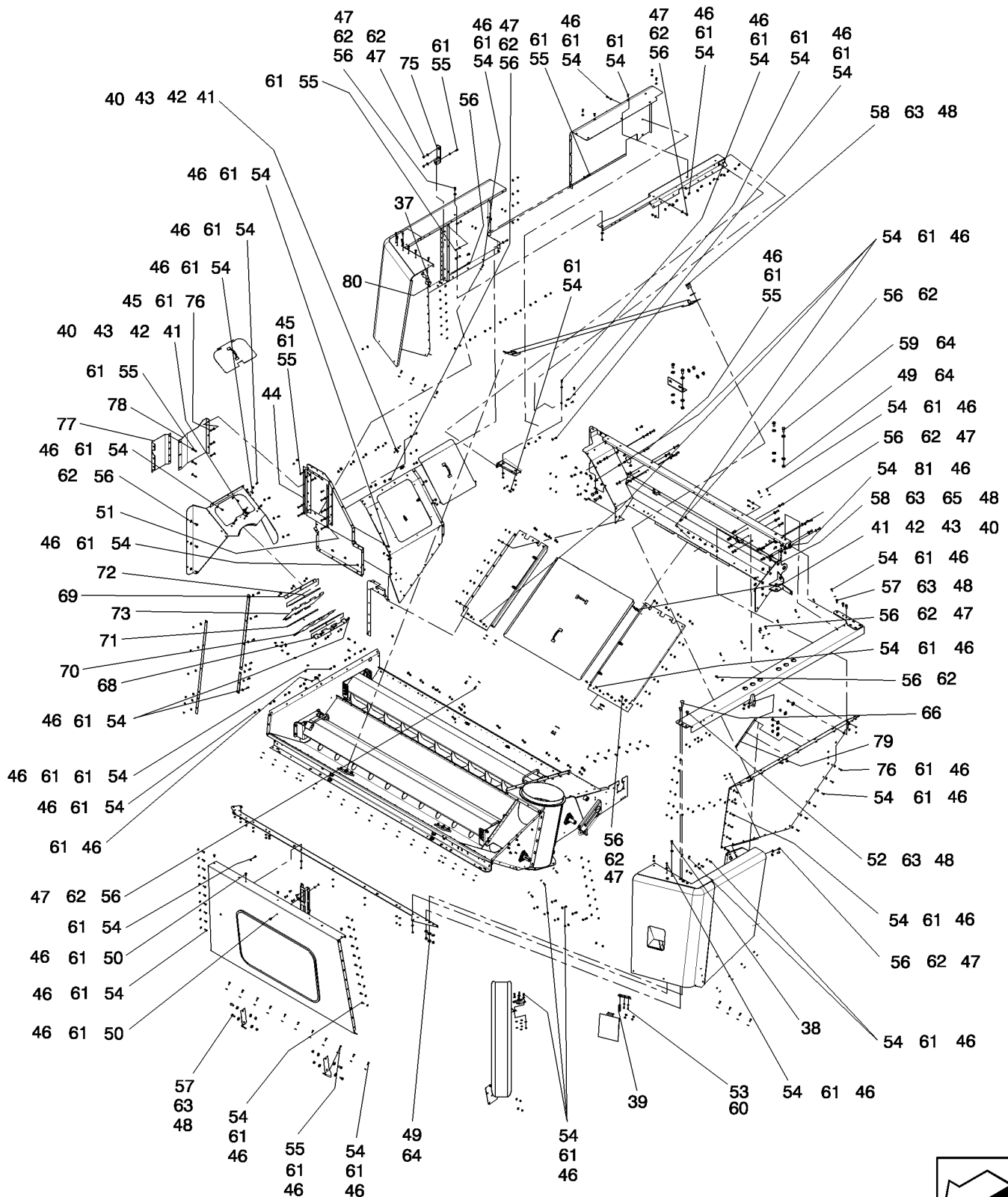
02/10

GRAIN TANK - MY2010

REF	FN	PART NUMBER	YR/SN	QTY	DESCRIPTION
36		86512119		AR	SEALANT
37		86625130		1	PLUG, Dome, 1.250" hole, Nylon
38		43139		2	BOLT, Hex, M10 x 25, 8.8, Full Thd
39		66809		1	SPRING
40		9824840		12	WASHER, M4.3 x 9 x 0.8
41		362786		12	FASTENER
42		362785		12	BELLEVILLE WASHER, M5.5 x 15 x 0.5 Thk
43		446453		12	RIVET
44		87634845		1	STRIP
45		86629542		13	LOCK NUT, M8 x 1.25, CI 8
46		9706690		189	NUT, M8, CI 8
47		100016		31	NUT, M10, CI 8
48		9706685		16	NUT, M12, CI 8
49		100020		7	NUT, M16, CI 8
50		86507486		8	CARRIAGE BOLT, Short NK, M8 x 20, CI8.8, Full Thd
51		87551673		1	SHEET
52		120044		2	CARRIAGE BOLT, Short NK, M12 x 30, CI8.8, Full Thd
53		86508568		2	BOLT, Hex, M6 x 16, CI 8.8, Full Thd
54		120104		175	BOLT, Hex, M8 x 20, 8.8
55		43127		34	BOLT, Hex, M8 x 25, 8.8
56		43138		37	BOLT, Hex, M10 x 20, 8.8, Full Thd
57		300388		7	BOLT, Hex, M12 x 25, 8.8
58		300389		7	BOLT, Hex, M12 x 35, 8.8, Full Thd
59		43167		6	BOLT, Hex, M16 x 30, 8.8, Full Thd
60		322357		2	BELLEVILLE WASHER, M6
61		322358		413	BELLEVILLE WASHER, M8
62		140045		69	BELLEVILLE WASHER, M10
63		140046		22	SPRING WASHER, Belleville, M12
64		140048		13	BELLEVILLE WASHER, M16
65		86585939		5	BELLEVILLE WASHER, M13 x 32 x 3.5, HT
66		412185		1	CARRIAGE BOLT, Short NK, M16 x 50, CI8.8, Full Thd
68		87551723		1	HINGE
69		87551726		1	HINGE

7120 7120 9120 8120
8120

GRAIN TANK - MY2010



80.150.03

02

p2

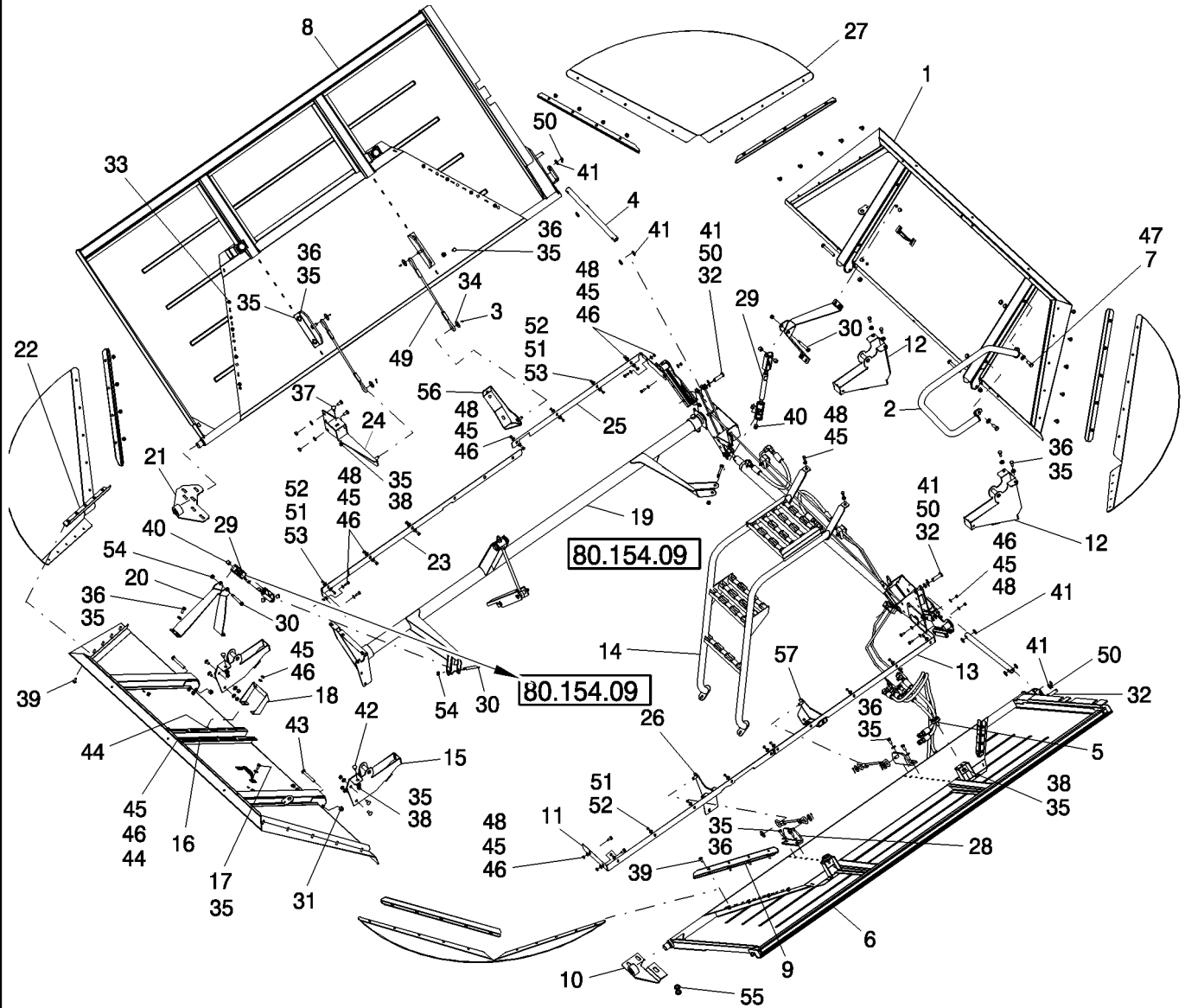
02/10

GRAIN TANK - MY2010

REF	FN	PART NUMBER	YR/SN	QTY	DESCRIPTION
70		87551740		1	SHEET
71		87106007		3	PIN
72		88467		3	ROLL PIN, 1/8" x 1/2", Slotted
73		87565811		1	TRAP DOOR
75		87657054		1	STRAP
76		43128		6	SCREW, Hex, M8 x 30, 8.8
77		87645805		1	PLATE, RFC Only, Not used on STD
78		87645802		1	PLATE, RFC Only, Not used on STD
79		84147065		1	ANGLE
80		445394		1	RIVET, Pop, M4.8 x 12.7
81		87033737		1	WASHER, M8 x 28 x 3

**7120 7120 9120 8120
8120**

GRAIN TANK, L.H.



GRAIN TANK, L.H.

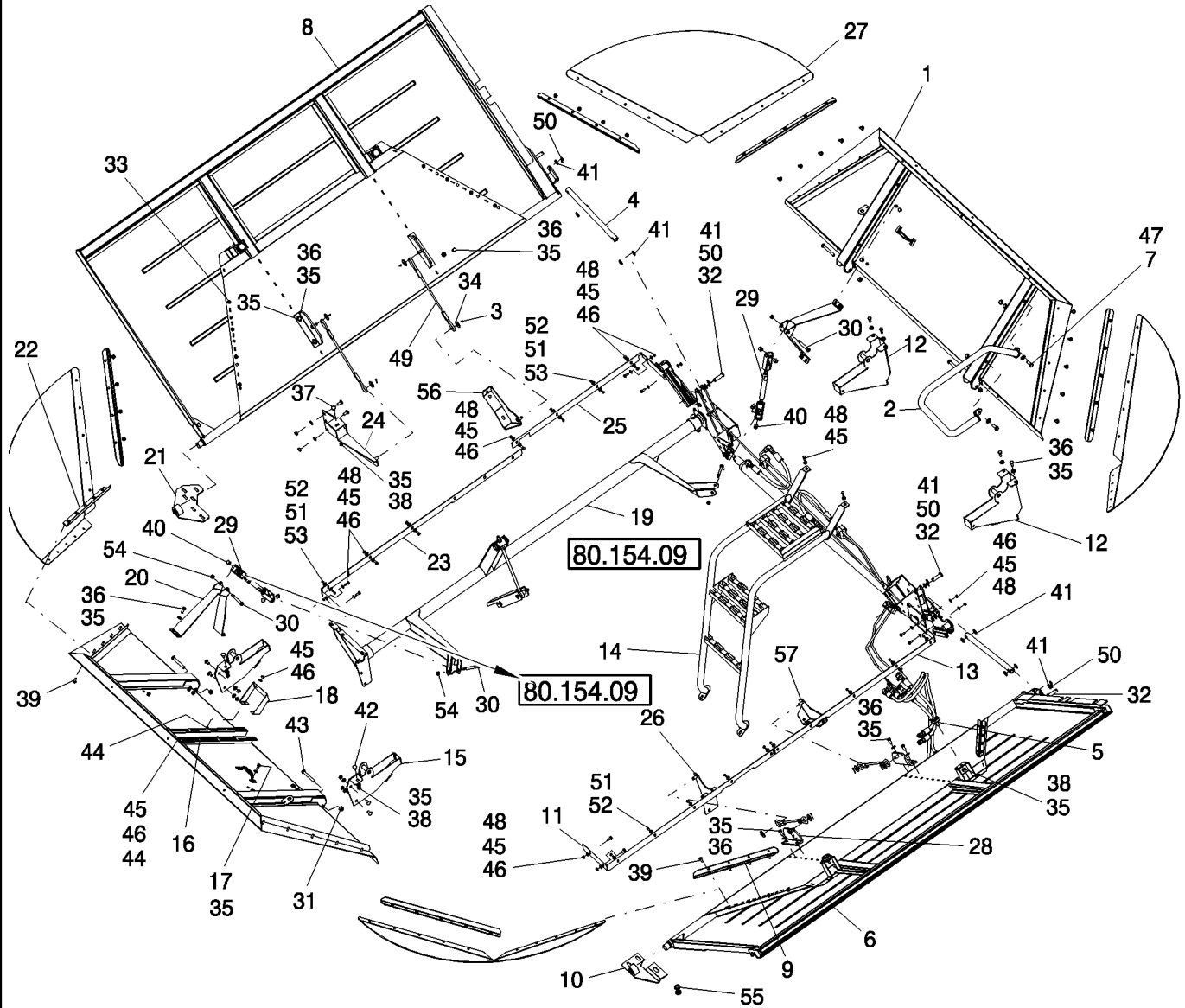
REF	FN	PART NUMBER	YR/SN	QTY	DESCRIPTION
1		87551223		1	SHEET ASSY., Frame, Window
2		86566851		1	GLASS
3		87551230		1	SHEET ASSY., L.H.
4		87492568		1	PROFILE
5	1	84179871		1	SERVICE KIT, Panel; Incl Decals 86640423 & 84432904
5	2	84179870		1	SERVICE KIT, Panel; Incl Decals 84004740 & 84432904
6		9992358		12	ELASTIC STOP
7		87551376		1	DOOR
8		87551580		1	BRACKET
9		87551366		1	FLOOR, L.H.
10		87551407		1	REINFORCEMENT
10		84120348	ASN y9g206161	1	REINFORCEMENT, Angle
11		87551415		1	BRACKET, R.H.
12		87551414		1	BRACKET, L.H.
13		87106204		1	CHUTE
14		87551606		1	CLIP
15		84077042		1	BRACKET
16		87623354		1	SERVICE KIT, Door; Incl Decal 84432904
17		84432904		2	DECAL, Do Not Place Foot
18		66809		1	SPRING
19		9824840		AR	WASHER, M4.3 x 9 x 0.8
20		362786		AR	FASTENER
21		362785		AR	BELLEVILLE WASHER, M5.5 x 15 x 0.5 Thk
22		446453		AR	RIVET
23		9706690		AR	NUT, M8, CI 8
24		100016		AR	NUT, M10, CI 8
25		337475		AR	NUT, M12, CI 10
26		86507486		8	CARRIAGE BOLT, Short NK, M8 x 20, CI8.8, Full Thd
27		120104		AR	BOLT, Hex, M8 x 20, 8.8
28		87695426		2	SCREW
29		86508568		2	BOLT, Hex, M6 x 16, CI 8.8, Full Thd

(1) NA Only

(2) EU

7120 7120 9120 8120
8120

GRAIN TANK, L.H.

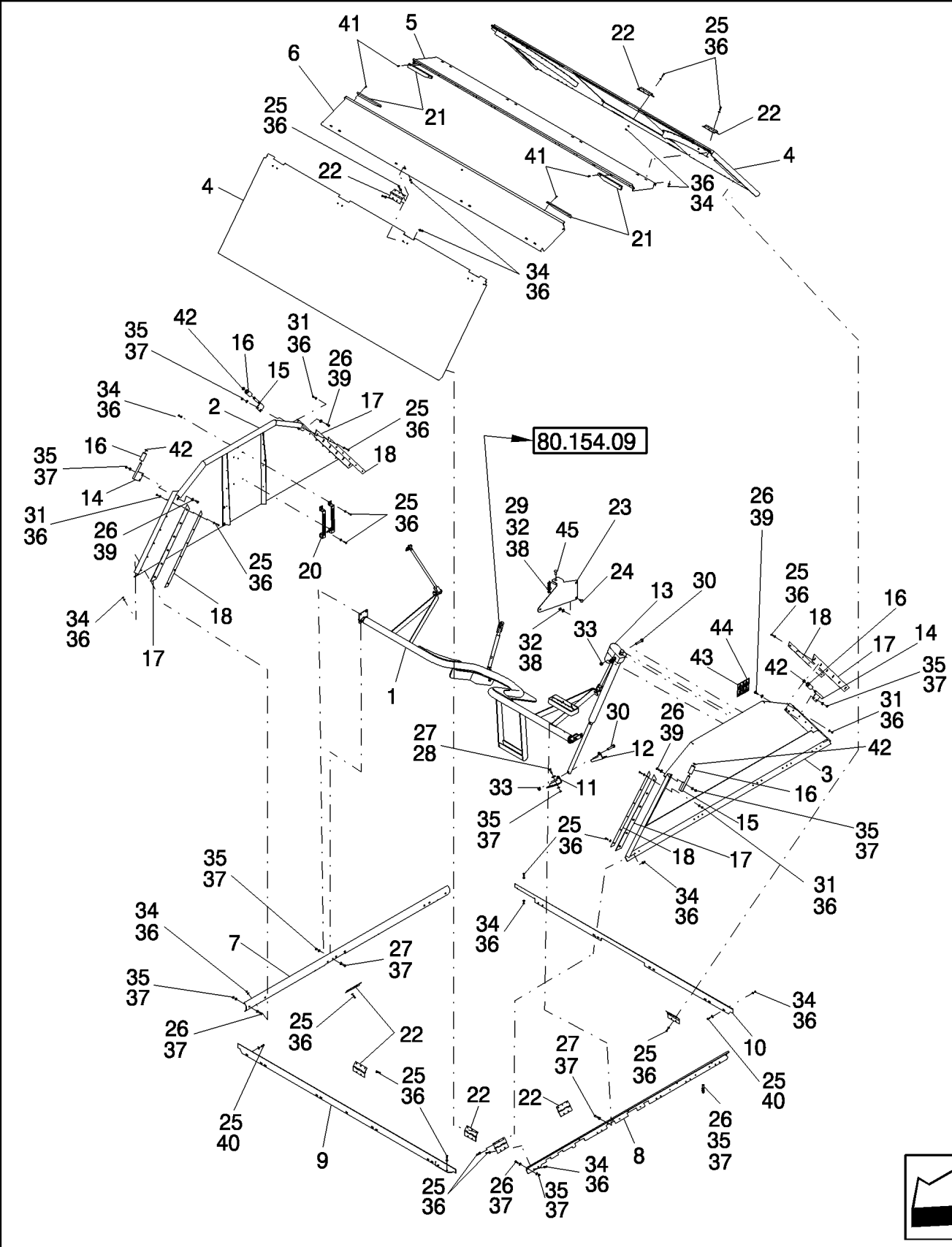


GRAIN TANK, L.H.

REF	FN	PART NUMBER	YR/SN	QTY	DESCRIPTION
30		43127		2	BOLT, Hex, M8 x 25, 8.8
31		43138		AR	BOLT, Hex, M10 x 20, 8.8, Full Thd
32		398792		7	BOLT, Hex, M12 x 25, 10.9
33		322358		AR	BELLEVILLE WASHER, M8
34		140045		AR	BELLEVILLE WASHER, M10
35		140046		AR	SPRING WASHER, Belleville, M12
36		322357		2	BELLEVILLE WASHER, M6
37		86590413		AR	CLAMP, Base, Wire Tie
38		445394		AR	RIVET, Pop, M4.8 x 12.7
39		84004740		1	DECAL
40		43128		2	SCREW, Hex, M8 x 30, 8.8
41		84147065		1	ANGLE
42		412185		1	CARRIAGE BOLT, Short NK, M16 x 50, Cl8.8, Full Thd
43		100020		1	NUT, M16, Cl 8
44		140048		1	BELLEVILLE WASHER, M16
45		43139		2	BOLT, Hex, M10 x 25, 8.8, Full Thd

**7120 7120 9120 8120
8120**

GRAIN TANK COVERS

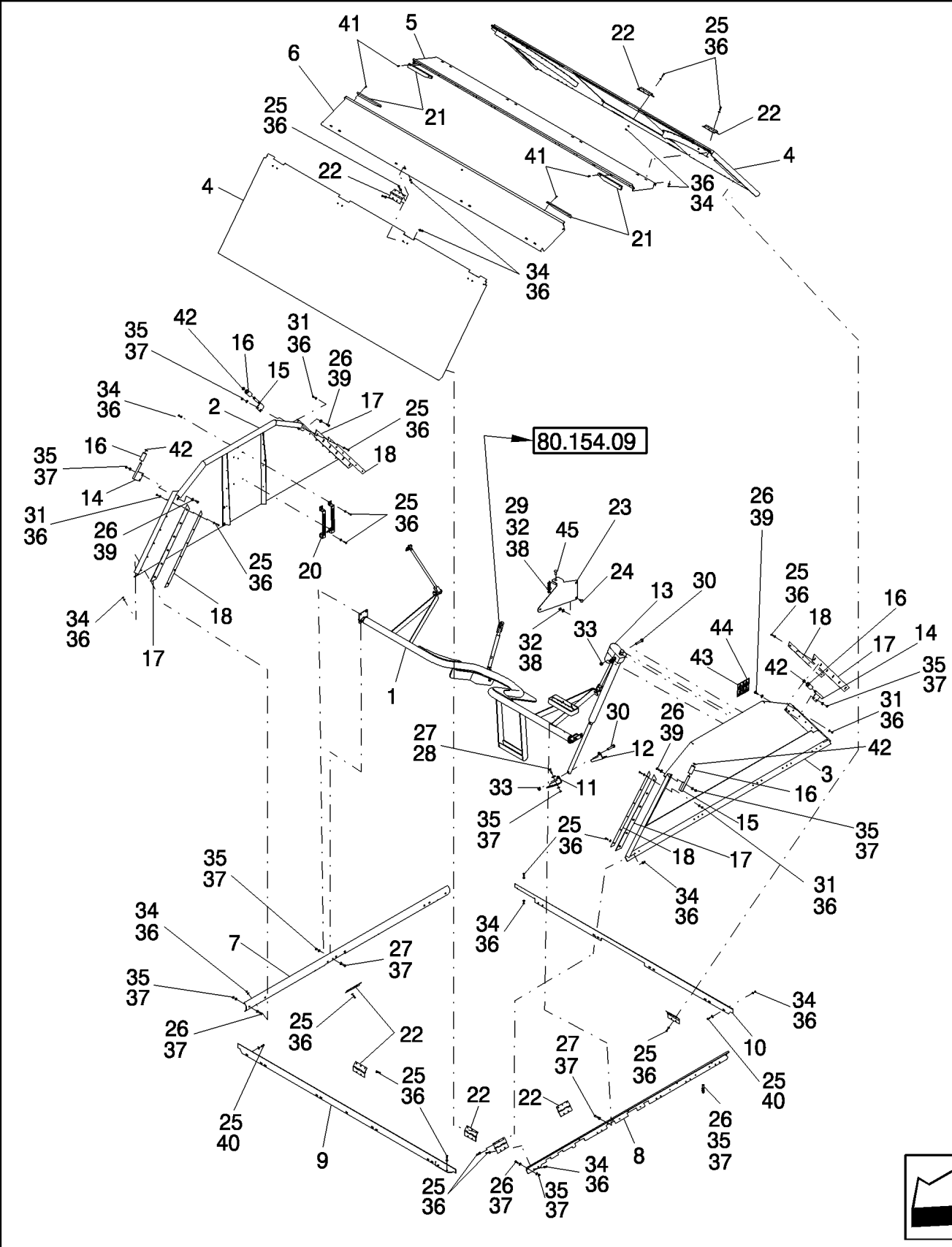


GRAIN TANK COVERS

REF	FN	PART NUMBER	YR/SN	QTY	DESCRIPTION
1		87108425		1	HINGE
2		84334013		1	PLATE, Sheet, Front
3		84334035		1	PLATE, Base, Rear
4		84334178		2	SIDE PANEL, Lower
5		84073058		1	SIDE PANEL, R.H.
6		84072922		1	SIDE PANEL
7		84334664		1	BRACKET
8		87109762		1	BRACKET
9		84076589		1	BRACKET
10		86976342		1	SHEET
11		84447603		1	SUPPORT
12		84447602		1	SUPPORT
13		84077849		1	ACTUATOR
14		84334135		2	HINGE, Shaft, Articulated
15		84334139		2	HINGE, Shaft, Articulated
16		84076202		4	GUIDE BUSHING
17		84334436		4	SEAL, Protection
18		84334458		4	STRIP
20		87654000		2	BRACKET
21		84439453		4	GUIDE, Block
22		84071391		25	HINGE
23		87544634		1	BRACKET
24		120041		2	CARRIAGE BOLT, Short NK, M10 x 20, Cl8.8, Full Thd
25		120100		153	BOLT, Hex, M6 x 20, 8.8
26		120104		26	BOLT, Hex, M8 x 20, 8.8
27		43128		8	SCREW, Hex, M8 x 30, 8.8
28		140041		4	WASHER, M8 x 28 x 3
29		140219		1	WASHER
30		9706693		2	BOLT, Hex, M12 x 60, 8.8
31		353308		20	NUT, M6 x 1, Cl 8
32		100016		4	NUT, M10, Cl 8
33		100038		2	LOCK NUT, M12 x 1.75, Cl 8
34		9706755		85	NUT, M6, Cl 8
35		9706690		30	NUT, M8, Cl 8

**7120 7120 9120 8120
8120**

GRAIN TANK COVERS

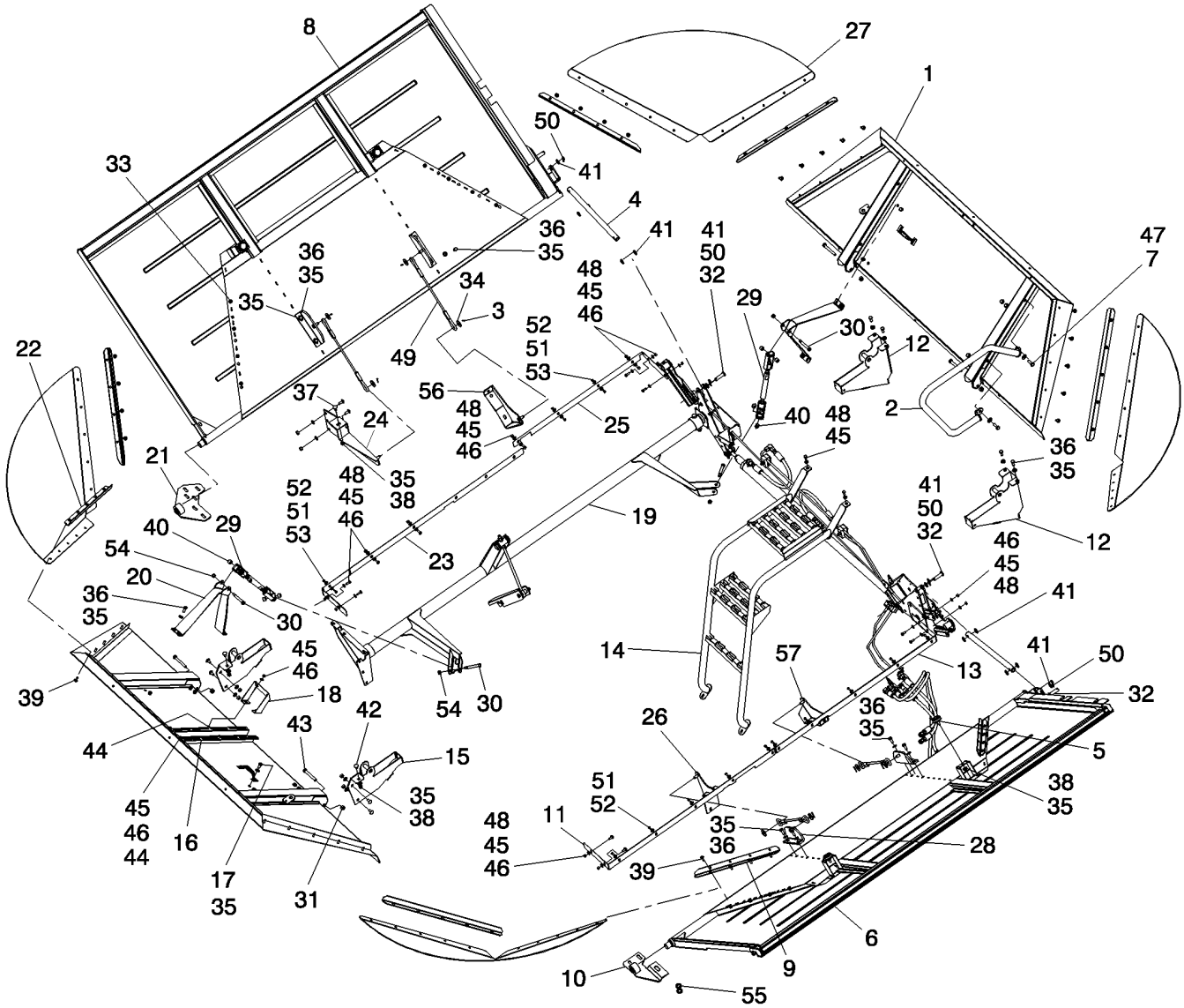


GRAIN TANK COVERS

REF	FN	PART NUMBER	YR/SN	QTY	DESCRIPTION
36		322357		255	BELLEVILLE WASHER, M6
37		322358		52	BELLEVILLE WASHER, M8
38		140045		3	BELLEVILLE WASHER, M10
39		412650		8	SPRING WASHER, Belleville, M8
40		412649		3	SPRING WASHER, Belleville, M6
41		445395		8	RIVET, Pop, M4.8 x 18.1
42		300625		4	SNAP RING, M16, Ext
43		84004740		1	DECAL
44		84004744		1	DECAL
45		86512446		1	CARRIAGE BOLT, Short NK, M10 x 30, Cl8.8, Full Thd

**7120 7120 9120 8120
8120**

GRAIN TANK COVER - MY10 - 350 BU, 315 BU

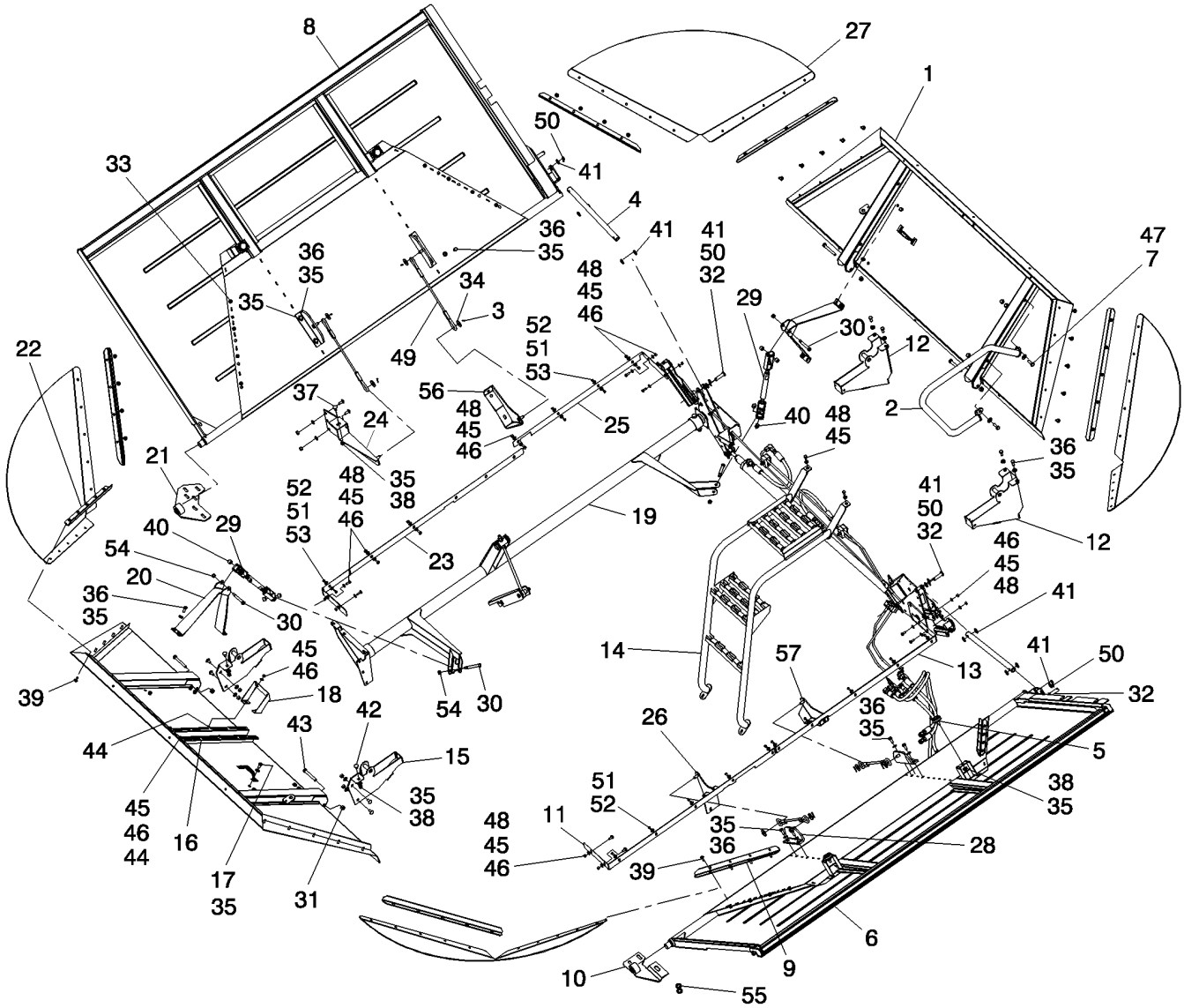


GRAIN TANK COVER - MY10 - 350 BU, 315 BU

REF	FN	PART NUMBER	YR/SN	QTY	DESCRIPTION
1		84216233		2	EXTENSION, Front and Rear, 7120 Only
1		84216228		2	EXTENSION, Front & Rear, 8120 & 9120 Only
2		87548619		1	HANDLE
3		130004		8	COTTER PIN, M3.2 x 25
4		84152697		2	UPPER LINK
5		190029		4	RUBBER BUMPER
6		84187304		1	COVER, with Bearing
7		9706687	BSN 84216228	2	BOLT, Hex, M12 x 30, 8.8, Full Thd
8		84187312		1	COVER, R.H., with bearing
9		84165687		4	ANGLE, 7120 Only
9		87491037		4	ANGLE, 8120 and 9120 Only
10		87485360		1	HINGE, L.H.
11		87491027		1	ANGLE
12		84174215		2	HINGE
13		87491029		1	ANGLE
14		86976398		1	LADDER
15		87552212		2	BRACKET
16		86975528		1	BRACKET, 7120
16		86975526		1	BRACKET, 8120 & 9120
17		43138		8	BOLT, Hex, M10 x 20, 8.8, Full Thd
18		86975897		1	BRACKET
19		REF		1	INSTRUCTION, Cover Linkage
20		87491039		2	BRACKET
21		87485361		1	HINGE, with bearing
22		86975516		4	ANGLE, 7120
22		86975514		4	ANGLE, 8120, 9120
23		87491028		1	ANGLE
24		84187736		1	BRACKET, R.H. Front, Stop Anchor, Red
25		87491030		1	ANGLE, R.H. Rear, Red
26		84187734		1	BRACKET, SUPPORTING, L.H. Rear Stop Anchor, Red
27		86975520		4	SHEET, 7120
27		86975734		4	SHEET, 8120, 9120
28		84194824		4	ANGLE, Upper Stop Anchor, Dark Gray
29		REF		2	INSTRUCTION

**7120 7120 9120 8120
8120**

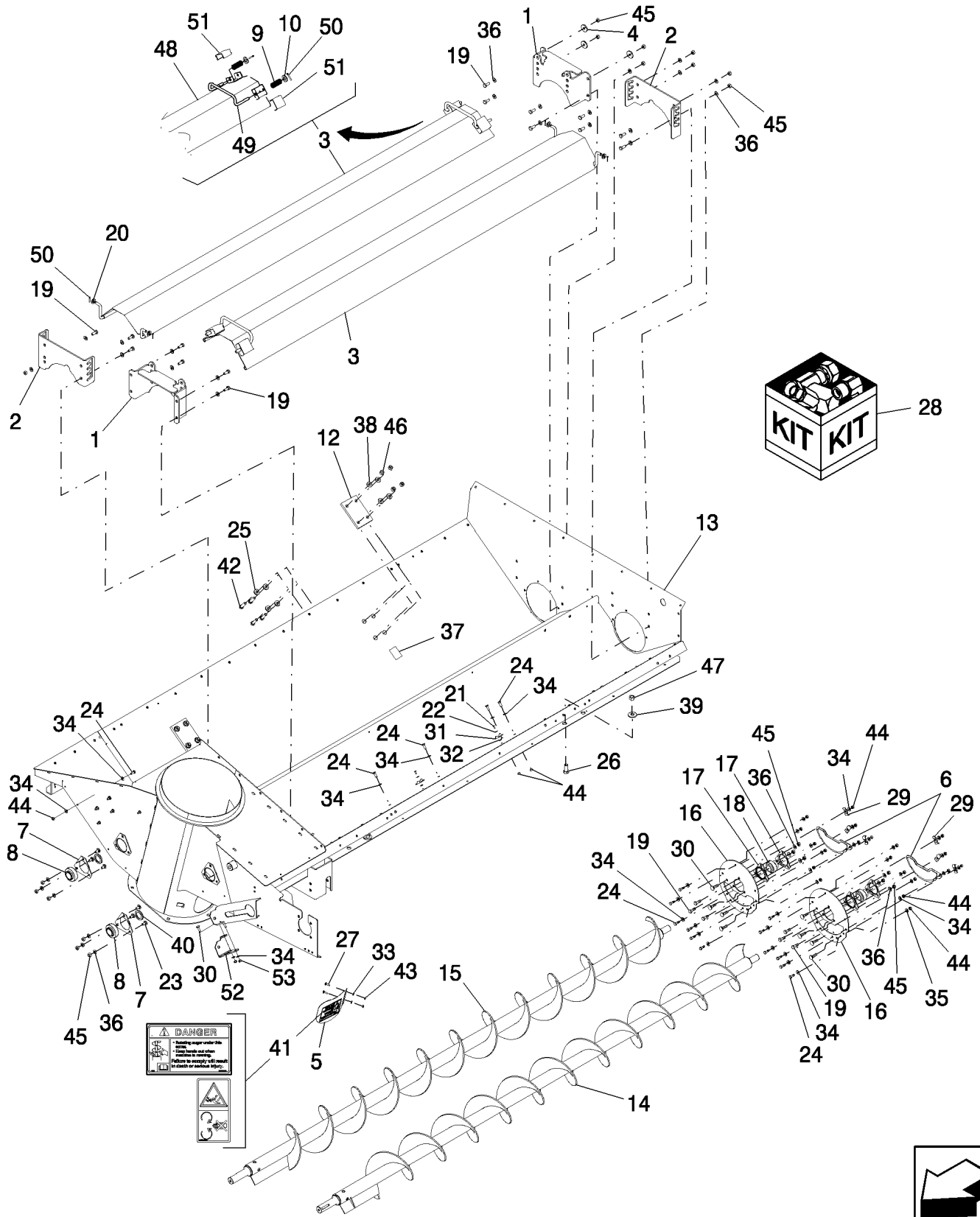
GRAIN TANK COVER - MY10 - 350 BU, 315 BU



GRAIN TANK COVER - MY10 - 350 BU, 315 BU

REF	FN	PART NUMBER	YR/SN	QTY	DESCRIPTION
30		84182839		4	SCREW
31		100038		4	LOCK NUT, M12 x 1.75, CI 8
32		362528		4	CLEVIS PIN, M16 x 55
33		86610200		16	THREADED INSERT
34		87016607		8	WASHER, M12 x 37 x 3
35		140045		41	BELLEVILLE WASHER, M10
36		43139		20	BOLT, Hex, M10 x 25, 8.8, Full Thd
37		86633356		3	CARRIAGE BOLT, Short NK, M10 x 25, CI8.8, Full Thd
38		100016		13	NUT, M10, CI 8
39		86975890		36	SCREW, Torx Hd, M8 x 1.25 x 20
40		87348842		8	SPACER
41		13507701		12	WASHER, M16 x 27 x 2
42		120041		6	CARRIAGE BOLT, Short NK, M10 x 20, CI8.8, Full Thd
43		86508581		4	BOLT, Hex, M12 x 90, 8.8
44		86507486		5	CARRIAGE BOLT, Short NK, M8 x 20, CI8.8, Full Thd
45		322358		31	BELLEVILLE WASHER, M8
46		9706690		17	NUT, M8, CI 8
47		140046		2	SPRING WASHER, Belleville, M12
48		120104		14	BOLT, Hex, M8 x 20, 8.8
49		84180932		4	CABLE RETAINER
50		216698		4	HAIR PIN COTTER, Int, 5/16" x 1.75" x 0.125"
51		12643701		16	WASHER, M6 x 18 x 1.5
52		86508568		13	BOLT, Hex, M6 x 16, CI 8.8, Full Thd
53		9706755		3	NUT, M6, CI 8
54		100037		4	NUT, M10 x 1.5, CI 8
55		86639323		2	WASHER, M17.5 x 30 x 4, HT
56		84187730		1	BRACKET, SUPPORTING, R.H. Rear Stop Anchor, Red
57		84187731	BSN 84180932	1	BRACKET, SUPPORTING, L.H. Rear Stop Anchor, Red
					7120 7120 9120 8120 8120

GRAIN TANK - BOTTOM AND AUGERS



GRAIN TANK - BOTTOM AND AUGERS

REF	FN	PART NUMBER	YR/SN	QTY	DESCRIPTION
1		86975993		2	BRACKET, Supporting
2		86975994		2	BRACKET, Supporting
3		86975412		2	COVER, Assy, Includes Refs 48 to 53
4		213404		3	SPACER
5	1	87583788		1	DOOR, With Latch & Decal
5	2	87583787		1	DOOR, With Latch & Decal
6		87342513		2	COVER
7		86620026		4	FLANGE
8		87605592		2	SPHERICAL BEARING
9		80025823		4	SPRING, Guard And Lock
10		86624146		4	WASHER, 17/32" x 1" x .120"
11		43140		4	BOLT, Hex, M10 x 30, 8.8, Full Thd
12		87665292		2	PLATE
13	1, 3	87668046		1	TANK, Bottom, W/Decals
13	1, 4	84182581		1	TANK, Bottom, W/Decals
13	2, 3	87668047		1	TANK, Bottom, W/Decals
13	2, 4	84182582		1	TANK, Bottom, W/Decals
14		84075320		1	AUGER, Rear
14		87280343		1	AUGER, Rear, EXT Wear
15		84075319		1	AUGER, Front
15		87280345		1	AUGER, Front, EXT Wear
16		87342517		2	COVER, Plate, Bearing
17		84320112		2	SET, Flange
18		84069440		2	BALL BEARING
19		43139		17	BOLT, Hex, M10 x 25, 8.8, Full Thd
20		86624146		4	WASHER, 17/32" x 1" x .120"
21		445394		2	RIVET, Pop, M4.8 x 12.7
22		362785		2	BELLEVILLE WASHER, M5.5 x 15 x 0.5 Thk
23		120041		7	CARRIAGE BOLT, Short NK, M10 x 20, Cl8.8, Full Thd
24		120104		22	BOLT, Hex, M8 x 20, 8.8

(1) For NA Only

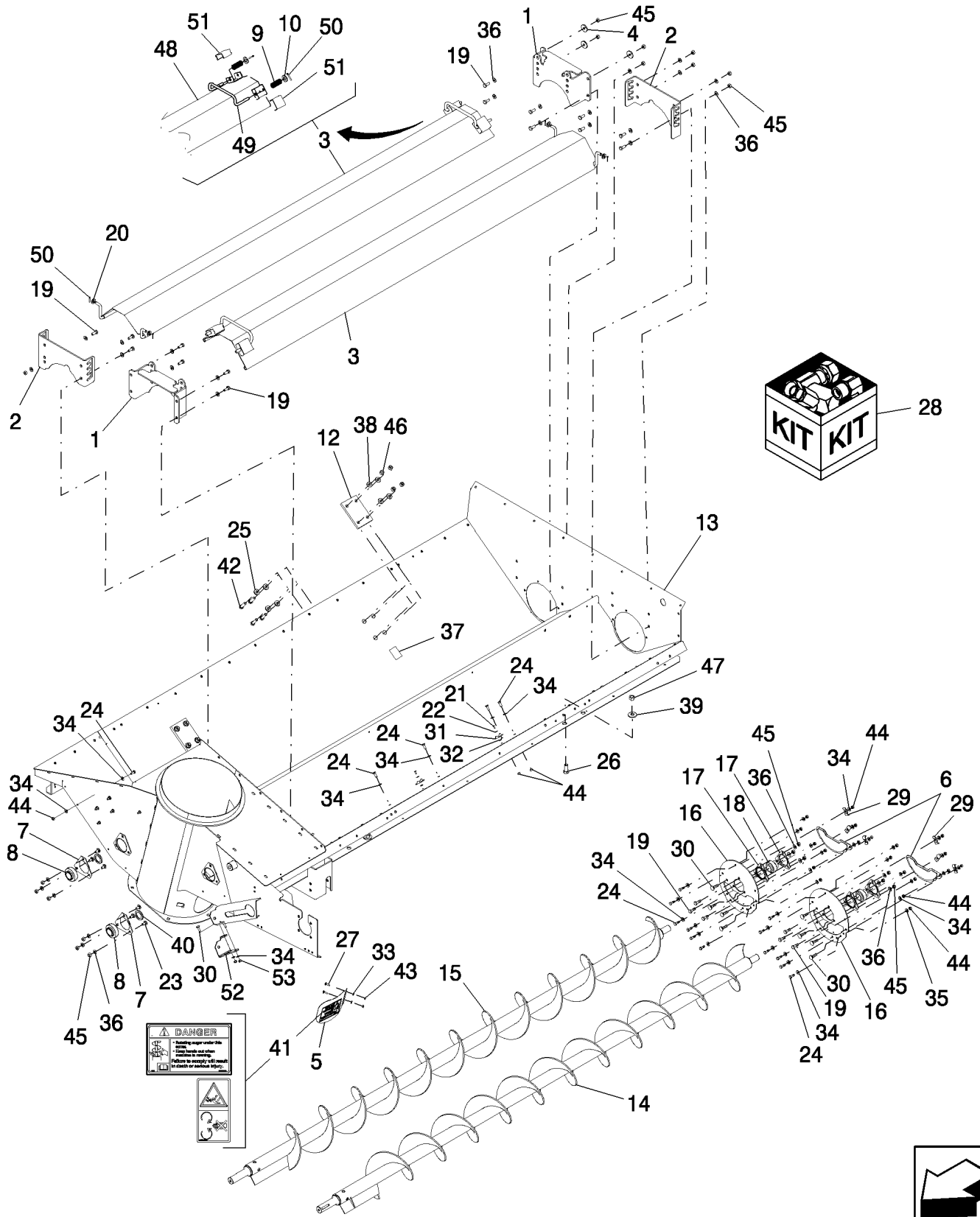
(2) EU Only

(3) For Use W/Mechanical Unload Drive

(4) For Use W/Hydraulic Unload Drive

7120 7120 9120 8120
8120

GRAIN TANK - BOTTOM AND AUGERS



GRAIN TANK - BOTTOM AND AUGERS

REF	FN	PART NUMBER	YR/SN	QTY	DESCRIPTION
25		86629541		8	BOLT, Hex, M12 x 40, 8.8, Full Thd
26		86508583		6	BOLT, Hex, M16 x 35, 8.8
27		9706703		2	CARRIAGE BOLT, Short NK, M6 x 20, CI8.8, Full Thd
28		87753014		AR	DIA KIT, HARVESTER, Grain Tank Sump Unload Wear, Includes 2 Thru 16
29		425093		6	CLIP
30		308761		11	SCREW, Short NK, M8 x 25, CI8.8, Full Thd
31		362786		2	FASTENER
32		140015		2	WASHER, M6
33		322357		4	BELLEVILLE WASHER, M6
34		322358		AR	BELLEVILLE WASHER, M8
35		86588500		6	WASHER, M8 x 16 x 2
36		412655		11	SPRING WASHER, Belleville, M10
37		449973		1	DECAL
38		140046		8	SPRING WASHER, Belleville, M12
39		86589278		6	BELLEVILLE WASHER, M17 x 41.5 x 4.5, HT
40		84075099		2	WASHER, M36 x 51 x 6 Thk
41	1	86640420		1	DANGER DECAL
41	2	84004736		1	DECAL
42		394630		8	WASHER, M13 x 28 x 4, HT
43		9706755		AR	NUT, M6, CI 8
44		9706690		28	NUT, M8, CI 8
45		100016		AR	NUT, M10, CI 8
46		9706685		8	NUT, M12, CI 8
47		100020		6	NUT, M16, CI 8
48		87284631		2	COVER
49		86975418		2	HANDLE
50		130004		8	COTTER PIN, M3.2 x 25
51		86976481		4	COVER
52		84178875		1	BRACKET
53		86629542		3	LOCK NUT, M8 x 1.25, CI 8

(1) For NA Only

(2) EU Only

7120 7120 9120 8120
8120

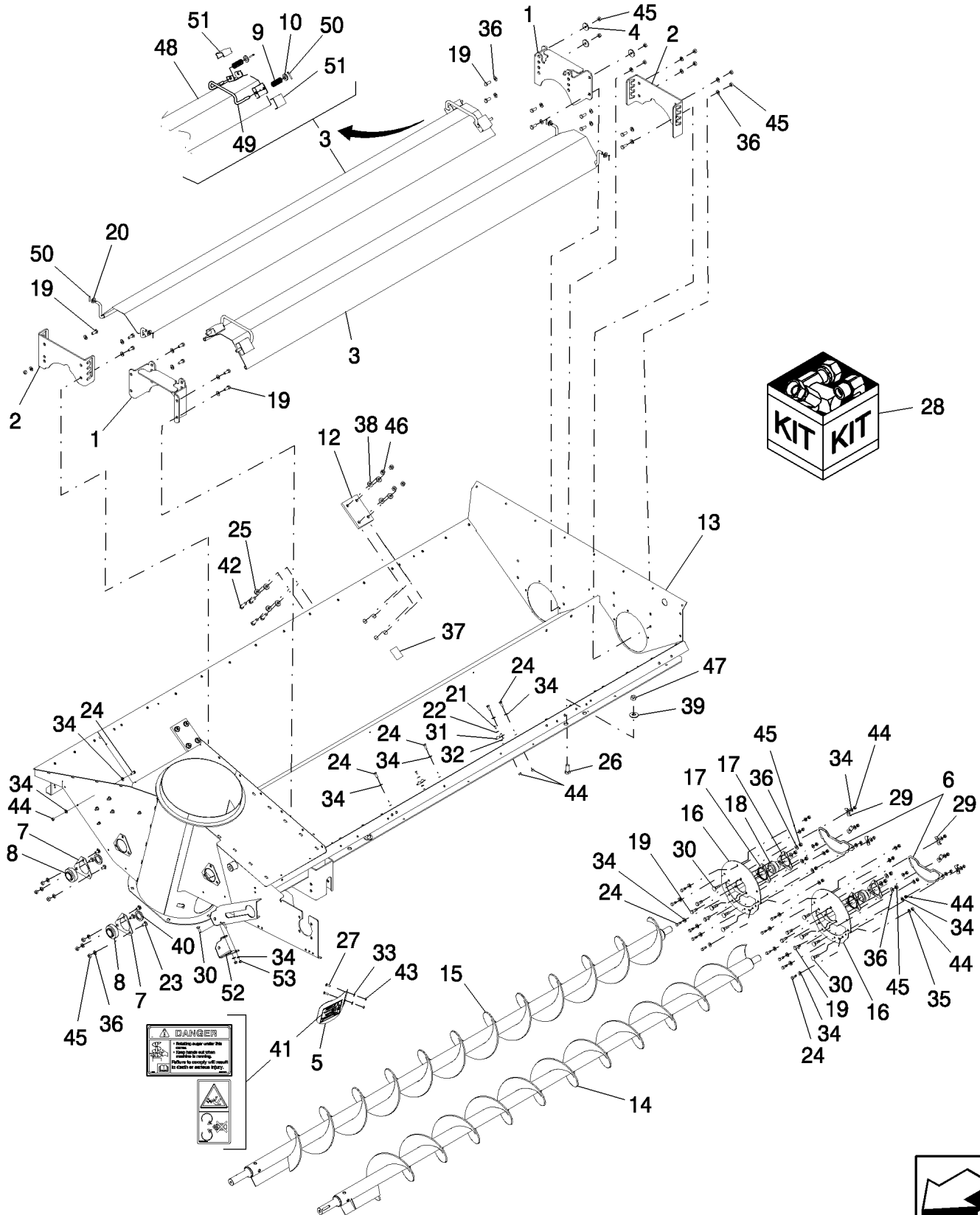
80.150.11

02

p1

02/10

GRAIN TANK - BOTTOM AND AUGERS - LATIN AMERICA ONLY



GRAIN TANK - BOTTOM AND AUGERS - LATIN AMERICA ONLY

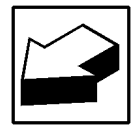
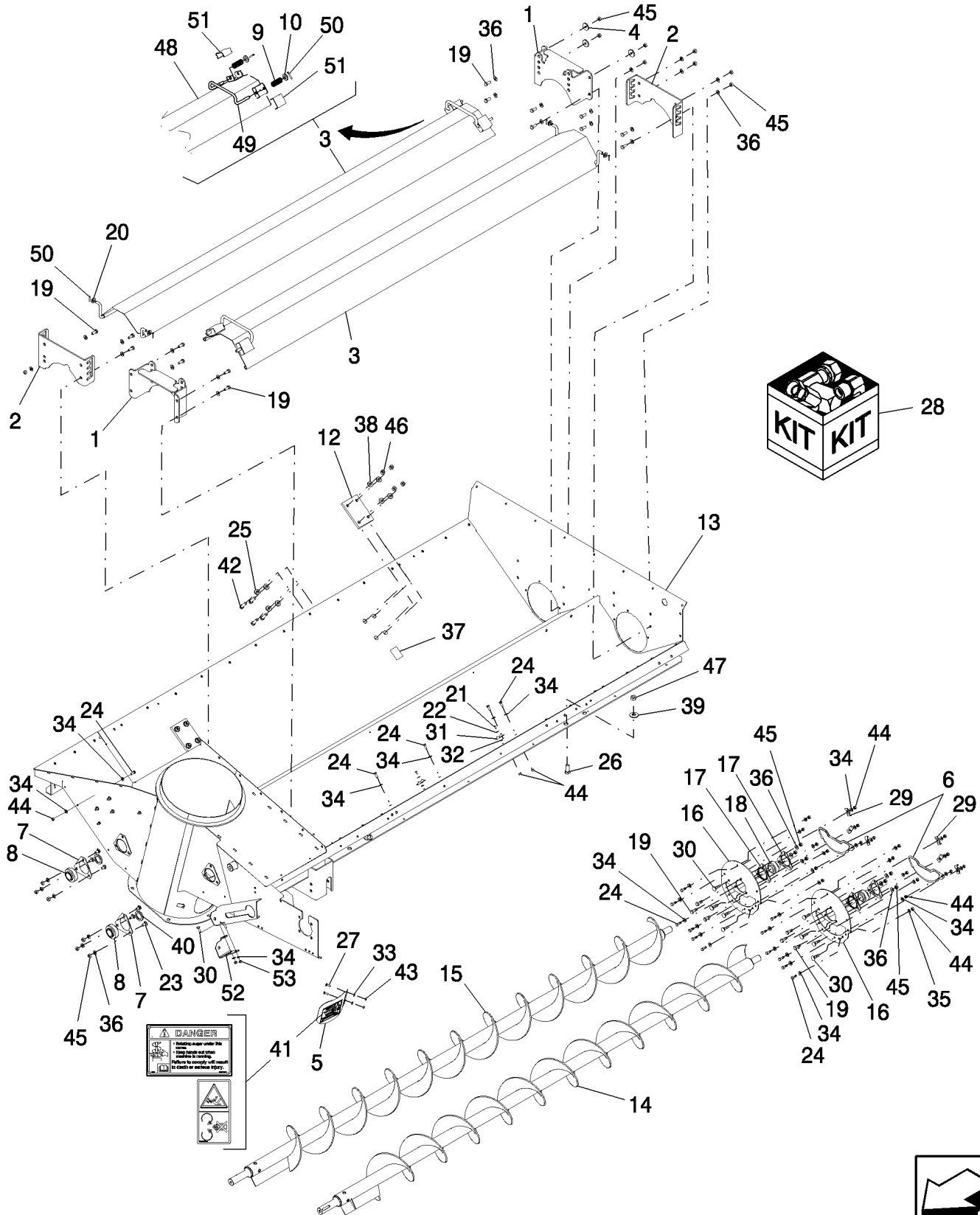
REF	FN	PART NUMBER	YR/SN	QTY	DESCRIPTION
1		86975993		2	BRACKET, Supporting
2		86975994		2	BRACKET, Supporting
3		86975412		2	COVER, Assy, Includes Refs 48 to 53
4		213404		3	SPACER
5		87583787		1	DOOR, With Latch & Decal
6		87342513		2	COVER
7		86620026		4	FLANGE
8		87605592		2	SPHERICAL BEARING
9		80025823		4	SPRING, Guard And Lock
10		86624146		4	WASHER, 17/32" x 1" x .120"
11		43140		4	BOLT, Hex, M10 x 30, 8.8, Full Thd
12		87665292		2	PLATE
13	1	87668047		1	TANK, Bottom, W/Decals
13	2	84182582		1	TANK, Bottom, W/Decals
14		87684700		1	AUGER, Rear
14		87280343		1	AUGER, Rear, EXT Wear
15		87684971		1	AUGER, Front
15		87280345		1	AUGER, Front, EXT Wear
16		87342517		2	COVER, Plate, Bearing
17		84320112		2	SET, Flange
18		84069440		2	BALL BEARING
19		43139		17	BOLT, Hex, M10 x 25, 8.8, Full Thd
20		86624146		4	WASHER, 17/32" x 1" x .120"
21		445394		2	RIVET, Pop, M4.8 x 12.7
22		362785		2	BELLEVILLE WASHER, M5.5 x 15 x 0.5 Thk
23		120041		7	CARRIAGE BOLT, Short NK, M10 x 20, Cl8.8, Full Thd
24		120104		22	BOLT, Hex, M8 x 20, 8.8
25		86629541		8	BOLT, Hex, M12 x 40, 8.8, Full Thd
26		86508583		6	BOLT, Hex, M16 x 35, 8.8
27		9706703		2	CARRIAGE BOLT, Short NK, M6 x 20, Cl8.8, Full Thd
28		87753014		AR	DIA KIT, HARVESTER, Grain Tank Sump Unload Wear, Includes Refs 2 Thru 16 plus Instructions

(1) For Use W/Mechanical Unload Drive

(2) For Use W/Hydraulic Unload Drive

7120 7120 9120 8120
8120

GRAIN TANK - BOTTOM AND AUGERS - LATIN AMERICA ONLY

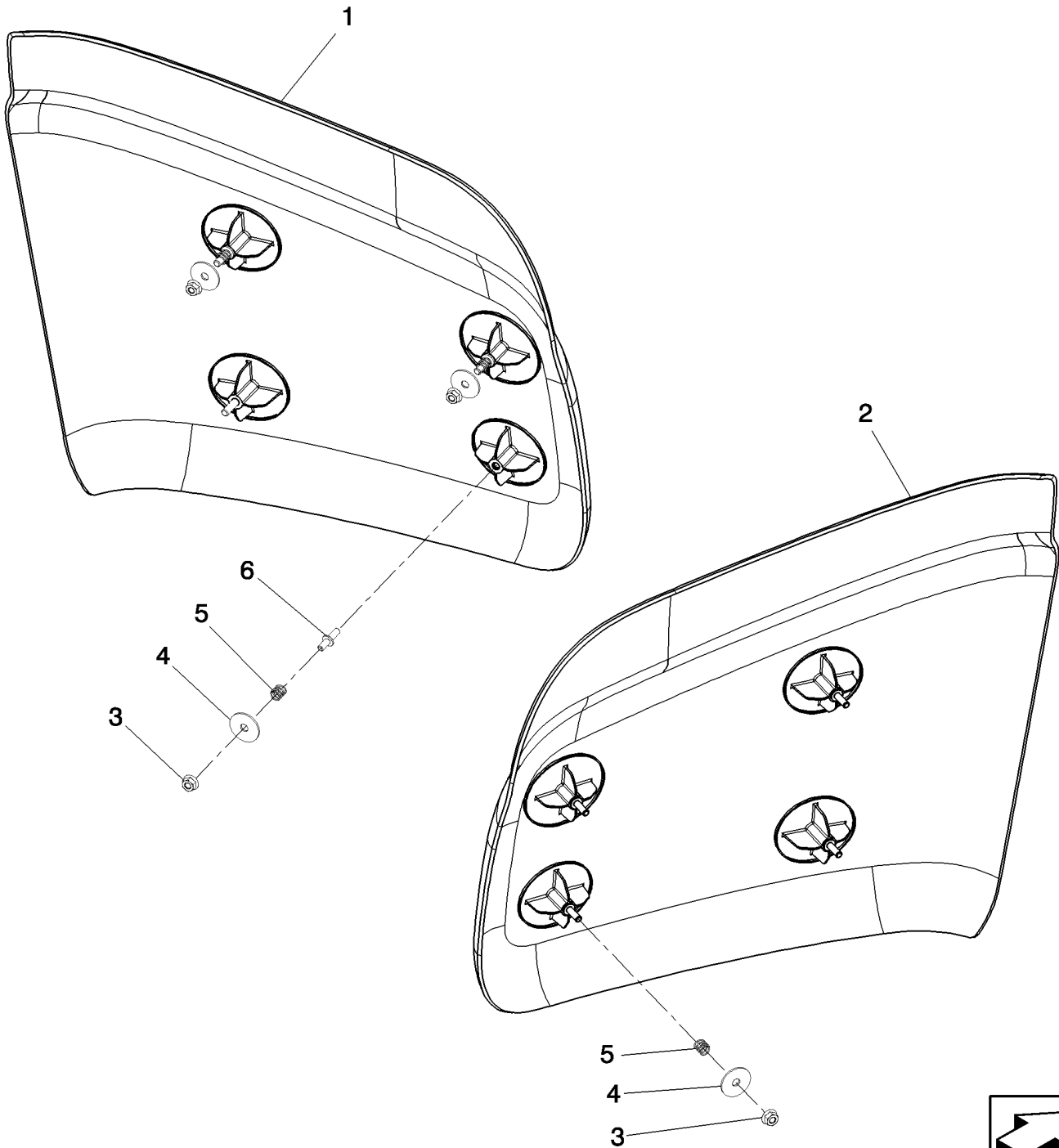


GRAIN TANK - BOTTOM AND AUGERS - LATIN AMERICA ONLY

REF	FN	PART NUMBER	YR/SN	QTY	DESCRIPTION
29		425093		6	CLIP
30		308761		11	SCREW, Short NK, M8 x 25, CI8.8, Full Thd
31		362786		2	FASTENER
32		140015		2	WASHER, M6
33		322357		4	BELLEVILLE WASHER, M6
34		322358		AR	BELLEVILLE WASHER, M8
35		86588500		6	WASHER, M8 x 16 x 2
36		412655		11	SPRING WASHER, Belleville, M10
37		449973		1	DECAL
38		140046		8	SPRING WASHER, Belleville, M12
39		86589278		6	BELLEVILLE WASHER, M17 x 41.5 x 4.5, HT
40		84075099		2	WASHER, M36 x 51 x 6 Thk
41		84004736		1	DECAL
42		394630		8	WASHER, M13 x 28 x 4, HT
43		9706755		AR	NUT, M6, CI 8
44		9706690		28	NUT, M8, CI 8
45		100016		AR	NUT, M10, CI 8
46		9706685		8	NUT, M12, CI 8
47		100020		6	NUT, M16, CI 8
48		87284631		2	COVER
49		86975418		2	HANDLE
50		130004		8	COTTER PIN, M3.2 x 25
51		86976481		4	COVER
52		84178875		1	BRACKET
53		86629542		3	LOCK NUT, M8 x 1.25, CI 8

**7120 7120 9120 8120
8120**

GRAIN TANK CORNER PANELS

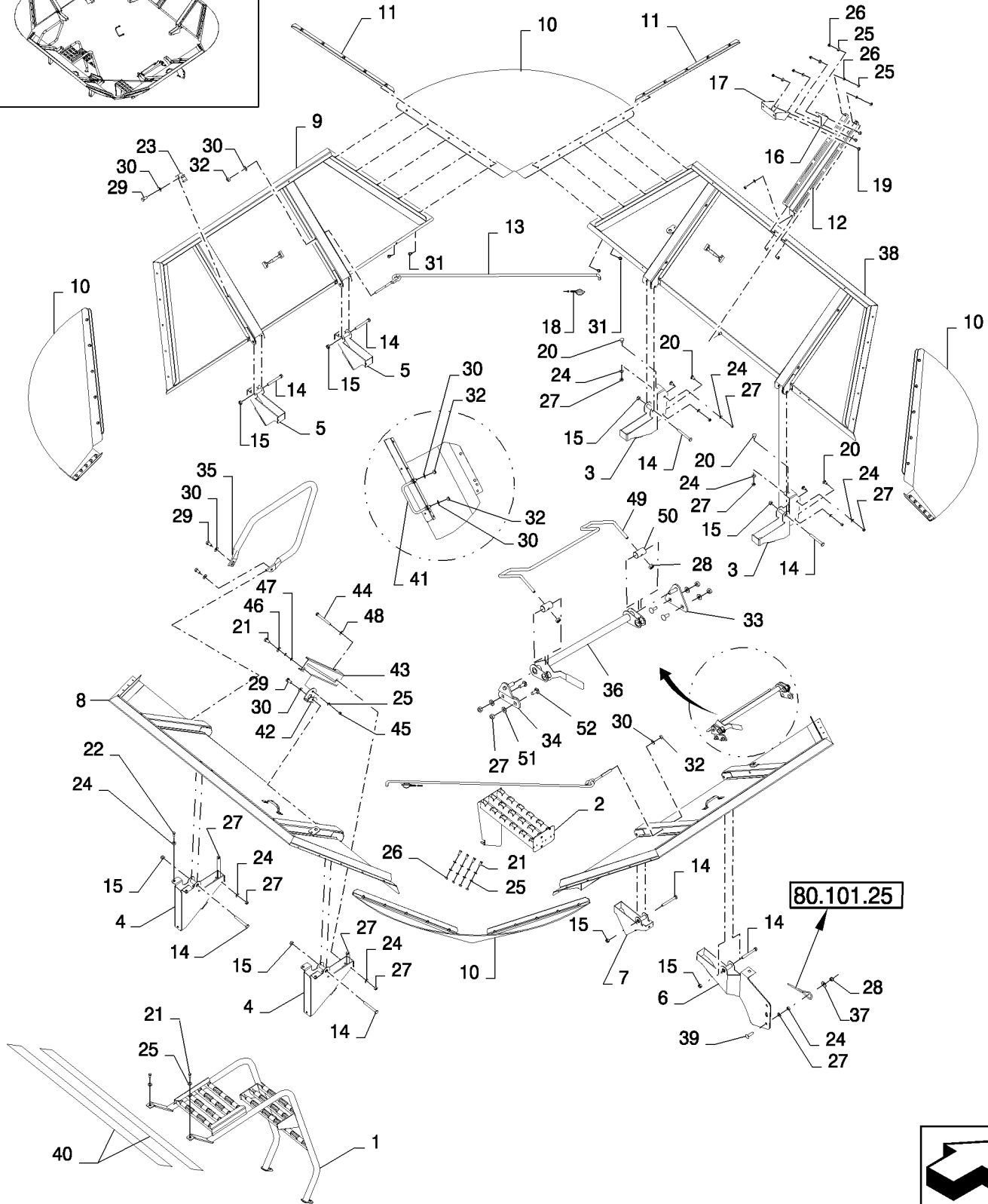
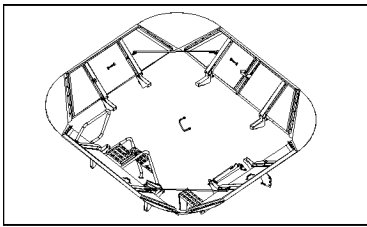


GRAIN TANK CORNER PANELS					
---------------------------------	--	--	--	--	--

REF	FN	PART NUMBER	YR/SN	QTY	DESCRIPTION
1		87628197		1	PANEL ASSY., Grain Tank Corner, L.H., Includes Ref 6(4)
2		87628196		1	PANEL ASSY., Grain Tank Corner, R.H., Includes Ref 6(4)
3		87681210		8	FLANGE NUT, Hex, M8, CI 10
4		87109561		8	SPACER
5		87000806		8	COMPRESSION SPRING
6		87728306		8	STUD

	8120 9120 7120 7120 8120
--	---

EXTENSION, GRAIN BIN



EXTENSION, GRAIN BIN

REF	FN	PART NUMBER	YR/SN	QTY	DESCRIPTION
1		86976398		1	LADDER
2		87107056		1	STEP
3		87552212		2	BRACKET
4		87552213		2	HINGE, Rear
5		87552230		2	HINGE, L.H.
6		87643079		1	HINGE, R.H.
7		87552233		1	HINGE, R.H.
8	1	87107060		1	EXTENSION, Rear
8	2	87107058		1	EXTENSION, Rear
9	1	86975483		2	EXTENSION, L.H. & R.H.
9	2	86975277		2	EXTENSION, L.H. & R.H.
10	1	86975520		4	SHEET, RFC, 24"
10	2	86975734		4	SHEET, RFC, 27"
11	1	86975516		8	ANGLE
11	2	86975514		8	ANGLE
12	1	86975528		1	BRACKET
12	2	86975526		1	BRACKET
13		86975790		2	ROD, Prop
14		374887		8	BOLT, Hex, M12 x 100, 8.8
15		100038		8	LOCK NUT, M12 x 1.75, CI 8
16		86976139		1	BRACKET
17		86975897		1	BRACKET
18		87106279		2	PIN, Klik
19		86507486		7	CARRIAGE BOLT, Short NK, M8 x 20, CI8.8, Full Thd
20		120041		7	CARRIAGE BOLT, Short NK, M10 x 20, CI8.8, Full Thd
21		120104		7	BOLT, Hex, M8 x 20, 8.8
22		43139		4	BOLT, Hex, M10 x 25, 8.8, Full Thd
23		86976901		2	CLIP, Prop Rod
24		140045		AR	BELLEVILLE WASHER, M10
25		322358		18	BELLEVILLE WASHER, M8
26		9706690		11	NUT, M8, CI 8
27		100016		AR	NUT, M10, CI 8

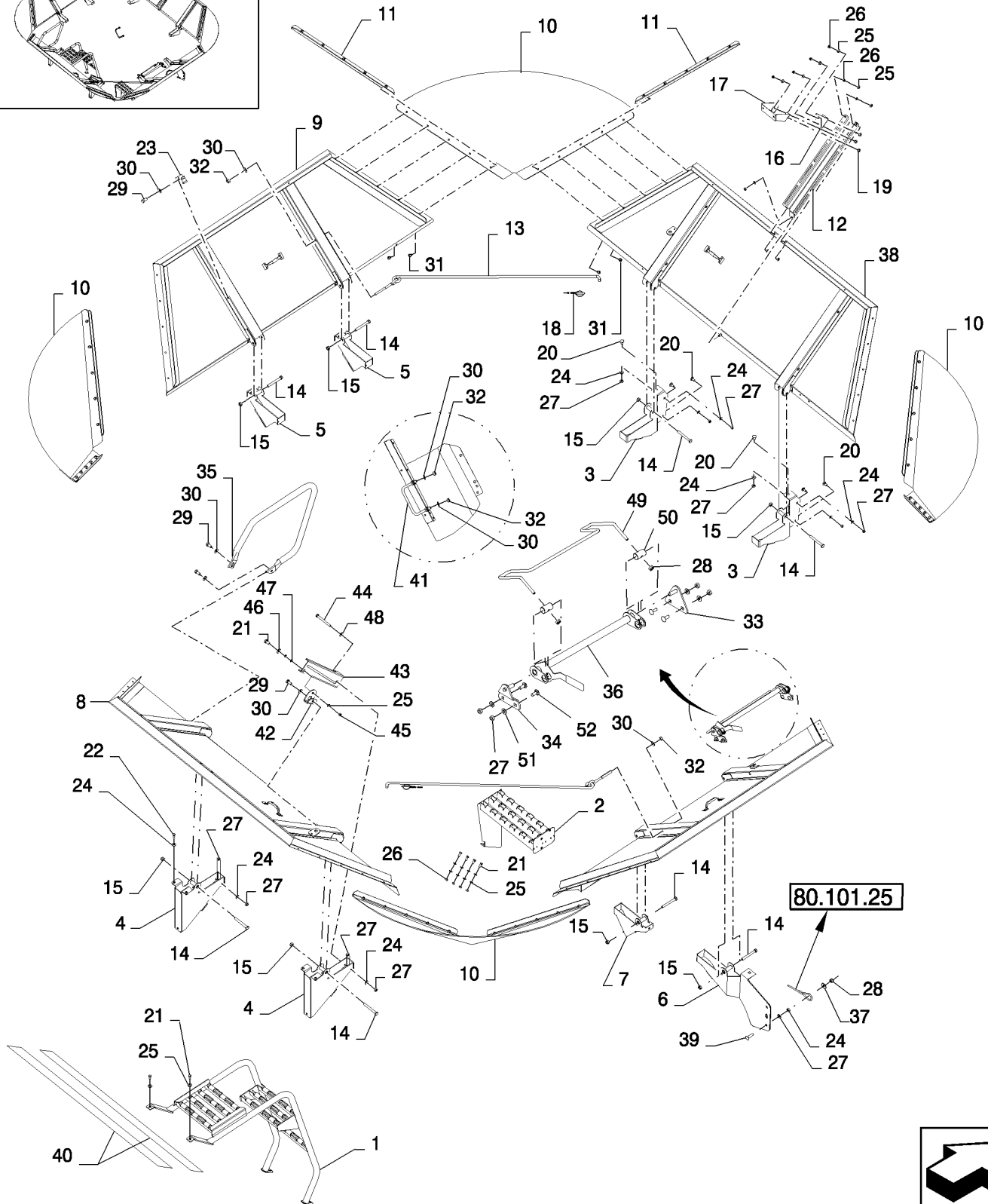
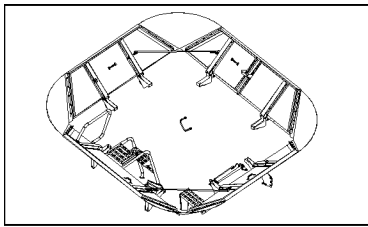
(1) 7120 Only

(2) 8120 & 9120 Only

7120 = 300 Bushels, 8120, 9120 = 330 Bushels. For NA Only

7120 7120 9120 8120
8120

EXTENSION, GRAIN BIN



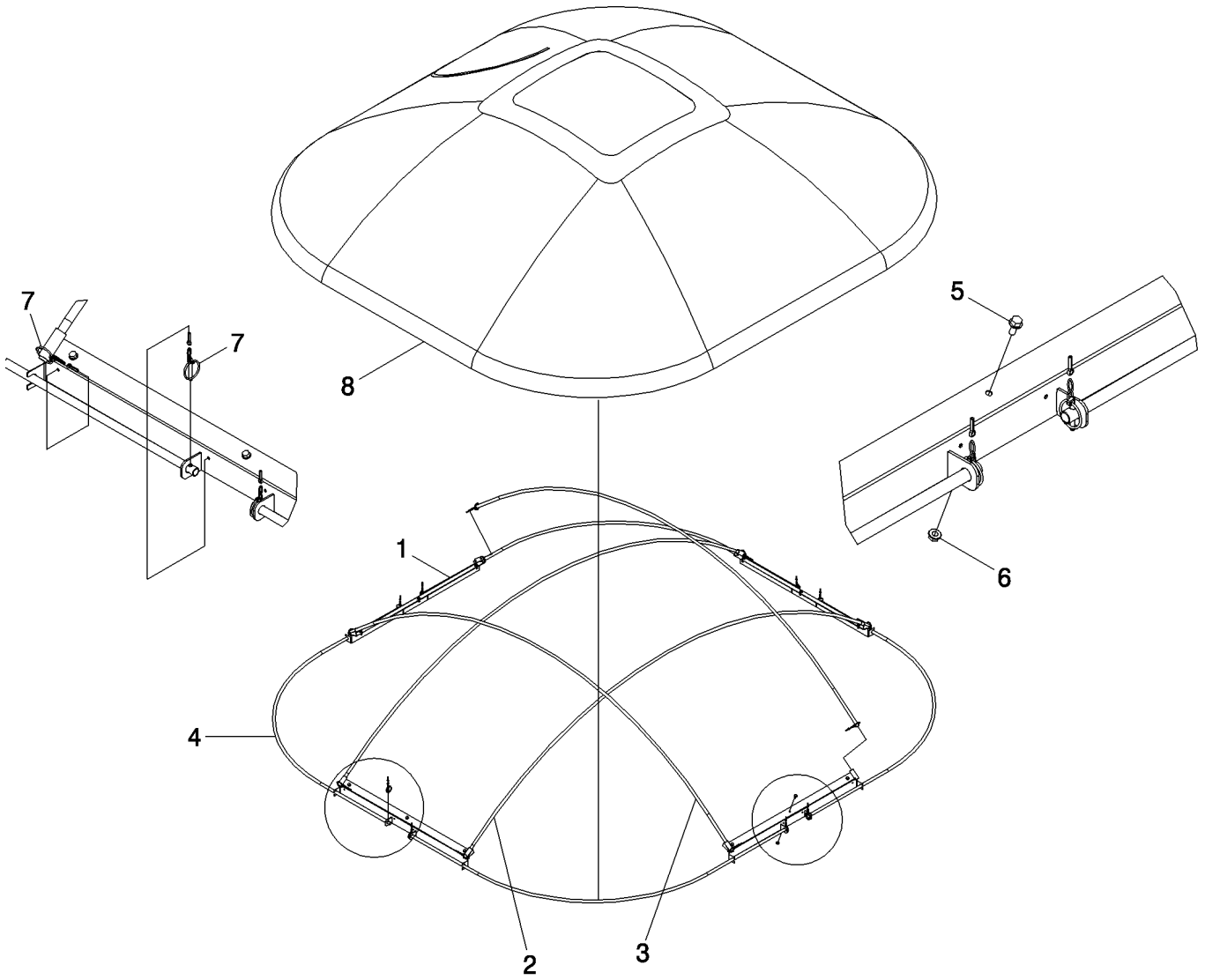
EXTENSION, GRAIN BIN

REF	FN	PART NUMBER	YR/SN	QTY	DESCRIPTION
28		100037		AR	NUT, M10 x 1.5, CI 8
29		300388		5	BOLT, Hex, M12 x 25, 8.8
30		140046		11	SPRING WASHER, Belleville, M12
31		86975890		40	SCREW, Torx Hd, M8 x 1.25 x 20, Machine
32		9706685		6	NUT, M12, CI 8
33		87552207		1	BRACKET
34		87552209		1	BRACKET
35		87548619		1	HANDLE
36		87552205		1	LATCH
37		140219		1/2	WASHER
38	1	87107060		1	EXTENSION, Front
38	2	87107058		1	EXTENSION, Front
39		374892		1	SCREW, Short NK, M10 x 40, CI8.8, Full Thd
40		86995792		2	PAD
41		87105130		1	HANDLE
42		87107781		1	BRACKET
43		87107588		1	LATCH
44		120117		1	BOLT, Hex, M10 x 110, 8.8, Full Thd
45		832-46408		1	LOCK NUT, M8 x 1.25, CI 8
46		86511315		2	WASHER, M8 x 16 x 1.6
47		378243		1	WASHER, M8
48		378244		1	WASHER, M10 x 24 x 2 Thk
49		87105947		1	ROD
50		87105948		2	SUPPORT
51		140045		4	BELLEVILLE WASHER, M10
52		86633356		4	CARRIAGE BOLT, Short NK, M10 x 25, CI8.8, Full Thd

- (1) 7120 Only
- (2) 8120 & 9120 Only

7120 = 300 Bushels, 8120, 9120 = 330 Bushels. For NA Only ☐	7120 7120 9120 8120 8120
---	---

DIA KIT CANVAS ASSY, GRAINTANK EXT. AFX7120



80.154.04

p1

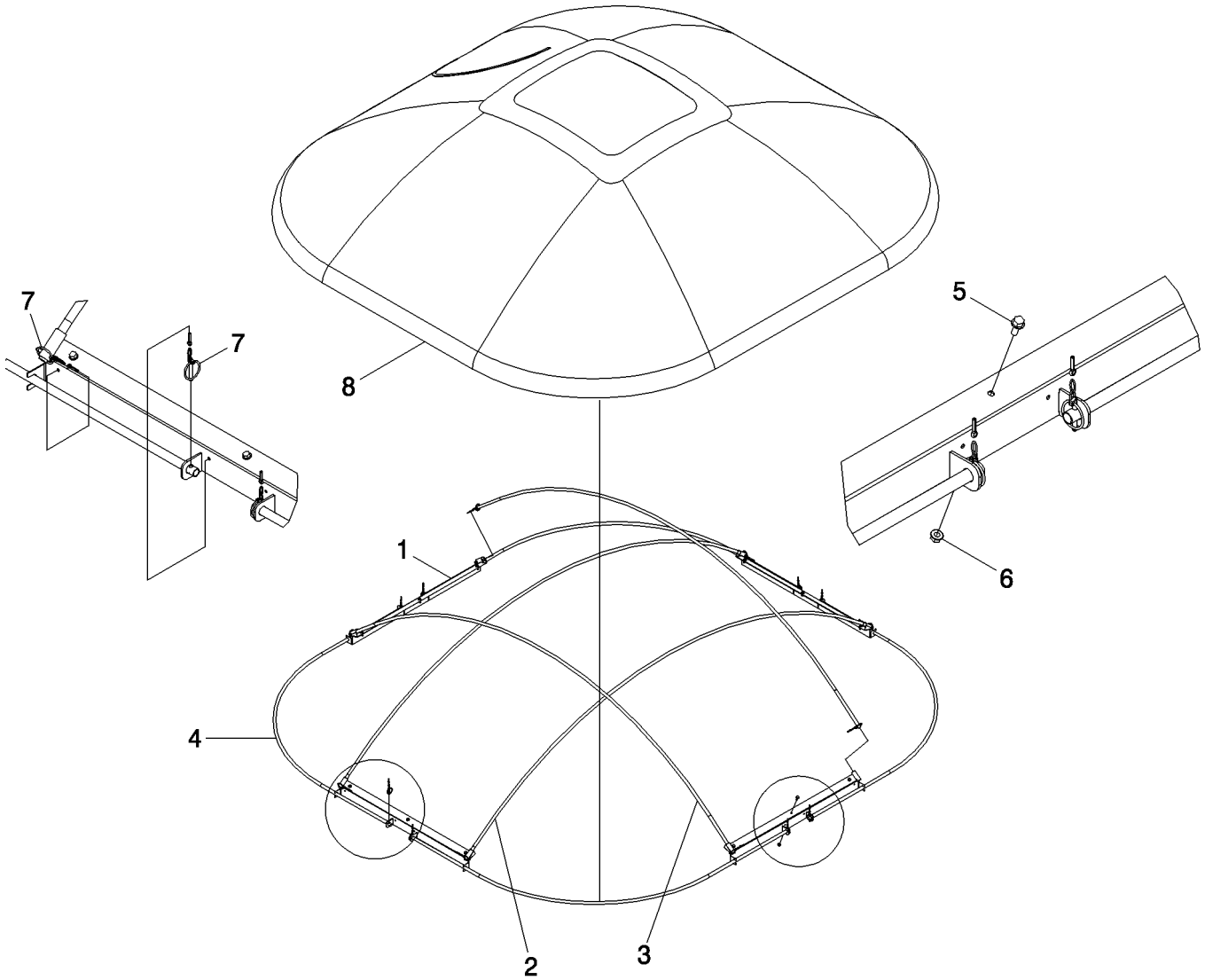
02/10

DIA KIT CANVAS ASSY, GRAINTANK EXT. AFX7120

REF	FN	PART NUMBER	YR/SN	QTY	DESCRIPTION
1		84154949		4	SUPPORT ASSY.
2		84175795		2	PIPE
3		84175799		2	PIPE
4		84175801		4	PIPE
5		9804258		12	BOLT, Hex Flg, M8 x 20, 8.8
6		9804277		12	NUT, M8 x 1.25, Flg, Cl 8
7		87106279		16	PIN
8		84187375		1	CANVAS, 12330 L / 350 Bushel
9		84201536		1	INSTRUCTION

7120

DIA KIT CANVAS ASSY, GRAINTANK EXT. AFX8120, AFX9120



80.154.06

p1

02/10

DIA KIT CANVAS ASSY, GRAINTANK EXT. AFX8120, AFX9120

REF	FN	PART NUMBER	YR/SN	QTY	DESCRIPTION
1		84154949		4	SUPPORT ASSY.
2		84154940		2	PIPE, Left Hand, Right Hand
3		84154939		2	PIPE, Front Right, Rear Right
4		84154938		4	PIPE
5		9804258		12	BOLT, Hex Flg, M8 x 20, 8.8
6		9804277		12	NUT, M8 x 1.25, Flg, Cl 8
7		87106279		16	PIN
8		84187375		1	CANVAS, 12330 L / 350 Bushel
9		84201536		1	INSTRUCTION

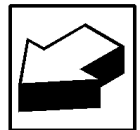
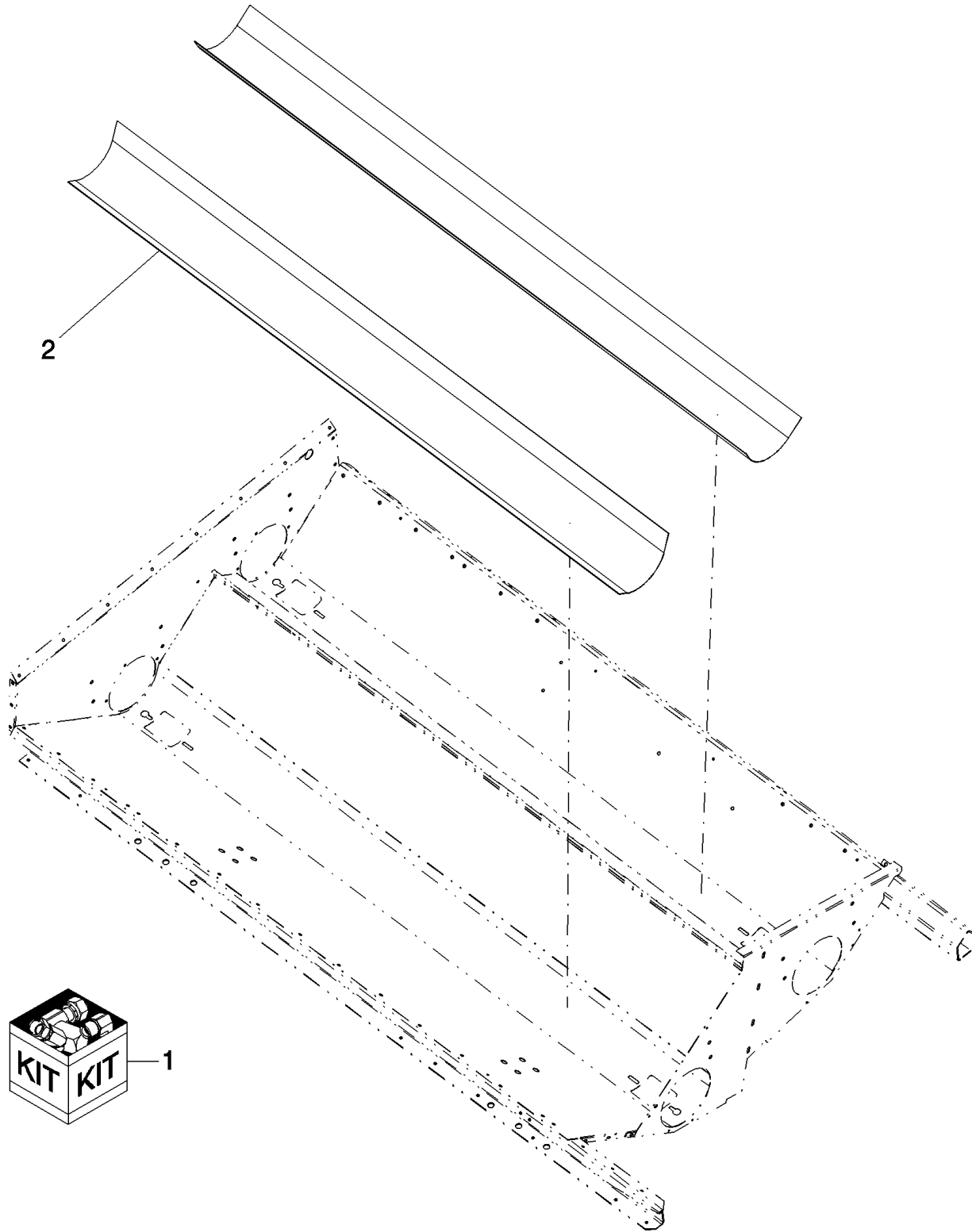
9120 8120

80.154.07

p1

11/09

DIA, HARVEST KIT, EXTENDED WEAR, GRAIN TANK BOTTOM



80.154.07

p1

11/09

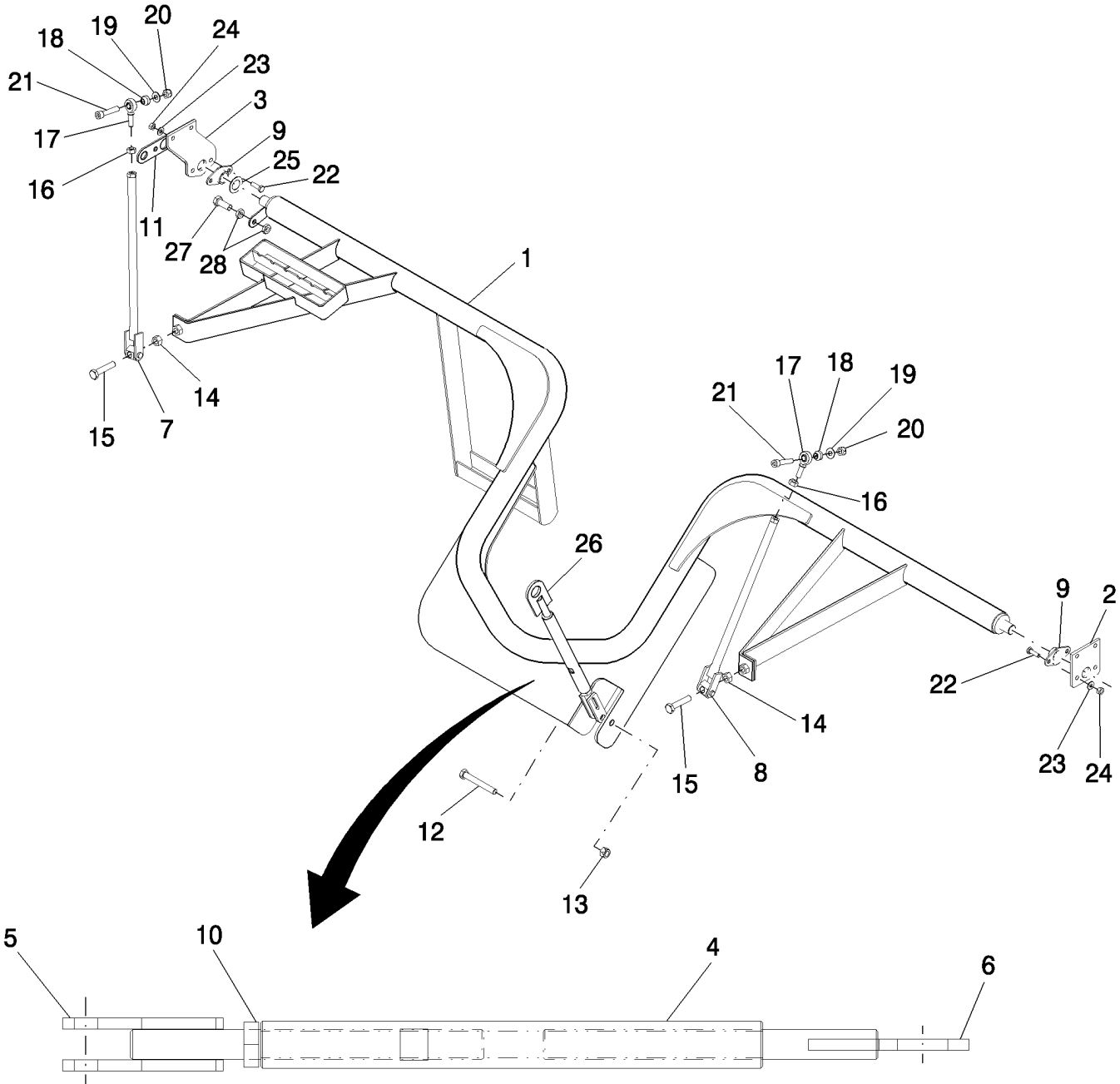
DIA, HARVEST KIT, EXTENDED WEAR, GRAIN TANK BOTTOM

REF	FN	PART NUMBER	YR/SN	QTY	DESCRIPTION
1		87662994		1	DIA KIT, HARVESTER, Grain Tank Extended Wear; Incl Ref 2(2) & Instructions
2	1	87662984		2	FLOOR

(1) Welding Required

**7120 7120 9120 8120
8120**

HINGE SYSTEM, GRAIN TANK COVERS



HINGE SYSTEM, GRAIN TANK COVERS

REF	FN	PART NUMBER	YR/SN	QTY	DESCRIPTION
1		87727644		1	FLEXIBLE CONTROL, Hinge
2		84076404		1	SUPPORT
3		84076417		1	SUPPORT
4		87108035		1	TUBE, Grain Tank Covers
5		87108044		1	CLEVIS
6		87108037		1	PLATE
7		84076427		1	ROD, Swivel Connection
8		84076437		1	ROD, Swivel Connection
9		338712		2	FLANGE, Bearing
10		100095		2	NUT, Thin, M16 x 2, CI 04
11		87281607		1	BRACKET, Sensor Tab
12		120124		1	BOLT, Hex, M12 x 90, 8.8
13		100038		1	LOCK NUT, M12 x 1.75, CI 8
14		9706685		2	NUT, M12, CI 8
15		814-12050		2	BOLT, Hex, M12 x 50, 8.8
15		300512		2	SCREW, Hex, M12 x 55, 8.8
16		100016		2	NUT, M10, CI 8
17		87645795		2	SWIVEL CONNECTION
18		84076466		2	BUSHING
19		140045		2	BELLEVILLE WASHER, M10
20		100037		2	NUT, M10 x 1.5, CI 8
21		84015950		2	HEX SOC SCREW, M10 x 50
22		43127		4	BOLT, Hex, M8 x 25, 8.8
23		322358		4	BELLEVILLE WASHER, M8
24		9706690		4	NUT, M8, CI 8
25		84434145		AR	WASHER, M23 x 38 x 2 Thk
26		87108033		1	CLEVIS, Incl Ref 4, 5, 6 & 10
27		9706687		1	BOLT, Hex, M12 x 30, 8.8, Full Thd
28		323238		2	NUT, Thin, M12 x 1.75, CI 05

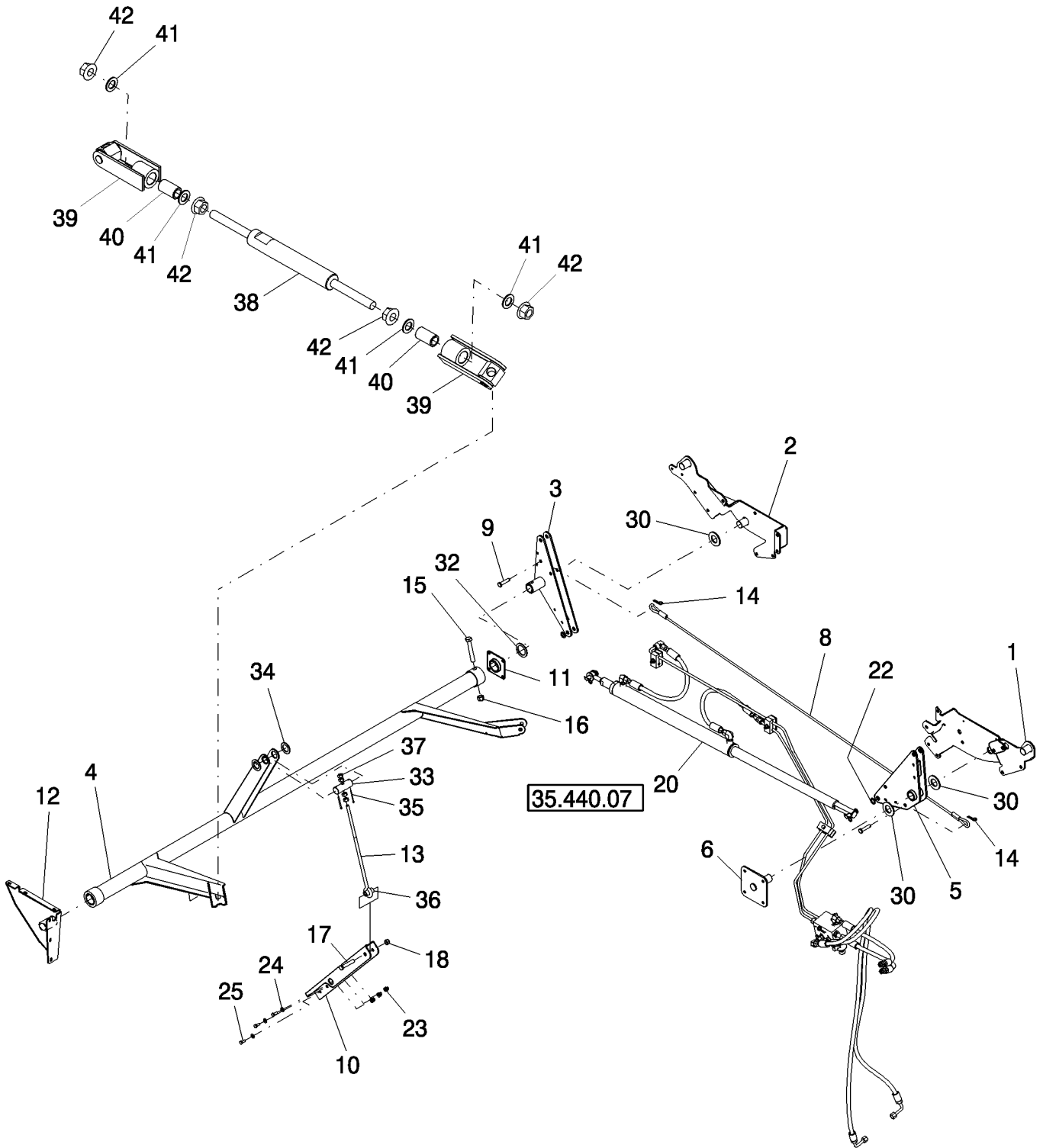
**7120 7120 9120 8120
8120**

80.154.10

p1

02/10

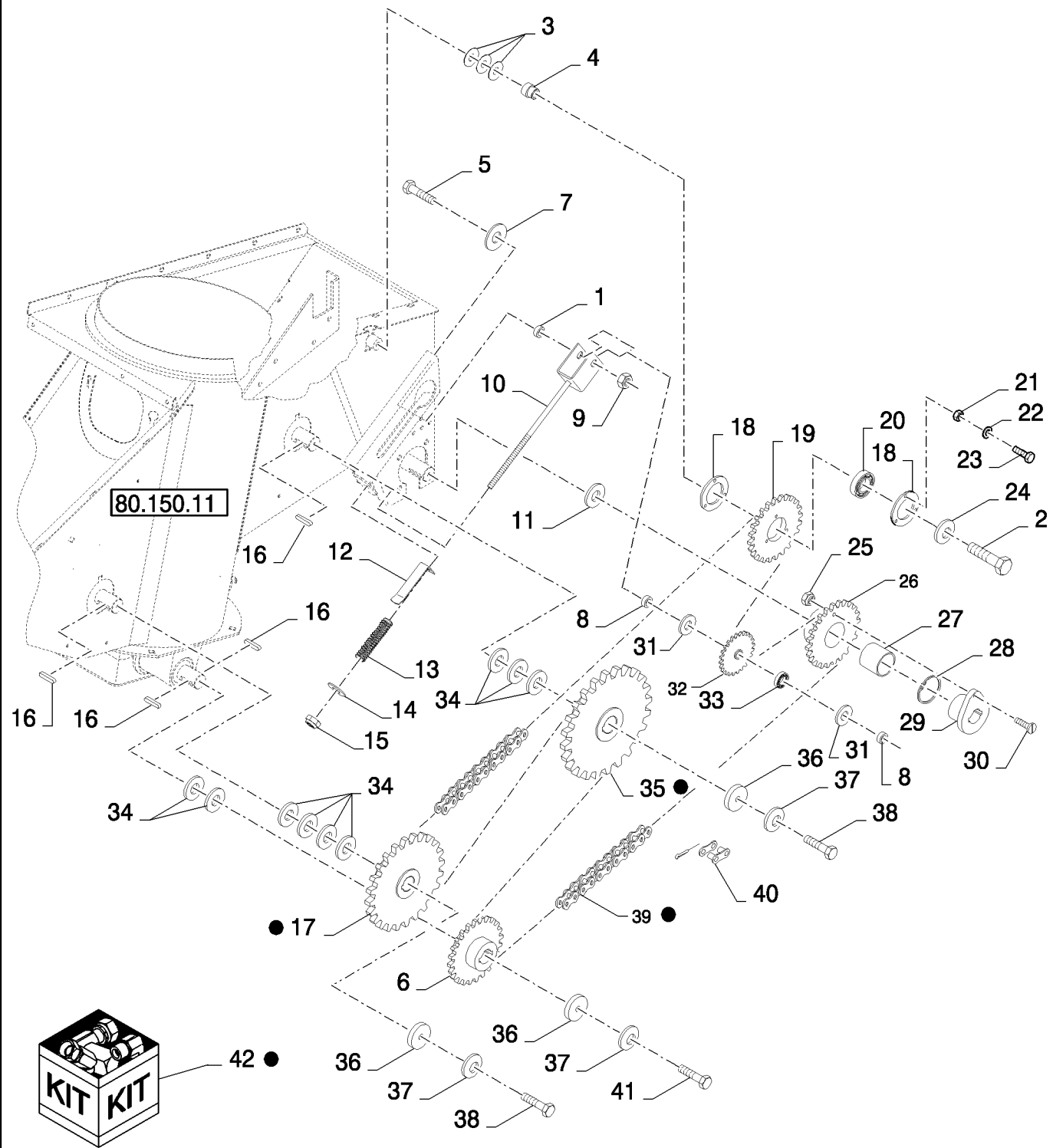
LINKAGE FOR GRAIN TANK COVER - MY2010 - 350 BU AND 315 BU



LINKAGE FOR GRAIN TANK COVER - MY2010 - 350 BU AND 315 BU

REF	FN	PART NUMBER	YR/SN	QTY	DESCRIPTION
1		84186104		1	BRACKET, Tank Cover L.H. Rear
2		84156243		1	BRACKET, Tank Cover, R.H. Rear
3		84185862		1	HALF-LINK, R.H. Lower, W/ BRG
4		84194849		1	ROCKSHAFT
5		84185858		1	HALF-LINK, Tank Cover L.H. Lower
6		87491025		1	BRACKET, Tank Cover, L.H. Rear
8		84187755		1	CABLE
9		728-1255		2	CLEVIS PIN, M12 x 55
10		84141618		1	CHANNEL
11		84156236		1	SUPPORT
12		87491002		1	MOUNT
13		84142319		1	ROD, M12 x 1.75
14		216698		2	HAIR PIN COTTER, Int, 5/16" x 1.75" x 0.125"
15		86541970		1	BOLT, Hex, M16 x 100, 10.9
16		86000441		1	NUT, M16 x 2, CI 8
17		86505259		1	SCREW, Hex, M12 x 70, 10.9
18		100038		1	LOCK NUT, M12 x 1.75, CI 8
20		NS		1	NOT SERVICED
22		13507701		2	WASHER, M16 x 27 x 2
23		86610200		3	THREADED INSERT, M8 x 1.25
24		322358		3	BELLEVILLE WASHER, M8
25		120104		3	BOLT, Hex, M8 x 20, 8.8
30		86512837		3	WASHER, 1 1/4", SAE
32		87613204		1	WASHER, 1.78" x 2.50" x .119"
33		84141615		1	PIN
34		86632583		2	WASHER, 1 9/32" x 2" x .120"
35		300410		2	COTTER PIN
36		84194819		1	SPACER
37		9706685		4	NUT, M12, CI 8
38		87471197		1	HALF-LINK
39		87479912		2	COUPLING
40		87479913		2	BRONZE BUSHING
41		195-83000		4	WASHER
42		9804279		4	NUT, M12 x 1.75, Flg, CI 8
					7120 7120 9120 8120 8120

UNLOADING CHAIN DRIVE



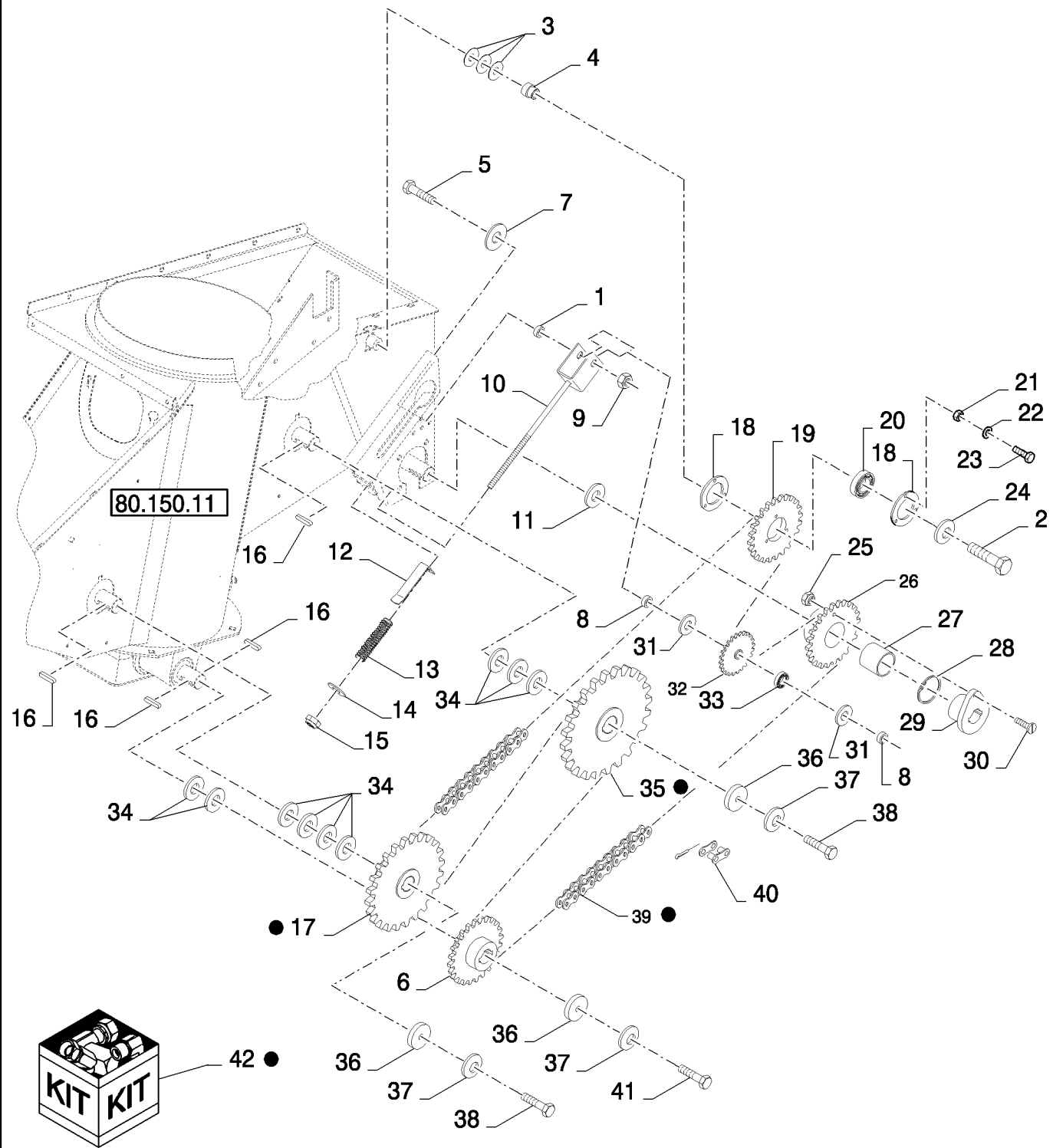
UNLOADING CHAIN DRIVE

REF	FN	PART NUMBER	YR/SN	QTY	DESCRIPTION
1		86623083		1	SPACER
2		614-16050		1	BOLT, Hex, M16 x 50, 8.8
3		80393062		3	WASHER, M17
4		89515145		1	BUSHING
5		120093		1	BOLT, Hex, M16 x 80, 8.8
6		84069770		1	SPROCKET, 25T
7		86519909		1	WASHER, M17 x 46 x 5 Thk
8		86582836		2	SPACER
9		86000441		1	NUT, M16 x 2, CI 8
10		86588887		1	CLEVIS
11		84073175		1	WASHER, M35 x 72 x 5 Thk
12		86601493		1	INDICATOR
13		337829		1	SPRING, Compression
14		87364		1	WASHER, 1/2", SAE
15		80412126		1	LOCK NUT, CL 8, M12 x 1.75
16		80170012		4	KEY, M10 x 8 x 50
17		84069777		1	SPROCKET, 38T
17	1	87710883		1	SPROCKET, 47T; See Also Refs 35 & 39
18		80310146		2	FLANGE
19		86594534		1	SPROCKET, Idler, 25T
20		80443898		1	BALL BEARING
21		9706755		3	NUT, M6, CI 8
22		322357		3	BELLEVILLE WASHER, M6
23		120100		3	BOLT, Hex, M6 x 20, 8.8
24		140048		1	BELLEVILLE WASHER, M16
25		832-46408		1	LOCK NUT, M8 x 1.25, CI 8
26		84069795		1	SPROCKET, Driving, 25T
27		89819016		1	SLEEVE
28		370004		1	SNAP RING, M35, Ext
29		84073176		1	SHEAR BOLT BUSHING
30		43129		1	BOLT, Hex, M8 x 40, 8.8
31		34821		2	WASHER, 45/64" x 1 1/8" x 16 Ga.
32		86627639		1	SPROCKET, Idler, 15T
33		66553		1	BALL BEARING

(1) For Use W/Extended Wear Grain Tank

7120 7120 8120 9120
8120

UNLOADING CHAIN DRIVE



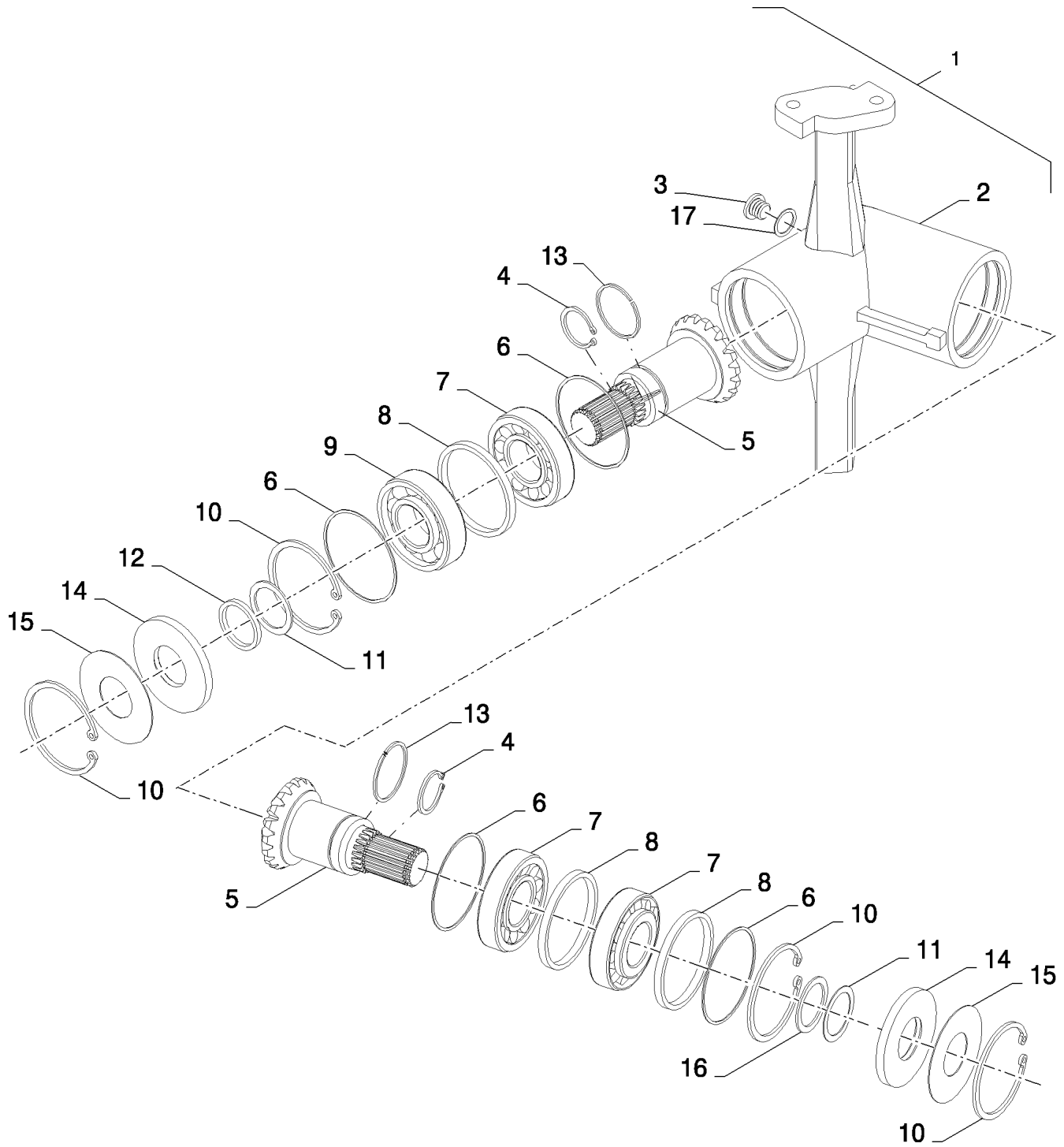
UNLOADING CHAIN DRIVE

REF	FN	PART NUMBER	YR/SN	QTY	DESCRIPTION
34		9800957		11/AR	WASHER, 1.41" x 2" x .06" Thk, HDN, (M36)
35		84069677		1	SPROCKET, 43T
35	1	87710883		1	SPROCKET, 47T; See Also Refs 17 & 39
36		84073172		3	WASHER, M13 x 60 x 12 Thk
37		140046		3	SPRING WASHER, Belleville, M12
38		9706687		2	BOLT, Hex, M12 x 30, 8.8, Full Thd
39		86998066		1	CHAIN, RC 60H, 3/4"-pitch, 284 Pitches
39	1	87680581		1	CHAIN, RC 60H, 3/4"-pitch, 288 Pitches; See Also Refs 17 & 35
40		86595264		1	LINK CHAIN, Connecting, RC 60 H, Cotter-pin-type
41		86629541		1	BOLT, Hex, M12 x 40, 8.8, Full Thd
42	2	87753010		AR	DIA KIT, HARVESTER, Grain Tank Auger Slow Down; Incl Refs 17, 35, 39 (Extended Wear), & Instructions

- (1) For Use W/Extended Wear Grain Tank
- (2) For Rice Harvest & Extended Wear Grain Tank

	7120 7120 8120 9120 8120
--	---

UNLOADING AUGER, GEARBOX, UPPER

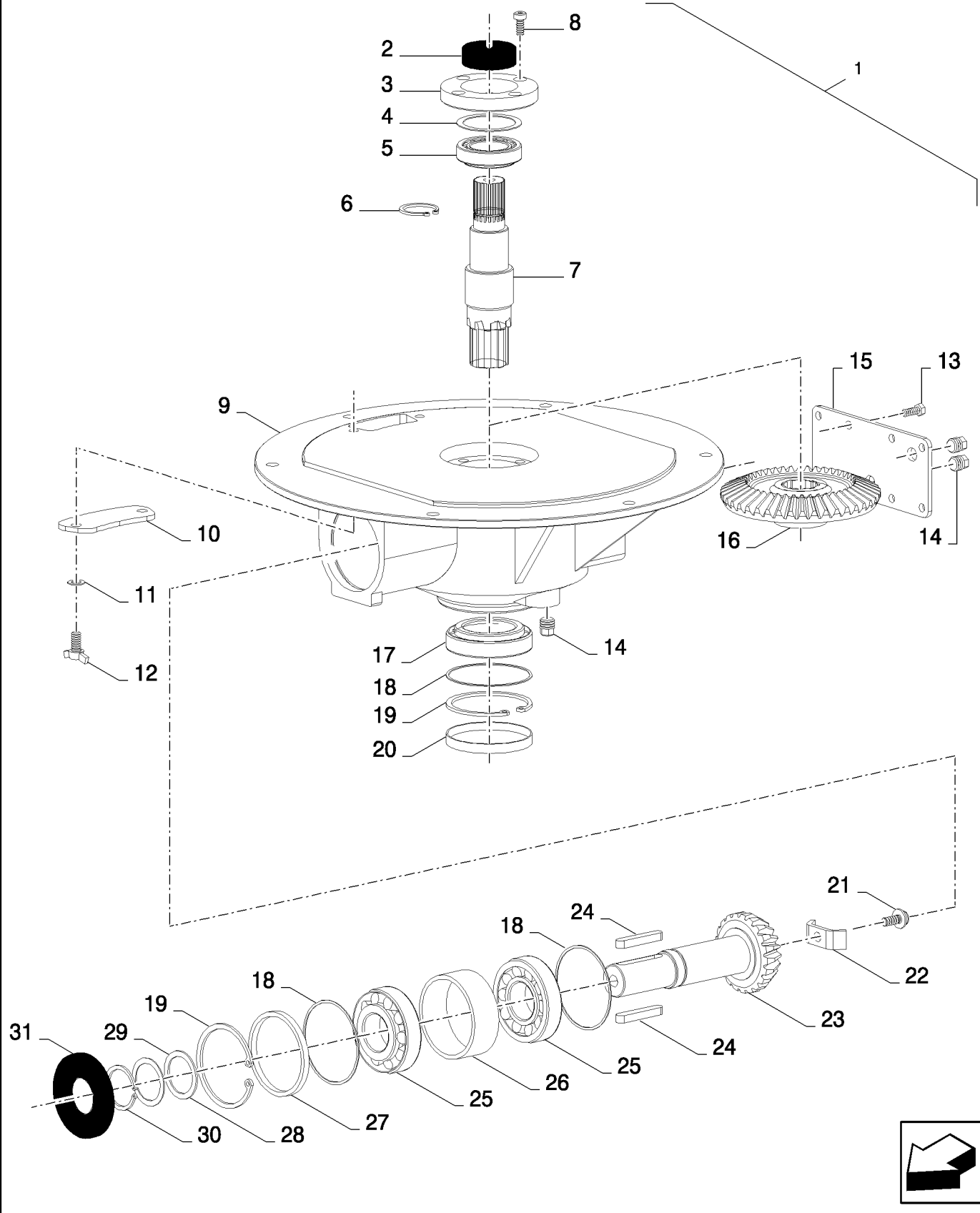


UNLOADING AUGER, GEARBOX, UPPER

REF	FN	PART NUMBER	YR/SN	QTY	DESCRIPTION
1		87331084		1	GEARBOX, Incl 2 to 17
2		87331121		1	HOUSING, Casting #.175.030300
3		84437088		1	PLUG, 3/8" Gas
4		87349260		2	SNAP RING, M34, Ext
5		87331114		2	BEVEL GEAR
6		87346736		4	SHIM KIT
7		26799990		3	ROLLER BEARING
8		87332420		3	SPACER, RING
9		ST265		1	BALL BEARING
10		370026		4	SNAP RING, Int, M100 x 3
11		87332423		2	SHIM KIT
12		87345894		1	SHIM, 3mm Thk, M55 x 68
13		800-5155		2	SNAP RING, M55, Ext, Hvy
14		87331115		2	SEAL
15		87332418		2	WASHER, M56 x 100 x 1 Thk
16		87345893		1	SHIM, 1mm Thk, M55 x 68
17		9511034		1	SEAL

**7120 7120 8120 9120
8120**

UNLOADING AUGER, GEARBOX, LOWER

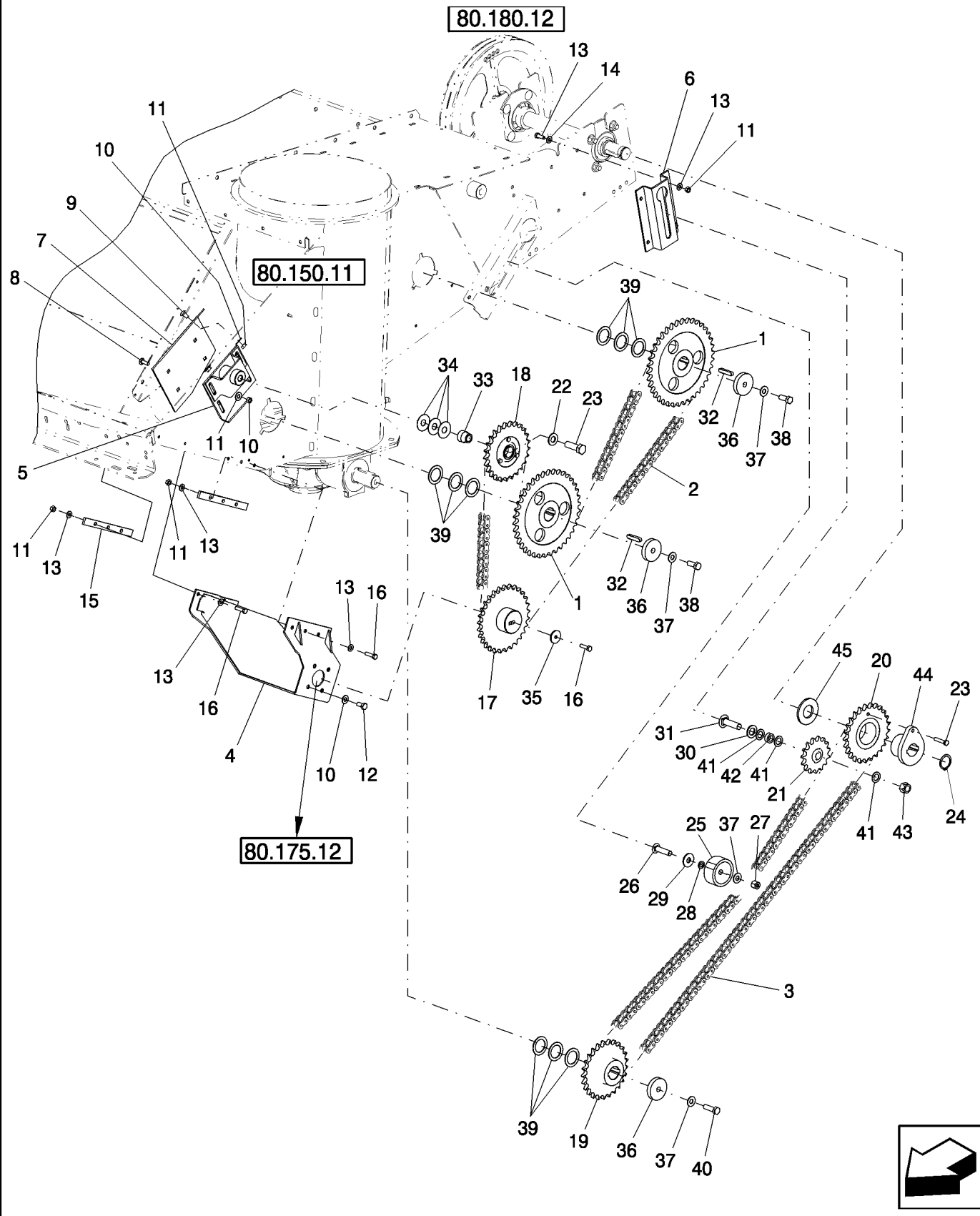


UNLOADING AUGER, GEARBOX, LOWER

REF	FN	PART NUMBER	YR/SN	QTY	DESCRIPTION
1		84320052		1	GEARBOX
2		86623221		1	WIPER SEAL
3		86623222		1	FLANGE, Cover
4		86623218		1	SHIM KIT
5		86626475		1	TAPERED ROLLER BEARING
6		370004		1	SNAP RING, M35, Ext
7		86623219		1	SHAFT
8		86566099		4	SCREW, Hex Soc Hd, M8 x 16, 12.9
9		86623223		1	HOUSING
10		86623226		1	COVER
11		9511037		2	SEALRING
12		412049		2	SCREW, Wing, M10 x 16
13		120104		8	BOLT, Hex, M8 x 20, 8.8
14		9837623		3	PLUG, Drain, 3/8" Gas Cylinder W/Buna-N Seal
15		86623224		1	COVER
16		86623225		1	BEVEL GEAR
17		853116		1	TAPERED ROLLER BEARING
18		86623216		3	SHIM KIT
19		370013		2	SNAP RING, M90, Int
20		86623227		1	COVER
21		9804262		1	BOLT, Hex Flg, M10 x 30, 8.8
22		86623220		1	PLATE
23		86623217		1	BEVEL GEAR, Pinion
24		170013		2	KEY, Round Corners, 8 x 10 x 56
25		86613758		2	TAPERED ROLLER BEARING
26		86623228		1	SPACER, 33mm L
27		86623215		1	SPACER
28		86623231		1	SHIM, M40 x 52 x 2 Thk
29		86623229		1	SHIM KIT, Also Incl (1) Ref 28
30		440442		1	SNAP RING, M40, Ext, 2.5 x 40 mm
31		86623230		1	SEAL

7120 7120 8120 9120
8120

UNLOADING CHAIN DRIVE, SPECIAL FOR RICE, NA ONLY, FROM PIN Y9G206259 - 7120, 8120, 9120



80.175.10

p1

11/09

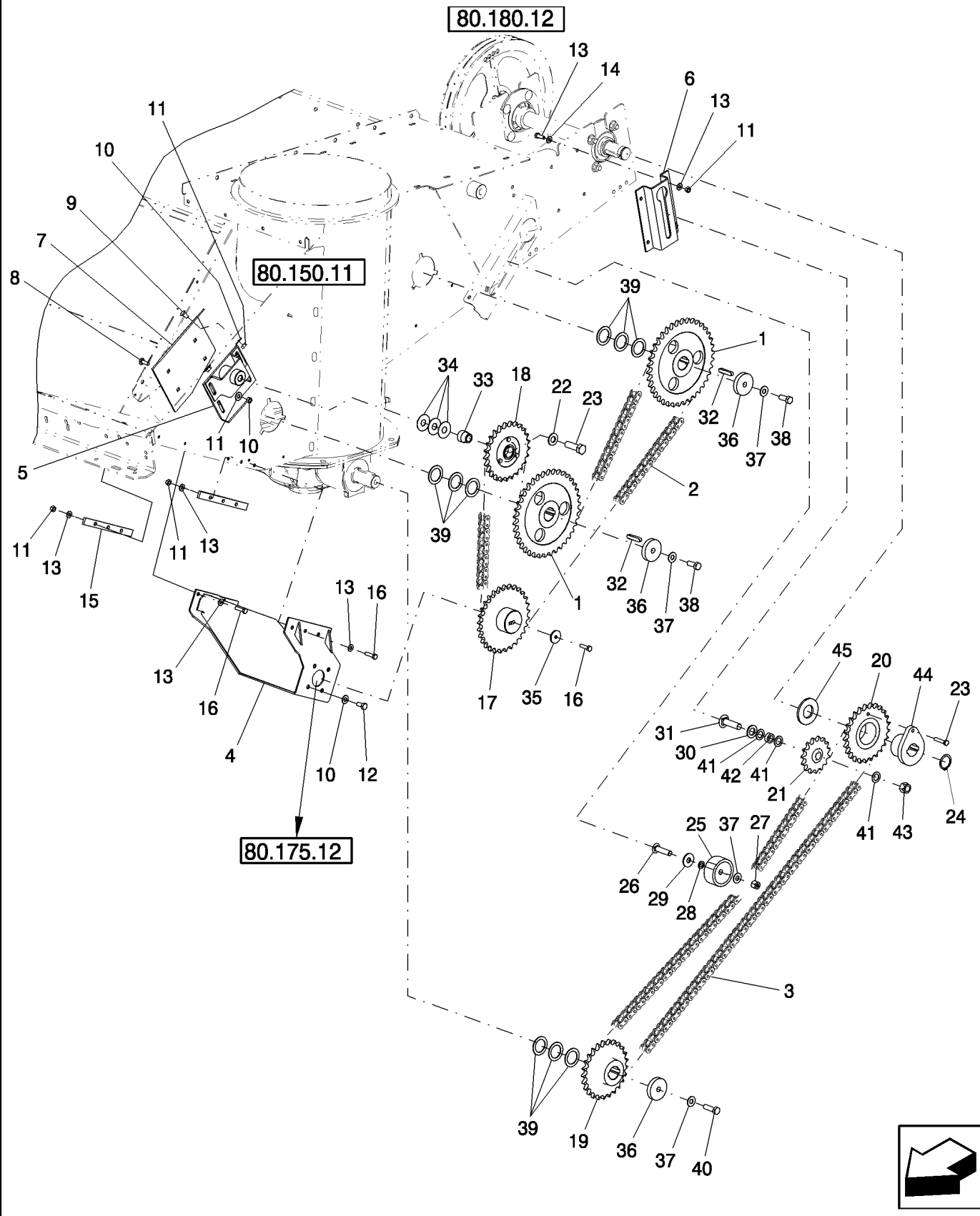
UNLOADING CHAIN DRIVE, SPECIAL FOR RICE, NA ONLY, FROM PIN Y9G206259 - 7120, 8120, 9120

REF	FN	PART NUMBER	YR/SN	QTY	DESCRIPTION
1		84069777		2	SPROCKET, 38T
2		84120557		1	CHAIN, 162 Links, 3086.1 MM Long
3		84120559		1	CHAIN, 150 Links, 2857.5 MM Long
4		84178275		1	BRACKET, Housing, Motor
5		84177542		1	BRACKET
6		84139911		1	BRACKET, Idler
7		84140059		1	BRACKET, Plate
8		308761		4	SCREW, Short NK, M8 x 25, Cl8.8, Full Thd
9		86619060		2	CARRIAGE BOLT, Short NK, M8 x 16, Cl8.8, Full Thd
10		140045		10	BELLEVILLE WASHER, M10
11		9706690		16	NUT, M8, Cl 8
12		43138		4	BOLT, Hex, M10 x 20, 8.8, Full Thd
13		322358		20	BELLEVILLE WASHER, M8
14		86625001		4	BOLT, Hex, M8 x 22, 8.8, Full Thd
15		84179154		2	BAR
16		43128		7	SCREW, Hex, M8 x 30, 8.8
17		84132597		1	SPROCKET, 29T
18		86565318		1	SPROCKET ASSY., 25T
19		84069770		1	SPROCKET, 25T
20		84069795		1	SPROCKET, 25T
21		86627639		1	SPROCKET, 15T
22		140048		1	BELLEVILLE WASHER, M16
23		43129		1	BOLT, Hex, M8 x 40, 8.8
24		370004		1	SNAP RING, M35, Ext
25		334970		1	IDLER
26		87033290		1	CARRIAGE BOLT, Short NK, M12 x 55, Cl8.8
27		412126		1	LOCK NUT, M12 x 1.75, Cl 8
28		13507401		1	WASHER, M12 x 20 x 2
29		87016607		1	WASHER, M12 x 37 x 3
30		87016606		1	WASHER, M18 x 34 x 3
31		120046		1	CARRIAGE BOLT, Short NK, M16 x 60, Cl8.8, Full Thd
32		170012		2	KEY, M10 x 8 x 50, Par
33		9515145		1	BUSHING
34		393062		3	WASHER, M17 x 45 x 0.9 Thk

Factory-Fitted

7120 8120 9120

UNLOADING CHAIN DRIVE, SPECIAL FOR RICE, NA ONLY, FROM PIN Y9G206259 - 7120, 8120, 9120



80.175.10

p2

11/09

UNLOADING CHAIN DRIVE, SPECIAL FOR RICE, NA ONLY, FROM PIN Y9G206259 - 7120, 8120, 9120

REF	FN	PART NUMBER	YR/SN	QTY	DESCRIPTION
35		12646205		1	WASHER, M8 x 35 x 3
36		84073172		3	WASHER, M13 x 60 x 12 Thk
37		140046		4	SPRING WASHER, Belleville, M12
38		9706687		2	BOLT, Hex, M12 x 30, 8.8, Full Thd
39		9800957		9	WASHER, 1.41" x 2" x .06" Thk, HDN
40		86629541		1	BOLT, Hex, M12 x 40, 8.8, Full Thd
41		34821		3	WASHER, 45/64" x 1 1/8" x 16 Ga.
42		86582836		1	SPACER
43		86000441		1	NUT, M16 x 2, CI 8
44		84073176		1	SHEAR BOLT BUSHING
45		84073175		1	WASHER, M35 x 72 x 5 Thk

Factory-Fitted

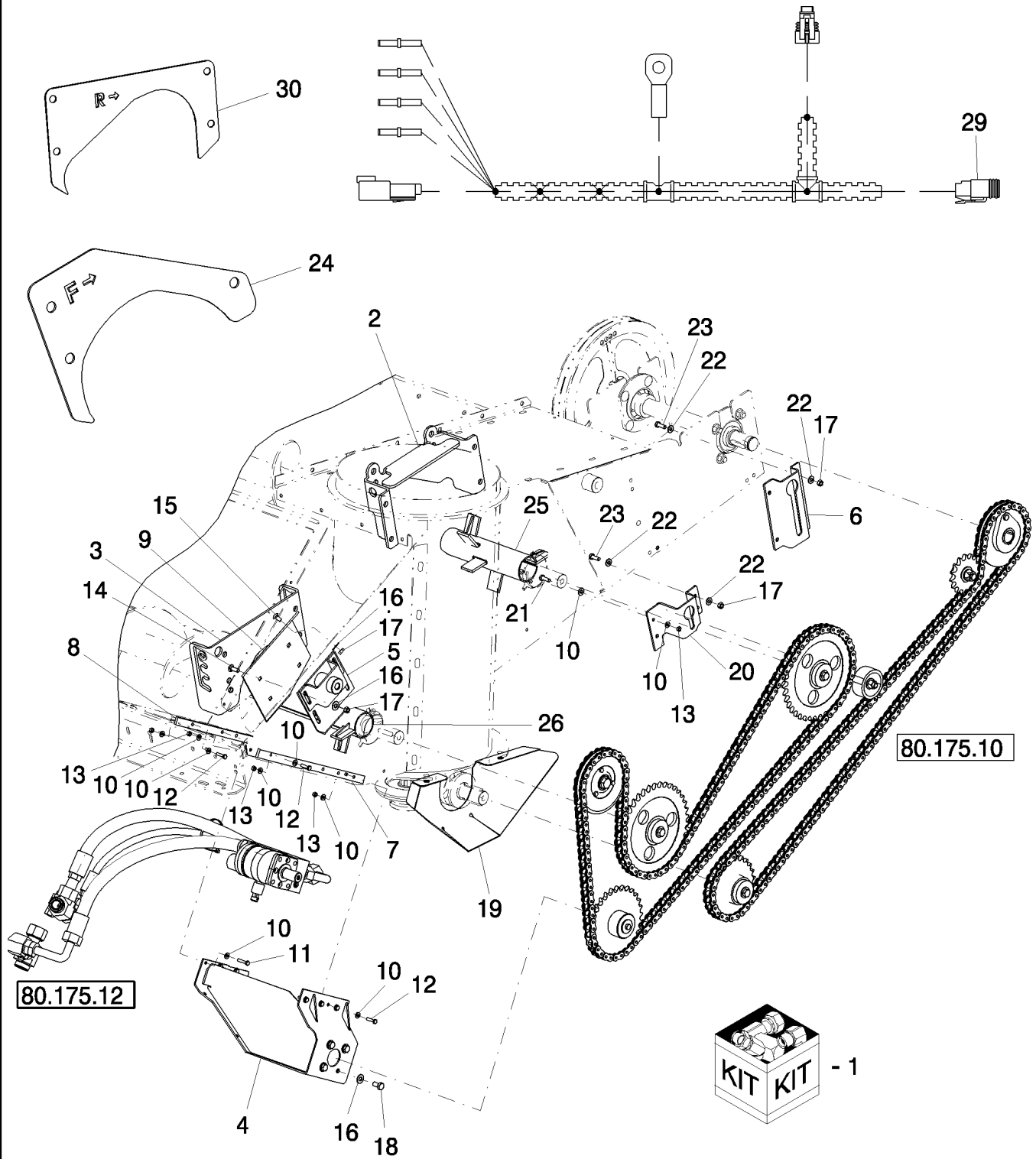
7120 8120 9120

80.175.11

p1

08/09

KIT, UNLOADING CHAIN DRIVE, SPECIAL FOR RICE - NA ONLY - 7120, 8120, 9120



80.175.11

p1

08/09

KIT, UNLOADING CHAIN DRIVE, SPECIAL FOR RICE - NA ONLY - 7120, 8120, 9120

REF	FN	PART NUMBER	YR/SN	QTY	DESCRIPTION
1		84120560		1	SERVICE KIT, Hyd. Unloader Drive; Incl Refs 2 Thru 30
2		84178513		1	BRACKET, Tent Position
3		84178514		1	BRACKET, Tent Position
4		84139869		1	BRACKET, Housing, Motor
5		84177542		1	BRACKET
6		84139911		1	BRACKET, Idler
7		84140065		1	STRAP, Bar, Backing
8		84140067		1	STRAP, Bar, Backing
9		84140059		1	BRACKET, Plate, Backing
10		322357		20	BELLEVILLE WASHER, M6
11		43117		3	BOLT, Hex, M6 x 30, 8.8
12		300506		6	BOLT, Hex, M6 x 25, 8.8
13		9706755		10	NUT, M6, CI 8
14		308761		4	SCREW, Short NK, M8 x 25, CI8.8, Full Thd
15		86619060		2	CARRIAGE BOLT, Short NK, M8 x 16, CI8.8, Full Thd
16		140045		10	BELLEVILLE WASHER, M10
17		9706690		13	NUT, M8, CI 8
18		43138		4	BOLT, Hex, M10 x 20, 8.8, Full Thd
19		84180152		1	SHIELD
20		84139837		1	BRACKET
21		10902321		1	BOLT, Hex, M6 x 18, 8.8, Full Thd
22		322358		14	BELLEVILLE WASHER, M8
23		86625001		7	BOLT, Hex, M8 x 22, 8.8, Full Thd
24		84179883		1	SHEET, Front Sump
25		84157019		1	AUGER, Tube, Rear
26		84157017		1	AUGER, Tube, Front
27	1	84140073		1	SHEET, Plate, Template
28	1	84140076		1	SHEET, Plate, Template
29		84184138		1	WIRE HARNESS, Cross Auger
30		84179884		1	SHEET, Rear Sump

(1) Not Shown

Dealer-Installed

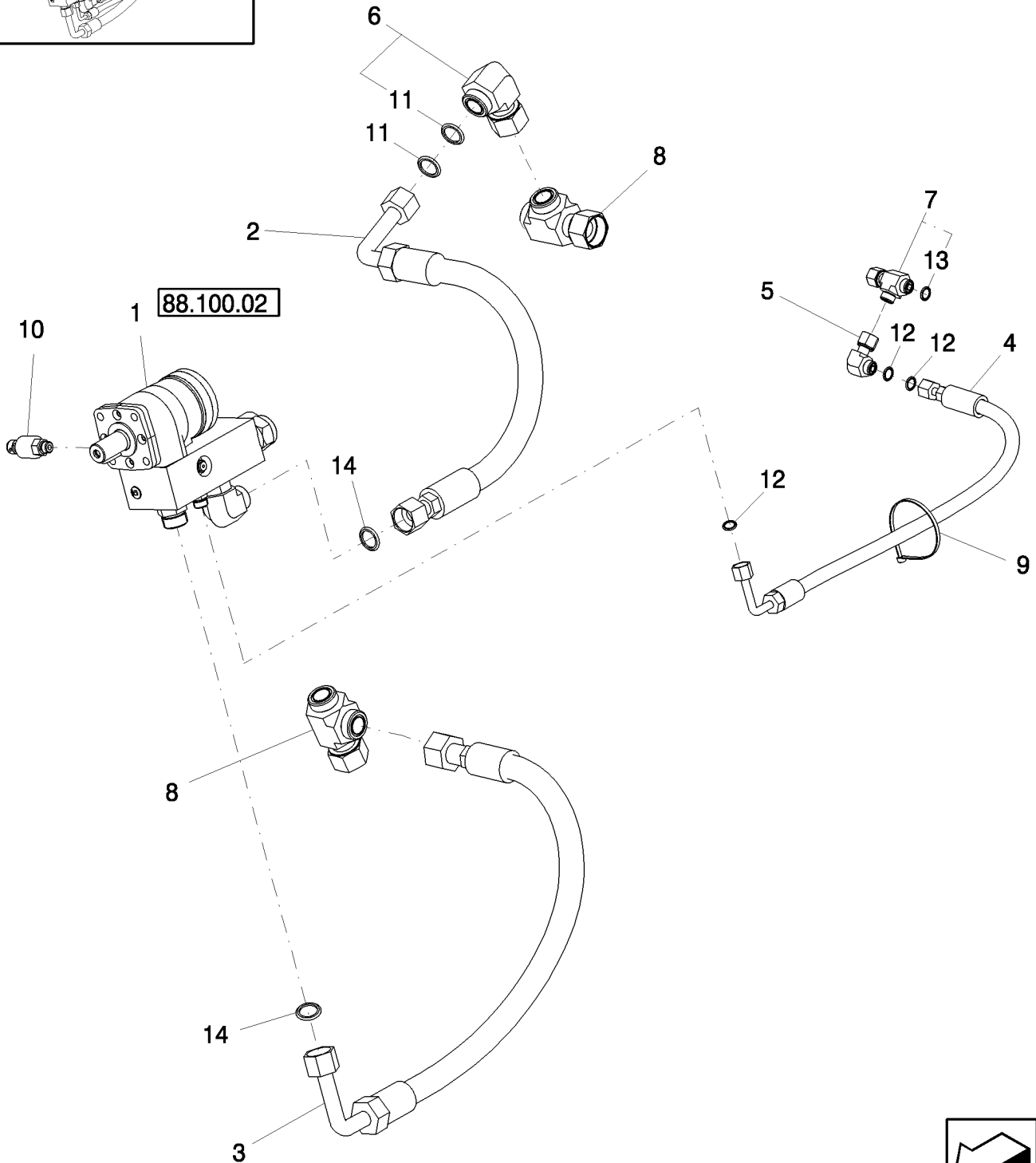
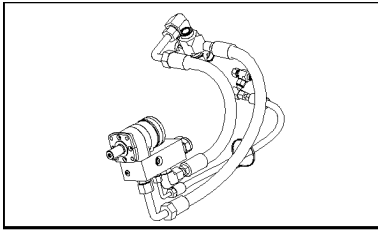
7120 8120 9120

80.175.12

p1

02/10

UNLOADING CHAIN DRIVE, HYDRAULICS, SPECIAL FOR RICE - NA ONLY - 7120, 8120, 9120



80.175.12

p1

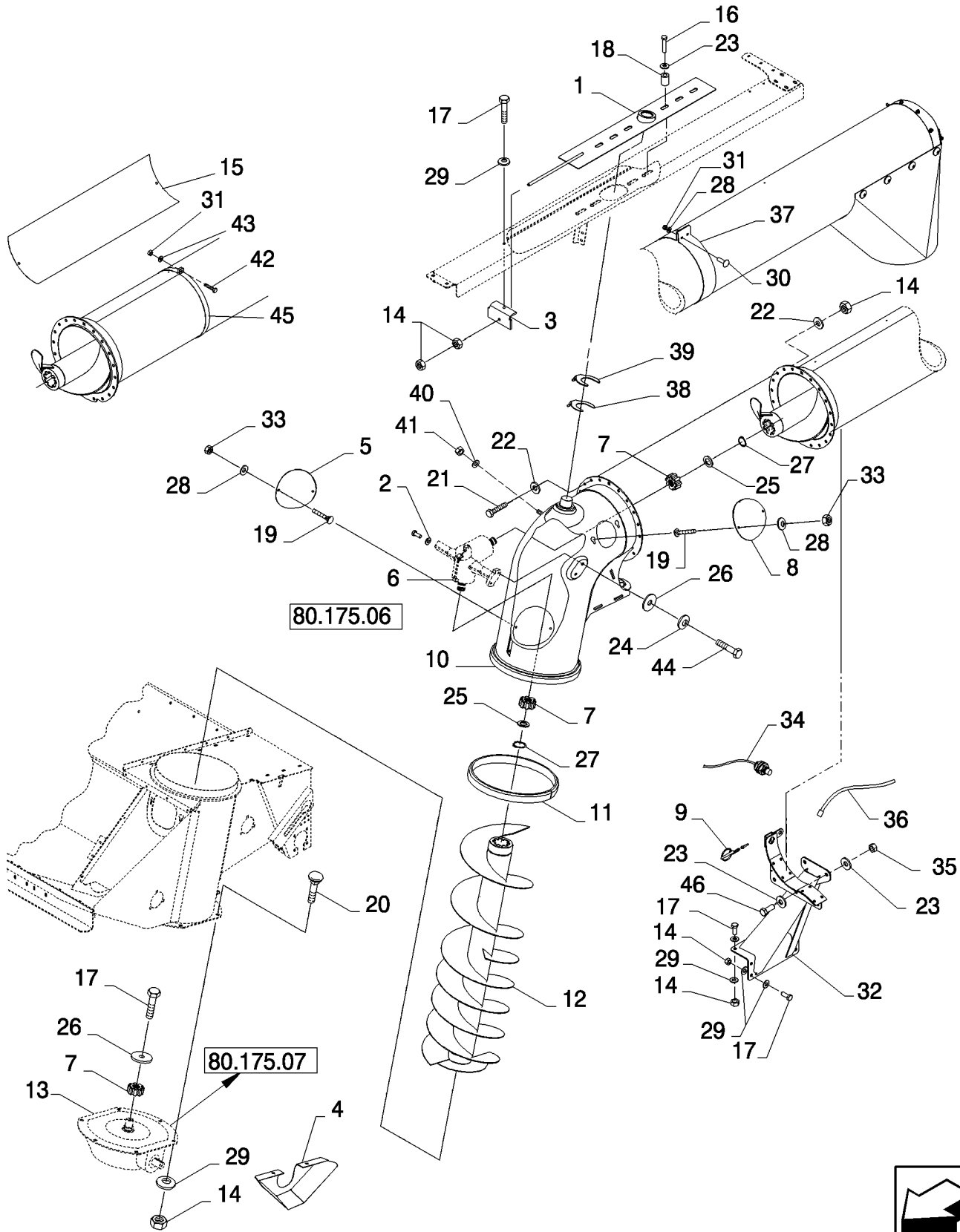
02/10

UNLOADING CHAIN DRIVE, HYDRAULICS, SPECIAL FOR RICE - NA ONLY - 7120, 8120, 9120

REF	FN	PART NUMBER	YR/SN	QTY	DESCRIPTION
1		0C		1	ORDER COMPONENTS, Motor, Hyd W/Manifold
2		84140062		1	HOSE ASSY., Hyd Unload, Pressure
3		84140063		1	HOSE ASSY., Hyd Unload, Return
4		84140064		1	HOSE ASSY., Hyd Unload, LS
5		84989392		1	ELBOW, 90°, 1 1/16"-16 ORFS x 1 1/16"-16 Fem Sw, Incl Ref 12(1)
6		84989413		1	ELBOW, 90°, 1 7/16"-12 ORFS x 1 7/16"-12 Fem Sw, Incl Ref 11(1)
7		86729454		1	TEE, Incl Ref 13(1)
8		86641295		2	TEE, 1 7/16"-12 ORFS to Swivel
9		86566990		1	CABLE STRAP, M4.8 x 292 L
10		86523197		1	SENSOR
11		9824050		3	O-RING, -021, 90 Duro, .926" ID x .070" Thk
12		89993141		3	O-RING
13		238-6012		1	O-RING, -012, 90 Duro, .364" ID x .070" Thk
14		9991976		2	O-RING, -018, 90 Duro, .739" ID x .070" Thk

7120 8120 9120

UNLOADING AUGER, VERTICAL - 7120, 8120, 9120

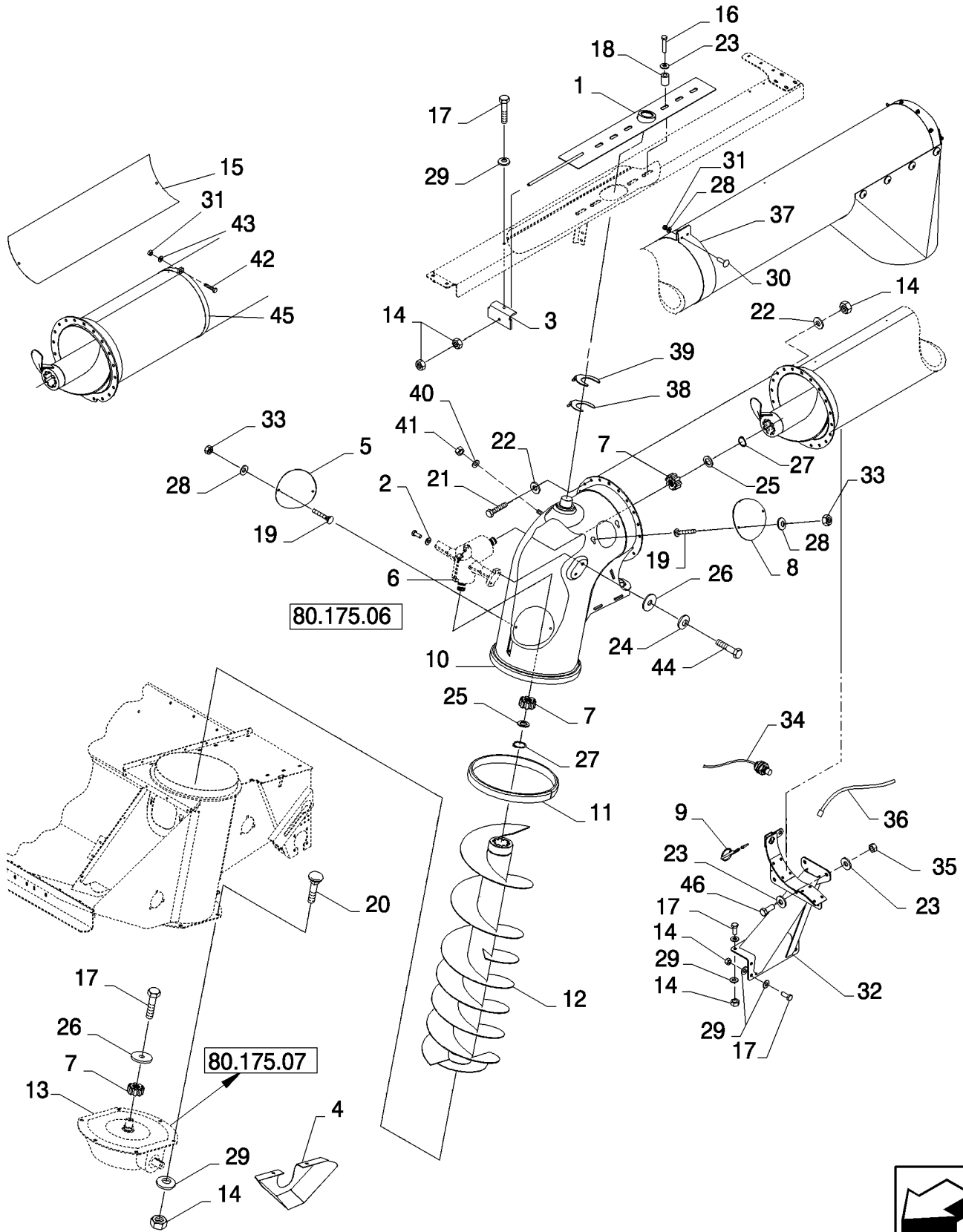


UNLOADING AUGER, VERTICAL - 7120, 8120, 9120

REF	FN	PART NUMBER	YR/SN	QTY	DESCRIPTION
1		86998599		1	PLATE
2		378245		AR	WASHER, M13 x 28 x 2 Thk
3		84072832		1	BRACKET
4		84180152		1	SHIELD
5		87552532		1	COVER
6		87331084		1	GEARBOX
7		87011705		3	HUB
8		87552534		1	COVER
9		87106279		1	PIN
10		84126361		1	ELBOW
11		86558526		1	BUSHING
12		84447940		1	AUGER, Standard & Perforated
12		87733266		1	AUGER, Extended Wear (NA) & Standard (L. America)
13		84320052		1	GEARBOX
14		9706685		33	NUT, M12, Cl 8
15		87552568		1	COVER, Perforated Only
16		86577946		6	BOLT, Hex, M16 x 80, 10.9
17		9706687		8	BOLT, Hex, M12 x 30, 8.8, Full Thd
18		87284863		6	SPACER
19		86507486		4	CARRIAGE BOLT, Short NK, M8 x 20, Cl8.8, Full Thd
20		120044		6	CARRIAGE BOLT, Short NK, M12 x 30, Cl8.8, Full Thd
21		300389		19	BOLT, Hex, M12 x 35, 8.8, Full Thd
22		394630		38	WASHER, M13 x 28 x 4, HT
23		86589278		10	BELLEVILLE WASHER, M17 x 41.5 x 4.5, HT
24		86585939		3	BELLEVILLE WASHER, M13 x 32 x 3.5, HT
25		84072793		2	WASHER, M36 x 58 x 5 Thk
26		327084		3	WASHER, M13 x 52 x 5 Thk
27		11068376		2	SNAP RING, M35, Ext x 1.5 Thk
28		322358		6	BELLEVILLE WASHER, M8
29		140046		19	SPRING WASHER, Belleville, M12
30		86512443		2	CARRIAGE BOLT, Short NK, M8 x 35, Cl8.8, Full Thd
31		86629542		2	LOCK NUT, M8 x 1.25, Cl 8
32		87552526		1	SUPPORT ASSY.

7120 8120 9120

UNLOADING AUGER, VERTICAL - 7120, 8120, 9120

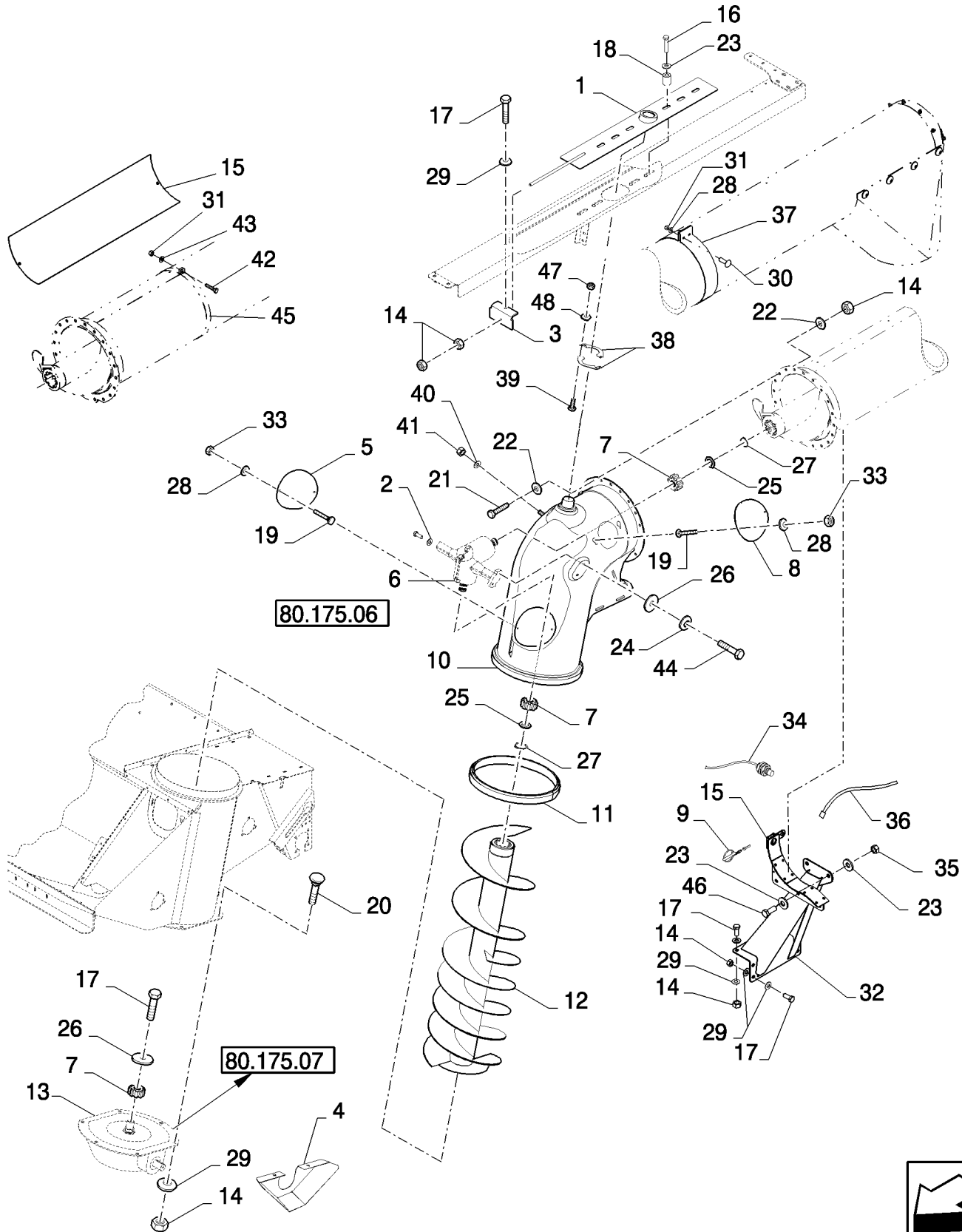


UNLOADING AUGER, VERTICAL - 7120, 8120, 9120

REF	FN	PART NUMBER	YR/SN	QTY	DESCRIPTION
33		9706690		4	NUT, M8, CI 8
34		87342073		1	SENSOR, Unloading Auger Position
35		100020		2	NUT, M16, CI 8
36		86566989		AR	CABLE STRAP, M4.75 x 190.5 L
37		87284878		1	SECURING BAND
38		87627724		1	SHIM, 1.5mm Thk
39		87620925		1	SHIM, 3mm Thk
40		100016		1	NUT, M10, CI 8
41		140045		1	BELLEVILLE WASHER, M10
42		87015731		4	BOLT, Hex, M8 x 50, 8.8, Full Thd
43		378243		4	WASHER, M8
44		300389		3	BOLT, Hex, M12 x 35, 8.8, Full Thd
45		87552565		4	CLAMP
46		43168		2	BOLT, Hex, M16 x 2 x 40, 8.8, Full Thd

7120 8120 9120

UNLOADING AUGER, VERTICAL - LATIN AMERICA ONLY - 7120, 8120



80.180.01

01

p1

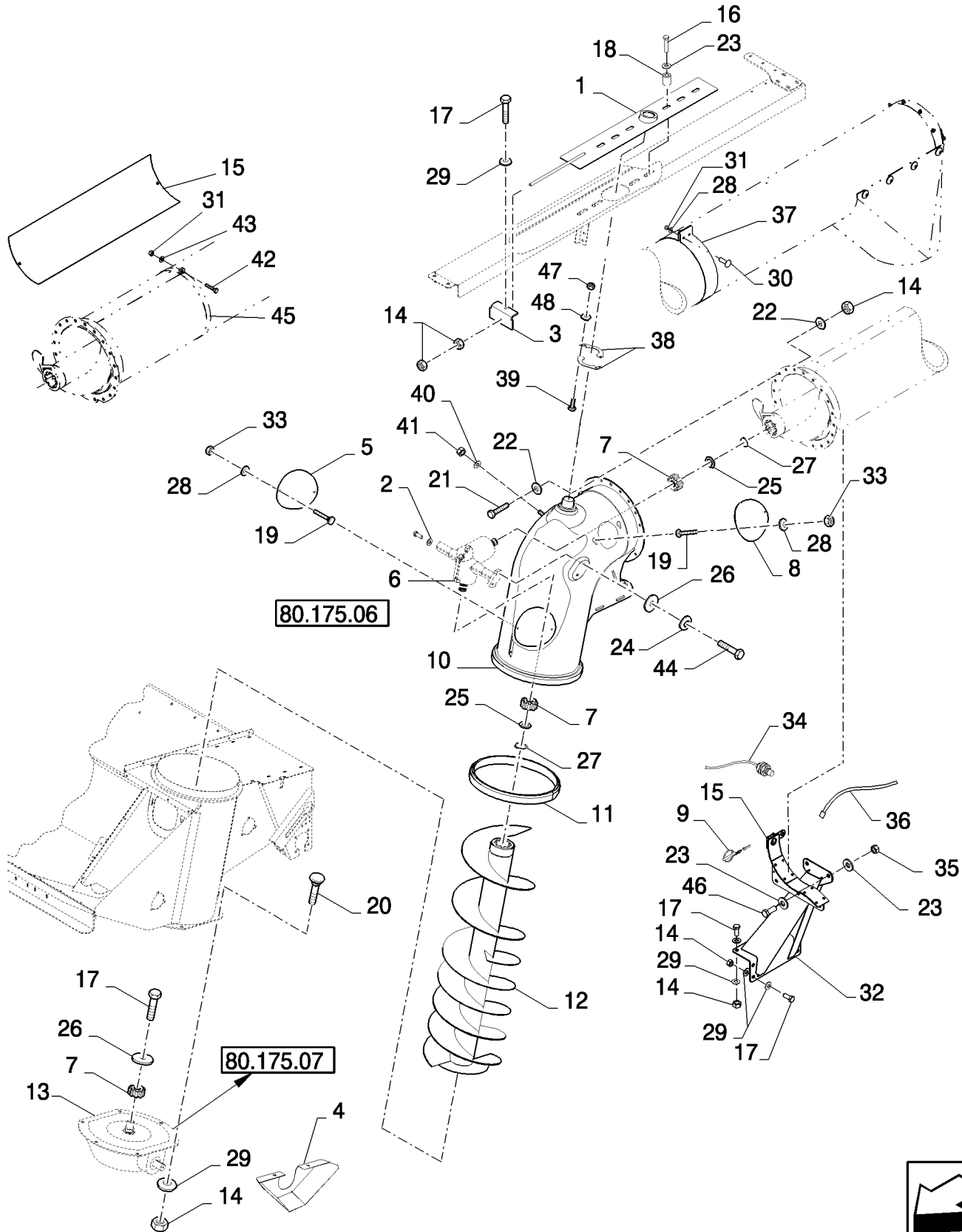
12/09

UNLOADING AUGER, VERTICAL - LATIN AMERICA ONLY - 7120, 8120

REF	FN	PART NUMBER	YR/SN	QTY	DESCRIPTION
1		86998599		1	PLATE
2		378245		AR	WASHER, M13 x 28 x 2 Thk
3		84072832		1	BRACKET
4		84180152		1	SHIELD
5		87552532		1	COVER
6		87331084		1	GEARBOX
7		87011705		3	HUB
8		87552534		1	COVER
9		87106279		1	PIN
10		84171577		1	ELBOW
11		86558526		1	BUSHING
12		87733266		1	AUGER, Standard & Extended Wear
13		84320052		1	GEARBOX
14		9706685		33	NUT, M12, CI 8
15		87552568		1	COVER, Perforated Only
16		86577946		6	BOLT, Hex, M16 x 80, 10.9
17		9706687		8	BOLT, Hex, M12 x 30, 8.8, Full Thd
18		87284863		6	SPACER
19		86507486		4	CARRIAGE BOLT, Short NK, M8 x 20, CI8.8, Full Thd
20		120044		6	CARRIAGE BOLT, Short NK, M12 x 30, CI8.8, Full Thd
21		300389		19	BOLT, Hex, M12 x 35, 8.8, Full Thd
22		394630		38	WASHER, M13 x 28 x 4, HT
23		86589278		10	BELLEVILLE WASHER, M17 x 41.5 x 4.5, HT
24		86585939		3	BELLEVILLE WASHER, M13 x 32 x 3.5, HT
25		84072793		2	WASHER, M36 x 58 x 5 Thk
26		327084		3	WASHER, M13 x 52 x 5 Thk
27		11068376		2	SNAP RING, M35, Ext x 1.5 Thk
28		322358		6	BELLEVILLE WASHER, M8
29		140046		19	SPRING WASHER, Belleville, M12
30		86512443		2	CARRIAGE BOLT, Short NK, M8 x 35, CI8.8, Full Thd
31		86629542		2	LOCK NUT, M8 x 1.25, CI 8
32		87552526		1	SUPPORT ASSY.
33		9706690		4	NUT, M8, CI 8
34		87342073		1	SENSOR, Unloading Auger Position

7120 8120

UNLOADING AUGER, VERTICAL - LATIN AMERICA ONLY - 7120, 8120



80.180.01

01

p2

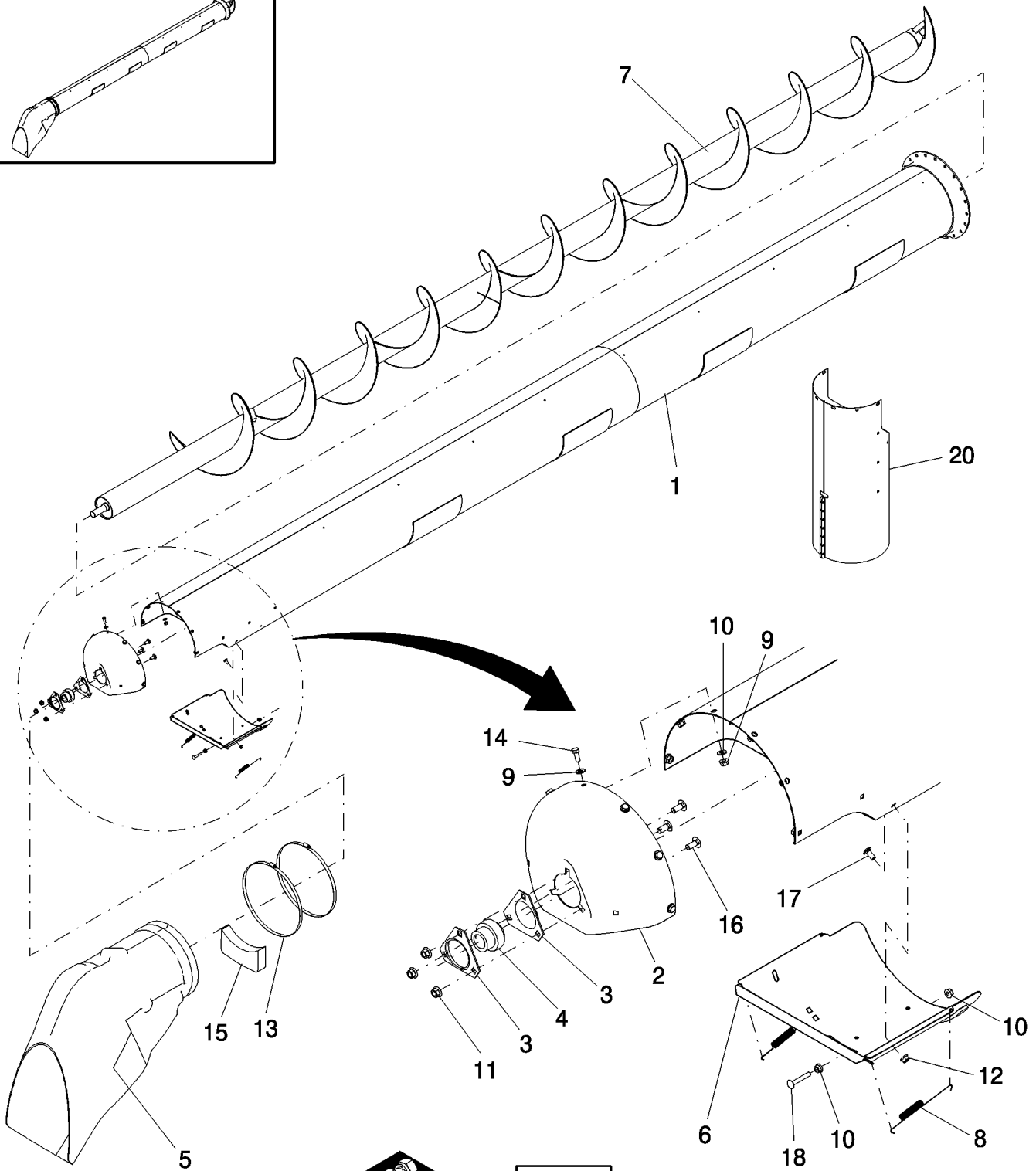
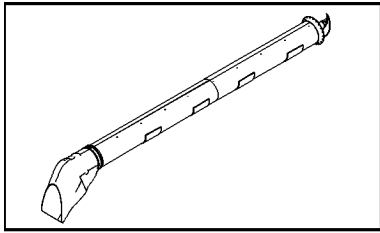
12/09

UNLOADING AUGER, VERTICAL - LATIN AMERICA ONLY - 7120, 8120

REF	FN	PART NUMBER	YR/SN	QTY	DESCRIPTION
35		100020		2	NUT, M16, CI 8
36		86566989		AR	CABLE STRAP, M4.75 x 190.5 L
37		87284878		1	SECURING BAND
38		86598897		2	SHIM
39		300806		2	BOLT, Hex, M5 x 10, 8.8, Full Thd
40		100016		1	NUT, M10, CI 8
41		140045		1	BELLEVILLE WASHER, M10
42		87015731		4	BOLT, Hex, M8 x 50, 8.8, Full Thd
43		378243		4	WASHER, M8
44		300389		3	BOLT, Hex, M12 x 35, 8.8, Full Thd
45		87552565		4	CLAMP
46		43168		2	BOLT, Hex, M16 x 2 x 40, 8.8, Full Thd
47		86508813		2	NUT, M5, CI 8
48		322356		2	BELLEVILLE WASHER, M5.1 x 12 x 1.85, HDN

7120 8120

UNLOADING AUGER, HORIZONTAL, 21 FT (6.4M)



- 19

80.180.07



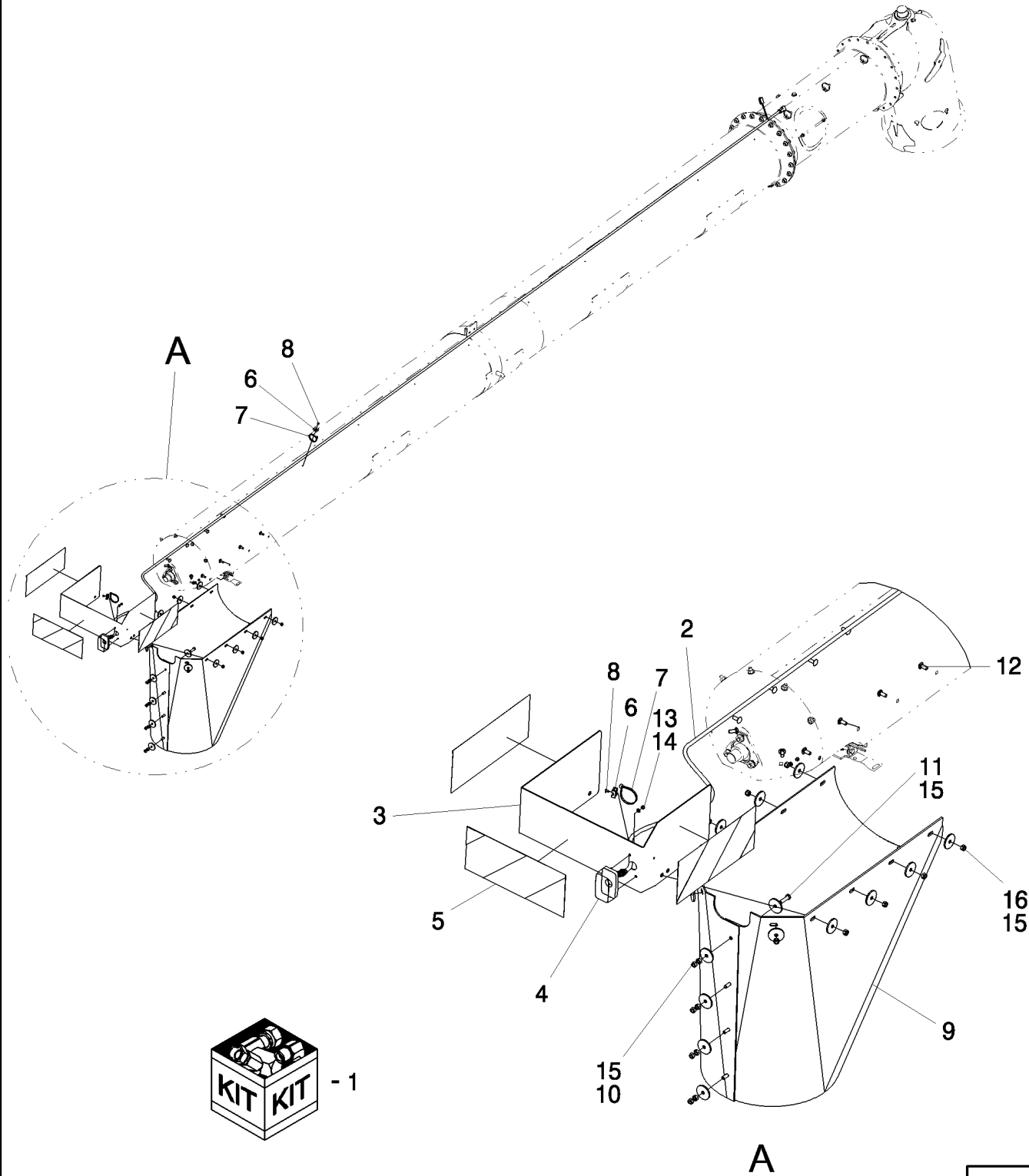
UNLOADING AUGER, HORIZONTAL, 21 FT (6.4M)

REF	FN	PART NUMBER	YR/SN	QTY	DESCRIPTION
1		87743673		1	TUBE, Std & Extended Wear
1		87743683		1	TUBE, Perforated
2		87741381		1	COVER
3		86548970		2	FLANGE
4		87044350		1	BALL BEARING
5		84156230	BSN Y9G206759	1	ELBOW
5		84219375	ASN Y9G206759	1	DISCHARGE SPOUT
6		84131732		1	DOOR, Grain Saver
7		84447941		1	AUGER, Std Wear & Perforated
7		87280339		1	AUGER, Extended Wear
8		1338869C2		2	SPRING
9		322358		12	BELLEVILLE WASHER, M8
10		86507066		8	NUT, M8 x 1.25, Fig, CI 10
11		86050279		3	NUT, M10 x 1.5, Fig, CI 10
12		87681210		2	FLANGE NUT, Hex, M8, CI 10
13		87339347		2	CLAMP
14		120104		6	BOLT, Hex, M8 x 20, 8.8
15		84164168	BSN Y9G206759	1	PLUG
15		84219420	ASN Y9G206759	1	PLUG
16		87682391		3	CARRIAGE BOLT, Short NK, M10 x 25, CI 10.9
17		87020310		2	CARRIAGE BOLT, Short NK, M8 x 16, CI 10.9, Full Thd
18		120039		1	CARRIAGE BOLT, Short NK, M8 x 50, CI 8.8, Full Thd
19		84158659		1	DIA KIT, HARVESTER, Unloader Vertical Discharge
20	1	84174980		1	ELEVATOR TUBE, Sleeve

(1) Unloader Tube Sleeve to Change from End Discharge to Bottom Discharge

**7120 7120 8120 9120
8120**

KIT, UNLOADER VERTICAL DISCHARGE



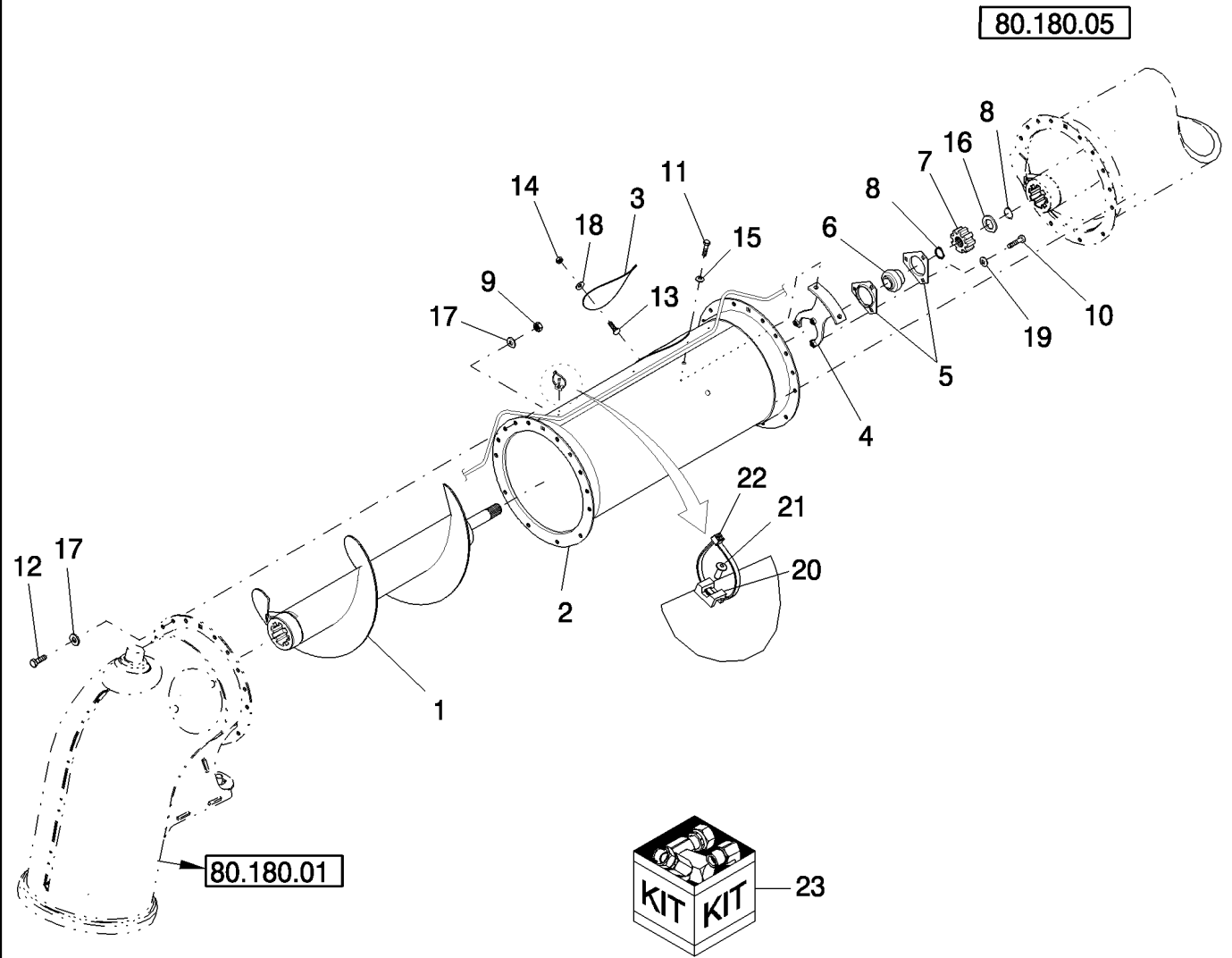
KIT, UNLOADER VERTICAL DISCHARGE

REF	FN	PART NUMBER	YR/SN	QTY	DESCRIPTION
1		84158659		1	DIA KIT, HARVESTER, Vertical Discharge
2		87479791	ASN Y9G207601	1	WIRE HARNESS, Unloading TUbe
2		86610718	BSN Y9g207461	1	WIRE HARNESS, Unloading Tube
3		84452652		1	SUPPORT
4		84429842		1	LAMP
5		84441358		3	DECAL
6		86590413		2	CLAMP
7		86566989		2	CABLE STRAP, M4.75 x 190.5 L
8		325911		2	RIVET, Pop, M4.8 x 7.4
9		84064911		1	DISCHARGE SPOUT
10		9706690		8	NUT, M8, CI 8
11		43128		4	SCREW, Hex, M8 x 30, 8.8
12		86507486		10	CARRIAGE BOLT, Short NK, M8 x 20, CI8.8, Full Thd
13		43440		2	LOCK NUT, M5 x .8, CI 8
14		140014		2	WASHER, M5 x 10 x 1
15		322		18	WASHER, 11/32" x 1 21/32" x .135" Thk
16		86629542		10	LOCK NUT, M8 x 1.25, CI 8

Provides vetical discharge bottom discharge system instead of a horizontal loft bottom discharge system.

**7120 7120 8120 9120
8120**

UNLOADING AUGER EXTENSION, 0.9 M (3 FT)

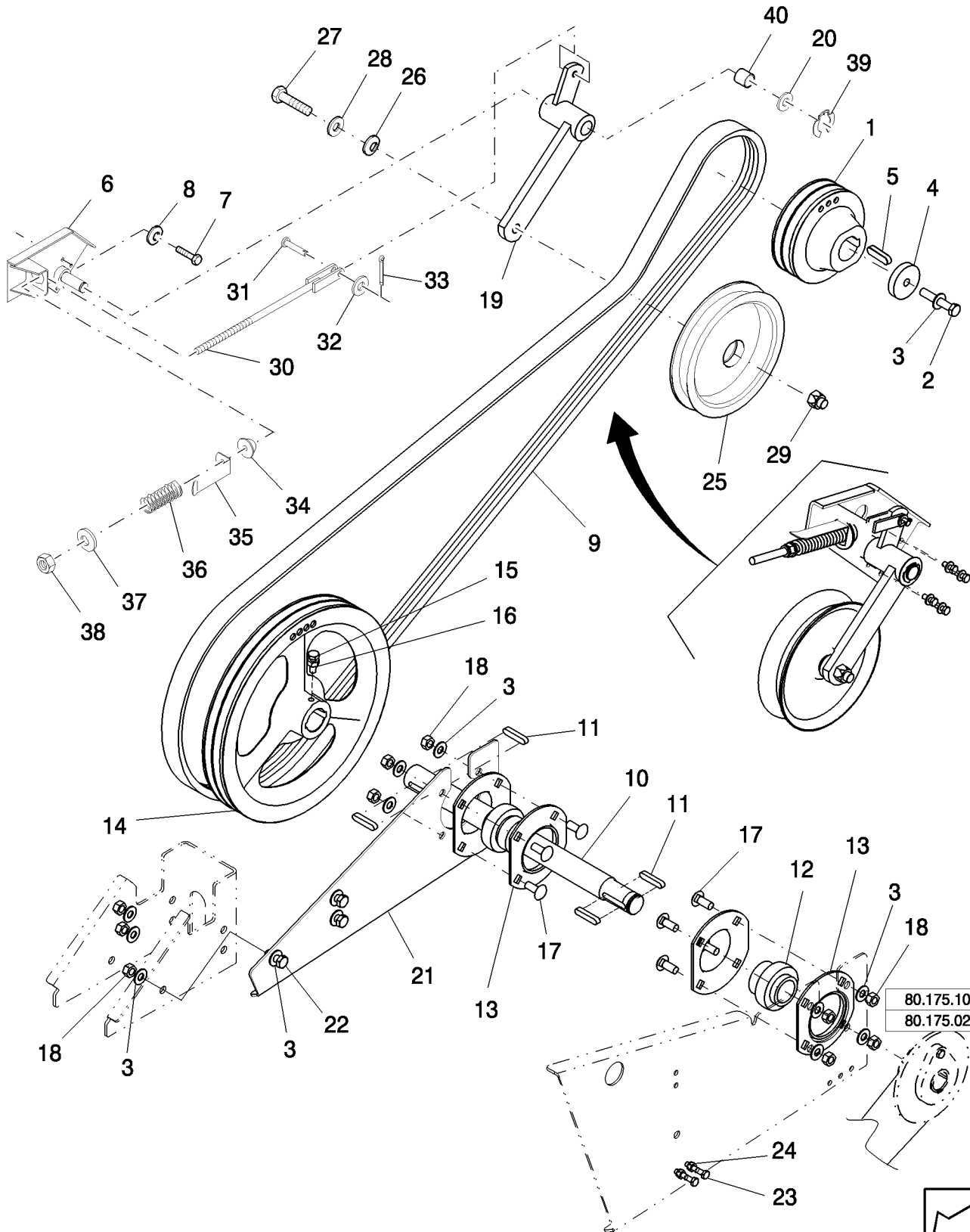


UNLOADING AUGER EXTENSION, 0.9 M (3 FT)

REF	FN	PART NUMBER	YR/SN	QTY	DESCRIPTION
1		87575223		1	AUGER, Standard & Perforated
1		87657822		1	AUGER, Extended Wear
2		87552536		1	TUBE ASSY., Unloading Auger Extension; Standard & Perforated, Red
2		87470153		1	TUBE ASSY., Unloading Auger Extension; Extended Wear, Red
3		87552541		1	COVER, Red
4		84072623		1	SUPPORT
5		86620026		2	FLANGE
6		87605590		1	SPHERICAL BEARING
6		87016482		1	SET SCREW, Hex Soc, M10 x 10, Cup Pt, Not Shown
7		87011705		1	HUB
8		370004		2	SNAP RING, M35, Ext
9		9706685		19	NUT, M12, CI 8
10		43140		3	BOLT, Hex, M10 x 30, 8.8, Full Thd
11		300388		2	BOLT, Hex, M12 x 25, 8.8
12		300389		19	BOLT, Hex, M12 x 35, 8.8, Full Thd
13		86507486		2	CARRIAGE BOLT, Short NK, M8 x 20, CI8.8, Full Thd
14		9706690		2	NUT, M8, CI 8
15		140046		2	SPRING WASHER, Belleville, M12
16		84072793		1	WASHER, M36 x 58 x 5 Thk
17		394630		38	WASHER, M13 x 28 x 4, HT
18		322358		2	BELLEVILLE WASHER, M8
19		140045		3	BELLEVILLE WASHER, M10
20		86590413		3	CLAMP
21		445394		3	RIVET, Pop, M4.8 x 12.7
22		86566989		3	CABLE STRAP, M4.75 x 190.5 L, 45 x 4.8
23		87471942		1	AUGER, Extension Assy, Standard & Perforated, Red; Incl Refs 1 Thru 21, As Indicated
23		87471943		1	AUGER, Extension Assy, Extended Wear, Red; Incl Refs 1 Thru 21, As Indicated

**7120 7120 8120 9120
8120**

UNLOADING DRIVE



80.175.10
80.175.02

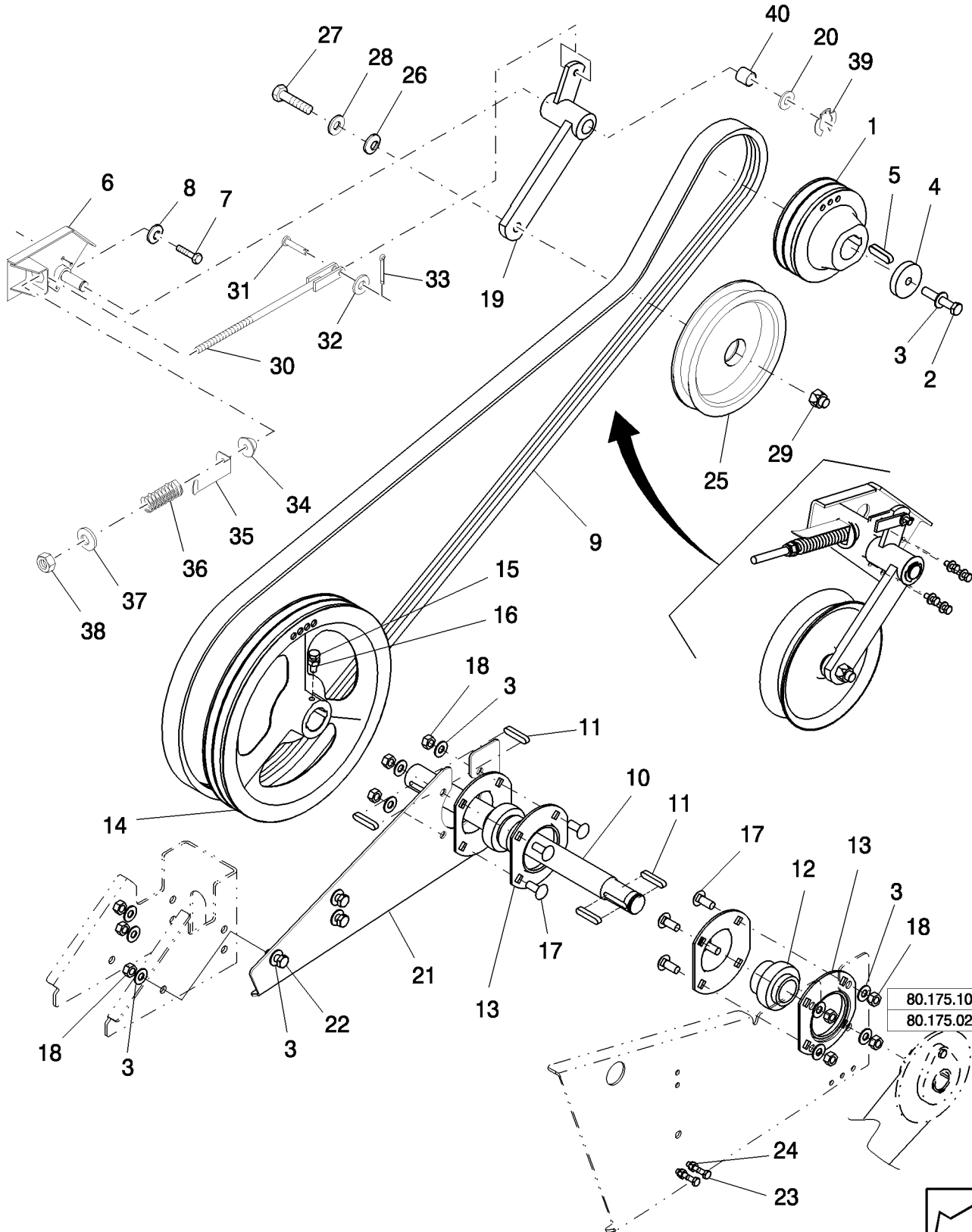


UNLOADING DRIVE

REF	FN	PART NUMBER	YR/SN	QTY	DESCRIPTION
1		86999121		1	PULLEY
2		9706717		1	BOLT, Hex, M12 x 70, 8.8, Full Thd
3		140046		15	SPRING WASHER, Belleville, M12
4		84073172		1	WASHER, M13 x 60 x 12 Thk
5		170066		1	KEY, M14 x 9 x 50, Par
6		86997160		1	PLATE, Belt Tensioner
7		120104		4	BOLT, Hex, M8 x 20, 8.8
8		322358		4	BELLEVILLE WASHER, M8
9		87011585		1	BELT, Drive, 2HB
10		87602267		1	SHAFT, L = 515 mm
11		170012		4	KEY, M10 x 8 x 50, Par
12		455805		2	BALL BEARING, & Lock Collar
13		86620027		4	FLANGE
14		86999122		1	PULLEY
15		43140		1	BOLT, Hex, M10 x 30, 8.8, Full Thd
16		100016		1	NUT, M10, CI 8
17		120044		8	CARRIAGE BOLT, Short NK, M12 x 30, CI8.8, Full Thd
18		9706685		11	NUT, M12, CI 8
19		86596879		1	TENSIONER, Idler Arm
20		27317		1	WASHER, 1" x 2" x .036" Thk, Shim
21		86975573		1	SUPPORT
22		9706687		3	BOLT, Hex, M12 x 30, 8.8, Full Thd
23		43129		5	BOLT, Hex, M8 x 40, 8.8
24		832-46408		5	LOCK NUT, M8 x 1.25, CI 8
25		86588003		1	IDLER
26		86598190		1	BUSHING
27		350616		1	BOLT, Hex, M16 x 90, 8.8
28		140048		1	BELLEVILLE WASHER, M16
29		86000441		1	NUT, M16 x 2, CI 8
30		86587035		1	ROD
31		80390040		1	PIN, Clevis, M10 x 35
32		80140017		1	LOCK WASHER, M10
33		80130003		1	COTTER PIN, M3.2 x 20
34		86560521		1	PIVOT, Plastic

**7120 7120 8120 9120
8120**

UNLOADING DRIVE



80.180.12

p2

02/10

UNLOADING DRIVE

REF	FN	PART NUMBER	YR/SN	QTY	DESCRIPTION
35		86596885		1	INDICATOR
36		84814905		1	SPRING
37		140018		1	WASHER, M12 x 24 x 2.5
38		412126		1	LOCK NUT, M12 x 1.75, Cl 8
39		579497		1	CIRCLIP
40		84057311		2	BUSHING

**7120 7120 8120 9120
8120**

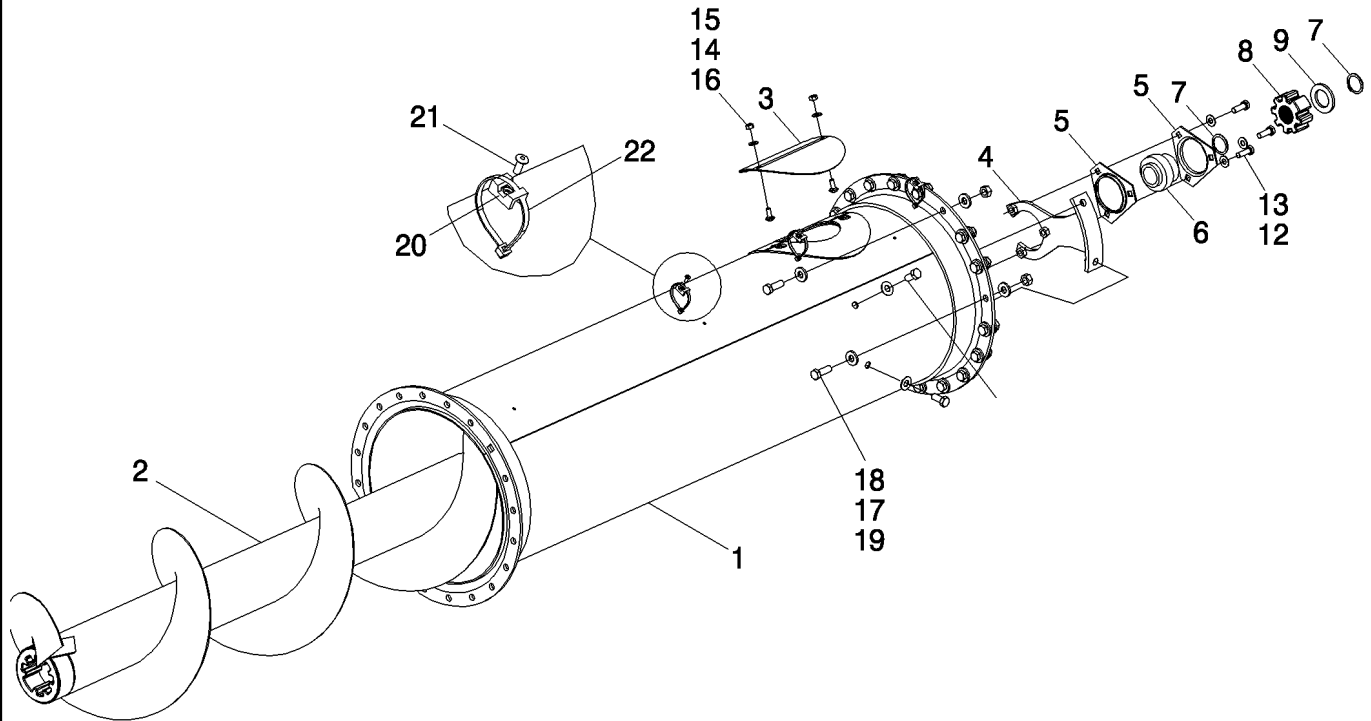
80.180.17

01

p1

10/09

AUGER UNLOADING ASSY - 4 FT STD WEAR RED



80.180.17

01

p1

10/09

AUGER UNLOADING ASSY - 4 FT STD WEAR RED

REF	FN	PART NUMBER	YR/SN	QTY	DESCRIPTION
1		84240125		1	AUGER
2		84256217		1	AUGER
3		87552541		1	COVER
4		84072623		1	SUPPORT
5		86620026		2	FLANGE
6		87605590		1	SPHERICAL BEARING
7		370004		2	SNAP RING, M35, Ext
8		87011705		1	HUB
9		84072793		1	WASHER, M36 x 58 x 5 Thk
10		140046		2	SPRING WASHER, Belleville, M12
11		300388		2	BOLT, Hex, M12 x 25, 8.8
12		140045		3	BELLEVILLE WASHER, M10
13		43140		3	BOLT, Hex, M10 x 30, 8.8, Full Thd
14		322358		2	BELLEVILLE WASHER, M8
15		86507486		2	CARRIAGE BOLT, Short NK, M8 x 20, Cl8.8, Full Thd
16		9706690		2	NUT, M8, Cl 8
17		394630		38	WASHER, M13 x 28 x 4, HT
18		300388		19	BOLT, Hex, M12 x 25, 8.8
19		9706685		19	NUT, M12, Cl 8
20		86590413		3	CLAMP
21		445394		3	RIVET, Pop, M4.8 x 12.7
22		86566989		3	CABLE STRAP, M4.75 x 190.5 L

7120 8120 9120

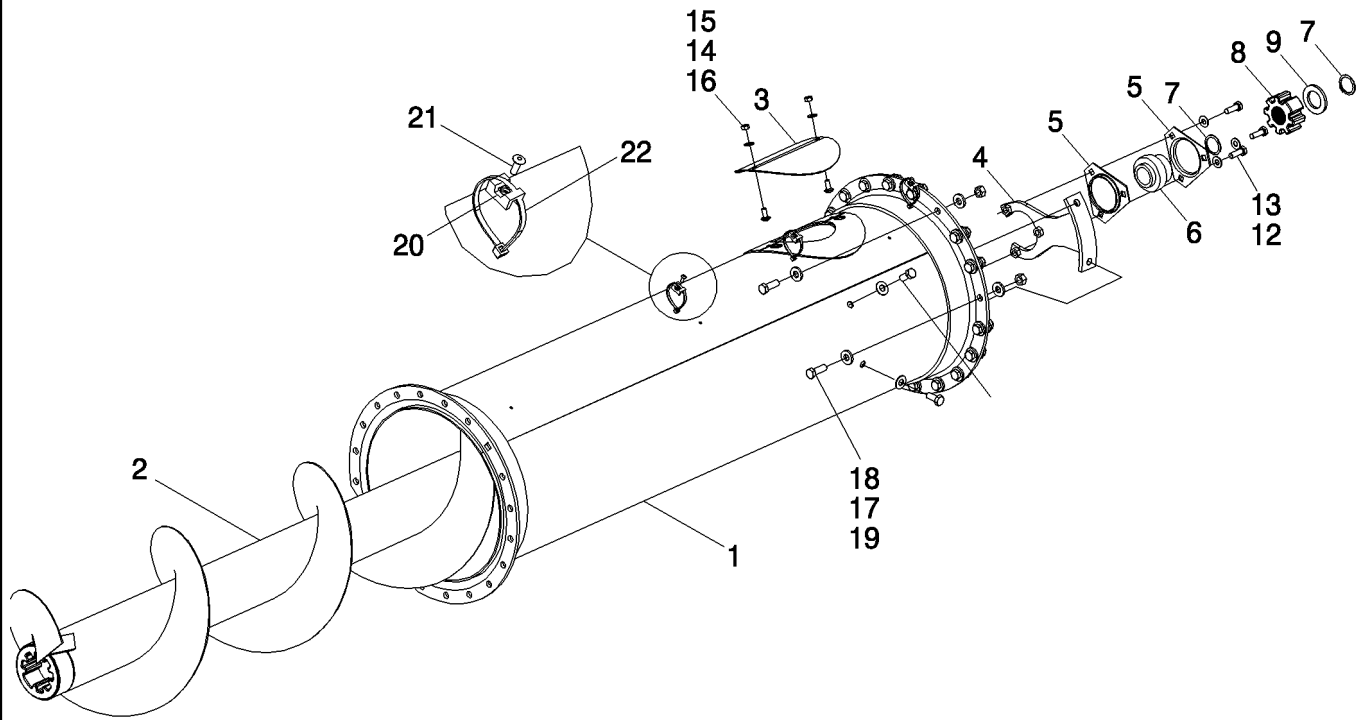
80.180.17

02

p1

10/09

AUGER UNLOADING ASSY - 4 FT EXT WEAR RED



AUGER UNLOADING ASSY - 4 FT EXT WEAR RED

REF	FN	PART NUMBER	YR/SN	QTY	DESCRIPTION
1		84240125		1	AUGER
2		84240121		1	AUGER
3		87552541		1	COVER
4		84072623		1	SUPPORT
5		86620026		2	FLANGE
6		87605590		1	SPHERICAL BEARING
7		370004		2	SNAP RING, M35, Ext
8		87011705		1	HUB
9		84072793		1	WASHER, M36 x 58 x 5 Thk
10		140046		2	SPRING WASHER, Belleville, M12
11		300388		2	BOLT, Hex, M12 x 25, 8.8
12		140045		3	BELLEVILLE WASHER, M10
13		43140		3	BOLT, Hex, M10 x 30, 8.8, Full Thd
14		322358		2	BELLEVILLE WASHER, M8
15		86507486		2	CARRIAGE BOLT, Short NK, M8 x 20, Cl8.8, Full Thd
16		9706690		2	NUT, M8, Cl 8
17		394630		38	WASHER, M13 x 28 x 4, HT
18		300388		19	BOLT, Hex, M12 x 25, 8.8
19		9706685		19	NUT, M12, Cl 8
20		86590413		3	CLAMP
21		445394		3	RIVET, Pop, M4.8 x 12.7
22		86566989		3	CABLE STRAP, M4.75 x 190.5 L

7120 8120 9120

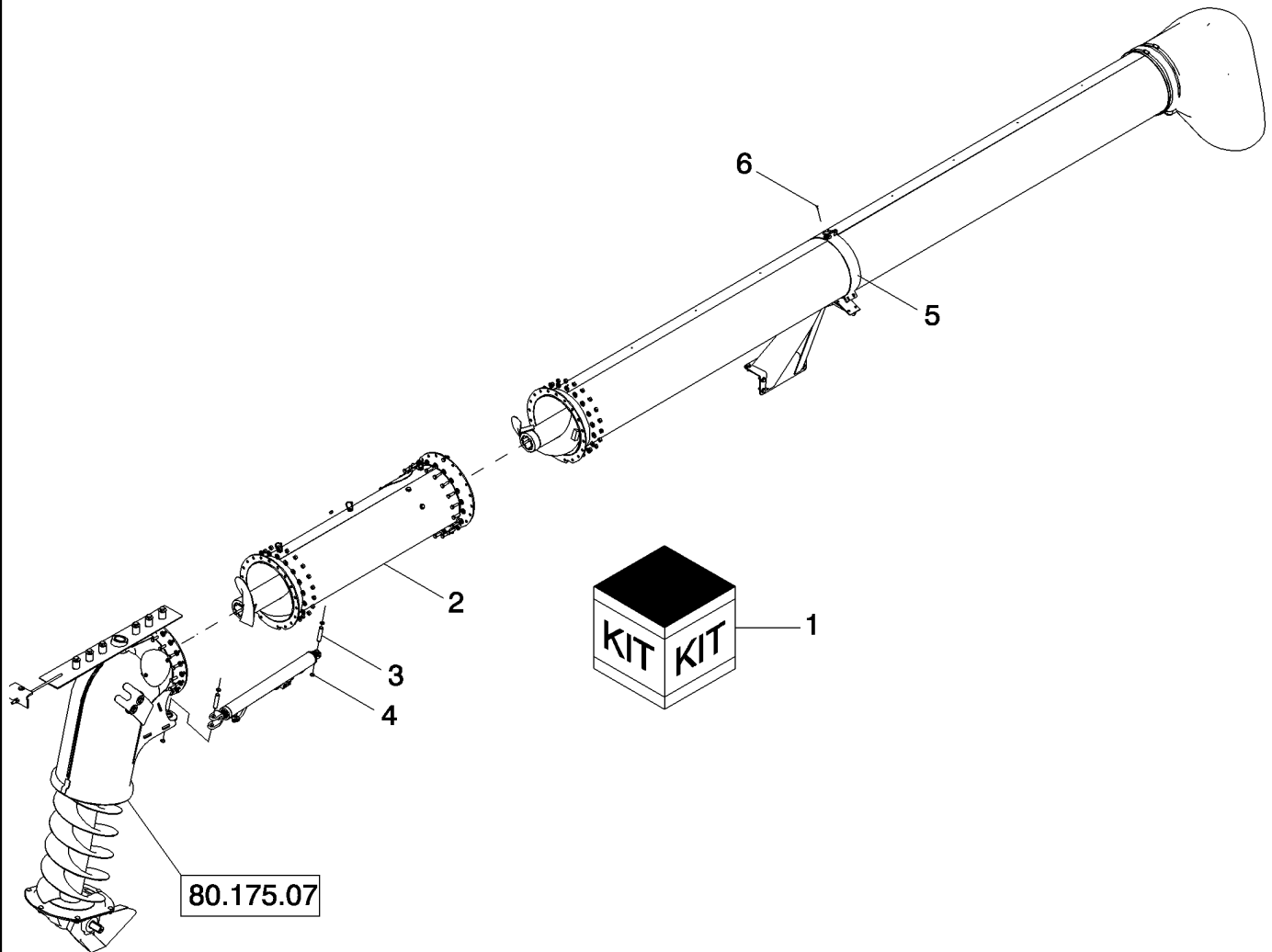
80.180.17

03

p1

02/10

DIA KIT, UNLOADING AUGER EXTENSION 1.3M/ 4.4' EXTENDED WEAR RED



DIA KIT, UNLOADING AUGER EXTENSION 1.3M/ 4.4' EXTENDED WEAR RED

REF	FN	PART NUMBER	YR/SN	QTY	DESCRIPTION
1		84261030		1	DIA KIT, HARVESTER, Dia Kit, Unloading Auger Extension 1.3m/4.4' NIR Includes 2 - 6
2		84240131		1	AUGER
3		84254243		2	PIN
4		300627		4	SNAP RING, M19, Ext
5		84248894		1	SECURING BAND
6		445394		1	RIVET, Pop, M4.8 x 12.7

7120 8120 9120

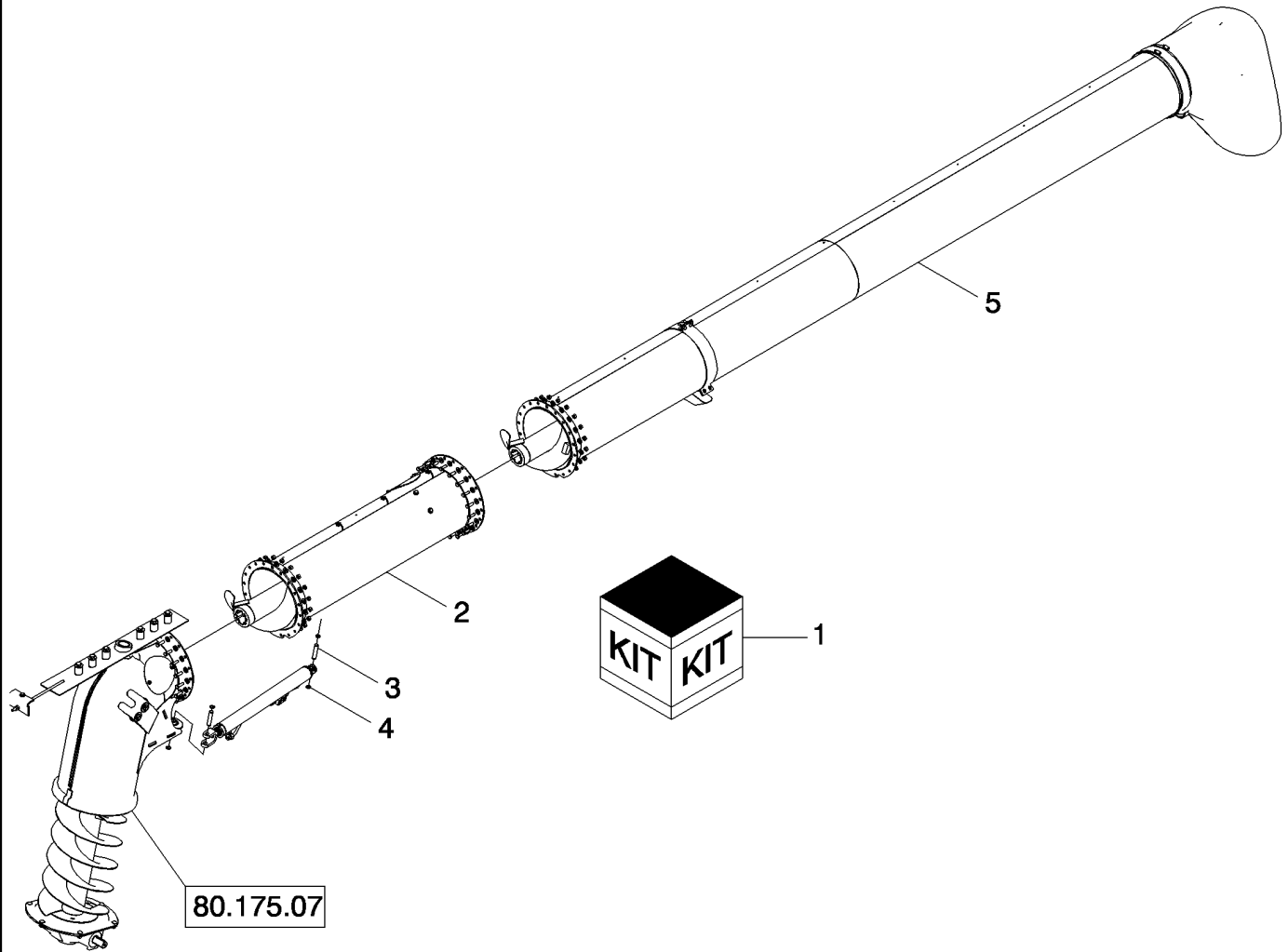
80.180.17

04

p1

02/10

DIA KIT, UNLOADING AUGER EXTENSION 1.3M/ 4.4FT STANDARD WEAR



DIA KIT, UNLOADING AUGER EXTENSION 1.3M/ 4.4FT STANDARD WEAR

REF	FN	PART NUMBER	YR/SN	QTY	DESCRIPTION
1		84262399		1	DIA KIT, HARVESTER, Dia Kit, Unloading Auger Extension 1.3mm / 4.4' NIR Includes Ref 2 - 6
2		84256215		1	AUGER
3		84254243		2	PIN
4		300627		4	SNAP RING, M19, Ext
5		84248894		1	SECURING BAND
6		445394		1	RIVET, Pop, M4.8 x 12.7

	7120 8120 9120
--	-----------------------

SECTION INDEX

88 - Accessories

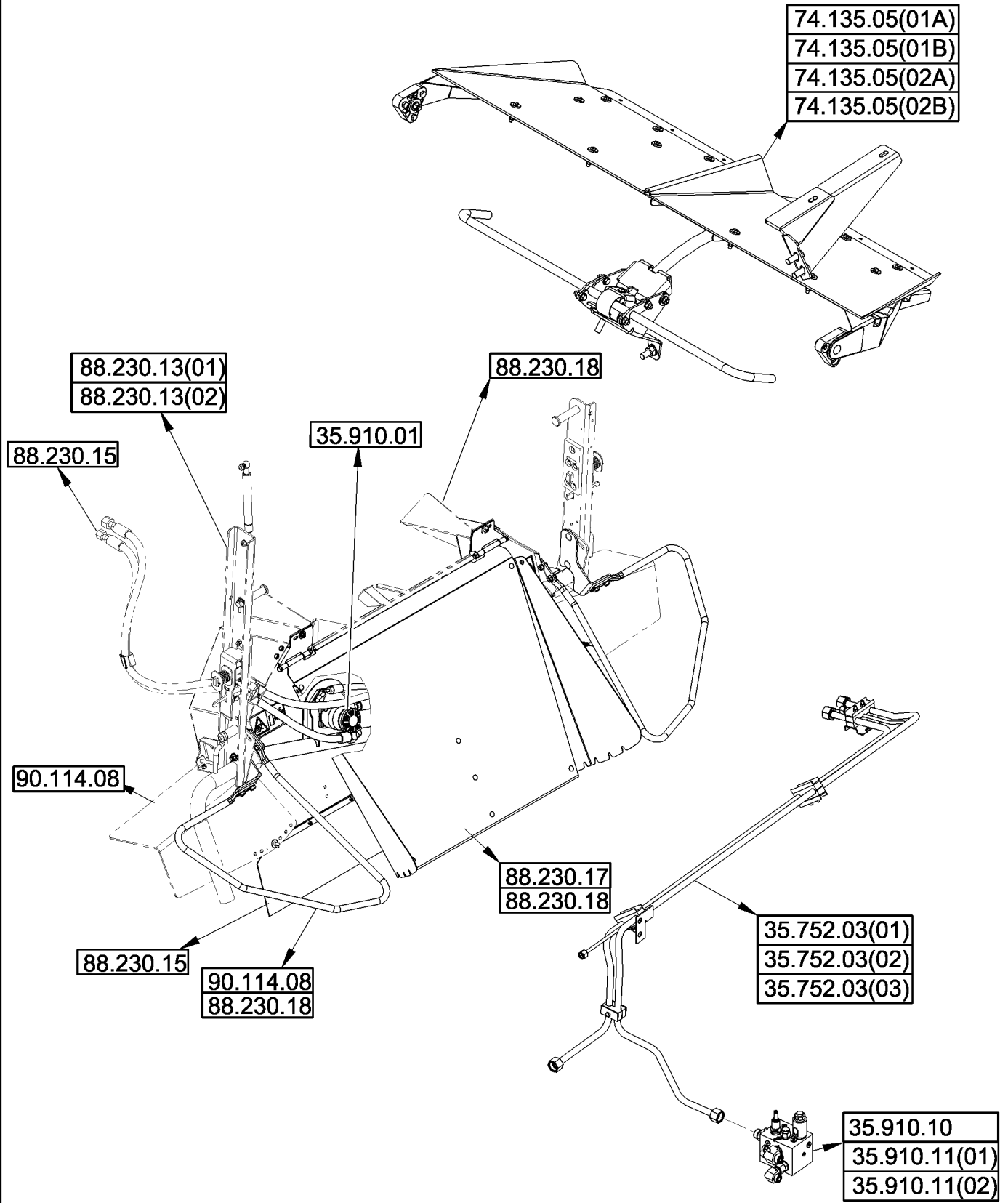
88.000.00		SECTION INDEX - STRAW SPREADER
88.100.01		WHEEL CHOCK - GERMANY, AUSTRIA, & SWITZERLAND ONLY - 7120, 8120, 9120
88.100.02		HYDRAULIC MOTOR, UNLOADING DRIVE, SPECIAL FOR RICE - NA ONLY - 7120, 8120, 9120
88.100.03		HYDRAULIC MANIFOLD, UNLOADING DRIVE, SPECIAL FOR RICE - NA ONLY - 7120, 8120, 9120
88.120.02		SIGNAL PLATES, REAR - EU - 7120, 8120, 9120
88.120.03	01	SIGNAL PLATES FOR UNLOADING TUBE; EUROPE ONLY - 7120, 8120, 9120
88.120.03	02	SIGNAL PLATE FOR UNLOADING TUBE, EUROPEAN ONLY
88.120.06		SIGNAL PLATES, FRONT - GERMANY - 7120, 8120, 9120
88.210.01	01	STRAWCHOPPER DRIVE - 7120/7120(LA)
88.210.01	02	STRAWCHOPPER DRIVE - 8120/8120(LA), 9120
88.210.02		TENSIONER - STRAWCHOPPER
88.210.04		DEFLECTOR, R.H. CHOPPER DISCHARGE
88.210.05		STRAWCHOPPER DRIVE - PULLEYS AND BELTS
88.210.09		FRONT GUARD MY2010 - 7120, 8120, 9120
88.210.10		STRAWCHOPPER, STANDARD AND FINE
88.210.11		KIT, SERRATED FLAIL STRAWCHOPPER
88.210.13	01	STRAWCHOPPER, INTEGRAL, 3X3, BSN YAG208311
88.210.13	02	STRAWCHOPPER, INTEGRAL, 3X3, ASN YAG208311
88.210.13	03	SHEAR BAR ASSEMBLY, STANDARD
88.210.13	04	DIA KIT, SHEAR BAR ASSEMBLY
88.210.14		KIT, KNIFE PROTECTION, FOR 3X3 INTEGRATED CHOPPER
88.220.03	02	KNIFE FRAME, FIXED, FROM PIN HAJ202001
88.230.04		DEFLECTOR, REMOTE ADJUSTABLE CHOPPER DISCHARGE
88.230.07		FEEDPLATE
88.230.11	01	KNIFE FRAME, FIXED; FOR USE W/3X3 INTEGRATED CHOPPER, BSN, YAG208311
88.230.11	02	KNIFE FRAME, FIXED; FOR USE W/3X3 INTEGRATED CHOPPER, ASN, YAG208311
88.230.13	01	DIA HARVEST KIT, STRAW SPREADER SUPPORT & DEFLECTORS
88.230.13	02	KIT, ANTI-STATIC
88.230.15		SPREADER, UPPER
88.230.17		SPREADER CHUTE, WINDROW
88.230.18		SPREADER CHUTE, WINDROW - EU - 7120, 8120, 9120
88.230.19		SPREADER, LOWER, W/FINGER BAR DISTRIBUTOR
88.230.19	01	SPREADER WIDTH CONTROL DELUXE NARROW
88.230.19	02	DIVIDER CROP ASSEMBLY DELUXE NARROW
88.230.20		ADJUSTABLE DISTRIBUTOR
88.230.21	01	AIR COMPRESSION KIT AFX9120, MODEL YEAR 2010
88.230.21	02	AIR COMPRESSOR KIT, AFX7120
88.230.21	03	AIR COMPRESSOR KIT, AFX8120
88.430.01		AUTO GUIDANCE-READY, CONTROL MODULE
88.430.02	01	AUTO GUIDANCE-READY, ELECTRICAL WIRING
88.430.02	02	AUTO GUIDANCE-READY, ELECTRICAL WIRING
88.430.03		AUTO GUIDANCE-READY, STEERING WHEEL SENSOR
88.430.05	01	AUTO GUIDANCE-READY, HYDRAULICS - 7120, 8120
88.430.05	02	AUTO GUIDANCE-READY, HYDRAULICS - 7120, 8120/8120(LA), 9120
88.430.06		AUTO GUIDANCE-READY, HYDRAULIC VALVE W/PRESSURE RELIEF
88.430.07		AUTO GUIDANCE-READY, AFS252 COMPLETING EXT
88.430.08		SMART STEER AUTO-GUIDANCE KIT - EDGE DETECTION SENSOR
88.430.09		SMART STEER AUTO-GUIDANCE KIT - ELECTRICAL WIRING
88.431.00		DIA KIT, AIR COMPRESSION, AFX7120

SECTION INDEX

88 - Accessories

88.431.01	DIA KIT, AIR COMPRESSION, AFX9120
88.431.02	DIA KIT, AIR COMPRESSION, AFX8120
88.431.03	AIR GUN ASSEMBLY, BLOWOFF

SECTION INDEX - STRAW SPREADER



88.000.00

p1

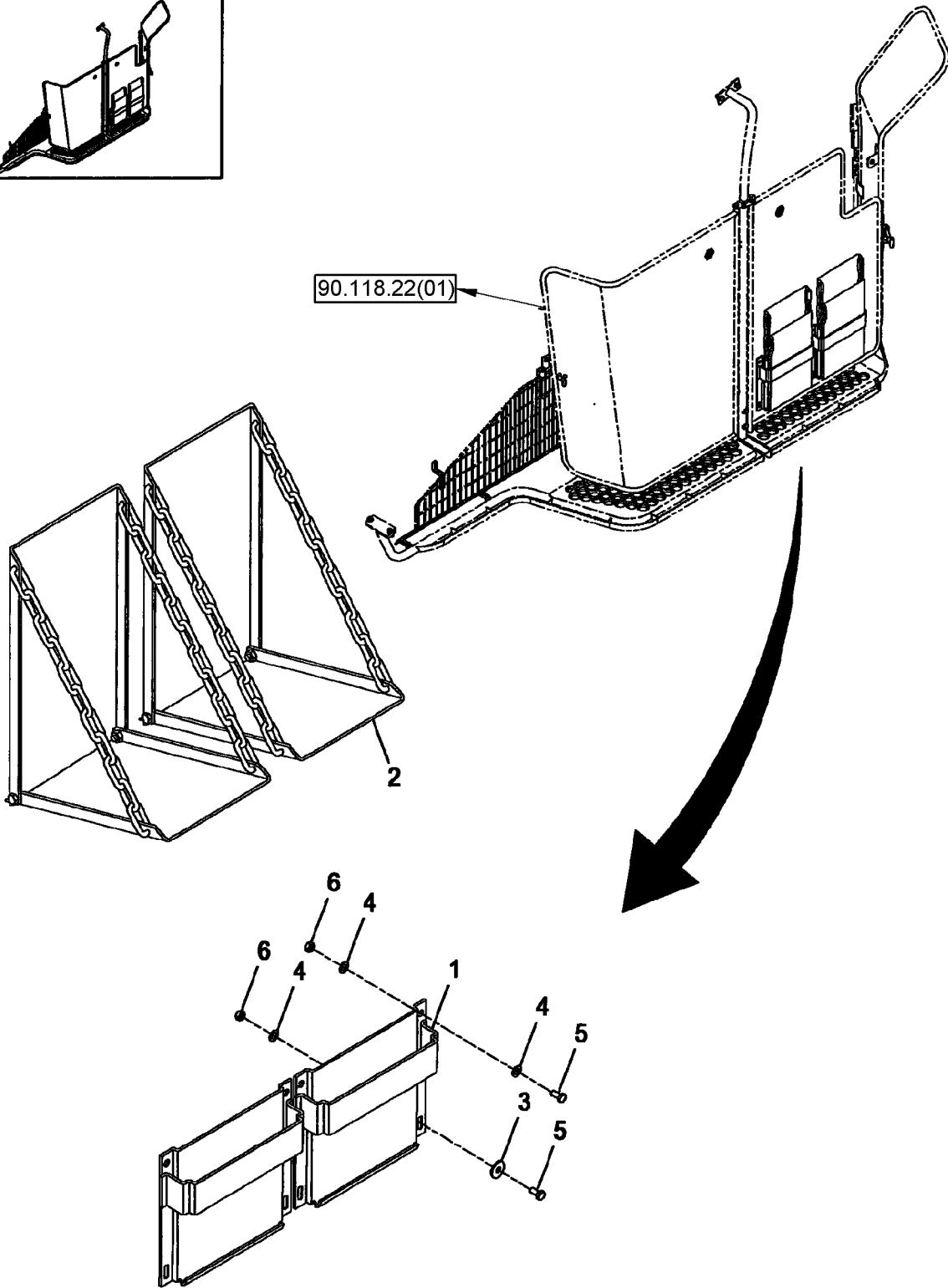
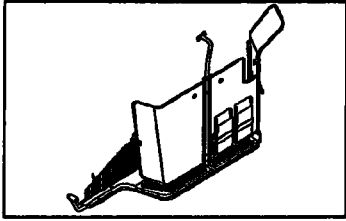
10/09

SECTION INDEX - STRAW SPREADER

REF	FN	PART NUMBER	YR/SN	QTY	DESCRIPTION
------------	-----------	--------------------	--------------	------------	--------------------

					9120 7120 8120 7120 8120
--	--	--	--	--	-------------------------------------

WHEEL CHOCK - GERMANY, AUSTRIA, & SWITZERLAND ONLY - 7120, 8120, 9120



88.100.01

p1

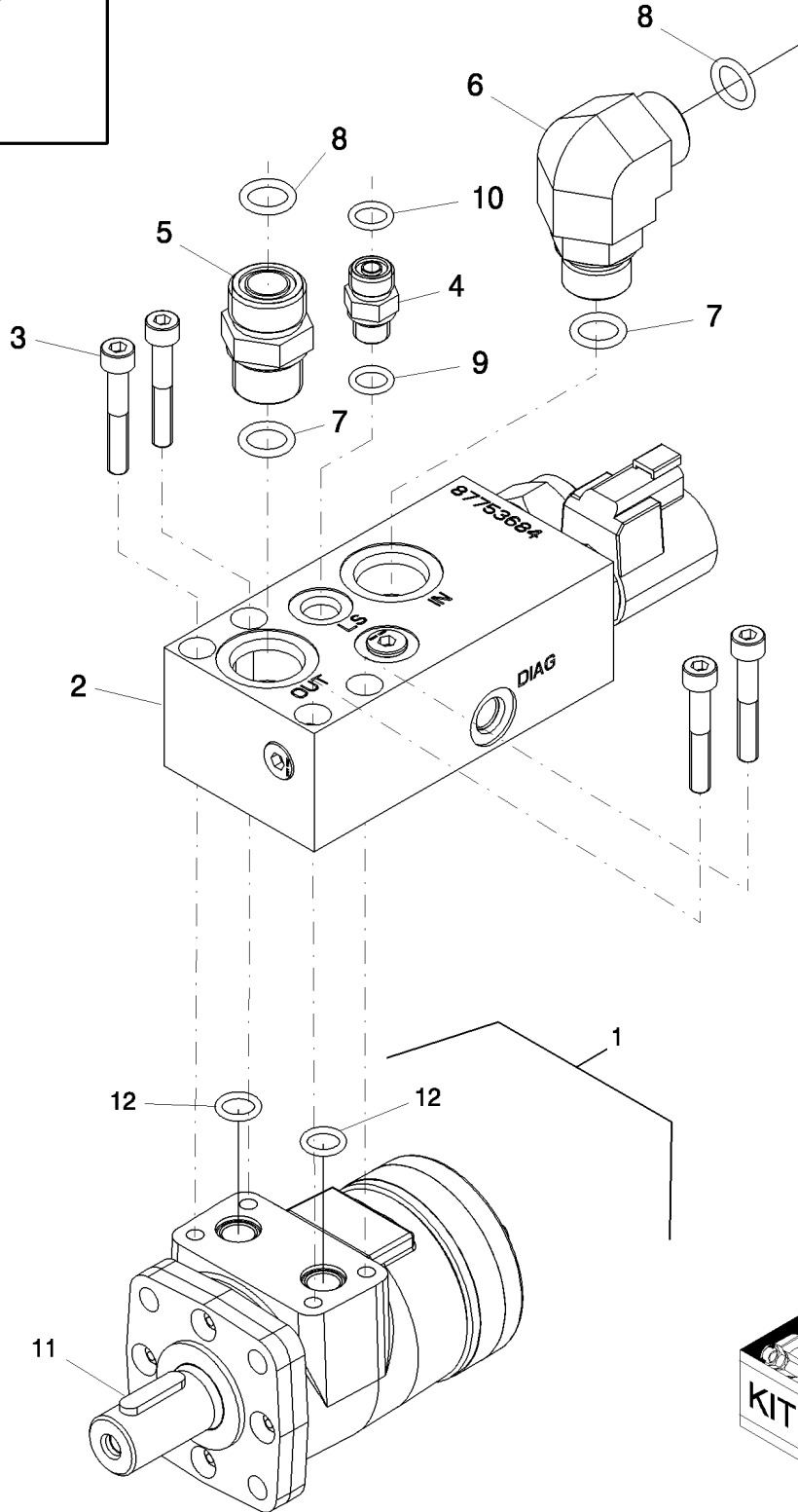
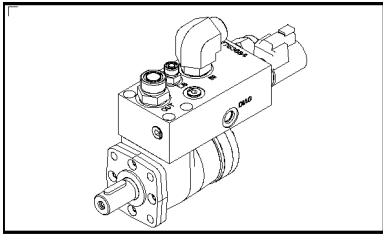
10/09

WHEEL CHOCK - GERMANY, AUSTRIA, & SWITZERLAND ONLY - 7120, 8120, 9120

REF	FN	PART NUMBER	YR/SN	QTY	DESCRIPTION
1		452770		2	CLAMP, Brace
2		452769		2	WHEEL CHOCK, WEDGE
3		140041		4	WASHER, M8 x 28 x 3
4		322358		12	BELLEVILLE WASHER, M8
5		120103		8	BOLT, Hex, M8 x 16, 8.8
6		9706690		8	NUT, M8, CI 8

8120 9120 7120

HYDRAULIC MOTOR, UNLOADING DRIVE, SPECIAL FOR RICE - NA ONLY - 7120, 8120, 9120



= 13

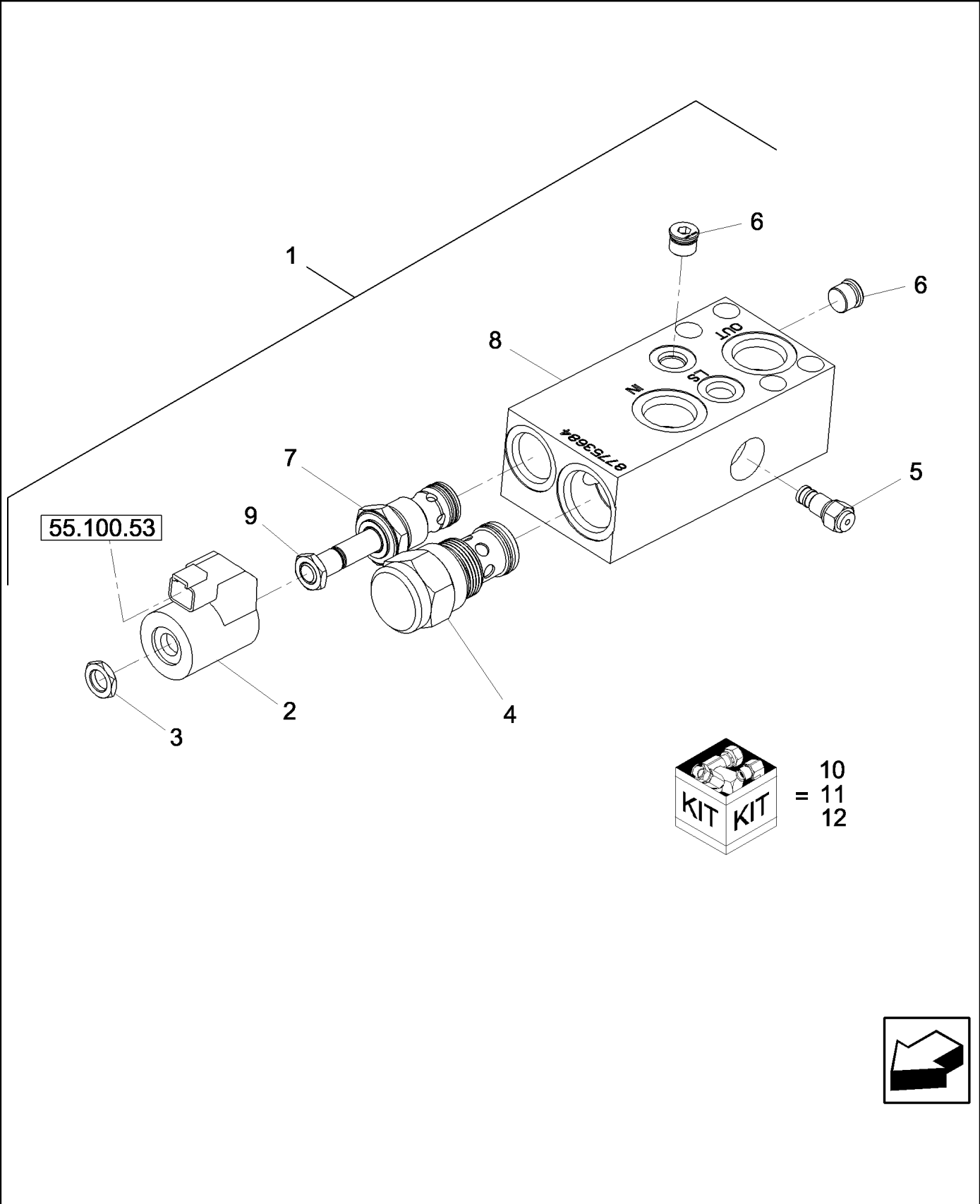


HYDRAULIC MOTOR, UNLOADING DRIVE, SPECIAL FOR RICE - NA ONLY - 7120, 8120, 9120

REF	FN	PART NUMBER	YR/SN	QTY	DESCRIPTION
1		84131434		1	MOTOR, HYDRAULIC, Incl Refs 11 & 12, See Also Ref 13
2		87753684		1	MANIFOLD, Hyd Unload
3		73170457		4	SCREW, Hex Soc Hd, M8 x 50, 8.8
4		86579671		1	HYD CONNECTOR, 11/16"-16 ORFS x M14 x 1.5 ORB, Incl Refs 9 & 10
5		86579682		1	HYD CONNECTOR, 1 3/16"-12 ORFS x M27 x 2 ORB, Incl Refs 7 & 8
6		86579697		1	ELBOW, 90°, 1 3/16"-12 ORFS x M27 x 2 ORB, Incl Refs 7 & 8
7		86598103		2	O-RING, CI 6, 23.6MM ID x 2.9 Thk
8		9991976		2	O-RING, -018, 90 Duro, .739" ID x .070" Thk
9		86598099		1	O-RING, CI 6, 11.3MM ID x 2.2 Thk
10		9993141		1	O-RING, -012, 90 Duro, .364" ID x .070" Thk
11		170030		1	KEY, M8 x 7 x 32, Par
12		272344		2	O-RING, -112, 90 Duro, .487" ID x .103" Thk
13		9807617		1	SEAL KIT, Services Ref 1

7120 8120 9120

HYDRAULIC MANIFOLD, UNLOADING DRIVE, SPECIAL FOR RICE - NA ONLY - 7120, 8120, 9120

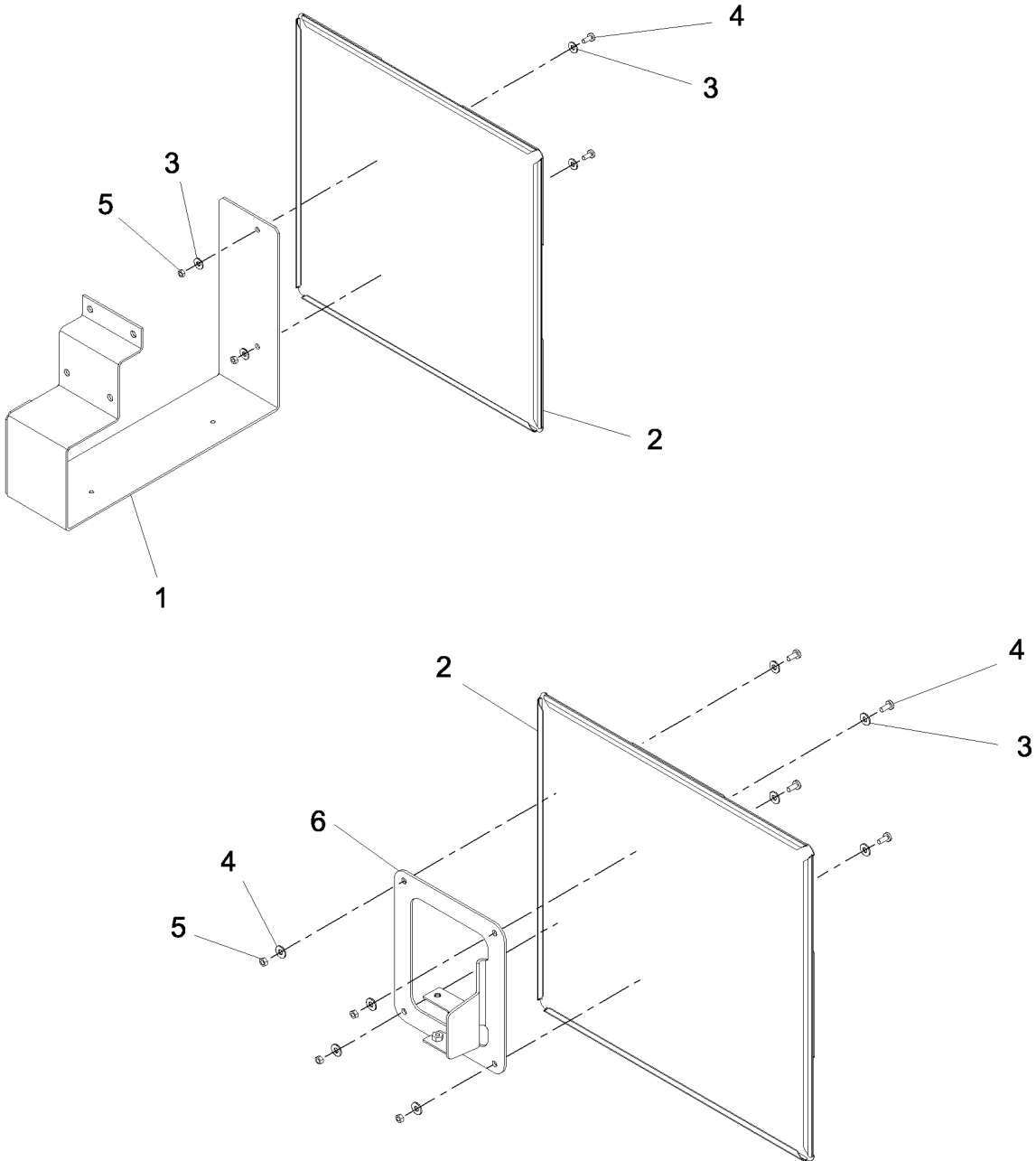


HYDRAULIC MANIFOLD, UNLOADING DRIVE, SPECIAL FOR RICE - NA ONLY - 7120, 8120, 9120

REF	FN	PART NUMBER	YR/SN	QTY	DESCRIPTION
1		87753684		1	MANIFOLD, Assembly, Hyd Incl Refs 2 Thru 8
2		87352779		1	SOLENOID
3		195683A1		1	NUT, 1/2"-20, Thin
4		84141333		1	VALVE, Hyd Cart Flow Reg, See Also Ref 11
5		190704A1		1	VALVE, CHECK
6		87037031		2	PLUG, O-Ring Is NSS
7		86514793		1	SOLENOID VALVE, Incl Ref 9
8		NSS		1	NOT SERVICED SEPARATELY, Manifold, Hyd
9		73113425		1	NUT
10		86514794		1	SEAL KIT, Services: Ref 7
11		1288954C1		1	SEAL KIT, Services: Ref 4
12		190707A1		1	SEAL KIT, Services: Ref 5

7120 8120 9120

SIGNAL PLATES, REAR - EU - 7120, 8120, 9120



88.120.02

p1

10/09

SIGNAL PLATES, REAR - EU - 7120, 8120, 9120

REF	FN	PART NUMBER	YR/SN	QTY	DESCRIPTION
1		87109573		2/AR	BRACKET, Rear Signal Plate, Narrow Mount
2		84607381		AR	PLATE
3		322357		AR	BELLEVILLE WASHER, M6
4		80043982		AR	SCREW, Pan Hd, M5 x 0.8 x 12, CI 4.8
5		86508813		AR	NUT, M5, CI 8
6		87284854		2/AR	BRACKET, Rear Signal Plate, Wide Mount

7120 8120 9120

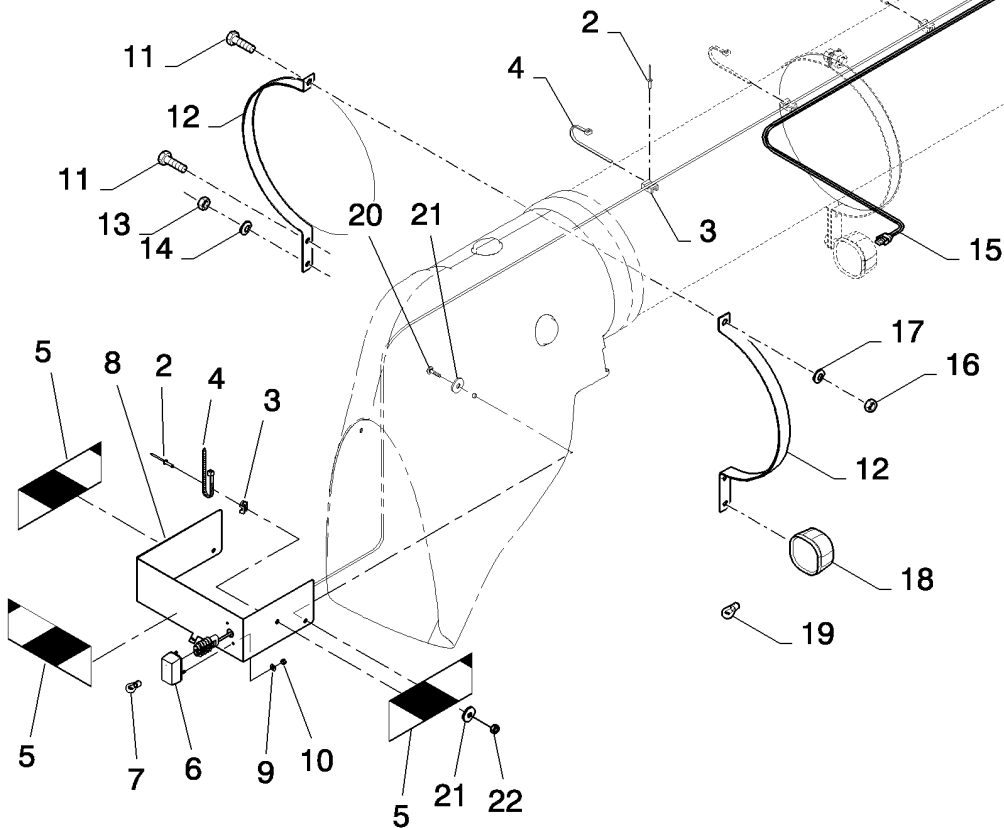
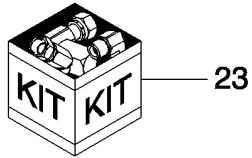
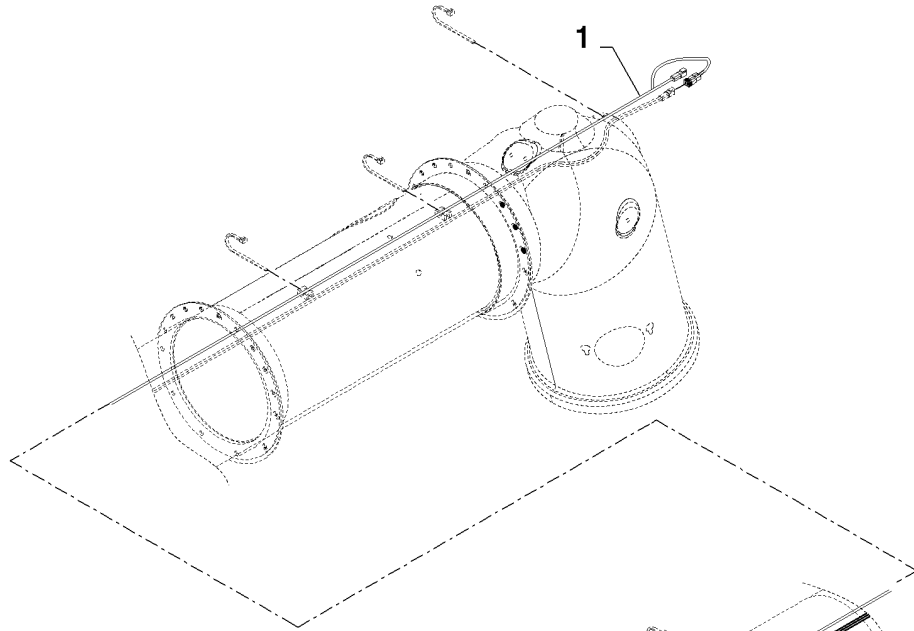
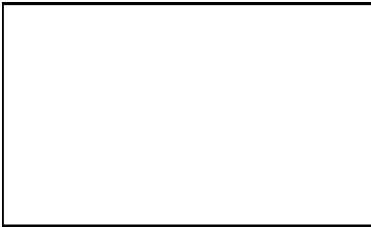
88.120.03

01

p1

10/09

SIGNAL PLATES FOR UNLOADING TUBE; EUROPE ONLY - 7120, 8120, 9120



88.120.03

01

p1

10/09

SIGNAL PLATES FOR UNLOADING TUBE; EUROPE ONLY - 7120, 8120, 9120

REF	FN	PART NUMBER	YR/SN	QTY	DESCRIPTION
1		86610718		1	WIRE HARNESS
2		325911		2	RIVET, Pop, M4.8 x 7.4
3		86590413		AR	CLAMP
4		86566989		2	CABLE STRAP, M4.75 x 190.5 L
5		84441358		1	DECAL
6		84429842		1	LAMP, (7)
7		86616250		1	BULB, #W5W, 5w
8		87573924		1	BRACKET
9		9824326		2	WASHER, M5 x 10 x 1 Thk
10		43440		2	LOCK NUT, M5 x .8, CI 8
11		43139		2	BOLT, Hex, M10 x 25, 8.8, Full Thd
12		87553982		2	BRACKET
13		9706690		1	NUT, M8, CI 8
14		322358		1	BELLEVILLE WASHER, M8
15		87727145		1	WIRE HARNESS, Signal Plates For Unloading Tube
16		100016		2	NUT, M10, CI 8
17		140045		2	BELLEVILLE WASHER, M10
18		84067907		1	WORK LAMP, (19)
19		9847313		1	BULB, #894, 12V, 37.5W
20		120100		3	BOLT, Hex, M6 x 20, 8.8
21		9824259		6	WASHER, M6 x 12 x 1.6
22		353308		3	NUT, M6 x 1, CI 8
23		87544261		1	UNLOAD TUBE SIGNAL PLATE, Kit; Incl Refs 1 Thru 7, 8 Thru 10, & 20 Thru 22

8120 9120 7120

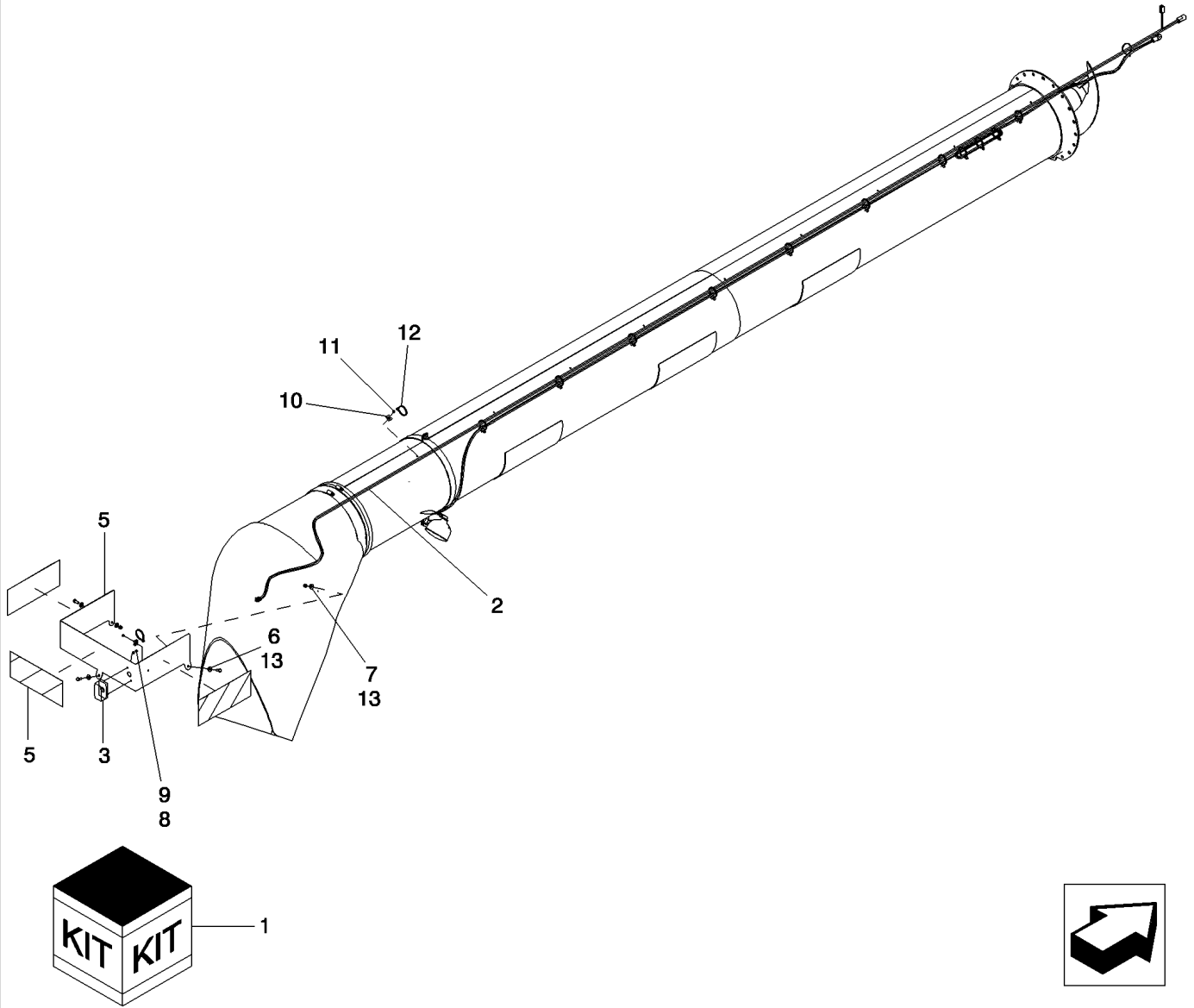
88.120.03

02

p1

02/10

SIGNAL PLATE FOR UNLOADING TUBE, EUROPEAN ONLY



88.120.03

02

p1

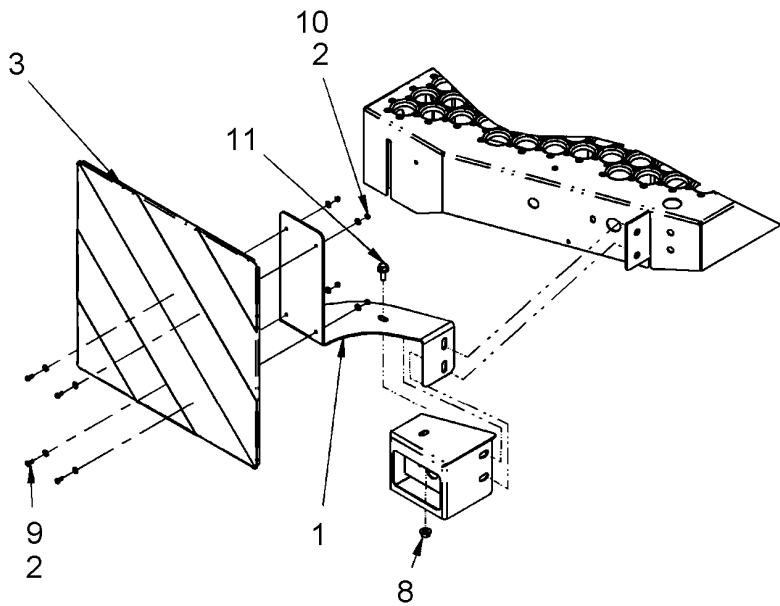
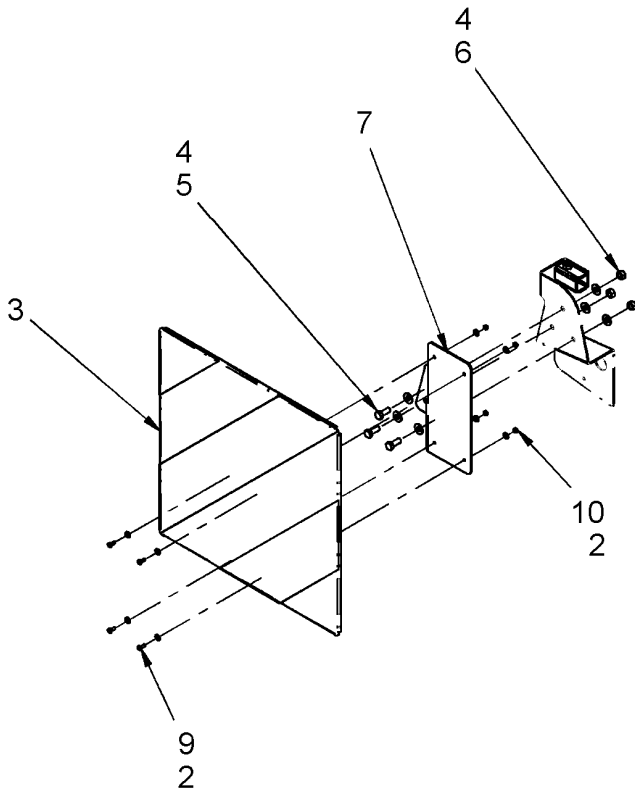
02/10

SIGNAL PLATE FOR UNLOADING TUBE, EUROPEAN ONLY

REF	FN	PART NUMBER	YR/SN	QTY	DESCRIPTION
1		84221191		1	UNLOAD TUBE SIGNAL PLATE, Dia Kit, unloading Tube, EU Signal Plate FF Ref 2-13
2		86610718		1	WIRE HARNESS
3		84429842		1	LAMP
4		84441358		3	DECAL
5		84221190		1	BRACKET, SUPPORTING
6		120104		3	BOLT, Hex, M8 x 20, 8.8
7		86629542		3	LOCK NUT, M8 x 1.25, CI 8
8		9824326		2	WASHER, M5 x 10 x 1 Thk
9		43440		2	LOCK NUT, M5 x .8, CI 8
10		86590413		2	CLAMP
11		325911		2	RIVET, Pop, M4.8 x 7.4
12		86566989		2	CABLE STRAP, M4.75 x 190.5 L
13		378243		6	WASHER, M8

7120 8120 9120

SIGNAL PLATES, FRONT - GERMANY - 7120, 8120, 9120



88.120.06

p1

02/10

SIGNAL PLATES, FRONT - GERMANY - 7120, 8120, 9120

REF	FN	PART NUMBER	YR/SN	QTY	DESCRIPTION
1		84146825		1	BRACKET, L.H.
2		322355		16	WASHER, Belleville, M4
3		84607381		2	PLATE
4		322358		6	BELLEVILLE WASHER, M8
5		120104		3	BOLT, Hex, M8 x 20, 8.8
6		9706690		3	NUT, M8, CI 8
7		87494228		1	BRACKET, R.H.
8		86505868		1	NUT, M8, Flg Ser
9		385683		8	BOLT, Hex, M4 x 10, 8.8, Full Thd
10		100012		8	NUT, M4, CI 8
11		86511479		1	BOLT, Hex Serr Flg, M8 x 20

8120 9120 7120

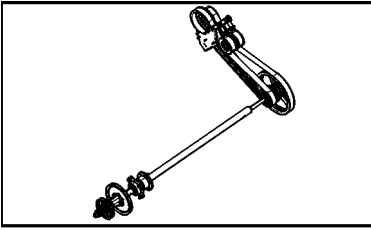
88.210.01

01

p1

02/10

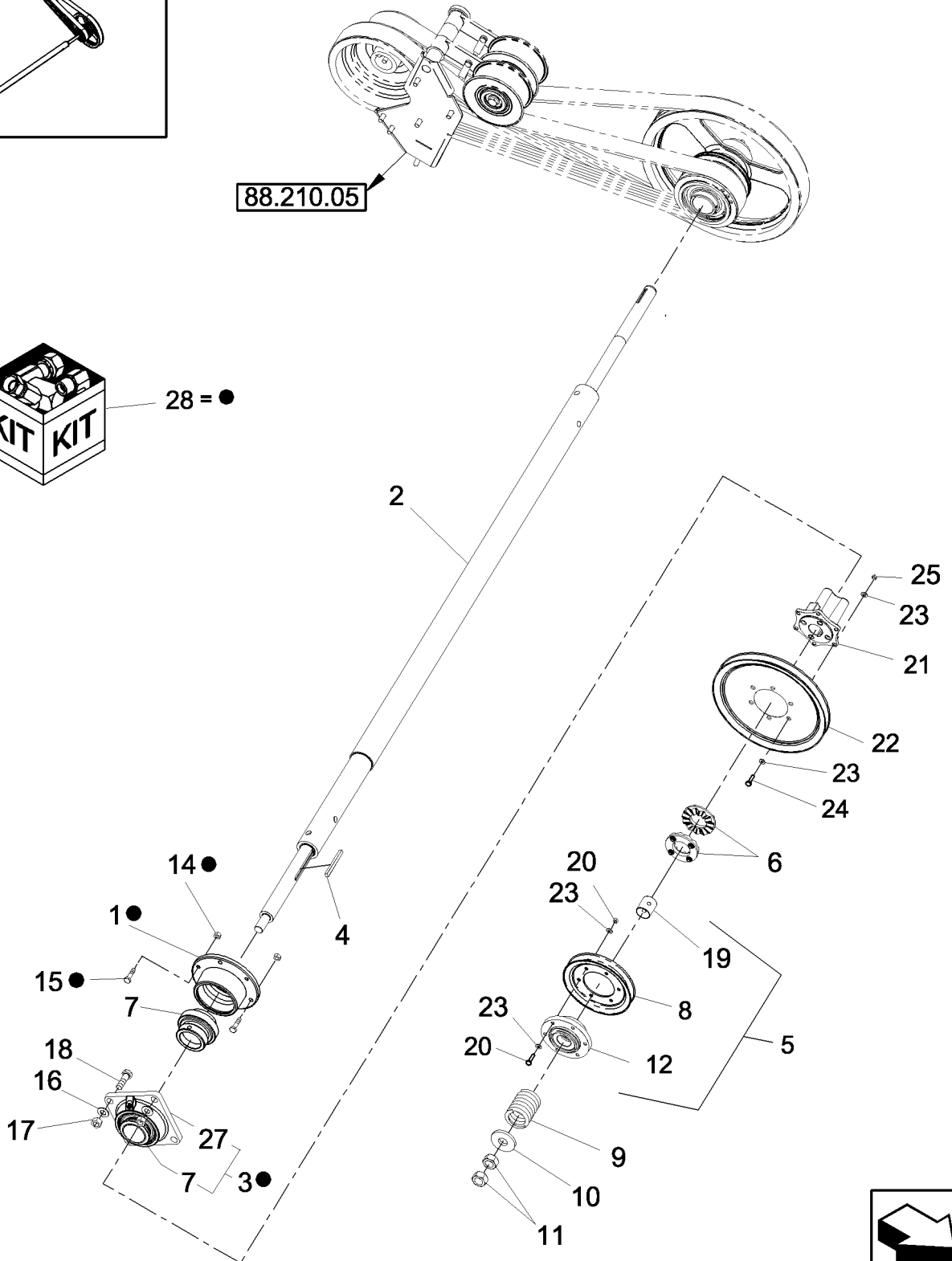
STRAWCHOPPER DRIVE - 7120/7120(LA)



88.210.05



28 = ●



STRAWCHOPPER DRIVE - 7120/7120(LA)

REF	FN	PART NUMBER	YR/SN	QTY	DESCRIPTION
1		84174156		1	SUPPORT ASSY., Bearing; Incl Ref 7
2		87394736		1	BEATER, Shaft
3	1	87109088		1	BEARING ASSY
4		86997578		1	KEY
5		87629095		1	PULLEY ASSY.
6		168370C2		2	RATCHET
7		NSS		2	NOT SERVICED SEPARATELY, Bearing
8		86999341		1	PULLEY, Tailings Driver
9		420927		1	SPRING
10		86997063		1	GROOVED BUSHING
11		9848973		2	NUT, M24, CI 10
12		87619879		1	HUB
14		86512497		6	NUT, M12 x 1.75, Flg, CI 10
15		87672196		6	SCREW, M12 x 45
16		140048		8	BELLEVILLE WASHER, M16
17		392530		4	NUT, M16, CI 10
18		9845488		4	BOLT
19		86997496		1	BUSHING
20		412479		6	BOLT, Hex, M8 x 35, 8.8
21		87011488		1	HUB
22	2	84128455		1	PULLEY ASSY., Single Speed
22		86999007		1	SHEAVE, Two Speed (Double Pulley)
23		322358		24	BELLEVILLE WASHER, M8
24		43235		6	BOLT, Hex, M8 x 30, 10.9
25		829-1408		6	NUT, M8, CI 10
26		825-1408		6	NUT, M8, CI 8
27		NSS		1	NOT SERVICED SEPARATELY, Housing, Bearing; Incl W/Ref 3
28	3	87723220		1	DRIVE, Kit, Strawchopper Drive

(1) Please see Figure Note

(2) Shown

(3) Part of Kit 87723223, Beater to Chopper Conversion

Ref. 3: Part number 87109088, SEE THE BEATHER/CHOPPER SECTION IN THE SERVICE MANUAL AND THE LOCKING PROCEDURE TO PROPERLY SET AND LOCK THE BEARING ASSEMBLY TO THE SHAFT. THIS SPECIFIES THAT THE 3 SET SCREWS BE EVENLY TORQUED TO 5 - 6.5 LB. FT. (7-9NM)

7120 7120

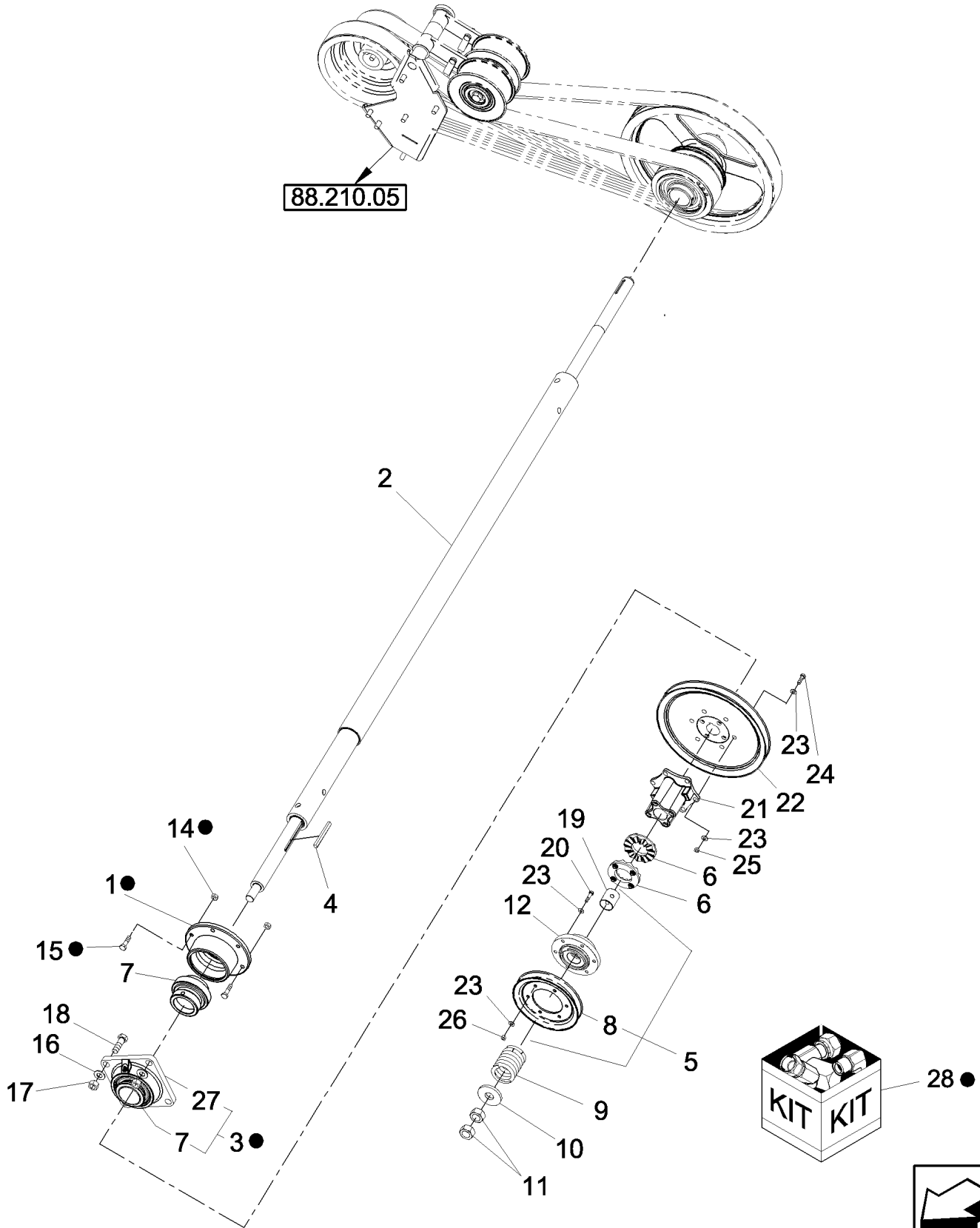
88.210.01

02

p1

02/10

STRAWCHOPPER DRIVE - 8120/8120(LA), 9120



STRAWCHOPPER DRIVE - 8120/8120(LA), 9120

REF	FN	PART NUMBER	YR/SN	QTY	DESCRIPTION
1		84174156		1	SUPPORT ASSY., Bearing, Six-Bolt; Incl Ref 7
2		87282228		1	SHAFT
3	1	87109088		1	BEARING ASSY, Support - Incl Ref 7 & 27
4		86997578		1	KEY, Retaining
5		87629096		1	PULLEY
6		168370C2		2	RATCHET
7		NSS		2	NOT SERVICED SEPARATELY, Bearing
8		86999341		1	PULLEY, Driver, Tailings
9		420927		1	SPRING
10		86997063		1	GROOVED BUSHING
11		9848973		2	NUT, M24, CI 10
12		87619879		1	HUB
14		86512497		6	NUT, M12 x 1.75, Flg, CI 10
15		87672196		6	SCREW, M12 x 45
16		140048		8	BELLEVILLE WASHER, M16
17		392530		4	NUT, M16, CI 10
18		9845488		4	BOLT, Carriage, Short Neck, CL 10.9, M16 x 2 x 50
19		86997496		1	BUSHING
20		412479		6	BOLT, Hex, M8 x 35, 8.8
21		87011488		1	HUB
22	2	84128455		1	PULLEY ASSY., Single Speed
22		86999007		1	SHEAVE, Two Speed (Double Pulley)
23		322358		24	BELLEVILLE WASHER, M8
24		43235		6	BOLT, Hex, M8 x 30, 10.9
25		829-1408		6	NUT, M8, CI 10
26		825-1408		6	NUT, M8, CI 8
27		NSS		1	NOT SERVICED SEPARATELY, HOUSING, Bearing - Incl with Ref 3
28	3	87723220		AR	DRIVE

(1) Please see Figure Note

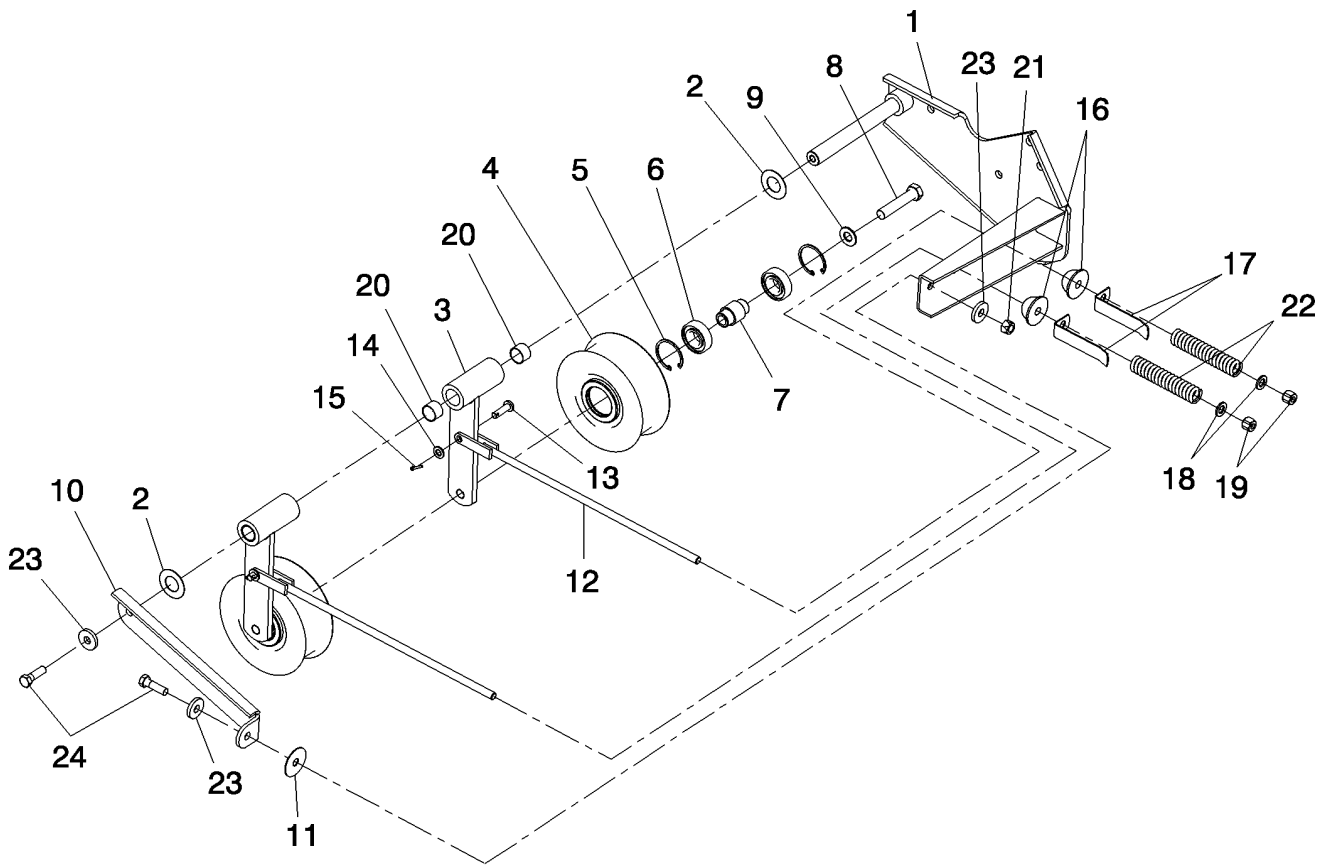
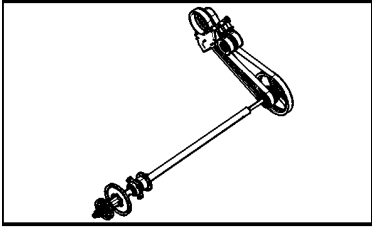
(2) Shown

(3) Part of Kit 87723223, Beater to Chopper Conversion

Ref. 3: Part number 87109088, SEE THE BEATHER/CHOPPER SECTION IN THE SERVICE MANUAL AND THE LOCKING PROCEDURE TO PROPERLY SET AND LOCK THE BEARING ASSEMBLY TO THE SHAFT. THIS SPECIFIES THAT THE 3 SET SCREWS BE EVENLY TORQUED TO 5 - 6.5 LB. FT. (7-9NM)

8120 9120 8120

TENSIONER - STRAWCHOPPER



25

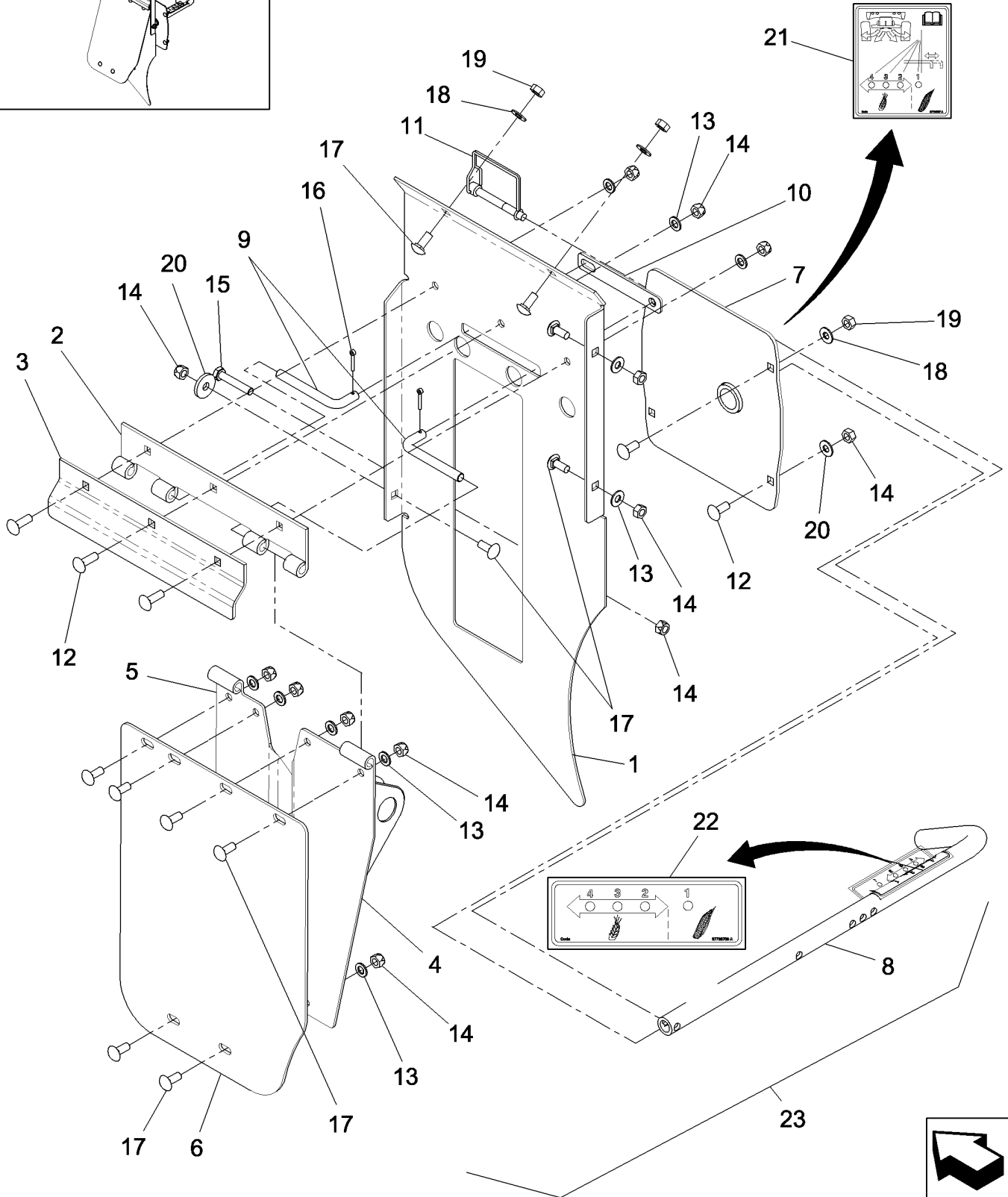
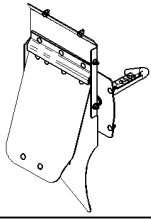


TENSIONER - STRAWCHOPPER

REF	FN	PART NUMBER	YR/SN	QTY	DESCRIPTION
1		87397837		1	BRACKET
2		27317		2/AR	WASHER, 1" x 2" x .036" Thk
3		87398361		2	LEVER ASSY., Incl Ref 20 (2)
4		84072441		2	IDLER
5		370011		4	SNAP RING, M52, Int
6		84057966		4	BALL BEARING
7		84057817		2	BUSHING
8		120093		2	BOLT, Hex, M16 x 80, 8.8
9		140048		2	BELLEVILLE WASHER, M16
10		87397839		1	PLATE
11		87397840		1/AR	SHIM
12		86975966		2	ROD
13		390040		2	CLEVIS PIN, M10 x 35
14		140017		2	WASHER, M10 x 20 x 2
15		130003		2	COTTER PIN, M3.2 x 20
16		86560521		2	PIVOT
17		86596885		2	INDICATOR
18		140018		2	WASHER, M12 x 24 x 2.5
19		412126		2	LOCK NUT, M12 x 1.75, CI 8
20		NSS		4	NOT SERVICED SEPARATELY, Bushing
21		100038		1	LOCK NUT, M12 x 1.75, CI 8
22		87540186		2	SPRING
23		86592701		3	WASHER, M12 x 35 x 5, HT
24		86629541		2	BOLT, Hex, M12 x 40, 8.8, Full Thd
25		87709596		1	STRAW CHOPPER, Tensioner Kit, Includes Refs 103, 4(1), 5(2), 6(2), 7(1), 8(1), 9(1), 10, 11, 12 Thru 19 & 21

**7120 7120 8120 9120
8120**

DEFLECTOR, R.H. CHOPPER DISCHARGE

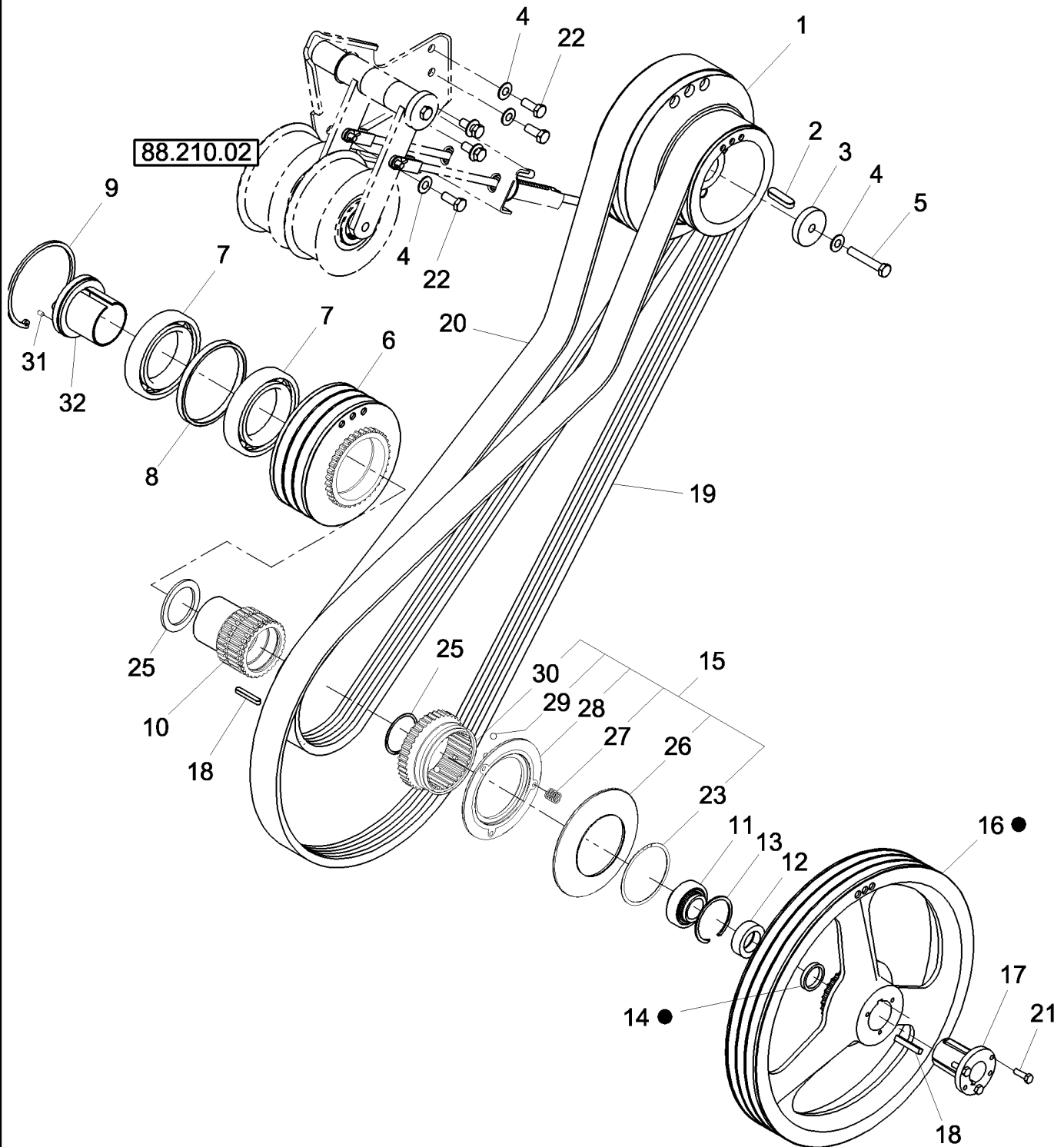


DEFLECTOR, R.H. CHOPPER DISCHARGE

REF	FN	PART NUMBER	YR/SN	QTY	DESCRIPTION
1		87726081		1	BULKHEAD
2		87325654		1	HINGE, Plate
3		87726083		1	WEAR PLATE
4		87485544		1	HINGE, Plate, R.H.
5		87485542		1	HINGE, Plate, L.H.
6		87732857		1	PLATE, Deflector
7		87728709		1	SERVICE KIT, Mounting Plate; Incl Ref 21
8		87728710		1	SERVICE KIT, Handle; Incl Ref 22
9		87325655		2	PIN
10		87726088		1	STRAP, Retaining
11		647695		1	PIN
12		308761		5	SCREW, Short NK, M8 x 25, CI8.8, Full Thd
13		86624184		9	WASHER, M8 x 16 x 1.6
14		86629542		13	LOCK NUT, M8 x 1.25, CI 8
15		120061		1	BOLT, Hex, M8 x 60, 8.8
16		130003		2	COTTER PIN, M3.2 x 20
17		86507486		11	CARRIAGE BOLT, Short NK, M8 x 20, CI8.8, Full Thd
18		322358		4	BELLEVILLE WASHER, M8
19		9706690		4	NUT, M8, CI 8
20		140041		3	WASHER, M8 x 28 x 3
21		87728707		1	DECAL, Deflector
22		87728708		1	DECAL, Handle
23		87328003		1	DIA KIT, HARVESTER, Discharge Deflector, Incl Refs 1 Thru 22

**7120 7120 8120 9120
8120**

STRAWCHOPPER DRIVE - PULLEYS AND BELTS



88.210.02



STRAWCHOPPER DRIVE - PULLEYS AND BELTS

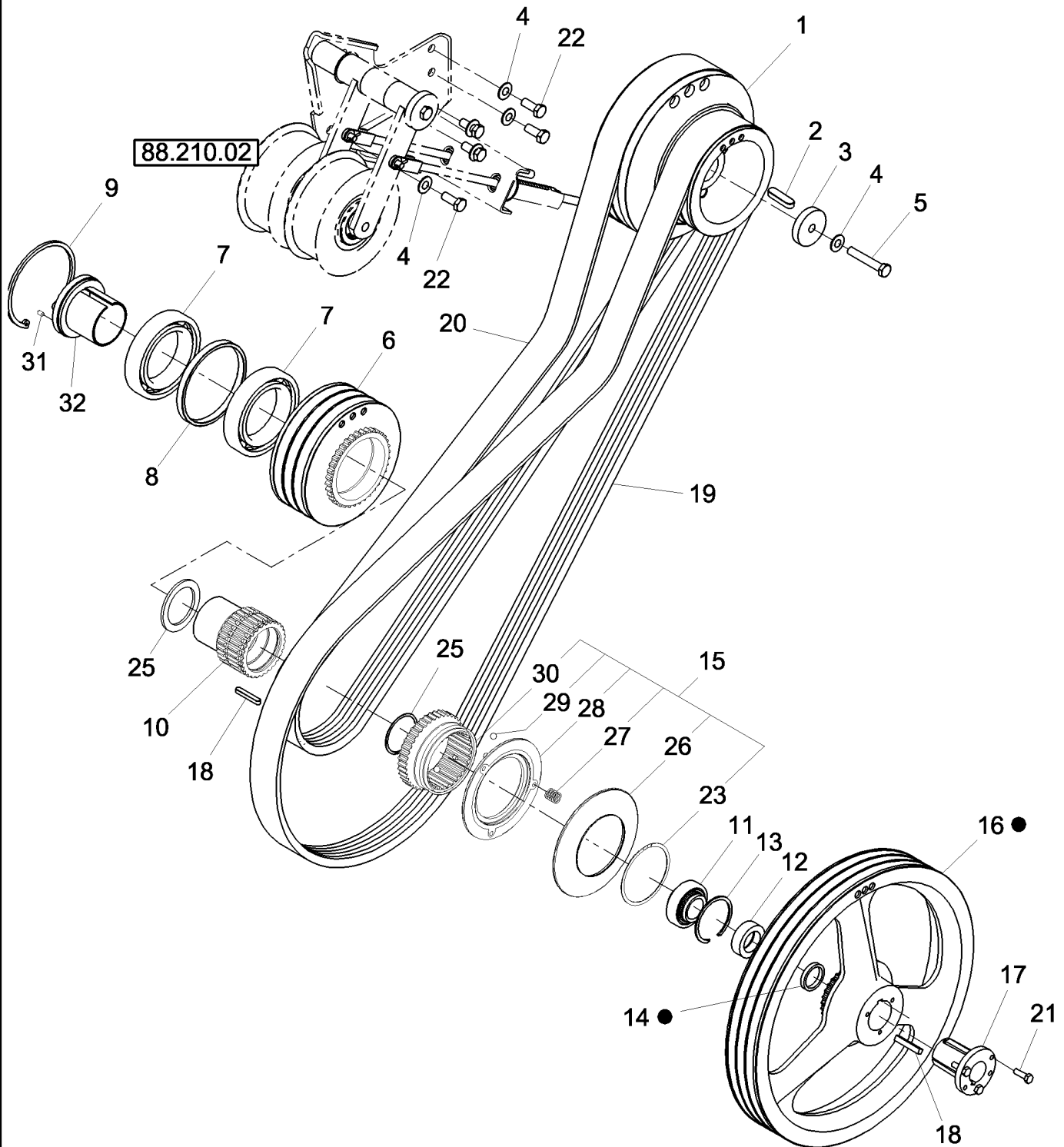
REF	FN	PART NUMBER	YR/SN	QTY	DESCRIPTION
1	1	87281239		1	PULLEY, Dual, Grooved
1	2	87283335		1	PULLEY, Dual, Grooved
2		170066		1	KEY, M14 x 9 x 50, Par
3		84073172		1	WASHER, M13 x 60 x 12 Thk
4		140046		6	SPRING WASHER, Belleville, M12
5		9706717		1	BOLT, Hex, M12 x 70, 8.8, Full Thd
6		87510526		1	PULLEY
7		1345226C1		2	BALL BEARING
8		87510529		1	SPACER
9		388294		1	SNAP RING, M125, Int
10		87510527		1	SHAFT, Hub
11		86976370		1	BALL BEARING
12		47067		1	RETAINER COLLAR
13		131692		1	SNAP RING, 3" Free OD
14		87282629		1	SPACER
15		87283584		1	COLLAR, Shifter
16		87283586		1	PULLEY
16		87325137		1	PLATE
16		87283587		1	SPLINED RING
16		14306721		1	SCREW, Hex Soc Hd, M8 x 40, 8.8
17		87107341		1	BUSHING
18		87485		2	KEY, Square, 5/16" x 2"
19		86517680		1	BELT, 3 HB, 119.9" [3045.5 mm]
20	1	86976208		1	BELT, 3 HB, 107.2" [2720 mm]
20	2	87283315		1	BELT, 3 HB, 105.9" [2690 mm]
21		9635884		3	BOLT, Hex, 5/16"-18 x 1", G5, Full Thd
22		9706687		4	BOLT, Hex, M12 x 30, 8.8, Full Thd
23		87283582		1	RETAINER, Ring
25		87337454		1	RETAINER, Series RR, #256
26		87283581		1	PLATE
27		87283583		3	COMPRESSION SPRING
28		87283580		1	RING
29		87038215		3	BALL, 10 mm, GR 200, SS

(1) 3000 RPM

(2) 2800 RPM

7120 7120 8120 9120
8120

STRAWCHOPPER DRIVE - PULLEYS AND BELTS



88.210.05

p2

02/10

STRAWCHOPPER DRIVE - PULLEYS AND BELTS

REF	FN	PART NUMBER	YR/SN	QTY	DESCRIPTION
30		87283579		1	COLLAR, Shift
31		87019103		7	SET SCREW, HSH, M6 x 1 x 10
32		87510844		1	HUB ASSY.

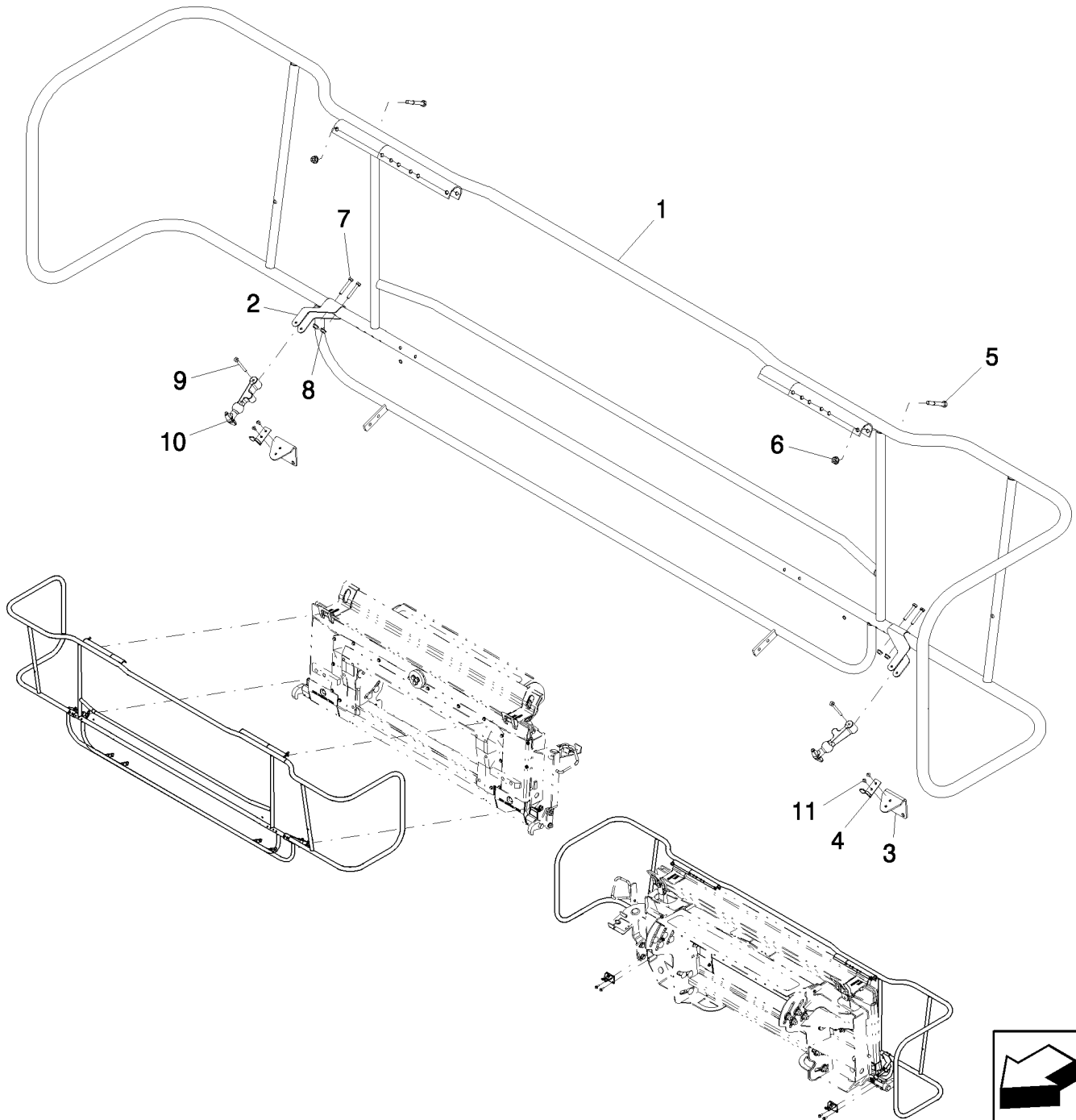
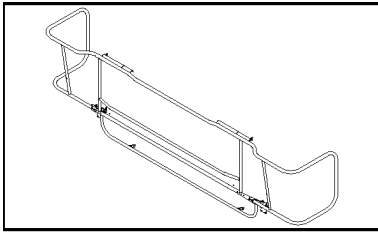
**7120 7120 8120 9120
8120**

88.210.09

p1

02/10

FRONT GUARD MY2010 - 7120, 8120, 9120



FRONT GUARD MY2010 - 7120, 8120, 9120

REF	FN	PART NUMBER	YR/SN	QTY	DESCRIPTION
1		419643		1	SHIELD, Guard
2		84214575		2	BRACKET, Feeder Guard Frame
3		84214571		2	BRACKET, Feeder Guard
4		453857		2	CLIP
5		120061		2	BOLT, Hex, M8 x 60, 8.8
6		86619801		2	LOCK NUT, M8 x 1.25, Flg, Cl 8
7		120102		4	SCREW, Hex, M6 x 40, 8.8, Full Thd
8		9804276		4	NUT, M6 x 1, Flg, Cl 8
9		87400		2	COTTER PIN, 3/16" x 2"
10		353067		2	HANDLE, Latch
11		425519		4	RIVET, Pop, M4 x 8.6, Alum Pop

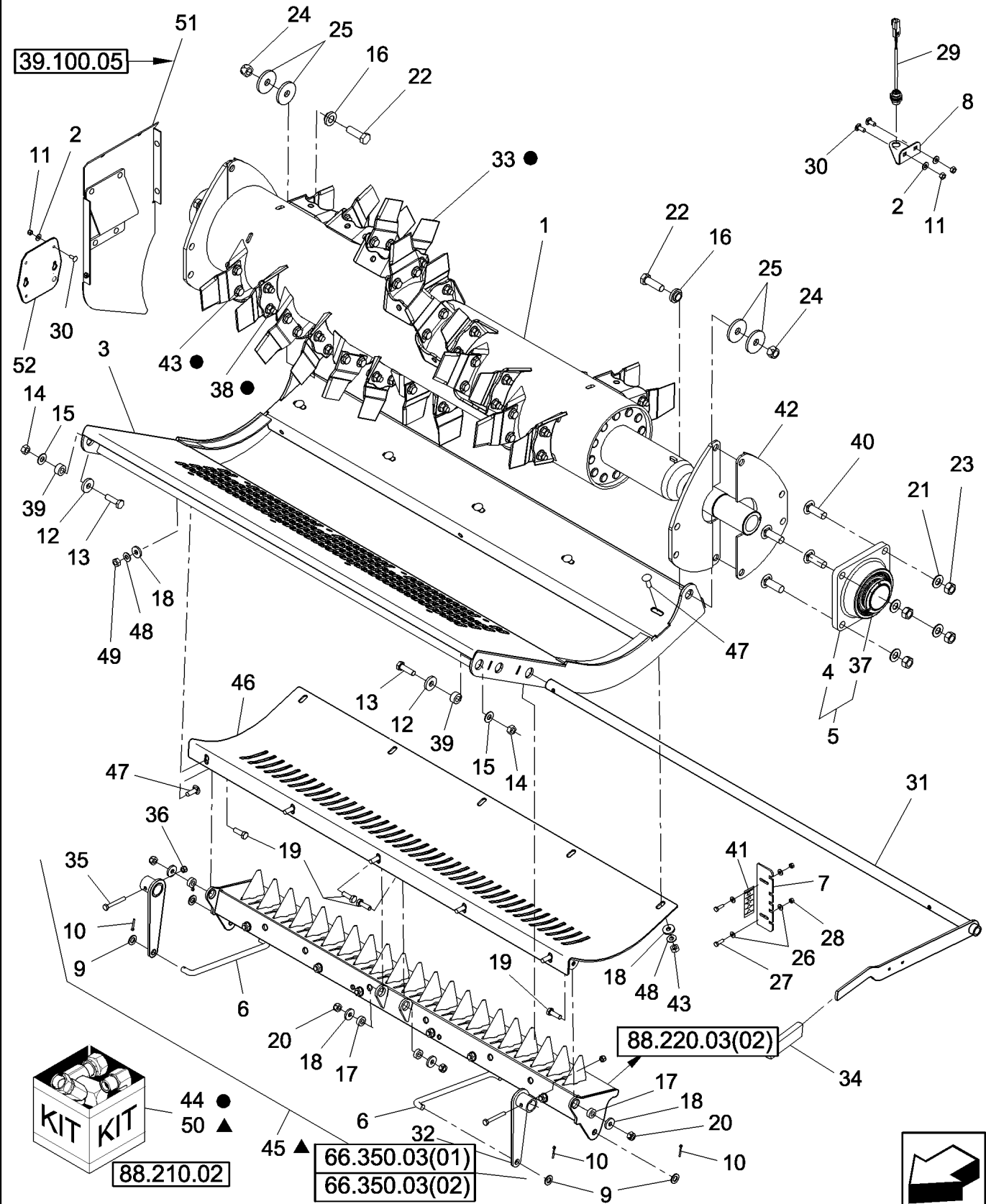
7120 8120 9120

88.210.10

p1

02/10

STRAWCHOPPER, STANDARD AND FINE



STRAWCHOPPER, STANDARD AND FINE

REF	FN	PART NUMBER	YR/SN	QTY	DESCRIPTION
1	1	87723229		1	STRAW CHOPPER, Std Cut; W/Blades
1	2,3	0C		1	ORDER COMPONENTS, Chopper, Straw, Fine Cut; W/Blades
2		322358		4	BELLEVILLE WASHER, M8
3		87563854		1	PAN ASSY.
4		NSS		1	NOT SERVICED SEPARATELY, Housing, Bearing
5	4	87109088		1	BEARING ASSY, Housing
6		87282824		2	LINK
7		87109324		1	PLATE
8		87651216		1	SUPPORT ASSY.
9		140018		4	WASHER, M12 x 24 x 2.5
10		130004		4	COTTER PIN, M3.2 x 25
11		9706690		4	NUT, M8, CI 8
12		86592701		2	WASHER, M12 x 35 x 5, HT
13		337563		2	BOLT, Hex, M12 x 40, 10.9, Full Thd
14		9706685		2	NUT, M12, CI 8
15		140046		2	SPRING WASHER, Belleville, M12
16		87000251		2	BUSHING
17		86997386		4	BUSHING
18		86592700		14	WASHER, M10 x 28 x 4, HT
19		43140		4	BOLT, Hex, M10 x 30, 8.8, Full Thd
20		100037		4	NUT, M10 x 1.5, CI 8
21		140048		4	BELLEVILLE WASHER, M16
22		412398		2	BOLT, Hex, M16 x 50, 10.9
23		392530		4	NUT, M16, CI 10
24		86512555		2	LOCK NUT, M16 x 2, CI 10
25		84007183		4	WASHER, M16 x 58 x 6
26		322357		4	BELLEVILLE WASHER, M6
27		120100		2	BOLT, Hex, M6 x 20, 8.8
28		9706755		2	NUT, M6, CI 8
29		87342073		1	SENSOR, Straw Chopper Speed

- (1) NA
(2) EU
(3) 7120 & 8120 Only
(4) Please see Figure Note

For Ref# 5, Part number 87109088: SEE THE BEATHER/CHOPPER SECTION IN THE SERVICE MANUAL AND THE LOCKING PROCEDURE TO PROPERLY SET AND LOCK THE BEARING ASSEMBLY TO THE SHAFT. THIS SPECIFIES THAT THE 3 SET SCREWS BE EVENLY TORQUED TO 5 - 6.5 LB. FT. (7-9NM)

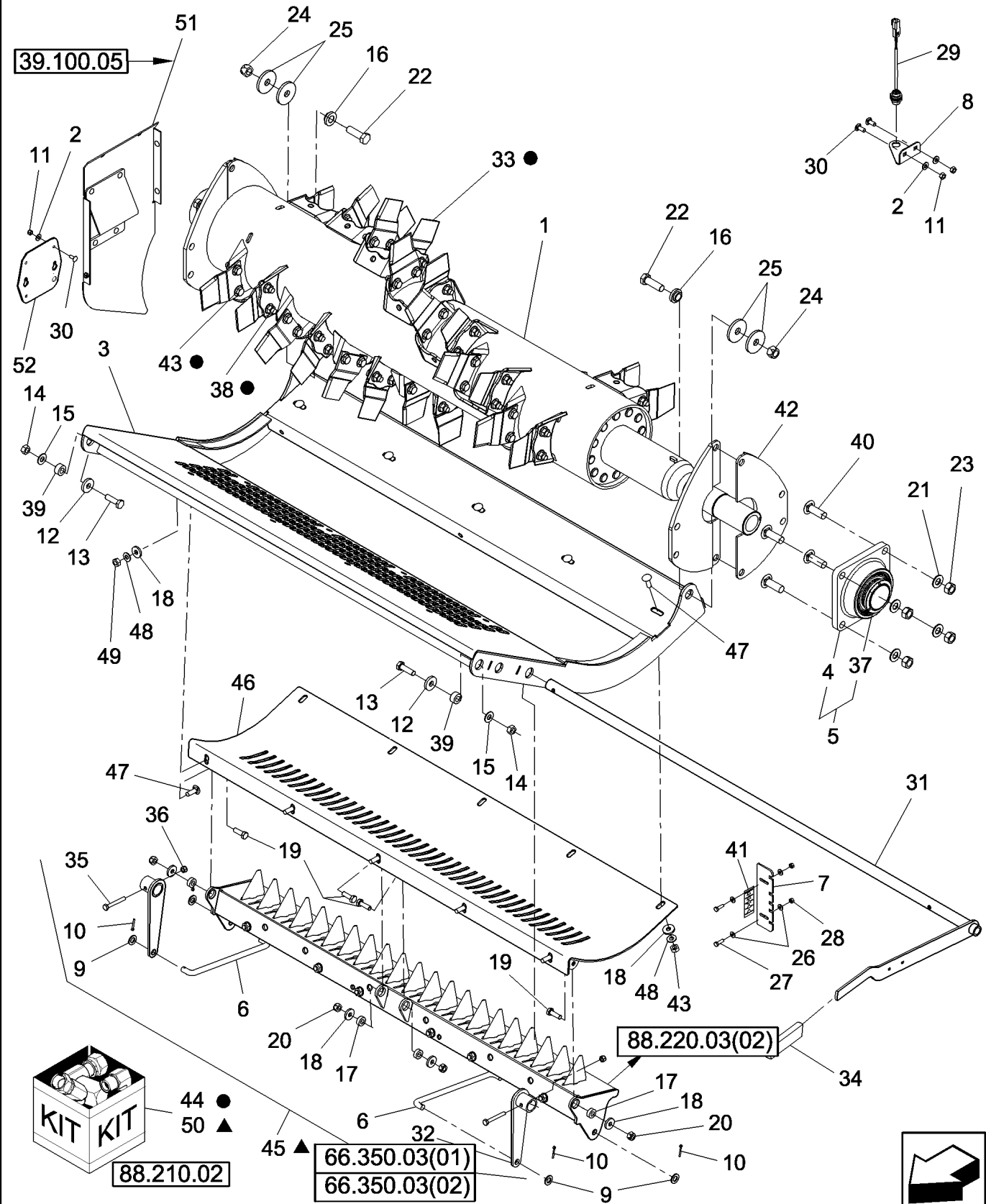
7120 7120 8120 9120
8120

88.210.10

p2

02/10

STRAWCHOPPER, STANDARD AND FINE



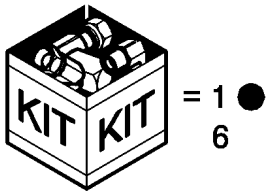
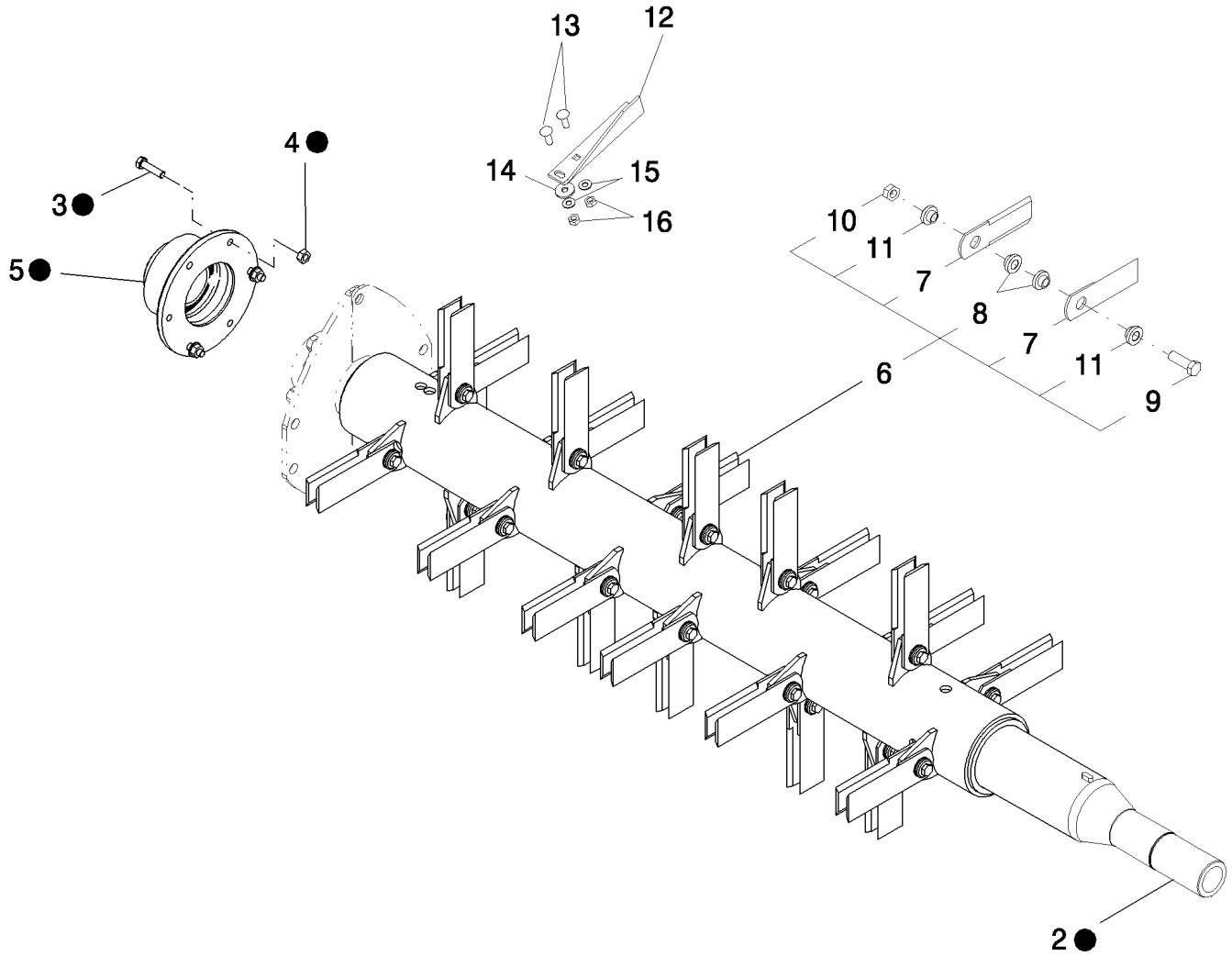
STRAWCHOPPER, STANDARD AND FINE

REF	FN	PART NUMBER	YR/SN	QTY	DESCRIPTION
30		86507486		4	CARRIAGE BOLT, Short NK, M8 x 20, CI8.8, Full Thd
31		87281621		1	HANDLE
32		87108765		2	ARM
33		87280494		AR	BLADE, Std Cut (28), Fine Cut (56)
34		357545		1	HANDLE GRIP
35		120061		2	BOLT, Hex, M8 x 60, 8.8
36		86629542		2	LOCK NUT, M8 x 1.25, CI 8
37		NSS		1	NOT SERVICED SEPARATELY, Bearing
38		86512497		56	NUT, M12 x 1.75, Flg, CI 10
39		699963		2	SPACER
40		9845488		4	BOLT
41		87280049		1	DECAL
42		87282748		4	SEAL
43		87030508		56	BOLT, Hex Flg, M12 x 30, 10.9, Full Thd
44		87280980		AR	SERVICE KIT, Blades (2), Bolts (4), & Nuts (4)
45		87723222		1	STRAW CHOPPER, Std, Less Refs 3 & 51
46		87565653		1	GUARD ASSY.
47		86512446		10	CARRIAGE BOLT, Short NK, M10 x 30, CI8.8, Full Thd
48		140045		10	BELLEVILLE WASHER, M10
49		100016		10	NUT, M10, CI 8
50		87723223		AR	DIA KIT, HARVESTER, Straw Chopper Conversion; Incl Ref 45 & Kit 87723220 (Straw Chopper Drive)
51	0C			1	ORDER COMPONENTS, Deflector, RH Rotor Discharge
52		87727894		1	COVER PLATE

For Ref# 5, Part number 87109088: SEE THE BEATHER/CHOPPER SECTION IN THE SERVICE MANUAL AND THE LOCKING PROCEDURE TO PROPERLY SET AND LOCK THE BEARING ASSEMBLY TO THE SHAFT. THIS SPECIFIES THAT THE 3 SET SCREWS BE EVENLY TORQUED TO 5 - 6.5 LB. FT. (7-9NM)

**7120 7120 8120 9120
8120**

KIT, SERRATED FLAIL STRAWCHOPPER



KIT, SERRATED FLAIL STRAWCHOPPER

REF	FN	PART NUMBER	YR/SN	QTY	DESCRIPTION
1		87471276		1	ROTOR, Kit; Incl Refs 2 Thru 5
2		87698216		1	ROTOR, Incl Blades & Mounting Hardware
3		87672196		6	SCREW
4		86512497		6	NUT, M12 x 1.75, Flg, CI 10
5		84174156		1	SUPPORT ASSY., Bearing
6		87610906		1	SERVICE KIT, Serrated Blade; Incl Refs 7(44), 8(44), 9(22), 10(22), & 11(44)
6		87623435		AR	PACKAGE, SERVICE, Kit, Serrated Blade; Incl Refs 7(8), 8(8), 9(4), 10(4), & 11(8)
7		87593795		44	KNIFE BLADE, Blade, Serrated
8		1322242C1		44	SPACER
9		84437627		22	BOLT, Hex, M10 x 55, 10.9
10		87030549		22	LOCK NUT, M10 x 1.5, CI 10
11		1994758C2		44	CENTERING RING
12		87510546		1	ANGLE
13		86512446		2	CARRIAGE BOLT, Short NK, M10 x 30, CI 8.8, Full Thd
14		140042		1	WASHER, M10 x 34 x 3
15		140045		2	BELLEVILLE WASHER, M10
16		100016		2	NUT, M10, CI 8

Flail Rotor Available Only Through Service

7120 7120 8120 9120
8120

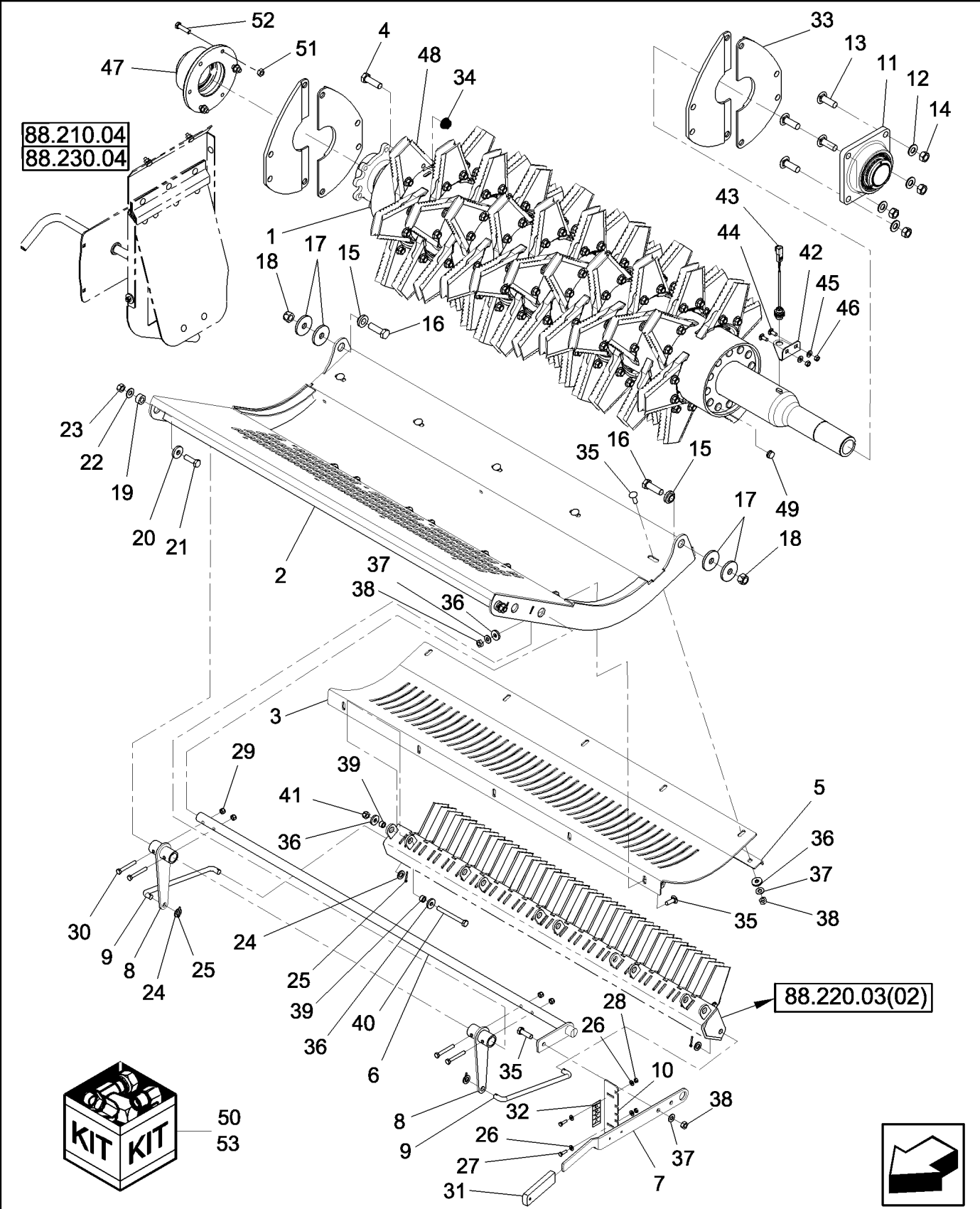
88.210.13

01

p1

02/10

STRAWCHOPPER, INTEGRAL, 3X3, BSN YAG208311



STRAWCHOPPER, INTEGRAL, 3X3, BSN YAG208311

REF	FN	PART NUMBER	YR/SN	QTY	DESCRIPTION
1		87702635		1	STRAW CHOPPER, 63 Knife
1		87623600		1	STRAW CHOPPER, 126 Knife
2		87563854		1	PAN ASSY.
3		87649426		1	GUARD ASSY., Knife
4		87672196		126	SCREW, Hex Flg Hd, M12 x 45, CL10.9
5		87687121		1	SLAT
6		87670411		1	BAR, Pivot
7		87670413		1	HANDLE
8		87670419		2	ARM ASSY.
9		87282824		2	LINK
10		87109324		1	PLATE
11	1	87109088		1	BEARING ASSY
12		140048		4	BELLEVILLE WASHER, M16
13		9845488		4	BOLT
14		392530		4	NUT, M16, CI 10
15		87000251		2	BUSHING
16		412398		2	BOLT, Hex, M16 x 50, 10.9
17		84007183		4	WASHER, M16 x 58 x 6
18		86512555		2	LOCK NUT, M16 x 2, CI 10
19		699963		2	SPACER
20		86592701		2	WASHER, M12 x 35 x 5, HT
21		337563		2	BOLT, Hex, M12 x 40, 10.9, Full Thd
22		140046		2	SPRING WASHER, Belleville, M12
23		9706685		2	NUT, M12, CI 8
24		140018		4	WASHER, M12 x 24 x 2.5
25		130004		4	COTTER PIN, M3.2 x 25
26		322357		4	BELLEVILLE WASHER, M6
27		120100		2	BOLT, Hex, M6 x 20, 8.8
28		9706755		2	NUT, M6, CI 8
29		86629542		4	LOCK NUT, M8 x 1.25, CI 8
30		120061		4	BOLT, Hex, M8 x 60, 8.8
31		357545		1	HANDLE GRIP
32		87280049		1	DECAL, Straw Chopper
33		87282748		4	SEAL

(1) Please see Figure Note

Ref. 11: Part number 87109088, SEE THE BEATHER/CHOPPER SECTION IN THE SERVICE MANUAL AND THE LOCKING PROCEDURE TO PROPERLY SET AND LOCK THE BEARING ASSEMBLY TO THE SHAFT. THIS SPECIFIES THAT THE 3 SET SCREWS BE EVENLY TORQUED TO 5 - 6.5 LB. FT. (7-9NM)

7120 7120 8120 9120
8120

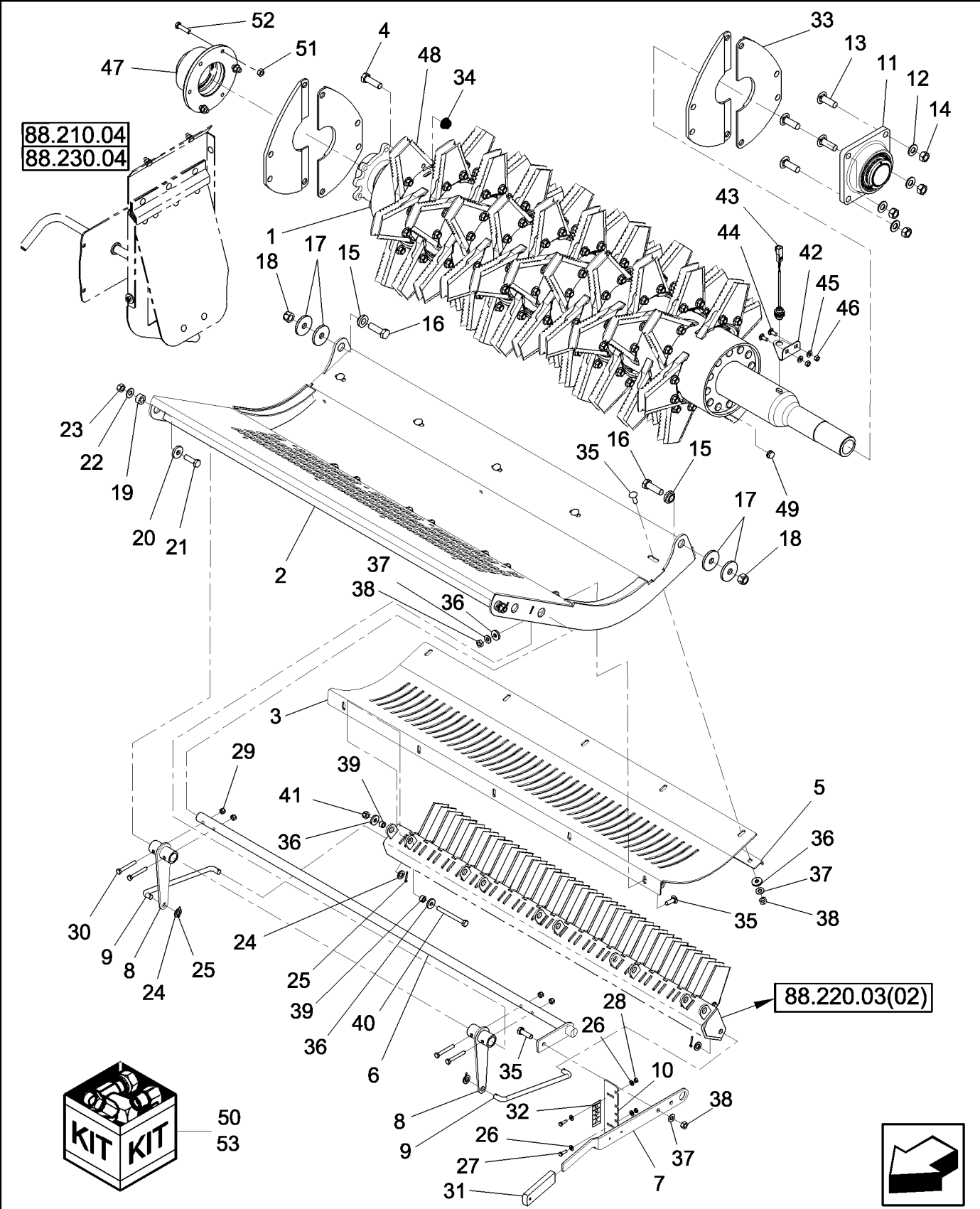
88.210.13

01

p2

02/10

STRAWCHOPPER, INTEGRAL, 3X3, BSN YAG208311



STRAWCHOPPER, INTEGRAL, 3X3, BSN YAG208311

REF	FN	PART NUMBER	YR/SN	QTY	DESCRIPTION
34		86512497		126	NUT, M12 x 1.75, Flg, CI 10
35		86512446		11	CARRIAGE BOLT, Short NK, M10 x 30, CI8.8, Full Thd
36		86592700		20	WASHER, M10 x 28 x 4, HT
37		140045		11	BELLEVILLE WASHER, M10
38		100016		11	NUT, M10, CI 8
39		86615036		10	SPACER
40		120075		5	BOLT, Hex, M10 x 100, 8.8
41		100037		5	NUT, M10 x 1.5, CI 8
42		87651216		1	SUPPORT ASSY.
43		87342073		1	SENSOR, Straw Chopper Speed
44		86507486		2	CARRIAGE BOLT, Short NK, M8 x 20, CI8.8, Full Thd
45		322358		2	BELLEVILLE WASHER, M8
46		9706690		2	NUT, M8, CI 8
47		84174156		1	SUPPORT ASSY., Bearing
48		NSS		AR	NOT SERVICED SEPARATELY, Blade; See Ref 50
49		NS		24	NOT SERVICED, Plug, Plastic
50		84141246		AR	SERVICE KIT, Knife; Incl Refs 4 (6), 34 (6), & 48 (6), Plus Instructions
51		86512497		6	NUT, M12 x 1.75, Flg, CI 10
52		87672196		6	SCREW
53		87481752		1	SERVICE KIT, Knife Rejection

<p>Ref. 11: Part number 87109088, SEE THE BEATHER/CHOPPER SECTION IN THE SERVICE MANUAL AND THE LOCKING PROCEDURE TO PROPERLY SET AND LOCK THE BEARING ASSEMBLY TO THE SHAFT. THIS SPECIFIES THAT THE 3 SET SCREWS BE EVENLY TORQUED TO 5 - 6.5 LB. FT. (7-9NM)</p>	<p>7120 7120 8120 9120 8120</p>
---	---

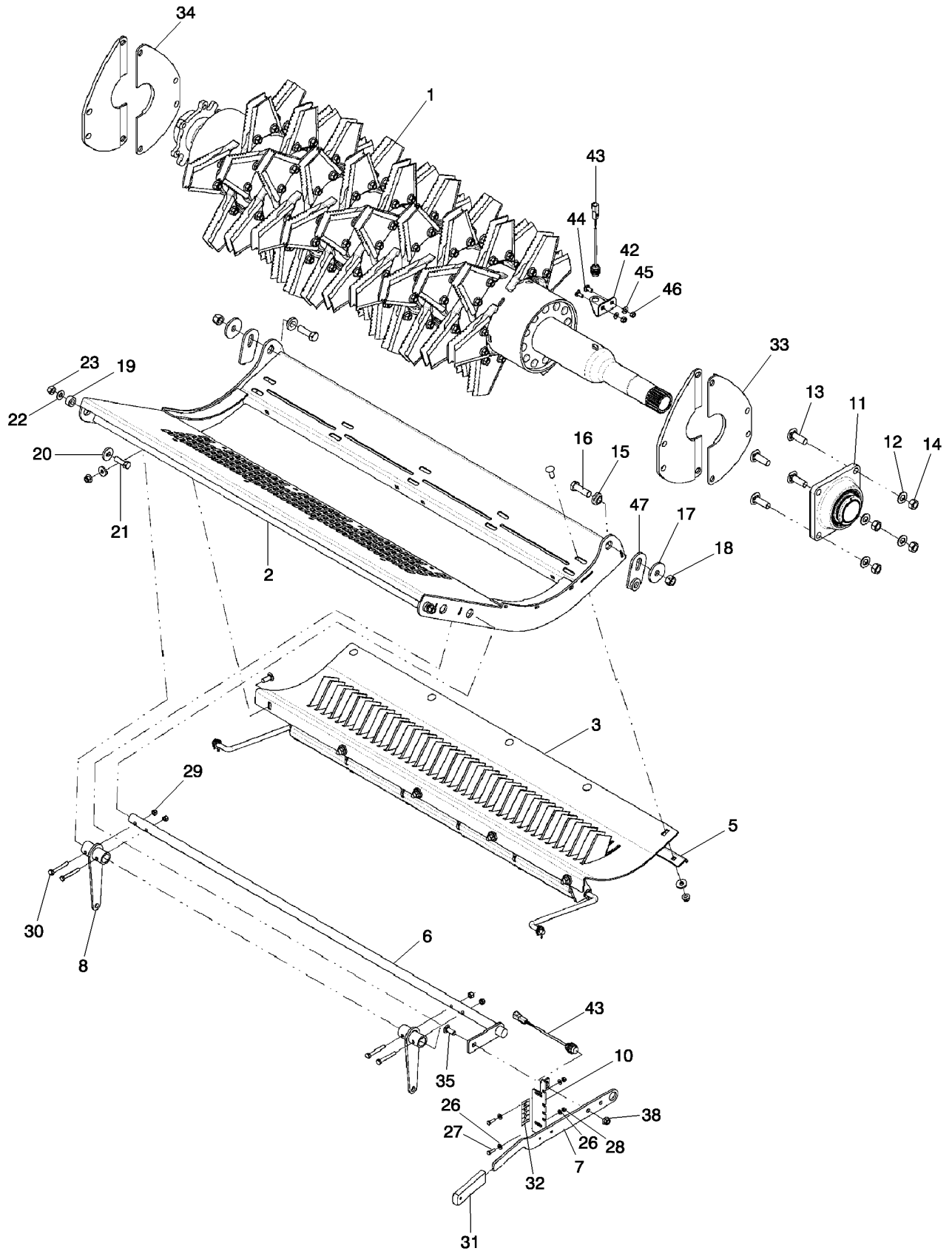
88.210.13

02

p1

03/10

STRAWCHOPPER, INTEGRAL, 3X3, ASN YAG208311

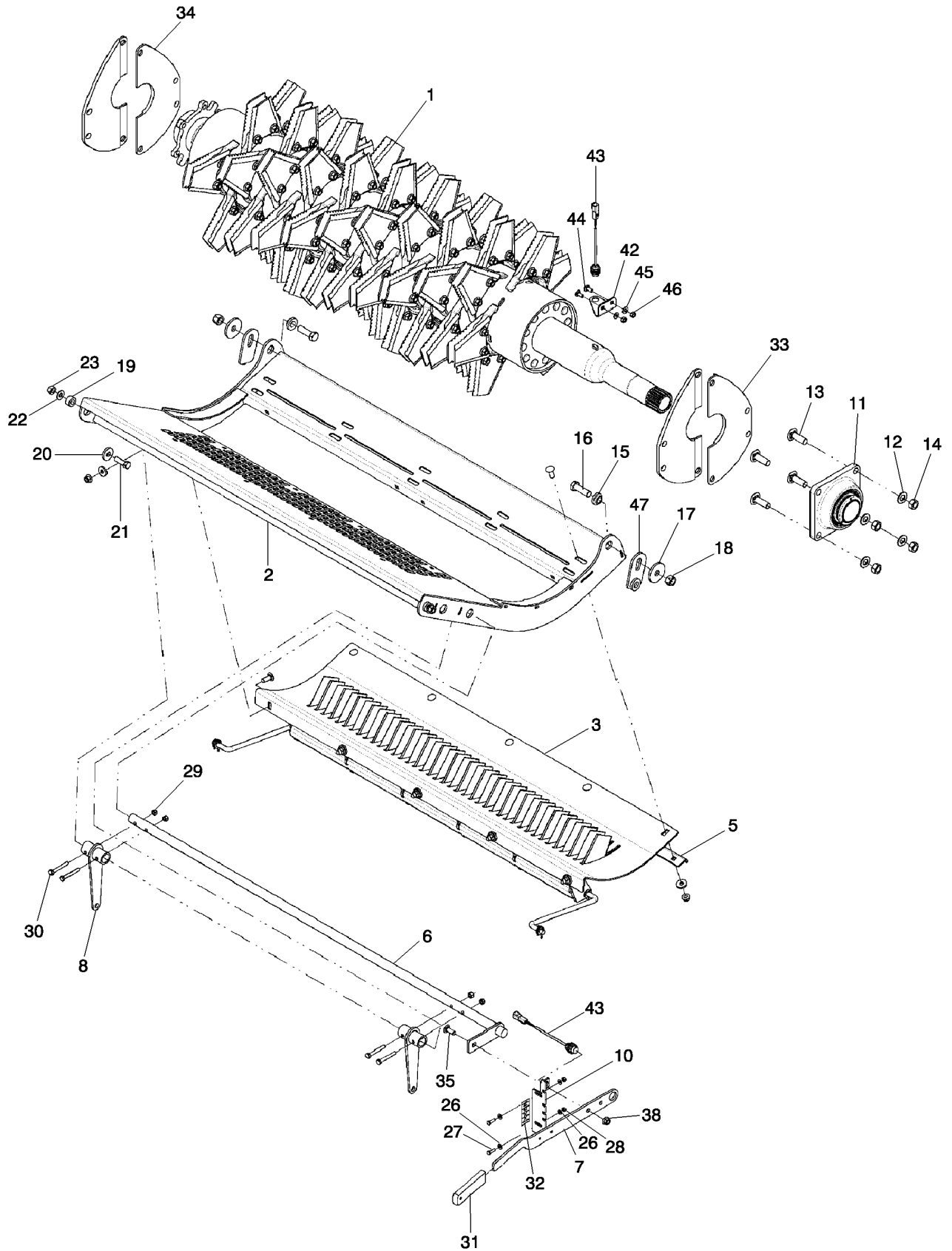


STRAWCHOPPER, INTEGRAL, 3X3, ASN YAG208311

REF	FN	PART NUMBER	YR/SN	QTY	DESCRIPTION
1		84203959		1	CHOPPER BODY ASSY, Assembly 120 Knives
1		84217071		1	CHOPPER BODY ASSY, Assembly, 60 knives
2		84187500		1	PAN ASSY.
3		84162954		1	KNIFE GUIDE, 40 Knives Assembly
3		84228907		1	KNIFE GUIDE, 20 Knives Assembly
5		87687121		1	SLAT
6		87670411		1	BAR, Pivot Bar
7		87670413		1	HANDLE
8		87670419		2	ARM ASSY.
10		87670416		1	PLATE, Adjusting Plate
11		87109088		1	BEARING ASSY
12		140048		4	BELLEVILLE WASHER, M16
13		9845488		4	BOLT, M16x50
14		392530		4	NUT, M16, CI 10
15		87000251		2	BUSHING
16		412398		2	BOLT, Hex, M16 x 50, 10.9
17		84007183		2	WASHER, M16 x 58 x 6
18		86512555		2	LOCK NUT, M16 x 2, CI 10
19		699963		2	SPACER
20		86592701		2	WASHER, M12 x 35 x 5, HT
21		337563		2	BOLT, Hex, M12 x 40, 10.9, Full Thd
22		140046		2	SPRING WASHER, Belleville, M12
23		9706685		2	NUT, M12, CI 8
26		322357		4	BELLEVILLE WASHER, M6
27		120100		2	BOLT, Hex, M6 x 20, 8.8
28		9706755		2	NUT, M6, CI 8
29		86629542		4	LOCK NUT, M8 x 1.25, CI 8
30		120061		4	BOLT, Hex, M8 x 60, 8.8
31		357545		1	HANDLE GRIP
31		87280049		2	DECAL
33		87282748		1	SEAL
35		87682392		1	BOLT, M10x30
38		86050279		1	NUT, M10 x 1.5, Flg, CI 10
42		87651216		1	SUPPORT ASSY.
43		87342073		2	SENSOR, Housing

7120 7120 8120 9120
8120

STRAWCHOPPER, INTEGRAL, 3X3, ASN YAG208311



88.210.13

02

p2

03/10

STRAWCHOPPER, INTEGRAL, 3X3, ASN YAG208311

REF	FN	PART NUMBER	YR/SN	QTY	DESCRIPTION
44		86507486		2	CARRIAGE BOLT, Short NK, M8 x 20, CI8.8, Full Thd
45		322358		2	BELLEVILLE WASHER, M8
46		9706690		2	NUT, M8, CI 8
47		84192820		2	GUIDE

**7120 7120 8120 9120
8120**

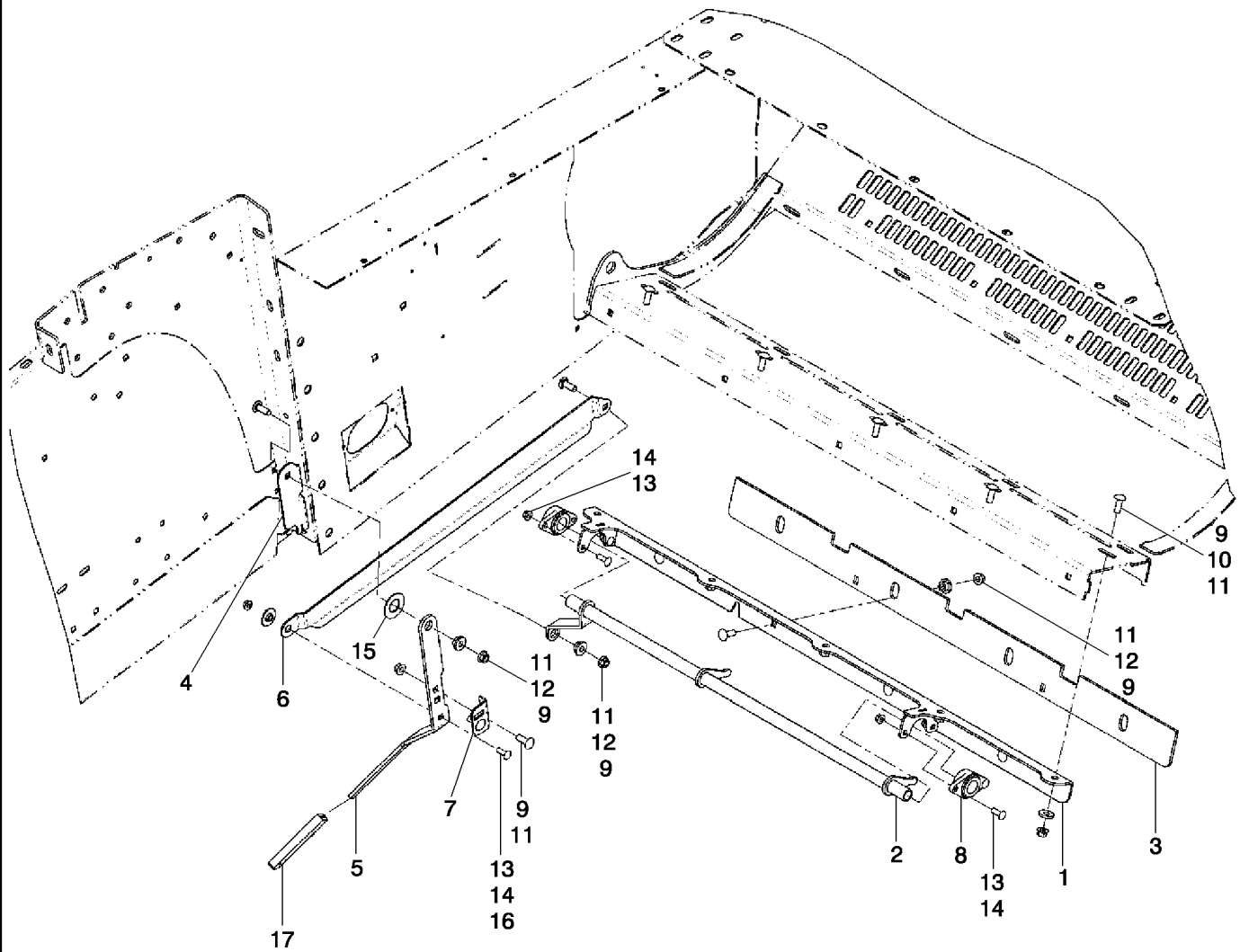
88.210.13

03

p1

03/10

SHEAR BAR ASSEMBLY, STANDARD



SHEAR BAR ASSEMBLY, STANDARD

REF	FN	PART NUMBER	YR/SN	QTY	DESCRIPTION
1		84187510		1	BAR PLATE
2		84187516		1	ARM
3		84187503		1	BAR PLATE, Shear Bar
4		84187527		1	PLATE, Pivot Plate
5		84192818		1	HANDLE
6		84174611		1	DRAG LINK
7		84187524		1	PLATE, Adjuster Plate
8		9839087		2	RUBBER MOUNTING
9		87682392		13	BOLT, M10x30 CL10.9 ZND
10		86592700		5	WASHER, M10 x 28 x 4, HT
11		86050279		13	NUT, M10 x 1.5, Flg, CI 10
12		84231043		6	BUSHING, Shoulder Bushing
13		87682384		5	BOLT, M8x25 CL10.9 ZND
14		86507066		5	NUT, M8 x 1.25, Flg, CI 10, Flange Nut
15		{603797}		1	Thrust Washer
16		87374162		1	BUSHING
17		357545		1	HANDLE GRIP

**7120 7120 8120 9120
8120**

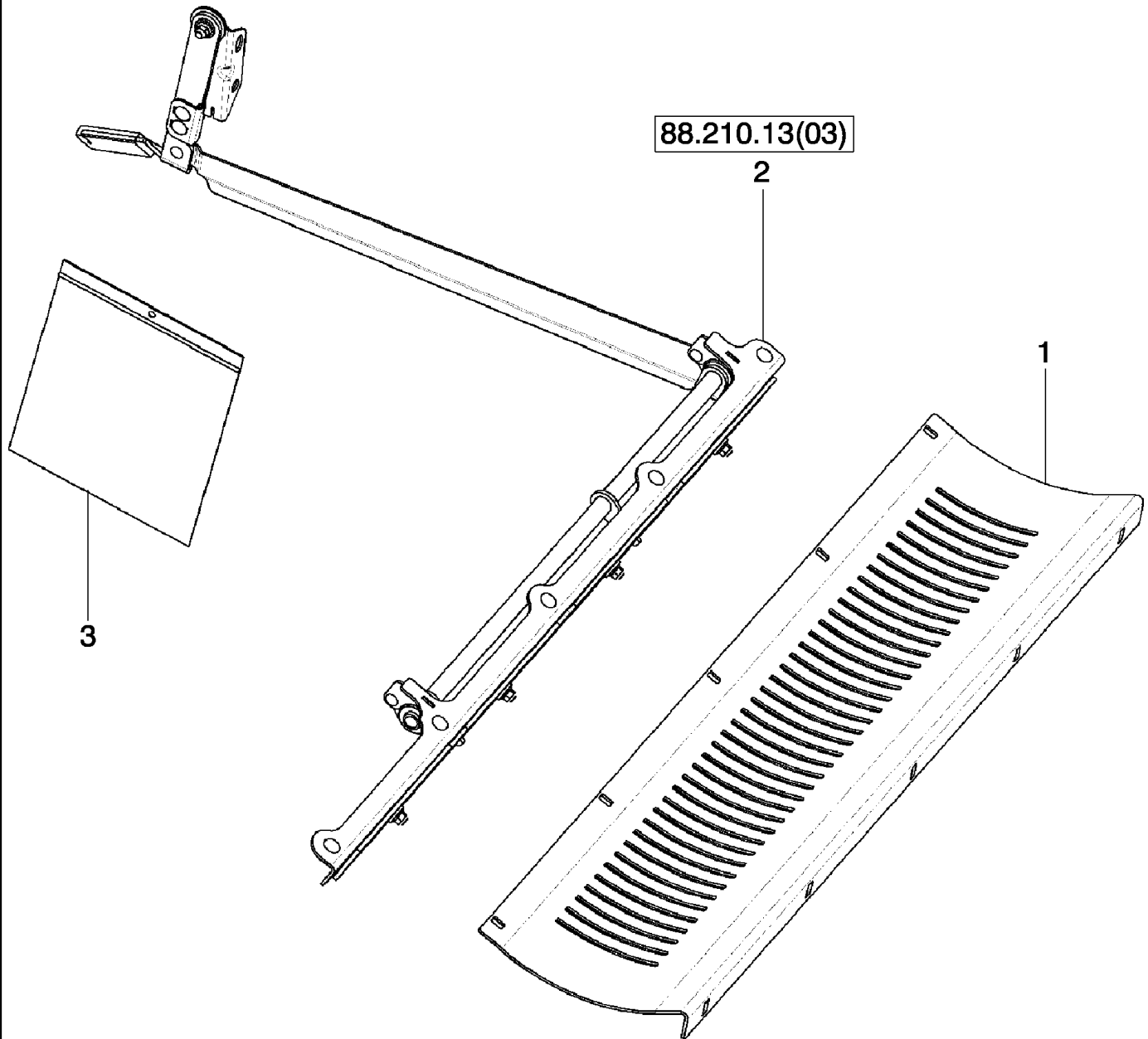
88.210.13

04

p1

03/10

DIA KIT, SHEAR BAR ASSEMBLY



DIA KIT, SHEAR BAR ASSEMBLY

REF	FN	PART NUMBER	YR/SN	QTY	DESCRIPTION
1		84226177		1	SERVICE KIT, Dia Kit, Shear Bar Assembly
		{8417320}		1	
2		84187535		1	SERVICE KIT, Shear Bar Assembly
		84226178		1	INSTRUCTION

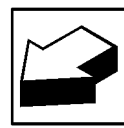
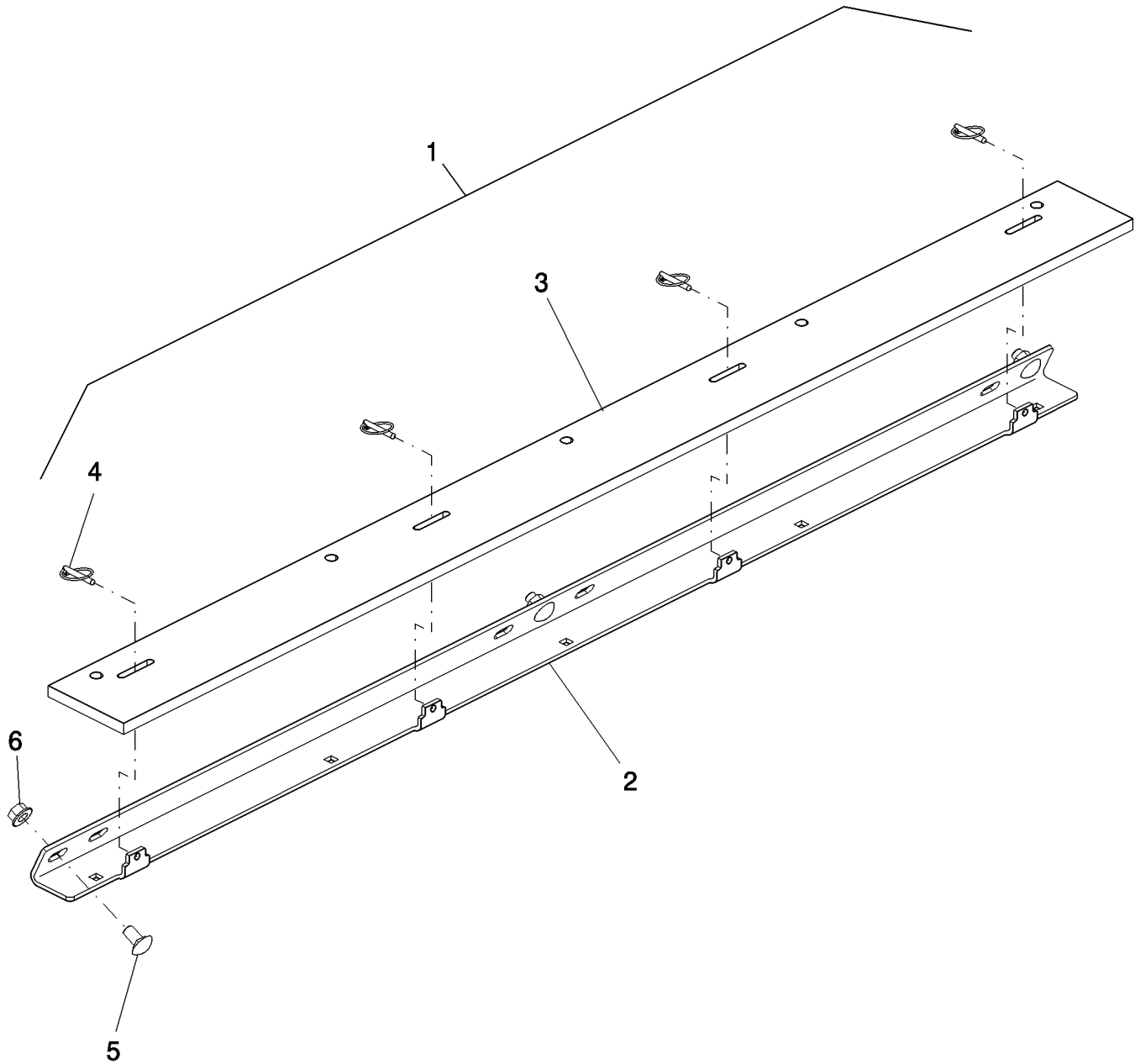
**7120 7120 8120 9120
8120**

88.210.14

p1

02/10

KIT, KNIFE PROTECTION, FOR 3X3 INTEGRATED CHOPPER



KIT, KNIFE PROTECTION, FOR 3X3 INTEGRATED CHOPPER

REF	FN	PART NUMBER	YR/SN	QTY	DESCRIPTION
1		87481752		1	SERVICE KIT, Protector Assy, Contains 2 Thru 6
2		87481758		1	GUARD
3		87481750		1	RUBBER
4		87109290		4	LOCK PIN
5		120041		3	CARRIAGE BOLT, Short NK, M10 x 20, Cl8.8, Full Thd
6		9804278		3	NUT, M10 x 1.5, Flg, Cl 8

DIA kit 84208500 included the instructions - This kit only to be used on pan 87563854 which subs to 84187500, on 3x3 CKB knives

**7120 7120 8120 9120
8120**

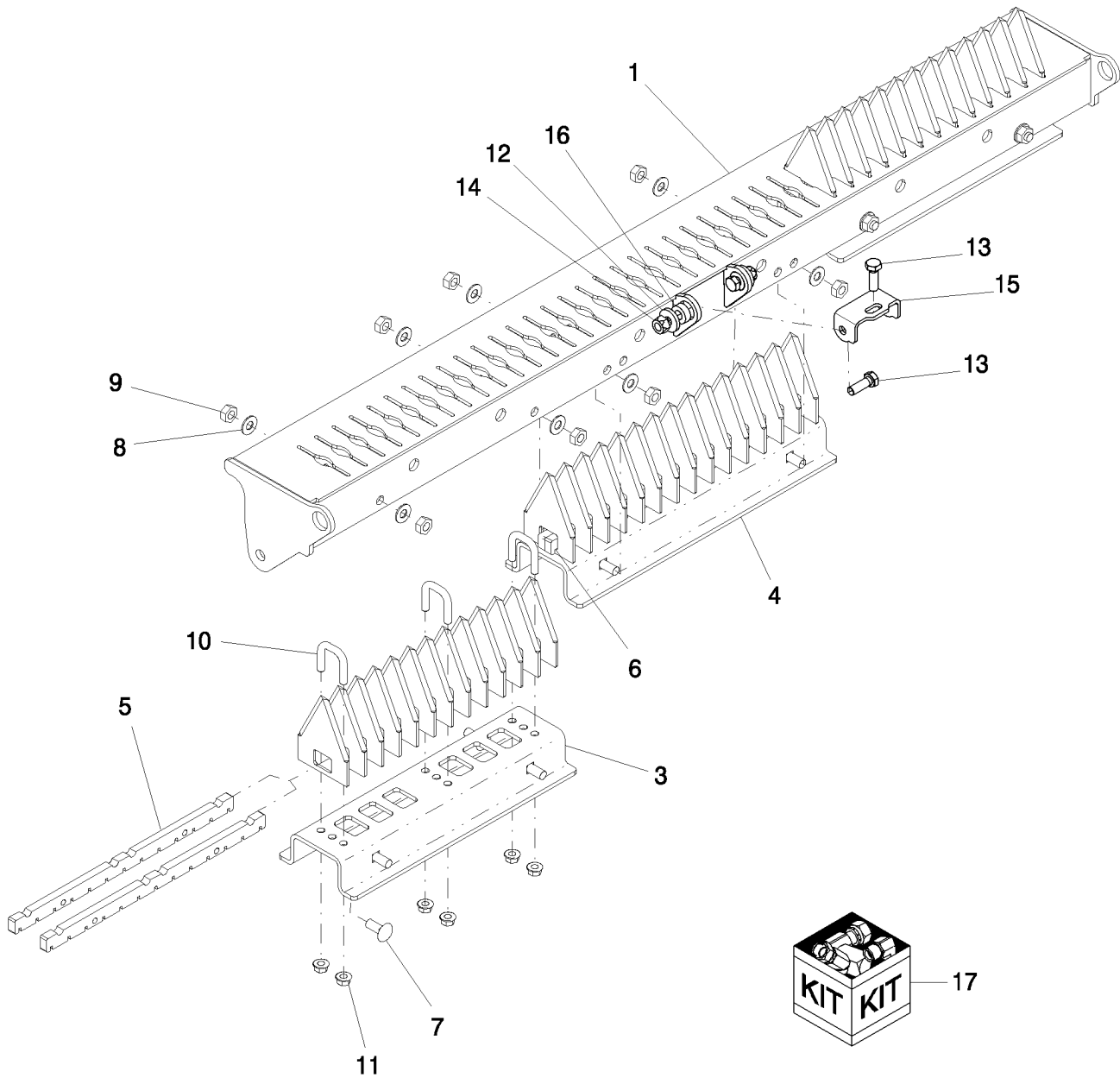
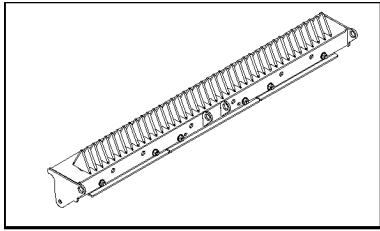
88.220.03

02

p1

02/10

KNIFE FRAME, FIXED, FROM PIN HAJ202001



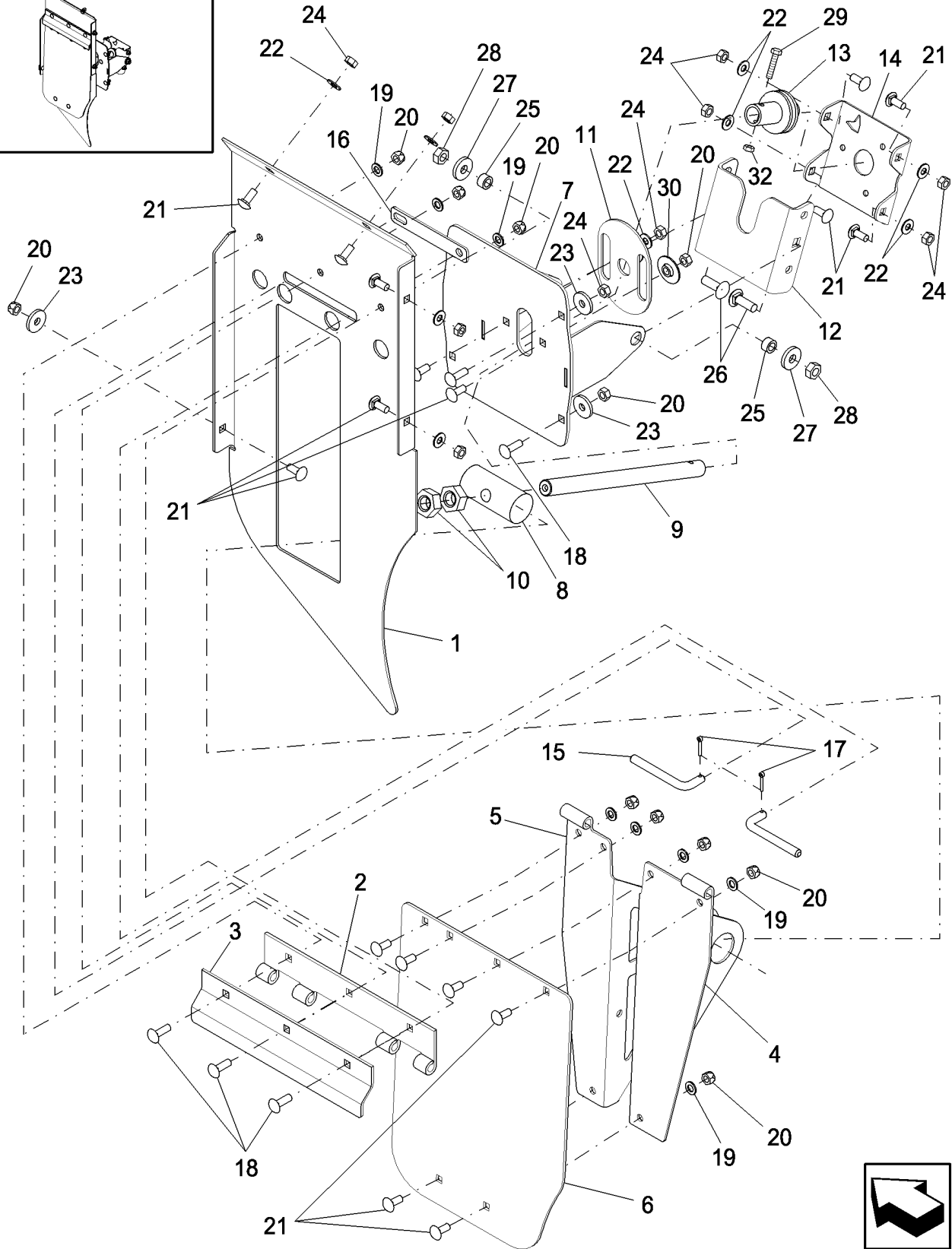
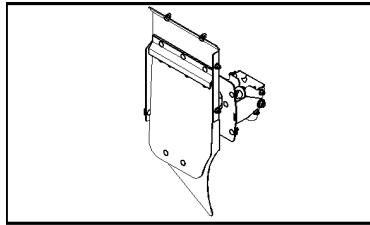
KNIFE FRAME, FIXED, FROM PIN HAJ202001

REF	FN	PART NUMBER	YR/SN	QTY	DESCRIPTION
1		87578082		1	FRAME, Bar, Knife
2		87106692		AR	KNIFE SECTION, Std Cut (21), Fine Cut (41)
3		87578084		AR	SUPPORT ASSY., Knife, Narrow; Std Cut (3), Fine Cut (2)
4	1	87585835		1	SUPPORT ASSY., Knife, Wide
5	2	87633175		6	RETAINER, Knife
5	1	87633177		4	RETAINER, Knife, Narrow
6	1	87633179		2	RETAINER, Knife, Wide
7		86633356		12	CARRIAGE BOLT, Short NK, M10 x 25, Cl8.8, Full Thd
8		140045		12	BELLEVILLE WASHER, M10
9		100016		12	NUT, M10, Cl 8
10		87391950		9	BOLT "U"
11		86505868		18	NUT, M8, Flg Ser
12		86592700		3	WASHER, M10 x 28 x 4, HT
13		43140		3	BOLT, Hex, M10 x 30, 8.8, Full Thd
14		100037		3	NUT, M10 x 1.5, Cl 8
15		87592357		1	BRACKET
16		86997386		2	BUSHING
17		87670026		1	SERVICE KIT, Knife Bar, Std Cut; Incl Refs 1, 3 Thru 11, As Indicated, Plus Instructions
17		87670027		1	SERVICE KIT, Knife Bar, Fine Cut; Incl Refs 1, 3 Thru 11, As Indicated, Plus Instructions

- (1) Fine Cut Only
- (2) Standard Cut Only

**7120 7120 8120 9120
8120**

DEFLECTOR, REMOTE ADJUSTABLE CHOPPER DISCHARGE



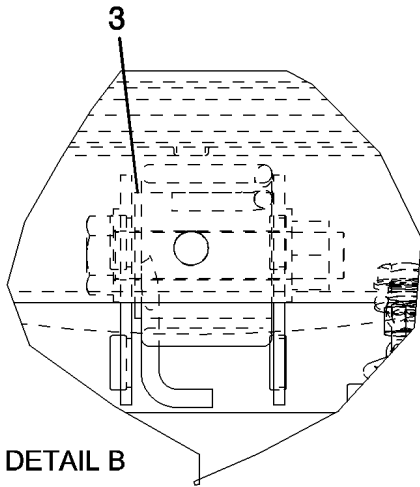
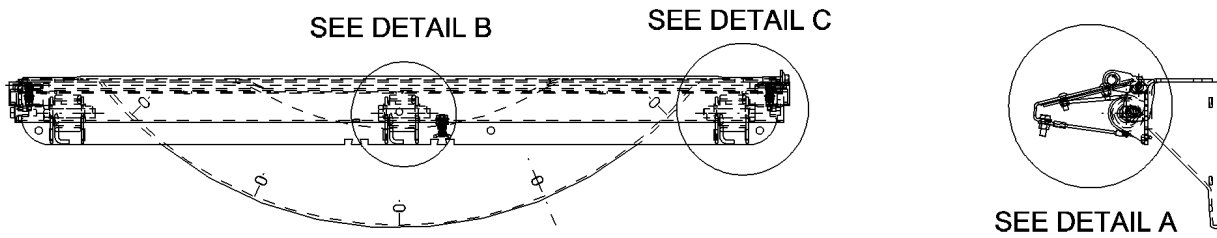
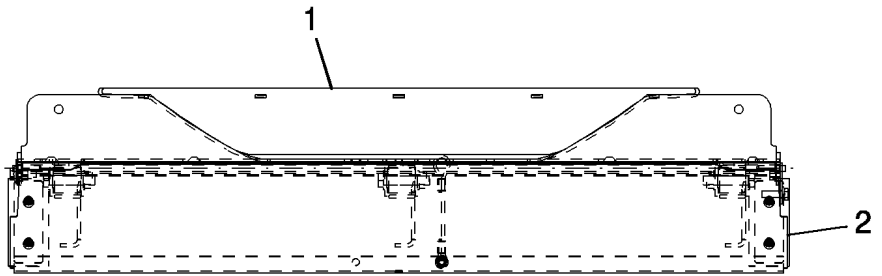
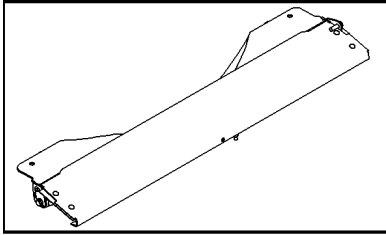
DEFLECTOR, REMOTE ADJUSTABLE CHOPPER DISCHARGE

REF	FN	PART NUMBER	YR/SN	QTY	DESCRIPTION
1		87726081		1	BULKHEAD
2		87325654		1	HINGE
3		87726083		1	WEAR PLATE
4		87485544		1	HINGE, L.H.
5		87485542		1	HINGE, R.H.
6		87732857		1	PLATE
7		87485540		1	SUPPORT ASSY.
8		719335		1	SPECIAL NUT, 3/4"-6, Acme
9		87552966		1	TUBE, Screw, Worm
10		717506		2	NUT
11		87485545		1	SPACER, Slide
12		87485535		1	BRACKET, Pivot
13		87553176		1	SHAFT ASSY., Hub
14		87479642		1	MOUNTING PLATE
15		87325655		2	PIN
16		87726088		1	STRAP
17		130003		2	COTTER PIN, M3.2 x 20
18		308761		5	SCREW, Short NK, M8 x 25, CI8.8, Full Thd
19		86624184		9	WASHER, M8 x 16 x 1.6
20		86629542		14	LOCK NUT, M8 x 1.25, CI 8
21		86507486		17	CARRIAGE BOLT, Short NK, M8 x 20, CI8.8, Full Thd
22		322358		8	BELLEVILLE WASHER, M8
23		140041		3	WASHER, M8 x 28 x 3
24		9706690		8	NUT, M8, CI 8
25		86615036		2	SPACER
26		86512446		2	CARRIAGE BOLT, Short NK, M10 x 30, CI8.8, Full Thd
27		86592700		2	WASHER, M10 x 28 x 4, HT
28		100016		2	NUT, M10, CI 8
29		86977789		1	BOLT, Hex, M6 x 35, 8.8
30		87374162		2	BUSHING
31	1	87488680		1	ELECTRIC MOTOR
32		353308		1	NUT, M6 x 1, CI 8

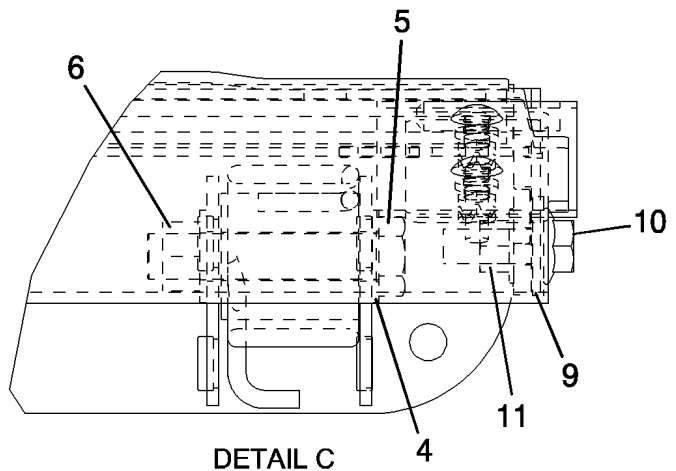
(1) Not Shown

7120 7120 8120 9120
8120

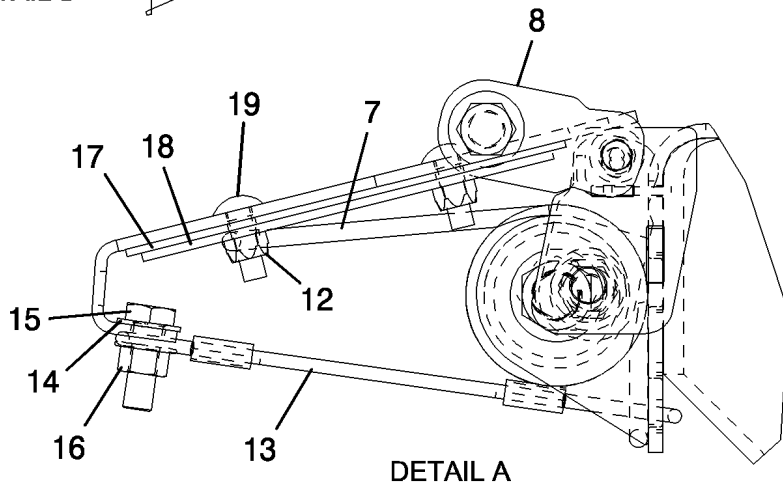
FEEDPLATE



DETAIL B



DETAIL C



DETAIL A



FEEDPLATE					
------------------	--	--	--	--	--

REF	FN	PART NUMBER	YR/SN	QTY	DESCRIPTION
1		87470921		1	PLATE ASSY.
2		87568249		1	PLATE ASSY.
3		86997911		3	BUSHING, Spring
4		140048		6	BELLEVILLE WASHER, M16
5		120093		3	BOLT, Hex, M16 x 80, 8.8
6		100020		3	NUT, M16, CI 8
7		86997885		3	SPRING
8		87280909		2	PIN
9		140046		2	SPRING WASHER, Belleville, M12
10		9706687		2	BOLT, Hex, M12 x 30, 8.8, Full Thd
11		43436		2	NUT, M12, Flg Ser
12		86629542		4	LOCK NUT, M8 x 1.25, CI 8
13		87106795		1	CABLE
16		100016		1	NUT, M10, CI 8
17		87280910		2	SEAL

	7120 7120 9120 8120 8120
--	-------------------------------------

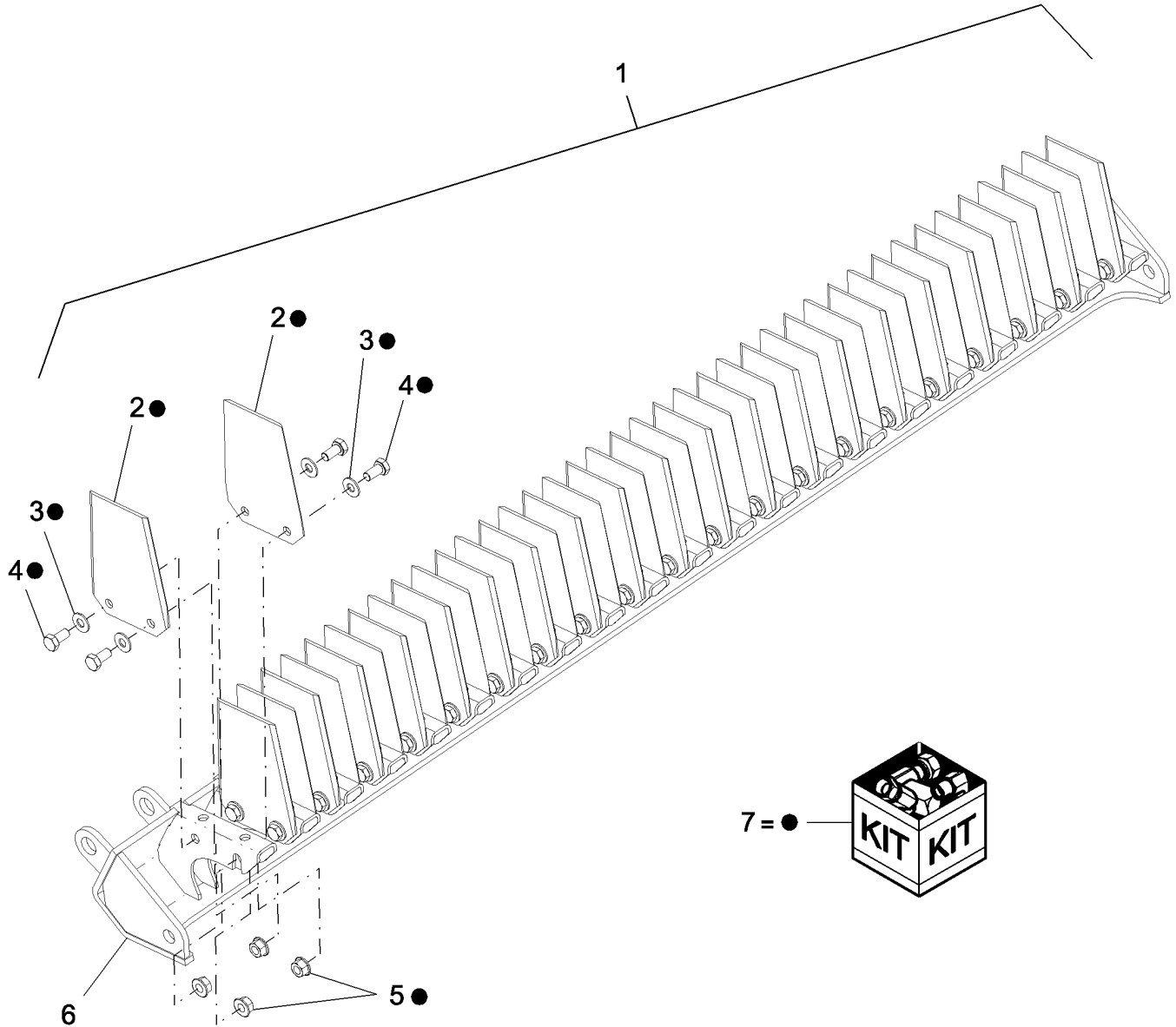
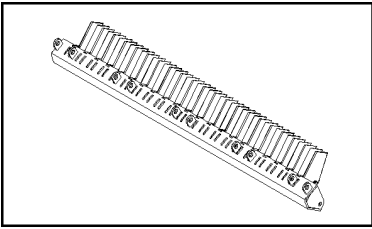
88.230.11

01

p1

02/10

KNIFE FRAME, FIXED; FOR USE W/3X3 INTEGRATED CHOPPER, BSN, YAG208311



KNIFE FRAME, FIXED; FOR USE W/3X3 INTEGRATED CHOPPER, BSN, YAG208311

REF	FN	PART NUMBER	YR/SN	QTY	DESCRIPTION
1		84228906	ASN YAG208282	1	KNIFE ASSY, Bar (20 knives); Incl Refs 2 Thur 6
1		87746842	BSN YAG208282	1	KNIFE ASSY, Bar (20 Knives); Incl Refs 2 Thru 6, As Indicated
1		84162956	ASN YAG208282	1	KNIFE ASSY, Knife (41 Knives); Incl Refs 2 Thru 6, As Indicated
1	1	87746844	BSN YAG208282	1	BAR ASSY., Knife (41 Knives); Incl Refs 2 Thru 6, As Indicated
2		NSS		AR	NOT SERVICED SEPARATELY, Knife
3		322358		AR	BELLEVILLE WASHER, M8, 87746842 (40), 87746844 (82)
4		120103		AR	BOLT, Hex, M8 x 16, 8.8, 87746842 (40), 87746844 (82)
5		86505868		AR	NUT, M8, Flg Ser, 87746842 (40), 87746844 (82)
6		NSS		1	NOT SERVICED SEPARATELY, Bar, Knife
7		87751465		AR	SERVICE KIT, Incl Refs 2 (2), 3 (4), 4 (4), & 5 (4)

(1) Shown

**7120 7120 8120 9120
8120**

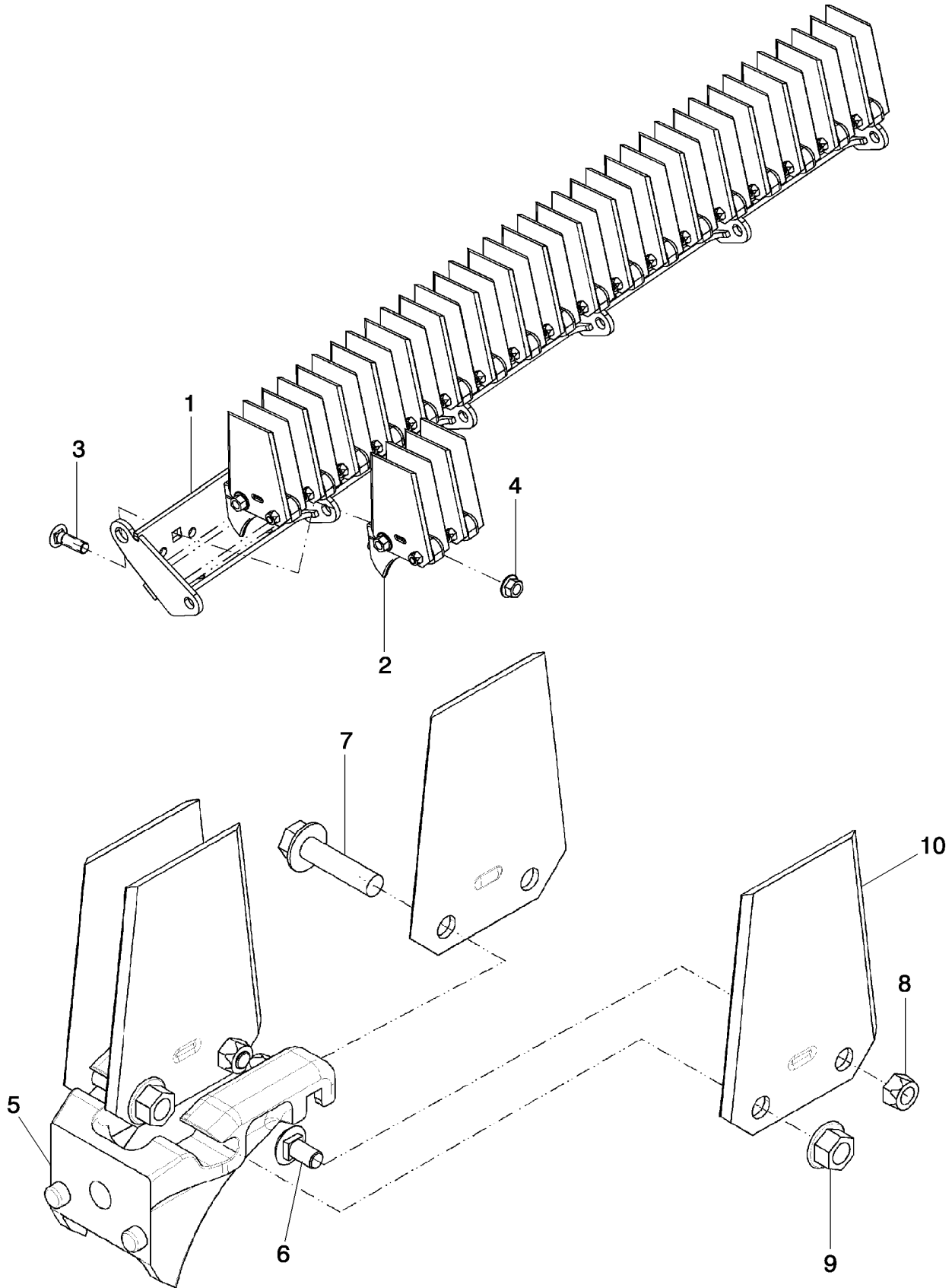
88.230.11

02

p1

02/10

KNIFE FRAME, FIXED; FOR USE W/3X3 INTEGRATED CHOPPER, ASN, YAG208311



KNIFE FRAME, FIXED; FOR USE W/3X3 INTEGRATED CHOPPER, ASN, YAG208311

REF	FN	PART NUMBER	YR/SN	QTY	DESCRIPTION
1		84191695		1	MOUNTING PLATE
2		84191696		10	KNIFE ASSY, Fine Cut
2		84228905		10	KNIFE ASSY, Standard Cut
3		87698852		10	SCREW
4		86512497		10	NUT, M12 x 1.75, Flg, CI 10
5		{}		NSS	Part of Ref 2
6		86619060		4	CARRIAGE BOLT, Short NK, M8 x 16, CI8.8, Full Thd
7		9804263		2	BOLT, Hex Flg, M10 x 40, 8.8
8		86629542		4	LOCK NUT, M8 x 1.25, CI 8
9		9804278		2	NUT, M10 x 1.5, Flg, CI 8
10		84199253		4	KNIFE

**7120 7120 8120 9120
8120**

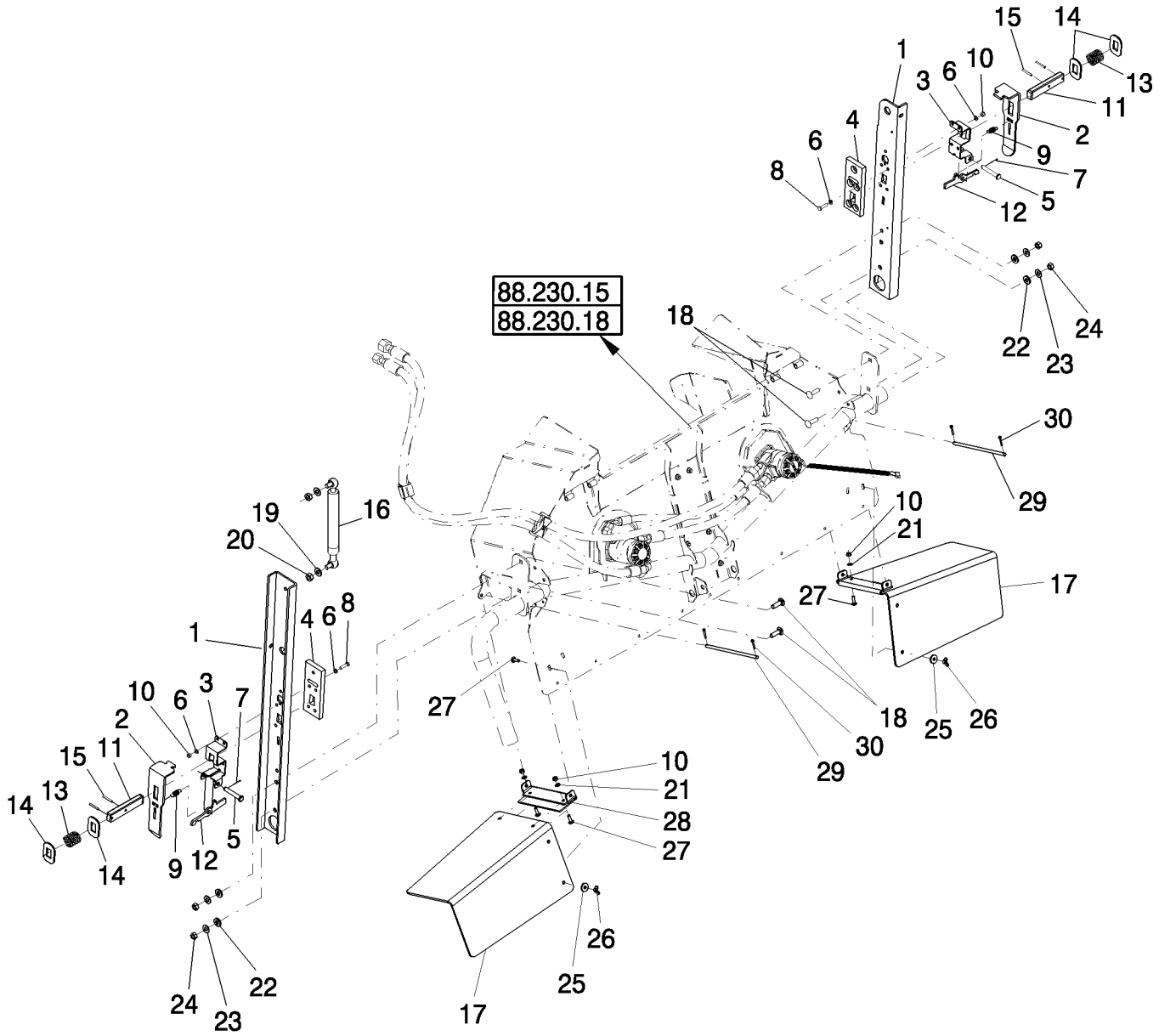
88.230.13

01

p1

02/10

DIA HARVEST KIT, STRAW SPREADER SUPPORT & DEFLECTORS



DIA HARVEST KIT, STRAW SPREADER SUPPORT & DEFLECTORS

REF	FN	PART NUMBER	YR/SN	QTY	DESCRIPTION
1		87751072		1	SUPPORT, Arm, R.H.
1		87752498		1	SUPPORT, Arm, L.H.
2		87283067		2	HANDLE
3		87283065		2	BRACKET
4		87283070		2	SLIDING PAD
5		87301316		2	CLEVIS PIN, M12 x 75
6		140016		20	WASHER, M8 x 16 x 1.6
7		87016659		2	COTTER PIN, M2.5 x 20
8		43128		10	SCREW, Hex, M8 x 30, 8.8
9		87283313		2	SPRING
10		86629542		10	LOCK NUT, M8 x 1.25, CI 8
11		87283063		2	BOLT, Spreader Lock
12		87283062		2	TRIGGER
13		87283233		2	SPRING, Compression
14		87283069		4	WASHER
15		86625115		4	PIN, M6 x 40, Coiled
16		87000505		1	CYLINDER ASSY., Straw Spreader
17		87724571		2	DEFLECTOR
18		328754		4	CARRIAGE BOLT, Short NK, M12 x 40, CI8.8, Full Thd
19		140045		2	BELLEVILLE WASHER, M10
20		100016		2	NUT, M10, CI 8
21		86511315		4	WASHER, M8 x 16 x 1.6
22		86625256		4	WASHER, M12 x 28.5 x 4, HT
23		140046		4	SPRING WASHER, Belleville, M12
24		9706685		4	NUT, M12, CI 8
25		140041		2	WASHER, M8 x 28 x 3
26		84807781		2	WING NUT, M8
27		308761		6	SCREW, Short NK, M8 x 25, CI8.8, Full Thd
28		87333932		2	BRACKET
29		86997515		2	ROD
30		130007		4	COTTER PIN, M4 x 25

**7120 7120 8120 9120
8120**

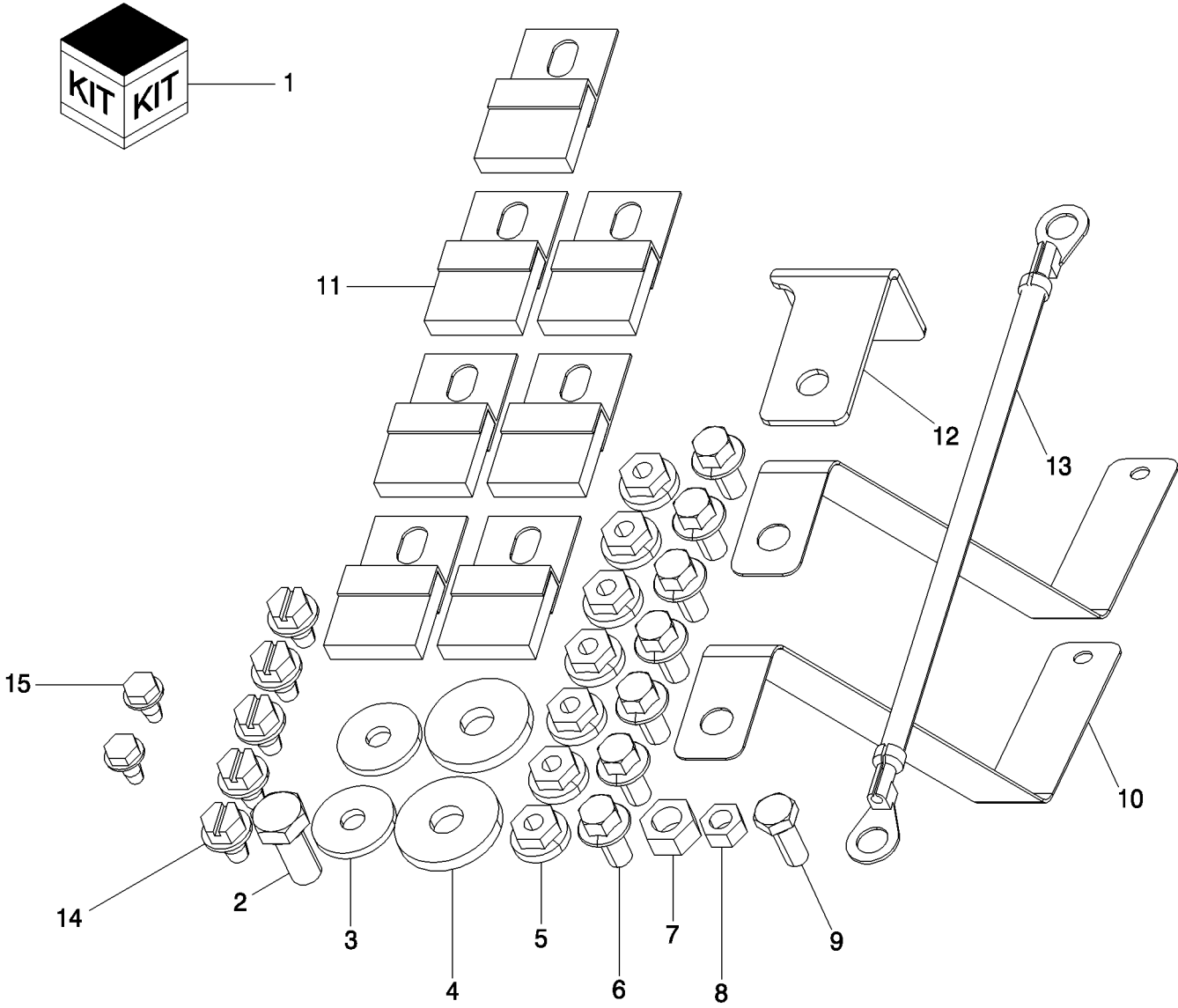
88.230.13

02

p1

02/10

KIT, ANTI-STATIC



88.230.13

02

p1

02/10

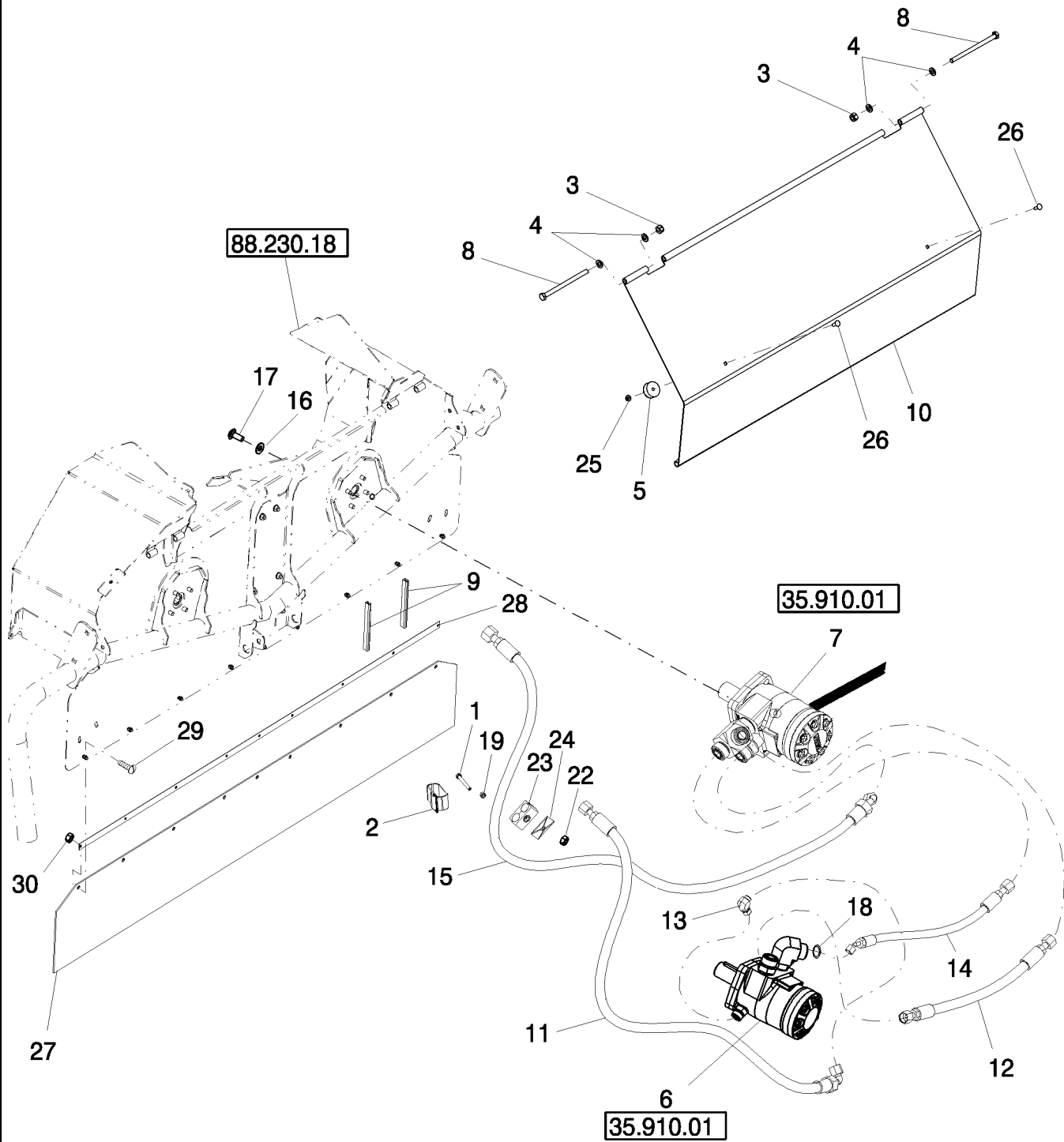
KIT, ANTI-STATIC

REF	FN	PART NUMBER	YR/SN	QTY	DESCRIPTION
1		87557858		1	SERVICE KIT, Anti-Static; Incl Refs 2 Thru 14, Plus Instructions
2		120104		1	BOLT, Hex, M8 x 20, 8.8
3		140040		2	WASHER, M6 x 22 x 2
4		140041		2	WASHER, M8 x 28 x 3
5		523282		6	NUT, Flg, USR, 1/4"-20
6		523291		7	BOLT, Hex Flg, 1/4"-20 x 1/2", Serr
7		9706690		1	NUT, M8, CI 8
8		9706755		1	NUT, M6, CI 8
9		86508568		1	BOLT, Hex, M6 x 16, CI 8.8, Full Thd
10		87553494		2	STRAP, Spreader Ground
11		87585241		7	BRUSH
12		87600126		1	BRACKET, Anti-Static
13		87643605		1	CABLE, Anti-Static
14		84733		5	SELF-TAP SCREW, Slotted Hex Wash Hd, 1/4" x 3/8"
15		281-2456		2	SELF-TAP SCREW, Hex Wash Hd, #10-24 x 3/8"

Installed by the cleaning fan to reduce build-up of static electricity

**7120 7120 8120 9120
8120**

SPREADER, UPPER



SPREADER, UPPER

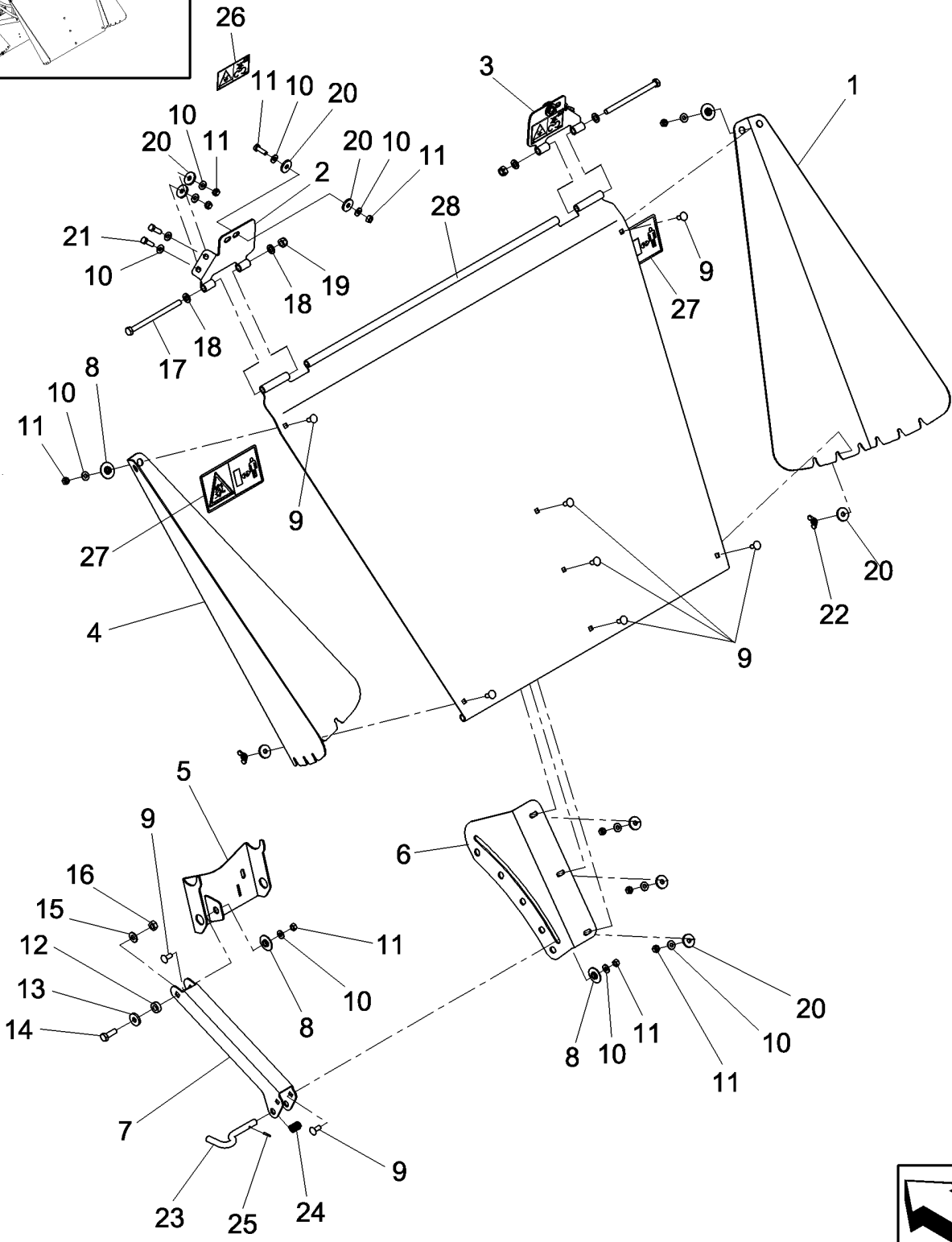
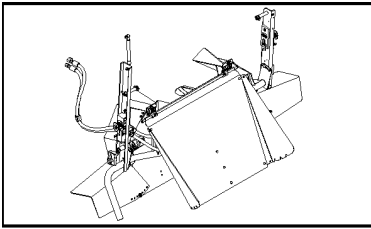
REF	FN	PART NUMBER	YR/SN	QTY	DESCRIPTION
1		300510		1	BOLT, Hex, M8 x 65, 8.8
2	1	84177788		1	SECURING STRAP
2	2	87108048		1	SECURING STRAP
3		100037		2	NUT, M10 x 1.5, CI 8
4		140017		4	WASHER, M10 x 20 x 2
5		87602893		2	BUMPER
6		87519075		1	HYDRAULIC MOTOR, W/Drain
7		87519076		1	HYDRAULIC MOTOR, W/Sensor
8		86624000		2	BOLT, Hex, M10 x 150, 8.8
9		87000945		2	PROTECTION STRIP
10		87752502		1	COVER ASSY, Spreader Access
11		87105924		1	FLEXIBLE HOSE, Pressure, Spreader Motor
12		87105926		1	FLEXIBLE HOSE, Jumper, Spreader Motor to Motor
13		84989392		1	ELBOW, 90°, 11/16"-16 ORFS x 11/16"-16 Fem Sw
14		87282287		1	FLEXIBLE HOSE, Spreader Motor Drain
15		87282286		1	FLEXIBLE HOSE, Spreader Motor Return
16		140045		8	BELLEVILLE WASHER, M10
17		43138		8	BOLT, Hex, M10 x 20, 8.8, Full Thd
18		9993141		1	O-RING, -012, 90 Duro, .364" ID x .070" Thk
19		140016		1	WASHER, M8 x 16 x 1.6
20		140041		6	WASHER, M8 x 28 x 3
21		43127		6	BOLT, Hex, M8 x 25, 8.8
22		86629542		1	LOCK NUT, M8 x 1.25, CI 8
23		87000924		1	CLAMP
24		87000230		1	PLATE, Hose Clamp
25		86050300		2	NUT, M6 x 1, Flg, CI10
26		9706703		2	CARRIAGE BOLT, Short NK, M6 x 20, CI8.8, Full Thd
27		87752499		1	CANVAS
28		87000280		1	STRIP
29		86512439		9	CARRIAGE BOLT, Short NK, M6 x 16, CI8.8, Full Thd
30		353308		9	NUT, M6 x 1, CI 8

(1) NA & Latin America Only

(2) EU Only

7120 7120 8120 9120
8120

SPREADER CHUTE, WINDROW



SPREADER CHUTE, WINDROW

REF	FN	PART NUMBER	YR/SN	QTY	DESCRIPTION
1		84182605		1	DEFLECTOR, R.H.
2		87475609		1	HINGE, L.H.
3		87475611		1	HINGE, R.H.
4		84182603		2	DEFLECTOR, L.H.
5		87752508		1	SUPPORT ASSY.
6		87724588		1	GUIDE, Slide
7		87724590		1	SUPPORT ASSY., Arm
8		87374162		4	BUSHING
9		86507486		9	CARRIAGE BOLT, Short NK, M8 x 20, CI8.8, Full Thd
10		322358		19	BELLEVILLE WASHER, M8
11		9706690		13	NUT, M8, CI 8
12		86997386		1	BUSHING
13		86592700		1	WASHER, M10 x 28 x 4, HT
14		43140		1	BOLT, Hex, M10 x 30, 8.8, Full Thd
15		140045		1	BELLEVILLE WASHER, M10
16		100016		1	NUT, M10, CI 8
17		86624000		2	BOLT, Hex, M10 x 150, 8.8
18		140017		4	WASHER, M10 x 20 x 2
19		100037		2	NUT, M10 x 1.5, CI 8
20		140041		13	WASHER, M8 x 28 x 3
21		43127		6	BOLT, Hex, M8 x 25, 8.8
22		84807781		2	WING NUT, M8
23		1319740C2		1	PIN
24		87000071		1	COMPRESSION SPRING
25		300865		1	LOCK PIN, M3 x 20, Slotted
26		87757489		2	DECAL, Moving Parts
27		84004739		2	DECAL, Caution, Flying Objects
28		87707006		1	HINGE

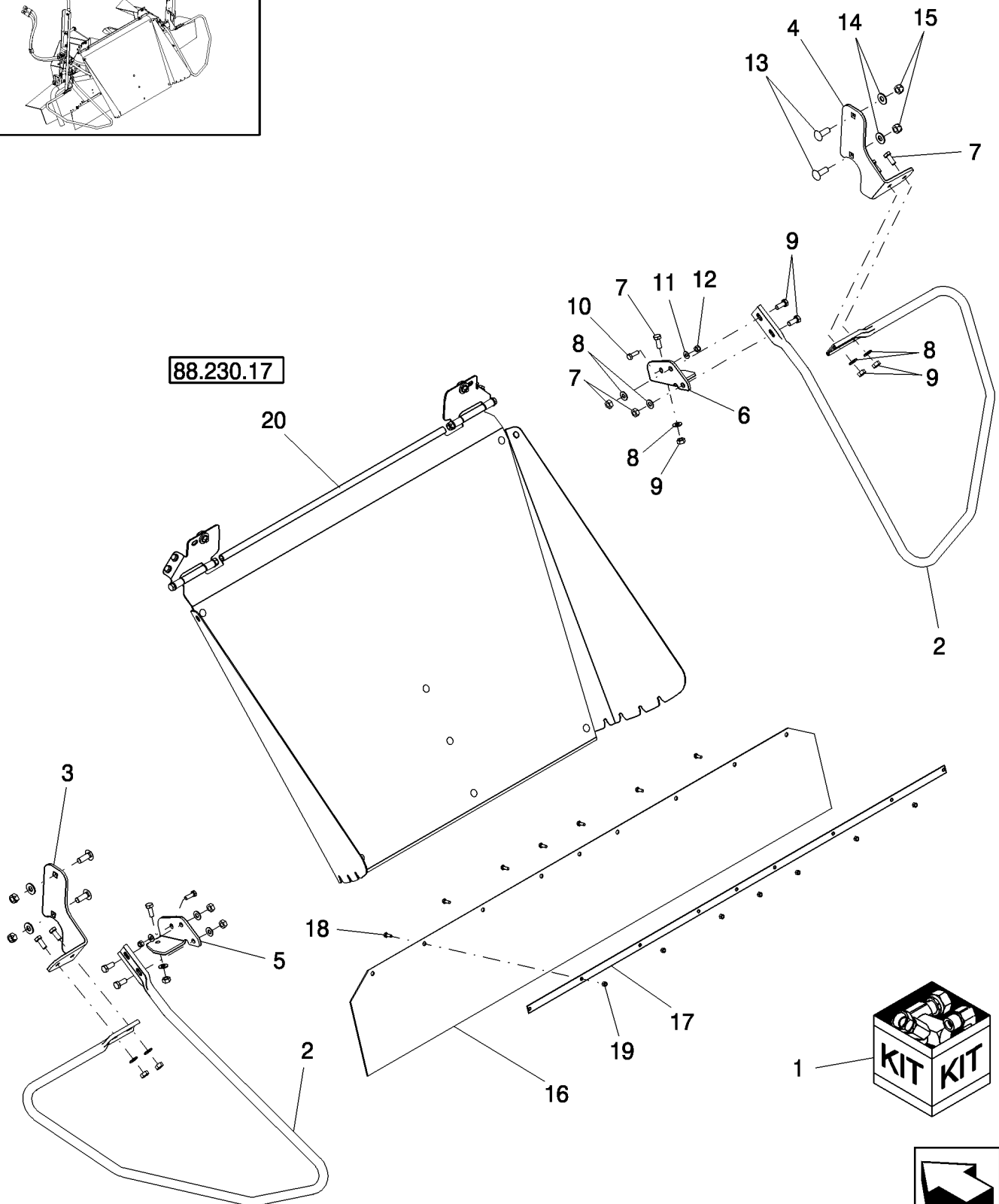
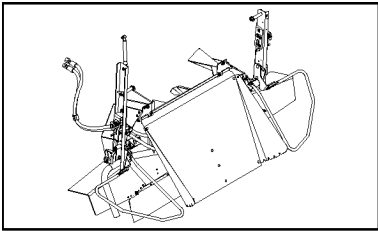
7120 7120 8120 9120
8120

88.230.18

p1

02/10

SPREADER CHUTE, WINDROW - EU - 7120, 8120, 9120



88.230.17



SPREADER CHUTE, WINDROW - EU - 7120, 8120, 9120

REF	FN	PART NUMBER	YR/SN	QTY	DESCRIPTION
1		87479645		1	DIA KIT, HARVESTER, Spreader Windrow Chute; Incl Refs 2 Thru 20
2		87724578		2	SUPPORT, Shield, Pipe
3		87724580		1	SUPPORT, L.H.
4		87724582		1	SUPPORT, R.H.
5		87724584		1	SUPPORT ASSY., L.H.
6		87724586		1	SUPPORT ASSY., R.H.
7		43139		10	BOLT, Hex, M10 x 25, 8.8, Full Thd
8		140045		10	BELLEVILLE WASHER, M10
9		100016		10	NUT, M10, CI 8
10		43127		2	BOLT, Hex, M8 x 25, 8.8
11		322358		2	BELLEVILLE WASHER, M8
12		86629542		2	LOCK NUT, M8 x 1.25, CI 8
13		87035385		4	CARRIAGE BOLT, Short NK, M12 x 35, CI8.8, Full Thd
14		378245		4	WASHER, M13 x 28 x 2 Thk
15		100038		4	LOCK NUT, M12 x 1.75, CI 8
16		87752499		1	CANVAS, Rubber
17		87000280		1	STRIP
18		86508568		7	BOLT, Hex, M6 x 16, CI 8.8, Full Thd
19		353308		7	NUT, M6 x 1, CI 8
20		87724575		1	DIA KIT, HARVESTER, Spreader Windrow Chute

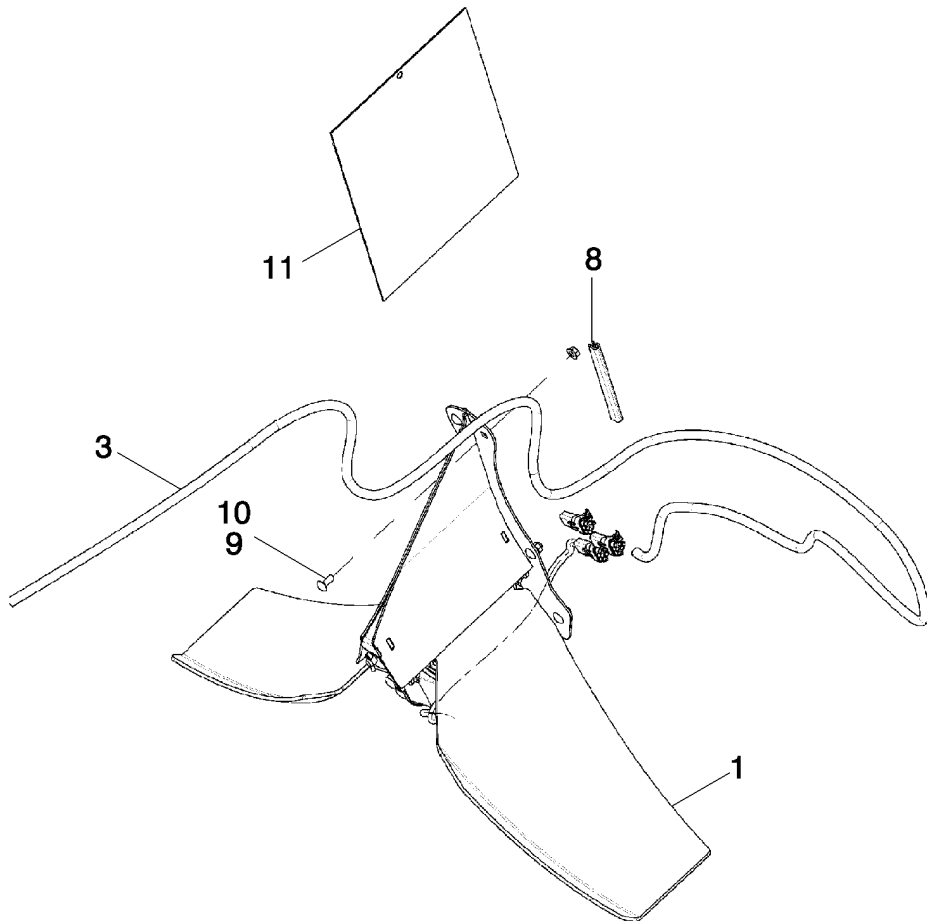
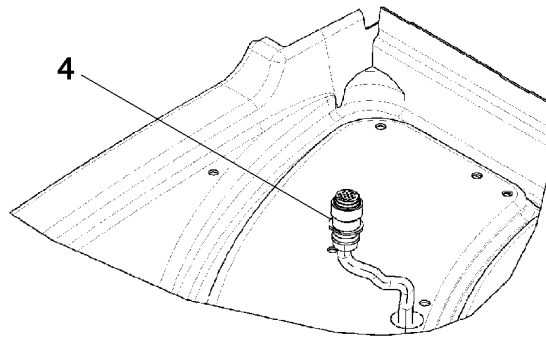
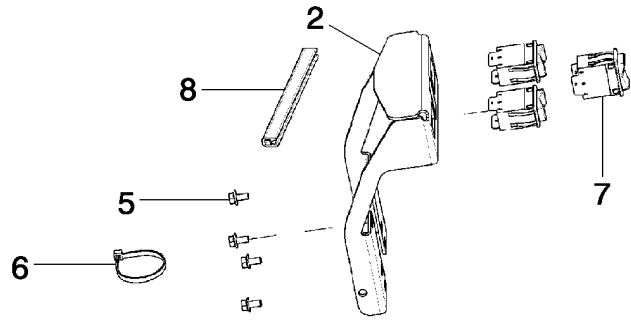
7120 8120 9120

88.230.19

p1

02/10

SPREADER, LOWER, W/FINGER BAR DISTRIBUTOR



SPREADER, LOWER, W/FINGER BAR DISTRIBUTOR

REF	FN	PART NUMBER	YR/SN	QTY	DESCRIPTION
1	1	87633937		1	FRAME ASSY, Housing; Includes Ref 23
1	2	87633938		1	FRAME ASSY, Housing; Includes Ref 23 & 26
2		87314540		2	HUB
3		412183		8	CARRIAGE BOLT, Short NK, M10 x 35, CI8.8, Full Thd
4		140045		10	BELLEVILLE WASHER, M10
5		100016		8	NUT, M10, CI 8
6		87284515		1	BLADE, LH
7		87284519		1	BLADE, RH
8	3	87283411		1	BAR, SUPPORT, Finger
9	3	87282590		3	FINGER BAR, Long
10	3	87282592		2	FINGER BAR, Short
11		87282620		1	FINGER, CLAMP
12		412097		2	CARRIAGE BOLT, Short NK, M12 x 60, CI8.8
13		9706685		2	NUT, M12, CI 8
14		86588502		2	WASHER, M12 x 25 x 3
15		100038		2	LOCK NUT, M12 x 1.75, CI 8
16		9706690		6	NUT, M8, CI 8
17		322358		4	BELLEVILLE WASHER, M8
18		264198		4	WASHER
19		87302583		2	LOCK BOLT, Hex, M8 x 90, CI 10.9
20		140045		AR	BELLEVILLE WASHER, M10
21		86507486		6	CARRIAGE BOLT, Short NK, M8 x 20, CI8.8, Full Thd
22					Reference Not Used
23	2	84004739		3	DECAL, Stand Clear
23	1	86640441		3	WARNING DECAL, Stand Clear
24		43138		8	BOLT, Hex, M10 x 20, 8.8, Full Thd
25		87531172		2	PLATE
26		87757489		1	DECAL, Moving Parts

- (1) For NA Only
(2) EU Only
(3) For NA Only; For EU

**7120 7120 8120 9120
8120**

**ART
NOT
AVAILABLE**

88.230.19

01

p1

03/10

SPREADER WIDTH CONTROL DELUXE NARROW

REF	FN	PART NUMBER	YR/SN	QTY	DESCRIPTION
1		84174626		1	DIVIDER, Deluxe Narrow
2		84123182		1	SUPPORT
3		84224056		1	WIRE HARNESS
4		84225286		1	WIRE HARNESS
5		87698753		4	BOLT
6		86566989		20	CABLE STRAP, M4.75 x 190.5 L
7		84281729		3	SWITCH
8		87000945		2	PROTECTION STRIP
9		86507486		6	CARRIAGE BOLT, Short NK, M8 x 20, Cl8.8, Full Thd
10		9804277		6	NUT, M8 x 1.25, Flg, Cl 8
11		87561728		1	INSTRUCTION

7120 8120 9120

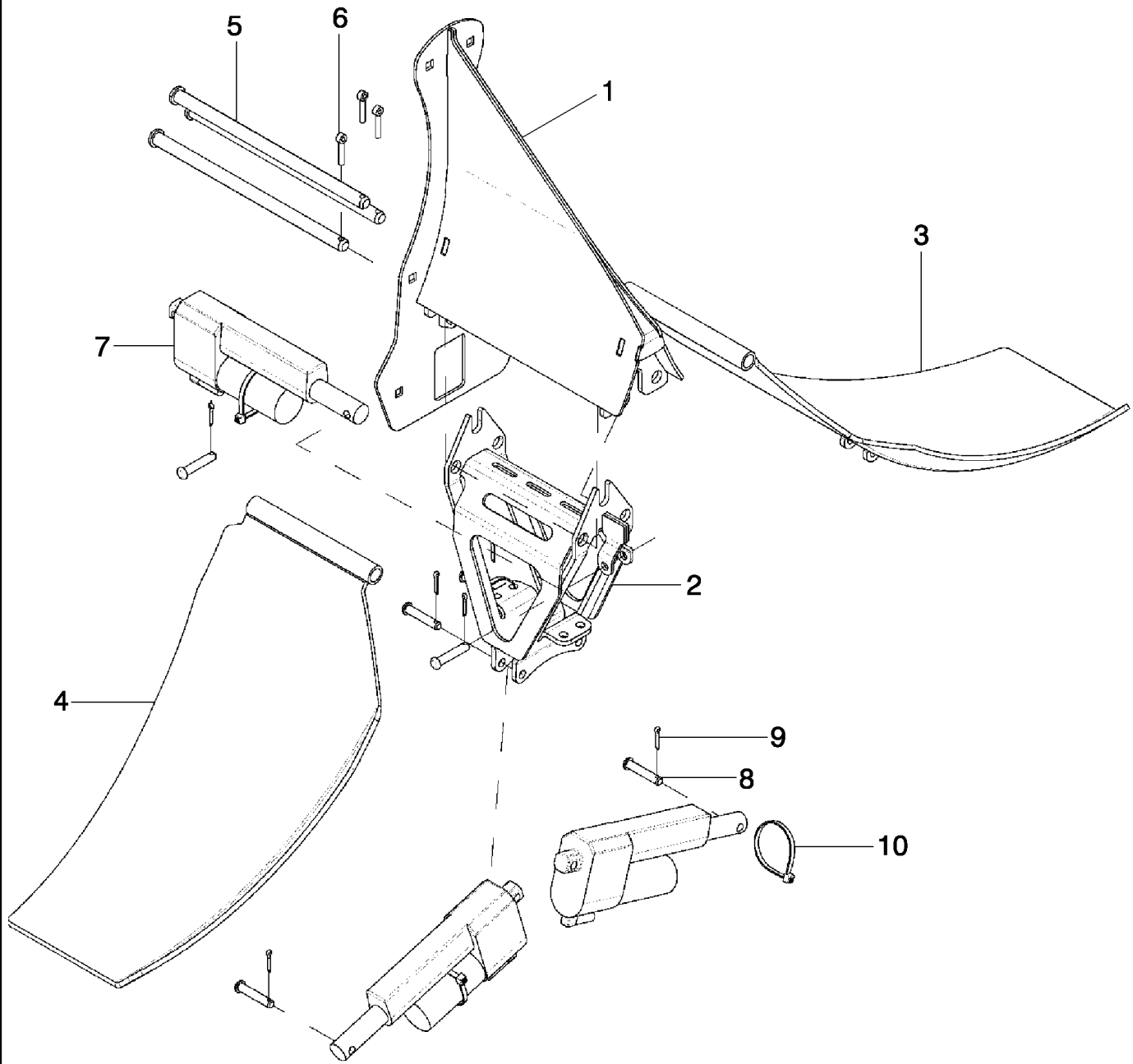
88.230.19

02

p1

03/10

DIVIDER CROP ASSEMBLY DELUXE NARROW



88.230.19

02

p1

03/10

DIVIDER CROP ASSEMBLY DELUXE NARROW

REF	FN	PART NUMBER	YR/SN	QTY	DESCRIPTION
1		84174625		1	DIVIDER
2		84174620		1	CARRIER
3		84216646		1	DEFLECTOR, Left HAnd
4		84216648		1	DEFLECTOR, Right Hand
5		87312467		3	PIN
6		394818		3	COTTER PIN, M5 x 25
7		84174563		2	SWITCH, Actuator 50 mm
8		84218886		6	PIN
9		300408		6	COTTER PIN
10		86566989		4	CABLE STRAP, M4.75 x 190.5 L

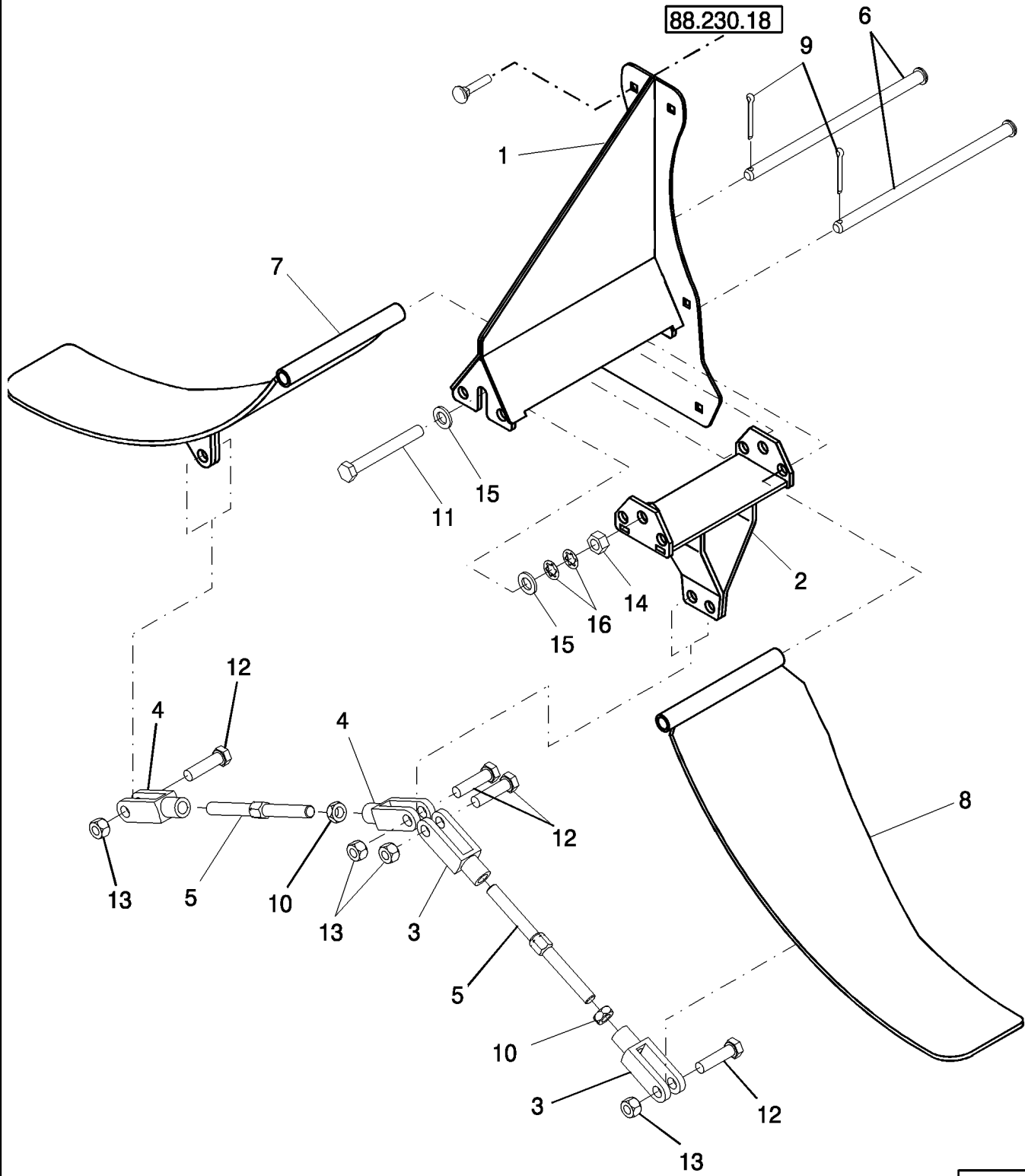
7120 8120 9120

88.230.20

p1

10/09

ADJUSTABLE DISTRIBUTOR



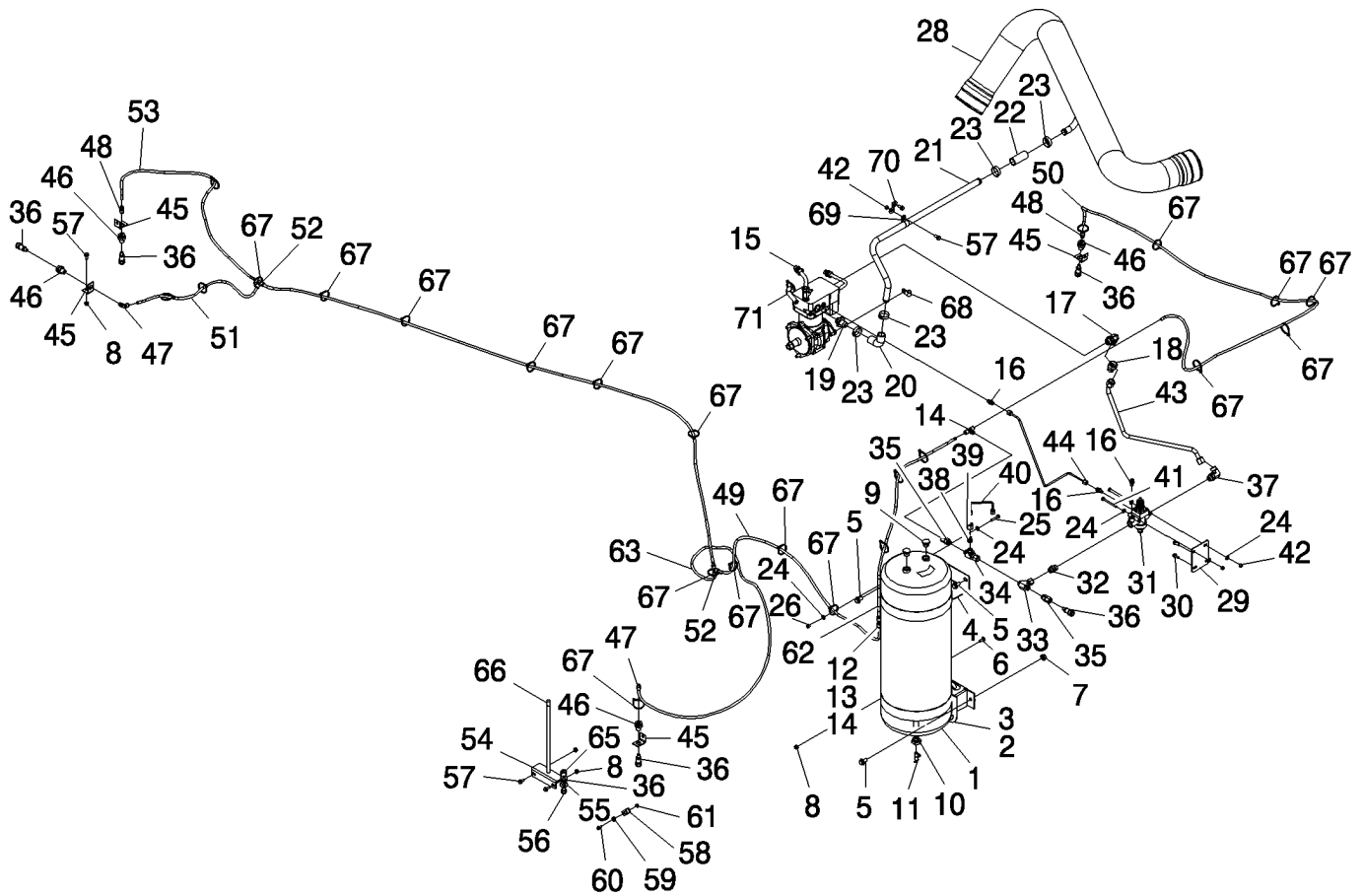
ADJUSTABLE DISTRIBUTOR

REF	FN	PART NUMBER	YR/SN	QTY	DESCRIPTION
1		87510672		1	DIVIDER
2		87317614		1	BRACKET
3		87312625		2	ADJUSTABLE CLEVIS, 1/2"-20, LH
4		87326432		2	ADJUSTABLE CLEVIS, 1/2"-20
5		87510747		2	ROD, 1/2"-20
6		87312467		2	PIN, Headed, 1/2" x 9-7/8"
7		87318439		1	PLATE, Distributor
8		87318440		1	PLATE, Distributor
9		733-5040		2	COTTER PIN, M5 x 40
10		425-158		2	NUT, Jam, 1/2"-20, G5
11		614-12100		1	BOLT, Hex, M12 x 100, 8.8, Full Thd
12		614-12045		4	BOLT, Hex, M12 x 45, 8.8
13		832-46412		4	LOCK NUT, M12 x 1.75, CI 8
14		9706685		1	NUT, M12, CI 8
15		140018		2	WASHER, M12 x 24 x 2.5
16		87347933		2	NUT, Push-On, M12

Europe Only

7120 7120 8120 9120
8120

AIR COMPRESSION KIT AFX9120, MODEL YEAR 2010

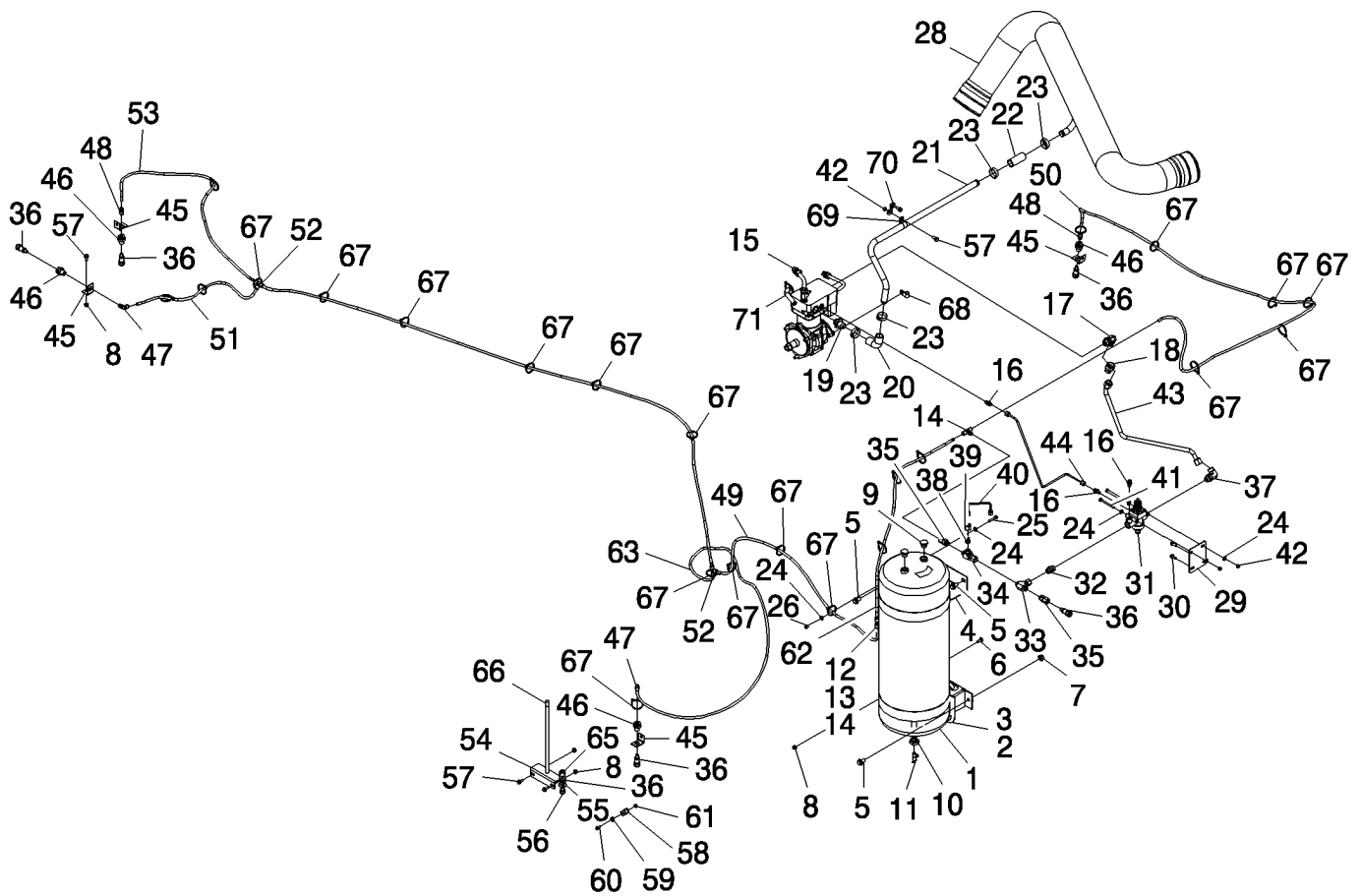


AIR COMPRESSION KIT AFX9120, MODEL YEAR 2010

REF	FN	PART NUMBER	YR/SN	QTY	DESCRIPTION
1		{84023945}		1	Reservior Air
2		84151996		1	SUPPORT
3		84175309		1	RUBBER BLOCK
4		84149140		1	SUPPORT
5		87343550		3	BOLT, M12x25
6		87682384		1	BOLT, M8x25
7		86512497		1	NUT, M12 x 1.75, Flg, CI 10
8		86507066		4	NUT, M8 x 1.25, Flg, CI 10
9		84814963		2	FITTING
10		84019122		1	FITTING
11		441031		1	DRAINCOCK/TAP SUPPLY
12		84171940		1	HYD CONNECTOR, Adapter M22x1.5 to 1/2
13		217-43		1	REDUCER, 1/2"-14 NPTF x 1/4"-18 Fem NPTF
14		84182764		2	BRANCH TEE
15		87522499		1	AIR COMPRESSOR
16		82019386		3	HYD CONNECTOR
17		87598659		1	ELBOW
18		84989617		1	HYD CONNECTOR, 1"-14 M ORFS x 1 3/16"-12 Fem ORFS
19		84036669		1	FITTING
20		84334134		1	HOSE
21		84145774		1	TUBE
22		87637434		1	HOSE
23		382527		4	HOSE CLAMP, M25-40, Worm
24		322358		8	BELLEVILLE WASHER, M8
25		43129		2	BOLT, Hex, M8 x 40, 8.8
26		86629542		2	LOCK NUT, M8 x 1.25, CI 8
28		84169705		1	TUBE
29		84162800		1	BRACKET, SUPPORTING
30		86625200		2	SELF-TAP SCREW, Hex Flg Hd, M8 x 20
31		84440618		1	PRESSURE RELIEF VALVE
32		82016497		1	HYD CONNECTOR, 13/16"-16 ORFS x M22 x 1.5
33		84431325		1	TEE, 13/16"-16 ORFS x 13/16"-16 Fem Sw Br
34		86514261		1	TEE, 13/16"-16 ORFS x 13/16"-16 Fem Sw Run
35		84166641		2	HYD CONNECTOR

9120

AIR COMPRESSION KIT AFX9120, MODEL YEAR 2010



88.230.21

01

p2

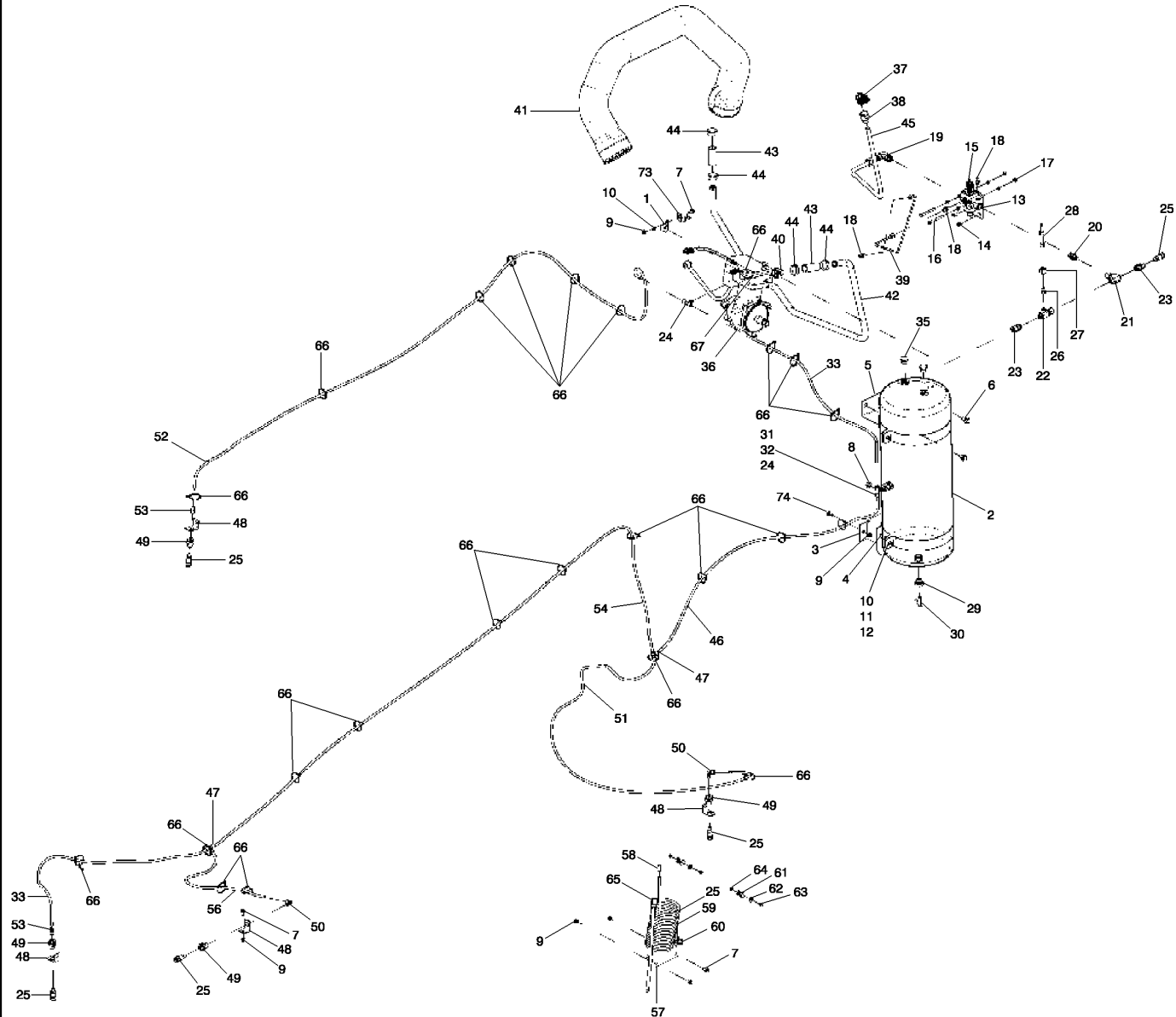
03/10

AIR COMPRESSION KIT AFX9120, MODEL YEAR 2010

REF	FN	PART NUMBER	YR/SN	QTY	DESCRIPTION
36		84172049		6	HYD CONNECTOR
37		5194728		1	HYD CONNECTOR
38		87388776		1	ADAPTER
39		85802628		1	HYD CONNECTOR
40		84165638		1	TUBE
41		43133		2	BOLT, Hex, M8 x 80, 8.8
42		9706690		3	NUT, M8, CI 8
43		84164257		1	TUBE
44		84164258		1	TUBE
45		84169096		4	ANGLE
46		84171982		4	HYD CONNECTOR
47		84162975		2	HYD CONNECTOR
48		84162977		2	HYD CONNECTOR
49		84172538		1	AIR HOSE
50		84176522		1	HOSE
51		84173550		1	AIR HOSE
52		84175931		2	HYD CONNECTOR
53		84172815		1	AIR HOSE
54		84172846		1	ANGLE
55		143479		1	WASHER, 19/32" x 1 1/4" x .135" Thk, HT
56		86594499		1	CAP
57		87656137		5	BOLT, Hex Flg, M8 x 20, 10.9, Full Thd
58		84176713		5	SPRING CLIP
59		495-81113		2	WASHER, .344" x 3/4" x .179"
60		87695418		2	BOLT
61		86050300		2	NUT, M6 x 1, Flg, CI10
63		84173552		1	AIR HOSE
64		84176520		1	HOSE
65		84182443		1	AIR GUN
66		353-187		1	CAP
67		86566989		24	CABLE STRAP, M4.75 x 190.5 L
68		86594406		1	CLAMP, 5/8", Insul, 3/8" Bolt
69		9827902		1	CLAMP, 1", Insul, 3/8" Bolt
70		84232773		1	PLATE
71		87582269		1	DUCT

9120

AIR COMPRESSOR KIT, AFX7120



88.230.21

02

p1

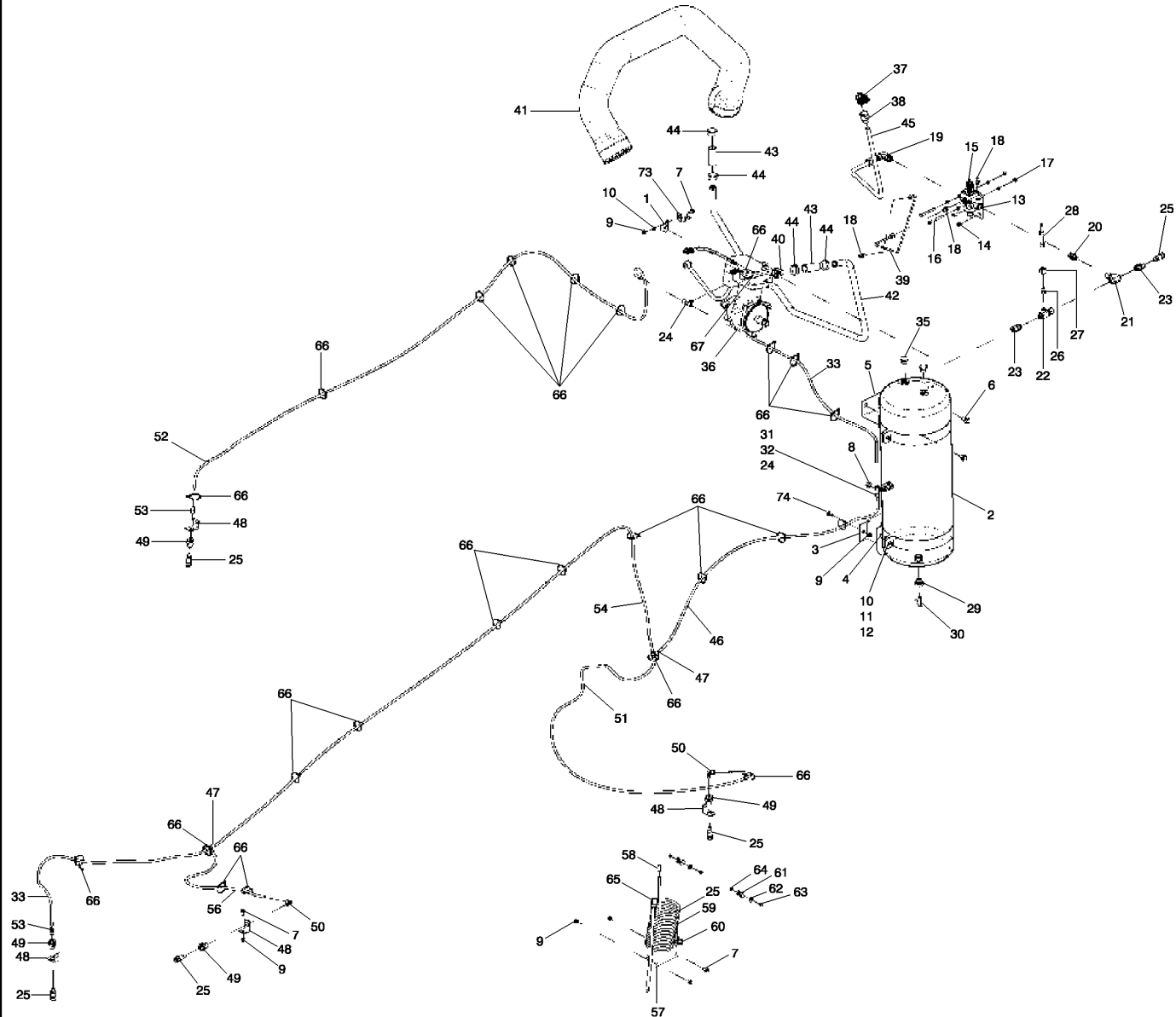
03/10

AIR COMPRESSOR KIT, AFX7120

REF	FN	PART NUMBER	YR/SN	QTY	DESCRIPTION
1		9827902		1	CLAMP, 1", Insul, 3/8" Bolt
2		84036945		1	AIR RESERVOIR
3		84151996		1	SUPPORT
4		84175309		1	RUBBER BLOCK
5		84149140		1	SUPPORT
6		87343550		2	BOLT, Flange M12x25
7		87656137		4	BOLT, Hex Flg, M8 x 20, 10.9, Full Thd
8		86705429		1	BOLT, Flange M10x25
9		86507066		5	NUT, M8 x 1.25, Flg, CI 10
10		322358		9	BELLEVILLE WASHER, M8
11		43129		2	BOLT, Hex, M8 x 40, 8.8
12		86629542		2	LOCK NUT, M8 x 1.25, CI 8
13		84162800		1	BRACKET, SUPPORTING
14		86625200		2	SELF-TAP SCREW, Hex Flg Hd, M8 x 20
15		84440618		1	PRESSURE RELIEF VALVE
16		43133		2	BOLT, Hex, M8 x 80, 8.8
17		9706690		2	NUT, M8, CI 8
18		82019386		3	HYD CONNECTOR
19		5194728		1	HYD CONNECTOR
20		82016497		1	HYD CONNECTOR, 13/16"-16 ORFS x M22 x 1.5
21		84431325		1	TEE, 13/16"-16 ORFS x 13/16"-16 Fem Sw Br
22		86514261		1	TEE, 13/16"-16 ORFS x 13/16"-16 Fem Sw Run
23		84166641		2	HYD CONNECTOR
24		84182764		2	BRANCH TEE
25		84172049		6	HYD CONNECTOR
26		87388776		1	ADAPTER
27		85802628		1	HYD CONNECTOR
28		84165638		1	TUBE
29		84019122		1	FITTING
30		441031		1	DRAINCOCK/TAP SUPPLY
31		84171940		1	HYD CONNECTOR
32		217-43		1	REDUCER, 1/2"-14 NPTF x 1/4"-18 Fem NPTF
33		84172815		2	AIR HOSE
35		84814963		2	FITTING
36		87520365		1	AIR COMPRESSOR

7120 7120

AIR COMPRESSOR KIT, AFX7120



88.230.21

02

p2

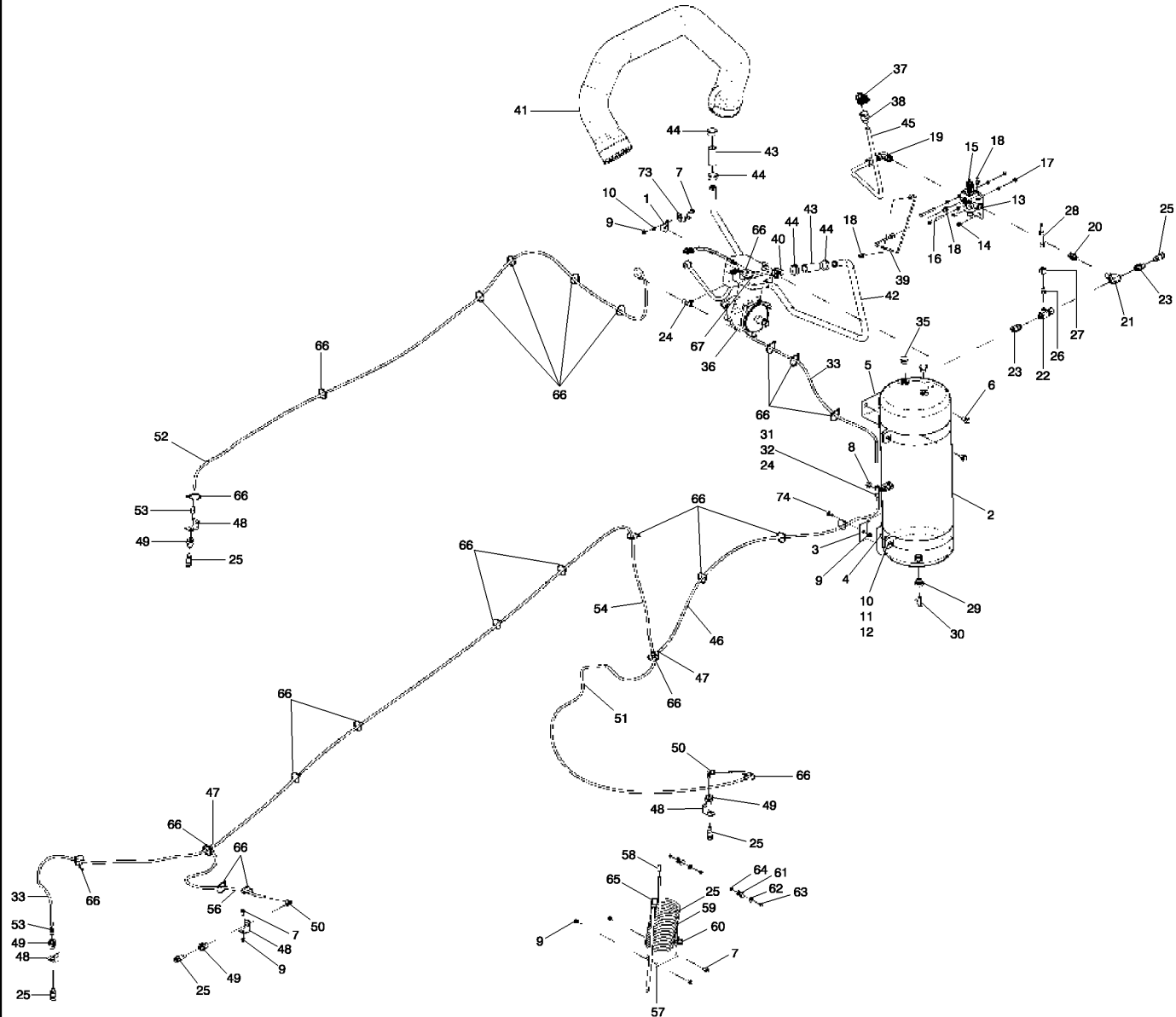
03/10

AIR COMPRESSOR KIT, AFX7120

REF	FN	PART NUMBER	YR/SN	QTY	DESCRIPTION
37		87598659		1	ELBOW
38		84989617		1	HYD CONNECTOR, 1"-14 M ORFS x 1 3/16"-12 Fem ORFS
39		84153095		1	TUBE
40		84036669		1	FITTING
41		84141332		1	AIR INTAKE TUBE
42		84141951		1	TUBE
42		87637434		3	HOSE
44		382527		4	HOSE CLAMP, M25-40, Worm
45		84153072		1	TUBE
46		84172538		1	AIR HOSE, Plastic
47		84175931		2	HYD CONNECTOR
48		84169096		4	ANGLE
49		84171982		4	HYD CONNECTOR
50		84162975		2	HYD CONNECTOR
51		84173552		1	AIR HOSE
52		84176522		1	HOSE
53		84162977		2	HYD CONNECTOR
54		84176520		1	HOSE
56		84173550		1	AIR HOSE
57		84172846		1	ANGLE
58		353-187		1	CAP
59		143479		1	WASHER, 19/32" x 1 1/4" x .135" Thk, HT
60		86594499		1	CAP
61		84176713		2	SPRING CLIP
62		495-81113		2	WASHER, .344" x 3/4" x .179"
63		87695418		2	BOLT
64		86050300		2	NUT, M6 x 1, Flg, CI10
65		84182443		1	AIR GUN
66		86566989		24	CABLE STRAP, M4.75 x 190.5 L
67		87582269		1	DUCT, Conduit Convolutated Insulated
68		87667806		2	SEAL
69		84182762		1	FLEXIBLE HOSE
70		84267530		1	BANJO BOLT
71		87667805		2	SEAL

7120 7120

AIR COMPRESSOR KIT, AFX7120



88.230.21

02

p3

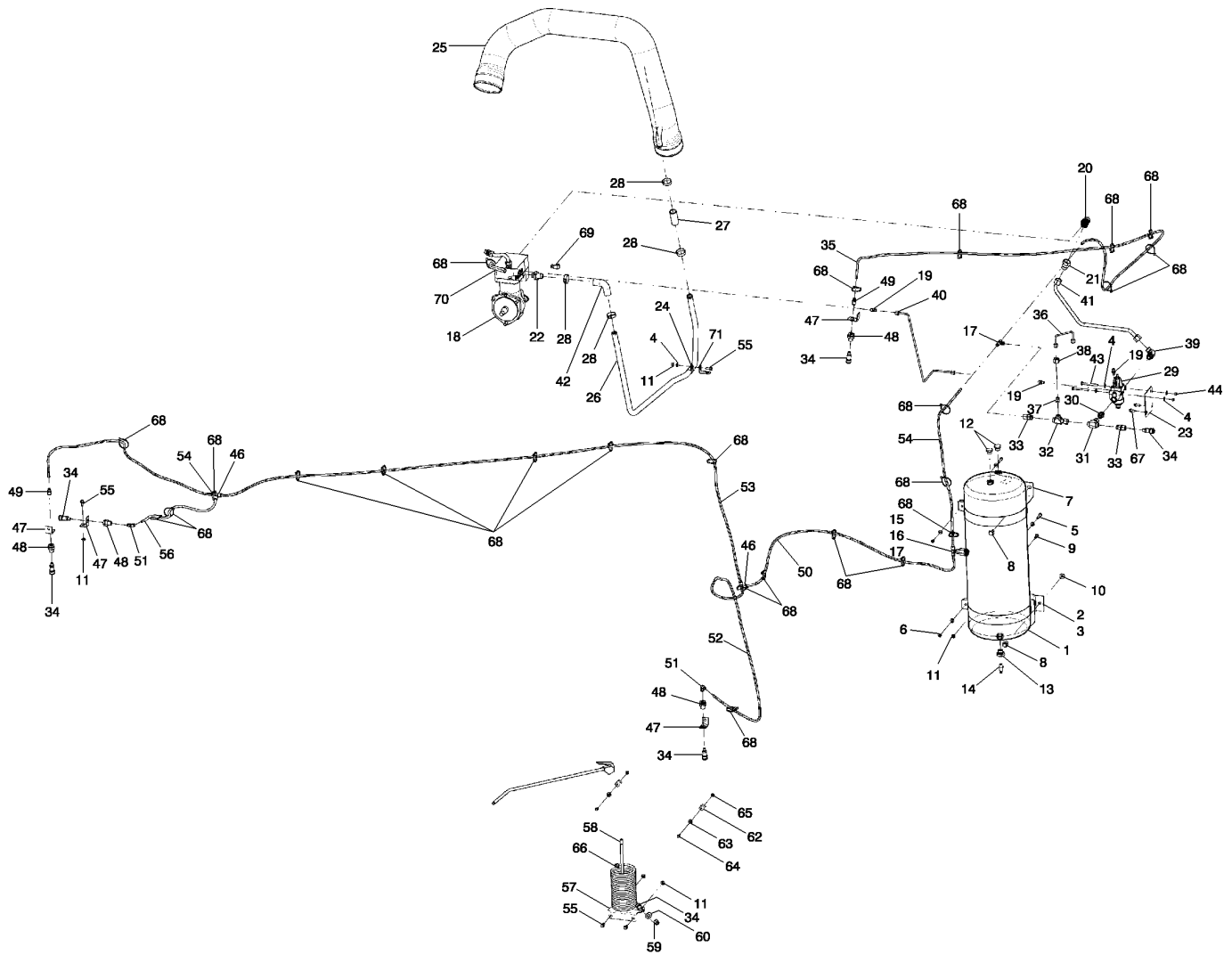
03/10

AIR COMPRESSOR KIT, AFX7120

REF	FN	PART NUMBER	YR/SN	QTY	DESCRIPTION
72		84265962		1	BANJO BOLT
73		84246029		1	BRACKET
74		87682384		1	BOLT

7120 7120

AIR COMPRESSOR KIT, AFX8120

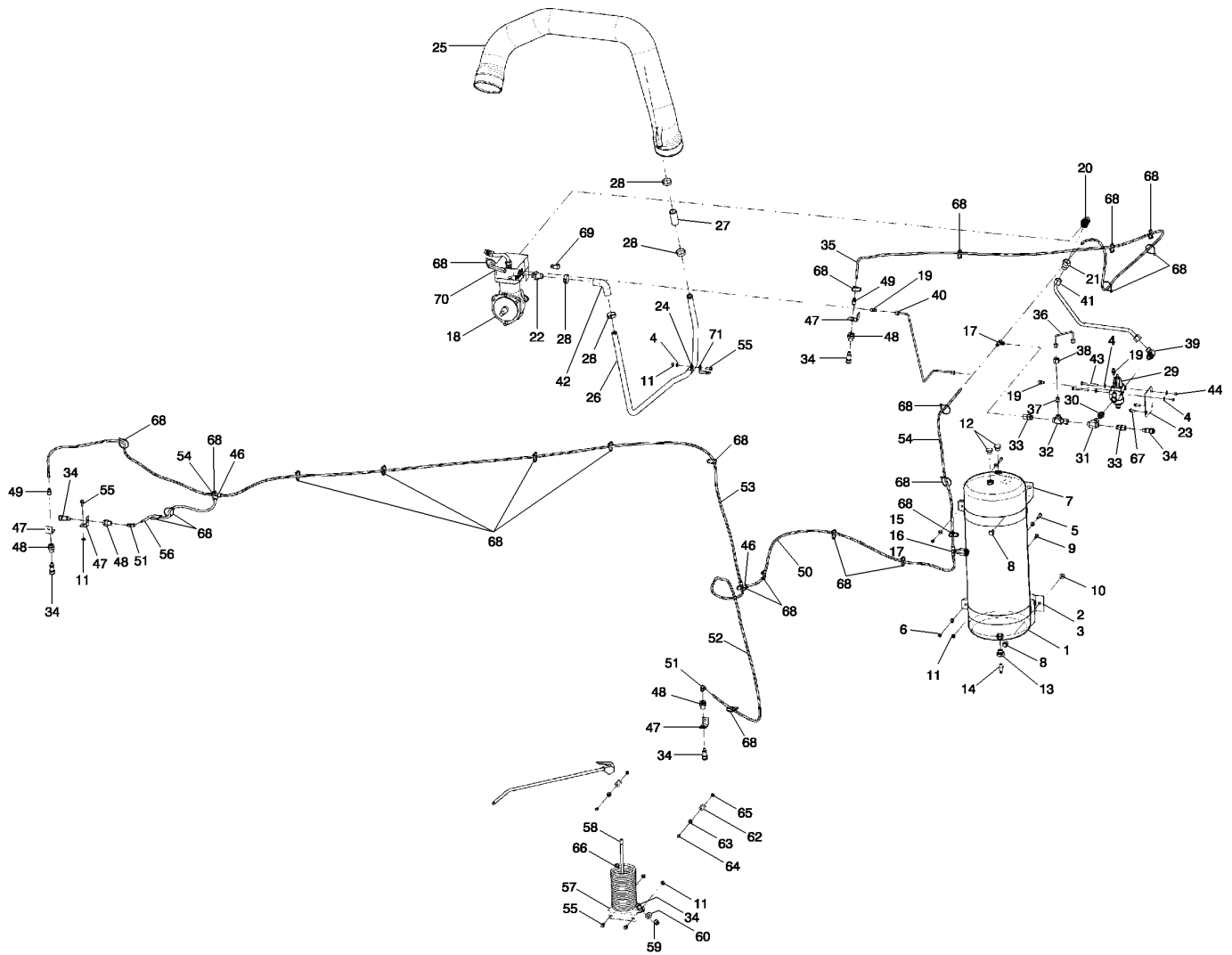


AIR COMPRESSOR KIT, AFX8120

REF	FN	PART NUMBER	YR/SN	QTY	DESCRIPTION
1		84036945		1	AIR RESERVOIR
2		84151996		1	SUPPORT
3		84175309		1	RUBBER BLOCK
4		322358		9	BELLEVILLE WASHER, M8
5		43129		2	BOLT, Hex, M8 x 40, 8.8
6		86629542		2	LOCK NUT, M8 x 1.25, CI 8
7		84149140		1	SUPPORT
8		87343550		2	BOLT, Flange M12X25
9		87382384		1	BALL PIN, M8X25
10		86705429		1	BOLT, M10X25
11		86507066		5	NUT, M8 x 1.25, Flg, CI 10
12		84814963		2	FITTING
13		84019122		1	FITTING
14		441031		1	DRAINCOCK/TAP SUPPLY
15		84171940		1	HYD CONNECTOR
16		217-43		1	REDUCER, 1/2"-14 NPTF x 1/4"-18 Fem NPTF
17		84182764		2	BRANCH TEE
18		84441030		1	AIR COMPRESSOR
19		82019386		3	HYD CONNECTOR
20		87598659		1	ELBOW
21		84989617		1	HYD CONNECTOR, 1"-14 M ORFS x 1 3/16"-12 Fem ORFS
22		84036669		1	FITTING
23		84162800		1	BRACKET, SUPPORTING
24		9827902		1	CLAMP, 1", Insul, 3/8" Bolt
25		84183027		1	TUBE
26		84144761		1	AIR INTAKE TUBE
27		87637434		1	HOSE
28		382527		4	HOSE CLAMP, M25-40, Worm
29		84440618		1	PRESSURE RELIEF VALVE
30		82016497		1	HYD CONNECTOR, 13/16"-16 ORFS x M22 x 1.5
31		84431325		1	TEE, 13/16"-16 ORFS x 13/16"-16 Fem Sw Br
32		86514261		1	TEE, 13/16"-16 ORFS x 13/16"-16 Fem Sw Run
33		84166641		2	HYD CONNECTOR
34		84172049		6	HYD CONNECTOR

8120 8120

AIR COMPRESSOR KIT, AFX8120



88.230.21

03

p2

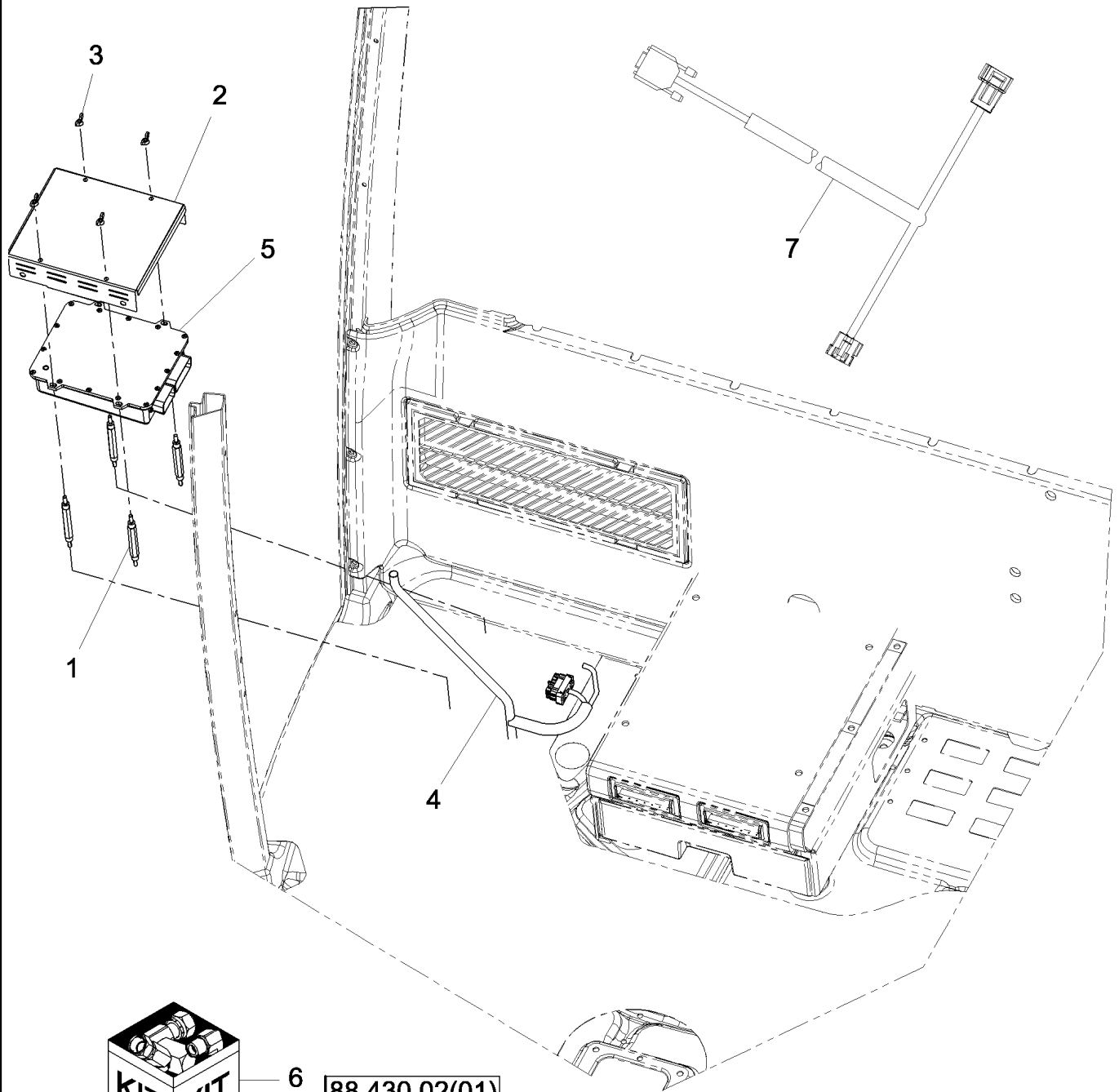
03/10

AIR COMPRESSOR KIT, AFX8120

REF	FN	PART NUMBER	YR/SN	QTY	DESCRIPTION
35		84176522		1	HOSE, Plastic
36		84165638		1	TUBE, Pnuematic, Regular
37		87388776		1	ADAPTER
38		85802628		1	HYD CONNECTOR
39		5194728		1	HYD CONNECTOR
40		84164258		1	TUBE, Pnuematic, Compressor
41		84164257		1	TUBE, Pnuematic, Compressor
42		84334134		1	HOSE
43		43133		2	BOLT, Hex, M8 x 80, 8.8
44		9706690		2	NUT, M8, CI 8
46		84175931		2	HYD CONNECTOR
47		84169096		4	ANGLE
48		84171982		4	HYD CONNECTOR
49		84162977		2	HYD CONNECTOR
50		84172538		1	AIR HOSE, Plastic
51		84162975		2	HYD CONNECTOR
52		84173552		1	AIR HOSE
53		84176520		1	HOSE
54		84172815		2	AIR HOSE
55		87656137		4	BOLT, Hex Flg, M8 x 20, 10.9, Full Thd, Flange
56		84173550		1	AIR HOSE
57		84172846		1	ANGLE
58		353-187		1	CAP
59		143479		1	WASHER, 19/32" x 1 1/4" x .135" Thk, HT
60		86594499		1	CAP
62		84176713		2	SPRING CLIP
63		495-81113		2	WASHER, .344" x 3/4" x .179"
64		87695418		2	BOLT, Flange M6X16
65		86050300		2	NUT, M6 x 1, Flg, CI10
66		84182443		1	AIR GUN
67		86625200		2	SELF-TAP SCREW, Hex Flg Hd, M8 x 20
68		86566989		24	CABLE STRAP, M4.75 x 190.5 L
69		86594406		1	CLAMP, 5/8", Insul, 3/8" Bolt
70		87582269		1	DUCT, Conduit, Convoluted
71		84246029		1	BRACKET

8120 8120

AUTO GUIDANCE-READY, CONTROL MODULE



6

- 88.430.02(01)
- 88.430.02(02)
- 88.430.03
- 88.430.05(01)
- 88.430.05(02)



AUTO GUIDANCE-READY, CONTROL MODULE

REF	FN	PART NUMBER	YR/SN	QTY	DESCRIPTION
1		87349983		4	SPACER
2		87349987		1	COVER
3		84814892		4	WING NUT, M6 x 1
4		87578066	Before 12/09, BSN Y9G207118	1	WIRE HARNESS, Auto Guidance Control Module
4		84194266	From 01/10, ASN Y9G207118	1	WIRE HARNESS, Auto Guidance Control Module
5		87518983		1	KIT, Module; NAV II
6	1	84180376		AR	DIA KIT, HARVESTER, Auto Guidance-Ready; Incl Refs 1 Thru 4
7		87382742		1	WIRE HARNESS, EZ-Guide Adapter

(1) When Ordering 87583589, it is also Necessary to Order and Install Kit 87701671

**9120 7120 8120 7120
8120**

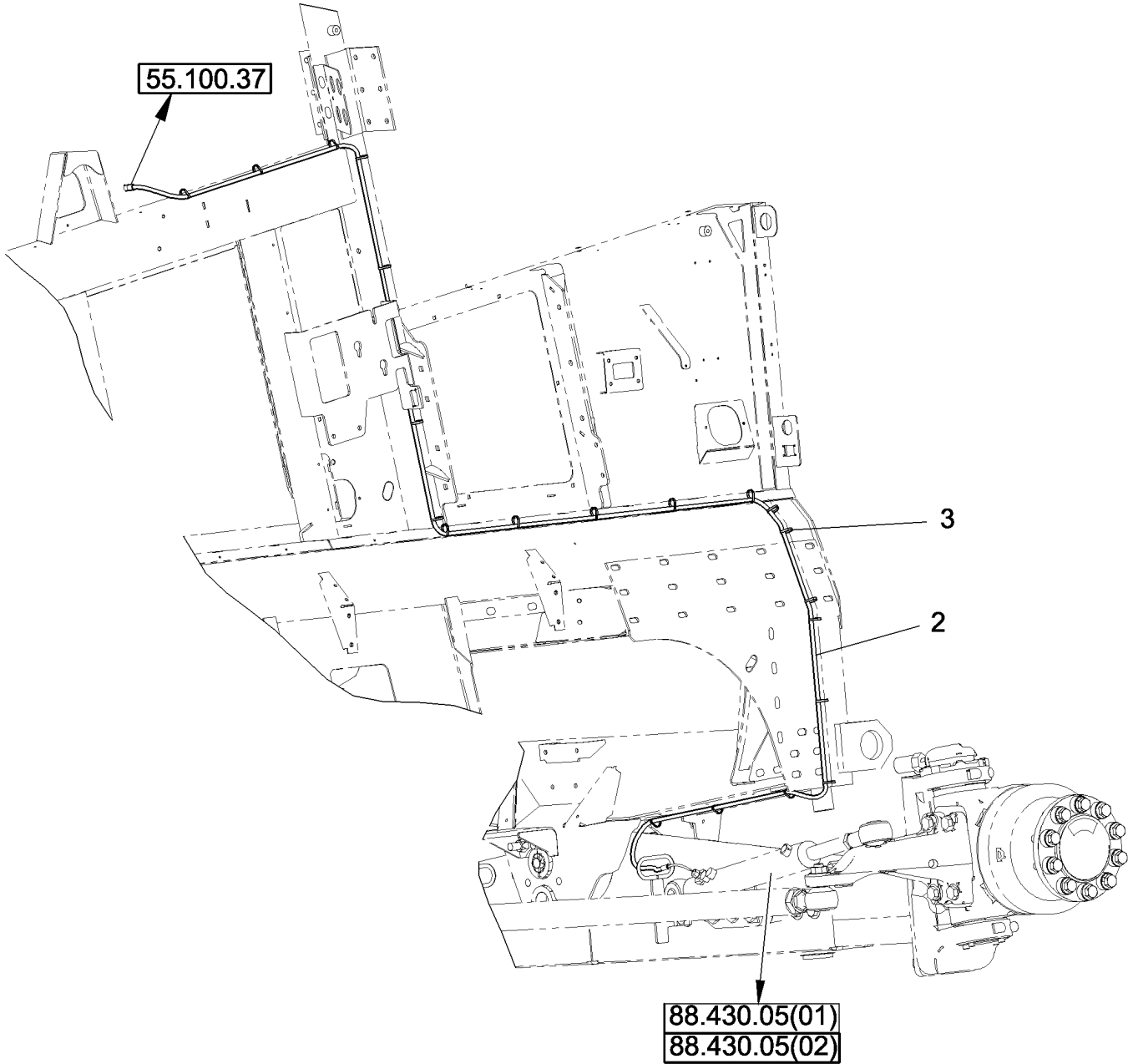
88.430.02

01

p1

02/10

AUTO GUIDANCE-READY, ELECTRICAL WIRING

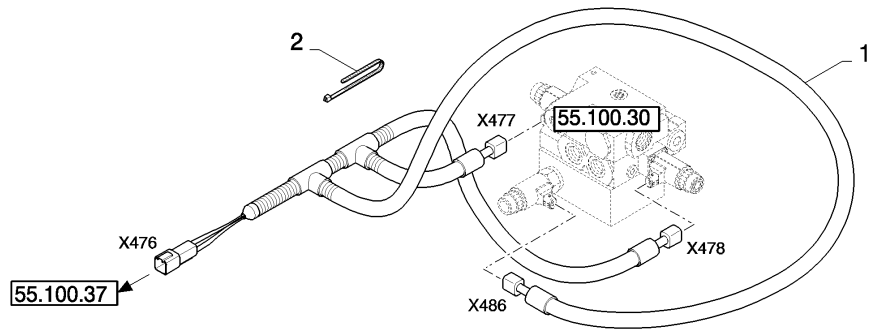


AUTO GUIDANCE-READY, ELECTRICAL WIRING

REF	FN	PART NUMBER	YR/SN	QTY	DESCRIPTION
2		87371032		1	WIRE HARNESS, Steering
3		86566990		21	CABLE STRAP, M4.8 x 292 L

	9120 7120 8120 7120 8120
--	---

AUTO GUIDANCE-READY, ELECTRICAL WIRING

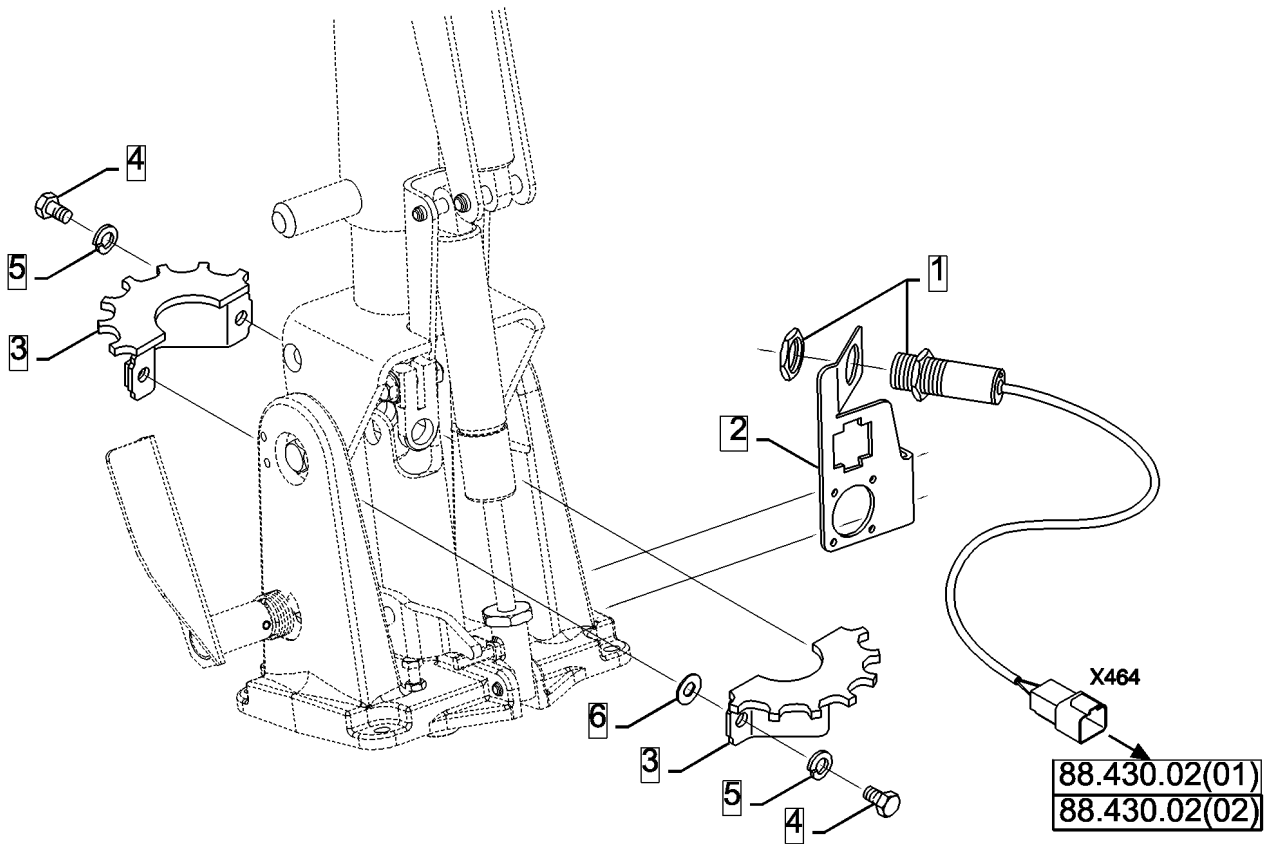
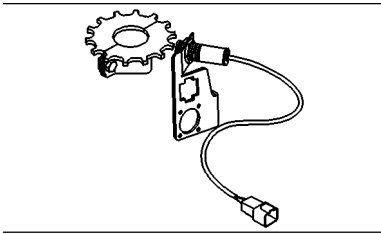


AUTO GUIDANCE-READY, ELECTRICAL WIRING

REF	FN	PART NUMBER	YR/SN	QTY	DESCRIPTION
1		84455109		1	WIRE HARNESS, Auto Guidance
2		89993154		AR	CLAMP

	9120 7120 8120 7120 8120
--	---

AUTO GUIDANCE-READY, STEERING WHEEL SENSOR



88.430.03

p1

10/09

AUTO GUIDANCE-READY, STEERING WHEEL SENSOR

REF	FN	PART NUMBER	YR/SN	QTY	DESCRIPTION
1		84058862		1	SENSOR, Auto Guidance, Steering Wheel
2		84455232		1	SUPPORT
3		84452411		2	SPLINED RING
4		86508568		2	BOLT, Hex, M6 x 16, Cl 8.8, Full Thd
5		322357		2	BELLEVILLE WASHER, M6
6		399544		1	WASHER, M6 x 17 x 2 Thk

**9120 7120 8120 7120
8120**

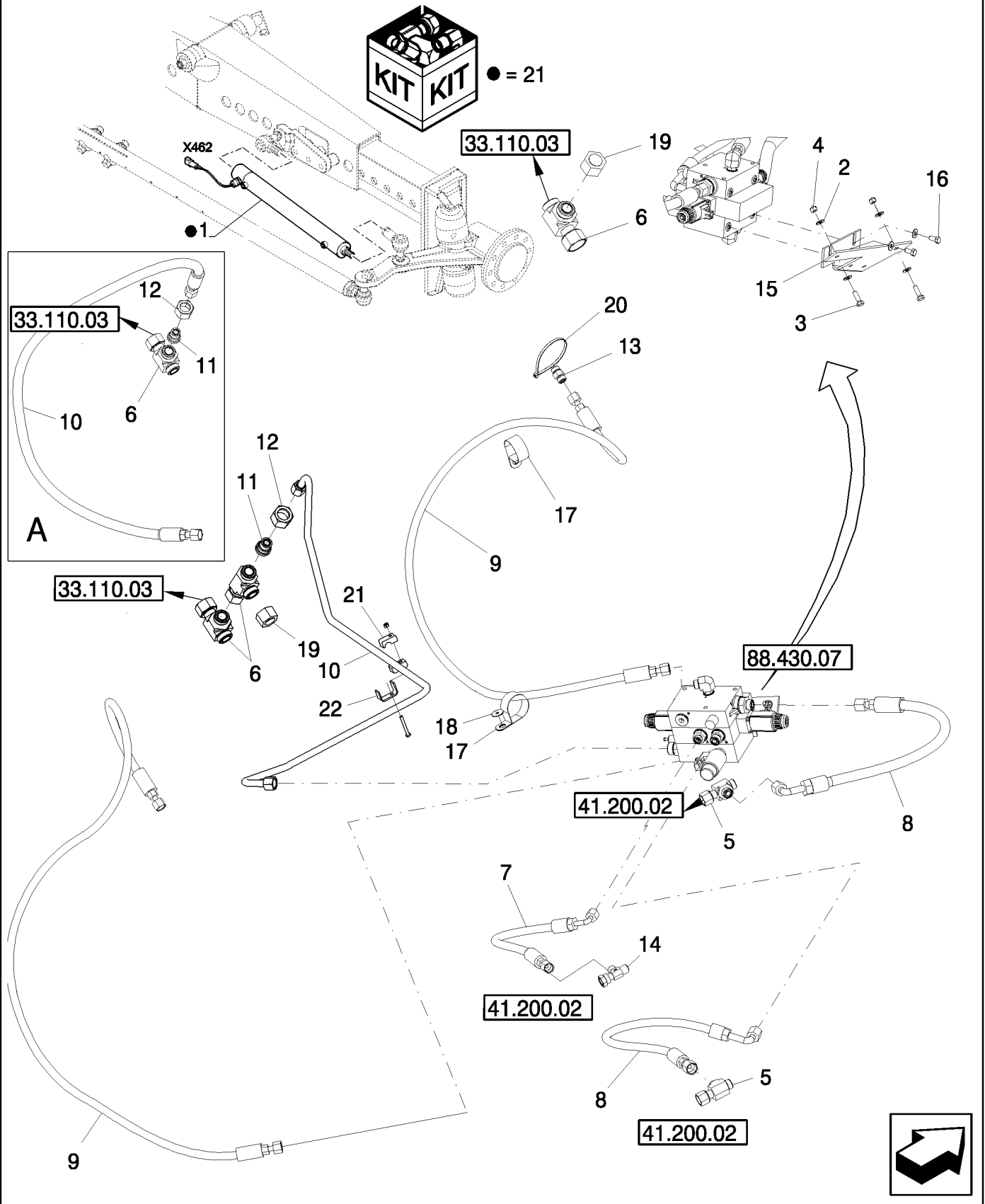
88.430.05

01

p1

02/10

AUTO GUIDANCE-READY, HYDRAULICS - 7120, 8120



88.430.05

01

p1

02/10

AUTO GUIDANCE-READY, HYDRAULICS - 7120, 8120

REF	FN	PART NUMBER	YR/SN	QTY	DESCRIPTION
1		84448270		1	STEERING CYLINDER, Auto Guidance
2		322358		6	BELLEVILLE WASHER, M8
3		43127		2	BOLT, Hex, M8 x 25, 8.8
4		86629542		2	LOCK NUT, M8 x 1.25, CI 8
5		86514261		2	TEE, 13/16"-16 ORFS x 13/16"-16 Fem Sw Run
6		86641295		2	TEE, 1 7/16"-12 ORFS to Swivel
7		87563558		1	HOSE ASSY., Auto Guidance Steering; L = 800 mm
8		84068062		2	HYDRAULIC HOSE, Auto Guidance Steering; L = 800 mm
9		86623770		2	HYDRAULIC HOSE, Auto Guidance Steering; L = 2200 mm
10	1	87541510		1	HYDRAULIC HOSE, Auto Guidance Steering; L = 2070 mm
10		84151026	ASN Y9G206252	1	HYD. TUBE, Auto Guidance Steering
11		87541888		1	REDUCER, 1 7/16"-12 Fem ORFS x 1"-14 M ORFS
12	1	203-905		1	NUT, 1 7/16"-12 ORFS
12		86639097		1	TUBE NUT, Nut
13		87536726		1	VALVE, Incl O-Rings (2)
13		9993141		1	O-RING, -012, 90 Duro, .364" ID x .070" Thk
14		84989848		1	HYD CONNECTOR
15		87574734		1	SUPPORT
16		120103		2	BOLT, Hex, M8 x 16, 8.8
17		86634189		2	CLAMP, 2", Insul, 1/2" Bolt
18		86624183		1	WASHER, M6 x 25 x 1.6
19		9847690		1	CAP, 1 7/16"-12 ORFS
20		86566990		1	CABLE STRAP, M4.8 x 292 L
21		84455606		1	SEAL KIT

(1) Component of Prior Auto Guidance-Ready Kit 87583589

A = Components Of Prior Auto Guidance-Ready Kit 87583589**7120 8120**

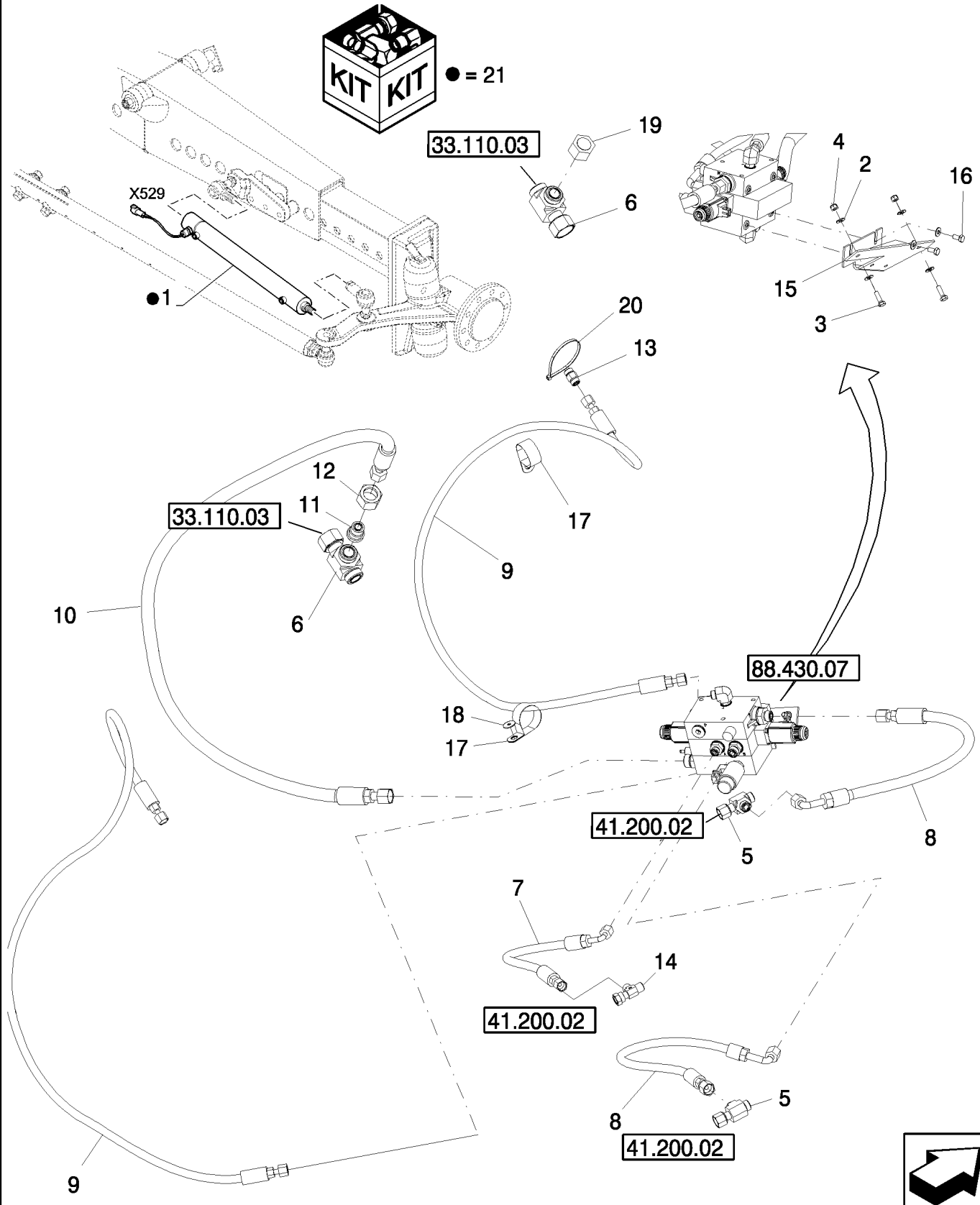
88.430.05

02

p1

02/10

AUTO GUIDANCE-READY, HYDRAULICS - 7120, 8120/8120(LA), 9120



88.430.05

02

p1

02/10

AUTO GUIDANCE-READY, HYDRAULICS - 7120, 8120/8120(LA), 9120

REF	FN	PART NUMBER	YR/SN	QTY	DESCRIPTION
1		84448270		1	STEERING CYLINDER, Auto Guidance
2		322358		6	BELLEVILLE WASHER, M8
3		43127		2	BOLT, Hex, M8 x 25, 8.8
4		86629542		2	LOCK NUT, M8 x 1.25, CI 8
5		86514261		2	TEE, 13/16"-16 ORFS x 13/16"-16 Fem Sw Run
6		86641295		2	TEE, 1 7/16"-12 ORFS to Swivel
7		87563558		1	HOSE ASSY., Auto Guidance Steering; L = 800 mm
8		84068062		2	HYDRAULIC HOSE, Auto Guidance Steering; L = 800 mm
9		86623770		2	HYDRAULIC HOSE, Auto Guidance Steering; L = 2200 mm
10		87541510	Before 04/09, BSN Y9G206251	1	HYDRAULIC HOSE, Auto Guidance Steering; L = 2070 mm
10		84151026	From 04/09, ASN Y9G206252	1	HYD. TUBE
11		87541888		1	REDUCER, 1 7/16"-12 Fem ORFS x 1"-14 M ORFS
12		203-905		1	NUT, 1 7/16"-12 ORFS
13		87536726		1	VALVE, Incl O-Rings (2)
13		9993141		1	O-RING, -012, 90 Duro, .364" ID x .070" Thk
14		84989848		1	HYD CONNECTOR
15		87574734		1	SUPPORT
16		120103		2	BOLT, Hex, M8 x 16, 8.8
17		86634189		2	CLAMP, 2", Insul, 1/2" Bolt
18		86624183		1	WASHER, M6 x 25 x 1.6
19		9847690		1	CAP, 1 7/16"-12 ORFS
20		86566990		1	CABLE STRAP, M4.8 x 292 L
21		84455606		1	SEAL KIT

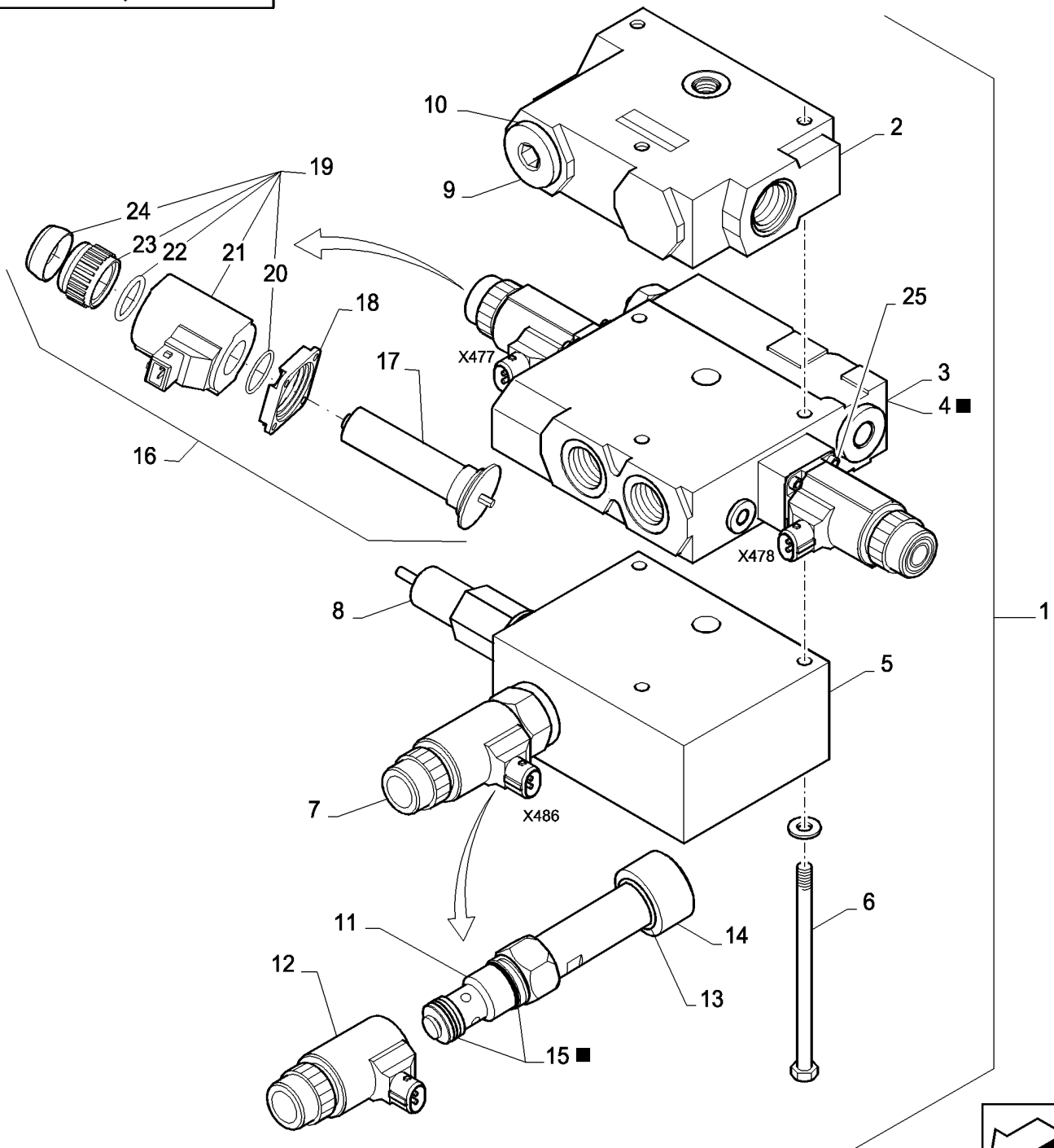
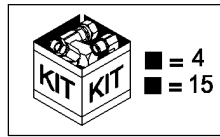
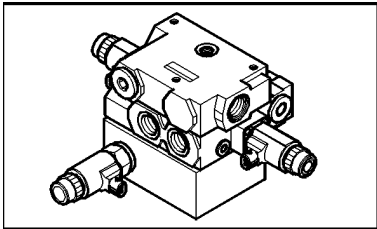
9120 7120 8120 8120

88.430.06

p1

02/10

AUTO GUIDANCE-READY, HYDRAULIC VALVE W/PRESSURE RELIEF

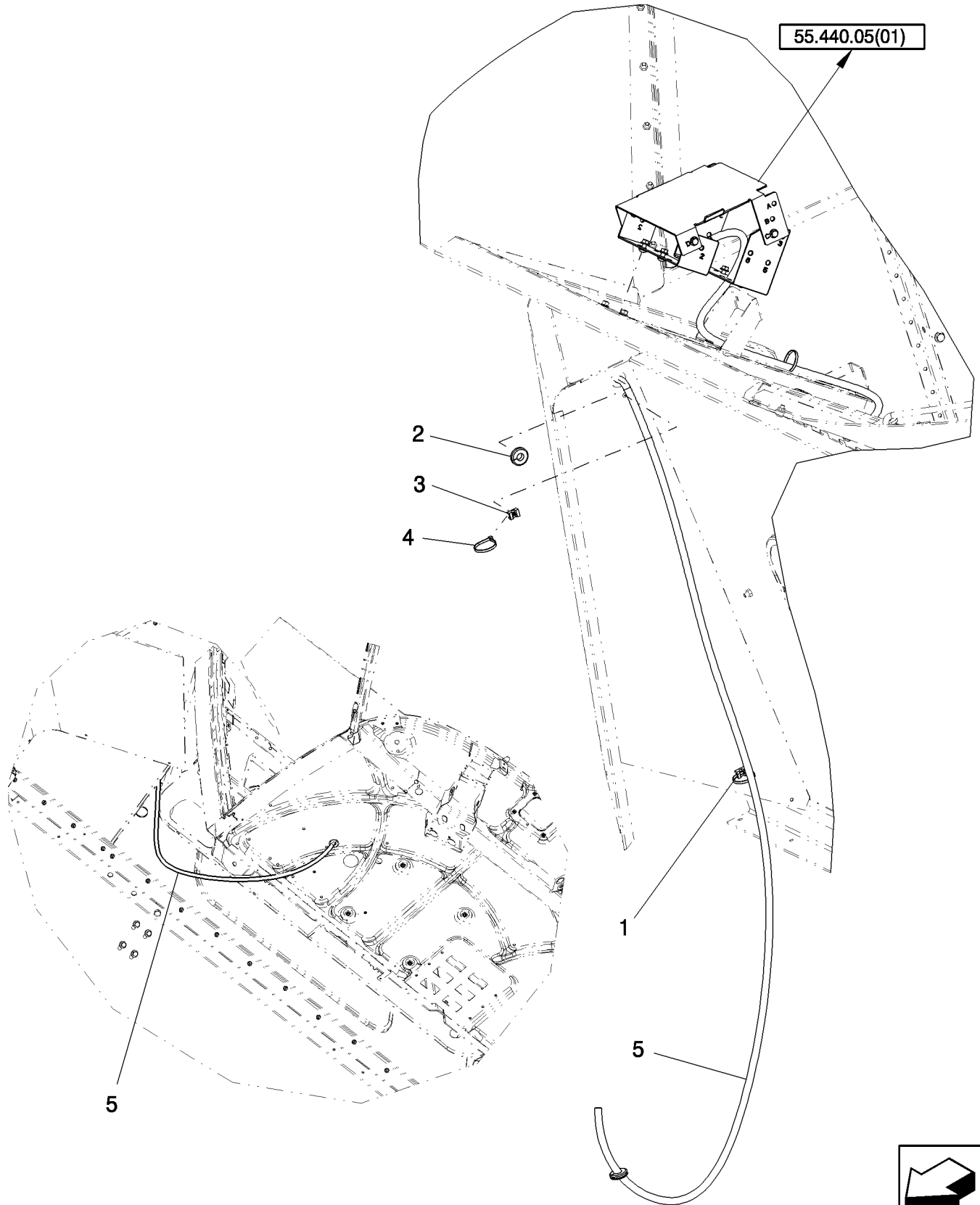


AUTO GUIDANCE-READY, HYDRAULIC VALVE W/PRESSURE RELIEF

REF	FN	PART NUMBER	YR/SN	QTY	DESCRIPTION
1		87313989		1	HYDRAULIC VALVE, 2 to 10
2		86580294		1	HYD VALVE SECTION
3		84455371		1	HYDRAULIC VALVE
4		84014433		1	SEAL KIT
5		84461195		1	BASE PLATE
6		84461196		3	THREADED TIE-ROD
7		84461271		1	HYDRAULIC VALVE, Incl Refs 11 Thru 15
8		84462258		1	VALVE
9		221579A1		1	PLUG, Hex Soc, M22 x 1.5, ORB, Incl 10
10		86598102		1	O-RING, CI 6, 19.3MM ID x 2.2 Thk
11		87571183		1	HYDRAULIC VALVE, Auto Guidance Enable; Incl Refs 13, 14, & 15
12		87571187		1	VALVE, Coil, Solenoid
13		87571186		1	O-RING
14		87571184		1	NUT
15		87571185		1	SEAL KIT
16		84062114		2	SOLENOID
17		NSS		1	NOT SERVICED SEPARATELY, Tube
18		87601705		1	PLATE, Mounting
19		87638466		1	SOLENOID
20		87635978		1	O-RING, M21 ID x 1.5 Thk
21		NSS		1	NOT SERVICED SEPARATELY, Coil, Solenoid
22		87635979		1	O-RING, M20 ID x 2.5 Thk
23		87603337		1	NUT, Coil
24		84429046		1	CAP
25		14302924		8	SCREW, Hex Soc Hd, M4 x 10, 8.8, Full Thd

**9120 7120 8120 7120
8120**

AUTO GUIDANCE-READY, AFS252 COMPLETING EXT



AUTO GUIDANCE-READY, AFS252 COMPLETING EXT

REF	FN	PART NUMBER	YR/SN	QTY	DESCRIPTION
1		445394		1	RIVET, Pop, M4.8 x 12.7
2		86637780		2	GROMMET, 5/8" ID x 1 1/4" Groove Dia, Str Cut
3		86590413		2	CLAMP
4		86566989		3	CABLE STRAP, M4.75 x 190.5 L
5		87382741		1	WIRE HARNESS, AFS252 To Cab

NA Only

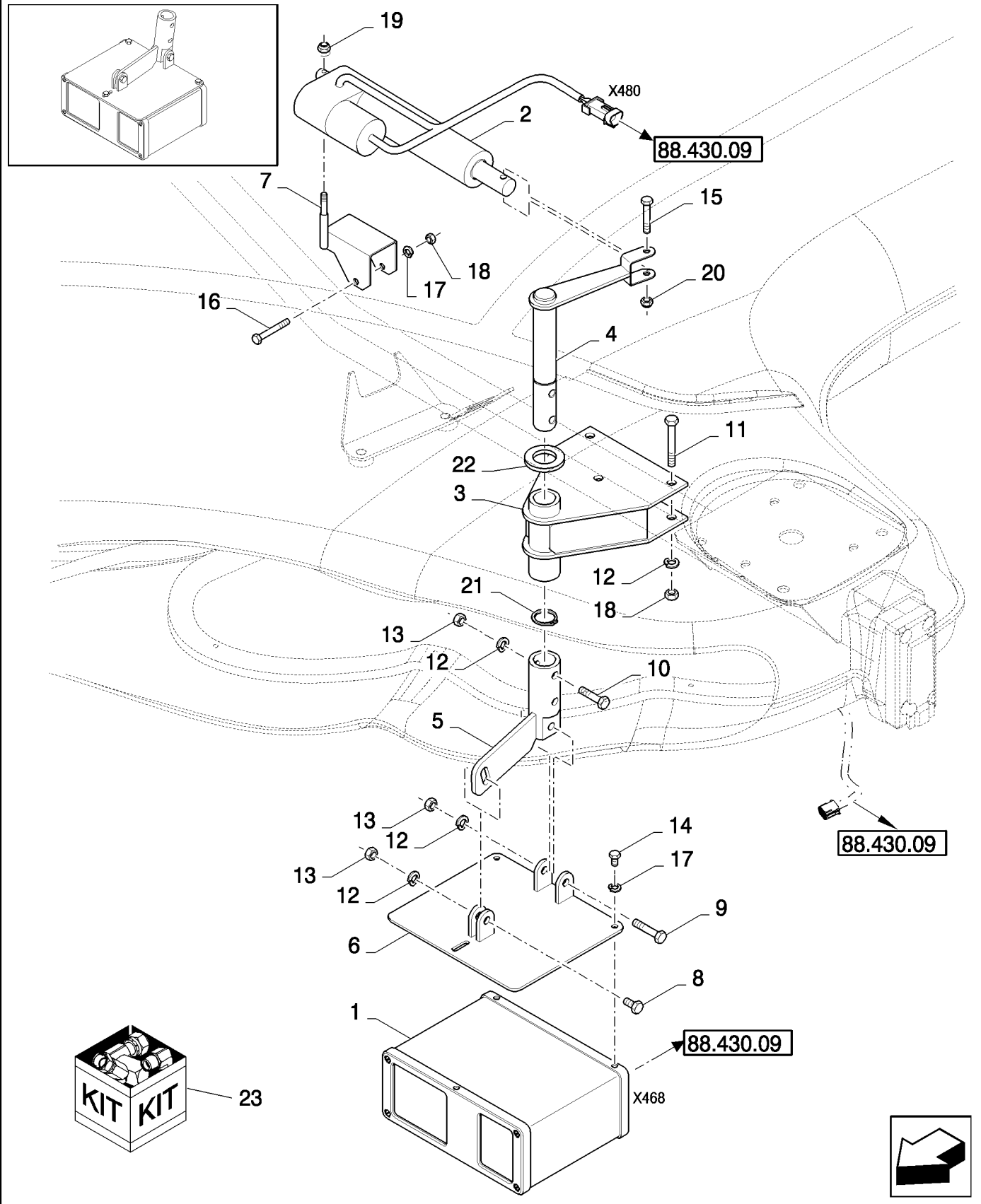
**9120 7120 8120 7120
8120**

88.430.08

p1

10/09

SMART STEER AUTO-GUIDANCE KIT - EDGE DETECTION SENSOR



SMART STEER AUTO-GUIDANCE KIT - EDGE DETECTION SENSOR

REF	FN	PART NUMBER	YR/SN	QTY	DESCRIPTION
1		87540656		1	MODULE
2		87347281		1	ACTUATOR
3		87378786		1	BRACKET
4		87378799		1	PIVOT, Shaft
5		87378788		1	BRACKET
6		87378791		1	BRACKET
7		87378797		1	BRACKET
8		43127		1	BOLT, Hex, M8 x 25, 8.8
9		43129		1	BOLT, Hex, M8 x 40, 8.8
10		300381		2	BOLT, Hex, M8 x 35, 8.8
11		120061		3	BOLT, Hex, M8 x 60, 8.8
12		322358		7	BELLEVILLE WASHER, M8
13		89706690		5	NUT, M8, CI 8
14		86977726		3	BOLT, Hex, M6 x 12, 8.8
15		87716		1	BOLT, Hex, 1/4"-20 x 1 1/4", G5
16		120056		1	BOLT, Hex, M6 x 50, 8.8
17		322357		AR	BELLEVILLE WASHER, M6
18		9706755		4	NUT, M6, CI 8
19		353308		1	NUT, M6 x 1, CI 8
20		280129		1	LOCK NUT, 1/4"-20, GC
21		370002		1	CIRCLIP, M25, Ext
22		896-12024		1	WASHER, M24 x 44.5 x 5, HT
23		87583591		1	SERVICE KIT, Incl Refs 1 Thru 21

Europe Only

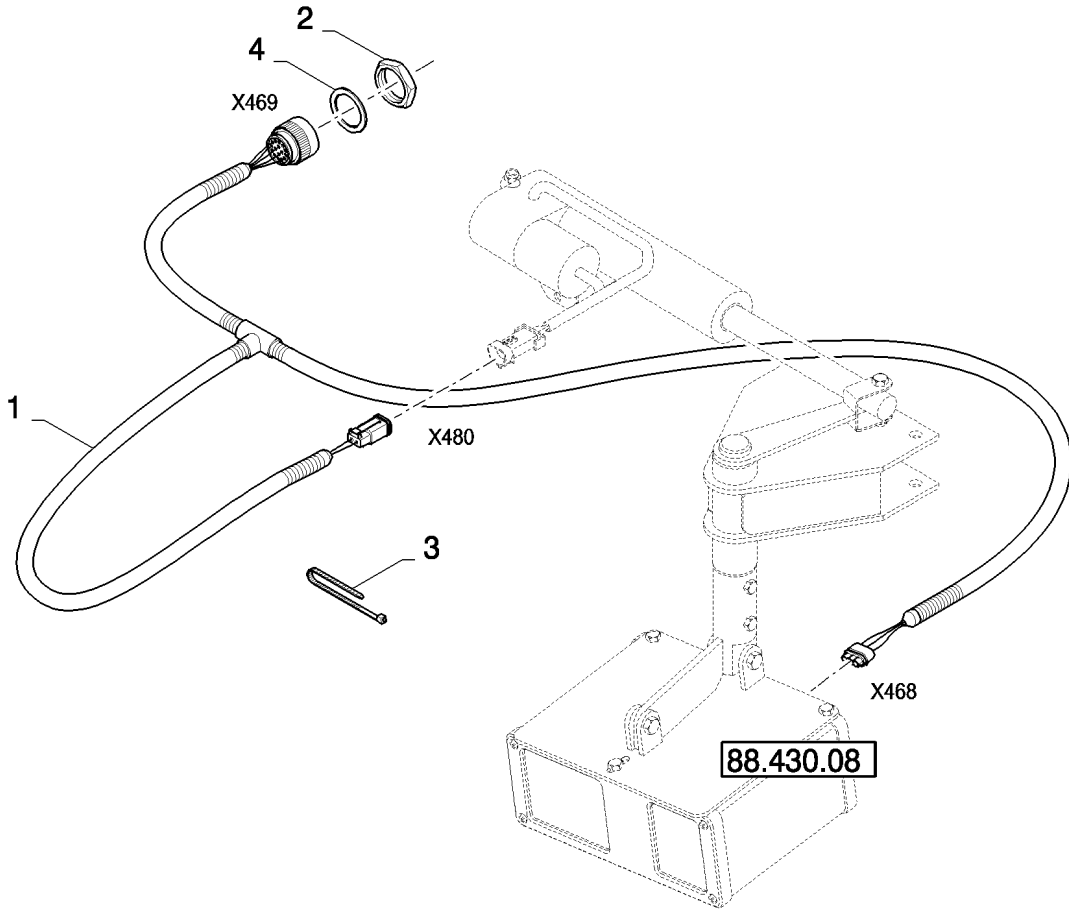
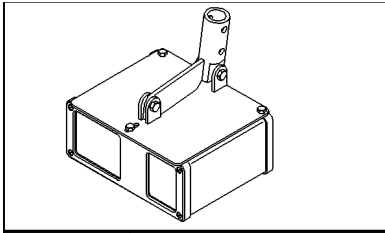
9120 7120 8120 7120
8120

88.430.09

p1

10/09

SMART STEER AUTO-GUIDANCE KIT - ELECTRICAL WIRING



88.430.09

p1

10/09

SMART STEER AUTO-GUIDANCE KIT - ELECTRICAL WIRING

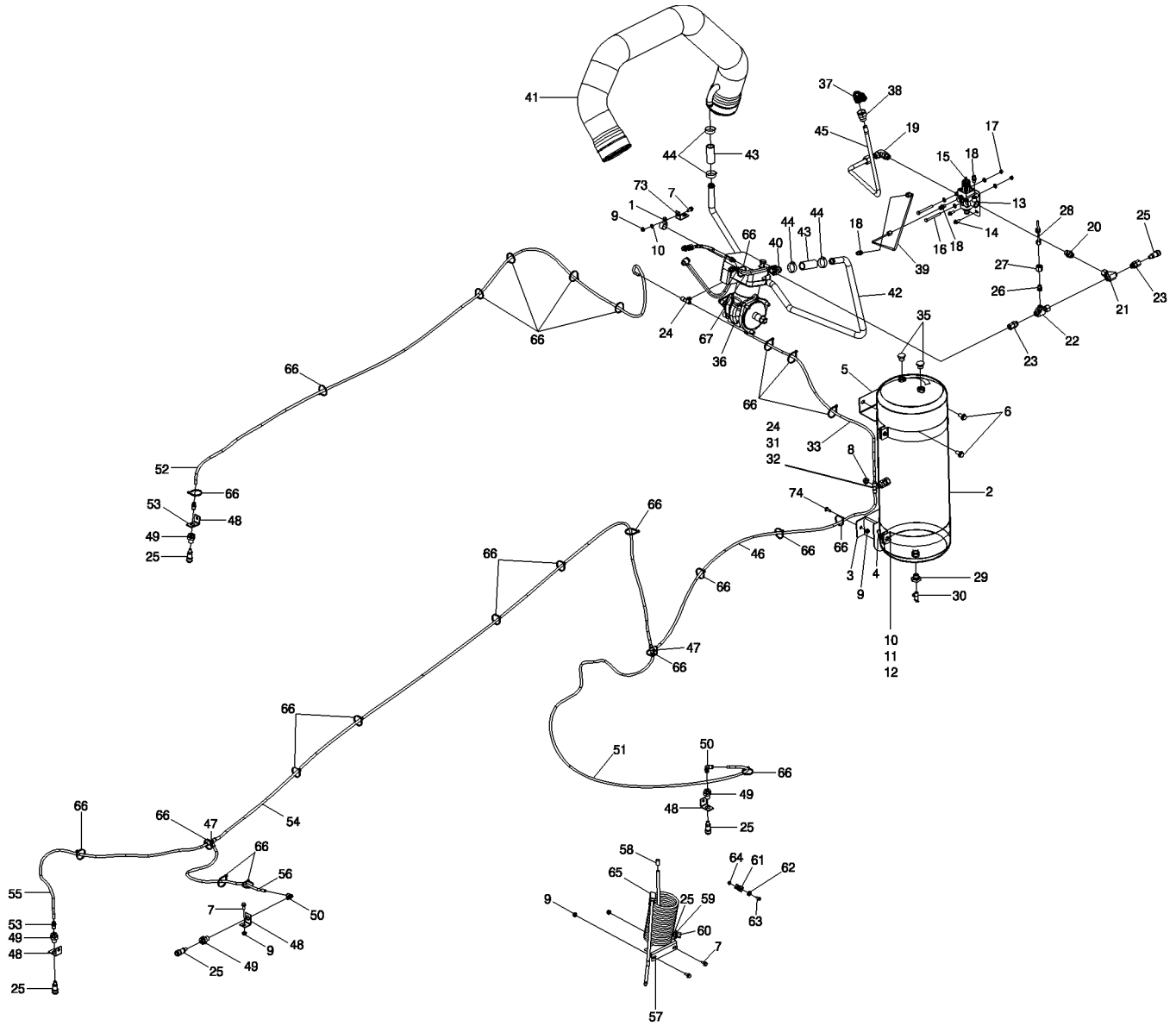
REF	FN	PART NUMBER	YR/SN	QTY	DESCRIPTION
1	1	84454985		1	WIRE HARNESS, Smart Steer Auto Guidance
2		636666		1	NUT, 1 11/16"-18
3		86566990		AR	CABLE STRAP, M4.8 x 292 L
4		636665		1	LOCK WASHER, M43 x 4.75 x 1.575 Thk

(1) Included in Kit 87583591

Europe Only

**9120 7120 8120 7120
8120**

DIA KIT, AIR COMPRESSION, AFX7120



88.431.00

p1

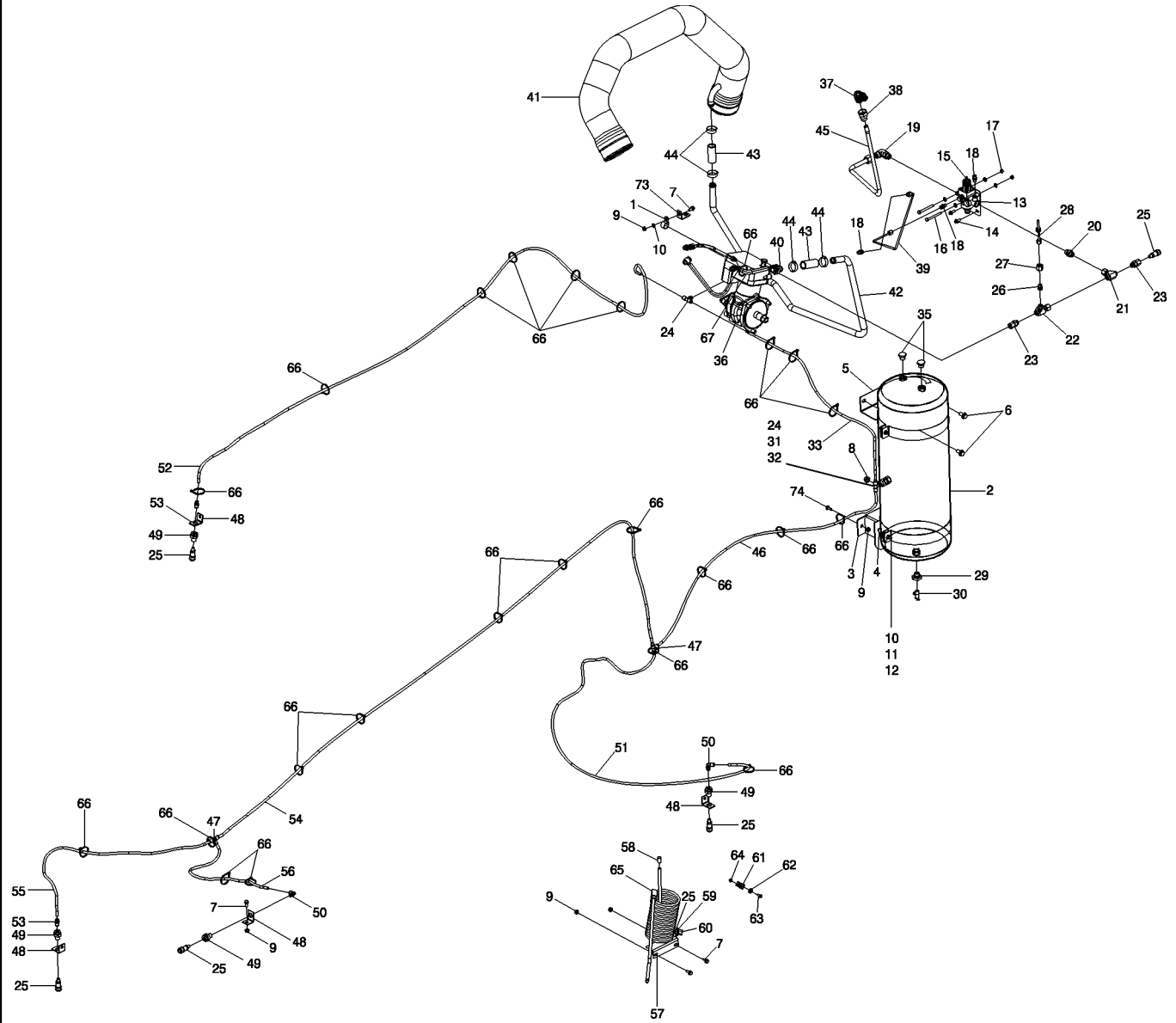
12/09

DIA KIT, AIR COMPRESSION, AFX7120

REF	FN	PART NUMBER	YR/SN	QTY	DESCRIPTION
1		9827902		1	CLAMP, 1", Insul, 3/8" Bolt
2		84036945		1	AIR RESERVOIR
3		84151996		1	SUPPORT
4		84175309		1	RUBBER BLOCK
5		84149140		1	SUPPORT
6		87343550		3	BOLT
7		87656137		4	BOLT, Hex Flg, M8 x 20, 10.9, Full Thd
8		86512497		1	NUT, M12 x 1.75, Flg, CI 10
9		86507066		5	NUT, M8 x 1.25, Flg, CI 10
10		322358		9	BELLEVILLE WASHER, M8
11		43129		2	BOLT, Hex, M8 x 40, 8.8
12		86629542		2	LOCK NUT, M8 x 1.25, CI 8
13		84162800		1	BRACKET, SUPPORTING
14		86625200		2	SELF-TAP SCREW, Hex Flg Hd, M8 x 20
15		84440618		1	PRESSURE RELIEF VALVE
16		43133		2	BOLT, Hex, M8 x 80, 8.8
17		9706690		2	NUT, M8, CI 8
18		82019386		3	HYD CONNECTOR
19		5194728		1	HYD CONNECTOR
20		82016497		1	HYD CONNECTOR, 13/16"-16 ORFS x M22 x 1.5
21		84431325		1	TEE, 13/16"-16 ORFS x 13/16"-16 Fem Sw Br
22		86514261		1	TEE, 13/16"-16 ORFS x 13/16"-16 Fem Sw Run
23		84166641		2	HYD CONNECTOR
24		84182764		2	BRANCH TEE
25		84172049		6	HYD CONNECTOR
26		87388776		1	ADAPTER
27		85802628		1	HYD CONNECTOR
28		84165638		1	TUBE
29		84019122		1	FITTING
30		441031		1	DRAINCOCK/TAP SUPPLY
31		84171940		1	HYD CONNECTOR
32		217-43		1	REDUCER, 1/2"-14 NPTF x 1/4"-18 Fem NPTF
33		84172815		1	AIR HOSE
35		84814963		2	FITTING
36		87520365		1	AIR COMPRESSOR

7120 7120

DIA KIT, AIR COMPRESSION, AFX7120



88.431.00

p2

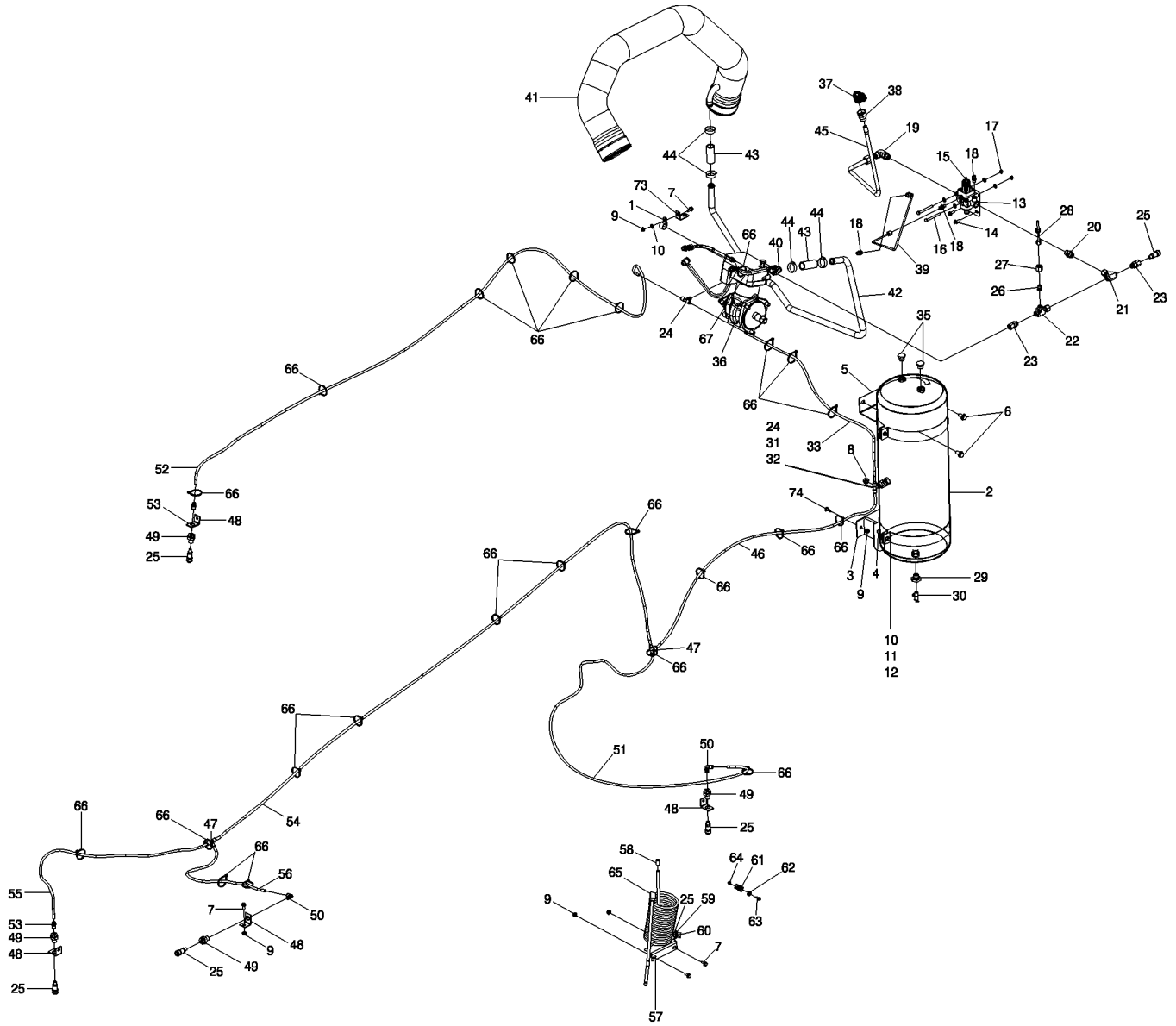
12/09

DIA KIT, AIR COMPRESSION, AFX7120

REF	FN	PART NUMBER	YR/SN	QTY	DESCRIPTION
37		87598659		1	ELBOW
38		84989617		1	HYD CONNECTOR, 1"-14 M ORFS x 1 3/16"-12 Fem ORFS
39		84153095		1	TUBE
40		84036669		1	FITTING
41		84141332		1	AIR INTAKE TUBE
42		84141951		1	TUBE
43		87637434		2	HOSE
44		382527		4	HOSE CLAMP, M25-40, Worm
45		84153072		1	TUBE
46		84172538		1	AIR HOSE
47		84175931		2	HYD CONNECTOR
48		84169096		4	ANGLE
49		84171982		4	HYD CONNECTOR
50		84162975		2	HYD CONNECTOR
51		84173552		1	AIR HOSE
52		84176522		1	HOSE
53		84162977		2	HYD CONNECTOR
54		84176520		1	HOSE
55		84172815		1	AIR HOSE
56		84173550		1	AIR HOSE
57		84172846		1	ANGLE
58		353-187		1	CAP
59		143479		1	WASHER, 19/32" x 1 1/4" x .135" Thk, HT
60		86594499		1	CAP
61		84176713		2	SPRING CLIP
62		495-81113		2	WASHER, .344" x 3/4" x .179"
63		87695418		2	BOLT
64		86050300		2	NUT, M6 x 1, Flg, CI10
65		84182443		1	AIR GUN
66		86566989		24	CABLE STRAP, M4.75 x 190.5 L
67		87582269		1	DUCT
68		84441019		2	O-RING
69		84182762		1	FLEXIBLE HOSE
70		84267530		1	BANJO BOLT

7120 7120

DIA KIT, AIR COMPRESSION, AFX7120



88.431.00

p3

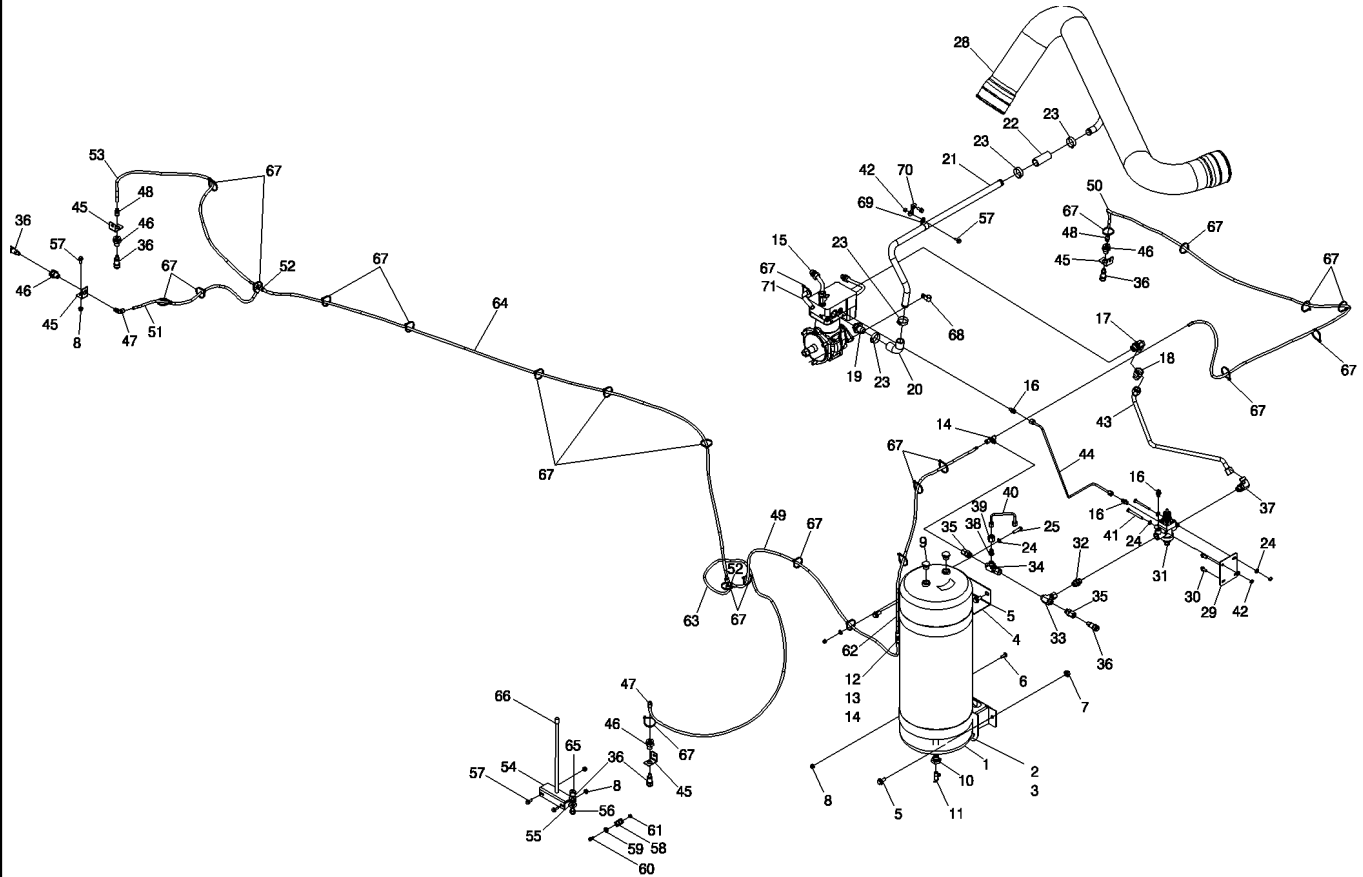
12/09

DIA KIT, AIR COMPRESSION, AFX7120

REF	FN	PART NUMBER	YR/SN	QTY	DESCRIPTION
71		87667805		2	SEAL
72		84265962		1	BANJO BOLT
73		84246029		1	BRACKET
74		87682384		1	BOLT
75		84182757		1	INSTRUCTION

7120 7120

DIA KIT, AIR COMPRESSION, AFX9120

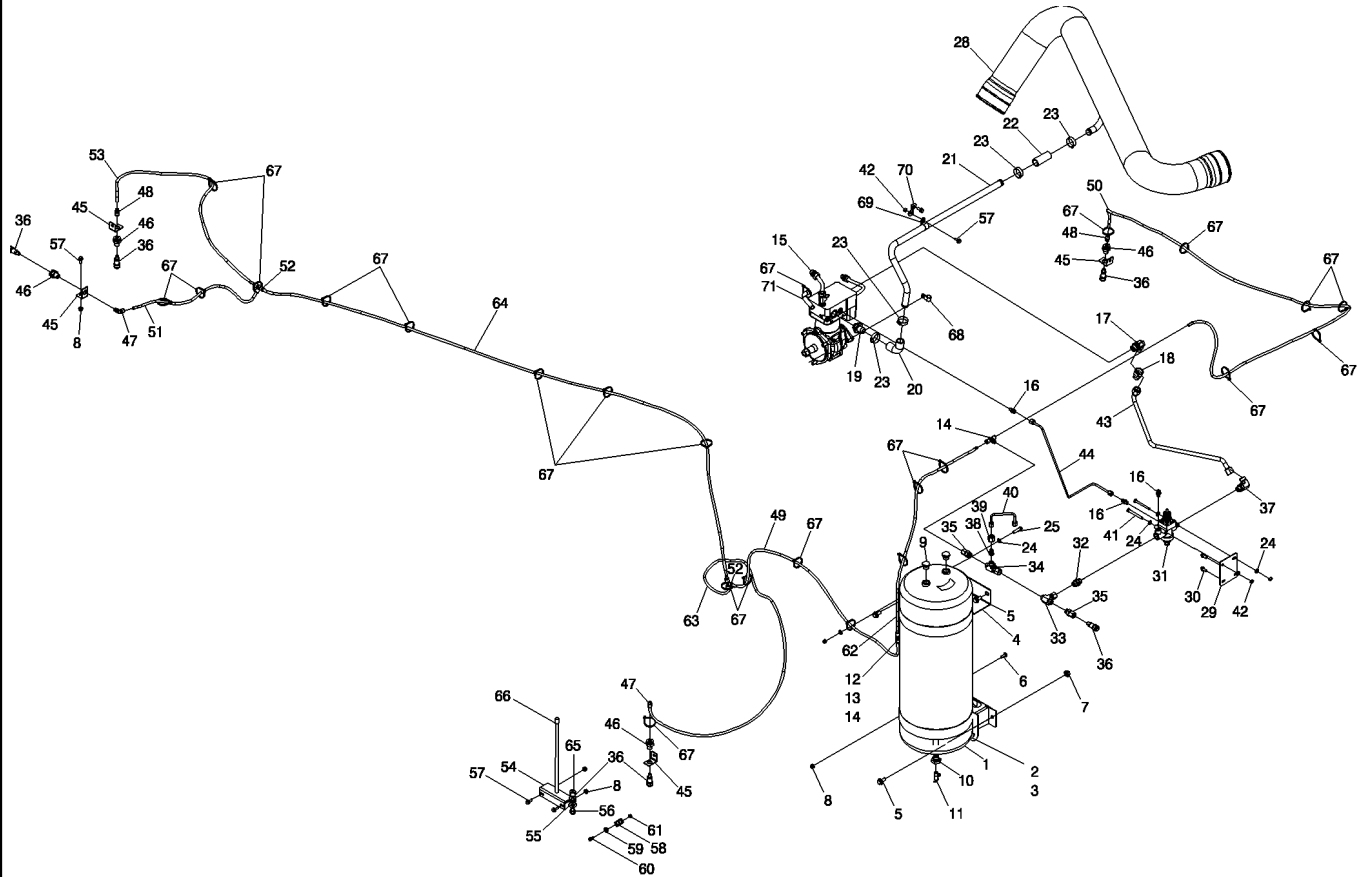


DIA KIT, AIR COMPRESSION, AFX9120

REF	FN	PART NUMBER	YR/SN	QTY	DESCRIPTION
1		84036945		1	AIR RESERVOIR
2		84151996		1	SUPPORT
3		84175309		1	RUBBER BLOCK
4		84149140		1	SUPPORT
5		87343550		3	BOLT
6		87682384		1	BOLT
7		86512497		1	NUT, M12 x 1.75, Flg, CI 10
8		86507066		4	NUT, M8 x 1.25, Flg, CI 10
9		84814963		2	FITTING
10		84019122		1	FITTING
11		441031		1	DRAINCOCK/TAP SUPPLY
12		84171940		1	HYD CONNECTOR
13		217-43		1	REDUCER, 1/2"-14 NPTF x 1/4"-18 Fem NPTF
14		84182764		2	BRANCH TEE
15		87522499		1	AIR COMPRESSOR
16		82019386		3	HYD CONNECTOR
17		87598659		1	ELBOW
18		84989617		1	HYD CONNECTOR, 1"-14 M ORFS x 1 3/16"-12 Fem ORFS
19		84036669		1	FITTING
20		84334134		1	HOSE
21		84145774		1	TUBE
22		87637434		1	HOSE
23		382527		4	HOSE CLAMP, M25-40, Worm
24		322358		8	BELLEVILLE WASHER, M8
25		43129		2	BOLT, Hex, M8 x 40, 8.8
26		86629542		2	LOCK NUT, M8 x 1.25, CI 8
28		84169705		1	TUBE
29		84162800		1	BRACKET, SUPPORTING
30		86625200		2	SELF-TAP SCREW, Hex Flg Hd, M8 x 20
31		84440618		1	PRESSURE RELIEF VALVE
32		82016497		1	HYD CONNECTOR, 13/16"-16 ORFS x M22 x 1.5
33		84431325		1	TEE, 13/16"-16 ORFS x 13/16"-16 Fem Sw Br
34		86514261		1	TEE, 13/16"-16 ORFS x 13/16"-16 Fem Sw Run
35		84166641		2	HYD CONNECTOR

9120

DIA KIT, AIR COMPRESSION, AFX9120

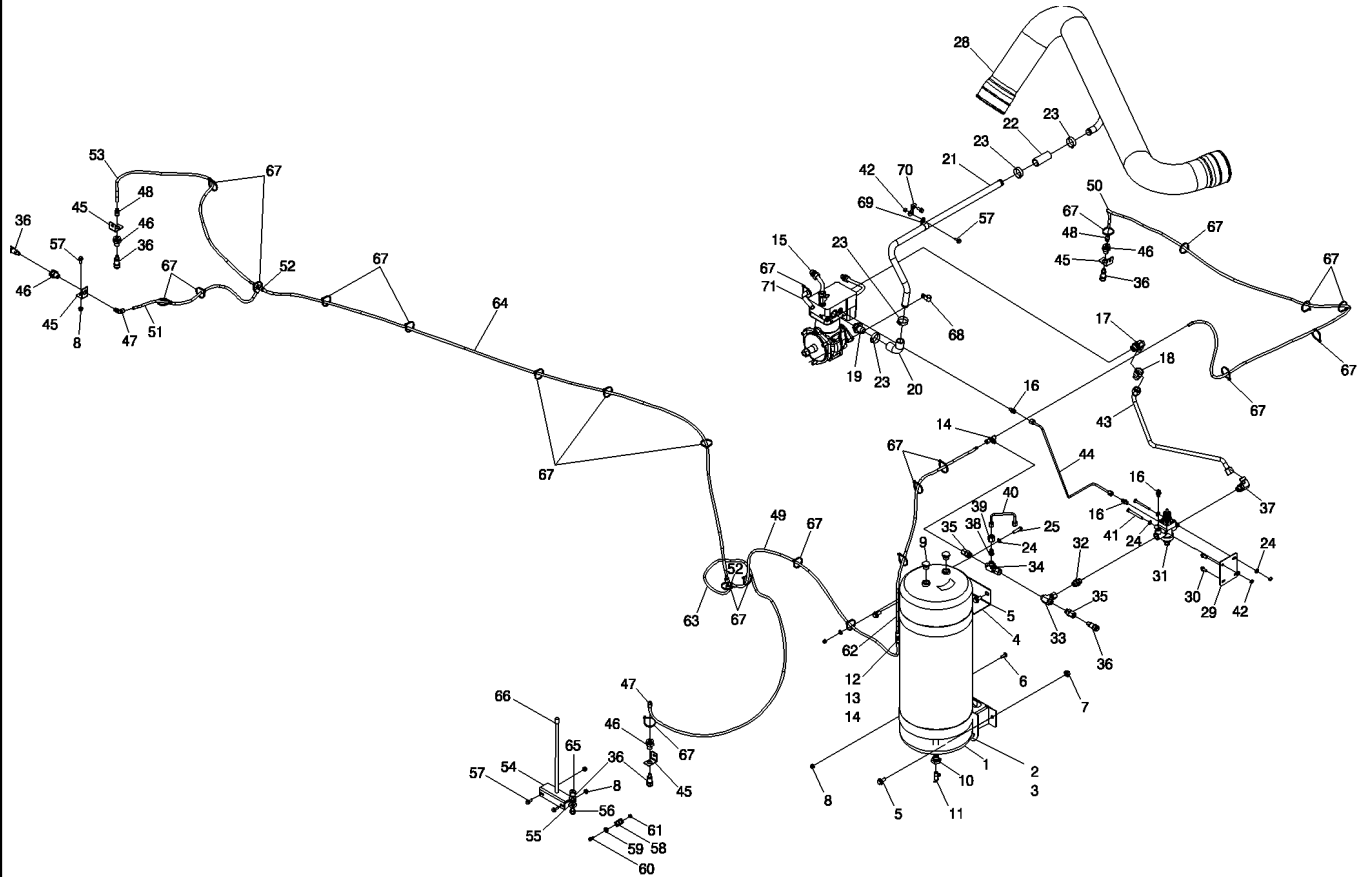


DIA KIT, AIR COMPRESSION, AFX9120

REF	FN	PART NUMBER	YR/SN	QTY	DESCRIPTION
36		84172049		6	HYD CONNECTOR
37		5194728		1	HYD CONNECTOR
38		87388776		1	ADAPTER
39		85802628		1	HYD CONNECTOR
40		84165638		1	TUBE
41		43133		2	BOLT, Hex, M8 x 80, 8.8
42		9706690		3	NUT, M8, CI 8
43		84164257		1	TUBE
44		84164258		1	TUBE
45		84169096		4	ANGLE
46		84171982		4	HYD CONNECTOR
47		84162975		2	HYD CONNECTOR
48		84162977		2	HYD CONNECTOR
49		84172538		1	AIR HOSE
50		84176522		1	HOSE
51		84173550		1	AIR HOSE
52		84175931		2	HYD CONNECTOR
53		84172815		1	AIR HOSE
54		84172846		1	ANGLE
55		143479		1	WASHER, 19/32" x 1 1/4" x .135" Thk, HT
56		86594499		1	CAP
57		87656137		5	BOLT, Hex Flg, M8 x 20, 10.9, Full Thd
58		84176713		2	SPRING CLIP
59		495-81113		2	WASHER, .344" x 3/4" x .179"
60		87695418		2	BOLT
61		86050300		2	NUT, M6 x 1, Flg, CI10
62		84172815		1	AIR HOSE
63		84173552		1	AIR HOSE
64		84176520		1	HOSE
65		84182443		1	AIR GUN
66		353-187		1	CAP
67		86566989		24	CABLE STRAP, M4.75 x 190.5 L
68		86595506		1	PLATE
69		9827902		1	CLAMP, 1", Insul, 3/8" Bolt
70		84232773		1	PLATE

9120

DIA KIT, AIR COMPRESSION, AFX9120



88.431.01

p3

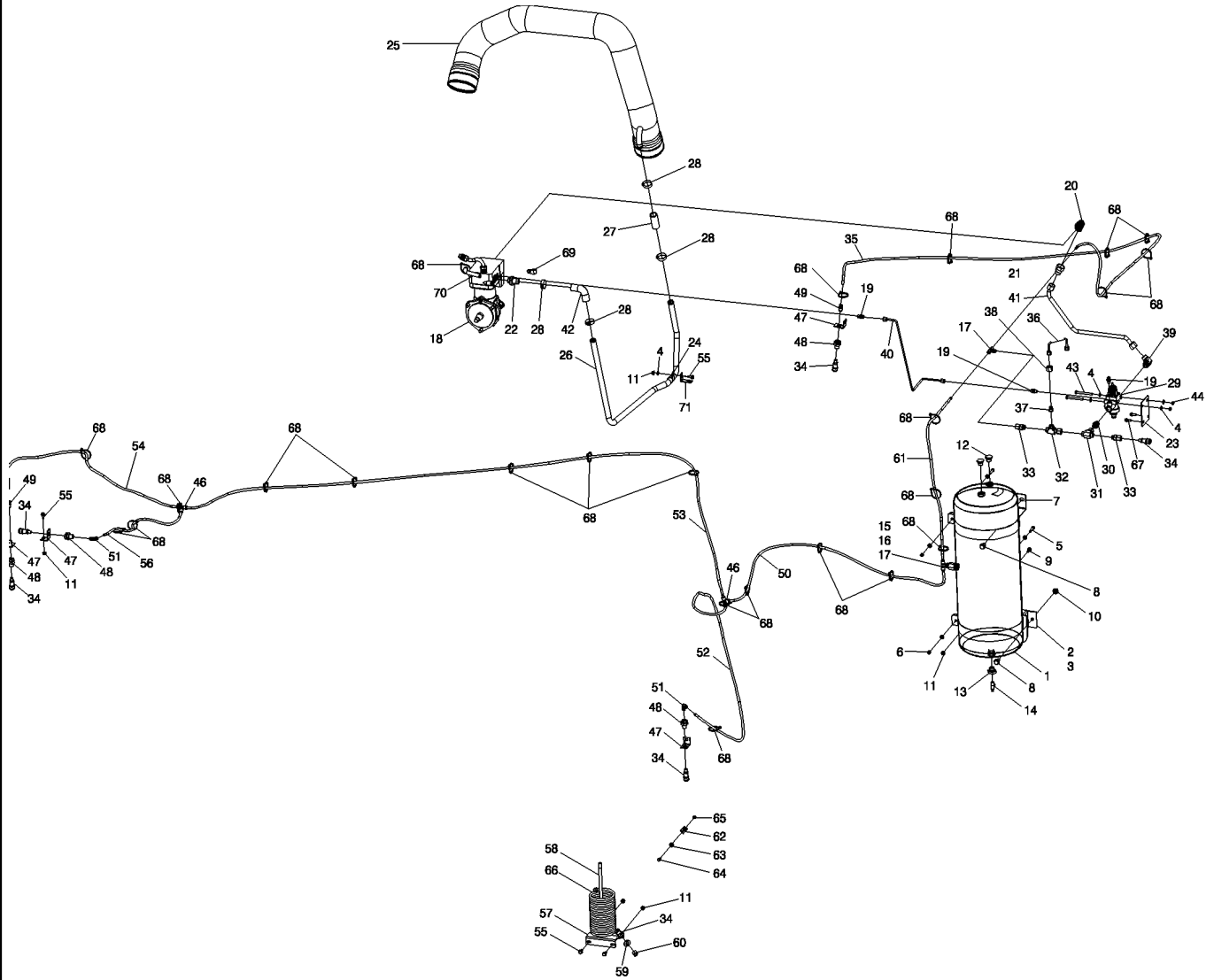
12/09

DIA KIT, AIR COMPRESSION, AFX9120

REF	FN	PART NUMBER	YR/SN	QTY	DESCRIPTION
71		87582269		1	DUCT
72		84182754		1	INSTRUCTION

9120

DIA KIT, AIR COMPRESSION, AFX8120

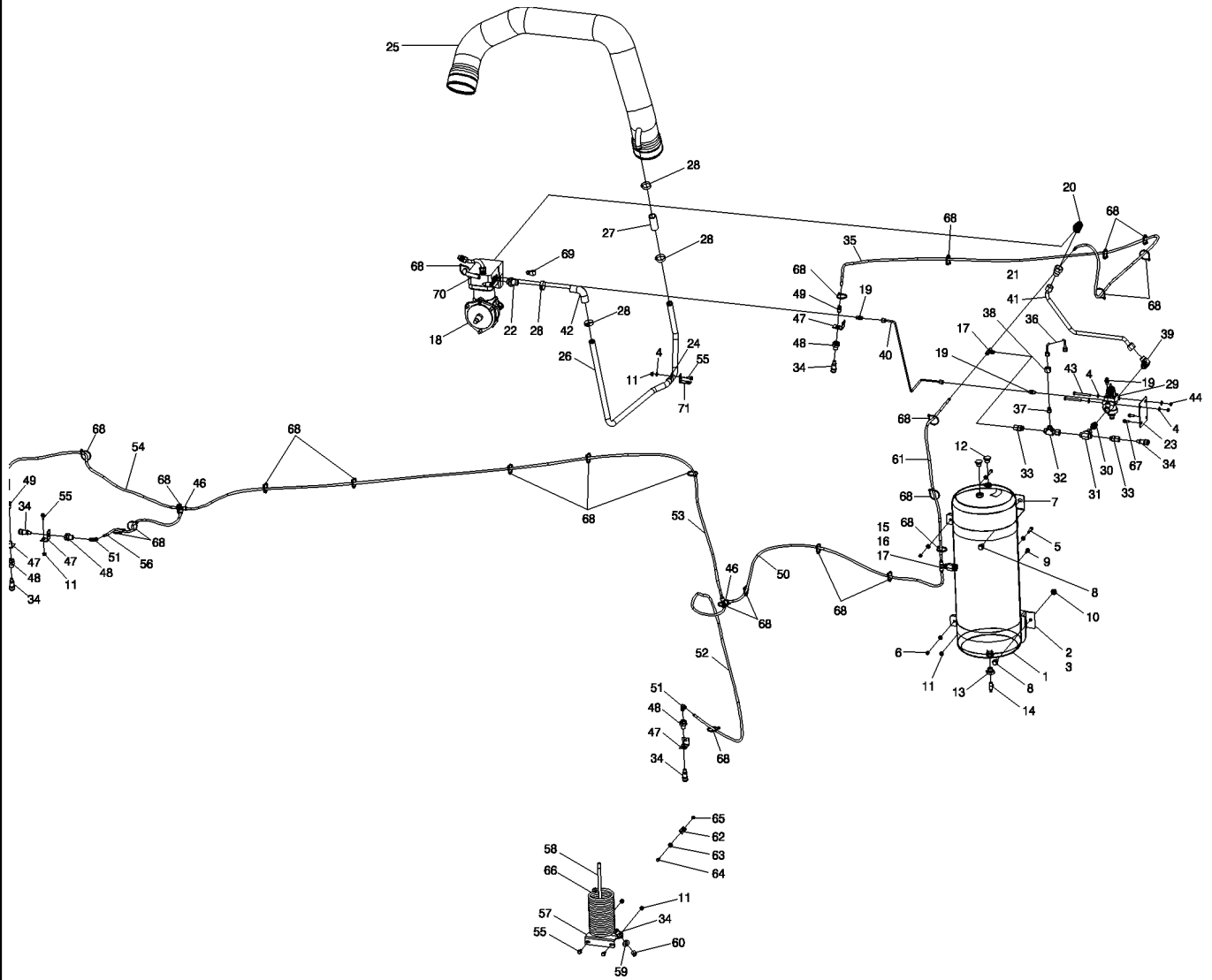


DIA KIT, AIR COMPRESSION, AFX8120

REF	FN	PART NUMBER	YR/SN	QTY	DESCRIPTION
1		84036945		1	AIR RESERVOIR
2		84151996		1	SUPPORT
3		84175309		1	RUBBER BLOCK
4		322358		9	BELLEVILLE WASHER, M8
5		43129		2	BOLT, Hex, M8 x 40, 8.8
6		86629542		2	LOCK NUT, M8 x 1.25, CI 8
7		84149140		1	SUPPORT
8		87343550		3	BOLT
9		87682384		1	BOLT
10		86512497		1	NUT, M12 x 1.75, Flg, CI 10
11		86507066		5	NUT, M8 x 1.25, Flg, CI 10
12		84814963		2	FITTING
13		84019122		1	FITTING
14		441031		1	DRAINCOCK/TAP SUPPLY
15		84171940		1	HYD CONNECTOR
16		217-43		1	REDUCER, 1/2"-14 NPTF x 1/4"-18 Fem NPTF
17		84182764		2	BRANCH TEE
18		84441030		1	AIR COMPRESSOR
19		82019386		3	HYD CONNECTOR
20		87598659		1	ELBOW
21		84989617		1	HYD CONNECTOR, 1"-14 M ORFS x 1 3/16"-12 Fem ORFS
22		84036669		1	FITTING
23		84162800		1	BRACKET, SUPPORTING
24		9827902		1	CLAMP, 1", Insul, 3/8" Bolt
25		84183027		1	TUBE
26		84144761		1	AIR INTAKE TUBE
27		87637434		1	HOSE
28		382527		4	HOSE CLAMP, M25-40, Worm
29		84440618		1	PRESSURE RELIEF VALVE
30		82016497		1	HYD CONNECTOR, 13/16"-16 ORFS x M22 x 1.5
31		84431325		1	TEE, 13/16"-16 ORFS x 13/16"-16 Fem Sw Br
32		86514261		1	TEE, 13/16"-16 ORFS x 13/16"-16 Fem Sw Run
33		84166641		2	HYD CONNECTOR
34		84172049		6	HYD CONNECTOR

8120 8120

DIA KIT, AIR COMPRESSION, AFX8120

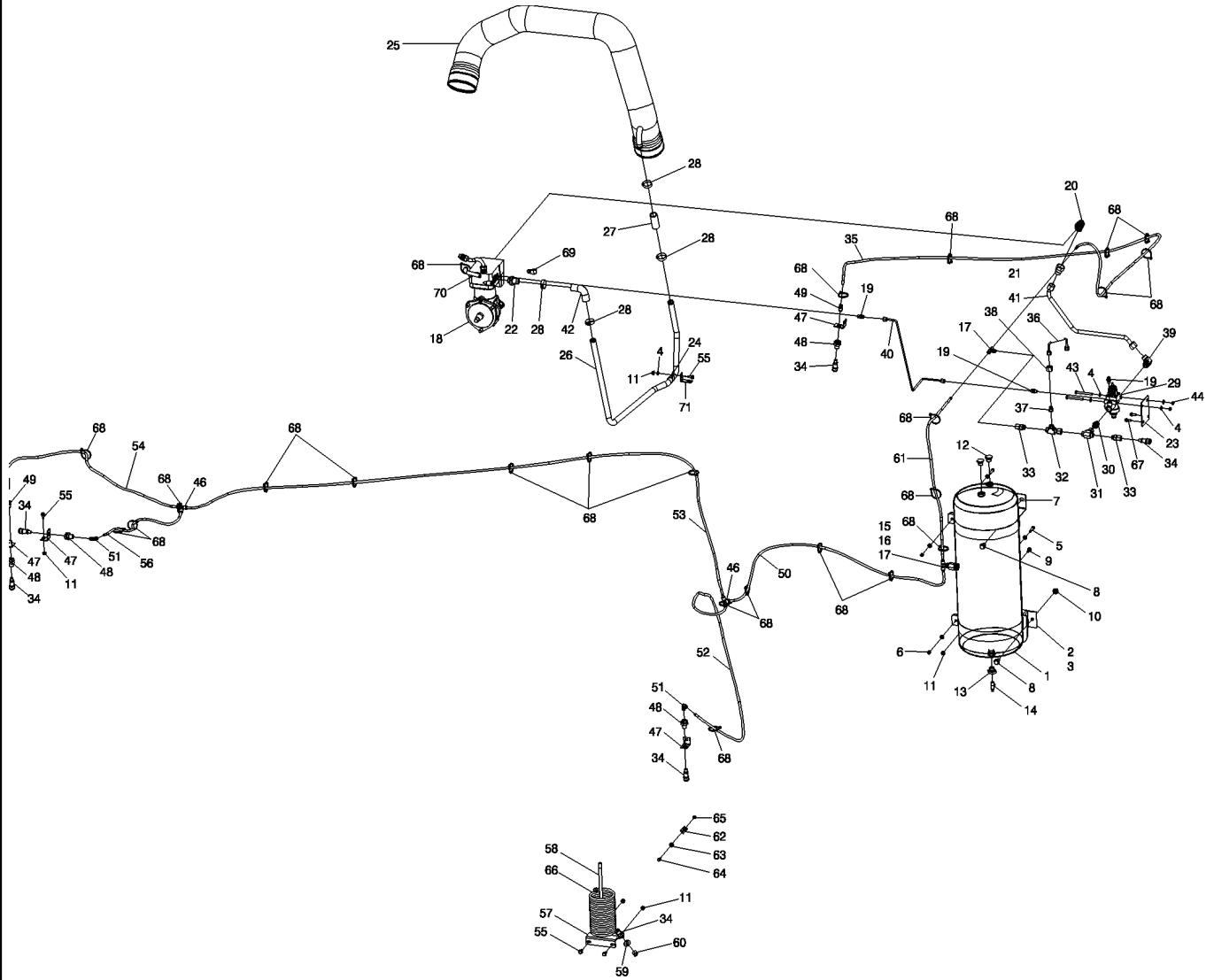


DIA KIT, AIR COMPRESSION, AFX8120

REF	FN	PART NUMBER	YR/SN	QTY	DESCRIPTION
35		84176522		1	HOSE
36		84165638		1	TUBE
37		87388776		1	ADAPTER
38		85802628		1	HYD CONNECTOR
39		5194728		1	HYD CONNECTOR
40		84164258		1	TUBE
41		84164257		1	TUBE
42		84334134		1	HOSE
43		43133		2	BOLT, Hex, M8 x 80, 8.8
44		9706690		2	NUT, M8, CI 8
46		84175931		2	HYD CONNECTOR
47		84169096		4	ANGLE
48		84171982		4	HYD CONNECTOR
49		84162977		2	HYD CONNECTOR
50		84172538		1	AIR HOSE
51		84162975		2	HYD CONNECTOR
52		84173552		1	AIR HOSE
53		84176520		1	HOSE
54		84172815		1	AIR HOSE
55		87656137		4	BOLT, Hex Flg, M8 x 20, 10.9, Full Thd
56		84173550		1	AIR HOSE
57		84172846		1	ANGLE
58		353-187		1	CAP
59		143479		1	WASHER, 19/32" x 1 1/4" x .135" Thk, HT
60		86594499		1	CAP
61		84172815		1	AIR HOSE
62		84176713		2	SPRING CLIP
63		495-81113		2	WASHER, .344" x 3/4" x .179"
64		87695418		2	BOLT
65		86050300		2	NUT, M6 x 1, Flg, CI10
66		84182443		1	AIR GUN
67		86625200		2	SELF-TAP SCREW, Hex Flg Hd, M8 x 20
68		86566989		24	CABLE STRAP, M4.75 x 190.5 L
69		86594406		1	CLAMP, 5/8", Insul, 3/8" Bolt
70		87582269		1	DUCT

8120 8120

DIA KIT, AIR COMPRESSION, AFX8120



88.431.02

p3

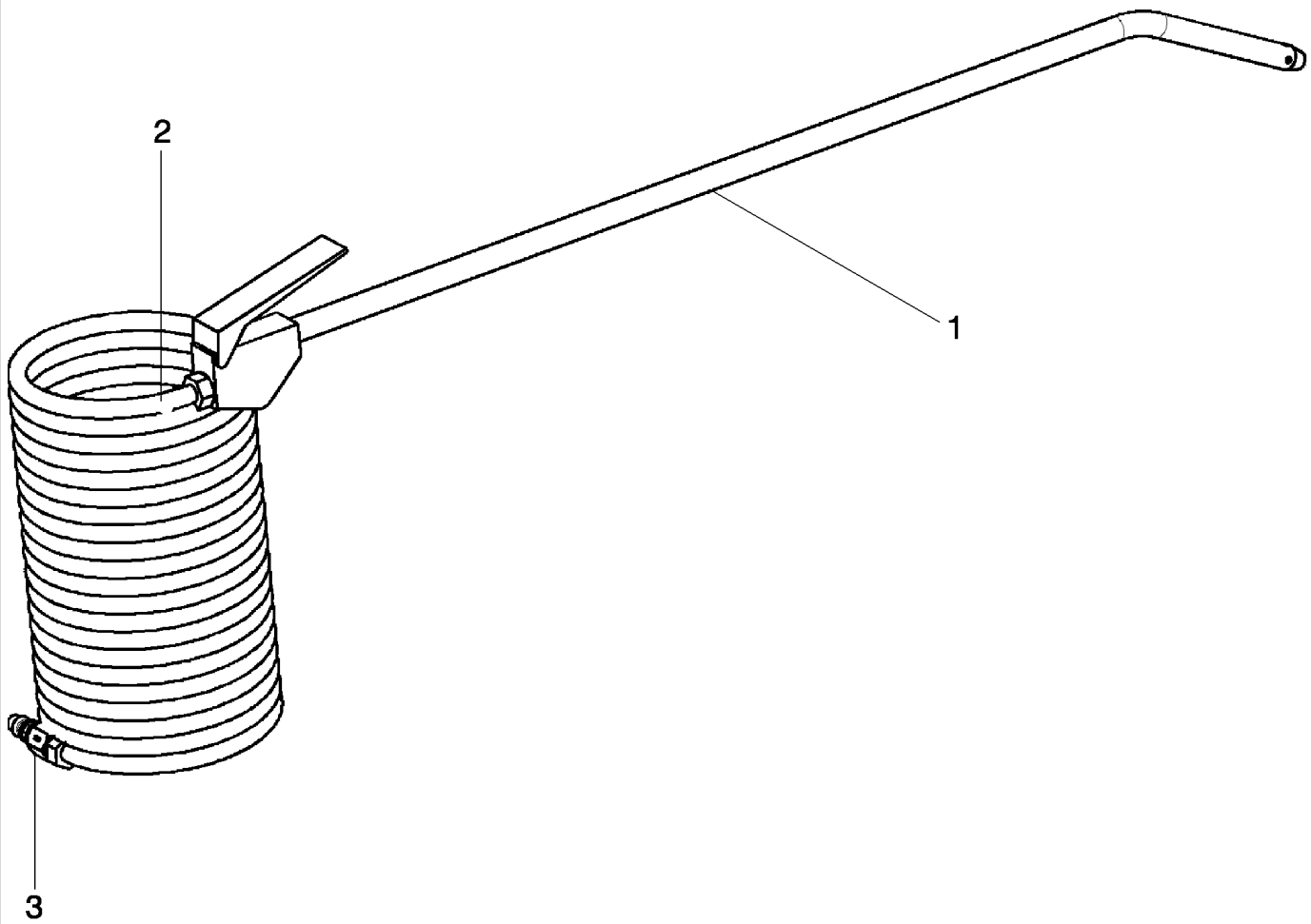
02/10

DIA KIT, AIR COMPRESSION, AFX8120

REF	FN	PART NUMBER	YR/SN	QTY	DESCRIPTION
71		84246029		1	BRACKET
72		84182760		1	INSTRUCTION

8120 8120

AIR GUN ASSEMBLY, BLOWOFF



88.431.03

p1

03/10

AIR GUN ASSEMBLY, BLOWOFF

REF	FN	PART NUMBER	YR/SN	QTY	DESCRIPTION
1		84181953		1	AIR GUN
2		84181958		1	HOSE ASSY.
3		84172050		1	HYD CONNECTOR

7120 8120 9120 8120

SECTION INDEX

90 - Platform, cab, bodywork and decals

90.000.00	01	SECTION INDEX - CAB
90.000.00	02	SECTION INDEX - BODY PANEL MOUNTS & HINGES
90.000.00	03	SECTION INDEX - BODY PANELS
90.100.17		PANEL, SIDE - FRONT; L.H. & R.H.
90.100.18		PANEL, SIDE - REAR; R.H.
90.100.19		PANEL, SIDE - REAR; L.H.
90.100.20		SUPPORT TUBE & HINGE, L.H. SIDE UPPER PANEL
90.100.21		SUPPORT TUBE & HINGE, R.H. SIDE REAR UPPER PANEL
90.100.22		SUPPORT TUBE & HINGE, L.H. SIDE REAR PANEL
90.102.02	01	ENGINE GUARD, 7120 (LA)
90.102.02	02	ENGINE GUARD, 8120 (LA)
90.102.03	01	ENGINE GUARDS - 7120
90.102.03	02	ENGINE GUARDS - 8120
90.102.03	03	ENGINE GUARDS - 9120
90.102.05	01	ENGINE GUARDS - NEW GRAIN TANK FEATURES, MY2010
90.102.05	02	ENGINE GUARDS - NEW GRAIN TANK FEATURES, MY2010
90.102.05	03	ENGINE GUARDS - NEW GRAIN TANK FEATURES, MY2010
90.105.10		SHIELDS, UPPER REAR
90.108.01	01	DECALS
90.108.01	02	DECALS
90.108.02	01	DECALS - EU
90.108.02	02	DECALS - EU
90.108.02	03	DECALS - EU
90.108.10		DECALS - RUSSIA ONLY - 7120, 8120, 9120
90.108.11		DECALS - MODEL & BRAND
90.110.11		PANELS, REAR - EU - 7120, 8120, 9120
90.110.12		PANEL, REAR, UPPER, CAB INTERIOR
90.114.07		SHIELD, FAN BOTTOM
90.114.08		GUARD, STRAW SPREADER - EU ONLY - 7120, 8120, 9120
90.115.03		USER PLATFORM, R.H.
90.115.10		KIT, FAN SHIELD - 8120/8120(LA), 9120
90.116.02		STRAW HOOD FRAME
90.118.04		MIRROR FOR GERMANY - 7120, 8120, 9120
90.118.09		PLATFORM EXTENSIONS
90.118.22	01	SHIELDS, LOWER, L.H.
90.118.23	02	SHIELDS, LOWER, R.H. STANDARD THREAD, INCLUDES NEW LOWER SHIELDING FOR NEW NARROW TIRES
90.118.24	02	SHIELD ASSY, LOWER R.H. NARROW TREAD - MY 2010
90.118.26		MIRROR, REAR VIEW, STANDARD
90.118.27		MIRROR, REAR VIEW, DELUXE
90.118.29		DIA HARVEST KIT, STRAW HOOD DOOR
90.118.33		STRAW HOOD & DEFLECTORS
90.118.36		LATCHES, SECONDARY PANEL - EU ONLY - 7120, 8120/8120(LA), 9120
90.118.37		BRACKETS & HINGE, R.H. LOWER
90.118.38		USER PLATFORM & LADDER
90.118.39	01	RAILING, PLATFORM, NA/LATIN AMERICA
90.118.39	02	RAILING, PLATFORM, EU - 7120, 8120, 9120
90.118.40		BRACKETS, LOWER SHIELDS - TRACK - NA - 8120, 9120
90.118.41		DECK, REAR, LADDER
90.118.41	01	DECK, REAR - 7120/7120(LA), 8120/8120(LA)
90.118.41	02	DECK, REAR - 9120

SECTION INDEX

90 - Platform, cab, bodywork and decals

90.118.43	01	RAILING, REAR - 7120/7120(LA), 8120/8120(LA)
90.118.43	02	RAILING, REAR - 9120
90.118.44		ARM, REAR DECK LADDER
90.118.45		SHIELD, FRONT AXLE
90.120.03		SEAT COMPONENTS, OPERATOR (NON-HEATED)
90.120.04		SEAT COMPONENTS, INSTRUCTIONAL
90.120.05		SEAT, INSTRUCTIONAL
90.120.05	01	INSTRUCTOR SEAT, AFTER MARCH 2009
90.120.06		SEAT COMPONENTS, OPERATOR (HEATED)
90.120.07		SEAT, SUSPENSION
90.120.08		SEAT, SUPPORT
90.124.02		SEAT, OPERATOR
90.150.01		CAB FRAME
90.150.04		CAB ROOF, OUTER
90.150.05		AIR FILTER & BLOWER
90.150.06		CAB MOUNTING
90.150.07	02	CAB SKIRT - NA & LATIN AMERICA
90.150.07	03	CAB SKIRT - EU - 7120, 8120, 9120
90.154.02	01	CAB DOOR, L.H.
90.154.04		DOOR, HANDLE ASSEMBLY
90.154.05		CAB DOOR, R.H.
90.156.11	01	SHIELD & BRACKET, FRONT L.H.
90.156.11	02	SHIELD & BRACKET, FRONT R.H.
90.160.02	02	CONSOLE AND CONTROLS, R.H.
90.160.03		CAB ROOF, INNER
90.160.04	01	PANELS, REAR
90.160.04	02	PANEL, REAR - LOWER

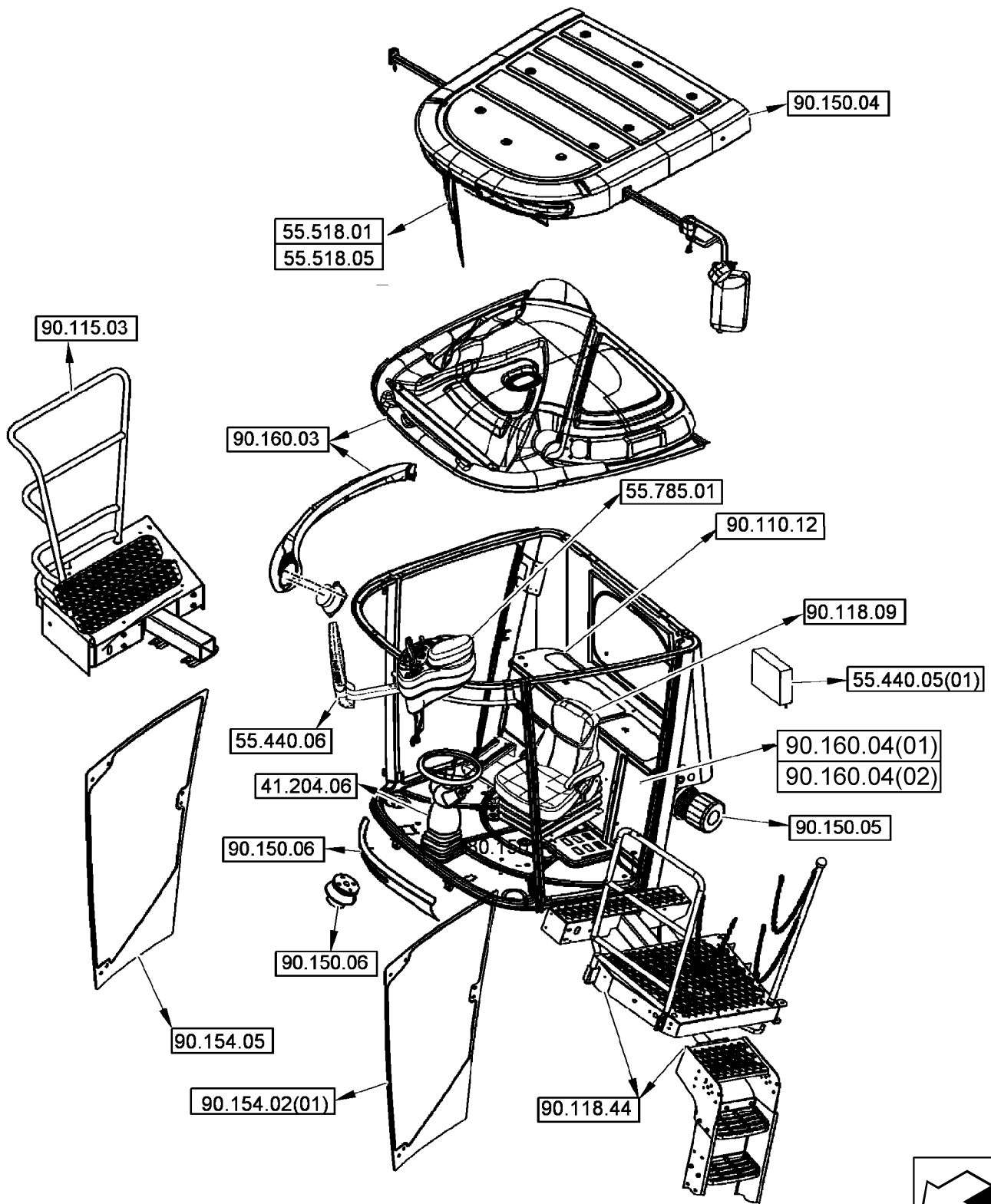
90.000.00

01

p1

08/09

SECTION INDEX - CAB



90.000.00

01

p1

08/09

SECTION INDEX - CAB

REF	FN	PART NUMBER	YR/SN	QTY	DESCRIPTION
------------	-----------	--------------------	--------------	------------	--------------------

					7120 7120 8120 9120 8120
--	--	--	--	--	-------------------------------------

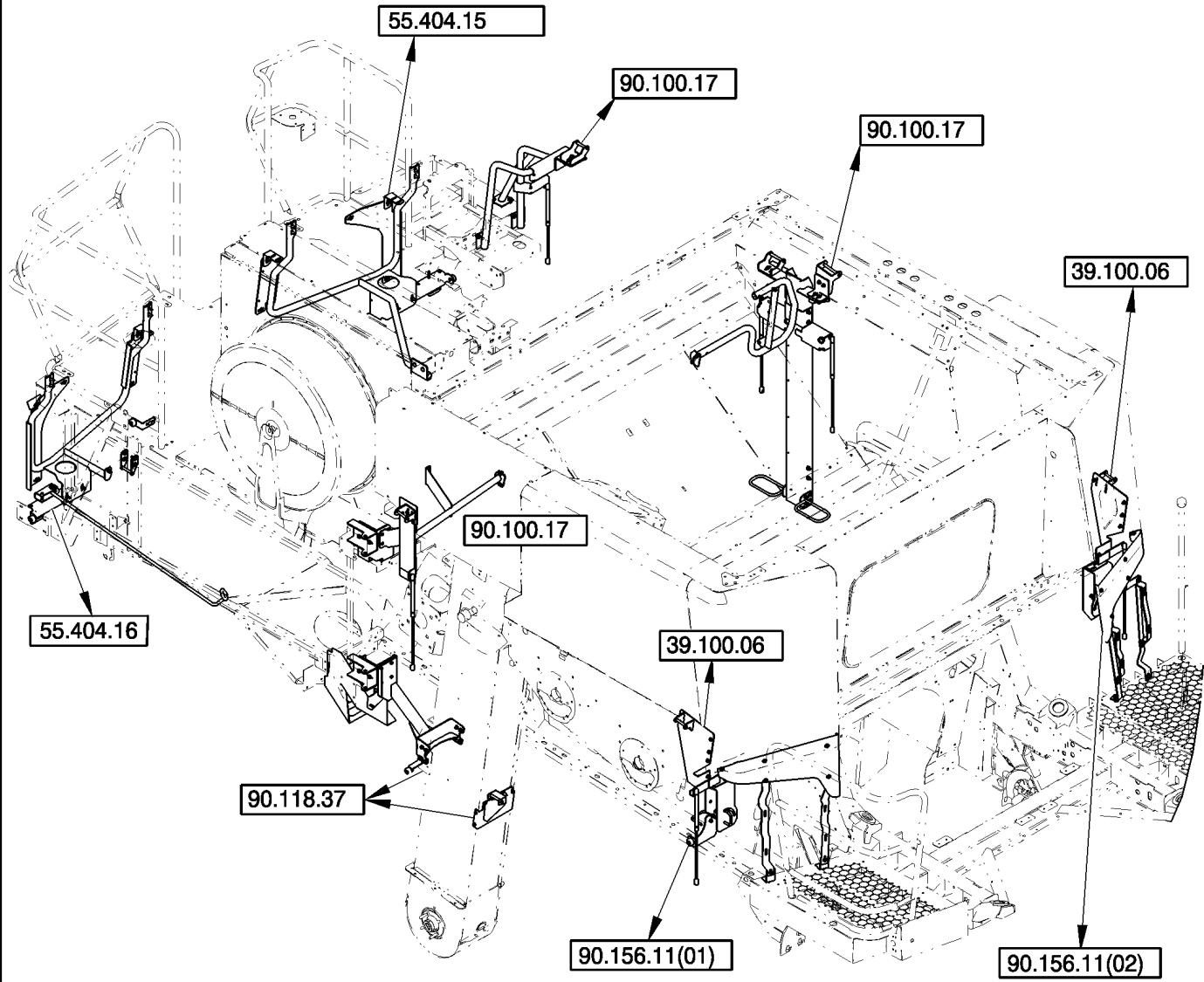
90.000.00

02

p1

08/09

SECTION INDEX - BODY PANEL MOUNTS & HINGES



90.000.00

02

p1

08/09

SECTION INDEX - BODY PANEL MOUNTS & HINGES

REF	FN	PART NUMBER	YR/SN	QTY	DESCRIPTION
------------	-----------	--------------------	--------------	------------	--------------------

					9120 8120 7120 8120 7120
--	--	--	--	--	-------------------------------------

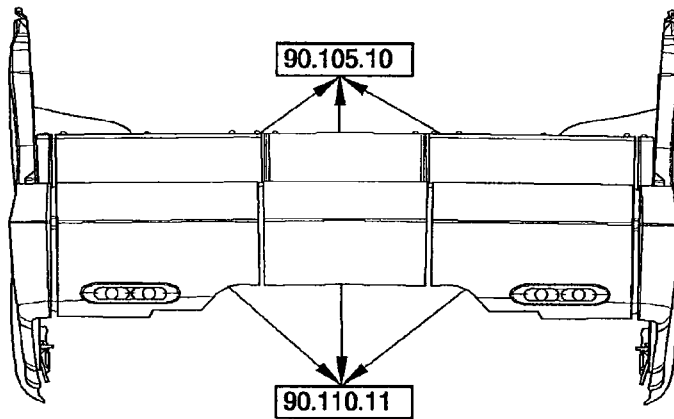
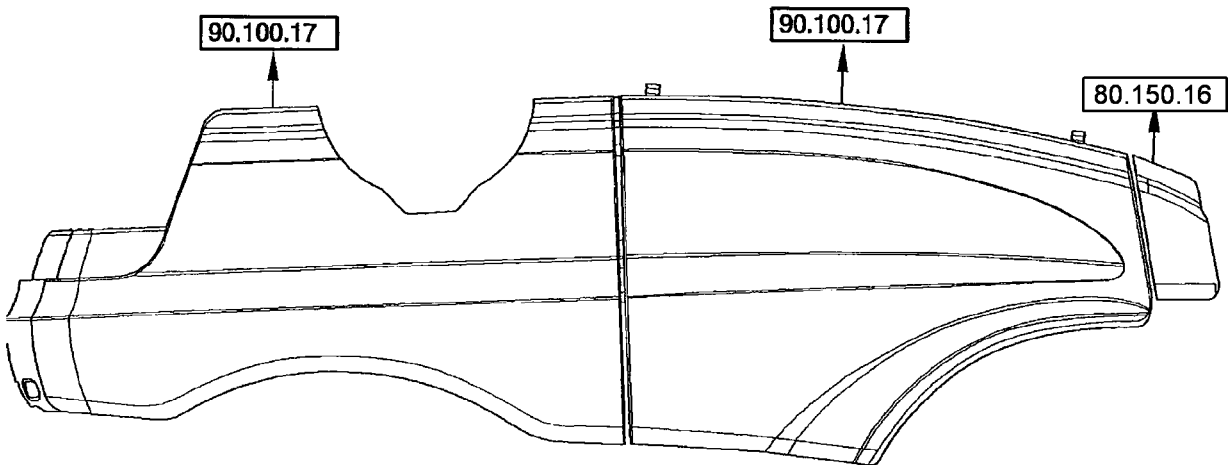
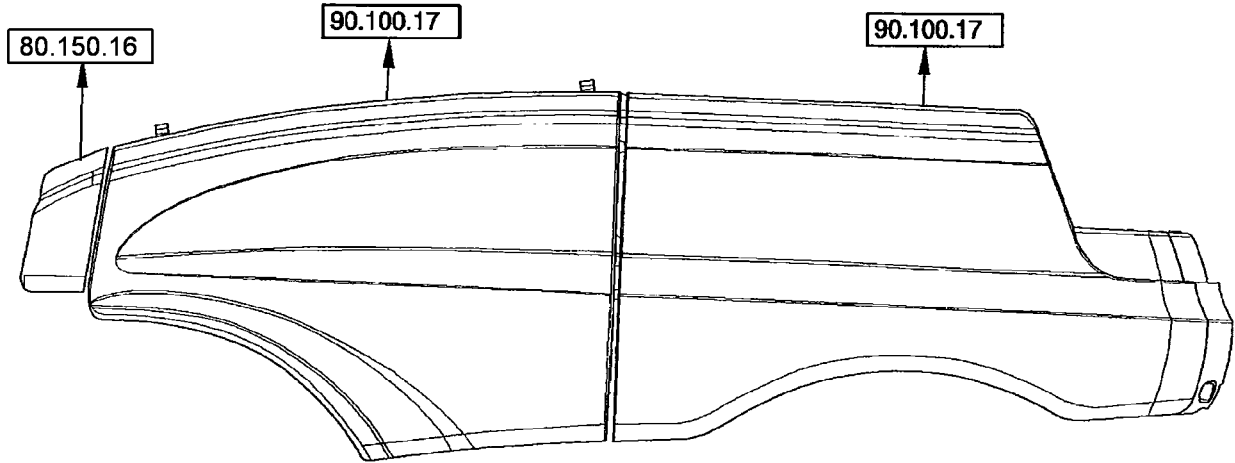
90.000.00

03

p1

10/09

SECTION INDEX - BODY PANELS



90.000.00

03

p1

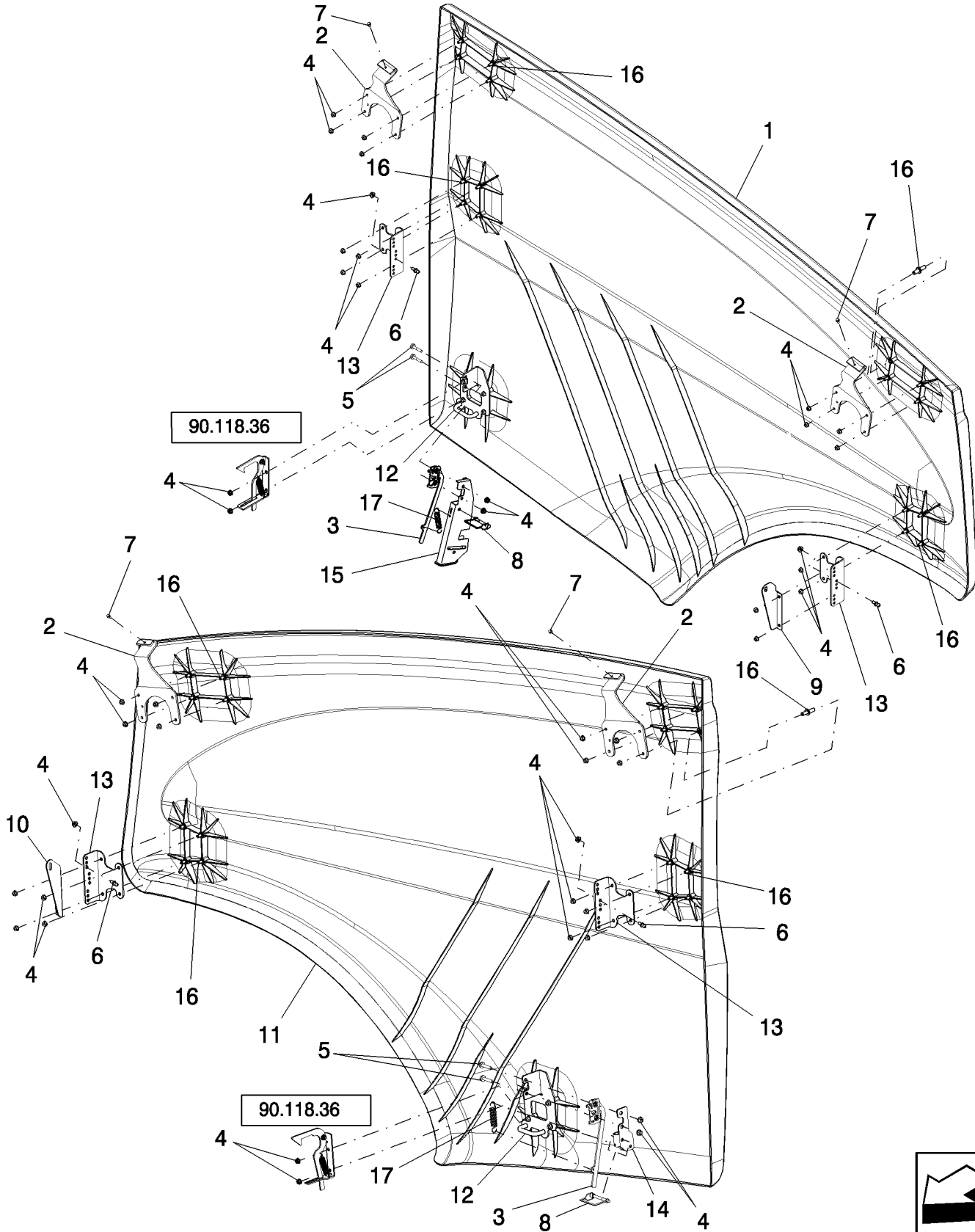
10/09

SECTION INDEX - BODY PANELS

REF	FN	PART NUMBER	YR/SN	QTY	DESCRIPTION
------------	-----------	--------------------	--------------	------------	--------------------

					7120 7120 8120 9120 8120
--	--	--	--	--	-------------------------------------

PANEL, SIDE - FRONT; L.H. & R.H.



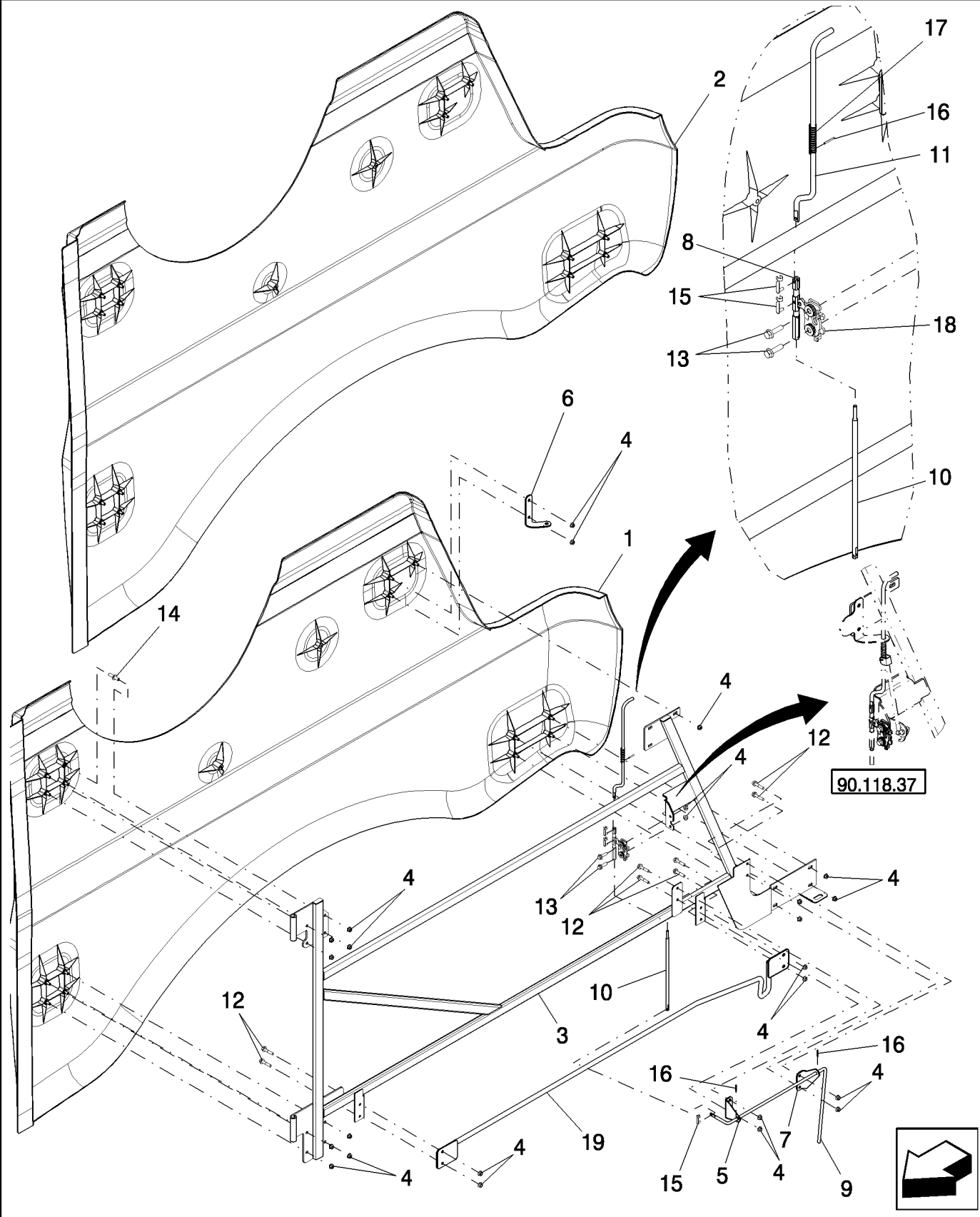
PANEL, SIDE - FRONT; L.H. & R.H.

REF	FN	PART NUMBER	YR/SN	QTY	DESCRIPTION
1		87751015		1	PANEL ASSY., Side, Front, L.H., Incl Refs 2, 4, 13 & 16
2		87633973		4	BRACKET
3		87701158		2	LATCH ASSY.
4		86619801		AR	LOCK NUT, M8 x 1.25, Flg, Cl 8
5		86511842		4	BOLT, Hex Flg, M8 x 40, 8.8
6		83952214		4	BALL PIN
7		86625199		4	SELF-TAP SCREW, Hex Flg Hd, M6 x 13
8		647695		2	PIN
9		87711599		1	BRACKET, L.H.
10		87680383		1	BRACKET, R.H.
11		87751017		1	PANEL ASSY., Side, Front, R.H., Incl Refs 2, 4, 13 & 16
12		87711620		2	BRACKET
13		87661467		4	BRACKET
14	1	87711617		2	BRACKET
15	2	84136929		2	BRACKET
16		449901A1		40	STUD
17		87109697		2	SPRING

(1) NA
(2) EU

**8120 9120 7120 7120
8120**

PANEL, SIDE - REAR; R.H.



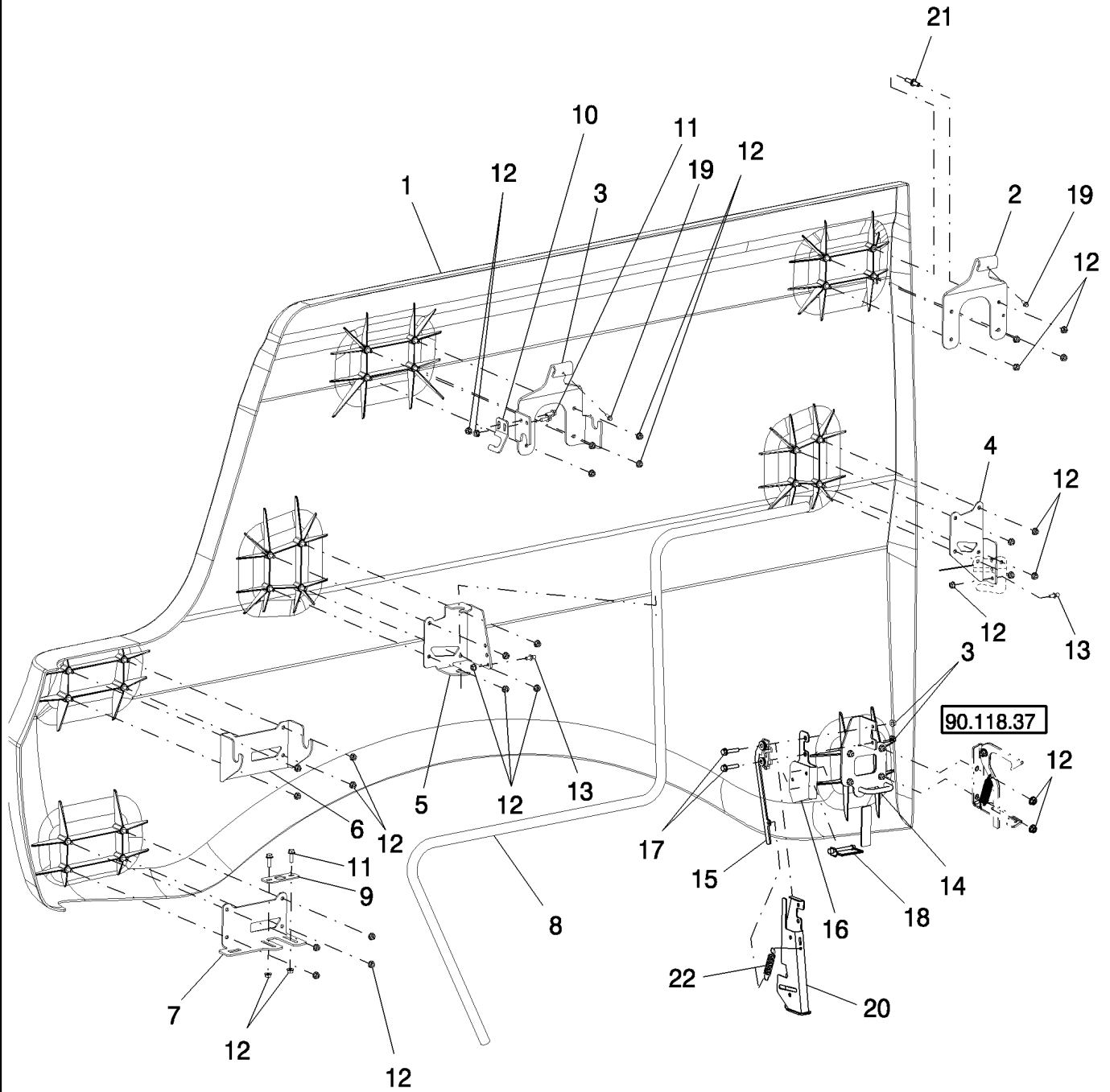
PANEL, SIDE - REAR; R.H.

REF	FN	PART NUMBER	YR/SN	QTY	DESCRIPTION
1	1	87711585		1	SHIELD, Side Rear; R.H.
2	2	87711587		1	SHIELD, Side Rear; R.H.
3		84147713		1	BRACE, R.H.
4		86619801		25	LOCK NUT, M8 x 1.25, Flg, Cl 8
5		87706352		1	BRACKET
6		84134668		1	BRACKET
7		87707025		1	BRACKET
8		87282456		1	CLEVIS
9		87706351		1	ROD
10		87706354		1	ROD
11		87755442		1	ROD
12		87656137		8	BOLT, Hex Flg, M8 x 20, 10.9, Full Thd
13		87030775		2	BOLT, Hex Flg, M8 x 30, 10.9, Full Thd
13	3	87695419		2	BOLT
14		449901A1		20	STUD
15		87282455		3	LOCK PIN
16		438-1816		3	LOCK PIN, 1/8" x 2", Slotted
17		87426044		1	SPRING
18		87695332		1	LATCH ASSY.
19		87707244		1	GUIDE

- (1) 7120 & 8120 Only
- (2) 9120 Only
- (3) EU Only

**8120 9120 7120 7120
8120**

PANEL, SIDE - REAR; L.H.



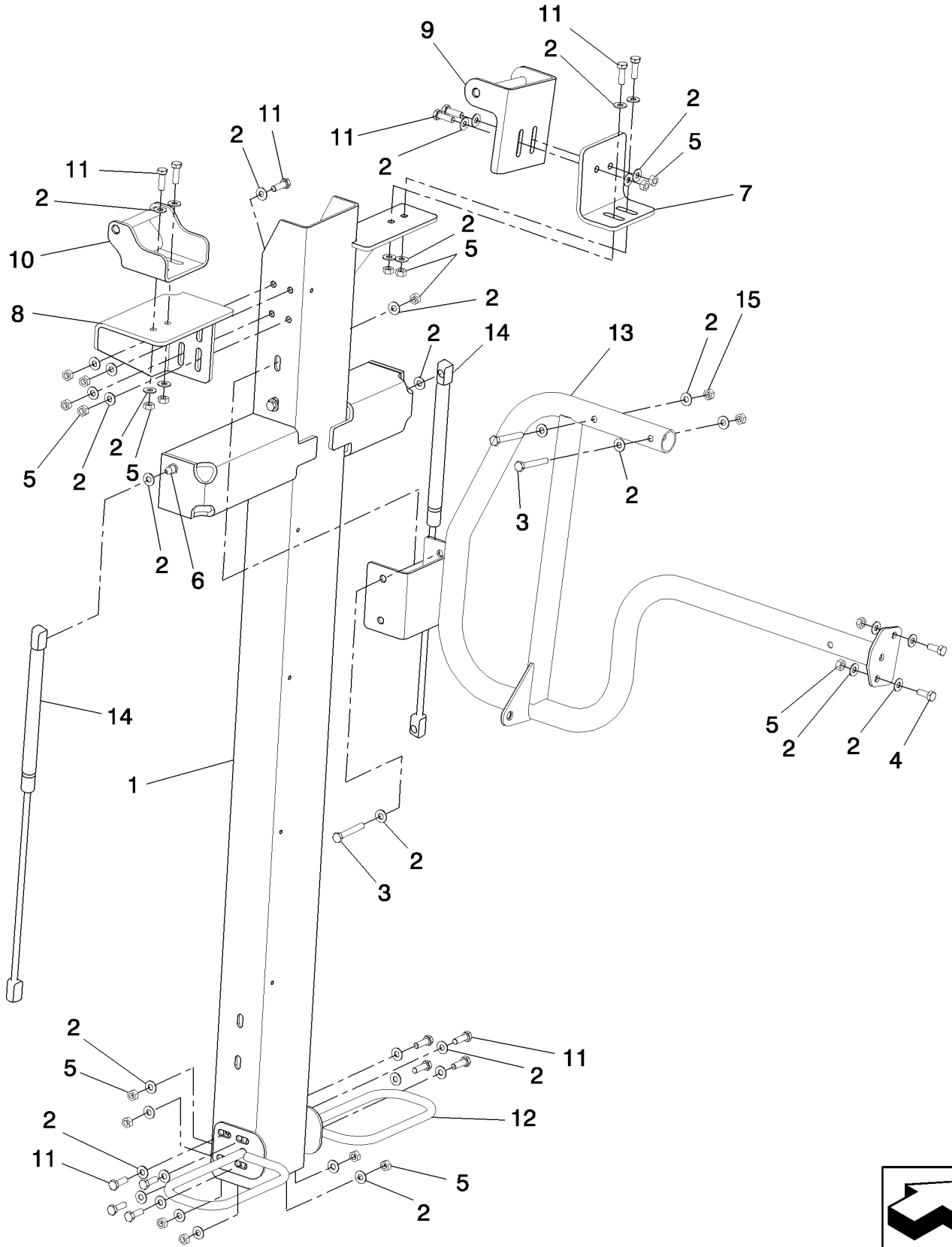
PANEL, SIDE - REAR; L.H.

REF	FN	PART NUMBER	YR/SN	QTY	DESCRIPTION
1		87751018		1	PANEL ASSY., Incl Ref 21
2		87654736		1	BRACKET
3		87470677		1	BRACKET
4		87661469		1	BRACKET
5		87470680		1	BRACKET
6		87470683		1	BRACKET
7		87649312		1	BRACKET
8		87654332		1	BRACKET
9		87649314		1	BRACKET
10		87661473		1	BRACKET
11		87698833		4	BOLT
12		86619801		36/40	LOCK NUT, M8 x 1.25, Flg, Cl 8
13		83952214		2	BALL PIN
14		87711622		1	BRACKET
15		87701158		1	LATCH ASSY.
16	1	87711617		1	BRACKET
17		86511842		2	BOLT, Hex Flg, M8 x 40, 8.8
18		647695		1	PIN
19		86625199		2	SELF-TAP SCREW, Hex Flg Hd, M6 x 13
20	2	84136929		1	BRACKET, Cover
21		449901A1		28	STUD
22		87109697		1	SPRING

(1) NA
 (2) EU

**8120 9120 7120 7120
 8120**

SUPPORT TUBE & HINGE, L.H. SIDE UPPER PANEL

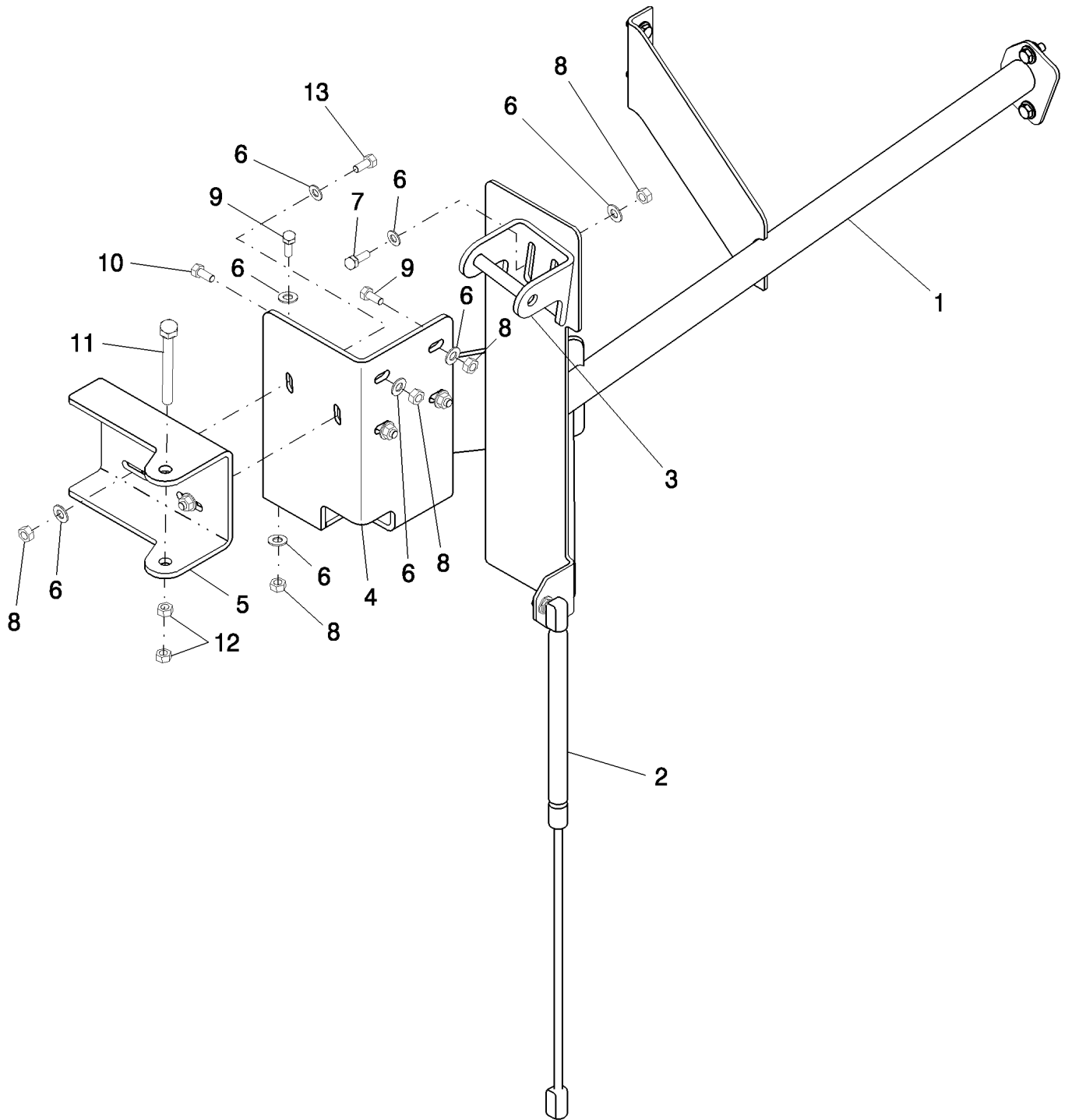


SUPPORT TUBE & HINGE, L.H. SIDE UPPER PANEL

REF	FN	PART NUMBER	YR/SN	QTY	DESCRIPTION
1		87673766		1	BRACKET
2		322358		58	BELLEVILLE WASHER, M8
3		120061		2	BOLT, Hex, M8 x 60, 8.8
4		120104		2	BOLT, Hex, M8 x 20, 8.8
5		9706690		28	NUT, M8, CI 8
6		83952214		2	BALL PIN
7		87633205		1	BRACKET
8		87684784		1	BRACKET
9		87633201		1	BRACKET
10		87475020		1	BRACKET
11		43127		26	BOLT, Hex, M8 x 25, 8.8
12		87728337		2	BRACKET
13		84132997		1	BRACKET
14		87108532		1	GAS STRUT
15		9628098		2	LOCK NUT, M8 x 1.25, CI 10

**8120 9120 7120 7120
8120**

SUPPORT TUBE & HINGE, R.H. SIDE REAR UPPER PANEL

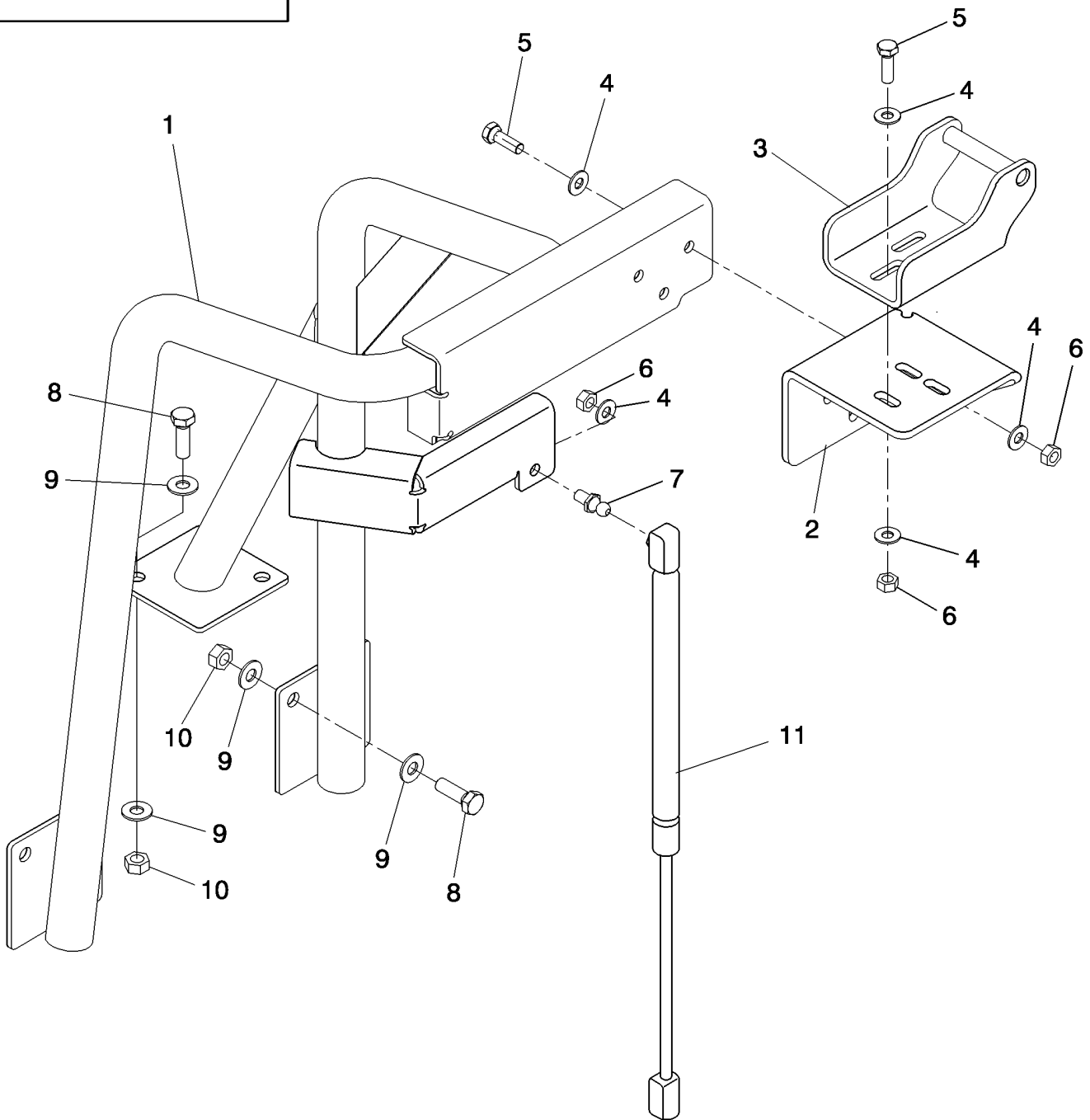
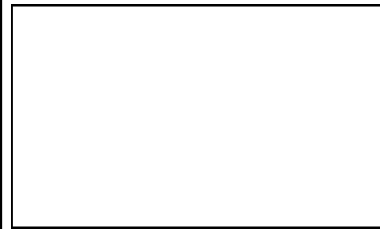


SUPPORT TUBE & HINGE, R.H. SIDE REAR UPPER PANEL

REF	FN	PART NUMBER	YR/SN	QTY	DESCRIPTION
1		84132587		1	BRACKET, Support
2		87108532		1	GAS STRUT
3		87728296		1	BRACKET
4		84133586		1	BRACKET
5		87693648		1	BRACKET
6		322358		26	BELLEVILLE WASHER, M8
7		120104		2	BOLT, Hex, M8 x 20, 8.8
8		9706690		13	NUT, M8, CI 8
9		43127		5	BOLT, Hex, M8 x 25, 8.8
10		43128		2	SCREW, Hex, M8 x 30, 8.8
11		328048		1	BOLT, Hex, M12 x 140, 8.8
12		9706685		2	NUT, M12, CI 8
13		87682384		4	BOLT

**8120 9120 7120 7120
8120**

SUPPORT TUBE & HINGE, L.H. SIDE REAR PANEL



SUPPORT TUBE & HINGE, L.H. SIDE REAR PANEL

REF	FN	PART NUMBER	YR/SN	QTY	DESCRIPTION
1		84136360		1	BRACKET
2		87633210		1	BRACKET
3		87475017		1	BRACKET
4		322358		13	BELLEVILLE WASHER, M8
5		43127		6	BOLT, Hex, M8 x 25, 8.8
6		9706690		7	NUT, M8, CI 8
7		83952214		1	BALL PIN
8		43139		6	BOLT, Hex, M10 x 25, 8.8, Full Thd
9		140045		12	BELLEVILLE WASHER, M10
10		100016		6	NUT, M10, CI 8
11		87728304		1	STRUT

**8120 9120 7120 7120
8120**

**ART
NOT
AVAILABLE**

ENGINE GUARD, 7120 (LA)

REF	FN	PART NUMBER	YR/SN	QTY	DESCRIPTION
1		{84280650}		1	
2		84273220		1	TOP COVER
3		87485688		1	STEP
4		87653826		2	HINGE
5		84274142		1	TOP COVER
6		84274146		1	CHANNEL
7		84187234		1	HANDRAIL
9		87555712		1	COVER ASSY
10		87555593		1	COVER ASSY
11		87555594		1	SUPPORT ASSY.
12		84121818		1	GAS STRUT
14		84218874		1	DEFLECTOR
15		87555716		1	CURTAIN
17		86975394		2	BUMPER
18		86611329		1	SPRING
19		86611330		1	PIN
20		87913		1	LOCK PIN, 1/8" x 1 1/4", Slotted
21		140041		3	WASHER, M8 x 28 x 3
22		322358		77	BELLEVILLE WASHER, M8
23		43127		6	BOLT, Hex, M8 x 25, 8.8
24		9706690		24	NUT, M8, CI 8
25		86580795		1	SPACER
26		43128		2	SCREW, Hex, M8 x 30, 8.8
28		84334242		1	GAS STRUT
29		86629542		4	LOCK NUT, M8 x 1.25, CI 8
30		87105622		2	STEP
31		86624183		3	WASHER, M6 x 25 x 1.6
32		140045		10	BELLEVILLE WASHER, M10
33		43139		10	BOLT, Hex, M10 x 25, 8.8, Full Thd
34		86511323		7	WASHER, M10 x 20 x 2
35		120070		2	BOLT, Hex, M10 x 60, 8.8
36		100037		2	NUT, M10 x 1.5, CI 8
37		120104		32	BOLT, Hex, M8 x 20, 8.8
38		86625199		3	SELF-TAP SCREW, Hex Flg Hd, M6 x 13
39		412649		4	SPRING WASHER, Belleville, M6

7120

**ART
NOT
AVAILABLE**

ENGINE GUARD, 7120 (LA)

REF	FN	PART NUMBER	YR/SN	QTY	DESCRIPTION
41		9804260		2	BOLT, Hex Flg, M8 x 30, 8.8, Full Thd
42		{84275359}		1	
43		87284531		4	NUT
46		84432904		1	DECAL
47		87495324		1	DEFLECTOR
48		84201531		1	DEFLECTOR
49		300381		1	BOLT, Hex, M8 x 35, 8.8
50		120061		1	BOLT, Hex, M8 x 60, 8.8
51		158188		1	PLUG
52		84274148		1	BRACKET
53		84274147		1	BRACKET
56		120100		2	BOLT, Hex, M6 x 20, 8.8
57		9706755		2	NUT, M6, CI 8

7120

**ART
NOT
AVAILABLE**

90.102.02

02

p1

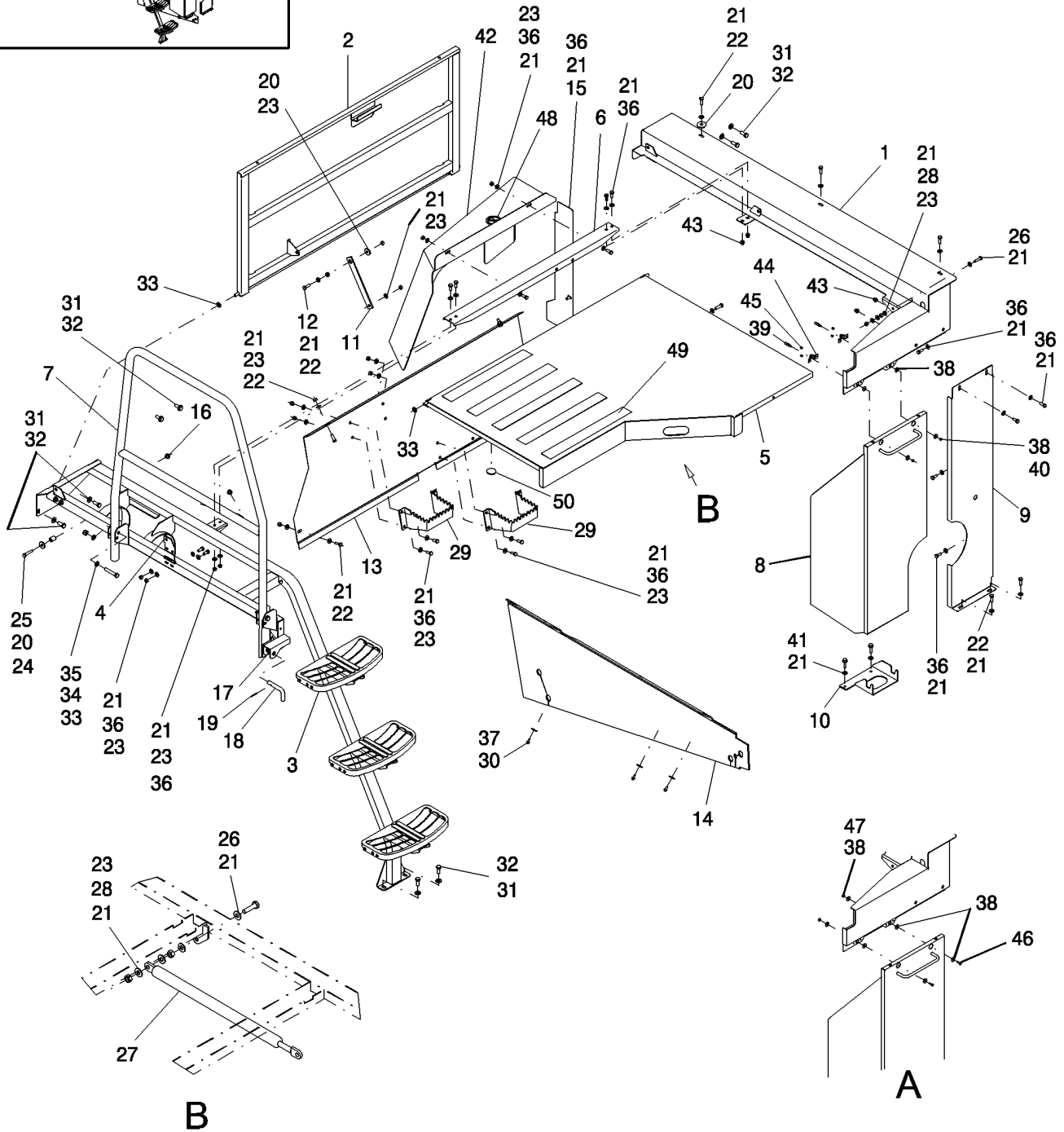
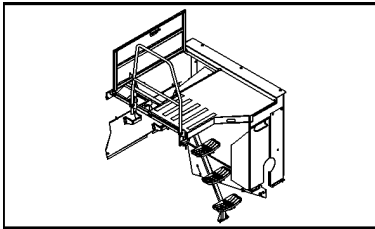
12/09

ENGINE GUARD, 8120 (LA)

REF	FN	PART NUMBER	YR/SN	QTY	DESCRIPTION
-----	----	-------------	-------	-----	-------------

					8120
--	--	--	--	--	-------------

ENGINE GUARDS - 7120



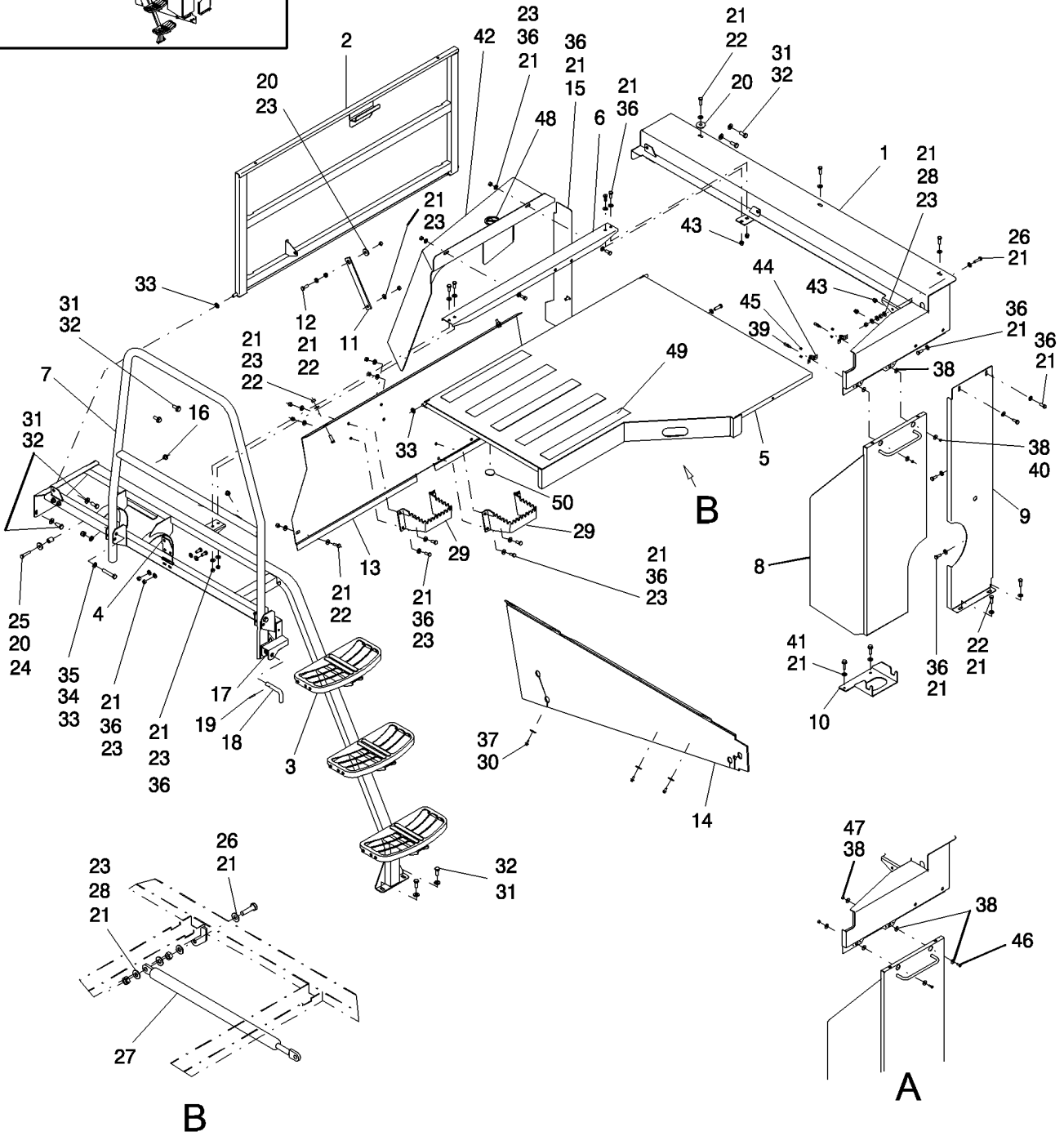
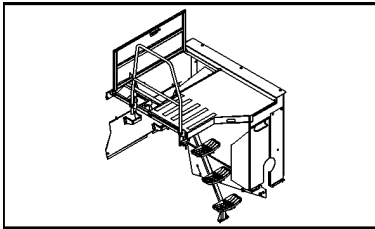
ENGINE GUARDS - 7120

REF	FN	PART NUMBER	YR/SN	QTY	DESCRIPTION
1		87596233		1	FRAME
2		87485663		1	COVER
3		87485688		1	STEP
4		87653826		2	HINGE
5		87555598		1	COVER ASSY, Incl Ref 49
6		87555590		1	CHANNEL
7		87380912		1	HANDRAIL
8		87555593		1	COVER ASSY, Engine
9		87555712		1	COVER ASSY
10		87555594		1	SUPPORT ASSY.
11		87109081		1	SUPPORT
12		87281729		1	BUSHING
13		87555714		1	DEFLECTOR
14		87555716		1	CURTAIN
15		87576502		1	DEFLECTOR
16		86975394		2	BUMPER
17		86611329	BSN Y9G207610	1	SPRING
17		47603	ASN Y9G207610	1	SPRING
18		86611330		1	PIN
19		87913		1	LOCK PIN, 1/8" x 1 1/4", Slotted
20		140041		5	WASHER, M8 x 28 x 3
21		322358		70	BELLEVILLE WASHER, M8
22		43127		10	BOLT, Hex, M8 x 25, 8.8
23		9706690		25	NUT, M8, Cl 8
24		86580795		1	SPACER
25		43129		1	BOLT, Hex, M8 x 40, 8.8
26		43128		2	SCREW, Hex, M8 x 30, 8.8
27		84334242		1	GAS STRUT, Bumper
28		86629542		2	LOCK NUT, M8 x 1.25, Cl 8
29		87105622		2	STEP
30		86624183		3	WASHER, M6 x 25 x 1.6
31		140045		8	BELLEVILLE WASHER, M10
32		43139		8	BOLT, Hex, M10 x 25, 8.8, Full Thd
33		86511323		7	WASHER, M10 x 20 x 2
34		120070		2	BOLT, Hex, M10 x 60, 8.8

A = Europe Only

7120 7120

ENGINE GUARDS - 7120



ENGINE GUARDS - 7120

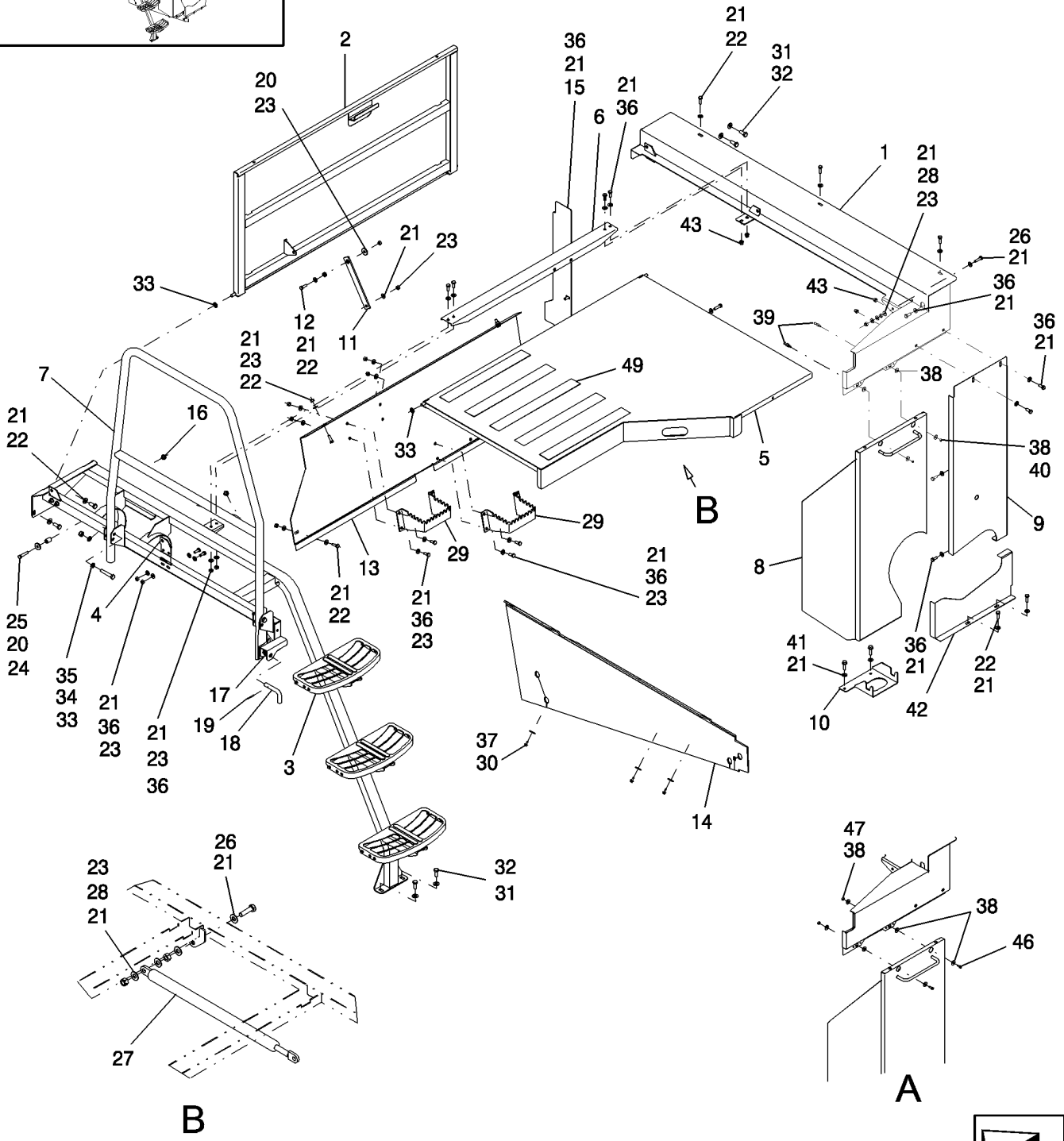
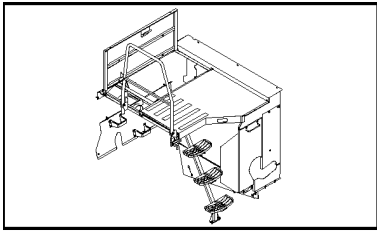
REF	FN	PART NUMBER	YR/SN	QTY	DESCRIPTION
35		100037		2	NUT, M10 x 1.5, CI 8
36		120104		28	BOLT, Hex, M8 x 20, 8.8
37		86625199		3	SELF-TAP SCREW, Hex Flg Hd, M6 x 13
38		412649		AR	SPRING WASHER, Belleville, M6
39		86998687		2	STUD
40		86508813		2	NUT, M5, CI 8
41		9804260		2	BOLT, Hex Flg, M8 x 30, 8.8, Full Thd
42		87559325		1	DEFLECTOR
43		87284531		4	NUT
44		86998688		2	LATCH
45		86984400		4	RIVET, Pop, 1/8" x .400", Stainless
46	1	120100		2	BOLT, Hex, M6 x 20, 8.8
47	1	9706755		2	NUT, M6, CI 8
48		84432904		1	DECAL, No Step
49		80401502		AR	ANTI-SKID STRIP, Roll, L = 18.3 M; Cut To Fit
50		158188		1	PLUG

(1) EU Only

A = Europe Only

7120 7120

ENGINE GUARDS - 8120



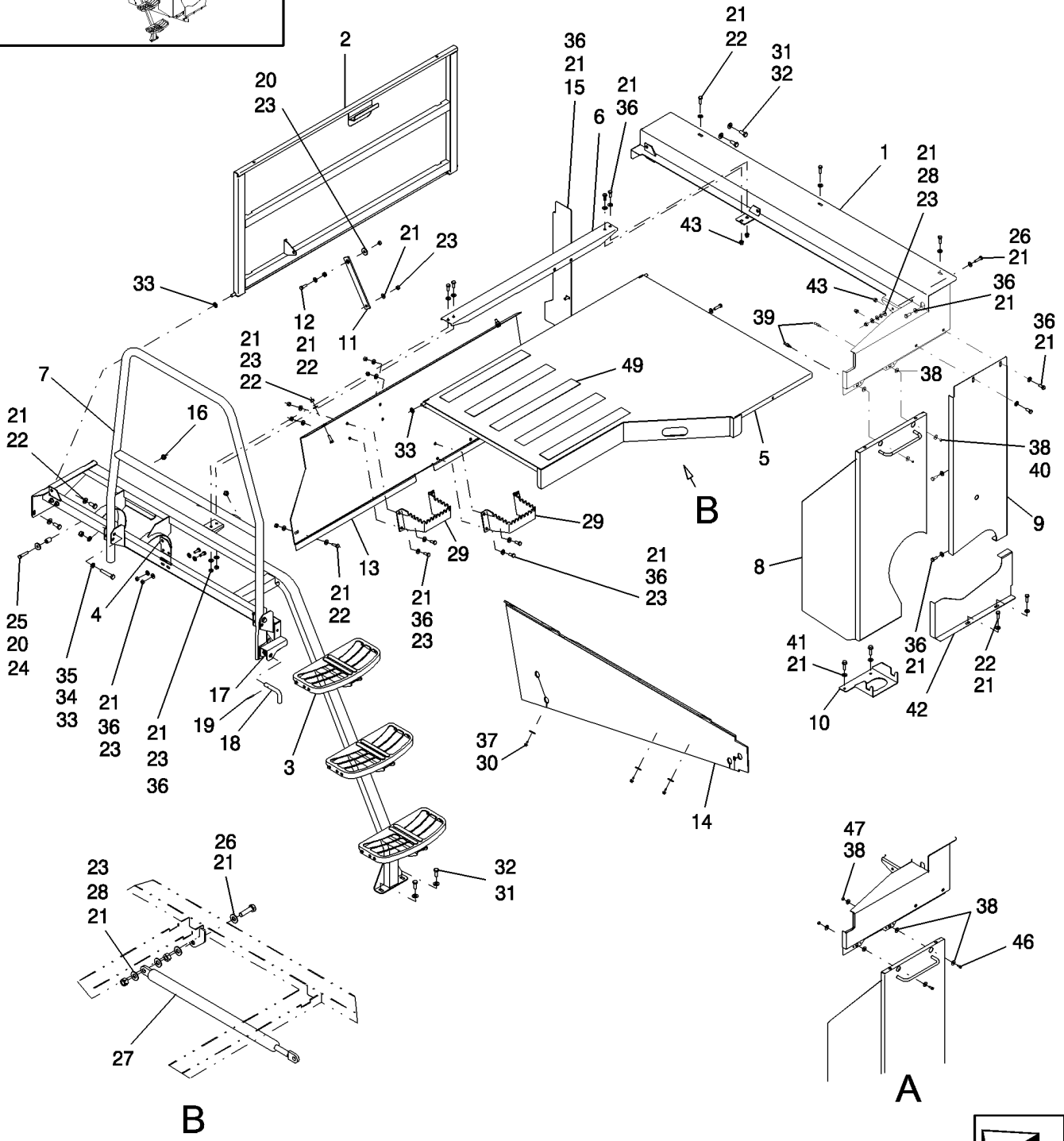
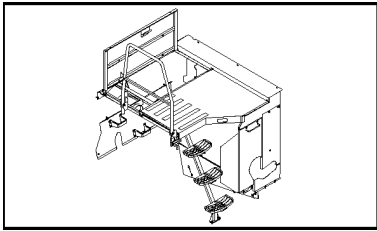
ENGINE GUARDS - 8120

REF	FN	PART NUMBER	YR/SN	QTY	DESCRIPTION
1		87581059		1	SUPPORT ASSY.
2		87485663		1	COVER
3		87485688		1	STEP
4		87653826		2	HINGE
5		87555598		1	COVER ASSY, Incl Ref 49
6		87555590		1	CHANNEL
7		87380912		1	HANDRAIL
8		87584090		1	SHEET ASSY.
9		87582121		1	SHEET METAL
10		87555594		1	SUPPORT ASSY.
11		87109081		1	SUPPORT
12		87281729		1	BUSHING
13		87550271		1	SHEET
14		87555716		1	CURTAIN
15		87676625		1	DEFLECTOR
16		86975394		2	BUMPER
17		86611329	BSN Y9G207610	1	SPRING
17		{}	ASN Y9G207610	47603	
18		86611330		1	PIN
19		87913		1	LOCK PIN, 1/8" x 1 1/4", Slotted
20		140041		5	WASHER, M8 x 28 x 3
21		322358		61	BELLEVILLE WASHER, M8
22		43127		11	BOLT, Hex, M8 x 25, 8.8
23		9706690		22	NUT, M8, Cl 8
24		86580795		1	SPACER
25		43129		1	BOLT, Hex, M8 x 40, 8.8
26		43128		2	SCREW, Hex, M8 x 30, 8.8
27		84334242		1	GAS STRUT, Bumper
28		86629542		2	LOCK NUT, M8 x 1.25, Cl 8
29		87105622		2	STEP
30		86624183		3	WASHER, M6 x 25 x 1.6
31		140045		2	BELLEVILLE WASHER, M10
32		43139		2	BOLT, Hex, M10 x 25, 8.8, Full Thd
33		86511323		7	WASHER, M10 x 20 x 2
34		120070		2	BOLT, Hex, M10 x 60, 8.8

A = Europe Only

8120 8120

ENGINE GUARDS - 8120



ENGINE GUARDS - 8120

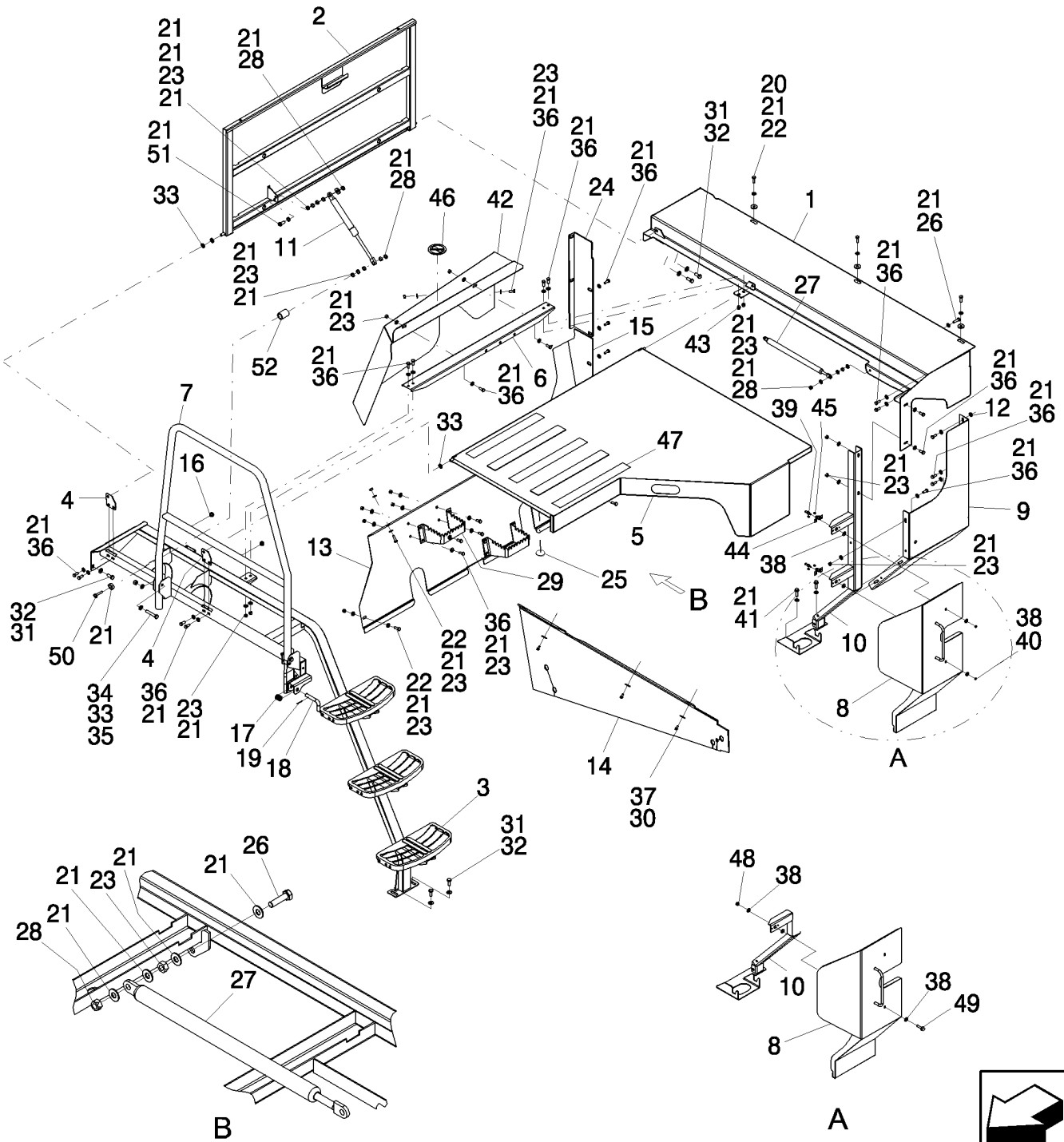
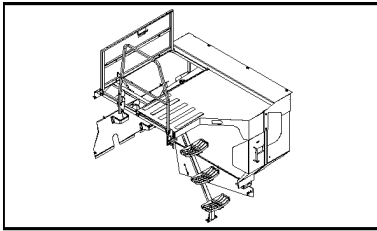
REF	FN	PART NUMBER	YR/SN	QTY	DESCRIPTION
35		100037		2	NUT, M10 x 1.5, CI 8
36		120104		25	BOLT, Hex, M8 x 20, 8.8
37		86625199		3	SELF-TAP SCREW, Hex Flg Hd, M6 x 13
38		412649		AR	SPRING WASHER, Belleville, M6
39		86998687		2	STUD
40		86508813		2	NUT, M5, CI 8
41		86625201		2	SELF-TAP SCREW, Hex Flg Hd, M8 x 30
42		87585661		1	SHEET METAL
43		87284531		4	NUT
44		{ }		AR	
45		{ }		AR	
46	1	120100		2	BOLT, Hex, M6 x 20, 8.8
47	1	9706755		2	NUT, M6, CI 8
48		84432904		1	DECAL, No Step
49		80401502		AR	ANTI-SKID STRIP, Roll, L = 18.3 M; Cut To Fit
50		158188		1	PLUG

(1) EU Only

A = Europe Only

8120 8120

ENGINE GUARDS - 9120



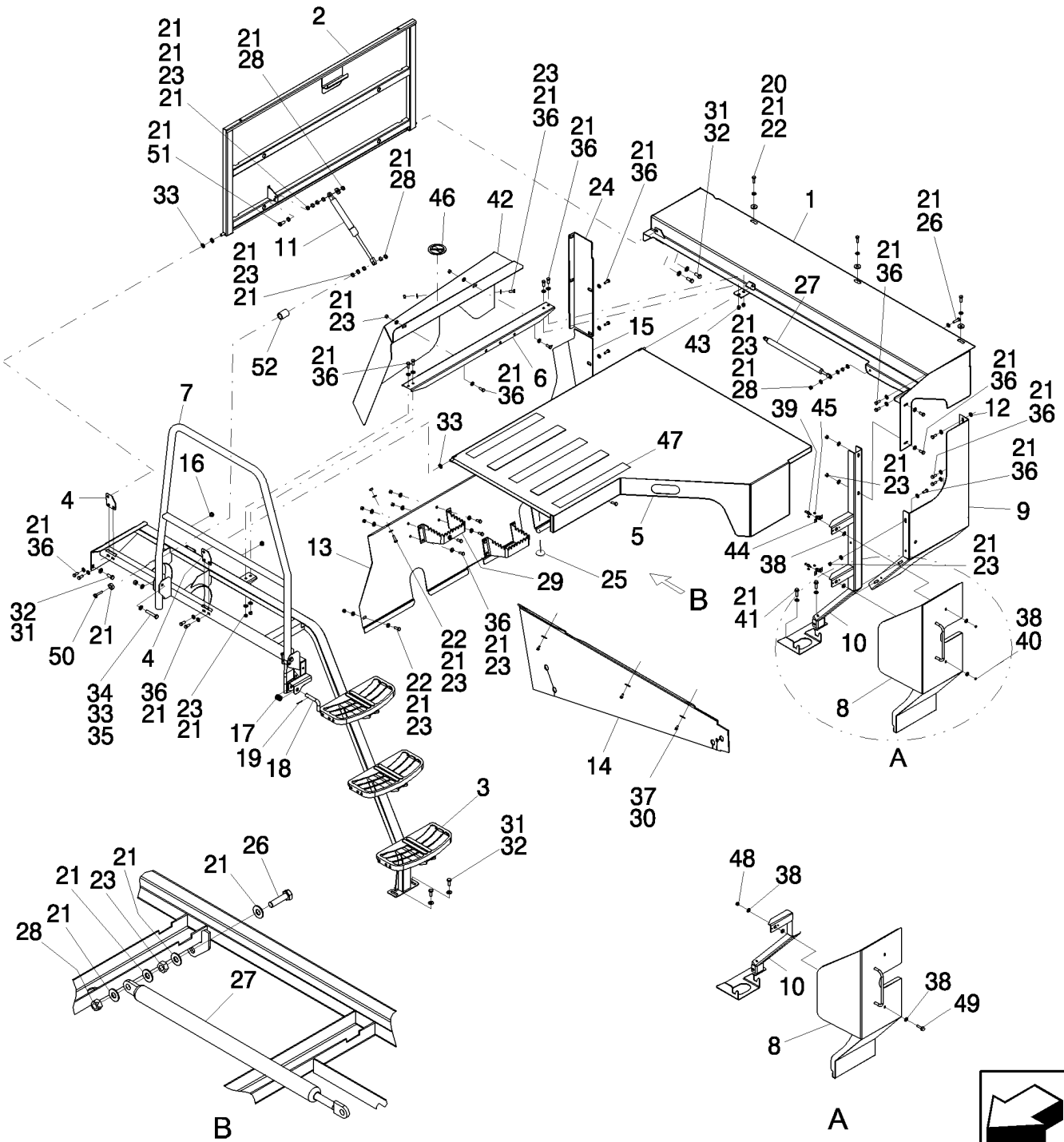
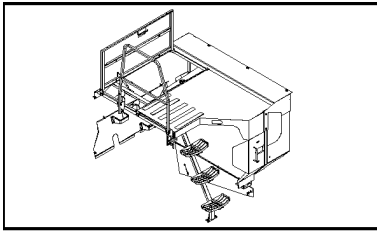
ENGINE GUARDS - 9120

REF	FN	PART NUMBER	YR/SN	QTY	DESCRIPTION
1		87679342		1	FRAME ASSY
2		87485663		1	COVER
3		87485688		1	STEP
4		87653826		2	HINGE
5		87679365		1	COVER ASSY
6		87555590		1	CHANNEL
7		87380912		1	HANDRAIL
8		87679357		1	COVER ASSY
9		87679347		1	COVER ASSY
10		87679349		1	SUPPORT ASSY.
11		84121818		1	GAS STRUT
12		12647121		1	WASHER, M8 x 20 x 3
13		87676551		1	DEFLECTOR
14		87555716		1	CURTAIN
15		87485696		1	DEFLECTOR
16		86975394		2	BUMPER
17		86611329	BSN Y9G207610	1	SPRING
17		47603	ASN Y9G207610	1	SPRING
18		86611330		1	PIN
19		87913		1	LOCK PIN, 1/8" x 1 1/4", Slotted
20		140041		3	WASHER, M8 x 28 x 3
21		322358		81	BELLEVILLE WASHER, M8
22		43127		8	BOLT, Hex, M8 x 25, 8.8
23		9706690		26	NUT, M8, CI 8
24		87495324		1	DEFLECTOR
25		158188		1	PLUG
26		43128		2	SCREW, Hex, M8 x 30, 8.8
27		84334242		1	GAS STRUT
28		86629542		4	LOCK NUT, M8 x 1.25, CI 8
29		87105622		2	STEP
30		86624183		3	WASHER, M6 x 25 x 1.6
31		140045		6	BELLEVILLE WASHER, M10
32		43139		6	BOLT, Hex, M10 x 25, 8.8, Full Thd
33		86511323		7	WASHER, M10 x 20 x 2
34		120070		2	BOLT, Hex, M10 x 60, 8.8

A = Europe Only

9120

ENGINE GUARDS - 9120



ENGINE GUARDS - 9120

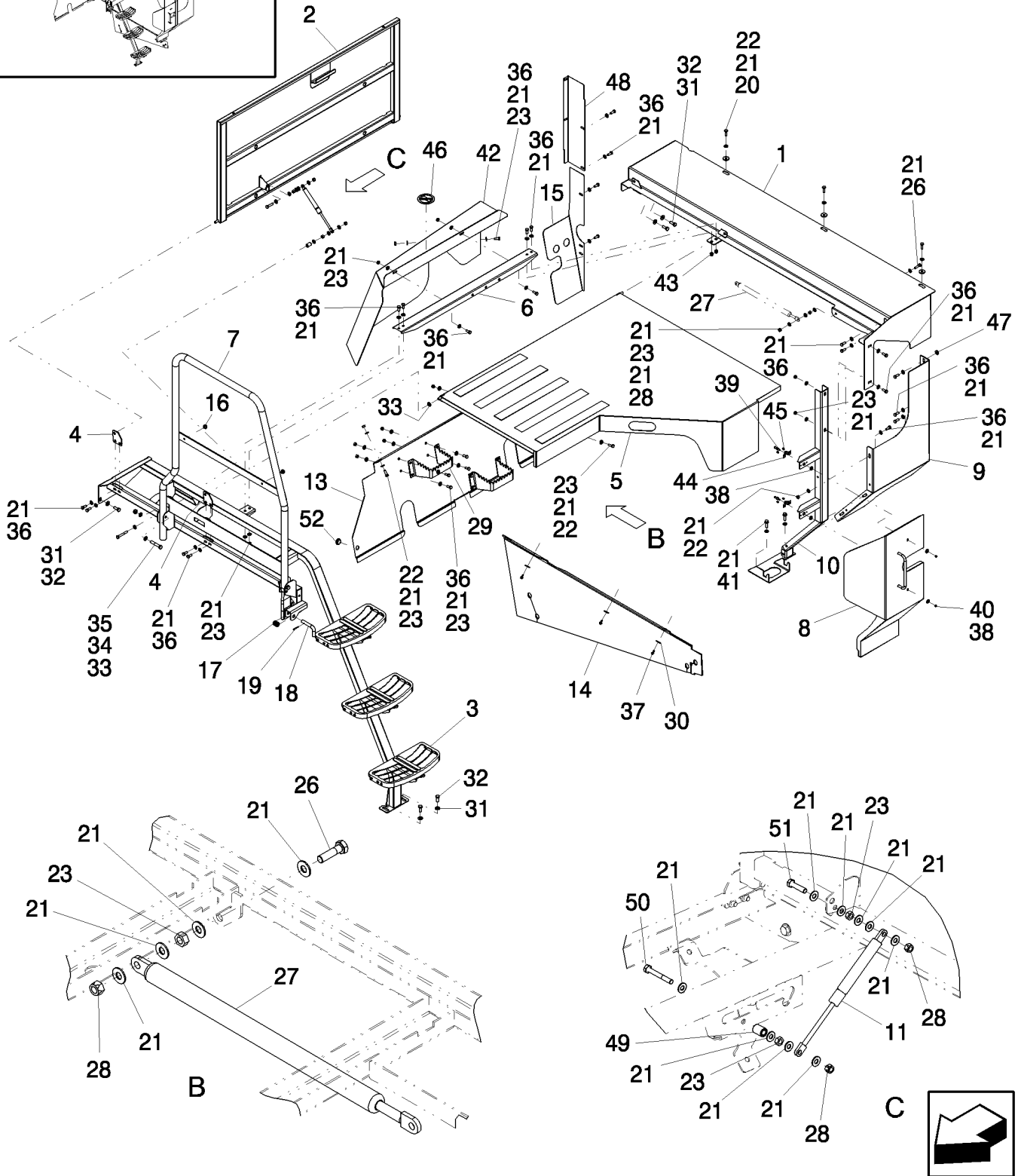
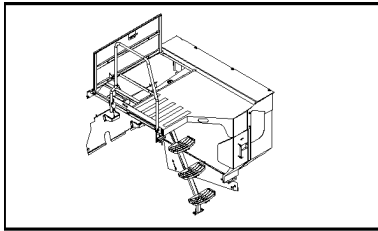
REF	FN	PART NUMBER	YR/SN	QTY	DESCRIPTION
35		100037		2	NUT, M10 x 1.5, CI 8
36		120104		33	BOLT, Hex, M8 x 20, 8.8
37		86625199		3	SELF-TAP SCREW, Hex Flg Hd, M6 x 13
38		412649		4	SPRING WASHER, Belleville, M6
39	1	86998687		2	STUD
40	1	86508813		2	NUT, M5, CI 8
41		9804260		2	BOLT, Hex Flg, M8 x 30, 8.8, Full Thd
42		87720411		1	DEFLECTOR
43		87284531		2	NUT
44	1	86998688		2	LATCH
45	1	86984400		4	RIVET, Pop, 1/8" x .400", Stainless
46		84432904		1	DECAL, No Step
47	2	80401502		AR	ANTI-SKID STRIP, Roll, L = 18.3M
48	3	9706755		2	NUT, M6, CI 8
49	3	120100		2	BOLT, Hex, M6 x 20, 8.8
50		120061		1	BOLT, Hex, M8 x 60, 8.8
51		300381		1	BOLT, Hex, M8 x 35, 8.8
52		86580795		1	SPACER

- (1) NA Only
(2) Cut to Fit
(3) EU Only

A = Europe Only

9120

ENGINE GUARDS - NEW GRAIN TANK FEATURES, MY2010

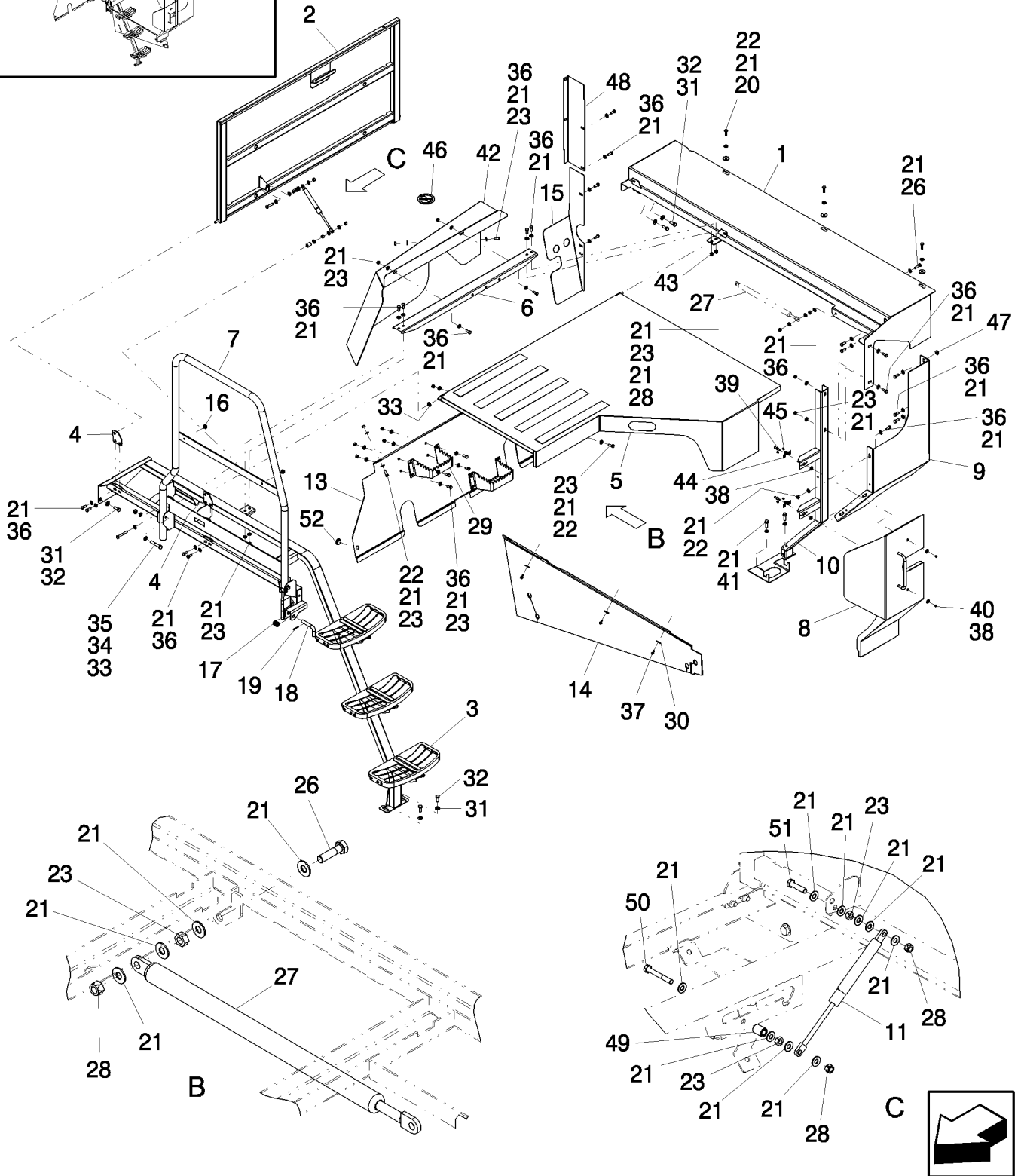
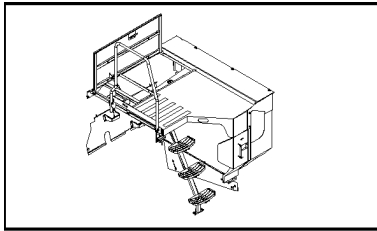


ENGINE GUARDS - NEW GRAIN TANK FEATURES, MY2010

REF	FN	PART NUMBER	YR/SN	QTY	DESCRIPTION
1		87679342		1	FRAME ASSY
2		87485663		2	COVER
3		87485688		1	STEP
4		87653826		2	HINGE
5		87679365		1	COVER ASSY
6		87555590		1	CHANNEL
7		84187234		1	HANDRAIL
8		87679357		1	COVER ASSY
9		87679347		1	COVER ASSY
10		87679349		1	SUPPORT ASSY.
11		84121818		1	GAS STRUT
13		84218876		1	DEFLECTOR
14		87555716		1	CURTAIN
15		84201531		1	DEFLECTOR
16		86975394		2	BUMPER
17		86611329	BSN Y9G207610	1	SPRING
17		47603	ASN Y9G207610	1	SPRING
18		86611330		1	PIN
19		87913		1	LOCK PIN, 1/8" x 1 1/4", Slotted
20		140041		3	WASHER, M8 x 28 x 3
21		322358		79	BELLEVILLE WASHER, M8
22		43127		6	BOLT, Hex, M8 x 25, 8.8
23		9706690		25	NUT, M8, Cl 8
26		43128		2	SCREW, Hex, M8 x 30, 8.8
27		84334242		1	GAS STRUT
28		86629542		4	LOCK NUT, M8 x 1.25, Cl 8
29		87105622		2	STEP
30		86624183		3	WASHER, M6 x 25 x 1.6
31		140045		6	BELLEVILLE WASHER, M10
32		43139		6	BOLT, Hex, M10 x 25, 8.8, Full Thd
33		86511323		5	WASHER, M10 x 20 x 2
34		120070		2	BOLT, Hex, M10 x 60, 8.8
35		100037		2	NUT, M10 x 1.5, Cl 8
36		120104		33	BOLT, Hex, M8 x 20, 8.8
37		86625199		3	SELF-TAP SCREW, Hex Flg Hd, M6 x 13

8120 9120 7120 7120
8120

ENGINE GUARDS - NEW GRAIN TANK FEATURES, MY2010



90.102.05

01

p2

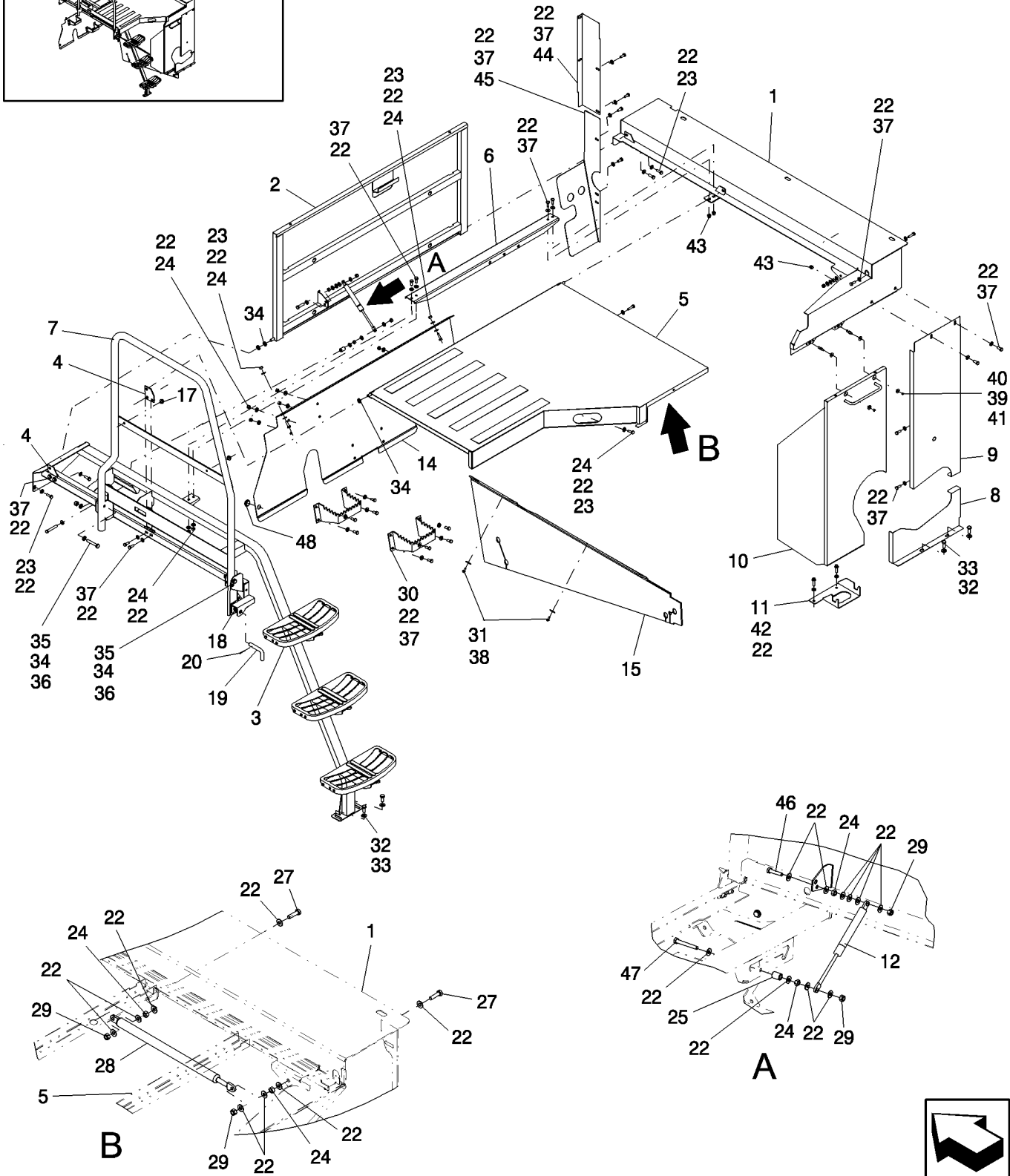
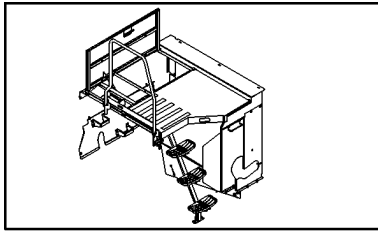
02/10

ENGINE GUARDS - NEW GRAIN TANK FEATURES, MY2010

REF	FN	PART NUMBER	YR/SN	QTY	DESCRIPTION
38		412649		4	SPRING WASHER, Belleville, M6
39		86998687		2	STUD
40		86508813		2	NUT, M5, CI 8
41		9804260		2	BOLT, Hex Flg, M8 x 30, 8.8, Full Thd
42		87720411		1	DEFLECTOR
43		87284531		2	NUT
44		86998688		2	LATCH
45		86984400		4	RIVET, Pop, 1/8" x .400", Stainless
46		84432904		1	DECAL
47		12647121		1	WASHER, M8 x 20 x 3
48		87495324		1	DEFLECTOR
49		86580795		1	SPACER
50		120061		1	BOLT, Hex, M8 x 60, 8.8
51		300381		1	BOLT, Hex, M8 x 35, 8.8
52		158188		1	PLUG

8120 9120 7120 7120
8120

ENGINE GUARDS - NEW GRAIN TANK FEATURES, MY2010

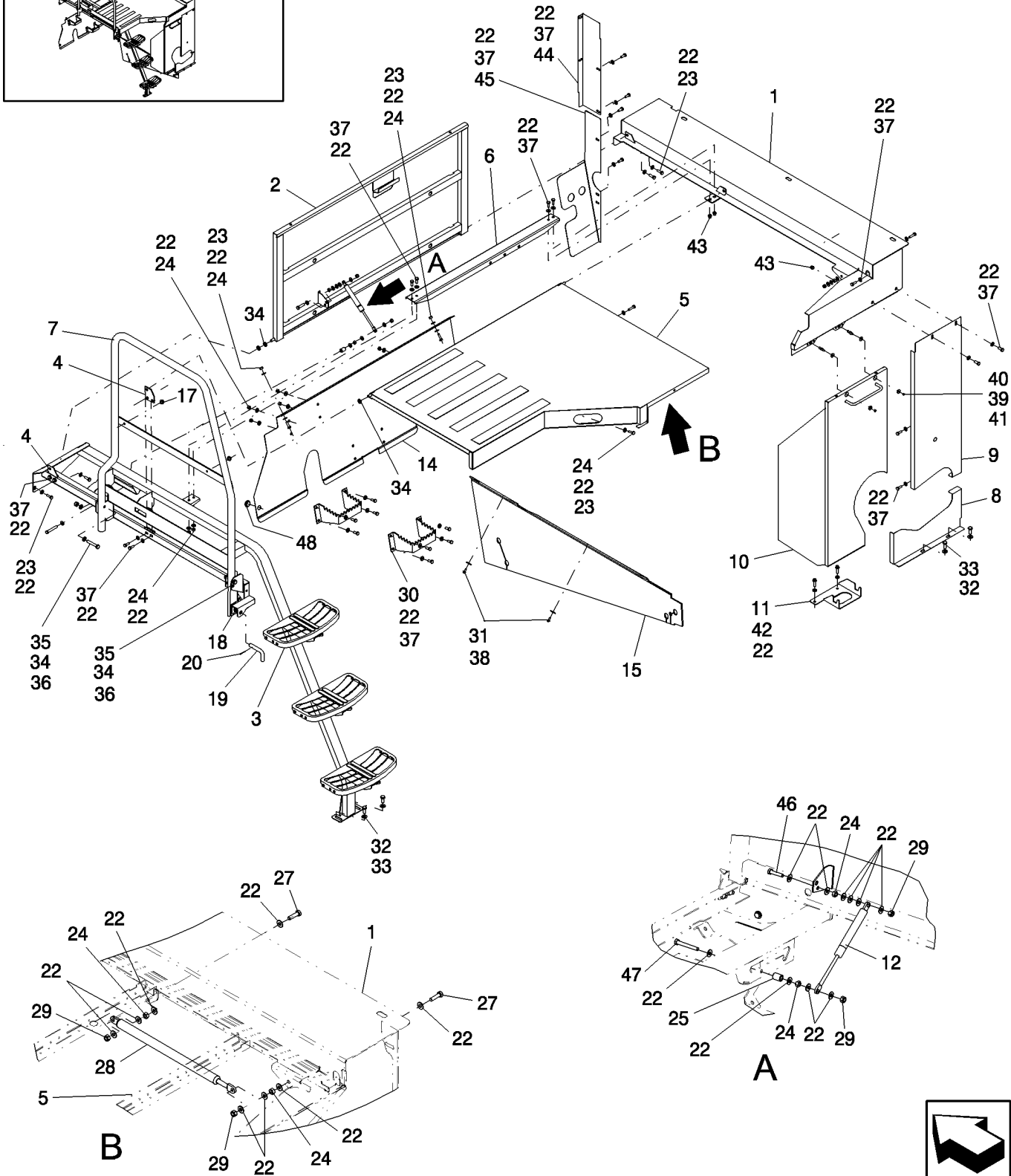
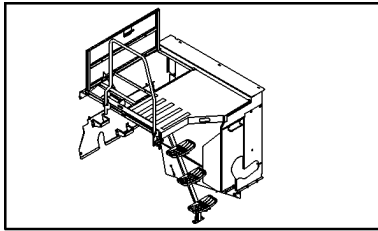


ENGINE GUARDS - NEW GRAIN TANK FEATURES, MY2010

REF	FN	PART NUMBER	YR/SN	QTY	DESCRIPTION
1		87581059		1	SUPPORT ASSY.
2		87485663		1	COVER
3		87485688		1	STEP
4		87653826		2	HINGE
5		87555598		1	COVER ASSY
6		87555590		1	CHANNEL
7		84187234		1	HANDRAIL
8		87585661		1	SHEET METAL
9		87582121		1	SHEET METAL
10		87584090		1	SHEET ASSY.
11		87555594		1	SUPPORT ASSY.
12		84121818		1	GAS STRUT
14		84218878		1	DEFLECTOR
15		87555716		1	CURTAIN
17		86975394		2	BUMPER
18		86611329	BSN Y9G207610	1	SPRING
18		47603	ASN Y9G207610	1	SPRING
19		86611330		1	PIN
20		87913		1	LOCK PIN, 1/8" x 1 1/4", Slotted
22		322358		65	BELLEVILLE WASHER, M8
23		43127		7	BOLT, Hex, M8 x 25, 8.8
24		9706690		17	NUT, M8, CI 8
25		86580795		1	SPACER
27		43128		1	SCREW, Hex, M8 x 30, 8.8
28		84334242		1	GAS STRUT
29		86629542		4	LOCK NUT, M8 x 1.25, CI 8
30		87105622		2	STEP
31		86624183		2	WASHER, M6 x 25 x 1.6
32		140045		4	BELLEVILLE WASHER, M10
33		43139		4	BOLT, Hex, M10 x 25, 8.8, Full Thd
34		86511323		7	WASHER, M10 x 20 x 2
35		120070		2	BOLT, Hex, M10 x 60, 8.8
36		100037		2	NUT, M10 x 1.5, CI 8
37		120104		25	BOLT, Hex, M8 x 20, 8.8
38		86625199		2	SELF-TAP SCREW, Hex Flg Hd, M6 x 13

8120 9120 7120 7120
8120

ENGINE GUARDS - NEW GRAIN TANK FEATURES, MY2010



90.102.05

02

p2

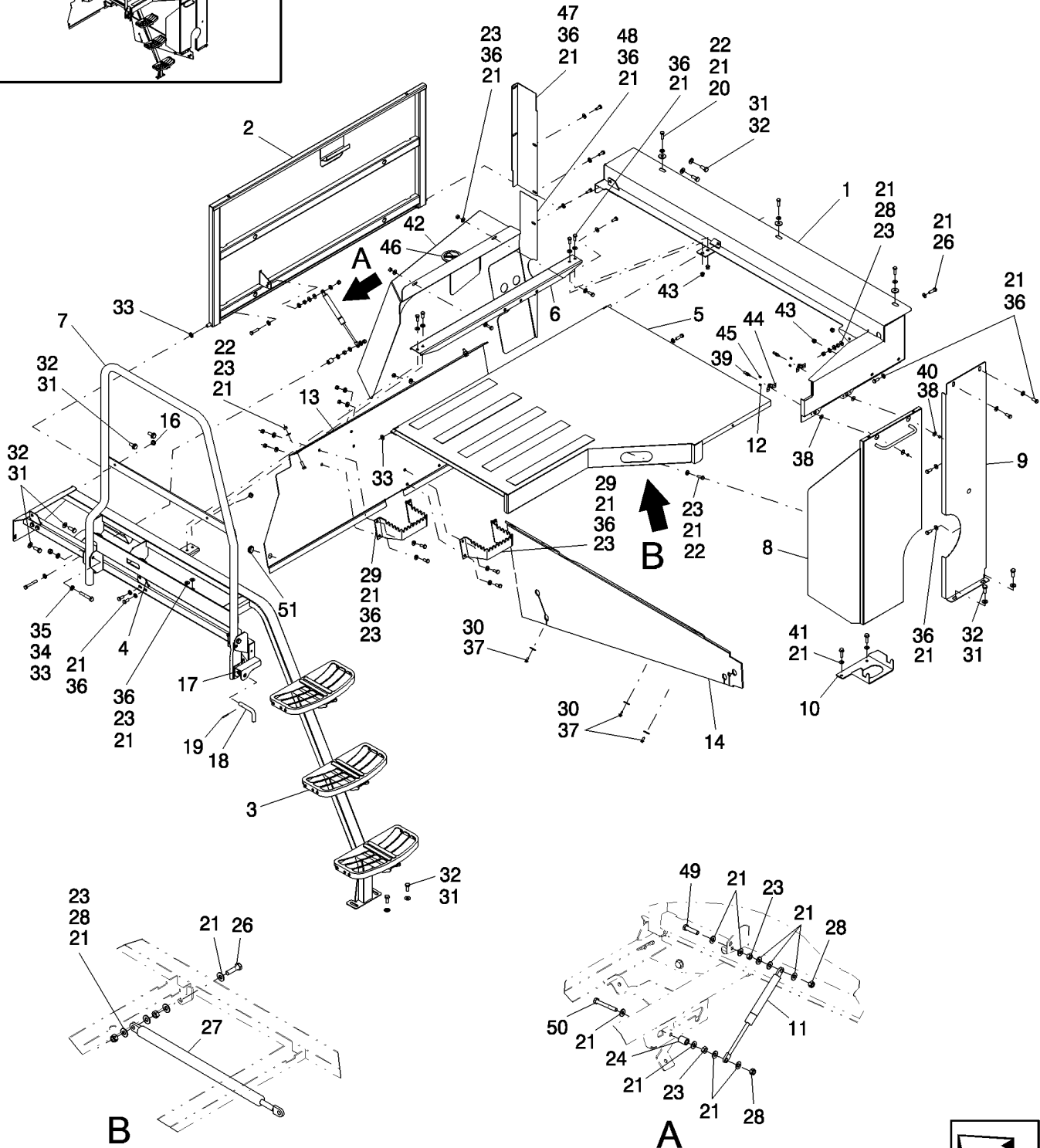
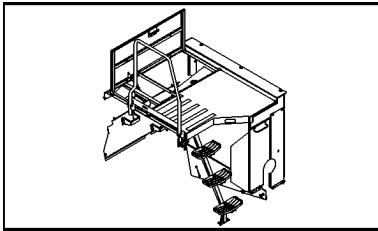
02/10

ENGINE GUARDS - NEW GRAIN TANK FEATURES, MY2010

REF	FN	PART NUMBER	YR/SN	QTY	DESCRIPTION
39		412649		4	SPRING WASHER, Belleville, M6
40		86998687		2	STUD
41		86508813		2	NUT, M5, CI 8
42		86625201		2	SELF-TAP SCREW, Hex Flg Hd, M8 x 30
43		87284531		4	NUT
44		87495324		1	DEFLECTOR
45		84201531		1	DEFLECTOR
46		300381		1	BOLT, Hex, M8 x 35, 8.8
47		120061		1	BOLT, Hex, M8 x 60, 8.8
48		158188		1	PLUG

**8120 9120 7120 7120
8120**

ENGINE GUARDS - NEW GRAIN TANK FEATURES, MY2010



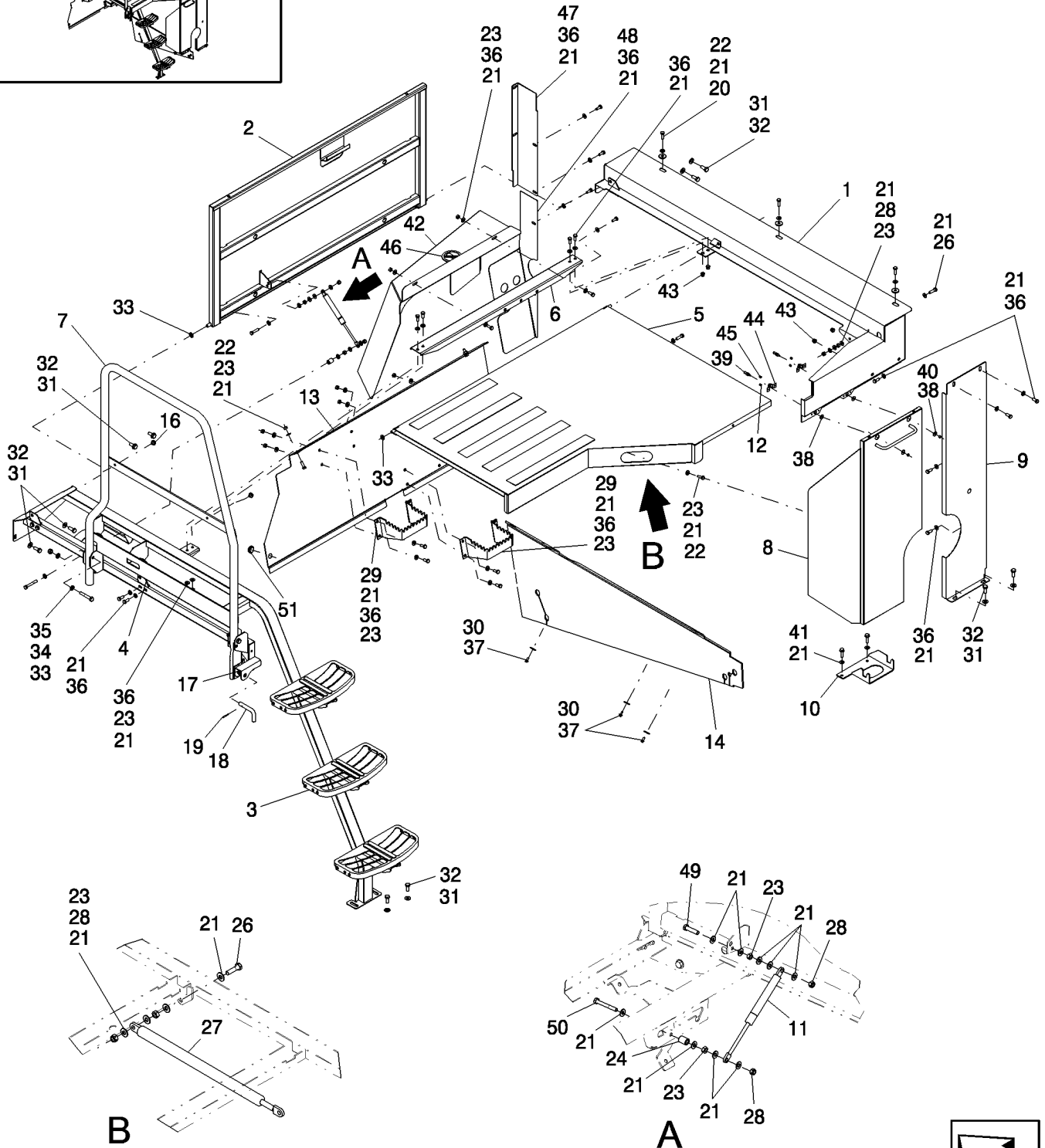
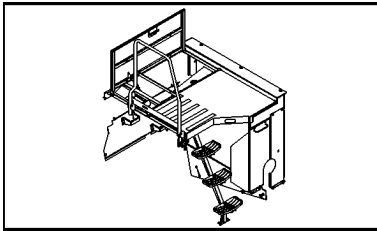
ENGINE GUARDS - NEW GRAIN TANK FEATURES, MY2010

REF	FN	PART NUMBER	YR/SN	QTY	DESCRIPTION
1		87596233		1	FRAME
2		87485663		1	COVER
3		87485688		1	STEP
4		87653826		2	HINGE
5		87555598		1	COVER ASSY
6		87555590		1	CHANNEL
7		84187234		1	HANDRAIL
8		87555593		1	COVER ASSY
9		87555712		1	COVER ASSY
10		87555594		1	SUPPORT ASSY.
11		84121818		1	GAS STRUT
12	1	9706755		2	NUT, M6, CI 8
13		84218874		1	DEFLECTOR
14		87555716		1	CURTAIN
16		86975394		2	BUMPER
17		86611329	BSN Y9G207610	1	SPRING
17		47603	ASN Y9G207610	1	SPRING
18		86611330		1	PIN
19		87913		1	LOCK PIN, 1/8" x 1 1/4", Slotted
20		140041		3	WASHER, M8 x 28 x 3
21		322358		69	BELLEVILLE WASHER, M8
22		43127		6	BOLT, Hex, M8 x 25, 8.8
23		9706690		20	NUT, M8, CI 8
24		86580795		1	SPACER
26		43128		2	SCREW, Hex, M8 x 30, 8.8
27		84334242		1	GAS STRUT
28		86629542		4	LOCK NUT, M8 x 1.25, CI 8
29		87105622		2	STEP
30		86624183		3	WASHER, M6 x 25 x 1.6
31		140045		10	BELLEVILLE WASHER, M10
32		43139		10	BOLT, Hex, M10 x 25, 8.8, Full Thd
33		86511323		7	WASHER, M10 x 20 x 2
34		120070		2	BOLT, Hex, M10 x 60, 8.8
35		100037		2	NUT, M10 x 1.5, CI 8

(1) EU Only

8120 9120 7120 7120
8120

ENGINE GUARDS - NEW GRAIN TANK FEATURES, MY2010



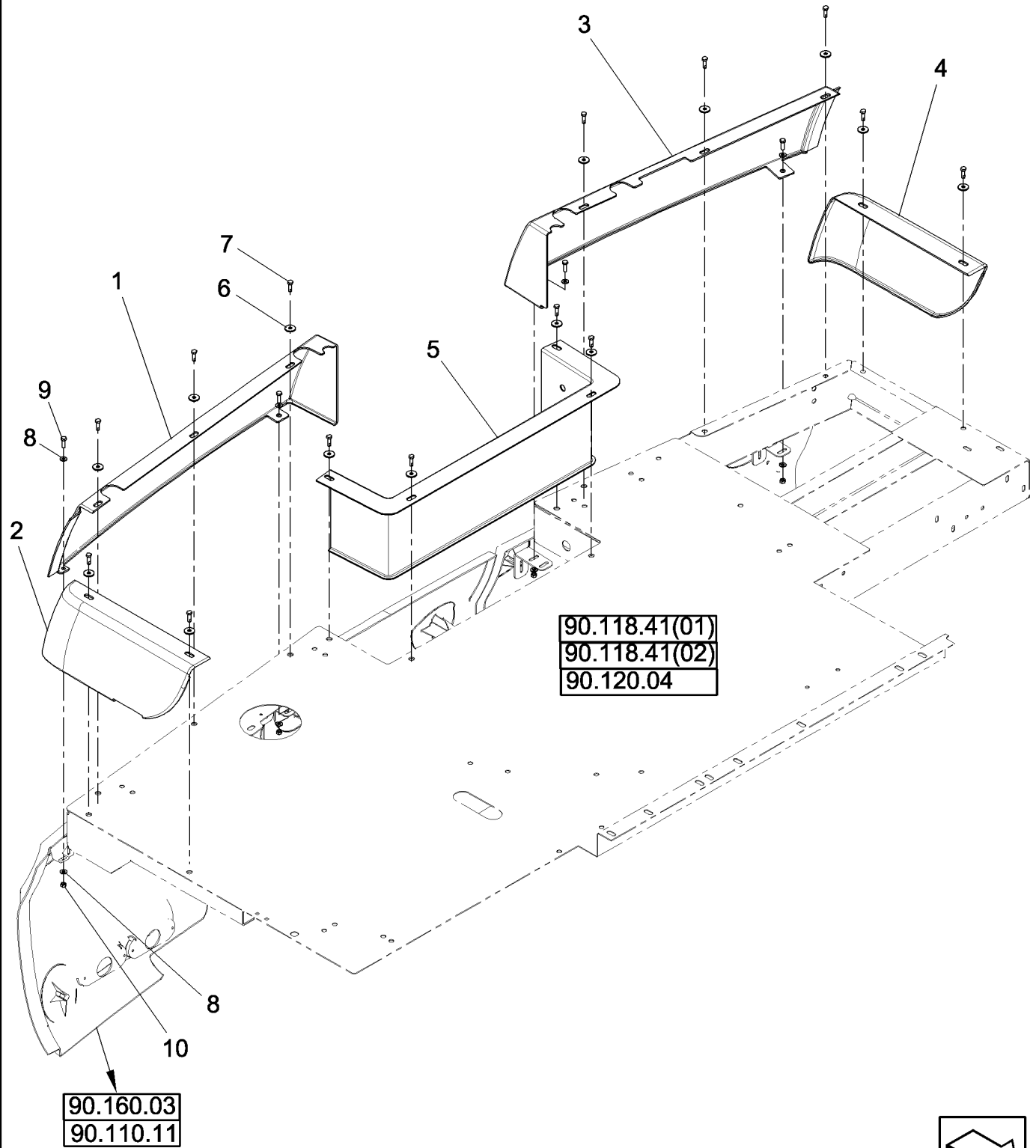
ENGINE GUARDS - NEW GRAIN TANK FEATURES, MY2010

REF	FN	PART NUMBER	YR/SN	QTY	DESCRIPTION
36		120104		28	BOLT, Hex, M8 x 20, 8.8
37		86625199		3	SELF-TAP SCREW, Hex Flg Hd, M6 x 13
38		412649		4	SPRING WASHER, Belleville, M6
39		86998687		2	STUD
40		86508813		2	NUT, M5, CI 8
41		9804260		2	BOLT, Hex Flg, M8 x 30, 8.8, Full Thd
42		87559325		1	DEFLECTOR
43		87284531		4	NUT
44	1	86998688		2	LATCH
45	1	86984400		4	RIVET, Pop, 1/8" x .400", Stainless
46	1	84432904		1	DECAL
47		87495324		1	DEFLECTOR
48		84201531		1	DEFLECTOR
49		300381		1	BOLT, Hex, M8 x 35, 8.8
50		120061		1	BOLT, Hex, M8 x 60, 8.8
51		158188		1	PLUG

(1) NA & Latin America Only

**8120 9120 7120 7120
8120**

SHIELDS, UPPER REAR



SHIELDS, UPPER REAR

REF	FN	PART NUMBER	YR/SN	QTY	DESCRIPTION
1		87728322		1	SHIELD, Upper Rear, R.H., Inner
2		87728323		1	SHIELD, Upper Rear, R.H., Outer
3		87728324		1	SHIELD, Upper Rear, L.H., Inner
4		87728325		1	SHIELD, Upper Rear, L.H., Outer
5		87728326		1	SHIELD, Upper Rear, Center
6		87033737		14	WASHER, M8 x 28 x 3
7		87698794		14	BOLT, PREV Torque, M8 x 25 Full Thd
8		322358		8	BELLEVILLE WASHER, M8
9		43127		4	BOLT, Hex, M8 x 25, 8.8
10		9706690		4	NUT, M8, CI 8

**8120 9120 7120 7120
8120**

DECALS


WARNING



Always fasten seatbelt during operation.
Failure to comply could result in death or serious injury.

2

DANGER

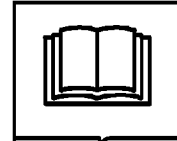


● Rotating auger under this cover.
● Keep hands out when machine is running.
Failure to comply will result in death or serious injury.

10



17



WARNING

STAND CLEAR



● Rotating flails under hood: Crop materials exiting at high speed.
● STOP machine, LOOK, LISTEN, and WAIT for all movement to stop before approaching.
Failure to comply could result in death or serious injury.

4

WARNING

SHIELD IS OPEN STAND CLEAR



Replace or close shield before operating machine.
Failure to comply could result in death or serious injury.

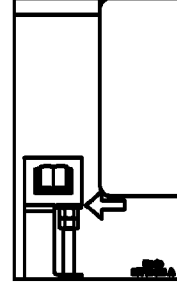
11

DANGER



DO NOT use other starting fluid. AN EXPLOSION MAY OCCUR. Failure to comply will result in death or serious injury.

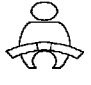
18



23

WARNING


INSTRUCTIONAL SEAT



● To be used for training or diagnostic purposes.
● Extra riders, especially children, are NOT permitted on machine.
● Buckle up!
Failure to comply could result in death or serious injury.

5

WARNING



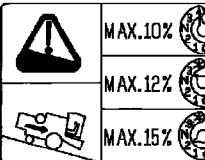
● Moving parts under this cover.
● DO NOT open cover while operating.
Failure to comply will result in death or serious injury.

12

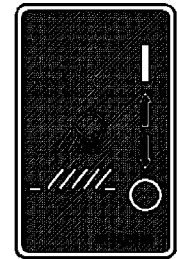
MAX. 10%

MAX. 12%

MAX. 15%

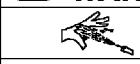


19



20


WARNING



● Hydraulic fluid under high pressure
● Read manual before attempting any service.
Failure to comply could result in death or serious injury.

6

DANGER



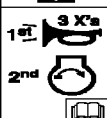
● Hand/feet/head will fall rapidly if hydraulic lift system should fail.
● Feet/head/feet on ground or engage lift system/brakes when working around raised hand/feet.
Failure to comply will result in death or serious injury.

13



21

WARNING



Before starting engine or any function.
● Warn bystanders
● Sound horn 3 times.
Failure to comply could result in death or serious injury.

7

WARNING

Before operating machine, read operator's manual and ALL SAFETY instructions.


If manual is missing, contact your dealer service department

1. Before starting engine or operation, clear area of bystanders.
2. Disengage drive (including PTO). Stop engine, wait for all movement to stop before leaving operator's position.
3. Keep all shields in place, keep hands, feet, clothing and hair away from moving parts.
4. Keep riders off machine.
5. Use Slow-Moving Vehicle (SMV) identification emblem and flashing warning lights when operating on highways, except when prohibited by law.
6. Never adjust, lubricate, clean or unplug machine with engine running.

Failure to comply could result in death or serious injury.

14

WARNING



Chains provided for your protection. Remain where instructed or leave when in motion. Failure to comply could result in death or serious injury.

22

DANGER



Avoid contact with electrical power lines.
Failure to comply will result in death or serious injury.

8

DANGER

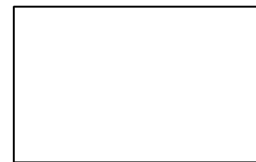


PINCH POINT HAZARD

- Keep hands, feet and body away from moving parts.
- DO NOT stand or sit on machine when operating.
- Hazard occurs during leveling and backfilling.

Failure to comply will result in death or serious injury.

15



24


WARNING



● Rotating augers.
● DO NOT enter grain tank with machine running.
Failure to comply could result in death or serious injury.

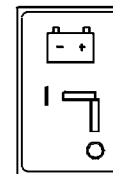
9

WARNING

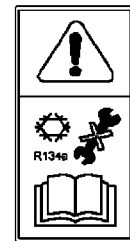


Keep hands and clothing away from rotating fan and belts.
Failure to comply could result in death or serious injury.

16



25



26


DECALS

REF	FN	PART NUMBER	YR/SN	QTY	DESCRIPTION
		0C		AR	ORDER COMPONENTS, Kit, English
		0C		AR	ORDER COMPONENTS, NA French
		0C		AR	ORDER COMPONENTS, Spanish
		0C		AR	ORDER COMPONENTS, Kit, Decals; Portuguese (Brazil)
2		86640447		1	WARNING DECAL, Seat Belt
2		86640448		1	WARNING DECAL, Seat Belt, French
2		86640450		1	WARNING DECAL, Seat Belt, Spanish
2		87707633		1	DECAL, Warning, Seat Belt, Portuguese (Brazil)
4		86640441		4	WARNING DECAL, Stand Clear
4		86640442		4	WARNING DECAL, Stand Clear, French
4		86640443		4	WARNING DECAL, Stand Clear, Spanish
4		87707632		4	DECAL, Stand Clear, Portuguese (Brazil)
5		86640438		1	WARNING DECAL, Instructional Seat, English
5		86640439		1	WARNING DECAL, Instructional Seat, French
5		86640440		1	WARNING DECAL, Instructional Seat, Spanish
5		87707631		1	DECAL, Warning, Instr Seat, Portuguese (Brazil)
6		86640435		2	WARNING DECAL, Hydraulic Fluid
6		86640436		2	WARNING DECAL, Hydraulic Fluid, French
6		86640437		2	WARNING DECAL, Hydraulic Fluid, Spanish
6		87707630		2	DECAL, Warning, Hydraulic Fluid, Portuguese (Brazil)
7		86640432		1	WARNING DECAL, Horn
7		86640433		1	WARNING DECAL, Horn, French
7		86640434		1	WARNING DECAL, Horn, Spanish
7		87707629		1	DECAL, Warning, Horn, Portuguese (Brazil)
8		86640429		1	DANGER DECAL, Electric
8		86640430		1	DANGER DECAL, Electric, French
8		86640431		1	DANGER DECAL, Electric, Spanish
8		87707628		1	DECAL, Danger, Electric, Portuguese (Brazil)
9		86640423		2	WARNING DECAL, Rotating Auger
9		86640424		2	DECAL, Warning, Rotating Auger, French
9		86640425		2	DECAL, Warning, Rotating Auger, Spanish
9		87707627		2	DECAL, Warning, Rotating Auger, Portuguese (Brazil)

**7120 8120 9120 7120
8120**

DECALS


WARNING



Always fasten seatbelt during operation.
Failure to comply could result in death or serious injury.

2

DANGER

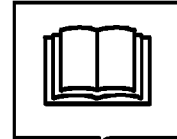


● Rotating auger under this cover.
● Keep hands out when machine is running.
Failure to comply will result in death or serious injury.

10



17



WARNING

STAND CLEAR



● Rotating flails under hood: Crop materials exiting at high speed.
● STOP machine, LOOK, LISTEN, and WAIT for all movement to stop before approaching.
Failure to comply could result in death or serious injury.

4

WARNING

SHIELD IS OPEN STAND CLEAR



Replace or close shield before operating machine.
Failure to comply could result in death or serious injury.

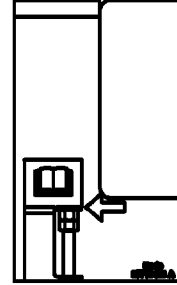
11

DANGER



DO NOT use other starting fluid. AN EXPLOSION MAY OCCUR. Failure to comply will result in death or serious injury.

18



23

WARNING


INSTRUCTIONAL SEAT



● To be used for training or diagnostic purposes.
● Extra riders, especially children, are NOT permitted on machine.
● Buckle up!
Failure to comply could result in death or serious injury.

5

WARNING



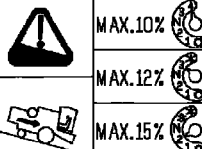
● Moving parts under this cover.
● DO NOT open cover while operating.
Failure to comply will result in death or serious injury.

12

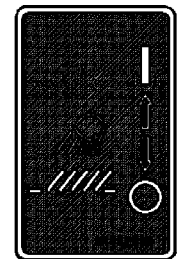
MAX.10%

MAX.12%

MAX.15%

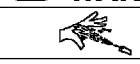


19



20


WARNING



● Hydraulic fluid under high pressure
● Read manual before attempting any service.
Failure to comply could result in death or serious injury.

6

DANGER



● Hand/arm/head will fall rapidly if hydraulic lift system should fail.
● Feet/head/arm/head on ground or against lift system indicates when reaching correct raised height/position.
Failure to comply will result in death or serious injury.

13

WARNING

Before operating machine, read operator's manual and ALL SAFETY instructions.

If manual is missing, contact your dealer service department

1. Before starting engine or operation, clear area of bystanders.
2. Disengage drive (including PTO). Stop engine, wait for all movement to stop before leaving operator's position.
3. Keep all shields in place, keep hands, feet, clothing and hair away from moving parts.
4. Keep riders off machine.
5. Use Slow-Moving Vehicle (SMV) identification emblem and flashing warning lights when operating on highways, except when prohibited by law.
6. Never adjust, lubricate, clean or unplug machine with engine running.

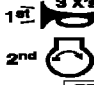
Failure to comply could result in death or serious injury.

14



21

WARNING




Before starting engine or any function.

- Warn bystanders
- Sound horn 3 times.

Failure to comply could result in death or serious injury.

7

WARNING



● (blade) provided for your protection. Reattach when wheelbarrow or tender comes in motion.
Failure to comply could result in death or serious injury.

22

DANGER



Avoid contact with electrical power lines.
Failure to comply will result in death or serious injury.

8

DANGER



PINCH POINT HAZARD

- Keep hands, feet and body away from moving parts.
- DO NOT stand or sit on machine when operating.
- Hazard occurs during leveling and backfilling.

Failure to comply will result in death or serious injury.

15



24


WARNING



● Rotating augers.
● DO NOT enter grain tank with machine running.
Failure to comply could result in death or serious injury.

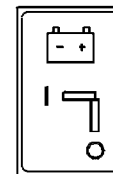
9

WARNING

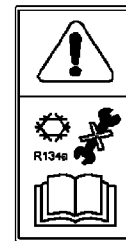


Keep hands and clothing away from rotating fan and belts.
Failure to comply could result in death or serious injury.

16



25



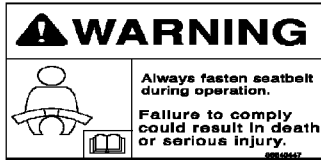
26

DECALS

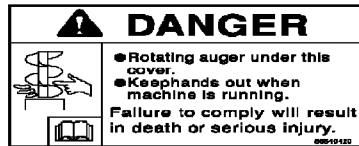
REF	FN	PART NUMBER	YR/SN	QTY	DESCRIPTION
10		86640420		4	DANGER DECAL, Rotating Auger
10		86640421		4	DANGER DECAL, Rotating Auger, French
10		86640422		4	DANGER DECAL, Rotating Auger, Spanish
10		87707626		4	DECAL, Danger, Rotating Auger, Portuguese (Brazil)
11		86626959		3	WARNING DECAL, Shield Open, English
11		86624741		3	WARNING DECAL, French
11		86624653		3	WARNING DECAL, Spanish
11		87707636		3	DECAL, Warning, Portuguese (Brazil)
12		86626958		16	WARNING DECAL, Moving Parts, English
12		86626961		16	WARNING DECAL, Moving Parts, French
12		86626962		16	WARNING DECAL, Moving Parts, Spanish
12		87527677		14	DECAL, Warning, Moving Parts, Portuguese (Brazil)
13		86624774		4	DANGER DECAL, Header Crush
13		86625174		4	DANGER DECAL, French
13		86625175		4	DANGER DECAL, Spanish
13		87707625		4	DECAL, Danger, Portuguese (Brazil)
14		86622073		1	WARNING DECAL, Before Operating, Read Owner's Manual, English
14		86622074		1	WARNING DECAL, Before Operating, Read Owner's Manual, French
14		86622075		1	WARNING DECAL, Before Operating, Read Owner's Manual, Spanish
14		87707624		1	DECAL, Warning - Before Operating, Read Owner's Manual, Portuguese (Brazil)
15		84128537		3	DECAL, Warning, Pinch Area
15		84146171		3	DECAL, Warning, Pinch Area, French
15		87612725		3	DECAL, Warning, Pinch Area, Spanish
16		86501511		1	WARNING DECAL, Fan
16		86509716		1	WARNING DECAL, Fan, French
16		86601164		1	WARNING DECAL, Fan, Spanish
16		87559298		1	DECAL, Warning, Fan, Portuguese (Brazil)
17		84432904		2	DECAL, For English, French, and Spanish
18		629086		2	DANGER DECAL, Not Use Ether Starting Fluid
18		682683		2	DANGER DECAL, French
18		86600617		2	DANGER DECAL, Spanish

**7120 8120 9120 7120
8120**

DECALS



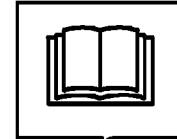
2



10



17



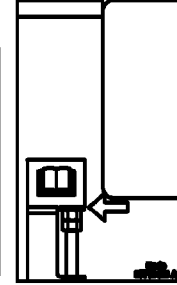
4



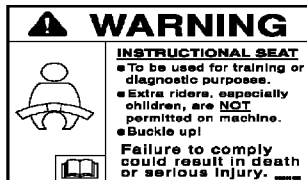
11



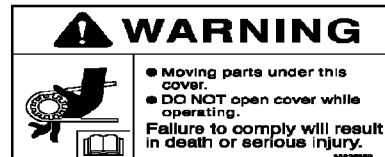
18



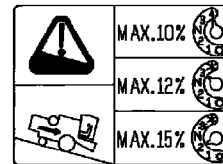
23



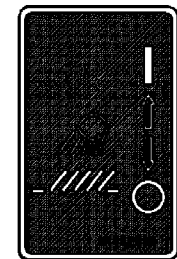
5



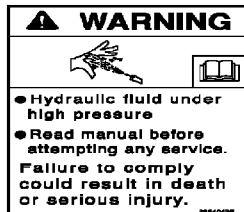
12



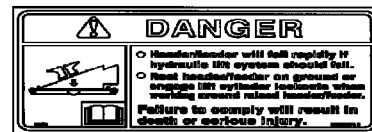
19



20



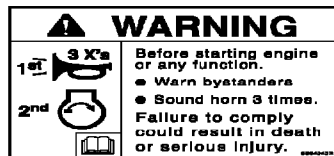
6



13



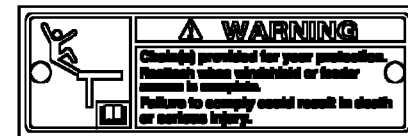
21



7



14



22



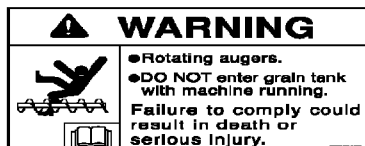
8



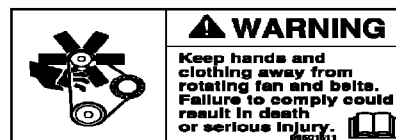
15



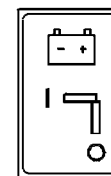
24



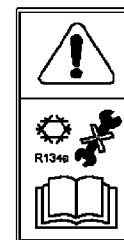
9



16



25



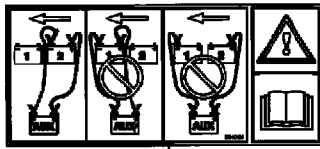
26

DECALS

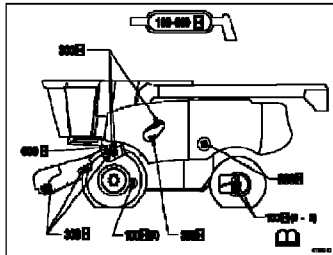
REF	FN	PART NUMBER	YR/SN	QTY	DESCRIPTION
18		87527676		2	DECAL, Danger, Portuguese (Brazil)
19		84439462		1	DECAL, For English, French, and Spanish
20		87623369		1	DECAL, For English, French, and Spanish
21		449973		4	DECAL, For English, French, and Spanish
22		87385554		1	WARNING DECAL, Safety Chain, English
22		87390899		1	WARNING DECAL, Safety Chain, French
22		87390900		1	WARNING DECAL, Safety Chain, Spanish
22		87707635		1	DECAL, Warning, Portuguese (Brazil)
23		87719433		1	DECAL, Elevator Chain Tension
24		87713232		1	DECAL, Black Backing
25		86729633		1	DECAL, Battery Switch
26		84012596		1	DECAL

**7120 8120 9120 7120
8120**

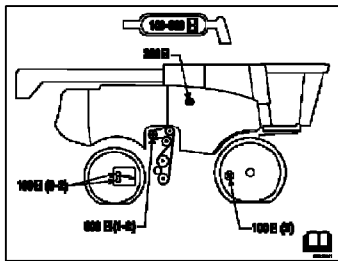
DECALS



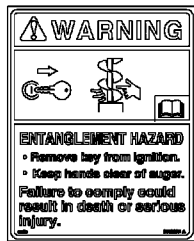
1



2



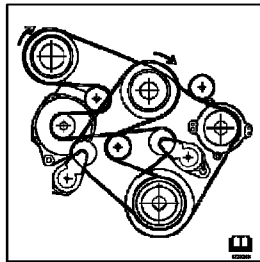
3



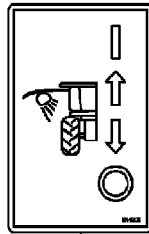
26



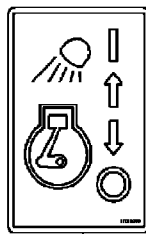
4



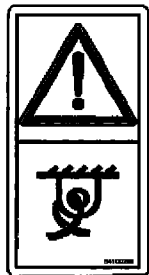
5



6



7



8



9



10



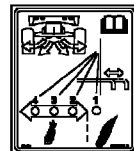
11



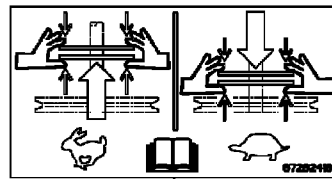
12



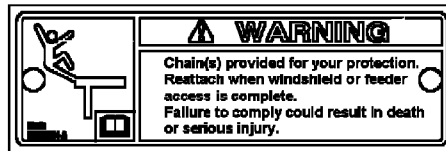
13



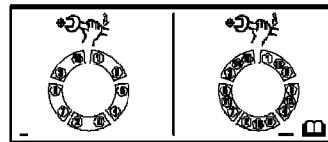
21



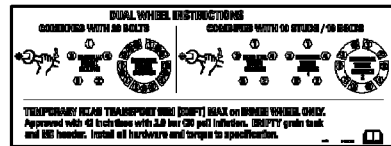
15



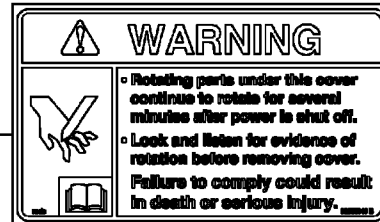
16



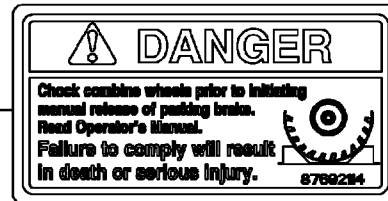
17



18



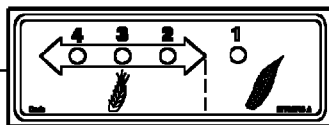
19



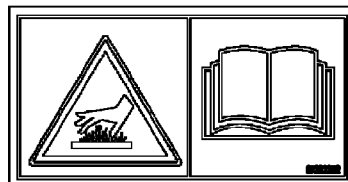
20



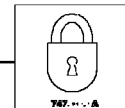
23



22



14



24



25

DECALS

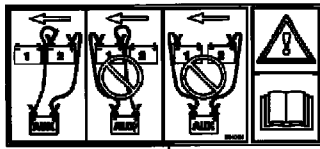
REF	FN	PART NUMBER	YR/SN	QTY	DESCRIPTION
1		86640426		1	DECAL, Safety, For English, French, and Spanish
2		87645433		1	DECAL, Lubrication, L.H., For English, French, and Spanish
3		87335441		1	DECAL, Lubrication, R.H., For English, French, and Spanish
4		84004742		1	DECAL, For English, French, and Spanish
5	1	87282434		1	DECAL, Engine Belt Routing, For English, French, and Spanish
6		87623370		1	DECAL, Light Switch, For English, French, and Spanish
7		87623371		1	DECAL, Light Switch, For English, French, and Spanish
8		84100296		8	DECAL, For English, French, and Spanish
9		84078384		2	DECAL, For English, French, and Spanish
10		84439510		2	DECAL, For English, French, and Spanish
11		84128537		2	DECAL, Pinch Point, For English
11		84146171		2	DECAL, Pinch Point, French
11		84146173		2	DECAL, Pinch Point, Spanish
11		84146176		2	DECAL, Pinch Point, Portuguese (Brazil)
12		688443		1	DECAL, Caution, STAND CLEAR; English
13		9826789		1	DANGER DECAL, Rotating Driveline, English
13		9827448		1	DANGER DECAL, French
13		87013474		1	DECAL, Danger, Spanish
13		87707623		1	DECAL, Danger, Portuguese (Brazil)
14		87282352		2	DECAL, HOT, For English, French, and Spanish
15		87282418		2	DECAL, High/Low, For English, French, and Spanish
16		87385554		1	WARNING DECAL, Safety Chain, English
16		87390899		1	WARNING DECAL, Safety Chain
16		87390900		1	WARNING DECAL, Safety Chain
16		87707635		1	DECAL, Safety Chain, Portuguese (Brazil)
17	2	87570139		2	DECAL, Bolt Torquing Sequence, Single Drive Wheels
18	2	87563205		2	DECAL, Bolt Torquing Sequence, Dual Drive Wheels

(1) 8120 Only

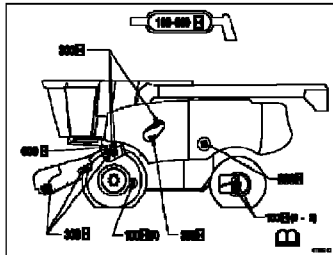
(2) NA

7120 8120 9120 7120
8120

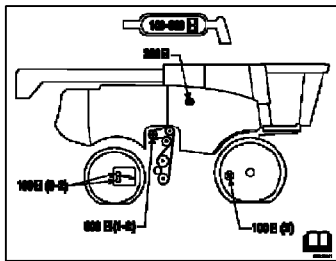
DECALS



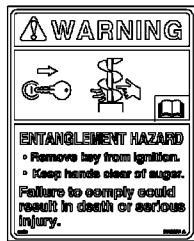
1



2



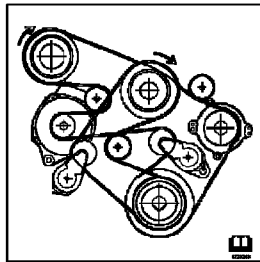
3



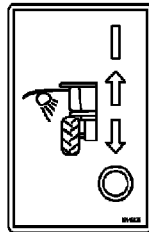
26



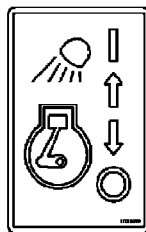
4



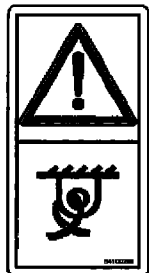
5



6



7



8



9



10



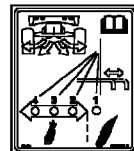
11



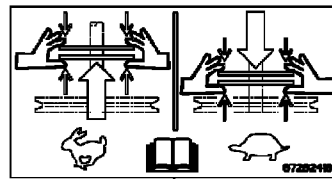
12



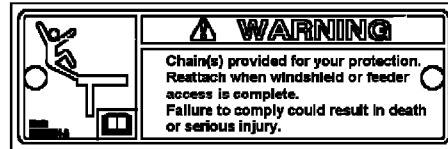
13



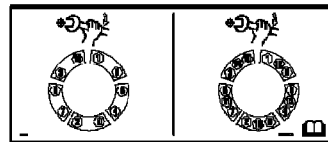
21



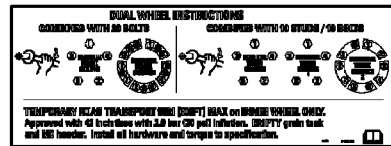
15



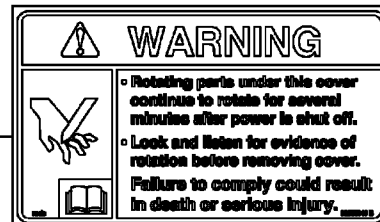
16



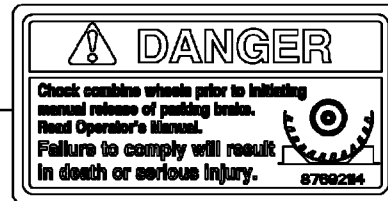
17



18



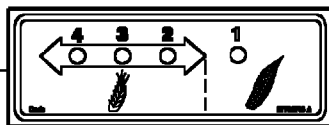
19



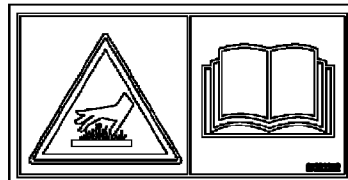
20



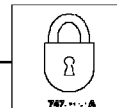
23



22



14



24



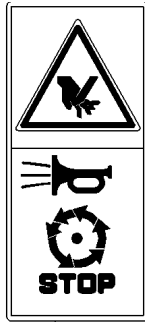
25

DECALS

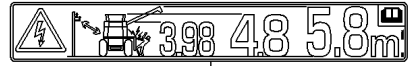
REF	FN	PART NUMBER	YR/SN	QTY	DESCRIPTION
19		87498470		2	DECAL, WARNING - Rotating Parts Continue To Rotate, English
19		87498471		2	DECAL, WARNING - Rotating Parts Continue To Rotate, French
19		87498472		2	DECAL, WARNING - Rotating Parts Continue To Rotate, Spanish
19		87498473		2	DECAL, WARNING - Rotating Parts Continue To Rotate, Portuguese (Brazil)
20		87692114		1	DECAL, DANGER - Chock Combine Wheels, English
20		87707638		1	DECAL, DANGER - Chock Combine Wheels, French
20		87707639		1	DECAL, DANGER - Chock Combine Wheels, Spanish
20		87707637		1	DECAL, DANGER - Chock Combine Wheels, Portuguese
21		87728707		1	DECAL, Chopper Discharge Deflector Plate
22		87728708		1	DECAL, Chopper Discharge Deflector Handle
23		418242A3		1	WARNING DECAL, Hot Surface Hazard, English
23		87415863		1	WARNING DECAL, Hot Surface Hazard, Spanish
23		87415862		1	WARNING DECAL, Hot Surface Hazard, French
23		87415864		1	WARNING DECAL, Hot Surface Hazard, Portuguese (Brazil)
23		87415865		1	WARNING DECAL, Hot Surface Hazard, EU
24		87479089		AR	DECAL, Lock
25		87479090		AR	DECAL, Unlock
26		84128541		1	DECAL, ENTANGLEMENT HAZARD
26		84131410		1	DECAL, ENTANGLEMENT HAZARD, French
26		84128542		1	DECAL, ENTANGLEMENT HAZARD, Spanish
26		84131893		1	DECAL, ENTANGLEMENT HAZARD, Portuguese (Brazil)

**7120 8120 9120 7120
8120**

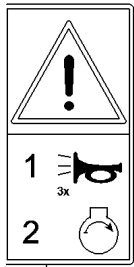
DECALS - EU



1



2



3



4



7



8



9

"Achtung! Fahrzeug schert aus".

11



10



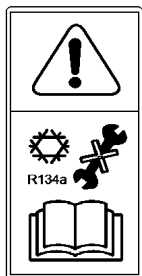
5



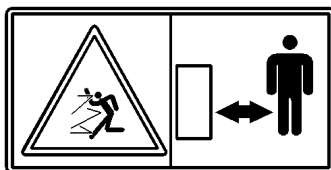
12



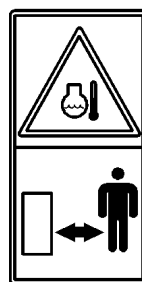
13



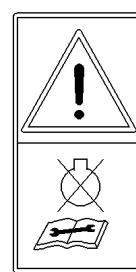
14



15



16



17



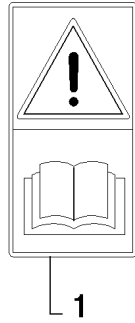
18

DECALS - EU

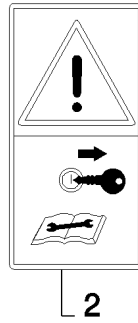
REF	FN	PART NUMBER	YR/SN	QTY	DESCRIPTION
		87105654			DECAL KIT
1		84014117		11	DECAL
2		84128540		1	DECAL, Combine Dimensions
3		84012892		1	DECAL
4		84012893		1	DECAL
5		84072701		1	DECAL, 25 KPH
7		84011345		2	DECAL, Safety Chain Entangle
8		84005363		2	DECAL
9		84004735		2	DECAL
10		89513272		3	DECAL, "20" - Germany Only
11		425961		1	DECAL, Slow moving Vehicle - Germany Only
12		84004740		2	DECAL
13		84004742		1	DECAL
14		84012596		1	DECAL
15		84004739		2	DECAL
16		84432981		1	DECAL
17		84004733		1	DECAL
18		84004732		2	DECAL

**7120 8120 9120 7120
8120**

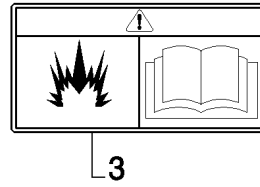
DECALS - EU



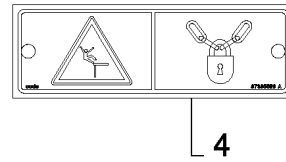
1



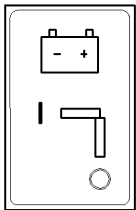
2



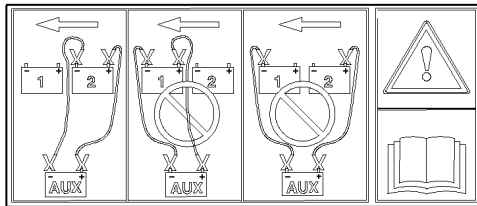
3



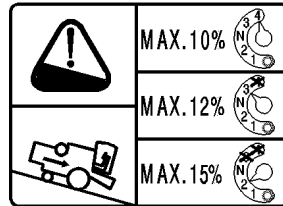
4



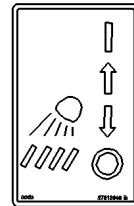
5



6



7



8



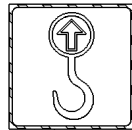
9



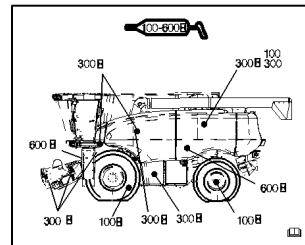
10



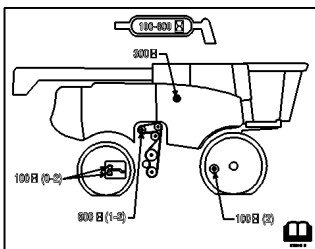
11



12



13



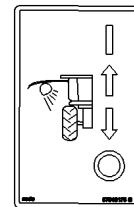
14



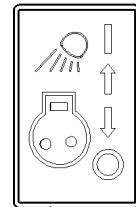
15



16



17



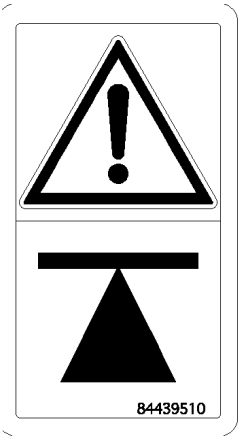
18

DECALS - EU

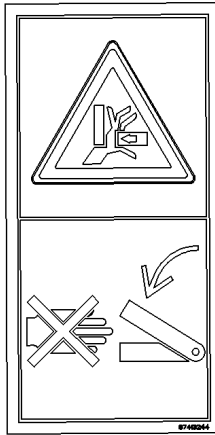
REF	FN	PART NUMBER	YR/SN	QTY	DESCRIPTION
		87105654			DECAL KIT
1		84004731		1	DECAL
2		84004744		2	DECAL
3		87802167		1	DECAL
4		87395659		1	DECAL, Safety Chain, Top - With Ladder Ext
5		86729633		1	DECAL, Battery Switch
6		86640426		1	DECAL
7		84439462		1	DECAL
8		87623369		1	DECAL
9		84432904		2	DECAL
10		84100296		6	DECAL
11		84078384		2	DECAL
12		449973		5	DECAL
13		87645433		1	DECAL, Lubrication, L.H.
14		87335441		1	DECAL, Lubrication, R.H.
15		84004734		2	DECAL, Safety
16		84004736		4	DECAL
17		87623370		1	DECAL
18		87623371		1	DECAL, Light Switch

**7120 7120 8120 9120
8120**

DECALS - EU



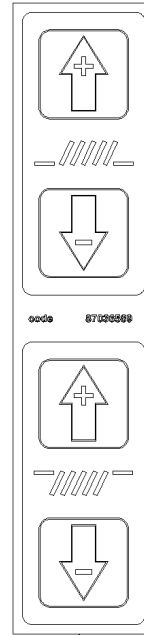
1



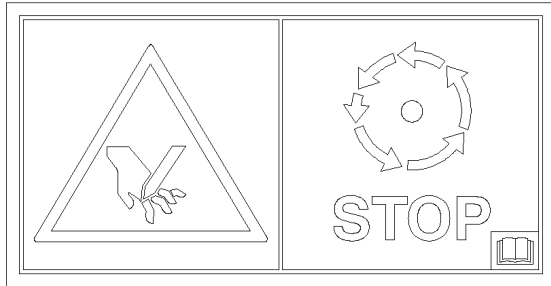
2



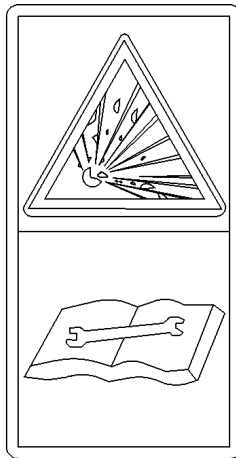
3



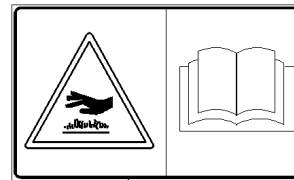
4



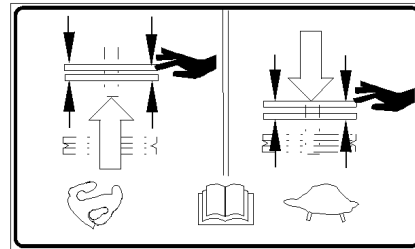
5



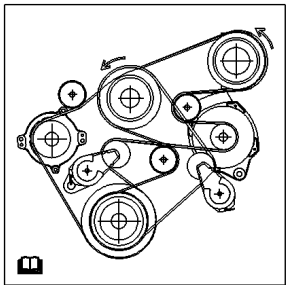
6



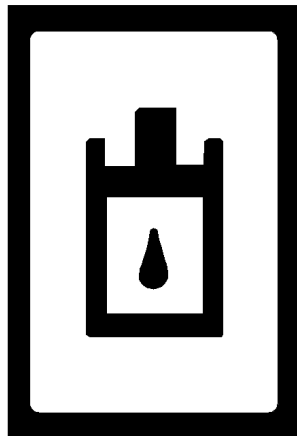
7



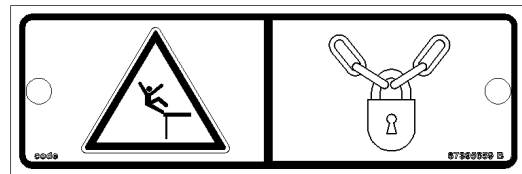
8



9



10



11

DECALS - EU

REF	FN	PART NUMBER	YR/SN	QTY	DESCRIPTION
		87105654			DECAL KIT
1		84439510		2	DECAL
2		87413244		2	DECAL, Pinch Point
3		86999254		1	DECAL
4		87036589		1	DECAL
5		87479097		1	DECAL, Moving Parts
6		84005363		1	DECAL
7		87282352		2	DECAL, HOT
8		87282418		2	DECAL, High/Low
9	1	87282434		1	DECAL, Engine Belt Routing
10		922220		1	DECAL, Hydraulic Fluid Fill
11		87395659		1	DECAL, Warning
(1)	8120 Only				

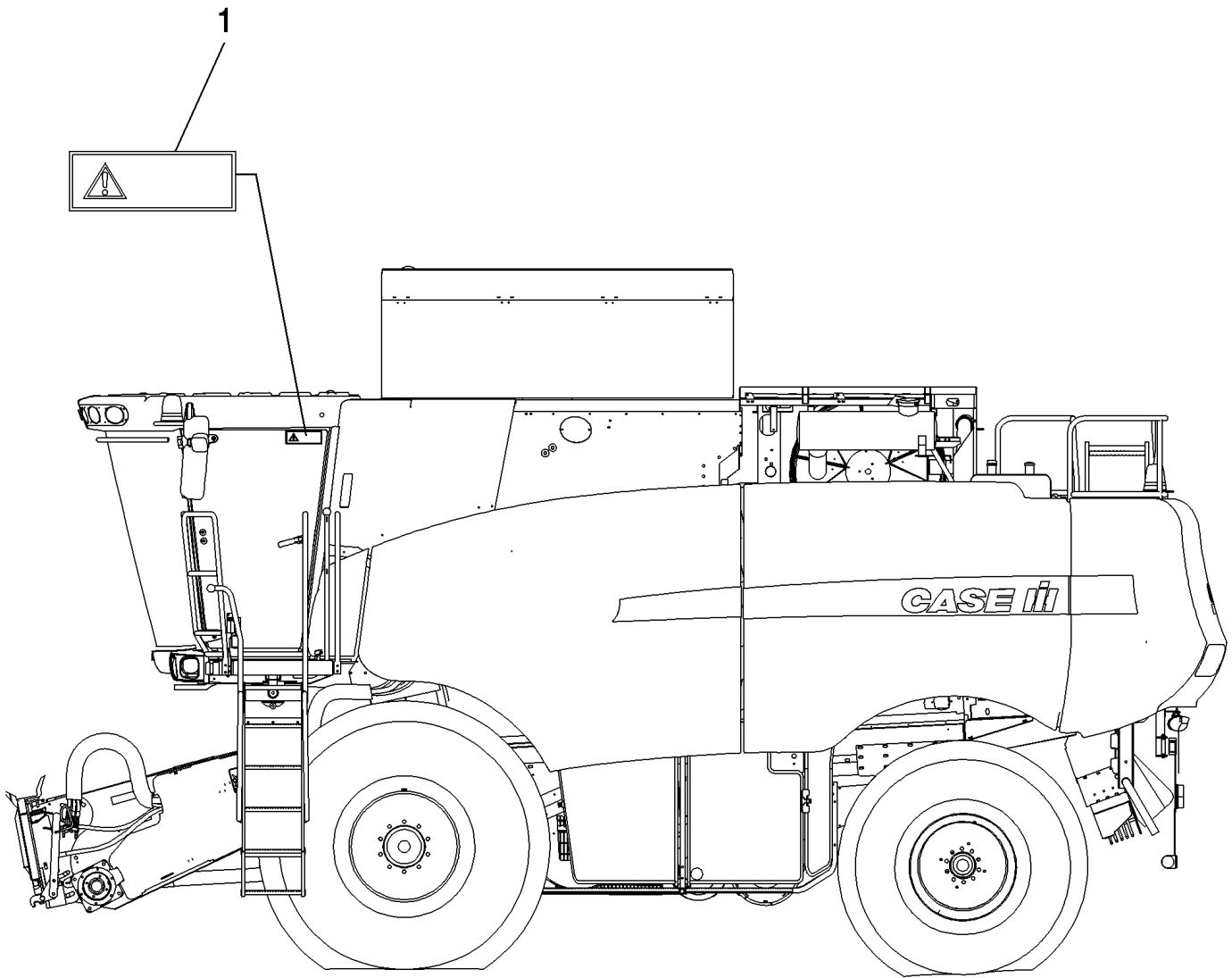
**7120 7120 8120 9120
8120**

90.108.10

p1

10/09

DECALS - RUSSIA ONLY - 7120, 8120, 9120



90.108.10

p1

10/09

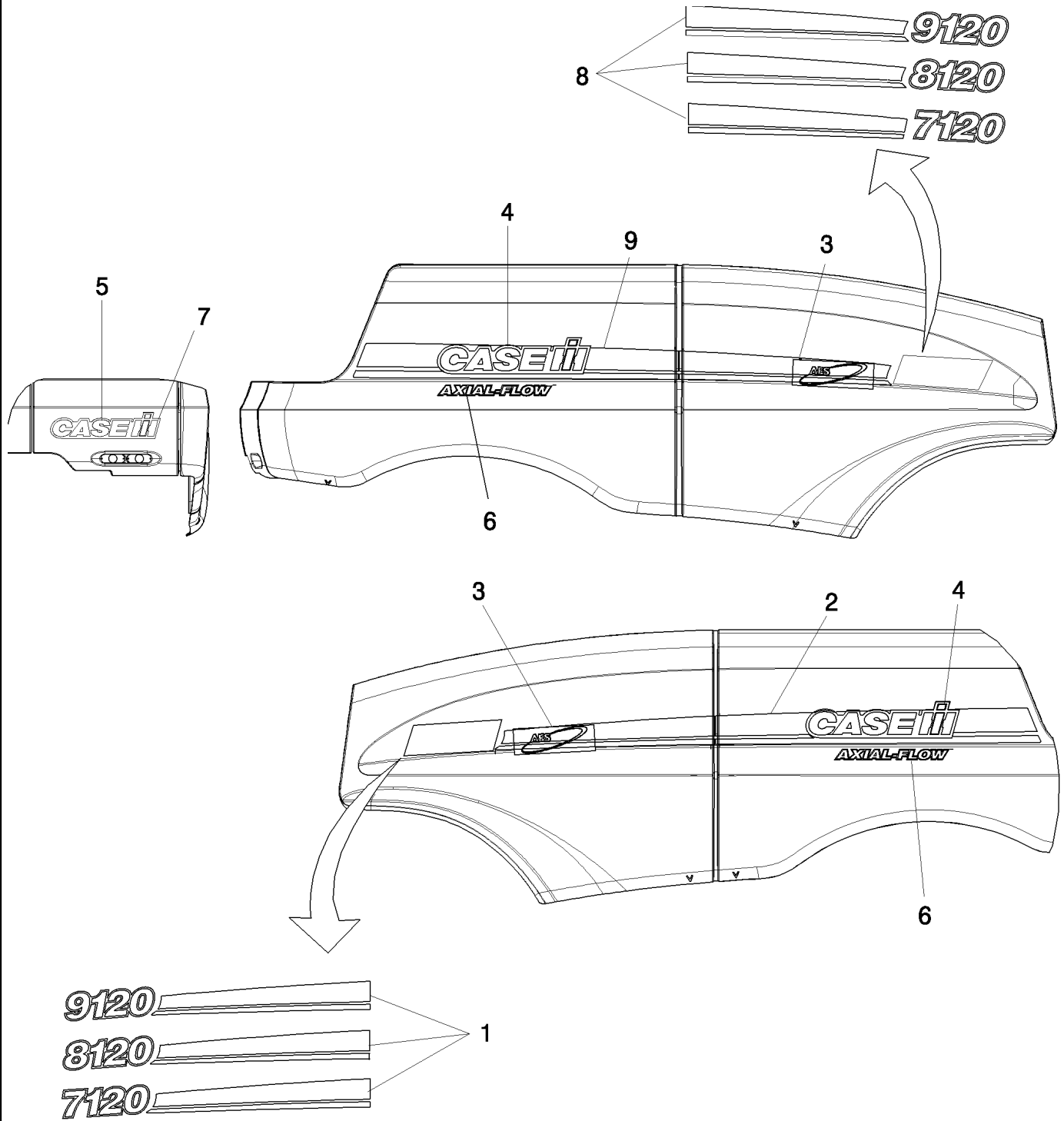
DECALS - RUSSIA ONLY - 7120, 8120, 9120

REF	FN	PART NUMBER	YR/SN	QTY	DESCRIPTION
-----	----	-------------	-------	-----	-------------

1		84429052		1	DECAL
---	--	----------	--	---	-------

7120 8120 9120

DECALS - MODEL & BRAND

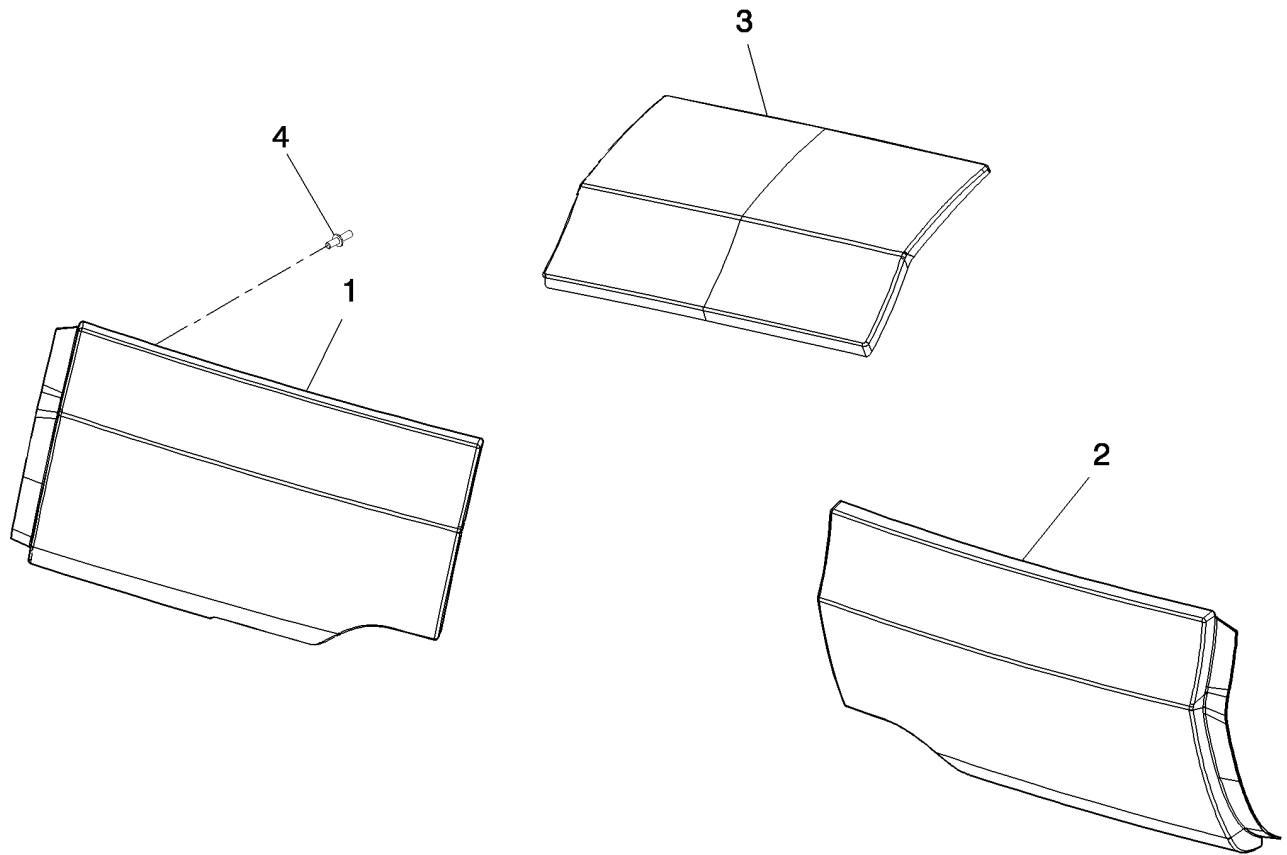


DECALS - MODEL & BRAND

REF	FN	PART NUMBER	YR/SN	QTY	DESCRIPTION
1		87692319		1	DECAL, Front, 7120, L.H.
1		87692321		1	DECAL, Front, 8120, L.H.
1		87692323		1	DECAL, Front, 9120, L.H.
2		87680083		1	DECAL, Rear, L.H.
3		87107364		2	DECAL, AFS Overlay
4		87556588		2	DECAL, Side, Case IH
5		87556985		1	DECAL, Rear, Case IH
6		87556579		2	DECAL, Axial-Flow
7		87647829		1	DECAL, Background
8		87692320		1	DECAL, Front, 7120, R.H.
8		87692322		1	DECAL, Front, 8120, R.H.
8		87692324		1	DECAL, Front, 9120, R.H.
9		87680084		1	DECAL, Rear, R.H.

**7120 8120 9120 7120
8120**

PANELS, REAR - EU - 7120, 8120, 9120



90.110.11

p1

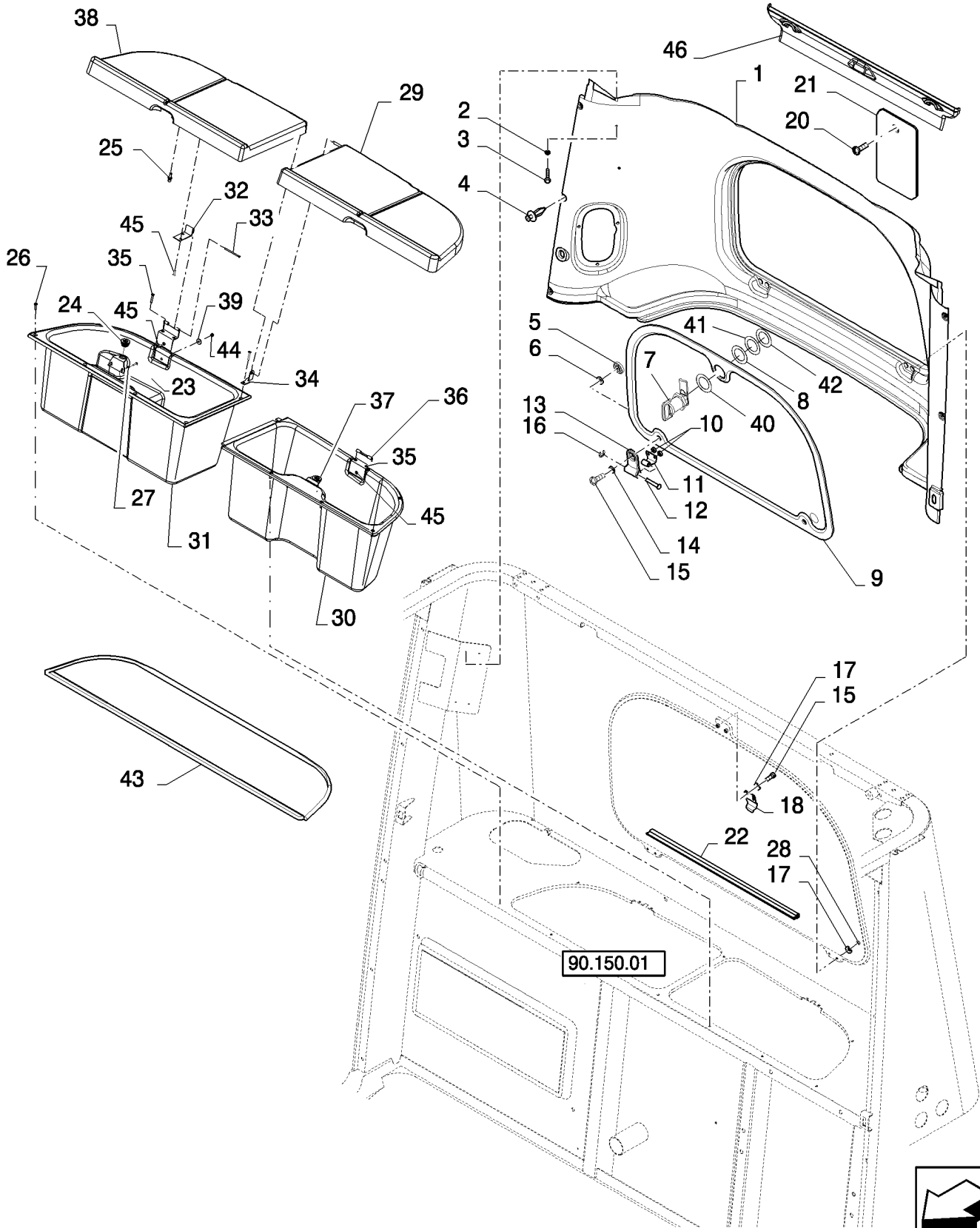
02/10

PANELS, REAR - EU - 7120, 8120, 9120

REF	FN	PART NUMBER	YR/SN	QTY	DESCRIPTION
1		87688623		1	PANEL ASSY., L.H.; Includes Ref 4(5)
2		87688625		1	PANEL ASSY., R.H.; Includes Ref 4(5)
3		87628200		1	SHIELD, Center; Includes Ref 4(4)
4		449901A1		14	STUD

8120 9120 7120

PANEL, REAR, UPPER, CAB INTERIOR

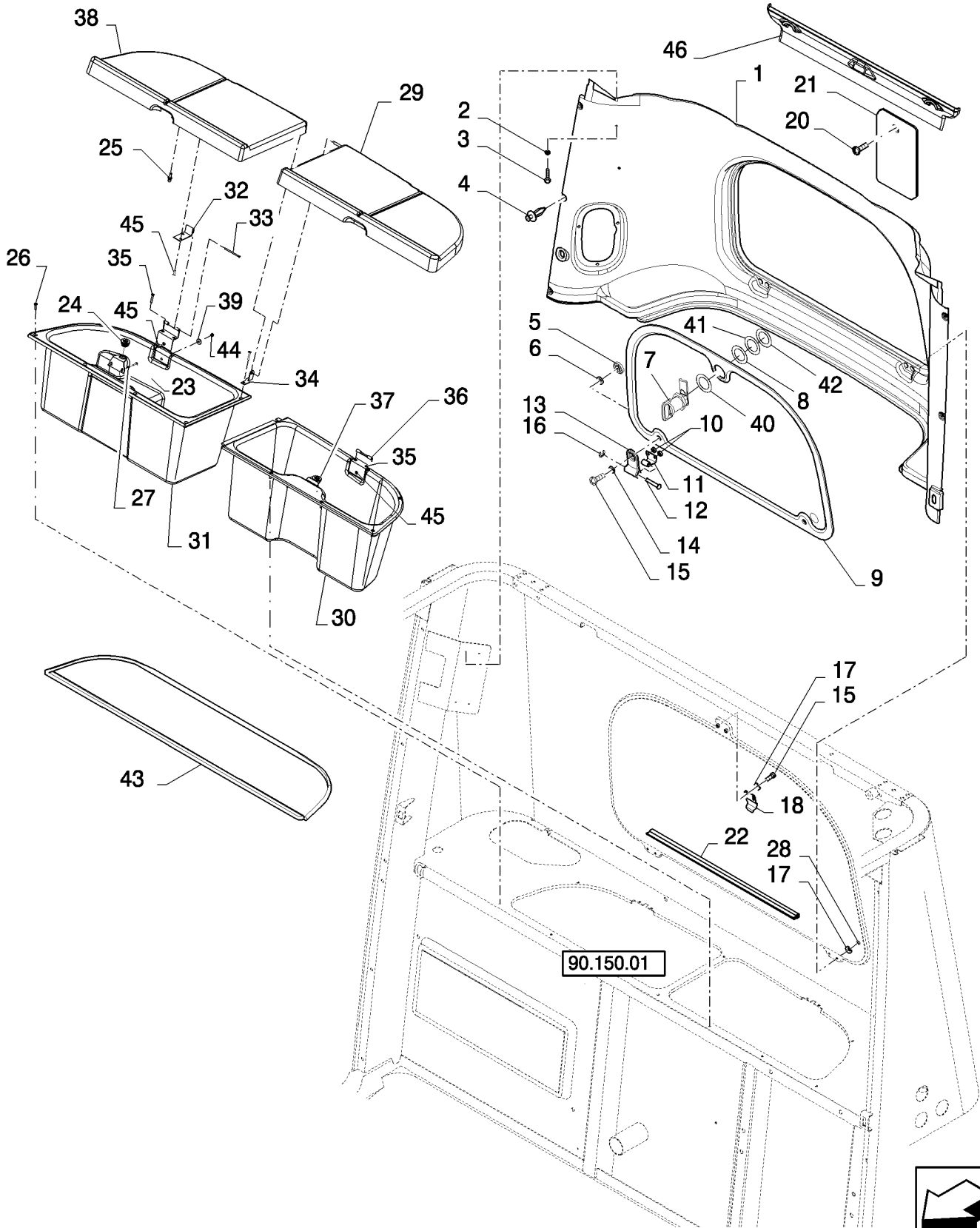


PANEL, REAR, UPPER, CAB INTERIOR

REF	FN	PART NUMBER	YR/SN	QTY	DESCRIPTION
1		86995951		1	LINER, Soft Trim, Upper
2		84607406		2	WASHER, M4 x 15 x 2 Thk
3		84607407		2	SELF-TAP SCREW, Hex, Flg, M4 x 30
4		84320280		9	PLUG
5		86531235		2	BUSHING
6		86531234		2	RUBBER WASHER
7		84441355		1	LATCH
8		84441337		1	MOUNTING PLATE, Washer
9		87665069		1	GLASS,CAB, Rear
10		84061305		4	SPACER
11		84435282		2	HINGE
12		87032578		2	PIN
13		84061288		2	HINGE
14		84072877		2	WASHER, M6 x 22 x 0.3 Thk
15		84073086		8	LOCK SCREW, Cross, Rd Hd, M6 x 20
16		89992582		2	CIRCLIP, M8
17		322357		6	BELLEVILLE WASHER, M6
18		84440747		1	PLATE, Stop
19		87106805		1	SEAL
20		87012023		1	LATCH, Fuse Panel
21		87107708		1	DOOR, Fuse Panel
22		86979500		1	SEAL
23		86511816		4	SCREW, Cross Pan Hd, M3 x 16
24		87527749		2	LOCKING RING, Receiver
25		87527748		2	LOCK PIN
26		86511042		9	SCREW, Cross Pan Hd, M4 x 16
27		86509827		4	LOCK WASHER, M3
28		9706755		4	NUT, M6, CI 8
29		87527239		1	SEAT CUSHION, R.H.
30		87106698		1	BOX, Storage, L.H.
31		87656835		1	BOX, Storage, R.H.
32		87517133		2	HINGE
33		84432117		2	PIN
34		87527750		1	BRACKET
35		412477		5	SCREW, Cross Oval Hd, M4 x 25

**7120 8120 9120 7120
8120**

PANEL, REAR, UPPER, CAB INTERIOR

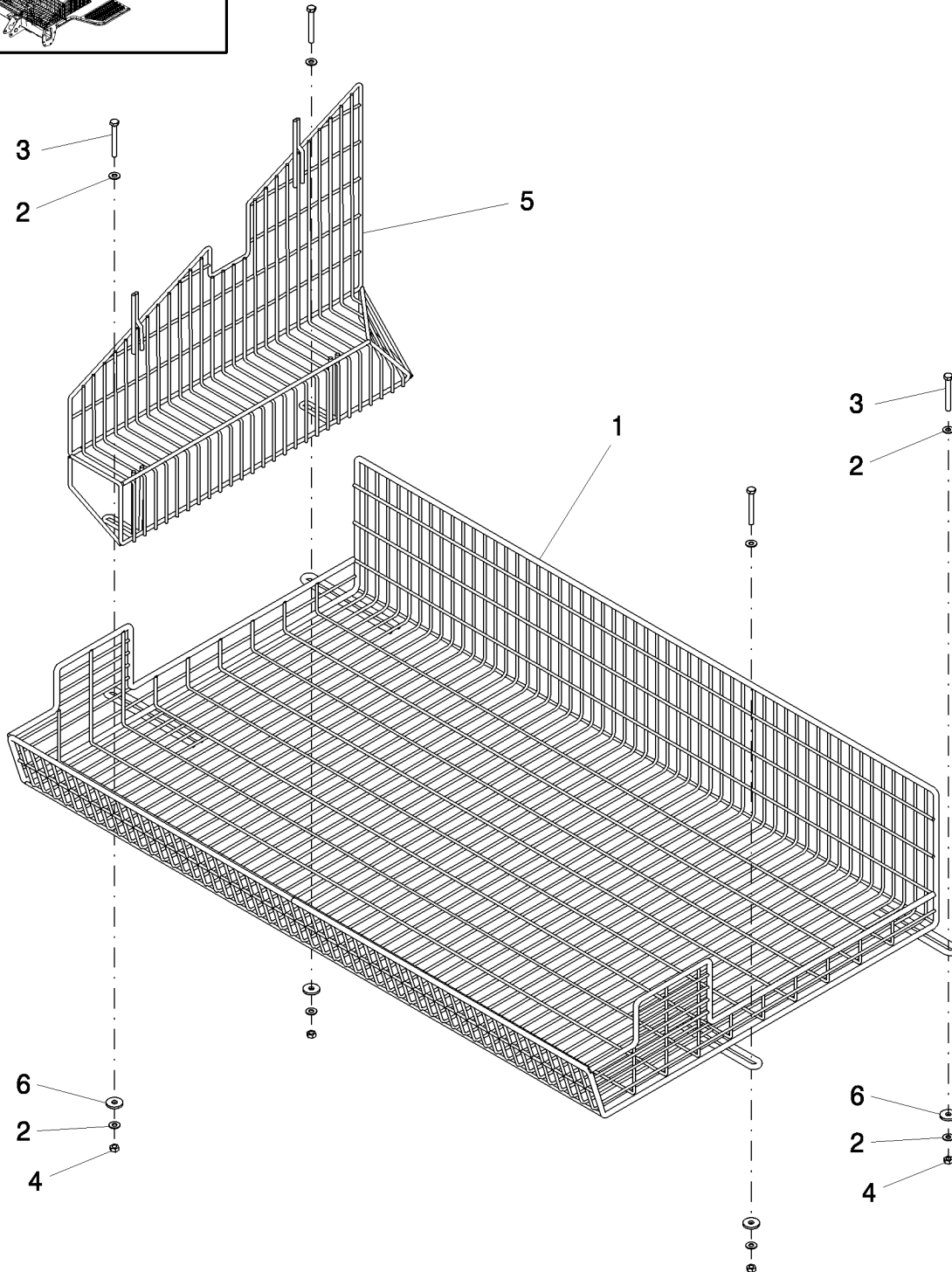
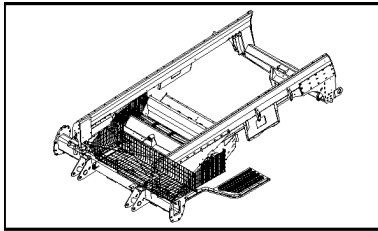


PANEL, REAR, UPPER, CAB INTERIOR

REF	FN	PART NUMBER	YR/SN	QTY	DESCRIPTION
36		84432119		2	HINGE
37		87516749		2	SUPPORT
38		86995948		1	CUSHION
39		335872		2	WASHER, M4 x 15 x 2 Thk
40		84441321		1	BUSHING
41		84441319		1	SEAL, Latch
42		84441333		1	SPECIAL WASHER, Latch
43		87106697		1	SEAL
44		385681		2	LOCK NUT, M4 x .7, CI 8
45		9844205		6	SCREW, CSK, Oval Hd, M4 x 14, Full Thd, CI 4.8
46		87638438		1	GUARD, Dust

**7120 8120 9120 7120
8120**

SHIELD, FAN BOTTOM



SHIELD, FAN BOTTOM

REF	FN	PART NUMBER	YR/SN	QTY	DESCRIPTION
1	1	87562333		1	SPLASH SHIELD
1	2	87569781		1	SPLASH SHIELD
2		322358		8	BELLEVILLE WASHER, M8
3		86639028		4	BOLT, Hex, M8 x 65, 8.8, Full Thd
4		9706690		4	NUT, M8, CI 8
5		87562324	ASN Y9G207255	1	SPLASH SHIELD
5		87492004	BSN Y9G207255	1	SHIELD, Splash
5	3	87562324		1	SPLASH SHIELD, R.H., 7120
6		140041		4	WASHER, M8 x 28 x 3

- (1) 7120 Only
- (2) 8120 & 9120 Only
- (3) For Narrow Tire Offering

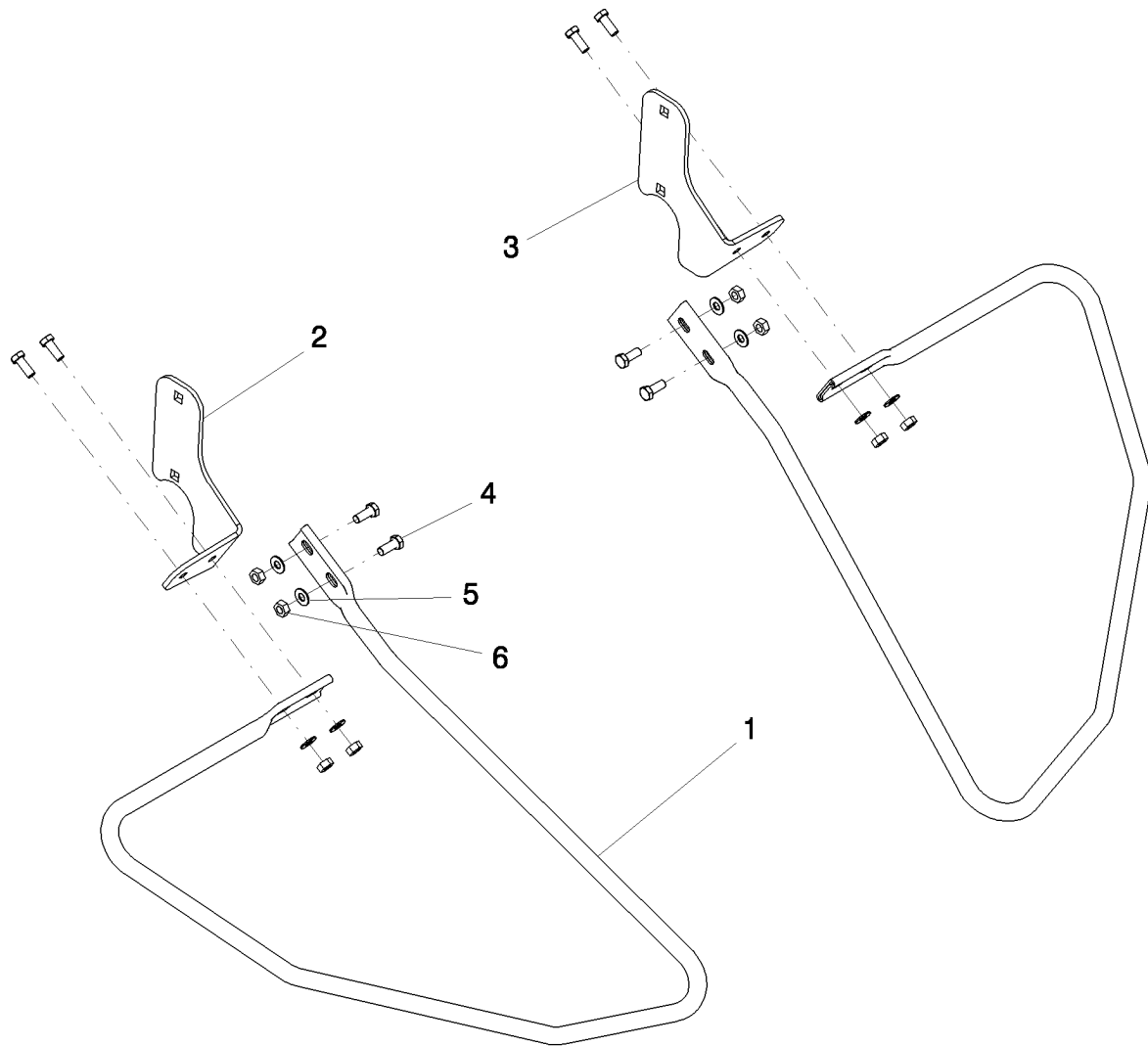
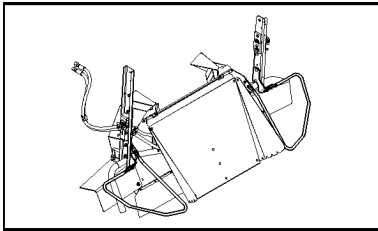
**8120 9120 7120 7120
8120**

90.114.08

p1

10/09

GUARD, STRAW SPREADER - EU ONLY - 7120, 8120, 9120



90.114.08

p1

10/09

GUARD, STRAW SPREADER - EU ONLY - 7120, 8120, 9120

REF	FN	PART NUMBER	YR/SN	QTY	DESCRIPTION
1		87724578		2	SUPPORT, Straw Spreader
2		87724580		1	SUPPORT, L.H., Straw Spreader
3		87724582		1	SUPPORT, R.H., Straw Spreader
4		43139		8	BOLT, Hex, M10 x 25, 8.8, Full Thd
5		140045		8	BELLEVILLE WASHER, M10
6		100016		8	NUT, M10, CI 8

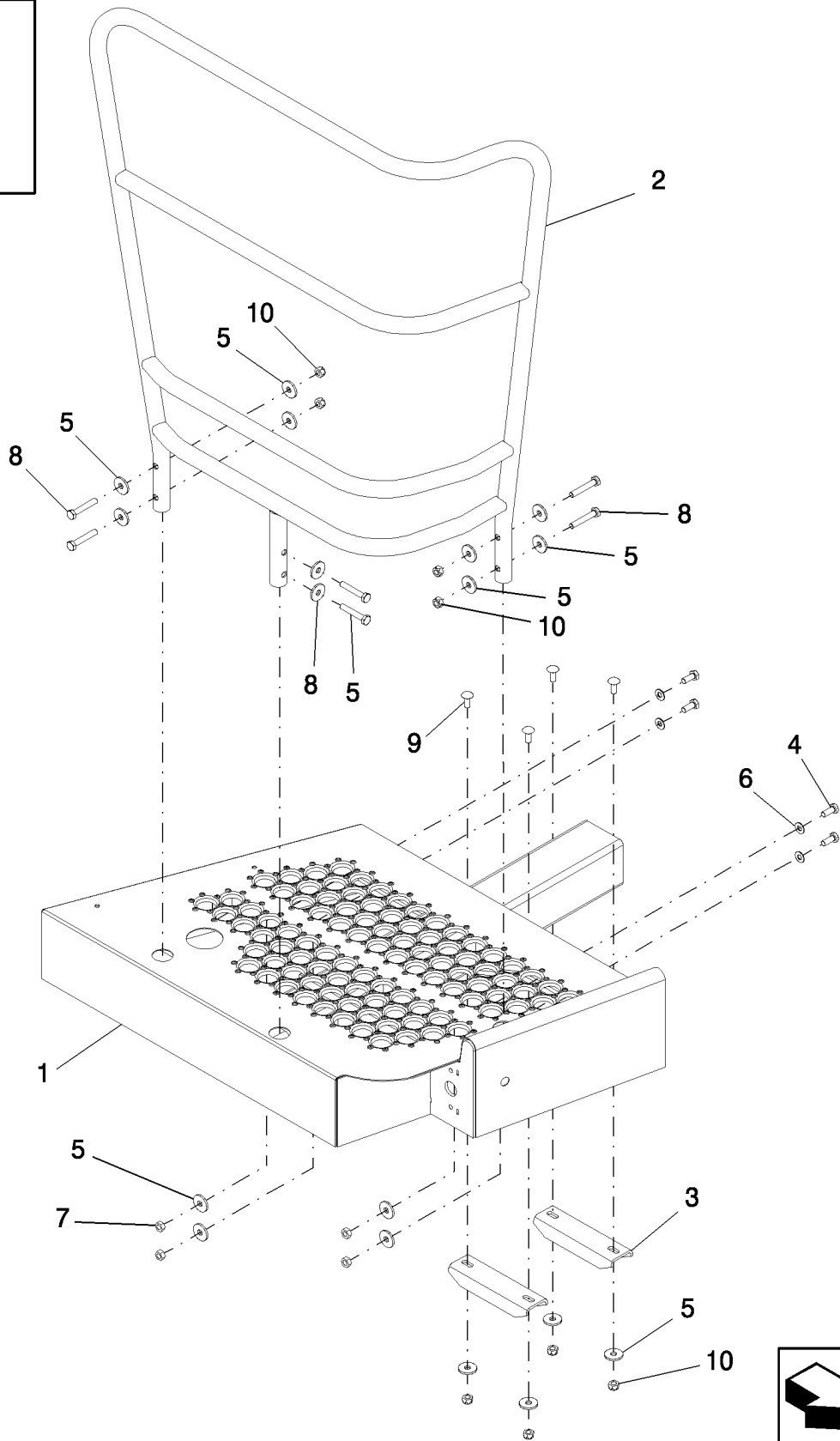
7120 8120 9120

90.115.03

p1

08/09

USER PLATFORM, R.H.



USER PLATFORM, R.H.

REF	FN	PART NUMBER	YR/SN	QTY	DESCRIPTION
1	1	87548613		1	RIGID PLATFORM
1	2,3	84197852		1	PLATFORM
2		87281293		1	HANDRAIL
3		87281554		2	PLATE
4		140045		4	BELLEVILLE WASHER, M10
5		140042		18	WASHER, M10 x 34 x 3
6		43139		4	BOLT, Hex, M10 x 25, 8.8, Full Thd
7		100016		4	NUT, M10, CI 8
8		120070		6	BOLT, Hex, M10 x 60, 8.8
9		86633356		4	CARRIAGE BOLT, Short NK, M10 x 25, CI8.8, Full Thd
10		100037		8	NUT, M10 x 1.5, CI 8

- (1) Prior to 3/1/09
- (2) From 3/1/09
- (3) Required for 710 Narrow Tire Option

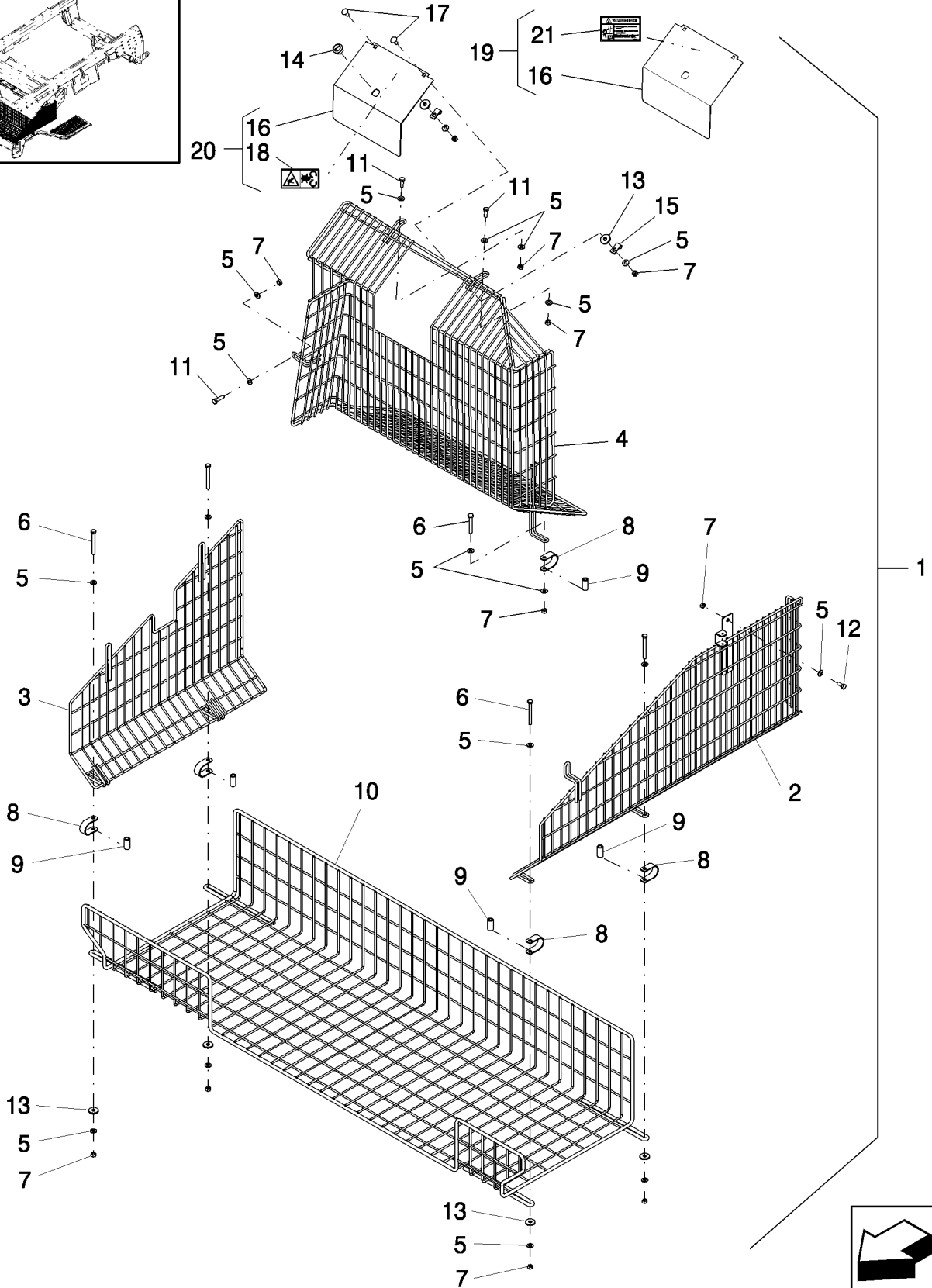
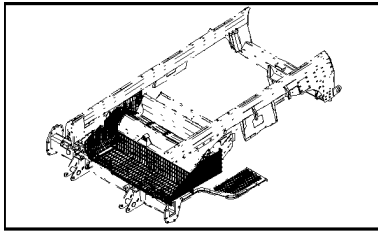
**8120 9120 7120 7120
8120**

90.115.10

p1

02/10

KIT, FAN SHIELD - 8120/8120(LA), 9120



KIT, FAN SHIELD - 8120/8120(LA), 9120

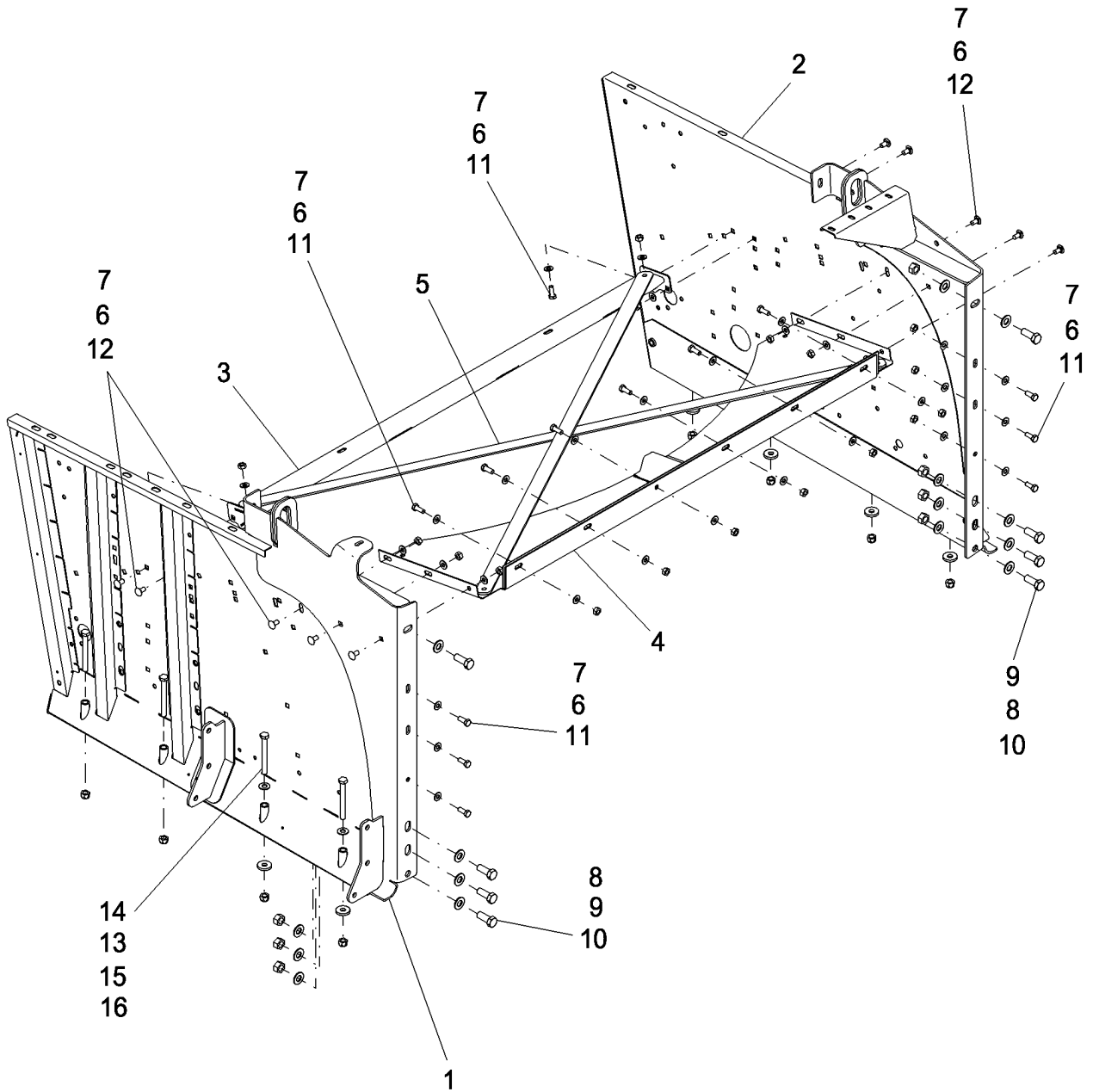
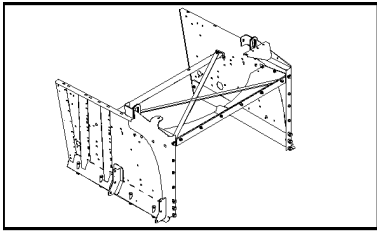
REF	FN	PART NUMBER	YR/SN	QTY	DESCRIPTION
1	1	84083562		AR	DIA KIT, HARVESTER, Fan Shield; Incl Refs 2 Thru 21, As Indicated
1	2	84083563		AR	DIA KIT, HARVESTER, Fan Shield; Incl Refs 2 Thru 20, As Indicated
1		84083564		AR	DIA KIT, HARVESTER, Fan Bottom Shield; Incl Refs 3 & 10, Plus Hdw
2		87283331		1	SHIELD, L.H.
3		87283014		1	SHIELD, R.H., Front
4	1	87284191		1	SHIELD, Incl Cover, Ref 19
4	2	87284192		1	SHIELD, Incl Cover, Ref 20
5		322358		19	BELLEVILLE WASHER, M8
6		331175		5	BOLT, Hex, M8 x 75, 8.8
7		9706690		11	NUT, M8, Cl 8
8		87283569		5	STRAP
9		87283567		5	BUSHING
10		87283016		1	SHIELD, Bottom
11		43128		3	SCREW, Hex, M8 x 30, 8.8
12		120104		1	BOLT, Hex, M8 x 20, 8.8
13		140041		6	WASHER, M8 x 28 x 3
14		143347A1		1	LATCH
15		853764		2	CLAMP, 5/16", Insul, 5/16" Bolt
16		87318426		1	SHIELD
17		86507486		2	CARRIAGE BOLT, Short NK, M8 x 20, Cl8.8, Full Thd
18		84011345		1	DECAL
19	1	87323909		1	SHIELD, Incl 86626958
20	2	87323910		1	SHIELD, Incl 84011345
21		86626958		AR	WARNING DECAL, English

(1) For NA Only

(2) EU Only

8120 9120 8120

STRAW HOOD FRAME

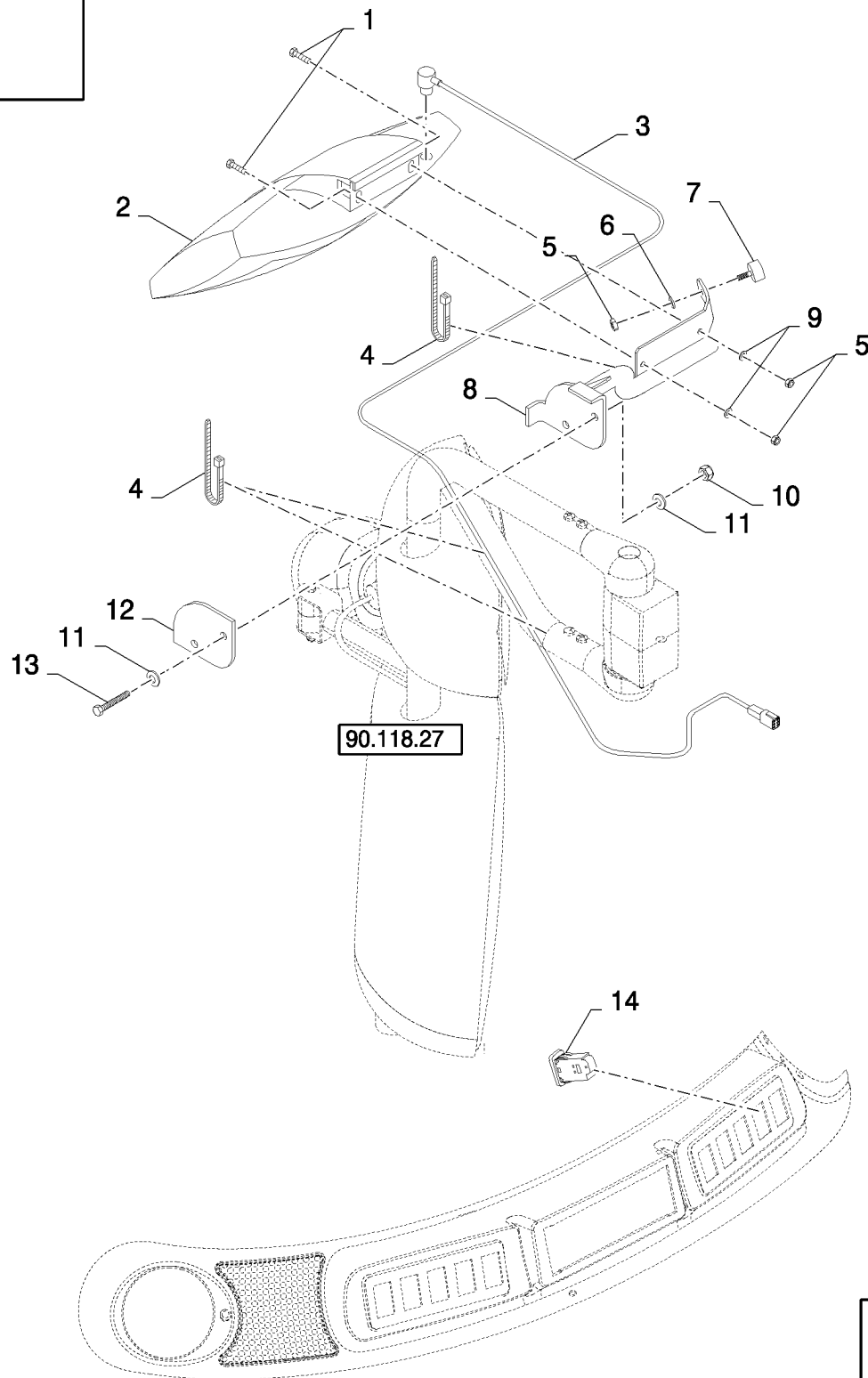


STRAW HOOD FRAME

REF	FN	PART NUMBER	YR/SN	QTY	DESCRIPTION
1		87749284		1	SHEET ASSY., R.H.
2		87749286		1	SHEET ASSY., L.H.
3		87107941		1	SUPPORT, Center
4		86999083		1	SUPPORT
5		86999088		2	PLATE
6		140045		38	BELLEVILLE WASHER, M10
7		100016		24	NUT, M10, CI 8
8		140048		16	BELLEVILLE WASHER, M16
9		100020		8	NUT, M16, CI 8
10		43168		8	BOLT, Hex, M16 x 2 x 40, 8.8, Full Thd
11		43140		14	BOLT, Hex, M10 x 30, 8.8, Full Thd
12		120041		10	CARRIAGE BOLT, Short NK, M10 x 20, CI8.8, Full Thd
13		140046		4	SPRING WASHER, Belleville, M12
14		86639151		8	BOLT, Hex, M12 x 120, 10.9
15		86592701		4	WASHER, M12 x 35 x 5, HT
16		412672		8	LOCK NUT, M12 x 1.75, CI 10

**8120 9120 7120 7120
8120**

MIRROR FOR GERMANY - 7120, 8120, 9120



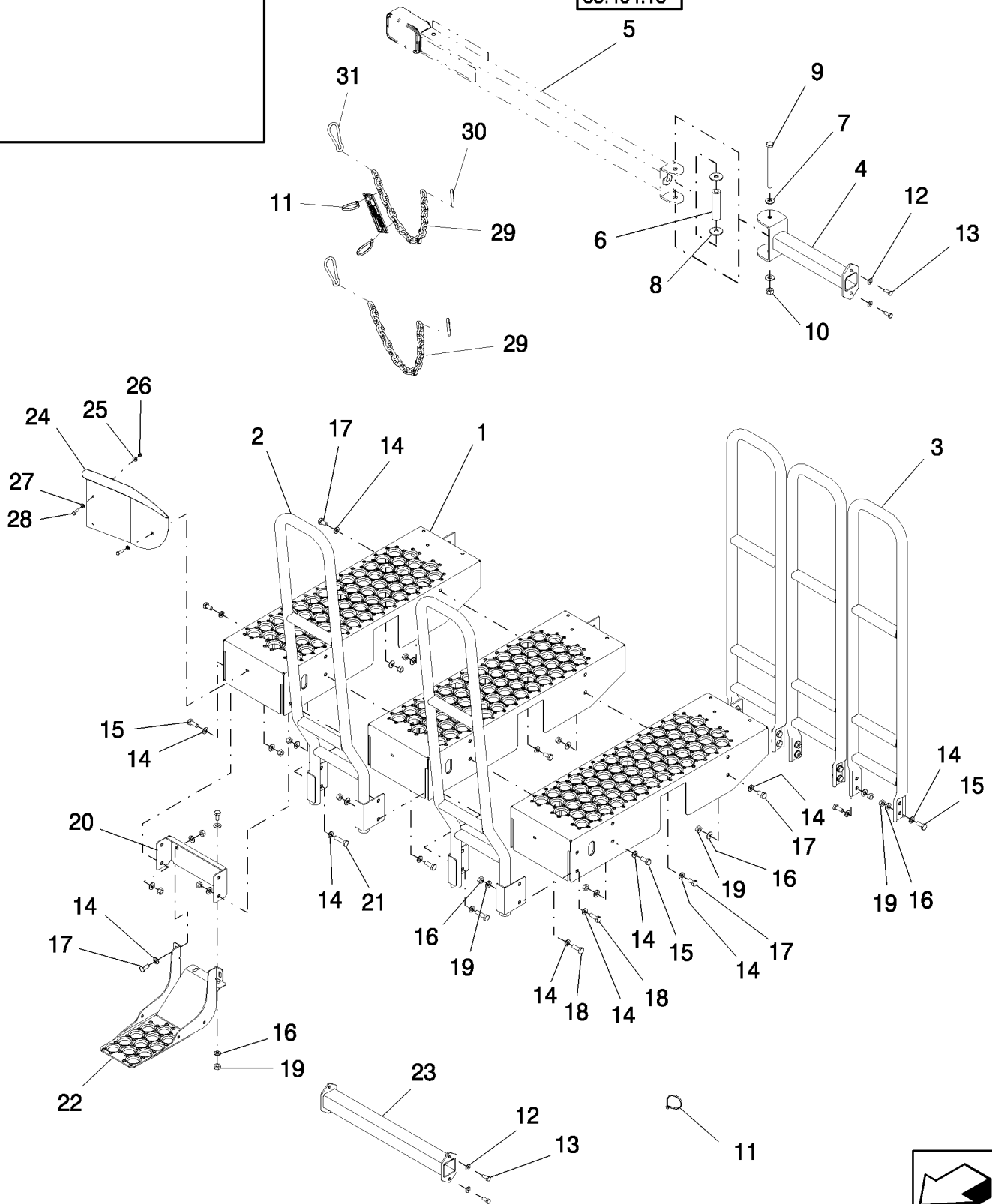
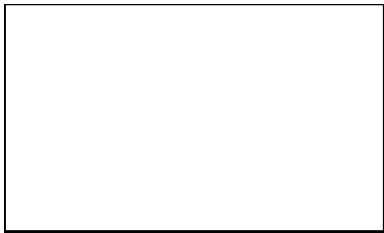
MIRROR FOR GERMANY - 7120, 8120, 9120

REF	FN	PART NUMBER	YR/SN	QTY	DESCRIPTION
1		86508568		2	BOLT, Hex, M6 x 16, Cl 8.8, Full Thd
2		84433606		1	REAR VIEW MIRROR
3		84444198		1	WIRE HARNESS, Remote Mirror
4		86566989		4	CABLE STRAP, M4.75 x 190.5 L
5		353308		5	NUT, M6 x 1, Cl 8
6		140015		1	WASHER, M6
7		916454		1	DAMPER
8		84435413		1	SUPPORT
9		140040		2	WASHER, M6 x 22 x 2
10		100037		2	NUT, M10 x 1.5, Cl 8
11		86511323		4	WASHER, M10 x 20 x 2
12		84435412		1	SUPPORT
13		120069		2	BOLT, Hex, M10 x 50, 8.8
14		84320260		1	SWITCH, Remote Mirror

8120 9120 7120

PLATFORM EXTENSIONS

55.404.13



PLATFORM EXTENSIONS

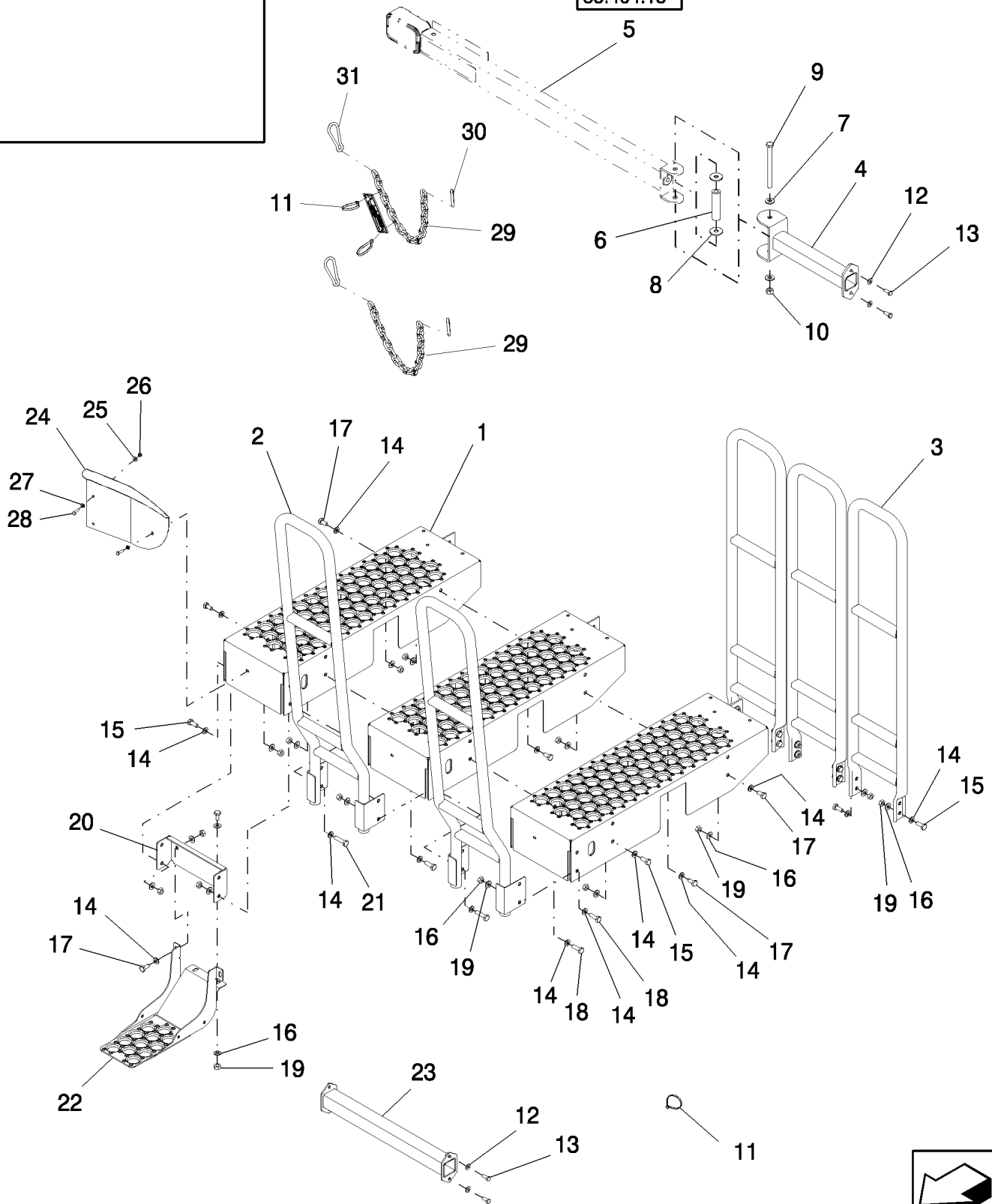
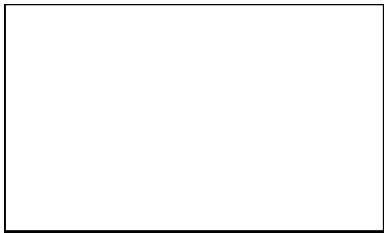
REF	FN	PART NUMBER	YR/SN	QTY	DESCRIPTION
		87530962		AR	DIA KIT, HARVESTER, 250 mm Platform Extension
	1	87530965		AR	DIA KIT, HARVESTER, 250 mm Platform Extension
		87530963		AR	DIA KIT, HARVESTER, 500 mm Platform Extensions
	1	87530966		AR	DIA KIT, HARVESTER, 500 mm Platform Extensions
		87530964		AR	DIA KIT, HARVESTER, 750 mm Platform Extensions
1		87548625		AR	PLATFORM ASSY., Red
2		87395729		AR	HANDRAIL, Dark Gray
3		87280493		AR	HANDRAIL, Dark Gray
4		87109737		1	SUPPORT
5		87283303		1	WARNING LIGHT, Used W/250 mm Extension
5		87283302		1	WARNING LIGHT, Used W/500 mm Extensions
5		87283301		1	WARNING LIGHT, Used W/750 mm Extensions
6		87105383		1	SPACER
7		140046		2	SPRING WASHER, Belleville, M12
8		86997936		2	WASHER
9		385427		1	BOLT, Hex, M12 x 150, 8.8
10		9706685		1	NUT, M12, CI 8
11		86566989		5	CABLE STRAP, M4.75 x 190.5 L
12		322358		2	BELLEVILLE WASHER, M8
13		120104		2	BOLT, Hex, M8 x 20, 8.8
14		86511323		AR	WASHER, M10 x 20 x 2
15		43139		AR	BOLT, Hex, M10 x 25, 8.8, Full Thd
16		140045		AR	BELLEVILLE WASHER, M10
17		43138		AR	BOLT, Hex, M10 x 20, 8.8, Full Thd
18		43140		AR	BOLT, Hex, M10 x 30, 8.8, Full Thd
19		100016		AR	NUT, M10, CI 8
20		87548626		1	SUPPORT ASSY., L.H. Step
21		120068		AR	BOLT, Hex, M10 x 40, 8.8, Full Thd
22		87281023		1	STEP, Access
23	1	87281175		1	EXTENSION, 500 mm
24	1	87548733		1	COVER ASSY, Chin Guard
25	1	322357		3	BELLEVILLE WASHER, M6
26	1	86500688		3	NUT, M6 x 1, CI 10
27	1	86588450		3	WASHER, M6 x 12 x 1.6 Thk

(1) EU Only

**7120 8120 9120 7120
8120**

PLATFORM EXTENSIONS

55.404.13



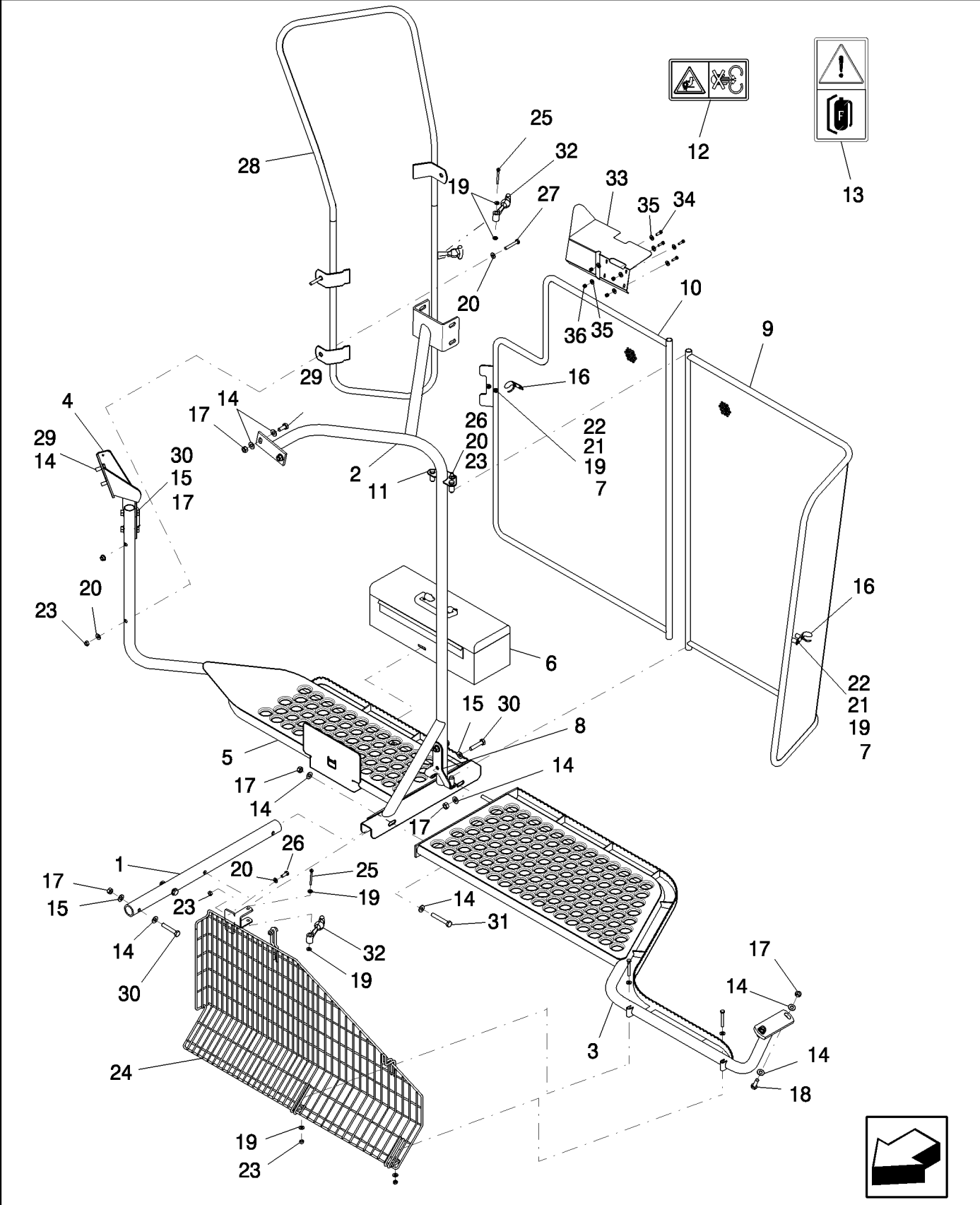
PLATFORM EXTENSIONS

REF	FN	PART NUMBER	YR/SN	QTY	DESCRIPTION
28	1	120100		3	BOLT, Hex, M6 x 20, 8.8
29		87392184		2	CHAIN
30		87107072		2	LINK
31		87385180		2	SPRING CLIP

(1) EU Only

**7120 8120 9120 7120
8120**

SHIELDS, LOWER, L.H.



SHIELDS, LOWER, L.H.

REF	FN	PART NUMBER	YR/SN	QTY	DESCRIPTION
1		86976334		1	TUBE
2	1	87485223		1	TUBE
2	2	87498870		1	SUPPORT TUBE
3		84130544		1	PLATFORM ASSY.
4		86623051		1	SUPPORT
5		87281169		1	PLATFORM
6		A181436		1	TOOL BOX
7		86508813		4	NUT, M5, CI 8
8		86638375		1	BRACKET, Supporting, Incl Ref 30, 14, 15, and 17
9		87485240		1	SHIELD, Incl Refs 7, 16, 19, 21, & 22
10		87489326		1	SHIELD, Incl Refs 7, 16, 19, 21, & 22
11		86998278		1	BRACKET
12		84011345		2	DECAL, Safety Chain Entangle
13	3	84432906		1	DECAL, Caution: Fire Extinguisher
14		140045		AR	BELLEVILLE WASHER, M10
15		379401		6	CLAMP
16		86975624		2	LATCH HOOK
17		100037		12	NUT, M10 x 1.5, CI 8
18		9706704		2	BOLT, Hex, M10 x 35, 8.8, Full Thd
19		322357		AR	BELLEVILLE WASHER, M6
20		322358		AR	BELLEVILLE WASHER, M8
21		1277909C1		2	SPACER
22		86508566		4	BOLT, Hex, M5 x 30, 8.8
23		9706690		AR	NUT, M8, CI 8
24		87489339		1	GUARD ASSY.
25		87400		2	COTTER PIN, 3/16" x 2"
26		43127		6	BOLT, Hex, M8 x 25, 8.8
27		43130		2	BOLT, Hex, M8 x 50, 8.8
28	4, 2	87489329		1	SERVICE KIT, Shield; Incl Refs 19, 25, & 32
28	1	87489337		1	GUARD ASSY.
29		43139		AR	BOLT, Hex, M10 x 25, 8.8, Full Thd

(1) 7120 Only

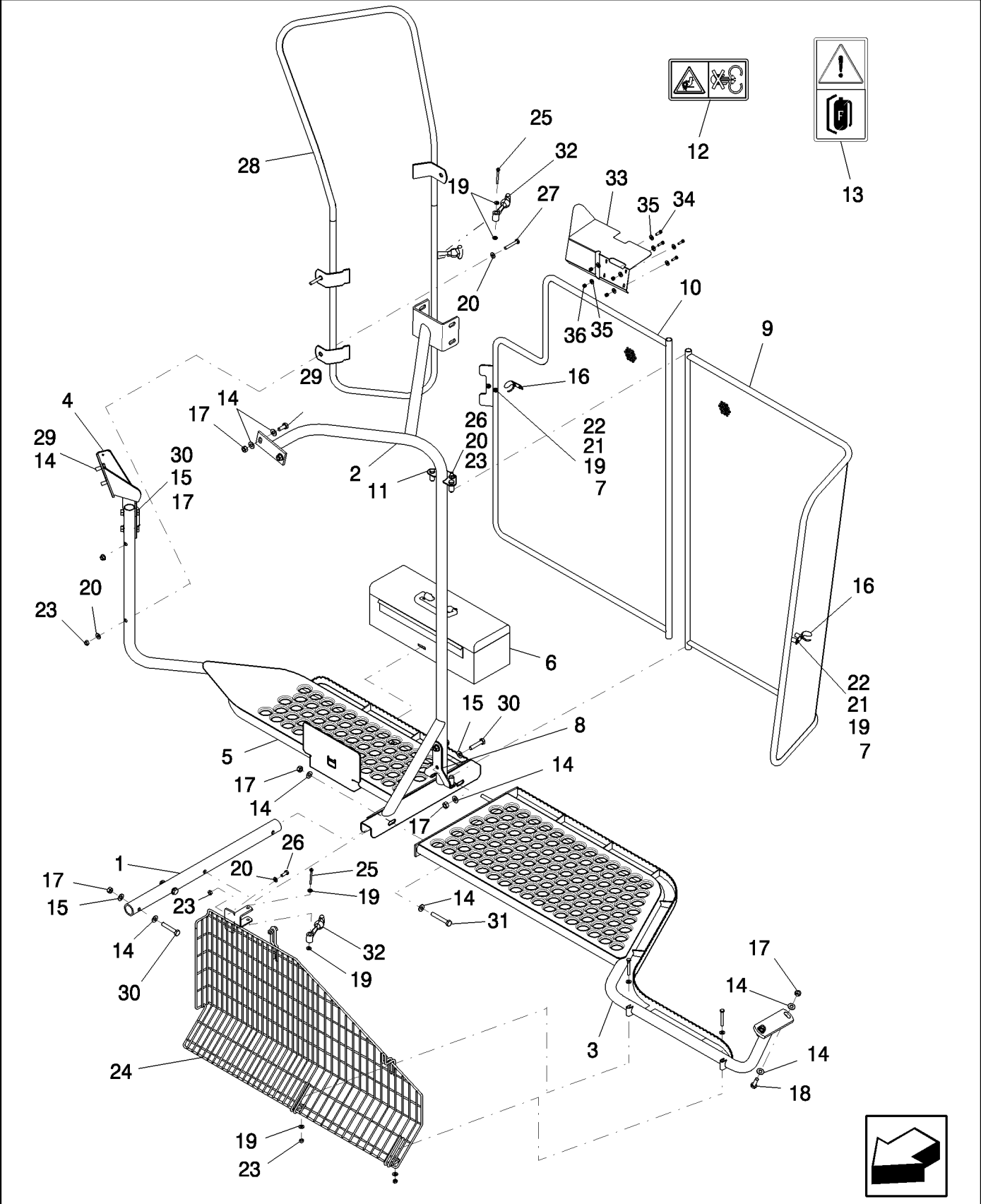
(2) 8120 & 9120 Only

(3) EU Only

(4) Shown

8120 9120 7120 7120
8120

SHIELDS, LOWER, L.H.



90.118.22

01

p2

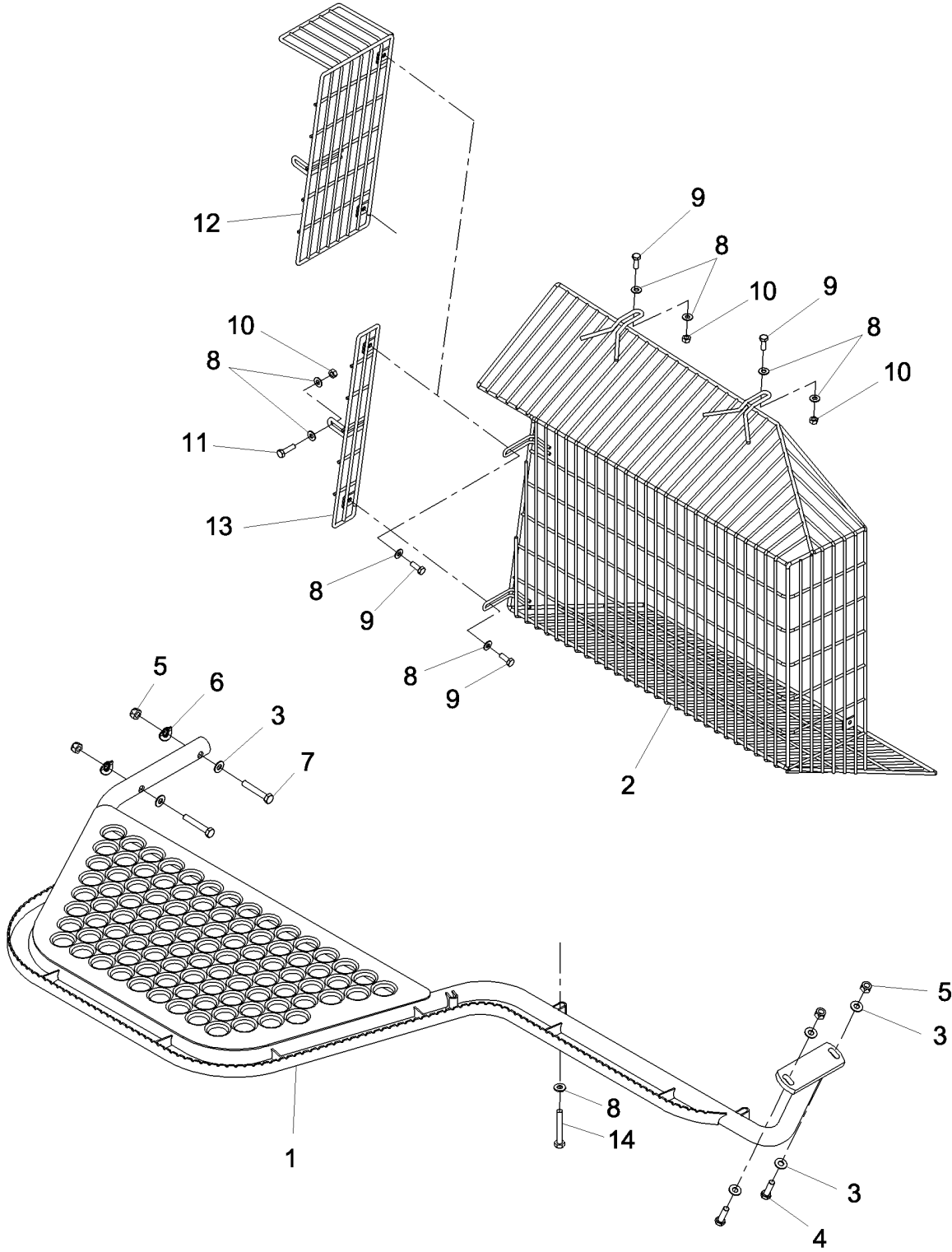
10/09

SHIELDS, LOWER, L.H.

REF	FN	PART NUMBER	YR/SN	QTY	DESCRIPTION
30		120070		6	BOLT, Hex, M10 x 60, 8.8
31		120073		2	BOLT, Hex, M10 x 80, 8.8
32		86975220		2	LATCH HOOK
33		84168266	From 04/09	1	PROTECTION PLATE, For Europe Only
34		86508568		4	BOLT, Hex, M6 x 16, Cl 8.8, Full Thd
35		86624182		8	WASHER, M6 x 18 x 1.6
36		393392		4	LOCK NUT, M6 x 1, Cl 8

8120 9120 7120 7120
8120

SHIELDS, LOWER, R.H. STANDARD THREAD, INCLUDES NEW LOWER SHIELDING FOR NEW NARROW TIRES



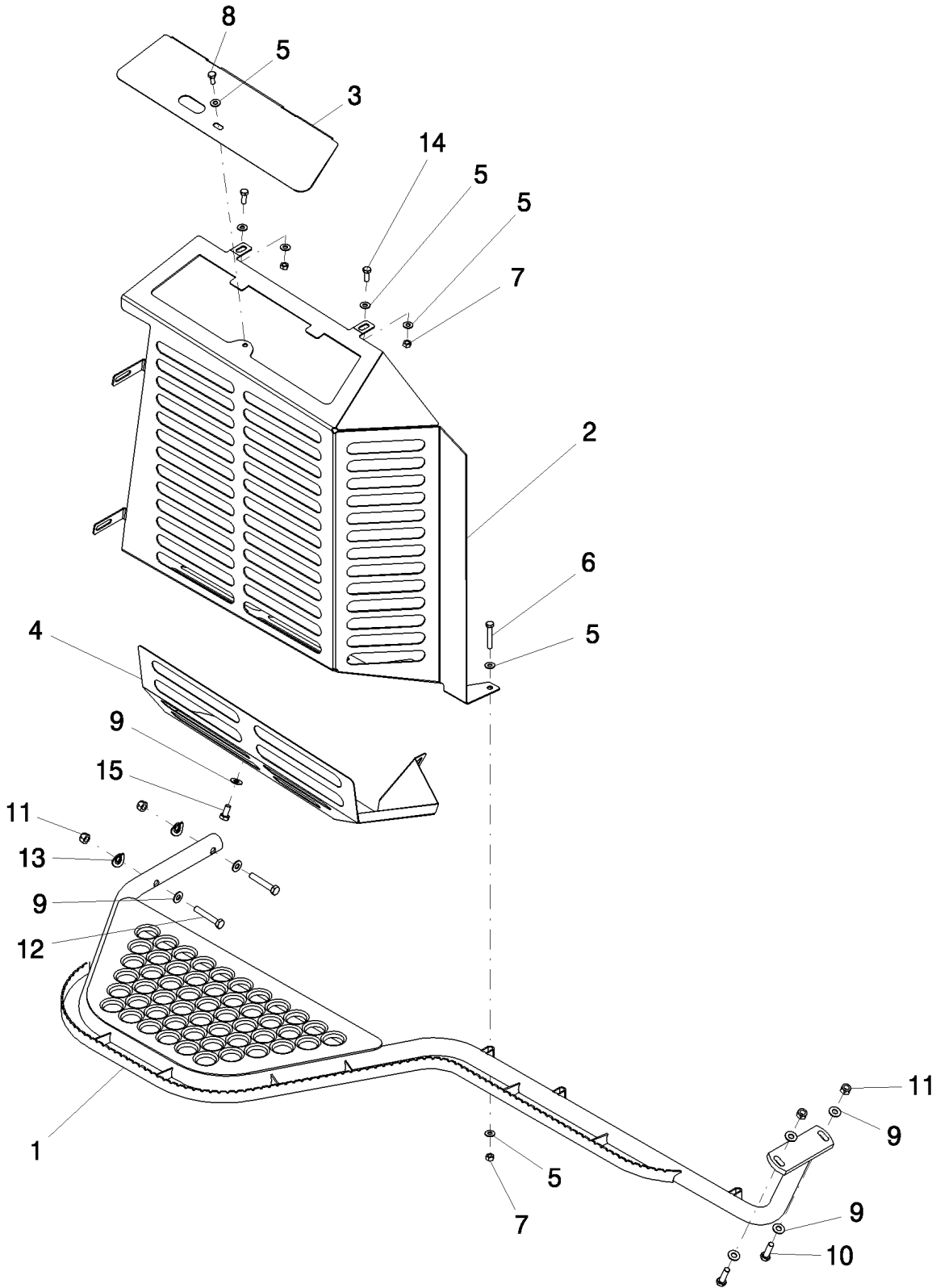
SHIELDS, LOWER, R.H. STANDARD THREAD, INCLUDES NEW LOWER SHIELDING FOR NEW NARROW TIRES

REF	FN	PART NUMBER	YR/SN	QTY	DESCRIPTION
1		87475046	BSN Y9G207255	1	PLATFORM ASSY.
1	1	84194652	ASN Y9G207255	1	PLATFORM ASSY.
2		87492002		1	SHIELD, Splash
2		84194661	ASN Y9G207255	1	SHIELD
2	1	84194661	BSN Y9G207255	1	SHIELD
3		140045		6	BELLEVILLE WASHER, M10
4		9706704		2	BOLT, Hex, M10 x 35, 8.8, Full Thd
5		100037		4	NUT, M10 x 1.5, CI 8
6		379401		2	CLAMP
7		120070		2	BOLT, Hex, M10 x 60, 8.8
8		322358		8	BELLEVILLE WASHER, M8
9		86625001		4	BOLT, Hex, M8 x 22, 8.8, Full Thd
10		9706690		3	NUT, M8, CI 8
11		43128		1	SCREW, Hex, M8 x 30, 8.8
12	2	87562320		1	SPLASH SHIELD
13	3	87562329		1	SPLASH SHIELD
14		87015731		1	BOLT, Hex, M8 x 50, 8.8, Full Thd

- (1) For Narrow Tire Offering
- (2) 7120 Only
- (3) 8120 & 9120 Only

**8120 9120 7120 7120
8120**

SHIELD ASSY, LOWER R.H. NARROW TREAD - MY 2010



90.118.24

02

p1

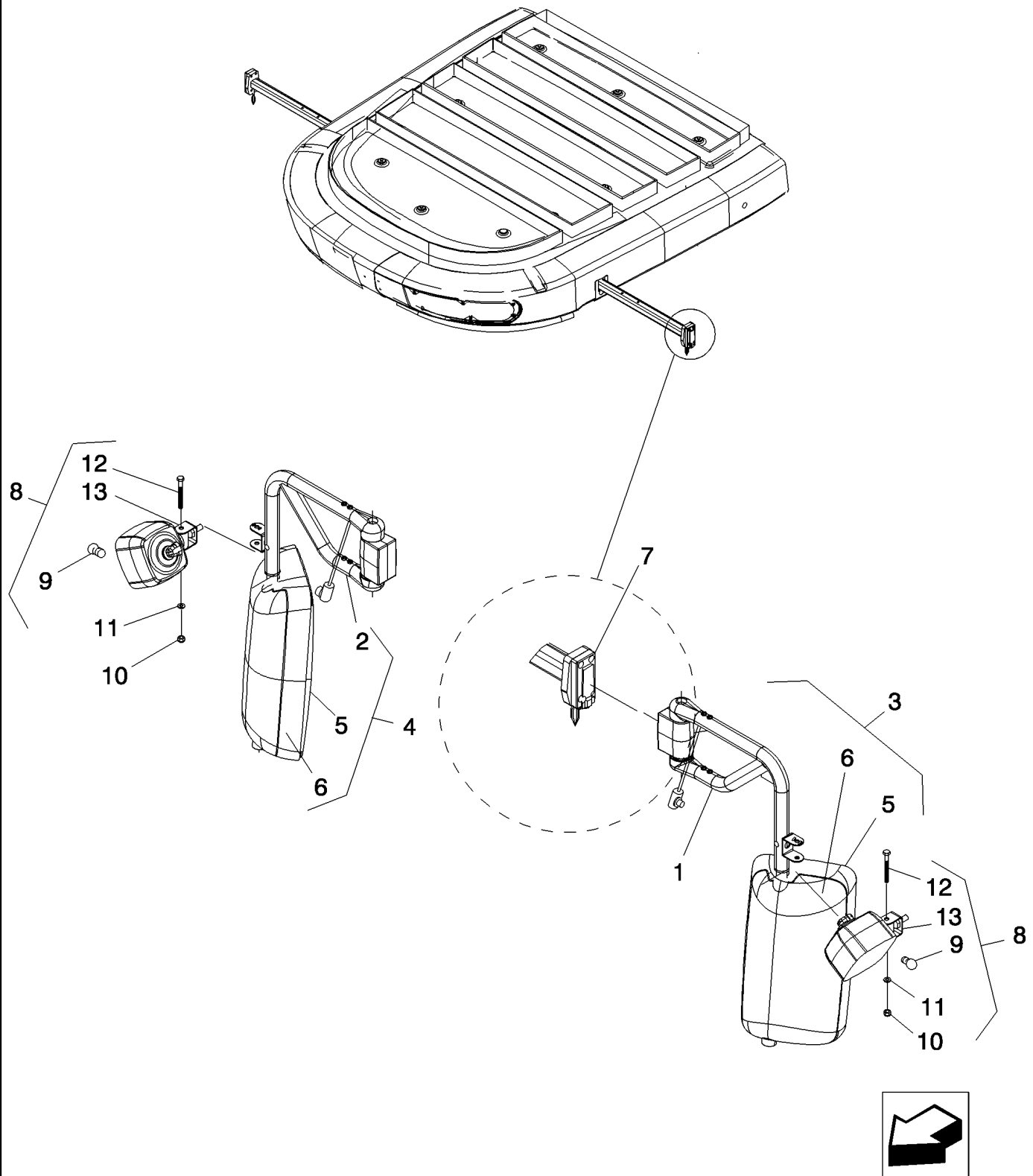
02/10

SHIELD ASSY, LOWER R.H. NARROW TREAD - MY 2010

REF	FN	PART NUMBER	YR/SN	QTY	DESCRIPTION
1		84194652		1	PLATFORM ASSY., R.H.
2		84196605		1	SHIELD, Cleaning Fan Motor
3		84196610		1	PANEL, Cleaning Fan Motor Access
4		84159761		1	SHIELD, Lower Fan Drive
5		322358		7	BELLEVILLE WASHER, M8
6		87015731		1	BOLT, Hex, M8 x 50, 8.8, Full Thd
7		9706690		3	NUT, M8, CI 8
8		86625000		1	BOLT, Hex, M8 x 18, 8.8, Full Thd
9		140045		7	BELLEVILLE WASHER, M10
10		9706704		2	BOLT, Hex, M10 x 35, 8.8, Full Thd
11		100037		4	NUT, M10 x 1.5, CI 8
12		120070		2	BOLT, Hex, M10 x 60, 8.8
13		379401		2	CLAMP
14		86625001		2	BOLT, Hex, M8 x 22, 8.8, Full Thd
15		43138		1	BOLT, Hex, M10 x 20, 8.8, Full Thd

8120 9120 7120 7120
8120

MIRROR, REAR VIEW, STANDARD



MIRROR, REAR VIEW, STANDARD

REF	FN	PART NUMBER	YR/SN	QTY	DESCRIPTION
1		84073711		1	ARM, CARRIAGE Swing, L.H.
2		84073713		1	ARM, CARRIAGE Swing, R.H.
3		87107208		1	MIRROR, Rear View, L.H., Incl Refs 5 & 6
4		87107209		1	MIRROR, Rear View, R.H., Incl Refs 5 & 6
5		NSS		2	NOT SERVICED SEPARATELY, GLASS Mirror
6		84434473		2	COVER
7		84059856		2	WIRE CONNECTOR, WEDGE
8		84320374		2	LAMP, ASSY Incl Ref 9 - 13
9		9847312		2	BULB, 12V, 50W, Halogen
10		9991588		1	LOCK NUT, M8 x 1.25, CI 8
11		412712		1	BELLEVILLE WASHER, M8 x 18 x 1 Thk
12		84431556		1	BOLT, Hex, M8 x 50, 8.8
13		NSS		2	NOT SERVICED SEPARATELY, CLAMP

For NA & Latin America Ony

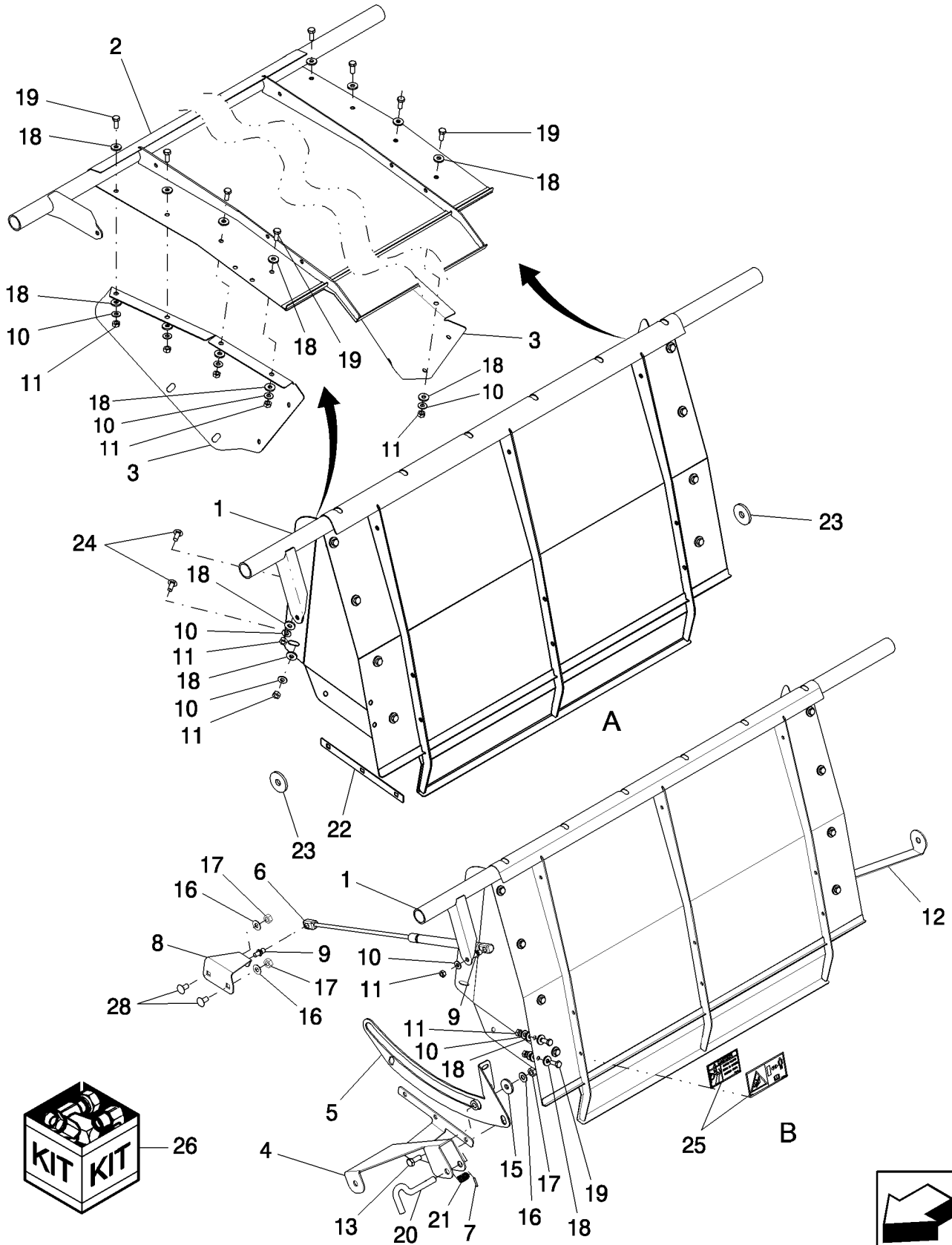
**7120 8120 9120 7120
8120**

MIRROR, REAR VIEW, DELUXE

REF	FN	PART NUMBER	YR/SN	QTY	DESCRIPTION
1		84067956		1	MIRROR, R.H., Complete - Less Light
2		84067955		1	MIRROR, L.H., Complete - Less Light
3		84320374		2	LAMP, ASSY, 4 to 7 & 17
4		84431556		1	BOLT, Hex, M8 x 50, 8.8
5		412712		1	BELLEVILLE WASHER, M8 x 18 x 1 Thk
6		9991588		1	LOCK NUT, M8 x 1.25, CI 8
7		9847312		1	BULB, 12V, 50W HALOGEN
8		84067960		1	ARM, SWING CARRIAGE, R.H.
9		84059852		1	RH MIRROR, 10, 11
10		84434478		1	GLASS
11		84434473		1	COVER
12		84059851		1	LH MIRROR, 10, 11
13		84067959		1	ARM, SWING CARRIAGE, L.H.
14		84059853		1	REAR VIEW MIRROR, 15, 16
15		84434479		1	REAR VIEW MIRROR
16		84434474		1	COVER
17		NSS		2	NOT SERVICED SEPARATELY, CLAMP
18		86533310		1	PLUG, Cover, Switch
19		84320263		1	BLANK-OFF PLUG, Shield, Switch
20		86565146		1	SWITCH, Mirror, Adjustment
21		84320244		1	SWITCH, Mirror, Heating

**8120 9120 7120 7120
8120**

DIA HARVEST KIT, STRAW HOOD DOOR



DIA HARVEST KIT, STRAW HOOD DOOR

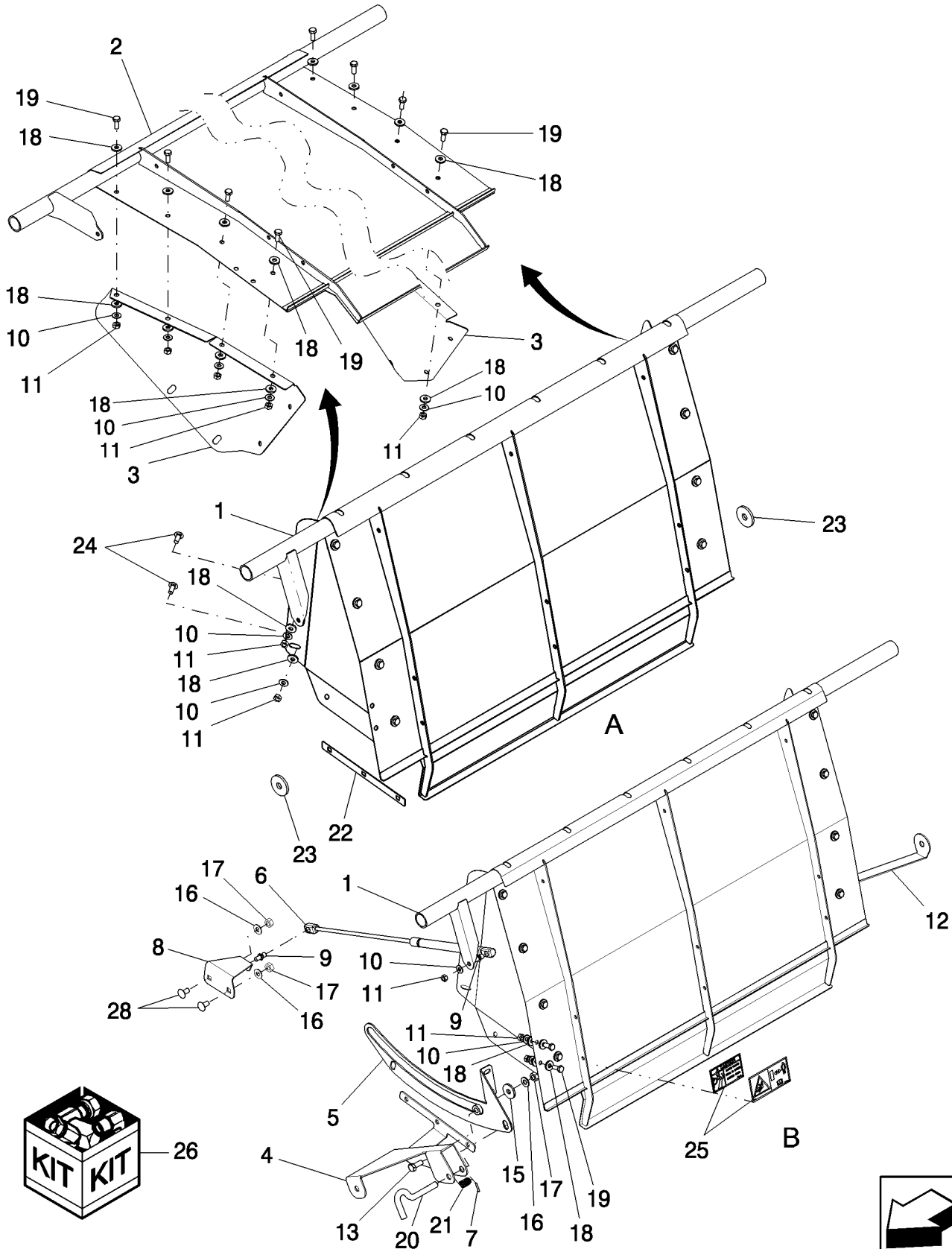
REF	FN	PART NUMBER	YR/SN	QTY	DESCRIPTION
1		0C		1	ORDER COMPONENTS, Door Assembly, Straw Hood; Fixed Or Windrow
2	1	87496169		1	DIA KIT, HARVESTER, Door, Straw Hood, Fixed Or Windrow; Incl Ref 25
2	2	87496170		1	DIA KIT, HARVESTER, Door, Straw Hood, Fixed Or Windrow; Incl Ref 25
3		87488905		1	DEFLECTOR, L.H.
3		87488906		1	DEFLECTOR, R.H.
4		87483416		1	BRACKET
5		87483414		1	GUIDE
6		87728305		1	STRUT
7		300865		1	LOCK PIN, M3 x 20, Slotted
8		87732859		1	BRACKET
9		83952214		2	BALL PIN
10		322358		12	BELLEVILLE WASHER, M8
11		9706690		12	NUT, M8, CI 8
12		87750270		1	SUPPORT
13		43139		1	BOLT, Hex, M10 x 25, 8.8, Full Thd
14		86997386		1	BUSHING
15		140042		1	WASHER, M10 x 34 x 3
16		140045		3	BELLEVILLE WASHER, M10
17		100016		3	NUT, M10, CI 8
18		412328		20	WASHER
19		120104		10/8	BOLT, Hex, M8 x 20, 8.8
20		1319740C2		1	PIN
21		87000071		1	COMPRESSION SPRING
22		87283312		1	RETAINER
23		9511052		2	WASHER, M12 x 44 x 4
24		86507486		4	CARRIAGE BOLT, Short NK, M8 x 20, CI8.8, Full Thd
25	1	688443		1	DECAL, WARNING, Stand Clear
25	2	87479091		1	DECAL, WARNING, Stand Clear
26		87493756		1	DIA KIT, HARVESTER, Fixed To Windrow Door Conversion; Incl Refs 4 Thru 21, & 25 (NA)

(1) NA
(2) EU

A = Fixed.....B = Windrow

**8120 9120 7120 7120
8120**

DIA HARVEST KIT, STRAW HOOD DOOR



90.118.29

p2

02/10

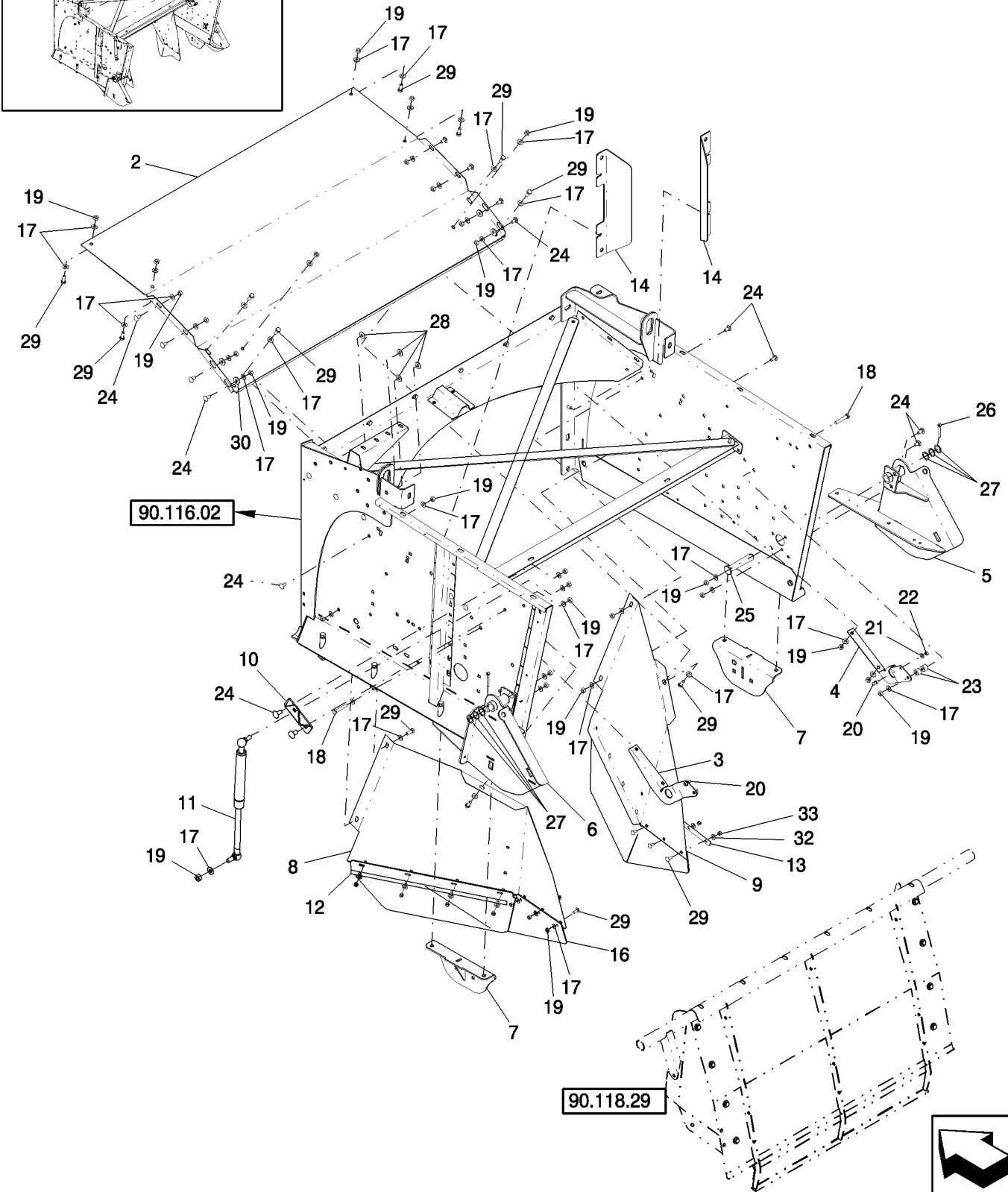
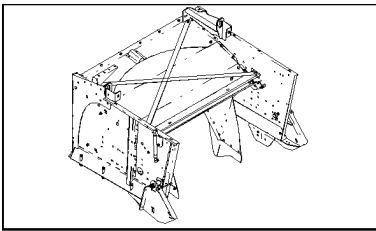
DIA HARVEST KIT, STRAW HOOD DOOR

REF	FN	PART NUMBER	YR/SN	QTY	DESCRIPTION
28		86633356		2	CARRIAGE BOLT, Short NK, M10 x 25, Cl8.8, Full Thd

A = Fixed.....B = Windrow

**8120 9120 7120 7120
8120**

STRAW HOOD & DEFLECTORS



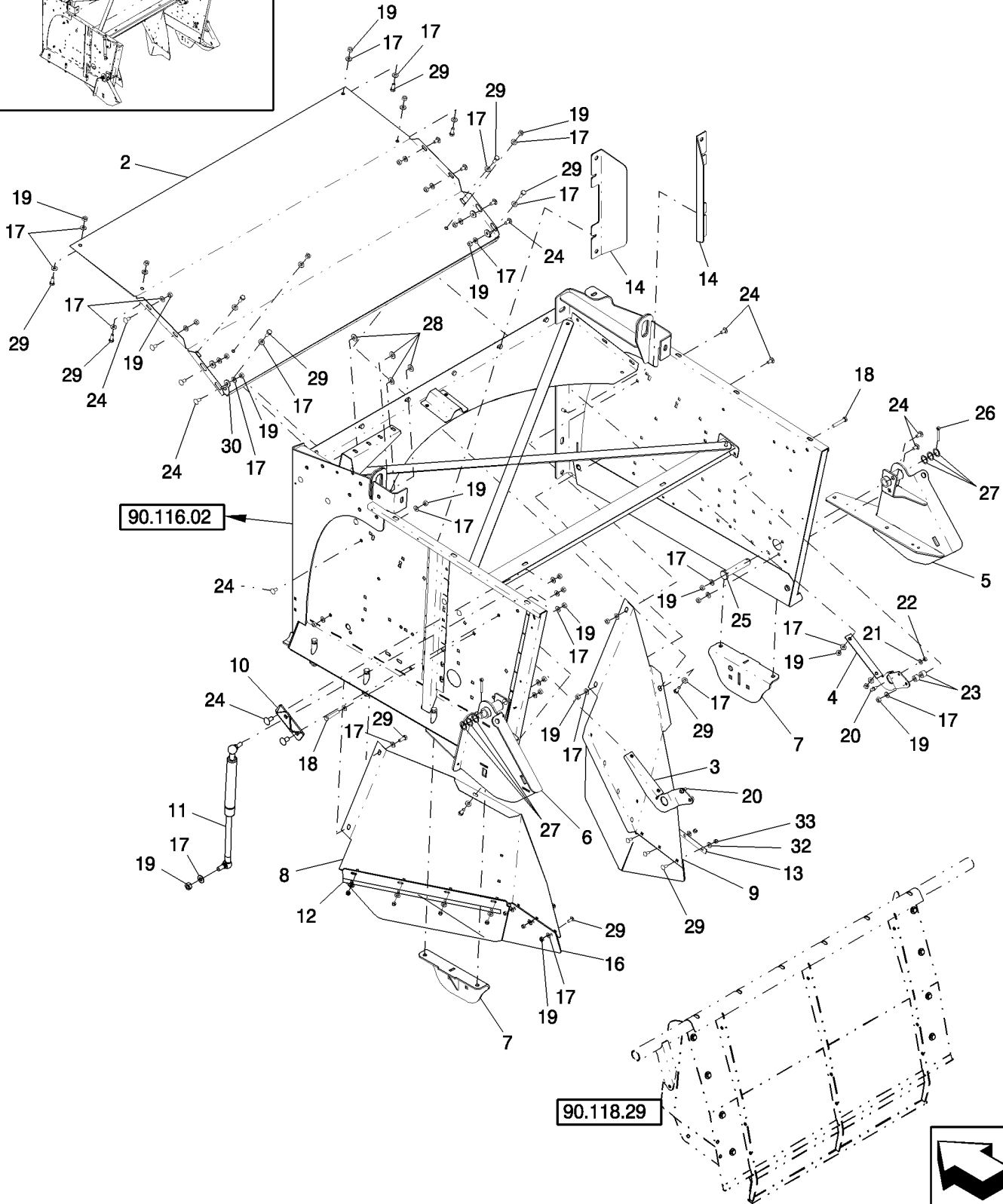
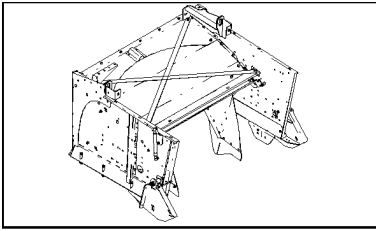
STRAW HOOD & DEFLECTORS

REF	FN	PART NUMBER	YR/SN	QTY	DESCRIPTION
1		87752506		1	STRUT, Gas
2		87107970		1	SHEET
3		87749278		1	SUPPORT ASSY., L.H.
4		87749280		1	SUPPORT ASSY., R.H.
5		87751076		1	SUPPORT, R.H., Spreader
6		87751078		1	SUPPORT, L.H., Spreader
7		87591932		2	SUPPORT ASSY., Bracket
8		87717370		1	DEFLECTOR, Panel, L.H.
9		87717368		1	DEFLECTOR, Panel, R.H.
10		84123180		1	SUPPORT ASSY.
12	1, 2	87602152		2	STRAP, Retaining
12		87651888	BSN Y9G206211	2	STRAP, Retaining
13		87283312		1	RETAINER
14		87283259		2	ANGLE
16	3, 2	87602150	BSN Y9G206211	2	CANVAS, Rubber
16	4, 5	87651870	ASN Y9G206212	2	CANVAS, Rubber, Full Length, Effective with PIN Y9G206212
17		140045		42	BELLEVILLE WASHER, M10
18		86512447		2	CARRIAGE BOLT, Short NK, M10 x 60, CI8.8
19		100016		32	NUT, M10, CI 8
20		83952214		2	BALL PIN
21		322358		2	BELLEVILLE WASHER, M8
22		9706690		2	NUT, M8, CI 8
23		86998150		4	SPACER
24		120041		18	CARRIAGE BOLT, Short NK, M10 x 20, CI8.8, Full Thd
25		86984254		2	CLEVIS PIN, M24 x 135
26		82013836		2	LOCK PIN
27		140022		6	WASHER, M24 x 44 x 4
28		140046		4	SPRING WASHER, Belleville, M12

- (1) Secured by Three Bolts
- (2) Used Only on Early Production Units
- (3) Secured by Six Bolts
- (4) Secured by Seven Bolts
- (5) Can be Retrofitted to Early Production Units if Ref 12 is Replaced as well

**8120 9120 7120 7120
8120**

STRAW HOOD & DEFLECTORS



90.118.33

p2

02/10

STRAW HOOD & DEFLECTORS

REF	FN	PART NUMBER	YR/SN	QTY	DESCRIPTION
29		43139		10	BOLT, Hex, M10 x 25, 8.8, Full Thd
30		332909		4	WASHER, M11 x 28 x 4 Thk
31		86507486		12/14	CARRIAGE BOLT, Short NK, M8 x 20, Cl8.8, Full Thd
32		86625263		12/14	WASHER, M8 x 20 x 1.6
33		86629542		12/14	LOCK NUT, M8 x 1.25, Cl 8, Effective with PIN Y9G206212

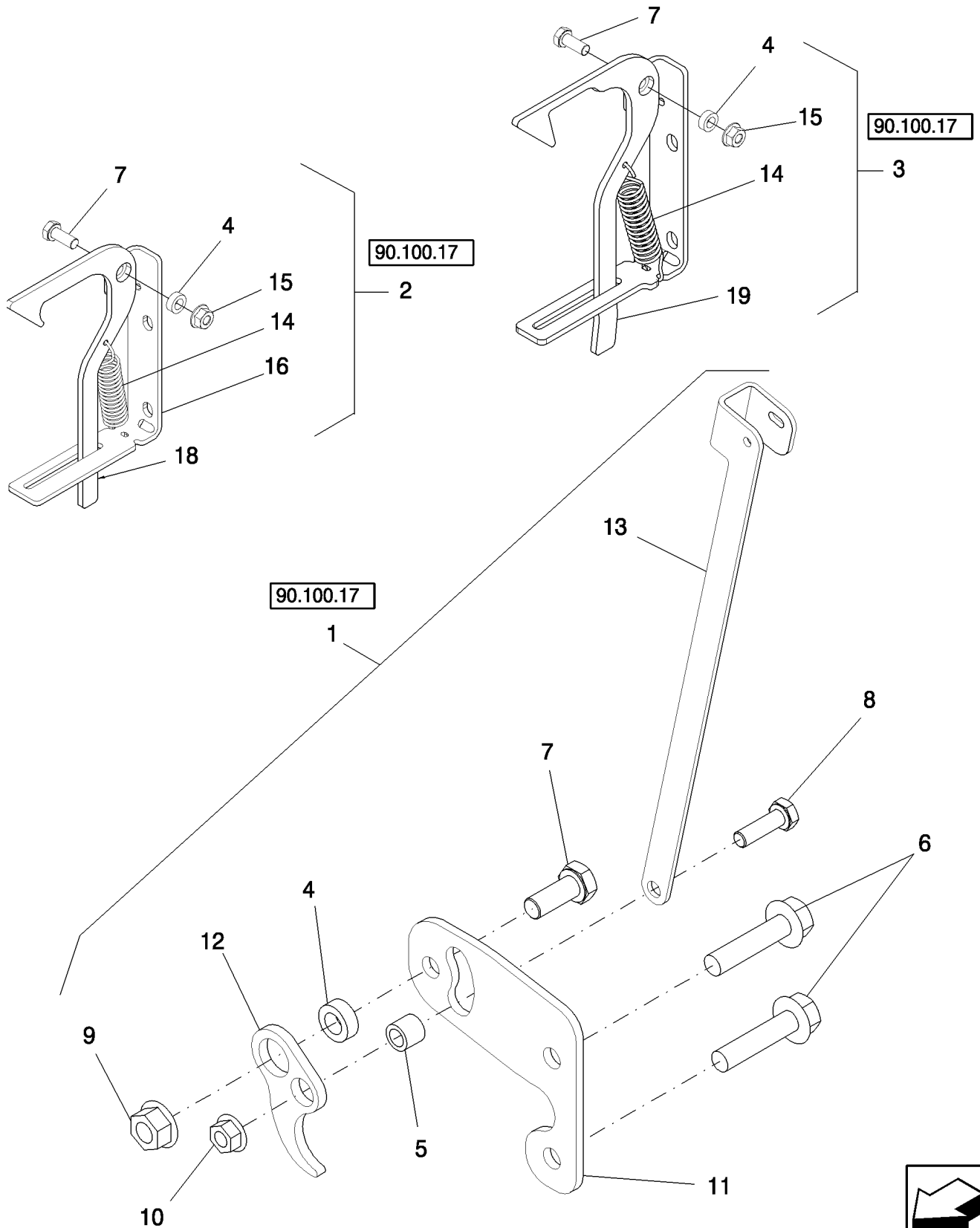
**8120 9120 7120 7120
8120**

90.118.36

p1

02/10

LATCHES, SECONDARY PANEL - EU ONLY - 7120, 8120/8120(LA), 9120

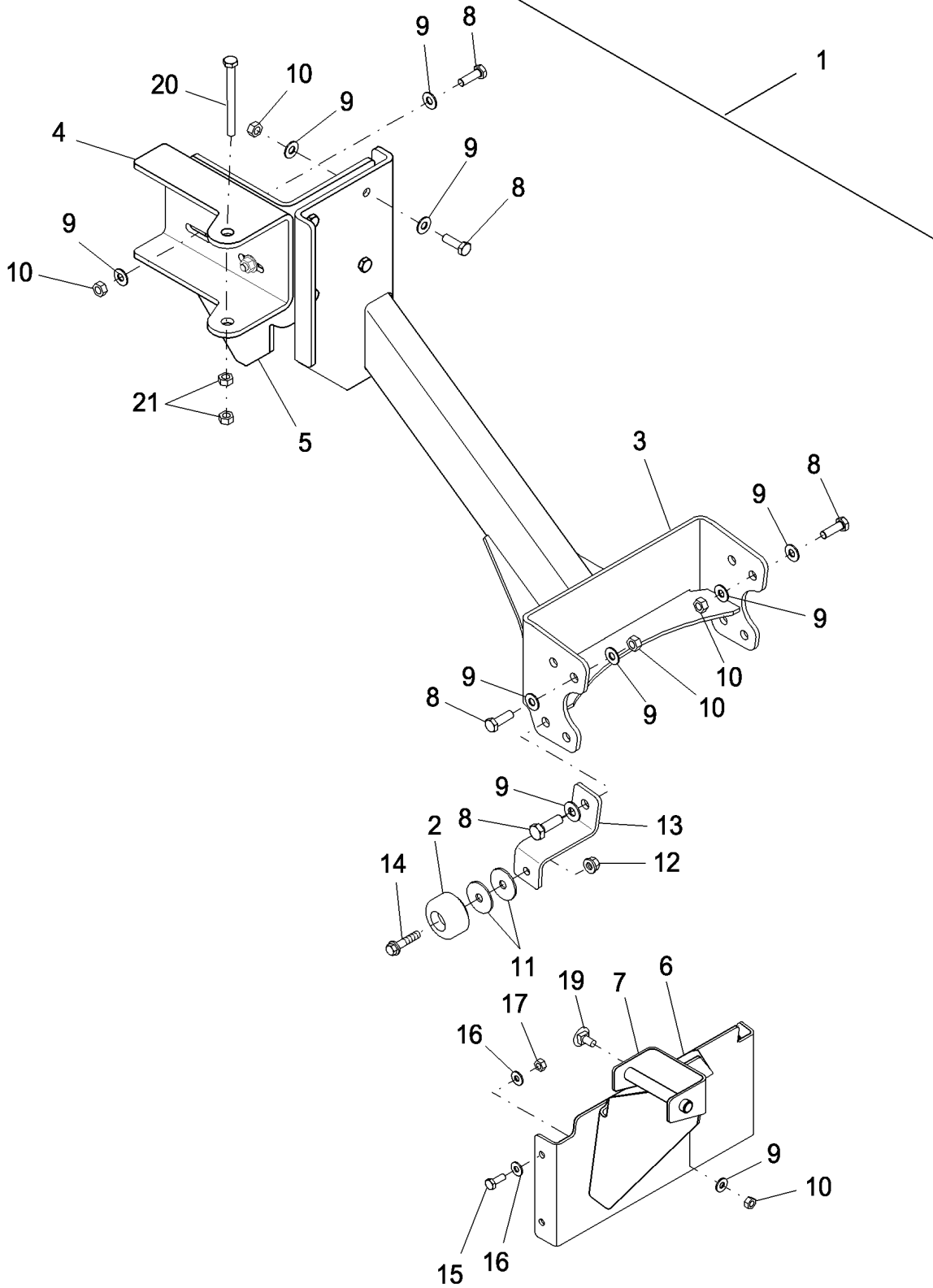


LATCHES, SECONDARY PANEL - EU ONLY - 7120, 8120/8120(LA), 9120

REF	FN	PART NUMBER	YR/SN	QTY	DESCRIPTION
1		0C		1	ORDER COMPONENTS, Latch, Secondary; R.H. Rear Panel
2		0C		1	ORDER COMPONENTS, Latch, Secondary; L.H. Panels
3		0C		1	ORDER COMPONENTS, Latch, Secondary; R.H. Front Panel
4		224089A1		3	SPACER
5		87682401		1	SPACER
6		87695419		2	BOLT
7		120104		3	BOLT, Hex, M8 x 20, 8.8
8		120100		1	BOLT, Hex, M6 x 20, 8.8
9		9804277		1	NUT, M8 x 1.25, Flg, CI 8
10		9804276		1	NUT, M6 x 1, Flg, CI 8
11		84161978		1	PLATE, Latch Mounting
12		84161984		1	LATCH
13		84161981		1	STRAP
14		87109697		2	SPRING
15		86619801		2	LOCK NUT, M8 x 1.25, Flg, CI 8
16		84157810		1	BRACKET, L.H. Latch
17		84161322		1	BRACKET, R.H. Latch
18		84161324		1	HOOK, L.H. Latch
19		84161323		1	HOOK, R.H. Latch

8120 9120 7120 8120

BRACKETS & HINGE, R.H. LOWER

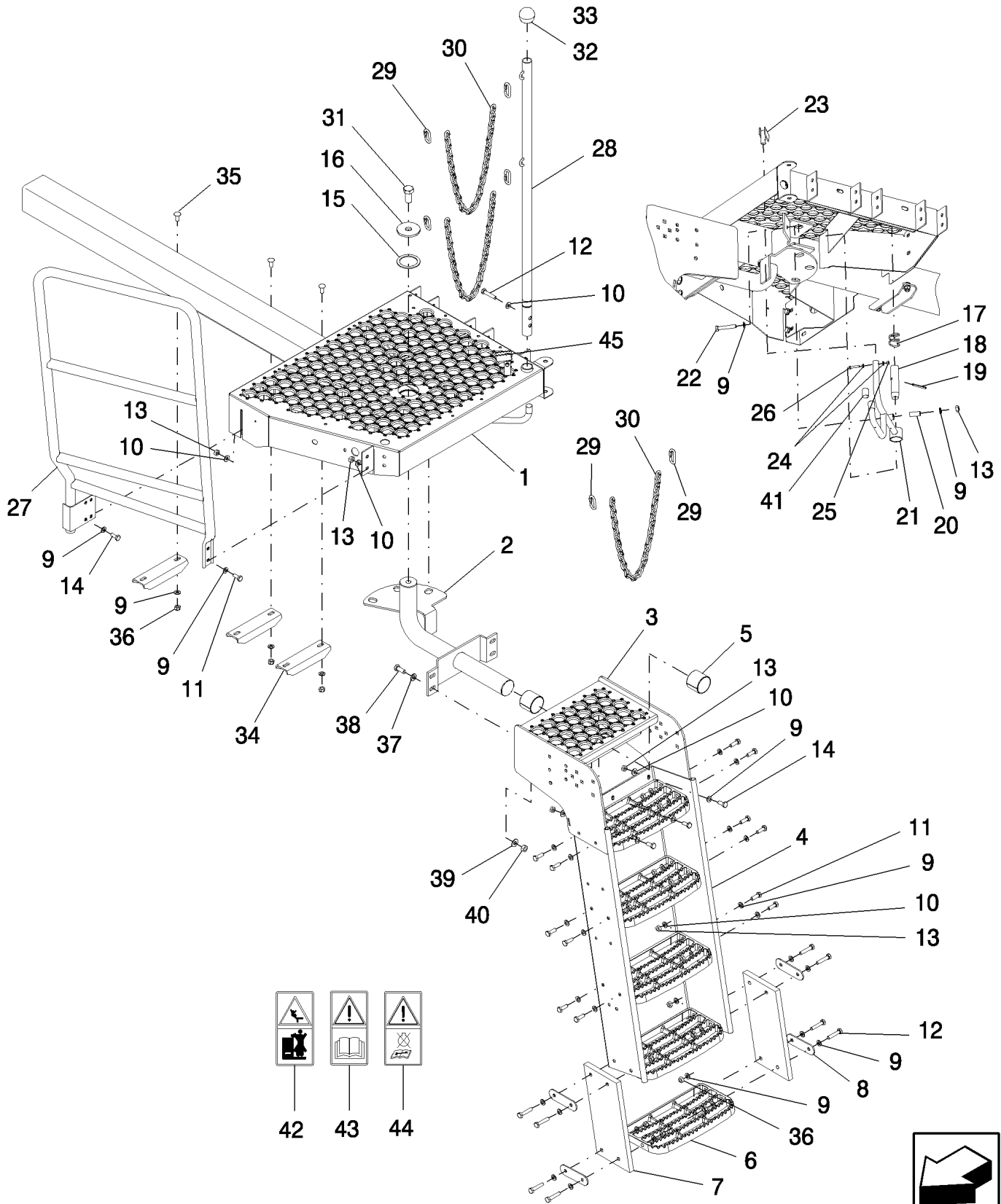


BRACKETS & HINGE, R.H. LOWER

REF	FN	PART NUMBER	YR/SN	QTY	DESCRIPTION
1		87693876		1	SUPPORT ASSY., Incl Refs 3 Thru 5 & 8 Thru 10
2		87602893		1	BUMPER
3		87672141		1	BRACKET
4		87693648		1	BRACKET
5		87693979		1	BRACKET
6		87475013		1	BRACKET
7		87494170		1	BRACKET, Latch, Striker
8		43127		15	BOLT, Hex, M8 x 25, 8.8
9		322358		24	BELLEVILLE WASHER, M8
10		9706690		16	NUT, M8, CI 8
11		87542959		2	WASHER
12		86050300		1	NUT, M6 x 1, Flg, CI10
13		84135081		1	BRACKET
14		87698760		1	BOLT, Flg Hd, M6 x 30, 10.9 ZND
15		86508568		4	BOLT, Hex, M6 x 16, CI 8.8, Full Thd
16		322357		8	BELLEVILLE WASHER, M6
17		9706755		4	NUT, M6, CI 8
18		87602893		1	BUMPER
19		87682384		4	BOLT

**8120 9120 7120 7120
8120**

USER PLATFORM & LADDER



USER PLATFORM & LADDER

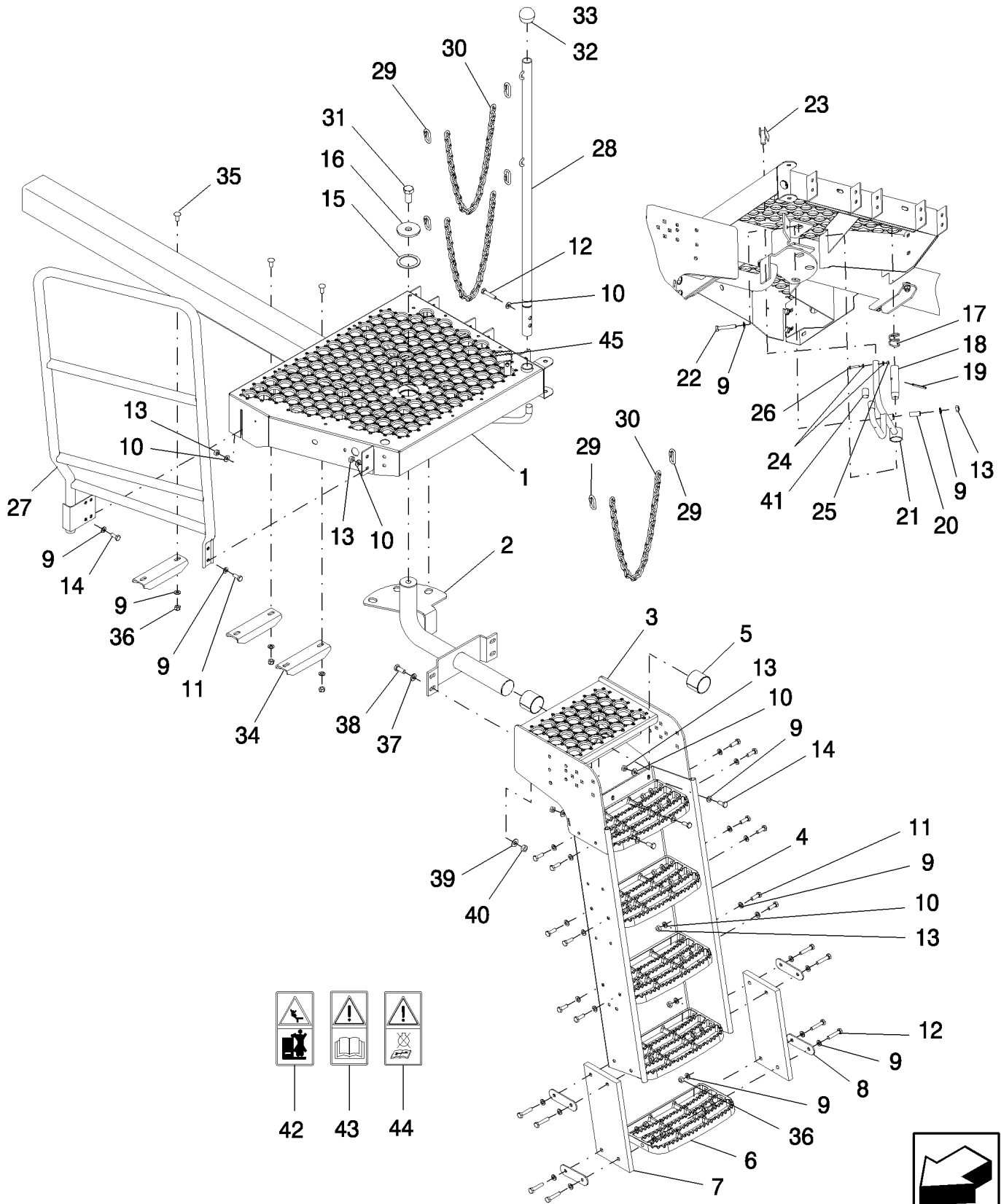
REF	FN	PART NUMBER	YR/SN	QTY	DESCRIPTION
1		87548596		1	RIGID PLATFORM, Red
2		87283997		1	ARM
3		87283973		1	LADDER
4	1	87510520		1	LADDER, Support Includes: Decal 86622073 (WARNING: Before Operating Machine...)
4	2	87284036		1	LADDER, Support - Includes Ref 42, 43, & 44
5		NS		2	NOT SERVICED, Bushing - 87109507
6		87301185		5	STEP
7		87109724		2	HANGER
8		87281588		4	PLATE
9		86511323		AR	WASHER, M10 x 20 x 2
10		140045		AR	BELLEVILLE WASHER, M10
11		43140		14	BOLT, Hex, M10 x 30, 8.8, Full Thd
12		120069		10	BOLT, Hex, M10 x 50, 8.8
13		100016		AR	NUT, M10, CI 8
14		43139		5	BOLT, Hex, M10 x 25, 8.8, Full Thd
15		87281392		1	WASHER, THRUST
16		86637951		AR	WASHER, 13/16" x 3" x .238", HDN
17		87109472		1	SPRING
18		87106596		1	PIN
19		87020818		1	LOCK PIN, 1/4" x 2", Slotted
20		87108760		1	BUSHING
21		87548584		1	HANDLE, Includes Ref 41
22		120070		1	BOLT, Hex, M10 x 60, 8.8
23		87109799		1	PEDAL
24		86588450		2	WASHER, M6 x 12 x 1.6 Thk
25		43117		1	BOLT, Hex, M6 x 30, 8.8
26		86500688		1	NUT, M6 x 1, CI 10
27		87395726		1	HANDRAIL, L.H., Front
28		87109394		1	GRAB RAIL
29		87107072		AR	LINK, Chain
30		87109887		AR	CHAIN
31		86624002		AR	BOLT, Hex, M20 x 40, 8.8

(1) For NA Only

(2) For EU & Latin America Only

7120 8120 9120 7120
8120

USER PLATFORM & LADDER



USER PLATFORM & LADDER

REF	FN	PART NUMBER	YR/SN	QTY	DESCRIPTION
32		349014A1		1	KNOB
33		PL		1	PROCURE LOCALLY, Adhesive, Loctite
34		87281554		3	PLATE
35		86633356		6	CARRIAGE BOLT, Short NK, M10 x 25, CI8.8, Full Thd
36		100037		6	NUT, M10 x 1.5, CI 8
37		86511324		4	WASHER, M12 x 24 x 2.5
38		9706687		4	BOLT, Hex, M12 x 30, 8.8, Full Thd
39		140046		4	SPRING WASHER, Belleville, M12
40		9706685		4	NUT, M12, CI 8
41		87109878		1	CAP, Knob
42		84004732		1	DECAL, Do Not Ride on Platform or Ladder
43		84004731		1	DECAL, Read Operator's Manual Before Operating
44		84004733		1	DECAL, Stop Engine Before Servicing
45		87548607		1	PEDAL, Foot Release

**7120 8120 9120 7120
8120**

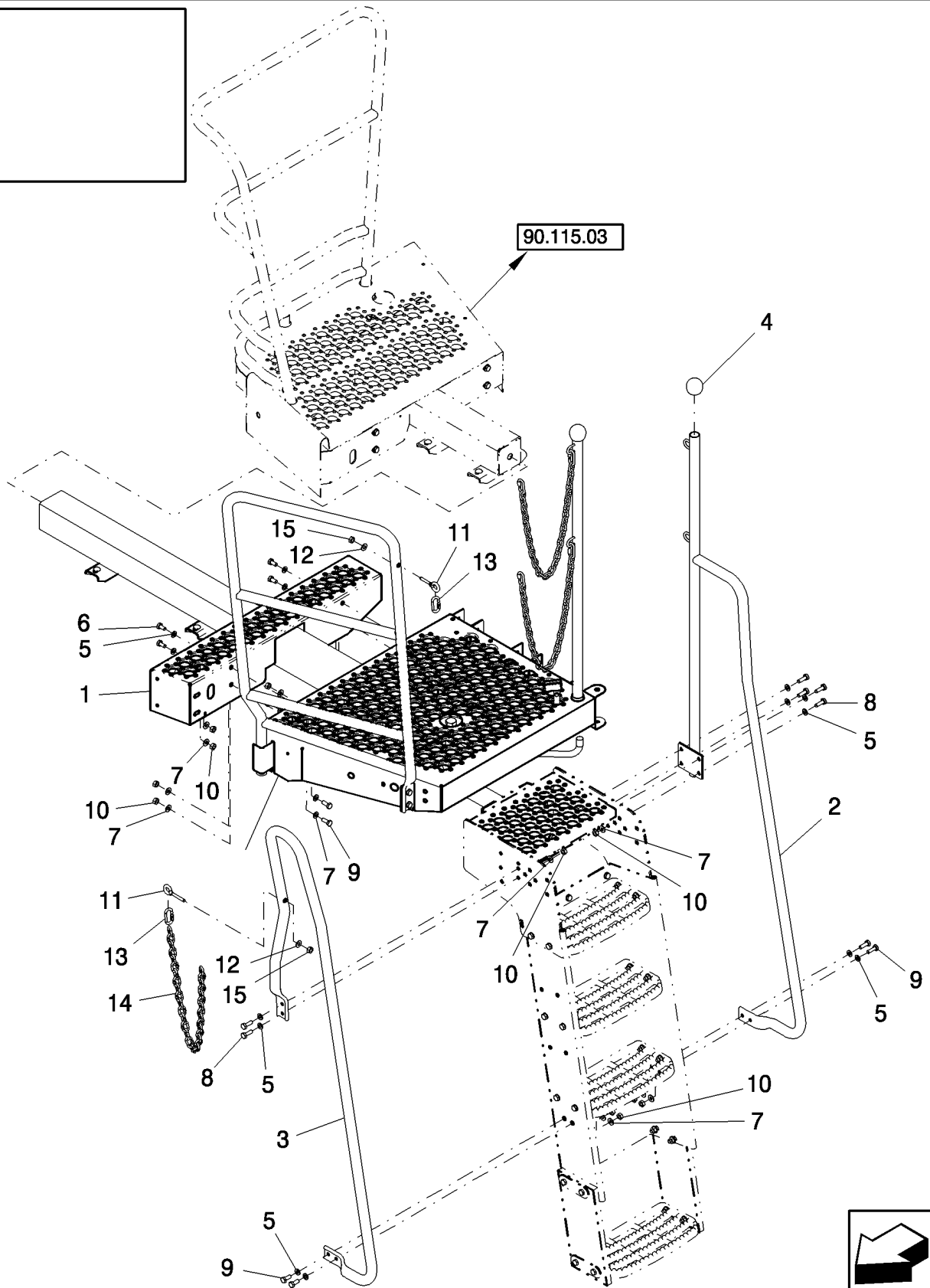
90.118.39

01

p1

10/09

RAILING, PLATFORM, NA/LATIN AMERICA



90.118.39

01

p1

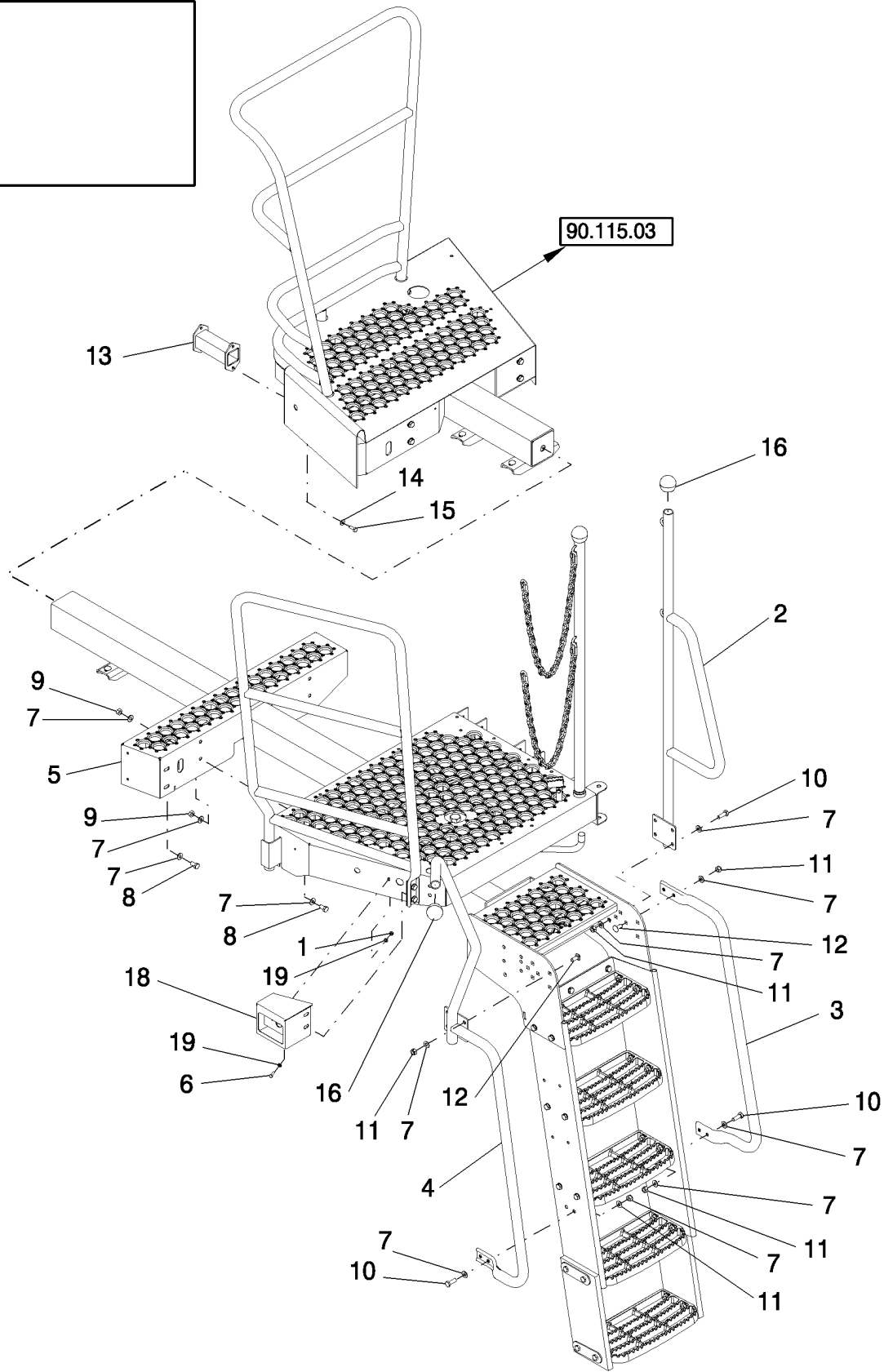
10/09

RAILING, PLATFORM, NA/LATIN AMERICA

REF	FN	PART NUMBER	YR/SN	QTY	DESCRIPTION
1		87548617		1	PLATFORM, 150, Extension
2		87109386		1	HANDRAIL
3		87284635		1	HANDRAIL, L.H.
4		87109879		1	KNOB, Ladder Latch
5		86511323		18	WASHER, M10 x 20 x 2
6		43138		4	BOLT, Hex, M10 x 20, 8.8, Full Thd
7		140045		18	BELLEVILLE WASHER, M10
8		43140		8	BOLT, Hex, M10 x 30, 8.8, Full Thd
9		43139		6	BOLT, Hex, M10 x 25, 8.8, Full Thd
10		100016		18	NUT, M10, CI 8
11		87510645		2	EYEBOLT, M6
12		322357		2	BELLEVILLE WASHER, M6
13		326376A2		2	LINK, Chain
14		87109887		1	CHAIN, Ladder Gate
15		87308550		2	NUT, M6, Dome

**7120 8120 9120 7120
8120**

RAILING, PLATFORM, EU - 7120, 8120, 9120



90.118.39

02

p1

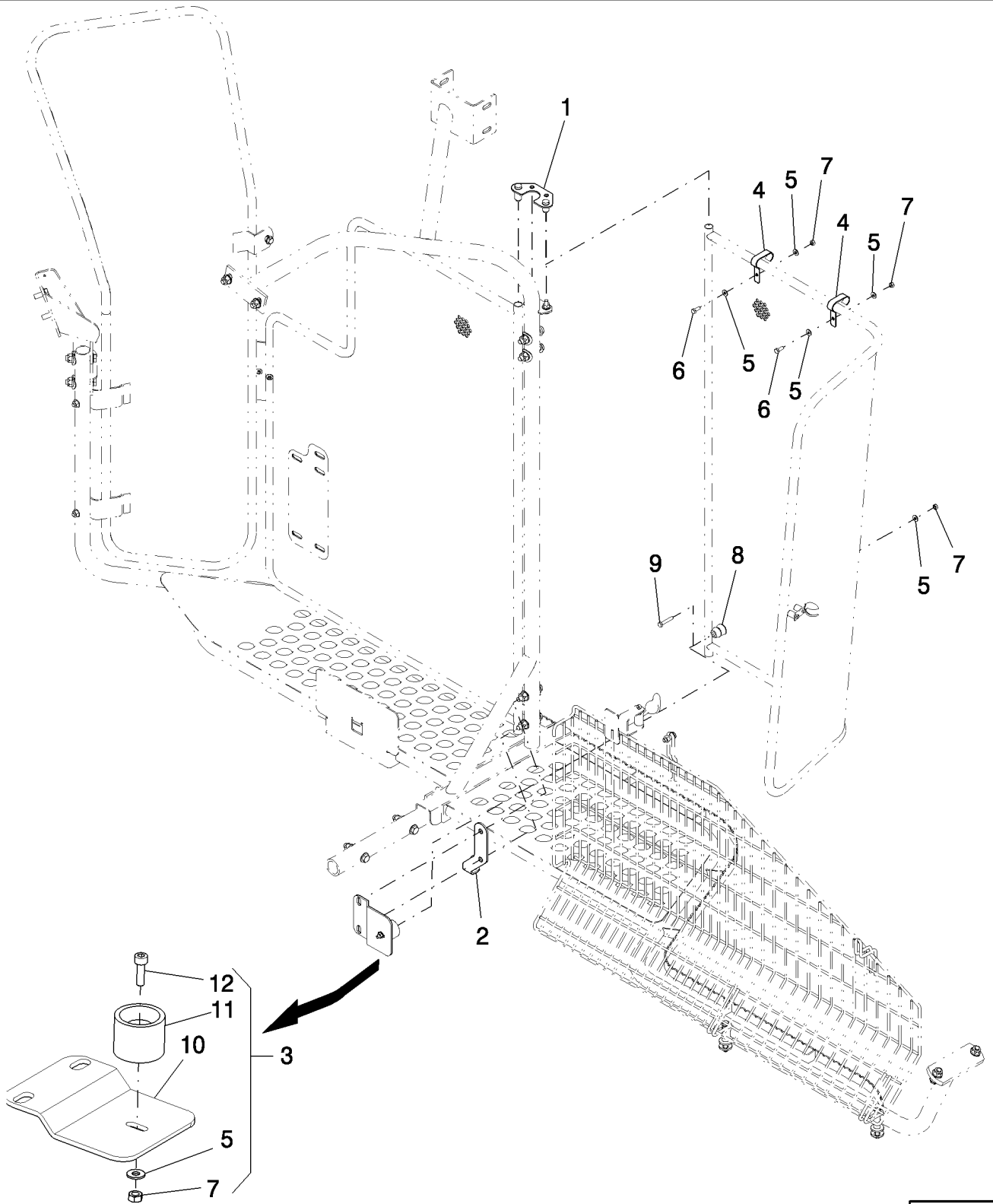
10/09

RAILING, PLATFORM, EU - 7120, 8120, 9120

REF	FN	PART NUMBER	YR/SN	QTY	DESCRIPTION
1		86500688		1	NUT, M6 x 1, CI 10
2		87280936		1	GRAB RAIL
3		87109584		1	HANDRAIL, Lower, R.H.
4		87284947		1	HANDRAIL, Ladder, L.H.
5		87548617		1	PLATFORM
6		120100		1	BOLT, Hex, M6 x 20, 8.8
7		140045		38	BELLEVILLE WASHER, M10
8		43138		8	BOLT, Hex, M10 x 20, 8.8, Full Thd
9		100016		8	NUT, M10, CI 8
10		43140		14	BOLT, Hex, M10 x 30, 8.8, Full Thd
11		100037		14	NUT, M10 x 1.5, CI 8
12		86633356		6	CARRIAGE BOLT, Short NK, M10 x 25, CI8.8, Full Thd
13		87280542		1	EXTENSION, TUBE
14		322358		2	BELLEVILLE WASHER, M8
15		120104		2	BOLT, Hex, M8 x 20, 8.8
16		349014A1		1	KNOB
18		84147467		1	BRACKET
19		86588450		2	WASHER, M6 x 12 x 1.6 Thk

8120 9120 7120

BRACKETS, LOWER SHIELDS - TRACK - NA - 8120, 9120



90.118.40

p1

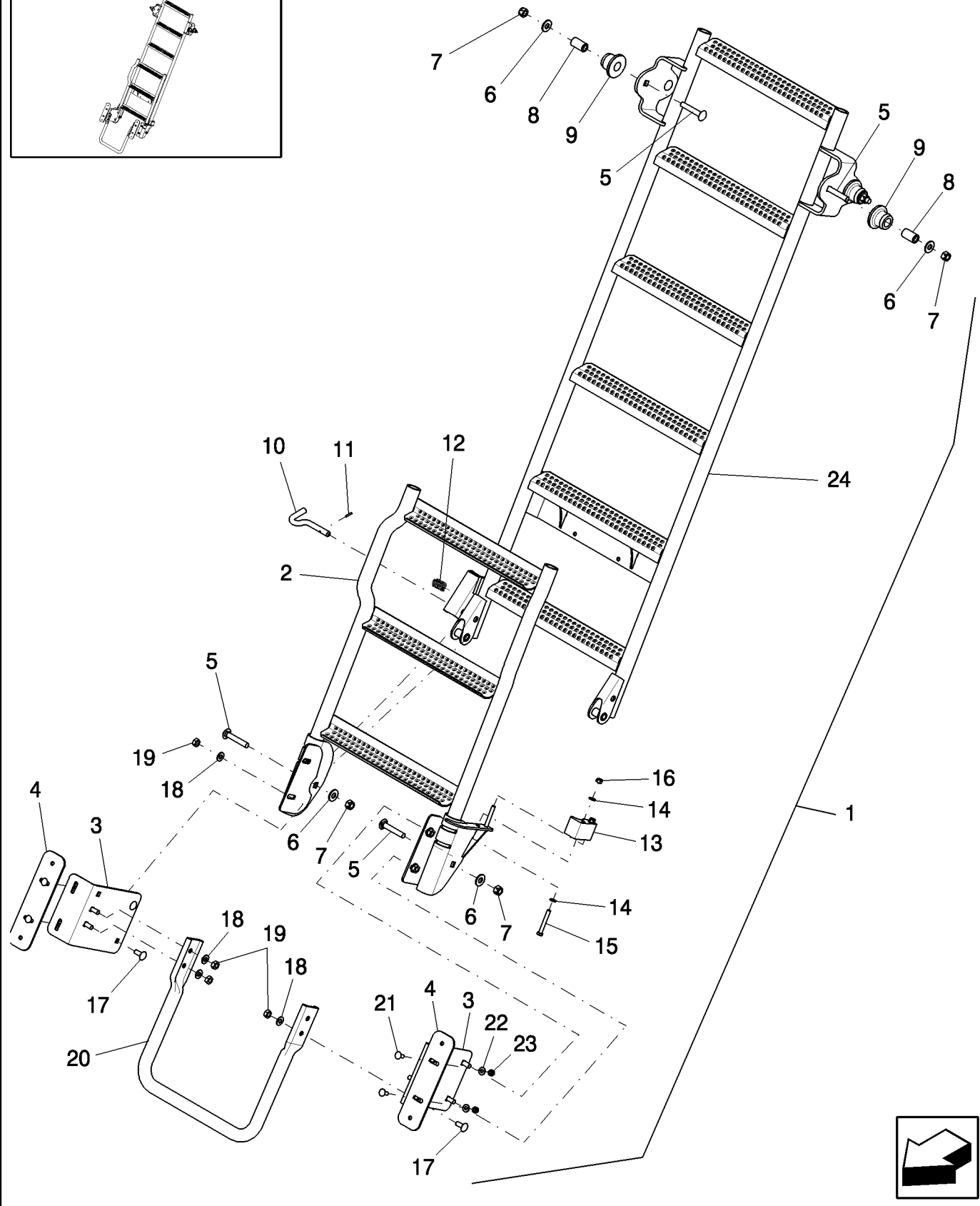
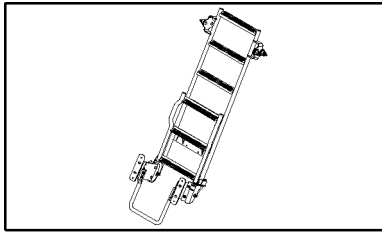
10/09

BRACKETS, LOWER SHIELDS - TRACK - NA - 8120, 9120

REF	FN	PART NUMBER	YR/SN	QTY	DESCRIPTION
1		84130548		1	BRACKET
2		87498861		1	BRACKET
3		87485230		1	PACKAGE,SERVICE, Bracket Assembly; Incl Refs 5, 7, 10 Thru 12
4		87485227		2	BRACKET
5		322357		6	BELLEVILLE WASHER, M6
6		86508568		2	BOLT, Hex, M6 x 16, Cl 8.8, Full Thd
7		86500688		4	NUT, M6 x 1, Cl 10
8		87485234		1	FASTENER
9		86977789		1	BOLT, Hex, M6 x 35, 8.8
10		87485229		1	BRACKET
11		87485233		1	FASTENER
12		86512135		1	SCREW, Hex Soc Hd, M6 x 20, 12.9

8120 9120

DECK, REAR, LADDER

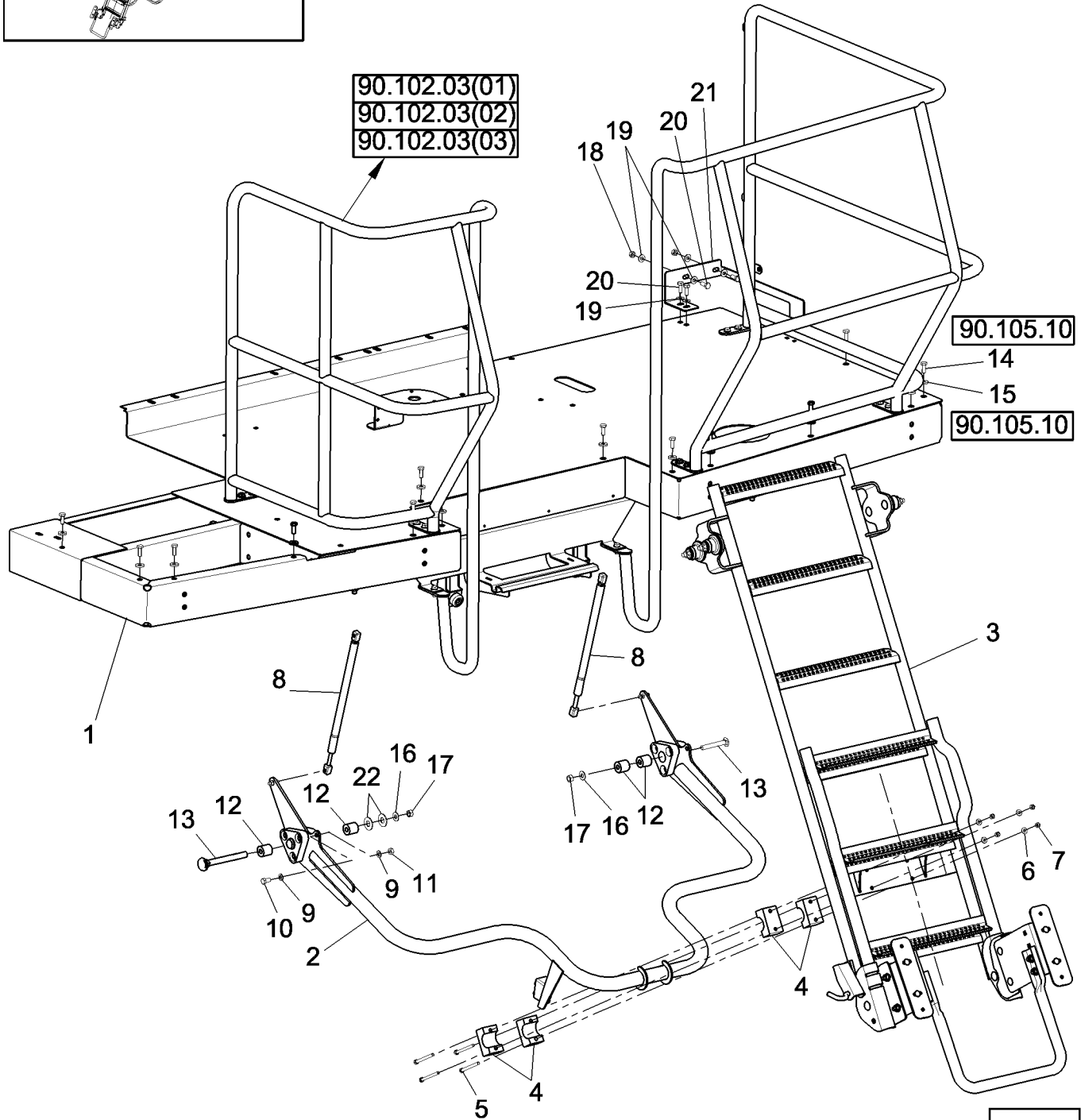
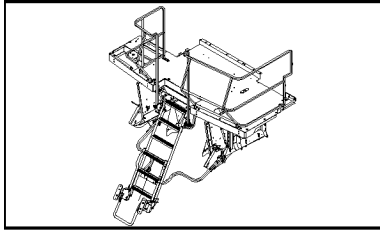


DECK, REAR, LADDER

REF	FN	PART NUMBER	YR/SN	QTY	DESCRIPTION
1		87591939		1	LADDER, Incl Refs 2 Thru 24
2		87497817		1	LADDER, Lower
3		87498873		1	BRACKET, Support, Ladder Shield, L.H.
4		87672123		2	PLATE
5		338263		6	CARRIAGE BOLT, Short NK, M12 x 70, CI8.8
6		87528989		6	WASHER
7		100038		6	LOCK NUT, M12 x 1.75, CI 8
8		436353		4	BUSHING
9		424230		4	BUSHING
10		1319740C2		1	PIN
11		300865		1	LOCK PIN, M3 x 20, Slotted
12		87000071		1	COMPRESSION SPRING
13		84607119		1	LATCH
14		86624184		4	WASHER, M8 x 16 x 1.6
15		120061		2	BOLT, Hex, M8 x 60, 8.8
16		86629542		2	LOCK NUT, M8 x 1.25, CI 8
17		86633356		8	CARRIAGE BOLT, Short NK, M10 x 25, CI8.8, Full Thd
18		140045		8	BELLEVILLE WASHER, M10
19		100016		8	NUT, M10, CI 8
20		87746671		1	HANDLE
21		86507486		4	CARRIAGE BOLT, Short NK, M8 x 20, CI8.8, Full Thd
22		322358		4	BELLEVILLE WASHER, M8
23		43362		4	NUT, M8, CI 10
24		NSS		1	NOT SERVICED SEPARATELY, Ladder, Upper
25		87498875		1	BRACKET, Support, Ladder Shield, L.H.

**8120 9120 7120 7120
8120**

DECK, REAR - 7120/7120(LA), 8120/8120(LA)



90.118.41

01

p1

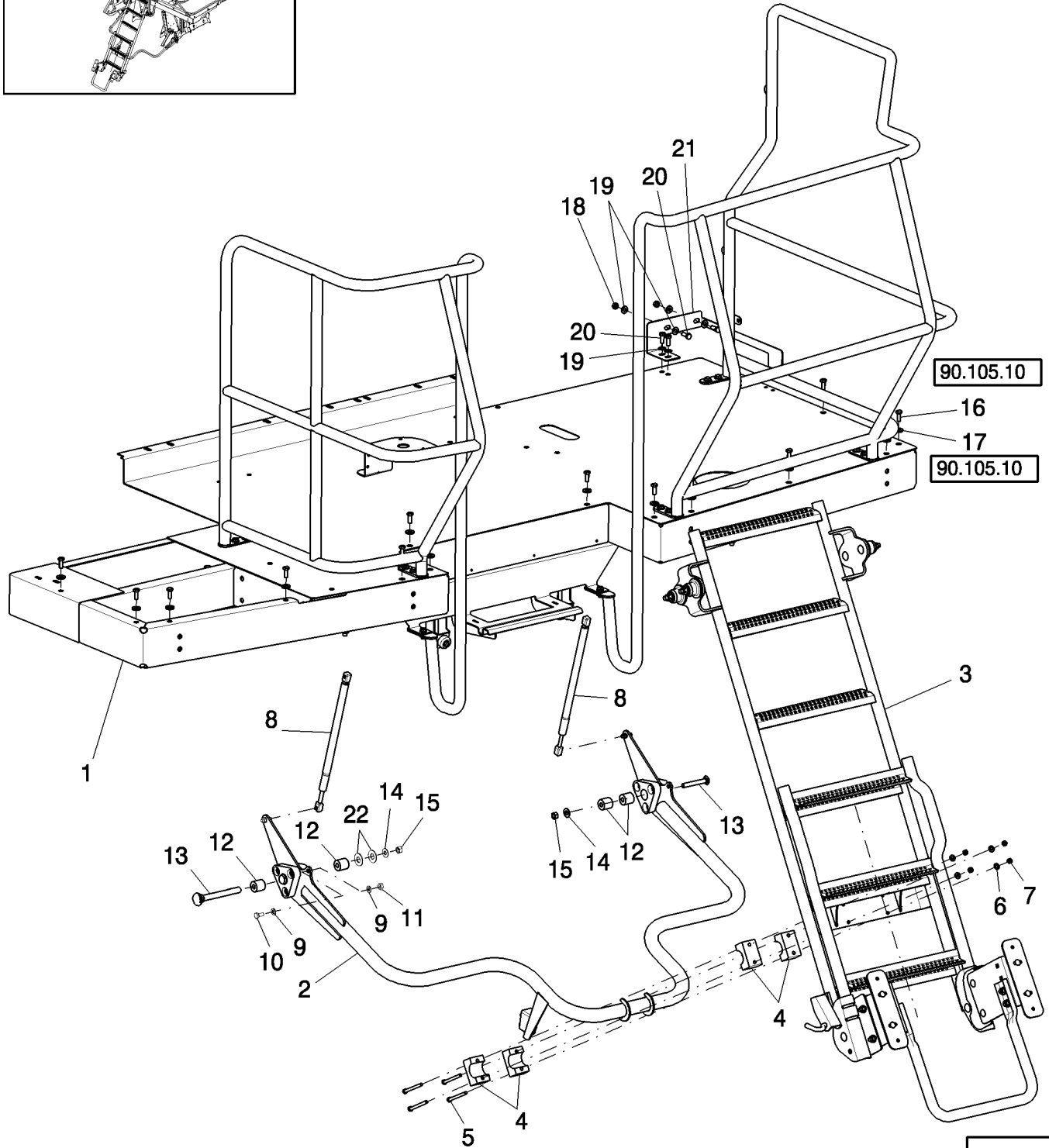
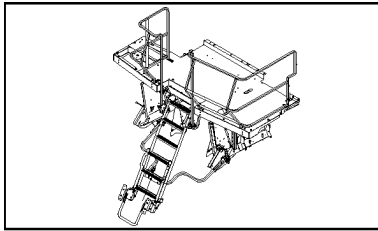
02/10

DECK, REAR - 7120/7120(LA), 8120/8120(LA)

REF	FN	PART NUMBER	YR/SN	QTY	DESCRIPTION
1		87591924		1	PLATFORM ASSY.
2		87746846		1	ARM ASSY.
3		87591939		1	LADDER
4		87630671		2	BLOCK ASSY., Pivot
5		86508571		4	BOLT, Hex, M8 x 90, 8.8
6		322358		4	BELLEVILLE WASHER, M8
7		9706690		4	NUT, M8, CI 8
8		87746668		2	COMPRESSION SPRING
9		140017		2	WASHER, M10 x 20 x 2
10		43138		1	BOLT, Hex, M10 x 20, 8.8, Full Thd
11		100016		1	NUT, M10, CI 8
12		87000413		4	BUSHING
13		334070		2	CARRIAGE BOLT, Short NK, M12 x 90, CI8.8
14		87698794		14	BOLT, PREV Torque, M8 x 25 Full Thd
15		87033737		14	WASHER, M8 x 28 x 3
16		140046		2	SPRING WASHER, Belleville, M12
17		9706685		2	NUT, M12, CI 8
18		86500689		2	NUT, M10, CI 10
19		140045		6	BELLEVILLE WASHER, M10
20		43139		4	BOLT, Hex, M10 x 25, 8.8, Full Thd
21		87475031		1	BRACKET
22		87629040		2	WASHER

8120 7120 7120 8120

DECK, REAR - 9120

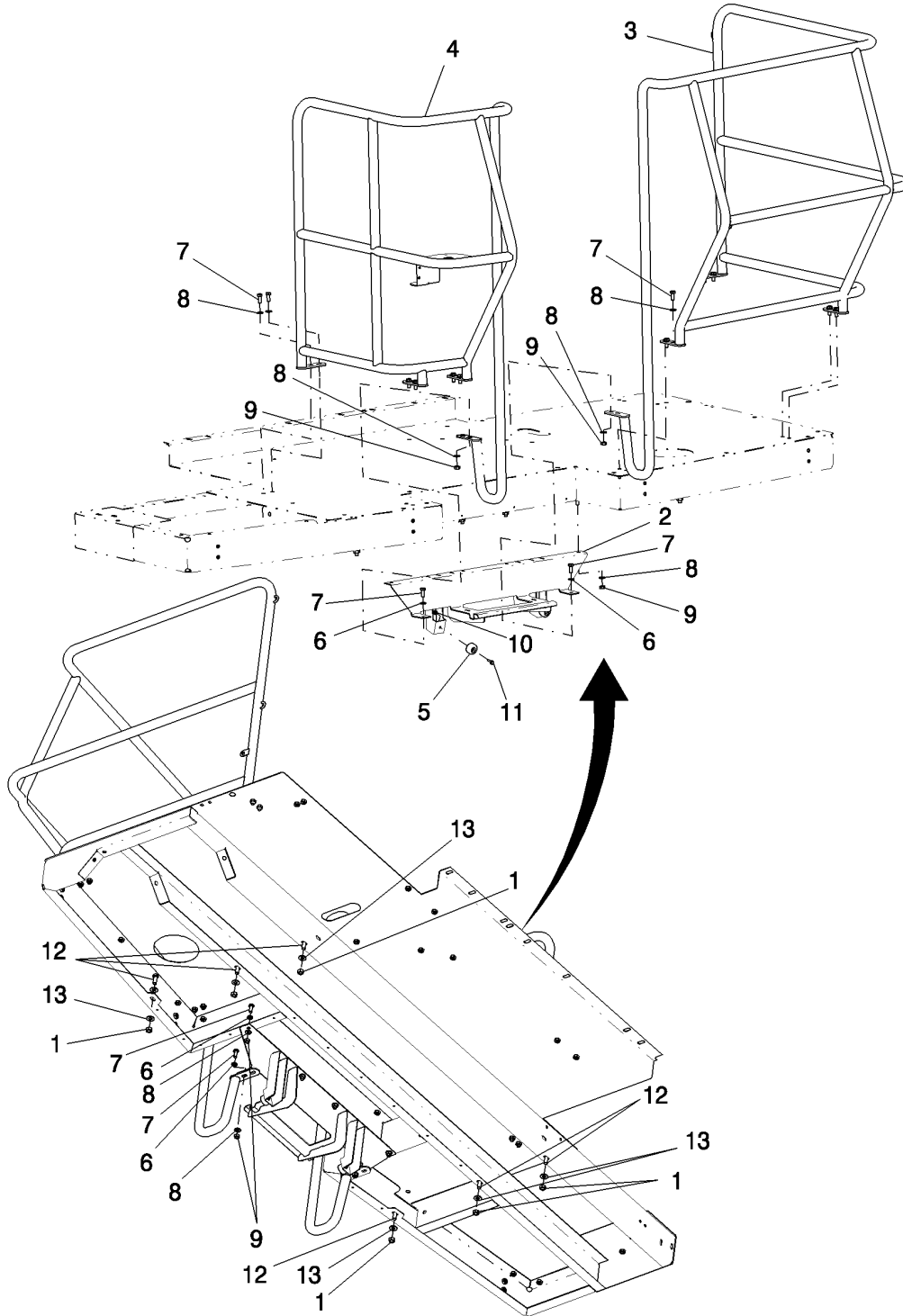


DECK, REAR - 9120

REF	FN	PART NUMBER	YR/SN	QTY	DESCRIPTION
1		87591924		1	PLATFORM ASSY., Deck, Rear
2		87746846		1	ARM ASSY.
3		87591939		1	LADDER
4		87630671		2	BLOCK ASSY., Pivot
5		86508571		4	BOLT, Hex, M8 x 90, 8.8
6		322358		4	BELLEVILLE WASHER, M8
7		9706690		4	NUT, M8, CI 8
8		87746668		2	COMPRESSION SPRING
9		140017		2	WASHER, M10 x 20 x 2
10		43138		1	BOLT, Hex, M10 x 20, 8.8, Full Thd
11		100016		1	NUT, M10, CI 8
12		87000413		4	BUSHING
13		334070		2	CARRIAGE BOLT, Short NK, M12 x 90, CI8.8
14		140046		2	SPRING WASHER, Belleville, M12
15		9706685		2	NUT, M12, CI 8
16		87698794		14	BOLT, PREV Torque, M8 x 25 Full Thd
17		87033737		14	WASHER, M8 x 28 x 3
18		86500689		2	NUT, M10, CI 10
19		140045		6	BELLEVILLE WASHER, M10
20		43139		4	BOLT, Hex, M10 x 25, 8.8, Full Thd
21		87475031		1	BRACKET
22		87629040		2	WASHER

9120

RAILING, REAR - 7120/7120(LA), 8120/8120(LA)



90.118.43

01

p1

02/10

RAILING, REAR - 7120/7120(LA), 8120/8120(LA)

REF	FN	PART NUMBER	YR/SN	QTY	DESCRIPTION
1		9706685		6	NUT, M12, CI 8
2		87700647		1	STEP
3	1	87673785		1	HANDRAIL, Rear, R.H.
3	2,3	87728311		1	HANDRAIL, Rear, R.H.
4		87673787		1	HANDRAIL, Rear, L.H.
5		87602893		2	BUMPER
6		86624176		6	WASHER, M10 x 20 x 2
7		43139		18	BOLT, Hex, M10 x 25, 8.8, Full Thd
8		140045		18	BELLEVILLE WASHER, M10
9		100016		6	NUT, M10, CI 8
10		86050300		2	NUT, M6 x 1, Flg, CI10
11		87675531		2	BOLT
12		9706687		6	BOLT, Hex, M12 x 30, 8.8, Full Thd
13		140046		12	SPRING WASHER, Belleville, M12

- (1) Prior to 01/09
(2) From 01/09
(3) Not Illustrated

8120 7120 7120 8120

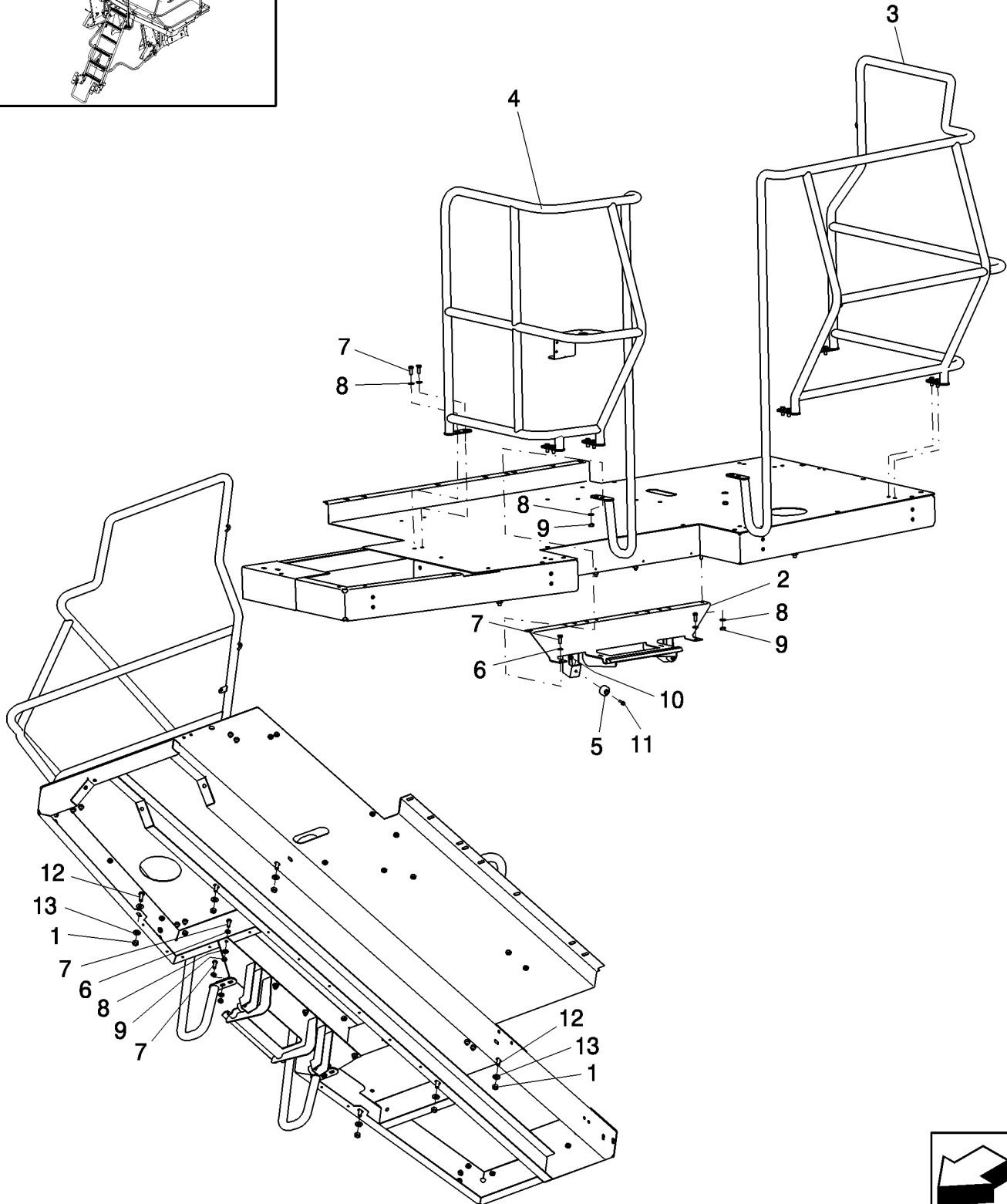
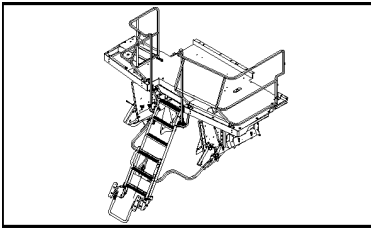
90.118.43

02

p1

02/10

RAILING, REAR - 9120



90.118.43

02

p1

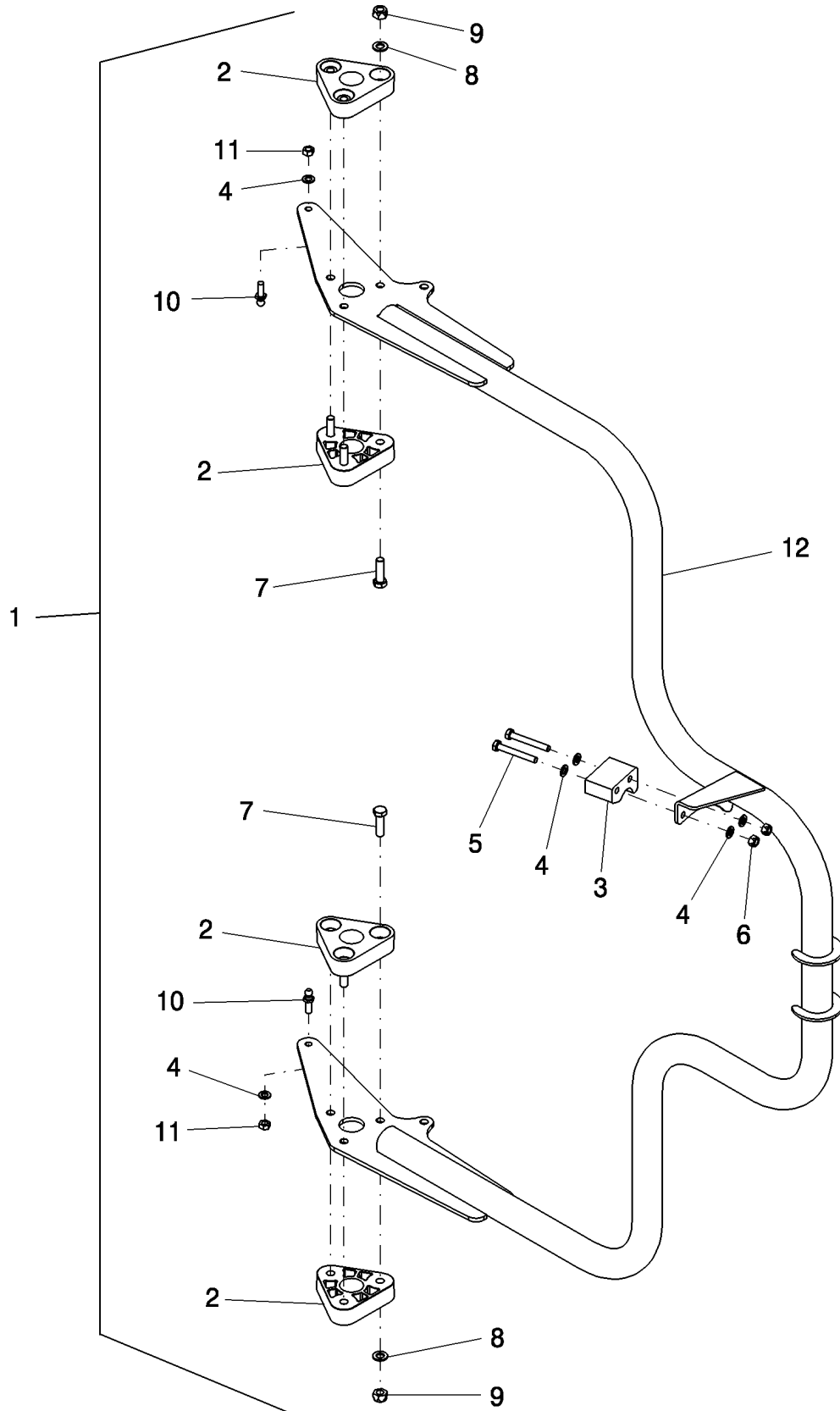
02/10

RAILING, REAR - 9120

REF	FN	PART NUMBER	YR/SN	QTY	DESCRIPTION
1		9706685		6	NUT, M12, CI 8
2		87700647		1	STEP
3		87728311		1	HANDRAIL, Rear Deck, R.H.
4		87673787		1	HANDRAIL, Rear Deck, L.H.
5		87602893		2	BUMPER
6		86624176		6	WASHER, M10 x 20 x 2
7		43139		18	BOLT, Hex, M10 x 25, 8.8, Full Thd
8		140045		18	BELLEVILLE WASHER, M10
9		100016		6	NUT, M10, CI 8
10		86050300		2	NUT, M6 x 1, Flg, CI10
11		87675531		2	BOLT
12		9706687		6	BOLT, Hex, M12 x 30, 8.8, Full Thd
13		140046		12	SPRING WASHER, Belleville, M12

9120

ARM, REAR DECK LADDER



ARM, REAR DECK LADDER

REF	FN	PART NUMBER	YR/SN	QTY	DESCRIPTION
1		87746846		1	ARM ASSY., Incl Refs 2 Thru 12
2		87105202		4	BUSHING
3		84607119		1	LATCH
4		86624184		6	WASHER, M8 x 16 x 1.6
5		120061		2	BOLT, Hex, M8 x 60, 8.8
6		86629542		2	LOCK NUT, M8 x 1.25, CI 8
7		9706704		6	BOLT, Hex, M10 x 35, 8.8, Full Thd
8		140017		6	WASHER, M10 x 20 x 2
9		86512554		6	LOCK NUT, M10 x 1.5, CI 10
10		86628347		2	STUD
11		9706690		2	NUT, M8, CI 8
12		87653242		1	ARM ASSY.

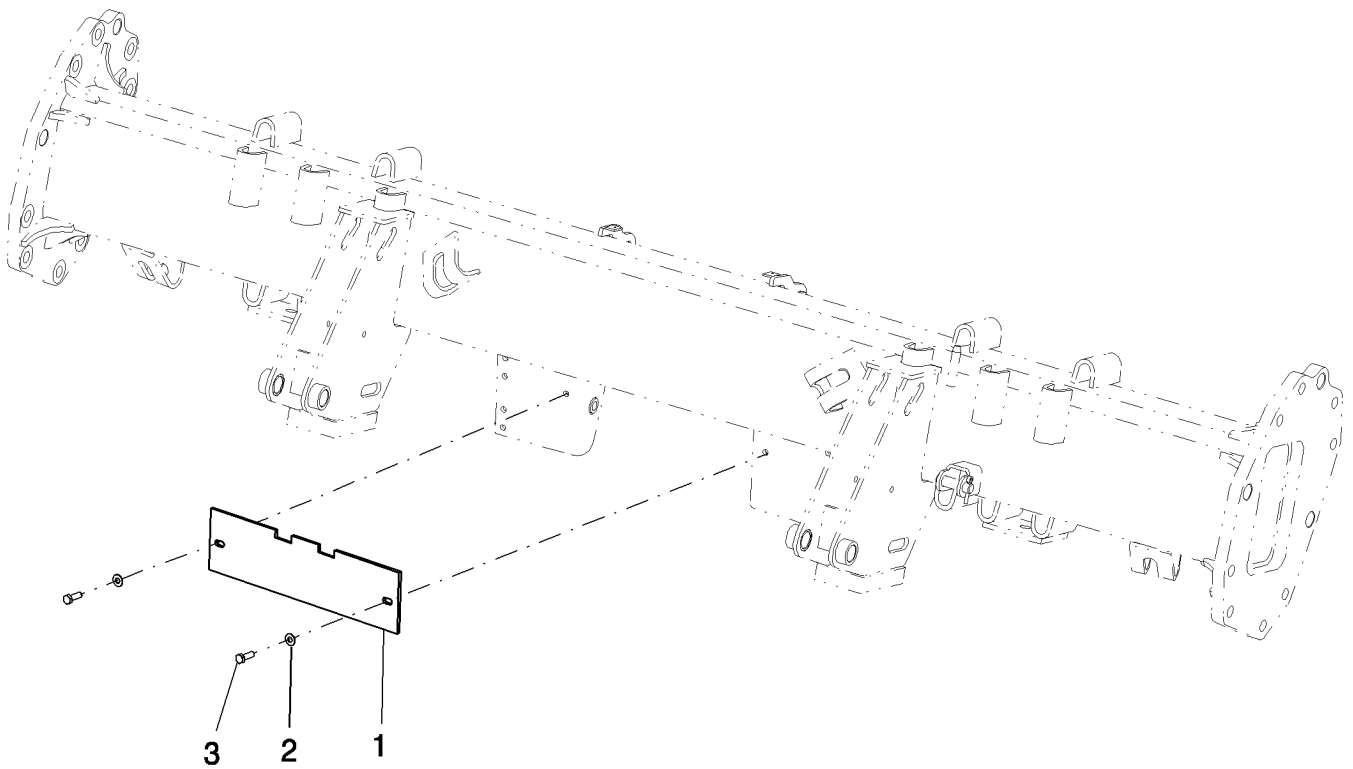
**8120 9120 7120 7120
8120**

90.118.45

p1

10/09

SHIELD, FRONT AXLE



90.118.45

p1

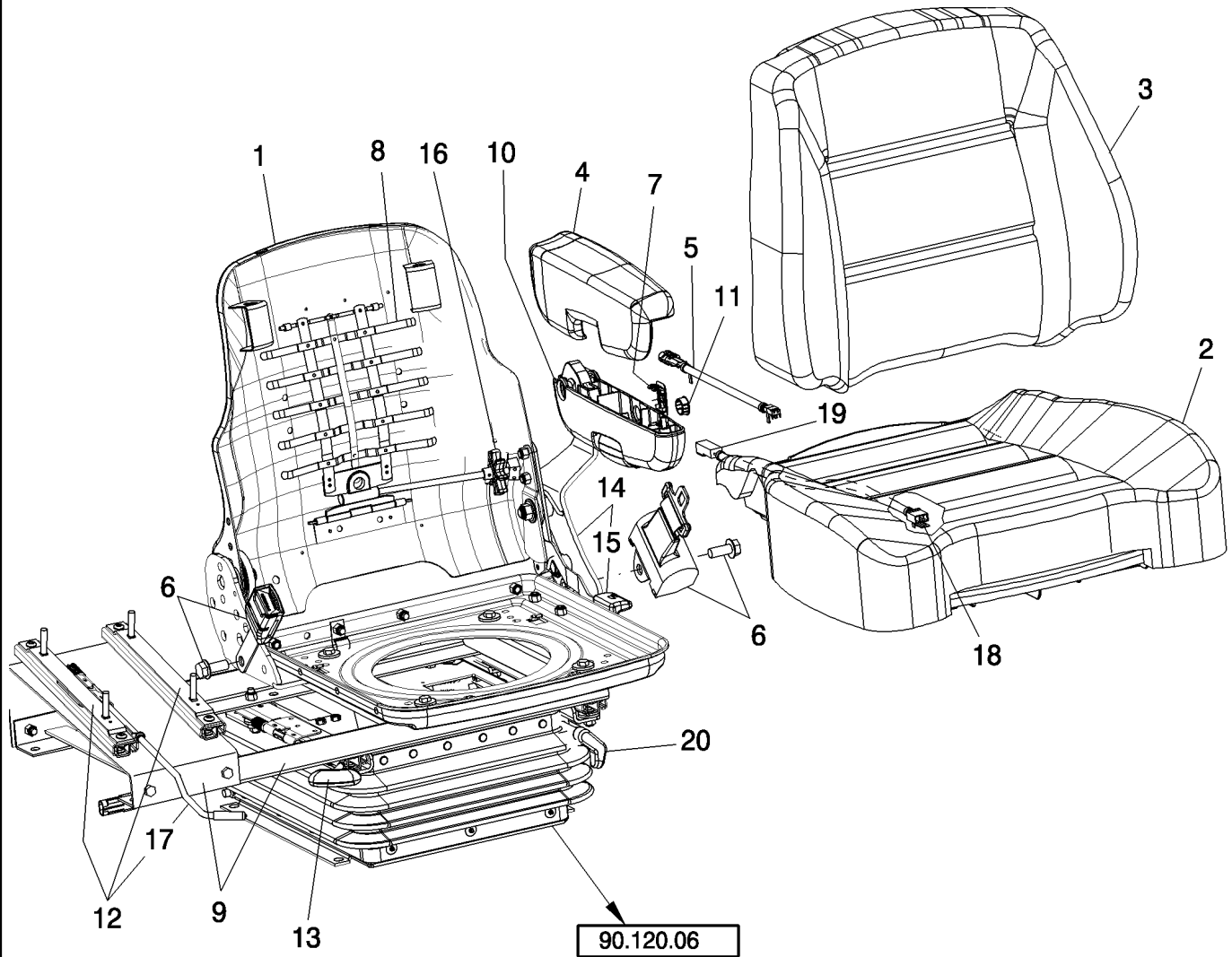
10/09

SHIELD, FRONT AXLE

REF	FN	PART NUMBER	YR/SN	QTY	DESCRIPTION
1		84435587		1	PLATE
2		140045		2	BELLEVILLE WASHER, M10
3		43140		2	BOLT, Hex, M10 x 30, 8.8, Full Thd

**8120 9120 7120 7120
8120**

SEAT COMPONENTS, OPERATOR (NON-HEATED)

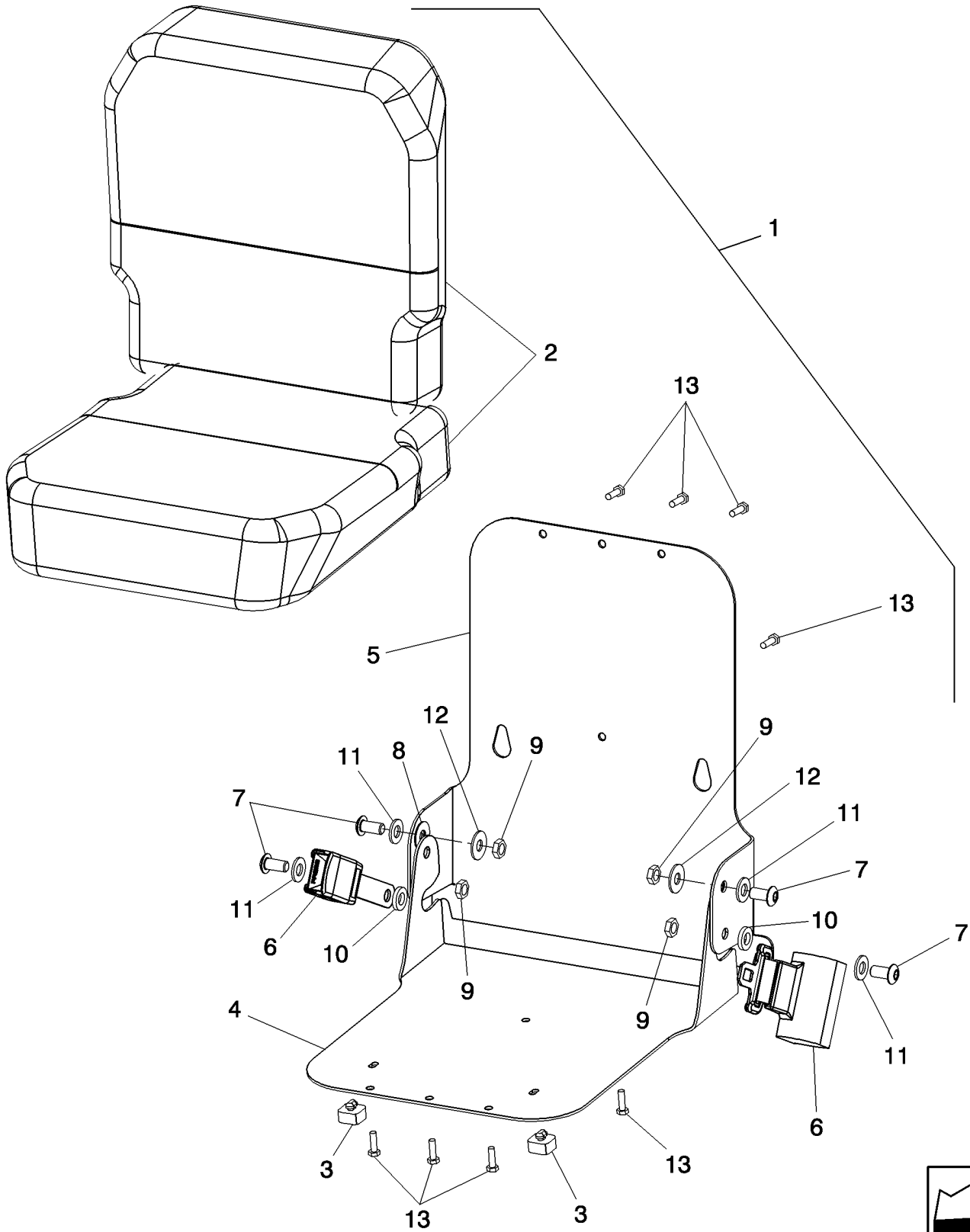


SEAT COMPONENTS, OPERATOR (NON-HEATED)

REF	FN	PART NUMBER	YR/SN	QTY	DESCRIPTION
1		NSS		1	NOT SERVICED SEPARATELY, Shell, Seat
2		84120473		1	SEAT CUSHION, Bottom, Wheat; Incl Harness
3		84120474		1	CUSHION, Seat, Back, Wheat
4		NSS		1	NOT SERVICED SEPARATELY, Pad, L.H. Armrest
5		84203621		1	WIRE HARNESS, Operator Presence Jumper
6		84120502		1	KIT, Seat Belt; Incl Belt, Receiver, & Hardware
7		NSS		1	NOT SERVICED SEPARATELY, Plug
8		87308130		1	SEAT BACK ADJUST DEVICE, Kit, Lumbar Support
9		84120503		1	KIT, Frame, R.H. Console; Incl Plate, Support, & Hardware
10		84120494		1	ARMREST, Kit, L.H.; Incl Armrest Bottom, Adjusting Knob/Shaft, & Hardware
11		NSS		1	NOT SERVICED SEPARATELY, Plug
12		84120504		1	KIT, R.H. Console Slide; Incl Slides, Handle, & Mounting Hardware
13		84120499		1	KIT, Seat Slide; Incl Slides, Handle, & Mounting Hardware
14		86994165		1	SEAT ACCESSORY, Kit, Recliner; Incl Lever, Latch, Knob, & Hardware
15		87416475		1	KNOB
16		87037462		1	SEAT BACK ADJUST DEVICE
17		84120505		1	KIT, Console Lever; Incl Lever, Cap, & Hardware
18		86400227		1	SWITCH, Operator Presence
19		87568463		1	WIRE HARNESS, OP
20		84189454		1	SEAT ACCESSORY, Knob, Fore and Aft Isolator

**8120 9120 7120 7120
8120**

SEAT COMPONENTS, INSTRUCTIONAL



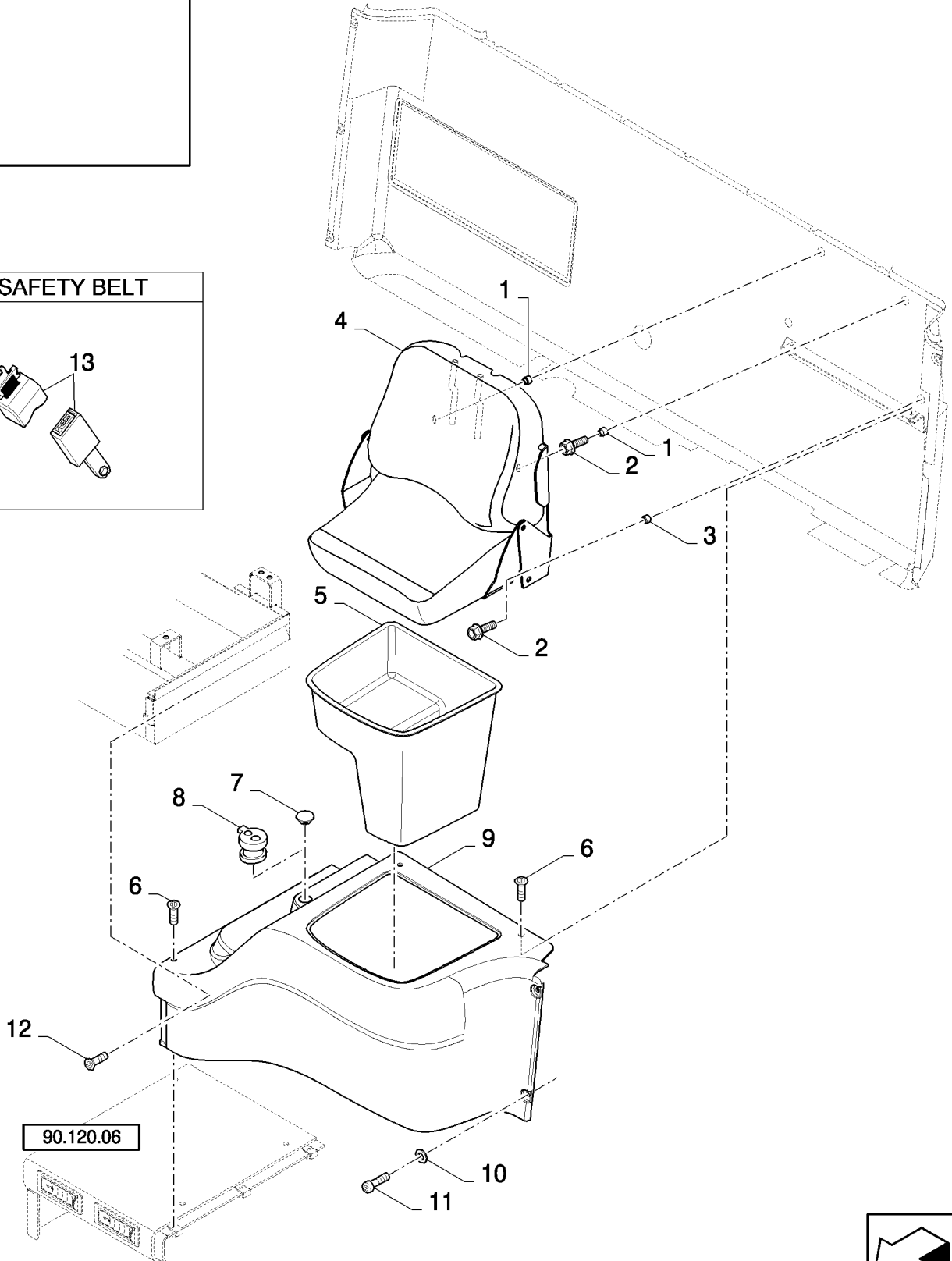
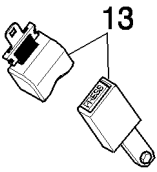
SEAT COMPONENTS, INSTRUCTIONAL

REF	FN	PART NUMBER	YR/SN	QTY	DESCRIPTION
1		87685205		1	SEAT ASSY., Incl Refs 2 Thru 13
2		84120475		2	CUSHION, Wheat
3		276467		2	BUMPER
4		84141626		1	BRACKET, Bottom
5		84141623		1	BRACKET, Back
6		84120502		1	KIT, Seat Belt; Includes Belt, Receiver, & Mounting Hardware
7		NSS		4	NOT SERVICED SEPARATELY, Screw, Btn Hd Skt, M12 x 1.75 x 20 mm
8		NSS		4	NOT SERVICED SEPARATELY, Washer, M12
9		NSS		4	NOT SERVICED SEPARATELY, Nut, Lock, M12 x 1.75
10		NSS		2	NOT SERVICED SEPARATELY, Washer, .532 ID x 1.00 x 0.177 Thk
11		NSS		4	NOT SERVICED SEPARATELY, Washer, .531 ID x 1.062 x 0.16 Thk
12		NSS		2	NOT SERVICED SEPARATELY, Washer, .500 ID x 1.25 x 0.08 Thk
13		NSS		8	NOT SERVICED SEPARATELY, Bolt, HH, 1/4-20 UNC x .87 Lg

**8120 9120 7120 7120
8120**

SEAT, INSTRUCTIONAL

SAFETY BELT



90.120.06

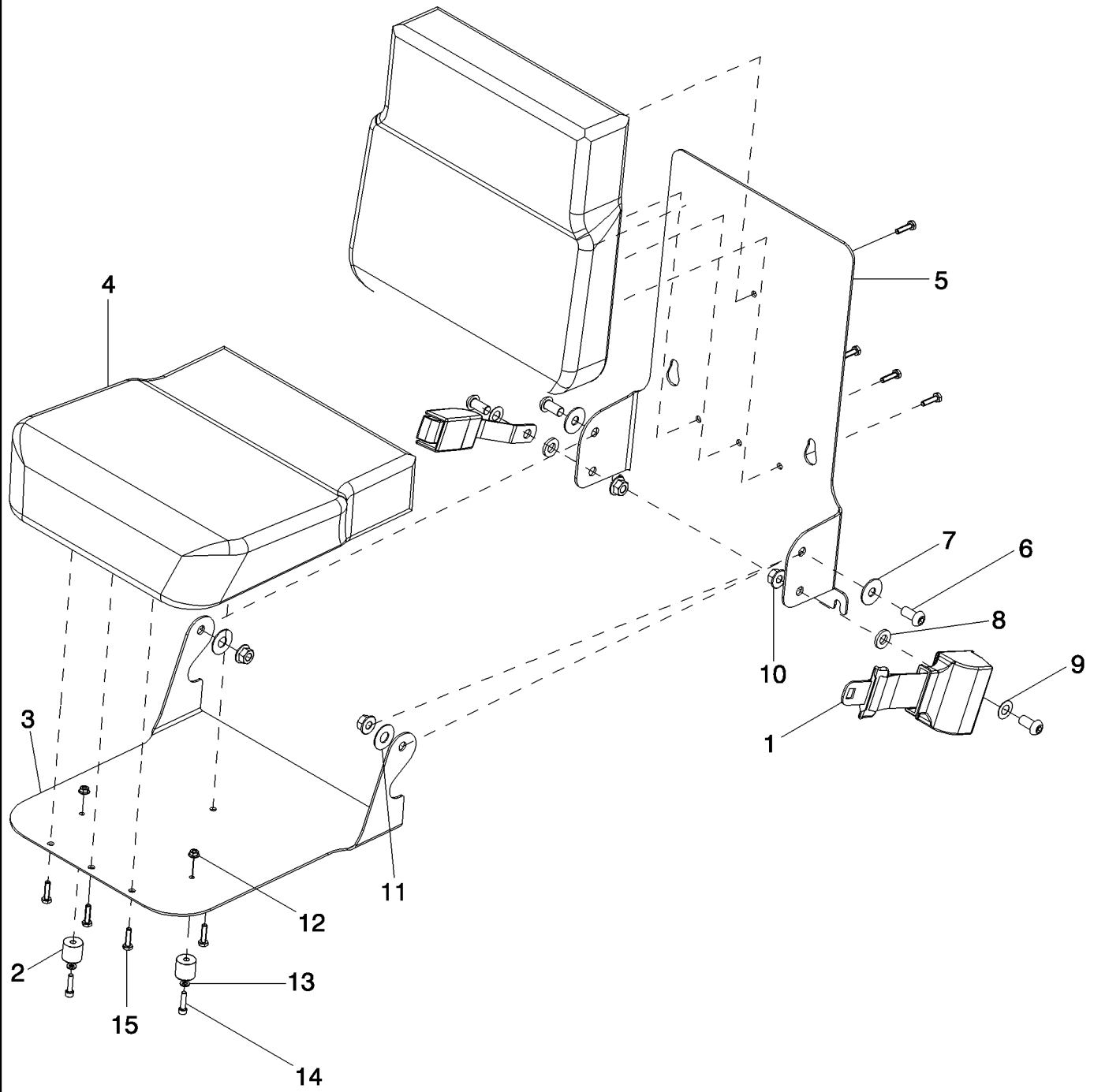


SEAT, INSTRUCTIONAL

REF	FN	PART NUMBER	YR/SN	QTY	DESCRIPTION
1		84075475		2	BUSHING
2		86511480		4	BOLT, Hex Serr Flg, M8 x 30
3		84075476		2	BUSHING
4		87685205		1	SEAT ASSY., Wheat
5		84067905		1	BOX
6		86502680		5	SCREW, Cross Oval Hd, M6 x 20
7		84067984		1	PLUG
8		84320279		1	CIGARETTE LIGHTER
9		86995759		1	COVER
10		84072877		2	WASHER, M6 x 22 x 0.3 Thk
11		84007540		2	SCREW, Cross, Pan Hd, M6 x 25, 4.8, Full Thd
12		9844205		1	SCREW, CSK, Oval Hd, M4 x 14, Full Thd, Cl 4.8
13		84081010		1	SEAT BELT

**8120 9120 7120 7120
8120**

INSTRUCTOR SEAT, AFTER MARCH 2009

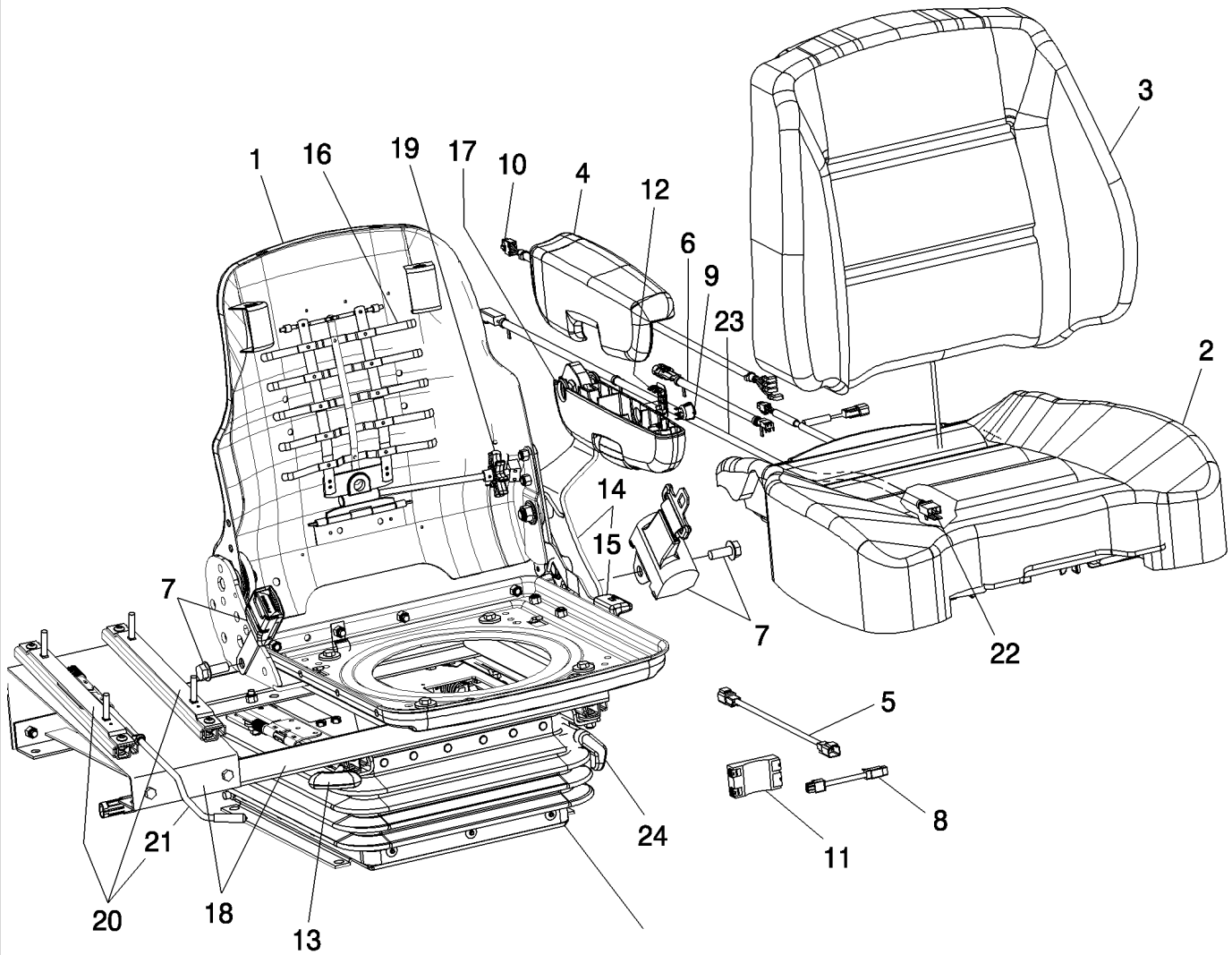


INSTRUCTOR SEAT, AFTER MARCH 2009

REF	FN	PART NUMBER	YR/SN	QTY	DESCRIPTION
		NSS			NOT SERVICED SEPARATELY, Seat Assy's are not available as complete, order components below
1		224808A1		1	SEAT BELT
2		84129534		2	BUMPER
3		84197864		1	SUPPORT
4		84129537		2	SEAT CUSHION, Red Leather
4		84129538		2	SEAT CUSHION, Confetti Wheat
5		84197918		1	SUPPORT
6		84173775		4	SCREW
7		13578804		2	WASHER, M12 x 36 x 2
8		65319		2	WASHER, M13 x 25 x 3.5, HT
9		140223		2	WASHER
10		86619803		4	LOCK NUT
11		{9844210}		2	
12		86619800		2	LOCK NUT, M6 x 1, Flg, Cl 8
13		9824259		2	WASHER, M6 x 12 x 1.6
14		9832203		2	SCREW, Hex Soc Hd, M6 x 25, 8.8
15		84214046		8	BOLT

**8120 9120 7120 7120
8120**

SEAT COMPONENTS, OPERATOR (HEATED)

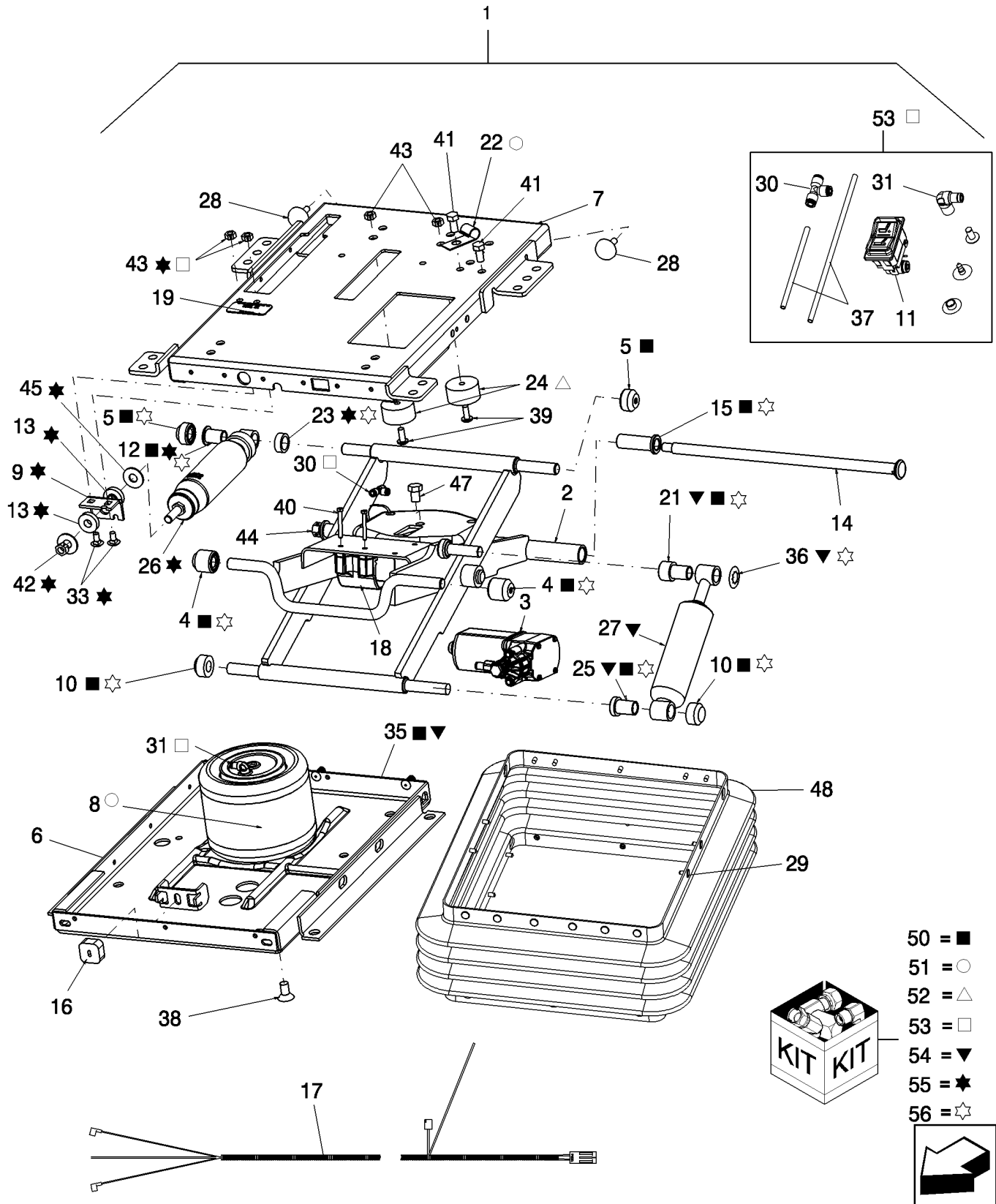


SEAT COMPONENTS, OPERATOR (HEATED)

REF	FN	PART NUMBER	YR/SN	QTY	DESCRIPTION
1		NSS		1	NOT SERVICED SEPARATELY, Shell, Seat
2		87749241		1	SEAT CUSHION, Red Leather; Includes Heater, Harnesses, & Switch
3		87397614		1	SEAT CUSHION, Red Leather; Includes Heater & Harness
4		NSS		1	NOT SERVICED SEPARATELY, Pad, Armrest, L.H.
5		84203622		1	WIRE HARNESS, Extension, Seat Heater
6		84203621		1	WIRE HARNESS, Operator Presence Jumper
7		84120502		1	KIT, Seat Belt: Included Belt, Receiver and Hardware
8		87752587		1	HARNESS, Extension, Seat Heat Controller
9		87749302		1	SWITCH, Seat Heater, Three Position
10		87749304		1	HARNESS, Heater, Three-Position
11		87749303		1	CONTROL UNIT, Plug, Switch Hole
12		NSS		1	NOT SERVICED SEPARATELY
13		84120499		1	KIT, Seat Slide; Includes Slides, Handle, & Mounting Hardware
14		86994165		1	SEAT ACCESSORY, Recliner; Includes Lever, Latch, Knob, & Hardware
15		87416475		1	KNOB
16		87308130		1	SEAT BACK ADJUST DEVICE, Kit, Lumbar Support
17		84120494		1	ARMREST, Kit, L.H. Armrest; Includes Armrest Bottom, Adjusting Knob/Shaft, & Hardware
18		84120503		1	KIT, R.H. Console Slide; Includes Slides, Handle, & Mounting Hardware
19		87037462		1	SEAT BACK ADJUST DEVICE, Wheel
20		84120504		1	KIT, R.H. Console Slide, Includes Slide, Handle and Hardware
21		84120505		1	KIT, Console Lever; Includes Lever, Cap, & Hardware
22		86400227		1	SWITCH, Operator Presence
23		87568463		1	WIRE HARNESS, Operator Presence Switch
24		84189454		1	SEAT ACCESSORY, Knob, Fore and Aft

**8120 9120 7120 7120
8120**

SEAT, SUSPENSION



- 50 = ■
- 51 = ○
- 52 = △
- 53 = □
- 54 = ▼
- 55 = ★
- 56 = ☆

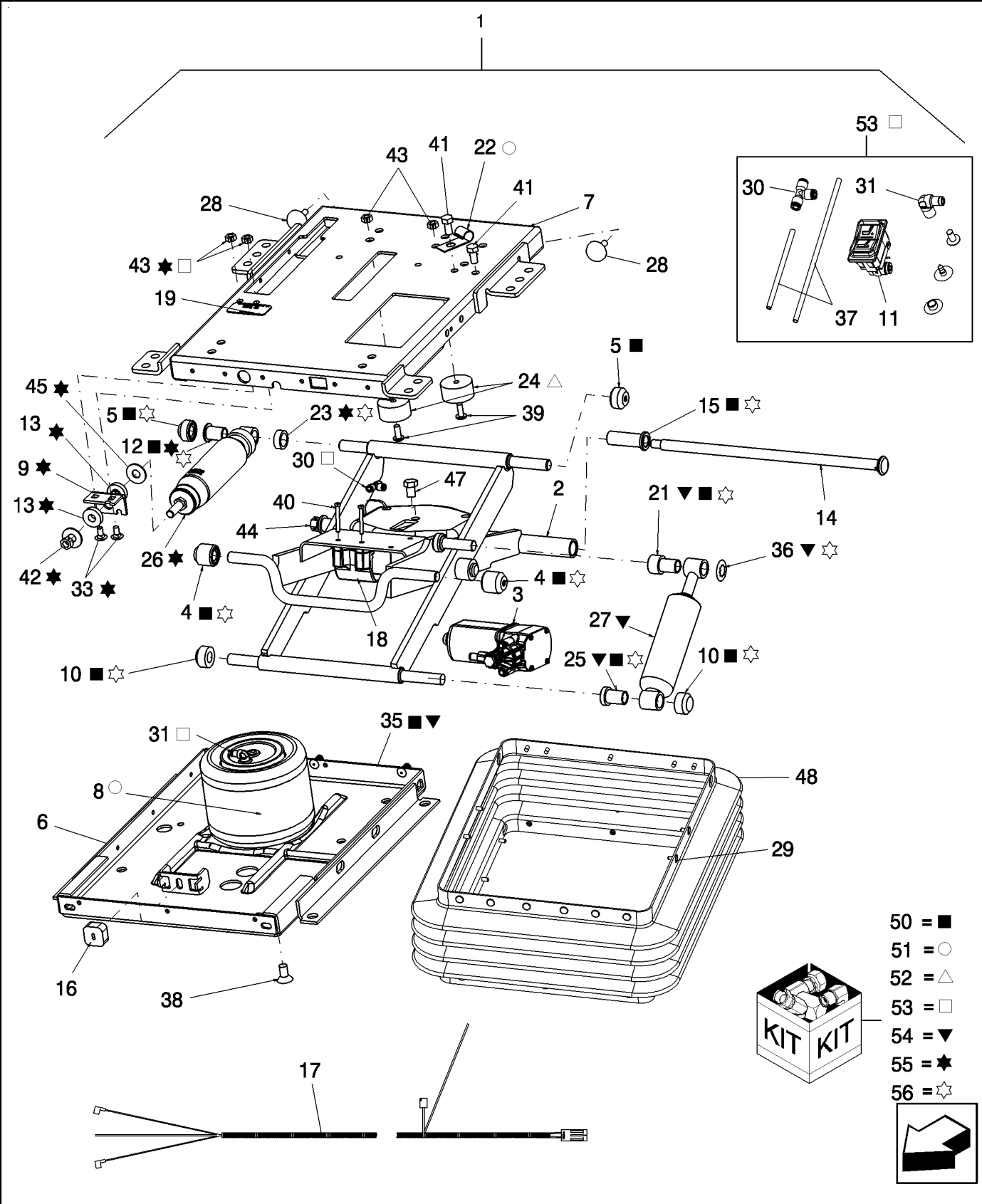


SEAT, SUSPENSION

REF	FN	PART NUMBER	YR/SN	QTY	DESCRIPTION
1		84120492		1	SUSPENSION
2		NSS		1	NOT SERVICED SEPARATELY, Suspension Arm
3		84120498		1	KIT, Compressor Assy; Includes: Compressor, Mount (Ref 18), Tee, Tubes, & Ties
4		NSS		2	NOT SERVICED SEPARATELY, Roller, Wide
5		NSS		2	NOT SERVICED SEPARATELY, Roller, Narrow
6		NSS		1	NOT SERVICED SEPARATELY, Seat Suspension Weldment, Lower
7		NSS		1	NOT SERVICED SEPARATELY, Seat Suspension Weldment, Upper
8		NSS		1	NOT SERVICED SEPARATELY, Air Spring
9		NSS		1	NOT SERVICED SEPARATELY, Angle, Shock Mounting
10		NSS		2	NOT SERVICED SEPARATELY, Roller
11		87347940		1	SERVICE KIT, Valve, Seat
12		NSS		1	NOT SERVICED SEPARATELY, Bushing, Shock Isolator
13		NSS		2	NOT SERVICED SEPARATELY, Bushing
14		143786A1		1	SHAFT
15		NSS		1	NOT SERVICED SEPARATELY, Bearing, Tube
16		276467		1	BUMPER
17		87390389		1	WIRE HARNESS, Compressor/Suspension
18		NSS		1	NOT SERVICED SEPARATELY, Mount, Compressor; See Ref 3
19		NS		1	NOT SERVICED, Plate, Serial Number
20		{}			Ref. Not Used
21		NSS		1	NOT SERVICED SEPARATELY, Bearing, Sleeve
22		NSS		1	NOT SERVICED SEPARATELY, Clip, "J"
23		NSS		1	NOT SERVICED SEPARATELY, Spacer, Fore-Aft
24		NSS		2	NOT SERVICED SEPARATELY, Bumper
25		NSS		1	NOT SERVICED SEPARATELY, Bearing
26		NSS		1	NOT SERVICED SEPARATELY, Shock
27		NSS		1	NOT SERVICED SEPARATELY, Shock
28		NSS		2	NOT SERVICED SEPARATELY, Bumper
29		87347976		1	SERVICE KIT, Boot Clip

**8120 9120 7120 7120
8120**

SEAT, SUSPENSION

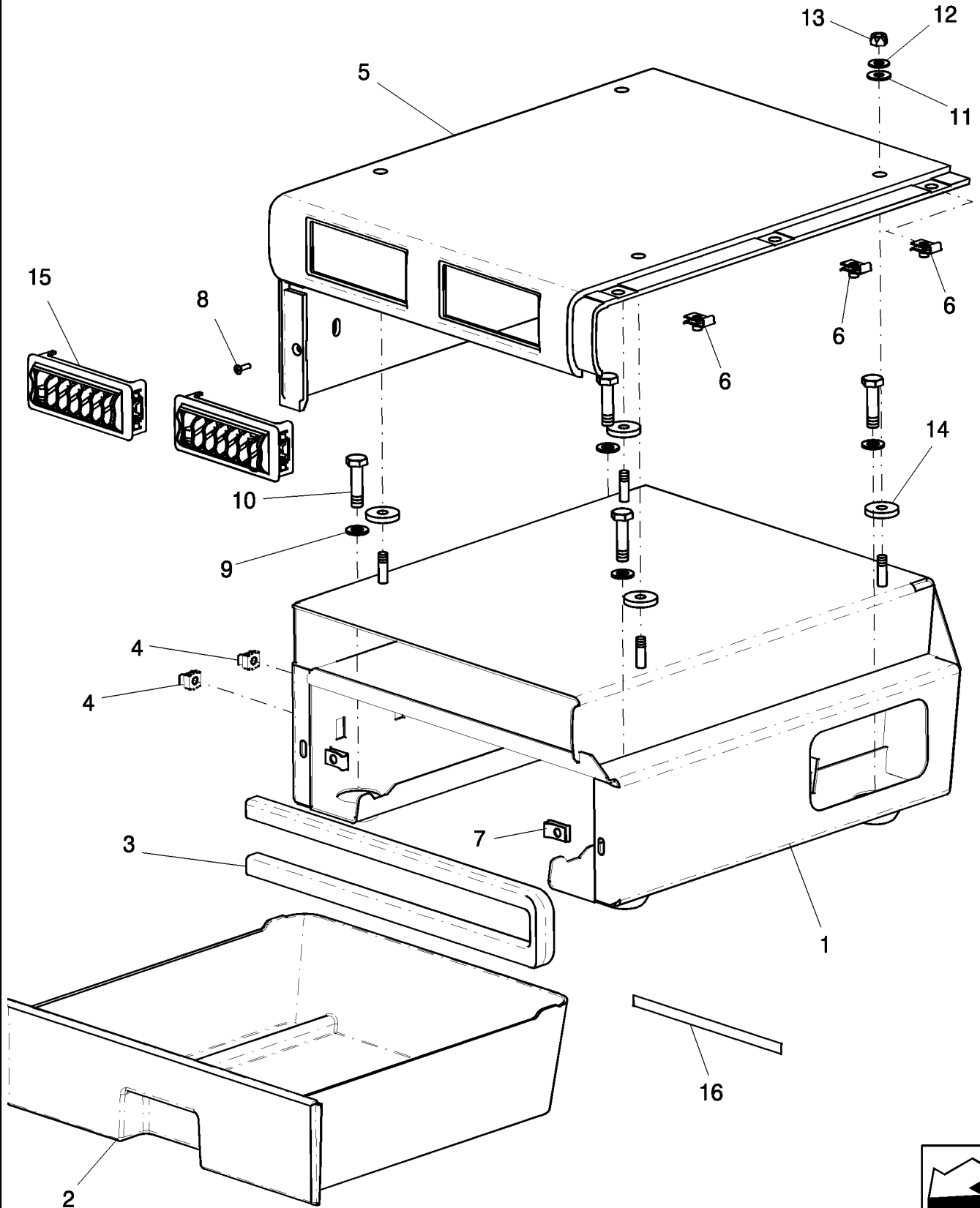


SEAT, SUSPENSION

REF	FN	PART NUMBER	YR/SN	QTY	DESCRIPTION
30		NSS		1	NOT SERVICED SEPARATELY, Fitting, Tee; M4
31		NSS		1	NOT SERVICED SEPARATELY, Elbow, 90°, 1/8", NPT Male x 5/32" OD
33		NSS		2	NOT SERVICED SEPARATELY, Bolt, Carriage, 1/4"-20 UNC-2A
35		NSS		3	NOT SERVICED SEPARATELY, Clip, Christmas Tree
36		NSS		1	NOT SERVICED SEPARATELY, Retainer, Internal Tooth, 1/2"
37		NSS		2	NOT SERVICED SEPARATELY, Tubing
38		NSS		1	NOT SERVICED SEPARATELY, Screw, Flat Head Machine, 3/8"-16, UNC-2A
39		NSS		2	NOT SERVICED SEPARATELY, Screw, Rnd Hd Machine, 1/4"-20 UNC, 5/8" Lg
40		NSS		2	NOT SERVICED SEPARATELY, Bolt, #8 x 1.25", Type AB Slotted HH Flg
41		NSS		2	NOT SERVICED SEPARATELY, Bolt, 5/16"-14 x .63, Thread-Forming Blunt Pt Hex Wshr Hd
42		NSS		1	NOT SERVICED SEPARATELY, Nut, Centerlock, 5/16"-24 UNC
43		NSS		4	NOT SERVICED SEPARATELY, Nut, Centerlock, 1/4"-20 UNC
44		NSS		1	NOT SERVICED SEPARATELY, Nut, Centerlock, 3/8"-16 UNC
45		NSS		2	NOT SERVICED SEPARATELY, Washer, .406" ID x 1" OD x .06" Thk
47		NSS		1	NOT SERVICED SEPARATELY, Bolt, HH 3/8"-16 x 1/2"
48		84120495		1	KIT, Includes Rivets & Clips
50		87347967		1	SERVICE KIT, Bearing Seat
51		197793A1		1	SPRING, Kit
52		180593A1		1	KIT, Bumper
53		84120500		1	KIT, Airline
54		1344250C2		1	KIT, Seat Shock Absorber
55		87352580		1	SERVICE KIT, Seat Shock Absorber, Fore/Aft
56		180594A3		1	KIT, Rollers & Bearings

8120 9120 7120 7120
8120

SEAT, SUPPORT



SEAT, SUPPORT

REF	FN	PART NUMBER	YR/SN	QTY	DESCRIPTION
1		87281315		1	SUPPORT
2		87281323		1	HOLDER, Drawer
3		87283661		1	SEAL
4		84432090		2	NUT, M6, Cage
5		87281385		1	COVER, R.H.
6		86014250		3	SPRING NUT, U, M6 x 1
7		9628100		1	SPRING NUT, M4 x 0.7
8		87342920		1	PLUG
9		86511323		4	WASHER, M10 x 20 x 2
10		9706704		4	BOLT, Hex, M10 x 35, 8.8, Full Thd
11		378243		4	WASHER, M8
12		322358		4	BELLEVILLE WASHER, M8
13		832-46408		4	LOCK NUT, M8 x 1.25, CI 8
14		87283653		4	SPACER
15		87281670		2	DIFFUSER, Louver
16		PL		1	PROCURE LOCALLY, TAPE, Magnetic

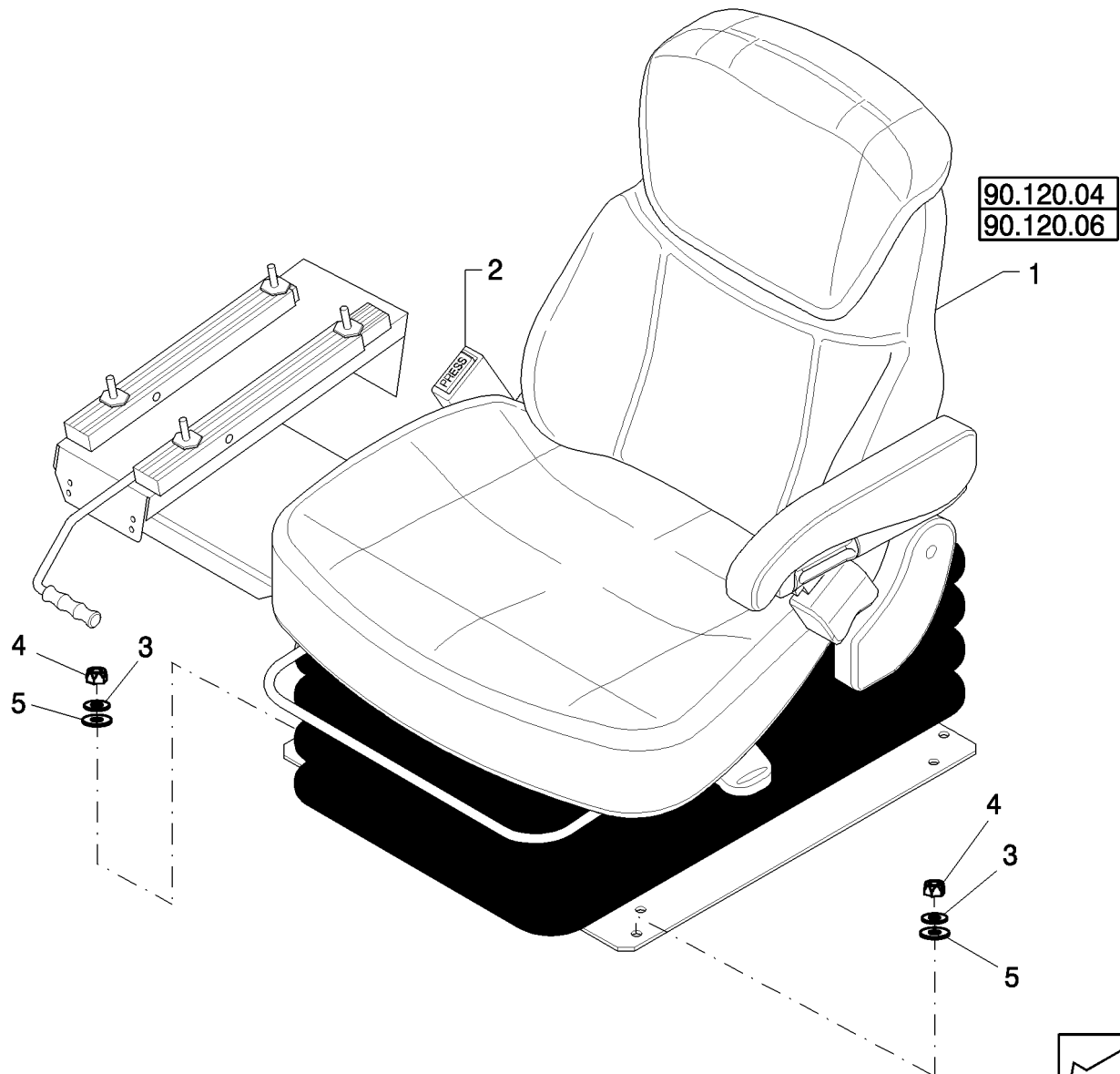
**8120 9120 7120 7120
8120**

90.124.02

p1

10/09

SEAT, OPERATOR



90.124.02

p1

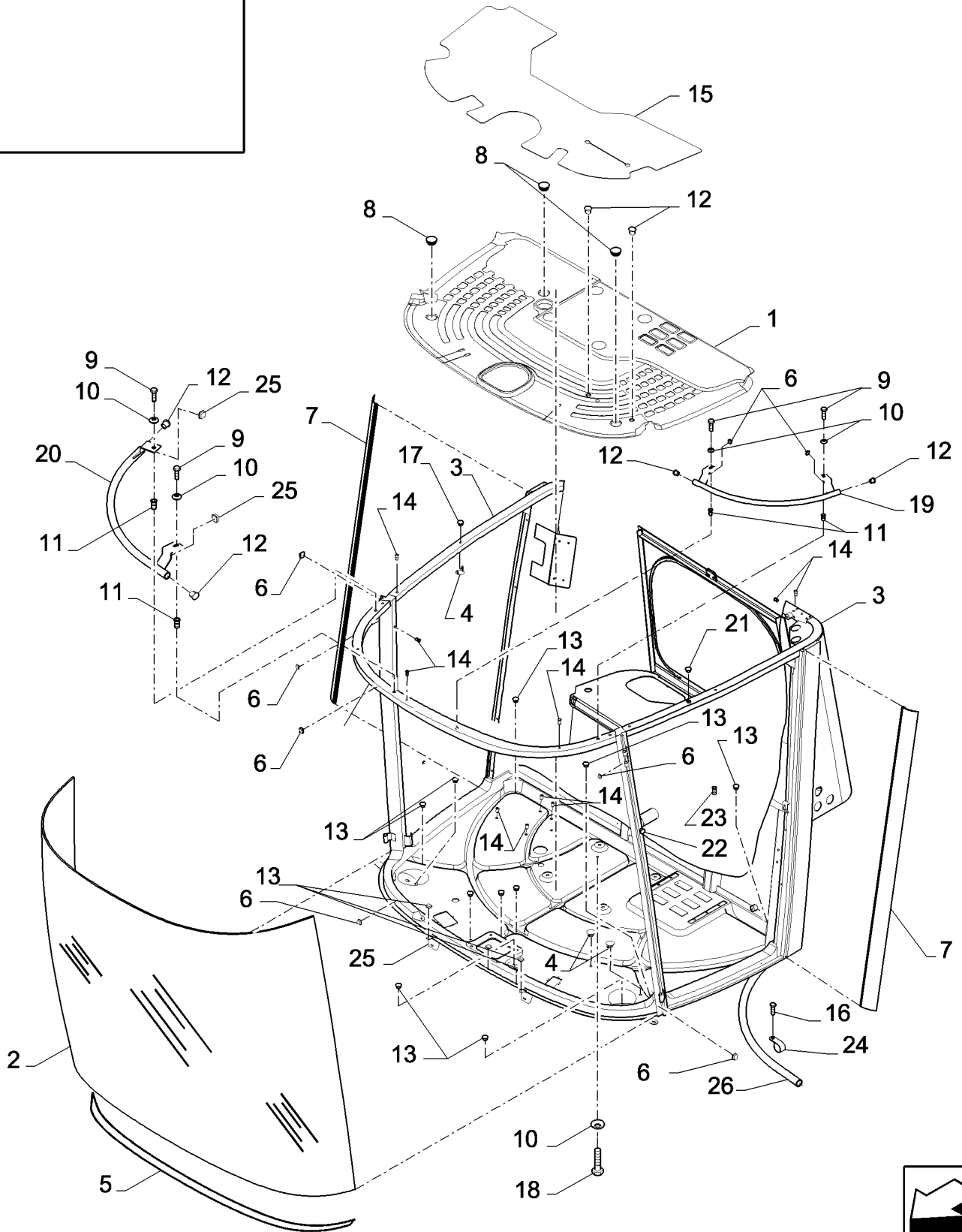
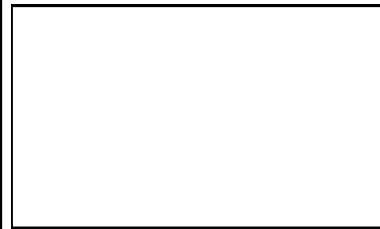
10/09

SEAT, OPERATOR

REF	FN	PART NUMBER	YR/SN	QTY	DESCRIPTION
1		87724614		1	SEAT ASSY., Complete, Wheat
1		87724615		1	SEAT, Complete, Heated Red Leather
2		84120502		1	KIT, Seat Belt
3		322358		4	BELLEVILLE WASHER, M8
4		832-46408		4	LOCK NUT, M8 x 1.25, CI 8
5		378243		4	WASHER, M8

**8120 9120 7120 7120
8120**

CAB FRAME

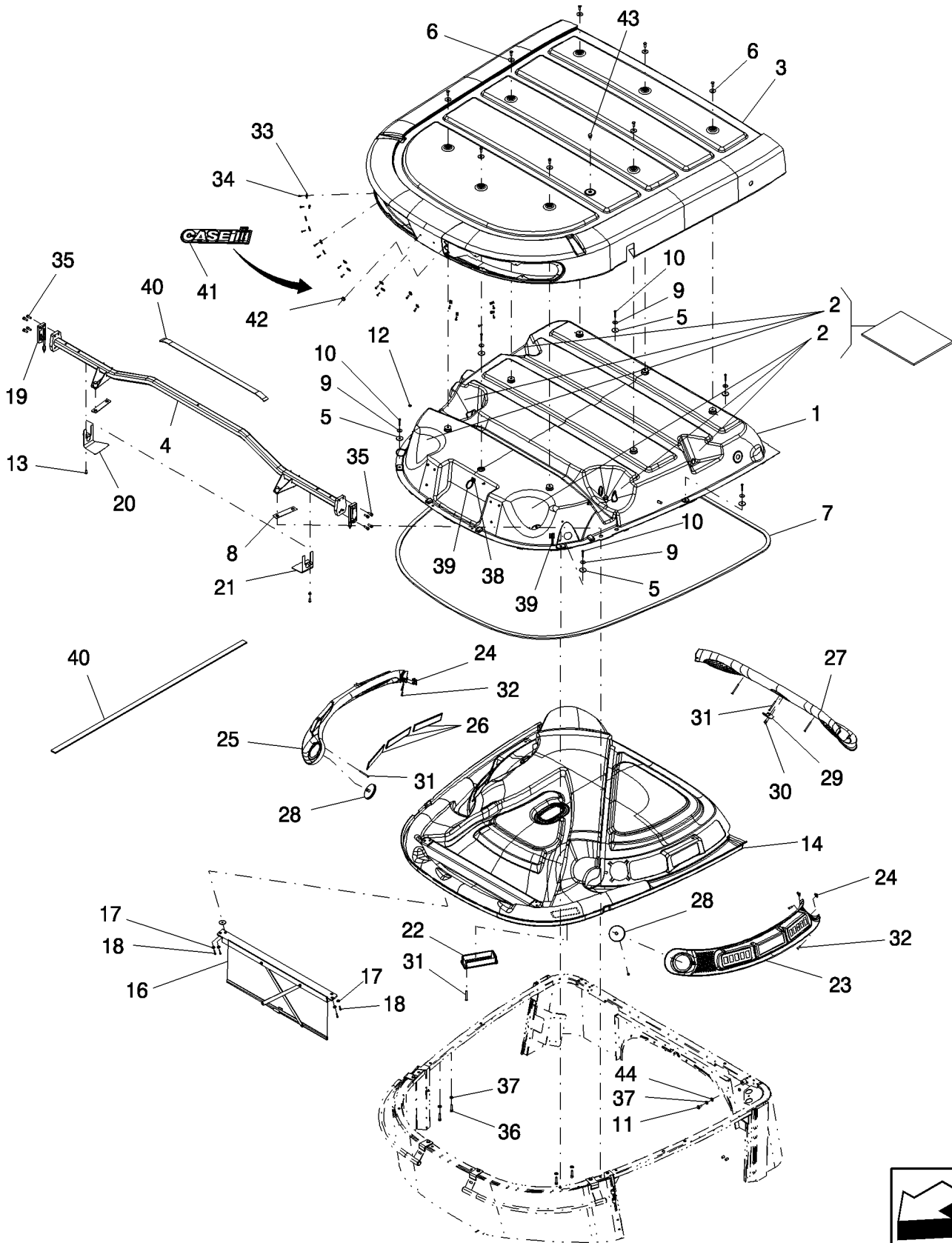


CAB FRAME

REF	FN	PART NUMBER	YR/SN	QTY	DESCRIPTION
1		87373334		1	FLOOR MAT
2		84059822		1	WINDSHIELD
3		NS		1	NOT SERVICED, Frame
3		84198651		1	CAB, Complete; Incl Refs 1 Thru 27, Plus Seat, A/C Unit, Steering Column, Std Lights, Mirrors, Windshield Washer, Air Filter, CCM Electronic Units, Touch Screen Display, CD Radio, ETC
4		84440697		4	PLUG, M16
5		87012018		1	RUBBER WEATHERSTRIP
6		87012019		19	RUBBER STRIP
7		87019749		2	RUBBER SEAL
8		84067943		3	PLUG, M52
9		412479		4	BOLT, Hex, M8 x 35, 8.8
10		322358		6	BELLEVILLE WASHER, M8
11		87282347		6	THREADED INSERT, M8
12		87280507		6	PLUG, M21
13		87283846		24	TAPE
14		87106208		24	THREADED INSERT, M6
15		87019748		2	FLOOR MAT, Cardboard
16		87016553		2	SELF-TAP SCREW, Hex Hd, M4.8 x 19
17		87284526		2	RIVET, Insert, Threaded - M10
18		120103		2	BOLT, Hex, M8 x 16, 8.8
19		87001000		1	HANDRAIL, L.H.
20		87000998		1	HANDRAIL, R.H.
21		87106212		1	GROMMET, M10 x 16
22		87399150		2	GROMMET
23		84438912		15	THREADED INSERT, M4 x 0.7
24		237910		2	WIRE CLAMP, .31", Insul, 1/4" Bolt
25		9818501		6	PLUG, Sq, Plastic
26		84037518		5	HOSE, Cab Molding
27		87280886		1	FITTING

**7120 8120 9120 7120
8120**

CAB ROOF, OUTER

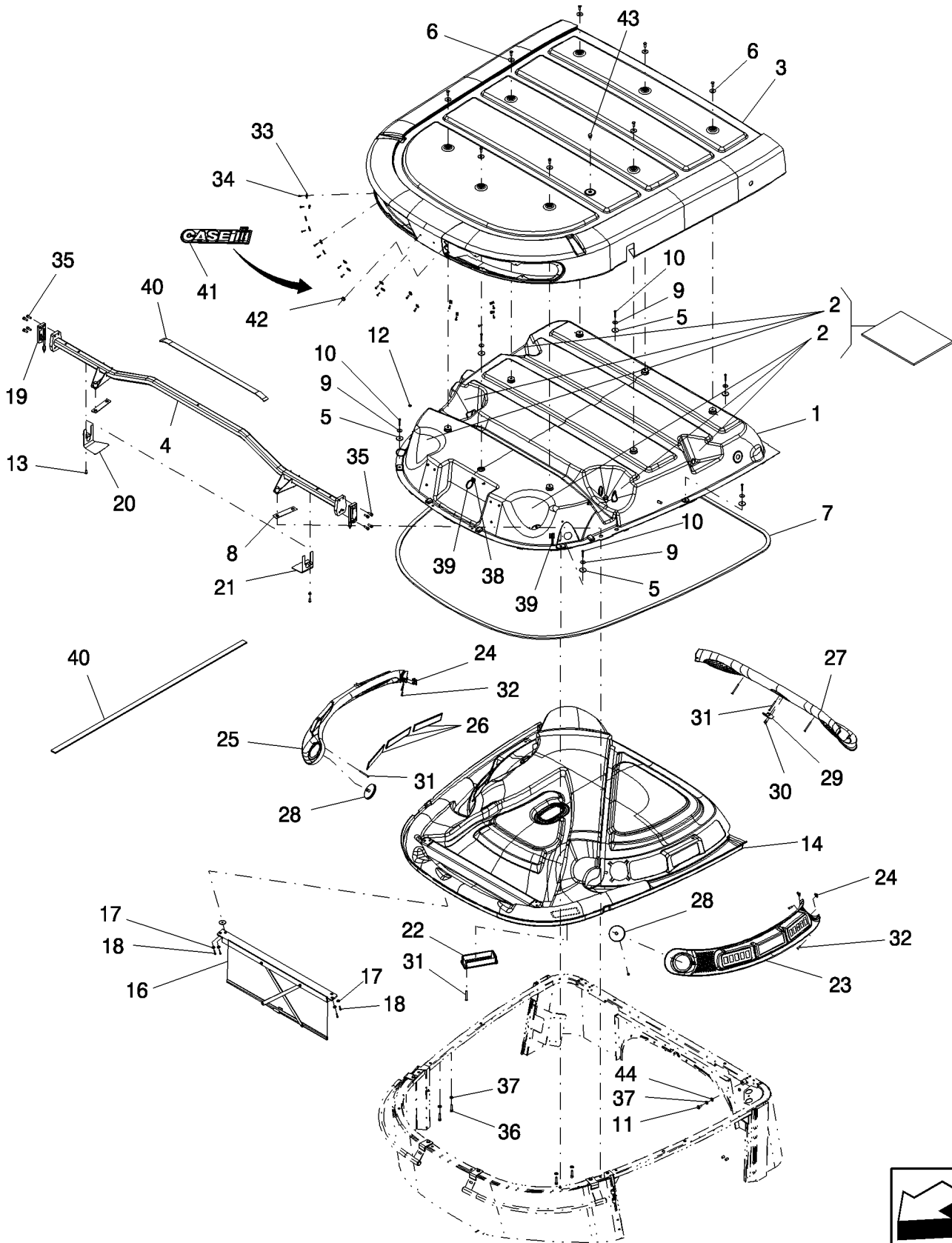


CAB ROOF, OUTER

REF	FN	PART NUMBER	YR/SN	QTY	DESCRIPTION
1		87105766		1	ROOF, Inner
2		87000601		6	SEAL
3		87105772		1	ROOF, Outer
4		87326681		1	SUPPORT
5		87000585		14	SPACER
6		86900237		8	WASHER, 13/32" x 1 1/4" x .060"
7		87284841		1	SEAL
8		87105773		2	SEAL
9		86624183		6	WASHER, M6 x 25 x 1.6
10		86977789		6	BOLT, Hex, M6 x 35, 8.8
11		120104		9	BOLT, Hex, M8 x 20, 8.8
12		322357		8	BELLEVILLE WASHER, M6
13		86508568		2	BOLT, Hex, M6 x 16, Cl 8.8, Full Thd
14		86995949		1	ROOF LINING
16		82004428		1	SUN CURTAIN
17		335872		4	WASHER, M4 x 15 x 2 Thk
18		86050251		4	SCREW, Cross Pan Hd, M4 x 25
19		84059856		2	WIRE CONNECTOR, Mounting Wedge
20		87109881		1	BRACKET, R.H.
21		87109880		1	BRACKET, L.H.
22		87281670		8	DIFFUSER, Louver
23		86995945		1	PANEL, L.H.
24		86014250		4	SPRING NUT, U, M6 x 1
25		86995946		1	PANEL, R. H.
26		87105189		3	COVER
27		86995944		1	PANEL, Rear
28		84059804		2	GRILLE
29		86520824		1	HOOK
30		84058989		2	SCREW, Pan Hd, M4 x 10, Cl 4.8, Full Thd
31		84439080		7	SCREW, Cross, CSK, Oval Hd, M6 x 60
32		86502680		4	SCREW, Cross Oval Hd, M6 x 20
33		86900239		16	NUT, Tinn, U, #10-24, Speed
34		86900238		16	SELF-TAP SCREW, Cross Pan Hd, #10 x 3/4"
35		120228		8	SCREW, Hex Soc Hd, M8 x 20, 8.8
36		84000811		4	SCREW, Soc Hd, M8 x 35, CL 8.8

**7120 8120 9120 7120
8120**

CAB ROOF, OUTER

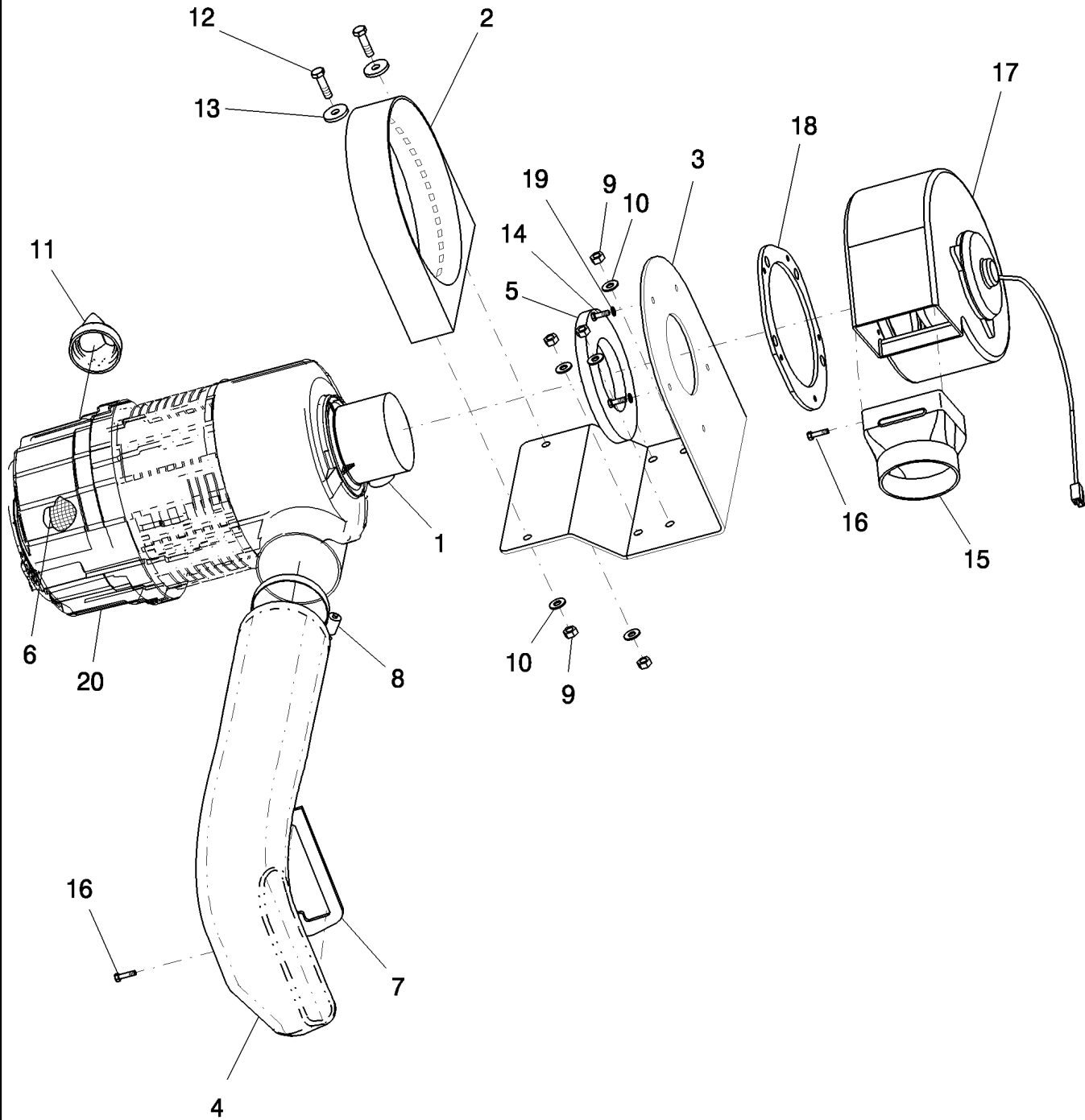


CAB ROOF, OUTER

REF	FN	PART NUMBER	YR/SN	QTY	DESCRIPTION
37		322358		5	BELLEVILLE WASHER, M8
38		87280913		4	RUBBER PAD, Mounting
39		86566989		4	CABLE STRAP, M4.75 x 190.5 L
40		87282566		1	FOAM, SEAL
41		87716230		1	EMBLEM, CASE IH
42		86628134		2	NUT
43		87510719		1	PLUG, Cap
44		140016		1	WASHER, M8 x 16 x 1.6

**7120 8120 9120 7120
8120**

AIR FILTER & BLOWER

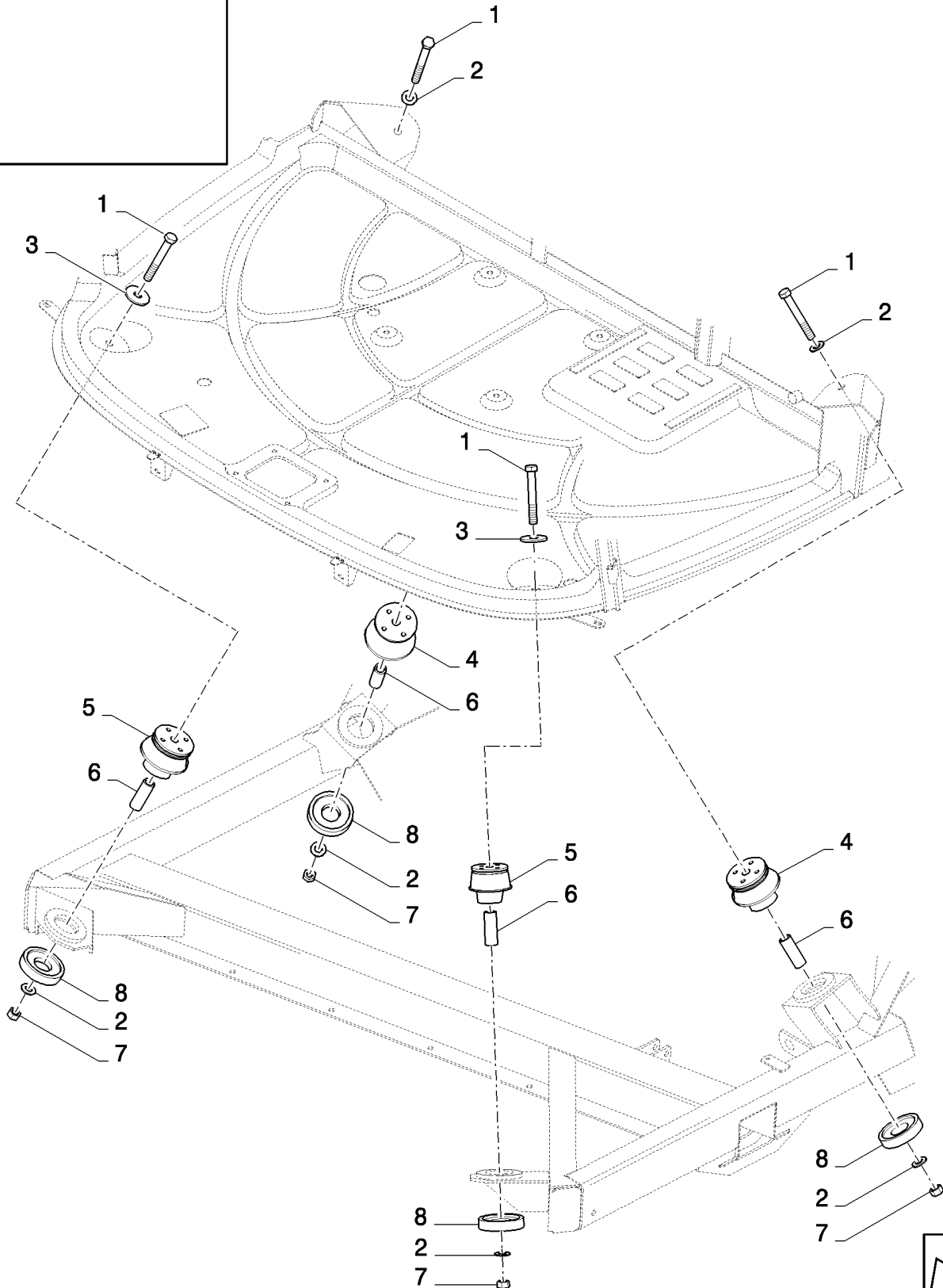


AIR FILTER & BLOWER

REF	FN	PART NUMBER	YR/SN	QTY	DESCRIPTION
1		84334657		1	AIR CLEANER, Incl Ref 6
2		84057675		1	SUPPORT
3		87280316		1	BRACKET, Mounting, Blower Assy
4		87108999		1	DUCT, Air Cleaner
5		87107233		1	SEAL
6		84036676		1	AIR FILTER, Element
7		87109185		1	GASKET
8		381144		1	HOSE CLAMP, #60, 3.31/4.25 Type F Worm
9		9706690		6	NUT, M8, CI 8
10		322358		6	BELLEVILLE WASHER, M8
11		9809800		1	DUST VALVE
12		43128		2	SCREW, Hex, M8 x 30, 8.8
13		140041		2	WASHER, M8 x 28 x 3
14		86050276		5	BOLT, Hex, M5 x 16, 8.8, Full Thd
15		87107256		1	ADAPTER
16		86639138		2	SELF-TAP SCREW, Hex Wash Hd, M4.8 x 13
17		87107380		1	BLOWER
18		87107381		1	GASKET, Blower to Bracket
19		9824326		5	WASHER, M5 x 10 x 1 Thk
20		47132327		1	COVER

**7120 8120 9120 7120
8120**

CAB MOUNTING

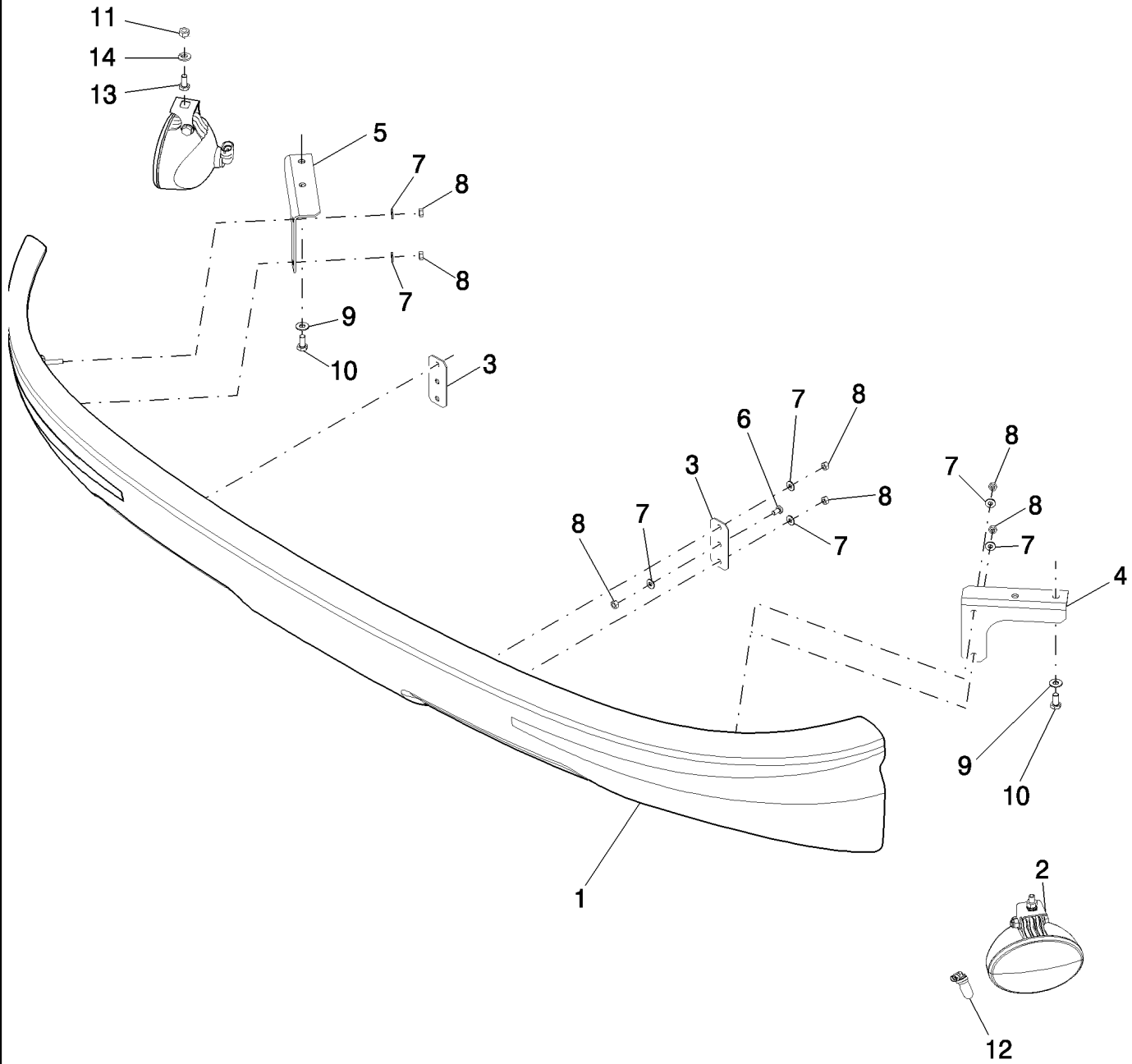


CAB MOUNTING

REF	FN	PART NUMBER	YR/SN	QTY	DESCRIPTION
1		321246		4	BOLT, Hex, M16 x 120, 8.8
2		378246		6	WASHER, M16
3		337522		2	WASHER, M16 x 56 x 5
4		87012026		2	ISOLATOR, Rear
5		87012025		2	ISOLATOR, Front
6		84807136		4	SPACER
7		86000441		4	NUT, M16 x 2, CI 8
8		87022202		4	WASHER, Rebound

**7120 8120 9120 7120
8120**

CAB SKIRT - NA & LATIN AMERICA



90.150.07

02

p1

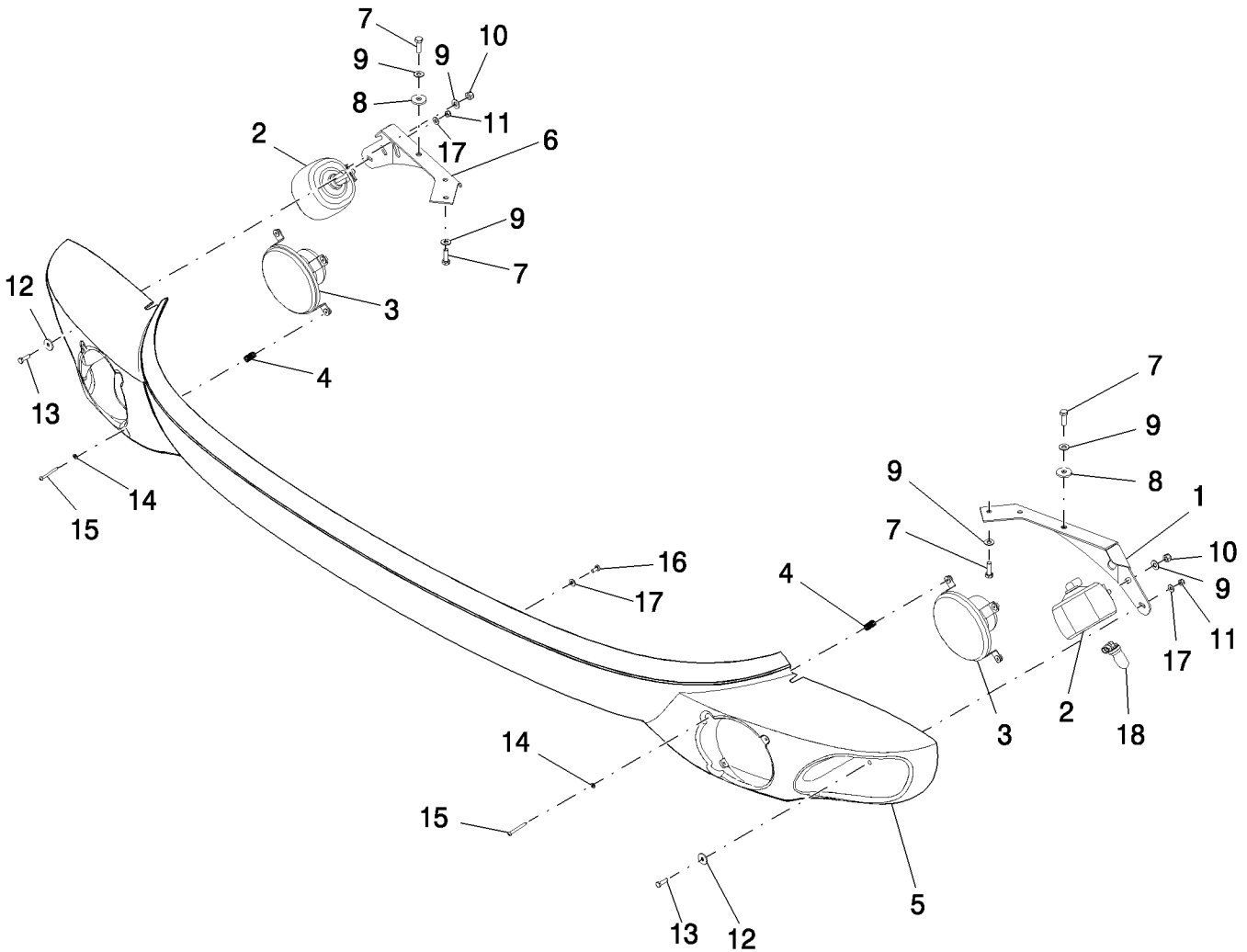
02/10

CAB SKIRT - NA & LATIN AMERICA

REF	FN	PART NUMBER	YR/SN	QTY	DESCRIPTION
1		87107773		1	PANEL
2		87001315		2	WORK LAMP, Includes Ref 12 Thru 15
3		87109113		2	MOUNTING PLATE
4		87108879		1	BRACKET, L.H.
5		87108881		1	BRACKET, R.H.
6		378056		2	BOLT, Hex, M6 x 10, 8.8, Full Thd
7		322357		10	BELLEVILLE WASHER, M6
8		9706755		10	NUT, M6, CI 8
9		322358		4	BELLEVILLE WASHER, M8
10		120103		4	BOLT, Hex, M8 x 16, 8.8
11		PL		2	PROCURE LOCALLY, Nut, M8
12		87107077		2	BULB, #862, 37.5w
13		PL		2	PROCURE LOCALLY, BOLT, M8
14		PL		2	PROCURE LOCALLY, LOCKWASHER, M8

**7120 8120 9120 7120
8120**

CAB SKIRT - EU - 7120, 8120, 9120



90.150.07

03

p1

02/10

CAB SKIRT - EU - 7120, 8120, 9120

REF	FN	PART NUMBER	YR/SN	QTY	DESCRIPTION
1		87108085		1	SUPPORT, L.H.
2		84067907		2	WORK LAMP, Includes Ref 19
3	1	84067913		2	HEADLAMP
3		84067914		2	HEADLAMP
4		84429835		6	SPRING
5		87105504		1	PANEL, Lower, Front
6		87108087		1	BRACKET, R.H.
7		43127		6	BOLT, Hex, M8 x 25, 8.8
8		140041		2	WASHER, M8 x 28 x 3
9		322358		8	BELLEVILLE WASHER, M8
10		832-46408		2	LOCK NUT, M8 x 1.25, CI 8
11		353308		2	NUT, M6 x 1, CI 8
12		140040		2	WASHER, M6 x 22 x 2
13		120100		2	BOLT, Hex, M6 x 20, 8.8
14		140014		6	WASHER, M5 x 10 x 1
15		84429834		6	SELF-TAP SCREW, M4 x 45, Pan Hd, 4.25 x 25 mm
16		86977726		2	BOLT, Hex, M6 x 12, 8.8
17		322357		4	BELLEVILLE WASHER, M6
18		9847313		2	BULB, #894, 12V, 37.5W, Halogen

(1) UK Only

8120 9120 7120

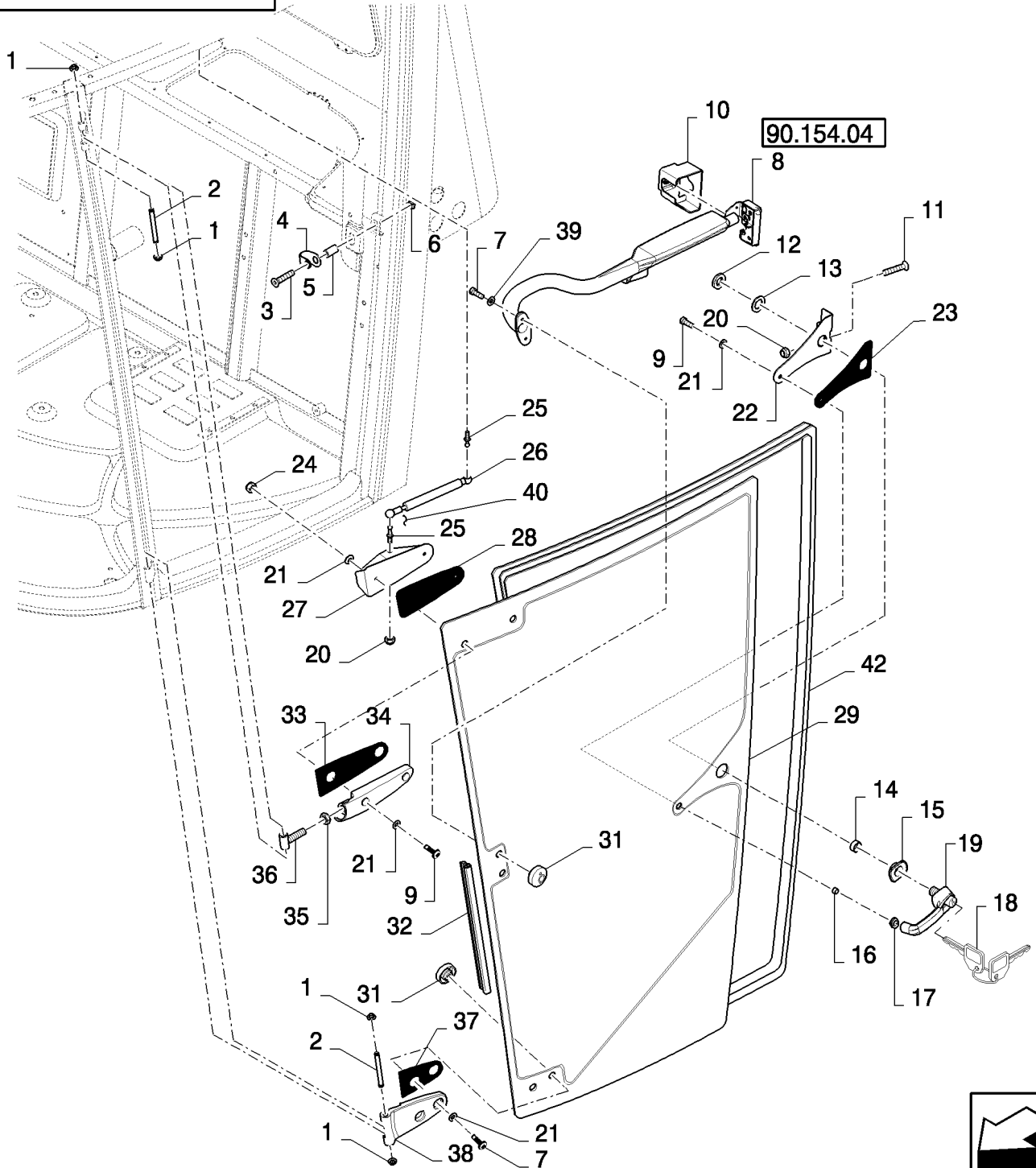
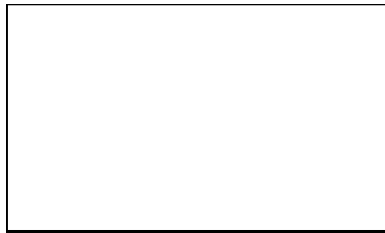
90.154.02

01

p1

02/10

CAB DOOR, L.H.



90.154.02

01

p1

02/10

CAB DOOR, L.H.

REF	FN	PART NUMBER	YR/SN	QTY	DESCRIPTION
1		431021		4	SPECIAL WASHER, Starlock
2		84607358		2	PIN
3		84320291		1	SCREW, Hex Soc Flat Hd, M8 x 45, 8.8
4		84067949		1	SUPPORT, Guard, L.H.
5		84076428		1	STOP, L.H.
6		87012017		1	PLATE
7		84073086		4	LOCK SCREW, Cross, Rd Hd, M6 x 20
8		84067947		1	DOOR HANDLE, Includes Ref 10
9		84007540		3	SCREW, Cross, Pan Hd, M6 x 25, 4.8, Full Thd
10		84067944		1	COVER
11		300352		2	SCREW, Hex Flat Hd, M8 x 40, 4.8
12		84989695		1	NUT, M28
13		84989694		1	WASHER
14		84064278		1	SPACER
15		86521017		1	GASKET
16		84989696		1	SPACER
17		86531231		1	GASKET
18		84989693		1	SET OF 2 KEYS, DOOR LOCK ONLY - 14603 Stamped on Key
18		86502201		1	SET OF 2 KEYS, Ignition and Door Locking
19		87280263		1	LOCKING HANDLE, Includes Ref 12, 13, 14, 15, 16 & 17 Only
20		832-46408		3	LOCK NUT, M8 x 1.25, CI 8
21		84072877		AR	WASHER, M6 x 22 x 0.3 Thk
22		84320292		1	BRACKET, Latch, L.H.
23		87360675		1	SEAL
24		86500656		2	LOCK NUT, M6 x 1, CI 8
25		9706807		2	BALL PIN, M8 x 13 mm
26		84320293		1	GAS STRUT
27		87283389		1	SUPPORT
28		87360671		1	SEAL
29		87510522		1	CAB GLASS, Includes Ref 41
31		86531235		4	BUSHING
32		87032582		1	RUBBER SEAL, Flat Strip, 15 x 1250 mm
33		84057937		1	SEAL

**7120 8120 9120 7120
8120**

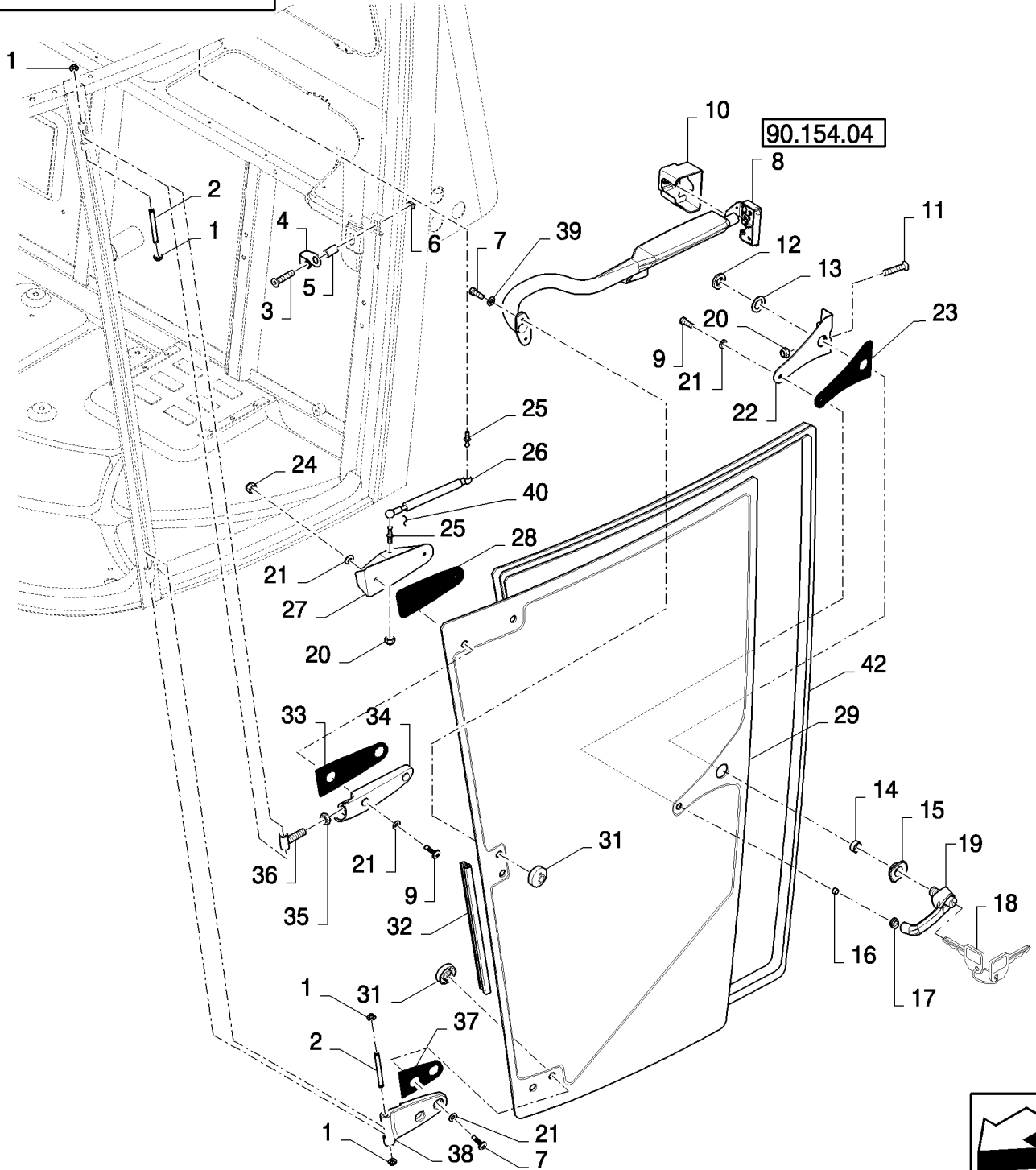
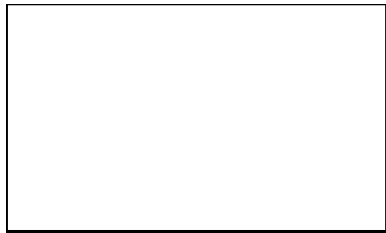
90.154.02

01

p2

02/10

CAB DOOR, L.H.



90.154.02

01

p2

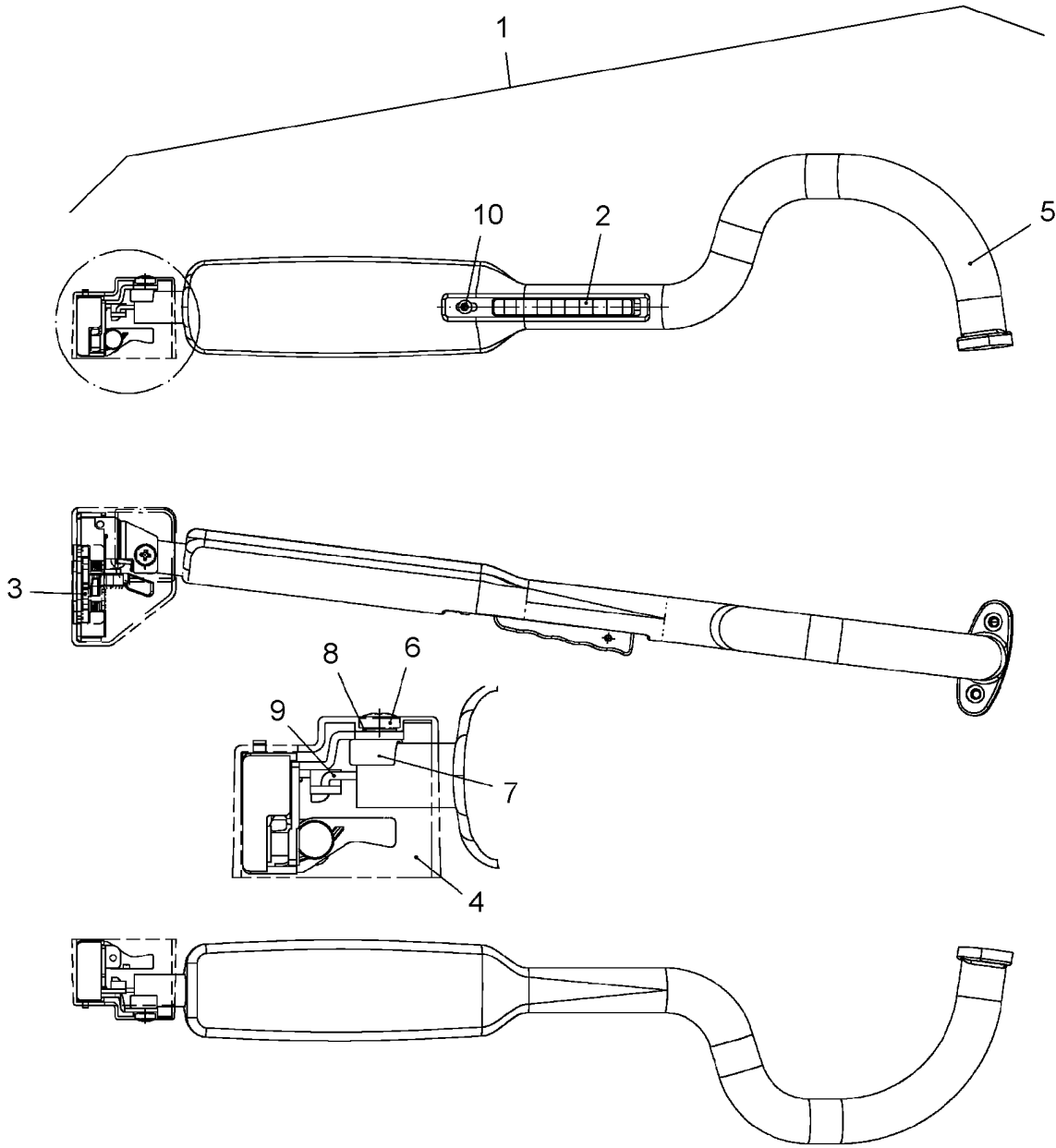
02/10

CAB DOOR, L.H.

REF	FN	PART NUMBER	YR/SN	QTY	DESCRIPTION
34		84061311		1	HINGE, Rear
36		84607170		1	HINGE
37		84057936		1	SEAL
38		84061312		1	HINGE, Rear
39		86624181		2	WASHER, M6
40		86999310		2	CLIP, Spring
41		86640438		1	WARNING DECAL, Instructional Seat, English
42		84057848		1	RUBBER SEAL

**7120 8120 9120 7120
8120**

DOOR, HANDLE ASSEMBLY

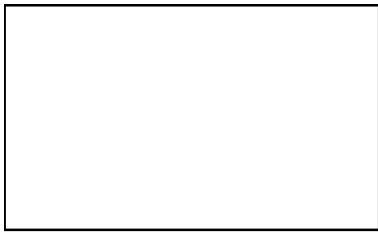


DOOR, HANDLE ASSEMBLY

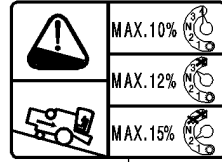
REF	FN	PART NUMBER	YR/SN	QTY	DESCRIPTION
1		84067947		1	DOOR HANDLE, L.H.
2		84320301		1	HANDLE, Latch
3		86520782		1	LATCH
4		84067944		1	COVER, Latch
5		86521008		1	HANDLE
6		44317		1	SCREW, Cross Pan Hd, M8 x 16, Pan Hd, M8 x 16
7		84320299		1	CAP COVER
8		86511315		1	WASHER, M8 x 16 x 1.6
9		NS		1	NOT SERVICED, ROD, Connecting
10		86585711		1	SCREW, Cross Pan Hd, M6 x 10

**7120 8120 9120 7120
8120**

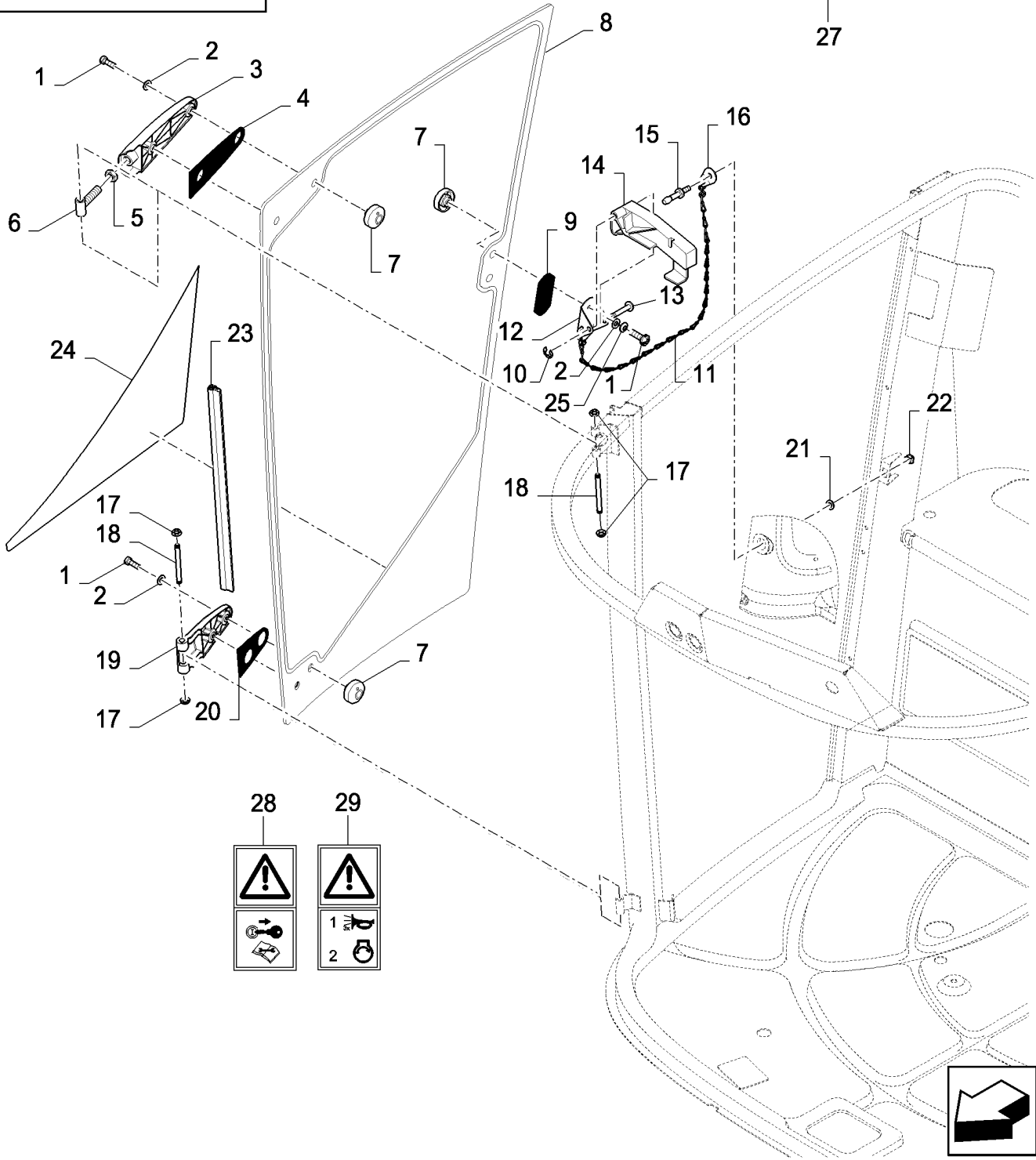
CAB DOOR, R.H.



26



27



28



29



CAB DOOR, R.H.

REF	FN	PART NUMBER	YR/SN	QTY	DESCRIPTION
1		84073086		6	LOCK SCREW, Cross, Rd Hd, M6 x 20
2		84072877		AR	WASHER, M6 x 22 x 0.3 Thk
3		84061311		1	HINGE
4		84057937		1	SEAL
5		84061314		1	NUT, M16 x 2, CI 8
6		84607170		1	HINGE
7		86531235		6	BUSHING
8		87282167		1	CAB GLASS, R.H.
9		87360665		1	SEAL
10		89992582		AR	CIRCLIP, M8
11		84059889		1	CHAIN, Pull
12		84434979		1	BRACKET, R.H.
13		87032578		1	PIN, Headless
14		89992366		1	HANDLE, Door Latch
15		84434978		1	PIN
16		86600939		1	BRACKET
17		431021		4	SPECIAL WASHER, Starlock
18		84607358		2	PIN
20		84057936		1	SEAL
19		84061313		1	HINGE
21		84434981		1	SPACER
22		87015110		1	PLATE
23		84057848		1	RUBBER SEAL
24		84059845		1	DECAL
25		84007539		2	BELLEVILLE WASHER, M6 x 18 x 1 Thk
26		84128540		1	DECAL, Combine Dimensions
27		84439462		1	DECAL, Caution, Maximum Grade
28		84012893		1	DECAL
29		84012892		1	DECAL

**7120 8120 9120 7120
8120**

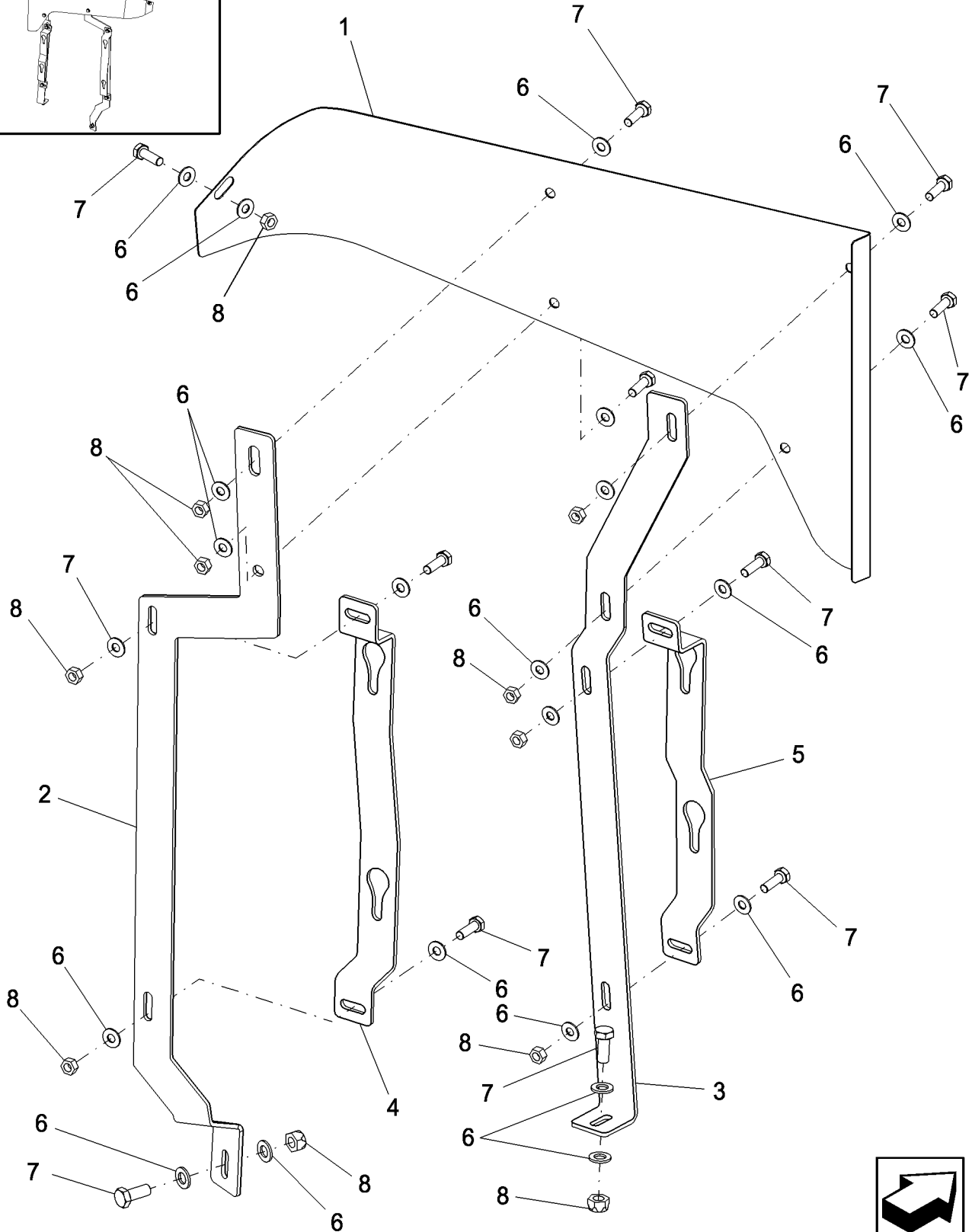
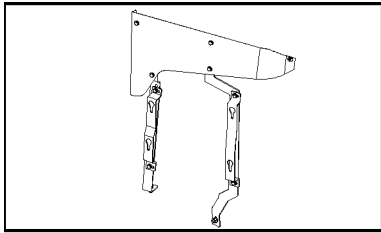
90.156.11

01

p1

10/09

SHIELD & BRACKET, FRONT L.H.



90.156.11

01

p1

10/09

SHIELD & BRACKET, FRONT L.H.

REF	FN	PART NUMBER	YR/SN	QTY	DESCRIPTION
1		87553504		1	SPLASH SHIELD
2		87686495		1	BRACKET
3		87686499		1	BRACKET
4		87686497		1	BRACKET
5		87686501		1	BRACKET
6		322358		22	BELLEVILLE WASHER, M8
7		43127		11	BOLT, Hex, M8 x 25, 8.8
8		9706690		11	NUT, M8, CI 8

**7120 8120 9120 7120
8120**

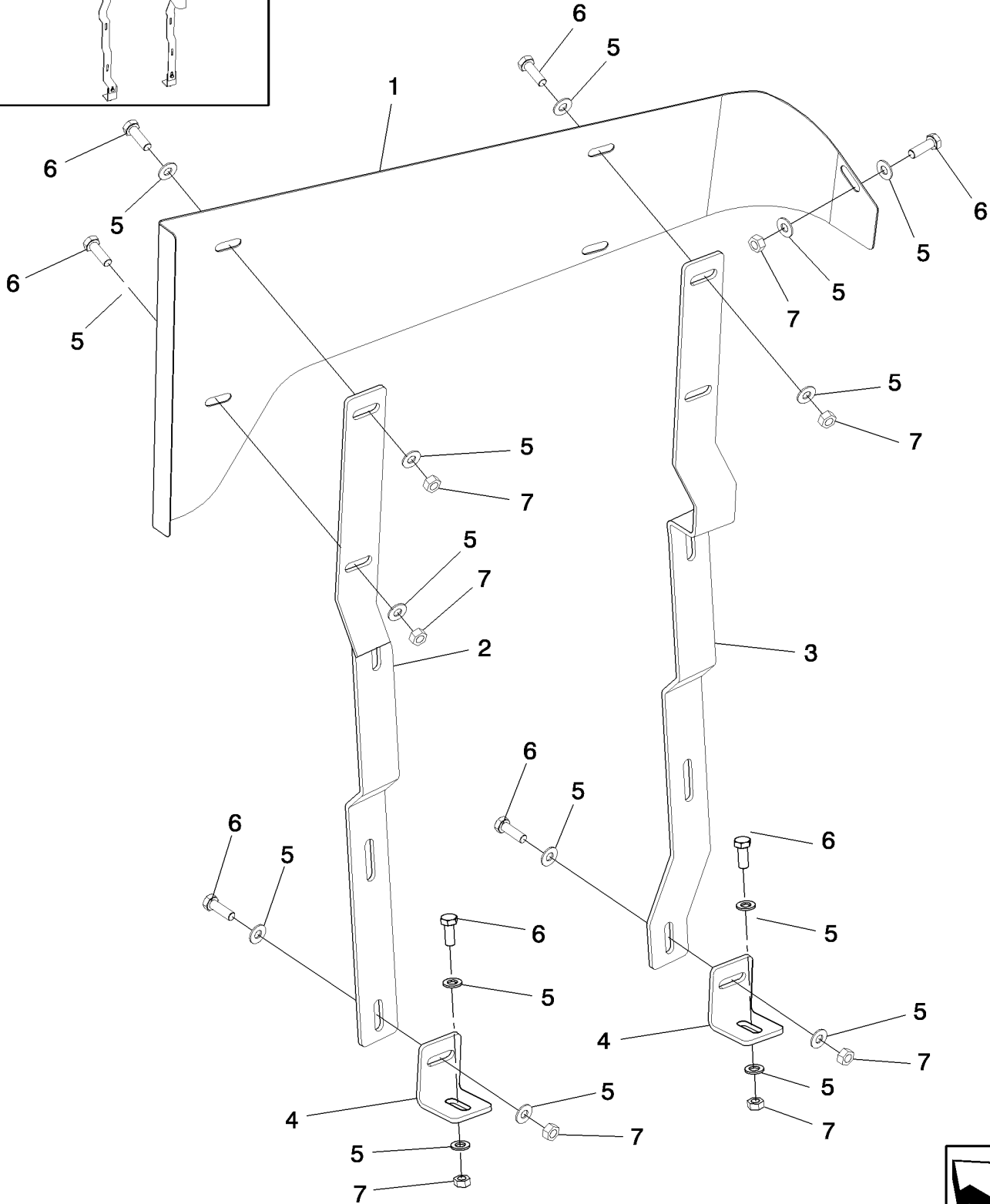
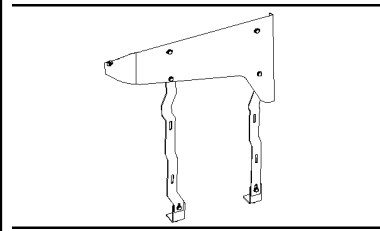
90.156.11

02

p1

10/09

SHIELD & BRACKET, FRONT R.H.

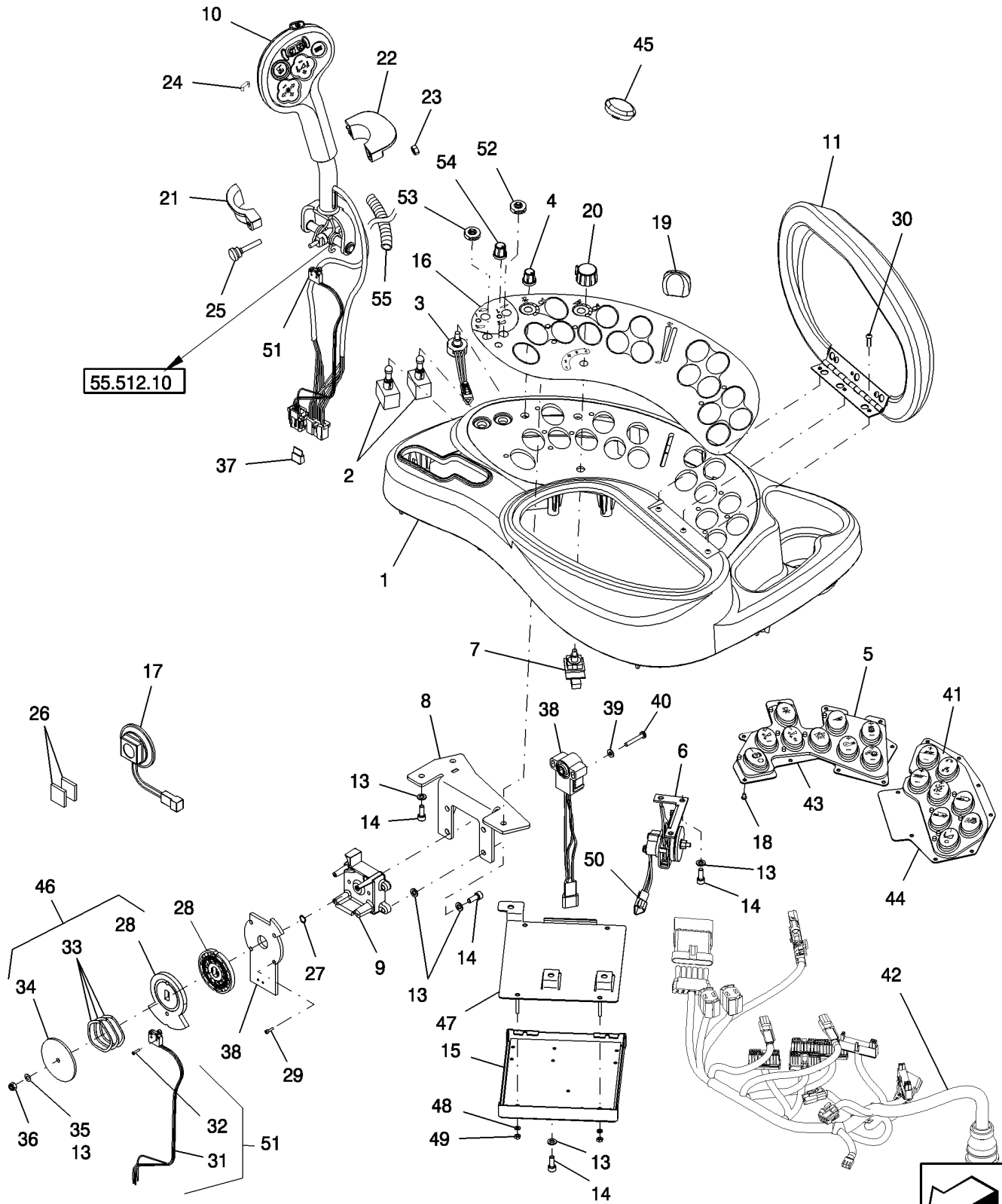


SHIELD & BRACKET, FRONT R.H.

REF	FN	PART NUMBER	YR/SN	QTY	DESCRIPTION
1		87553505		1	SPLASH SHIELD
2		87686503		1	BRACKET
3		87686505		1	BRACKET
4		87686507		2	BRACKET
5		322358		18	BELLEVILLE WASHER, M8
6		43127		9	BOLT, Hex, M8 x 25, 8.8
7		9706690		9	NUT, M8, CI 8

	<p>7120 8120 9120 7120 8120</p>
--	--

CONSOLE AND CONTROLS, R.H.

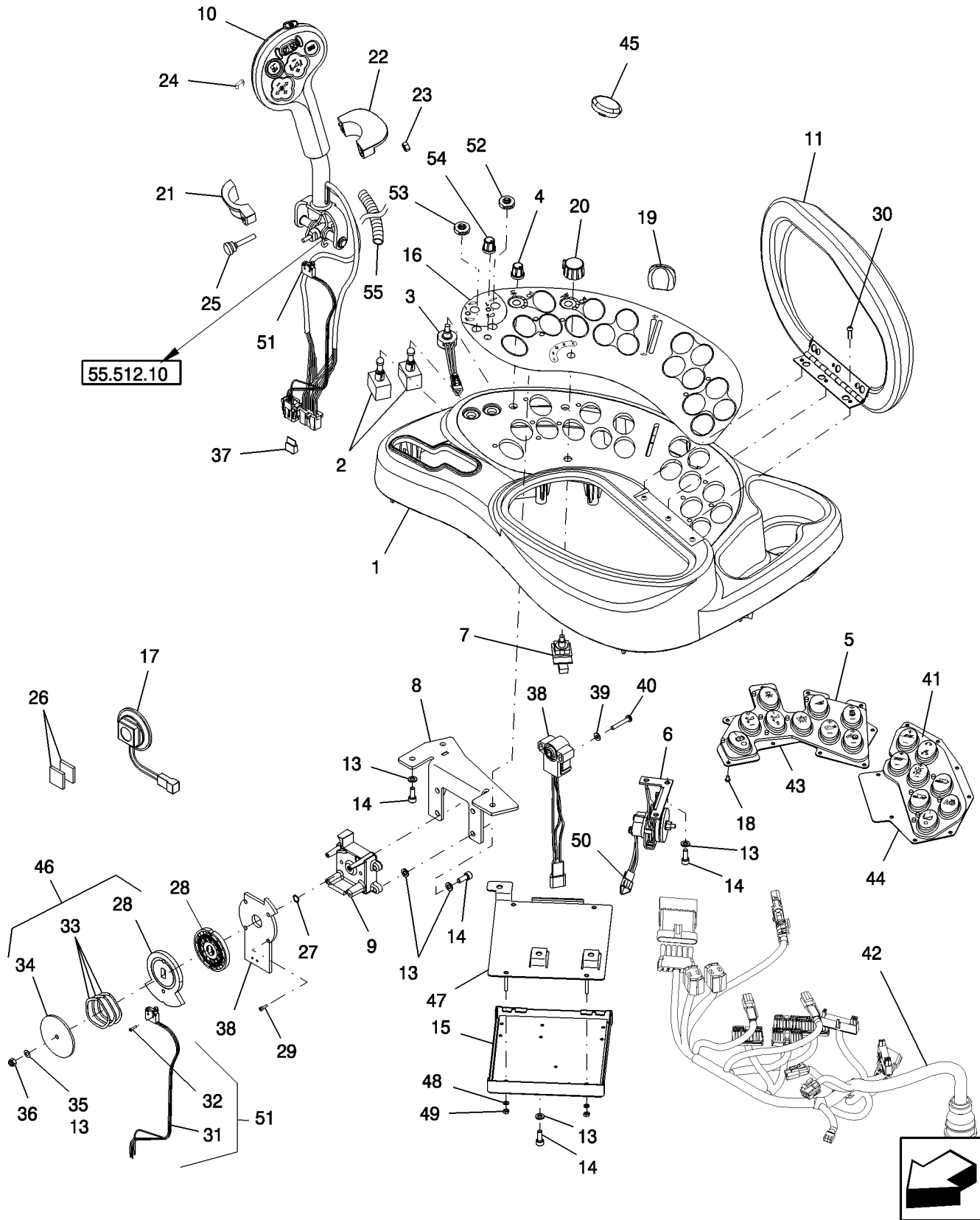


CONSOLE AND CONTROLS, R.H.

REF	FN	PART NUMBER	YR/SN	QTY	DESCRIPTION
1		87483994		NSS	CONSOLE, Complete Console Top Tray
1		87393154		1	CONSOLE
2		86997464		2	SWITCH
3		86997465		1	POTENTIOMETER
4		118780A1		1	KNOB, Console Control
5		87106744		1	RUBBER PAD
6		86995126		1	THROTTLE, Control
7		86525096		1	SWITCH, Gear Shift
8		NS		1	NOT SERVICED, Bracket
9		87109134		1	BASE
10		87596219		1	HANDLE, With Edge Guidance / Autopilot Steering
11		86995956		1	ARMREST, & Hinge
11		87718946		1	HINGE, Only
12		87109133		1	PLATE, Stop, Friction
13		895-11006		18	WASHER, M6
14		864-6016		13	SCREW, Hex Soc Hd, M6 x 16, 8.8
15		87521010		1	MODULE
16		87376151		1	DECAL
17		86998255		1	SPEAKER
18		86977872		17	SELF-TAP SCREW, Cross Pan Hd, #6 x 1/4"
19		87105681		1	KNOB, EH Control Lever
20		86622310		1	KNOB
21		86997341		1	SUPPORT, L.H.
22		86997342		1	SUPPORT, R.H.
23		7770		1	NUT, 1/4"-20, G5
24		86618564		1	CLIP
25		86618563		1	KNOB
26		PL		2	PROCURE LOCALLY, Adhesive, Dual Lock
27		87107953		1	WASHER, Wave
28		NS		1	NOT SERVICED, Cam
30		340-1088		3	SCREW, Cross Pan Hd, #8-32 x 1/2"
29		87107955		4	SCREW, Cap, Socket Hd, #4-40 x 3/8"
31		87107957		1	SWITCH, Neutral
32		87107958		2	SCREW, Pan Hd, #2-56 x .50
33		86975889		3	WASHER, Wave

**7120 8120 9120 7120
8120**

CONSOLE AND CONTROLS, R.H.

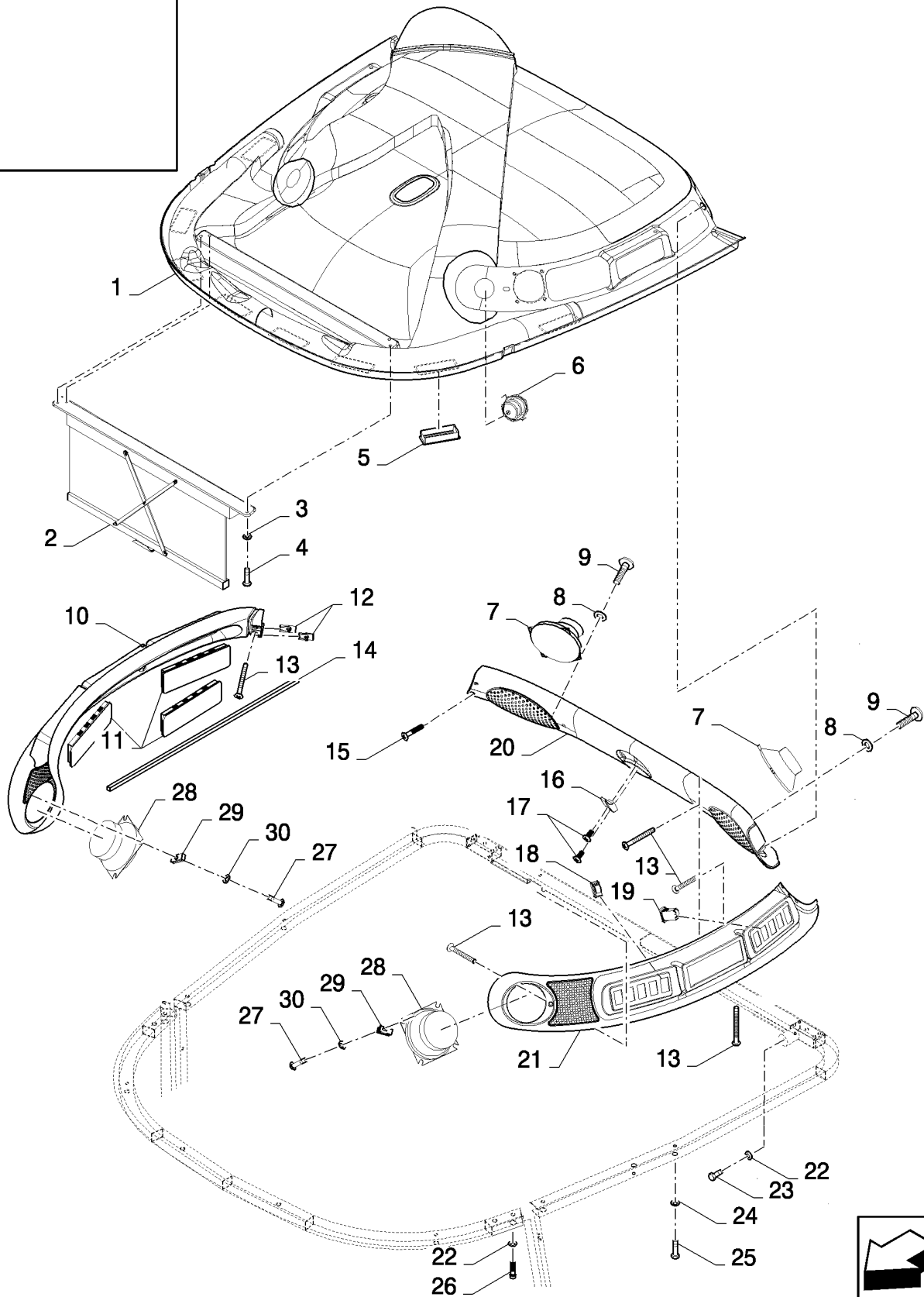


CONSOLE AND CONTROLS, R.H.

REF	FN	PART NUMBER	YR/SN	QTY	DESCRIPTION
34		87107960		1	PLATE, Stop
35		87107961		1	WASHER, Flat, #10
36		87107962		1	LOCK NUT
37		87107963		1	LOCK
38		87045052		1	SENSOR, Hydro Control Handle Potentiometer
39		87108107		2	WASHER, #10
40		87282487		2	SCREW, Torx
41		87282484		1	RUBBER PAD, Required on all Dual Speed Rear Axle
42		87633917		1	WIRE HARNESS, Console, R.H.
43		87107589		1	SWITCH, Pad, Front, R.H. Console; Includes Ref 5 & 43
44		87282485		1	SWITCH, Pad, Rear, R.H. Console; Includes Ref 41 & 44
45		86997284		AR	CAP, Cover
46		87284702		AR	KIT, Plates, Friction - Includes Ref 13, 28, 33, 34 & 36
47		NS		1	NOT SERVICED, Bracket, RHM
48		140024		4	LOCK WASHER, M4
49		100012		4	NUT, M4, CI 8
50		87282573		1	KIT
51		87282657		1	KIT, Neutral Switch with Wires, Includes Ref 31 & 32
52		87327317		1	PLASTIC PLUG
53		87327317		1	PLASTIC PLUG
54		87570112		1	PLUG
55		87582997		1	FOAM INSULATION

**7120 8120 9120 7120
8120**

CAB ROOF, INNER



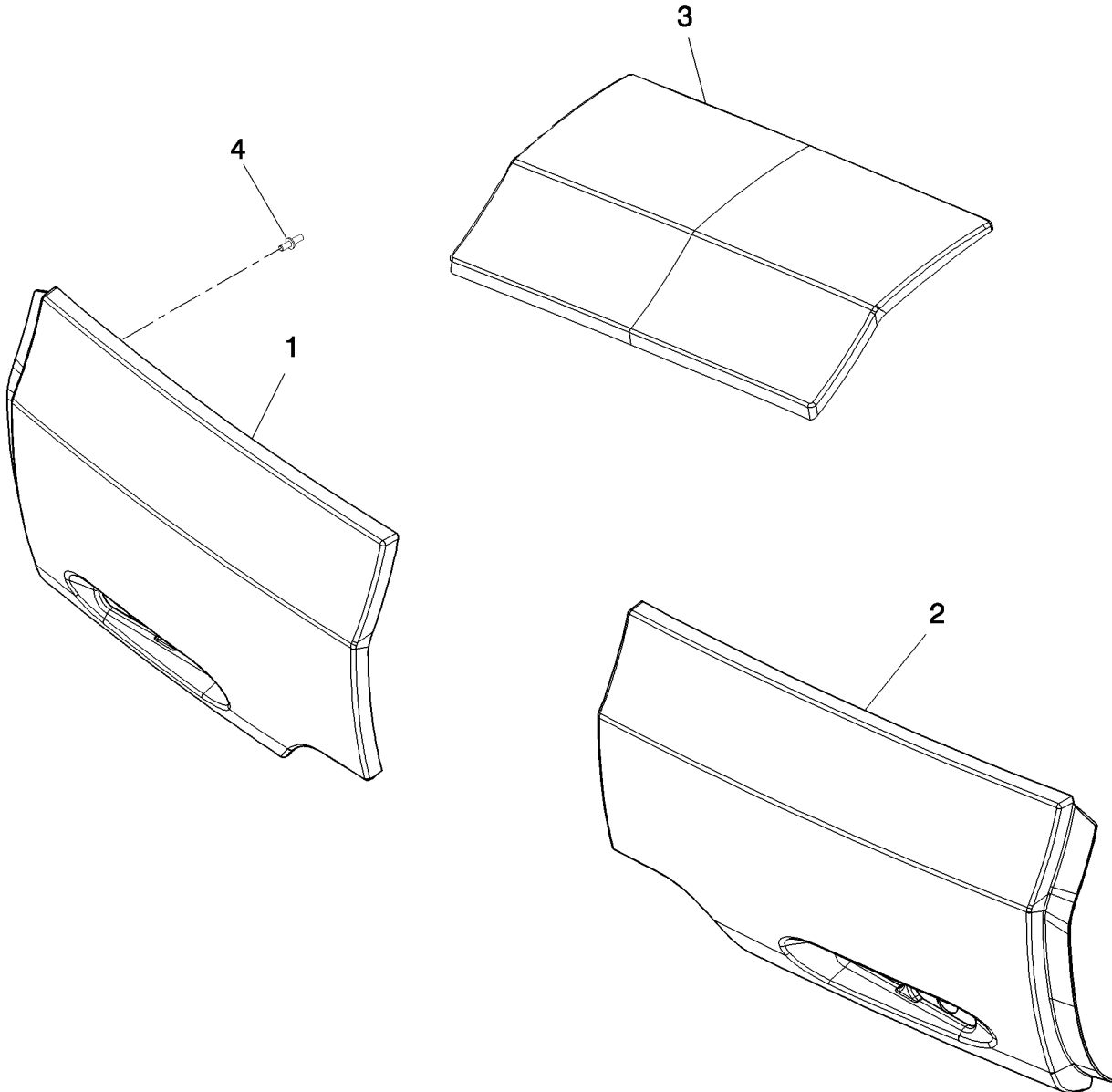
CAB ROOF, INNER

REF	FN	PART NUMBER	YR/SN	QTY	DESCRIPTION
1		86995949		1	ROOF LINING
2		82004428		1	SUN CURTAIN
3		335872		4	WASHER, M4 x 15 x 2 Thk
4		86050251		4	SCREW, Cross Pan Hd, M4 x 25
5		87281670		8	DIFFUSER
6		84059804		2	GRILLE
7		86572628		2	SPEAKER, STD
7		86520822		2	SPEAKER, Premium, Rear
8		140014		8	WASHER, M5 x 10 x 1
9		86511827		8	SCREW, Cross Pan Hd, M5 x 20
10		86995946		1	PANEL, R.H.
11		87105189		3	COVER
12		86014250		4	SPRING NUT, U, M6 x 1
13		84439080		9	SCREW, Cross, CSK, Oval Hd, M6 x 60
14		84435430		1	STRIP-GASKET
15		86502680		4	SCREW, Cross Oval Hd, M6 x 20
16		86520824		1	HOOK
17		84058989		2	SCREW, Pan Hd, M4 x 10, Cl 4.8, Full Thd
18		84320252		1	WINDSHIELD WIPER SWITCH, 1 Speed
19		84320263		AR	BLANK-OFF PLUG
20		86995944		1	PANEL, Rear
21		86995945		1	PANEL, L.H.
22		322358		5	BELLEVILLE WASHER, M8
23		120104		1	BOLT, Hex, M8 x 20, 8.8
24		322357		6	BELLEVILLE WASHER, M6
25		86534686		6	SCREW, Soc Hd, M6 x 30
26		84000811		4	SCREW, Soc Hd, M8 x 35
27		86511824		8	SCREW, Cross Pan Hd, M4 x 20
28	1	86572627		2	SPEAKER, Premium, Front
29		9628100		8	SPRING NUT, M4 x 0.7
30		335872		8	WASHER, M4 x 15 x 2 Thk

(1) If Available

**7120 8120 9120 7120
8120**

PANELS, REAR



90.160.04

01

p1

02/10

PANELS, REAR

REF	FN	PART NUMBER	YR/SN	QTY	DESCRIPTION
1		87658402		1	PANEL ASSY., L.H.; Incl Ref 4(5)
2		87658408		1	PANEL ASSY., R.H.; Incl Ref 4(5)
3		87628200		1	SHIELD, Center; Incl Ref 4(4)
4		449901A1		14	STUD

**8120 9120 7120 7120
8120**

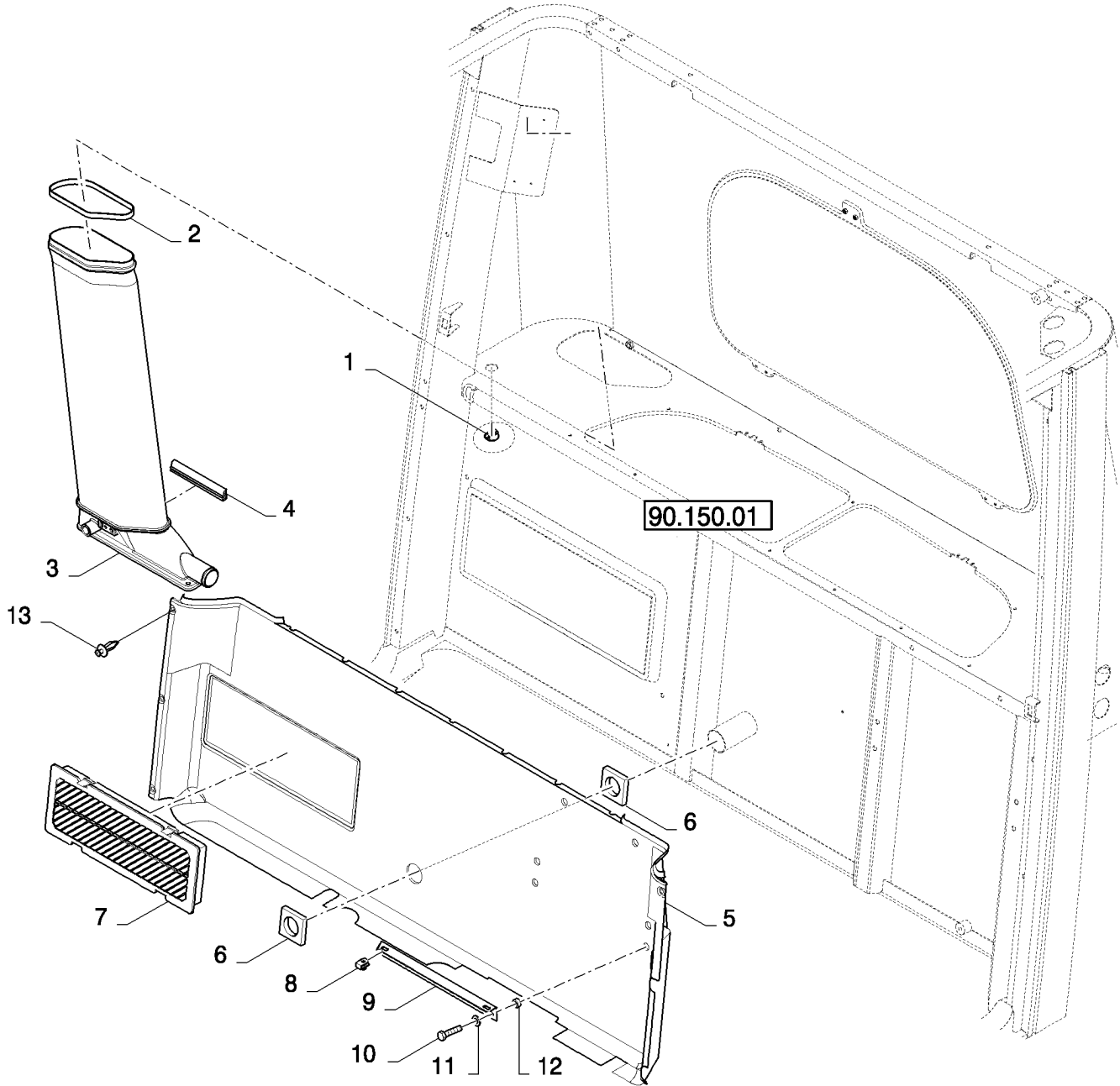
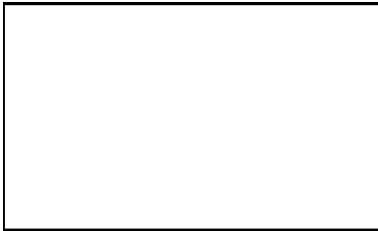
90.160.04

02

p1

02/10

PANEL, REAR - LOWER



90.160.04

02

p1

02/10

PANEL, REAR - LOWER

REF	FN	PART NUMBER	YR/SN	QTY	DESCRIPTION
1		353-411		1	PLUG, Dome, 1.000" hole, Nylon
2		84059894		1	SEAL
3		87107084		1	AIR DUCT
4		87019752		1	SEAL
5		86995950		1	LINER, Soft Trim, Lower
6		84067933		3	SEAL
7		84061669		1	GRILLE
8		86014250		2	SPRING NUT, U, M6 x 1
9		84076869		1	SUPPORT
10		43128		2	SCREW, Hex, M8 x 30, 8.8
11		140016		2	WASHER, M8 x 16 x 1.6
12		200202		2	SPACER
13		84320280		9	PLUG

**7120 8120 9120 7120
8120**

INDEX - INDICE - INDEX - ZAHLENVERZEICHNIS - INDICE - INDICE - INDHOLD - INHOUD

Number	Figure	Sequence	Ref.	Number	Figure	Sequence	Ref.	
{}	05.000.01	01	13	OC	90.118.36		1	
	50.200.09	02	5		90.118.36		2	
	55.627.11		3		90.118.36		3	
	60.105.03				100-11262	66.260.01		3
	66.330.01				100-16175	14.102.02		11
	66.330.01					31.114.04		34
	66.360.09		43		100-21156	10.418.31		8
	66.360.09		44		100012	55.404.08		18
	66.360.09		45			55.404.12	02	11
	66.360.09		46			55.408.08		9
	74.114.06		39			55.627.10		5
	88.230.11	02	5			88.120.06		10
	90.102.03	02	17			90.160.02	02	49
	90.102.03	02	44		100016	10.114.02		8
	90.102.03	02	45			10.246.03		18
	90.120.07		20			10.254.08	01	18
	{16587025}	10.103.10	02		6	10.254.08	02	14
{504078628}	50.200.07		3	10.254.08	03	18		
{603797}	88.210.13	03	15	10.254.11	02	18		
{84023945}	88.230.21	01	1	10.406.03	03	35		
{84139325}	74.135.02	01	4	10.414.01	01	21		
{8417320}	88.210.13	04	1	10.414.01	02	3		
{84190047}	50.206.02		19	10.414.01	03	9		
{84217254}	35.480.02	02	1	10.414.02	01	22		
{84275359}	90.102.02	01	42	10.414.02	02	31		
{84280650}	90.102.02	01	1	10.414.06	01	21		
{84298032}	29.204.06		13	10.414.06	02	21		
{87572171}	35.910.04	01	4	10.414.06	03	8		
{87573545}	35.910.04	01	13	10.414.13		24		
{87632991}	35.910.04	01	17	10.418.16	01	25		
{87643506}	60.150.01		1	10.418.16	02	25		
{87726301}	25.310.02	01	1	21.110.01		8		
{87726303}	25.310.02	01	1	21.145.01		20		
{87750927}	35.910.04	01	14	29.204.05		27		
{9844210}	90.120.05	01	11	33.110.03		11		
{B505697}	05.100.01		5	35.162.02		22		
{LIST A}	05.000.01	01		35.300.01	01	32		
	05.000.01	02		35.300.01	02	32		
{LIST B}	05.000.01	01		35.910.04		11		
	05.000.01	02		35.910.04	01	43		
OC	10.114.02		1	35.910.10		17		
	10.114.02		1	39.100.04		38		
	10.206.03		1	41.203.02		21		
	10.206.03		1	44.200.09		18		
	10.414.10		1	50.200.04	01	33		
	14.102.02		1	55.404.09		15		
	14.102.02		1	55.404.15		10		
	25.310.02	02	1	55.404.16		15		
	25.310.02	02	1	55.404.16		26		
	25.310.03	01	1	55.404.31		8		
	25.310.03	02	1	55.418.01		5		
	33.110.03		12	55.627.11		7		
	35.204.10		1	60.105.05		6		
	35.204.11		1	60.110.06	01	19		
	35.300.01	01	10	60.110.06	02	25		
	35.300.01	02	10	60.110.08		14		
	35.300.15		29	60.110.21		10		
	39.100.05		34	66.101.02		17		
	39.100.05		5	66.101.05		21		
	41.203.01		8	66.101.09	02	7		
	41.203.01		9	66.350.01		24		
	44.151.12		2	66.350.05		5		
	50.200.02		1	66.360.09		18		
	50.206.02		1	66.360.10		6		
	50.206.02		16	66.360.12		4		
	60.110.06	01	8	74.101.10		23		
	60.110.22		9	74.101.12		34		
	66.350.01		16	74.110.04		12		
	74.140.05		3	74.130.01		8		
	74.140.15		1	74.130.01	01	8		
	80.175.12		1	74.135.05	01A	29		
	88.210.10		1	74.135.05	01B	29		
	88.210.10		51	74.140.05		17		
	90.108.01	01		74.140.06		2		
	90.108.01	01		74.140.09		17		
	90.108.01	01		80.101.07		27		
90.108.01	01		80.101.08		18			
90.118.29		1	80.101.10		9			

INDEX - INDICE - INDEX - ZAHLENVERZEICHNIS - INDICE - INDICE - INHOLD - INHOUD

Number	Figure	Sequence	Ref.	Number	Figure	Sequence	Ref.
100016	80.101.10	01	9	100037	80.101.26		1
	80.101.15		32		80.150.07		54
	80.101.19		12		80.154.03		28
	80.101.25		16		80.154.09		20
	80.101.26		6		88.210.10		20
	80.150.02		24		88.210.13	01	41
	80.150.03	02	47		88.220.03	02	14
	80.150.05		24		88.230.15		3
	80.150.06		32		88.230.17		19
	80.150.07		38		90.102.02	01	36
	80.150.11		45		90.102.03	01	35
	80.150.11	02	45		90.102.03	02	35
	80.154.03		27		90.102.03	03	35
	80.154.09		16		90.102.05	01	35
	80.180.01		40		90.102.05	02	36
	80.180.01	01	40		90.102.05	03	35
	80.180.12		16		90.115.03		10
	88.120.03	01	16		90.118.04		10
	88.210.10		49		90.118.22	01	17
	88.210.11		16		90.118.23	02	5
	88.210.13	01	38		90.118.24	02	11
	88.220.03	02	9		90.118.38		36
	88.230.04		28	100038	90.118.39	02	11
	88.230.07		16		10.414.01	01	11
	88.230.13	01	20		10.414.01	02	11
	88.230.17		16		10.414.01	03	12
	88.230.18		9		39.100.01		14
	88.230.19		5		55.100.13		24
	90.100.22		10		55.780.11		7
	90.114.08		6		66.101.11		11
	90.115.03		7		66.350.02		25
	90.116.02		7		66.360.09		22
	90.118.09		19		74.101.05		17
	90.118.29		17		74.101.13		2
	90.118.33		19		74.135.05	01A	21
	90.118.38		13		74.135.05	01B	21
	90.118.39	01	10		74.135.05	02A	20
	90.118.39	02	9		74.135.05	02B	18
	90.118.41		19		80.101.07		15
	90.118.41	01	11		80.101.25		30
	90.118.41	02	11		80.150.06		33
	90.118.43	01	9		80.150.07		31
	90.118.43	02	9		80.154.03		15
100020	35.752.03	01	12		80.154.09		13
	35.752.03	02	4		80.154.10		18
	35.752.03	03	4		88.210.02		21
	35.910.04	01	37		88.230.18		15
	39.110.02		6		88.230.19		15
	60.110.08		19		90.118.41		7
	60.110.20		13	100095	80.154.09		10
	60.110.20		21	100097	33.202.18		8
	80.150.03	02	49	102043	55.100.32		10
	80.150.05		43		55.404.08		2
	80.150.11		47	10300611	55.440.02		1
	80.150.11	02	47	103258	55.785.03	01	7
	80.180.01		35		55.785.03	02	7
	80.180.01	01	35	104104A1	05.100.01		2
	88.230.07		6	104106A1	05.100.01		2
	90.116.02		9	104258	66.260.24		7
100034	44.151.06		21	105497H	14.100.11		18
100037	10.414.12		4		31.114.02		2
	10.414.13		26		31.114.04		8
	29.204.05		28	10717921	44.200.03		27
	39.100.04		33	10902321	80.175.11		21
	39.100.05		14	110019	21.120.02		1
	44.151.08	01	8	110020	10.254.11	02	14
	44.151.08	02	8	11068376	80.180.01		27
	60.150.10		25		80.180.01	01	27
	66.101.11		16	11077476	74.101.13		22
	74.101.05		12	11106231	66.320.02	02	4
	74.114.03	01	37	11119231	60.110.03		19
	74.114.03	02	37	11612224	55.100.08	02	8
	74.130.01		36		55.100.08	03	8
	74.130.01	01	36	116799A1	05.100.01		7
	74.135.05	01A	40	118780A1	90.160.02	02	4
	74.135.05	01B	42	11903211	10.103.10	02	8
	80.101.07		51		10.103.10	03	4
	80.101.15		26	120039	10.254.11	01	12

INDEX - INDICE - INDEX - ZAHLENVERZEICHNIS - INDICE - INDICE - INDHOLD - INHOUD

Number	Figure	Sequence	Ref.	Number	Figure	Sequence	Ref.
120039	10.254.11	02	19	120069	10.246.03		17
	80.180.05		18		10.254.08	01	17
120041	10.414.06	01	29		10.254.08	02	13
	10.414.06	02	32		10.406.08	02	18
	10.414.06	03	17		10.414.01	01	7
	10.414.13		22		90.118.04		13
	80.101.07		20		90.118.38		12
	80.101.15		30	120070	10.414.13		25
	80.101.19		10		90.102.02	01	35
	80.101.25		21		90.102.03	01	34
	80.150.06		24		90.102.03	02	34
	80.150.07		42		90.102.03	03	34
	80.150.11		23		90.102.05	01	34
	80.150.11	02	23		90.102.05	02	35
	80.154.03		20		90.102.05	03	34
	88.210.14		5		90.115.03		8
	90.116.02		12		90.118.22	01	30
	90.118.33		24		90.118.23	02	7
120044	39.100.05		29		90.118.24	02	12
	80.150.03	02	52		90.118.38		22
	80.180.01		20	120073	21.184.02		9
	80.180.01	01	20		44.151.08	01	7
	80.180.12		17		44.151.08	02	1
120046	80.175.10		31		60.150.10		24
120047	74.101.10		12		90.118.22	01	31
	80.101.15		15	120074	10.414.01	03	18
120048	74.101.05		6		10.414.01	03	19
	74.140.05		8		44.151.06		27
120052	25.310.03	01	2	120075	35.910.04	01	51
	25.310.03	02	2		60.110.08		40
	48.130.01		2		88.210.13	01	40
120056	33.110.03		6	120080	39.100.01		16
	33.202.15		4	120090	60.110.20		20
	35.162.02		12		74.135.05	02A	22
	35.910.05	01	41		74.135.05	02B	20
	35.910.05	02	41	120091	35.910.04	01	35
	41.203.01		40		39.100.05		60
	41.204.04		12		39.110.02		5
	88.430.08		16		60.110.08		18
120061	35.204.01		26		74.101.15		4
	35.440.03		12		74.101.16		28
	35.440.07		14	120092	60.110.08		26
	35.752.03	01	7		80.101.15		39
	35.752.03	02	24	120093	66.101.08		6
	35.752.03	03	13		66.350.02		8
	35.910.02		4		80.175.02		5
	35.910.03	01	4		88.210.02		8
	35.910.03	02	4		88.230.07		5
	55.301.05		9	120100	21.110.01		11
	88.210.04		15		21.182.02		4
	88.210.09		5		35.162.02		6
	88.210.10		35		39.100.04		35
	88.210.13	01	30		41.204.04		27
	88.210.13	02	30		48.134.03		14
	88.430.08		11		48.134.04		14
	90.100.20		3		48.999.01	03	14
	90.102.02	01	50		50.200.02		15
	90.102.03	03	50		55.100.10		19
	90.102.05	01	50		55.100.26		11
	90.102.05	02	47		55.100.30		7
	90.102.05	03	50		55.100.41		19
	90.118.41		15		55.100.42		9
	90.118.44		5		55.404.17		7
120062	10.414.06	02	14		74.101.12		9
	55.408.03		18		74.114.01	01	2
	74.101.12		16		74.114.01	02	2
	74.110.03		6		74.114.03	01	1
	74.114.06		5		74.114.03	02	1
120068	10.414.01	03	26		74.118.04	01	13
	10.414.02	01	37		74.118.04	02	13
	35.910.05	01	38		74.140.14	01	15
	35.910.05	02	38		80.150.06		25
	39.100.04		41		80.175.02		23
	66.360.09		27		88.120.03	01	20
	90.118.09		21		88.210.10		27
120069	10.100.01	01	12		88.210.13	01	27
	10.100.01	02	11		88.210.13	02	27
	10.100.01	03	13		90.102.02	01	56

INDEX - INDICE - INDEX - ZAHLENVERZEICHNIS - INDICE - INDICE - INHOLD - INHOUD

Number	Figure	Sequence	Ref.	Number	Figure	Sequence	Ref.
120100	90.102.03	01	46	120104	74.101.12		12
	90.102.03	02	46		74.101.12		28
	90.102.03	03	49		74.101.16		24
	90.118.09		28		74.114.03	01	33
	90.118.36		8		74.114.03	02	33
120102	90.118.39	02	6	74.114.06		30	
	90.150.07	03	13	74.118.01		16	
	10.406.03	01	20	74.118.04	01	18	
	10.406.03	02	23	74.118.04	02	18	
	10.406.03	03	8	74.140.05		20	
120103	88.210.09		7	74.140.09		11	
	10.246.03		41	74.140.14	01	26	
	10.418.16	01	41	74.140.14	02	18	
	21.140.03		18	80.101.07		21	
	21.145.01		17	80.101.18		8	
120104	50.200.04	01	10	80.101.25		18	
	55.100.10		20	80.150.02		27	
	55.408.02		6	80.150.03	02	54	
	60.110.08		37	80.150.05		27	
	60.110.09		14	80.150.06		26	
120104	74.110.06		5	80.150.07		48	
	88.100.01		5	80.150.11		24	
	88.230.11	01	4	80.150.11	02	24	
	88.430.05	01	16	80.154.03		21	
	88.430.05	02	16	80.154.10		25	
120104	90.150.01		18	80.175.07		13	
	90.150.07	02	10	80.180.05		14	
	10.254.01	01	10	80.180.12		7	
	10.254.08	03	11	88.120.03	02	6	
	10.310.02	01	9	88.120.06		5	
120104	10.406.03	01	26	88.230.13	02	2	
	10.406.08	01	9	90.100.20		4	
	10.406.08	02	15	90.100.21		7	
	10.406.08	03	2	90.102.02	01	37	
	10.414.01	01	9	90.102.03	01	36	
120104	10.414.01	03	24	90.102.03	02	36	
	10.414.06	01	9	90.102.03	03	36	
	10.414.06	02	9	90.102.05	01	36	
	10.414.10		15	90.102.05	02	37	
	10.414.13		21	90.102.05	03	36	
120104	35.162.02		4	90.115.10		12	
	35.300.01	01	22	90.118.09		13	
	35.300.01	02	22	90.118.29		19	
	35.480.02	01	8	90.118.36		7	
	35.480.02	02	7	90.118.39	02	15	
120104	35.480.05		23	90.150.04		11	
	35.480.06		7	90.160.03		23	
	35.910.04	01	47	120106		21	
	39.100.05		20	120107		15	
	39.100.06		5	120112		53	
120104	50.200.02		19	120117		44	
	50.200.04	01	25	80.101.07		44	
	50.200.04	03	36	80.154.03		44	
	55.100.07	01	16	120122	01	28	
	55.100.07	02	12	120124		12	
120104	55.100.07	03	21	120228		35	
	55.100.10		21	120259		2	
	55.100.13		16	1244661	01	15	
	55.100.17		26	1250594C2		5	
	55.100.22		7	1260872C91		5	
120104	55.100.31		11	12643701		51	
	55.100.32		1	12644301	01	50	
	55.100.34	01	7	10.418.16	02	50	
	55.100.34	02	10	10.418.16		10	
	55.100.34	03	5	50.200.02		52	
120104	55.100.41		11	80.101.07		35	
	55.404.08		20	80.175.10		12	
	55.408.05		19	90.102.03	03	47	
	55.440.11		3	90.102.05	01	48	
	55.518.03		6	39.100.05	01	21	
120104	55.785.03	01	4	90.118.22		31	
	55.785.03	02	4	50.206.02		19	
	60.110.02		7	50.200.07		11	
	60.110.03		26	88.100.03		23	
	60.110.08		21	60.150.02		21	
120104	60.110.20		15	60.150.03		15	
	60.120.10		14	66.350.02		33	
	66.260.21		14	66.360.09		2	
				74.101.12		2	
				74.130.01		29	

INDEX - INDICE - INDEX - ZAHLENVERZEICHNIS - INDICE - INDICE - INDHOLD - INHOUD

Number	Figure	Sequence	Ref.	Number	Figure	Sequence	Ref.
130003	74.130.01	01	29	140016	55.100.41		10
	88.210.02		15		55.100.42		21
	88.210.04		16		55.404.28		17
	88.230.04		17		74.130.01		4
130004	21.130.03		15		74.130.01	01	4
	35.910.04	01	40		88.230.13	01	6
	55.100.13		6		88.230.15		19
	55.780.11		10		90.150.04		44
	80.101.15		61		90.160.04	02	11
	80.150.07		3	140017	10.100.01	02	28
	80.150.11		50		10.254.08	01	16
	80.150.11	02	50		10.254.08	02	12
	88.210.10		10		10.254.11	02	16
	88.210.13	01	25		10.414.12		3
130007	10.414.14		8		35.910.04	01	39
	88.230.13	01	30		66.350.02		14
1302758C1	10.414.06	01	15		74.135.05	02A	31
130357	74.101.10		9		74.135.05	02B	29
130503H	31.114.04		18		88.210.02		14
1307583C1	80.101.19		15		88.230.15		4
1309336C2	05.000.01	01	22		88.230.17		18
	66.330.01		3		90.118.41	01	9
131-415	66.360.10		10		90.118.41	02	9
131692	88.210.05		13		90.118.44		8
1319740C2	88.230.17		23	140018	10.254.11	01	6
	90.118.29		20		10.254.11	02	8
	90.118.41		10		35.300.09	01	12
	05.100.01				35.300.09	02	12
132095A1	05.100.01				35.700.01	01	8
132096A1	05.100.01				66.350.02		18
1322242C1	88.210.11		8		74.101.13		1
1324294C1	60.110.06	02	61		80.101.15		60
1324835C1	60.105.03	01	9		80.180.12		37
1327676C1	66.330.01		5		88.210.02		18
133095	10.418.16	01	54		88.210.10		9
	10.418.16	02	54		88.210.13	01	24
133246	74.114.03	02	21		88.210.13		15
1338869C2	80.180.05		8		88.230.20		26
1344250C2	90.120.07		54	140020	10.254.08	01	26
1345226C1	88.210.05		7		10.254.11	02	9
134577	55.100.17		20		35.300.09	01	15
1345887C1	31.114.04		29		35.300.09	02	15
1347127C1	35.300.15		21		35.910.04	01	34
134814	66.101.08		13		55.100.07	01	10
13507401	80.175.10		28		55.100.07	02	19
13507701	80.150.07		41		55.100.07	03	12
	80.154.10		22		74.101.10		13
13578804	90.120.05	01	7	140022	39.110.02		9
136443	10.414.06	03	10		90.118.33		27
	74.135.05	02A	34	140024	90.160.02	02	48
	74.135.05	02B	33	140040	50.200.02		14
	39.100.04		38		74.110.04		8
137938	55.518.01		11		74.114.03	01	9
138013A1	05.100.01		5		74.114.03	02	9
139029A2	05.100.01		7		74.114.06		51
139030A1	05.100.01		2		74.118.04	01	27
139032A1	05.100.01		2		74.118.04	02	26
139033A1	05.100.01		2		88.230.13	02	3
139034A1	05.100.01		2		90.118.04		9
139037A1	05.100.01		2		90.150.07	03	12
139039A1	05.100.01			140041	10.254.08	03	10
139041A1	05.100.01				33.202.18		4
139119A1	55.100.30		3		39.100.05		47
	55.404.20		2		66.101.05		8
	55.408.05		16		74.110.04		15
139801A1	05.100.01				74.118.04	01	26
140014	55.404.08		28		74.118.04	02	25
	80.180.07		14		74.118.04	02A	28
	90.150.07	03	14		74.135.05	02B	26
	90.160.03		8		74.135.05		5
140015	55.100.26		10		80.101.34		49
	80.150.11		32		80.150.02		28
	80.150.11	02	32		80.150.06		3
	90.118.04		6		88.100.01		20
140016	05.102.01	01	5		88.210.04		23
	10.254.08	01	14		88.230.04		25
	10.254.08	02	26		88.230.13	01	4
	10.254.08	03	27		88.230.13	02	20
	21.104.02		8		88.230.15		20
	33.110.03		2		88.230.17		20

INDEX - INDICE - INDEX - ZAHLENVERZEICHNIS - INDICE - INDICE - INHOLD - INHOUD

Number	Figure	Sequence	Ref.	Number	Figure	Sequence	Ref.
140041	90.102.02	01	21	140045	50.200.04	01	28
	90.102.03	01	20		55.100.17		11
	90.102.03	02	20		55.301.05		7
	90.102.03	03	20		55.404.09		13
	90.102.05	01	20		55.404.15		9
	90.102.05	03	20		55.404.16		19
	90.114.07		6		55.404.16		25
	90.115.10		13		55.404.31		9
	90.150.05		13		55.627.11		5
	90.150.07	03	8		60.105.05		5
140042	10.414.02	01	9		60.110.06	01	17
	55.100.17		10		60.110.06	02	23
	66.360.09		26		60.110.08		12
	66.360.12		3		60.110.09		26
	74.135.05	02A	26		60.110.21		8
	74.135.05	02B	24		60.120.10		8
	80.101.08		29		66.101.02		15
	80.101.18		25		66.101.05		19
	80.101.19		23		66.101.09	02	6
	88.210.11		14		66.101.11		15
	90.115.03		5		66.350.01		23
	90.118.29		15		66.350.05		4
140045	10.100.01	01	11		66.360.09		16
	10.100.01	02	10		66.360.11		7
	10.100.01	02	13		74.101.15		17
	10.100.01	03	16		74.101.15		25
	10.114.02		15		74.101.16		18
	10.246.03		16		74.101.16		30
	10.254.08	01	31		74.110.04		11
	10.254.08	02	21		74.114.04	01	10
	10.254.08	03	16		74.114.04	02	10
	10.254.11	02	13		74.130.01		16
	10.310.02	01	19		74.130.01	01	16
	10.310.02	02	17		74.135.05	01A	28
	10.310.02	03	14		74.135.05	01B	28
	10.406.03	03	26		74.140.05		16
	10.406.08	01	12		74.140.06		4
	10.406.08	02	7		74.140.09		16
	10.406.08	03	6		80.101.07		24
	10.414.01	01	12		80.101.08		17
	10.414.01	02	12		80.101.10		8
	10.414.01	03	8		80.101.10	01	8
	10.414.02	01	10		80.101.15		31
	10.414.02	02	30		80.101.18		24
	10.414.06	01	12		80.101.19		11
	10.414.06	02	12		80.101.25		15
	10.414.06	03	6		80.101.26		5
	10.414.13		18		80.150.02		34
	10.418.16	01	14		80.150.03	02	62
	10.418.16	02	14		80.150.05		34
	21.140.03		10		80.150.06		38
	21.145.01		21		80.150.07		35
	25.310.02	01	44		80.154.03		24
	25.310.02	02	44		80.154.03		51
	25.310.03	01	3		80.154.09		19
	25.310.03	02	3		80.175.10		10
	29.204.05		25		80.175.11		16
	33.110.03		10		80.180.01		41
	35.162.02		20		80.180.01	01	41
	35.162.02		39		80.180.11		19
	35.204.11		8		80.180.17	01	12
	35.300.01	01	14		80.180.17	02	12
	35.300.01	02	14		88.120.03	01	17
	35.752.03	01	15		88.210.10		48
	35.752.03	03	6		88.210.11		15
	35.910.02	01	12		88.210.13	01	37
	35.910.04		9		88.220.03	02	8
	35.910.04	01	41		88.230.13	01	19
	35.910.05	01	37		88.230.15		16
	35.910.05	02	37		88.230.17		15
	35.910.10		16		88.230.18		8
	39.100.04		7		88.230.19		20
	39.100.05		13		88.230.19		4
	41.200.03		3		90.100.22		9
	41.203.01		65		90.102.02	01	32
	41.203.02		13		90.102.03	01	31
	44.151.06		3		90.102.03	02	31
	44.200.09		16		90.102.03	03	31

INDEX - INDICE - INDEX - ZAHLENVERZEICHNIS - INDICE - INDICE - INDHOLD - INHOUD

Number	Figure	Sequence	Ref.	Number	Figure	Sequence	Ref.
140045	90.102.05	01	31	140046	80.150.11	02	38
	90.102.05	02	32		80.154.03		30
	90.102.05	03	31		80.175.02		37
	90.114.08		5		80.175.10		37
	90.115.03		4		80.180.01		29
	90.116.02		6		80.180.01	01	29
	90.118.09		16		80.180.11		15
	90.118.22	01	14		80.180.12		3
	90.118.23	02	3		80.180.17	01	10
	90.118.24	02	9		80.180.17	02	10
	90.118.29		16		88.210.05		4
	90.118.33		17		88.210.10		15
	90.118.38		10		88.210.13	01	22
	90.118.39	01	7		88.210.13	02	22
	90.118.39	02	7		88.230.07		9
	90.118.41		18		88.230.13	01	23
	90.118.41	01	19		90.116.02		13
	90.118.41	02	19		90.118.09		7
	90.118.43	01	8		90.118.33		28
	90.118.43	02	8		90.118.38		39
	90.118.45		2		90.118.41	01	16
140046	10.100.01	01	7		90.118.41	02	14
	10.100.01	02	8		90.118.43	01	13
	10.100.01	03	7		90.118.43	02	13
	10.246.03		2	140048	25.310.02	01	47
	10.414.02	02	38		25.310.02	02	47
	10.414.09		5		35.910.04	01	36
	10.414.10		11		39.100.05		11
	10.418.16	01	8		39.110.02		4
	10.418.16	02	8		44.101.01	01	16
	21.140.02		24		44.101.01	02	16
	21.140.03		6		55.440.12		11
	35.910.04		14		60.110.02		8
	35.910.04	01	27		60.110.08		17
	39.100.01		13		60.110.20		19
	39.100.05		19		66.350.02		9
	41.203.01		42		66.350.03	01	13
	55.100.13		23		66.350.03	02	13
	55.404.10		7		74.135.05	01A	10
	55.408.05		4		74.135.05	01B	10
	55.627.11		8		74.135.05	02A	21
	55.780.11		6		74.135.05	02B	19
	60.110.06	01	11		80.101.15		38
	60.110.06	02	13		80.101.18		10
	60.110.08		16		80.150.02		30
	60.110.09		24		80.150.03	02	64
	60.110.21		5		80.150.05		44
	60.120.10		10		80.175.02		24
	66.101.02		10		80.175.10		22
	66.101.05		14		80.180.12		28
	66.101.09	01	14		88.210.01	01	16
	66.101.11		9		88.210.01	02	16
	66.350.01		6		88.210.02		9
	66.350.03		4		88.210.10		21
	66.360.09		14		88.210.13	01	12
	74.101.10		6		88.210.13	02	12
	74.101.12		26		88.230.07		4
	74.101.13		15		90.116.02		8
	74.101.15		11	140103	35.910.04	01	29
	74.101.16		6		80.101.15		25
	74.114.06		2	140182	74.114.06		21
	74.130.01		18		74.130.08		9
	74.130.01	01	18	140184	41.106.03	01	5
	74.135.05	01A	19		41.106.03	02	5
	74.135.05	01B	19		44.101.02		10
	74.135.05	02A	19		48.999.01	02	5
	74.135.05	02B	17	140219	66.360.09		60
	74.140.09		37		66.360.10		5
	74.140.14	02	7		80.101.07		50
	80.101.07		30		80.150.06		29
	80.101.08		6		80.154.03		37
	80.101.15		41	140223	74.101.12		4
	80.101.19		19		90.120.05	01	9
	80.150.02		35	14196370	10.101.02	03	32
	80.150.03	02	63	14282170	10.101.02	03	18
	80.150.05		35	14302924	88.430.06		25
	80.150.07		47	14305221	50.200.02		26
	80.150.11		38		50.200.12		11

INDEX - INDICE - INDEX - ZAHLENVERZEICHNIS - INDICE - INDICE - INHOLD - INHOUD

Number	Figure	Sequence	Ref.	Number	Figure	Sequence	Ref.
14306721	88.210.05		16	16586425	10.218.01		5
143347A1	90.115.10		14		10.402.01	01	3
143479	88.230.21	01	55	16586525	10.214.01		10
	88.230.21	02	59		50.200.07		15
	88.230.21	03	59	16586624	55.440.03	02	5
	88.431.00		59	16586625	10.106.01	01	9
	88.431.01		55		10.250.03		3
	88.431.02		59		10.250.09		3
14358921	50.200.12		10		10.250.10		1
143786A1	90.120.07		14		10.304.06	01	4
143945A2	05.100.01		5		10.304.06	02	4
143947A1	05.100.01		2		10.408.03	02	4
143949A1	05.100.01		2		10.408.03	03	4
14422134	29.212.09		11	16586724	10.206.02		2
14457580	66.260.17		16	16586725	10.408.03	01	7
14461080	35.105.01		16	16586825	10.402.08	03	5
14463680	66.260.22		3		55.440.02		6
14465381	10.106.01	01	3		55.440.03	01	6
14496521	10.103.04	02	11		55.440.03	03	6
14642095	55.785.03	01	12	16586877	10.402.08	02	5
	55.785.03	02	12	16586925	10.304.02	03	3
149261C91	10.418.31		5		10.402.04	01	1
149940C1	35.204.05		13		10.408.03	02	5
	35.204.06		11		10.408.03	03	5
	35.204.07	01	4		55.301.02	03	6
	35.204.07	02	13	16587124	50.200.09	01	2
150006	21.120.02		6	16587125	10.106.01	02	6
	25.310.02	01	13		10.106.01	03	6
	25.310.02	02	13	16587325	10.103.04	01	4
	48.999.01	02	19	16587424	50.200.09	01	2
156576C91	05.100.01			16587425	55.301.02	03	4
158188	90.102.02	01	51	16587524	10.102.02	02	6
	90.102.03	01	50	16587525	10.102.02	01	6
	90.102.03	02	50		10.102.02	03	7
	90.102.03	03	25	16587824	55.301.02	01	1
	90.102.05	01	52		55.301.02	03	3
	90.102.05	02	48	16587924	55.301.02	01	15
	90.102.05	03	51	16587925	10.100.01	02	17
16044321	33.110.03		1		10.114.01	01	4
	48.134.03		12	16588025	10.408.03	01	9
	48.134.04		12	16588125	10.103.04	03	5
	48.999.01	03	12	16588624	55.301.02	01	10
161441	66.360.10		3	16588625	10.100.01	02	18
16286324	48.134.03		15	16588824	10.103.04	02	5
16500715	10.214.01		11	16588825	10.103.04	03	5
16503914	10.214.01		4	16591725	10.304.01		6
16504114	10.214.02	01	22	16591924	10.101.03	01	4
16504614	10.214.01		14	16591925	10.101.03	03	5
16506915	10.214.02	01	26	16592424	10.304.06	01	4
	10.214.02	02	22	16592525	10.304.06	02	4
16507614	10.214.02	01	25		10.402.08	01	1
	10.214.02	02	21	16592625	50.200.09	01	3
16508460	10.102.02	01	2	16593124	55.301.02	01	2
165202	35.910.01		26	16593125	10.254.01	01	8
	35.910.12		16		10.254.01	02	8
165212	44.200.13		7		10.254.01	03	8
16585625	10.218.01		18		55.301.02	02	3
16585724	55.440.03	02	12	16593224	10.103.04	01	6
16585825	10.101.04	01	4	16593424	10.103.04	02	5
16586025	55.440.02		3	16593425	10.103.04	03	5
	55.440.03	01	5	16593624	10.103.04	02	5
	55.440.03	03	2	16593625	10.103.04	01	2
16586125	10.101.04	01	6		10.103.04	03	5
16586224	10.101.02	02	13	16597225	55.414.01	01	2
	10.103.09	01	1		55.414.01	02	2
	10.106.02		6		55.440.02		23
16586225	10.101.02	03	13	16597924	10.103.04	02	12
	10.102.04	01	3	16597925	10.103.04	03	2
	10.102.04	02	3		10.214.02	01	19
	10.103.10	02	2		10.304.02	01	4
	10.106.07	01	8	16598224	10.408.03	02	18
	10.106.07	03	8		10.408.03	03	18
	10.304.02	02	2		50.200.09	01	3
	10.304.02	03	4	16598325	50.200.07		14
16586325	10.250.10		9		50.200.09	02	3
	10.304.05	02	3	16598624	10.408.03	02	26
	10.304.05	03	3		10.408.03	03	26
	10.402.01	02	3	16598924	10.103.04	01	7

INDEX - INDICE - INDEX - ZAHLENVERZEICHNIS - INDICE - INDICE - INDHOLD - INHOUD

Number	Figure	Sequence	Ref.	Number	Figure	Sequence	Ref.
16599125	55.301.02	02	4	16692324	50.200.09	02	2
16599225	10.254.01	01	9	16692524	55.301.02	01	5
	10.254.01	02	6	16707134	10.101.02	02	15
	10.254.01	03	6		10.101.02	03	15
16599424	10.103.04	01	3	16707334	10.103.04	01	10
16600024	55.301.02	01	3	16707734	10.218.03	02	2
	55.301.02	02	9		10.218.03	03	2
	55.301.02	03	9	16711235	50.200.07		9
16600224	55.440.03	02	9	167266	44.200.09		28
16666716	10.103.10	02	3	167269	35.910.01		27
	10.250.10		7	16731270	10.254.10	01	2
16673635	10.214.02	02	18	16731370	10.250.05	02	4
	10.250.03		9		10.250.05	03	4
	10.250.09		9		10.254.10	02	2
	10.402.01	03	3		10.254.10	03	2
16673735	10.001.04	01	11	16748624	10.201.01	01	2
	10.210.02	01	3	16760524	10.201.01	02	2
	10.210.02	02	3		10.201.01	03	2
	10.214.02	01	19	168368	80.101.25		32
	10.250.03		6	168370C2	66.350.03	01	6
	10.250.09		6		66.350.03	02	6
	10.250.10		8		88.210.01	01	6
	10.304.02	01	3		88.210.01	02	6
16673834	10.414.08		5	16873376	10.105.03	02	7
16673835	10.103.04	01	13	16873473	10.105.03	01	7
	10.206.07		2	16877273	10.105.03	03	7
	50.200.07		4	16887515	10.001.04	01	13
	55.100.08	02	9		10.001.04	02	21
	55.100.08	03	9		10.001.04	03	21
16674034	10.246.01		7		10.103.10	01	4
	10.408.03	02	26		55.440.02		16
	10.408.03	03	26	16887624	10.100.01	02	19
16674134	55.440.03	02	6		10.100.01	03	19
	55.440.03	02	9	16988301	10.106.04	01	2
16674434	10.402.04	02	3		10.106.04	02	2
	10.402.04	03	3		10.106.04	03	2
16674934	10.402.04	02	3	16990570	10.101.02	01	5
	10.402.04	03	3		10.101.02	02	23
16675834	10.103.04	02	6		10.101.02	03	23
16675835	10.103.04	03	6	16990670	10.001.04	01	6
	10.206.01	01	5		10.001.04	02	8
	10.206.01	02	5		10.001.04	03	8
16676135	10.106.01	01	6	16990770	10.101.02	01	4
16676635	10.414.08		4	16990870	10.001.04	01	5
16676834	10.103.07	01	5		10.001.04	02	7
	10.103.07	02	5		10.001.04	03	7
16677735	10.100.01	03	18		10.101.02	01	29
16677934	10.103.04	02	5		10.101.02	02	22
16678135	10.114.01	02	11		10.101.02	03	22
	10.114.01	03	11	16991370	10.001.04	01	4
16679034	10.106.02		4		10.001.04	02	6
	10.106.07	01	6		10.001.04	03	6
	10.106.07	03	6		10.101.02	01	5
16679234	10.106.07	02	5		10.101.02	02	21
16679435	10.106.04	01	10		10.101.02	03	21
16680535	10.012.01	01	1	16992115	10.101.02	01	28
16680835	10.110.01	03	5	16992215	10.101.02	01	11
16681435	10.100.01	03	14	16992411	10.001.04	02	18
	10.110.01	02	3		10.101.02	02	7
	10.110.01	03	4		10.101.02	03	7
16688925	55.414.01	01	8		10.408.03	02	19
16689024	55.440.02		14		10.408.03	03	19
16689324	55.440.02		5	16992415	10.001.04	03	18
16689325	55.414.01	02	8		10.400.02	01	1
16689424	55.100.08	02	14		10.400.02	02	3
	55.100.08	03	14		55.440.02		2
16689724	10.206.05		4	16992511	10.001.04	02	15
	10.304.04		4		10.103.09	01	2
16689824	10.206.05		5	16992515	10.001.04	01	12
	10.304.04		5		10.001.04	03	15
16689924	10.206.05		6		10.103.10	03	2
	10.304.04		6		10.400.02	02	1
16690625	10.106.01	02	5	16992611	10.001.04	02	24
	10.106.01	03	5		10.102.02	01	3
16690924	10.304.06	01	5		10.102.02	02	3
16691024	10.304.06	02	5		10.102.02	03	3
16691424	10.250.10		6		10.400.02	02	5
16692324	10.100.01	02	20	16992911	10.103.04	02	3

INDEX - INDICE - INDEX - ZAHLENVERZEICHNIS - INDICE - INDICE - INDHOLD - INHOUD

Number	Figure	Sequence	Ref.	Number	Figure	Sequence	Ref.
16992915	10.103.04	01	17	17288881	10.304.05	02	2
	10.103.04	03	3		10.304.05	03	2
16993511	10.408.03	02	23	17289781	10.408.03	01	4
	10.408.03	03	23	17290081	10.402.04	01	2
16993711	10.408.03	02	21	17290781	10.106.01	02	15
	10.408.03	03	21		10.106.01	03	13
170004	35.910.04	01	49	17291281	10.101.04	01	3
170005	10.414.02	01	7		10.304.04		15
170012	80.101.08		20	17291781	10.402.01	01	2
	80.101.25		5	17291881	10.206.07		5
	80.175.10		32	17292081	10.402.01	02	2
	80.180.12		11	17292281	10.106.01	03	4
170013	80.175.07		24		10.114.01	01	2
170030	35.910.07	01	9		10.114.01	02	9
	35.910.07	02	8		10.114.01	03	9
	88.100.02		11	17292381	10.106.01	01	8
170066	66.350.03		2		10.106.01	02	4
	80.180.12		5	17292581	10.102.04	01	2
	88.210.05		2		10.102.04	02	2
17038421	55.301.02	02	8	17301181	10.103.04	01	12
17038425	55.301.02	01	4	17310001	55.100.08	02	4
	55.301.02	03	8		55.100.08	03	4
17044621	55.440.03	02	13	17310401	55.100.08	02	5
17044721	10.103.09	01	3		55.100.08	03	5
	10.206.05		13	17310501	10.218.01		20
	10.304.04		13		55.100.08	02	6
17044725	10.250.10		10		55.100.08	03	6
17044821	10.201.01	01	3	17315490	55.100.08	02	3
17044921	10.201.01	02	3		55.100.08	03	3
	10.201.01	03	3	17316399	10.214.01		9
17046231	10.114.01	02	8	17316592	10.214.02	02	16
	10.114.01	03	8	17316599	10.214.02	01	18
17084376	10.106.04	01	6	17316699	10.103.09	01	4
	10.106.04	02	6		10.103.10	02	4
	10.106.04	03	6	17317390	10.206.05		11
17084476	10.106.04	03	15		10.304.04		11
17088474	10.206.05		7	174266	10.246.03		19
	10.304.04		7	177120A1	35.910.09		9
17094924	10.206.05		12	178148A1	55.100.41		23
	10.304.04		12	178149A1	55.100.41		22
17095024	10.102.02	01	8	17816214	10.214.01		7
	10.102.02	02	5		10.214.02	01	23
17095224	10.110.01	01	6		10.214.02	02	17
17095314	55.301.02	01	12	17917240	10.103.04	01	15
17096824	10.106.01	02	14	18053625	10.304.05	01	3
	10.106.01	03	14	180593A1	90.120.07		52
17097324	55.301.02	02	6	180594A3	90.120.07		56
	55.301.02	03	12	18137825	10.254.01	02	5
17221710	55.301.02	01	14		10.254.01	03	5
17255674	10.101.02	03	24		10.304.01		5
17257074	10.101.02	02	24		55.440.02		12
	10.101.02	03	24	18139424	10.001.04	01	3
17275410	10.103.01	01	3		10.114.01	02	14
	10.103.01	02	3		10.114.01	03	14
	10.103.02		3	183038A1	55.100.41		24
17275510	10.101.02	02	6	184472C1	44.100.07		12
	10.101.02	03	6	184473C1	44.100.07		11
17275610	10.103.04	02	9	188104A1	35.204.04		3
	10.103.04	03	9		35.910.01		18
17277881	55.440.02		19	188105A1	35.204.04		4
17277981	10.101.02	02	35		35.204.01		23
	10.101.02	03	35	188106A1	35.204.04		5
17278181	10.408.03	02	31		35.910.01		2
	10.408.03	03	31	188107A1	35.204.04		6
17278881	10.101.02	01	13	188110A1	35.204.04		7
17279081	10.101.02	02	3		35.910.01		16
	10.101.02	03	3	188114A1	35.204.04		8
17281381	10.114.01	01	3	188116A1	35.204.04		9
	10.114.01	02	10		35.910.01		19
	10.114.01	03	10	188117A1	35.204.04		10
17282181	10.304.01		3		35.910.01		20
17282281	10.206.05		3	190029	80.150.07		5
	10.304.04		3	190696A1	35.910.01		24
17283481	10.408.03	01	3	190699A1	35.910.01		6
17283581	10.408.03	02	3	190702A1	35.910.01		8
	10.408.03	03	3	190704A1	35.204.02		11
17288681	10.304.05	01	2		35.204.05		15
17288881	10.218.03	01	5		35.204.07	01	6

INDEX - INDICE - INDEX - ZAHLENVERZEICHNIS - INDICE - INDICE - INDHOLD - INHOUD

Number	Figure	Sequence	Ref.	Number	Figure	Sequence	Ref.
190704A1	35.204.07	02	15	218-5208	35.910.12		9
	88.100.03		5	218-5209	35.204.07	02	18
190707A1	35.204.02		11A		35.910.12		7
	35.204.05		15A	218-5211	35.204.07	02	19
	35.204.07	01	6A	219-87	60.120.11	02	5
	88.100.03		12		66.101.08		12
190711A1	33.202.20		2	220025	21.120.02		7
	35.204.05		11		25.310.02	01	14
	35.204.06		9		25.310.02	02	14
	35.204.07	02	11		25.310.03	02	37
190716A1	35.204.05		24		25.310.04		4
	35.204.06		1		25.310.05		6
	35.204.07	02	1		48.999.01	02	20
190986A1	35.204.05		14	220064A1	60.150.02		25
	35.204.07	01	5		60.150.03		23
	35.204.07	02	14		60.150.06		11
191121A1	35.204.02		7		60.150.06		24
192216A1	39.100.06		15	220069A1	44.200.15		10
	55.404.15		3	221573A1	35.204.05		20
	55.404.16		4		35.204.06		12
195-83000	80.154.10		41		35.204.07	02	20
195683A1	18.148.01		3	221576A1	18.100.03		24
	33.202.20		4		35.910.09		8
	35.204.02		9	221578A1	18.100.03		15
	35.204.05		10		35.204.06		13
	35.204.06		8		35.910.09		6
	35.204.07	02	10		44.200.07		4
	88.100.03		3	221579A1	88.430.06		9
196096A1	18.100.03		10	221580A1	18.100.03		16
1964737C1	55.301.02	02	5		35.910.09		7
	55.301.02	03	14	222136A1	55.404.13		11
1971726C1	35.300.15		4	22365V	66.260.01		6
1977295C1	10.102.07		2	224089A1	90.118.36		4
	10.102.07		4	224368A1	55.404.16		13
	10.102.07		5	224808A1	90.120.05	01	1
	10.102.07		6	225-14210	55.100.41		25
	10.102.07		7	225805A1	60.150.04		23
197793A1	90.120.07		51		66.320.02	01	27
1978123C1	35.300.14		7		66.320.02	02	27
1994758C2	88.210.11		11	227488A1	14.100.11		7
200202	90.160.04	02	12	228833A1	60.150.06		14
201-326	10.114.02		11	231-4146	10.310.02	02	7
201-327	10.114.02		3		10.310.02	03	7
201-448	29.212.09		6	231-5145	55.100.41		26
203-905	88.430.05	01	12	231-5146	10.418.31		7
	88.430.05	02	12	231-5346	66.101.05		25
203960H1	66.330.01		17	231765A1	48.110.03		3
210048	60.150.02		19	232212A1	55.404.13		10
	60.150.03		16	232867A1	60.150.06		16
	60.150.10		13	233303A1	48.100.02		19
210049	39.100.04		20	233561A1	55.404.13		12
212607	66.101.09	02	3	23442R1	80.101.18		20
213404	80.150.11		4	235660A1	60.150.06		17
	80.150.11	02	4	235757	10.216.03		4
216698	05.102.01	02	5		29.204.05		9
	35.440.07		7		44.200.09		13
	80.101.08		26	236535	35.710.02		3
	80.101.18		13	236558A1	48.134.03		19
	80.150.07		50		48.134.04		19
	80.154.10		14		48.999.01	03	19
2168745	44.200.13		17	237-6002	18.148.01		15
217-1015	35.300.15		3	237-6003	18.148.01		16
217-1096	50.200.04	01	15		35.204.10		24
	50.200.04	03	14	237-6005	18.148.01		17
217-125	48.100.02		20		35.910.12		17
217-151	10.406.08	01	5	237-6008	18.100.03		12
	10.406.08	02	4		18.100.03		8
	10.406.08	03	10		35.910.01		30
217-43	88.230.21	01	13		35.910.09		10
	88.230.21	02	32		35.910.09		22
	88.230.21	03	16	237-6010	35.204.04		19
	88.431.00		32		35.910.01		17
	88.431.01		13	237910	55.518.03		11
	88.431.02		16		90.150.01		24
218-5205	35.204.07	02	17	238-5013	18.100.03		9
	35.910.12		10		35.910.09		12
218-5207	35.204.07	02	16	238-5014	18.100.03		4
	35.910.12		8		35.910.09		11

INDEX - INDICE - INDEX - ZAHLENVERZEICHNIS - INDICE - INDICE - INHOLD - INHOUD

Number	Figure	Sequence	Ref.	Number	Figure	Sequence	Ref.
238-5017	35.204.04		20	274249	35.910.03	02	10
	35.910.01		21		35.910.10		14
238-5022	66.260.22		4	274336	35.105.01		18
238-5114	35.204.04		21		35.204.01		16
	35.910.01		22		35.910.05	01	7
238-5115	80.101.21	01	5		35.910.05	02	7
	80.101.21	02	5		41.203.01		27
238-5137	14.102.02		6	275246	18.110.02		3
238-5141	60.150.06		21	276-1458	50.200.02		13
238-5158	14.100.11		2	276467	90.120.04		3
	14.102.02		5		90.120.07		16
	60.150.06		22	277311A1	05.000.01	01	20
238-5171	31.114.02		4		05.000.01	02	19
238-5223	60.150.04		17		35.204.11		14
	60.150.07		5	278548	35.204.04		15
	66.320.02	01	18		35.204.05		16
238-5269	60.150.01		3		35.204.06		18
238-5271	21.102.01		17		35.910.01		14
238-5272	31.114.01		10		35.910.13		14
	66.260.01		18	278820A4	66.330.01		3
238-5274	31.114.02		11		66.330.01		4
238-5277	31.114.01		12		66.330.21		4
	31.114.04		6	278821A2	66.330.01		3
	66.260.01		10		66.330.21		3
238-5426	48.130.02		9	280129	74.114.03	01	24
	48.134.02		8		74.114.03	02	24
238-6012	35.910.01		9		74.118.04	01	23
	44.200.09		24		74.118.04	02	23
	80.175.12		13		88.430.08		20
238-6015	44.200.07		9	280160	35.204.02		2
238-6018	44.200.09		26	280251	10.414.10		25
238-6025	35.204.11		17		10.418.16	02	66
238-6029	35.204.11		18		80.101.08		28
238-6111	35.204.04		22		80.101.19		8
238-6112	35.204.04		23	280375	44.200.12		42
238-6116	35.204.07	01	2	281-2456	88.230.13	02	15
238-6117	35.204.04		24	281061	74.114.03	01	7
	35.910.01		10		74.114.03	02	7
238-6119	35.204.07	01	9	281074	44.200.12		41
238-6125	35.204.04		25	282371A1	05.100.01		
238-7016	18.100.03		13	283642A4	18.100.03		25
	35.910.09		23	28384	74.114.03	01	39
238-7018	18.100.03		14		74.114.03	02	38
	35.910.09		24	285394	05.102.01	02	4
243253A1	35.204.04		26	2855325	10.103.10	02	9
243670A1	48.134.03		22	2856508	55.301.02	01	11
	48.134.04		22		55.301.03	03	1
	48.999.01	03	22	286909	60.105.05		3
246406A1	48.110.03		21	291186	10.406.08	02	9
	48.130.02		12	29214H	14.100.11		8
	48.134.02		12	294721A1	05.000.01	01	22
246666A1	05.100.01				05.000.01	02	21
254353A1	05.000.01	01	21		41.203.01		52
	05.000.01	02	20	29684	74.101.10		20
	29.204.06		4	297908A1	18.110.02		5
254742A1	44.200.07		5	298053A1	05.100.01		
255729A1	48.134.06		2	298614A1	18.100.03		6
257277A1	31.114.04		15	299075A1	35.910.12		4
	60.150.06		15	2991776	10.103.02		4
258854A2	66.260.21		2	2991777	10.103.02		4
259076A2	66.260.21		2	2991778	10.105.03	02	4
259930	35.105.01		11	2991779	10.105.03	02	4
264198	88.230.19		18	2991780	10.103.02		5
265927	55.100.32		2	2991836	10.103.02		4
26799990	80.175.06		7	2991837	10.103.02		4
270184	66.105.28		4	2991838	10.103.02		4
271913	29.212.09		2	2991839	10.103.02		4
272344	35.910.05	01	29	2991840	10.103.02		5
	35.910.05	02	29	2991841	10.103.02		5
	88.100.02		12	2991842	10.103.02		5
272535	55.418.01		8	2991843	10.105.03	02	4
27317	66.350.02		2	2991844	10.105.03	02	4
	80.180.12		20	2991845	10.105.03	02	4
	88.210.02		2	2991846	10.105.03	02	4
274198	10.414.02	02	29	2991847	10.105.03	02	4
274249	35.204.11		10	2991848	10.105.03	02	4
	35.752.03	03	10	2992137	10.103.01	02	4
	35.910.03	01	10	2992138	10.103.01	02	4

INDEX - INDICE - INDEX - ZAHLENVERZEICHNIS - INDICE - INDICE - INDHOLD - INHOUD

Number	Figure	Sequence	Ref.	Number	Figure	Sequence	Ref.
2992139	10.103.01	02	4	300627	80.180.17	04	4
2992140	10.103.01	02	4	300633	10.414.02	01	3
2992141	10.103.01	02	4		18.110.02		8
2992142	10.103.01	02	4		60.150.02		13
2992143	10.103.01	02	5		60.150.03		10
2992144	10.103.01	02	5	300636	60.150.10		22
2992145	10.103.01	02	5	300642	10.414.06	01	18
2992146	10.103.01	02	5		10.414.06	02	18
2992158	10.105.03	03	4		10.414.06	03	23
2992159	10.105.03	03	4	300644	10.414.02	01	21
2992160	10.105.03	03	4		10.414.02	02	28
2992161	10.105.03	03	4	300663	74.101.10		17
2992162	10.105.03	03	4	300806	33.202.04		1
2992163	10.105.03	03	4		80.180.01	01	39
2992164	10.105.03	03	4	300852	41.106.03	01	4
2992165	10.105.03	03	4		41.106.03	02	4
2996143	10.105.03	02	6		44.101.02		11
2996151	10.105.03	02	5		48.999.01	02	4
300352	90.154.02	01	11	300865	88.230.17		25
300381	10.254.08	03	32		90.118.29		7
	60.110.03		27		90.118.41		11
	74.114.06		32	301164	60.150.02		18
	88.430.08		10		60.150.03		15
	90.102.02	01	49		60.150.10		8
	90.102.03	03	51	301615	10.414.14		2
	90.102.05	01	51	301652	66.260.24		10
	90.102.05	02	46	301803R1	50.200.04	01	7
	90.102.05	03	49		50.200.04	02	3
300383	60.110.08		59		50.200.04	03	7
	60.110.09		25	304831A1	18.100.03		17
300388	10.100.01	01	8		35.910.09		5
	10.100.01	02	9	304834A1	18.100.03		18
	10.100.01	03	8		35.910.09		4
	10.414.02	02	36	304836A1	18.100.03		19
	66.360.09		56		35.910.09		3
	74.101.10		19	304967	21.130.03		18
	80.101.07		29	3051337R1	21.102.01		23
	80.101.08		21		41.106.03	01	13
	80.101.15		42		41.106.03	02	27
	80.150.03	02	57		48.999.01	02	17
	80.154.03		29		60.150.02		29
	80.180.11		11		60.150.03		27
	80.180.17	01	11	308245A1	18.100.03		20
	80.180.17	01	18		35.910.09		31
	80.180.17	02	11	308761	39.100.05		59
	80.180.17	02	18		74.140.14	02	17
300389	10.246.03		3		80.150.11		30
	35.700.01	01	10		80.150.11	02	30
	35.910.04		13		80.175.10		8
	74.101.10		5		80.175.11		14
	80.150.03	02	58		88.210.04		12
	80.180.01		21		88.230.04		18
	80.180.01		44		88.230.13	01	27
	80.180.01	01	21	31-3183	48.100.02		18
	80.180.01	01	44	310233A1	05.100.01		
	80.180.11		12	31263R1	66.260.23		4
300408	88.230.19	02	9	3140666R91	60.150.07		25
300410	80.154.10		35	3142394R91	60.150.06		12
300442	21.145.01		33	319151A1	35.204.05		21
300497	21.130.03		6		35.204.06		14
300506	80.175.11		12		35.204.07	02	21
300510	21.104.02		25	32-12X	48.100.02		21
	33.110.03		18	320033	74.101.12		15
	35.204.01		31		74.110.03		3
	35.300.01	01	27		74.114.06		8
	35.300.01	02	27	320648	74.101.12		32
	35.440.07		15	320771	74.101.13		25
	35.910.02		16	321204	44.151.08	01	10
	35.910.10		7		44.151.08	02	4
	41.203.02		27		74.101.13		4
	88.230.15		1	321246	10.012.04	01	2
300512	55.100.13		25		10.012.04	02	2
	80.154.09		15		10.012.04	03	2
300625	80.150.06		42		90.150.06		1
300627	35.440.03		9	322	74.101.12		13
	74.101.12		19		80.180.07		15
	74.114.06		41	322355	10.414.09		15
	80.180.17	03	4		10.418.16	01	6

INDEX - INDICE - INDEX - ZAHLENVERZEICHNIS - INDICE - INDICE - INHOLD - INHOUD

Number	Figure	Sequence	Ref.	Number	Figure	Sequence	Ref.
322355	10.418.16	02	6	322357	90.118.40		5
	55.404.08		19		90.150.04		12
	55.408.08		8		90.150.07	02	7
	55.627.10		3		90.150.07	03	17
	60.110.03		11		90.160.03		24
	88.120.06		2	322358	05.102.01	02	3
322356	55.404.08		7		10.206.08		4
	74.101.16		4		10.246.03		26
	80.180.01	01	48		10.246.03		43
322357	10.254.08	02	28		10.254.01	01	11
	10.414.06	01	16		10.254.08	03	31
	10.414.06	02	16		10.310.02	01	8
	10.414.06	03	20		10.310.02	02	8
	10.414.13		15		10.310.02	03	8
	21.130.03		4		10.406.03	01	7
	21.182.02		5		10.406.03	02	7
	33.202.15		5		10.406.03	03	17
	33.202.18		33		10.406.08	01	8
	33.202.23		9		10.406.08	02	11
	35.162.02		15		10.406.08	03	1
	35.300.09		23		10.414.01	01	8
	35.910.05	01	21		10.414.01	02	21
	35.910.05	02	21		10.414.01	03	22
	39.100.04		36		10.414.02	01	33
	41.106.03	02	14		10.414.02	02	27
	41.204.04		18		10.414.06	01	8
	48.134.03		18		10.414.06	02	8
	48.134.04		18		10.414.06	03	2
	50.200.02		23		10.414.09		8
	55.100.07	01	2		10.414.10		22
	55.100.07	02	17		10.414.12		6
	55.100.07	03	7		10.414.13		16
	55.100.10		17		10.414.14		25
	55.100.17		16		10.418.16	01	20
	55.100.26		9		10.418.16	02	20
	55.100.41		20		21.140.03		19
	55.100.42		13		21.145.01		18
	55.404.08		23		29.204.05		18
	55.404.09		17		33.202.15		10
	55.404.17		9		33.202.18		35
	55.404.34		6		35.162.02		3
	55.408.03		5		35.300.01	01	20
	55.408.05		20		35.300.01	02	20
	55.418.05		3		35.300.09	01	18
	55.424.02		18		35.300.09	02	3
	55.510.05		15		35.440.03		10
	55.518.01		6		35.440.07		16
	55.627.11		14		35.752.03	01	2
	60.120.10		26		35.752.03	02	5
	74.110.04		7		35.752.03	03	14
	74.110.06		8		35.910.02	01	20
	74.114.03	01	3		35.910.04	01	46
	74.114.03	01	41		39.100.05		22
	74.114.03	02	3		39.100.06		6
	74.114.03	02	41		41.200.03		10
	74.114.06		54		44.200.09		22
	74.118.04	01	15		50.200.02		18
	74.118.04	02	15		50.200.04	01	4
	74.130.08		14		50.200.04	02	27
	80.101.25		36		50.200.04	03	33
	80.150.03	02	60		55.100.07	01	22
	80.150.05		36		55.100.07	02	11
	80.150.06		36		55.100.07	03	19
	80.150.11		33		55.100.10		18
	80.150.11	02	33		55.100.13		15
	80.175.02		22		55.100.17		13
	80.175.11		10		55.100.22		8
	88.120.02		3		55.100.31		10
	88.210.10		26		55.100.32		6
	88.210.13	01	26		55.100.32		6
	88.210.13	02	26		55.100.34	01	9
	88.430.03		5		55.100.34	02	5
	88.430.08		17		55.100.34	03	3
	90.110.12		17		55.100.41		18
	90.118.09		25		55.100.42		16
	90.118.22	01	19		55.301.05		2
	90.118.37		16		55.404.08		21
	90.118.39	01	12		55.404.15		15

INDEX - INDICE - INDEX - ZAHLENVERZEICHNIS - INDICE - INDICE - INDHOLD - INHOUD

Number	Figure	Sequence	Ref.	Number	Figure	Sequence	Ref.
322358	55.404.16		18	322358	88.230.19		17
	55.404.31		10		88.230.21	01	24
	55.408.02		5		88.230.21	02	10
	55.440.05	01	5		88.230.21	03	4
	55.440.11		2		88.430.05	01	2
	55.518.03		5		88.430.05	02	2
	55.785.03	01	3		88.430.08		12
	55.785.03	02	3		88.431.00		10
	60.110.02		6		88.431.01		24
	60.110.03		15		88.431.02		4
	60.110.06	01	37		90.100.20		2
	60.110.06	02	47		90.100.21		6
	60.110.08		36		90.100.22		4
	60.110.09		7		90.102.02	01	22
	60.110.20		14		90.102.03	01	21
	60.110.21		16		90.102.03	02	21
	60.110.22		22		90.102.03	03	21
	60.120.10		13		90.102.05	01	21
	66.101.02		7		90.102.05	02	22
	66.101.05		16		90.102.05	03	21
	66.101.08		16		90.105.10		8
	66.101.09	01	12		90.114.07		2
	66.260.21		15		90.115.10		5
	66.350.01		27		90.118.09		12
	66.350.03	01	18		90.118.22	01	20
	66.350.03	02	18		90.118.23	02	8
	66.360.09		39		90.118.24	02	5
	74.101.12		21		90.118.29		10
	74.101.12		30		90.118.33		21
	74.110.03		5		90.118.37		9
	74.114.03	01	19		90.118.39	02	14
	74.114.03	02	19		90.118.41		22
	74.114.06		6		90.118.41	01	6
	74.118.04	01	20		90.118.41	02	6
	74.118.04	02	20		90.120.08		12
	74.130.01		12		90.124.02		3
	74.130.01	01	12		90.150.01		10
	74.130.08		19		90.150.04		37
	74.140.05		18		90.150.05		10
	74.140.09		18		90.150.07	02	9
	74.140.09		6		90.150.07	03	9
	80.101.07		25		90.156.11	01	6
	80.101.08		8		90.156.11	02	5
	80.101.15		34		90.160.03		22
	80.101.18		7	322360	10.414.13		10
	80.101.25		6	322362	80.101.15		23
	80.150.02		33	323238	10.414.09		6
	80.150.03	02	61		10.418.16	01	9
	80.150.05		33		10.418.16	02	9
	80.150.06		37		80.154.09		28
	80.150.07		45	323307	74.140.05		41
	80.150.11		34	323464A1	35.204.02		14
	80.150.11	02	34	323597	21.182.02		2
	80.154.03		25		50.206.02		4
	80.154.09		23		55.100.41		9
	80.154.10		24	323713	44.151.08	01	9
	80.175.10		13		44.151.08	02	7
	80.175.11		22	324715	74.114.01	02	24
	80.180.01		28	325103	10.418.16	01	18
	80.180.01	01	28		10.418.16	02	18
	80.180.05		9	325594	60.110.06	01	16
	80.180.11		18		60.110.06	02	31
	80.180.12		8	325647A2	48.130.03		9
	80.180.17	01	14		48.134.06		5
	80.180.17	02	14	325911	55.404.28		11
	88.100.01		4		55.404.34		10
	88.120.03	01	14		55.408.05		27
	88.120.06		4		80.180.07		8
	88.210.01	01	23		88.120.03	01	2
	88.210.01	02	23		88.120.03	02	11
	88.210.04		18	326376A2	90.118.39	01	13
	88.210.10		2	327084	80.180.01		26
	88.210.13	01	45		80.180.01	01	26
	88.210.13	02	45	327911	21.140.03		9
	88.230.04		22		21.184.02		12
	88.230.11	01	3	328048	90.100.21		11
	88.230.17		10	328754	66.101.09	01	8
	88.230.18		11		88.230.13	01	18

INDEX - INDICE - INDEX - ZAHLENVERZEICHNIS - INDICE - INDICE - INHOLD - INHOUD

Number	Figure	Sequence	Ref.	Number	Figure	Sequence	Ref.
329647A1	48.134.05		6	349295A1	18.100.03		3
329889A1	14.102.02		2	350341	21.120.02		10
329896A1	14.102.02		3	350460	39.100.01		9
	60.150.06		18	350616	39.100.05		25
330291	25.310.02	02	5		74.114.06		13
331175	90.115.10		6		80.180.12		27
331233	10.414.09		2	352827A1	60.150.04		43
	10.418.16	02	64		66.320.02	01	50
332390A1	05.100.01		2		66.320.02	02	50
332909	90.118.33		30	352828A1	60.150.04		42
333962	10.414.06	01	23		66.320.02	01	49
	10.414.06	02	23		66.320.02	02	49
334070	90.118.41	01	13	352833A1	60.150.04		40
	90.118.41	02	13		66.320.02	01	47
334970	80.175.10		25		66.320.02	02	47
335315	55.100.26		4	353-187	88.230.21	01	66
	55.404.17		3		88.230.21	02	58
335872	55.404.12	01	15		88.230.21	03	58
	55.404.32		4		88.431.00		58
	90.110.12		39		88.431.01		66
	90.150.04		17		88.431.02		58
	90.160.03		3	353-411	90.160.04	02	1
	90.160.03		30	353-422	80.150.02		37
336199	10.414.09		9	353067	88.210.09		10
	10.418.16	01	35	353078	55.404.09		21
	10.418.16	02	35	353216	74.140.15		4
	55.100.17		14	353308	10.254.01	01	6
336383	39.100.01		10		10.406.03	01	18
336897	21.120.02		18		10.406.03	02	21
	25.310.03	02	38		10.406.03	03	11
336945	05.000.01	01	1		10.414.14		27
	05.000.01	02	1		33.110.03		7
	44.100.14		2		33.202.15		6
337475	39.100.05		40		35.162.02		17
	60.110.08		69		35.300.09	01	24
	74.140.09		38		35.910.05	01	24
	80.150.02		25		35.910.05	02	24
	80.150.05		25		41.203.01		41
337522	39.110.02		11		41.203.02		17
	90.150.06		3		41.204.04		13
337563	66.350.01		5		48.134.03		17
	88.210.10		13		48.134.04		17
	88.210.13	01	21		48.999.01	03	17
	88.210.13	02	21		55.100.07	01	20
337829	80.175.02		13		55.100.07	02	16
338222	74.114.06		12		55.100.07	03	17
338263	90.118.41		5		55.100.13		22
338413	35.910.05	01	23		55.100.26		8
	35.910.05	02	23		55.100.30		9
	41.203.02		16		55.100.31		9
	55.404.08		1		55.100.42		12
	55.440.12		16		55.404.17		10
338712	80.154.09		9		55.418.01		9
338949	55.404.16		24		55.780.11		14
	66.101.09	02	5		74.110.04		9
	74.140.05		15		74.114.01	01	15
	74.140.09		15		74.114.01	02	15
339852A1	05.100.01		7		74.114.03	01	10
340-1086	55.440.07		13		74.114.03	02	10
	55.440.07	02	13		74.114.04	01	4
340-1088	90.160.02	02	30		74.114.04	02	4
34439	74.118.04	01	5		74.114.06		24
	74.118.04	02	5		74.118.01		12
345005A1	60.150.06		13		74.118.03	01	5
345334A1	14.102.02		8		74.118.03	02	5
	60.150.06		9		74.118.04	01	17
345335A2	14.102.02		7		74.118.04	02	17
	60.150.06		8		74.140.14	01	16
345336A1	14.102.02		10		74.140.14	02	13
	60.150.06		7		80.150.06		31
345337A1	14.102.02		9		88.120.03	01	22
	60.150.06		20		88.230.04		32
34821	80.175.02		31		88.230.15		30
	80.175.10		41		88.230.18		19
349014A1	90.118.38		32		88.230.08		19
	90.118.39	02	16		90.118.04		5
349291A1	18.100.03		5		90.150.07	03	11
349292A1	18.100.03		7	354039	21.182.02		16

INDEX - INDICE - INDEX - ZAHLENVERZEICHNIS - INDICE - INDICE - INDHOLD - INHOUD

Number	Figure	Sequence	Ref.	Number	Figure	Sequence	Ref.
354372	33.202.15		30	371878A1	48.130.02		4
355607	21.120.02		9		48.134.02		4
356728	10.414.02	01	30	371884A1	48.130.02		2
	10.414.02	02	26		48.134.02		2
357545	66.260.21		7	37203	60.150.02		17
	88.210.10		34		60.150.03		14
	88.210.13	01	31		60.150.10		10
	88.210.13	02	31	372253A1	05.100.01		2
	88.210.13	03	17	372255A1	05.100.01		2
359211	80.101.18		12	372705R7	05.100.01		5
359242A1	14.100.11		10	373758A1	35.204.04		12
359243A1	14.100.11		11		35.910.01		7
359244A1	14.100.11		12	374834	33.202.18		31
359251A1	14.100.11		13	374887	80.101.07		14
362528	80.150.07		32		80.154.03		14
362574A1	60.150.07		13	374889	10.100.01	01	3
362785	80.150.02		21		10.100.01	02	5
	80.150.03	02	42		10.100.01	03	3
	80.150.05		21	374892	60.110.06	01	39
	80.150.11		22		60.110.06	02	49
	80.150.11	02	22		80.101.07		49
362786	80.150.02		20		80.101.26		3
	80.150.03	02	41		80.154.03		39
	80.150.05		20	374894	10.414.02	01	16
	80.150.11		31		10.414.02	02	21
	80.150.11	02	31	374895	35.910.10		12
362804	10.414.02	01	18		66.101.05		5
	10.414.02	02	25		74.140.09		39
	10.414.13		4	375413A1	66.260.25		31
36403	10.414.13		9	375528A1	60.150.04		44
364053	10.414.01	01	13		66.320.02	01	32
	10.414.01	02	13		66.320.02	02	32
	10.414.01	03	11	375529A1	60.150.04		45
	39.100.01		12		66.320.02	01	19
364462C1	31.114.01		2		66.320.02	02	19
	66.260.01		8	375560A1	60.150.07		28
364463C91	31.114.01		1	376876	10.414.14		13
	66.260.01		7		21.110.01		9
365018	10.414.13		2		21.182.02		10
368317	80.101.21	01	3	378056	21.130.03		3
	80.101.21	02	3		44.200.03		1
370002	21.120.02		4		66.320.02	02	6
	35.910.04	01	30		90.150.07	02	6
	74.101.05		5	378154A1	31.114.01		3
	80.101.15		24		31.114.04		2
	88.430.08		21		66.260.01		12
370003	10.414.02	02	24	378155A1	31.114.01		4
370004	21.130.03		7		31.114.04		3
	80.175.02		28		66.260.01		13
	80.175.07		6	378156A1	31.114.01		5
	80.175.10		24		31.114.04		4
	80.180.11		8		66.260.01		14
	80.180.17	01	7	378157A1	31.114.01		6
	80.180.17	02	7		31.114.04		5
370006	10.414.02	01	5		66.260.01		15
	39.100.04		5	378158A1	31.114.02		5
370007	21.140.02		26	378159A1	31.114.02		6
	33.202.04		12	378160A1	31.114.02		7
370008	25.310.02	01	46	378161A1	31.114.02		8
	25.310.02	02	46	378243	10.414.09		22
370010	74.101.13		10		10.418.16	01	47
370011	66.350.02		5		10.418.16	02	47
	88.210.02		5		74.114.01	01	9
370012	10.414.02	02	23		74.114.01	02	9
370013	21.140.03		3		74.114.03	01	20
	74.101.13		16		74.114.03	02	20
	80.175.07		19		74.114.06		33
370014	48.130.02		11		74.118.01		5
	48.134.02		10		74.118.04	01	19
	74.101.13		5		74.118.04	02	19
370018	60.150.02		12		80.101.07		47
	60.150.03		9		80.101.19		13
370024	10.414.02	01	15		80.154.03		47
	10.414.02	02	22		80.180.01		43
	10.414.10		14		80.180.01	01	43
	10.418.16	01	28		88.120.03	02	13
	10.418.16	02	28		90.120.08		11
370026	80.175.06		10		90.124.02		5

INDEX - INDICE - INDEX - ZAHLENVERZEICHNIS - INDICE - INDICE - INHOLD - INHOUD

Number	Figure	Sequence	Ref.	Number	Figure	Sequence	Ref.
378244	10.418.16	01	13	386287	25.310.05		2
	10.418.16	02	13	386510	18.110.02		4
	35.910.04		18	388294	88.210.05		9
	74.101.12		33	388340	21.110.01		7
	74.114.03	01	36		21.182.02		8
	74.114.03	02	13	38902	10.418.16	01	56
	74.114.04	01	11		10.418.16	02	56
	74.114.04	02	11	389120	55.100.07	01	5
	80.101.07		48		55.100.07	02	5
	80.154.03		48		55.100.07	03	5
378245	10.414.02	02	37		55.100.10		1
	35.910.04	01	12	389761A1	48.110.03		7
	41.203.01		37	389763A1	48.110.03		6
	55.100.13		13	390040	66.350.02		13
	55.780.11		9		66.360.09		32
	74.101.05		16		88.210.02		13
	80.101.15		21	3905214	50.200.04	02	2
	80.101.25		33	391136	10.414.13		23
	80.180.01		2	392530	66.350.03	01	14
	80.180.01	01	2		66.350.03	02	14
	88.230.18		14		88.210.01	01	17
378246	33.202.18		7		88.210.01	02	17
	74.114.06		14		88.210.10		23
	80.101.15		37		88.210.13	01	14
	90.150.06		2		88.210.13	02	14
378247	74.101.13		24	393062	21.182.02		13
379365R1	44.200.07		8		33.202.18		10
379401	90.118.22	01	15		66.360.09		3
	90.118.23	02	6		80.101.15		56
	90.118.24	02	13		80.175.10		34
38-3605	66.260.23		3	393392	55.518.01		5
380530	80.101.08		36		90.118.22	01	36
	80.101.15		36	393599	74.101.10		22
	80.101.15		55		74.130.01		7
381140	21.110.01		6		74.130.01	01	7
381144	50.200.02		16		74.140.09		21
	90.150.05		8	393802	10.414.14		15
381523	44.104.01		10	394549	74.101.12		1
382103	74.140.07		4	394629	21.110.01		3
382181	66.101.05		13		39.100.04		27
	66.360.09		62	394630	66.101.05		4
382358	44.101.01	01	13		80.150.11		42
	44.101.01	02	13		80.150.11	02	42
382503	25.310.03	01	29		80.180.01		22
	25.310.03	02	29		80.180.01	01	22
	48.130.01		29		80.180.11		17
382527	10.102.07		11		80.180.17	01	17
	88.230.21	01	23		80.180.17	02	17
	88.230.21	02	44	394631	39.100.04		22
	88.230.21	03	28		44.104.01		9
	88.431.00		44		60.110.06	01	31
	88.431.01		23		60.110.06	02	17
	88.431.02		28	394632	41.106.03	01	9
382948	25.310.03	01	16		41.106.03	02	9
	25.310.03	02	16		44.101.01	01	4
	48.130.01		16		44.101.01	02	4
382949	25.310.03	01	17		44.101.02		8
	25.310.03	02	17		48.999.01	02	9
	48.130.01		17	394818	88.230.19	02	6
382950	25.310.03	01	18	395391	25.310.03	01	28
	25.310.03	02	18		25.310.03	02	28
	48.130.01		18		48.130.01		28
382974	10.414.10		7	395392	25.310.03	01	28
	10.418.16	01	62		25.310.03	02	28
384197	44.104.01		11		48.130.01		28
385427	55.404.10		6	395393	25.310.03	01	28
	55.408.05		6		25.310.03	02	28
	90.118.09		9		48.130.01		28
385681	33.202.15		14	395448	44.511.07		2
	55.100.17		30		44.520.02		3
	55.100.31		14	395589	74.101.05		2
	55.100.32		7	395710	33.202.18		14
	55.404.28		20	396661	21.130.03		29
	90.110.12		44	397675A1	66.260.01		9
385683	33.202.15		13	397677A1	31.114.02		3
	88.120.06		9	397688A1	66.260.01		2
386287	25.310.03	02	36	397700A1	14.100.11		9
	25.310.04		3	397881	33.202.18		19

INDEX - INDICE - INDEX - ZAHLENVERZEICHNIS - INDICE - INDICE - INDHOLD - INHOUD

Number	Figure	Sequence	Ref.	Number	Figure	Sequence	Ref.
397881	74.114.06		34	412141	10.414.02	02	20
398136	21.120.02		6		44.200.12		18
398224	55.100.32		2	412151	10.406.08	01	18
398561	74.114.01	01	22		10.414.01	02	7
	74.114.01	02	22		60.110.08		41
	74.118.01		13	412183	88.230.19		3
398792	80.150.05		32	412185	80.150.03	02	66
398877	55.404.08		29		80.150.05		42
398885	25.310.03	01	30	412215	35.440.07		18
	25.310.03	02	30		35.752.03	02	14
399544	88.430.03		6	412255	33.202.15		26
399972A3	14.100.11		14		55.100.17		28
40101573	10.101.02	01	17		55.100.31		12
	10.101.02	01	18		55.404.28		18
40101574	10.101.02	01	24	412270	66.260.26		16
40101584	10.101.02	02	29	412290	44.151.06		14
40101874	10.101.02	03	29	412317	55.627.10		10
40102683	10.102.04	01	4	412321	44.151.06		22
	10.102.04	02	4	412328	90.118.29		18
40102693	10.103.04	01	8	412364	41.204.04		14
	10.103.04	02	4	412398	44.104.01		8
	10.103.04	03	4		88.210.10		22
401209	10.414.06	01	7		88.210.13	01	16
	10.414.06	02	7		88.210.13	02	16
	10.414.06	03	14	412413	25.310.03	01	35
401624	48.999.01	02	11		25.310.03	02	35
402982A1	05.100.01				48.130.01		32
403585A1	50.200.07		17	412422	21.104.02		6
	50.200.09	01	6	412439	10.414.14		9
	50.200.09	02	6	412475	55.440.19		6
407340R3	05.100.01		2		55.510.05		13
407344R3	05.100.01		2	412477	90.110.12		35
407345R3	05.100.01		2	412479	50.200.04	01	26
407352R4	05.100.01		2		50.200.04	02	19
407356R4	05.100.01		2		50.200.04	03	24
407357R4	05.100.01		2		66.350.03	01	11
407364R2	05.100.01				66.350.03	02	11
407410R2	05.100.01		2		88.210.01	01	20
407414R2	05.100.01		2		88.210.01	02	20
407515R1	05.100.01				90.150.01		9
407538R2	05.100.01			412495	74.118.01		17
408786A1	48.110.03		19	412597	74.101.12		20
41031569	10.101.02	02	33	412621	21.120.02		2
	10.101.02	03	33	412641	44.200.12		15
41034988	10.214.01		13	412649	10.406.03	01	19
410573A1	35.300.15		22		10.406.03	02	22
410920	25.310.03	01	12		10.406.03	03	7
	25.310.03	02	12		35.910.04	01	31
	48.130.01		12		55.100.42		10
411809	10.414.14		22		55.785.03	01	14
412004	74.135.05	01A	27		55.785.03	02	14
	74.135.05	01B	27		74.101.12		6
412049	80.175.07		12		74.114.03	01	2
412066	10.100.01	01	4		74.114.03	02	2
	10.100.01	02	6		74.114.06		17
	10.100.01	03	4		74.118.03	01	4
	60.110.06	01	47		74.118.03	02	4
	60.110.06	02	59		74.118.04	01	14
412093	50.200.04	01	22		74.118.04	02	14
	50.200.04	02	21		80.150.06		40
	50.200.04	03	21		90.102.02	01	39
	66.360.09		50		90.102.03	01	38
412097	74.135.05	01A	18		90.102.03	02	38
	74.135.05	01B	18		90.102.03	03	38
	74.135.05	02A	16		90.102.05	01	38
	74.135.05	02B	15		90.102.05	02	39
	80.101.19		16		90.102.05	03	38
	88.230.19		12	412650	05.102.01	01	4
412118	55.100.13		5		10.414.09		20
	55.780.11		8		10.418.16	01	45
412123	35.700.01	01	9		10.418.16	02	45
412126	35.910.04	01	38		50.200.04	01	21
	66.260.21		27		50.200.04	03	35
	66.350.02		19		74.101.16		25
	80.175.10		27		74.110.04		16
	80.180.12		38		74.110.06		6
	88.210.02		19		80.150.06		39
412141	10.414.02	01	31	412653	74.114.01	01	3

INDEX - INDICE - INDEX - ZAHLENVERZEICHNIS - INDICE - INDICE - INHOLD - INHOUD

Number	Figure	Sequence	Ref.	Number	Figure	Sequence	Ref.
412653	74.114.01	02	3	427662A1	66.320.02	01	46
412655	80.150.11		36		66.320.02	02	46
412672	80.150.11	02	36	427705	21.182.02		7
	55.408.05		5	428-828	60.150.08		6
	66.330.01		14	428144	18.110.02		6
	66.330.17		5	428163A1	60.150.04		32
	66.330.21		14		66.320.02	01	37
	66.360.09		63		66.320.02	02	37
	66.360.11		5	428665A1	60.150.07		19
	90.116.02		16	428666A1	60.150.07		20
412712	90.118.26		11	428667A1	60.150.07		21
	90.118.27		5	428668A1	60.150.07		22
4154956	35.105.01		20	428669A1	60.150.07		23
418242A3	90.108.01	02	23	428728	74.118.01		14
419643	88.210.09		1	429635	74.110.06		3
420580	55.100.10		23	430357	10.406.03	01	16
420927	66.350.03	01	8		10.406.03	02	19
	66.350.03	02	8		10.406.03	03	9
	88.210.01	01	9		41.204.04		10
	88.210.01	02	9	430384	74.114.01	02	28
424230	90.118.41		9	431021	90.154.02	01	1
42471365	10.201.02		1		90.154.05		17
42471367	10.201.02		3	43117	48.134.04		15
42471368	10.201.02		4		48.999.01	03	15
42471369	10.201.02		5		55.100.13		20
42471370	10.201.02		6		55.780.11		13
42471378	55.201.04	02	11		80.175.11		11
42471382	10.201.02		2		90.118.38		25
42471438	55.201.04	02	1	43127	05.102.01	01	6
42471439	55.201.04	02	2		10.206.08		5
42471440	55.201.04	02	3		10.254.08	01	15
42471441	55.201.04	02	4		10.406.03	02	26
42471442	55.201.04	02	5		10.414.01	01	4
42471443	55.201.04	02	6		10.414.01	02	22
42471444	55.201.04	02	7		10.414.02	01	34
42471445	55.201.04	02	8		10.414.06	01	4
42471446	55.201.04	02	9		10.414.06	03	4
42471447	55.201.04	02	10		10.414.10		24
42471450	55.201.04	02	12		10.414.12		7
42471451	55.201.04	02	13		29.204.05		15
42471541	55.201.04	02	14		33.202.18		36
425-158	88.230.20		10		35.300.09	01	19
425093	80.150.11		29		35.300.09	02	4
	80.150.11	02	29		35.752.03	02	7
42535660	50.200.09	01	7		39.100.05		51
	50.200.09	02	7		39.110.02		18
42541849	10.246.02		3		50.200.04	02	28
42541850	10.246.02		2		55.100.07	01	23
42541851	10.246.02		1		55.100.07	02	24
42546503	55.201.04	02	13		55.100.07	03	18
42546522	55.201.04	02	15		55.100.32		1
42547619	10.246.02		4		60.110.03		16
42548060	10.246.02		6		60.110.09		8
42549597	55.201.04	01	4		60.110.20		17
42549605	55.201.04	01	12		60.110.22		23
42549950	55.201.04	01	1		60.150.02		10
42549951	55.201.04	01	2		60.150.03		7
42549952	55.201.04	01	3		66.101.08		1
42549953	55.201.04	01	5		66.101.08		19
42549954	55.201.04	01	6		66.101.09	01	10
42549955	55.201.04	01	7		66.360.09		40
42549956	55.201.04	01	8		74.110.04		14
42549957	55.201.04	01	9		74.114.03	02	18
42549958	55.201.04	01	10		74.118.04	02	12
42549959	55.201.04	01	11		74.140.09		19
42550486	10.246.02		9		80.101.08		9
42550487	10.246.02		7		80.101.15		57
42550488	10.246.02		5		80.101.18		21
42550932	10.246.02		8		80.150.02		48
425519	21.182.02		12		80.150.03	02	55
	88.210.09		11		80.150.05		30
425521	55.418.01		14		80.154.09		22
425961	90.108.02	01	11		88.230.15		21
426565	74.114.01	01	10		88.230.17		21
	74.114.01	02	10		88.230.18		10
	74.118.01		9		88.430.05	01	3
427662A1	60.150.04		37		88.430.05	02	3
	60.150.05		19		88.430.08		8

INDEX - INDICE - INDEX - ZAHLENVERZEICHNIS - INDICE - INDICE - INDHOLD - INHOUD

Number	Figure	Sequence	Ref.	Number	Figure	Sequence	Ref.
43127	90.100.20		11	43129	88.230.21	03	5
	90.100.21		9		88.430.08		9
	90.100.22		5		88.431.00		11
	90.102.02	01	23		88.431.01		25
	90.102.03	01	22		88.431.02		5
	90.102.03	02	22		90.102.03	01	25
	90.102.03	03	22		90.102.03	02	25
	90.102.05	01	22	43130	10.414.06	01	22
	90.102.05	02	23		10.414.06	02	22
	90.102.05	03	22		35.910.02	01	13
	90.105.10		9		74.135.05	01A	7
	90.118.22	01	26		74.135.05	01B	41
	90.118.37		8		74.135.05	02A	29
	90.150.07	03	7		74.135.05	02B	27
	90.156.11	01	7		80.101.25		7
	90.156.11	02	6		90.118.22	01	27
43128	05.102.01	02	8	43133	41.203.02		19
	10.246.03		38		44.200.09		21
	10.414.09		21		88.230.21	01	41
	10.418.16	01	44		88.230.21	02	16
	10.418.16	02	44		88.230.21	03	43
	21.182.02		17		88.431.00		16
	35.752.03	02	10		88.431.01		41
	35.752.03	03	32		88.431.02		43
	55.100.34	01	10	43138	10.406.03	03	34
	55.100.34	02	3		10.414.01	01	20
	55.100.34	03	10		10.414.06	01	20
	55.100.42		20		10.414.06	02	20
	55.627.10		13		33.110.03		9
	66.101.05		17		35.752.03	01	16
	66.360.09		31		35.752.03	02	16
	74.114.03	01	18		35.752.03	03	18
	74.118.04	01	11		41.200.03		4
	74.135.05	01A	2		41.203.01		64
	74.135.05	01B	2		55.404.09		18
	80.101.25		10		74.101.15		26
	80.101.34		3		74.101.16		31
	80.150.02		52		80.101.07		53
	80.150.03	02	76		80.150.02		31
	80.150.05		40		80.150.03	02	56
	80.150.06		27		80.150.05		31
	80.175.10		16		80.150.07		17
	80.180.07		11		80.175.10		12
	88.230.13	01	8		80.175.11		18
	90.100.21		10		88.230.15		17
	90.102.02	01	26		88.230.19		24
	90.102.03	01	26		90.118.09		17
	90.102.03	02	26		90.118.24	02	15
	90.102.03	03	26		90.118.39	01	6
	90.102.05	01	26		90.118.39	02	8
	90.102.05	02	27		90.118.41	01	10
	90.102.05	03	26		90.118.41	02	10
	90.115.10		11	43139	10.100.01	02	12
	90.118.23	02	11		10.254.08	01	20
	90.150.05		12		10.254.08	02	16
	90.160.04	02	10		10.254.08	03	19
43129	10.246.03		38		10.254.11	02	17
	10.406.03	01	8		10.406.03	03	27
	10.406.03	02	8		10.414.01	03	14
	10.406.03	03	18		10.414.02	01	24
	10.414.02	02	33		10.414.02	02	34
	21.182.02		22		10.414.06	01	30
	29.204.05		16		10.414.06	02	33
	33.202.15		9		10.414.06	03	25
	50.200.02		11		10.418.16	01	15
	60.110.02		12		10.418.16	02	15
	60.110.03		25		29.204.05		26
	60.110.20		18		35.162.02		21
	66.320.02	01	1		35.204.11		9
	66.320.02	02	1		35.910.02	01	14
	74.135.05	02A	35		35.910.04	01	42
	74.135.05	02B	32		39.100.04		6
	80.101.15		33		50.200.04	01	32
	80.175.02		30		55.301.05		3
	80.175.10		23		55.404.15		13
	80.180.12		23		55.404.16		20
	88.230.21	01	25		55.404.31		7
	88.230.21	02	11		55.404.33		7

INDEX - INDICE - INDEX - ZAHLENVERZEICHNIS - INDICE - INDICE - INHOLD - INHOUD

Number	Figure	Sequence	Ref.	Number	Figure	Sequence	Ref.
43139	60.110.06	01	18	43140	74.135.05	01A	22
	60.110.08		13		74.135.05	01B	22
	60.110.21		9		80.101.08		35
	60.120.10		9		80.101.18		23
	66.101.02		16		80.101.25		17
	74.114.03	01	38		80.150.11		11
	74.114.03	02	36		80.150.11	02	11
	74.114.04	01	9		80.180.11		10
	74.114.04	02	9		80.180.12		15
	74.135.05	01A	15		80.180.17	01	13
	74.135.05	01B	15		80.180.17	02	13
	74.135.05	02A	33		88.210.10		19
	74.135.05	02B	30		88.220.03	02	13
	74.140.09		40		88.230.17		14
	80.101.07		22		90.116.02		11
	80.101.10		10		90.118.09		18
	80.101.10	01	10		90.118.38		11
	80.150.02		45		90.118.39	01	8
	80.150.03	02	38		90.118.39	02	10
	80.150.05		45		90.118.45		3
	80.150.07		36	43144	10.418.16	01	49
	80.150.11		19		10.418.16	02	49
	80.150.11	02	19	43154	74.101.12		27
	80.154.03		22		74.101.15		20
	88.120.03	01	11		74.101.16		15
	88.230.18		7	43167	10.254.08	01	27
	90.100.22		8		10.254.11	01	8
	90.102.02	01	33		10.254.11	02	10
	90.102.03	01	32		35.752.03	01	11
	90.102.03	02	32		35.752.03	02	3
	90.102.03	03	32		35.752.03	03	3
	90.102.05	01	32		55.100.07	01	17
	90.102.05	02	33		55.100.07	02	20
	90.102.05	03	32		55.100.07	03	25
	90.114.08		4		80.150.02		29
	90.115.03		6	43168	80.150.03	02	59
	90.118.09		15		10.012.04	01	3
	90.118.22	01	29		10.012.04	02	3
	90.118.29		13		10.012.04	03	3
	90.118.33		29		10.254.11	01	8
	90.118.38		14		39.100.04		21
	90.118.39	01	9		39.100.05		28
	90.118.41	01	20		39.110.02		12
	90.118.41	02	20		74.135.05	01A	9
	90.118.43	01	7		74.135.05	01B	9
	90.118.43	02	7		74.135.05	02A	23
43140	10.114.02		13		74.135.05	02B	21
	10.246.03		20		80.180.01		46
	10.254.08	01	32		80.180.01	01	46
	10.254.08	02	22	431941	90.116.02		10
	10.254.08	03	17		10.406.03	01	17
	10.310.02	02	9		10.406.03	02	20
	10.310.02	03	9		10.406.03	03	10
	10.406.08	01	13		41.204.04		11
	10.406.08	02	8	432-812	39.100.06		17
	10.406.08	03	7		55.404.15		5
	10.414.01	02	20		55.404.16		6
	10.414.01	03	30	432187	74.114.01	01	14
	10.414.02	02	32		74.114.01	02	14
	10.414.06	01	13		74.118.01		11
	10.414.06	02	13	43235	66.350.03	01	19
	10.414.06	03	7		66.350.03	02	19
	10.418.16	01	42		88.210.01	01	24
	10.418.16	02	42		88.210.01	02	24
	25.310.03	01	10	43248	44.200.12		22
	25.310.03	02	10	43253	44.200.12		25
	35.300.01	01	15	433-624	10.418.31		2
	35.300.01	02	15	433007	33.202.15		1
	35.910.04		12		35.162.02		10
	39.100.04		8	433008	33.110.03		4
	41.203.02		12		35.162.02		24
	48.130.01		10		35.910.05	01	39
	55.627.11		6		35.910.05	02	39
	66.101.05		20		41.203.01		38
	66.360.09		17		41.204.04		16
	74.110.04		3	433100	33.202.15		3
	74.130.01		33		35.162.02		11
	74.130.01	01	33	43362	10.414.06	02	30

INDEX - INDICE - INDEX - ZAHLENVERZEICHNIS - INDICE - INDICE - INDHOLD - INHOUD

Number	Figure	Sequence	Ref.	Number	Figure	Sequence	Ref.
43362	39.100.05		45	445394	55.785.03	02	16
	55.785.01		4		66.101.09	02	10
	66.350.03	01	20		74.110.04		5
	66.350.03	02	20		74.114.06		20
	90.118.41		23		74.130.08		10
433734A1	66.101.05		24		74.140.05		38
434097	41.204.04		15		74.140.09		25
434182	10.414.13		3		80.101.15		54
43435	35.480.05		6		80.150.03	02	80
43436	66.101.05		3		80.150.05		38
	66.101.09	01	11		80.150.11		21
	66.360.09		20		80.150.11	02	21
	88.230.07		11		80.180.11		21
43440	55.404.08		27		80.180.17	01	21
	55.404.10		11		80.180.17	02	21
	55.408.05		35		80.180.17	03	6
	55.785.11		7		80.180.17	04	6
	80.180.07		13		88.430.07		1
	88.120.03	01	10	445395	10.414.14		23
	88.120.03	02	9		55.100.14		4
43442	50.200.04	01	30		74.110.06		10
	50.200.04	03	28		74.130.08		7
43465	55.404.15		11		74.140.14	01	7
	55.404.16		17		80.150.06		41
435895	55.404.08		6	445472	74.101.15		14
	55.408.05		14		74.101.16		22
436353	90.118.41		8	445473	74.101.15		13
437024	55.404.08		10		74.101.16		20
438-1816	90.100.18		16	445474	74.101.15		12
439857	35.910.04	01	9		74.101.16		21
440442	39.100.04		5	445569	74.114.01	02	24
	80.175.07		30		74.114.01	02	24
440651	35.910.04	01	11	445571	74.114.04	02	7
441031	88.230.21	01	11		74.118.01		15
	88.230.21	02	30		74.118.01		15
	88.230.21	03	14	445913	55.100.13		7
	88.431.00		30		55.780.11		2
	88.431.01		11	446453	80.150.02		22
	88.431.02		14		80.150.03	02	43
442245	21.130.03		8		80.150.05		22
442340	33.110.03		5	446592	55.404.09		20
	35.162.02		25	447336	10.414.02	01	17
	35.910.05	01	40		10.414.02	02	17
	35.910.05	02	40	448736	74.101.13		8
	41.203.01		39	449469	21.110.01		2
	41.204.04		17	449470	21.110.01		4
442398	10.414.02	01	25	449531	55.100.26		3
	10.414.02	02	19		55.404.17		2
442446	74.101.15		7	449815	10.254.08	03	20
	74.101.16		8	449901A1	90.100.17		16
44317	90.154.04		6		90.100.18		14
443434	10.414.02	01	12		90.100.19		21
	10.414.02	02	18		90.110.11		4
	10.414.10		10		90.160.04	01	4
	10.418.16	01	22	449942	74.114.01	01	17
	10.418.16	02	22		74.114.01	02	17
443898	35.910.04	01	6		74.114.03	01	5
445394	10.414.10		20		74.114.03	02	5
	10.418.16	02	63		74.118.01		10
	55.100.07	01	14	449973	39.100.04		31
	55.100.07	02	22		44.104.01		12
	55.100.07	03	22		80.150.11		37
	55.100.10		14		80.150.11	02	37
	55.100.13		11		90.108.01	01	21
	55.100.17		22		90.108.02	02	12
	55.100.22		6	450716	10.414.02	01	2
	55.100.24		4	451800	74.130.08		5
	55.100.30		11	452769	88.100.01		2
	55.100.31		17	452770	88.100.01		1
	55.100.34	01	6	452791	74.114.04	02	8
	55.100.34	02	8	453133C1	35.204.05		23
	55.100.34	03	6		35.204.06		16
	55.100.37		5		35.204.07	02	23
	55.100.42		7	453189	74.114.01	02	23
	55.404.28		6		74.118.01		14
	55.404.31		4	453266	74.114.01	02	28
	55.424.02		15	453857	88.210.09		4
	55.785.03	01	16	45393	60.110.08		11

INDEX - INDICE - INDEX - ZAHLENVERZEICHNIS - INDICE - INDICE - INHOLD - INHOUD

Number	Figure	Sequence	Ref.	Number	Figure	Sequence	Ref.
455533	41.203.02		14	500304389	10.304.01		4
455805	80.180.12		12	500304562	10.101.02	01	8
45631	05.000.01	01	27		10.206.01	01	2
	05.000.01	02	23		10.206.01	02	2
	74.130.01		22		10.206.02		7
	74.130.01	01	22		10.402.08	02	2
457546	35.910.05	01	9		10.402.08	03	2
457547	35.300.09	01	4	500304671	10.102.04	01	1
	35.910.05	02	9		10.102.04	02	1
4665029	10.400.02	01	5	500305012	10.106.02		7
	10.400.02	02	7		10.106.07	03	5
46886	41.216.01		10	500305013	10.106.07	03	12
4700162	10.218.03	01	1	500305483	10.106.02		5
470023	55.408.05		15	500305484	10.106.07	02	3
470375C1	50.200.04	02	4	500305485	10.106.07	02	1
47067	88.210.05		12	500305814	10.254.10	01	6
47132327	90.150.05		20	500305816	10.254.10	03	6
4741616	10.408.03	02	16	500306941	10.214.02	01	21
	10.408.03	03	16	500307183	10.012.01	03	1
47603	74.135.05	02A	14	500309013	10.101.03	02	5
	74.135.05	02B	12	500309014	10.101.03	03	2
	90.102.03	01	17	500310076	10.214.02	01	4
	90.102.03	03	17		10.214.02	02	4
	90.102.05	01	17	500310146	10.101.02	02	18
	90.102.05	02	18	500310414	10.103.04	02	1
	90.102.05	03	17	500310440	10.106.07	02	2
4788087	10.114.01	02	3	500313907	10.214.02	02	1
	10.114.01	03	3	500314313	10.214.02	01	6
4791406	10.103.10	02	5		10.214.02	02	6
48106	21.130.03		24	500314915	10.106.04	03	9
481730	74.114.04	02	7	500314916	10.106.04	02	9
	74.118.01		15	500314967	10.001.04	01	10
4851842	10.103.04	02	10		10.101.02	01	6
	10.103.04	03	10	500314968	10.103.04	01	16
4890088	10.246.01		2	500315946	10.106.04	02	8
4890193	55.414.01	01	4	500316732	10.106.04	03	8
	55.414.01	02	4	500322294	10.106.01	02	2
	55.440.02		26		10.106.01	03	2
4890634	10.246.01		3	500323989	10.101.03	02	2
4890635	10.246.01		6	500324441	10.103.04	03	1
4891385	10.246.01		4	500328251	10.214.02	01	9
4892742	10.103.04	01	5		10.214.02	02	9
4893207	10.103.10	02	7	500328252	10.101.02	01	15
4893962	10.246.01		5	500331700	10.402.04	01	4
4894095	10.214.01		2	500333923	10.250.10		13
4895477	55.414.01	01	5	500336064	55.301.02	01	16
	55.414.01	02	5	500336396	10.106.01	02	10
	55.440.02		29		10.106.01	03	10
4897111	10.402.01	03	2	500336615	10.102.02	02	1
4898921	10.246.01		1	500337199	10.408.03	02	30
4898921C	10.246.01		1		10.408.03	03	30
4899110	55.414.01	01	6	500337200	10.408.03	02	28
	55.414.01	02	6		10.408.03	03	28
	55.440.02		25	500337911	10.001.04	03	5
492-11010	55.100.41		27	500338224	10.001.04	02	5
495-11041	39.100.06		14	500339012	10.106.02		1
495-61020	55.408.05		3		10.106.07	03	1
495-61041	10.418.31		3	500340761	10.101.02	02	11
495-81113	88.230.21	01	59		10.101.02	03	11
	88.230.21	02	62	500343161	10.254.01	01	3
	88.230.21	03	63		10.254.01	02	3
	88.431.00		62		10.254.01	03	3
	88.431.01		59		55.440.02		4
	88.431.02		63		55.440.03	02	10
496-41066	35.440.07		6	500343518	10.304.02	02	3
498-81010	74.140.05		33		10.304.02	03	1
500300795	10.250.05	01	2	500344277	10.106.04	02	13
	10.250.05	02	2		10.106.04	03	13
	10.250.05	03	2	500346074	10.206.01	01	9
500300903	10.106.04	01	7		10.206.01	02	9
	10.106.04	02	7		55.414.01	01	11
	10.106.04	03	7		55.414.01	02	11
500304181	10.106.07	03	7		55.440.02		21
500304182	10.106.02		3	500346543	55.301.02	02	1
	10.106.07	03	3	500348301	10.214.02	01	5
500304187	10.106.07	03	11	500348306	10.214.02	01	8
500304189	10.106.07	03	9		10.214.02	02	8
500304204	10.106.07	03	10	500348310	10.214.02	01	2

INDEX - INDICE - INDEX - ZAHLENVERZEICHNIS - INDICE - INDICE - INDHOLD - INHOUD

Number	Figure	Sequence	Ref.	Number	Figure	Sequence	Ref.
500349848	10.103.10	01	3	500383043	10.101.04	03	8
500350162	10.214.02	01	13	500383189	10.101.04	02	4
	10.214.02	02	13		10.101.04	03	4
500351319	10.114.01	02	5	500383813	10.402.08	02	5
	10.114.01	03	5		10.402.08	03	5
500352447	10.214.02	02	5	500388169	10.101.02	02	10
500352450	10.214.02	02	2	500389359	55.301.02	03	1
500354580	10.101.02	01	2	500390069	10.214.02	01	17
500355018	10.114.01	02	12	500390860	10.101.02	03	8
	10.114.01	03	12	500390861	10.101.02	03	8
500355019	10.114.01	02	13	500390864	10.101.02	03	4
	10.114.01	03	13	500390866	10.101.02	03	4
500355363	10.304.01	1	1	500390993	10.101.02	03	4
500355649	10.103.07	01	1	500390994	10.101.02	03	8
	10.110.01	01	1	500391436	10.101.02	01	9
500355778	10.101.02	03	26	500391437	10.101.02	01	9
500356756	10.218.03	01	2	500391438	10.101.02	01	9
500356764	10.110.01	01	4	500391440	10.101.02	01	7
500356858	10.408.03	02	29	500391441	10.101.02	01	7
	10.408.03	03	29	500391442	10.101.02	01	7
500356932	10.001.04	01	7	500391476	10.101.02	02	8
	10.001.04	02	9	500391477	10.101.02	02	8
	10.001.04	03	9	500391478	10.101.02	02	8
500359679	10.304.06	01	2	500391479	10.101.02	02	4
	10.304.06	02	2	500391480	10.101.02	02	4
500359731	10.106.01	01	4	500391481	10.101.02	02	4
500359878	55.301.02	01	9	500392440	10.206.02		6
500361014	55.301.02	01	17	500396535	10.101.02	02	5
500361556	10.101.04	02	2	500397562	10.106.01	02	11
	10.101.04	03	2		10.106.01	03	11
500362150	10.402.08	02	3	500398649	10.101.04	02	7
	10.402.08	03	3		10.101.04	03	7
500368916	10.001.04	02	12	500399332	55.301.02	01	7
	10.001.04	03	12		55.301.02	03	10
500370032	10.106.01	02	12	504000042	10.101.02	02	28
500370033	10.106.01	02	13	504001460	10.101.02	02	25
500371653	05.000.01	01	17		10.101.02	03	25
	05.000.02	02	2	504001674	10.106.07	01	2
	10.103.07	01	2	504002500	10.106.07	01	4
500372844	10.100.01	02	16		10.106.07	03	4
	10.100.01	03	17	504002605	10.101.02	03	10
500373280	10.402.04	02	1	504002665	10.304.04		8
	10.402.04	03	1	504003307	10.106.07	01	12
500374302	10.103.03	02	1		10.106.07	02	4
	10.103.03	03	1	504003914	10.101.02	02	16
500376251	10.110.01	01	5	504003915	10.101.02	02	17
500376911	10.101.02	02	19	504005569	10.304.04		10
	10.101.02	03	19	504005570	10.254.01	03	7
500377533	10.408.03	02	11	504005572	10.206.05		1
	10.408.03	03	11		10.304.04		1
500378929	10.304.05	02	1	504005577	10.102.02	01	7
	10.304.05	03	1		10.102.02	02	7
500378983	10.001.04	03	3	504006110	10.105.03	03	8
500378984	10.001.04	02	3	504006261	10.103.07	01	3
500379595	10.101.02	02	12		10.103.07	02	3
500379597	10.101.02	02	14	504007514	10.101.02	03	5
500380287	10.105.03	02	1	504008093	10.101.03	01	1
500380776	10.101.02	02	1	504009680	10.408.03	02	27
500382172	10.101.02	01	1		10.408.03	03	27
500382574	10.114.01	02	7	504010370	10.206.04		7
	10.114.01	03	7		10.304.01		7
500382578	10.114.01	02	1	504010467	10.106.01	01	11
	10.114.01	03	1	504012076	10.103.09	01	6
500382599	10.206.01	01	7	504013552	10.408.03	02	15
	10.206.01	02	7		10.408.03	03	15
	10.408.03	02	14	504013562	10.408.03	02	17
	10.408.03	03	14		10.408.03	03	17
	55.414.01	01	3	504020515	10.101.02	03	14
	55.414.01	01	9	504020517	10.101.02	03	12
	55.414.01	02	3	504020897	55.100.08	02	10
	55.414.01	02	9		55.100.08	03	10
	55.440.02		17	504021866	10.101.02	03	1
500382730	10.304.04		14	504023175	10.103.09	01	7
500382999	10.101.04	02	3	504023286	10.100.01	02	23
	10.101.04	03	3		55.100.08	02	7
500383042	10.101.04	02	5		55.100.08	03	7
	10.101.04	03	5	504024777	10.102.02	03	4
500383043	10.101.04	02	8	504024778	10.102.02	03	1

INDEX - INDICE - INDEX - ZAHLENVERZEICHNIS - INDICE - INDICE - INHOLD - INHOUD

Number	Figure	Sequence	Ref.	Number	Figure	Sequence	Ref.
504026207	10.001.02	02	1	504074691	10.254.01	02	7
504026624	10.254.01	01	2		10.254.01	03	7
	10.254.01	02	2	504077386	50.200.07		10
	10.254.01	03	2	504078064	50.200.07		7
504027315	10.254.10	02	3	504078065	10.414.08		7
504027969	10.103.09	01	9		50.200.07		5
	10.103.10	01	7	504078066	50.200.07		11
	10.103.10	02	11	504078068	10.414.08		8
	10.103.10	03	7	504078069	10.414.08		6
504028001	10.102.02	02	4	504078127	10.100.01	02	16
504028545	10.105.03	03	1	504078135	10.012.01	02	1
504030843	10.254.10	01	3	504078148	50.200.07		12
504030852	10.254.10	03	3	504078222	10.101.02	03	16
504031939	10.254.01	02	4	504078223	10.101.02	03	17
	10.254.01	03	4	504078323	50.200.07		1
	55.440.02		11	504078554	55.301.02	02	11
	55.440.03	02	11	504078614	10.414.08		1
504032095	10.105.03	02	8	504078989	10.304.02	02	1
504033053	10.101.03	02	1	504079720	10.414.08		2
504033726	10.206.04		3	504079721	50.200.07		2
504035912	10.206.01	01	8	504079727	50.200.07		8
	10.206.01	02	8	504079738	50.200.07		6
504037176	10.206.04		6	504079747	55.440.03	02	8
	10.206.07		6	504080093	10.100.01	02	21
504037646	55.301.02	03	5		50.200.07		16
504040201	10.210.02	01	1		50.200.09	02	2
	10.210.02	02	1	504080352	10.101.02	03	27
504041252	10.254.01	01	1	504080581	55.301.02	02	10
504041315	10.101.03	03	1	504081274	10.214.02	01	12
504042366	10.101.02	02	26		10.214.02	02	12
504042367	10.101.02	02	27		10.250.03		8
504042667	10.201.01	02	1		10.250.09		8
504042684	10.103.04	01	9		10.250.10		4
504042883	55.301.02	03	13	504081275	10.214.01		3
504043102	55.440.03	01	8	504081282	10.214.02	01	14
504045787	10.210.02	01	2		10.214.02	02	14
	10.210.02	02	2	504084571	55.440.02		18
504045796	10.408.03	03	25	504089127	10.101.04	01	1
504046191	10.103.07	01	4	504092824	10.106.01	02	1
	10.103.07	02	4	504096443	10.402.08	01	3
504046508	10.254.10	03	1	504096645	55.414.01	01	7
504046809	10.206.01	01	1		55.414.01	02	7
	10.206.01	02	1		55.440.02		28
504047548	10.254.10	02	6	504097239	55.440.02		20
504049425	05.000.01	02	15		55.440.03	01	2
	05.000.02	02	2		55.440.03	02	2
	10.103.07	02	2		55.440.03	03	4
504050244	10.101.04	01	2	504099999	10.101.02	02	30
504051236	10.001.04	01	9	504100000	10.101.02	03	30
	10.114.01	02	2	504101758	10.001.02	03	1
	10.114.01	03	2	504102491	10.402.01	02	1
504051237	10.001.04	01	8	504102835	10.250.09		4
	10.001.04	02	14	504105489	10.110.01	03	2
	10.001.04	03	17	504106451	10.408.03	03	1
	10.206.01	01	4	504107641	10.101.02	03	28
	10.206.01	02	4	504108192	10.001.04	03	2
	10.214.02	01	7		10.101.02	03	9
	10.214.02	02	7	504112433	10.214.02	01	20
504051238	10.001.04	02	11		10.214.02	02	19
	10.001.04	03	11	504113483	10.103.04	02	7
504059553	10.106.04	01	5	504117954	10.103.10	01	2
	10.106.04	03	5		10.103.10	02	1
504060889	10.100.01	02	22	504117963	10.103.09	01	6
	55.100.08	02	13	504120669	10.001.04	02	10
	55.100.08	03	13		10.001.04	03	10
504066263	10.210.02	01	1	504121617	10.254.10	01	1
	10.210.02	02	1	504122099	55.100.08	02	1
504066586	10.304.02	03	2	504122100	55.100.08	03	1
504066745	10.103.09	01	8	504124620	10.103.04	01	14
504066909	10.250.03		4	504124624	10.103.01	01	2
504066924	10.250.03		1	504124637	10.106.01	01	2
504067009	55.100.08	02	12	504124648	10.106.07	01	1
	55.100.08	03	12	504124654	10.106.07	01	9
504070042	55.440.03	01	3	504124669	10.103.04	01	1
504071087	10.402.08	03	6	504124845	10.218.01		1
504073323	55.414.01	01	1	504125079	10.214.02	01	24
	55.414.01	02	1		10.214.02	02	20
	55.440.02		9	504125098	10.001.04	01	14

INDEX - INDICE - INDEX - ZAHLENVERZEICHNIS - INDICE - INDICE - INDHOLD - INHOUD

Number	Figure	Sequence	Ref.	Number	Figure	Sequence	Ref.
504125417	10.001.04	01	2	504154922	10.218.03	03	4
504125618	10.102.02	01	4	504154956	10.218.01		16
504125776	10.101.02	01	25	504154987	10.254.01	02	1
504125778	10.101.02	01	19		10.254.01	03	1
504125943	10.012.01	01	3	504157020	10.218.01		2
504125944	10.012.01	01	2	504158774	10.102.02	01	1
504126229	10.105.03	01	2	504160371	10.214.01		5
504126231	10.105.03	01	3	504163664	55.440.02		13
504126580	10.105.03	01	8	504164474	10.103.09	01	10
504126747	10.103.04	01	11	504165682	10.106.04	01	8
504126977	10.218.01		6	504165892	10.218.01		4
	10.246.01		10	504174173	10.218.01		8
504126978	10.218.01		7	504181184	10.214.01		8
504126981	10.218.01		9	504182706	10.101.02	03	20
504126982	10.218.01		10	504184521	55.440.02		8
504126983	10.218.01		11		55.440.03	03	5
504126984	10.218.01		12	504188241	10.106.04	01	9
504126985	10.218.01		13	504188873	10.250.10		3
504126986	10.218.01		14	504189213	10.106.04	01	1
504126996	10.106.07	01	7	504190449	10.206.07		1
504127000	10.001.02	01	1	504190997	10.001.04	02	1
504127124	10.106.04	01	3	504191876	10.304.05	01	1
504127213	10.214.01		6	504194432	10.218.03	01	4
504127214	10.214.01		1	504196249	10.402.04	01	3
504127468	10.408.03	01	5	504198495	55.100.08	01	1
504127469	10.408.03	01	2	504199551	05.000.01	01	18
504127473	55.301.02	01	13		10.206.02		1
504127474	55.301.02	01	8	504204063	10.106.01	02	1
504127531	10.218.01		15	504204255	10.106.01	02	12
504127720	10.101.04	01	5		10.106.01	03	12
504127723	10.001.04	01	16	504209107	10.101.04	02	6
504127775	10.106.01	01	7		10.101.04	03	6
504127797	10.101.02	01	26	504210044	10.103.10	01	6
504127798	10.101.02	01	21		10.103.10	02	10
504127799	10.101.02	01	22	504210618	10.250.10		12
504127832	10.106.07	01	3	504211458	10.110.01	01	3
504127833	10.101.02	01	14	504212079	10.101.04	02	1
504127841	10.218.03	01	3		10.101.04	03	1
504128027	10.408.03	01	6	504212528	05.000.01	01	16
504128376	10.106.07	01	5		05.000.01	02	16
504128648	10.001.04	01	22		05.000.02	02	1
504128649	10.001.04	01	22		50.200.09	01	8
504128650	10.001.04	01	22		50.200.09	02	8
504128651	10.001.04	01	22	504212900	50.200.09	01	4
504128706	10.105.03	01	1	504213586	55.301.02	03	11
504128849	10.103.01	01	1	504213767	10.250.10		5
504129182	10.101.02	01	23	504214259	10.304.02	01	1
504129520	10.103.03	01	1	504215322	10.218.03	01	6
504130575	10.408.03	01	1	504217380	10.101.02	01	3
504130644	10.246.01		8	504218098	10.206.05		14
504130662	10.218.01		3	504218108	10.206.05		15
504131225	10.304.01		2	504218906	10.254.01	01	7
504131444	10.101.02	01	12	504219039	10.001.04	01	1
504132108	10.214.02	01	1	504227220	10.106.01	03	1
504132611	55.100.08	02	2	504231411	10.250.05	03	3
504133017	10.106.07	01	11	504238777	10.402.08	03	1
504134066	10.106.01	01	10	504246398	10.402.08	02	1
504137043	10.106.04	03	3	504251193	10.214.02	02	3
504137936	10.106.04	02	3	504254002	10.103.07	02	1
504138062	10.001.04	03	23		10.110.01	03	1
504139734	10.408.03	02	1	504263917	10.402.08	02	6
504139847	10.250.09		1		10.402.08	03	6
504140437	10.218.03	02	5	504265628	10.106.01	01	1
	10.218.03	03	5	504265913	10.001.04	03	1
504142482	10.110.01	02	4	504266314	10.012.01	03	2
504142535	10.254.10	02	1		50.200.09	02	4
504142601	10.001.04	01	15	504276421	10.102.02	03	8
504142643	10.106.01	01	5	504286096	10.103.10	03	6
504143828	10.102.02	01	5	504287106	10.218.03	02	4
504144836	10.214.02	01	3	504299976	10.250.05	01	3
504145413	10.110.01	02	1	504305869	10.001.04	01	21
504145946	10.110.01	02	2	504327397	10.250.05	02	3
504147366	10.206.07		3	50456	10.414.10		17
504149689	10.304.02	01	2	507586	10.406.03	01	32
504149937	55.100.08	03	2		10.406.03	02	15
504150292	10.114.01	01	1		10.406.03	03	24
504150921	10.402.08	01	5	50773	55.100.17		27
504154202	10.254.10	01	7	510121	41.216.01		12

INDEX - INDICE - INDEX - ZAHLENVERZEICHNIS - INDICE - INDICE - INHOLD - INHOUD

Number	Figure	Sequence	Ref.	Number	Figure	Sequence	Ref.
511-10200	35.204.04		13	626698	74.130.01	01	35
511-1040	18.100.03		31	626826	25.310.03	01	9
	35.910.09		17		25.310.03	02	9
514-1021	60.150.04		4		25.310.04		1
	60.150.07		7		25.310.05		4
	66.320.02	01	5		41.106.03	01	7
5148077	55.512.10		9		44.101.02		6
5148133	55.512.10		10		44.151.12		6
515-2348	44.200.13		18		48.999.01	01	6
515-23571	10.406.03	01	25	627-12040	21.102.01		6
515-25254	50.200.04	01	16	627-16035	48.100.02		11
5181866	60.150.02		16	627-16040	48.110.03		8
	60.150.03		13	627-16050	48.130.03		4
	60.150.10		9	628-10020	66.260.24		3
5183845	25.310.02	01	6	628-12035	31.114.01		14
	25.310.02	02	6		31.114.02		15
5194728	88.230.21	01	37		31.114.04		30
	88.230.21	02	19		35.300.15		9
	88.230.21	03	39		60.150.05		23
	88.431.00		19		66.260.01		21
	88.431.01		37	628-8025	35.300.15		6
	88.431.02		39	629086	90.108.01	01	18
523282	88.230.13	02	5	636665	55.100.14		2
523291	88.230.13	02	6		55.100.17		18
52443	74.140.09		34		55.100.22		3
52444	74.140.09		36		55.100.41		8
529070	50.200.04	01	20		55.510.05		26
	50.200.04	03	19		60.110.08		51
	55.627.11		19		88.430.09		4
539289	55.100.10		6	636666	88.430.09		2
543043	10.414.09		3	636826R91	31.114.04		17
	10.418.16	01	3	637-63113	18.148.01		14
	10.418.16	02	3		44.200.07		24
578070	10.246.03		37	637-63133	44.200.09		25
579497	80.180.12		39		44.200.17		3
590907	44.200.13		6	637-63153	44.200.07		23
	44.200.15		2	637-64296	44.200.09		27
600427	66.260.21		13		44.200.17		4
601062	41.200.03		5	637-64386	35.204.11		16
61-31020	35.204.05		6	641-1330	60.150.06		11
	35.204.07	01	8	647695	74.130.01		30
	35.204.07	02	6		74.130.01	01	30
61-3258	55.418.01		10		88.210.04		11
610784R1	10.414.10		27		90.100.17		8
	10.418.16	02	67		90.100.19		18
61315661	10.103.04	02	2	65319	90.120.05	01	8
61318303	10.250.03		2	66553	80.175.02		33
	10.250.09		2	66805	66.320.02	02	18
	10.250.10		2	66807	25.310.03	01	15
613200	25.310.03	01	26		25.310.03	02	15
	25.310.03	02	26	66809	80.150.03	02	39
	48.130.01		26		80.150.05		18
613201	25.310.03	01	8	668719R92	74.130.01		21
	25.310.03	02	8		74.130.01	01	21
	48.130.01		8	681902	80.101.15		20
61320851	10.101.02	02	32	682452	80.101.15		51
613212	48.130.01		11	682683	90.108.01		18
614-10025	60.150.04		3	688443	90.108.01	02	12
	66.320.02	01	4		90.118.29		25
614-12045	88.230.20		12	693887	60.110.06	01	44
614-12100	88.230.20		11		60.110.06	02	34
614-16050	60.110.02		9	699963	66.350.01		12
	74.135.05	01A	38		88.210.10		39
	74.135.05	01B	38		88.210.13	01	19
	80.175.02		2		88.210.13	02	19
614-6010	60.150.04		5	700-101	18.100.03		33
	66.320.02	01	6		35.300.15		17
614-6012	66.260.22		5		35.910.09		20
614-6016	80.101.21	01	13	700-102	18.100.03		35
	80.101.21	02	13		35.910.09		21
617215	10.406.08	01	10	700-105	44.200.15		8
619284	55.100.13		17	700-164	44.200.15		6
	55.100.42		8	700-406	48.134.03		21
619585C91	31.114.04		28		48.134.04		21
62196	74.140.05		22		48.999.01	03	21
625743C1	48.110.03		11	700514	55.510.05		14
625822	10.206.08		11	70073647	60.150.07		17
626698	74.130.01		35	701-416	35.300.15		19

INDEX - INDICE - INDEX - ZAHLENVERZEICHNIS - INDICE - INDICE - INDHOLD - INHOUD

Number	Figure	Sequence	Ref.	Number	Figure	Sequence	Ref.
701-434	35.300.15		20	80140041	74.135.05	01A	3
70925929	29.212.20		12		74.135.05	01B	3
71100209	35.204.02		19		74.140.14	01	21
	35.910.01		13	80140042	74.135.05	01A	35
716840	05.000.01	01	2		74.135.05	01B	35
	05.000.01	02	2	80140061	39.100.04		12
	74.130.01		20	80140182	74.140.14	01	4
	74.130.01	01	20	80140184	44.101.01	01	11
717506	88.230.04		10		44.101.01	02	11
719335	88.230.04		8	80170012	80.175.02		16
720060	35.300.06		16	80190029	39.100.04		24
72180326	33.110.03		20	80210013	21.184.02		6
	48.134.03		11	80210014	21.184.02		2
	48.134.04		11	80210046	21.140.03		12
	48.999.01	03	11	80300810	74.101.15		10
722441	35.440.04		7		74.101.16		5
725583	66.260.17		22	80300852	44.101.01	01	10
	66.260.24		5		44.101.01	02	10
728-1255	80.154.10		9	80310146	80.175.02		18
73113425	88.100.03		9	80322356	33.202.04		2
73170457	88.100.02		3	80323307	74.140.14	01	28
733-5040	88.230.20		9	80327802	44.151.06		17
740666	74.140.14	01	32	80328430	74.130.01		17
740667	74.140.14	01	31		74.130.01	01	17
740819	74.118.07		2	80331175	74.130.01		3
742134	74.118.08		1		74.130.01	01	3
742135	74.118.07		1	80331649	21.184.02		8
743318	35.910.05	01	10	80355607	33.202.04		10
743320	35.300.09	01	25	80379401	44.151.06		26
	35.910.05	02	10	80390040	80.180.12		31
743794	25.310.03	01	4	80390822	44.151.06		18
	25.310.03	02	4	80393062	80.175.02		3
747558	74.130.08		5	80396505	74.114.01	02	24
747826	74.101.12		22	80401502	90.102.03	01	49
748961	05.000.01	01	3		90.102.03	02	49
	05.000.01	02	3		90.102.03	03	47
	25.310.04		14	80410880	21.140.02		17
	25.310.05		1		21.145.01		2
750347	21.145.01		29	80412126	80.175.02		15
75285739	55.785.04		3	80412141	44.151.06		25
75327663	55.100.10		2	80412649	74.140.14	01	13
753565	55.100.13		8		74.140.14	02	12
	55.780.11		4	80412650	74.140.14	01	22
754131	10.414.02	01	26		74.140.14	02	3
	10.414.02	02	16	80418831	21.140.03		14
76491H	80.101.21	01	22	8041947	10.402.01	03	1
771701	41.216.01		8	80425093	74.140.14	01	25
7770	90.160.02	02	23	80428	80.101.25		24
799339	35.910.05	01	20	80428401	74.140.14	01	10
	35.910.05	02	20	80429232	39.100.04		13
	55.404.09		3	80434817	39.100.04		3
800-1135	80.101.21	01	7	80435045	74.101.13		20
	80.101.21	02	7	80442203	39.100.04		4
800-1152	60.150.06		19	80442793	74.140.14	01	8
800-1160	60.150.07		16	80443898	80.175.02		20
800-1170	14.102.02		22	80444438	74.140.14	02	8
	31.114.04		27	80444439	74.140.14	02	5
800-21100	21.102.01		9	80445394	74.140.14	01	3
800-21110	48.110.03		17	80445395	74.101.15		2
800-2122	60.150.05		2		74.114.06		38
800-2137	60.150.05		3		74.140.14	02	14
800-2185	21.102.01		8	80445568	74.114.01	02	24
800-2195	60.150.07		18		74.114.01	02	24
800-5125	66.260.17		10	80446307	44.200.03		2
800-5155	66.260.25		10	80448780	74.101.13		21
	66.260.25		2	80451792	74.140.14	01	8
	80.175.06		13	80451794	74.140.14	01	10
800-5180	66.260.26		8	80455094	21.184.02		11
80025823	80.150.11		9	80455097	21.184.02		10
	80.150.11	02	9	80535318	80.101.15		62
80043982	55.404.34		5		80.101.35		5
	88.120.02		4	80539450	44.151.06		16
80130003	80.180.12		33	80626826	44.101.01	01	8
80130011	44.200.03		6		44.101.01	02	8
80130016	44.151.06		19	80664	55.440.12	01	6
80140017	74.135.05	01A	23	80679	60.150.08		7
	74.135.05	01B	23	80700	50.200.02		17
	80.180.12		32	80702	74.130.01		34

INDEX - INDICE - INDEX - ZAHLENVERZEICHNIS - INDICE - INDICE - INHOLD - INHOUD

Number	Figure	Sequence	Ref.	Number	Figure	Sequence	Ref.
80702	74.130.01	01	34	82019386	88.230.21	01	16
80754	66.101.11		7		88.230.21	02	18
80755	80.101.19		9		88.230.21	03	19
80922272	74.140.14	02	10		88.431.00		18
80922273	74.140.14	02	16		88.431.01		16
8093757	10.201.02		8		88.431.02		19
8093758	10.201.02		7	82023542	50.200.12		7
8094743	55.301.03	01	2	824-1408	35.910.04	01	48
	55.301.03	02	2	825-1408	80.101.21	01	15
	55.301.03	03	2		80.101.21	02	15
8094744	55.301.03	01	7		88.210.01	01	26
	55.301.03	02	7		88.210.01	02	26
	55.301.03	03	7	825-1410	39.100.04		9
8094745	55.301.03	01	3	825-1416	35.300.09	01	16
	55.301.03	02	3		35.300.09	02	1
	55.301.03	03	3		39.100.04		23
8094746	55.301.03	01	6		39.100.05		12
	55.301.03	02	6		44.101.01	01	17
8094747	55.301.03	01	5		44.101.01	02	17
	55.301.03	02	5		60.110.02		10
8094748	55.301.03	01	4		74.135.05	01A	39
	55.301.03	02	4		74.135.05	01B	40
	55.301.03	03	4		80.101.15		40
8094789	55.440.02		24		80.101.18		11
	55.440.03	01	1		80.150.02		36
	55.440.03	02	1	827-16110	48.130.03		6
	55.440.03	03	1	827-16140	48.110.03		9
8094837	10.105.03	02	6	827-16180	48.130.03		5
8094839	10.105.03	03	6	827-20200	48.134.05		7
8094840	10.105.03	03	5	827-22140	48.134.05		10
8094885	10.100.01	02	24	827-24080	48.134.05		3
8094886	10.100.01	02	25	827-24100	48.134.05		4
8094892	10.105.03	01	6	828-12055	60.150.05		24
8094893	10.105.03	01	5	828-12080	55.785.01		13
8094907	10.105.03	01	4	828-12120	35.300.15		28
8094908	10.105.03	01	4	829-1408	88.210.01	01	25
8094909	10.105.03	01	4		88.210.01	02	25
8094910	10.105.03	01	4	829-1410	35.204.05		4
8094911	10.105.03	01	4		35.204.06		4
8094912	10.105.03	01	4		35.204.07	02	4
8094913	10.105.03	01	4		55.404.33		6
8094914	10.105.03	01	4	829-23414	74.135.02	01	6
8094915	10.103.01	01	4	829-4420	48.100.02		8
8094916	10.103.01	01	4	832-10408	35.300.15		24
8094917	10.103.01	01	4	832-46406	80.101.21	01	14
8094918	10.103.01	01	4		80.101.21	02	14
8094919	10.103.01	01	4	832-46408	21.104.02		9
8094920	10.103.01	01	4		33.110.03		3
8094921	10.103.01	01	5		35.300.01	01	28
8097528	10.100.01	03	10		35.300.01	02	28
8097529	10.100.01	03	11		35.910.02		5
811-12040	66.101.09	01	9		35.910.03	01	5
	80.101.19		17		41.200.03		7
814-10020	25.310.02	01	45		55.100.42		22
	25.310.02	02	45		74.130.01		5
814-10030	25.310.02	01	43		74.130.01	01	5
	25.310.02	02	43		80.101.19		14
814-12050	55.780.11		5		80.101.25		8
	80.154.09		15		80.150.02		43
814-12130	60.150.04		15		80.154.03		45
	60.150.05		7		80.175.02		25
814-8060	35.300.15		23		80.180.12		24
81541	80.101.26		4		90.120.08		13
81547	10.414.10		16		90.124.02		4
81864433	21.102.01		13		90.150.07	03	10
82002966	55.100.17		4		90.154.02	01	20
	55.100.30		6	832-46412	88.230.20		13
	55.512.10		14	832-46416	48.110.03		5
82004428	90.150.04		16	832-46420	48.134.05		8
	90.160.03		2	837-12030	60.150.04		46
82013031	55.100.08	01	2		60.150.06		2
82013836	90.118.33		26		60.150.07		41
82016497	88.230.21	01	32		66.320.02	01	7
	88.230.21	02	20	83931335	60.110.08		42
	88.230.21	03	30	83932926	55.100.41		29
	88.431.00		20	83952214	39.100.06		21
	88.431.01		32		90.100.17		6
	88.431.02		30		90.100.19		13

INDEX - INDICE - INDEX - ZAHLENVERZEICHNIS - INDICE - INDICE - INDHOLD - INHOUD

Number	Figure	Sequence	Ref.	Number	Figure	Sequence	Ref.
83952214	90.100.20		6	84019122	88.431.00		29
	90.100.22		7		88.431.01		10
	90.118.29		9		88.431.02		13
	90.118.33		20	84019930	60.110.03		46
83990583	60.150.02		11		60.110.22		16
	60.150.03		8	84021043	74.114.06		55
84000052	74.101.12		17	84021955	21.130.03		27
	74.114.06		7	84022122	35.440.04		4
84000257	55.418.05		9	84026054	10.414.14		12
84000704	74.110.04		10	84032079	10.414.13		1
84000811	90.150.04		36	84032297	21.145.01		31
	90.160.03		26	84032520	74.101.12		18
84004317	33.202.04		3		74.114.06		40
84004375	55.100.10		4	84036080	60.110.03		20
84004731	90.108.02	02	1	84036669	88.230.21	01	19
	90.118.38		43		88.230.21	02	40
84004732	90.108.02	01	18		88.230.21	03	22
	90.118.38		42		88.431.00		40
84004733	90.108.02	01	17		88.431.01		19
	90.118.38		44		88.431.02		22
84004734	74.140.09		30	84036676	05.000.01	01	1
	80.101.19		22		05.000.1	02	1
	90.108.02	02	15		90.150.05		6
84004735	60.110.09		5	84036945	88.230.21	02	2
	90.108.02	01	9		88.230.21	03	1
84004736	55.424.02		20		88.431.00		2
	80.101.10		15		88.431.01		1
	80.150.11		41		88.431.02		1
	80.150.11	02	41	84037083	44.104.01		4
	90.108.02	02	16		44.151.06		15
84004739	88.230.17		27	84037184	74.101.15		6
	88.230.19		23		74.101.16		9
	90.108.02	01	15	84037518	90.150.01		26
84004740	80.150.05		39	84037530	55.518.03		4
	80.150.06		43	84037971	10.414.02	02	14
	90.108.02	01	12	84038658	55.100.41		29
84004742	60.110.08		61	84038824	21.130.03		22
	90.108.01	02	4		41.106.03	01	11
	90.108.02	01	13		41.106.03	02	25
84004744	80.150.06		44		48.999.01	02	14
	90.108.02	02	2	84041521	21.140.02		7
84005167	74.110.04		19		21.145.01		11
84005363	90.108.02	01	8	84041522	21.140.02		8
	90.108.02	03	6		21.145.01		12
84005865	74.110.04		19	84041731	21.130.03		2
84007182	74.110.04		20	84042797	21.130.03		25
	74.114.06		45	84045429	21.140.03		2
84007183	39.100.04		16		21.145.01		30
	88.210.10		25	84050562	55.100.26		1
	88.210.13	01	17	84052651	74.114.06		11
	88.210.13	02	17	84053313	74.114.03	01	34
84007539	90.154.05		25		74.114.03	02	34
84007540	90.120.05		11	84053320	74.114.01	02	11
	90.154.02	01	9	84053321	74.114.01	02	20
84011314	60.110.09		20	84053675	74.114.03	01	4
84011345	60.110.09		17		74.114.03	02	4
	90.108.02	01	7	84053677	74.114.03	01	12
	90.115.10		18		74.114.03	02	12
	90.118.22	01	12		74.118.04	01	12
84011379	21.145.01		28		74.118.04	02	2
84011517	10.246.03		35	84053678	74.114.03	01	6
84012596	90.108.01	01	26		74.114.03	02	6
	90.108.02	01	14	84053679	74.114.03	01	11
84012892	90.108.02	01	3		74.114.03	02	11
	90.154.05		29	84056235	74.114.01	02	7
84012893	90.108.02	01	4	84056236	74.114.01	02	21
	90.154.05		28	84056237	74.114.01	02	7
84014117	74.140.05		34	84056239	74.118.01		2
	90.108.02	01	1	84056247	74.114.01	01	19
84014433	88.430.06		4		74.114.01	02	19
84015771	44.151.06		9	84056253	74.114.01	01	8
84015950	44.151.06		8		74.114.01	02	8
	80.154.09		21	84056254	74.114.01	01	8
84017986	21.140.02		1		74.114.01	02	8
84018348	80.101.15		50		74.118.01		3
84019122	88.230.21	01	10	84056630	60.150.01		8
	88.230.21	02	29	84056678	74.114.01	02	11
	88.230.21	03	13		74.118.01		6

INDEX - INDICE - INDEX - ZAHLENVERZEICHNIS - INDICE - INDICE - INHOLD - INHOUD

Number	Figure	Sequence	Ref.	Number	Figure	Sequence	Ref.
84056802	74.114.01	01	18	84067907	90.150.07	03	2
	74.114.01	02	18	84067913	90.150.07	03	3
84057181	10.414.09		18	84067914	90.150.07	03	3
	10.418.16	01	39	84067933	90.160.04	02	6
	10.418.16	02	39	84067935	41.204.06		5
84057311	74.101.05		2	84067943	90.150.01		8
	80.180.12		40	84067944	90.154.02	01	10
84057430	10.414.13		5		90.154.04		4
84057675	90.150.05		2	84067947	90.154.02	01	8
84057817	66.350.02		7		90.154.04		1
	88.210.02		7	84067949	90.154.02	01	4
84057848	90.154.02	01	42	84067955	90.118.27		2
	90.154.05		23	84067956	90.118.27		1
84057936	90.154.02	01	37	84067959	90.118.27		13
	90.154.05		20	84067960	90.118.27		8
84057937	90.154.02	01	33	84067961	55.510.05		8
	90.154.05		4	84067964	55.404.34		4
84057943	74.101.05		14	84067984	90.120.05		7
84057966	66.350.02		6	84067986	55.404.08		8
	88.210.02		6	84067992	55.404.08		26
84058092	55.440.07		6	84067994	55.404.08		3
	55.440.07	02	6	84067995	55.404.08		13
84058583	10.414.06	02	15	84068062	88.430.05	01	8
	10.414.06	03	19		88.430.05	02	8
84058793	05.000.01	01	3	84068103	41.204.04		20
	05.000.01	02	3	84068653	44.200.03		10
	50.200.02		8	84068654	44.200.03		15
84058860	05.000.01	01	4	84068655	25.310.05		2
	05.000.01	02	4	84069089	10.246.03		36
	21.120.02		8	84069418	25.310.03	01	25
84058861	74.130.01		25		25.310.03	02	25
	74.130.01	01	25	84069419	25.310.03	01	14
84058862	88.430.03		1		25.310.03	02	14
84058945	29.212.20		3	84069440	80.150.11		18
84058989	90.150.04		30		80.150.11	02	18
	90.160.03		17	84069447	44.200.03		4
84059804	90.150.04		28	84069505	44.200.03		5
	90.160.03		6	84069548	29.204.05		13
84059822	90.150.01		2	84069549	29.204.05		14
84059845	90.154.05		24	84069677	80.101.35		3
84059851	90.118.27		12		80.175.02		35
84059852	90.118.27		9	84069687	21.140.03		1
84059853	90.118.27		14	84069688	21.140.03		16
84059856	90.118.26		7	84069731	44.200.03		13
	90.150.04		19	84069736	44.151.06		4
84059889	90.154.05		11	84069770	80.175.02		6
84059894	90.160.04	02	2		80.175.10		19
84060286	25.310.04		16	84069777	80.175.02		17
	25.310.05		10		80.175.10		1
84061288	90.110.12		13	84069795	80.175.02		26
84061305	90.110.12		10		80.175.10		20
84061311	90.154.02	01	34	84069822	21.140.03		16
	90.154.05		3	84069907	10.418.16	01	12
84061312	90.154.02	01	38		10.418.16	02	12
84061313	90.154.05		19	84069932	10.414.02	01	29
84061314	90.154.05		5		10.414.02	02	13
84061669	90.160.04	02	7	84069986	10.414.10		4
84061893	33.202.18		12		10.418.16	01	30
84061895	33.202.18		24		10.418.16	01	53
84062114	88.430.06		16		10.418.16	02	30
84062118	21.182.02		19		10.418.16	02	53
	33.202.18		11	84071063	74.114.06		36
84062326	33.202.18		9	84071109	21.140.03		11
84062511	05.000.01	01	8	84071116	21.145.01		22
	05.000.01	02	8	84071119	21.140.02		23
	44.200.03		19	84071123	21.140.02		27
84062540	33.202.15		17	84071125	33.202.04		13
84062611	74.114.03	01	13	84071139	10.414.02	01	8
	74.118.04	01	2	84071143	33.202.04		13
84064130	21.182.02		11	84071156	21.140.03		11
84064163	44.200.03		12	84071166	21.130.03		5
84064170	21.182.02		20	84071203	33.202.18		21
84064224	21.182.02		6	84071204	33.202.18		22
84064278	90.154.02	01	14	84071206	21.140.03		15
84064911	80.180.07		9	84071210	21.140.03		15
84064952	44.200.03		9	84071378	21.130.03		34
84067905	90.120.05		5	84071391	80.150.06		22
84067907	88.120.03	01	18	84071392	21.145.01		16

INDEX - INDICE - INDEX - ZAHLENVERZEICHNIS - INDICE - INDICE - INDHOLD - INHOUD

Number	Figure	Sequence	Ref.	Number	Figure	Sequence	Ref.
84071394	21.140.02		14	84073713	90.118.26		2
	21.145.01		5	84073986	44.104.01		3
84071395	21.140.02		16	84074023	25.310.02	01	34
	21.145.01		3		25.310.02	02	34
84071411	21.184.02		1	84074068	44.200.03		11
84071412	21.184.02		1	84074074	44.151.06		24
84071415	21.184.02		1	84074075	44.151.06		28
84071437	21.184.02		1	84074391	25.310.02	01	17
84071503	39.100.04		26		25.310.02	02	17
84071538	21.130.03		33	84074393	25.310.02	01	7
84071581	10.414.13		6		25.310.02	02	7
84071587	21.130.03		31	84074395	25.310.02	01	32
84071596	21.120.02		17		25.310.02	02	32
	25.310.02	01	23	84074397	44.151.06		1
	25.310.02	02	23	84074399	25.310.02	01	40
84071622	21.140.02		5		25.310.02	02	40
	21.145.01		15	84074400	25.310.02	01	38
84071648	21.145.01		32		25.310.02	02	38
84071712	10.414.14		10	84074404	25.310.02	01	3
84071754	10.414.14		6		25.310.02	02	3
84071821	21.130.03		19	84074519	25.310.02	01	24
84071827	74.130.08		8		25.310.02	02	24
84071865	21.130.03		10	84074543	25.310.02	01	15
84071961	21.120.02		12		25.310.02	02	15
84072051	21.120.02		11	84074599	25.310.03	01	20
84072052	21.140.02		10		25.310.03	02	20
	21.145.01		9	84074600	25.310.03	01	11
	21.120.02		11		25.310.03	02	11
84072053	21.130.03		14	84074630	55.418.05		7
84072087	21.145.01		25	84074633	55.512.10		13
84072110	21.145.01		24	84074642	55.510.05		12
84072113	21.145.01		23	84074701	25.310.02	01	11
84072114	21.140.02		20		25.310.02	02	11
84072115	21.140.02		21	84074702	25.310.02	01	36
84072116	21.140.02		22		25.310.02	02	36
84072118	10.414.14		7	84074703	25.310.02	01	35
84072127	25.310.02	01	37		25.310.02	02	35
84072219	25.310.02	02	37	84074711	25.310.02	01	10
	74.140.14	01	19		25.310.02	02	10
84072271	66.350.02		4	84074712	25.310.02	01	9
84072441	88.210.02		4		25.310.02	02	9
84072623	80.180.11		4	84074713	25.310.02	01	8
	80.180.17	01	4		25.310.02	02	8
	80.180.17	02	4	84074719	25.310.02	01	22
84072701	90.108.02	01	5		25.310.02	02	22
84072793	80.180.01		25	84074720	25.310.02	01	41
	80.180.01	01	25		25.310.02	02	41
	80.180.11		16	84074723	25.310.02	01	39
	80.180.17	01	9		25.310.02	02	39
	80.180.17	02	9	84074759	21.140.02		2
84072832	80.180.01		3	84074834	25.310.02	01	2
	80.180.01	01	3		25.310.02	02	2
84072877	90.110.12		14	84075099	80.150.11		40
	90.120.05		10		80.150.11	02	40
	90.154.02	01	21	84075217	41.200.03		2
	90.154.05		2	84075319	80.150.11		15
84072922	80.150.06		6	84075320	80.150.11		14
84072957	10.406.03	01	28	84075413	74.101.15		1
	10.406.03	02	28	84075475	90.120.05		1
	10.406.03	03	28	84075476	90.120.05		3
84073058	80.150.06		5	84075648	44.101.01	01	14
84073086	90.110.12		15		44.101.01	02	14
	90.154.02	01	7	84075650	44.101.01	01	15
	90.154.05		1		44.101.01	02	15
84073172	66.350.03		3	84076111	74.114.06		37
	80.175.02		36	84076174	10.406.03	02	5
	80.175.10		36	84076202	80.150.06		16
	80.180.12		4	84076404	80.154.09		2
	88.210.05		3	84076417	80.154.09		3
84073175	80.175.02		11	84076427	80.154.09		7
	80.175.10		45	84076428	90.154.02	01	5
84073176	80.175.02		29	84076437	80.154.09		8
	80.175.10		44	84076466	80.154.09		18
84073389	74.101.12		10	84076561	74.114.04	02	1
84073399	44.151.06		20	84076589	80.150.06		9
84073601	80.101.15		19	84076700	55.510.07	01	2
84073622	74.101.12		10	84076869	90.160.04	02	9
84073711	90.118.26		1	84077042	80.150.03	01	28

INDEX - INDICE - INDEX - ZAHLENVERZEICHNIS - INDICE - INDICE - INDHOLD - INHOUD

Number	Figure	Sequence	Ref.	Number	Figure	Sequence	Ref.
84077042	80.150.05		15	84100407	35.752.03	02	35
84077496	44.151.06		2		35.752.03	03	28
84077701	10.414.02	02	12		35.910.02	01	10
84077733	55.100.26		2		35.910.03	01	18
	55.404.17		1		35.910.03	02	18
84077752	35.440.07		5	84100564	44.151.06		6
84077849	80.150.06		13		44.200.12		4
84078027	74.140.14	01	31	84100961	74.114.01	02	5
84078050	21.130.03		23	84100963	74.114.01	01	5
84078051	21.140.02		11	84100965	74.114.01	02	1
	21.145.01		8	84100990	74.114.01	02	1
84078052	21.140.02		19	84100992	74.114.01	01	25
84078053	21.145.01		26	84100993	74.114.01	02	26
84078384	44.104.01		6	84110799	44.200.13		1
	90.108.01	02	9	84111565	10.414.14		1
	90.108.02	02	11	84111776	33.202.23		1
84081010	90.120.05		13	84120343	80.101.07		39
84081054	55.404.21		1	84120345	80.101.07		37
84081163	55.424.02			84120348	80.150.03	01	19
84081390	10.254.05	01	1		80.150.05		10
84081530	55.100.32			84120473	90.120.03		2
84081533	55.100.32			84120474	90.120.03		3
84083382	55.518.05		11	84120475	90.120.04		2
84083383	55.440.11			84120492	90.120.07		1
84083384	39.110.02			84120494	90.120.03		10
84083385	39.110.02				90.120.06		17
84083386	39.110.02			84120495	90.120.07		48
84083387	39.110.02			84120498	90.120.07		3
84083472	80.101.34		1	84120499	90.120.03		13
84083562	90.115.10		1		90.120.06		13
84083563	90.115.10		1	84120500	90.120.07		53
84083564	90.115.10		1	84120502	90.120.03		6
84083663	55.404.09		1		90.120.04		6
84084323	74.114.01	01	26		90.120.06		7
84084324	74.114.01	02	27		90.124.02		2
84084325	74.118.01		18	84120503	90.120.03		9
84084326	74.118.01		18		90.120.06		18
84084327	74.118.01		18	84120504	90.120.03		12
84084328	74.118.01		18		90.120.06		20
84084386	80.101.35		1	84120505	90.120.03		17
84084474	55.408.03		20		90.120.06		21
84084476	55.404.32		1	84120557	80.175.10		2
84084506	74.118.08		1	84120559	80.175.10		3
84084507	74.118.07		1	84120560	80.175.11		1
84084510	74.118.08		1	84121818	90.102.02	01	12
84084511	74.118.07		1		90.102.03	03	11
84084662	74.114.01	01	26		90.102.05	01	11
84084664	74.114.01	02	29		90.102.05	02	12
84084680	74.140.14	01	34		90.102.05	03	11
84084681	60.110.06	01	9	84122660	80.101.10	01	2
84084745	39.110.02			84122662	80.101.10	01	2
84084750	66.105.16		4	84123180	90.118.33		10
84084751	66.105.12		3	84123182	88.230.19	01	2
84084753	66.105.26		3	84126280	35.440.03		1
84084762	66.360.12		1		35.440.04		1
84084890	66.105.26		4	84126361	80.180.01		10
84084936	05.102.01	02	1	84126831C	55.440.06		1
84084944	66.105.17		4	84128455	66.350.03	01	17
84084945	66.105.17		4		66.350.03	02	17
84084981	74.114.01	02	27		88.210.01	01	22
84084982	74.114.01	01	26		88.210.01	02	22
84084984	74.114.01	02	27	84128537	60.110.03		9
84084985	74.114.01	01	26		60.110.22		2
84085886	05.102.01	01	1		90.108.01	01	15
84095875	55.440.19		1		90.108.01	02	11
84095955	44.101.01	01	1	84128540	90.108.02	01	2
84095956	44.101.01	01	1		90.154.05		26
84095959	44.101.01	02	1	84128541	90.108.01	02	26
84095960	44.101.01	01	1	84128542	90.108.01	02	26
84095961	44.101.01	01	1	84128631	80.101.15		6
84095964	44.101.01	02	1	84129459	48.999.01	05	1
84100296	39.100.04		25	84129520	25.310.03	01	5
	44.104.01		5		25.310.03	02	5
	90.108.01	02	8		48.130.01		5
	90.108.02	02	10	84129534	90.120.05	01	2
84100407	35.300.01	01	1	84129537	90.120.05	01	4
	35.300.01	02	1	84129538	90.120.05	01	4
	35.752.03	01	9	84130512	48.100.02		22

INDEX - INDICE - INDEX - ZAHLENVERZEICHNIS - INDICE - INDICE - INDHOLD - INHOUD

Number	Figure	Sequence	Ref.	Number	Figure	Sequence	Ref.
84130544	90.118.22	01	3	84144154	50.200.12		8
84130546	48.999.01	05	1	84144529	60.110.02		11
84130548	90.118.40		1		60.110.03		13
84130952	55.404.16		3		60.110.20		12
84130986	10.254.11	02	N/S	84144761	88.230.21	03	26
84131033	55.100.42		24		88.431.02		26
	55.418.05		10	84145774	88.230.21	01	21
84131404	29.204.05		3		88.431.01		21
84131410	90.108.01	02	26	84146171	90.108.01	01	15
84131430	10.414.01	03	1		90.108.01	02	11
84131432	10.414.01	03	2	84146173	90.108.01	02	11
84131434	88.100.02		1	84146176	90.108.01	02	11
84131597	55.100.42		2	84146825	88.120.06		1
84131598	55.100.42		2	84147065	80.150.03	02	79
84131601	55.418.05		1		80.150.05		41
84131660	00.000.35	02	6	84147467	90.118.39	02	18
	35.000.00	02	6	84147713	90.100.18		3
	41.203.01		11	84148115	55.440.12		8
84131732	80.180.05		6	84148119	55.440.12		8
84131881	21.104.02		21	84148630	29.212.09		4
84131893	90.108.01	02	26	84149140	88.230.21	01	4
84132587	90.100.21		1		88.230.21	02	5
84132594	10.246.03		28		88.230.21	03	7
84132597	80.175.10		17		88.431.00		5
84132993	55.404.16		21		88.431.01		4
84132997	90.100.20		13		88.431.02		7
84133586	90.100.21		4	84149175	55.404.20		1
84133868	55.440.11		9	84149985	55.510.05		19
84134532	35.162.02		41	84150458	39.100.06		3
	35.162.04		1	84150459	39.100.06		7
	60.110.03		48	84150838	55.440.12		21
84134668	90.100.18		6	84151026	88.430.05	01	10
84135076	55.404.16		23		88.430.05	02	10
84135081	90.118.37		13	84151429	35.910.04	01	2
84135510	55.404.15		1	84151996	88.230.21	01	2
	55.408.05		24		88.230.21	02	3
84135512	55.404.16		1		88.230.21	03	2
	55.408.05		23		88.431.00		3
84135530	18.100.03		11		88.431.01		2
	35.910.09		2		88.431.02		2
84136360	90.100.22		1	84152417	80.150.02		8
84136929	90.100.17		15	84152697	80.150.07		4
	90.100.19		20	84153072	88.230.21	02	45
84137748	55.404.12	02	15		88.431.00		45
84137815	55.100.24		1	84153095	88.230.21	02	39
84139058	05.102.01	02	9		88.431.00		39
84139837	80.175.11		20	84153346	39.100.06		3
84139869	80.175.11		4	84153451	10.254.08	03	25
84139911	80.175.10		6	84153453	10.254.08	03	24
	80.175.11		6	84153775	35.300.15		30
84140059	80.175.10		7	84153776	66.260.21		11
	80.175.11		9	84154339	41.106.03	02	7
84140062	80.175.12		2		48.999.01	02	7
84140063	80.175.12		3	84154907	74.135.05	02A	9
84140064	80.175.12		4		74.135.05	02B	7
84140065	80.175.11		7	84154912	74.135.05	02B	5
84140067	80.175.11		8	84154916	74.135.05	02A	10
84140073	80.175.11		27		74.135.05	02B	8
84140076	80.175.11		28	84154938	80.154.06		4
84140379	60.110.06	01	4	84154939	80.154.06		3
	60.110.06	02	57	84154940	80.154.06		2
84141241	44.151.06		10	84154949	80.154.04		1
84141246	88.210.13	01	50		80.154.06		1
84141332	88.230.21	02	41	84154975	44.200.09		19
	88.431.00		41	84155101	60.110.03		6
84141333	88.100.03		4		60.110.20		3
84141590	74.135.02	01	2	84155550	60.110.06	01	29
84141615	80.154.10		33		60.110.06	02	18
84141618	80.154.10		10	84155711	44.151.08	01	2
84141623	90.120.04		5	84156230	80.180.05		5
84141626	90.120.04		4	84156236	80.154.10		11
84141951	88.230.21	02	42	84156243	80.154.10		2
	88.431.00		42	84157017	80.175.11		26
84141969	74.135.02	01	3	84157019	80.175.11		25
84141980	74.135.02	01	8	84157589	00.000.35	02	12
84142319	80.154.10		13		41.203.02		9
84143878	50.206.02		24	84157715	60.110.06	01	48
84143879	50.206.02		19		60.110.06	02	60

INDEX - INDICE - INDEX - ZAHLENVERZEICHNIS - INDICE - INDICE - INHOLD - INHOUD

Number	Figure	Sequence	Ref.	Number	Figure	Sequence	Ref.
84157810	90.118.36		16	84165638	88.431.02		36
84158104	55.408.05		13A	84165687	80.150.07		9
84158107	60.110.06	01	40	84166317	60.110.06	01	15
	60.110.06	02	39	84166641	88.230.21	01	35
84158109	60.110.06	01	41		88.230.21	02	23
	60.110.06	02	41		88.230.21	03	33
84158112	60.110.06	01	27		88.431.00		23
	60.110.06	02	42		88.431.01		35
84158122	50.206.02		35		88.431.02		33
84158599	55.100.14		Y9G207118	84166699	35.300.01	02	3
	60.110.08		35	84166701	35.300.01	02	2
84158659	80.180.05		19	84166704	35.910.03	01	15
	80.180.07		1		35.910.03	02	15
84158714	35.300.01	01	4	84166706	35.910.03	01	12
	35.300.01	02	4	84168175	29.212.20		1
84158715	35.300.01	01	7	84168176	29.212.20		1
	35.300.01	02	7	84168266	90.118.22	01	33
84159162	14.102.02		17	84169061	35.910.03	02	12
	31.114.04		22	84169096	88.230.21	01	45
84159338	35.204.11		13		88.230.21	02	48
84159421	35.700.01	01	12		88.230.21	03	47
84159425	35.000.00	02	12		88.431.00		48
	41.203.02		9		88.431.01		45
84159761	90.118.24	02	4		88.431.02		47
84159803	14.102.02		8	84169441	29.204.05		32
	60.150.06		9	84169705	88.230.21	01	28
84160216	35.910.02	01	1		88.431.01		28
84161169	60.110.06	02	32	84170752	29.204.05		3
84161264	10.216.03		7	84171577	80.180.01	01	10
84161322	90.118.36		17	84171940	88.230.21	01	12
84161323	90.118.36		19		88.230.21	02	31
84161324	90.118.36		18		88.230.21	03	15
84161978	90.118.36		11		88.431.00		31
84161981	90.118.36		13		88.431.01		12
84161984	90.118.36		12		88.431.02		15
84162351	74.135.05	02A	11	84171982	88.230.21	01	46
	74.135.05	02B	9		88.230.21	02	49
84162800	88.230.21	01	29		88.230.21	03	48
	88.230.21	02	13		88.431.00		49
	88.230.21	03	23		88.431.01		46
	88.431.00		13		88.431.02		48
	88.431.01		29	84172049	88.230.21	01	36
	88.431.02		23		88.230.21	02	25
84162945	29.204.05		2		88.230.21	03	34
	35.000.00	02	29		88.431.00		25
84162954	88.210.13	02	3		88.431.01		36
84162956	88.230.11	01	1		88.431.02		34
84162975	88.230.21	01	47	84172050	88.431.03		3
	88.230.21	02	50	84172253	48.134.03		31
	88.230.21	03	51		48.999.01	03	27
	88.431.00		50	84172484	48.134.03		32
	88.431.01		47		48.999.01	03	28
	88.431.02		51	84172494	48.134.03		30
84162977	88.230.21	01	48		48.999.01	03	26
	88.230.21	02	53	84172538	88.230.21	01	49
	88.230.21	03	49		88.230.21	02	46
	88.431.00		53		88.230.21	03	50
	88.431.01		48		88.431.00		46
	88.431.02		49		88.431.01		49
84163072	60.110.06	01	42		88.431.02		50
	60.110.06	02	22	84172627	80.101.25		11
84163120	60.110.06	01	43	84172628	80.101.25		11
	60.110.06	02	27	84172815	88.230.21	01	53
84164168	80.180.05		15		88.230.21	02	33
84164257	88.230.21	01	43		88.230.21	03	54
	88.230.21	03	41		88.431.00		33
	88.431.01		43		88.431.00		55
	88.431.02		41		88.431.01		53
84164258	88.230.21	01	44		88.431.01		62
	88.230.21	03	40		88.431.02		54
	88.431.01		44		88.431.02		61
	88.431.02		40	84172846	88.230.21	01	54
84164490	60.110.08		65		88.230.21	02	57
84165638	88.230.21	01	40		88.230.21	03	57
	88.230.21	02	28		88.431.00		57
	88.230.21	03	36		88.431.01		54
	88.431.00		28		88.431.02		57
	88.431.01		40	84173239	55.100.13		1

INDEX - INDICE - INDEX - ZAHLENVERZEICHNIS - INDICE - INDICE - INDHOLD - INHOUD

Number	Figure	Sequence	Ref.	Number	Figure	Sequence	Ref.
84173550	88.230.21	01	51	84178275	80.175.10		4
	88.230.21	02	56	84178330	60.150.02		32
	88.230.21	03	56	84178513	80.175.11		2
	88.431.00		56	84178514	80.175.11		3
	88.431.01		51	84178875	80.150.11		52
	88.431.02		56		80.150.11	02	52
84173552	88.230.21	01	63	84179154	80.175.10		15
	88.230.21	02	51	84179639	60.105.03		1
	88.230.21	03	52		60.105.03	01	1
	88.431.00		51		60.110.06	01	24
	88.431.01		63		60.110.06	02	9
	88.431.02		52	84179642	60.105.03	01	1
84173775	90.120.05	01	6		60.110.06	01	24
84174156	88.210.01	01	1		60.110.06	02	9
	88.210.01	02	1	84179662	60.110.21		17
	88.210.11		5	84179870	80.150.05		5
	88.210.13	01	47	84179871	80.150.05		5
84174215	80.101.07		4	84179883	80.175.11		24
	80.150.07		12	84179884	80.175.11		30
84174563	88.230.19	02	7	84179973	29.212.20		18
84174611	88.210.13	03	6	84180046	35.910.10		2
84174620	88.230.19	02	2	84180050	35.910.10		3
84174625	88.230.19	02	1	84180152	80.175.11		19
84174626	88.230.19	01	1		80.180.01		4
84174980	80.180.05		20		80.180.01	01	4
84175309	88.230.21	01	3	84180376	88.430.01		6
	88.230.21	02	4	84180932	80.150.07		49
	88.230.21	03	3	84180958	60.110.21		1
	88.431.00		4	84181481	39.100.01		1
	88.431.01		3		39.100.04		1
	88.431.02		3	84181483	39.100.01		1
84175795	80.154.04		2		39.100.04		1
84175799	80.154.04		3	84181953	88.431.03		1
84175801	80.154.04		4	84181958	88.431.03		2
84175931	88.230.21	01	52	84182108	66.105.13		1
	88.230.21	02	47	84182109	66.105.13		2
	88.230.21	03	46	84182110	66.105.16		1
	88.431.00		47	84182111	66.105.16		2
	88.431.01		52	84182443	88.230.21	01	65
	88.431.02		46		88.230.21	02	65
84176035	00.000.35	02	33		88.230.21	03	66
	35.000.00	02	33		88.431.00		65
	35.300.01	01	8		88.431.01		65
	35.300.01	02	8		88.431.02		66
84176365	35.910.05	01	19	84182581	80.150.11		13
84176412	35.910.10		5	84182582	80.150.11		13
84176520	88.230.21	01	64		80.150.11	02	13
	88.230.21	02	54	84182603	88.230.17		4
	88.230.21	03	53	84182605	88.230.17		1
	88.431.00		54	84182754	88.431.01		72
	88.431.01		64	84182757	88.431.00		75
	88.431.02		53	84182760	88.431.02		72
84176522	88.230.21	01	50	84182762	88.230.21	02	69
	88.230.21	02	52		88.431.00		69
	88.230.21	03	35	84182764	88.230.21	01	14
	88.431.00		52		88.230.21	02	24
	88.431.01		50		88.230.21	03	17
	88.431.02		35		88.431.00		24
84176713	88.230.21	01	58		88.431.01		14
	88.230.21	02	61		88.431.02		17
	88.230.21	03	62	84182774	44.511.05		2
	88.431.00		61	84182778	44.520.02		2
	88.431.01		58	84182839	80.150.07		30
	88.431.02		62	84182842	80.150.03	01	10
84177024	80.150.02		44	84183027	88.230.21	03	25
	80.150.03	01	27		88.431.02		25
84177110	80.150.02		7	84183454	39.100.04		10
84177367	55.100.17		1	84183456	39.100.04		10
84177371	55.100.53		1	84183483	74.135.05	02A	7
84177487	60.150.02		1	84184117	74.135.05	02A	6
	66.101.02		3		74.135.05	02B	4
84177488	60.150.02		33	84184138	80.175.11		29
	60.150.10		33	84185362	55.440.07		3
84177496	60.150.02		31		55.440.07	02	3
	60.150.10		1	84185817	80.150.03	01	8
84177542	80.175.10		5	84185858	80.154.10		5
	80.175.11		5	84185862	80.154.10		3
84177788	88.230.15		2	84185911	74.135.05	02A	5

INDEX - INDICE - INDEX - ZAHLENVERZEICHNIS - INDICE - INDICE - INHOLD - INHOUD

Number	Figure	Sequence	Ref.	Number	Figure	Sequence	Ref.
84185911	74.135.05	02B	3	84201536	80.154.06		9
84186104	80.154.10		1	84202382	74.140.09		28
84186665	55.100.17		2	84203621	90.120.03		5
84186707	05.000.01	01	10		90.120.06		6
	05.000.01	02	10	84203622	90.120.06		5
	35.204.10		23	84203959	88.210.13	02	1
84186831	74.135.05	02B	6	84204125	35.440.07		4
84187174	74.135.05	02A	8	84204127	35.440.07		11
84187234	90.102.02	01	7	84204129	35.440.07		9
	90.102.05	01	7	84206225	33.202.18		3
	90.102.05	02	7	84207195	60.105.03	01	5
	90.102.05	03	7	84208481	74.114.03	01	25
84187304	80.150.07		6		74.114.03	02	25
84187312	80.150.07		8		74.118.04	01	9
84187375	80.154.04		8		74.118.04	02	9
	80.154.06		8	84212481	55.100.42		19
84187500	88.210.13	02	2		55.785.04		1
84187503	88.210.13	03	3	84214028	41.203.02		24
84187510	88.210.13	03	1	84214046	90.120.05	01	15
84187516	88.210.13	03	2	84214452	80.101.08		25
84187524	88.210.13	03	7		80.101.18		5
84187527	88.210.13	03	4	84214571	88.210.09		3
84187535	88.210.13	04	2	84214575	88.210.09		2
84187624	55.440.06		4	84216228	80.101.07		8
	55.440.07	02	14		80.150.07		1
	55.785.03	01	6	84216233	80.101.07		8
	55.785.03	02	6		80.150.07		1
	55.785.03	02	6	84216646	88.230.19	02	3
84187730	80.150.07		56	84216648	88.230.19	02	4
84187731	80.150.07		57	84216987	35.440.07		20
84187734	80.150.07		26	84217014	66.330.21		1
84187736	80.150.07		24	84217071	88.210.13	02	1
84187755	80.154.10		8	84217941	60.105.03	01	2
84187764	80.150.03	01	7	84217945	60.105.03	01	2
84187766	80.101.07		9	84217947	60.105.03	01	3
84187768	80.101.07		9	84217950	60.105.03	01	3
84189081	10.414.02	02	4	84218078	35.300.01	01	34
84189454	90.120.03		20		35.300.01	02	34
	90.120.06		24	84218874	90.102.02	01	14
84190056	29.212.20		20		90.102.05	03	13
84190587	74.135.05	02A	1	84218876	90.102.05	01	13
	74.135.05	02B	1	84218878	90.102.05	02	14
84191695	88.230.11	02	1	84218886	88.230.19	02	8
84191696	88.230.11	02	2	84218981	35.440.04		11
84191901	35.440.07		2	84219249	35.440.04		2
84192176	66.260.24		9	84219274	35.440.04		6
84192818	88.210.13	03	5	84219375	80.180.05		5
84192820	88.210.13	02	47	84219420	80.180.05		15
84194263	55.100.22		1	84219812	60.110.06	01	41
84194265	55.100.14		1	84219814	60.110.06	01	40
	60.110.08		35	84219816	60.110.06	01	27
84194266	88.430.01		4	84220776	35.440.04		3
84194652	90.118.23	02	1	84221190	88.120.03	02	5
	90.118.24	02	1	84221191	88.120.03	02	1
84194653	35.440.06		1	84221657	60.110.06	02	4
84194661	90.118.23	02	2	84222922	60.105.03	01	15
	90.118.23	02	2	84222949	60.105.03	01	14
84194810	35.910.02	01	4	84222952	60.105.03	01	16
84194812	35.910.02	01	5	84222993	66.101.08		17
84194819	80.154.10		36	84223960	60.110.21		18
84194821	80.101.19		1	84224056	88.230.19	01	3
84194822	80.101.19		1	84224789	60.110.06	02	2
84194824	80.150.07		28	84224892	35.440.06		6
84194849	80.154.10		4		35.910.13		6
84195135	55.440.07	02	14	84225286	88.230.19	01	4
84196605	90.118.24	02	2	84226177	88.210.13	04	
84196610	90.118.24	02	3	84226178	88.210.13	04	
84197852	90.115.03		1	84227086	35.910.13		7
84197864	90.120.05	01	3	84227087	35.910.13		8
84197918	90.120.05	01	5	84227088	35.910.13		17
84198651	90.150.01		3	84227089	35.910.13		15
84199253	88.230.11	02	10	84227091	35.910.13		13
84200754	44.511.04		2		35.910.13		16
84201531	90.102.02	01	48	84227092	35.910.13		9
	90.102.05	01	15	84227093	35.910.13		10
	90.102.05	02	45	84228905	88.230.11	02	2
	90.102.05	03	48	84228906	88.230.11	01	1
84201536	80.154.04		9	84228907	88.210.13	02	3

INDEX - INDICE - INDEX - ZAHLENVERZEICHNIS - INDICE - INDICE - INDHOLD - INHOUD

Number	Figure	Sequence	Ref.	Number	Figure	Sequence	Ref.
84231043	88.210.13	03	12	84320250	55.510.05		29
84232038	39.101.03		3	84320252	55.510.05		9
84232039	39.101.03		2		90.160.03		18
84232040	39.101.03		6	84320258	55.512.10		12
84232053	39.101.03		1	84320260	90.118.04		14
84232194	66.330.21		1	84320263	55.510.05		24
84232773	88.230.21	01	70		55.512.10		12
	88.431.01		70		90.118.27		19
84236507	35.204.07	02	24		90.160.03		19
84236970	60.110.03		5	84320268	55.510.05		5
84240121	80.180.17	02	2	84320279	90.120.05		8
84240125	80.180.17	01	1	84320280	90.110.12		4
	80.180.17	02	1		90.160.04	02	13
84240131	80.180.17	03	2	84320291	90.154.02	01	3
84242083	48.999.01	03	23	84320292	90.154.02	01	22
84246029	88.230.21	02	73	84320293	90.154.02	01	26
	88.230.21	03	71	84320299	90.154.04		7
	88.431.00		73	84320301	90.154.04		2
	88.431.02		71	84320374	90.118.26		8
84246060	35.910.13		1		90.118.27		3
84246513	55.518.01		1	84320380	74.110.04		10
84248894	80.180.17	03	5	84320452	74.101.12		11
	80.180.17	04	5	84320454	74.101.12		11
84251797	35.910.02	01	19	84320470	74.101.15		19
84251798	35.910.02	01	6		74.101.16		16
84253297	39.101.03		4	84320472	74.101.16		16
84253298	39.101.03		5	84320474	74.101.13		17
84254243	35.440.03		8	84320565	29.212.09		13
	80.180.17	03	3		33.202.19		4
	80.180.17	04	3		35.204.10		8
84256215	80.180.17	04	2		35.310.41		3
84256217	80.180.17	01	2		35.910.08		3
84258086	44.101.02		1		35.910.11	01	3
84258089	44.101.02		2		35.910.11	02	3
84258091	44.101.02		3	84320593	21.140.02		15
84258982	35.220.03	02	1	84320875	74.114.01	02	4
84261030	80.180.17	03	1	84334005	21.120.02		3
84262399	80.180.17	04	1	84334013	80.150.06		2
84265962	88.230.21	02	72	84334035	80.150.06		3
	88.431.00		72	84334056	55.404.09		4
84267530	88.230.21	02	70	84334134	10.102.07		10
	88.431.00		70		88.230.21	01	20
84272273	35.220.03	02	6		88.230.21	03	42
84273220	90.102.02	01	2		88.431.01		20
84273916	55.627.11		4		88.431.02		42
84274142	90.102.02	01	5	84334135	80.150.06		14
84274146	90.102.02	01	6	84334139	80.150.06		15
84274147	90.102.02	01	53	84334178	80.150.06		4
84274148	90.102.02	01	52	84334242	90.102.02	01	28
84281729	88.230.19	01	7		90.102.03	01	27
84286030	66.330.01		1		90.102.03	02	27
84320021	74.118.01		1		90.102.03	03	27
84320037	74.114.01	02	1		90.102.05	01	27
84320044	55.424.02		14		90.102.05	02	28
84320052	80.175.07		1		90.102.05	03	27
	80.180.01		13	84334251	10.414.06	01	26
	80.180.01	01	13		10.414.06	02	19
84320078	74.140.14	01	24		10.414.06	02	26
84320079	74.140.14	01	17		10.414.06	03	22
84320080	74.140.14	02	15	84334394	21.130.03		30
84320081	74.140.14	01	9	84334436	80.150.06		17
84320082	74.140.14	01	6	84334438	44.151.06		5
	74.140.14	02	9	84334447	41.216.01		5
84320085	74.140.14	01	17	84334452	74.101.15		22
84320087	74.140.14	01	27	84334453	74.101.16		14
84320089	74.140.14	01	9	84334458	80.150.06		18
84320096	74.140.14	02	19	84334474	50.200.04	01	9
84320098	74.140.14	02	1		50.200.04	02	1
84320100	74.140.14	02	19		50.200.04	03	9
84320102	74.140.14	02	1	84334523	21.130.03		16
84320105	74.140.14	02	15	84334525	44.151.06		13
84320112	80.150.11		17	84334526	44.151.06		12
	80.150.11	02	17	84334527	44.200.12		1
84320222	50.200.12		2	84334657	90.150.05		1
84320234	55.408.03		7	84334664	80.150.06		7
84320244	90.118.27		21	84334697	80.101.15		13
84320245	55.518.03		10	84334737	33.202.18		13
84320248	55.510.05		4	84334799	21.130.03		17

INDEX - INDICE - INDEX - ZAHLENVERZEICHNIS - INDICE - INDICE - INHOLD - INHOUD

Number	Figure	Sequence	Ref.	Number	Figure	Sequence	Ref.
84334828	39.110.02		13	84433358	21.140.02		6
	44.151.08	01	4		21.145.01		10
	44.151.08	02	5	84433388	74.110.04		13
	44.200.12		19	84433499	21.140.02		3
84334941	33.202.18		20	84433515	21.140.02		3
84334950	21.182.02		14	84433606	90.118.04		2
84334964	21.145.01		27	84433636	55.404.09		6
844-10035	60.150.05		1	84433683	55.408.05		13
	60.150.07		10	84434086	74.114.06		26
844-12050	60.150.07		8	84434145	80.154.09		25
844-8025	66.260.21		25	84434245	74.114.04	01	3
84400473	74.118.01		1		74.114.04	02	3
84400985	39.110.02		10	84434473	90.118.26		6
84400986	39.110.02		3		90.118.27		11
84429046	88.430.06		24	84434474	90.118.27		16
84429052	90.108.10		1	84434478	90.118.27		10
84429169	33.202.18		18	84434479	90.118.27		15
84429238	74.140.14	01	31	84434978	90.154.05		15
84429240	74.140.14	01	32	84434979	90.154.05		12
84429450	44.200.03		7	84434981	90.154.05		21
84429834	90.150.07	03	15	84435031	44.200.03		24
84429835	90.150.07	03	4	84435034	44.200.03		25
84429842	80.180.07		4	84435183	80.101.25		34
	88.120.03	01	6	84435233	21.140.03		17
	88.120.03	02	3	84435237	21.140.03		17
84431232	10.414.09		17	84435240	21.145.01		19
	10.418.16	01	38	84435282	90.110.12		11
	10.418.16	02	38	84435325	55.424.02		4
84431325	88.230.21	01	33	84435412	90.118.04		12
	88.230.21	02	21	84435413	90.118.04		8
	88.230.21	03	31	84435430	90.160.03		14
	88.431.00		21	84435502	35.480.05		3
	88.431.01		33	84435503	35.480.05		4
	88.431.02		31	84435587	90.118.45		1
84431473	21.104.02		20	84435752	55.100.10		12
84431478	55.404.08		25	84435827	55.424.02		2
84431546	35.440.07		12	84435828	55.424.02		5
	35.910.02		9	84435829	55.424.02		6
	35.910.02	01	11	84435830	55.424.02		7
	35.910.03	01	19	84435831	55.424.02		9
	35.910.03	02	19	84435833	55.424.02		10
	48.134.03		20	84435874	55.424.02		11
	48.134.04		20	84435944	21.145.01		6
	48.999.01	03	20	84437088	80.175.06		3
84431547	41.204.04		3	84437272	74.140.07		11
84431556	90.118.26		12	84437282	74.140.07		2
	90.118.27		4	84437302	10.414.14		28
84431916	10.114.02		9	84437310	55.408.08		4
84432090	90.120.08		4	84437311	55.408.08		1
84432117	90.110.12		33	84437315	74.114.01	02	1
84432119	90.110.12		36	84437569	74.140.07		6
84432132	74.114.04	02	1	84437570	74.140.07		10
84432249	21.130.03		32	84437572	74.140.07		3
84432334	55.100.26		5	84437573	74.140.07		9
	55.404.17		4	84437580	74.140.07		7
84432503	05.000.01	02	14	84437581	74.140.07		5
84432504	05.000.01	02	13	84437582	74.140.07		12
84432508	41.200.03		8	84437613	10.414.06	01	27
84432533	55.100.32		3		10.414.06	02	27
84432804	55.100.26		7		10.414.06	03	24
	55.404.17		6	84437627	88.210.11		9
84432904	60.110.09		12	84438713	74.140.07		8
	80.150.05		17	84438888	10.254.05	02	1
	90.102.02	01	46	84438912	55.100.41		14
	90.102.03	01	48		90.150.01		23
	90.102.03	02	48	84438926	10.414.02	02	11
	90.102.03	03	46	84438982	44.151.08	01	1
	90.102.05	01	46		44.151.08	01	3
	90.102.05	03	46		44.151.08	02	2
	90.108.01	01	17	84439077	44.151.08	01	1
	90.108.02	02	9	84439080	90.150.04		31
84432906	90.118.22	01	13		90.160.03		13
84432981	90.108.02	01	16	84439102	25.310.05		6
84433130	39.110.02		20		33.202.04		6
84433264	21.140.02		4	84439453	80.150.06		21
84433269	21.145.01		14	84439462	90.108.01	01	19
84433352	21.140.02		9		90.108.02	02	7
	21.145.01		13		90.154.05		27

INDEX - INDICE - INDEX - ZAHLENVERZEICHNIS - INDICE - INDICE - INDHOLD - INHOUD

Number	Figure	Sequence	Ref.	Number	Figure	Sequence	Ref.
84439474	44.151.06		31	84444599	33.202.23		4
84439510	44.151.06		32	84446197	74.114.01	01	4
	90.108.01	02	10	84446204	74.101.12		37
	90.108.02	03	1		74.101.16		2
84439588	21.120.02		16	84446877	74.101.15		9
84439733	44.104.01		2		74.101.16		7
84439849	33.202.23		7	84446910	41.106.03	01	3
84439851	33.202.23		3		41.106.03	02	3
84440048	10.414.14		11		44.151.08	01	5
84440151	44.151.08	01	2		44.151.08	01	6
84440152	44.151.08	01	2		44.151.08	02	9
84440156	44.151.08	02	6		48.999.01	02	3
84440159	44.151.08	02	3	84446911	44.151.08	01	6
84440162	44.151.08	02	6	84446945	44.200.03		3
84440165	44.151.08	02	3	84446947	44.200.03		21
84440547	05.102.01	01	2	84446948	44.200.03		20
84440618	88.230.21	01	31	84446949	44.200.03		23
	88.230.21	02	15	84447449	18.110.02		9
	88.230.21	03	29	84447450	33.202.04		14
	88.431.00		15	84447472	33.202.07		9
	88.431.01		31	84447501	33.202.07		10
	88.431.02		29	84447602	80.150.06		12
84440667	44.151.06		30	84447603	80.150.06		11
84440697	90.150.01		4	84447940	80.180.01		12
84440747	90.110.12		18	84447941	80.180.05		7
84440943	44.101.01	01	2	84448270	88.430.05	01	1
	44.101.01	01	3		88.430.05	02	1
84440945	41.106.03	01	1	84448373	55.440.19		2
	41.106.03	01	2	84448540	44.200.03		22
	44.101.01	01	2	84448541	44.200.03		14
	44.101.01	01	3	84448564	44.200.03		18
84440951	41.106.03	02	1	84448749	25.310.02	01	18
	44.101.01	02	2		25.310.02	02	18
	48.999.01	02	1	84448750	25.310.02	01	19
84440957	41.106.03	02	2		25.310.02	02	19
	44.101.01	02	3	84448751	25.310.02	01	20
	48.999.01	02	2		25.310.02	02	20
84440959	44.101.01	01	2	84448821	25.310.02	01	2
	44.101.01	01	3		25.310.02	02	2
84440961	44.101.01	01	2	84449076	10.414.14		4
	44.101.01	01	3	84449090	10.414.14		5
84440967	44.101.01	02	2	84449172	25.310.02	01	25
84440974	44.101.01	02	3		25.310.02	02	25
84441019	88.431.00		68	84449173	25.310.02	01	30
84441030	88.230.21	03	18		25.310.02	02	30
	88.431.02		18	84449190	25.310.02	01	28
84441319	90.110.12		41		25.310.02	02	28
84441321	90.110.12		40	84449197	25.310.02	01	42
84441333	90.110.12		42		25.310.02	02	42
84441337	90.110.12		8	84449205	33.202.04		18
84441355	90.110.12		7	84449206	33.202.04		9
84441358	80.180.07		5	84449320	25.310.02	02	4
	88.120.03	01	5	84449573	25.310.02	02	4
	88.120.03	02	4	84449574	25.310.02	02	4
84441698	55.404.08		4	84449575	25.310.02	02	4
84441699	55.404.08		12	84449593	25.310.02	01	12
84441700	55.408.08		3		25.310.02	02	12
84441701	55.408.08		2	84449594	25.310.02	01	33
84441712	44.100.11		2		25.310.02	02	33
84441735	35.910.04	01	7	84449597	25.310.02	01	26
84441841	35.910.04	01	8		25.310.02	02	26
84442024	41.204.06		22	84449598	25.310.02	01	27
	41.204.07		46		25.310.02	02	27
84442354	55.408.05		12	84452411	88.430.03		3
84442536	10.406.03	01	5	84452652	80.180.07		3
	10.406.03	03	13	84453963	25.310.02	02	1
84442607	55.440.19		4	84453965	25.310.02	02	1
84442647	35.162.02		26	84454696	10.414.13		7
84442904	10.254.11	02	15	84454748	10.414.13		12
84443588	05.000.01	01	7	84454780	10.414.13		13
	05.000.01	02	7	84454915	10.414.13		8
	44.200.03		17	84454949	44.200.03		16
84444101	29.204.05		5	84454985	88.430.09		1
84444198	90.118.04		3	84455109	88.430.02	02	1
84444485	55.440.19		5	84455232	88.430.03		2
84444510	10.414.02	01	14	84455371	88.430.06		3
84444595	33.202.23		6	84455606	88.430.05	01	21
84444597	33.202.23		2		88.430.05	02	21

INDEX - INDICE - INDEX - ZAHLENVERZEICHNIS - INDICE - INDICE - INHOLD - INHOUD

Number	Figure	Sequence	Ref.	Number	Figure	Sequence	Ref.
84457696	74.114.06		35	84807781	88.230.17		22
84457703	10.100.01	02	15	84807867	44.200.12		37
	10.414.02	02	10	84807930	41.204.06		24
84457706	74.114.06		28	84814042	44.151.06		23
84457729	74.114.06		29	84814043	41.216.01		1
84457842	39.100.04		32		44.151.06		29
84457942	21.130.03		20	84814360	25.310.03	01	7
84459182	21.140.02		12		25.310.03	02	7
84459805	10.414.02	01	4	84814362	25.310.03	01	7
84460168	44.100.11		3		25.310.03	02	7
84460219	10.414.06	01	24	84814892	55.424.02		12
	10.414.06	02	24		88.430.01		3
	10.414.06	03	18	84814897	35.910.04	01	45
84461068	44.151.06		34	84814905	74.101.05		15
84461070	44.151.06		33		80.180.12		36
84461195	88.430.06		5	84814911	74.101.12		3
84461196	88.430.06		6	84814918	74.140.05		35
84461271	88.430.06		7		74.140.09		22
84462258	88.430.06		8	84814921	60.110.06	01	36
84462407	74.130.08		3		60.110.06	02	46
84462409	74.130.08		4		60.110.21		15
84462428	74.114.06		47		66.101.02		2
84462460	74.110.04		1	84814932	33.202.15		12
	74.114.06		48	84814933	33.202.15		25
84462472	74.110.04		2	84814963	88.230.21	01	9
	74.114.06		50		88.230.21	02	35
84462477	74.114.06		46		88.230.21	03	12
84462716	74.114.06		16		88.431.00		35
84607119	90.118.41		13		88.431.01		9
	90.118.44		3		88.431.02		12
84607170	90.154.02	01	36	84814999	25.310.03	01	24
	90.154.05		6		25.310.03	02	24
84607268	50.200.04	03	23		48.130.01		24
84607345	33.202.07		4	84817131	33.202.07		8
84607351	33.202.07		3	84817135	33.202.07		11
84607353	05.000.01	01	2	84817215	25.310.02	01	23
	05.000.01	02	2		25.310.02	02	23
	33.202.07		5		25.310.04		5
84607354	33.202.07		6		25.310.05		5
84607355	33.202.07		7	84817651	39.110.02		16
84607358	90.154.02	01	2	84817900	44.200.07		13
	90.154.05		18	84817916	44.200.07		17
84607381	55.404.34		13	84817917	44.200.07		11
	88.120.02		2	84817924	44.200.07		12
	88.120.06		3	84817926	44.200.07		10
84607394	55.404.08		9	84818002	10.254.08	03	38
84607406	90.110.12		2	84818003	10.254.08	03	37
84607407	90.110.12		3	84818180	25.310.02	01	21
84607475	55.510.05		23		25.310.02	02	21
	55.510.07	01	3	84818311	74.140.14	02	16
84607499	33.202.23		5	84818312	74.130.08		6
84607593	21.130.03		26	84818444	50.200.02		9
84733	55.418.05		5	84818665	33.202.07		1
	88.230.13	02	14	84818666	33.202.07		12
84800193	44.200.12		38	84818667	33.202.07		13
84800194	44.200.07		20	84818743	05.000.01	01	19
84800212	44.200.07		19		05.000.01	02	18
84800213	44.200.07		18		10.206.04		1
84800289	44.200.15		1		10.206.05		10
84800572	41.204.06		1	84818745	05.000.01	01	18
84800574	41.204.06		29		05.000.01	02	17
84800576	41.204.06		8		10.206.01	01	6
84800577	41.204.06		9		10.206.01	02	6
84800578	41.204.06		10	84819189	33.202.07		2
84800579	41.204.06		11	84819478	25.310.02	01	16
84800580	41.204.06		23		25.310.02	02	16
84801451	33.202.04		17	84989315	74.140.15		2
84801453	33.202.04		15		80.101.08		24
84806242	41.204.06		7		80.101.19		7
84806528	25.310.02	01	29	84989374	25.310.04		12
	25.310.02	02	29		25.310.05		8
84806529	25.310.02	01	31	84989380	25.310.04		13
	25.310.02	02	31		25.310.05		9
84807136	90.150.06		6	84989383	44.200.12		31
84807563	21.130.03		1	84989392	35.300.01	01	35
84807781	74.135.05	01A	13		35.300.01	02	35
	74.135.05	01B	13		35.440.03		3
	88.230.13	01	26		35.440.06		4

INDEX - INDICE - INDEX - ZAHLENVERZEICHNIS - INDICE - INDICE - INDHOLD - INHOUD

Number	Figure	Sequence	Ref.	Number	Figure	Sequence	Ref.
84989392	35.910.13		4	8604960	35.700.01	01	20
	41.203.01		10	86050251	90.150.04		18
	80.175.12		5		90.160.03		4
	88.230.15		13	86050276	55.408.05		36
84989393	35.162.02		42		90.150.05		14
	35.910.11	01	7	86050279	39.100.06		11
84989399	41.106.03	01	6		60.110.08		54
	41.106.03	02	6		74.135.05	02A	27
	44.101.01	01	12		74.135.05	02B	25
	44.101.01	02	12		80.180.05		11
	48.999.01	02	6		88.210.13	02	38
84989409	74.110.04		4		88.210.13	03	11
	74.114.06		23	86050286	55.100.17		12
84989412	41.203.01		67	86050300	39.100.06		13
84989413	80.175.12		6		55.404.15		8
84989436	74.101.16		23		55.404.16		9
84989439	74.101.16		23		88.230.15		25
84989455	33.202.06		1		88.230.21	01	61
84989486	74.101.15		1		88.230.21	02	64
84989617	35.910.10		15		88.230.21	03	65
	88.230.21	01	18		88.431.00		64
	88.230.21	02	38		88.431.01		61
	88.230.21	03	21		88.431.02		65
	88.431.00		38		90.118.37		12
	88.431.01		18		90.118.43	01	10
	88.431.02		21		90.118.43	02	10
84989665	35.162.02		8	86050346	48.134.03		9
84989693	90.154.02	01	18		48.134.04		9
84989694	90.154.02	01	13	863-6010	44.200.07		3
84989695	90.154.02	01	12	864-10080	35.204.02		5
84989696	90.154.02	01	16		35.300.15		2
84989848	41.203.01		68	864-10100	35.204.02		6
	88.430.05	01	14	864-6016	55.785.01		7
	88.430.05	02	14		90.160.02	02	14
84989866	33.202.18		29	864-6070	55.785.01		6
84989891	33.202.18		28	864-8055	80.101.21	01	17
84989893	33.202.18		26		80.101.21	02	17
84989919	33.202.18		25	86400227	90.120.03		18
84989988	10.418.16	02	11		90.120.06		22
851000	80.101.15		8	86500656	90.154.02	01	24
853116	21.145.01		4	86500688	41.106.03	02	15
	80.175.07		17		41.106.03	02	23
853764	74.114.03	01	29		90.118.09		26
	74.114.03	02	29		90.118.38		26
	90.115.10		15		90.118.39	02	1
85802628	88.230.21	01	39		90.118.40		7
	88.230.21	02	27	86500689	60.110.08		64
	88.230.21	03	38		66.360.11		8
	88.431.00		27		74.140.09		27
	88.431.01		39		90.118.41	01	18
	88.431.02		38		90.118.41	02	18
86000439	55.785.11		4	86500888	48.130.01		33
	60.110.03		40		48.130.01		4
86000441	39.100.04		17	86501511	90.108.01	01	16
	60.110.06	01	26	86502200	55.512.10		6
	60.110.06	02	24	86502201	05.000.01	01	23
	74.101.05		9		05.000.01	02	22
	74.114.06		15		55.512.10		7
	74.140.05		23		90.154.02	01	18
	80.154.10		16	86502489	41.216.01		13
	80.175.02		9	86502604	29.212.09		21
	80.175.10		43		33.202.19		5
	80.180.12		29		35.204.10		9
	90.150.06		7		35.310.41		4
86010402	10.246.03		15		35.910.08		4
	55.100.42		15		35.910.11	01	4
	55.404.28		14		35.910.11	02	4
86010510	35.910.01		29	86502680	90.120.05		6
	35.910.12		18		90.150.04		32
86012639	41.200.03		6		90.160.03		15
86014250	55.512.10		1	86502967	55.404.10		9
	74.114.03	01	43		60.110.03		45
	74.114.03	02	43		60.110.22		13
	90.120.08		6	86503049	55.512.10		15
	90.150.04		24	86503302	41.203.01		44
	90.160.03		12	86505259	80.154.10		17
	90.160.04	02	8	86505868	39.100.05		55
86018152	21.102.01		12		50.200.04	01	17

INDEX - INDICE - INDEX - ZAHLENVERZEICHNIS - INDICE - INDICE - INHOLD - INHOUD

Number	Figure	Sequence	Ref.	Number	Figure	Sequence	Ref.
86505868	50.200.04	02	18	86508568	74.114.01	02	12
	50.200.04	03	16		74.114.01	02	2
	88.120.06		8		74.114.03	01	42
	88.220.03	02	11		74.114.03	02	42
	88.230.11	01	5		74.114.04	01	6
86507066	39.100.06		9		74.114.04	02	6
	48.999.01	03	25		74.114.06		27
	55.408.05		17		74.118.01		4
	55.440.12		6		74.140.14	01	12
	80.180.05		10		74.140.14	02	20
	88.210.13	03	14		80.101.25		35
	88.230.21	01	8		80.150.03	02	53
	88.230.21	02	9		80.150.05		29
	88.230.21	03	11		80.150.07		52
	88.431.00		9		88.230.13	02	9
	88.431.01		8		88.230.18		18
	88.431.02		11		88.430.03		4
86507486	10.246.03		25		90.118.04		1
	10.414.09		19		90.118.22	01	34
	10.414.14		20		90.118.37		15
	10.418.16	01	19		90.118.40		6
	10.418.16	02	19		90.150.04		13
	39.100.05		44	86508569	33.202.23		8
	55.100.17		24		35.300.09	01	5
	55.404.28		8	86508571	10.414.06	01	14
	55.440.12		5		90.118.41	01	5
	60.110.03		24		90.118.41	02	5
	60.110.20		16	86508574	80.101.10		12
	66.350.01		26		80.101.10	01	12
	74.140.05		6	86508575	35.204.08		3
	74.140.14	01	20		60.110.22		5
	74.140.14	02	2	86508581	80.150.07		43
	80.101.07		19	86508583	80.150.11		26
	80.150.03	02	50		80.150.11	02	26
	80.150.05		26	86508622	39.100.05		15
	80.150.07		44	86508812	55.512.10		2
	80.154.03		19	86508813	55.404.08		17
	80.180.01		19		55.404.13		7
	80.180.01	01	19		55.404.34		7
	80.180.07		12		55.408.05		33
	80.180.11		13		74.114.06		42
	80.180.17	01	15		80.180.01	01	47
	80.180.17	02	15		88.120.02		5
	88.210.04		17		90.102.03	01	40
	88.210.10		30		90.102.03	02	40
	88.210.13	01	44		90.102.03	03	40
	88.210.13	02	44		90.102.05	01	40
	88.230.04		21		90.102.05	02	41
	88.230.17		9		90.102.05	03	40
	88.230.19		21		90.118.22	01	7
	88.230.19	01	9	86508819	55.404.21		1
	90.115.10		17	86509022	18.148.01		13
	90.118.29		24	86509023	35.300.14		11
	90.118.33		31		44.200.13		5
	90.118.41		21		44.200.15		11
86508097	44.200.12		12	86509204	55.785.11		6
86508354	60.110.08		63	86509590	55.100.41		4
	60.110.09		2	86509716	90.108.01	01	16
86508566	90.118.22	01	22	86509730	44.200.12		2
86508568	10.254.01	01	5	86509784	66.260.25		28
	10.406.03	01	35	86509827	55.512.10		3
	10.414.13		20		90.110.12		27
	21.130.03		9	86511042	55.404.12	01	14
	33.202.18		32		55.404.12	02	10
	35.910.04	01	32		55.404.12	02	14
	41.106.03	02	21		55.404.32		5
	55.100.07	01	19		55.408.08		7
	55.100.07	03	15		90.110.12		26
	55.100.17		15	86511146	50.200.04	01	37
	55.100.31		8		50.200.04	02	29
	55.404.09		16		50.200.04	03	38
	55.408.05		22	86511147	50.200.04	01	39
	55.418.01		6		50.200.04	02	30
	66.360.09		53		50.200.04	03	40
	74.101.12		5	86511148	50.200.04	01	40
	74.110.06		7		50.200.04	02	31
	74.114.01	01	12		50.200.04	03	41
	74.114.01	01	2	86511149	50.200.04	01	38

INDEX - INDICE - INDEX - ZAHLENVERZEICHNIS - INDICE - INDICE - INDHOLD - INHOUD

Number	Figure	Sequence	Ref.	Number	Figure	Sequence	Ref.
86511149	50.200.04	02	32	86512446	66.101.11		14
	50.200.04	03	39		66.350.01		21
86511315	80.101.07		46		74.130.01		15
	80.154.03		46		74.130.01	01	15
	88.230.13	01	21		80.101.08		19
	90.154.04		8		80.101.10		11
86511323	10.254.08	03	30		80.101.10	01	11
	10.414.13		17		80.101.25		20
	10.418.16	01	48		80.101.26		2
	10.418.16	02	48		80.150.06		45
	44.200.12		23		88.210.10		47
	44.200.13		19		88.210.11		13
	90.102.02	01	34		88.210.13	01	35
	90.102.03	01	33	86512447	88.230.04		26
	90.102.03	02	33	86512497	90.118.33		18
	90.102.03	03	33		55.404.16		28
	90.102.05	01	33		88.210.01	01	14
	90.102.05	02	34		88.210.01	02	14
	90.102.05	03	33		88.210.10		38
	90.118.04		11		88.210.11		4
	90.118.09		14		88.210.13	01	34
	90.118.38		9		88.210.13	01	51
	90.118.39	01	5		88.230.11	02	4
	90.120.08		9		88.230.21	01	7
86511324	10.414.01	01	14		88.431.00		8
	10.414.01	02	14		88.431.01		7
	10.414.01	03	10		88.431.02		10
	10.418.16	01	59	86512498	60.110.08		31
	10.418.16	02	59	86512499	60.110.08		28
	90.118.38		37	86512512	10.114.02		12
86511326	74.101.05		7	86512554	05.000.01	01	14
	74.140.05		11		05.000.01	02	14
	80.101.15		44		60.105.03		5
86511328	66.350.01		19		74.135.05	01A	24
	74.101.05	3	3		74.135.05	01B	24
86511444	55.440.12		20		74.135.05	02A	32
86511474	18.148.01		5		74.135.05	02B	31
86511479	88.120.06		11		90.118.44		9
86511480	90.120.05		2	86512555	60.110.03		22
86511736	41.216.01		6		66.350.01		17
86511815	55.440.19		8		74.101.10		14
86511816	55.512.10		11		88.210.10		24
	90.110.12		23		88.210.13	01	18
86511824	90.160.03		27		88.210.13	02	18
86511826	10.246.03		9	86512837	80.154.10		30
86511827	55.404.34		14	86512844	55.785.11		8
	90.160.03		9	86513328	35.204.10		22
86511830	55.510.05		16	86514261	41.203.01		6
86511841	60.110.03		31		88.230.21	01	34
	60.110.22		20		88.230.21	02	22
86511842	90.100.17		5		88.230.21	03	32
	90.100.19		17		88.430.05	01	5
86511843	48.134.03		16		88.430.05	02	5
86511855	55.404.13		8		88.431.00		22
	55.408.05		28		88.431.01		34
86512119	80.150.03	02	36		88.431.02		32
86512135	41.106.03	02	13	86514335	60.105.03		10
	90.118.40		12	86514512	10.418.16	01	33
86512136	35.700.01	01	23	86514793	18.148.01		1
86512168	55.440.12	01	5		88.100.03		7
86512259	66.330.01		12	86514794	18.148.01		12
86512298	21.140.03		8		88.100.03		10
86512380	66.101.08		7	86516805	35.910.02		13
	66.330.01		8	86517328	55.408.02		7
	66.330.17		4		55.440.12		19
	66.330.21		13	86517680	05.000.01	01	5
86512420	80.101.08		33		05.000.01	02	5
86512424	10.418.16	01	61		05.000.02	01	2
	10.418.16	02	61		66.350.03		9
86512439	74.114.06		18		88.210.05		19
	88.230.15		29	86519909	80.175.02		7
86512440	55.424.02		13	86520782	90.154.04		3
86512443	80.180.01		30	86520822	90.160.03		7
	80.180.01	01	30	86520824	90.150.04		29
86512446	60.110.06	01	21		90.160.03		16
	60.110.06	02	29	86521008	90.154.04		5
	60.110.21		11	86521017	90.154.02	01	15
	66.101.02		19	86521733	25.310.02	01	48

INDEX - INDICE - INDEX - ZAHLENVERZEICHNIS - INDICE - INDICE - INHOLD - INHOUD

Number	Figure	Sequence	Ref.	Number	Figure	Sequence	Ref.
86521733	25.310.02	02	48	86566989	55.408.08		6
86523197	80.175.12		10		55.418.01		15
86523849	60.110.03		47		55.424.02		17
	60.110.22		17		55.510.05		7
86525096	90.160.02	02	7		55.785.03	01	11
86528579	55.440.07		10		55.785.03	02	11
	55.440.07	02	10		66.101.09	02	11
86529089	55.100.41		6		74.114.03	01	31
86529541	41.203.01		33		74.114.03	02	31
	41.203.02		10		80.180.01		36
86529630	35.204.04		14		80.180.01	01	36
	35.204.10		10		80.180.07		7
86531048	50.200.02		7		80.180.11		22
86531050	50.200.02		6		80.180.17	01	22
86531231	90.154.02	01	17		80.180.17	02	22
86531234	55.510.07	01	5		88.120.03	01	4
	90.110.12		6		88.120.03	02	12
86531235	90.110.12		5		88.230.19	01	6
	90.154.02	01	31		88.230.19	02	10
	90.154.05		7		88.230.21	01	67
86533127	41.204.04		19		88.230.21	02	66
86533310	90.118.27		18		88.230.21	03	68
86534686	90.160.03		25		88.430.07		4
86534915	55.100.17		5		88.431.00		66
86539262	60.150.08		8		88.431.01		67
86541970	80.154.10		15		88.431.02		68
86547782	60.110.09		10		90.118.04		4
86548970	80.101.25		14		90.118.09		11
	80.180.05		3		90.150.04		39
86548974	10.418.16	01	17	86566990	35.752.03	02	31
	10.418.16	02	17		50.200.02		21
86558526	80.180.01		11		55.100.10		16
	80.180.01	01	11		55.100.22		9
86560521	66.350.02		16		55.100.34	01	11
	74.101.05		13		55.100.37		2
	80.101.15		18		55.404.09		11
	80.180.12		34		55.404.28		13
	88.210.02		16		55.780.11		11
86565146	90.118.27		20		80.175.12		9
86565318	80.175.10		18		88.430.02	01	3
86566099	80.175.07		8		88.430.05	01	20
86566851	80.150.05		2		88.430.05	02	20
86566989	10.102.07		12		88.430.09		3
	10.114.02		7	86570920	41.216.01		7
	10.206.08		10	86571273	29.204.05		23
	10.254.05	01	2		35.700.01	01	6
	10.254.05	02	2	86571703	44.200.03		8
	10.406.03	01	23	86571906	41.216.01		11
	10.406.03	02	14	86572627	90.160.03		28
	10.414.14		19	86572628	90.160.03		7
	33.202.15		21	86575514	60.110.08		10
	44.200.09		14	86575639	41.204.04		9
	44.200.13		13	86575773	80.101.18		16
	55.100.07	01	12	86575790	55.418.05		8
	55.100.07	02	23	86577946	60.110.06	01	32
	55.100.07	03	24		60.110.06	02	19
	55.100.10		15		66.350.01		13
	55.100.13		12		80.180.01		16
	55.100.14		6		80.180.01	01	16
	55.100.17		23	86578898	41.204.06		17
	55.100.22		4	86579671	35.204.01		20
	55.100.24		5		41.203.01		32
	55.100.26		6		88.100.02		4
	55.100.30		12	86579672	33.202.19		3
	55.100.31		15		35.204.10		3
	55.100.32		8		35.300.13		6
	55.100.34	01	4		35.440.06		3
	55.100.34	02	9		35.480.02	01	4
	55.100.34	03	9		35.480.02	02	3
	55.100.37		3		35.480.05		16
	55.100.42		6		35.480.06		3
	55.100.53		2		35.910.13		3
	55.404.08		22		60.110.22		6
	55.404.17		5	86579673	18.100.03		34
	55.404.28		12		35.300.13		3
	55.404.31		5		35.440.03		2
	55.404.34		11		41.200.02		3
	55.408.05		32		41.200.03		12

INDEX - INDICE - INDEX - ZAHLENVERZEICHNIS - INDICE - INDICE - INDHOLD - INHOUD

Number	Figure	Sequence	Ref.	Number	Figure	Sequence	Ref.
86579675	44.200.09		6	86579708	35.204.11		12
86579676	31.114.05		4		35.220.03	01	5
	35.204.10		4		35.220.03	02	5
	35.220.04		4		41.203.01		48
	35.300.13		5	86580177	35.910.04		7
	35.310.41		6		35.910.07	01	3
	35.910.06		3	86580178	35.910.04	01	25
	41.200.02		2	86580179	29.204.06		2
	41.200.03		13		31.114.05		2
	44.200.12		30		35.204.10		2
	55.440.11		6		35.220.03	01	4
86579678	10.206.08		3		35.220.03	02	4
	35.162.02		27		35.220.04		2
	35.480.02	01	5		35.300.13		7
	35.480.02	02	4		35.700.01	01	11
	35.480.05		24		35.910.06		2
	35.480.06		4		41.203.01		63
86579680	29.212.09		3	86580294	88.430.06		2
	33.202.19		2	86580795	90.102.02	01	25
	35.310.41		7		90.102.03	01	24
	35.700.01	01	2		90.102.03	02	24
	35.910.07	01	2		90.102.03	03	52
	35.910.07	02	2		90.102.05	01	49
	35.910.11	01	6		90.102.05	02	25
86579681	35.300.13		2		90.102.05	03	24
	35.910.08		2	86581559	80.101.08		23
	35.910.11	01	2		80.101.19		3
	35.910.11	02	2	86582836	80.175.02		8
86579682	29.204.06		3		80.175.10		42
	35.220.03	01	3	86583917	29.212.09		23
	35.220.03	02	3		35.700.01	01	18
	35.300.13		4	86585706	10.414.09		16
	35.910.04		16		10.418.16	01	7
	35.910.05	01	31		10.418.16	02	7
	35.910.05	02	31	86585707	55.627.10		4
	41.203.01		50	86585708	55.100.32		1
	44.200.12		26	86585711	90.154.04		10
	88.100.02		5	86585939	39.100.05		27
86579683	35.204.01		21		80.150.02		32
	35.910.05	01	13		80.150.03	02	65
	35.910.05	02	13		80.180.01		24
	41.203.01		4		80.180.01	01	24
	44.200.09		7	86587035	74.101.05		10
86579684	29.212.09		9		80.180.12		30
	35.310.41		2	86588003	74.101.05		8
86579685	35.220.03	01	2		74.101.10		15
	35.220.03	02	2		80.101.15		43
	41.203.01		49		80.180.12		25
86579686	10.414.12		24	86588450	10.254.01	01	12
	35.204.10		6		55.100.07	01	21
	35.440.07		3		55.100.07	02	15
86579687	35.440.06		2		55.100.07	03	16
	35.910.13		2		55.100.13		21
86579688	35.440.03		4		55.100.30		8
86579689	33.202.15		28		55.100.31		7
86579691	35.162.02		14		55.100.32		5
	35.162.02		34		55.404.17		8
	35.204.01		8		55.440.12		18
	35.300.06		4		55.627.10		11
	35.910.05	01	15		55.780.11		15
	35.910.05	02	15		74.114.03	01	8
	41.204.04		26		74.114.03	02	8
86579692	10.206.08		7		74.114.04	01	5
	35.162.02		14		74.114.04	02	5
86579693	35.300.06		3		90.118.09		27
86579694	35.204.10		5		90.118.38		24
	35.910.07	01	4		90.118.39	02	19
86579695	10.414.12		23	86588500	80.150.11		35
	29.212.09		10		80.150.11	02	35
	35.910.11	01	5	86588501	55.404.15		4
	35.910.11	02	5		55.404.16		5
86579697	35.910.04	01	24	86588502	88.230.19		14
	41.203.01		57	86588887	80.175.02		10
	88.100.02		6	86589278	39.100.04		30
86579700	35.300.06		7		39.100.05		26
86579705	35.910.07	02	7		80.150.11		39
86579706	41.203.01		7		80.150.11	02	39
86579708	31.114.05		3		80.180.01		23

INDEX - INDICE - INDEX - ZAHLENVERZEICHNIS - INDICE - INDICE - INHOLD - INHOUD

Number	Figure	Sequence	Ref.	Number	Figure	Sequence	Ref.
86589278	80.180.01	01	23	86594406	88.230.21	01	68
86590412	55.100.31		2		88.230.21	03	69
86590413	10.414.10		26		88.431.02		69
	10.414.14		24	86594499	88.230.21	01	56
	10.418.16	02	62		88.230.21	02	60
	55.100.07	01	13		88.230.21	03	60
	55.100.07	02	21		88.431.00		60
	55.100.07	03	23		88.431.01		56
	55.100.10		13		88.431.02		60
	55.100.13		10	86594534	80.175.02		19
	55.100.14		5	86595264	80.175.02		40
	55.100.17		21	86595506	88.431.01		68
	55.100.22		5	86596662	55.404.08		24
	55.100.24		3	86596879	80.180.12		19
	55.100.30		10	86596885	66.350.02		17
	55.100.31		16		80.180.12		35
	55.100.34	01	5		88.210.02		17
	55.100.34	02	7	86597760	35.480.02	01	6
	55.100.34	03	8		35.480.02	02	5
	55.100.37		4		35.480.05		21
	55.100.42		5		35.480.06		5
	55.404.31		6		35.910.05	01	36
	55.404.34		9		35.910.05	02	36
	55.408.05		26		44.200.12		27
	55.418.01		13	86597761	35.220.04		3
	55.424.02		16	86598043	35.700.01	01	22
	55.510.05		6	86598044	18.148.01		10
	55.785.03	01	10		18.148.01		7
	55.785.03	02	10	86598045	35.310.41		5
	66.101.09	02	9	86598046	35.204.10		11
	74.140.05		37		44.200.13		9
	80.101.15		53	86598047	35.204.04		18
	80.150.05		37	86598056	41.204.04		9
	80.180.07		6	86598098	35.480.02	01	9
	80.180.11		20		35.480.05		30
	80.180.17	01	20		35.480.06		9
	80.180.17	02	20		35.910.01		25
	88.120.03	01	3		35.910.04	01	52
	88.120.03	02	10		35.910.07	01	7
	88.430.07		3		41.200.02		9
86590562	35.204.04		17		41.200.03		19
86591334	41.203.01		5	86598099	10.414.12		27
86591730	55.510.07	01	4		18.100.03		23
86591733	55.510.07	01	1		29.204.05		24
86592700	35.162.02		40		29.212.09		19
	60.110.08		7		33.202.19		6
	66.350.01		22		35.204.01		3
	66.350.05		6		35.204.10		20
	88.210.10		18		35.300.13		19
	88.210.13	01	36		35.310.41		10
	88.210.13	03	10		35.700.01	01	7
	88.220.03	02	12		35.910.08		5
	88.230.04		27		35.910.09		27
	88.230.17		13		35.910.11	01	10
86592701	66.101.05		6		35.910.11	02	7
	66.101.09	01	13		41.203.01		34
	66.350.01		4		88.100.02		9
	66.350.02		23	86598100	33.202.19		8
	66.360.09		61		35.204.10		14
	66.360.11		4		35.300.06		15
	88.210.02		23		35.300.13		16
	88.210.10		12		35.300.14		9
	88.210.13	01	20		35.310.41		14
	88.210.13	02	20		35.440.06		7
	90.116.02		15		35.480.02	01	11
86592702	66.350.01		11		35.480.05		26
	74.101.15		5		35.480.06		11
	74.101.16		27	86598101	18.100.03		21
86592703	60.110.08		27		31.114.05		11
86592711	10.414.06	01	19		35.162.02		31
	10.414.06	03	12		35.162.02		35
86593173	35.480.02	01	3		35.204.01		22
	35.480.02	02	2		35.204.10		16
	35.480.05		22		35.220.04		9
	35.480.06		8		35.300.06		18
	41.200.02		4		35.300.13		12
	41.200.03		14		35.310.41		12
86594406	55.100.42		26		35.440.03		13

INDEX - INDICE - INDEX - ZAHLENVERZEICHNIS - INDICE - INDICE - INDHOLD - INHOUD

Number	Figure	Sequence	Ref.	Number	Figure	Sequence	Ref.
86598101	35.910.05	01	25	86610718	80.180.07		2
	35.910.05	02	25		88.120.03	01	1
	35.910.06		5		88.120.03	02	2
	35.910.09		25	86611285	55.100.07	01	7
	41.200.02		5		55.100.07	02	7
	41.200.02		7		55.100.07	03	11
	41.200.03		15	86611286	55.100.07	01	8
	41.200.03		17		55.100.07	02	8
	41.204.04		30		55.100.07	03	10
	44.200.13		12	86611287	55.100.07	01	9
	55.440.11		13		55.100.07	02	9
86598102	10.414.12		25		55.100.07	03	9
	29.212.09		16	86611329	74.135.05	02A	14
	33.202.19		9		74.135.05	02B	12
	35.162.02		33		90.102.02	01	18
	35.162.02		35		90.102.03	01	17
	35.204.10		18		90.102.03	02	17
	35.300.13		11		90.102.03	03	17
	35.310.41		13		90.102.05	01	17
	35.480.02	01	13		90.102.05	02	18
	35.480.05		32		90.102.05	03	17
	35.480.06		13	86611330	90.102.02	01	19
	35.700.01	01	14		90.102.03	01	18
	35.910.07	01	5		90.102.03	02	18
	35.910.07	02	4		90.102.03	03	18
	35.910.08		6		90.102.05	01	18
	35.910.11	01	12		90.102.05	02	19
	35.910.11	01	9		90.102.05	03	18
	35.910.11	02	6	86611339	55.100.41		3
	88.430.06		10	86611340	55.100.41		2
86598103	18.100.03		22	86611704	35.300.06		9
	29.204.06		7	86613046	55.404.09		14
	31.114.05		10	86613758	80.175.07		25
	35.220.03	01	9	86615036	88.210.13	01	39
	35.220.04		6		88.230.04		25
	35.300.13		14	86616161	55.404.09		10
	35.480.02	01	15	86616172	55.404.08		16
	35.480.05		28	86616173	55.404.08		15
	35.480.06		15	86616248	55.408.02		3
	35.910.04	01	23		55.408.03		8
	35.910.05	01	33	86616249	55.510.05		28
	35.910.05	02	33	86616250	55.404.08		30
	35.910.09		26		55.404.34		12
	41.203.01		54		88.120.03	01	7
	88.100.02		7	86618563	90.160.02	02	25
86598104	29.204.06		5	86618564	90.160.02	02	24
	29.212.09		17	86619060	10.246.03		30
	31.114.05		6		55.100.42		18
	35.204.01		15		74.114.03	01	30
	35.204.10		12		74.114.03	02	30
	35.220.03	01	11		74.130.08		18
	35.220.04		7		80.175.10		9
	35.300.13		17		80.175.11		15
	35.310.41		9		88.230.11	02	6
	35.700.01	01	16	86619800	90.120.05	01	12
	35.910.06		7	86619801	10.254.11	01	13
	41.203.01		51		10.254.11	02	20
	44.200.15		9		39.100.06		20
86598105	31.114.05		8		55.404.16		27
	35.220.03	01	7		88.210.09		6
	35.300.06		22		90.100.17		4
	41.203.01		58		90.100.18		4
86598190	80.180.12		26		90.100.19		12
86598897	80.180.01	01	38		90.118.36		15
86600174	80.150.02		9	86619803	90.120.05	01	10
	80.150.03	01	33	86619907	35.204.05		22
86600617	90.108.01	01	18		35.204.06		15
86600939	90.154.05		16		35.204.07	02	22
86601164	90.108.01	01	16		55.100.14		3
86601493	80.175.02		12		55.100.17		19
86602475	44.200.15		5		55.100.22		2
86604176	10.414.14		17		55.100.31		3
86604177	10.414.14		18		55.100.41		7
86604178	55.100.32		9		55.510.05		27
86606352	55.404.09		8		60.110.08		50
86608490	10.414.14		16	86619908	55.100.07	01	4
86610200	80.150.07		33		55.100.07	02	4
	80.154.10		23		55.100.07	03	4

INDEX - INDICE - INDEX - ZAHLENVERZEICHNIS - INDICE - INDICE - INDHOLD - INHOUD

Number	Figure	Sequence	Ref.	Number	Figure	Sequence	Ref.
86620026	66.101.09	02	2	86624184	55.785.04		2
	74.140.05		13		88.210.04		13
	74.140.09		13		88.230.04		19
	80.101.08		11		90.118.41		14
	80.101.10		6		90.118.44		4
	80.101.10	01	6	86624194	50.200.02		20
	80.101.15		2	86624653	90.108.01	01	11
	80.150.11		7	86624741	90.108.01	01	11
	80.150.11	02	7	86624774	60.110.09		16
	80.180.11		5		90.108.01	01	13
	80.180.17	01	5	86624978	60.110.08		15
	80.180.17	02	5	86625000	90.118.24	02	8
86620027	80.180.12		13	86625001	80.175.10		14
86622073	90.108.01	01	14		80.175.11		23
86622074	90.108.01	01	14		90.118.23	02	9
86622075	90.108.01	01	14		90.118.24	02	14
86622301	41.204.06		13	86625011	66.260.26		18
86622305	55.510.05		3	86625019	10.254.08	01	13
86622310	90.160.02	02	20		10.254.08	02	10
86623051	90.118.22	01	4		10.254.08	03	6
86623083	80.175.02		1	86625061	60.105.03		8
86623215	80.175.07		27		66.101.02		14
86623216	80.175.07		18	86625115	88.230.13	01	15
86623217	80.175.07		23	86625130	80.150.02		51
86623218	80.175.07		4		80.150.03	02	37
86623219	80.175.07		7	86625138	35.204.02		17
86623220	80.175.07		22		35.204.05		19
86623221	80.175.07		2		35.204.06		17
86623222	80.175.07		3		35.910.01		12
86623223	80.175.07		9	86625143	66.260.25		21
86623224	80.175.07		15	86625174	90.108.01	01	13
86623225	80.175.07		16	86625175	90.108.01	01	13
86623226	80.175.07		10	86625199	90.100.17		7
86623227	80.175.07		20		90.100.19		19
86623228	80.175.07		26		90.102.02	01	38
86623229	80.175.07		29		90.102.03	01	37
86623230	80.175.07		31		90.102.03	02	37
86623231	80.175.07		28		90.102.03	03	37
86623595	48.130.01		15		90.102.05	01	37
86623770	88.430.05	01	9		90.102.05	02	38
	88.430.05	02	9		90.102.05	03	37
86623898	35.480.05		25	86625200	88.230.21	01	30
86623899	35.480.05		25		88.230.21	02	14
86623900	35.480.05		19		88.230.21	03	67
86623991	10.414.09		23		88.431.00		14
	10.418.16	01	43		88.431.01		30
	10.418.16	02	43		88.431.02		67
86624000	88.230.15		8	86625201	10.254.08	01	29
	88.230.17		17		10.254.08	02	24
86624002	90.118.38		31		10.254.08	03	29
86624146	80.150.11		10		90.102.03	02	41
	80.150.11		20		90.102.05	02	42
	80.150.11	02	10	86625209	66.260.26		22
	80.150.11	02	20	86625234	10.406.03	01	22
86624167	80.101.15		52		10.406.08	01	15
86624176	55.404.33		5		10.406.08	03	12
	74.130.01		28	86625252	66.260.26		21
	74.130.01	01	28	86625255	41.203.01		24
	90.118.43	01	6		66.101.05		2
	90.118.43	02	6		66.330.17		12
86624181	90.154.02	01	39		66.330.21		15
86624182	10.206.08		12	86625256	10.012.04	01	6
	66.360.09		36		10.012.04	02	6
	90.118.22	01	35		10.012.04	03	6
86624183	55.518.01		10		35.204.01		10
	88.430.05	01	18		35.910.05	01	2
	88.430.05	02	18		35.910.05	02	2
	90.102.02	01	31		41.203.01		28
	90.102.03	01	30		60.120.10		19
	90.102.03	02	30		74.140.05		9
	90.102.03	03	30		88.230.13	01	22
	90.102.05	01	30	86625263	10.414.06	02	31
	90.102.05	02	31		39.100.05		53
	90.102.05	03	30		39.110.02		17
	90.150.04		9		55.408.03		3
86624184	10.414.06	02	29		55.785.03	01	13
	10.414.10		21		55.785.03	02	13
	55.627.10		8		90.118.33		32

INDEX - INDICE - INDEX - ZAHLENVERZEICHNIS - INDICE - INDICE - INDHOLD - INHOUD

Number	Figure	Sequence	Ref.	Number	Figure	Sequence	Ref.
86625266	10.012.04	01	4	86629542	66.101.09	01	5
	10.012.04	02	4		74.101.12		24
	10.012.04	03	4		74.101.12		38
	10.100.01	02	4		74.110.03		1
	39.100.05		24		74.114.01	01	16
	60.110.03		18		74.114.01	02	16
	66.101.08		8		74.114.06		9
	66.260.21		18		74.118.01		8
86626475	80.175.07		5		74.118.04	01	24
86626958	60.110.09		17		74.118.04	02	24
	60.110.09		6		74.140.15		6
	74.140.05		34		80.101.07		45
	74.140.09		29		80.101.08		10
	90.108.01	01	12		80.101.34		4
	90.115.10		21		80.150.03	02	45
86626959	90.108.01	01	11		80.150.11		53
86626961	90.108.01	01	12		80.150.11	02	53
86626962	90.108.01	01	12		80.180.01		31
86627351	74.114.03	01	44		80.180.01	01	31
	74.114.03	02	44		80.180.07		16
86627352	74.114.03	01	28		88.120.03	02	7
	74.114.03	02	28		88.210.04		14
86627639	80.175.02		32		88.210.10		36
	80.175.10		21		88.210.13	01	29
86628134	90.150.04		42		88.210.13	02	29
86628347	90.118.44		10		88.230.04		20
86628564	35.300.01	01	30		88.230.07		12
	35.300.01	02	30		88.230.11	02	8
	35.752.03	03	31		88.230.13	01	10
86629503	10.414.06	01	25		88.230.15		22
	10.414.06	02	25		88.230.18		12
	10.414.06	03	21		88.230.21	01	26
86629541	10.012.04	01	7		88.230.21	02	12
	10.012.04	02	7		88.230.21	03	6
	10.012.04	03	7		88.430.05	01	4
	35.300.09	01	17		88.430.05	02	4
	35.300.09	02	2		88.431.00		12
	39.100.01		8		88.431.01		26
	39.100.05		17		88.431.02		6
	60.110.08		30		90.102.02	01	29
	60.120.10		25		90.102.03	01	28
	66.350.02		24		90.102.03	02	28
	66.360.09		29		90.102.03	03	28
	74.114.06		3		90.102.05	01	28
	80.150.11		25		90.102.05	02	29
	80.150.11	02	25		90.102.05	03	28
	80.175.02		41		90.118.33		33
	80.175.10		40		90.118.41		16
	88.210.02		24		90.118.44		6
86629542	10.254.08	03	33	86632547	35.204.02		16
	10.406.03	01	9		35.204.05		17
	10.406.03	02	9		35.204.06		20
	10.406.03	03	19		35.910.01		15
	10.414.01	03	23	86632583	80.154.10		34
	10.414.06	03	3	86633350	10.254.08	01	12
	10.414.09		24		10.254.08	02	9
	10.418.16	01	46	86633352	10.406.03	01	10
	10.418.16	02	46		10.406.03	02	12
	35.204.01		27		10.406.03	03	15
	35.440.07		17	86633356	60.110.06	02	28
	35.752.03	01	3		66.101.02		18
	35.752.03	02	6		66.350.05		3
	35.752.03	03	15		66.360.09		47
	35.910.02		17		66.360.11		6
	35.910.02	01	15		80.150.07		37
	35.910.03	02	5		80.154.03		52
	39.100.05		42		88.220.03	02	7
	41.203.02		1		90.115.03		9
	44.200.09		23		90.118.29		28
	48.134.03		13		90.118.38		35
	48.134.04		13		90.118.39	02	12
	48.999.01	03	13		90.118.41		17
	55.404.28		10	86633519	66.360.09		11
	55.408.03		19	86633776	55.100.41		5
	55.518.03		8	86634189	10.254.08	01	33
	60.110.03		17		10.254.08	02	23
	60.110.06	02	16		10.254.08	03	28
	60.110.20		9		88.430.05	01	17

INDEX - INDICE - INDEX - ZAHLENVERZEICHNIS - INDICE - INDICE - INHOLD - INHOUD

Number	Figure	Sequence	Ref.	Number	Figure	Sequence	Ref.
86634189	88.430.05	02	17	86640420	80.101.10	01	15
86636027	18.110.02		7		80.150.11		41
86636847	10.254.08	01	19		90.108.01	01	10
	10.254.08	02	15	86640421	80.101.10	01	15
86637594	10.414.06	01	11		90.108.01	01	10
	10.414.06	02	11	86640422	80.101.10	01	15
	10.414.06	03	1		90.108.01	01	10
86637641	60.150.01		7	86640423	90.108.01	01	9
86637701	10.246.03		13	86640424	90.108.01	01	9
86637711	10.250.05	01	4	86640425	90.108.01	01	9
	10.254.08	01	11	86640426	55.100.10		24
	10.254.08	02	8		90.108.01	02	1
86637712	10.254.08	01	10		90.108.02	02	6
	10.254.08	02	7	86640429	90.108.01	01	8
	10.254.08	03	22	86640430	90.108.01	01	8
86637769	35.700.01	01	4	86640431	90.108.01	01	8
86637780	55.440.12	01	3	86640432	90.108.01	01	7
	88.430.07		2	86640433	90.108.01	01	7
86637951	90.118.38		16	86640434	90.108.01	01	7
86637960	66.320.02	02	5	86640435	90.108.01	01	6
86637977	50.200.04	02	8	86640436	90.108.01	01	6
86637996	10.406.03	01	34	86640437	90.108.01	01	6
	10.406.03	02	25	86640438	90.108.01	01	5
	10.406.03	03	25		90.154.02	01	41
	55.404.33		4	86640439	90.108.01	01	5
86637998	29.204.05		17	86640440	90.108.01	01	5
	41.203.02		20	86640441	88.230.19		23
86637999	41.203.02		18		90.108.01	01	4
86638209	60.110.09		18	86640442	90.108.01	01	4
86638213	74.135.05	01A	37	86640443	90.108.01	01	4
	74.135.05	01B	37	86640447	90.108.01	01	2
86638314	35.220.04		1	86640448	90.108.01	01	2
86638316	60.110.08		34	86640450	90.108.01	01	2
86638375	90.118.22	01	8	86641295	21.104.02		18
86638425	80.101.10		1		80.175.12		8
	80.101.10	01	1		88.430.05	01	6
	80.101.21	01	1		88.430.05	02	6
86639001	44.200.09		15	86642304	66.260.17		19
86639028	33.202.18		6	86642464	35.480.05		5
	90.114.07		3	86643195	55.404.09		7
86639053	35.910.05	01	5	86705422	35.204.11		6
	35.910.05	02	5	86705429	88.230.21	02	8
86639054	66.260.21		9		88.230.21	03	10
86639056	29.204.05		21	86729454	80.175.12		7
	41.203.01		61	86729633	90.108.01	01	25
86639060	35.300.01	01	12		90.108.02	02	5
	35.300.01	02	12	86836488	48.100.02		15
86639062	10.414.12		11	86837475	55.100.32		3
	35.300.01	01	18	86837476	55.418.05		6
	35.300.01	02	18	86837479	55.785.04		6
	35.752.03	03	34	86837484	10.414.12		9
	35.910.10		4	86900237	90.150.04		6
86639064	10.414.12		10	86900238	90.150.04		34
	35.752.03	03	33	86900239	90.150.04		33
	35.910.10		6	86900240	55.408.03		4
86639081	35.752.03	02	19	86900241	35.300.01	01	13
86639082	44.200.12		28		35.300.01	02	13
86639083	44.200.12		29	86900752	35.910.04	01	44
86639084	35.300.01	01	17	86900861	55.100.42		1
	35.300.01	02	17	86900862	55.100.42		1
86639085	35.300.01	01	11	86974037	60.110.08		49
	35.300.01	02	11		74.140.09		35
	35.752.03	01	22	86974313	60.105.03		9
	35.752.03	02	20	86974950	41.200.03		9
	35.752.03	03	22	86975008	35.700.01	01	5
86639097	88.430.05	01	12	86975027	39.100.05		36
86639138	90.150.05		16	86975029	39.100.05		39
86639148	74.135.02	01	7	86975104	55.404.11		1
86639151	90.116.02		14		55.404.12	01	1
86639310	55.512.10		16		55.404.12	02	1
86639313	10.406.08	01	11	86975123	55.510.05		22
	10.406.08	03	5	86975128	55.518.04		2
86639323	80.150.07		55	86975129	55.518.04		4
86639325	41.203.01		46	86975131	55.518.01		2
86639326	10.100.01	01	2	86975133	55.518.04		3
	10.100.01	03	2	86975202	31.114.01		7
	29.204.05		10		31.114.02		9
86640420	80.101.10		16		66.260.01		4

INDEX - INDICE - INDEX - ZAHLENVERZEICHNIS - INDICE - INDICE - INDHOLD - INHOUD

Number	Figure	Sequence	Ref.	Number	Figure	Sequence	Ref.
86975203	31.114.02		10	86975890	80.101.07		31
86975204	66.260.01		19		80.150.07		39
86975205	14.100.11		16		80.154.03		31
	31.114.02		13	86975897	80.101.07		17
86975206	14.100.11		6		80.150.07		18
	31.114.02		14		80.154.03		17
86975207	31.114.01		8	86975913	80.101.15		45
	66.260.01		16	86975966	66.350.02		12
86975208	31.114.01		13		88.210.02		12
86975218	66.260.01		17	86975993	80.150.11		1
86975220	90.118.22	01	32		80.150.11	02	1
86975277	80.154.03		9	86975994	80.150.11		2
86975348	41.204.04		5		80.150.11	02	2
86975394	90.102.02	01	17	86976139	80.154.03		16
	90.102.03	01	16	86976165	05.000.01	01	9
	90.102.03	02	16		05.000.01	02	9
	90.102.03	03	16		74.140.05		5
	90.102.05	01	16	86976166	35.910.07	02	3
	90.102.05	02	17	86976191	50.200.02		22
	90.102.05	03	16	86976208	05.000.01	01	11
86975412	80.150.11		3		05.000.01	02	11
	80.150.11	02	3		05.000.02	01	5
86975418	80.150.11		49		88.210.05		20
	80.150.11	02	49	86976256	55.518.04		8
86975483	80.154.03		9	86976257	55.518.01		1
86975514	80.101.07		11	86976334	90.118.22	01	1
	80.150.07		22	86976342	80.150.06		10
	80.154.03		11	86976370	88.210.05		11
86975516	80.101.07		11	86976375	35.300.09	01	11
	80.150.07		22		35.300.09	02	11
	80.154.03		11	86976398	80.101.07		1
86975520	80.101.07		10		80.150.07		14
	80.150.07		27		80.154.03		1
86975526	80.154.03		10	86976412	10.406.03	03	32
	80.101.07		12	86976473	55.440.07		12
	80.150.07		16		55.440.07	02	12
	80.154.03		12	86976480	80.101.15		6
86975528	80.101.07		12		80.101.35		2
	80.150.07		16	86976481	80.150.11		51
	80.154.03		12		80.150.11	02	51
86975551	55.404.11		1	86976531	10.254.11	01	1
	55.404.12	01	1	86976661	10.310.02	01	4
	55.404.12	02	1		10.310.02	02	4
86975571	80.101.07		16		10.310.02	03	4
	80.101.25		27	86976802	10.414.06	01	2
86975573	80.180.12		21		10.414.06	02	2
86975624	90.118.22	01	16		10.414.06	03	16
86975645	35.300.09	01	10	86976817	60.120.11	01	8
	35.300.09	02	10		60.130.01		4
86975646	25.310.03	01	27	86976901	80.101.07		23
	25.310.03	02	27		80.154.03		23
	48.130.01		27	86976968	10.406.08	01	4
86975647	25.310.03	01	13	86976974	50.200.04	01	34
	25.310.03	02	13		50.200.04	02	24
	48.130.01		13		50.200.04	03	30
86975648	25.310.03	01	23	86976987	55.440.11		5
	25.310.03	02	23	86977726	10.254.08	02	29
	48.130.01		23		88.430.08		14
86975734	80.101.07		10		90.150.07	03	16
	80.150.07		27	86977775	74.101.12		31
	80.154.03		10	86977784	10.414.09		11
86975743	66.260.24		6		10.418.16	01	40
86975761	55.785.01		2		10.418.16	02	40
86975763	55.785.01		9	86977785	10.414.14		14
86975764	55.785.01		10		21.110.01		10
86975765	55.785.01		12		21.182.02		9
86975790	80.101.07		13	86977786	10.400.02	01	7
	80.154.03		13		55.440.12		17
86975809	05.000.01	01	8		55.518.01		7
	05.000.01	02	8		74.110.04		6
	05.000.02	01	4		74.114.06		52
	05.000.02	02	4		74.140.14	02	11
	80.101.25		22	86977789	10.206.08		13
86975821	74.118.07		2		10.414.14		21
86975827	74.118.07		2		41.106.03	02	22
86975883	29.204.06		1		55.518.01		8
86975889	55.785.01		11		88.230.04		29
	90.160.02	02	33		90.118.40		9

INDEX - INDICE - INDEX - ZAHLENVERZEICHNIS - INDICE - INDICE - INHOLD - INHOUD

Number	Figure	Sequence	Ref.	Number	Figure	Sequence	Ref.
86977789	90.150.04		10	86992048	66.330.21		5
86977790	48.134.04		16	86993121	55.100.10		3
	55.627.11		12	86993463	50.200.07		13
86977872	90.160.02	02	18		50.200.09	01	1
86978768	25.310.03	01	34		50.200.09	02	1
	25.310.03	02	34	86994165	90.120.03		14
	48.130.01		3		90.120.06		14
	48.134.07		2	86995010	05.000.01	01	18
	66.320.02	02	7		05.000.01	02	17
86978770	48.134.03		27		35.300.06		2
	48.134.04		28		35.300.06		24
86978776	50.200.04	01	12	86995126	90.160.02	02	6
	50.200.04	02	20	86995153	66.101.11		8
	50.200.04	03	11	86995157	41.204.06		3
86979018	33.202.15		27	86995212	60.110.06	01	2
86979500	90.110.12		22		60.110.06	02	1
86979985	66.260.17		15		66.101.02		1
86979986	10.406.08	01	1	86995302	35.204.02		8
	10.406.08	03	3		35.204.05		9
	10.414.01	02	24		35.204.06		7
	10.414.06	01	5		35.204.07	02	9
	10.414.06	02	5	86995306	35.204.05		7
86980422	35.204.01		5		35.204.07	01	7
86980549	74.101.10		21		35.204.07	02	7
86980613	74.101.13		19	86995317	10.254.08	01	8
86980728	41.203.02		11		10.254.08	02	5
86980731	41.203.01		45	86995345	80.101.18		17
86980732	41.203.01		23	86995533	60.110.02		2
86980769	05.000.01	01	12	86995541	60.110.03		3
	05.000.01	02	12	86995542	60.110.03		34
	74.130.01		2	86995562	10.250.05	01	5
	74.130.01	01	2		10.254.08	01	9
86980825	74.101.13		19		10.254.08	02	6
86980964	66.360.09		15		10.254.08	03	23
86980985	66.260.21		4	86995571	60.110.09		3
86981121	35.910.06		4	86995690	35.204.07	01	1
86981234	35.300.15		1		35.204.08		1
	35.910.09		1		60.110.22		4
86981235	14.100.11		20	86995710	60.110.06	01	14
	18.100.03		1		60.110.21		7
	60.150.01		6	86995745	66.101.11		4
86981236	18.100.03		25	86995747	66.101.11		6
	35.910.09		13	86995758	66.101.11		2
86981237	18.100.03		32	86995759	90.120.05		9
	35.910.09		14	86995762	41.204.06		4
86981357	60.110.06	01	7	86995792	60.110.08		55
	60.110.06	02	6		60.110.09		9
	66.101.02		5		80.101.07		38
86981462	39.100.04		29		80.154.03		40
86981464	66.260.21		20	86995855	35.204.11		2
86981470	48.134.07		6	86995857	21.104.02		10
86981478	60.110.08		29	86995864	00.000.35	02	39
86981487	66.101.05		7		35.000.00	02	39
	66.330.01		20		35.204.11		3
	66.330.01		6	86995867	00.000.35	02	38
	66.330.17		8		35.000.00	02	38
	66.330.21		9		35.204.11		4
	66.360.09		19	86995869	00.000.35	02	37
	66.360.11		3		21.104.02		14
86981489	66.101.08		4		35.000.00	02	37
86981620	44.200.17		1	86995872	00.000.35	02	25
86981678	66.101.08		9		35.000.00	02	25
86984140	48.110.03		18		41.203.01		19
86984254	39.110.02		7	86995885	00.000.35	02	24
	90.118.33		25		35.000.00	02	24
86984400	90.102.03	01	45		41.203.01		18
	90.102.03	03	45	86995887	41.203.01		31
	90.102.05	01	45	86995939	41.204.06		6
	90.102.05	03	45	86995940	41.204.06		12
86988833	21.104.02		27	86995941	41.204.06		21
	35.440.07		8	86995942	41.204.06		26
	35.752.03	02	12	86995944	90.150.04		27
86990276	14.102.02		17		90.160.03		20
	31.114.04		22	86995945	55.408.03		10
86992047	66.330.01		19		90.150.04		23
	66.330.21		6		90.160.03		21
86992048	05.000.01	01	17	86995946	90.150.04		25
	66.330.01		5		90.160.03		10

INDEX - INDICE - INDEX - ZAHLENVERZEICHNIS - INDICE - INDICE - INDHOLD - INHOUD

Number	Figure	Sequence	Ref.	Number	Figure	Sequence	Ref.
86995947	55.512.10		8	86997386	74.135.05	01B	33
86995948	90.110.12		38		74.135.05	02A	24
86995949	90.150.04		14		74.135.05	02B	22
	90.160.03		1		88.210.10		17
86995950	90.160.04	02	5		88.220.03	02	16
86995951	90.110.12		1		88.230.17		12
86995956	90.160.02	02	11		90.118.29		14
86995994	41.203.01		30	86997464	90.160.02	02	2
86995995	00.000.35	02	20	86997465	90.160.02	02	3
	35.000.00	02	20	86997469	55.440.07		2
	35.204.01		19		55.440.07	02	2
86995997	35.204.01		18	86997470	55.440.07		7
86996082	60.110.06	01	13		55.440.07	02	7
	60.110.06	02	15	86997471	55.440.07		9
	66.101.02		12		55.440.07	02	9
	80.101.25		19	86997472	55.440.07		8
86996178	41.203.02		3		55.440.07	02	8
86996184	21.104.02		15	86997496	66.350.03	01	22
86996187	35.910.02		6		66.350.03	02	22
86996214	41.204.06		2		88.210.01	01	19
86996617	44.100.05		2		88.210.01	02	19
	44.511.05		2	86997515	88.230.13	01	29
86996678	44.100.07		2	86997517	55.440.07		11
86996699	55.785.01	14	14		55.440.07	02	11
86996714	74.101.10		2	86997578	66.350.01		15
86996737	44.520.02		2		66.350.03	01	4
86996745	44.520.02		2		66.350.03	02	4
86996749	44.520.02		2		74.140.05		28
86996753	44.520.02		2		74.140.09		8
86996784	14.100.11		5		88.210.01	01	4
	60.150.04		6		88.210.01	02	4
	60.150.05		25	86997586	66.350.01		8
	66.320.02	01	8	86997685	44.100.07		3
	66.320.02	02	8	86997800	55.100.42		3
86996914	05.000.01	01	23	86997801	55.418.05		2
	05.000.01	02	20	86997809	10.254.11	01	3
	74.101.10		4		10.254.11	01	7
	74.140.05		31		10.254.11	02	7
	74.140.09		10	86997812	31.114.02		12
86996948	35.204.01		9		60.150.05		21
	35.910.06		1	86997821	44.520.02		4
86996957	74.130.01		23	86997859	55.627.11		2
	74.130.01	01	23		66.360.09		12
86997034	05.000.01	01	24	86997885	88.230.07		7
	05.000.01	02	21	86997911	88.230.07		3
	74.130.01		6	86997936	55.404.10		5
	74.130.01	01	6		90.118.09		8
86997035	74.130.01		6	86998008	66.260.21		23
	74.130.01	01	6	86998035	55.627.10		2
86997053	74.140.05		29	86998062	44.100.05		4
	74.140.09		4	86998066	05.000.02	01	6
86997060	74.140.05		21		80.175.02		39
86997062	74.140.05		25	86998116	66.360.09		58
86997063	66.350.03	01	9	86998145	14.100.11		4
	66.350.03	02	9		60.150.04		38
	88.210.01	01	10		60.150.05		18
	88.210.01	02	10		60.150.07		14
86997109	74.130.01		14	86998150	66.360.09		25
	74.130.01	01	14		90.118.33		23
86997123	60.110.06	01	6	86998178	80.101.08		2
	60.110.06	02	5	86998255	90.160.02	02	17
	66.101.02		4	86998278	90.118.22	01	11
86997160	80.180.12		6	86998285	35.910.02		7
86997284	90.160.02	02	45	86998289	35.910.02		7
86997294	50.200.04	02	11	86998329	10.254.08	01	1
86997299	50.200.04	01	5		10.254.08	02	1
	50.200.04	01	6	86998330	10.202.02		1
	50.200.04	02	13	86998331	10.202.02		2
	50.200.04	02	14	86998332	05.000.01	01	14
	50.200.04	03	5		10.202.02		3
	50.200.04	03	6	86998333	05.000.01	01	15
86997309	35.480.02	01	7		10.202.02		4
	35.480.02	02	6	86998339	10.254.08	01	3
	35.480.05		18	86998371	21.104.02		2
	35.480.06		6	86998372	21.104.02		3
86997341	90.160.02	02	21	86998373	21.104.02		4
86997342	90.160.02	02	22	86998389	60.120.10		18
86997386	74.135.05	01A	33	86998394	55.785.01		1

INDEX - INDICE - INDEX - ZAHLENVERZEICHNIS - INDICE - INDICE - INHOLD - INHOUD

Number	Figure	Sequence	Ref.	Number	Figure	Sequence	Ref.
86998396	31.114.05		5	86999156	00.000.35	02	17
86998407	66.101.09	01	7		35.000.00	02	17
86998428	21.104.02		1		35.300.09	01	7
86998439	66.360.09		13		35.300.09	02	7
86998472	10.310.02	01	13	86999166	60.110.08		33
	10.310.02	02	13		60.130.01		1
	10.310.02	03	13	86999167	60.110.08		23
86998476	10.310.02	01	10	86999187	80.101.15		10
	10.310.02	02	10	86999223	80.101.25		11
	10.310.02	03	10	86999225	80.101.25		11
86998593	35.204.11		5	86999254	90.108.02	03	3
86998599	80.180.01		1	86999310	90.154.02	01	40
	80.180.01	01	1	86999341	66.350.03	01	7
86998682	80.101.10		4		66.350.03	02	7
	80.101.10	01	4		88.210.01	01	8
86998687	90.102.03	01	39		88.210.01	02	8
	90.102.03	02	39	86999477	80.101.25		2
	90.102.03	03	39	86999480	80.101.25		2
	90.102.05	01	39	86999492	80.101.25		25
	90.102.05	02	40	86999506	74.135.05	01A	32
	90.102.05	03	39		74.135.05	01B	32
86998688	90.102.03	01	44	86999516	74.135.05	01A	36
	90.102.03	03	44		74.135.05	01B	36
	90.102.05	01	44	86999517	74.135.05	01A	30
	90.102.05	03	44		74.135.05	01B	30
86998689	35.752.03	01	14	86999529	74.135.05	01A	34
	35.752.03	02	15		74.135.05	01B	34
	35.752.03	03	17	86999534	60.150.04		7
	41.203.01		62	86999536	60.150.04		8
86998693	66.101.08		3		66.320.02	01	10
86998746	35.910.02		11		66.320.02	02	10
	35.910.02	01	8	86999557	80.101.15		11
86998747	35.910.02		12	86999732	74.130.01		24
86998844	60.150.01		2		74.130.01	01	24
	60.150.05			86999741	74.101.10		18
86998845	60.150.01		2	86999835	80.101.18		15
86998846	14.100.11		1	86999893	35.204.01		24
86998877	80.101.19		6	86999947	10.246.03		10
86998883	35.910.02		2	86999948	10.246.03		11
	35.910.02	01	2	86999949	10.246.03		14
	35.910.03	01	2	87000071	88.230.17		24
	35.910.03	02	2		90.118.29		21
86998886	80.101.08		16		90.118.41		12
86998906	80.101.08		5	87000091	66.260.21		5
86998908	80.101.08		7	87000108	66.360.09		49
86998922	80.101.08		14	87000124	74.135.05	01A	11
86998942	80.101.08		25	87000125	74.135.05	01A	12
	80.101.18		5		74.135.05	01B	12
86999007	66.350.03	01	17	87000126	74.135.05	01B	11
	66.350.03	02	17	87000140	35.300.01	01	24
	80.101.35		4		35.300.01	02	24
	88.210.01	01	22		35.752.03	01	18
	88.210.01	02	22		35.752.03	02	34
86999020	66.101.11		3		35.752.03	03	11
86999062	66.105.13		3		35.910.03	01	7
86999063	66.105.13		3		35.910.03	02	7
86999083	90.116.02		4		35.910.10		9
86999088	90.116.02		5	87000142	21.104.02		24
86999090	66.105.16		1		35.300.01	01	25
86999096	66.105.16		3		35.300.01	02	25
	66.105.17		3		35.752.03	02	22
86999097	66.105.16		2		41.203.02		22
	66.105.23		2	87000144	35.752.03	01	20
86999101	66.105.16		3		35.752.03	02	26
	66.105.17		3		35.752.03	03	24
86999103	66.105.26		1	87000146	35.752.03	01	5
86999108	66.105.26		2		35.752.03	02	11
86999111	10.254.08	01	4		35.752.03	03	16
86999121	80.180.12		1		41.203.02		23
86999122	80.180.12		14	87000149	35.204.01		29
86999153	00.000.35	02	13	87000150	33.110.03		16
	35.000.00	02	13	87000154	35.910.02		14
	35.300.09	01	9	87000159	33.110.03		19
	35.300.09	02	9		48.134.03		10
86999154	00.000.35	02	14		48.134.04		10
	35.000.00	02	14		48.999.01	03	10
	35.300.09	01	8	87000203	60.120.10		7
	35.300.09	02	8		60.150.08		1

INDEX - INDICE - INDEX - ZAHLENVERZEICHNIS - INDICE - INDICE - INDHOLD - INHOUD

Number	Figure	Sequence	Ref.	Number	Figure	Sequence	Ref.
87000204	60.120.10		5	87000778	10.406.08	01	14
	60.120.12				10.406.08	02	13
87000205	60.120.10		6		10.406.08	03	13
	60.120.11	01	1	87000806	80.150.16		5
87000220	41.204.04		24	87000837	35.752.03	03	5
	50.200.04	01	36		35.910.03	01	20
	50.200.04	02	16		35.910.03	02	20
	50.200.04	03	4	87000875	35.752.03	02	17
	55.100.34	01	3	87000880	00.000.35	02	41
	55.100.34	02	6		35.000.00	02	41
	55.100.34	03	7		35.910.03	01	17
87000223	10.102.07		3		35.910.03	02	17
	50.200.04	01	19	87000924	88.230.15		23
	50.200.04	02	17	87000942	35.910.03	01	6
	50.200.04	03	18		35.910.03	02	6
87000226	50.200.04	01	8	87000945	88.230.15		9
	50.200.04	02	5		88.230.19	01	8
	50.200.04	03	8	87000990	39.100.05		35
87000227	50.200.04	01	23	87000991	39.100.05		37
	50.200.04	02	15	87000998	90.150.01		20
	50.200.04	03	22	87001000	90.150.01		19
87000230	21.104.02		23	87001135	55.518.04		1
	33.110.03		17	87001248	55.408.05		7
	35.204.01		30	87001250	55.408.05		9
	35.300.01	01	26	87001252	55.408.05		10
	35.300.01	02	26	87001253	55.408.05		11
	35.440.07		13	87001274	35.300.01	01	16
	35.752.03	01	6		35.300.01	02	16
	35.752.03	02	13	87001315	55.404.31		3
	35.752.03	03	12		90.150.07	02	2
	35.910.02		15	87001317	55.404.34		3
	35.910.03	01	8	87001324	55.408.05		29
	35.910.03	02	8	87001364	60.110.03		43
	35.910.10		8		60.110.22		21
	41.203.02		25	87010222	55.100.41		15
	88.230.15		24		55.510.05		25
87000231	41.203.02		26	87010223	55.100.30		4
	44.200.09		20	87010225	55.100.41		16
87000242	21.104.02		5	87010436	60.120.10		17
	35.204.01		25		60.120.11	01	9
	35.910.02		3		60.130.01		5
	35.910.02	01	3	87010469	35.752.03	01	13
	35.910.03	01	3		35.752.03	02	2
	35.910.03	02	3		35.752.03	03	2
87000251	88.210.10		16	87010704	10.414.12		13
	88.210.13	01	15		48.134.03		6
	88.210.13	02	15		48.134.04		6
87000266	74.101.12		35		48.999.01	03	6
87000278	74.101.12		36	87010913	35.910.04		17
87000280	74.101.12		36	87010918	35.700.01	01	13
	88.230.15		28	87011097	74.114.03	01	35
	88.230.18		17		74.114.03	02	35
87000312	50.200.04	02	22	87011099	74.114.03	01	15
87000394	33.202.15		20		74.114.03	02	15
87000413	74.135.05	01A	17	87011102	74.118.04	01	4
	74.135.05	01B	17		74.118.04	02	4
	74.135.05	02A	17	87011216	55.440.05	01	4
	74.135.05	02B	14	87011295	41.204.04		8
	90.118.41	01	12	87011296	41.204.04		8
	90.118.41	02	12	87011488	66.350.03	01	16
87000416	35.162.02		7		66.350.03	02	16
87000417	35.162.02		7		88.210.01	01	21
87000418	35.162.02		9		88.210.01	02	21
87000419	35.162.02		9	87011511	74.140.07		1
87000505	88.230.13	01	16	87011585	05.000.01	01	6
87000585	55.518.01		9		05.000.01	02	6
	90.150.04		5		05.000.02	01	3
87000601	90.150.04		2		80.180.12		9
87000622	35.300.06		14	87011705	80.180.01		7
87000623	35.300.06		13		80.180.01	01	7
87000624	35.300.06		11		80.180.11		7
87000625	35.300.06		12		80.180.17	01	8
87000680	35.910.03	01	11		80.180.17	02	8
87000682	35.910.03	01	13	87011804	74.118.04	01	7
87000683	35.910.03	01	14		74.118.04	02	7
	35.910.03	02	14	87011998	74.114.03	01	40
87000772	66.105.12		2		74.114.03	02	40
87000774	66.105.12		1	87012017	90.154.02	01	6

INDEX - INDICE - INDEX - ZAHLENVERZEICHNIS - INDICE - INDICE - INHOLD - INHOUD

Number	Figure	Sequence	Ref.	Number	Figure	Sequence	Ref.
87012018	90.150.01		5	87021759	60.120.10		21
87012019	90.150.01		6	87022202	90.150.06		8
87012023	90.110.12		20	87022683	35.204.01		11
87012025	90.150.06		5		35.910.05	01	3
87012026	90.150.06		4		35.910.05	02	3
87012484	21.104.02		7		41.203.01		29
	35.910.03	01	21	87022684	41.203.01		25
	35.910.03	02	21	87022685	29.212.20		2
87013333	44.200.17		2	87022817	29.212.09		5
87013474	90.108.01	02	13	87023036	74.101.10		7
87013640	74.114.03	01	21		80.101.08		15
	74.118.04	01	25	87023084	55.440.19		3
	74.118.04	02	11	87023988	55.512.10		4
87013665	55.100.41		17	87024335	41.106.03	01	8
87013666	10.254.08	01	23		41.106.03	02	8
	10.254.08	02	18		44.101.01	01	5
	10.254.08	03	40		44.101.01	02	5
87013667	74.114.03	01	22		44.101.02		7
	74.114.03	02	22		48.999.01	02	8
87014401	55.440.05	01	1	87024336	41.106.03	01	10
	55.440.05	01	2		41.106.03	02	10
	55.440.05	01	3		44.101.02		9
87014923	55.518.03		2		48.999.01	02	10
87015110	90.154.05		22	87024936	35.910.12		13
87015293	55.408.05		31	87024982	33.202.15		24
87015294	55.404.13		9	87024996	39.100.05		16
	55.408.05		34	87025487	66.260.24		21
87015535	66.260.21		32	87025488	66.260.24		23
87015724	60.150.01		4	87025489	66.260.24		24
87015731	21.182.02		18	87025780	35.300.14		8
	80.180.01		42	87026245	35.300.14		5
	80.180.01	01	42		35.910.12		6
	90.118.23	02	14	87026294	05.000.01	01	9
	90.118.24	02	6		05.000.01	02	9
87015732	66.260.17		3		55.100.13		3
87015733	66.260.17		5		55.780.11		12
87015734	66.260.17		6	87026295	55.100.10		5
87015736	66.260.24		4	87026355	55.404.16		14
87016255	66.260.21		3		55.408.05		30
87016478	44.200.13		8		74.140.05		32
87016482	80.101.08		31	87028029	10.310.02	01	6
	80.101.10		7		10.310.02	02	6
	80.101.10	01	7		10.310.02	03	6
	80.101.15		4	87028761	33.202.15		7
	80.180.11		6	87028944	35.300.01	01	19
87016553	55.518.03		9		35.300.01	02	19
	90.150.01		16		35.752.03	01	21
87016605	74.135.02	01	5		35.752.03	03	21
87016606	80.175.10		30	87029955	10.246.03		29
87016607	80.150.07		34	87029972	44.100.03		7
	80.175.10		29	87030025	35.300.06		5
87016609	60.150.01		5		35.300.06		5
87016658	55.627.10		9	87030508	88.210.10		43
87016659	88.230.13	01	7	87030549	88.210.11		10
87016915	10.414.12		14	87030775	90.100.18		13
	35.752.03	03	40	87031062	66.260.25		3
	35.910.03	02	22	87031063	66.260.25		29
87016958	35.710.02		4	87031097	35.162.02		18
87017583	29.204.05		12	87031239	35.910.12		5
87017891	66.260.21		22	87031322	35.440.04		5
87017895	66.260.21		17	87032337	39.100.04		28
87018388	66.260.21		6	87032578	90.110.12		12
87019103	88.210.05		31		90.154.05		13
87019672	10.414.09		26	87032582	90.154.02	01	32
	10.418.16	02	41	87033290	80.175.10		26
87019748	90.150.01		15	87033533	66.260.24		22
87019749	90.150.01		7	87033534	66.260.24		14
87019752	90.160.04	02	4	87033535	66.260.24		13
87020310	80.180.05		17	87033536	66.260.24		12
87020437	66.101.09	01	3	87033537	66.260.24		11
87020818	90.118.38		19	87033538	66.260.26		15
87020821	66.260.26		17	87033541	66.260.26		14
87020897	66.260.25		30	87033542	66.260.26		13
87021332	60.110.06	01	46	87033543	66.260.26		12
	60.110.06	02	21	87033544	66.260.25		9
87021758	60.110.08		45	87033545	66.260.25		8
	60.120.10		22	87033546	66.260.25		7
87021759	60.110.08		44	87033548	66.260.25		6

INDEX - INDICE - INDEX - ZAHLENVERZEICHNIS - INDICE - INDICE - INDHOLD - INHOUD

Number	Figure	Sequence	Ref.	Number	Figure	Sequence	Ref.
87033737	39.100.05		50	87105202	90.118.44		2
	55.627.10		12	87105372	55.404.13		5
	80.150.03	02	81	87105383	55.404.10		4
	90.105.10		6		90.118.09		6
	90.118.41	01	15	87105392	55.404.13		2
	90.118.41	02	17	87105393	55.404.13		3
87033908	74.114.03	02	39	87105394	55.404.13		4
87034239	66.260.17		17	87105416	10.246.03		23
87035062	18.148.01		8	87105499	35.910.04		4
	35.204.02		15	87105504	90.150.07	03	5
87035385	88.230.18		13	87105603	05.000.01	01	30
87035448	10.246.03		39		05.000.01	02	26
	10.254.08	01	25		66.260.21		16
	10.254.08	02	25	87105606	66.350.01		1
	10.254.08	03	26	87105622	90.102.02	01	30
87035471	44.200.15		9		90.102.03	01	29
87035472	44.200.12		39		90.102.03	02	29
87035487	44.200.12		16		90.102.03	03	29
87035490	44.200.07		16		90.102.05	01	29
87035492	44.200.07		7		90.102.05	02	30
	44.200.13		11		90.102.05	03	29
87035522	44.200.03		26	87105633	44.200.09		9
87036180	48.130.01		30	87105654	90.108.02	01	
87036419	80.101.15		59		90.108.02	02	
87036589	90.108.02	03	4		90.108.02	03	
87036591	55.100.17		8	87105672	55.440.11		1
87037031	88.100.03		6	87105673	55.440.11		10
87037462	90.120.03		16	87105676	14.102.02		19
	90.120.06		19		31.114.04		24
87038215	88.210.05		29	87105677	55.440.11		7
87038806	48.134.05		11	87105681	90.160.02	02	19
87039408	80.101.21	01	8	87105683	60.110.03		23
	80.101.21	02	8		60.110.20		2
87039409	80.101.21	01	6	87105711	00.000.35	02	42
	80.101.21	02	6		35.000.00	02	42
87040216	66.260.24		25		35.910.03	01	15
87041331	60.110.09		15		35.910.03	02	15
	60.120.10		24	87105715	35.752.03	02	23
87044106	74.135.05	01A	6	87105727	35.910.02		10
	74.135.05	02A	36	87105732	21.104.02		22
87044151	55.518.03		1	87105740	35.162.02		23
87044350	80.101.25		12	87105744	60.110.03		2
	80.180.05		4		60.110.22		3
87044524	74.140.14	01	1	87105745	21.104.02		26
87045052	90.160.02	02	38	87105760	55.518.01		4
87049215	55.100.17		3	87105766	90.150.04		1
87049763	55.518.05		11	87105772	90.150.04		3
87050694	55.408.02		1	87105773	90.150.04		8
	55.408.03		2	87105820	74.114.04	02	1
87052251	55.627.11		17	87105832	74.101.12		35
87053359	66.101.05		23	87105840	50.200.04	01	11
87105024	60.110.03		44		50.200.04	02	7
	60.110.22		14		50.200.04	03	10
87105048	10.100.01	01	10	87105841	50.200.04	01	13
	10.100.01	02	14		50.200.04	02	6
	10.100.01	03	12		50.200.04	03	12
87105060	39.110.02		2	87105924	88.230.15		11
87105109	14.102.02		16	87105926	88.230.15		12
	31.114.04		21	87105947	80.154.03		49
87105111	31.114.04		14	87105948	80.154.03		50
87105113	14.102.02		20	87105987	35.700.01	01	1
	31.114.04		25	87106007	80.150.02		41
87105114	14.102.02		21		80.150.03	02	71
	31.114.04		26	87106105	66.260.21		19
87105115	14.102.02		14	87106154	35.480.05		17
	31.114.04		19	87106155	44.200.09		8
87105116	14.102.02		15	87106204	80.150.03	01	20
	31.114.04		20		80.150.05		13
87105122	31.114.01		11	87106208	90.150.01		14
	31.114.04		9	87106209	66.260.21		12
87105130	80.101.07		41	87106212	90.150.01		21
	80.154.03		41	87106239	35.480.05		14
87105189	90.150.04		26		35.910.02	01	16
	90.160.03		11	87106240	41.204.04		25
87105202	74.135.05	01A	16	87106262	55.404.10		12
	74.135.05	01B	16	87106279	80.101.07		18
	74.135.05	02A	15		80.154.03		18
	74.135.05	02B	13		80.154.04		7

INDEX - INDICE - INDEX - ZAHLENVERZEICHNIS - INDICE - INDICE - INHOLD - INHOUD

Number	Figure	Sequence	Ref.	Number	Figure	Sequence	Ref.
87106279	80.154.06		7	87106704	66.101.05		11
	80.180.01		9		66.360.09		38
	80.180.01	01	9	87106719	60.110.08		2
87106287	55.404.12	01	6	87106744	90.160.02	02	5
	55.404.12	02	5	87106795	88.230.07		13
	55.404.32		9	87106805	90.110.12		19
87106291	55.404.11		7	87107022	80.101.10		3
	55.404.12	01	10		80.101.10	01	3
87106301	55.404.11		6	87107054	80.101.25		23
	55.404.12	01	9	87107056	80.101.07		2
87106302	55.404.11		5		80.154.03		2
	55.404.12	01	8	87107058	80.154.03		38
87106305	55.404.11		8		80.154.03		8
	55.404.12	01	11	87107060	80.154.03		38
	55.404.12	02	9		80.154.03		8
87106306	55.404.32		6	87107072	10.414.09		25
87106336	66.101.09	01	1		10.418.16	01	2
87106338	05.000.01	01	29		10.418.16	02	2
	05.000.01	02	25		90.118.09		30
	66.360.09		28		90.118.38		29
	66.360.10		7	87107077	55.404.31		3
	66.360.12		5		90.150.07	02	12
87106339	44.100.02		3	87107084	90.160.04	02	3
	44.100.03		3	87107102	10.102.07		1
	44.100.04		3	87107104	60.110.22		19
	44.100.05		3	87107105	60.110.03		30
	44.100.09		3	87107165	55.510.05		18
	44.100.10		3	87107189	35.752.03	01	1
	44.511.04		3		35.752.03	02	1
	44.511.05		3		35.752.03	03	9
87106340	44.100.02		4		35.910.03	01	9
	44.100.03		4		35.910.03	02	9
	44.100.04		4		35.910.08		1
	44.100.05		4	87107208	90.118.26		3
	44.100.09		4	87107209	90.118.26		4
	44.100.10		4	87107233	90.150.05		5
	44.511.04			87107256	90.150.05		15
	44.511.05		4	87107259	66.101.08		11
87106351	55.440.12		10	87107260	66.101.08		10
87106352	55.404.11		2	87107341	88.210.05		17
	55.404.12	01	2	87107362	74.140.05		30
87106353	55.404.11		3	87107364	90.108.11		3
	55.404.12	01	3	87107365	74.130.01		26
87106354	55.404.12	01	4		74.130.01	01	26
	55.404.12	02	3	87107366	74.130.01		26
	55.404.32		7		74.130.01	01	26
87106382	66.360.12		2	87107380	90.150.05		17
87106404	10.310.02	01	15	87107381	90.150.05		18
	10.310.02	03	16	87107403	55.408.02		2
87106461	39.100.05		23	87107405	35.300.06		10
87106462	35.700.01	01	3	87107409	60.120.10		3
87106463	55.510.05		11	87107420	50.200.04	01	31
87106482	35.440.03		7		50.200.04	02	25
87106483	35.440.03		6		50.200.04	03	20
87106501	55.440.11		12	87107435	10.102.07		8
87106506	44.511.05		2	87107440	66.260.22		2
87106570	60.120.10		1	87107510	39.100.05		5
87106571	60.110.09		13	87107511	39.100.05		6
	60.120.10		23	87107513	39.100.05		33
87106596	90.118.38		18	87107515	39.100.05		32
87106610	35.910.02		8	87107557	10.102.07		9
87106611	35.910.02		8	87107563	14.102.02		23
87106615	80.101.10		5		66.260.23		1
	80.101.10	01	5	87107588	80.101.07		43
87106625	80.101.10		5		80.154.03		43
87106651	66.105.25		1	87107589	90.160.02	02	43
87106653	66.105.25		2	87107596	50.206.01		3
87106667	66.260.21		28	87107642	31.114.01		9
87106673	35.300.01	01	7		66.260.01		20
87106686	55.404.09		2	87107674	60.110.02		5
87106688	55.404.09		19		60.110.20		6
87106690	35.910.03	01	16	87107708	90.110.12		21
	35.910.03	02	16	87107773	90.150.07	02	1
87106692	05.000.01	01	7	87107781	80.101.07		42
	05.000.01	02	7		80.154.03		42
	88.220.03	02	2	87107812	35.440.03		5
87106697	90.110.12		43	87107827	66.260.21		30
87106698	90.110.12		30	87107830	66.260.21		29

INDEX - INDICE - INDEX - ZAHLENVERZEICHNIS - INDICE - INDICE - INDHOLD - INHOUD

Number	Figure	Sequence	Ref.	Number	Figure	Sequence	Ref.
87107888	74.140.06		3	87108990	74.135.05	01B	14
87107892	66.360.10		4	87108999	90.150.05		4
87107917	39.110.02		15	87109036	55.510.05		21
87107921	35.162.02		29	87109037	55.510.05		20
	35.162.04		8	87109057	55.301.05		5
	60.110.08		62	87109059	55.301.05		4
87107941	90.116.02		3	87109081	90.102.03	01	11
87107953	55.512.13		8		90.102.03	02	11
	90.160.02	02	27	87109087	39.100.05		38
87107955	90.160.02	02	29	87109088	66.350.03	01	3
87107957	90.160.02	02	31		66.350.03	02	3
87107958	90.160.02	02	32		88.210.01	01	3
87107960	90.160.02	02	34		88.210.01	02	3
87107961	90.160.02	02	35		88.210.10		5
87107962	90.160.02	02	36		88.210.13	01	11
87107963	90.160.02	02	37		88.210.13	02	11
87107970	90.118.33		2	87109105	35.480.05		12
87108015	74.140.05		10	87109107	35.480.05		15
87108021	55.404.32		2		60.110.22		7
87108028	39.110.02		14	87109113	90.150.07	02	3
87108033	80.154.09		26	87109129	66.260.21		21
87108035	80.154.09		4	87109133	90.160.02	02	12
87108037	80.154.09		6	87109134	90.160.02	02	9
87108044	80.154.09		5	87109160	74.140.05		4
87108048	29.204.05		30		74.140.09		23
	88.230.15		2	87109174	10.254.08	01	28
87108085	90.150.07	03	1		10.254.08	02	19
87108087	90.150.07	03	6	87109185	90.150.05		7
87108107	90.160.02	02	39	87109198	66.105.17		1
87108132	35.162.02		5	87109201	66.105.17		2
87108164	44.101.01	01	9	87109213	80.101.08		22
	44.101.01	02	9	87109290	55.440.12		13
87108166	44.101.01	01	7		55.440.12	01	4
	44.101.01	02	7		74.140.09		26
87108187	44.101.01	01	7		88.210.14		4
	44.101.01	02	7	87109324	88.210.10		7
87108189	44.101.01	01	9		88.210.13	01	10
	44.101.01	02	9	87109346	35.480.05		7
87108325	55.510.06		2	87109347	35.480.05		8
87108347	55.404.34		1	87109348	35.480.05		10
87108362	44.101.02		5	87109349	35.480.05		9
87108364	44.101.02		4	87109363	74.130.08		12
87108395	60.110.08		47	87109364	74.130.08		11
87108425	80.150.06		1	87109365	14.102.02		18
87108482	74.135.05	01A	5		31.114.04		23
	74.135.05	02A	4	87109386	90.118.39	01	2
87108509	35.300.15		25	87109394	90.118.38		28
87108512	35.300.15		8	87109397	39.100.05		7
87108513	35.300.15		11	87109468	60.120.11	01	7
87108517	35.300.15		27	87109469	60.120.10		15
87108532	90.100.20		14		60.130.01		9
	90.100.21		2	87109471	10.310.02	02	5
87108536	74.135.05	01A	8		10.310.02	03	5
	74.135.05	02A	2	87109472	90.118.38		17
87108562	74.135.05	01A	1	87109491	60.110.06	01	45
	74.135.05	02A	3		66.101.11		17
87108616	35.300.15		5	87109527	55.404.13		1
	66.260.22		1	87109561	80.150.16		4
87108677	44.200.03		28	87109573	55.404.34		15
87108678	44.200.12		32		88.120.02		1
87108750	35.910.02		1	87109584	90.118.39	02	3
87108752	35.910.02		1	87109655	74.140.09		3
87108760	90.118.38		20	87109697	90.100.17		17
87108765	88.210.10		32		90.100.19		22
87108781	66.260.26		23		90.118.36		14
87108836	55.100.17		9	87109712	55.404.13		1
87108857	80.101.15		9	87109716	55.404.13		1
87108864	80.101.15		48	87109720	55.404.13		1
87108879	90.150.07	02	4	87109724	90.118.38		7
87108881	90.150.07	02	5	87109737	90.118.09		4
87108883	35.300.15		13	87109740	35.204.06		
87108884	35.300.15		14		35.204.08		2
87108942	60.110.08		9		35.480.05		1
87108944	60.110.08		24		35.480.06		2
87108949	60.110.08		20	87109741	35.480.06		1
87108951	60.110.08		8	87109742	35.204.05		1
87108961	60.110.06	02	33		35.480.02	01	2
87108966	66.101.11		13		35.480.05		1

INDEX - INDICE - INDEX - ZAHLENVERZEICHNIS - INDICE - INDICE - INHOLD - INHOUD

Number	Figure	Sequence	Ref.	Number	Figure	Sequence	Ref.
87109743	35.480.02	01	1	87280468	60.130.01		3
87109744	35.752.03	01	4	87280471	60.120.11	01	6
	35.752.03	02	27	87280472	60.130.01		7
	35.752.03	03	25	87280475	60.120.11	01	5
87109746	00.000.35	02	15	87280493	90.118.09		3
	35.000.00	02	15	87280494	05.000.01	01	26
	35.300.01	01	23		88.210.10		33
	35.300.01	02	23	87280503	66.260.17		11
87109749	21.104.02		17	87280505	66.260.17		9
87109755	35.752.03	01	19	87280507	90.150.01		12
	35.752.03	02	25	87280542	90.118.39	02	13
	35.752.03	03	23	87280548	41.200.02		1
	35.910.03	01	1		41.200.03		1
	35.910.03	02	1	87280549	41.200.02		1
87109757	55.627.11		11		41.200.03		1
87109762	80.150.06		8	87280566	66.260.17		4
87109776	39.110.02		1	87280568	66.260.17		14
87109782	29.204.05		20	87280573	66.260.24		8
87109799	90.118.38		23	87280574	66.260.24		15
87109815	74.114.04	01	1	87280575	66.260.24		20
87109817	74.114.04	02	1	87280576	66.260.24		9
87109819	74.114.04	01	1	87280577	66.260.24		17
87109821	74.114.04	02	1	87280579	66.260.25		5
87109824	74.114.04	01	1	87280583	66.260.25		23
87109826	74.114.04	02	1	87280587	66.260.24		27
87109828	74.114.01	01	1		66.260.26		1
87109830	74.114.01	02	1	87280588	66.260.26		2
87109832	74.114.01	01	1	87280589	66.260.26		3
87109834	74.114.01	02	1	87280590	66.260.26		4
87109836	74.114.01	01	1	87280591	66.260.26		5
87109838	74.114.01	02	1	87280592	66.260.26		6
87109840	74.114.01	01	1	87280595	66.260.26		9
87109842	74.114.01	02	1	87280597	66.260.26		10
87109844	74.118.01		1	87280599	66.260.26		19
87109846	74.118.01		1	87280679	41.204.04		6
87109848	74.118.01		1	87280703	33.202.15		15
87109850	74.118.01		1	87280704	33.202.15		19
87109878	90.118.38		41	87280705	33.202.15		18
87109879	90.118.39	01	4	87280706	33.202.15		16
87109880	90.150.04		21	87280717	50.200.04	01	11
87109881	90.150.04		20		50.200.04	02	7
87109887	90.118.38		30		50.200.04	03	10
	90.118.39	01	14	87280749	80.101.15		35
87109910	74.114.01	01	13	87280750	80.101.15		46
87109922	21.104.02		16	87280751	66.101.08		17
87227094	35.910.13		11	87280772	55.627.11		13
87269963	35.910.13		12	87280785	55.418.01		7
87280049	88.210.10		41	87280791	60.120.12		1
	88.210.13	01	32	87280799	41.204.04		21
	88.210.13	02	31	87280801	41.204.04		23
87280104	41.204.04		4	87280802	41.204.04		22
87280105	21.104.02		12	87280882	74.114.01	01	20
87280106	21.104.02		11	87280884	74.114.01	01	11
87280111	33.202.15		29	87280886	90.150.01		27
87280113	33.110.03		8	87280909	88.230.07		8
87280130	21.104.02		28	87280910	88.230.07		17
87280132	33.202.20		1	87280913	90.150.04		38
87280151	35.480.05		13	87280933	80.101.10		13
87280152	35.480.05		34		80.101.10	01	13
87280233	55.518.04		7	87280936	90.118.39	02	2
87280254	39.100.05		49	87280944	35.300.13		8
87280263	90.154.02	01	19	87280961	66.260.17		7
87280316	90.150.05		3	87280980	88.210.10		44
87280339	80.180.05		7	87280992	66.260.25		18
87280343	80.150.11		14	87280994	66.260.25		12
	80.150.11	02	14		66.260.25		25
87280345	80.150.11		15	87280998	66.260.25		13
	80.150.11	02	15		66.260.25		26
87280355	39.100.04		19	87280999	66.260.25		19
87280385	44.100.13		6	87281004	66.260.24		18
	44.100.14		5	87281005	66.260.24		26
87280418	44.200.09		10	87281006	66.260.26		24
87280463	60.120.11	01	10	87281007	44.200.12		34
	60.120.12		4	87281008	44.200.12		35
	60.130.01		8	87281009	44.200.12		36
	60.150.08		2	87281019	74.114.04	02	7
87280466	60.120.11	02	1	87281020	74.114.04	02	7
87280468	60.120.11	01	4	87281023	90.118.09		22

INDEX - INDICE - INDEX - ZAHLENVERZEICHNIS - INDICE - INDICE - INDHOLD - INHOUD

Number	Figure	Sequence	Ref.	Number	Figure	Sequence	Ref.
87281035	66.260.26		11	87281499	60.150.05		4
87281116	66.260.26		20	87281501	60.150.04		22
87281117	66.260.17		13		66.320.02	01	26
87281122	50.200.02		4		66.320.02	02	26
87281169	90.118.22	01	5	87281502	60.150.05		11
87281170	80.101.21	01	21	87281504	60.150.04		26
	80.101.21	02	21		66.320.02	01	30
87281175	90.118.09		23		66.320.02	02	30
87281180	80.101.21	01	10	87281505	60.150.04		27
	80.101.21	02	10		66.320.02	01	31
87281210	60.150.07		31		66.320.02	02	31
87281211	60.150.07		32	87281507	60.150.04		28
87281225	74.135.05	01B	6		66.320.02	01	33
	74.135.05	02B	34		66.320.02	02	33
87281226	74.135.05	01B	8	87281508	60.150.04		31
	74.135.05	02B	2		66.320.02	01	36
87281239	88.210.05		1		66.320.02	02	36
87281243	66.260.25		4	87281509	60.150.05		13
87281245	66.260.17		12	87281510	60.150.05		15
87281255	55.404.08		5		60.150.07		34
87281256	35.204.02		10	87281511	60.150.05		16
87281285	66.260.17		20		60.150.07		35
87281293	90.115.03		2	87281512	60.150.05		17
87281315	90.120.08		1		60.150.07		36
87281323	90.120.08		2	87281554	90.115.03		3
87281385	90.120.08		5		90.118.38		34
87281392	90.118.38		15	87281588	90.118.38		8
87281427	60.150.04		9	87281607	80.154.09		11
	66.320.02	01	11	87281621	88.210.10		31
	66.320.02	02	11	87281626	55.404.28		2
87281428	60.150.04		10	87281631	55.100.10		8
	60.150.05		20	87281633	66.101.08		2
	66.320.02	01	12	87281645	44.200.12		6
	66.320.02	02	12	87281646	44.200.12		5
87281429	60.150.04		11	87281647	44.200.12		7
	66.320.02	01	13	87281648	44.200.12		8
	66.320.02	02	13	87281649	44.200.12		13
87281430	60.150.04		12	87281650	44.200.12		14
	66.320.02	01	14	87281651	44.200.12		21
	66.320.02	02	14	87281652	44.200.07		1
87281431	60.150.04		13		44.200.12		9
	66.320.02	01	15	87281653	44.200.07		1
	66.320.02	02	15		44.200.12		10
87281432	60.150.04		14	87281664	66.330.01		15
	60.150.07		9	87281666	55.518.05		1
87281433	66.320.02	01	16	87281670	90.120.08		15
87281434	60.150.04		16		90.150.04		22
	66.320.02	01	17		90.160.03		5
	66.320.02	02	17	87281673	60.110.08		6
87281435	60.150.05		5	87281674	35.480.05		11
87281436	60.150.05		6	87281676	10.406.03	02	18
87281437	60.150.04		52		10.406.03	03	5
87281441	60.150.05		9	87281679	35.300.15		18
87281442	60.150.05		12	87281691	60.110.08		5
87281443	60.150.04		18	87281692	35.300.01	01	5
	66.320.02	01	22		35.300.01	02	5
87281445	60.150.04		19	87281693	35.300.01	01	4
	66.320.02	01	23	87281696	60.150.07		33
	66.320.02	02	23	87281708	44.200.12		24
87281446	60.150.04		20		44.200.15		1
	66.320.02	01	24	87281709	44.200.12		40
	66.320.02	02	24	87281710	44.200.15		12
87281447	60.150.04		21	87281712	44.200.15		7
	66.320.02	01	25	87281713	44.200.07		2
	66.320.02	02	25	87281715	35.300.14		2
87281450	60.150.04		29	87281727	44.200.07		15
	66.320.02	01	34	87281729	90.102.03	01	12
	66.320.02	02	34		90.102.03	02	12
87281451	60.150.04		30	87281730	44.200.07		21
	66.320.02	01	35	87281750	55.512.10		5
	66.320.02	02	35	87281778	35.204.05		2
87281452	60.150.05		10		35.204.06		2
87281453	60.150.05		14		35.204.07	02	2
87281477	60.150.04		2		35.910.01		1
	66.320.02	01	3	87281787	35.162.02		2
	66.320.02	02	3	87281791	66.360.09		51
87281492	66.320.02	01	9	87281793	66.360.09		6
	66.320.02	02	9	87281795	66.360.09		7

INDEX - INDICE - INDEX - ZAHLENVERZEICHNIS - INDICE - INDICE - INHOLD - INHOUD

Number	Figure	Sequence	Ref.	Number	Figure	Sequence	Ref.
87281797	66.360.09		9	87282044	60.150.02		27
87281805	41.204.07		1		60.150.03		25
87281806	41.204.07		2	87282045	21.102.01		20
87281807	41.204.07		3		60.150.02		28
87281808	41.204.07		4		60.150.03		26
87281809	41.204.07		5	87282056	55.518.03		3
87281810	41.204.07		6	87282073	55.301.05		1
87281811	41.204.07		7	87282088	66.350.01		3
87281812	41.204.07		8	87282112	39.100.05		41
87281813	41.204.07		9	87282128	39.100.05		52
87281814	41.204.07		10	87282158	80.101.19		2
87281815	41.204.07		11	87282167	90.154.05		8
87281816	41.204.07		12	87282183	80.101.19		4
87281817	41.204.07		13	87282228	88.210.01	02	2
87281818	66.330.01		13	87282286	88.230.15		15
	66.330.21		11	87282287	88.230.15		14
87281827	41.204.07		14	87282305	05.000.01	01	17
87281828	41.204.07		15		05.000.02	02	2
87281829	41.204.07		16		10.414.08		8
87281830	41.204.07		17	87282333	05.000.01	01	16
87281831	41.204.07		18		05.000.02	02	1
87281832	41.204.07		19		50.200.07		11
87281833	41.204.07		20	87282347	90.150.01		11
87281834	41.204.07		21	87282352	90.108.01	02	14
87281836	41.204.07		22		90.108.02	03	7
87281837	41.204.07		23	87282356	80.101.18		14
87281838	41.204.07		24	87282369	60.120.10		5
87281839	41.204.07		25		60.120.12		
87281840	41.204.07		26	87282384	66.260.25		16
87281841	41.204.07		27	87282385	66.260.25		17
87281842	41.204.07		28	87282386	66.260.25		20
87281843	41.204.07		30	87282392	55.518.05		10
87281844	41.204.07		29	87282393	55.518.05		2
87281845	41.204.07		31	87282394	55.518.05		4
87281846	41.204.07		32	87282395	55.518.05		5
87281847	41.204.07		33	87282396	55.518.04		6
87281848	41.204.07		34		55.518.05		6
87281849	41.204.07		35	87282397	55.518.05		7
87281850	41.204.07		36	87282398	55.518.04		5
87281851	41.204.07		37		55.518.05		8
87281852	41.204.07		38	87282399	55.440.05	01	7
87281853	41.204.07		39	87282418	90.108.01	02	15
87281854	41.204.07		40		90.108.02	03	8
87281855	41.204.07		41	87282426	35.162.02		1
87281856	41.204.07		42	87282433	55.418.01		7
87281857	41.204.07		43	87282434	10.414.01	02	23
87281858	41.204.07		44		90.108.01	02	5
87281859	41.204.07		45		90.108.02	03	9
87281862	60.110.06	01	28	87282440	66.260.25		34
87281904	39.100.05		10	87282441	66.260.25		33
87281909	80.101.18		19		66.260.25		35
87281911	05.000.02	02	7	87282445	35.162.02		36
	80.101.18		4		60.110.08		52
87281918	80.101.18		18	87282452	60.110.08		4
87282001	60.150.02		2	87282455	90.100.18		15
87282003	60.150.02		4	87282456	90.100.18		8
	60.150.03		3	87282471	05.000.01	01	25
87282006	60.150.02		7		05.000.01	02	22
	60.150.03		4		80.101.18		2
87282008	60.150.02		9	87282484	44.200.13		22
	60.150.03		6		90.160.02	02	41
87282017	60.150.03		17	87282485	90.160.02	02	44
87282018	60.150.02		30	87282487	90.160.02	02	40
	60.150.03		28	87282493	25.310.02	02	5
87282023	60.150.02		14		25.310.03	01	22
	60.150.03		11		25.310.03	02	22
	60.150.10		11		44.100.14		7
87282025	60.150.02		15	87282496	66.260.25		24
	60.150.03		12	87282507	66.350.03	01	21
	60.150.10		5		66.350.03	02	21
87282026	80.101.21	01	23	87282537	60.110.06	01	9
87282043	21.102.01		18		60.110.06	02	11
	60.150.02		26	87282566	90.150.04		40
	60.150.03		24	87282569	66.260.17		1
87282044	21.102.01		19		66.260.24		1
	41.106.03	01	12	87282573	90.160.02	02	50
	41.106.03	02	26	87282590	88.230.19		9
	48.999.01	02	16	87282592	88.230.19		10

INDEX - INDICE - INDEX - ZAHLENVERZEICHNIS - INDICE - INDICE - INDHOLD - INHOUD

Number	Figure	Sequence	Ref.	Number	Figure	Sequence	Ref.
87282620	88.230.19		11	87283331	90.115.10		2
87282627	55.512.13		7	87283335	66.350.03		1
87282628	14.100.11		19		88.210.05		1
87282629	88.210.05		14	87283349	05.000.01	01	19
87282634	55.404.33		8		05.000.01	02	18
87282645	60.110.03		33		60.105.03		13
	60.110.22		8		60.105.03	01	13
87282646	60.110.03		33	87283351	60.105.03		12
87282653	80.101.10		14		60.105.03	01	12
	80.101.10	01	14	87283352	60.105.03		11
87282655	55.512.13		1		60.105.03	01	11
87282657	90.160.02	02	51	87283373	60.110.06	01	10
87282664	66.350.03		6	87283381	44.200.13		16
87282665	66.350.03		7	87283382	44.200.13		15
87282743	66.360.09		41	87283383	44.200.07		2
87282748	88.210.10		42		44.200.13		2
	88.210.13	01	33	87283389	90.154.02	01	27
	88.210.13	02	33	87283403	66.101.09	01	6
87282761	66.105.20		1	87283411	88.230.19		8
	66.105.23		1	87283418	74.140.14	01	32
87282764	66.105.20		2	87283436	80.101.25		4
	66.105.23		3	87283438	80.101.08		13
87282789	74.140.09		5	87283441	35.710.02		5
87282803	39.100.05		9	87283442	35.710.02		2
87282810	55.518.01		3	87283481	44.200.12		33
87282824	88.210.10		6	87283490	10.254.11	01	2
	88.210.13	01	9	87283492	10.254.11	01	4
	60.110.22		18		10.254.11	02	1
87282857	74.140.14	01	5	87283497	25.310.05		7
87282880	74.140.14	01	2	87283501	44.100.14		3
87282881	74.130.08		6	87283504	44.100.14		1
87282882	66.350.03	02	2	87283521	25.310.04		9
87282886	90.115.10		3		44.100.02		7
87283014	90.115.10		10		44.100.03		9
87283016	55.404.09		5		44.100.04		7
87283022	55.404.13		6		44.100.07		7
87283034	88.230.13	01	12		44.100.09		7
87283062	88.230.13	01	11		44.100.10		7
87283063	88.230.13	01	3		44.100.11		6
87283065	88.230.13	01	2		44.100.13		5
87283067	88.230.13	01	14		44.100.14		6
87283069	88.230.13	01	4	87283549	66.260.17		8
87283070	00.000.35	02	26	87283567	90.115.10		9
87283082	35.000.00	02	26	87283569	90.115.10		8
	41.203.02		2	87283579	88.210.05		30
	80.101.15		28	87283580	88.210.05		28
87283101	80.101.25		3	87283581	88.210.05		26
87283130	05.000.01	01	12	87283582	88.210.05		23
87283139	05.000.01	02	12	87283583	88.210.05		27
	05.000.02	02	5	87283584	88.210.05		15
	74.140.09		12	87283586	88.210.05		16
87283141	60.110.08		46	87283587	88.210.05		16
87283147	60.110.09		4	87283653	90.120.08		14
87283161	80.101.34		2	87283658	55.418.01		2
87283179	55.404.11		4	87283659	55.418.01		1
	55.404.12	01	7	87283661	90.120.08		3
87283194	55.404.09		9	87283662	44.200.15		4
87283214	55.404.32		3	87283679	80.101.15		17
87283220	60.110.03		42	87283680	80.101.15		5
	60.110.22		15	87283691	39.100.04		10
87283233	88.230.13	01	13	87283693	39.100.04		10
87283248	66.350.01		18	87283695	80.101.15		16
87283257	55.408.05		8	87283706	80.101.08		4
87283259	90.118.33		14	87283789	25.310.03	02	1
87283260	55.408.05		25	87283792	35.910.05	01	11
87283266	80.101.25		3		35.910.05	02	11
87283292	74.140.05		24	87283795	35.910.05	02	19
87283294	41.203.02		15	87283796	21.104.02		13
87283298	55.404.10		3	87283801	35.910.05	01	14
87283301	90.118.09		5		35.910.05	02	14
87283302	90.118.09		5	87283836	55.418.01		7
87283303	90.118.09		5	87283846	90.150.01		13
87283312	90.118.29		22	87283856	60.110.09		19
	90.118.33		13	87283858	60.110.08		60
87283313	88.230.13	01	9	87283860	60.110.08		58
87283315	05.000.02	01	5	87283864	60.110.03		41
	88.210.05		20		60.110.22		11
87283318	74.140.05		12	87283865	55.785.04		4

INDEX - INDICE - INDEX - ZAHLENVERZEICHNIS - INDICE - INDICE - INHOLD - INHOUD

Number	Figure	Sequence	Ref.	Number	Figure	Sequence	Ref.
87283866	44.100.03		5	87284930	41.203.02		8
87283879	44.200.07		6	87284932	00.000.35	02	18
	44.200.13		10		35.000.00	02	18
87283880	44.200.13		4		35.300.01	01	2
87283881	44.200.13		3	87284938	35.204.11		7
87283950	80.101.25		26	87284947	90.118.39	02	4
87283961	55.408.03		16	87301185	90.118.38		6
87283963	10.406.03	01	21	87301307	44.200.13		20
	10.406.03	02	24	87301316	88.230.13	01	5
87283973	90.118.38		3	87301326	60.110.08		57
87283997	90.118.38		2	87302046	35.910.05	01	30
87284036	90.118.38		4		35.910.05	02	30
87284082	80.101.19		1	87302583	88.230.19		19
87284186	44.151.06		11	87302918	10.406.03	02	33
87284191	90.115.10		4	87303611	29.204.05		11
87284192	90.115.10		4	87304016	48.130.02		7
87284194	44.151.06		35	87304018	48.110.03		14
87284207	55.100.34	03	11	87304299	48.134.06		1
87284218	44.200.11		3	87306678	48.134.03		7
87284238	55.440.16		3		48.134.04		7
87284332	55.100.30		3		48.999.01	03	7
	55.404.20		2	87306706	50.206.02		8
	55.408.05		16	87306797	10.406.08	01	16
87284337	55.440.07		15		10.406.08	02	16
	55.440.07	02	15		10.406.08	03	11
87284344	35.300.01	01	29	87308130	90.120.03		8
	35.300.01	02	29		90.120.06		16
87284462	80.101.15		46	87308550	90.118.39	01	15
87284474	66.101.08		14	87308841	55.440.12		14
87284481	80.101.18		6	87308870	55.440.12		12
87284515	88.230.19		6	87310111	35.710.02		1
87284519	88.230.19		7		41.203.01		2
87284526	90.150.01		17	87312141	60.110.03		29
87284531	10.406.08	01	3	87312143	60.110.03		32
	10.406.08	02	3	87312467	88.230.19	02	5
	10.414.01	01	3		88.230.20		6
	10.414.01	03	13	87312625	88.230.20		3
	10.414.06	01	3	87313372	74.101.10		8
	10.414.06	02	3	87313383	80.101.25		13
	10.414.06	03	9	87313989	88.430.06		1
	10.414.10		28	87314041	74.114.06		10
	90.102.02	01	43	87314103	66.330.01		11
	90.102.03	01	43		66.330.01		6
	90.102.03	02	43		66.330.17		7
	90.102.03	03	43		66.330.21		12
	90.102.05	01	43	87314311	00.000.35	02	21
	90.102.05	02	43		35.000.00	02	21
	90.102.05	03	43		41.203.01		21
87284569	35.220.03	01	1	87314312	00.000.35	02	22
	41.203.01		1		35.000.00	02	22
87284629	35.910.05	01	12		41.203.01		20
	35.910.05	02	12	87314540	88.230.19		2
87284631	80.150.11		48	87314571	74.101.15		15
	80.150.11	02	48	87314573	74.101.16		11
87284635	90.118.39	01	3	87314695	74.114.06		43
87284666	10.406.03	02	17	87315279	41.203.01		47
87284671	35.220.03	01	12	87315598	66.330.01		10
87284672	35.910.05	01	1		66.330.17		10
	35.910.05	02	1		66.330.21		16
87284673	18.148.01			87315721	74.101.13		11
	35.910.05	01	27	87316081	74.101.13		12
	35.910.05	02	27	87316122	39.100.05		43
87284675	35.910.06		9	87317063	05.000.01	01	10
87284702	90.160.02	02	46		05.000.01	02	10
87284717	55.408.05		29		05.000.02	01	1
87284821	10.406.03	02	32		74.101.10		1
87284841	90.150.04		7	87317453	10.414.12		12
87284854	88.120.02		6		48.134.03		8
87284856	55.404.34		2		48.134.04		8
87284863	80.180.01		18		48.999.01	03	8
	80.180.01	01	18	87317607	39.100.04		40
87284878	80.180.01		37	87317610	39.100.04		39
	80.180.01	01	37	87317614	88.230.20		2
87284912	66.101.02		20	87317702	74.101.13		3
	66.101.11		12	87317816	21.140.02		13
87284925	60.110.09		11		21.145.01		7
87284930	00.000.35	02	10	87318136	74.130.01		10
	35.000.00	02	10		74.130.01	01	10

INDEX - INDICE - INDEX - ZAHLENVERZEICHNIS - INDICE - INDICE - INDHOLD - INHOUD

Number	Figure	Sequence	Ref.	Number	Figure	Sequence	Ref.
87318136	74.130.08		21	87331084	80.180.01		6
87318137	74.130.08		4		80.180.01	01	6
87318138	74.130.08		3	87331114	80.175.06		5
87318426	90.115.10		16	87331115	80.175.06		14
87318439	88.230.20		7	87331119	55.408.03		11
87318440	88.230.20		8	87331121	80.175.06		2
87318656	74.101.15		3	87331950	48.134.03		24
87318664	74.110.06		4		48.134.04		24
87318665	74.110.06		12		48.999.01	03	24
87318666	74.110.06		11	87332117	31.114.04		33
87318696	39.100.04		34	87332418	80.175.06		15
87323001	74.110.04		18	87332420	80.175.06		8
	74.114.06		44	87332423	80.175.06		11
87323002	74.110.04		1	87332485	39.100.04		18
	74.114.06		48	87332486	39.100.04		40
87323004	74.110.04		2	87332489	39.100.04		39
	74.114.06		50	87333110	74.114.06		23
87323178	74.101.16			87333181	74.110.04		21
87323577	66.101.08		5		74.114.06		49
87323829	50.206.02		27	87333212	74.110.04		21
87323909	90.115.10		19		74.114.06		49
87323910	90.115.10		20	87333676	10.206.08		21
87324051	66.101.09	01	2	87333679	10.206.08		23
87324171	66.101.09	01	4	87333932	88.230.13	01	28
87324220	48.134.05		12	87335441	90.108.01	02	3
87324388	10.216.03		6		90.108.02	02	14
87324600	39.100.05		1	87335635	55.440.12		3
87324810	48.134.02		15	87335677	55.440.12		2
87324916	41.203.01		35	87337454	88.210.05		25
87324918	41.203.01		36	87339347	80.180.05		13
87324967	55.100.41		12	87339502	66.360.10		1
87325136	31.114.04		1	87339975	74.140.09		14
87325137	88.210.05		16	87340028	44.100.02		10
87325147C	55.440.06		1		44.100.04		10
87325149C	55.440.06		1		44.100.07		14
87325518	44.101.02		12		44.100.13		1
87325651	74.101.15		3	87340333	05.000.01	01	4
87325654	88.210.04		2		05.000.01	02	4
	88.230.04		2		10.206.03		5
87325655	88.210.04		9	87340338	10.206.03		3
	88.230.04		15	87341038	05.000.01	01	13
87325990	66.360.09		8		05.000.01	02	13
87326432	88.230.20		4		66.360.10		8
87326681	55.408.03		9	87341265	55.440.07		14
	90.150.04		4		55.440.07	02	14
87327317	90.160.02	02	52	87341279	55.408.03		1
	90.160.02	02	53	87341291	66.360.09		64
87327478	25.310.02	01	5	87341413	66.360.09		34
	44.100.02		8	87341565	66.360.09		35
	44.100.04		8	87341864	48.134.07		4
	44.100.07		5	87342073	05.000.01	01	6
	44.100.09		6		05.000.01	02	6
	44.100.10		6		55.100.13		2
	44.100.11		4		55.100.17		6
87327481	25.310.04		10		55.100.24		2
	44.100.02		11		55.100.30		13
	44.100.04		11		55.100.30		2
	44.100.07		13		55.100.30		5
	44.100.09		9		55.100.42		4
	44.100.10		9		55.404.28		3
	44.100.13		2		66.101.09	02	8
87327483	44.100.02		5		80.180.01		34
	44.100.04		5		80.180.01	01	34
	44.100.07		4		88.210.10		29
87327940	44.100.13		3		88.210.13	01	43
	44.151.12		4		88.210.13	02	43
	48.999.01	01	4	87342153	35.910.05	01	42
87328003	88.210.04		23		35.910.05	02	42
87329014	10.254.11	01	11	87342204	55.627.11		1
87329445	10.254.11	01	5	87342462	74.140.06		1
87329757	55.404.28		5	87342513	80.150.11		6
87329813	55.404.28		5		80.150.11	02	6
87330286	05.000.01	01	21	87342517	80.150.11		16
	55.785.11		5		80.150.11	02	16
	60.110.03		35	87342920	90.120.08		8
87330717	33.202.04		15	87342923	66.330.21		7
87330720	33.202.04		17	87343550	88.230.21	01	5
87331084	80.175.06		1		88.230.21	02	6

INDEX - INDICE - INDEX - ZAHLENVERZEICHNIS - INDICE - INDICE - INHOLD - INHOUD

Number	Figure	Sequence	Ref.	Number	Figure	Sequence	Ref.
87343550	88.230.21	03	8	87374530	39.100.01		7
	88.431.00		6	87375317	25.310.02	01	49
	88.431.01		5		25.310.02	02	49
	88.431.02		8	87376144	60.110.08		67
87344284	10.206.03		4	87376151	90.160.02	02	16
87345122	60.150.02		24	87376702	66.330.01		9
	60.150.03		22		66.330.17		11
	60.150.10		7		66.330.17		3
87345893	80.175.06		16	87376934	74.110.06		2
87345894	80.175.06		12	87376959	33.202.15		22
87346736	80.175.06		6	87376961	33.202.15		23
87347281	88.430.08		2	87376998	10.418.16	01	37
87347933	88.230.20		16	87377008	74.140.14	02	22
87347940	90.120.07		11	87377010	74.140.14	02	23
87347967	90.120.07		50	87377334	35.300.15		31
87347976	90.120.07		29	87377667	48.134.06		4
87348842	80.150.07		40	87378361	10.414.01	01	17
87349260	80.175.06		4		10.414.01	02	17
87349983	88.430.01		1	87378363	10.414.01	01	22
87349987	88.430.01		2	87378786	88.430.08		3
87350223	10.414.09		7	87378788	88.430.08		5
87350863	55.404.28		7	87378791	88.430.08		6
87352111	10.414.10		8	87378797	88.430.08		7
87352553	55.627.11		18	87378799	88.430.08		4
87352554	55.627.11		15	87379691	55.418.01		12
87352563	74.999.01	03			55.785.03	01	8
87352580	90.120.07		55		55.785.03	02	8
87352664	55.404.28		1	87380303	10.414.01	01	5
87352779	18.148.01		2	87380319	25.310.02	01	52
	33.202.20		3		25.310.02	02	52
	88.100.03		2	87380320	25.310.02	01	53
87352933	55.627.11		16		25.310.02	02	53
87355939	50.206.02		22	87380417	80.101.25		3
87357938	25.310.02	01	50	87380422	80.101.25		3
	25.310.02	02	50	87380544	74.140.14	01	1
87357939	25.310.02	01	51	87380545	35.700.01	01	21
	25.310.02	02	51	87380912	90.102.03	01	7
87358151	25.310.02	01	54		90.102.03	02	7
	25.310.02	02	54		90.102.03	03	7
87359399	66.360.09		5	87381862	55.408.03		17
87359490	35.752.03	03	37	87382384	88.230.21	03	9
	35.910.03	02	24	87382439	66.101.05		1
87360505	44.200.07		25	87382441	66.101.05		22
87360665	90.154.05		9	87382741	55.440.12	01	2
87360671	90.154.02	01	28		88.430.07		5
87360675	90.154.02	01	23	87382742	88.430.01		7
87360866	66.101.11		13	87384106	60.110.03		12
87361505	66.360.09		52	87385125	55.440.06		1
87361668	74.130.08		2	87385125R	55.440.06		1
87362420	60.110.03		36		55.440.06		1
87363342	39.100.04		18	87385180	90.118.09		31
87363857	80.150.02		53	87385554	90.108.01	01	22
87364	80.175.02		14		90.108.01	02	16
87364259	74.130.01		10	87386313	44.511.07		1
	74.130.01	01	10	87387720	48.110.03		12
	74.130.08		21		48.130.02		5
87367495	55.408.03		15		48.134.02		5
87367550	25.310.04		7	87387778	55.418.01		16
	44.100.09		10		55.785.03	01	17
	44.100.10		10		55.785.03	02	17
	44.100.13		4	87387964	55.440.07		4
	44.100.14		4		55.440.07	02	4
	44.151.12		5	87388370	10.414.01	01	18
	48.130.01		22		10.414.01	02	18
	48.999.01	01	5	87388375	10.414.01	01	19
87368806	66.330.01		3		10.414.01	02	19
87368807	66.330.01		4	87388776	88.230.21	01	38
87369143	55.440.12		8		88.230.21	02	26
87369974	39.100.01		6		88.230.21	03	37
87369975	39.100.01		2		88.431.00		26
87371032	88.430.02	01	2		88.431.01		38
87373334	90.150.01		1		88.431.02		37
87373358	39.100.01		5	87389077	50.200.04	01	18
87374	80.101.07		33	87389138	55.440.07		16
	80.101.25		29		55.440.07	02	16
87374162	88.210.13	03	16	87389768	55.440.07		3
	88.230.04		30	87390389	90.120.07		17
	88.230.17		8	87390899	90.108.01	01	22

INDEX - INDICE - INDEX - ZAHLENVERZEICHNIS - INDICE - INDICE - INDHOLD - INHOUD

Number	Figure	Sequence	Ref.	Number	Figure	Sequence	Ref.
87390899	90.108.01	02	16	87400942	60.120.11	01	2
87390900	90.108.01	01	22		60.120.12		3
	90.108.01	02	16		60.130.01		2
87390937	66.101.05		1		60.150.08		3
87391215	44.151.08	01	2	87402761	10.310.02	01	18
87391297	66.360.09		4	87402762	10.310.02	01	16
	66.360.10		1		10.310.02	03	15
87391299	66.360.09		10	87402765	10.406.03	01	38
87391543	74.110.06		2		10.406.03	03	31
87391745	74.110.03		4	87402766	10.254.08	01	6
87391950	88.220.03	02	10		10.254.08	02	3
87392184	90.118.09		29		10.254.08	03	7
87392841	25.310.03	01	21	87404683	10.418.31		4
	25.310.03	02	21	87404689	48.110.03		20
87392845	25.310.03	01	21	87408174	48.130.02		10
	25.310.03	02	21		48.134.02		9
87393080	66.360.09		4	87409379	10.206.08		22
	66.360.10		1	87413244	60.110.03		9
87393154	90.160.02	02	1		90.108.02	03	2
87394282	66.330.01		16	87414153	05.102.01	02	2
	66.330.17		9	87414154	05.102.01	02	7
87394733	66.350.03	01	2	87414805	10.202.02		6
87394736	88.210.01	01	2	87414866	05.000.01	01	28
87394766	14.102.02		23		05.000.01	02	24
	66.260.23		1	87414982	10.202.02		5
87395212	10.406.03	01	11	87415	44.200.07		14
	10.406.03	02	13	87415862	90.108.01	02	23
	10.406.03	03	22	87415863	90.108.01	02	23
87395214	10.406.03	02	11	87415864	90.108.01	02	23
87395329	10.414.06	01	28	87415865	90.108.01	02	23
87395659	90.108.02	02	4	87416475	90.120.03		15
	90.108.02	03	11		90.120.06		15
87395726	90.118.38		27	87416602	48.134.02		13
87395729	90.118.09		2	87416606	48.130.02		3
87395733	48.100.02		17		48.134.02		3
87396028	50.200.04	01	14	87420676	10.310.02	01	3
87396383	66.330.01		5		10.310.02	02	3
87397346	35.752.03	01	17		10.310.02	03	3
87397347	35.752.03	01	10	87423202	48.100.02		13
87397348	35.300.09	01	3	87423203	48.130.03		2
	35.752.03	02	36	87423204	48.130.03		7
87397349	00.000.35	02	40	87423819	48.100.02		10
	35.000.00	02	40	87423822	48.100.02		9
	35.752.03	01	23	87425179	05.102.01	02	2
	35.752.03	02	28	87426044	90.100.18		17
	35.752.03	03	26	87428948	48.100.02		14
87397351	35.752.03	01	8	87431253	48.110.03		2
87397352	35.300.09	01	2	87431391	60.150.04		41
87397354	35.910.03	02	13		66.320.02	01	48
87397355	35.910.03	02	11		66.320.02	02	48
87397357	35.300.09	01	1	87433998	35.204.05		12
87397379	35.162.02		19		35.204.06		10
87397390	35.910.02		6		35.204.07	01	3
87397614	90.120.06		3		35.204.07	02	12
87397716	66.350.03	01	12	87434000	35.204.02		13
	66.350.03	02	12	87434003	35.910.12		11
87397718	66.350.03	01	24	87434005	35.910.12		2
	66.350.03	02	23	87434006	35.910.12		14
87397720	66.350.03	01	23	87434009	35.204.02		3
	66.350.03	02	24	87434010	35.910.01		3
87397837	66.350.02		1	87434013	35.910.01		5
	88.210.02		1	87434014	35.204.02		1
87397839	66.350.02		10		35.204.05		5
	88.210.02		10		35.204.06		5
87397840	66.350.02		11		35.204.07	02	5
	88.210.02		11	87434015	35.204.02		21
87398361	66.350.02		3	87434016	35.204.02		18
	88.210.02		3	87434017	35.204.02		20
87398579	25.310.04		8	87434024	35.910.01		4
	44.100.09		11	87434548	48.110.03		1
	44.100.10		11	87435447	35.910.12		3
87398793	66.350.02		22	87436627	35.204.05		8
87399	80.101.07		34		35.204.06		6
	80.101.25		28		35.204.07	02	8
87399150	90.150.01		22	87436823	48.134.06		3
87399163	74.130.01	01	41	87437009	48.110.03		15
87400	88.210.09		9	87437010	48.130.02		8
	90.118.22	01	25		48.134.02		7

INDEX - INDICE - INDEX - ZAHLENVERZEICHNIS - INDICE - INDICE - INHOLD - INHOUD

Number	Figure	Sequence	Ref.	Number	Figure	Sequence	Ref.
87438307	48.110.03		16	87454442	50.206.02		9
87439070	48.100.02		6	87457217	60.120.11	02	2
87439071	48.100.02		5	87457218	60.120.11	02	3
87441100	48.134.05		1	87470153	80.180.11		2
87441208	80.101.21	01	20	87470677	90.100.19		3
	80.101.21	02	20	87470680	90.100.19		5
87441209	80.101.21	01	19	87470683	90.100.19		6
	80.101.21	02	19	87470736	05.000.02	02	6
87441210	80.101.21	01	18		80.101.25		1
	80.101.21	02	18	87470737	05.000.02	02	3
87441211	80.101.21	01	16		80.101.18		1
	80.101.21	02	16	87470738	80.101.18		3
87441212	80.101.21	01	12		80.101.25		31
	80.101.21	02	12	87470921	88.230.07		1
87441213	80.101.21	01	11	87470922	48.134.03		2
	80.101.21	02	11		48.999.01	03	2
87441214	80.101.21	01	9	87470925	48.134.03		4
	80.101.21	02	9		48.134.04		4
87441215	80.101.21	01	2		48.999.01	03	4
	80.101.21	02	2	87471197	80.154.10		38
87442520	60.150.06		6	87471276	88.210.11		1
	60.150.07		42	87471285	35.162.02		36
87442521	60.150.07		11		35.162.04		9
87442523	60.150.06		1		60.110.08		52
	60.150.07		43	87471492	48.134.07		3
87442525	60.150.06		23	87471510	48.134.07		1
	60.150.07		40	87471525	48.999.01	04	3
87442526	60.150.07		29	87471530	48.134.07		1
87445162	60.150.07		27	87471531	48.999.01	04	2
87445164	60.150.06		3	87471830	74.114.03	01	27
87445165	60.150.06		4		74.114.03	02	27
87445166	60.150.06		25		74.118.04	01	10
87445167	60.150.06		26		74.118.04	02	10
87445168	60.150.06		27	87471942	80.180.11		23
87445169	60.150.06		28	87471943	80.180.11		23
87445170	60.150.06		29	87471948	48.134.03		3
87445171	60.150.07		15		48.134.04		3
87445172	60.150.06		5		48.999.01	03	3
87445173	60.150.07		26	87471949	48.134.03		1
87445174	60.150.07		24		48.999.01	03	1
87445175	60.150.07		30	87472005	48.134.04		1
87445176	60.150.07		38	87472844	44.100.09		2
87445177	60.150.07		39	87473304	10.206.08		24
87445178	60.150.07		37	87473305	10.206.08		15
87447038	18.100.03		1	87473306	10.206.08		17
	60.150.01		6	87473308	10.206.08		18
87447716	29.204.06		11	87474697	10.206.08		19
	35.204.11		15	87474698	10.206.08		16
87448999	35.300.15		26	87475013	90.118.37		6
87449000	35.300.15		16	87475017	90.100.22		3
87449001	35.300.15		15	87475020	90.100.20		10
87449002	35.300.15		12	87475024	39.100.06		22
87449364	18.148.01		4	87475027	39.100.06		23
87449365	18.148.01		6	87475031	90.118.41	01	21
87449554	21.102.01		1		90.118.41	02	21
87449555	21.102.01		2	87475046	90.118.23	02	1
87449556	21.102.01		3	87475609	88.230.17		2
87449557	21.102.01		4	87475611	88.230.17		3
87449558	21.102.01		5	87476424	55.100.10		9
87449559	21.102.01		10	87477345	44.151.12		1
87449564	21.102.01		22	87477999	74.130.01		37
87449569	21.102.01		11		74.130.01	01	37
87449570	21.102.01		14	87478001	74.130.01		38
87449573	21.102.01		21		74.130.01	01	38
87449801	48.110.03		13	87478003	74.130.01		39
	48.130.02		6		74.130.01	01	39
	48.134.02		6	87479089	90.108.01	02	24
87450564	35.220.04		15	87479090	90.108.01	02	25
87450565	35.220.04		14	87479091	90.118.29		25
87451047	48.134.02		14	87479097	90.108.02	03	5
87451058	48.130.02		1	87479571	55.100.10		7
87451761	48.100.02		2	87479572	55.100.10		10
87452540	80.101.21	01	4	87479573	55.100.10		11
	80.101.21	02	4	87479642	88.230.04		14
87453375	35.220.04		10	87479645	88.230.18		1
87453381	35.220.04		11	87479791	80.180.07		2
87453382	35.220.04		12	87479912	80.154.10		39
87453383	35.220.04		13	87479913	80.154.10		40

INDEX - INDICE - INDEX - ZAHLENVERZEICHNIS - INDICE - INDICE - INHOLD - INHOUD

Number	Figure	Sequence	Ref.	Number	Figure	Sequence	Ref.
87480395	48.134.03		25	87490153	44.100.03		2
87481750	88.210.14		3	87490168	55.627.10		15
87481752	88.210.13	01	53	87490171	55.627.10		7
	88.210.14		1	87490175	55.627.10		1
87481758	88.210.14		2		66.360.09		21
87481897	48.134.03		23	87490411	55.100.41		1
	48.134.04		23	87490412	55.510.05		1
87481898	48.134.04		27	87490413	55.100.22		1
87482032	35.910.11	01	1	87491002	80.154.10		12
	35.910.11	02	1	87491025	80.154.10		6
	35.910.12		1	87491027	80.150.07		11
87482034	00.000.35	02	19	87491028	80.150.07		23
	35.000.00	02	19	87491029	80.150.07		13
	35.300.01	01	3	87491030	80.150.07		25
87482038	35.910.10		1	87491037	80.150.07		9
	35.910.10		11	87491039	80.150.07		20
87482039	35.910.03	01	12	87491388	35.162.04		10
87482040	35.910.03	02	12		60.110.03		2
87482602	10.246.03		32	87491648	74.114.06		22
87482872	10.406.03	01	29	87491650	74.114.06		22
87483414	90.118.29		5	87491749	55.440.12		7
87483416	90.118.29		4	87492002	90.118.23	02	2
87483975	35.910.04	01	18	87492004	90.114.07		5
	74.135.02	01	1	87492568	80.150.03	01	4
87483994	90.160.02	02	1		80.150.05		4
87484408	60.110.08		66	87492571	80.150.03	01	5
87484708	35.910.04	01	15	87492574	80.150.03	01	15
87484754	48.134.04		2	87492652	66.101.05		11
87485	88.210.05		18		66.360.09		38
87485223	90.118.22	01	2	87493756	90.118.29		26
87485227	90.118.40		4	87493897	74.130.01		31
87485229	90.118.40		10		74.130.01	01	31
87485230	90.118.40		3	87493902	74.130.01		9
87485231	41.106.03	02	11		74.130.01	01	9
87485233	90.118.40		11	87494170	90.118.37		7
87485234	90.118.40		8	87494173	55.627.10		6
87485240	90.118.22	01	9	87494198	55.100.42		25
87485268	48.134.03		26	87494228	88.120.06		7
87485360	80.150.07		10	87494233	55.404.08		11
87485361	80.150.07		21	87495205	74.130.01	01	1
87485535	88.230.04		12	87495322	10.406.08	03	8
87485540	88.230.04		7	87495324	90.102.02	01	47
87485542	88.210.04		5		90.102.03	03	24
	88.230.04		5		90.102.05	01	48
87485544	88.210.04		4		90.102.05	02	44
	88.230.04		4		90.102.05	03	47
87485545	88.230.04		11	87495666	74.140.09		28
87485663	90.102.03	01	2	87495667	74.140.09		28
	90.102.03	02	2	87495673	10.246.03		21
	90.102.03	03	2	87495849	50.206.02		6
	90.102.05	01	2	87495850	50.206.02		33
	90.102.05	02	2	87495851	50.206.02		7
	90.102.05	03	2	87496169	90.118.29		2
87485688	90.102.02	01	3	87496170	90.118.29		2
	90.102.03	01	3	87496958	48.134.03		5
	90.102.03	02	3		48.134.04		5
	90.102.03	03	3		48.999.01	03	5
	90.102.05	01	3	87496985	55.440.12		9
	90.102.05	02	3	87497003	35.910.04	01	3
	90.102.05	03	3	87497174	35.910.04	01	16
87485696	90.102.03	03	15	87497372	35.910.04	01	1
87485712	35.300.06		8	87497407	74.101.12		29
	66.260.21		8	87497408	74.101.12		29
87486062	55.404.12	02	6	87497442	55.404.33		12
87486176	74.110.03		2	87497817	90.118.41		2
87486643	33.202.04		22	87497819	55.404.15		2
87487017	74.130.01	01	26		55.404.16		2
87487061	10.254.11	01	11	87498470	90.108.01	02	19
87488331	55.440.12		1	87498471	90.108.01	02	19
87488680	88.230.04		31	87498472	90.108.01	02	19
87488905	90.118.29		3	87498473	90.108.01	02	19
87488906	90.118.29		3	87498861	41.106.03	02	20
87489061	48.134.04		26		90.118.40		2
87489305	10.406.03	02	10	87498865	41.106.03	02	19
87489326	90.118.22	01	10	87498870	90.118.22	01	2
87489329	90.118.22	01	28	87498871	41.106.03	02	24
87489337	90.118.22	01	28		48.999.01	02	13
87489339	90.118.22	01	24	87498873	90.118.41		3

INDEX - INDICE - INDEX - ZAHLENVERZEICHNIS - INDICE - INDICE - INHOLD - INHOUD

Number	Figure	Sequence	Ref.	Number	Figure	Sequence	Ref.
87498875	90.118.41		25	87529196	35.752.03	02	29
87498878	35.910.04	01	10	87529198	35.752.03	02	30
87499293	35.910.02	01	7	87529306	48.134.07		5
87499294	35.910.02	01	9	87529646	55.440.12	01	1
87499861	74.101.10		11	87530573	10.406.03	01	14
87510512	10.254.08	01	2	87530574	10.406.03	01	13
87510515	80.101.19		1	87530575	10.406.03	01	6
87510520	90.118.38		4	87530962	90.118.09		
87510522	90.154.02	01	29	87530963	90.118.09		
87510526	88.210.05		6	87530964	90.118.09		
87510527	88.210.05		10	87530965	90.118.09		
87510529	88.210.05		8	87530966	90.118.09		
87510546	88.210.11		12	87531172	88.230.19		25
87510565	35.300.06		1	87532139	10.246.03		34
87510645	90.118.39	01	11	87532430	21.114.01		1
87510672	88.230.20		1	87532432	21.114.01		1
87510717	10.414.01	01	2	87532434	21.114.01		1
	10.414.01	02	2	87532436	21.114.01		1
87510719	90.150.04		43	87532857	55.404.28		4
87510747	88.230.20		5	87533206	60.110.21		12
87510844	88.210.05		32	87533210	60.110.06	01	34
87515082	25.310.04		11		60.110.06	02	10
	44.100.09		8	87533880	10.414.02	01	20
	44.100.10		8		10.414.02	02	9
87515533	25.310.04		15	87534733	10.406.03	01	4
87516749	90.110.12		37		10.406.03	02	4
87516812	39.100.05		31		10.406.03	03	12
87517133	90.110.12		32	87534741	10.254.08	01	22
87517350	66.101.05		10		10.254.08	02	20
	66.360.09		2	87534933	55.424.02		8
87517351	66.101.05		9	87534936	55.424.02		1
	66.360.09		1		55.785.03	01	5
87518111	39.100.05		30		55.785.03	02	5
87518983	88.430.01		5	87535466	50.200.04	01	2
87519075	35.910.07	01	1	87535853	74.130.08		1
	88.230.15		6	87536498	41.204.04		1
87519076	35.910.07	02	1	87536499	41.204.04		2
	88.230.15		7	87536500	41.204.04		1
87519307	10.206.03		2	87536501	41.204.04		2
87520365	88.230.21	02	36	87536585	55.424.02		3
	88.431.00		36	87536726	88.430.05	01	13
87520607	14.100.11		15		88.430.05	02	13
	66.260.23		2	87536803	60.150.10		32
87521010	90.160.02	02	15	87536804	60.150.10		23
87522008	55.100.13		4	87536805	60.150.10		17
	55.780.11		1	87536806	60.150.10		19
87522499	88.230.21	01	15	87536807	60.150.10		18
	88.431.01		15	87536808	60.150.10		20
87522515	35.752.03	02	21	87536809	60.150.10		21
87522592	10.414.09		4	87536812	60.150.02		5
	10.418.16	01	4		60.150.10		2
	10.418.16	02	4	87536813	60.150.02		6
87524453	80.150.02		26		60.150.10		3
	80.150.03	01	26	87536815	10.100.01	01	6
87524460	66.101.05		10		10.100.01	02	7
	66.360.09		2	87536816	60.150.10		27
87524461	66.101.05		9	87537643	60.110.06		30
	66.360.09		1		60.110.06	02	40
87524576	10.012.04	01	1	87537644	60.110.06	01	22
87525276	10.254.08	01	7		60.110.06	02	54
87525427	74.999.01	02		87538002	10.414.02	01	19
87525715	10.206.03		2		10.414.02	02	8
87526140	10.414.02	01	23	87538007	10.414.02	01	32
87526142	10.418.16	01	10	87538178	39.100.01		3
87526988	74.118.04	01	6	87538180	39.100.01		4
	74.118.04	02	6	87539116	55.404.33		15
87527073	10.310.02	01	2	87540186	66.350.02		21
87527075	10.310.02	01	1		88.210.02		22
87527239	90.110.12		29	87540656	88.430.08		1
87527676	90.108.01	01	18	87540958	10.414.02	01	13
87527677	90.108.01	01	12	87540959	10.414.02	01	36
87527748	90.110.12		25		10.414.02	02	7
87527749	90.110.12		24	87541510	88.430.05	01	10
87527750	90.110.12		34		88.430.05	02	10
87527860	18.110.02		1	87541857	74.130.08		16
	80.101.15		7	87541859	74.130.08		17
87528798	74.140.09		32	87541888	88.430.05	01	11
87528989	90.118.41		6		88.430.05	02	11

INDEX - INDICE - INDEX - ZAHLENVERZEICHNIS - INDICE - INDICE - INDHOLD - INHOUD

Number	Figure	Sequence	Ref.	Number	Figure	Sequence	Ref.
87541978	74.140.05		7	87551414	80.150.05		12
87542137	74.140.05		27	87551415	80.150.03	01	31
	74.140.09		7		80.150.05		11
87542153	50.200.04	01	27	87551580	80.150.03	01	34
87542571	74.140.09		31		80.150.05		8
87542959	90.118.37		11	87551606	80.150.03	01	35
87542965	74.130.08		2		80.150.05		14
87544261	88.120.03	01	23	87551673	80.150.02		50
87544634	80.150.06		23		80.150.03	02	51
87545435	35.910.04		3	87551723	80.150.02		38
87545449	74.101.10		3		80.150.03	02	68
87545546	10.012.04	02	1	87551726	80.150.02		39
87545740	35.910.04		5		80.150.03	02	69
87545936	35.910.04		8	87551740	80.150.02		40
87548074	50.200.04	02	10		80.150.03	02	70
87548584	90.118.38		21	87552111	10.418.16	01	11
87548596	90.118.38		1	87552112	10.414.10		5
87548607	90.118.38		45		10.418.16	01	31
87548613	90.115.03		1		10.418.16	02	31
87548617	90.118.39	01	1	87552113	10.418.16	01	27
	90.118.39	02	5		10.418.16	02	27
87548619	80.101.07		35	87552205	80.154.03		36
	80.150.07		2	87552207	80.154.03		33
	80.154.03		35	87552209	80.154.03		34
87548625	90.118.09		1	87552212	80.101.07		3
87548626	90.118.09		20		80.150.07		15
87548636	10.414.02	02	6		80.154.03		3
87548733	90.118.09		24	87552213	80.154.03		4
87548960	35.300.06		1	87552230	80.101.07		5
	35.300.09	01	6		80.154.03		5
	35.300.09	02	6	87552233	80.101.07		7
87549450	74.140.05		27		80.154.03		7
	74.140.09		7	87552399	74.140.14	01	18
87550068	10.418.16	01	34	87552400	74.140.14	01	18
	10.418.16	02	34	87552526	80.180.01		32
87550262	10.414.06	01	6		80.180.01	01	32
	10.414.06	02	6	87552532	80.180.01		5
87550271	90.102.03	02	13		80.180.01	01	5
87550492	39.100.05		4	87552534	80.180.01		8
87550493	39.100.05		46		80.180.01	01	8
87550634	80.101.15		47	87552536	80.180.11		2
87550645	80.101.15		12	87552541	80.180.11		3
87551123	10.406.03	01	31		80.180.17	01	3
	10.406.03	02	30		80.180.17	02	3
	10.406.03	03	21	87552565	80.180.01		45
87551223	80.150.03	01	2		80.180.01	01	45
	80.150.05		1	87552568	80.180.01		15
87551230	80.150.03	01	3		80.180.01	01	15
	80.150.05		3	87552816	44.200.07		26
87551294	80.150.02		15	87552966	88.230.04		9
87551345	80.150.03	01	29	87553176	88.230.04		13
87551365	80.101.07		40	87553424	66.260.21		10
	80.150.02		1	87553494	88.230.13	02	10
87551366	80.150.03	01	9	87553504	90.156.11	01	1
	80.150.05		9	87553505	90.156.11	02	1
87551374	80.150.02		10	87553982	55.404.31		2
87551376	80.150.03	01	30		88.120.03	01	12
	80.150.05		7	87555245	55.440.07		1
87551391	80.150.02		5		55.440.07	02	1
	80.150.03	01	12	87555590	90.102.03	01	6
87551395	80.150.02		13		90.102.03	02	6
	80.150.03	01	13		90.102.03	03	6
87551397	80.150.02		14		90.102.05	01	6
	80.150.03	01	14		90.102.05	02	6
87551403	80.150.02		16		90.102.05	03	6
	80.150.03	01	16	87555593	90.102.02	01	10
87551404	80.150.02		17		90.102.03	01	8
	80.150.03	01	17		90.102.05	03	8
87551406	80.150.02		18	87555594	90.102.02	01	11
	80.150.03	01	18		90.102.03	01	10
87551407	80.150.05		10		90.102.03	02	10
87551410	80.150.02		2		90.102.05	02	11
	80.150.03	01	22		90.102.05	03	10
87551411	80.150.02		3	87555598	90.102.03	01	5
	80.150.03	01	23		90.102.03	02	5
87551412	80.150.02		4		90.102.05	02	5
	80.150.03	01	24		90.102.05	03	5
87551414	80.150.03	01	32	87555712	90.102.02	01	9

INDEX - INDICE - INDEX - ZAHLENVERZEICHNIS - INDICE - INDICE - INHOLD - INHOUD

Number	Figure	Sequence	Ref.	Number	Figure	Sequence	Ref.
87555712	90.102.03	01	9	87570139	44.100.09		12
	90.102.05	03	9		44.100.10		12
87555714	90.102.03	01	13		90.108.01	02	17
87555716	90.102.02	01	15	87571183	88.430.06		11
	90.102.03	01	14	87571184	88.430.06		14
	90.102.03	02	14	87571185	88.430.06		15
	90.102.03	03	14	87571186	88.430.06		13
	90.102.05	01	14	87571187	88.430.06		12
	90.102.05	02	15	87571790	10.414.09		10
	90.102.05	03	14		10.418.16	02	37
87556579	90.108.11		6	87572334	10.310.02	01	5
87556588	90.108.11		4	87573645	74.140.09		20
87556985	90.108.11		5	87573646	74.140.09		20
87557858	88.230.13	02	1	87573764	39.100.01		1
87559298	90.108.01	01	16	87573766	39.100.01		1
87559325	90.102.03	01	42	87573924	88.120.03	01	8
	90.102.05	03	42	87574217	10.414.10		3
87560260	39.100.01		11	87574415	74.140.09		1
87561728	88.230.19	01	11	87574734	88.430.05	01	15
87561730	05.102.01	02	7		88.430.05	02	15
87562320	90.118.23	02	12	87575223	80.180.11		1
87562324	90.114.07		5	87576257	10.406.03	01	30
	90.114.07		5		10.406.03	03	6
87562329	90.118.23	02	13	87576259	10.406.03	01	24
87562333	90.114.07		1	87576498	10.406.08	01	6
87562561	74.101.12		14	87576500	10.406.08	01	7
87562687	10.254.08	03	2	87576502	90.102.03	01	15
87563204	25.310.04		6	87576607	41.204.04		7
	44.151.12		9	87577617	35.105.01		1
	48.999.01	01	9		35.204.01		1
87563205	44.511.07		4	87577618	35.105.01		1
	90.108.01	02	18		35.910.05	01	6
87563478	00.000.35	02	27		35.910.05	02	6
	35.000.00	02	27	87578066	88.430.01		4
	41.203.01		53	87578082	88.220.03	02	1
87563479	41.203.01		14	87578084	88.220.03	02	3
87563486	33.202.15		18	87578692	10.414.01	01	15
87563487	33.202.15		16		10.414.01	02	15
87563488	33.202.15		2	87579208	39.100.05		2
87563490	10.414.12		17	87579698	74.999.01	01	
	35.752.03	03	38		74.999.01	02	
	35.910.03	02	23		74.999.01	03	
87563491	35.752.03	02	33	87579720	10.418.31		9
	35.752.03	03	27	87579723	10.418.31		6
87563492	35.752.03	02	18	87579726	10.418.31		1
87563494	10.414.12		5	87579738	55.440.07		5
87563495	10.414.12		15		55.440.07	02	5
87563496	10.414.12		16	87580123	39.100.05		56
87563497	10.414.12		18	87581059	90.102.03	02	1
87563498	10.414.12		19		90.102.05	02	1
87563558	88.430.05	01	7	87581722	35.910.04	01	20
	88.430.05	02	7	87581727	66.101.09	02	4
87563854	66.350.01		2	87582121	90.102.03	02	9
	88.210.10		3		90.102.05	02	9
	88.210.13	01	2	87582269	88.230.21	01	71
87563868	60.120.11	02	5		88.230.21	02	67
87564237	10.254.08	03	3		88.230.21	03	70
87564749	35.440.07		10		88.431.00		67
	48.134.04		25		88.431.01		71
87564959	60.110.08		43		88.431.02		70
87564963	35.162.02		28	87582545	10.254.01	01	4
87565653	88.210.10		46		55.100.07	01	11
87565811	80.150.02		46	87582923	74.999.01	01	
	80.150.03	02	73	87582924	10.254.08	02	4
87565924	10.254.08	03	4	87582925	10.254.08	02	11
87568249	88.230.07		2	87582928	74.999.01	01	
87568463	90.120.03		19		74.999.01	02	
	90.120.06		23		74.999.01	03	
87569781	90.114.07		1	87582997	90.160.02	01	55
87569795	10.406.03	02	6	87583387	10.254.08	02	27
87570004	10.406.03	02	3	87583591	88.430.08		23
87570007	10.406.03	02	2	87583643	60.110.02		4
87570112	90.160.02	02	54		60.110.20		5
87570139	44.100.02		6	87583645	60.110.02		3
	44.100.03		6		60.110.20		4
	44.100.04		6	87583787	80.150.11		5
	44.100.05		6		80.150.11	02	5
	44.100.07		8	87583788	80.150.11		5

INDEX - INDICE - INDEX - ZAHLENVERZEICHNIS - INDICE - INDICE - INDHOLD - INHOUD

Number	Figure	Sequence	Ref.	Number	Figure	Sequence	Ref.
87583801	55.100.07	01	25	87592357	88.220.03	02	15
87584090	90.102.03	02	8	87593795	88.210.11		7
	90.102.05	02	10	87594982	10.414.12		1
87584185	66.105.28		5	87595761	55.440.12		8
	66.360.11		1	87596219	90.160.02	02	10
87584186	66.360.11		9	87596233	90.102.03	01	1
87584187	66.360.11		2		90.102.05	03	1
87584335	10.406.08	01	2	87597096	60.110.02		1
	10.406.08	02	10	87597317	10.254.08	01	5
87584402	39.100.06		1	87598659	35.204.01		6
87584809	80.101.08		1		35.910.05	01	16
87584813	80.101.08		30		35.910.05	02	16
87584962	10.414.01	01	16		88.230.21	01	17
	10.414.01	02	16		88.230.21	02	37
87585083	48.134.05		5		88.230.21	03	20
87585241	88.230.13	02	11		88.431.00		37
87585352	74.101.16		1		88.431.01		17
87585661	90.102.03	02	42		88.431.02		20
	90.102.05	02	8	87598803	44.100.02		9
87585835	88.220.03	02	4		44.100.04		9
87586119	10.012.04	03	1		44.100.07		6
87586569	80.101.15		1		44.100.09		5
87586570	80.101.15		1		44.100.10		5
87587474	14.100.11		3		44.100.11		5
	31.114.04		16	87600126	88.230.13	02	12
	60.150.04		53	87600674	10.418.16	01	52
	60.150.05		8		10.418.16	02	52
	66.320.02	01	21	87600703	10.418.16	01	51
	66.320.02	02	21	87600861	66.105.20		1
87587528	66.350.01		10	87600863	66.105.20		2
87587530	66.350.05		7	87601208	10.414.01	02	4
87587538	66.350.05		1	87601210	10.414.10		18
87587577	44.104.01		1		50.200.04	03	17
87587580	44.104.01		1	87601297	66.330.01		15
87587583	44.104.01		1	87601392	10.414.01	03	4
87587586	44.104.01		1	87601394	10.414.01	03	3
87587591	60.110.03		7	87601705	88.430.06		18
	60.110.20		7	87601729	10.414.13		14
87587593	60.110.03		8	87602150	90.118.33		16
	60.110.20		8	87602152	90.118.33		12
87587892	00.000.35	02	2	87602153	10.418.16	01	55
	35.000.00	02	2		10.418.16	02	55
	35.204.01		12	87602267	80.180.12		10
87587898	00.000.35	02	3	87602594	66.330.01		18
	35.000.00	02	3	87602893	39.100.06		16
	35.204.01		13		55.404.15		6
87587899	00.000.35	02	4		55.404.16		7
	35.000.00	02	4		88.230.15		5
	35.204.01		14		90.118.37		18
87587907	00.000.35	02	1		90.118.37		2
	35.000.00	02	1		90.118.43	01	5
	41.203.01		22		90.118.43	02	5
87587910	35.300.01	01	9	87603337	88.430.06		23
	35.300.01	02	9	87603462	55.404.20		3
87588613	74.999.01	02		87603593	39.100.05		3
87588654	21.130.03		11		66.101.08		18
87589410	74.130.01		1	87605590	80.101.08		12
	74.130.01	01	1		80.101.10		7
87589411	74.130.01		1		80.101.10	01	7
	74.130.01	01	1		80.101.15		4
87589697	10.414.02	02	35		80.180.11		6
87589867	50.200.04	01	35		80.180.17	01	6
	50.200.04	02	23		80.180.17	02	6
	50.200.04	03	31	87605592	74.140.05		14
87591008	66.350.01		9		74.140.09		2
87591787	21.130.03		28		80.101.15		3
87591924	90.118.41	01	1		80.150.11		8
	90.118.41	02	1		80.150.11	02	8
87591932	90.118.33		7	87605593	80.101.19		18
87591939	90.118.41		1	87606640	66.350.05		2
	90.118.41	01	3	87607845	35.204.01		7
	90.118.41	02	3		35.910.05	01	8
87592170	05.000.01	01	4		35.910.05	02	8
	10.206.03		5	87607871	10.418.16	01	16
87592254	55.301.02	02	7	87607877	10.206.03		3
	55.301.02	03	7	87608738E	66.330.01		1
	55.301.03	01	1	87610182	80.101.18		14
	55.301.03	02	1	87610906	88.210.11		6

INDEX - INDICE - INDEX - ZAHLENVERZEICHNIS - INDICE - INDICE - INHOLD - INHOUD

Number	Figure	Sequence	Ref.	Number	Figure	Sequence	Ref.
87610910	21.102.01		15	87629095	88.210.01	01	5
87610911	21.102.01		16	87629096	88.210.01	02	5
87610913	21.102.01			87629473	74.101.10		24
	60.110.08		3	87629478	74.101.10		16
87611092	10.414.01	03	2	87629587	55.404.10		2
87611498	31.114.05		1	87630204	55.100.42		19
87612665	60.150.02		20		55.785.04		1
	60.150.03		18	87630671	90.118.41	01	4
	60.150.10		4		90.118.41	02	4
87612666	60.150.02		21	87633160	10.418.16	01	24
	60.150.03		19		10.418.16	02	24
	60.150.10		12	87633175	88.220.03	02	5
87612667	60.150.02		22	87633177	88.220.03	02	5
	60.150.03		20	87633179	88.220.03	02	6
	60.150.10		14	87633201	90.100.20		9
87612725	60.110.03		9	87633205	90.100.20		7
	60.110.22		2	87633210	90.100.22		2
	90.108.01	01	15	87633917	90.160.02	02	42
87612831	66.105.20		3	87633937	88.230.19		1
87612838	66.105.17		1	87633938	88.230.19		1
87612841	66.105.17		2	87633973	90.100.17		2
87612843	66.105.17		4	87634523	55.418.01		11
87613204	80.154.10		32		55.424.02		21
87613216	74.135.05	02A	13		55.785.03	01	9
	74.135.05	02B	11		55.785.03	02	9
87614936	41.204.06		31	87634752	29.212.20		1
87616998	60.110.09		21	87634753	29.212.20		1
87618034	10.100.01	03	1	87634754	29.204.05		1
87618406	66.260.01		11		29.212.09		1
87619879	88.210.01	01	12	87634778	80.150.02		11
	88.210.01	02	12		80.150.03	01	11
87619913	60.150.10		26	87634844	80.150.02		12
87620394	66.330.01		1		80.150.03	01	25
87620925	80.180.01		39	87634845	80.150.02		47
87621731	60.150.10		28		80.150.03	02	44
87621902	35.204.01		33	87635130	60.110.03		4
	35.910.05	01	17	87635283	74.130.01		27
	35.910.05	02	17		74.130.01	01	27
87621903	35.204.01		2	87635286	74.130.01		9
	35.910.05	01	32		74.130.01	01	9
	35.910.05	02	32	87635700	10.418.16	01	23
87621965	10.414.02	01	6	87635900	35.910.04		1
87622070	10.414.02	01	1	87635978	88.430.06		20
87623354	80.150.05		16	87635979	88.430.06		22
87623360	10.418.16	01	58	87637434	88.230.21	01	22
87623369	55.404.20		4		88.230.21	02	42
	90.108.01	01	20		88.230.21	03	27
	90.108.02	02	8		88.431.00		43
87623370	55.404.20		5		88.431.01		22
	90.108.01	02	6		88.431.02		27
	90.108.02	02	17	87637643	74.114.03	01	11
87623371	55.404.20		6		74.114.03	02	11
	90.108.01	02	7	87637786	55.100.34	01	2
	90.108.02	02	18		55.100.34	02	2
87623435	88.210.11		6		55.100.34	03	2
87623600	88.210.13	01	1	87637787	55.100.17		1
87624259	60.150.10		31	87637788	55.100.31		1
87624260	60.150.10		29	87637789	55.100.30		1
87624261	60.150.10		30	87637790	55.100.07	03	1
87624695	35.310.41		1		55.100.34	03	1
87625522	60.105.03		3	87637792	55.510.05		2
87625524	60.105.03		3	87637795	55.100.07	01	1
87625526	05.000.01	01	20		55.100.34	01	1
	05.000.01	02	19	87638438	90.110.12		46
	60.105.03		7	87638466	88.430.06		19
	60.110.06	01	20	87638861	35.105.01		6
	66.101.02		13	87638866	35.105.01		5
87626364	60.110.20		1	87638867	35.105.01		2
87627433	44.100.02		2	87638868	35.105.01		12
87627724	80.180.01		38	87638869	35.105.01		21
87627854	55.404.10		1	87639327	10.406.08	02	12
87628196	80.150.16		2	87639847	35.910.04		6
87628197	80.150.16		1	87640473	74.101.05		1
87628200	90.110.11		3	87640479	74.101.05		4
	90.160.04	01	3	87640483	60.105.05		1
87629	41.216.01		2	87640684	14.100.11		1
87629040	90.118.41	01	22	87640685	66.320.02	02	20
	90.118.41	02	22	87640686	66.320.02	02	22

INDEX - INDICE - INDEX - ZAHLENVERZEICHNIS - INDICE - INDICE - INDHOLD - INHOUD

Number	Figure	Sequence	Ref.	Number	Figure	Sequence	Ref.
87640687	60.150.04		24	87647773	10.418.16	02	36
	66.320.02	01	28	87647829	90.108.11		7
	66.320.02	02	28	87648197	35.204.04		1
87640688	66.320.02	02	16	87648309	10.310.02	02	2
87641159	10.100.01	02	26	87648311	10.310.02	02	1
87641633	00.000.35	02	34	87649312	90.100.19		7
	35.000.00	02	34	87649314	90.100.19		9
	41.203.01		16	87649361	60.110.03		1
87641636	00.000.35	02	7	87649363	60.110.03		1
	35.000.00	02	7	87649426	88.210.13	01	3
	41.203.01		17	87649847	48.130.01		21
87642393	10.414.09		14	87649849	25.310.02	01	4
	10.418.16	01	5	87649850	25.310.02	01	4
	10.418.16	02	5	87651216	88.210.10		8
87643079	80.101.07		6		88.210.13	01	42
	80.154.03		6		88.210.13	02	42
87643110	10.100.01	03	6	87651240	10.254.08	02	2
87643243	60.110.03		37	87651712	55.785.11		1
87643245	60.110.03		38	87651713	55.785.11		2
87643252	35.204.04		11	87651714	55.785.11		3
87643499	66.260.01		1	87651797	29.212.09		12
87643605	88.230.13	02	13	87651870	90.118.33		16
87644162	35.300.06		6	87651888	90.118.33		12
87644336	55.100.17		7	87653242	90.118.44		12
87644661	00.000.35	02	31	87653373	50.200.02		3
	35.000.00	02	31	87653375	50.200.02		2
	44.200.09		4	87653379	50.206.02		12
87644662	00.000.35	02	30	87653381	50.206.02		13
	35.000.00	02	30	87653826	90.102.02	01	4
	44.200.09		5		90.102.03	01	4
87644755	00.000.35	02	28		90.102.03	02	4
	00.000.35	02	29		90.102.03	03	4
	29.204.05		2		90.102.05	01	4
	35.000.00	02	28		90.102.05	02	4
	35.000.00	02	29		90.102.05	03	4
87645123	44.200.15		3	87654000	80.150.06		20
87645216	35.440.03		1	87654332	90.100.19		8
	35.440.04		1	87654434	29.212.09		26
87645433	90.108.01	02	2	87654736	90.100.19		2
	90.108.02	02	13	87655130	66.260.21		21
87645579	10.254.11	01	5	87655335	50.206.02		20
87645687	35.300.13		1	87655340	50.206.02		14
	35.300.14		1	87655614	29.204.05		29
87645795	80.154.09		17	87656137	39.100.06		8
87645802	80.150.02		55		55.440.12		4
	80.150.03	02	78		88.230.21	01	57
87645805	80.150.02		56		88.230.21	02	7
	80.150.03	02	77		88.230.21	03	55
87646003	60.105.03		2		88.431.00		7
87646005	60.105.03		1		88.431.01		57
	60.110.06	01	24		88.431.02		55
	60.110.06	02	9		90.100.18		12
87646011	05.000.01	01	11	87656535	66.350.01		14
	05.000.01	02	11	87656835	90.110.12		31
	60.105.03		4	87656838	50.206.02		18
	60.110.21		17	87657054	80.150.02		54
87646014	60.105.03		2		80.150.03	02	75
87646015	60.105.03		1	87657697	00.000.35	02	36
87646024	60.105.05		4		35.000.00	02	36
87646029	35.910.05	01	43		41.203.02		7
	35.910.05	02	43	87657698	00.000.35	02	16
87646115	55.440.06		4		35.000.00	02	16
	55.440.07		14		41.203.02		6
	55.440.07	02	14	87657700	00.000.35	02	35
	55.785.03	01	6		35.000.00	02	35
	55.785.03	02	6		35.300.01	01	34
87646888	10.414.12		20		35.300.01	02	34
87646890	10.414.12		21	87657822	80.180.11		1
	35.752.03	03	35	87657887	66.260.24		8
87646895	35.752.03	03	19	87658114	74.140.14	02	24
87646896	35.752.03	03	20	87658402	90.160.04	01	1
87646911	35.752.03	03	29	87658408	90.160.04	01	2
87646912	35.752.03	03	39	87659014	39.100.06		1
87646913	35.752.03	03	7	87660200	60.110.06	01	1
87646914	35.752.03	03	8		60.110.06	02	12
87646915	35.752.03	03	1	87660204	60.105.05		2
87647773	10.414.10		6	87661260	10.254.08	03	1
	10.418.16	01	36	87661467	90.100.17		13

INDEX - INDICE - INDEX - ZAHLENVERZEICHNIS - INDICE - INDICE - INHOLD - INHOUD

Number	Figure	Sequence	Ref.	Number	Figure	Sequence	Ref.
87661469	90.100.19		4	87670411	88.210.13	01	6
87661473	90.100.19		10		88.210.13	02	6
87661746	44.200.07		1	87670413	88.210.13	01	7
	44.200.12		9		88.210.13	02	7
87661747	44.200.07		1	87670416	88.210.13	02	10
	44.200.12		10	87670419	88.210.13	01	8
87661803	29.204.06		9		88.210.13	02	8
87662443	39.100.05		57	87670758	55.404.16		22
87662508	60.110.08		38	87670764	55.404.16		12
87662509	60.110.08		39	87671282	10.418.16	02	10
87662555	60.110.06	01	23	87671285	10.418.16	02	23
	60.110.06	02	37	87671289	10.100.01	03	15
87662557	41.203.01		60		10.110.01	03	3
87662984	80.154.07		2	87671291	10.414.02	02	2
87662989	80.150.02		8	87671820	10.406.03	01	33
87662993	80.101.10		2		10.406.03	02	16
	80.101.10	01	2		10.406.03	03	2
87662994	80.154.07		1	87672123	90.118.41		4
87663046	35.300.01	01	33	87672141	90.118.37		3
	35.300.01	02	33	87672196	88.210.01	01	15
87663335	74.130.01		32		88.210.01	02	15
	74.130.01	01	32		88.210.11		3
87663339	74.130.01		31		88.210.13	01	4
	74.130.01	01	31		88.210.13	01	52
87663341	74.130.01		40	87673484	66.260.17		2
	74.130.01	01	40		66.260.24		2
87663474	21.114.01		1	87673520	60.110.06	01	15
87663939	10.406.03	01	2	87673524	60.110.03		10
87663940	10.406.03	01	3		60.110.20		10
87663947	50.206.02		3	87673525	60.110.06	02	7
87664010	10.406.03	01	15		66.101.02		9
87664683	55.100.07	01	3	87673527	60.110.06	02	8
	55.100.07	02	3		66.101.02		6
	55.100.07	03	3		66.101.11		18
87665069	90.110.12		9	87673661	10.414.02	02	1
87665142	10.414.02	02	5	87673749	60.120.10		3
87665166	10.414.02	02	3	87673766	90.100.20		1
87665176	10.254.11	02	2	87673785	90.118.43	01	3
87665182	10.310.02	03	2	87673787	90.118.43	01	4
87665184	10.310.02	03	1		90.118.43	02	4
87665216	10.406.03	03	20	87674128	10.254.11	02	6
87665292	80.150.11		12	87674148	10.254.11	02	3
	80.150.11	02	12	87674308	10.414.01	03	21
87665332	10.406.03	03	3	87674852	10.254.11	02	4
87665982	10.254.11	02	5	87674853	10.254.08	03	8
87667385	60.110.06	01	3	87675164	29.204.05		4
87667405	60.110.06	01	38	87675531	39.100.06		12
	60.110.06	02	38		55.404.15		7
87667721	10.406.03	03	14		55.404.16		8
87667805	88.230.21	02	71		90.118.43	01	11
	88.431.00		71		90.118.43	02	11
87667806	88.230.21	02	68	87675694	66.320.02	01	20
87668035	80.101.10		2	87676089	10.414.01	03	20
	80.101.10	01	2	87676551	90.102.03	03	13
87668036	80.101.10		2	87676625	90.102.03	02	15
87668037	80.101.10		2	87676814	10.216.03		1
87668046	80.150.11		13		10.246.03		5
87668047	80.150.11		13	87676817	10.246.03		8
	80.150.11	02	13	87676818	10.114.02		2
87668051	80.101.07		28	87676819	10.246.03		6
	80.101.25		23	87676820	10.216.03		3
87668173	74.118.03	01	1	87676821	10.216.03		5
87668175	74.118.03	02	1	87676999	39.100.06		18
87668213	74.118.03	01	3	87678416	60.150.04		25
	74.118.03	02	3		66.320.02	01	29
87668420	74.118.03	01	2		66.320.02	02	29
	74.118.03	02	2	87678426	80.101.08		34
87668483	29.204.05		22		80.101.18		22
87668597C	55.440.06		1	87678444	35.204.02		12
87669420	48.130.03		8	87679098	10.100.01	01	5
87670026	88.220.03	02	17		10.100.01	02	2
87670027	88.220.03	02	17		10.100.01	03	5
87670280	00.000.35	02	23		10.114.02		10
	35.000.00	02	23	87679108	10.100.01	01	9
	41.203.02		5		10.100.01	02	3
87670349	10.406.03	01	1		10.100.01	03	9
	10.406.03	02	1	87679342	90.102.03	03	1
	10.406.03	03	1		90.102.05	01	1

INDEX - INDICE - INDEX - ZAHLENVERZEICHNIS - INDICE - INDICE - INDHOLD - INHOUD

Number	Figure	Sequence	Ref.	Number	Figure	Sequence	Ref.
87679347	90.102.03	03	9	87686499	90.156.11	01	3
	90.102.05	01	9	87686501	90.156.11	01	5
87679349	90.102.03	03	10	87686503	90.156.11	02	2
	90.102.05	01	10	87686505	90.156.11	02	3
87679357	90.102.03	03	8	87686507	90.156.11	02	4
	90.102.05	01	8	87686656	10.414.01	03	1
87679365	90.102.03	03	5	87686991	35.105.01		13
	90.102.05	01	5	87686994	35.105.01		14
87679375	10.254.08	03	9	87686995	35.105.01		15
87679405	35.105.01		7	87687044	35.105.01		8
87680083	90.108.11		2	87687045	35.105.01		10
87680084	90.108.11		9	87687047	10.414.01	03	7
87680383	90.100.17		10	87687121	88.210.13	01	5
87680388	29.204.05		6		88.210.13	02	5
	44.200.09		11	87687319	39.100.05		8
87680391	29.204.05		8	87687514	66.260.21		1
87680392	44.200.09		12	87687578	10.414.06	03	15
87680393	29.204.05		7	87688537	55.100.07	03	8
87680581	05.000.02	01	6	87688623	90.110.11		1
	80.175.02		39	87688625	90.110.11		2
87681164	48.134.02		1	87688722	66.260.24		16
87681210	80.150.16		3		66.260.25		1
	80.180.05		12	87688911	10.406.08	03	9
87681214	10.206.05		16	87691173	35.440.04		11
	10.304.04		16	87691267	35.480.05		20
87682368	44.511.04		2	87691322	10.418.16	02	58
87682376	35.105.01		3	87691654	66.101.11		1
87682377	35.105.01		4	87692114	33.202.07		15
87682378	35.105.01		17		90.108.01	02	20
87682384	88.210.13	03	13	87692319	90.108.11		1
	88.230.21	01	6	87692320	90.108.11		8
	88.230.21	02	74	87692321	90.108.11		1
	88.431.00		74	87692322	90.108.11		8
	88.431.01		6	87692323	90.108.11		1
	88.431.02		9	87692324	90.108.11		8
	90.100.21		13	87692466	44.100.04		2
	90.118.37		19		44.100.10		2
87682391	39.100.06		10	87692951	33.202.15		23
	80.180.05		16	87692952	33.202.15		22
87682392	74.135.05	02A	25	87693013	29.212.09		4
	74.135.05	02B	23	87693022	80.150.02		6
	88.210.13	02	35		80.150.03	01	6
	88.210.13	03	9	87693034	35.300.13		9
87682401	90.118.36		5	87693262	55.404.12	02	2
87682412	41.106.03	02	28	87693648	90.100.21		5
	48.999.01	02	18		90.118.37		4
87684281	50.200.04	03	2	87693856	74.140.14	01	32
87684283	50.200.04	03	13	87693876	90.118.37		1
87684677	66.260.25		27	87693979	90.118.37		5
87684678	66.260.26		7	87695332	90.100.18		18
87684680	66.260.25		22	87695409	10.414.06	03	13
87684700	80.150.11	02	14	87695418	88.230.21	01	60
87684701	66.260.25		14		88.230.21	02	63
87684703	66.260.25		11		88.230.21	03	64
87684704	66.260.25		15		88.431.00		63
87684709	66.260.24		19		88.431.01		60
87684737	74.140.05		36		88.431.02		64
87684739	66.101.09	02	1	87695419	90.100.18		13
87684760	10.414.06	02	28		90.118.36		6
87684784	90.100.20		8	87695426	80.150.05		28
87684843	10.414.10		2	87695722	29.212.09		25
87684844	10.254.08	03	12	87696056	74.140.14	01	11
87684845	10.254.08	03	13	87696060	74.140.14	01	11
87684971	80.150.11	02	15	87696316	29.212.09		7
87685205	90.120.04		1	87696330	29.212.09		24
	90.120.05		4	87696335	29.212.20		17
87685701	39.100.05		58	87696391	66.260.21		1
87685881	10.254.08	03	5	87696843	60.150.10		16
87686069	00.000.35	02	9	87696844	60.150.02		3
	35.000.00	02	9		60.150.03		2
	35.204.01		23	87696845	60.150.02		2
87686373	10.254.08	03	14	87696846	60.150.02		8
87686375	10.254.08	03	15		60.150.03		5
87686481	29.212.09		8		60.150.10		6
87686484	29.212.20		14	87696847	60.150.02		32
	29.212.20		19		60.150.03		30
87686495	90.156.11	01	2	87696849	60.110.06	01	5
87686497	90.156.11	01	4		60.110.21		2

INDEX - INDICE - INDEX - ZAHLENVERZEICHNIS - INDICE - INDICE - INHOLD - INHOUD

Number	Figure	Sequence	Ref.	Number	Figure	Sequence	Ref.
87696849	60.150.03		1	87710092	10.406.03	03	4
87696851	60.150.02		1	87710390	10.414.01	01	23
	66.101.02		3		10.414.01	02	8
87696886	10.406.03	03	16		10.414.01	03	17
87697368	66.330.01		21	87710540	10.246.03		1
87697449	10.414.01	03	29	87710633	33.110.03		15
87698216	88.210.11		2	87710634	33.110.03		14
87698271	10.414.09		1	87710635	33.110.03		13
87698753	88.230.19	01	5	87710647	33.110.03		8
87698760	90.118.37		14	87710883	80.175.02		17
87698763	48.999.01	03	16		80.175.02		35
	55.408.05		18	87711042	74.114.03	01	25
87698794	90.105.10		7		74.114.03	02	25
	90.118.41	01	14		74.118.04	01	9
	90.118.41	02	16		74.118.04	02	9
87698833	90.100.19		11	87711044	74.114.03	01	26
87698835	60.110.08		32		74.114.03	02	26
87698852	88.230.11	02	3		74.118.04	01	8
87698896	10.418.16	01	1		74.118.04	02	8
	10.418.16	02	1	87711333	10.254.11	01	1
87699716	33.202.07		15	87711585	90.100.18		1
877-11010	60.120.11	02	7	87711587	90.100.18		2
87700647	90.118.43	01	2	87711599	90.100.17		9
	90.118.43	02	2	87711600	39.100.06		2
87701158	90.100.17		3	87711604	39.100.06		2
	90.100.19		15	87711607	39.100.06		7
87702165	29.212.20		11	87711617	90.100.17		14
87702168	29.212.20		4		90.100.19		16
87702169	29.212.20		6	87711620	90.100.17		12
87702170	29.212.20		9	87711622	90.100.19		14
87702171	29.212.20		16	87712022	55.424.02		22
87702284	29.212.09		14		55.785.03	01	1
87702635	88.210.13	01	1		55.785.03	02	1
87703161	50.200.04	03	26	87713232	90.108.01	01	24
87703182	50.200.04	03	25	87713405	35.204.10		7
87703252	41.203.01		15	87714975	10.406.08	02	2
87703253	00.000.35	02	32	87714979	10.406.08	02	1
	35.000.00	02	32	87714993	55.510.06		1
	41.203.01		13	87714994	55.510.06		1
87703798	60.150.02		31	87715003	66.330.17		1
	60.150.03		29		66.330.21		2
	60.150.10		1	87715218	35.162.04		4
87705371	60.150.01		1		60.110.03		4
87706351	90.100.18		9	87715220	60.110.22		1
87706352	90.100.18		5	87715221	60.110.09		1
87706354	90.100.18		10	87715222	60.110.09		1
87707006	88.230.17		28	87716	74.114.03	01	32
87707025	90.100.18		7		74.114.03	02	32
87707244	90.100.18		19		74.118.04	01	22
87707623	90.108.01	02	13		74.118.04	02	22
87707624	90.108.01	01	14		88.430.08		15
87707625	90.108.01	01	13	87716230	90.150.04		41
87707626	90.108.01	01	10	87716827	55.100.07	02	1
87707627	90.108.01	01	9		55.100.34	02	1
87707628	90.108.01	01	8	87717368	90.118.33		9
87707629	90.108.01	01	7	87717370	90.118.33		8
87707630	90.108.01	01	6	87717923	05.000.01	01	13
87707631	90.108.01	01	5		05.000.01	02	13
87707632	90.108.01	01	4		66.360.10		9
87707633	90.108.01	01	2	87718946	90.160.02	02	11
87707635	90.108.01	01	22	87719018	66.260.17		18
	90.108.01	02	16	87719433	80.101.15		14
87707636	90.108.01	01	11		90.108.01	01	23
87707637	90.108.01	02	20	87719434	80.101.15		49
87707638	90.108.01	02	20	87719453	55.100.07	02	10
87707639	90.108.01	02	20	87719749	66.101.11		5
87708304	60.120.10		4	87719937	35.440.04		9
87708305	60.120.10		4	87720404	10.414.01	03	6
87708306	60.120.10		4	87720406	10.414.06	01	17
87708307	60.120.10		4		10.414.06	02	17
87708879	33.202.19		1		10.414.06	03	11
87709559	00.000.35	02	5	87720409	10.414.01	03	27
	35.000.00	02	5	87720411	90.102.03	03	42
	41.203.01		12		90.102.05	01	42
87709560	00.000.35	02	8	87721343	80.101.10	01	1
	35.000.00	02	8	87721406	00.000.35	02	11
	35.204.01		28		35.000.00	02	11
87709596	88.210.02		25		41.203.02		4

INDEX - INDICE - INDEX - ZAHLENVERZEICHNIS - INDICE - INDICE - INDHOLD - INHOUD

Number	Figure	Sequence	Ref.	Number	Figure	Sequence	Ref.
87721868	35.480.05		2	87728882	74.140.05		2
87722021	55.404.12	01	13	87729321	35.300.14		4
	55.404.12	02	8	87729322	35.300.14		3
87722022	55.404.12	01	12	87729445	10.414.10		19
	55.404.12	02	7		10.418.16	02	65
87722023	55.404.12	01	5	87730183	74.140.09		20
	55.404.12	02	4	87730185	74.140.09		20
	55.404.32		8	87730302	60.110.21		18
	55.404.33		2	87730303	66.101.02		22
87722121	33.202.07		16	87730304	66.101.12		1
87722122	33.202.07		16	87730305	60.110.06	02	35
87723220	88.210.01	01	28		66.101.02		21
	88.210.01	02	28	87730307	60.110.06	01	25
	88.210.10		45		60.110.21		12
87723222	88.210.10		50	87731456	80.101.15		29
87723223	88.210.10		1	87731917	10.254.08	02	30
87723229	88.210.10		1	87731918	10.254.08	02	31
87723274	10.406.03	03	33	87731918	10.254.08	02	31
87723898	66.330.01		1	87732307	10.310.02	02	16
87724571	88.230.13	01	17	87732308	10.310.02	02	14
87724575	88.230.18		20	87732309	10.310.02	02	15
87724578	88.230.18		2	87732685	29.212.09		27
	90.114.08		1	87732739	35.162.04		7
87724580	88.230.18		3		60.110.08		43
	90.114.08		2	87732803	10.100.01	02	1
87724582	88.230.18		4	87732857	88.210.04		6
	90.114.08		3		88.230.04		6
	88.230.18		5	87732859	90.118.29		8
87724584	88.230.18		6	87733266	80.180.01		12
87724586	88.230.18		6		80.180.01	01	12
87724588	88.230.17		6		80.101.10		5
87724590	88.230.17		7	87733272	80.101.10		5
87724614	90.124.02		1	87733275	80.101.10	01	5
87724615	90.124.02		1		80.101.10	02	16
87725350	60.150.10		16	87733431	10.418.16	01	1
87726081	88.210.04		1	87733691	10.100.01	01	1
	88.230.04		1	87733824	80.101.08		32
87726083	88.210.04		3	87733829	80.101.08		22
	88.230.04		3	87733833	80.101.08		1
87726088	88.210.04		10	87734479	10.206.08		2
	88.230.04		16	87734565	48.130.01		14
87726717	55.404.33		1	87734566	48.130.01		25
87727142	55.100.13		1	87734567	48.130.01		7
87727144	55.100.17		2	87734570	44.151.12		10
	55.100.37		1		48.130.01		1
87727145	55.404.31		1		48.999.01	01	1
	88.120.03	01	15	87734600	48.100.02		1
87727206	55.627.11		20	87734804	10.246.03		24
87727644	80.154.09		1	87734807	10.246.03		31
87727894	39.100.05		54	87734808	10.246.03		32
	66.350.01		25	87734815	10.246.03		44
	88.210.10		52	87734844	10.254.08	03	36
87728296	90.100.21		3	87734863	10.114.02		14
87728300	55.404.15		12	87734868	10.246.03		1
	55.404.16		10	87734872	10.246.03		12
87728304	90.100.22		11	87735231	74.140.09		14
87728305	39.100.06		19	87735260	48.130.03		10
	90.118.29		6		48.134.06		6
87728306	80.150.16		6	87735597	10.406.08	01	17
87728311	90.118.43	01	3		10.406.08	02	17
	90.118.43	02	3	87735679	35.440.04		10
87728315	10.114.02		4	87735809	66.101.12		2
87728316	10.114.02		6	87736357	10.414.01	03	5
87728317	10.246.03		33	87736377	60.110.21		1
87728322	90.105.10		1	87736378	60.110.21		4
87728323	90.105.10		2	87736379	60.110.21		3
87728324	90.105.10		3	87736384	60.105.03		14
87728325	90.105.10		4	87736618	74.140.09		3
87728326	90.105.10		5	87736624	74.140.05		2
87728334	55.404.15		16	87736696	48.130.01		20
	55.404.16		11	87736742	50.200.04	01	3
87728337	90.100.20		12		50.200.04	02	12
87728497	35.162.02		1		50.200.04	03	3
	35.162.04		5	87736746	50.200.04	01	1
87728707	88.210.04		21		50.200.04	03	1
	90.108.01	02	21	87736747	50.200.04	02	9
87728708	88.210.04		22	87737484	74.140.05		2
	90.108.01	02	22	87737486	74.140.05		2
87728709	88.210.04		7	87737487	74.140.05		1
87728710	88.210.04		8	87737488	74.140.05		1

INDEX - INDICE - INDEX - ZAHLENVERZEICHNIS - INDICE - INDICE - INHOLD - INHOUD

Number	Figure	Sequence	Ref.	Number	Figure	Sequence	Ref.
87737490	74.140.06		1	87751017	90.100.17		11
87737569	31.114.04		32	87751018	90.100.19		1
87738120	55.408.05		1	87751027	35.162.04		2
87738122	55.408.05		2		60.110.03		1
87738339	10.414.01	03	28	87751028	35.162.02		41
87740229	10.414.01	02	5		35.162.04		1
87740399	50.200.02		5		60.110.03		48
	50.206.01		1	87751072	88.230.13	01	1
87741381	80.180.05		2	87751076	90.118.33		5
87741400	66.105.28		6	87751078	90.118.33		6
87741402	66.105.28		2	87751465	88.230.11	01	7
87741512	44.520.02		2	87752428	44.100.13		7
87742364	50.200.02		25	87752498	88.230.13	01	1
	50.206.02		5	87752499	88.230.15		27
87742368	35.162.04		6		88.230.18		16
	60.110.03		19	87752502	88.230.15		10
87742787	74.110.06		1	87752506	90.118.33		1
87742812	74.110.06		1	87752508	88.230.17		5
87742820	10.406.03	02	29	87752587	90.120.06		8
87743037	66.260.25		32	87752964	35.162.04		2
87743231	74.140.14	01	35		60.110.03		1
87743232	74.140.14	01	35	87753010	80.175.02		42
87743236	74.140.15		3	87753014	80.150.11		28
87743275	10.246.03		22		80.150.11	02	28
87743276	10.246.03		21	87753684	88.100.02		2
87743277	10.114.02		5		88.100.03		1
	10.246.03		45	87753846	35.162.04		3
87743281	10.246.03		21		60.110.03		33
87743282	10.246.03		22	87753882	10.254.11	01	1
87743283	10.206.08		8	87754225	50.206.02		30
87743673	80.180.05		1	87754230	50.206.02		26
87743683	80.180.05		1	87754231	50.206.02		32
87744740	44.200.12		43	87754232	50.206.02		25
87744743	39.100.05		3	87754233	50.206.02		17
	66.101.08		18	87754236	50.206.02		21
87745104	55.440.07		14	87754237	50.206.02		23
	55.440.07	02	14	87754238	50.200.12		3
87745105	55.440.07	02	14	87754243	50.200.12		1
87745154	66.330.01		1		50.206.02		11
87745163	66.330.01		1	87754245	50.200.02		24
87745354	10.254.08	03	39	87754247	50.206.02		2
87745355	10.254.08	03	35	87754251	50.206.02		10
87745478	10.414.01	02	1	87754256	50.206.02		34
87745484	10.414.01	01	1	87755442	90.100.18		11
87745675	10.414.06	01	1	87755808	10.206.08		9
	10.414.06	02	1	87755811	10.206.08		1
87746238	55.404.33		10	87755889	48.999.01	02	12
87746593	29.212.09		15	87755975	35.162.02		18
87746668	90.118.41	01	8		35.162.04		11
	90.118.41	02	8	87756315	55.404.33		3
87746671	90.118.41		20	87757469	74.140.15		7
87746842	88.230.11	01	1	87757489	88.230.17		26
87746844	88.230.11	01	1		88.230.19		26
87746846	90.118.41	01	2	87758241	44.100.07		10
	90.118.41	02	2	87758303	66.101.09	01	1
	90.118.44		1	87758673	60.120.10		2
87748377	80.101.08		3	87758705	35.162.04		3
87748386	66.105.28		3		60.110.03		33
87748389	66.105.28		1	878-10810	66.260.17		21
87748448	48.130.03		1	87802167	90.108.02	02	3
87748449	48.130.03		1	87913	74.135.05	02A	12
87748776	48.999.01	01	2		74.135.05	02B	10
87748777	44.151.12		3		90.102.02	01	20
	48.134.03		28		90.102.03	01	19
	48.999.01	01	3		90.102.03	02	19
87748778	48.999.01	04	1		90.102.03	03	19
87749241	90.120.06		2		90.102.05	01	19
87749278	90.118.33		3		90.102.05	02	20
87749280	90.118.33		4		90.102.05	03	19
87749284	90.116.02		1	88011	66.350.03		10
87749286	90.116.02		2	88467	80.150.02		42
87749302	90.120.06		9		80.150.03	02	72
87749303	90.120.06		11	88612	55.785.04		5
87749304	90.120.06		10	892-11006	66.260.22		7
87749891	55.301.05		8	892-11010	55.418.01		4
87750270	90.118.29		12	892-11012	21.102.01		7
87750278	10.246.03		7	895-11004	55.408.03		14
87751015	90.100.17		1	895-11006	55.785.01		5

INDEX - INDICE - INDEX - ZAHLENVERZEICHNIS - INDICE - INDICE - INDHOLD - INHOUD

Number	Figure	Sequence	Ref.	Number	Figure	Sequence	Ref.
895-11006	66.260.22		6	89993154	88.430.02	02	2
	90.160.02	02	13	913107	25.310.03	01	19
895-11008	35.300.15		7		25.310.03	02	19
	55.408.03		12		48.130.01		19
	55.785.01		3	913108	10.414.02	01	27
895-18010	35.204.02		4	913347	60.110.03		21
	35.204.05		3	913716	74.101.13		18
	35.204.06		3	913888	10.406.03	01	12
	35.204.07	02	3		10.406.03	02	31
895-30108	10.414.09		13		10.406.03	03	23
	10.418.16	01	26		33.202.18		2
	10.418.16	02	26	916433	33.202.18		16
89504221	39.100.04		2	916454	90.118.04		7
89508900	39.100.04		14	919855	33.202.18		27
89509555	25.310.03	01	32	921250	55.100.13		9
	25.310.03	02	32		55.780.11		3
89513272	90.108.02	01	10	922220	90.108.02	03	10
89513615	39.100.04		15	92277	55.100.41		29
89514039	21.184.02		5	932625R1	66.260.23		6
89514041	21.184.02		7	9500737	74.118.07		2
89514042	21.184.02		4	9500738	74.118.07		2
89515145	80.175.02		4	9501756	60.110.08		68
896-11012	48.100.02		16		74.101.15		8
	60.150.04		47		74.101.16		19
	60.150.05		22	9505391	33.202.15		8
896-11016	48.100.02		12	9506888	21.120.02		5
	48.110.03		4	9507095	66.360.09		59
	48.130.03		3		80.101.08		27
896-11022	48.134.05		9		80.101.19		5
896-11024	48.134.05		2	9507812	21.182.02		1
896-12012	31.114.01		15	9508257	21.182.02		3
	31.114.02		16	9511034	80.175.06		17
	31.114.04		31	9511037	80.175.07		11
	35.300.15		10	9511052	74.135.05	01A	20
	66.260.01		22		74.135.05	01B	20
896-12024	88.430.08		22		74.135.05	02A	18
896-15020	48.100.02		4		74.135.05	02B	16
	48.100.02		7		90.118.29		23
89626322	55.408.08		5	9512254	44.200.12		20
89706690	74.110.04		17	9512667	33.202.18		5
	74.114.03	01	23		74.140.15		5
	88.430.08		13	9512968	74.140.09		33
89706694	44.101.01	01	6	9513136	10.414.10		9
	44.101.01	02	6	9513615	21.182.02		21
89815655	21.140.03		13	9514334	10.414.02	01	28
89817243	33.202.04		8	9514605	74.114.03	01	14
89818670	25.310.03	01	33		74.114.03	02	14
	25.310.03	02	33		74.118.04	01	1
89818942	21.120.02		13		74.118.04	02	1
89818945	21.120.02		14	9515003	55.418.01		3
89818947	21.120.02		15	9515145	35.910.04	01	5
89819016	80.175.02		27		80.175.10		33
89819719	74.140.14	01	30	9515561	44.200.12		11
89819720	74.140.14	01	29	9515820	39.110.02		8
89824840	55.100.32		6		80.101.15		58
89831928	39.100.04		11	9560145	74.118.08		1
89832304	33.202.04		11	9560146	74.118.08		1
89832306	33.202.06		5	9560147	74.118.07		1
89832307	33.202.04		7	9560148	74.118.07		1
89832308	33.202.04		5	9600664	41.216.01		9
89832565	74.114.01	02	25	9615771	21.140.02		18
89832566	74.114.01	02	25		21.145.01		1
	74.114.01	02	25	9617873	35.300.14		10
89835349	33.202.04		4		35.440.06		8
89835350	33.202.06		4		35.910.01		28
89835351	33.202.06		2		35.910.07	02	6
89835353	33.202.06		6		35.910.12		15
89837692	55.100.42		14	9623774	55.100.41		29
89837786	21.140.03		7	9623775	55.100.41		29
89850148	33.202.06		7	9623776	55.100.41		29
89850149	33.202.06		3	9625178	18.148.01		9
89850384	44.151.06		7		35.204.04		16
89850394	21.184.02		3		35.204.05		18
89991976	41.203.01		66		35.204.06		19
89992366	90.154.05		14		35.300.14		6
89992582	90.110.12		16		35.910.01		11
	90.154.05		10	9625546	35.480.05		35
89993141	80.175.12		12	9628065	66.101.05		12

INDEX - INDICE - INDEX - ZAHLENVERZEICHNIS - INDICE - INDICE - INHOLD - INHOUD

Number	Figure	Sequence	Ref.	Number	Figure	Sequence	Ref.
9628065	66.360.09		55	9706687	10.254.11	02	11
9628098	74.135.05	01A	4		35.300.09	01	13
	74.135.05	01B	4		35.300.09	02	13
	74.135.05	02A	30		41.203.01		43
	74.135.05	02B	28		55.627.11		10
	90.100.20		15		60.120.10		11
9628100	90.120.08		7		66.350.03		8
	90.160.03		29		74.101.13		14
9635884	88.210.05		21		74.101.15		21
9637692	10.310.02	01	7		74.101.16		12
9672455	35.105.01		9		74.114.06		4
9672925	60.120.10		16		80.150.07		7
9703399	55.404.21		1		80.154.09		27
9706685	10.012.04	01	5		80.175.02		38
	10.012.04	02	5		80.175.10		38
	10.012.04	03	5		80.180.01		17
	10.246.03		4		80.180.01	01	17
	10.254.11	01	10		80.180.12		22
	10.254.11	02	12		88.210.05		22
	10.414.10		12		88.230.07		10
	10.414.13		27		90.118.38		38
	10.418.16	01	32		90.118.43	01	12
	10.418.16	02	32		90.118.43	02	12
	21.130.03		13	9706690	05.102.01	01	3
	21.140.02		25		05.102.01	02	6
	21.140.03		5		10.206.08		6
	35.300.09	01	14		10.246.03		27
	35.300.09	02	14		10.254.08	01	30
	35.910.04		15		10.254.08	03	34
	39.100.05		18		10.406.03	01	27
	55.404.10		8		10.406.03	02	27
	55.627.11		9		10.406.08	02	14
	60.110.06	01	12		10.406.08	02	5
	60.110.06	02	14		10.406.08	03	4
	60.110.08		25		10.414.01	01	10
	60.110.09		23		10.414.01	02	10
	60.110.21		6		10.414.01	03	25
	60.120.10		12		10.414.02	01	35
	66.101.05		15		10.414.02	02	15
	66.101.11		10		10.414.06	01	10
	66.350.01		7		10.414.06	02	10
	66.360.09		24		10.414.06	03	5
	66.360.09		37		10.414.09		12
	66.360.10		2		10.414.10		23
	74.101.12		25		10.414.12		8
	74.101.15		23		10.414.13		19
	74.101.16		13		10.414.14		26
	74.114.06		1		10.418.16	01	21
	74.140.14	02	6		10.418.16	02	21
	80.101.07		32		21.182.02		15
	80.101.15		22		29.204.05		19
	80.101.19		20		33.202.15		11
	80.150.03	02	48		33.202.18		34
	80.150.11		46		35.300.01	01	21
	80.150.11	02	46		35.300.01	02	21
	80.154.03		32		35.300.09	01	20
	80.154.09		14		35.300.09	02	5
	80.154.10		37		35.440.03		11
	80.180.01		14		35.440.07		19
	80.180.01	01	14		35.910.02	01	21
	80.180.11		9		39.100.05		21
	80.180.12		18		39.100.06		4
	80.180.17	01	19		39.110.02		19
	80.180.17	02	19		41.200.03		11
	88.210.10		14		50.200.04	01	29
	88.210.13	01	23		50.200.04	02	26
	88.210.13	02	23		50.200.04	03	37
	88.230.13	01	24		55.100.07	01	18
	88.230.19		13		55.100.07	02	14
	88.230.20		14		55.100.07	03	20
	90.100.21		12		55.100.13		19
	90.118.09		10		55.100.17		25
	90.118.38		40		55.100.32		7
	90.118.41	01	17		55.100.32		7
	90.118.41	02	15		55.100.34	01	8
	90.118.43	01	1		55.100.34	02	4
	90.118.43	02	1		55.100.34	03	4
9706687	10.254.11	01	9		55.100.42		17

INDEX - INDICE - INDEX - ZAHLENVERZEICHNIS - INDICE - INDICE - INDHOLD - INHOUD

Number	Figure	Sequence	Ref.	Number	Figure	Sequence	Ref.
9706690	55.301.05		6	9706690	90.102.05	01	23
	55.404.08		14		90.102.05	02	24
	55.404.15		14		90.102.05	03	23
	55.404.16		16		90.105.10		10
	55.404.31		11		90.114.07		4
	55.408.02		4		90.115.10		7
	55.408.03		13		90.118.22	01	23
	55.440.05	01	6		90.118.23	02	10
	55.440.11		4		90.118.24	02	7
	55.518.03		7		90.118.29		11
	55.627.10		14		90.118.33		22
	55.785.03	01	2		90.118.37		10
	55.785.03	02	2		90.118.41	01	7
	60.110.03		28		90.118.41	02	7
	60.110.08		22		90.118.44		11
	60.110.20		11		90.150.05		9
	60.110.22		10		90.156.11	01	8
	66.101.05		18		90.156.11	02	7
	66.101.08		15	9706693	10.414.10		13
	66.350.01		28		10.418.16	01	60
	66.350.03	01	5		10.418.16	02	60
	66.350.03	02	5		66.260.21		31
	66.360.09		30		66.360.09		57
	74.101.12		23		80.150.06		30
	74.101.16		26	9706694	44.104.01		7
	74.114.03	02	23	9706702	10.418.16	01	29
	74.114.06		25		10.418.16	02	29
	74.118.04	01	21		60.120.10		20
	74.118.04	02	21	9706703	80.150.11		27
	74.130.08		20		80.150.11	02	27
	74.140.05		19		88.230.15		26
	74.140.09		9	9706704	10.100.01	02	27
	74.140.14	01	23		10.414.01	03	16
	74.140.14	02	4		35.910.04		10
	80.101.07		26		44.200.09		17
	80.101.18		9		60.110.06	01	33
	80.101.25		9		60.110.06	02	43
	80.150.02		23		74.101.05		11
	80.150.03	02	46		74.101.15		18
	80.150.05		23		74.101.16		17
	80.150.06		35		74.140.06		5
	80.150.07		46		80.101.15		27
	80.150.11		44		90.118.22	01	18
	80.150.11	02	44		90.118.23	02	4
	80.154.03		26		90.118.24	02	10
	80.154.09		24		90.118.44		7
	80.175.10		11		90.120.08		10
	80.175.11		17	9706717	66.350.03		5
	80.180.01	01	33		66.360.09		57
	80.180.01		33		80.180.12		2
	80.180.07		10		88.210.05		5
	80.180.11		14	9706748	10.246.03		40
	80.180.17	01	16		10.246.03		42
	80.180.17	02	16		35.752.03	02	9
	88.100.01		6		55.100.13		14
	88.120.03	01	13		55.100.32		4
	88.120.06		6		55.404.28		9
	88.210.04		19	9706755	10.206.08		14
	88.210.10		11		35.162.02		16
	88.210.13	01	46		35.910.04	01	33
	88.210.13	02	46		35.910.05	01	22
	88.230.04		24		35.910.05	02	22
	88.230.13	02	7		39.100.04		37
	88.230.17		11		41.204.04		28
	88.230.19		16		55.100.07	01	6
	88.230.21	01	42		55.100.07	02	18
	88.230.21	02	17		55.100.07	03	2
	88.230.21	03	44		55.100.10		22
	88.431.00		17		55.100.17		17
	88.431.01		42		55.100.41		21
	88.431.02		44		55.100.42		11
	90.100.20		5		55.404.09		12
	90.100.21		8		55.408.02		8
	90.100.22		6		55.408.03		6
	90.102.02	01	24		55.408.05		21
	90.102.03	01	23		55.418.05		4
	90.102.03	02	23		55.424.02		19
	90.102.03	03	23		55.785.03	01	15

INDEX - INDICE - INDEX - ZAHLENVERZEICHNIS - INDICE - INDICE - INHOLD - INHOUD

Number	Figure	Sequence	Ref.	Number	Figure	Sequence	Ref.
9706755	55.785.03	02	15	9804279	80.154.10		42
	66.360.09		54	9804895	55.100.41		29
	74.101.12		8	9807617	35.910.05	01	34
	74.110.06		9		35.910.05	02	34
	74.114.01	01	6		35.910.07	01	10
	74.114.01	02	6		35.910.07	02	9
	74.114.03	01	17		88.100.02		13
	74.114.03	02	17	9809800	90.150.05		11
	74.114.06		19	9811082	74.101.15		16
	74.118.04	01	16		74.101.16		10
	74.118.04	02	16	9811514	35.910.04		2
	74.140.14	01	14	9811656	33.202.18		17
	74.140.14	02	21	9811773	55.100.41		29
	80.101.25		37	9815813	10.414.14		3
	80.150.06		34	9817781	74.114.01	02	13
	80.150.07		53		74.118.01		7
	80.150.11		43	9817851	74.101.13		6
	80.150.11	02	43	9818147	21.110.01		1
	80.175.02		21	9818288	44.200.09		1
	80.175.11		13	9818291	21.110.01		5
	88.210.10		28	9818501	90.150.01		25
	88.210.13	01	28	9819520	33.202.18		1
	88.210.13	02	28	9819720	74.140.05		40
	88.230.13	02	8	9819826	21.182.02		23
	88.430.08		18		33.202.18		30
	90.102.02	01	57	9821714	60.110.03		39
	90.102.03	01	47	9824050	29.204.06		6
	90.102.03	02	47		31.114.05		7
	90.102.03	03	48		35.204.10		13
	90.102.05	03	12		35.220.03	01	10
	90.110.12		28		35.220.04		8
	90.118.37		17		35.300.09	01	21
	90.150.07	02	8		35.300.13		18
9706807	90.154.02	01	25		35.700.01	01	17
9706924	10.254.08	03	21		35.752.03	02	32
9780129	48.100.02		3		35.910.06		8
9800957	80.175.02		34		41.203.01		56
	80.175.10		39		44.200.09		29
9804256	48.134.03		33		80.175.12		11
	74.130.08		13	9824051	29.204.06		10
9804258	10.406.08	02	6		29.212.09		18
	10.414.01	02	9		31.114.05		9
	10.414.06	02	4		35.220.03	01	6
	74.130.01		11		35.300.06		23
	74.130.01	01	11		35.310.41		8
	80.154.04		5		41.203.01		59
	80.154.06		5	9824055	35.752.03	03	30
9804260	90.102.02	01	41	9824259	21.130.03		12
	90.102.03	01	41		74.114.06		53
	90.102.03	03	41		88.120.03	01	21
	90.102.05	01	41		90.120.05	01	13
	90.102.05	03	41	9824326	55.404.10		10
9804262	80.175.07		21		60.110.22		12
9804263	35.162.02		37		88.120.03	01	9
	60.110.08		56		88.120.03	02	8
	88.230.11	02	7		90.150.05		19
9804276	74.130.08		15	9824642	66.350.01		5
	88.210.09		8		74.140.05		26
	90.118.36		10		80.150.02		28
9804277	35.910.10		10	9824826	55.785.01		8
	48.134.03		29	9824840	50.200.02		12
	60.110.06	01	35		55.100.17		29
	60.110.08		48		55.100.31		13
	60.110.21		14		55.100.41		13
	66.101.02		8		55.404.12	02	12
	66.260.21		26		55.404.12	02	13
	74.130.01		13		55.404.28		19
	74.130.01	01	13		55.440.19		7
	80.154.04		6		80.150.02		19
	80.154.06		6		80.150.03	02	40
	88.230.19	01	10		80.150.05		19
	90.118.36		9	9825770	35.480.02	01	10
9804278	35.162.02		38		35.480.05		31
	88.210.14		6		35.480.06		10
	88.230.11	02	9		35.480.06		10
9804279	35.910.10		13		35.700.01	01	24
	74.130.01		19		41.200.02		10
	74.130.01	01	19	9825886	41.200.03		20
					21.140.03		4

INDEX - INDICE - INDEX - ZAHLENVERZEICHNIS - INDICE - INDICE - INDHOLD - INHOUD

Number	Figure	Sequence	Ref.	Number	Figure	Sequence	Ref.
9826789	90.108.01	02	13	98445111	10.408.03	02	12
9827058	50.200.12		9		10.408.03	03	12
9827059	50.200.12		6	98451118	10.250.05	01	1
9827060	50.206.02		28		10.250.05	02	1
9827448	90.108.01	02	13	98451661	10.402.08	01	2
9827902	29.204.05		31	98453300	10.250.05	03	1
	35.752.03	02	8	9845488	66.350.03	01	15
	50.200.04	03	15		66.350.03	02	15
	55.100.07	01	15		88.210.01	01	18
	55.100.13		18		88.210.01	02	18
	66.260.21		24		88.210.10		40
	88.230.21	01	69		88.210.13	01	13
	88.230.21	02	1		88.210.13	02	13
	88.230.21	03	24	9846677	60.105.03	01	6
	88.431.00		1	9846848	44.200.09		2
	88.431.01		69	9846956	44.200.09		3
	88.431.02		24	9847024	44.200.12		17
9828498	35.105.01		19	98470656	10.106.04	02	5
	35.204.01		17	98472271	10.101.02	02	18
	35.910.05	01	4		10.206.02		4
	35.910.05	02	4	98473050	10.101.02	03	31
	41.203.01		26	9847312	90.118.26		9
9831118	74.101.13		9		90.118.27		7
9831581	74.114.03	01	16	9847313	55.100.31		2
	74.114.03	02	16		88.120.03	01	19
	74.118.04	01	3		90.150.07	03	18
	74.118.04	02	3	98474305	10.103.04	02	8
9832203	90.120.05	01	14		10.103.04	03	8
9832264	25.310.02	01	3		10.218.01		17
	25.310.02	02	3		10.246.01		9
	25.310.03	01	31	98474308	10.101.02	01	16
	25.310.03	02	31	98474309	10.214.01		12
	48.130.01		31		10.214.02	01	16
	48.130.01		9		10.214.02	02	15
9832303	33.202.04		16	98474481	10.206.02		8
9832364	10.246.03		8		55.440.03	02	3
9832711	74.114.06		31	98475174	10.106.02		2
9832769	74.101.13		7		10.106.07	03	2
9832772	74.101.13		13	98475757	10.402.08	02	4
9832773	74.101.10		10		10.402.08	03	4
9833212	74.101.12		7	9847690	88.430.05	01	19
9835804	55.404.34		8		88.430.05	02	19
9837623	80.175.07		14	98481998	10.206.05		2
9837937	66.360.09		23		10.304.04		2
9838302	66.350.01		20	9848973	66.350.03	01	10
9839087	88.210.13	03	8		66.350.03	02	10
9840322	21.104.02		19		88.210.01	01	11
	35.204.11		11		88.210.01	02	11
98405462	50.200.09	01	5	98494952	10.408.03	01	11
	55.301.02	01	6		10.408.03	02	10
	55.301.02	02	2		10.408.03	03	10
	55.301.02	03	2	98495528	10.101.02	03	9
9840570	35.162.02		13	98496024	10.106.01	02	8
9840575	35.910.05	01	28		10.106.01	03	8
	35.910.05	02	28	98497873	10.408.03	02	25
9840589	35.300.06		25	98498322	10.408.03	01	10
	35.700.01	01	19		10.408.03	02	9
98412146	10.101.03	01	6		10.408.03	03	9
	10.101.03	02	6	98498410	10.106.04	02	10
	10.101.03	03	6		10.106.04	03	10
98412509	10.250.03		7	98498411	10.106.04	02	4
	10.250.09		7		10.106.04	03	4
	10.250.10		14	98498467	10.408.03	03	2
9842161	10.418.16	02	33	98498817	55.440.02		10
98427607	10.414.08		2		55.440.03	01	7
9843495	25.310.04		2		55.440.03	02	7
	25.310.05		3		55.440.03	03	7
9843611	66.330.01		16	98498837	10.206.01	01	3
	66.330.01		7		10.206.01	02	3
	66.330.17		6		10.206.02		5
	66.330.21		10	98499819	10.101.02	01	27
98442027	10.101.03	01	3	9850384	44.100.03		8
	10.101.03	02	4		44.200.12		3
	10.101.03	03	4	9861348	55.100.17		31
9844205	90.110.12		45		55.100.31		6
	90.120.05		12		55.404.28		16
98442879	10.408.03	02	12	9861349	55.100.17		32
	10.408.03	03	12		55.100.31		5

INDEX - INDICE - INDEX - ZAHLENVERZEICHNIS - INDICE - INDICE - INHOLD - INHOUD

Number	Figure	Sequence	Ref.	Number	Figure	Sequence	Ref.
9861349	55.404.28		15	99446693	10.101.03	03	3
9861378	55.510.05		17	99448190	10.001.04	03	3
9861444	05.000.01	01	15	99448192	10.001.04	03	3
	05.000.01	02	15	99448193	10.001.04	03	3
	60.105.03		6	99448739	10.106.01	02	3
99430334	10.101.02	02	9		10.106.01	03	3
99430335	10.001.04	02	2	99449984	10.102.02	03	5
	10.101.02	02	9	99449985	10.102.02	03	6
99430395	10.103.03	01	3	99450035	10.106.01	02	7
	10.103.03	02	3		10.106.01	03	7
	10.103.03	03	3	99450511	10.101.02	03	12
99430692	10.001.04	02	17	99450512	10.101.02	03	14
	10.001.04	02	23	99452273	10.304.06	01	3
	10.101.02	02	20		10.304.06	02	3
	10.101.02	03	20	99452340	10.304.06	02	1
	10.206.02		3	99454013	10.110.01	01	2
	10.206.04		4	99454992	10.254.10	01	5
	10.400.02	01	6	99454993	10.254.10	01	4
	10.402.04	01	7	99455033	55.100.08	02	11
	10.402.08	01	6		55.100.08	03	11
	55.440.03	02	4	99455400	10.001.04	03	4
99430785	10.101.02	02	31	99455401	10.001.04	03	13
99431774	10.105.03	02	2	99456553	10.001.04	02	4
	10.105.03	03	2	99456554	10.001.04	02	13
	10.106.01	02	9	99459175	10.001.04	01	19
	10.106.01	03	9	99459176	10.001.04	01	20
99431947	10.206.04		2	99460197	10.105.03	03	3
	10.206.05		8	99464284	10.400.02	01	3
99432141	10.106.07	01	10		10.402.04	01	8
99432291	10.408.03	02	24	99466612	10.101.02	02	14
	10.408.03	03	24	99466613	10.101.02	02	12
99432760	10.201.01	01	1	99466940	10.402.04	02	2
99432869	10.001.04	02	2		10.402.04	03	2
	10.001.04	03	2	99467554	10.001.04	02	20
99432873	10.001.04	02	3		10.001.04	03	20
99432875	10.001.04	02	3	99468352	10.105.03	02	3
99432876	10.001.04	02	3	99468458	10.304.06	01	1
99433386	10.103.03	02	2	99468497	10.102.02	02	9
	10.103.03	03	2	99468498	10.102.02	02	8
99433597	10.001.04	03	14	99469380	10.408.03	02	22
99433798	10.408.03	02	8		10.408.03	03	22
	10.408.03	03	8	99469382	10.400.02	01	4
99433799	10.408.03	01	8		10.400.02	02	8
	10.408.03	02	7	99469567	10.402.04	01	5
	10.408.03	03	7	99471019	10.103.10	03	3
99433863	10.001.04	02	2	99472521	10.103.04	03	7
	10.001.04	03	2	99474237	10.414.08		3
99434480	10.206.04		5	99474718	10.001.02	02	2
	10.206.05		9	99475194	55.440.02		7
	10.206.07		4		55.440.03	01	4
	10.250.10		11		55.440.03	03	3
	10.304.04		9	99475575	10.106.04	03	1
99434989	10.408.03	02	2	99475580	10.106.04	02	12
99435006	10.218.03	02	3		10.106.04	03	12
	10.218.03	03	3	99475978	10.103.04	02	5
99435007	10.218.03	02	1		10.103.04	03	5
	10.218.03	03	1	99475979	10.250.03		5
99437423	10.103.01	02	2		10.250.09		5
	10.103.02		2	99476802	10.106.04	03	11
99437550	10.103.02		1	99476929	10.101.02	02	2
99438525	10.103.03	01	2		10.101.02	03	2
99438979	10.103.01	02	1	99478478	10.100.01	03	17
99440116	10.254.10	02	7	99483035	10.106.04	02	1
99440117	10.254.10	02	5	99483047	10.106.04	02	11
99440118	10.254.10	02	4	99483937	10.402.01	01	1
99441940	10.254.10	02	9	99484191	10.012.01	02	2
99443210	10.254.10	01	8		10.012.01	03	3
	10.254.10	02	8	99486046	10.201.01	02	1
	10.254.10	03	8		10.201.01	03	1
99443426	10.402.08	01	4	99489014	10.408.03	02	6
99443768	10.254.10	03	7		10.408.03	03	6
99443769	10.254.10	03	5	99489016	10.101.02	01	30
99443770	10.254.10	03	4		10.402.04	01	6
99444739	10.106.04	03	14	99489017	10.001.04	01	17
99444740	10.106.04	03	16		10.001.04	02	22
99446692	10.101.03	01	2		10.001.04	03	22
99446693	10.101.03	01	5		10.101.02	01	10
	10.101.03	02	3		10.103.10	01	5

INDEX - INDICE - INDEX - ZAHLENVERZEICHNIS - INDICE - INDICE - INDHOLD - INHOUD

Number	Figure	Sequence	Ref.	Number	Figure	Sequence	Ref.
99489017	10.103.10	03	5	9992298	35.300.06		20
	55.440.02		22		35.300.13		15
99489018	10.214.02	01	10		35.310.41		11
	10.214.02	02	10		35.480.02	01	14
	10.408.03	02	13		35.480.05		33
	10.408.03	03	13		35.480.06		14
	55.414.01	01	10		35.910.05	01	26
	55.414.01	02	10		35.910.05	02	26
	55.440.02		15		35.910.06		6
99489019	10.001.04	02	19		35.910.09		29
	10.001.04	03	19		41.200.02		6
	10.101.02	02	34		41.200.03		18
	10.101.02	03	34		41.204.04		29
	10.214.02	01	11		55.440.11		11
	10.214.02	02	11		55.440.11		8
	10.250.03		10	9992358	80.150.05		6
	10.250.09		10	9993141	10.414.12		26
	10.400.02	01	2		18.100.03		36
	10.400.02	02	4		33.202.19		7
	10.408.03	02	20		35.204.01		4
	10.408.03	03	20		35.204.10		15
	55.440.02		27		35.204.10		21
99489020	10.001.04	01	18		35.300.01	01	36
	10.001.04	02	16		35.300.01	02	36
	10.001.04	03	16		35.300.13		13
	10.103.09	01	5		35.440.03		14
	10.103.10	01	1		35.440.06		9
	10.103.10	03	1		35.480.02	01	12
	10.400.02	02	2		35.480.05		27
99489022	10.001.04	02	25		35.480.06		12
	10.102.02	02	2		35.910.02	01	18
	10.102.02	03	2		35.910.04	01	19
	10.400.02	01	8		35.910.07	01	8
	10.400.02	02	6		35.910.09		28
9990447	55.510.05		10		41.200.03		16
9991588	90.118.26		10		41.203.01		3
	90.118.27		6		44.200.13		21
9991976	10.414.12		22		88.100.02		10
	29.204.06		8		88.230.15		18
	29.212.09		22		88.430.05	01	13
	35.204.01		34		88.430.05	02	13
	35.220.03	01	8	9993143	35.440.06		5
	35.300.09	01	22		35.910.13		5
	35.300.13		10		41.200.02		8
	35.752.03	03	36	A159297	14.102.02		4
	35.910.02	01	17	A178460	31.114.04		12
	35.910.04	01	26	A181436	90.118.22	01	6
	35.910.05	01	18	A183452	31.114.04		11
	35.910.05	02	18	A188044	14.102.02		12
	35.910.08		7	A188080	14.102.02		13
	35.910.11	01	8	A188192	31.114.04		10
	35.910.11	02	8	A188194	31.114.04		13
	41.203.01		55	A188653	60.150.06		10
	80.175.12		14	A41264	55.404.13		13
	88.100.02		8	A49667	50.200.07		18
9992069	29.212.09		20	A61447	48.110.03		10
	33.202.19		10	A75193	60.150.04		1
	35.162.02		30		66.320.02	01	2
	35.204.10		19		66.320.02	02	2
	35.300.06		19	B17508	05.100.01		
	35.310.41		15	B17632	05.100.01		
	35.480.02	01	16	B17639	05.100.01		7
	35.480.05		29	B500401	05.100.01		2
	35.480.06		16	B500418	05.100.01		
	35.700.01	01	15	B505226	05.100.01		
	35.910.05	01	35	B505690	05.100.01		7
	35.910.05	02	35	B505693	05.100.01		2
	35.910.07	01	6	B505699	05.100.01		5
	35.910.07	02	5	B505707	05.100.01		
	35.910.11	01	11	B505708	05.100.01		
	44.200.15		9	B505709	05.100.01		
9992298	18.100.03		37	B53977	05.100.01		7
	29.204.06		12	B91241V	05.100.01		
	31.114.05		12	B91244	05.100.01		
	35.162.02		32	B91246	05.100.01		
	35.204.01		32	B95920	05.100.01		
	35.204.10		17	BMF31GW	55.100.10		2
	35.220.04		5	BN319829	55.518.03		2

INDEX - INDICE - INDEX - ZAHLENVERZEICHNIS - INDICE - INDICE - INHOLD - INHOUD

Number	Figure	Sequence	Ref.	Number	Figure	Sequence	Ref.
BN98901	55.518.03		2	NSS	29.212.20		15
CBMF31G	55.100.10		2		29.212.20		5
D36264	10.254.08	01	21		29.212.20		7
	10.254.08	02	17		29.212.20		8
G110098	35.910.12		12		35.204.04		2
J069053	10.310.02	01	12		35.204.04		27
	10.310.02	02	12		35.204.04		28
	10.310.02	03	12		35.204.04		29
J883284	10.310.02	01	11		35.204.04		30
	10.310.02	02	11		35.204.04		31
	10.310.02	03	11		35.204.04		32
L117413	60.120.11	02	4		35.204.04		33
L18337	55.100.41		28		35.204.04		34
L33289	14.100.11		17		35.204.04		35
	31.114.02		1		35.204.04		36
	31.114.04		7		35.204.04		37
NS	10.218.01		19		35.204.04		38
	10.218.01		21		35.204.04		39
	10.418.16	02	51		35.300.06		17
	10.418.16	02	57		35.300.13		20
	25.310.03	01	6		35.440.04		8
	25.310.03	02	6		35.910.09		15
	35.300.01	01	31		35.910.09		16
	35.300.01	02	31		35.910.09		18
	35.440.07		1		35.910.09		19
	39.100.05		1		35.910.09		30
	44.100.03		1		39.100.01		15
	44.100.05		1		39.100.01		15
	44.100.05		5		41.106.03	02	12
	44.100.07		1		41.106.03	02	16
	44.511.04		1		41.106.03	02	17
	44.511.05		1		41.106.03	02	18
	44.520.02		1		41.216.01		14
	48.130.01		6		41.216.01		3
	50.200.04	01	24		41.216.01		4
	55.510.07	01	6		44.100.07		9
	60.110.08		1		44.151.12		7
	60.110.08		1		44.151.12		8
	60.110.09		22		44.200.07		22
	74.101.16		3		44.200.11		1
	74.114.04	02	2		44.200.11		2
	74.114.04	02	8		48.134.02		11
	80.101.19		21		48.134.02		16
	80.154.10		20		48.134.07		7
	88.210.13	01	49		48.134.07		7
	90.118.38		5		48.999.01	01	7
	90.120.07		19		48.999.01	01	8
	90.150.01		3		50.206.01		10
	90.154.04		9		50.206.01		11
	90.160.02	02	28		50.206.01		12
	90.160.02	02	47		50.206.01		13
	90.160.02	02	8		50.206.01		14
NSS	10.106.04	01	4		50.206.01		15
	10.114.01	02	4		50.206.01		17
	10.114.01	02	6		50.206.01		18
	10.114.01	03	4		50.206.01		2
	10.114.01	03	6		50.206.01		4
	10.206.08		20		50.206.01		5
	10.216.03		2		50.206.01		6
	10.310.02	01	14		50.206.01		7
	10.310.02	01	17		50.206.01		8
	10.406.03	01	36		50.206.01		9
	10.406.03	01	37		50.206.02		15
	10.406.03	03	29		55.100.42		23
	10.406.03	03	30		55.301.03	03	5
	10.414.02	01	11		55.301.03	03	6
	10.418.16	01	57		55.404.33		11
	18.100.03		2		55.404.33		13
	18.100.03		26		55.404.33		14
	18.100.03		27		55.404.33		9
	18.100.03		28		55.440.06		2
	18.100.03		29		55.440.06		3
	18.100.03		30		55.440.16		1
	18.110.02		10		55.440.16		2
	18.110.02		2		55.440.16		3
	18.148.01		11		55.512.13		2
	29.212.20		10		55.512.13		3
	29.212.20		13		55.512.13		4

INDEX - INDICE - INDEX - ZAHLENVERZEICHNIS - INDICE - INDICE - INDHOLD - INHOUD

Number	Figure	Sequence	Ref.	Number	Figure	Sequence	Ref.
NSS	55.512.13		5	NSS	90.120.07		24
	55.512.13		6		90.120.07		25
	55.512.13		9		90.120.07		26
	55.785.04		7		90.120.07		27
	60.105.03	01	4		90.120.07		28
	60.110.06	02	20		90.120.07		30
	60.120.11	01	3		90.120.07		31
	60.120.11	02	6		90.120.07		33
	60.120.12		2		90.120.07		35
	60.130.01		6		90.120.07		36
	60.150.08		4		90.120.07		37
	60.150.08		5		90.120.07		38
	60.150.08		9		90.120.07		39
	60.150.10		15		90.120.07		4
	66.101.05		22		90.120.07		40
	66.260.23		5		90.120.07		41
	66.330.01		2		90.120.07		42
	66.330.17		2		90.120.07		43
	66.350.02		20		90.120.07		44
	66.350.03	01	1		90.120.07		45
	66.350.03	02	1		90.120.07		47
	74.114.01	01	21		90.120.07		5
	74.114.01	01	23		90.120.07		6
	74.114.01	01	24		90.120.07		7
	74.114.01	01	7		90.120.07		8
	74.114.04	01	2		90.120.07		9
	74.114.04	01	7	PL	10.414.01	01	6
	74.114.04	01	8		10.414.01	02	6
	74.130.08		1		10.414.01	03	15
	74.135.05	01A	14		10.414.13		11
	74.135.05	01A	25		33.202.07		14
	74.135.05	01A	26		33.202.18		23
	74.135.05	01A	31		41.204.06		14
	74.135.05	01B	25		41.204.06		15
	74.135.05	01B	26		41.204.06		16
	74.135.05	01B	31		41.204.06		18
	80.101.07		36		41.204.06		19
	88.100.03		8		41.204.06		20
	88.210.01	01	27		41.204.06		25
	88.210.01	01	7		41.204.06		27
	88.210.01	02	27		41.204.06		28
	88.210.01	02	7		41.204.06		30
	88.210.02		20		44.100.02		1
	88.210.10		37		44.100.04		1
	88.210.10		4		44.100.09		1
	88.210.13	01	48		44.100.10		1
	88.230.11	01	2		44.100.10		1
	88.230.11	01	6		44.100.11		1
	88.430.06		17		44.511.07		3
	88.430.06		21		50.200.12		4
	90.118.26		13		55.518.05		3
	90.118.26		5		55.518.05		9
	90.118.27		17		90.118.38		33
	90.118.41		24		90.120.08		16
	90.120.03		1		90.150.07	02	11
	90.120.03		11		90.150.07	02	13
	90.120.03		4		90.150.07	02	14
	90.120.03		7		90.160.02	02	26
	90.120.04		10	PO12993	66.260.01		5
	90.120.04		11	REF	80.150.03	01	1
	90.120.04		12		80.150.03		1
	90.120.04		13		80.150.07		19
	90.120.04		7		80.150.07		29
	90.120.04		8	S2080S00F	60.150.04		33
	90.120.04		9		66.320.02	01	38
	90.120.05	01			66.320.02	02	38
	90.120.06		1	S2090S00F	60.150.04		34
	90.120.06		12		66.320.02	01	39
	90.120.06		4		66.320.02	02	39
	90.120.07		10	S8820S00F	60.150.04		35
	90.120.07		12		60.150.07		12
	90.120.07		13		66.320.02	01	40
	90.120.07		15		66.320.02	02	40
	90.120.07		18	S8860S00F	60.150.04		36
	90.120.07		2		60.150.07		6
	90.120.07		21		66.320.02	01	41
	90.120.07		22		66.320.02	02	41
	90.120.07		23	S9950S00F	60.150.04		48

INDEX - INDICE - INDEX - ZAHLENVERZEICHNIS - INDICE - INDICE - INHOLD - INHOUD

Number	Figure	Sequence	Ref.	Number	Figure	Sequence	Ref.
S9950S00F	60.150.07		1				
	66.320.02	01	42				
	66.320.02	02	42				
S9960S00F	60.150.04		49				
	60.150.07		2				
	66.320.02	01	43				
	66.320.02	02	43				
S9970S00F	60.150.04		50				
	60.150.07		3				
	66.320.02	01	44				
	66.320.02	02	44				
S9980S00F	60.150.04		51				
	60.150.07		4				
	66.320.02	01	45				
	66.320.02	02	45				
ST265	80.175.06		9				