

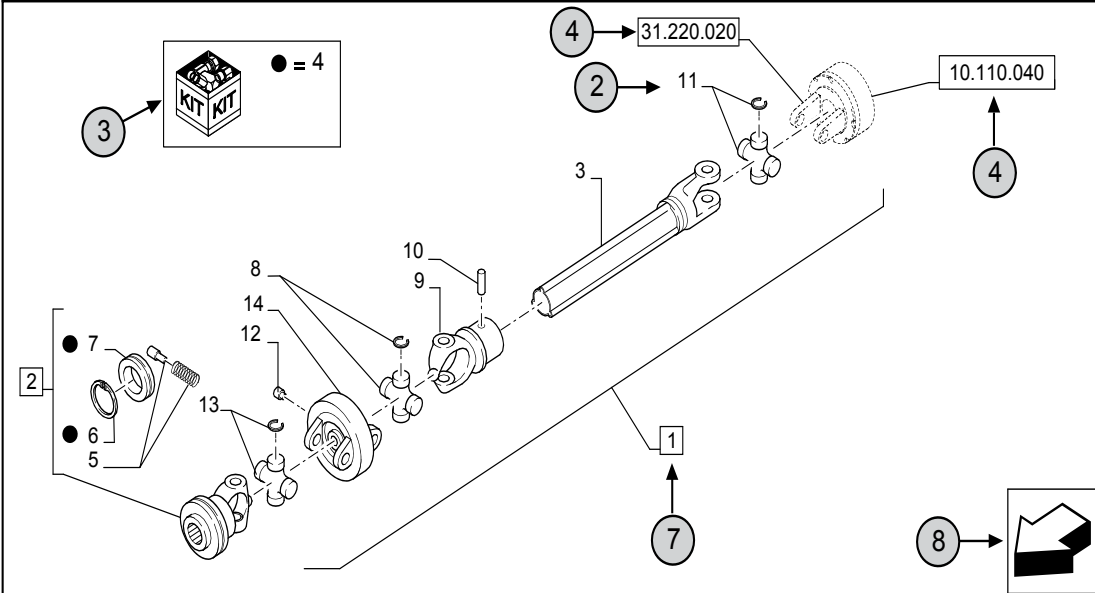
All rights reserved by **CNH Industrial**.

The information contained in this catalogue is intended to be of a general nature only. **CNH Industrial** may at any time and from time to time, for technical or other necessary reasons, modify any of the details or specifications of the product described in this catalogue.

To be sure of getting accurate, detailed and up-to-date information, an intending buyer should consult his nearest **CNH Industrial** dealer or distributor.

Single item numeration method used in this catalogue may not be used without written consent from **CNH Industrial**

VAR - 123782, 789101,987654 - PTO - D650



STANDARD ← 6

VAR - 123782, 789101,987654 - PTO - D650

REF	FN	PART NUMBER	YR/SN	QTY	DESCRIPTION
1	1	86529340	20	1	SHAFT PTO, Incl 2 - 11
2	15	84014007		1	YOKE, Incl 4 - 7 ← 7
3	16	NSS		1	NOT SERVICED SEPARATELY, SHAFT, 350mm, Incl in 1
4		84004292		1	KIT, Seal Kit, Incl 6, 7 ← 17
4		{84058743}		1	KIT, Seal Kit, Incl 6, 7
	2			21	
	18			22	
	19				
		1 = FOR ITALY ONLY ← 5			

MODELS ← 1


- 1 Model Number and Model Description
- 2 Reference - Figure call-out of the part number.
- 3 Parts supplied in repair kits per symbol reference.
- 4 31.220.020 Part illustrated on the **Page** or in the **Figure** indicated, or calls for **Variations** or **Details**. Indicates components shown in detail elsewhere in the catalogue under the figure number shown.
- 5 Footnote references
- 6 Figure notes
- 7 1 2 Includes item(s) (See Description within partlist).
- 8 Orientation. (Arrow indicates front of the machine). 
- 9 Figure description.
- 10 General information of the figure.
- 11 Figure title number that aligns with the SRT. Standard Repair Time.
- 12 **Sequence** code within the assembly.
- 13 Page number within the sequence code.
- 14 **Date** of printing or updating of page (month-year).
- 15 **Note** - Relating to the Part Number. There is a key to symbols and abbreviations at the bottom of the text page.
- 16 Non-serviced parts.
- 17 Further description of the part to help confirm identification.
- 18 Not available as service part.
- 19 Part Number.
- 20 To be defined.
- 21 Total **Quantity** of the Part referred to in the page.
The quantity can be replaced by the following indications:
AR = quantity as requested.
- 22 Part **Description**.
- 23 Variant Codes

TABLE OF CONTENTS

05.100.01		INITIAL STOCKING LIST (ISL)
05.100.03		FILTERS & CAPACITIES, 3162
05.100.03	01	FILTERS & CAPACITIES, 3162
05.400.01		SHIPPING STAND
31.100.01		SHAFT, PTO DRIVE, TO COMBINE
31.100.02		SHAFT, PTO, DRIVE, TO AUGER
35.410.01		HYDRAULIC SYSTEM, DRAPER PUMP
35.410.01	01	HYDRAULIC, TOP BEAM, 25 FOOT HEADER
35.410.01	02	HYDRAULIC, TOP BEAM, 30 AND 35 FOOT HEADER
35.410.01	03	HYDRAULIC, TOP BEAM, 40 AND 45 FOOT HEADER
35.410.02	01	STANDARD HYDRAULIC SYSTEM, 25 FOOT HEADER
35.410.02	02	STANDARD HYDRAULIC SYSTEM, 30 FOOT HEADER
35.410.02	03	STANDARD HYDRAULIC SYSTEM, 35 FOOT HEADER
35.410.02	04	STANDARD HYDRAULIC SYSTEM, 40 AND 45 FOOT HEADER
35.410.03	01	HYDRAULICS, REEL ARMS
35.410.03	02	HYDRAULICS, CENTER REEL ARMS, 40 AND 45 FOOT HEADER
35.410.03	03	REEL ARM, HYDRAULIC CYLINDERS
35.410.03	04	CENTER REEL ARM, HYDRAULIC CYLINDERS
35.410.04	01	HYDRAULIC LINES, FILTER
35.410.04	01	HYDRAULIC LINES, FILTER (AUSTRALIA ONLY)
35.410.04	02	DRAPER, HYDRAULIC HOSE ASSY
35.410.04	03	SHIELD, ASSY
35.410.05		HYDRAULIC PLUMBING TUBE ASSEMBLY
35.410.06	01	HYDRAULIC SYSTEM, DRAPER PUMP
35.410.06	02	HYDRAULIC PUMP, DOUBLE
35.410.07		HYDRAULIC MANIFOLD WITH FITTINGS
35.410.08	01	HYDRAULIC SYSTEM, FLEX DRAPER, BSN - YEH040861
35.410.08	01	HYDRAULIC SYSTEM, RIGID DRAPER
35.410.08	01	HYDRAULIC SYSTEM, RIGID DRAPER (AUSTRALIA ONLY)
35.410.08	02	HYDRAULIC SYSTEM, FLEX DRAPER, ASN - YEH050000
35.410.09		HYDRAULIC, EXTENSION, 40 FOOT HEADER
35.410.10		HYDRAULIC, EXTENSION, 45 FOOT HEADER
35.410.11		HYDRAULIC SYSTEM , FORE - AFT
35.410.12	01	HYDRAULIC, DRAPER TRANSPORT
35.410.12	02	HYDRAULIC, DRAPER TRANSPORT
35.410.12	03	HYDRAULIC, DRAPER TRANSPORT, MANIFOLD

TABLE OF CONTENTS

35.410.13		RESERVOIR, HYDRAULIC OIL
35.410.14	01	HYDRAULIC, TOP BEAM
35.410.14	02	QUICK COUPLER, ASSY, TOP BEAM
35.410.15		TUBE ASSEMBLY, BUNDLE 35 FT
35.410.15	01	TUBE ASSEMBLY, BUNDLE 30 FT
35.410.16		HYDRAULIC CUTTERBAR ADJUST
35.410.16		HYDRAULIC CUTTERBAR ADJUST
44.100.01		HEADER GAUGE WHEELS, YEH042239
44.100.02		HEADER TRANSPORT WHEELS
44.100.03	01	GAUGE WHEEL, DUAL, ASN YEH050000
44.100.03	02	GAUGE WHEEL, DUAL, SPRING ASSY
55.100.01		HARNESS, FLEX HEADER, MOUNTING
55.100.02		HARNESS, FLEX HEADER
55.100.03		HARNESS, TRANSPORT ADAPTER JUMPER
55.100.04		RIGID DRAPER, ELECTRICAL ASSY
55.100.05		HARNESS, RIGID DRAPER
55.350.01		AIR CONTROL CIRCUIT
55.404.01		LIGHT ASSEMBLY, WARNING
55.404.02		HARNESS, TRANSPORT LIGHTS
58.100.01	01	DRIVE, ASSY
58.100.01	02	DRAPER, DRIVE ASSY
58.100.01	03	AUGER ASSY
58.100.01	04	DRAPER, DRIVE, GEARBOX
58.105.01		CONTROL ASSEMBLY, HEADER HEIGHT
58.105.02		REEL CRANKSHAFT ASSEMBLY
58.110.00	0	RH, SEGMENTED CENTER KNIFE, COARSE
58.110.00	0	RH, SEGMENTED CENTER KNIFE, FINE
58.110.00	00	RH, SEGMENTED TAIL, 30, 35, 40, 45FT, COARSE
58.110.00	00	RH, SEGMENTED TAIL, 30, 35, 40, 45FT, FINE
58.110.00	000	LH, SEGMENTED CENTER KNIFE, FINE
58.110.00	000	LH, SEGMENTED TAIL, 30, 35, 40, 45FT, COARSE
58.110.00	0000	LH, SEGMENTED CENTER KNIFE, COARSE
58.110.00	0000	LH, SEGMENTED TAIL, 30, 35, 40, 45FT, FINE
58.110.00	01	RH, SEGMENTED KNIFE ASSY, 30, 35, 40, 45FT, COARSE
58.110.00	01	RH, SEGMENTED KNIFE ASSY, 30, 35, 40, 45FT, FINE
58.110.00	02	LH, SEGMENTED KNIFE ASSY, 30, 35, 40, 45FT, COARSE

TABLE OF CONTENTS

58.110.00	02	LH, SEGMENTED KNIFE ASSY, 30, 35, 40, 45FT, FINE
58.110.01		KNIFE ASSY, LH, 3-IN COARSE, 30 FOOT HEADER
58.110.01		KNIFE ASSY, LH, 3-IN COARSE, 35 FOOT HEADER
58.110.01		KNIFE ASSY, LH, 3-IN COARSE, 40 FOOT HEADER
58.110.01		KNIFE ASSY, LH, 3-IN COARSE, 45 FOOT HEADER
58.110.02		KNIFE ASSY, RH, 3-IN COARSE, 30 FOOT HEADER
58.110.02		KNIFE ASSY, RH, 3-IN COARSE, 35 FOOT HEADER
58.110.02		KNIFE ASSY, RH, 3-IN COARSE, 40 FOOT HEADER
58.110.02		KNIFE ASSY, RH, 3-IN COARSE, 45 FOOT HEADER
58.110.03		KNIFE ASSY, 3 INCH COARSE LH
58.110.03	01	KNIFE ASSY, 3 INCH COARSE, LH
58.110.03	02	KNIFE ASSY, 3 INCH FINE, LH
58.110.04		KNIFE ASSY, 3 INCH COARSE RH
58.110.04	01	KNIFE ASSY, 3 INCH COARSE, RH
58.110.04	02	KNIFE ASSY, 3 INCH FINE, RH
58.110.05	01	CUTTERBAR, 3 INCH STANDARD GAURD
58.110.05	02	CUTTERBAR, 3 INCH STUB GUARD
58.110.05	02	CUTTERBAR, STUB GUARD
58.110.06	01	DRIVE, CENTER KNIFE GEARBOX
58.110.06	02	DRIVE ASSEMBLY, CENTER KNIFE
58.110.07	01	ARM, ASSY, KNIFE TURRET, LH
58.110.07	02	ARM, ASSY, KNIFE TURRET, RH
58.110.08	02	ARM, ASSY
58.110.09	01	CUTTERBAR, 3" STD GUARD 25FT
58.110.09	01	CUTTERBAR, 3" STD GUARD 30FT
58.110.09	01	CUTTERBAR, 3" STD GUARD 35FT
58.110.09	01	CUTTERBAR, 3" STD GUARD 40FT
58.110.09	01	CUTTERBAR, 3" STD GUARD 45FT
58.110.09	01	CUTTERBAR, ASSY, COMMON FLEX
58.110.09	02	CUTTERBAR, 3" STD GUARD 25FT
58.110.09	02	CUTTERBAR, 3" STD GUARD 30FT
58.110.09	02	CUTTERBAR, 3" STD GUARD 35FT
58.110.09	02	CUTTERBAR, 3" STD GUARD 40FT
58.110.09	02	CUTTERBAR, 3" STD GUARD 45FT
58.110.09	03	CENTER KNIFE DRIVE, HEAD ASSY
58.110.10		CUTTERBAR, SUSPENSION, STANDARD

TABLE OF CONTENTS

58.110.11		GEAR, ASSY
58.110.12		PINION, ASSY, HORIZONTAL
58.110.13		STRIPPER - KIT
58.110.14	01	CUTTERBAR, ASSY EU, 3" TRASHBAR GUARD 25FT
58.110.14	02	KNIFE HEAD, ASSY EU, 3" TRASHBAR GUARD 25FT
58.110.15	01	CUTTERBAR, ASSY EU, 3" TRASHBAR GUARD 30FT
58.110.15	02	KNIFE HEAD, ASSY EU, 3" TRASHBAR GUARD 30FT
58.110.16	01	CUTTERBAR, ASSY EU, 3" TRASHBAR GUARD 35FT
58.110.16	02	KNIFE HEAD, ASSY EU, 3" TRASHBAR GUARD 35FT
58.110.17	01	CUTTERBAR, ASSY EU, 3" TRASHBAR GUARD 40FT
58.110.17	02	KNIFE HEAD, ASSY EU, 3" TRASHBAR GUARD 40FT
58.110.18	01	CUTTERBAR, ASSY EU, 3" TRASHBAR GUARD 45FT
58.110.18	02	KNIFE HEAD, ASSY EU, 3" TRASHBAR GUARD 45FT
58.110.19		SKID/SHOE, ASSY
58.110.20		SKID/SHOE, ASSY
58.115.01		DRAPER, ASSY, 30FT
58.115.01		DRAPER, ASSY, 35FT
58.115.01		DRAPER, ASSY, 35FT (AUSTRALIA ONLY)
58.115.01		DRAPER, ASSY, 40FT
58.115.01		DRAPER, ASSY, 40FT (AUSTRALIA ONLY)
58.115.01		DRAPER, ASSY, 45FT
58.115.01		DRAPER, ASSY, 45FT (AUSTRALIA ONLY)
58.115.02	01	FEEDER ASSY
58.115.02	01	FEEDER ASSY (AUSTRALIA ONLY)
58.115.02	01	FEEDER ASSY, DUAL INFEED
58.115.02	01	FEEDER, ASSY
58.115.02	01	FEEDER, ASSY
58.115.02	02	FEEDER ASSY, LH
58.115.02	02	FEEDER, ASSY, LH
58.115.02	02	FEEDER, ASSY, LH
58.115.02	02	LH DUAL INFEED, DRAPER ASSY
58.115.02	03	FEEDER ASSY, RH
58.115.02	03	FEEDER, ASSY, RH
58.115.02	03	FEEDER, ASSY, RH
58.115.02	03	RH DUAL INFEED, DRAPER ASSY
58.115.03		TENSIONER, ASSY, RH, 30FT

TABLE OF CONTENTS

58.115.03		TENSIONER, ASSY, RH, 35FT
58.115.03		TENSIONER, ASSY, RH, 40FT
58.115.03		TENSIONER, ASSY, RH, 45FT
58.115.04		TENSIONER, ASSY, LH, 30FT
58.115.04		TENSIONER, ASSY, LH, 35FT
58.115.04		TENSIONER, ASSY, LH, 40FT
58.115.04		TENSIONER, ASSY, LH, 45FT
58.115.05		MOTOR, LEFT HAND FEEDER
58.115.06		TENSIONER - RH
58.115.07		TENSIONER - LH
58.115.08		ROLLER, DRIVE
58.115.09		ROLLER, IDLER
58.120.01		AUGER ASSEMBLY
58.130.01	01	FLOOR, SUPPORT ASSY
58.130.01	02	ARM, ASSY, RH/LH
58.130.01	03	ARM, ASSY
58.130.01	04	ARM, ASSY, CENTER KNIFE DRIVE, HYDRAULIC SHIELD
58.130.01	05	ARM, ASSY, CENTER RH/LH, ASN - YEH050000
58.130.01	05	ARM, ASSY, CENTER RH/LH, BSN - YEH050000
58.130.02	01	FLOOR, ASSY, 30FT CENTER KNIFE DRIVE, LH
58.130.02	01	FLOOR, ASSY, 35FT CENTER KNIFE DRIVE, LH
58.130.02	01	FLOOR, ASSY, 40FT CENTER KNIFE DRIVE, LH
58.130.02	01	FLOOR, ASSY, 45FT CENTER KNIFE DRIVE, LH
58.130.02	02	FLOOR, ASSY, 30FT CENTER KNIFE DRIVE, RH
58.130.02	02	FLOOR, ASSY, 35FT CENTER KNIFE DRIVE, RH
58.130.02	02	FLOOR, ASSY, 40FT CENTER KNIFE DRIVE, RH
58.130.02	02	FLOOR, ASSY, 45FT CENTER KNIFE DRIVE, RH
58.130.03	01	FLOOR, ASSY, RH/LH
58.130.03	02	FLOOR, ASSY, RH/LH CENTER KNIFE DRIVE
58.130.04	01	FRAME ASSEMBLY, 25 FOOT HEADER
58.130.04	02	FRAME ASSEMBLY, 30 FOOT HEADER
58.130.04	03	FRAME ASSEMBLY, 35 FOOT HEADER
58.130.04	04	FRAME ASSEMBLY, 40 FOOT HEADER
58.130.04	05	FRAME ASSEMBLY, 45 FOOT HEADER
58.130.04	06	TOOL BOX, ASSY
58.130.05	01	HEADER TRANSPORT, REAR

TABLE OF CONTENTS

58.130.05	02	HEADER TRANSPORT, REAR, ASN YDH030001
58.130.05	02	HEADER TRANSPORT, REAR, ASN YDH030019
58.130.05	03	AXLE, ASSY
58.130.05	04	HEADER, TRANSPORT, CONTROL ROD ASSY
58.130.06		REAR TRANSPORT HUB AND SUPPORT
58.130.07		HEADER TRANSPORT, FRONT, 30 FOOT HEADER
58.130.08		HEADER TRANSPORT, FRONT, 35, 40, 45 FOOT HEADER
58.130.09		FRONT AXLE, HEADER TRANSPORT
58.130.10	01	TONGUE, HEADER TRANSPORT, 30FT - 35FT, BSN - YCH022078
58.130.10	02	TONGUE, HEADER TRANSPORT, 30FT - 35FT, ASN - YCH022078
58.130.10	03	TONGUE, HEADER TRANSPORT, 40FT, BSN - YCH020013
58.130.10	04	TONGUE, HEADER TRANSPORT, 40FT, ASN - YCH020013
58.130.10	05	TONGUE, HEADER TRANSPORT, 45FT, BSN - YCH020013
58.130.10	06	TONGUE, HEADER TRANSPORT, 45FT, ASN - YCH020013
58.130.11		TONGUE, HEADER TRANSPORT
58.131.01		DIVIDER ASSEMBLY, LEFT HAND
58.131.02		DIVIDER ASSEMBLY, RIGHT HAND
58.131.04		CROP LIFTERS AND SUPPORT
58.131.05	01	SENSOR ASSY, RIGID AHHC, 25 FOOT HEADER
58.131.05	02	SENSOR ASSY, RIGID AHHC, 30 FOOT HEADER
58.131.05	03	SENSOR ASSY, RIGID AHHC, 35/40/45 FOOT HEADER
58.131.05	04	AHHC, ARM ASSY, DRAPER, RIGHT CENTER
58.131.05	05	AHHC, ARM ASSY, DRAPER, LEFT CENTER
58.131.05	06	AHHC, ARM ASSY, DRAPER WIDE
58.208.01		END SHIELDING, RH
58.208.02		END SHIELDING, LH
58.208.03		WEAR PLATES
60.100.02		REEL DRIVE
60.101.00	01	REEL ARMS
60.101.00	02	REEL ADAPTER
60.101.00	03	CENTER REEL ARM, 40 AND 45 FOOT HEADER, BSN YDH030001
60.101.00	03	CENTER REEL ARM, 40 AND 45 FOOT HEADER, BSN YEH040000
60.101.00	04	CENTER REEL ARM, HYDAULIC, DRAPER, ASN YDH03001 TO BSN YEH040861
60.101.00	04	CENTER REEL ARM, HYDAULIC, DRAPER, ASN YEH040000 TO BSN YEH040861
60.101.00	05	CENTER REEL ARM, REEL DOUBLE CENTER CAM, ASN YEH050000
60.101.00	06	REEL POSITION, SENSORS

TABLE OF CONTENTS

60.101.00	07	REEL, ASSY, 40FT SINGLE CENTER CAM, BSN YEH040861
60.101.00	08	REEL, ASSY, LH, SINGLE CENTER CAM 40FT, BSN YEH040861
60.101.00	09	REEL, ASSY, RH, SINGLE CENTER CAM 40FT, BSN YEH040861
60.101.00	10	REEL, TINE BAR, ASSY, LH 40FT, BSN YEH040861
60.101.00	11	REEL, TINE BAR, ASSY, LH 40FT, BSN YEH040861
60.101.00	12	REEL ASSY, 45FT SINGLE CENTER CAM, BSN YEH040861
60.101.00	13	REEL, ASSY, RH, SINGLE CENTER CAM 45FT, BSN YEH040861
60.101.00	14	REEL, ASSY, LH, SINGLE CENTER CAM 45FT, BSN YEH040861
60.101.01	01	REEL, ASSY, 25FT, PLASTIC TINE
60.101.01	02	REEL, ASSY, CENTER TUBE, 25 FT
60.101.01	03	REEL, TINE BAR, ASSY, 25FT PLASTIC TINE
60.101.01	04	REEL, TINE BAR, ASSY, 25FT PLASTIC TINE
60.101.02	01	REEL, ASSY, 30FT PLASTIC TINE
60.101.02	02	REEL, ASSY, CENTER TUBE, 30FT
60.101.02	03	REEL, TINE BAR, ASSY, 30FT
60.101.02	04	REEL, TINE BAR, ASSY, 30FT
60.101.03	01	REEL, ASSY, 35FT, PLASTIC TINE
60.101.03	02	REEL, ASSY, CENTER TUBE 35FT
60.101.03	03	REEL, TINE BAR, ASSY, 35FT
60.101.03	04	REEL, TINE BAR, ASSY, 35FT
60.101.04	01	REEL ASSY, 40FT CENTER DOUBLE CAM, ASN YEH050000
60.101.04	02	REEL ASSY, LH 40FT CENTER DOUBLE CAM, ASN YEH050000
60.101.04	03	REEL ASSY, RH 40FT CENTER DOUBLE CAM, ASN YEH050000
60.101.04	04	REEL, TINE BAR ASSY, RH 40FT, ASN YEH050000
60.101.04	05	REEL, TINE BAR ASSY, RH 40FT, ASN YEH050000
60.101.04	06	REEL, TINE BAR ASSY, LH 40FT, ASN YEH050000
60.101.04	07	REEL, TINE BAR ASSY, LH 40FT, ASN YEH050000
60.101.05	01	REEL ASSY, 45FT CENTER DOUBLE CAM, ASN YEH050000
60.101.05	02	REEL ASSY, LH 45FT CENTER DOUBLE CAM, ASN YEH050000
60.101.05	03	REEL ASSY, RH 45FT CENTER DOUBLE CAM, ASN YEH050000
60.101.05	04	REEL, TINE BAR ASSY, RH 45FT, ASN YEH050000
60.101.05	05	REEL, TINE BAR ASSY, RH 45FT, ASN YEH050000
60.101.05	06	REEL, TINE BAR ASSY, LH 45FT, ASN YEH050000
60.101.05	07	REEL, TINE BAR ASSY, LH 45FT, ASN YEH050000
60.101.06	01	REEL, ASSY 25FT, STEEL TINE
60.101.06	02	REEL, ASSY, CENTER TUBE, 25FT

TABLE OF CONTENTS

60.101.06	03	REEL, TINE BAR, ASSY, 25FT STEEL TINE
60.101.06	04	REEL, TINE BAR, ASSY, 25FT STEEL TINE
60.101.07	01	REEL, ASSY, 30FT CENTER DOUBLE CAM, STEEL TINE, ASN YEH050000
60.101.07	02	REEL, ASSY, LH 30FT CENTER DOUBLE CAM, STEEL TINE, ASN YEH050000
60.101.07	03	REEL, ASSY, RH 30FT CENTER DOUBLE CAM, STEEL TINE, ASN YEH050000
60.101.07	04	REEL, TINE BAR, ASSY, LH 30FT, STEEL TINE ASN YEH050000
60.101.07	05	REEL, TINE BAR, ASSY, LH 30FT, STEEL TINE ASN YEH050000
60.101.07	06	REEL, TINE BAR, ASSY, RH 30FT, STEEL TINE ASN YEH050000
60.101.07	07	REEL, TINE BAR, ASSY, RH 30FT, STEEL TINE ASN YEH050000
60.101.08	01	REEL, ASSY 35FT, STEEL TINE, ASN YEH050000
60.101.08	02	REEL, ASSY, LH 35FT CENTER DOUBLE CAM, STEEL TINE, ASN YEH050000
60.101.08	03	REEL, ASSY, RH 35FT CENTER DOUBLE CAM, STEEL TINE, ASN YEH050000
60.101.08	04	REEL, TINE BAR, ASSY, LH 35FT, STEEL TINE ASN YEH050000
60.101.08	05	REEL, TINE BAR, ASSY, LH 35FT, STEEL TINE ASN YEH050000
60.101.08	06	REEL, TINE BAR, ASSY, RH 35FT, STEEL TINE ASN YEH050000
60.101.08	07	REEL, TINE BAR, ASSY, RH 35FT, STEEL TINE ASN YEH050000
60.105.02	01	CRANK, ASSY, PLASTIC TINE, RH
60.105.02	02	CRANK, ASSY, PLASTIC TINE, LH
60.105.03	01	CRANK, ASSY, STEEL TINE, LH
60.105.03	02	CRANK, ASSY, STEEL TINE, RH
88.044.01		DIA KIT, GAUGE WHEEL
88.044.02		DIA, KIT, GAUGE WHEEL
88.044.03		GAUGE WHEEL KIT ASSY
88.044.04		KIT, GAUGE WHEEL ARM PIVOT
88.055.01		DIA KIT, FLAGSHIP 3RD SWAP VALVE
88.055.02		DIA KIT, MRR 3RD SWAP VALVE
88.058.01		DIA KIT, LONG DIVIDER
88.058.02		DIA KIT, AUGER SPEED UP
88.058.03	01	DIA KIT, AUGER, UPPER CROSS
88.058.03	02	DIA KIT, AUGER, UPPER CROSS
88.058.04	01	DIA KIT, AHHC, RUN FLEX IN RIGID, 30FT - 35FT
88.058.04	02	DIA KIT, AHHC, RUN FLEX IN RIGID, 40FT - 45FT
88.058.04	03	DIA KIT AHHC RUN FLEX IN RIGID 40 FT-45 FT
88.058.05		DIA KIT, FIN ASSEMBLY
88.058.06	01	DIA, KIT, CUTTERBAR ADJUST, RIGHT
88.058.06	02	DIA, KIT, CUTTERBAR ADJUST, LEFT

TABLE OF CONTENTS

88.058.07		DIA KIT, PLASTIC HHC ARMS
88.058.08		DIA KIT, TRANSPORT
88.058.09		DIA KIT, REEL TINE FLAP
88.058.10		DIA KIT, AUGER FLIGHT
88.058.11		DIA KIT, CROPLIFTERS STD
88.058.12	01	VERTICAL KNIFE KIT, 25FT - 45FT
88.058.12	02	KNIFE, DIA KIT LH, 25, 30, 35, 40, 45 FT
88.058.12	03	KNIFE, DIA KIT RH, 25, 30, 35, 40, 45 FT
88.058.12	04	WIRE HARNESS, VERTICAL KNIFE, 20, 30, 35, 40, 45 FT
88.058.12	05	HYDRAULIC SYSTEM, VERTICAL KNIFE, 25, 30 FT
88.058.12	06	HYDRAULIC SYSTEM, VERTICAL KNIFE, 35, 40, 45 FT
88.058.12	07	HYDRAULIC HOSE, 30, 40, 45 FT
88.058.13	01	DIA KIT, 30FT SUSPENSION, CAB, ASN YEH040352
88.058.13	02	DIA KIT, 30FT SUSPENSION, CAB, ASN YEH040352
88.058.14	01	DIA KIT, 35FT SUSPENSION, CAB, ASN YEH040352
88.058.14	02	DIA KIT, 35FT SUSPENSION, CAB, ASN YEH040352
88.058.15	01	DIA KIT, 40FT SUSPENSION, CAB, ASN YEH040352
88.058.15	02	DIA KIT, 40FT SUSPENSION, CAB, ASN YEH040352
88.058.16	01	DIA KIT, 45FT SUSPENSION, CAB, ASN YEH040352
88.058.16	02	DIA KIT, 45FT SUSPENSION, CAB, ASN YEH040352
88.058.17	01	KIT CUTTERBAR 45FT W/KNIFE
88.058.17	02	KIT CUTTERBAR 40FT W/KNIFE
88.058.17	03	KIT CUTTERBAR 35FT W/KNIFE
88.058.17	04	KIT CUTTERBAR 30 FT W/KNIFE
88.058.17	05	KIT CUTTERBAR 45FT W/O KNIFE
88.058.17	06	KIT CUTTERBAR 40FT W/O KNIFE
88.058.17	07	KIT CUTTERBAR 35FT W/O KNIFE
88.058.17	08	KIT CUTTERBAR 30FT W/O KNIFE
88.058.18		DIA KIT, REEL, DRIVE
88.058.19		DIA KIT, BEAN LOSS
88.058.20		DIA KIT, CUTTERBAR LOCKOUT TOOL, FLEX
88.058.20		DIA KIT, CUTTERBAR TOOL, RIGID
88.058.21		UPDATE, IN-CAB SUSPENSION, CENTER
88.058.22		DIA KIT, HIGH TORQUE REEL DRIVE
88.058.23		KNIFE ASSY, SPLICE KIT
88.058.24		KIT, ROD CROP DIVIDER

TABLE OF CONTENTS

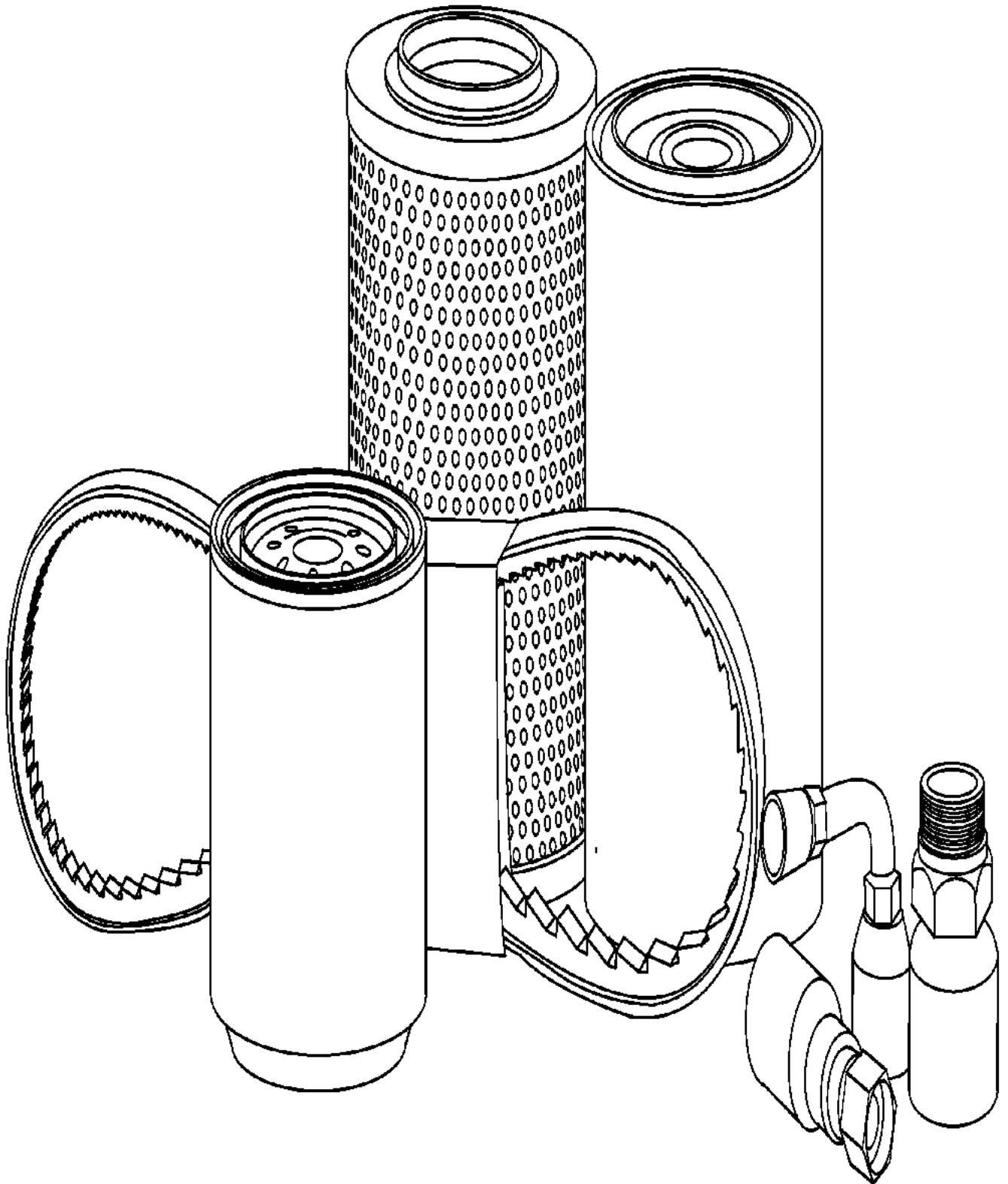
88.058.25		KIT, RIGID HHC ARM SUPPORTS W/CABLES 25-45FT
88.058.26		KIT, FLEX HEAD CABLE SUPPORT 30-45 FT
88.058.27		KIT, SKID/SHOE, RIGID ONLY
88.058.28		KIT, DRAPER ROCK,STRIPPER
88.058.29		KIT, DRAPER FRAME SPLINT
88.058.30		KIT, REEL CENTER DIVIDER
88.058.31		KIT, CUTTERBAR ANGLE STOP
88.099.01	02	KIT RIGID HHC DRAPER 30-35
88.099.01	03	KIT POLY SKID SHOE COMPLETE 35 FT
88.099.01	04	KIT POLY SKID SHOE COMPLETE 30 FT
88.099.01	05	KIT POLY SKID SHOE COMPLETE 40 FT
88.099.01	06	KIT POLY SKID SHOE COMPLETE 45 FT
90.100.010		MISC PARTS
90.108.01		DECALS
90.108.02		DECALS - CAUTION, WARNING, AND DANGER

SECTION INDEX

SERVICE & MAINTENANCE

05.100.01		INITIAL STOCKING LIST (ISL)
05.100.03		FILTERS & CAPACITIES, 3162
05.100.03	01	FILTERS & CAPACITIES, 3162
05.400.01		SHIPPING STAND

INITIAL STOCKING LIST (ISL)

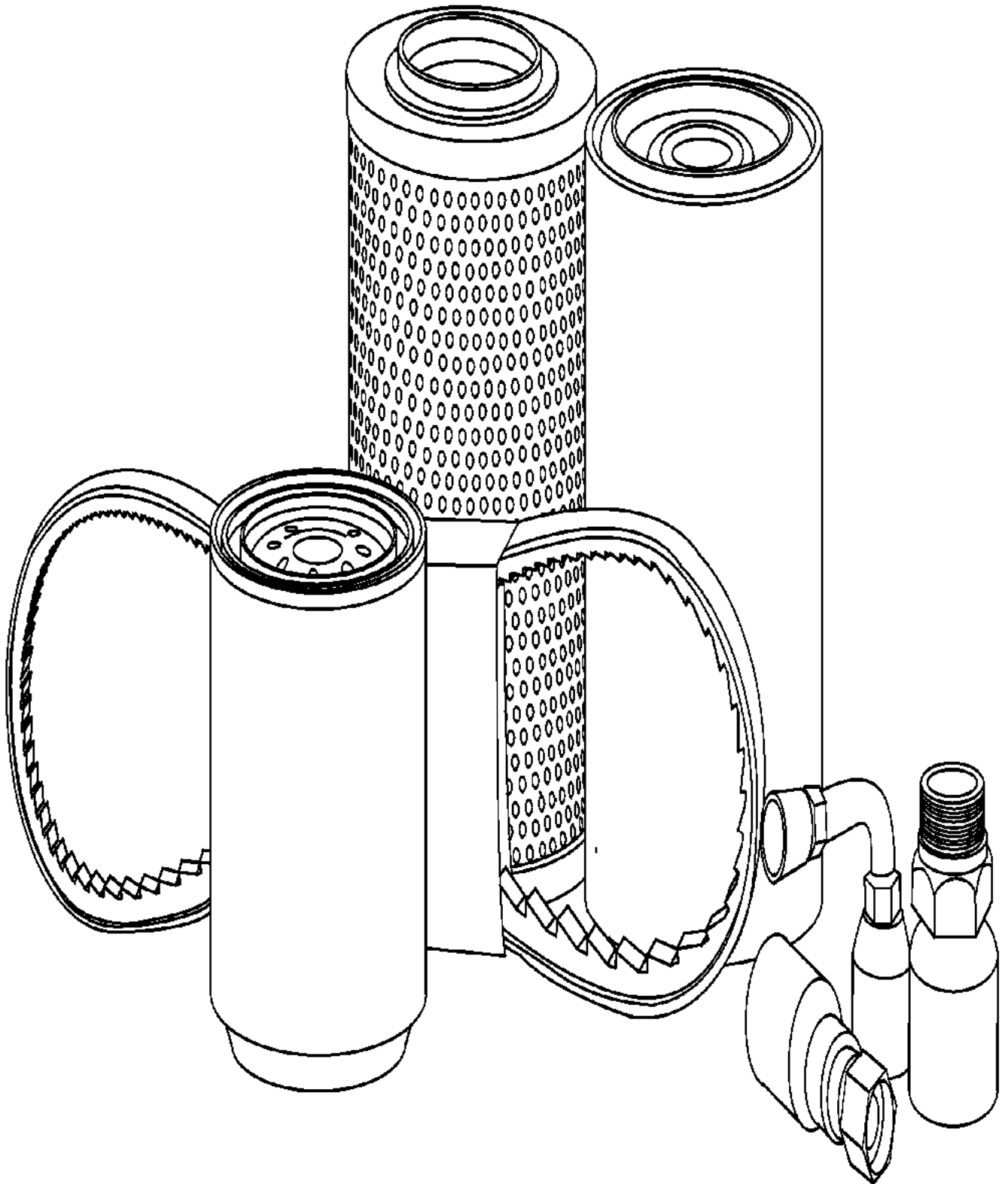


INITIAL STOCKING LIST (ISL)

REF FN	PART NUMBER	YR/SN	QTY DESCRIPTION
	{LIST A}		Parts Required For Preventative Maintenance
1	84184577		1 KNIFE CLIP
2	84194057		1 FINGER Assembly, Grain Header
3	47506882		1 GUARD Guard, 3 Point
4	84278070		1 ELEMENT
5	84289411		1 DRAPER
6	84307562		1 BELT 30 Foot Header
7	84369441		AR SHIM Knife Guard
8	84384773		1 SHIM 31mm OD x 3.25mm Thk Knife Cover
9	84429102		AR LOCK NUT Knife Assembly
10	84467282		1 KNIFE SECTION 25 Foot Small Grain
11	84467292		1 KNIFE SECTION 25 Foot Small Grain
12	87470186		1 KNIFE SECTION
13	47431717		1 KNIFE SECTION Draper Heads
13	87470187		1 KNIFE SECTION Auger Heads
14	87478999		1 BELT 40 Foot Header
15	87663841		AR SCREW Pan HD, M6 x 18mm, Cl 10.9 Knife Assembly
16	87702973		1 GUARD Knife, 3 Inch
17	47506883		1 GUARD Knife, 3 Inch
18	87728899		1 KNIFE SECTION 25 Foot Small Grain
19	87728905		1 KNIFE SECTION
20	87753629		1 BELT 35 Foot Header
21	87753630		1 BELT 45 Foot Header
	{LIST B}		Parts Required For Preventative Maintenance And Basic Repair
22	84138139		1 BALL BEARING 25mm ID x 52.01mm OD x 15.12mm W
23	84315386		1 KNIFE HEAD Right Hand
24	84315388		1 KNIFE HEAD Left Hand
25	84323064		1 SKID PLATE
26	84369985		1 SEAL KIT
27	84418649		1 SEAL KIT
28	84418654		1 SEAL KIT

3152-DRAPER HEADER 3162-DRAPER HEADER

INITIAL STOCKING LIST (ISL)

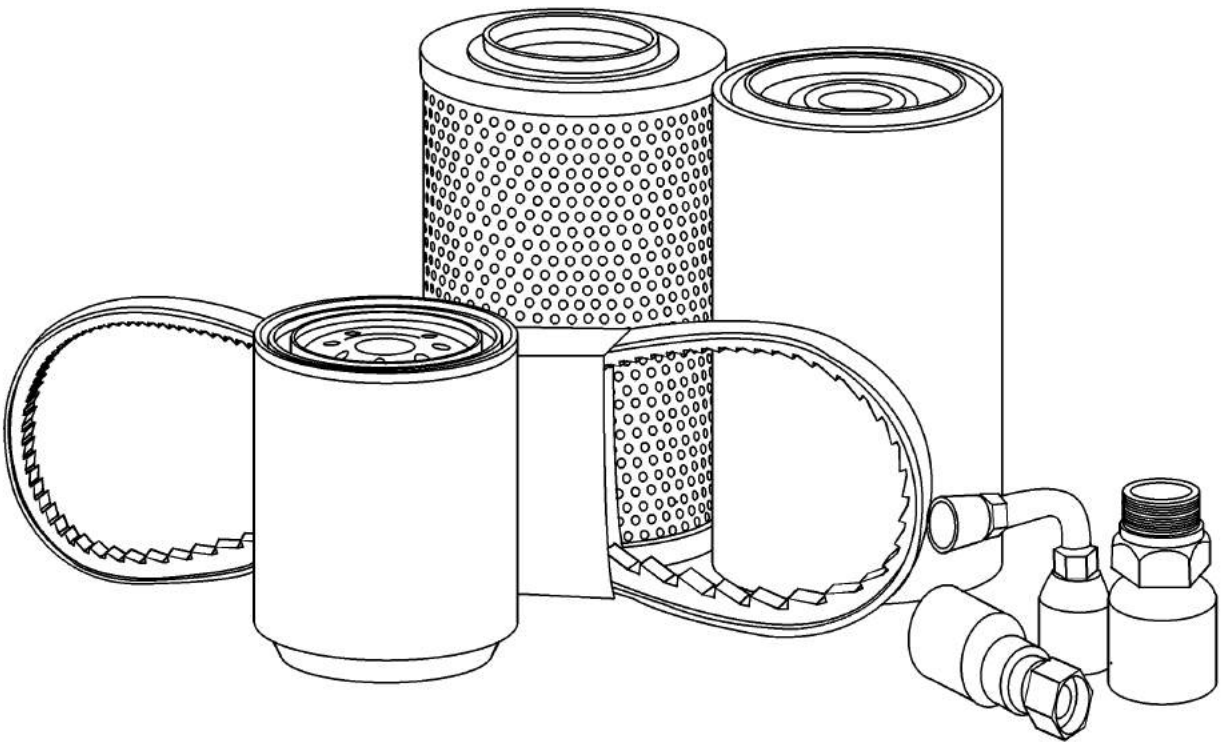


INITIAL STOCKING LIST (ISL)

REF FN	PART NUMBER	YR/SN	QTY DESCRIPTION
29	84418655		1 SEAL KIT
30	87470510		1 PIN 35mm OD x 53mm L
31	87470511		1 SEAL 25mm ID x 52mm OD
32	87470518		1 SEAL 28.57mm ID x 51.99mm OD x 6.35mm Thk Feeder
33	87493745		1 BALL BEARING 25mm ID x 52mm OD x 20.64mm W
34	87736718		1 DIVIDER POINT

3152-DRAPER HEADER 3162-DRAPER HEADER

FILTERS & CAPACITIES, 3162

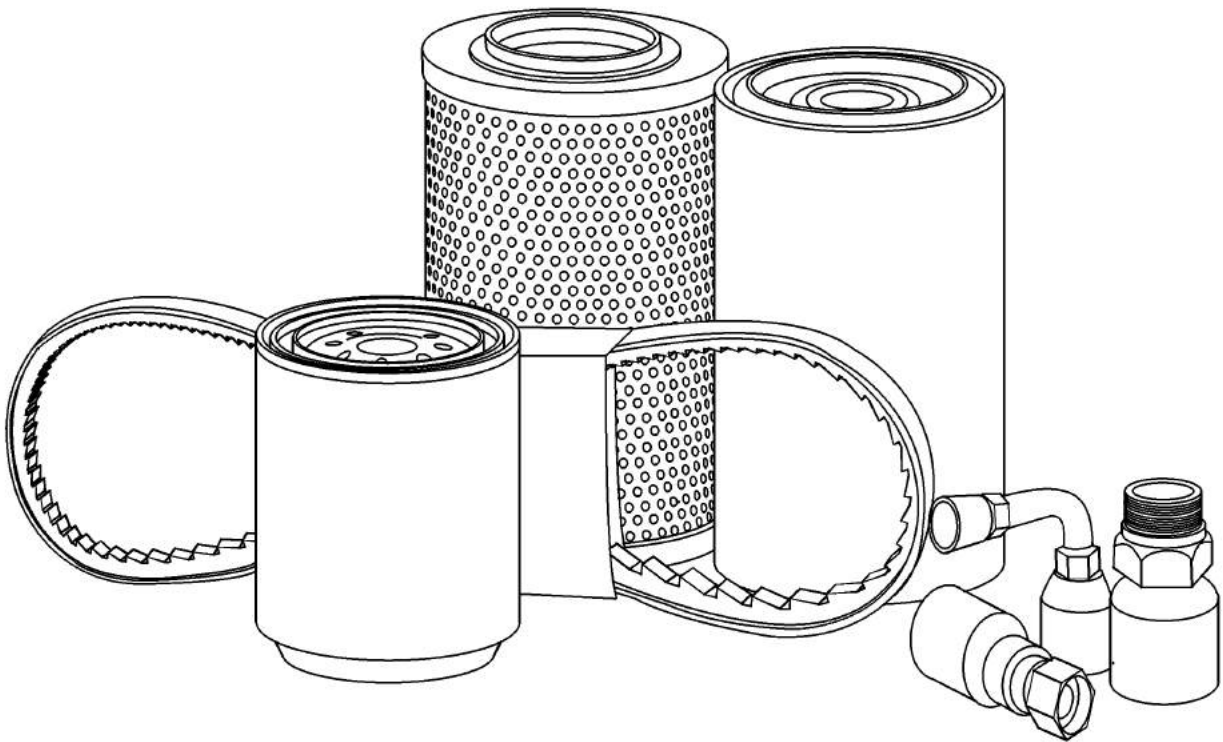


FILTERS & CAPACITIES, 3162

REF FN	PART NUMBER	YR/SN	QTY DESCRIPTION
1	84278070		ELEMENT Hydraulic Filter
*	HYPOIDE 80W90L		OIL Hydraulic Pump Drive, 0.5-Gal
*	HY-TRAN ULTRA		OIL Hydraulic Reservoir - Expansion, 24.4-Gal
*	HY-TRAN ULTRA		OIL Hydraulic Reservoir - Main, 24.4-Gal
*	HYPOIDE 80W90L		OIL Auger Drive Chain Case, 1.3-Gal
*	HYPOIDE 80W90L		OIL Knife drive, 1.6-Gal
*	ZRG012WGC		GREASE Chassis Lube, NLGI #2 White Lithium, As Required

3152-DRAPER HEADER 3162-DRAPER HEADER

FILTERS & CAPACITIES, 3162

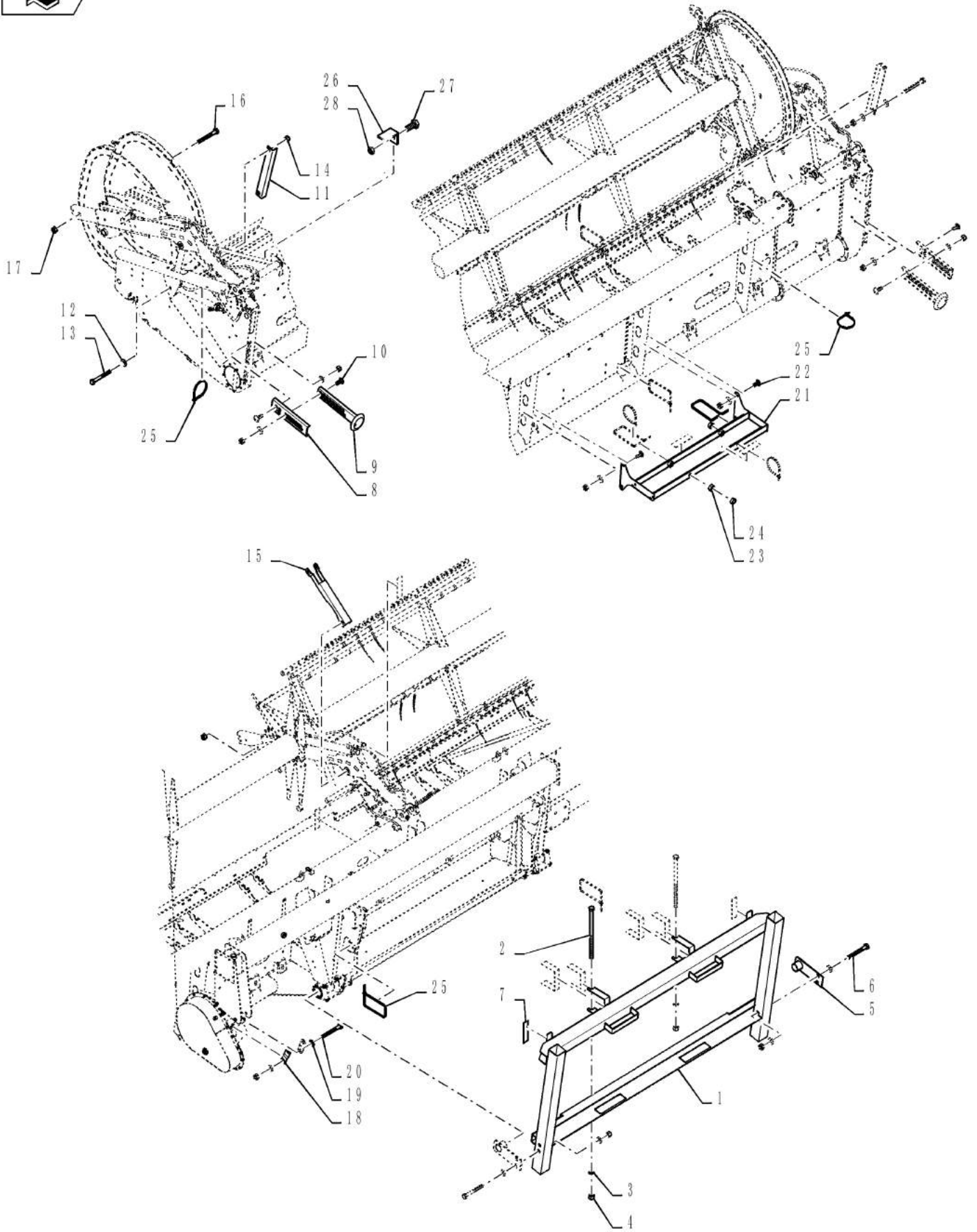


FILTERS & CAPACITIES, 3162

REF FN	PART NUMBER	YR/SN	QTY DESCRIPTION
1	84278070		ELEMENT Hydraulic Filter
*	135H EP 80W90		OIL Hydraulic Pump Drive, 0.5-Gal
*	HY-TRAN ULTRA		OIL Hydraulic Reservoir - Expansion, 24.4-Gal
*	HY-TRAN ULTRA		OIL Hydraulic Reservoir - Main, 24.4-Gal
*	135H EP 80W90		OIL Change Knife Drive, 1.6-Gal
*	ZRG012WGC		GREASE Chassis Lube, NLGI #2 White Lithium, As Required
*	135H EP 80W90		OIL Auger Drive Chain Case, 1.6-Gal

3152-DRAPER HEADER 3162-DRAPER HEADER

SHIPPING STAND



SHIPPING STAND

REF FN	PART NUMBER	YR/SN	QTY DESCRIPTION
1	NSS		1 NOT SOLD SEPARAT STAND, Shipping
2	364053		2 BOLT Hex, M12 x 1.75 x 220mm, CI 8.8
3	140046		22 BELLEVILLE WASHER M12 Bolt Size x 27mm OD x 1.8mm Thk
4	100038		14 NUT M12 x 1.75, CI 8
5	NSS		2 NOT SOLD SEPARAT BRACKET
6	395277		4 BOLT Hex, M12 x 1.75 x 130mm, CI 8.8
7	47394796		1 FELT SEAL Adhesive
8	84559941		2 CHANNEL
9	NSS		2 NOT SOLD SEPARAT STAND
10	120044		8 CARRIAGE BOLT M12 x 1.75 x 30mm, CI 8.8
11	NSS		2 NOT SOLD SEPARAT SUPPORT
12	337522		2 WASHER 17.5mm ID x 56mm OD x 5mm Thk
13	354360		2 BOLT Hex, M16 x 2 x 130mm, CI 8.8
14	86000441		3 NUT M16 x 2.0, CI 8
15	NSS		1 NOT SOLD SEPARAT CHANNEL
16	120062		3 BOLT Hex, M8 x 70mm, CI 8.8
17	86629542		3 NUT M8 x 1.25, CI 8.8
18	NSS		2 NOT SOLD SEPARAT SUPPORT
19	140048		2 BELLEVILLE WASHER M16 Bolt Size x 32mm OD x 2.8mm Thk
20	362573		1 BOLT Hex, M16 x 150mm, CI 8.8
21	NSS		1 NOT SOLD SEPARAT SUPPORT
22	374895		4 CARRIAGE BOLT M12 x 1.75 x 25mm, CI 8.8
23	337475		4 NUT M12, CI 10
24	306146A1		2 SPACER
25	851710		24 BAND
26	{47394273}		2
27	43139		2 BOLT M10 x 1.5 x 25mm, CI 8.8
28	8475948		2 NUT M10 x 1.5, CI 8

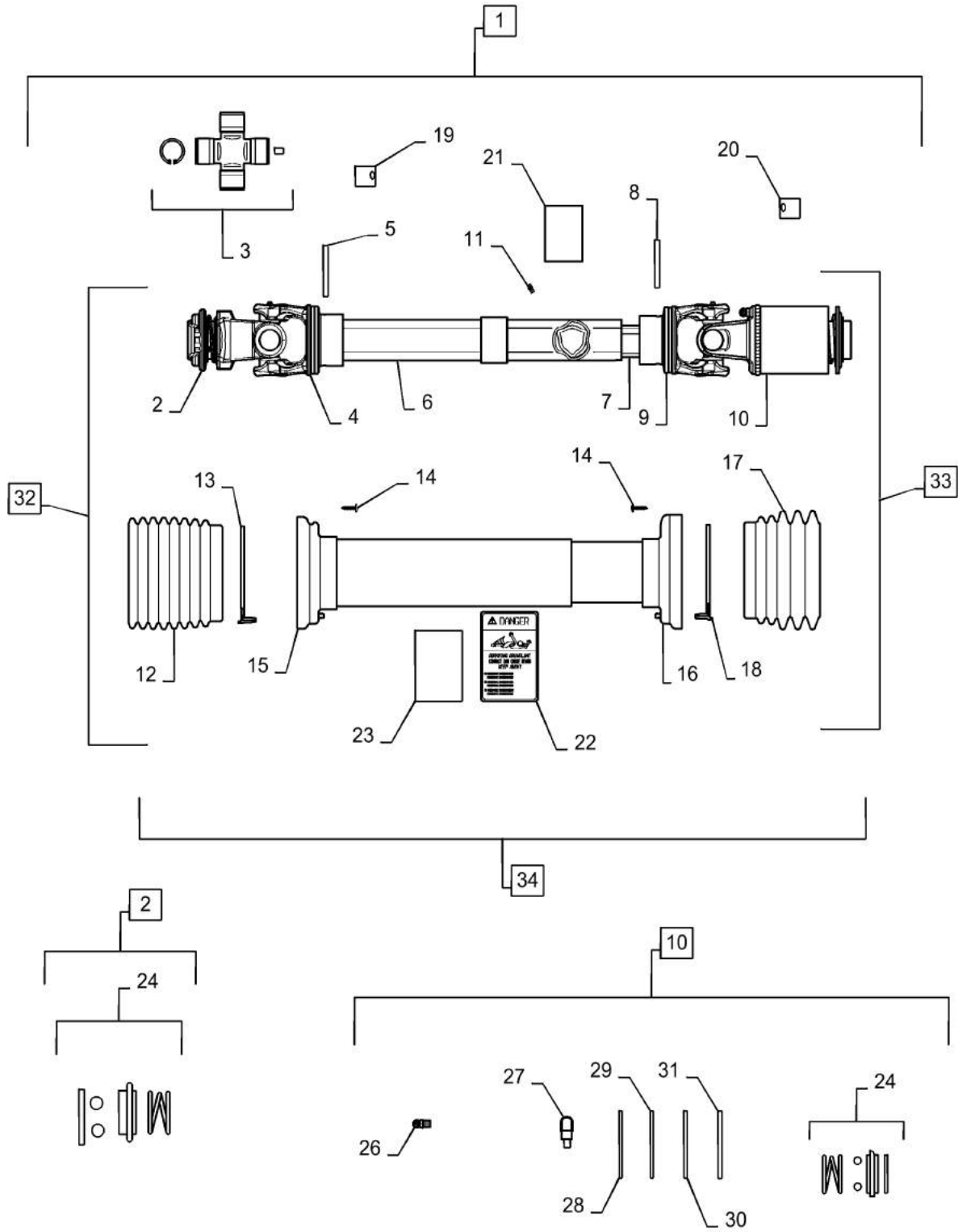
3152-DRAPER HEADER 3162-DRAPER HEADER

SECTION INDEX

IMPLEMENT POWER TAKE OFF

31.100.01	SHAFT, PTO DRIVE, TO COMBINE
31.100.02	SHAFT, PTO, DRIVE, TO AUGER

SHAFT, PTO DRIVE, TO COMBINE

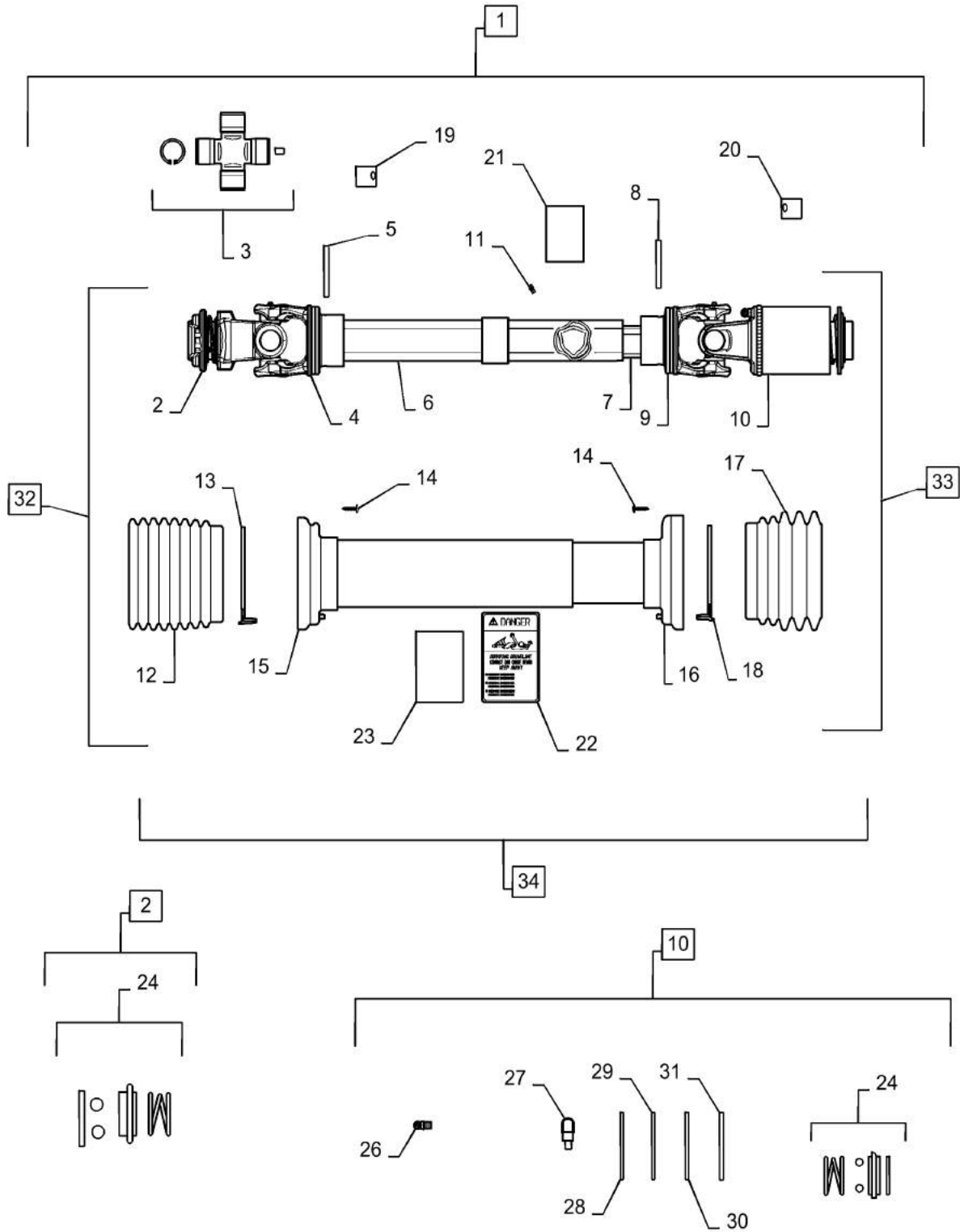


SHAFT, PTO DRIVE, TO COMBINE

REF FN	PART NUMBER	YR/SN	QTY DESCRIPTION
1	84197920		1 DRIVE SHAFT PTO, Incl 2 - 34
2	84518920		1 YOKE 1-3/8 Z6
3	ZA105853		2 KIT Kit
4	87685022		1 YOKE Assy
5	84976975		1 ROLL PIN Flexible
6	84518919		1 SHIELD Outer
7	84518918		1 SHIELD Inner
8	84036368		1 ROLL PIN Flexible
9	87685023		1 YOKE Assy
10	84518913		1 PTO CLUTCH Kit
11	84036369		1 LUBE NIPPLE Zerk
12	84518912		1 SHIELD Cone Bell
13	87517831		1 BEARING COVER 89.4 mm ID x 132 mm OD x 12 mm Bearing Front
14	86625168		6 SELF-TAP SCREW Cross Pan Hd, #10 x 1"
15	84518917		1 SERVICE KIT Shield, Outer Half
16	84518916		1 SERVICE KIT Shield, Inner Half
17	84518902		1 SHIELD Cone Bell
18	86979196		1 BEARING 86mm ID x 132mm OD x 12mm H
19	87476134		1 PLUG PTO, For Outer Tube
20	87476135		1 PLUG PTO, For Inner Tub
21	849471		1 DANGER DECAL Rotating Driveline
22	849472		1 DANGER DECAL Shield Missing
23	86520950		1 DECAL Warning, PTO
24	87558192		1 REPAIR KIT Lock Back Ball Collar
25	87537806		1 KIT (Not Shown)
26	87549247		1 FITTING Zerk
27	87548023		24 REPAIR KIT Clutch Pawl And Spring
28	87548018		1 CLUTCH DISC Screening Ring
29	9842402		1 SNAP RING M82, Int
30	87586716		1 RING Sealing
31	84518897		1 CIRCLIP External

3152-DRAPER HEADER 3162-DRAPER HEADER

SHAFT, PTO DRIVE, TO COMBINE



SHAFT, PTO DRIVE, TO COMBINE

REF FN	PART NUMBER	YR/SN	QTY DESCRIPTION
32	84518896		1 SHAFT Outer Half
33	84518893		1 SHAFT Inner Half
34	84518892		1 SERVICE KIT Shield

3152-DRAPER HEADER 3162-DRAPER HEADER

SHAFT, PTO, DRIVE, TO AUGER

REF FN	PART NUMBER	YR/SN	QTY DESCRIPTION
1	84197922		1 DRIVE SHAFT PTO, Incl 2 - 22
2	87016040		2 YOKE Slide Lock
3	87716337		2 SPIDER Kit
4	84524411		1 YOKE Tube
5	87015475		1 PIN Flexible
6	84524412		1 TUBE Outer
7	84524415		1 TUBE Inner
8	84157905		1 ROLL PIN Flexible
9	84524414		1 TUBE Yoke
10	84036369		2 LUBE NIPPLE Special, Short
11	84524416		2 TUBE Inner
12	87587200		6 SELF-TAP SCREW (Not Shown)
13	84524423		1 SERVICE KIT Shield, Outer Half
14	84524425		1 SERVICE KIT Shield, Inner Half
15	87685056		1 RING Shield Support
16	87716347		2 CHAIN 400mm L Safety
17	849472		1 DANGER DECAL Shield Missing
18	849471		1 DANGER DECAL Rotating Driveline
19	87012145		2 REPAIR KIT Slide Lock
20	84524430		1 SHAFT PTO, Outer Half
21	84524432		1 SHAFT PTO, Inner Half
22	84524427		1 SERVICE KIT Shield

3152-DRAPER HEADER 3162-DRAPER HEADER

SECTION INDEX

HYDRAULIC SYSTEMS

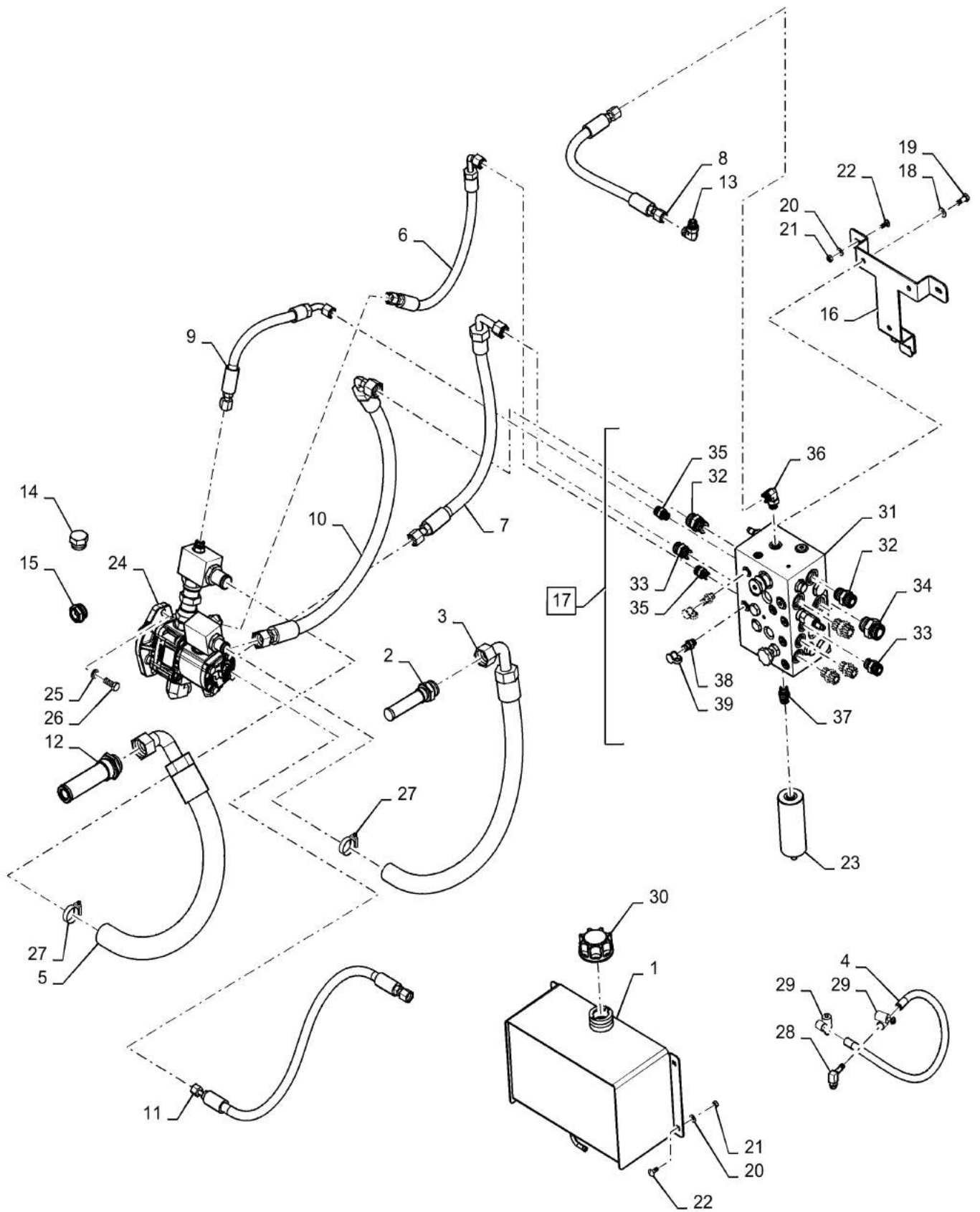
35.410.01		HYDRAULIC SYSTEM, DRAPER PUMP
35.410.01	01	HYDRAULIC, TOP BEAM, 25 FOOT HEADER
35.410.01	02	HYDRAULIC, TOP BEAM, 30 AND 35 FOOT HEADER
35.410.01	03	HYDRAULIC, TOP BEAM, 40 AND 45 FOOT HEADER
35.410.02	01	STANDARD HYDRAULIC SYSTEM, 25 FOOT HEADER
35.410.02	02	STANDARD HYDRAULIC SYSTEM, 30 FOOT HEADER
35.410.02	03	STANDARD HYDRAULIC SYSTEM, 35 FOOT HEADER
35.410.02	04	STANDARD HYDRAULIC SYSTEM, 40 AND 45 FOOT HEADER
35.410.03	01	HYDRAULICS, REEL ARMS
35.410.03	02	HYDRAULICS, CENTER REEL ARMS, 40 AND 45 FOOT HEADER
35.410.03	03	REEL ARM, HYDRAULIC CYLINDERS
35.410.03	04	CENTER REEL ARM, HYDRAULIC CYLINDERS
35.410.04	01	HYDRAULIC LINES, FILTER
35.410.04	01	HYDRAULIC LINES, FILTER (AUSTRALIA ONLY)
35.410.04	02	DRAPER, HYDRAULIC HOSE ASSY
35.410.04	03	SHIELD, ASSY
35.410.05		HYDRAULIC PLUMBING TUBE ASSEMBLY
35.410.06	01	HYDRAULIC SYSTEM, DRAPER PUMP
35.410.06	02	HYDRAULIC PUMP, DOUBLE
35.410.07		HYDRAULIC MANIFOLD WITH FITTINGS
35.410.08	01	HYDRAULIC SYSTEM, FLEX DRAPER, BSN - YEH040861
35.410.08	01	HYDRAULIC SYSTEM, RIGID DRAPER
35.410.08	01	HYDRAULIC SYSTEM, RIGID DRAPER (AUSTRALIA ONLY)
35.410.08	02	HYDRAULIC SYSTEM, FLEX DRAPER, ASN - YEH050000
35.410.09		HYDRAULIC, EXTENSION, 40 FOOT HEADER
35.410.10		HYDRAULIC, EXTENSION, 45 FOOT HEADER
35.410.11		HYDRAULIC SYSTEM , FORE - AFT
35.410.12	01	HYDRAULIC, DRAPER TRANSPORT
35.410.12	02	HYDRAULIC, DRAPER TRANSPORT
35.410.12	03	HYDRAULIC, DRAPER TRANSPORT, MANIFOLD
35.410.13		RESERVOIR, HYDRAULIC OIL
35.410.14	01	HYDRAULIC, TOP BEAM
35.410.14	02	QUICK COUPLER, ASSY, TOP BEAM
35.410.15		TUBE ASSEMBLY, BUNDLE 35 FT
35.410.15	01	TUBE ASSEMBLY, BUNDLE 30 FT

SECTION INDEX

HYDRAULIC SYSTEMS

35.410.16	HYDRAULIC CUTTERBAR ADJUST
35.410.16	HYDRAULIC CUTTERBAR ADJUST

HYDRAULIC SYSTEM, DRAPER PUMP

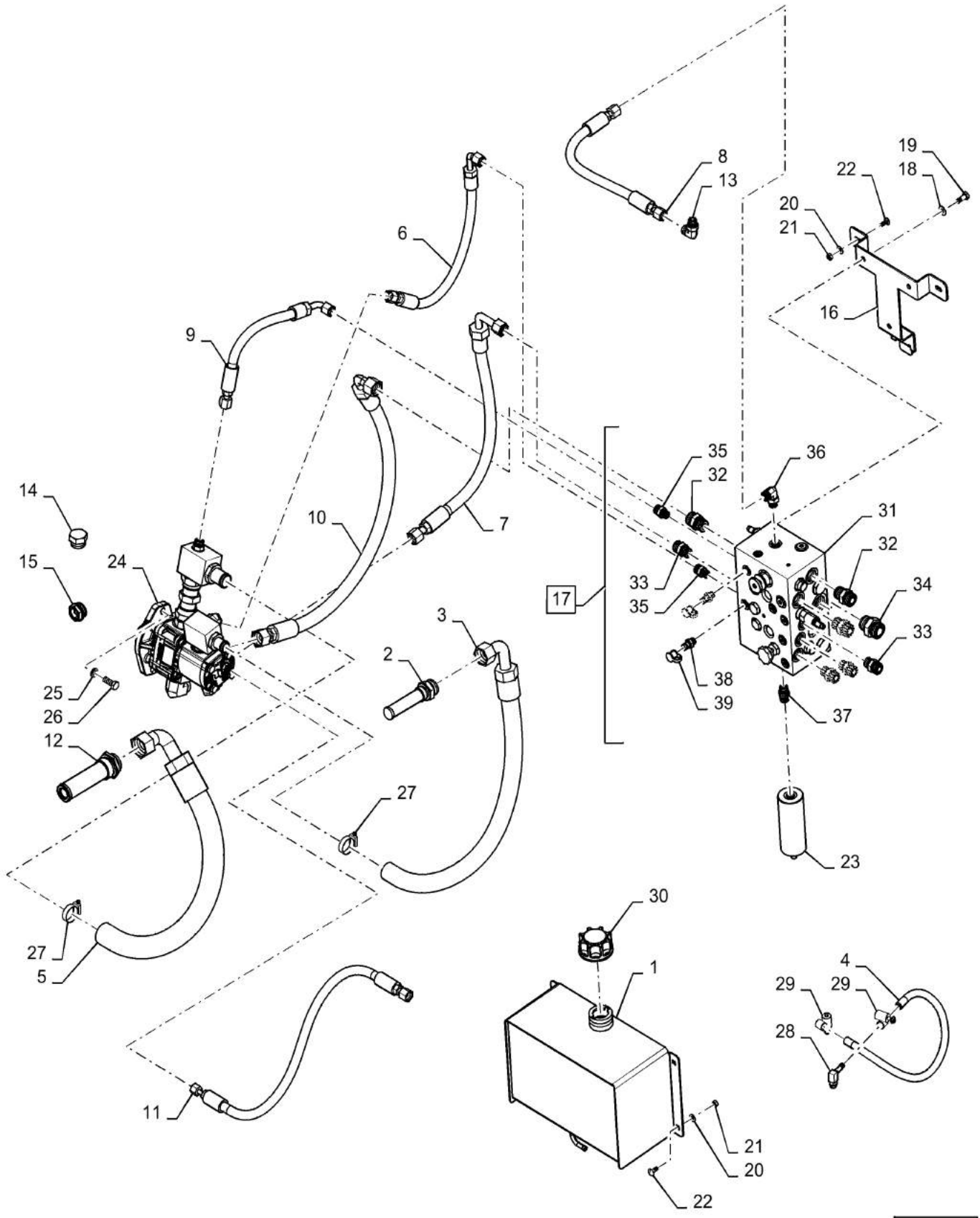


HYDRAULIC SYSTEM, DRAPER PUMP

REF FN	PART NUMBER	YR/SN	QTY DESCRIPTION
1	84333173		1 RESERVOIR 13.6L Hydraulic Oil
2	87360480		1 OIL COOLER FILTER
3	84387783		1 HYDRAULIC HOSE 25.4mm ID x 790mm L, SAE 100R4
4	84387785		1 HOSE ASSY. 12.7mm ID x 710mm L, SAE 100R6
5	84329685		1 HYDRAULIC HOSE 31.75mm ID x 775mm L, SAE 100R4
6	84307003		1 HYDRAULIC HOSE 12.7mm ID x 567mm L, SAE 100R16
7	84307014		1 HYDRAULIC HOSE 15.88mm ID x 690mm L, SAE 100R16
8	84387784		1 HYDRAULIC HOSE 12.7mm ID x 571mm L, SAE 100R3
9	84307010		1 HYDRAULIC HOSE 12.7mm ID x 400mm L, SAE 100R16
10	84306989		1 HYDRAULIC HOSE 19.05mm ID x 937mm L, SAE 100R16
11	47447091		1 HYDRAULIC HOSE
12	87657274		1 STRAINER ASSY.
13	86579691		1 90 ELBOW 90°, 13/16"-18 ORFS x M18 x 1.5 ORB
14	273916		1 PLUG Hex, 1-5/16" - 12 ORB
15	85801249		1 LEVEL GAUGE
16	84299467		1 BRACKET
17	NSS		1 NOT SOLD SEPARAT Hydraulic, Valve Manifold w/Fittings, Incl 31 - 39
18	140045		3 BELLEVILLE WASHER M10 Bolt Size x 22mm OD x 1.6mm Thk
19	43139		3 BOLT M10 x 1.5 x 25mm, CI 8.8
20	322358		6 BELLEVILLE WASHER M8 Bolt Size x 18mm OD x 1.4mm Thk
21	43362		6 NUT M8 x 1.25, CI 10
22	86507486		6 CARRIAGE BOLT M8 x 1.25 x 20mm, CI 8.8
23	86974820		1 ACCUMULATOR
24	84307019		1 HYDRAULIC PUMP
25	412123		2 LOCK WASHER 13.1mm ID x 21.1mm OD x 2.55mm Thk

3152-DRAPER HEADER 3162-DRAPER HEADER

HYDRAULIC SYSTEM, DRAPER PUMP



HYDRAULIC SYSTEM, DRAPER PUMP

REF FN	PART NUMBER	YR/SN	QTY DESCRIPTION
26	9706687		2 BOLT M12 x 1.75 x 30mm, CI 8.8
27	82012726		2 HOSE CLAMP 38mm - 50mm, Worm Gear
28	86625228		1 HYD CONNECTOR
29	244358		2 HOSE CLIP 0.44" - 0.78"
30	87325304		1 CAP
31	87485435		1 MANIFOLD
32	86579682		3 HYD CONNECTOR 1-3/16" - 12 ORFS x M27 x 2 ORB
33	86579680		4 HYD CONNECTOR 1"-14 ORFS x M22 x 1.5mm ORB
34	86580179		1 HYD CONNECTOR 1-7/16" - 12 ORFS x M33 x 2 ORB
35	86579675		2 HYD CONNECTOR 13/16"-16 ORFS x M16 x 1.5 ORB
36	86579691		1 90 ELBOW 90°, 13/16"-18 ORFS x M18 x 1.5 ORB
37	259619		1 HYD CONNECTOR 3/4" - 16 ORB x 3/4" - 16 ORB
38	84320565		2 COUPLING M14 x 1.5
39	86502604		2 DUST CAP

3152-DRAPER HEADER 3162-DRAPER HEADER

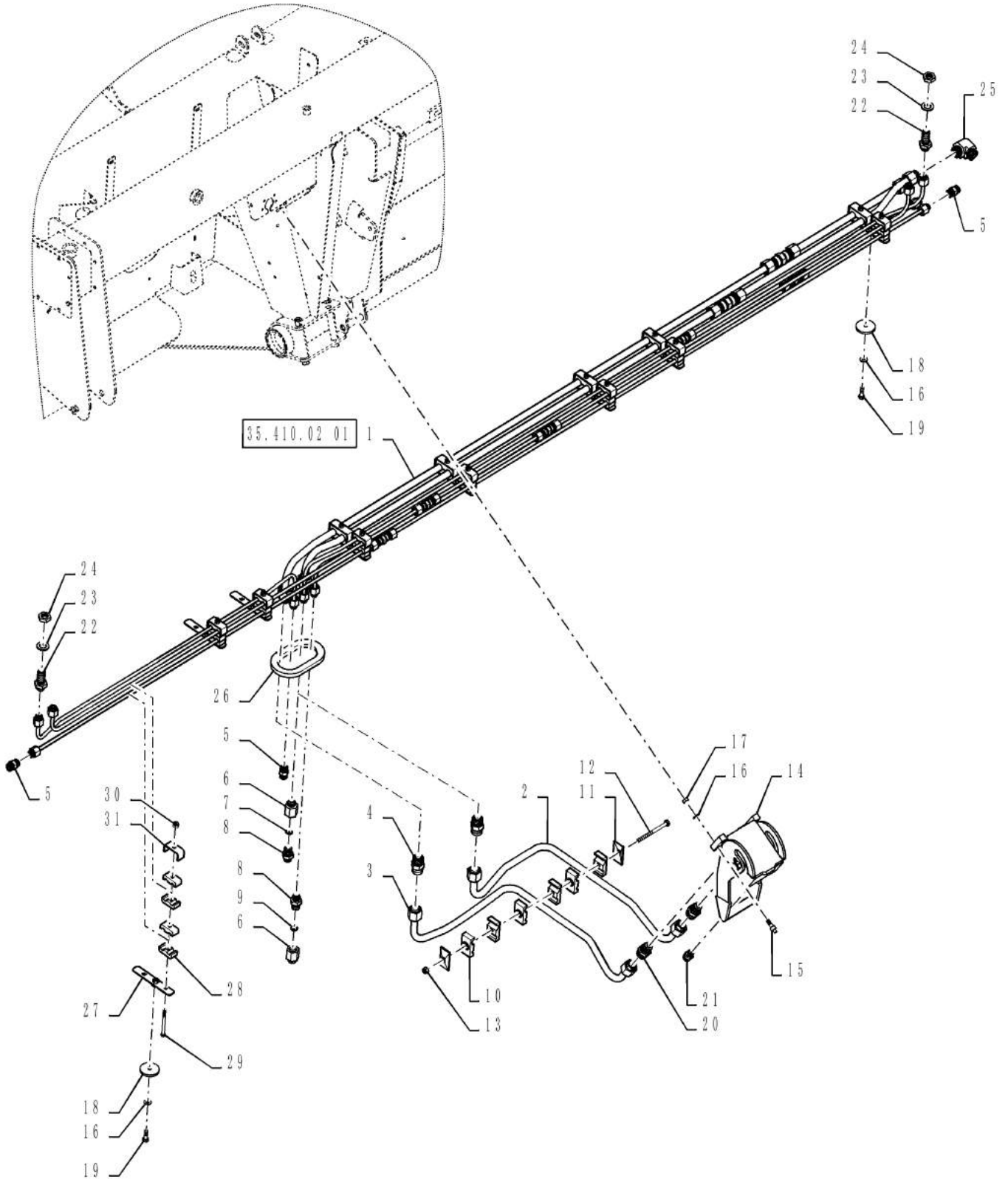
35.410.01

01

p1

9/2016

HYDRAULIC, TOP BEAM, 25 FOOT HEADER

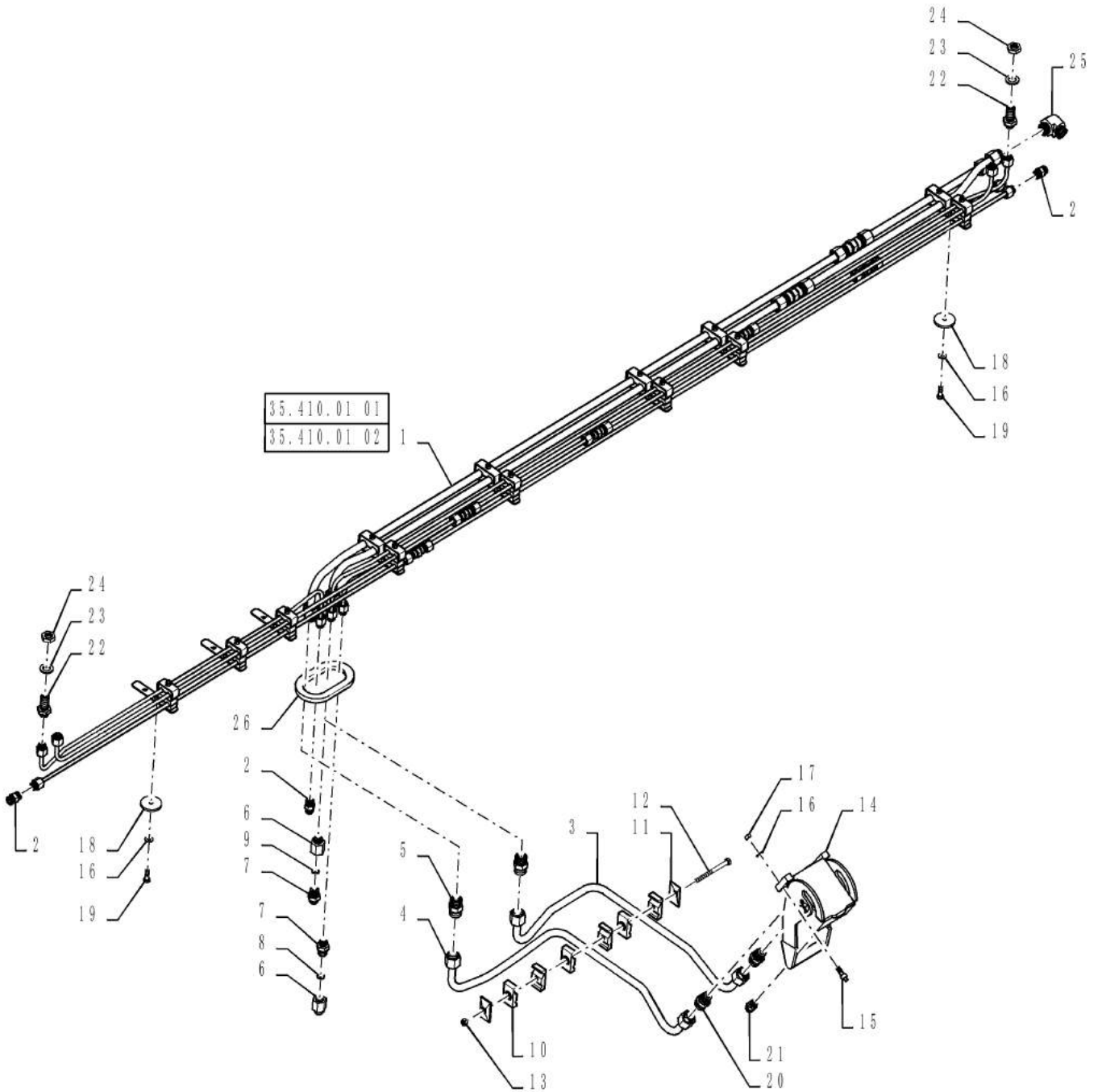


HYDRAULIC, TOP BEAM, 25 FOOT HEADER

REF FN	PART NUMBER	YR/SN	QTY DESCRIPTION
1	NSS		1 NOT SOLD SEPARAT Hydraulic Tube Bundle
2	84357413		1 HYD TUBE Top Beam
3	84357407		1 HYD TUBE Top Beam
4	84431473		2 HYD CONNECTOR 1"-14 ORFS
5	84431546		4 UNION 11/16"-16 ORFS
6	84062491		2 HYD CONNECTOR 11/16"-16 M ORFS x M18 x 1.5 Fem
7	385686		1 ORIFICE Valve
8	86579673		2 HYD CONNECTOR 11/16" - 16 ORFS x M18 x 1.5 ORB
9	84206574		1 RESTRICTOR Valve
10	87000159		3 CLAMP
11	384870A1		2 PLATE Hose Clamp Cover
12	412215		1 BOLT Hex, M8 x 1.25 x 100mm, CI 8.8
13	86629542		1 NUT M8 x 1.25, CI 8.8
14	84434997		1 COUPLING Quick
15	120228		4 HEX SOC SCREW M8 x 20mm, CI 8.8, Full Thd
16	322358		8 BELLEVILLE WASHER M8 Bolt Size x 18mm OD x 1.4mm Thk
17	43362		4 NUT M8 x 1.25, CI 10
18	623303		4 WASHER 10.32mm ID x 47.63mm OD x 4.76mm Thk
19	43127		4 BOLT Hex, M8 x 1.25 x 25mm, CI 8.8
20	87351379		2 HYD CONNECTOR 5/8 ORFS-ORB 1/2
21	9993143		3 HYD CONNECTOR 11/16" - 16 ORFS x 9/16" - 18 ORB
22	86978770		4 UNION 11/16"-6, ORFS
23	140020		4 WASHER 17.5mm ID x 30mm OD x 3mm Thk
24	87010704		4 BHD LOCK NUT 11/16"-16
25	9840570		2 ELBOW 90°, 13/16"-16 ORFS
26	9850033		1 SEAL
27	431941		1 SUPPORT
28	430357		4 CLAMP
29	86508569		1 BOLT Hex, M6 x 70mm, CI 8.8
30	353308		1 NUT M6 x 1.0, CI 8
31	431941		1 SUPPORT

3152-DRAPER HEADER

HYDRAULIC, TOP BEAM, 30 AND 35 FOOT HEADER

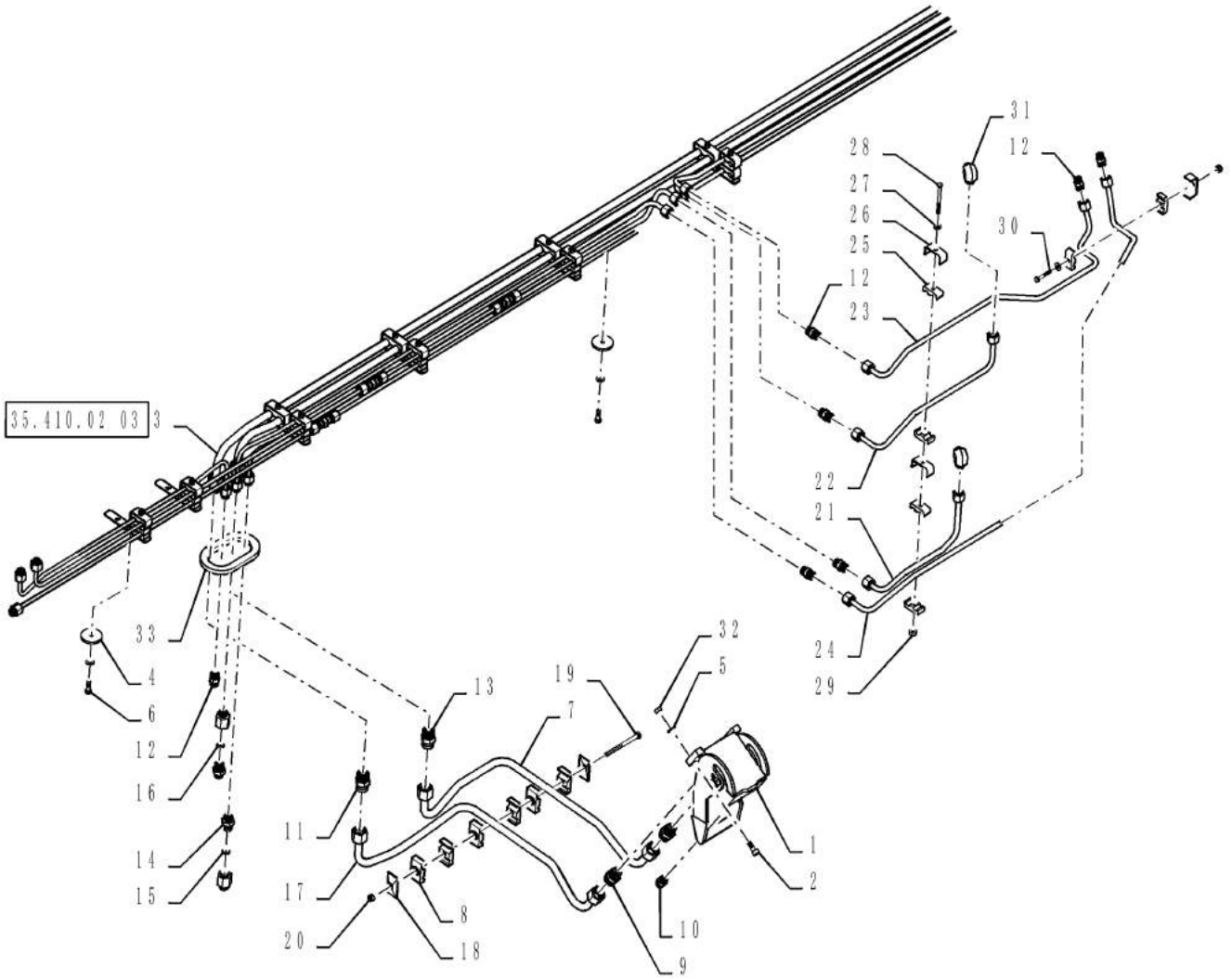


HYDRAULIC, TOP BEAM, 30 AND 35 FOOT HEADER

REF FN	PART NUMBER	YR/SN	QTY DESCRIPTION
1	NSS		1 NOT SOLD SEPARAT HYDRAULIC TUBE BUNDLE
2	84431546		4 UNION 11/16"-16 ORFS
3	84357413		1 HYD TUBE Top Beam
4	84357407		1 HYD TUBE Top Beam
5	84431473		2 HYD CONNECTOR 1"-14 ORFS
6	84062491		2 HYD CONNECTOR 11/16"-16 M ORFS x M18 x 1.5 Fem
7	86579673		2 HYD CONNECTOR 11/16" - 16 ORFS x M18 x 1.5 ORB
8	84206574		1 RESTRICTOR Valve
9	385686		1 ORIFICE Valve
10	87000159		3 CLAMP Hydraulic Tube
11	384870A1		2 PLATE Hose Clamp Cover
12	412215		1 BOLT Hex, M8 x 1.25 x 100mm, CI 8.8
13	86629542		1 NUT M8 x 1.25, CI 8.8
14	84434997		1 COUPLING Quick
15	120228		4 HEX SOC SCREW M8 x 20mm, CI 8.8, Full Thd
16	322358		8 BELLEVILLE WASHER M8 Bolt Size x 18mm OD x 1.4mm Thk
17	43362		4 NUT M8 x 1.25, CI 10
18	623303		4 WASHER 10.32mm ID x 47.63mm OD x 4.76mm Thk
19	43127		4 BOLT Hex, M8 x 1.25 x 25mm, CI 8.8
20	87351379		2 HYD CONNECTOR 5/8 ORFS-ORB 1/2
21	9993143		3 HYD CONNECTOR 11/16" - 16 ORFS x 9/16" - 18 ORB
22	86978770		4 UNION 11/16"-6, ORFS
23	140020		4 WASHER 17.5mm ID x 30mm OD x 3mm Thk
24	87010704		4 BHD LOCK NUT 11/16"-16
25	9840570		2 ELBOW 90°, 13/16"-16 ORFS ORFS, 90D Union, 16mm
26	9850033		1 SEAL 300mm

3152-DRAPER HEADER 3162-DRAPER HEADER

HYDRAULIC, TOP BEAM, 40 AND 45 FOOT HEADER



HYDRAULIC, TOP BEAM, 40 AND 45 FOOT HEADER

REF FN	PART NUMBER	YR/SN	QTY DESCRIPTION
1	84434997		1 COUPLING Quick
2	120228		4 HEX SOC SCREW M8 x 20mm, CI 8.8, Full Thd
3	NSS		1 NOT SOLD SEPARAT HYDRAULIC TUBE BUNDLE
4	623303		6 WASHER 10.32mm ID x 47.63mm OD x 4.76mm Thk
5	322358		10 BELLEVILLE WASHER M8 Bolt Size x 18mm OD x 1.4mm Thk
6	43127		6 BOLT Hex, M8 x 1.25 x 25mm, CI 8.8
7	84357413		1 HYD TUBE Top Beam
8	87000159		3 CLAMP Hydraulic Tube
9	87351379		2 HYD CONNECTOR 5/8 ORFS-ORB 1/2
10	9993143		3 HYD CONNECTOR 11/16" - 16 ORFS x 9/16" - 18 ORB
11	84431473		2 HYD CONNECTOR 1"-14 ORFS
12	84431546		7 UNION 11/16"-16 ORFS
13	86579673		2 HYD CONNECTOR 11/16" - 16 ORFS x M18 x 1.5 ORB
14	84062491		2 HYD CONNECTOR 11/16"-16 M ORFS x M18 x 1.5 Fem
15	84206574		1 RESTRICTOR Valve
16	385686		1 ORIFICE Valve
17	84357407		1 HYD TUBE Top Beam
18	384870A1		2 PLATE Hose Clamp Cover
19	412215		1 BOLT Hex, M8 x 1.25 x 100mm, CI 8.8
20	86629542		1 NUT M8 x 1.25, CI 8.8
21	84201900		1 HYD TUBE Top Beam
22	84201863		1 HYD TUBE Top Beam
23	84208580		1 HYD TUBE Top Beam
24	84208582		1 HYD TUBE Top Beam
25	430357		6 CLAMP
26	431941		3 SUPPORT
27	322357		2 BELLEVILLE WASHER M6 Bolt Size x 14mm OD x 1.3mm Thk
28	86508569		1 BOLT Hex, M6 x 70mm, CI 8.8
29	353308		2 NUT M6 x 1.0, CI 8
30	86977790		1 BOLT Hex, M6 x 45mm, CI 8.8

3152-DRAPER HEADER 3162-DRAPER HEADER

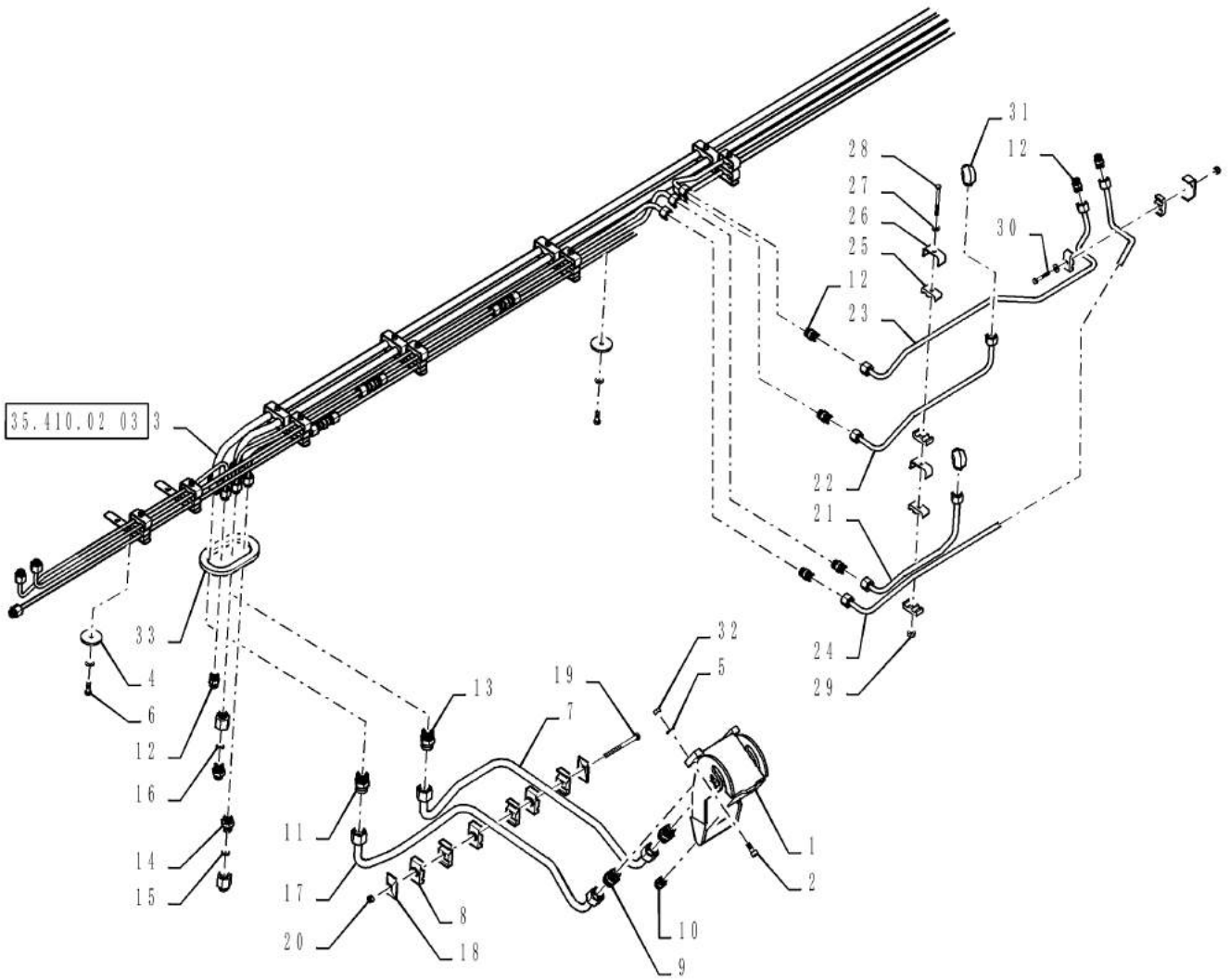
35.410.01

03

p2

9/2016

HYDRAULIC, TOP BEAM, 40 AND 45 FOOT HEADER



35.410.01

03

p2

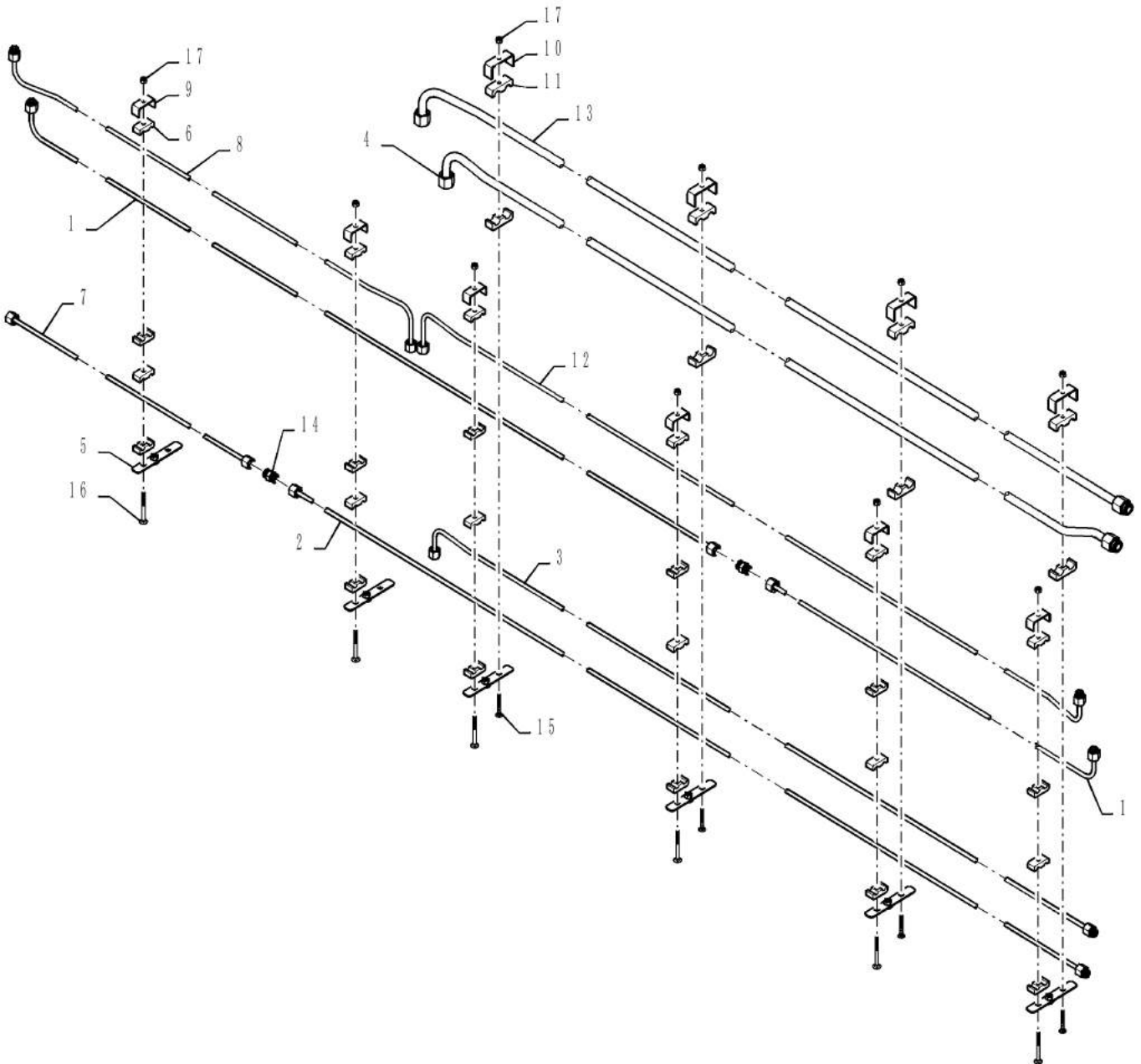
9/2016

HYDRAULIC, TOP BEAM, 40 AND 45 FOOT HEADER

REF FN	PART NUMBER	YR/SN	QTY DESCRIPTION
31	87564749		2 ELBOW 90°, 11/16"-16, ORFS
32	43362		4 NUT M8 x 1.25, CI 10
33	9850033		1 SEAL 600mm

3152-DRAPER HEADER 3162-DRAPER HEADER

STANDARD HYDRAULIC SYSTEM, 25 FOOT HEADER



35.410.02

01

p1

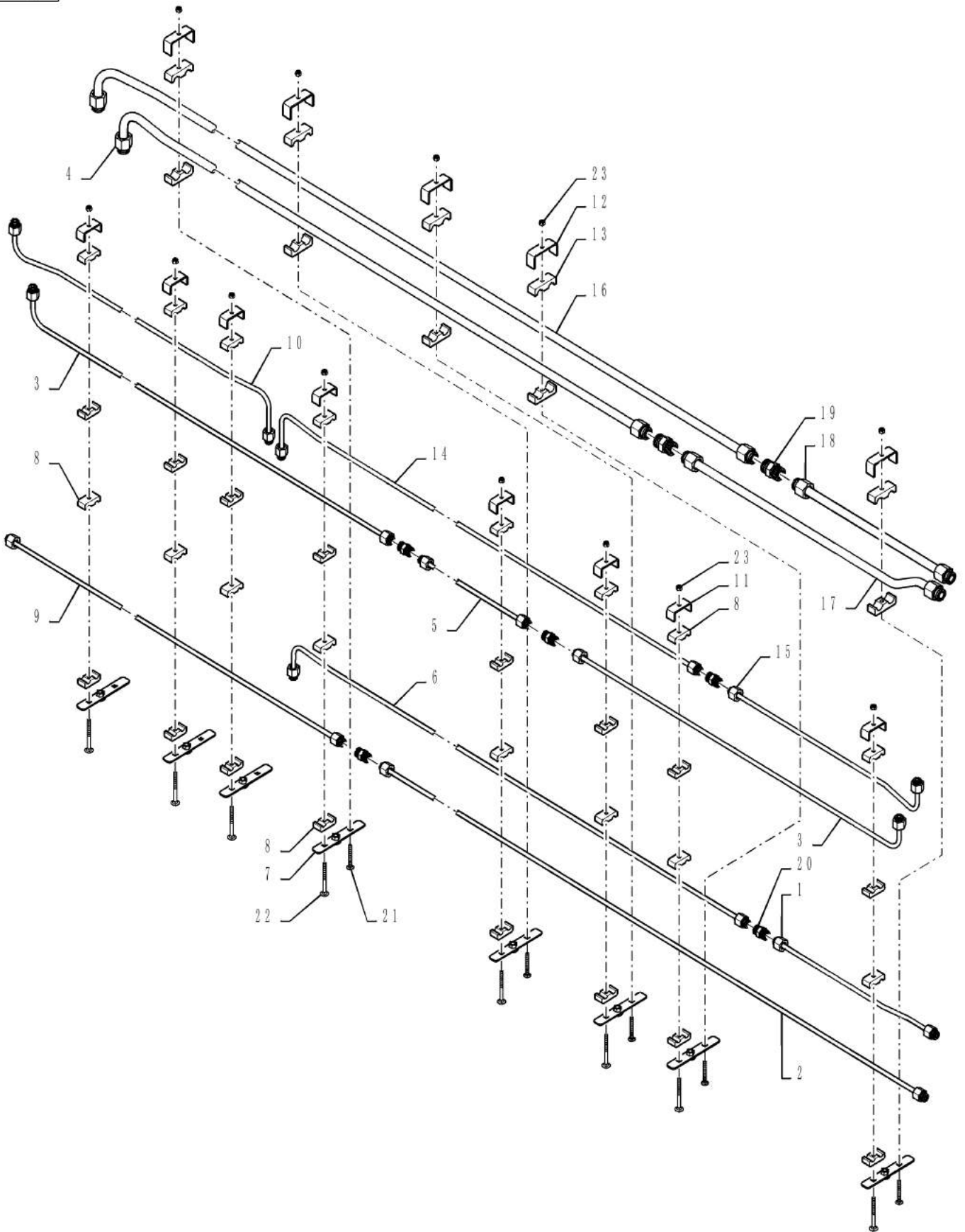
9/2016

STANDARD HYDRAULIC SYSTEM, 25 FOOT HEADER

REF FN	PART NUMBER	YR/SN	QTY DESCRIPTION
1	87654196		2 HYD TUBE .375" OD Top Beam
2	84139195		1 HYD TUBE 8.00 mm OD x 5989.80 mm L Top Beam
3	84139193		1 HYD TUBE 8.00 mm OD Top Beam
4	84146810		1 HYD TUBE 16 mm OD Top Beam
5	84140859		6 BRACKET
6	430357		24 CLAMP
7	84146790		1 HYD TUBE 8 mm OD x 1641.20 mm L Top Beam
8	84146787		1 HYD TUBE 8 mm OD Top Beam
9	431941		6 SUPPORT
10	84814948		4 SUPPORT
11	430356		8 CLAMP
12	84146803		1 HYD TUBE 8 mm OD Top Beam
13	84139174		1 HYD TUBE 16.00 mm OD Top Beam
14	84431546		2 UNION 11/16"-16 ORFS
15	412364		4 CARRIAGE BOLT M6 x 1.0 x 56.6mm, CI 8.8
16	86512419		6 CARRIAGE BOLT Sq Nk, M6 x 70mm, CI 8.8
17	353308		10 NUT M6 x 1.0, CI 8

3152-DRAPER HEADER

STANDARD HYDRAULIC SYSTEM, 30 FOOT HEADER

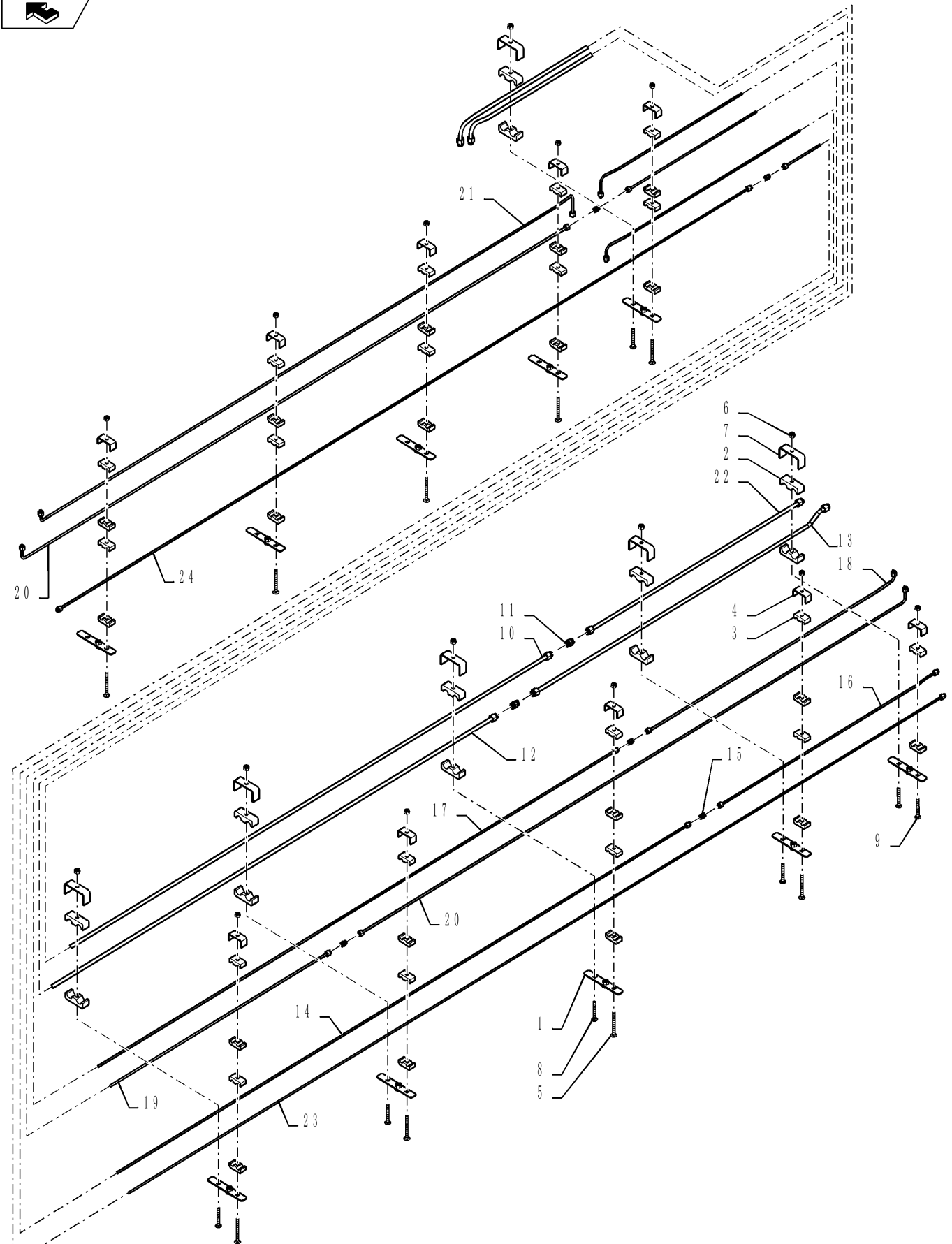


STANDARD HYDRAULIC SYSTEM, 30 FOOT HEADER

REF FN	PART NUMBER	YR/SN	QTY DESCRIPTION
1	84146753		1 HYD TUBE 8 mm OD x 730.50 mm L Top Beam
2	84139195		1 HYD TUBE 8.00 mm OD x 5989.80 mm L Top Beam
3	87654196		2 HYD TUBE .375" OD Top Beam
4	84139203		1 HYD TUBE 16.00 mm OD Top Beam
5	84146726		1 HYD TUBE 8 mm OD x 1493 mm L Top Beam
6	84139193		1 HYD TUBE 8.00 mm OD Top Beam
7	84140859		8 BRACKET Hydraulic Tube Clamp
8	430357		32 CLAMP Hydraulic Tube
9	84146757		1 HYD TUBE 8 mm OD x 3165.20 mm L Top Beam
10	84146722		1 HYD TUBE 8 mm DIA Top Beam
11	431941		8 SUPPORT Hydraulic Tube Clamp
12	84814948		5 SUPPORT Hydraulic Tube Clamp
13	430356		10 CLAMP Hydraulic Tube
14	84146748		1 HYD TUBE 8 mm OD x 4486, 106 mm L Top Beam
15	87654195		1 HYD TUBE .375" OD Top Beam
16	84139174		1 HYD TUBE 16.00 mm OD Top Beam
17	84146729		1 HYD TUBE 16 mm OD x 1238.80, 40 mm L Top Beam
18	84146743		1 HYD TUBE 16 mm OD x 719.30 mm L Top Beam
19	84431473		2 HYD CONNECTOR 1"-14 ORFS
20	84431546		5 UNION 11/16"-16 ORFS
21	412364		5 CARRIAGE BOLT M6 x 1.0 x 56.6mm, CI 8.8
22	86512419		8 CARRIAGE BOLT Sq Nk, M6 x 70mm, CI 8.8
23	353308		13 NUT M6 x 1.0, CI 8

3152-DRAPER HEADER 3162-DRAPER HEADER

STANDARD HYDRAULIC SYSTEM, 35 FOOT HEADER

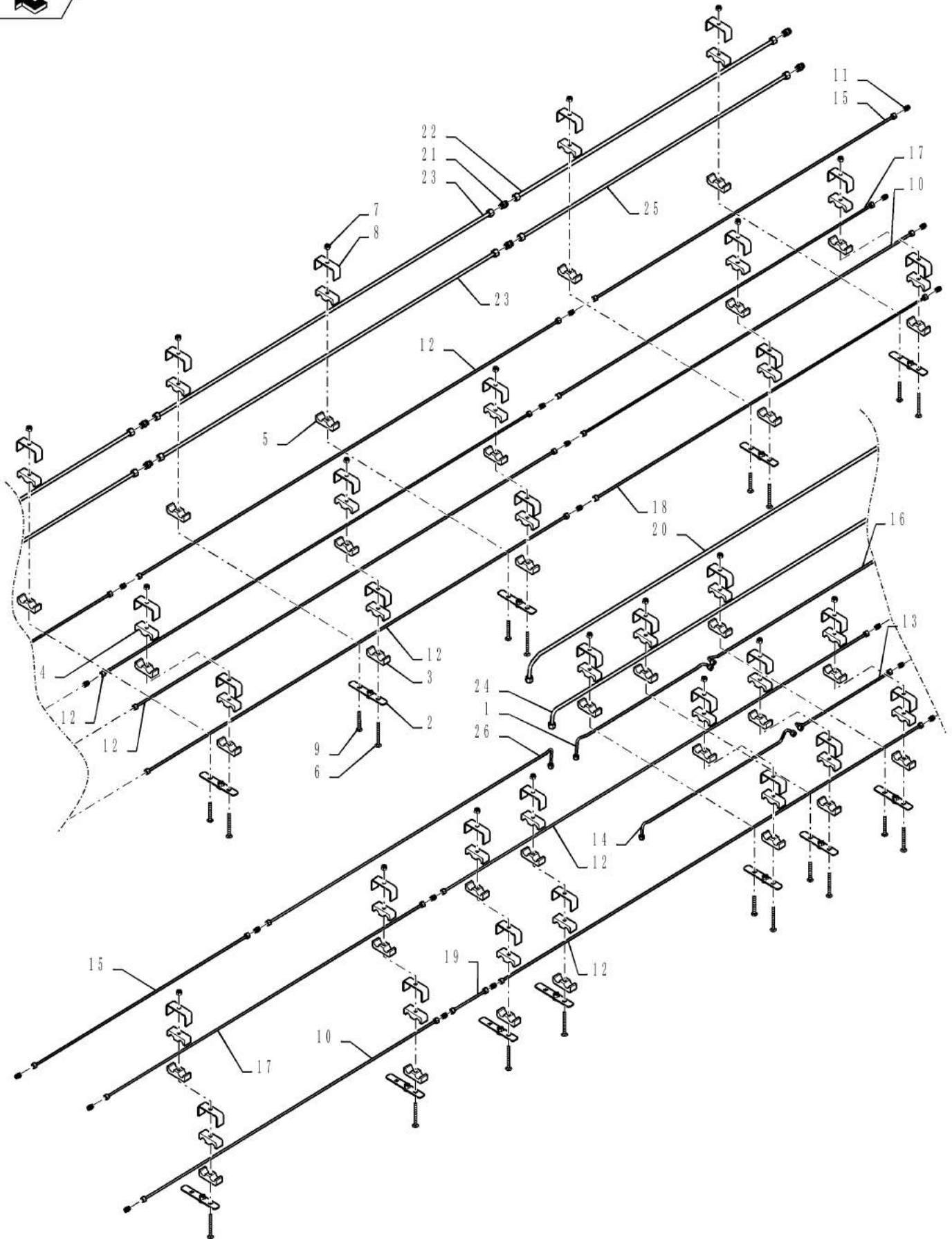


STANDARD HYDRAULIC SYSTEM, 35 FOOT HEADER

REF FN	PART NUMBER	YR/SN	QTY DESCRIPTION
1	84140859		10 BRACKET Hydraulic Tube Clamp
2	430356		14 CLAMP Hydraulic Tube
3	430357		42 CLAMP Hydraulic Tube
4	431941		21 SUPPORT Hydraulic Tube Clamp
5	86512419		9 CARRIAGE BOLT Sq Nk, M6 x 70mm, CI 8.8
5	86508569		1 BOLT Hex, M6 x 70mm, CI 8.8
6	353308		18 NUT M6 x 1.0, CI 8
7	84814948		7 SUPPORT Hydraulic Tube Clamp
8	412364		7 CARRIAGE BOLT M6 x 1.0 x 56.6mm, CI 8.8
9	412327		1 CARRIAGE BOLT Short Sq Nk, M6 x 1 x 40mm, CI 8.8, Full Thd
10	84139174		1 HYD TUBE 16.00 mm OD Top Beam
11	84431473		2 HYD CONNECTOR 1"-14 ORFS
12	84139203		1 HYD TUBE 16.00 mm OD Top Beam
13	84139188		1 HYD TUBE 16.00 mm OD x 2000.80, 40 mm L Top Beam
14	84139193		1 HYD TUBE 8.00 mm OD Top Beam
15	84431546		5 UNION 11/16"-16 ORFS
16	84139191		1 HYD TUBE 16.00 mm OD x 2000.80, 40 mm L Top Beam
17	87654194		1 HYD TUBE .375" OD Top Beam
18	84212138		1 HYD TUBE Top Beam
19	87654200		1 HYD TUBE 8 mm OD x 3017 mm L Top Beam
20	84221941		2 HYD TUBE Top Beam
21	84212135		1 HYD TUBE Top Beam
22	84139172		1 HYD TUBE 16.00 mm OD x 1481.30 mm L Top Beam
23	84139195		1 HYD TUBE 8.00 mm OD x 5989.80 mm L Top Beam
24	84138467		1 HYD TUBE 8 mm OD, 4689.2 mm Length Top Beam

3152-DRAPER HEADER 3162-DRAPER HEADER

STANDARD HYDRAULIC SYSTEM, 40 AND 45 FOOT HEADER

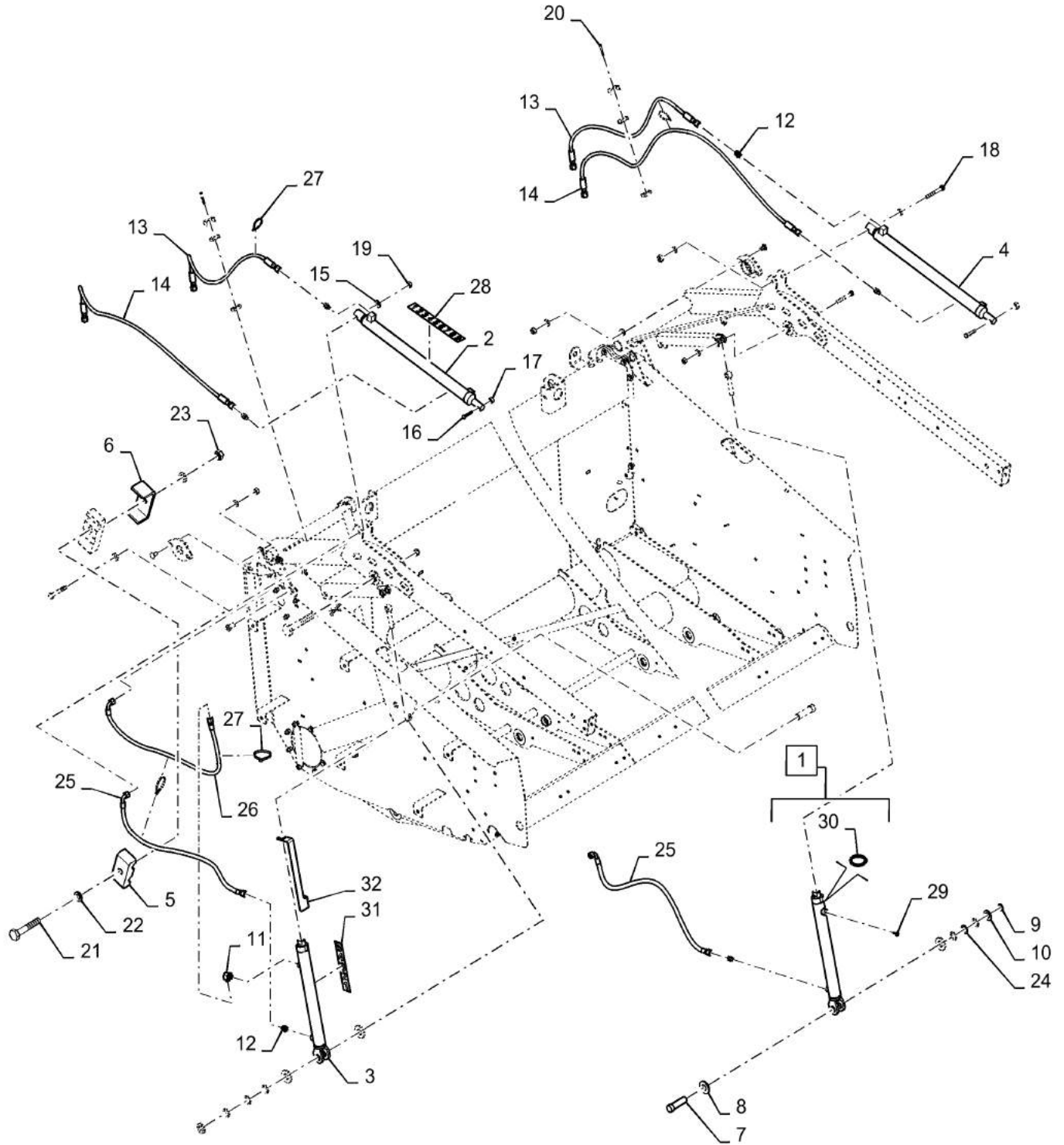


STANDARD HYDRAULIC SYSTEM, 40 AND 45 FOOT HEADER

REF FN	PART NUMBER	YR/SN	QTY DESCRIPTION
1	87499248		1 HYD TUBE Top Beam
2	84140859		12 BRACKET Hydraulic Tube Clamp
3	430357		48 CLAMP Hydraulic Tube
4	431941		24 SUPPORT Hydraulic Tube Clamp
5	430356		16 CLAMP Hydraulic Tube
6	86512419		12 CARRIAGE BOLT Sq Nk, M6 x 70mm, CI 8.8
7	353308		20 NUT M6 x 1.0, CI 8
8	84814948		8 SUPPORT Hydraulic Tube Clamp
9	412364		8 CARRIAGE BOLT M6 x 1.0 x 56.6mm, CI 8.8
10	84198931		2 HYD TUBE Top Beam
11	84431546		19 UNION 11/16"-16 ORFS
12	84169337		6 HYD TUBE Top Beam
13	84169348		1 HYD TUBE Top Beam
14	87499251		1 HYD TUBE Top Beam
15	84198935		2 HYD TUBE Top Beam
16	84198937		1 HYD TUBE Top Beam
17	84198933		2 HYD TUBE Top Beam
18	84198929		1 HYD TUBE Top Beam
19	84169448		1 HYD TUBE Top Beam
20	84169366		1 HYD TUBE Top Beam
21	84431473		6 HYD CONNECTOR 1"-14 ORFS
22	84198925		1 HYD TUBE Top Beam
23	84169362		2 TUBE Top Beam
24	84169369		1 HYD TUBE Top Beam
25	84198927		1 HYD TUBE Top Beam
26	84129753		1 HYD TUBE Top Beam

3152-DRAPER HEADER 3162-DRAPER HEADER

HYDRAULICS, REEL ARMS

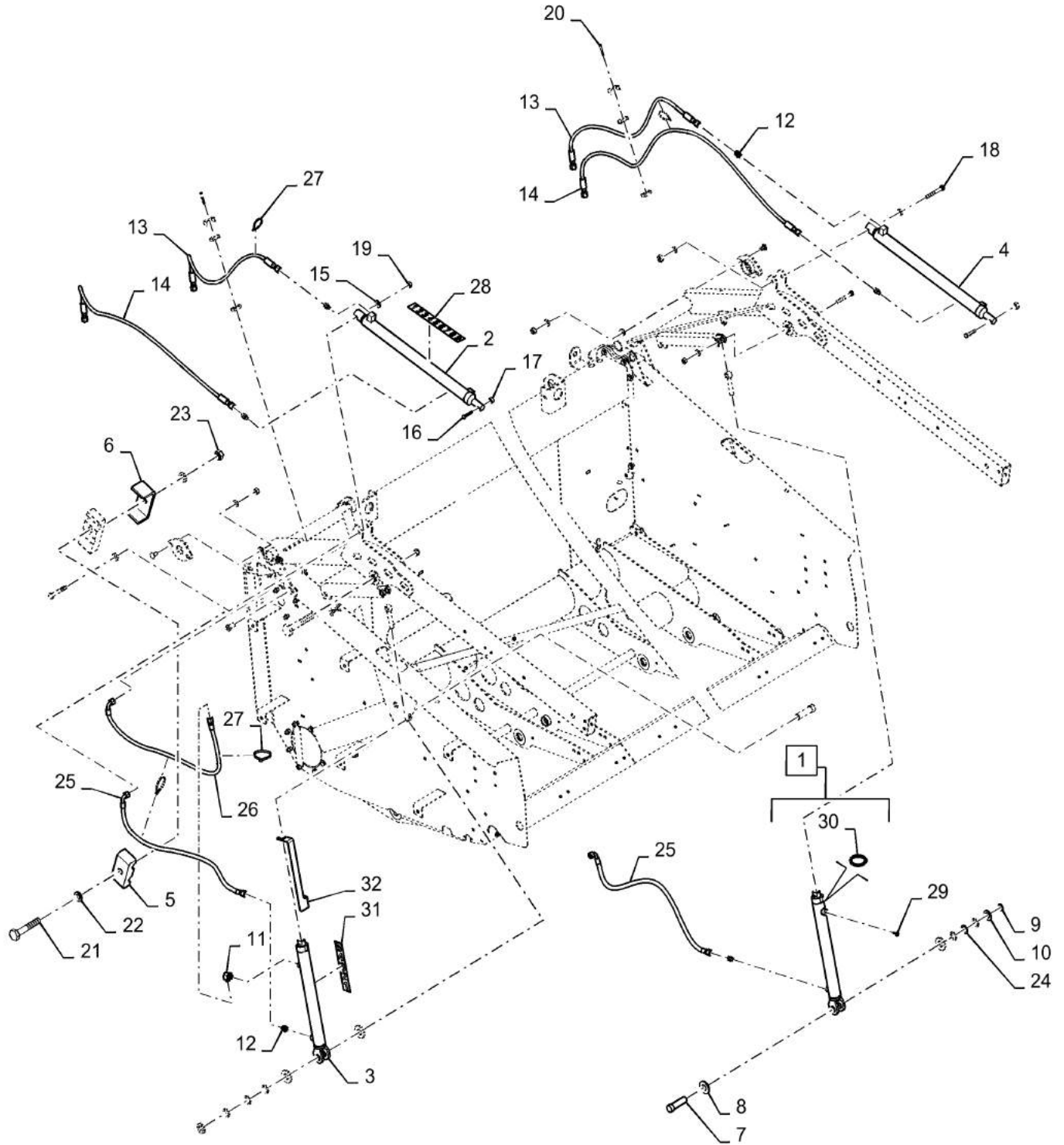


HYDRAULICS, REEL ARMS

REF FN	PART NUMBER	YR/SN	QTY DESCRIPTION
1	47466444		1 HYDRAULIC CYLINDER Reel Arm Reel Up- Down, Incl 30
2	47499641		1 HYDRAULIC CYLINDER Reel Arm
3	87645535		1 HYDRAULIC CYLINDER Double Acting, 24mm Rod, 380mm Stroke Reel Arm
4	47499642		1 HYDRAULIC CYLINDER Reel Arm
5	433008		2 CLAMP
6	442340		1 SUPPORT
7	87723829		2 PIN 25mm OD x 96mm L
8	87016613		4 WASHER 25.8mm ID x 56.5mm OD x 6mm Thk
9	370002		2 CIRCLIP M25, External
10	84134795		2 WASHER 25.3mm ID x 44mm OD x 3.72mm Thk
11	86580178		1 ELBOW 90°, 11/16"-16 ORFS x M12 x 1.5 ORB
12	86580177		6 HYD CONNECTOR 11/16"-16 ORFS x M12 x 1.5 ORB
13	84151314		2 HOSE 6.35mm ID x 1000mm L Reel Arm Cylinder
14	84250146		2 HOSE ASSY. 6.35mm ID x 1578mm L Reel Arm Cylinder
15	86511324		4 WASHER 13mm ID x 24mm OD x 2.5mm Thk
16	120070		2 BOLT Hex, M10 x 1.5 x 60mm, CI 8.8
17	100037		2 LOCK NUT M10 x 1.5, CI 8
18	86624981		2 BOLT Hex, M12 x 85mm, CI 8.8
19	100038		2 NUT M12 x 1.75, CI 8
20	86977790		2 BOLT Hex, M6 x 45mm, CI 8.8
21	86977790		1 BOLT Hex, M6 x 45mm, CI 8.8
22	86588450		2 WASHER 6.6mm ID x 12mm OD x 1.6mm Thk
23	353308		1 NUT M6 x 1.0, CI 8
24	140229		6 WASHER
25	87676380		2 HOSE 6.35mm ID x 950mm L, SAE 100R16 Reel Arm Cylinder
26	87683553		1 HOSE 6.35mm ID x 1360mm L, SAE 100R16 Reel Arm Cylinder
27	86566989		6 CABLE TIE 208mm L CABLE STRAP
28	84569453		1 DECAL Reel Position

3152-DRAPER HEADER 3162-DRAPER HEADER

HYDRAULICS, REEL ARMS



35.410.03

01

p2

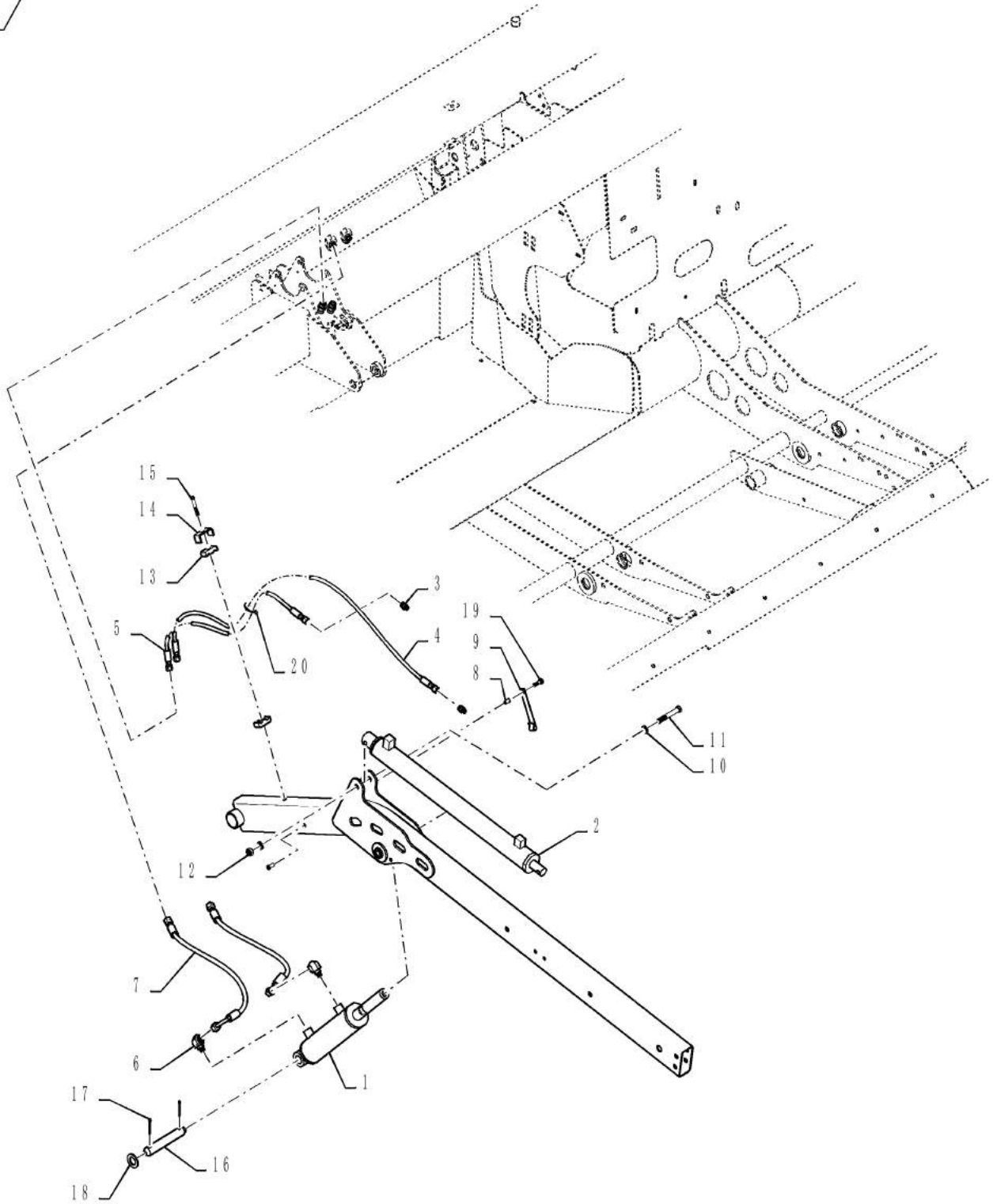
9/2016

HYDRAULICS, REEL ARMS

REF FN	PART NUMBER	YR/SN	QTY DESCRIPTION
29	47800004		1 SCREW M5 Bleed Screw
30	47808889		1 SEAL KIT Serta
31	47577465		1 DECAL
32	47577463		1 POINTER

3152-DRAPER HEADER 3162-DRAPER HEADER

HYDRAULICS, CENTER REEL ARMS, 40 AND 45 FOOT HEADER

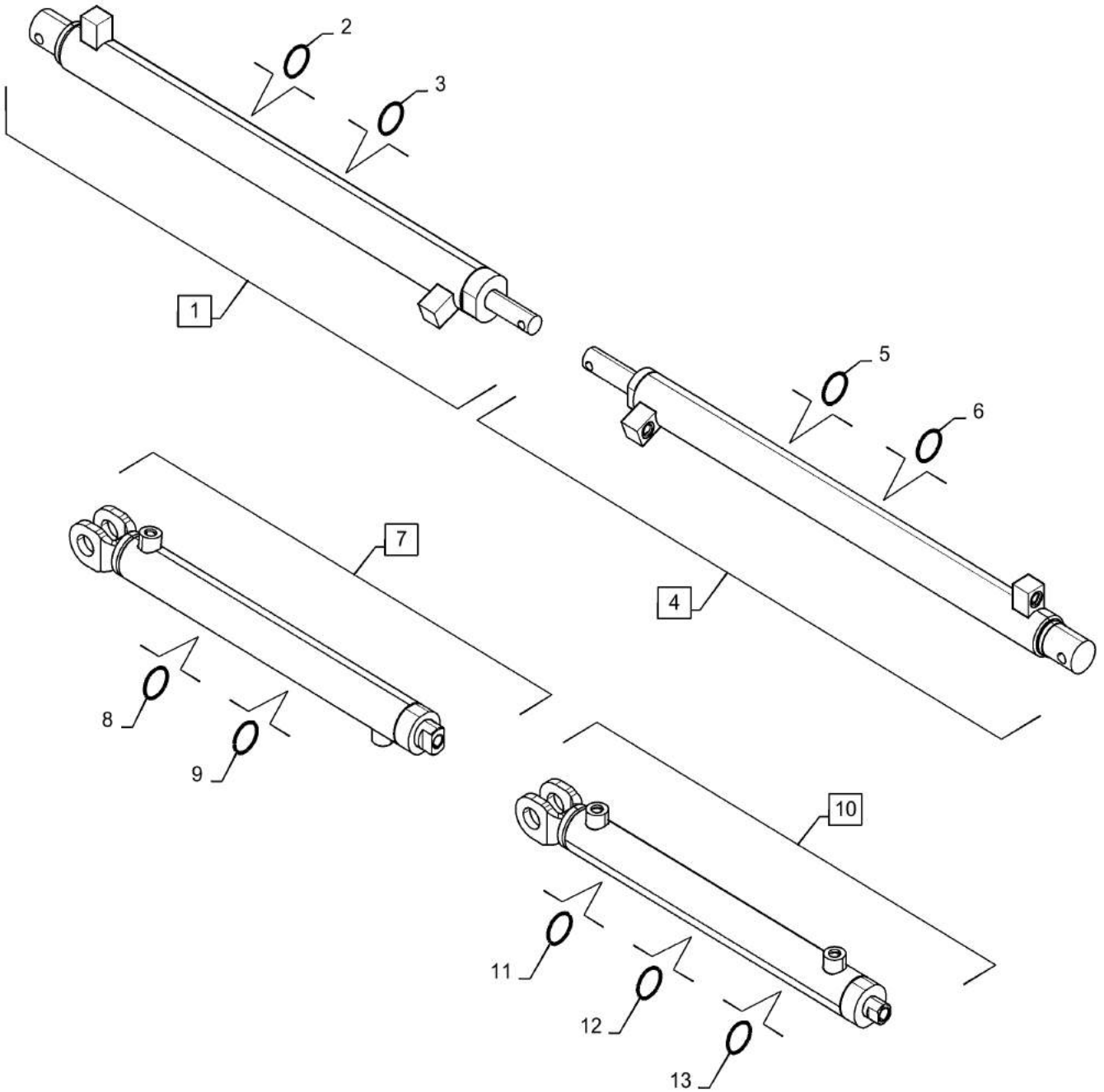


HYDRAULICS, CENTER REEL ARMS, 40 AND 45 FOOT HEADER

REF FN	PART NUMBER	YR/SN	QTY DESCRIPTION
1	84184674		1 HYDRAULIC CYLINDER Double Acting, 31.75mm Rod, 201mm Stroke Draper Center Arm
2	84331784		1 HYDRAULIC CYLINDER Double Acting, 25.4mm Rod, 577.8mm Stroke Draper Center Arm
3	86580177		2 HYD CONNECTOR 11/16"-16 ORFS x M12 x 1.5 ORB
4	84151314		1 HOSE 6.35mm ID x 1000mm L Draper Center Arm
5	84250146		1 HOSE ASSY. 6.35mm ID x 1578mm L Draper Center Arm
6	86580178		2 ELBOW 90°, 11/16"-16 ORFS x M12 x 1.5 ORB
7	84132163		2 HYDRAULIC HOSE 6.35mm ID x 573mm L, SAE 100R17 Draper Center Arm
8	9833239		2 THREADED INSERT
9	84072277		1 HOOK
10	86511324		2 WASHER 13mm ID x 24mm OD x 2.5mm Thk
11	86624981		1 BOLT Hex, M12 x 85mm, CI 8.8
12	100038		1 NUT M12 x 1.75, CI 8
13	430357		2 CLAMP
14	431941		1 SUPPORT
15	86977790		1 BOLT Hex, M6 x 45mm, CI 8.8
16	84256351		1 PIN 25.4mm OD x 170mm L
17	733-5040		2 COTTER PIN M5 x 40
18	140022		2 WASHER 26mm ID x 44mm OD x 4mm Thk
19	120100		1 BOLT M6 x 20mm, CI 8.8
20	86566989		1 CABLE TIE 208mm L

3152-DRAPER HEADER 3162-DRAPER HEADER

REEL ARM, HYDRAULIC CYLINDERS



REEL ARM, HYDRAULIC CYLINDERS

REF FN	PART NUMBER	YR/SN	QTY DESCRIPTION
1	47499641		1 HYDRAULIC CYLINDER Fore/Aft, RH, Incl 2 - 3
2	47807368		1 SEAL KIT Cylinder Stamped with Ognibene
3	47807372		1 SEAL KIT Cylinder Stamped with Rosenboom
4	47499642		1 HYDRAULIC CYLINDER Fore/Aft, LH, Incl 5 - 6
5	47807369		1 SEAL KIT Cylinder Stamped with Ognibene
6	47807373		1 SEAL KIT Cylinder Stamped with Rosenboom
7	47466444		1 HYDRAULIC CYLINDER Lift, LH, Incl 8 - 9
8	47808889		1 SEAL KIT Serta
9	84139388		1 SEAL KIT Serta
10	87645535		1 HYDRAULIC CYLINDER Double Acting, 24mm Rod, 380mm Stroke Lift, RH, Incl 11 - 13
11	84023914		1 SEAL KIT Cylinder Stamped with Serta
12	84139385		1 SEAL KIT Cylinder Stamped with Burnside
13	84139383		1 SEAL KIT Cylinder Stamped with Monarch

3152-DRAPER HEADER 3162-DRAPER HEADER

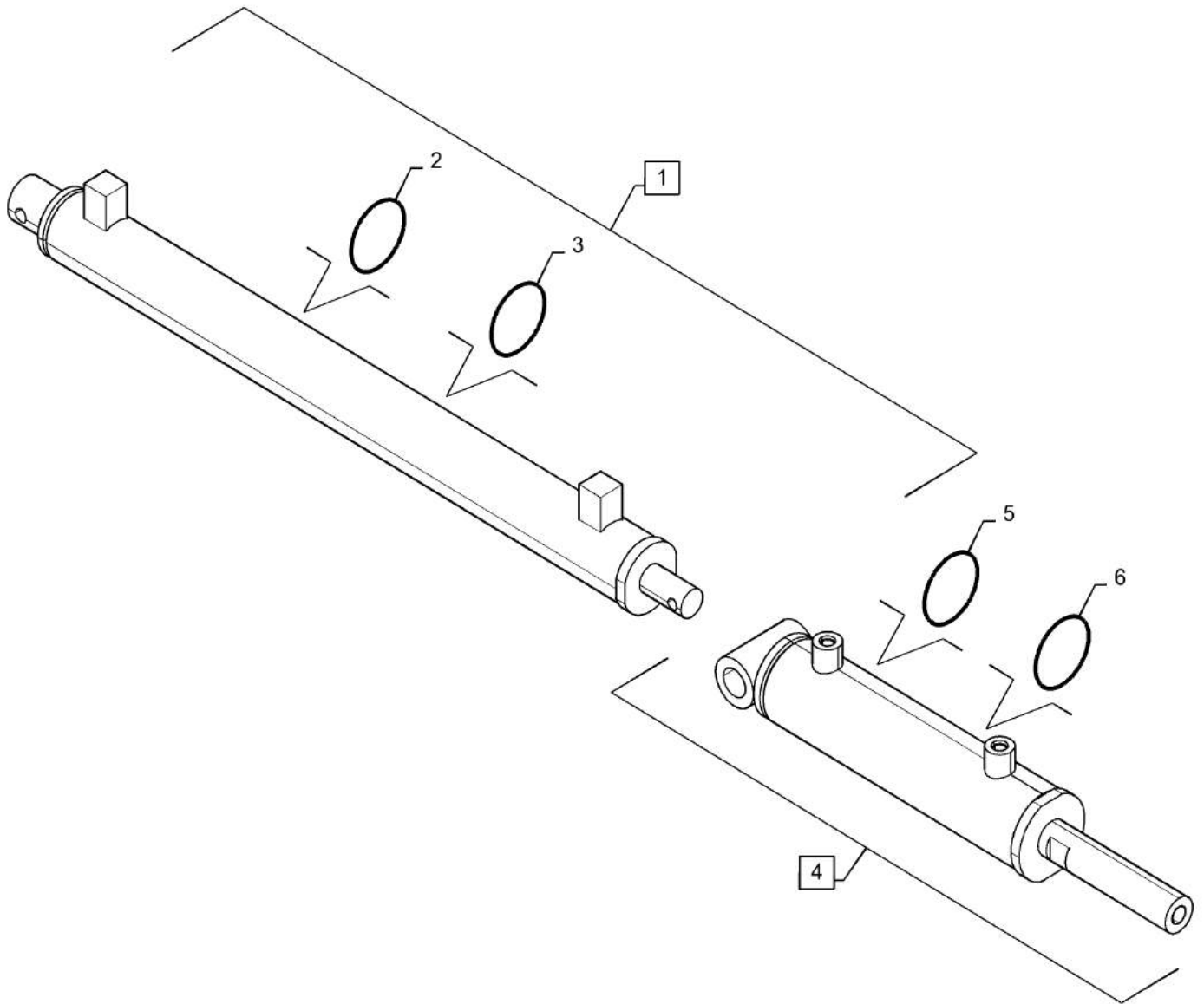
35.410.03

04

p1

9/2016

CENTER REEL ARM, HYDRAULIC CYLINDERS



35.410.03

04

p1

9/2016

CENTER REEL ARM, HYDRAULIC CYLINDERS

REF FN	PART NUMBER	YR/SN	QTY DESCRIPTION
1	47499640		1 HYDRAULIC CYLINDER Fore/Aft, Incl 2 - 3
2	47807367		1 SEAL KIT Ognibene
3	47807371		1 SEAL KIT Rosenboom
4	47499643		1 HYDRAULIC CYLINDER Lift, Incl 5 - 6
5	47807370		1 SEAL KIT Ognibene
6	47807374		1 SEAL KIT Rosenboom

3152-DRAPER HEADER 3162-DRAPER HEADER

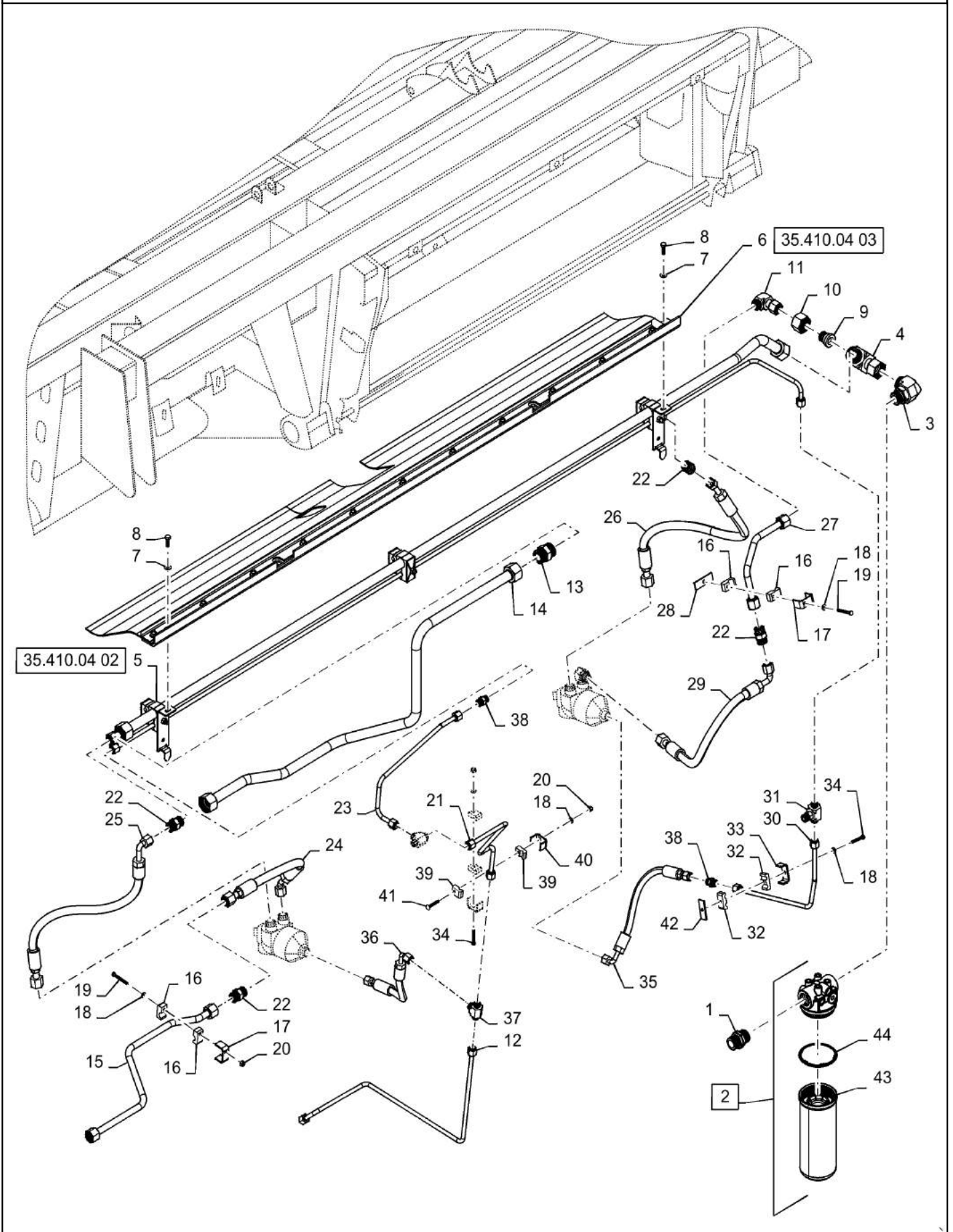
35.410.04

01

p1

9/2016

HYDRAULIC LINES, FILTER



HYDRAULIC LINES, FILTER

REF FN	PART NUMBER	YR/SN	QTY DESCRIPTION
1	9790605		1 HYD CONNECTOR Straight Thread
2	87485405		1 FILTER ASSY Hydarulic Oil, Incl 43 - 44
3	9846955		1 90 ELBOW 1-7/16"-12 ORFS x 1-5/16"-12 ORB 90 Degree
4	86641295		1 TEE 1-7/16"-12 ORFS to Swivel
5	NSS		1 NOT SOLD SEPARAT Pre Assembly, Draper Hydraulics
6	NSS		1 NOT SOLD SEPARAT Shield Assy
7	322358		2 BELLEVILLE WASHER M8 Bolt Size x 18mm OD x 1.4mm Thk
8	43127		2 BOLT Hex, M8 x 1.25 x 25mm, CI 8.8
9	87541888		1 REDUCER 1-7/16"-12 Fem ORFS x 1"-14 Male ORFS
10	86541146		1 TUBE NUT 1-7/16"-12 x 27.5mm L
11	84989393		1 ELBOW 90°, 1"-14 ORFS x 1"-14 Fem Sw
12	84549853		1 HYD TUBE Assy
13	86705421		1 HYD CONNECTOR
14	84357403		1 TUBE Tube, Hydraulic Assy
15	{84357405}		1 Tube, Hydraulic Assy
16	433007		4 CLAMP
17	433100		2 SUPPORT
18	322357		5 BELLEVILLE WASHER M6 Bolt Size x 14mm OD x 1.3mm Thk
19	120056		2 BOLT M6 x 1.0 x 54.15mm, CI 8.8
20	353308		3 NUT M6 x 1.0, CI 8
21	47447093		1 HYD TUBE
22	84431473		4 HYD CONNECTOR 1"-14 ORFS
23	47447095		1 HYD TUBE
24	84386408		1 HYDRAULIC HOSE 12.7mm ID x 442mm L, SAE 100R16 LH Motor, Top
25	84386410		1 HYDRAULIC HOSE 12.7mm ID x 705mm L, SAE 100R16 LH Motor, Top
26	84386411		1 HYDRAULIC HOSE 12.7mm ID x 732mm L, SAE 100R16 RH Motor, Top
27	{84374101}		1 Tube, Hydraulic Assy
28	434103		1 PLATE

3152-DRAPER HEADER 3162-DRAPER HEADER

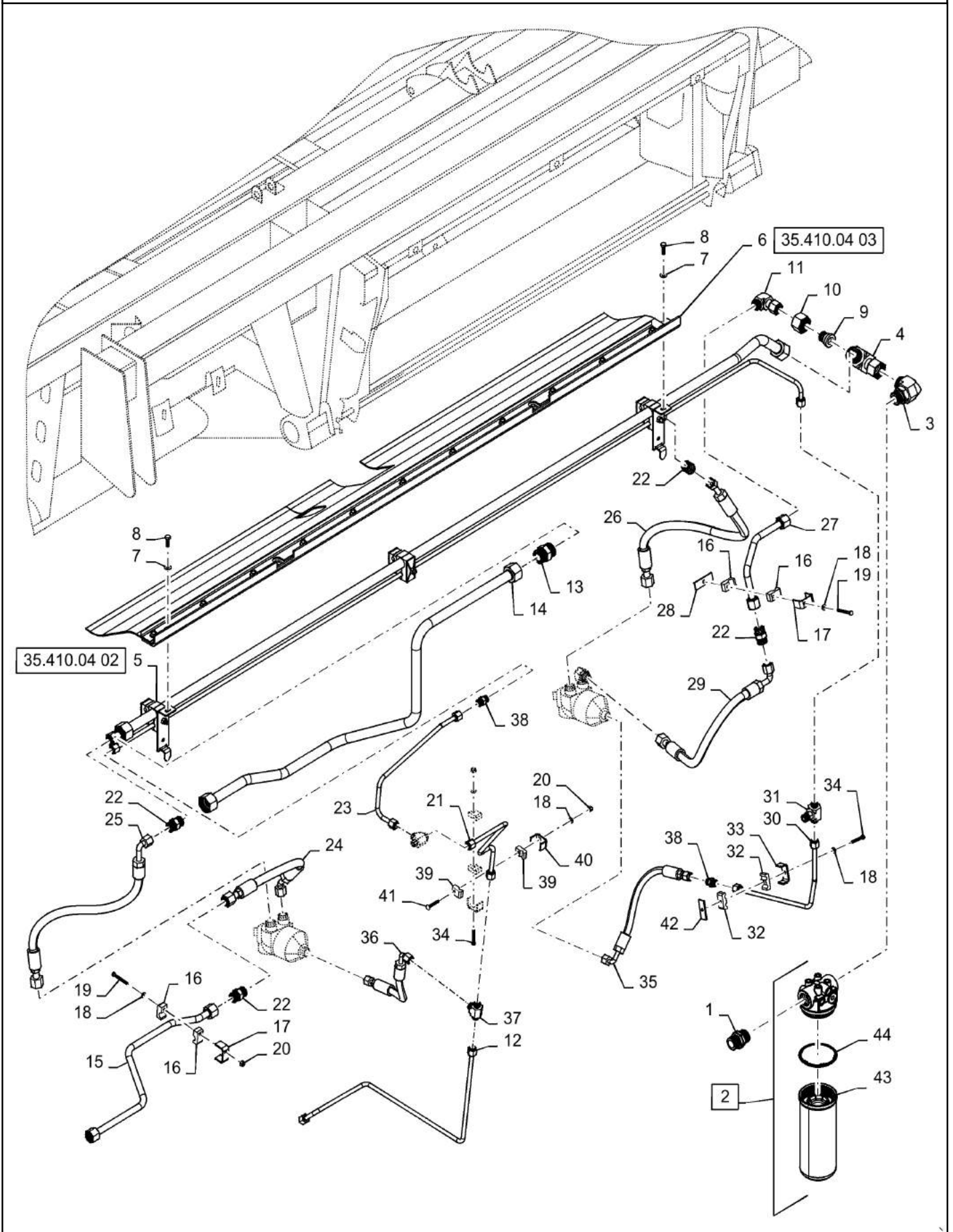
35.410.04

01

p2

9/2016

HYDRAULIC LINES, FILTER



HYDRAULIC LINES, FILTER

REF FN	PART NUMBER	YR/SN	QTY DESCRIPTION
29	84386409		1 HYDRAULIC HOSE 12.7mm ID x 660mm L, SAE 100R16 RH Motor, Top
30	84549857		1 HYD TUBE
31	87378037		1 TEE
32	430357		2 CLAMP
33	431941		1 SUPPORT
34	43118		2 BOLT Hex, M6 x 1.0 x 40mm, CI 8.8
35	84549855		1 HYDRAULIC HOSE 9.53mm ID x 385mm L, SAE 30R2 RH Motor, End
36	84549856		1 HYDRAULIC HOSE 9.53mm ID x 335mm L, SAE 30R2 LH Motor, End
37	9840322		2 TEE 11/16"-16 ORFS
38	84431546		2 UNION 11/16"-16 ORFS
39	433008		4 CLAMP
40	442340		2 SUPPORT
41	412327		1 CARRIAGE BOLT Short Sq Nk, M6 x 1 x 40mm, CI 8.8, Full Thd
42	86509354		1 PLATE Tab
43	47710533		1 HYDRAULIC OIL FILTER 245.1mm L x 98.8mm W
44	84274694		1 WEAR RING 3.45" ID x 3.94" OD x 0.05" Thk

3152-DRAPER HEADER 3162-DRAPER HEADER

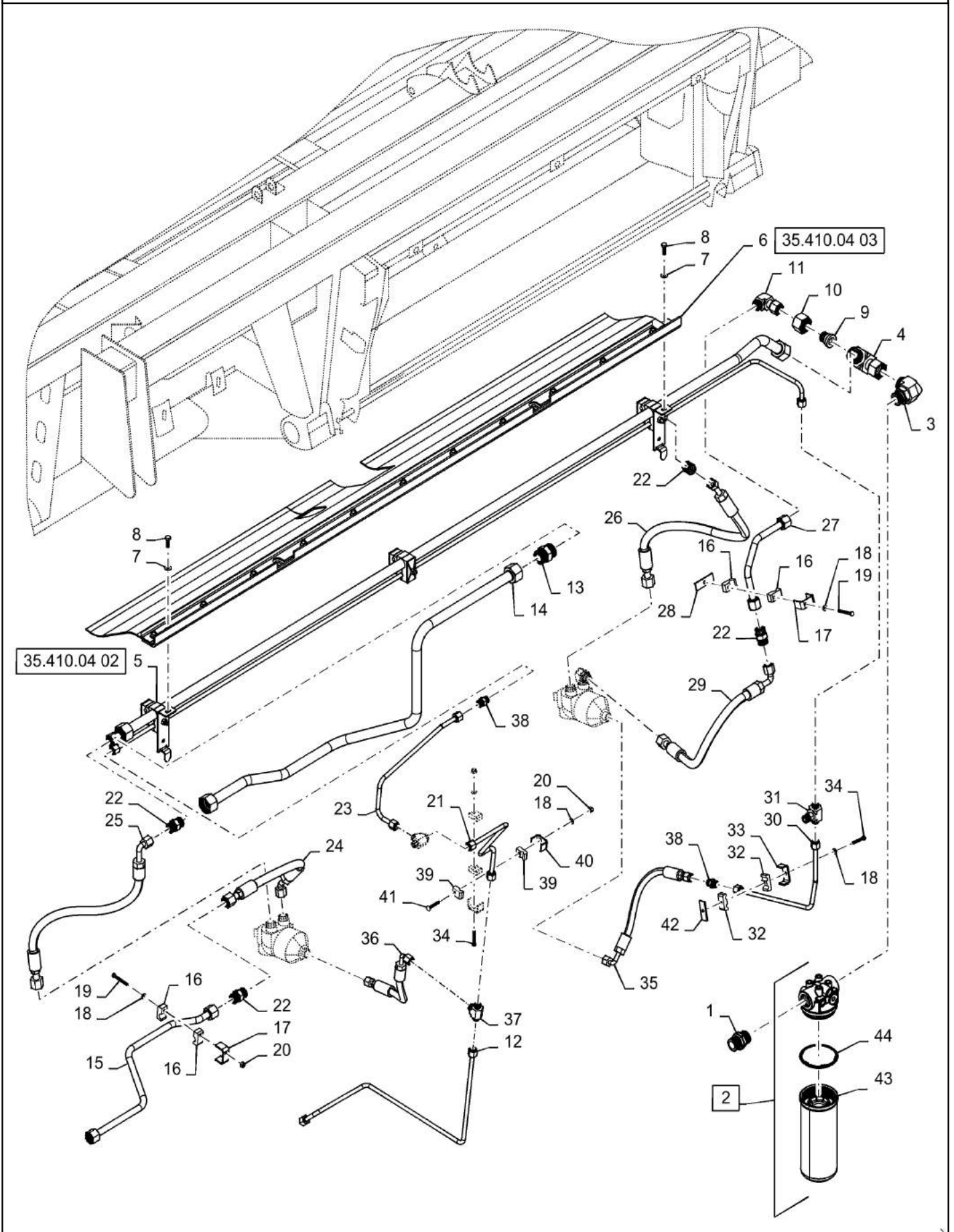
35.410.04

01

p1

9/2016

HYDRAULIC LINES, FILTER (AUSTRALIA ONLY)



HYDRAULIC LINES, FILTER (AUSTRALIA ONLY)

REF FN	PART NUMBER	YR/SN	QTY DESCRIPTION
1	9790605		1 HYD CONNECTOR Straight Thread
2	87485405		1 FILTER ASSY Hydarulic Oil, Incl 43 - 44
3	9846955		1 90 ELBOW 1-7/16"-12 ORFS x 1-5/16"-12 ORB 90 Degree
4	86641295		1 TEE 1-7/16"-12 ORFS to Swivel
5	NSS		1 NOT SOLD SEPARAT Pre Assembly, Draper Hydraulics
6	NSS		1 NOT SOLD SEPARAT Shield Assy
7	322358		2 BELLEVILLE WASHER M8 Bolt Size x 18mm OD x 1.4mm Thk
8	43127		2 BOLT Hex, M8 x 1.25 x 25mm, CI 8.8
9	87541888		1 REDUCER 1-7/16"-12 Fem ORFS x 1"-14 Male ORFS
10	86541146		1 TUBE NUT 1-7/16"-12 x 27.5mm L
11	84989393		1 ELBOW 90°, 1"-14 ORFS x 1"-14 Fem Sw
12	47952314		1 HYD TUBE Assy
13	86705421		1 HYD CONNECTOR
14	84357403		1 TUBE Tube, Hydraulic Assy
15	{84357405}		1 Tube, Hydraulic Assy
16	433007		4 CLAMP
17	433100		2 SUPPORT
18	322357		5 BELLEVILLE WASHER M6 Bolt Size x 14mm OD x 1.3mm Thk
19	120056		2 BOLT M6 x 1.0 x 54.15mm, CI 8.8
20	353308		3 NUT M6 x 1.0, CI 8
21	47447093		1 HYD TUBE
22	84431473		4 HYD CONNECTOR 1"-14 ORFS
23	47447095		1 HYD TUBE
24	84386408		1 HYDRAULIC HOSE 12.7mm ID x 442mm L, SAE 100R16 LH Motor, Top
25	84386410		1 HYDRAULIC HOSE 12.7mm ID x 705mm L, SAE 100R16 LH Motor, Top
26	84386411		1 HYDRAULIC HOSE 12.7mm ID x 732mm L, SAE 100R16 RH Motor, Top
27	{84374101}		1 Tube, Hydraulic Assy
28	434103		1 PLATE

3152-DRAPER HEADER 3162-DRAPER HEADER

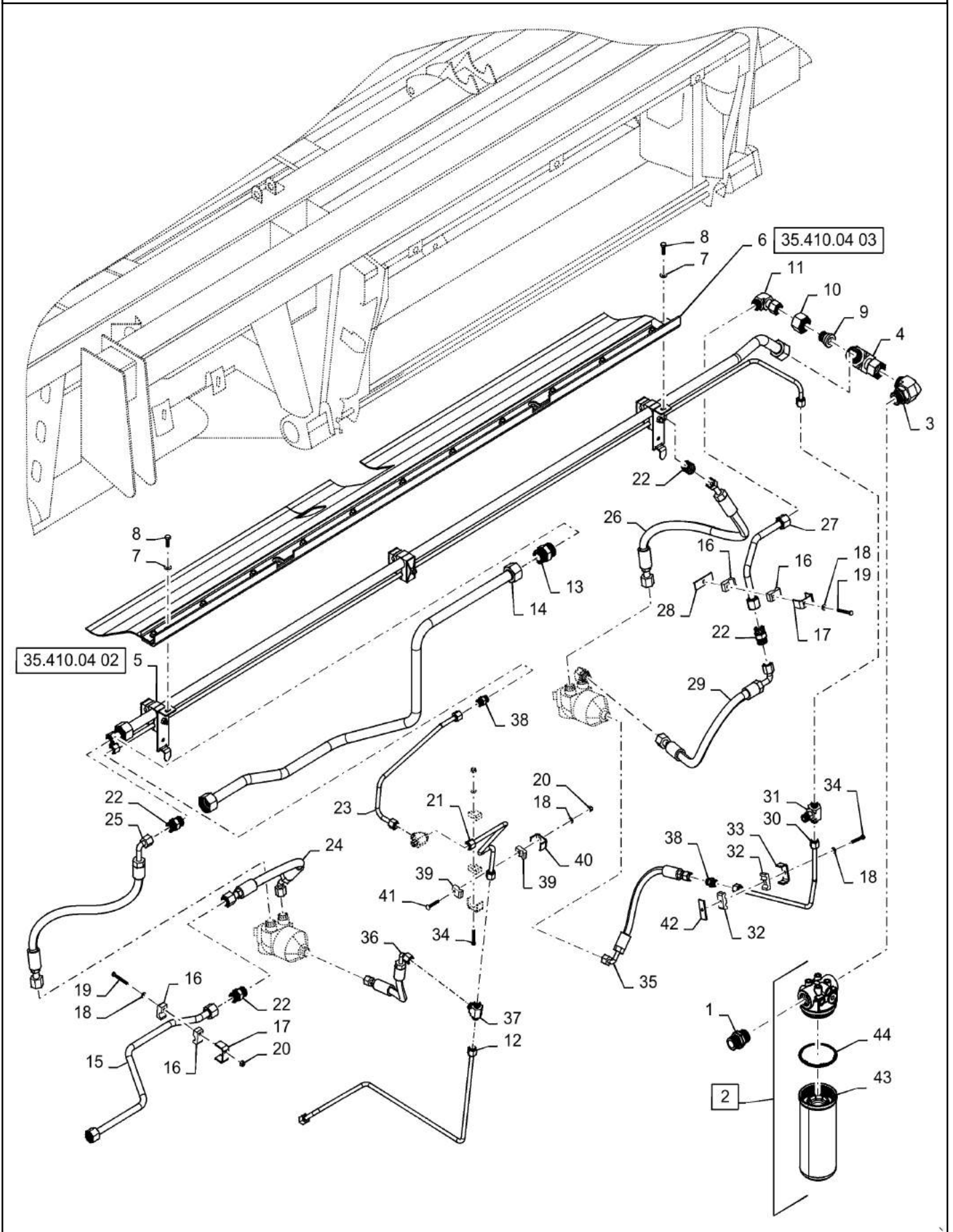
35.410.04

01

p2

9/2016

HYDRAULIC LINES, FILTER (AUSTRALIA ONLY)



HYDRAULIC LINES, FILTER (AUSTRALIA ONLY)

REF FN	PART NUMBER	YR/SN	QTY DESCRIPTION
29	84386409		1 HYDRAULIC HOSE 12.7mm ID x 660mm L, SAE 100R16 RH Motor, Top
30	84549857		1 HYD TUBE
31	87378037		1 TEE
32	430357		2 CLAMP
33	431941		1 SUPPORT
34	43118		2 BOLT Hex, M6 x 1.0 x 40mm, CI 8.8
35	84549855		1 HYDRAULIC HOSE 9.53mm ID x 385mm L, SAE 30R2 RH Motor, End
36	84549856		1 HYDRAULIC HOSE 9.53mm ID x 335mm L, SAE 30R2 LH Motor, End
37	9840322		2 TEE 11/16"-16 ORFS
38	84431546		2 UNION 11/16"-16 ORFS
39	433008		4 CLAMP
40	442340		2 SUPPORT
41	412327		1 CARRIAGE BOLT Short Sq Nk, M6 x 1 x 40mm, CI 8.8, Full Thd
42	86509354		1 PLATE Tab
43	47710533		1 HYDRAULIC OIL FILTER 245.1mm L x 98.8mm W
44	84274694		1 WEAR RING 3.45" ID x 3.94" OD x 0.05" Thk

3152-DRAPER HEADER 3162-DRAPER HEADER

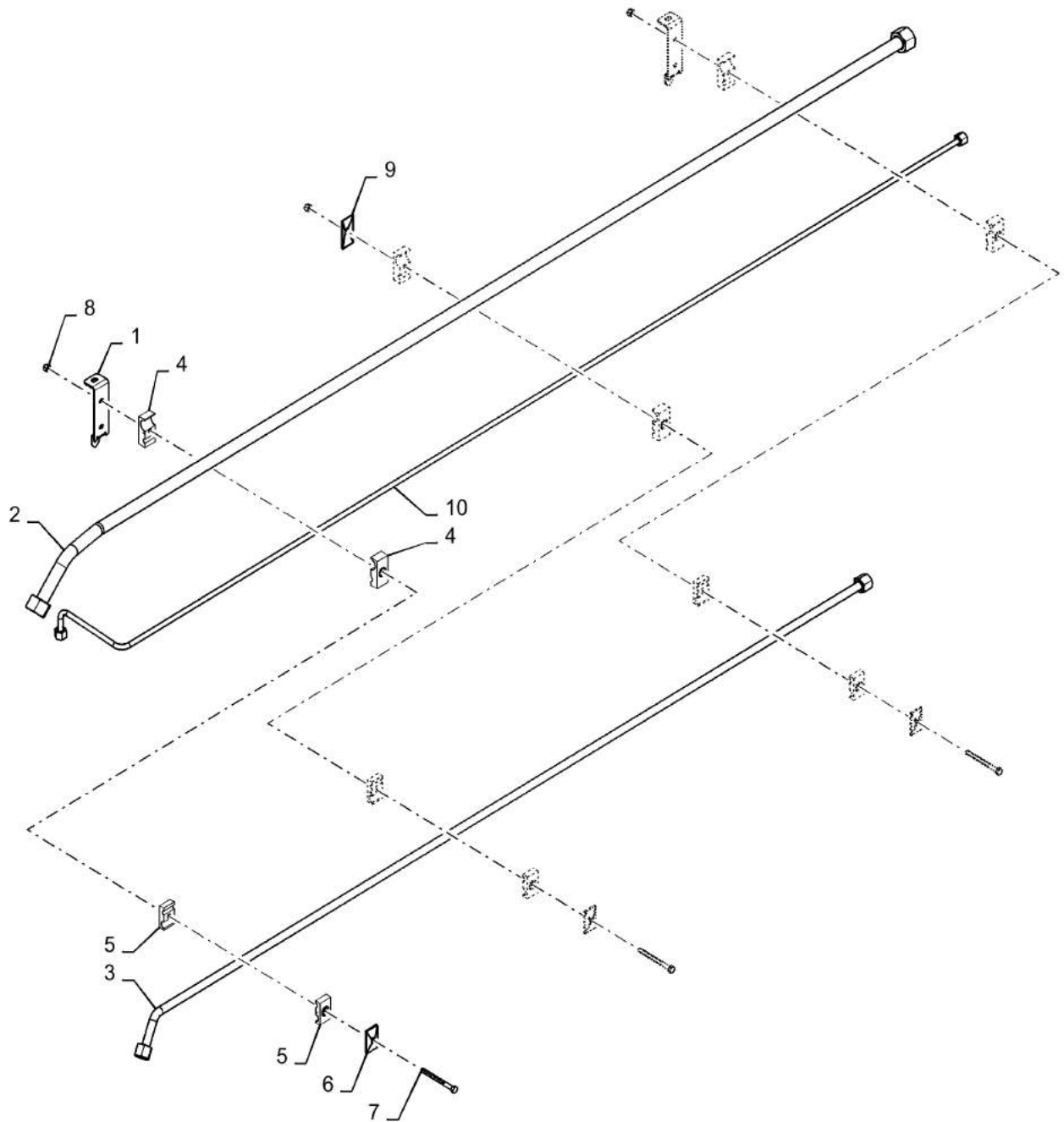
35.410.04

02

p1

9/2016

DRAPER, HYDRAULIC HOSE ASSY



35.410.04

02

p1

9/2016

DRAPER, HYDRAULIC HOSE ASSY

REF FN	PART NUMBER	YR/SN	QTY DESCRIPTION
1	84374655		2 BRACKET
2	47430541		1 HYD TUBE Assy
3	84374097		1 HYD TUBE Assy
4	87000142		3 CLAMP Hydraulic Tube
5	87000159		3 CLAMP Hydraulic Tube
6	384870A1		3 PLATE Hose Clamp, Cover
7	86508571		3 BOLT Hex, M8 x 90mm, Cl 8.8
8	86629542		3 NUT M8 x 1.25, Cl 8.8
9	87000230		1 PLATE Hose Clamp
10	47430279		1 HYD TUBE Assy

3152-DRAPER HEADER 3162-DRAPER HEADER

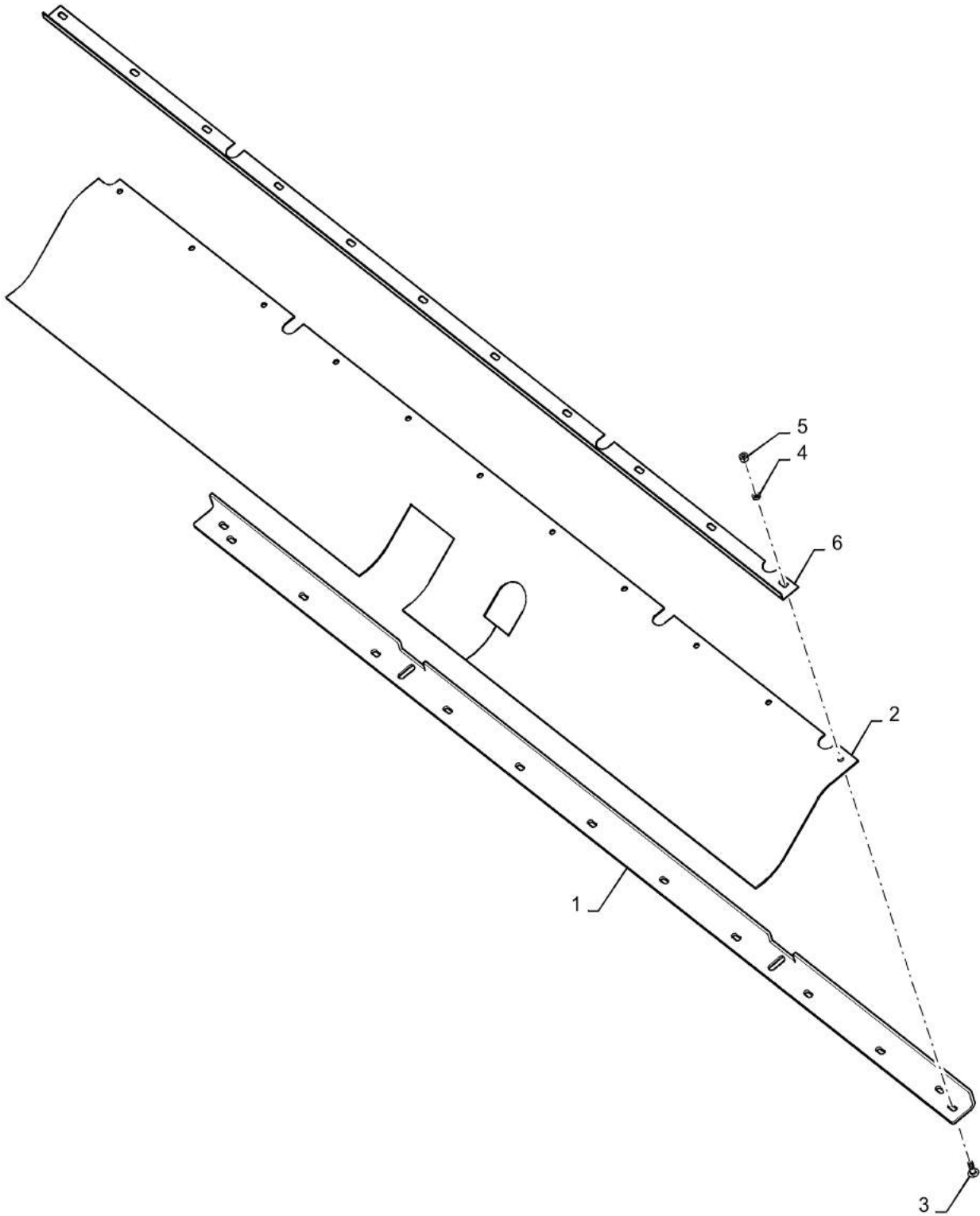
35.410.04

03

p1

9/2016

SHIELD, ASSY



35.410.04

03

p1

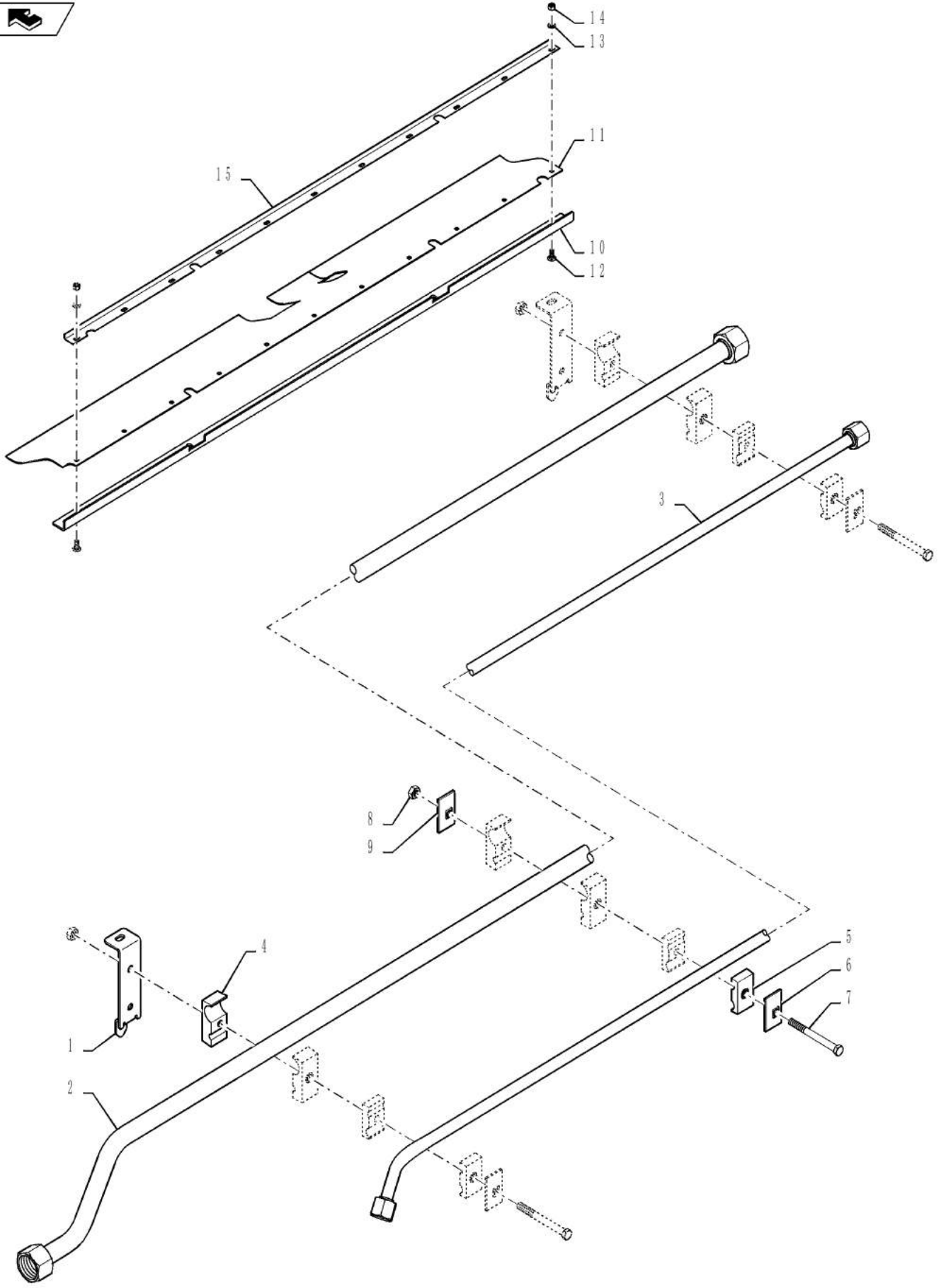
9/2016

SHIELD, ASSY

REF FN	PART NUMBER	YR/SN	QTY DESCRIPTION
1	84573976		1 HANGER
2	84569988		1 SHIELD
3	308761		11 CARRIAGE BOLT M8 x 1.25 x 25mm, CI 8.8
4	83918746		11 WASHER 0.34" ID x 0.69" OD x 0.07" Thk
5	68841		11 NUT M8 x 1.25, CI 8
6	47427554		1 ANGLE

3152-DRAPER HEADER 3162-DRAPER HEADER

HYDRAULIC PLUMBING TUBE ASSEMBLY



HYDRAULIC PLUMBING TUBE ASSEMBLY

REF FN	PART NUMBER	YR/SN	QTY DESCRIPTION
1	84374655		2 BRACKET
2	84514601		1 HYD TUBE Plumbing Assembly
3	84374097		1 HYD TUBE Plumbing Assembly
4	124664A1		3 MOUNTING CLIP
5	428385A1		3 SPECIAL CLAMP
6	384870A1		3 PLATE Hose Clamp Cover
7	86508571		3 BOLT Hex, M8 x 90mm, CI 8.8
8	86629542		3 NUT M8 x 1.25, CI 8.8
9	87000230		1 PLATE
10	84573976		1 HANGER
11	84569988		1 SHIELD Rubber
12	308761		11 CARRIAGE BOLT M8 x 1.25 x 25mm, CI 8.8
13	83918746		11 WASHER 0.34" ID x 0.69" OD x 0.07" Thk
14	68841		11 NUT M8 x 1.25, CI 8
15	47427554		1 ANGLE

3152-DRAPER HEADER 3162-DRAPER HEADER

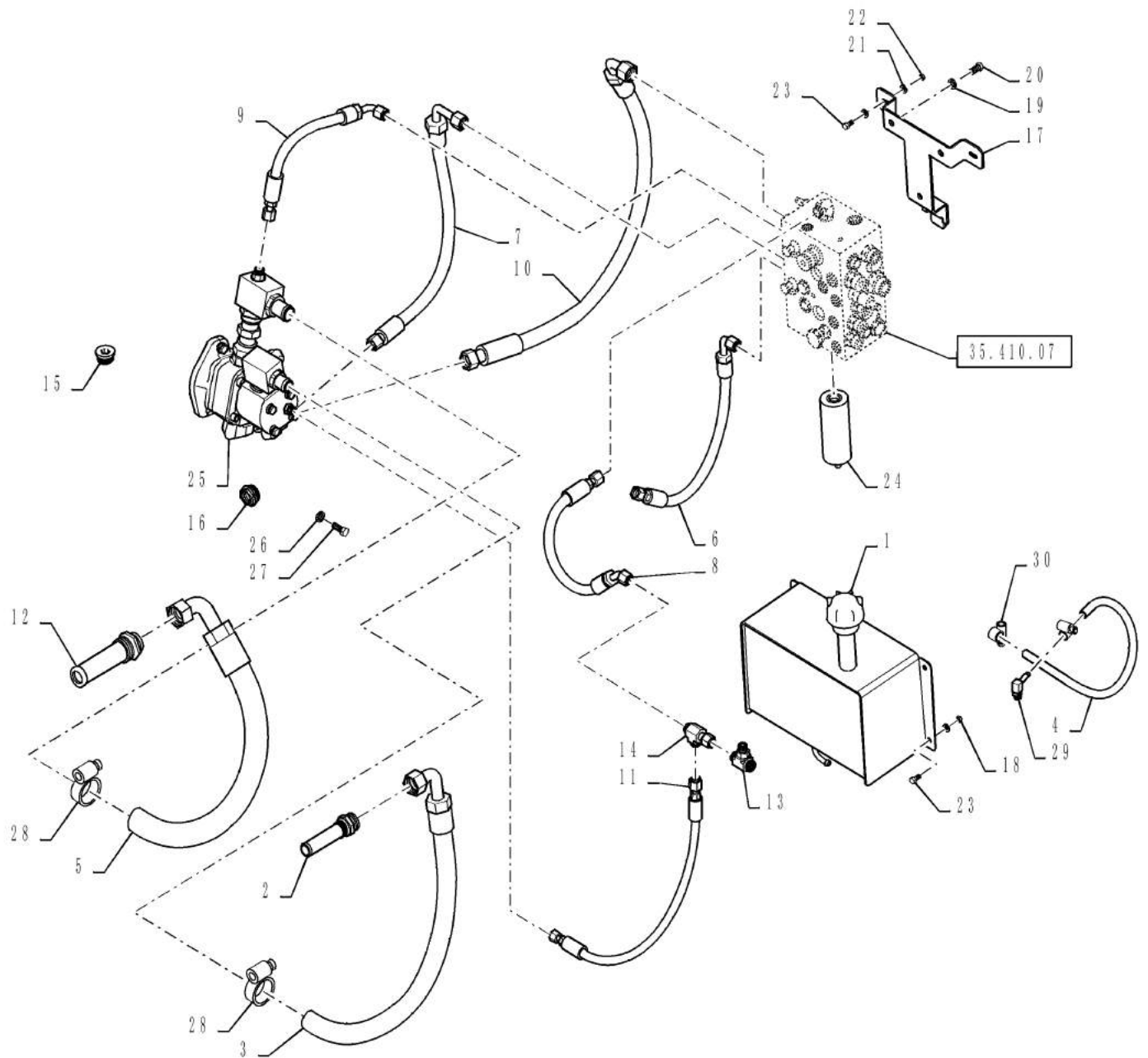
35.410.06

01

p1

9/2016

HYDRAULIC SYSTEM, DRAPER PUMP



35.410.06

01

p1

9/2016

HYDRAULIC SYSTEM, DRAPER PUMP

REF FN	PART NUMBER	YR/SN	QTY DESCRIPTION
1	84333173		1 RESERVOIR 13.6L Hydraulic Oil
2	87360480		1 OIL COOLER FILTER Oil Cooler, Incl 32 - 33
3	84387783		1 HYDRAULIC HOSE 25.4mm ID x 790mm L, SAE 100R4 Draper Pump
4	84387785		1 HOSE ASSY. 12.7mm ID x 710mm L, SAE 100R6 Draper Pump
5	84329685		1 HYDRAULIC HOSE 31.75mm ID x 775mm L, SAE 100R4 Draper Pump
6	84307003		1 HYDRAULIC HOSE 12.7mm ID x 567mm L, SAE 100R16 Draper Pump
7	84307014		1 HYDRAULIC HOSE 15.88mm ID x 690mm L, SAE 100R16 Draper Pump
8	84387784		1 HYDRAULIC HOSE 12.7mm ID x 571mm L, SAE 100R3 Draper Pump
9	84307010		1 HYDRAULIC HOSE 12.7mm ID x 400mm L, SAE 100R16 Draper Pump
10	84306989		1 HYDRAULIC HOSE 19.05mm ID x 937mm L, SAE 100R16 Draper Pump
11	84307016		1 HOSE ASSY. 12.7mm ID x 755mm L, SAE 100R3 Draper Pump
12	47753858		1 FILTER STRAINER Suction, Incl 34 - 35
13	86579710		1 TEE 13/16"-16 ORFS x M18 x 1.5 ORB Br
14	86514261		1 TEE 13/16" - 16 JIC x 13/16" - 16 ORFS x 13/16" - 16 ORFS
15	273916		1 PLUG Hex, 1-5/16" - 12 ORB
16	85801249		1 LEVEL GAUGE Hydraulic Oil
17	84299467		1 BRACKET Valve
18	43362		4 NUT M8 x 1.25, CI 10
19	140045		3 BELLEVILLE WASHER M10 Bolt Size x 22mm OD x 1.6mm Thk
20	43139		3 BOLT M10 x 1.5 x 25mm, CI 8.8
21	322358		6 BELLEVILLE WASHER M8 Bolt Size x 18mm OD x 1.4mm Thk
22	86629542		2 NUT M8 x 1.25, CI 8.8
23	86507486		6 CARRIAGE BOLT M8 x 1.25 x 20mm, CI 8.8

3152-DRAPER HEADER 3162-DRAPER HEADER

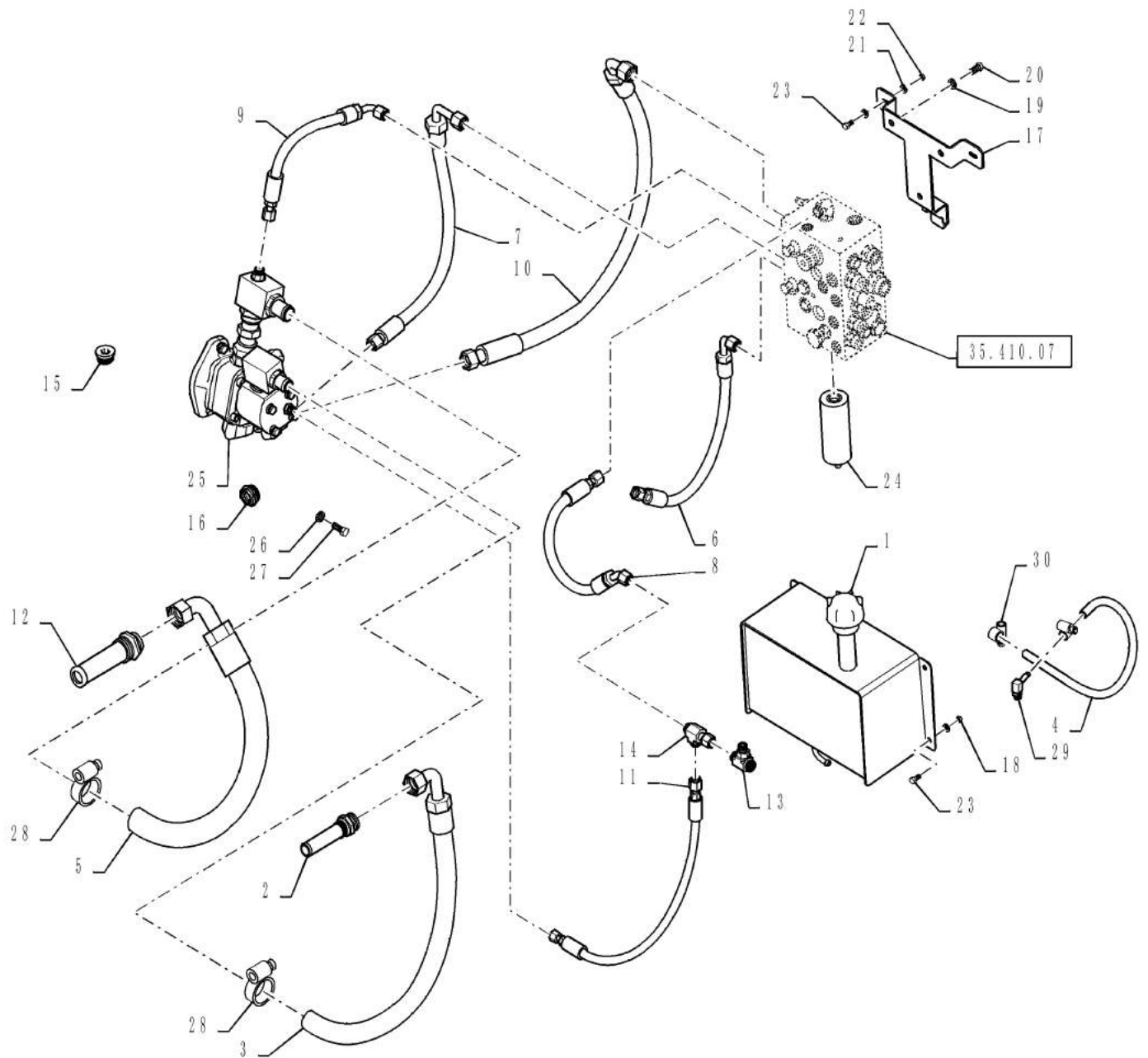
35.410.06

01

p2

9/2016

HYDRAULIC SYSTEM, DRAPER PUMP



35.410.06

01

p2

9/2016

HYDRAULIC SYSTEM, DRAPER PUMP

REF FN	PART NUMBER	YR/SN	QTY DESCRIPTION
24	86974820		1 ACCUMULATOR Hydraulic Accumulator
25	84307019		1 HYDRAULIC PUMP Double
26	412123		2 LOCK WASHER 13.1mm ID x 21.1mm OD x 2.55mm Thk
27	9706687		2 BOLT M12 x 1.75 x 30mm, Cl 8.8
28	82012726		2 HOSE CLAMP 38mm - 50mm, Worm Gear
29	86625228		1 HYD CONNECTOR
30	244358		2 HOSE CLIP 0.44" - 0.78"
31	87325304		1 CAP
32	9824050		1 O-RING 0.07" Thk x 0.926" ID, -21, Cl 6, 90 Duro
33	86598104		1 O-RING 2.9mm Thk x 29.6mm ID, Cl 6, 90 Duro
34	9824051		1 O-RING 0.07" Thk x 1.176" ID, -25, Cl 6, 90 Duro
35	86583917		1 O-RING 2.9mm Thk x 44.6mm ID, Cl 6, 90 Duro

3152-DRAPER HEADER 3162-DRAPER HEADER

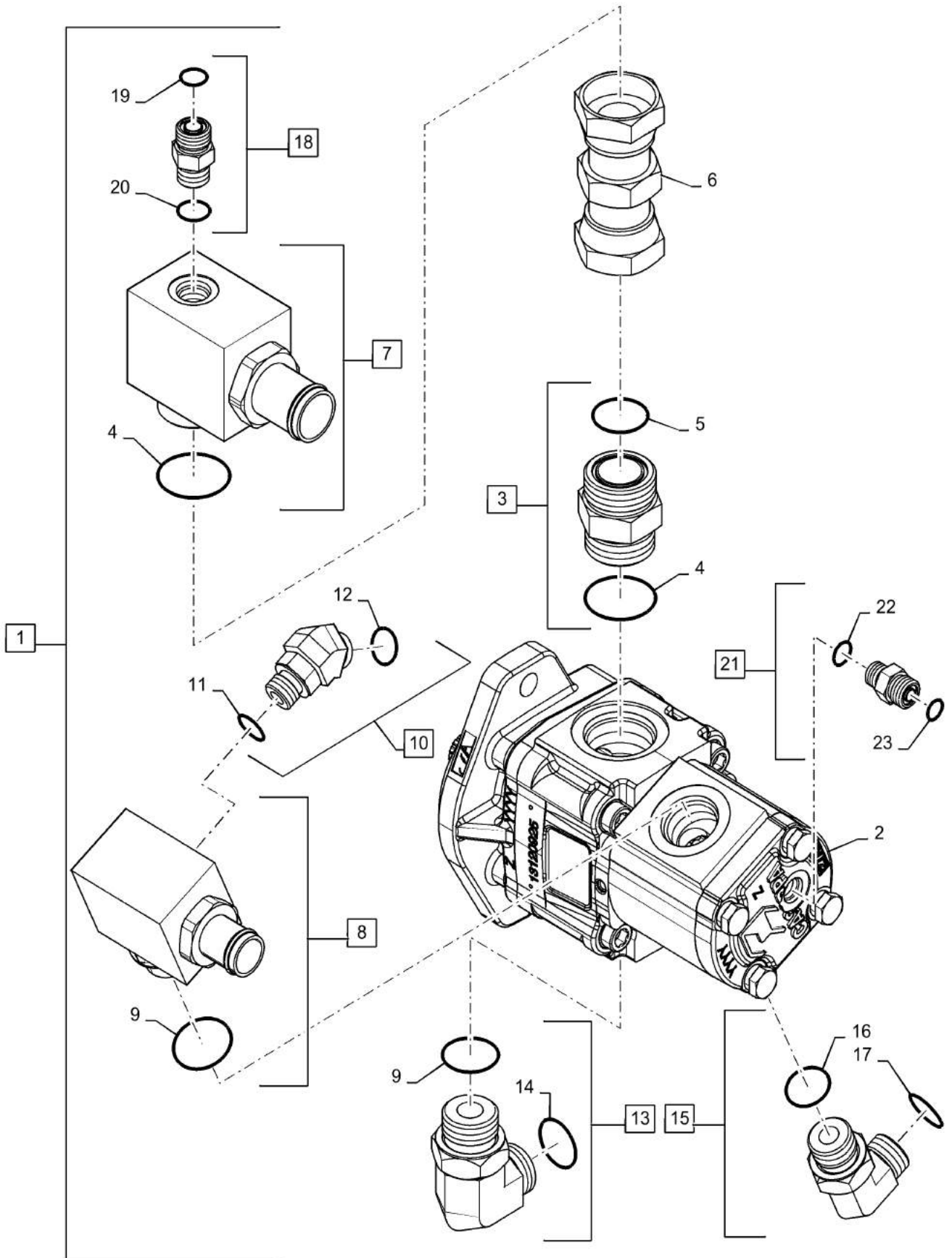
35.410.06

02

p1

9/2016

HYDRAULIC PUMP, DOUBLE



HYDRAULIC PUMP, DOUBLE

REF FN	PART NUMBER	YR/SN	QTY DESCRIPTION
1	84307019		1 HYDRAULIC PUMP Double, Incl 2 - 23
2	87485418		1 HYDRAULIC PUMP 27.03 CC Double
3	9840325		1 HYD CONNECTOR 1 11/16"-12 ORFS x 1 5/8"-12 ORB Incl 4 - 5
4	9824051		3 O-RING 0.07" Thk x 1.176" ID, -25, CI 6, 90 Duro ORFS
5	570186		1 O-RING 0.118" Thk x 1.475" ID, -920, CI 6, 90 Duro ORB
6	84218884		1 UNION Swivel Nut
7	87485404		1 CHECK VALVE Incl 4
8	84307360		1 CHECK VALVE Incl 9
9	167268		2 O-RING 0.116" Thk x 1.171" ID, -916, CI 6, 90 Duro ORB
10	201-348		1 ELBOW 45° Elbow, 13/16" - 16 Male ORFS x 3/4" - 16 Male ORB Incl 11 - 12
11	238-6014		1 O-RING 0.07" Thk x 0.489" ID, -14, CI 6, 90 Duro ORFS
12	237-6008		1 O-RING 0.087" Thk x 0.644" ID, -908, CI 6, 90 Duro ORB
13	87326965		1 90 ELBOW 1-3/16" - 12 ORFS x 1-5/16" - 12 ORB Incl 9, 14
14	9991976		1 O-RING 0.07" Thk x 0.739" ID, -18, CI 6, 90 Duro ORFS
15	9991973		1 ELBOW 1-14" ORFS x 1-1/16"-12 ORB Incl 16 - 17
16	9992069		1 O-RING 0.07" Thk x 0.614" ID, -16, CI 6, 90 Duro ORFS
17	167266		1 O-RING 0.116" Thk x 0.924" ID, -912, CI 6, 90 Duro ORB
18	9992305		1 HYD CONNECTOR 13/16" - 16 ORFS x 3/4" - 16 ORB Incl 19 - 20
19	9992298		1 O-RING 0.07" Thk x 0.489" ID, -14, CI 6, 90 Duro ORFS
20	128825		1 O-RING 0.087" Thk x 0.644" ID, -908, CI 6, 90 Duro ORB
21	9993143		1 HYD CONNECTOR 11/16" - 16 ORFS x 9/16" - 18 ORB Incl 22 - 23

3152-DRAPER HEADER 3162-DRAPER HEADER

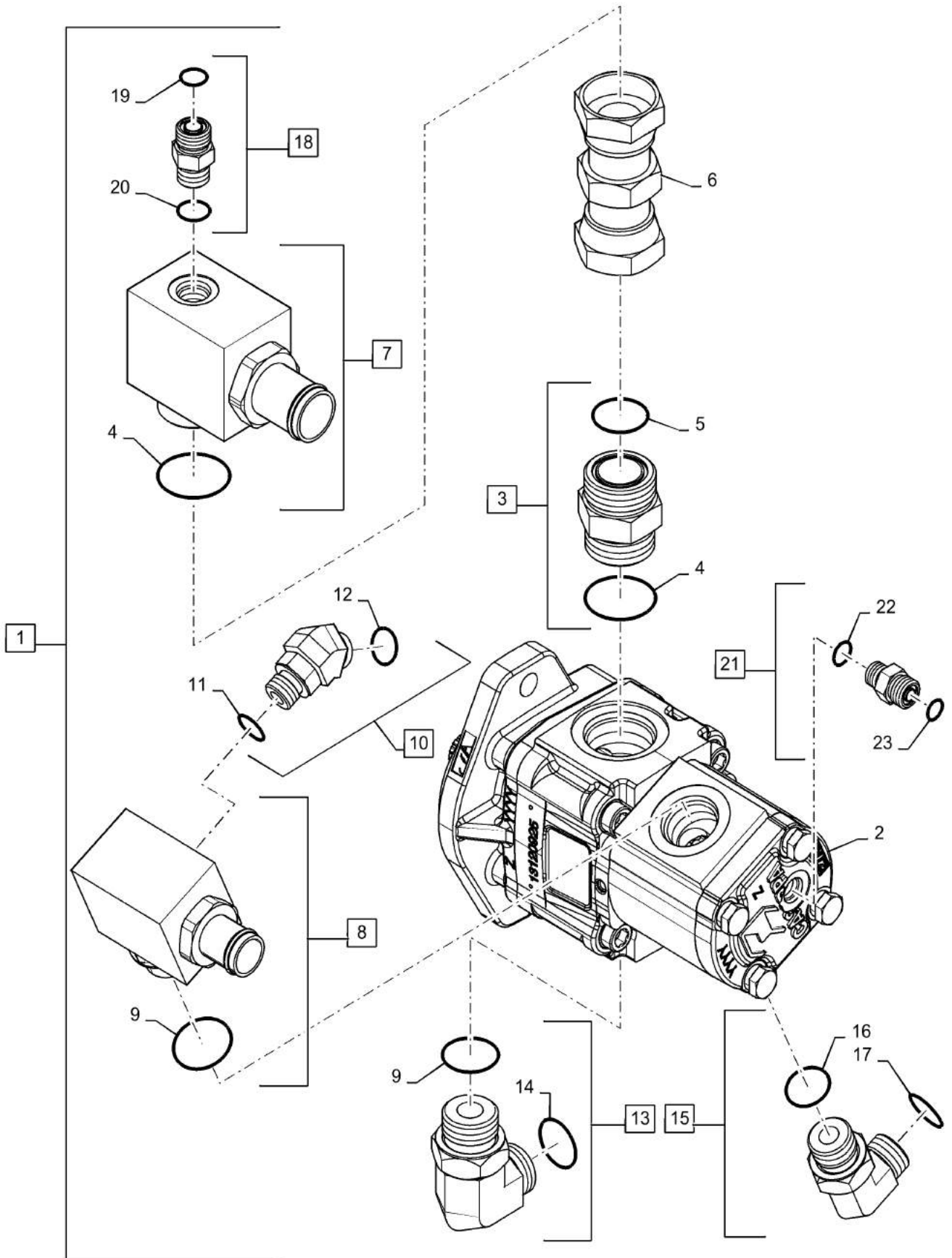
35.410.06

02

p2

9/2016

HYDRAULIC PUMP, DOUBLE



35.410.06

02

p2

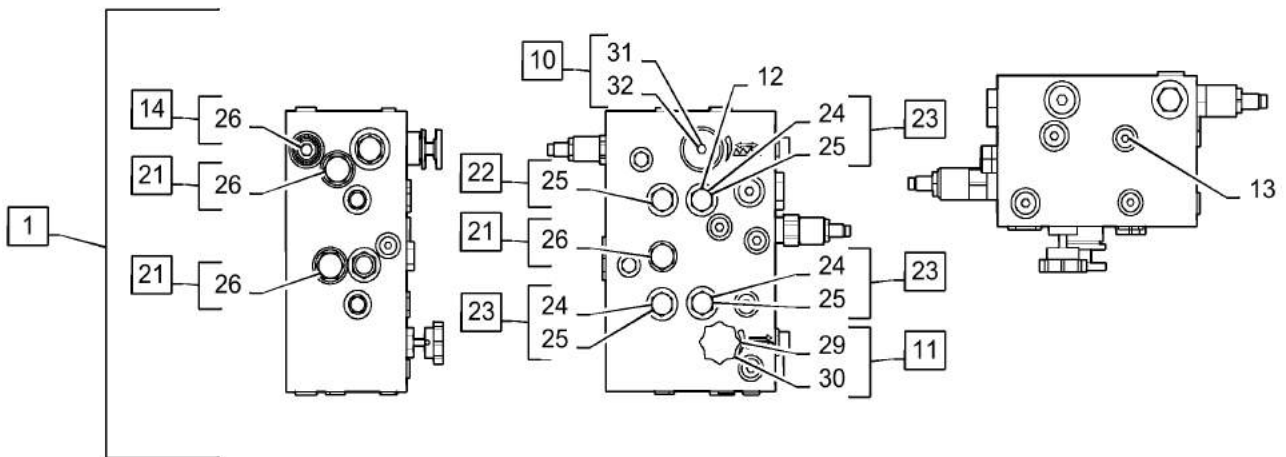
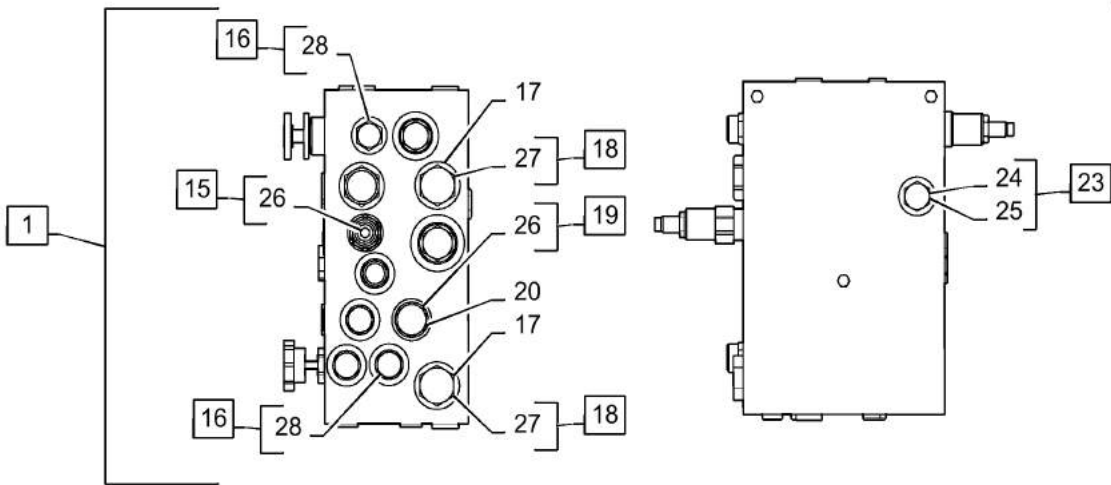
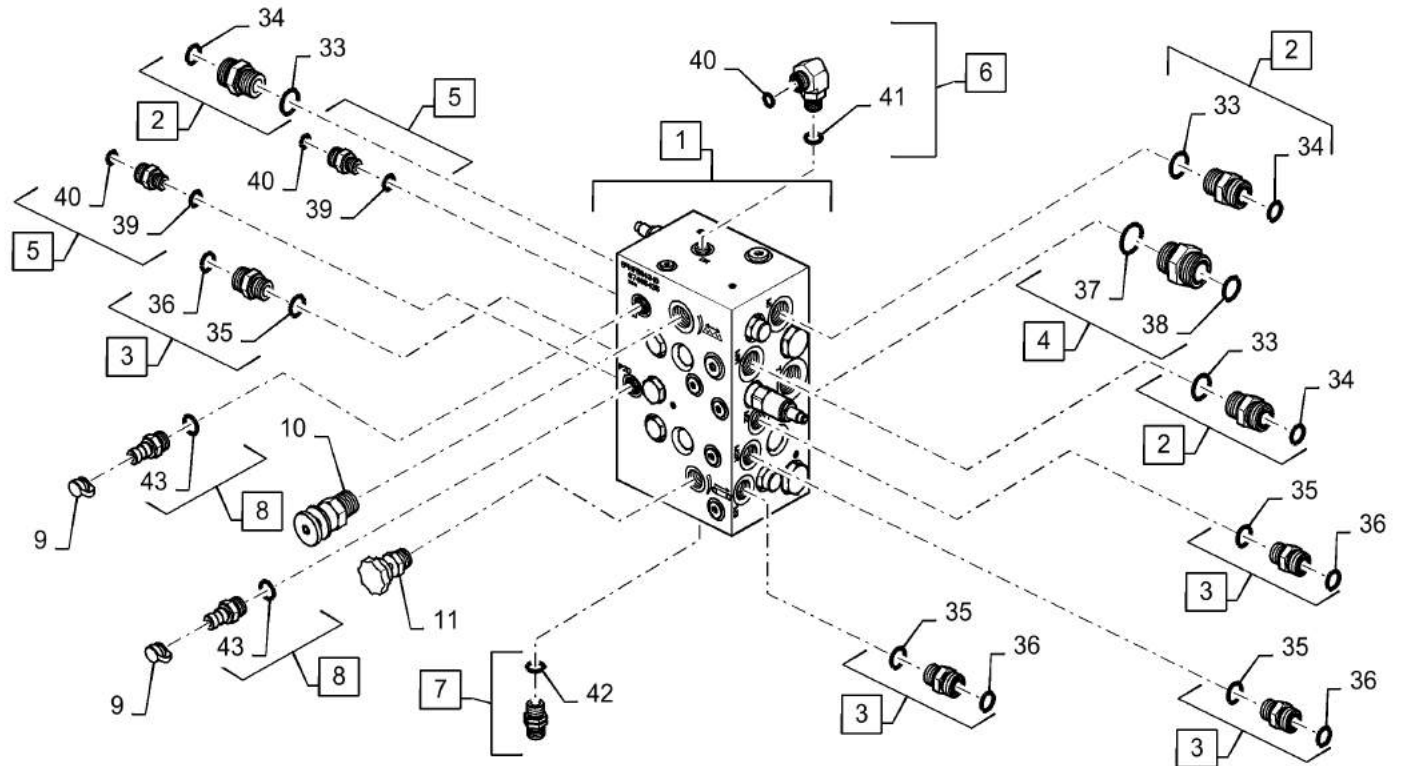
9/2016

HYDRAULIC PUMP, DOUBLE

REF FN	PART NUMBER	YR/SN	QTY DESCRIPTION
22	9993141		1 O-RING 0.07" Thk x 0.364" ID, -12, CI 6, 90 Duro ORFS
23	9617873		1 O-RING 0.078" Thk x 0.468" ID, -906, CI 6, 90 Duro ORB

3152-DRAPER HEADER 3162-DRAPER HEADER

HYDRAULIC MANIFOLD WITH FITTINGS

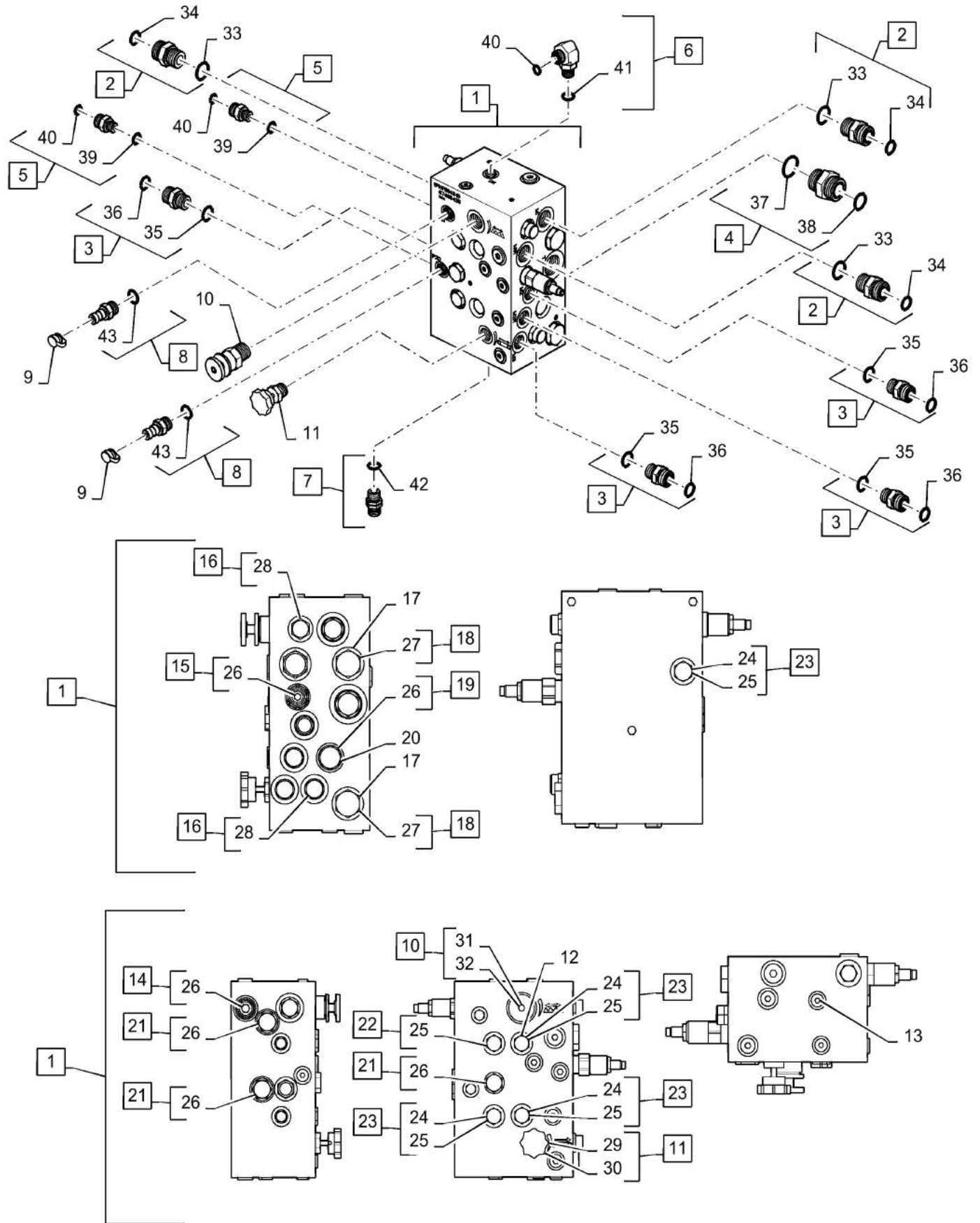


HYDRAULIC MANIFOLD WITH FITTINGS

REF FN	PART NUMBER	YR/SN	QTY DESCRIPTION
1	87485435		1 MANIFOLD Draper Hydraulic, Incl 12 - 43
2	86579682		3 HYD CONNECTOR 1-3/16" - 12 ORFS x M27 x 2 ORB Incl 33, 34
3	86579680		4 HYD CONNECTOR 1"-14 ORFS x M22 x 1.5mm ORB Incl 35, 36
4	86580179		1 HYD CONNECTOR 1-7/16" - 12 ORFS x M33 x 2 ORB Incl 37, 38
5	86579675		2 HYD CONNECTOR 13/16"-16 ORFS x M16 x 1.5 ORB Incl 39, 40
6	86579691		1 90 ELBOW 90°, 13/16"-18 ORFS x M18 x 1.5 ORB Incl 40, 41
7	259619		1 HYD CONNECTOR 3/4" - 16 ORB x 3/4" - 16 ORB Straight Union, Incl 42
8	84320565		2 COUPLING M14 x 1.5 Diagnostic Fitting, Incl 43
9	86502604		2 DUST CAP
10	84411078		1 FLOW CONTROL VALVE Incl 31, 32
11	84411086		1 NEEDLE VALVE Incl 29, 30
12	84411414		1 ORIFICE Disk
13	84411405		1 ORIFICE Plug
14	84411401		1 VALVE PRESSURE RELIEF Incl 26
15	84411087		1 VALVE PRESSURE RELIEF Incl 26
16	87561976		2 HYDRAULIC VALVE Directional Control, Incl 28
17	84411085		2 PILOT VALVE
18	84411053		2 CHECK VALVE Incl 27
19	84411070		1 PILOT VALVE Incl 26
20	84410996		1 CHECK VALVE
21	87347961		3 CARTRIDGE Check Valve, Incl 26
22	84820530		1 HYDRAULIC VALVE Check, Incl 25
23	120459A1		4 VALVE 3/4" - 16 Check, Incl 24, 25
24	87269971		4 SEAL KIT Relief Valve
25	1542831C1		4 SEAL KIT Check Valve
26	1542830C2		3 SEAL KIT Check Valve
27	431868A1		2 SEAL KIT Check Valve

3152-DRAPER HEADER 3162-DRAPER HEADER

HYDRAULIC MANIFOLD WITH FITTINGS



HYDRAULIC MANIFOLD WITH FITTINGS

REF FN	PART NUMBER	YR/SN	QTY DESCRIPTION
28	329483A1		2 SEAL KIT Valve
29	9605346		1 SEAL KIT Valve
30	84412120		1 REPAIR KIT Knob
31	84412117		1 REPAIR KIT Knob
32	84412524		1 SEAL KIT Valve
33	86598103		AR O-RING 2.9mm Thk x 23.6mm ID, CI 6, 90 Duro
34	9991976		AR O-RING 0.07" Thk x 0.739" ID, -18, CI 6, 90 Duro
35	86598102		AR O-RING 2.2mm Thk x 19.3mm ID, CI 6, 90 Duro
36	9992069		AR O-RING 0.07" Thk x 0.614" ID, -16, CI 6, 90 Duro
37	86598104		AR O-RING 2.9mm Thk x 29.6mm ID, CI 6, 90 Duro
38	9824050		AR O-RING 0.07" Thk x 0.926" ID, -21, CI 6, 90 Duro
39	86598100		AR O-RING 2.2mm Thk x 13.3mm ID, CI 6, 90 Duro
40	9992298		AR O-RING 0.07" Thk x 0.489" ID, -14, CI 6, 90 Duro
41	86598101		AR O-RING 2.2mm Thk x 15.3mm ID, CI 6, 90 Duro
42	128825		1 O-RING 0.087" Thk x 0.644" ID, -908, CI 6, 90 Duro
43	86598099		1 O-RING 2.2mm Thk x 11.3mm ID, CI 6

3152-DRAPER HEADER 3162-DRAPER HEADER

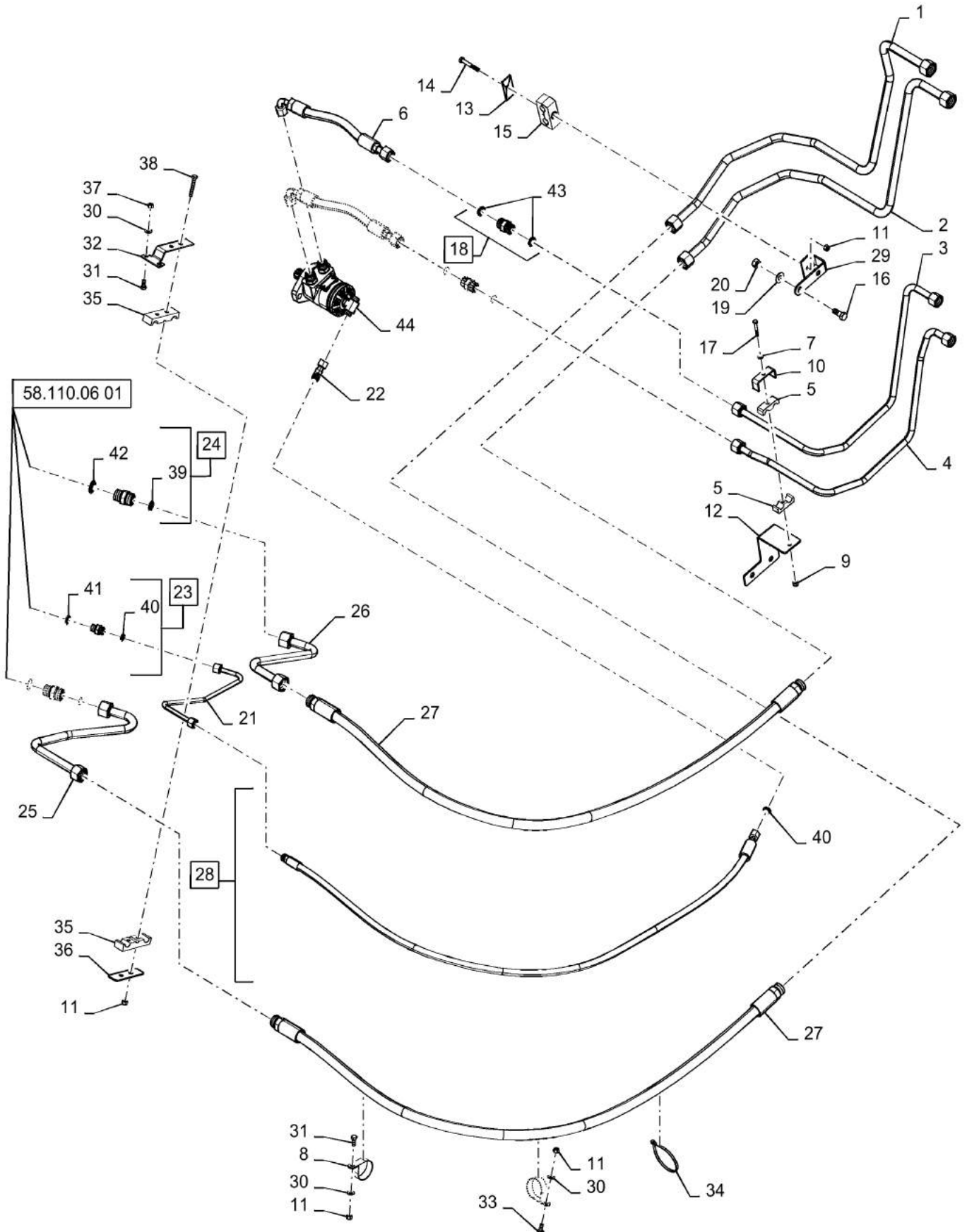
35.410.08

01

p1

9/2016

HYDRAULIC SYSTEM, FLEX DRAPER, BSN - YEH040861



35.410.08

01

p1

9/2016

HYDRAULIC SYSTEM, FLEX DRAPER, BSN - YEH040861

REF FN	PART NUMBER	YR/SN	QTY DESCRIPTION
1	47421311		1 HYD TUBE To Valve Manifold Port M1
2	47421313		1 HYD TUBE To Valve Manifold Port M1R
3	47379776		1 HYD TUBE To Valve Manifold Port M2
4	47379778		1 HYD TUBE To Valve Manifold Port M2R
5	430356		2 CLAMP
6	47381943		2 HYDRAULIC HOSE 12.7mm ID x 377mm L, SAE 100R16
7	322357		1 BELLEVILLE WASHER M6 Bolt Size x 14mm OD x 1.3mm Thk
8	87552805		2 CLAMP 50.8mm, Coat, 10.3mm Bolt Hole, P Type
9	353308		1 NUT M6 x 1.0, CI 8
10	84814948		1 SUPPORT
11	86629542		5 NUT M8 x 1.25, CI 8.8
12	47422209		1 BRACKET
13	87000230		1 PLATE
14	120061		1 BOLT Hex, M8 x 60mm L, CI 8.8
15	87000151		1 CLAMP
16	9706687		4 BOLT M12 x 1.75 x 30mm, CI 8.8
17	86977790		1 BOLT Hex, M6 x 45mm, CI 8.8
18	84431473		2 HYD CONNECTOR 1"-14 ORFS Incl 43
19	140046		4 BELLEVILLE WASHER M12 Bolt Size x 27mm OD x 1.8mm Thk
20	9706685		4 NUT M12 x 1.75, CI 8
21	47447243		1 TUBE
22	87354477		1 ELBOW 45°, 11/16"-16 x 11/16"-16 Fem Sw
23	86579672		1 HYD CONNECTOR 11/16"-16 ORFS x M16 x 1.5 ORB Incl 40 - 41
24	86579682		2 HYD CONNECTOR 1-3/16" - 12 ORFS x M27 x 2 ORB Incl 39, 42
25	47447235		1 TUBE
26	47447233		1 TUBE
27	47447236		2 HYDRAULIC HOSE
28	47447237		1 HYDRAULIC HOSE Incl 40
29	47421315		1 BRACKET

3162-DRAPER HEADER

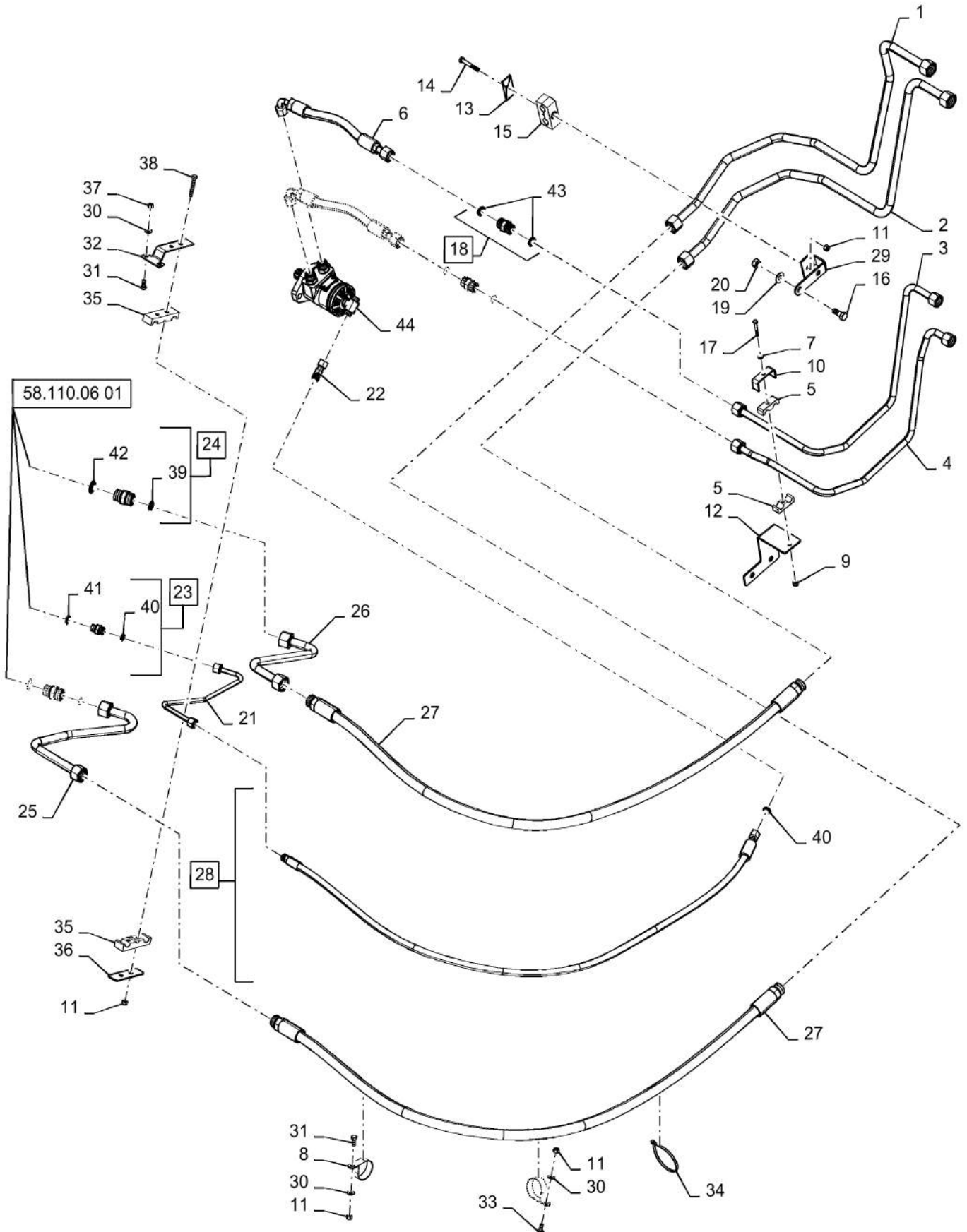
35.410.08

01

p2

9/2016

HYDRAULIC SYSTEM, FLEX DRAPER, BSN - YEH040861



35.410.08

01

p2

9/2016

HYDRAULIC SYSTEM, FLEX DRAPER, BSN - YEH040861

REF FN	PART NUMBER	YR/SN	QTY DESCRIPTION
30	322358		4 BELLEVILLE WASHER M8 Bolt Size x 18mm OD x 1.4mm Thk
31	120104		3 BOLT Hex, M8 x 1.25 x 20mm, CI 8.8
32	47448234		1 BRACKET
33	86507486		1 CARRIAGE BOLT M8 x 1.25 x 20mm, CI 8.8
34	86566990		4 CABLE TIE 292mm OAL x 4.8mm W
35	86998883		1 CLAMP
36	84340688		1 PLATE
37	9706690		2 NUT M8 x 1.25, CI 8
38	43130		2 BOLT Hex, M8 x 1.25 x 50mm, CI 8.8
39	9991976		1 O-RING 0.07" Thk x 0.739" ID, -18, CI 6, 90 Duro
40	9993141		1 O-RING 0.07" Thk x 0.364" ID, -12, CI 6, 90 Duro
41	86598100		1 O-RING 2.2mm Thk x 13.3mm ID, CI 6, 90 Duro
42	86598103		2 O-RING 2.9mm Thk x 23.6mm ID, CI 6, 90 Duro
43	9992069		10 O-RING 0.07" Thk x 0.614" ID, -16, CI 6, 90 Duro
44	84393904		1 HYDRAULIC MOTOR 46CC

3162-DRAPER HEADER

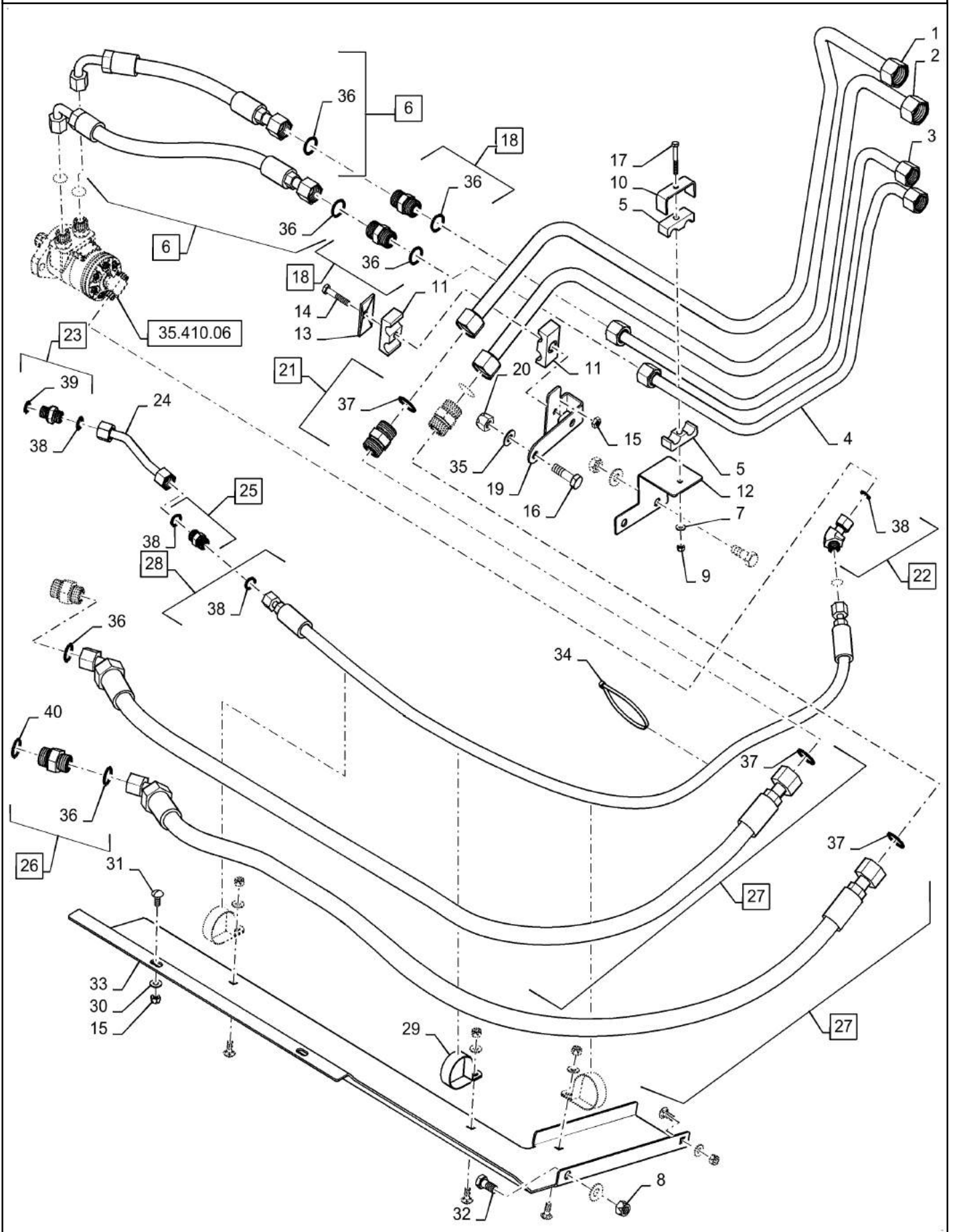
35.410.08

01

p1

9/2016

HYDRAULIC SYSTEM, RIGID DRAPER



HYDRAULIC SYSTEM, RIGID DRAPER

REF FN	PART NUMBER	YR/SN	QTY DESCRIPTION
1	47421311		1 HYD TUBE Valve Manifold Port M1
2	47421313		1 HYD TUBE Valve Manifold Port M1R
3	47379776		1 HYD TUBE Valve Manifold Port M2
4	47379778		1 HYD TUBE Valve Manifold Port M2R
5	430356		2 CLAMP
6	47381943		2 HYDRAULIC HOSE 12.7mm ID x 377mm L, SAE 100R16 Feed Draper Motor, Incl 36
7	322357		1 BELLEVILLE WASHER M6 Bolt Size x 14mm OD x 1.3mm Thk
8	100038		1 NUT M12 x 1.75, CI 8
9	353308		1 NUT M6 x 1.0, CI 8
10	84814948		1 SUPPORT
11	87000151		1 CLAMP 19.05 x 19.05
12	47422209		1 BRACKET
13	87000230		1 PLATE Hose Clamp
14	120061		1 BOLT Hex, M8 x 60mm L, CI 8.8
15	86629542		6 NUT M8 x 1.25, CI 8.8
16	9706687		4 BOLT M12 x 1.75 x 30mm, CI 8.8
17	86977790		1 BOLT Hex, M6 x 45mm, CI 8.8
18	84431473		2 HYD CONNECTOR 1"-14 ORFS Incl 36
19	47421315		1 BRACKET
20	9706685		4 NUT M12 x 1.75, CI 8
21	84100407		2 UNION 1-3/16"-12 ORFS Incl 37
22	87354477		1 ELBOW 45°, 11/16"-16 x 11/16"-16 Fem Sw Incl 38
23	86579672		1 HYD CONNECTOR 11/16"-16 ORFS x M16 x 1.5 ORB Incl 38 - 39
24	84514605		1 HYD TUBE Feed Draper Motor
25	84431546		1 UNION 11/16"-16 ORFS Incl 38
26	86597760		2 HYD CONNECTOR 1"-14 ORFS x M2 x 2.0 ORB Incl 36, 40
27	84477948		2 HYDRAULIC HOSE 15.88mm ID x 1590mm L, SAE 100R16 Center Knife Drive Motor, Incl 36 - 37
28	84477949		1 HYDRAULIC HOSE 6.35mm ID x 1475mm L, SAE 100R16 Center Knife Drive Motor, Incl 38

3152-DRAPER HEADER

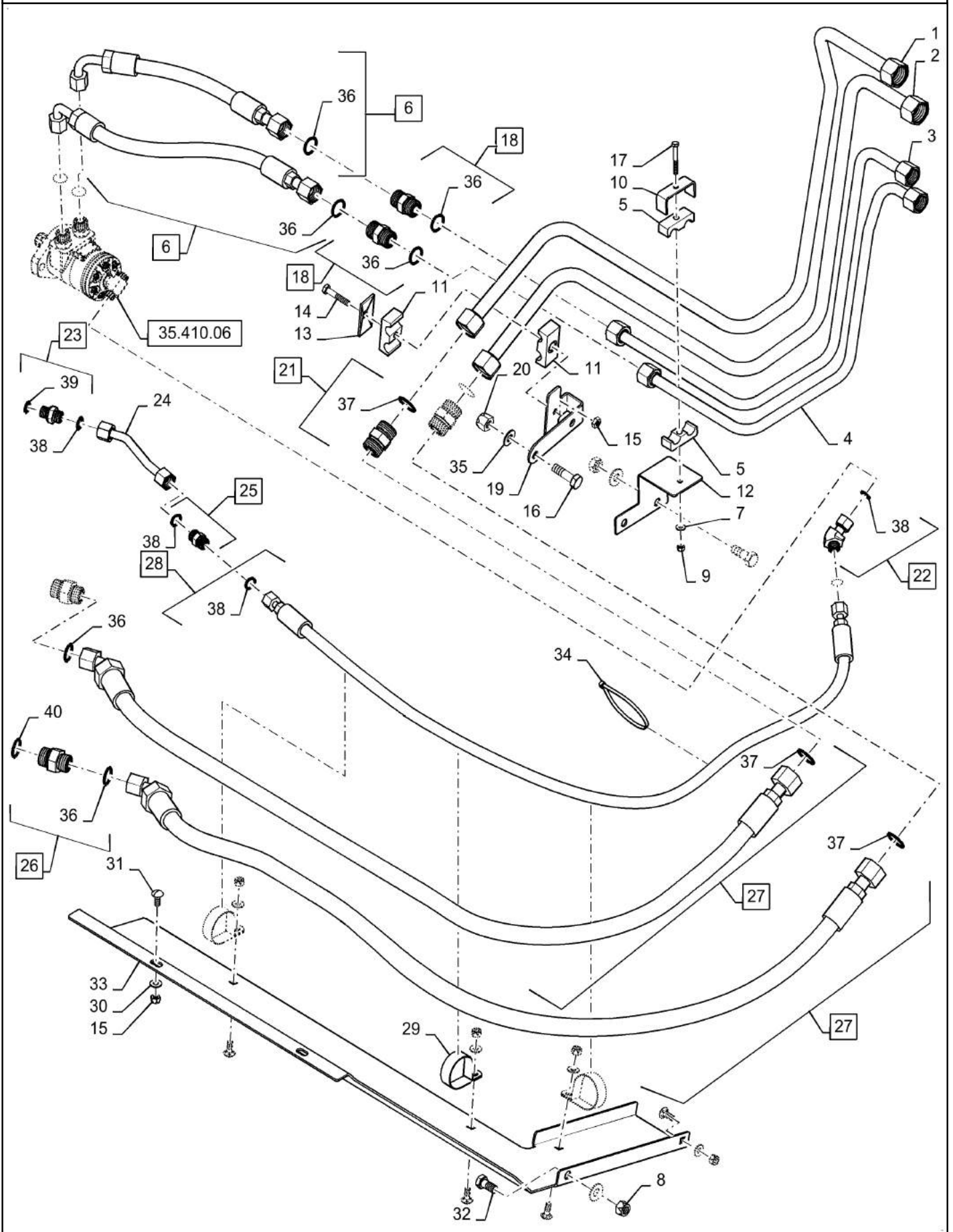
35.410.08

01

p2

9/2016

HYDRAULIC SYSTEM, RIGID DRAPER



35.410.08

01

p2

9/2016

HYDRAULIC SYSTEM, RIGID DRAPER

REF FN	PART NUMBER	YR/SN	QTY DESCRIPTION
29	87552805		2 CLAMP 50.8mm, Coat, 10.3mm Bolt Hole, P Type
30	322358		5 BELLEVILLE WASHER M8 Bolt Size x 18mm OD x 1.4mm Thk
31	86507486		5 CARRIAGE BOLT M8 x 1.25 x 20mm, CI 8.8
32	300388		1 BOLT Hex, M12 x 1.75 x 25mm, CI 8.8
33	84602514		1 SHIELD
34	86566990		1 CABLE TIE 292mm OAL x 4.8mm W
35	140046		5 BELLEVILLE WASHER M12 Bolt Size x 27mm OD x 1.8mm Thk
36	9992069		5 O-RING 0.07" Thk x 0.614" ID, -16, CI 6, 90 Duro
37	9991976		2 O-RING 0.07" Thk x 0.739" ID, -18, CI 6, 90 Duro
38	9993141		5 O-RING 0.07" Thk x 0.364" ID, -12, CI 6, 90 Duro
39	86598100		1 O-RING 2.2mm Thk x 13.3mm ID, CI 6, 90 Duro
40	86598103		1 O-RING 2.9mm Thk x 23.6mm ID, CI 6, 90 Duro

3152-DRAPER HEADER

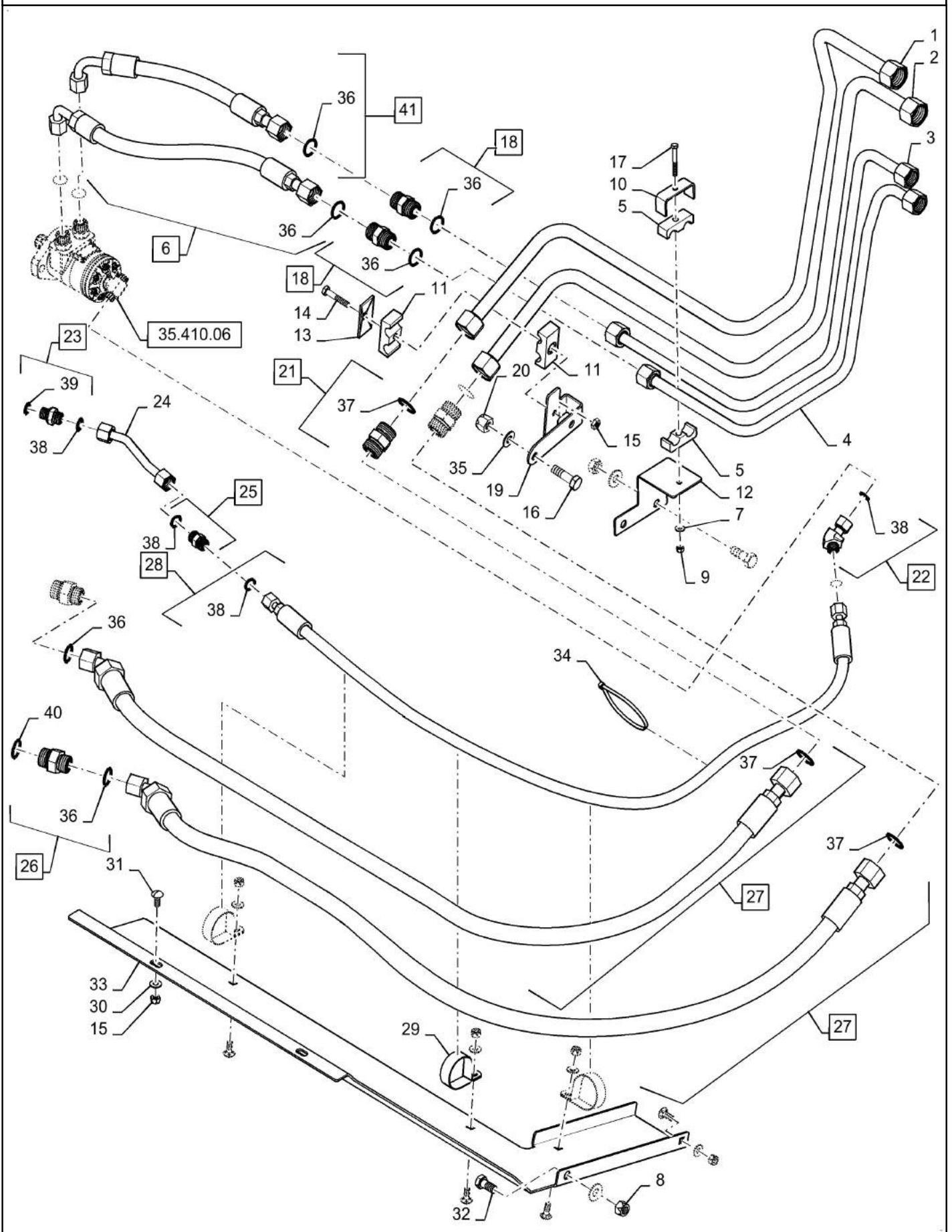
35.410.08

01

p1

9/2016

HYDRAULIC SYSTEM, RIGID DRAPER (AUSTRALIA ONLY)



35.410.08

01

p1

9/2016

HYDRAULIC SYSTEM, RIGID DRAPER (AUSTRALIA ONLY)

REF FN	PART NUMBER	YR/SN	QTY DESCRIPTION
1	47421311		1 HYD TUBE Valve Manifold Port M1
2	47421313		1 HYD TUBE Valve Manifold Port M1R
3	47379776		1 HYD TUBE Valve Manifold Port M2
4	47379778		1 HYD TUBE Valve Manifold Port M2R
5	430356		2 CLAMP
6	47952313		1 HYDRAULIC HOSE Feed Draper Motor, Incl 36
7	322357		1 BELLEVILLE WASHER M6 Bolt Size x 14mm OD x 1.3mm Thk
8	100038		1 NUT M12 x 1.75, CI 8
9	353308		1 NUT M6 x 1.0, CI 8
10	84814948		1 SUPPORT
11	87000151		1 CLAMP 19.05 x 19.05
12	47422209		1 BRACKET
13	87000230		1 PLATE Hose Clamp
14	120061		1 BOLT Hex, M8 x 60mm L, CI 8.8
15	86629542		6 NUT M8 x 1.25, CI 8.8
16	9706687		4 BOLT M12 x 1.75 x 30mm, CI 8.8
17	86977790		1 BOLT Hex, M6 x 45mm, CI 8.8
18	84431473		2 HYD CONNECTOR 1"-14 ORFS Incl 36
19	47421315		1 BRACKET
20	9706685		4 NUT M12 x 1.75, CI 8
21	84100407		2 UNION 1-3/16"-12 ORFS Incl 37
22	87354477		1 ELBOW 45°, 11/16"-16 x 11/16"-16 Fem Sw Incl 38
23	86579672		1 HYD CONNECTOR 11/16"-16 ORFS x M16 x 1.5 ORB Incl 38 - 39
24	84514605		1 HYD TUBE Feed Draper Motor
25	84431546		1 UNION 11/16"-16 ORFS Incl 38
26	86597760		2 HYD CONNECTOR 1"-14 ORFS x M2 x 2.0 ORB Incl 36, 40
27	84477948		2 HYDRAULIC HOSE 15.88mm ID x 1590mm L, SAE 100R16 Center Knife Drive Motor, Incl 36 - 37
28	84477949		1 HYDRAULIC HOSE 6.35mm ID x 1475mm L, SAE 100R16 Center Knife Drive Motor, Incl 38
29	87552805		2 CLAMP 50.8mm, Coat, 10.3mm Bolt Hole, P Type

3152-DRAPER HEADER 3162-DRAPER HEADER

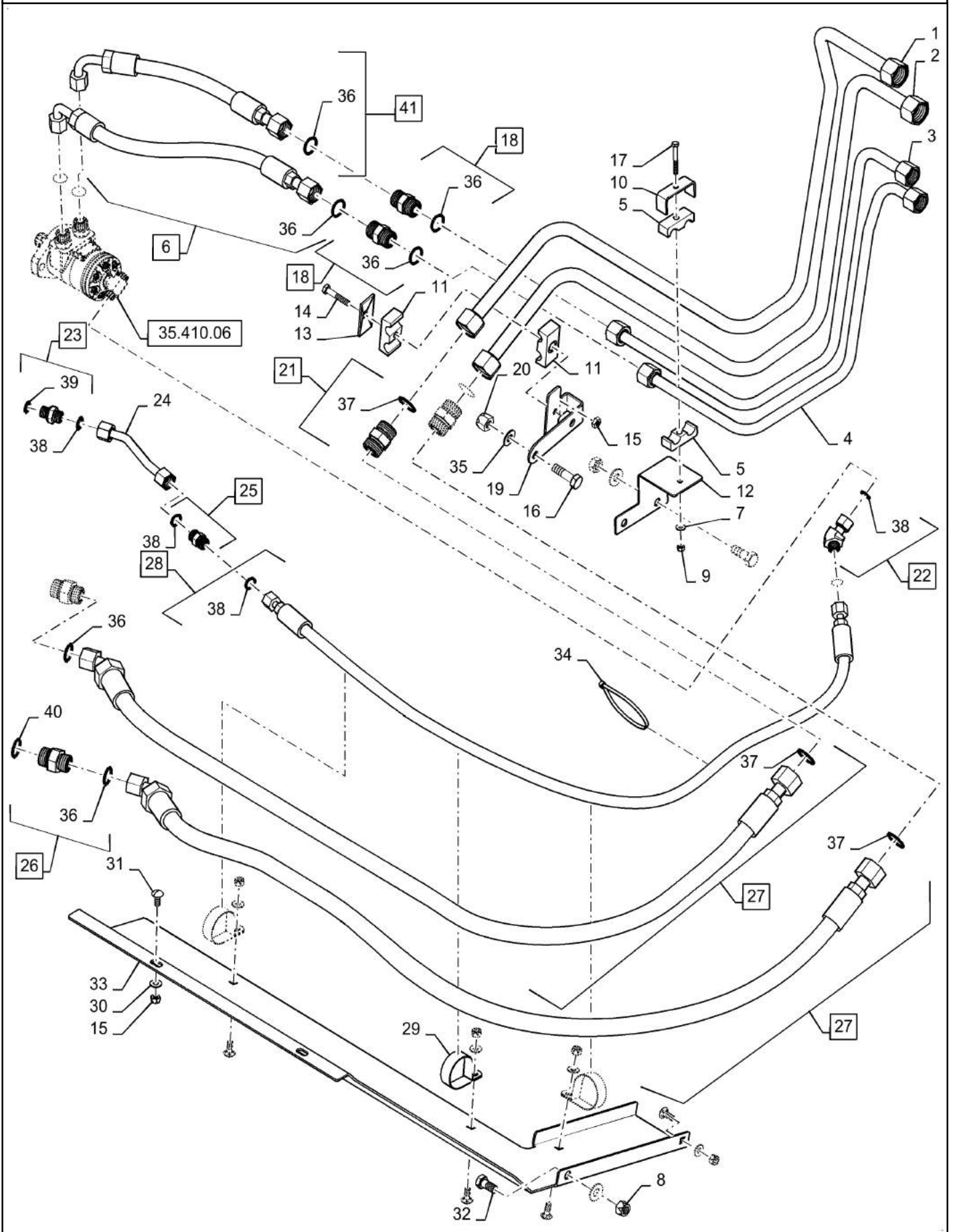
35.410.08

01

p2

9/2016

HYDRAULIC SYSTEM, RIGID DRAPER (AUSTRALIA ONLY)



HYDRAULIC SYSTEM, RIGID DRAPER (AUSTRALIA ONLY)

REF FN	PART NUMBER	YR/SN	QTY DESCRIPTION
30	322358		5 BELLEVILLE WASHER M8 Bolt Size x 18mm OD x 1.4mm Thk
31	86507486		5 CARRIAGE BOLT M8 x 1.25 x 20mm, CI 8.8
32	300388		1 BOLT Hex, M12 x 1.75 x 25mm, CI 8.8
33	84602514		1 SHIELD
34	86566990		1 CABLE TIE 292mm OAL x 4.8mm W
35	140046		5 BELLEVILLE WASHER M12 Bolt Size x 27mm OD x 1.8mm Thk
36	9992069		5 O-RING 0.07" Thk x 0.614" ID, -16, CI 6, 90 Duro
37	9991976		2 O-RING 0.07" Thk x 0.739" ID, -18, CI 6, 90 Duro
38	9993141		5 O-RING 0.07" Thk x 0.364" ID, -12, CI 6, 90 Duro
39	86598100		1 O-RING 2.2mm Thk x 13.3mm ID, CI 6, 90 Duro
40	86598103		1 O-RING 2.9mm Thk x 23.6mm ID, CI 6, 90 Duro
41	47999449		1 HYDRAULIC HOSE Incl 36

3152-DRAPER HEADER 3162-DRAPER HEADER

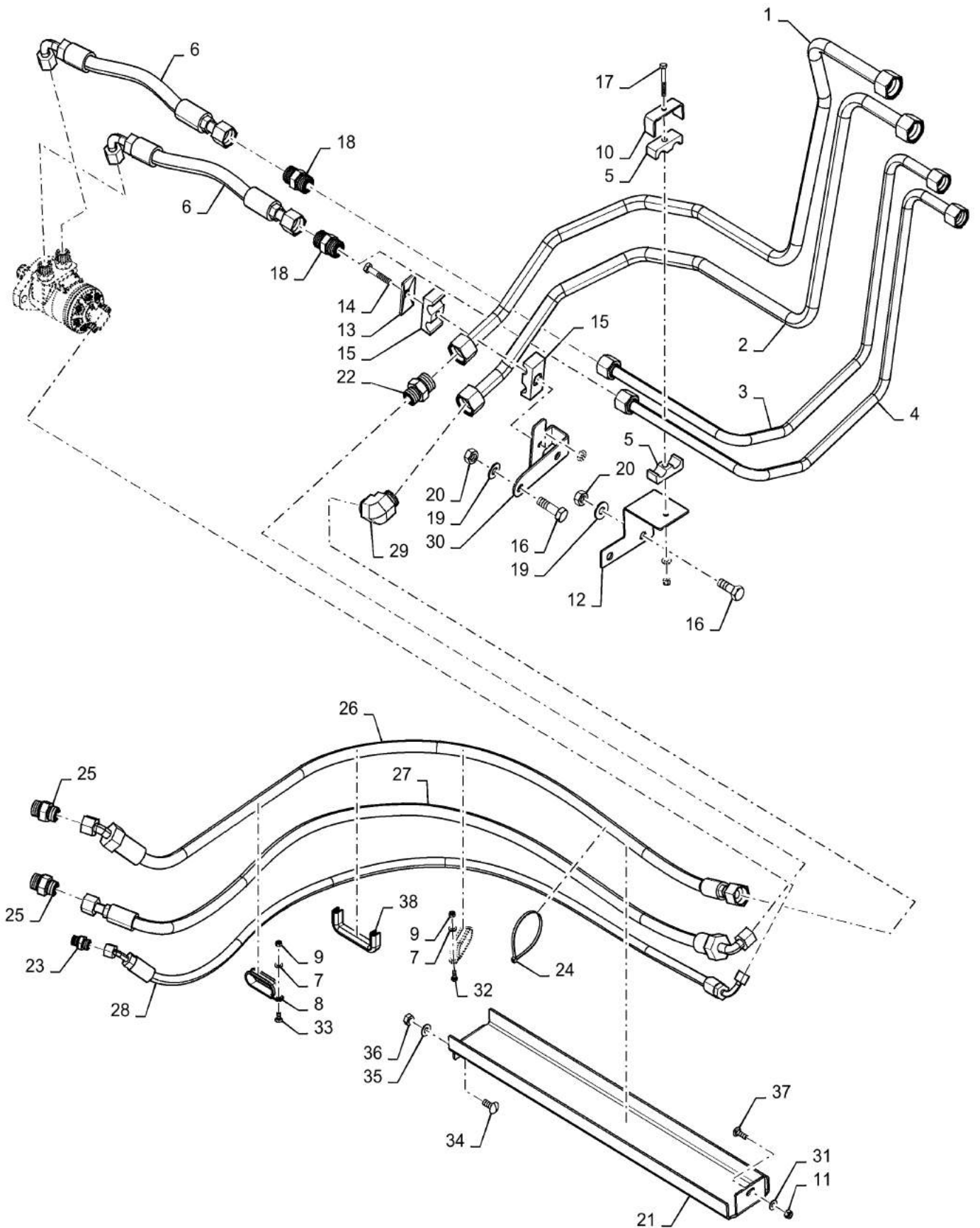
35.410.08

02

p1

9/2016

HYDRAULIC SYSTEM, FLEX DRAPER, ASN - YEH050000



HYDRAULIC SYSTEM, FLEX DRAPER, ASN - YEH050000

REF FN	PART NUMBER	YR/SN	QTY DESCRIPTION
1	47421311		1 HYD TUBE
2	47421313		1 HYD TUBE
3	47379776		1 HYD TUBE
4	47379778		1 HYD TUBE
5	430356		2 CLAMP
6	47381943		2 HYDRAULIC HOSE 12.7mm ID x 377mm L, SAE 100R16
7	322357		3 BELLEVILLE WASHER M6 Bolt Size x 14mm OD x 1.3mm Thk
8	10117701		2 RETAINER COLLAR 22mm, Coat, P Type
9	353308		3 NUT M6 x 1.0, CI 8
10	84814948		1 SUPPORT
11	86629542		2 NUT M8 x 1.25, CI 8.8
12	47422209		1 BRACKET
13	87000230		1 PLATE
14	120061		1 BOLT Hex, M8 x 60mm L, CI 8.8
15	87000151		1 CLAMP
16	9706687		4 BOLT M12 x 1.75 x 30mm, CI 8.8
17	86977790		1 BOLT Hex, M6 x 45mm, CI 8.8
18	84431473		2 HYD CONNECTOR 1"-14 ORFS
19	140046		4 BELLEVILLE WASHER M12 Bolt Size x 27mm OD x 1.8mm Thk
20	9706685		4 NUT M12 x 1.75, CI 8
21	47693568		1 SHIELD
22	84177561		1 UNION
23	86579672		1 HYD CONNECTOR 11/16"-16 ORFS x M16 x 1.5 ORB
24	86566990		3 CABLE TIE 292mm OAL x 4.8mm W
25	86597760		2 HYD CONNECTOR 1"-14 ORFS x M2 x 2.0 ORB
26	47687895		1 HOSE
27	47687896		1 HOSE
28	47687897		1 HOSE
29	87378036		1 ELBOW
30	47421315		1 BRACKET

3162-DRAPER HEADER

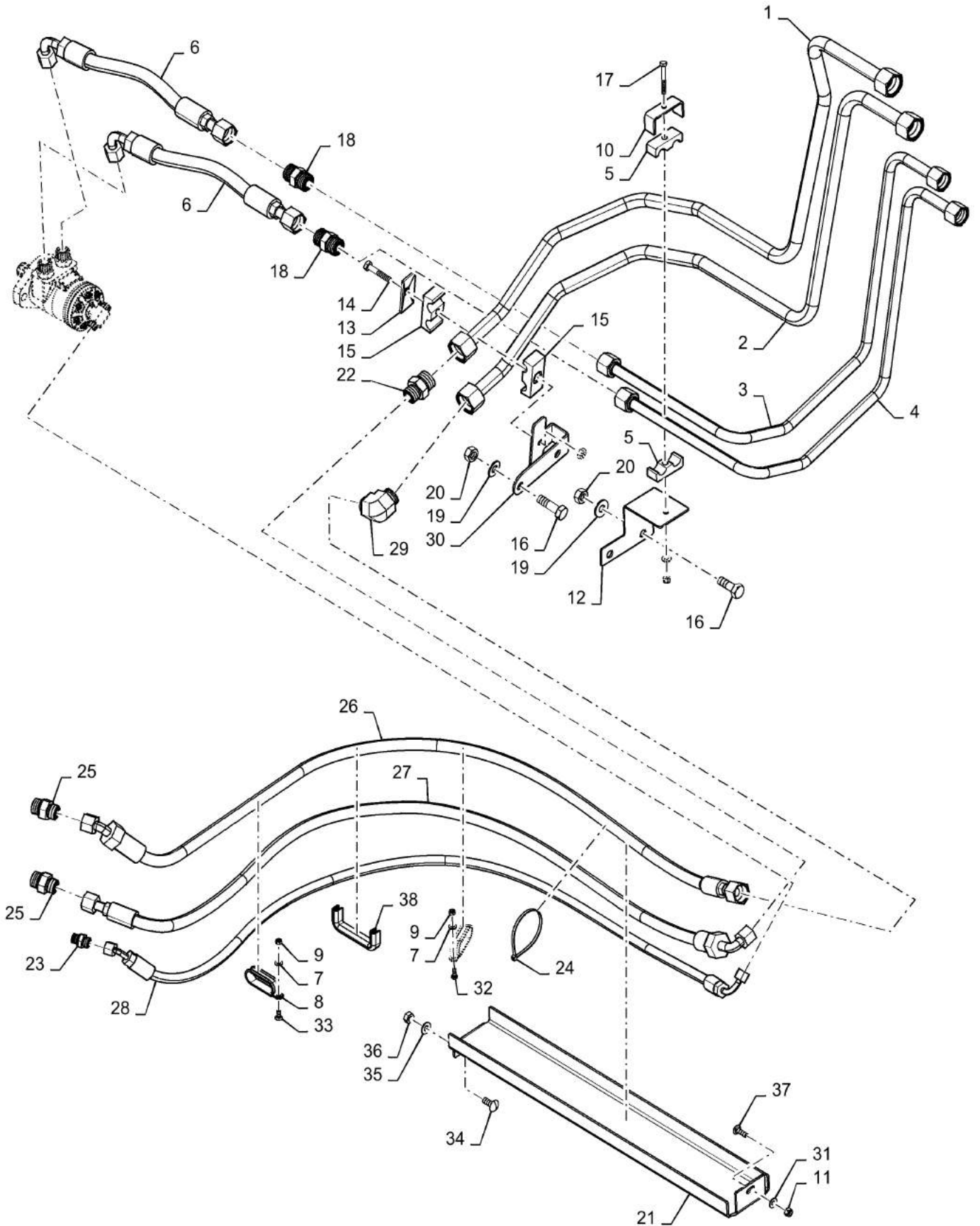
35.410.08

02

p2

9/2016

HYDRAULIC SYSTEM, FLEX DRAPER, ASN - YEH050000



35.410.08

02

p2

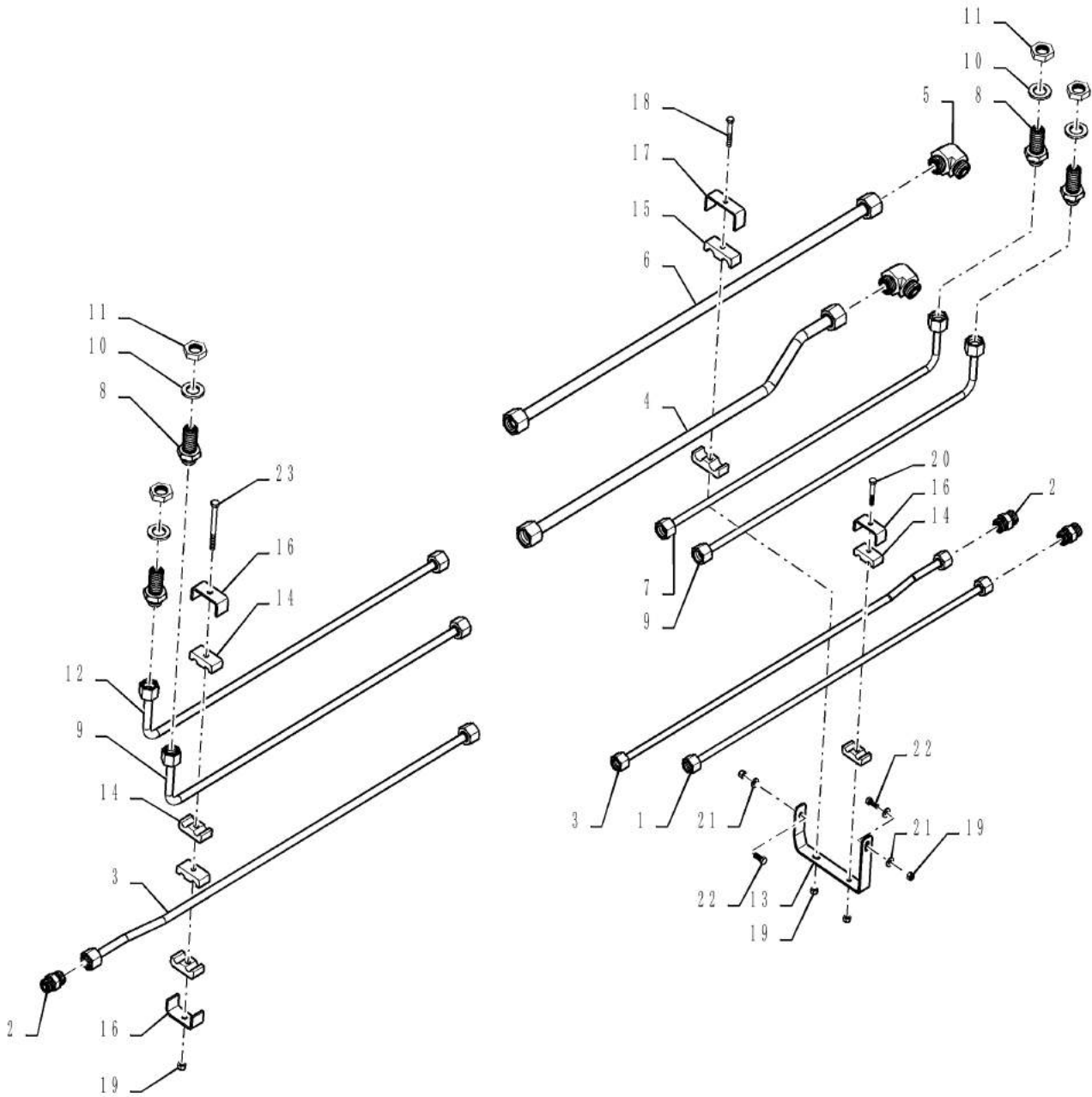
9/2016

HYDRAULIC SYSTEM, FLEX DRAPER, ASN - YEH050000

REF FN	PART NUMBER	YR/SN	QTY DESCRIPTION
31	322358		1 BELLEVILLE WASHER M8 Bolt Size x 18mm OD x 1.4mm Thk
32	86508568		1 BOLT Hex, M6 x 1 x 16mm, CI 8.8
33	86512439		1 CARRIAGE BOLT M6 x 16mm, CI 8.8
34	86633356		2 CARRIAGE BOLT M10 x 34.8mm, CI 8.8
35	140045		2 BELLEVILLE WASHER M10 Bolt Size x 22mm OD x 1.6mm Thk
36	100016		2 NUT M10 x 1.5, CI 8
37	308761		1 CARRIAGE BOLT M8 x 1.25 x 25mm, CI 8.8
38	9850033		AR SEAL

3162-DRAPER HEADER

HYDRAULIC, EXTENSION, 40 FOOT HEADER

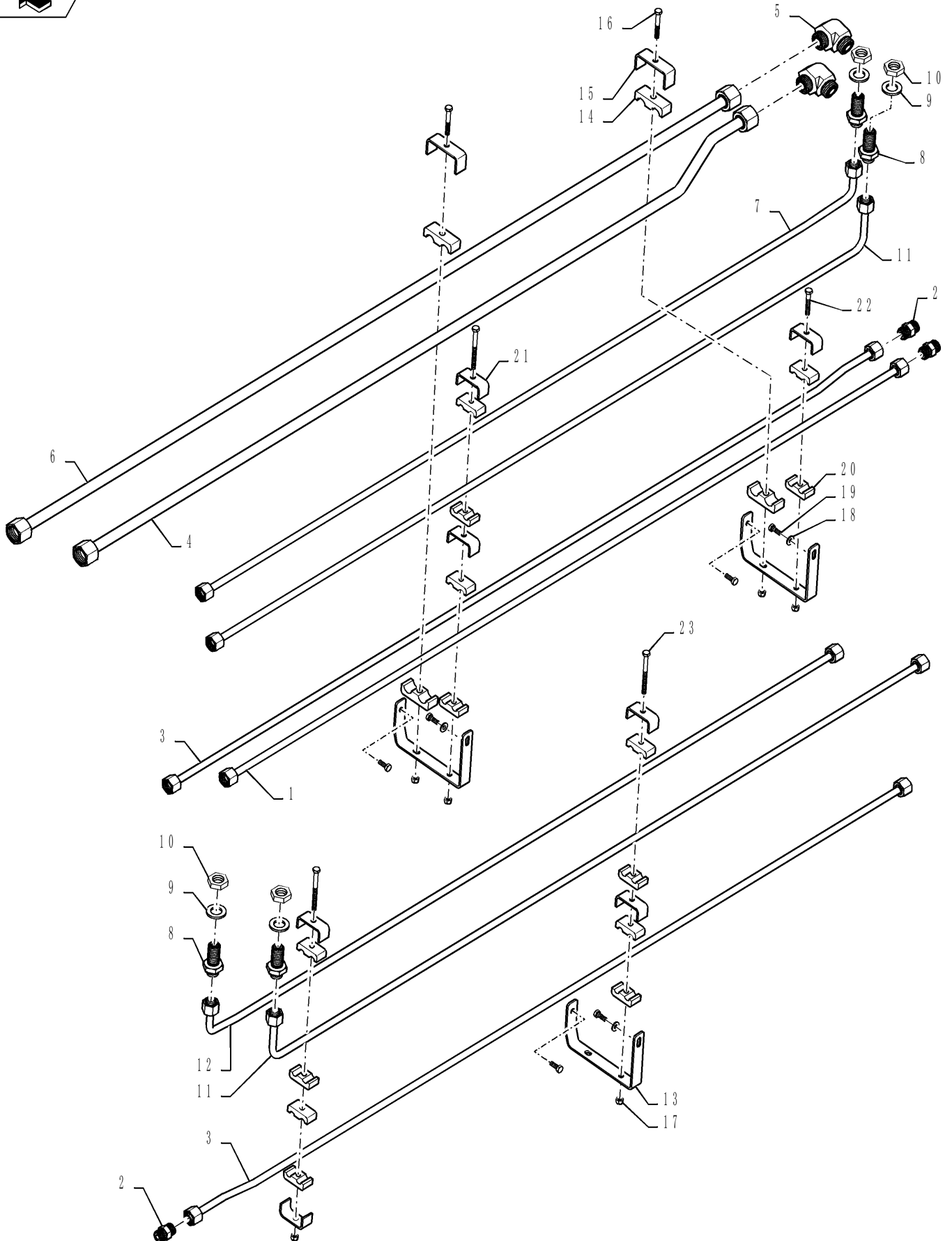


HYDRAULIC, EXTENSION, 40 FOOT HEADER

REF FN	PART NUMBER	YR/SN	QTY DESCRIPTION
1	84198939		1 HYD TUBE Extension
2	84431546		3 UNION 11/16"-16 ORFS
3	84198941		2 HYD TUBE Extension
4	84198943		1 HYD TUBE Extension
5	9840570		2 ELBOW 90°, 13/16"-16 ORFS 90 Union
6	84198945		1 HYD TUBE Extension
7	84201861		1 HYD TUBE Extension
8	86978770		4 UNION 11/16"-6, ORFS
9	84201859		2 HYD TUBE Extension
10	140020		4 WASHER 17.5mm ID x 30mm OD x 3mm Thk
11	87010704		4 BHD LOCK NUT 11/16"-16
12	84201901		1 HYD TUBE Extension
13	84209464		1 BRACKET
14	430357		6 CLAMP
15	430356		2 CLAMP
16	431941		3 SUPPORT
17	84814948		1 SUPPORT
18	86977790		1 BOLT Hex, M6 x 45mm, Cl 8.8
19	353308		5 NUT M6 x 1.0, Cl 8
20	86977790		1 BOLT Hex, M6 x 45mm, Cl 8.8
21	322357		3 BELLEVILLE WASHER M6 Bolt Size x 14mm OD x 1.3mm Thk
22	120100		2 BOLT M6 x 20mm, Cl 8.8
23	86508569		1 BOLT Hex, M6 x 70mm, Cl 8.8

3152-DRAPER HEADER 3162-DRAPER HEADER

HYDRAULIC, EXTENSION, 45 FOOT HEADER

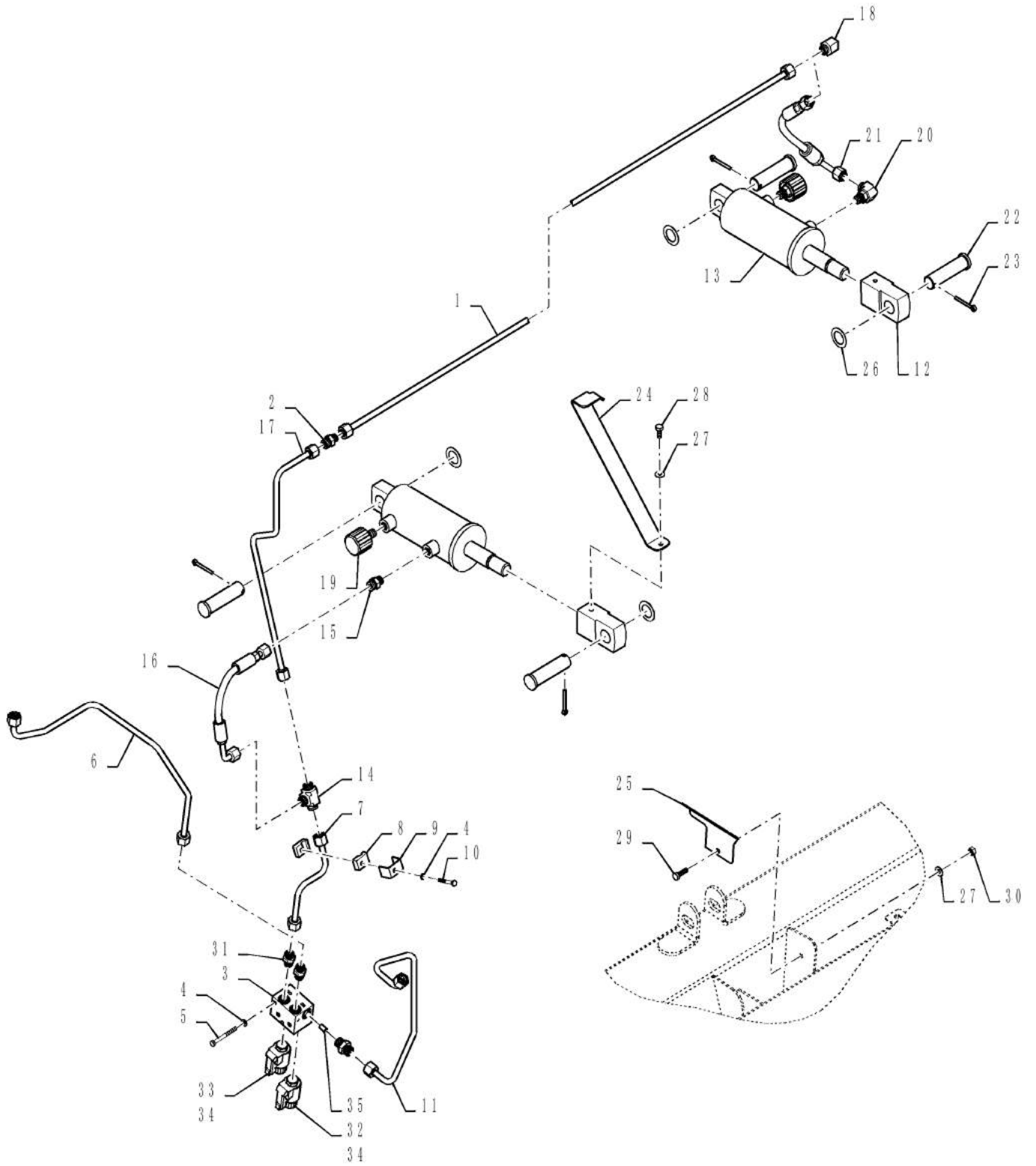


HYDRAULIC, EXTENSION, 45 FOOT HEADER

REF FN	PART NUMBER	YR/SN	QTY DESCRIPTION
1	84543570		1 HYD TUBE Extension
2	84431546		3 UNION 11/16"-16 ORFS
3	84543572		2 HYD TUBE Extension
4	84221937		1 HYD TUBE Extension
5	9840570		2 ELBOW 90°, 13/16"-16 ORFS 90 Union
6	84221940		1 HYD TUBE Extension
7	84543574		1 HYD TUBE Extension
8	86978770		4 UNION 11/16"-6, ORFS
9	140020		4 WASHER 17.5mm ID x 30mm OD x 3mm Thk
10	87010704		4 BHD LOCK NUT 11/16"-16
11	84543576		2 HYD TUBE Extension
12	84543578		1 HYD TUBE Extension
13	84209464		3 BRACKET
14	430356		4 CLAMP
15	84814948		2 SUPPORT
16	86977790		2 BOLT Hex, M6 x 45mm, CI 8.8
17	353308		6 NUT M6 x 1.0, CI 8
18	322357		3 BELLEVILLE WASHER M6 Bolt Size x 14mm OD x 1.3mm Thk
19	120100		6 BOLT M6 x 20mm, CI 8.8
20	430357		14 CLAMP
21	431941		7 SUPPORT
22	43118		1 BOLT Hex, M6 x 1.0 x 40mm, CI 8.8
23	86508569		3 BOLT Hex, M6 x 70mm, CI 8.8

3152-DRAPER HEADER 3162-DRAPER HEADER

HYDRAULIC SYSTEM , FORE - AFT

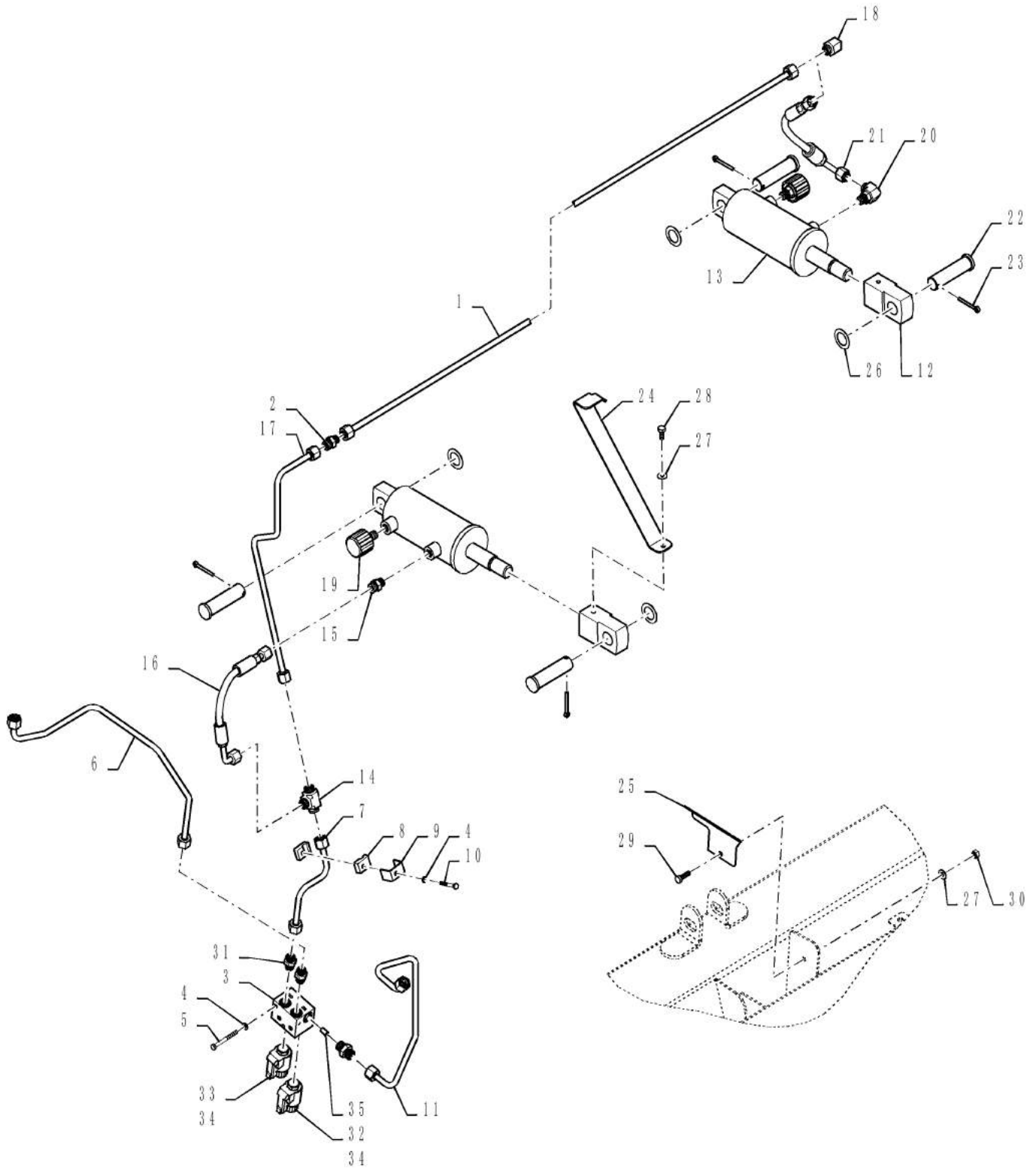


HYDRAULIC SYSTEM , FORE - AFT

REF FN	PART NUMBER	YR/SN	QTY DESCRIPTION
1	84374100		1 HYD TUBE Fore - Aft Tube
2	84431546		1 UNION 11/16"-16 ORFS
3	84427820		1 CONTROL VALVE
4	322357		3 BELLEVILLE WASHER M6 Bolt Size x 14mm OD x 1.3mm Thk
5	338413		2 BOLT Hex, M6 x 60mm, CI 8.8
6	84374093		1 HYD TUBE Valve to Top Beam Bundle
7	84374095		1 HYD TUBE
8	433008		2 CLAMP
9	442340		1 SUPPORT
10	43118		1 BOLT Hex, M6 x 1.0 x 40mm, CI 8.8
11	84374094		1 HYD TUBE Valve to Quick Coupler Assembly
12	84371134		2 CLEVIS
13	47732503		2 HYDRAULIC CYLINDER Assy
13	47849503		2 SEAL KIT
14	9840322		1 TEE 11/16"-16 ORFS
15	9993143		1 HYD CONNECTOR 11/16" - 16 ORFS x 9/16" - 18 ORB
16	84386412		1 HYDRAULIC HOSE 6.35mm ID x 328mm L, SAE 100R17
17	NSS		1 NOT SOLD SEPARAT HYDRAULIC HOSE, Cylinder to Tee
18	87564749		1 ELBOW 90°, 11/16"-16, ORFS
19	84192870		2 BREATHER
20	9840543		1 90 ELBOW 90°, 11/16"-16 x 9/16"-18 Adj, ORFS
21	84386413		1 HYDRAULIC HOSE 6.35mm ID x 308mm L, SAE 100R17 Cylinder to Fore - Aft Tube
22	NSS		4 NOT SOLD SEPARAT PIN, Clevis
23	87399		4 COTTER PIN 1/2 x 3 Bolt
24	84538540		1 INDICATOR
25	84422040		1 INDICATOR
26	26129		4 WASHER 25.8mm ID x 39.69mm OD x 0.99mm Thk
27	322358		2 BELLEVILLE WASHER M8 Bolt Size x 18mm OD x 1.4mm Thk
28	120103		1 BOLT M8 x 1.25 x 16mm, CI 8.8

3152-DRAPER HEADER 3162-DRAPER HEADER

HYDRAULIC SYSTEM , FORE - AFT

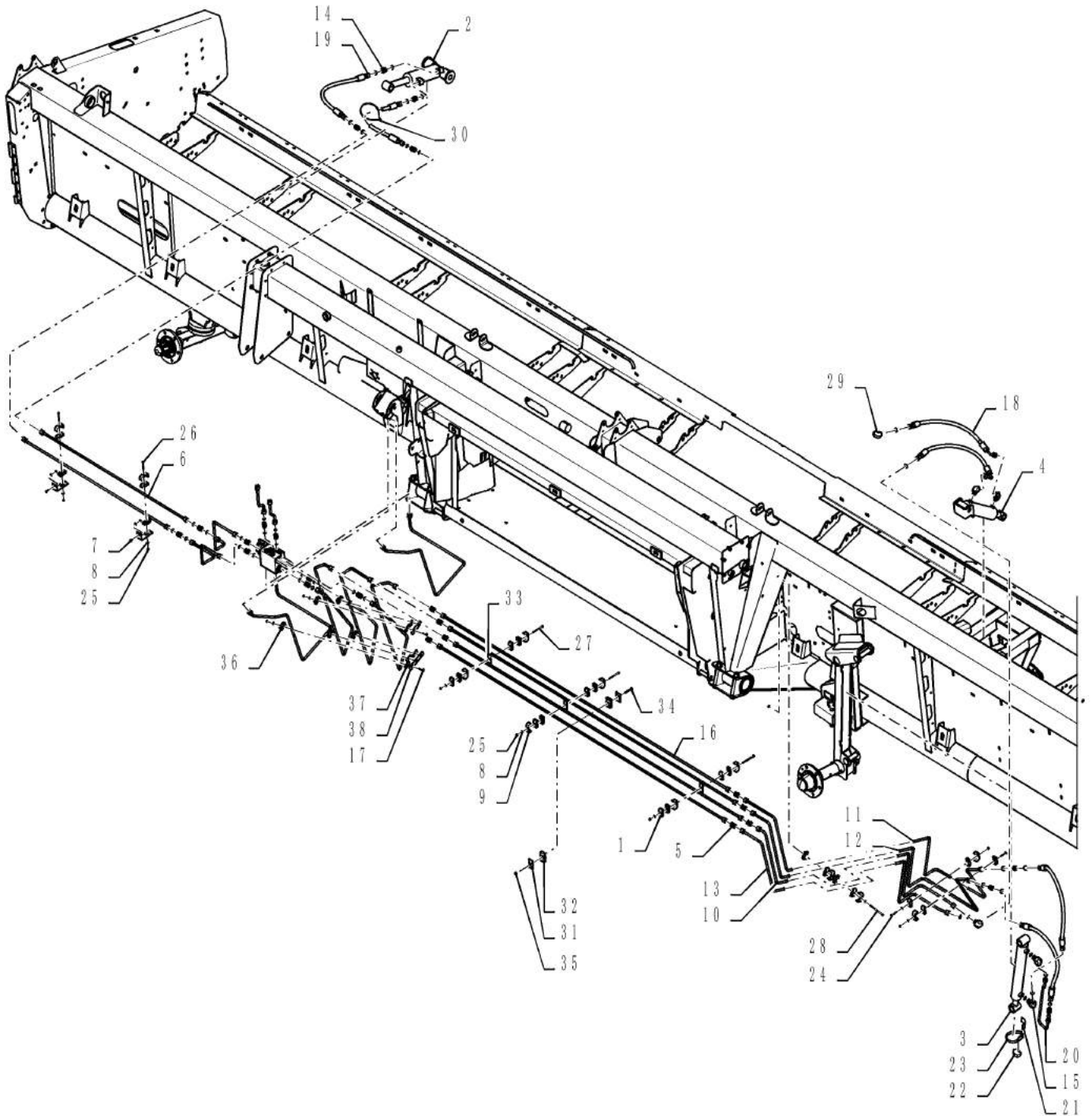


HYDRAULIC SYSTEM , FORE - AFT

REF FN	PART NUMBER	YR/SN	QTY DESCRIPTION
29	43127		1 BOLT Hex, M8 x 1.25 x 25mm, CI 8.8
30	9706690		1 NUT M8 x 1.25, CI 8
31	86579672		3 HYD CONNECTOR 11/16"-16 ORFS x M16 x 1.5 ORB
32	87736090		1 SOLENOID
33	87736061		1 SOLENOID
34	87736063		2 COIL
35	87736060		1 RESTRICTOR

3152-DRAPER HEADER 3162-DRAPER HEADER

HYDRAULIC, DRAPER TRANSPORT



HYDRAULIC, DRAPER TRANSPORT

REF FN	PART NUMBER	YR/SN	QTY DESCRIPTION
1	430357		24 CLAMP 30 Foot Header
1	430357		26 CLAMP 35, 40, 45 Foot Header
2	84470538		1 HYDRAULIC CYLINDER Double Acting, 31.8mm Rod, 135.8mm Stroke Transport
3	84470539		1 HYDRAULIC CYLINDER Double Acting, 28.6mm Rod, 304.8mm Stroke Transport
4	84470540		1 HYDRAULIC CYLINDER Double Acting, 31.8mm Rod, 203.2mm Stroke Transport
5	84431546		13 UNION 11/16"-16 ORFS
6	84514603		2 HYD TUBE Transport, 30 Foot Header
6	84477953		2 HYD TUBE Transport, 35, 40, 45 Foot Header
7	86512439		1 CARRIAGE BOLT M6 x 16mm, CI 8.8 30 Foot Header
7	86512439		2 CARRIAGE BOLT M6 x 16mm, CI 8.8 35, 40, 45 Foot Header
8	322357		14 BELLEVILLE WASHER M6 Bolt Size x 14mm OD x 1.3mm Thk 30 Foot Header
8	322357		16 BELLEVILLE WASHER M6 Bolt Size x 14mm OD x 1.3mm Thk 35, 40, 45 Foot Header
9	431941		12 SUPPORT 30 Foot Header
9	431941		13 SUPPORT 35, 40, 45 Foot Header
10	84465983		1 HYD TUBE Transport
11	84480900		1 HYD TUBE Transport
12	84480898		1 HYD TUBE Transport
13	84465981		1 HYD TUBE Transport
14	87672176		2 HYD CONNECTOR 3/8 ORFS-ORB 1/2
15	84390792		4 90 ELBOW
16	84424348		4 HYD TUBE Transport
17	86512441		5 CARRIAGE BOLT Rnd Head, M6 x 1 x 36.6mm, CI 8.8
18	84484718		2 HYDRAULIC HOSE 9.53mm ID x 580mm L, SAE 100R16 Transport
19	84484717		4 HYDRAULIC HOSE 9.53mm ID x 690mm L, SAE 100R16 Transport
20	84484194		1 HYD TUBE Transport
21	782673		1 ANTI-SKID STRIP

3152-DRAPER HEADER 3162-DRAPER HEADER

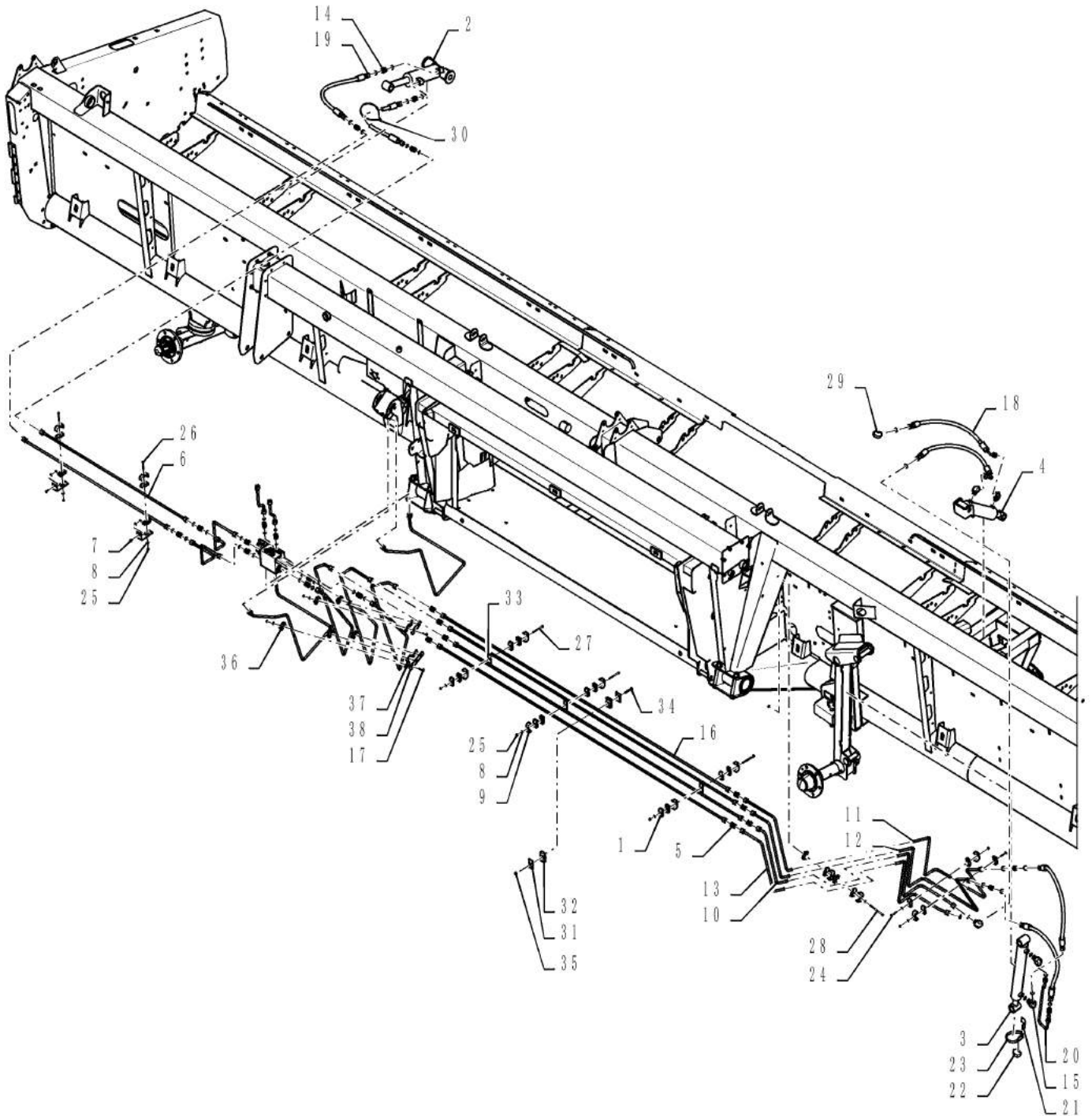
35.410.12

01

p2

9/2016

HYDRAULIC, DRAPER TRANSPORT



HYDRAULIC, DRAPER TRANSPORT

REF FN	PART NUMBER	YR/SN	QTY DESCRIPTION
22	640682		1 SPACER
23	82012730		1 HOSE CLAMP 68mm - 85mm, Worm Gear
24	412327		2 CARRIAGE BOLT Short Sq Nk, M6 x 1 x 40mm, CI 8.8, Full Thd
25	353308		13 NUT M6 x 1.0, CI 8 30 Foot Header
25	353308		15 NUT M6 x 1.0, CI 8 35, 40, 45 Foot Header
26	43118		1 BOLT Hex, M6 x 1.0 x 40mm, CI 8.8 30 Foot Header
26	43118		2 BOLT Hex, M6 x 1.0 x 40mm, CI 8.8 35, 40, 45 Foot Header
27	11030421		3 BOLT Hex, M6 x 75mm, CI 8.8
28	86505841		2 BOLT Hex, M6 x 1 x 100mm, CI 8.8
29	87564749		2 ELBOW 90°, 11/16"-16, ORFS
30	86566990		2 CABLE TIE 292mm OAL x 4.8mm W CABLE STRAP
31	86509354		1 PLATE
32	87000159		1 CLAMP
33	384870A1		2 PLATE Hose Clamp Cover
34	43130		1 BOLT Hex, M8 x 1.25 x 50mm, CI 8.8
35	86629542		1 NUT M8 x 1.25, CI 8.8
36	84484721		5 CLAMP
37	84542186		1 BRACKET
38	84542187		1 BRACKET

3152-DRAPER HEADER 3162-DRAPER HEADER

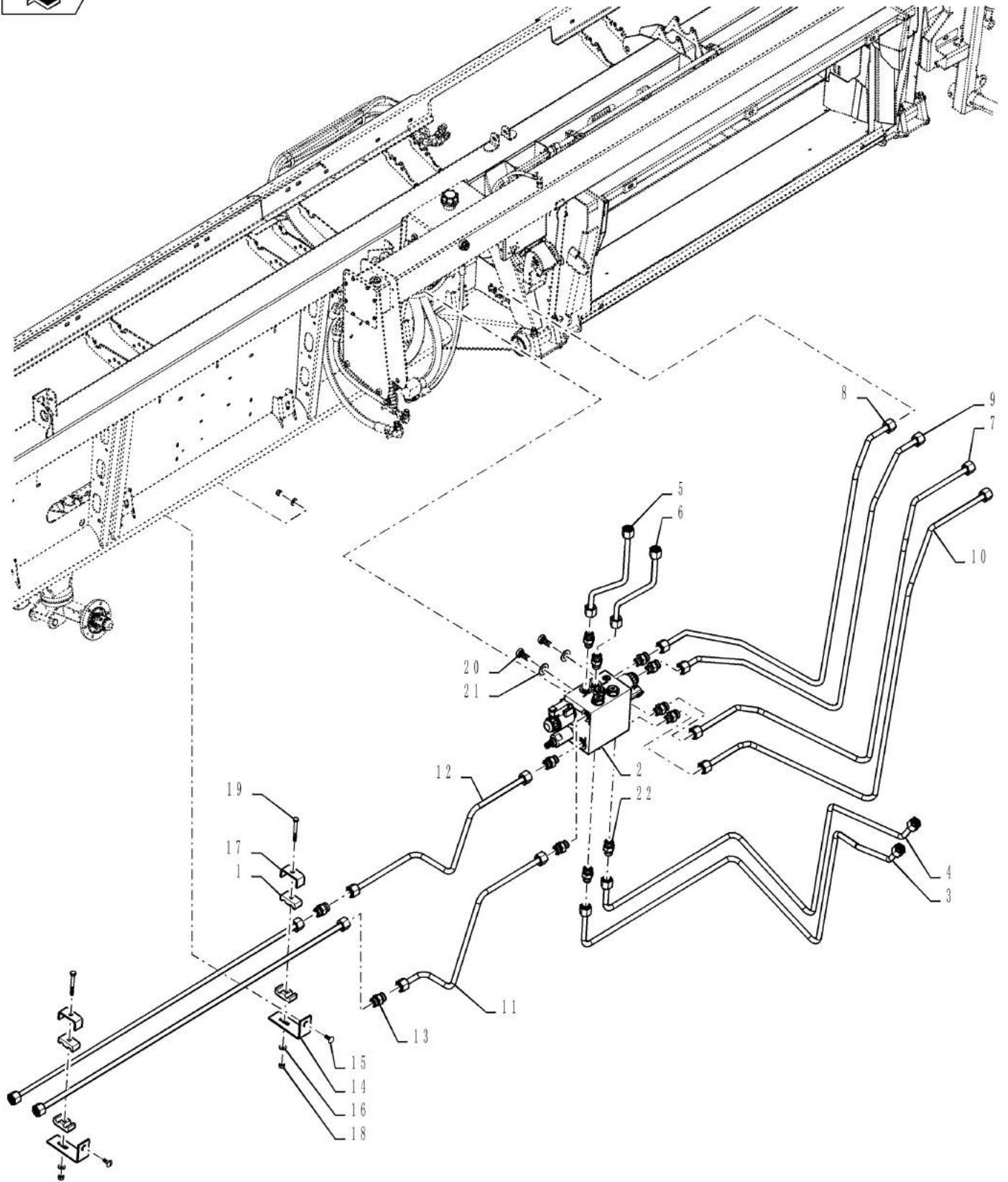
35.410.12

02

p1

9/2016

HYDRAULIC, DRAPER TRANSPORT



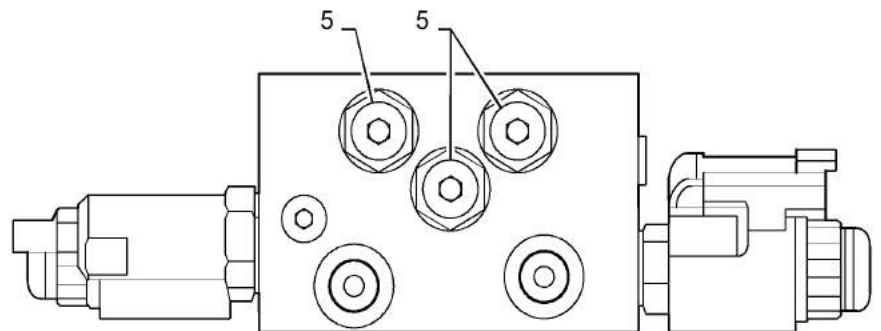
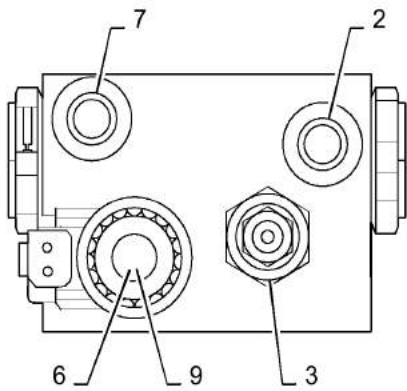
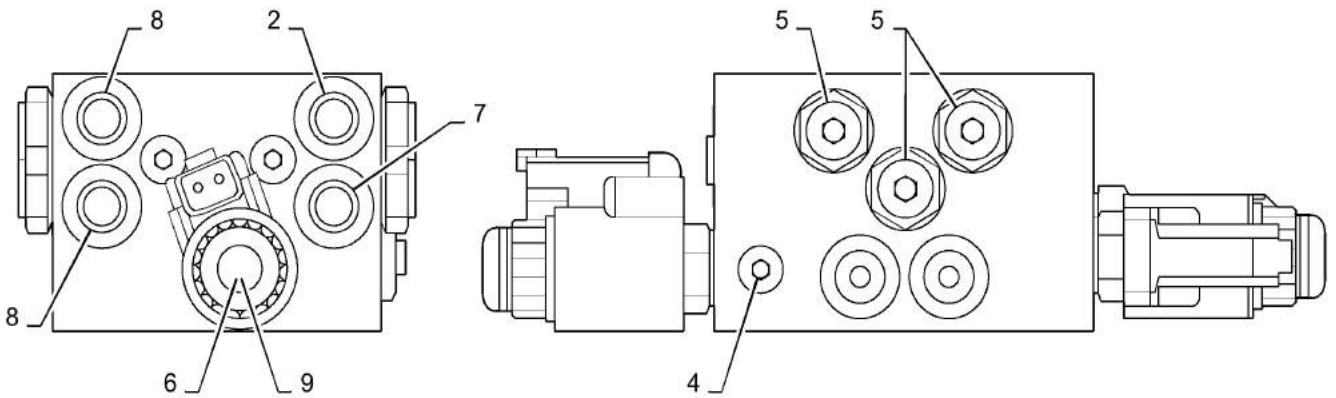
HYDRAULIC, DRAPER TRANSPORT

REF FN	PART NUMBER	YR/SN	QTY DESCRIPTION
1	430357		2 CLAMP
2	84427669		1 MANIFOLD Hydraulic
3	84469776		1 HYD TUBE Transport
4	84469778		1 HYD TUBE Transport
5	84469780		1 HYD TUBE Transport
6	84469782		1 HYD TUBE Transport
7	84469928		1 HYD TUBE Transport
8	84469930		1 HYD TUBE Transport
9	84481766		1 HYD TUBE Transport
10	84481768		1 HYD TUBE Transport
11	84469770		1 HYD TUBE Transport
12	84469772		1 HYD TUBE Transport
13	84431546		2 UNION 11/16"-16 ORFS
14	86586810		2 SUPPORT 30 Foot Header
14	86586810		3 SUPPORT 35, 40, 45 Foot Header
15	86512439		1 CARRIAGE BOLT M6 x 16mm, CI 8.8
16	322357		2 BELLEVILLE WASHER M6 Bolt Size x 14mm OD x 1.3mm Thk
17	431941		1 SUPPORT
18	353308		2 NUT M6 x 1.0, CI 8
19	43118		1 BOLT Hex, M6 x 1.0 x 40mm, CI 8.8
20	43138		2 BOLT Hex, M10 x 1.5 x 20mm, CI 8.8
21	140045		2 BELLEVILLE WASHER M10 Bolt Size x 22mm OD x 1.6mm Thk
22	9993143		10 HYD CONNECTOR 11/16" - 16 ORFS x 9/16" - 18 ORB

3152-DRAPER HEADER 3162-DRAPER HEADER

HYDRAULIC, DRAPER TRANSPORT, MANIFOLD

1



35.410.12

03

p1

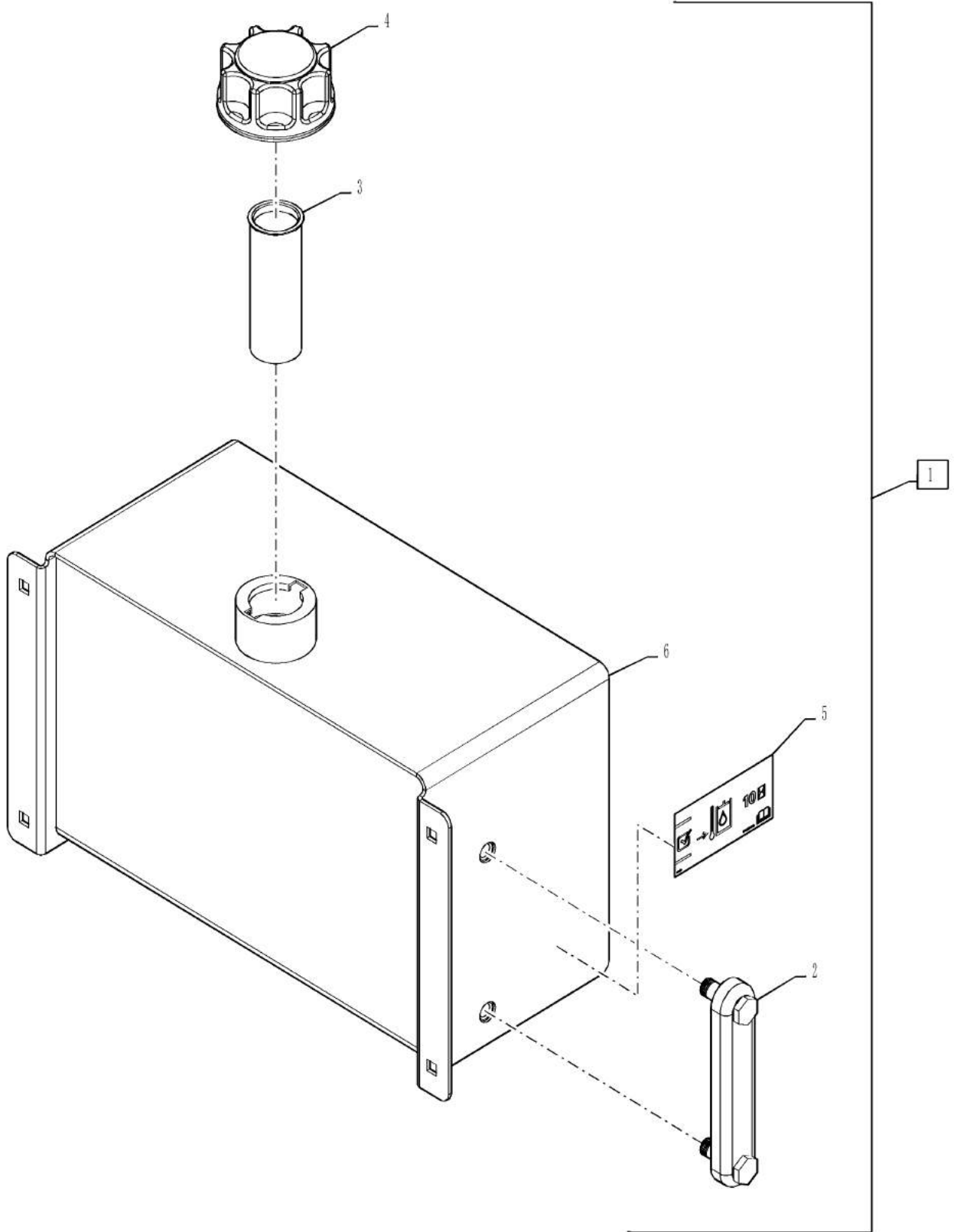
9/2016

HYDRAULIC, DRAPER TRANSPORT, MANIFOLD

REF FN	PART NUMBER	YR/SN	QTY DESCRIPTION
1	84427669		1 MANIFOLD Hydraulic, Transport, Incl 2 - 9
2	47493754		2 ORIFICE Plate
3	47493757		1 VALVE Pressure Relief
4	47493759		1 ORIFICE Plug
5	47493761		6 VALVE Pressure Relief
6	47493760		2 VALVE Solenoid
7	47493753		2 ORIFICE Plate
8	47493755		2 ORIFICE Plate
9	87736063		2 COIL

3152-DRAPER HEADER 3162-DRAPER HEADER

RESERVOIR, HYDRAULIC OIL



RESERVOIR, HYDRAULIC OIL

REF FN	PART NUMBER	YR/SN	QTY DESCRIPTION
1	84569597		1 RESERVOIR, HYDRAULIC 13.6L Incl 2 - 6
2	86988366		1 SIGHTGLASS
3	87435908		1 SCREEN Reservoir
4	87325304		1 CAP Reservoir
5	84533147		1 DECAL Check Level
6	84332635		1 RESERVOIR, HYDRAULIC

3152-DRAPER HEADER 3162-DRAPER HEADER

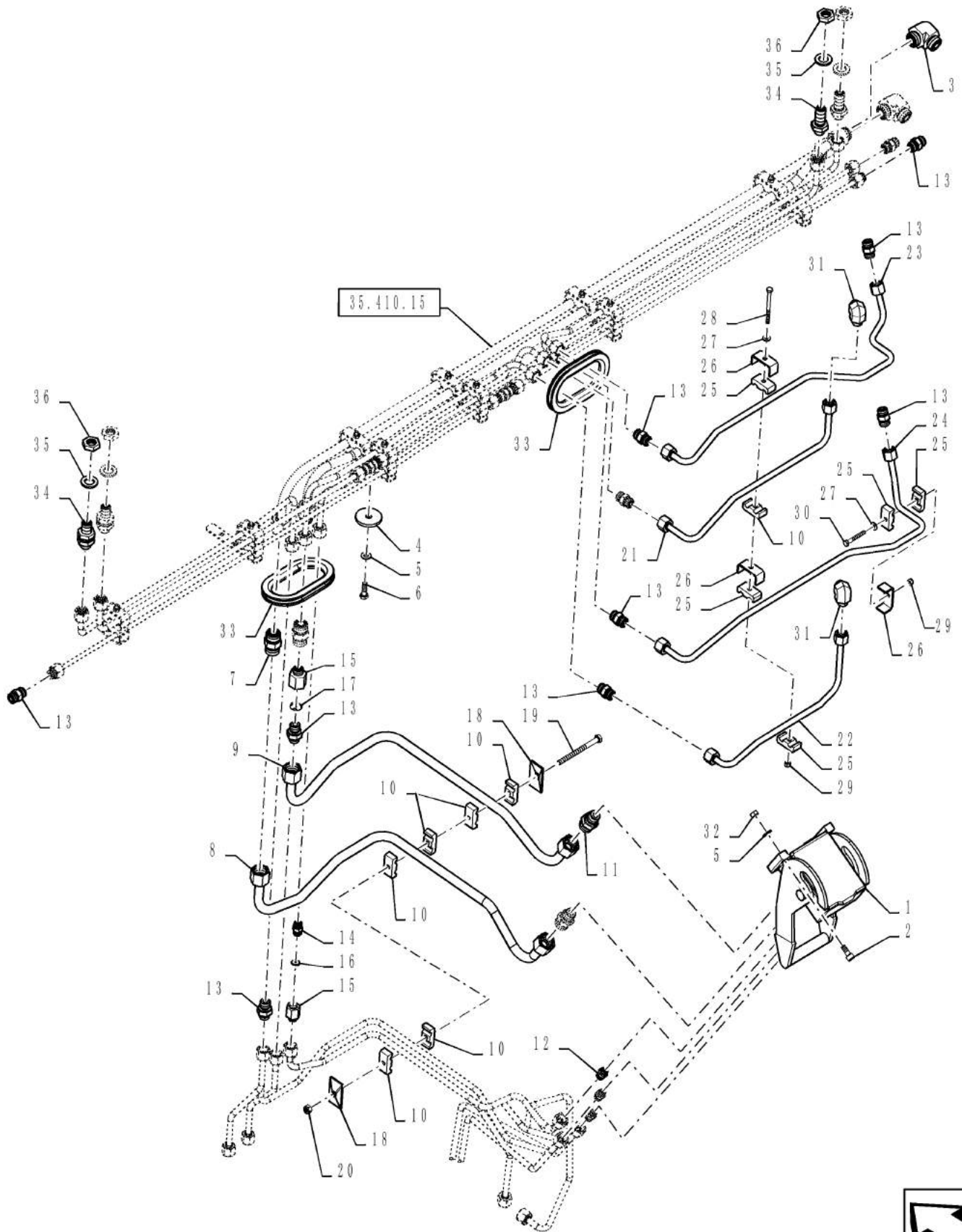
35.410.14

01

p1

9/2016

HYDRAULIC, TOP BEAM



HYDRAULIC, TOP BEAM

REF FN	PART NUMBER	YR/SN	QTY DESCRIPTION
1	84434997		1 COUPLING
2	120228		4 HEX SOC SCREW M8 x 20mm, CI 8.8, Full Thd
3	9840570		2 ELBOW 90°, 13/16"-16 ORFS
4	623303		4 WASHER 10.32mm ID x 47.63mm OD x 4.76mm Thk
5	322358		8 BELLEVILLE WASHER M8 Bolt Size x 18mm OD x 1.4mm Thk
6	43127		4 BOLT Hex, M8 x 1.25 x 25mm, CI 8.8
7	84431473		2 HYD CONNECTOR 1"-14 ORFS
8	84357407		1 HYD TUBE
9	84357413		1 HYD TUBE
10	87000159		3 CLAMP
11	87351379		2 HYD CONNECTOR
12	9993143		3 HYD CONNECTOR 11/16" - 16 ORFS x 9/16" - 18 ORB
13	84431546		10 UNION 11/16"-16 ORFS
14	86579673		2 HYD CONNECTOR 11/16" - 16 ORFS x M18 x 1.5 ORB
15	84062491		2 HYD CONNECTOR 11/16"-16 M ORFS x M18 x 1.5 Fem Fitting
16	84206574		1 RESTRICTOR Valve
17	385686		1 ORIFICE Valve Restrictor
18	384870A1		2 PLATE Hose Clamp Cover
19	412215		1 BOLT Hex, M8 x 1.25 x 100mm, CI 8.8
20	86629542		1 NUT M8 x 1.25, CI 8.8
21	84201900		1 HYD TUBE
22	84201863		1 HYD TUBE
23	84208580		1 HYD TUBE
24	84208582		1 HYD TUBE
25	430357		6 CLAMP
26	431941		3 SUPPORT
27	322357		1 BELLEVILLE WASHER M6 Bolt Size x 14mm OD x 1.3mm Thk 30 Ft Draper
27	322357		2 BELLEVILLE WASHER M6 Bolt Size x 14mm OD x 1.3mm Thk 35 Ft Draper
28	86508569		1 BOLT Hex, M6 x 70mm, CI 8.8

3152-DRAPER HEADER 3162-DRAPER HEADER

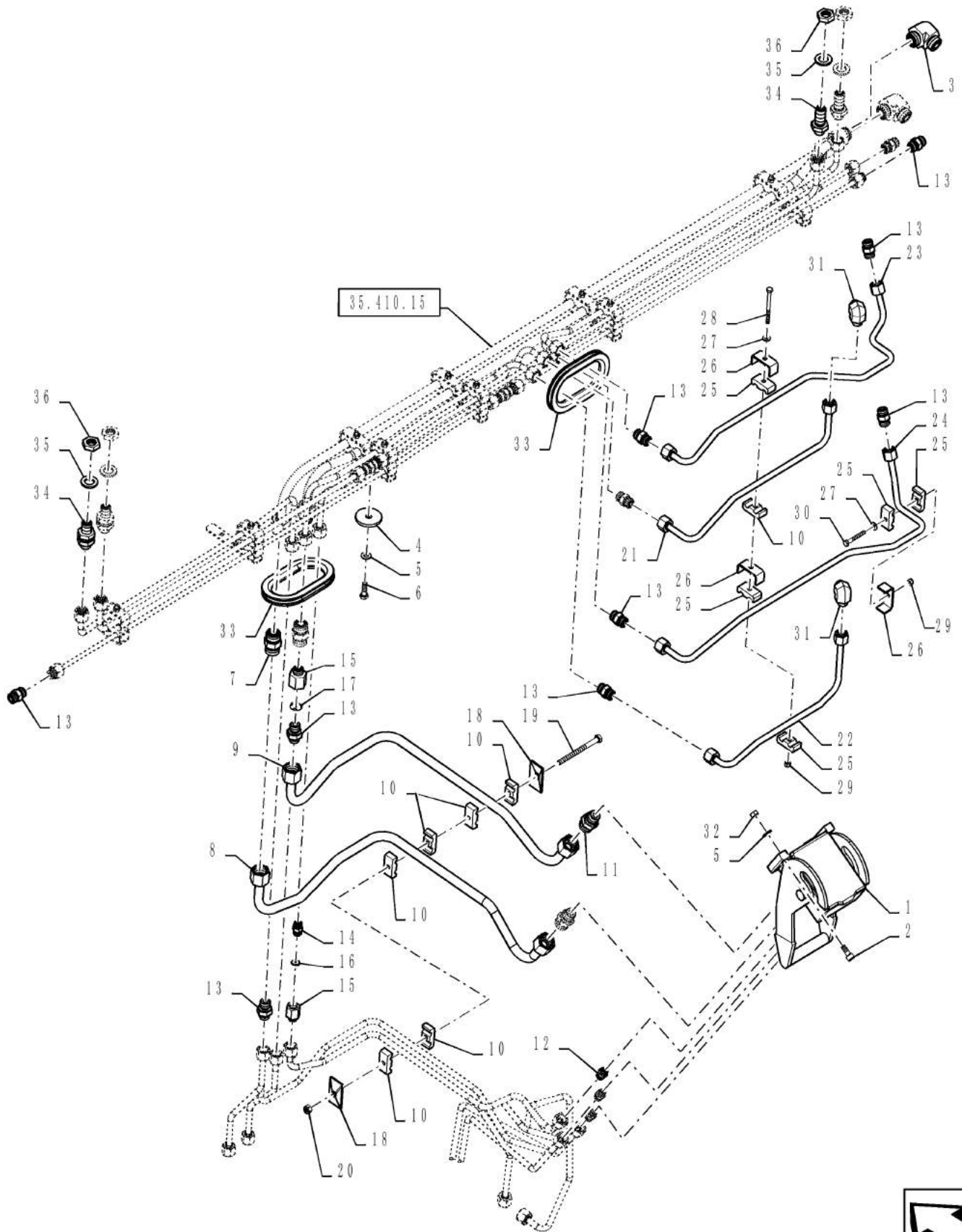
35.410.14

01

p2

9/2016

HYDRAULIC, TOP BEAM



35.410.14

01

p2

9/2016

HYDRAULIC, TOP BEAM

REF FN	PART NUMBER	YR/SN	QTY DESCRIPTION
29	353308		2 NUT M6 x 1.0, CI 8
30	86977790		1 BOLT Hex, M6 x 45mm, CI 8.8
31	87564749		2 ELBOW 90°, 11/16"-16, ORFS
32	43362		4 NUT M8 x 1.25, CI 10
33	9850033		2 SEAL
34	86978770		4 UNION 11/16"-6, ORFS
35	140020		4 WASHER 17.5mm ID x 30mm OD x 3mm Thk
36	87010704		4 BHD LOCK NUT 11/16"-16

3152-DRAPER HEADER 3162-DRAPER HEADER

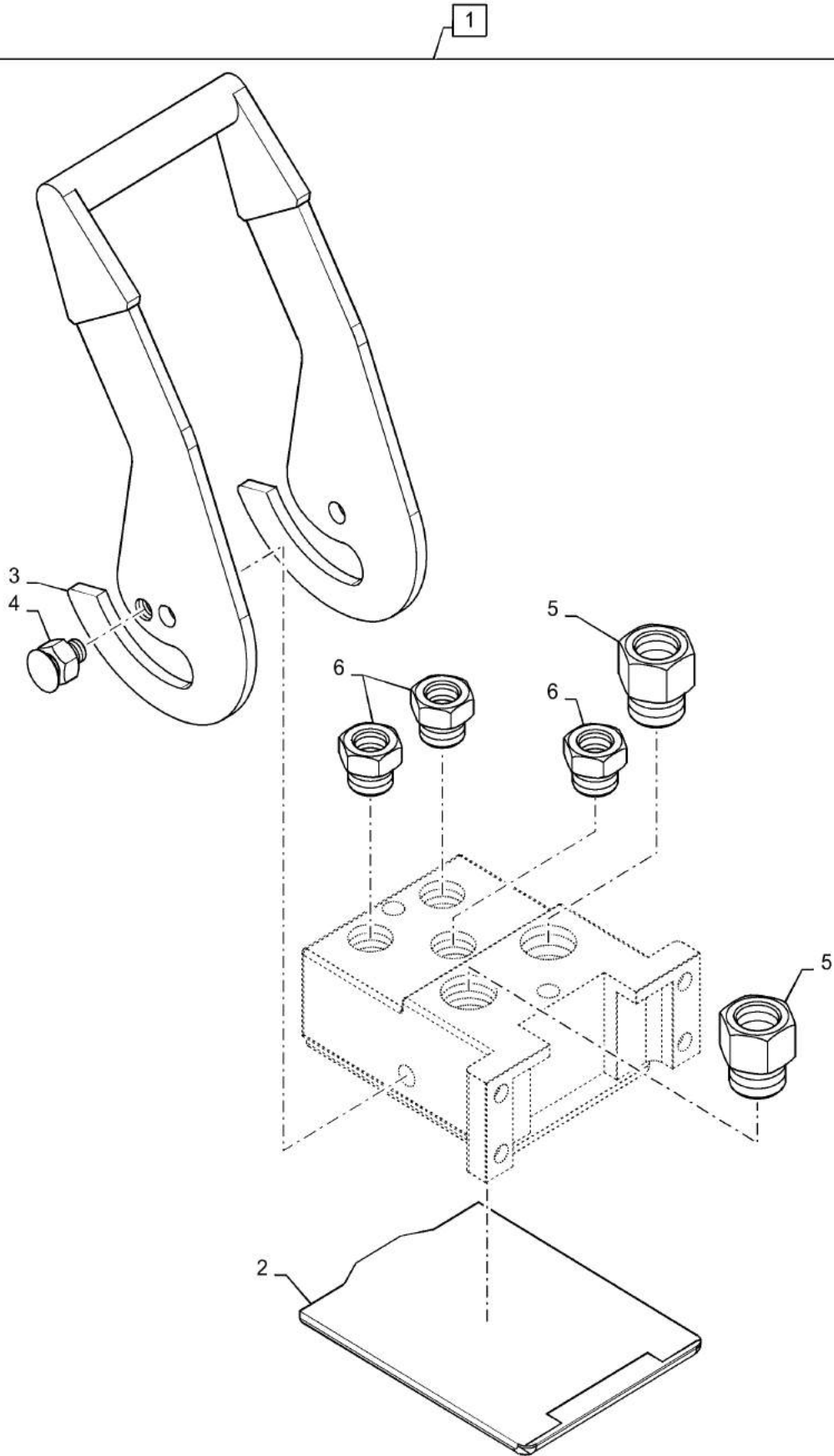
35.410.14

02

p1

9/2016

QUICK COUPLER, ASSY, TOP BEAM



35.410.14

02

p1

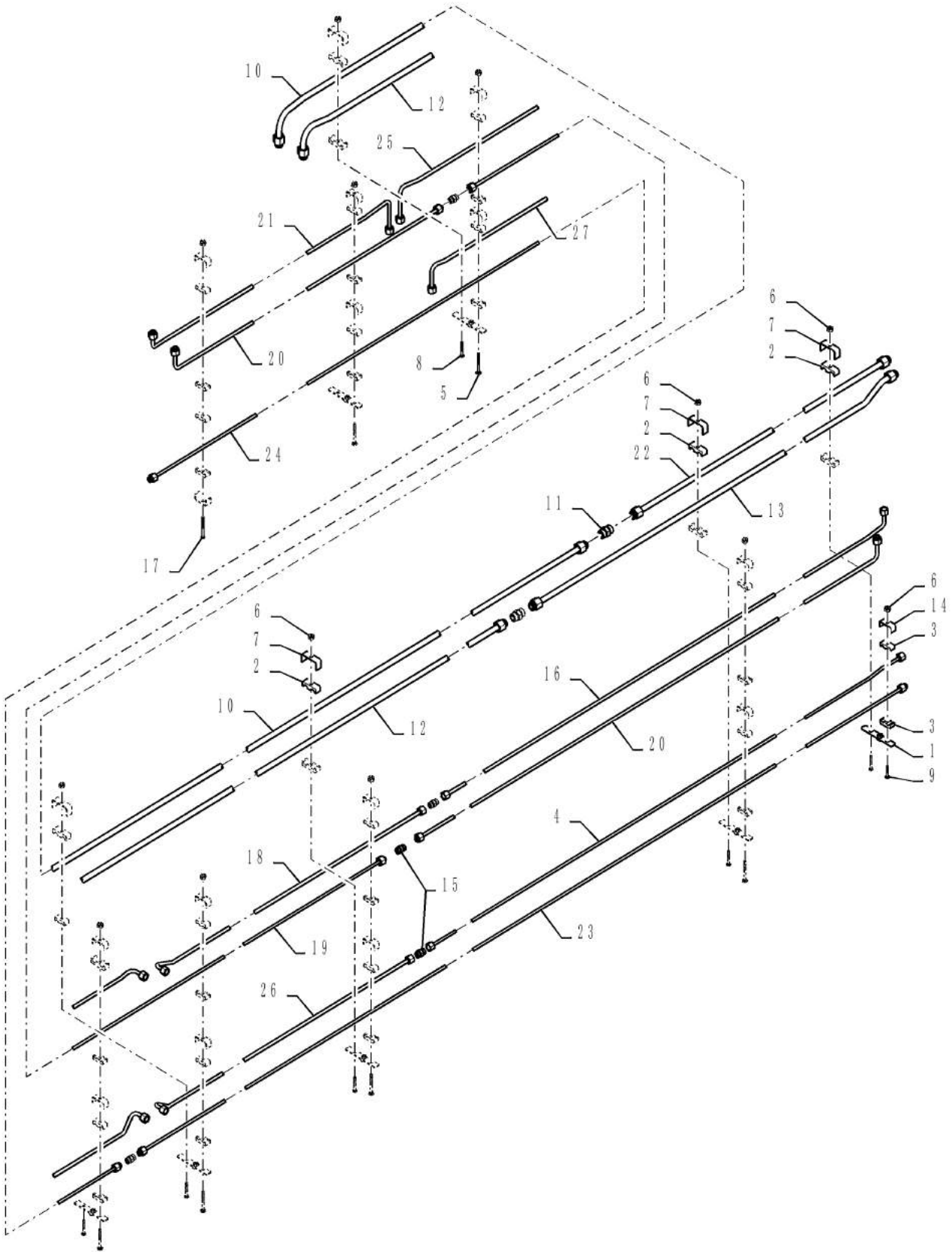
9/2016

QUICK COUPLER, ASSY, TOP BEAM

REF FN	PART NUMBER	YR/SN	QTY DESCRIPTION
1	84434997		1 COUPLING Assy, Incl 2 - 6
2	84435044		1 GUARD Protection
3	86623901		1 HANDLE
4	86623902		1 LATCH
5	84435046		2 COUPLING Quick
6	84435047		3 COUPLING, QUICK, FEM

3152-DRAPER HEADER 3162-DRAPER HEADER

TUBE ASSEMBLY, BUNDLE 35 FT



TUBE ASSEMBLY, BUNDLE 35 FT

REF FN	PART NUMBER	YR/SN	QTY DESCRIPTION
1	84140859		11 BRACKET WA
2	430356		16 CLAMP
3	430357		46 CLAMP
4	84570977		1 HYD TUBE
5	86512419		10 CARRIAGE BOLT Sq Nk, M6 x 70mm, CI 8.8
6	353308		20 NUT M6 x 1.0, CI 8
7	84814948		8 SUPPORT
8	412364		8 CARRIAGE BOLT M6 x 1.0 x 56.6mm, CI 8.8
9	412327		1 CARRIAGE BOLT Short Sq Nk, M6 x 1 x 40mm, CI 8.8, Full Thd
10	84139174		1 HYD TUBE 16.00 mm OD
11	84431473		2 HYD CONNECTOR 1"-14 ORFS
12	84139203		1 HYD TUBE 16.00 mm OD
13	84139188		1 HYD TUBE 16.00 mm OD x 2000.80, 40 mm L
14	431941		23 SUPPORT
15	84431546		5 UNION 11/16"-16 ORFS
16	84570975		1 HYD TUBE
17	86508569		1 BOLT Hex, M6 x 70mm, CI 8.8
18	84570967		1 HYD TUBE
19	87654200		1 HYD TUBE 8 mm OD x 3017 mm L
20	84221941		2 HYD TUBE
21	84212135		1 HYD TUBE
22	NSS		1 NOT SOLD SEPARAT
23	84139195		1 HYD TUBE 8.00 mm OD x 5989.80 mm L
24	84138467		1 HYD TUBE 8 mm OD, 4689.2 mm Length
25	87499248		1 HYD TUBE
26	84570969		1 HYD TUBE
27	87499251		1 HYD TUBE

3152-DRAPER HEADER 3162-DRAPER HEADER

35.410.15

01

p1

9/2016

TUBE ASSEMBLY, BUNDLE 30 FT

ART

NOT

AVAILABLE

35.410.15

01

p1

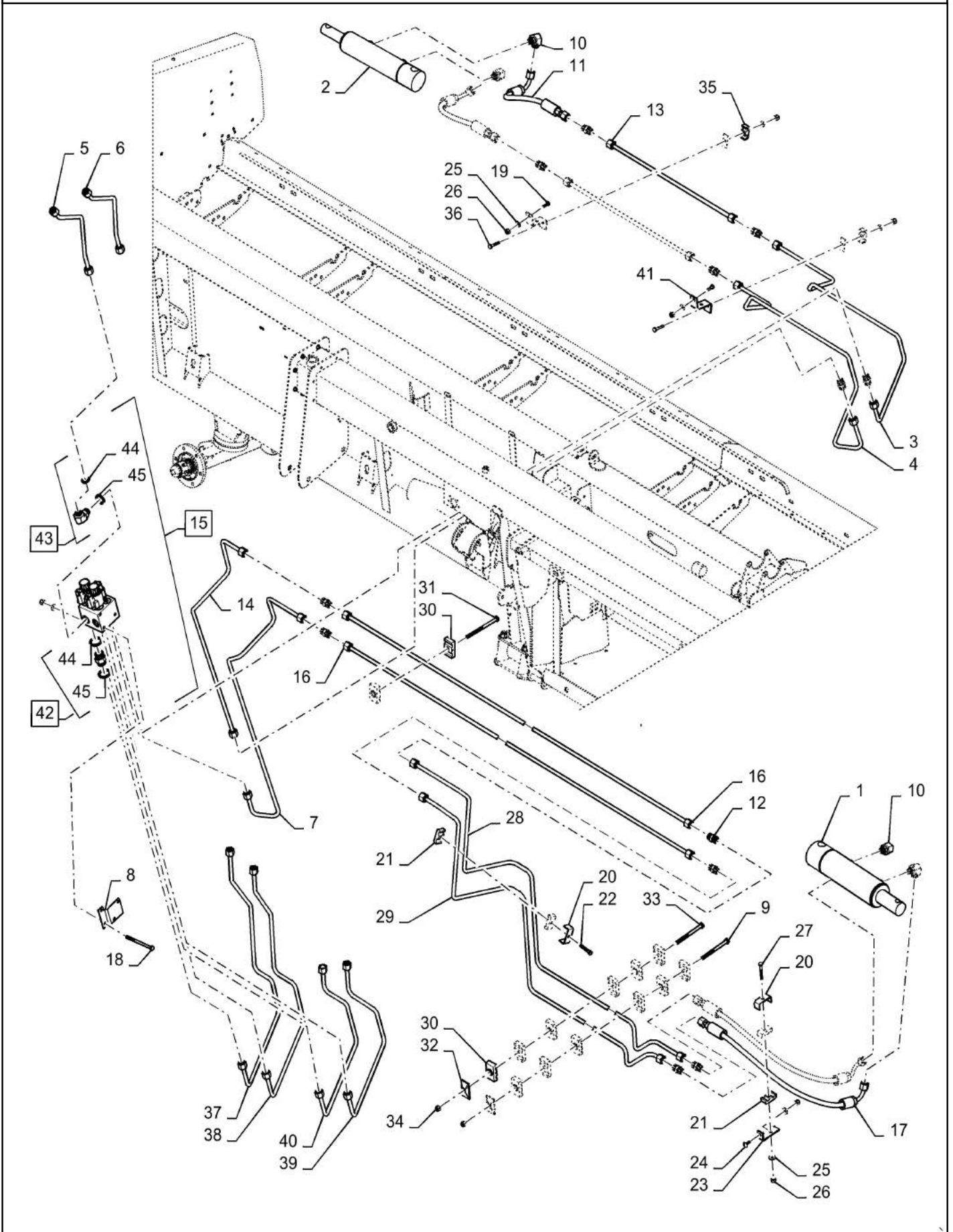
9/2016

TUBE ASSEMBLY, BUNDLE 30 FT

REF FN	PART NUMBER	YR/SN	QTY	DESCRIPTION
--------	-------------	-------	-----	-------------

3152-DRAPER HEADER 3162-DRAPER HEADER

HYDRAULIC CUTTERBAR ADJUST

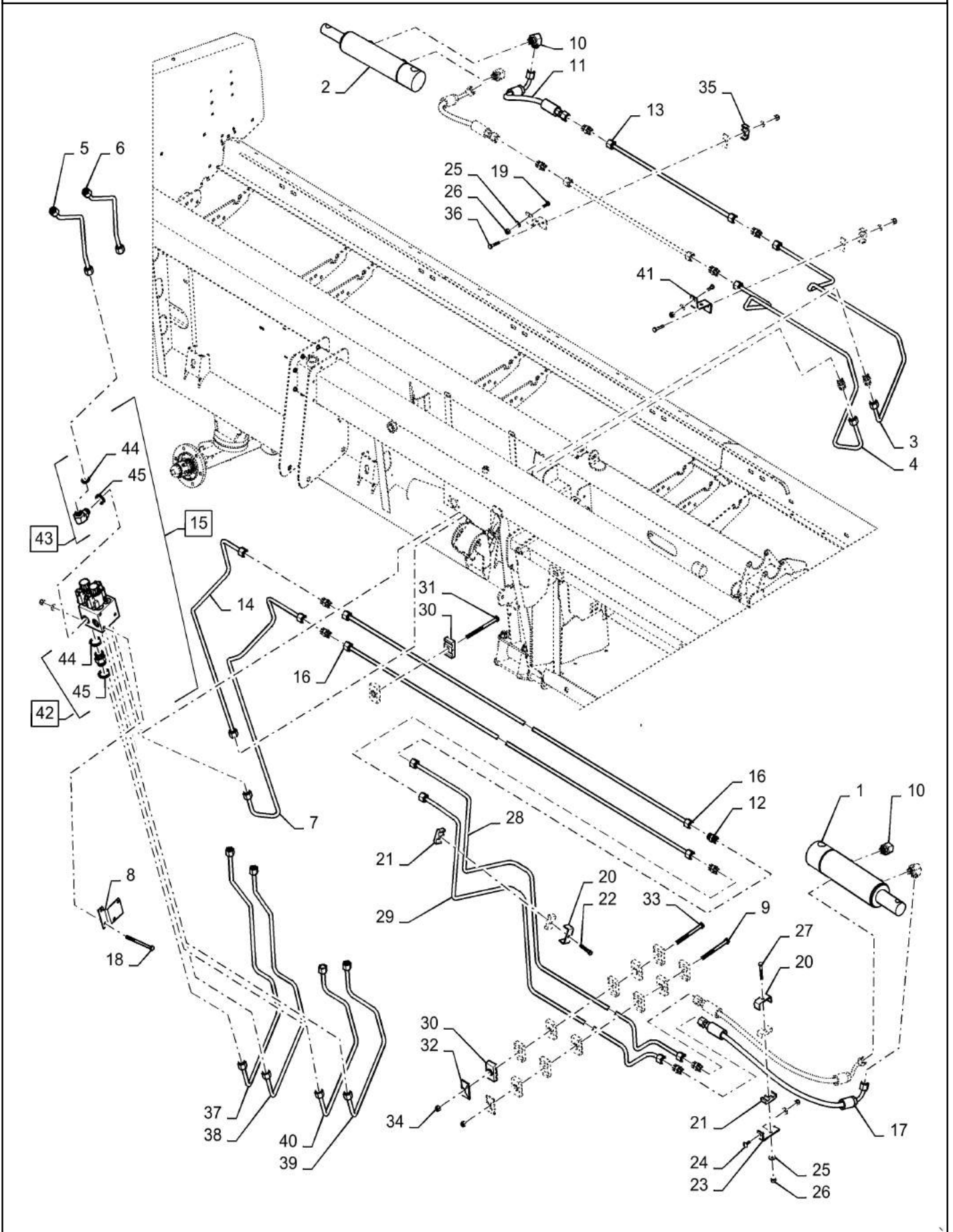


HYDRAULIC CUTTERBAR ADJUST

REF FN	PART NUMBER	YR/SN	QTY DESCRIPTION
1	84210572		1 HYDRAULIC CYLINDER Double Acting, 38.1mm Rod, 130mm Stroke Cutterbar Adjust
2	84210573		1 HYDRAULIC CYLINDER Double Acting, 28.57mm Rod, 130mm Stroke Cutterbar Adjust
3	47373245		1 HYD TUBE Cutterbar Adjust
4	47373247		1 HYD TUBE Cutterbar Adjust
5	47373249		1 HYD TUBE Cutterbar Adjust
6	47373253		1 HYD TUBE Cutterbar Adjust
7	47373673		1 HYD TUBE Cutterbar Adjust
8	47373287		1 BRACKET
9	331175		1 BOLT Hex, M8 x 1.25 x 75mm, CI 8.8
10	86580178		4 ELBOW 90°, 11/16"-16 ORFS x M12 x 1.5 ORB
11	47373699		2 HYDRAULIC HOSE Cutterbar Adjust
12	84431546		11 UNION 11/16"-16 ORFS
13	47373675		2 HYD TUBE Cutterbar Adjust
14	47392781		1 HYD TUBE Cutterbar Adjust
15	84411554		1 MANIFOLD Hydraulic, Incl 42 - 43
16	84424348		2 HYD TUBE Cutterbar Adjust
17	47373700		2 HYDRAULIC HOSE Cutterbar Adjust
18	9850685		2 BOLT Hex, M6 - 1 x 90mm, CI 8.8
19	86508568		2 BOLT Hex, M6 x 1 x 16mm, CI 8.8
20	430357		6 CLAMP
21	431941		3 SUPPORT
22	43118		2 BOLT Hex, M6 x 1.0 x 40mm, CI 8.8
23	47379219		1 BRACKET
24	86512439		1 CARRIAGE BOLT M6 x 16mm, CI 8.8
25	322357		11 BELLEVILLE WASHER M6 Bolt Size x 14mm OD x 1.3mm Thk
26	353308		11 NUT M6 x 1.0, CI 8
27	86977790		1 BOLT Hex, M6 x 45mm, CI 8.8
28	47421703		1 HYD TUBE Cutterbar Adjust
29	47421705		1 HYD TUBE Cutterbar Adjust
30	87000148		8 CLAMP Cutterbar Adjust

3152-DRAPER HEADER 3162-DRAPER HEADER

HYDRAULIC CUTTERBAR ADJUST

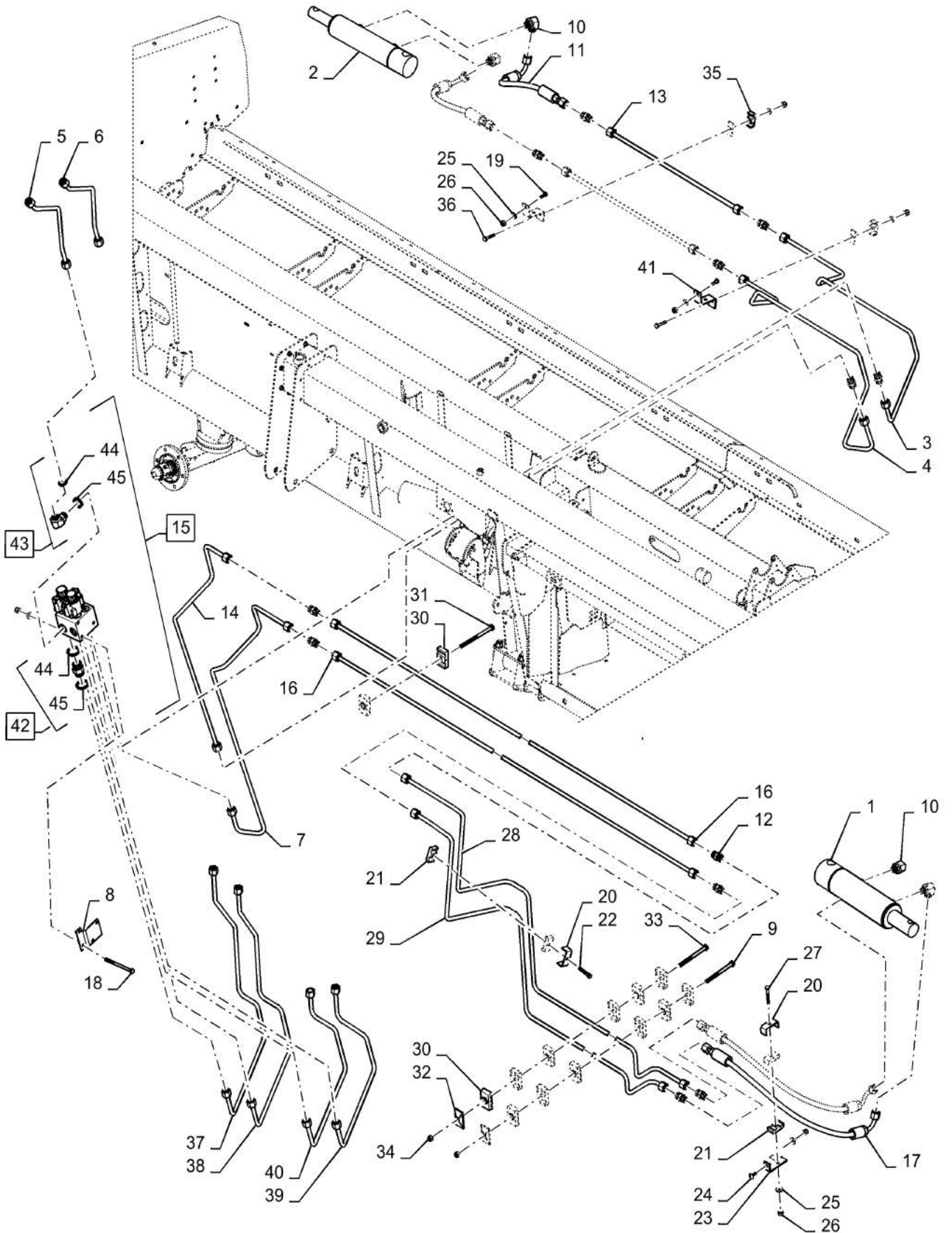


HYDRAULIC CUTTERBAR ADJUST

REF FN	PART NUMBER	YR/SN	QTY DESCRIPTION
31	86528166		3 BOLT M8 x 1.25 x 126.58mm, CI 8.8
32	384870A1		2 PLATE Hose Clamp Cover
33	412215		1 BOLT Hex, M8 x 1.25 x 100mm, CI 8.8
34	86629542		2 NUT M8 x 1.25, CI 8.8
35	84484721		4 CLAMP Double
36	43117		4 SCREW Hex, M6 x 1.0 x 30mm, CI 8.8
37	47391590		1 HYD TUBE Cutterbar Adjust
38	47391592		1 HYD TUBE Cutterbar Adjust
39	47357613		1 HYD TUBE Cutterbar Adjust
40	47357615		1 HYD TUBE Cutterbar Adjust
41	47396072		2 BRACKET
42	86579672		4 HYD CONNECTOR 11/16"-16 ORFS x M16 x 1.5 ORB Incl 44 - 45
43	86579687		2 ELBOW 90°, 11/16"-16 x M16 x 1.5 ORB Incl 44 - 45
44	86598100		2 O-RING 2.2mm Thk x 13.3mm ID, CI 6, 90 Duro
45	9993141		2 O-RING 0.07" Thk x 0.364" ID, -12, CI 6, 90 Duro

3152-DRAPER HEADER 3162-DRAPER HEADER

HYDRAULIC CUTTERBAR ADJUST

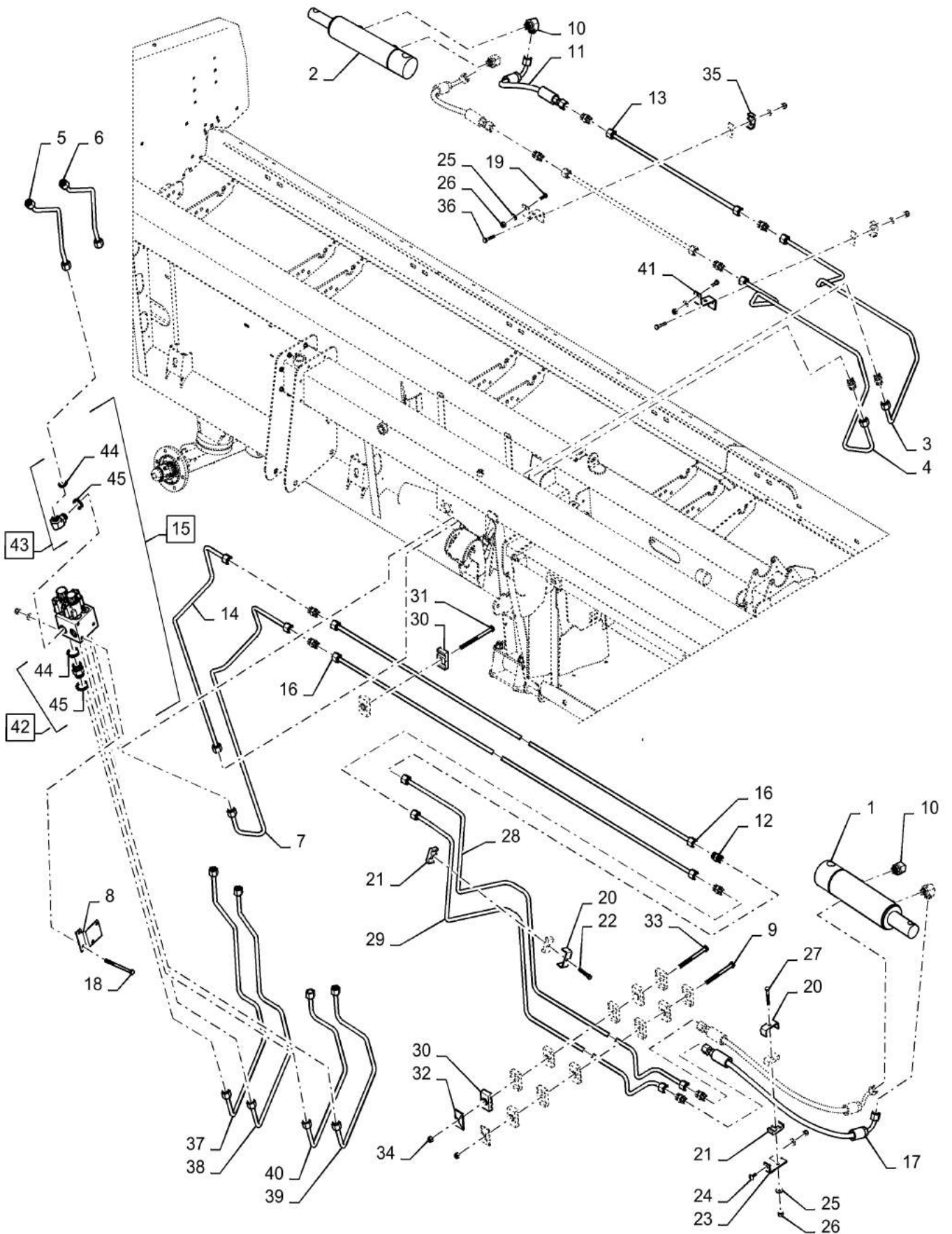


HYDRAULIC CUTTERBAR ADJUST

REF FN	PART NUMBER	YR/SN	QTY DESCRIPTION
1	84210572		1 HYDRAULIC CYLINDER Double Acting, 38.1mm Rod, 130mm Stroke Cutterbar Adjust
2	84210573		1 HYDRAULIC CYLINDER Double Acting, 28.57mm Rod, 130mm Stroke Cutterbar Adjust
3	47373245		1 HYD TUBE Cutterbar Adjust
4	47373247		1 HYD TUBE Cutterbar Adjust
5	47373249		1 HYD TUBE Cutterbar Adjust
6	47373253		1 HYD TUBE Cutterbar Adjust
7	47373673		1 HYD TUBE Cutterbar Adjust
8	47373287		1 BRACKET
9	331175		1 BOLT Hex, M8 x 1.25 x 75mm, CI 8.8
10	86580178		4 ELBOW 90°, 11/16"-16 ORFS x M12 x 1.5 ORB
11	47373699		2 HYDRAULIC HOSE Cutterbar Adjust
12	84431546		11 UNION 11/16"-16 ORFS
13	47373675		2 HYD TUBE Cutterbar Adjust
14	47392781		1 HYD TUBE Cutterbar Adjust
15	84411554		1 MANIFOLD Hydraulic, Incl 42 - 43
16	84424348		2 HYD TUBE Cutterbar Adjust
17	47373700		2 HYDRAULIC HOSE Cutterbar Adjust
18	9850685		2 BOLT Hex, M6 - 1 x 90mm, CI 8.8
19	86508568		2 BOLT Hex, M6 x 1 x 16mm, CI 8.8
20	430357		6 CLAMP
21	431941		3 SUPPORT
22	43118		2 BOLT Hex, M6 x 1.0 x 40mm, CI 8.8
23	47379219		1 BRACKET
24	86512439		1 CARRIAGE BOLT M6 x 16mm, CI 8.8
25	322357		11 BELLEVILLE WASHER M6 Bolt Size x 14mm OD x 1.3mm Thk
26	353308		11 NUT M6 x 1.0, CI 8
27	86977790		1 BOLT Hex, M6 x 45mm, CI 8.8
28	47421703		1 HYD TUBE Cutterbar Adjust
29	47421705		1 HYD TUBE Cutterbar Adjust
30	87000148		8 CLAMP Cutterbar Adjust

3162-DRAPER HEADER

HYDRAULIC CUTTERBAR ADJUST



HYDRAULIC CUTTERBAR ADJUST

REF FN	PART NUMBER	YR/SN	QTY DESCRIPTION
31	86528166		3 BOLT M8 x 1.25 x 126.58mm, CI 8.8
32	384870A1		2 PLATE Hose Clamp Cover
33	412215		1 BOLT Hex, M8 x 1.25 x 100mm, CI 8.8
34	86629542		2 NUT M8 x 1.25, CI 8.8
35	84484721		4 CLAMP Double
36	43117		4 SCREW Hex, M6 x 1.0 x 30mm, CI 8.8
37	47391590		1 HYD TUBE Cutterbar Adjust
38	47391592		1 HYD TUBE Cutterbar Adjust
39	47357613		1 HYD TUBE Cutterbar Adjust
40	47357615		1 HYD TUBE Cutterbar Adjust
41	47396072		2 BRACKET
42	86579672		4 HYD CONNECTOR 11/16"-16 ORFS x M16 x 1.5 ORB Incl 44 - 45
43	86579687		2 ELBOW 90°, 11/16"-16 x M16 x 1.5 ORB Incl 44 - 45
44	86598100		2 O-RING 2.2mm Thk x 13.3mm ID, CI 6, 90 Duro
45	9993141		2 O-RING 0.07" Thk x 0.364" ID, -12, CI 6, 90 Duro

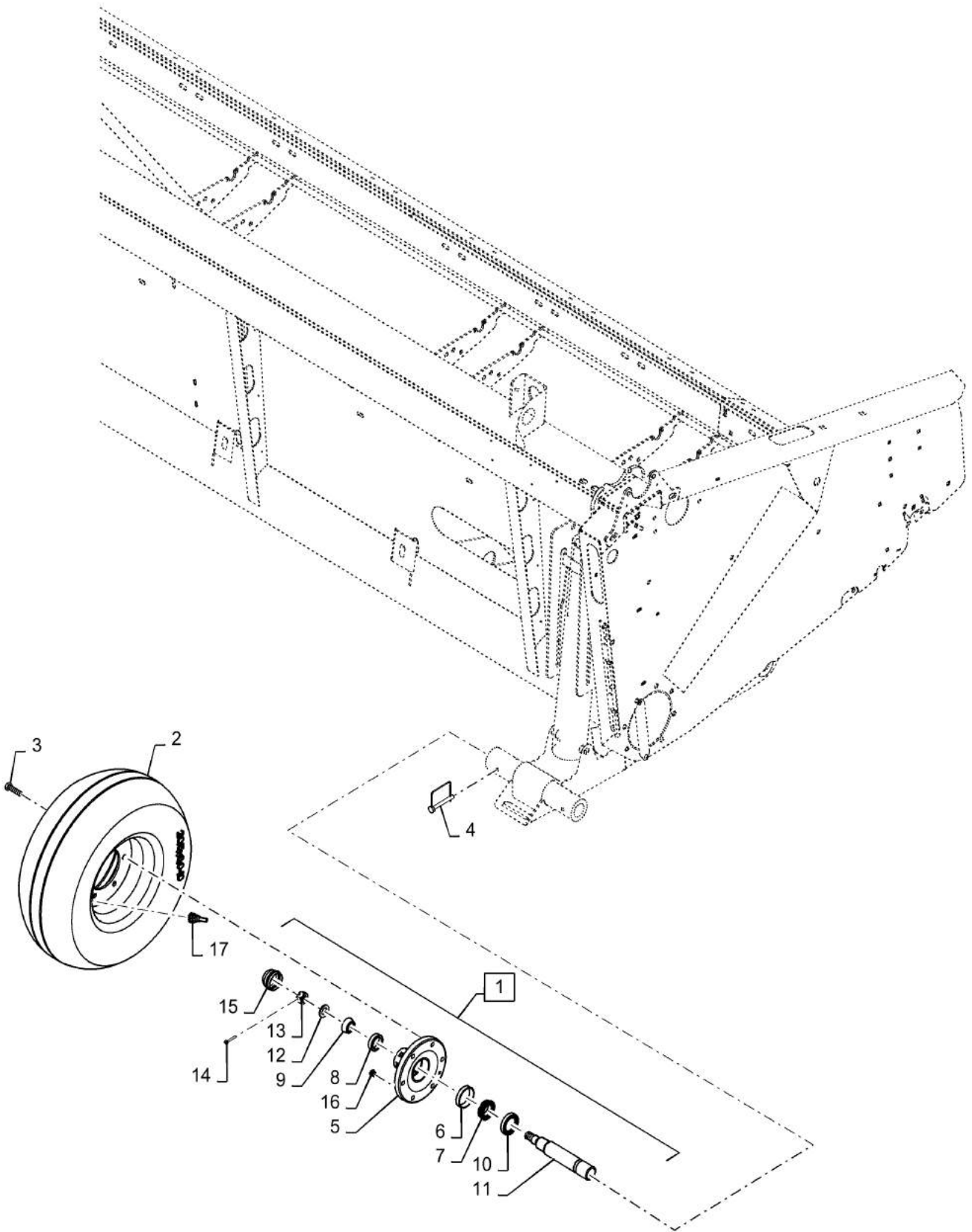
3162-DRAPER HEADER

SECTION INDEX

WHEELS

44.100.01		HEADER GAUGE WHEELS, YEH042239
44.100.02		HEADER TRANSPORT WHEELS
44.100.03	01	GAUGE WHEEL, DUAL, ASN YEH050000
44.100.03	02	GAUGE WHEEL, DUAL, SPRING ASSY

HEADER GAUGE WHEELS, YEH042239

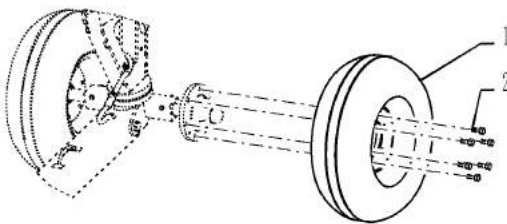
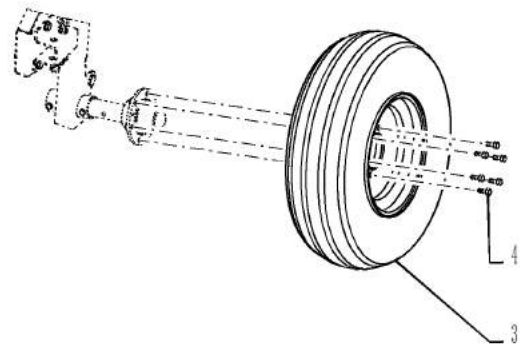
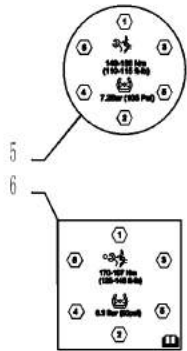


HEADER GAUGE WHEELS, YEH042239

REF FN	PART NUMBER	YR/SN	QTY DESCRIPTION
1	84231685		2 SPINDLE Incl 5 - 16
2	10106202		2 WHEEL ASSY. Rim, Silver
3	32383		12 BOLT Wheel, G5, 1/2"-20 x 13/16" Wheel
4	647695		2 PIN 7.94mm OD Snap
5	9847071		1 HUB A
6	36723		1 BEARING CUP 59.16mm OD x 11.81mm W
7	36726		1 BEARING CONE 31.75mm ID x 16.76mm W
7	84356153GV		1 BEARING
8	574810		1 BEARING CUP 45.26mm OD x 12.06mm W
9	574809		1 BEARING CONE 21.98mm ID x 16.64mm W
10	36727		1 OIL SEAL 38.1mm ID x 59.28mm OD x 13.11mm Thk
11	84231685		1 SPINDLE Assy
12	80011438		1 WASHER 19.45mm ID x 34.9mm OD x 2.59mm Thk
13	88886		1 SLOTTED NUT 3/4"-16
14	87398		1 COTTER PIN 3/16" OD x 1-1/4" OAL
15	26808		1 CAP
16	{47592364}		6 Plastic
17	22802		1 VALVE Stem

3152-DRAPER HEADER 3162-DRAPER HEADER

HEADER TRANSPORT WHEELS



HEADER TRANSPORT WHEELS

REF FN	PART NUMBER	YR/SN	QTY DESCRIPTION
1	10106202		2 WHEEL ASSY. Rim, Silver (Procure Tire Locally)
2	32383		12 BOLT Wheel, G5, 1/2"-20 x 13/16" Wheel
3	87696829		2 RIM Silver
4	86628557		12 WHEEL BOLT Hex Csk, 9/16" - 18 x 1 1/8", HTS
5	84576897		1 DECAL Transport Front Tire, Torque/Pressure
6	84576898		1 DECAL Transport Rear Tire, Torque/Pressure

3152-DRAPER HEADER 3162-DRAPER HEADER

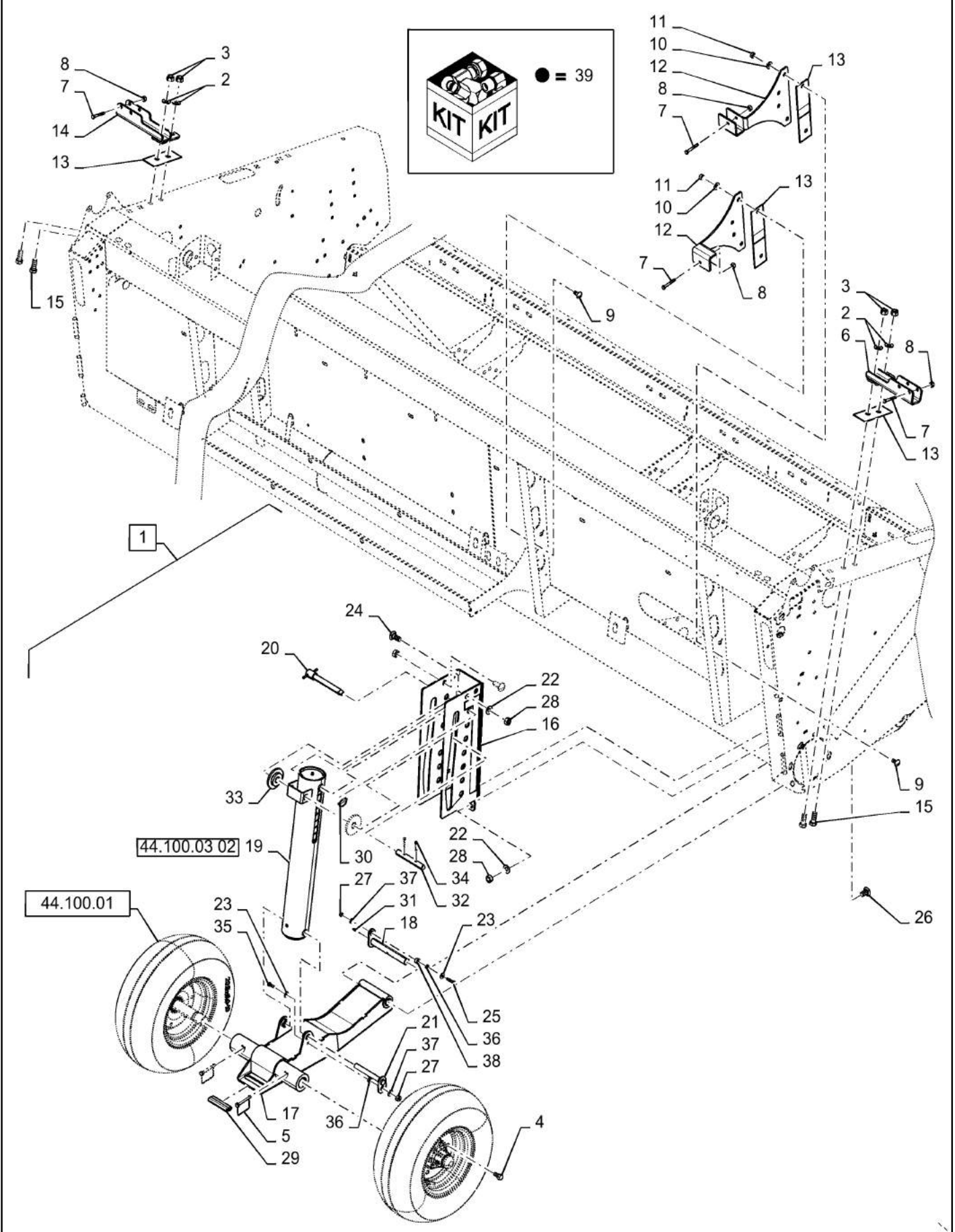
44.100.03

01

p1

9/2016

GAUGE WHEEL, DUAL, ASN YEH050000



GAUGE WHEEL, DUAL, ASN YEH050000

REF FN	PART NUMBER	YR/SN	QTY DESCRIPTION
1	47424191		1 KIT Incl 16 - 38
2	140048		4 BELLEVILLE WASHER M16 Bolt Size x 32mm OD x 2.8mm Thk
3	86000441		4 NUT M16 x 2.0, CI 8
4	32383		24 BOLT Wheel, G5, 1/2"-20 x 13/16"
5	647695		4 PIN 7.94mm OD Snap
6	1 {47880998}		1 RH Red
7	120061		4 BOLT Hex, M8 x 60mm L, CI 8.8
8	68841		4 NUT M8 x 1.25, CI 8
9	374895		4 CARRIAGE BOLT M12 x 1.75 x 25mm, CI 8.8
10	140046		4 BELLEVILLE WASHER M12 Bolt Size x 27mm OD x 1.8mm Thk
11	337475		4 NUT M12, CI 10
12	47720489		2 HOLDER
13	47394796		AR FELT SEAL Adhesive
14	1 47880994		1 SUPPORT LH Red
15	43168		4 BOLT Hex, M16 x 40mm, CI 8.8
16	47426038		2 GUIDE Sign Placement
17	47512791		2 LOWER LINK Assy
18	47458489		2 PIN Gauge Wheel
19	47425526		2 SPRING Assy
20	47429829		2 PIN Assy, Taper
21	47429828		2 PIN 20mm OD x 155mm L
22	140048		12 BELLEVILLE WASHER M16 Bolt Size x 32mm OD x 2.8mm Thk
23	322358		4 BELLEVILLE WASHER M8 Bolt Size x 18mm OD x 1.4mm Thk
24	86595832		8 CARRIAGE BOLT Sht Sq Nk, M16 x 40mm, CI 8.8, Full Thd
25	300381		2 BOLT Hex, M8 x 1.25 x 35mm, CI 8.8
26	87698767		4 CARRIAGE BOLT Short Sq Nk, M16 x 2 x 30mm, CI 10.9
27	68841		4 NUT M8 x 1.25, CI 8
28	392530		13 NUT M16, CI 10
29	9850033		AR SEAL

(1) For Transport, Discarded After Arrival

3152-DRAPER HEADER 3162-DRAPER HEADER

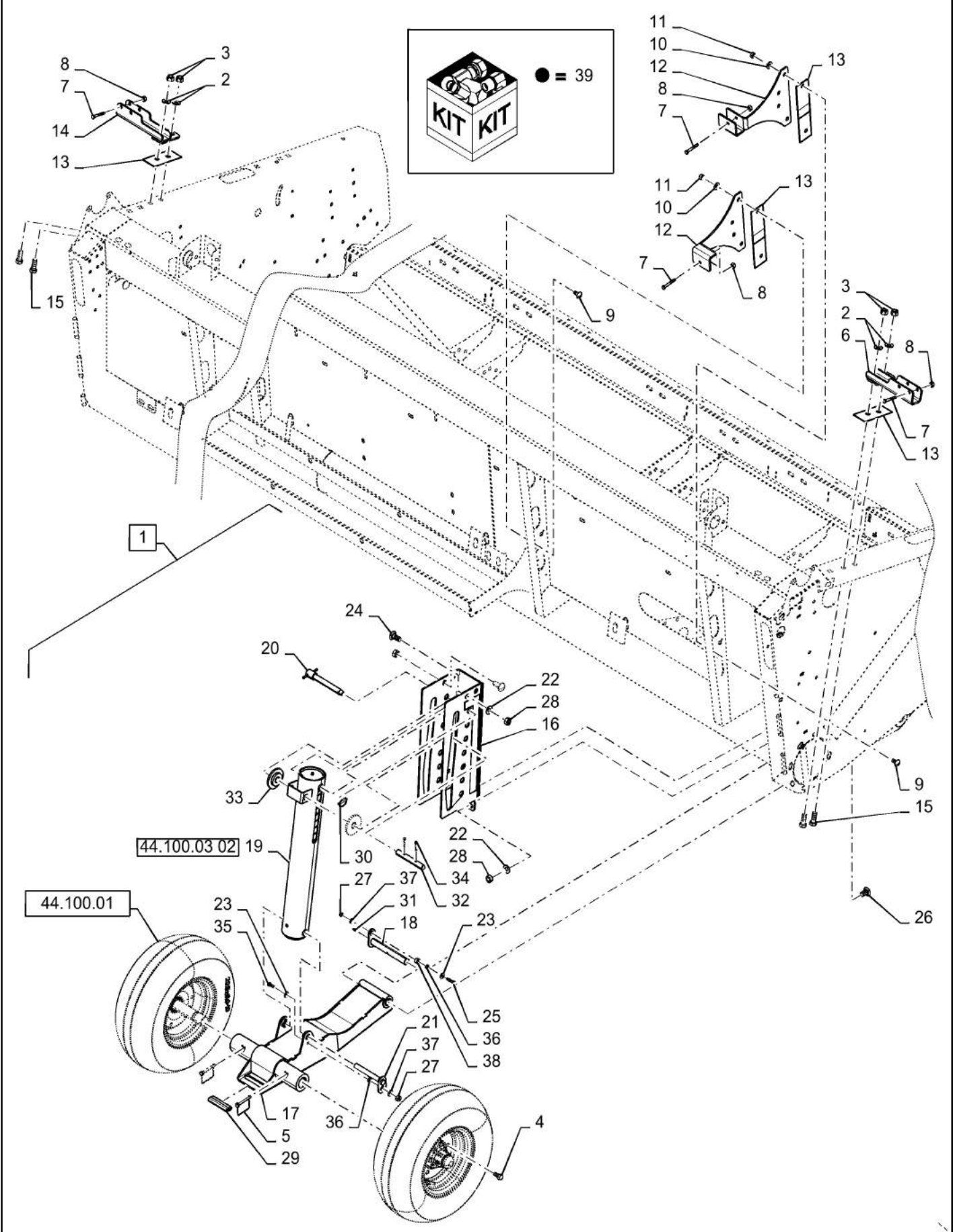
44.100.03

01

p2

9/2016

GAUGE WHEEL, DUAL, ASN YEH050000



GAUGE WHEEL, DUAL, ASN YEH050000

REF FN	PART NUMBER	YR/SN	QTY DESCRIPTION
30	82013836		2 ROLL PIN 6mm OD
31	321204		2 LUBE NIPPLE M6 x 1.0 x 16mm OAL
32	47424830		2 PIN
33	47412945		4 SPACER
34	412686		4 COTTER PIN M5 x 32
35	43127		2 BOLT Hex, M8 x 1.25 x 25mm, CI 8.8
36	9706690		4 NUT M8 x 1.25, CI 8
37	86625263		4 WASHER 9mm ID x 20mm OD x 1.6mm Thk
38	128699		2 SPACER
39	84555116		1 SERVICE KIT Assy, Gauge Wheel

3152-DRAPER HEADER 3162-DRAPER HEADER

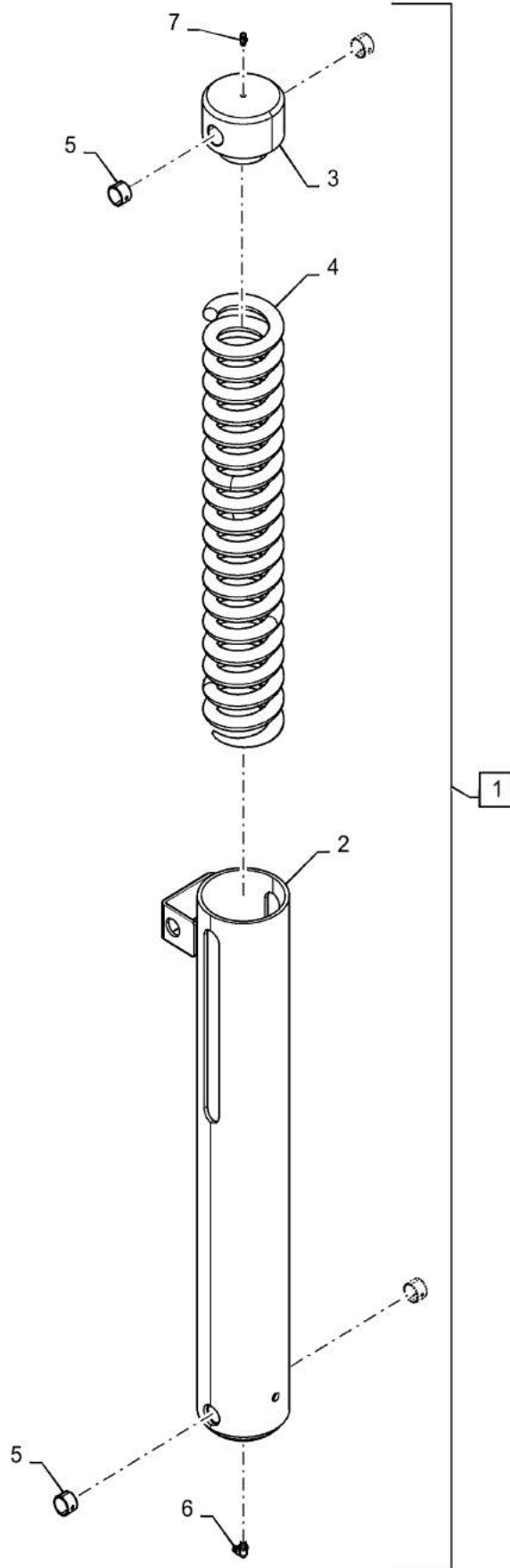
44.100.03

02

p1

9/2016

GAUGE WHEEL, DUAL, SPRING ASSY



44.100.03

02

p1

9/2016

GAUGE WHEEL, DUAL, SPRING ASSY

REF FN	PART NUMBER	YR/SN	QTY DESCRIPTION
1	47425526		1 SPRING Assy, Incl 2 - 7
2	47424200		1 HOLDER
3	47425762		1 BAR
4	BN68598		1 SPRING Compression
5	382974		4 BUSHING 20.05mm ID x 23mm OD x 15mm L
6	323713		1 LUBE NIPPLE M6 x 1mm
7	321204		1 LUBE NIPPLE M6 x 1.0 x 16mm OAL

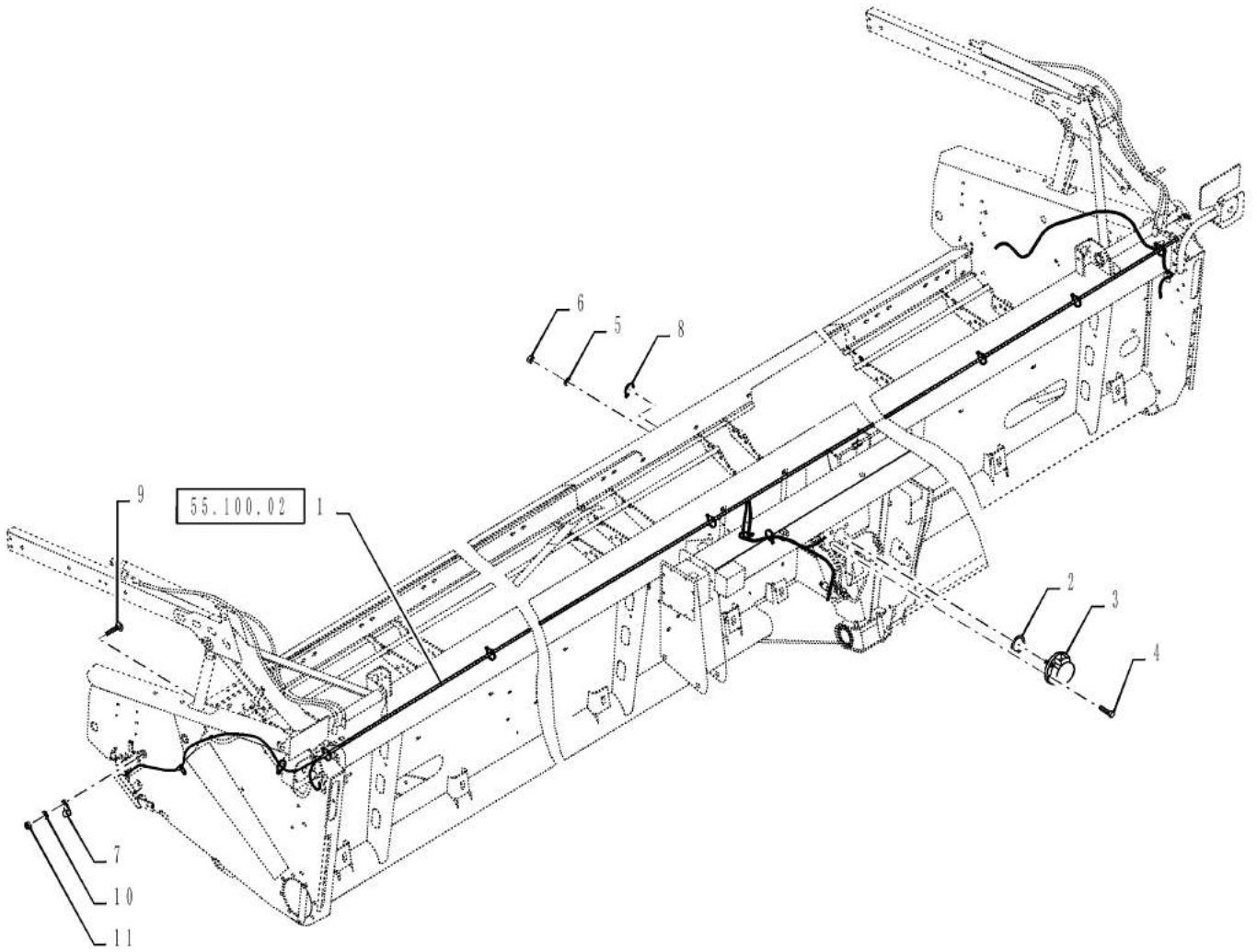
3152-DRAPER HEADER 3162-DRAPER HEADER

SECTION INDEX

ELECTRICAL SYSTEMS

55.100.01	HARNESS, FLEX HEADER, MOUNTING
55.100.02	HARNESS, FLEX HEADER
55.100.03	HARNESS, TRANSPORT ADAPTER JUMPER
55.100.04	RIGID DRAPER, ELECTRICAL ASSY
55.100.05	HARNESS, RIGID DRAPER
55.350.01	AIR CONTROL CIRCUIT
55.404.01	LIGHT ASSEMBLY, WARNING
55.404.02	HARNESS, TRANSPORT LIGHTS

HARNESS, FLEX HEADER, MOUNTING

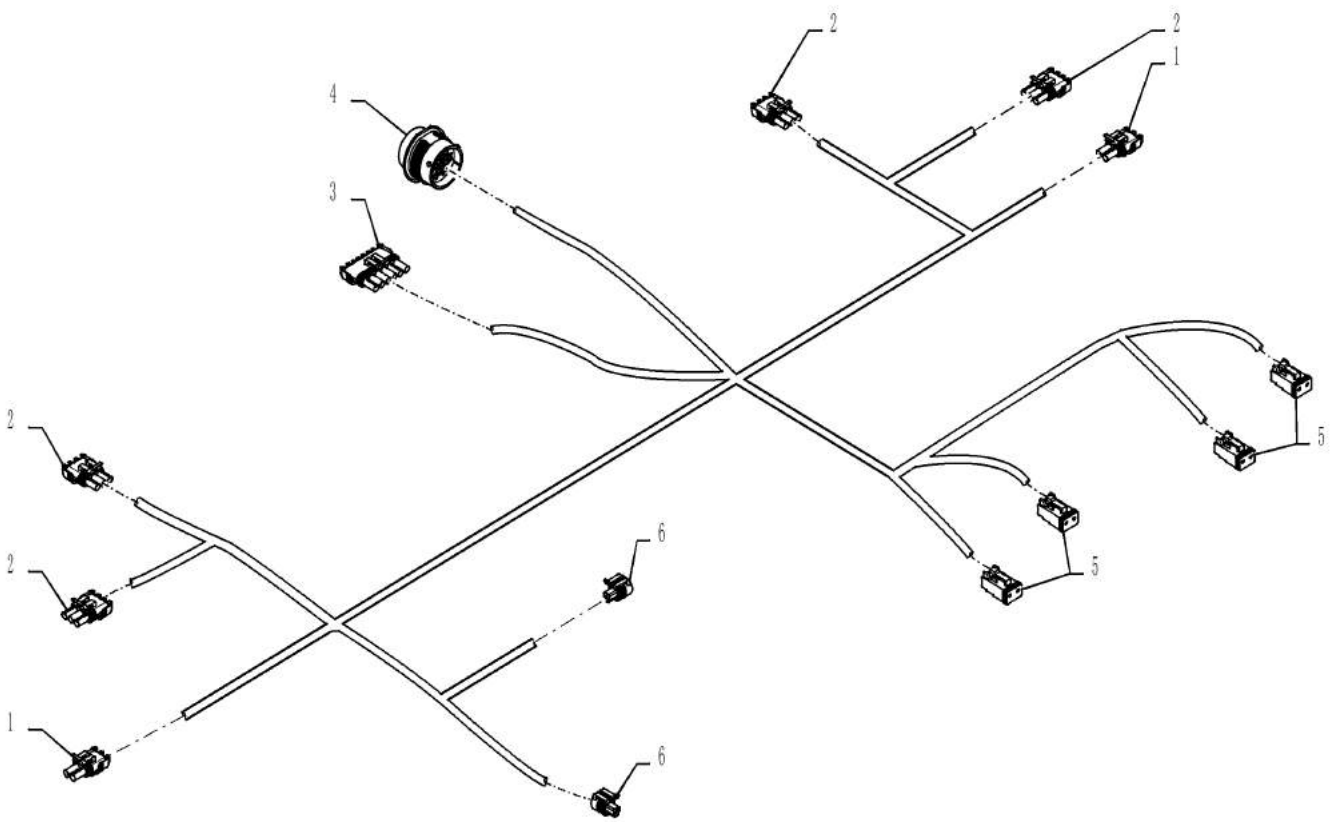


HARNES, FLEX HEADER, MOUNTING

REF FN	PART NUMBER	YR/SN	QTY DESCRIPTION
1	84577892		1 WIRE HARNESS Flex Header
2	84037188		1 O-RING 3mm Thk x 34.2mm ID, 70 Duro Cover
3	86606228		1 COVER
4	120098		4 BOLT Hex, M5 x 20, 8.8, Full Thd
5	322356		4 BELLEVILLE WASHER M5 Bolt Size x 12mm OD x 1.85mm Thk
6	86508813		4 NUT M5, CI 8
7	87301490		4 CLAMP 12.7mm, Coat, 10.3mm Bolt Hole, J Type
8	86566989		17 CABLE TIE 208mm L
9	120041		2 CARRIAGE BOLT M10 x 20mm, CI 8.8
10	140045		2 BELLEVILLE WASHER M10 Bolt Size x 22mm OD x 1.6mm Thk
11	100016		2 NUT M10 x 1.5, CI 8

3152-DRAPER HEADER 3162-DRAPER HEADER

HARNESS, FLEX HEADER

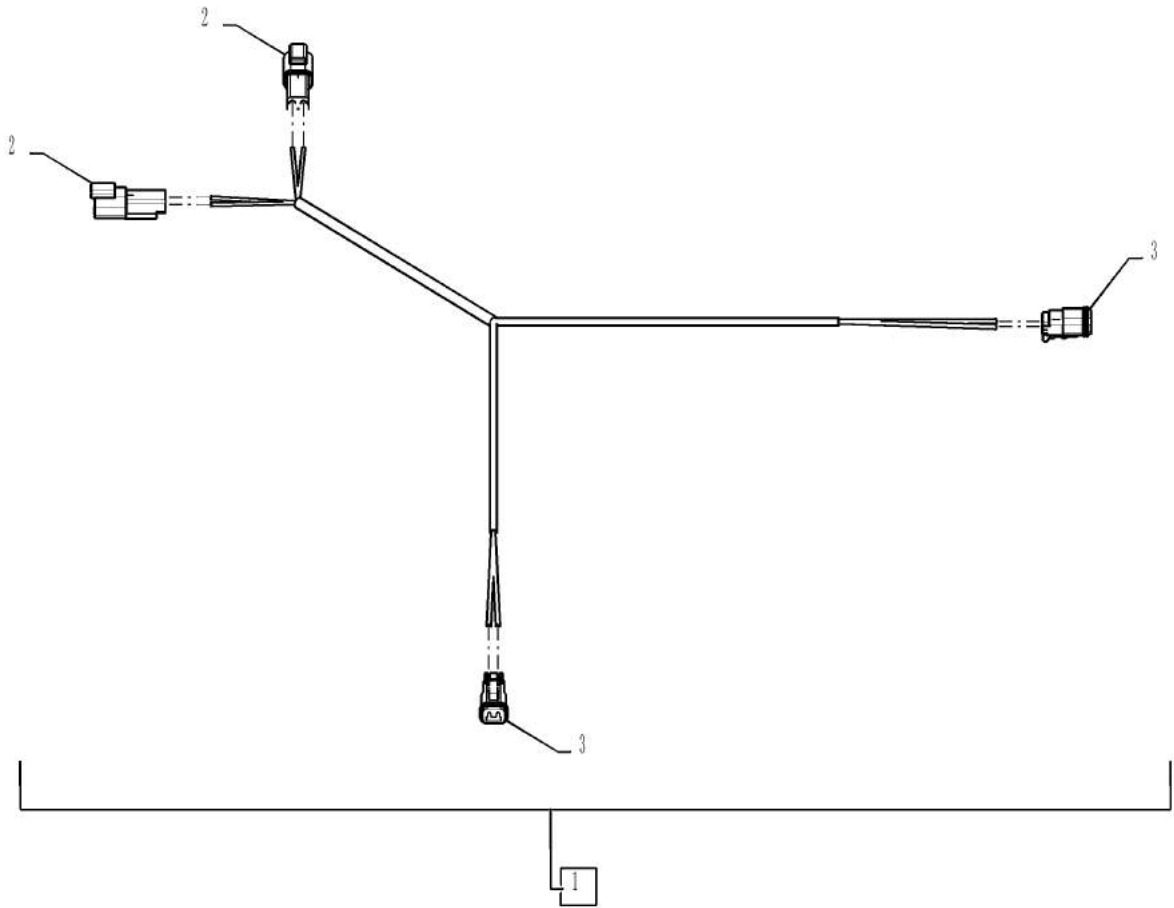


HARNES, FLEX HEADER

REF FN	PART NUMBER	YR/SN	QTY DESCRIPTION
1	87692855		2 CONTACT HOUSING Male, 2 Cavities 2-Pin, Right And Left Hand Flashing Light
2	87644909		4 WIRE CONNECTOR 3-Pin, Left Central Height, Right Hand Center Height, Right And Left Hand Height/Tilt
3	87039236		1 ELEC CONNECTOR 6-Pin, Header Type
3	86837775		1 RESISTOR Resistor Module
4	87703820		1 ELEC CONNECTOR 8-Pin, Feeder
5	87695909		4 CONTACT HOUSING Female, 2 Pole 2-Pin, Adapter Solenoid #1 And #2, Transport Solenoid #1 And #2
6	84078681		2 WIRE CONNECTOR Female 3-Pin, Reel Vertical Position, Reel Horizontal Position

3152-DRAPER HEADER 3162-DRAPER HEADER

HARNESS, TRANSPORT ADAPTER JUMPER



HARNESS, TRANSPORT ADAPTER JUMPER

REF FN	PART NUMBER	YR/SN	QTY DESCRIPTION
1	84526348		1 WIRE HARNESS Transport Adapter Jumper, Incl 2, 3
2	87695567		2 ELEC CONNECTOR Fem, 2 Cavities/Pins
3	87695909		2 CONTACT HOUSING Female, 2 Pole

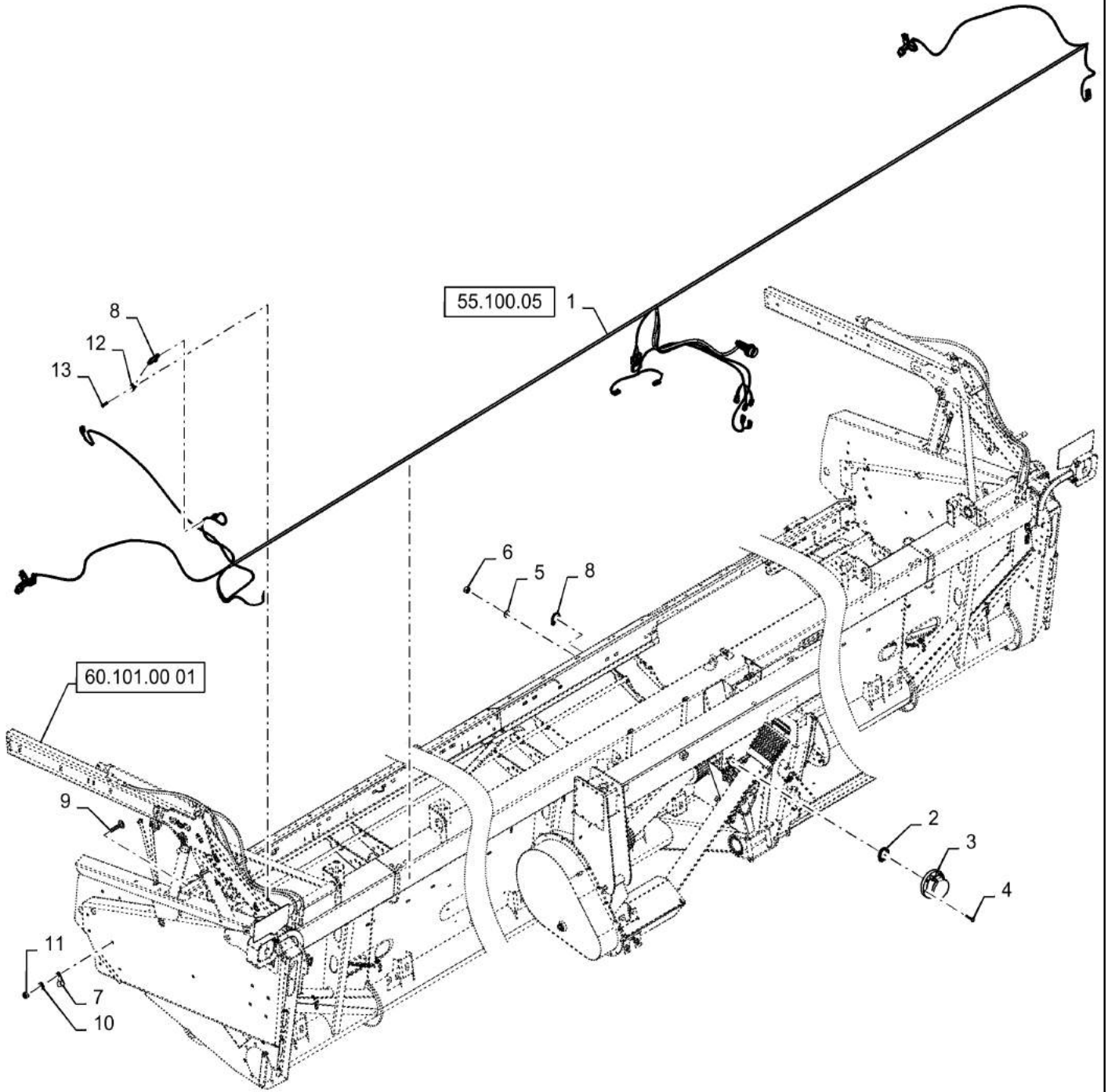
3152-DRAPER HEADER 3162-DRAPER HEADER

55.100.04

p1

9/2016

RIGID DRAPER, ELECTRICAL ASSY

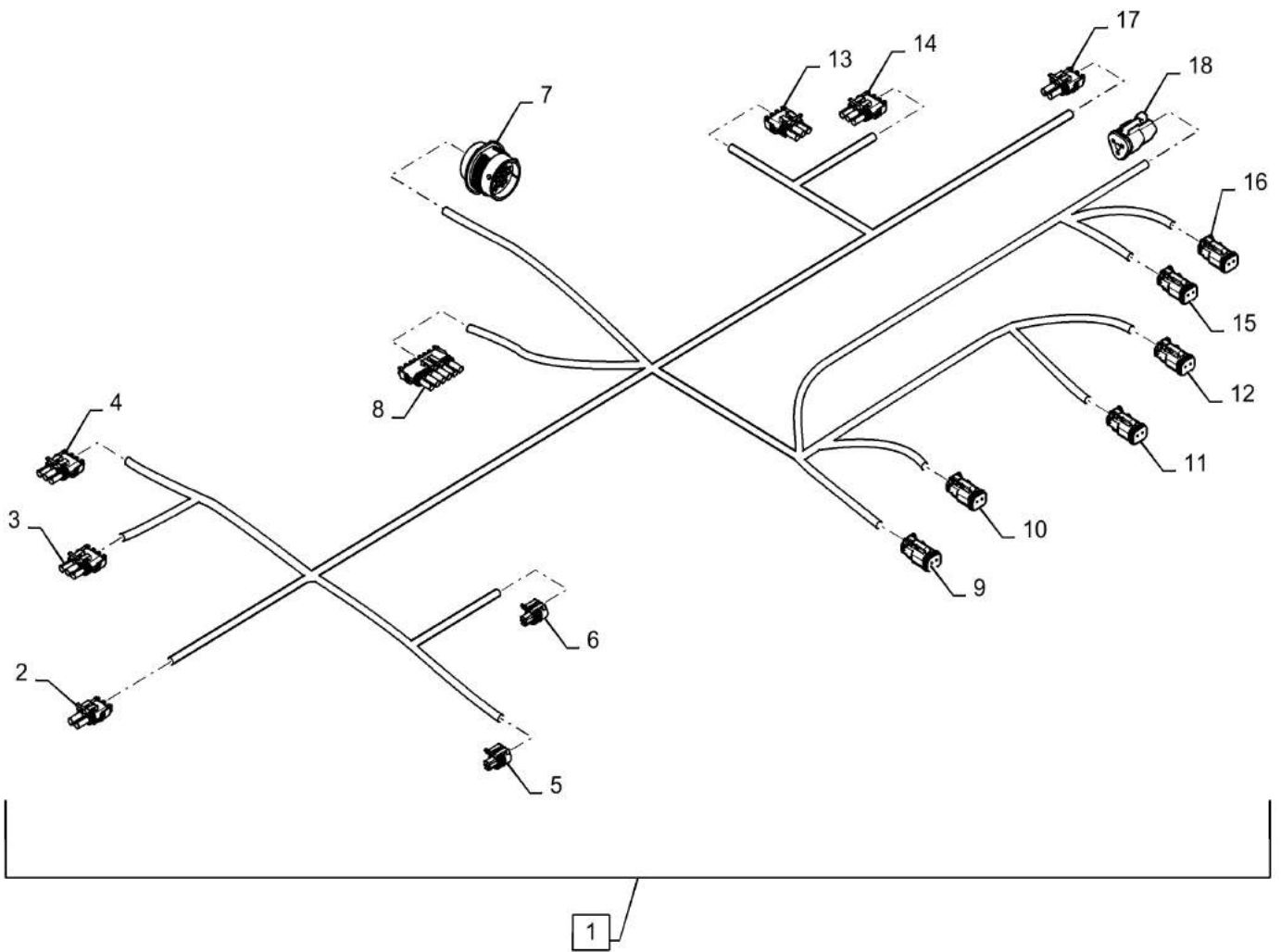


RIGID DRAPER, ELECTRICAL ASSY

REF FN	PART NUMBER	YR/SN	QTY DESCRIPTION
1	47841751		1 WIRE HARNESS Assy
2	84037188		1 O-RING 3mm Thk x 34.2mm ID, 70 Duro
3	86606228		1 COVER
4	120098		4 BOLT Hex, M5 x 20, 8.8, Full Thd
5	322356		4 BELLEVILLE WASHER M5 Bolt Size x 12mm OD x 1.85mm Thk
6	86508813		4 NUT M5, CI 8
7	87301490		4 CLAMP 12.7mm, Coat, 10.3mm Bolt Hole, J Type
8	86566989		22 CABLE TIE 208mm L
9	120041		4 CARRIAGE BOLT M10 x 20mm, CI 8.8
10	140045		4 BELLEVILLE WASHER M10 Bolt Size x 22mm OD x 1.6mm Thk
11	100016		4 NUT M10 x 1.5, CI 8
12	86590413		2 BASE 15.87mm W x 22.22mm OAL x 9.9mm Thk
13	445394		2 RIVET Pop, 3/16" x 1/2" OAL

3152-DRAPER HEADER 3162-DRAPER HEADER

HARNESS, RIGID DRAPER

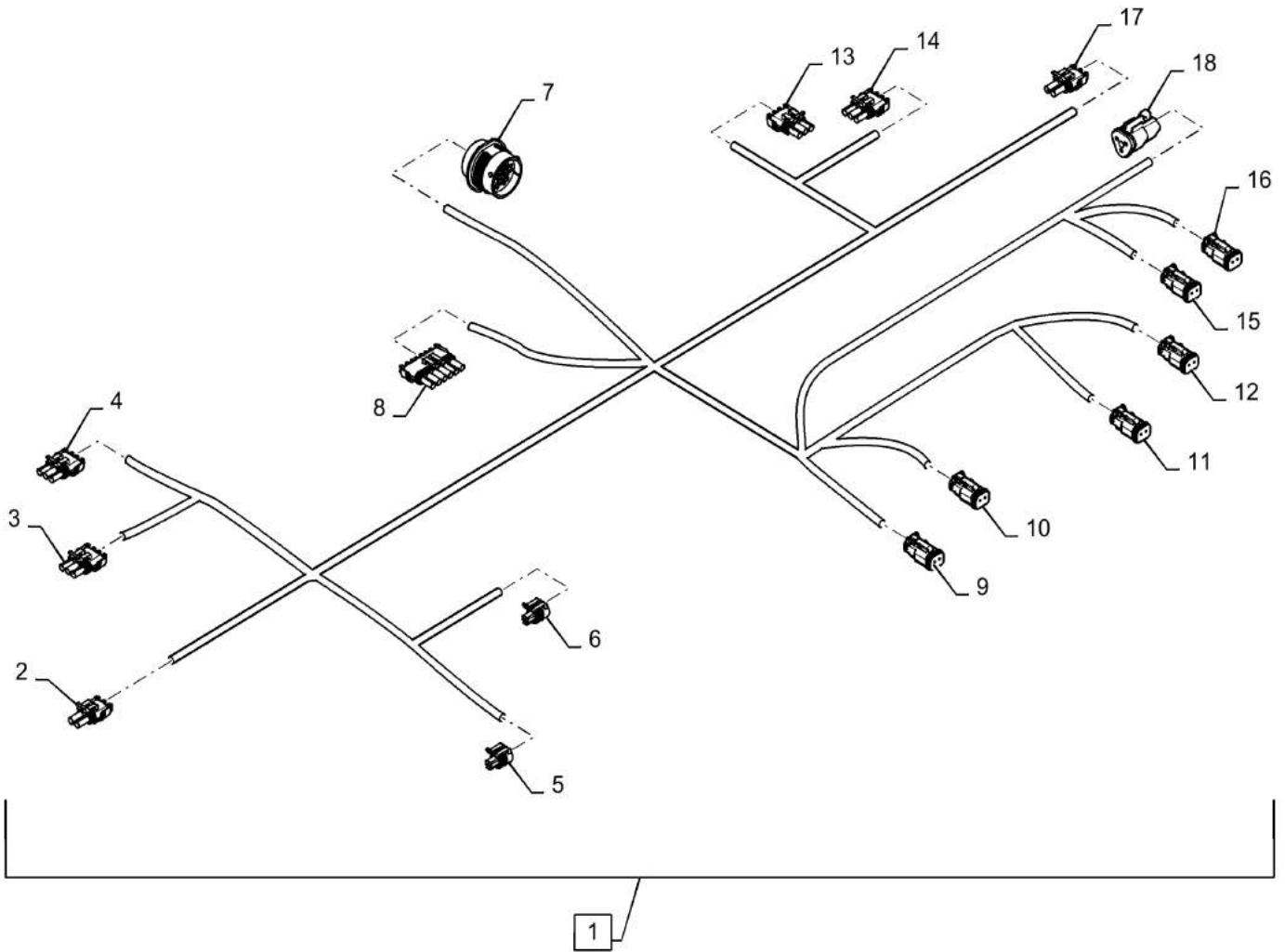


HARNES, RIGID DRAPER

REF FN	PART NUMBER	YR/SN	QTY DESCRIPTION
1	47841751		1 WIRE HARNESS Assy, Incl 2 - 18
2	87692855		1 CONTACT HOUSING Male, 2 Cavities X-303, LH, Flashing Light
2	87680701		2 SEAL X-303, LH, Flashing Light
2	87692876		2 CABLE TERMINAL Female, Tin, 1 - 2mm ² X-303, LH, Flashing Light
3	87644909		1 WIRE CONNECTOR X-524, LH, Center Height
3	87680702		3 SEAL X-524, LH, Center Height
3	87692880		3 CABLE TERMINAL X-524, LH, Center Height
4	87644909		1 WIRE CONNECTOR X-305, LH, Height/Tilt
4	87680702		3 SEAL X-305, LH, Height/Tilt
4	87692880		3 CABLE TERMINAL X-305, LH, Height/Tilt
5	84078681		1 WIRE CONNECTOR Female X-437, Vertical Position
5	87690510		3 ELEC. TERMINAL PIN Female, 0.75 - 1 mm ² X-437, Vertical Position
6	84078681		1 WIRE CONNECTOR Female X-436, Horizontal Position
6	87690510		3 ELEC. TERMINAL PIN Female, 0.75 - 1 mm ² X-436, Horizontal Position
7	87703820		1 ELEC CONNECTOR X-032, Feeder
7	84068583		10 PLUG 12 - 16 Ga, White X-032, Feeder
7	87695623		21 ELEC. TERMINAL PIN X-032, Feeder
8	87039236		1 ELEC CONNECTOR X-434, Header Type
8	87686742		3 PLUG X-434, Header Type
8	86837775		1 RESISTOR X-434, Header Type
8	87680702		3 SEAL X-434, Header Type
8	87692856		3 CABLE TERMINAL X-434, Header Type
9	87695909		1 CONTACT HOUSING Female, 2 Pole X-701, Solenoid # 2
9	84074638		1 ELEC CONNECTOR Locking Wedge, Green X-701, Solenoid # 2
9	87695921		2 CONTACT Female, Nickel, 0.50 - 1.00mm ² X-701, Solenoid # 2

3152-DRAPER HEADER 3162-DRAPER HEADER

HARNESS, RIGID DRAPER

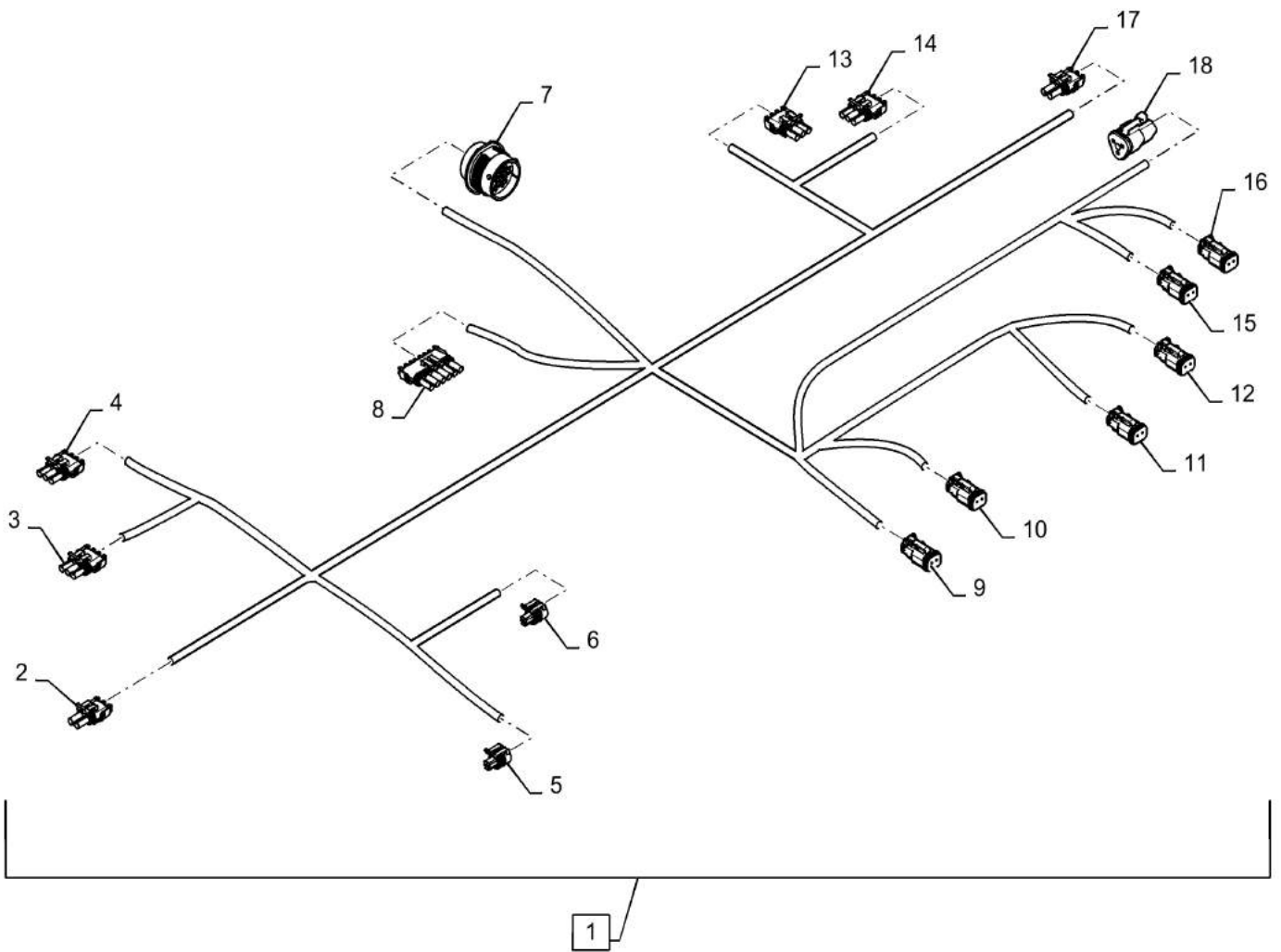


HARNESS, RIGID DRAPER

REF FN	PART NUMBER	YR/SN	QTY DESCRIPTION
10	87695909		1 CONTACT HOUSING Female, 2 Pole X-700, Solenoid
10	84074638		1 ELEC CONNECTOR Locking Wedge, Green X-700, Solenoid
10	87695921		2 CONTACT Female, Nickel, 0.50 - 1.00mm ² X-700, Solenoid
11	87695909		1 CONTACT HOUSING Female, 2 Pole X-700, Transport Solenoid # 1
11	84074638		1 ELEC CONNECTOR Locking Wedge, Green X-700, Transport Solenoid # 1
11	87695921		2 CONTACT Female, Nickel, 0.50 - 1.00mm ² X-700, Transport Solenoid # 1
12	87695909		1 CONTACT HOUSING Female, 2 Pole X-703, Transport Solenoid # 2
12	84074638		1 ELEC CONNECTOR Locking Wedge, Green X-703, Transport Solenoid # 2
12	87695921		2 CONTACT Female, Nickel, 0.50 - 1.00mm ² X-703, Transport Solenoid # 2
13	87644909		1 WIRE CONNECTOR X-306, RH, Height/Tilt
13	87680702		3 SEAL X-306, RH, Height/Tilt
13	87692880		3 CABLE TERMINAL X-306, RH, Height/Tilt
14	87644909		1 WIRE CONNECTOR X-523, RH, Center Height
14	87680702		3 SEAL X-523, RH, Center Height
14	87692880		3 CABLE TERMINAL X-523, RH, Center Height
15	87695909		1 CONTACT HOUSING Female, 2 Pole X-704, Cutterbar Solenoid # 1
15	84074638		1 ELEC CONNECTOR Locking Wedge, Green X-704, Cutterbar Solenoid # 1
15	87695921		2 CONTACT Female, Nickel, 0.50 - 1.00mm ² X-704, Cutterbar Solenoid # 1
16	87695909		1 CONTACT HOUSING Female, 2 Pole X-705, Cutterbar Solenoid # 2
16	84074638		1 ELEC CONNECTOR Locking Wedge, Green X-705, Cutterbar Solenoid # 2
16	87695921		2 CONTACT Female, Nickel, 0.50 - 1.00mm ² X-705, Cutterbar Solenoid # 2

3152-DRAPER HEADER 3162-DRAPER HEADER

HARNESS, RIGID DRAPER



HARNESS, RIGID DRAPER

REF FN	PART NUMBER	YR/SN	QTY DESCRIPTION
17	87692855		1 CONTACT HOUSING Male, 2 Cavities X-304, RH, Flashing Light
17	87680701		1 SEAL X-304, RH, Flashing Light
17	87692876		2 CABLE TERMINAL Female, Tin, 1 - 2mm ² X-304, RH, Flashing Light
18	87695580		1 CONTACT HOUSING Female, 3 Pole X-706, Flex Pressure Sensor
18	84074639		1 WIRE CONNECTOR X-706, Flex Pressure Sensor
18	87695921		3 CONTACT Female, Nickel, 0.50 - 1.00mm ² X-706, Flex Pressure Sensor

3152-DRAPER HEADER 3162-DRAPER HEADER

AIR CONTROL CIRCUIT

ART

NOT

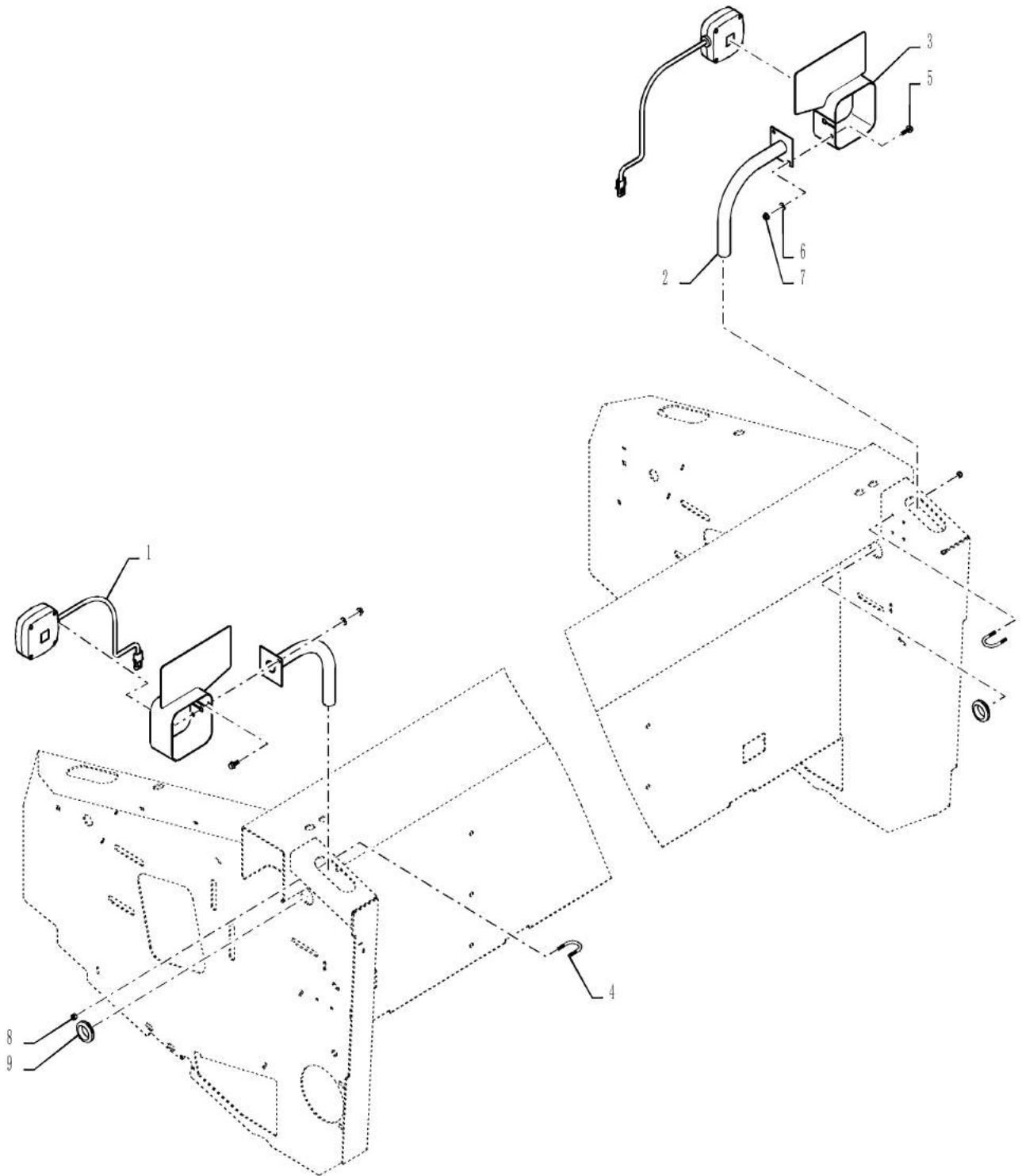
AVAILABLE

AIR CONTROL CIRCUIT

REF FN	PART NUMBER	YR/SN	QTY DESCRIPTION
1	84333117		1 FILTER Water Seperator
2	84448809		3 FITTING 90, Air Compressor
3	120103		2 BOLT M8 x 1.25 x 16mm, CI 8.8
4	84022290		1 HYDRAULIC VALVE Check
5	217-43		2 REDUCER 1/2" - 14 NPTF x 1/4" - 18 Fem NPTF
6	84448845		2 HYD CONNECTOR Fitting, Air Compressor
7	84351061		1 TUBE Hose, Nylon Air
8	47867100		1 BRACKET Tube Connector
9	322358		2 BELLEVILLE WASHER M8 Bolt Size x 18mm OD x 1.4mm Thk
10	84172050		1 HYD CONNECTOR Quick Coupling, 1/4" Plug
11	47863515		1 HOSE Air, Nylon
12	120031		2 CARRIAGE BOLT
13	87682391		2 CARRIAGE BOLT M10 x 1.5 x 25mm, CI 10.9
14	322357		2 BELLEVILLE WASHER M6 Bolt Size x 14mm OD x 1.3mm Thk
15	140045		2 BELLEVILLE WASHER M10 Bolt Size x 22mm OD x 1.6mm Thk
16	47944911		1 COVER Top Valve
17	86500688		2 NUT Hex, M6 x 1.0, CI 10.9
18	100016		2 NUT M10 x 1.5, CI 8
19	86566989		6 CABLE TIE 208mm L
20	47944908		1 COVER Bottom Valve
21	758435		2 GROMMET 17mm ID x 34mm OD x 12mm Thk

3162-DRAPER HEADER

LIGHT ASSEMBLY, WARNING

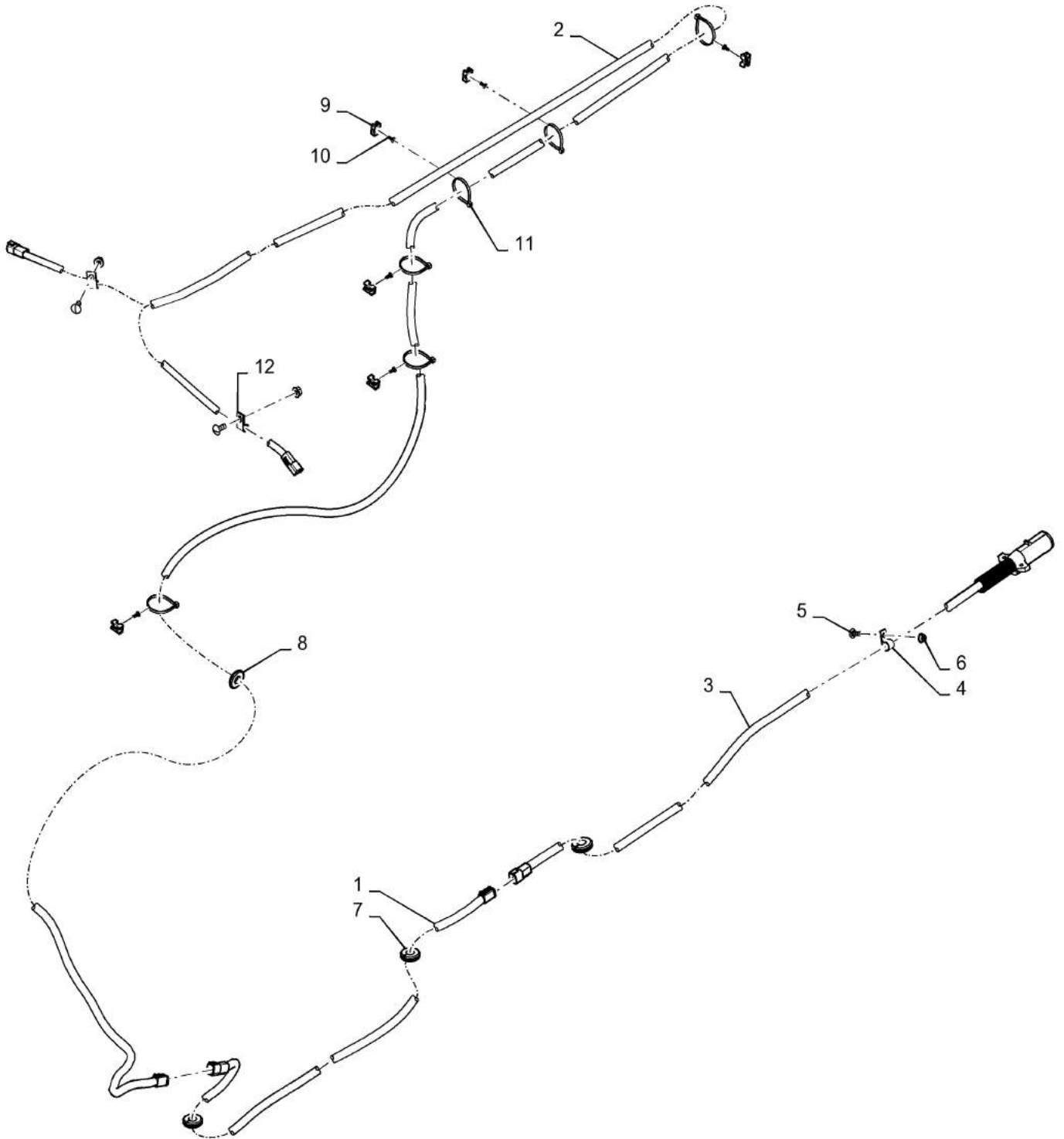


LIGHT ASSEMBLY, WARNING

REF FN	PART NUMBER	YR/SN	QTY DESCRIPTION
1	134454A1		2 LAMP Halogen, 12V, 32W, Clear Warning
2	127031A1		2 SUPPORT Warning Lamp
3	390636A1		2 BRACKET Warning Lamp
4	145345		4 U-BOLT
5	86521552		4 BOLT Hex, 5/16" - 18 x 3/4", Gr 5
6	322358		4 BELLEVILLE WASHER M8 Bolt Size x 18mm OD x 1.4mm Thk
7	86521605		4 FLANGE NUT 5/16"-18, CI 5
8	87382		8 LOCK NUT 5/16"-18, GB
9	87423314		2 GROMMET 1.5" ID x 2.125" ID x 0.562" Thk Oil Cooler

3152-DRAPER HEADER 3162-DRAPER HEADER

HARNESS, TRANSPORT LIGHTS



HARNESS, TRANSPORT LIGHTS

REF FN	PART NUMBER	YR/SN	QTY DESCRIPTION
1	84494109		1 WIRE HARNESS Header Warning Hitch Extension, 30, 35, 40 Foot Header
1	84494110		1 WIRE HARNESS Header Warning Hitch Extension, 45 Foot Header
2	84494092		1 WIRE HARNESS Header Warning Lights, 30, 35 Foot Header
2	84494094		1 WIRE HARNESS Header Warning Lights, 40, 45 Foot Header
3	84494107		1 WIRE HARNESS Header Warning Hitch, 30, 35 Foot Header
3	84494108		1 WIRE HARNESS Header Warning Hitch, 40, 45 Foot Header
4	9706748		2 CLAMP 15.9mm, Coat, 8.7mm Bolt Hole, P Type 30, 35 Foot Header
4	9706748		3 CLAMP 15.9mm, Coat, 8.7mm Bolt Hole, P Type 40 Foot Header
4	9706748		4 CLAMP 15.9mm, Coat, 8.7mm Bolt Hole, P Type 45 Foot Header
5	86507486		4 CARRIAGE BOLT M8 x 1.25 x 20mm, CI 8.8
6	9804277		4 FLANGE NUT Hex, M8 x 1.25, CI 8
7	86637780		3 GROMMET 5/8" ID x 1 1/4" Groove Dia, Str Cut
8	87035867		1 GROMMET 5/8" ID x 1 1/4" Groove Dia
9	86590413		7 BASE 15.87mm W x 22.22mm OAL x 9.9mm Thk Wire Tie, 30 Foot Header
9	86590413		6 BASE 15.87mm W x 22.22mm OAL x 9.9mm Thk Wire Tie, 35, 40, 45 Foot Header
10	445394		7 RIVET Pop, 3/16" x 1/2" OAL 30 Foot Header
10	445394		6 RIVET Pop, 3/16" x 1/2" OAL 35, 40, 45 Foot Header
11	86566989		7 CABLE TIE 208mm L CABLE STRAP 30 Foot Header
11	86566989		8 CABLE TIE 208mm L CABLE STRAP 35, 40, 45 Foot Header
12	858956		2 CLAMP 11.1mm, Coat, 8.7mm Bolt Hole, P Type

3152-DRAPER HEADER 3162-DRAPER HEADER

SECTION INDEX

ATTACHMENTS/HEADERS

58.100.01	01	DRIVE, ASSY
58.100.01	02	DRAPER, DRIVE ASSY
58.100.01	03	AUGER ASSY
58.100.01	04	DRAPER, DRIVE, GEARBOX
58.105.01		CONTROL ASSEMBLY, HEADER HEIGHT
58.105.02		REEL CRANKSHAFT ASSEMBLY
58.110.00	0	RH, SEGMENTED CENTER KNIFE, COARSE
58.110.00	0	RH, SEGMENTED CENTER KNIFE, FINE
58.110.00	00	RH, SEGMENTED TAIL, 30, 35, 40, 45FT, COARSE
58.110.00	00	RH, SEGMENTED TAIL, 30, 35, 40, 45FT, FINE
58.110.00	000	LH, SEGMENTED CENTER KNIFE, FINE
58.110.00	000	LH, SEGMENTED TAIL, 30, 35, 40, 45FT, COARSE
58.110.00	0000	LH, SEGMENTED CENTER KNIFE, COARSE
58.110.00	0000	LH, SEGMENTED TAIL, 30, 35, 40, 45FT, FINE
58.110.00	01	RH, SEGMENTED KNIFE ASSY, 30, 35, 40, 45FT, COARSE
58.110.00	01	RH, SEGMENTED KNIFE ASSY, 30, 35, 40, 45FT, FINE
58.110.00	02	LH, SEGMENTED KNIFE ASSY, 30, 35, 40, 45FT, COARSE
58.110.00	02	LH, SEGMENTED KNIFE ASSY, 30, 35, 40, 45FT, FINE
58.110.01		KNIFE ASSY, LH, 3-IN COARSE, 30 FOOT HEADER
58.110.01		KNIFE ASSY, LH, 3-IN COARSE, 35 FOOT HEADER
58.110.01		KNIFE ASSY, LH, 3-IN COARSE, 40 FOOT HEADER
58.110.01		KNIFE ASSY, LH, 3-IN COARSE, 45 FOOT HEADER
58.110.02		KNIFE ASSY, RH, 3-IN COARSE, 30 FOOT HEADER
58.110.02		KNIFE ASSY, RH, 3-IN COARSE, 35 FOOT HEADER
58.110.02		KNIFE ASSY, RH, 3-IN COARSE, 40 FOOT HEADER
58.110.02		KNIFE ASSY, RH, 3-IN COARSE, 45 FOOT HEADER
58.110.03		KNIFE ASSY, 3 INCH COARSE LH
58.110.03	01	KNIFE ASSY, 3 INCH COARSE, LH
58.110.03	02	KNIFE ASSY, 3 INCH FINE, LH
58.110.04		KNIFE ASSY, 3 INCH COARSE RH
58.110.04	01	KNIFE ASSY, 3 INCH COARSE, RH
58.110.04	02	KNIFE ASSY, 3 INCH FINE, RH
58.110.05	01	CUTTERBAR, 3 INCH STANDARD GAURD
58.110.05	02	CUTTERBAR, 3 INCH STUB GUARD
58.110.05	02	CUTTERBAR, STUB GUARD

SECTION INDEX

ATTACHMENTS/HEADERS

58.110.06	01	DRIVE, CENTER KNIFE GEARBOX
58.110.06	02	DRIVE ASSEMBLY, CENTER KNIFE
58.110.07	01	ARM, ASSY, KNIFE TURRET, LH
58.110.07	02	ARM, ASSY, KNIFE TURRET, RH
58.110.08	02	ARM, ASSY
58.110.09	01	CUTTERBAR, 3" STD GUARD 25FT
58.110.09	01	CUTTERBAR, 3" STD GUARD 30FT
58.110.09	01	CUTTERBAR, 3" STD GUARD 35FT
58.110.09	01	CUTTERBAR, 3" STD GUARD 40FT
58.110.09	01	CUTTERBAR, 3" STD GUARD 45FT
58.110.09	01	CUTTERBAR, ASSY, COMMON FLEX
58.110.09	02	CUTTERBAR, 3" STD GUARD 25FT
58.110.09	02	CUTTERBAR, 3" STD GUARD 30FT
58.110.09	02	CUTTERBAR, 3" STD GUARD 35FT
58.110.09	02	CUTTERBAR, 3" STD GUARD 40FT
58.110.09	02	CUTTERBAR, 3" STD GUARD 45FT
58.110.09	03	CENTER KNIFE DRIVE, HEAD ASSY
58.110.10		CUTTERBAR, SUSPENSION, STANDARD
58.110.11		GEAR, ASSY
58.110.12		PINION, ASSY, HORIZONTAL
58.110.13		STRIPPER - KIT
58.110.14	01	CUTTERBAR, ASSY EU, 3" TRASHBAR GUARD 25FT
58.110.14	02	KNIFE HEAD, ASSY EU, 3" TRASHBAR GUARD 25FT
58.110.15	01	CUTTERBAR, ASSY EU, 3" TRASHBAR GUARD 30FT
58.110.15	02	KNIFE HEAD, ASSY EU, 3" TRASHBAR GUARD 30FT
58.110.16	01	CUTTERBAR, ASSY EU, 3" TRASHBAR GUARD 35FT
58.110.16	02	KNIFE HEAD, ASSY EU, 3" TRASHBAR GUARD 35FT
58.110.17	01	CUTTERBAR, ASSY EU, 3" TRASHBAR GUARD 40FT
58.110.17	02	KNIFE HEAD, ASSY EU, 3" TRASHBAR GUARD 40FT
58.110.18	01	CUTTERBAR, ASSY EU, 3" TRASHBAR GUARD 45FT
58.110.18	02	KNIFE HEAD, ASSY EU, 3" TRASHBAR GUARD 45FT
58.110.19		SKID/SHOE, ASSY
58.110.20		SKID/SHOE, ASSY
58.115.01		DRAPER, ASSY, 30FT
58.115.01		DRAPER, ASSY, 35FT

SECTION INDEX

ATTACHMENTS/HEADERS

58.115.01		DRAPER, ASSY, 35FT (AUSTRALIA ONLY)
58.115.01		DRAPER, ASSY, 40FT
58.115.01		DRAPER, ASSY, 40FT (AUSTRALIA ONLY)
58.115.01		DRAPER, ASSY, 45FT
58.115.01		DRAPER, ASSY, 45FT (AUSTRALIA ONLY)
58.115.02	01	FEEDER ASSY
58.115.02	01	FEEDER ASSY (AUSTRALIA ONLY)
58.115.02	01	FEEDER ASSY, DUAL INFEED
58.115.02	01	FEEDER, ASSY
58.115.02	01	FEEDER, ASSY
58.115.02	02	FEEDER ASSY, LH
58.115.02	02	FEEDER, ASSY, LH
58.115.02	02	FEEDER, ASSY, LH
58.115.02	02	LH DUAL INFEED, DRAPER ASSY
58.115.02	03	FEEDER ASSY, RH
58.115.02	03	FEEDER, ASSY, RH
58.115.02	03	FEEDER, ASSY, RH
58.115.02	03	RH DUAL INFEED, DRAPER ASSY
58.115.03		TENSIONER, ASSY, RH, 30FT
58.115.03		TENSIONER, ASSY, RH, 35FT
58.115.03		TENSIONER, ASSY, RH, 40FT
58.115.03		TENSIONER, ASSY, RH, 45FT
58.115.04		TENSIONER, ASSY, LH, 30FT
58.115.04		TENSIONER, ASSY, LH, 35FT
58.115.04		TENSIONER, ASSY, LH, 40FT
58.115.04		TENSIONER, ASSY, LH, 45FT
58.115.05		MOTOR, LEFT HAND FEEDER
58.115.06		TENSIONER - RH
58.115.07		TENSIONER - LH
58.115.08		ROLLER, DRIVE
58.115.09		ROLLER, IDLER
58.120.01		AUGER ASSEMBLY
58.130.01	01	FLOOR, SUPPORT ASSY
58.130.01	02	ARM, ASSY, RH/LH
58.130.01	03	ARM, ASSY

SECTION INDEX

ATTACHMENTS/HEADERS

58.130.01	04	ARM, ASSY, CENTER KNIFE DRIVE, HYDRAULIC SHIELD
58.130.01	05	ARM, ASSY, CENTER RH/LH, ASN - YEH050000
58.130.01	05	ARM, ASSY, CENTER RH/LH, BSN - YEH050000
58.130.02	01	FLOOR, ASSY, 30FT CENTER KNIFE DRIVE, LH
58.130.02	01	FLOOR, ASSY, 35FT CENTER KNIFE DRIVE, LH
58.130.02	01	FLOOR, ASSY, 40FT CENTER KNIFE DRIVE, LH
58.130.02	01	FLOOR, ASSY, 45FT CENTER KNIFE DRIVE, LH
58.130.02	02	FLOOR, ASSY, 30FT CENTER KNIFE DRIVE, RH
58.130.02	02	FLOOR, ASSY, 35FT CENTER KNIFE DRIVE, RH
58.130.02	02	FLOOR, ASSY, 40FT CENTER KNIFE DRIVE, RH
58.130.02	02	FLOOR, ASSY, 45FT CENTER KNIFE DRIVE, RH
58.130.03	01	FLOOR, ASSY, RH/LH
58.130.03	02	FLOOR, ASSY, RH/LH CENTER KNIFE DRIVE
58.130.04	01	FRAME ASSEMBLY, 25 FOOT HEADER
58.130.04	02	FRAME ASSEMBLY, 30 FOOT HEADER
58.130.04	03	FRAME ASSEMBLY, 35 FOOT HEADER
58.130.04	04	FRAME ASSEMBLY, 40 FOOT HEADER
58.130.04	05	FRAME ASSEMBLY, 45 FOOT HEADER
58.130.04	06	TOOL BOX, ASSY
58.130.05	01	HEADER TRANSPORT, REAR
58.130.05	02	HEADER TRANSPORT, REAR, ASN YDH030001
58.130.05	02	HEADER TRANSPORT, REAR, ASN YDH030019
58.130.05	03	AXLE, ASSY
58.130.05	04	HEADER, TRANSPORT, CONTROL ROD ASSY
58.130.06		REAR TRANSPORT HUB AND SUPPORT
58.130.07		HEADER TRANSPORT, FRONT, 30 FOOT HEADER
58.130.08		HEADER TRANSPORT, FRONT, 35, 40, 45 FOOT HEADER
58.130.09		FRONT AXLE, HEADER TRANSPORT
58.130.10	01	TONGUE, HEADER TRANSPORT, 30FT - 35FT, BSN - YCH022078
58.130.10	02	TONGUE, HEADER TRANSPORT, 30FT - 35FT, ASN - YCH022078
58.130.10	03	TONGUE, HEADER TRANSPORT, 40FT, BSN - YCH020013
58.130.10	04	TONGUE, HEADER TRANSPORT, 40FT, ASN - YCH020013
58.130.10	05	TONGUE, HEADER TRANSPORT, 45FT, BSN - YCH020013
58.130.10	06	TONGUE, HEADER TRANSPORT, 45FT, ASN - YCH020013
58.130.11		TONGUE, HEADER TRANSPORT

SECTION INDEX

ATTACHMENTS/HEADERS

58.131.01		DIVIDER ASSEMBLY, LEFT HAND
58.131.02		DIVIDER ASSEMBLY, RIGHT HAND
58.131.04		CROP LIFTERS AND SUPPORT
58.131.05	01	SENSOR ASSY, RIGID AHHC, 25 FOOT HEADER
58.131.05	02	SENSOR ASSY, RIGID AHHC, 30 FOOT HEADER
58.131.05	03	SENSOR ASSY, RIGID AHHC, 35/40/45 FOOT HEADER
58.131.05	04	AHHC, ARM ASSY, DRAPER, RIGHT CENTER
58.131.05	05	AHHC, ARM ASSY, DRAPER, LEFT CENTER
58.131.05	06	AHHC, ARM ASSY, DRAPER WIDE
58.208.01		END SHIELDING, RH
58.208.02		END SHIELDING, LH
58.208.03		WEAR PLATES

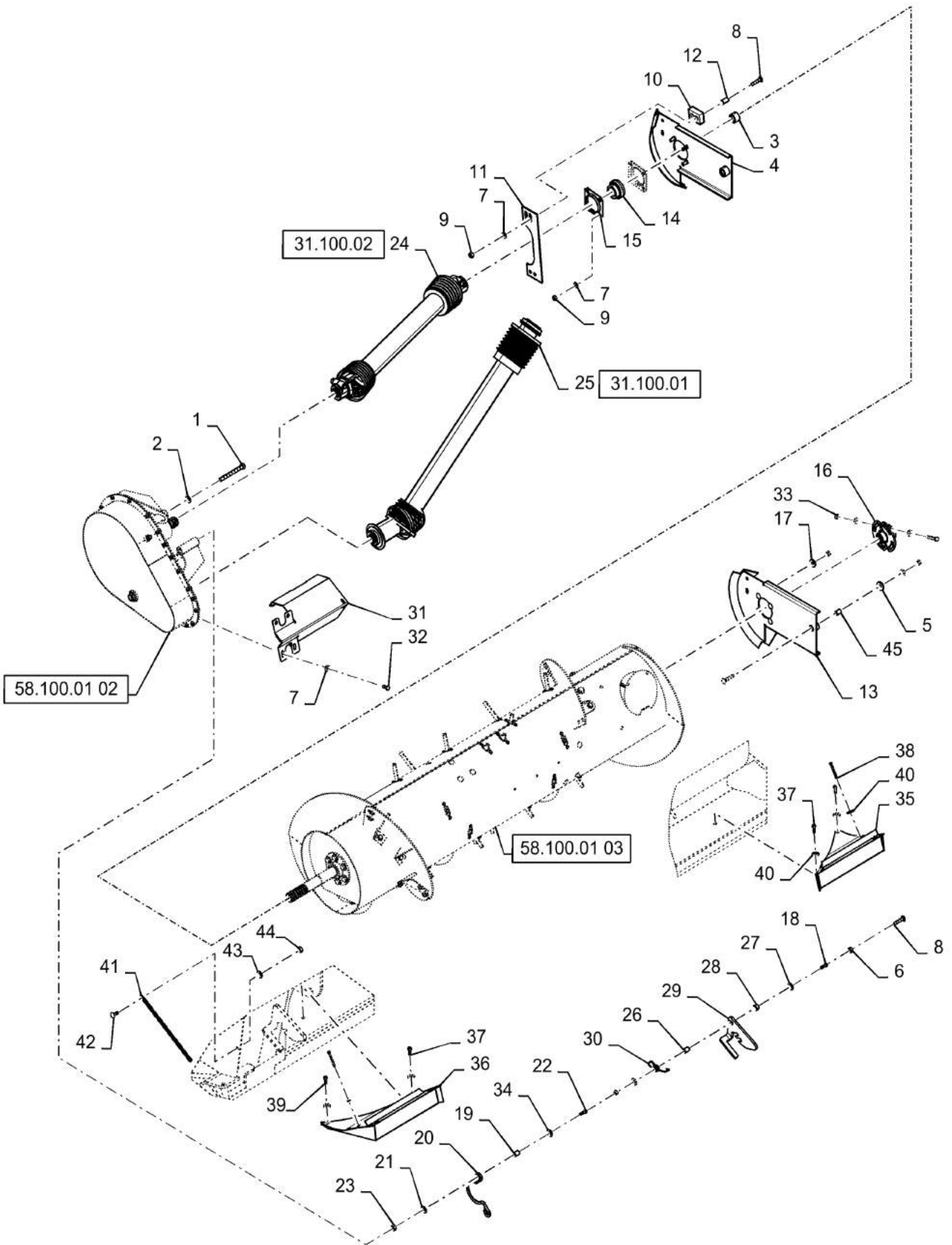
58.100.01

01

p1

9/2016

DRIVE, ASSY



DRIVE, ASSY

REF FN	PART NUMBER	YR/SN	QTY DESCRIPTION
1	334967		2 BOLT Hex, M16 x 2 x 140mm, CI 8.8
2	140048		2 BELLEVILLE WASHER M16 Bolt Size x 32mm OD x 2.8mm Thk
3	84238117		1 SPACER 45.7mm ID x 55mm OD x 33.8mm L
4	84210278		1 BRACKET LH
5	86622619		2 WASHER 0.53" ID x 1.62" OD x 0.25" Thk
6	48462		2 SPACER
7	140046		20 BELLEVILLE WASHER M12 Bolt Size x 27mm OD x 1.8mm Thk
8	412097		10 CARRIAGE BOLT Short Sq Nk, M12 x 1.75 x 60mm, CI 8.8
9	9706685		18 NUT M12 x 1.75, CI 8
10	87496459		4 BLOCK Rubber
11	84215029		2 PLATE
12	568217R1		8 BUSHING 3/4" Tube x 1 1/4"
13	84210277		1 BRACKET RH
14	9839347		1 BEARING ASSY 45mm ID x 85mm OD x 22mm W
15	86979948		2 FLANGE
16	84261957		1 HUB
17	86592701		4 WASHER 13mm ID x 35mm OD x 5mm Thk
18	9706693		2 BOLT M12 x 60mm, CI 8.8
19	626698		1 SPACER
20	84247904		1 HANGER PTO
21	394629		1 WASHER 10.5mm ID x 24mm OD x 3mm Thk
22	43140		1 BOLT Hex, M10 x 1.5 x 30mm, CI 8.8
23	100016		1 NUT M10 x 1.5, CI 8
24	84197922		1 DRIVE SHAFT PTO
25	84197920		1 DRIVE SHAFT PTO
26	86553411		1 SPACER 13.49mm ID x 18.97mm OD x 23.88mm L
27	86625254		2 WASHER 13.5mm ID x 28mm OD x 2.5mm Thk
28	86622548		1 SPACER 13.55mm ID x 19.01mm OD x 10.79mm L
29	87033816		1 CLIP
30	87026147		1 SPRING

3152-DRAPER HEADER 3162-DRAPER HEADER

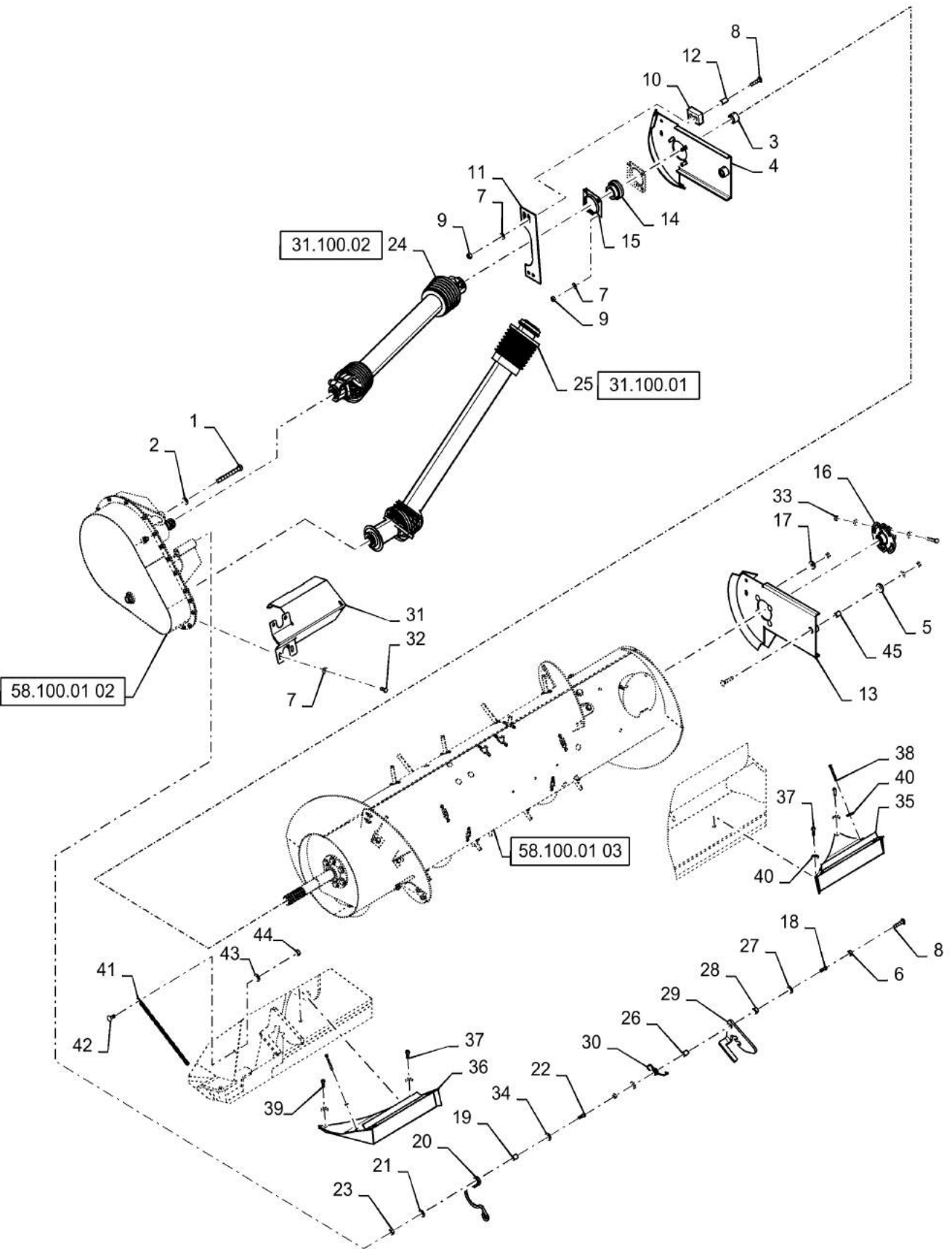
58.100.01

01

p2

9/2016

DRIVE, ASSY



DRIVE, ASSY

REF FN	PART NUMBER	YR/SN	QTY DESCRIPTION
31	84378871		1 SHIELD
32	300388		4 BOLT Hex, M12 x 1.75 x 25mm, CI 8.8
33	412672		2 NUT Hex, M12 x 1.75, CI 10
34	140045		1 BELLEVILLE WASHER M10 Bolt Size x 22mm OD x 1.6mm Thk
35	84486808		1 STRIPPER RH
36	84486805		1 STRIPPER LH
37	300381		2 BOLT Hex, M8 x 1.25 x 35mm, CI 8.8
38	120062		2 BOLT Hex, M8 x 70mm, CI 8.8
39	43127		2 BOLT Hex, M8 x 1.25 x 25mm, CI 8.8
40	322358		6 BELLEVILLE WASHER M8 Bolt Size x 18mm OD x 1.4mm Thk
41	87665435		1 CHAIN
42	9706703		1 CARRIAGE BOLT Sht Sq Nk, M6 x 1 x 20mm, CI 8.8, Full Thd
43	412649		1 BELLEVILLE WASHER M6 Bolt Size x 18mm OD x 1.4mm Thk
44	87030561		1 NUT M6 x 1, CI 8
45	604085		2 BUSHING

3152-DRAPER HEADER 3162-DRAPER HEADER

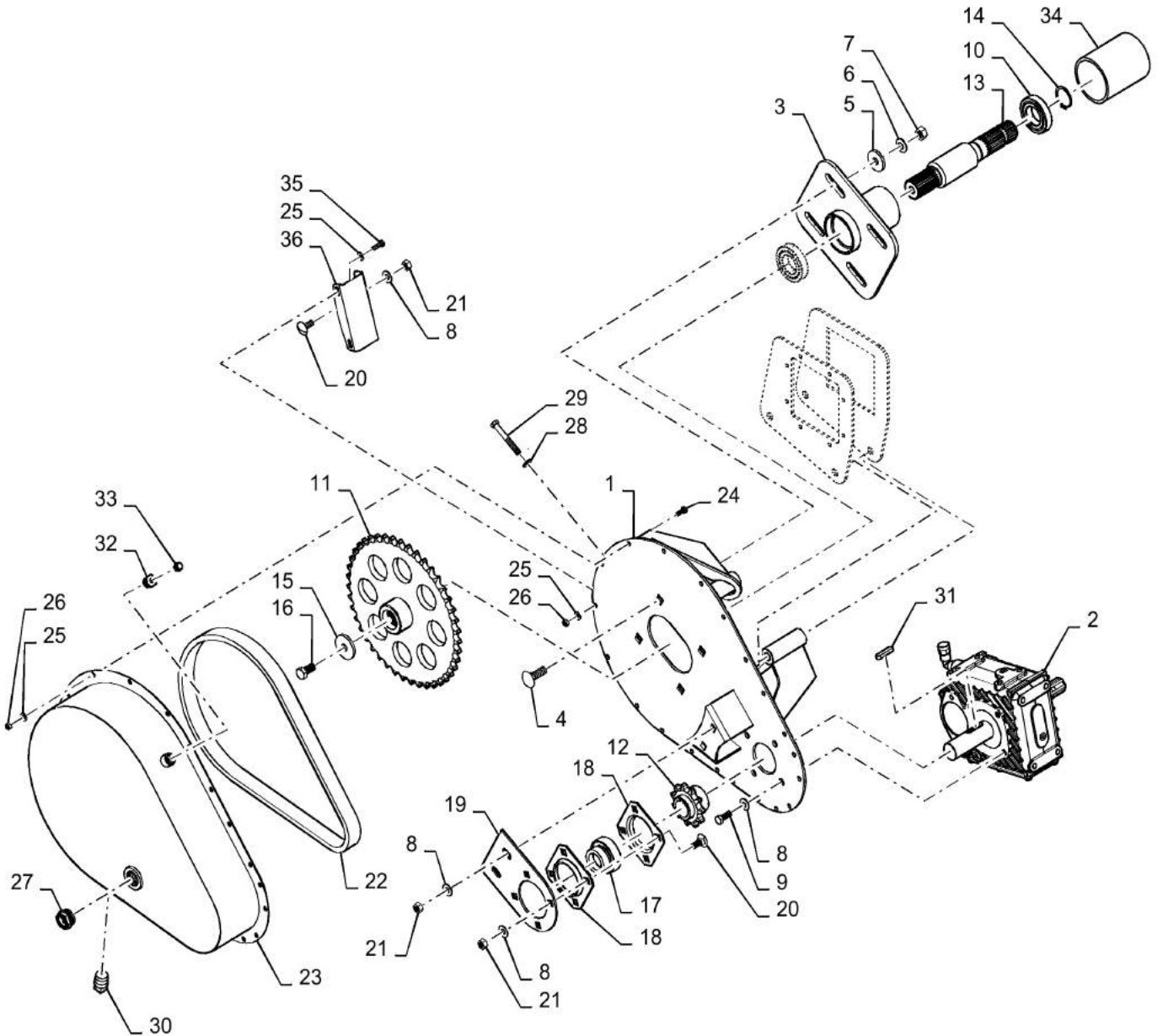
58.100.01

02

p1

9/2016

DRAPER, DRIVE ASSY



DRAPER, DRIVE ASSY

REF FN	PART NUMBER	YR/SN	QTY DESCRIPTION
1	84211252		1 PLATE Mounting
2	84234632		1 GEARBOX
3	84211249		1 PLATE Draper Drive
4	86512430		4 CARRIAGE BOLT Reg Sq Nk, M16 x 2 x 50mm, CI 8.8
5	333040		4 WASHER 16.5mm ID x 49mm OD x 6mm Thk
6	140048		4 BELLEVILLE WASHER M16 Bolt Size x 32mm OD x 2.8mm Thk
7	100020		4 NUT M16 x 2.0, CI 8
8	140046		11 BELLEVILLE WASHER M12 Bolt Size x 27mm OD x 1.8mm Thk
9	300388		4 BOLT Hex, M12 x 1.75 x 25mm, CI 8.8
10	353125		2 BALL BEARING 45mm ID x 85mm OD x 19mm W
11	84266747		1 SPROCKET 38T 38T High RPM Auger
11	84176718		1 SPROCKET ASSY. 43T RC80
12	84234636		1 SPROCKET Assy, 11T, RC80
13	84251853		1 SHAFT
14	5135061		1 CIRCLIP M45, Ext
15	84007183		1 WASHER 16.5mm ID x 58mm OD x 6mm Thk
16	86508583		1 BOLT Hex, M16 x 35mm, CI 8.8, Full Thd
17	455805		1 BALL BEARING 40mm ID x 80mm OD x 42.9mm Thk
18	84314678		2 FLANGE
19	84553739		1 BRACKET
20	335890		7 CARRIAGE BOLT Sq Nk, M12 x 1.75 x 30mm, CI 8.8, Full Thd
21	9706685		7 NUT M12 x 1.75, CI 8
22	84499861		1 CHAIN (AG) RC80, 54 Links x 25.4mm = 1371.6mm 54 Pitch Hig RPM Auger
22	84206842		1 CHAIN 80-1, 56 Links x 25.4mm = 1422.4mm 56 Pitch
23	84211253		1 COVER ASSY
24	120104		19 BOLT Hex, M8 x 1.25 x 20mm, CI 8.8
25	322358		23 BELLEVILLE WASHER M8 Bolt Size x 18mm OD x 1.4mm Thk
26	9706690		21 NUT M8 x 1.25, CI 8

3152-DRAPER HEADER 3162-DRAPER HEADER

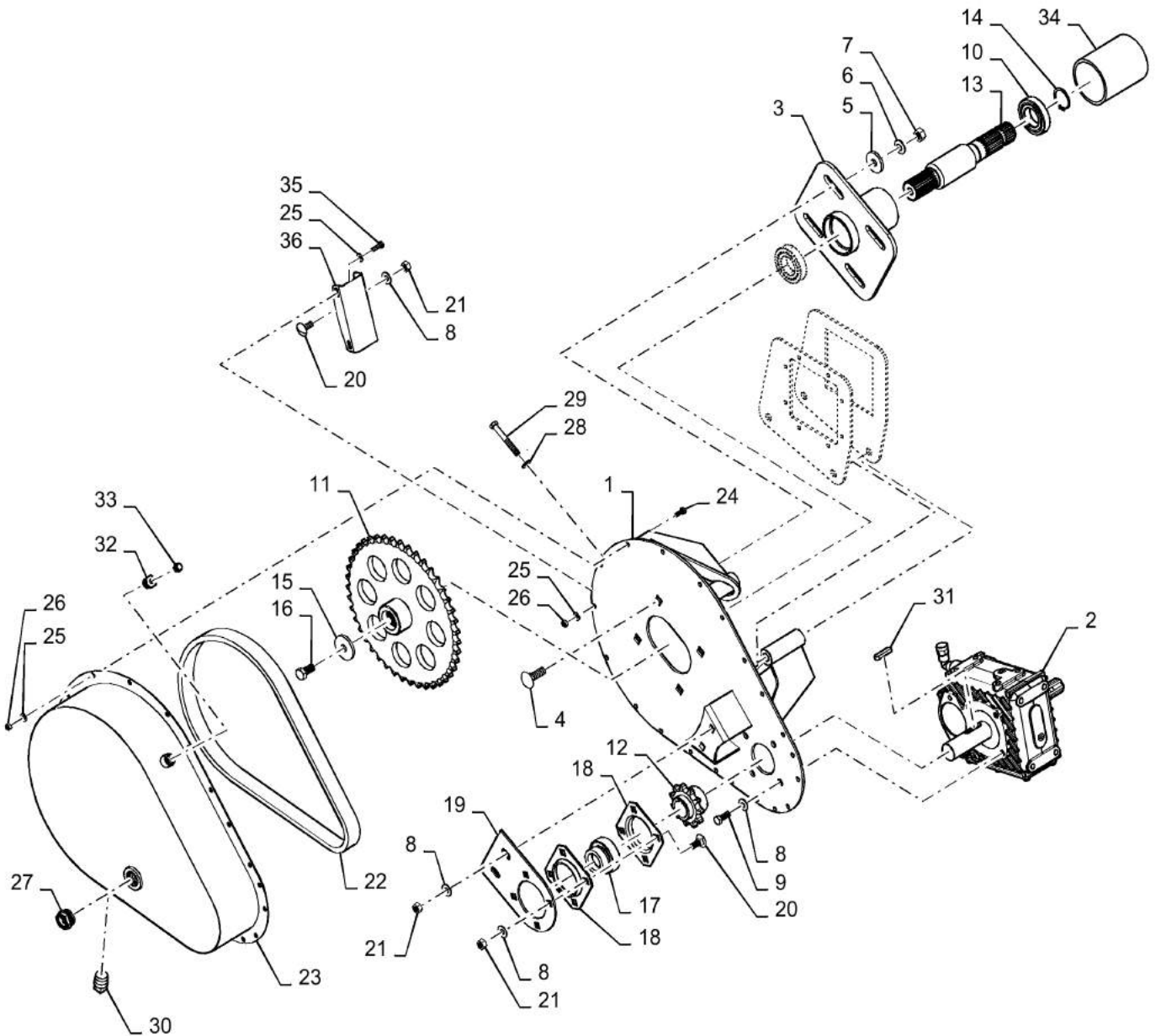
58.100.01

02

p2

9/2016

DRAPER, DRIVE ASSY

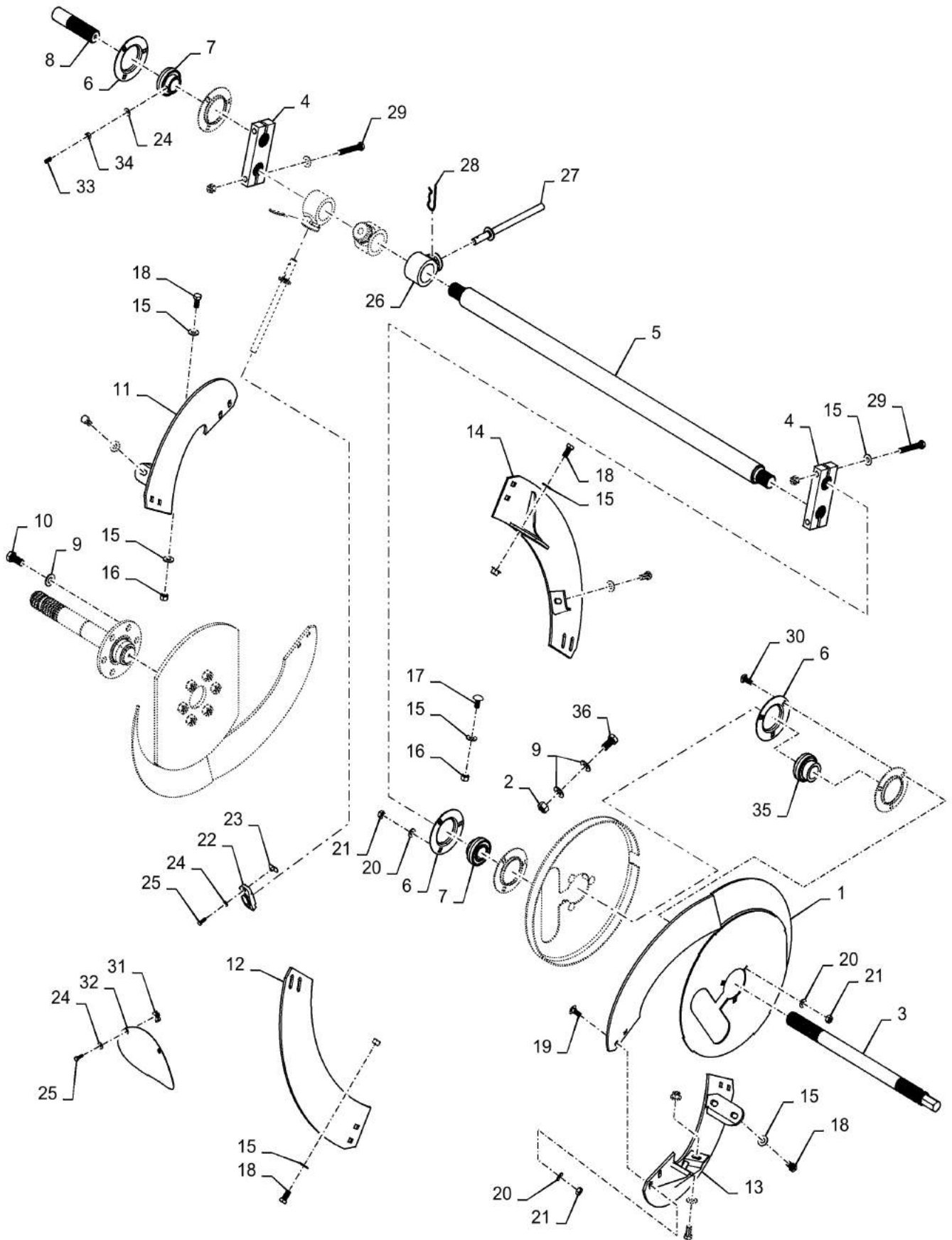


DRAPER, DRIVE ASSY

REF FN	PART NUMBER	YR/SN	QTY DESCRIPTION
27	85801249		1 LEVEL GAUGE
28	86639311		1 WASHER 17.5mm ID x 34mm OD x 3mm Thk
29	72182307		1 BOLT Hex, M16 x 120, 8.8, Full Thd
30	84296		2 DRAIN PLUG Sq Hd, 1/2"-14 NPTF
31	170056		1 KEY 12mm W x 50mm OAL
32	87520047		1 REDUCER FITTING
33	46566		1 BREATHER
34	84551936		1 HYDRAULIC HOSE 95.3mm ID x 127mm L, SAE 30R2
35	43127		2 BOLT Hex, M8 x 1.25 x 25mm, CI 8.8
36	47387836		1 COVER

3152-DRAPER HEADER 3162-DRAPER HEADER

AUGER ASSY



AUGER ASSY

REF FN	PART NUMBER	YR/SN	QTY DESCRIPTION
1	47657755		1 AUGER
2	100020		2 NUT M16 x 2.0, CI 8
3	84297335		1 SHAFT
4	86620720		2 CRANKED LINK
5	84261948		1 SHAFT
6	36403		6 BEARING HOUSING
7	87323339		2 BALL BEARING 35mm ID x 72mm OD x 19mm W
8	87392469		1 SHAFT LH
9	140048		10 BELLEVILLE WASHER M16 Bolt Size x 32mm OD x 2.8mm Thk
10	86508583		6 BOLT Hex, M16 x 35mm, CI 8.8, Full Thd
11	84224159		1 AUGER FLIGHT LH
12	84263900		1 AUGER FLIGHT LH
13	84224162		1 AUGER FLIGHT RH
14	84263896		1 AUGER FLIGHT RH
15	140046		44 BELLEVILLE WASHER M12 Bolt Size x 27mm OD x 1.8mm Thk
16	87533547		26 NUT Prev Torque, M12, 1.75mm Pitch, CI 10
17	374895		12 CARRIAGE BOLT M12 x 1.75 x 25mm, CI 8.8
18	300388		14 BOLT Hex, M12 x 1.75 x 25mm, CI 8.8
19	338949		8 CARRIAGE BOLT M10 x 1.5 x 25mm, CI 8.8
20	140045		17 BELLEVILLE WASHER M10 Bolt Size x 22mm OD x 1.6mm Thk
21	100016		17 NUT M10 x 1.5, CI 8
22	84287636		20 GUIDE
23	84315756		40 NUT TEE
24	322357		50 BELLEVILLE WASHER M6 Bolt Size x 14mm OD x 1.3mm Thk
25	120100		48 BOLT M6 x 20mm, CI 8.8
26	84362468		20 JOINT
27	84194057		20 FINGER Assembly, Grain Header
28	740591		20 SPRING M10 x 67
29	43158		4 BOLT Hex, M12 x 80mm, CI 8.8

3152-DRAPER HEADER 3162-DRAPER HEADER

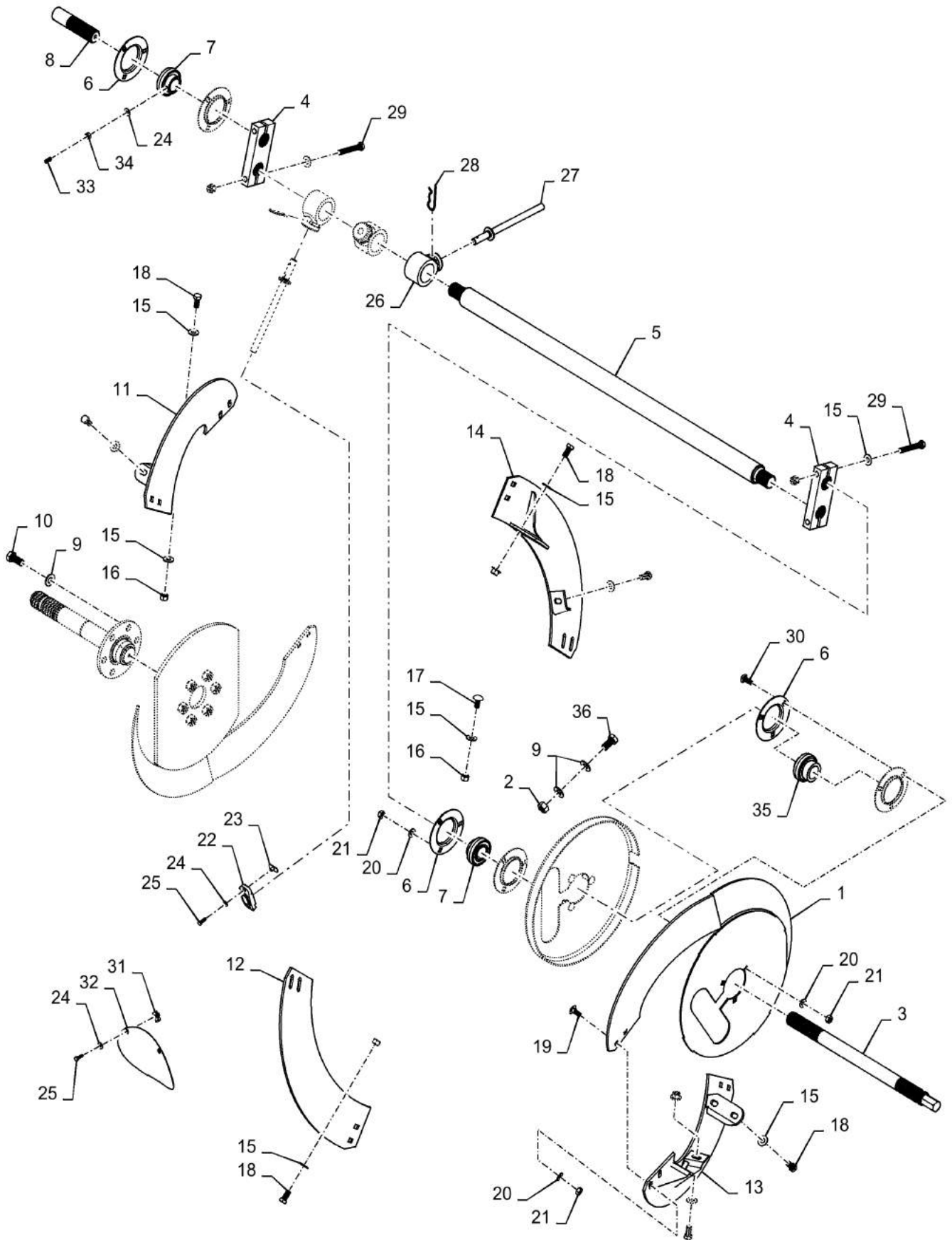
58.100.01

03

p2

9/2016

AUGER ASSY



58.100.01

03

p2

9/2016

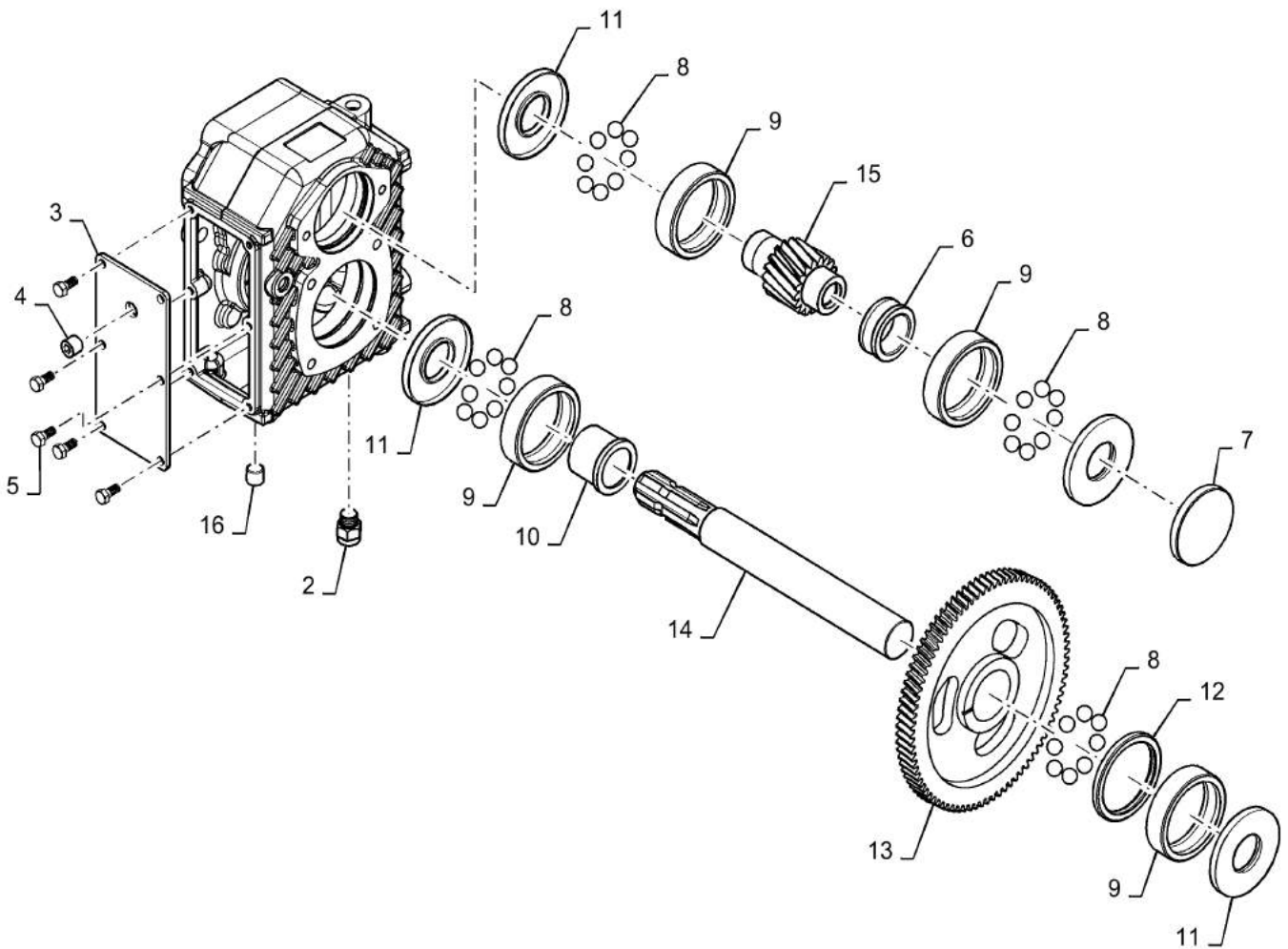
AUGER ASSY

REF FN	PART NUMBER	YR/SN	QTY DESCRIPTION
30	86512446		3 CARRIAGE BOLT M10 x 1.5 x 30mm, CI 8.8
31	86014250		8 SPRING NUT M6 x 1.0
32	87017844		4 COVER Access
33	84548954		2 SET SCREW M6 x 0.75 x 16mm
34	84268307		2 NUT
35	84814912		1 BALL BEARING 35 mm ID x 72 mm OD x 51.1 mm
36	43167		2 BOLT Hex, M16 x 30mm, CI 8.8, Full Thd

3152-DRAPER HEADER 3162-DRAPER HEADER

DRAPER, DRIVE, GEARBOX

1

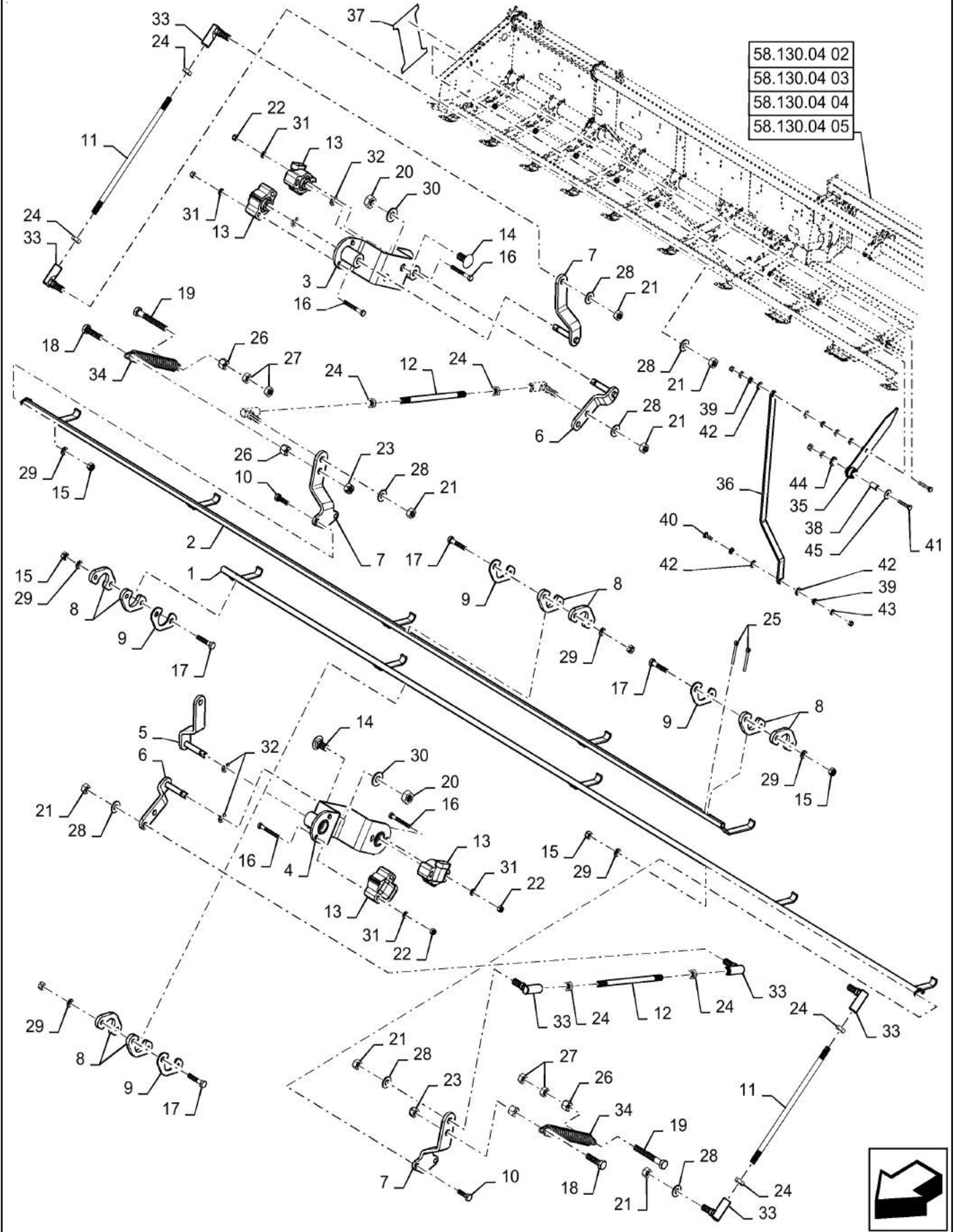


DRAPER, DRIVE, GEARBOX

REF FN	PART NUMBER	YR/SN	QTY DESCRIPTION
1	84234632		1 GEARBOX Incl 2 - 17
2	47626236		1 PLUG
3	47626041		1 COVER
4	47626239		1 PLUG
5	47626216		6 BOLT
6	47626211		1 BEARING CAP
7	47626212		1 BEARING CAP
8	47626042		4 BALL BEARING
9	47626213		3 RING
10	170056		1 KEY 12mm W x 50mm OAL
11	47626049		3 SEAL
12	47626050		1 SHIM
13	47626055		1 GEAR
14	47626058		1 SHAFT
15	47626059		1 PINION
16	47626241		1 PLUG

3152-DRAPER HEADER 3162-DRAPER HEADER

CONTROL ASSEMBLY, HEADER HEIGHT



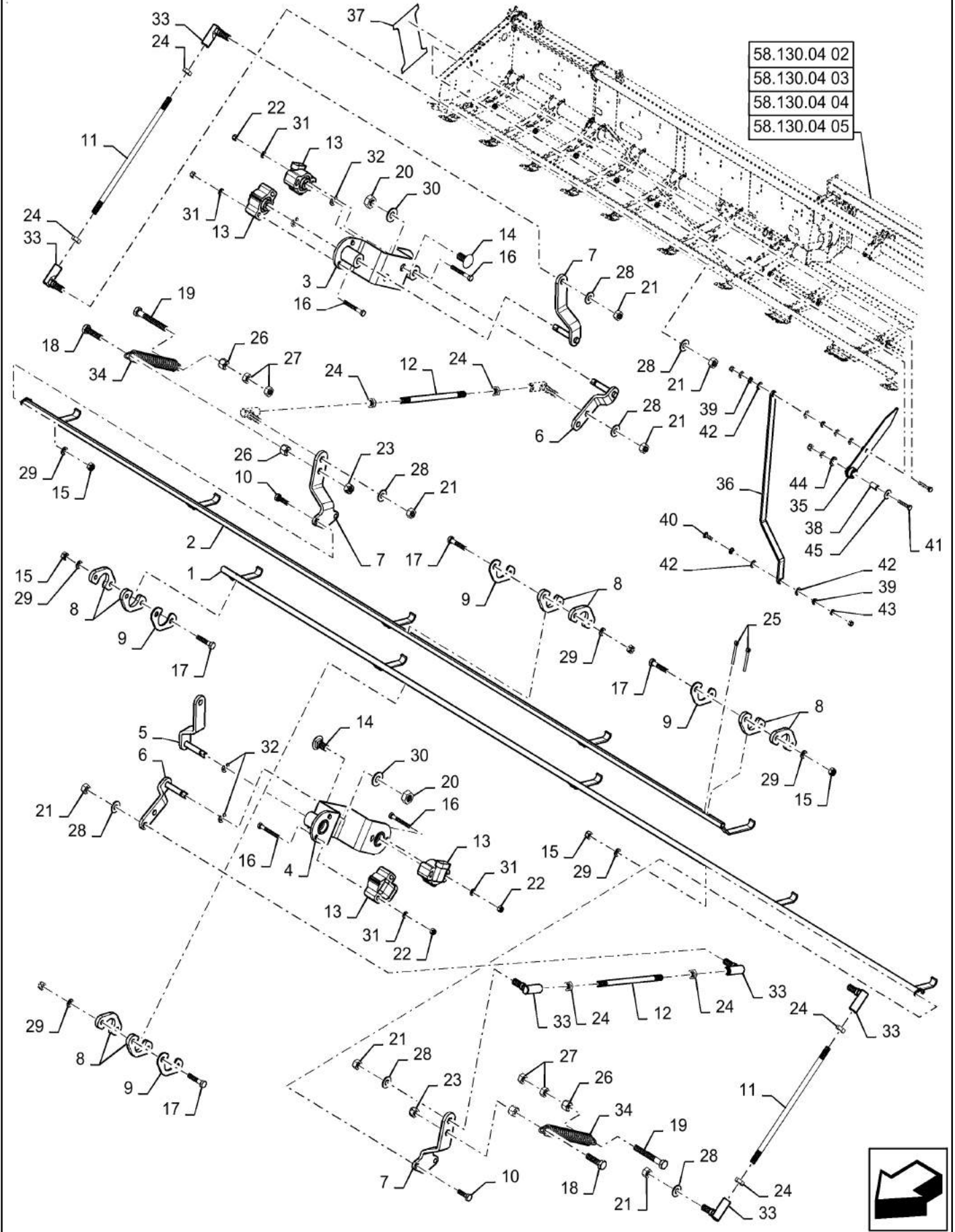
- 58.130.04 02
- 58.130.04 03
- 58.130.04 04
- 58.130.04 05

CONTROL ASSEMBLY, HEADER HEIGHT

REF FN	PART NUMBER	YR/SN	QTY DESCRIPTION
1	84556765		1 TUBE LH, 30FT Header
1	84556770		1 TUBE LH, 35FT Header
1	84584118		1 TUBE LH, 40FT Header
1	84584123		1 TUBE LH, 45FT Header
2	84556762		1 TUBE RH, 30FT Header
2	84556768		1 TUBE RH, 35FT Header
2	84584116		1 TUBE RH, 40FT Header
2	84584121		1 TUBE RH, 45FT Header
3	47548603		1 BRACKET Assy
4	47548689		1 BRACKET Assy
5	47548609		2 ARM Support
6	84556746		2 ARM Support
7	47357259		2 ARM Adjustment
8	84394120		20 SUPPORT Shaft, 30FT Header
8	84394120		24 SUPPORT Shaft, 35FT Header
8	84394120		28 SUPPORT Shaft, 40FT Header
8	84394120		32 SUPPORT Shaft, 45FT Header
9	84394209		10 SUPPORT Flange, 30FT Header
9	84394209		12 SUPPORT Flange, 35FT Header
9	84394209		14 SUPPORT Flange, 40FT Header
9	84394209		16 SUPPORT Flange, 45FT Header
10	120100		4 BOLT M6 x 20mm, CI 8.8
10	120100		8 BOLT M6 x 20mm, CI 8.8
11	47548664		2 ROD Adjustment
12	84556741		2 ADJUSTMENT ROD Upper
13	86616339		4 SENSOR AHHC Sensor
14	120041		4 CARRIAGE BOLT M10 x 20mm, CI 8.8
15	353308		24 NUT M6 x 1.0, CI 8 30FT Header
15	353308		28 NUT M6 x 1.0, CI 8 35FT Header
15	353308		36 NUT M6 x 1.0, CI 8 40FT Header
15	353308		40 NUT M6 x 1.0, CI 8 45FT Header
16	86025725		8 BOLT Hex, M5 x 40mm, CI 8.8

3162-DRAPER HEADER

CONTROL ASSEMBLY, HEADER HEIGHT



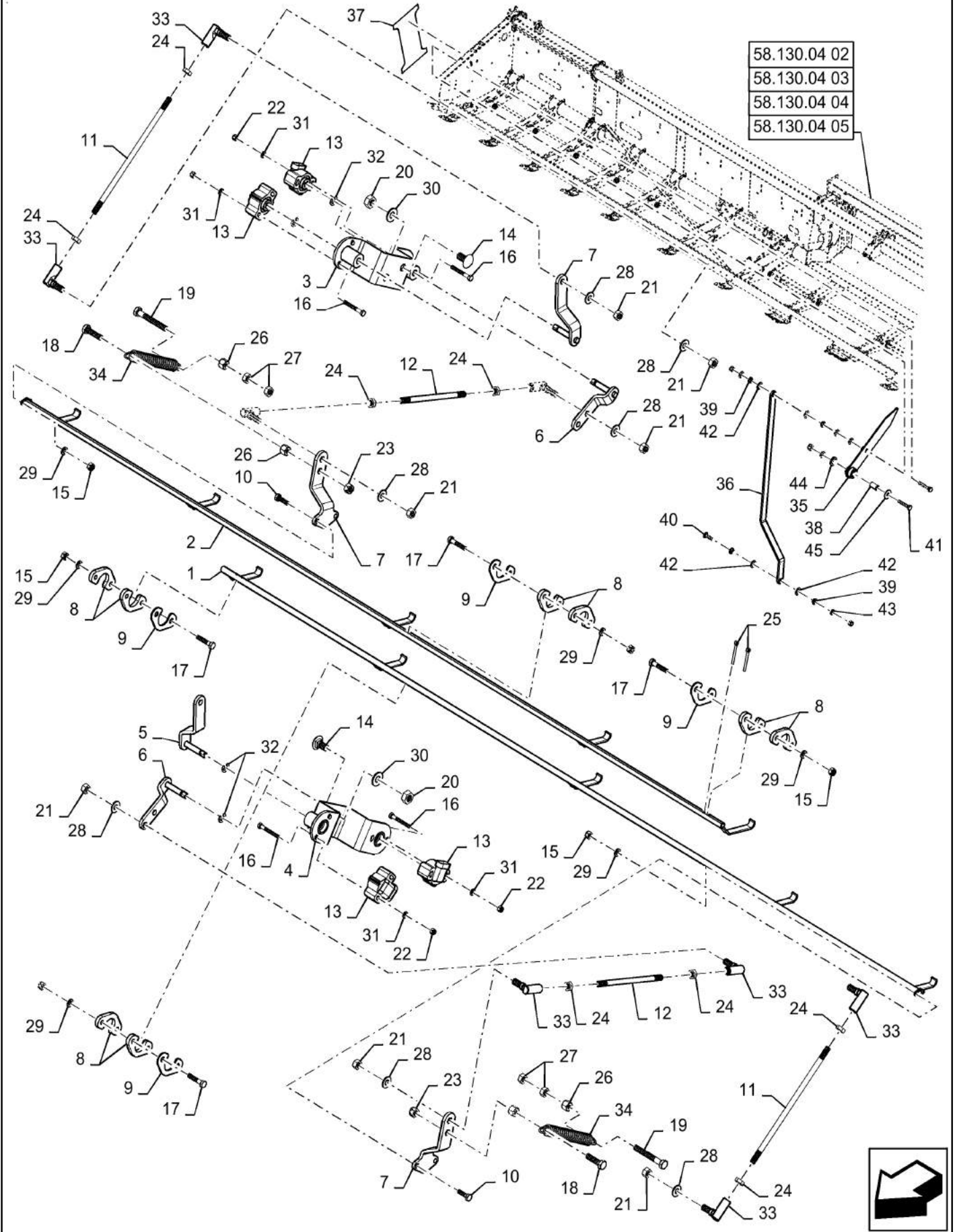
- 58.130.04 02
- 58.130.04 03
- 58.130.04 04
- 58.130.04 05

CONTROL ASSEMBLY, HEADER HEIGHT

REF FN	PART NUMBER	YR/SN	QTY DESCRIPTION
17	43117		20 SCREW Hex, M6 x 1.0 x 30mm, CI 8.8 30FT Header
17	43117		24 SCREW Hex, M6 x 1.0 x 30mm, CI 8.8 35FT Header
17	43117		28 SCREW Hex, M6 x 1.0 x 30mm, CI 8.8 40FT Header
17	43117		32 SCREW Hex, M6 x 1.0 x 30mm, CI 8.8 45FT Header
18	43128		2 BOLT M8 x 1.25 x 30mm, CI 8.8
19	86977784		2 BOLT Hex, M8 x 60mm, CI 8.8, Full Thd
20	100016		4 NUT M10 x 1.5, CI 8
21	86629539		8 NUT 5/16"-24, G5
22	43440		8 LOCK NUT M5 x .8, CI 8
23	86629542		8 NUT M8 x 1.25, CI 8.8
24	87307		8 JAM NUT Jam, 5/16"-24, G2
25	130005		4 COTTER PIN M3.2 x 32
26	412250		4 NUT M8 x 1.25, CI 8
27	9706690		4 NUT M8 x 1.25, CI 8
28	322358		8 BELLEVILLE WASHER M8 Bolt Size x 18mm OD x 1.4mm Thk
29	86588450		24 WASHER 6.6mm ID x 12mm OD x 1.6mm Thk 30FT Header
29	86588450		28 WASHER 6.6mm ID x 12mm OD x 1.6mm Thk 35FT Header
29	86588450		36 WASHER 6.6mm ID x 12mm OD x 1.6mm Thk 40FT Header
29	86588450		40 WASHER 6.6mm ID x 12mm OD x 1.6mm Thk 45FT Header
30	140045		4 BELLEVILLE WASHER M10 Bolt Size x 22mm OD x 1.6mm Thk
31	9824326		8 WASHER 5.3mm ID x 10mm OD x 1mm Thk
32	100-3431		4 SNAP RING #31, Ext, E-Type
33	86548493		8 BALL 5/16" -24 x 1-2/5" End
34	87047744		2 SPRING Auto Coat
35	47464384		2 INDICATOR Height
36	47412097		2 ARM Indicator
37	47424985		2 DECAL Cutterbar Height
38	47461813		2 SPACER 9mm x 15.875mm x 25mm

3162-DRAPER HEADER

CONTROL ASSEMBLY, HEADER HEIGHT

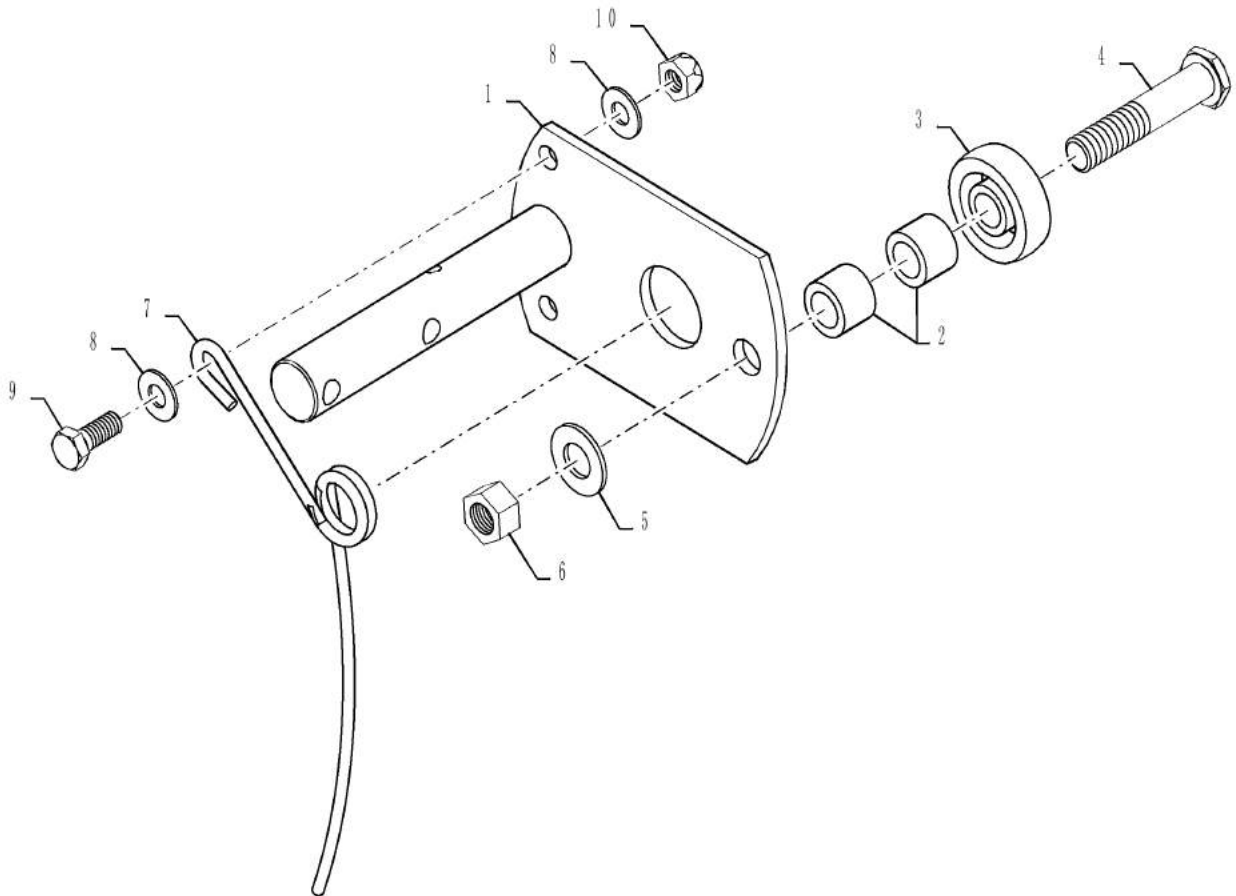


CONTROL ASSEMBLY, HEADER HEIGHT

REF FN	PART NUMBER	YR/SN	QTY DESCRIPTION
39	133246		8 BUSHING 8mm ID x 17.53mm OD x 7.26mm L Indicator
40	120038		2 CARRIAGE BOLT Rnd Head, M8 x 1.25 x 30mm, Cl 8.8, Full Thd
41	386045		4 BOLT Hex, M8 x 1.25 x 45mm, Cl 8.8
42	86622500		8 WASHER 13.49mm ID x 22.2mm OD x 1.36mm Thk Special
43	86624184		10 WASHER 9mm ID x 16mm OD x 1.6mm Thk
44	13507701		2 WASHER 16.4mm ID x 27mm OD x 2mm Thk
45	87013865		2 WASHER 9mm ID x 28mm OD x 1.6mm Thk

3162-DRAPER HEADER

REEL CRANKSHAFT ASSEMBLY



REEL CRANKSHAFT ASSEMBLY

REF FN	PART NUMBER	YR/SN	QTY DESCRIPTION
1	84588576		1 CRANKSHAFT 28.5mm OD x 177mm L Crankshaft WA dark Gray, RH
1	84588570		1 CRANKSHAFT 28.5mm OD x 177mm L Crankshaft WA Dark Gray, LH
2	87574731		2 SPACER 16.66mm ID x 25.4mm OD x 20mm L
3	165484		1 BALL BEARING 15.94mm ID x 50.8mm OD x 15mm W
4	84134601		1 SPECIAL BOLT
5	140048		1 BELLEVILLE WASHER M16 Bolt Size x 32mm OD x 2.8mm Thk
6	408		1 NUT 5/8" - 18, Gr 5
7	84416420		1 FINGER RH
7	84416419		1 FINGER Coiled, 1 Prong, 330mm L LH
8	140045		2 BELLEVILLE WASHER M10 Bolt Size x 22mm OD x 1.6mm Thk
9	43139		1 BOLT M10 x 1.5 x 25mm, Cl 8.8
10	100037		1 LOCK NUT M10 x 1.5, Cl 8

3152-DRAPER HEADER

58.110.00

0

p1

9/2016

RH, SEGMENTED CENTER KNIFE, COARSE

ART

NOT

AVAILABLE

58.110.00

0

p1

9/2016

RH, SEGMENTED CENTER KNIFE, COARSE

REF FN	PART NUMBER	YR/SN	QTY DESCRIPTION
1	47476449		1 KNIFE SECTION RH Center, Segmented Coarse, Incl 2 - 12
2	47592787		1 INSTRUCTION Knife Head Install
3	87728905		36 KNIFE SECTION OS, BT, STD BH
4	87470186		3 KNIFE SECTION OS, BT, CSB BH
5	NSS		1 NOT SOLD SEPARAT Knifeback, Incl In Ref 1
6	321848A1		17 KNIFE CLIP Strap, Reinforcing - 3" Knives
7	84429100		8 SCREW Pan HD, M6 x 22mm, Cl 10.9
8	84429102		81 LOCK NUT
9	87663841		36 SCREW Pan HD, M6 x 18mm, Cl 10.9
10	86563537		20 BOLT
11	87470018		7 SCREW FLAT, M6 x 14.5mm, Cl 10.9
12	47415343		1 PLATE Knife

3152-DRAPER HEADER 3162-DRAPER HEADER

58.110.00

0

p1

9/2016

RH, SEGMENTED CENTER KNIFE, FINE

ART

NOT

AVAILABLE

58.110.00

0

p1

9/2016

RH, SEGMENTED CENTER KNIFE, FINE

REF FN	PART NUMBER	YR/SN	QTY DESCRIPTION
1	47476447		1 KNIFE SECTION RH Center, Fine Segmented, Incl 2 - 12
2	47592787		1 INSTRUCTION Knife Head Install
3	87728899		36 KNIFE SECTION OS STD BH
4	84467282		3 KNIFE SECTION OS CSB BH
5	NSS		1 NOT SOLD SEPARAT Knifeback
6	84429100		8 SCREW Pan HD, M6 x 22mm, Cl 10.9
7	84429102		81 LOCK NUT
8	86563537		20 BOLT
9	87663841		36 SCREW Pan HD, M6 x 18mm, Cl 10.9
10	87470018		7 SCREW FLAT, M6 x 14.5mm, Cl 10.9
11	47415343		1 PLATE Knife
12	321848A1		17 KNIFE CLIP Strap, Reinforcing - 3" Knives

3152-DRAPER HEADER 3162-DRAPER HEADER

58.110.00

00

p1

9/2016

RH, SEGMENTED TAIL, 30, 35, 40, 45FT, COARSE

ART

NOT

AVAILABLE

58.110.00

00

p1

9/2016

RH, SEGMENTED TAIL, 30, 35, 40, 45FT, COARSE

REF FN	PART NUMBER	YR/SN	QTY DESCRIPTION
1	47476471		1 KNIFE SECTION RH Tail, Segmented Coarse, 30 FT, Incl 2 - 5
1	47476475		1 KNIFE SECTION RH Tail, Segmented Coarse, 35 FT, Incl 2 - 5
1	47476479		1 KNIFE SECTION RH Tail, Segmented Coarse, 40 FT, Incl 2 - 5
1	47476483		1 KNIFE SECTION RH Tail, Segmented Coarse, 45 FT, Incl 2 - 5
2	87728905		22 KNIFE SECTION 30 FT
2	87728905		32 KNIFE SECTION 35 FT
2	87728905		9 KNIFE SECTION 40 FT
2	87728905		19 KNIFE SECTION 45 FT
3	NSS		1 NOT SOLD SEPARAT Knifeback, Incl In Ref 1
4	84429102		43 LOCK NUT 30 FT
4	84429102		63 LOCK NUT 35 FT
4	84429102		17 LOCK NUT 40 FT
4	84429102		37 LOCK NUT 45 FT
5	86563537		43 BOLT 30 FT
5	86563537		63 BOLT 35 FT
5	86563537		17 BOLT 40 FT
5	86563537		37 BOLT 45 FT

3152-DRAPER HEADER 3162-DRAPER HEADER

58.110.00

00

p1

9/2016

RH, SEGMENTED TAIL, 30, 35, 40, 45FT, FINE

ART

NOT

AVAILABLE

58.110.00

00

p1

9/2016

RH, SEGMENTED TAIL, 30, 35, 40, 45FT, FINE

REF FN	PART NUMBER	YR/SN	QTY DESCRIPTION
1	47476469		1 KNIFE SECTION RH Tail, Segmented, 30FT Fine, Incl 2 - 5
1	47476473		1 KNIFE SECTION RH Tail, Segmented, 35FT Fine, Incl 2 - 5
1	47476477		1 KNIFE SECTION RH Tail, Segmented, 40FT Fine, Incl 2 - 5
1	47476481		1 KNIFE SECTION RH Tail, Segmented, 45FT Fine, Incl 2 - 5
2	87728899		22 KNIFE SECTION 30FT, OS STD BH
2	87728899		32 KNIFE SECTION 35FT, OS STD BH
2	87728899		9 KNIFE SECTION 40FT, OS STD BH
2	87728899		19 KNIFE SECTION 45FT, OS STD BH
3	NSS		1 NOT SOLD SEPARAT Knifeback, Incl In 1
4	84429102		43 LOCK NUT 30FT
4	84429102		63 LOCK NUT 35FT
4	84429102		17 LOCK NUT 40FT
4	84429102		37 LOCK NUT 45FT
5	86563537		43 BOLT 30FT
5	86563537		63 BOLT 35FT
5	86563537		17 BOLT 40FT
5	86563537		37 BOLT 45FT

3152-DRAPER HEADER 3162-DRAPER HEADER

58.110.00

000

p1

9/2016

LH, SEGMENTED CENTER KNIFE, FINE

ART

NOT

AVAILABLE

58.110.00

000

p1

9/2016

LH, SEGMENTED CENTER KNIFE, FINE

REF FN	PART NUMBER	YR/SN	QTY DESCRIPTION
1	47476448		1 KNIFE SECTION LH Center, Segmented, Fine, Incl 2 - 12
2	47592787		1 INSTRUCTION Knife Head Install
3	87728899		32 KNIFE SECTION OS STD BH
4	84467292		3 KNIFE SECTION OS CST BH
5	84467282		1 KNIFE SECTION OS CSB BH
6	NSS		1 NOT SOLD SEPARAT Knifeback
7	321848A1		17 KNIFE CLIP Strap, Reinforcing - " Knives
8	84429100		8 SCREW Pan HD, M6 x 22mm, Cl 10.9
9	84429102		73 LOCK NUT
10	87663841		34 SCREW Pan HD, M6 x 18mm, Cl 10.9
11	87470018		7 SCREW FLAT, M6 x 14.5mm, Cl 10.9
12	86563537		14 BOLT

3152-DRAPER HEADER 3162-DRAPER HEADER

58.110.00

000

p1

9/2016

LH, SEGMENTED TAIL, 30, 35, 40, 45FT, COARSE

ART

NOT

AVAILABLE

58.110.00

000

p1

9/2016

LH, SEGMENTED TAIL, 30, 35, 40, 45FT, COARSE

REF FN	PART NUMBER	YR/SN	QTY DESCRIPTION
1	47476472		1 KNIFE SECTION LH Tail, Segmented Coarse, 30 FT, Incl 2 - 5
1	47476476		1 KNIFE SECTION LH Tail, Segmented Coarse, 35 FT, Incl 2 - 5
1	47476480		1 KNIFE SECTION LH Tail, Segmented Coarse, 40 FT, Incl 2 - 5
1	47476484		1 KNIFE SECTION LH Tail, Segmented Coarse, 45 FT, Incl 2 - 5
2	87728905		26 KNIFE SECTION 30 FT
2	87728905		3 KNIFE SECTION 35 FT
2	87728905		13 KNIFE SECTION 40 FT
2	87728905		23 KNIFE SECTION 45 FT
3	NSS		1 NOT SOLD SEPARAT Knifeback, Incl In Ref 1
4	84429102		51 LOCK NUT 30 FT
4	84429102		5 LOCK NUT 35 FT
4	84429102		25 LOCK NUT 40 FT
4	84429102		45 LOCK NUT 45 FT
5	86563537		51 BOLT 30 FT
5	86563537		5 BOLT 35 FT
5	86563537		25 BOLT 40 FT
5	86563537		45 BOLT 45 FT

3152-DRAPER HEADER 3162-DRAPER HEADER

58.110.00

0000

p1

9/2016

LH, SEGMENTED CENTER KNIFE, COARSE

ART

NOT

AVAILABLE

58.110.00

0000

p1

9/2016

LH, SEGMENTED CENTER KNIFE, COARSE

REF FN	PART NUMBER	YR/SN	QTY DESCRIPTION
1	47476450		1 KNIFE SECTION LH Coarse, Segmented Center, Incl 2 - 12
2	47592787		1 INSTRUCTION Knife Head Install
3	87728905		32 KNIFE SECTION OS, BT, STD BH
4	47431717		3 KNIFE SECTION OS, BT, CST BH
5	87470186		1 KNIFE SECTION OS, BT, CSB BH
6	NSS		1 NOT SOLD SEPARAT Knifeback, Incl In Ref 1
7	321848A1		17 KNIFE CLIP Strap, Reinforcing - 3" Knives
8	84429100		8 SCREW Pan HD, M6 x 22mm, Cl 10.9
9	84429102		73 LOCK NUT
10	87663841		34 SCREW Pan HD, M6 x 18mm, Cl 10.9
11	87470018		7 SCREW FLAT, M6 x 14.5mm, Cl 10.9
12	86563537		14 BOLT

3152-DRAPER HEADER 3162-DRAPER HEADER

58.110.00

0000

p1

9/2016

LH, SEGMENTED TAIL, 30, 35, 40, 45FT, FINE

ART

NOT

AVAILABLE

58.110.00

0000

p1

9/2016

LH, SEGMENTED TAIL, 30, 35, 40, 45FT, FINE

REF FN	PART NUMBER	YR/SN	QTY DESCRIPTION
1	47476470		1 KNIFE SECTION LH Tail, Segmented, 30FT Fine, Incl 2 - 5
1	47476474		1 KNIFE SECTION LH Tail, Segmented, 35FT Fine, Incl 2 - 5
1	47476478		1 KNIFE SECTION LH Tail, Segmented, 40FT Fine, Incl 2 - 5
1	47476482		1 KNIFE SECTION LH Tail, Segmented, 45FT Fine, Incl 2 - 5
2	87728899		26 KNIFE SECTION 30FT, OS STD BH
2	87728899		3 KNIFE SECTION 35FT, OS STD BH
2	87728899		13 KNIFE SECTION 40FT, OS STD BH
2	87728899		23 KNIFE SECTION 45FT, OS STD BH
3	NSS		1 NOT SOLD SEPARAT Knifeback, Incl In 1
4	84429102		51 LOCK NUT 30FT
4	84429102		5 LOCK NUT 35FT
4	84429102		25 LOCK NUT 40FT
4	84429102		45 LOCK NUT 45FT
5	86563537		51 BOLT 30FT
5	86563537		5 BOLT 35FT
5	86563537		25 BOLT 40FT
5	86563537		45 BOLT 45FT

3152-DRAPER HEADER 3162-DRAPER HEADER

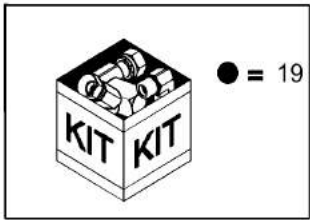
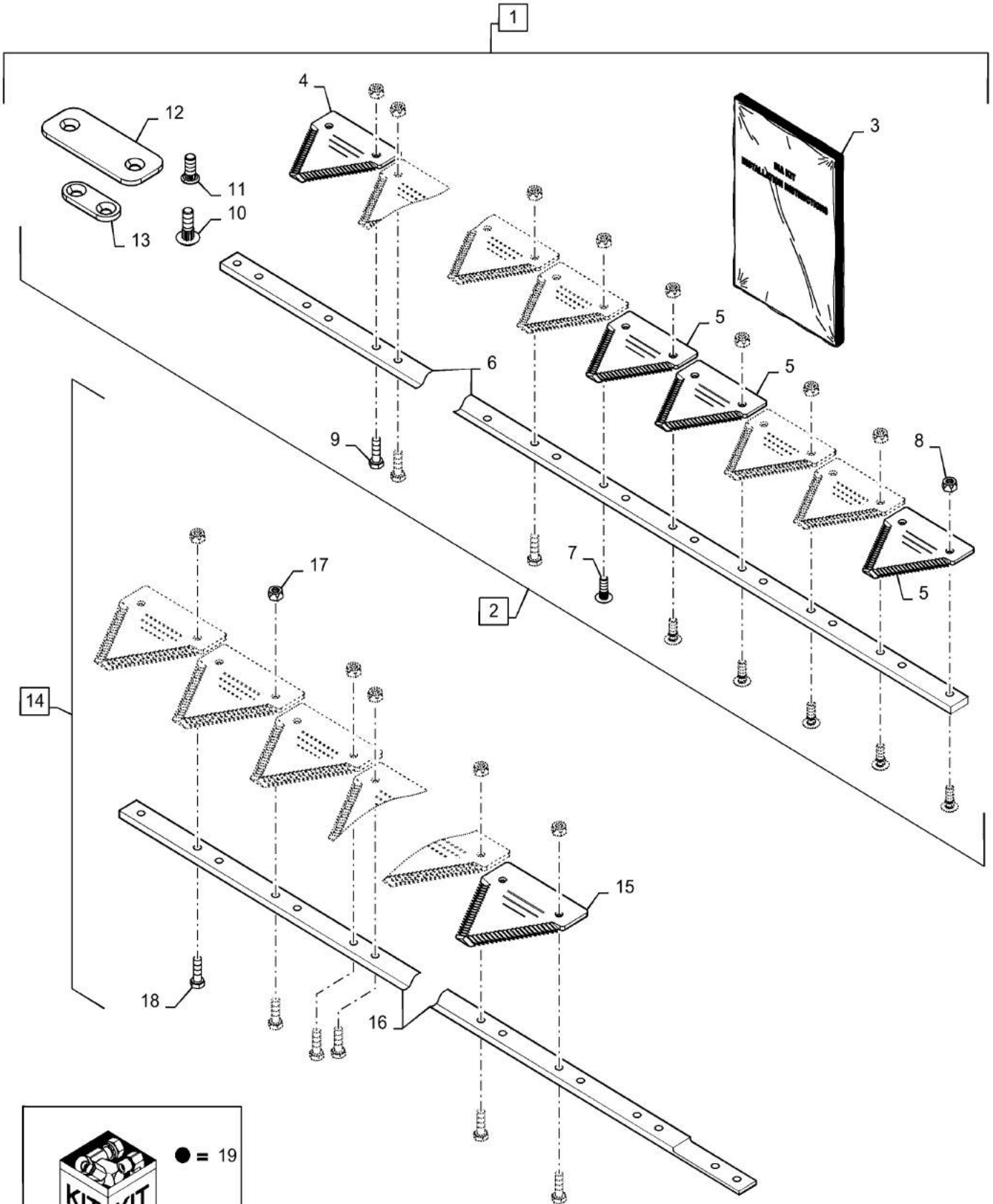
58.110.00

01

p1

9/2016

RH, SEGMENTED KNIFE ASSY, 30, 35, 40, 45FT, COARSE



58.110.00

01

p1

9/2016

RH, SEGMENTED KNIFE ASSY, 30, 35, 40, 45FT, COARSE

REF FN	PART NUMBER	YR/SN	QTY DESCRIPTION
1	47476493		1 KNIFE ASSY RH Coarse, Semented 30 FT Assy, Incl 2 - 19
1	47476499		1 KNIFE ASSY RH Coarse, Semented 35 FT Assy, Incl 2 - 19
1	47476503		1 KNIFE ASSY RH Coarse, Semented 40 FT Assy, Incl 2 - 19
1	47476507		1 KNIFE ASSY RH Coarse, Semented 45 FT Assy, Incl 2 - 19
2	47476449		1 KNIFE SECTION RH Center, Segmented Coarse, Incl 4 - 13
3	47592787		1 INSTRUCTION Knife Head Install
4	87728905		36 KNIFE SECTION OS, BT, STD BH
5	87470186		3 KNIFE SECTION OS, BT, CSB BH
6	NSS		1 NOT SOLD SEPARAT Knifeback, Incl In Ref 2
7	84429100		8 SCREW Pan HD, M6 x 22mm, CI 10.9
8	84429102		81 LOCK NUT
9	86563537		20 BOLT
10	87663841		36 SCREW Pan HD, M6 x 18mm, CI 10.9
11	87470018		7 SCREW FLAT, M6 x 14.5mm, CI 10.9
12	47415343		1 PLATE Knife
13	321848A1		17 KNIFE CLIP Strap, Reinforcing - 3" Knives
14	47476471		1 KNIFE SECTION RH Tail, Segmented Coarse, 30 FT, Incl 15 - 18
14	47476475		1 KNIFE SECTION RH Tail, Segmented Coarse, 35 FT, Incl 15 - 18
14	47476479		1 KNIFE SECTION RH Tail, Segmented Coarse, 40 FT, Incl 15 - 18
14	47476483		1 KNIFE SECTION RH Tail, Segmented Coarse, 45 FT, Incl 15 - 18
15	87728905		22 KNIFE SECTION 30 FT
15	87728905		36 KNIFE SECTION 35 FT
15	87728905		9 KNIFE SECTION 40 FT
15	87728905		19 KNIFE SECTION 45 FT
16	NSS		1 NOT SOLD SEPARAT Knifeback, Incl In Ref 14
17	84429102		43 LOCK NUT 30 FT
17	84429102		63 LOCK NUT 35 FT

3152-DRAPER HEADER 3162-DRAPER HEADER

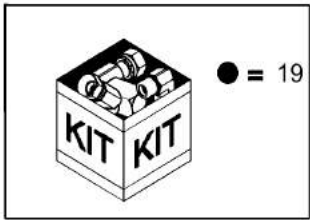
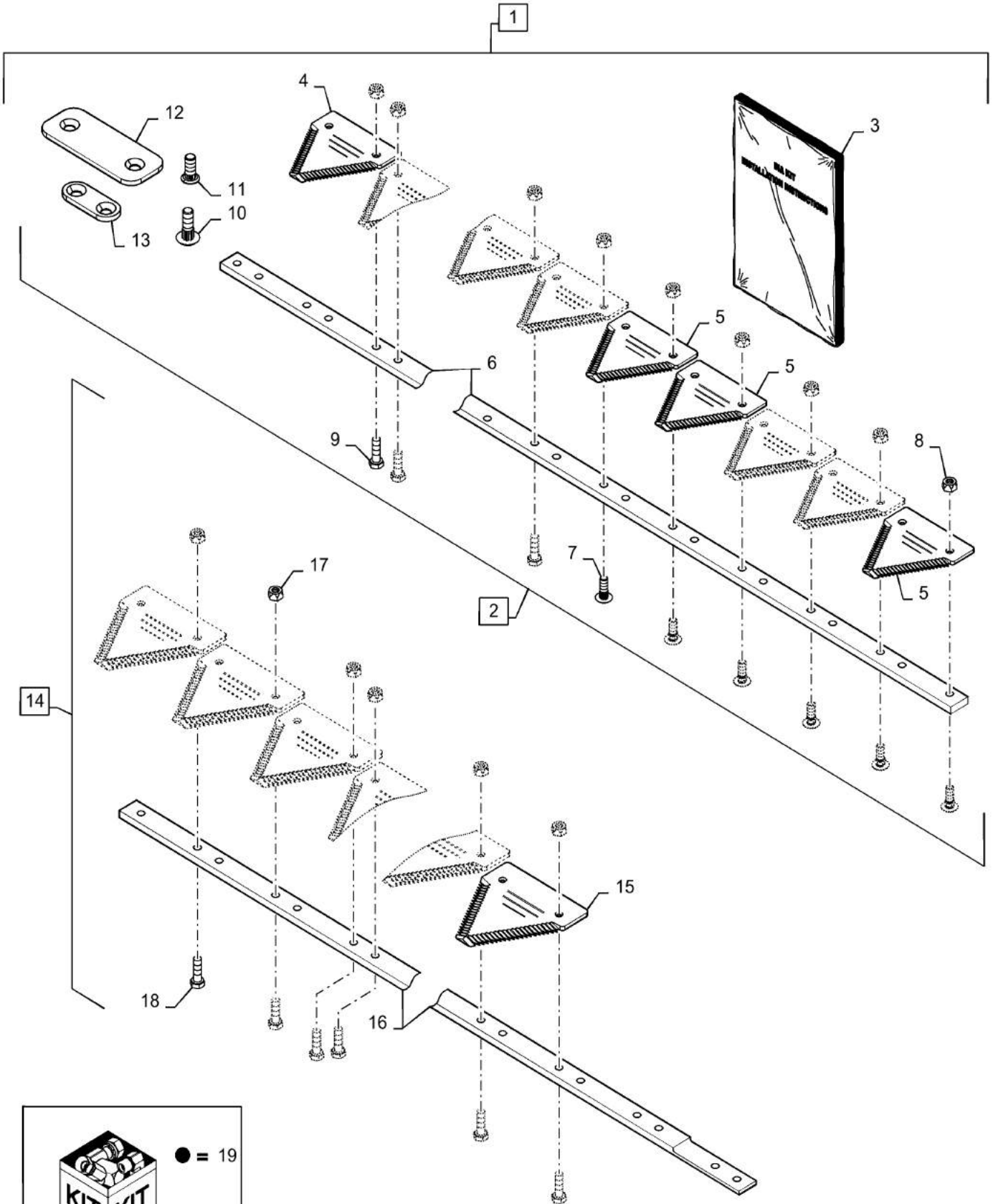
58.110.00

01

p2

9/2016

RH, SEGMENTED KNIFE ASSY, 30, 35, 40, 45FT, COARSE



58.110.00

01

p2

9/2016

RH, SEGMENTED KNIFE ASSY, 30, 35, 40, 45FT, COARSE

REF FN	PART NUMBER	YR/SN	QTY DESCRIPTION
17	84429102		17 LOCK NUT 40 FT
17	84429102		37 LOCK NUT 45 FT
18	86563537		43 BOLT 30 FT
18	86563537		63 BOLT 35 FT
18	86563537		17 BOLT 40 FT
18	86563537		37 BOLT 45 FT
19	1 84585647		1 SERVICE KIT Knife Assy
(1)	Incl (1) Bottom Strap (1) Top Strap (10) M6 - 1.0 x 19.44mm Bolt (10) M6 - 1.0 Locknut (1) 4mm Allen Wrench (1) CNH Instruction Card		

3152-DRAPER HEADER 3162-DRAPER HEADER

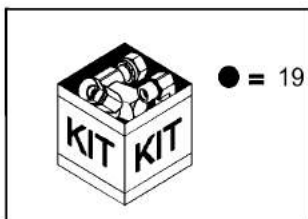
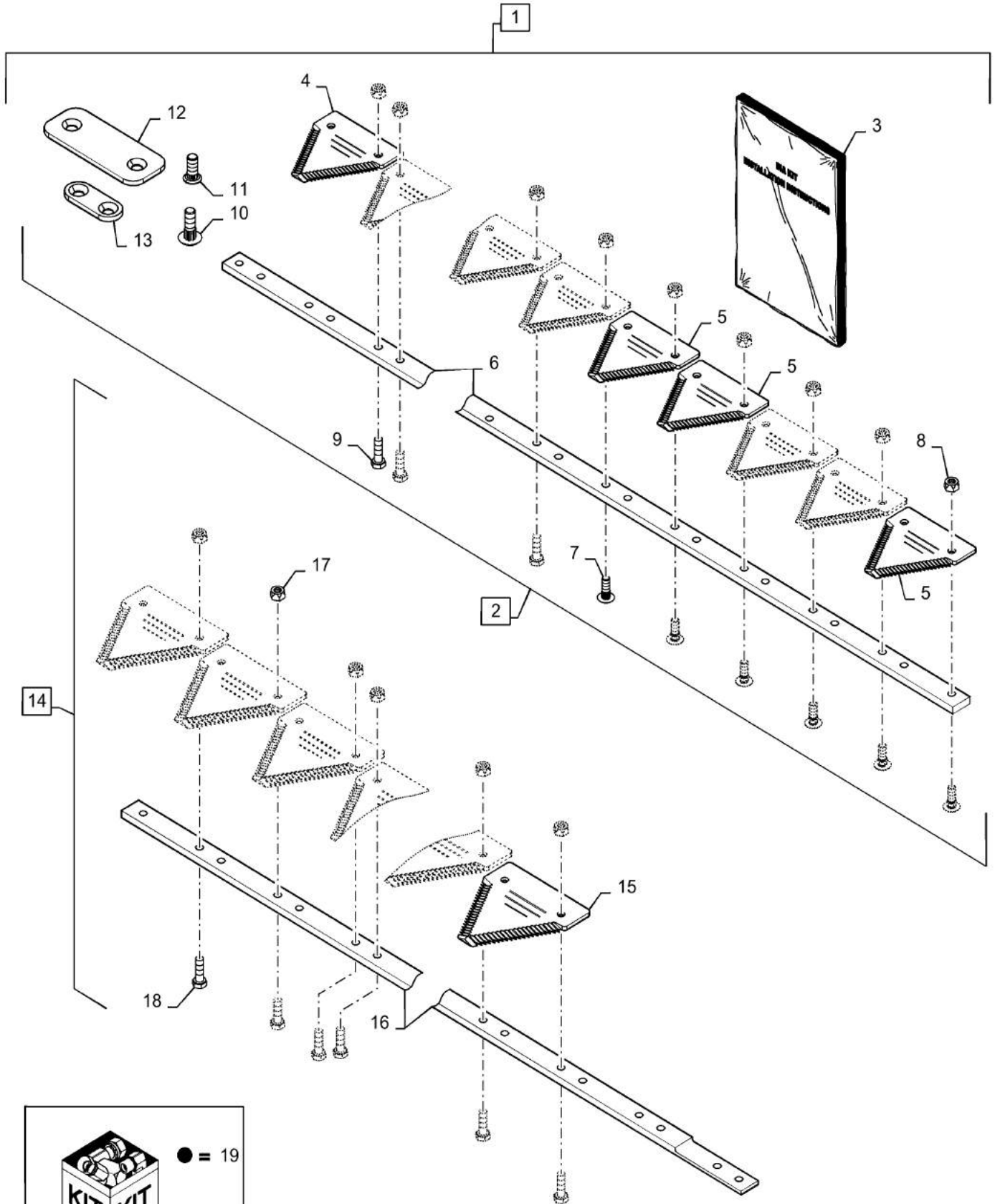
58.110.00

01

p1

9/2016

RH, SEGMENTED KNIFE ASSY, 30, 35, 40, 45FT, FINE



58.110.00

01

p1

9/2016

RH, SEGMENTED KNIFE ASSY, 30, 35, 40, 45FT, FINE

REF FN	PART NUMBER	YR/SN	QTY DESCRIPTION
1	47476493		1 KNIFE ASSY RH Fine, Segmented 30 FT Assy, Incl 2 - 19
1	47476497		1 KNIFE ASSY RH Fine, Segmented 35 FT Assy, Incl 2 - 19
1	47476501		1 KNIFE ASSY RH Fine, Segmented 40 FT Assy, Incl 2 - 19
1	47476505		1 KNIFE ASSY RH Fine, Segmented 45 FT Assy, Incl 2 - 19
2	47476447		1 KNIFE SECTION RH Center, Fine Segmented, Incl 4 - 13
3	47592787		1 INSTRUCTION Knife Head Install
4	87728899		36 KNIFE SECTION OS STD BH
5	84467282		3 KNIFE SECTION OS CSB BH
6	NSS		1 NOT SOLD SEPARAT Knifeback, Incl In Ref 2
7	84429100		8 SCREW Pan HD, M6 x 22mm, Cl 10.9
8	84429102		81 LOCK NUT
9	86563537		20 BOLT
10	87663841		36 SCREW Pan HD, M6 x 18mm, Cl 10.9
11	87470018		7 SCREW FLAT, M6 x 14.5mm, Cl 10.9
12	47415343		1 PLATE Knife
13	321848A1		17 KNIFE CLIP Strap, Reinforcing - 3" Knives
14	47476469		1 KNIFE SECTION RH Tail, Segmented, 30FT Fine, Incl 15 - 18
14	47476473		1 KNIFE SECTION RH Tail, Segmented, 35FT Fine, Incl 15 - 18
14	47476477		1 KNIFE SECTION RH Tail, Segmented, 40FT Fine, Incl 15 - 18
14	47476481		1 KNIFE SECTION RH Tail, Segmented, 45FT Fine, Incl 15 - 18
15	87728899		22 KNIFE SECTION 30FT, OS STD BH
15	87728899		32 KNIFE SECTION 35FT, OS STD BH
15	87728899		9 KNIFE SECTION 40FT, OS STD BH
15	87728899		19 KNIFE SECTION 45FT, OS STD BH
16	NSS		1 NOT SOLD SEPARAT Knifeback, Incl In Ref 14
17	84429102		43 LOCK NUT 30FT
17	84429102		63 LOCK NUT 35FT

3152-DRAPER HEADER 3162-DRAPER HEADER

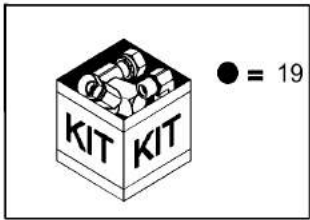
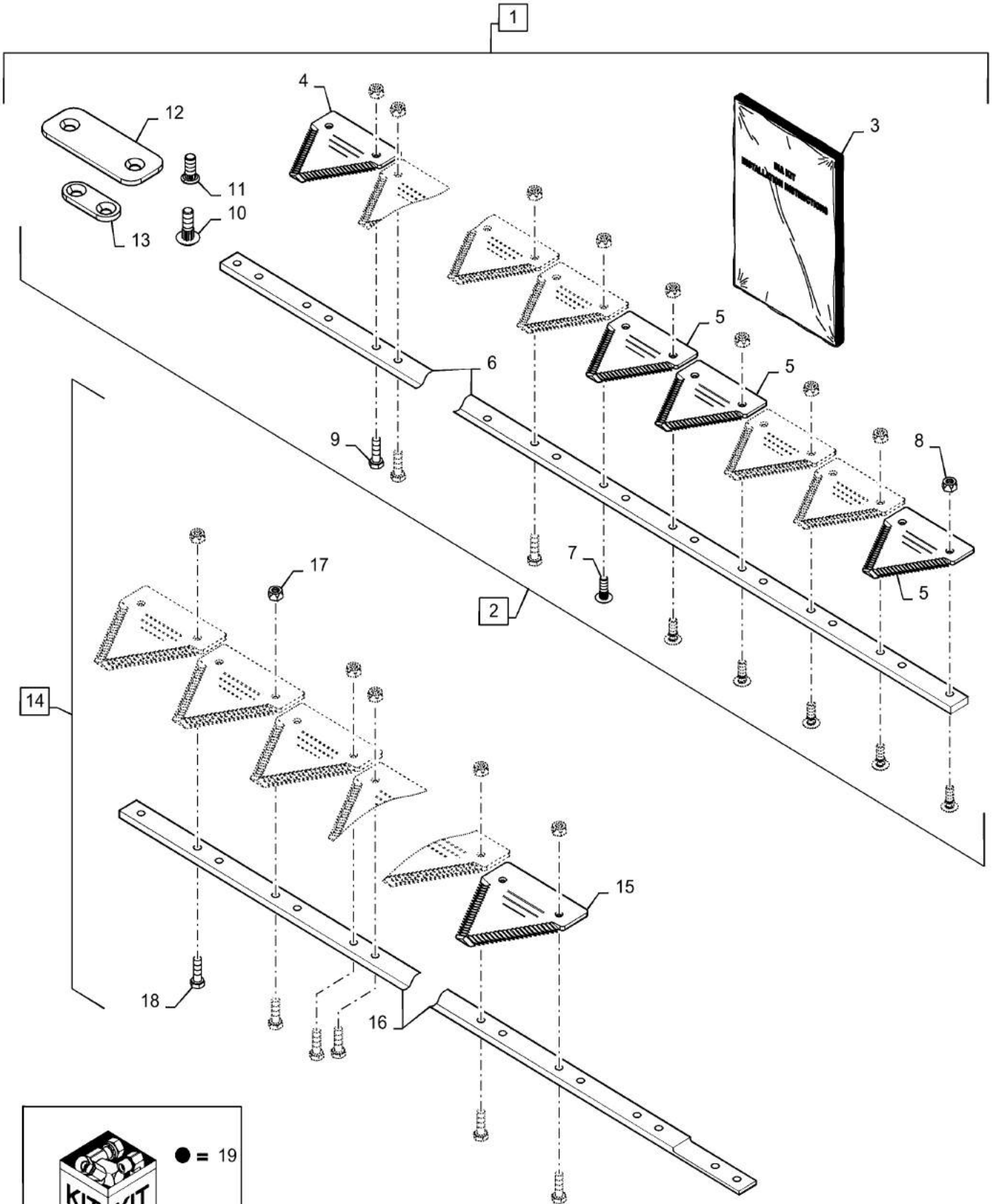
58.110.00

01

p2

9/2016

RH, SEGMENTED KNIFE ASSY, 30, 35, 40, 45FT, FINE



58.110.00

01

p2

9/2016

RH, SEGMENTED KNIFE ASSY, 30, 35, 40, 45FT, FINE

REF FN	PART NUMBER	YR/SN	QTY DESCRIPTION
17	84429102		17 LOCK NUT 40FT
17	84429102		37 LOCK NUT 45FT
18	86563537		43 BOLT 30FT
18	86563537		63 BOLT 35FT
18	86563537		17 BOLT 40FT
18	86563537		37 BOLT 45FT
19	1 84585647		1 SERVICE KIT Knife Assy
(1)	Incl (1) Bottom Strap (1) Top Strap (10) M6 - 1.0 x 19.44mm Bolt (10) M6 - 1.0 Locknut (1) 4mm Allen Wrench (1) CNH Instruction Card		

3152-DRAPER HEADER 3162-DRAPER HEADER

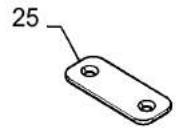
58.110.00

02

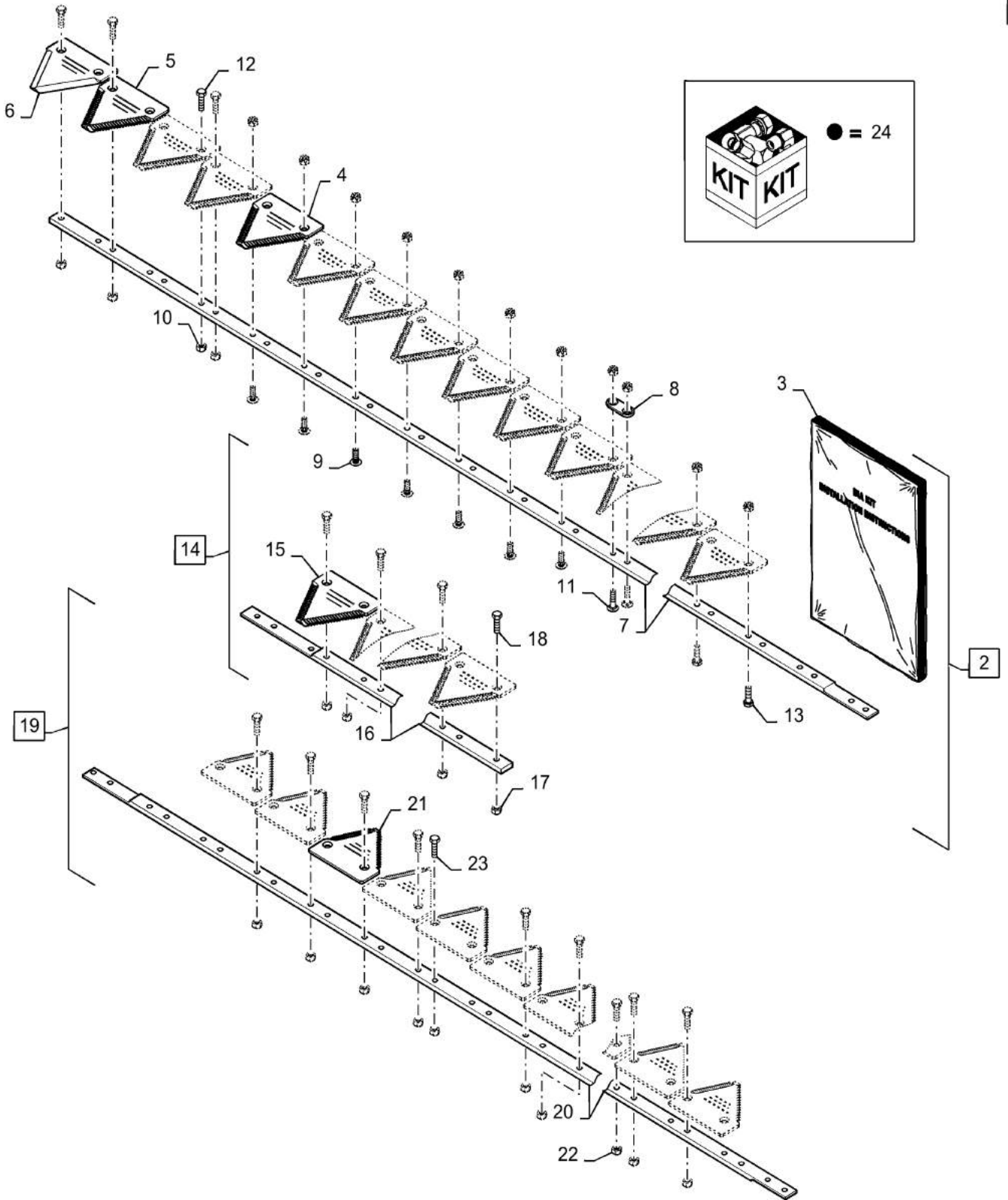
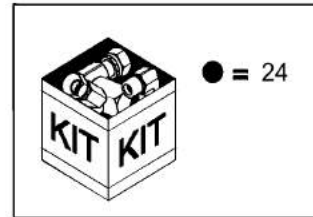
p1

9/2016

LH, SEGMENTED KNIFE ASSY, 30, 35, 40, 45FT, COARSE



1



58.110.00

02

p1

9/2016

LH, SEGMENTED KNIFE ASSY, 30, 35, 40, 45FT, COARSE

REF FN	PART NUMBER	YR/SN	QTY DESCRIPTION
1	47476496		1 KNIFE ASSY LH Coarse, Segmented, 30 FT, Incl 2 - 24
1	47476500		1 KNIFE ASSY LH Coarse, Segmented, 35 FT, Incl 2 - 24
1	47476504		1 KNIFE ASSY LH Coarse, Segmented, 40 FT, Incl 2 - 24
1	47476508		1 KNIFE ASSY LH Coarse, Segmented, 45 FT, Incl 2 - 24
2	47476450		1 KNIFE SECTION LH Coarse, Segmented Center, Incl 4 - 13
3	47592787		1 INSTRUCTION Knife Head Install
4	87728905		32 KNIFE SECTION OS, BT, STD BH
5	47431717		3 KNIFE SECTION OS, BT, CST BH
6	87470186		1 KNIFE SECTION OS, BT, CSB BH
7	NSS		1 NOT SOLD SEPARAT Knifeback, Incl In Ref 2
8	321848A1		17 KNIFE CLIP Strap, Reinforcing - 3" Knives
9	84429100		8 SCREW Pan HD, M6 x 22mm, CI 10.9
10	84429102		73 LOCK NUT
11	87663841		34 SCREW Pan HD, M6 x 18mm, CI 10.9
12	87470018		7 SCREW FLAT, M6 x 14.5mm, CI 10.9
13	86563537		14 BOLT
14	47476472		1 KNIFE SECTION LH Tail, Segmented Coarse, 30 FT, Incl 15 - 18
14	47476476		1 KNIFE SECTION LH Tail, Segmented Coarse, 35 FT, Incl 15 - 18
14	47476480		1 KNIFE SECTION LH Tail, Segmented Coarse, 40 FT, Incl 15 - 18
14	47476484		1 KNIFE SECTION LH Tail, Segmented Coarse, 45 FT, Incl 15 - 18
15	87728905		26 KNIFE SECTION 30 FT
15	87728905		3 KNIFE SECTION 35 FT
15	87728905		13 KNIFE SECTION 40 FT
15	87728905		23 KNIFE SECTION 45 FT
16	NSS		1 NOT SOLD SEPARAT Knifeback, Incl In Ref 14
17	84429102		51 LOCK NUT 30 FT
17	84429102		5 LOCK NUT 35 FT

3152-DRAPER HEADER 3162-DRAPER HEADER

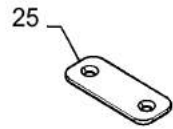
58.110.00

02

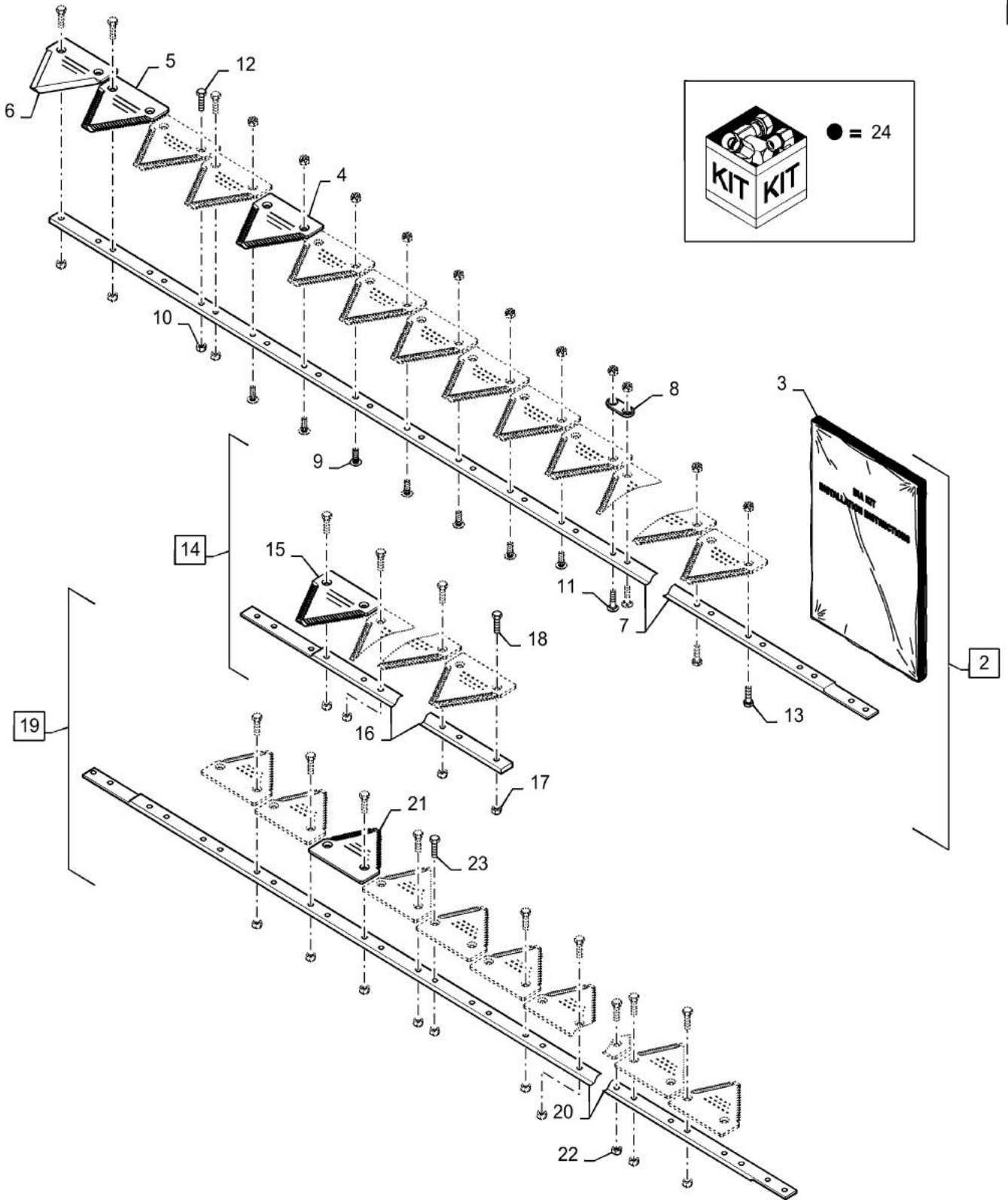
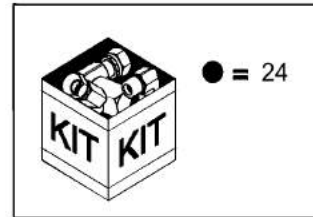
p2

9/2016

LH, SEGMENTED KNIFE ASSY, 30, 35, 40, 45FT, COARSE



1



58.110.00

02

p2

9/2016

LH, SEGMENTED KNIFE ASSY, 30, 35, 40, 45FT, COARSE

REF FN	PART NUMBER	YR/SN	QTY DESCRIPTION
17	84429102		25 LOCK NUT 40 FT
17	84429102		45 LOCK NUT 45 FT
18	86563537		51 BOLT 30 FT
18	86563537		5 BOLT 35 FT
18	86563537		25 BOLT 40 FT
18	86563537		45 BOLT 45 FT
19	84585645		1 KNIFE Center Coarse, Segmented Assy, Incl 20 - 23
20	NSS		1 NOT SOLD SEPARAT Knifeback, Incl In Ref 19
21	87728905		33 KNIFE SECTION Section, 45 FT
22	84429102		58 LOCK NUT
23	86563537		58 BOLT
24	84585647		1 SERVICE KIT Knife Assy
25	47415343		1 PLATE Knife

3152-DRAPER HEADER 3162-DRAPER HEADER

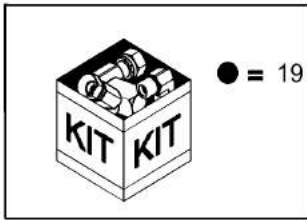
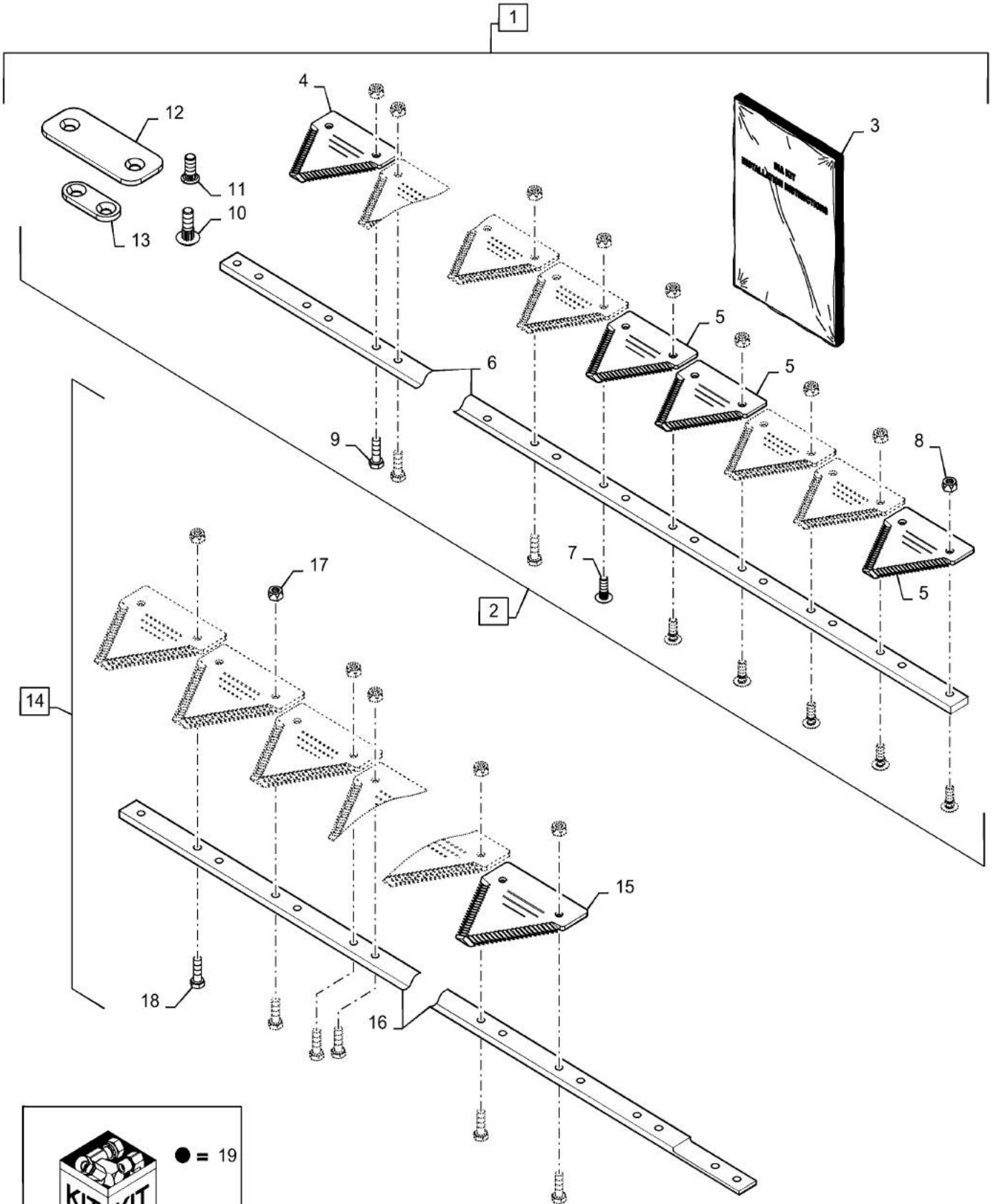
58.110.00

02

p1

9/2016

LH, SEGMENTED KNIFE ASSY, 30, 35, 40, 45FT, FINE



58.110.00

02

p1

9/2016

LH, SEGMENTED KNIFE ASSY, 30, 35, 40, 45FT, FINE

REF FN	PART NUMBER	YR/SN	QTY DESCRIPTION
1	47476494		1 KNIFE ASSY LH Fine, Segmented, 30 FT, Incl 2 - 19
1	47476498		1 KNIFE ASSY LH Fine, Segmented, 35 FT, Incl 2 - 19
1	47476502		1 KNIFE ASSY LH Fine, Segmented, 40 FT, Incl 2 - 19
1	47476506		1 KNIFE ASSY LH Fine, Segmented, 45 FT, Incl 2 - 19
2	47476448		1 KNIFE SECTION LH Center, Segmented, Fine, Incl 4 - 13
3	47592787		1 INSTRUCTION Knife Head Install
4	87728899		32 KNIFE SECTION OS STD BH
5	84467292		3 KNIFE SECTION OS CST BH
6	84467282		1 KNIFE SECTION OS CSB BH
7	NSS		1 NOT SOLD SEPARAT Knifeback, Incl In Ref 2
8	321848A1		17 KNIFE CLIP Strap, Reinforcing - " Knives
9	84429100		8 SCREW Pan HD, M6 x 22mm, Cl 10.9
10	84429102		73 LOCK NUT
11	87663841		34 SCREW Pan HD, M6 x 18mm, Cl 10.9
12	87470018		7 SCREW FLAT, M6 x 14.5mm, Cl 10.9
13	86563537		14 BOLT
14	47476470		1 KNIFE SECTION LH Tail, Segmented, 30FT Fine, Incl 15 - 18
14	47476474		1 KNIFE SECTION LH Tail, Segmented, 35FT Fine, Incl 15 - 18
14	47476478		1 KNIFE SECTION LH Tail, Segmented, 40FT Fine, Incl 15 - 18
14	47476482		1 KNIFE SECTION LH Tail, Segmented, 45FT Fine, Incl 15 - 18
15	87728899		26 KNIFE SECTION 30FT, OS STD BH
15	87728899		3 KNIFE SECTION 35FT, OS STD BH
15	87728899		13 KNIFE SECTION 40FT, OS STD BH
15	87728899		23 KNIFE SECTION 45FT, OS STD BH
16	NSS		1 NOT SOLD SEPARAT Knifeback, Incl In 14
17	84429102		51 LOCK NUT 30FT
17	84429102		5 LOCK NUT 35FT

3152-DRAPER HEADER 3162-DRAPER HEADER

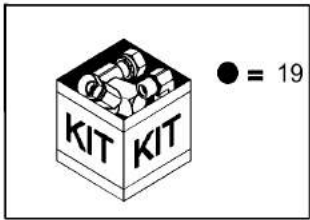
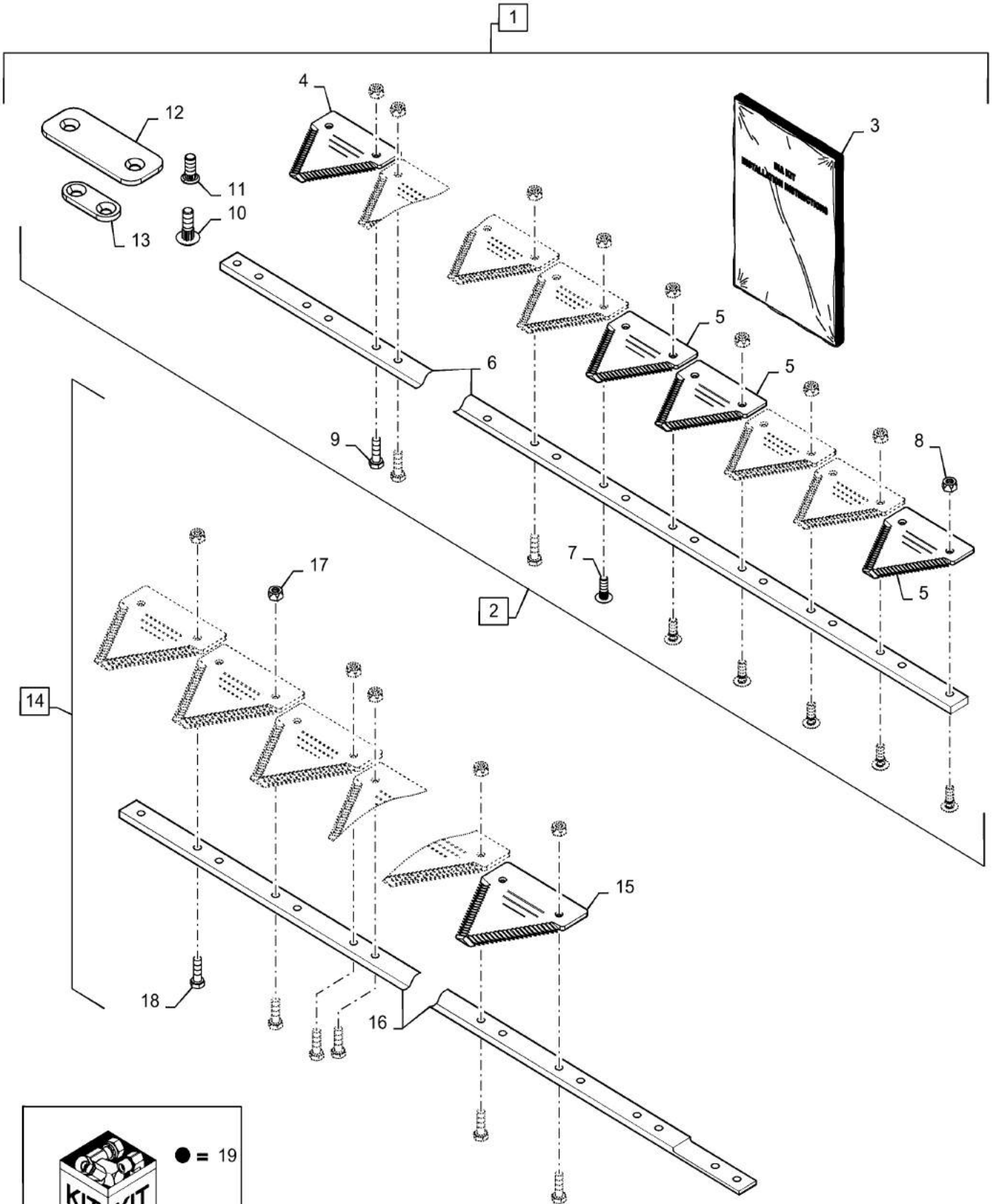
58.110.00

02

p2

9/2016

LH, SEGMENTED KNIFE ASSY, 30, 35, 40, 45FT, FINE



58.110.00

02

p2

9/2016

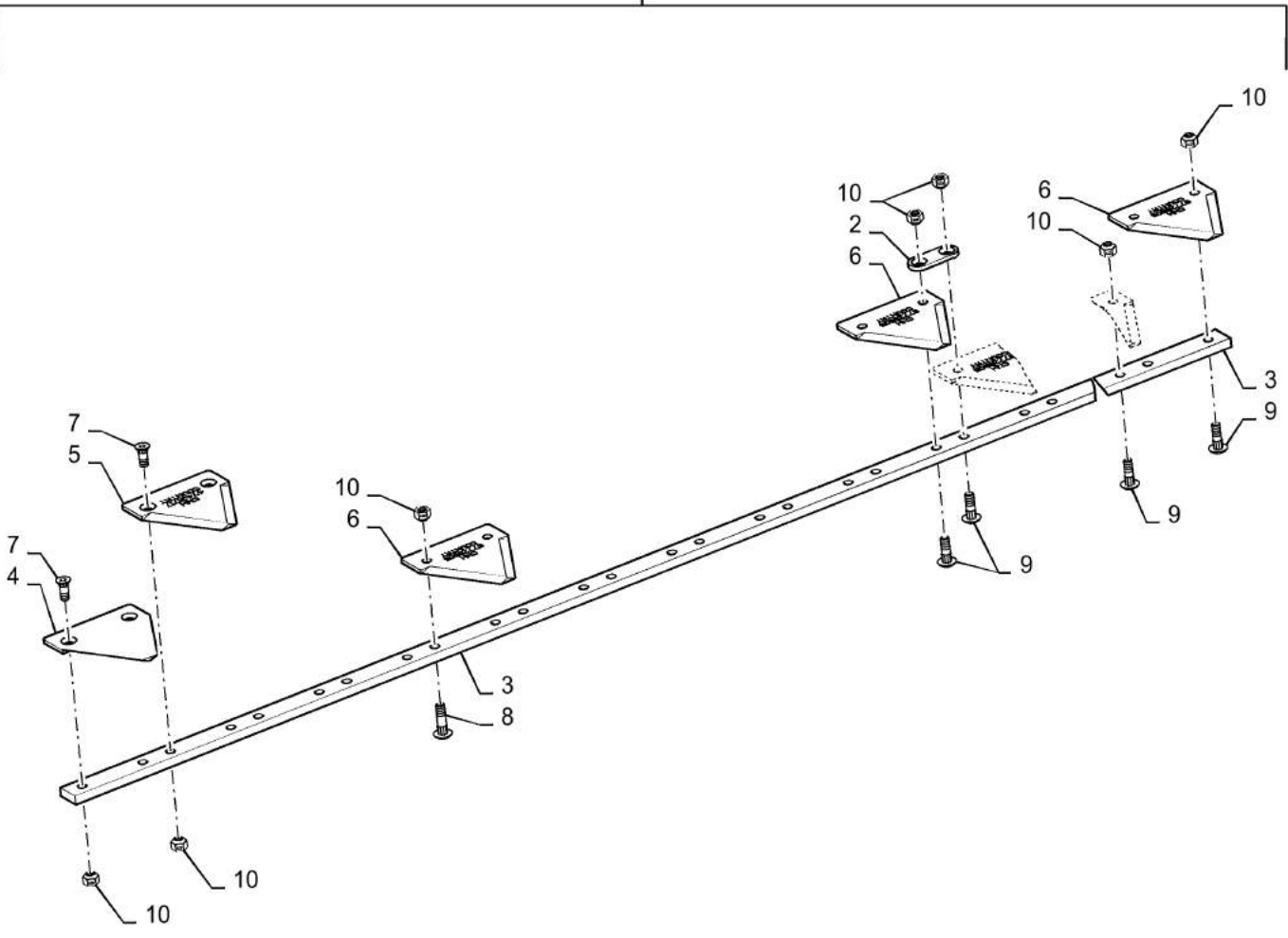
LH, SEGMENTED KNIFE ASSY, 30, 35, 40, 45FT, FINE

REF FN	PART NUMBER	YR/SN	QTY DESCRIPTION
17	84429102		25 LOCK NUT 40FT
17	84429102		45 LOCK NUT 45FT
18	86563537		51 BOLT 30FT
18	86563537		5 BOLT 35FT
18	86563537		25 BOLT 40FT
18	86563537		45 BOLT 45FT
19	84585647		1 SERVICE KIT Knife Assy

3152-DRAPER HEADER 3162-DRAPER HEADER

KNIFE ASSY, LH, 3-IN COARSE, 30 FOOT HEADER

1



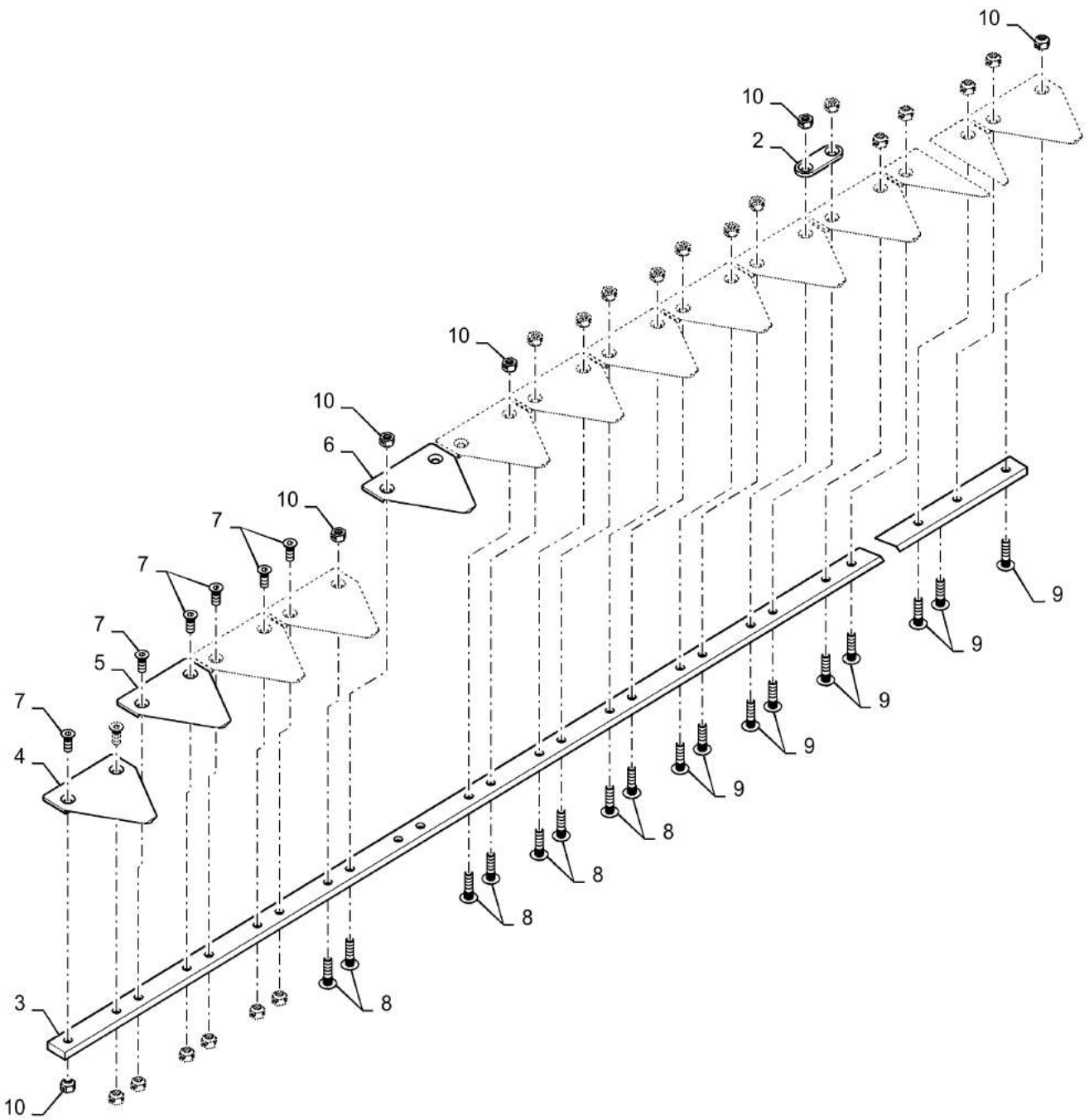
KNIFE ASSY, LH, 3-IN COARSE, 30 FOOT HEADER

REF FN	PART NUMBER	YR/SN	QTY DESCRIPTION
1	84406743		1 KNIFE ASSY LH Soybean, Center Knife Drive, Incl 2 - 10
2	321848A1		9 KNIFE CLIP Reinforcing - 3 in Knives
3	NSS		1 NOT SOLD SEPARAT Knife Back, LH
4	87470186		1 KNIFE SECTION OS
5	47431717		3 KNIFE SECTION OS
6	87728905		58 KNIFE SECTION OS
7	87470018		7 SCREW FLAT, M6 x 14.5mm, Cl 10.9 Overlap Knife Section
8	84429100		8 SCREW Pan HD, M6 x 22mm, Cl 10.9
9	87663841		107 SCREW Pan HD, M6 x 18mm, Cl 10.9
10	84429102		122 LOCK NUT

3152-DRAPER HEADER 3162-DRAPER HEADER

KNIFE ASSY, LH, 3-IN COARSE, 35 FOOT HEADER

1



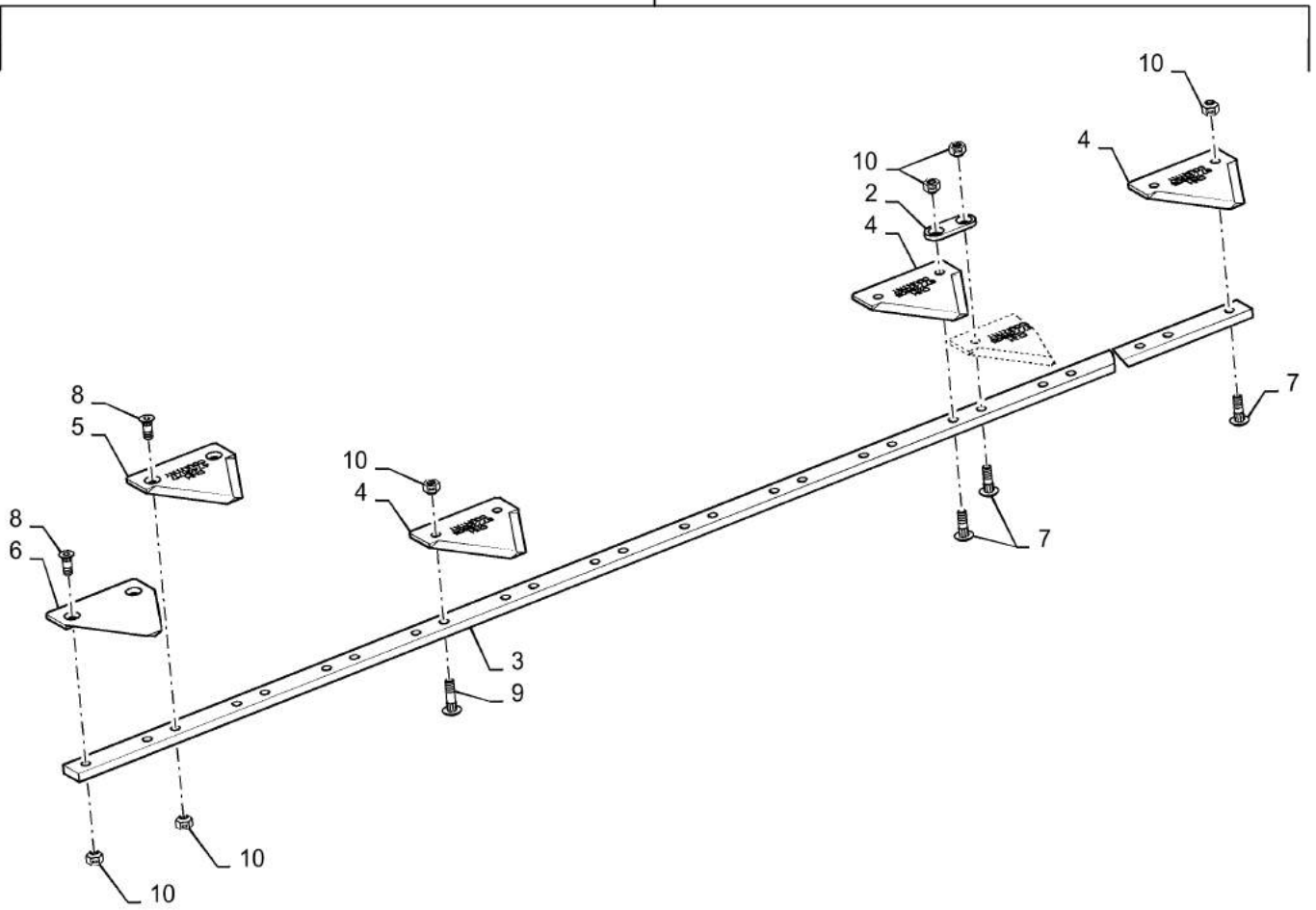
KNIFE ASSY, LH, 3-IN COARSE, 35 FOOT HEADER

REF FN	PART NUMBER	YR/SN	QTY DESCRIPTION
1	84131146		1 KNIFE ASSY Soybean, Center Knife Drive, Incl 2 - 10
2	321848A1		12 KNIFE CLIP Reinforcing - 3 in Knives
3	NSS		1 NOT SOLD SEPARAT Knife Back, LH
4	87470186		1 KNIFE SECTION OS
5	47431717		3 KNIFE SECTION OS
6	87728905		68 KNIFE SECTION Section, OS
7	87470018		7 SCREW FLAT, M6 x 14.5mm, Cl 10.9 Overlap Knife Section
8	84429100		8 SCREW Pan HD, M6 x 22mm, Cl 10.9
9	87663841		127 SCREW Pan HD, M6 x 18mm, Cl 10.9
10	84429102		142 LOCK NUT

3152-DRAPER HEADER 3162-DRAPER HEADER

KNIFE ASSY, LH, 3-IN COARSE, 40 FOOT HEADER

1



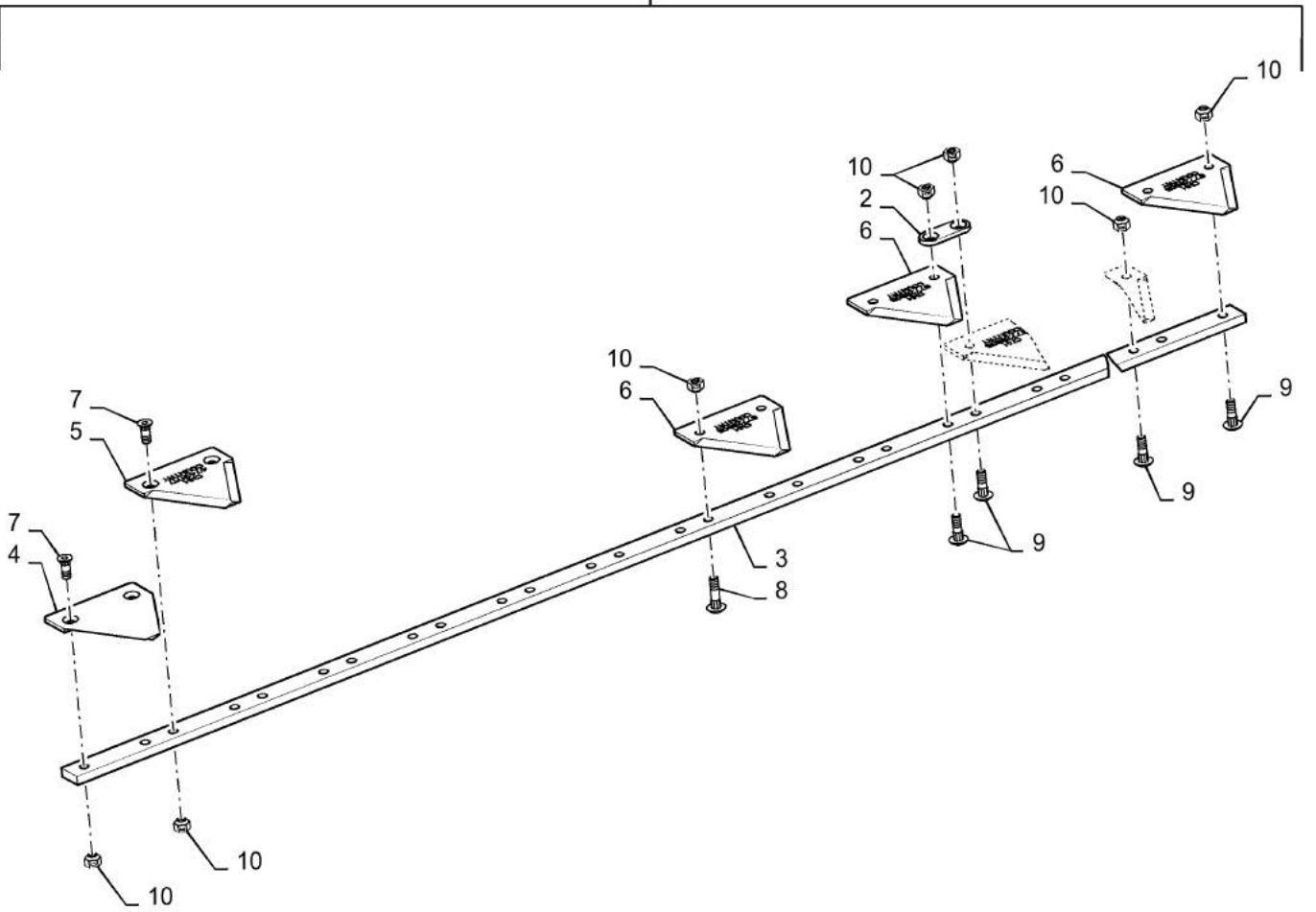
KNIFE ASSY, LH, 3-IN COARSE, 40 FOOT HEADER

REF FN	PART NUMBER	YR/SN	QTY DESCRIPTION
1	84131141		1 KNIFE ASSY 40 ft Soybean, Center Knife Drive, Incl 2 - 10
2	321848A1		14 KNIFE CLIP Reinforcing - 3in Knives
3	NSS		1 NOT SOLD SEPARAT Knife Back Strip, LH
4	87728905		78 KNIFE SECTION Section OS
5	47431717		3 KNIFE SECTION OS
6	87470186		1 KNIFE SECTION OS
7	87663841		147 SCREW Pan HD, M6 x 18mm, Cl 10.9
8	87470018		7 SCREW FLAT, M6 x 14.5mm, Cl 10.9 Overlap Knife Section
9	84429100		8 SCREW Pan HD, M6 x 22mm, Cl 10.9
10	84429102		162 LOCK NUT

3152-DRAPER HEADER 3162-DRAPER HEADER

KNIFE ASSY, LH, 3-IN COARSE, 45 FOOT HEADER

1



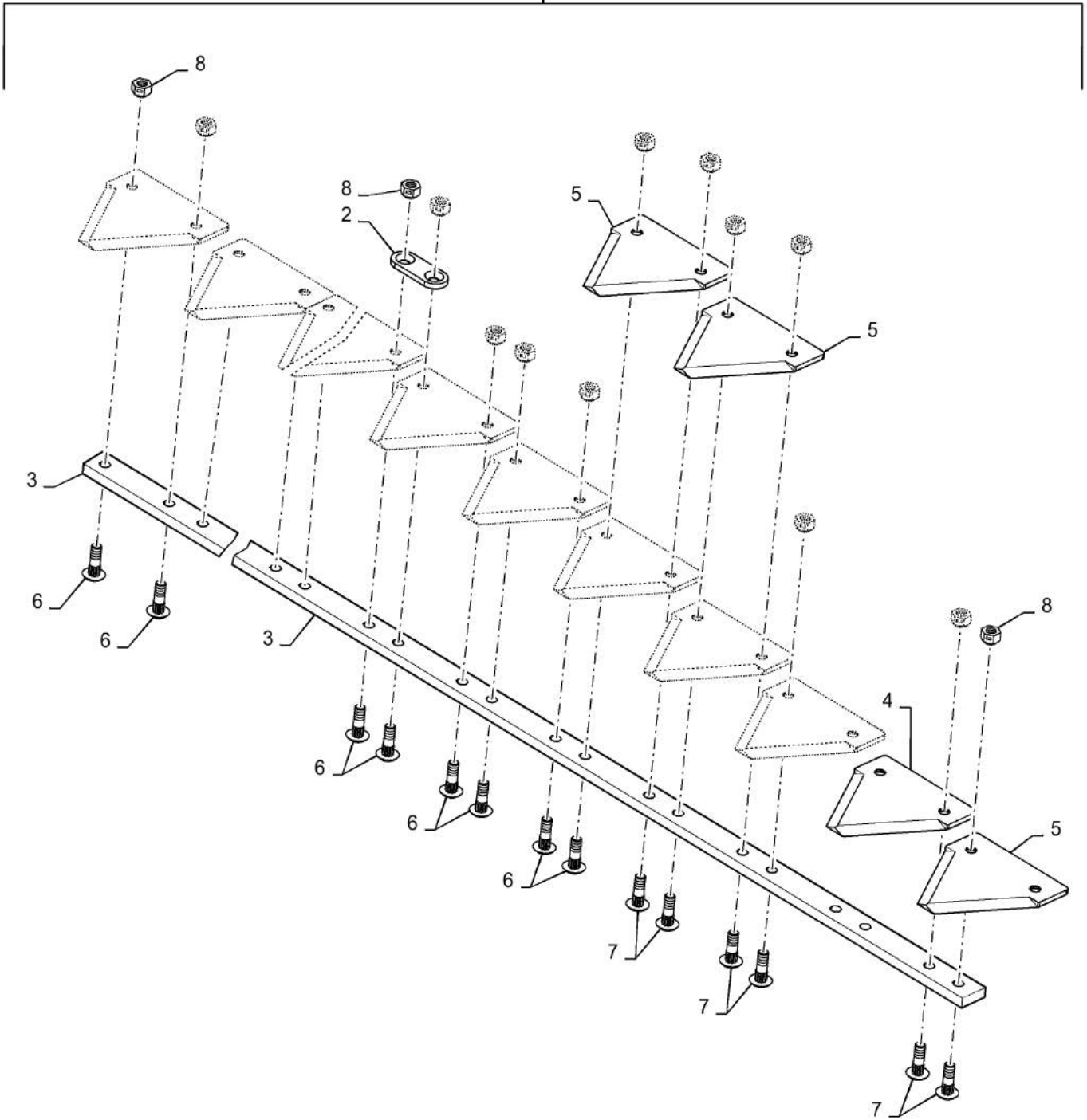
KNIFE ASSY, LH, 3-IN COARSE, 45 FOOT HEADER

REF FN	PART NUMBER	YR/SN	QTY DESCRIPTION
1	84131145		1 KNIFE ASSY 45 ft Soybean, Center Knife Drive, Incl 2 - 10
2	321848A1		17 KNIFE CLIP Reinforcing - 3in Knives
3	NSS		1 NOT SOLD SEPARAT Knife Back Strip, LH
4	87470186		1 KNIFE SECTION OS
5	47431717		3 KNIFE SECTION OS
6	87728905		88 KNIFE SECTION Section, OS
7	87470018		7 SCREW FLAT, M6 x 14.5mm, Cl 10.9 Overlap Knife Section
8	84429100		8 SCREW Pan HD, M6 x 22mm, Cl 10.9
9	87663841		167 SCREW Pan HD, M6 x 18mm, Cl 10.9
10	84429102		182 LOCK NUT

3152-DRAPER HEADER 3162-DRAPER HEADER

KNIFE ASSY, RH, 3-IN COARSE, 30 FOOT HEADER

1



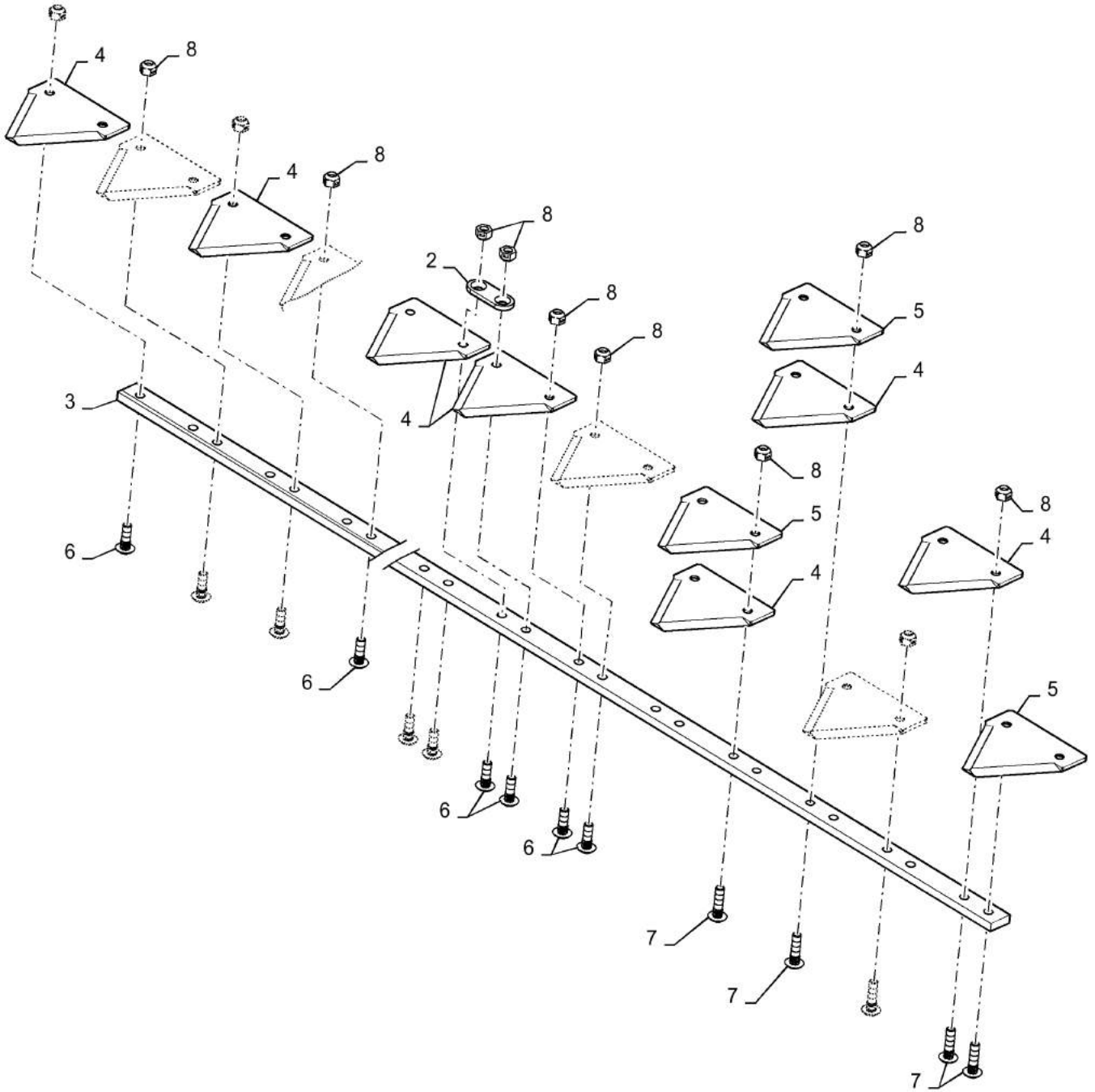
KNIFE ASSY, RH, 3-IN COARSE, 30 FOOT HEADER

REF FN	PART NUMBER	YR/SN	QTY DESCRIPTION
1	84406745		1 KNIFE ASSY RH, Soybean, Center Knife Drive, Incl 2 - 8
2	321848A1		9 KNIFE CLIP Reinforcing - 3 in Knives
3	NSS		1 NOT SOLD SEPARAT RH
4	87728905		58 KNIFE SECTION Section, OS
5	87470186		3 KNIFE SECTION OS
6	87663841		107 SCREW Pan HD, M6 x 18mm, Cl 10.9
7	84429100		8 SCREW Pan HD, M6 x 22mm, Cl 10.9
8	84429102		115 LOCK NUT

3152-DRAPER HEADER 3162-DRAPER HEADER

KNIFE ASSY, RH, 3-IN COARSE, 35 FOOT HEADER

1



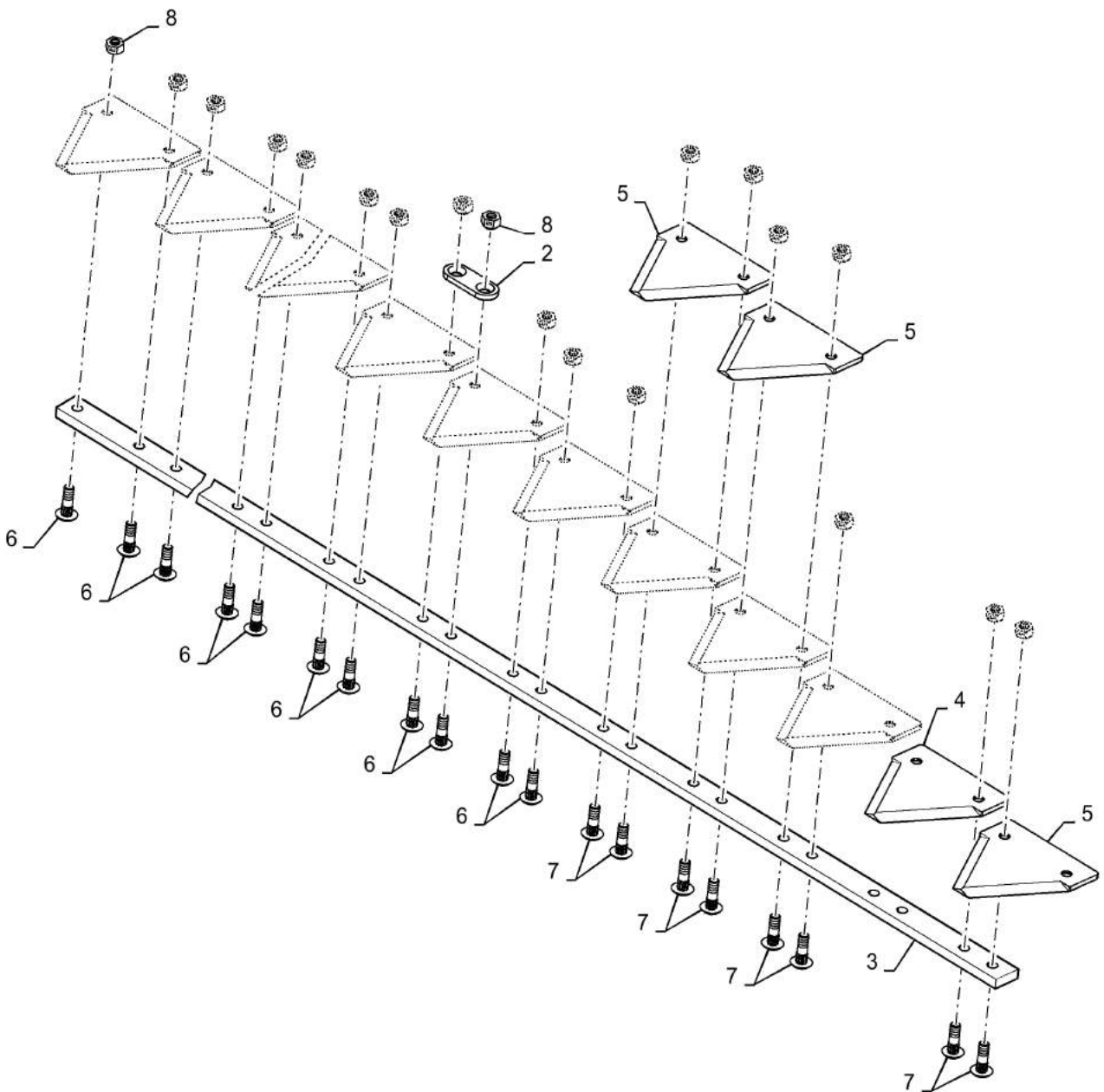
KNIFE ASSY, RH, 3-IN COARSE, 35 FOOT HEADER

REF FN	PART NUMBER	YR/SN	QTY DESCRIPTION
1	84131147		1 KNIFE ASSY Soybean, Center Knife Drive, Incl 2 - 8
2	321848A1		12 KNIFE CLIP Reinforcing - 3 in Knives
3	NSS		1 NOT SOLD SEPARAT RH, Knife Back
4	87728905		68 KNIFE SECTION Section, OS
5	87470186		3 KNIFE SECTION OS
6	87663841		127 SCREW Pan HD, M6 x 18mm, Cl 10.9
7	84429100		8 SCREW Pan HD, M6 x 22mm, Cl 10.9
8	84429102		135 LOCK NUT

3152-DRAPER HEADER 3162-DRAPER HEADER

KNIFE ASSY, RH, 3-IN COARSE, 40 FOOT HEADER

1



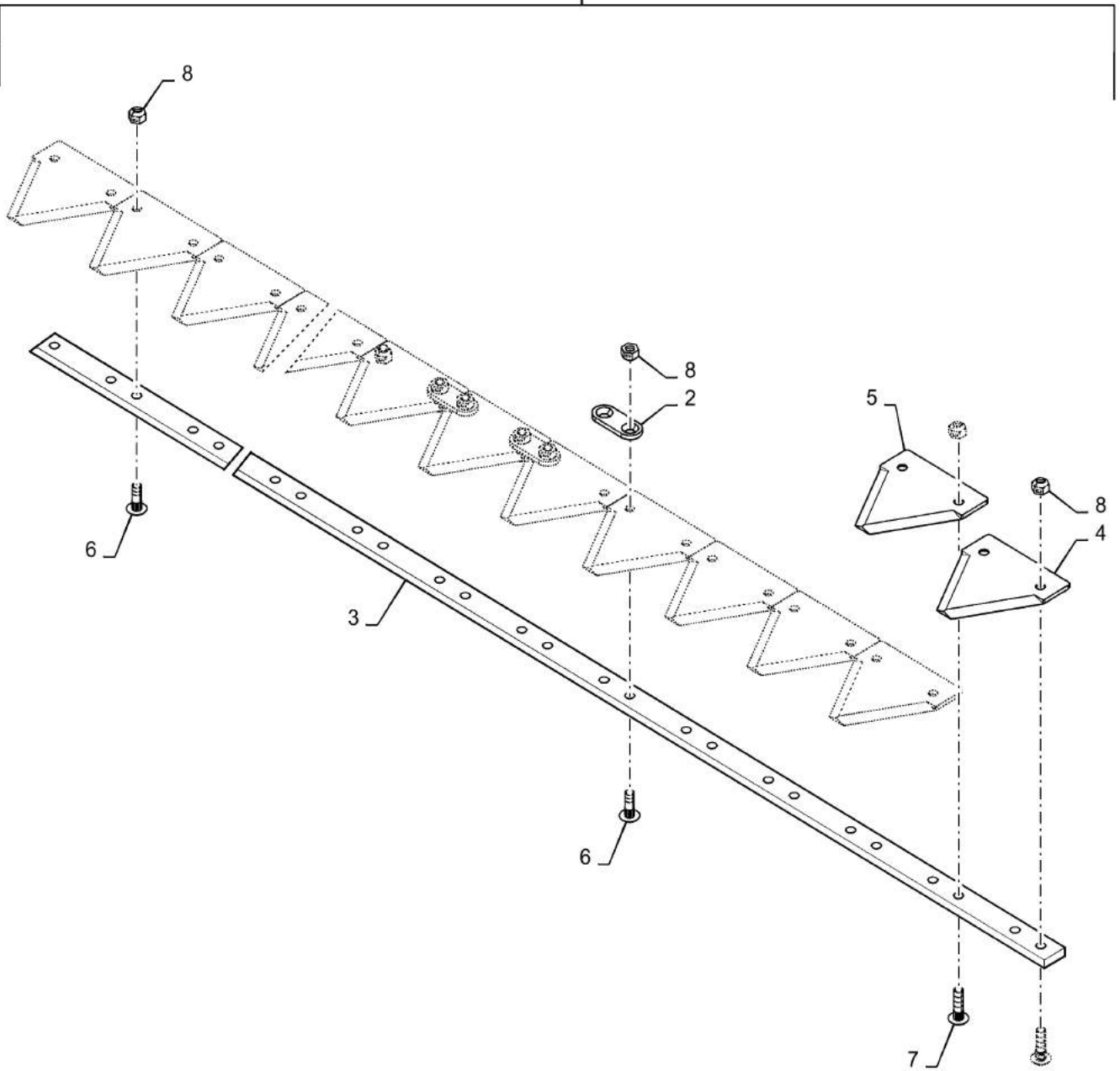
KNIFE ASSY, RH, 3-IN COARSE, 40 FOOT HEADER

REF FN	PART NUMBER	YR/SN	QTY DESCRIPTION
1	84131139		1 KNIFE ASSY 40 ft Soybean, Center Knife Drive, Incl 2 - 8
2	321848A1		14 KNIFE CLIP Reinforcing - 3 in Knives
3	NSS		1 NOT SOLD SEPARAT Knife Back Strip, RH
4	87728905		78 KNIFE SECTION Section, OS
5	87470186		3 KNIFE SECTION OS
6	87663841		147 SCREW Pan HD, M6 x 18mm, Cl 10.9
7	84429100		8 SCREW Pan HD, M6 x 22mm, Cl 10.9
8	84429102		155 LOCK NUT

3152-DRAPER HEADER 3162-DRAPER HEADER

KNIFE ASSY, RH, 3-IN COARSE, 45 FOOT HEADER

1



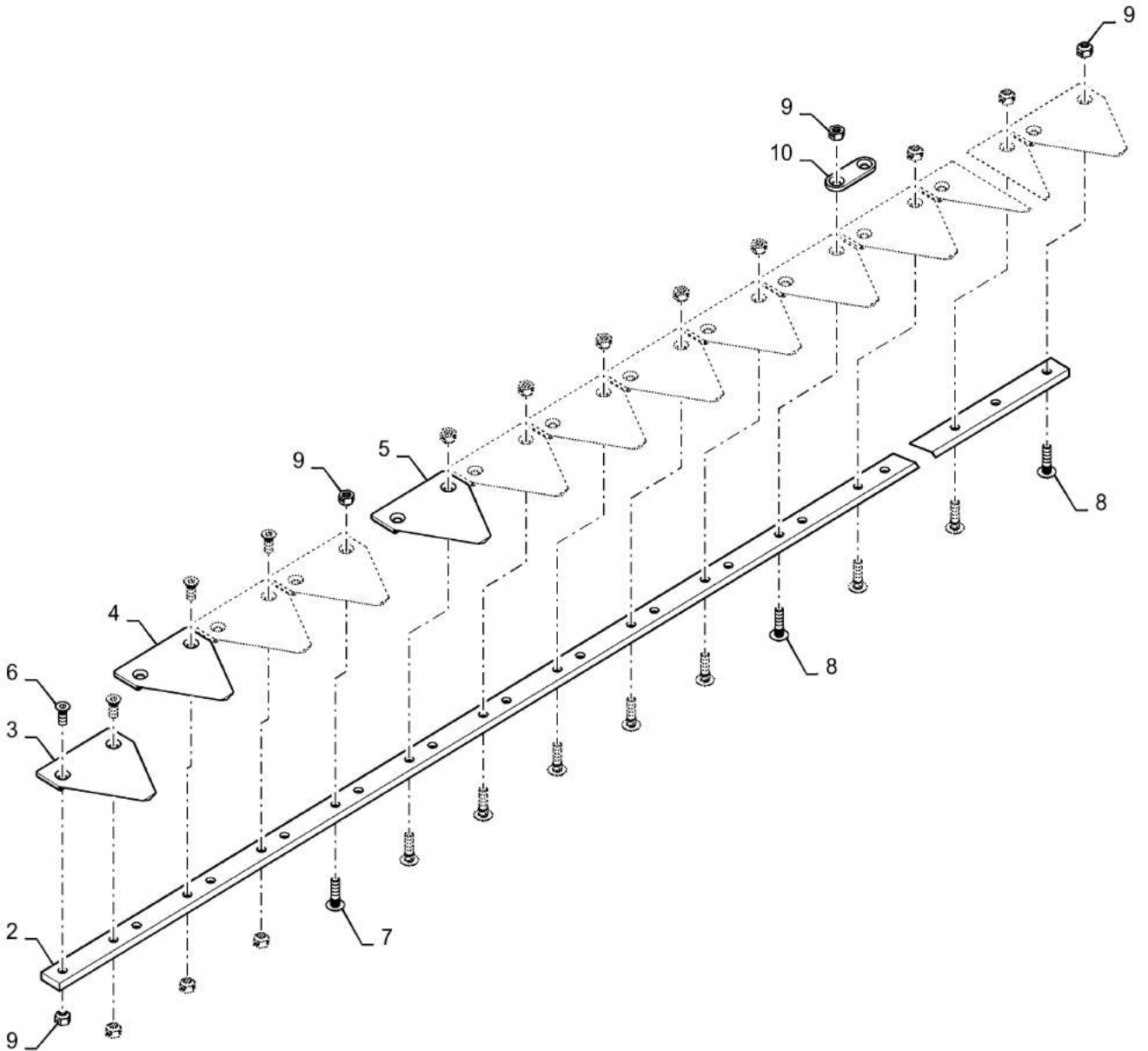
KNIFE ASSY, RH, 3-IN COARSE, 45 FOOT HEADER

REF FN	PART NUMBER	YR/SN	QTY DESCRIPTION
1	84131143		1 KNIFE ASSY 45 ft Soybean, Center Knife Drive, Incl 2 - 8
2	321848A1		17 KNIFE CLIP Reinforcing - 3 in Knives
3	NSS		1 NOT SOLD SEPARAT Knife Back Strip, RH
4	87470186		3 KNIFE SECTION OS
5	87728905		88 KNIFE SECTION Section, OS
6	87663841		167 SCREW Pan HD, M6 x 18mm, Cl 10.9
7	84429100		8 SCREW Pan HD, M6 x 22mm, Cl 10.9
8	84429102		175 LOCK NUT

3152-DRAPER HEADER 3162-DRAPER HEADER

KNIFE ASSY, 3 INCH COARSE LH

1



KNIFE ASSY, 3 INCH COARSE LH

REF FN	PART NUMBER	YR/SN	QTY DESCRIPTION
1	84406743		1 KNIFE ASSY LH, 30 FT. Incl 2 - 10
1	84131146		1 KNIFE ASSY LH, 35 FT Incl 2 - 10
1	84131141		1 KNIFE ASSY LH, 40 FT Incl 2 - 10
1	84131145		1 KNIFE ASSY LH, 45 FT Incl 2 - 10
2	84406743		1 KNIFE ASSY LH, 30 FT Soybean CKD
2	84131146		1 KNIFE ASSY LH, 35FT Soybean CKD
2	84131141		1 KNIFE ASSY LH, 40 FT Soybean CKD
2	84131145		1 KNIFE ASSY LH, 45 FT Soybean CKD
3	87470186		1 KNIFE SECTION Over Serated, Counter Sunk Bottom
4	47431717		3 KNIFE SECTION Over Serated, Counter Sunk Top
5	87728905		58 KNIFE SECTION Over Serated, Standard
5	87728905		68 KNIFE SECTION Over Serated, Standard
5	87728905		78 KNIFE SECTION Over Serated, Standard
5	87728905		88 KNIFE SECTION Over Serated, Standard
6	87470018		7 SCREW FLAT, M6 x 14.5mm, CI 10.9 Overlap Knife Section
7	84429100		8 SCREW Pan HD, M6 x 22mm, CI 10.9
8	87663841		107 SCREW Pan HD, M6 x 18mm, CI 10.9
8	87663841		127 SCREW Pan HD, M6 x 18mm, CI 10.9
8	87663841		147 SCREW Pan HD, M6 x 18mm, CI 10.9
8	87663841		167 SCREW Pan HD, M6 x 18mm, CI 10.9
9	84429102		122 LOCK NUT Wheel
9	84429102		142 LOCK NUT Wheel
9	84429102		162 LOCK NUT Wheel
9	84429102		182 LOCK NUT Wheel
10	321848A1		9 KNIFE CLIP Knife Reinforcing
10	321848A1		12 KNIFE CLIP Knife Reinforcing
10	321848A1		14 KNIFE CLIP Knife Reinforcing
10	321848A1		17 KNIFE CLIP Knife Reinforcing

3162-DRAPER HEADER

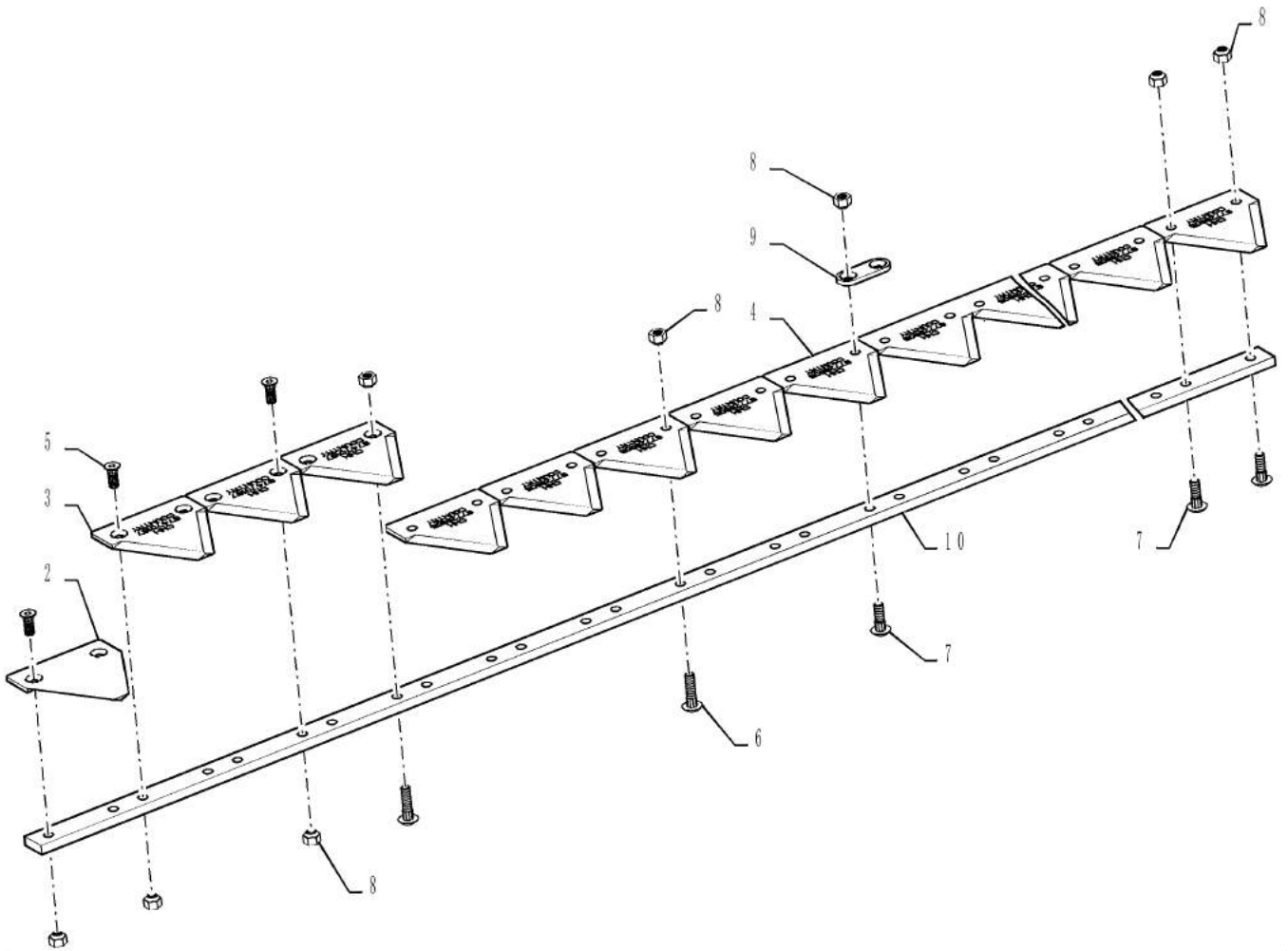
58.110.03

01

p1

9/2016

KNIFE ASSY, 3 INCH COARSE, LH



1

KNIFE ASSY, 3 INCH COARSE, LH

REF FN	PART NUMBER	YR/SN	QTY DESCRIPTION
1	84541273		1 KNIFE ASSY 25 FT Soybean, Incl 2 - 10
1	84406743		1 KNIFE ASSY 30 FT, Incl 2 - 10
1	84131146		1 KNIFE ASSY 35 FT, Incl 2 - 10
1	84131141		1 KNIFE ASSY 40 FT, Incl 2 - 10
1	84131145		1 KNIFE ASSY 45 FT, Incl 2 - 10
2	84467282		1 KNIFE SECTION 25 FT Small Grain
2	87470186		1 KNIFE SECTION Countersunk Bottom
3	47431717		3 KNIFE SECTION Countersunk Top
4	87728905		48 KNIFE SECTION 25 FT Soybean
4	87728905		58 KNIFE SECTION 30 FT
4	87728905		68 KNIFE SECTION 35 FT
4	87728905		78 KNIFE SECTION 40 FT
4	87728905		88 KNIFE SECTION 45 FT
5	87470018		7 SCREW FLAT, M6 x 14.5mm, Cl 10.9
6	84429100		8 SCREW Pan HD, M6 x 22mm, Cl 10.9
7	87663841		87 SCREW Pan HD, M6 x 18mm, Cl 10.9 25 FT
7	87663841		107 SCREW Pan HD, M6 x 18mm, Cl 10.9 30 FT
7	87663841		127 SCREW Pan HD, M6 x 18mm, Cl 10.9 35 FT
7	87663841		147 SCREW Pan HD, M6 x 18mm, Cl 10.9 40 FT
7	87663841		167 SCREW Pan HD, M6 x 18mm, Cl 10.9 45 FT
8	84429102		102 LOCK NUT 25FT
8	84429102		122 LOCK NUT 30 FT
8	84429102		142 LOCK NUT 35 FT
8	84429102		162 LOCK NUT 40 FT
8	84429102		182 LOCK NUT 45 FT
9	321848A1		6 KNIFE CLIP 25 FT
9	321848A1		10 KNIFE CLIP 30 FT
9	321848A1		13 KNIFE CLIP 35 FT
9	321848A1		14 KNIFE CLIP 40 FT
9	321848A1		17 KNIFE CLIP 45 FT
10	NSS		1 NOT SOLD SEPARAT KNIFE, 25 FT
10	NSS		1 NOT SOLD SEPARAT KNIFE, 30 FT

3152-DRAPER HEADER

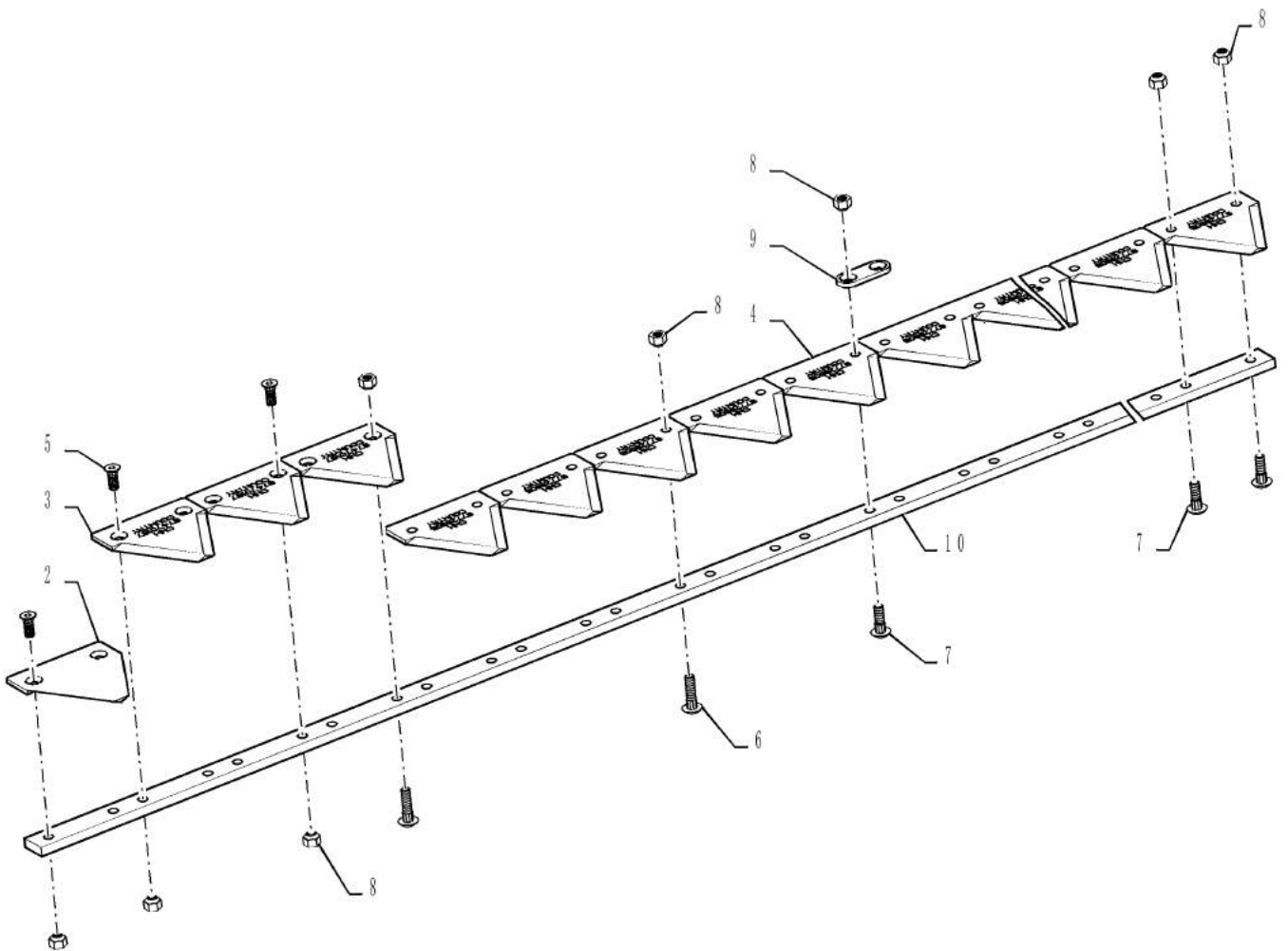
58.110.03

01

p2

9/2016

KNIFE ASSY, 3 INCH COARSE, LH



58.110.03

01

p2

9/2016

KNIFE ASSY, 3 INCH COARSE, LH

REF FN	PART NUMBER	YR/SN	QTY DESCRIPTION
10	NSS		1 NOT SOLD SEPARAT KNIFE, 35 FT
10	NSS		1 NOT SOLD SEPARAT KNIFE, 40 FT
10	NSS		1 NOT SOLD SEPARAT KNIFE, 45 FT

3152-DRAPER HEADER

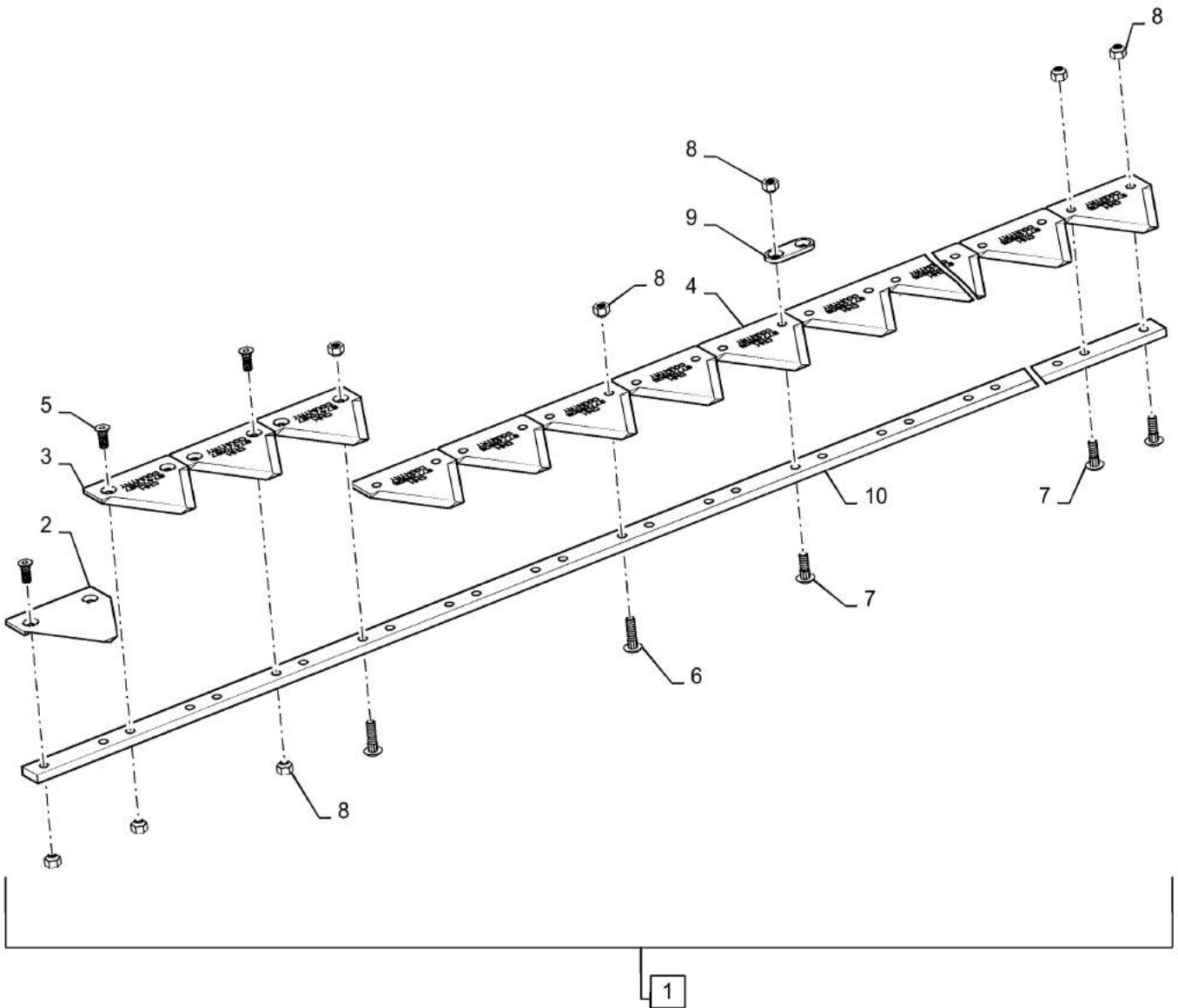
58.110.03

02

p1

9/2016

KNIFE ASSY, 3 INCH FINE, LH



KNIFE ASSY, 3 INCH FINE, LH

REF FN	PART NUMBER	YR/SN	QTY DESCRIPTION
1	84554710		1 KNIFE ASSY Incl 2 - 10, 25 FT
1	84467337		1 KNIFE ASSY Incl 2 - 10, 30 FT
1	84467336		1 KNIFE ASSY Incl 2 - 10, 35 FT
1	84467335		1 KNIFE ASSY Incl 2 - 10, 40 FT
1	84467186		1 KNIFE Assy, Incl 2 - 10, 45 FT
2	84467282		1 KNIFE SECTION Countersunk Bottom
3	84467292		3 KNIFE SECTION
3	87470187		3 KNIFE SECTION Auger Heads
3	47431717		3 KNIFE SECTION Draper Heads
4	87728899		48 KNIFE SECTION 25 FT
4	87728899		58 KNIFE SECTION 30 FT
4	87728899		68 KNIFE SECTION 35 FT
4	87728899		78 KNIFE SECTION 40 FT
4	87728899		88 KNIFE SECTION 45 FT
5	87470018		7 SCREW FLAT, M6 x 14.5mm, Cl 10.9
6	84429100		8 SCREW Pan HD, M6 x 22mm, Cl 10.9
7	87663841		87 SCREW Pan HD, M6 x 18mm, Cl 10.9 25 FT
7	87663841		107 SCREW Pan HD, M6 x 18mm, Cl 10.9 30 FT
7	87663841		127 SCREW Pan HD, M6 x 18mm, Cl 10.9 35 FT
7	87663841		147 SCREW Pan HD, M6 x 18mm, Cl 10.9 40 FT
7	87663841		167 SCREW Pan HD, M6 x 18mm, Cl 10.9 45 FT
8	84429102		102 LOCK NUT 25FT
8	84429102		122 LOCK NUT 30 FT
8	84429102		142 LOCK NUT 35 FT
8	84429102		162 LOCK NUT 40 FT
8	84429102		182 LOCK NUT 45 FT
9	321848A1		6 KNIFE CLIP 25 FT
9	321848A1		10 KNIFE CLIP 30 FT
9	321848A1		13 KNIFE CLIP 35 FT
9	321848A1		14 KNIFE CLIP 40 FT
9	321848A1		17 KNIFE CLIP 45 FT
10	NSS		1 NOT SOLD SEPARAT KNIFE, 25 FT

3152-DRAPER HEADER

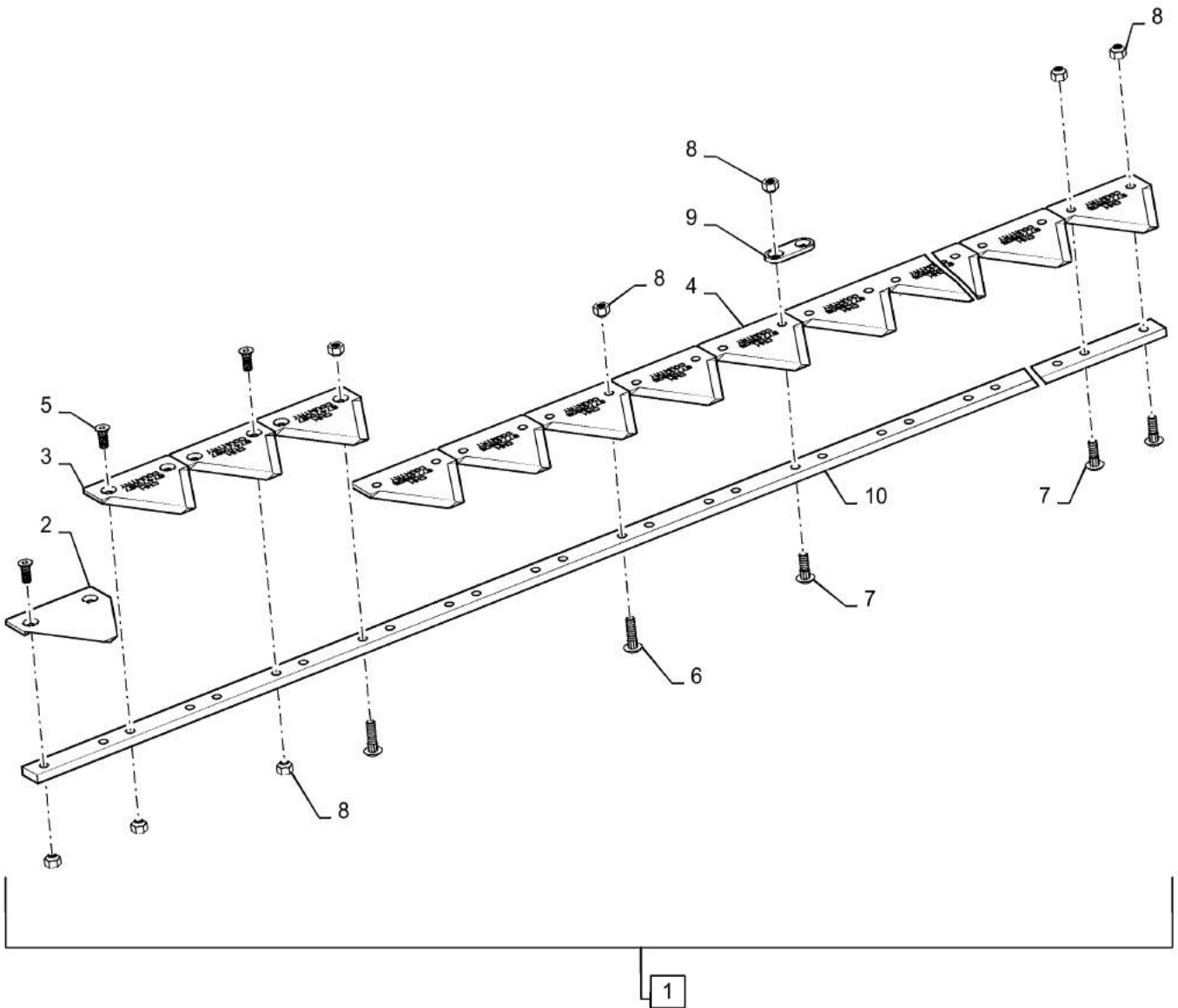
58.110.03

02

p2

9/2016

KNIFE ASSY, 3 INCH FINE, LH



58.110.03

02

p2

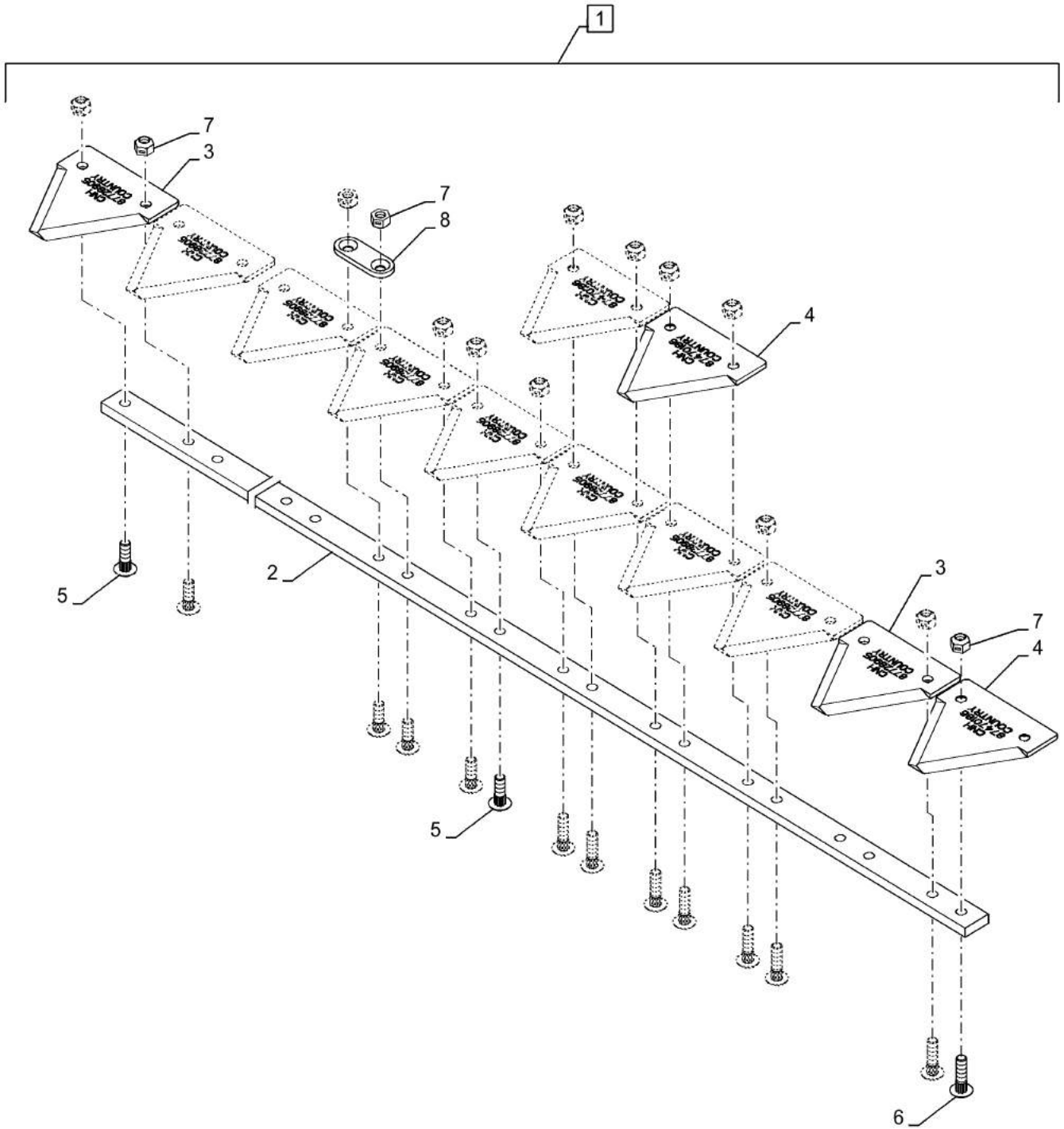
9/2016

KNIFE ASSY, 3 INCH FINE, LH

REF FN	PART NUMBER	YR/SN	QTY DESCRIPTION
10	NSS		1 NOT SOLD SEPARAT KNIFE, 30 FT
10	NSS		1 NOT SOLD SEPARAT KNIFE, 35 FT
10	NSS		1 NOT SOLD SEPARAT KNIFE, 40 FT
10	NSS		1 NOT SOLD SEPARAT KNIFE, 45 FT

3152-DRAPER HEADER

KNIFE ASSY, 3 INCH COARSE RH



KNIFE ASSY, 3 INCH COARSE RH

REF FN	PART NUMBER	YR/SN	QTY DESCRIPTION
1	84406745		1 KNIFE ASSY 30 Ft RH, Incl 2
1	84131147		1 KNIFE ASSY 35 Ft RH, Incl 2
1	84131139		1 KNIFE ASSY 40 Ft RH, Incl 2
1	84131143		1 KNIFE ASSY 45 Ft RH, Incl 2
2	84406871		1 KNIFE BACK 30 Ft RH, Incl 3 - 8
2	87470812		1 KNIFE ASSY 35 Ft RH, Incl 3 - 8
2	{87488456}		1 40 Ft RH, Incl 3 - 8
2	{84131142}		1 40 Ft RH, Incl 3 - 8
3	87728905		58 KNIFE SECTION Over Serated, Standard
3	87728905		68 KNIFE SECTION Over Serated, Standard
3	87728905		78 KNIFE SECTION Over Serated, Standard
3	87728905		88 KNIFE SECTION Over Serated, Standard
4	87470186		3 KNIFE SECTION Over Serated, Counter Sunk Bottom
5	87663841		107 SCREW Pan HD, M6 x 18mm, Cl 10.9
5	87663841		127 SCREW Pan HD, M6 x 18mm, Cl 10.9
5	87663841		147 SCREW Pan HD, M6 x 18mm, Cl 10.9
5	87663841		167 SCREW Pan HD, M6 x 18mm, Cl 10.9
6	84429100		8 SCREW Pan HD, M6 x 22mm, Cl 10.9
7	84429102		115 LOCK NUT
7	84429102		135 LOCK NUT
7	84429102		155 LOCK NUT
7	84429102		175 LOCK NUT
8	321848A1		9 KNIFE CLIP Knife Reinforcement
8	321848A1		12 KNIFE CLIP Knife Reinforcement
8	321848A1		14 KNIFE CLIP Knife Reinforcement
8	321848A1		17 KNIFE CLIP Knife Reinforcement

3162-DRAPER HEADER

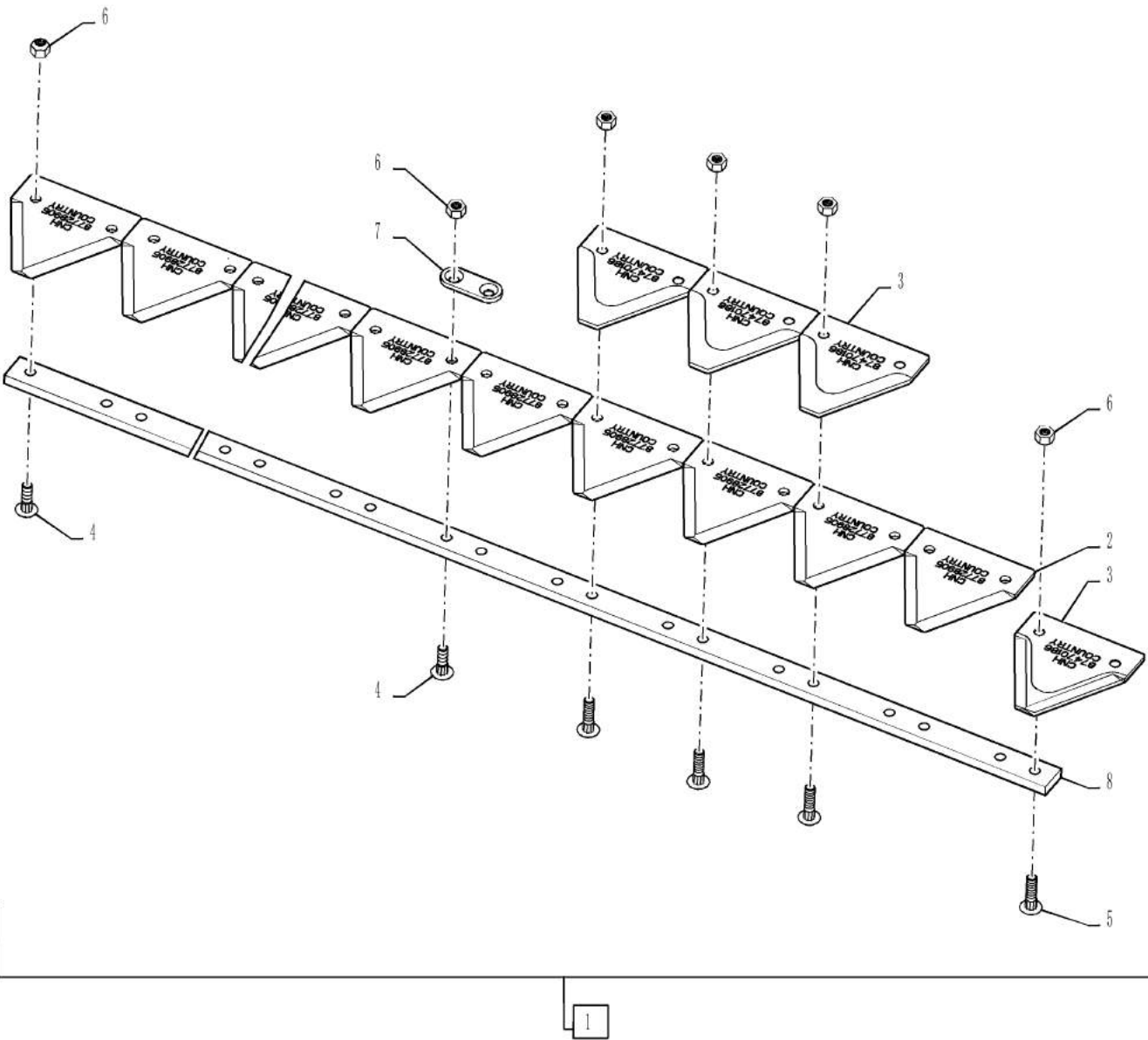
58.110.04

01

p1

9/2016

KNIFE ASSY, 3 INCH COARSE, RH



KNIFE ASSY, 3 INCH COARSE, RH

REF FN	PART NUMBER	YR/SN	QTY DESCRIPTION
1	84541263		1 KNIFE ASSY Incl 2 - 8, 25 FT Soybean
1	84406745		1 KNIFE ASSY Incl 2 - 8, 30 FT
1	84131147		1 KNIFE ASSY Incl 2 - 8, 35 FT
1	84131138		1 KNIFE ASSY Incl 2 - 8, 40 FT
1	84131143		1 KNIFE ASSY Incl 2 - 8, 45 FT
2	87728905		48 KNIFE SECTION 25 FT Soybean
2	87728905		58 KNIFE SECTION 30 FT
2	87728905		68 KNIFE SECTION 35 FT
2	87728905		78 KNIFE SECTION 40 FT
2	87728905		88 KNIFE SECTION 45 FT
3	87470186		3 KNIFE SECTION
4	87663841		87 SCREW Pan HD, M6 x 18mm, CI 10.9 25 FT
4	87663841		107 SCREW Pan HD, M6 x 18mm, CI 10.9 30 FT
4	87663841		127 SCREW Pan HD, M6 x 18mm, CI 10.9 35 FT
4	87663841		147 SCREW Pan HD, M6 x 18mm, CI 10.9 40 FT
4	87663841		167 SCREW Pan HD, M6 x 18mm, CI 10.9 45 FT
5	84429100		8 SCREW Pan HD, M6 x 22mm, CI 10.9
6	84429102		95 LOCK NUT 25 FT
6	84429102		115 LOCK NUT 30 FT
6	84429102		135 LOCK NUT 35 FT
6	84429102		155 LOCK NUT 40 FT
6	84429102		175 LOCK NUT 45 FT
7	321848A1		6 KNIFE CLIP 25 FT
7	321848A1		10 KNIFE CLIP 30 FT
7	321848A1		13 KNIFE CLIP 35 FT
7	321848A1		14 KNIFE CLIP 40 FT
7	321848A1		17 KNIFE CLIP 45 FT
8	NSS		1 NOT SOLD SEPARAT KNIFE, 25 FT
8	NSS		1 NOT SOLD SEPARAT KNIFE, 30 FT
8	NSS		1 NOT SOLD SEPARAT KNIFE, 35 FT
8	NSS		1 NOT SOLD SEPARAT KNIFE, 40 FT
8	NSS		1 NOT SOLD SEPARAT KNIFE, 45 FT

3152-DRAPER HEADER

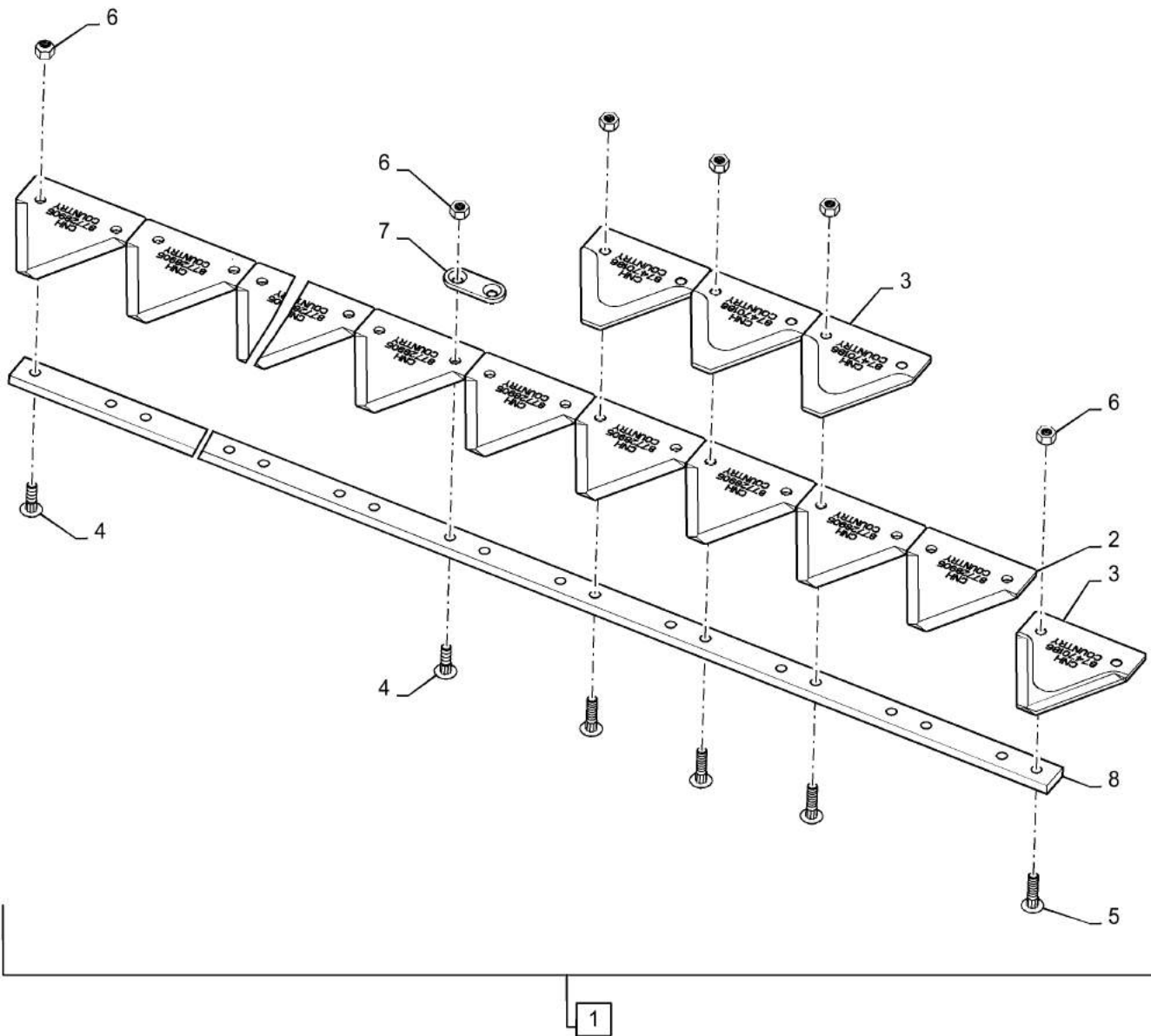
58.110.04

02

p1

9/2016

KNIFE ASSY, 3 INCH FINE, RH

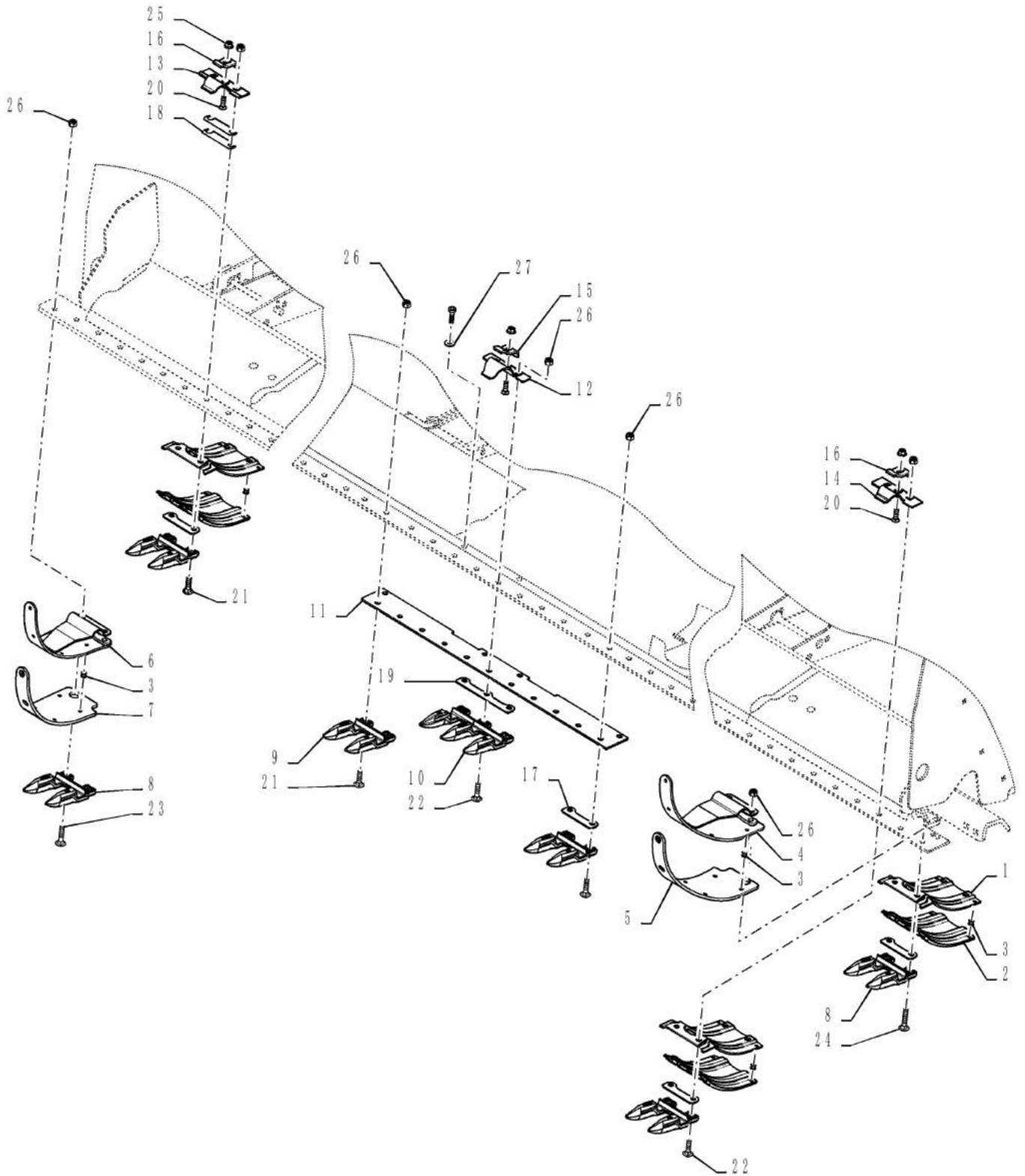


KNIFE ASSY, 3 INCH FINE, RH

REF FN	PART NUMBER	YR/SN	QTY DESCRIPTION
1	84554720		1 KNIFE ASSY Incl 2 - 8, 25 FT
1	84467347		1 KNIFE ASSY Incl 2 - 8, 30 FT
1	84467346		1 KNIFE ASSY Incl 2 - 8, 35 FT
1	84467345		1 KNIFE ASSY Incl 2 - 8, 40 FT
1	84467187		1 KNIFE Assy, Incl 2 - 8, 45 FT
2	87728899		48 KNIFE SECTION 25 FT
2	87728899		58 KNIFE SECTION 30 FT
2	87728899		68 KNIFE SECTION 35 FT
2	87728899		78 KNIFE SECTION 40 FT
2	87728899		88 KNIFE SECTION 45 FT
3	84467282		3 KNIFE SECTION
4	87663841		87 SCREW Pan HD, M6 x 18mm, CI 10.9 25 FT
4	87663841		107 SCREW Pan HD, M6 x 18mm, CI 10.9 30 FT
4	87663841		127 SCREW Pan HD, M6 x 18mm, CI 10.9 35 FT
4	87663841		147 SCREW Pan HD, M6 x 18mm, CI 10.9 40 FT
4	87663841		167 SCREW Pan HD, M6 x 18mm, CI 10.9 45 FT
5	84429100		8 SCREW Pan HD, M6 x 22mm, CI 10.9
6	84429102		95 LOCK NUT 25 FT
6	84429102		115 LOCK NUT 30 FT
6	84429102		135 LOCK NUT 35 FT
6	84429102		155 LOCK NUT 40 FT
6	84429102		175 LOCK NUT 45 FT
7	321848A1		6 KNIFE CLIP 25 FT
7	321848A1		9 KNIFE CLIP 30 FT
7	321848A1		12 KNIFE CLIP 35 FT
7	321848A1		14 KNIFE CLIP 40 FT
7	321848A1		17 KNIFE CLIP 45 FT
8	NSS		1 NOT SOLD SEPARAT KNIFE, 25 FT
8	NSS		1 NOT SOLD SEPARAT KNIFE, 30 FT
8	NSS		1 NOT SOLD SEPARAT KNIFE, 35 FT
8	NSS		1 NOT SOLD SEPARAT KNIFE, 40 FT
8	NSS		1 NOT SOLD SEPARAT KNIFE, 45 FT

3152-DRAPER HEADER

CUTTERBAR, 3 INCH STANDARD GAIRD

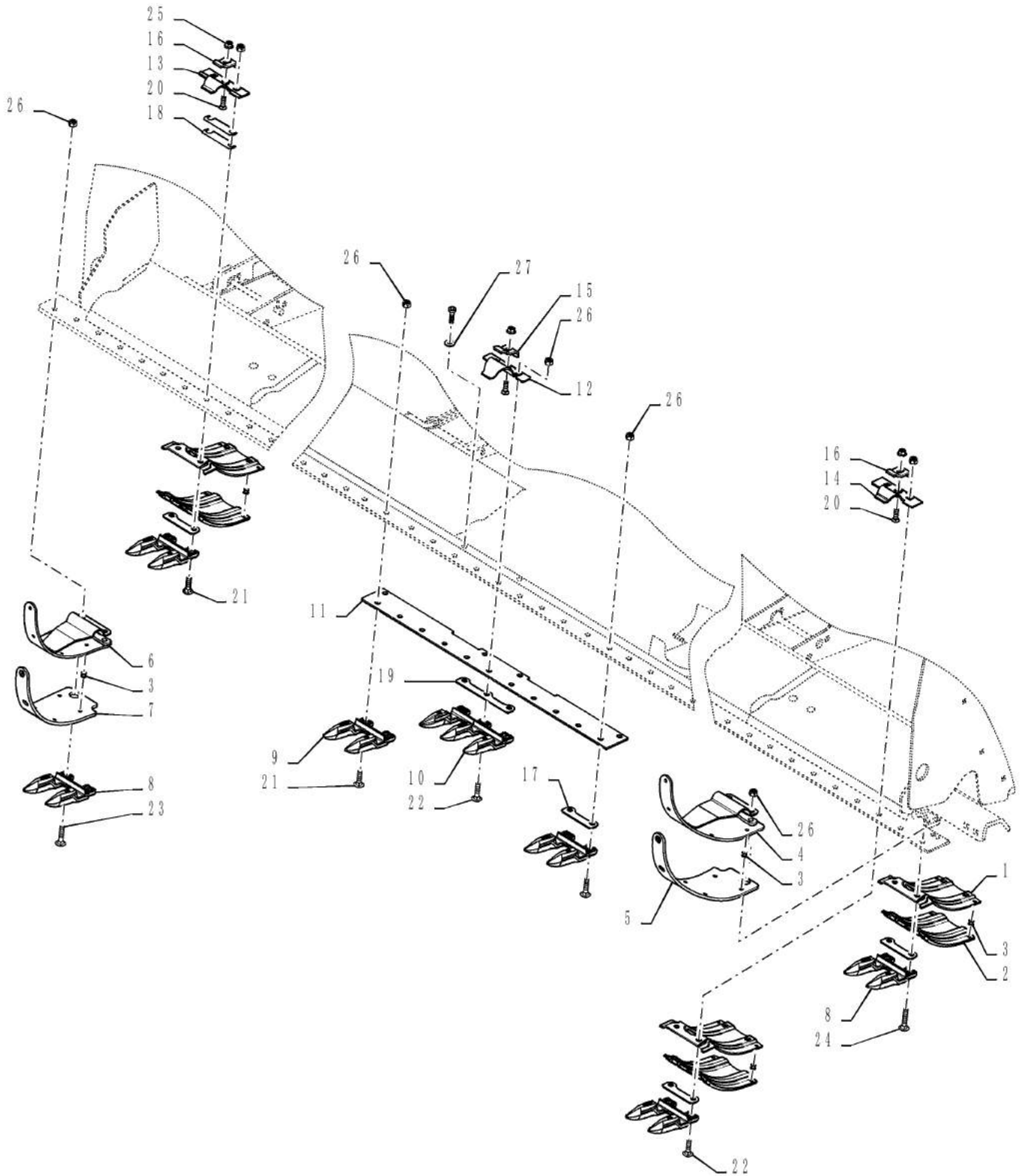


CUTTERBAR, 3 INCH STANDARD GAURD

REF FN	PART NUMBER	YR/SN	QTY DESCRIPTION
1	251206A2		44 SHOE Skid, 30 Foot Header
1	251206A2		52 SHOE Skid, 35 Foot Header
1	251206A1		60 SHOE Skid, 40 Foot Header
1	251206A1		68 SHOE Skid, 45 Foot Header
2	377580A1		46 SKID/SHOE Polyskid Single Skid, 30 Foot Header
2	377580A1		52 SKID/SHOE Polyskid Single Skid, 35 Foot Header
2	377580A1		60 SKID/SHOE Polyskid Single Skid, 40 Foot Header
2	377580A1		68 SKID/SHOE Polyskid Single Skid, 45 Foot Header
3	87613322		242 POP RIVET Pop, 6.35mm OD x 15.75mm L 30 Foot Header
3	87613322		272 POP RIVET Pop, 6.35mm OD x 15.75mm L 35 Foot Header
3	87613322		312 POP RIVET Pop, 6.35mm OD x 15.75mm L 40 Foot Header
3	87613322		352 POP RIVET Pop, 6.35mm OD x 15.75mm L 45 Foot Header
4	84346387		1 SKID/SHOE Left Hand
5	84346388		1 SKID/SHOE Left Hand
6	84337069		1 SKID/SHOE Right Hand
7	84337990		1 SKID/SHOE Right Hand
8	87702973		56 GUARD Knife 3 Inch, 30 Foot Header
8	87702973		66 GUARD Knife 3 Inch, 35 Foot Header
8	87702973		76 GUARD Knife 3 Inch, 40 Foot Header
8	87702973		86 GUARD Knife 3 Inch, 45 Foot Header
9	47506883		4 GUARD Knife 3 Inch
10	47506882		1 GUARD Guard, 3 Point
11	84325448		1 MOUNTING PLATE
12	84422134		3 KNIFE CLIP Center
13	86630786		13 KNIFE CLIP Heat Treated RH, 30 Foot Header
13	86630786		15 KNIFE CLIP Heat Treated RH, 35 Foot Header
13	86630786		18 KNIFE CLIP Heat Treated RH, 40 Foot Header

3152-DRAPER HEADER 3162-DRAPER HEADER

CUTTERBAR, 3 INCH STANDARD GAURD

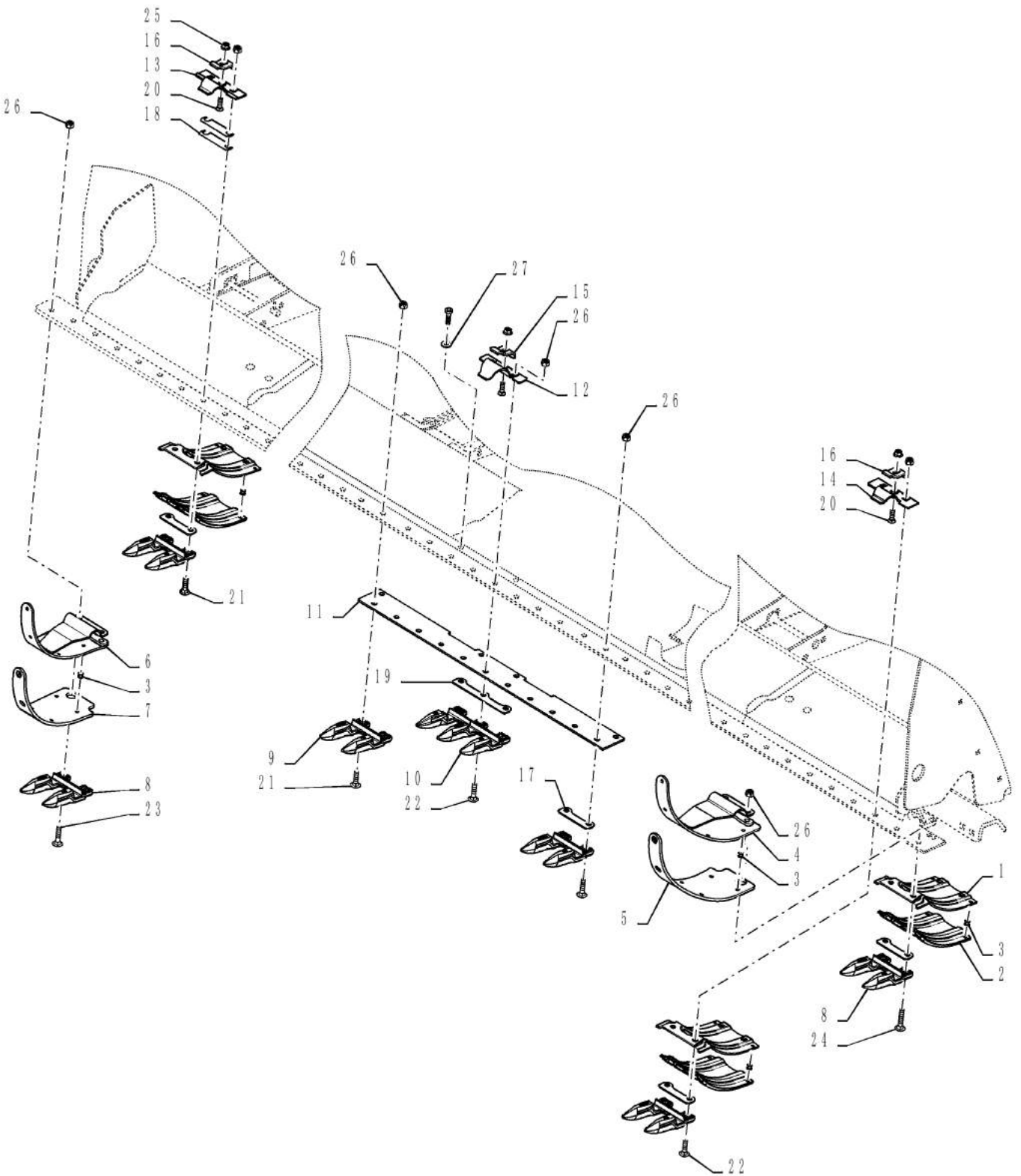


CUTTERBAR, 3 INCH STANDARD GAURD

REF FN	PART NUMBER	YR/SN	QTY DESCRIPTION
13	86630786		19 KNIFE CLIP Heat Treated RH, 45 Foot Header
14	84184577		13 KNIFE CLIP LH, 30 Foot Header
14	84184577		15 KNIFE CLIP LH, 35 Foot Header
14	84184577		18 KNIFE CLIP LH, 40 Foot Header
14	84184577		19 KNIFE CLIP LH, 45 Foot Header
15	84422992		3 ADJUSTING PLATE
16	86630787		26 KNIFE CLIP Press Bar, 30 Foot Header
16	86630787		30 KNIFE CLIP Press Bar, 35 Foot Header
16	86630787		36 KNIFE CLIP Press Bar, 40 Foot Header
16	86630787		38 KNIFE CLIP Press Bar, 45 Foot Header
17	84396061		30 SHIM 31mm OD x 3.25mm Thk Knife Guard, 30 Foot Header
17	84396061		35 SHIM 31mm OD x 3.25mm Thk Knife Guard, 35 Foot Header
17	84396061		40 SHIM 31mm OD x 3.25mm Thk Knife Guard, 40 Foot Header
17	84396061		45 SHIM 31mm OD x 3.25mm Thk Knife Guard, 45 Foot Header
18	482769		26 SHIM 25mm OD x 0.59mm Thk Adjusting Plate, 30 Foot Header
18	482769		31 SHIM 25mm OD x 0.59mm Thk Adjusting Plate, 35 Foot Header
18	482769		36 SHIM 25mm OD x 0.59mm Thk Adjusting Plate, 40 Foot Header
18	482769		40 SHIM 25mm OD x 0.59mm Thk Adjusting Plate, 45 Foot Header
19	84384773		1 SHIM 31mm OD x 3.25mm Thk
20	87742342		29 PLOW BOLT M10 x 1.5 x 30mm, Class 10.9 30 Foot Header
20	87742342		33 PLOW BOLT M10 x 1.5 x 30mm, Class 10.9 35 Foot Header
20	87742342		37 PLOW BOLT M10 x 1.5 x 30mm, Class 10.9 40 Foot Header
20	87742342		41 PLOW BOLT M10 x 1.5 x 30mm, Class 10.9 45 Foot Header

3152-DRAPER HEADER 3162-DRAPER HEADER

CUTTERBAR, 3 INCH STANDARD GAURD

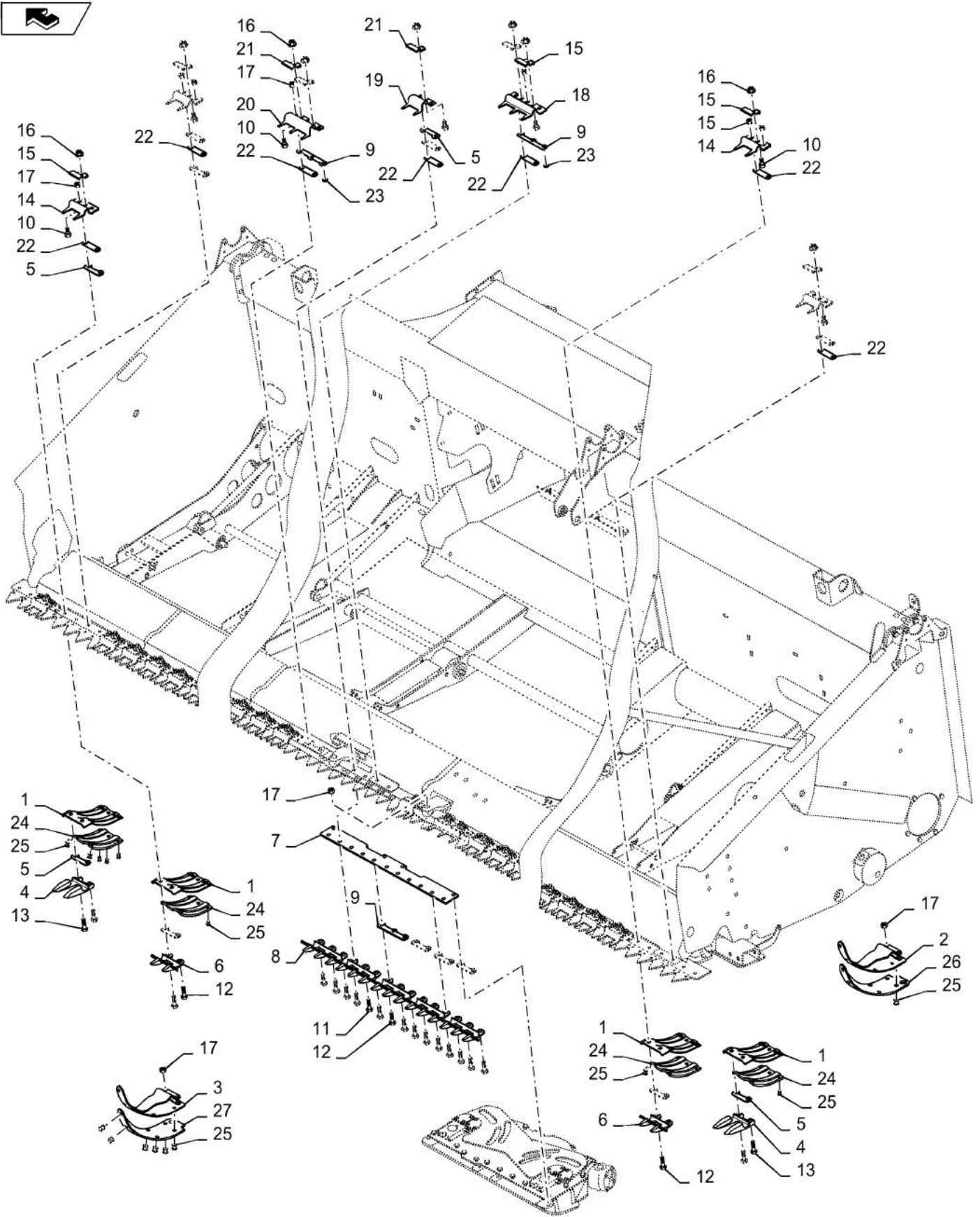


CUTTERBAR, 3 INCH STANDARD GAURD

REF FN	PART NUMBER	YR/SN	QTY DESCRIPTION
21	9833222		58 CARRIAGE BOLT Sq Nk, M10 x 1.5 x 35mm, Cl 8.8, Full Thd 30 Foot Header
21	9833222		68 CARRIAGE BOLT Sq Nk, M10 x 1.5 x 35mm, Cl 8.8, Full Thd 35 Foot Header
21	9833222		78 CARRIAGE BOLT Sq Nk, M10 x 1.5 x 35mm, Cl 8.8, Full Thd 40 Foot Header
21	9833222		88 CARRIAGE BOLT Sq Nk, M10 x 1.5 x 35mm, Cl 8.8, Full Thd 45 Foot Header
22	43473		61 CARRIAGE BOLT Sq Nk, M10 x 1.5 x 40mm, Cl 8.8, Full Thd 30 Foot Header
22	43473		71 CARRIAGE BOLT Sq Nk, M10 x 1.5 x 40mm, Cl 8.8, Full Thd 35 Foot Header
22	43473		81 CARRIAGE BOLT Sq Nk, M10 x 1.5 x 40mm, Cl 8.8, Full Thd 40 Foot Header
22	43473		91 CARRIAGE BOLT Sq Nk, M10 x 1.5 x 40mm, Cl 8.8, Full Thd 45 Foot Header
23	86512425		2 CARRIAGE BOLT Sq Nk, M10 x 45mm, Cl 8.8
24	86512426		2 CARRIAGE BOLT Sq Nk, M10 x 50mm, Cl 8.8
25	86619802		29 FLANGE NUT M10 x 1.5, Cl 8 30 Foot Header
25	86619802		33 FLANGE NUT M10 x 1.5, Cl 8 35 Foot Header
25	86619802		39 FLANGE NUT M10 x 1.5, Cl 8 40 Foot Header
25	86619802		41 FLANGE NUT M10 x 1.5, Cl 8 45 Foot Header
26	100037		123 LOCK NUT M10 x 1.5, Cl 8 30 Foot Header
26	100037		143 LOCK NUT M10 x 1.5, Cl 8 35 Foot Header
26	100037		163 LOCK NUT M10 x 1.5, Cl 8 40 Foot Header
26	100037		183 LOCK NUT M10 x 1.5, Cl 8 45 Foot Header
27	13507401		4 WASHER 12.2mm ID x 20mm OD x 2mm Thk

3152-DRAPER HEADER 3162-DRAPER HEADER

CUTTERBAR, 3 INCH STUB GUARD

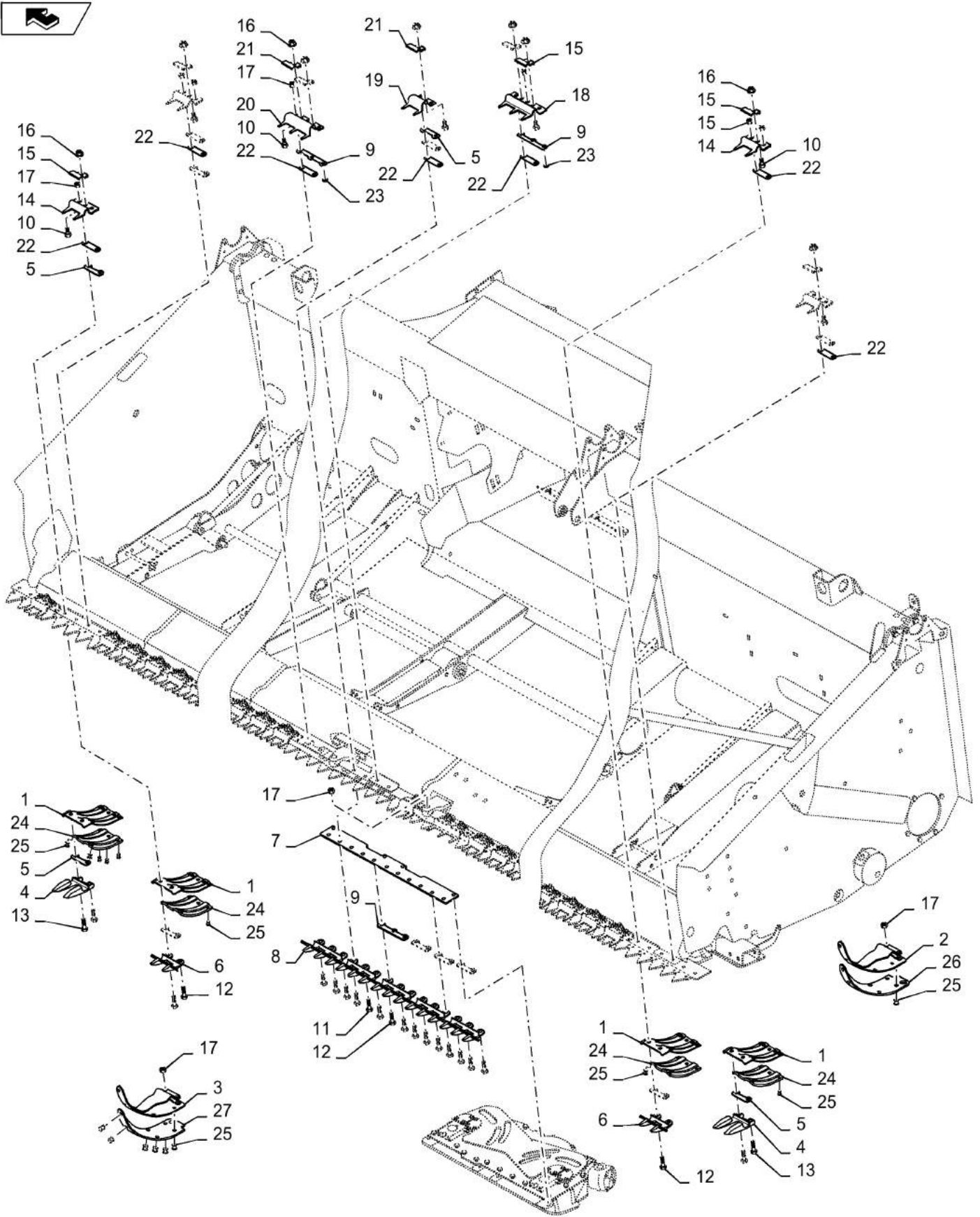


CUTTERBAR, 3 INCH STUB GUARD

REF FN	PART NUMBER	YR/SN	QTY DESCRIPTION
1	251206A2		44 SHOE Skid, Narrow, 30 Foot Header
1	251206A2		52 SHOE Skid, Narrow, 35 Foot Header
1	251206A2		60 SHOE Skid, Narrow, 40 Foot Header
1	251206A2		68 SHOE Skid, Narrow, 45 Foot Header
2	84346387		1 SKID/SHOE LH
3	84337069		1 SKID/SHOE RH
4	87702973		2 GUARD Knife 3"
5	84396061		57 SHIM 31mm OD x 3.25mm Thk Knife Guard, 30 Foot Header
5	84396061		67 SHIM 31mm OD x 3.25mm Thk Knife Guard, 35 Foot Header
5	84396061		77 SHIM 31mm OD x 3.25mm Thk Knife Guard, 40 Foot Header
5	84396061		87 SHIM 31mm OD x 3.25mm Thk Knife Guard, 45 Foot Header
6	84409307		52 GUARD Stub, 30 Foot Header
6	84409307		62 GUARD Stub, 35 Foot Header
6	84409307		72 GUARD Stub, 40 Foot Header
6	84409307		82 GUARD Stub, 45 Foot Header
7	84325448		1 MOUNTING PLATE
8	84597006		5 GUARD Stub Triple Center
9	84384773		3 SHIM 31mm OD x 3.25mm Thk Knife Guard
10	87742342		60 PLOW BOLT M10 x 1.5 x 30mm, Class 10.9 M10 x 30, 30 Foot Header
10	87742342		70 PLOW BOLT M10 x 1.5 x 30mm, Class 10.9 M10 x 30, 35 Foot Header
10	87742342		80 PLOW BOLT M10 x 1.5 x 30mm, Class 10.9 M10 x 30, 40 Foot Header
10	87742342		90 PLOW BOLT M10 x 1.5 x 30mm, Class 10.9 M10 x 30, 45 Foot Header
11	9833222		2 CARRIAGE BOLT Sq Nk, M10 x 1.5 x 35mm, Cl 8.8, Full Thd
12	86512425		117 CARRIAGE BOLT Sq Nk, M10 x 45mm, Cl 8.8 30 Foot Header
12	86512425		137 CARRIAGE BOLT Sq Nk, M10 x 45mm, Cl 8.8 35 Foot Header
12	86512425		157 CARRIAGE BOLT Sq Nk, M10 x 45mm, Cl 8.8 40 Foot Header

3152-DRAPER HEADER

CUTTERBAR, 3 INCH STUB GUARD

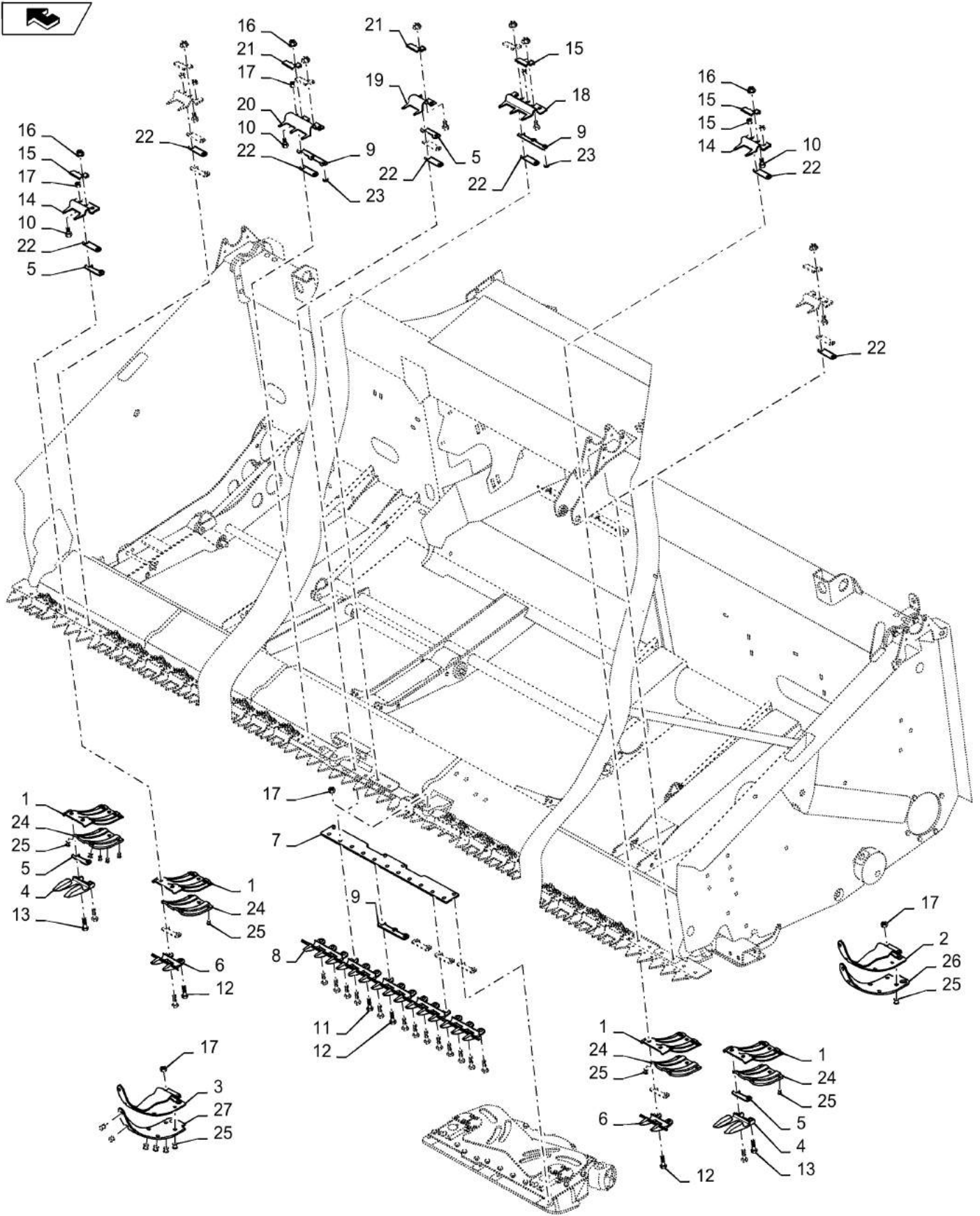


CUTTERBAR, 3 INCH STUB GUARD

REF FN	PART NUMBER	YR/SN	QTY DESCRIPTION
12	86512425		177 CARRIAGE BOLT Sq Nk, M10 x 45mm, CI 8.8 45 Foot Header
13	86512426		4 CARRIAGE BOLT Sq Nk, M10 x 50mm, CI 8.8
14	84396057		52 KNIFE CLIP HCRC, 30 Foot Header
14	84396057		62 KNIFE CLIP HCRC, 35 Foot Header
14	84396057		72 KNIFE CLIP HCRC, 40 Foot Header
14	84396057		82 KNIFE CLIP HCRC, 45 Foot Header
15	84396059		54 STEEL PLATE Adjusting HCRC, 30 Foot Header
15	84396059		64 STEEL PLATE Adjusting HCRC, 35 Foot Header
15	84396059		74 STEEL PLATE Adjusting HCRC, 40 Foot Header
15	84396059		84 STEEL PLATE Adjusting HCRC, 45 Foot Header
16	86619802		60 FLANGE NUT M10 x 1.5, CI 8 M10 x 1.5, 30 Foot Header
16	86619802		70 FLANGE NUT M10 x 1.5, CI 8 M10 x 1.5, 35 Foot Header
16	86619802		80 FLANGE NUT M10 x 1.5, CI 8 M10 x 1.5, 40 Foot Header
16	86619802		90 FLANGE NUT M10 x 1.5, CI 8 M10 x 1.5, 45 Foot Header
17	100037		123 LOCK NUT M10 x 1.5, CI 8 30 Foot Header
17	100037		143 LOCK NUT M10 x 1.5, CI 8 35 Foot Header
17	100037		163 LOCK NUT M10 x 1.5, CI 8 40 Foot Header
17	100037		183 LOCK NUT M10 x 1.5, CI 8 45 Foot Header
18	84550482		1 KNIFE CLIP
19	84550480		2 KNIFE CLIP Special, 2-Prong
20	84578726		2 KNIFE CLIP Special, 3-Prong
21	84409309		6 ADJUSTING PLATE HCRC
22	84603255		85 SHIM Knife Guard, 30 Foot Header
22	84603255		101 SHIM Knife Guard, 35 Foot Header
22	84603255		115 SHIM Knife Guard, 40 Foot Header
22	84603255		131 SHIM Knife Guard, 45 Foot Header

3152-DRAPER HEADER

CUTTERBAR, 3 INCH STUB GUARD

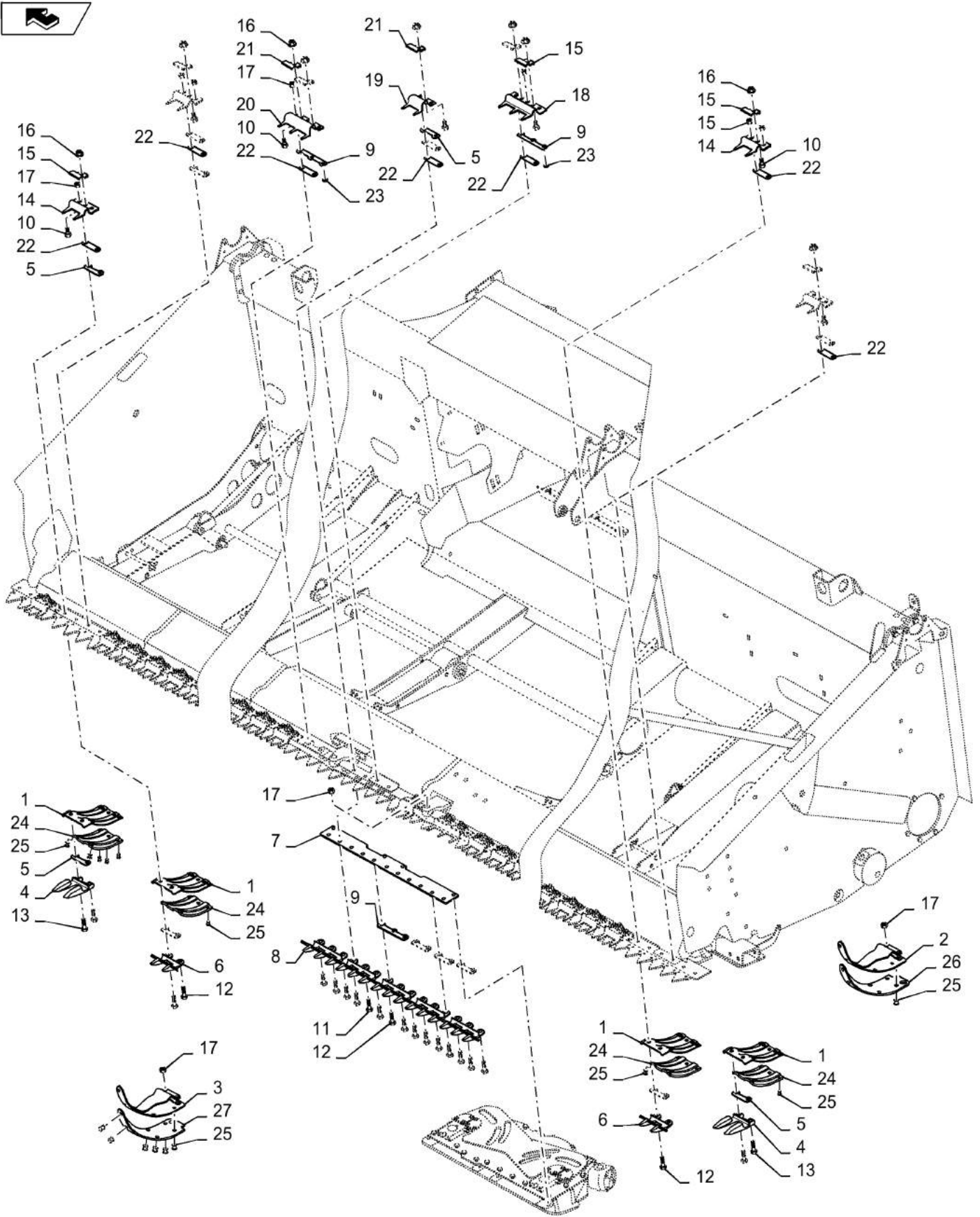


CUTTERBAR, 3 INCH STUB GUARD

REF FN	PART NUMBER	YR/SN	QTY DESCRIPTION
23	86625253		3 WASHER 11mm ID x 24mm OD x 2mm Thk
24	377580A1		44 SKID/SHOE Single, 30 Foot Header
24	377580A1		52 SKID/SHOE Single, 35 Foot Header
24	377580A1		60 SKID/SHOE Single, 40 Foot Header
24	377580A1		68 SKID/SHOE Single, 45 Foot Header
25	87613322		232 POP RIVET Pop, 6.35mm OD x 15.75mm L 30 Foot Header
25	87613322		272 POP RIVET Pop, 6.35mm OD x 15.75mm L 35 Foot Header
25	87613322		312 POP RIVET Pop, 6.35mm OD x 15.75mm L 40 Foot Header
25	87613322		352 POP RIVET Pop, 6.35mm OD x 15.75mm L 45 Foot Header
26	84346388		1 SKID/SHOE LH
27	84337990		1 SKID/SHOE RH

3152-DRAPER HEADER

CUTTERBAR, STUB GUARD

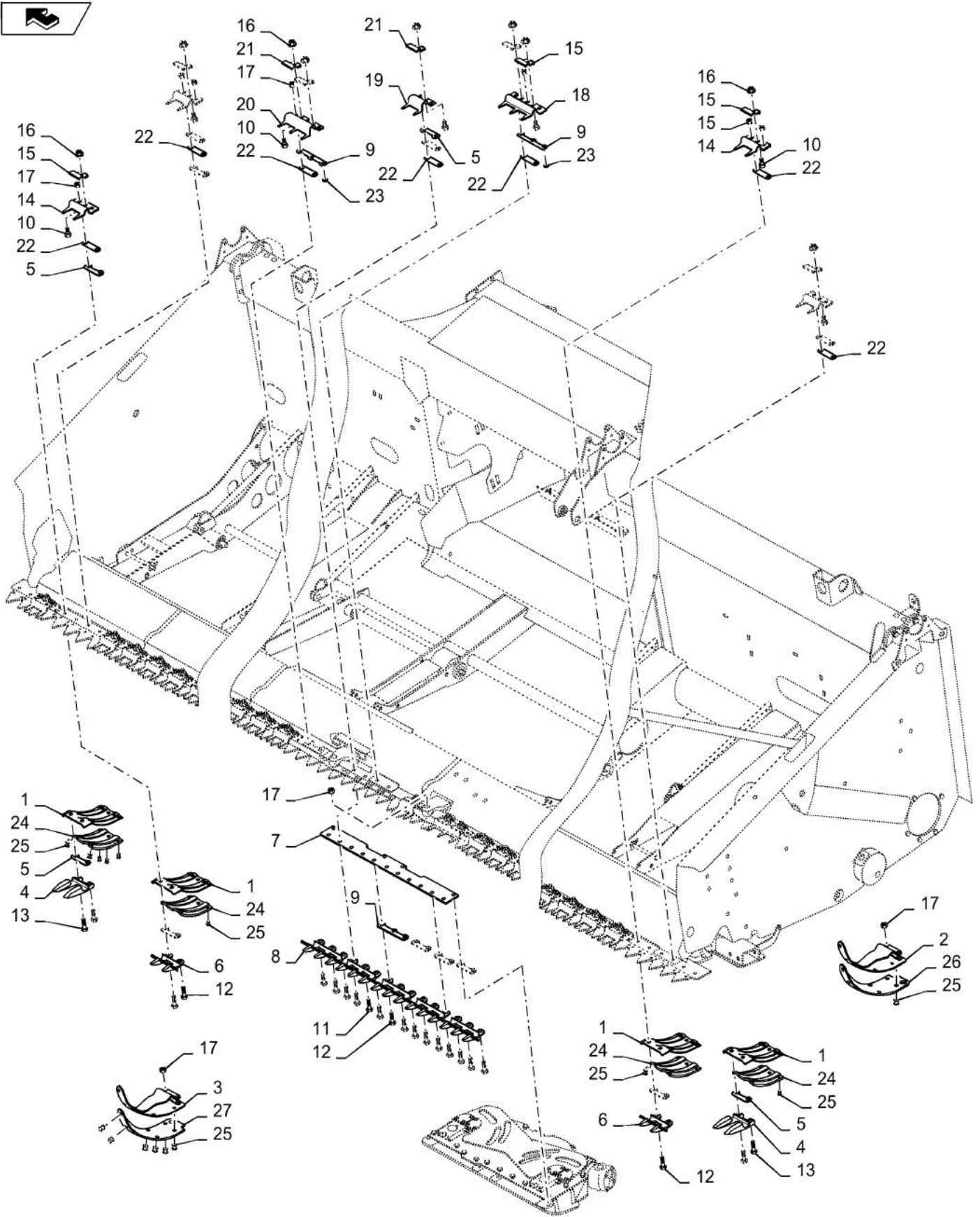


CUTTERBAR, STUB GUARD

REF FN	PART NUMBER	YR/SN	QTY DESCRIPTION
1	251206A2		44 SHOE Skid, Narrow, 30 Foot Header
1	251206A2		52 SHOE Skid, Narrow, 35 Foot Header
1	251206A2		60 SHOE Skid, Narrow, 40 Foot Header
1	251206A2		68 SHOE Skid, Narrow, 45 Foot Header
2	84346387		1 SKID/SHOE LH
3	84337069		1 SKID/SHOE RH
4	87702973		2 GUARD Knife 3"
5	84396061		57 SHIM 31mm OD x 3.25mm Thk Knife Guard, 30 Foot Header
5	84396061		67 SHIM 31mm OD x 3.25mm Thk Knife Guard, 35 Foot Header
5	84396061		77 SHIM 31mm OD x 3.25mm Thk Knife Guard, 40 Foot Header
5	84396061		87 SHIM 31mm OD x 3.25mm Thk Knife Guard, 45 Foot Header
6	84409307		52 GUARD Stub, 30 Foot Header
6	84409307		62 GUARD Stub, 35 Foot Header
6	84409307		72 GUARD Stub, 40 Foot Header
6	84409307		82 GUARD Stub, 45 Foot Header
7	84325448		1 MOUNTING PLATE
8	84597006		5 GUARD Stub Triple Center
9	84384773		3 SHIM 31mm OD x 3.25mm Thk Knife Guard
10	87742342		60 PLOW BOLT M10 x 1.5 x 30mm, Class 10.9 M10 x 30, 30 Foot Header
10	87742342		70 PLOW BOLT M10 x 1.5 x 30mm, Class 10.9 M10 x 30, 35 Foot Header
10	87742342		80 PLOW BOLT M10 x 1.5 x 30mm, Class 10.9 M10 x 30, 40 Foot Header
10	87742342		90 PLOW BOLT M10 x 1.5 x 30mm, Class 10.9 M10 x 30, 45 Foot Header
11	9833222		2 CARRIAGE BOLT Sq Nk, M10 x 1.5 x 35mm, Cl 8.8, Full Thd
12	86512425		117 CARRIAGE BOLT Sq Nk, M10 x 45mm, Cl 8.8 30 Foot Header
12	86512425		137 CARRIAGE BOLT Sq Nk, M10 x 45mm, Cl 8.8 35 Foot Header
12	86512425		157 CARRIAGE BOLT Sq Nk, M10 x 45mm, Cl 8.8 40 Foot Header

3162-DRAPER HEADER

CUTTERBAR, STUB GUARD

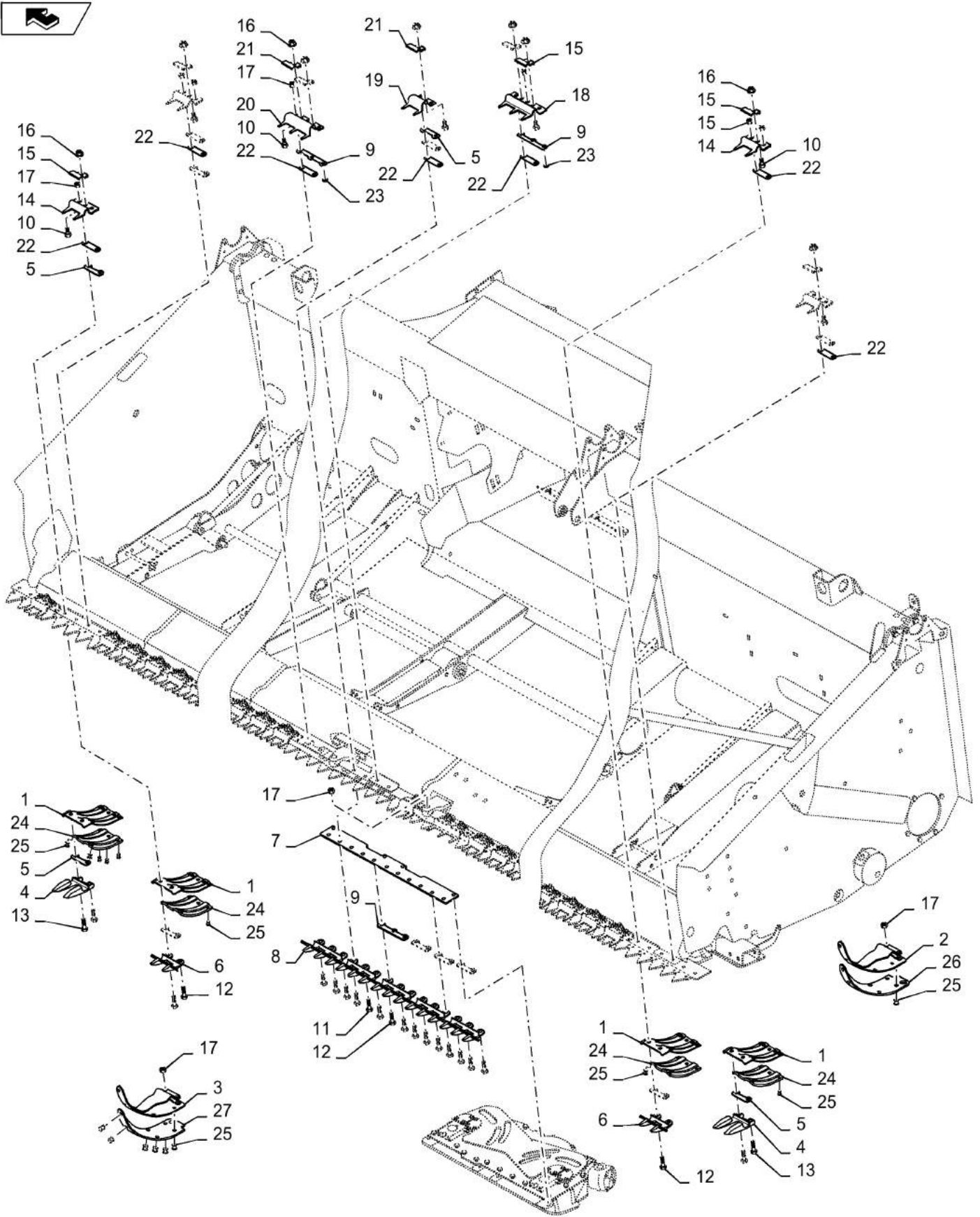


CUTTERBAR, STUB GUARD

REF FN	PART NUMBER	YR/SN	QTY DESCRIPTION
12	86512425		177 CARRIAGE BOLT Sq Nk, M10 x 45mm, CI 8.8 45 Foot Header
13	86512426		4 CARRIAGE BOLT Sq Nk, M10 x 50mm, CI 8.8
14	84396057		52 KNIFE CLIP HCRC, 30 Foot Header
14	84396057		62 KNIFE CLIP HCRC, 35 Foot Header
14	84396057		72 KNIFE CLIP HCRC, 40 Foot Header
14	84396057		82 KNIFE CLIP HCRC, 45 Foot Header
15	84396059		54 STEEL PLATE Adjusting HCRC, 30 Foot Header
15	84396059		64 STEEL PLATE Adjusting HCRC, 35 Foot Header
15	84396059		74 STEEL PLATE Adjusting HCRC, 40 Foot Header
15	84396059		84 STEEL PLATE Adjusting HCRC, 45 Foot Header
16	86619802		60 FLANGE NUT M10 x 1.5, CI 8 M10 x 1.5, 30 Foot Header
16	86619802		70 FLANGE NUT M10 x 1.5, CI 8 M10 x 1.5, 35 Foot Header
16	86619802		80 FLANGE NUT M10 x 1.5, CI 8 M10 x 1.5, 40 Foot Header
16	86619802		90 FLANGE NUT M10 x 1.5, CI 8 M10 x 1.5, 45 Foot Header
17	100037		123 LOCK NUT M10 x 1.5, CI 8 30 Foot Header
17	100037		143 LOCK NUT M10 x 1.5, CI 8 35 Foot Header
17	100037		163 LOCK NUT M10 x 1.5, CI 8 40 Foot Header
17	100037		183 LOCK NUT M10 x 1.5, CI 8 45 Foot Header
18	84550482		1 KNIFE CLIP
19	84550480		2 KNIFE CLIP Special, 2-Prong
20	84578726		2 KNIFE CLIP Special, 3-Prong
21	84409309		6 ADJUSTING PLATE HCRC
22	84603255		85 SHIM Knife Guard, 30 Foot Header
22	84603255		101 SHIM Knife Guard, 35 Foot Header
22	84603255		115 SHIM Knife Guard, 40 Foot Header
22	84603255		131 SHIM Knife Guard, 45 Foot Header

3162-DRAPER HEADER

CUTTERBAR, STUB GUARD



CUTTERBAR, STUB GUARD

REF FN	PART NUMBER	YR/SN	QTY DESCRIPTION
23	86625253		3 WASHER 11mm ID x 24mm OD x 2mm Thk
24	377580A1		44 SKID/SHOE Single, 30 Foot Header
24	377580A1		52 SKID/SHOE Single, 35 Foot Header
24	377580A1		60 SKID/SHOE Single, 40 Foot Header
24	377580A1		68 SKID/SHOE Single, 45 Foot Header
25	87613322		232 POP RIVET Pop, 6.35mm OD x 15.75mm L 30 Foot Header
25	87613322		272 POP RIVET Pop, 6.35mm OD x 15.75mm L 35 Foot Header
25	87613322		312 POP RIVET Pop, 6.35mm OD x 15.75mm L 40 Foot Header
25	87613322		352 POP RIVET Pop, 6.35mm OD x 15.75mm L 45 Foot Header
26	84346388		1 SKID/SHOE LH
27	84337990		1 SKID/SHOE RH

3162-DRAPER HEADER

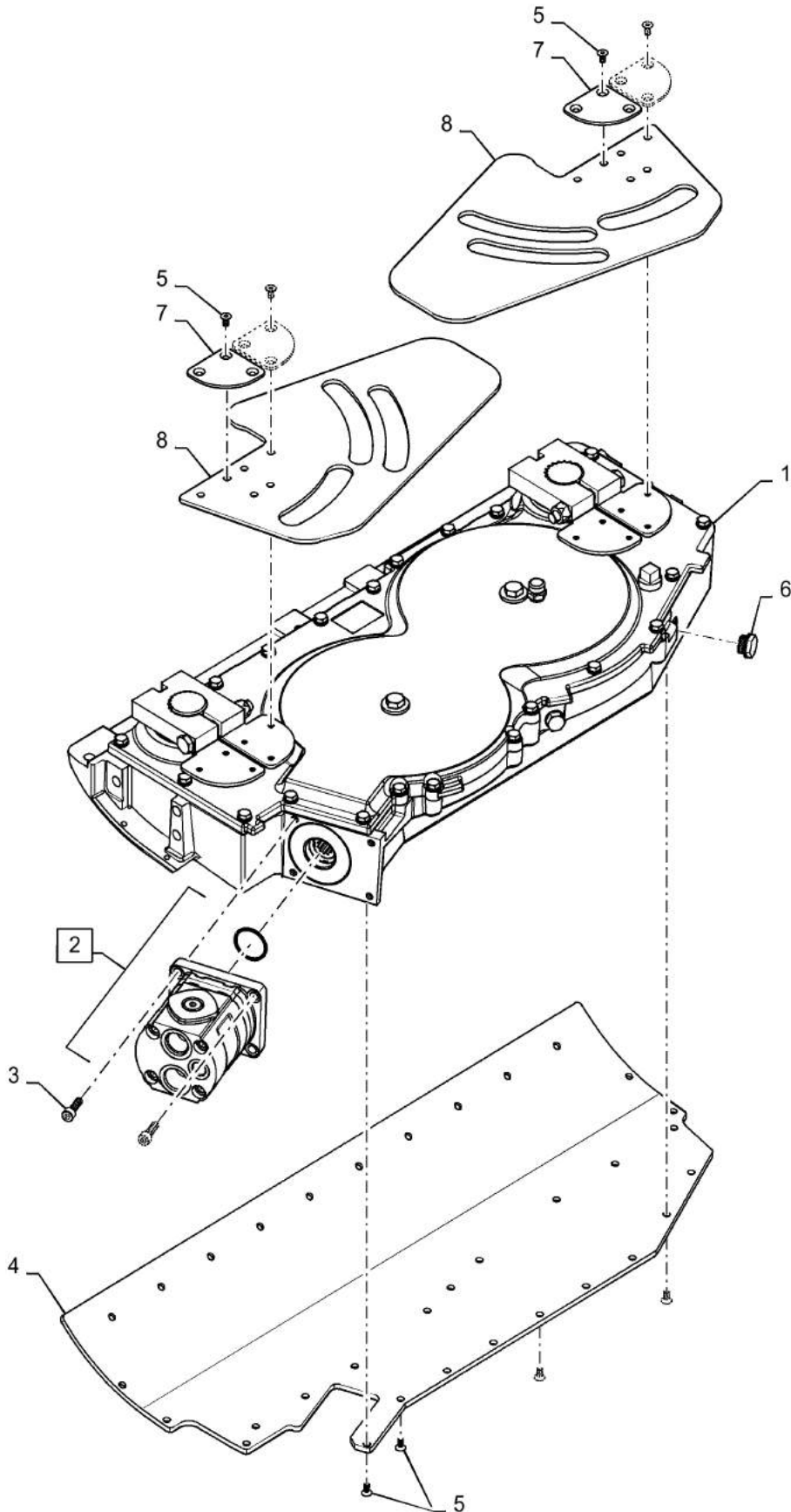
58.110.06

01

p1

9/2016

DRIVE, CENTER KNIFE GEARBOX

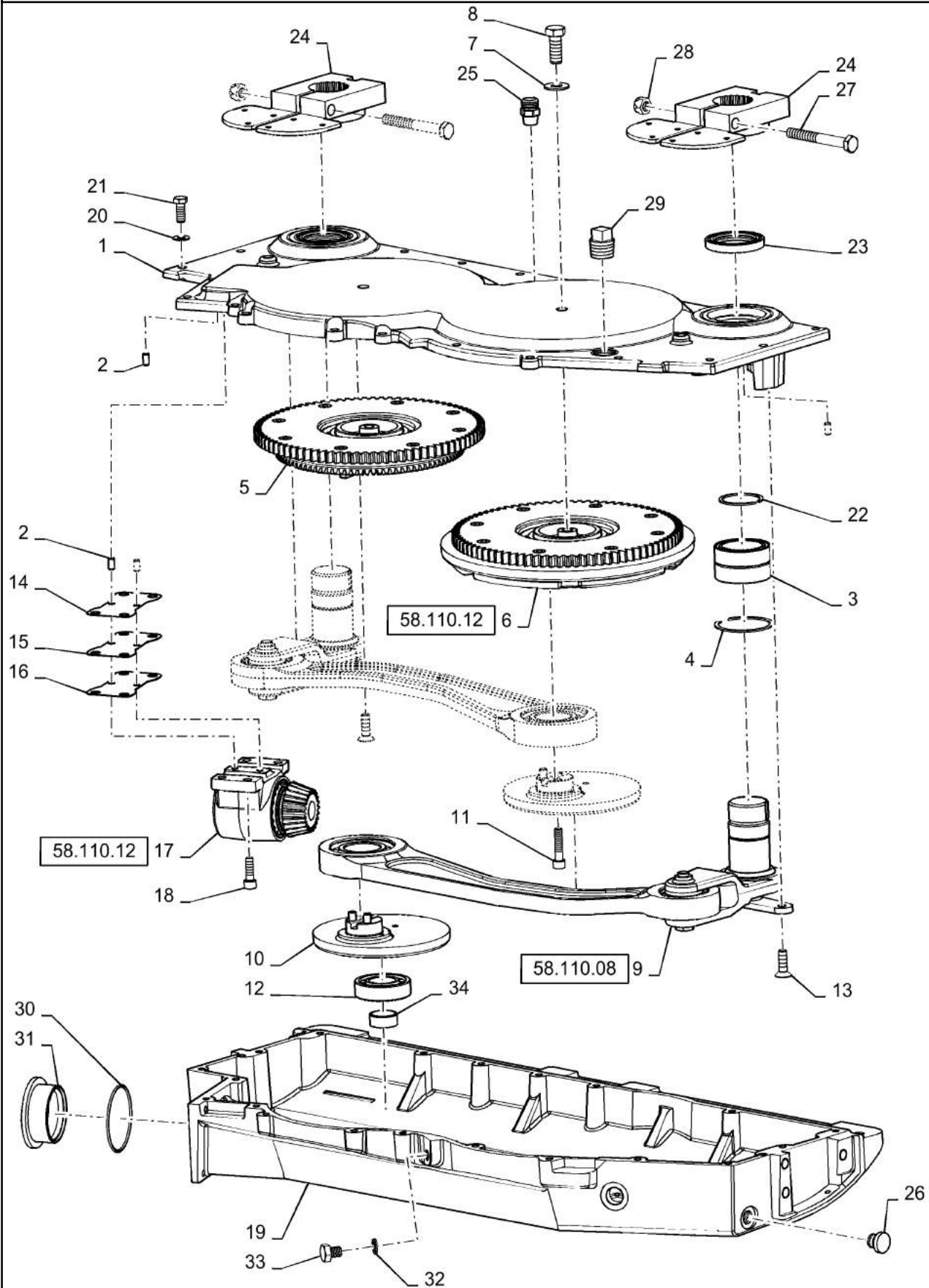


DRIVE, CENTER KNIFE GEARBOX

REF FN	PART NUMBER	YR/SN	QTY DESCRIPTION
1	47709322		1 GEARBOX DRIVE ASSEMBLY, Center Knife
1	84310829R		1 REMAN-GEARBOX DRIVE ASSEMBLY, Center Knife
1	84310829C		1 CORE-GEARBOX Return Number
2	87485437		1 HYDRAULIC MOTOR GEAR, 20.12 CC
2	84369985		1 SEAL KIT
2	14454480		1 O-RING 1.301" ID x 0.07" Width
3	86625220		4 HEX SOC SCREW M8 x 25mm, Cl 8.8
4	84323064		1 SKID PLATE Plastic
4	84565253		1 SKID PLATE Stainless Steel
5	14441231		45 HEX SOC SCREW Flat Csk Hd, M6 x 12mm, Cl 10.9
6	87524452		1 SIGHTGLASS
7	84567273		4 BRACKET
8	47442020		2 FLAP Flex Header, Used From 10/20/2012 To 12/18/2012
8	47483570		2 FLAP Flex Header, Used From 12/18/2012 To 05/23/2013
8	47553645		2 FLAP Flex Header, Used From 5/23/2013 To 03/09/2015
8	47825829		1 FLAP RH, Flex Header, Used From 03/09/2015 and Up
8	47825828		1 FLAP LH, Flex Header, Used From 03/09/2015 and Up
9	48049923		1 DECAL Applies To 47933752 Gearbox

3152-DRAPER HEADER 3162-DRAPER HEADER

DRIVE ASSEMBLY, CENTER KNIFE



DRIVE ASSEMBLY, CENTER KNIFE

REF FN	PART NUMBER	YR/SN	QTY DESCRIPTION
1	47484101		1 PLATE
2	64780		4 DOWEL 1/4" x 1/2", HDN
3	84312461		2 NEEDLE BEARING
4	360936R1		2 RING
5	84312837		1 BEVEL GEAR
6	NSS		1 NOT SOLD SEPARAT Gear Assy
7	143479		2 WASHER 15.08" ID x 31.75" OD x 3.5" Thk
8	43260		2 BOLT Hex, M12 x 1.75 x 30mm, CI 10.9, Full Thd
9	NSS		2 NOT SOLD SEPARAT Arm Assy
10	84357207		2 BELLCRANK
11	84000811		4 SCREW M8 x 35mm, CI 8.8
12	84521587		2 BEARING, ROLLER, CYL 35mm ID x 62mm OD x 14mm W
13	14442124		4 SCREW Flat Csk Hd, M8 x 1.25 x 25mm, CI 8.8
14	84368116		1 SHIM 53mm OD x 0.53mm Thk 0.5mm
15	84368117		1 SHIM 0.3mm
16	84368118		2 SHIM 0.1mm
17	NSS		1 NOT SOLD SEPARAT Pinion Assy, Horizontal
18	86625220		4 HEX SOC SCREW M8 x 25mm, CI 8.8
19	47484097		1 HOUSING
20	86624184		22 WASHER 9mm ID x 16mm OD x 1.6mm Thk
21	43128		22 BOLT M8 x 1.25 x 30mm, CI 8.8
22	101-11175		2 SNAP RING #175, 1.640", Ext
23	84312880		2 OIL SEAL 45mm ID x 65mm OD x 8mm Thk
24	84316988		2 ARM
24a	48049923		2 DECAL
25	86539157		1 BREATHER 3/8" Gas
26	1350997		1 PLUG Rnd Hd, Int Hex Skt, M16 x 1.5 x 17.30mm, ORB
27	86508622		2 BOLT Hex, M12 x 1.75 x 100mm, CI 10.9
28	412672		2 NUT Hex, M12 x 1.75, CI 10
29	80815		1 PLUG Sq Hd, 3/4"-14
30	14460580		1 O-RING 2.675" ID x 0.103" Width

3152-DRAPER HEADER 3162-DRAPER HEADER

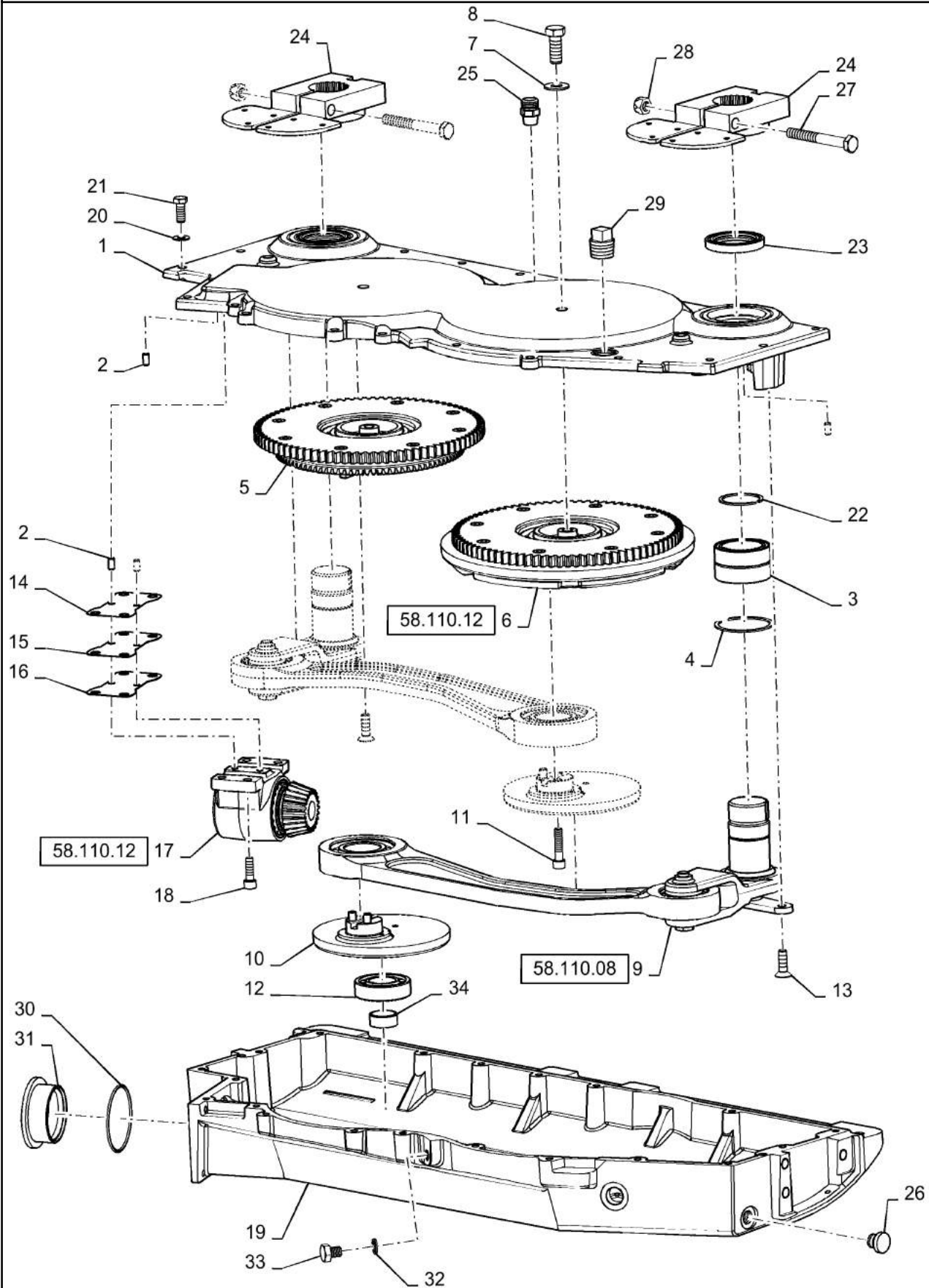
58.110.06

02

p2

9/2016

DRIVE ASSEMBLY, CENTER KNIFE



58.110.06

02

p2

9/2016

DRIVE ASSEMBLY, CENTER KNIFE

REF FN	PART NUMBER	YR/SN	QTY DESCRIPTION
31	84367752		1 SPACER 36.5mm ID x 76mm OD x 27.5mm L
32	86622500		1 WASHER 13.49mm ID x 22.2mm OD x 1.36mm Thk
33	84412628		1 BOLT
34	84520855		2 SPACER

3152-DRAPER HEADER 3162-DRAPER HEADER

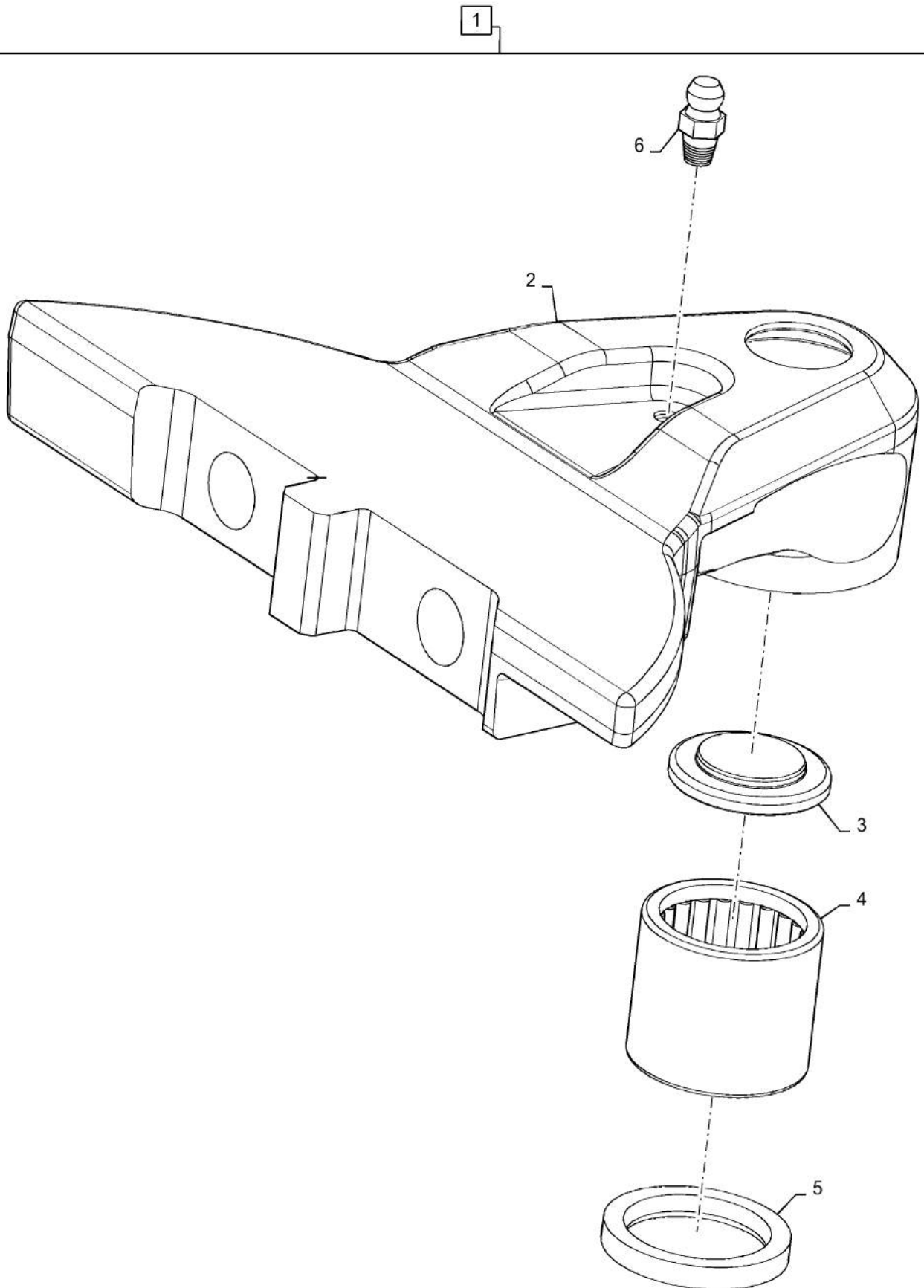
58.110.07

01

p1

9/2016

ARM, ASSY, KNIFE TURRET, LH



58.110.07

01

p1

9/2016

ARM, ASSY, KNIFE TURRET, LH

REF FN	PART NUMBER	YR/SN	QTY DESCRIPTION
1	47553657		1 ARM Assy, Knife Turret, LH, Incl 2 - 6
2	NSS		1 NOT SOLD SEPARAT Arm Top, Knife Turret, LH
3	84370960		1 SPACER Shouldered
4	5138952		1 NEEDLE BEARING Needle, 25mm ID x 32mm OD x 26mm W
5	47522042		1 OIL SEAL Rubber Lip
6	321204		1 LUBE NIPPLE M6 x 1.0 x 16mm OAL Zerk, 6mm

3162-DRAPER HEADER

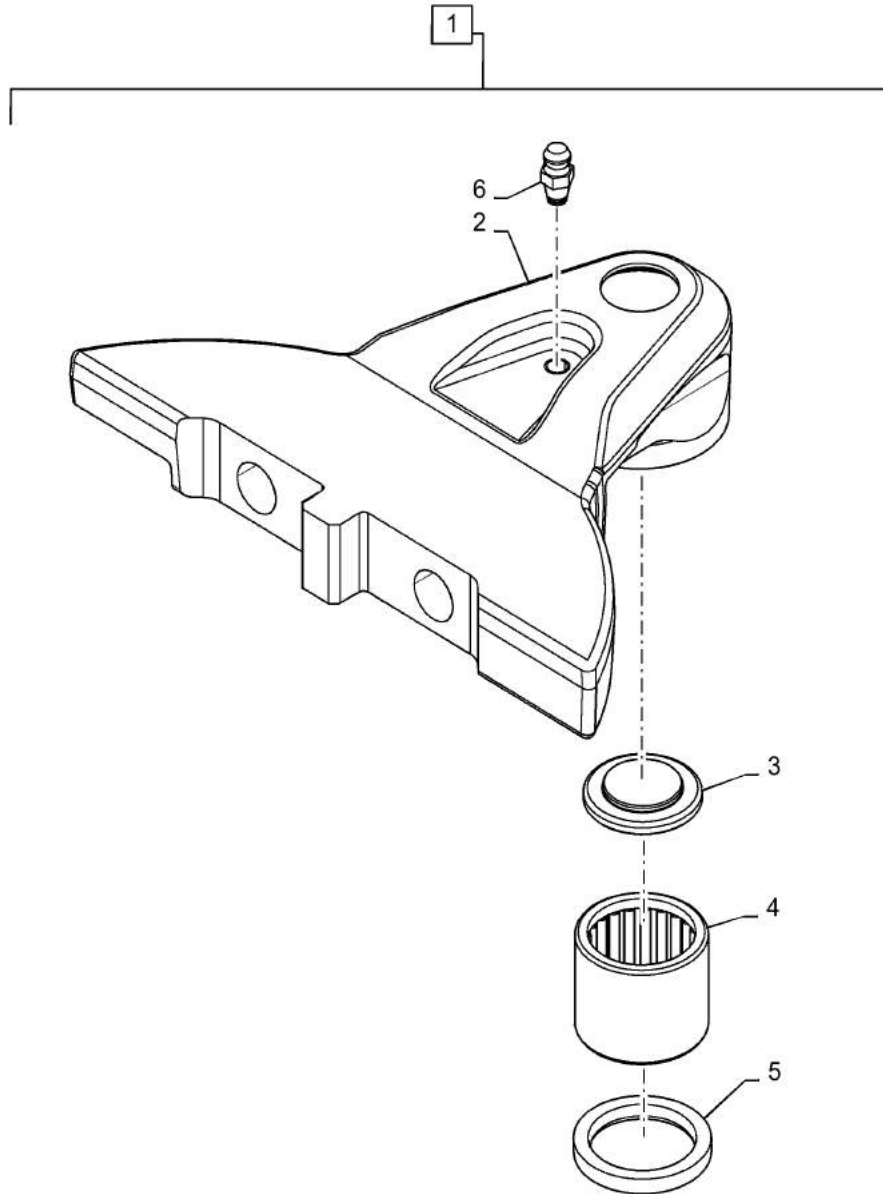
58.110.07

02

p1

9/2016

ARM, ASSY, KNIFE TURRET, RH



58.110.07

02

p1

9/2016

ARM, ASSY, KNIFE TURRET, RH

REF FN	PART NUMBER	YR/SN	QTY DESCRIPTION
1	47553648		1 ARM Arm Assy, Knife Turret, RH, Incl 2 - 6
2	NSS		1 NOT SOLD SEPARAT Arm Top, Knife Turret, RH
3	84370960		1 SPACER Shouldered
4	5138952		1 NEEDLE BEARING Needle, 25mm ID x 32mm OD x 26mm W
5	47522042		1 OIL SEAL Rubber Lip
6	321204		1 LUBE NIPPLE M6 x 1.0 x 16mm OAL Zerk, 6mm

3162-DRAPER HEADER

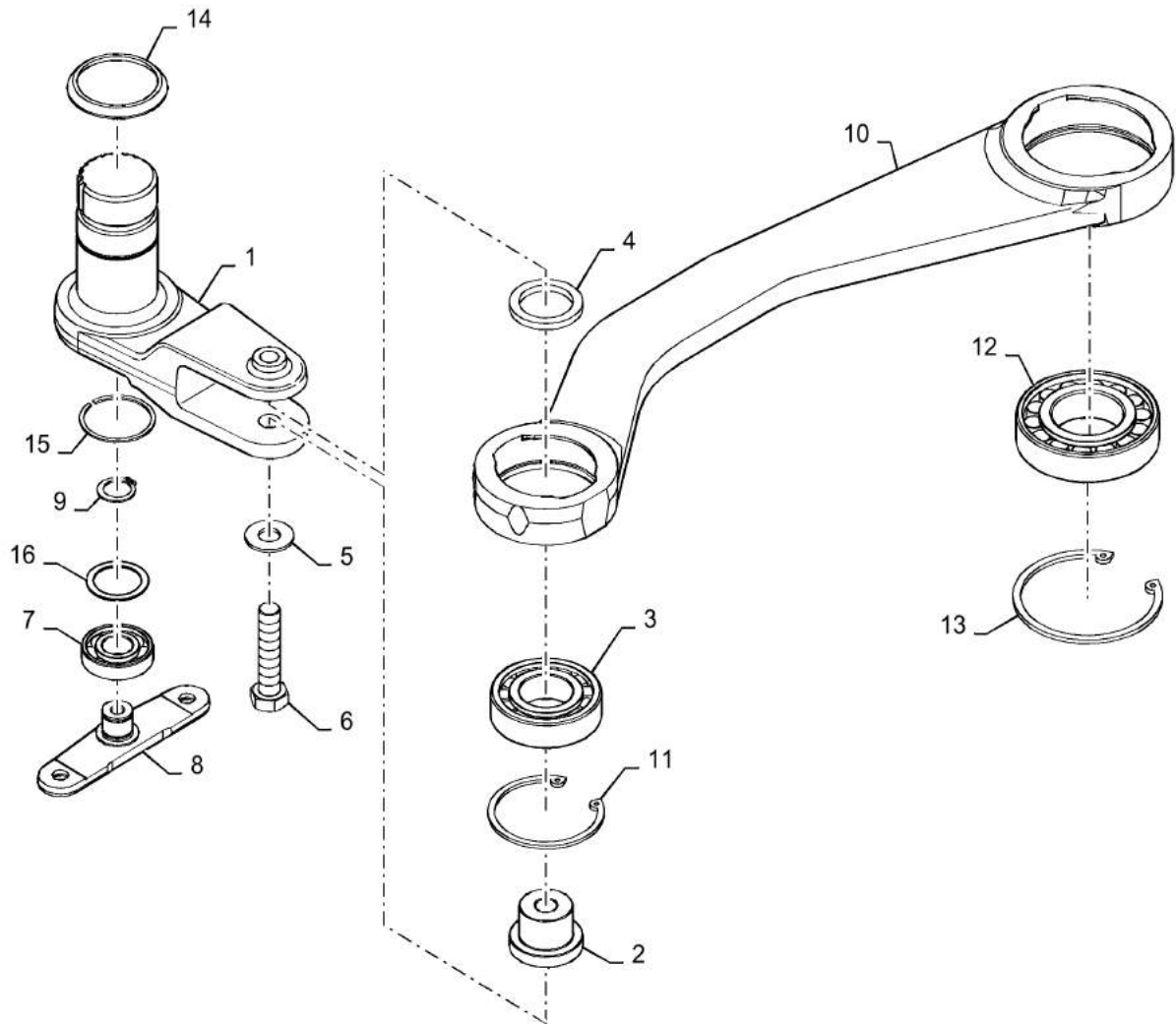
58.110.08

02

p1

9/2016

ARM, ASSY



ARM, ASSY

REF FN	PART NUMBER	YR/SN	QTY DESCRIPTION
1	84499881		1 ARM Machined, Low Bearing
2	84306276		1 SPACER Shouldered
3	84312854		1 ROLLER BEARING
4	84345404		1 SPACER
5	140046		1 BELLEVILLE WASHER M12 Bolt Size x 27mm OD x 1.8mm Thk
6	87021825		1 BOLT Hex, M12 x 55mm, CI 10.9
7	84521602		1 BALL BEARING
8	84539666		1 BRACKET Bearing
9	370016		1 SNAP RING M17, Ext
10	84306293		1 ARM Connecting
11	370012		1 RING M62, Internal
12	5147070		1 ROLLER BEARING 40mm ID x 80mm OD x 18mm W
13	300633		1 SNAP RING M80, Internal
14	84345400		1 SPACER 45.05mm ID x 56mm OD x 5mm L
15	84570510		1 SNAP RING
16	47745649		AR SHIM KIT

3152-DRAPER HEADER 3162-DRAPER HEADER

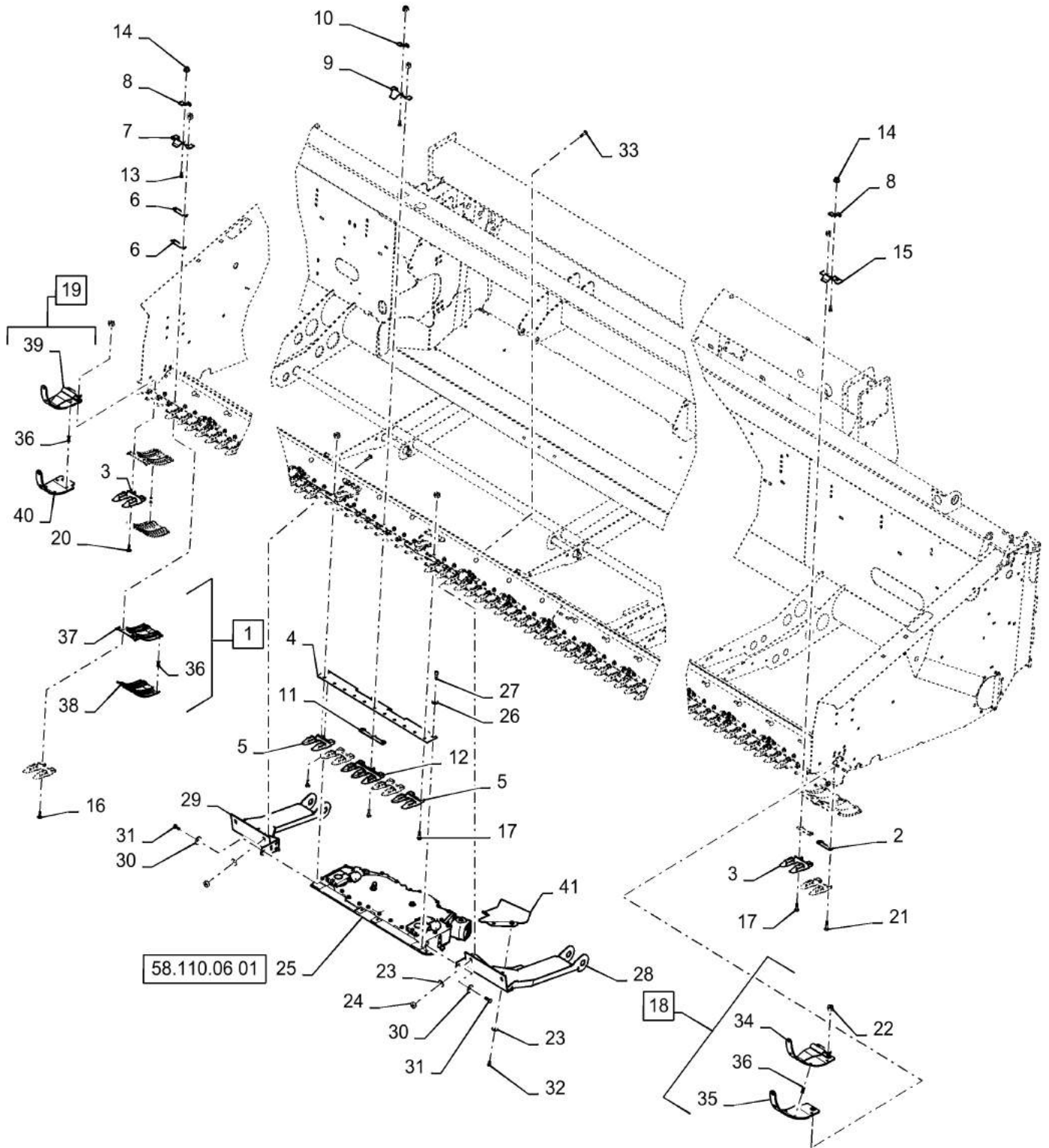
58.110.09

01

p1

9/2016

CUTTERBAR, 3" STD GUARD 25FT



CUTTERBAR, 3" STD GUARD 25FT

REF FN	PART NUMBER	YR/SN	QTY DESCRIPTION
1	NSS		38 NOT SOLD SEPARAT Shoe Assy, Incl 36, 37, 38
2	84396061		25 SHIM 31mm OD x 3.25mm Thk Knife Guard
3	87702973		46 GUARD HT, Knife 3"
4	84325448		1 MOUNTING PLATE
5	47506883		4 GUARD HT, Knife 3"
6	482769		20 SHIM 25mm OD x 0.59mm Thk Adjusting
7	86630786		10 KNIFE CLIP Heat Treated
8	86630787		20 KNIFE CLIP Press Bar
9	84422134		3 KNIFE CLIP High
10	84422992		3 ADJUSTING PLATE
11	84384773		1 SHIM 31mm OD x 3.25mm Thk Knife Guard
12	47506882		1 GUARD Knife 3 Point
13	87742342		23 PLOW BOLT M10 x 1.5 x 30mm, Class 10.9
14	86619802		23 FLANGE NUT M10 x 1.5, CI 8
15	84184577		10 KNIFE CLIP Semi Fin
16	9833222		48 CARRIAGE BOLT Sq Nk, M10 x 1.5 x 35mm, CI 8.8, Full Thd
17	43473		51 CARRIAGE BOLT Sq Nk, M10 x 1.5 x 40mm, CI 8.8, Full Thd
18	NSS		1 NOT SOLD SEPARAT Shoe Assy, LH, Incl 34, 35, 36
19	NSS		1 NOT SOLD SEPARAT Shoe Assy, Incl 36, 39, 40
20	86512425		2 CARRIAGE BOLT Sq Nk, M10 x 45mm, CI 8.8
21	86512426		2 CARRIAGE BOLT Sq Nk, M10 x 50mm, CI 8.8
22	100037		103 LOCK NUT M10 x 1.5, CI 8
23	140045		36 BELLEVILLE WASHER M10 Bolt Size x 22mm OD x 1.6mm Thk
24	100016		34 NUT M10 x 1.5, CI 8
25	47709322		1 GEARBOX Drive Assembly, Center Knife
25	47709322R		1 REMAN-GEARBOX Drive Assembly, Center Knife

3152-DRAPER HEADER

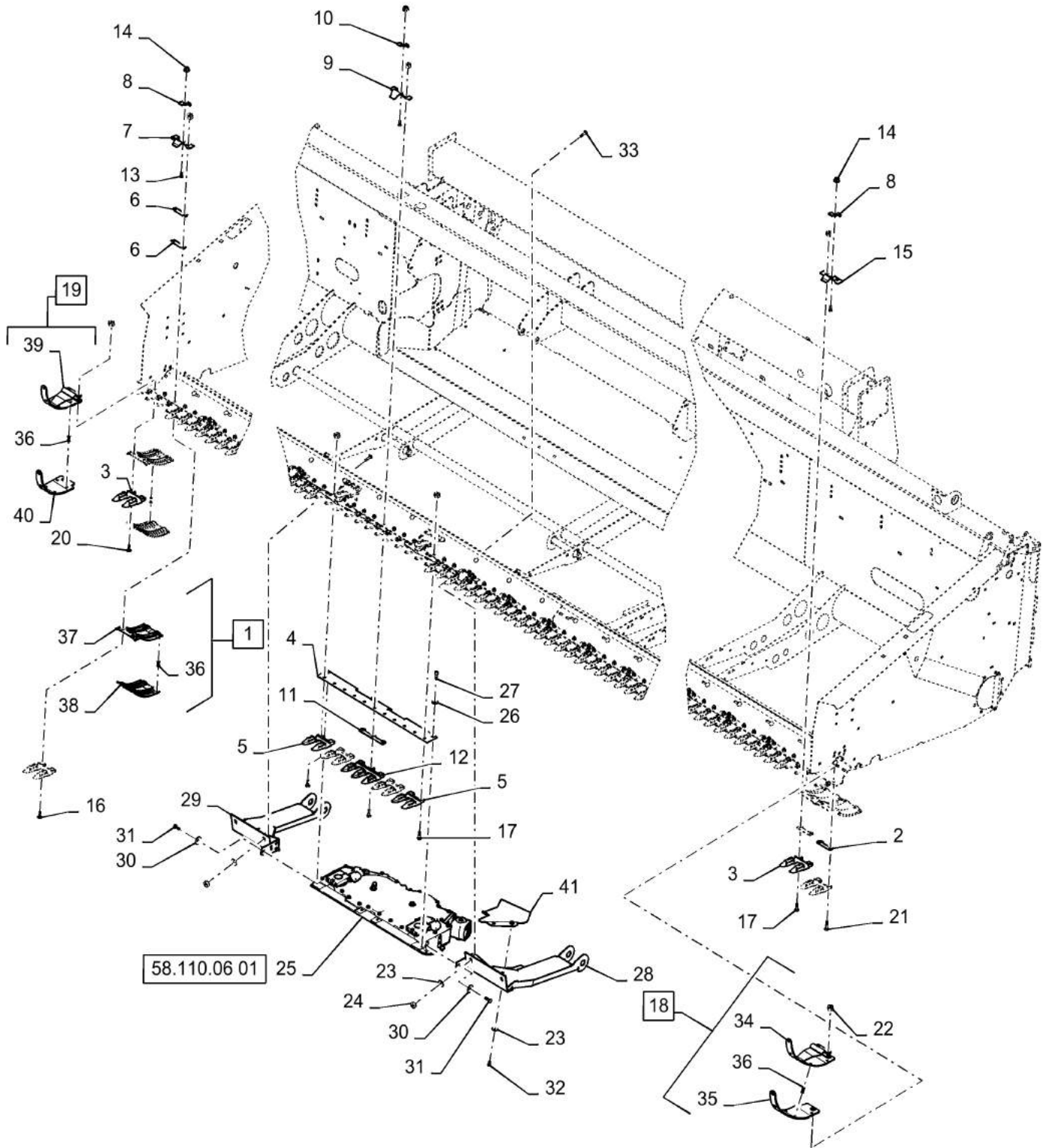
58.110.09

01

p2

9/2016

CUTTERBAR, 3" STD GUARD 25FT



CUTTERBAR, 3" STD GUARD 25FT

REF FN	PART NUMBER	YR/SN	QTY DESCRIPTION
25	47709322C		1 CORE-GEARBOX Return Number
26	13507401		4 WASHER 12.2mm ID x 20mm OD x 2mm Thk
27	864-12030		4 HEX SOC SCREW M12 x 30mm, CI 8.8
28	47461807		1 ARM LH
29	47461804		1 ARM RH
30	140046		6 BELLEVILLE WASHER M12 Bolt Size x 27mm OD x 1.8mm Thk
31	43260		6 BOLT Hex, M12 x 1.75 x 30mm, CI 10.9, Full Thd
32	43138		2 BOLT Hex, M10 x 1.5 x 20mm, CI 8.8
33	86633356		2 CARRIAGE BOLT M10 x 34.8mm, CI 8.8
34	84346387		1 SKID/SHOE LH
35	84346388		1 SKID/SHOE LH
36	87613322		17 POP RIVET Pop, 6.35mm OD x 15.75mm L
37	251206A2		1 SHOE Skid
38	377580A1		1 SKID/SHOE Polyskid Single
39	84337069		1 SKID/SHOE RH
40	84337990		1 SKID/SHOE RH
41	84418960		1 SHIELD Motor
41	47690260		1 SHIELD Motor

3152-DRAPER HEADER

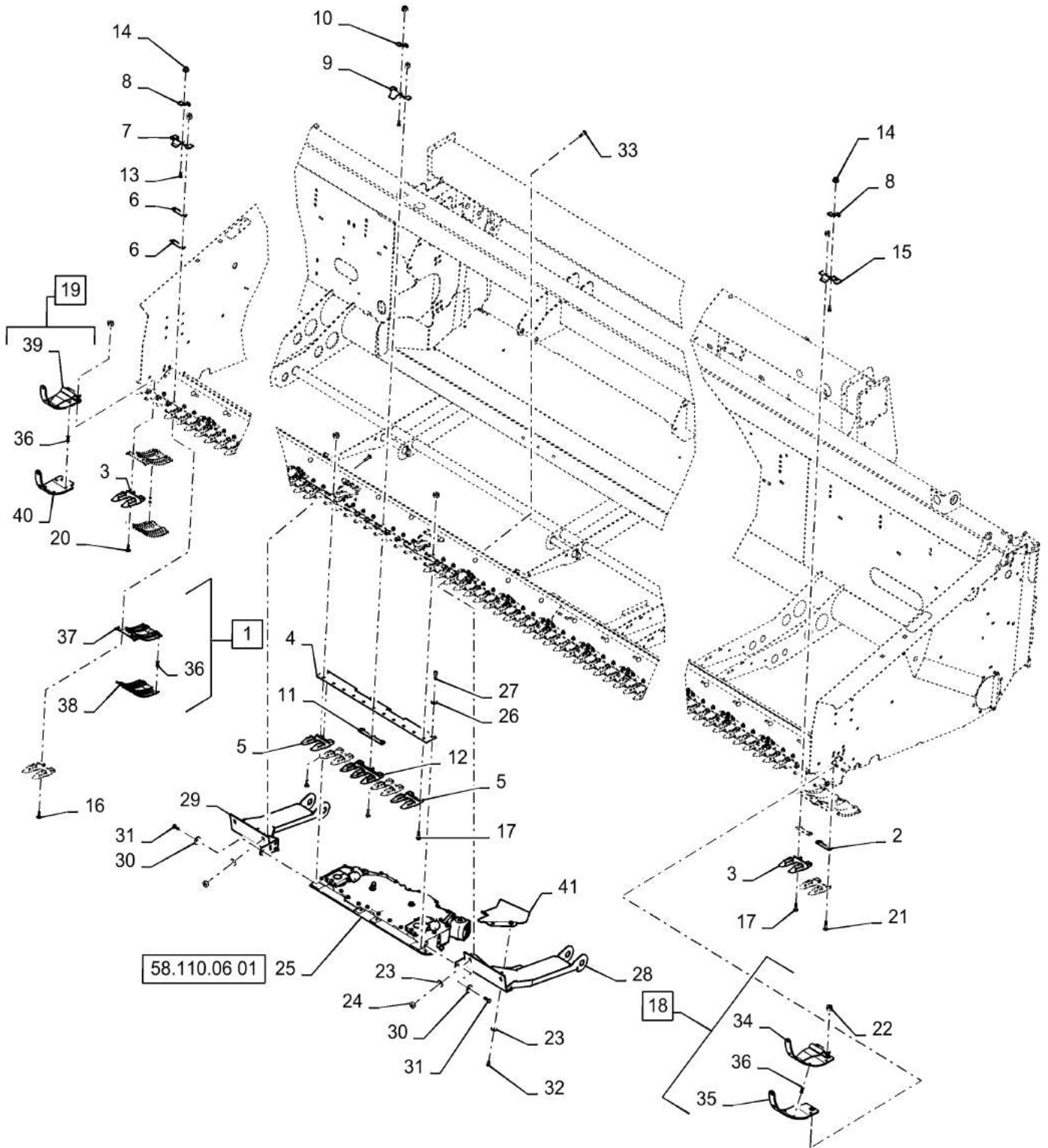
58.110.09

01

p1

9/2016

CUTTERBAR, 3" STD GUARD 30FT



CUTTERBAR, 3" STD GUARD 30FT

REF FN	PART NUMBER	YR/SN	QTY DESCRIPTION
1	NSS		48 NOT SOLD SEPARAT Shoe Assy, Incl 36, 37, 38
2	84396061		30 SHIM 31mm OD x 3.25mm Thk Knife Guard
3	87702973		56 GUARD HT, Knife 3"
4	84325448		1 MOUNTING PLATE
5	47506883		4 GUARD HT, Knife 3"
6	482769		26 SHIM 25mm OD x 0.59mm Thk Adjusting
7	86630786		13 KNIFE CLIP Heat Treated
8	86630787		26 KNIFE CLIP Press Bar
9	84422134		3 KNIFE CLIP High
10	84422992		3 ADJUSTING PLATE
11	84384773		1 SHIM 31mm OD x 3.25mm Thk Knife Guard
12	47506882		1 GUARD Knife 3 Point
13	87742342		29 PLOW BOLT M10 x 1.5 x 30mm, Class 10.9
14	86619802		29 FLANGE NUT M10 x 1.5, Cl 8
15	84184577		13 KNIFE CLIP Semi Fin
16	9833222		58 CARRIAGE BOLT Sq Nk, M10 x 1.5 x 35mm, Cl 8.8, Full Thd
17	43473		61 CARRIAGE BOLT Sq Nk, M10 x 1.5 x 40mm, Cl 8.8, Full Thd
18	NSS		1 NOT SOLD SEPARAT Shoe Assy, LH, Incl 34, 35, 36
19	NSS		1 NOT SOLD SEPARAT Shoe Assy, Incl 36, 39, 40
20	86512425		2 CARRIAGE BOLT Sq Nk, M10 x 45mm, Cl 8.8
21	86512426		2 CARRIAGE BOLT Sq Nk, M10 x 50mm, Cl 8.8
22	100037		123 LOCK NUT M10 x 1.5, Cl 8
23	140045		42 BELLEVILLE WASHER M10 Bolt Size x 22mm OD x 1.6mm Thk
24	100016		40 NUT M10 x 1.5, Cl 8
25	84310829		1 GEARBOX Drive Assembly, Center Knife
25	84310829R		1 REMAN-GEARBOX Drive Assembly, Center Knife

3152-DRAPER HEADER

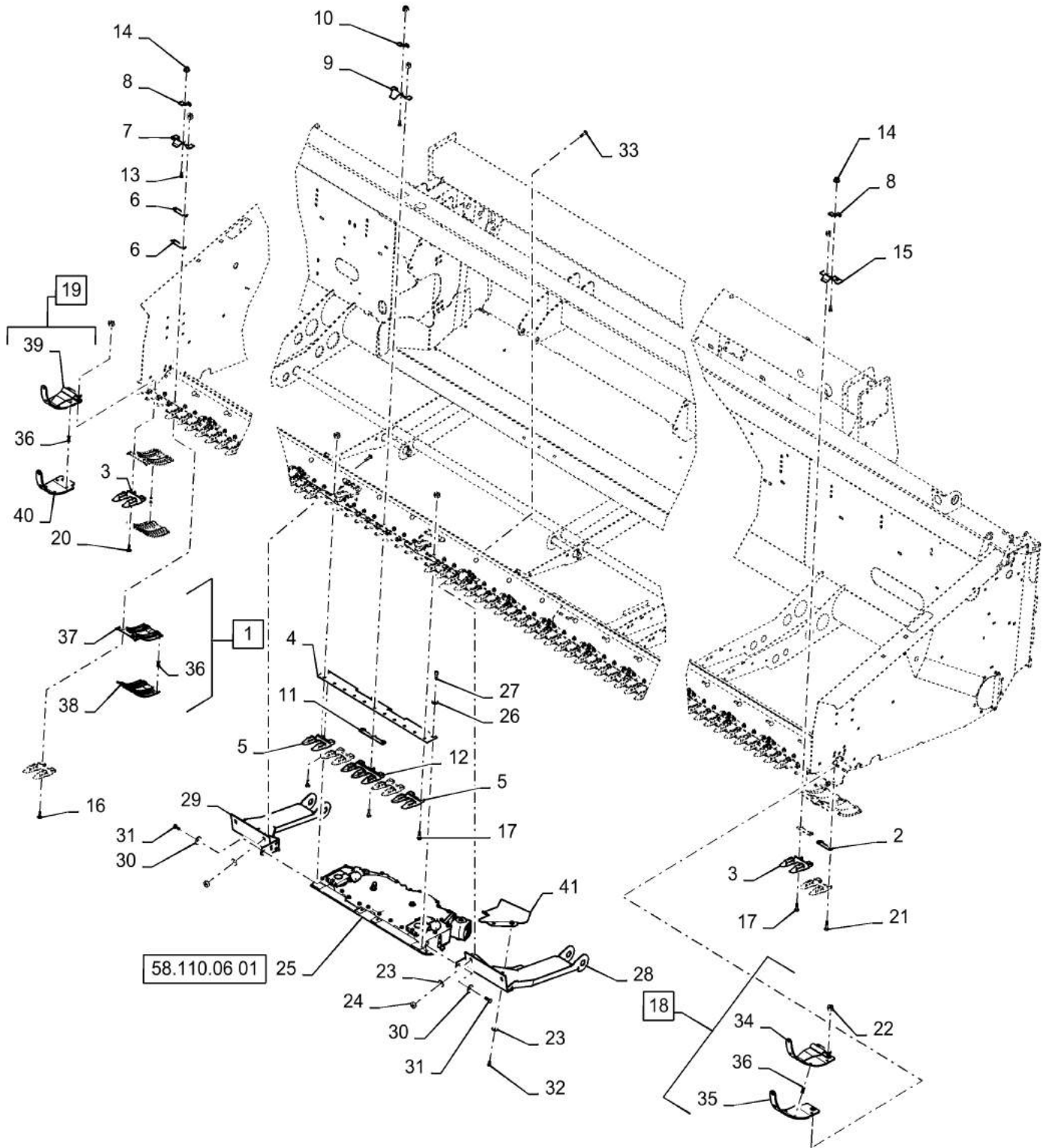
58.110.09

01

p2

9/2016

CUTTERBAR, 3" STD GUARD 30FT



CUTTERBAR, 3" STD GUARD 30FT

REF FN	PART NUMBER	YR/SN	QTY DESCRIPTION
25	84310829C		1 CORE-GEARBOX Return Number
26	13507401		4 WASHER 12.2mm ID x 20mm OD x 2mm Thk
27	864-12030		4 HEX SOC SCREW M12 x 30mm, CI 8.8
28	47461807		1 ARM LH
29	47461804		1 ARM RH
30	140046		6 BELLEVILLE WASHER M12 Bolt Size x 27mm OD x 1.8mm Thk
31	43260		6 BOLT Hex, M12 x 1.75 x 30mm, CI 10.9, Full Thd
32	43138		2 BOLT Hex, M10 x 1.5 x 20mm, CI 8.8
33	86633356		2 CARRIAGE BOLT M10 x 34.8mm, CI 8.8
34	84346387		1 SKID/SHOE LH
35	84346388		1 SKID/SHOE LH
36	87613322		17 POP RIVET Pop, 6.35mm OD x 15.75mm L
37	251206A2		1 SHOE Skid
38	377580A1		1 SKID/SHOE Polyskid Single
39	84337069		1 SKID/SHOE RH
40	84337990		1 SKID/SHOE RH
41	47690260		1 SHIELD Motor
41	84418960		1 SHIELD Motor

3152-DRAPER HEADER

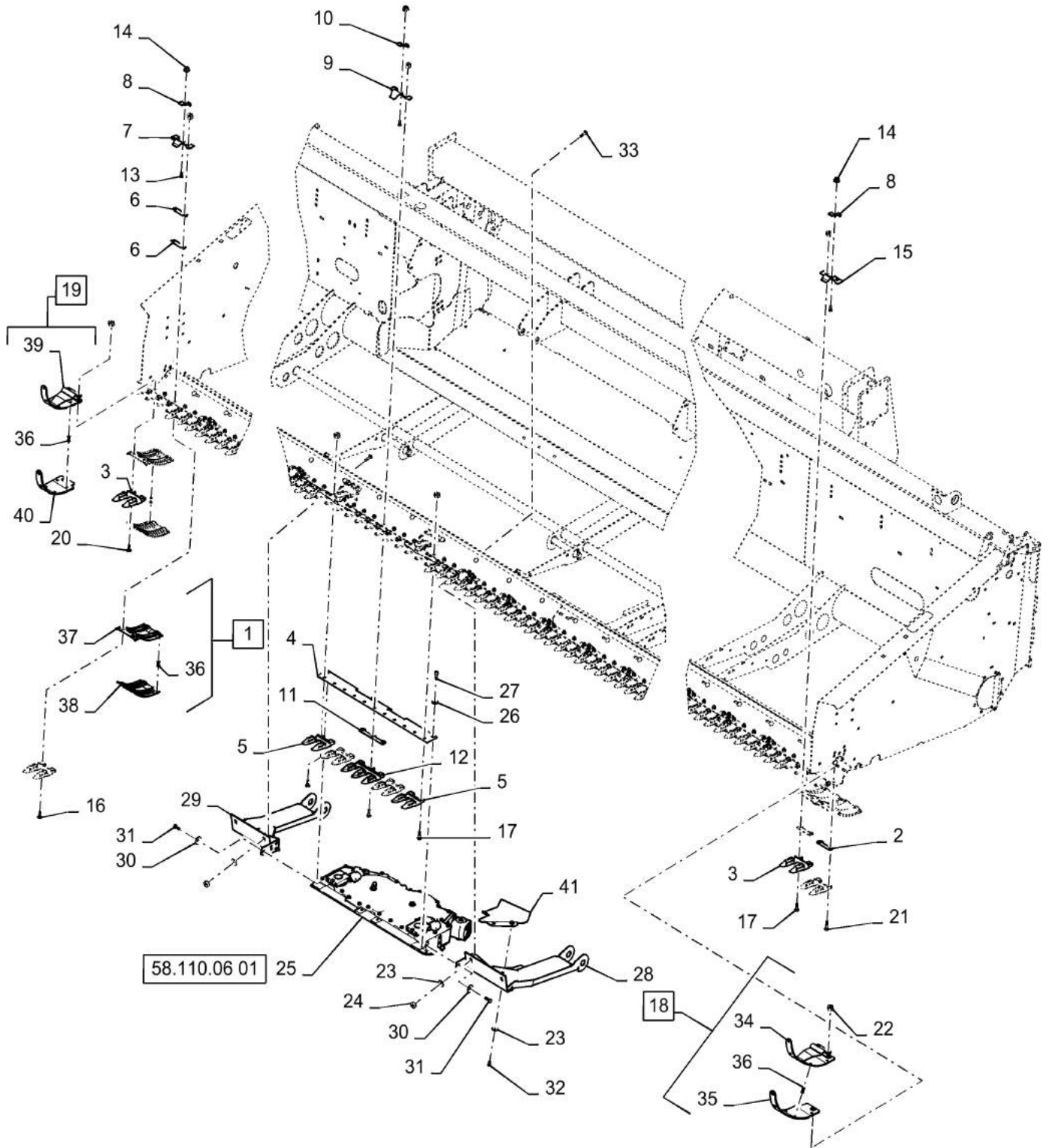
58.110.09

01

p1

9/2016

CUTTERBAR, 3" STD GUARD 35FT



CUTTERBAR, 3" STD GUARD 35FT

REF FN	PART NUMBER	YR/SN	QTY DESCRIPTION
1	NSS		58 NOT SOLD SEPARAT Shoe Assy, Incl 36, 37, 38
2	84396061		35 SHIM 31mm OD x 3.25mm Thk Knife Guard
3	87702973		66 GUARD HT, Knife 3"
4	84325448		1 MOUNTING PLATE
5	47506883		4 GUARD HT, Knife 3"
6	482769		30 SHIM 25mm OD x 0.59mm Thk Adjusting
7	86630786		15 KNIFE CLIP Heat Treated
8	86630787		30 KNIFE CLIP Press Bar
9	84422134		3 KNIFE CLIP High
10	84422992		3 ADJUSTING PLATE
11	84384773		1 SHIM 31mm OD x 3.25mm Thk Knife Guard
12	47506882		1 GUARD Knife 3 Point
13	87742342		33 PLOW BOLT M10 x 1.5 x 30mm, Class 10.9
14	86619802		33 FLANGE NUT M10 x 1.5, Cl 8
15	84184577		15 KNIFE CLIP Semi Fin
16	9833222		68 CARRIAGE BOLT Sq Nk, M10 x 1.5 x 35mm, Cl 8.8, Full Thd
17	43473		71 CARRIAGE BOLT Sq Nk, M10 x 1.5 x 40mm, Cl 8.8, Full Thd
18	NSS		1 NOT SOLD SEPARAT Shoe Assy, LH, Incl 34, 35, 36
19	NSS		1 NOT SOLD SEPARAT Shoe Assy, Incl 36, 39, 40
20	86512425		2 CARRIAGE BOLT Sq Nk, M10 x 45mm, Cl 8.8
21	86512426		2 CARRIAGE BOLT Sq Nk, M10 x 50mm, Cl 8.8
22	100037		143 LOCK NUT M10 x 1.5, Cl 8
23	140045		48 BELLEVILLE WASHER M10 Bolt Size x 22mm OD x 1.6mm Thk
24	100016		46 NUT M10 x 1.5, Cl 8
25	84310829		1 GEARBOX Drive Assembly, Center Knife
25	84310829R		1 REMAN-GEARBOX Drive Assembly, Center Knife

3152-DRAPER HEADER

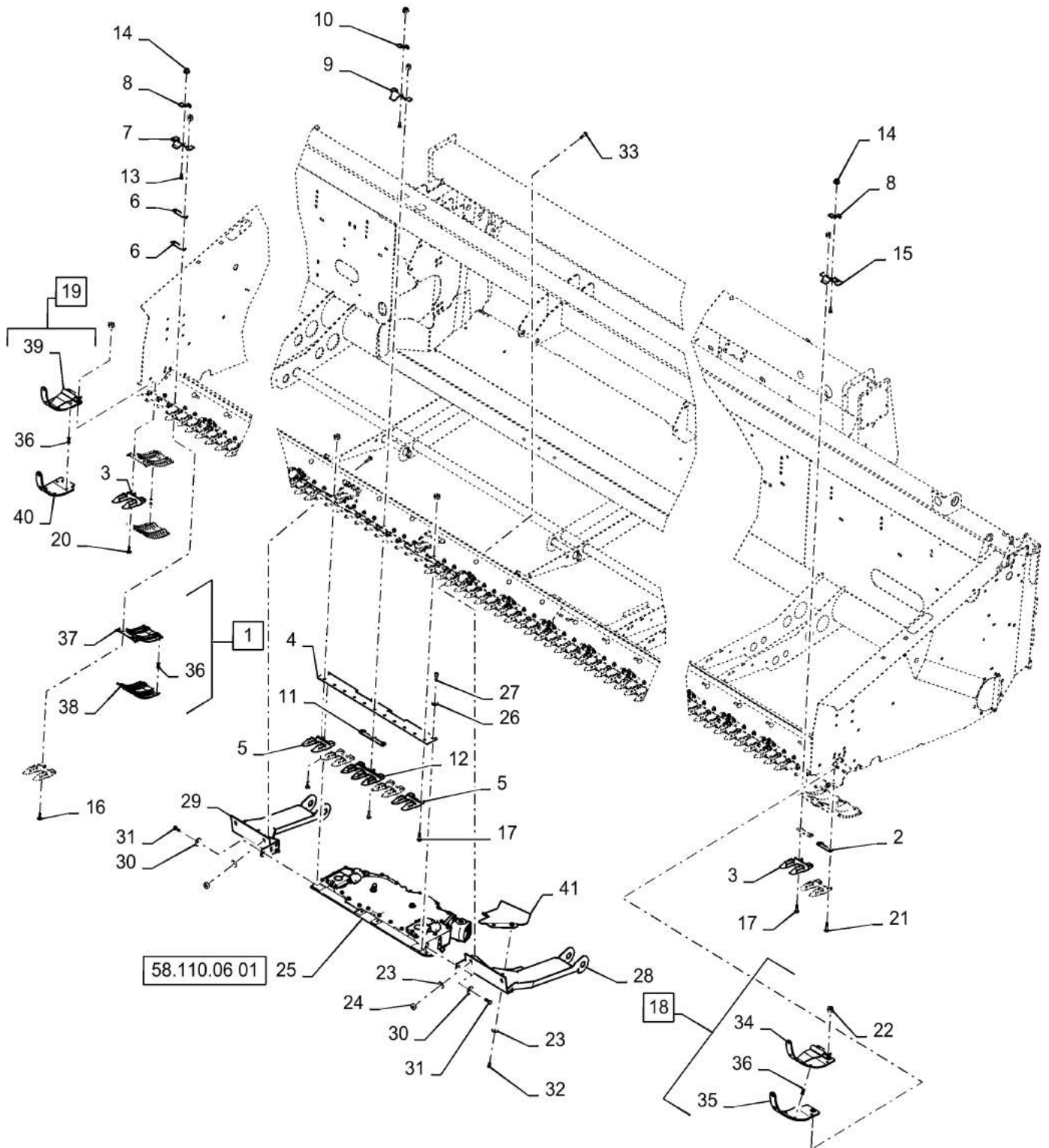
58.110.09

01

p2

9/2016

CUTTERBAR, 3" STD GUARD 35FT



CUTTERBAR, 3" STD GUARD 35FT

REF FN	PART NUMBER	YR/SN	QTY DESCRIPTION
25	84310829C		1 CORE-GEARBOX Return Number
26	13507401		4 WASHER 12.2mm ID x 20mm OD x 2mm Thk
27	864-12030		4 HEX SOC SCREW M12 x 30mm, CI 8.8
28	47461807		1 ARM LH
29	47461804		1 ARM RH
30	140046		6 BELLEVILLE WASHER M12 Bolt Size x 27mm OD x 1.8mm Thk
31	43260		6 BOLT Hex, M12 x 1.75 x 30mm, CI 10.9, Full Thd
32	43138		2 BOLT Hex, M10 x 1.5 x 20mm, CI 8.8
33	86633356		2 CARRIAGE BOLT M10 x 34.8mm, CI 8.8
34	84346387		1 SKID/SHOE LH
35	84346388		1 SKID/SHOE LH
36	87613322		17 POP RIVET Pop, 6.35mm OD x 15.75mm L
37	251206A2		1 SHOE Skid
38	377580A1		1 SKID/SHOE Polyskid Single
39	84337069		1 SKID/SHOE RH
40	84337990		1 SKID/SHOE RH
41	47690260		1 SHIELD Motor
41	84418960		1 SHIELD Motor

3152-DRAPER HEADER

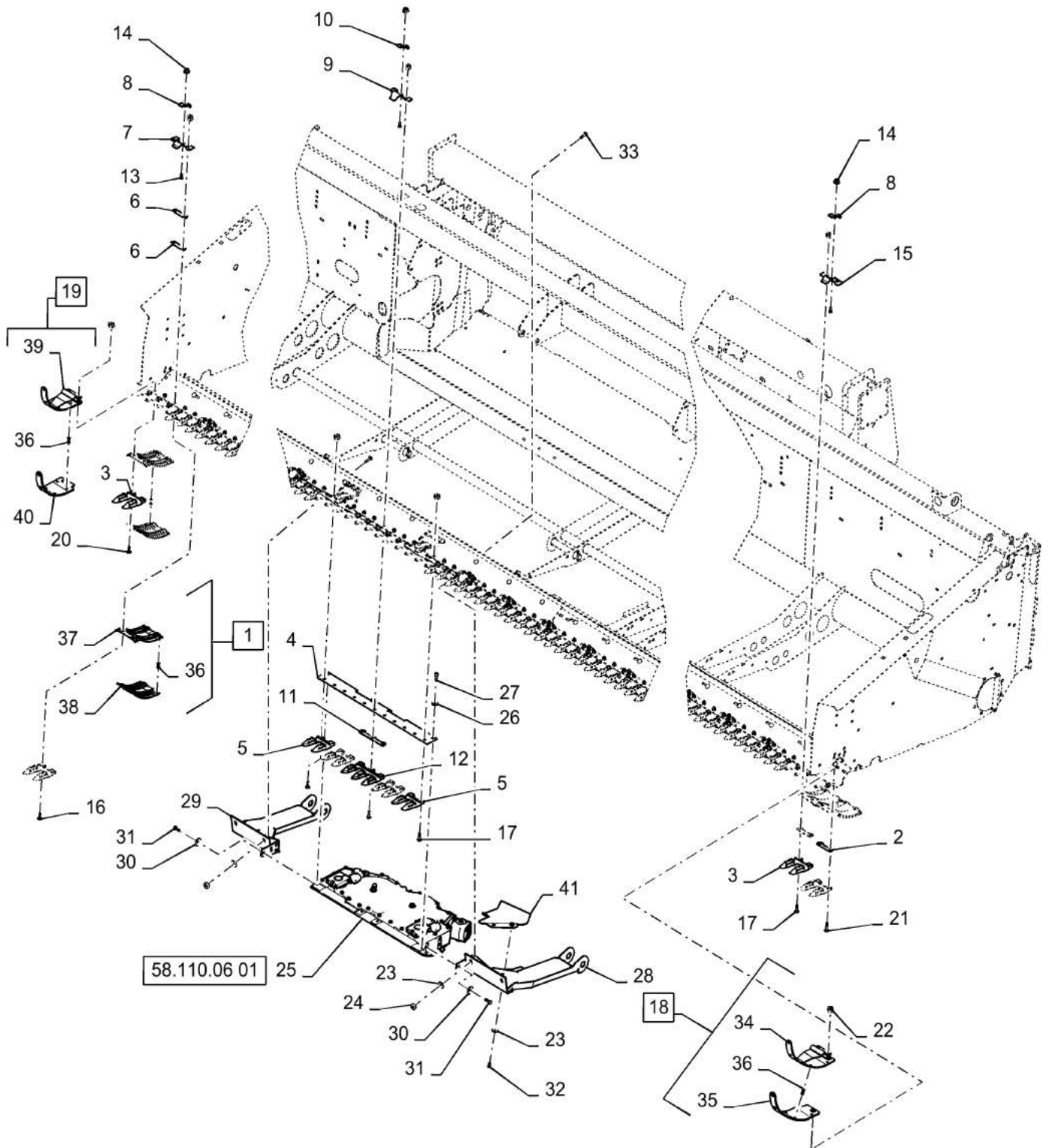
58.110.09

01

p1

9/2016

CUTTERBAR, 3" STD GUARD 40FT



CUTTERBAR, 3" STD GUARD 40FT

REF FN	PART NUMBER	YR/SN	QTY DESCRIPTION
1	NSS		68 NOT SOLD SEPARAT Shoe Assy, Incl 36, 37, 38
2	84396061		40 SHIM 31mm OD x 3.25mm Thk Knife Guard
3	87702973		76 GUARD HT, Knife 3"
4	84325448		1 MOUNTING PLATE
5	47506883		4 GUARD HT, Knife 3"
6	482769		38 SHIM 25mm OD x 0.59mm Thk Adjusting
7	86630786		18 KNIFE CLIP Heat Treated
8	86630787		36 KNIFE CLIP Press Bar
9	84422134		3 KNIFE CLIP High
10	84422992		3 ADJUSTING PLATE
11	84384773		1 SHIM 31mm OD x 3.25mm Thk Knife Guard
12	47506882		1 GUARD Knife 3 Point
13	87742342		39 PLOW BOLT M10 x 1.5 x 30mm, Class 10.9
14	86619802		39 FLANGE NUT M10 x 1.5, CI 8
15	84184577		18 KNIFE CLIP Semi Fin
16	9833222		78 CARRIAGE BOLT Sq Nk, M10 x 1.5 x 35mm, CI 8.8, Full Thd
17	43473		81 CARRIAGE BOLT Sq Nk, M10 x 1.5 x 40mm, CI 8.8, Full Thd
18	NSS		1 NOT SOLD SEPARAT Shoe Assy, LH, Incl 34, 35, 36
19	NSS		1 NOT SOLD SEPARAT Shoe Assy, Incl 36, 39, 40
20	86512425		2 CARRIAGE BOLT Sq Nk, M10 x 45mm, CI 8.8
21	86512426		2 CARRIAGE BOLT Sq Nk, M10 x 50mm, CI 8.8
22	100037		163 LOCK NUT M10 x 1.5, CI 8
23	140045		54 BELLEVILLE WASHER M10 Bolt Size x 22mm OD x 1.6mm Thk
24	100016		52 NUT M10 x 1.5, CI 8
25	47709322		1 GEARBOX
25	47709322R		1 REMAN-GEARBOX
25	47709322C		1 CORE-GEARBOX Return Number
26	13507401		4 WASHER 12.2mm ID x 20mm OD x 2mm Thk

3152-DRAPER HEADER

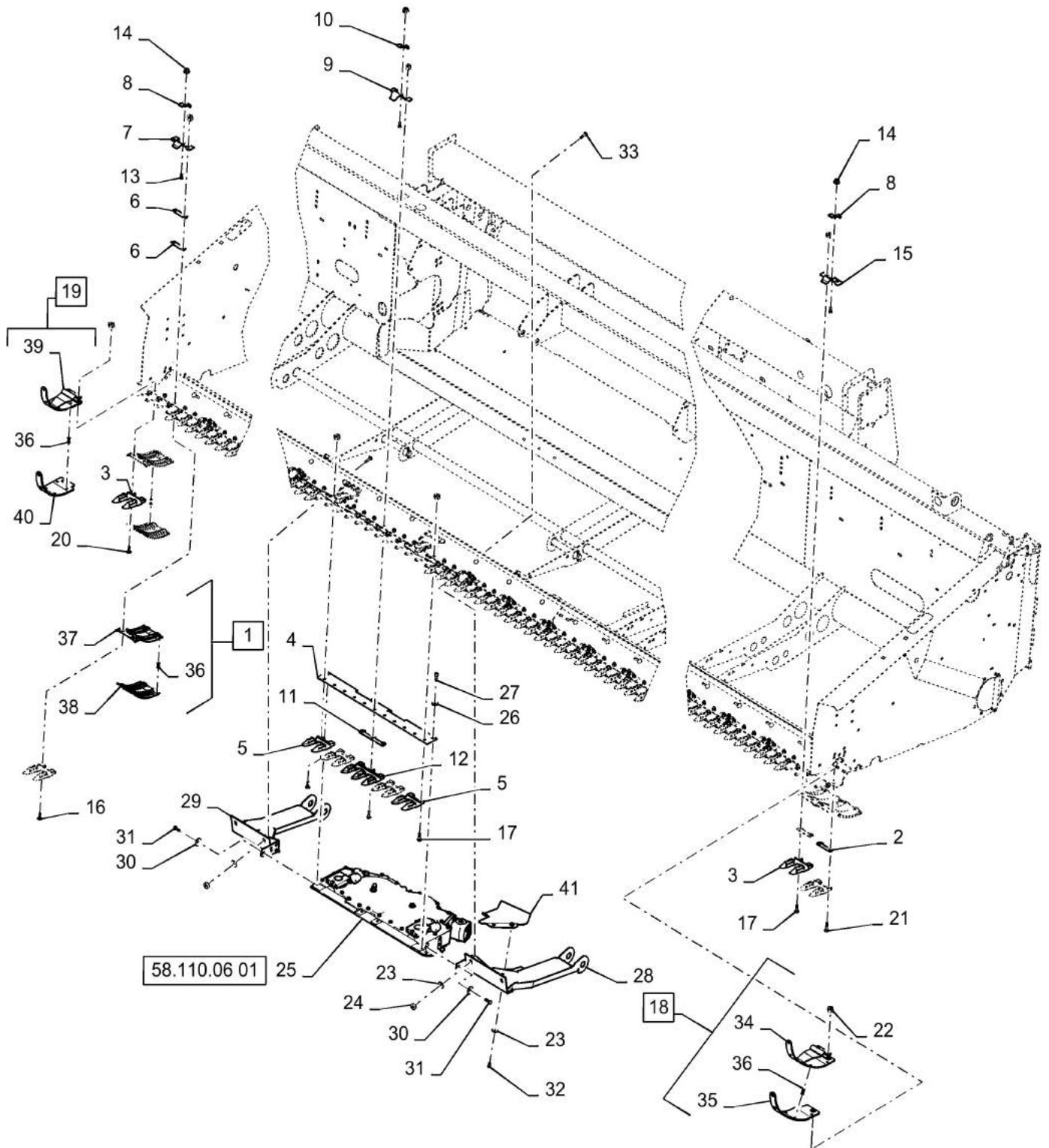
58.110.09

01

p2

9/2016

CUTTERBAR, 3" STD GUARD 40FT



CUTTERBAR, 3" STD GUARD 40FT

REF FN	PART NUMBER	YR/SN	QTY DESCRIPTION
27	864-12030		4 HEX SOC SCREW M12 x 30mm, CI 8.8
28	47461807		1 ARM LH
29	47461804		1 ARM RH
30	140046		6 BELLEVILLE WASHER M12 Bolt Size x 27mm OD x 1.8mm Thk
31	43260		6 BOLT Hex, M12 x 1.75 x 30mm, CI 10.9, Full Thd
32	43138		2 BOLT Hex, M10 x 1.5 x 20mm, CI 8.8
33	86633356		2 CARRIAGE BOLT M10 x 34.8mm, CI 8.8
34	84346387		1 SKID/SHOE LH
35	84346388		1 SKID/SHOE LH
36	87613322		17 POP RIVET Pop, 6.35mm OD x 15.75mm L
37	251206A2		1 SHOE Skid
38	377580A1		1 SKID/SHOE Polyskid Single
39	84337069		1 SKID/SHOE RH
40	84337990		1 SKID/SHOE RH
41	84418960		1 SHIELD Motor
41	47690260		1 SHIELD Motor

3152-DRAPER HEADER

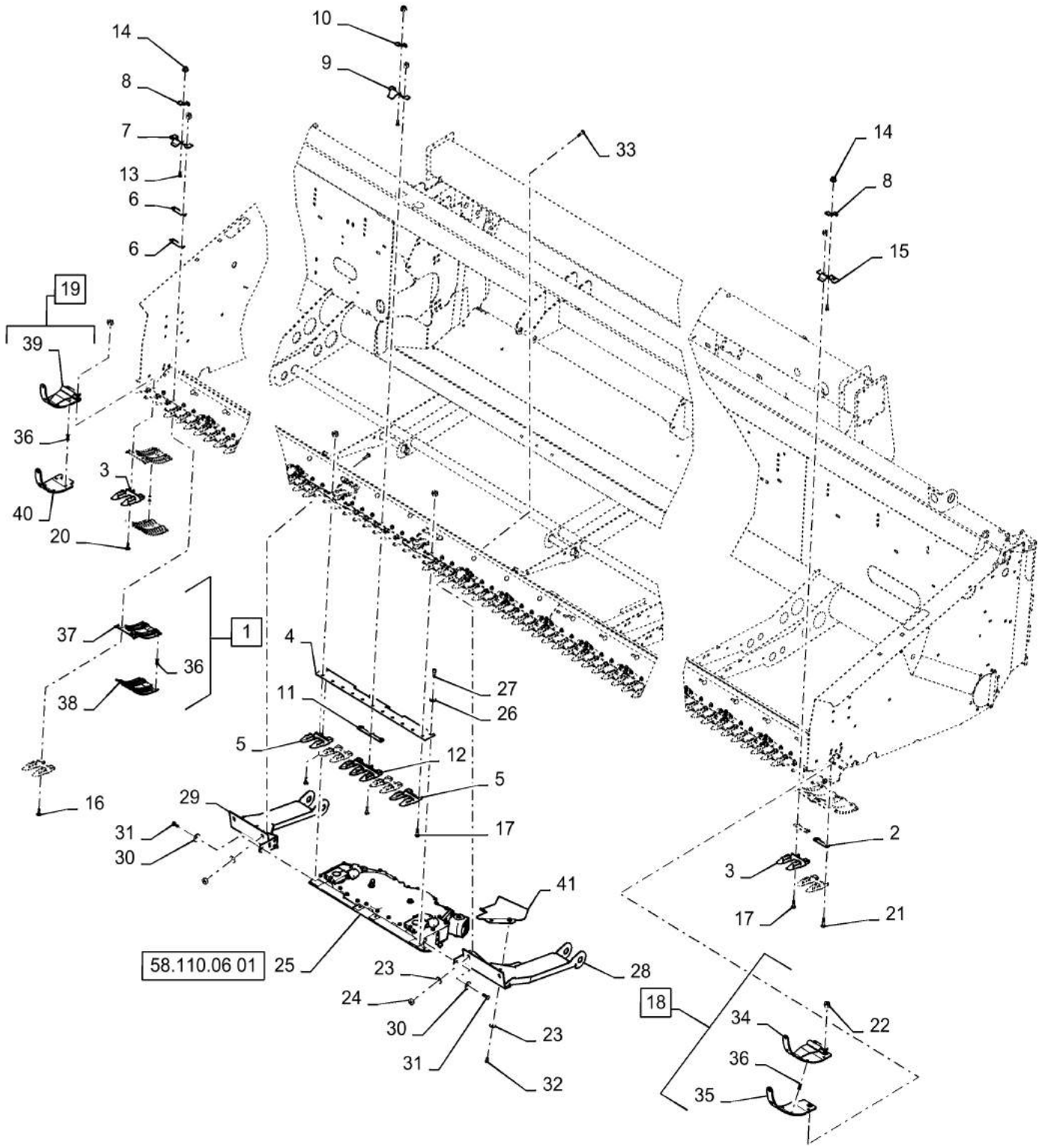
58.110.09

01

p1

9/2016

CUTTERBAR, 3" STD GUARD 45FT



CUTTERBAR, 3" STD GUARD 45FT

REF FN	PART NUMBER	YR/SN	QTY DESCRIPTION
1	NSS		78 NOT SOLD SEPARAT Shoe Assy, Incl 36, 37, 38
2	84396061		45 SHIM 31mm OD x 3.25mm Thk Knife Guard
3	87702973		86 GUARD HT, Knife 3"
4	84325448		1 MOUNTING PLATE
5	47506883		4 GUARD HT, Knife 3"
6	482769		42 SHIM 25mm OD x 0.59mm Thk Adjusting
7	86630786		20 KNIFE CLIP Heat Treated
8	86630787		40 KNIFE CLIP Press Bar
9	84422134		3 KNIFE CLIP High
10	84422992		3 ADJUSTING PLATE
11	84384773		1 SHIM 31mm OD x 3.25mm Thk Knife Guard
12	47506882		1 GUARD Knife 3 Point
13	87742342		43 PLOW BOLT M10 x 1.5 x 30mm, Class 10.9
14	86619802		43 FLANGE NUT M10 x 1.5, Cl 8
15	84184577		20 KNIFE CLIP Semi Fin
16	9833222		80 CARRIAGE BOLT Sq Nk, M10 x 1.5 x 35mm, Cl 8.8, Full Thd
17	43473		91 CARRIAGE BOLT Sq Nk, M10 x 1.5 x 40mm, Cl 8.8, Full Thd
18	NSS		1 NOT SOLD SEPARAT Shoe Assy, LH, Incl 34, 35, 36
19	NSS		1 NOT SOLD SEPARAT Shoe Assy, Incl 36, 39, 40
20	86512425		2 CARRIAGE BOLT Sq Nk, M10 x 45mm, Cl 8.8
21	86512426		2 CARRIAGE BOLT Sq Nk, M10 x 50mm, Cl 8.8
22	100037		183 LOCK NUT M10 x 1.5, Cl 8
23	140045		60 BELLEVILLE WASHER M10 Bolt Size x 22mm OD x 1.6mm Thk
24	100016		58 NUT M10 x 1.5, Cl 8
25	84310829		1 GEARBOX Drive Assembly, Center Knife
25	84310829R		1 REMAN-GEARBOX Drive Assembly, Center Knife

3152-DRAPER HEADER

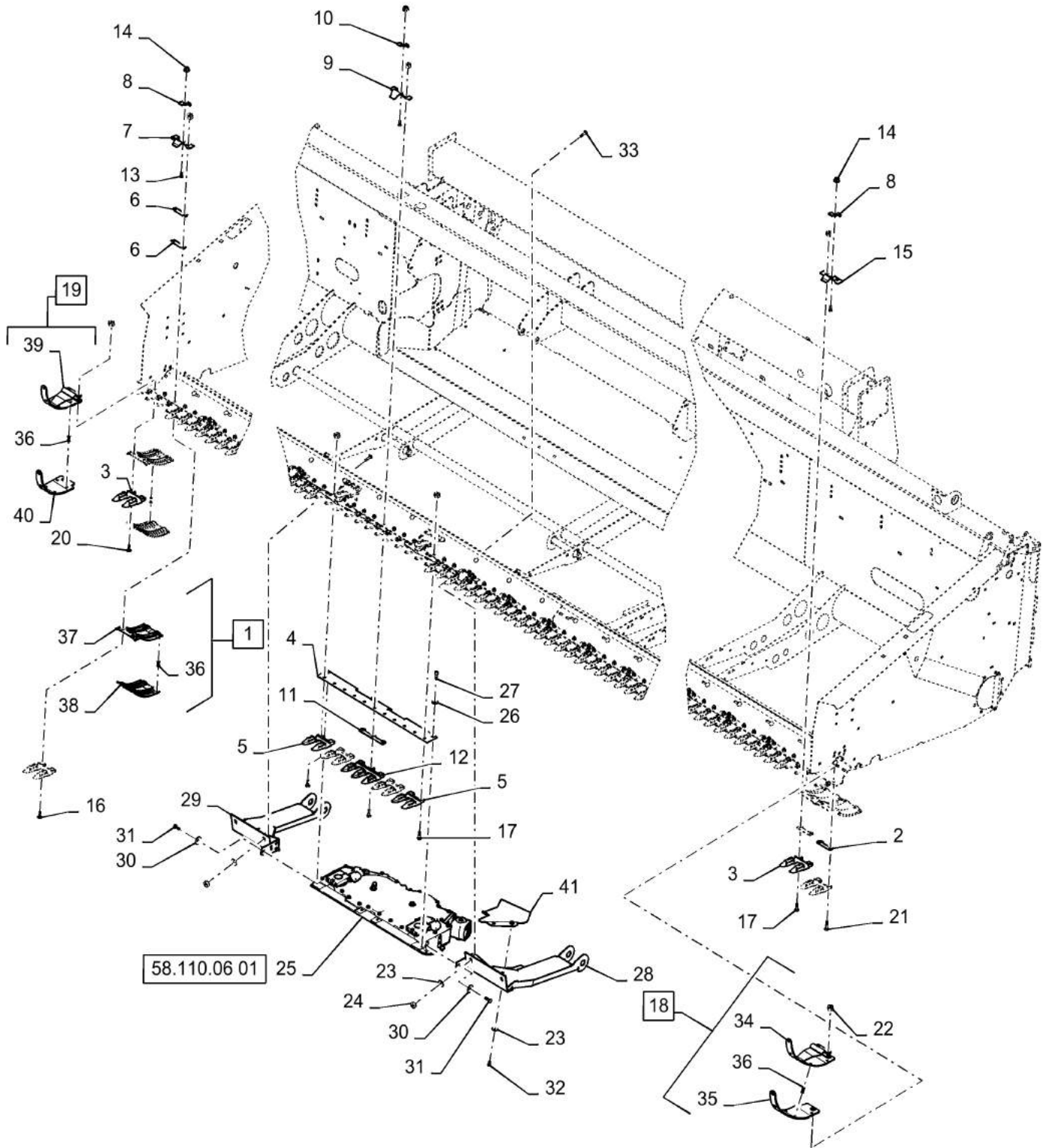
58.110.09

01

p2

9/2016

CUTTERBAR, 3" STD GUARD 45FT



CUTTERBAR, 3" STD GUARD 45FT

REF FN	PART NUMBER	YR/SN	QTY DESCRIPTION
25	84310829C		1 CORE-GEARBOX Return Number
26	13507401		4 WASHER 12.2mm ID x 20mm OD x 2mm Thk
27	864-12030		4 HEX SOC SCREW M12 x 30mm, CI 8.8
28	47461807		1 ARM LH
29	47461804		1 ARM RH
30	140046		6 BELLEVILLE WASHER M12 Bolt Size x 27mm OD x 1.8mm Thk
31	43260		6 BOLT Hex, M12 x 1.75 x 30mm, CI 10.9, Full Thd
32	43138		2 BOLT Hex, M10 x 1.5 x 20mm, CI 8.8
33	86633356		2 CARRIAGE BOLT M10 x 34.8mm, CI 8.8
34	84346387		1 SKID/SHOE LH
35	84346388		1 SKID/SHOE LH
36	87613322		17 POP RIVET Pop, 6.35mm OD x 15.75mm L
37	251206A2		1 SHOE Skid
38	377580A1		1 SKID/SHOE Polyskid Single
39	84337069		1 SKID/SHOE RH
40	84337990		1 SKID/SHOE RH
41	84418960		1 SHIELD Motor
41	47690260		1 SHIELD Motor

3152-DRAPER HEADER

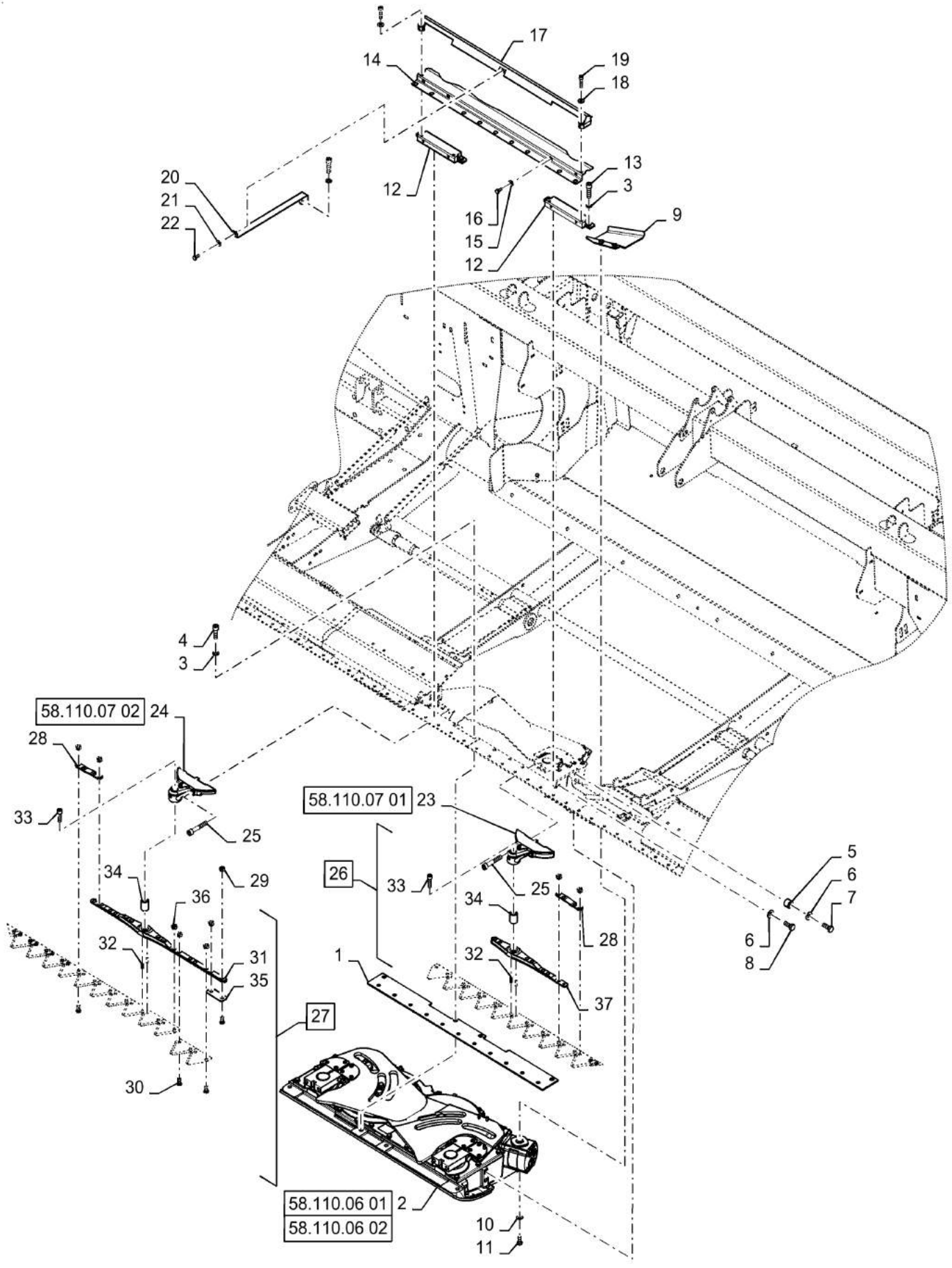
58.110.09

01

p1

9/2016

CUTTERBAR, ASSY, COMMON FLEX



CUTTERBAR, ASSY, COMMON FLEX

REF FN	PART NUMBER	YR/SN	QTY DESCRIPTION
1	84325448		1 MOUNTING PLATE
2	NSS		1 NOT SOLD SEPARAT Gearbox, Center Knife
3	13507401		4 WASHER 12.2mm ID x 20mm OD x 2mm Thk
4	14422120		2 HEX SOC SCREW M12 x 1.75 x 35mm, CI 8.8, Full Thd
5	86622574		2 SPACER
6	140046		6 BELLEVILLE WASHER M12 Bolt Size x 27mm OD x 1.8mm Thk
7	9706702		2 BOLT Hex, M12 x 1.75 x 50mm, CI 8.8
8	43260		4 BOLT Hex, M12 x 1.75 x 30mm, CI 10.9, Full Thd
9	47690260		1 SHIELD Motor
9	84418960		1 SHIELD Motor
10	140045		2 BELLEVILLE WASHER M10 Bolt Size x 22mm OD x 1.6mm Thk
11	43138		2 BOLT Hex, M10 x 1.5 x 20mm, CI 8.8
12	47550259		2 BLOCK Lower
13	14422231		2 HEX SOC SCREW M12 x 1.75 x 40mm, CI 10.9, Full Thd
14	47553644		1 FLOOR Plate
15	322357		4 BELLEVILLE WASHER M6 Bolt Size x 14mm OD x 1.3mm Thk
16	86508616		4 BOLT Hex, M6 x 1 x 12mm, CI 10.9, Full Thd
17	47547951		1 SHIELD Upper
18	83990583		2 LOCK WASHER M8 x 14.8mm OD x 2.1mm Thk
19	86531614		2 HEX SOC SCREW M8 x 35mm, CI 12.9
20	47553665		1 BRACKET Flap
21	322358		1 BELLEVILLE WASHER M8 Bolt Size x 18mm OD x 1.4mm Thk
22	120103		1 BOLT M8 x 1.25 x 16mm, CI 8.8
23	47522045		1 ARM Standard Guard
23	1 47553657		1 ARM Assy, Knife, Turret, LH
24	47522045		1 ARM Standard Guard
24	1 47553648		1 ARM Assy, Knife, Turret, RH
(1)	Stub Guard		

3162-DRAPER HEADER

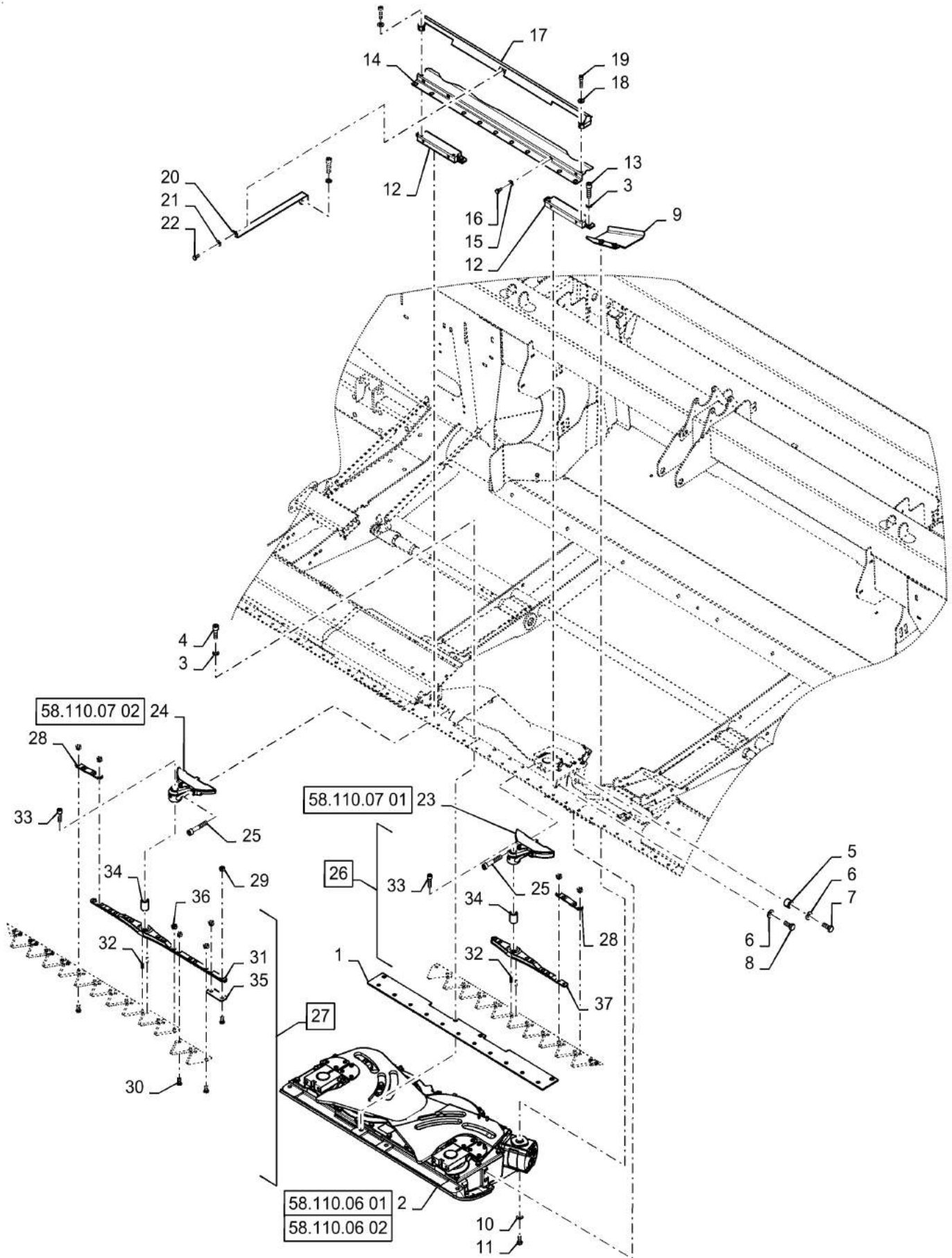
58.110.09

01

p2

9/2016

CUTTERBAR, ASSY, COMMON FLEX



CUTTERBAR, ASSY, COMMON FLEX

REF FN	PART NUMBER	YR/SN	QTY DESCRIPTION
25	84319918		4 HEX SOC SCREW M12 x 1.75 x 70mm, CI 10.9
26	47416964		1 KNIFE ASSY Assy, LH, Incl 32 - 34, 37
27	47416963		1 KNIFE HEAD Assy, RH, Incl 30 - 36
28	84423401		2 STRAP Reinforcing Knife
29	84429102		25 LOCK NUT
30	87470018		7 SCREW FLAT, M6 x 14.5mm, CI 10.9 Overlap Knife Section
31	NSS		1 NOT SOLD SEPARAT RH Knife Head, Incl In 27
32	64780		2 DOWEL 1/4" x 1/2", HDN
33	86566100		1 HEX SOC SCREW M10 x 35mm, CI 12.9, Full Thd
34	47415563		1 PIN 25mm OD x 32.5mm L Pin
35	47415343		1 PLATE Knife
36	84429102		2 LOCK NUT
37	47980887		1 KNIFE HEAD RH, Incl In 26
37	47980095		1 KNIFE HEAD LH, Incl In 26

3162-DRAPER HEADER

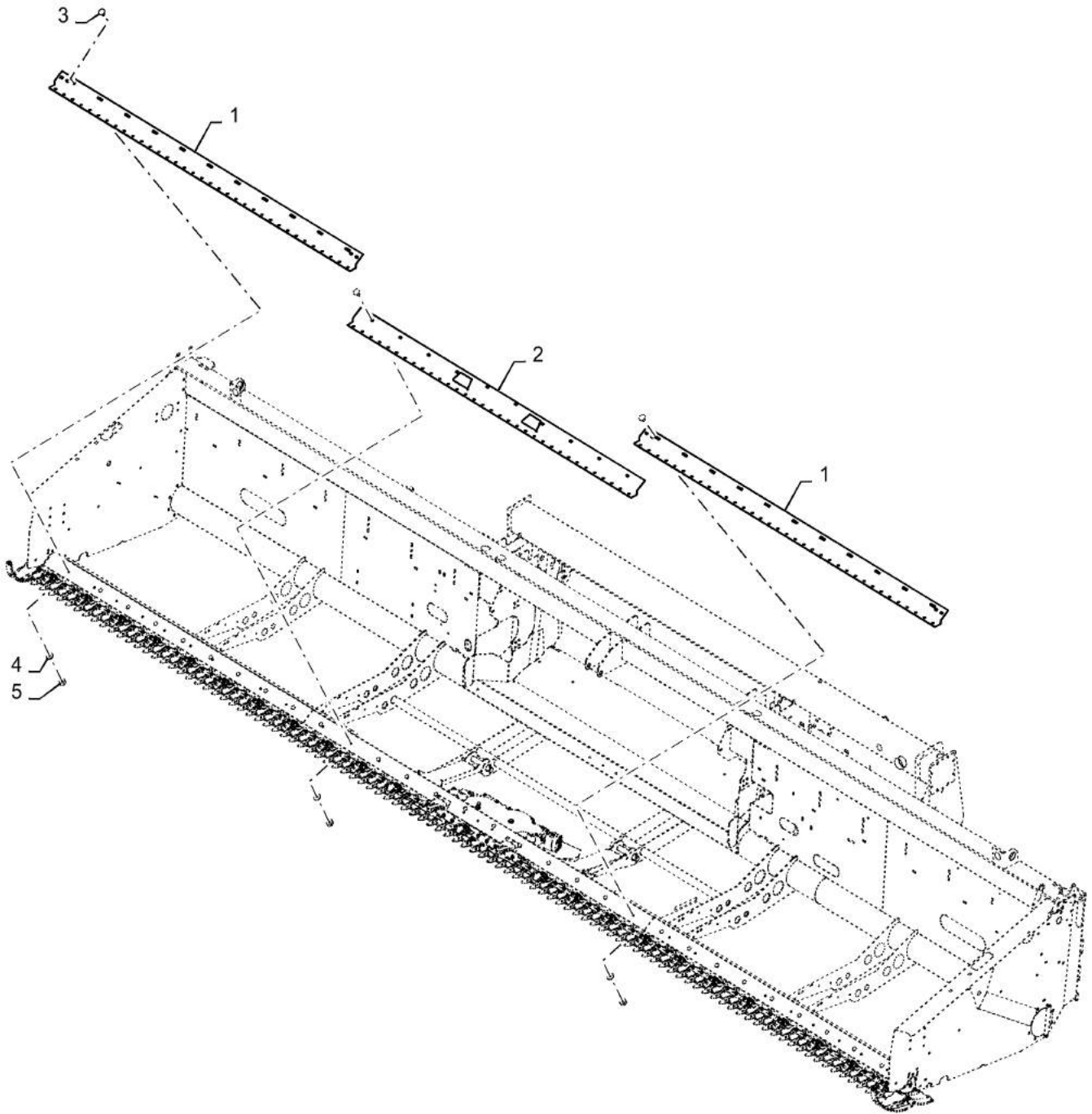
58.110.09

02

p1

9/2016

CUTTERBAR, 3" STD GUARD 25FT



58.110.09

02

p1

9/2016

CUTTERBAR, 3" STD GUARD 25FT

REF FN	PART NUMBER	YR/SN	QTY DESCRIPTION
1	84606778		2 CUTTERBAR 25FT, Outer
2	84606802		1 CUTTERBAR Center
3	86512422		32 CARRIAGE BOLT Sq Nk, M10 x 20mm, Cl 8.8, Full Thd
4	140045		36 BELLEVILLE WASHER M10 Bolt Size x 22mm OD x 1.6mm Thk
5	100016		34 NUT M10 x 1.5, Cl 8

3152-DRAPER HEADER

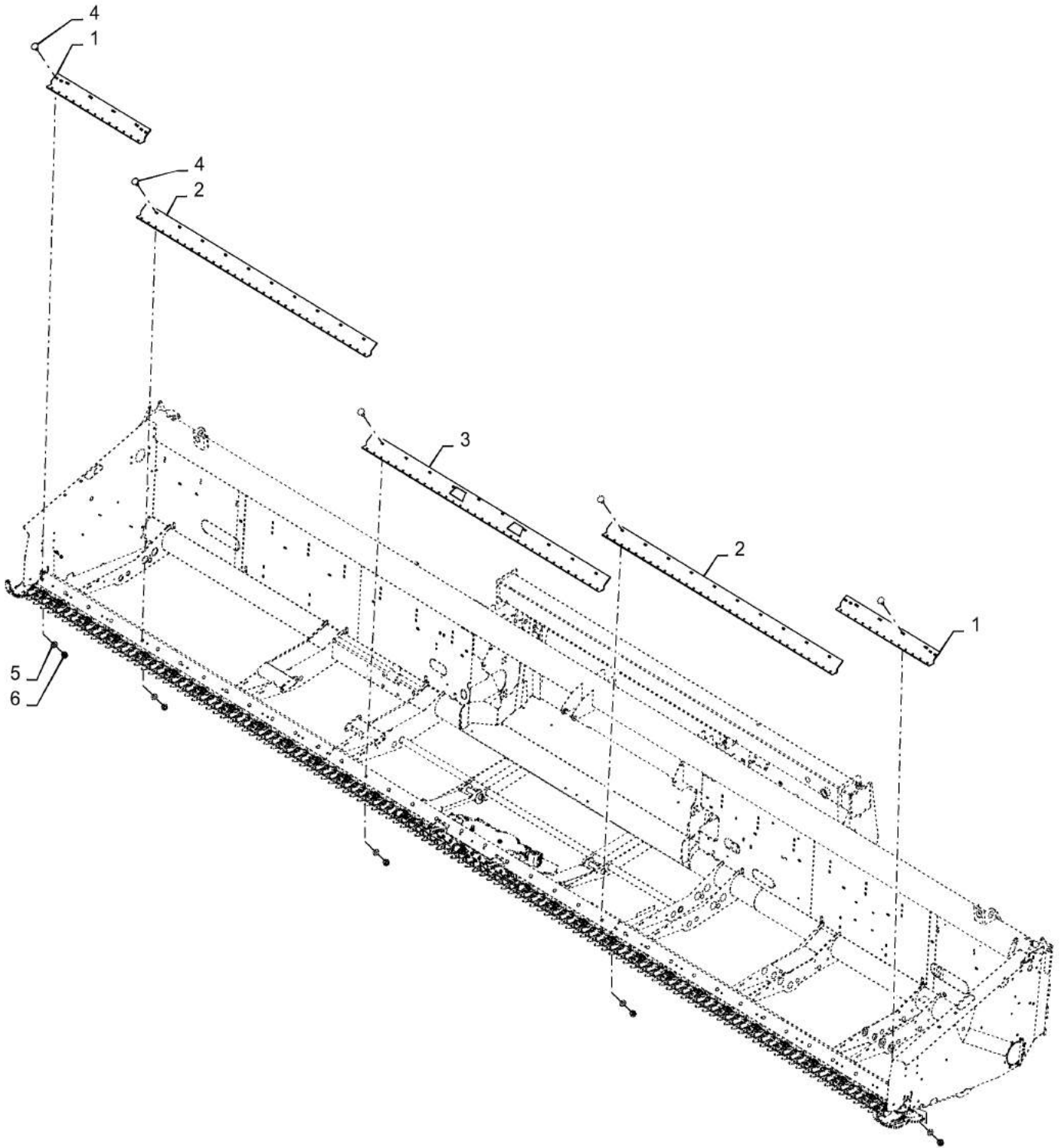
58.110.09

02

p1

9/2016

CUTTERBAR, 3" STD GUARD 30FT



58.110.09

02

p1

9/2016

CUTTERBAR, 3" STD GUARD 30FT

REF FN	PART NUMBER	YR/SN	QTY DESCRIPTION
1	84606935		2 CUTTERBAR 30FT End
2	47393793		2 CUTTERBAR Outer
3	84606802		1 CUTTERBAR Center
4	86512422		38 CARRIAGE BOLT Sq Nk, M10 x 20mm, Cl 8.8, Full Thd
5	140045		42 BELLEVILLE WASHER M10 Bolt Size x 22mm OD x 1.6mm Thk
6	100016		40 NUT M10 x 1.5, Cl 8

3152-DRAPER HEADER

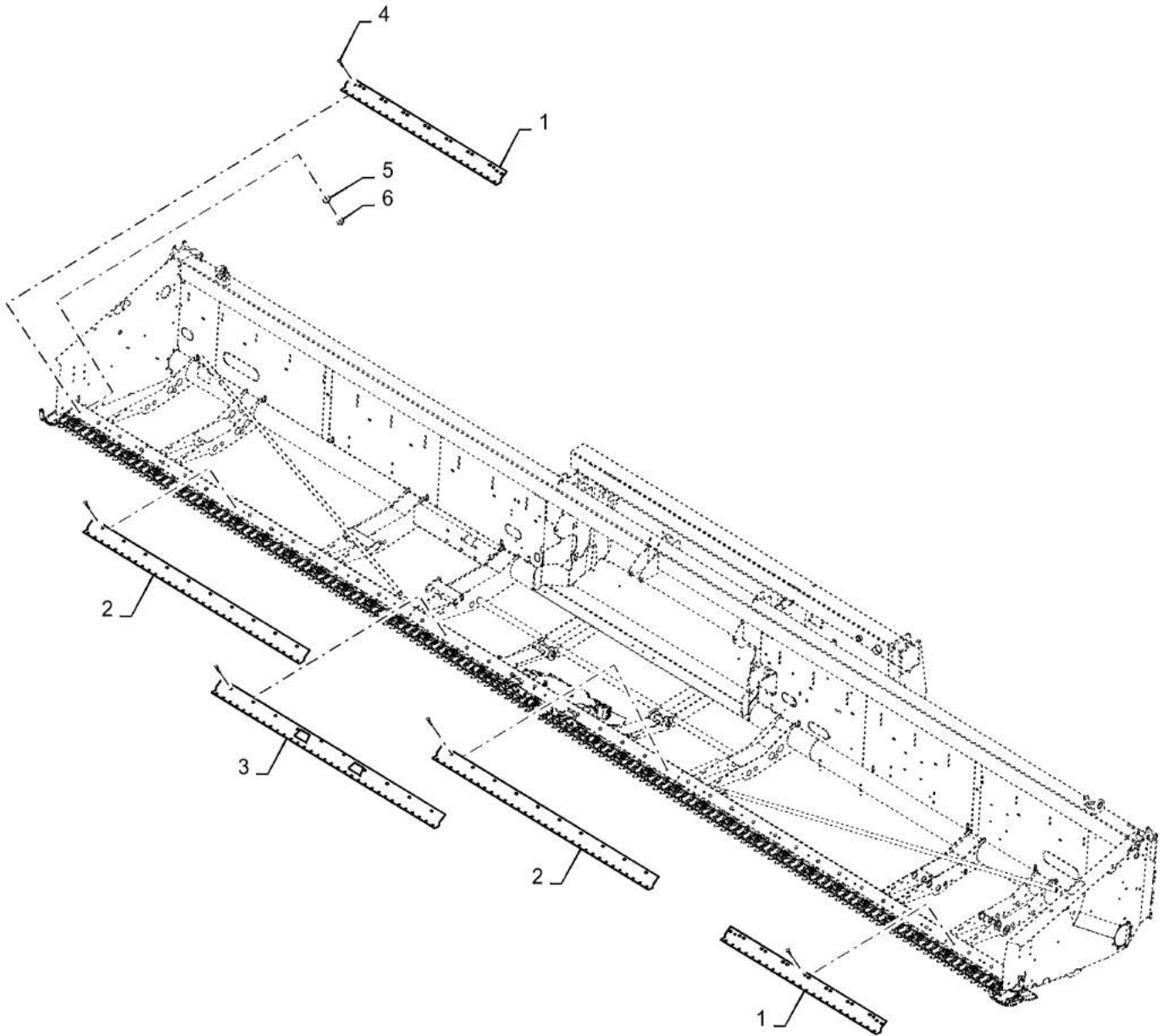
58.110.09

02

p1

9/2016

CUTTERBAR, 3" STD GUARD 35FT



58.110.09

02

p1

9/2016

CUTTERBAR, 3" STD GUARD 35FT

REF FN	PART NUMBER	YR/SN	QTY DESCRIPTION
1	84606836		2 CUTTERBAR Rigid Outer
2	47393793		2 CUTTERBAR Outer
3	84606802		1 CUTTERBAR Center
4	86512422		44 CARRIAGE BOLT Sq Nk, M10 x 20mm, Cl 8.8, Full Thd
5	140045		48 BELLEVILLE WASHER M10 Bolt Size x 22mm OD x 1.6mm Thk
6	100016		46 NUT M10 x 1.5, Cl 8

3152-DRAPER HEADER

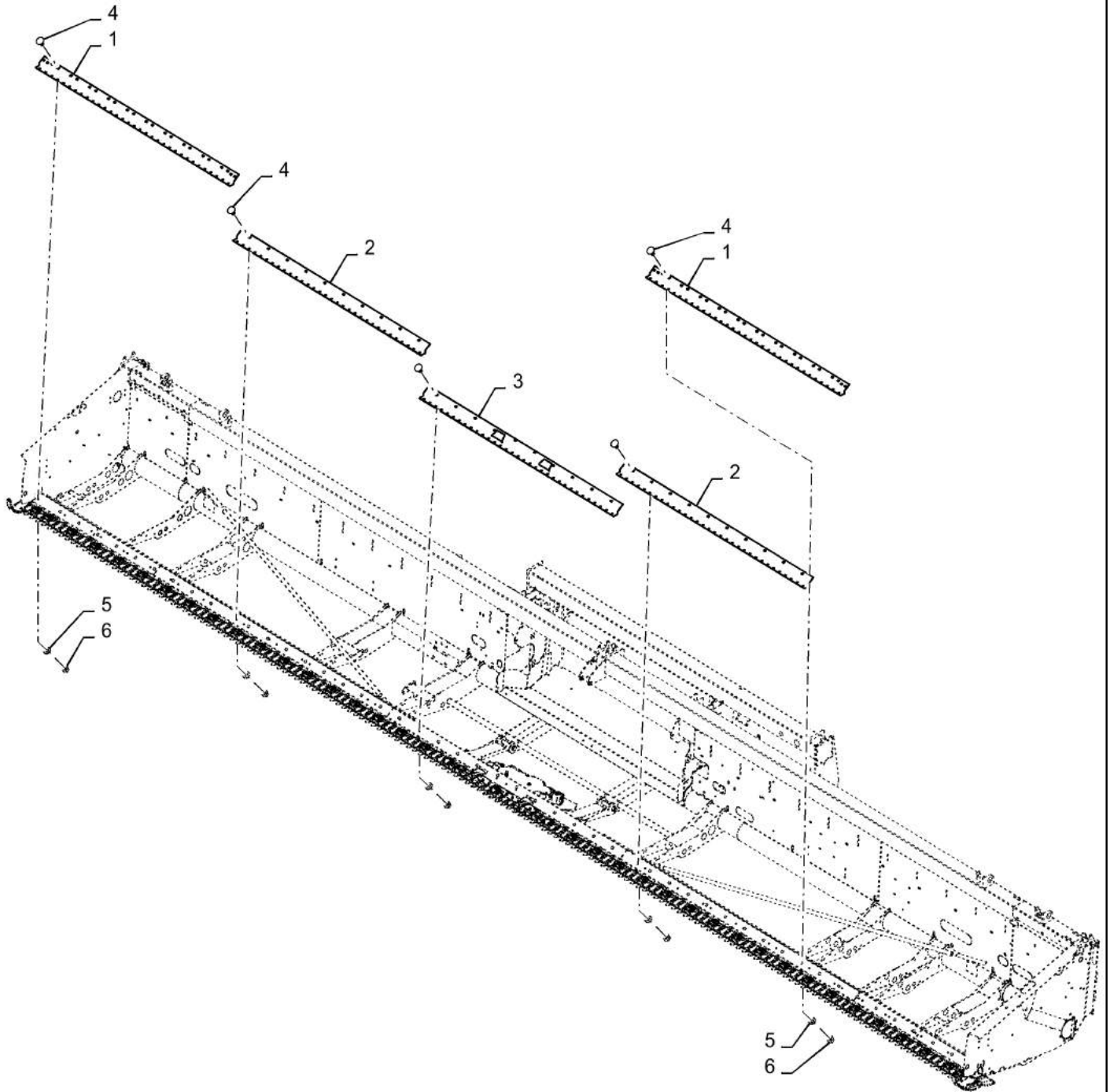
58.110.09

02

p1

9/2016

CUTTERBAR, 3" STD GUARD 40FT



58.110.09

02

p1

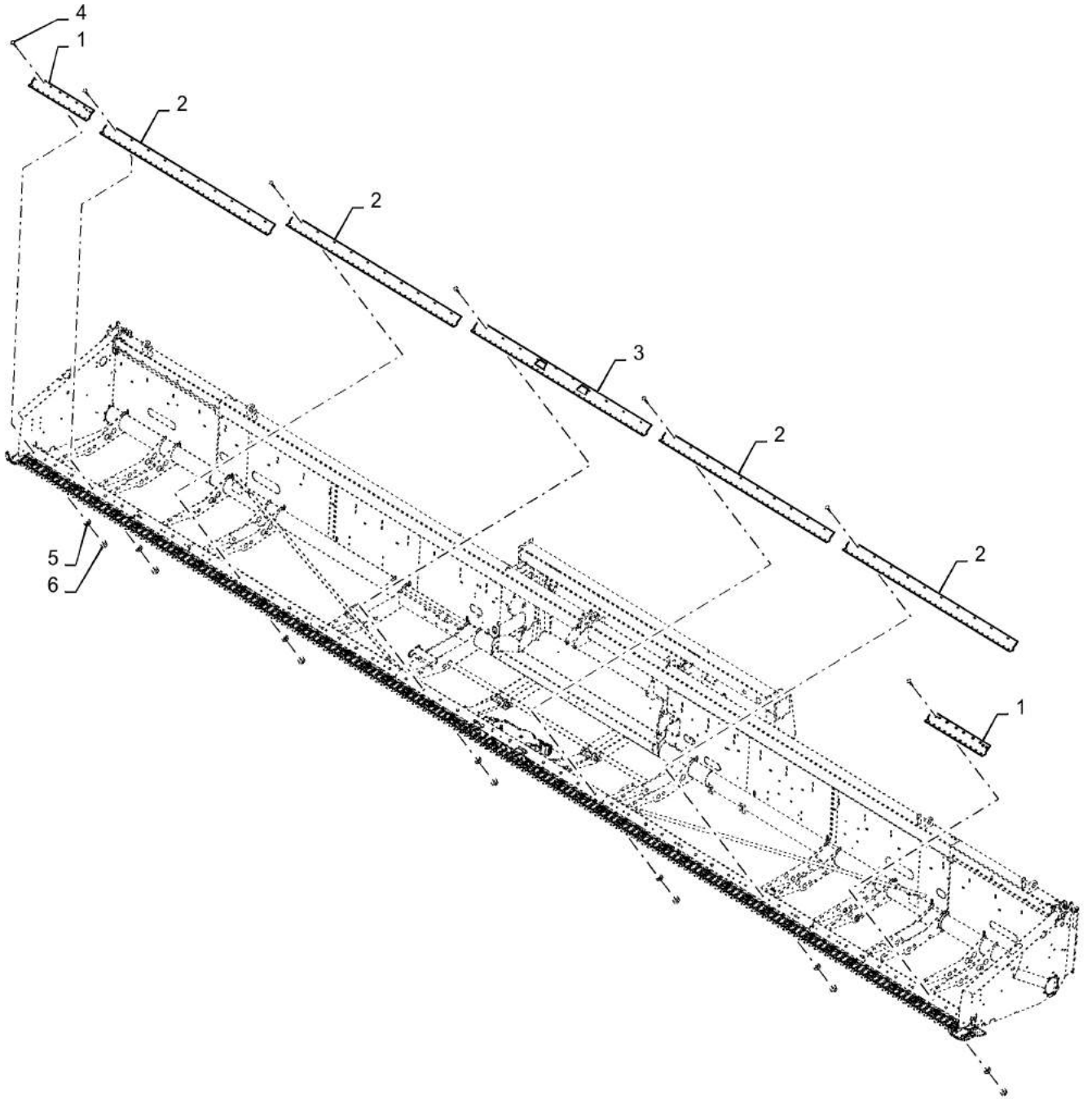
9/2016

CUTTERBAR, 3" STD GUARD 40FT

REF FN	PART NUMBER	YR/SN	QTY DESCRIPTION
1	84606926		2 CUTTERBAR 40FT, Outer
2	47393793		2 CUTTERBAR Outer
3	84606802		1 CUTTERBAR Center
4	86512422		50 CARRIAGE BOLT Sq Nk, M10 x 20mm, Cl 8.8, Full Thd
5	140045		54 BELLEVILLE WASHER M10 Bolt Size x 22mm OD x 1.6mm Thk
6	100016		52 NUT M10 x 1.5, Cl 8

3152-DRAPER HEADER

CUTTERBAR, 3" STD GUARD 45FT



58.110.09

02

p1

9/2016

CUTTERBAR, 3" STD GUARD 45FT

REF FN	PART NUMBER	YR/SN	QTY DESCRIPTION
1	84606930		2 CUTTERBAR Outer
2	47393793		4 CUTTERBAR Outer
3	84606802		1 CUTTERBAR Center
4	86512422		56 CARRIAGE BOLT Sq Nk, M10 x 20mm, Cl 8.8, Full Thd
5	140045		60 BELLEVILLE WASHER M10 Bolt Size x 22mm OD x 1.6mm Thk
6	100016		58 NUT M10 x 1.5, Cl 8

3152-DRAPER HEADER

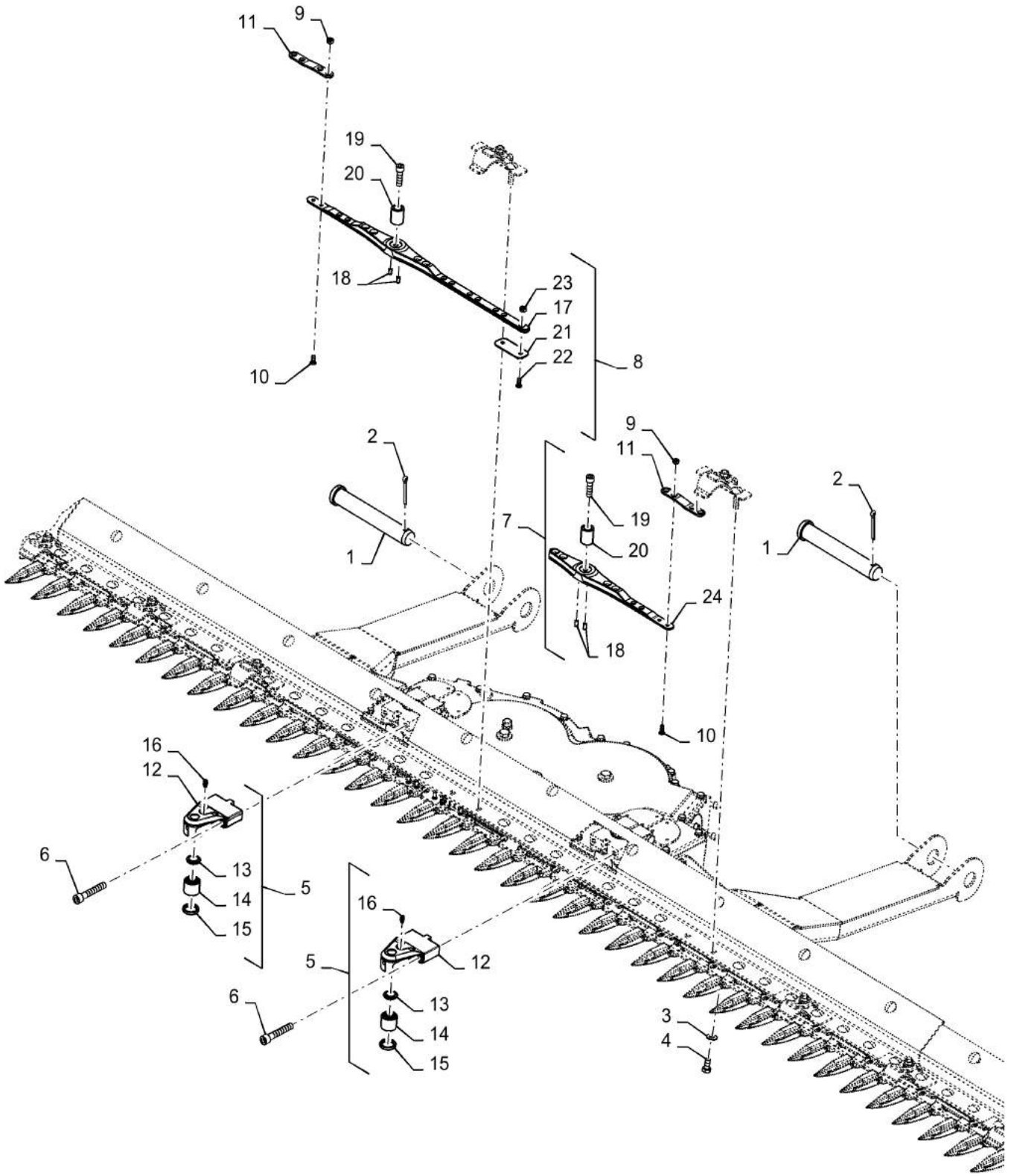
58.110.09

03

p1

9/2016

CENTER KNIFE DRIVE, HEAD ASSY



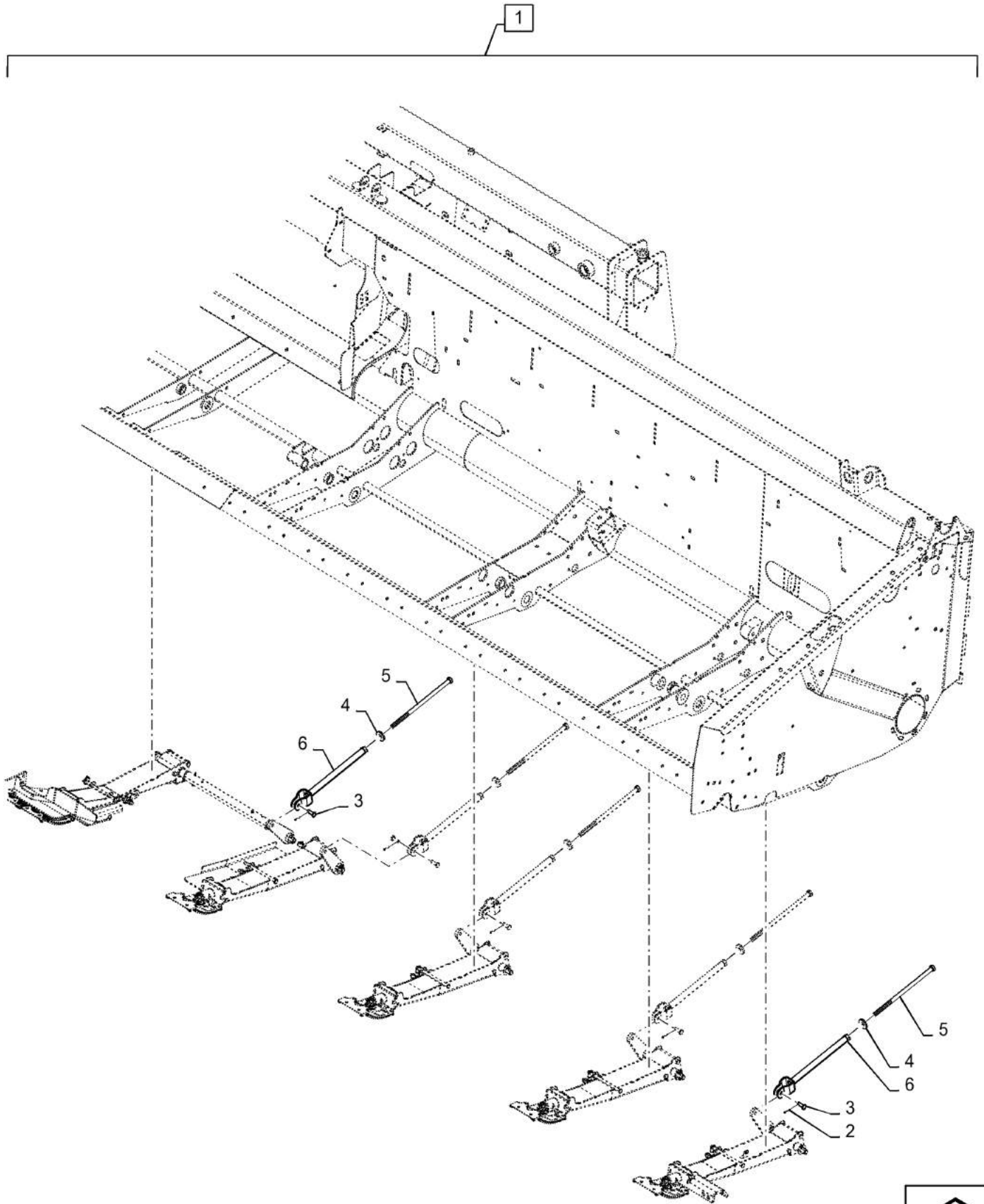
CENTER KNIFE DRIVE, HEAD ASSY

REF FN	PART NUMBER	YR/SN	QTY DESCRIPTION
1	87546416		2 PIN 31.65mm OD x 215mm L Assy
2	733-6350		2 COTTER PIN M6.3 x 50
3	140045		36 BELLEVILLE WASHER M10 Bolt Size x 22mm OD x 1.6mm Thk
4	43138		2 BOLT Hex, M10 x 1.5 x 20mm, CI 8.8
5	47522045		2 ARM Assy
6	84319918		4 HEX SOC SCREW M12 x 1.75 x 70mm, CI 10.9
7	47416964		1 KNIFE ASSY LH
8	47416963		1 KNIFE HEAD RH
9	84429102		25 LOCK NUT Wheel
10	87470018		5 SCREW FLAT, M6 x 14.5mm, CI 10.9 Knife Section
11	84423401		2 STRAP Reinforcing Knife
12	47522044		1 ARM
13	84370960		1 SPACER
14	5138952		1 NEEDLE BEARING Needle, 25mm ID x 32mm OD x 26mm W
15	47522042		1 OIL SEAL
16	321204		1 LUBE NIPPLE M6 x 1.0 x 16mm OAL
17	84318561		1 KNIFE HEAD RH
18	64780		4 DOWEL 1/4" x 1/2", HDN
19	86566100		2 HEX SOC SCREW M10 x 35mm, CI 12.9, Full Thd
20	47415563		2 PIN 25mm OD x 32.5mm L
21	47415343		1 PLATE
22	87470018		1 SCREW FLAT, M6 x 14.5mm, CI 10.9
23	84429102		1 LOCK NUT
24	84318560		1 KNIFE HEAD LH

3152-DRAPER HEADER

CUTTERBAR, SUSPENSION, STANDARD

1

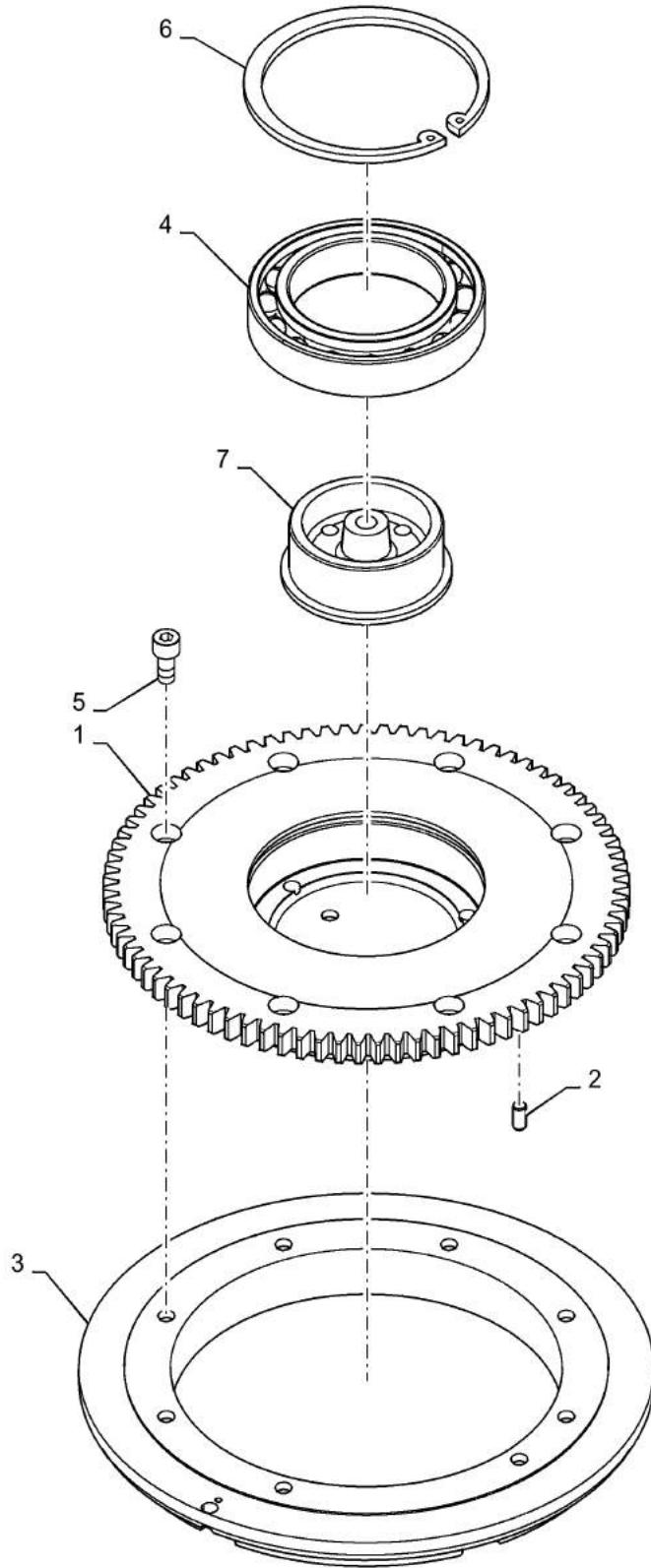


CUTTERBAR, SUSPENSION, STANDARD

REF FN	PART NUMBER	YR/SN	QTY DESCRIPTION
1	47412938		1 CUTTERBAR Suspension, Standard, 30FT, Incl 2 - 6
1	47412930		1 CUTTERBAR Suspension, Standard, 35FT, Incl 2 - 6
1	47412925		1 CUTTERBAR Suspension, Standard, 40FT, Incl 2 - 6
1	47412927		1 CUTTERBAR Suspension, Standard, 45FT, Incl 2 - 6
2	130004		10 COTTER PIN 2.9mm OD x 31.4mm OAL 30FT
2	130004		12 COTTER PIN 2.9mm OD x 31.4mm OAL 35FT
2	130004		14 COTTER PIN 2.9mm OD x 31.4mm OAL 40FT
2	130004		16 COTTER PIN 2.9mm OD x 31.4mm OAL 45FT
3	355518		10 PIN M12 x 35 30FT
3	355518		12 PIN M12 x 35 35FT
3	355518		14 PIN M12 x 35 40FT
3	355518		16 PIN M12 x 35 45FT
4	86592702		10 WASHER 17mm ID x 45mm OD x 6mm Thk 30FT
4	86592702		12 WASHER 17mm ID x 45mm OD x 6mm Thk 35FT
4	86592702		14 WASHER 17mm ID x 45mm OD x 6mm Thk 40FT
4	86592702		16 WASHER 17mm ID x 45mm OD x 6mm Thk 45FT
5	379281		10 BOLT Hex, M16 x 360mm, Cl 8.8 30FT
5	379281		12 BOLT Hex, M16 x 360mm, Cl 8.8 35FT
5	379281		14 BOLT Hex, M16 x 360mm, Cl 8.8 40FT
5	379281		16 BOLT Hex, M16 x 360mm, Cl 8.8 45FT
6	87496245		10 CLEVIS M16 x 2 Assy, 30FT
6	87496245		12 CLEVIS M16 x 2 Assy, 35FT
6	87496245		14 CLEVIS M16 x 2 Assy, 40FT
6	87496245		16 CLEVIS M16 x 2 Assy, 45FT

3162-DRAPER HEADER

GEAR, ASSY

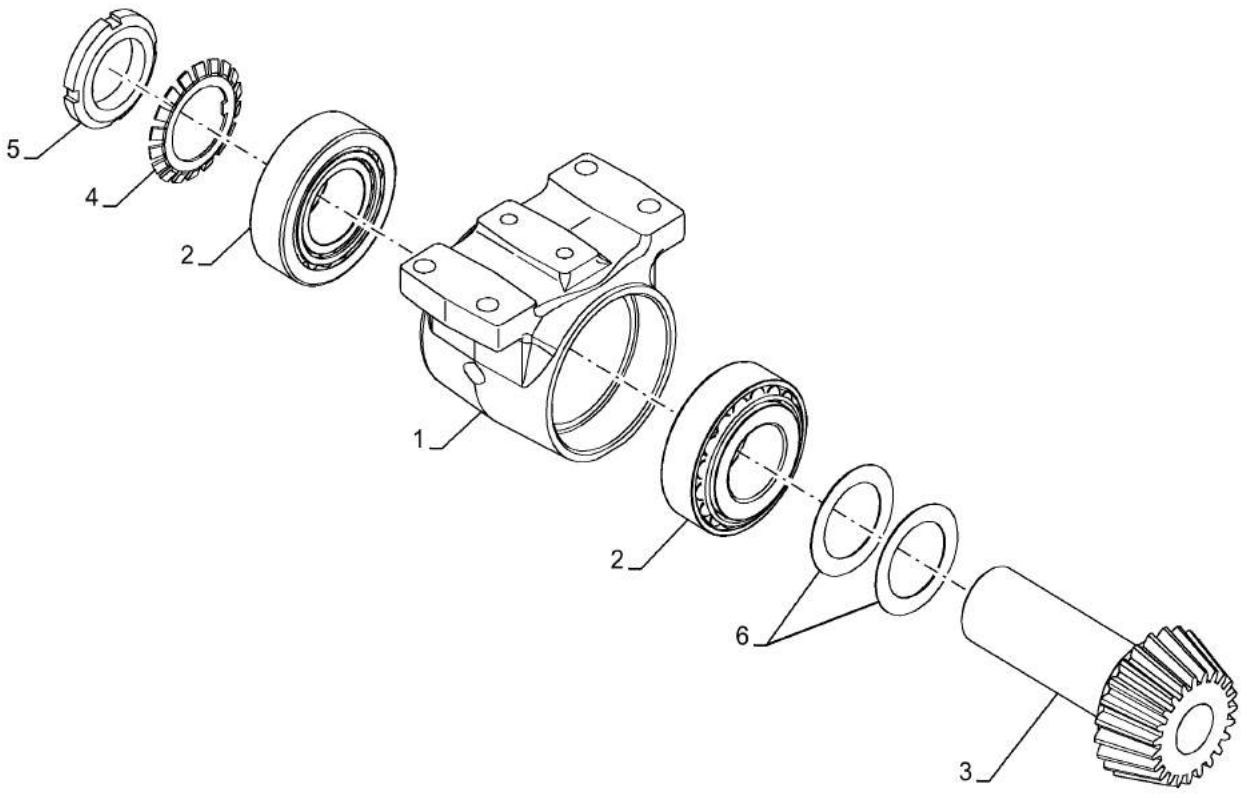


GEAR, ASSY

REF FN	PART NUMBER	YR/SN	QTY DESCRIPTION
1	84357216		1 GEAR Spur 83T, Machined
2	64780		1 DOWEL 1/4" x 1/2", HDN Pin
3	84357212		1 FLYWHEEL
4	84312836		1 BALL BEARING 75mm ID x 115mm OD x 20mm W
5	86566099		8 HEX SOC SCREW M8 x 16mm, CI 12.9
6	11075676		1 SNAP RING M115, Int Circlip
7	84357210		1 PIN Bearing

3152-DRAPER HEADER 3162-DRAPER HEADER

PINION, ASSY, HORIZONTAL



PINION, ASSY, HORIZONTAL

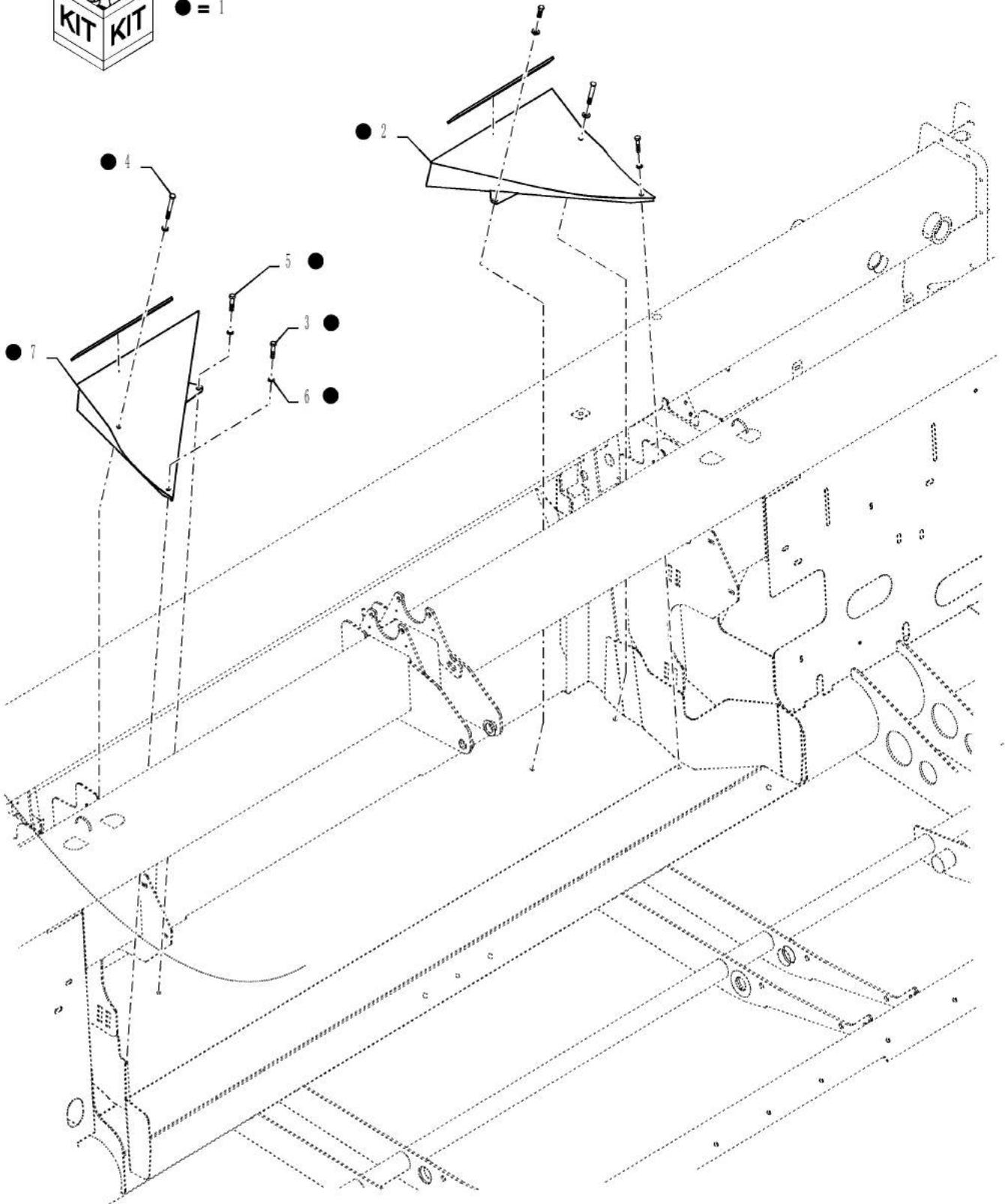
REF FN	PART NUMBER	YR/SN	QTY DESCRIPTION
1	84367745		1 HOUSING Pinion, Machined
2	87470774		2 TAPERED BEARING 30mm ID x 62mm OD x 21.25mm W
3	84306294		1 BEVEL PINION 23T
4	87470775		1 LOCKING RING
5	87470776		1 NUT Bearing Lock, M30 X 1.5
6	84053919		2 SHIM KIT 30.3mm ID x 44mm OD x 1mm Thk Set Shims 44.0

3152-DRAPER HEADER 3162-DRAPER HEADER

STRIPPER - KIT



● = 1



STRIPPER - KIT

REF FN	PART NUMBER	YR/SN	QTY DESCRIPTION
1	84494074		1 SERVICE KIT Stripper, Wide Feeder (22 Rotors) Combines, Incl 2 - 7
1	84494073		1 SERVICE KIT Stripper, Narrow Feeder (17 Rotors) Combines, Incl 2 - 7
2	84486805		1 STRIPPER Left Hand, Wide
2	84418861		1 STRIPPER Left Hand, Narrow
3	300381		2 BOLT Hex, M8 x 1.25 x 35mm, Cl 8.8
3	120062		4 BOLT Hex, M8 x 70mm, Cl 8.8 Narrow Stripper
4	120062		2 BOLT Hex, M8 x 70mm, Cl 8.8 Wide Stripper
5	43127		2 BOLT Hex, M8 x 1.25 x 25mm, Cl 8.8 Wide Stripper
6	140016		6 WASHER M8 x 16mm OD x 1.6mm Thk
7	84486808		1 STRIPPER Right Hand, Wide
7	84418865		1 STRIPPER Right Hand, Narrow

3152-DRAPER HEADER 3162-DRAPER HEADER

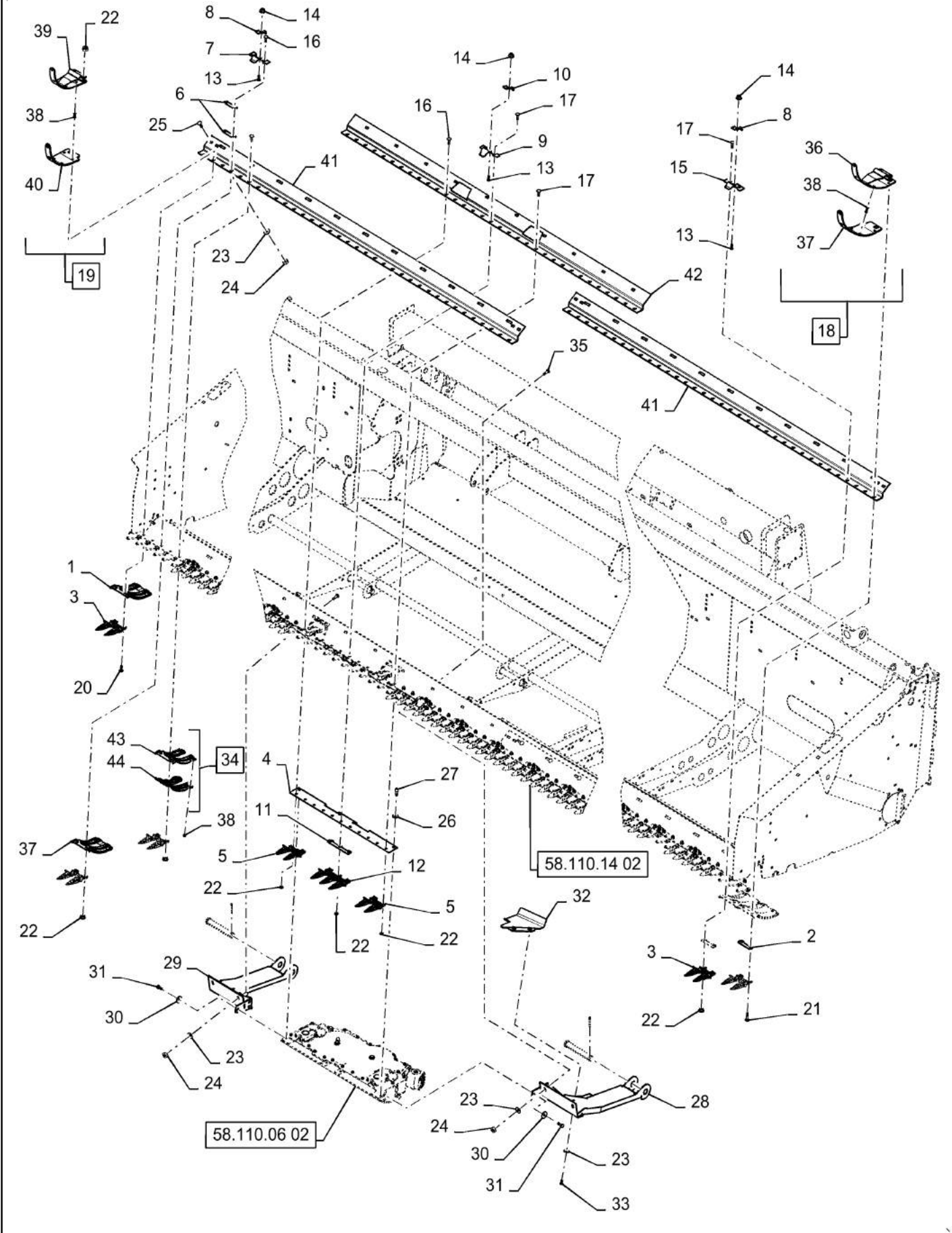
58.110.14

01

p1

9/2016

CUTTERBAR, ASSY EU, 3" TRASHBAR GUARD 25FT



CUTTERBAR, ASSY EU, 3" TRASHBAR GUARD 25FT

REF FN	PART NUMBER	YR/SN	QTY DESCRIPTION
1	1 251206A2		38 SHOE Skid
2	84396061		25 SHIM 31mm OD x 3.25mm Thk Knife Guard
3	916328		46 FINGER KNIFE
4	84325448		1 MOUNTING PLATE
5	47506883		4 GUARD HT, Knife 3"
5	47682280		4 GUARD Knife 3", Trashbar Guard, EU
6	482769		20 SHIM 25mm OD x 0.59mm Thk
7	86630786		10 KNIFE CLIP Heat Treated
8	86630787		20 KNIFE CLIP
9	84422134		3 KNIFE CLIP High
10	84422992		3 ADJUSTING PLATE
11	84384773		1 SHIM 31mm OD x 3.25mm Thk Knife Guard
12	47506882		1 GUARD
12	47695047		1 GUARD Knife, 3-Point, Trashbar Guard, EU
13	87742342		23 PLOW BOLT M10 x 1.5 x 30mm, Class 10.9
14	86619802		23 FLANGE NUT M10 x 1.5, Cl 8
15	84184577		10 KNIFE CLIP
16	9833222		48 CARRIAGE BOLT Sq Nk, M10 x 1.5 x 35mm, Cl 8.8, Full Thd
17	43473		51 CARRIAGE BOLT Sq Nk, M10 x 1.5 x 40mm, Cl 8.8, Full Thd
18	NSS		1 NOT SOLD SEPARAT LH, Incl 36, 37, 38
19	NSS		1 NOT SOLD SEPARAT RH, Incl 38, 39, 40
20	86512425		2 CARRIAGE BOLT Sq Nk, M10 x 45mm, Cl 8.8
21	86512426		2 CARRIAGE BOLT Sq Nk, M10 x 50mm, Cl 8.8
22	100037		103 LOCK NUT M10 x 1.5, Cl 8
23	140045		36 BELLEVILLE WASHER M10 Bolt Size x 22mm OD x 1.6mm Thk
24	100016		34 NUT M10 x 1.5, Cl 8

(1) Also Order Ref 38 and 44 to Complete Skid/Shoe

3152-DRAPER HEADER

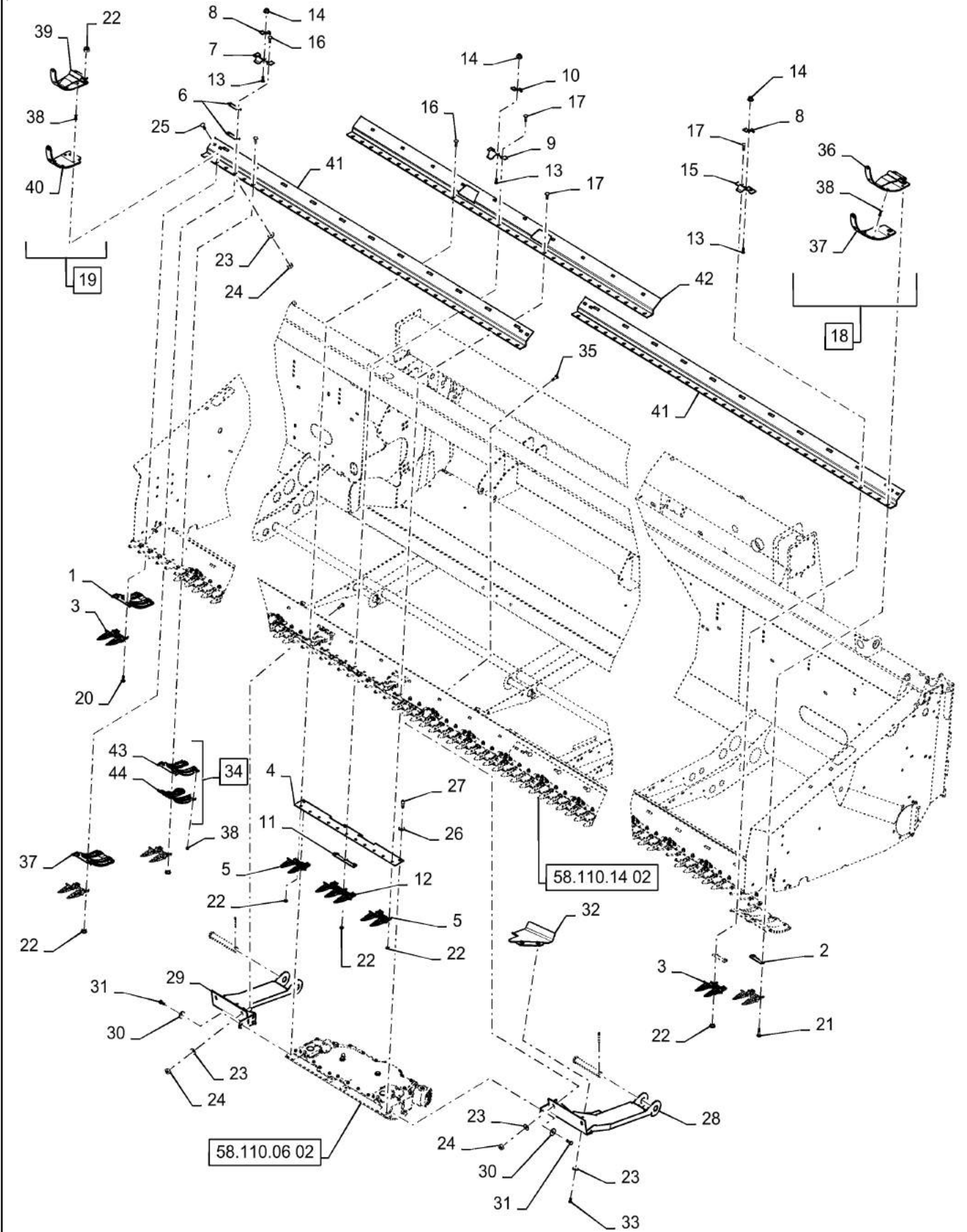
58.110.14

01

p2

9/2016

CUTTERBAR, ASSY EU, 3" TRASHBAR GUARD 25FT



CUTTERBAR, ASSY EU, 3" TRASHBAR GUARD 25FT

REF FN	PART NUMBER	YR/SN	QTY DESCRIPTION
25	86512422		32 CARRIAGE BOLT Sq Nk, M10 x 20mm, CI 8.8, Full Thd
26	13507401		4 WASHER 12.2mm ID x 20mm OD x 2mm Thk
27	864-12030		4 HEX SOC SCREW M12 x 30mm, CI 8.8
28	47461807		1 ARM LH
29	47461804		1 ARM RH
30	140046		6 BELLEVILLE WASHER M12 Bolt Size x 27mm OD x 1.8mm Thk
31	43260		6 BOLT Hex, M12 x 1.75 x 30mm, CI 10.9, Full Thd
32	84418960		1 SHIELD
33	43138		2 BOLT Hex, M10 x 1.5 x 20mm, CI 8.8
34	47487552		8 SKID/SHOE Rigid
35	86633356		2 CARRIAGE BOLT M10 x 34.8mm, CI 8.8
36	84346387		1 SKID/SHOE LH
37	84346388		1 SKID/SHOE LH
38	87613322		12 POP RIVET Pop, 6.35mm OD x 15.75mm L
39	84337069		1 SKID/SHOE RH
40	84337990		1 SKID/SHOE RH
41	47695862		2 CUTTERBAR 25FT Outer
42	47695848		1 CUTTERBAR Center
43	47487546		1 SKID/SHOE Rigid AHHC, Incl 34
44	377580A1		1 SKID/SHOE Incl 34

3152-DRAPER HEADER

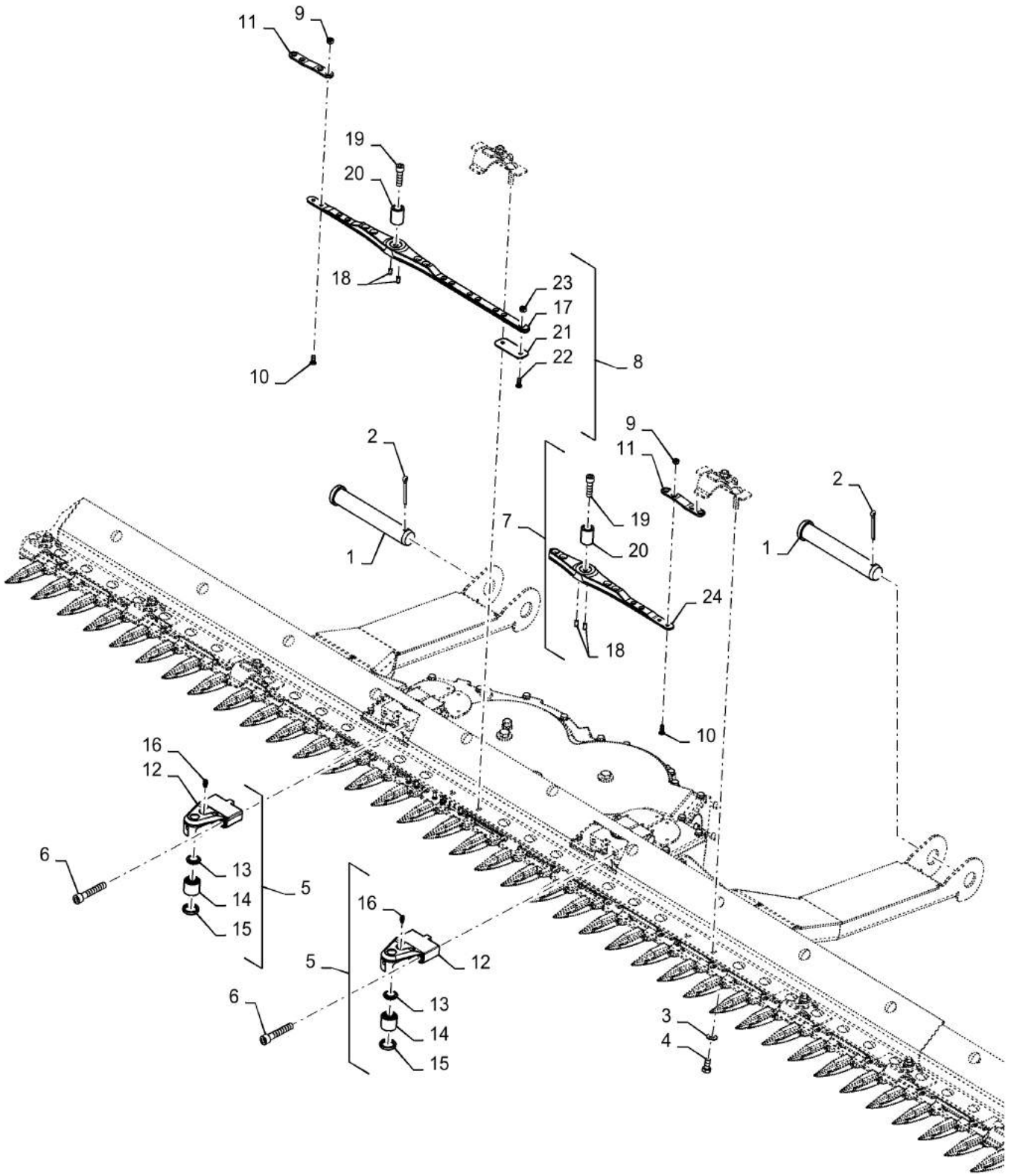
58.110.14

02

p1

9/2016

KNIFE HEAD, ASSY EU, 3" TRASHBAR GUARD 25FT



KNIFE HEAD, ASSY EU, 3" TRASHBAR GUARD 25FT

REF FN	PART NUMBER	YR/SN	QTY DESCRIPTION
1	87546416		2 PIN 31.65mm OD x 215mm L Assy
2	733-6350		2 COTTER PIN M6.3 x 50
3	140045		36 BELLEVILLE WASHER M10 Bolt Size x 22mm OD x 1.6mm Thk
4	43138		2 BOLT Hex, M10 x 1.5 x 20mm, CI 8.8
5	47522045		2 ARM Assy
6	84319918		4 HEX SOC SCREW M12 x 1.75 x 70mm, CI 10.9
7	47416964		1 KNIFE ASSY LH
8	47416963		1 KNIFE HEAD RH
9	84429102		25 LOCK NUT Wheel
10	87470018		5 SCREW FLAT, M6 x 14.5mm, CI 10.9 Knife Section
11	84423401		2 STRAP Reinforcing Knife
12	47522044		1 ARM
13	84370960		1 SPACER
14	5138952		1 NEEDLE BEARING Needle, 25mm ID x 32mm OD x 26mm W
15	47522042		1 OIL SEAL
16	321204		1 LUBE NIPPLE M6 x 1.0 x 16mm OAL
17	84318561		1 KNIFE HEAD RH
18	64780		4 DOWEL 1/4" x 1/2", HDN
19	86566100		2 HEX SOC SCREW M10 x 35mm, CI 12.9, Full Thd
20	47415563		2 PIN 25mm OD x 32.5mm L
21	47415343		1 PLATE
22	87470018		1 SCREW FLAT, M6 x 14.5mm, CI 10.9
23	84429102		1 LOCK NUT
24	84318560		1 KNIFE HEAD LH

3152-DRAPER HEADER

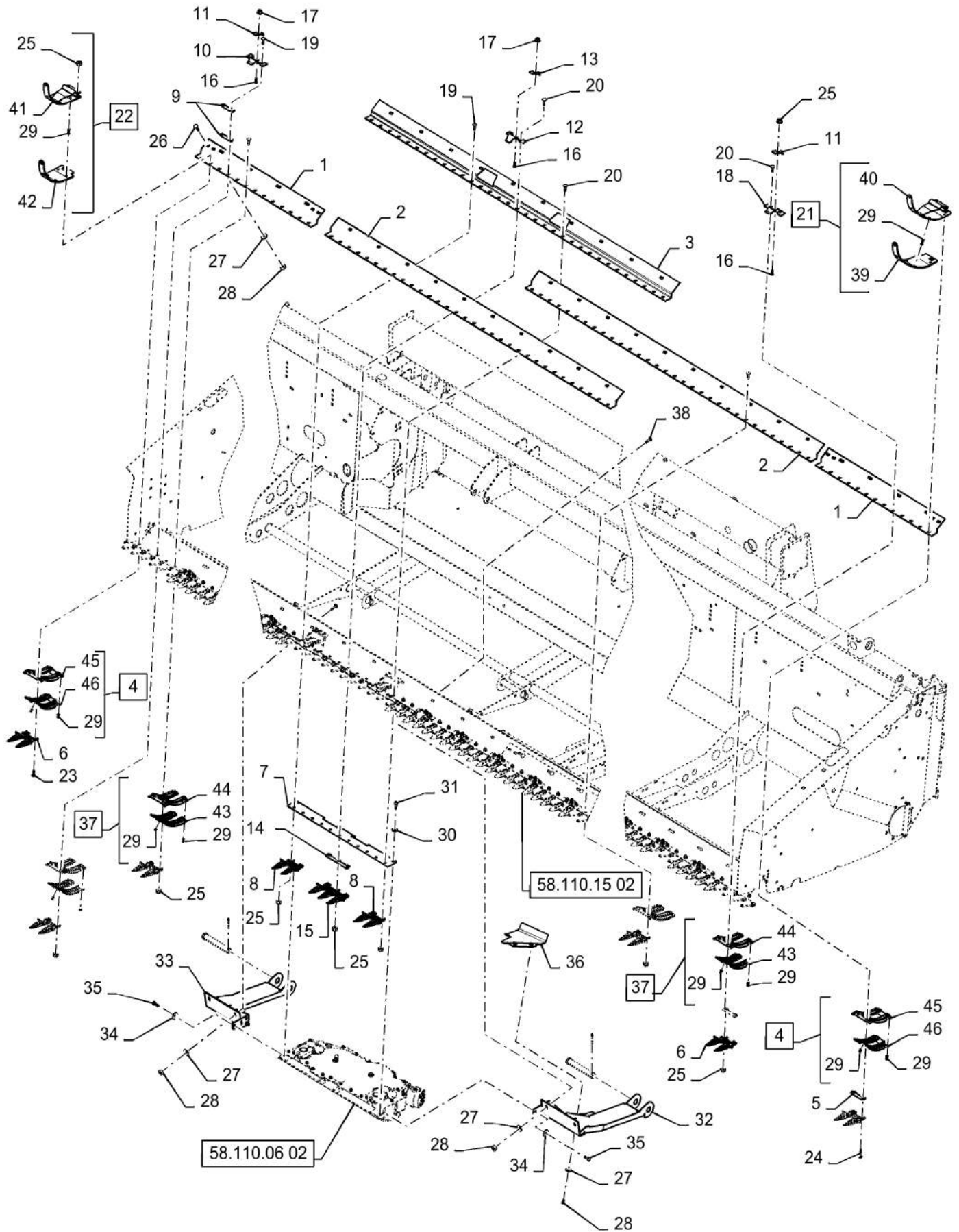
58.110.15

01

p1

9/2016

CUTTERBAR, ASSY EU, 3" TRASHBAR GUARD 30FT



CUTTERBAR, ASSY EU, 3" TRASHBAR GUARD 30FT

REF FN	PART NUMBER	YR/SN	QTY DESCRIPTION
1	47695867		2 CUTTERBAR 30FT
2	47695858		2 CUTTERBAR Outer
3	47695848		1 CUTTERBAR Center
4	NSS		48 NOT SOLD SEPARAT Skid/Shoe
5	84396061		30 SHIM 31mm OD x 3.25mm Thk Knife Guard
6	916328		56 FINGER KNIFE
7	84325448		1 MOUNTING PLATE
8	47506883		4 GUARD HT, Knife 3"
8	47682280		4 GUARD Knife 3", Trashbar Guard, EU
9	482769		26 SHIM 25mm OD x 0.59mm Thk
10	86630786		13 KNIFE CLIP Heat Treated
11	86630787		26 KNIFE CLIP Press Bar
12	84422134		3 KNIFE CLIP High
13	84422992		3 ADJUSTING PLATE
14	84384773		1 SHIM 31mm OD x 3.25mm Thk Knife Guard
15	47506882		1 GUARD
15	47695047		1 GUARD Knife, 3-Point, Trashbar Guard, EU
16	87742342		29 PLOW BOLT M10 x 1.5 x 30mm, Class 10.9
17	86619802		29 FLANGE NUT M10 x 1.5, Cl 8
18	84184577		13 KNIFE CLIP
19	9833222		58 CARRIAGE BOLT Sq Nk, M10 x 1.5 x 35mm, Cl 8.8, Full Thd
20	43473		61 CARRIAGE BOLT Sq Nk, M10 x 1.5 x 40mm, Cl 8.8, Full Thd
21	NSS		1 NOT SOLD SEPARAT LH, Incl 29, 39, 40
22	NSS		1 NOT SOLD SEPARAT Shoe A, Incl 29, 41, 42
23	86512425		2 CARRIAGE BOLT Sq Nk, M10 x 45mm, Cl 8.8
24	86512426		2 CARRIAGE BOLT Sq Nk, M10 x 50mm, Cl 8.8
25	100037		123 LOCK NUT M10 x 1.5, Cl 8
26	86512422		38 CARRIAGE BOLT Sq Nk, M10 x 20mm, Cl 8.8, Full Thd

3152-DRAPER HEADER

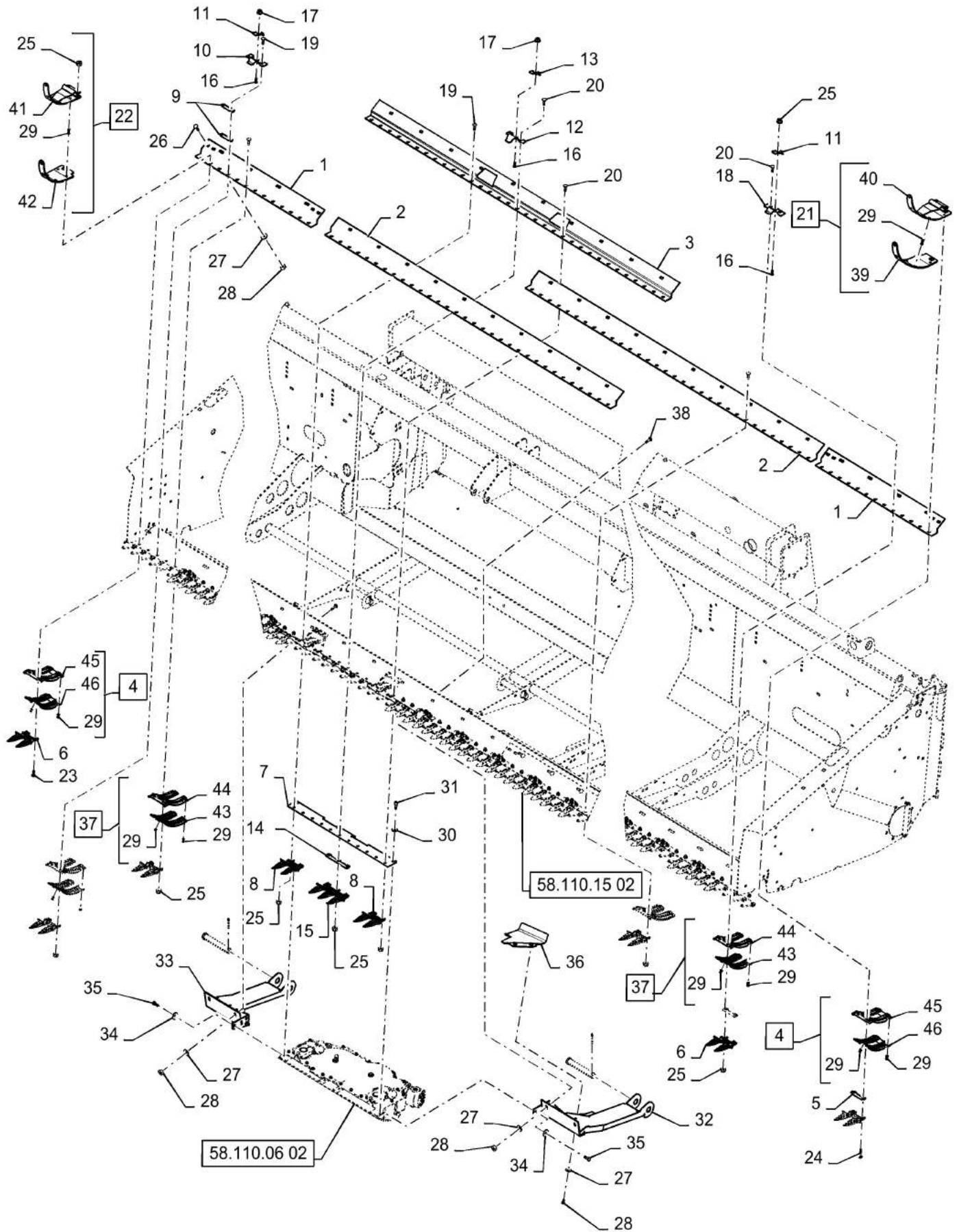
58.110.15

01

p2

9/2016

CUTTERBAR, ASSY EU, 3" TRASHBAR GUARD 30FT



CUTTERBAR, ASSY EU, 3" TRASHBAR GUARD 30FT

REF FN	PART NUMBER	YR/SN	QTY DESCRIPTION
27	140045		42 BELLEVILLE WASHER M10 Bolt Size x 22mm OD x 1.6mm Thk
28	100016		40 NUT M10 x 1.5, CI 8
29	87613322		22 POP RIVET Pop, 6.35mm OD x 15.75mm L
30	13507401		4 WASHER 12.2mm ID x 20mm OD x 2mm Thk
31	864-12030		4 HEX SOC SCREW M12 x 30mm, CI 8.8
32	47461807		1 ARM LH
33	47461804		1 ARM RH
34	140046		6 BELLEVILLE WASHER M12 Bolt Size x 27mm OD x 1.8mm Thk
35	43260		6 BOLT Hex, M12 x 1.75 x 30mm, CI 10.9, Full Thd
36	84418960		1 SHIELD
37	47487552		8 SKID/SHOE Assy
38	86633356		2 CARRIAGE BOLT M10 x 34.8mm, CI 8.8
39	84346388		1 SKID/SHOE LH
40	84346387		1 SKID/SHOE LH
41	84337069		1 SKID/SHOE RH
42	84337990		1 SKID/SHOE RH
43	47487546		1 SKID/SHOE
44	377580A1		1 SKID/SHOE Single
45	251206A2		1 SHOE Skid
46	377580A1		1 SKID/SHOE Single

3152-DRAPER HEADER

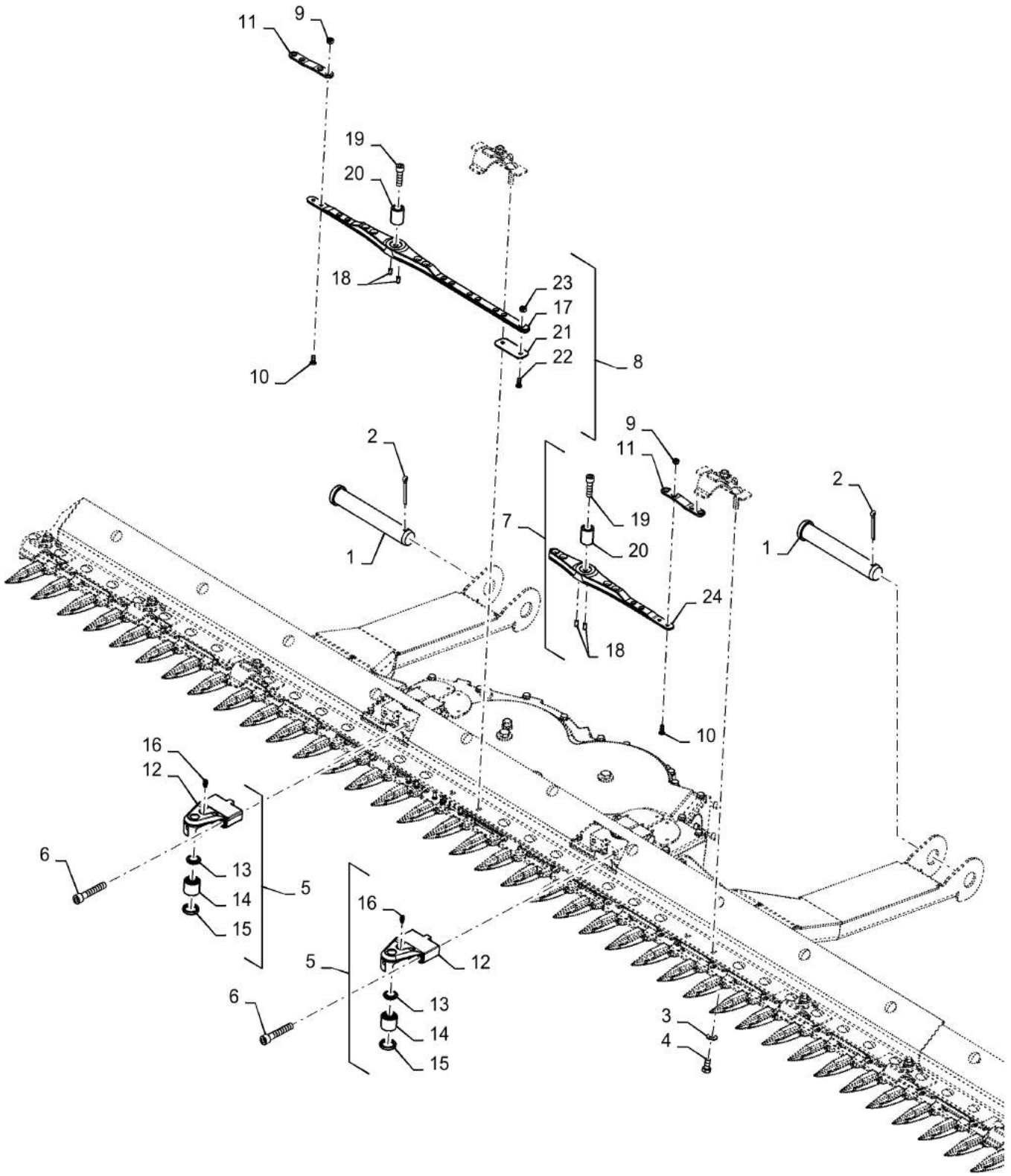
58.110.15

02

p1

9/2016

KNIFE HEAD, ASSY EU, 3" TRASHBAR GUARD 30FT



KNIFE HEAD, ASSY EU, 3" TRASHBAR GUARD 30FT

REF FN	PART NUMBER	YR/SN	QTY DESCRIPTION
1	87546416		2 PIN 31.65mm OD x 215mm L Assy
2	733-6350		2 COTTER PIN M6.3 x 50
3	140045		42 BELLEVILLE WASHER M10 Bolt Size x 22mm OD x 1.6mm Thk
4	43138		2 BOLT Hex, M10 x 1.5 x 20mm, CI 8.8
5	47522045		2 ARM Assy
6	84319918		4 HEX SOC SCREW M12 x 1.75 x 70mm, CI 10.9
7	47416964		1 KNIFE ASSY LH
8	47416963		1 KNIFE HEAD RH
9	84429102		25 LOCK NUT Wheel
10	87470018		5 SCREW FLAT, M6 x 14.5mm, CI 10.9 Knife Section
11	84423401		2 STRAP Reinforcing Knife
12	47522044		1 ARM
13	84370960		1 SPACER
14	5138952		1 NEEDLE BEARING Needle, 25mm ID x 32mm OD x 26mm W
15	47522042		1 OIL SEAL
16	321204		1 LUBE NIPPLE M6 x 1.0 x 16mm OAL
17	84318561		1 KNIFE HEAD RH
18	64780		4 DOWEL 1/4" x 1/2", HDN
19	86566100		2 HEX SOC SCREW M10 x 35mm, CI 12.9, Full Thd
20	47415563		2 PIN 25mm OD x 32.5mm L
21	47415343		1 PLATE
22	87470018		1 SCREW FLAT, M6 x 14.5mm, CI 10.9
23	84429102		1 LOCK NUT
24	84318560		1 KNIFE HEAD LH

3152-DRAPER HEADER

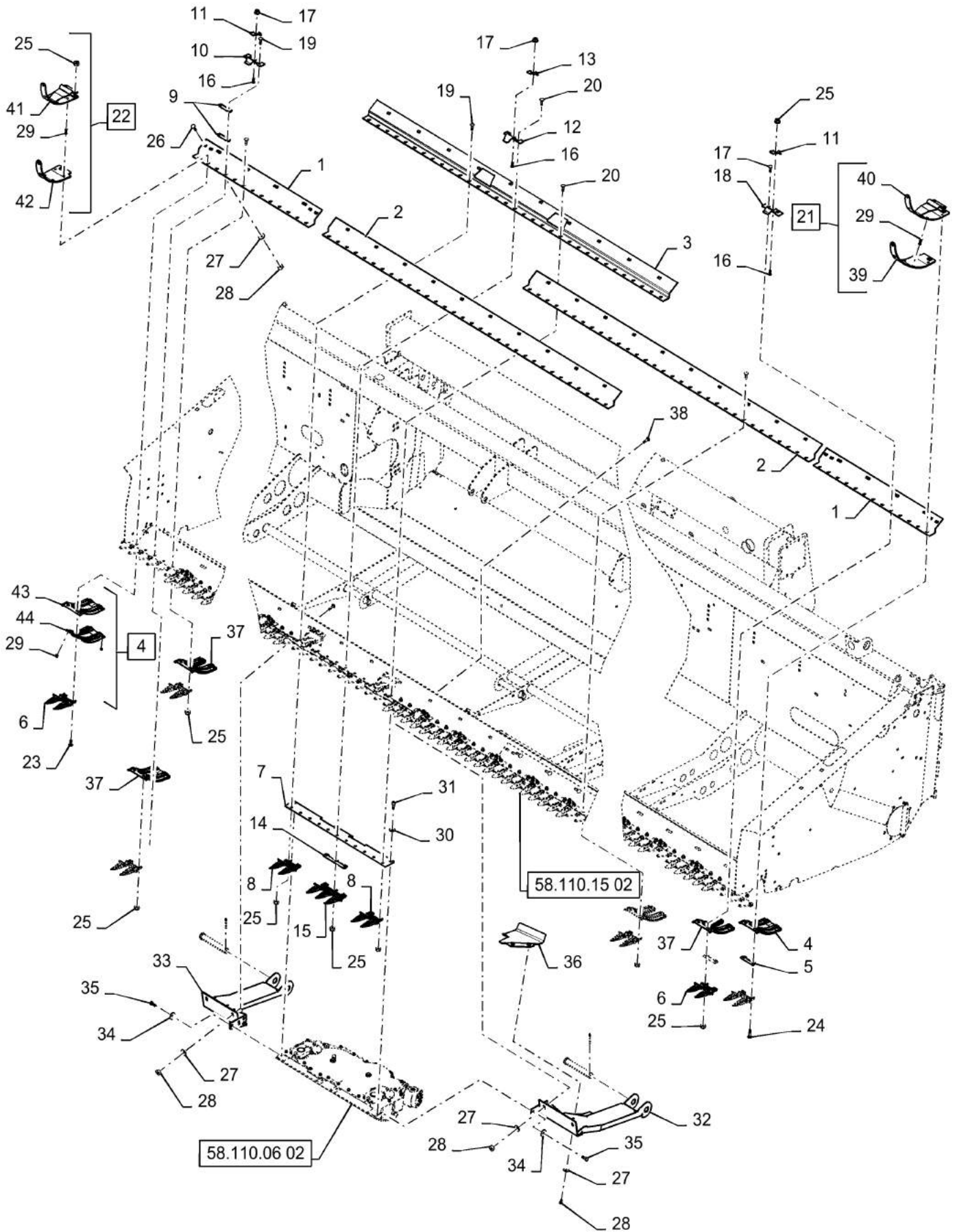
58.110.16

01

p1

9/2016

CUTTERBAR, ASSY EU, 3" TRASHBAR GUARD 35FT



CUTTERBAR, ASSY EU, 3" TRASHBAR GUARD 35FT

REF FN	PART NUMBER	YR/SN	QTY DESCRIPTION
1	47695877		2 CUTTERBAR 35FT, Outer
2	47695858		2 CUTTERBAR Outer
3	47695848		1 CUTTERBAR Center
4	NSS		58 NOT SOLD SEPARAT Incl 29, 43, 44
5	84396061		35 SHIM 31mm OD x 3.25mm Thk Knife Guard
6	916328		66 FINGER KNIFE
7	84325448		1 MOUNTING PLATE
8	47506883		4 GUARD HT, Knife 3"
8	47682280		4 GUARD Knife 3", Trashbar Guard, EU
9	482769		30 SHIM 25mm OD x 0.59mm Thk
10	86630786		15 KNIFE CLIP Heat Treated
11	86630787		30 KNIFE CLIP Press Bar
12	84422134		3 KNIFE CLIP High
13	84422992		3 ADJUSTING PLATE
14	84384773		1 SHIM 31mm OD x 3.25mm Thk Knife Guard
15	47506882		1 GUARD
15	47695047		1 GUARD Knife, 3-Point, Trashbar Guard, EU
16	87742342		33 PLOW BOLT M10 x 1.5 x 30mm, Class 10.9
17	86619802		33 FLANGE NUT M10 x 1.5, Cl 8
18	84184577		15 KNIFE CLIP
19	9833222		68 CARRIAGE BOLT Sq Nk, M10 x 1.5 x 35mm, Cl 8.8, Full Thd
20	43473		71 CARRIAGE BOLT Sq Nk, M10 x 1.5 x 40mm, Cl 8.8, Full Thd
21	NSS		1 NOT SOLD SEPARAT LH, Incl 29, 39, 40
22	NSS		1 NOT SOLD SEPARAT Shoe A, Incl 29, 41, 42
23	86512425		2 CARRIAGE BOLT Sq Nk, M10 x 45mm, Cl 8.8
24	86512426		2 CARRIAGE BOLT Sq Nk, M10 x 50mm, Cl 8.8
25	100037		143 LOCK NUT M10 x 1.5, Cl 8
26	86512422		44 CARRIAGE BOLT Sq Nk, M10 x 20mm, Cl 8.8, Full Thd

3152-DRAPER HEADER

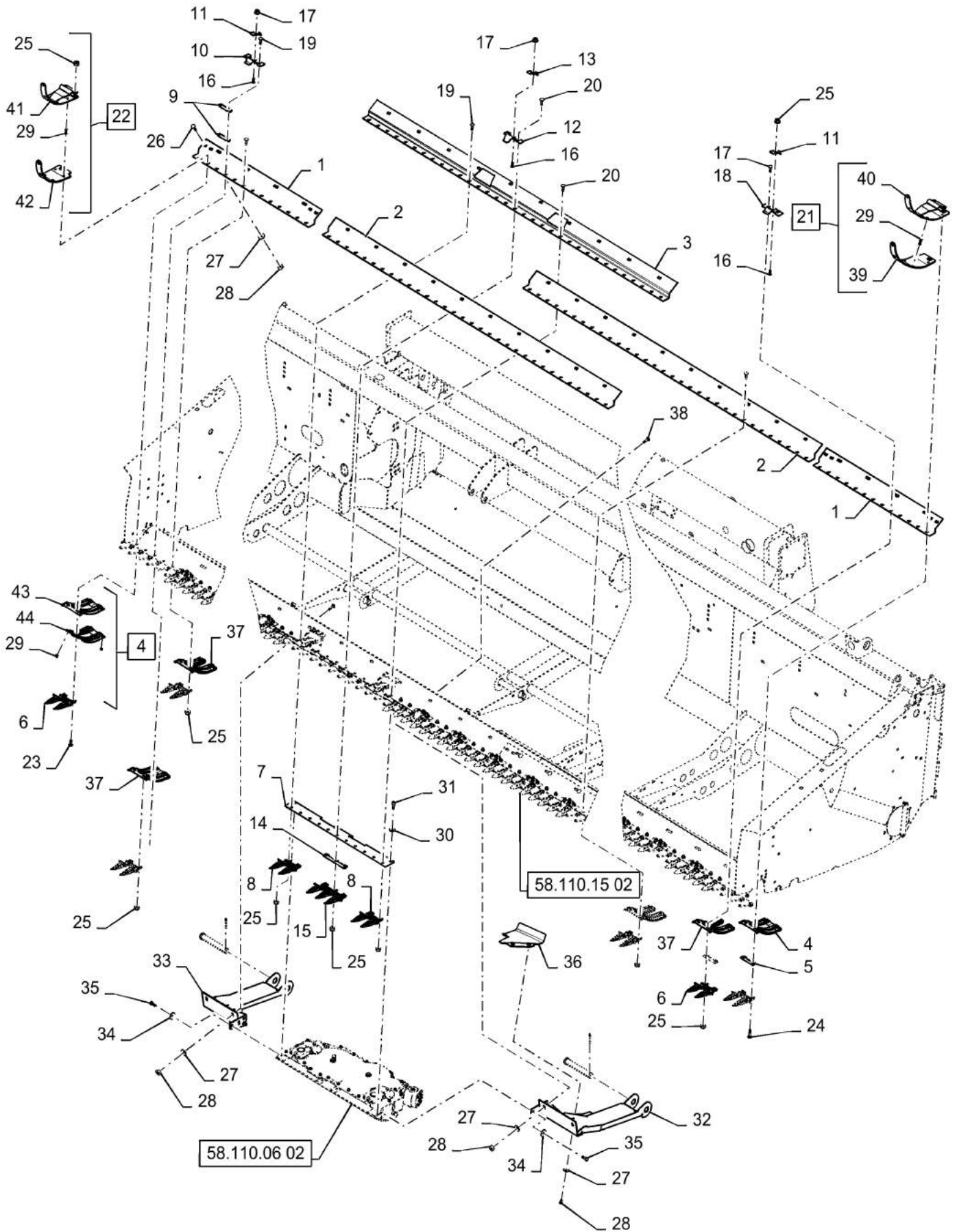
58.110.16

01

p2

9/2016

CUTTERBAR, ASSY EU, 3" TRASHBAR GUARD 35FT



CUTTERBAR, ASSY EU, 3" TRASHBAR GUARD 35FT

REF FN	PART NUMBER	YR/SN	QTY DESCRIPTION
27	140045		48 BELLEVILLE WASHER M10 Bolt Size x 22mm OD x 1.6mm Thk
28	100016		46 NUT M10 x 1.5, CI 8
29	87613322		12 POP RIVET Pop, 6.35mm OD x 15.75mm L
30	13507401		4 WASHER 12.2mm ID x 20mm OD x 2mm Thk
31	864-12030		4 HEX SOC SCREW M12 x 30mm, CI 8.8
32	47461807		1 ARM LH
33	47461804		1 ARM RH
34	140046		6 BELLEVILLE WASHER M12 Bolt Size x 27mm OD x 1.8mm Thk
35	43260		6 BOLT Hex, M12 x 1.75 x 30mm, CI 10.9, Full Thd
36	47690260		1 SHIELD
37	47487552		8 SKID/SHOE Assy
38	86633356		2 CARRIAGE BOLT M10 x 34.8mm, CI 8.8
39	84346388		1 SKID/SHOE LH
40	84346387		1 SKID/SHOE LH
41	84337069		1 SKID/SHOE RH
42	84337990		1 SKID/SHOE RH
43	251206A2		1 SHOE Skid
44	377580A1		1 SKID/SHOE Single

3152-DRAPER HEADER

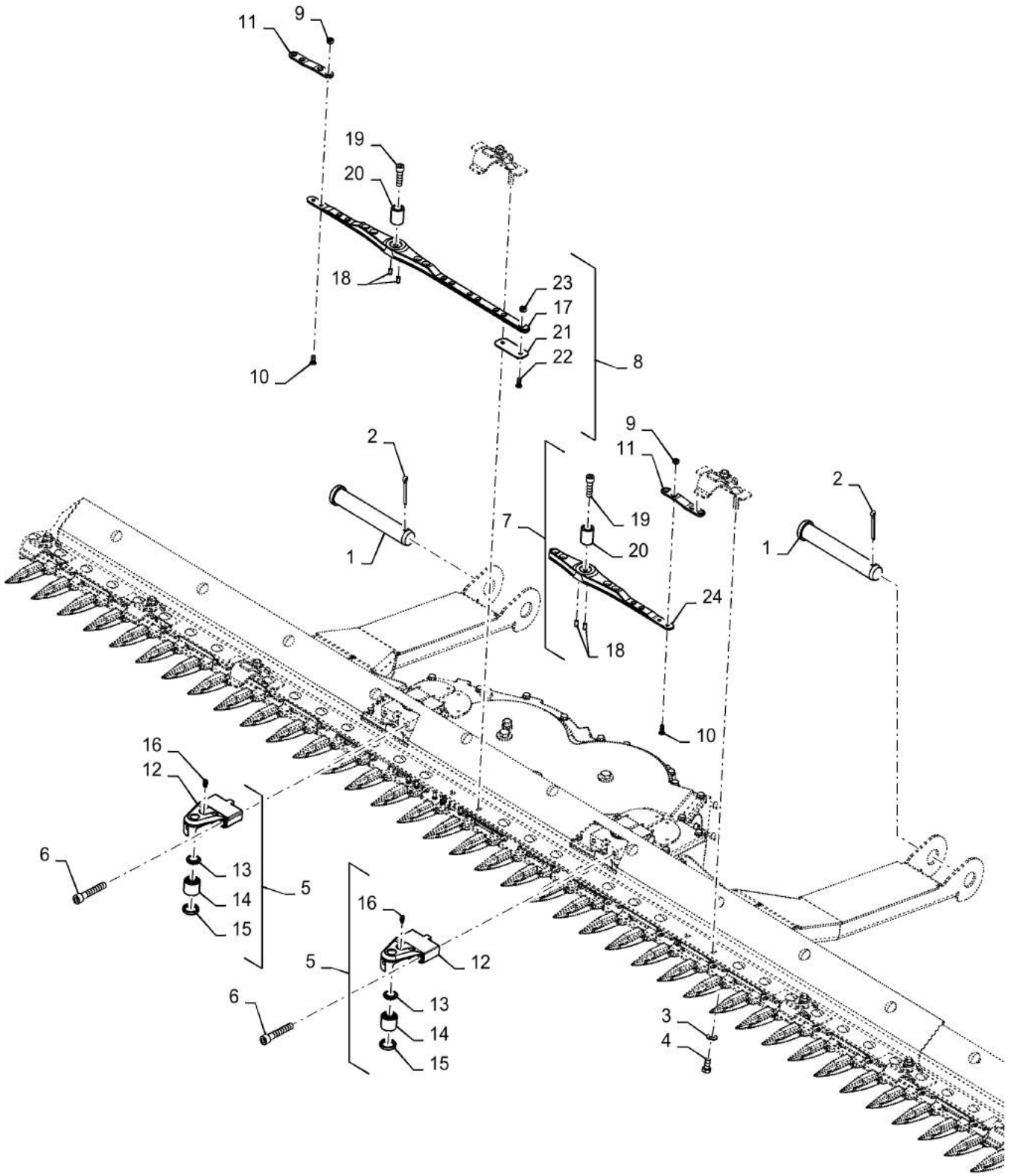
58.110.16

02

p1

9/2016

KNIFE HEAD, ASSY EU, 3" TRASHBAR GUARD 35FT



KNIFE HEAD, ASSY EU, 3" TRASHBAR GUARD 35FT

REF FN	PART NUMBER	YR/SN	QTY DESCRIPTION
1	87546416		2 PIN 31.65mm OD x 215mm L Assy
2	733-6350		2 COTTER PIN M6.3 x 50
3	140045		48 BELLEVILLE WASHER M10 Bolt Size x 22mm OD x 1.6mm Thk
4	43138		2 BOLT Hex, M10 x 1.5 x 20mm, CI 8.8
5	47522045		2 ARM Assy
6	84319918		4 HEX SOC SCREW M12 x 1.75 x 70mm, CI 10.9
7	47416964		1 KNIFE ASSY LH
8	47416963		1 KNIFE HEAD RH
9	84429102		25 LOCK NUT Wheel
10	87470018		5 SCREW FLAT, M6 x 14.5mm, CI 10.9 Knife Section
11	84423401		2 STRAP Reinforcing Knife
12	47522044		1 ARM
13	84370960		1 SPACER
14	5138952		1 NEEDLE BEARING Needle, 25mm ID x 32mm OD x 26mm W
15	47522042		1 OIL SEAL
16	321204		1 LUBE NIPPLE M6 x 1.0 x 16mm OAL
17	84318561		1 KNIFE HEAD RH
18	64780		4 DOWEL 1/4" x 1/2", HDN
19	86566100		2 HEX SOC SCREW M10 x 35mm, CI 12.9, Full Thd
20	47415563		2 PIN 25mm OD x 32.5mm L
21	47415343		1 PLATE
22	87470018		1 SCREW FLAT, M6 x 14.5mm, CI 10.9
23	84429102		1 LOCK NUT
24	84318560		1 KNIFE HEAD LH

3152-DRAPER HEADER

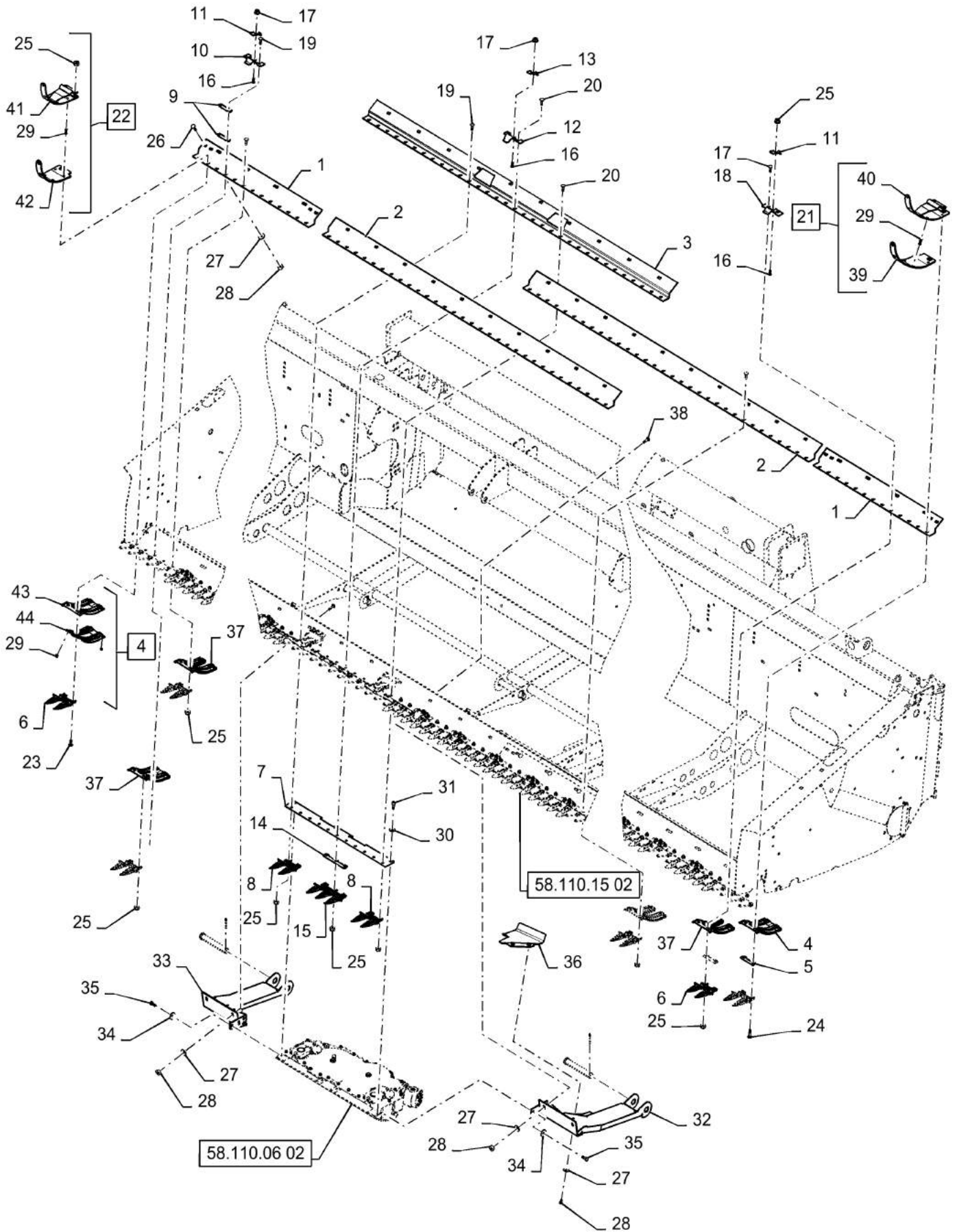
58.110.17

01

p1

9/2016

CUTTERBAR, ASSY EU, 3" TRASHBAR GUARD 40FT



CUTTERBAR, ASSY EU, 3" TRASHBAR GUARD 40FT

REF FN	PART NUMBER	YR/SN	QTY DESCRIPTION
1	47695883		2 CUTTERBAR 40FT, Outer
2	47695858		2 CUTTERBAR Outer
3	47695848		1 CUTTERBAR Center
4	NSS		68 NOT SOLD SEPARAT Incl 29, 43, 44
5	84396061		40 SHIM 31mm OD x 3.25mm Thk Knife Guard
6	916328		76 FINGER KNIFE
7	84325448		1 MOUNTING PLATE
8	47506883		1 GUARD HT, Knife 3"
8	47682280		4 GUARD Knife 3", Trashbar Gurad, EU
9	482769		38 SHIM 25mm OD x 0.59mm Thk
10	86630786		18 KNIFE CLIP Heat Treated
11	86630787		36 KNIFE CLIP Press Bar
12	84422134		3 KNIFE CLIP High
13	84422992		3 ADJUSTING PLATE
14	84384773		1 SHIM 31mm OD x 3.25mm Thk Knife Guard
15	47506882		1 GUARD
15	47695047		1 GUARD Knife, 3-Point, Trashbar Gurad, EU
16	87742342		39 PLOW BOLT M10 x 1.5 x 30mm, Class 10.9
17	86619802		39 FLANGE NUT M10 x 1.5, Cl 8
18	84184577		18 KNIFE CLIP
19	9833222		78 CARRIAGE BOLT Sq Nk, M10 x 1.5 x 35mm, Cl 8.8, Full Thd
20	43473		81 CARRIAGE BOLT Sq Nk, M10 x 1.5 x 40mm, Cl 8.8, Full Thd
21	NSS		1 NOT SOLD SEPARAT LH, Incl 29, 39, 40
22	NSS		1 NOT SOLD SEPARAT Shoe Assy, Incl 29, 41, 42
23	86512425		2 CARRIAGE BOLT Sq Nk, M10 x 45mm, Cl 8.8
24	86512426		2 CARRIAGE BOLT Sq Nk, M10 x 50mm, Cl 8.8
25	100037		163 LOCK NUT M10 x 1.5, Cl 8
26	86512422		50 CARRIAGE BOLT Sq Nk, M10 x 20mm, Cl 8.8, Full Thd

3152-DRAPER HEADER

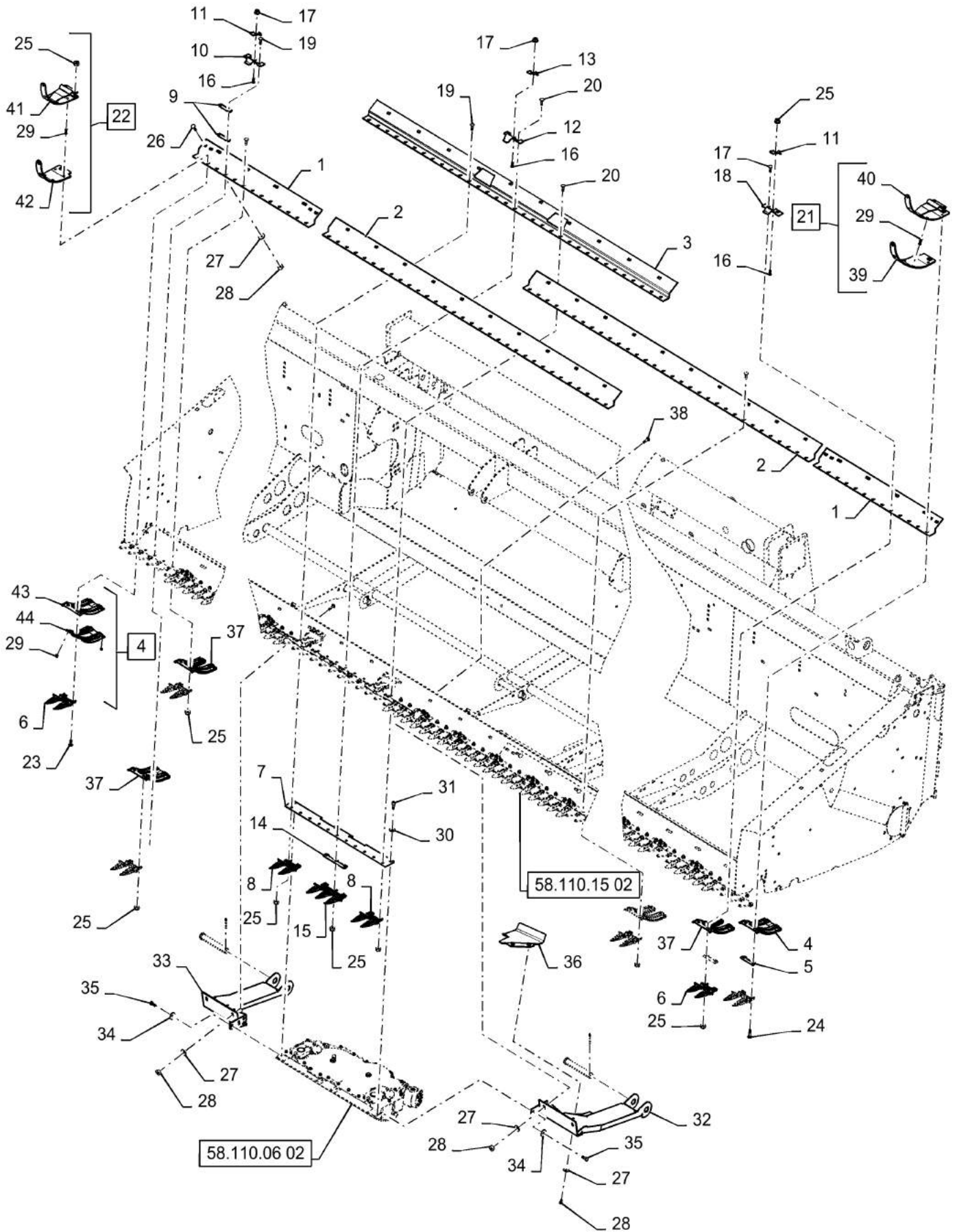
58.110.17

01

p2

9/2016

CUTTERBAR, ASSY EU, 3" TRASHBAR GUARD 40FT



CUTTERBAR, ASSY EU, 3" TRASHBAR GUARD 40FT

REF FN	PART NUMBER	YR/SN	QTY DESCRIPTION
27	140045		54 BELLEVILLE WASHER M10 Bolt Size x 22mm OD x 1.6mm Thk
28	100016		52 NUT M10 x 1.5, CI 8
29	87613322		12 POP RIVET Pop, 6.35mm OD x 15.75mm L
30	13507401		4 WASHER 12.2mm ID x 20mm OD x 2mm Thk
31	864-12030		4 HEX SOC SCREW M12 x 30mm, CI 8.8
32	47461807		1 ARM LH
33	47461804		1 ARM RH
34	140046		6 BELLEVILLE WASHER M12 Bolt Size x 27mm OD x 1.8mm Thk
35	43260		6 BOLT Hex, M12 x 1.75 x 30mm, CI 10.9, Full Thd
36	84418960		1 SHIELD
37	47487552		8 SKID/SHOE Assy
38	86633356		2 CARRIAGE BOLT M10 x 34.8mm, CI 8.8
39	84346388		1 SKID/SHOE LH
40	84346387		1 SKID/SHOE LH
41	84337069		1 SKID/SHOE RH
42	84337990		1 SKID/SHOE RH
43	251206A2		1 SHOE Skid
44	377580A1		1 SKID/SHOE Single

3152-DRAPER HEADER

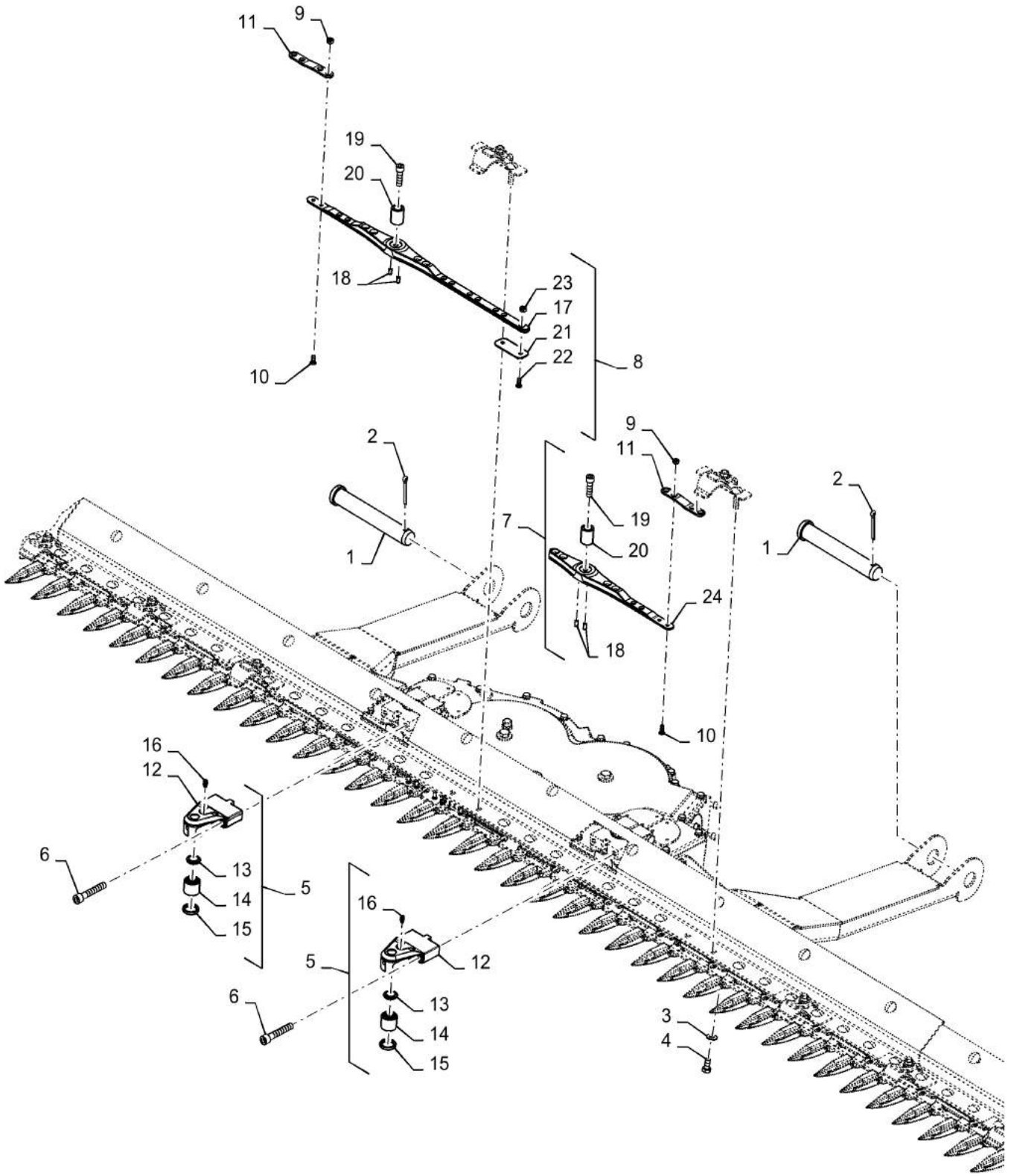
58.110.17

02

p1

9/2016

KNIFE HEAD, ASSY EU, 3" TRASHBAR GUARD 40FT



KNIFE HEAD, ASSY EU, 3" TRASHBAR GUARD 40FT

REF FN	PART NUMBER	YR/SN	QTY DESCRIPTION
1	87546416		2 PIN 31.65mm OD x 215mm L Assy
2	733-6350		2 COTTER PIN M6.3 x 50
3	140045		54 BELLEVILLE WASHER M10 Bolt Size x 22mm OD x 1.6mm Thk
4	43138		2 BOLT Hex, M10 x 1.5 x 20mm, CI 8.8
5	47522045		2 ARM Assy
6	84319918		4 HEX SOC SCREW M12 x 1.75 x 70mm, CI 10.9
7	47416964		1 KNIFE ASSY LH
8	47416963		1 KNIFE HEAD RH
9	84429102		25 LOCK NUT Wheel
10	87470018		5 SCREW FLAT, M6 x 14.5mm, CI 10.9 Knife Section
11	84423401		2 STRAP Reinforcing Knife
12	47522044		1 ARM
13	84370960		1 SPACER
14	5138952		1 NEEDLE BEARING Needle, 25mm ID x 32mm OD x 26mm W
15	47522042		1 OIL SEAL
16	321204		1 LUBE NIPPLE M6 x 1.0 x 16mm OAL
17	84318561		1 KNIFE HEAD RH
18	64780		4 DOWEL 1/4" x 1/2", HDN
19	86566100		2 HEX SOC SCREW M10 x 35mm, CI 12.9, Full Thd
20	47415563		2 PIN 25mm OD x 32.5mm L
21	47415343		1 PLATE
22	87470018		1 SCREW FLAT, M6 x 14.5mm, CI 10.9
23	84429102		1 LOCK NUT
24	84318560		1 KNIFE HEAD LH

3152-DRAPER HEADER

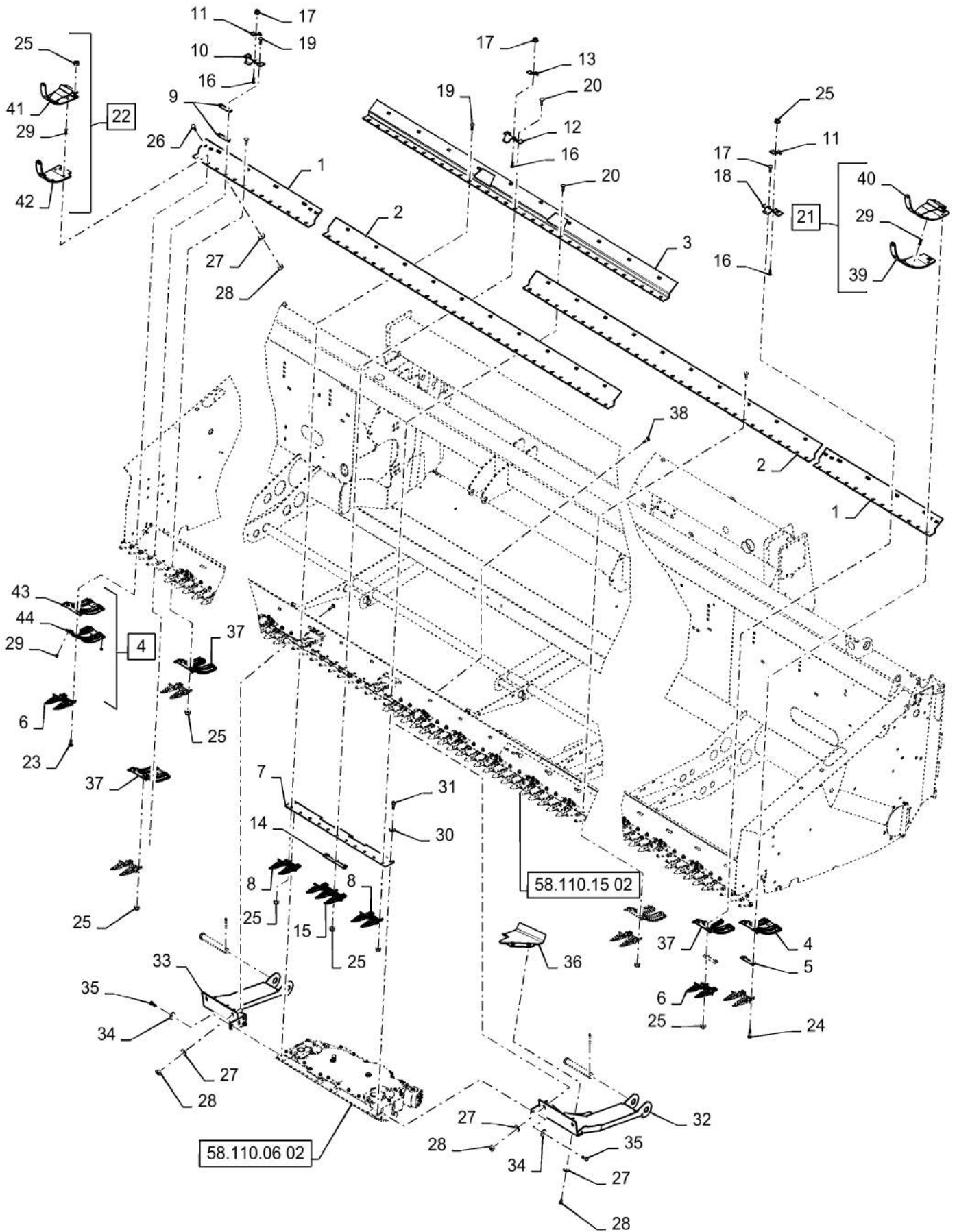
58.110.18

01

p1

9/2016

CUTTERBAR, ASSY EU, 3" TRASHBAR GUARD 45FT



CUTTERBAR, ASSY EU, 3" TRASHBAR GUARD 45FT

REF FN	PART NUMBER	YR/SN	QTY DESCRIPTION
1	47695877		2 CUTTERBAR 45FT, Outer
2	47695858		4 CUTTERBAR Outer
3	47695848		1 CUTTERBAR Center
4	NSS		78 NOT SOLD SEPARAT Incl 29, 43, 44
5	84396061		45 SHIM 31mm OD x 3.25mm Thk Knife Guard
6	916328		86 FINGER KNIFE
7	84325448		1 MOUNTING PLATE
8	47506883		4 GUARD
8	47682280		4 GUARD Knife 3", Trashbar Gurad, EU
9	482769		42 SHIM 25mm OD x 0.59mm Thk
10	86630786		20 KNIFE CLIP Heat Treated
11	86630787		40 KNIFE CLIP Press Bar
12	84422134		3 KNIFE CLIP High
13	84422992		3 ADJUSTING PLATE
14	84384773		1 SHIM 31mm OD x 3.25mm Thk Knife Guard
15	47506882		1 GUARD
15	47695047		1 GUARD Knife, 3-Point, Trashbar Gurad, EU
16	87742342		43 PLOW BOLT M10 x 1.5 x 30mm, Class 10.9
17	86619802		43 FLANGE NUT M10 x 1.5, Cl 8
18	84184577		20 KNIFE CLIP
19	9833222		88 CARRIAGE BOLT Sq Nk, M10 x 1.5 x 35mm, Cl 8.8, Full Thd
20	43473		91 CARRIAGE BOLT Sq Nk, M10 x 1.5 x 40mm, Cl 8.8, Full Thd
21	NSS		1 NOT SOLD SEPARAT LH, Incl 29, 39, 40
22	NSS		1 NOT SOLD SEPARAT Shoe Assy, Incl 29, 41, 42
23	86512425		2 CARRIAGE BOLT Sq Nk, M10 x 45mm, Cl 8.8
24	86512426		2 CARRIAGE BOLT Sq Nk, M10 x 50mm, Cl 8.8
25	100037		183 LOCK NUT M10 x 1.5, Cl 8
26	86512422		56 CARRIAGE BOLT Sq Nk, M10 x 20mm, Cl 8.8, Full Thd

3152-DRAPER HEADER

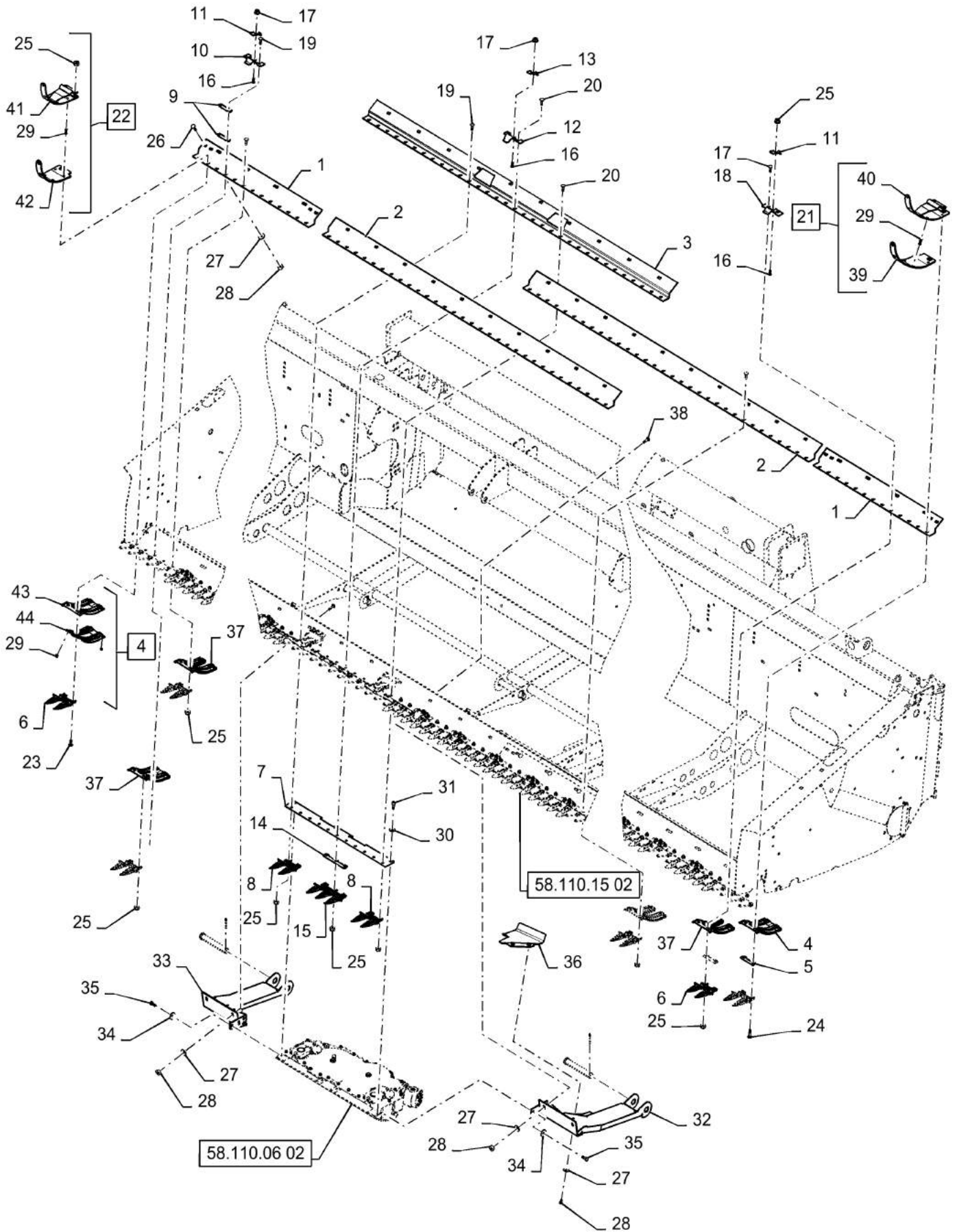
58.110.18

01

p2

9/2016

CUTTERBAR, ASSY EU, 3" TRASHBAR GUARD 45FT



CUTTERBAR, ASSY EU, 3" TRASHBAR GUARD 45FT

REF FN	PART NUMBER	YR/SN	QTY DESCRIPTION
27	140045		60 BELLEVILLE WASHER M10 Bolt Size x 22mm OD x 1.6mm Thk
28	100016		58 NUT M10 x 1.5, CI 8
29	87613322		12 POP RIVET Pop, 6.35mm OD x 15.75mm L
30	13507401		4 WASHER 12.2mm ID x 20mm OD x 2mm Thk
31	864-12030		4 HEX SOC SCREW M12 x 30mm, CI 8.8
32	47461807		1 ARM LH
33	47461804		1 ARM RH
34	140046		6 BELLEVILLE WASHER M12 Bolt Size x 27mm OD x 1.8mm Thk
35	43260		6 BOLT Hex, M12 x 1.75 x 30mm, CI 10.9, Full Thd
36	84418960		1 SHIELD
37	47487552		8 SKID/SHOE Assy
38	86633356		2 CARRIAGE BOLT M10 x 34.8mm, CI 8.8
39	84346388		1 SKID/SHOE LH
40	84346387		1 SKID/SHOE LH
41	84337069		1 SKID/SHOE RH
42	84337990		1 SKID/SHOE RH
43	251206A2		1 SHOE Skid
44	377580A1		1 SKID/SHOE Single

3152-DRAPER HEADER

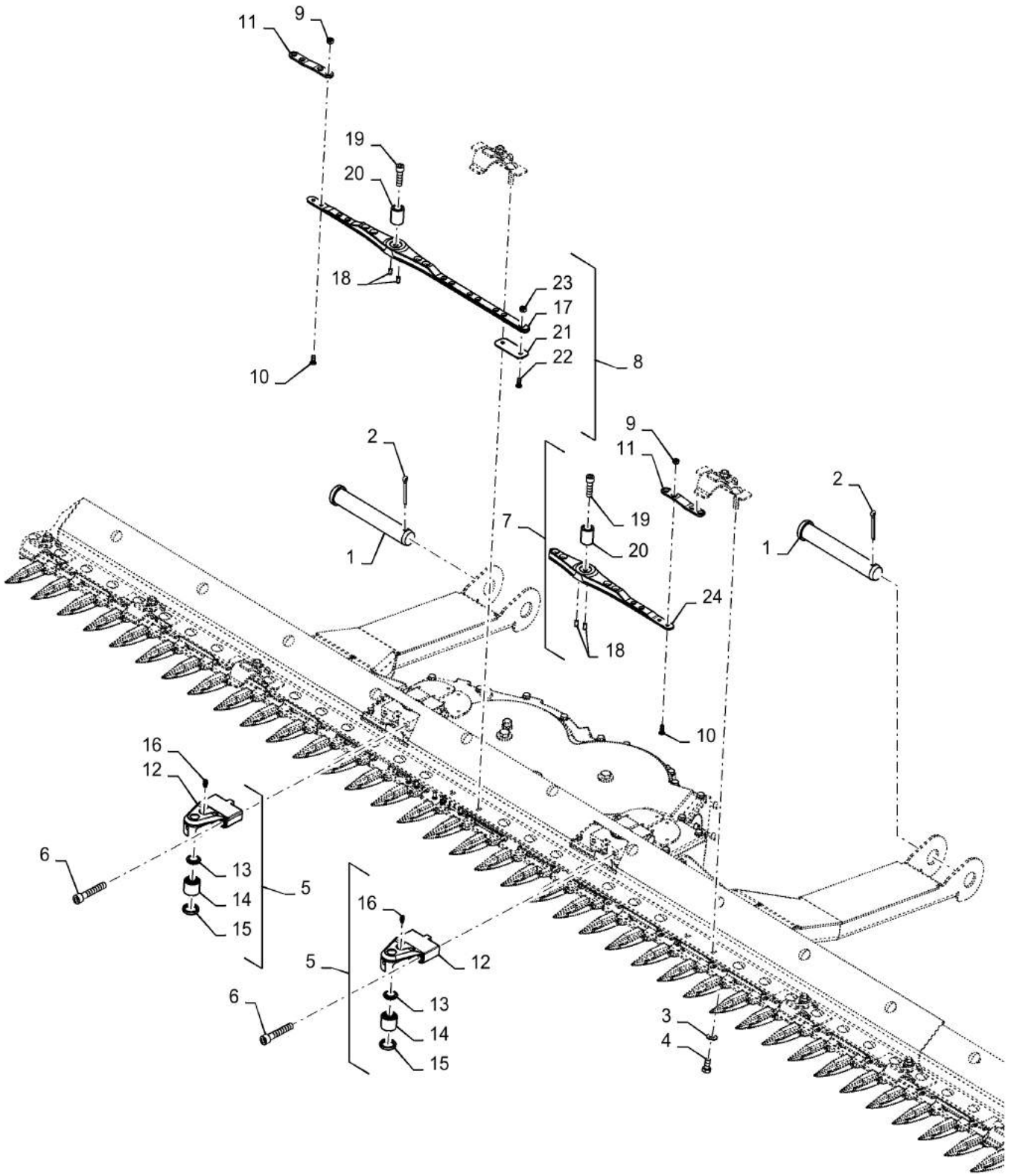
58.110.18

02

p1

9/2016

KNIFE HEAD, ASSY EU, 3" TRASHBAR GUARD 45FT

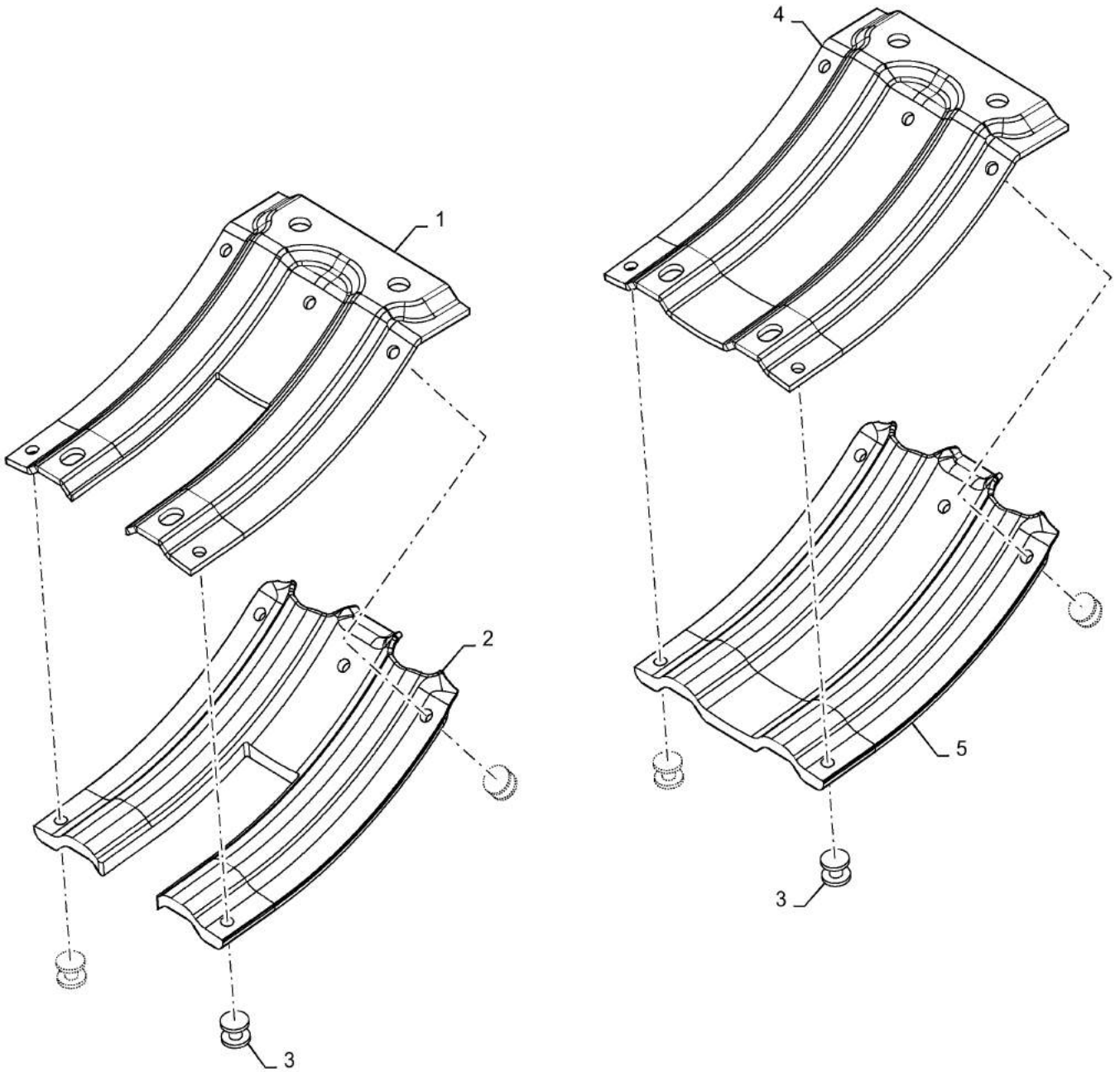


KNIFE HEAD, ASSY EU, 3" TRASHBAR GUARD 45FT

REF FN	PART NUMBER	YR/SN	QTY DESCRIPTION
1	87546416		2 PIN 31.65mm OD x 215mm L Assy
2	733-6350		2 COTTER PIN M6.3 x 50
3	140045		60 BELLEVILLE WASHER M10 Bolt Size x 22mm OD x 1.6mm Thk
4	43138		2 BOLT Hex, M10 x 1.5 x 20mm, CI 8.8
5	47522045		2 ARM Assy
6	84319918		4 HEX SOC SCREW M12 x 1.75 x 70mm, CI 10.9
7	47416964		1 KNIFE ASSY LH
8	47416963		1 KNIFE HEAD RH, Assy
9	84429102		25 LOCK NUT Wheel
10	87470018		5 SCREW FLAT, M6 x 14.5mm, CI 10.9 Knife Section
11	84423401		2 STRAP Reinforcing Knife
12	47522044		1 ARM
13	84370960		1 SPACER
14	5138952		1 NEEDLE BEARING Needle, 25mm ID x 32mm OD x 26mm W
15	47522042		1 OIL SEAL
16	321204		1 LUBE NIPPLE M6 x 1.0 x 16mm OAL
17	84318561		1 KNIFE HEAD RH
18	64780		4 DOWEL 1/4" x 1/2", HDN
19	86566100		2 HEX SOC SCREW M10 x 35mm, CI 12.9, Full Thd
20	47415563		2 PIN 25mm OD x 32.5mm L
21	47415343		1 PLATE
22	87470018		1 SCREW FLAT, M6 x 14.5mm, CI 10.9
23	84429102		1 LOCK NUT
24	84318560		1 KNIFE HEAD LH

3152-DRAPER HEADER

SKID/SHOE, ASSY



SKID/SHOE, ASSY

REF FN	PART NUMBER	YR/SN	QTY DESCRIPTION
1	47487546		1 SKID/SHOE
2	{47487553}		1
3	87613322		10 POP RIVET Pop, 6.35mm OD x 15.75mm L
4	251206A2		1 SHOE
5	377580A1		1 SKID/SHOE

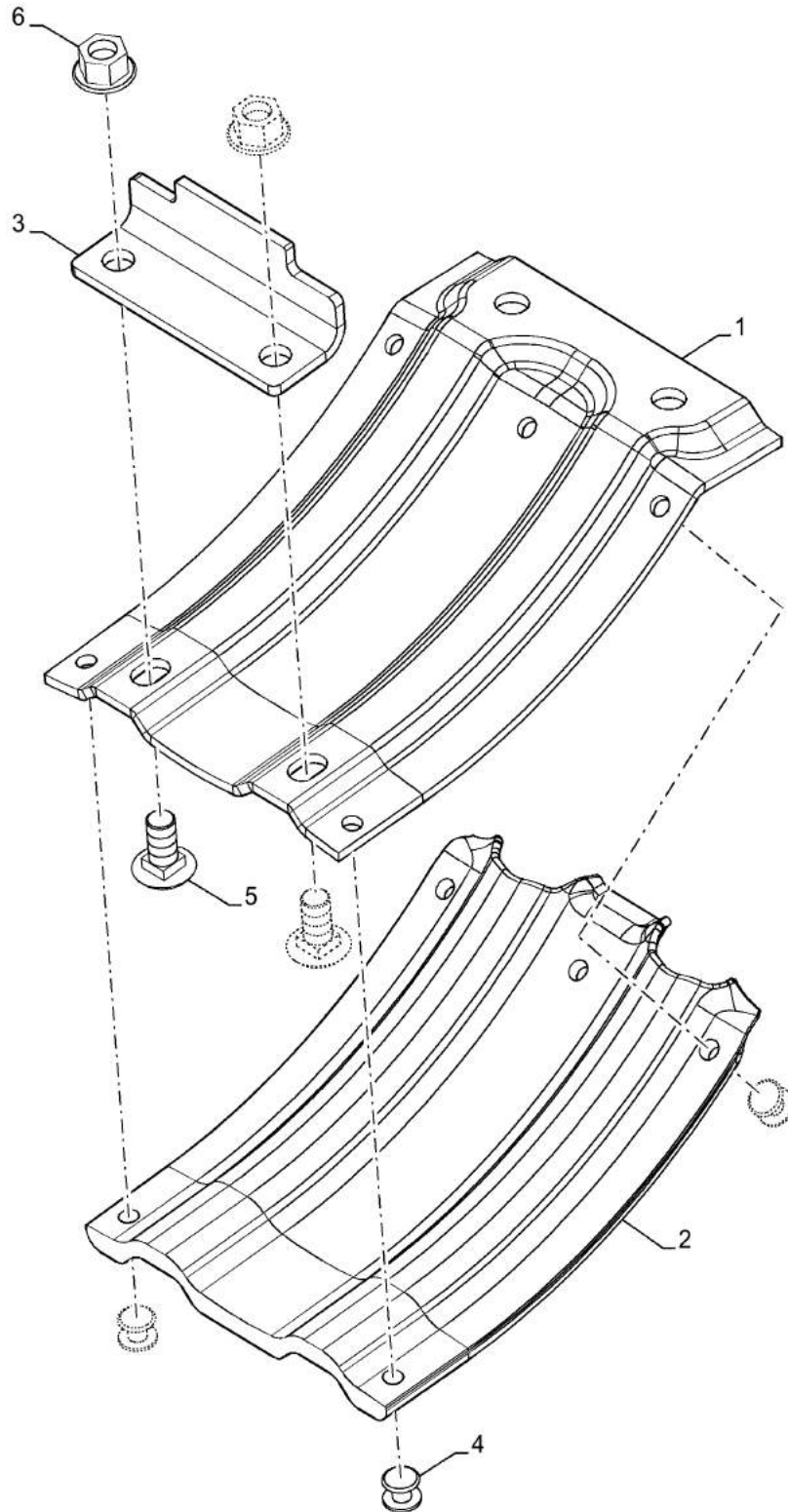
3152-DRAPER HEADER 3162-DRAPER HEADER

58.110.20

p1

9/2016

SKID/SHOE, ASSY



SKID/SHOE, ASSY

REF FN	PART NUMBER	YR/SN	QTY DESCRIPTION
1	251206A2		1 SHOE Skid
2	377580A1		1 SKID/SHOE Single
3	47973686		1 ANGLE
4	87613322		5 POP RIVET Pop, 6.35mm OD x 15.75mm L
5	86508748		2 CARRIAGE BOLT Short Square Neck, 3/8" - 16 x 3/4", Grade 5
6	1 86521606		2 FLANGE NUT Hex, 3/8" - 16, Gr 5

(1) Change to narrow throat knife guards for most of header width. Some wide throat guards will be required at middle. Add angle to rear of skid shoes on rigid heads to improve stability of cutterbar. Angle will not be used in all skid shoe locations.

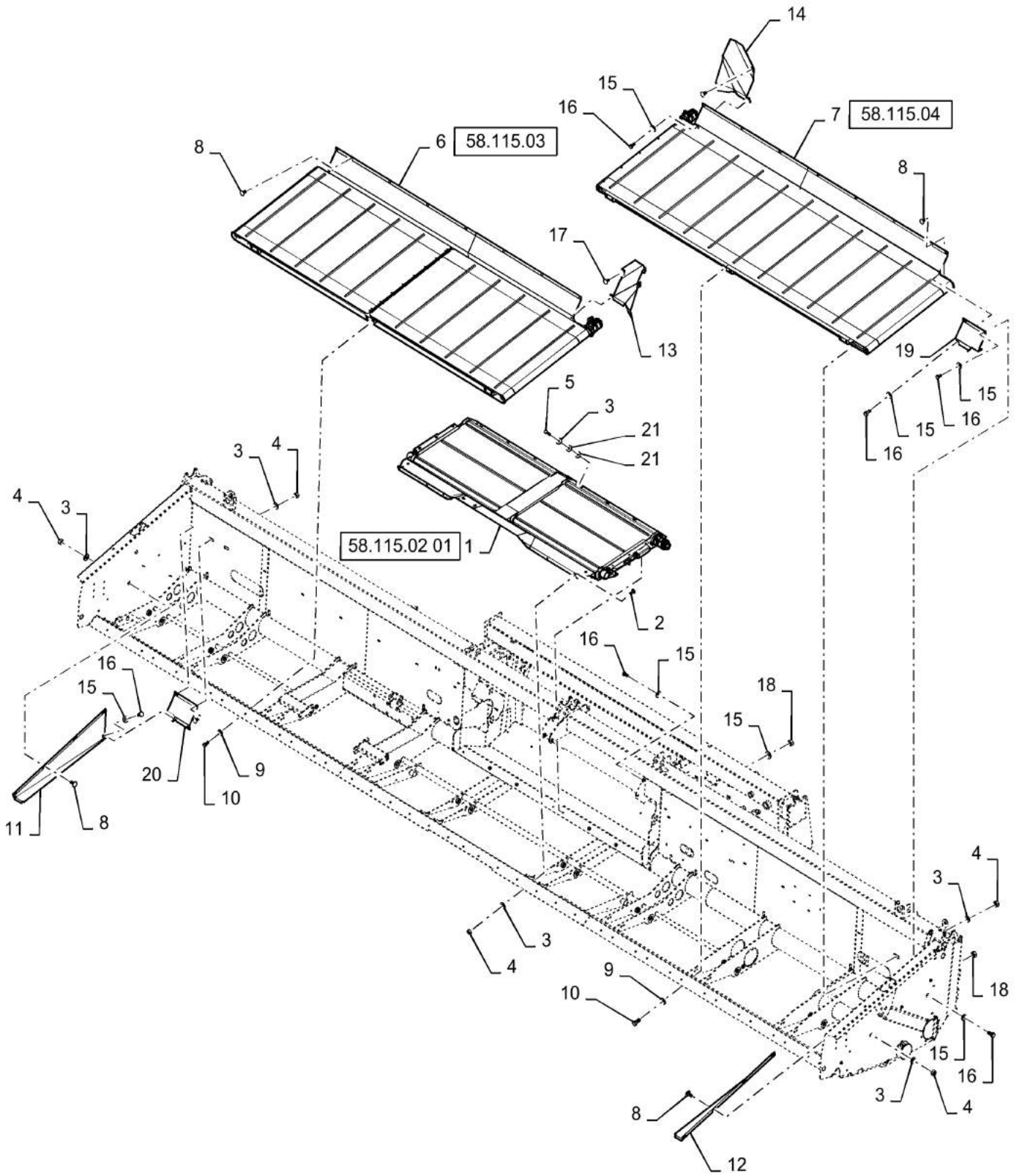
3152-DRAPER HEADER 3162-DRAPER HEADER

58.115.01

p1

9/2016

DRAPER, ASSY, 30FT



DRAPER, ASSY, 30FT

REF FN	PART NUMBER	YR/SN	QTY DESCRIPTION
1	84289440		1 FEEDER Assy
2	86633356		6 CARRIAGE BOLT M10 x 34.8mm, CI 8.8
3	140045		38 BELLEVILLE WASHER M10 Bolt Size x 22mm OD x 1.6mm Thk
4	100016		30 NUT M10 x 1.5, CI 8
5	9706704		8 BOLT Hex, M10 x 1.5 x 41.58mm, CI 8.8
6	NSS		1 NOT SOLD SEPARAT Tensioner Assy, RH
7	NSS		1 NOT SOLD SEPARAT Tensioner Assy, LH
8	120041		24 CARRIAGE BOLT M10 x 20mm, CI 8.8
9	140046		12 BELLEVILLE WASHER M12 Bolt Size x 27mm OD x 1.8mm Thk
10	300388		12 BOLT Hex, M12 x 1.75 x 25mm, CI 8.8
11	84365436		1 SHIELD RH
12	84365435		1 SHIELD LH
13	47434686		1 SHIELD RH
14	47434685		1 SHIELD LH
15	322358		16 BELLEVILLE WASHER M8 Bolt Size x 18mm OD x 1.4mm Thk
16	120103		14 BOLT M8 x 1.25 x 16mm, CI 8.8
17	86619060		12 CARRIAGE BOLT M8 x 1.25 x 16mm, CI 8.8
18	9706690		4 NUT M8 x 1.25, CI 8
19	84365909		1 SHIELD RH
20	84365910		1 SHIELD LH
21	394629		16 WASHER 10.5mm ID x 24mm OD x 3mm Thk

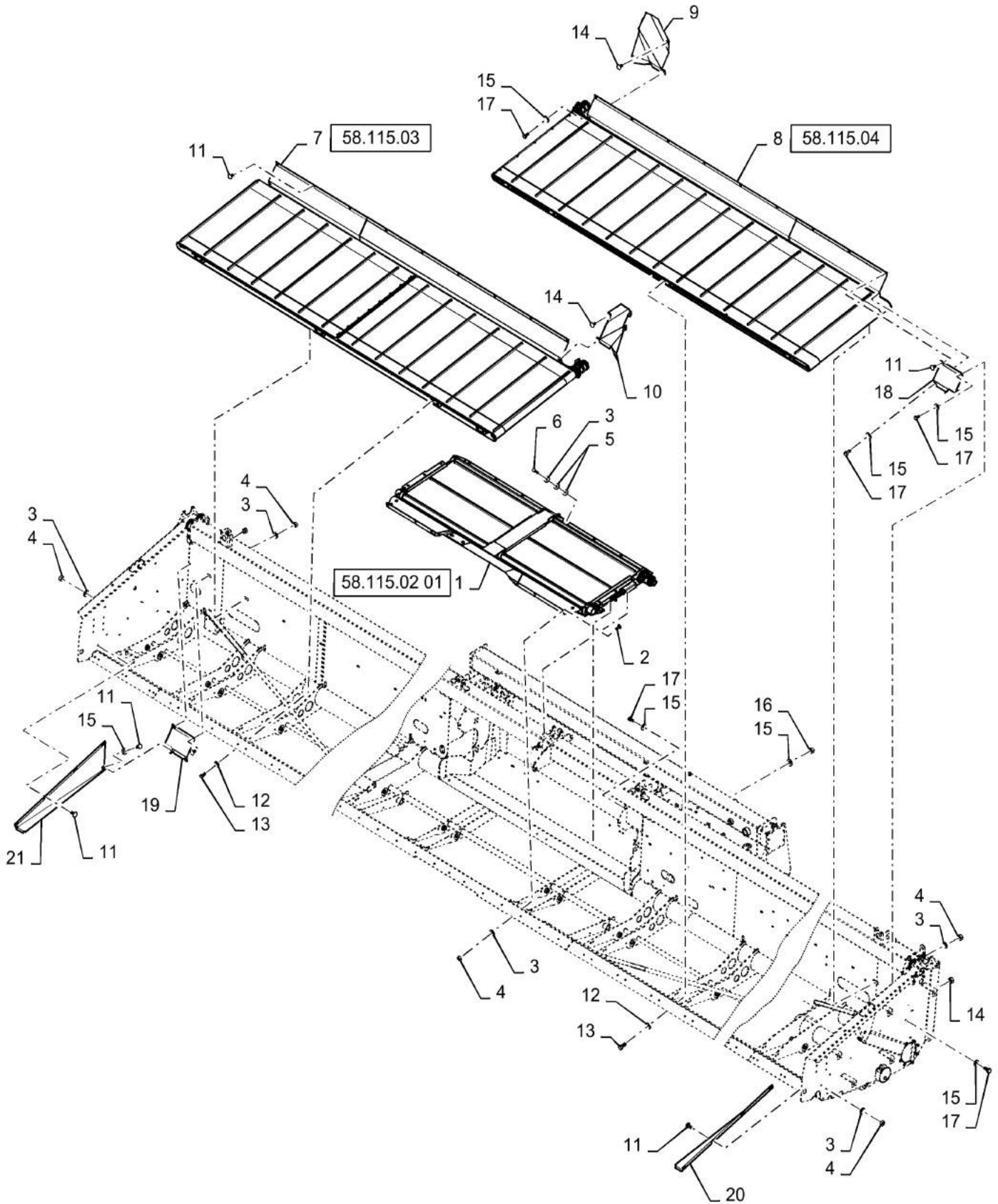
3152-DRAPER HEADER 3162-DRAPER HEADER

58.115.01

p1

9/2016

DRAPER, ASSY, 35FT

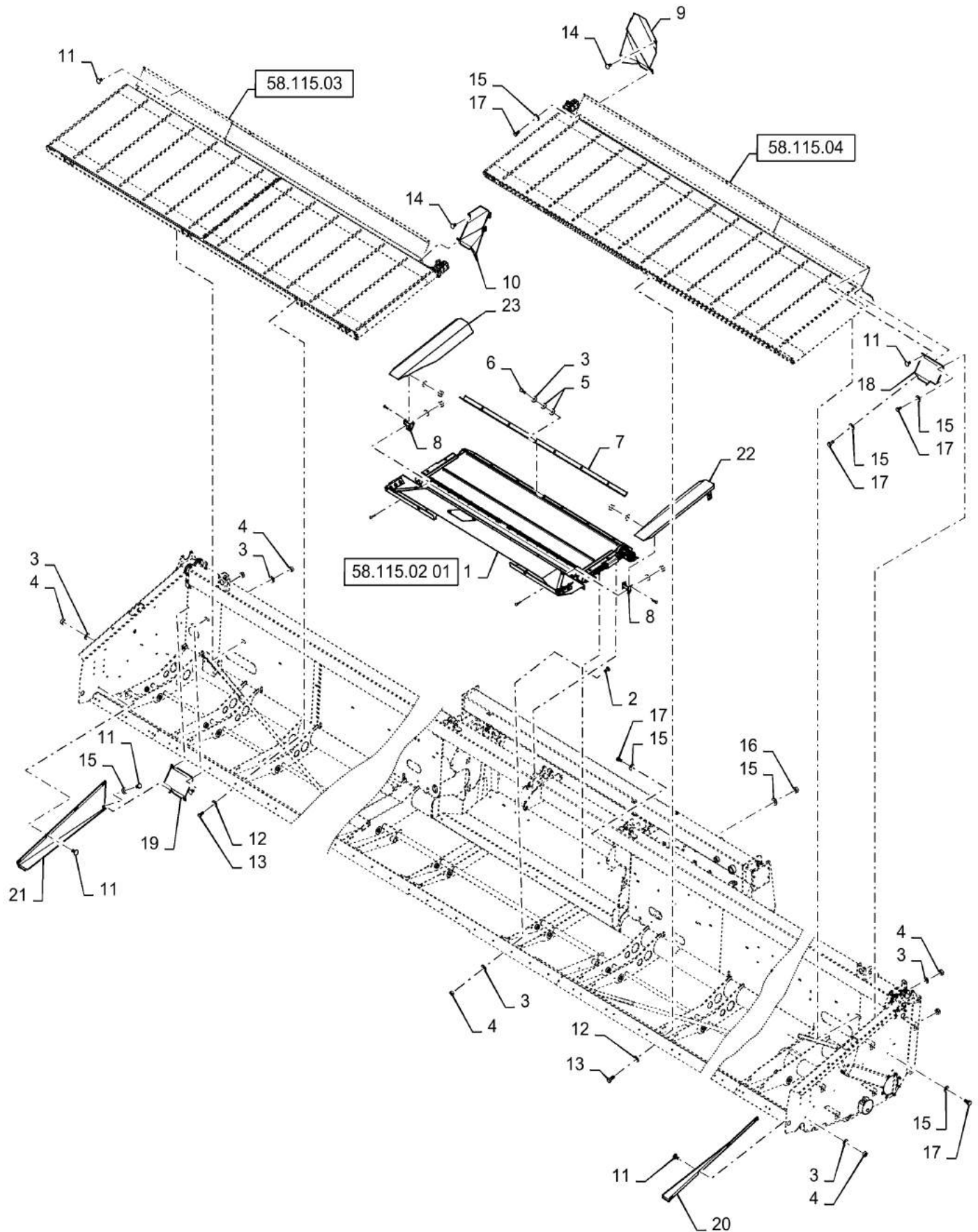


DRAPER, ASSY, 35FT

REF FN	PART NUMBER	YR/SN	QTY DESCRIPTION
1	84289440		1 FEEDER Assy
2	86633356		6 CARRIAGE BOLT M10 x 34.8mm, CI 8.8
3	140045		40 BELLEVILLE WASHER M10 Bolt Size x 22mm OD x 1.6mm Thk
4	100016		32 NUT M10 x 1.5, CI 8
5	394629		16 WASHER 10.5mm ID x 24mm OD x 3mm Thk
6	9706704		8 BOLT Hex, M10 x 1.5 x 41.58mm, CI 8.8
7	NSS		1 NOT SOLD SEPARAT Tensioner, Assy, RH
8	NSS		1 NOT SOLD SEPARAT Tnesioner, Assy, LH
9	47434685		1 SHIELD LH
10	47434686		1 SHIELD RH
11	120041		26 CARRIAGE BOLT M10 x 20mm, CI 8.8
12	140046		16 BELLEVILLE WASHER M12 Bolt Size x 27mm OD x 1.8mm Thk
13	300388		16 BOLT Hex, M12 x 1.75 x 25mm, CI 8.8
14	86619060		2 CARRIAGE BOLT M8 x 1.25 x 16mm, CI 8.8
15	322358		16 BELLEVILLE WASHER M8 Bolt Size x 18mm OD x 1.4mm Thk
16	9706690		4 NUT M8 x 1.25, CI 8
17	120103		14 BOLT M8 x 1.25 x 16mm, CI 8.8
18	84365909		1 SHIELD LH
19	84365910		1 SHIELD RH
20	84365435		1 SHIELD LH
21	84365436		1 SHIELD RH

3152-DRAPER HEADER 3162-DRAPER HEADER

DRAPER, ASSY, 35FT (AUSTRALIA ONLY)

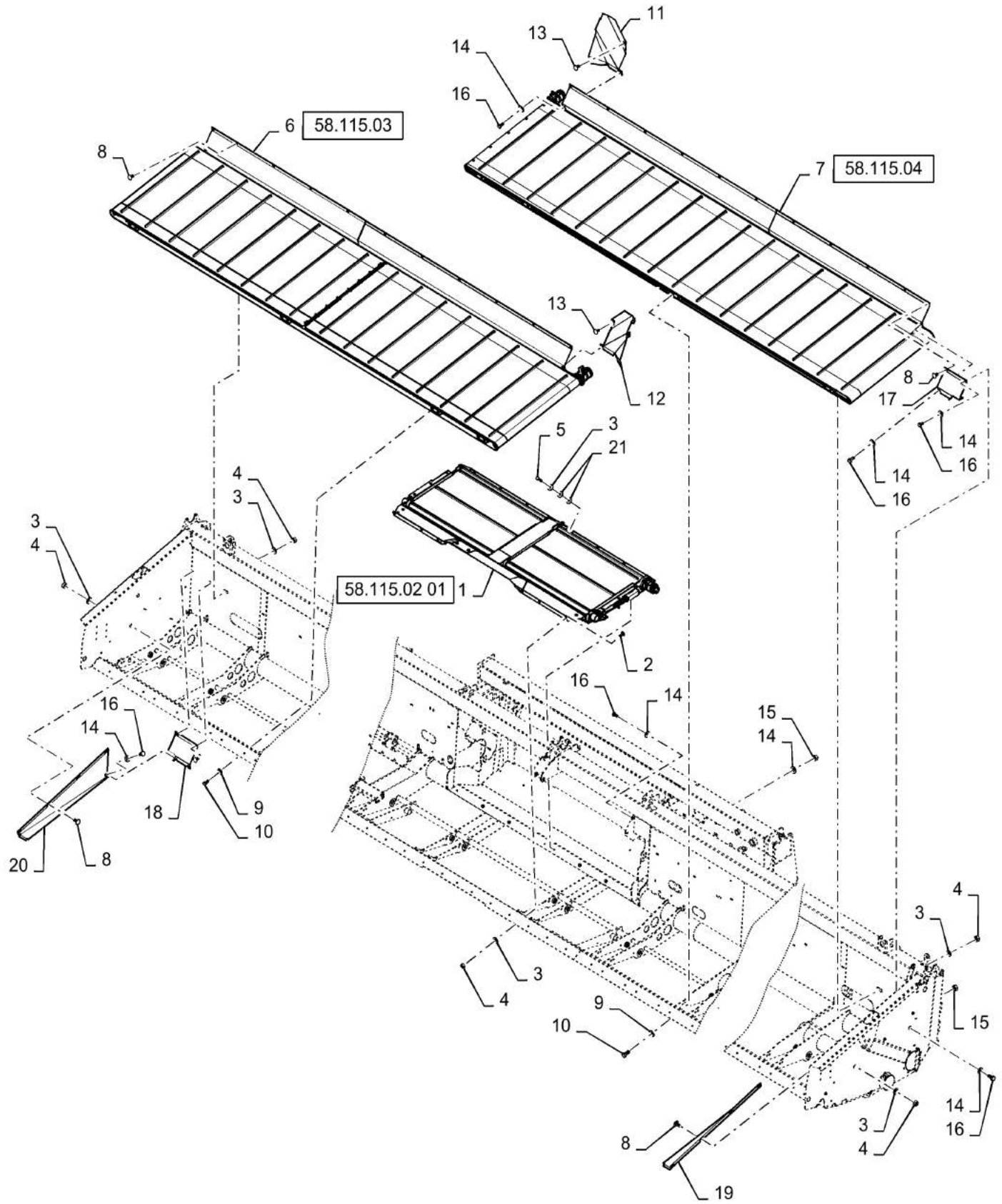


DRAPER, ASSY, 35FT (AUSTRALIA ONLY)

REF FN	PART NUMBER	YR/SN	QTY DESCRIPTION
1	47950584		1 FEEDER Assy
2	86633356		16 CARRIAGE BOLT M10 x 34.8mm, CI 8.8
3	140045		48 BELLEVILLE WASHER M10 Bolt Size x 22mm OD x 1.6mm Thk
4	100016		42 NUT M10 x 1.5, CI 8
5	394629		6 WASHER 10.5mm ID x 24mm OD x 3mm Thk
6	9706704		6 BOLT Hex, M10 x 1.5 x 41.58mm, CI 8.8
7	47963328		1 ANGLE Dark Grey
8	47958589		2 MOUNT Deflector
9	47883513		1 SHIELD LH
10	47883515		1 SHIELD RH
11	120041		26 CARRIAGE BOLT M10 x 20mm, CI 8.8
12	140046		16 BELLEVILLE WASHER M12 Bolt Size x 27mm OD x 1.8mm Thk
13	300388		16 BOLT Hex, M12 x 1.75 x 25mm, CI 8.8
14	86619060		2 CARRIAGE BOLT M8 x 1.25 x 16mm, CI 8.8
15	322358		16 BELLEVILLE WASHER M8 Bolt Size x 18mm OD x 1.4mm Thk
16	9706690		4 NUT M8 x 1.25, CI 8
17	120103		14 BOLT M8 x 1.25 x 16mm, CI 8.8
18	84365435		1 SHIELD LH
19	84365436		1 SHIELD RH
20	84365909		1 SHIELD LH
21	84365910		1 SHIELD RH
22	48018033		1 MOUNT LH
23	48018036		1 MOUNT RH
24	48017062		1 DEFLECTOR RH
25	48018040		2 PLATE
26	48018044		1 ANGLE RH
27	48018043		1 ANGLE LH
28	48017054		1 DEFLECTOR LH

3152-DRAPER HEADER 3162-DRAPER HEADER

DRAPER, ASSY, 40FT

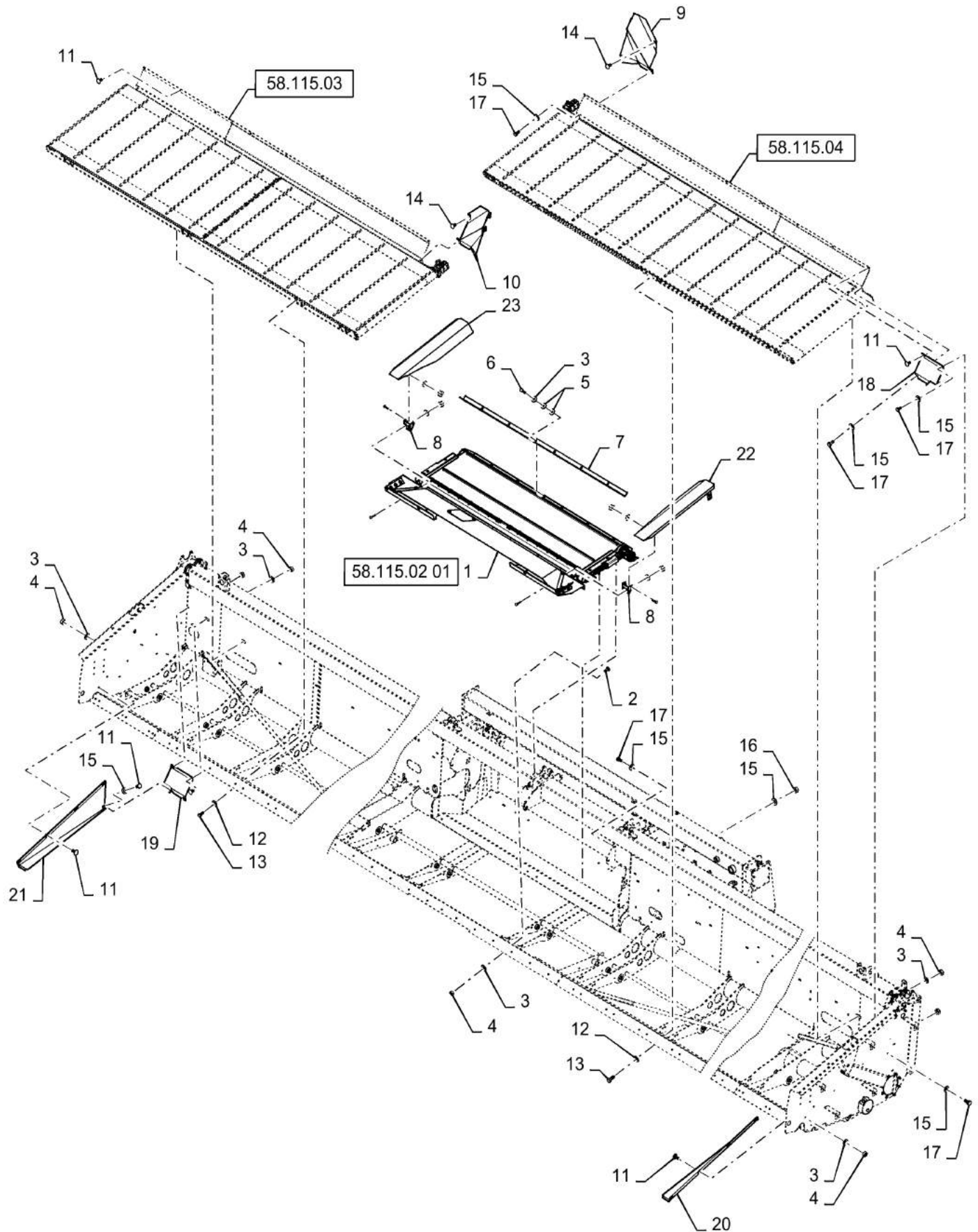


DRAPER, ASSY, 40FT

REF FN	PART NUMBER	YR/SN	QTY DESCRIPTION
1	84289440		1 FEEDER Assy
2	86633356		6 CARRIAGE BOLT M10 x 34.8mm, CI 8.8
3	140045		44 BELLEVILLE WASHER M10 Bolt Size x 22mm OD x 1.6mm Thk
4	100016		36 NUT M10 x 1.5, CI 8
5	9706704		4 BOLT Hex, M10 x 1.5 x 41.58mm, CI 8.8
6	NSS		1 NOT SOLD SEPARAT Tensioner RH, Assy 40FT
7	NSS		1 NOT SOLD SEPARAT Tensioner LH, Assy 40FT
8	120041		30 CARRIAGE BOLT M10 x 20mm, CI 8.8
9	140046		16 BELLEVILLE WASHER M12 Bolt Size x 27mm OD x 1.8mm Thk
10	300388		16 BOLT Hex, M12 x 1.75 x 25mm, CI 8.8
11	47434685		1 SHIELD LH
12	47434686		1 SHIELD RH
13	86619060		2 CARRIAGE BOLT M8 x 1.25 x 16mm, CI 8.8
14	322358		16 BELLEVILLE WASHER M8 Bolt Size x 18mm OD x 1.4mm Thk
15	9706690		4 NUT M8 x 1.25, CI 8
16	120103		14 BOLT M8 x 1.25 x 16mm, CI 8.8
17	84365909		1 SHIELD Assy, LH
18	84365910		1 SHIELD Assy, RH
19	84365435		1 SHIELD Assy, LH
20	84365436		1 SHIELD Assy, RH
21	394629		16 WASHER 10.5mm ID x 24mm OD x 3mm Thk

3152-DRAPER HEADER 3162-DRAPER HEADER

DRAPER, ASSY, 40FT (AUSTRALIA ONLY)



DRAPER, ASSY, 40FT (AUSTRALIA ONLY)

REF FN	PART NUMBER	YR/SN	QTY DESCRIPTION
1	47950584		1 FEEDER Assy
2	86633356		16 CARRIAGE BOLT M10 x 34.8mm, CI 8.8
3	140045		52 BELLEVILLE WASHER M10 Bolt Size x 22mm OD x 1.6mm Thk
4	100016		46 NUT M10 x 1.5, CI 8
5	394629		6 WASHER 10.5mm ID x 24mm OD x 3mm Thk
6	9706704		6 BOLT Hex, M10 x 1.5 x 41.58mm, CI 8.8
7	47963328		1 ANGLE Dark Grey
8	47958589		2 MOUNT Deflector
9	47883513		1 SHIELD LH
10	47883515		1 SHIELD RH
11	120041		30 CARRIAGE BOLT M10 x 20mm, CI 8.8
12	140046		16 BELLEVILLE WASHER M12 Bolt Size x 27mm OD x 1.8mm Thk
13	300388		16 BOLT Hex, M12 x 1.75 x 25mm, CI 8.8
14	86619060		2 CARRIAGE BOLT M8 x 1.25 x 16mm, CI 8.8
15	322358		16 BELLEVILLE WASHER M8 Bolt Size x 18mm OD x 1.4mm Thk
16	9706690		4 NUT M8 x 1.25, CI 8
17	120103		14 BOLT M8 x 1.25 x 16mm, CI 8.8
18	84365435		1 SHIELD LH
19	84365436		1 SHIELD RH
20	84365909		1 SHIELD LH
21	84365910		1 SHIELD RH
22	47997621		1 DEFLECTOR LH
23	47997626		1 DEFLECTOR RH

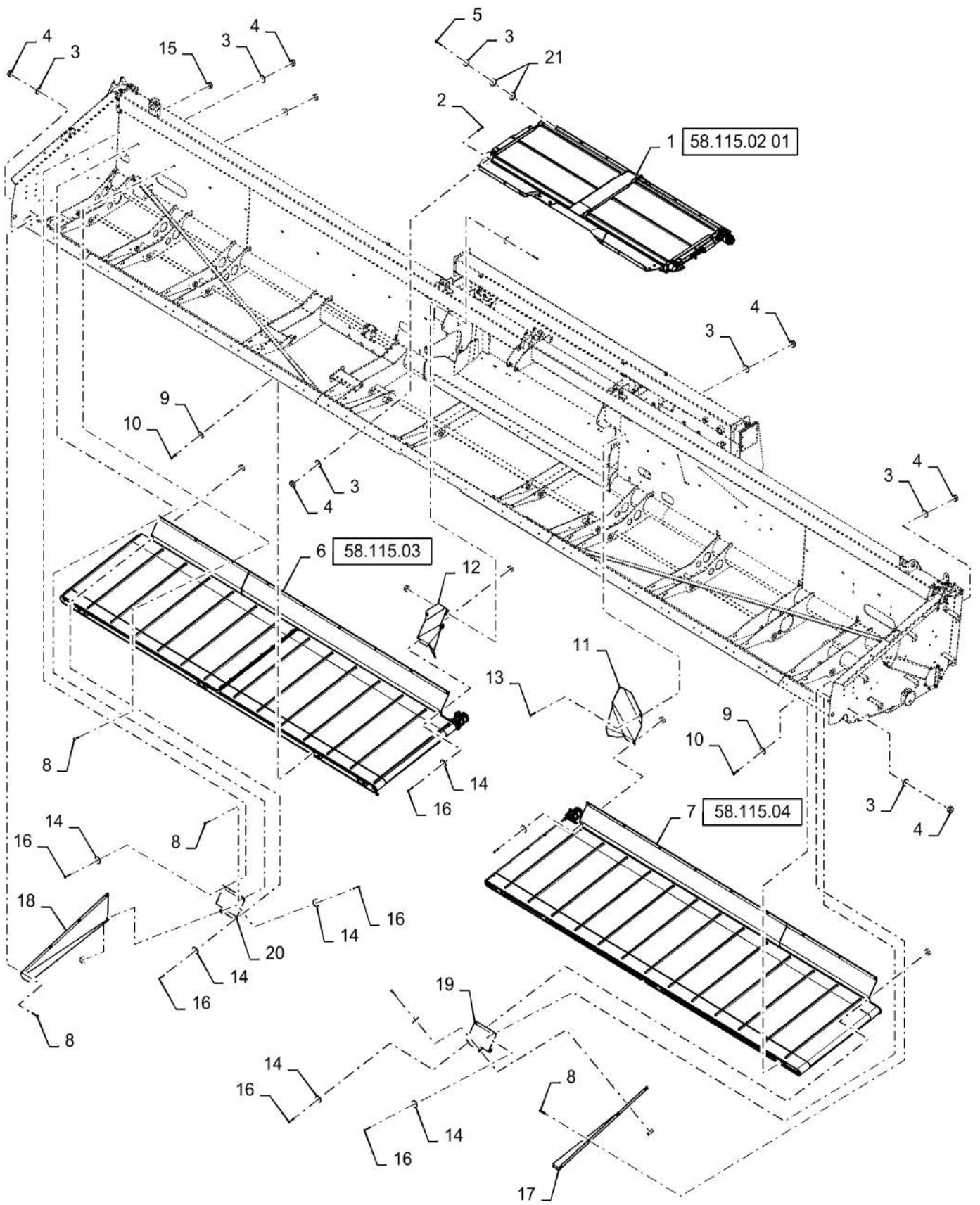
3152-DRAPER HEADER 3162-DRAPER HEADER

58.115.01

p1

9/2016

DRAPER, ASSY, 45FT

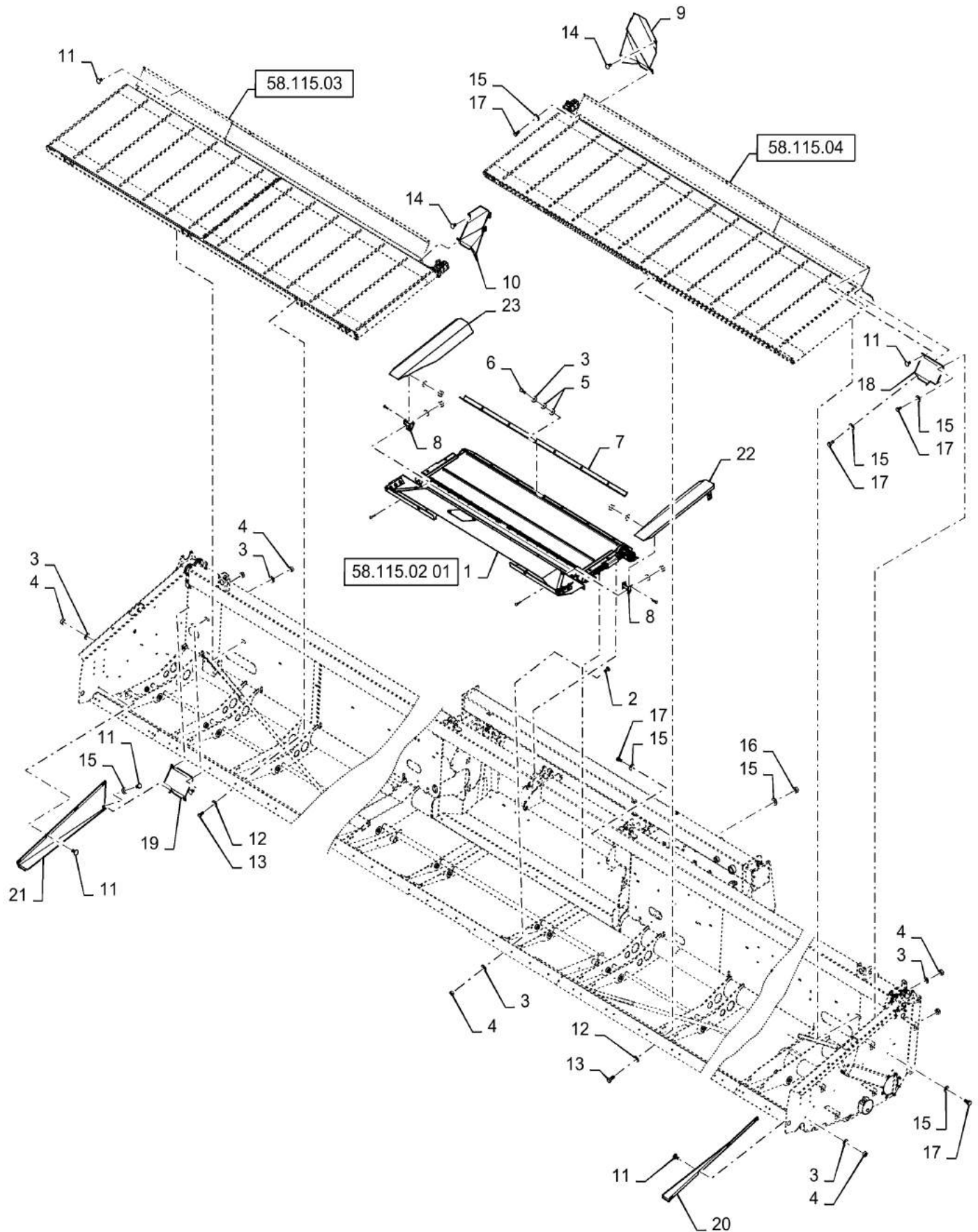


DRAPER, ASSY, 45FT

REF FN	PART NUMBER	YR/SN	QTY DESCRIPTION
1	84289440		1 FEEDER Assy
2	86633356		6 CARRIAGE BOLT M10 x 34.8mm, CI 8.8
3	140045		46 BELLEVILLE WASHER M10 Bolt Size x 22mm OD x 1.6mm Thk
4	100016		38 NUT M10 x 1.5, CI 8
5	9706704		4 BOLT Hex, M10 x 1.5 x 41.58mm, CI 8.8
6	NSS		1 NOT SOLD SEPARAT Tensioner Assy, RH
7	NSS		1 NOT SOLD SEPARAT Tensioner Assy, LH
8	120041		32 CARRIAGE BOLT M10 x 20mm, CI 8.8
9	140046		20 BELLEVILLE WASHER M12 Bolt Size x 27mm OD x 1.8mm Thk
10	300388		20 BOLT Hex, M12 x 1.75 x 25mm, CI 8.8
11	47434685		1 SHIELD LH
12	47434686		1 SHIELD RH
13	86619060		2 CARRIAGE BOLT M8 x 1.25 x 16mm, CI 8.8
14	322358		16 BELLEVILLE WASHER M8 Bolt Size x 18mm OD x 1.4mm Thk
15	9706690		4 NUT M8 x 1.25, CI 8
16	120103		14 BOLT M8 x 1.25 x 16mm, CI 8.8
17	84365435		1 SHIELD Assy, LH
18	84365436		1 SHIELD Assy, RH
19	84365909		1 SHIELD Assy, LH
20	84365910		1 SHIELD Assy, RH
21	394629		16 WASHER 10.5mm ID x 24mm OD x 3mm Thk

3152-DRAPER HEADER 3162-DRAPER HEADER

DRAPER, ASSY, 45FT (AUSTRALIA ONLY)



DRAPER, ASSY, 45FT (AUSTRALIA ONLY)

REF FN	PART NUMBER	YR/SN	QTY DESCRIPTION
1	47950584		1 FEEDER Assy
2	86633356		16 CARRIAGE BOLT M10 x 34.8mm, CI 8.8
3	140045		54 BELLEVILLE WASHER M10 Bolt Size x 22mm OD x 1.6mm Thk
4	100016		48 NUT M10 x 1.5, CI 8
5	394629		6 WASHER 10.5mm ID x 24mm OD x 3mm Thk
6	9706704		6 BOLT Hex, M10 x 1.5 x 41.58mm, CI 8.8
7	47963328		1 ANGLE Dark Grey
8	47958589		2 MOUNT Deflector
9	47883513		1 SHIELD LH
10	47883515		1 SHIELD RH
11	120041		32 CARRIAGE BOLT M10 x 20mm, CI 8.8
12	140046		20 BELLEVILLE WASHER M12 Bolt Size x 27mm OD x 1.8mm Thk
13	300388		20 BOLT Hex, M12 x 1.75 x 25mm, CI 8.8
14	86619060		2 CARRIAGE BOLT M8 x 1.25 x 16mm, CI 8.8
15	322358		16 BELLEVILLE WASHER M8 Bolt Size x 18mm OD x 1.4mm Thk
16	9706690		4 NUT M8 x 1.25, CI 8
17	120103		14 BOLT M8 x 1.25 x 16mm, CI 8.8
18	84365435		1 SHIELD LH
19	84365436		1 SHIELD RH
20	84365909		1 SHIELD LH
21	84365910		1 SHIELD RH
22	47997621		1 DEFLECTOR LH
23	47997626		1 DEFLECTOR RH

3152-DRAPER HEADER 3162-DRAPER HEADER

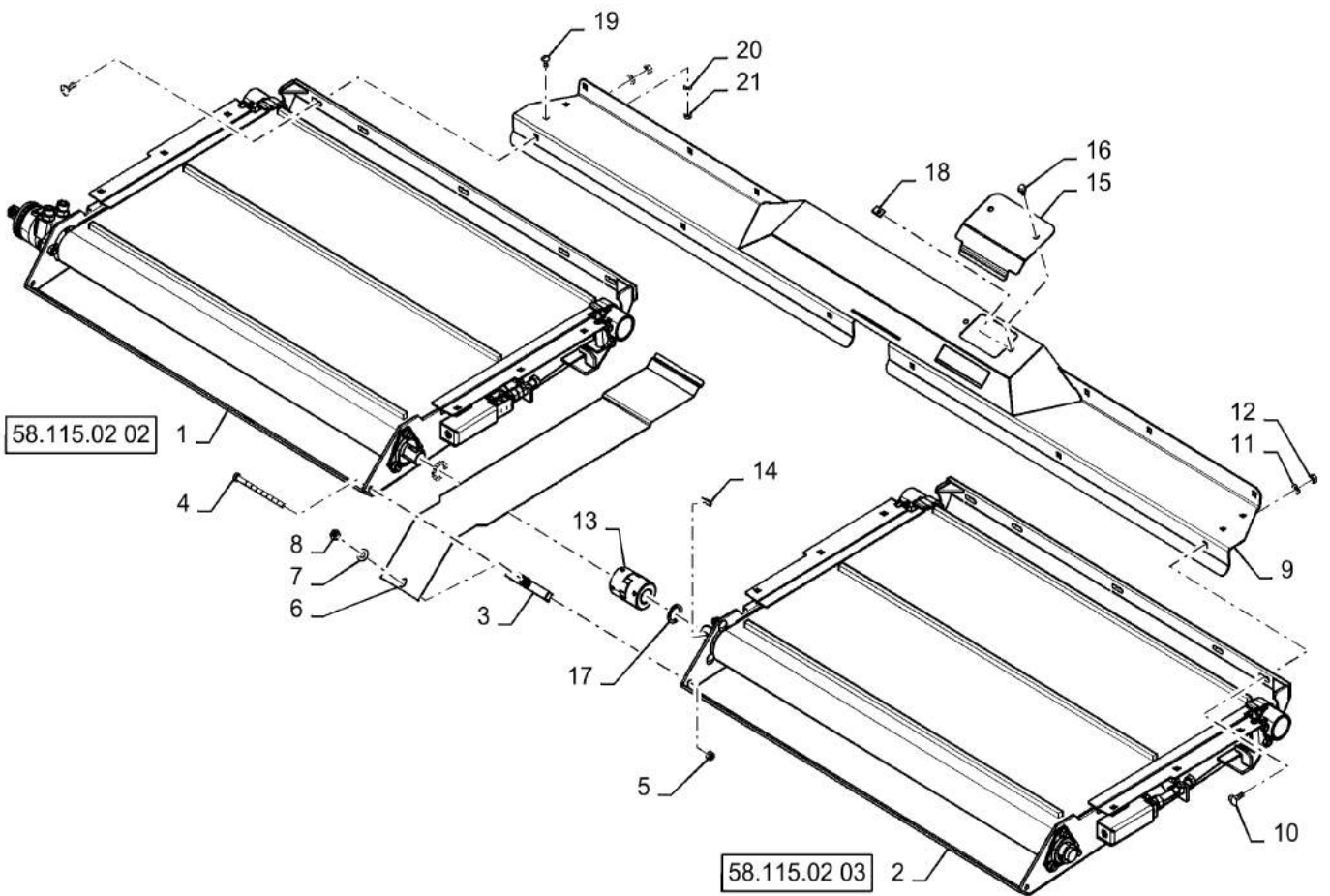
58.115.02

01

p1

9/2016

FEEDER ASSY



FEEDER ASSY

REF FN	PART NUMBER	YR/SN	QTY DESCRIPTION
1	NSS		1 NOT SOLD SEPARAT Feeder Assy, LH
2	NSS		1 NOT SOLD SEPARAT Feeder Assy, RH
3	87749823		1 TUBE
4	86624000		1 BOLT M10 x 1.5 x 156.58mm, CI 8.8
5	100037		1 LOCK NUT M10 x 1.5, CI 8
6	84538158		1 SHIELD
7	140046		1 BELLEVILLE WASHER M12 Bolt Size x 27mm OD x 1.8mm Thk
8	9706685		1 NUT M12 x 1.75, CI 8
9	84324157		1 COVER ASSY
10	86512424		6 CARRIAGE BOLT Sq Nk, M10 x 30mm, CI 8.8, Full Thd
11	140045		6 BELLEVILLE WASHER M10 Bolt Size x 22mm OD x 1.6mm Thk
12	100016		6 NUT M10 x 1.5, CI 8
13	84249459		1 FLEXIBLE COUPLING
14	80768		2 WOODRUFF KEY #15, 1/4" x 1"
15	47417589		1 ACCESS COVER Flex
16	86511841		2 BOLT Flng, M8 x 1.25 x 16mm, Full Thd, CI 8.8
17	164995		2 WASHER 32.5mm ID x 42.9mm OD x 4.38mm Thk
18	833-40408		2 NUT M8, U
19	86507486		4 CARRIAGE BOLT M8 x 1.25 x 20mm, CI 8.8
20	322358		4 BELLEVILLE WASHER M8 Bolt Size x 18mm OD x 1.4mm Thk
21	9706690		4 NUT M8 x 1.25, CI 8

3162-DRAPER HEADER

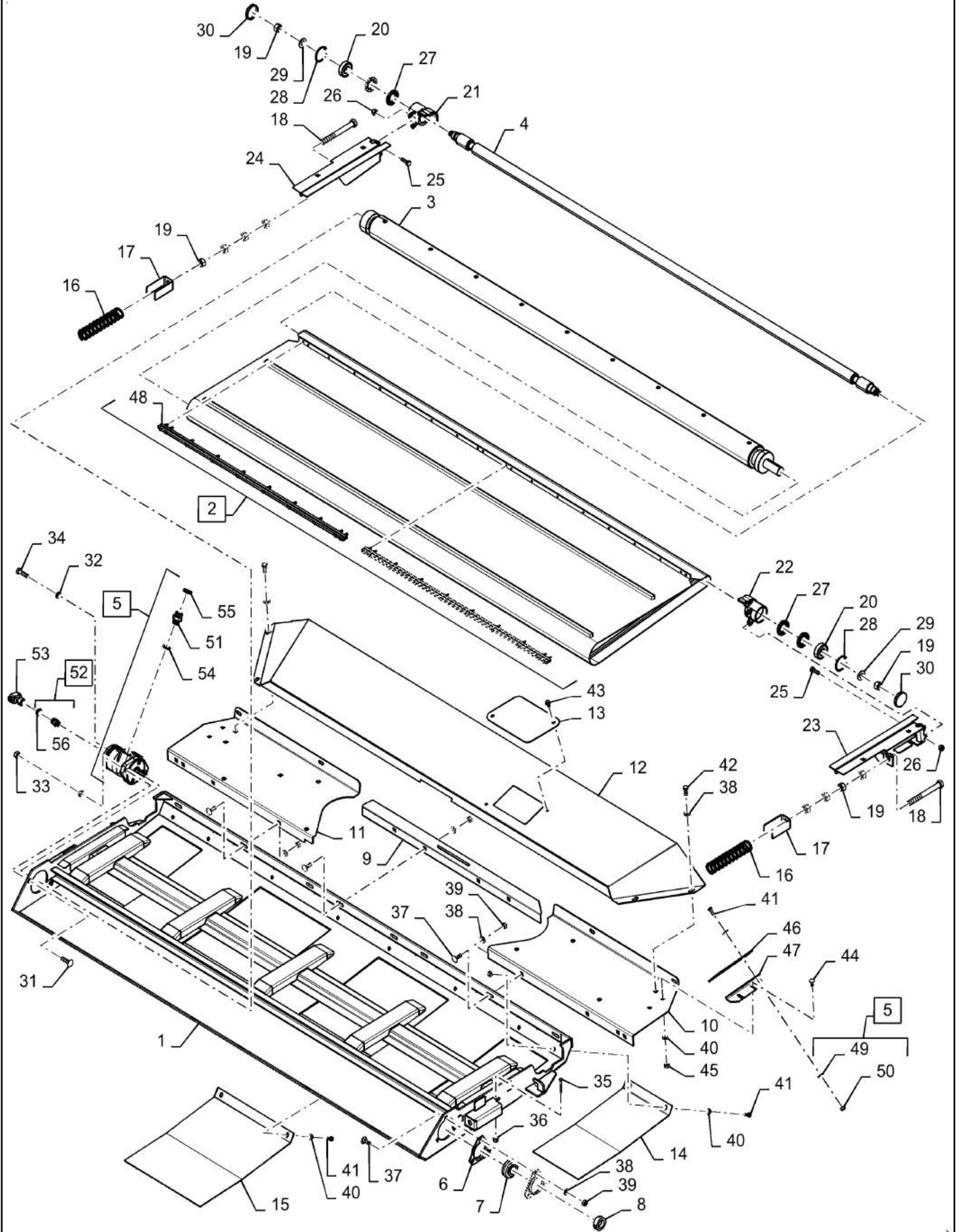
58.115.02

01

p1

9/2016

FEEDER ASSY (AUSTRALIA ONLY)



FEEDER ASSY (AUSTRALIA ONLY)

REF FN	PART NUMBER	YR/SN	QTY DESCRIPTION
1	47950584		1 FEEDER Assy, Rigid
2	48006639		1 DRAPER Infeed, Incl 48
3	48007308		1 ROLLER Vulcanized
4	47688197		1 SHAFT Roller
5	84393904		1 HYDRAULIC MOTOR 46CC Incl 49 - 51
6	87758678		2 FLANGE
7	63265		1 BALL BEARING 30.16mm ID x 62mm OD x 18mm W
8	63266		1 COLLAR 30.187mm ID x 44.83mm OD x 16.26mm W
9	47452140		1 ANGLE Infeed
10	47957663		1 COVER RH
11	47957692		1 COVER LH
12	47915219		1 COVER Infeed
13	47357843		1 COVER Access
14	47950475		2 COVER Outer
15	47525972		2 COVER
16	84269942		2 TENSION SPRING Assy
17	84151895		2 RETAINER
18	359211		2 BOLT M16 x 2.0 x 150mm, CI 8.8
19	100020		10 NUT M16 x 2.0, CI 8
20	84569437		2 BALL BEARING 25mm ID x 52.01mm OD x 15.12mm W
21	87470513		1 HOUSING LH
22	87470515		1 HOUSING RH
23	84205242		1 ARM RH
24	84205244		1 ARM LH
25	43140		4 BOLT Hex, M10 x 1.5 x 30mm, CI 8.8
26	100037		4 LOCK NUT M10 x 1.5, CI 8
27	87470518		4 SEAL 28.57mm ID x 51.99mm OD x 6.35mm Thk
28	370011		2 CIRCLIP M52 x 2mm Thk, Internal
29	86632590		2 WASHER 0.66" ID x 1.31" OD x 0.1" Thk
30	84190205		2 DUST CAP
31	328754		1 CARRIAGE BOLT M12 x 1.75 x 40mm, CI 8.8
32	80679		2 LOCK WASHER 1/20.507 CST ZND

3152-DRAPER HEADER

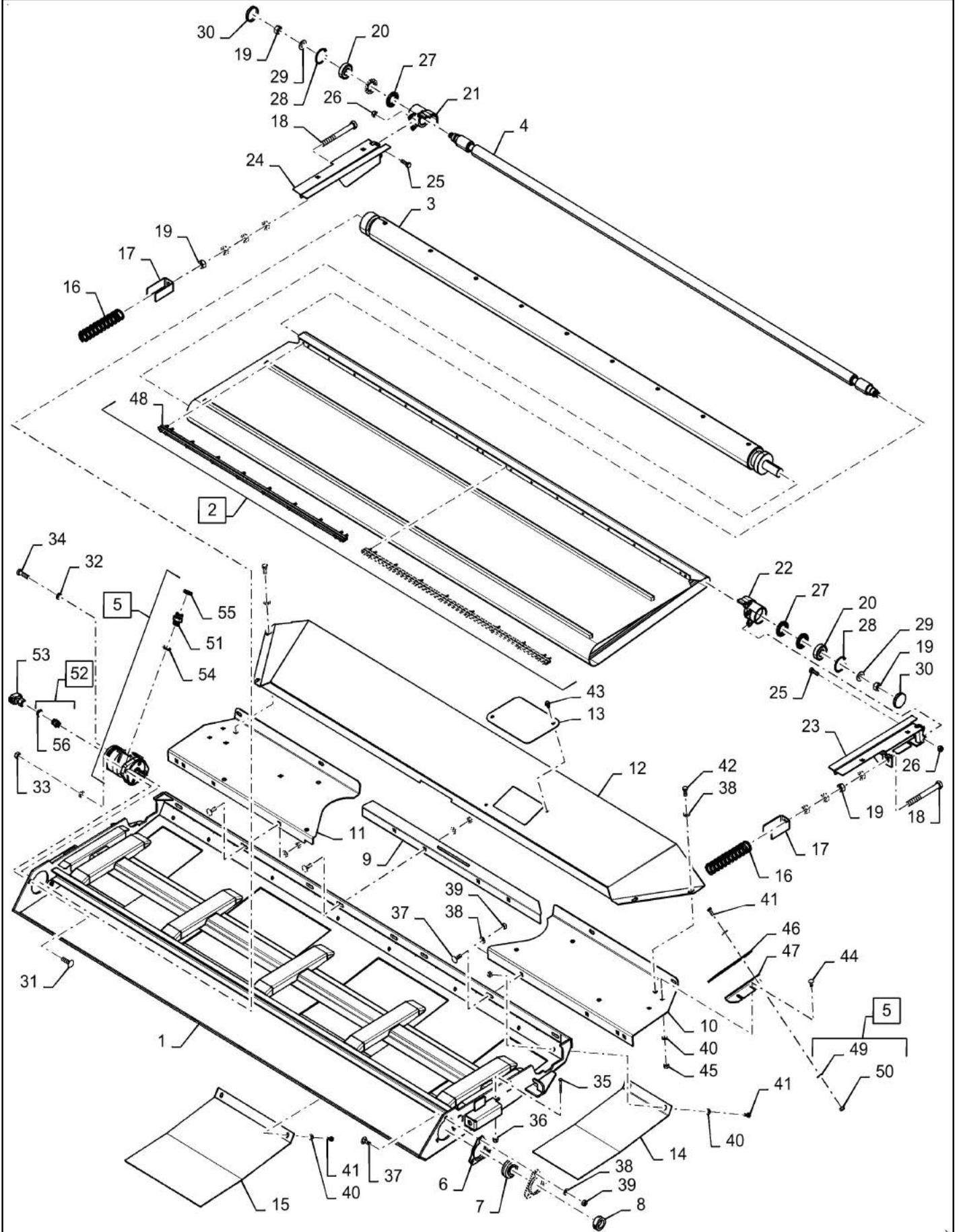
58.115.02

01

p2

9/2016

FEEDER ASSY (AUSTRALIA ONLY)



FEEDER ASSY (AUSTRALIA ONLY)

REF FN	PART NUMBER	YR/SN	QTY DESCRIPTION
33	9706685		1 NUT M12 x 1.75, CI 8
34	86629541		1 BOLT Hex, M12 x 1.75 x 40mm, CI 8.8
35	120056		2 BOLT M6 x 1.0 x 54.15mm, CI 8.8
36	353308		2 NUT M6 x 1.0, CI 8
37	86512424		11 CARRIAGE BOLT Sq Nk, M10 x 30mm, CI 8.8, Full Thd
38	140045		15 BELLEVILLE WASHER M10 Bolt Size x 22mm OD x 1.6mm Thk
39	100016		11 NUT M10 x 1.5, CI 8
40	322358		12 BELLEVILLE WASHER M8 Bolt Size x 18mm OD x 1.4mm Thk
41	120104		14 BOLT Hex, M8 x 1.25 x 20mm, CI 8.8
42	43139		4 BOLT M10 x 1.5 x 25mm, CI 8.8
43	84285339		2 SELF-TAP SCREW Hex, M8 x 1.25 x 15mm
44	86507486		4 CARRIAGE BOLT M8 x 1.25 x 20mm, CI 8.8
45	9706690		4 NUT M8 x 1.25, CI 8
46	47960422		2 SHIELD
47	47667172		2 MOUNT
48	47955934		1 SLAT Connector Kit
49	86639313		12 WASHER 9mm ID x 24mm OD x 2mm Thk
50	86629542		6 NUT M8 x 1.25, CI 8.8
51	86579680		2 HYD CONNECTOR 1"-14 ORFS x M22 x 1.5mm ORB Incl 54, 55
52	9993143		1 HYD CONNECTOR 11/16" - 16 ORFS x 9/16" - 18 ORB Incl 56
53	86591334		1 TEE 11/16"-16 ORFS x 11/16"-16 Fem
54	86598103		2 O-RING 2.9mm Thk x 23.6mm ID, CI 6, 90 Duro
55	9992069		2 O-RING 0.07" Thk x 0.614" ID, -16, CI 6, 90 Duro
56	9825770		1 O-RING 0.07" Thk x 0.301" ID, -11, CI 6, 90 Duro

3152-DRAPER HEADER

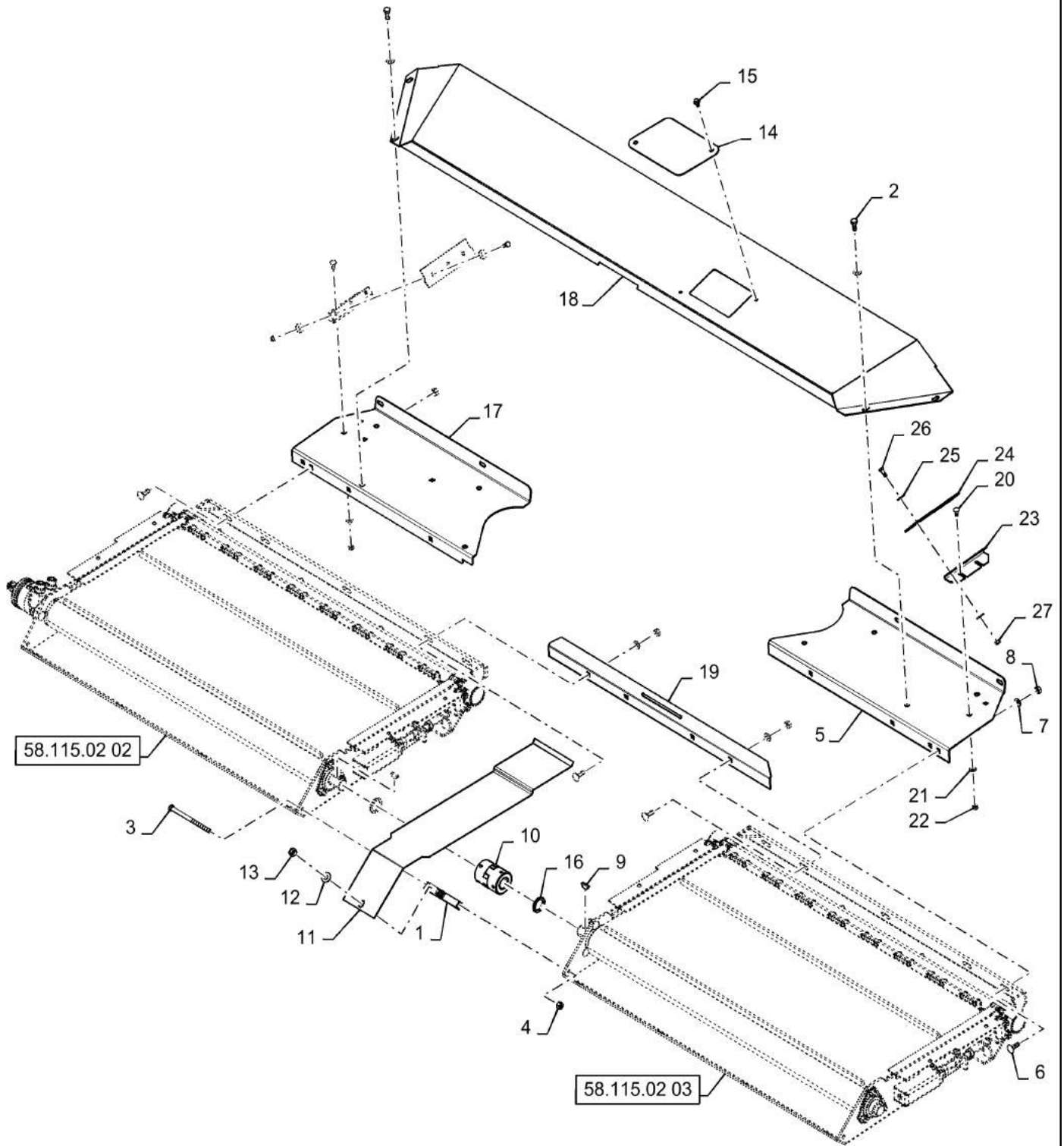
58.115.02

01

p1

9/2016

FEEDER ASSY, DUAL INFEED



FEEDER ASSY, DUAL INFEED

REF FN	PART NUMBER	YR/SN	QTY DESCRIPTION
1	87749823		1 TUBE
2	43139		4 BOLT M10 x 1.5 x 25mm, CI 8.8
3	86624000		1 BOLT M10 x 1.5 x 156.58mm, CI 8.8
4	100037		1 LOCK NUT M10 x 1.5, CI 8
5	47957663		1 COVER RH, Drak Grey
6	86512424		8 CARRIAGE BOLT Sq Nk, M10 x 30mm, CI 8.8, Full Thd
7	140045		12 BELLEVILLE WASHER M10 Bolt Size x 22mm OD x 1.6mm Thk
8	100016		8 NUT M10 x 1.5, CI 8
9	80768		2 WOODRUFF KEY #15, 1/4" x 1"
10	84249459		1 FLEXIBLE COUPLING
11	84603486		1 SHIELD
12	140046		1 BELLEVILLE WASHER M12 Bolt Size x 27mm OD x 1.8mm Thk
13	9706685		1 NUT M12 x 1.75, CI 8
14	47357843		1 COVER Access, Dark Grey
15	84285339		2 SELF-TAP SCREW Hex, M8 x 1.25 x 15mm
16	164995		2 WASHER 32.5mm ID x 42.9mm OD x 4.38mm Thk
17	47957692		1 COVER LH, Dark Grey
18	47915219		1 COVER Infeed, Dark Grey
19	47452140		1 ANGLE Infeed, Dark Grey
20	86507486		4 CARRIAGE BOLT M8 x 1.25 x 20mm, CI 8.8
21	322358		4 BELLEVILLE WASHER M8 Bolt Size x 18mm OD x 1.4mm Thk
22	9706690		4 NUT M8 x 1.25, CI 8
23	47667172		2 MOUNT Dark Grey
24	47960422		2 SHIELD
25	86639313		12 WASHER 9mm ID x 24mm OD x 2mm Thk
26	120104		6 BOLT Hex, M8 x 1.25 x 20mm, CI 8.8
27	86629542		6 NUT M8 x 1.25, CI 8.8

3152-DRAPER HEADER

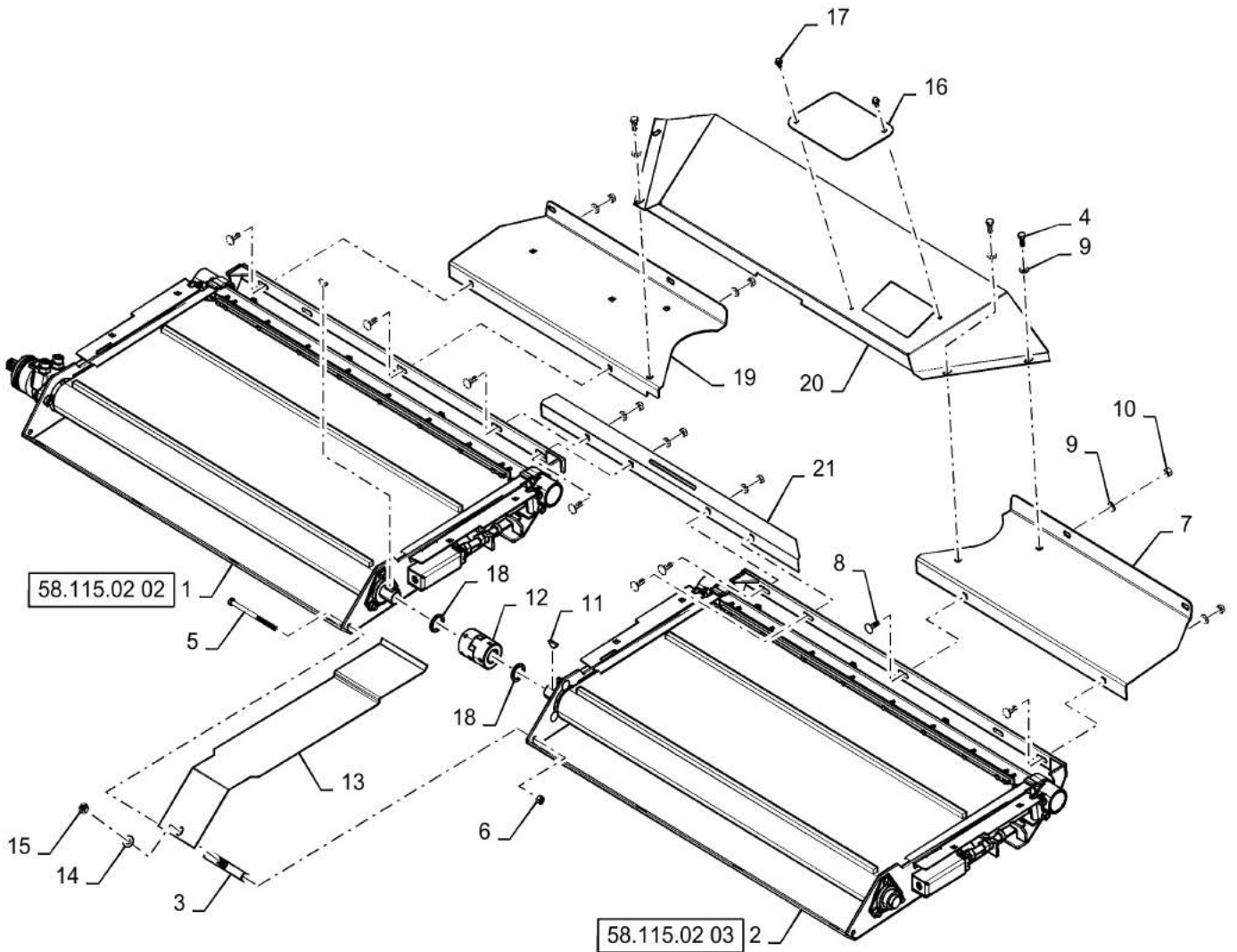
58.115.02

01

p1

9/2016

FEEDER, ASSY



FEEDER, ASSY

REF FN	PART NUMBER	YR/SN	QTY DESCRIPTION
1	NSS		1 NOT SOLD SEPARAT Feeder Assy, LH
2	NSS		1 NOT SOLD SEPARAT Feeder Assy, RH
3	87749823		1 TUBE
4	43139		4 BOLT M10 x 1.5 x 25mm, CI 8.8
5	86624000		1 BOLT M10 x 1.5 x 156.58mm, CI 8.8
6	100037		1 LOCK NUT M10 x 1.5, CI 8
7	47452116		1 COVER RH
8	86512424		8 CARRIAGE BOLT Sq Nk, M10 x 30mm, CI 8.8, Full Thd
9	140045		12 BELLEVILLE WASHER M10 Bolt Size x 22mm OD x 1.6mm Thk
10	100016		8 NUT M10 x 1.5, CI 8
11	80768		2 WOODRUFF KEY #15, 1/4" x 1"
12	84249459		1 FLEXIBLE COUPLING
13	84603486		1 SHIELD Center
14	140046		1 BELLEVILLE WASHER M12 Bolt Size x 27mm OD x 1.8mm Thk
15	9706685		1 NUT M12 x 1.75, CI 8
16	47357843		1 COVER Access
17	84285339		2 SELF-TAP SCREW Hex, M8 x 1.25 x 15mm
18	164995		2 WASHER 32.5mm ID x 42.9mm OD x 4.38mm Thk
19	47497974		1 COVER LH
20	47497963		1 COVER Infeed
21	47452140		1 ANGLE Infeed

3152-DRAPER HEADER

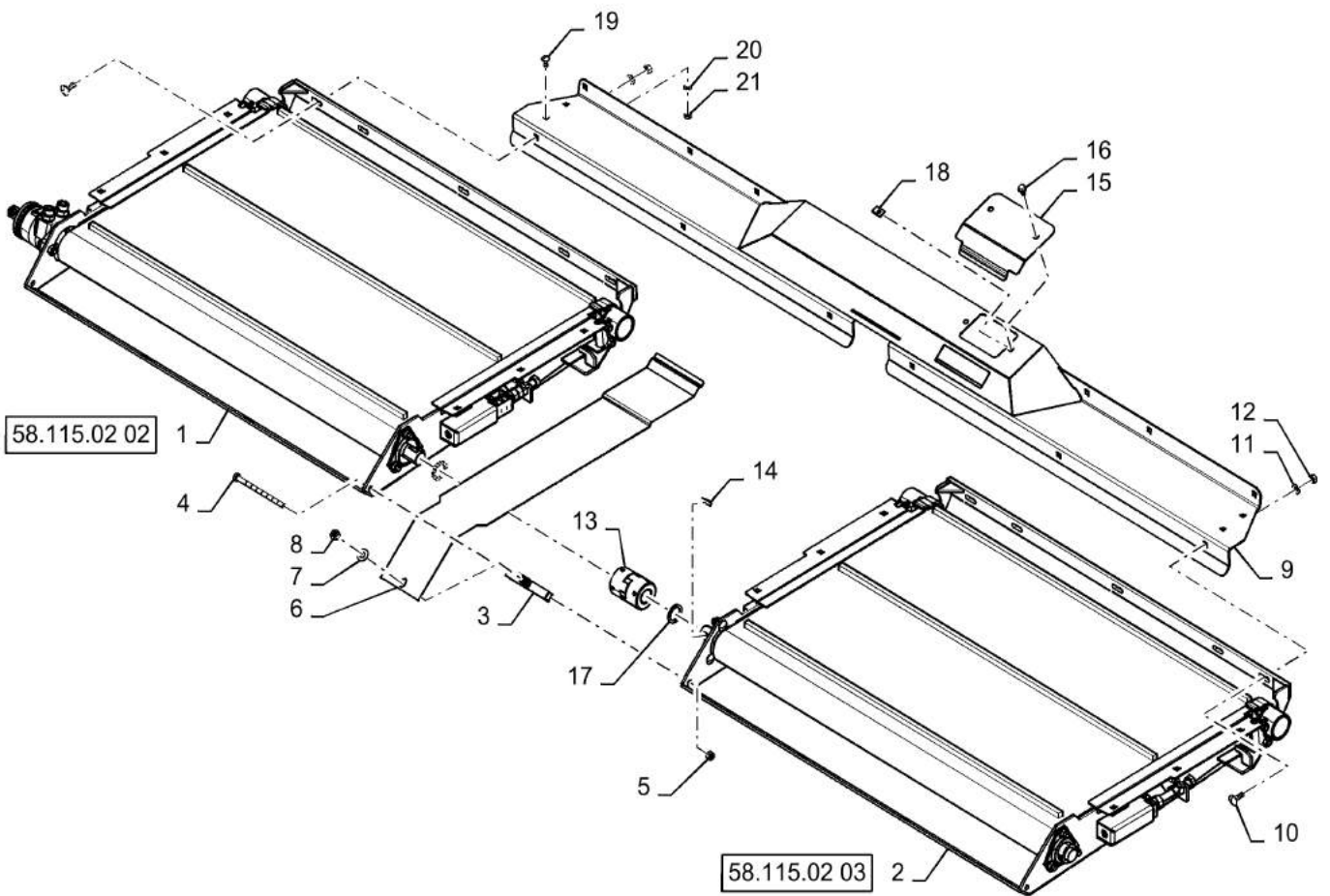
58.115.02

01

p1

9/2016

FEEDER, ASSY



FEEDER, ASSY

REF FN	PART NUMBER	YR/SN	QTY DESCRIPTION
1	NSS		1 NOT SOLD SEPARAT Feeder Assy, LH
2	NSS		1 NOT SOLD SEPARAT Feeder Assy, RH
3	87749823		1 TUBE
4	86624000		1 BOLT M10 x 1.5 x 156.58mm, CI 8.8
5	100037		1 LOCK NUT M10 x 1.5, CI 8
6	84538158		1 SHIELD
7	140046		1 BELLEVILLE WASHER M12 Bolt Size x 27mm OD x 1.8mm Thk
8	9706685		1 NUT M12 x 1.75, CI 8
9	84324157		1 COVER ASSY
10	86512424		6 CARRIAGE BOLT Sq Nk, M10 x 30mm, CI 8.8, Full Thd
11	140045		6 BELLEVILLE WASHER M10 Bolt Size x 22mm OD x 1.6mm Thk
12	100016		6 NUT M10 x 1.5, CI 8
13	84249459		1 FLEXIBLE COUPLING
14	80768		2 WOODRUFF KEY #15, 1/4" x 1"
15	47417589		1 ACCESS COVER Flex
16	86511841		2 BOLT Flng, M8 x 1.25 x 16mm, Full Thd, CI 8.8
17	164995		2 WASHER 32.5mm ID x 42.9mm OD x 4.38mm Thk
18	833-40408		2 NUT M8, U
19	86507486		4 CARRIAGE BOLT M8 x 1.25 x 20mm, CI 8.8
20	322358		4 BELLEVILLE WASHER M8 Bolt Size x 18mm OD x 1.4mm Thk
21	9706690		4 NUT M8 x 1.25, CI 8

3162-DRAPER HEADER

58.115.02

02

p1

9/2016

FEEDER ASSY, LH

ART

NOT

AVAILABLE

FEEDER ASSY, LH

REF FN	PART NUMBER	YR/SN	QTY DESCRIPTION
1	47901359		1 FEEDER LH
2	87758678		2 FLANGE
3	63265		1 BALL BEARING 30.16mm ID x 62mm OD x 18mm W
4	47978878		1 ROLLER SHAFT LH
5	86512424		3 CARRIAGE BOLT Sq Nk, M10 x 30mm, CI 8.8, Full Thd
6	63266		1 COLLAR 30.187mm ID x 44.83mm OD x 16.26mm W
7	47998910		1 DRAPER Infeed, Flex
8	47899160		1 ROLLER SHAFT
9	140045		3 BELLEVILLE WASHER M10 Bolt Size x 22mm OD x 1.6mm Thk
10	100016		3 NUT M10 x 1.5, CI 8
11	87470513		1 HOUSING LH
12	87470515		1 HOUSING RH
13	84288707		1 ARM LH
14	84288712		1 ARM RH
15	43140		4 BOLT Hex, M10 x 1.5 x 30mm, CI 8.8
16	100037		4 LOCK NUT M10 x 1.5, CI 8
17	84269942		2 TENSION SPRING Assy
18	84151895		2 RETAINER
19	87470518		4 SEAL 28.57mm ID x 51.99mm OD x 6.35mm Thk
20	84569437		2 BALL BEARING 25mm ID x 52.01mm OD x 15.12mm W
21	370011		2 CIRCLIP M52 x 2mm Thk, Internal
22	86632590		2 WASHER 0.66" ID x 1.31" OD x 0.1" Thk
23	100020		10 NUT M16 x 2.0, CI 8
24	84190205		2 DUST CAP
25	9814566		2 BOLT Hex, M16 x 2 x 190mm, CI 8.8, Full Thd
26	84393904		1 HYDRAULIC MOTOR 46CC Incl 36 - 39
27	328754		2 CARRIAGE BOLT M12 x 1.75 x 40mm, CI 8.8
28	80679		2 LOCK WASHER 1/20.507 CST ZND
29	9706685		2 NUT M12 x 1.75, CI 8
30	120056		2 BOLT M6 x 1.0 x 54.15mm, CI 8.8

3162-DRAPER HEADER

FEEDER ASSY, LH

ART

NOT

AVAILABLE

FEEDER ASSY, LH

REF FN	PART NUMBER	YR/SN	QTY DESCRIPTION
31	353308		2 NUT M6 x 1.0, CI 8
32	48005531		16 STRAP Draper Slice
33	84429100		16 SCREW Pan HD, M6 x 22mm, CI 10.9
34	84429102		16 LOCK NUT
35	129365		2 COTTER PIN
36	86579680		2 HYD CONNECTOR 1"-14 ORFS x M22 x 1.5mm ORB Incl 38, 39
37	84368922		1 BRANCH TEE 11/16"-16 ORFS x 9/16" ORB
38	86598102		2 O-RING 2.2mm Thk x 19.3mm ID, CI 6, 90 Duro
39	9992069		2 O-RING 0.07" Thk x 0.614" ID, -16, CI 6, 90 Duro

3162-DRAPER HEADER

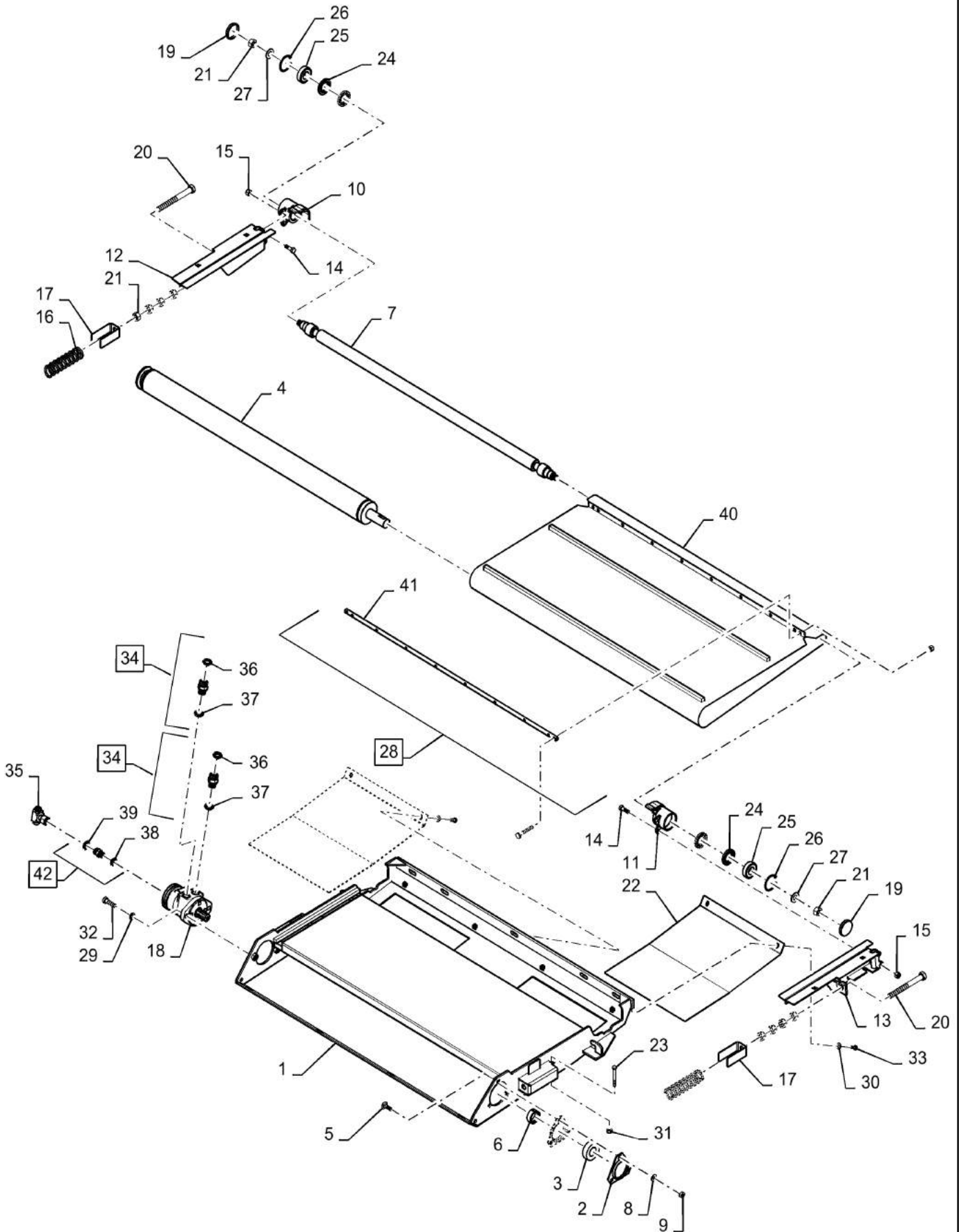
58.115.02

02

p1

9/2016

FEEDER, ASSY, LH



FEEDER, ASSY, LH

REF FN	PART NUMBER	YR/SN	QTY DESCRIPTION
1	47541230		1 FEEDER Assy, LH
2	87758678		2 FLANGE
3	63265		1 BALL BEARING 30.16mm ID x 62mm OD x 18mm W
4	87705512		1 ROLLER SHAFT Drive, LH
5	86512424		3 CARRIAGE BOLT Sq Nk, M10 x 30mm, CI 8.8, Full Thd
6	63266		1 COLLAR 30.187mm ID x 44.83mm OD x 16.26mm W
7	87705513		1 SHAFT Idler, Roller
8	140045		3 BELLEVILLE WASHER M10 Bolt Size x 22mm OD x 1.6mm Thk
9	100016		3 NUT M10 x 1.5, CI 8
10	87470513		1 HOUSING LH
11	87470515		1 HOUSING RH
12	84205244		1 ARM LH
13	84205242		1 ARM RH
14	43140		4 BOLT Hex, M10 x 1.5 x 30mm, CI 8.8
15	100037		4 LOCK NUT M10 x 1.5, CI 8
16	84269942		2 TENSION SPRING
17	84151895		2 RETAINER
18	84393904		1 HYDRAULIC MOTOR 46CC
19	84190205		2 DUST CAP
20	359211		2 BOLT M16 x 2.0 x 150mm, CI 8.8
21	100020		10 NUT M16 x 2.0, CI 8
22	47525972		2 COVER
23	120056		2 BOLT M6 x 1.0 x 54.15mm, CI 8.8
24	87470518		4 SEAL 28.57mm ID x 51.99mm OD x 6.35mm Thk
25	84569437		2 BALL BEARING 25mm ID x 52.01mm OD x 15.12mm W
26	370011		2 CIRCLIP M52 x 2mm Thk, Internal
27	86632590		2 WASHER 0.66" ID x 1.31" OD x 0.1" Thk
28	47932836		1 DRAPER Infeed Rigid, Incl 40, 41
29	80679		2 LOCK WASHER 1/20.507 CST ZND
30	322358		4 BELLEVILLE WASHER M8 Bolt Size x 18mm OD x 1.4mm Thk

3152-DRAPER HEADER

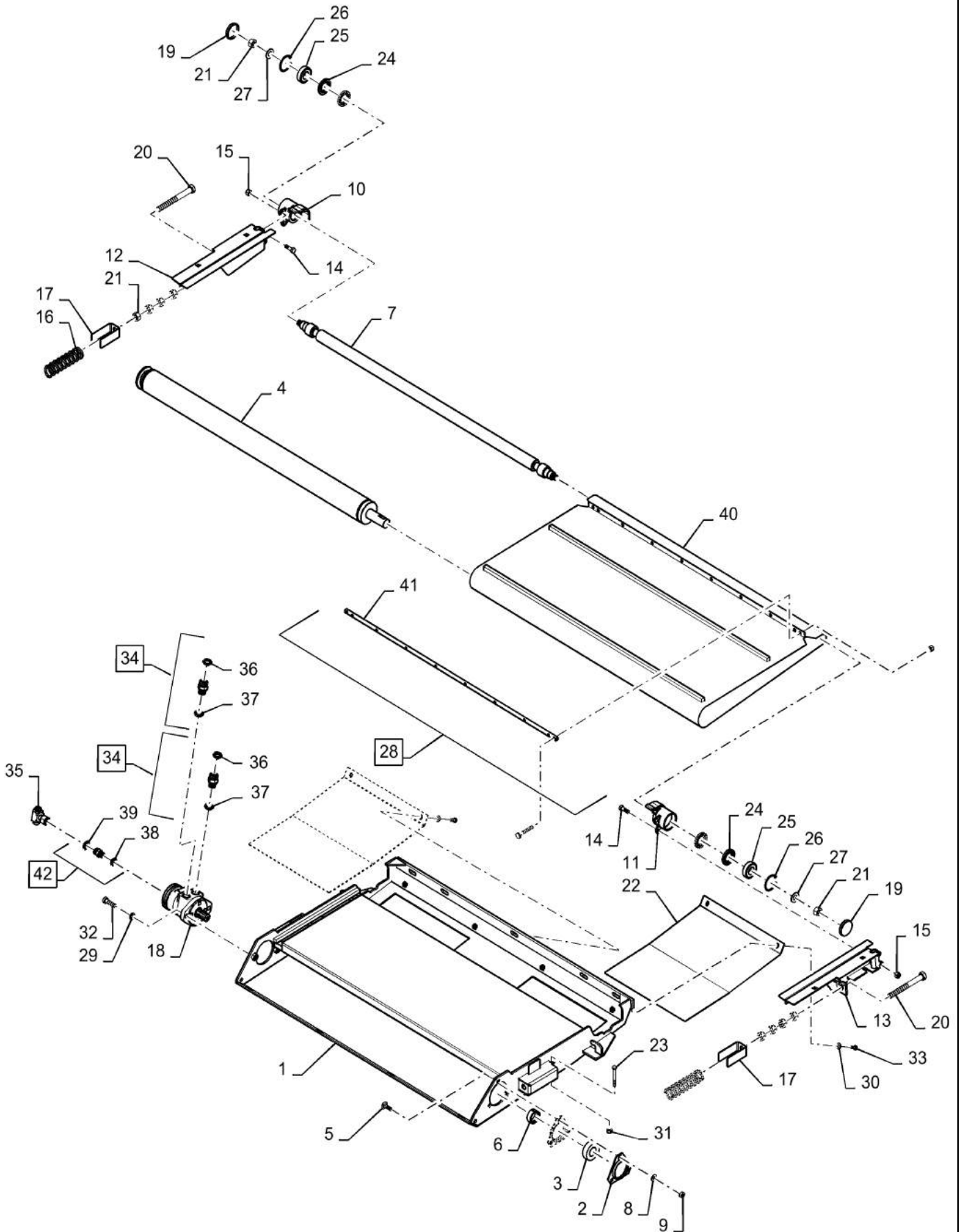
58.115.02

02

p2

9/2016

FEEDER, ASSY, LH



FEEDER, ASSY, LH

REF FN	PART NUMBER	YR/SN	QTY DESCRIPTION
31	353308		2 NUT M6 x 1.0, CI 8
32	86629541		2 BOLT Hex, M12 x 1.75 x 40mm, CI 8.8
33	120104		4 BOLT Hex, M8 x 1.25 x 20mm, CI 8.8
34	86579680		2 HYD CONNECTOR 1"-14 ORFS x M22 x 1.5mm ORB Incl 36, 37
35	86591334		1 TEE 11/16"-16 ORFS x 11/16"-16 Fem
36	86598102		1 O-RING 2.2mm Thk x 19.3mm ID, CI 6, 90 Duro
37	9992069		1 O-RING 0.07" Thk x 0.614" ID, -16, CI 6, 90 Duro
38	9993141		2 O-RING 0.07" Thk x 0.364" ID, -12, CI 6, 90 Duro
39	9617873		1 O-RING 0.078" Thk x 0.468" ID, -906, CI 6, 90 Duro
40	47932836		1 DRAPER Infeed Rigid
41	47371025		1 SLAT Connector Kit
42	9993143		1 HYD CONNECTOR 11/16" - 16 ORFS x 9/16" - 18 ORB Incl 38, 39

3152-DRAPER HEADER

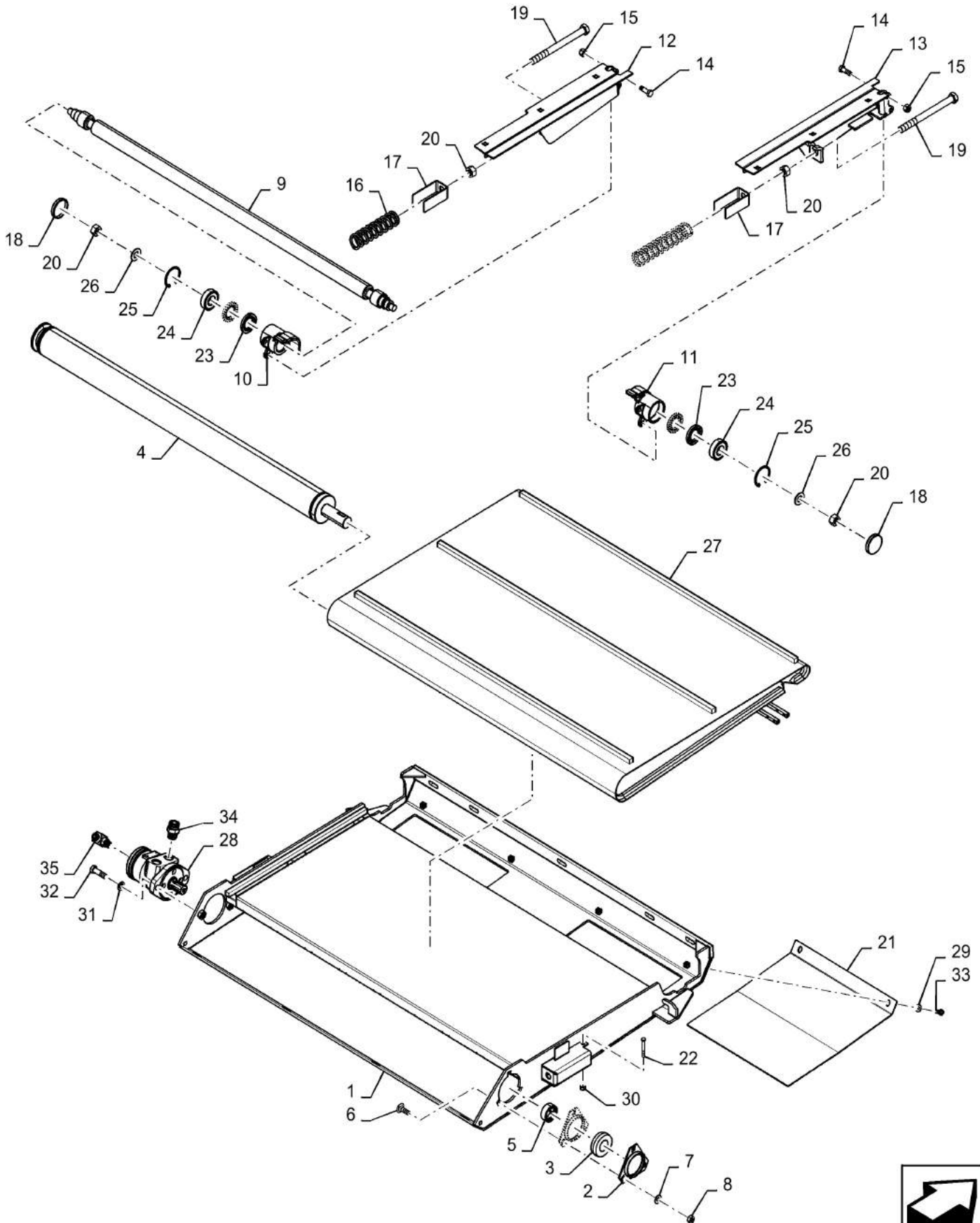
58.115.02

02

p1

9/2016

FEEDER, ASSY, LH

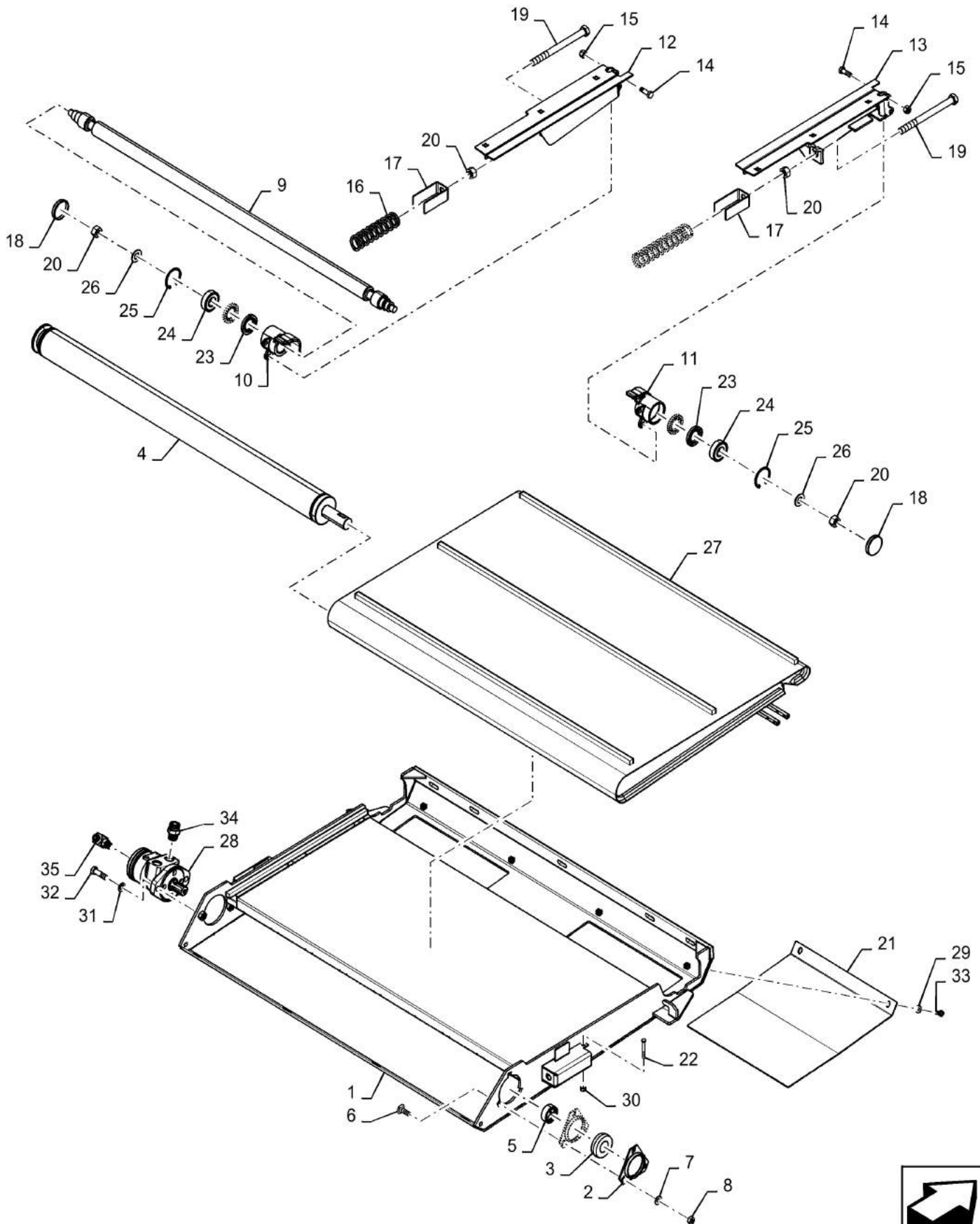


FEEDER, ASSY, LH

REF FN	PART NUMBER	YR/SN	QTY DESCRIPTION
1	47541224		1 FEEDER LH
2	87758678		2 FLANGE
3	63265		1 BALL BEARING 30.16mm ID x 62mm OD x 18mm W
4	87705512		1 ROLLER SHAFT LH
5	63266		1 COLLAR 30.187mm ID x 44.83mm OD x 16.26mm W
6	86512424		3 CARRIAGE BOLT Sq Nk, M10 x 30mm, CI 8.8, Full Thd
7	140045		3 BELLEVILLE WASHER M10 Bolt Size x 22mm OD x 1.6mm Thk
8	100016		3 NUT M10 x 1.5, CI 8
9	87705513		1 SHAFT Roller
10	87470513		1 HOUSING LH
11	87470515		1 HOUSING RH
12	84288707		1 ARM LH
13	84288712		1 ARM RH
14	43140		4 BOLT Hex, M10 x 1.5 x 30mm, CI 8.8
15	100037		4 LOCK NUT M10 x 1.5, CI 8
16	84269942		2 TENSION SPRING
17	84151895		2 RETAINER
18	84190205		2 DUST CAP
19	9814566		2 BOLT Hex, M16 x 2 x 190mm, CI 8.8, Full Thd
20	100020		10 NUT M16 x 2.0, CI 8
21	47525970		2 COVER
22	120056		2 BOLT M6 x 1.0 x 54.15mm, CI 8.8
23	87470518		4 SEAL 28.57mm ID x 51.99mm OD x 6.35mm Thk
24	84569437		2 BALL BEARING 25mm ID x 52.01mm OD x 15.12mm W
25	370011		2 CIRCLIP M52 x 2mm Thk, Internal
26	86632590		2 WASHER 0.66" ID x 1.31" OD x 0.1" Thk
27	47932768		1 DRAPER Infeed Flex
28	84393904		1 HYDRAULIC MOTOR 46CC Incl 34 - 35
29	322358		4 BELLEVILLE WASHER M8 Bolt Size x 18mm OD x 1.4mm Thk
30	353308		2 NUT M6 x 1.0, CI 8

3162-DRAPER HEADER

FEEDER, ASSY, LH



FEEDER, ASSY, LH

REF FN	PART NUMBER	YR/SN	QTY DESCRIPTION
31	80679		2 LOCK WASHER 1/20.507 CST ZND
32	86629541		2 BOLT Hex, M12 x 1.75 x 40mm, CI 8.8
33	120104		4 BOLT Hex, M8 x 1.25 x 20mm, CI 8.8
34	86579680		2 HYD CONNECTOR 1"-14 ORFS x M22 x 1.5mm ORB
35	84368922		1 BRANCH TEE 11/16"-16 ORFS x 9/16" ORB

3162-DRAPER HEADER

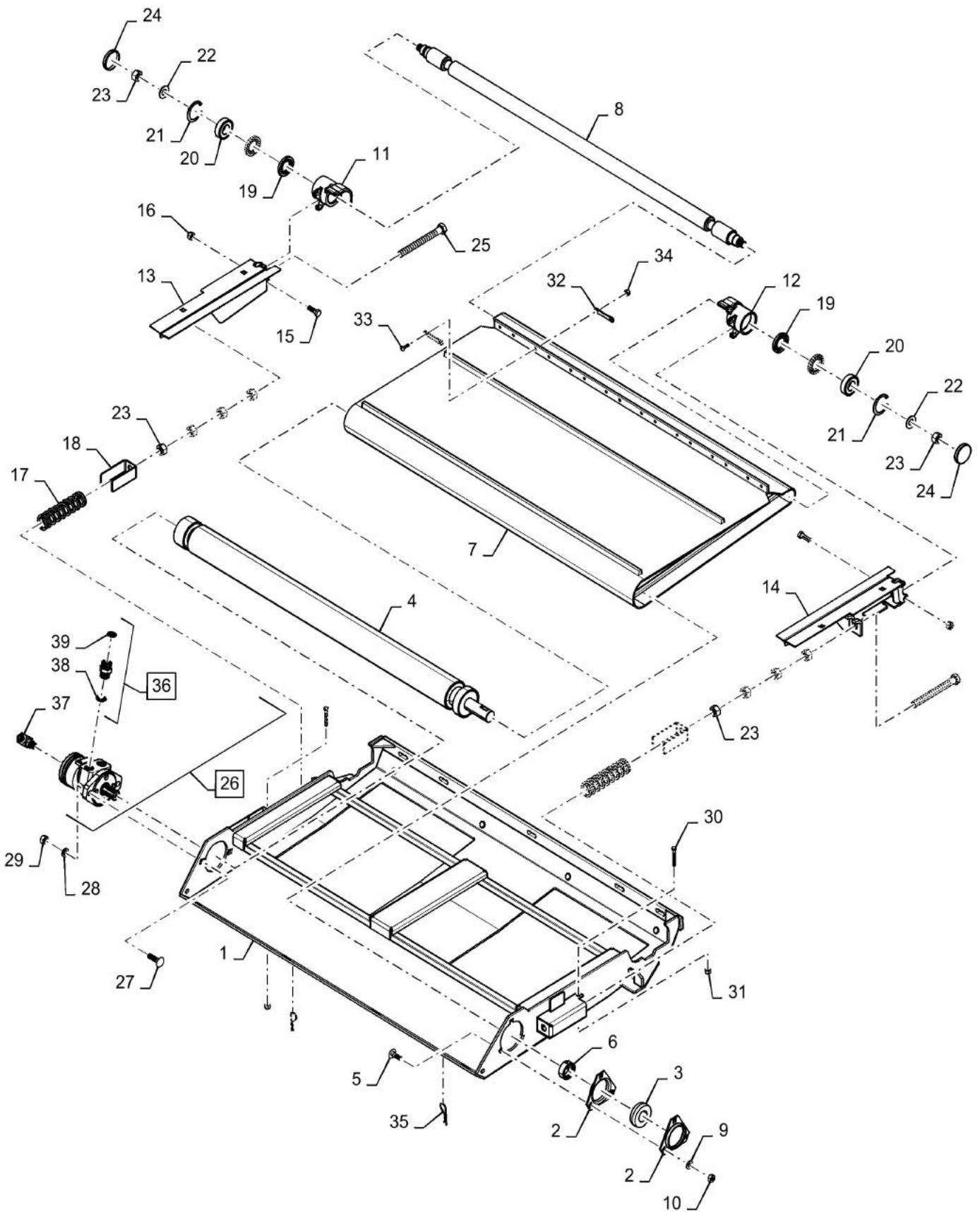
58.115.02

02

p1

9/2016

LH DUAL INFEED, DRAPER ASSY



LH DUAL INFEED, DRAPER ASSY

REF FN	PART NUMBER	YR/SN	QTY DESCRIPTION
1	47900864		1 FEEDER LH
2	87758678		2 FLANGE
3	63265		1 BALL BEARING 30.16mm ID x 62mm OD x 18mm W
4	47978878		1 ROLLER SHAFT LH
5	86512424		3 CARRIAGE BOLT Sq Nk, M10 x 30mm, CI 8.8, Full Thd
6	63266		1 COLLAR 30.187mm ID x 44.83mm OD x 16.26mm W
7	47998911		1 DRAPER Infeed, Rigid
8	47899160		1 ROLLER SHAFT
9	140045		3 BELLEVILLE WASHER M10 Bolt Size x 22mm OD x 1.6mm Thk
10	100016		3 NUT M10 x 1.5, CI 8
11	87470513		1 HOUSING LH
12	87470515		1 HOUSING RH
13	84205244		1 ARM LH
14	84205242		1 ARM RH
15	43140		4 BOLT Hex, M10 x 1.5 x 30mm, CI 8.8
16	100037		4 LOCK NUT M10 x 1.5, CI 8
17	84269942		2 TENSION SPRING Assy
18	84151895		2 RETAINER
19	87470518		4 SEAL 28.57mm ID x 51.99mm OD x 6.35mm Thk
20	84569437		2 BALL BEARING 25mm ID x 52.01mm OD x 15.12mm W
21	370011		2 CIRCLIP M52 x 2mm Thk, Internal
22	86632590		2 WASHER 0.66" ID x 1.31" OD x 0.1" Thk
23	100020		10 NUT M16 x 2.0, CI 8
24	84190205		2 DUST CAP
25	359211		2 BOLT M16 x 2.0 x 150mm, CI 8.8
26	84393904		1 HYDRAULIC MOTOR 46CC Incl 36 - 39
27	328754		2 CARRIAGE BOLT M12 x 1.75 x 40mm, CI 8.8
28	80679		2 LOCK WASHER 1/20.507 CST ZND
29	9706685		2 NUT M12 x 1.75, CI 8
30	120056		2 BOLT M6 x 1.0 x 54.15mm, CI 8.8
31	353308		2 NUT M6 x 1.0, CI 8

3152-DRAPER HEADER

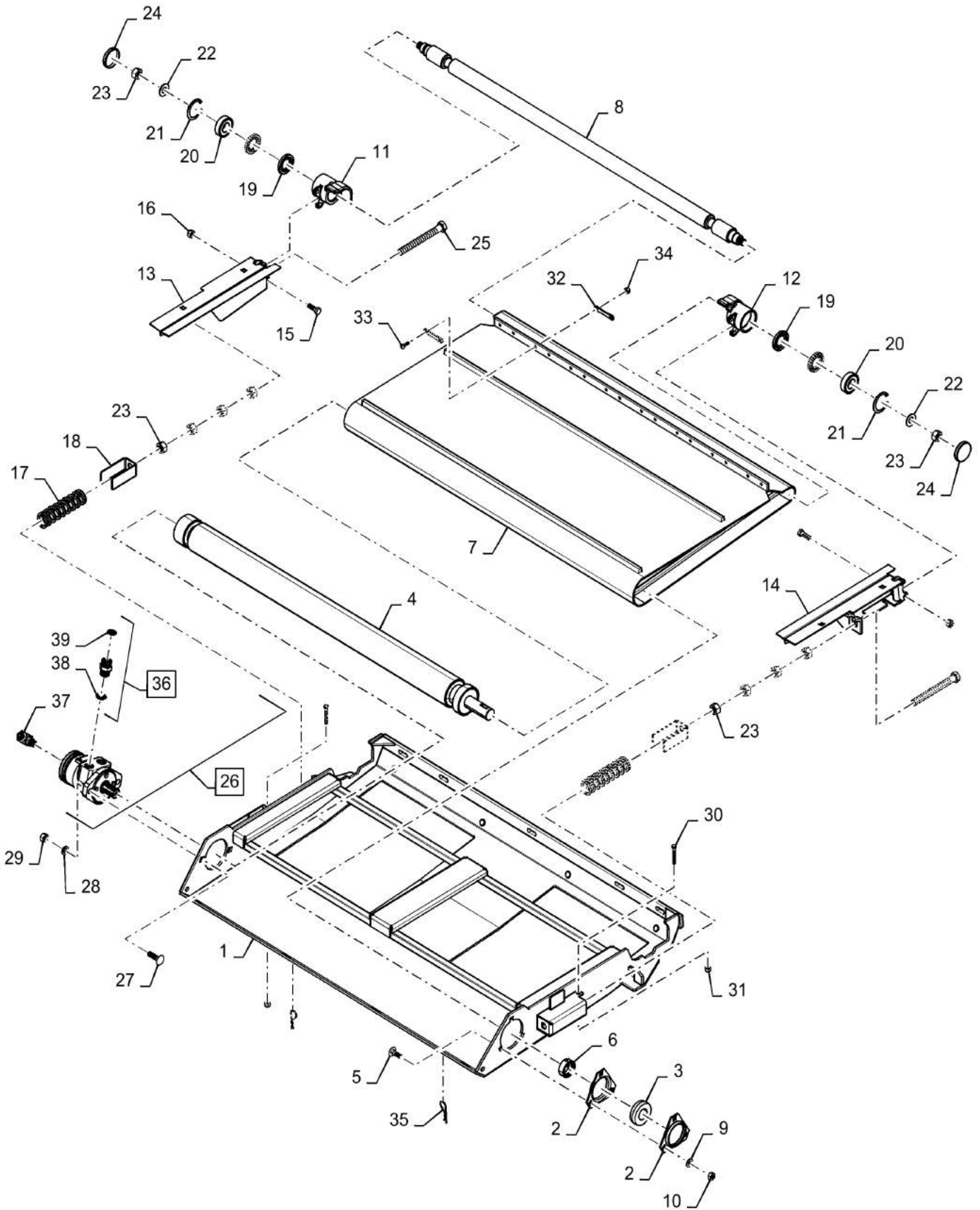
58.115.02

02

p2

9/2016

LH DUAL INFEED, DRAPER ASSY



LH DUAL INFEED, DRAPER ASSY

REF FN	PART NUMBER	YR/SN	QTY DESCRIPTION
32	48005531		16 STRAP Draper Slice
33	84429100		16 SCREW Pan HD, M6 x 22mm, CI 10.9
34	84429102		16 LOCK NUT
35	129365		2 COTTER PIN
36	86579680		2 HYD CONNECTOR 1"-14 ORFS x M22 x 1.5mm ORB Incl 38, 39
37	84368922		1 BRANCH TEE 11/16"-16 ORFS x 9/16" ORB
38	86598102		2 O-RING 2.2mm Thk x 19.3mm ID, CI 6, 90 Duro
39	9992069		2 O-RING 0.07" Thk x 0.614" ID, -16, CI 6, 90 Duro

3152-DRAPER HEADER

58.115.02

03

p1

9/2016

FEEDER ASSY, RH

ART

NOT

AVAILABLE

FEEDER ASSY, RH

REF FN	PART NUMBER	YR/SN	QTY DESCRIPTION
1	47901712		1 FEEDER RH
2	87758678		4 FLANGE
3	63265		2 BALL BEARING 30.16mm ID x 62mm OD x 18mm W
4	47978808		1 ROLLER SHAFT RH
5	63266		2 COLLAR 30.187mm ID x 44.83mm OD x 16.26mm W
6	684881		1 SPACER
7	86512424		6 CARRIAGE BOLT Sq Nk, M10 x 30mm, CI 8.8, Full Thd
8	140045		6 BELLEVILLE WASHER M10 Bolt Size x 22mm OD x 1.6mm Thk
9	100016		6 NUT M10 x 1.5, CI 8
10	47998910		1 DRAPER Infeed, Flex
11	47899160		1 ROLLER SHAFT
12	87470513		1 HOUSING LH
13	87470515		1 HOUSING RH
14	84288707		1 ARM LH
15	84288712		1 ARM RH
16	43140		4 BOLT Hex, M10 x 1.5 x 30mm, CI 8.8
17	100037		4 LOCK NUT M10 x 1.5, CI 8
18	84269942		2 TENSION SPRING Assy
19	84151895		2 RETAINER
20	9814566		2 BOLT Hex, M16 x 2 x 190mm, CI 8.8, Full Thd
21	100020		10 NUT M16 x 2.0, CI 8
22	87470518		4 SEAL 28.57mm ID x 51.99mm OD x 6.35mm Thk
23	84569437		2 BALL BEARING 25mm ID x 52.01mm OD x 15.12mm W
24	370011		2 CIRCLIP M52 x 2mm Thk, Internal
25	86632590		2 WASHER 0.66" ID x 1.31" OD x 0.1" Thk
26	84190205		2 DUST CAP
27	120056		2 BOLT M6 x 1.0 x 54.15mm, CI 8.8
28	353308		2 NUT M6 x 1.0, CI 8
29	48005531		16 STRAP Draper Slice
30	84429100		16 SCREW Pan HD, M6 x 22mm, CI 10.9
31	84429102		16 LOCK NUT

3162-DRAPER HEADER

58.115.02

03

p2

9/2016

FEEDER ASSY, RH

ART

NOT

AVAILABLE

58.115.02

03

p2

9/2016

FEEDER ASSY, RH

REF FN	PART NUMBER	YR/SN	QTY DESCRIPTION
32	129365		2 COTTER PIN

3162-DRAPER HEADER

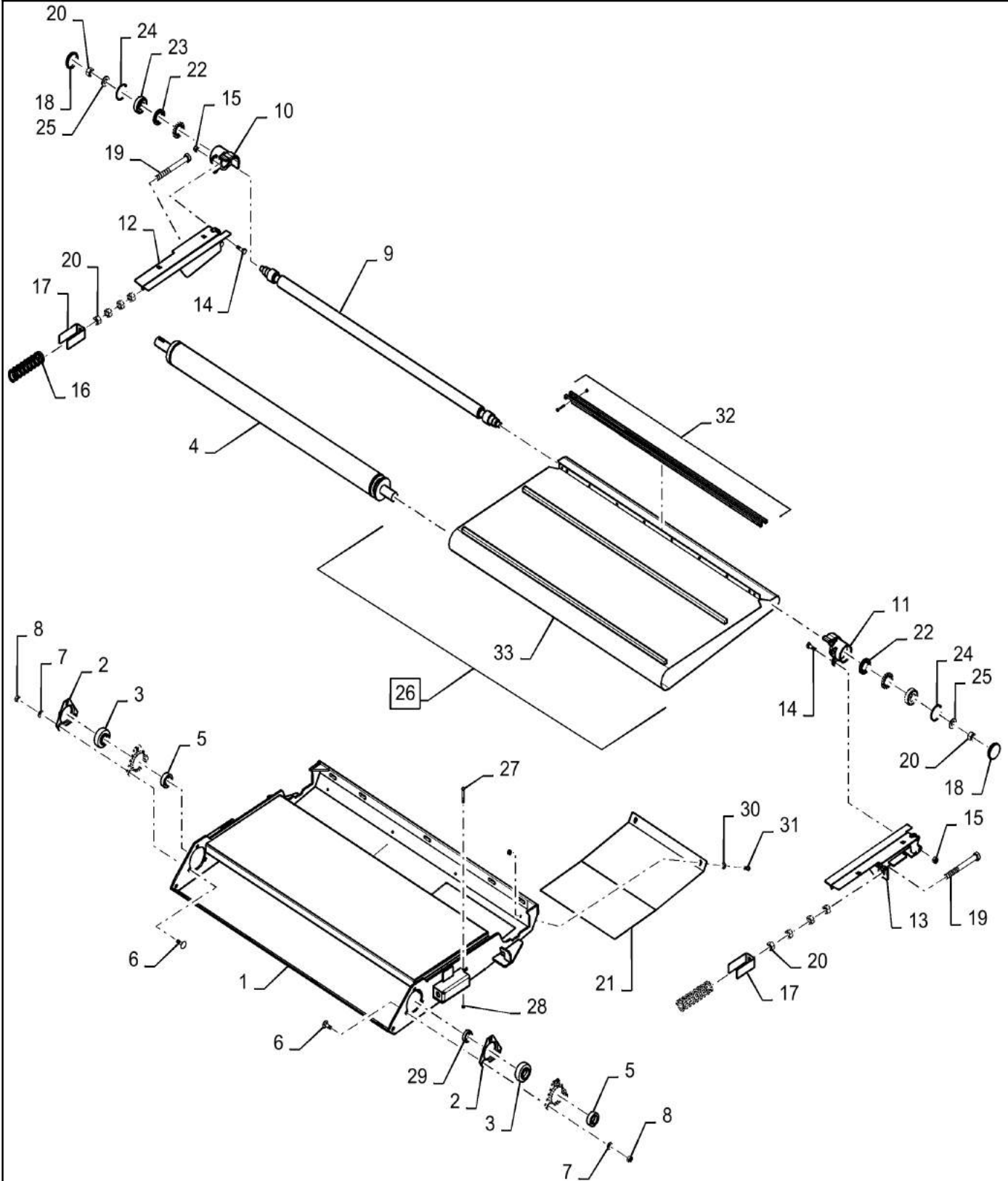
58.115.02

03

p1

9/2016

FEEDER, ASSY, RH



FEEDER, ASSY, RH

REF FN	PART NUMBER	YR/SN	QTY DESCRIPTION
1	47541249		1 FEEDER RH
2	87758678		4 FLANGE
3	63265		2 BALL BEARING 30.16mm ID x 62mm OD x 18mm W
4	84163554		1 ROLLER SHAFT RH
5	63266		2 COLLAR 30.187mm ID x 44.83mm OD x 16.26mm W
6	86512424		6 CARRIAGE BOLT Sq Nk, M10 x 30mm, CI 8.8, Full Thd
7	140045		6 BELLEVILLE WASHER M10 Bolt Size x 22mm OD x 1.6mm Thk
8	100016		6 NUT M10 x 1.5, CI 8
9	87705513		1 SHAFT Roller
10	87470513		1 HOUSING LH, Assy
11	87470515		1 HOUSING RH, Assy
12	84205244		1 ARM LH
13	84205242		1 ARM RH
14	43140		4 BOLT Hex, M10 x 1.5 x 30mm, CI 8.8
15	100037		4 LOCK NUT M10 x 1.5, CI 8
16	84269942		2 TENSION SPRING Assy
17	84151895		2 RETAINER Assy
18	84190205		2 DUST CAP
19	359211		2 BOLT M16 x 2.0 x 150mm, CI 8.8
20	100020		10 NUT M16 x 2.0, CI 8
21	47525972		2 COVER
22	87470518		4 SEAL 28.57mm ID x 51.99mm OD x 6.35mm Thk
23	84569437		2 BALL BEARING 25mm ID x 52.01mm OD x 15.12mm W
24	370011		2 CIRCLIP M52 x 2mm Thk, Internal
25	86632590		2 WASHER 0.66" ID x 1.31" OD x 0.1" Thk
26	47541224		1 FEEDER Infeed Rigid, Incl 32, 33
27	120056		2 BOLT M6 x 1.0 x 54.15mm, CI 8.8
28	353308		2 NUT M6 x 1.0, CI 8
29	684881		1 SPACER
30	322358		4 BELLEVILLE WASHER M8 Bolt Size x 18mm OD x 1.4mm Thk

3152-DRAPER HEADER

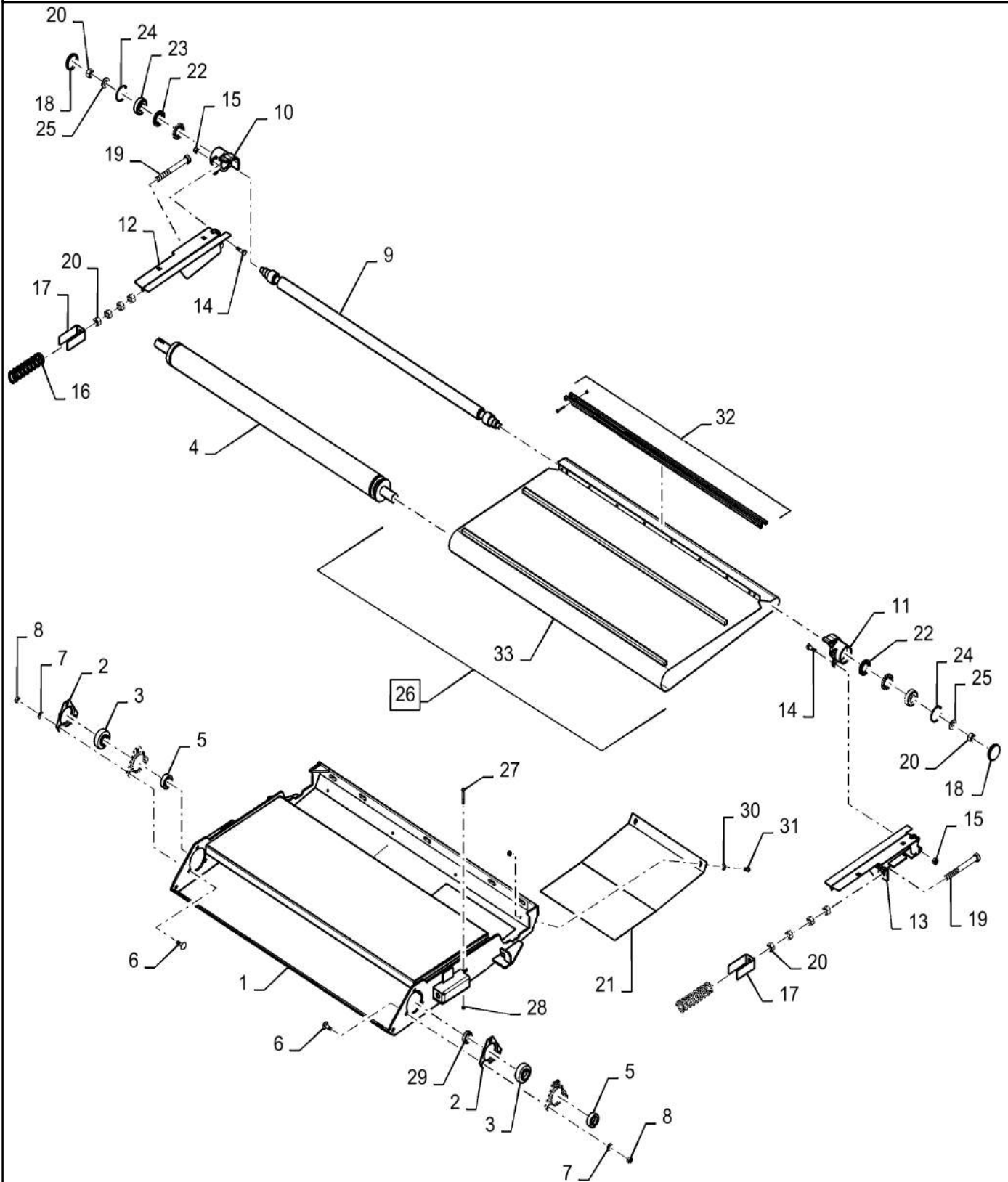
58.115.02

03

p2

9/2016

FEEDER, ASSY, RH



58.115.02

03

p2

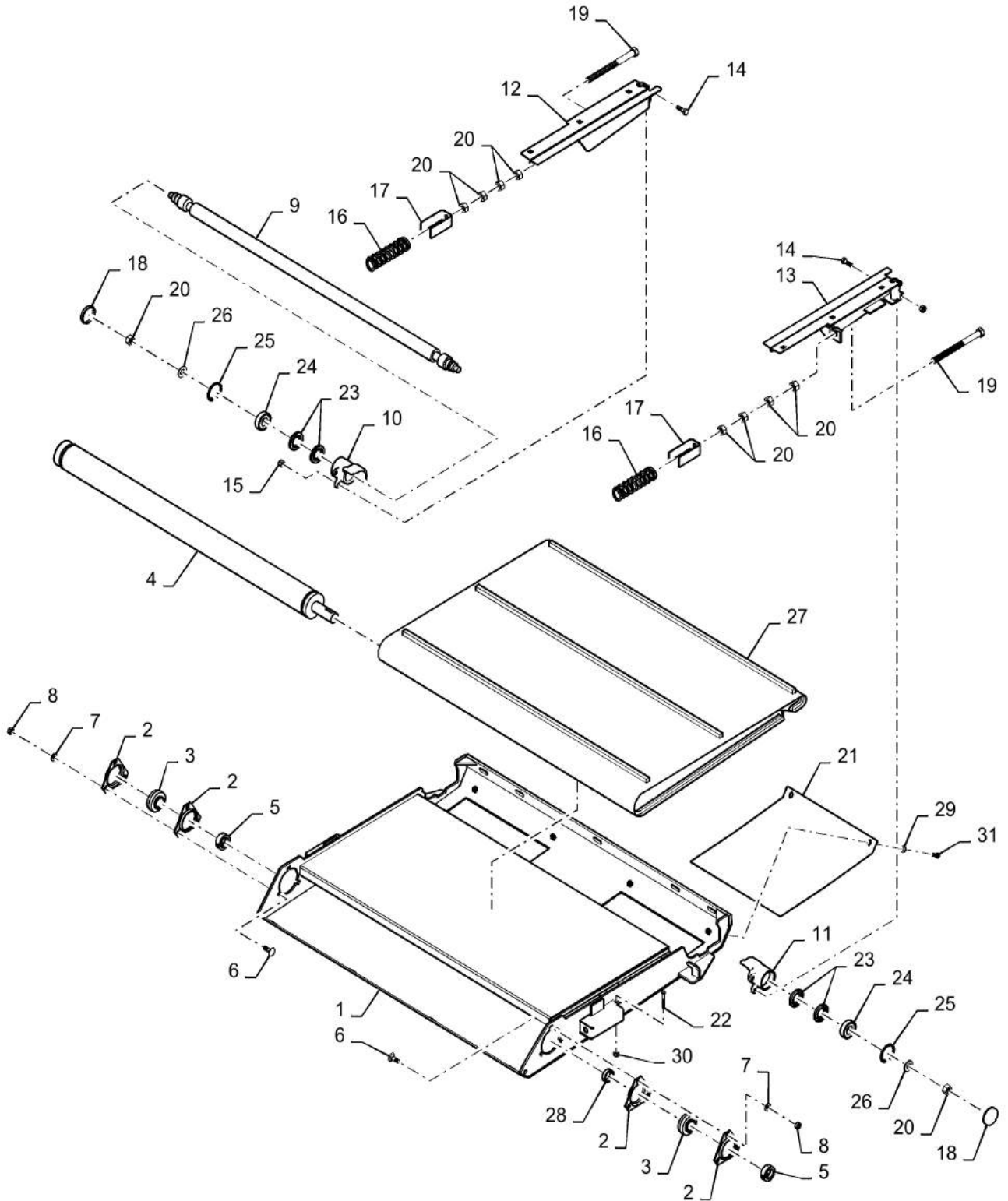
9/2016

FEEDER, ASSY, RH

REF FN	PART NUMBER	YR/SN	QTY DESCRIPTION
31	120104		4 BOLT Hex, M8 x 1.25 x 20mm, CI 8.8
32	47371025		1 SLAT Connector Kit
33	47932836		1 DRAPER Infeed Rigid

3152-DRAPER HEADER

FEEDER, ASSY, RH



FEEDER, ASSY, RH

REF FN	PART NUMBER	YR/SN	QTY DESCRIPTION
1	47541221		1 FEEDER RH
2	87758678		4 FLANGE
3	63265		2 BALL BEARING 30.16mm ID x 62mm OD x 18mm W
4	84163554		1 ROLLER SHAFT RH
5	63266		2 COLLAR 30.187mm ID x 44.83mm OD x 16.26mm W
6	86512424		6 CARRIAGE BOLT Sq Nk, M10 x 30mm, CI 8.8, Full Thd
7	140045		6 BELLEVILLE WASHER M10 Bolt Size x 22mm OD x 1.6mm Thk
8	100016		6 NUT M10 x 1.5, CI 8
9	87705513		1 SHAFT Roller
10	87470513		1 HOUSING LH
11	87470515		1 HOUSING RH
12	84288707		1 ARM LH
13	84288712		1 ARM RH
14	43140		4 BOLT Hex, M10 x 1.5 x 30mm, CI 8.8
15	100037		4 LOCK NUT M10 x 1.5, CI 8
16	84269942		2 TENSION SPRING
17	84151895		2 RETAINER
18	84190205		2 DUST CAP
19	9814566		2 BOLT Hex, M16 x 2 x 190mm, CI 8.8, Full Thd
20	100020		10 NUT M16 x 2.0, CI 8
21	47525970		2 COVER
22	120056		2 BOLT M6 x 1.0 x 54.15mm, CI 8.8
23	87470518		4 SEAL 28.57mm ID x 51.99mm OD x 6.35mm Thk
24	84569437		2 BALL BEARING 25mm ID x 52.01mm OD x 15.12mm W
25	370011		2 CIRCLIP M52 x 2mm Thk, Internal
26	86632590		2 WASHER 0.66" ID x 1.31" OD x 0.1" Thk
27	47932768		1 DRAPER Infeed Flex
27a	47371025		1 SLAT Connector Kit, Tube Included
28	684881		1 SPACER
29	322358		4 BELLEVILLE WASHER M8 Bolt Size x 18mm OD x 1.4mm Thk

3162-DRAPER HEADER

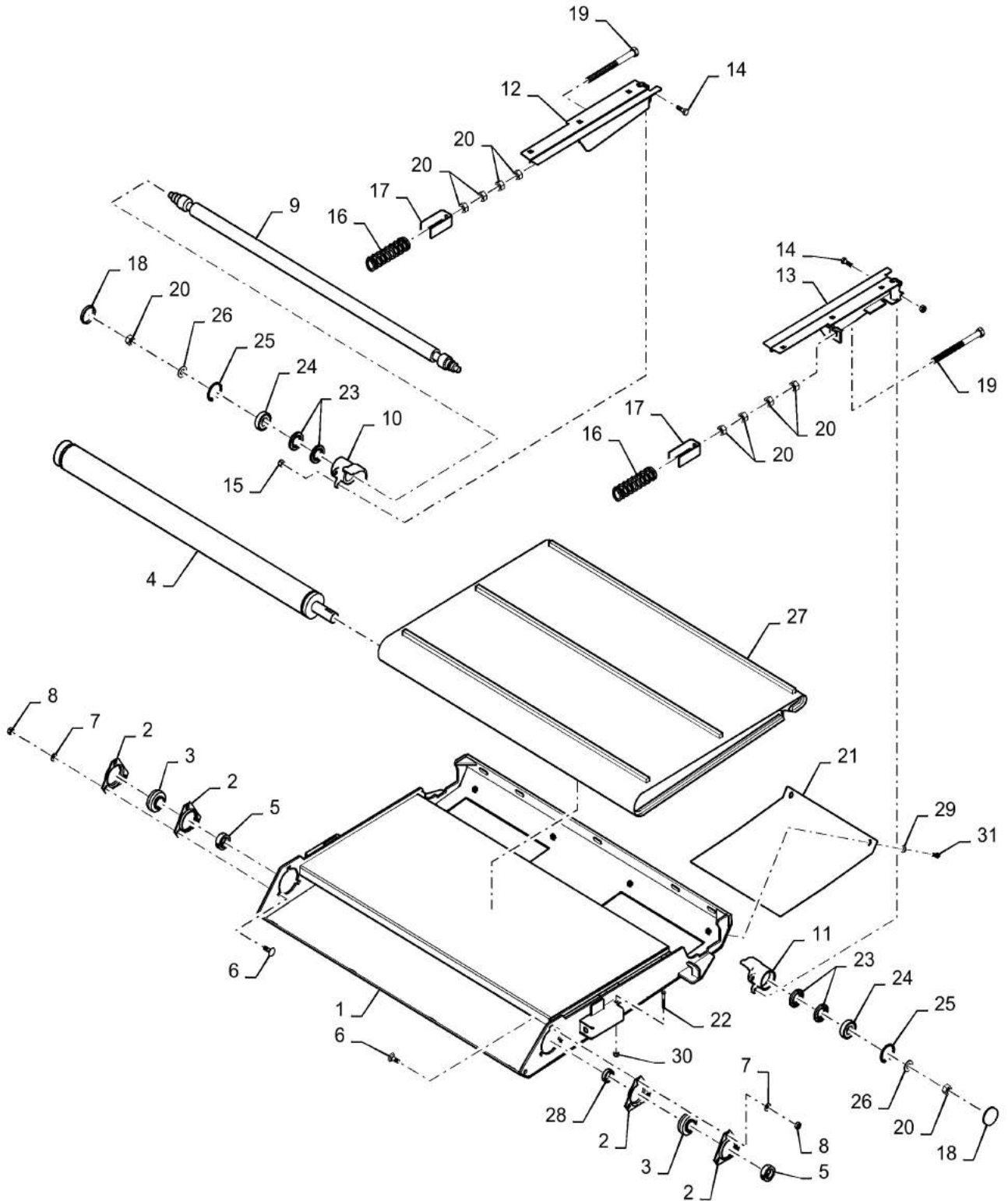
58.115.02

03

p2

9/2016

FEEDER, ASSY, RH



58.115.02

03

p2

9/2016

FEEDER, ASSY, RH

REF FN	PART NUMBER	YR/SN	QTY DESCRIPTION
30	353308		2 NUT M6 x 1.0, CI 8
31	120104		4 BOLT Hex, M8 x 1.25 x 20mm, CI 8.8

3162-DRAPER HEADER

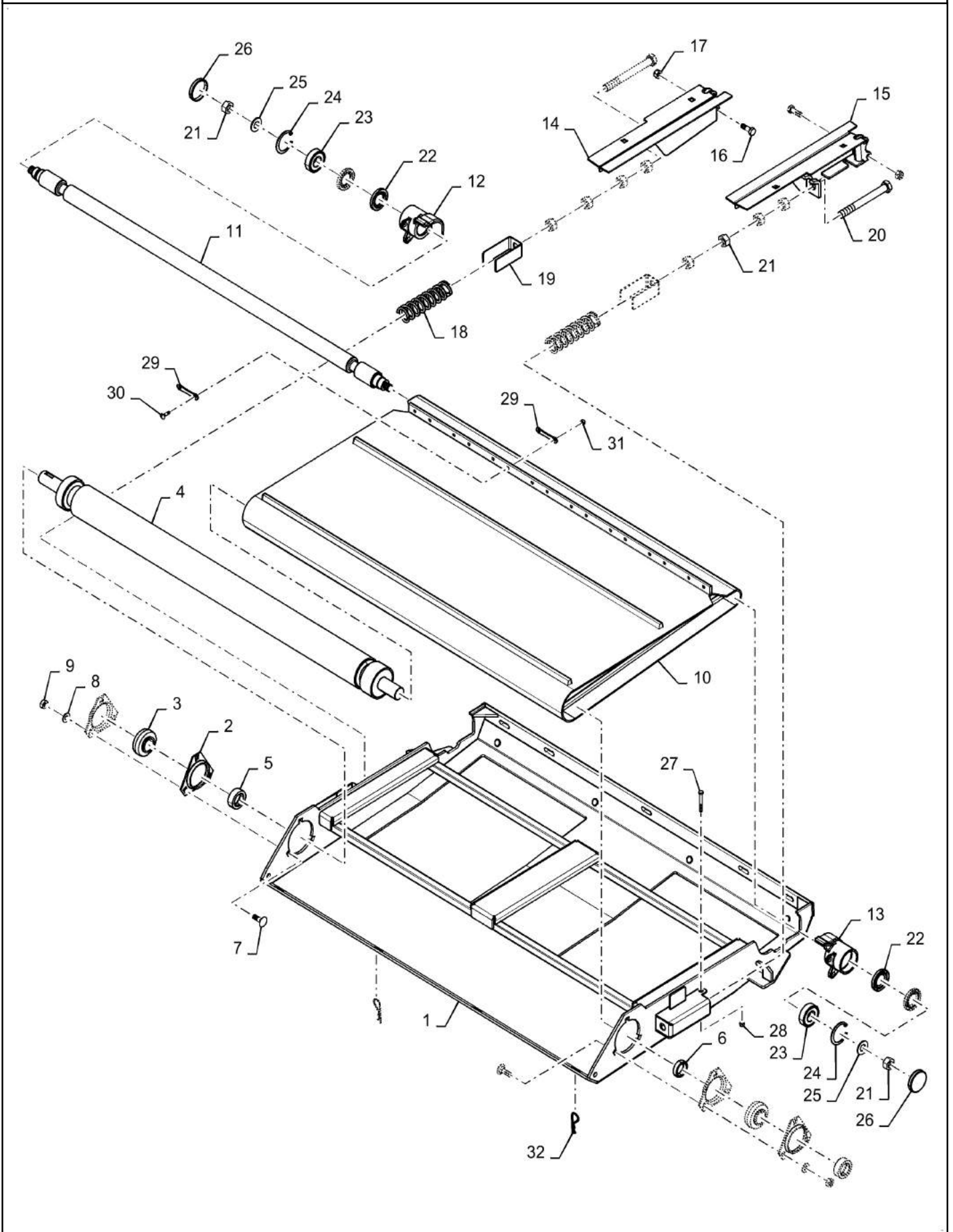
58.115.02

03

p1

9/2016

RH DUAL INFEED, DRAPER ASSY



RH DUAL INFEED, DRAPER ASSY

REF FN	PART NUMBER	YR/SN	QTY DESCRIPTION
1	47901194		1 FEEDER RH
2	87758678		4 FLANGE
3	63265		2 BALL BEARING 30.16mm ID x 62mm OD x 18mm W
4	47978808		1 ROLLER SHAFT RH
5	63266		2 COLLAR 30.187mm ID x 44.83mm OD x 16.26mm W
6	684881		1 SPACER
7	86512424		6 CARRIAGE BOLT Sq Nk, M10 x 30mm, CI 8.8, Full Thd
8	140045		6 BELLEVILLE WASHER M10 Bolt Size x 22mm OD x 1.6mm Thk
9	100016		6 NUT M10 x 1.5, CI 8
10	47998911		1 DRAPER Infeed, Rigid
11	47899160		1 ROLLER SHAFT
12	87470513		1 HOUSING LH
13	87470515		1 HOUSING RH
14	84205244		1 ARM LH
15	84205242		1 ARM RH
16	43140		4 BOLT Hex, M10 x 1.5 x 30mm, CI 8.8
17	100037		4 LOCK NUT M10 x 1.5, CI 8
18	84269942		2 TENSION SPRING Assy
19	84151895		2 RETAINER
20	359211		2 BOLT M16 x 2.0 x 150mm, CI 8.8
21	100020		10 NUT M16 x 2.0, CI 8
22	87470518		4 SEAL 28.57mm ID x 51.99mm OD x 6.35mm Thk
23	84569437		2 BALL BEARING 25mm ID x 52.01mm OD x 15.12mm W
24	370011		2 CIRCLIP M52 x 2mm Thk, Internal
25	86632590		2 WASHER 0.66" ID x 1.31" OD x 0.1" Thk
26	84190205		2 DUST CAP
27	120056		2 BOLT M6 x 1.0 x 54.15mm, CI 8.8
28	353308		2 NUT M6 x 1.0, CI 8
29	48005531		16 STRAP Draper Slice
30	84429100		16 SCREW Pan HD, M6 x 22mm, CI 10.9
31	84429102		16 LOCK NUT
32	129365		2 COTTER PIN

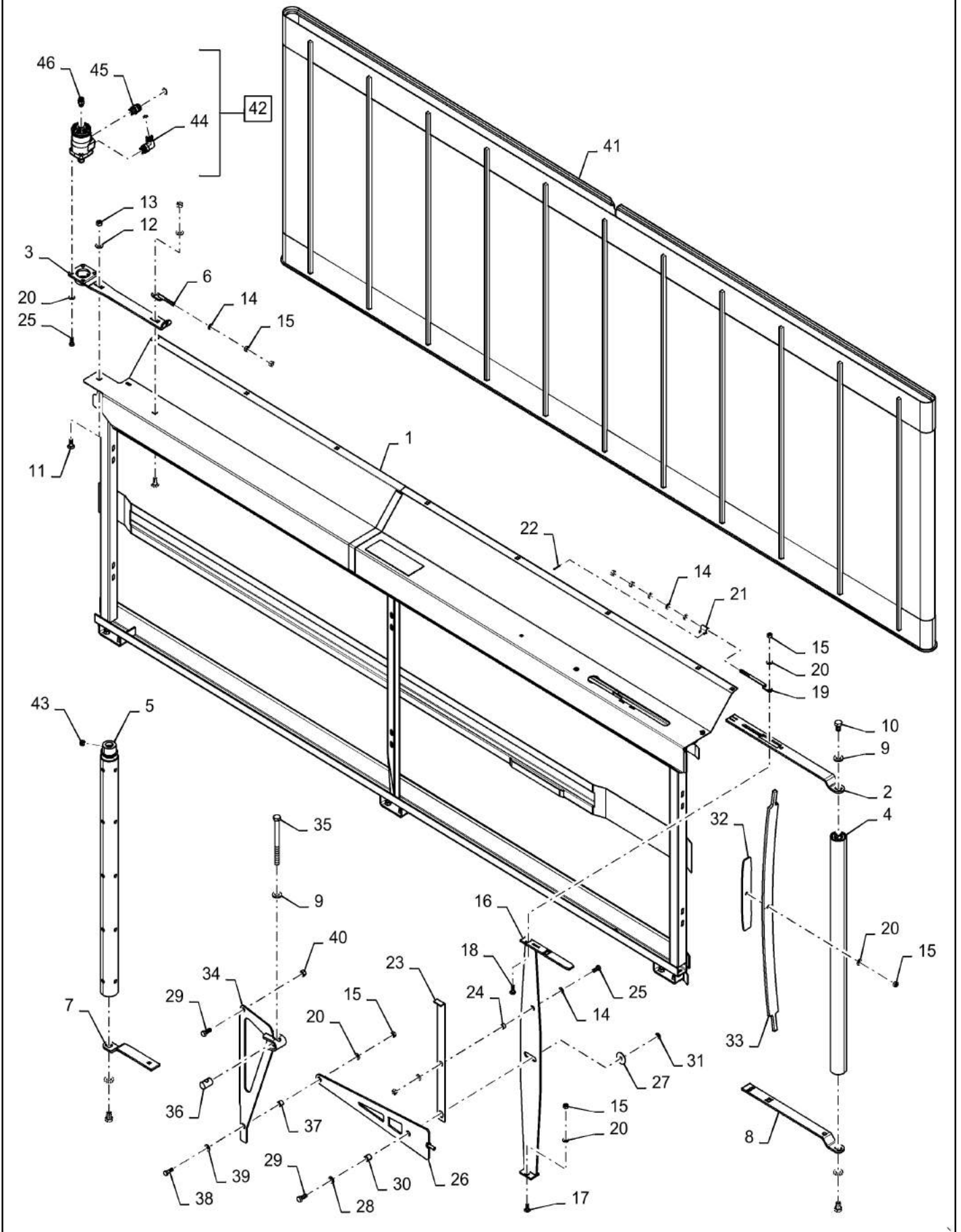
3152-DRAPER HEADER

58.115.03

p1

9/2016

TENSIONER, ASSY, RH, 30FT

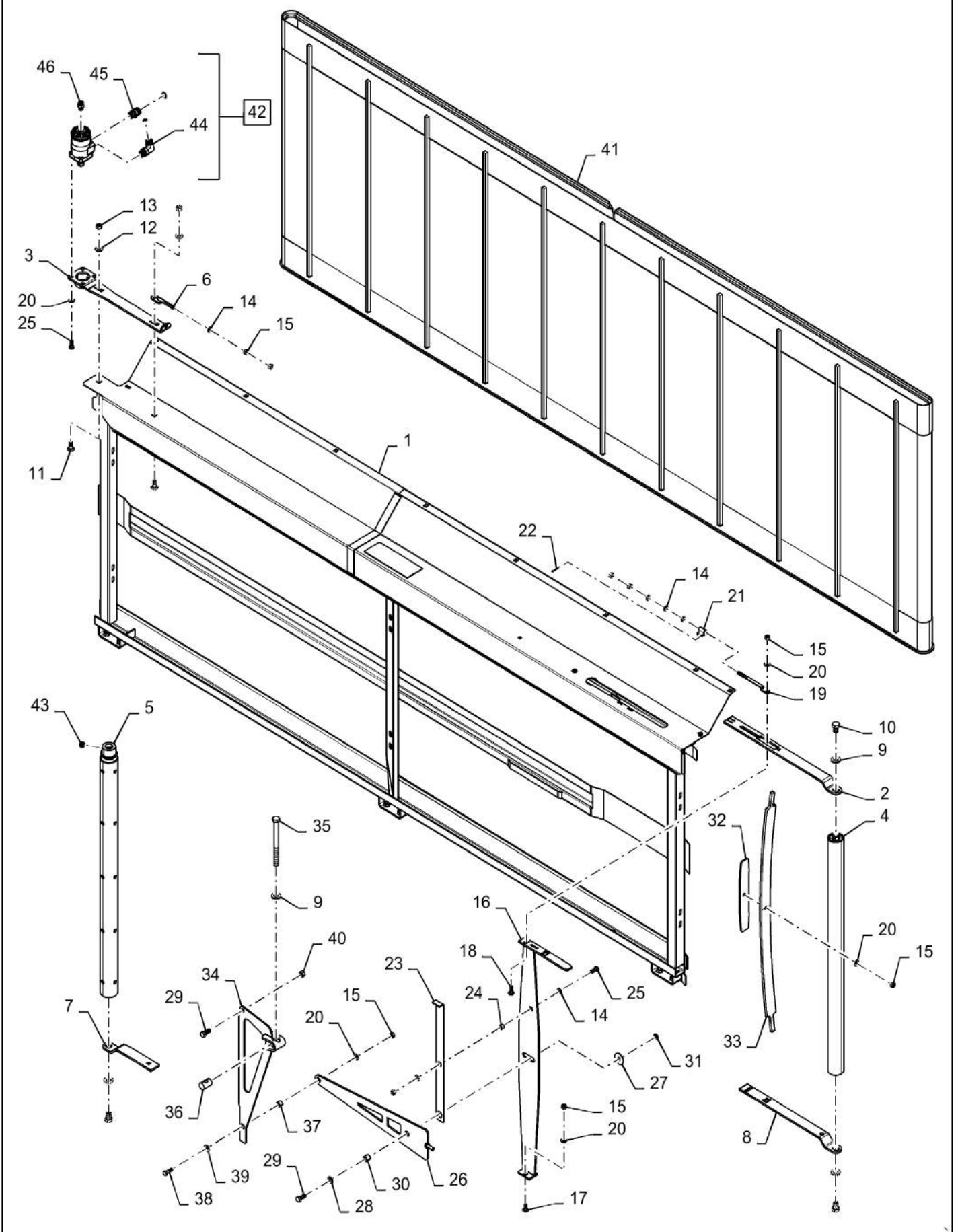


TENSIONER, ASSY, RH, 30FT

REF FN	PART NUMBER	YR/SN	QTY DESCRIPTION
1	84305271		1 CONVEYOR Assy, RH
2	87477203		1 ARM Rear Right
3	87478446		1 ARM Rear Left
4	87701210		1 ROLLER 60.33mm OD x 996mm L Assy, Idler
5	84476056		1 ROLLER 66.3mm OD x 1051mm L Assy, Drive
6	87473099		1 ADJUSTER Drive Roller
7	47478705		1 ARM Front Left
8	87478432		1 ARM Front Right
9	394631		4 WASHER 17mm ID x 34mm OD x 4mm Thk
10	15980321		3 BOLT Hex, M16 x 1.5 x 25mm, CI 8.8, Full Thd
11	120044		2 CARRIAGE BOLT M12 x 1.75 x 30mm, CI 8.8
12	140046		2 BELLEVILLE WASHER M12 Bolt Size x 27mm OD x 1.8mm Thk
13	9706685		2 NUT M12 x 1.75, CI 8
14	140017		5 WASHER M10 x 20mm OD x 2mm Thk
15	100016		9 NUT M10 x 1.5, CI 8
16	87478448		1 STABILIZER RH
17	86633356		1 CARRIAGE BOLT M10 x 34.8mm, CI 8.8
18	86512446		1 CARRIAGE BOLT M10 x 1.5 x 30mm, CI 8.8
19	87473100		1 ROD Threaded
20	140045		9 BELLEVILLE WASHER M10 Bolt Size x 22mm OD x 1.6mm Thk
21	87477205		1 BRACKET
22	280251		1 COTTER PIN 3/32" OD x 1" OAL
23	87478996		1 INDICATOR
24	626698		1 SPACER
25	43139		5 BOLT M10 x 1.5 x 25mm, CI 8.8
26	87478451		1 SUPPORT
27	87529126		1 WASHER 0.53" ID x 1.75" OD x 0.1" Thk
28	140018		1 WASHER 13.5mm ID x 24mm OD x 2.5mm Thk
29	9706687		2 BOLT M12 x 1.75 x 30mm, CI 8.8

3162-DRAPER HEADER

TENSIONER, ASSY, RH, 30FT

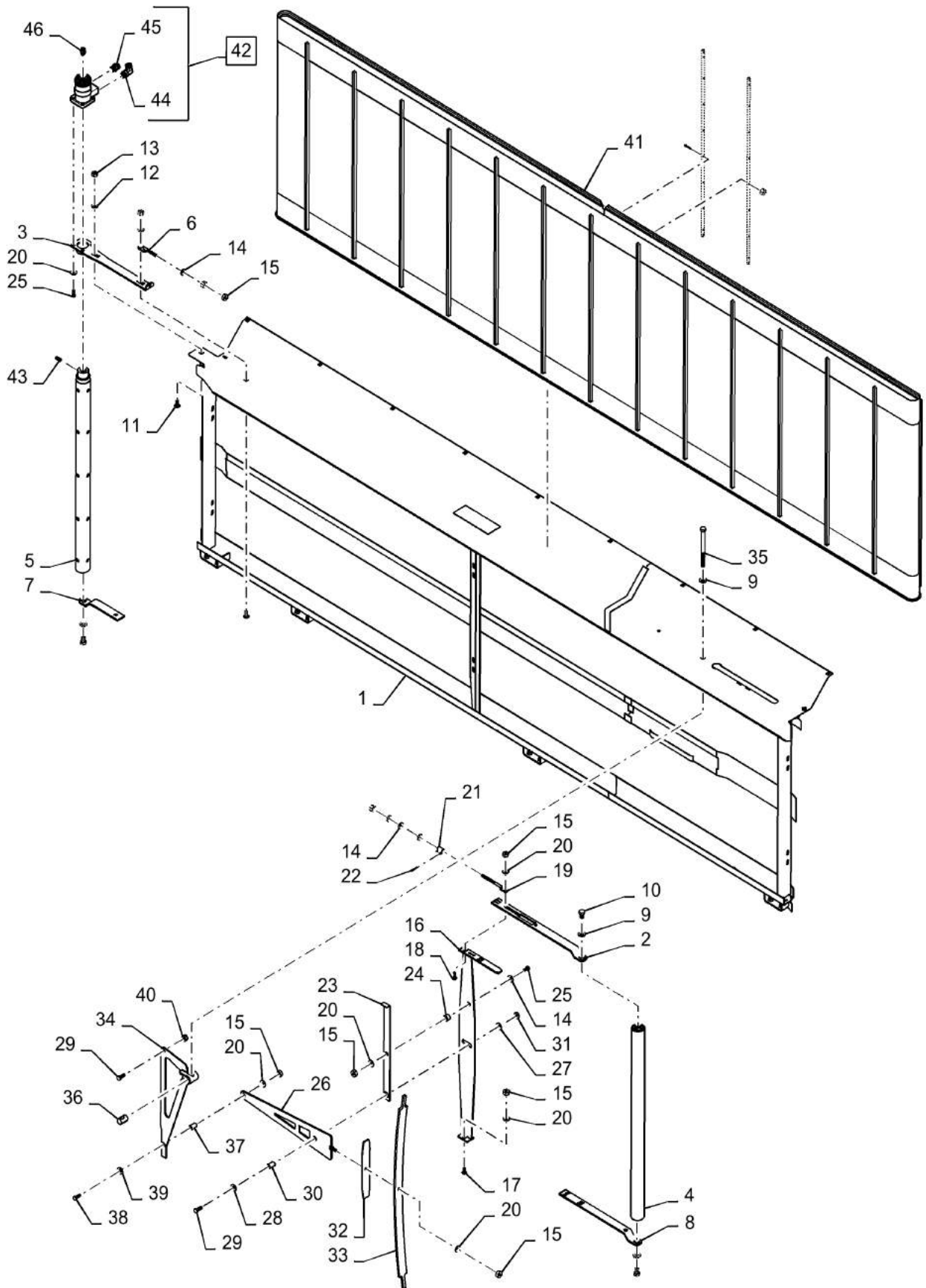


TENSIONER, ASSY, RH, 30FT

REF FN	PART NUMBER	YR/SN	QTY DESCRIPTION
30	87305403		1 SPACER 13.51mm ID x 19.05mm OD x 17.5mm Thk
31	323238		1 THIN NUT Hex, M12, 1.75mm Pitch, CI 05
32	87491665		1 LEAF SPRING Assy
33	87491663		1 LEAF SPRING Assy
34	47422735		1 BELLCRANK RH
35	9814566		1 BOLT Hex, M16 x 2 x 190mm, CI 8.8, Full Thd
36	87477200		1 NUT Special
37	87311354		1 SPACER 10.7mm ID x 17.1mm OD x 14.2mm L
38	43140		1 BOLT Hex, M10 x 1.5 x 30mm, CI 8.8
39	86625253		1 WASHER 11mm ID x 24mm OD x 2mm Thk
40	100038		1 NUT M12 x 1.75, CI 8
41	47371566		1 DRAPER Assy, Belt
42	84393903		1 HYDRAULIC MOTOR 41CC Also Order 44 - 46
43	84517620		2 SET SCREW 3/8" - 16 x 3/8"
44	86579694		1 ELBOW 90°, 1"-14 ORFS x M22 x 1.5 ORB
45	86579680		1 HYD CONNECTOR 1"-14 ORFS x M22 x 1.5mm ORB
46	9993143		1 HYD CONNECTOR 11/16" - 16 ORFS x 9/16" - 18 ORB

3162-DRAPER HEADER

TENSIONER, ASSY, RH, 35FT

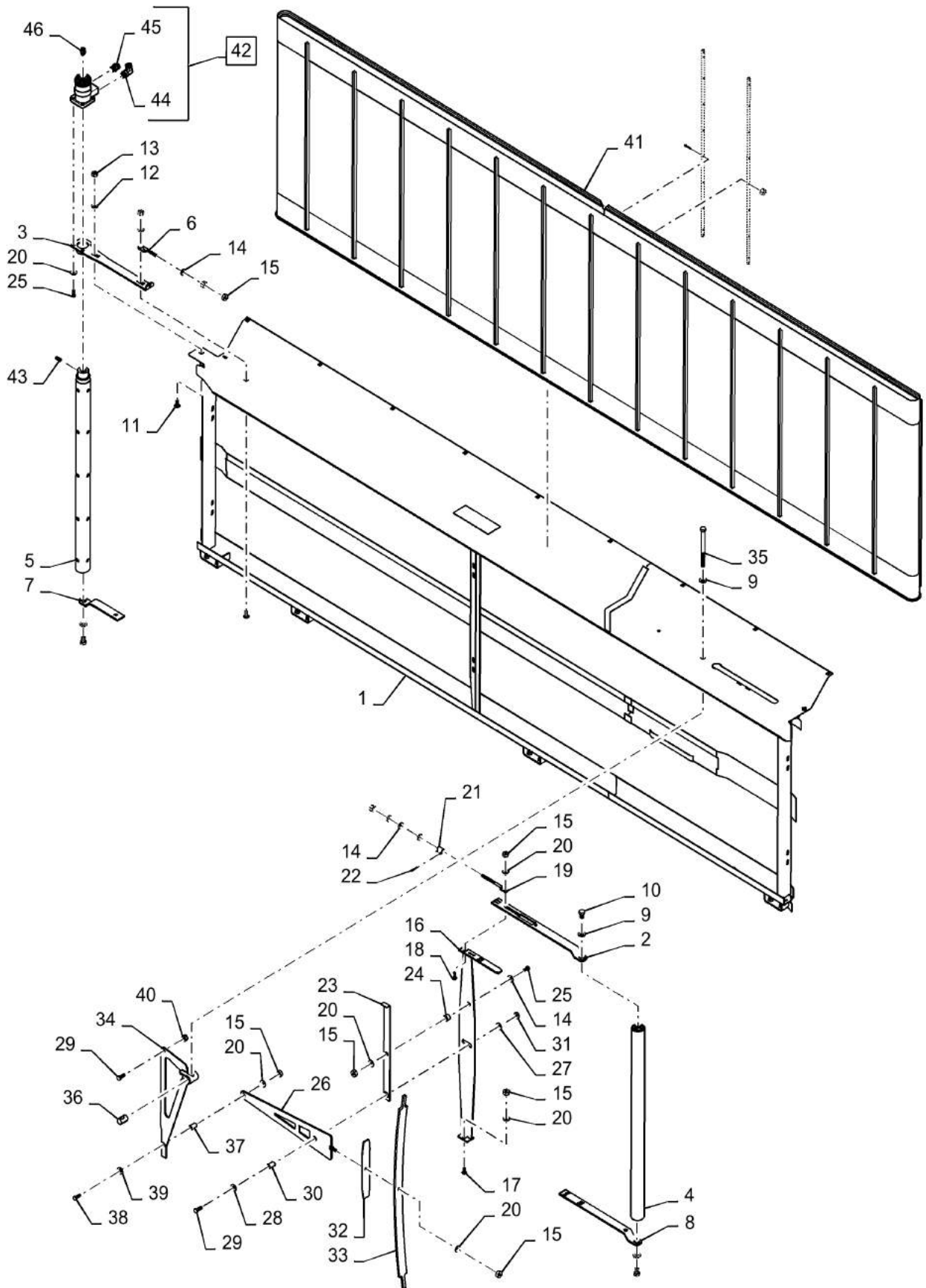


TENSIONER, ASSY, RH, 35FT

REF FN	PART NUMBER	YR/SN	QTY DESCRIPTION
1	87478997		1 CONVEYOR Assy, RH 35 ft
2	87477203		1 ARM Left Rear
3	87478446		1 ARM Right Rear
4	87701210		1 ROLLER 60.33mm OD x 996mm L Assy, Idler
5	84476056		1 ROLLER 66.3mm OD x 1051mm L Assy, Drive
6	87473099		1 ADJUSTER Drive Roller
7	47478705		1 ARM Inner
8	87478432		1 ARM Outer
9	394631		4 WASHER 17mm ID x 34mm OD x 4mm Thk
10	15980321		3 BOLT Hex, M16 x 1.5 x 25mm, CI 8.8, Full Thd
11	120044		2 CARRIAGE BOLT M12 x 1.75 x 30mm, CI 8.8
12	140046		2 BELLEVILLE WASHER M12 Bolt Size x 27mm OD x 1.8mm Thk
13	9706685		2 NUT M12 x 1.75, CI 8
14	140017		5 WASHER M10 x 20mm OD x 2mm Thk
15	100016		9 NUT M10 x 1.5, CI 8
16	87478448		1 STABILIZER RH
17	86633356		1 CARRIAGE BOLT M10 x 34.8mm, CI 8.8
18	86512446		1 CARRIAGE BOLT M10 x 1.5 x 30mm, CI 8.8
19	87473100		1 ROD Threaded
20	140045		9 BELLEVILLE WASHER M10 Bolt Size x 22mm OD x 1.6mm Thk
21	87477205		1 BRACKET Assy
22	280251		1 COTTER PIN 3/32" OD x 1" OAL
23	87478996		1 INDICATOR Assy
24	626698		1 SPACER
25	43139		5 BOLT M10 x 1.5 x 25mm, CI 8.8
26	87478451		1 SUPPORT
27	87529126		1 WASHER 0.53" ID x 1.75" OD x 0.1" Thk
28	140018		1 WASHER 13.5mm ID x 24mm OD x 2.5mm Thk
29	9706687		2 BOLT M12 x 1.75 x 30mm, CI 8.8

3162-DRAPER HEADER

TENSIONER, ASSY, RH, 35FT



TENSIONER, ASSY, RH, 35FT

REF FN	PART NUMBER	YR/SN	QTY DESCRIPTION
30	87305403		1 SPACER 13.51mm ID x 19.05mm OD x 17.5mm Thk
31	323238		1 THIN NUT Hex, M12, 1.75mm Pitch, CI 05
32	87491665		1 LEAF SPRING Short
33	87491663		1 LEAF SPRING Long
34	47422735		1 BELLCRANK RH
35	9814566		1 BOLT Hex, M16 x 2 x 190mm, CI 8.8, Full Thd
36	87477200		1 NUT Special
37	87311354		1 SPACER 10.7mm ID x 17.1mm OD x 14.2mm L
38	43140		1 BOLT Hex, M10 x 1.5 x 30mm, CI 8.8
39	86625253		1 WASHER 11mm ID x 24mm OD x 2mm Thk
40	100038		1 NUT M12 x 1.75, CI 8
41	47371568		1 DRAPER Assy, Belt
42	84393903		1 HYDRAULIC MOTOR 41CC Also Order 44 - 46
43	84517620		2 SET SCREW 3/8" - 16 x 3/8"
44	86579694		1 ELBOW 90°, 1"-14 ORFS x M22 x 1.5 ORB
45	86579680		1 HYD CONNECTOR 1"-14 ORFS x M22 x 1.5mm ORB
46	9993143		1 HYD CONNECTOR 11/16" - 16 ORFS x 9/16" - 18 ORB

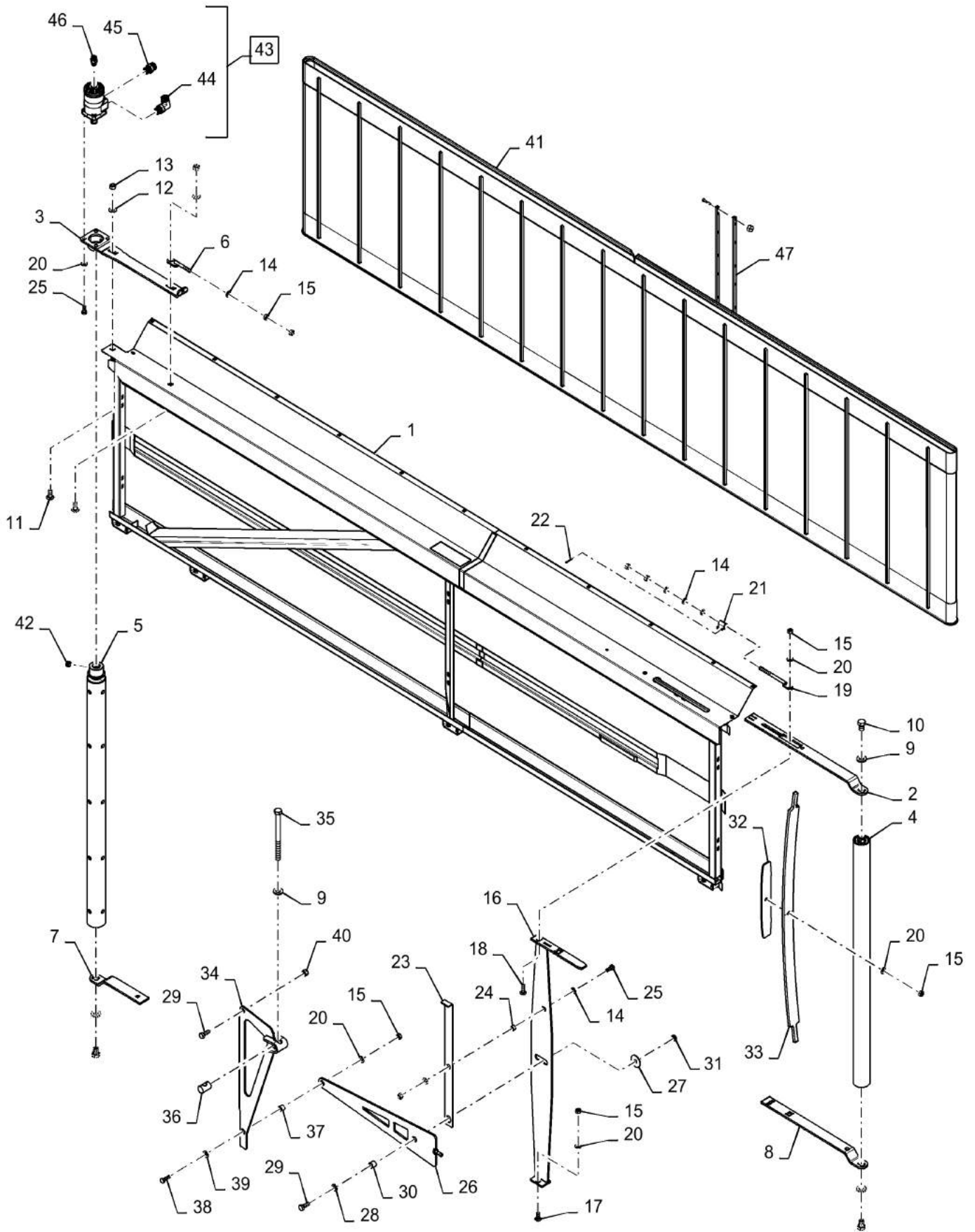
3162-DRAPER HEADER

58.115.03

p1

9/2016

TENSIONER, ASSY, RH, 40FT

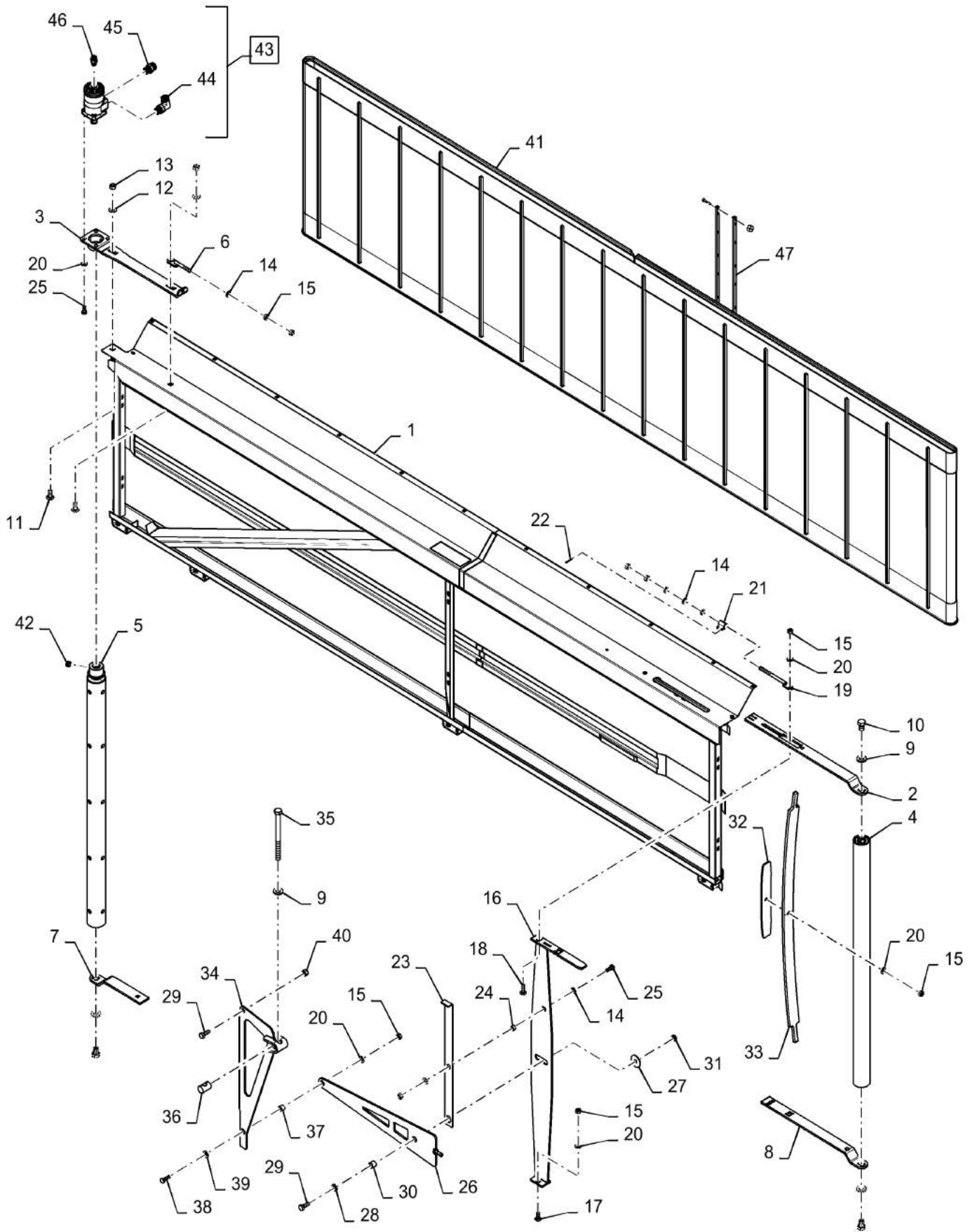


TENSIONER, ASSY, RH, 40FT

REF FN	PART NUMBER	YR/SN	QTY DESCRIPTION
1	87491414		1 CONVEYOR Assy, RH 40FT
2	87477203		1 ARM Assy, Rear
3	87478446		1 ARM Assy, RH
4	87701210		1 ROLLER 60.33mm OD x 996mm L Assy, Idler
5	84476056		1 ROLLER 66.3mm OD x 1051mm L Assy, Drive
6	87473099		1 ADJUSTER Drive Roller
7	47478705		1 ARM RH
8	87478432		1 ARM Assy
9	394631		4 WASHER 17mm ID x 34mm OD x 4mm Thk
10	15980321		3 BOLT Hex, M16 x 1.5 x 25mm, CI 8.8, Full Thd
11	120044		2 CARRIAGE BOLT M12 x 1.75 x 30mm, CI 8.8
12	140046		2 BELLEVILLE WASHER M12 Bolt Size x 27mm OD x 1.8mm Thk
13	9706685		2 NUT M12 x 1.75, CI 8
14	140017		5 WASHER M10 x 20mm OD x 2mm Thk
15	100016		9 NUT M10 x 1.5, CI 8
16	87478448		1 STABILIZER Assy, RH
17	86633356		1 CARRIAGE BOLT M10 x 34.8mm, CI 8.8
18	86512446		1 CARRIAGE BOLT M10 x 1.5 x 30mm, CI 8.8
19	87473100		1 ROD Threaded
20	140045		9 BELLEVILLE WASHER M10 Bolt Size x 22mm OD x 1.6mm Thk
21	87477205		1 BRACKET Assy
22	280251		1 COTTER PIN 3/32" OD x 1" OAL
23	87478996		1 INDICATOR Assy
24	626698		1 SPACER
25	43139		5 BOLT M10 x 1.5 x 25mm, CI 8.8
26	87478451		1 SUPPORT Assy
27	87529126		1 WASHER 0.53" ID x 1.75" OD x 0.1" Thk
28	140018		1 WASHER 13.5mm ID x 24mm OD x 2.5mm Thk
29	9706687		2 BOLT M12 x 1.75 x 30mm, CI 8.8

3162-DRAPER HEADER

TENSIONER, ASSY, RH, 40FT



TENSIONER, ASSY, RH, 40FT

REF FN	PART NUMBER	YR/SN	QTY DESCRIPTION
30	87305403		1 SPACER 13.51mm ID x 19.05mm OD x 17.5mm Thk
31	323238		1 THIN NUT Hex, M12, 1.75mm Pitch, CI 05
32	87491665		1 LEAF SPRING Assy
33	87491663		1 LEAF SPRING Assy
34	47422735		1 BELLCRANK Assy, RH
35	9814566		1 BOLT Hex, M16 x 2 x 190mm, CI 8.8, Full Thd
36	87477200		1 NUT Special
37	87311354		1 SPACER 10.7mm ID x 17.1mm OD x 14.2mm L
38	43140		1 BOLT Hex, M10 x 1.5 x 30mm, CI 8.8
39	86625253		1 WASHER 11mm ID x 24mm OD x 2mm Thk
40	100038		1 NUT M12 x 1.75, CI 8
41	84487818		1 BELT Assy, Belt
42	84517620		1 SET SCREW 3/8" - 16 x 3/8"
43	84393903		1 HYDRAULIC MOTOR 41CC Also Order 44 - 46
44	86579694		1 ELBOW 90°, 1"-14 ORFS x M22 x 1.5 ORB
45	86579680		1 HYD CONNECTOR 1"-14 ORFS x M22 x 1.5mm ORB
46	9993143		1 HYD CONNECTOR 11/16" - 16 ORFS x 9/16" - 18 ORB
47	47371025		1 SLAT Kit

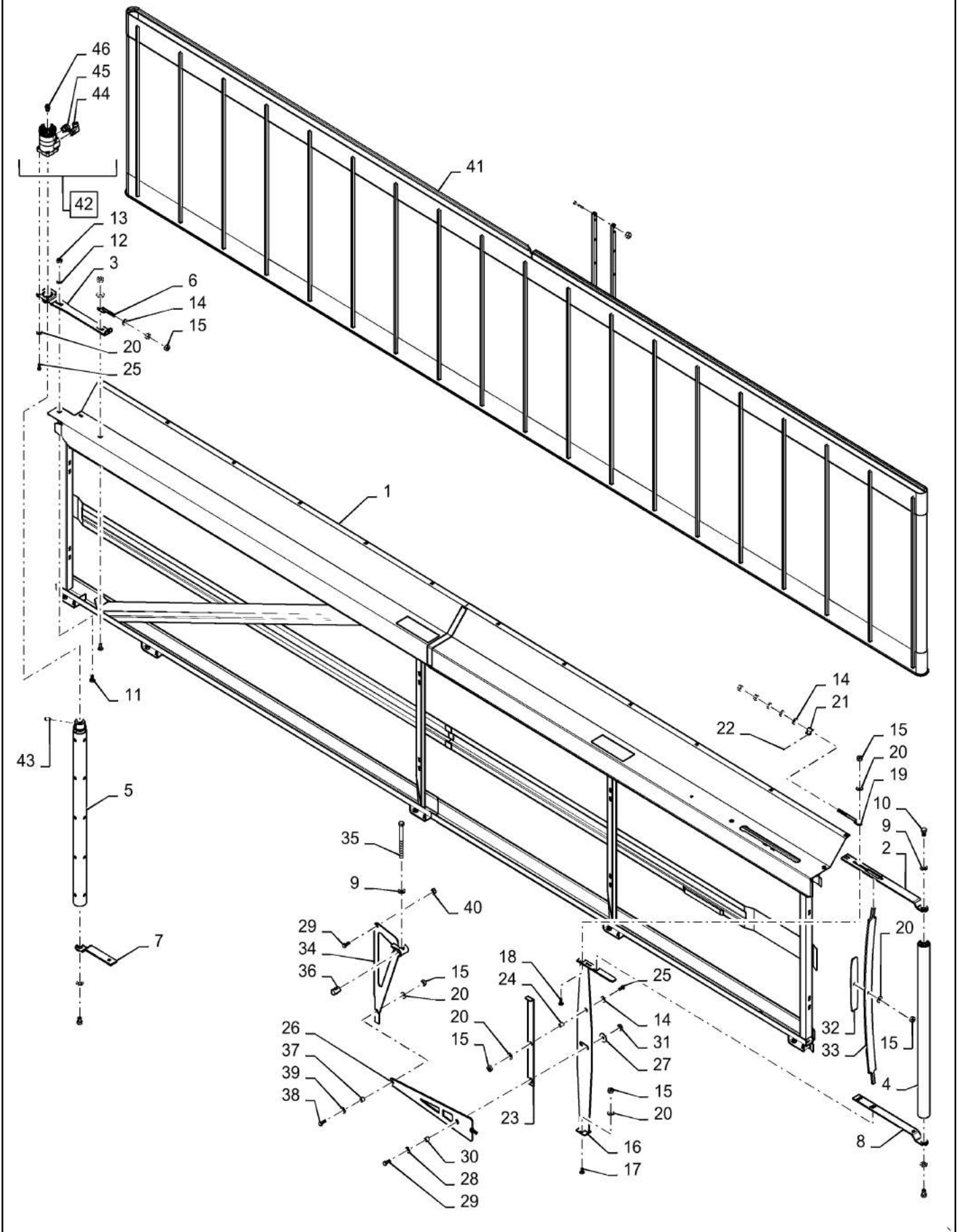
3162-DRAPER HEADER

58.115.03

p1

9/2016

TENSIONER, ASSY, RH, 45FT



TENSIONER, ASSY, RH, 45FT

REF FN	PART NUMBER	YR/SN	QTY DESCRIPTION
1	84131687		1 CONVEYOR Assy, RH 45ft
2	87477203		1 ARM Assy, Rear
3	87478446		1 ARM Assy, RH
4	87701210		1 ROLLER 60.33mm OD x 996mm L Assy, Idler
5	84476056		1 ROLLER 66.3mm OD x 1051mm L Assy, Drive
6	87473099		1 ADJUSTER Drive Roller
7	47478705		1 ARM RH
8	87478432		1 ARM Assy
9	394631		4 WASHER 17mm ID x 34mm OD x 4mm Thk
10	15980321		3 BOLT Hex, M16 x 1.5 x 25mm, CI 8.8, Full Thd
11	120044		2 CARRIAGE BOLT M12 x 1.75 x 30mm, CI 8.8
12	140046		2 BELLEVILLE WASHER M12 Bolt Size x 27mm OD x 1.8mm Thk
13	9706685		2 NUT M12 x 1.75, CI 8
14	140017		5 WASHER M10 x 20mm OD x 2mm Thk
15	100016		9 NUT M10 x 1.5, CI 8
16	87478448		1 STABILIZER Assy, RH
17	86633356		1 CARRIAGE BOLT M10 x 34.8mm, CI 8.8
18	86512446		1 CARRIAGE BOLT M10 x 1.5 x 30mm, CI 8.8
19	87473100		1 ROD Threaded
20	140045		9 BELLEVILLE WASHER M10 Bolt Size x 22mm OD x 1.6mm Thk
21	87477205		1 BRACKET Assy
22	280251		1 COTTER PIN 3/32" OD x 1" OAL
23	87478996		1 INDICATOR Assy
24	626698		1 SPACER
25	43139		5 BOLT M10 x 1.5 x 25mm, CI 8.8
26	87478451		1 SUPPORT Assy
27	87529126		1 WASHER 0.53" ID x 1.75" OD x 0.1" Thk
28	140018		1 WASHER 13.5mm ID x 24mm OD x 2.5mm Thk
29	9706687		2 BOLT M12 x 1.75 x 30mm, CI 8.8

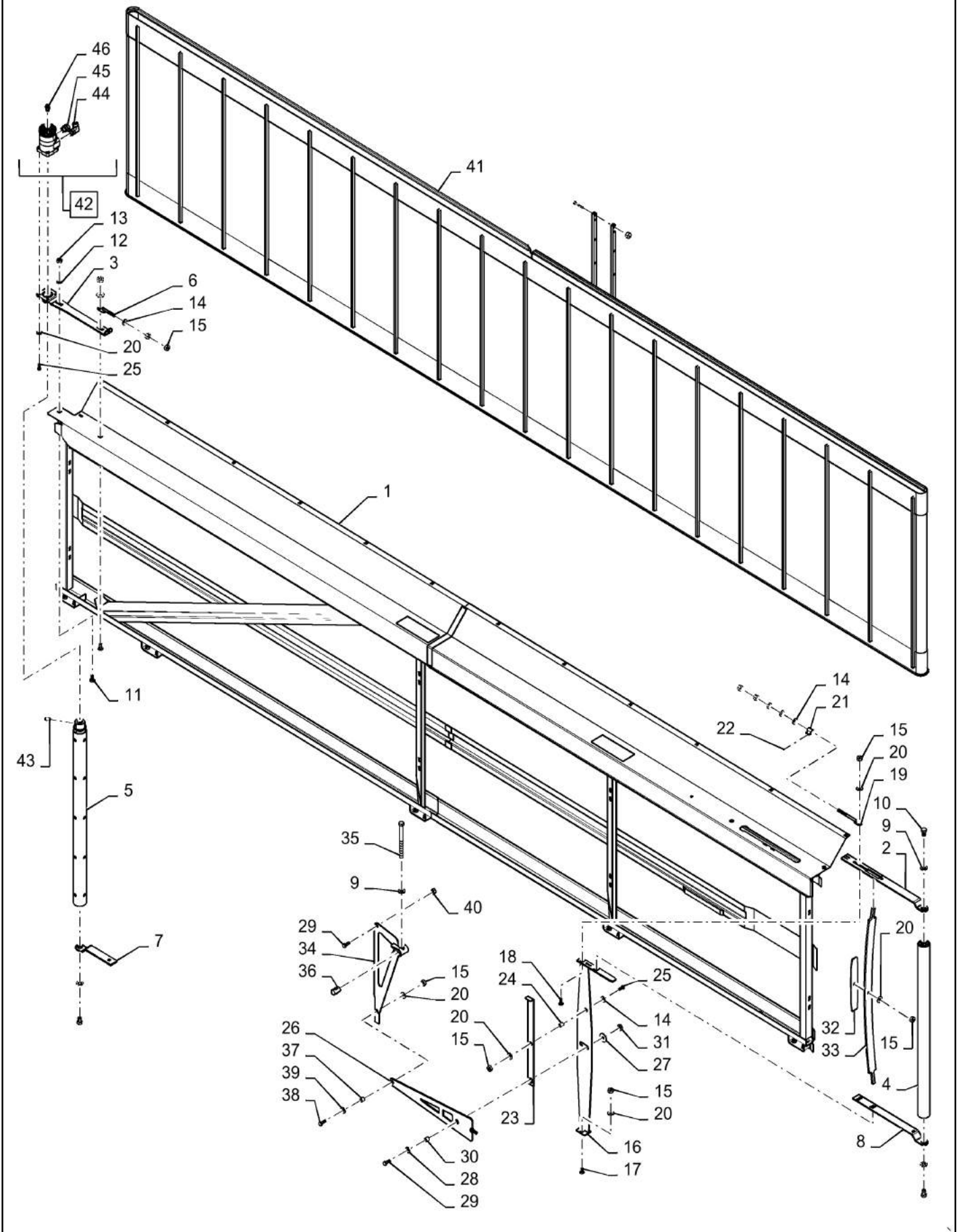
3162-DRAPER HEADER

58.115.03

p2

9/2016

TENSIONER, ASSY, RH, 45FT



TENSIONER, ASSY, RH, 45FT

REF FN	PART NUMBER	YR/SN	QTY DESCRIPTION
30	87305403		1 SPACER 13.51mm ID x 19.05mm OD x 17.5mm Thk
31	323238		1 THIN NUT Hex, M12, 1.75mm Pitch, CI 05
32	87491665		1 LEAF SPRING Assy, Short
33	87491663		1 LEAF SPRING Assy, Long
34	47422735		1 BELLCRANK Assy, RH
35	9814566		1 BOLT Hex, M16 x 2 x 190mm, CI 8.8, Full Thd
36	87477200		1 NUT Special
37	87311354		1 SPACER 10.7mm ID x 17.1mm OD x 14.2mm L
38	43140		1 BOLT Hex, M10 x 1.5 x 30mm, CI 8.8
39	86625253		1 WASHER 11mm ID x 24mm OD x 2mm Thk
40	100038		1 NUT M12 x 1.75, CI 8
41	47371572		1 DRAPER
42	84393903		1 HYDRAULIC MOTOR 41CC Also Order 44 - 46
43	84517620		1 SET SCREW 3/8" - 16 x 3/8"
44	86579694		1 ELBOW 90°, 1"-14 ORFS x M22 x 1.5 ORB
45	86579680		1 HYD CONNECTOR 1"-14 ORFS x M22 x 1.5mm ORB
46	9993143		2 HYD CONNECTOR 11/16" - 16 ORFS x 9/16" - 18 ORB

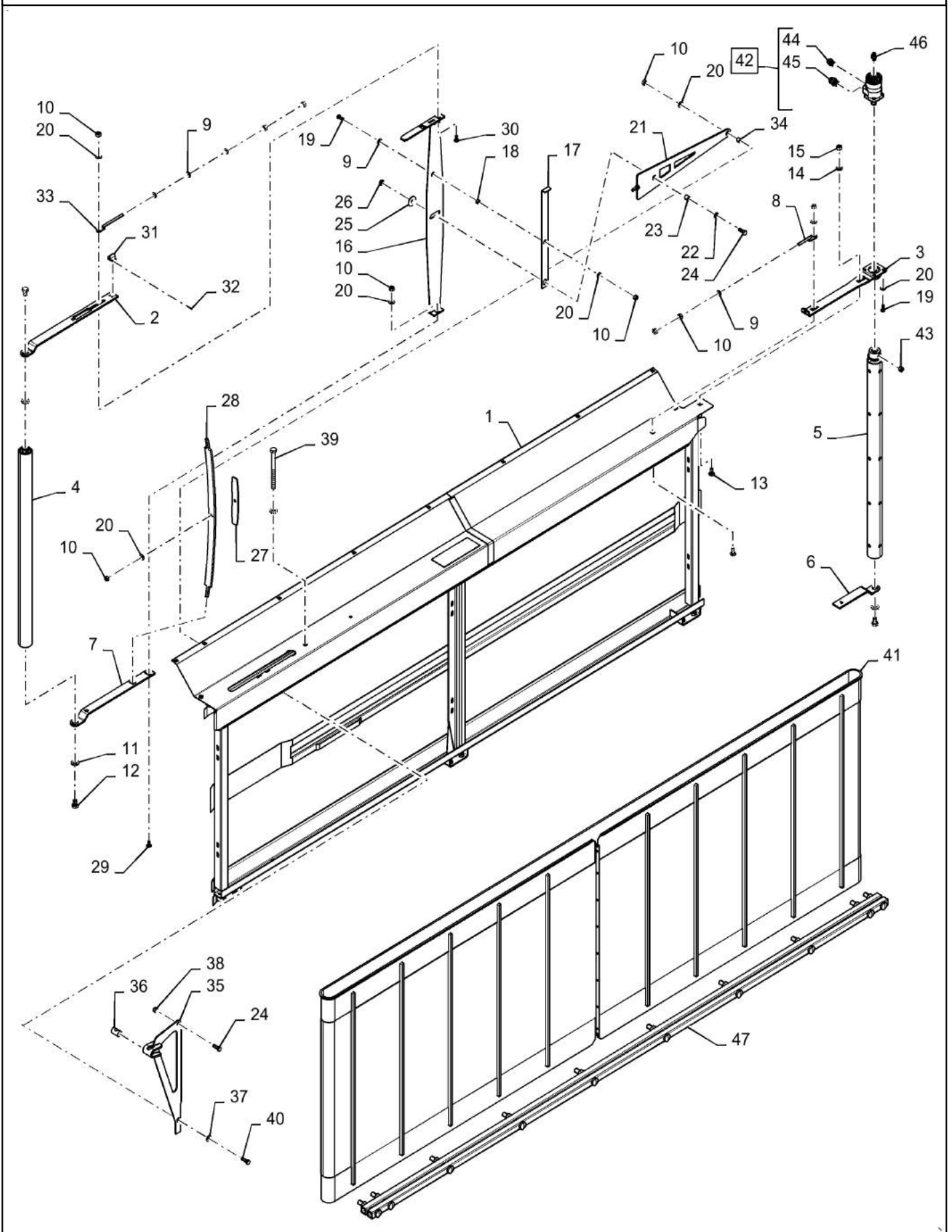
3162-DRAPER HEADER

58.115.04

p1

9/2016

TENSIONER, ASSY, LH, 30FT



TENSIONER, ASSY, LH, 30FT

REF FN	PART NUMBER	YR/SN	QTY DESCRIPTION
1	84305274		1 CONVEYOR Assy, LH
2	87477203		1 ARM Rear Center
3	87478446		1 ARM Rear Left
4	87701210		1 ROLLER 60.33mm OD x 996mm L Assy, Idler
5	84476056		1 ROLLER 66.3mm OD x 1051mm L Assy, Drive
6	47479043		1 ARM RH
7	87478432		1 ARM LH
8	87473099		1 ADJUSTER
9	140017		5 WASHER M10 x 20mm OD x 2mm Thk
10	100016		9 NUT M10 x 1.5, CI 8
11	394631		4 WASHER 17mm ID x 34mm OD x 4mm Thk
12	15980321		3 BOLT Hex, M16 x 1.5 x 25mm, CI 8.8, Full Thd
13	120044		2 CARRIAGE BOLT M12 x 1.75 x 30mm, CI 8.8
14	140046		2 BELLEVILLE WASHER M12 Bolt Size x 27mm OD x 1.8mm Thk
15	9706685		2 NUT M12 x 1.75, CI 8
16	87478450		1 STABILIZER LH
17	87478996		1 INDICATOR Assy
18	626698		1 SPACER
19	43139		5 BOLT M10 x 1.5 x 25mm, CI 8.8
20	140045		9 BELLEVILLE WASHER M10 Bolt Size x 22mm OD x 1.6mm Thk
21	87478451		1 SUPPORT Assy
22	140018		1 WASHER 13.5mm ID x 24mm OD x 2.5mm Thk
23	87305403		1 SPACER 13.51mm ID x 19.05mm OD x 17.5mm Thk
24	9706687		2 BOLT M12 x 1.75 x 30mm, CI 8.8
25	87529126		1 WASHER 0.53" ID x 1.75" OD x 0.1" Thk
26	323238		1 THIN NUT Hex, M12, 1.75mm Pitch, CI 05
27	87491665		1 LEAF SPRING Center
28	87491663		1 LEAF SPRING LH
29	86633356		1 CARRIAGE BOLT M10 x 34.8mm, CI 8.8

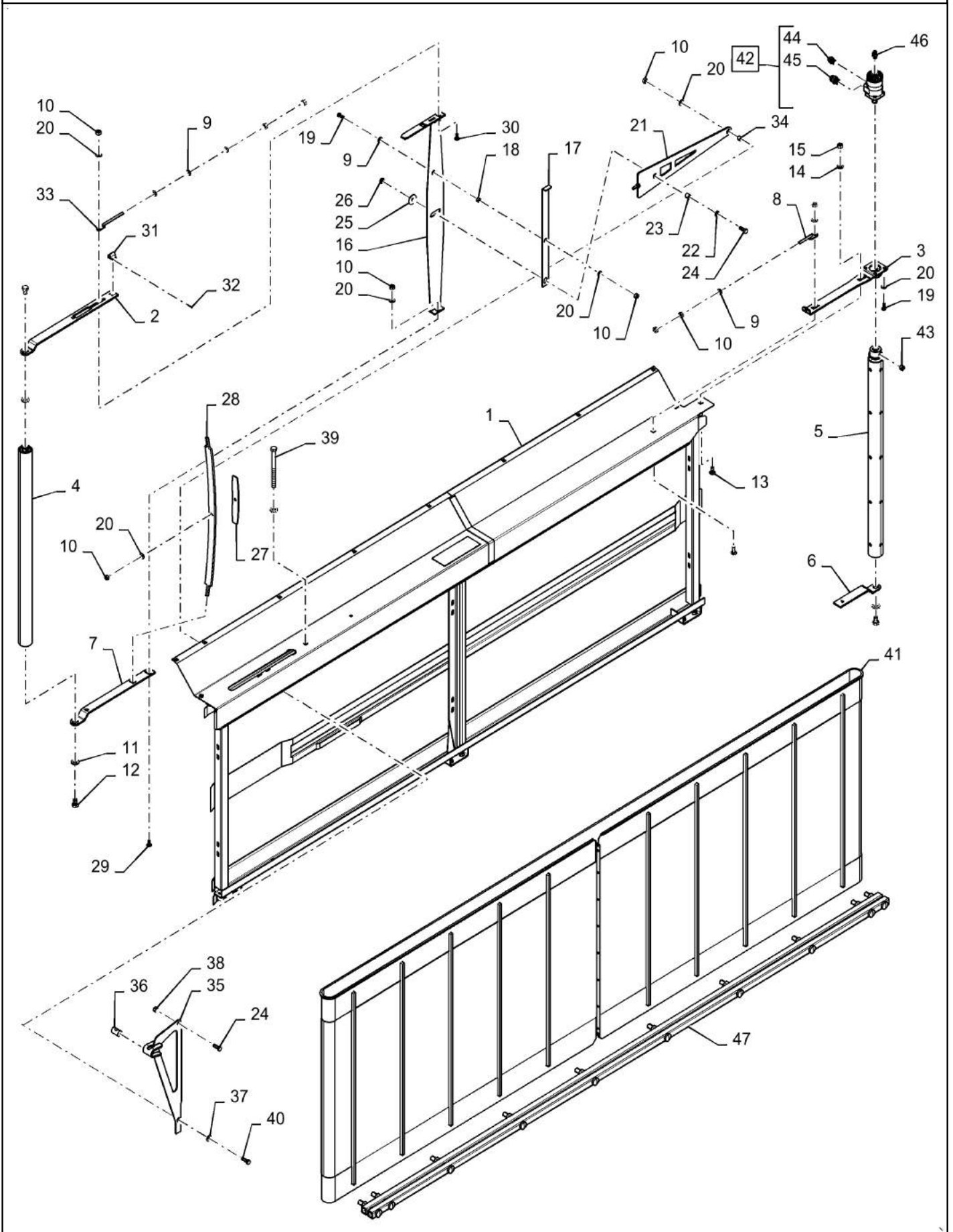
3162-DRAPER HEADER

58.115.04

p2

9/2016

TENSIONER, ASSY, LH, 30FT

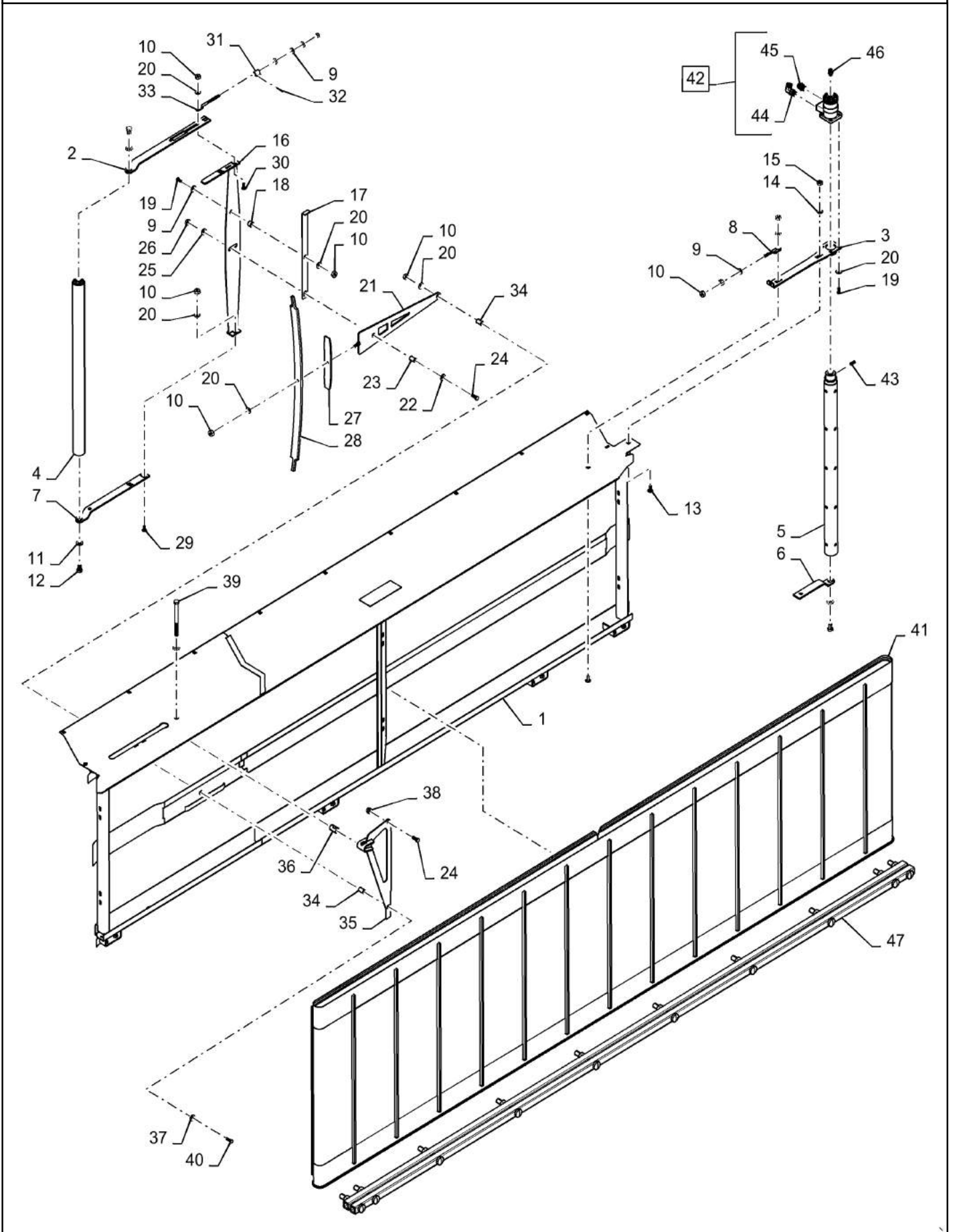


TENSIONER, ASSY, LH, 30FT

REF FN	PART NUMBER	YR/SN	QTY DESCRIPTION
30	86512446		1 CARRIAGE BOLT M10 x 1.5 x 30mm, CI 8.8
31	87477205		1 BRACKET Assy
32	280251		1 COTTER PIN 3/32" OD x 1" OAL
33	87473100		1 ROD Threaded
34	87311354		1 SPACER 10.7mm ID x 17.1mm OD x 14.2mm L
35	47422732		1 BELLCRANK LH
36	87477200		1 NUT Special
37	86625253		1 WASHER 11mm ID x 24mm OD x 2mm Thk
38	100038		1 NUT M12 x 1.75, CI 8
39	9814566		1 BOLT Hex, M16 x 2 x 190mm, CI 8.8, Full Thd
40	43140		1 BOLT Hex, M10 x 1.5 x 30mm, CI 8.8
41	47371565		1 BELT Assy, 30FT
42	84393903		1 HYDRAULIC MOTOR 41CC Also Order 44 - 46
43	84517620		2 SET SCREW 3/8" - 16 x 3/8"
44	86579678		1 HYD CONNECTOR 13/16"-16 ORFS x M22 x 1.5 ORB
45	86579680		1 HYD CONNECTOR 1"-14 ORFS x M22 x 1.5mm ORB
46	87305436		1 HYD CONNECTOR
47	47371025		1 SLAT

3162-DRAPER HEADER

TENSIONER, ASSY, LH, 35FT

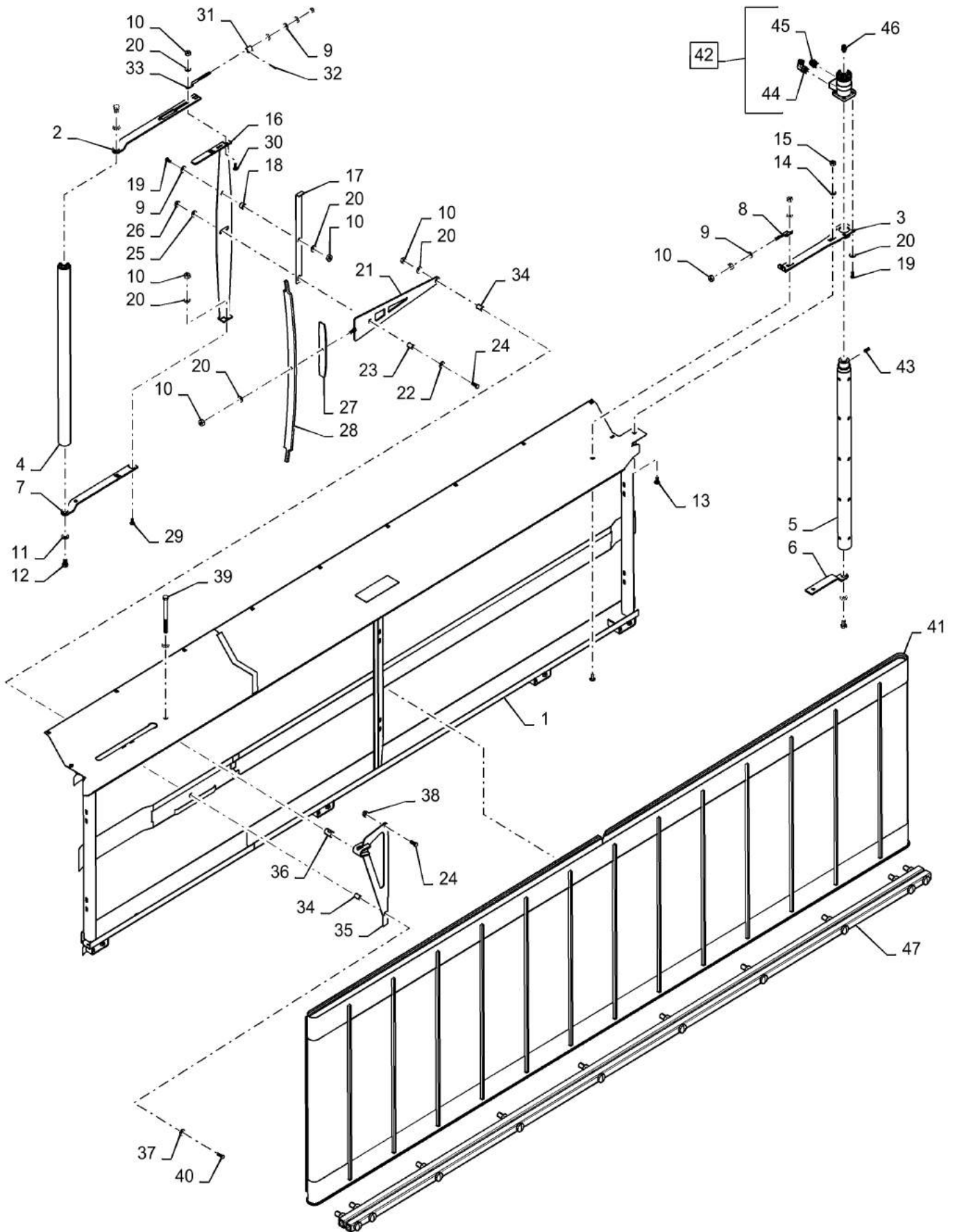


TENSIONER, ASSY, LH, 35FT

REF FN	PART NUMBER	YR/SN	QTY DESCRIPTION
1	87478998		1 CONVEYOR Assy, LH 35 ft
2	87477203		1 ARM Rear Right
3	87478446		1 ARM Rear Center
4	87701210		1 ROLLER 60.33mm OD x 996mm L Assy, Idler
5	84476056		1 ROLLER 66.3mm OD x 1051mm L Assy, Drive
6	47479043		1 ARM Inner
7	87478432		1 ARM Outer
8	87473099		1 ADJUSTER
9	140017		5 WASHER M10 x 20mm OD x 2mm Thk
10	100016		9 NUT M10 x 1.5, CI 8
11	394631		4 WASHER 17mm ID x 34mm OD x 4mm Thk
12	15980321		3 BOLT Hex, M16 x 1.5 x 25mm, CI 8.8, Full Thd
13	120044		2 CARRIAGE BOLT M12 x 1.75 x 30mm, CI 8.8
14	140046		2 BELLEVILLE WASHER M12 Bolt Size x 27mm OD x 1.8mm Thk
15	9706685		2 NUT M12 x 1.75, CI 8
16	87478450		1 STABILIZER LH
17	87478996		1 INDICATOR
18	626698		1 SPACER
19	43139		5 BOLT M10 x 1.5 x 25mm, CI 8.8
20	140045		9 BELLEVILLE WASHER M10 Bolt Size x 22mm OD x 1.6mm Thk
21	87478451		1 SUPPORT Assy
22	140018		1 WASHER 13.5mm ID x 24mm OD x 2.5mm Thk
23	87305403		1 SPACER 13.51mm ID x 19.05mm OD x 17.5mm Thk
24	9706687		2 BOLT M12 x 1.75 x 30mm, CI 8.8
25	87529126		1 WASHER 0.53" ID x 1.75" OD x 0.1" Thk
26	323238		1 THIN NUT Hex, M12, 1.75mm Pitch, CI 05
27	87491665		1 LEAF SPRING Short
28	87491663		1 LEAF SPRING Long
29	86633356		1 CARRIAGE BOLT M10 x 34.8mm, CI 8.8

3162-DRAPER HEADER

TENSIONER, ASSY, LH, 35FT



TENSIONER, ASSY, LH, 35FT

REF FN	PART NUMBER	YR/SN	QTY DESCRIPTION
30	86512446		1 CARRIAGE BOLT M10 x 1.5 x 30mm, CI 8.8
31	87477205		1 BRACKET
32	280251		1 COTTER PIN 3/32" OD x 1" OAL
33	87473100		1 ROD Threaded
34	87311354		1 SPACER 10.7mm ID x 17.1mm OD x 14.2mm L
35	47422732		1 BELLCRANK LH
36	87477200		1 NUT Special
37	86625253		1 WASHER 11mm ID x 24mm OD x 2mm Thk
38	100038		1 NUT M12 x 1.75, CI 8
39	9814566		1 BOLT Hex, M16 x 2 x 190mm, CI 8.8, Full Thd
40	43140		1 BOLT Hex, M10 x 1.5 x 30mm, CI 8.8
41	47371567		1 BELT Assy, 35FT
42	84393903		1 HYDRAULIC MOTOR 41CC Also Order 44 - 46
43	84517620		1 SET SCREW 3/8" - 16 x 3/8"
44	86579678		1 HYD CONNECTOR 13/16"-16 ORFS x M22 x 1.5 ORB
45	86579680		1 HYD CONNECTOR 1"-14 ORFS x M22 x 1.5mm ORB
46	87305436		1 HYD CONNECTOR Tee
47	47371025		1 SLAT

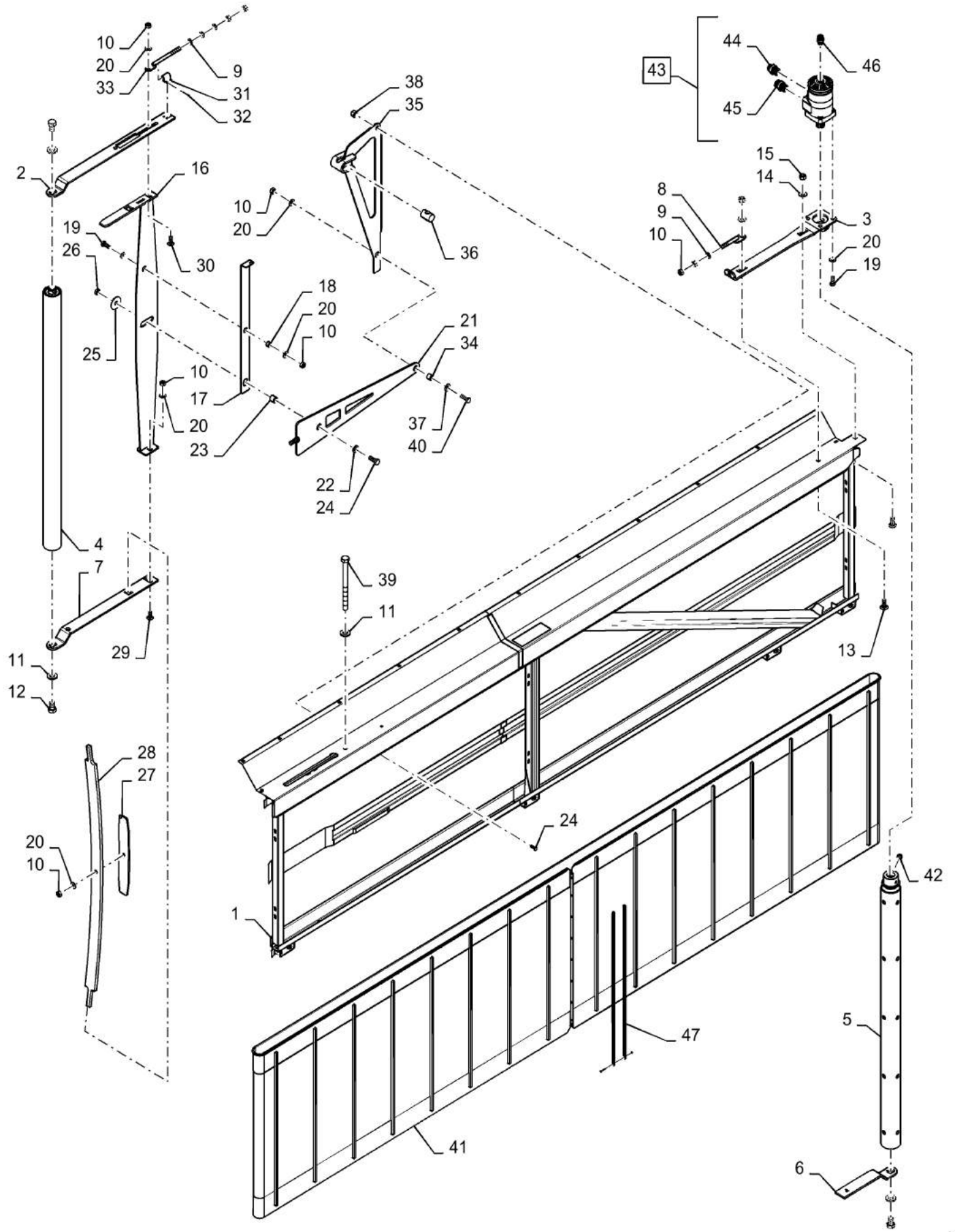
3162-DRAPER HEADER

58.115.04

p1

9/2016

TENSIONER, ASSY, LH, 40FT



TENSIONER, ASSY, LH, 40FT

REF FN	PART NUMBER	YR/SN	QTY DESCRIPTION
1	87491415		1 CONVEYOR Assy, LH, 40FT
2	87477203		1 ARM Assy, Rear
3	87478446		1 ARM Assy, RH
4	87701210		1 ROLLER 60.33mm OD x 996mm L Assy, Idler
5	84476056		1 ROLLER 66.3mm OD x 1051mm L Assy, Drive
6	47479043		1 ARM LH
7	87478432		1 ARM RH
8	87473099		1 ADJUSTER Drive Roller
9	140017		5 WASHER M10 x 20mm OD x 2mm Thk
10	100016		9 NUT M10 x 1.5, CI 8
11	394631		4 WASHER 17mm ID x 34mm OD x 4mm Thk
12	15980321		3 BOLT Hex, M16 x 1.5 x 25mm, CI 8.8, Full Thd
13	120044		2 CARRIAGE BOLT M12 x 1.75 x 30mm, CI 8.8
14	140046		2 BELLEVILLE WASHER M12 Bolt Size x 27mm OD x 1.8mm Thk
15	9706685		2 NUT M12 x 1.75, CI 8
16	87478450		1 STABILIZER Assy, LH
17	87478996		1 INDICATOR Assy
18	626698		1 SPACER
19	43139		5 BOLT M10 x 1.5 x 25mm, CI 8.8
20	140045		9 BELLEVILLE WASHER M10 Bolt Size x 22mm OD x 1.6mm Thk
21	87478451		1 SUPPORT Assy
22	140018		1 WASHER 13.5mm ID x 24mm OD x 2.5mm Thk
23	87305403		1 SPACER 13.51mm ID x 19.05mm OD x 17.5mm Thk
24	9706687		2 BOLT M12 x 1.75 x 30mm, CI 8.8
25	87529126		1 WASHER 0.53" ID x 1.75" OD x 0.1" Thk
26	323238		1 THIN NUT Hex, M12, 1.75mm Pitch, CI 05
27	87491665		1 LEAF SPRING Assy, Short
28	87491663		1 LEAF SPRING Assy, Long
29	86633356		1 CARRIAGE BOLT M10 x 34.8mm, CI 8.8

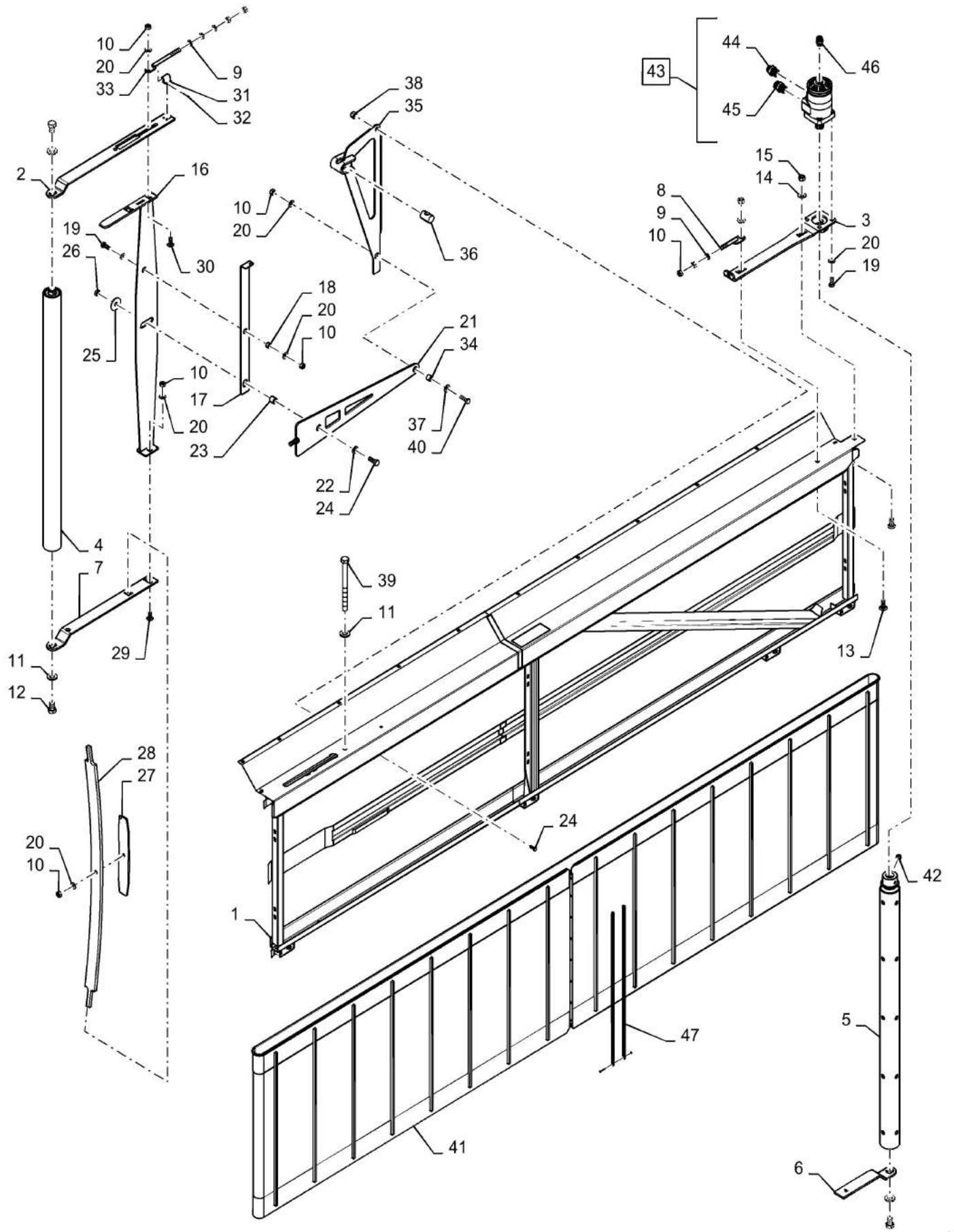
3162-DRAPER HEADER

58.115.04

p2

9/2016

TENSIONER, ASSY, LH, 40FT



TENSIONER, ASSY, LH, 40FT

REF FN	PART NUMBER	YR/SN	QTY DESCRIPTION
30	86512446		1 CARRIAGE BOLT M10 x 1.5 x 30mm, CI 8.8
31	87477205		1 BRACKET Assy,
32	280251		1 COTTER PIN 3/32" OD x 1" OAL
33	87473100		1 ROD Threaded
34	87311354		1 SPACER 10.7mm ID x 17.1mm OD x 14.2mm L
35	47422732		1 BELLCRANK LH
36	87477200		1 NUT Special
37	86625253		1 WASHER 11mm ID x 24mm OD x 2mm Thk
38	100038		1 NUT M12 x 1.75, CI 8
39	9814566		1 BOLT Hex, M16 x 2 x 190mm, CI 8.8, Full Thd
40	43140		1 BOLT Hex, M10 x 1.5 x 30mm, CI 8.8
41	84487818		1 BELT Assy, 40FT
42	84517620		12 SET SCREW 3/8" - 16 x 3/8"
43	84393903		1 HYDRAULIC MOTOR 41CC Also Order 44 - 46
44	86579678		1 HYD CONNECTOR 13/16"-16 ORFS x M22 x 1.5 ORB
45	86579680		1 HYD CONNECTOR 1"-14 ORFS x M22 x 1.5mm ORB
46	87305436		1 HYD CONNECTOR
47	47371025		1 SLAT Kit

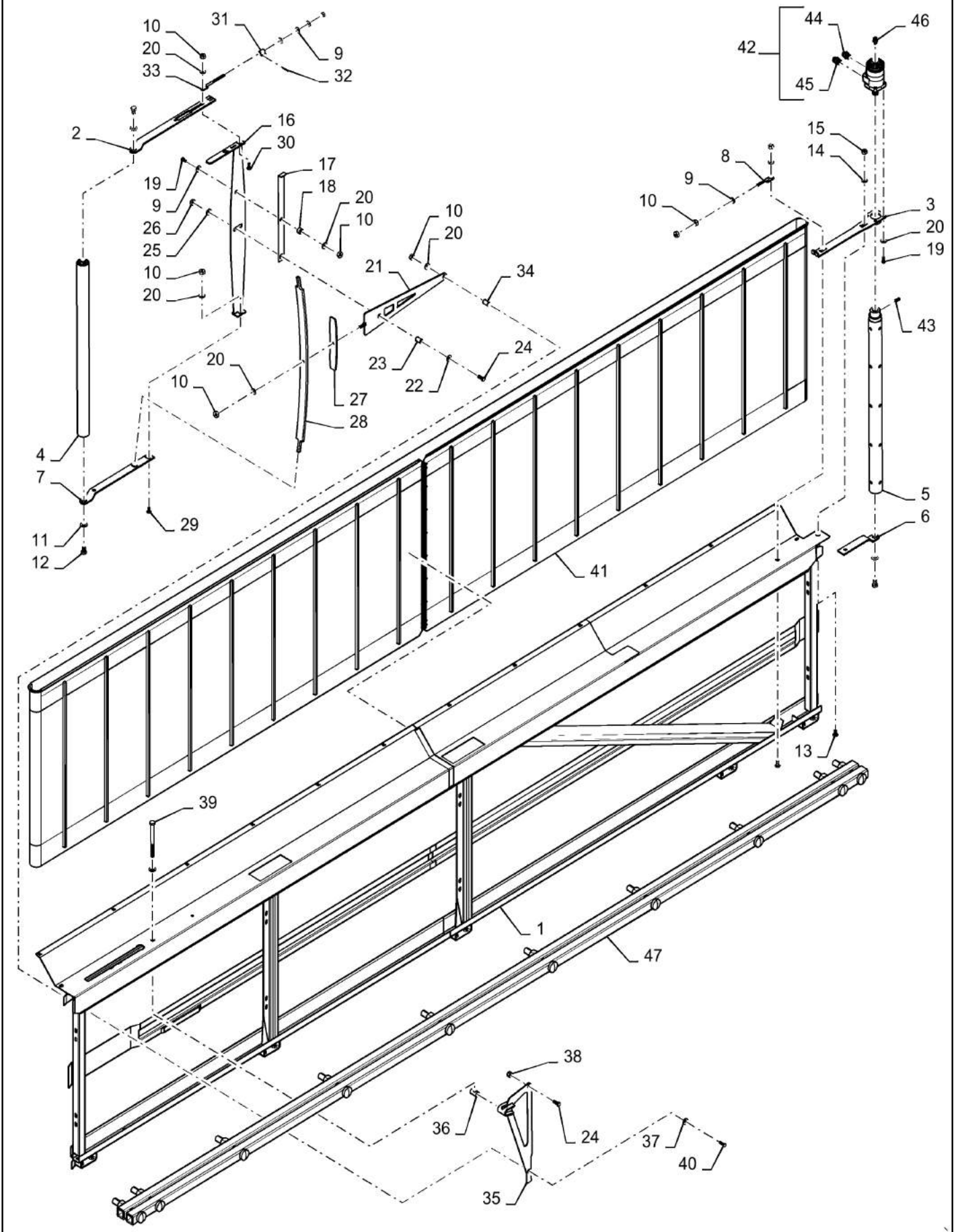
3162-DRAPER HEADER

58.115.04

p1

9/2016

TENSIONER, ASSY, LH, 45FT



TENSIONER, ASSY, LH, 45FT

REF FN	PART NUMBER	YR/SN	QTY DESCRIPTION
1	84131688		1 CONVEYOR Assy, LH 45ft
2	87477203		1 ARM Rear
3	87478446		1 ARM
4	87701210		1 ROLLER 60.33mm OD x 996mm L Assy, Idler
5	84476056		1 ROLLER 66.3mm OD x 1051mm L Assy, Drive
6	47479043		1 ARM LH
7	87478432		1 ARM RH
8	87473099		1 ADJUSTER Drive Roller
9	140017		5 WASHER M10 x 20mm OD x 2mm Thk
10	100016		9 NUT M10 x 1.5, CI 8
11	394631		4 WASHER 17mm ID x 34mm OD x 4mm Thk
12	15980321		3 BOLT Hex, M16 x 1.5 x 25mm, CI 8.8, Full Thd
13	140044		2 WASHER
14	140046		2 BELLEVILLE WASHER M12 Bolt Size x 27mm OD x 1.8mm Thk
15	9706685		2 NUT M12 x 1.75, CI 8
16	87478450		1 STABILIZER LH
17	87478996		1 INDICATOR Assy
18	626698		1 SPACER
19	43139		5 BOLT M10 x 1.5 x 25mm, CI 8.8
20	140045		9 BELLEVILLE WASHER M10 Bolt Size x 22mm OD x 1.6mm Thk
21	87478451		1 SUPPORT
22	140018		1 WASHER 13.5mm ID x 24mm OD x 2.5mm Thk
23	87305403		1 SPACER 13.51mm ID x 19.05mm OD x 17.5mm Thk
24	9706687		2 BOLT M12 x 1.75 x 30mm, CI 8.8
25	87529126		1 WASHER 0.53" ID x 1.75" OD x 0.1" Thk
26	323238		1 THIN NUT Hex, M12, 1.75mm Pitch, CI 05
27	87491665		1 LEAF SPRING
28	87491663		1 LEAF SPRING
29	86633356		1 CARRIAGE BOLT M10 x 34.8mm, CI 8.8

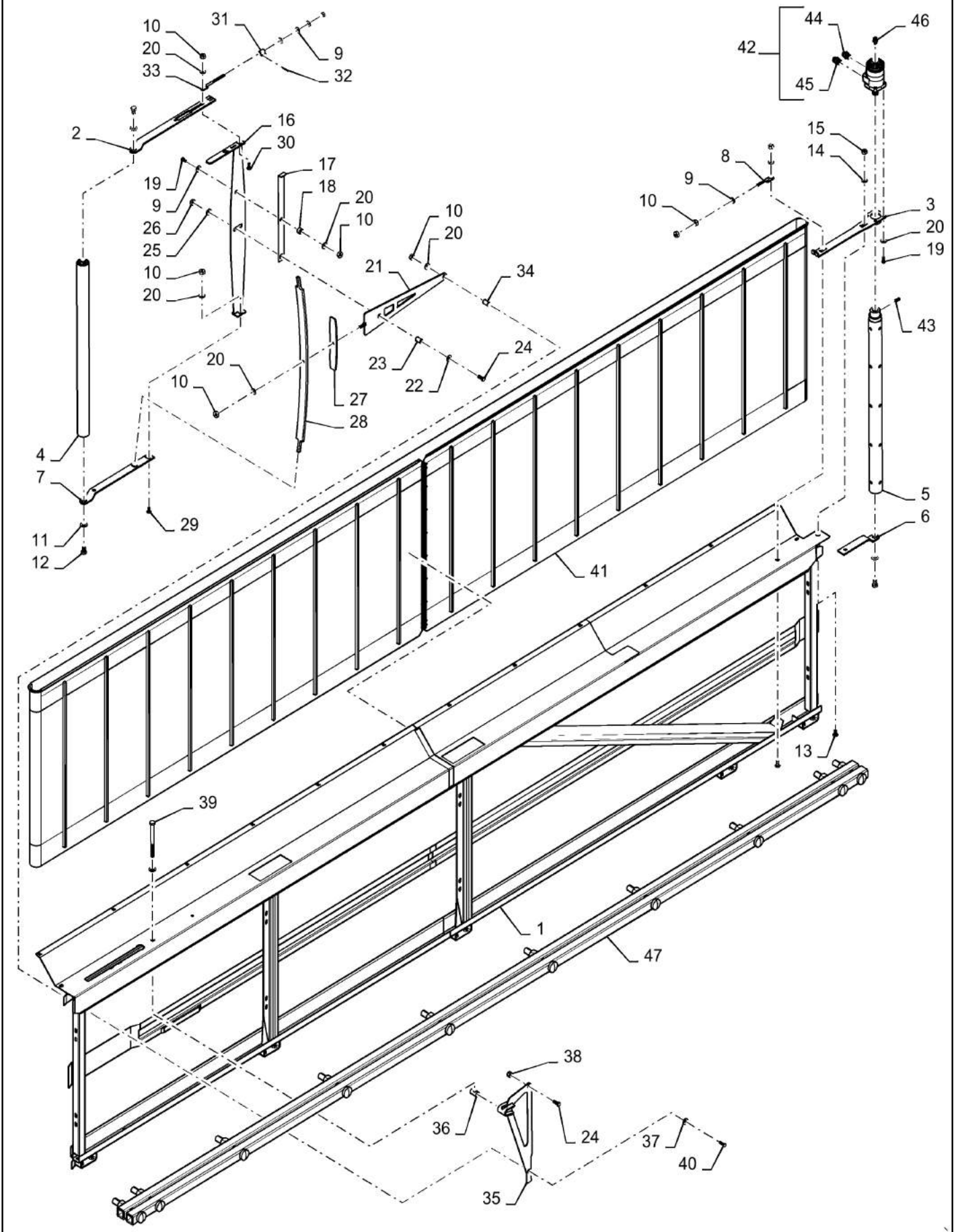
3162-DRAPER HEADER

58.115.04

p2

9/2016

TENSIONER, ASSY, LH, 45FT

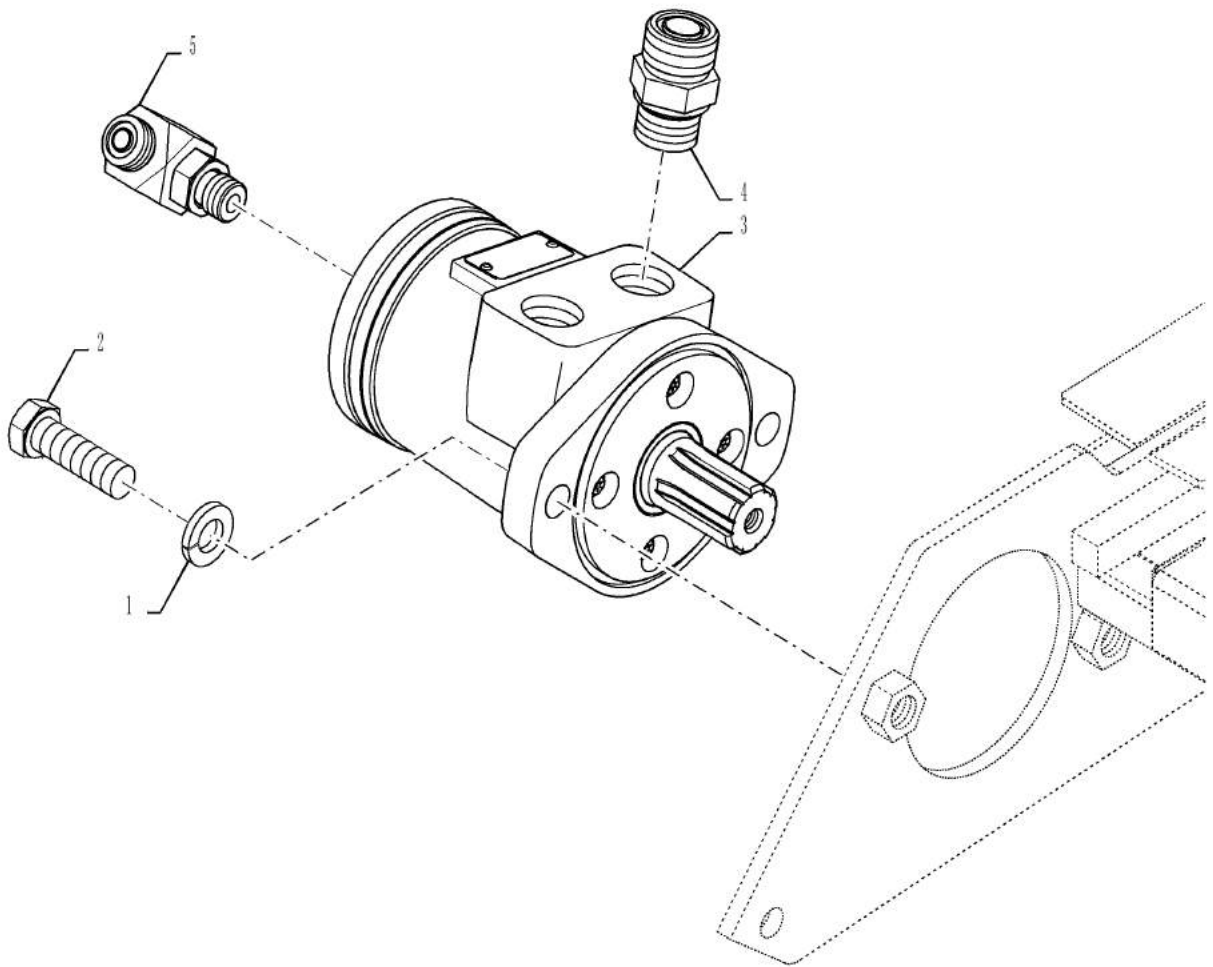


TENSIONER, ASSY, LH, 45FT

REF FN	PART NUMBER	YR/SN	QTY DESCRIPTION
30	86512446		1 CARRIAGE BOLT M10 x 1.5 x 30mm, CI 8.8
31	87477205		1 BRACKET
32	280251		1 COTTER PIN 3/32" OD x 1" OAL
33	87473100		1 ROD
34	87311354		1 SPACER 10.7mm ID x 17.1mm OD x 14.2mm L
35	47422732		1 BELLCRANK
36	87477200		1 NUT Special
37	86625253		1 WASHER 11mm ID x 24mm OD x 2mm Thk
38	100038		1 NUT M12 x 1.75, CI 8
39	9814566		1 BOLT Hex, M16 x 2 x 190mm, CI 8.8, Full Thd
40	43140		1 BOLT Hex, M10 x 1.5 x 30mm, CI 8.8
41	47371572		1 DRAPER Assy, 45FT
42	84393903		1 HYDRAULIC MOTOR 41CC Also Order 44 - 46
43	84517620		2 SET SCREW 3/8" - 16 x 3/8"
44	86579678		1 HYD CONNECTOR 13/16"-16 ORFS x M22 x 1.5 ORB
45	86579680		1 HYD CONNECTOR 1"-14 ORFS x M22 x 1.5mm ORB
46	87305436		1 HYD CONNECTOR
47	47371025		1 SLAT

3162-DRAPER HEADER

MOTOR, LEFT HAND FEEDER

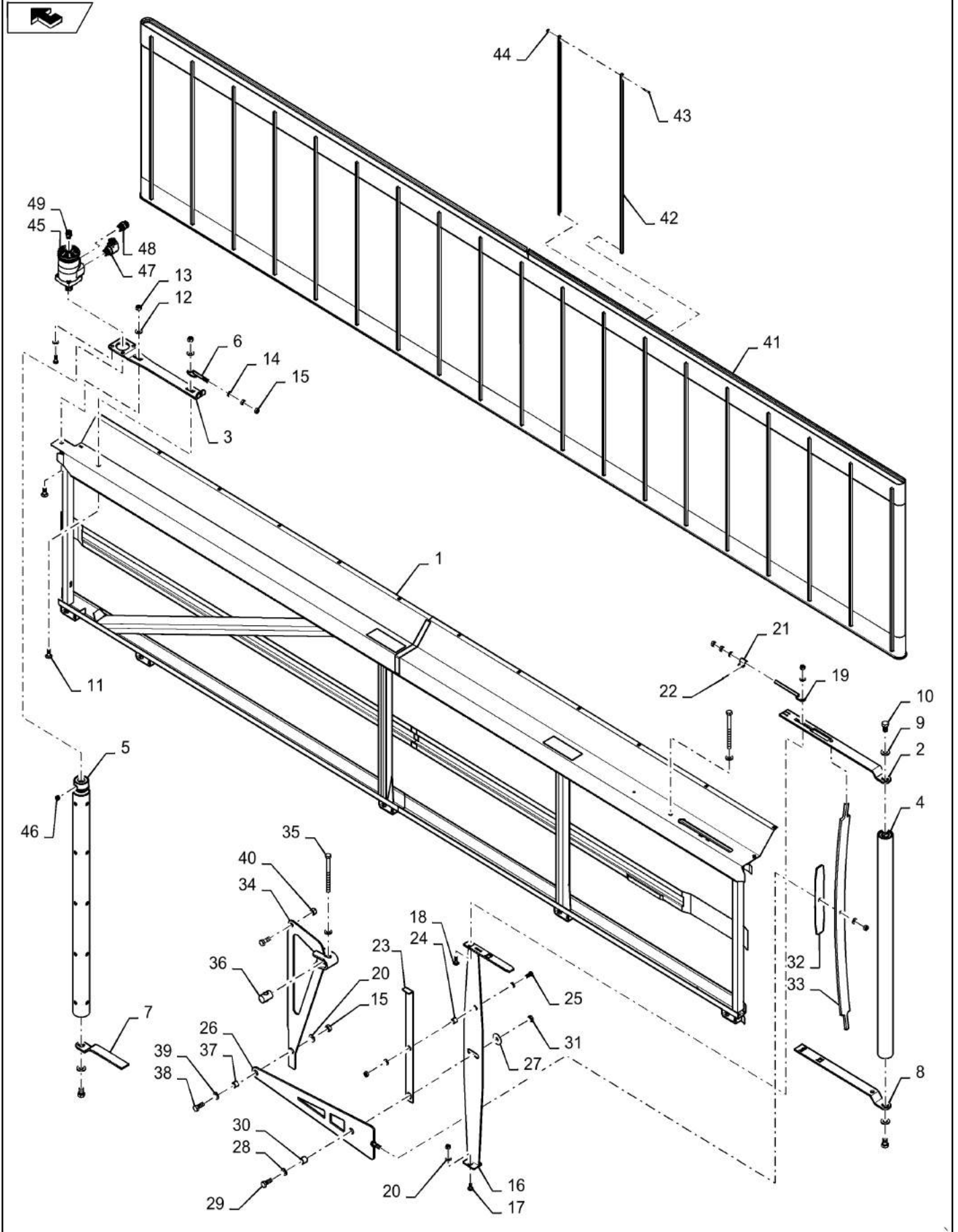


MOTOR, LEFT HAND FEEDER

REF FN	PART NUMBER	YR/SN	QTY DESCRIPTION
1	80679		2 LOCK WASHER 1/20.507 CST ZND
2	86629541		2 BOLT Hex, M12 x 1.75 x 40mm, CI 8.8
3	84393904		1 HYDRAULIC MOTOR 46CC Left Hand Feeder
4	86579680		2 HYD CONNECTOR 1"-14 ORFS x M22 x 1.5mm ORB
5	84368922		1 BRANCH TEE 11/16"-16 ORFS x 9/16" ORB
6	1542724C1		1 SEAL KIT Hydraulic Motor

3152-DRAPER HEADER 3162-DRAPER HEADER

TENSIONER - RH

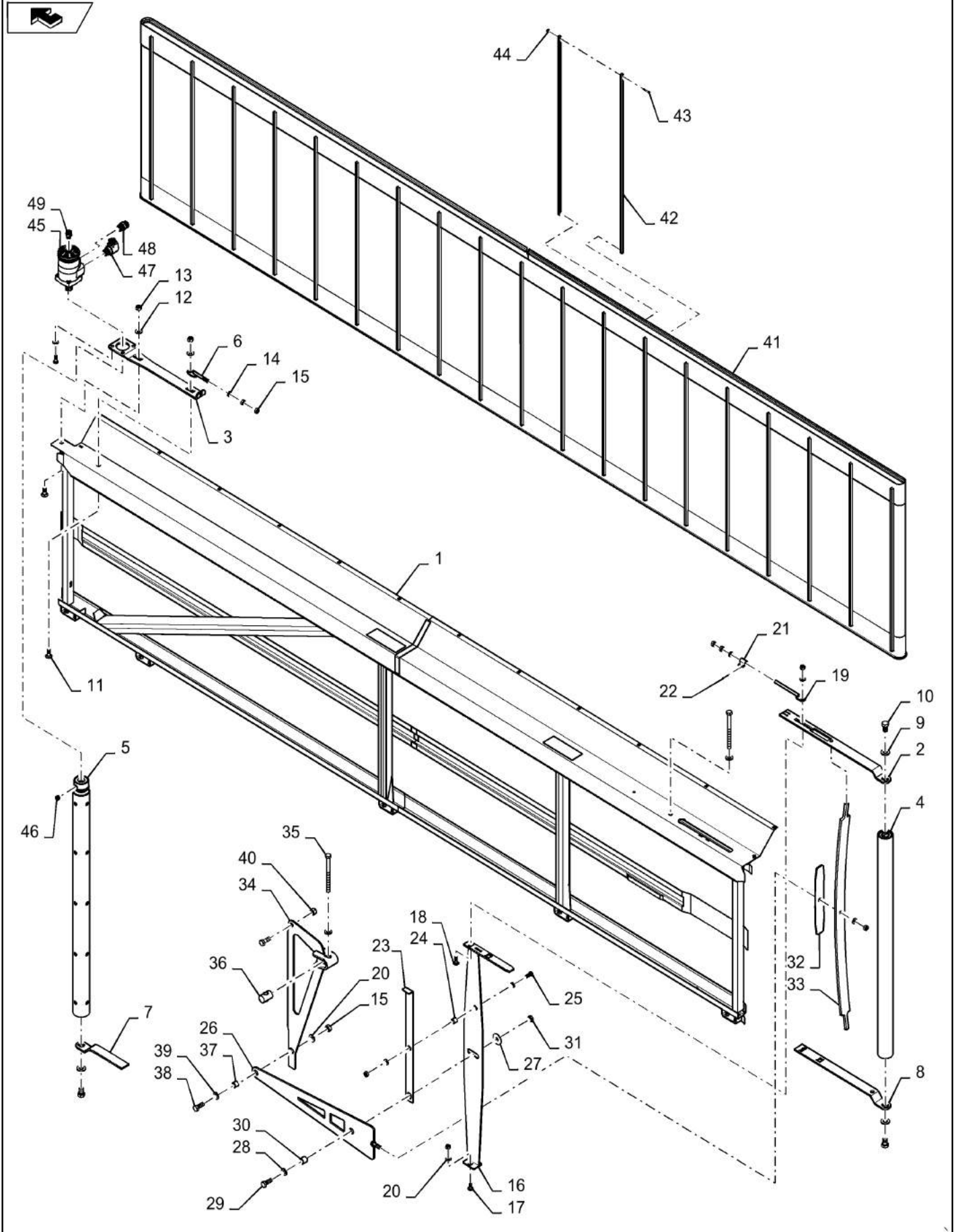


TENSIONER - RH

REF FN	PART NUMBER	YR/SN	QTY DESCRIPTION
1	84535818		1 CONVEYOR Right Hand, 25 Foot Header
1	84305271		1 CONVEYOR Right Hand, 30 Foot Header
1	87478997		1 CONVEYOR Right Hand, 35 Foot Header
1	87491414		1 CONVEYOR Right Hand, 40 Foot Header
1	84131687		1 CONVEYOR Right Hand, 45 Foot Header
2	87477203		1 ARM Rear
3	87478446		1 ARM
4	87701210		1 ROLLER 60.33mm OD x 996mm L Incl 9 - 10, 50
5	84476056		1 ROLLER 66.3mm OD x 1051mm L Incl 9 - 10, 50
6	47371572		1 DRAPER Drive Roller
7	87478443		1 ARM Right Hand
8	87478432		1 ARM
9	394631		4 WASHER 17mm ID x 34mm OD x 4mm Thk
10	15980321		3 BOLT Hex, M16 x 1.5 x 25mm, Cl 8.8, Full Thd
11	120044		2 CARRIAGE BOLT M12 x 1.75 x 30mm, Cl 8.8
12	140046		2 BELLEVILLE WASHER M12 Bolt Size x 27mm OD x 1.8mm Thk
13	9706685		2 NUT M12 x 1.75, Cl 8
14	140017		5 WASHER M10 x 20mm OD x 2mm Thk
15	100016		9 NUT M10 x 1.5, Cl 8
16	87478448		1 STABILIZER Right Hand
17	86633356		1 CARRIAGE BOLT M10 x 34.8mm, Cl 8.8
18	86512446		1 CARRIAGE BOLT M10 x 1.5 x 30mm, Cl 8.8
19	87473100		1 ROD Threaded
20	140045		9 BELLEVILLE WASHER M10 Bolt Size x 22mm OD x 1.6mm Thk
21	87477205		1 BRACKET
22	280251		1 COTTER PIN 3/32" OD x 1" OAL
23	87478996		1 INDICATOR
24	626698		1 SPACER
25	43139		5 BOLT M10 x 1.5 x 25mm, Cl 8.8
26	87478451		1 SUPPORT

3152-DRAPER HEADER

TENSIONER - RH

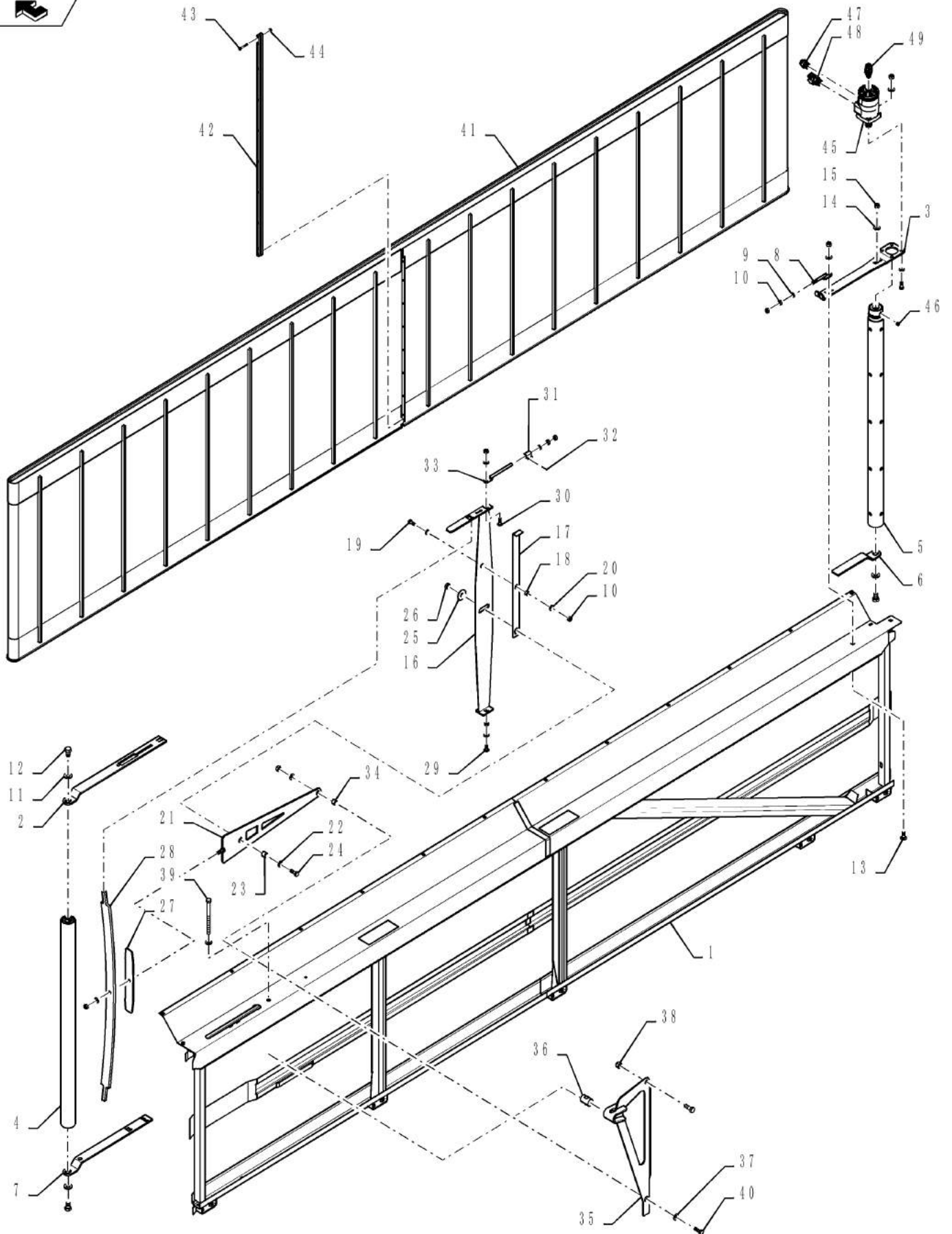


TENSIONER - RH

REF FN	PART NUMBER	YR/SN	QTY DESCRIPTION
27	87529126		1 WASHER 0.53" ID x 1.75" OD x 0.1" Thk .531 x 1.750 x .100
28	140018		1 WASHER 13.5mm ID x 24mm OD x 2.5mm Thk
29	9706687		2 BOLT M12 x 1.75 x 30mm, CI 8.8
30	87305403		1 SPACER 13.51mm ID x 19.05mm OD x 17.5mm Thk
31	323238		1 THIN NUT Hex, M12, 1.75mm Pitch, CI 05
32	87491665		1 LEAF SPRING
33	87491663		1 LEAF SPRING
34	87478990		1 BELLCRANK Right Hand
35	9814566		1 BOLT Hex, M16 x 2 x 190mm, CI 8.8, Full Thd
36	87477200		1 NUT Special
37	87311354		1 SPACER 10.7mm ID x 17.1mm OD x 14.2mm L
38	43140		1 BOLT Hex, M10 x 1.5 x 30mm, CI 8.8
39	86625253		1 WASHER 11mm ID x 24mm OD x 2mm Thk
40	100038		1 NUT M12 x 1.75, CI 8
41	47371562		1 BELT 25 Foot Header
41	84307562		1 BELT 30 Foot Header
41	87753629		1 BELT 35 Foot Header
41	87478999		1 BELT 40 Foot Header
41	87753630		1 BELT 45 Foot Header
42	47371025		2 SLAT Connector
43	84517619		10 HEX SOC SCREW M5 x 35mm, CI 12.9
44	86512495		10 FLANGE NUT Hex Flg, M5, Gr 8
45	84393903		1 HYDRAULIC MOTOR 41CC
46	84517620		2 SET SCREW 3/8" - 16 x 3/8"
47	86579694		1 ELBOW 90°, 1"-14 ORFS x M22 x 1.5 ORB
48	86579680		1 HYD CONNECTOR 1"-14 ORFS x M22 x 1.5mm ORB
49	9993143		1 HYD CONNECTOR 11/16" - 16 ORFS x 9/16" - 18 ORB
50	87470510		2 PIN 35mm OD x 53mm L Not Shown

3152-DRAPER HEADER

TENSIONER - LH

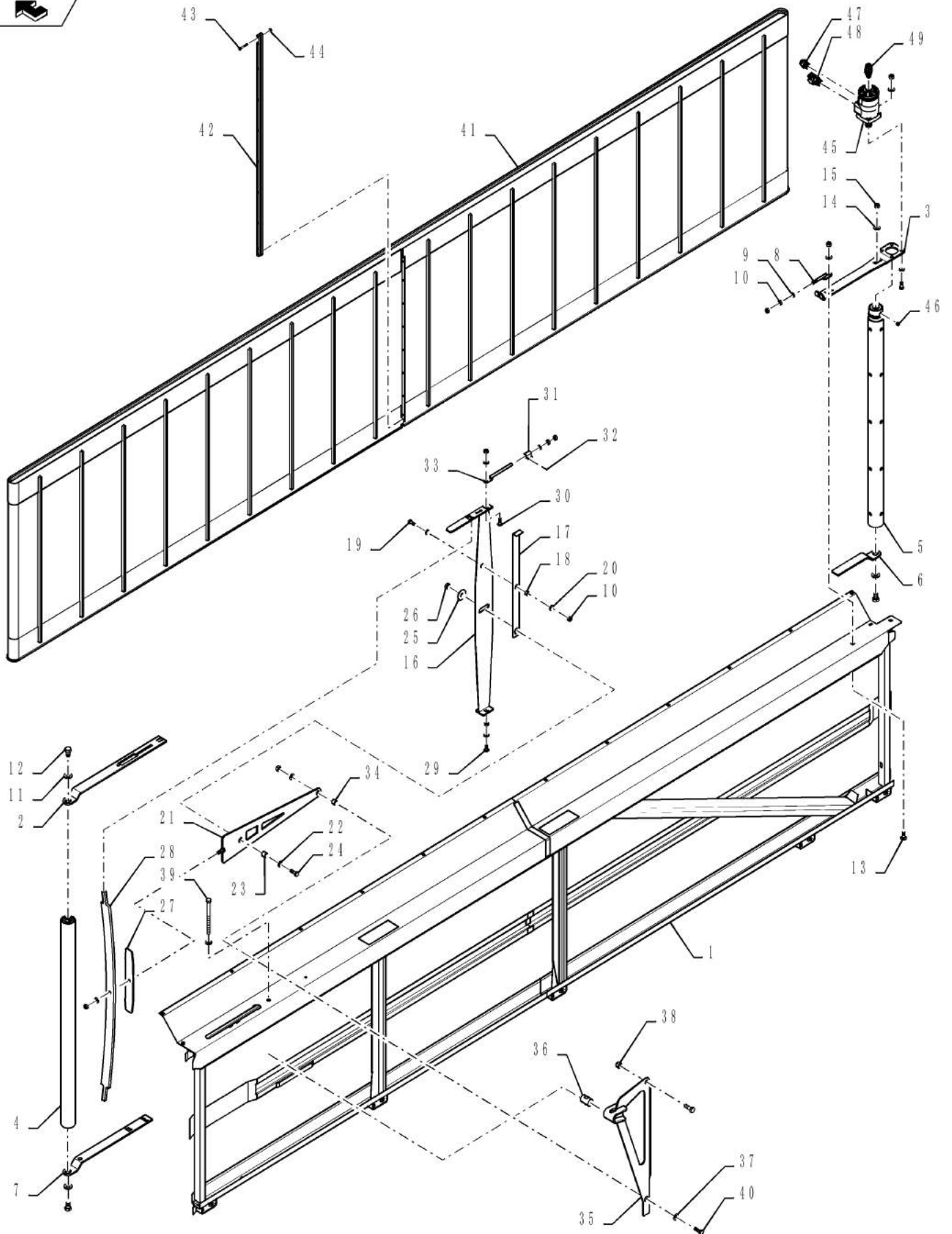


TENSIONER - LH

REF FN	PART NUMBER	YR/SN	QTY DESCRIPTION
1	84535821		1 CONVEYOR Left Hand, 25 Foot Header
1	84305274		1 CONVEYOR Left Hand, 30 Foot Header
1	87478998		1 CONVEYOR Left Hand, 35 Foot Header
1	87491415		1 CONVEYOR Left Hand, 40 Foot Header
1	84131688		1 CONVEYOR Left Hand, 45 Foot Header
2	87477203		1 ARM Rear
3	87478446		1 ARM
4	87701210		1 ROLLER 60.33mm OD x 996mm L
4	87493745		3 BALL BEARING 25mm ID x 52mm OD x 20.64mm W Included In Roller 87701210 And 84476056
5	84476056		1 ROLLER 66.3mm OD x 1051mm L
6	87478442		1 ARM Left Hand
7	47371572		1 DRAPER
8	87473099		1 ADJUSTER Drive Roller
9	140017		5 WASHER M10 x 20mm OD x 2mm Thk
10	100016		9 NUT M10 x 1.5, CI 8
11	394631		4 WASHER 17mm ID x 34mm OD x 4mm Thk
12	15980321		3 BOLT Hex, M16 x 1.5 x 25mm, CI 8.8, Full Thd
13	120044		2 CARRIAGE BOLT M12 x 1.75 x 30mm, CI 8.8
14	140046		2 BELLEVILLE WASHER M12 Bolt Size x 27mm OD x 1.8mm Thk
15	9706685		2 NUT M12 x 1.75, CI 8
16	87478450		1 STABILIZER Left Hand
17	87478996		1 INDICATOR
18	626698		1 SPACER
19	43139		5 BOLT M10 x 1.5 x 25mm, CI 8.8
20	140045		9 BELLEVILLE WASHER M10 Bolt Size x 22mm OD x 1.6mm Thk
21	87478451		1 SUPPORT
22	140018		1 WASHER 13.5mm ID x 24mm OD x 2.5mm Thk
23	87305403		1 SPACER 13.51mm ID x 19.05mm OD x 17.5mm Thk
24	9706687		2 BOLT M12 x 1.75 x 30mm, CI 8.8
25	87529126		1 WASHER 0.53" ID x 1.75" OD x 0.1" Thk

3152-DRAPER HEADER

TENSIONER - LH

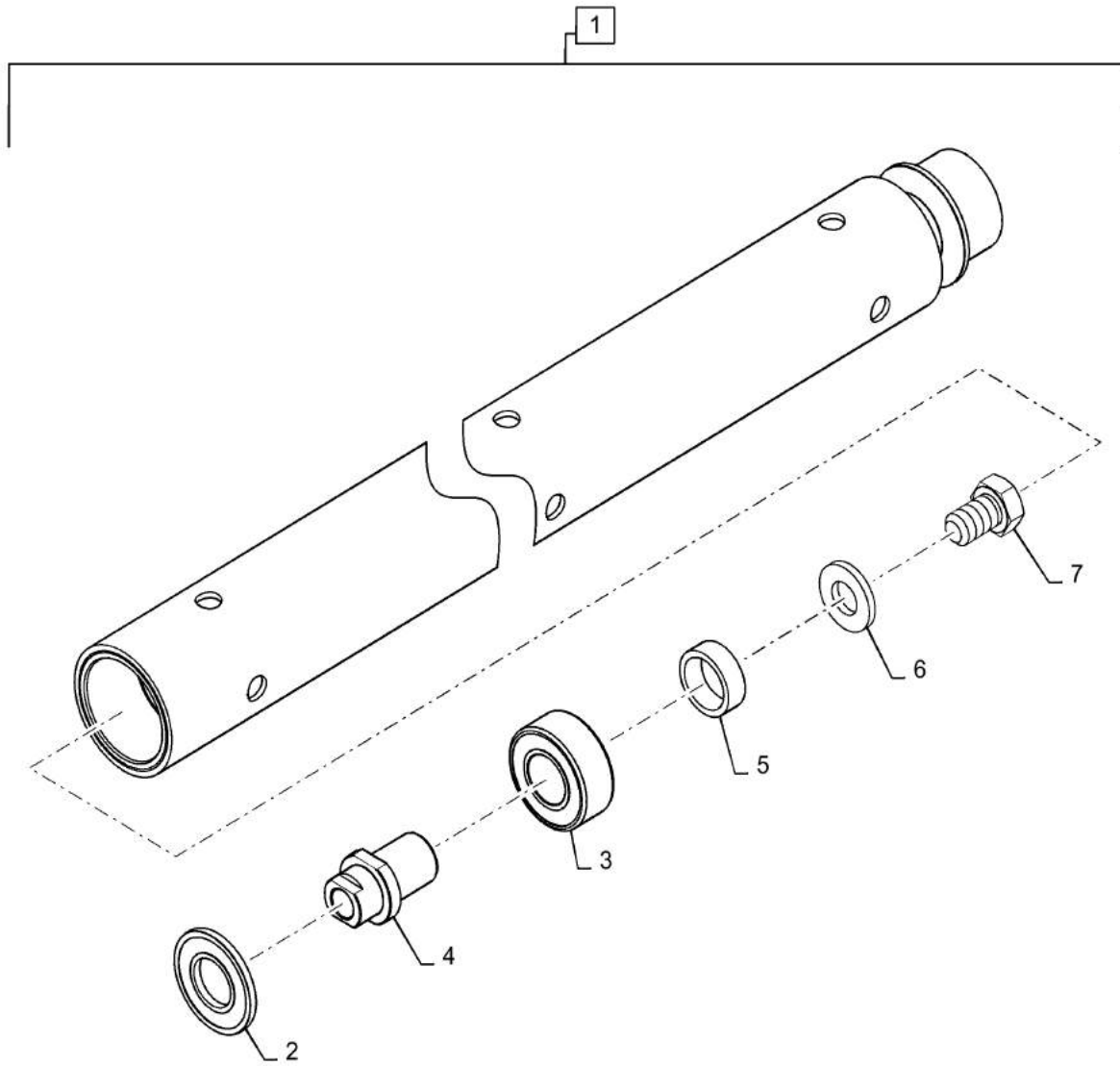


TENSIONER - LH

REF FN	PART NUMBER	YR/SN	QTY DESCRIPTION
26	323238		1 THIN NUT Hex, M12, 1.75mm Pitch, CI 05
27	87491665		1 LEAF SPRING
28	87491663		1 LEAF SPRING
29	86633356		1 CARRIAGE BOLT M10 x 34.8mm, CI 8.8
30	86512446		1 CARRIAGE BOLT M10 x 1.5 x 30mm, CI 8.8
31	87477205		1 BRACKET
32	280251		1 COTTER PIN 3/32" OD x 1" OAL
33	87473100		1 ROD Threaded
34	87311354		1 SPACER 10.7mm ID x 17.1mm OD x 14.2mm L
35	87478994		1 BELLCRANK Left Hand
36	87477200		1 NUT Special
37	86625253		1 WASHER 11mm ID x 24mm OD x 2mm Thk
38	100038		1 NUT M12 x 1.75, CI 8
39	9814566		1 BOLT Hex, M16 x 2 x 190mm, CI 8.8, Full Thd
40	43140		1 BOLT Hex, M10 x 1.5 x 30mm, CI 8.8
41	47371562		1 BELT 25 Foot Header
41	84307562		1 BELT 30 Foot Header
41	87753629		1 BELT 35 Foot Header
41	87478999		1 BELT 40 Foot Header
41	87753630		1 BELT 45 Foot Header
42	87751957		2 SLAT Connector
43	84517619		10 HEX SOC SCREW M5 x 35mm, CI 12.9
44	86512495		10 FLANGE NUT Hex Flg, M5, Gr 8
45	84393903		1 HYDRAULIC MOTOR 41CC
46	84517620		2 SET SCREW 3/8" - 16 x 3/8"
47	86579678		1 HYD CONNECTOR 13/16"-16 ORFS x M22 x 1.5 ORB
48	86579680		1 HYD CONNECTOR 1"-14 ORFS x M22 x 1.5mm ORB
49	87305436		1 HYD CONNECTOR
50	87470510		2 PIN 35mm OD x 53mm L Not Shown

3152-DRAPER HEADER

ROLLER, DRIVE



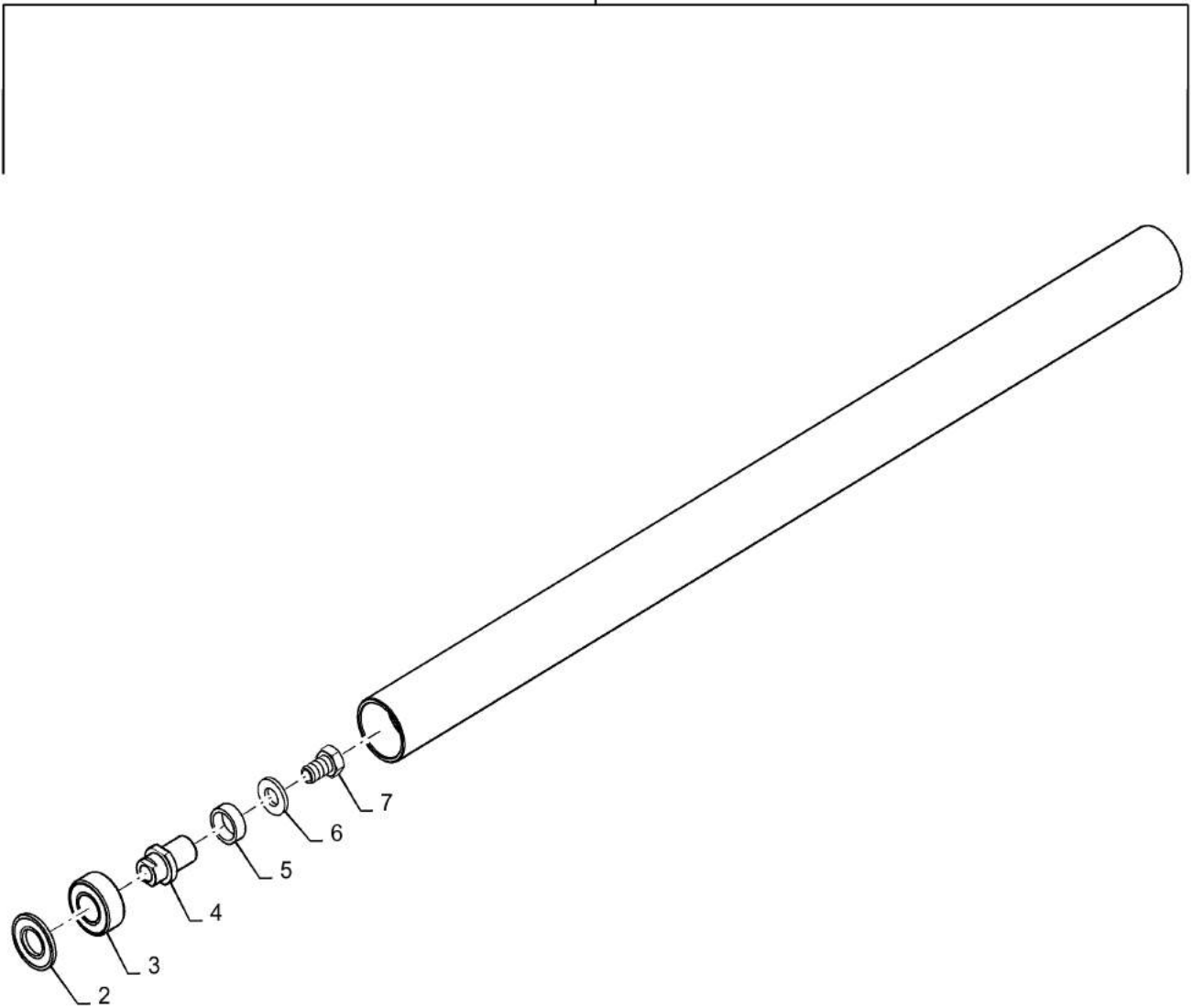
ROLLER, DRIVE

REF FN	PART NUMBER	YR/SN	QTY DESCRIPTION
1	84476056		1 ROLLER 66.3mm OD x 1051mm L Drive, Incl 2 - 7
2	87470511		1 SEAL 25mm ID x 52mm OD
3	87493745		1 BALL BEARING 25mm ID x 52mm OD x 20.64mm W
4	87470510		1 PIN 35mm OD x 53mm L
5	144929		1 SPACER
6	394631		1 WASHER 17mm ID x 34mm OD x 4mm Thk
7	15980321		1 BOLT Hex, M16 x 1.5 x 25mm, Cl 8.8, Full Thd

3152-DRAPER HEADER 3162-DRAPER HEADER

ROLLER, IDLER

1

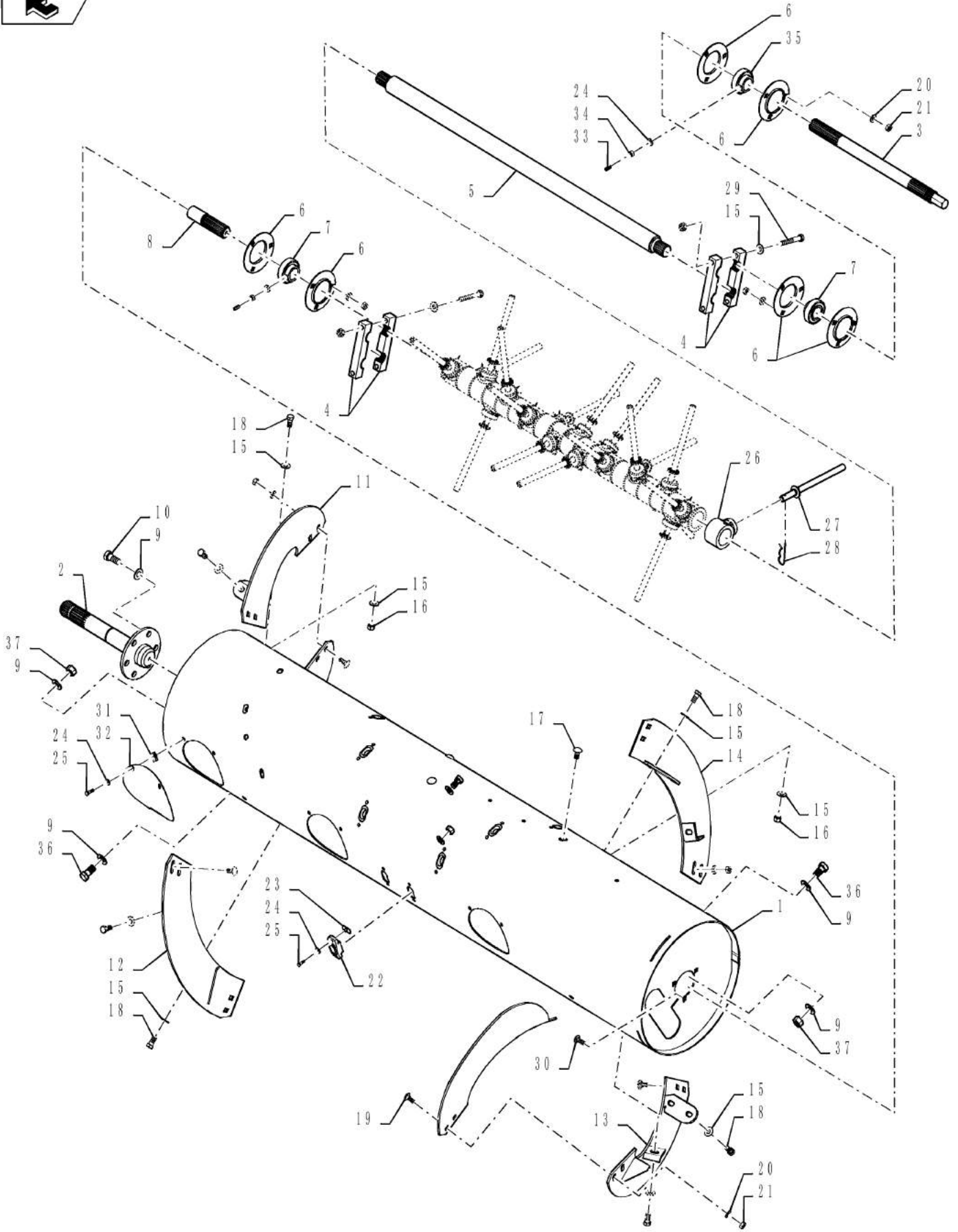


ROLLER, IDLER

REF FN	PART NUMBER	YR/SN	QTY DESCRIPTION
1	87701210		1 ROLLER 60.33mm OD x 996mm L Idler, Incl 2 - 7
2	87470511		1 SEAL 25mm ID x 52mm OD
3	87493745		1 BALL BEARING 25mm ID x 52mm OD x 20.64mm W
4	87470510		1 PIN 35mm OD x 53mm L
5	144929		1 SPACER
6	394631		1 WASHER 17mm ID x 34mm OD x 4mm Thk
7	15980321		1 BOLT Hex, M16 x 1.5 x 25mm, Cl 8.8, Full Thd

3152-DRAPER HEADER 3162-DRAPER HEADER

AUGER ASSEMBLY



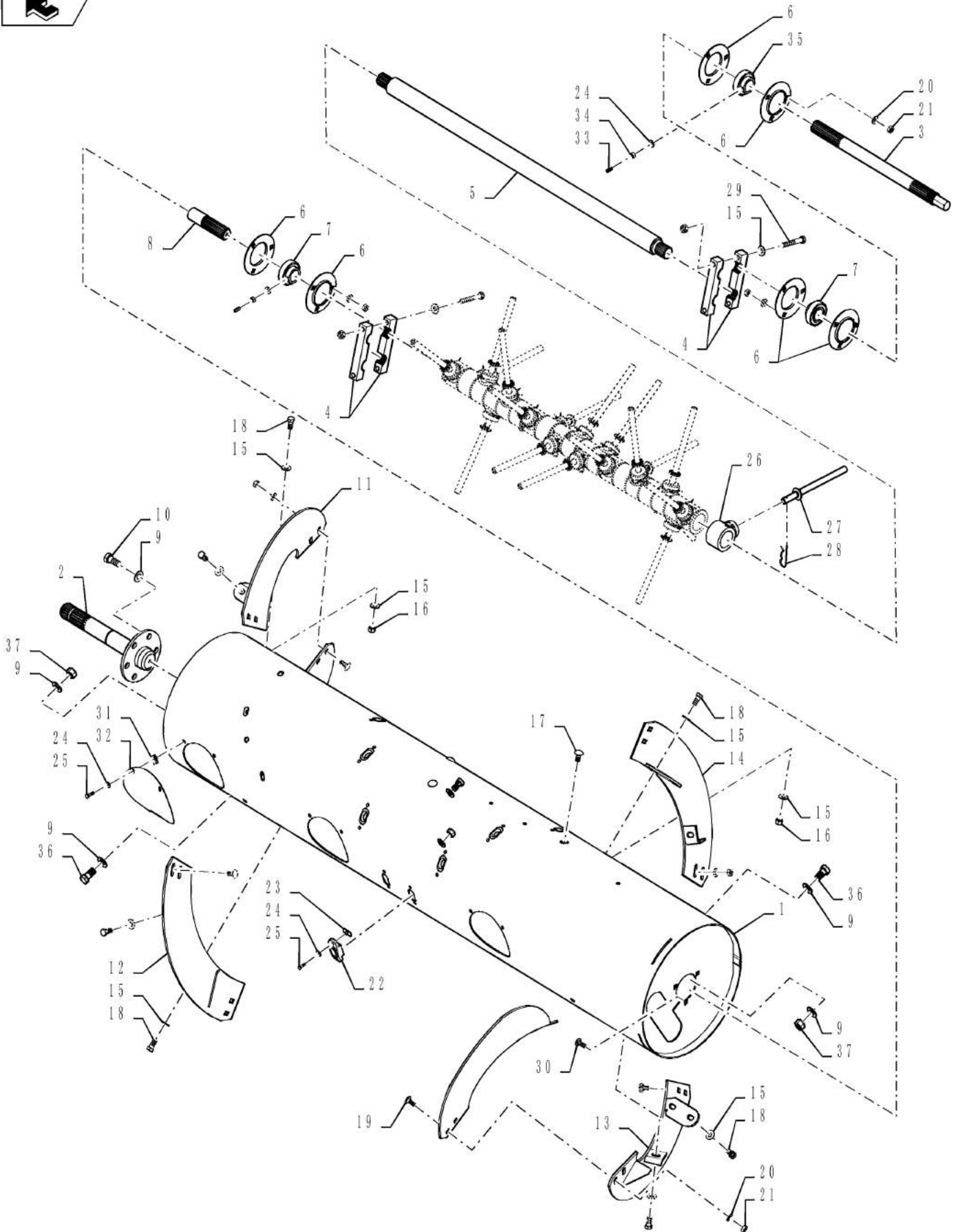
AUGER ASSEMBLY

REF FN	PART NUMBER	YR/SN	QTY DESCRIPTION
1	84391196		1 AUGER
2	47734855		1 SHAFT W/Rust Inhibitor
3	84297335		1 SHAFT
4	86620720		2 CRANKED LINK
5	84261948		1 SHAFT
6	36403		6 BEARING HOUSING
7	87323339		2 BALL BEARING 35mm ID x 72mm OD x 19mm W
8	87392469		1 SHAFT Shaft, Left Hand
9	140048		10 BELLEVILLE WASHER M16 Bolt Size x 32mm OD x 2.8mm Thk
10	86508583		6 BOLT Hex, M16 x 35mm, CI 8.8, Full Thd
11	1 84224159		1 AUGER FLIGHT Left Hand
12	1 84263900		1 AUGER FLIGHT Left Hand
13	1 84224162		1 AUGER FLIGHT Right Hand
14	1 84263896		1 AUGER FLIGHT Right Hand
15	140046		44 BELLEVILLE WASHER M12 Bolt Size x 27mm OD x 1.8mm Thk
16	87533547		26 NUT Prev Torque, M12, 1.75mm Pitch, CI 10 M12
17	374895		12 CARRIAGE BOLT M12 x 1.75 x 25mm, CI 8.8
18	300388		14 BOLT Hex, M12 x 1.75 x 25mm, CI 8.8
19	338949		8 CARRIAGE BOLT M10 x 1.5 x 25mm, CI 8.8
20	140045		17 BELLEVILLE WASHER M10 Bolt Size x 22mm OD x 1.6mm Thk
21	100016		17 NUT M10 x 1.5, CI 8
22	87620690		20 GUIDE Auger Finger Auger Finger
23	84315756		40 NUT M6
24	322357		50 BELLEVILLE WASHER M6 Bolt Size x 14mm OD x 1.3mm Thk
25	120100		48 BOLT M6 x 20mm, CI 8.8
26	84362468		20 JOINT
27	84194057		20 FINGER Assembly, Grain Header
28	740591		20 SPRING M10 x 67
29	43158		4 BOLT Hex, M12 x 80mm, CI 8.8

(1) Install Ref 11 and 13 Before 12 and 14

3152-DRAPER HEADER 3162-DRAPER HEADER

AUGER ASSEMBLY



AUGER ASSEMBLY

REF FN	PART NUMBER	YR/SN	QTY DESCRIPTION
30	86512446		3 CARRIAGE BOLT M10 x 1.5 x 30mm, CI 8.8
31	86014250		8 SPRING NUT M6 x 1.0
32	87017844		4 COVER
33	84548954		2 SET SCREW M6 x 0.75 x 16mm M6 x .75 x 16
34	84268307		2 NUT M6 x .75
35	84814912		1 BALL BEARING 35 mm ID x 72 mm OD x 51.1 mm
36	43167		2 BOLT Hex, M16 x 30mm, CI 8.8, Full Thd
37	100020		2 NUT M16 x 2.0, CI 8

3152-DRAPER HEADER 3162-DRAPER HEADER

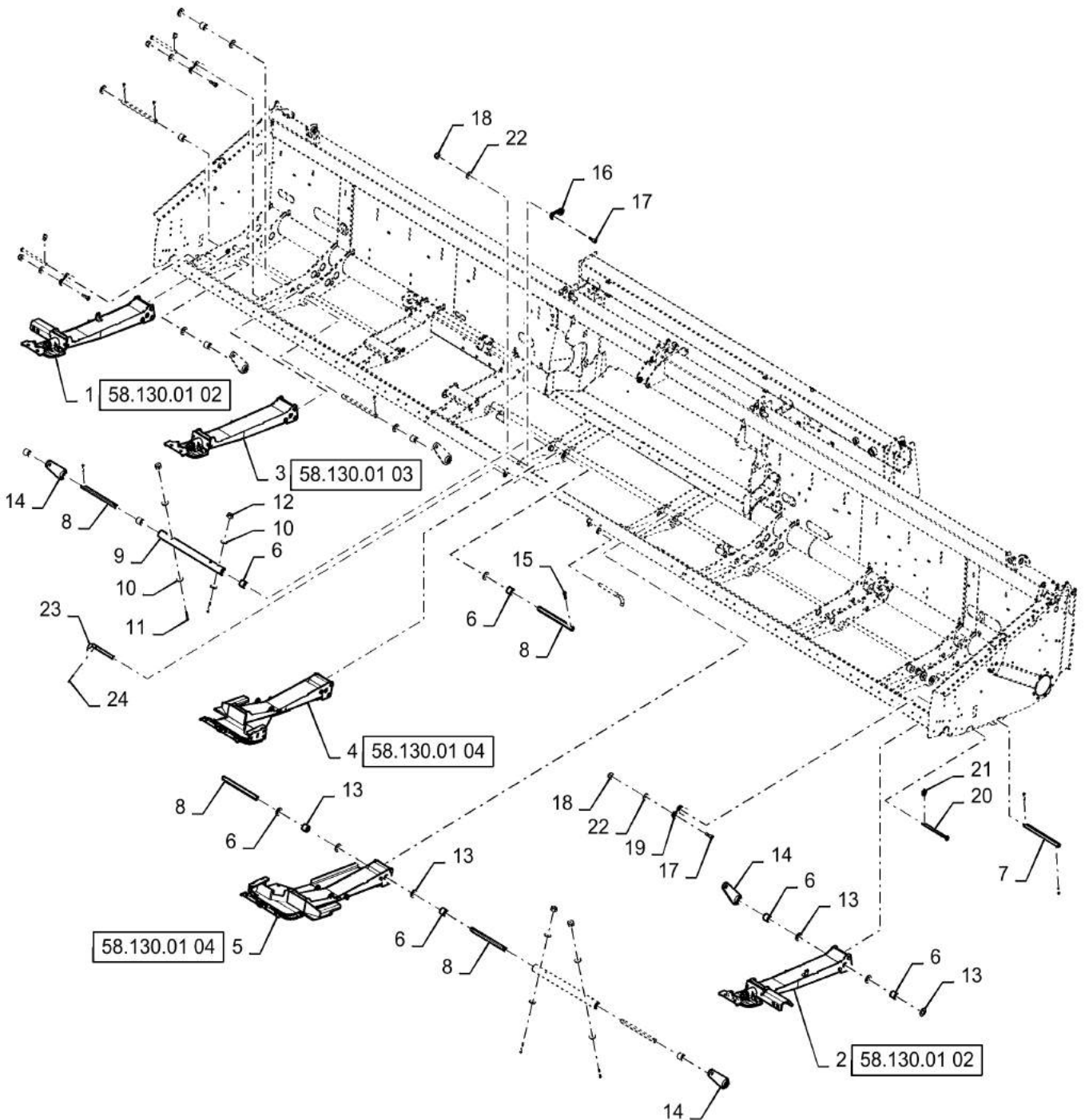
58.130.01

01

p1

9/2016

FLOOR, SUPPORT ASSY



FLOOR, SUPPORT ASSY

REF FN	PART NUMBER	YR/SN	QTY DESCRIPTION
1	NSS		1 NOT SOLD SEPARAT Arm Assy, RH
2	NSS		1 NOT SOLD SEPARAT Arm Assy, LH
3	NSS		6 NOT SOLD SEPARAT Arm Assy
4	NSS		1 NOT SOLD SEPARAT Arm Assy, Center RH
5	NSS		1 NOT SOLD SEPARAT Arm Assy, Center LH
6	84271863		24 BUSHING Hex Bore
7	87736132		8 SHAFT Hex
8	84268593		4 SHAFT HT, HEx
9	84301739		2 SHAFT Assy
10	86588450		8 WASHER 6.6mm ID x 12mm OD x 1.6mm Thk
11	10903721		4 BOLT Hex, M6 x 55mm, CI 8.8
12	353308		4 NUT M6 x 1.0, CI 8
13	896-11022		30 WASHER 24mm ID x 44mm OD x 4mm Thk
14	87496243		10 ARM Assy
15	412687		20 COTTER PIN 6.3mm OD x 32mm OAL
16	84377835		2 ARM
17	84349076		10 STEP BOLT
18	412672		10 NUT Hex, M12 x 1.75, CI 10
19	84540802		8 ARM Outside
20	84525363		8 CLEVIS PIN 12mm OD x 199.2mm L
21	86508947		8 LINCH PIN 18.8mm OD Linch
22	86511324		10 WASHER 13mm ID x 24mm OD x 2.5mm Thk
23	47692005		2 PIN
24	738-3422		4 PIN M4 x 22, Coiled

3152-DRAPER HEADER 3162-DRAPER HEADER

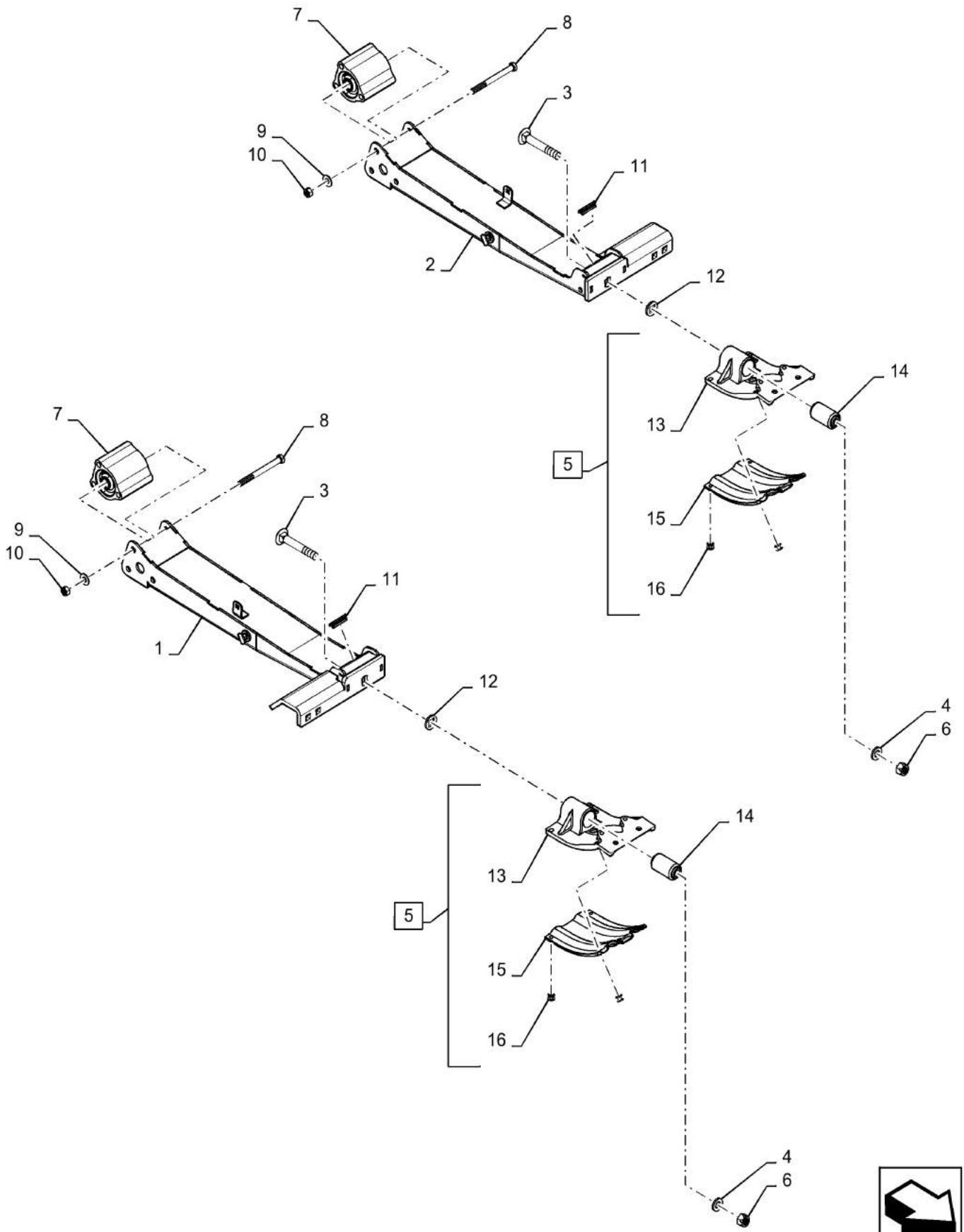
58.130.01

02

p1

9/2016

ARM, ASSY, RH/LH



58.130.01

02

p1

9/2016

ARM, ASSY, RH/LH

REF FN	PART NUMBER	YR/SN	QTY DESCRIPTION
1	47478558		1 ARM Assy, RH
2	47478556		1 ARM Assy, LH
3	84569270		1 CARRIAGE BOLT Reg Sq Nk, M16 x 2 x 110mm, CI 10.9
4	86625266		1 WASHER 17.5mm ID x 30mm OD x 4mm Thk
5	NSS		1 NOT SOLD SEPARAT Skid Shoe Assy, Incl 13 - 16
6	86512555		1 NUT M16 x 2, CI 10
7	84126918		1 TORSION SPRING 19.2mm ID x 80.5mm OD x 101.22mm L
8	395277		3 BOLT Hex, M12 x 1.75 x 130mm, CI 8.8
9	140046		3 BELLEVILLE WASHER M12 Bolt Size x 27mm OD x 1.8mm Thk
10	337475		3 NUT M12, CI 10
11	87011911		1 PLUG 1.45", Plastic
12	84590649		1 SQ HOLE WASHER 17mm ID x 34mm OD x 4.25mm Thk
13	84173609		1 SKID/SHOE
14	87538599		1 BUSHING 16mm ID x 38.2mm OD x 73mm L Cleaning System
15	377580A1		1 SKID/SHOE Polyskid Single Skid
16	87613322		5 POP RIVET Pop, 6.35mm OD x 15.75mm L

3152-DRAPER HEADER 3162-DRAPER HEADER

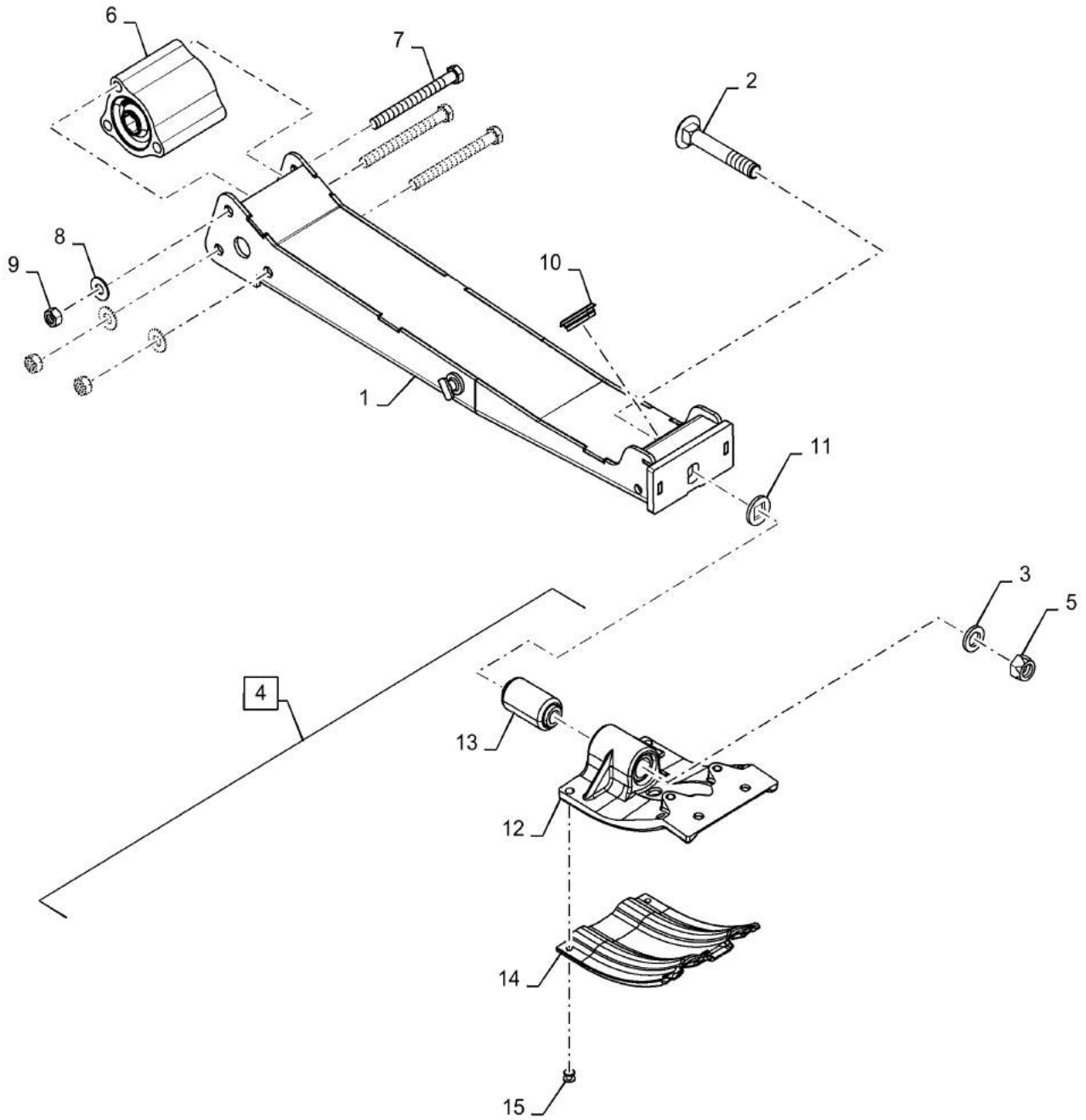
58.130.01

03

p1

9/2016

ARM, ASSY



58.130.01

03

p1

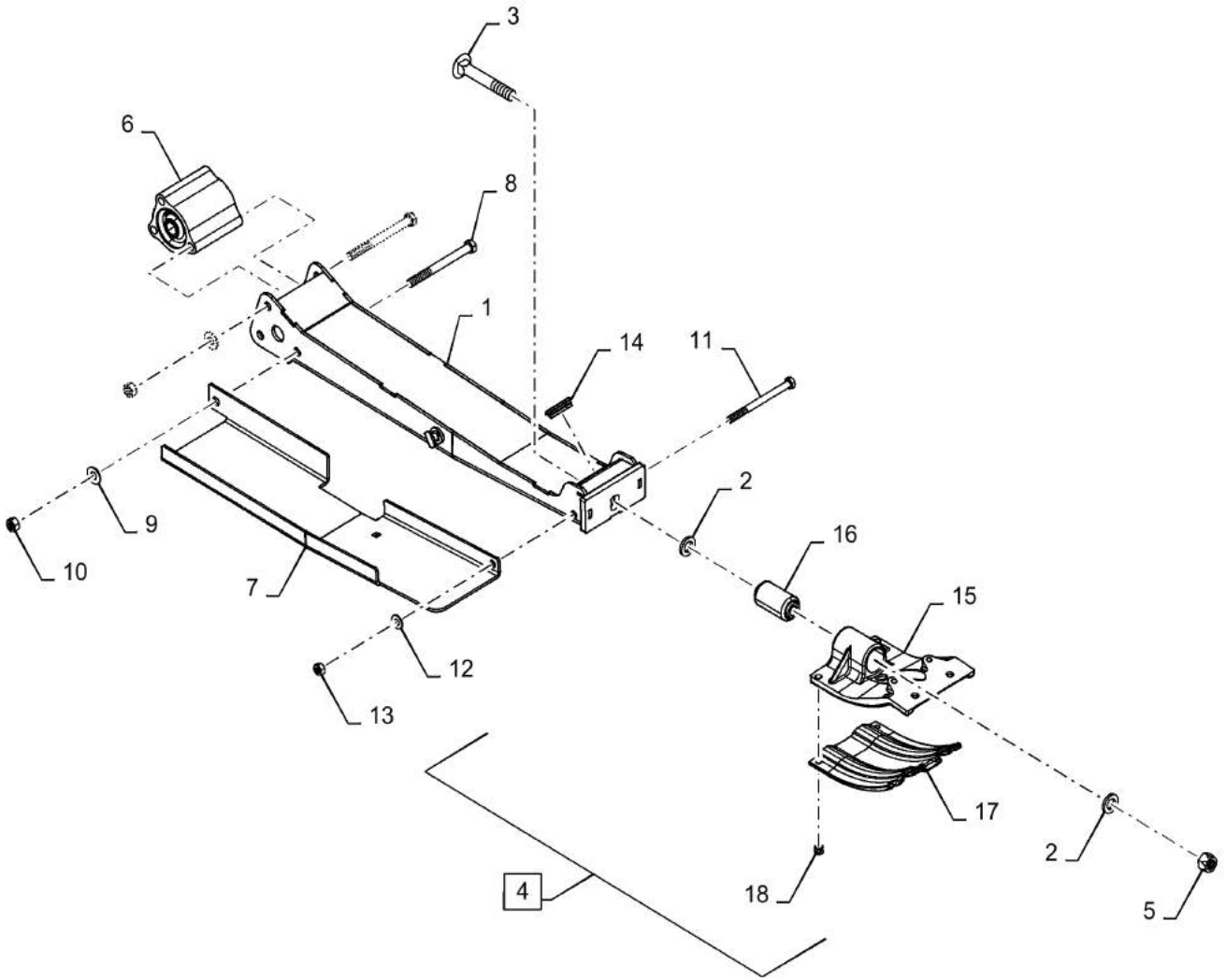
9/2016

ARM, ASSY

REF FN	PART NUMBER	YR/SN	QTY DESCRIPTION
1	84558380		1 ARM Center
2	84569270		1 CARRIAGE BOLT Reg Sq Nk, M16 x 2 x 110mm, CI 10.9
3	86625266		1 WASHER 17.5mm ID x 30mm OD x 4mm Thk
4	NSS		1 NOT SOLD SEPARAT Skid Shoe Assy, Incl 12 - 15
5	86512555		1 NUT M16 x 2, CI 10
6	84126918		1 TORSION SPRING 19.2mm ID x 80.5mm OD x 101.22mm L
7	395277		3 BOLT Hex, M12 x 1.75 x 130mm, CI 8.8
8	140046		3 BELLEVILLE WASHER M12 Bolt Size x 27mm OD x 1.8mm Thk
9	337475		3 NUT M12, CI 10
10	87011911		1 PLUG 1.45", Plastic
11	84590649		1 SQ HOLE WASHER 17mm ID x 34mm OD x 4.25mm Thk
12	84173609		1 SKID/SHOE
13	87538599		1 BUSHING 16mm ID x 38.2mm OD x 73mm L Cleaning System
14	377580A1		1 SKID/SHOE Polyskid Single Skid
15	87613322		5 POP RIVET Pop, 6.35mm OD x 15.75mm L

3152-DRAPER HEADER 3162-DRAPER HEADER

ARM, ASSY, CENTER KNIFE DRIVE, HYDRAULIC SHIELD



58.130.01

04

p1

9/2016

ARM, ASSY, CENTER KNIFE DRIVE, HYDRAULIC SHIELD

REF FN	PART NUMBER	YR/SN	QTY DESCRIPTION
1	84558380		1 ARM Support
2	86625266		2 WASHER 17.5mm ID x 30mm OD x 4mm Thk
3	84569270		1 CARRIAGE BOLT Reg Sq Nk, M16 x 2 x 110mm, CI 10.9
4	NSS		1 NOT SOLD SEPARAT Skid Shoe Assy, Incl 15 - 18
5	86512555		1 NUT M16 x 2, CI 10
6	84126918		1 TORSION SPRING 19.2mm ID x 80.5mm OD x 101.22mm L
7	84392021		1 SHIELD Center Knife Drive Hoses
8	395277		3 BOLT Hex, M12 x 1.75 x 130mm, CI 8.8
9	140046		3 BELLEVILLE WASHER M12 Bolt Size x 27mm OD x 1.8mm Thk
10	337475		3 NUT M12, CI 10
11	86508575		1 BOLT Hex, M10 x 130mm, CI 8.8
12	140045		1 BELLEVILLE WASHER M10 Bolt Size x 22mm OD x 1.6mm Thk
13	86500689		1 NUT M10 x 1.5, CI 10
14	87011911		1 PLUG 1.45", Plastic
15	84173609		1 SKID/SHOE
16	87538599		1 BUSHING 16mm ID x 38.2mm OD x 73mm L Cleaning System
17	377580A1		1 SKID/SHOE Polyskid Single
18	87613322		5 POP RIVET Pop, 6.35mm OD x 15.75mm L

3152-DRAPER HEADER 3162-DRAPER HEADER

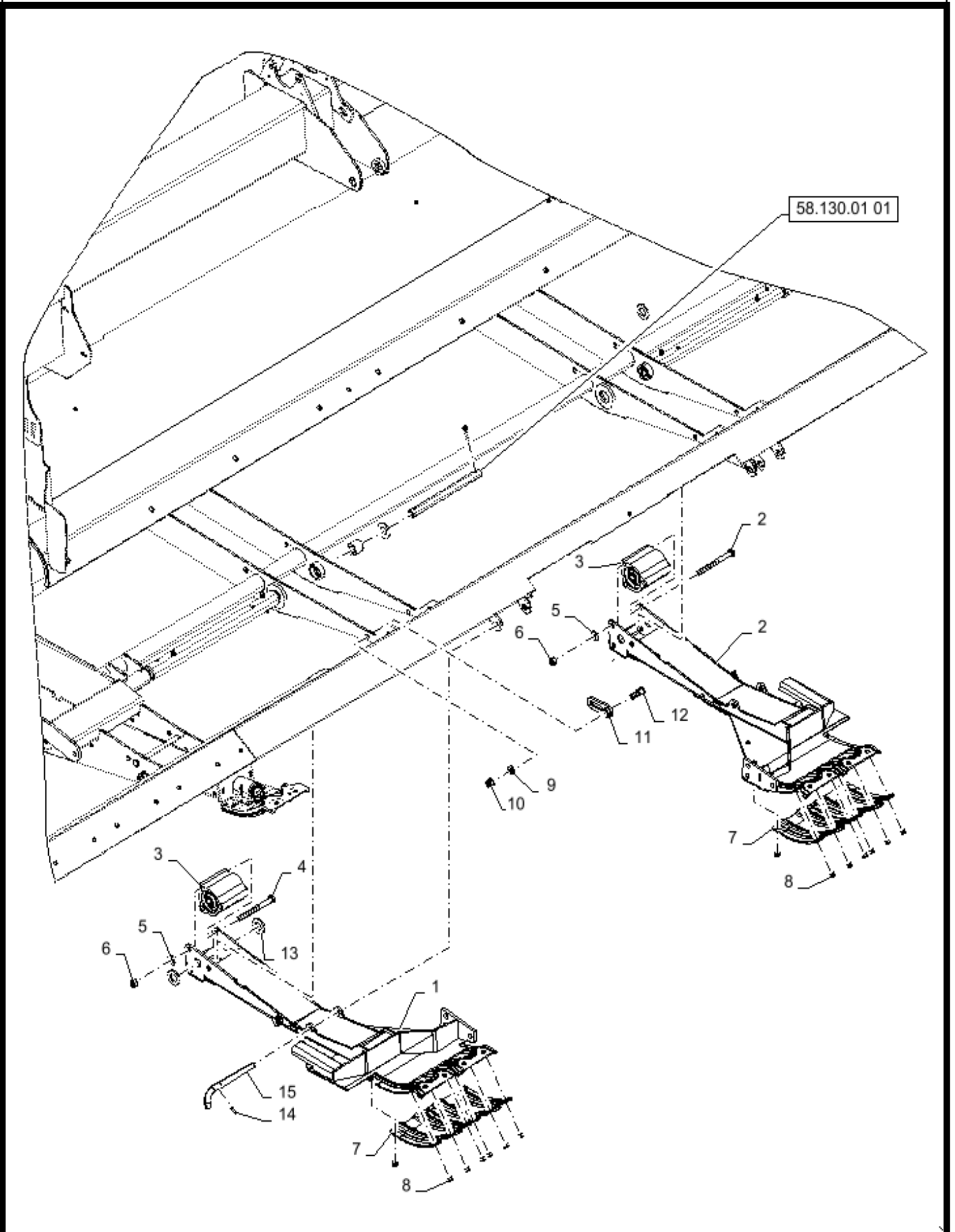
58.130.01

05

p1

9/2016

ARM, ASSY, CENTER RH/LH, ASN - YEH050000



58.130.01

05

p1

9/2016

ARM, ASSY, CENTER RH/LH, ASN - YEH050000

REF FN	PART NUMBER	YR/SN	QTY DESCRIPTION
1	47691673		1 ARM Center, RH
2	47691683		1 ARM Center, LH
3	84235792		1 TENSION SPRING 19.2mm ID x 80.5mm OD x 101.22mm L
4	395277		3 BOLT Hex, M12 x 1.75 x 130mm, CI 8.8
5	140046		3 BELLEVILLE WASHER M12 Bolt Size x 27mm OD x 1.8mm Thk
6	337475		3 NUT M12, CI 10
7	377580A1		2 SKID/SHOE Polyskid Single Skid
8	87613322		10 POP RIVET Pop, 6.35mm OD x 15.75mm L
9	86511324		12 WASHER 13mm ID x 24mm OD x 2.5mm Thk
10	412672		12 NUT Hex, M12 x 1.75, CI 10
11	47903170		2 ARM
12	84349076		12 STEP BOLT
13	896-11022		36 WASHER 24mm ID x 44mm OD x 4mm Thk
14	738-3422		4 PIN M4 x 22, Coiled
15	47799023		2 PIN

3152-DRAPER HEADER 3162-DRAPER HEADER

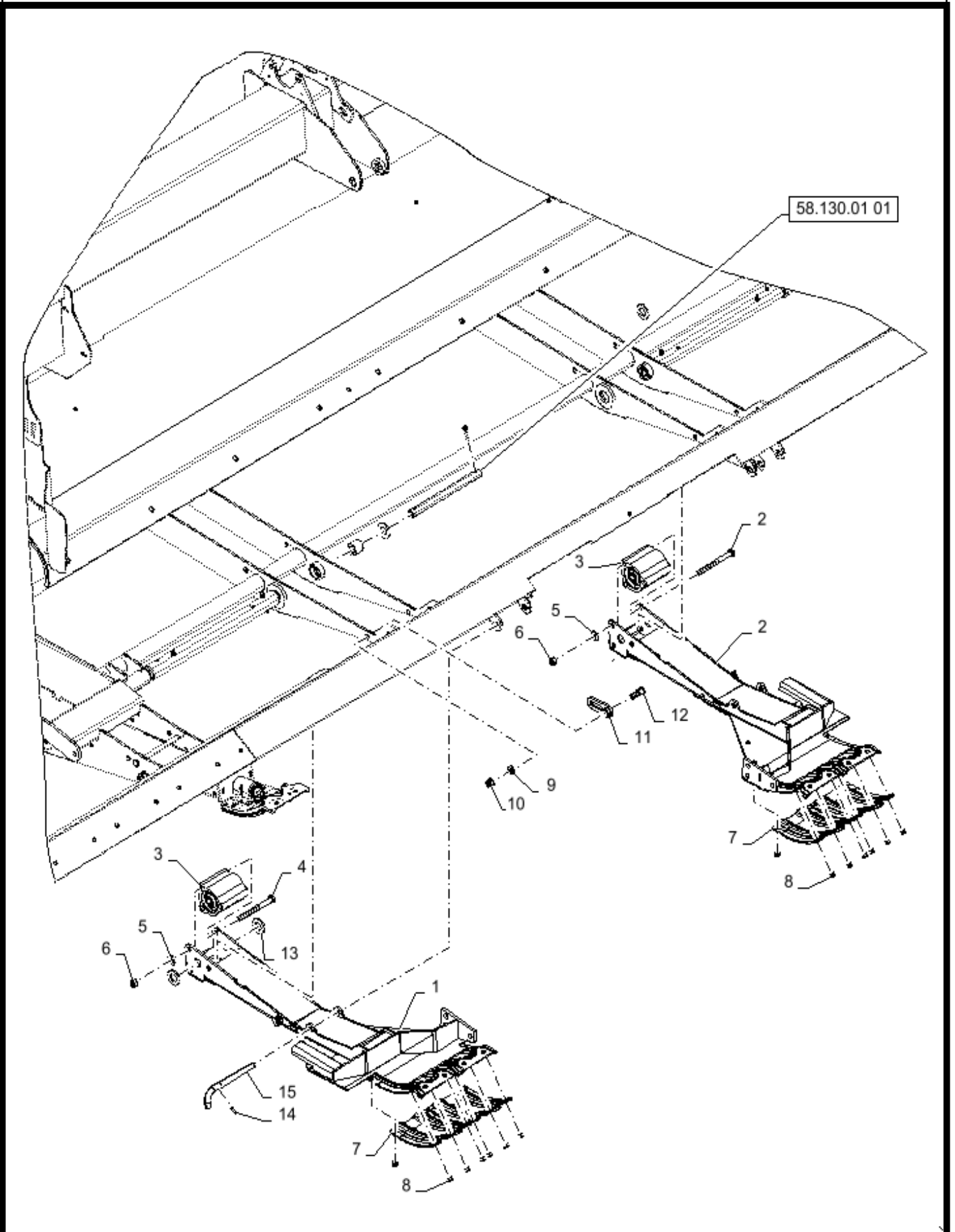
58.130.01

05

p1

9/2016

ARM, ASSY, CENTER RH/LH, BSN - YEH050000



58.130.01

05

p1

9/2016

ARM, ASSY, CENTER RH/LH, BSN - YEH050000

REF FN	PART NUMBER	YR/SN	QTY DESCRIPTION
1	47502719		1 ARM Assy, Center, RH
2	47502722		1 ARM Assy, Center, LH
3	84235792		1 TENSION SPRING 19.2mm ID x 80.5mm OD x 101.22mm L
4	395277		3 BOLT Hex, M12 x 1.75 x 130mm, CI 8.8
5	140046		3 BELLEVILLE WASHER M12 Bolt Size x 27mm OD x 1.8mm Thk
6	337475		3 NUT M12, CI 10
7	377580A1		2 SKID/SHOE Polyskid, Single
8	87613322		10 POP RIVET Pop, 6.35mm OD x 15.75mm L
9	86511324		12 WASHER 13mm ID x 24mm OD x 2.5mm Thk
10	412672		12 NUT Hex, M12 x 1.75, CI 10
11	47903170		2 ARM
12	84349076		12 STEP BOLT
13	896-11022		36 WASHER 24mm ID x 44mm OD x 4mm Thk
14	738-3422		4 PIN M4 x 22, Coiled
15	84525363		2 CLEVIS PIN 12mm OD x 199.2mm L

3162-DRAPER HEADER

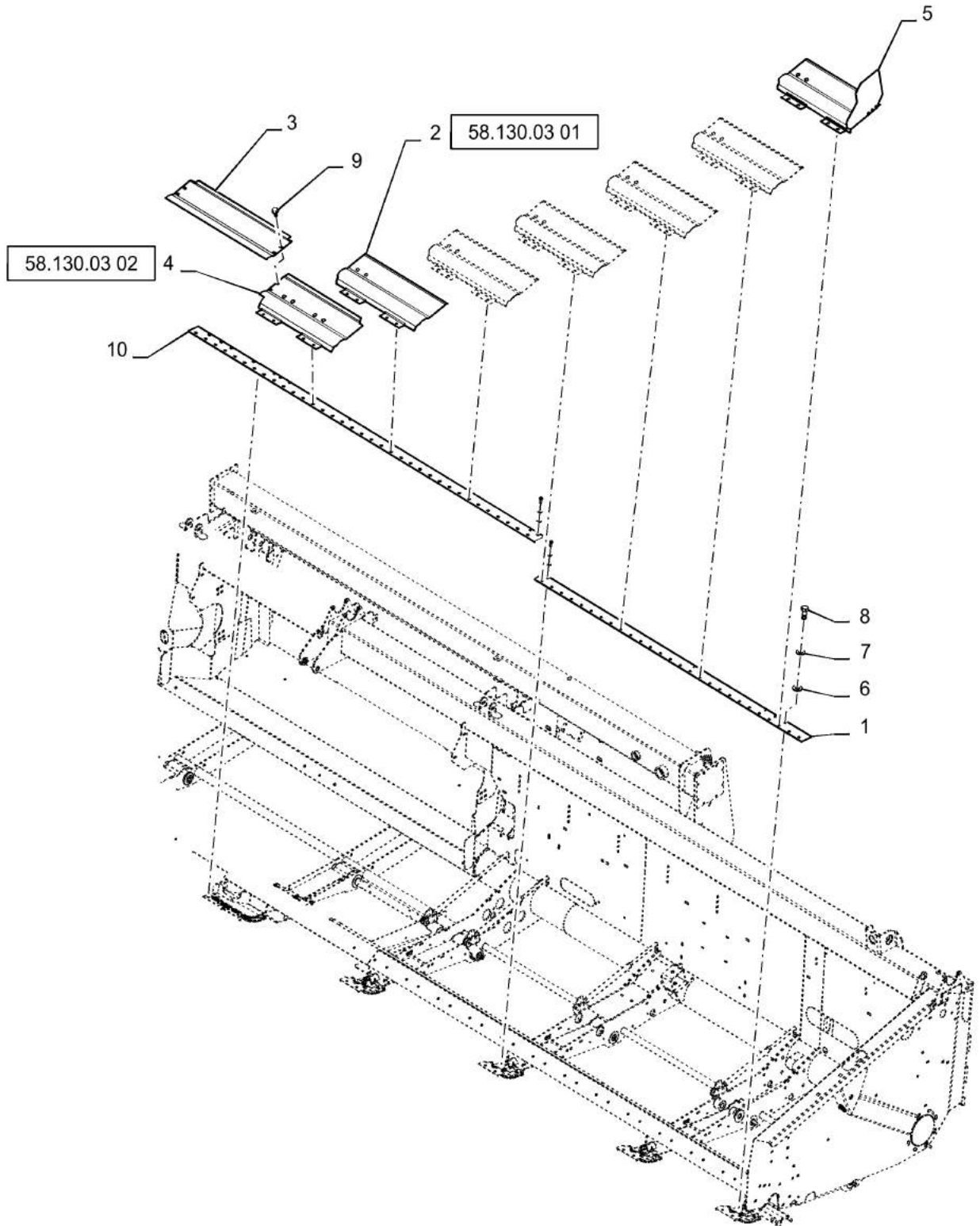
58.130.02

01

p1

9/2016

FLOOR, ASSY, 30FT CENTER KNIFE DRIVE, LH



58.130.02

01

p1

9/2016

FLOOR, ASSY, 30FT CENTER KNIFE DRIVE, LH

REF FN	PART NUMBER	YR/SN	QTY DESCRIPTION
1	47403714		1 SERVICE KIT 30 ft
2	NSS		5 NOT SOLD SEPARAT Floor Assy, LH
3	47552394		1 FLOOR Center
4	NSS		1 NOT SOLD SEPARAT Floor Assy, LH, CKD
5	84373522		1 FLOOR Assy, LH, Outer 30 ft
6	86625253		4 WASHER 11mm ID x 24mm OD x 2mm Thk
7	140045		4 BELLEVILLE WASHER M10 Bolt Size x 22mm OD x 1.6mm Thk
8	87778873		4 BOLT Hex, M10 x 25, 8.8, Full Thd
9	86511841		4 BOLT Flng, M8 x 1.25 x 16mm, Full Thd, Cl 8.8
10	84359388		1 CUTTERBAR RH

3152-DRAPER HEADER 3162-DRAPER HEADER

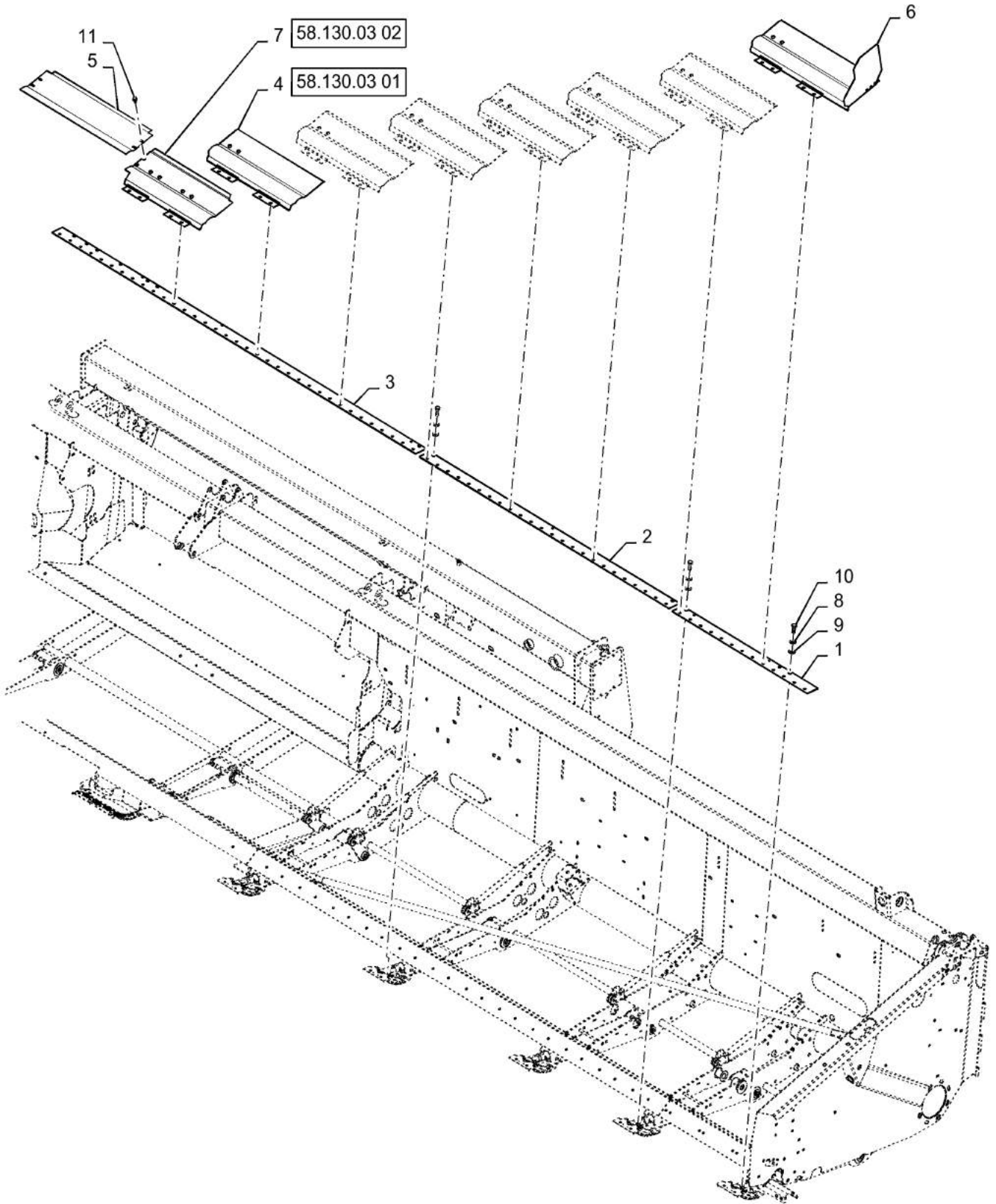
58.130.02

01

p1

9/2016

FLOOR, ASSY, 35FT CENTER KNIFE DRIVE, LH



FLOOR, ASSY, 35FT CENTER KNIFE DRIVE, LH

REF FN	PART NUMBER	YR/SN	QTY DESCRIPTION
1	47403708		1 SERVICE KIT 35FT
2	84207089		1 CUTTERBAR LH
3	84359388		1 CUTTERBAR RH
4	NSS		6 NOT SOLD SEPARAT Floor Assy, LH
5	47552394		1 FLOOR Center
6	84209638		1 FLOOR Assy, LH, Outer
7	NSS		1 NOT SOLD SEPARAT Floor Assy, LH, Center Knife Drive
8	140045		6 BELLEVILLE WASHER M10 Bolt Size x 22mm OD x 1.6mm Thk
9	86625253		6 WASHER 11mm ID x 24mm OD x 2mm Thk
10	87778873		6 BOLT Hex, M10 x 25, 8.8, Full Thd
11	86511841		4 BOLT Flng, M8 x 1.25 x 16mm, Full Thd, Cl 8.8

3152-DRAPER HEADER 3162-DRAPER HEADER

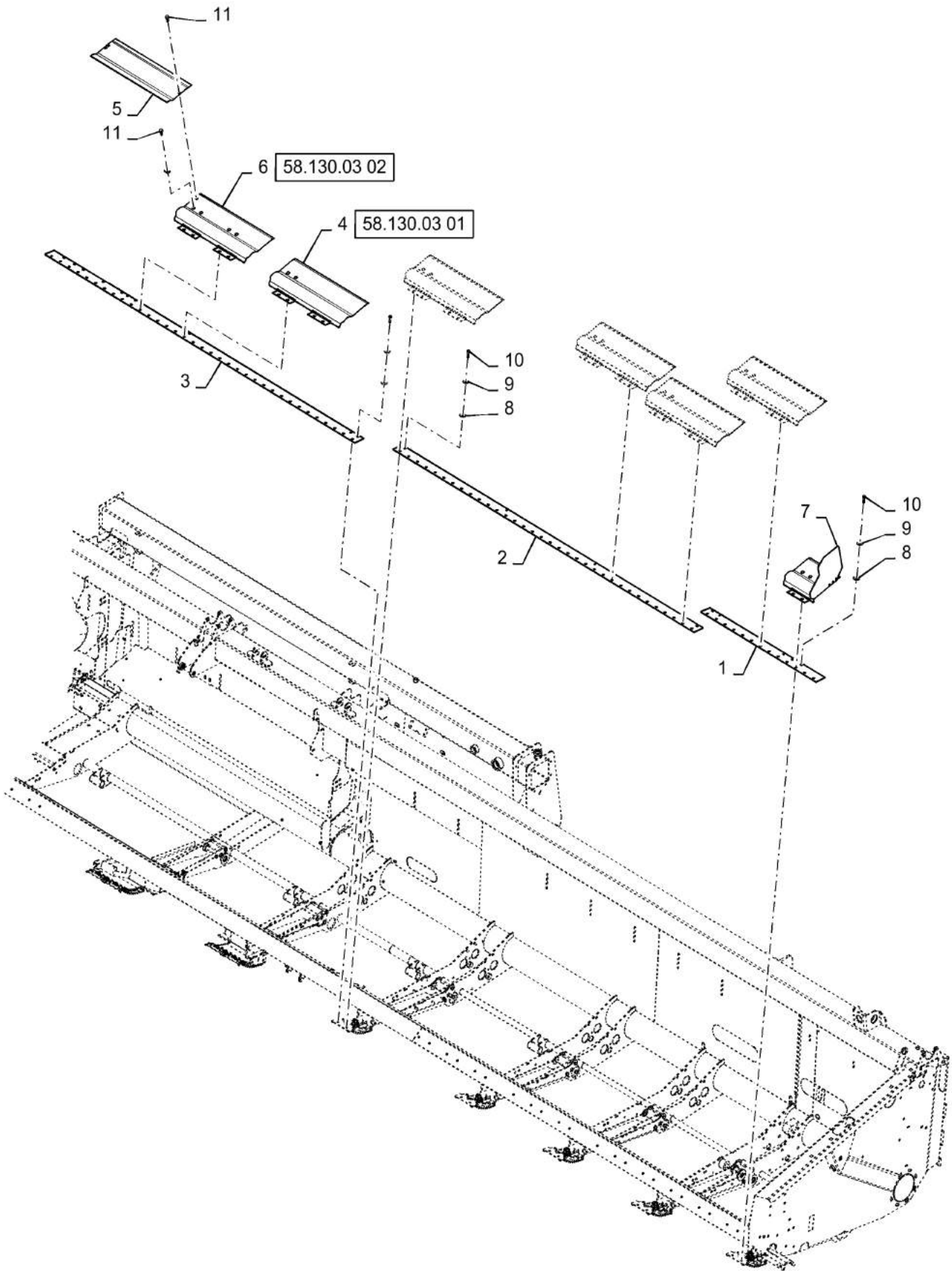
58.130.02

01

p1

9/2016

FLOOR, ASSY, 40FT CENTER KNIFE DRIVE, LH



58.130.02

01

p1

9/2016

FLOOR, ASSY, 40FT CENTER KNIFE DRIVE, LH

REF FN	PART NUMBER	YR/SN	QTY DESCRIPTION
1	47403708		1 SERVICE KIT 40 ft
2	84126953		1 BAR Inside
3	84359388		1 CUTTERBAR RH
4	NSS		8 NOT SOLD SEPARAT Floor Assy, LH
5	47552394		1 FLOOR Center
6	NSS		1 NOT SOLD SEPARAT Floor Assy, LH, Center Knife Drive
7	84209402		1 FLOOR Assy, LH Outer, 40 ft
8	86625253		6 WASHER 11mm ID x 24mm OD x 2mm Thk
9	140045		6 BELLEVILLE WASHER M10 Bolt Size x 22mm OD x 1.6mm Thk
10	87778873		6 BOLT Hex, M10 x 25, 8.8, Full Thd
11	86511841		4 BOLT Flng, M8 x 1.25 x 16mm, Full Thd, Cl 8.8

3152-DRAPER HEADER 3162-DRAPER HEADER

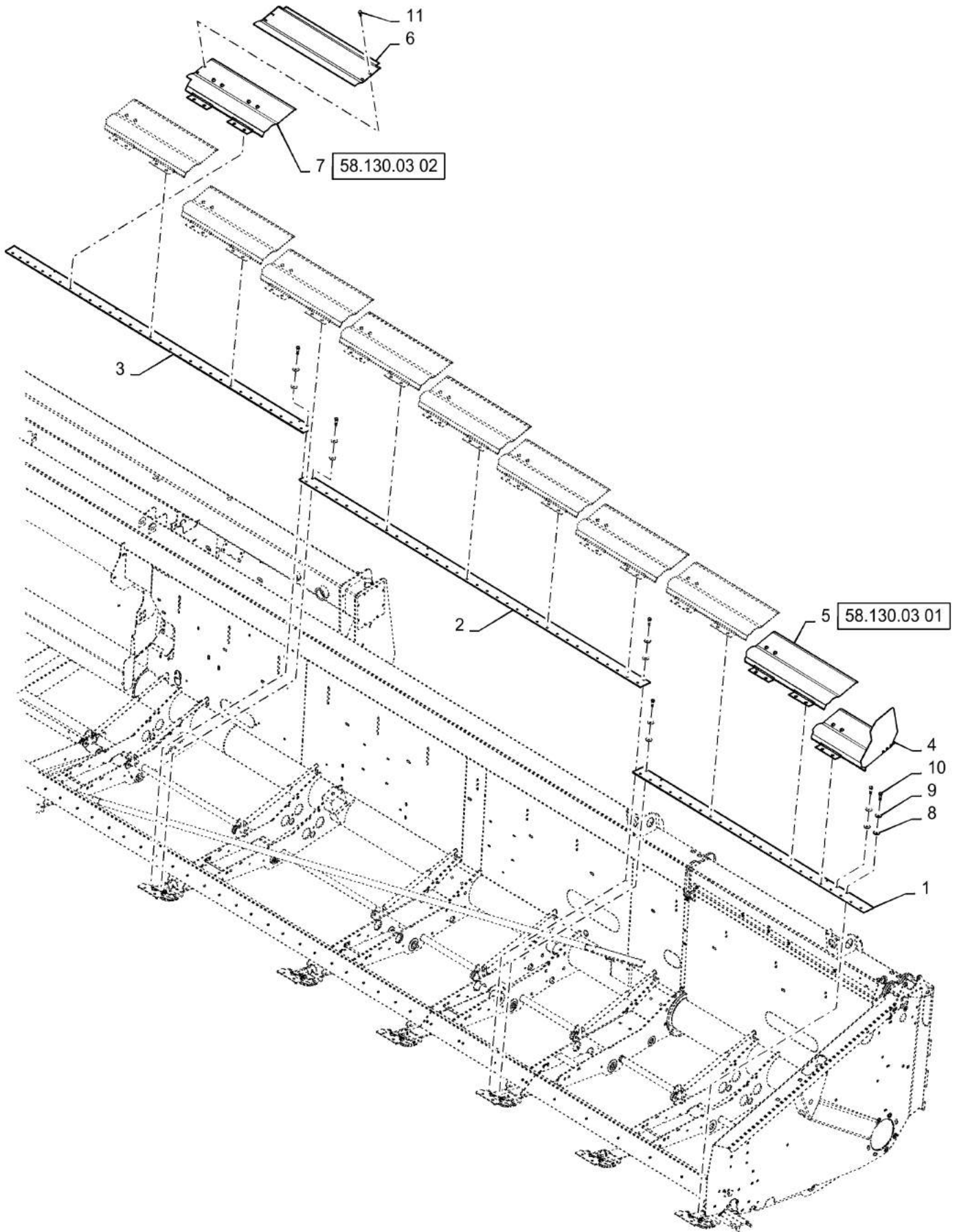
58.130.02

01

p1

9/2016

FLOOR, ASSY, 45FT CENTER KNIFE DRIVE, LH



58.130.02

01

p1

9/2016

FLOOR, ASSY, 45FT CENTER KNIFE DRIVE, LH

REF FN	PART NUMBER	YR/SN	QTY DESCRIPTION
1	47403696		1 SERVICE KIT 45 ft
2	84126953		1 BAR Inside
3	84359388		1 CUTTERBAR RH
4	84129199		1 FLOOR Assy, LH Outer
5	NSS		9 NOT SOLD SEPARAT Floor Assy, LH
6	47552394		1 FLOOR Center
7	NSS		1 NOT SOLD SEPARAT Floor Assy, LH, Center Knife Drive
8	86625253		6 WASHER 11mm ID x 24mm OD x 2mm Thk
9	140045		6 BELLEVILLE WASHER M10 Bolt Size x 22mm OD x 1.6mm Thk
10	87778873		6 BOLT Hex, M10 x 25, 8.8, Full Thd
11	86511841		4 BOLT Flng, M8 x 1.25 x 16mm, Full Thd, Cl 8.8

3152-DRAPER HEADER 3162-DRAPER HEADER

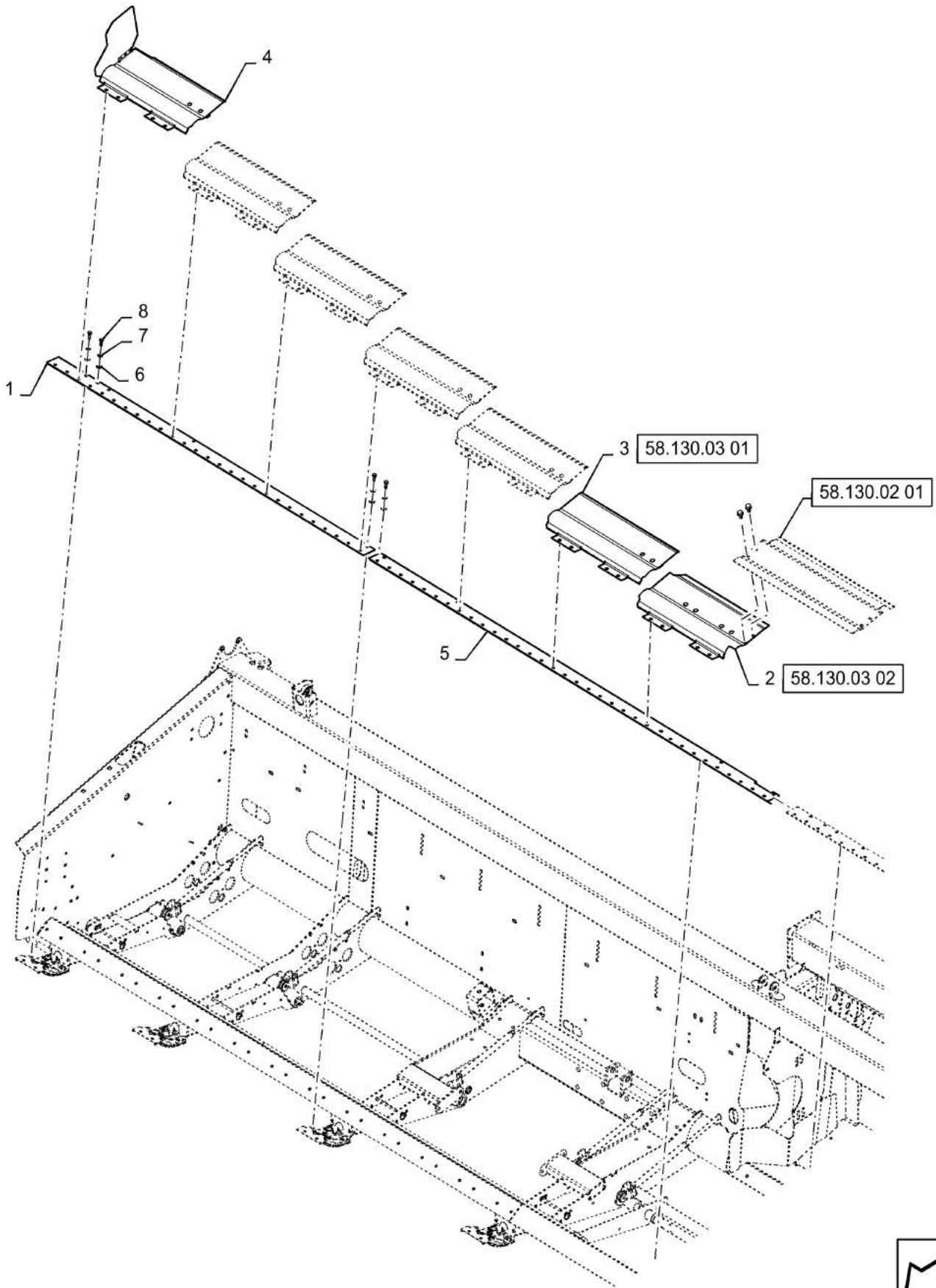
58.130.02

02

p1

9/2016

FLOOR, ASSY, 30FT CENTER KNIFE DRIVE, RH



58.130.02

02

p1

9/2016

FLOOR, ASSY, 30FT CENTER KNIFE DRIVE, RH

REF FN	PART NUMBER	YR/SN	QTY DESCRIPTION
1	47403714		1 SERVICE KIT 30 ft
2	NSS		1 NOT SOLD SEPARAT Floor Assy, RH CKD
3	NSS		5 NOT SOLD SEPARAT Floor Assy, RH
4	84373524		1 FLOOR Assy, RH Outer 30 ft
5	47403718		1 CUTTERBAR Center, RH
6	86625253		4 WASHER 11mm ID x 24mm OD x 2mm Thk
7	140045		4 BELLEVILLE WASHER M10 Bolt Size x 22mm OD x 1.6mm Thk
8	87778873		4 BOLT Hex, M10 x 25, 8.8, Full Thd

3152-DRAPER HEADER 3162-DRAPER HEADER

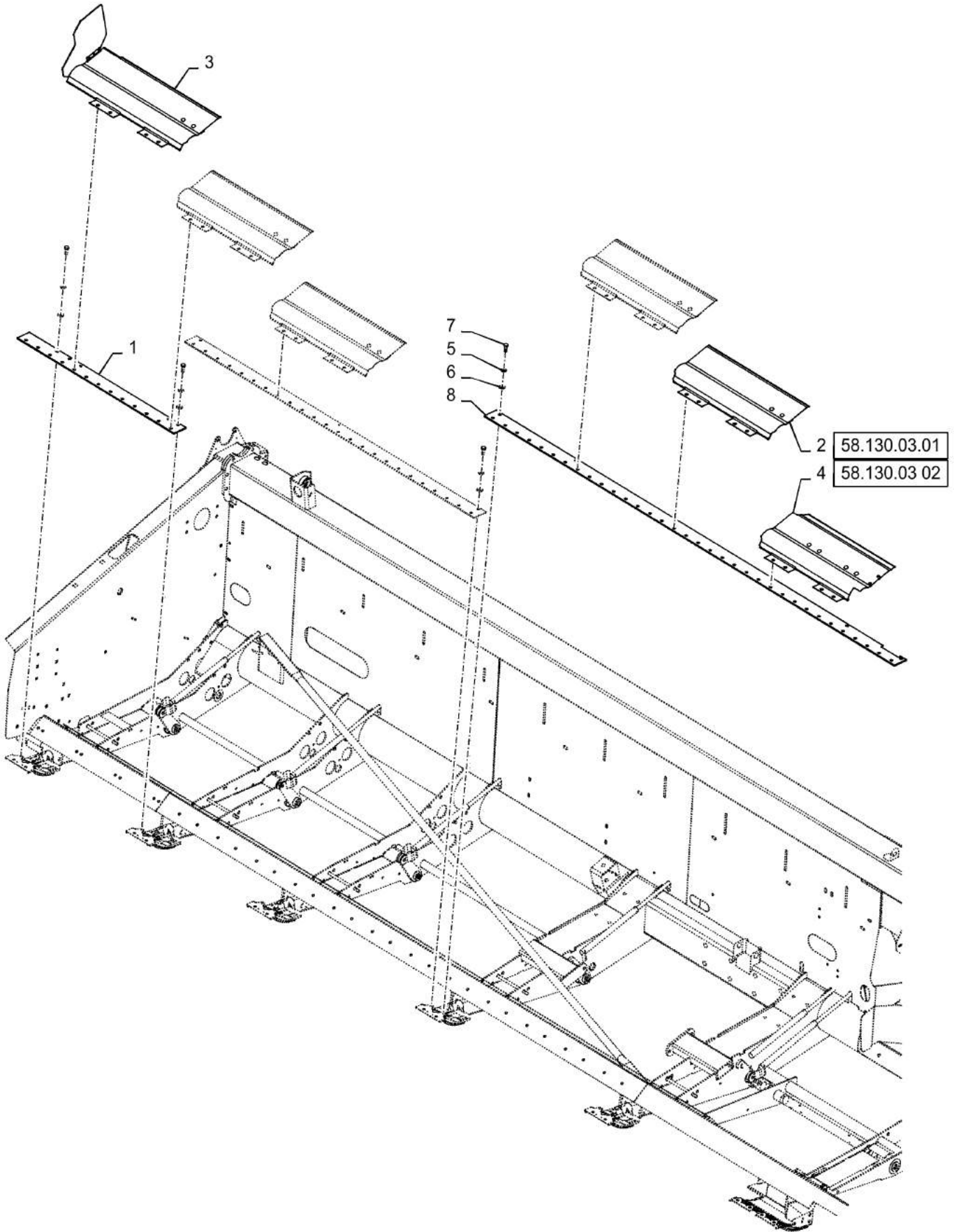
58.130.02

02

p1

9/2016

FLOOR, ASSY, 35FT CENTER KNIFE DRIVE, RH



58.130.02

02

p1

9/2016

FLOOR, ASSY, 35FT CENTER KNIFE DRIVE, RH

REF FN	PART NUMBER	YR/SN	QTY DESCRIPTION
1	47403708		1 SERVICE KIT 35FT
2	NSS		6 NOT SOLD SEPARAT Floor Assy, RH
3	84209635		1 FLOOR Assy RH, Outer
4	NSS		1 NOT SOLD SEPARAT Floor Assy, RH, Center Knife Drive
5	140045		6 BELLEVILLE WASHER M10 Bolt Size x 22mm OD x 1.6mm Thk
6	86625253		6 WASHER 11mm ID x 24mm OD x 2mm Thk
7	87778873		6 BOLT Hex, M10 x 25, 8.8, Full Thd
8	47403718		1 CUTTERBAR Center, RH

3152-DRAPER HEADER 3162-DRAPER HEADER

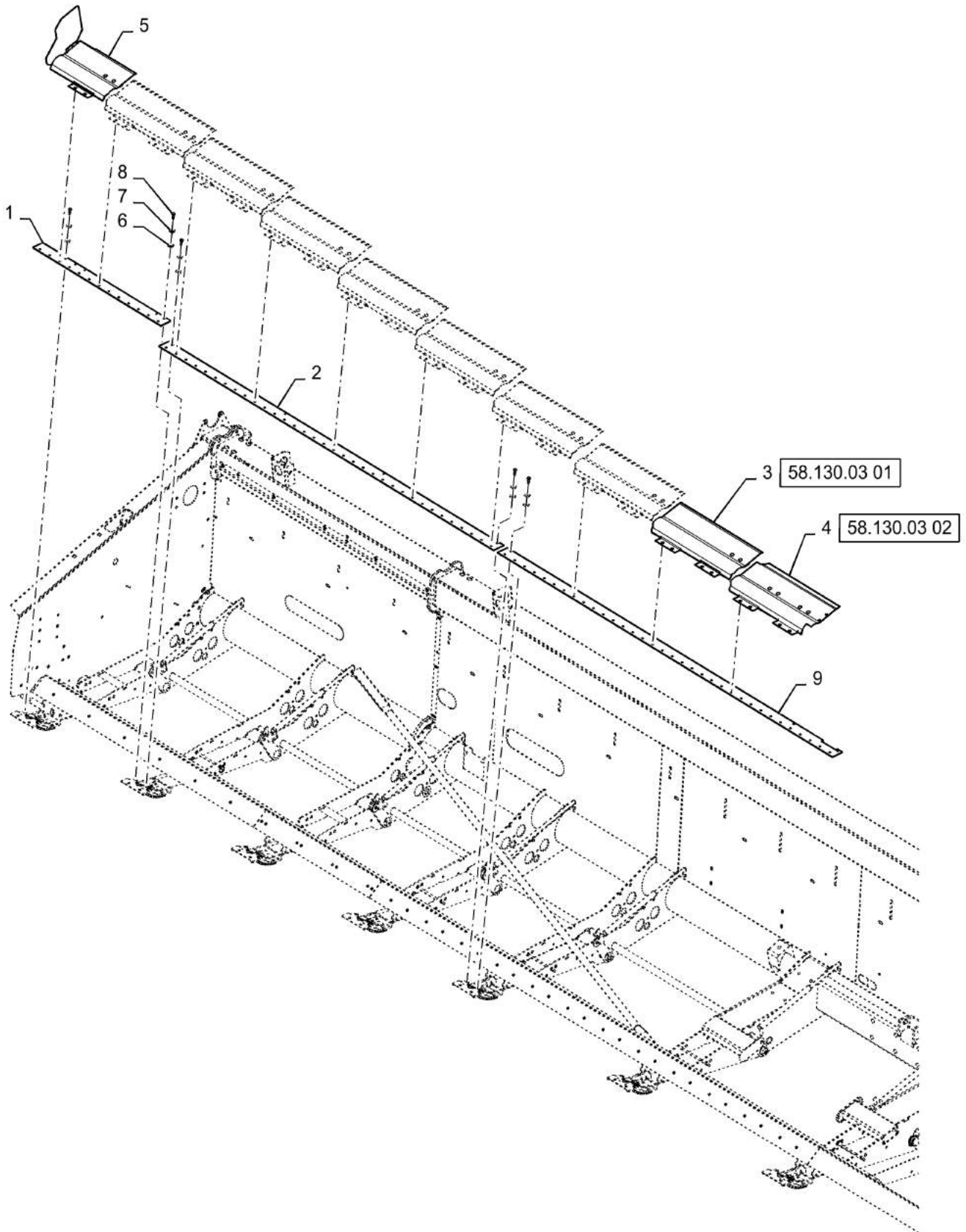
58.130.02

02

p1

9/2016

FLOOR, ASSY, 40FT CENTER KNIFE DRIVE, RH



58.130.02

02

p1

9/2016

FLOOR, ASSY, 40FT CENTER KNIFE DRIVE, RH

REF FN	PART NUMBER	YR/SN	QTY DESCRIPTION
1	47403708		1 SERVICE KIT 40 ft
2	84126953		1 BAR Inside
3	NSS		8 NOT SOLD SEPARAT Floor Assy, RH
4	NSS		1 NOT SOLD SEPARAT Floor Assy, RH, Center Knife Drive
5	87496275		1 FLOOR Assy, RH, Outer
6	86625253		6 WASHER 11mm ID x 24mm OD x 2mm Thk
7	140045		6 BELLEVILLE WASHER M10 Bolt Size x 22mm OD x 1.6mm Thk
8	87778873		6 BOLT Hex, M10 x 25, 8.8, Full Thd
9	47403718		1 CUTTERBAR Center, RH

3152-DRAPER HEADER 3162-DRAPER HEADER

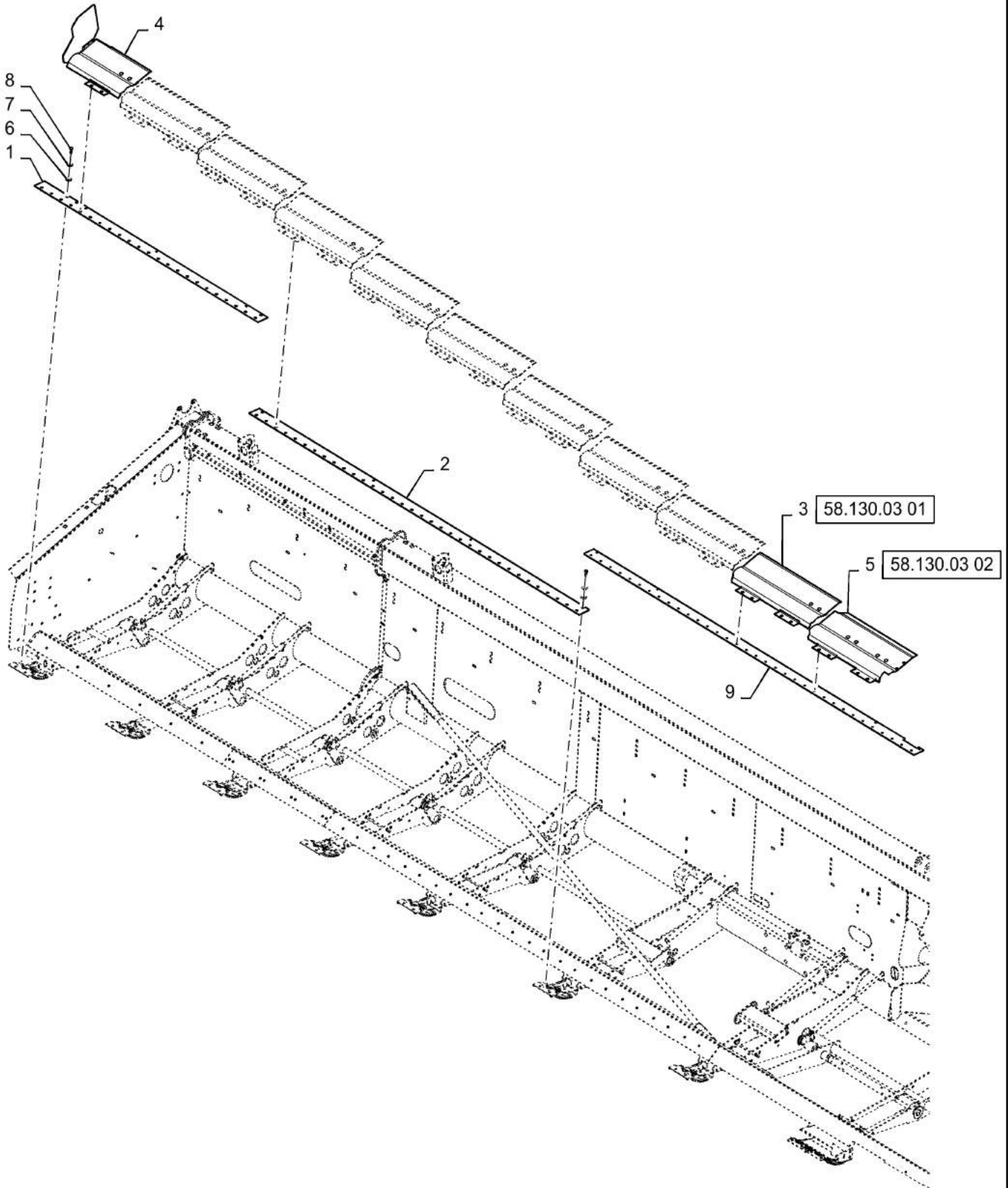
58.130.02

02

p1

9/2016

FLOOR, ASSY, 45FT CENTER KNIFE DRIVE, RH



58.130.02

02

p1

9/2016

FLOOR, ASSY, 45FT CENTER KNIFE DRIVE, RH

REF FN	PART NUMBER	YR/SN	QTY DESCRIPTION
1	47403696		1 SERVICE KIT 45 ft
2	84126953		1 BAR Inside
3	NSS		9 NOT SOLD SEPARAT Floor Assy, RH
4	84129202		1 FLOOR Assy, RH, Outer
5	NSS		1 NOT SOLD SEPARAT Floor Assy, RH, Center Knife Drive
6	86625253		6 WASHER 11mm ID x 24mm OD x 2mm Thk
7	140045		6 BELLEVILLE WASHER M10 Bolt Size x 22mm OD x 1.6mm Thk
8	87778873		6 BOLT Hex, M10 x 25, 8.8, Full Thd
9	47403718		1 CUTTERBAR Center RH

3152-DRAPER HEADER 3162-DRAPER HEADER

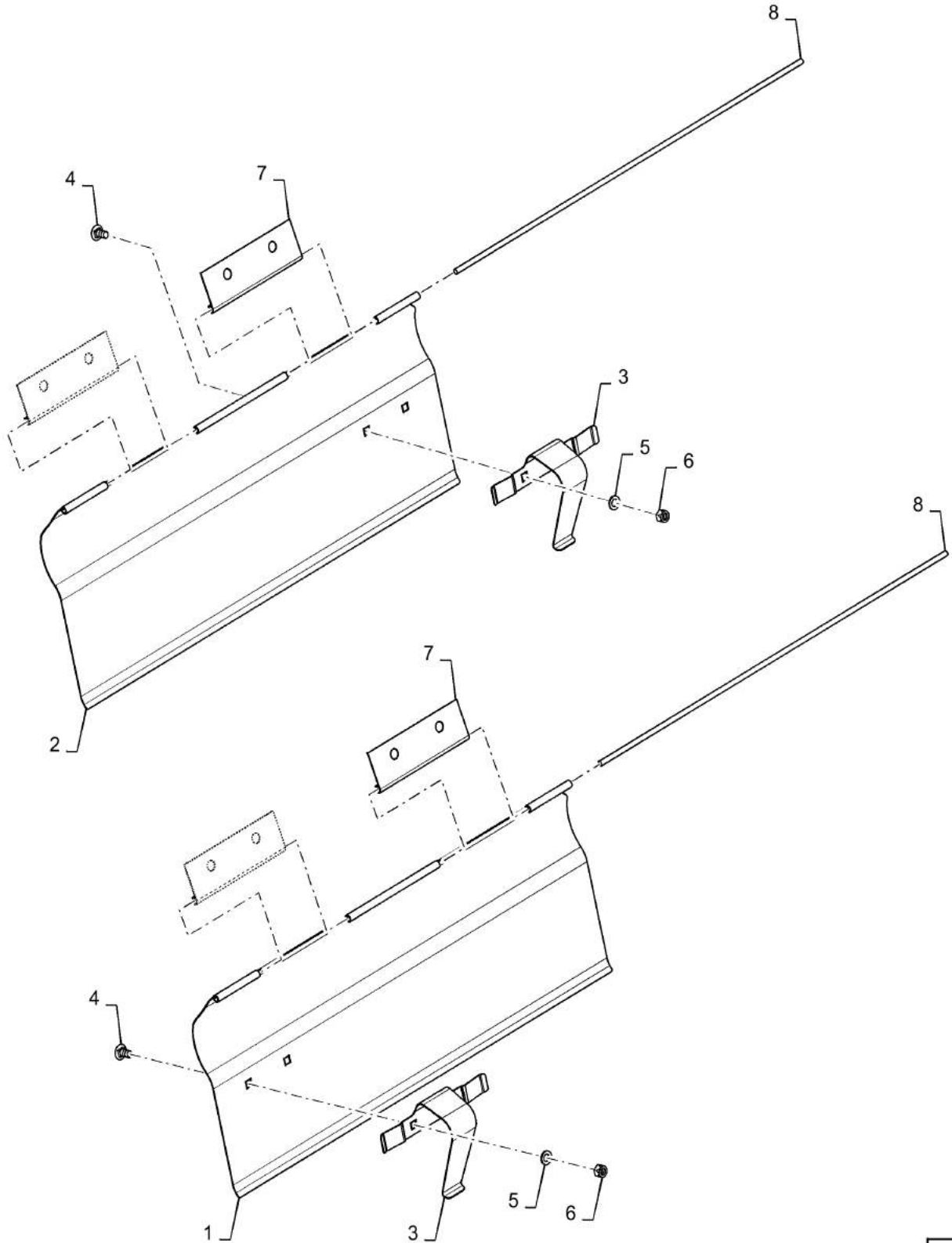
58.130.03

01

p1

9/2016

FLOOR, ASSY, RH/LH



58.130.03

01

p1

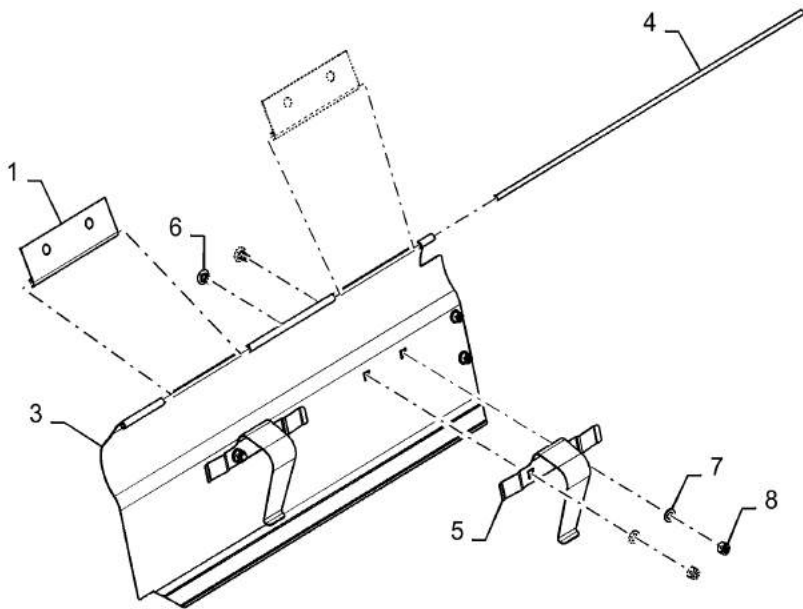
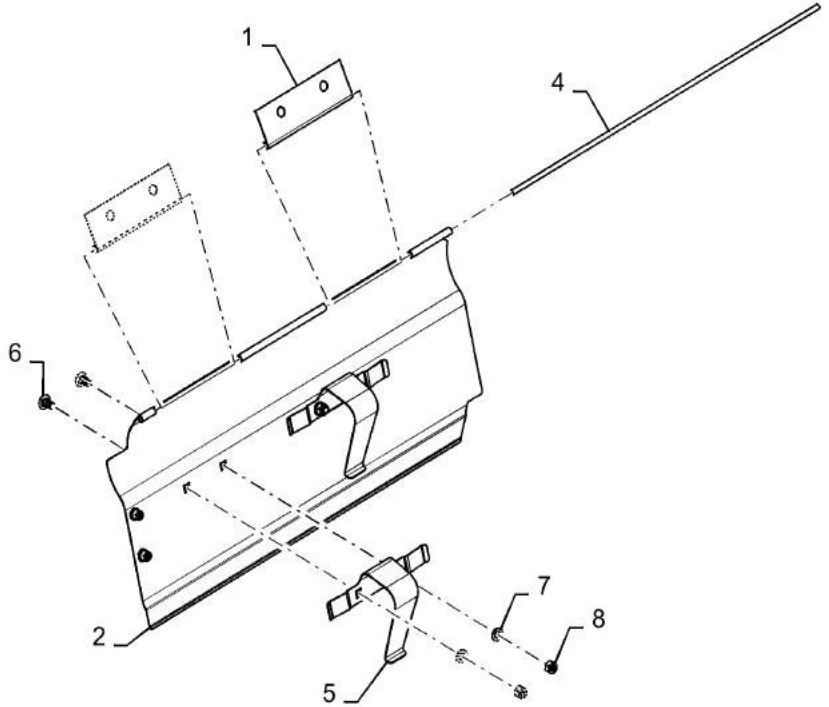
9/2016

FLOOR, ASSY, RH/LH

REF FN	PART NUMBER	YR/SN	QTY DESCRIPTION
1	87496264		1 FLOOR LH
2	87496270		1 FLOOR RH
3	87496269		1 SPRING
4	86619060		2 CARRIAGE BOLT M8 x 1.25 x 16mm, CI 8.8
5	86624184		2 WASHER 9mm ID x 16mm OD x 1.6mm Thk
6	86629542		2 NUT M8 x 1.25, CI 8.8
7	87728775		2 HALF-HINGE
8	87732537		1 ROD 6.35mm OD x 586mm L

3152-DRAPER HEADER 3162-DRAPER HEADER

FLOOR, ASSY, RH/LH CENTER KNIFE DRIVE



58.130.03

02

p1

9/2016

FLOOR, ASSY, RH/LH CENTER KNIFE DRIVE

REF FN	PART NUMBER	YR/SN	QTY DESCRIPTION
1	87728775		2 HALF-HINGE Half Hinge
2	47554388		1 FLOOR Assy, LH
3	47554389		1 FLOOR Assy, RH
4	84373868		1 ROD
5	87496269		2 SPRING
6	86619060		4 CARRIAGE BOLT M8 x 1.25 x 16mm, CI 8.8
7	86624184		4 WASHER 9mm ID x 16mm OD x 1.6mm Thk
8	86629542		4 NUT M8 x 1.25, CI 8.8

3152-DRAPER HEADER 3162-DRAPER HEADER

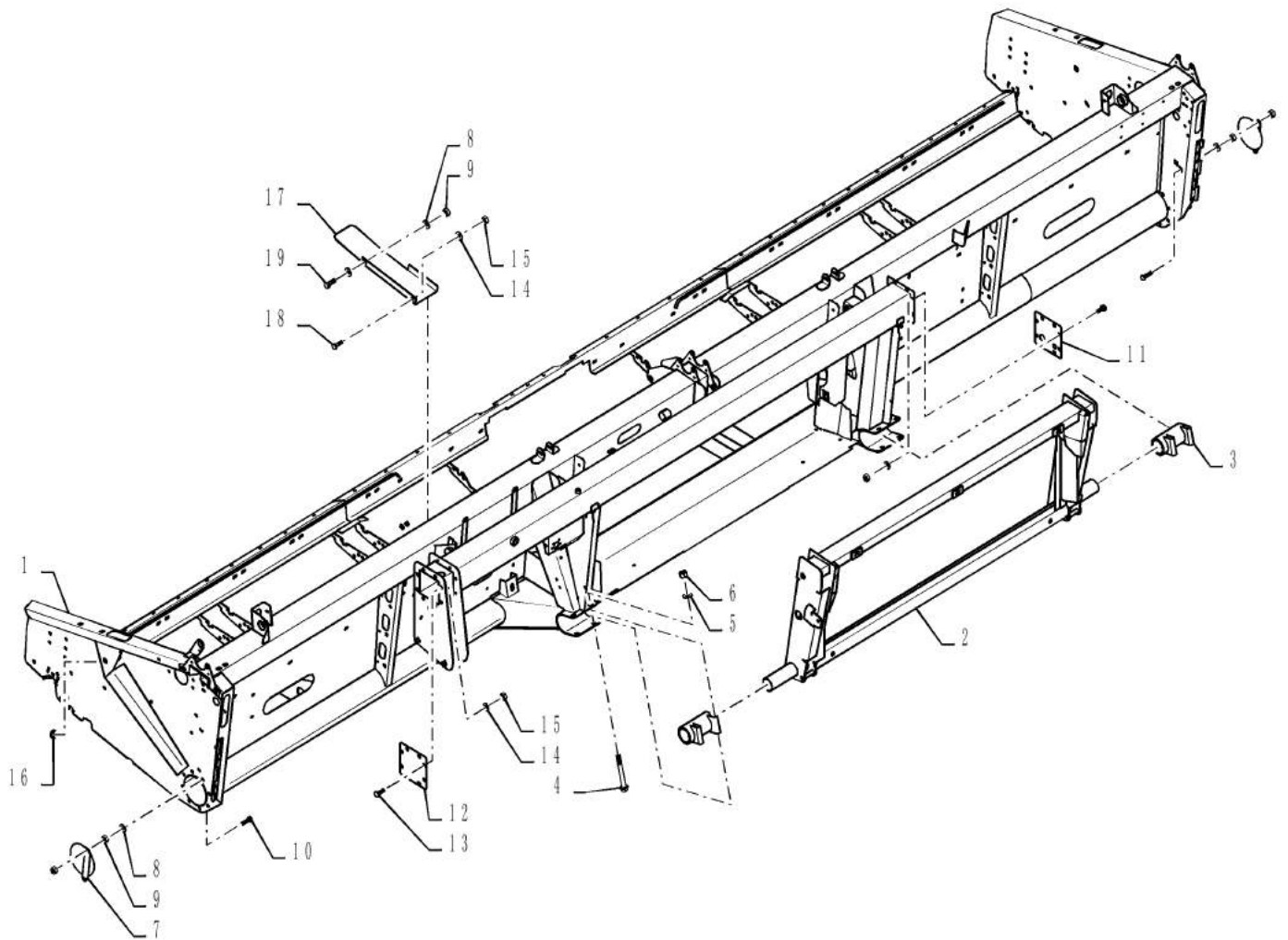
58.130.04

01

p1

9/2016

FRAME ASSEMBLY, 25 FOOT HEADER



FRAME ASSEMBLY, 25 FOOT HEADER

REF FN	PART NUMBER	YR/SN	QTY DESCRIPTION
1	84535255		1 FRAME 25FT Red
2	84389246		1 FRAME Adapter
3	NSS		2 NOT SOLD SEPARAT HUB ASSEMBLY
4	334967		4 BOLT Hex, M16 x 2 x 140mm, CI 8.8 M16 x 140
5	140048		4 BELLEVILLE WASHER M16 Bolt Size x 32mm OD x 2.8mm Thk
6	86000441		4 NUT M16 x 2.0, CI 8
7	84295960		2 COVER COVER DARK GREY
8	140046		8 BELLEVILLE WASHER M12 Bolt Size x 27mm OD x 1.8mm Thk
9	9706685		6 NUT M12 x 1.75, CI 8
10	86629541		4 BOLT Hex, M12 x 1.75 x 40mm, CI 8.8
11	84475740		1 COVER ASSY COVER RED
12	84354252		1 COVER COVER DARK GREY
13	120104		16 BOLT Hex, M8 x 1.25 x 20mm, CI 8.8
14	322358		18 BELLEVILLE WASHER M8 Bolt Size x 18mm OD x 1.4mm Thk
15	9706690		17 NUT M8 x 1.25, CI 8
16	129959		2 GROMMET
17	84534580		1 SHIELD
18	43127		1 BOLT Hex, M8 x 1.25 x 25mm, CI 8.8
19	9706687		1 BOLT M12 x 1.75 x 30mm, CI 8.8

3152-DRAPER HEADER

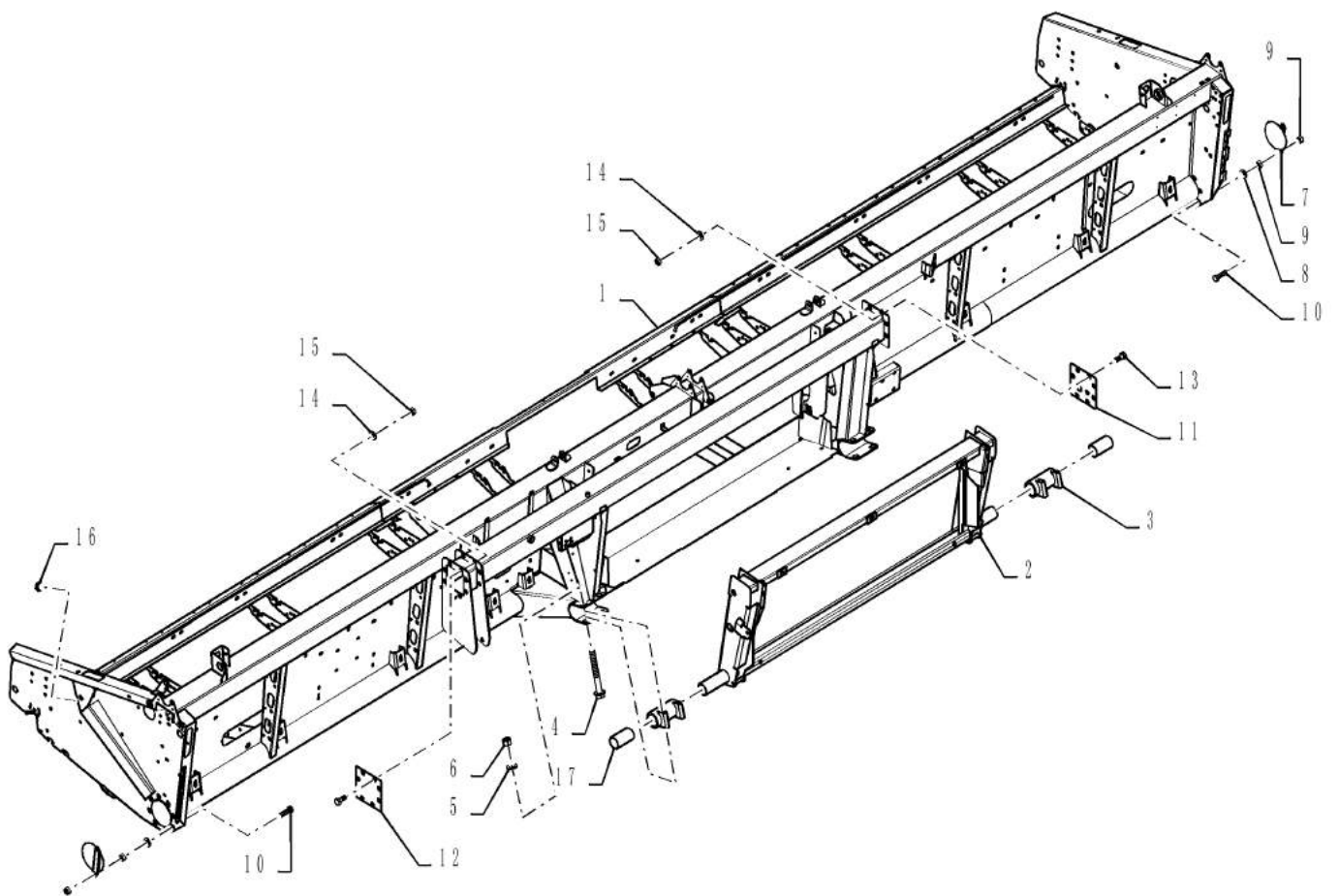
58.130.04

02

p1

9/2016

FRAME ASSEMBLY, 30 FOOT HEADER



FRAME ASSEMBLY, 30 FOOT HEADER

REF FN	PART NUMBER	YR/SN	QTY DESCRIPTION
1	84385519		1 FRAME Assembly, Flex
1	47693564		1 FRAME Assembly, Flex
1	84521921		1 FRAME Assembly, Rigid
2	84389246		1 FRAME Frame Assembly
3	84373179		2 HUB Frame Adapter
4	334967		4 BOLT Hex, M16 x 2 x 140mm, CI 8.8
5	140048		4 BELLEVILLE WASHER M16 Bolt Size x 32mm OD x 2.8mm Thk
6	86000441		4 NUT M16 x 2.0, CI 8
7	84295960		2 COVER COVER
8	140046		4 BELLEVILLE WASHER M12 Bolt Size x 27mm OD x 1.8mm Thk
9	9706685		6 NUT M12 x 1.75, CI 8
10	86629541		4 BOLT Hex, M12 x 1.75 x 40mm, CI 8.8
11	84475740		1 COVER ASSY COVER RED
12	84354252		1 COVER COVER DARK GREY
13	120104		16 BOLT Hex, M8 x 1.25 x 20mm, CI 8.8
14	322358		16 BELLEVILLE WASHER M8 Bolt Size x 18mm OD x 1.4mm Thk
15	9706690		16 NUT M8 x 1.25, CI 8
16	129959		2 GROMMET
17	132252		4 BUSHING 76.96mm ID x 89.36mm OD x 63.5mm L
18	85801249		1 LEVEL GAUGE Frame

3152-DRAPER HEADER 3162-DRAPER HEADER

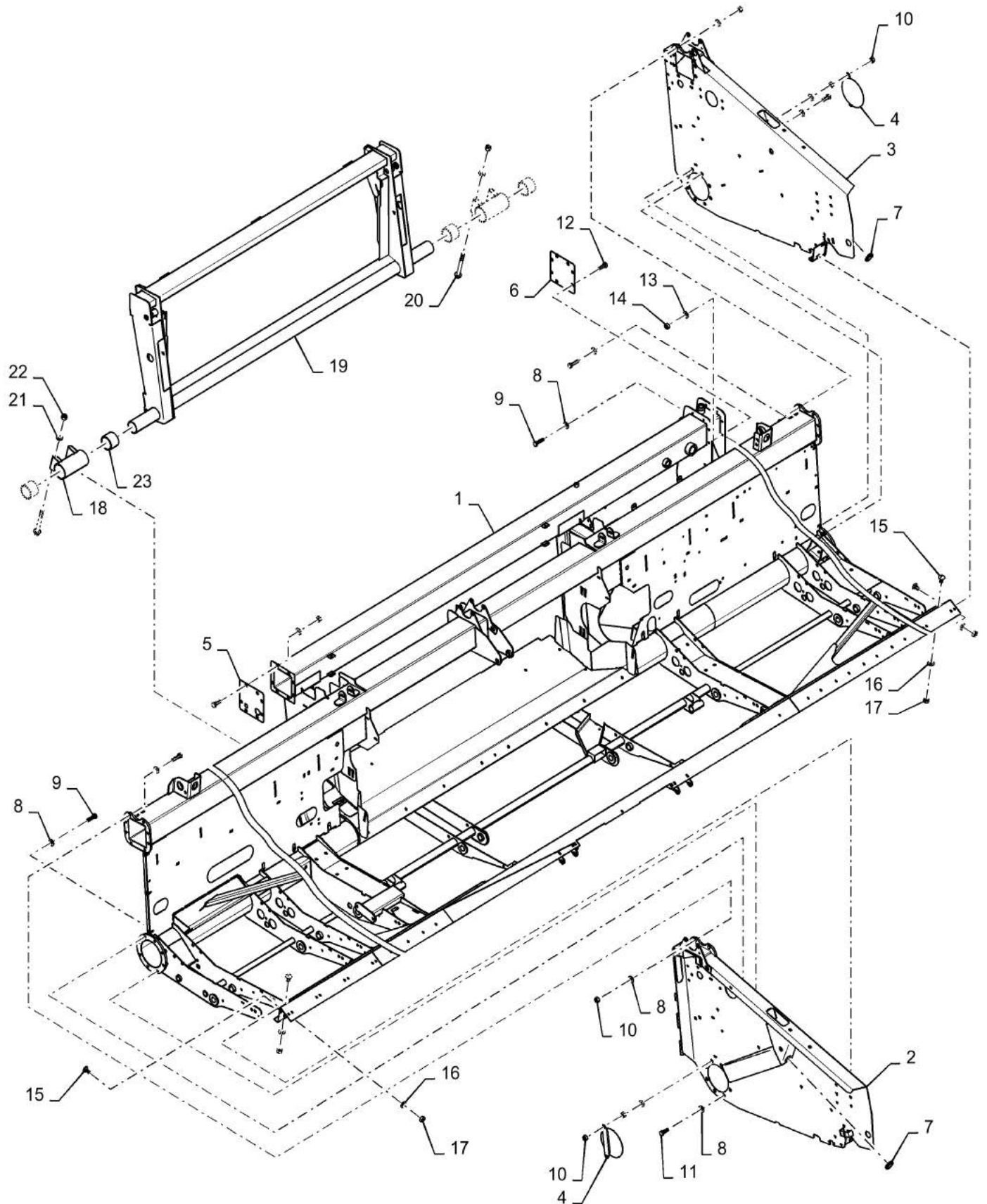
58.130.04

03

p1

9/2016

FRAME ASSEMBLY, 35 FOOT HEADER

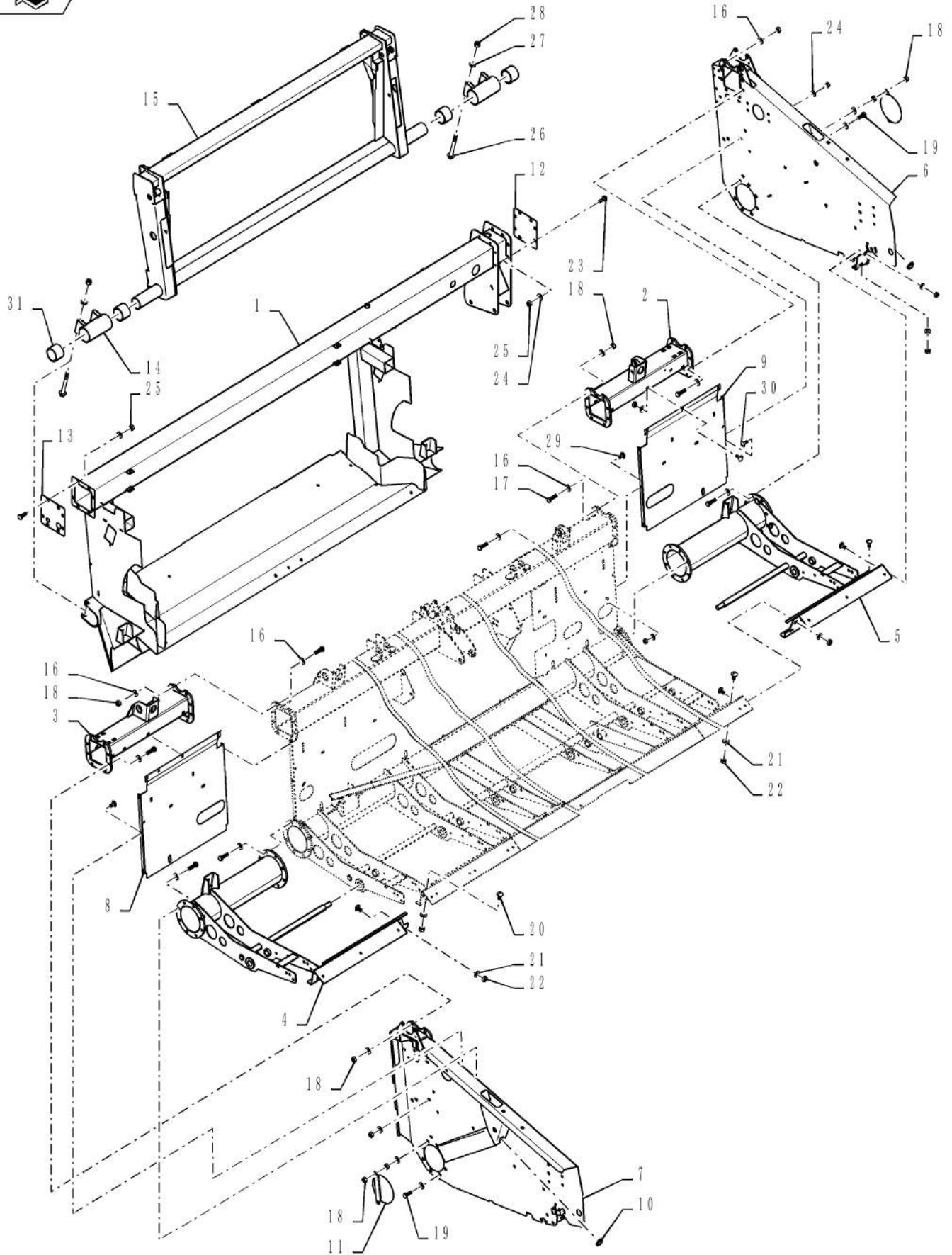


FRAME ASSEMBLY, 35 FOOT HEADER

REF FN	PART NUMBER	YR/SN	QTY DESCRIPTION
1	84385513		1 FRAME Assy
1	47693317		1 FRAME Assy
1	84521945		1 FRAME Rigid
2	84389073		1 SHEET Sheet, Right Hand
3	84389076		1 SHEET Left Hand
4	84602517		2 COVER COVER
5	84475740		1 COVER ASSY COVER RED
6	84354252		1 COVER COVER DARK GREY
7	129959		2 GROMMET
8	140046		56 BELLEVILLE WASHER M12 Bolt Size x 27mm OD x 1.8mm Thk
9	86629541		24 BOLT Hex, M12 x 1.75 x 40mm, CI 8.8
10	9706685		28 NUT M12 x 1.75, CI 8
11	9706687		8 BOLT M12 x 1.75 x 30mm, CI 8.8
12	120104		16 BOLT Hex, M8 x 1.25 x 20mm, CI 8.8
13	322358		16 BELLEVILLE WASHER M8 Bolt Size x 18mm OD x 1.4mm Thk
14	9706690		16 NUT M8 x 1.25, CI 8
15	120041		6 CARRIAGE BOLT M10 x 20mm, CI 8.8
16	140045		6 BELLEVILLE WASHER M10 Bolt Size x 22mm OD x 1.6mm Thk
17	100016		6 NUT M10 x 1.5, CI 8
18	84373179		2 HUB
19	84389246		1 FRAME
20	334967		4 BOLT Hex, M16 x 2 x 140mm, CI 8.8
21	140048		4 BELLEVILLE WASHER M16 Bolt Size x 32mm OD x 2.8mm Thk
22	86000441		4 NUT M16 x 2.0, CI 8
23	132252		4 BUSHING 76.96mm ID x 89.36mm OD x 63.5mm L
24	85801249		1 LEVEL GAUGE Frame

3152-DRAPER HEADER 3162-DRAPER HEADER

FRAME ASSEMBLY, 40 FOOT HEADER

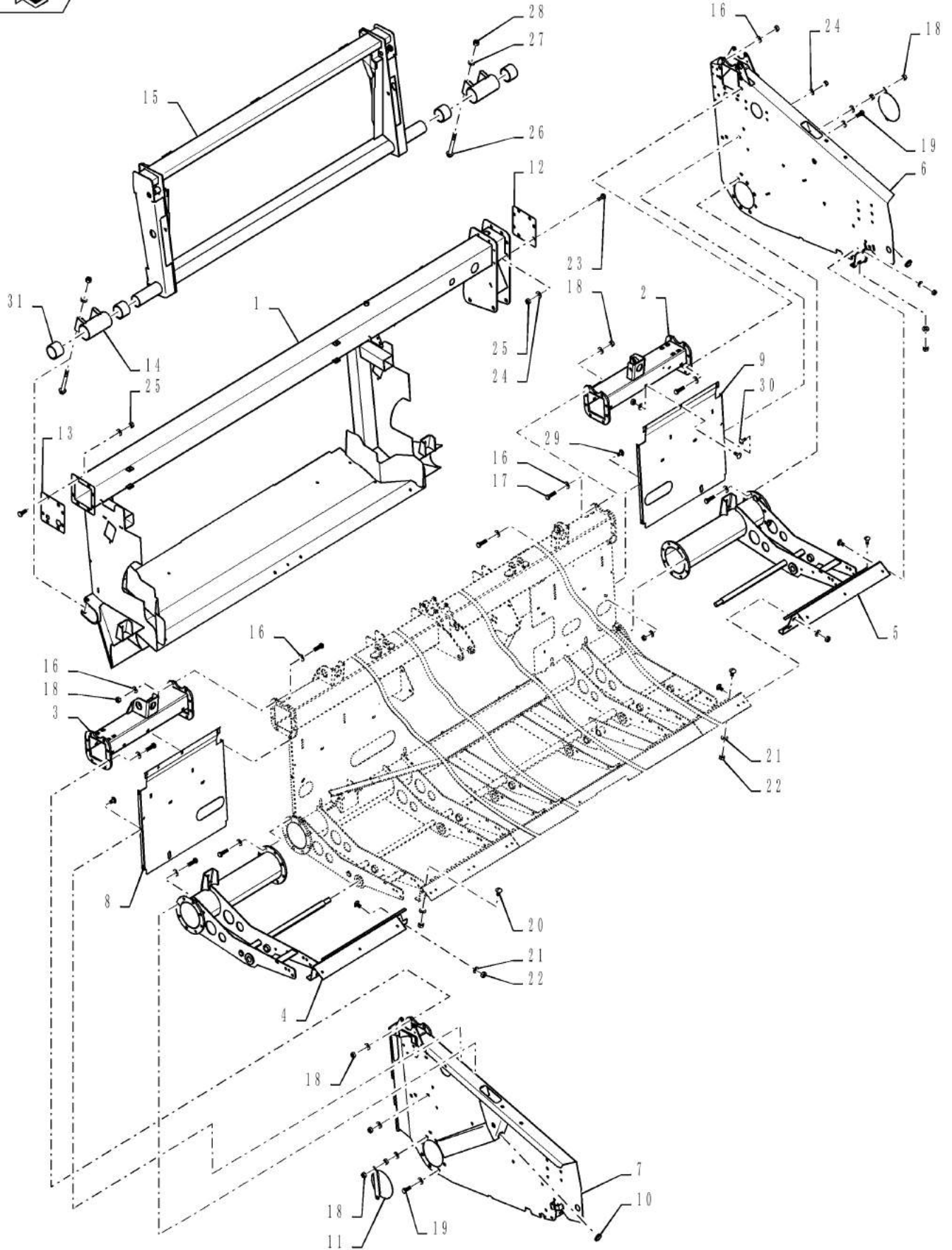


FRAME ASSEMBLY, 40 FOOT HEADER

REF FN	PART NUMBER	YR/SN	QTY DESCRIPTION
1	84385513		1 FRAME Assy, Flex
1	47693317		1 FRAME Assy, Flex
2	84389266		1 CHANNEL Right Hand
3	84389264		1 CHANNEL Left Hand
4	84389779		1 TUBE Right Hand
5	84389777		1 TUBE Left Hand
6	84389076		1 SHEET Left Hand
7	84389073		1 SHEET SHEET, Right Hand
8	84389621		1 PANEL Right Hand
9	84389623		1 PANEL Left Hand
10	129959		2 GROMMET
11	84295960		2 COVER COVER RED
12	84354252		1 COVER COVER DARK GREY
13	84475740		1 COVER ASSY Frame
14	NSS		2 NOT SOLD SEPARAT HUB ASSEMBLY
15	84389246		1 FRAME
16	140046		112 BELLEVILLE WASHER M12 Bolt Size x 27mm OD x 1.8mm Thk
17	86629541		56 BOLT Hex, M12 x 1.75 x 40mm, CI 8.8
18	9706685		52 NUT M12 x 1.75, CI 8
19	9706687		8 BOLT M12 x 1.75 x 30mm, CI 8.8
20	120041		12 CARRIAGE BOLT M10 x 20mm, CI 8.8
21	140045		12 BELLEVILLE WASHER M10 Bolt Size x 22mm OD x 1.6mm Thk
22	100016		12 NUT M10 x 1.5, CI 8
23	120104		16 BOLT Hex, M8 x 1.25 x 20mm, CI 8.8
24	322358		34 BELLEVILLE WASHER M8 Bolt Size x 18mm OD x 1.4mm Thk
25	9706690		34 NUT M8 x 1.25, CI 8
26	334967		4 BOLT Hex, M16 x 2 x 140mm, CI 8.8
27	140048		4 BELLEVILLE WASHER M16 Bolt Size x 32mm OD x 2.8mm Thk
28	86000441		4 NUT M16 x 2.0, CI 8

3152-DRAPER HEADER 3162-DRAPER HEADER

FRAME ASSEMBLY, 40 FOOT HEADER



58.130.04

04

p2

9/2016

FRAME ASSEMBLY, 40 FOOT HEADER

REF FN	PART NUMBER	YR/SN	QTY DESCRIPTION
29	120103		6 BOLT M8 x 1.25 x 16mm, CI 8.8
30	86507486		12 CARRIAGE BOLT M8 x 1.25 x 20mm, CI 8.8
31	132252		4 BUSHING 76.96mm ID x 89.36mm OD x 63.5mm L
32	85801249		1 LEVEL GAUGE Frame

3152-DRAPER HEADER 3162-DRAPER HEADER

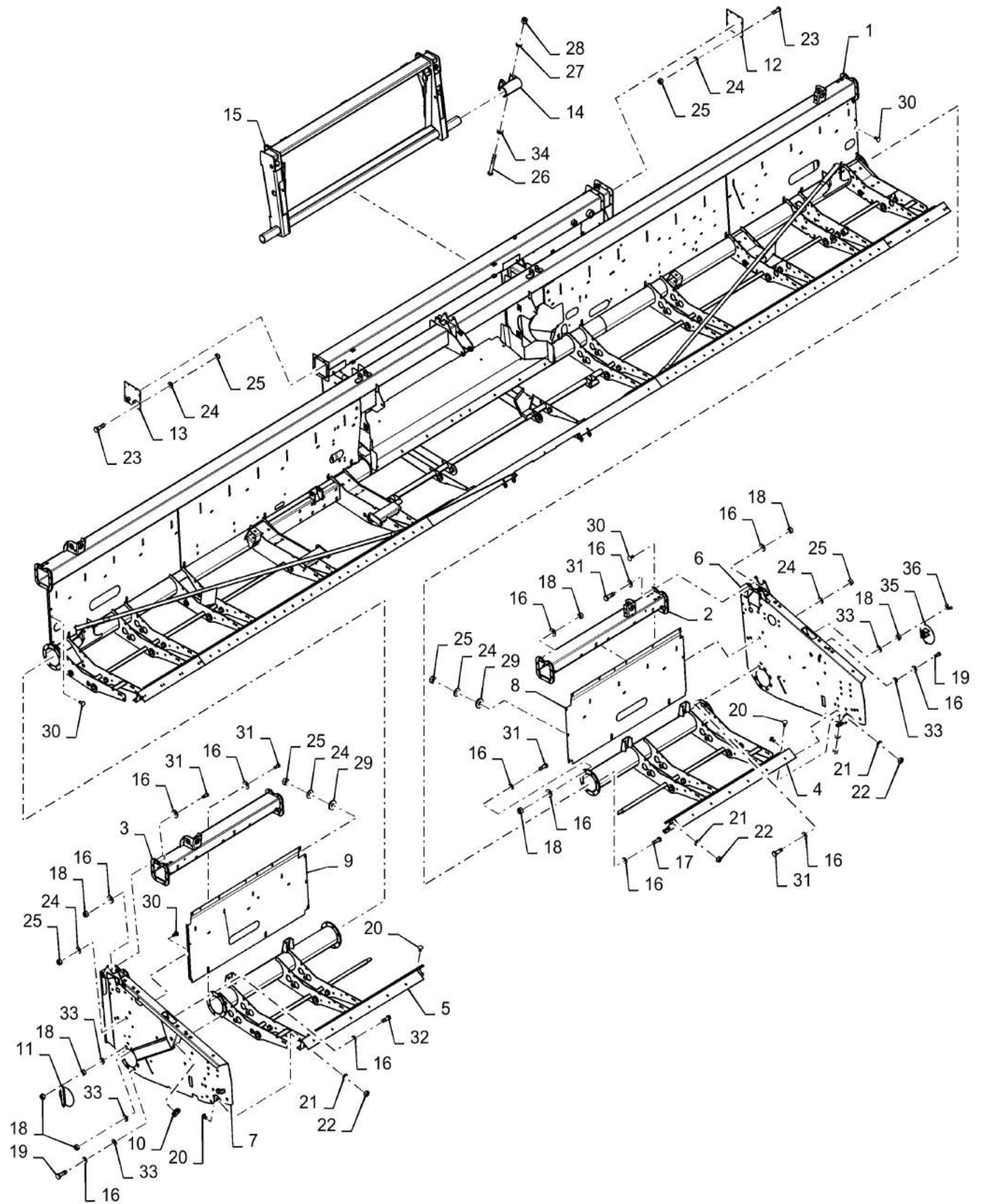
58.130.04

05

p1

9/2016

FRAME ASSEMBLY, 45 FOOT HEADER

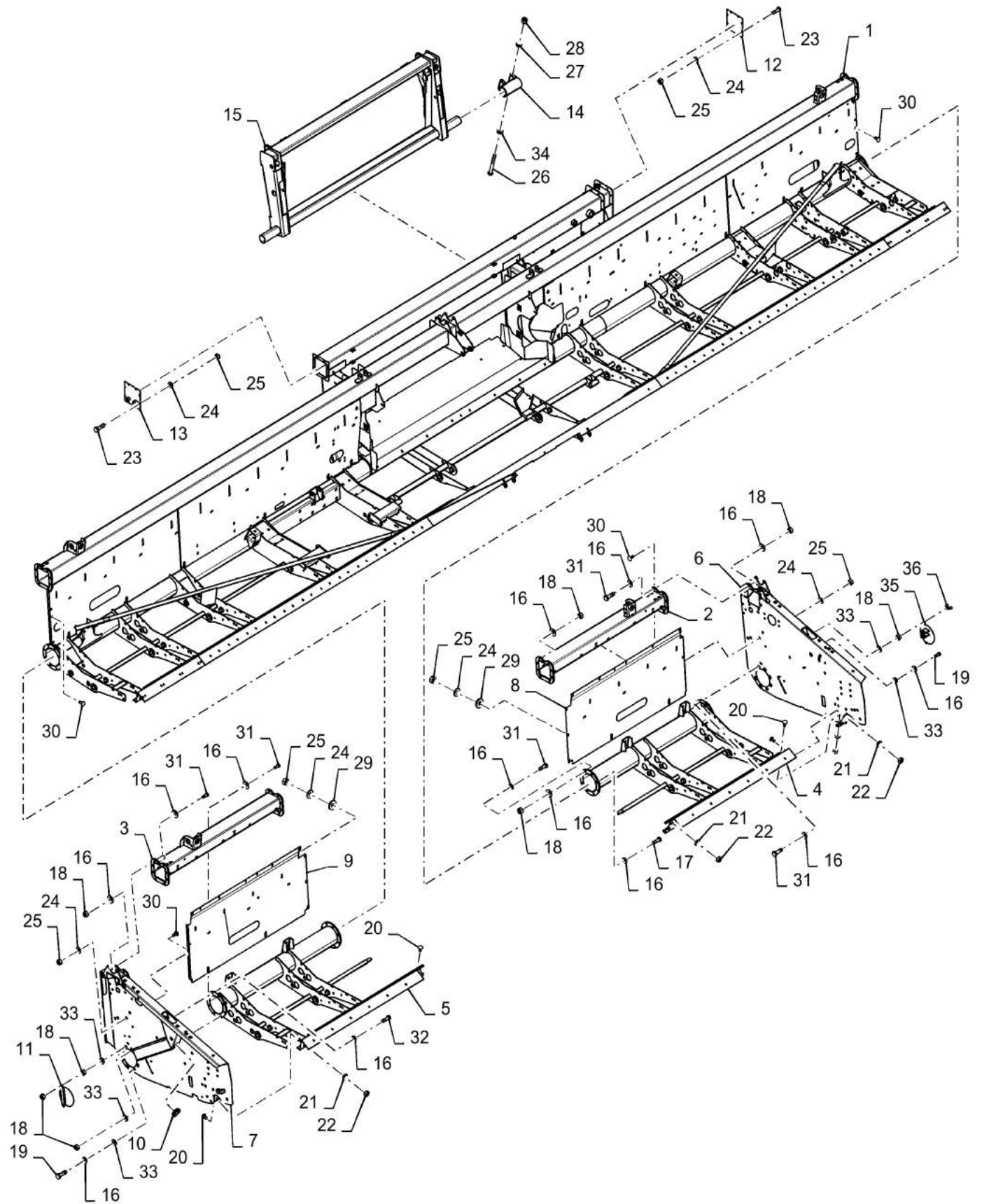


FRAME ASSEMBLY, 45 FOOT HEADER

REF FN	PART NUMBER	YR/SN	QTY DESCRIPTION
1	84385513		1 FRAME Assy
1	47693317		1 FRAME Assy
2	84421753		1 CHANNEL Left Hand
3	84421755		1 CHANNEL Right Hand
4	84421761		1 CHANNEL Left Hand
5	84421763		1 CHANNEL Right Hand
6	84389076		1 SHEET Left Hand
7	47476842		1 SHEET Right Hand
8	84570239		1 SHEET Left Hand
9	84570236		1 SHEET Right Hand
10	129959		2 GROMMET
11	84295960		2 COVER COVER DARK GREY
12	84354252		1 COVER COVER DARK GREY
13	84475740		1 COVER ASSY COVER RED
14	47508355		2 HUB HUB ASSEMBLY
15	84389246		1 FRAME
16	140046		104 BELLEVILLE WASHER M12 Bolt Size x 27mm OD x 1.8mm Thk
17	86629541		8 BOLT Hex, M12 x 1.75 x 40mm, CI 8.8
18	337475		50 NUT M12, CI 10
19	9706687		8 BOLT M12 x 1.75 x 30mm, CI 8.8
20	120041		12 CARRIAGE BOLT M10 x 20mm, CI 8.8
21	140045		12 BELLEVILLE WASHER M10 Bolt Size x 22mm OD x 1.6mm Thk
22	100016		12 NUT M10 x 1.5, CI 8
23	120104		16 BOLT Hex, M8 x 1.25 x 20mm, CI 8.8
24	322358		38 BELLEVILLE WASHER M8 Bolt Size x 18mm OD x 1.4mm Thk
25	9706690		38 NUT M8 x 1.25, CI 8
26	334967		4 BOLT Hex, M16 x 2 x 140mm, CI 8.8
27	140048		4 BELLEVILLE WASHER M16 Bolt Size x 32mm OD x 2.8mm Thk
28	86000441		4 NUT M16 x 2.0, CI 8

3152-DRAPER HEADER 3162-DRAPER HEADER

FRAME ASSEMBLY, 45 FOOT HEADER



FRAME ASSEMBLY, 45 FOOT HEADER

REF FN	PART NUMBER	YR/SN	QTY DESCRIPTION
29	412328		6 WASHER M8
30	86507486		22 CARRIAGE BOLT M8 x 1.25 x 20mm, CI 8.8
31	337563		46 BOLT M12 x 1.75 x 47.68mm, CI 10.9
32	337476		2 BOLT Hex, M12 x 1.75 x 50mm, CI 10.9
33	86625254		16 WASHER 13.5mm ID x 28mm OD x 2.5mm Thk
34	394631		4 WASHER 17mm ID x 34mm OD x 4mm Thk
35	84602517		1 COVER
36	308369		2 WING NUT
37	85801249		1 LEVEL GAUGE Frame
38	47584875		1 FLOOR Center, Australia Only

3152-DRAPER HEADER 3162-DRAPER HEADER

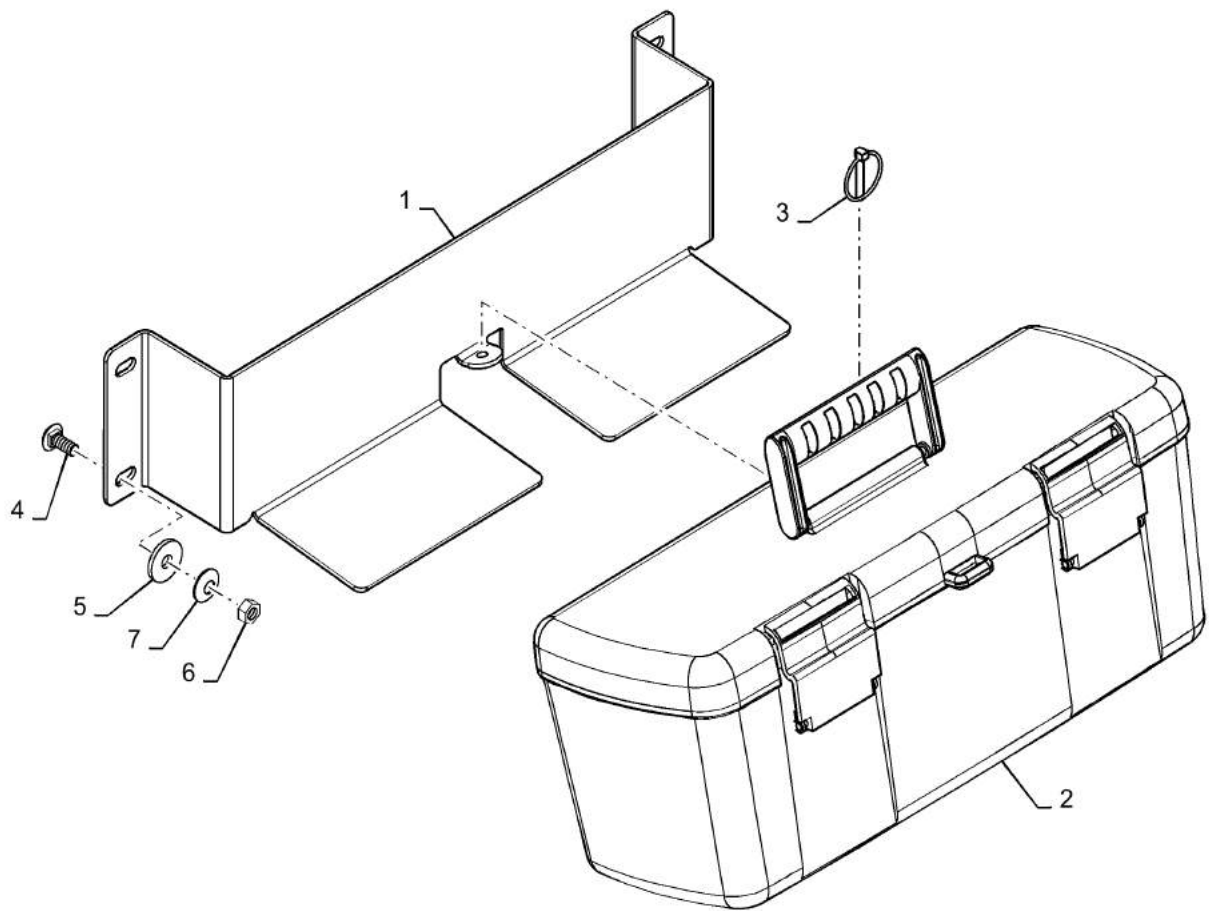
58.130.04

06

p1

9/2016

TOOL BOX, ASSY

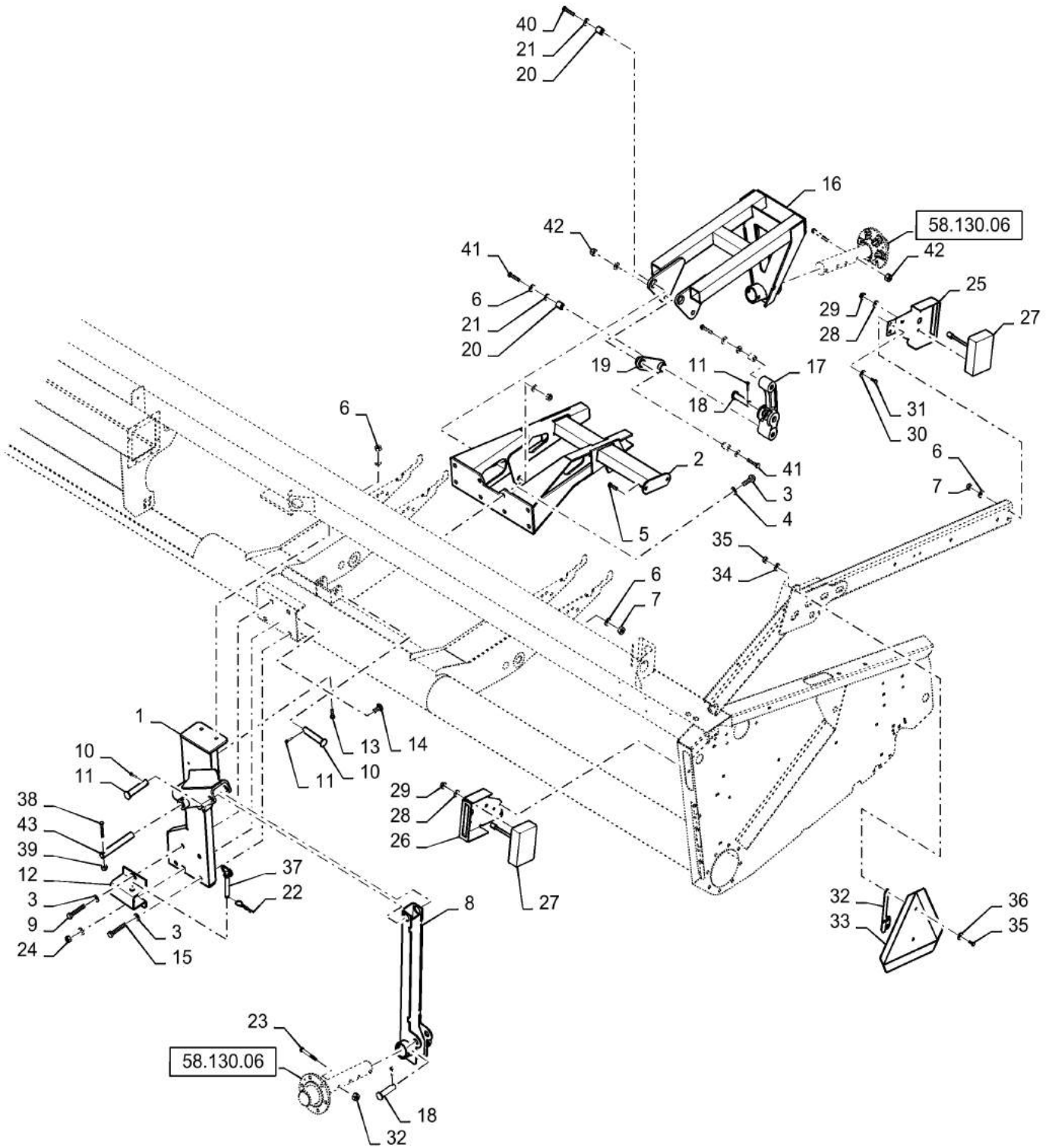


TOOL BOX, ASSY

REF FN	PART NUMBER	YR/SN	QTY DESCRIPTION
1	84350047		1 BRACKET
2	87400261		1 TOOL BOX
3	86508947		1 LINCH PIN 18.8mm OD
4	86507486		4 CARRIAGE BOLT M8 x 1.25 x 20mm, CI 8.8
5	87033737		4 WASHER 9mm ID x 28mm OD x 3mm Thk
6	9706690		4 NUT M8 x 1.25, CI 8
7	322358		4 BELLEVILLE WASHER M8 Bolt Size x 18mm OD x 1.4mm Thk

3152-DRAPER HEADER 3162-DRAPER HEADER

HEADER TRANSPORT, REAR

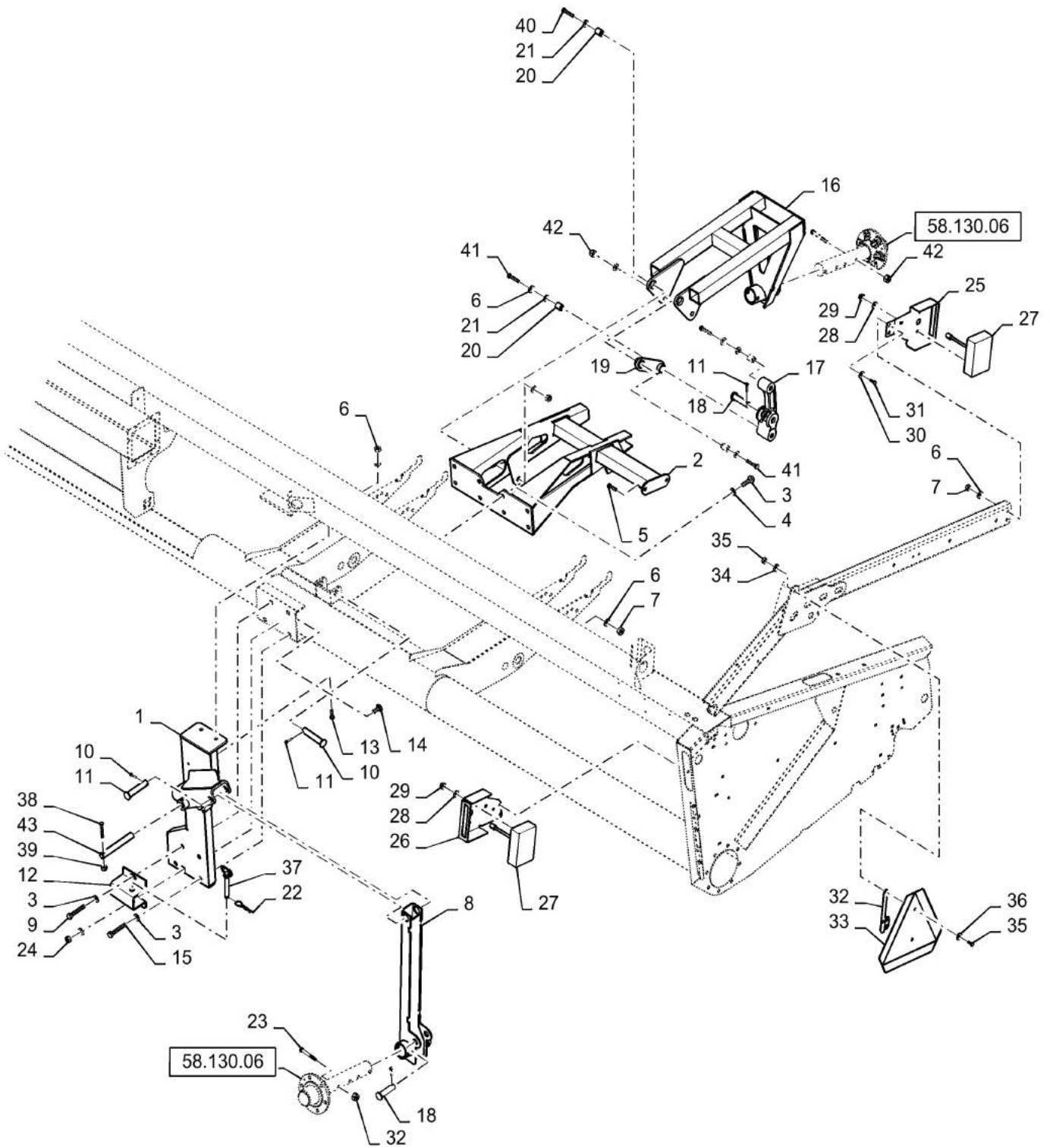


HEADER TRANSPORT, REAR

REF FN	PART NUMBER	YR/SN	QTY DESCRIPTION
1	84422137		1 PLATE
2	84229006		1 FRAME
3	140048		13 BELLEVILLE WASHER M16 Bolt Size x 32mm OD x 2.8mm Thk
4	86508583		8 BOLT Hex, M16 x 35mm, CI 8.8, Full Thd
5	9706687		4 BOLT M12 x 1.75 x 30mm, CI 8.8
6	140046		12 BELLEVILLE WASHER M12 Bolt Size x 27mm OD x 1.8mm Thk
7	9706685		8 NUT M12 x 1.75, CI 8
8	84230309		1 ARM
9	350616		2 BOLT M16 x 2 x 90mm, CI 8.8
10	728-24125		2 CLEVIS PIN M24 x 125
11	412687		4 COTTER PIN 6.3mm OD x 32mm OAL
12	84232986		1 BRACKET
13	86629541		2 BOLT Hex, M12 x 1.75 x 40mm, CI 8.8
14	86595832		1 CARRIAGE BOLT Sht Sq Nk, M16 x 40mm, CI 8.8, Full Thd
15	120093		2 BOLT M16 x 2.0 x 90.18mm, CI 8.8
16	84229322		1 FRAME
17	84340750		1 LINKAGE
18	84371164		2 CLEVIS PIN PIN, Clevis
19	84492722		2 CONNECTING LINK
20	84474381		8 BUSHING 12.5mm ID x 25.4mm OD x 36.9mm L
21	87613265		12 WASHER 0.53" ID x 1.25" OD x 0.13" Thk
22	86000109		1 COTTER PIN
23	86508581		4 BOLT Hex, M12 x 90mm, CI 8.8
24	100020		1 NUT M16 x 2.0, CI 8
25	84426463		1 MOUNT
26	84421032		1 MOUNT
27	87545062		2 TAIL LAMP
28	322356		4 BELLEVILLE WASHER M5 Bolt Size x 12mm OD x 1.85mm Thk
29	86512495		4 FLANGE NUT Hex Flg, M5, Gr 8
30	378245		2 WASHER 13mm ID x 28.5mm OD x 2.7mm Thk

3152-DRAPER HEADER 3162-DRAPER HEADER

HEADER TRANSPORT, REAR



58.130.05

01

p2

9/2016

HEADER TRANSPORT, REAR

REF FN	PART NUMBER	YR/SN	QTY DESCRIPTION
31	300388		2 BOLT Hex, M12 x 1.75 x 25mm, CI 8.8
32	84471352		1 BRACKET
33	86547710		1 EMBLEM SMV Emblem
34	322357		4 BELLEVILLE WASHER M6 Bolt Size x 14mm OD x 1.3mm Thk
35	86508568		2 BOLT Hex, M6 x 1 x 16mm, CI 8.8
36	9706755		2 NUT M6, CI 8
37	86979747		1 HITCH PIN
38	120061		1 BOLT Hex, M8 x 60mm L, CI 8.8
39	86629542		1 NUT M8 x 1.25, CI 8.8
40	9706717		2 BOLT Hex, M12 x 1.75 x 70mm, CI 8.8
41	9706693		6 BOLT M12 x 60mm, CI 8.8
42	100038		8 NUT M12 x 1.75, CI 8
43	84230386		1 SHAFT Arm Pivot

3152-DRAPER HEADER 3162-DRAPER HEADER

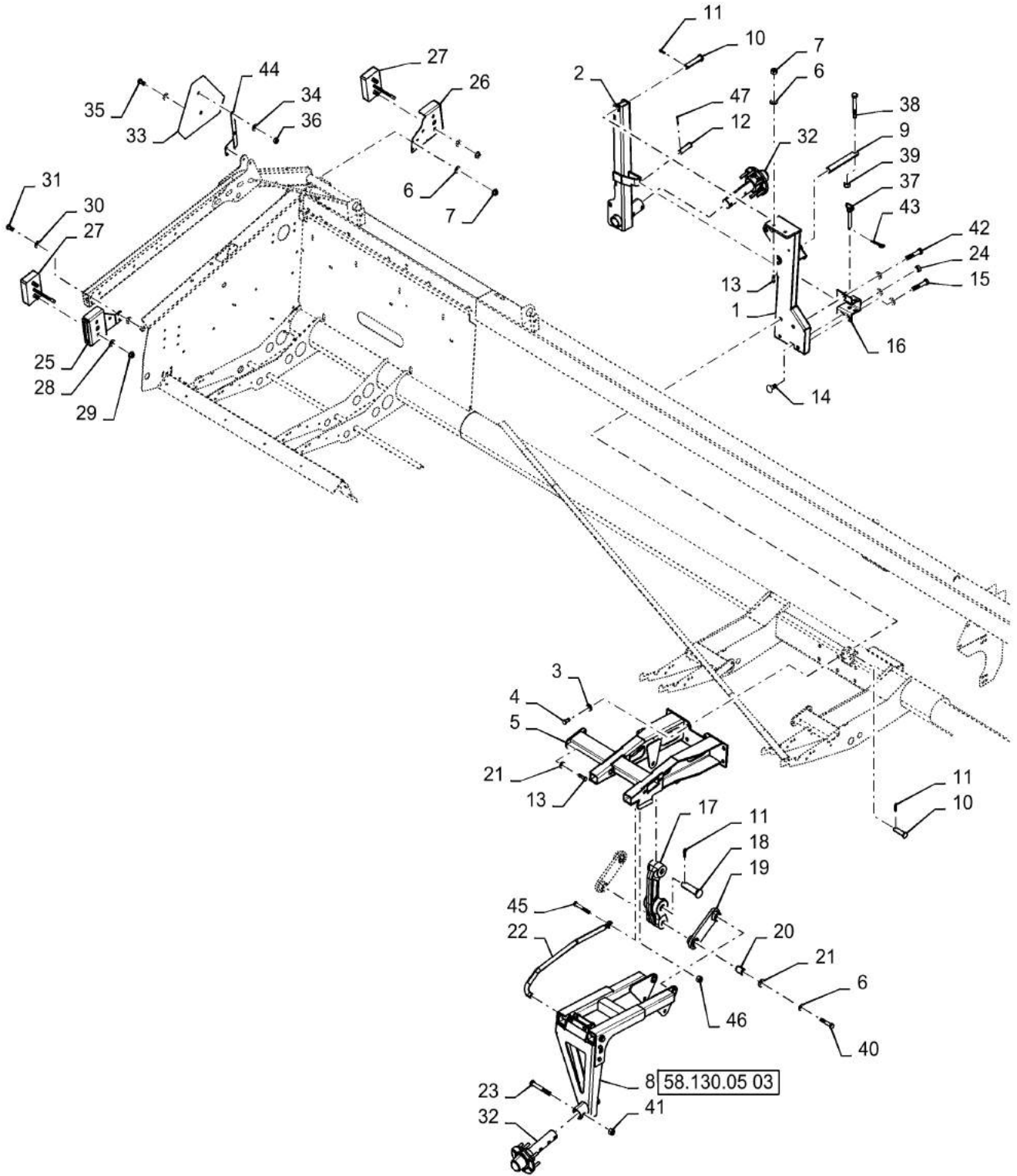
58.130.05

02

p1

9/2016

HEADER TRANSPORT, REAR, ASN YDH030001



HEADER TRANSPORT, REAR, ASN YDH030001

REF FN	PART NUMBER	YR/SN	QTY DESCRIPTION
1	84422137		1 PLATE
2	47515890		1 ARM Assy
3	140048		14 BELLEVILLE WASHER M16 Bolt Size x 32mm OD x 2.8mm Thk
4	86508583		8 BOLT Hex, M16 x 35mm, CI 8.8, Full Thd
5	47489326		1 FRAME
6	140046		12 BELLEVILLE WASHER M12 Bolt Size x 27mm OD x 1.8mm Thk
7	9706685		8 NUT M12 x 1.75, CI 8
8	NSS		1 NOT SOLD SEPARAT Axle Assy
9	84230386		1 SHAFT
10	728-24125		2 CLEVIS PIN M24 x 125
11	412687		3 COTTER PIN 6.3mm OD x 32mm OAL
12	84371164		1 CLEVIS PIN
13	86629541		6 BOLT Hex, M12 x 1.75 x 40mm, CI 8.8
14	86595832		1 CARRIAGE BOLT Sht Sq Nk, M16 x 40mm, CI 8.8, Full Thd
15	120093		2 BOLT M16 x 2.0 x 90.18mm, CI 8.8
16	47515911		1 BRACKET
17	84340750		1 LINKAGE
18	84039008		1 CLEVIS PIN
19	84341110		2 CONNECTING LINK Assy, RH
20	84474381		8 BUSHING 12.5mm ID x 25.4mm OD x 36.9mm L
21	87613265		16 WASHER 0.53" ID x 1.25" OD x 0.13" Thk
22	47461241		1 ROD Assy, Control
23	86508581		4 BOLT Hex, M12 x 90mm, CI 8.8
24	100020		1 NUT M16 x 2.0, CI 8
25	84426463		1 MOUNT
26	84421032		1 MOUNT
27	87545062		2 TAIL LAMP
28	322356		4 BELLEVILLE WASHER M5 Bolt Size x 12mm OD x 1.85mm Thk
29	86512495		4 FLANGE NUT Hex Flg, M5, Gr 8
30	378245		2 WASHER 13mm ID x 28.5mm OD x 2.7mm Thk

3162-DRAPER HEADER

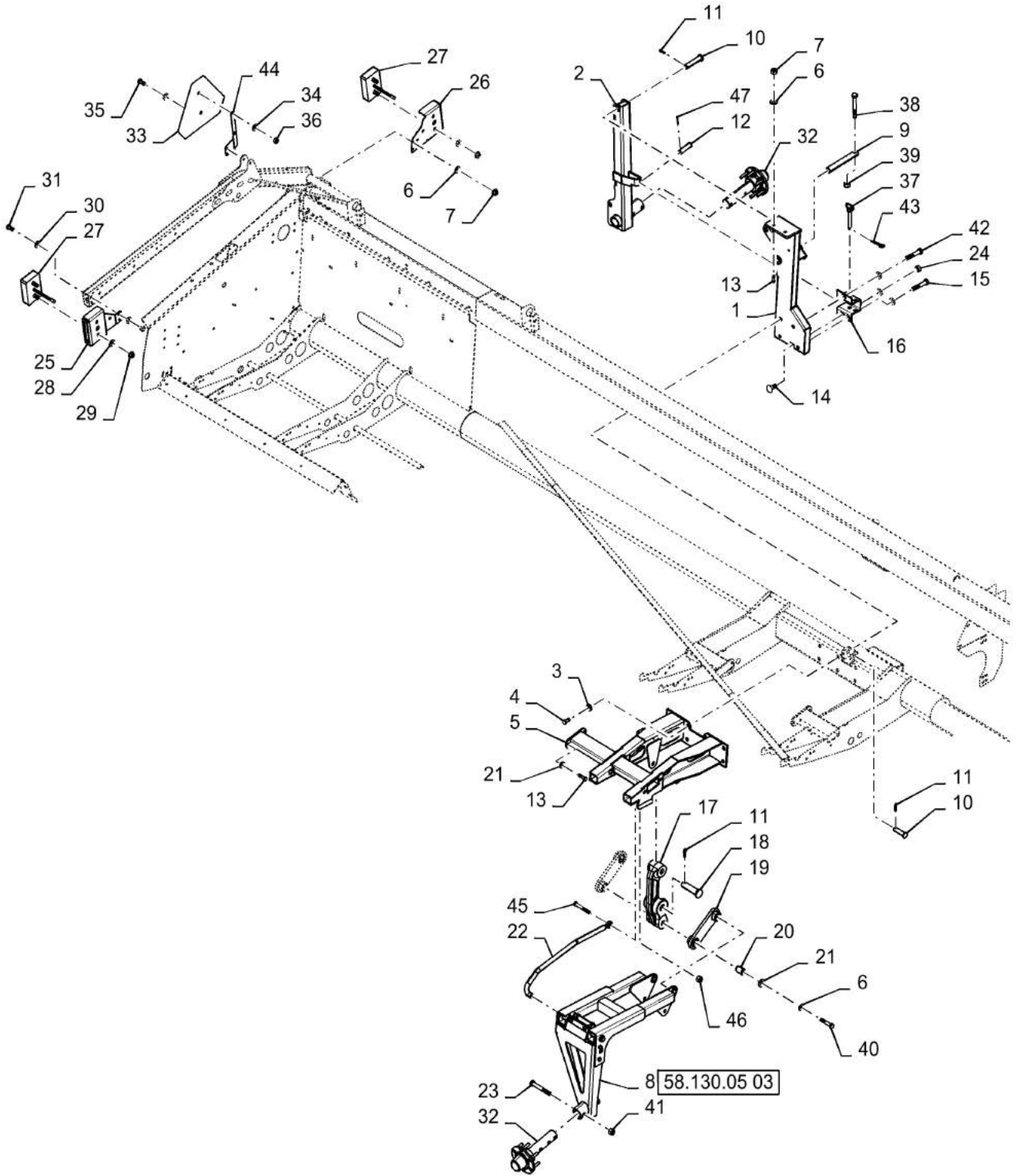
58.130.05

02

p2

9/2016

HEADER TRANSPORT, REAR, ASN YDH030001



HEADER TRANSPORT, REAR, ASN YDH030001

REF FN	PART NUMBER	YR/SN	QTY DESCRIPTION
31	300388		2 BOLT Hex, M12 x 1.75 x 25mm, CI 8.8
32	47515522		2 HUB Assy
33	86547710		1 EMBLEM SMV
34	322357		4 BELLEVILLE WASHER M6 Bolt Size x 14mm OD x 1.3mm Thk
35	86508568		2 BOLT Hex, M6 x 1 x 16mm, CI 8.8
36	9706755		2 NUT M6, CI 8
37	86979747		1 HITCH PIN
38	120061		1 BOLT Hex, M8 x 60mm L, CI 8.8
39	86629542		1 NUT M8 x 1.25, CI 8.8
40	9706693		8 BOLT M12 x 60mm, CI 8.8
41	100038		8 NUT M12 x 1.75, CI 8
42	350616		2 BOLT M16 x 2 x 90mm, CI 8.8
43	86000109		1 COTTER PIN
44	47375923		1 BRACKET
45	120090		2 BOLT Hex, M16 x 50mm, CI 8.8
46	86000441		1 NUT M16 x 2.0, CI 8
47	87399		1 COTTER PIN 1/2 x 3 Bolt

3162-DRAPER HEADER

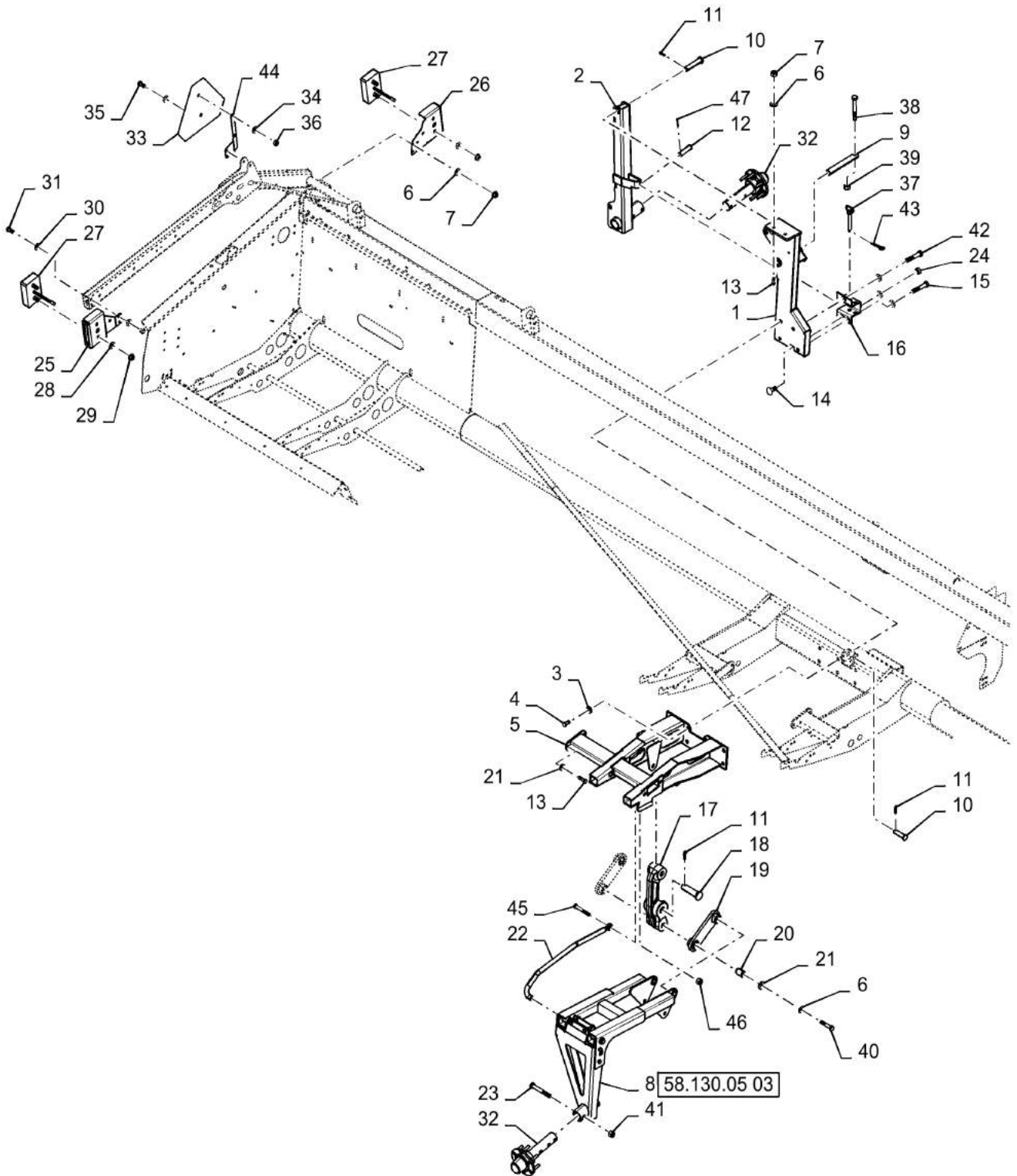
58.130.05

02

p1

9/2016

HEADER TRANSPORT, REAR, ASN YDH030019



HEADER TRANSPORT, REAR, ASN YDH030019

REF FN	PART NUMBER	YR/SN	QTY DESCRIPTION
1	84422137		1 PLATE
2	47515890		1 ARM Assy
3	140048		14 BELLEVILLE WASHER M16 Bolt Size x 32mm OD x 2.8mm Thk
4	86508583		8 BOLT Hex, M16 x 35mm, CI 8.8, Full Thd
5	47489326		1 FRAME
6	140046		12 BELLEVILLE WASHER M12 Bolt Size x 27mm OD x 1.8mm Thk
7	9706685		8 NUT M12 x 1.75, CI 8
8	NSS		1 NOT SOLD SEPARAT Axle Assy
9	84230386		1 SHAFT
10	728-24125		2 CLEVIS PIN M24 x 125
11	412687		3 COTTER PIN 6.3mm OD x 32mm OAL
12	84371164		1 CLEVIS PIN
13	86629541		6 BOLT Hex, M12 x 1.75 x 40mm, CI 8.8
14	86595832		1 CARRIAGE BOLT Sht Sq Nk, M16 x 40mm, CI 8.8, Full Thd
15	120093		2 BOLT M16 x 2.0 x 90.18mm, CI 8.8
16	47515911		1 BRACKET
17	84340750		1 LINKAGE
18	84039008		1 CLEVIS PIN
19	84341110		2 CONNECTING LINK Assy, RH
20	84474381		8 BUSHING 12.5mm ID x 25.4mm OD x 36.9mm L
21	87613265		16 WASHER 0.53" ID x 1.25" OD x 0.13" Thk
22	47461241		1 ROD Assy, Control
23	86508581		4 BOLT Hex, M12 x 90mm, CI 8.8
24	100020		1 NUT M16 x 2.0, CI 8
25	84426463		1 MOUNT
26	84421032		1 MOUNT
27	87545062		2 TAIL LAMP
28	322356		4 BELLEVILLE WASHER M5 Bolt Size x 12mm OD x 1.85mm Thk
29	86512495		4 FLANGE NUT Hex Flg, M5, Gr 8
30	378245		2 WASHER 13mm ID x 28.5mm OD x 2.7mm Thk

3152-DRAPER HEADER

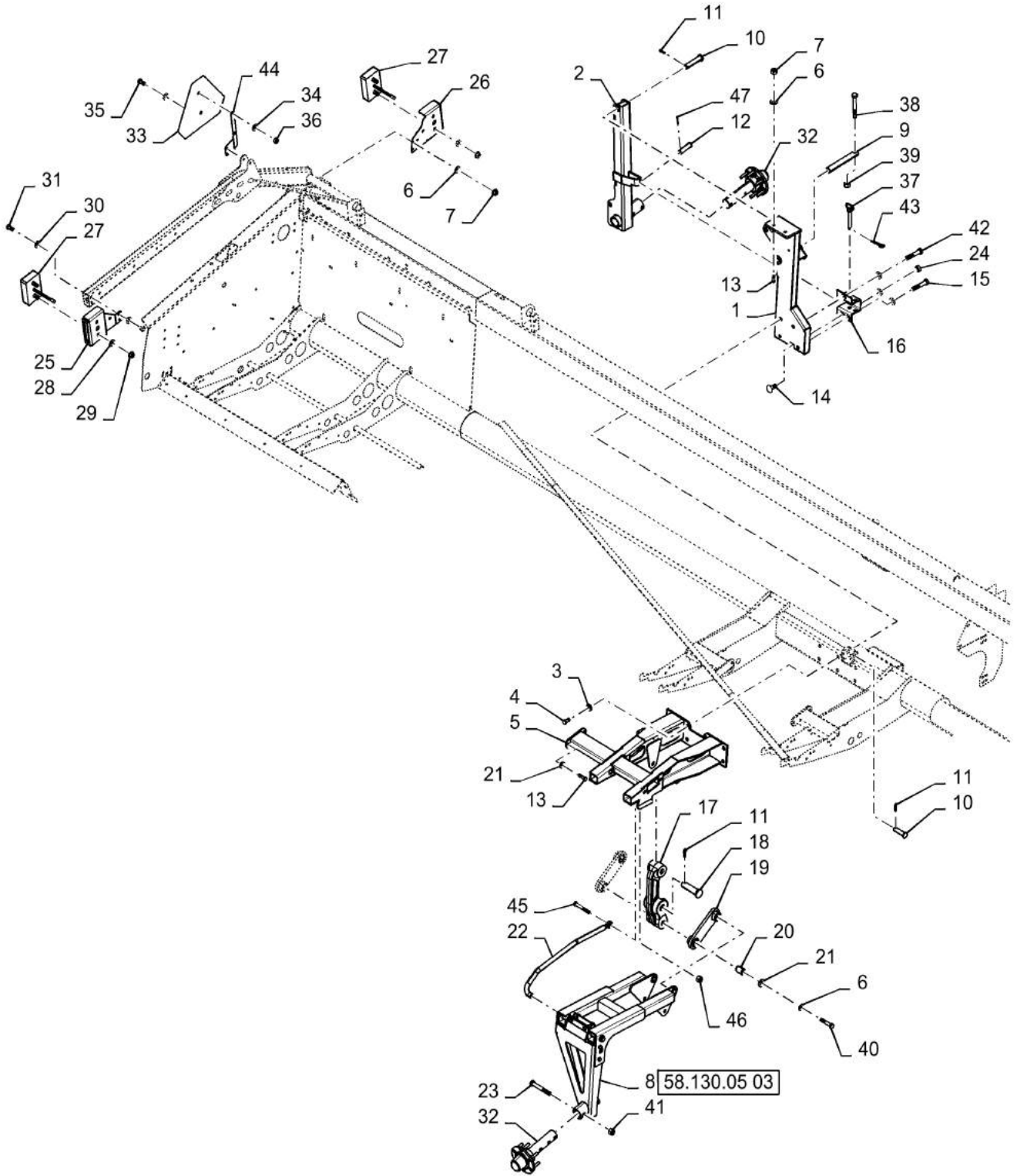
58.130.05

02

p2

9/2016

HEADER TRANSPORT, REAR, ASN YDH030019



HEADER TRANSPORT, REAR, ASN YDH030019

REF FN	PART NUMBER	YR/SN	QTY DESCRIPTION
31	300388		2 BOLT Hex, M12 x 1.75 x 25mm, CI 8.8
32	47515522		2 HUB Assy
33	86547710		1 EMBLEM SMV
34	322357		4 BELLEVILLE WASHER M6 Bolt Size x 14mm OD x 1.3mm Thk
35	86508568		2 BOLT Hex, M6 x 1 x 16mm, CI 8.8
36	9706755		2 NUT M6, CI 8
37	86979747		1 HITCH PIN
38	120061		1 BOLT Hex, M8 x 60mm L, CI 8.8
39	86629542		1 NUT M8 x 1.25, CI 8.8
40	9706693		8 BOLT M12 x 60mm, CI 8.8
41	100038		8 NUT M12 x 1.75, CI 8
42	350616		2 BOLT M16 x 2 x 90mm, CI 8.8
43	86000109		1 COTTER PIN
44	47375923		1 BRACKET
45	120090		2 BOLT Hex, M16 x 50mm, CI 8.8
46	86000441		1 NUT M16 x 2.0, CI 8
47	87399		1 COTTER PIN 1/2 x 3 Bolt

3152-DRAPER HEADER

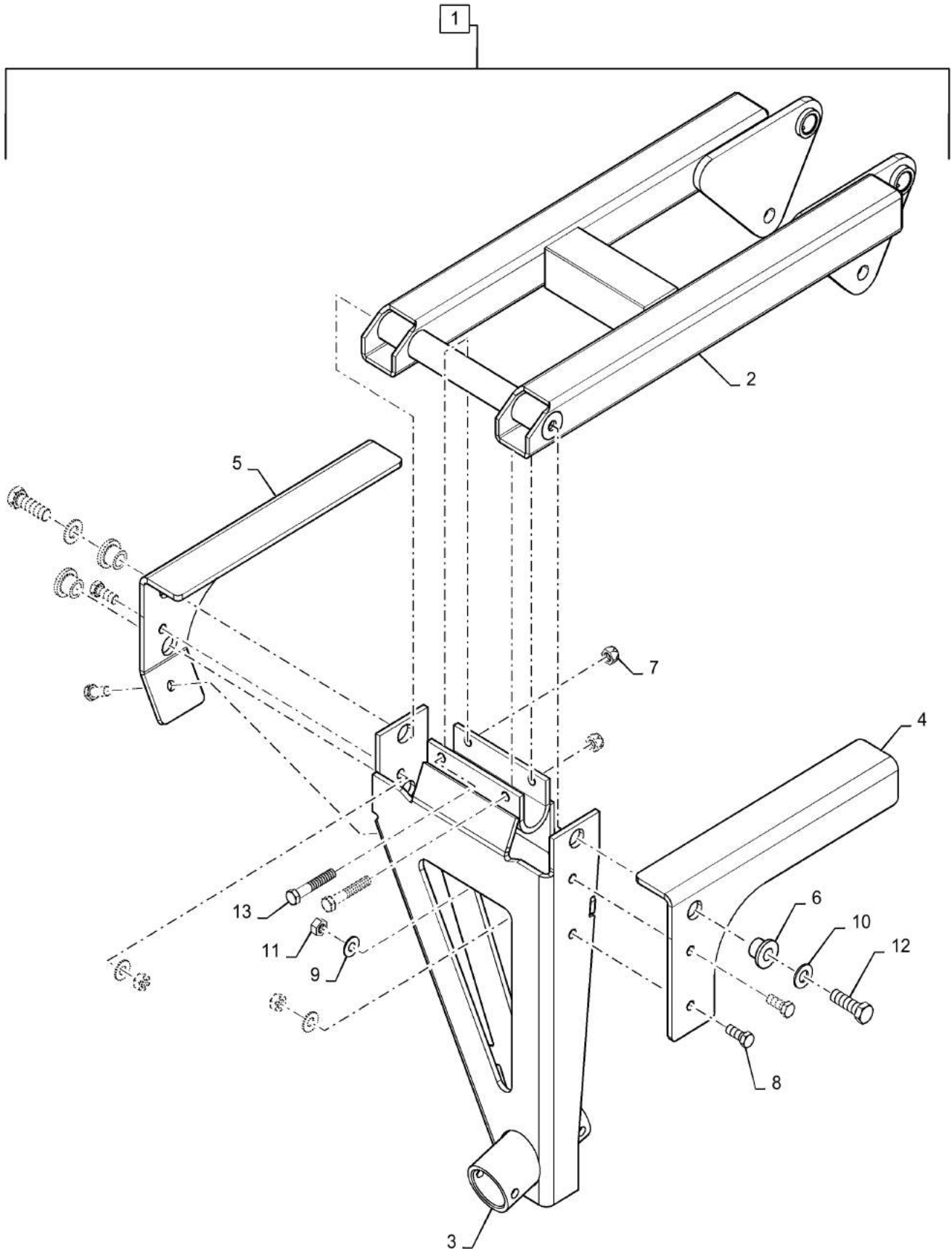
58.130.05

03

p1

9/2016

AXLE, ASSY



58.130.05

03

p1

9/2016

AXLE, ASSY

REF FN	PART NUMBER	YR/SN	QTY DESCRIPTION
1	NSS		1 NOT SOLD SEPARAT Axle Assy, Incl 2 - 13
2	47459883		1 FRAME Assy
3	47489393		1 AXLE
4	47489723		1 LOCK Assy
5	47489397		1 LOCK Assy
6	47461243		3 SPACER
7	100038		2 NUT M12 x 1.75, CI 8
8	9706687		4 BOLT M12 x 1.75 x 30mm, CI 8.8
9	140046		4 BELLEVILLE WASHER M12 Bolt Size x 27mm OD x 1.8mm Thk
10	140048		2 BELLEVILLE WASHER M16 Bolt Size x 32mm OD x 2.8mm Thk
11	9706685		4 NUT M12 x 1.75, CI 8
12	120090		2 BOLT Hex, M16 x 50mm, CI 8.8
13	9706717		2 BOLT Hex, M12 x 1.75 x 70mm, CI 8.8

3152-DRAPER HEADER 3162-DRAPER HEADER

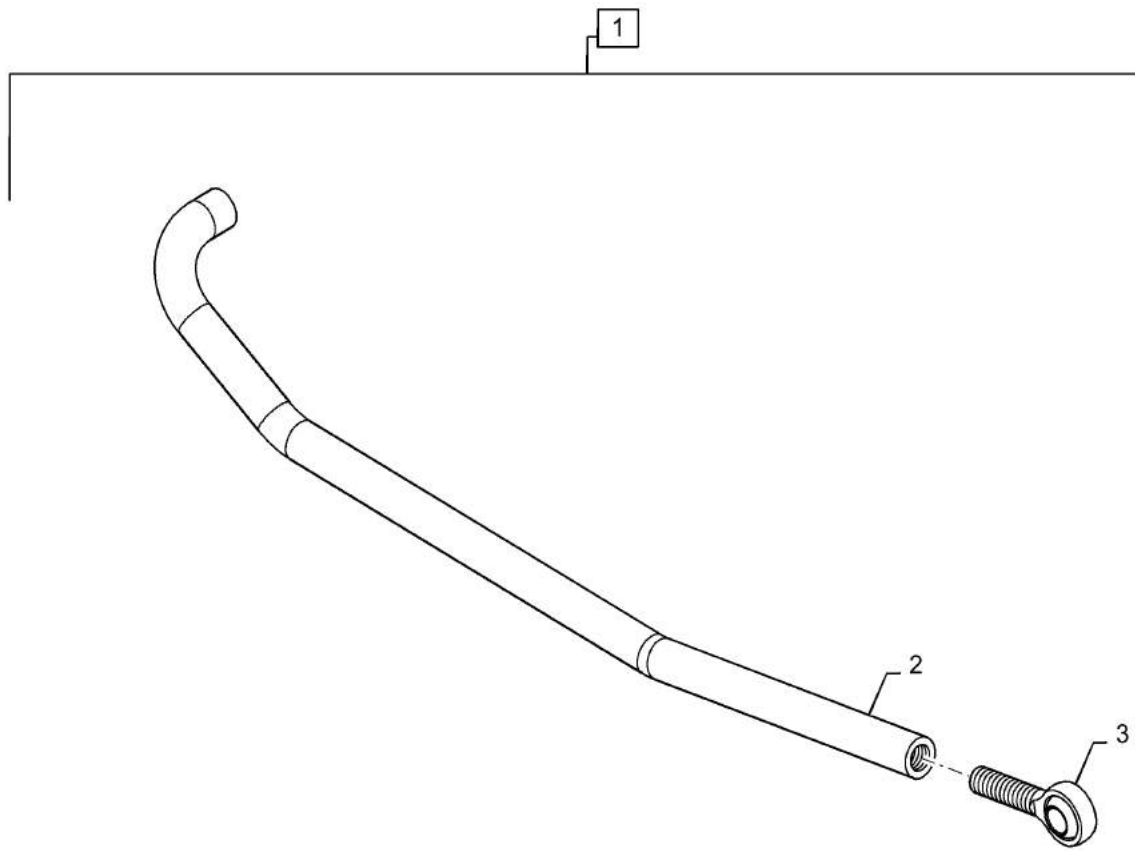
58.130.05

04

p1

9/2016

HEADER, TRANSPORT, CONTROL ROD ASSY



58.130.05

04

p1

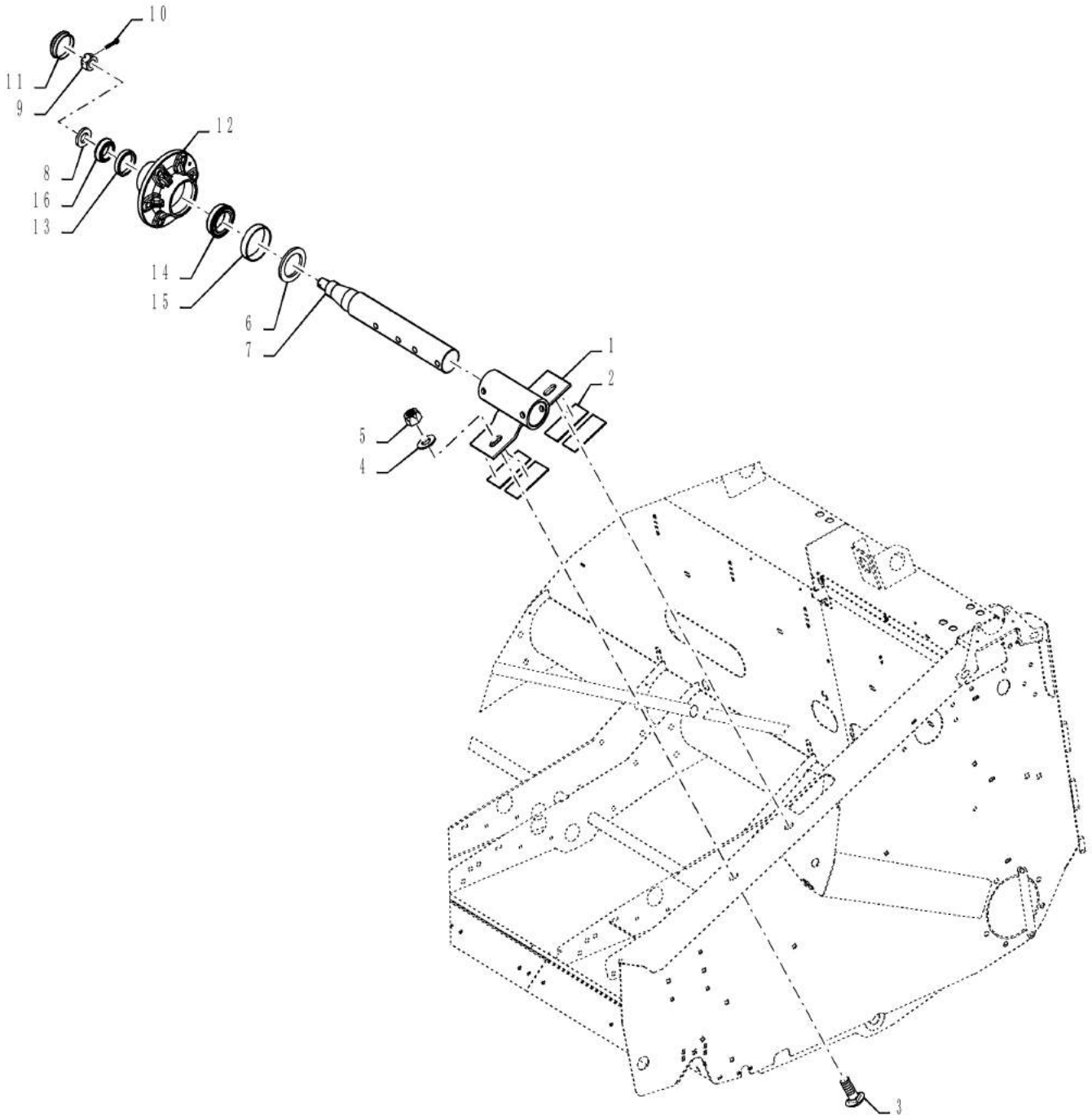
9/2016

HEADER, TRANSPORT, CONTROL ROD ASSY

REF FN	PART NUMBER	YR/SN	QTY DESCRIPTION
1	NSS		1 NOT SOLD SEPARAT Rod Assy, Control, Incl 2 - 3
2	47461239		1 ROD Control
3	84247642		1 BALL JOINT

3152-DRAPER HEADER 3162-DRAPER HEADER

REAR TRANSPORT HUB AND SUPPORT

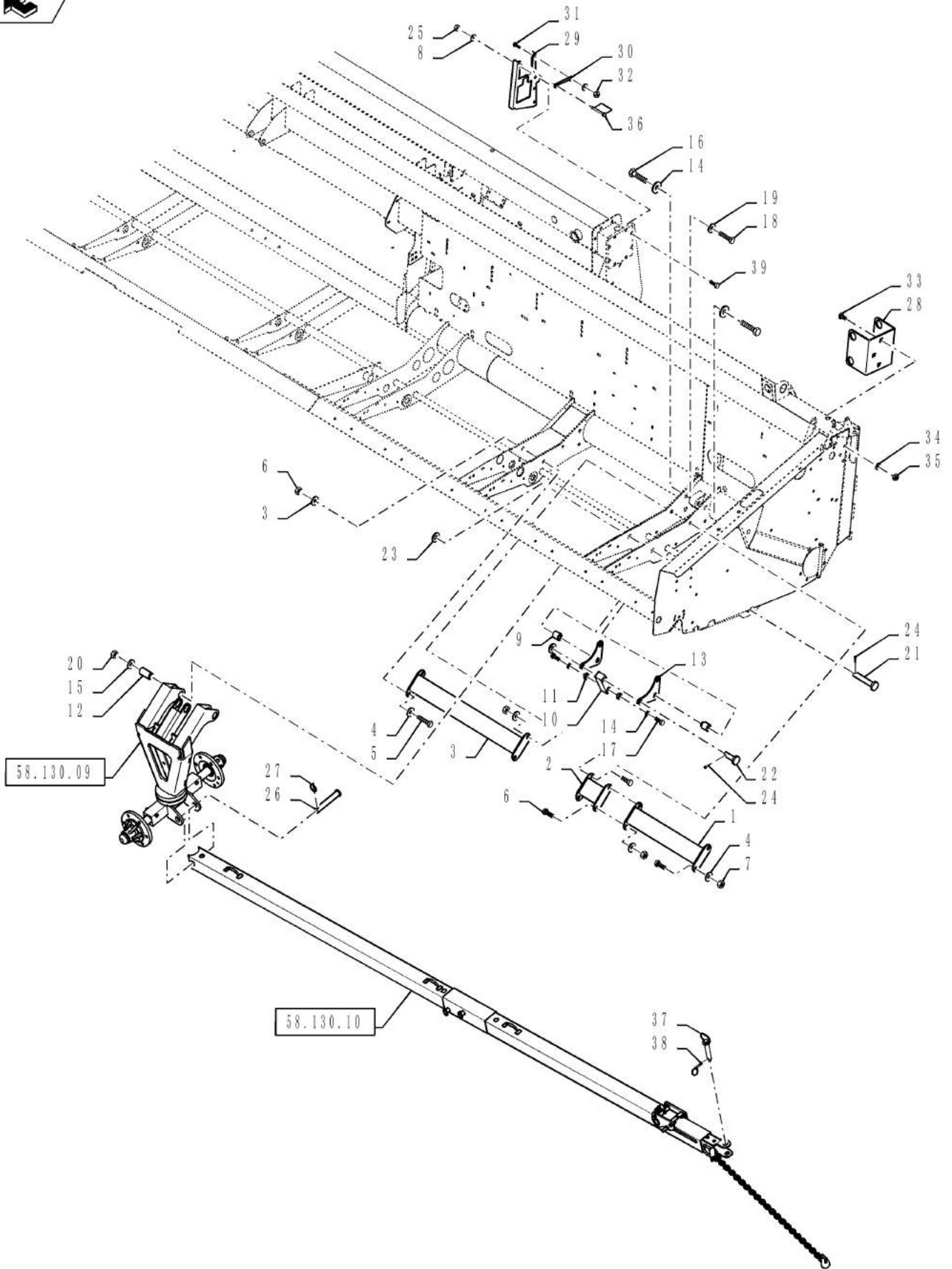


REAR TRANSPORT HUB AND SUPPORT

REF FN	PART NUMBER	YR/SN	QTY DESCRIPTION
1	84476776		2 BRACKET
2	89031		8 KIT Felt
3	86595832		4 CARRIAGE BOLT Sht Sq Nk, M16 x 40mm, CI 8.8, Full Thd
4	140048		4 BELLEVILLE WASHER M16 Bolt Size x 32mm OD x 2.8mm Thk
5	86000441		4 NUT M16 x 2.0, CI 8
6	245856		1 OIL SEAL 57.15mm ID x 82.75mm OD x 6.76mm Thk Oil
7	84229523		1 SPINDLE 430mm L
8	9845587		1 WASHER 23.8mm ID x 44.5mm OD x 6.4mm Thk
9	280172		1 SLOTTED NUT 7/8"-14
10	87398		1 COTTER PIN 3/16" OD x 1-1/4" OAL
11	56868		1 COVER
12	86632701		1 HUB
13	175508		1 BEARING CUP 59.16mm OD x 11.94mm W
14	199954		1 BEARING CONE 50mm ID x 21.5mm W
15	199955		1 BEARING CUP 82mm OD x 17mm W
16	175507		1 BEARING CONE 35 mm ID x 16.764 mm

3152-DRAPER HEADER 3162-DRAPER HEADER

HEADER TRANSPORT, FRONT, 30 FOOT HEADER

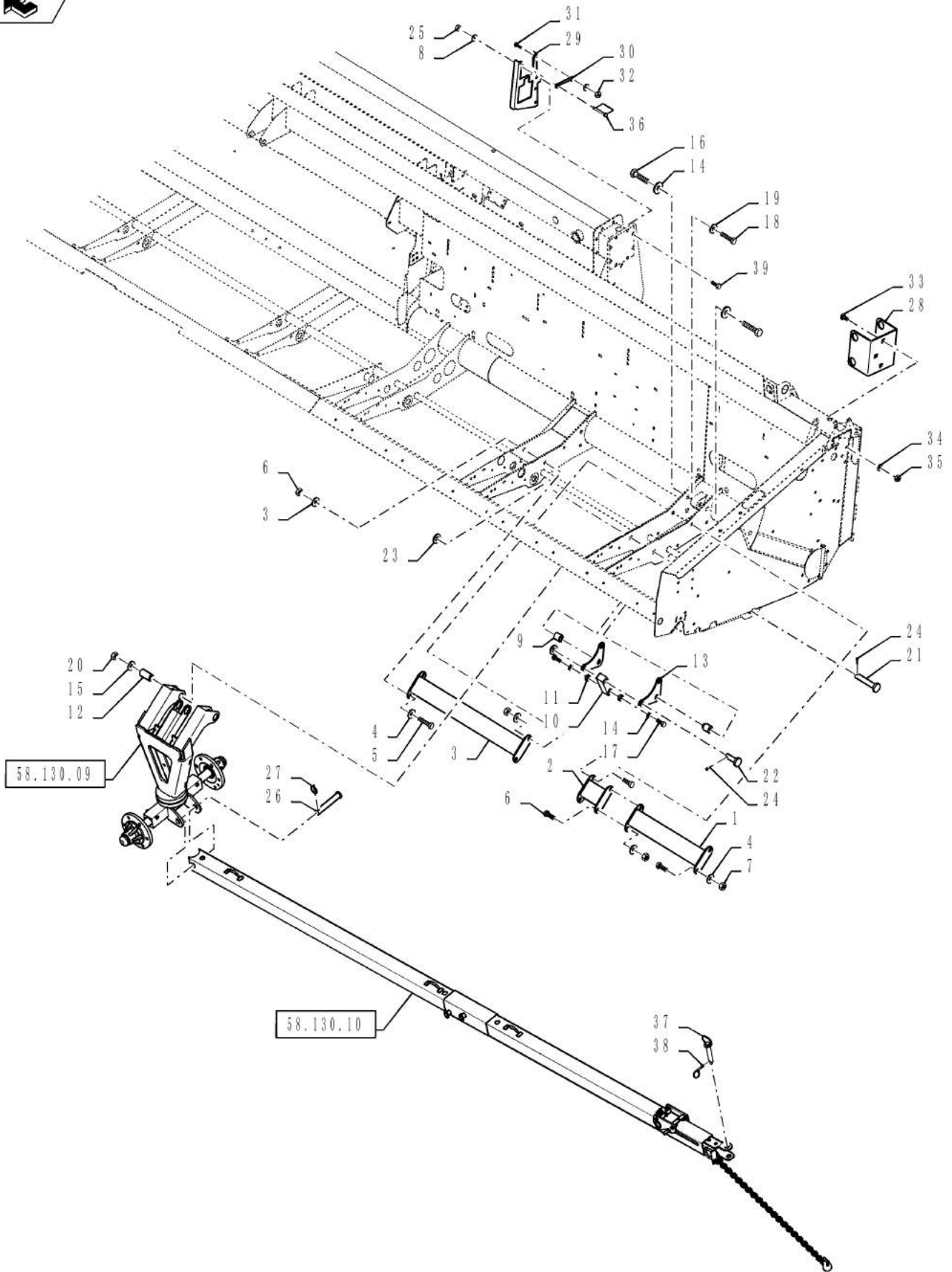


HEADER TRANSPORT, FRONT, 30 FOOT HEADER

REF FN	PART NUMBER	YR/SN	QTY DESCRIPTION
1	84421041		1 TUBE
2	84421044		1 TUBE
3	84482397		1 TUBE
4	140046		8 BELLEVILLE WASHER M12 Bolt Size x 27mm OD x 1.8mm Thk
5	86629541		4 BOLT Hex, M12 x 1.75 x 40mm, CI 8.8
6	120080		4 BOLT Hex, M12 x 45, 8.8 M12 x 45
7	9706685		6 NUT M12 x 1.75, CI 8
8	322358		4 BELLEVILLE WASHER M8 Bolt Size x 18mm OD x 1.4mm Thk
9	84420215		2 BUSHING 17mm ID x 38mm OD x 50mm L
10	84422047		1 LINK
11	84420765		2 BUSHING 17mm ID x 31.75mm OD x 13mm L
12	84476406		2 BUSHING 16.5mm ID x 32mm OD x 63mm L
13	84421031		2 PLATE
14	140048		4 BELLEVILLE WASHER M16 Bolt Size x 32mm OD x 2.8mm Thk
15	86592702		2 WASHER 17mm ID x 45mm OD x 6mm Thk
16	86577946		2 BOLT M16 x 2.0 x 90.8mm, CI 0.9
17	374835		2 BOLT Hex, M16 x 2 x 40mm, CI 10.9, Full Thd
18	374889		2 BOLT Hex, M16 x 100mm, CI 8.8
19	14496931		2 WASHER 17mm ID x 30mm OD x 3mm Thk
20	86000441		2 NUT M16 x 2.0, CI 8
21	84420770		1 PIN 25.15mm OD x 217mm L
22	84420754		2 PIN 25.15mm OD x 95.5mm L
23	87016608		3 WASHER 25.8mm ID x 44.5mm OD x 5mm Thk
24	412687		3 COTTER PIN 6.3mm OD x 32mm OAL
25	9706690		4 NUT M8 x 1.25, CI 8
26	84423856		1 PIN 25mm OD x 159mm L
27	270184		1 LINCH PIN 6.35mm OD
28	84604135		1 PLATE
29	84603750		1 HANGER
30	425885A1		1 HITCH PIN

3152-DRAPER HEADER 3162-DRAPER HEADER

HEADER TRANSPORT, FRONT, 30 FOOT HEADER

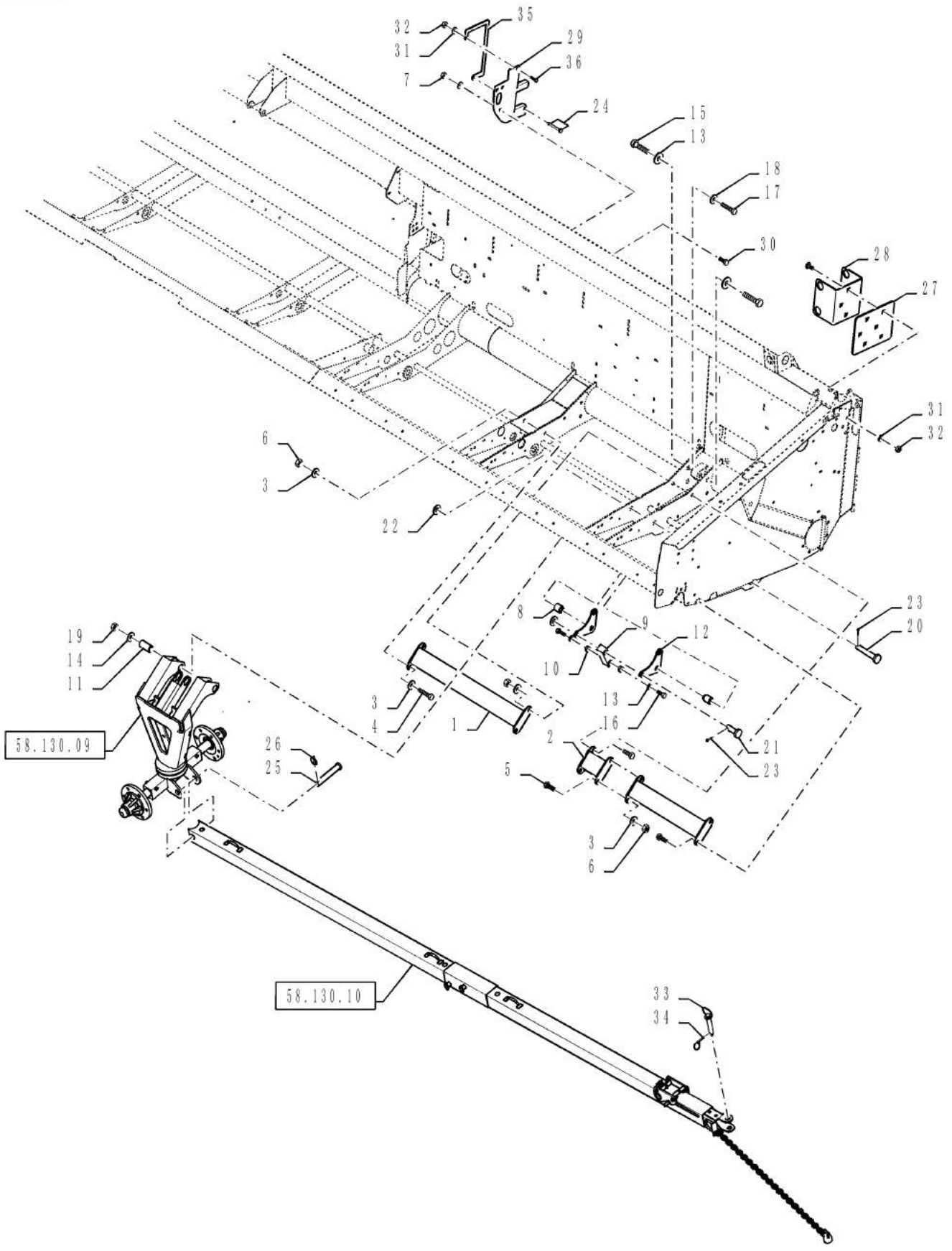


HEADER TRANSPORT, FRONT, 30 FOOT HEADER

REF FN	PART NUMBER	YR/SN	QTY DESCRIPTION
31	132757		1 LINCH PIN 11.11mm OD x 44.45mm L
32	43127		4 BOLT Hex, M8 x 1.25 x 25mm, CI 8.8
33	86633356		3 CARRIAGE BOLT M10 x 34.8mm, CI 8.8
33	86633356		3 CARRIAGE BOLT M10 x 34.8mm, CI 8.8
34	140045		3 BELLEVILLE WASHER M10 Bolt Size x 22mm OD x 1.6mm Thk
35	100016		3 NUT M10 x 1.5, CI 8

3152-DRAPER HEADER 3162-DRAPER HEADER

HEADER TRANSPORT, FRONT, 35, 40, 45 FOOT HEADER

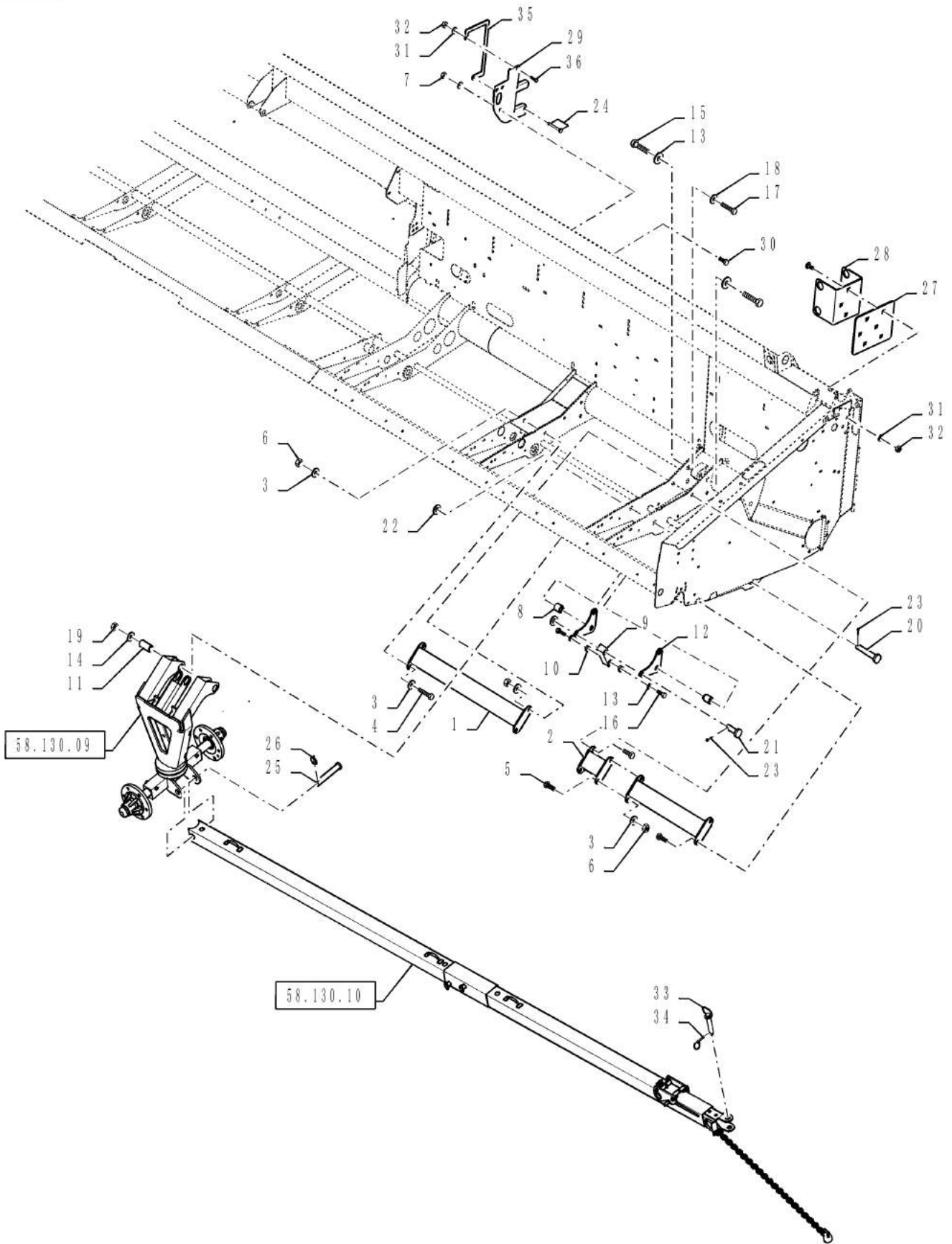


HEADER TRANSPORT, FRONT, 35, 40, 45 FOOT HEADER

REF FN	PART NUMBER	YR/SN	QTY DESCRIPTION
1	84421041		2 TUBE
2	84421044		1 TUBE
3	140046		8 BELLEVILLE WASHER M12 Bolt Size x 27mm OD x 1.8mm Thk
4	86629541		4 BOLT Hex, M12 x 1.75 x 40mm, CI 8.8
5	120080		4 BOLT Hex, M12 x 45, 8.8
6	9706685		6 NUT M12 x 1.75, CI 8
7	132757		1 LINCH PIN 11.11mm OD x 44.45mm L
8	84420215		2 BUSHING 17mm ID x 38mm OD x 50mm L
9	84422047		1 LINK
10	84420765		2 BUSHING 17mm ID x 31.75mm OD x 13mm L
11	84476406		2 BUSHING 16.5mm ID x 32mm OD x 63mm L
12	84421031		2 PLATE
13	140048		4 BELLEVILLE WASHER M16 Bolt Size x 32mm OD x 2.8mm Thk
14	86592702		2 WASHER 17mm ID x 45mm OD x 6mm Thk
15	86577946		2 BOLT M16 x 2.0 x 90.8mm, CI 0.9
16	374835		2 BOLT Hex, M16 x 2 x 40mm, CI 10.9, Full Thd
17	374889		2 BOLT Hex, M16 x 100mm, CI 8.8
18	14496931		2 WASHER 17mm ID x 30mm OD x 3mm Thk
19	86000441		2 NUT M16 x 2.0, CI 8
20	84420770		1 PIN 25.15mm OD x 217mm L
21	84420754		2 PIN 25.15mm OD x 95.5mm L
22	87016608		3 WASHER 25.8mm ID x 44.5mm OD x 5mm Thk
23	412687		3 COTTER PIN 6.3mm OD x 32mm OAL
24	647695		1 PIN 7.94mm OD
25	84423856		1 PIN 25mm OD x 159mm L
26	270184		1 LINCH PIN 6.35mm OD
27	425885A1		1 HITCH PIN
28	84601780		1 PLATE
29	84601913		1 HANGER
30	86633356		6 CARRIAGE BOLT M10 x 34.8mm, CI 8.8

3152-DRAPER HEADER 3162-DRAPER HEADER

HEADER TRANSPORT, FRONT, 35, 40, 45 FOOT HEADER

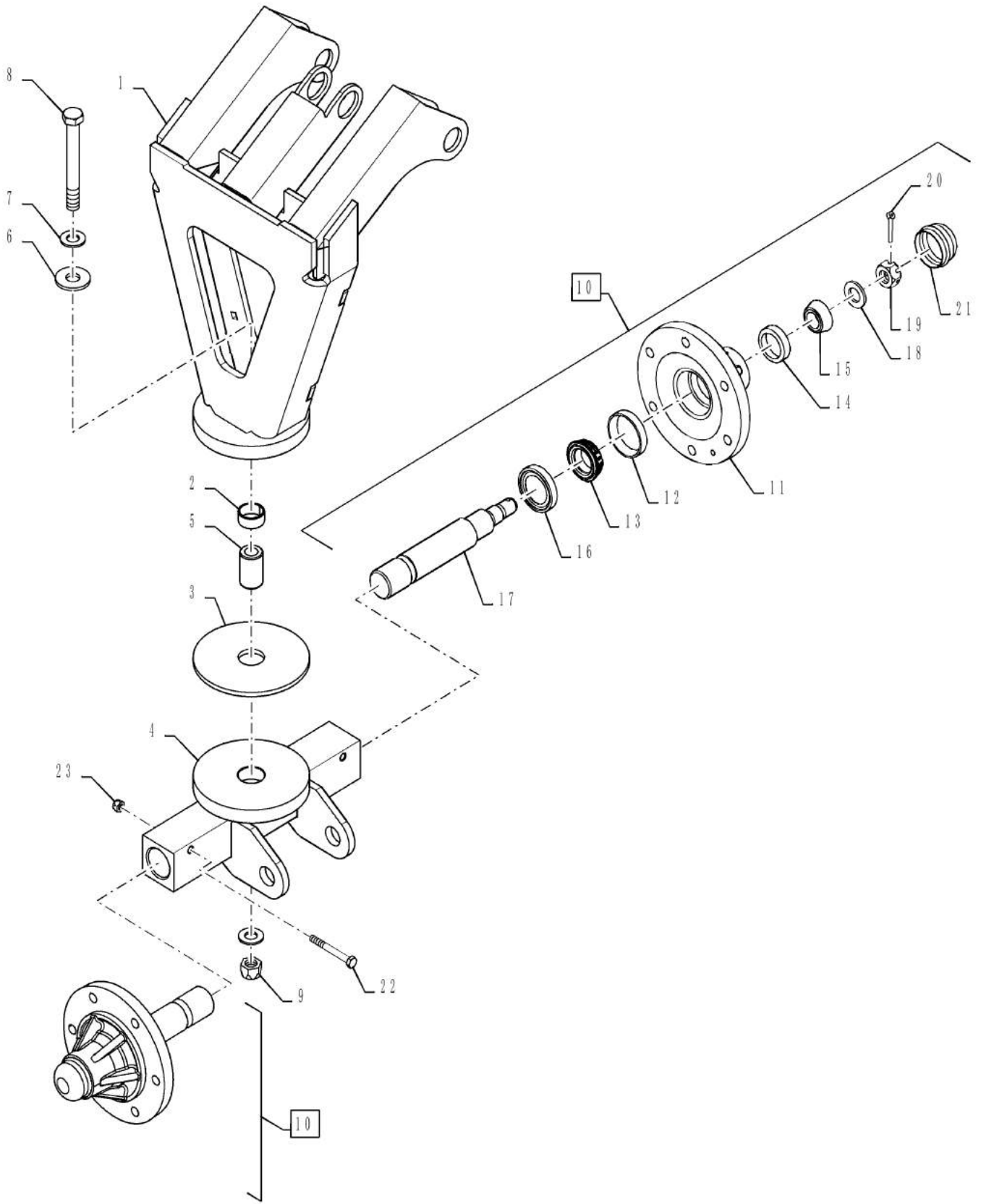


HEADER TRANSPORT, FRONT, 35, 40, 45 FOOT HEADER

REF FN	PART NUMBER	YR/SN	QTY DESCRIPTION
31	140045		6 BELLEVILLE WASHER M10 Bolt Size x 22mm OD x 1.6mm Thk
32	100016		6 NUT M10 x 1.5, CI 8
33	425885A1		1 HITCH PIN
34	132757		1 LINCH PIN 11.11mm OD x 44.45mm L
35	84427617		1 RETAINER
36	43139		1 BOLT M10 x 1.5 x 25mm, CI 8.8

3152-DRAPER HEADER 3162-DRAPER HEADER

FRONT AXLE, HEADER TRANSPORT



FRONT AXLE, HEADER TRANSPORT

REF FN	PART NUMBER	YR/SN	QTY DESCRIPTION
1	84420907		1 AXLE Front
2	84374708		1 BUSHING 30mm ID x 34mm OD x 15mm L
3	84420205		1 THRUST WASHER 34mm ID x 150mm OD x 6mm Thk
4	84602922		1 AXLE Front
5	84422118		1 SPACER 17mm ID x 30mm OD x 46.1mm L
6	87317689		1 WASHER 18mm ID x 45mm OD x 4mm Thk
7	140048		2 BELLEVILLE WASHER M16 Bolt Size x 32mm OD x 2.8mm Thk
8	354360		1 BOLT Hex, M16 x 2 x 130mm, CI 8.8
9	86000441		1 NUT M16 x 2.0, CI 8
10	84592525		2 STUB AXLE/STEERING S Incl 11 - 21
11	86631051		1 HUB Wheel
12	36723		1 BEARING CUP 59.16mm OD x 11.81mm W
13	36726		1 BEARING CONE 31.75mm ID x 16.76mm W
13	84356153GV		1 BEARING Value
14	574810		1 BEARING CUP 45.26mm OD x 12.06mm W
15	574809		1 BEARING CONE 21.98mm ID x 16.64mm W
16	36727		1 OIL SEAL 38.1mm ID x 59.28mm OD x 13.11mm Thk Oil
17	84231684		1 SPINDLE
18	80011438		1 WASHER 19.45mm ID x 34.9mm OD x 2.59mm Thk
19	88886		1 SLOTTED NUT 3/4"-16
20	87398		1 COTTER PIN 3/16" OD x 1-1/4" OAL
21	26808		1 CAP
22	120062		2 BOLT Hex, M8 x 70mm, CI 8.8
23	86629542		2 NUT M8 x 1.25, CI 8.8

3152-DRAPER HEADER 3162-DRAPER HEADER

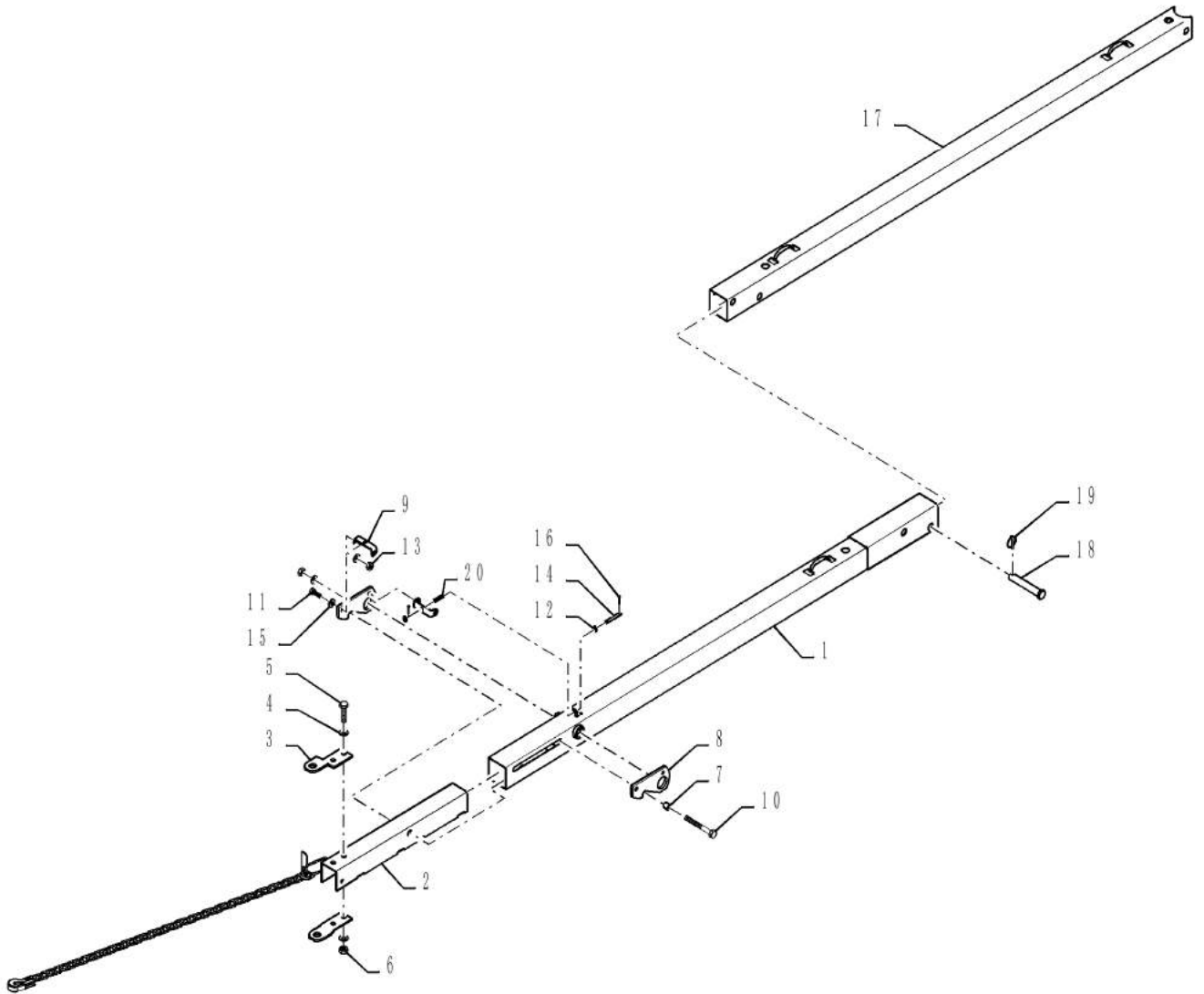
58.130.10

01

p1

9/2016

TONGUE, HEADER TRANSPORT, 30FT - 35FT, BSN - YCH022078



TONGUE, HEADER TRANSPORT, 30FT - 35FT, BSN - YCH022078

REF FN	PART NUMBER	YR/SN	QTY DESCRIPTION
1	84495322		1 TONGUE Assy, Center
2	84480461		1 TONGUE Assy, Hitch End
3	84422663		2 PLATE
4	10520204		6 WASHER 16.4mm ID x 28mm OD x 3mm Thk
5	120090		2 BOLT Hex, M16 x 50mm, CI 8.8
6	86000441		3 NUT M16 x 2.0, CI 8
7	84422658		2 SPACER 16.8mm ID x 21.6mm OD x 23.8mm L
8	84422653		2 LATCH
9	84422657		2 HANDLE
10	84026992		1 BOLT Hex, M16 x 180mm, CI 10.9
11	86629541		4 BOLT Hex, M12 x 1.75 x 40mm, CI 8.8
12	80679		4 LOCK WASHER 1/20.507 CST ZND
13	9706685		4 NUT M12 x 1.75, CI 8
14	84423777		1 PIN 8mm OD x 76.2mm L
15	83918746		2 WASHER 0.34" ID x 0.69" OD x 0.07" Thk
16	80756		2 COTTER PIN 1/8" x 3/4"
17	84423818		1 TONGUE Assy, Header End
18	84423856		2 PIN 25mm OD x 159mm L
19	270184		2 LINCH PIN 6.35mm OD
20	34019		1 SPRING Compression, 9/16" OD x 2-5/16" L

3152-DRAPER HEADER 3162-DRAPER HEADER

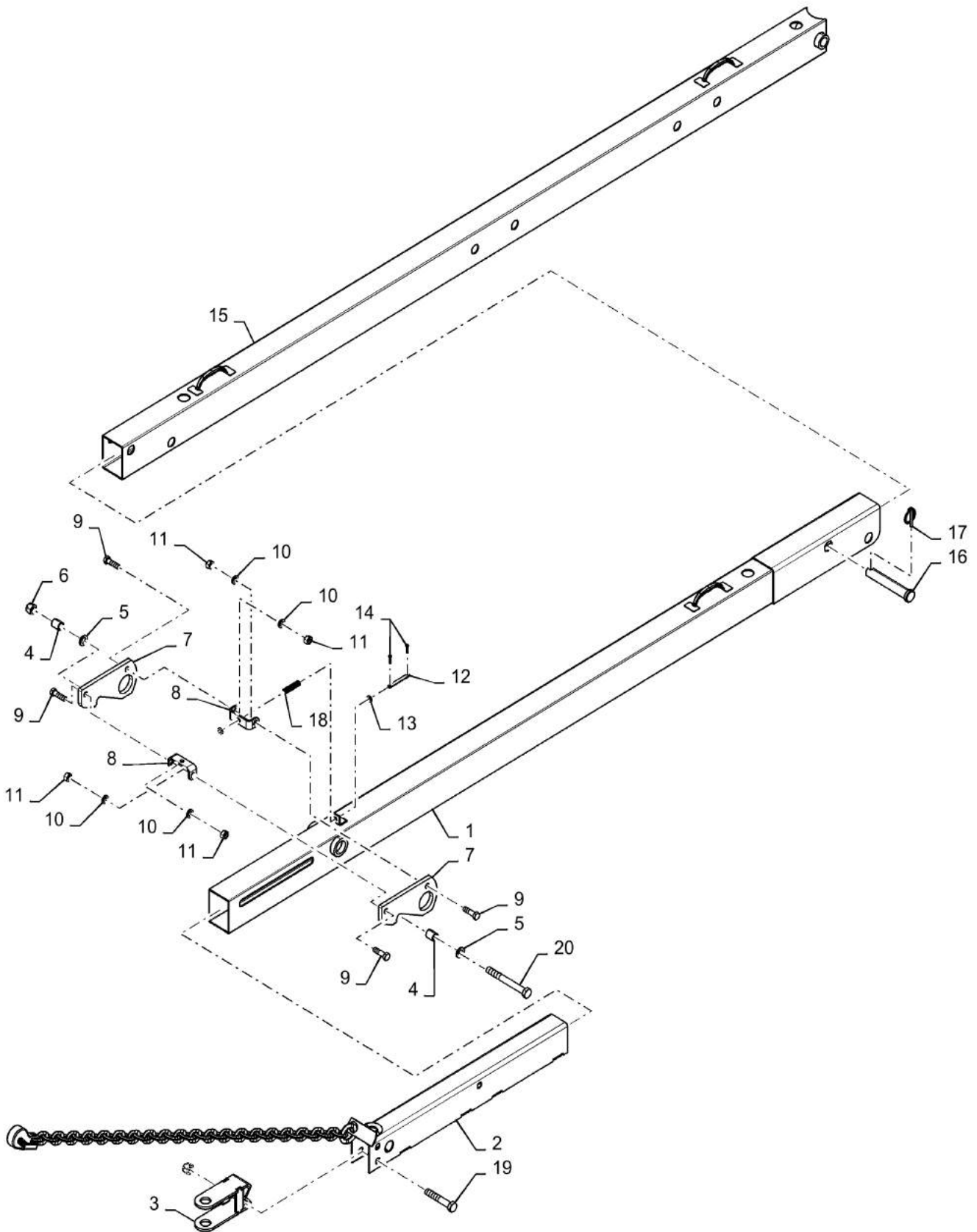
58.130.10

02

p1

9/2016

TONGUE, HEADER TRANSPORT, 30FT - 35FT, ASN - YCH022078



TONGUE, HEADER TRANSPORT, 30FT - 35FT, ASN - YCH022078

REF FN	PART NUMBER	YR/SN	QTY DESCRIPTION
1	84600974		1 TONGUE Assy, Center
2	84600981		1 TONGUE Assy, Hitch End
3	84600435		1 HITCH Assy
4	84422658		2 SPACER 16.8mm ID x 21.6mm OD x 23.8mm L
5	10520204		2 WASHER 16.4mm ID x 28mm OD x 3mm Thk
6	86000441		3 NUT M16 x 2.0, CI 8
7	84422653		2 LATCH
8	84601763		2 HANDLE
9	86629541		4 BOLT Hex, M12 x 1.75 x 40mm, CI 8.8
10	80679		4 LOCK WASHER 1/20.507 CST ZND
11	9706685		4 NUT M12 x 1.75, CI 8
12	84423777		1 PIN 8mm OD x 76.2mm L
13	83918746		2 WASHER 0.34" ID x 0.69" OD x 0.07" Thk
14	80756		2 COTTER PIN 1/8" x 3/4"
15	84600443		1 TONGUE Assy, Header End
16	84423856		2 PIN 25mm OD x 159mm L
17	270184		2 LINCH PIN 6.35mm OD
18	34019		1 SPRING Compression, 9/16" OD x 2-5/16" L
19	350616		2 BOLT M16 x 2 x 90mm, CI 8.8
20	1791248		1 BOLT Hex, M16 x 140mm, CI 10.9

3152-DRAPER HEADER 3162-DRAPER HEADER

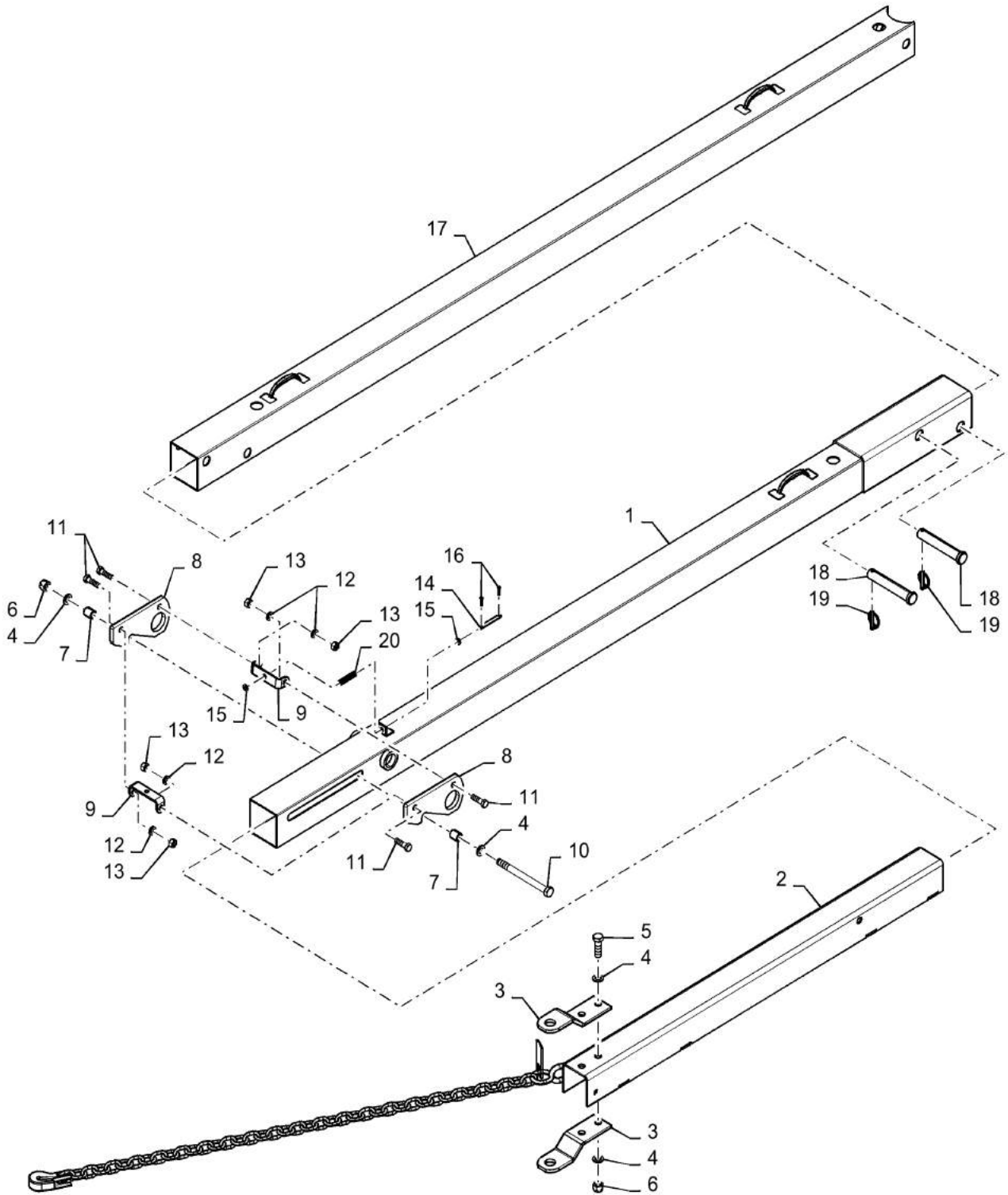
58.130.10

03

p1

9/2016

TONGUE, HEADER TRANSPORT, 40FT, BSN - YCH020013



TONGUE, HEADER TRANSPORT, 40FT, BSN - YCH020013

REF FN	PART NUMBER	YR/SN	QTY DESCRIPTION
1	84422648		1 TONGUE Middle
2	84422671		1 TONGUE Hitch End
3	84422663		2 PLATE
4	10520204		6 WASHER 16.4mm ID x 28mm OD x 3mm Thk
5	120090		2 BOLT Hex, M16 x 50mm, CI 8.8
6	86000441		3 NUT M16 x 2.0, CI 8
7	84422658		2 SPACER 16.8mm ID x 21.6mm OD x 23.8mm L
8	84422653		2 LATCH
9	84422657		2 HANDLE
10	84026992		1 BOLT Hex, M16 x 180mm, CI 10.9
11	86629541		4 BOLT Hex, M12 x 1.75 x 40mm, CI 8.8
12	80679		4 LOCK WASHER 1/20.507 CST ZND
13	9706685		4 NUT M12 x 1.75, CI 8
14	84423777		1 PIN 8mm OD x 76.2mm L
15	83918746		2 WASHER 0.34" ID x 0.69" OD x 0.07" Thk
16	80756		2 COTTER PIN 1/8" x 3/4"
17	84423818		1 TONGUE Header End
18	84423856		2 PIN 25mm OD x 159mm L
19	270184		2 LINCH PIN 6.35mm OD
20	34019		1 SPRING Compression, 9/16" OD x 2-5/16" L

3152-DRAPER HEADER 3162-DRAPER HEADER

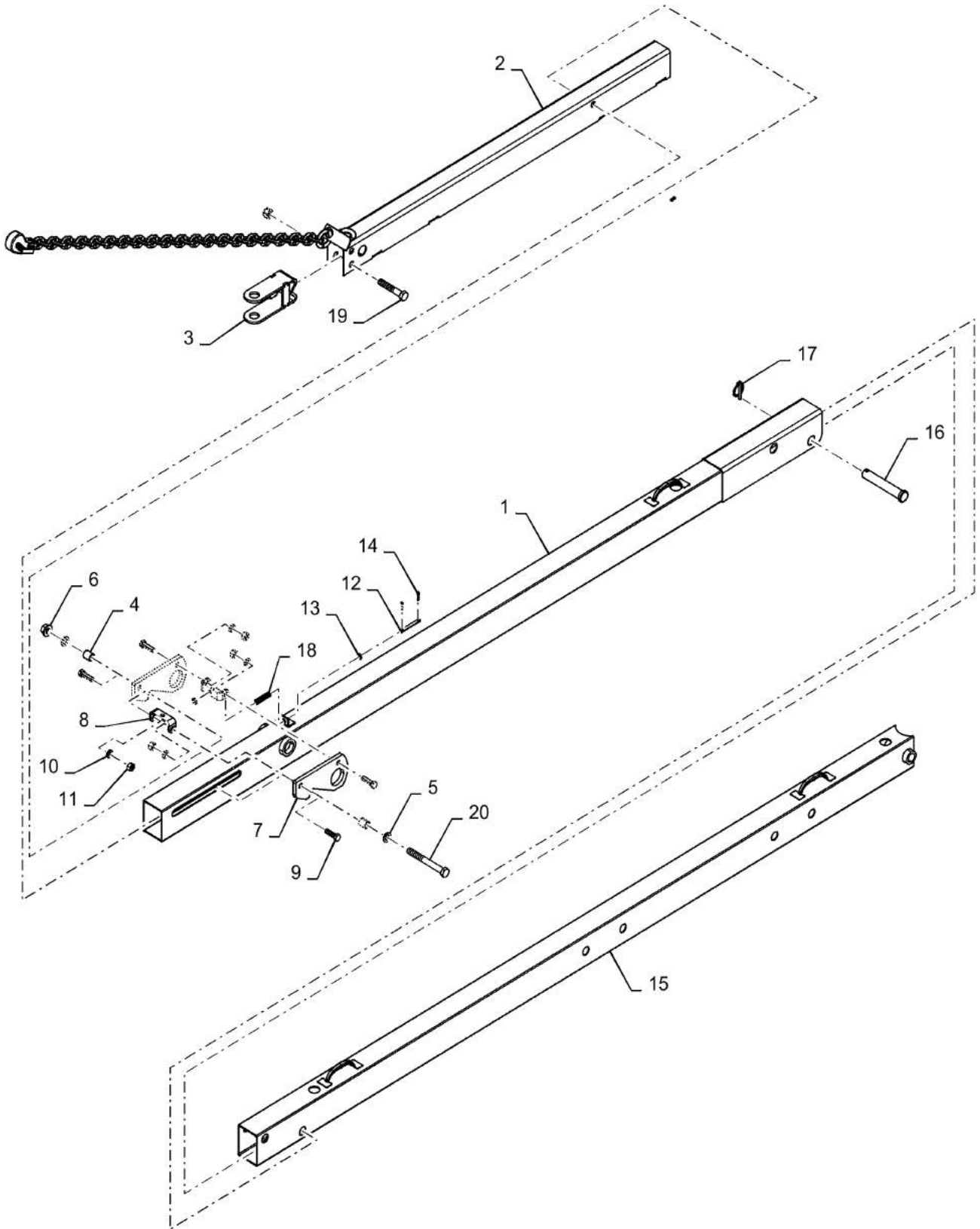
58.130.10

04

p1

9/2016

TONGUE, HEADER TRANSPORT, 40FT, ASN - YCH020013



58.130.10

04

p1

9/2016

TONGUE, HEADER TRANSPORT, 40FT, ASN - YCH020013

REF FN	PART NUMBER	YR/SN	QTY DESCRIPTION
1	84600445		1 TONGUE Middle
2	84600464		1 TONGUE Hitch End
3	84600435		1 HITCH
4	84422658		2 SPACER 16.8mm ID x 21.6mm OD x 23.8mm L
5	10520204		2 WASHER 16.4mm ID x 28mm OD x 3mm Thk
6	86000441		3 NUT M16 x 2.0, CI 8
7	84422653		2 LATCH
8	84601763		2 HANDLE
9	86629541		4 BOLT Hex, M12 x 1.75 x 40mm, CI 8.8
10	80679		4 LOCK WASHER 1/20.507 CST ZND
11	9706685		4 NUT M12 x 1.75, CI 8
12	84423777		1 PIN 8mm OD x 76.2mm L
13	83918746		2 WASHER 0.34" ID x 0.69" OD x 0.07" Thk
14	80756		2 COTTER PIN 1/8" x 3/4"
15	84600443		1 TONGUE Header End
16	84423856		2 PIN 25mm OD x 159mm L
17	270184		2 LINCH PIN 6.35mm OD
18	34019		1 SPRING Compression, 9/16" OD x 2-5/16" L
19	350616		2 BOLT M16 x 2 x 90mm, CI 8.8
20	1791248		1 BOLT Hex, M16 x 140mm, CI 10.9

3152-DRAPER HEADER 3162-DRAPER HEADER

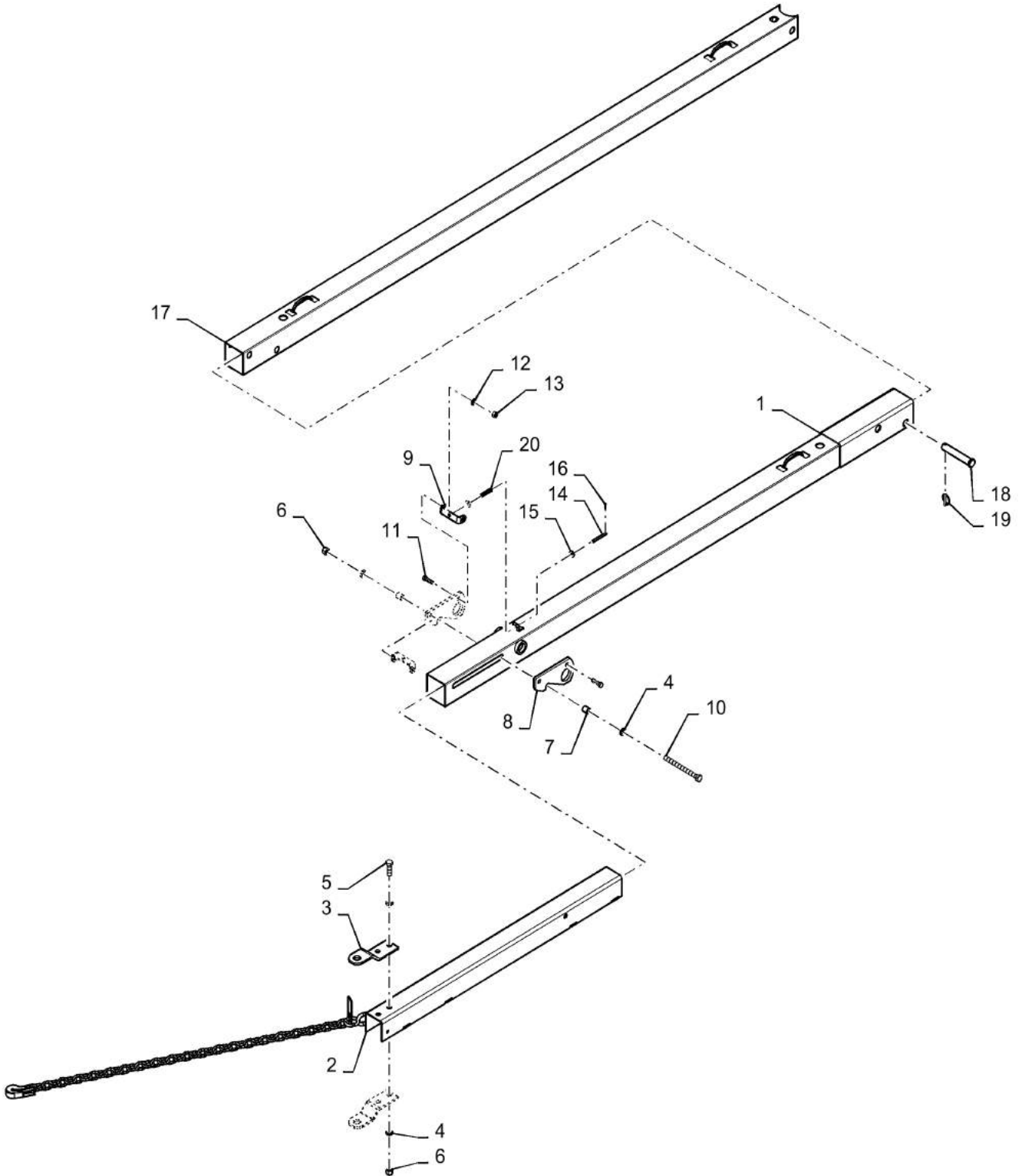
58.130.10

05

p1

9/2016

TONGUE, HEADER TRANSPORT, 45FT, BSN - YCH020013



TONGUE, HEADER TRANSPORT, 45FT, BSN - YCH020013

REF FN	PART NUMBER	YR/SN	QTY DESCRIPTION
1	84422648		1 TONGUE Middle
2	84422671		1 TONGUE Hitch End
3	84422663		2 PLATE
4	10520204		6 WASHER 16.4mm ID x 28mm OD x 3mm Thk
5	120090		2 BOLT Hex, M16 x 50mm, CI 8.8
6	86000441		3 NUT M16 x 2.0, CI 8
7	84422658		2 SPACER 16.8mm ID x 21.6mm OD x 23.8mm L
8	84422653		2 LATCH
9	84422657		2 HANDLE
10	84026992		1 BOLT Hex, M16 x 180mm, CI 10.9
11	86629541		4 BOLT Hex, M12 x 1.75 x 40mm, CI 8.8
12	80679		4 LOCK WASHER 1/20.507 CST ZND
13	9706685		4 NUT M12 x 1.75, CI 8
14	84423777		1 PIN 8mm OD x 76.2mm L
15	83918746		2 WASHER 0.34" ID x 0.69" OD x 0.07" Thk
16	80756		2 COTTER PIN 1/8" x 3/4"
17	84496306		1 TONGUE Header End
18	84423856		2 PIN 25mm OD x 159mm L
19	270184		2 LINCH PIN 6.35mm OD
20	34019		1 SPRING Compression, 9/16" OD x 2-5/16" L

3152-DRAPER HEADER 3162-DRAPER HEADER

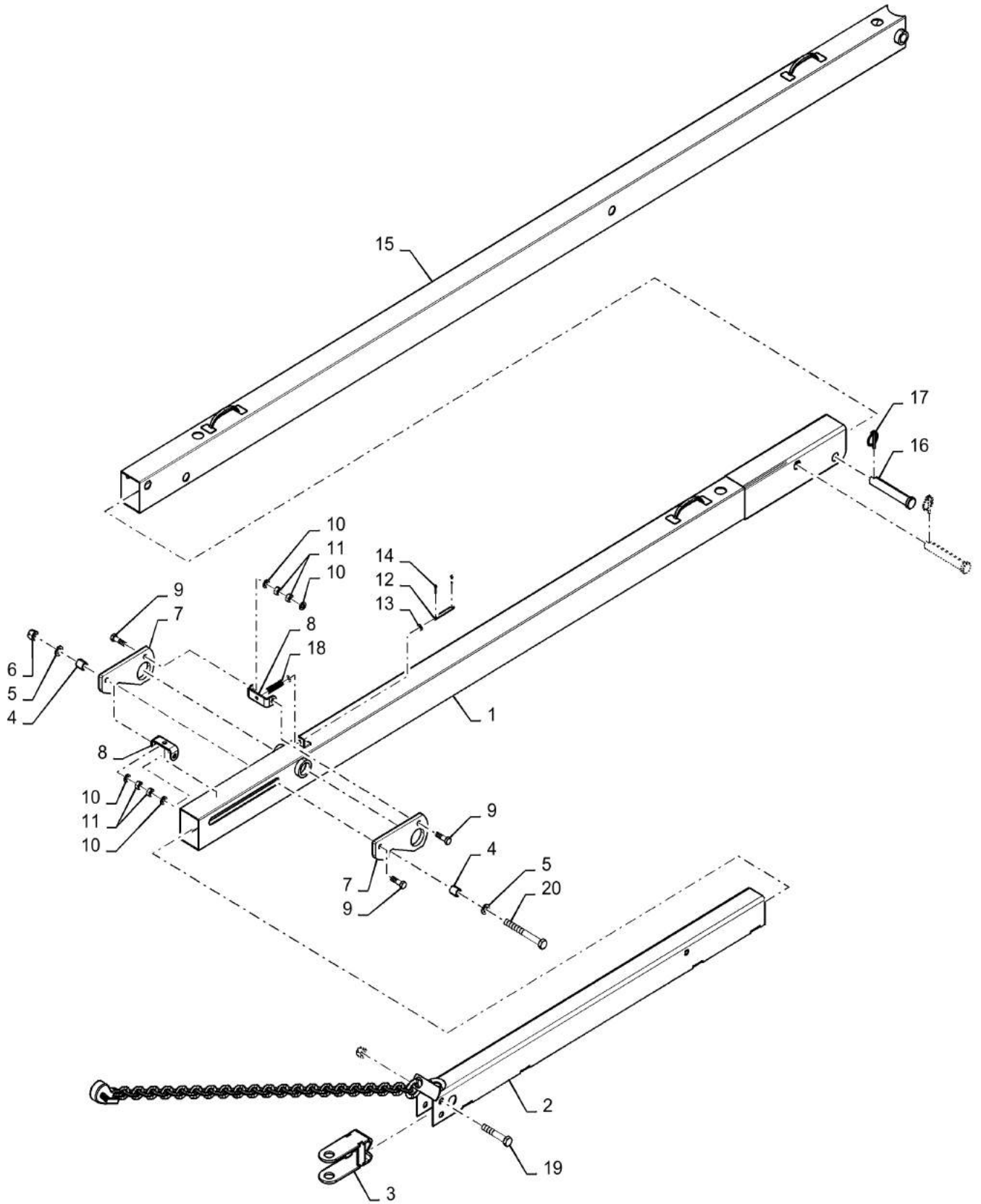
58.130.10

06

p1

9/2016

TONGUE, HEADER TRANSPORT, 45FT, ASN - YCH020013



58.130.10

06

p1

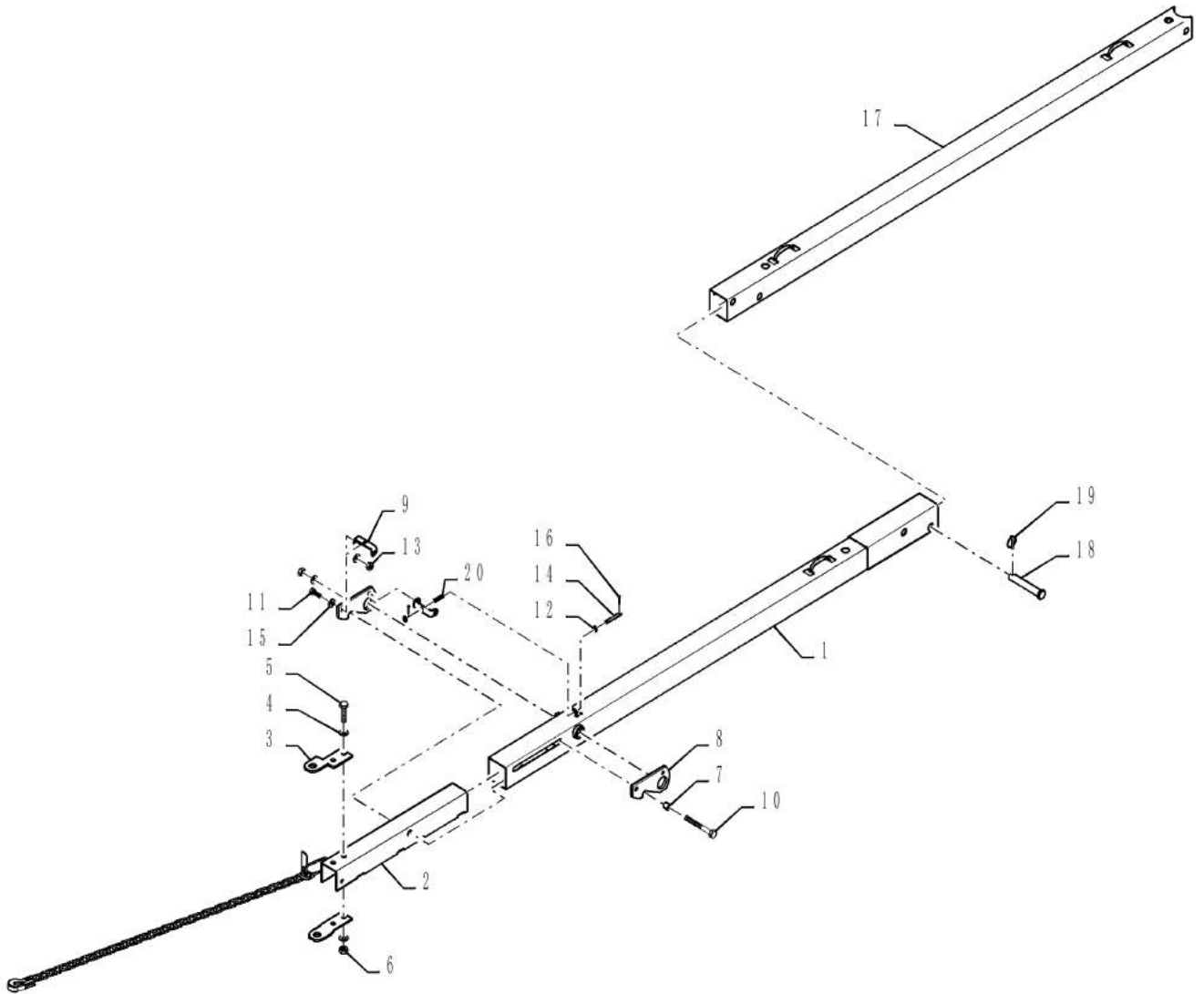
9/2016

TONGUE, HEADER TRANSPORT, 45FT, ASN - YCH020013

REF FN	PART NUMBER	YR/SN	QTY DESCRIPTION
1	84600445		1 TONGUE Middle
2	84600464		1 TONGUE Hitch End
3	84600435		1 HITCH
4	84422658		2 SPACER 16.8mm ID x 21.6mm OD x 23.8mm L
5	10520204		2 WASHER 16.4mm ID x 28mm OD x 3mm Thk
6	86000441		3 NUT M16 x 2.0, CI 8
7	84422653		2 LATCH
8	84601763		2 HANDLE
9	86629541		4 BOLT Hex, M12 x 1.75 x 40mm, CI 8.8
10	80679		4 LOCK WASHER 1/20.507 CST ZND
11	9706685		4 NUT M12 x 1.75, CI 8
12	84423777		1 PIN 8mm OD x 76.2mm L
13	83918746		2 WASHER 0.34" ID x 0.69" OD x 0.07" Thk
14	80756		2 COTTER PIN 1/8" x 3/4"
15	84601415		1 TONGUE Header End
16	84423856		2 PIN 25mm OD x 159mm L
17	270184		2 LINCH PIN 6.35mm OD
18	34019		1 SPRING Compression, 9/16" OD x 2-5/16" L
19	350616		2 BOLT M16 x 2 x 90mm, CI 8.8
20	1791248		1 BOLT Hex, M16 x 140mm, CI 10.9

3152-DRAPER HEADER 3162-DRAPER HEADER

TONGUE, HEADER TRANSPORT

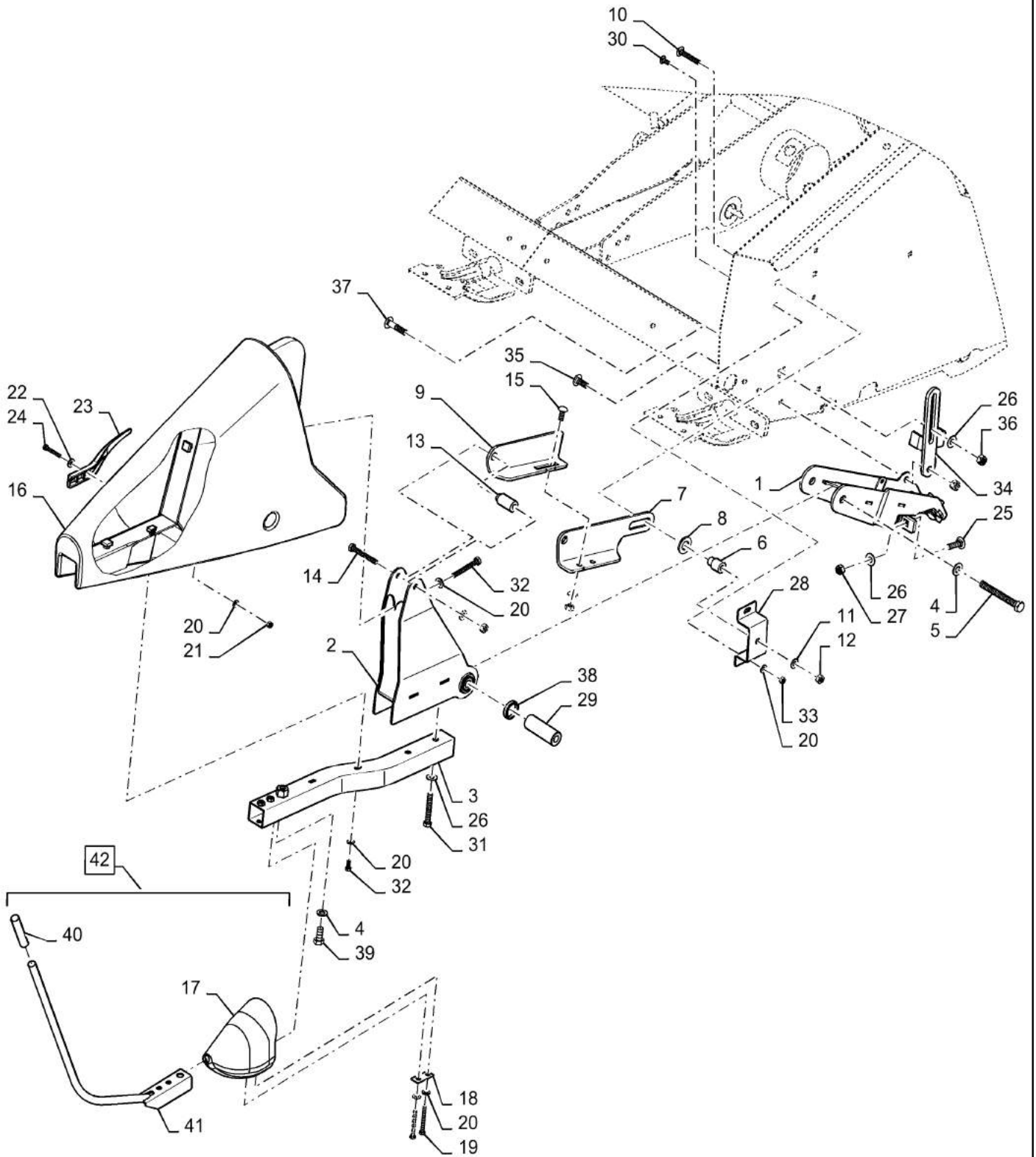


TONGUE, HEADER TRANSPORT

REF FN	PART NUMBER	YR/SN	QTY DESCRIPTION
1	84495322		1 TONGUE 30, 35 Foot Header
1	84422648		1 TONGUE 40, 45 Foot Header
2	84480461		1 TONGUE 30, 35 Foot Header
2	84422671		1 TONGUE 40, 45 Foot Header
3	84422663		2 PLATE Plate
4	10520204		6 WASHER 16.4mm ID x 28mm OD x 3mm Thk
5	120090		2 BOLT Hex, M16 x 50mm, CI 8.8
6	86000441		3 NUT M16 x 2.0, CI 8
7	84422658		2 SPACER 16.8mm ID x 21.6mm OD x 23.8mm L
8	84422653		2 LATCH
9	84422657		2 HANDLE
10	84026992		1 BOLT Hex, M16 x 180mm, CI 10.9
11	86629541		4 BOLT Hex, M12 x 1.75 x 40mm, CI 8.8
12	140046		4 BELLEVILLE WASHER M12 Bolt Size x 27mm OD x 1.8mm Thk
13	9706685		4 NUT M12 x 1.75, CI 8
14	84423777		1 PIN 8mm OD x 76.2mm L
15	83918746		2 WASHER 0.34" ID x 0.69" OD x 0.07" Thk
16	80756		2 COTTER PIN 1/8" x 3/4"
17	84423818		1 TONGUE 30, 35, 40 Foot Header
17	84496306		1 TONGUE 45 Foot Header
18	84423856		2 PIN 25mm OD x 159mm L
19	270184		2 LINCH PIN 6.35mm OD
20	34019		1 SPRING Compression, 9/16" OD x 2-5/16" L

3152-DRAPER HEADER 3162-DRAPER HEADER

DIVIDER ASSEMBLY, LEFT HAND

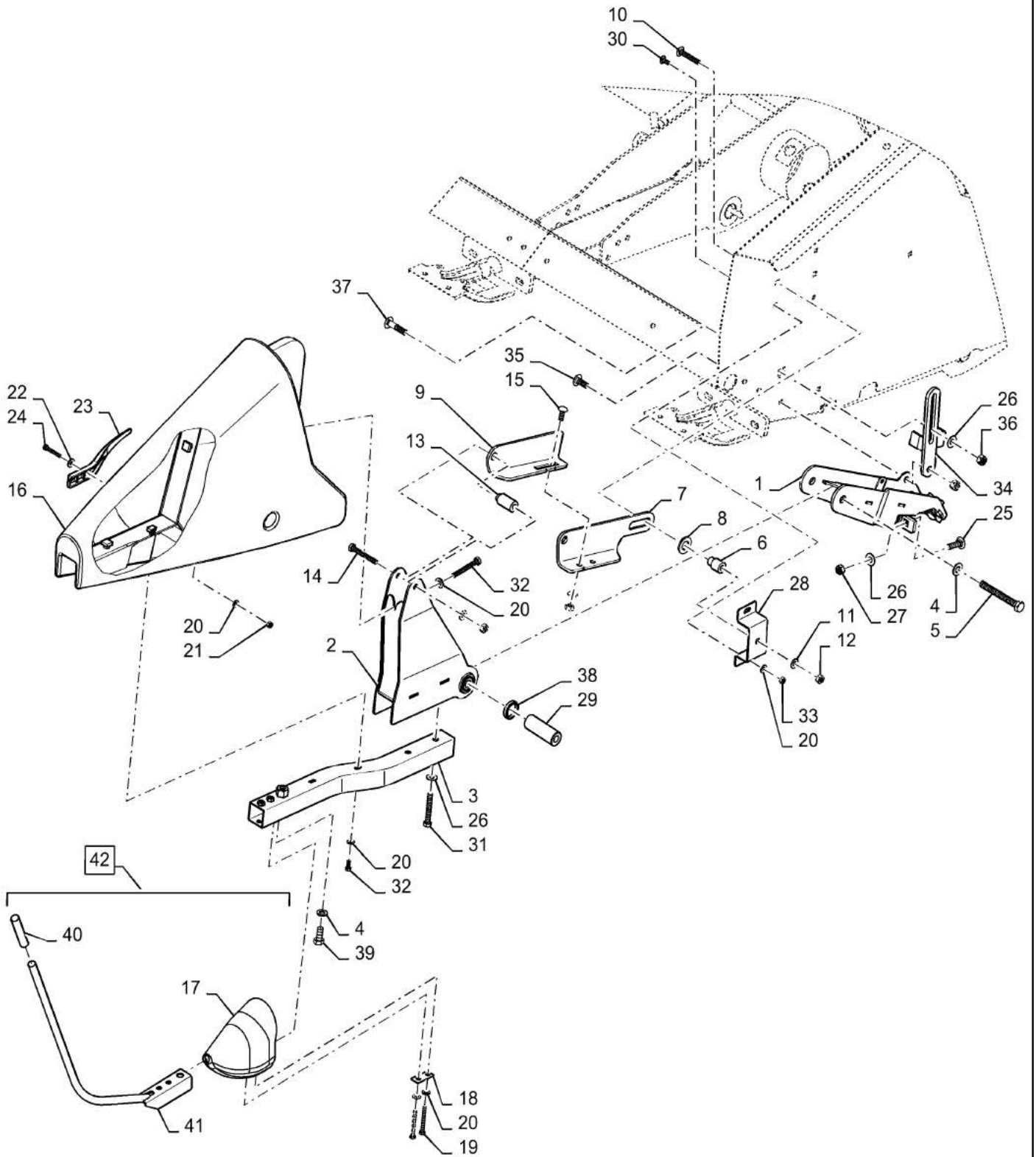


DIVIDER ASSEMBLY, LEFT HAND

REF FN	PART NUMBER	YR/SN	QTY DESCRIPTION
1	84390062		1 DIVIDER Left Hand, Flex
1	84521512		1 BRACKET Left Hand, Rigid
2	84219357		1 MOUNT Left Hand
3	84219362		1 TUBE Left Hand
4	140048		4 BELLEVILLE WASHER M16 Bolt Size x 32mm OD x 2.8mm Thk
5	354360		1 BOLT Hex, M16 x 2 x 130mm, CI 8.8
6	84164504		1 SPACER 11mm ID x 25mm OD x 37mm L Stepped
7	84306410		1 LINKAGE Left Hand
8	394632		1 WASHER 21mm ID x 40mm OD x 4mm Thk
9	84306514		1 LINKAGE Left Hand
10	86512447		1 CARRIAGE BOLT Short Square Neck, M10 x 60mm, Class 8.8
11	140045		3 BELLEVILLE WASHER M10 Bolt Size x 22mm OD x 1.6mm Thk
12	100016		3 NUT M10 x 1.5, CI 8
13	84137057		1 SPACER 11mm ID x 25mm OD x 50.8mm L Lower Pivot
14	83931335		1 BOLT Hex, M10 x 1.5 x 75mm, CI 8.8
15	86633356		1 CARRIAGE BOLT M10 x 34.8mm, CI 8.8
16	84195622		1 DIVIDER POINT Left Hand
17	84229093		1 DIVIDER POINT Point
18	84147660		1 PLATE
19	120062		2 BOLT Hex, M8 x 70mm, CI 8.8
20	322358		9 BELLEVILLE WASHER M8 Bolt Size x 18mm OD x 1.4mm Thk
21	86629542		2 NUT M8 x 1.25, CI 8.8
22	252687		2 WASHER 0.34" ID x 0.75" OD x 0.09" Thk
23	87488952		1 DEFLECTOR Crop
24	120107		2 BOLT Hex, M8 x 1.25 x 50mm, CI 8.8, Full Thd
25	328754		4 CARRIAGE BOLT M12 x 1.75 x 40mm, CI 8.8
26	140046		7 BELLEVILLE WASHER M12 Bolt Size x 27mm OD x 1.8mm Thk
27	337475		4 NUT M12, CI 10

3152-DRAPER HEADER 3162-DRAPER HEADER

DIVIDER ASSEMBLY, LEFT HAND

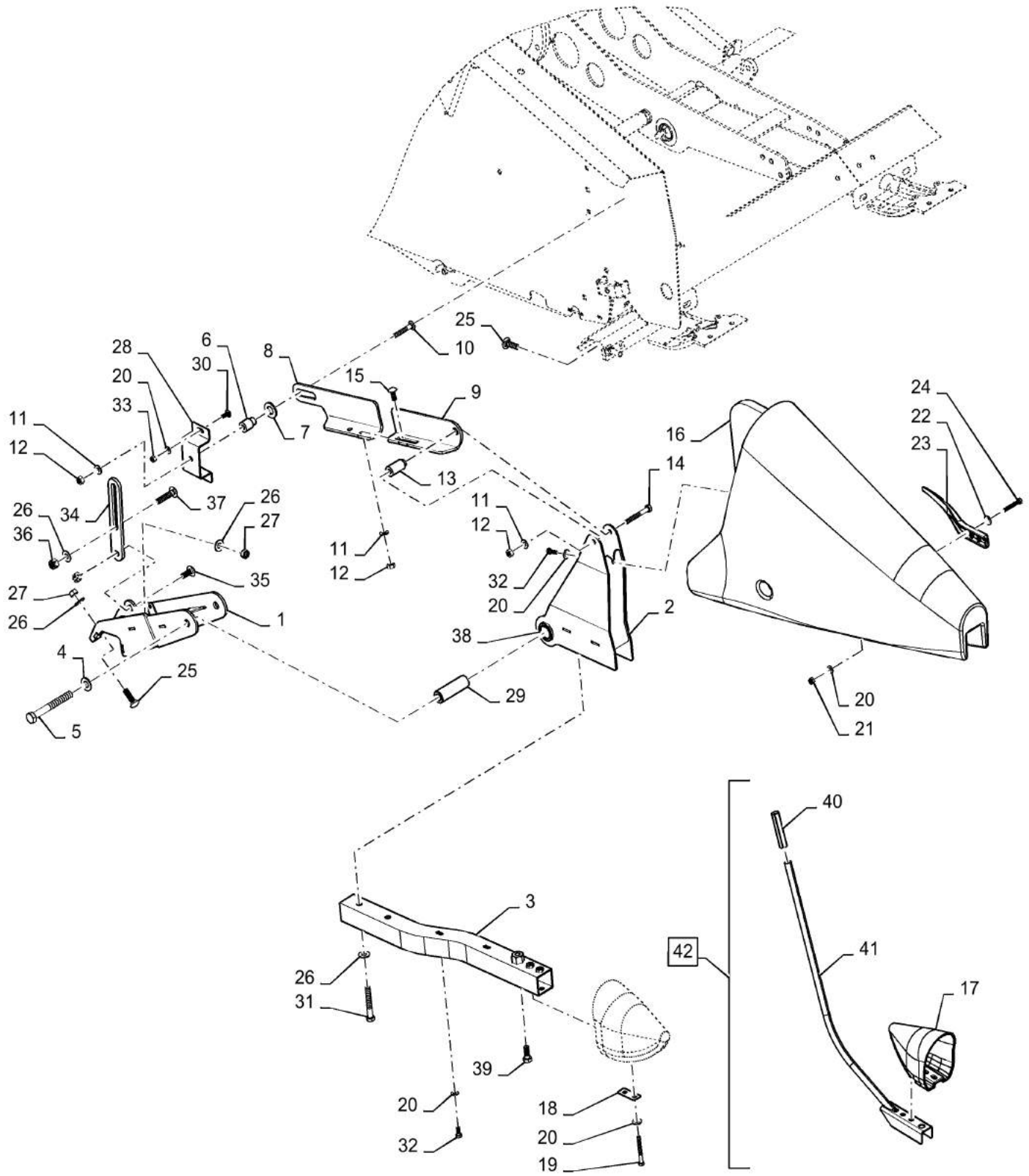


DIVIDER ASSEMBLY, LEFT HAND

REF FN	PART NUMBER	YR/SN	QTY DESCRIPTION
28	84216625		1 BRACKET
29	84137037		1 SPACER 17mm ID x 29.98mm OD x 93.15mm L Lower Pivot
30	86507486		2 CARRIAGE BOLT M8 x 1.25 x 20mm, CI 8.8
31	43158		2 BOLT Hex, M12 x 80mm, CI 8.8
32	120104		3 BOLT Hex, M8 x 1.25 x 20mm, CI 8.8
33	9706690		2 NUT M8 x 1.25, CI 8
34	84556812		1 LINK
35	120044		1 CARRIAGE BOLT M12 x 1.75 x 30mm, CI 8.8
36	412672		2 NUT Hex, M12 x 1.75, CI 10
37	87033290		1 CARRIAGE BOLT Sht Sq Nk, M12 x 55mm, CI 8.8
38	210022		2 BUSHING
39	43167		2 BOLT Hex, M16 x 30mm, CI 8.8, Full Thd
40	369441A1		1 DECAL Retroreflective, White
41	84229082		1 ROD Extension
42	84229083		1 DIVIDER Extension, Assy, Incl 40 - 41, 17

3152-DRAPER HEADER 3162-DRAPER HEADER

DIVIDER ASSEMBLY, RIGHT HAND

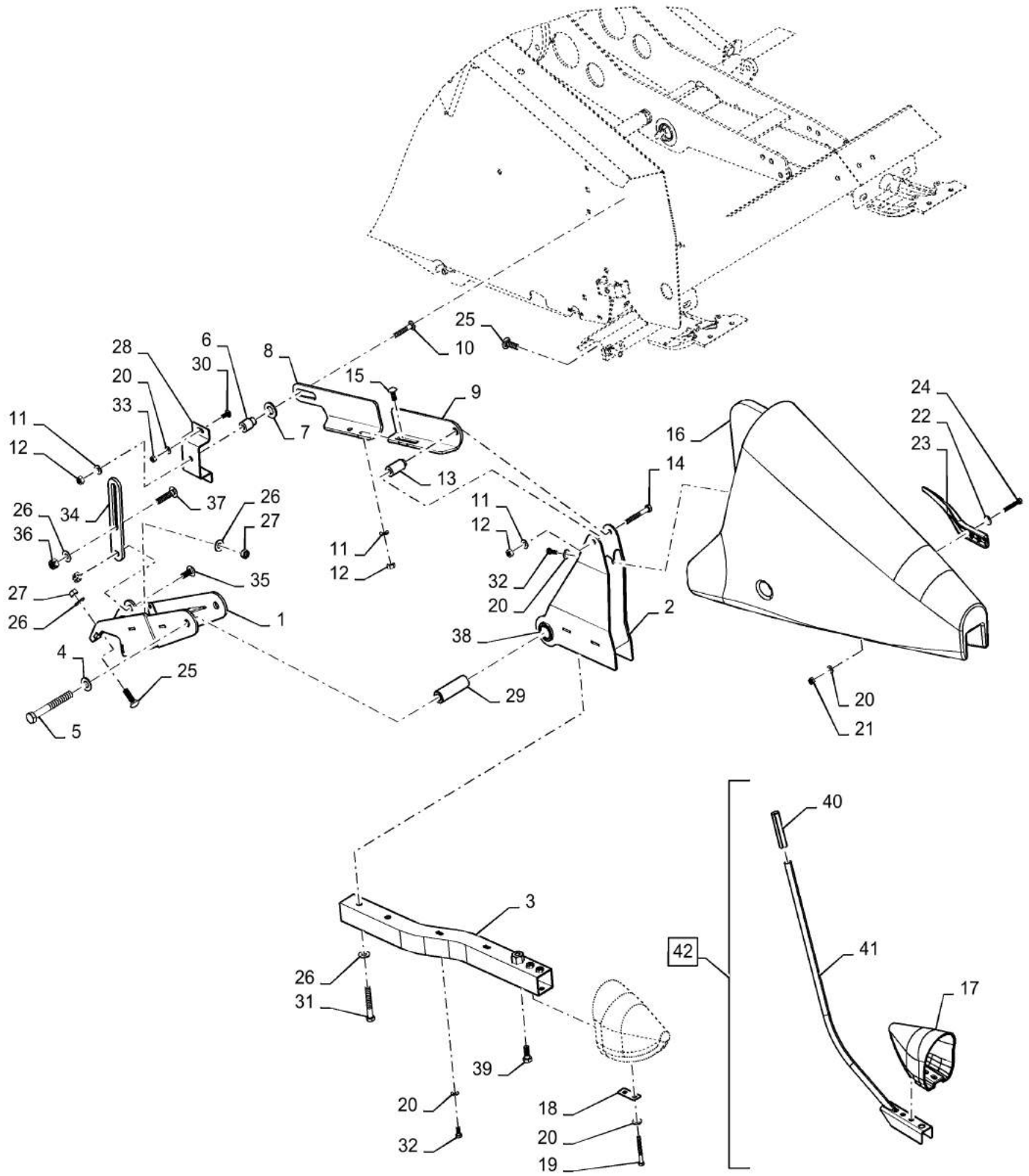


DIVIDER ASSEMBLY, RIGHT HAND

REF FN	PART NUMBER	YR/SN	QTY DESCRIPTION
1	84390059		1 DIVIDER Right Hand, Flex
1	84521513		1 BRACKET Right Hand, Rigid
2	84218894		1 MOUNT Right Hand
3	84218956		1 SUPPORT Right Hand
4	140048		4 BELLEVILLE WASHER M16 Bolt Size x 32mm OD x 2.8mm Thk
5	354360		1 BOLT Hex, M16 x 2 x 130mm, CI 8.8
6	84164504		1 SPACER 11mm ID x 25mm OD x 37mm L Stepped
7	394632		1 WASHER 21mm ID x 40mm OD x 4mm Thk
8	84306405		1 LINKAGE Right Hand
9	84306495		1 LINKAGE Right Hand
10	86512447		1 CARRIAGE BOLT Short Square Neck, M10 x 60mm, Class 8.8
11	140045		3 BELLEVILLE WASHER M10 Bolt Size x 22mm OD x 1.6mm Thk
12	100016		3 NUT M10 x 1.5, CI 8
13	84137057		1 SPACER 11mm ID x 25mm OD x 50.8mm L Lower Pivot
14	83931335		1 BOLT Hex, M10 x 1.5 x 75mm, CI 8.8
15	86633356		1 CARRIAGE BOLT M10 x 34.8mm, CI 8.8
16	84173226		1 DIVIDER Right Hand
17	84229093		1 DIVIDER POINT Point
18	84147660		1 PLATE
19	120062		2 BOLT Hex, M8 x 70mm, CI 8.8
20	322358		9 BELLEVILLE WASHER M8 Bolt Size x 18mm OD x 1.4mm Thk
21	86629542		2 NUT M8 x 1.25, CI 8.8
22	252687		2 WASHER 0.34" ID x 0.75" OD x 0.09" Thk
23	87488952		1 DEFLECTOR Crop
24	120107		2 BOLT Hex, M8 x 1.25 x 50mm, CI 8.8, Full Thd
25	328754		4 CARRIAGE BOLT M12 x 1.75 x 40mm, CI 8.8
26	140046		7 BELLEVILLE WASHER M12 Bolt Size x 27mm OD x 1.8mm Thk
27	337475		4 NUT M12, CI 10

3152-DRAPER HEADER 3162-DRAPER HEADER

DIVIDER ASSEMBLY, RIGHT HAND

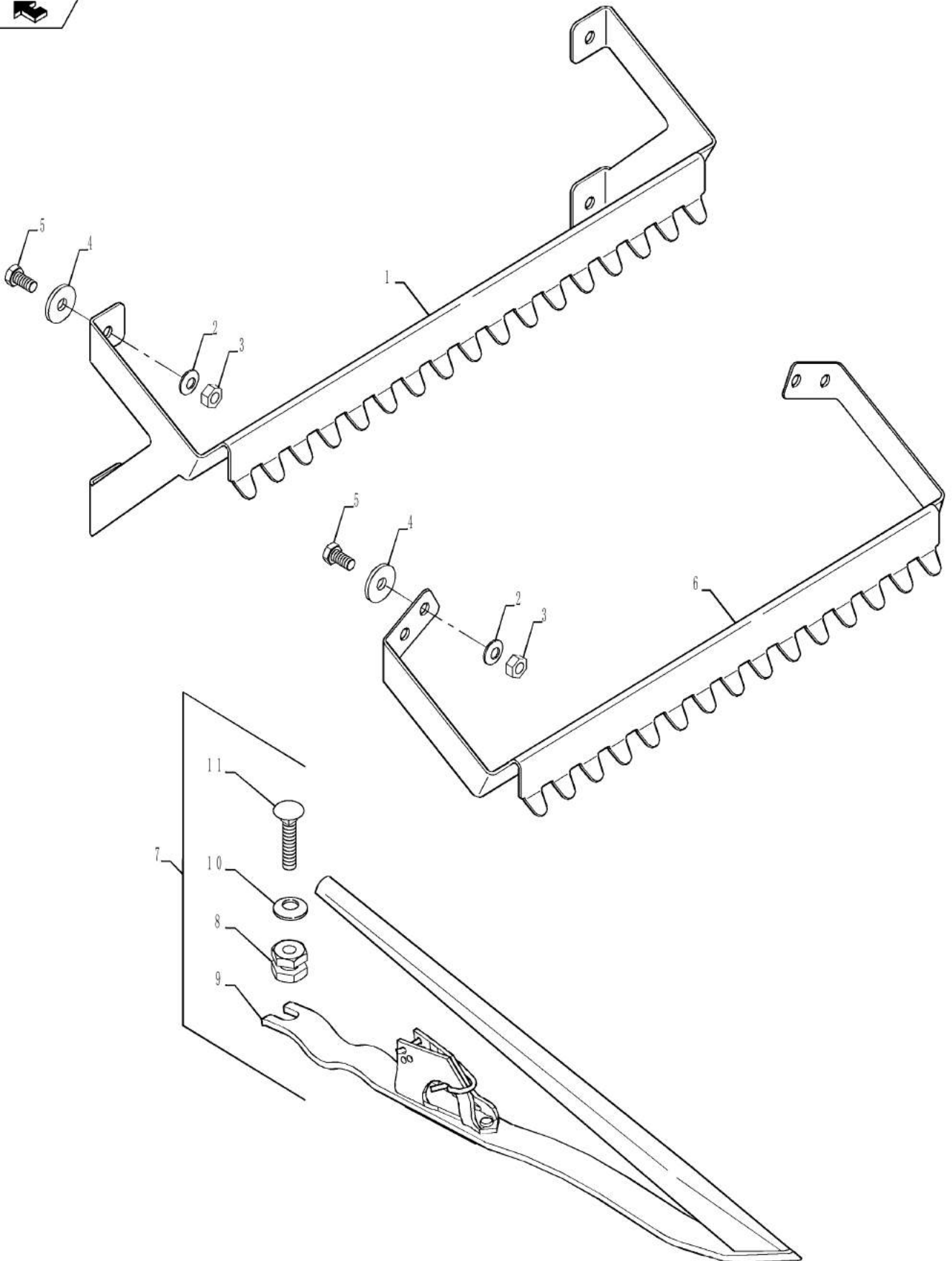


DIVIDER ASSEMBLY, RIGHT HAND

REF FN	PART NUMBER	YR/SN	QTY DESCRIPTION
28	84216625		1 BRACKET
29	84137037		1 SPACER 17mm ID x 29.98mm OD x 93.15mm L Lower Pivot
30	86507486		2 CARRIAGE BOLT M8 x 1.25 x 20mm, CI 8.8
31	43158		2 BOLT Hex, M12 x 80mm, CI 8.8
32	120104		3 BOLT Hex, M8 x 1.25 x 20mm, CI 8.8
33	9706690		2 NUT M8 x 1.25, CI 8
34	84556812		1 LINK
35	120044		1 CARRIAGE BOLT M12 x 1.75 x 30mm, CI 8.8
36	412672		2 NUT Hex, M12 x 1.75, CI 10
37	87033290		1 CARRIAGE BOLT Sht Sq Nk, M12 x 55mm, CI 8.8
38	210022		2 BUSHING
39	43167		2 BOLT Hex, M16 x 30mm, CI 8.8, Full Thd
40	84229082		1 ROD Extension
41	369441A1		1 DECAL White
42	84229083		1 DIVIDER Extension Assy, Incl 40 - 41, 17

3152-DRAPER HEADER 3162-DRAPER HEADER

CROP LIFTERS AND SUPPORT



CROP LIFTERS AND SUPPORT

REF FN	PART NUMBER	YR/SN	QTY DESCRIPTION
1	87699398		2 SUPPORT Crop Lifters, 35 40 and 45 Foot Header
2	140045		8 BELLEVILLE WASHER M10 Bolt Size x 22mm OD x 1.6mm Thk 35, 40, and 45 Foot Header
2	140045		4 BELLEVILLE WASHER M10 Bolt Size x 22mm OD x 1.6mm Thk 30 Foot Header
3	100016		8 NUT M10 x 1.5, CI 8 35, 40, and 45 Foot Header
3	100016		4 NUT M10 x 1.5, CI 8 30 Foot Header
4	140042		8 WASHER 11mm ID x 34mm OD x 3mm Thk 35, 40, and 45 Foot Header
4	140042		4 WASHER 11mm ID x 34mm OD x 3mm Thk 30 Foot Header
5	43138		8 BOLT Hex, M10 x 1.5 x 20mm, CI 8.8 35, 40, and 45 Foot Header
5	43138		4 BOLT Hex, M10 x 1.5 x 20mm, CI 8.8 30 Foot Header
6	84441549		1 SUPPORT Crop Lifters, 30 Foot Header
7	84134152		1 SERVICE KIT
8	9514326		1 NUT
9	84134059		1 CROP LIFTER
10	140045		1 BELLEVILLE WASHER M10 Bolt Size x 22mm OD x 1.6mm Thk
11	374892		1 CARRIAGE BOLT M10 x 1.5 x 40mm, CI 8.8

3152-DRAPER HEADER 3162-DRAPER HEADER

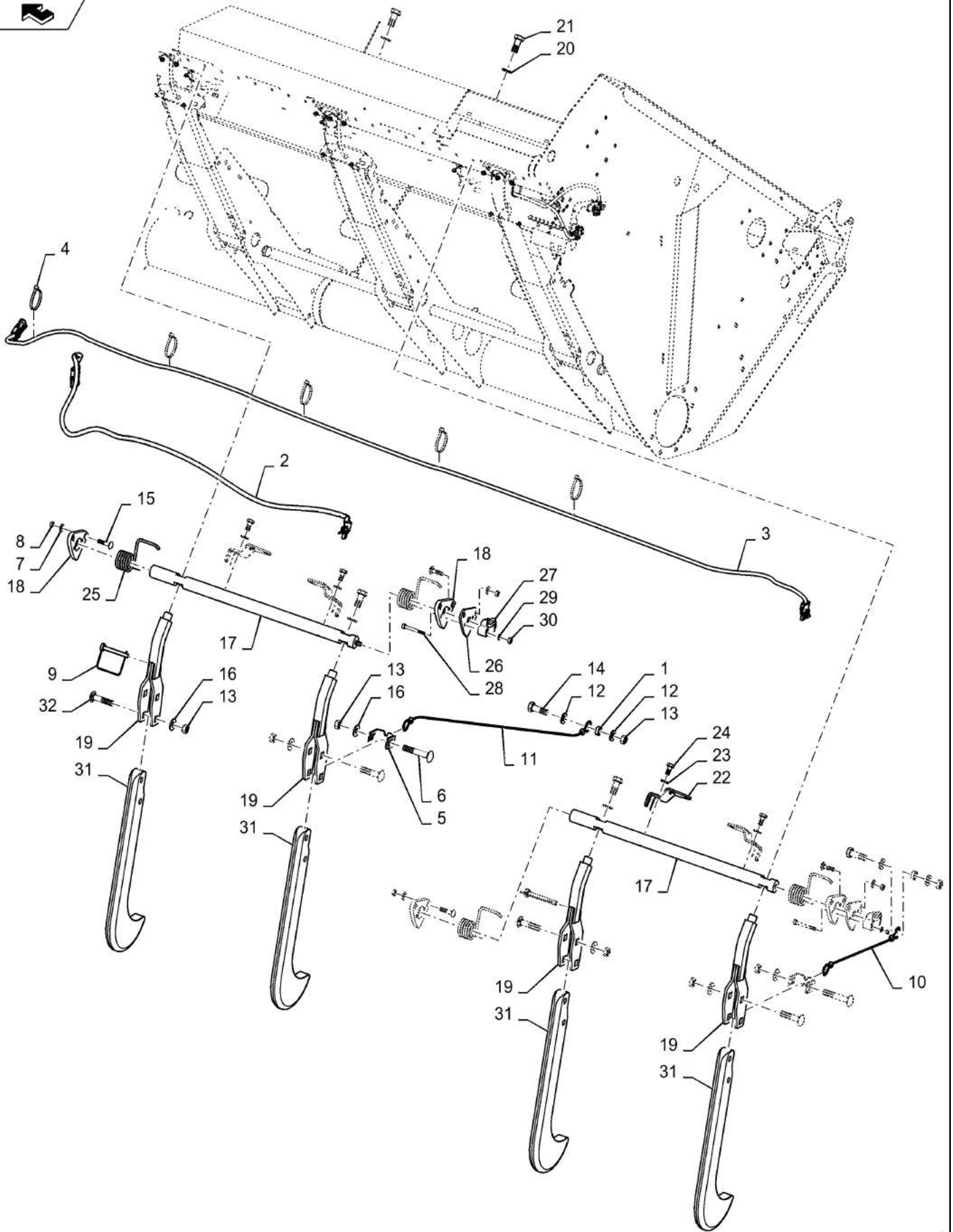
58.131.05

01

p1

9/2016

SENSOR ASSY, RIGID AHHC, 25 FOOT HEADER



SENSOR ASSY, RIGID AHHC, 25 FOOT HEADER

REF FN	PART NUMBER	YR/SN	QTY DESCRIPTION
1	86622563		4 SPACER
2	84519644		2 WIRE HARNESS HT/Tilt Extension
3	84558257		2 WIRE HARNESS Height Extension
4	86566989		10 CABLE TIE 208mm L
5	47466662		4 CLEVIS
6	338263		4 CARRIAGE BOLT Sht Sq Nk, M12 x 1.75 x 70mm, CI 8.8
7	86624184		20 WASHER 9mm ID x 16mm OD x 1.6mm Thk
8	68841		20 NUT M8 x 1.25, CI 8
9	647695		4 PIN 7.94mm OD Snap
10	47467507		2 CABLE 243mm L Feeler Arm
11	47467531		2 CABLE 432mm L Feeler Arm
12	86625256		8 WASHER 13.3mm ID x 28.5mm OD x 4mm Thk
13	118490		4 NUT M12 x 1.75, CI 8
14	9706685		16 NUT M12 x 1.75, CI 8
15	120038		16 CARRIAGE BOLT Rnd Head, M8 x 1.25 x 30mm, CI 8.8, Full Thd
16	140046		4 BELLEVILLE WASHER M12 Bolt Size x 27mm OD x 1.8mm Thk
17	84419744		4 SHAFT Wide
18	47386673		8 PLATE Wear
19	47363383		8 ARM
20	86625255		8 WASHER 13.3mm ID x 24.5mm OD x 3mm Thk
21	9706687		8 BOLT M12 x 1.75 x 30mm, CI 8.8
22	47376390		8 BRACKET
23	322358		8 BELLEVILLE WASHER M8 Bolt Size x 18mm OD x 1.4mm Thk
24	120104		8 BOLT Hex, M8 x 1.25 x 20mm, CI 8.8
25	47461740		8 TORSION SPRING
26	47389373		4 SPACER
27	86616339		4 SENSOR AHHC
28	14358921		8 HEX SOC SCREW M5 x 50mm, CI 8.8
29	9824326		8 WASHER 5.3mm ID x 10mm OD x 1mm Thk
30	2977215		8 NUT M5 x 0.8, CI 8

3152-DRAPER HEADER

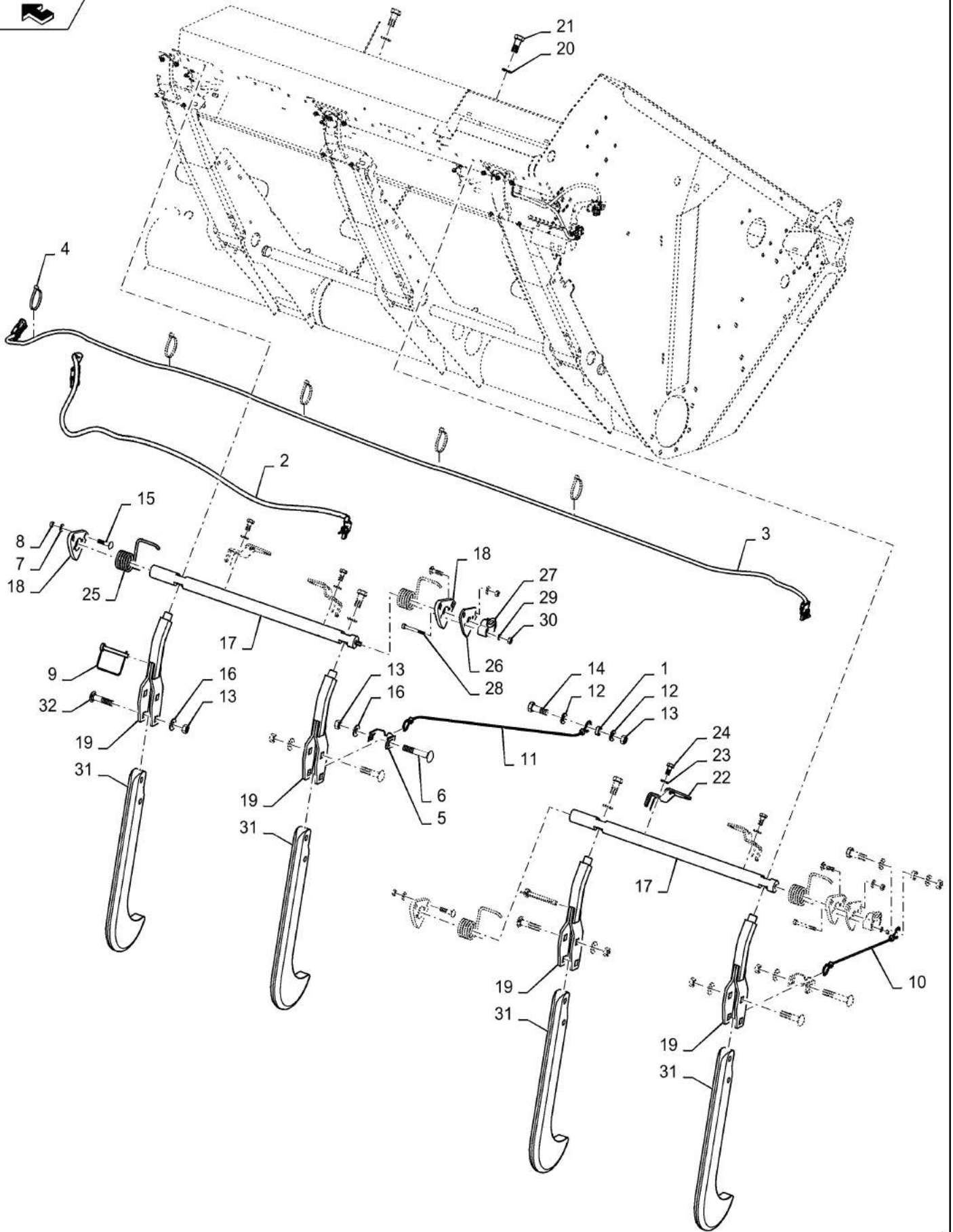
58.131.05

01

p2

9/2016

SENSOR ASSY, RIGID AHHC, 25 FOOT HEADER



58.131.05

01

p2

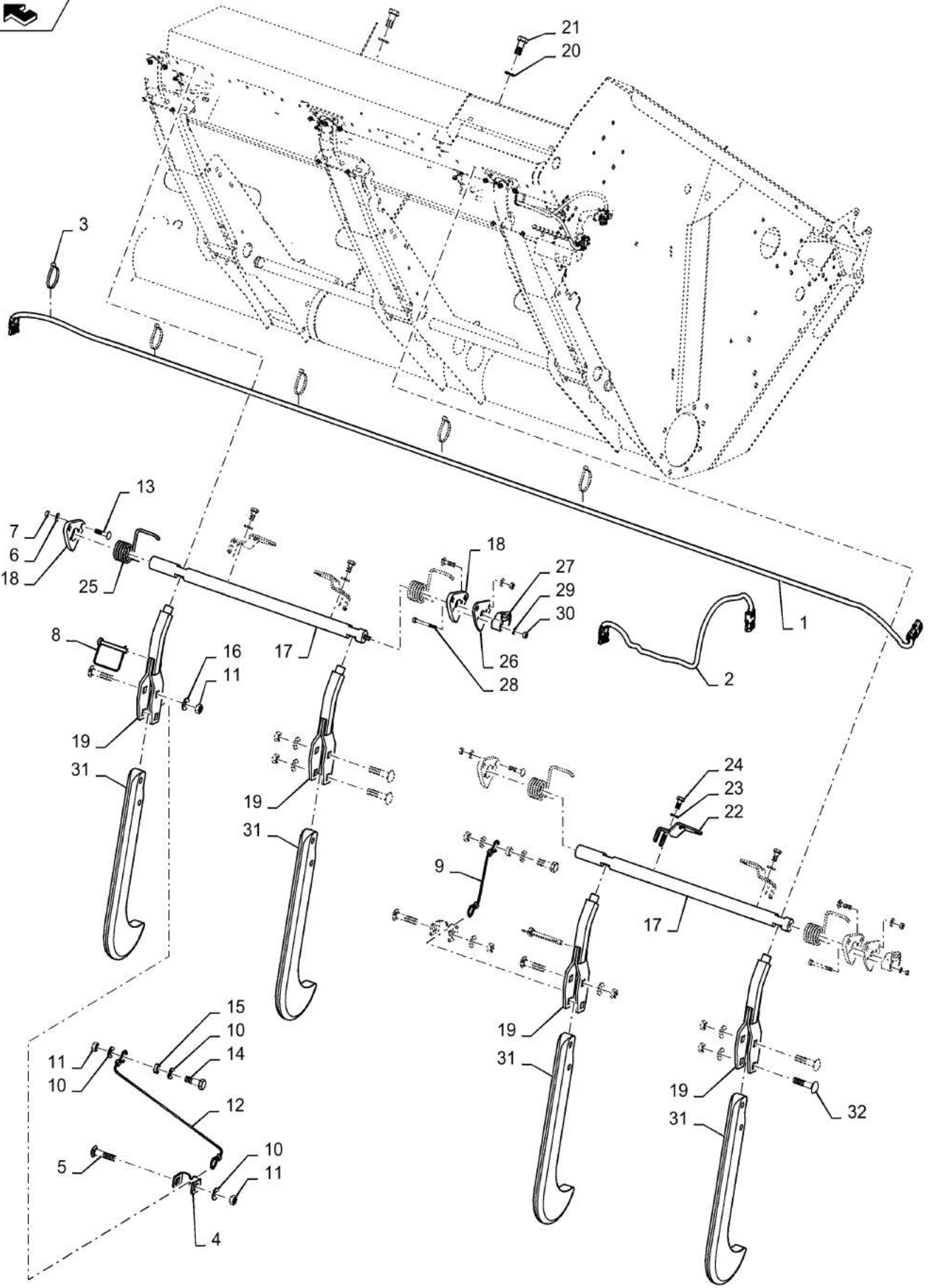
9/2016

SENSOR ASSY, RIGID AHHC, 25 FOOT HEADER

REF FN	PART NUMBER	YR/SN	QTY DESCRIPTION
31	47437120		8 ARM Feeler
32	87033290		16 CARRIAGE BOLT Sht Sq Nk, M12 x 55mm, Cl 8.8

3152-DRAPER HEADER

SENSOR ASSY, RIGID AHHC, 30 FOOT HEADER



SENSOR ASSY, RIGID AHHC, 30 FOOT HEADER

REF FN	PART NUMBER	YR/SN	QTY DESCRIPTION
1	84537466		2 WIRE HARNESS
2	84519644		2 WIRE HARNESS
3	86566989		12 CABLE TIE 208mm L
4	47466662		4 CLEVIS
5	338263		4 CARRIAGE BOLT Sht Sq Nk, M12 x 1.75 x 70mm, CI 8.8
6	86624184		16 WASHER 9mm ID x 16mm OD x 1.6mm Thk
7	68841		16 NUT M8 x 1.25, CI 8
8	647695		4 PIN 7.94mm OD
9	47467507		3 CABLE 243mm L
10	86625256		8 WASHER 13.3mm ID x 28.5mm OD x 4mm Thk
11	118490		17 NUT M12 x 1.75, CI 8
12	47467531		1 CABLE 432mm L
13	120038		16 CARRIAGE BOLT Rnd Head, M8 x 1.25 x 30mm, CI 8.8, Full Thd
14	300389		4 BOLT M12 x 1.75 x 35mm, CI 8.8
15	144607		4 SPACER 0.516" ID x 0.749" OD x 0.28" L
16	140046		13 BELLEVILLE WASHER M12 Bolt Size x 27mm OD x 1.8mm Thk
17	84419744		2 SHAFT Wide
17	84361604		1 SHAFT Narrow
18	47386673		6 PLATE
19	47363383		6 ARM
20	86625255		6 WASHER 13.3mm ID x 24.5mm OD x 3mm Thk
21	9706687		6 BOLT M12 x 1.75 x 30mm, CI 8.8
22	47376390		6 BRACKET
23	322358		6 BELLEVILLE WASHER M8 Bolt Size x 18mm OD x 1.4mm Thk
24	120104		6 BOLT Hex, M8 x 1.25 x 20mm, CI 8.8
25	47461740		6 TORSION SPRING
26	47389373		3 SPACER
27	86616339		3 SENSOR
28	14358921		6 HEX SOC SCREW M5 x 50mm, CI 8.8
29	9824326		6 WASHER 5.3mm ID x 10mm OD x 1mm Thk

3152-DRAPER HEADER

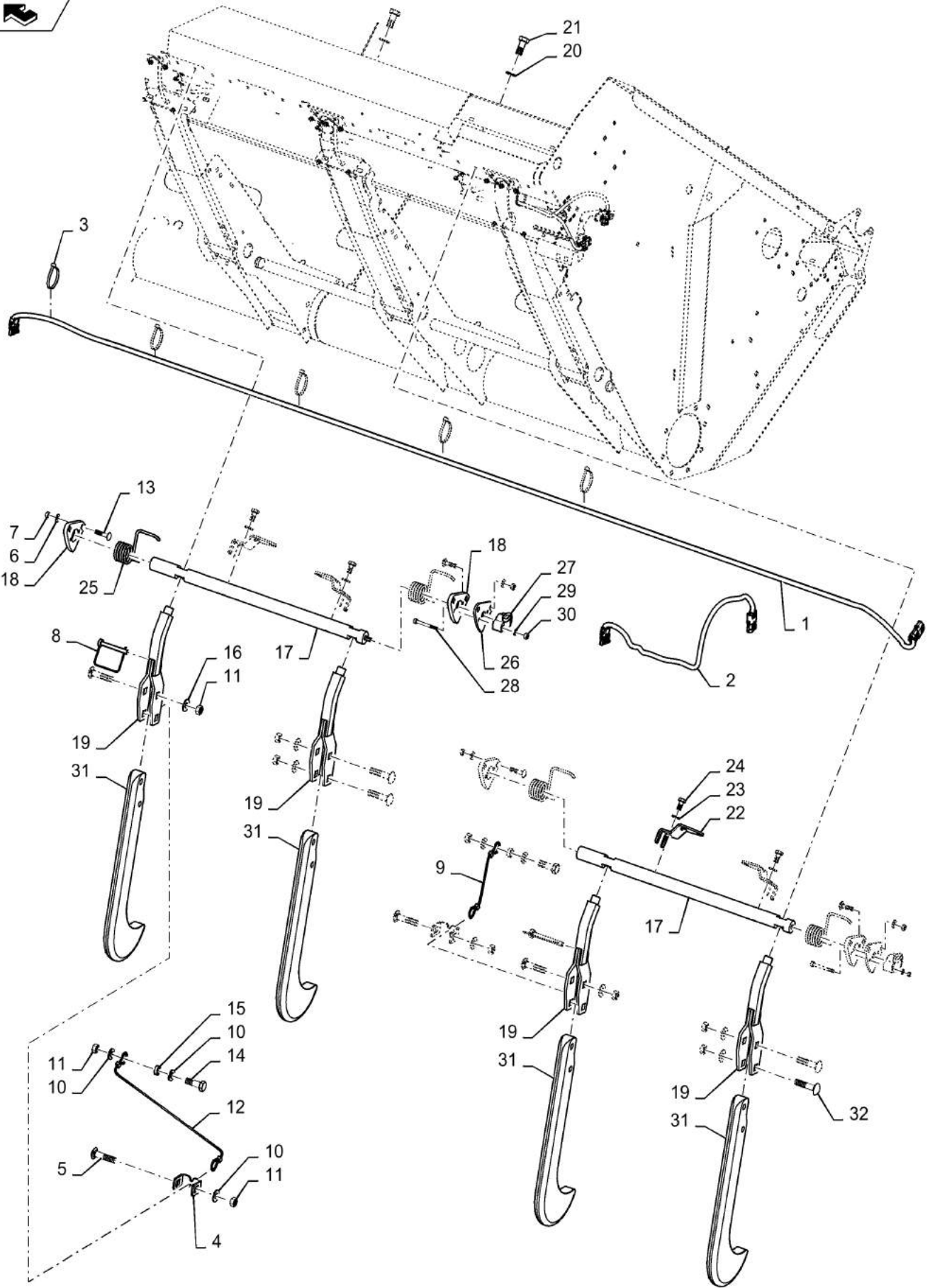
58.131.05

02

p2

9/2016

SENSOR ASSY, RIGID AHHC, 30 FOOT HEADER



58.131.05

02

p2

9/2016

SENSOR ASSY, RIGID AHHC, 30 FOOT HEADER

REF FN	PART NUMBER	YR/SN	QTY DESCRIPTION
30	2977215		6 NUT M5 x 0.8, CI 8
31	47437120		6 ARM
32	87033290		9 CARRIAGE BOLT Sht Sq Nk, M12 x 55mm, CI 8.8

3152-DRAPER HEADER

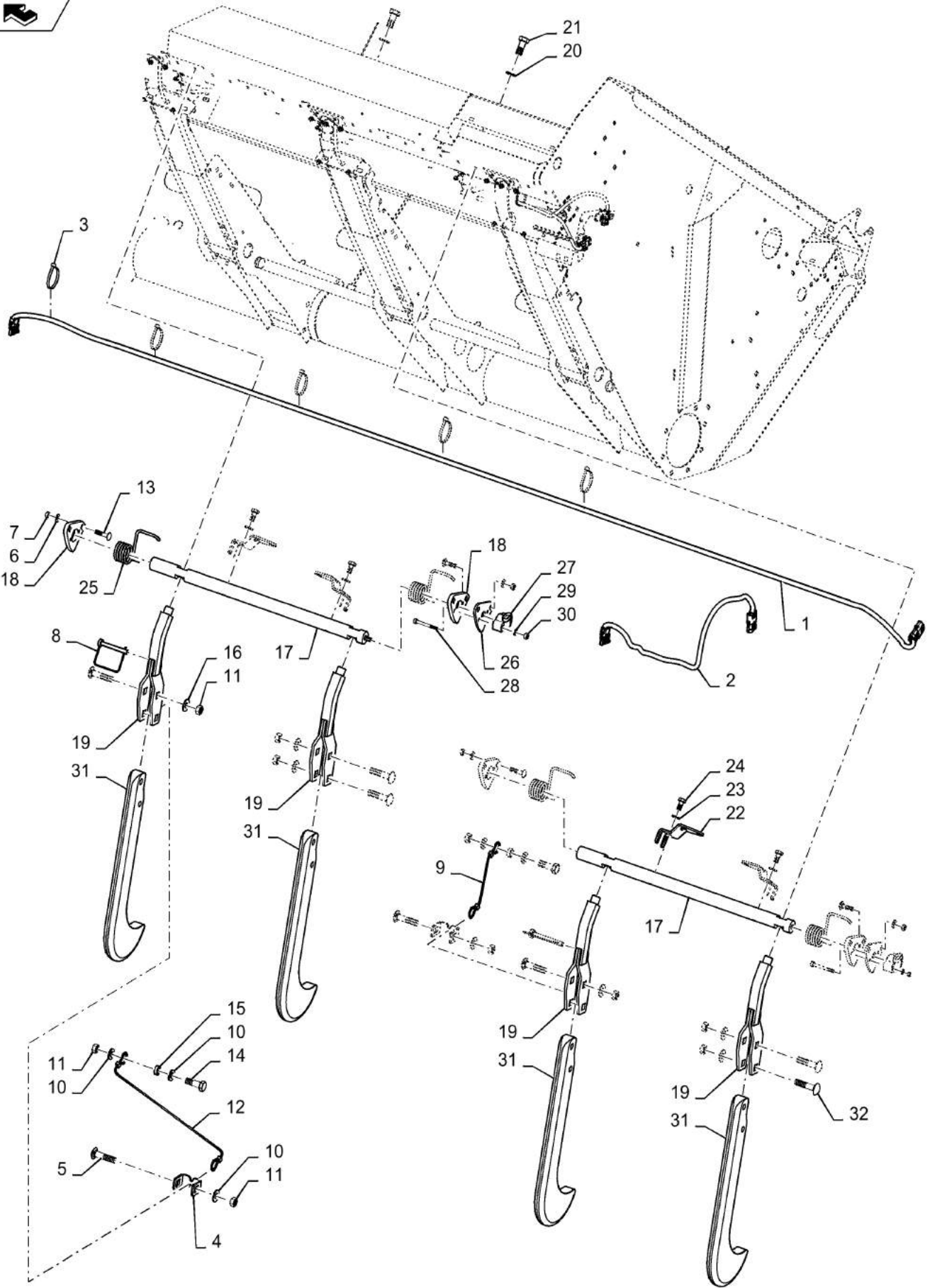
58.131.05

03

p1

9/2016

SENSOR ASSY, RIGID AHHC, 35/40/45 FOOT HEADER



SENSOR ASSY, RIGID AHHC, 35/40/45 FOOT HEADER

REF FN	PART NUMBER	YR/SN	QTY DESCRIPTION
1	84537466		2 WIRE HARNESS
2	84519644		2 WIRE HARNESS
3	86566989		12 CABLE TIE 208mm L
4	47466662		4 CLEVIS
5	338263		4 CARRIAGE BOLT Sht Sq Nk, M12 x 1.75 x 70mm, CI 8.8
6	86624184		16 WASHER 9mm ID x 16mm OD x 1.6mm Thk
7	68841		16 NUT M8 x 1.25, CI 8
8	647695		4 PIN 7.94mm OD
9	47467507		3 CABLE 243mm L
10	86625256		8 WASHER 13.3mm ID x 28.5mm OD x 4mm Thk
11	118490		14 NUT M12 x 1.75, CI 8
12	47467531		1 CABLE 432mm L
13	120038		16 CARRIAGE BOLT Rnd Head, M8 x 1.25 x 30mm, CI 8.8, Full Thd
14	300389		4 BOLT M12 x 1.75 x 35mm, CI 8.8
15	144607		4 SPACER 0.516" ID x 0.749" OD x 0.28" L
16	140046		10 BELLEVILLE WASHER M12 Bolt Size x 27mm OD x 1.8mm Thk
17	84419744		2 SHAFT Wide
18	47386673		4 PLATE
19	47363383		4 ARM
20	86625255		4 WASHER 13.3mm ID x 24.5mm OD x 3mm Thk
21	9706687		4 BOLT M12 x 1.75 x 30mm, CI 8.8
22	47376390		4 BRACKET
23	322358		4 BELLEVILLE WASHER M8 Bolt Size x 18mm OD x 1.4mm Thk
24	120104		4 BOLT Hex, M8 x 1.25 x 20mm, CI 8.8
25	47461740		4 TORSION SPRING
26	47389373		2 SPACER
27	86616339		2 SENSOR
28	14358921		4 HEX SOC SCREW M5 x 50mm, CI 8.8
29	9824326		4 WASHER 5.3mm ID x 10mm OD x 1mm Thk
30	2977215		4 NUT M5 x 0.8, CI 8

3152-DRAPER HEADER

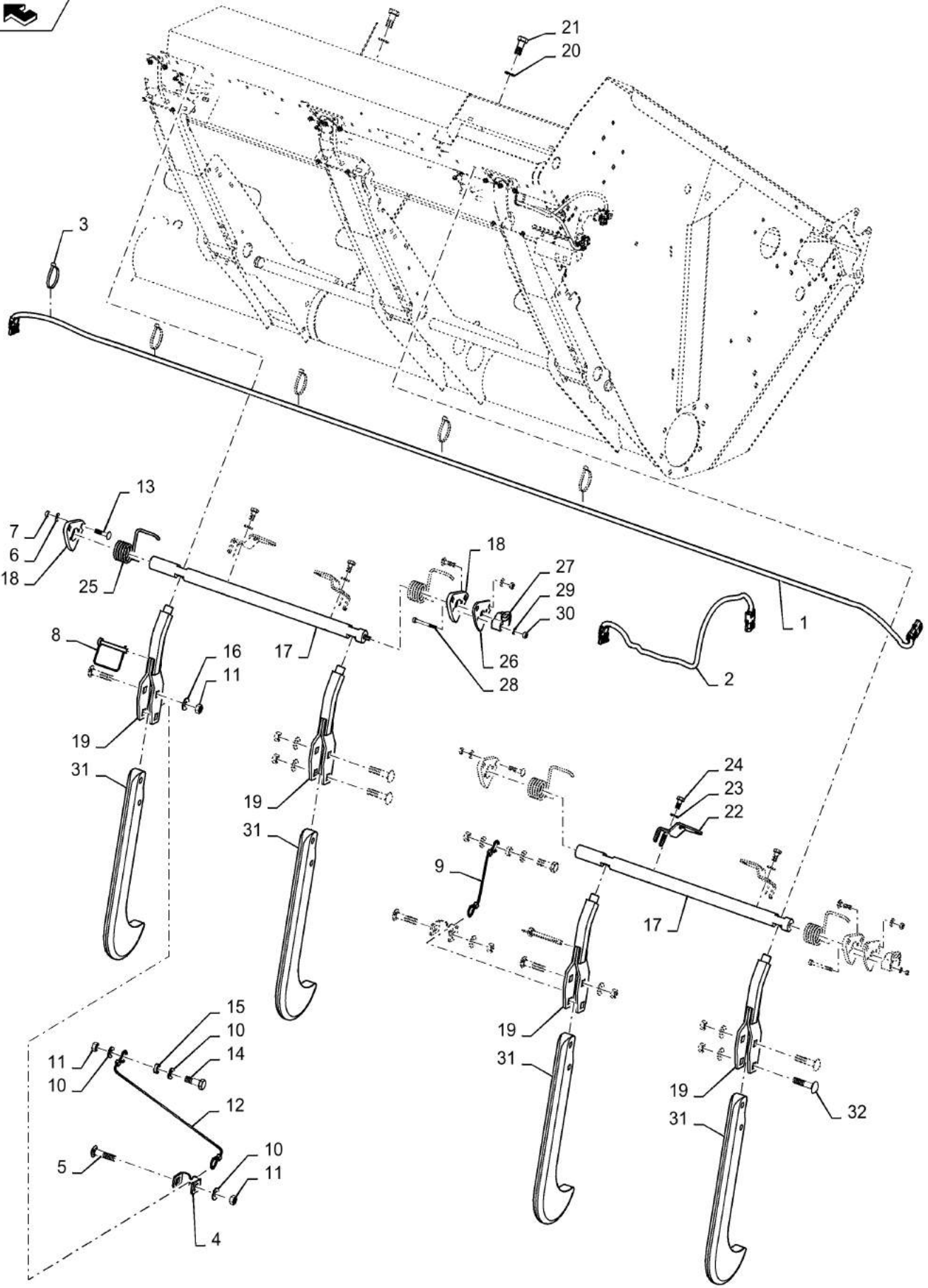
58.131.05

03

p2

9/2016

SENSOR ASSY, RIGID AHHC, 35/40/45 FOOT HEADER



58.131.05

03

p2

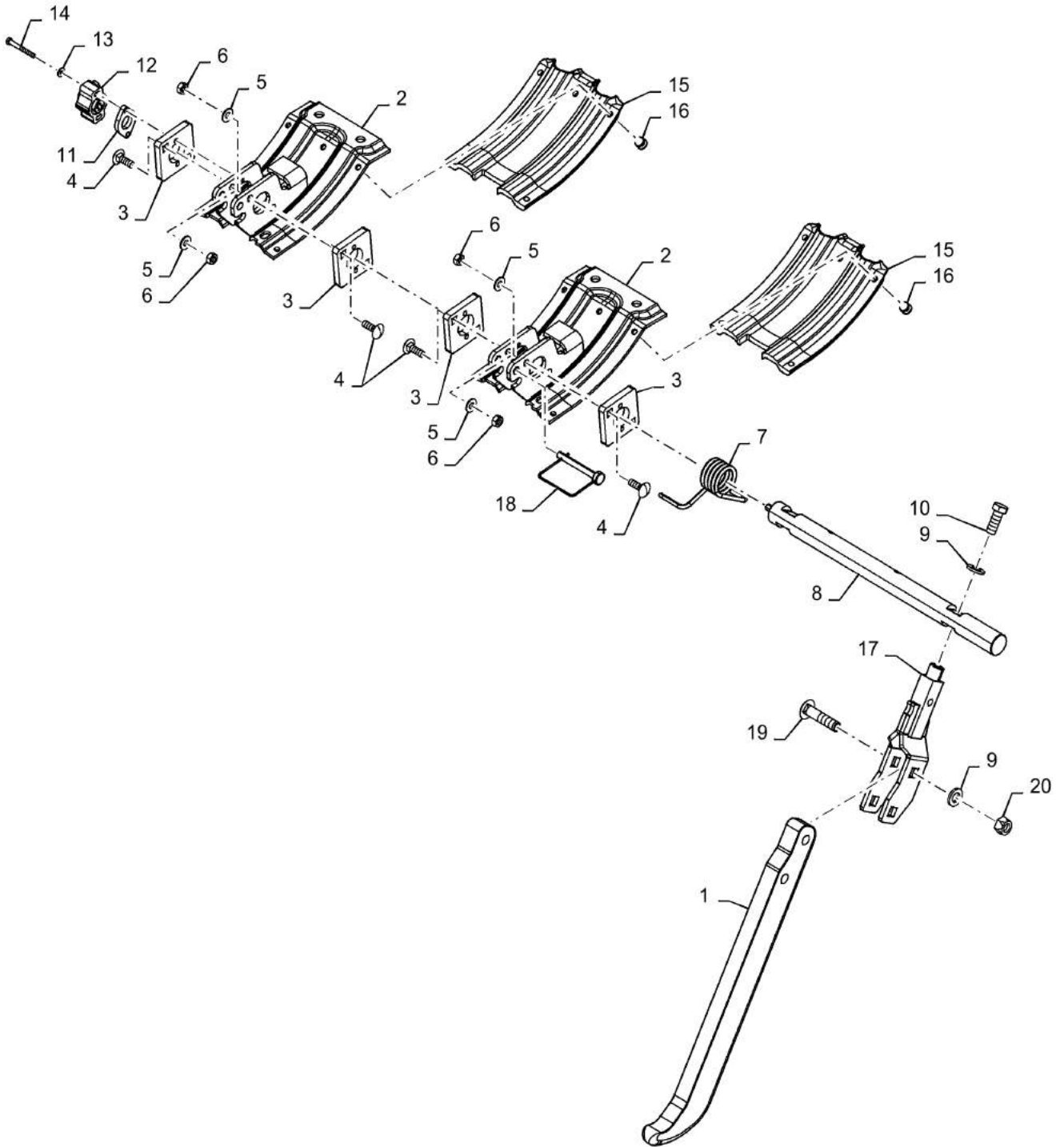
9/2016

SENSOR ASSY, RIGID AHHC, 35/40/45 FOOT HEADER

REF FN	PART NUMBER	YR/SN	QTY DESCRIPTION
31	47437120		4 ARM
32	87033290		6 CARRIAGE BOLT Sht Sq Nk, M12 x 55mm, CI 8.8

3152-DRAPER HEADER

AHHC, ARM ASSY, DRAPER, RIGHT CENTER

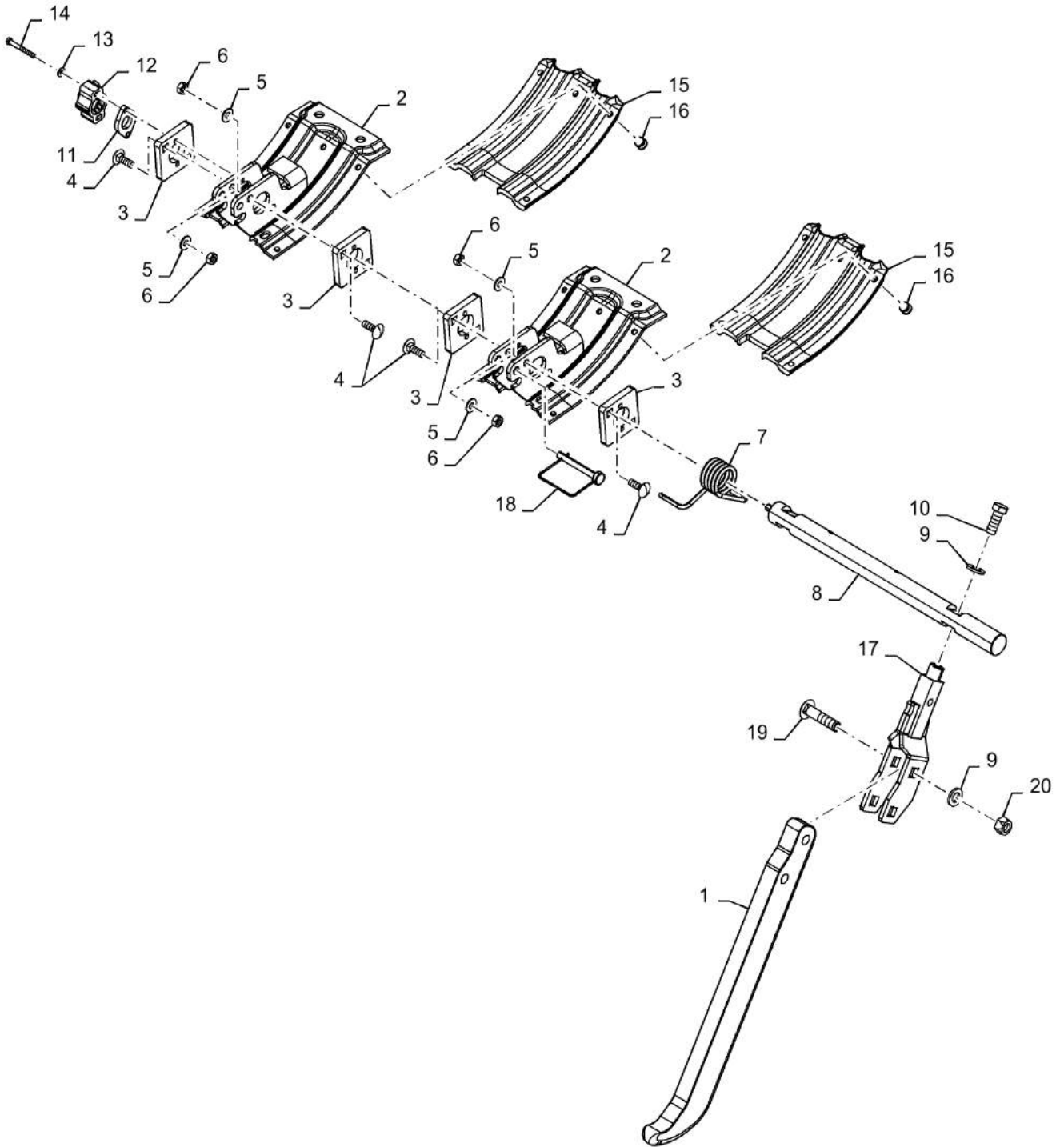


AHHC, ARM ASSY, DRAPER, RIGHT CENTER

REF FN	PART NUMBER	YR/SN	QTY DESCRIPTION
1	47466899		1 ARM
2	47373632		2 SKID/SHOE
3	84361606		4 WEAR PLATE
4	86636815		8 CARRIAGE BOLT Sq Nk, M8 x 25mm, CI 8.8, Full Thd
5	322358		8 BELLEVILLE WASHER M8 Bolt Size x 18mm OD x 1.4mm Thk
6	43362		8 NUT M8 x 1.25, CI 10
7	47461740		1 TORSION SPRING
8	84361604		1 SHAFT
9	86625255		2 WASHER 13.3mm ID x 24.5mm OD x 3mm Thk
10	9706687		1 BOLT M12 x 1.75 x 30mm, CI 8.8
11	84333216		1 SPACER
12	86616339		1 SENSOR AHHC Senosr
13	322356		2 BELLEVILLE WASHER M5 Bolt Size x 12mm OD x 1.85mm Thk
14	86508567		2 BOLT Hex, M5 x 45mm, CI 8.8
15	84338989		2 SKID/SHOE
16	87613322		10 POP RIVET Pop, 6.35mm OD x 15.75mm L
17	84599982		1 BAR
18	647695		1 PIN 7.94mm OD
19	87033290		1 CARRIAGE BOLT Sht Sq Nk, M12 x 55mm, CI 8.8
20	100038		1 NUT M12 x 1.75, CI 8

3152-DRAPER HEADER 3162-DRAPER HEADER

AHHC, ARM ASSY, DRAPER, LEFT CENTER



AHHC, ARM ASSY, DRAPER, LEFT CENTER

REF FN	PART NUMBER	YR/SN	QTY DESCRIPTION
1	47437120		1 ARM
2	47373632		2 SKID/SHOE
3	84361606		4 WEAR PLATE
4	86636815		8 CARRIAGE BOLT Sq Nk, M8 x 25mm, CI 8.8, Full Thd
5	322358		8 BELLEVILLE WASHER M8 Bolt Size x 18mm OD x 1.4mm Thk
6	43362		8 NUT M8 x 1.25, CI 10
7	47461740		1 TORSION SPRING
8	84419744		1 SHAFT
9	86625255		2 WASHER 13.3mm ID x 24.5mm OD x 3mm Thk
10	9706687		1 BOLT M12 x 1.75 x 30mm, CI 8.8
11	84333216		1 SPACER
12	86616339		1 SENSOR AHHC Senosr
13	322356		2 BELLEVILLE WASHER M5 Bolt Size x 12mm OD x 1.85mm Thk
14	86508567		2 BOLT Hex, M5 x 45mm, CI 8.8
15	84338989		2 SKID/SHOE
16	87613322		10 POP RIVET Pop, 6.35mm OD x 15.75mm L
17	84599982		1 BAR
18	647695		1 PIN 7.94mm OD
19	87033290		1 CARRIAGE BOLT Sht Sq Nk, M12 x 55mm, CI 8.8
20	100038		1 NUT M12 x 1.75, CI 8

3152-DRAPER HEADER 3162-DRAPER HEADER

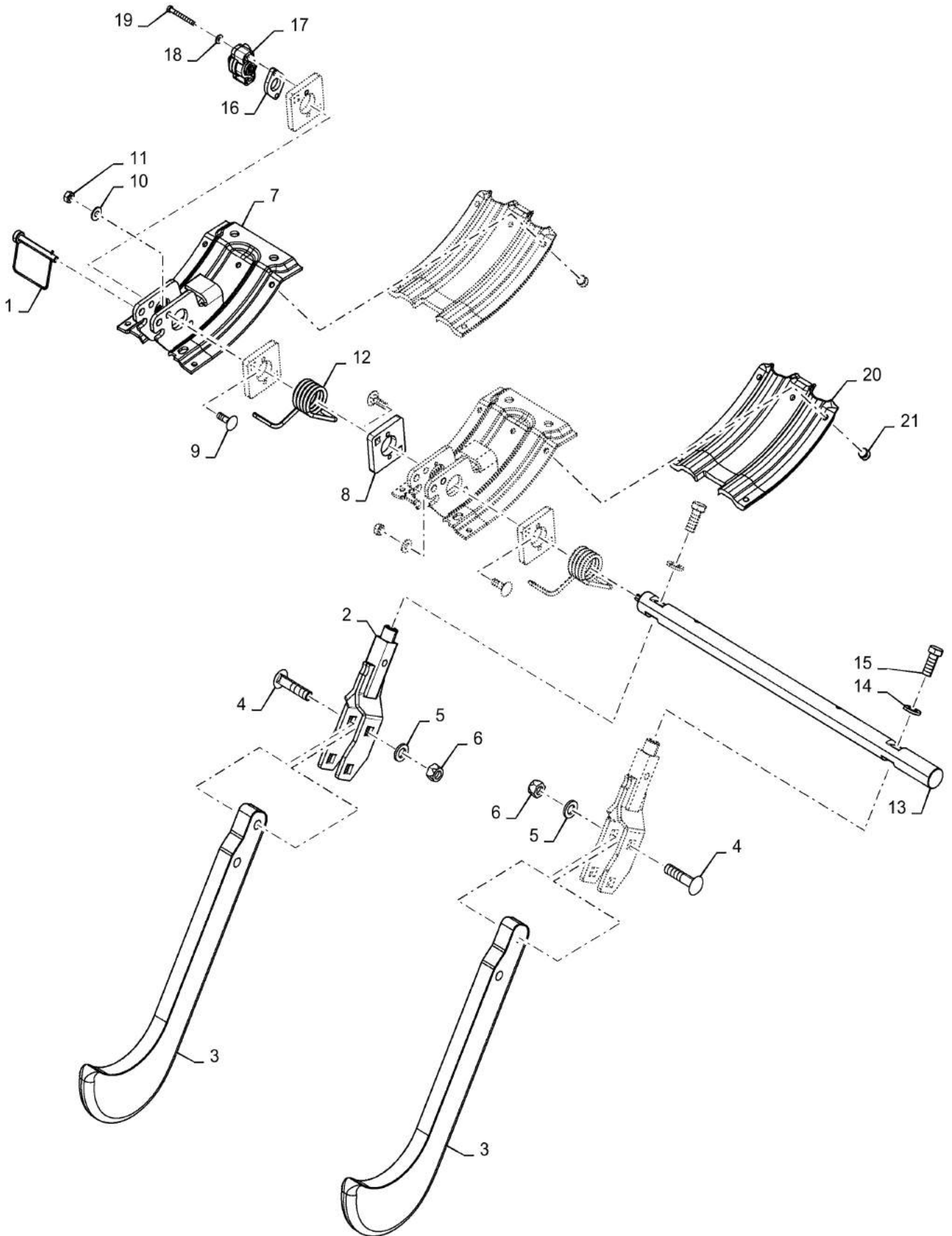
58.131.05

06

p1

9/2016

AHHC, ARM ASSY, DRAPER WIDE



58.131.05

06

p1

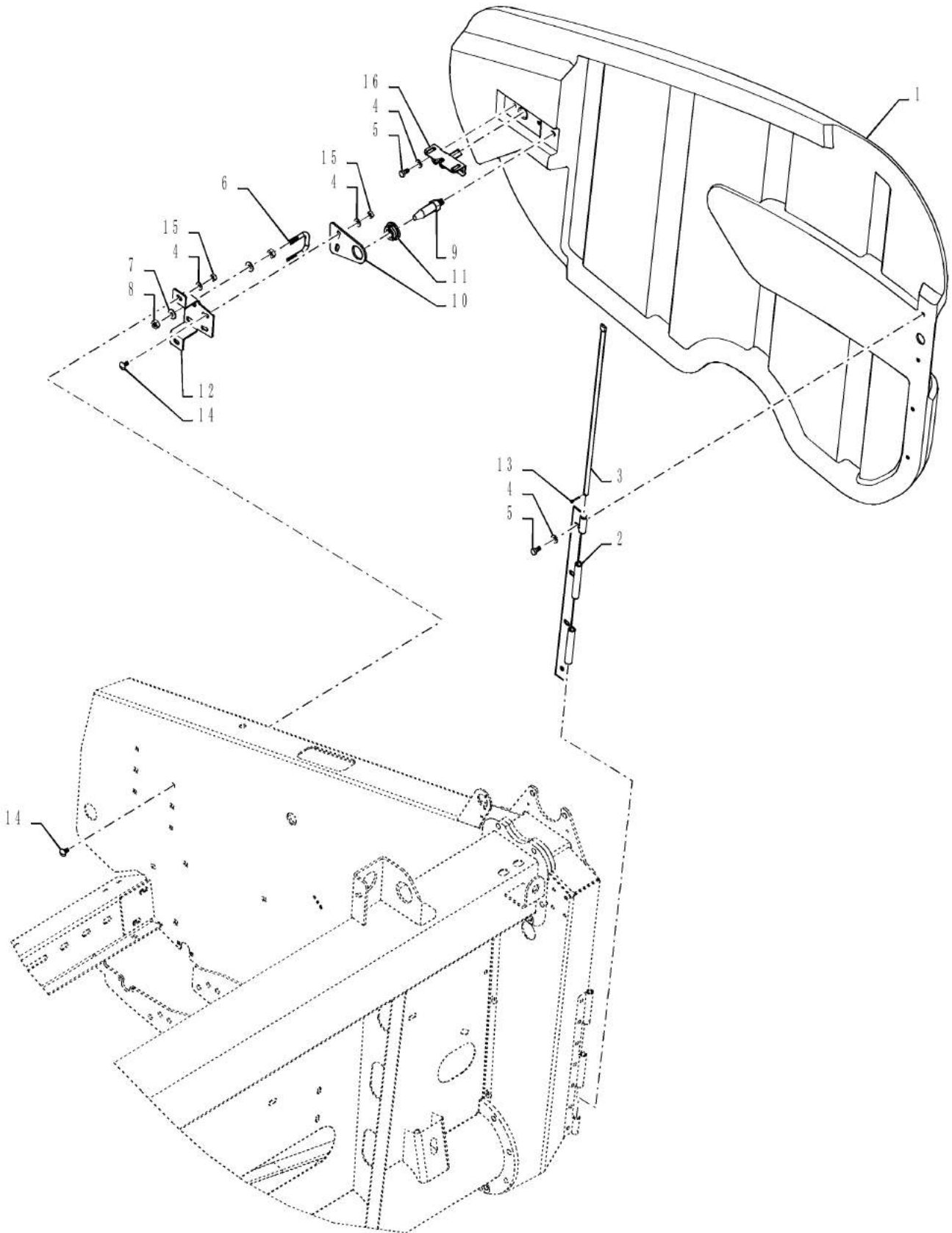
9/2016

AHHC, ARM ASSY, DRAPER WIDE

REF FN	PART NUMBER	YR/SN	QTY DESCRIPTION
1	647695		1 PIN 7.94mm OD Snap
2	84599982		2 BAR
3	47437120		2 ARM Feeler
4	87033290		2 CARRIAGE BOLT Sht Sq Nk, M12 x 55mm, CI 8.8
5	86625255		2 WASHER 13.3mm ID x 24.5mm OD x 3mm Thk
6	100038		2 NUT M12 x 1.75, CI 8
7	47373632		2 SKID/SHOE
8	84361606		4 WEAR PLATE
9	86636815		8 CARRIAGE BOLT Sq Nk, M8 x 25mm, CI 8.8, Full Thd
10	322358		8 BELLEVILLE WASHER M8 Bolt Size x 18mm OD x 1.4mm Thk
11	43362		8 NUT M8 x 1.25, CI 10
12	47461740		2 TORSION SPRING
13	84419744		1 SHAFT
14	86625255		2 WASHER 13.3mm ID x 24.5mm OD x 3mm Thk
15	9706687		2 BOLT M12 x 1.75 x 30mm, CI 8.8
16	84333216		1 SPACER
17	47419430		1 SENSOR Angle Position
18	322356		2 BELLEVILLE WASHER M5 Bolt Size x 12mm OD x 1.85mm Thk
19	86508567		2 BOLT Hex, M5 x 45mm, CI 8.8
20	84338989		2 SKID/SHOE
21	87613322		10 POP RIVET Pop, 6.35mm OD x 15.75mm L

3152-DRAPER HEADER 3162-DRAPER HEADER

END SHIELDING, RH

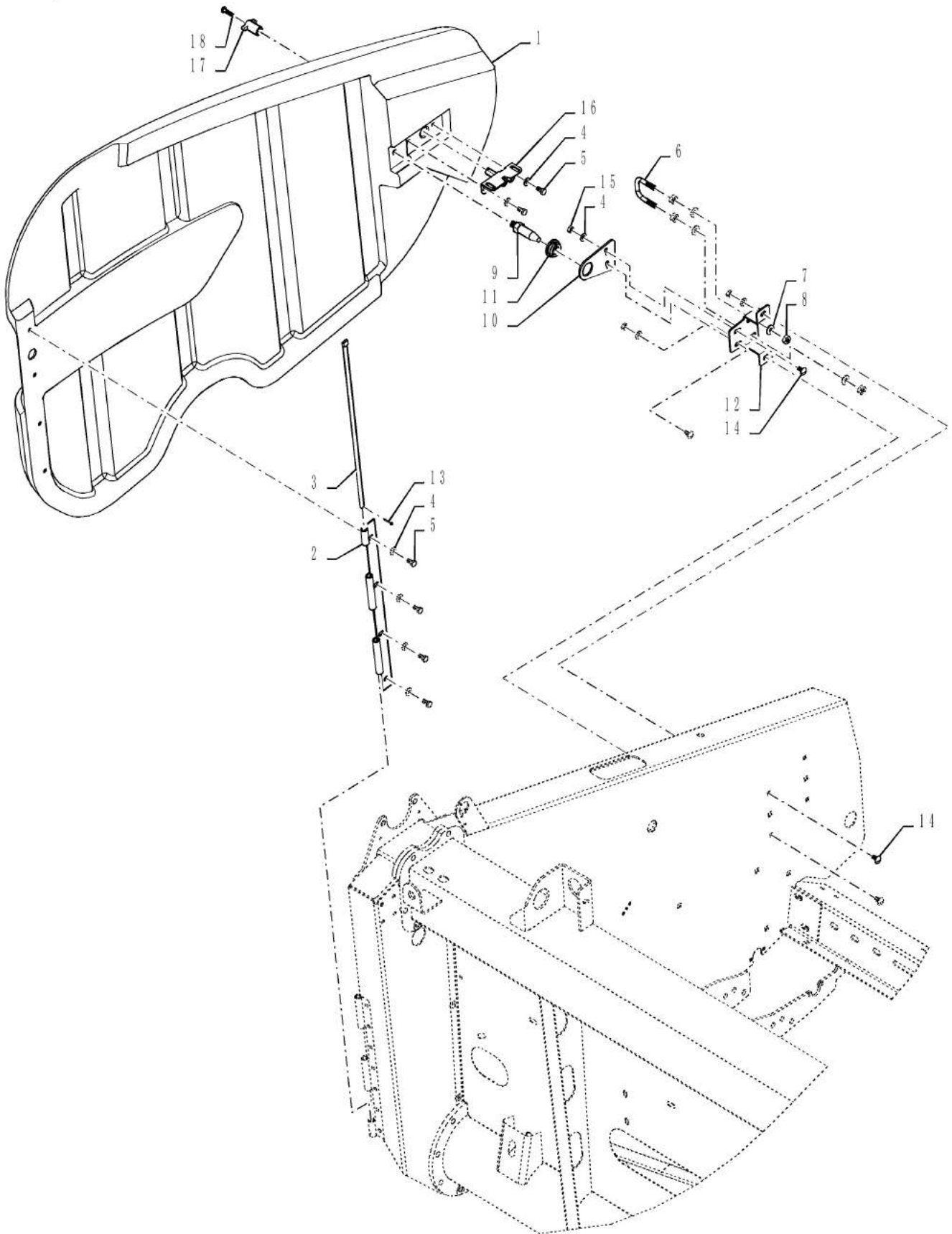


END SHIELDING, RH

REF FN	PART NUMBER	YR/SN	QTY DESCRIPTION
1	84369247		1 SHIELD Right Hand Flex
2	84296550		1 HINGE Right Hand Shield
3	87330714		1 ARTICULATED SHAFT Right Hand Shield Hinge
4	322358		10 BELLEVILLE WASHER M8 Bolt Size x 18mm OD x 1.4mm Thk
5	120103		6 BOLT M8 x 1.25 x 16mm, CI 8.8
6	84134793		1 BRACKET
7	140045		4 BELLEVILLE WASHER M10 Bolt Size x 22mm OD x 1.6mm Thk
8	100016		4 NUT M10 x 1.5, CI 8
9	87749134		1 PIN Shield Lock
10	84207826		1 MOUNT Shield Lock
11	556719		1 BUSHING 21.9mm ID x 31.9mm OD x 15mm L
12	84412557		1 BRACKET Right Hand Shield
13	130003		1 COTTER PIN 3mm OD x 30mm OAL
14	86619060		4 CARRIAGE BOLT M8 x 1.25 x 16mm, CI 8.8
15	9706690		4 NUT M8 x 1.25, CI 8
16	87719151		1 LOCK
17	87031838		1 KNOB
18	86511832		1 SCREW Phillips Drive, Pan HD, M6 x 30mm, CI 4.8

3152-DRAPER HEADER 3162-DRAPER HEADER

END SHIELDING, LH

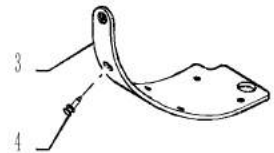
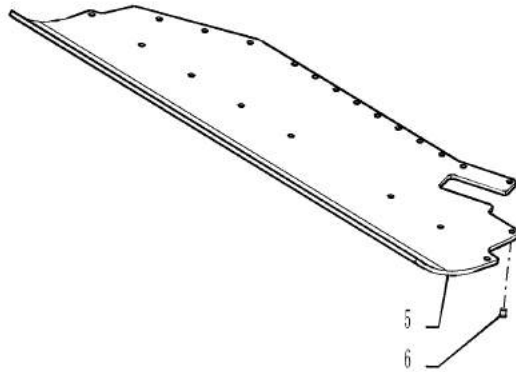
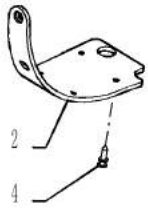


END SHIELDING, LH

REF FN	PART NUMBER	YR/SN	QTY DESCRIPTION
1	84369245		1 SHIELD Left Hand Flex
2	84296550		1 HINGE Left Hand Shield
3	87330714		1 ARTICULATED SHAFT Lrft Hand Shield Hinge
4	322358		10 BELLEVILLE WASHER M8 Bolt Size x 18mm OD x 1.4mm Thk
5	120103		6 BOLT M8 x 1.25 x 16mm, CI 8.8
6	84134793		1 BRACKET
7	140045		4 BELLEVILLE WASHER M10 Bolt Size x 22mm OD x 1.6mm Thk
8	100016		4 NUT M10 x 1.5, CI 8
9	87749134		1 PIN Lock
10	84207826		1 MOUNT Shield Lock
11	556719		1 BUSHING 21.9mm ID x 31.9mm OD x 15mm L
12	84412557		1 BRACKET Shield Lock
13	130003		1 COTTER PIN 3mm OD x 30mm OAL
14	86619060		4 CARRIAGE BOLT M8 x 1.25 x 16mm, CI 8.8
15	9706690		4 NUT M8 x 1.25, CI 8
16	87719151		1 LOCK
17	87031838		1 KNOB
18	86511832		1 SCREW Phillips Drive, Pan HD, M6 x 30mm, CI 4.8

3152-DRAPER HEADER 3162-DRAPER HEADER

WEAR PLATES



WEAR PLATES

REF FN	PART NUMBER	YR/SN	QTY DESCRIPTION
1	377580A1		56 SKID/SHOE Polyskid Single Skid, 30 FT
1	377580A1		66 SKID/SHOE Polyskid Single Skid, 35 FT
1	377580A1		76 SKID/SHOE Polyskid Single Skid, 40 FT
1	377580A1		86 SKID/SHOE Polyskid Single Skid, 45 FT
2	84337990		1 SKID/SHOE Right Hand
3	84346388		1 SKID/SHOE Left Hand
4	87613322		292 POP RIVET Pop, 6.35mm OD x 15.75mm L 30 FT
4	87613322		342 POP RIVET Pop, 6.35mm OD x 15.75mm L 35 FT
4	87613322		392 POP RIVET Pop, 6.35mm OD x 15.75mm L 40 FT
4	87613322		442 POP RIVET Pop, 6.35mm OD x 15.75mm L 45 FT
5	84323064		1 SKID PLATE
6	14441231		33 HEX SOC SCREW Flat Csk Hd, M6 x 12mm, CI 10.9

3152-DRAPER HEADER 3162-DRAPER HEADER

SECTION INDEX

PRODUCT FEEDING

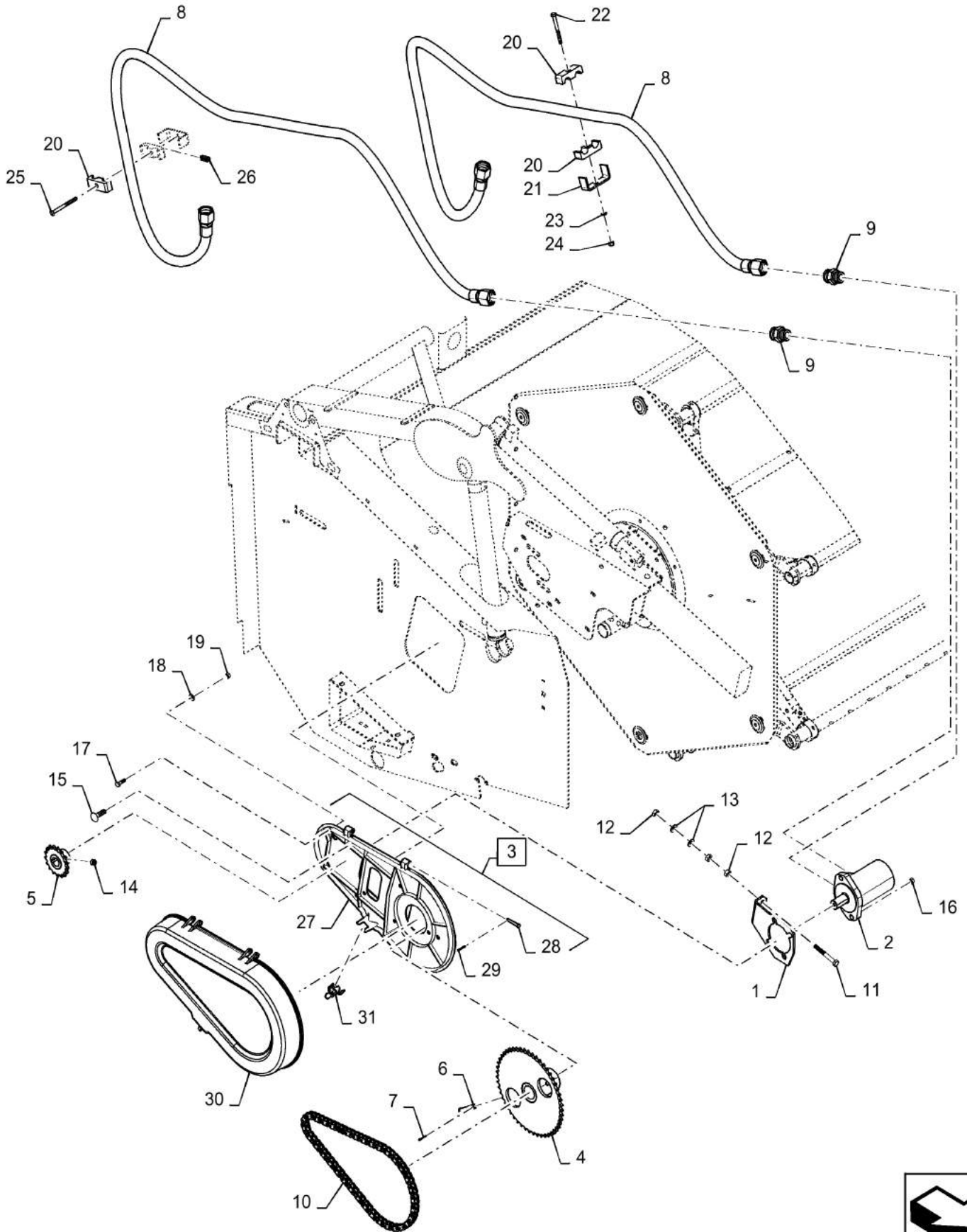
60.100.02		REEL DRIVE
60.101.00	01	REEL ARMS
60.101.00	02	REEL ADAPTER
60.101.00	03	CENTER REEL ARM, 40 AND 45 FOOT HEADER, BSN YDH030001
60.101.00	03	CENTER REEL ARM, 40 AND 45 FOOT HEADER, BSN YEH040000
60.101.00	04	CENTER REEL ARM, HYDAULIC, DRAPER, ASN YDH03001 TO BSN YEH040861
60.101.00	04	CENTER REEL ARM, HYDAULIC, DRAPER, ASN YEH040000 TO BSN YEH040861
60.101.00	05	CENTER REEL ARM, REEL DOUBLE CENTER CAM, ASN YEH050000
60.101.00	06	REEL POSITION, SENSORS
60.101.00	07	REEL, ASSY, 40FT SINGLE CENTER CAM, BSN YEH040861
60.101.00	08	REEL, ASSY, LH, SINGLE CENTER CAM 40FT, BSN YEH040861
60.101.00	09	REEL, ASSY, RH, SINGLE CENTER CAM 40FT, BSN YEH040861
60.101.00	10	REEL, TINE BAR, ASSY, LH 40FT, BSN YEH040861
60.101.00	11	REEL, TINE BAR, ASSY, LH 40FT, BSN YEH040861
60.101.00	12	REEL ASSY, 45FT SINGLE CENTER CAM, BSN YEH040861
60.101.00	13	REEL, ASSY, RH, SINGLE CENTER CAM 45FT, BSN YEH040861
60.101.00	14	REEL, ASSY, LH, SINGLE CENTER CAM 45FT, BSN YEH040861
60.101.01	01	REEL, ASSY, 25FT, PLASTIC TINE
60.101.01	02	REEL, ASSY, CENTER TUBE, 25 FT
60.101.01	03	REEL, TINE BAR, ASSY, 25FT PLASTIC TINE
60.101.01	04	REEL, TINE BAR, ASSY, 25FT PLASTIC TINE
60.101.02	01	REEL, ASSY, 30FT PLASTIC TINE
60.101.02	02	REEL, ASSY, CENTER TUBE, 30FT
60.101.02	03	REEL, TINE BAR, ASSY, 30FT
60.101.02	04	REEL, TINE BAR, ASSY, 30FT
60.101.03	01	REEL, ASSY, 35FT, PLASTIC TINE
60.101.03	02	REEL, ASSY, CENTER TUBE 35FT
60.101.03	03	REEL, TINE BAR, ASSY, 35FT
60.101.03	04	REEL, TINE BAR, ASSY, 35FT
60.101.04	01	REEL ASSY, 40FT CENTER DOUBLE CAM, ASN YEH050000
60.101.04	02	REEL ASSY, LH 40FT CENTER DOUBLE CAM, ASN YEH050000
60.101.04	03	REEL ASSY, RH 40FT CENTER DOUBLE CAM, ASN YEH050000
60.101.04	04	REEL, TINE BAR ASSY, RH 40FT, ASN YEH050000
60.101.04	05	REEL, TINE BAR ASSY, RH 40FT, ASN YEH050000
60.101.04	06	REEL, TINE BAR ASSY, LH 40FT, ASN YEH050000

SECTION INDEX

PRODUCT FEEDING

60.101.04	07	REEL, TINE BAR ASSY, LH 40FT, ASN YEH050000
60.101.05	01	REEL ASSY, 45FT CENTER DOUBLE CAM, ASN YEH050000
60.101.05	02	REEL ASSY, LH 45FT CENTER DOUBLE CAM, ASN YEH050000
60.101.05	03	REEL ASSY, RH 45FT CENTER DOUBLE CAM, ASN YEH050000
60.101.05	04	REEL, TINE BAR ASSY, RH 45FT, ASN YEH050000
60.101.05	05	REEL, TINE BAR ASSY, RH 45FT, ASN YEH050000
60.101.05	06	REEL, TINE BAR ASSY, LH 45FT, ASN YEH050000
60.101.05	07	REEL, TINE BAR ASSY, LH 45FT, ASN YEH050000
60.101.06	01	REEL, ASSY 25FT, STEEL TINE
60.101.06	02	REEL, ASSY, CENTER TUBE, 25FT
60.101.06	03	REEL, TINE BAR, ASSY, 25FT STEEL TINE
60.101.06	04	REEL, TINE BAR, ASSY, 25FT STEEL TINE
60.101.07	01	REEL, ASSY, 30FT CENTER DOUBLE CAM, STEEL TINE, ASN YEH050000
60.101.07	02	REEL, ASSY, LH 30FT CENTER DOUBLE CAM, STEEL TINE, ASN YEH050000
60.101.07	03	REEL, ASSY, RH 30FT CENTER DOUBLE CAM, STEEL TINE, ASN YEH050000
60.101.07	04	REEL, TINE BAR, ASSY, LH 30FT, STEEL TINE ASN YEH050000
60.101.07	05	REEL, TINE BAR, ASSY, LH 30FT, STEEL TINE ASN YEH050000
60.101.07	06	REEL, TINE BAR, ASSY, RH 30FT, STEEL TINE ASN YEH050000
60.101.07	07	REEL, TINE BAR, ASSY, RH 30FT, STEEL TINE ASN YEH050000
60.101.08	01	REEL, ASSY 35FT, STEEL TINE, ASN YEH050000
60.101.08	02	REEL, ASSY, LH 35FT CENTER DOUBLE CAM, STEEL TINE, ASN YEH050000
60.101.08	03	REEL, ASSY, RH 35FT CENTER DOUBLE CAM, STEEL TINE, ASN YEH050000
60.101.08	04	REEL, TINE BAR, ASSY, LH 35FT, STEEL TINE ASN YEH050000
60.101.08	05	REEL, TINE BAR, ASSY, LH 35FT, STEEL TINE ASN YEH050000
60.101.08	06	REEL, TINE BAR, ASSY, RH 35FT, STEEL TINE ASN YEH050000
60.101.08	07	REEL, TINE BAR, ASSY, RH 35FT, STEEL TINE ASN YEH050000
60.105.02	01	CRANK, ASSY, PLASTIC TINE, RH
60.105.02	02	CRANK, ASSY, PLASTIC TINE, LH
60.105.03	01	CRANK, ASSY, STEEL TINE, LH
60.105.03	02	CRANK, ASSY, STEEL TINE, RH

REEL DRIVE



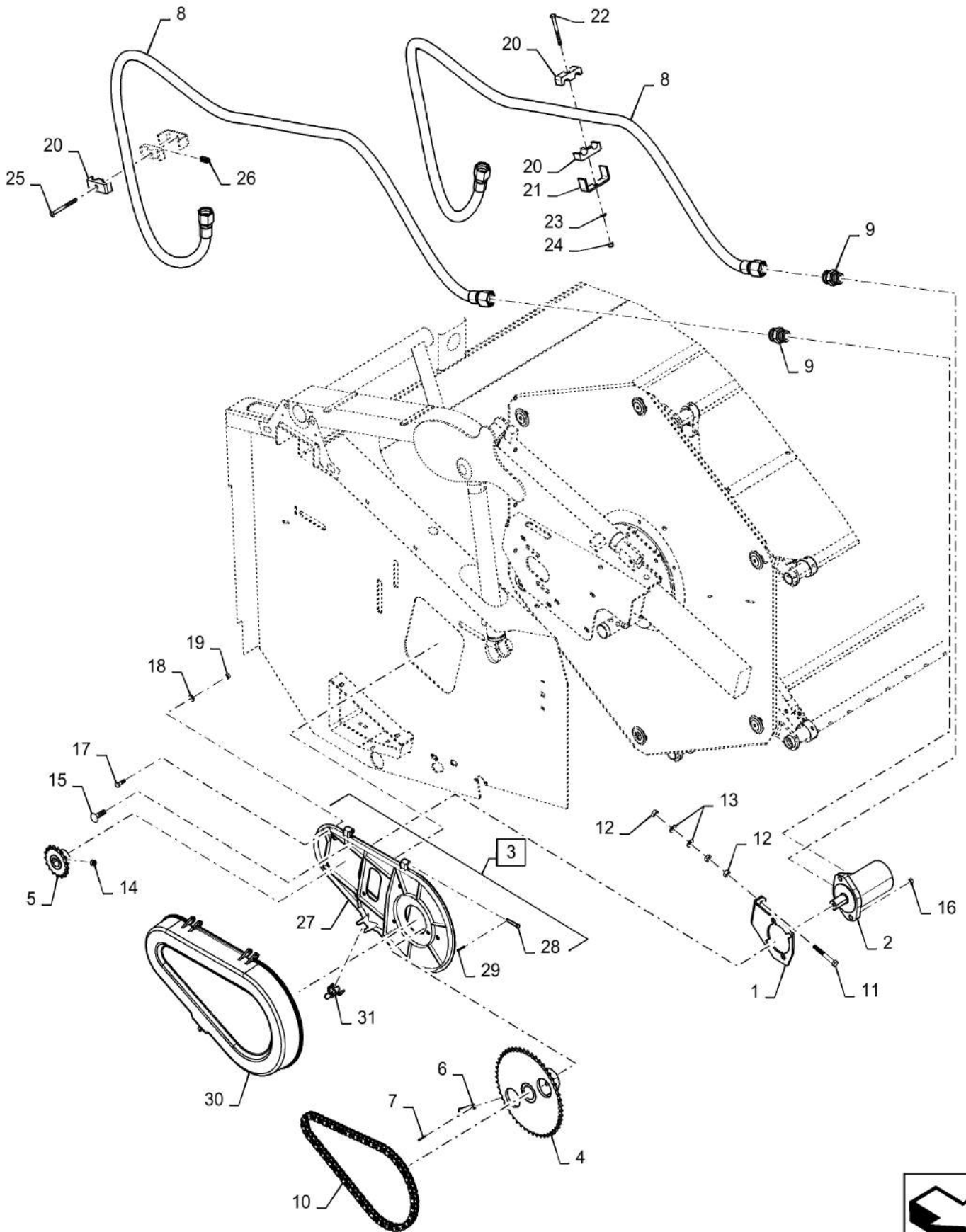
REEL DRIVE

REF FN	PART NUMBER	YR/SN	QTY DESCRIPTION
1	87045366		1 ANGLE Reel Drive Motor
2	87036557		1 MOTOR, HYDRAULIC 195CC Reel Drive
	87036557R		1 REMAN-HYD MOTOR 3162 (11/11-)
	87036557C		CORE-MOTOR HYDRAULIC Return Number
*	87036584		1 SEAL KIT
3	258978A1		1 SHIELD Reel Drive, Incl 27 - 31
4	129973A2		1 SPROCKET Reel Driven, 51T
5	87450165		1 DRIVE SPROCKET Reel, 17T
6	87036559		2 CLEVIS PIN 7/16" x 2.781"
7	280251		2 COTTER PIN 3/32" OD x 1" OAL
8	1 87659777		2 FLEXIBLE HOSE 12.70 mm ID x 2400.00 mm, SAE 100R17 Or SAE 100R16
9	9621483		2 HYD CONNECTOR 1"-14 ORFS x 7/8"-14 ORB
10	87053561		1 CHAIN 70 Links x 15.88mm = 1111.25mm Reel Drive
11	120116		1 SCREW Hex, M10 x 1.5 x 80mm, CI 8.8, Full Thd
12	100016		3 NUT M10 x 1.5, CI 8
13	140045		2 BELLEVILLE WASHER M10 Bolt Size x 22mm OD x 1.6mm Thk
14	87304415		2 SET SCREW 3/8" - 24 x 3/8"
15	328754		2 CARRIAGE BOLT M12 x 1.75 x 40mm, CI 8.8
16	100038		2 NUT M12 x 1.75, CI 8
17	43127		5 BOLT Hex, M8 x 1.25 x 25mm, CI 8.8
18	322358		5 BELLEVILLE WASHER M8 Bolt Size x 18mm OD x 1.4mm Thk
19	9706690		5 NUT M8 x 1.25, CI 8
20	430356		6 CLAMP
21	84814948		3 SUPPORT
22	16040621		2 BOLT Hex, M6 x 60mm, CI 8.8, Full Thd
23	86588450		3 WASHER 6.6mm ID x 12mm OD x 1.6mm Thk
24	353308		3 NUT M6 x 1.0, CI 8
25	397985		1 BOLT Hex, M6 x 70mm, CI 8.8, Full Thd Reel Drive

(1) Hose Sleeve 87106154

3152-DRAPER HEADER 3162-DRAPER HEADER

REEL DRIVE

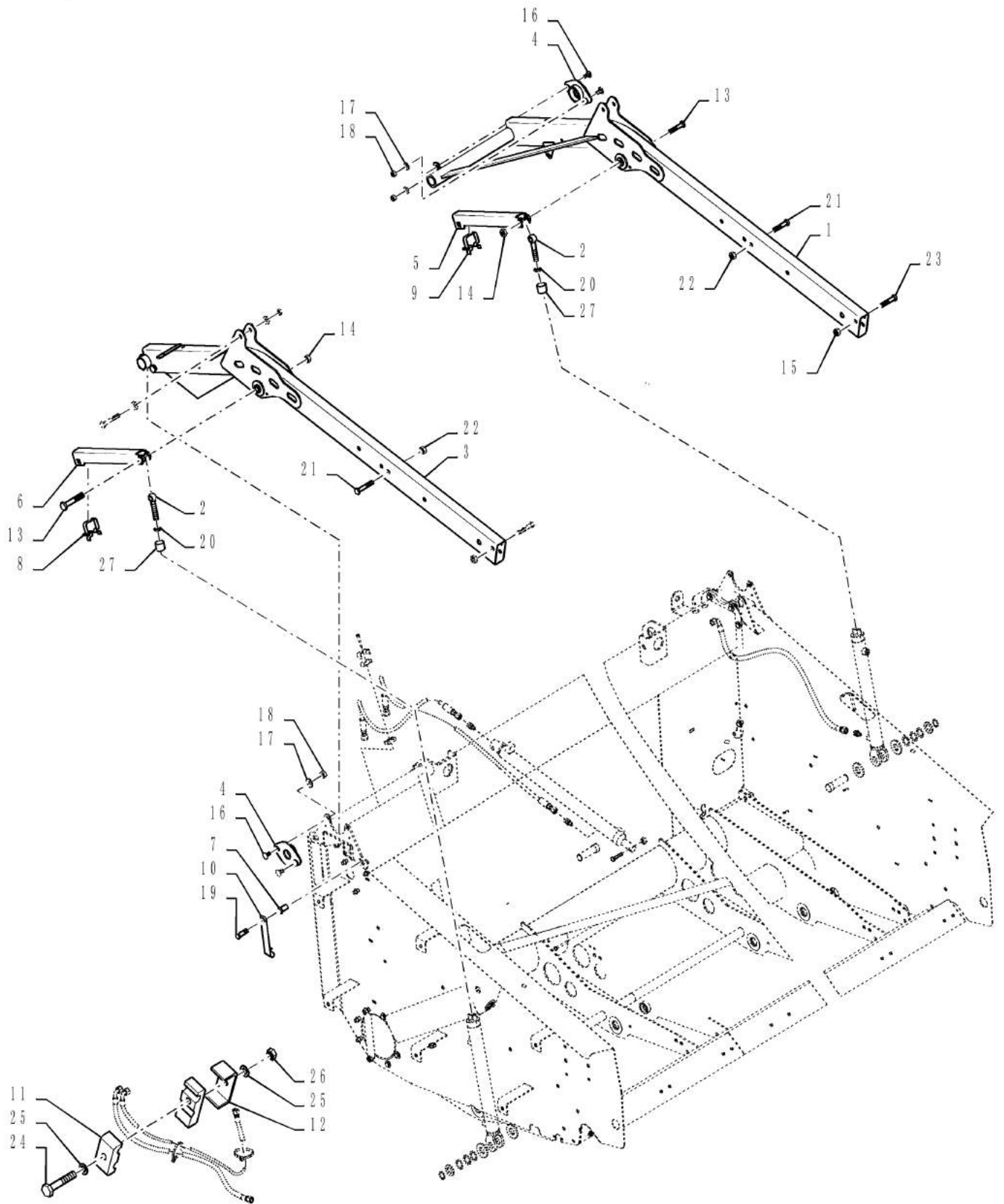


REEL DRIVE

REF FN	PART NUMBER	YR/SN	QTY DESCRIPTION
26	291525		AR EDGE Double Lip, .39" x .52"
27	258980A1		1 SUPPORT Reel Drive Shield
28	86624075		2 HEADED PIN 6.35mm OD x 44.45mm L Reel Drive Shield
29	280250		2 COTTER PIN 3/32" OD x 3/4" L Reel Drive Shield
30	258981A1		1 SHIELD Reel Drive
31	87546613		1 LATCH Reel Drive Shield

3152-DRAPER HEADER 3162-DRAPER HEADER

REEL ARMS

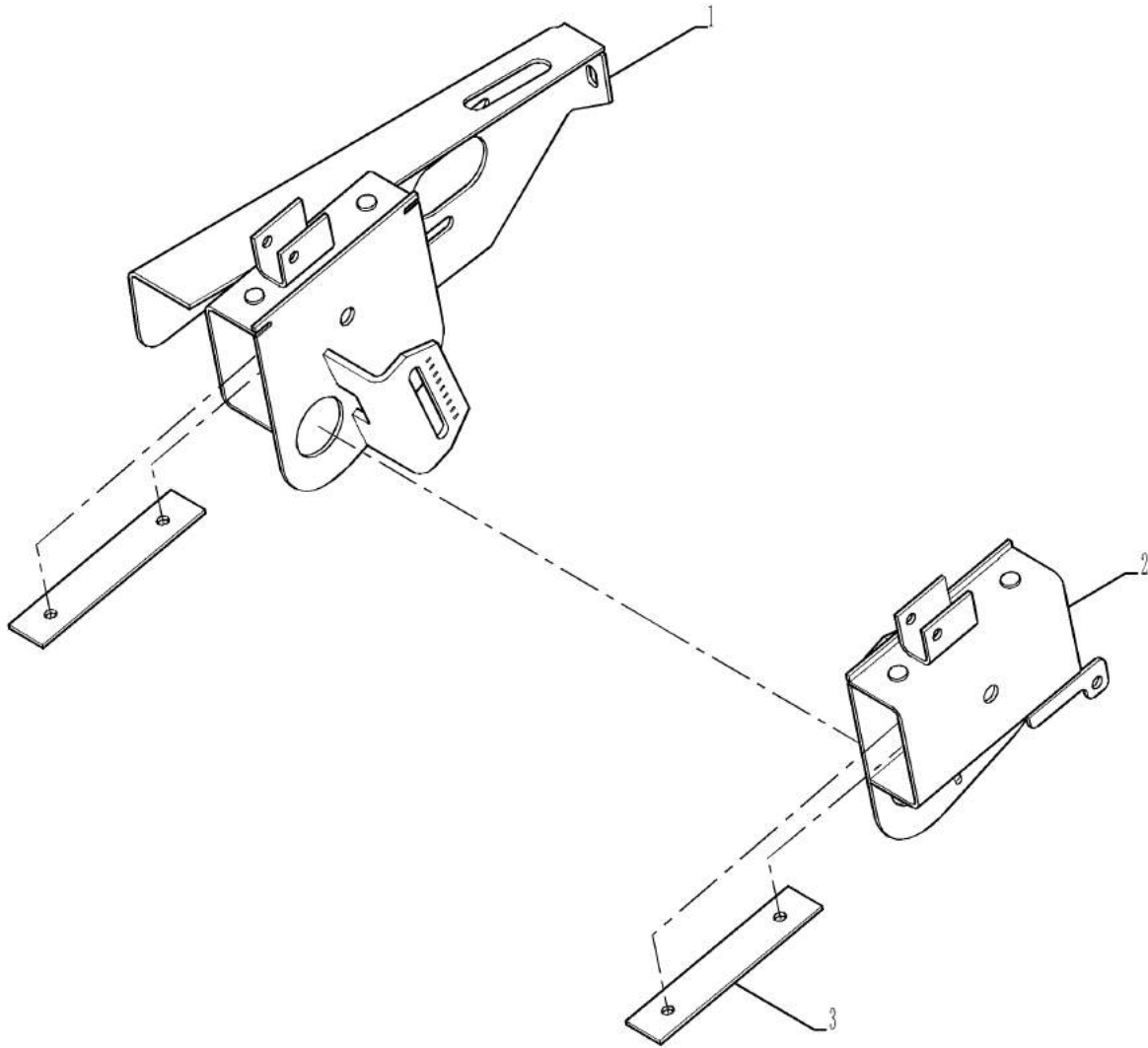


REEL ARMS

REF FN	PART NUMBER	YR/SN	QTY DESCRIPTION
1	84249733		1 ARM Reel, Left Hand
2	47411144		2 EYEBOLT
3	84249736		1 ARM Reel, Right Hand
4	87645701		2 HINGE
5	84234631		1 SUPPORT Left Hand
6	84242351		1 SUPPORT Right Hand
7	9833239		4 THREADED INSERT M6
8	84242532		1 SPRING CLIP Right Hand
9	84242566		1 SPRING CLIP Left Hand
10	84072277		2 HOOK
11	430357		6 CLAMP
12	431941		3 SUPPORT
13	321246		2 BOLT Hex, M16 x 2 x 120mm, CI 8.8
14	86000441		2 NUT M16 x 2.0, CI 8
15	100037		2 LOCK NUT M10 x 1.5, CI 8
16	374895		4 CARRIAGE BOLT M12 x 1.75 x 25mm, CI 8.8
17	140046		4 BELLEVILLE WASHER M12 Bolt Size x 27mm OD x 1.8mm Thk
18	9706685		4 NUT M12 x 1.75, CI 8
19	120100		2 BOLT M6 x 20mm, CI 8.8
20	10717511		2 THIN NUT Thin, M16 x 2, CI 04
21	120061		2 BOLT Hex, M8 x 60mm L, CI 8.8 Purchased after 2/3/2012, not used
22	86629542		2 NUT M8 x 1.25, CI 8.8 Purchased after 2/3/2012, not used
23	43144		2 BOLT Hex, M10 x 70mm, CI 8.8
24	86977790		1 BOLT Hex, M6 x 45mm, CI 8.8
25	86588450		2 WASHER 6.6mm ID x 12mm OD x 1.6mm Thk
26	353308		1 NUT M6 x 1.0, CI 8
27	87574731		2 SPACER 16.66mm ID x 25.4mm OD x 20mm L

3152-DRAPER HEADER 3162-DRAPER HEADER

REEL ADAPTER



60.101.00

02

p1

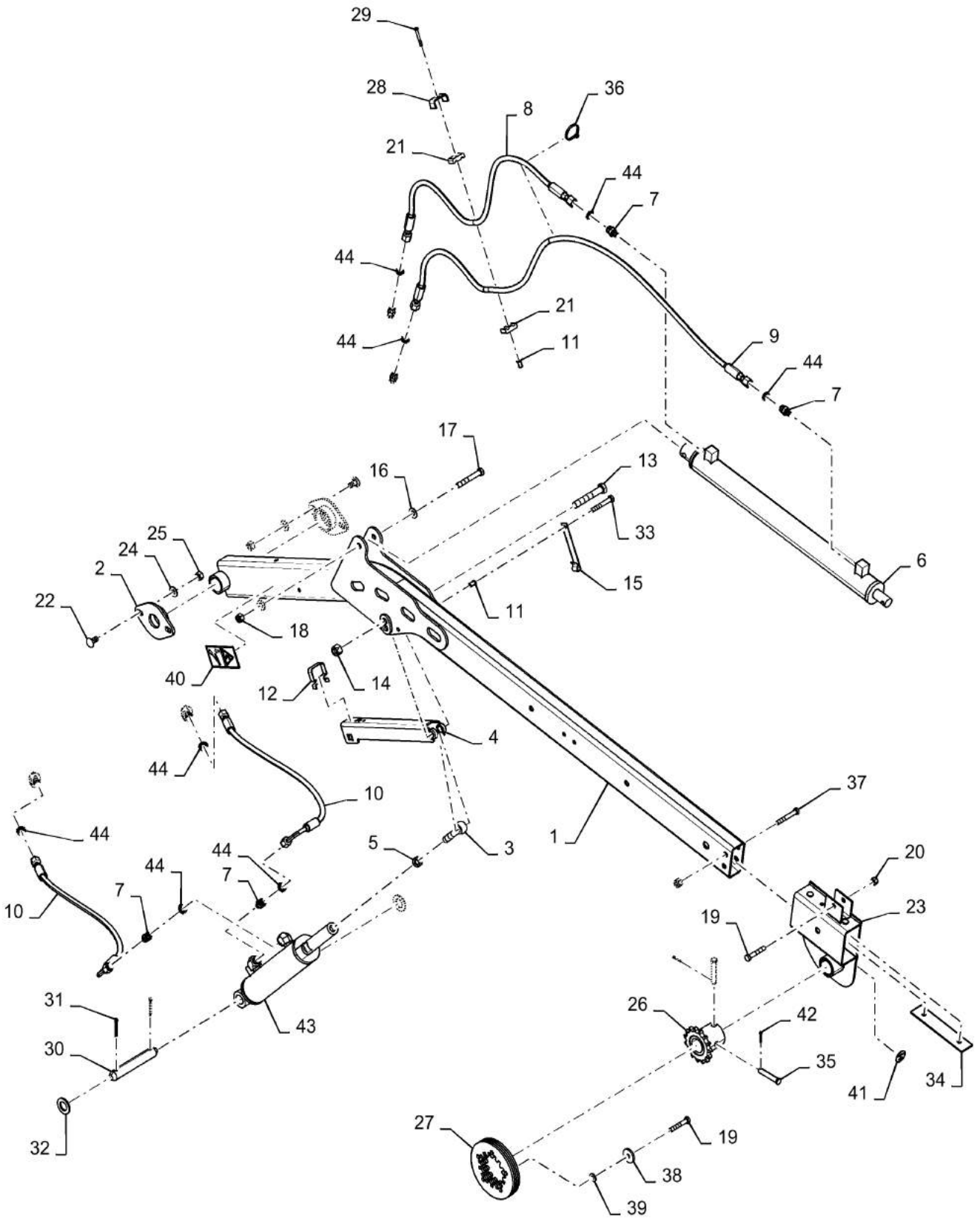
9/2016

REEL ADAPTER

REF FN	PART NUMBER	YR/SN	QTY DESCRIPTION
1	84389260		1 BRACKET, SUPPORTING Reel Adapter, Right Hand, 25, 30 and 35 Foot Header
2	84232893		1 BRACKET, SUPPORTING Reel Adapter, Left Hand, 25, 30 and 35 Foot Header
3	87647472		2 SLIDE Reel Adapter

3152-DRAPER HEADER 3162-DRAPER HEADER

CENTER REEL ARM, 40 AND 45 FOOT HEADER, BSN YDH030001

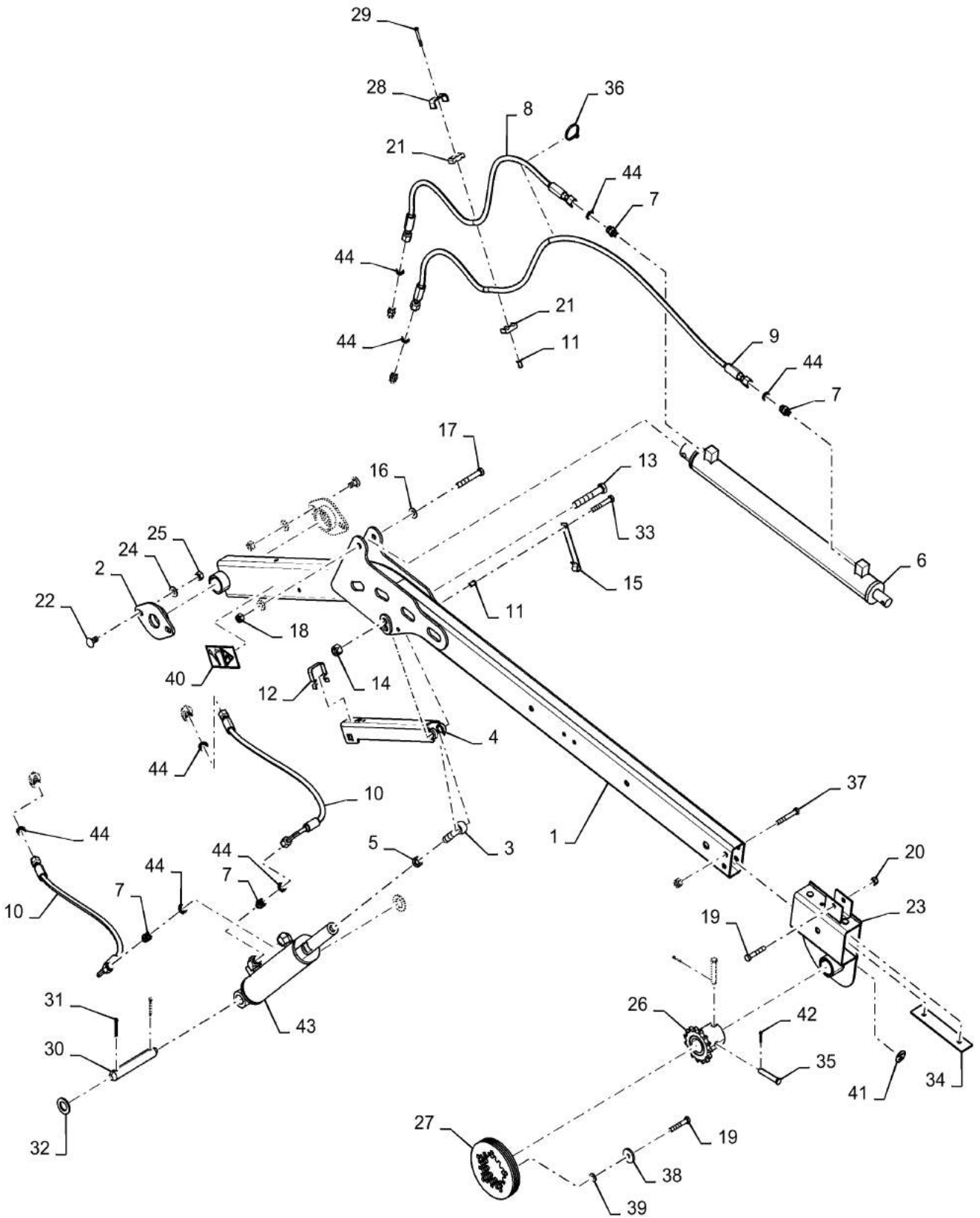


CENTER REEL ARM, 40 AND 45 FOOT HEADER, BSN YDH030001

REF FN	PART NUMBER	YR/SN	QTY DESCRIPTION
1	47445586		1 ARM
2	87645701		2 HINGE
3	84577770		1 EYEBOLT
4	84534785		1 SUPPORT
5	10717511		1 THIN NUT Thin, M16 x 2, CI 04
6	47499640		1 HYDRAULIC CYLINDER
7	86580177		4 HYD CONNECTOR 11/16"-16 ORFS x M12 x 1.5 ORB
8	84151314		1 HOSE 6.35mm ID x 1000mm L Incl 44
9	84250146		1 HOSE ASSY. 6.35mm ID x 1578mm L Incl 44
10	84132163		2 HYDRAULIC HOSE 6.35mm ID x 573mm L, SAE 100R17 Incl 44
11	9833239		2 THREADED INSERT
12	84242566		1 SPRING CLIP LH
13	374889		1 BOLT Hex, M16 x 100mm, CI 8.8
14	86000441		1 NUT M16 x 2.0, CI 8
15	84072277		1 HOOK
16	86511324		2 WASHER 13mm ID x 24mm OD x 2.5mm Thk
17	86624981		1 BOLT Hex, M12 x 85mm, CI 8.8
18	100038		2 NUT M12 x 1.75, CI 8
19	120070		6 BOLT Hex, M10 x 1.5 x 60mm, CI 8.8
20	100037		1 LOCK NUT M10 x 1.5, CI 8
21	430357		2 CLAMP
22	374895		4 CARRIAGE BOLT M12 x 1.75 x 25mm, CI 8.8
23	84122740		1 BRACKET
24	140046		4 BELLEVILLE WASHER M12 Bolt Size x 27mm OD x 1.8mm Thk
25	9706685		4 NUT M12 x 1.75, CI 8
26	47376551		1 SPROCKET
27	47376537		1 PLATE Coupler
28	431941		1 SUPPORT
29	86977790		1 BOLT Hex, M6 x 45mm, CI 8.8
30	84256351		1 PIN 25.4mm OD x 170mm L

3152-DRAPER HEADER

CENTER REEL ARM, 40 AND 45 FOOT HEADER, BSN YDH030001



60.101.00

03

p2

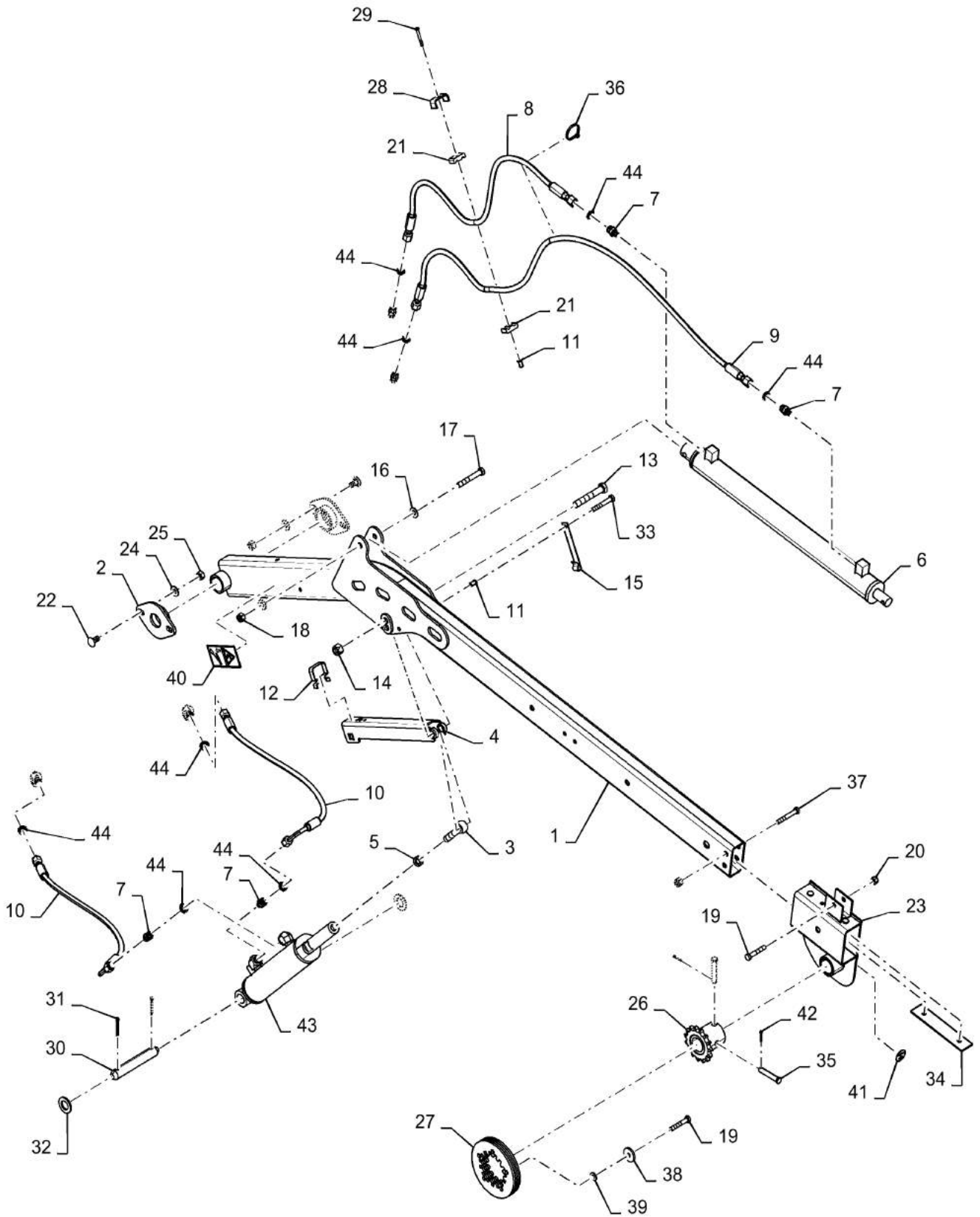
9/2016

CENTER REEL ARM, 40 AND 45 FOOT HEADER, BSN YDH030001

REF FN	PART NUMBER	YR/SN	QTY DESCRIPTION
31	733-5040		2 COTTER PIN M5 x 40
32	140022		2 WASHER 26mm ID x 44mm OD x 4mm Thk
33	120100		1 BOLT M6 x 20mm, CI 8.8
34	87647472		1 SLIDE
35	87675529		2 PIN 12.5mm OD x 69.85mm L
36	86566989		1 CABLE TIE 208mm L
37	43144		1 BOLT Hex, M10 x 70mm, CI 8.8
38	213404		5 SPACER 10.3mm ID x 38.1mm OD x 5.2mm OAL
39	140045		5 BELLEVILLE WASHER M10 Bolt Size x 22mm OD x 1.6mm Thk
40	84004735		2 DECAL
41	84334829		1 DECAL
42	80755		2 COTTER PIN 1/8" OD x 1" L
43	47499643		1 HYDRAULIC CYLINDER
44	9993141		8 O-RING 0.07" Thk x 0.364" ID, -12, CI 6, 90 Duro Incl 8, 9, 10

3152-DRAPER HEADER

CENTER REEL ARM, 40 AND 45 FOOT HEADER, BSN YEH040000

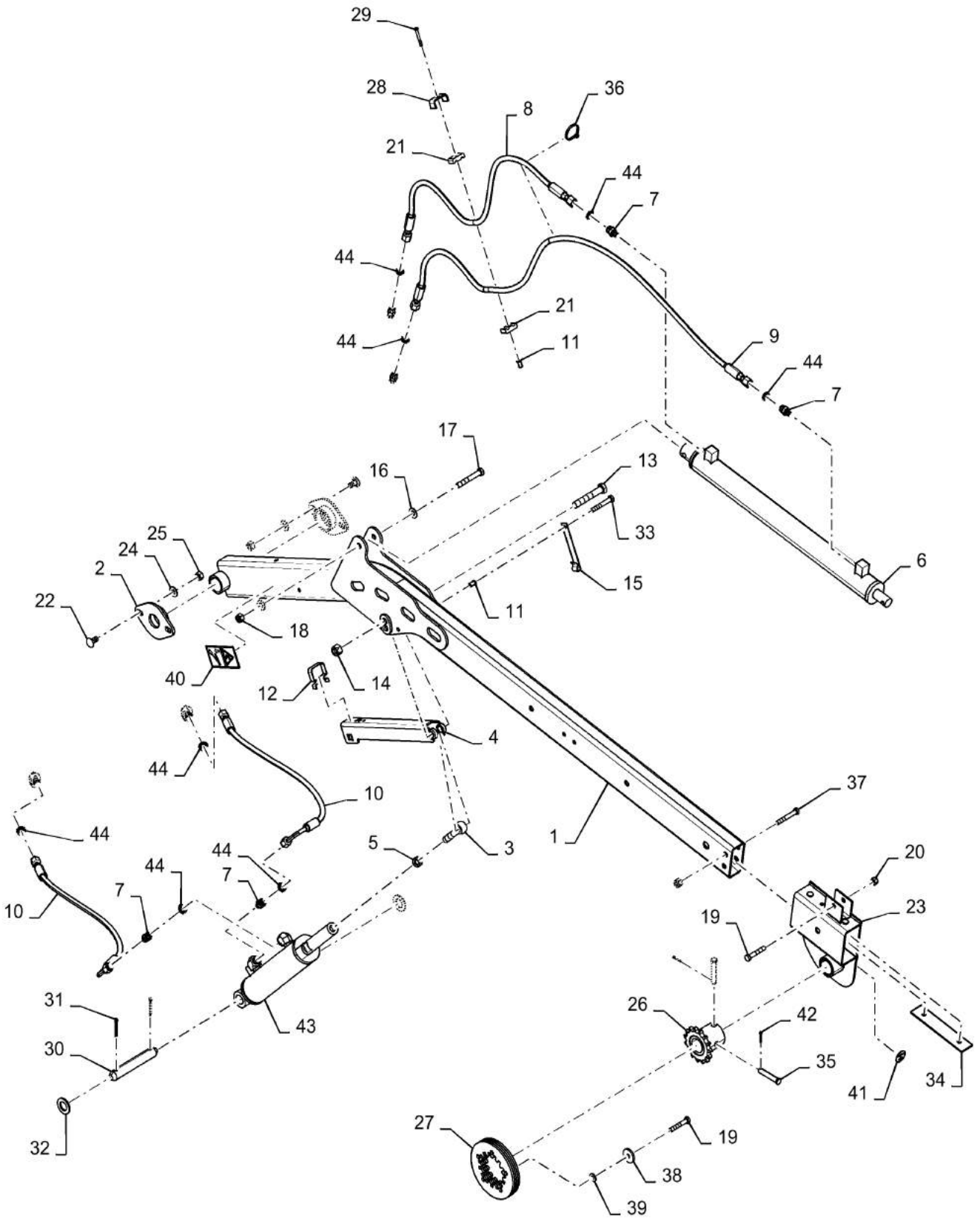


CENTER REEL ARM, 40 AND 45 FOOT HEADER, BSN YEH040000

REF FN	PART NUMBER	YR/SN	QTY DESCRIPTION
1	47445586		1 ARM
2	87645701		2 HINGE
3	84577770		1 EYEBOLT
4	84534785		1 SUPPORT
5	10717511		1 THIN NUT Thin, M16 x 2, CI 04
6	47499640		1 HYDRAULIC CYLINDER
7	86580177		4 HYD CONNECTOR 11/16"-16 ORFS x M12 x 1.5 ORB
8	84151314		1 HOSE 6.35mm ID x 1000mm L Incl 44
9	84250146		1 HOSE ASSY. 6.35mm ID x 1578mm L Incl 44
10	84132163		2 HYDRAULIC HOSE 6.35mm ID x 573mm L, SAE 100R17 Incl 44
11	9833239		2 THREADED INSERT
12	84242566		1 SPRING CLIP LH
13	374889		1 BOLT Hex, M16 x 100mm, CI 8.8
14	86000441		1 NUT M16 x 2.0, CI 8
15	84072277		1 HOOK
16	86511324		2 WASHER 13mm ID x 24mm OD x 2.5mm Thk
17	86624981		1 BOLT Hex, M12 x 85mm, CI 8.8
18	100038		2 NUT M12 x 1.75, CI 8
19	120070		6 BOLT Hex, M10 x 1.5 x 60mm, CI 8.8
20	100037		1 LOCK NUT M10 x 1.5, CI 8
21	430357		2 CLAMP
22	374895		4 CARRIAGE BOLT M12 x 1.75 x 25mm, CI 8.8
23	84122740		1 BRACKET
24	140046		4 BELLEVILLE WASHER M12 Bolt Size x 27mm OD x 1.8mm Thk
25	9706685		4 NUT M12 x 1.75, CI 8
26	47376551		1 SPROCKET
27	47376537		1 PLATE Coupler
28	431941		1 SUPPORT
29	86977790		1 BOLT Hex, M6 x 45mm, CI 8.8
30	84256351		1 PIN 25.4mm OD x 170mm L

3162-DRAPER HEADER

CENTER REEL ARM, 40 AND 45 FOOT HEADER, BSN YEH040000



60.101.00

03

p2

9/2016

CENTER REEL ARM, 40 AND 45 FOOT HEADER, BSN YEH040000

REF FN	PART NUMBER	YR/SN	QTY DESCRIPTION
31	733-5040		2 COTTER PIN M5 x 40
32	140022		2 WASHER 26mm ID x 44mm OD x 4mm Thk
33	120100		1 BOLT M6 x 20mm, CI 8.8
34	87647472		1 SLIDE
35	87675529		2 PIN 12.5mm OD x 69.85mm L
36	86566989		1 CABLE TIE 208mm L
37	43144		1 BOLT Hex, M10 x 70mm, CI 8.8
38	213404		5 SPACER 10.3mm ID x 38.1mm OD x 5.2mm OAL
39	140045		5 BELLEVILLE WASHER M10 Bolt Size x 22mm OD x 1.6mm Thk
40	84004735		2 DECAL
41	84334829		1 DECAL
42	80755		2 COTTER PIN 1/8" OD x 1" L
43	47499643		1 HYDRAULIC CYLINDER
44	9993141		8 O-RING 0.07" Thk x 0.364" ID, -12, CI 6, 90 Duro Incl 8, 9, 10

3162-DRAPER HEADER

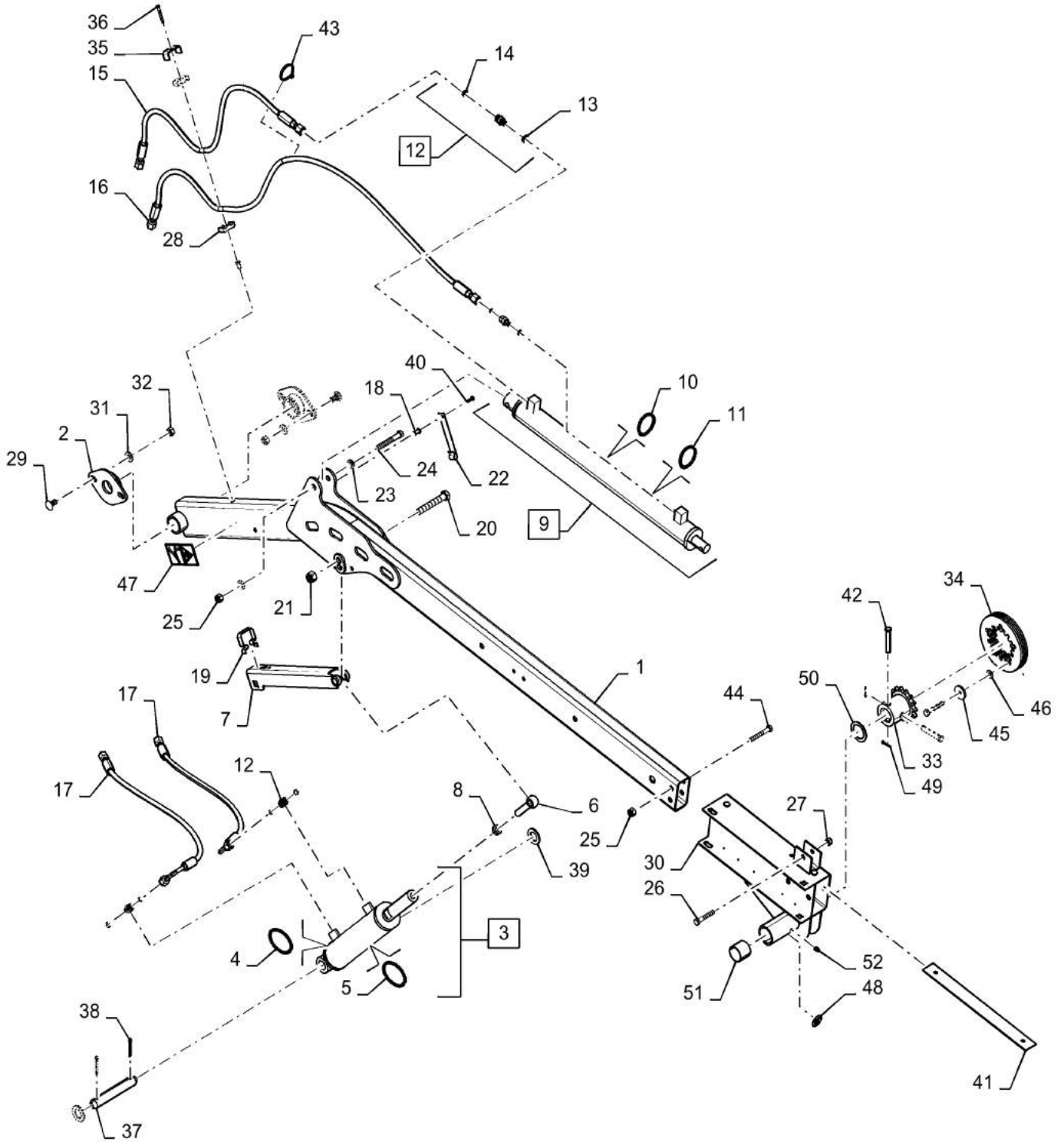
60.101.00

04

p1

9/2016

CENTER REEL ARM, HYDAULIC, DRAPER, ASN YDH03001 TO BSN YEH040861



CENTER REEL ARM, HYDAULIC, DRAPER, ASN YDH03001 TO BSN YEH040861

REF FN	PART NUMBER	YR/SN	QTY DESCRIPTION
1	47445586		1 ARM Center
2	87645701		2 HINGE
3	47499643		1 HYDRAULIC CYLINDER Incl 4 - 5
4	47807374		1 SEAL KIT Rosenboom
5	47807370		1 SEAL KIT Ognibene
6	84577770		1 EYEBOLT
7	84534785		1 SUPPORT Center
8	10717511		1 THIN NUT Thin, M16 x 2, CI 04
9	47499640		1 HYDRAULIC CYLINDER Incl 10 - 11
10	47807367		1 SEAL KIT Ognibene
11	47807371		1 SEAL KIT Rosenboom
12	86580177		4 HYD CONNECTOR 11/16"-16 ORFS x M12 x 1.5 ORB Incl 13 - 14
13	86598098		4 O-RING 2.2mm Thk x 9.3mm ID, CI 6, 90 Duro
14	9993141		4 O-RING 0.07" Thk x 0.364" ID, -12, CI 6, 90 Duro
15	84151314		1 HOSE 6.35mm ID x 1000mm L
16	84250146		1 HOSE ASSY. 6.35mm ID x 1578mm L
17	84132163		2 HYDRAULIC HOSE 6.35mm ID x 573mm L, SAE 100R17
18	9833239		2 THREADED INSERT
19	84242566		1 SPRING CLIP
20	374889		1 BOLT Hex, M16 x 100mm, CI 8.8
21	86000441		1 NUT M16 x 2.0, CI 8
22	84072277		1 HOOK
23	86511324		2 WASHER 13mm ID x 24mm OD x 2.5mm Thk
24	86624981		1 BOLT Hex, M12 x 85mm, CI 8.8
25	100038		2 NUT M12 x 1.75, CI 8
26	120070		6 BOLT Hex, M10 x 1.5 x 60mm, CI 8.8
27	100037		1 LOCK NUT M10 x 1.5, CI 8
28	430357		2 CLAMP
29	374895		4 CARRIAGE BOLT M12 x 1.75 x 25mm, CI 8.8
30	47488680		1 BRACKET Center Arm, End
31	140046		4 BELLEVILLE WASHER M12 Bolt Size x 27mm OD x 1.8mm Thk

3152-DRAPER HEADER

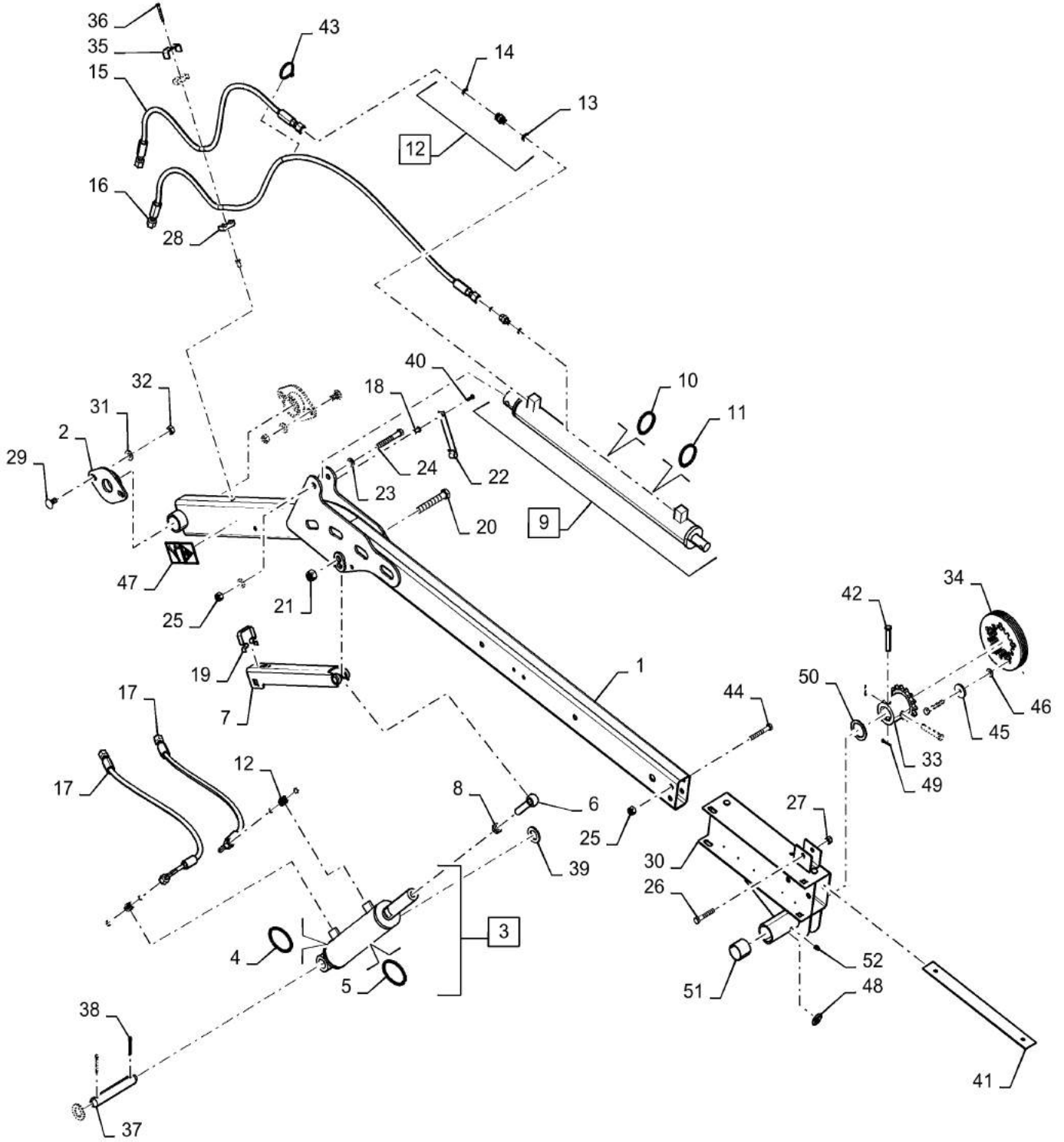
60.101.00

04

p2

9/2016

CENTER REEL ARM, HYDAULIC, DRAPER, ASN YDH03001 TO BSN YEH040861

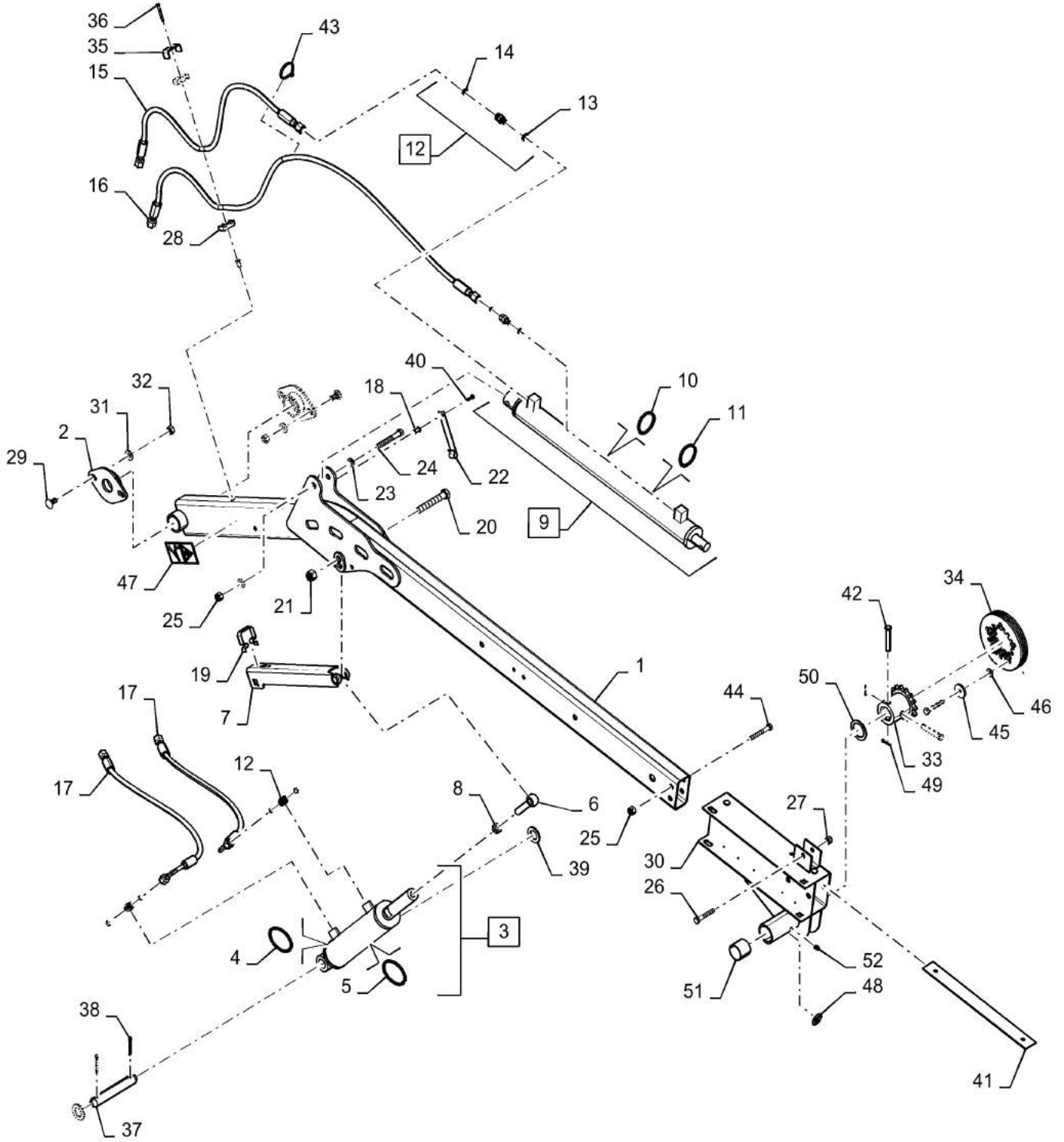


CENTER REEL ARM, HYDAULIC, DRAPER, ASN YDH03001 TO BSN YEH040861

REF FN	PART NUMBER	YR/SN	QTY DESCRIPTION
32	9706685		4 NUT M12 x 1.75, CI 8
33	47376551		1 SPROCKET 15T
34	47376537		1 PLATE
35	431941		1 SUPPORT
36	86977790		1 BOLT Hex, M6 x 45mm, CI 8.8
37	84256351		1 PIN 25.4mm OD x 170mm L
38	733-5040		2 COTTER PIN M5 x 40
39	140022		2 WASHER 26mm ID x 44mm OD x 4mm Thk
40	120100		1 BOLT M6 x 20mm, CI 8.8
41	47675181		1 SLIDE
42	87675529		2 PIN 12.5mm OD x 69.85mm L
43	86566989		1 CABLE TIE 208mm L
44	43144		1 BOLT Hex, M10 x 70mm, CI 8.8
45	213404		5 SPACER 10.3mm ID x 38.1mm OD x 5.2mm OAL
46	140045		5 BELLEVILLE WASHER M10 Bolt Size x 22mm OD x 1.6mm Thk
47	84004735		2 DECAL
48	84334829		1 DECAL Grease Location
49	80755		2 COTTER PIN 1/8" OD x 1" L
50	167934		1 WASHER 1.62" ID x 2.25" OD x 0.139"
51	167940		2 BUSHING 39.76mm ID x 44.53mm OD x 38.1mm L
52	80714		1 LUBE NIPPLE 1/4"-28 NPT x .54" lg

3152-DRAPER HEADER

CENTER REEL ARM, HYDAULIC, DRAPER, ASN YEH040000 TO BSN YEH040861



CENTER REEL ARM, HYDAULIC, DRAPER, ASN YEH040000 TO BSN YEH040861

REF FN	PART NUMBER	YR/SN	QTY DESCRIPTION
1	47445586		1 ARM Center
2	87645701		2 HINGE
3	47499643		1 HYDRAULIC CYLINDER Incl 4 - 5
4	47807374		1 SEAL KIT Rosenboom
5	47807370		1 SEAL KIT Ognibene
6	84577770		1 EYEBOLT
7	84534785		1 SUPPORT Center
8	10717511		1 THIN NUT Thin, M16 x 2, CI 04
9	47499640		1 HYDRAULIC CYLINDER Incl 10 - 11
10	47807367		1 SEAL KIT Ognibene
11	47807371		1 SEAL KIT Rosenboom
12	86580177		4 HYD CONNECTOR 11/16"-16 ORFS x M12 x 1.5 ORB Incl 13 - 14
13	86598098		4 O-RING 2.2mm Thk x 9.3mm ID, CI 6, 90 Duro
14	9993141		4 O-RING 0.07" Thk x 0.364" ID, -12, CI 6, 90 Duro
15	84151314		1 HOSE 6.35mm ID x 1000mm L
16	84250146		1 HOSE ASSY. 6.35mm ID x 1578mm L
17	84132163		2 HYDRAULIC HOSE 6.35mm ID x 573mm L, SAE 100R17
18	9833239		2 THREADED INSERT
19	84242566		1 SPRING CLIP
20	374889		1 BOLT Hex, M16 x 100mm, CI 8.8
21	86000441		1 NUT M16 x 2.0, CI 8
22	84072277		1 HOOK
23	86511324		2 WASHER 13mm ID x 24mm OD x 2.5mm Thk
24	86624981		1 BOLT Hex, M12 x 85mm, CI 8.8
25	100038		2 NUT M12 x 1.75, CI 8
26	120070		6 BOLT Hex, M10 x 1.5 x 60mm, CI 8.8
27	100037		1 LOCK NUT M10 x 1.5, CI 8
28	430357		2 CLAMP
29	374895		4 CARRIAGE BOLT M12 x 1.75 x 25mm, CI 8.8
30	47488680		1 BRACKET Center Arm, End
31	140046		4 BELLEVILLE WASHER M12 Bolt Size x 27mm OD x 1.8mm Thk

3162-DRAPER HEADER

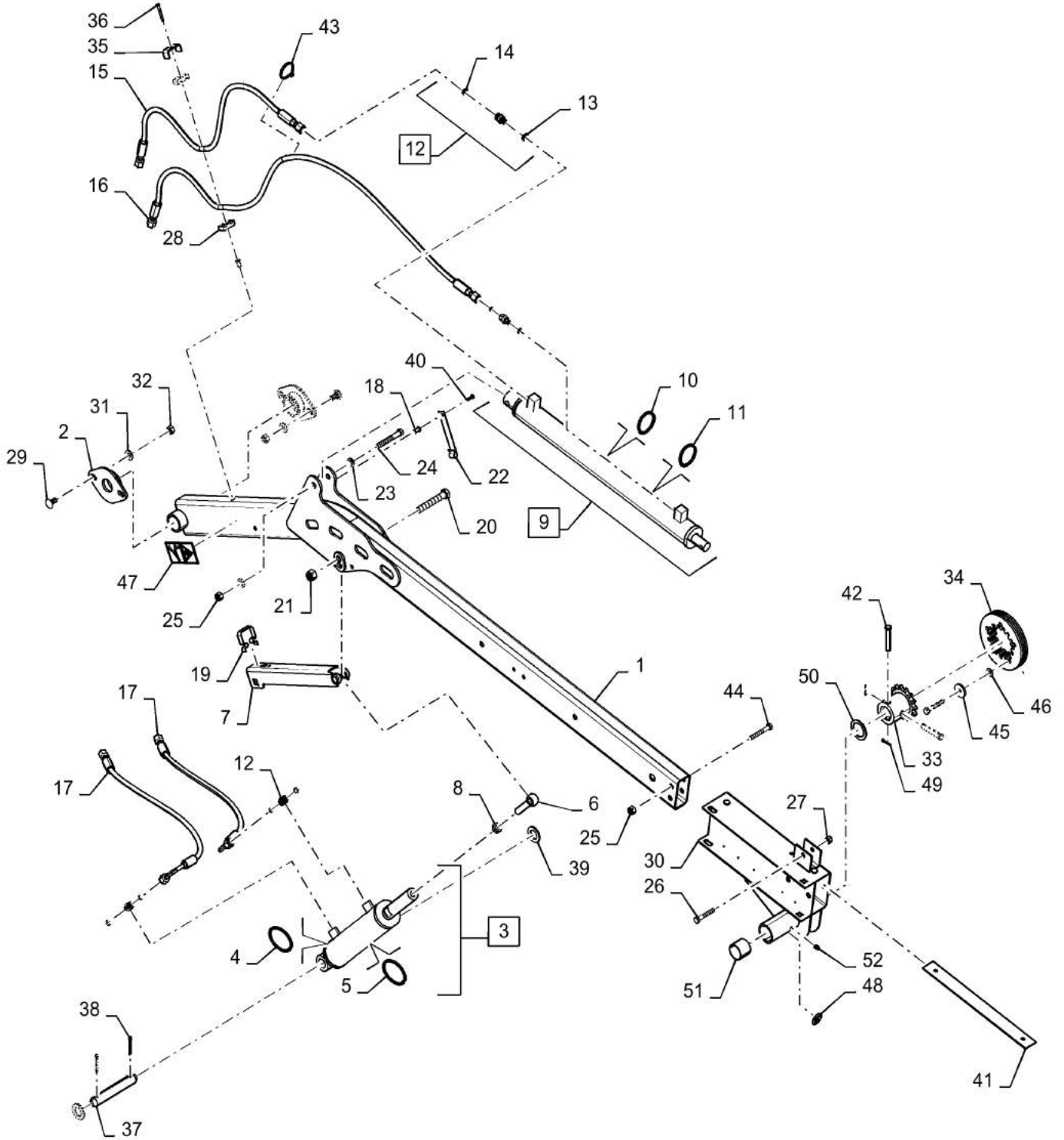
60.101.00

04

p2

9/2016

CENTER REEL ARM, HYDAULIC, DRAPER, ASN YEH040000 TO BSN YEH040861



60.101.00

04

p2

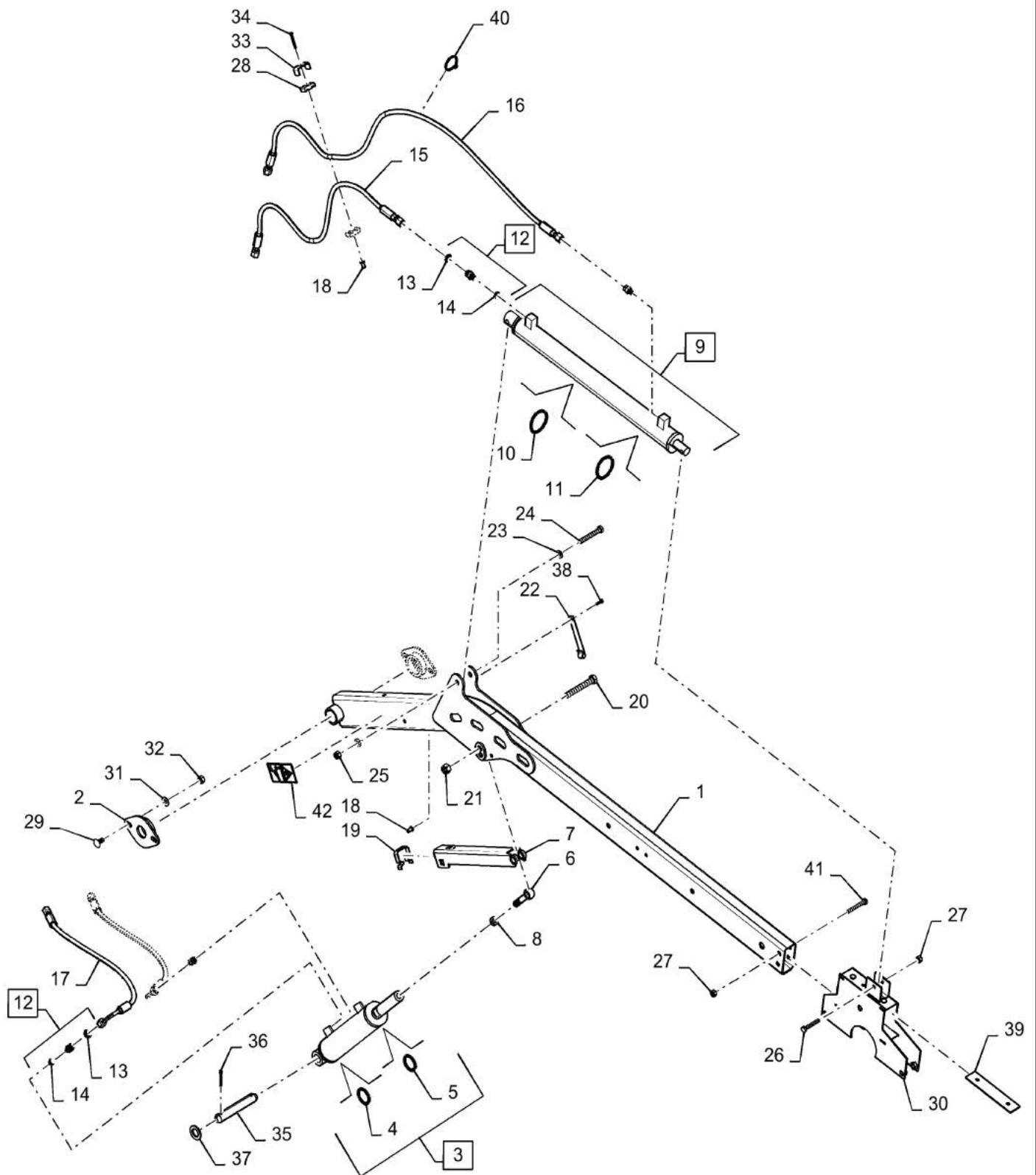
9/2016

CENTER REEL ARM, HYDAULIC, DRAPER, ASN YEH040000 TO BSN YEH040861

REF FN	PART NUMBER	YR/SN	QTY DESCRIPTION
32	9706685		4 NUT M12 x 1.75, CI 8
33	47376551		1 SPROCKET 15T
34	47376537		1 PLATE
35	431941		1 SUPPORT
36	86977790		1 BOLT Hex, M6 x 45mm, CI 8.8
37	84256351		1 PIN 25.4mm OD x 170mm L
38	733-5040		2 COTTER PIN M5 x 40
39	140022		2 WASHER 26mm ID x 44mm OD x 4mm Thk
40	120100		1 BOLT M6 x 20mm, CI 8.8
41	47675181		1 SLIDE
42	87675529		2 PIN 12.5mm OD x 69.85mm L
43	86566989		1 CABLE TIE 208mm L
44	43144		1 BOLT Hex, M10 x 70mm, CI 8.8
45	213404		5 SPACER 10.3mm ID x 38.1mm OD x 5.2mm OAL
46	140045		5 BELLEVILLE WASHER M10 Bolt Size x 22mm OD x 1.6mm Thk
47	84004735		2 DECAL
48	84334829		1 DECAL Grease Location
49	80755		2 COTTER PIN 1/8" OD x 1" L
50	167934		1 WASHER 1.62" ID x 2.25" OD x 0.139"
51	167940		2 BUSHING 39.76mm ID x 44.53mm OD x 38.1mm L
52	80714		1 LUBE NIPPLE 1/4"-28 NPT x .54" lg

3162-DRAPER HEADER

CENTER REEL ARM, REEL DOUBLE CENTER CAM, ASN YEH050000



60.101.00

05

p1

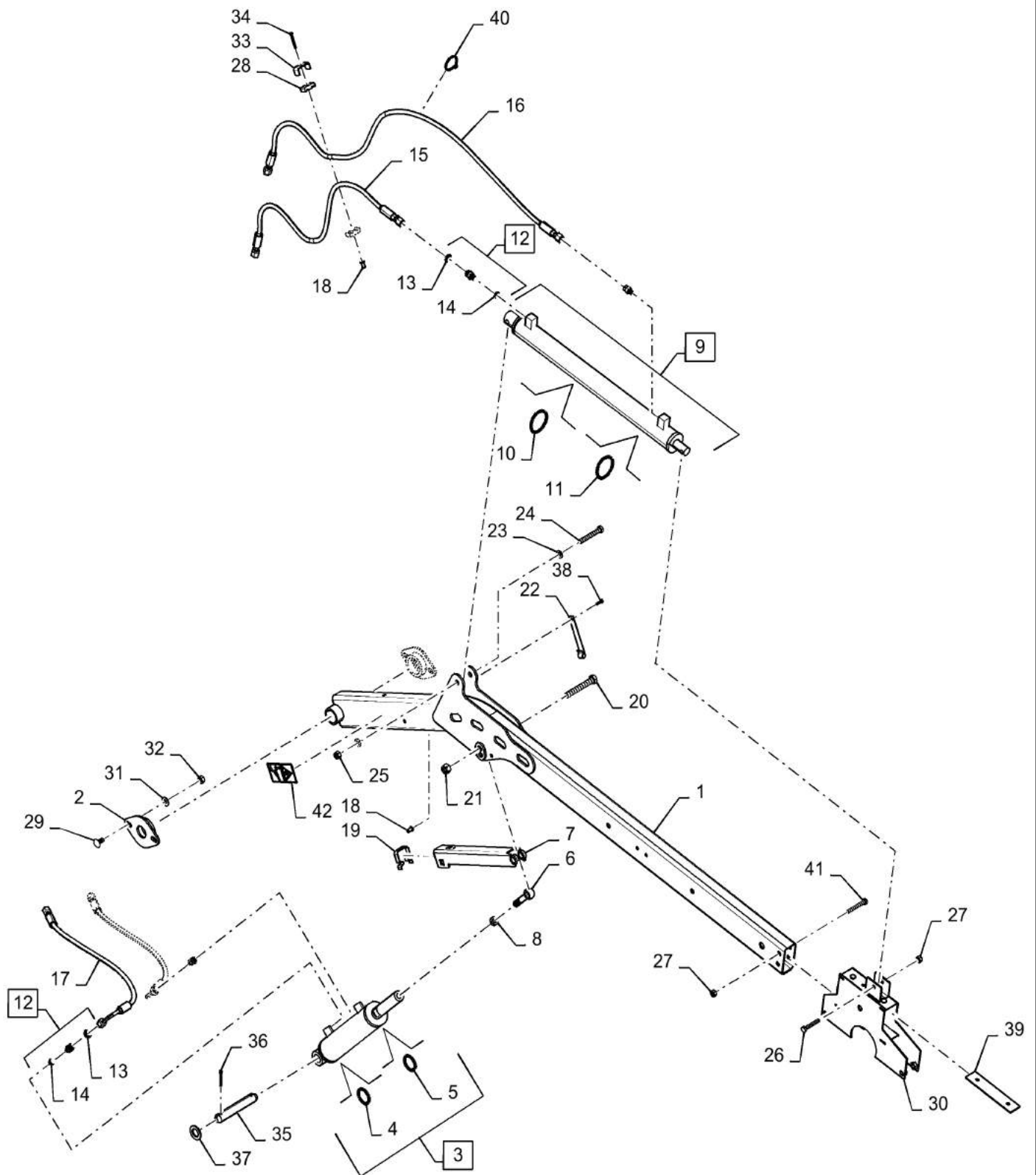
9/2016

CENTER REEL ARM, REEL DOUBLE CENTER CAM, ASN YEH050000

REF FN	PART NUMBER	YR/SN	QTY DESCRIPTION
1	47445586		1 ARM Center Reel
2	47500286		2 HINGE
3	47499643		1 HYDRAULIC CYLINDER Incl 4 - 5
4	47807374		1 SEAL KIT Rosenboom
5	47807370		1 SEAL KIT Ognibene
6	84577770		1 EYEBOLT
7	84534785		1 SUPPORT Center
8	10717511		1 THIN NUT Thin, M16 x 2, CI 04
9	47499640		1 HYDRAULIC CYLINDER Incl 10 - 11
10	47807367		1 SEAL KIT Ognibene
11	47807371		1 SEAL KIT Rosenboom
12	86580177		4 HYD CONNECTOR 11/16"-16 ORFS x M12 x 1.5 ORB Incl 13 - 14
13	86598098		4 O-RING 2.2mm Thk x 9.3mm ID, CI 6, 90 Duro
14	9993141		4 O-RING 0.07" Thk x 0.364" ID, -12, CI 6, 90 Duro
15	84151314		1 HOSE 6.35mm ID x 1000mm L
16	84250146		1 HOSE ASSY. 6.35mm ID x 1578mm L
17	84132163		2 HYDRAULIC HOSE 6.35mm ID x 573mm L, SAE 100R17
18	9833239		2 THREADED INSERT
19	84242566		1 SPRING CLIP
20	43874		1 BOLT Hex, M16 x 110, 8.8
21	86000441		1 NUT M16 x 2.0, CI 8
22	84072277		1 HOOK
23	86511324		2 WASHER 13mm ID x 24mm OD x 2.5mm Thk
24	86624981		1 BOLT Hex, M12 x 85mm, CI 8.8
25	100038		1 NUT M12 x 1.75, CI 8
26	120070		1 BOLT Hex, M10 x 1.5 x 60mm, CI 8.8
27	100037		2 LOCK NUT M10 x 1.5, CI 8
28	430357		2 CLAMP
29	374895		4 CARRIAGE BOLT M12 x 1.75 x 25mm, CI 8.8
30	47585595		1 BRACKET Center Reel Arm, End
31	140046		4 BELLEVILLE WASHER M12 Bolt Size x 27mm OD x 1.8mm Thk

3152-DRAPER HEADER 3162-DRAPER HEADER

CENTER REEL ARM, REEL DOUBLE CENTER CAM, ASN YEH050000



60.101.00

05

p2

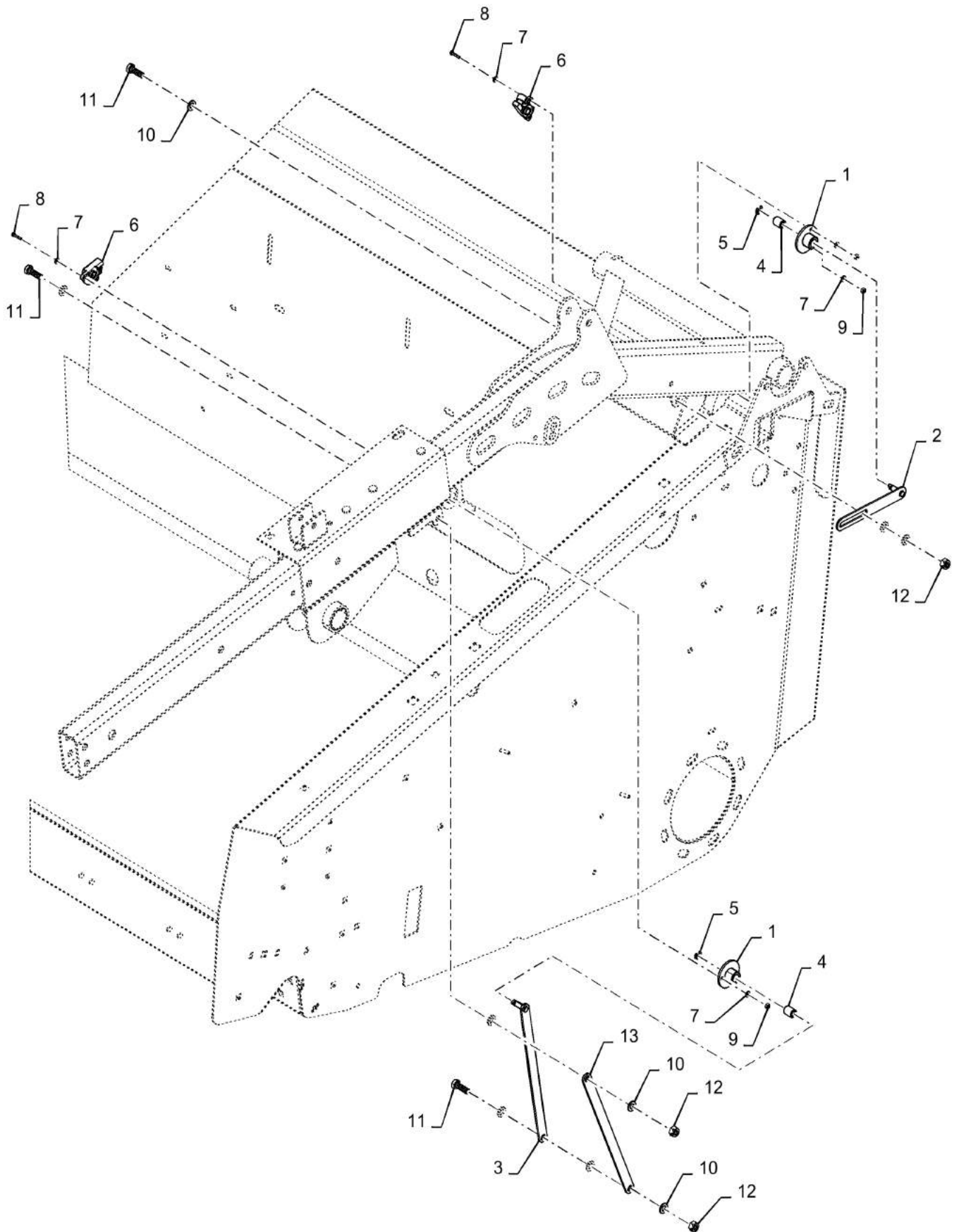
9/2016

CENTER REEL ARM, REEL DOUBLE CENTER CAM, ASN YEH050000

REF FN	PART NUMBER	YR/SN	QTY DESCRIPTION
32	9706685		4 NUT M12 x 1.75, CI 8
33	431941		1 SUPPORT
34	86977790		1 BOLT Hex, M6 x 45mm, CI 8.8
35	84256351		1 PIN 25.4mm OD x 170mm L
36	733-5040		2 COTTER PIN M5 x 40
37	140022		2 WASHER 26mm ID x 44mm OD x 4mm Thk
38	120100		1 BOLT M6 x 20mm, CI 8.8
39	87647472		1 SLIDE
40	86566989		1 CABLE TIE 208mm L
41	43144		1 BOLT Hex, M10 x 70mm, CI 8.8
42	84004735		2 DECAL

3152-DRAPER HEADER 3162-DRAPER HEADER

REEL POSITION, SENSORS



60.101.00

06

p1

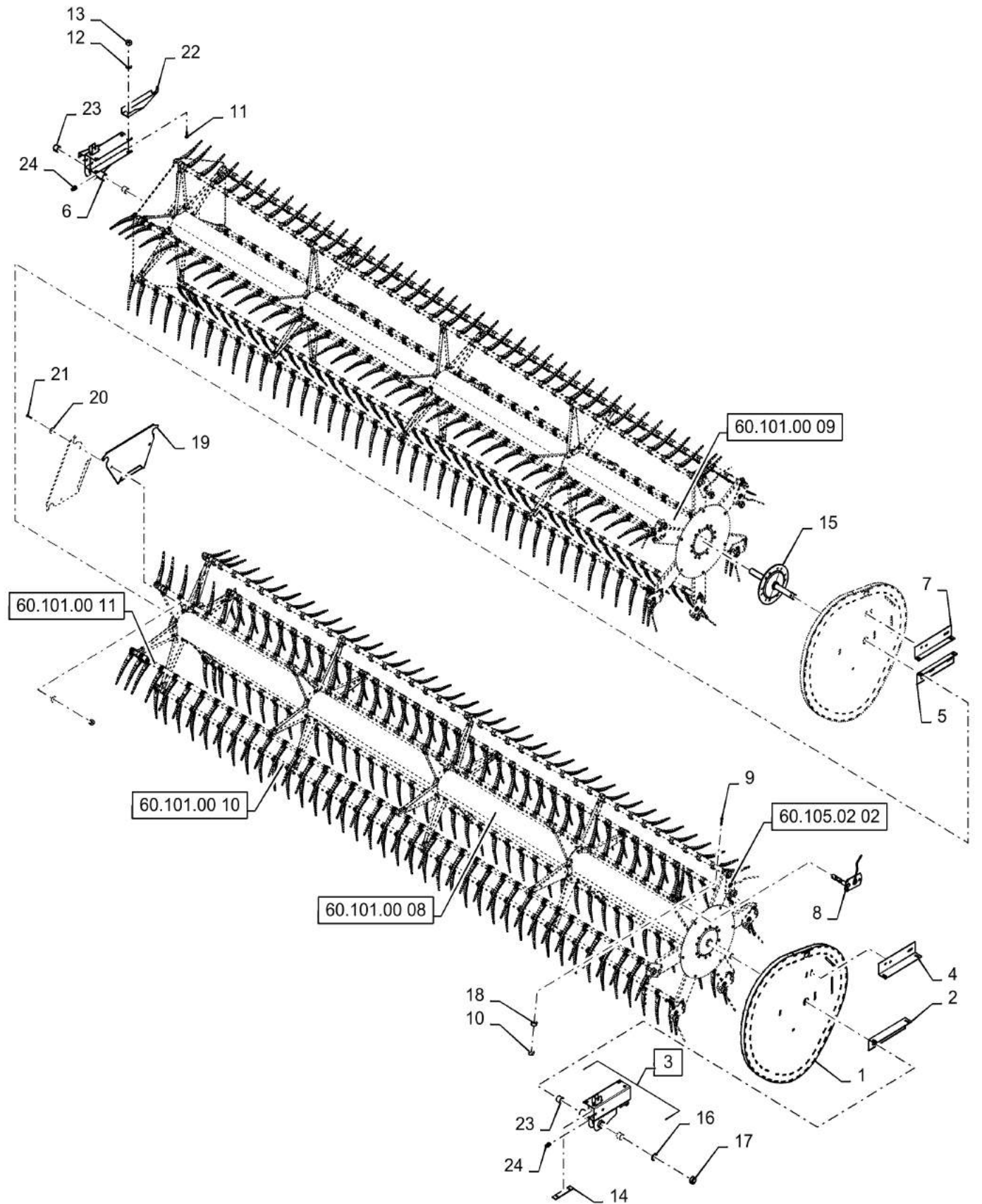
9/2016

REEL POSITION, SENSORS

REF FN	PART NUMBER	YR/SN	QTY DESCRIPTION
1	87715239		2 BUSHING
2	87568002		1 ARM
3	47795796		1 ARM
4	86516740		2 BUSHING 9.55mm ID x 15.93mm OD x 19.05mm L
5	86000439		2 SNAP RING 0.288" ID x 0.66" OD x 0.037" Thk, External
6	86977396		2 POTENTIOMETER 3000 Ohm, 16 VDC
7	322355		8 BELLEVILLE WASHER M4 Bolt Size x 10mm OD x 0.9mm Thk
8	412255		4 BOLT Hex, M4 x 20mm, CI 8.8
9	100012		4 NUT M4 x 0.7, CI 8
10	140017		9 WASHER M10 x 20mm OD x 2mm Thk
11	43140		3 BOLT Hex, M10 x 1.5 x 30mm, CI 8.8
12	100037		3 LOCK NUT M10 x 1.5, CI 8
13	47597562		1 ARM

3152-DRAPER HEADER 3162-DRAPER HEADER

REEL, ASSY, 40FT SINGLE CENTER CAM, BSN YEHO40861



60.101.00

07

p1

9/2016

REEL, ASSY, 40FT SINGLE CENTER CAM, BSN YEH040861

REF FN	PART NUMBER	YR/SN	QTY DESCRIPTION
1	84146310		2 CAM LH
2	84404281		1 ANGLE
3	84146282		1 MOUNT Incl 23 - 24
4	47557972		1 SUPPORT
5	47489973		1 ANGLE
6	47489198		1 MOUNT
7	47557993		1 ANGLE
8	87574731		12 SPACER 16.66mm ID x 25.4mm OD x 20mm L
9	120069		24 BOLT M10 x 1.5 x 56.58mm OAL, CI 8.8
10	100037		36 LOCK NUT M10 x 1.5, CI 8
11	120044		19 CARRIAGE BOLT M12 x 1.75 x 30mm, CI 8.8
12	140046		20 BELLEVILLE WASHER M12 Bolt Size x 27mm OD x 1.8mm Thk
13	9706685		19 NUT M12 x 1.75, CI 8
14	87647472		4 SLIDE
15	47511917		3 WASHER
16	167934		2 WASHER 1.62" ID x 2.25" OD x 0.139"
17	86518431		1 COLLAR
18	133095		24 SPACER 10.32mm ID x 15.85mm OD x 7.9mm L
19	283590A1		12 GUARD
20	140045		24 BELLEVILLE WASHER M10 Bolt Size x 22mm OD x 1.6mm Thk
21	43140		12 BOLT Hex, M10 x 1.5 x 30mm, CI 8.8
22	84569560		1 POINTER
23	167940		4 BUSHING 39.76mm ID x 44.53mm OD x 38.1mm L
24	80714		2 LUBE NIPPLE 1/4"-28 NPT x .54" lg

3152-DRAPER HEADER 3162-DRAPER HEADER

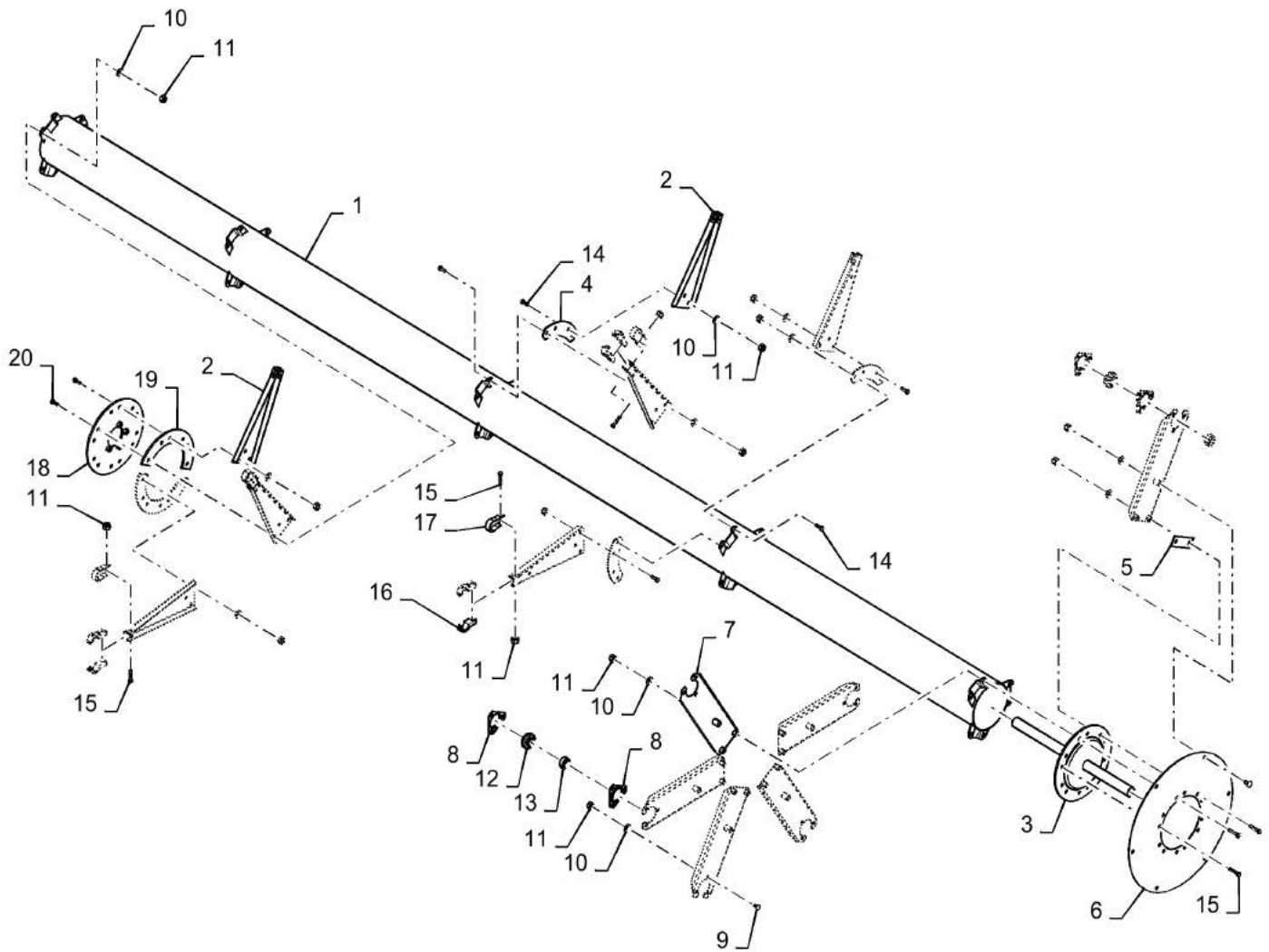
60.101.00

08

p1

9/2016

REEL, ASSY, LH, SINGLE CENTER CAM 40FT, BSN YEH040861



60.101.00

08

p1

9/2016

REEL, ASSY, LH, SINGLE CENTER CAM 40FT, BSN YEH040861

REF FN	PART NUMBER	YR/SN	QTY DESCRIPTION
1	84403983		1 REEL Center Tube
2	9842291		24 ARM Reel
3	84544333		1 SHAFT Outside End
4	86609773		9 PLATE Anchor
5	84395517		3 SPACER
6	84395529		1 DISC Reel
7	47512053		6 CHANNEL
8	86548970		12 FLANGED BEARING
9	120041		18 CARRIAGE BOLT M10 x 20mm, CI 8.8
10	140045		84 BELLEVILLE WASHER M10 Bolt Size x 22mm OD x 1.6mm Thk
11	100037		108 LOCK NUT M10 x 1.5, CI 8
12	45882		6 BALL BEARING 28.57mm ID x 62mm OD x 18mm W
13	45876		6 COLLAR 28.6mm ID x 44.45mm OD x 16mm W
14	43140		36 BOLT Hex, M10 x 1.5 x 30mm, CI 8.8
15	120069		42 BOLT M10 x 1.5 x 56.58mm OAL, CI 8.8
16	9842300		48 BEARING ASSY =H1204&I1204
17	9842301		24 STRAP Bearing
18	47426242		1 PLATE
19	47376516		2 SPACER
20	120068		12 BOLT Hex, M10 x 40mm, CI 8.8

3152-DRAPER HEADER 3162-DRAPER HEADER

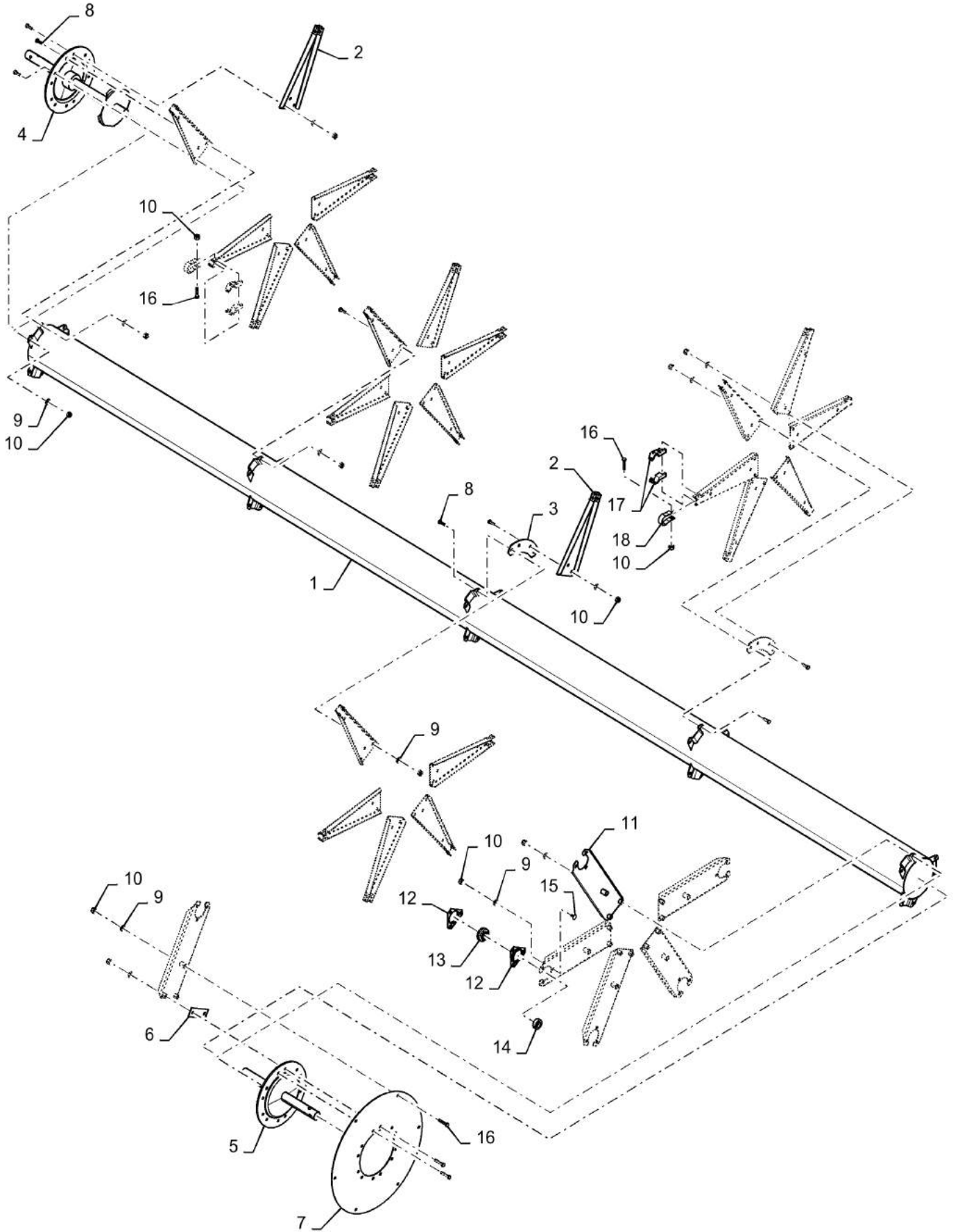
60.101.00

09

p1

9/2016

REEL, ASSY, RH, SINGLE CENTER CAM 40FT, BSN YEH040861

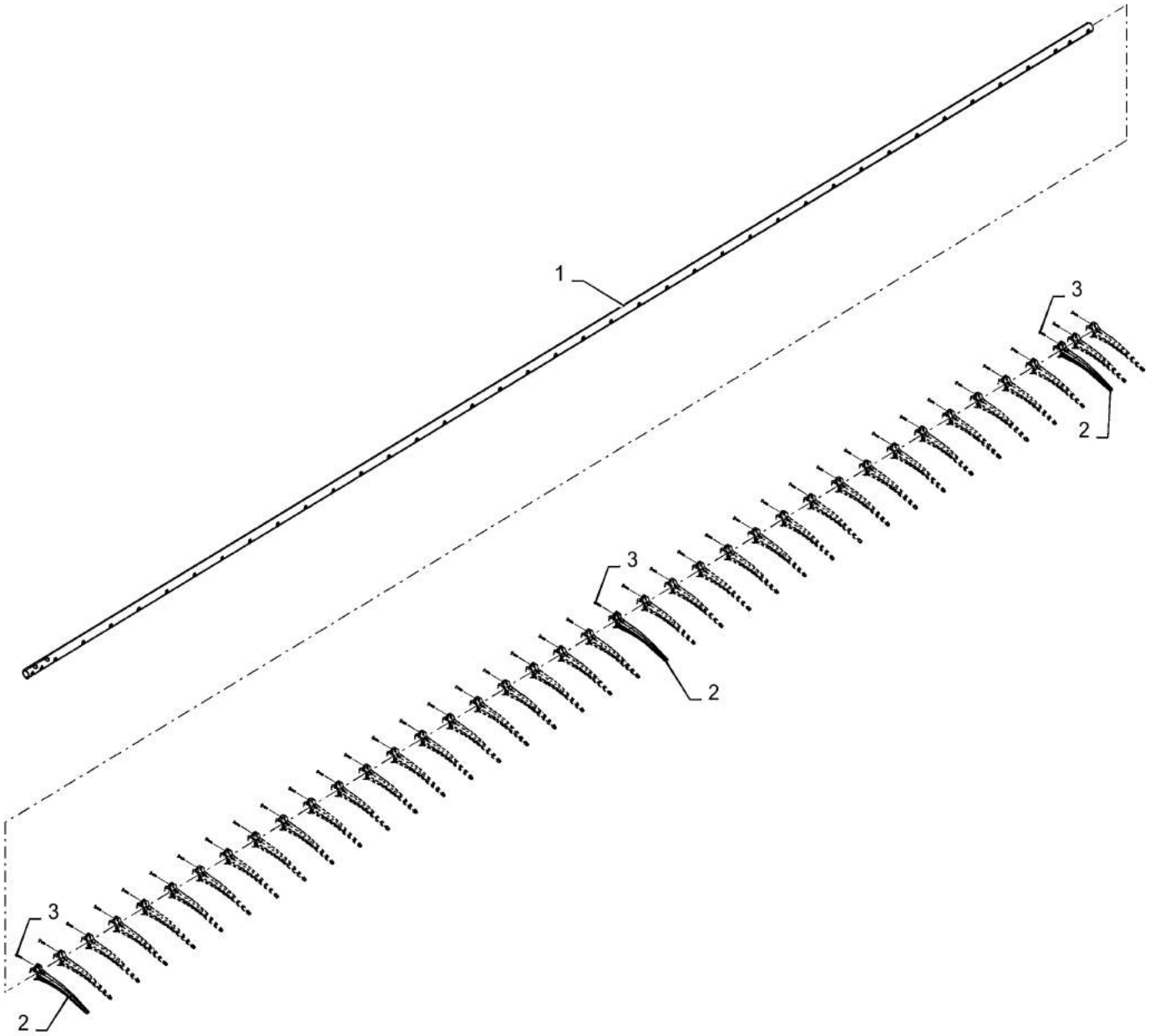


REEL, ASSY, RH, SINGLE CENTER CAM 40FT, BSN YEH040861

REF FN	PART NUMBER	YR/SN	QTY DESCRIPTION
1	84403983		1 REEL Center Tube
2	9842291		24 ARM Reel
3	86609773		9 PLATE Anchor
4	47776852		1 SHAFT Outside RH
5	47428386		1 DRIVE SHAFT Inside, Center
6	84395517		3 SPACER
7	84395529		1 DISC Reel
8	43140		48 BOLT Hex, M10 x 1.5 x 30mm, CI 8.8
9	140045		84 BELLEVILLE WASHER M10 Bolt Size x 22mm OD x 1.6mm Thk
10	100037		108 LOCK NUT M10 x 1.5, CI 8
11	47512053		6 CHANNEL
12	86548970		12 FLANGED BEARING
13	45882		6 BALL BEARING 28.57mm ID x 62mm OD x 18mm W
14	45876		6 COLLAR 28.6mm ID x 44.45mm OD x 16mm W
15	120041		18 CARRIAGE BOLT M10 x 20mm, CI 8.8
16	120069		42 BOLT M10 x 1.5 x 56.58mm OAL, CI 8.8
17	9842300		48 BEARING ASSY =H1204&I1204
18	9842301		24 STRAP Bearing

3152-DRAPER HEADER 3162-DRAPER HEADER

REEL, TINE BAR, ASSY, LH 40FT, BSN YEHO40861



60.101.00

10

p1

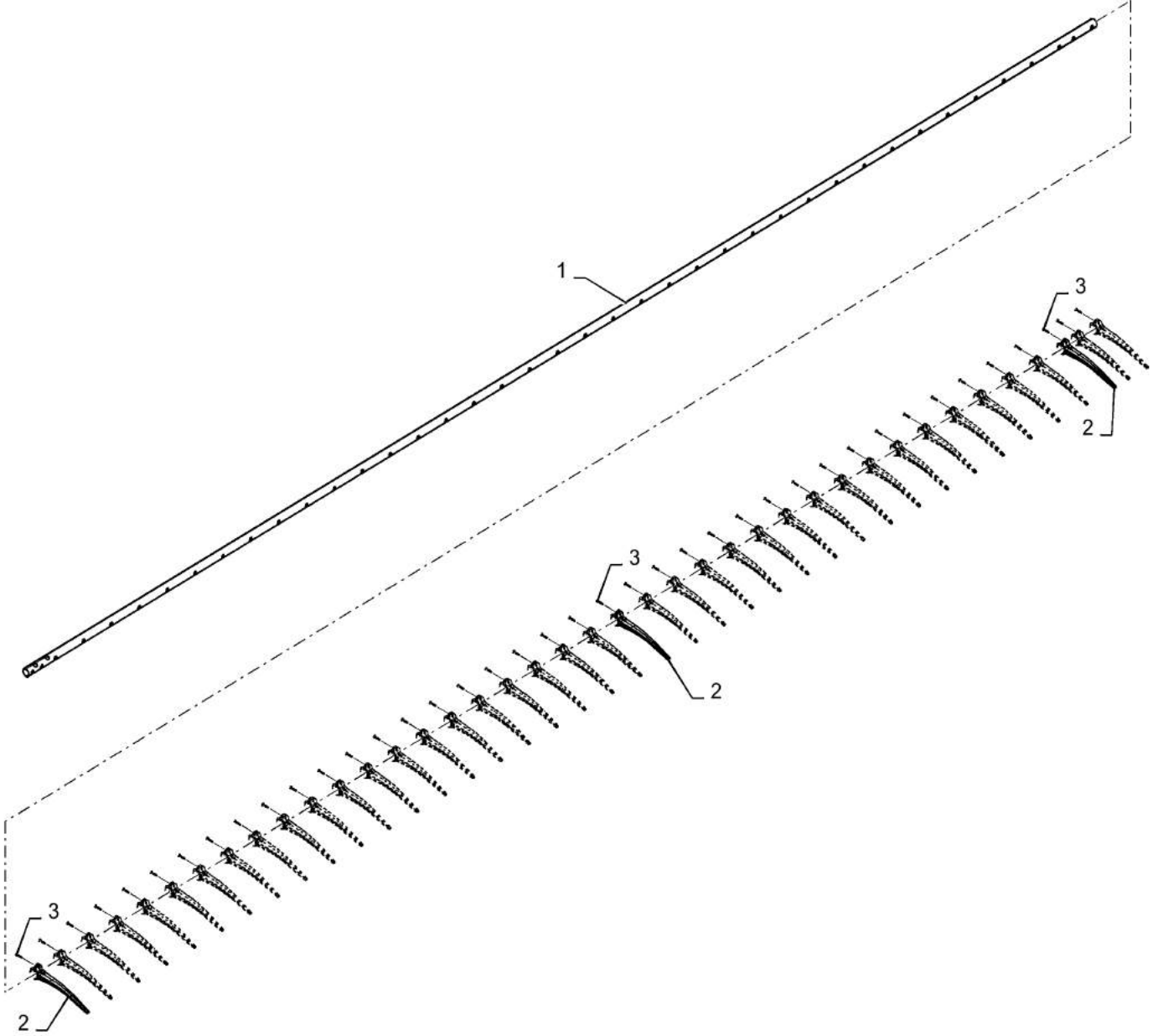
9/2016

REEL, TINE BAR, ASSY, LH 40FT, BSN YEH040861

REF FN	PART NUMBER	YR/SN	QTY DESCRIPTION
1	47401389		3 REEL RH Tine Bar
2	47392794		40 FINGER Plastic
3	9842264		40 SELF-TAP SCREW Hex, M3.5 x 1.3 x 16mm

3152-DRAPER HEADER 3162-DRAPER HEADER

REEL, TINE BAR, ASSY, LH 40FT, BSN YEHO40861



60.101.00

11

p1

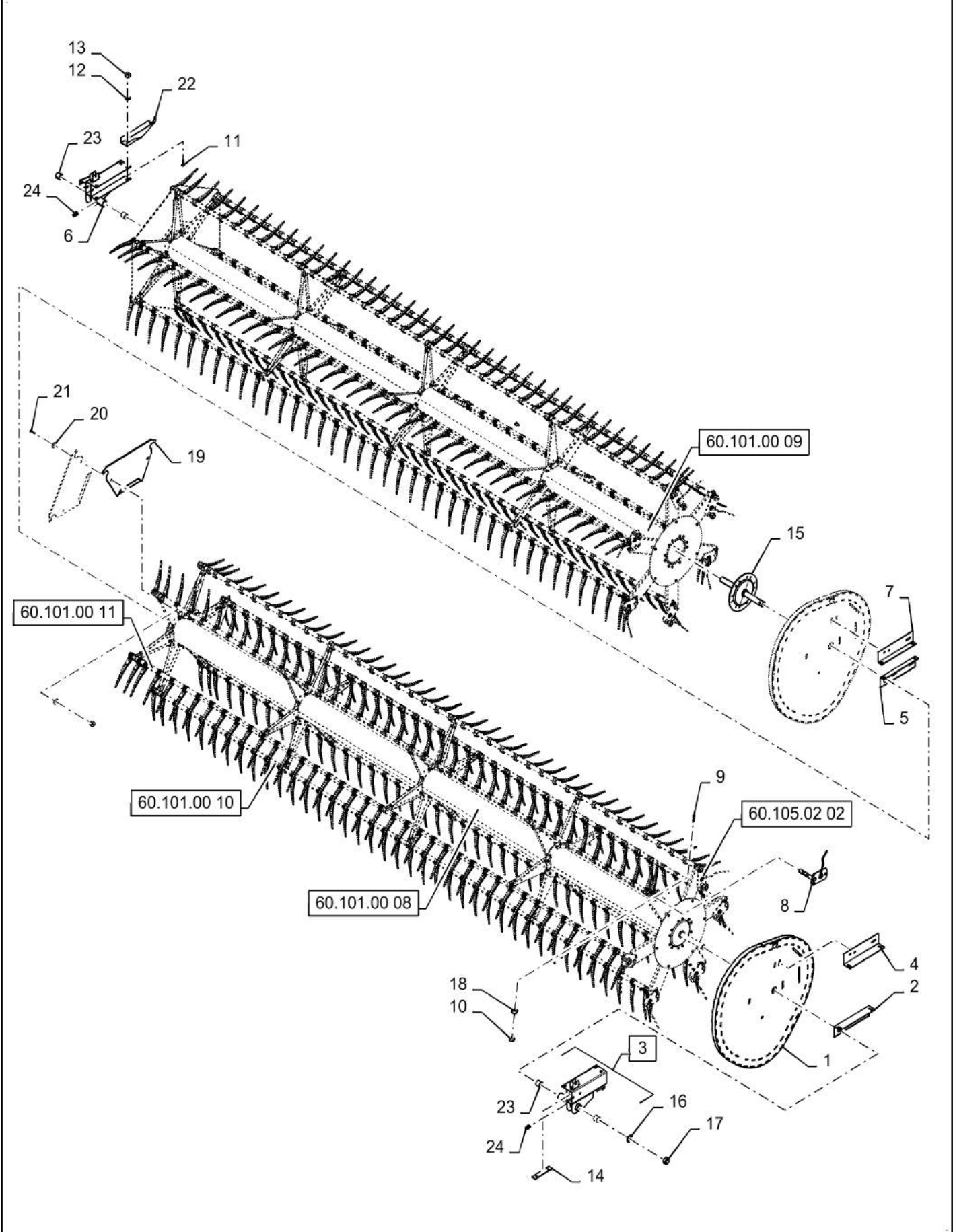
9/2016

REEL, TINE BAR, ASSY, LH 40FT, BSN YEH040861

REF FN	PART NUMBER	YR/SN	QTY DESCRIPTION
1	47401390		3 REEL RH, Tine Bar
2	47392794		40 FINGER Plastic
3	9842264		40 SELF-TAP SCREW Hex, M3.5 x 1.3 x 16mm

3152-DRAPER HEADER 3162-DRAPER HEADER

REEL ASSY, 45FT SINGLE CENTER CAM, BSN YEH040861



REEL ASSY, 45FT SINGLE CENTER CAM, BSN YEH040861

REF FN	PART NUMBER	YR/SN	QTY DESCRIPTION
1	84146310		2 CAM LH
2	84404281		1 ANGLE
3	84146282		1 MOUNT Incl 23 - 24
4	47557972		1 SUPPORT
5	47489973		1 ANGLE
6	47489198		1 MOUNT
7	47557993		1 ANGLE
8	87574731		12 SPACER 16.66mm ID x 25.4mm OD x 20mm L
9	120069		24 BOLT M10 x 1.5 x 56.58mm OAL, CI 8.8
10	100037		36 LOCK NUT M10 x 1.5, CI 8
11	120044		19 CARRIAGE BOLT M12 x 1.75 x 30mm, CI 8.8
12	140046		20 BELLEVILLE WASHER M12 Bolt Size x 27mm OD x 1.8mm Thk
13	9706685		19 NUT M12 x 1.75, CI 8
14	87647472		4 SLIDE
15	47511917		3 WASHER
16	167934		2 WASHER 1.62" ID x 2.25" OD x 0.139"
17	86518431		1 COLLAR
18	133095		24 SPACER 10.32mm ID x 15.85mm OD x 7.9mm L
19	283590A1		12 GUARD
20	140045		24 BELLEVILLE WASHER M10 Bolt Size x 22mm OD x 1.6mm Thk
21	43140		12 BOLT Hex, M10 x 1.5 x 30mm, CI 8.8
22	84569560		1 POINTER
23	167940		4 BUSHING 39.76mm ID x 44.53mm OD x 38.1mm L
24	80714		2 LUBE NIPPLE 1/4"-28 NPT x .54" lg

3152-DRAPER HEADER 3162-DRAPER HEADER

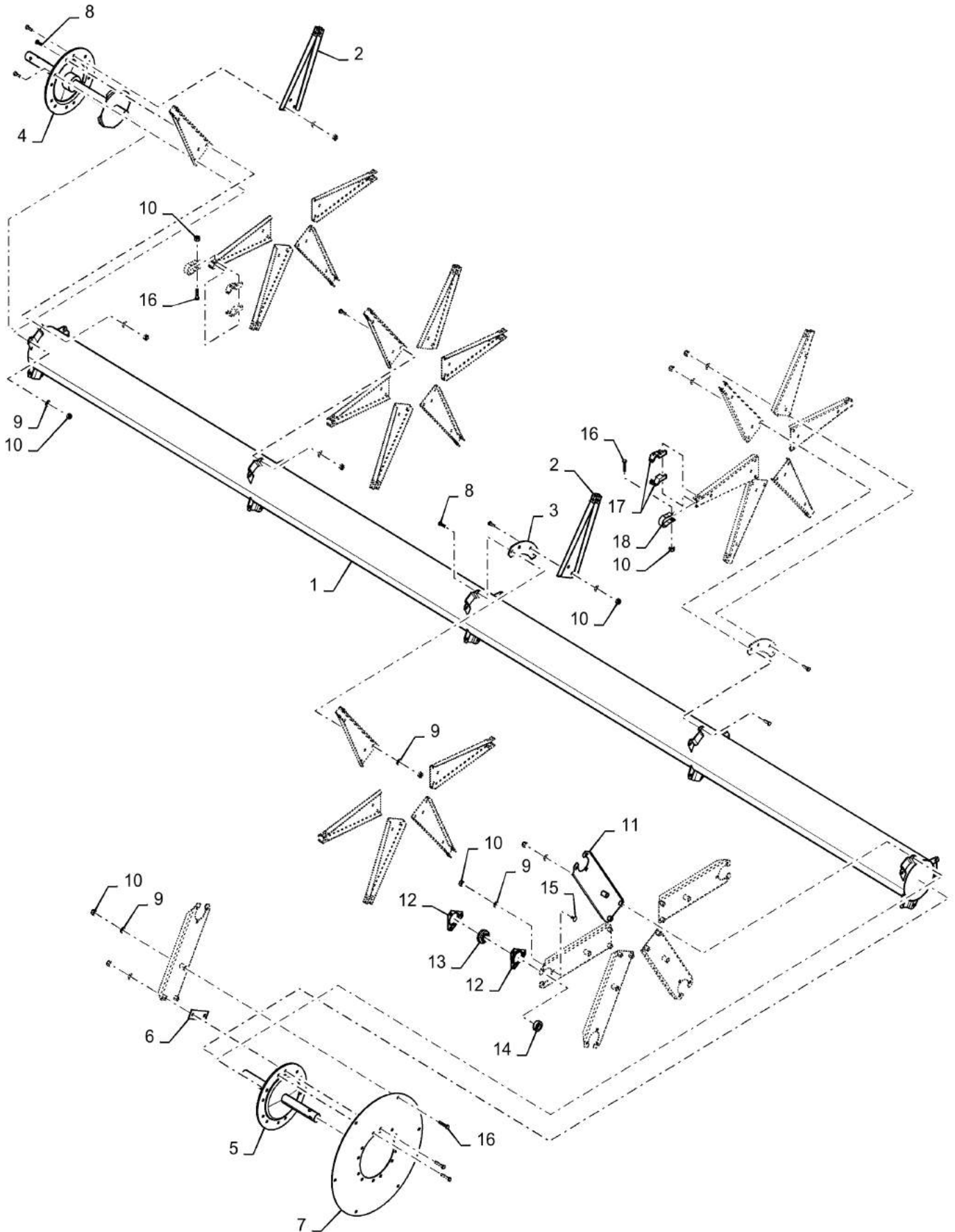
60.101.00

13

p1

9/2016

REEL, ASSY, RH, SINGLE CENTER CAM 45FT, BSN YEH040861



REEL, ASSY, RH, SINGLE CENTER CAM 45FT, BSN YEH040861

REF FN	PART NUMBER	YR/SN	QTY DESCRIPTION
1	84415772		1 REEL Center Tube
2	9842291		30 ARM Reel
3	86609773		12 PLATE Anchor
4	47776852		1 SHAFT Outside RH
5	47428386		1 DRIVE SHAFT Inside, Center
6	84395517		3 SPACER
7	84395529		1 DISC Reel
8	43140		60 BOLT Hex, M10 x 1.5 x 30mm, CI 8.8
9	140045		96 BELLEVILLE WASHER M10 Bolt Size x 22mm OD x 1.6mm Thk
10	100037		126 LOCK NUT M10 x 1.5, CI 8
11	47512053		6 CHANNEL
12	86548970		12 FLANGED BEARING
13	45882		6 BALL BEARING 28.57mm ID x 62mm OD x 18mm W
14	45876		6 COLLAR 28.6mm ID x 44.45mm OD x 16mm W
15	120041		18 CARRIAGE BOLT M10 x 20mm, CI 8.8
16	120069		48 BOLT M10 x 1.5 x 56.58mm OAL, CI 8.8
17	9842300		60 BEARING ASSY =H1204&I1204
18	9842301		30 STRAP Bearing

3152-DRAPER HEADER 3162-DRAPER HEADER

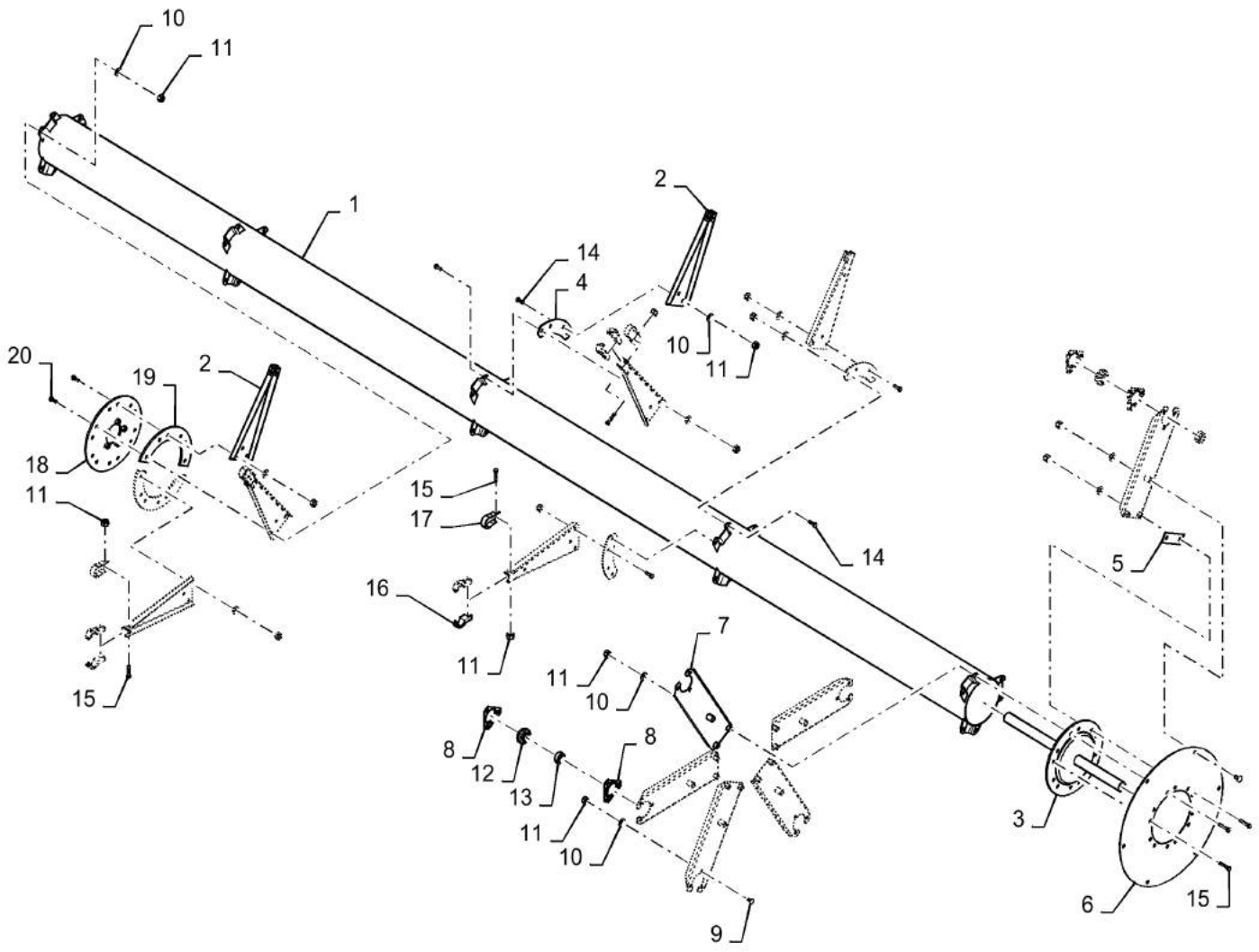
60.101.00

14

p1

9/2016

REEL, ASSY, LH, SINGLE CENTER CAM 45FT, BSN YEH040861



60.101.00

14

p1

9/2016

REEL, ASSY, LH, SINGLE CENTER CAM 45FT, BSN YEH040861

REF FN	PART NUMBER	YR/SN	QTY DESCRIPTION
1	84415772		1 REEL Center Tube
2	9842291		30 ARM Reel
3	84544333		1 SHAFT Outside End
4	86609773		12 PLATE Anchor
5	84395517		3 SPACER
6	84395529		1 DISC Reel
7	47512053		6 CHANNEL
8	86548970		12 FLANGED BEARING
9	120041		18 CARRIAGE BOLT M10 x 20mm, CI 8.8
10	140045		96 BELLEVILLE WASHER M10 Bolt Size x 22mm OD x 1.6mm Thk
11	100037		126 LOCK NUT M10 x 1.5, CI 8
12	45882		6 BALL BEARING 28.57mm ID x 62mm OD x 18mm W
13	45876		6 COLLAR 28.6mm ID x 44.45mm OD x 16mm W
14	43140		48 BOLT Hex, M10 x 1.5 x 30mm, CI 8.8
15	120069		48 BOLT M10 x 1.5 x 56.58mm OAL, CI 8.8
16	9842300		60 BEARING ASSY =H1204&I1204
17	9842301		30 STRAP Bearing
18	47426242		1 PLATE
19	47376516		2 SPACER
20	120068		12 BOLT Hex, M10 x 40mm, CI 8.8

3152-DRAPER HEADER 3162-DRAPER HEADER

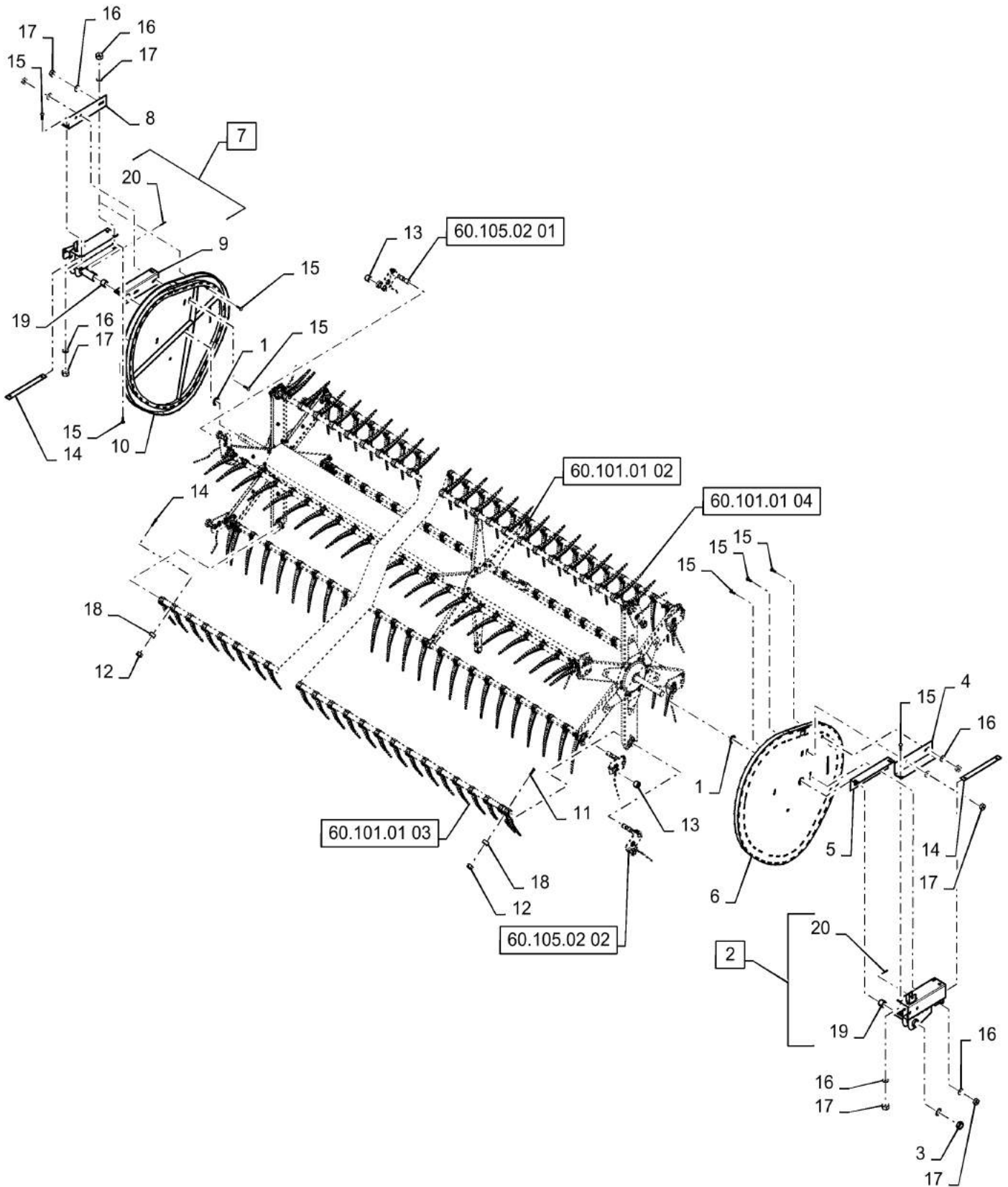
60.101.01

01

p1

9/2016

REEL, ASSY, 25FT, PLASTIC TINE

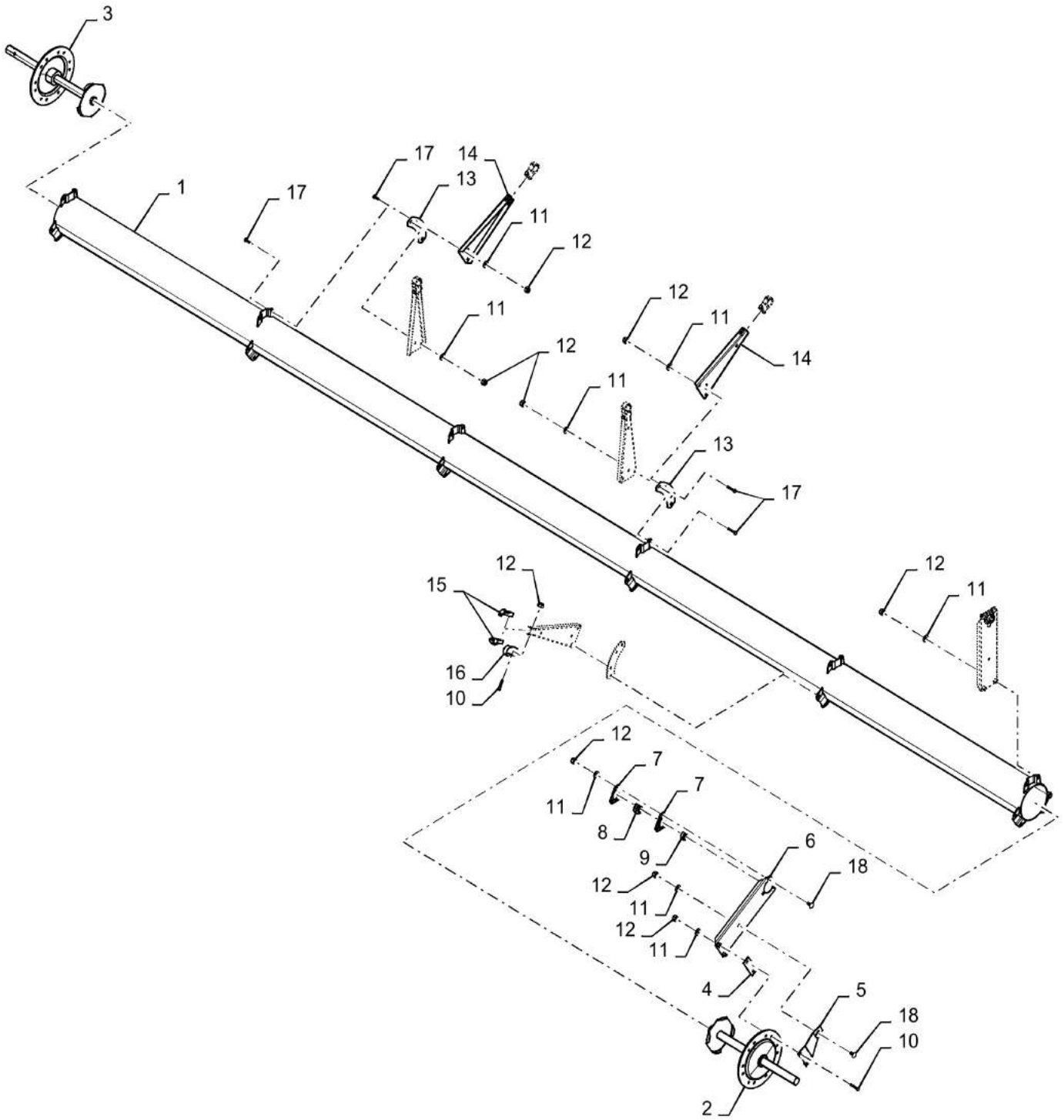


REEL, ASSY, 25FT, PLASTIC TINE

REF FN	PART NUMBER	YR/SN	QTY DESCRIPTION
1	167934		3 WASHER 1.62" ID x 2.25" OD x 0.139"
2	84146282		1 MOUNT Incl 19 - 20
3	86518431		1 COLLAR
4	47557972		1 SUPPORT
5	84404281		1 ANGLE
6	84146310		1 CAM LH
7	84146236		1 MOUNT Incl 19 - 20
8	47557967		1 ANGLE
9	84146239		1 ANGLE
10	84146308		1 CAM RH
11	120069		24 BOLT M10 x 1.5 x 56.58mm OAL, CI 8.8
12	100037		24 LOCK NUT M10 x 1.5, CI 8
13	87574731		12 SPACER 16.66mm ID x 25.4mm OD x 20mm L
14	47675181		2 SLIDE
15	120044		18 CARRIAGE BOLT M12 x 1.75 x 30mm, CI 8.8
16	140046		18 BELLEVILLE WASHER M12 Bolt Size x 27mm OD x 1.8mm Thk
17	9706685		18 NUT M12 x 1.75, CI 8
18	133095		24 SPACER 10.32mm ID x 15.85mm OD x 7.9mm L
19	167940		4 BUSHING 39.76mm ID x 44.53mm OD x 38.1mm L
20	80714		2 LUBE NIPPLE 1/4"-28 NPT x .54" lg

3152-DRAPER HEADER

REEL, ASSY, CENTER TUBE, 25 FT

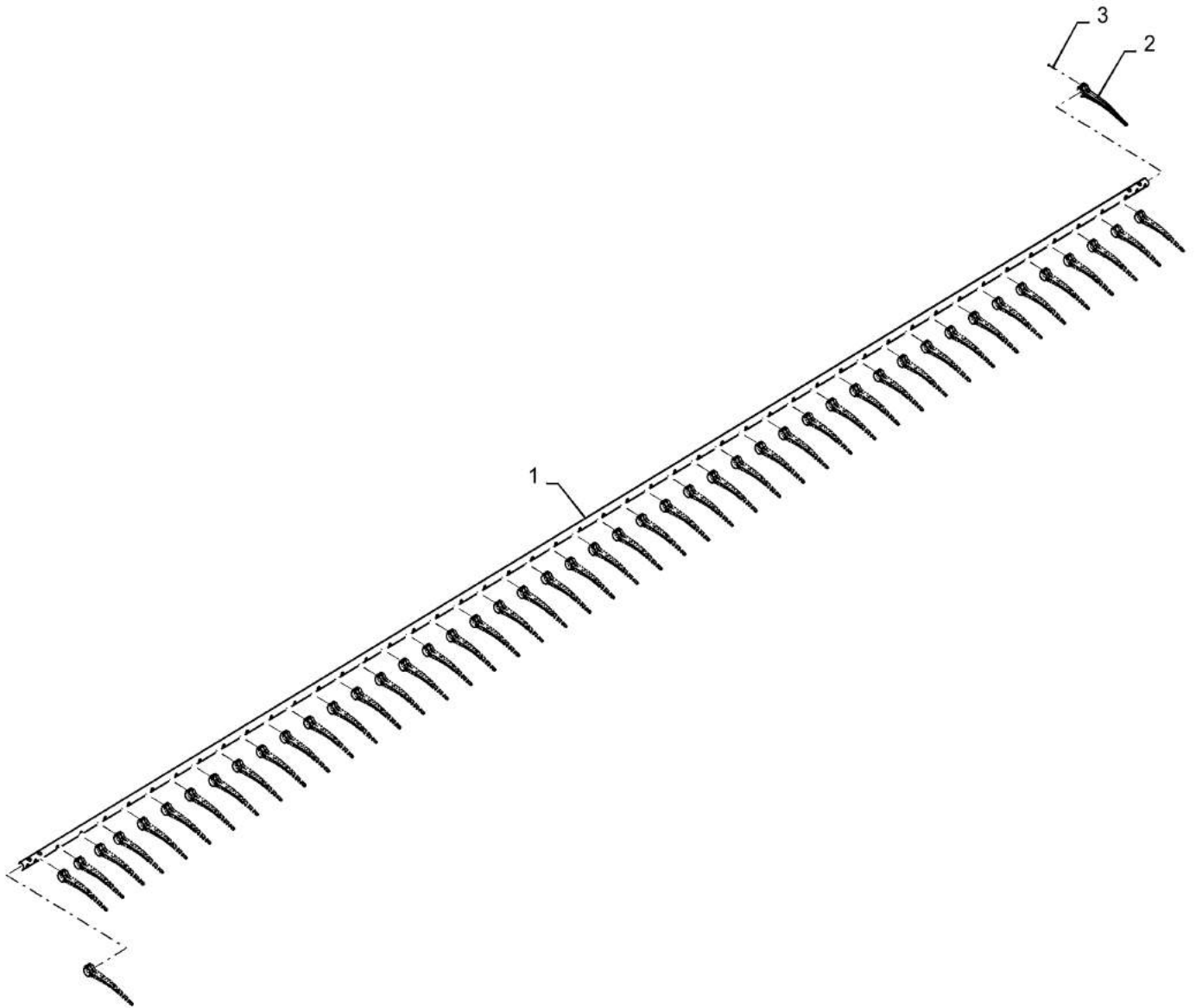


REEL, ASSY, CENTER TUBE, 25 FT

REF FN	PART NUMBER	YR/SN	QTY DESCRIPTION
1	84297397		1 SUPPORT TUBE Center
2	47788243		1 SHAFT LH End
3	47386486		1 SHAFT RH End
4	84395517		6 SPACER
5	47610099		12 BRACKET
6	47582855		12 CHANNEL
7	86548970		24 FLANGED BEARING
8	45882		12 BALL BEARING 28.57mm ID x 62mm OD x 18mm W
9	45876		12 COLLAR 28.6mm ID x 44.45mm OD x 16mm W
10	120069		48 BOLT M10 x 1.5 x 56.58mm OAL, CI 8.8
11	140045		120 BELLEVILLE WASHER M10 Bolt Size x 22mm OD x 1.6mm Thk
12	100037		144 LOCK NUT M10 x 1.5, CI 8
13	86609773		12 PLATE Anchor
14	9842291		24 ARM Reel
15	9842300		48 BEARING ASSY =H1204&I1204
16	9842301		24 STRAP Bearing
17	43140		48 BOLT Hex, M10 x 1.5 x 30mm, CI 8.8
18	120041		48 CARRIAGE BOLT M10 x 20mm, CI 8.8

3152-DRAPER HEADER

REEL, TINE BAR, ASSY, 25FT PLASTIC TINE



60.101.01

03

p1

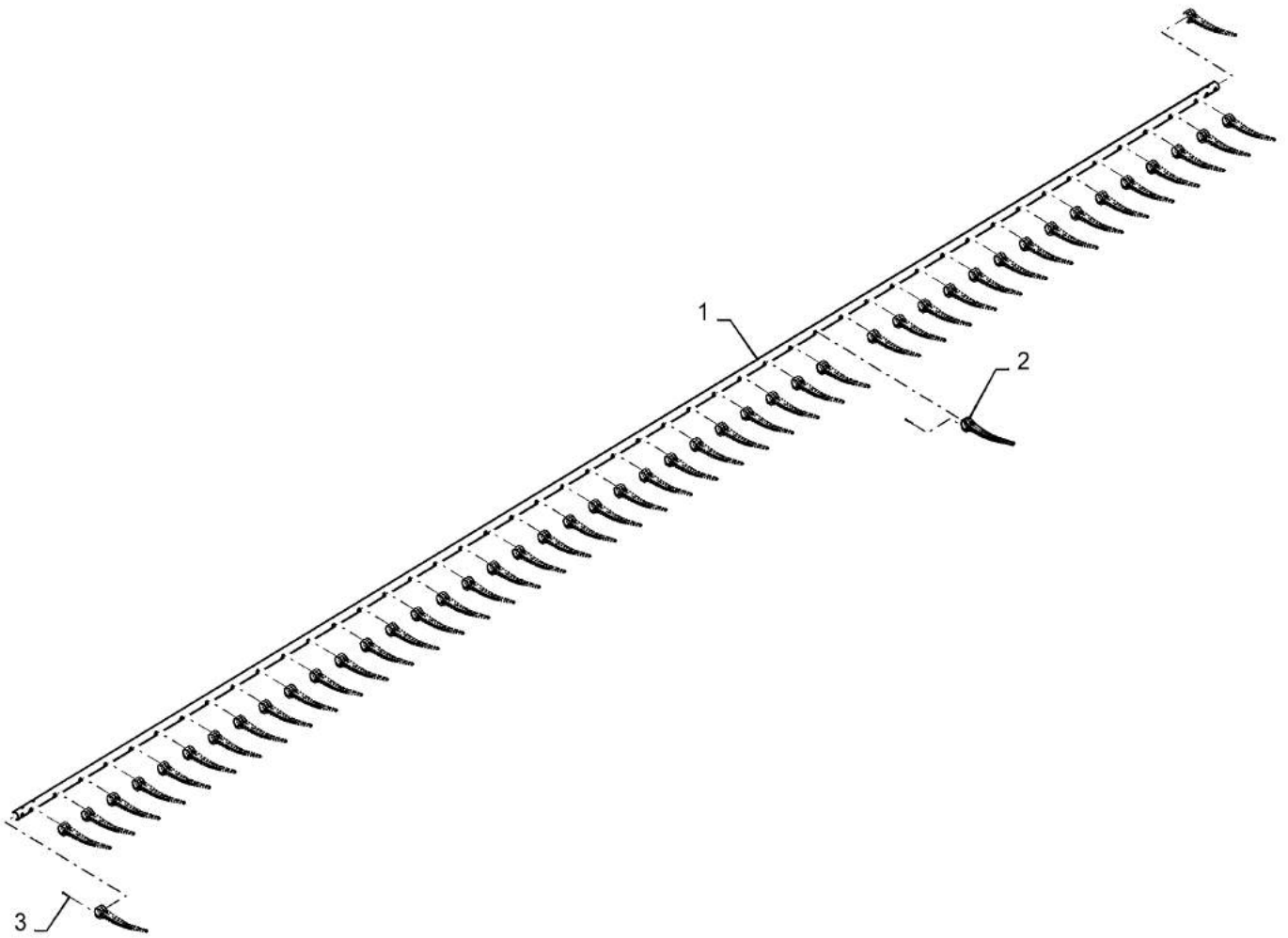
9/2016

REEL, TINE BAR, ASSY, 25FT PLASTIC TINE

REF FN	PART NUMBER	YR/SN	QTY DESCRIPTION
1	47401658		1 REEL Tine Bar
2	47392794		49 FINGER Plastic
3	9842264		49 SELF-TAP SCREW Hex, M3.5 x 1.3 x 16mm

3152-DRAPER HEADER

REEL, TINE BAR, ASSY, 25FT PLASTIC TINE



60.101.01

04

p1

9/2016

REEL, TINE BAR, ASSY, 25FT PLASTIC TINE

REF FN	PART NUMBER	YR/SN	QTY DESCRIPTION
1	47401657		1 REEL Tine Bar
2	47392794		49 FINGER Plastic
3	9842264		49 SELF-TAP SCREW Hex, M3.5 x 1.3 x 16mm

3152-DRAPER HEADER

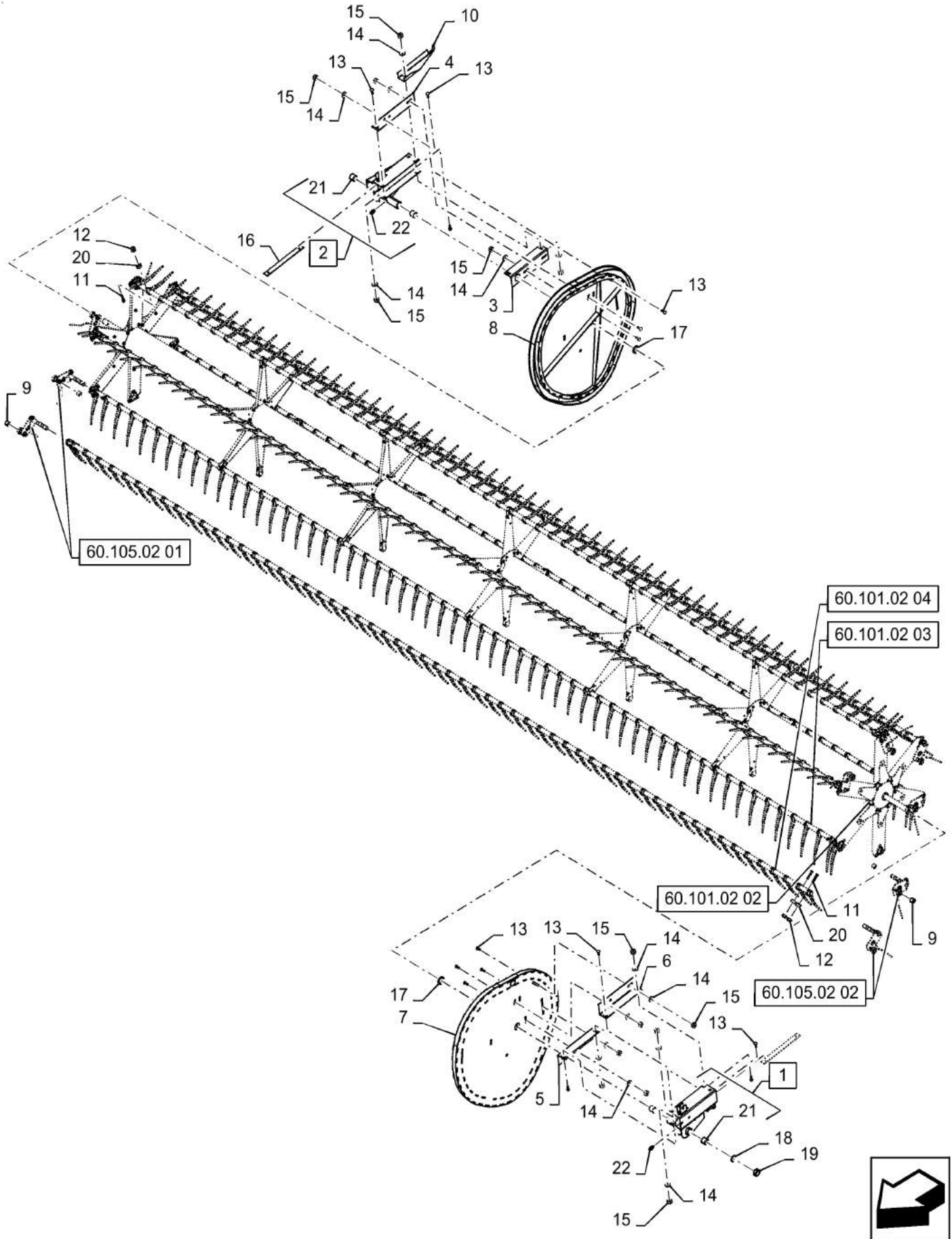
60.101.02

01

p1

9/2016

REEL, ASSY, 30FT PLASTIC TINE

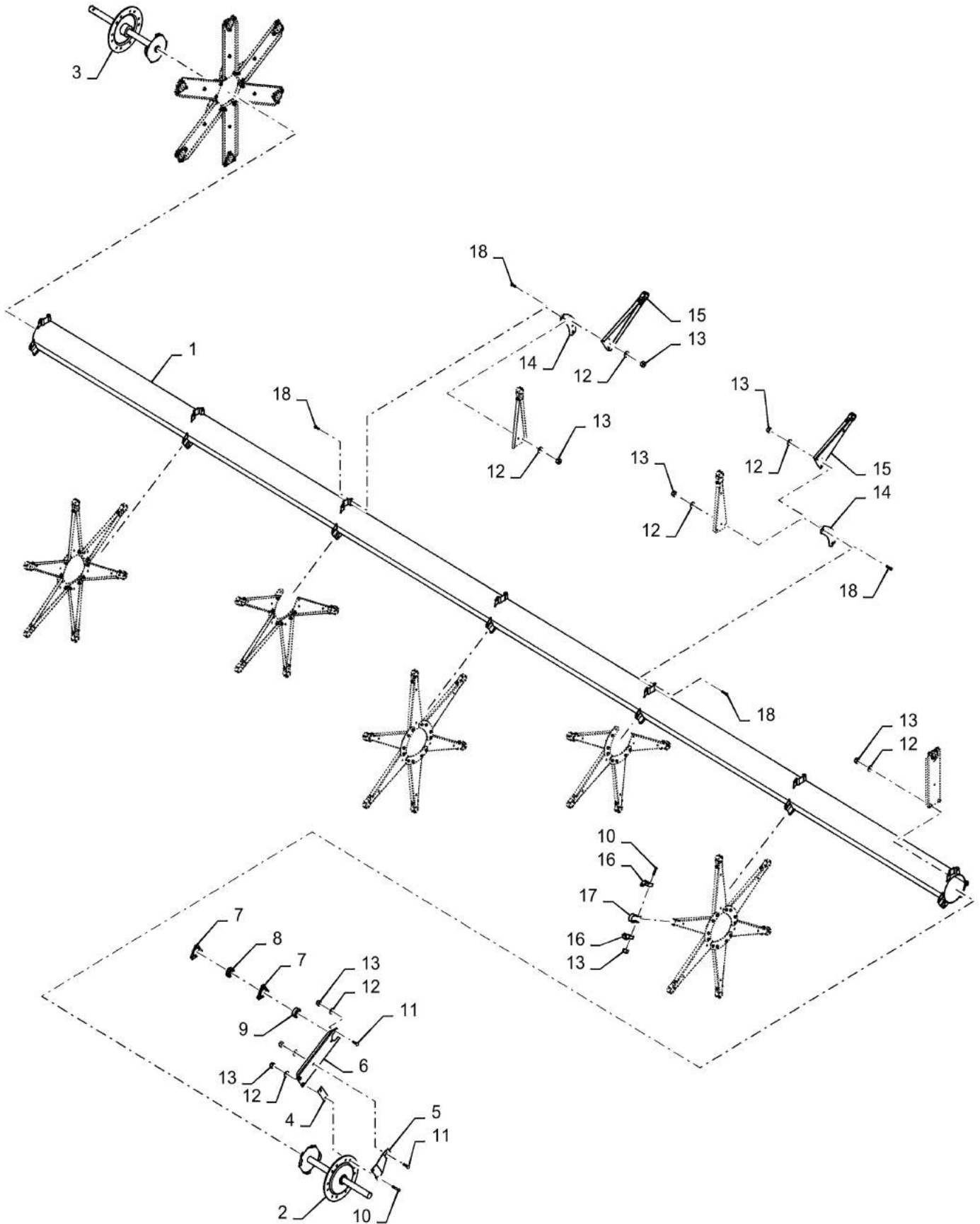


REEL, ASSY, 30FT PLASTIC TINE

REF FN	PART NUMBER	YR/SN	QTY DESCRIPTION
1	84146282		1 MOUNT LH, Incl 21 - 22
2	84146236		1 MOUNT RH, Incl 21 - 22
3	84146239		1 ANGLE
4	47557967		1 ANGLE
5	84404281		1 ANGLE
6	47557972		1 SUPPORT
7	84146310		1 CAM LH
8	84146308		1 CAM RH
9	87574731		12 SPACER 16.66mm ID x 25.4mm OD x 20mm L
10	84569560		1 POINTER
11	120069		24 BOLT M10 x 1.5 x 56.58mm OAL, CI 8.8
12	100037		24 LOCK NUT M10 x 1.5, CI 8
13	120044		18 CARRIAGE BOLT M12 x 1.75 x 30mm, CI 8.8
14	140046		18 BELLEVILLE WASHER M12 Bolt Size x 27mm OD x 1.8mm Thk
15	9706685		18 NUT M12 x 1.75, CI 8
16	47675181		2 SLIDE
17	47511917		2 WASHER
18	167934		1 WASHER 1.62" ID x 2.25" OD x 0.139"
19	86518431		1 COLLAR
20	133095		24 SPACER 10.32mm ID x 15.85mm OD x 7.9mm L
21	167940		2 BUSHING 39.76mm ID x 44.53mm OD x 38.1mm L
22	80714		1 LUBE NIPPLE 1/4"-28 NPT x .54" lg

3152-DRAPER HEADER 3162-DRAPER HEADER

REEL, ASSY, CENTER TUBE, 30FT



REEL, ASSY, CENTER TUBE, 30FT

REF FN	PART NUMBER	YR/SN	QTY DESCRIPTION
1	84297394		1 SUPPORT TUBE Center
2	47788243		1 SHAFT LH end
3	47386486		1 SHAFT RH End
4	84395517		6 SPACER
5	47610099		12 BRACKET
6	47582855		12 CHANNEL
7	86548970		24 FLANGED BEARING
8	45882		12 BALL BEARING 28.57mm ID x 62mm OD x 18mm W
9	45876		12 COLLAR 28.6mm ID x 44.45mm OD x 16mm W
10	120069		54 BOLT M10 x 1.5 x 56.58mm OAL, CI 8.8
11	120041		48 CARRIAGE BOLT M10 x 20mm, CI 8.8
12	140045		132 BELLEVILLE WASHER M10 Bolt Size x 22mm OD x 1.6mm Thk
13	100037		162 LOCK NUT M10 x 1.5, CI 8
14	86609773		15 PLATE Anchor
15	9842291		30 ARM Reel
16	9842300		60 BEARING ASSY =H1204&I1204
17	9842301		30 STRAP Bearing
18	43140		60 BOLT Hex, M10 x 1.5 x 30mm, CI 8.8

3152-DRAPER HEADER 3162-DRAPER HEADER

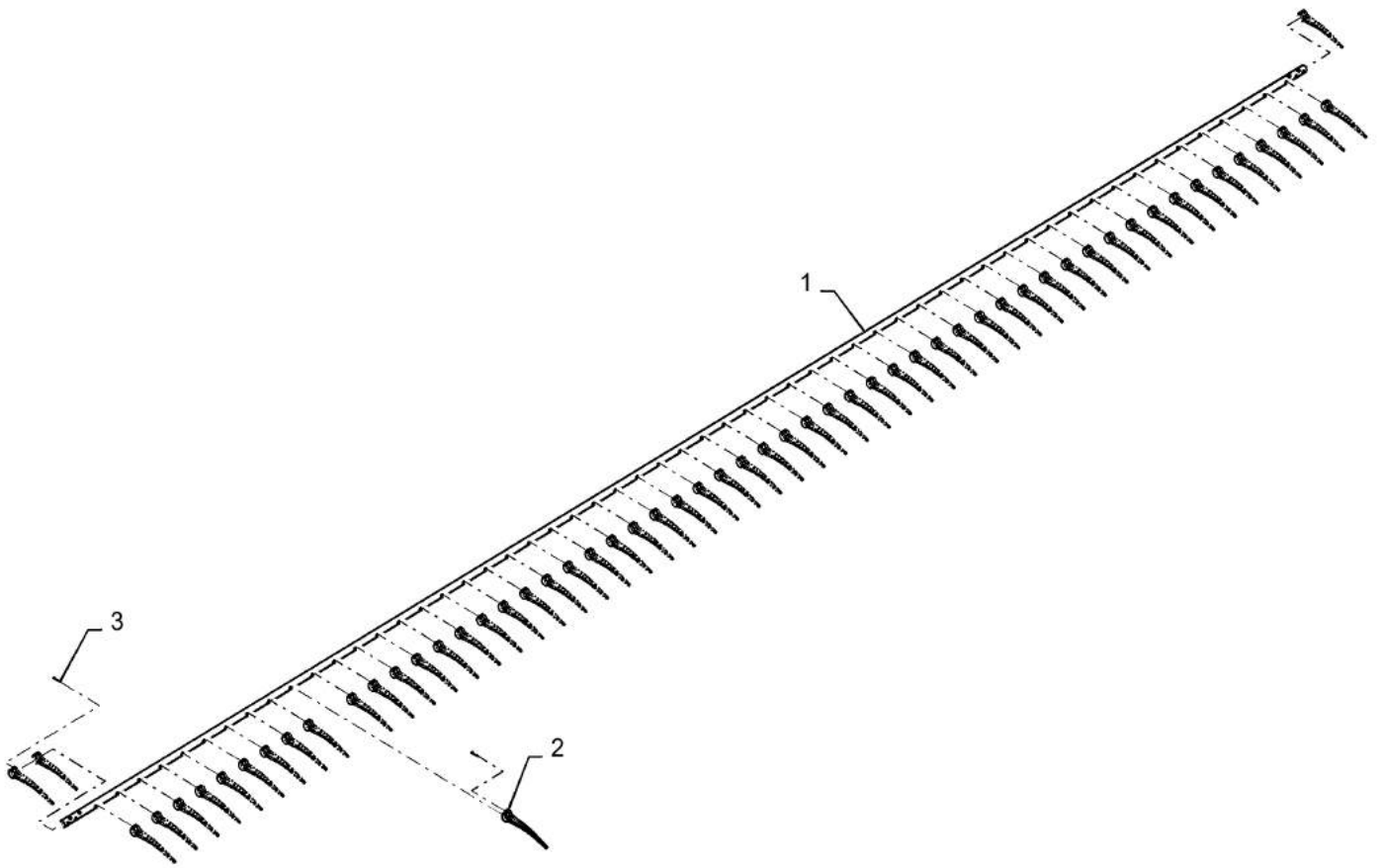
60.101.02

03

p1

9/2016

REEL, TINE BAR, ASSY, 30FT



60.101.02

03

p1

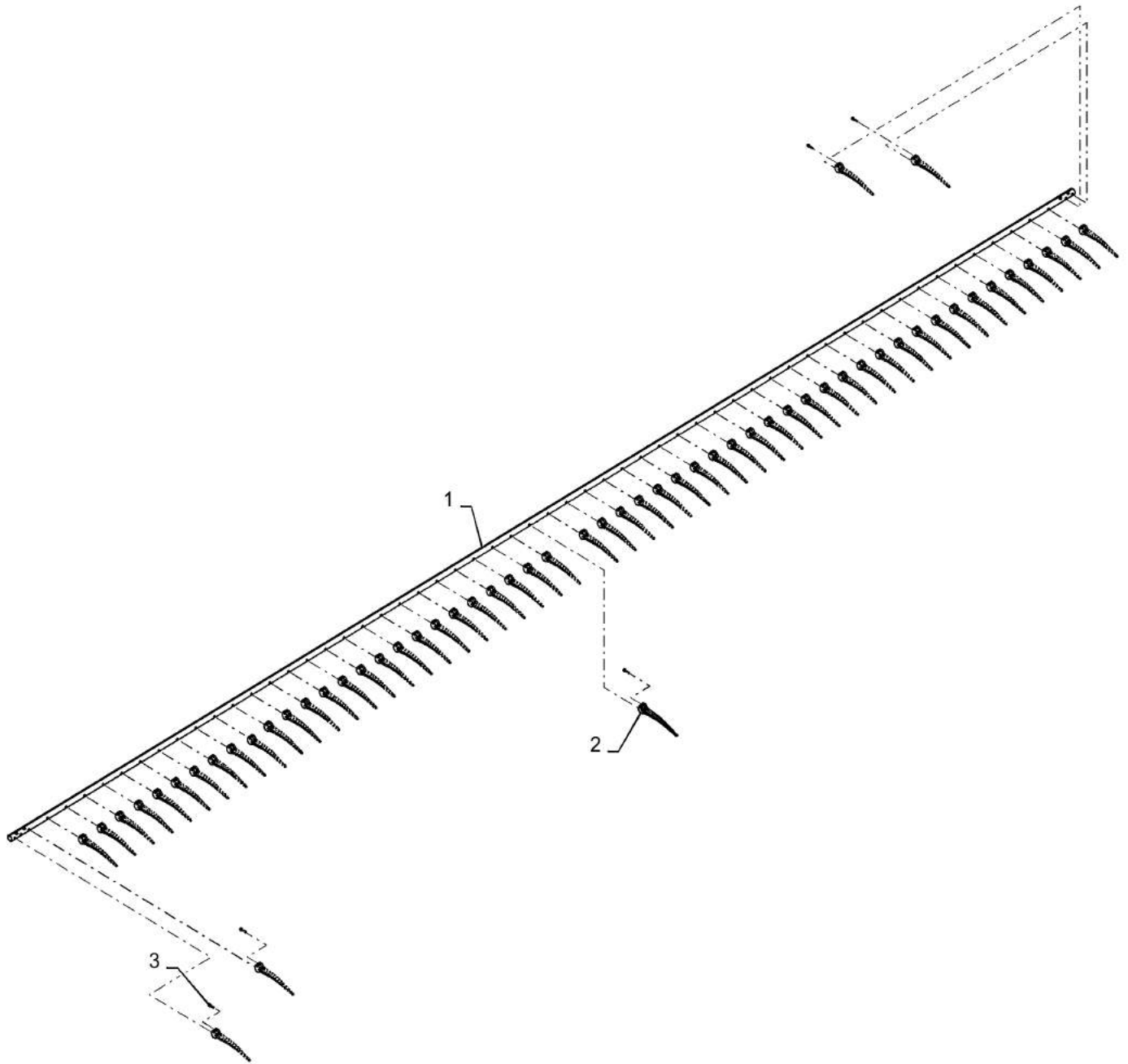
9/2016

REEL, TINE BAR, ASSY, 30FT

REF FN	PART NUMBER	YR/SN	QTY DESCRIPTION
1	47401653		1 REEL Tine Bar
2	47392794		59 FINGER Plastic
3	9842264		59 SELF-TAP SCREW Hex, M3.5 x 1.3 x 16mm

3152-DRAPER HEADER 3162-DRAPER HEADER

REEL, TINE BAR, ASSY, 30FT



60.101.02

04

p1

9/2016

REEL, TINE BAR, ASSY, 30FT

REF FN	PART NUMBER	YR/SN	QTY DESCRIPTION
1	47401654		1 REEL Tine Bar
2	47392794		59 FINGER Plastic
3	9842264		59 SELF-TAP SCREW Hex, M3.5 x 1.3 x 16mm

3152-DRAPER HEADER 3162-DRAPER HEADER

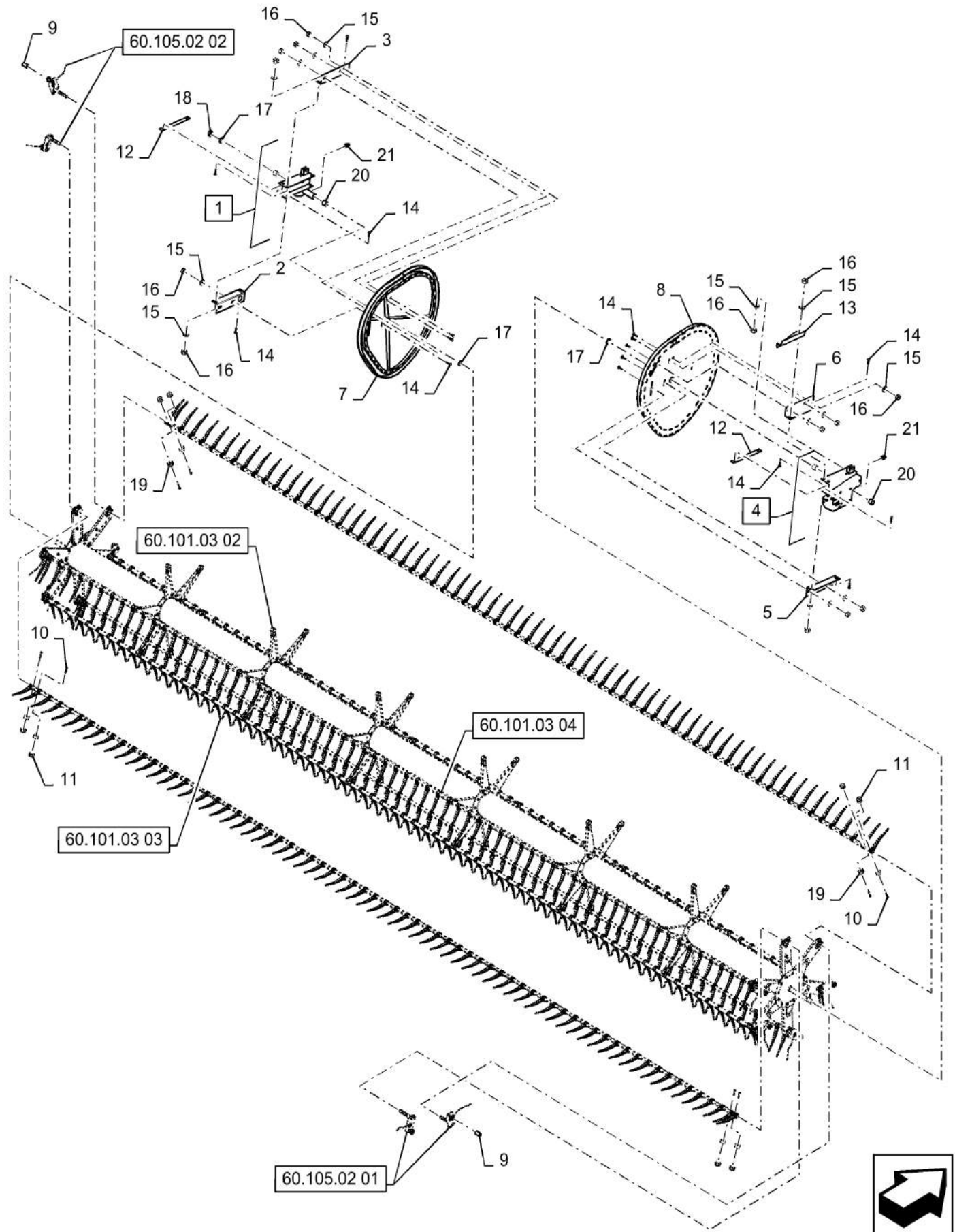
60.101.03

01

p1

9/2016

REEL, ASSY, 35FT, PLASTIC TINE

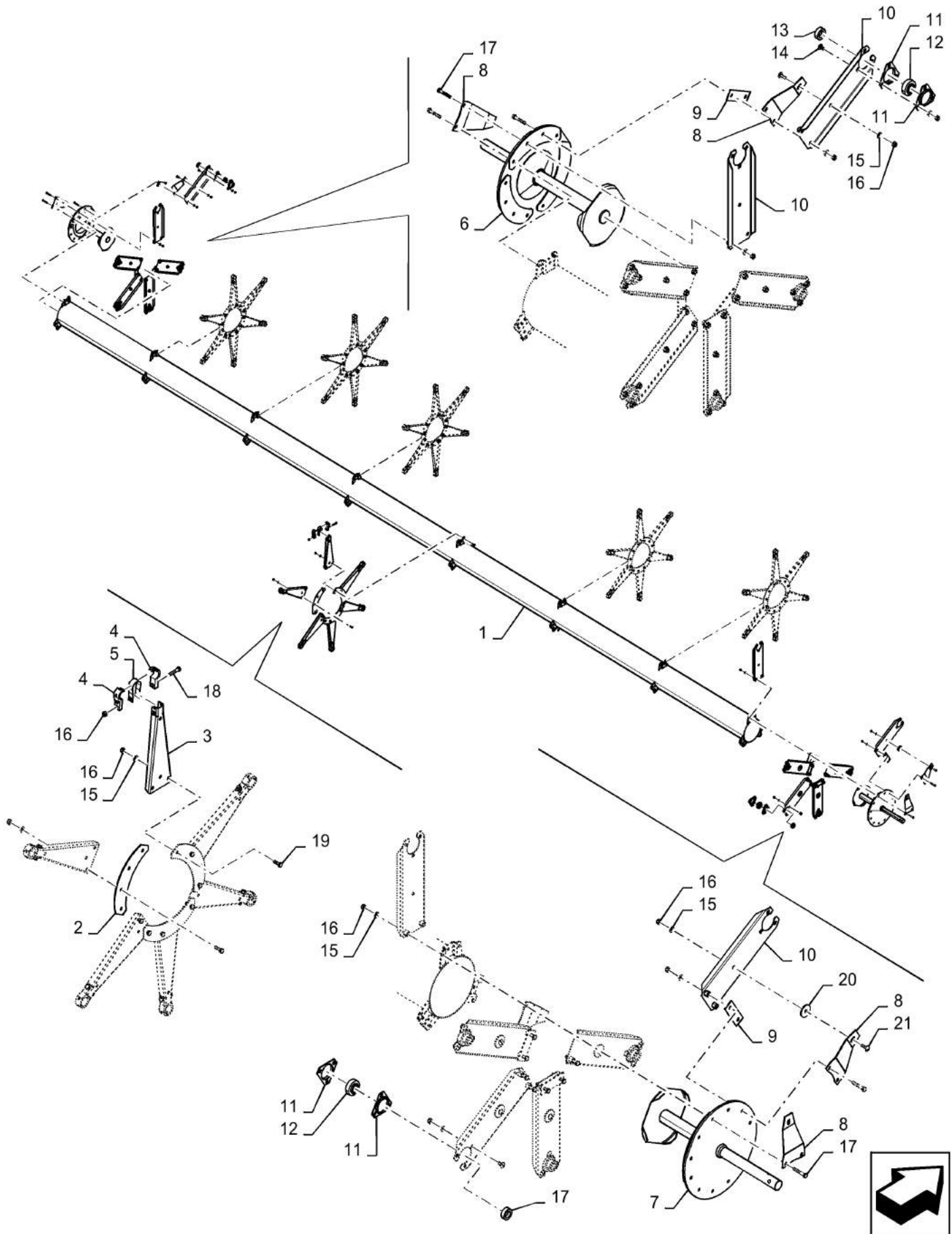


REEL, ASSY, 35FT, PLASTIC TINE

REF FN	PART NUMBER	YR/SN	QTY DESCRIPTION
1	84146282		1 MOUNT Reel, LH, Incl 20 - 21
2	84404281		1 ANGLE
3	47557972		1 SUPPORT
4	84146236		1 MOUNT Reel, RH, Incl 20 - 21
5	84146239		1 ANGLE
6	47557967		1 ANGLE
7	84146310		1 CAM Reel, LH
8	84146308		1 CAM Reel, RH
9	87574731		14 SPACER 16.66mm ID x 25.4mm OD x 20mm L
10	120069		24 BOLT M10 x 1.5 x 56.58mm OAL, CI 8.8
11	100037		26 LOCK NUT M10 x 1.5, CI 8
12	47675181		2 SLIDE
13	84569560		1 POINTER Reel Position
14	120044		18 CARRIAGE BOLT M12 x 1.75 x 30mm, CI 8.8
15	140046		18 BELLEVILLE WASHER M12 Bolt Size x 27mm OD x 1.8mm Thk
16	9706685		18 NUT M12 x 1.75, CI 8
17	167934		3 WASHER 1.62" ID x 2.25" OD x 0.139"
18	86518431		1 COLLAR Assy
19	133095		24 SPACER 10.32mm ID x 15.85mm OD x 7.9mm L
20	167940		4 BUSHING 39.76mm ID x 44.53mm OD x 38.1mm L
21	80714		2 LUBE NIPPLE 1/4"-28 NPT x .54" lg

3152-DRAPER HEADER 3162-DRAPER HEADER

REEL, ASSY, CENTER TUBE 35FT



REEL, ASSY, CENTER TUBE 35FT

REF FN	PART NUMBER	YR/SN	QTY DESCRIPTION
1	87529353		1 SHAFT ASSY. Center
2	87053169		18 PLATE Anchor
3	87523837		36 ARM Reel
4	9842300		72 BEARING ASSY =H1204&I1204
5	9842301		36 STRAP Bearing
6	84544336		1 SHAFT LH End
7	84212117		1 SHAFT RH End
8	47610099		12 BRACKET
9	84395517		6 SPACER
10	47512288		12 CHANNEL
10	47685380		12 CHANNEL
11	86548970		24 FLANGED BEARING
12	45882		12 BALL BEARING 28.57mm ID x 62mm OD x 18mm W
13	45876		12 COLLAR 28.6mm ID x 44.45mm OD x 16mm W Lock
14	120041		36 CARRIAGE BOLT M10 x 20mm, CI 8.8
15	140045		144 BELLEVILLE WASHER M10 Bolt Size x 22mm OD x 1.6mm Thk
16	100037		180 LOCK NUT M10 x 1.5, CI 8
17	120070		24 BOLT Hex, M10 x 1.5 x 60mm, CI 8.8
18	120069		36 BOLT M10 x 1.5 x 56.58mm OAL, CI 8.8
19	43140		72 BOLT Hex, M10 x 1.5 x 30mm, CI 8.8
20	29684		12 WASHER 13.5mm ID x 50.8mm OD x 5.52mm Thk
21	86512446		12 CARRIAGE BOLT M10 x 1.5 x 30mm, CI 8.8

3152-DRAPER HEADER 3162-DRAPER HEADER

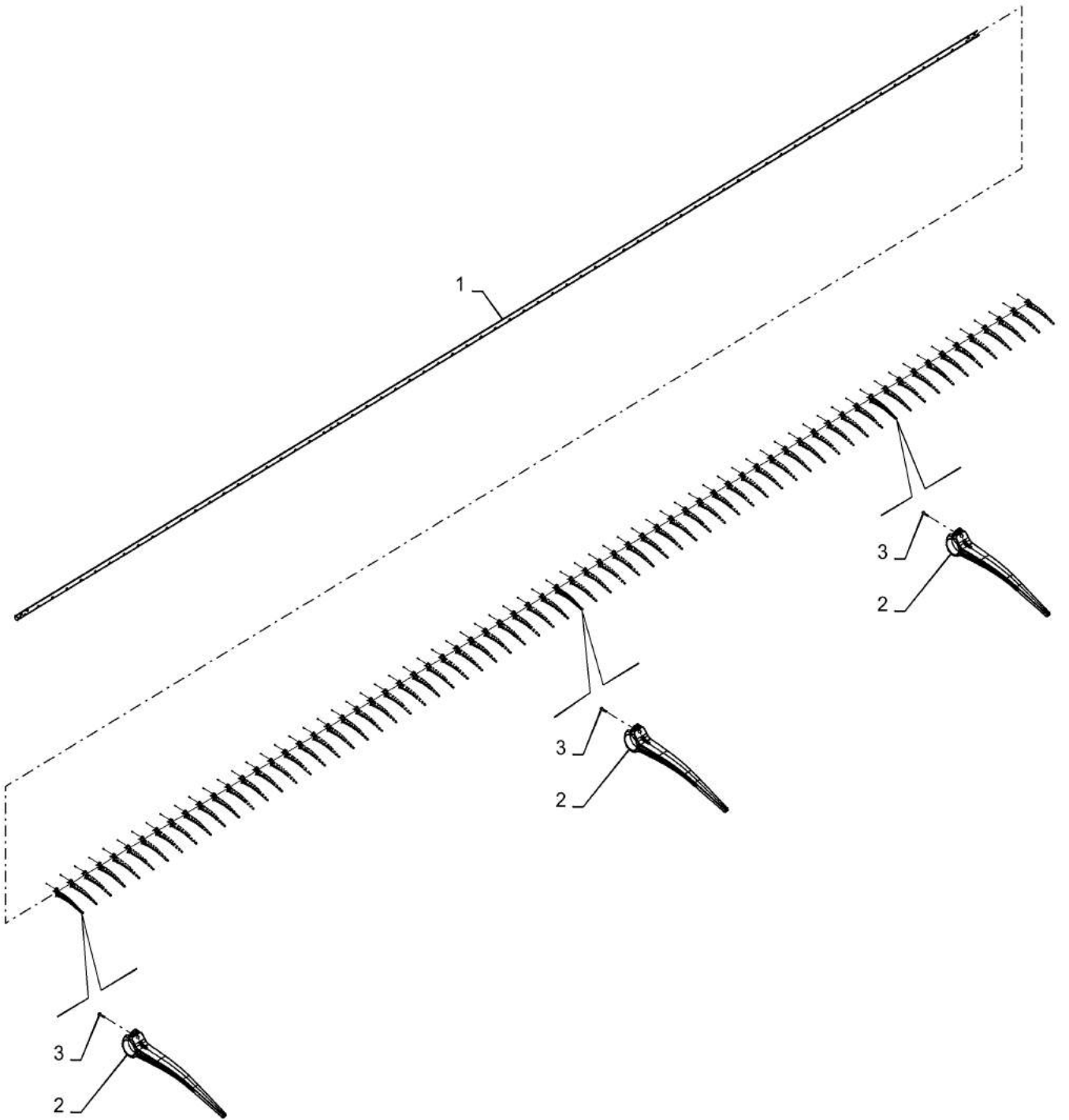
60.101.03

03

p1

9/2016

REEL, TINE BAR, ASSY, 35FT



60.101.03

03

p1

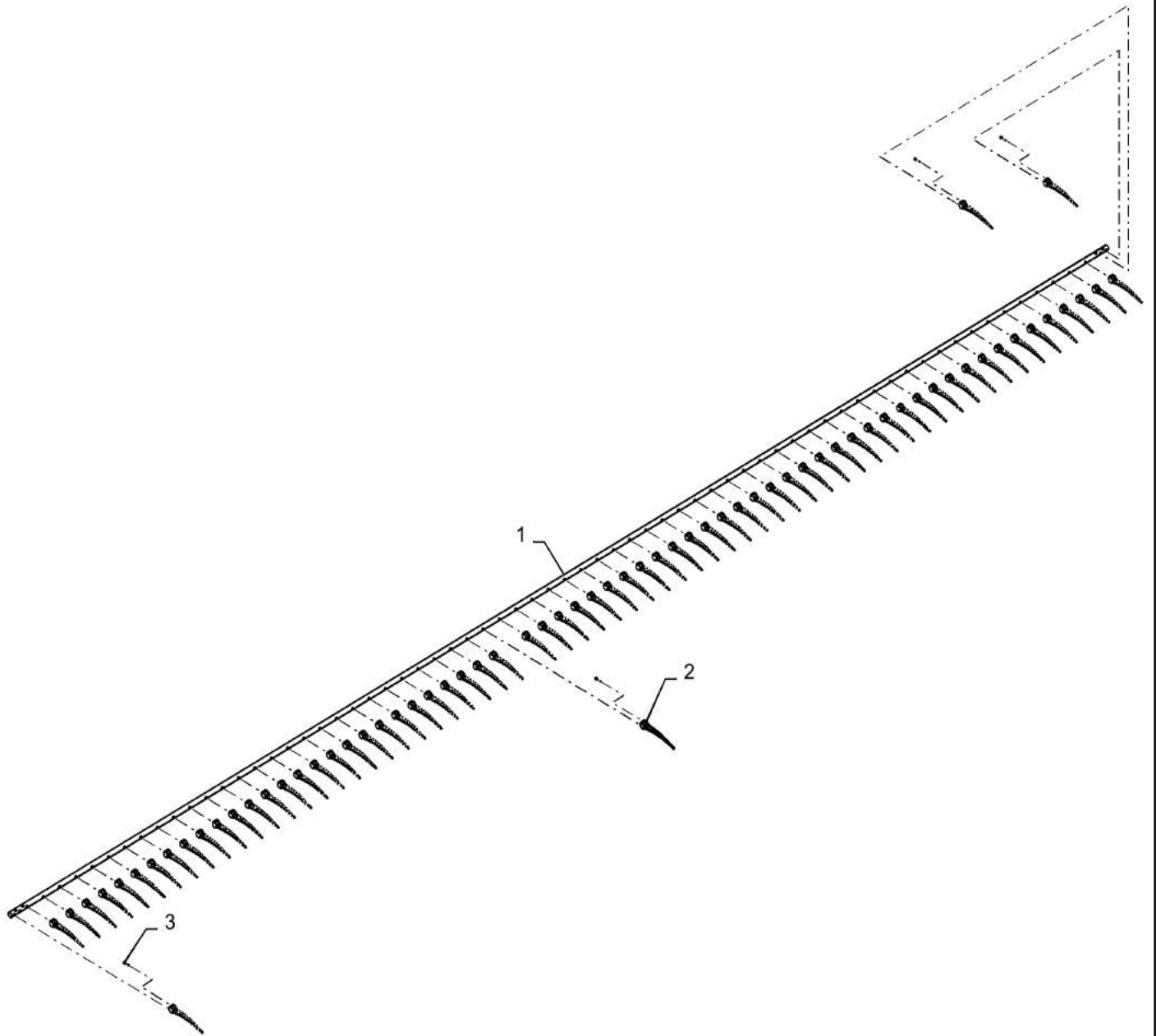
9/2016

REEL, TINE BAR, ASSY, 35FT

REF FN	PART NUMBER	YR/SN	QTY DESCRIPTION
1	47401655		1 REEL Tine Bar
2	47392794		70 FINGER Plastic
3	9842264		70 SELF-TAP SCREW Hex, M3.5 x 1.3 x 16mm

3152-DRAPER HEADER 3162-DRAPER HEADER

REEL, TINE BAR, ASSY, 35FT



60.101.03

04

p1

9/2016

REEL, TINE BAR, ASSY, 35FT

REF FN	PART NUMBER	YR/SN	QTY DESCRIPTION
1	47401656		1 REEL Tine Bar
2	47392794		70 FINGER Plastic
3	9842264		70 SELF-TAP SCREW Hex, M3.5 x 1.3 x 16mm

3152-DRAPER HEADER 3162-DRAPER HEADER

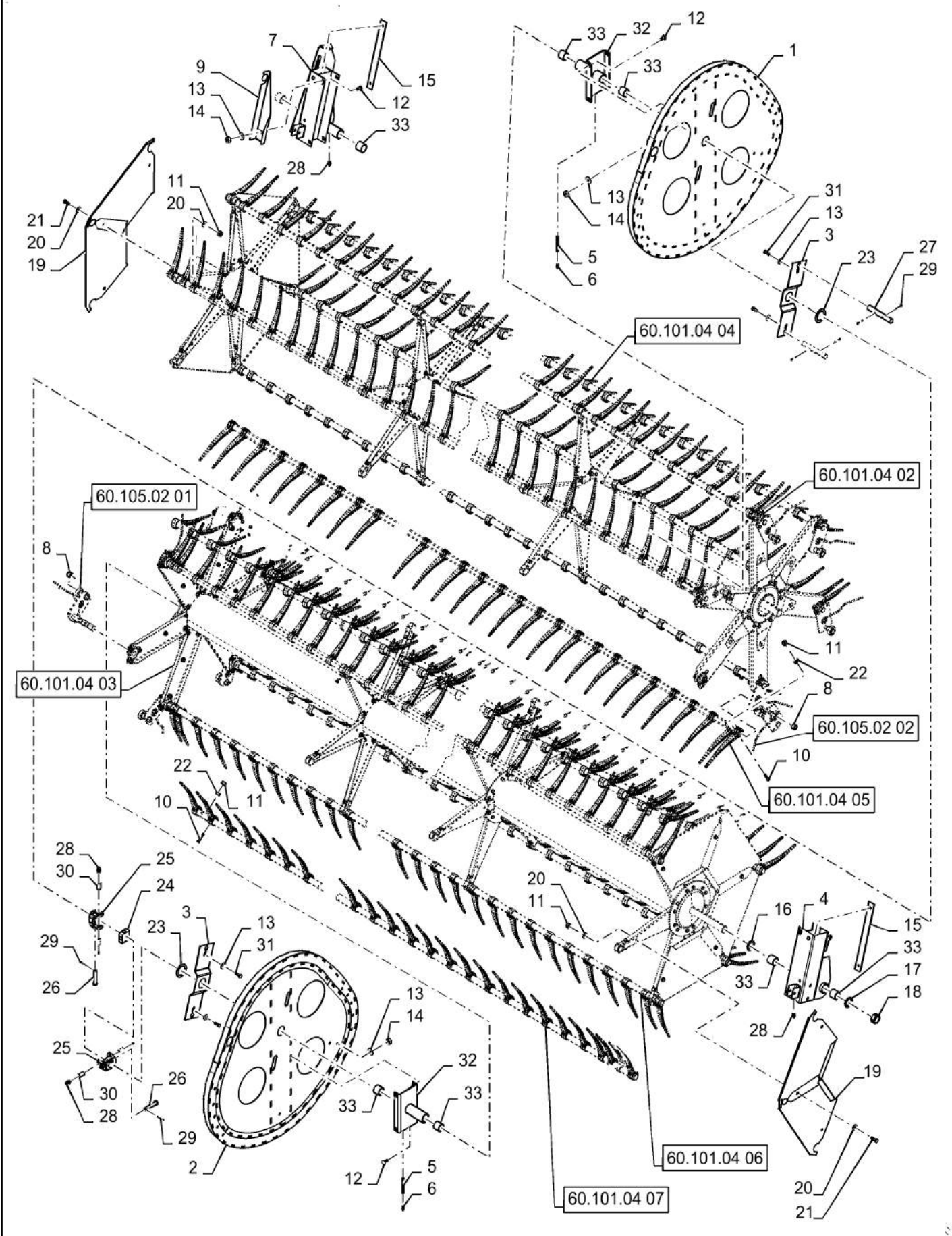
60.101.04

01

p1

9/2016

REEL ASSY, 40FT CENTER DOUBLE CAM, ASN YEH050000

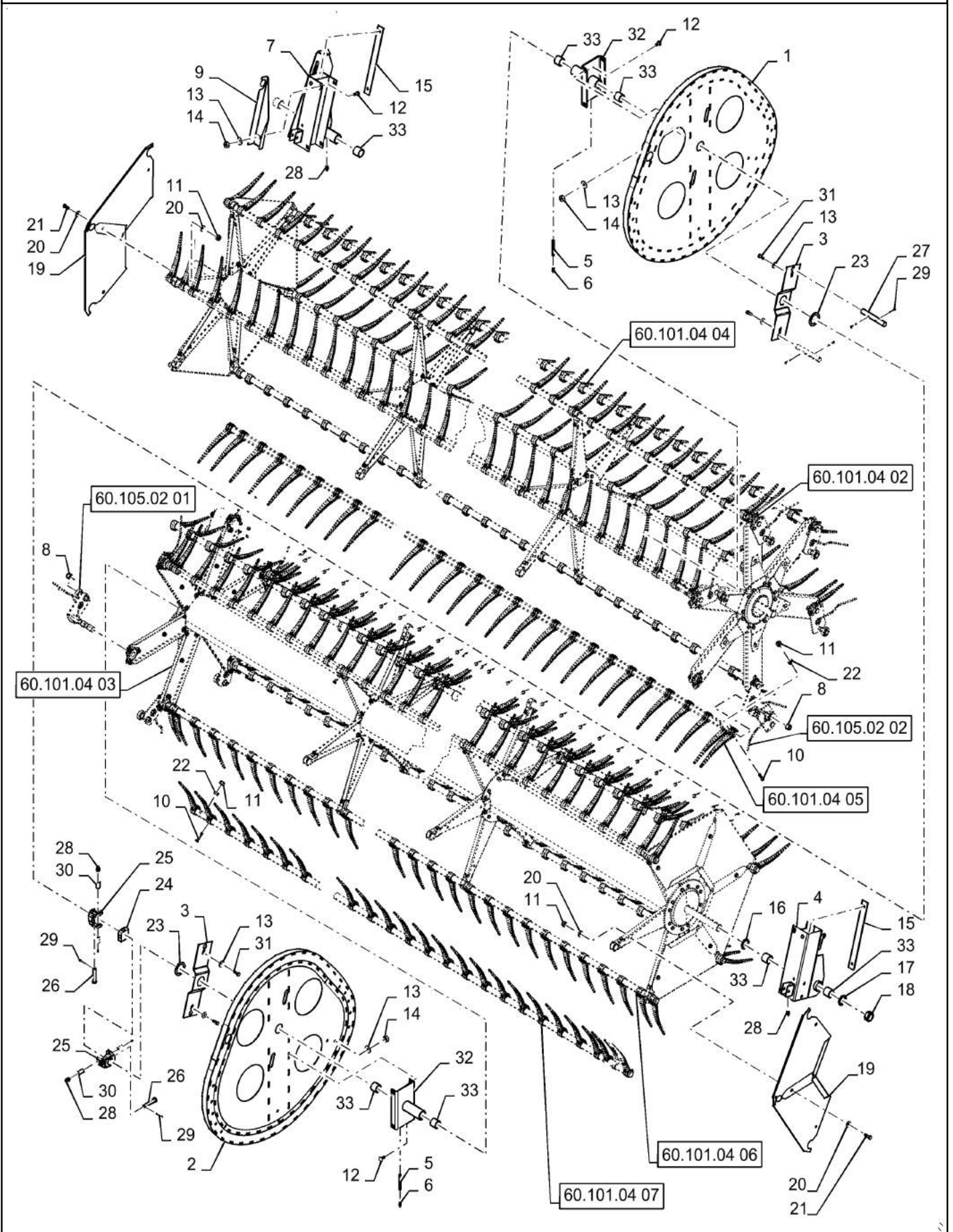


REEL ASSY, 40FT CENTER DOUBLE CAM, ASN YEH050000

REF FN	PART NUMBER	YR/SN	QTY DESCRIPTION
1	47583134		1 CAM LH
2	47583129		1 CAM RH
3	47610775		2 BRACKET
4	47610771		1 MOUNT LH
5	87662		2 HYD CONNECTOR
6	84303		2 LUBE NIPPLE 1/8"-27 NPT x 1" lg, Fem
7	47610774		1 MOUNT RH
8	87574731		12 SPACER 16.66mm ID x 25.4mm OD x 20mm L
9	84569560		1 POINTER Reel Position
10	120069		24 BOLT M10 x 1.5 x 56.58mm OAL, CI 8.8
11	100037		36 LOCK NUT M10 x 1.5, CI 8
12	120044		9 CARRIAGE BOLT M12 x 1.75 x 30mm, CI 8.8
13	140046		13 BELLEVILLE WASHER M12 Bolt Size x 27mm OD x 1.8mm Thk
14	9706685		9 NUT M12 x 1.75, CI 8
15	47675181		2 SLIDE
16	47511917		2 WASHER
17	167934		1 WASHER 1.62" ID x 2.25" OD x 0.139"
18	86518431		1 COLLAR
19	283590A1		2 GUARD
20	140045		24 BELLEVILLE WASHER M10 Bolt Size x 22mm OD x 1.6mm Thk
21	43140		12 BOLT Hex, M10 x 1.5 x 30mm, CI 8.8
22	133095		24 SPACER 10.32mm ID x 15.85mm OD x 7.9mm L
23	47562293		2 WASHER
24	47600506		1 CROSS
25	47643784		2 JOINT
26	86624193		2 HEADED PIN 5/8" x 3 1/2", G5
27	47539490		2 SHAFT
28	87414		4 LUBE NIPPLE 1/4" - 28
29	80754		6 COTTER PIN 3/16" OD x 1-1/2" OAL
30	47628671		4 PIN

3152-DRAPER HEADER 3162-DRAPER HEADER

REEL ASSY, 40FT CENTER DOUBLE CAM, ASN YEH050000



60.101.04

01

p2

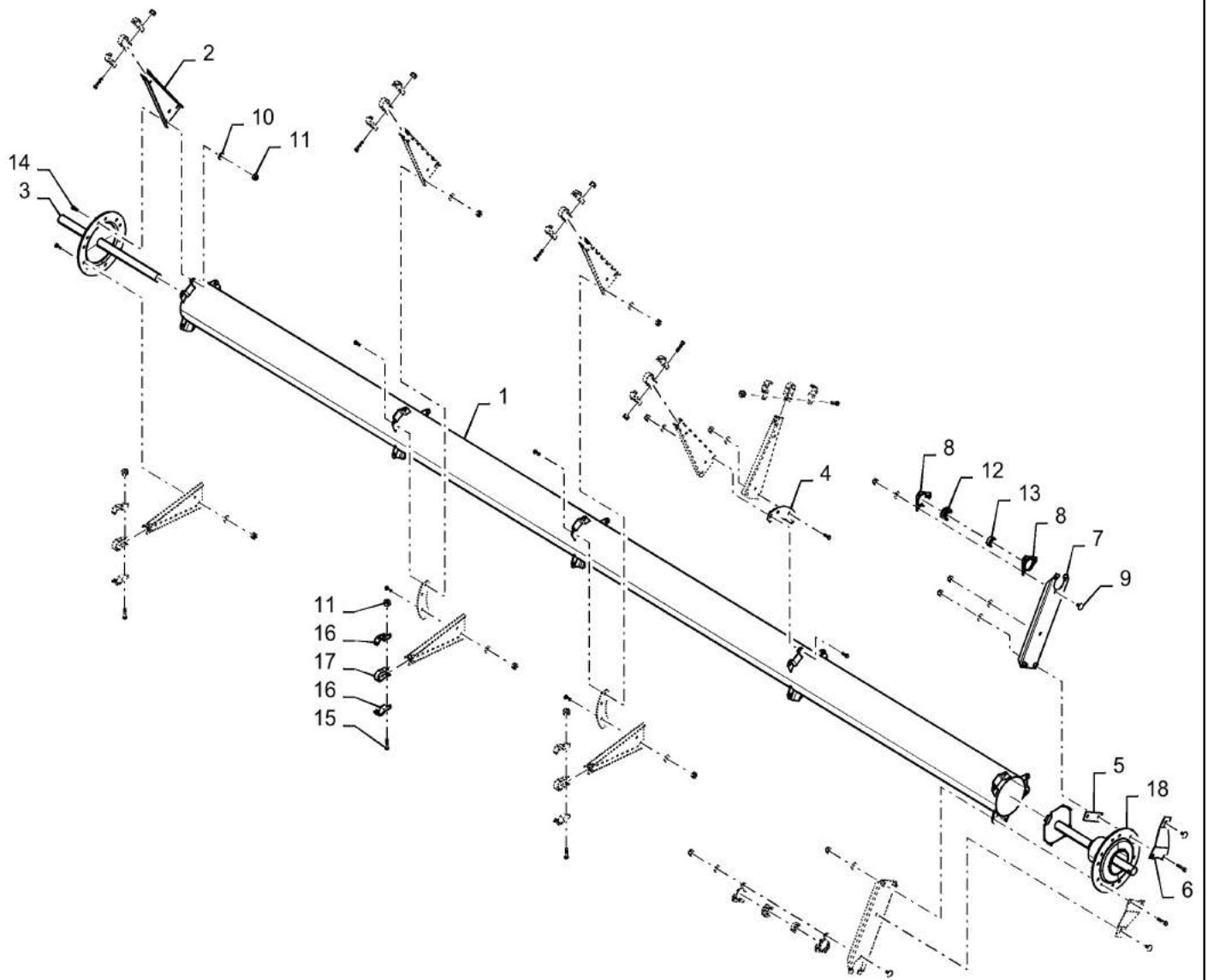
9/2016

REEL ASSY, 40FT CENTER DOUBLE CAM, ASN YEH050000

REF FN	PART NUMBER	YR/SN	QTY DESCRIPTION
31	9706687		4 BOLT M12 x 1.75 x 30mm, CI 8.8
32	47486066		2 HUB
33	167940		4 BUSHING 39.76mm ID x 44.53mm OD x 38.1mm L

3152-DRAPER HEADER 3162-DRAPER HEADER

REEL ASSY, LH 40FT CENTER DOUBLE CAM, ASN YEH050000

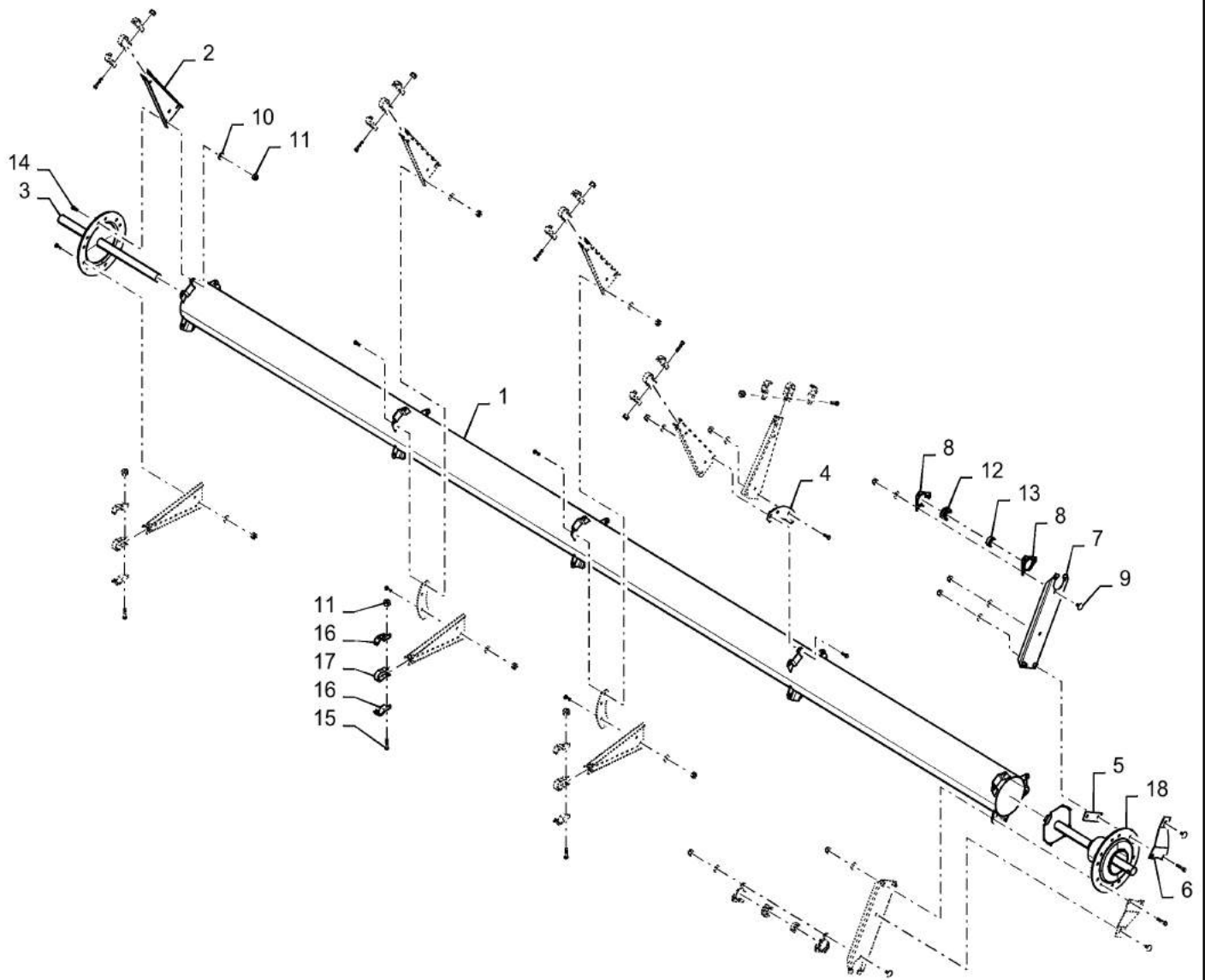


REEL ASSY, LH 40FT CENTER DOUBLE CAM, ASN YEH050000

REF FN	PART NUMBER	YR/SN	QTY DESCRIPTION
1	84297398		1 SUPPORT TUBE Center, 20FT
2	9842291		24 ARM Reel
3	84544333		1 SHAFT Outside of LH Reel
4	86609773		9 PLATE Anchor
5	84395517		3 SPACER
6	47610099		6 BRACKET
7	47582855		6 CHANNEL
8	86548970		12 FLANGED BEARING
9	120041		24 CARRIAGE BOLT M10 x 20mm, CI 8.8
10	140045		84 BELLEVILLE WASHER M10 Bolt Size x 22mm OD x 1.6mm Thk
11	100037		108 LOCK NUT M10 x 1.5, CI 8
12	45882		6 BALL BEARING 28.57mm ID x 62mm OD x 18mm W
13	45876		6 COLLAR 28.6mm ID x 44.45mm OD x 16mm W Locking
14	43140		48 BOLT Hex, M10 x 1.5 x 30mm, CI 8.8
15	120069		36 BOLT M10 x 1.5 x 56.58mm OAL, CI 8.8
16	9842300		48 BEARING ASSY =H1204&I1204
17	9842301		24 STRAP Bearing
18	47398156		1 SHAFT Inside of LH Reel

3152-DRAPER HEADER 3162-DRAPER HEADER

REEL ASSY, RH 40FT CENTER DOUBLE CAM, ASN YEH050000

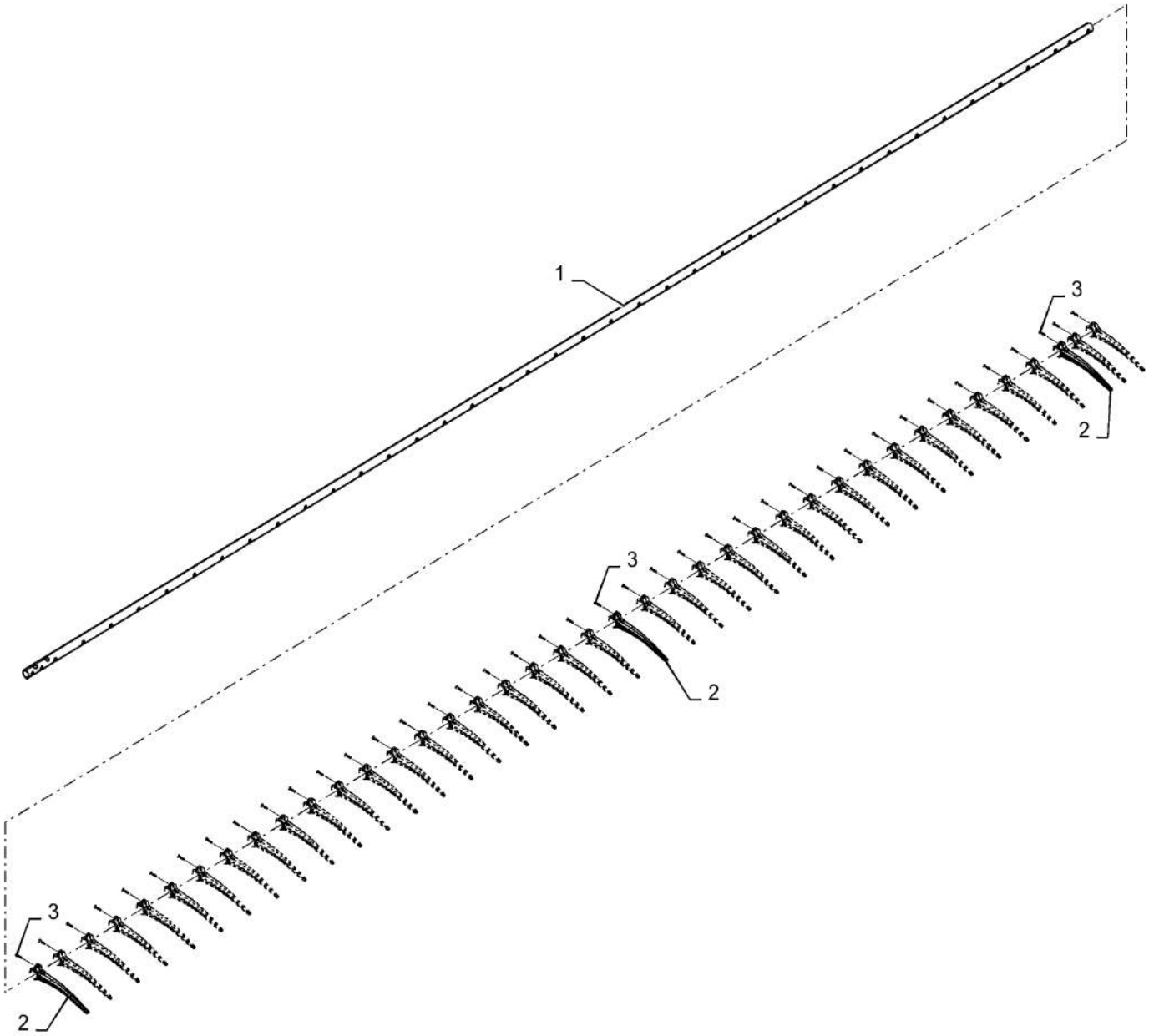


REEL ASSY, RH 40FT CENTER DOUBLE CAM, ASN YEH050000

REF FN	PART NUMBER	YR/SN	QTY DESCRIPTION
1	84297398		1 SUPPORT TUBE Center, 20FT
2	9842291		24 ARM Reel
3	47757037		1 SHAFT Outside Of RH Reel
4	86609773		9 PLATE Anchor
5	84395517		3 SPACER
6	47610099		6 BRACKET
7	47582855		6 CHANNEL
8	86548970		12 FLANGED BEARING
9	120041		24 CARRIAGE BOLT M10 x 20mm, CI 8.8
10	140045		84 BELLEVILLE WASHER M10 Bolt Size x 22mm OD x 1.6mm Thk
11	100037		108 LOCK NUT M10 x 1.5, CI 8
12	45882		6 BALL BEARING 28.57mm ID x 62mm OD x 18mm W
13	45876		6 COLLAR 28.6mm ID x 44.45mm OD x 16mm W Locking
14	43140		48 BOLT Hex, M10 x 1.5 x 30mm, CI 8.8
15	120069		36 BOLT M10 x 1.5 x 56.58mm OAL, CI 8.8
16	9842300		48 BEARING ASSY =H1204&I1204
17	9842301		24 STRAP Bearing
18	47398156		1 SHAFT Inside Of RH Reel

3152-DRAPER HEADER 3162-DRAPER HEADER

REEL, TINE BAR ASSY, RH 40FT, ASN YEH050000



60.101.04

04

p1

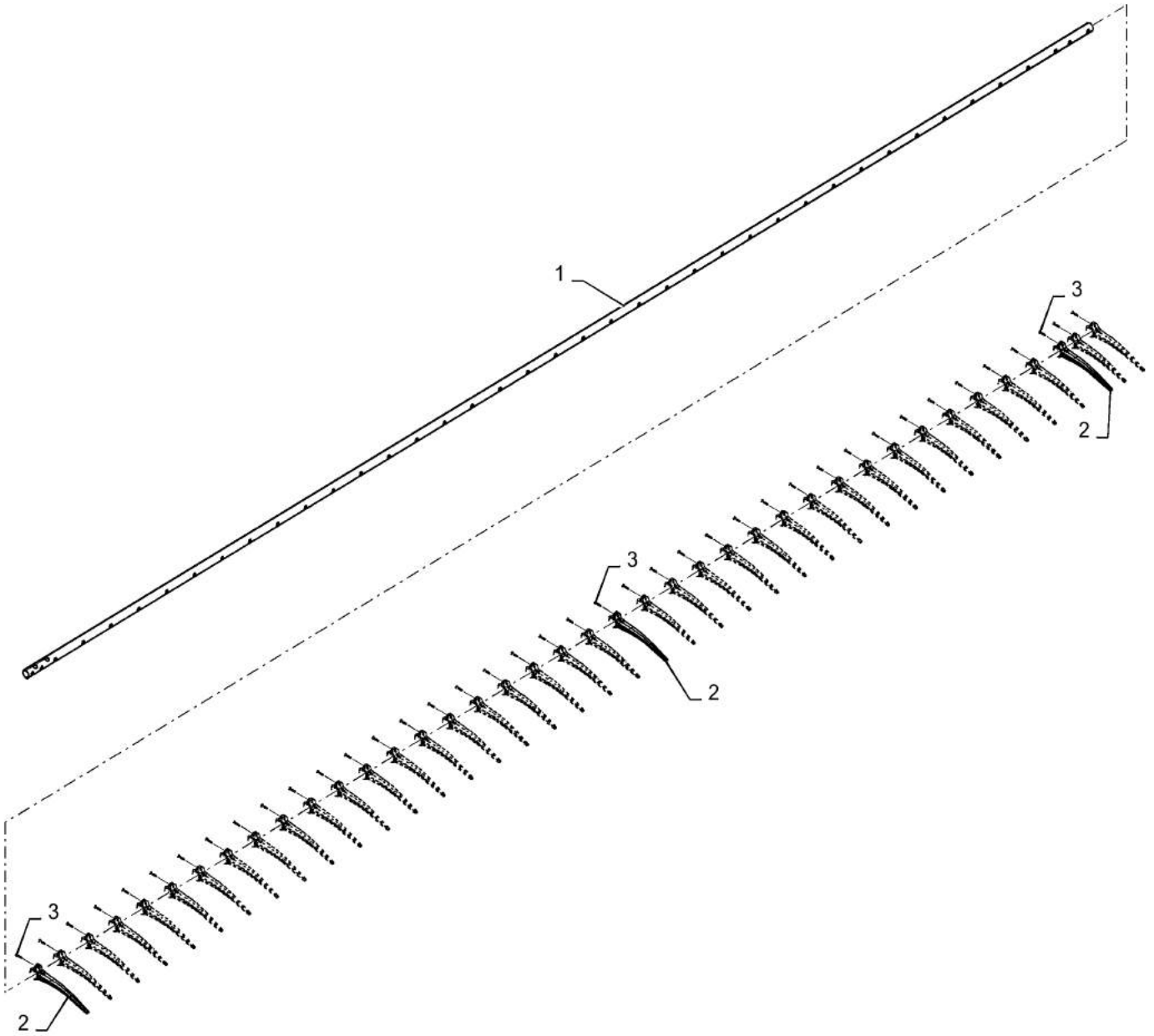
9/2016

REEL, TINE BAR ASSY, RH 40FT, ASN YEH050000

REF FN	PART NUMBER	YR/SN	QTY DESCRIPTION
1	47401389		3 REEL RH Tine Bar
2	47392794		40 FINGER Plastic
3	9842264		40 SELF-TAP SCREW Hex, M3.5 x 1.3 x 16mm

3152-DRAPER HEADER 3162-DRAPER HEADER

REEL, TINE BAR ASSY, RH 40FT, ASN YEH050000



60.101.04

05

p1

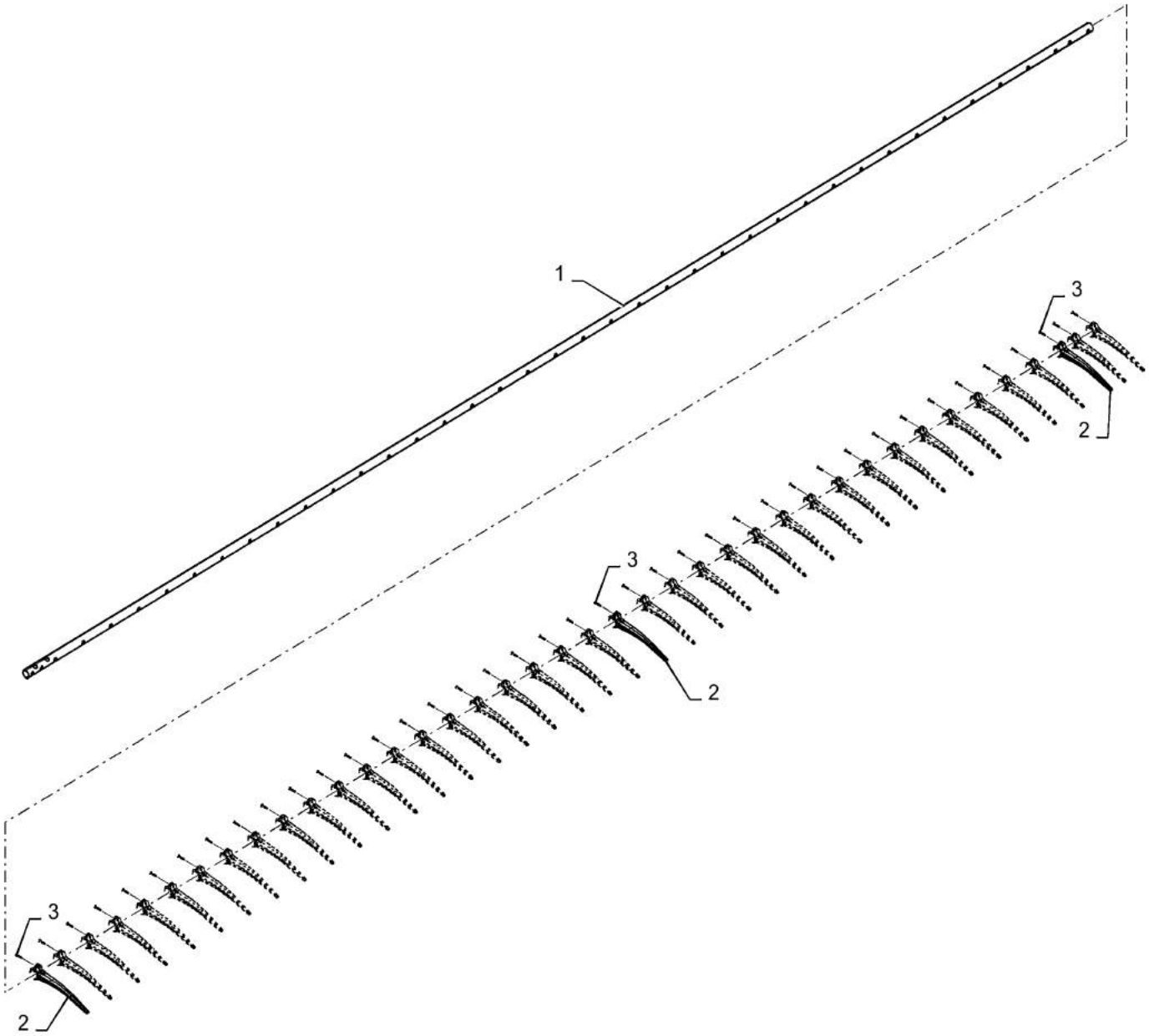
9/2016

REEL, TINE BAR ASSY, RH 40FT, ASN YEH050000

REF FN	PART NUMBER	YR/SN	QTY DESCRIPTION
1	47401390		3 REEL RH, Tine Bar
2	47392794		40 FINGER Plastic
3	9842264		40 SELF-TAP SCREW Hex, M3.5 x 1.3 x 16mm

3152-DRAPER HEADER 3162-DRAPER HEADER

REEL, TINE BAR ASSY, LH 40FT, ASN YEH050000



60.101.04

06

p1

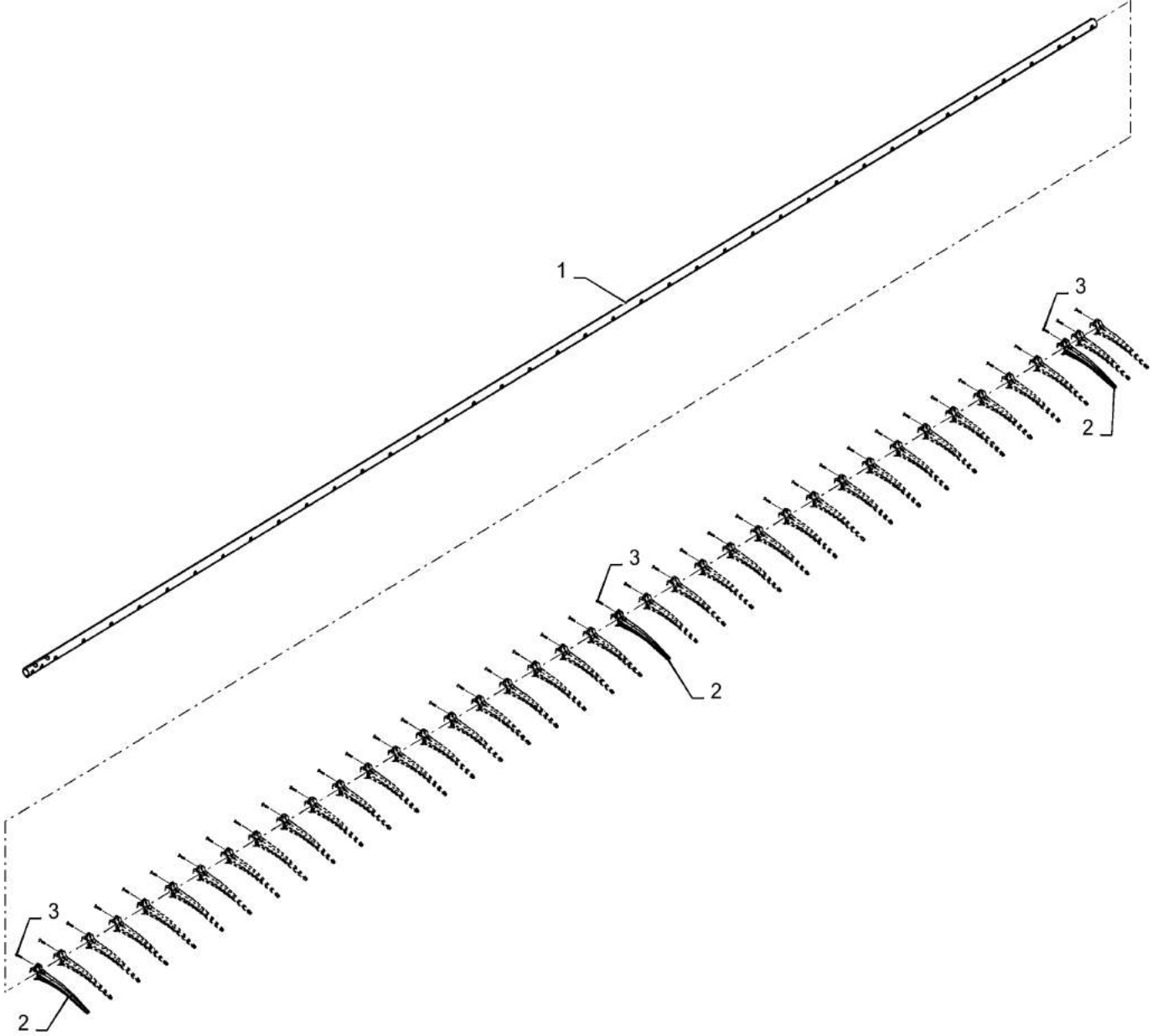
9/2016

REEL, TINE BAR ASSY, LH 40FT, ASN YEH050000

REF FN	PART NUMBER	YR/SN	QTY DESCRIPTION
1	47401391		3 REEL LH, Tine Bar
2	47392794		40 FINGER Plastic
3	9842264		40 SELF-TAP SCREW Hex, M3.5 x 1.3 x 16mm

3152-DRAPER HEADER 3162-DRAPER HEADER

REEL, TINE BAR ASSY, LH 40FT, ASN YEH050000



60.101.04

07

p1

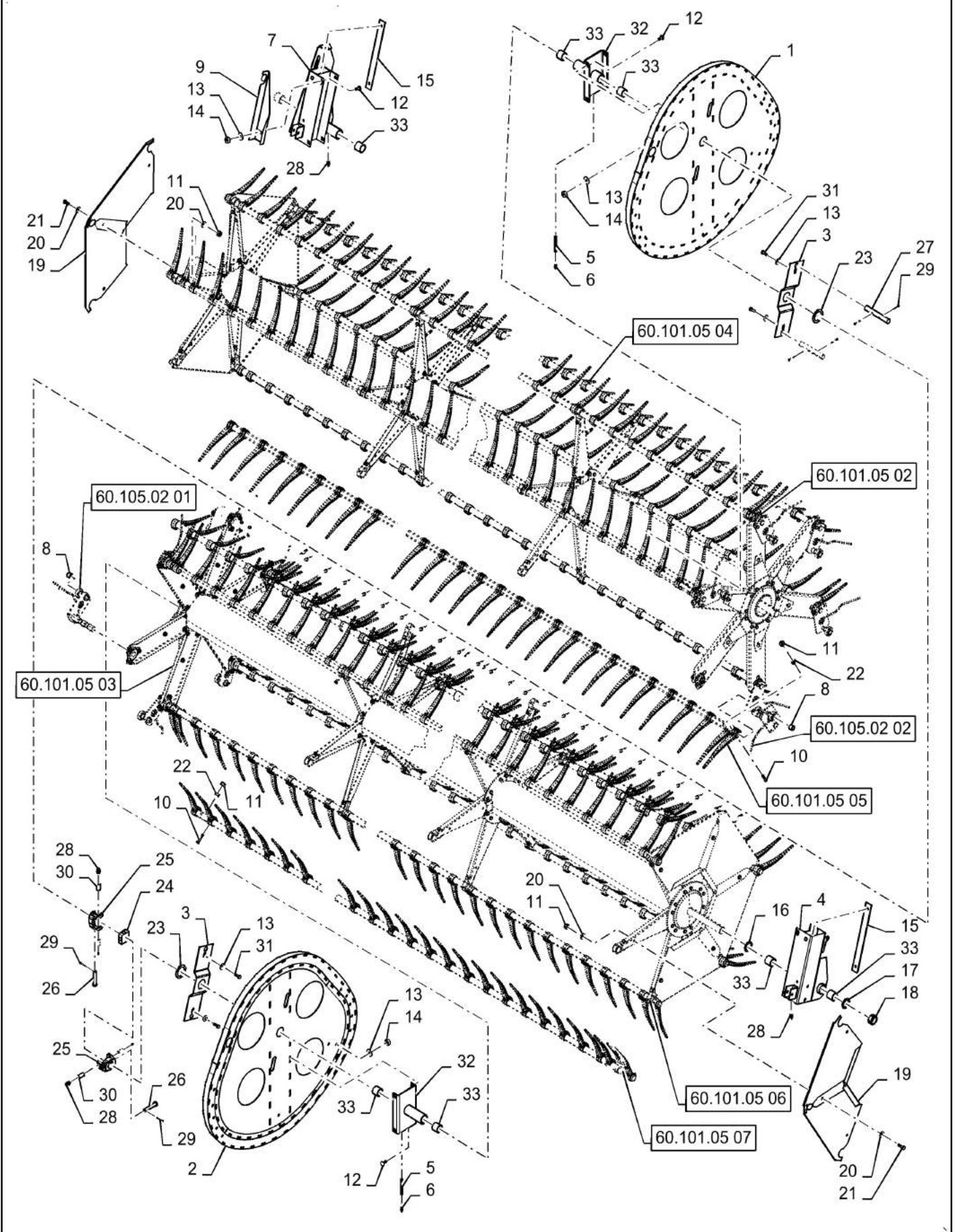
9/2016

REEL, TINE BAR ASSY, LH 40FT, ASN YEH050000

REF FN	PART NUMBER	YR/SN	QTY DESCRIPTION
1	47401393		3 REEL LH, Tine Bar
2	47392794		40 FINGER Plastic
3	9842264		40 SELF-TAP SCREW Hex, M3.5 x 1.3 x 16mm

3152-DRAPER HEADER 3162-DRAPER HEADER

REEL ASSY, 45FT CENTER DOUBLE CAM, ASN YEH050000



REEL ASSY, 45FT CENTER DOUBLE CAM, ASN YEH050000

REF FN	PART NUMBER	YR/SN	QTY DESCRIPTION
1	47583134		1 CAM LH
2	47583129		1 CAM RH
3	47610775		2 BRACKET
4	47610771		1 MOUNT LH
5	87662		2 HYD CONNECTOR
6	84303		2 LUBE NIPPLE 1/8"-27 NPT x 1" lg, Fem
7	47610774		1 MOUNT RH
8	87574731		12 SPACER 16.66mm ID x 25.4mm OD x 20mm L
9	84569560		1 POINTER Reel Position
10	120069		24 BOLT M10 x 1.5 x 56.58mm OAL, CI 8.8
11	100037		36 LOCK NUT M10 x 1.5, CI 8
12	120044		9 CARRIAGE BOLT M12 x 1.75 x 30mm, CI 8.8
13	140046		13 BELLEVILLE WASHER M12 Bolt Size x 27mm OD x 1.8mm Thk
14	9706685		9 NUT M12 x 1.75, CI 8
15	47675181		2 SLIDE
16	47511917		2 WASHER
17	167934		1 WASHER 1.62" ID x 2.25" OD x 0.139"
18	86518431		1 COLLAR
19	283590A1		2 GUARD
20	140045		24 BELLEVILLE WASHER M10 Bolt Size x 22mm OD x 1.6mm Thk
21	43140		12 BOLT Hex, M10 x 1.5 x 30mm, CI 8.8
22	133095		24 SPACER 10.32mm ID x 15.85mm OD x 7.9mm L
23	47562293		2 WASHER
24	47600506		1 CROSS
25	47643784		2 JOINT
26	86624193		2 HEADED PIN 5/8" x 3 1/2", G5
27	47539490		2 SHAFT
28	87414		4 LUBE NIPPLE 1/4" - 28
29	80754		6 COTTER PIN 3/16" OD x 1-1/2" OAL
30	47628671		4 PIN

3152-DRAPER HEADER 3162-DRAPER HEADER

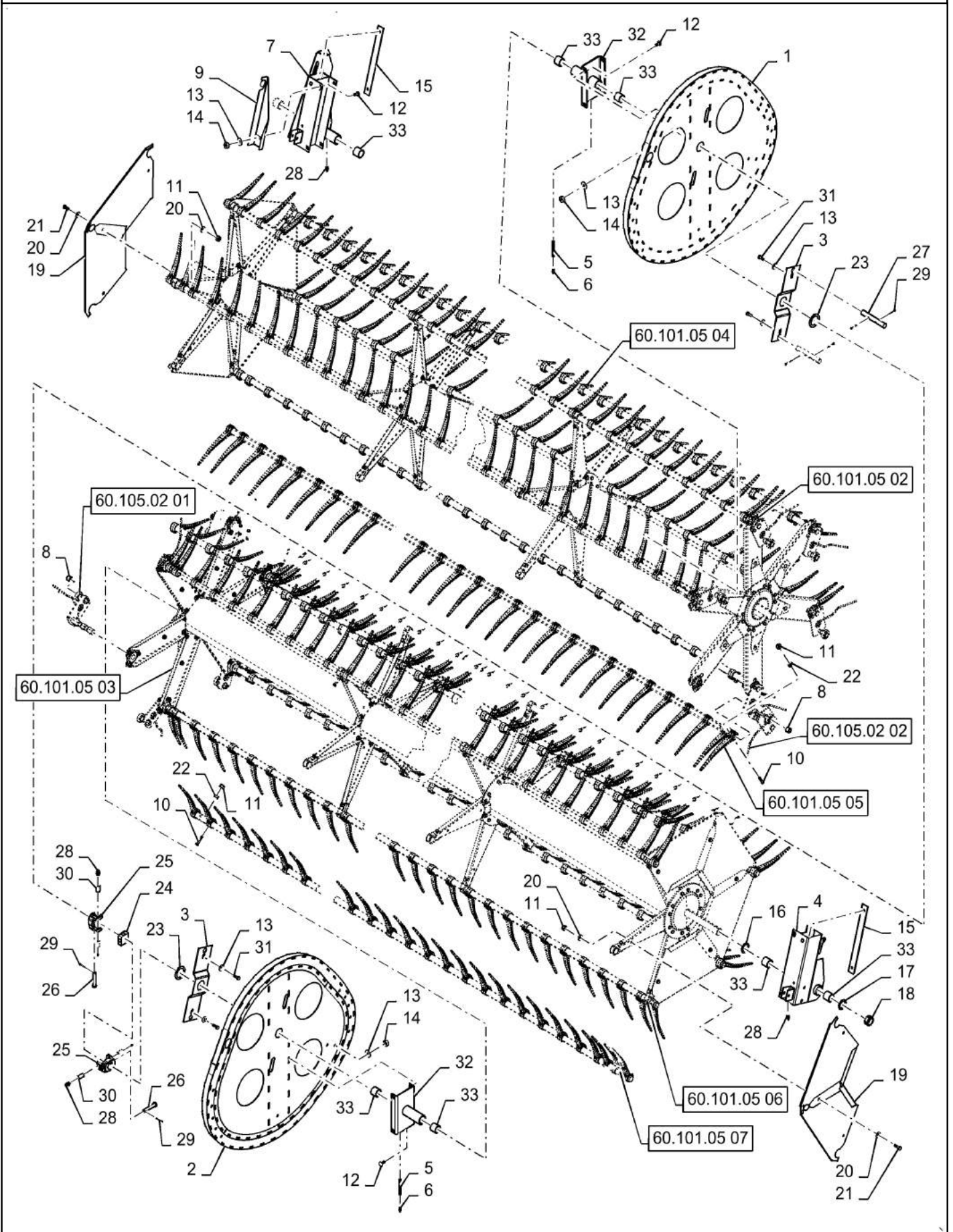
60.101.05

01

p2

9/2016

REEL ASSY, 45FT CENTER DOUBLE CAM, ASN YEH050000



60.101.05

01

p2

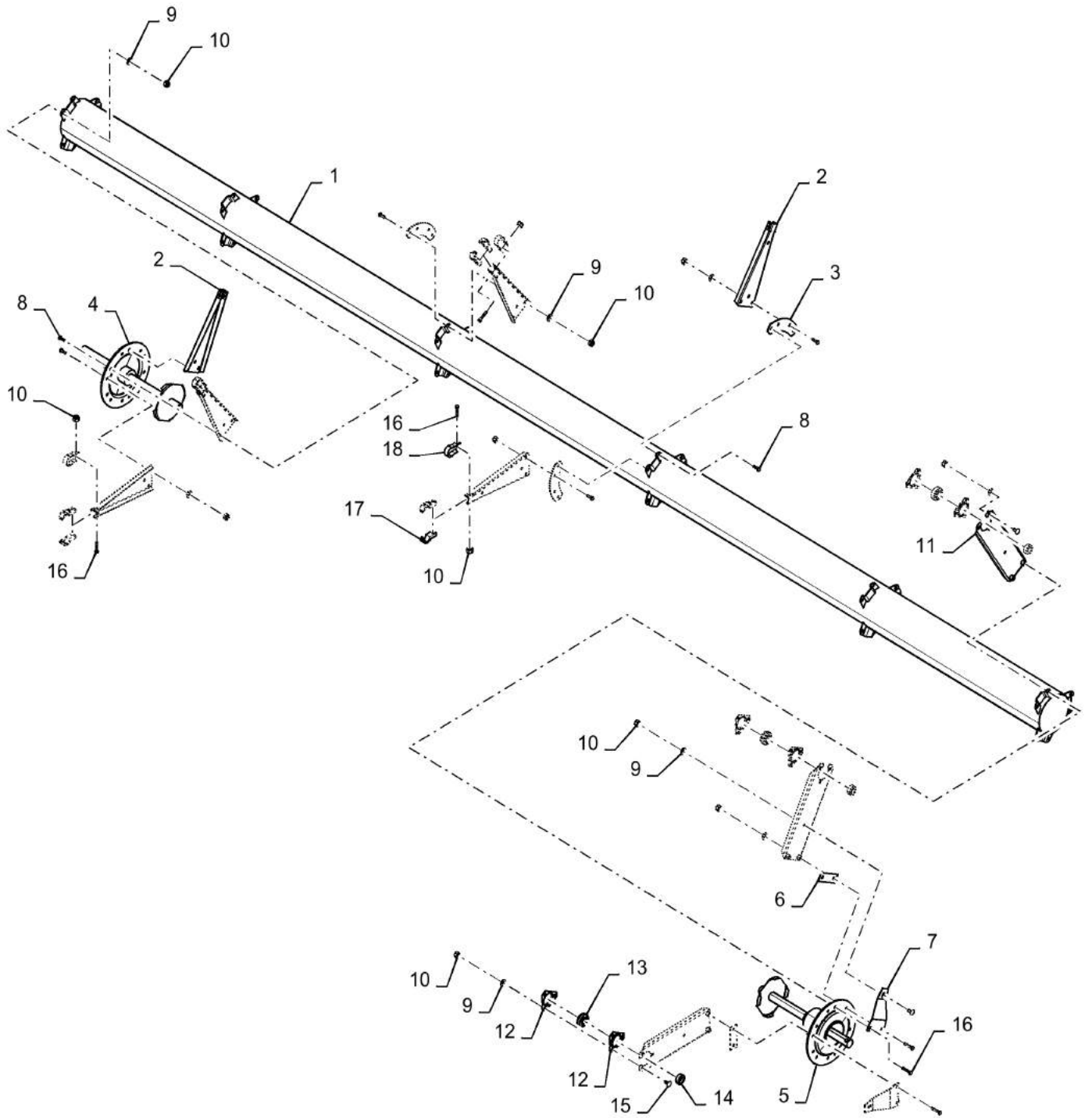
9/2016

REEL ASSY, 45FT CENTER DOUBLE CAM, ASN YEH050000

REF FN	PART NUMBER	YR/SN	QTY DESCRIPTION
31	9706687		4 BOLT M12 x 1.75 x 30mm, CI 8.8
32	47486066		2 HUB
33	167940		4 BUSHING 39.76mm ID x 44.53mm OD x 38.1mm L

3152-DRAPER HEADER 3162-DRAPER HEADER

REEL ASSY, LH 45FT CENTER DOUBLE CAM, ASN YEH050000

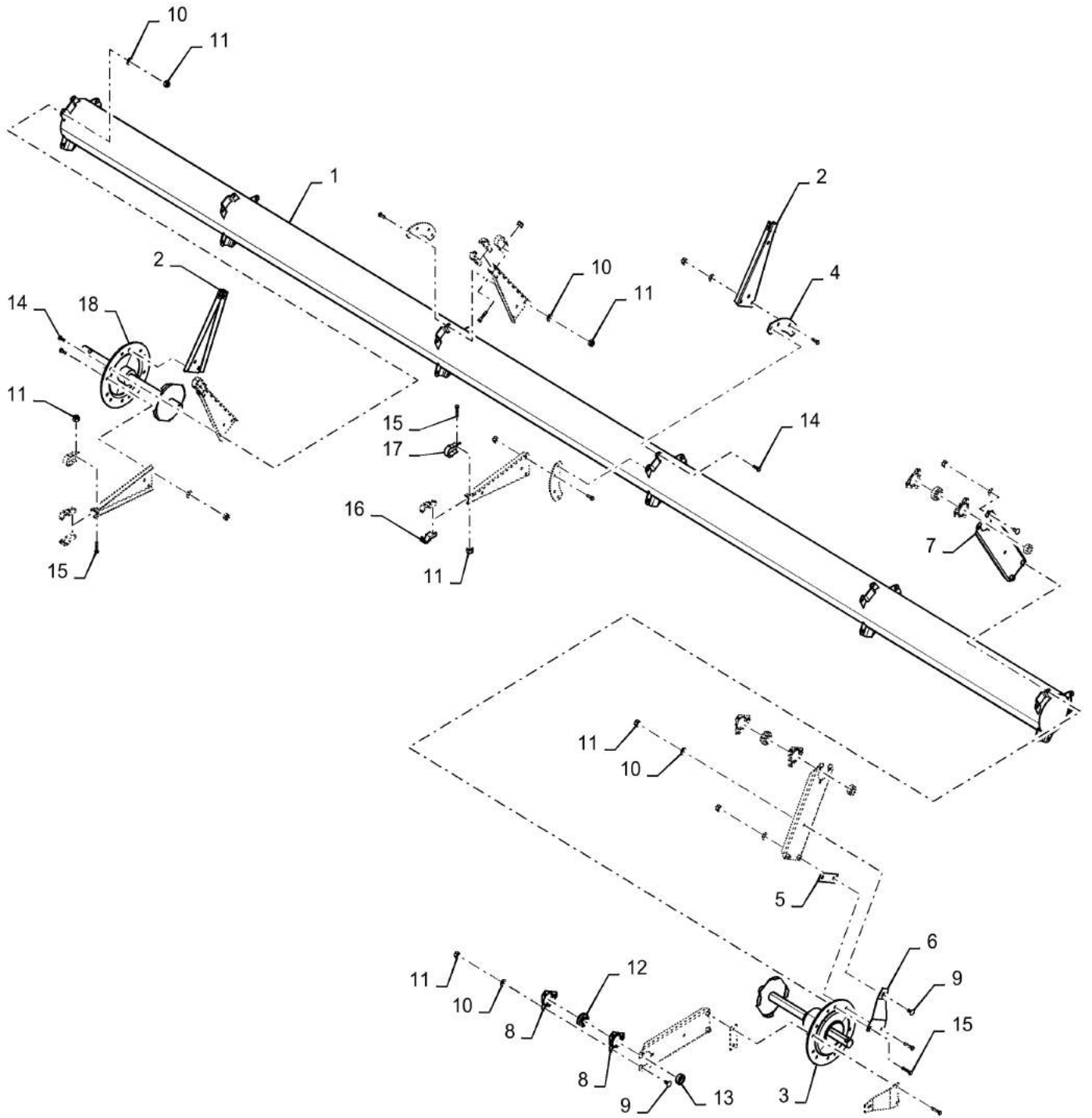


REEL ASSY, LH 45FT CENTER DOUBLE CAM, ASN YEH050000

REF FN	PART NUMBER	YR/SN	QTY DESCRIPTION
1	84415772		1 REEL Center Tube
2	9842291		30 ARM Reel
3	86609773		12 PLATE Anchor
4	47788243		1 SHAFT Outside End
5	47398156		1 SHAFT Inside End
6	84395517		3 SPACER
7	47610099		6 BRACKET
8	43140		60 BOLT Hex, M10 x 1.5 x 30mm, CI 8.8
9	140045		96 BELLEVILLE WASHER M10 Bolt Size x 22mm OD x 1.6mm Thk
10	100037		126 LOCK NUT M10 x 1.5, CI 8
11	47582855		6 CHANNEL
12	86548970		12 FLANGED BEARING
13	45882		6 BALL BEARING 28.57mm ID x 62mm OD x 18mm W
14	45876		6 COLLAR 28.6mm ID x 44.45mm OD x 16mm W
15	120041		24 CARRIAGE BOLT M10 x 20mm, CI 8.8
16	120069		42 BOLT M10 x 1.5 x 56.58mm OAL, CI 8.8
17	9842300		60 BEARING ASSY =H1204&I1204
18	9842301		30 STRAP Bearing

3152-DRAPER HEADER 3162-DRAPER HEADER

REEL ASSY, RH 45FT CENTER DOUBLE CAM, ASN YEH050000

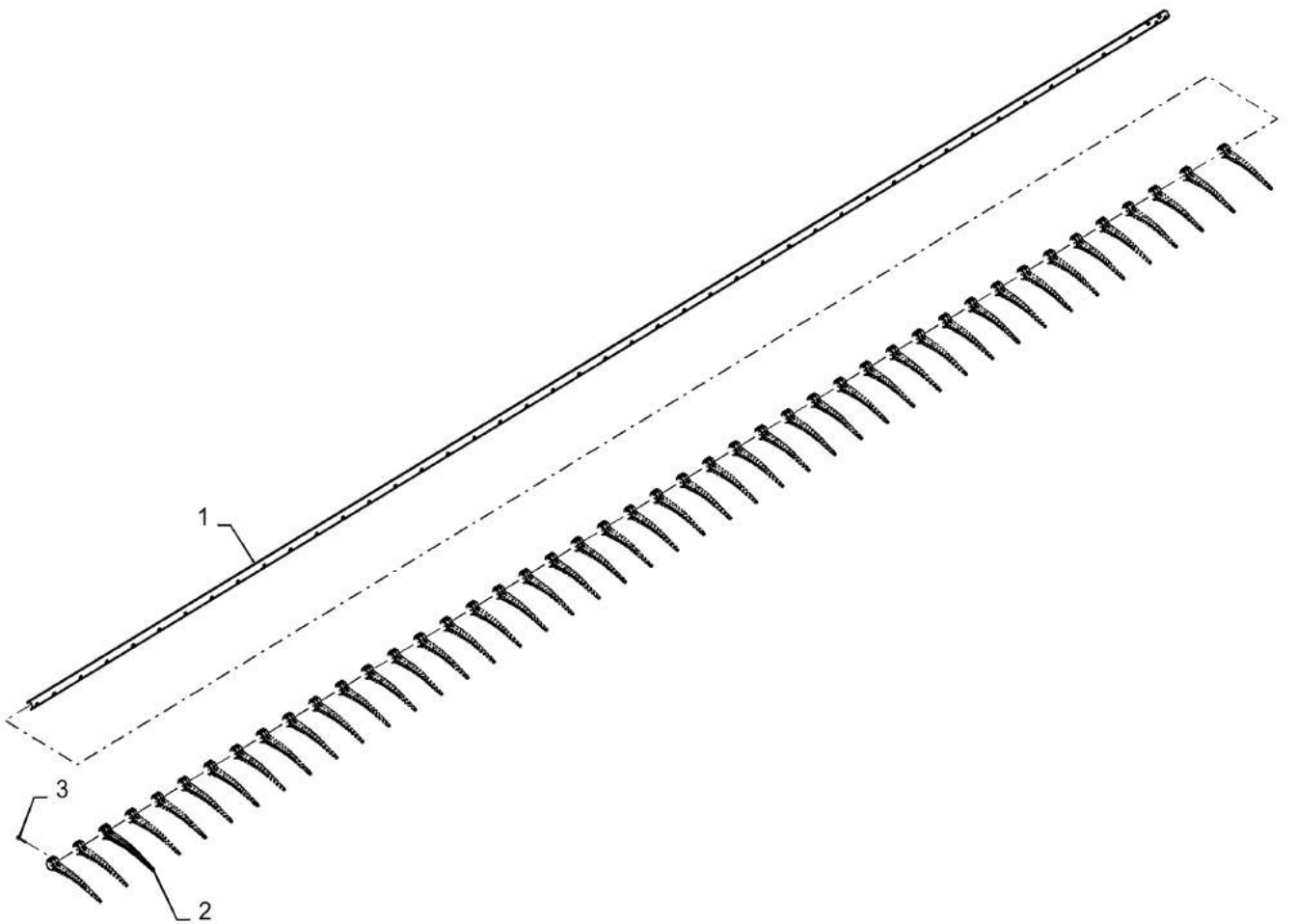


REEL ASSY, RH 45FT CENTER DOUBLE CAM, ASN YEH050000

REF FN	PART NUMBER	YR/SN	QTY DESCRIPTION
1	84415772		1 REEL Center Tube
2	9842291		30 ARM Reel
3	47398156		1 SHAFT Inside End
4	86609773		12 PLATE Anchor
5	84395517		3 SPACER
6	47610099		6 BRACKET
7	47582855		6 CHANNEL
8	86548970		12 FLANGED BEARING
9	120041		24 CARRIAGE BOLT M10 x 20mm, CI 8.8
10	140045		96 BELLEVILLE WASHER M10 Bolt Size x 22mm OD x 1.6mm Thk
11	100037		126 LOCK NUT M10 x 1.5, CI 8
12	45882		6 BALL BEARING 28.57mm ID x 62mm OD x 18mm W
13	45876		6 COLLAR 28.6mm ID x 44.45mm OD x 16mm W
14	43140		60 BOLT Hex, M10 x 1.5 x 30mm, CI 8.8
15	120069		42 BOLT M10 x 1.5 x 56.58mm OAL, CI 8.8
16	9842300		60 BEARING ASSY =H1204&I1204
17	9842301		30 STRAP Bearing
18	47757037		1 SHAFT Outside End

3152-DRAPER HEADER 3162-DRAPER HEADER

REEL, TINE BAR ASSY, RH 45FT, ASN YEH050000



60.101.05

04

p1

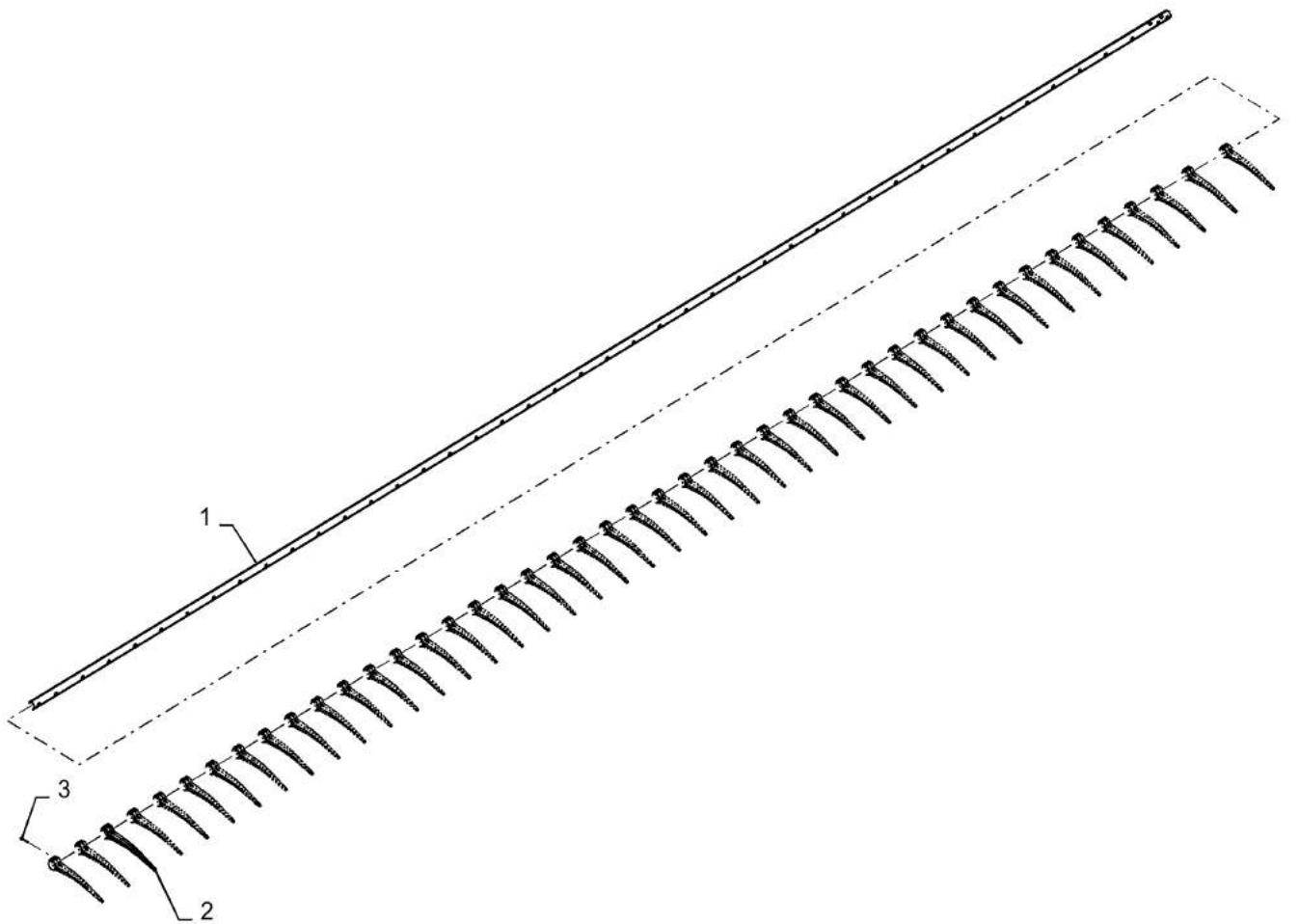
9/2016

REEL, TINE BAR ASSY, RH 45FT, ASN YEH050000

REF FN	PART NUMBER	YR/SN	QTY DESCRIPTION
1	47401591		1 REEL Tine Bar, RH
2	47392794		45 FINGER Plastic
3	9842264		45 SELF-TAP SCREW Hex, M3.5 x 1.3 x 16mm

3152-DRAPER HEADER 3162-DRAPER HEADER

REEL, TINE BAR ASSY, RH 45FT, ASN YEH050000



60.101.05

05

p1

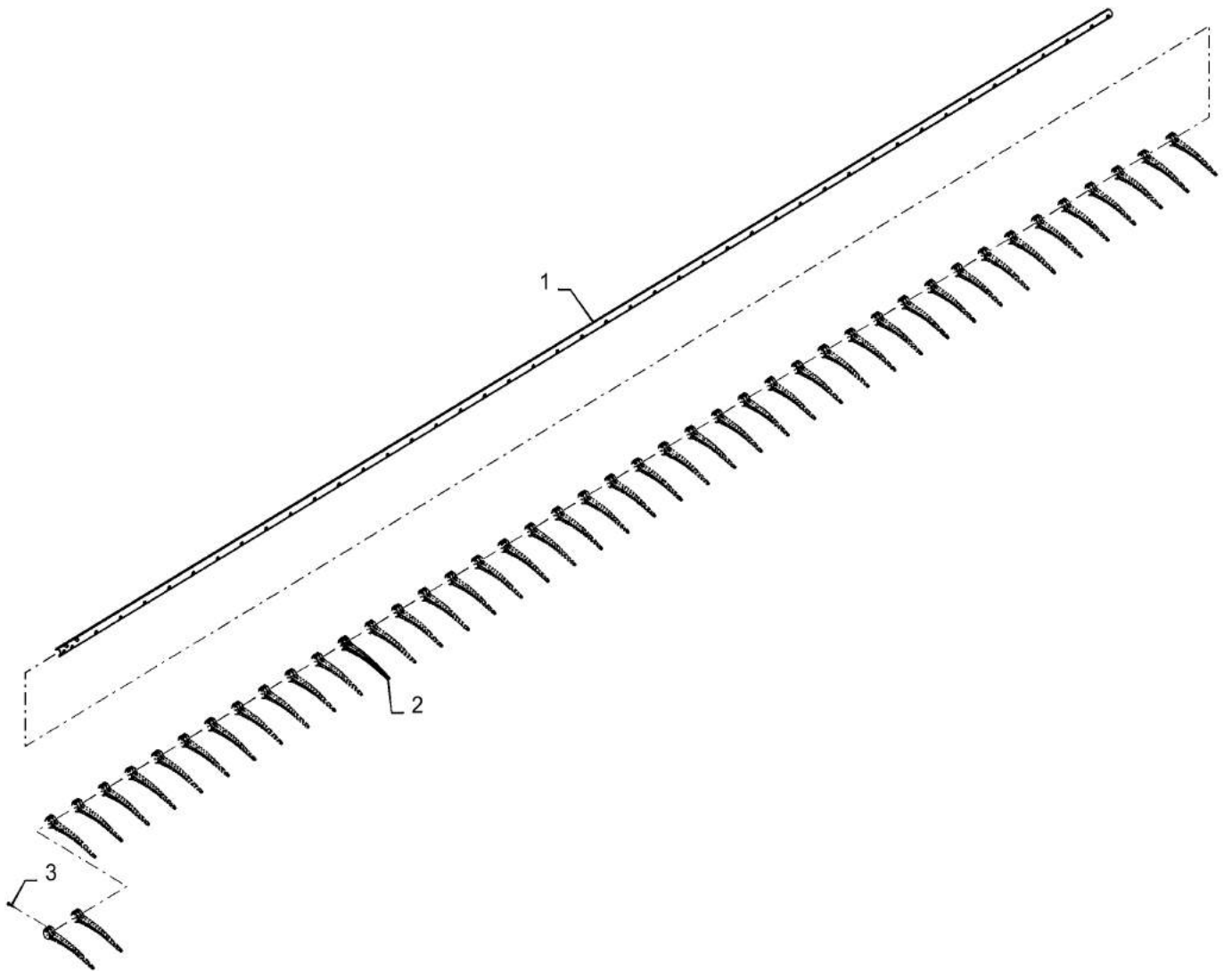
9/2016

REEL, TINE BAR ASSY, RH 45FT, ASN YEH050000

REF FN	PART NUMBER	YR/SN	QTY DESCRIPTION
1	47401592		1 REEL Tine Bar, RH
2	47392794		45 FINGER Plastic
3	9842264		45 SELF-TAP SCREW Hex, M3.5 x 1.3 x 16mm

3152-DRAPER HEADER 3162-DRAPER HEADER

REEL, TINE BAR ASSY, LH 45FT, ASN YEH050000



60.101.05

06

p1

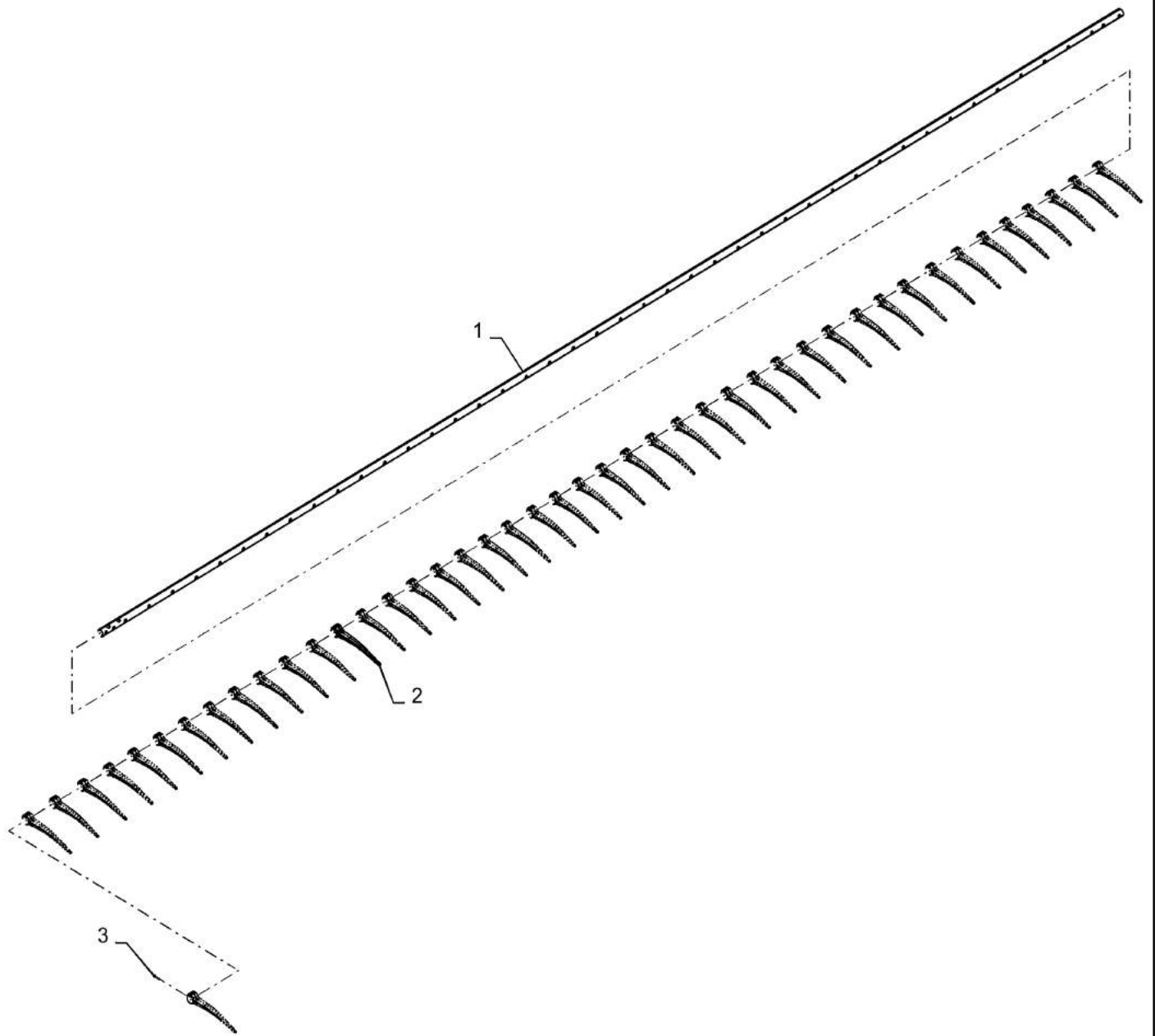
9/2016

REEL, TINE BAR ASSY, LH 45FT, ASN YEH050000

REF FN	PART NUMBER	YR/SN	QTY DESCRIPTION
1	47401590		1 REEL Tine Bar, LH
2	47392794		45 FINGER Plastic
3	9842264		45 SELF-TAP SCREW Hex, M3.5 x 1.3 x 16mm

3152-DRAPER HEADER 3162-DRAPER HEADER

REEL, TINE BAR ASSY, LH 45FT, ASN YEH050000



60.101.05

07

p1

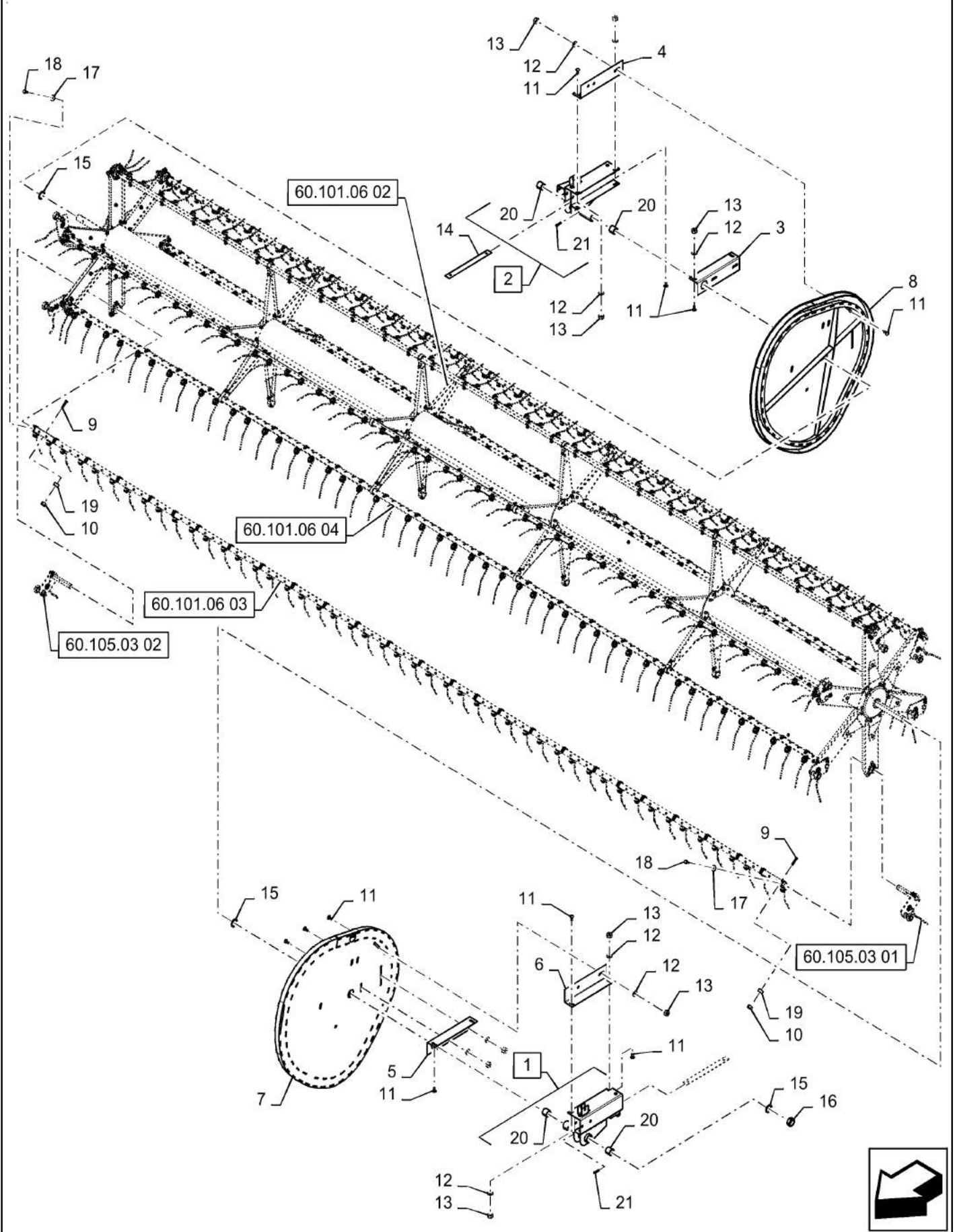
9/2016

REEL, TINE BAR ASSY, LH 45FT, ASN YEH050000

REF FN	PART NUMBER	YR/SN	QTY DESCRIPTION
1	47401588		1 REEL Tine Bar, LH
2	47392794		45 FINGER Plastic
3	9842264		45 SELF-TAP SCREW Hex, M3.5 x 1.3 x 16mm

3152-DRAPER HEADER 3162-DRAPER HEADER

REEL, ASSY 25FT, STEEL TINE

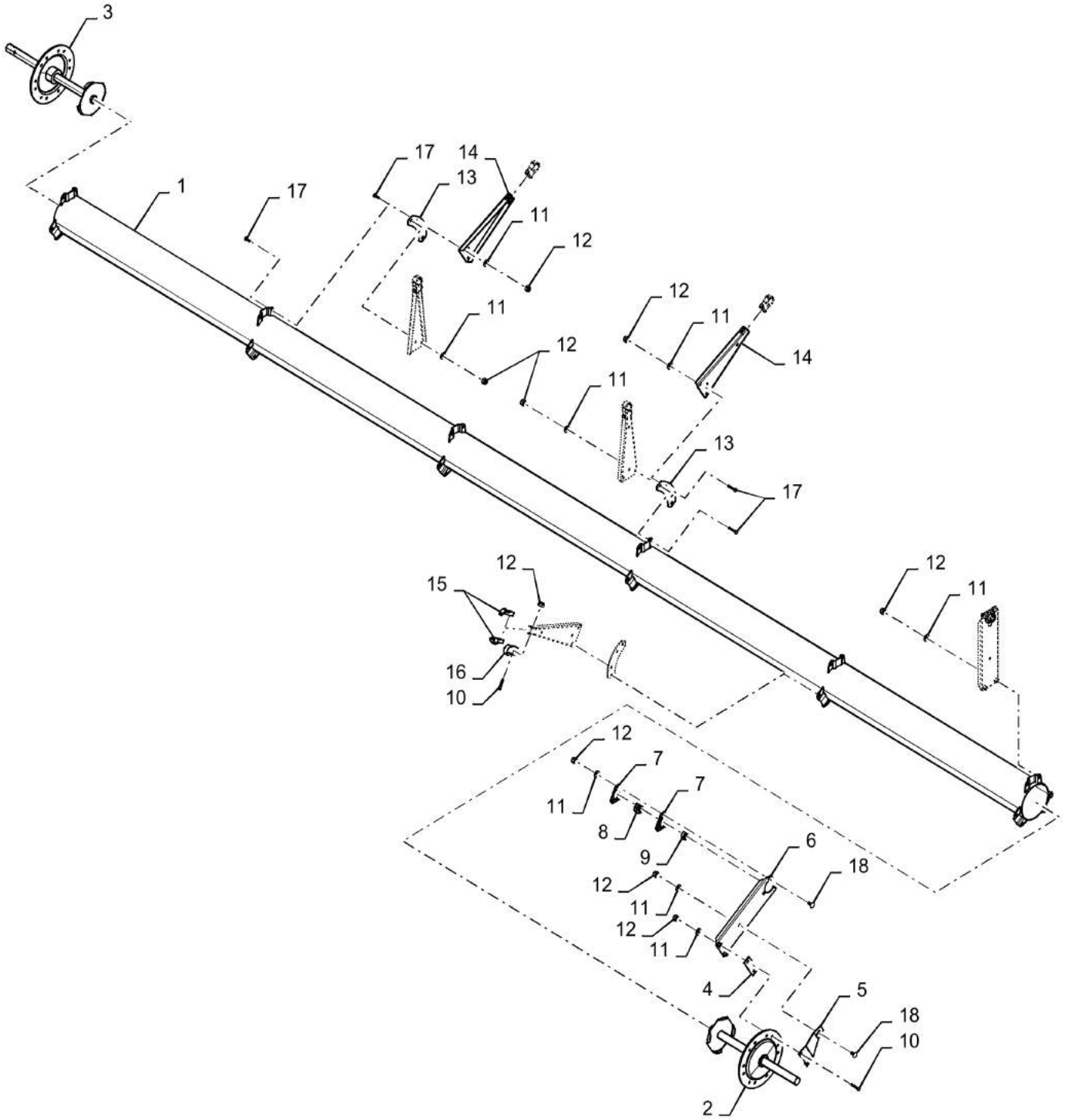


REEL, ASSY 25FT, STEEL TINE

REF FN	PART NUMBER	YR/SN	QTY DESCRIPTION
1	84146282		1 MOUNT LH Reel, Incl 20 - 21
2	84146236		1 MOUNT RH Reel, Incl 20 - 21
3	84146239		1 ANGLE
4	47557967		1 ANGLE
5	84404281		1 ANGLE
6	47557972		1 SUPPORT
7	84146310		1 CAM LH
8	84146308		1 CAM RH
9	120069		24 BOLT M10 x 1.5 x 56.58mm OAL, CI 8.8
10	100037		24 LOCK NUT M10 x 1.5, CI 8
11	120044		18 CARRIAGE BOLT M12 x 1.75 x 30mm, CI 8.8
12	140046		18 BELLEVILLE WASHER M12 Bolt Size x 27mm OD x 1.8mm Thk
13	9706685		18 NUT M12 x 1.75, CI 8
14	47675181		2 SLIDE
15	167934		3 WASHER 1.62" ID x 2.25" OD x 0.139"
16	86518431		1 COLLAR
17	322358		12 BELLEVILLE WASHER M8 Bolt Size x 18mm OD x 1.4mm Thk
18	9671714		12 FLANGE BOLT Hex, M8 x 1.25 x 25mm, CI 8.8
19	133095		24 SPACER 10.32mm ID x 15.85mm OD x 7.9mm L
20	167940		4 BUSHING 39.76mm ID x 44.53mm OD x 38.1mm L
21	80714		2 LUBE NIPPLE 1/4"-28 NPT x .54" lg

3152-DRAPER HEADER

REEL, ASSY, CENTER TUBE, 25FT

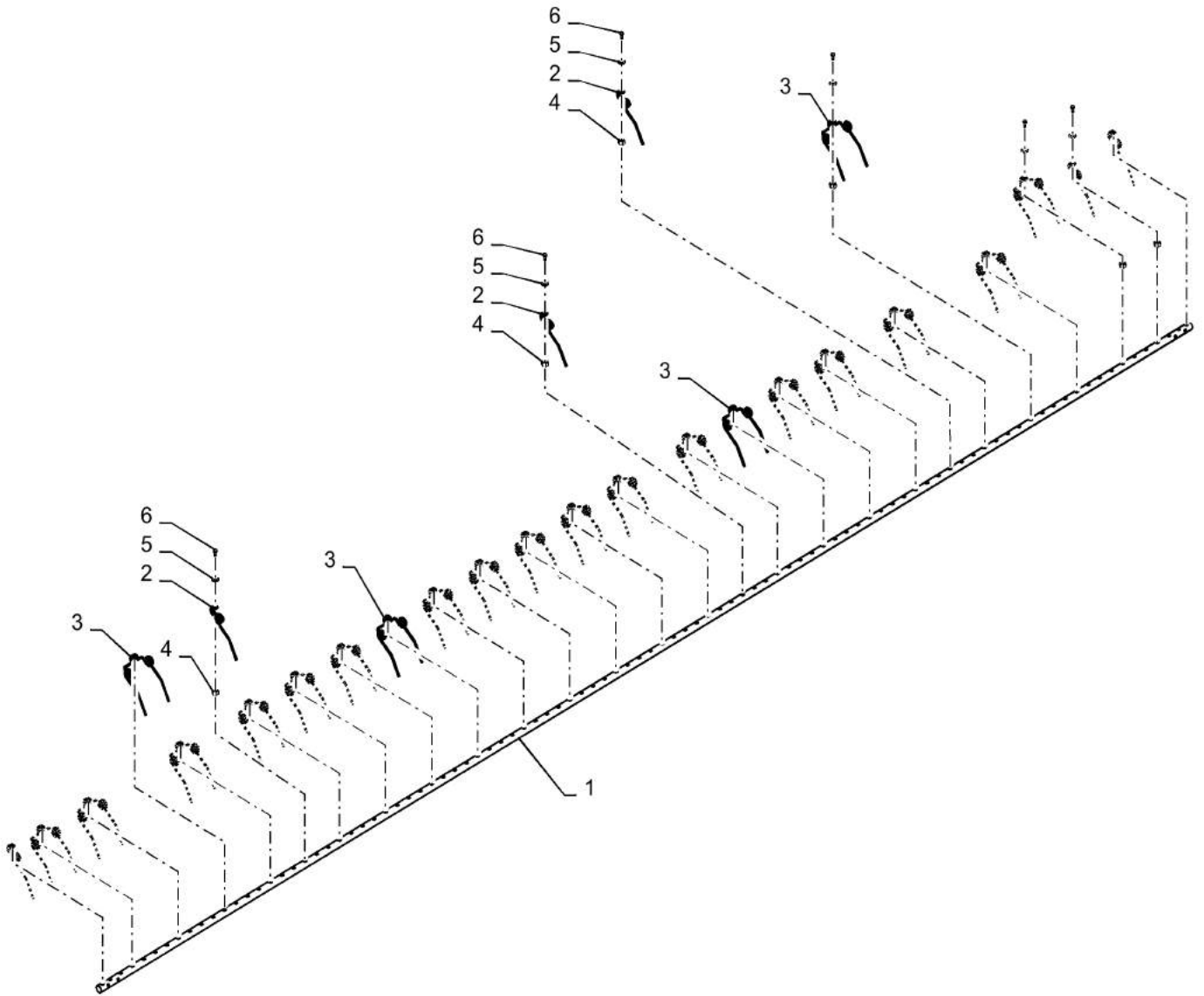


REEL, ASSY, CENTER TUBE, 25FT

REF FN	PART NUMBER	YR/SN	QTY DESCRIPTION
1	84297397		1 SUPPORT TUBE Center
2	47788243		1 SHAFT LH End
3	47386486		1 SHAFT RH End
4	84395517		6 SPACER
5	47610099		12 BRACKET
6	47582855		12 CHANNEL
7	86548970		24 FLANGED BEARING
8	45882		12 BALL BEARING 28.57mm ID x 62mm OD x 18mm W
9	45876		12 COLLAR 28.6mm ID x 44.45mm OD x 16mm W
10	120069		48 BOLT M10 x 1.5 x 56.58mm OAL, CI 8.8
11	140045		120 BELLEVILLE WASHER M10 Bolt Size x 22mm OD x 1.6mm Thk
12	100037		144 LOCK NUT M10 x 1.5, CI 8
13	86609773		12 PLATE Anchor
14	9842291		24 ARM Reel
15	9842300		48 BEARING ASSY =H1204&I1204
16	9842301		24 STRAP Bearing
17	43140		48 BOLT Hex, M10 x 1.5 x 30mm, CI 8.8
18	120041		48 CARRIAGE BOLT M10 x 20mm, CI 8.8

3152-DRAPER HEADER

REEL, TINE BAR, ASSY, 25FT STEEL TINE



60.101.06

03

p1

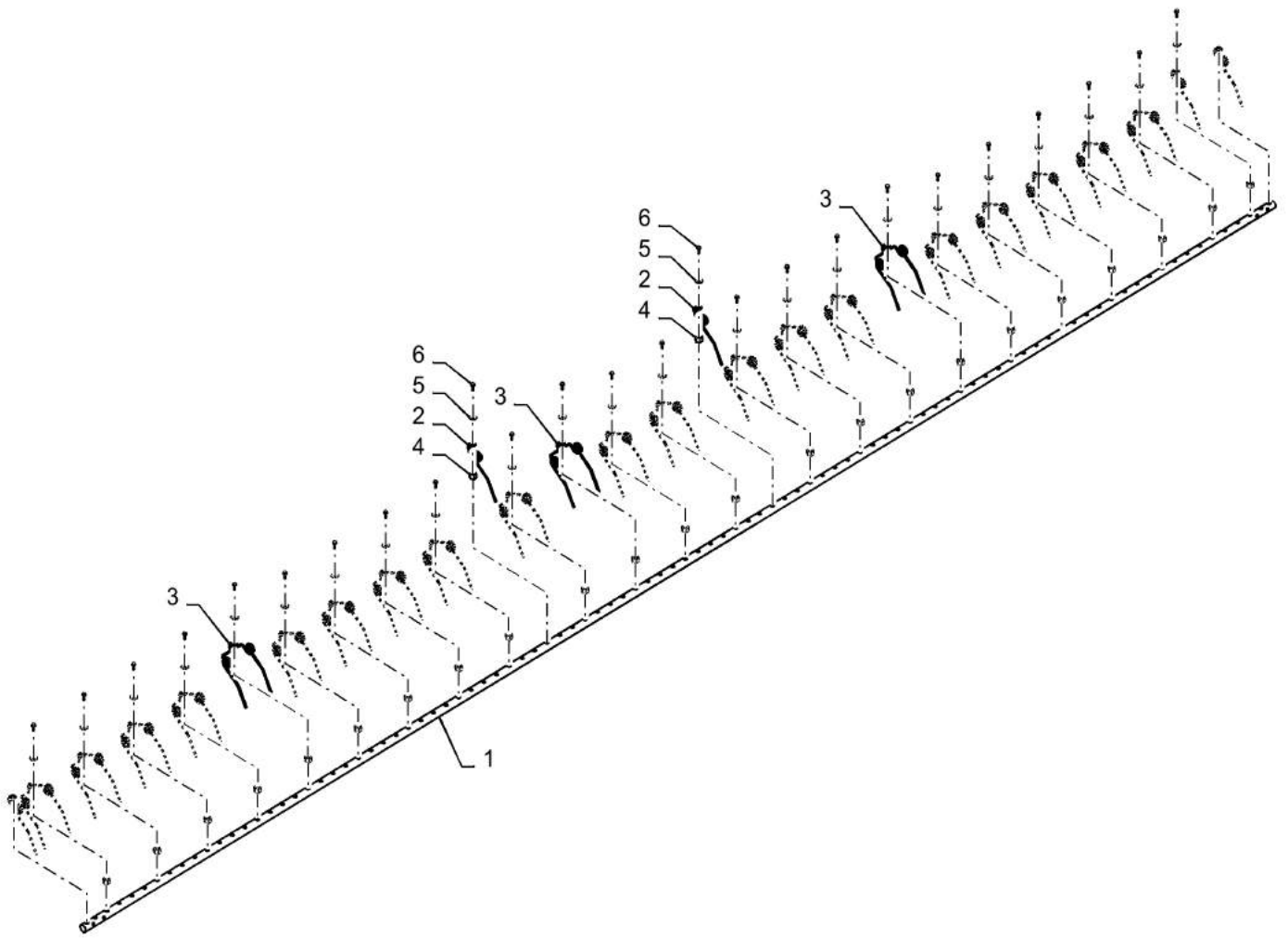
9/2016

REEL, TINE BAR, ASSY, 25FT STEEL TINE

REF FN	PART NUMBER	YR/SN	QTY DESCRIPTION
1	84579607		1 TINE BAR
2	87017196		6 TINE
3	87017195		21 TINE
4	87017194		25 THREADED INSERT
5	322358		25 BELLEVILLE WASHER M8 Bolt Size x 18mm OD x 1.4mm Thk
6	9671714		25 FLANGE BOLT Hex, M8 x 1.25 x 25mm, Cl 8.8

3152-DRAPER HEADER

REEL, TINE BAR, ASSY, 25FT STEEL TINE



60.101.06

04

p1

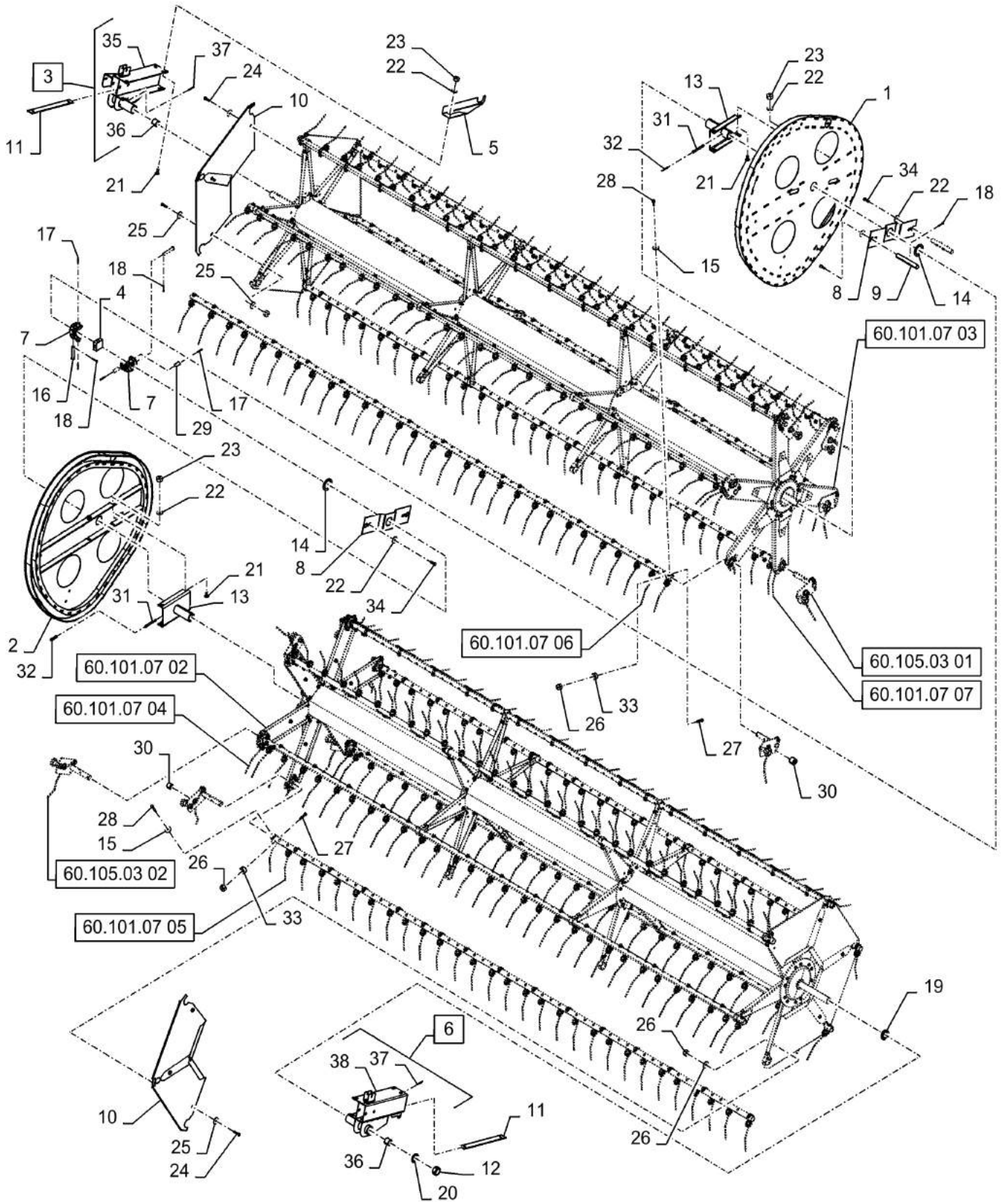
9/2016

REEL, TINE BAR, ASSY, 25FT STEEL TINE

REF FN	PART NUMBER	YR/SN	QTY DESCRIPTION
1	84579607		1 TINE BAR
2	87017196		5 TINE
3	87017195		22 TINE
4	87017194		25 THREADED INSERT
5	322358		25 BELLEVILLE WASHER M8 Bolt Size x 18mm OD x 1.4mm Thk
6	9671714		25 FLANGE BOLT Hex, M8 x 1.25 x 25mm, Cl 8.8

3152-DRAPER HEADER

REEL, ASSY, 30FT CENTER DOUBLE CAM, STEEL TINE, ASN YEH050000

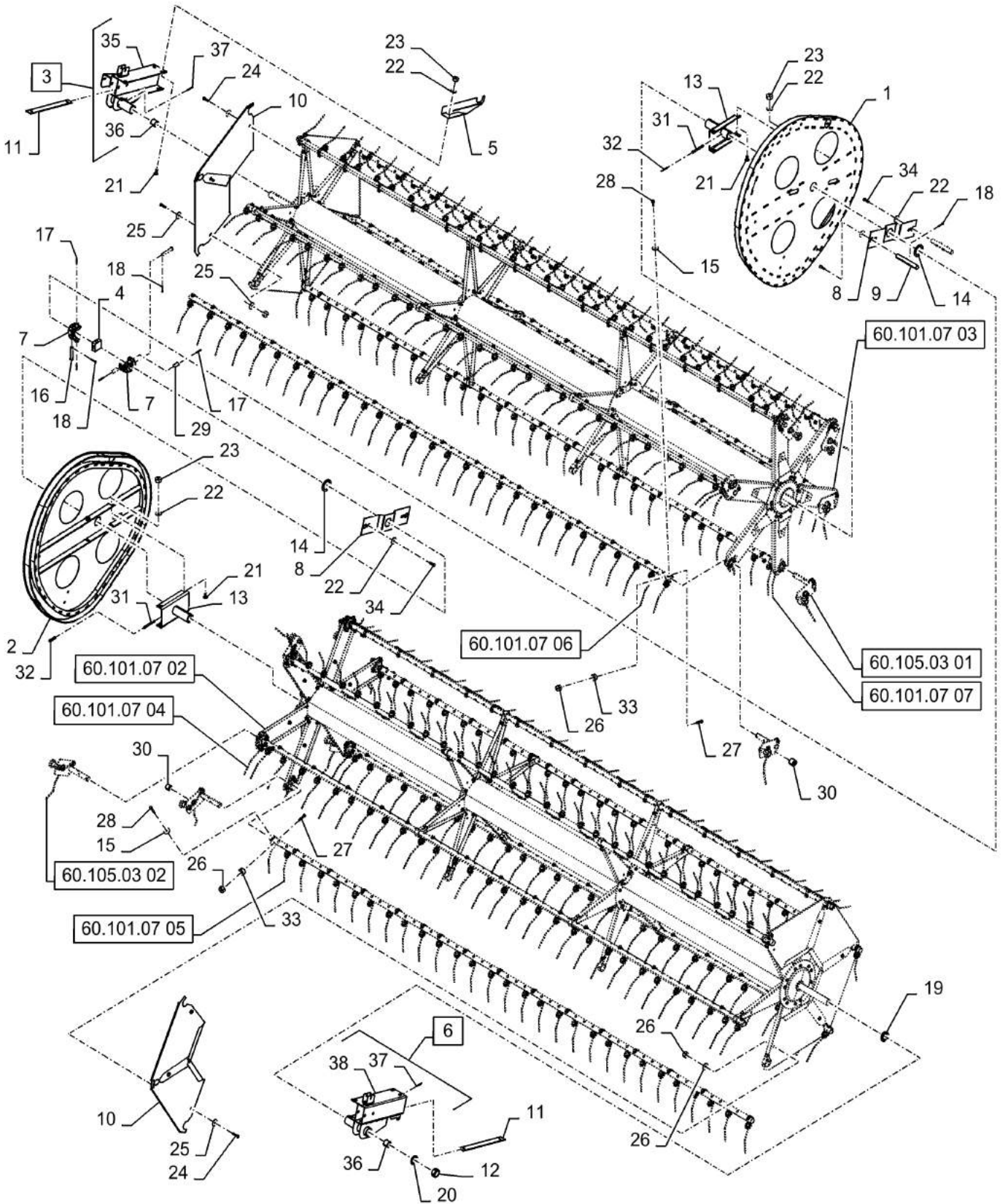


REEL, ASSY, 30FT CENTER DOUBLE CAM, STEEL TINE, ASN YEH050000

REF FN	PART NUMBER	YR/SN	QTY DESCRIPTION
1	47583134		1 CAM LH
2	47583129		1 CAM RH
3	47610774		1 MOUNT Mount, RH Incl 35 - 37
4	47600506		1 CROSS
5	84569560		1 POINTER Reel Position
6	47610771		1 MOUNT Mount, LH Incl 36 - 38
7	47643784		2 JOINT
8	47610775		2 BRACKET
9	47539490		2 SHAFT
10	283590A1		12 GUARD
11	47675181		2 SLIDE
12	86518431		1 COLLAR
13	47486066		2 HUB
14	47562293		2 WASHER
15	322358		12 BELLEVILLE WASHER M8 Bolt Size x 18mm OD x 1.4mm Thk
16	86624193		2 HEADED PIN 5/8" x 3 1/2", G5
17	87414		4 LUBE NIPPLE 1/4" - 28
18	80754		6 COTTER PIN 3/16" OD x 1-1/2" OAL
19	47511917		1 WASHER
20	167934		1 WASHER 1.62" ID x 2.25" OD x 0.139"
21	120044		9 CARRIAGE BOLT M12 x 1.75 x 30mm, CI 8.8
22	140046		13 BELLEVILLE WASHER M12 Bolt Size x 27mm OD x 1.8mm Thk
23	9706685		9 NUT M12 x 1.75, CI 8
24	43140		12 BOLT Hex, M10 x 1.5 x 30mm, CI 8.8
25	140045		24 BELLEVILLE WASHER M10 Bolt Size x 22mm OD x 1.6mm Thk
26	100037		36 LOCK NUT M10 x 1.5, CI 8
27	120069		24 BOLT M10 x 1.5 x 56.58mm OAL, CI 8.8
28	9671714		12 FLANGE BOLT Hex, M8 x 1.25 x 25mm, CI 8.8
29	47628671		4 PIN
30	87574731		12 SPACER 16.66mm ID x 25.4mm OD x 20mm L

3152-DRAPER HEADER 3162-DRAPER HEADER

REEL, ASSY, 30FT CENTER DOUBLE CAM, STEEL TINE, ASN YEH050000

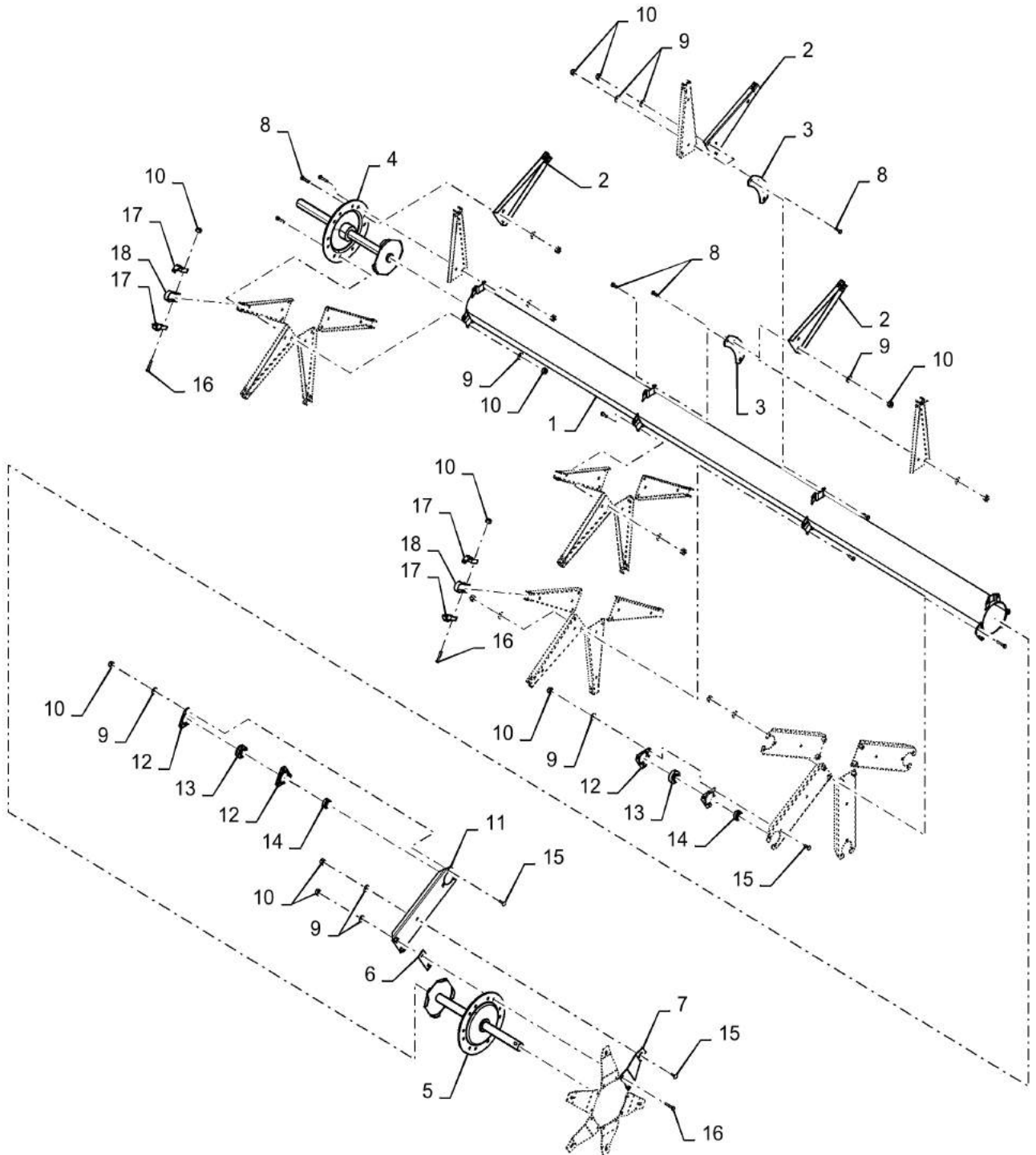


REEL, ASSY, 30FT CENTER DOUBLE CAM, STEEL TINE, ASN YEH050000

REF FN	PART NUMBER	YR/SN	QTY DESCRIPTION
31	87662		2 HYD CONNECTOR
32	84303		2 LUBE NIPPLE 1/8"-27 NPT x 1" lg, Fem
33	133095		24 SPACER 10.32mm ID x 15.85mm OD x 7.9mm L
34	9706687		4 BOLT M12 x 1.75 x 30mm, Cl 8.8
35	47610767		1 MOUNT RH
36	167940		6 BUSHING 39.76mm ID x 44.53mm OD x 38.1mm L
37	80714		2 LUBE NIPPLE 1/4"-28 NPT x .54" lg
38	47610764		1 MOUNT LH

3152-DRAPER HEADER 3162-DRAPER HEADER

REEL, ASSY, LH 30FT CENTER DOUBLE CAM, STEEL TINE, ASN YEH050000

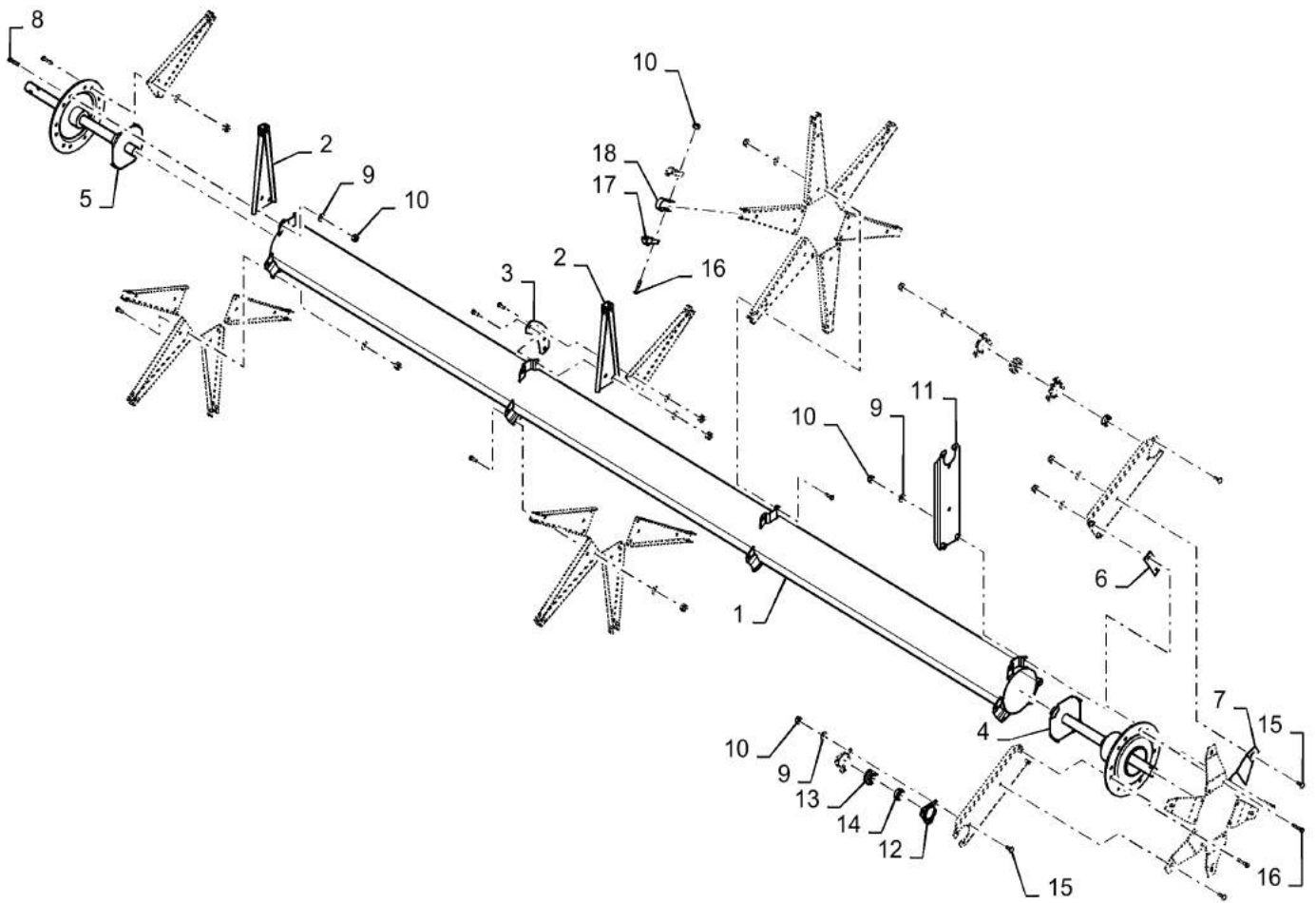


REEL, ASSY, LH 30FT CENTER DOUBLE CAM, STEEL TINE, ASN YEH050000

REF FN	PART NUMBER	YR/SN	QTY DESCRIPTION
1	84585188		1 TUBE Split Reel Center Tube
2	9842291		18 ARM Reel
3	86609773		6 PLATE Anchor
4	47788243		1 SHAFT Outside End
5	47398156		1 SHAFT Inside End
6	84395517		3 SPACER
7	47610099		6 BRACKET
8	43140		36 BOLT Hex, M10 x 1.5 x 30mm, CI 8.8
9	140045		72 BELLEVILLE WASHER M10 Bolt Size x 22mm OD x 1.6mm Thk
10	100037		90 LOCK NUT M10 x 1.5, CI 8
11	47582855		6 CHANNEL
12	86548970		12 FLANGED BEARING
13	45882		6 BALL BEARING 28.57mm ID x 62mm OD x 18mm W
14	45876		6 COLLAR 28.6mm ID x 44.45mm OD x 16mm W
15	120041		24 CARRIAGE BOLT M10 x 20mm, CI 8.8
16	120069		30 BOLT M10 x 1.5 x 56.58mm OAL, CI 8.8
17	9842300		36 BEARING ASSY =H1204&I1204
18	9842301		18 STRAP Bearing

3152-DRAPER HEADER 3162-DRAPER HEADER

REEL, ASSY, RH 30FT CENTER DOUBLE CAM, STEEL TINE, ASN YEH050000

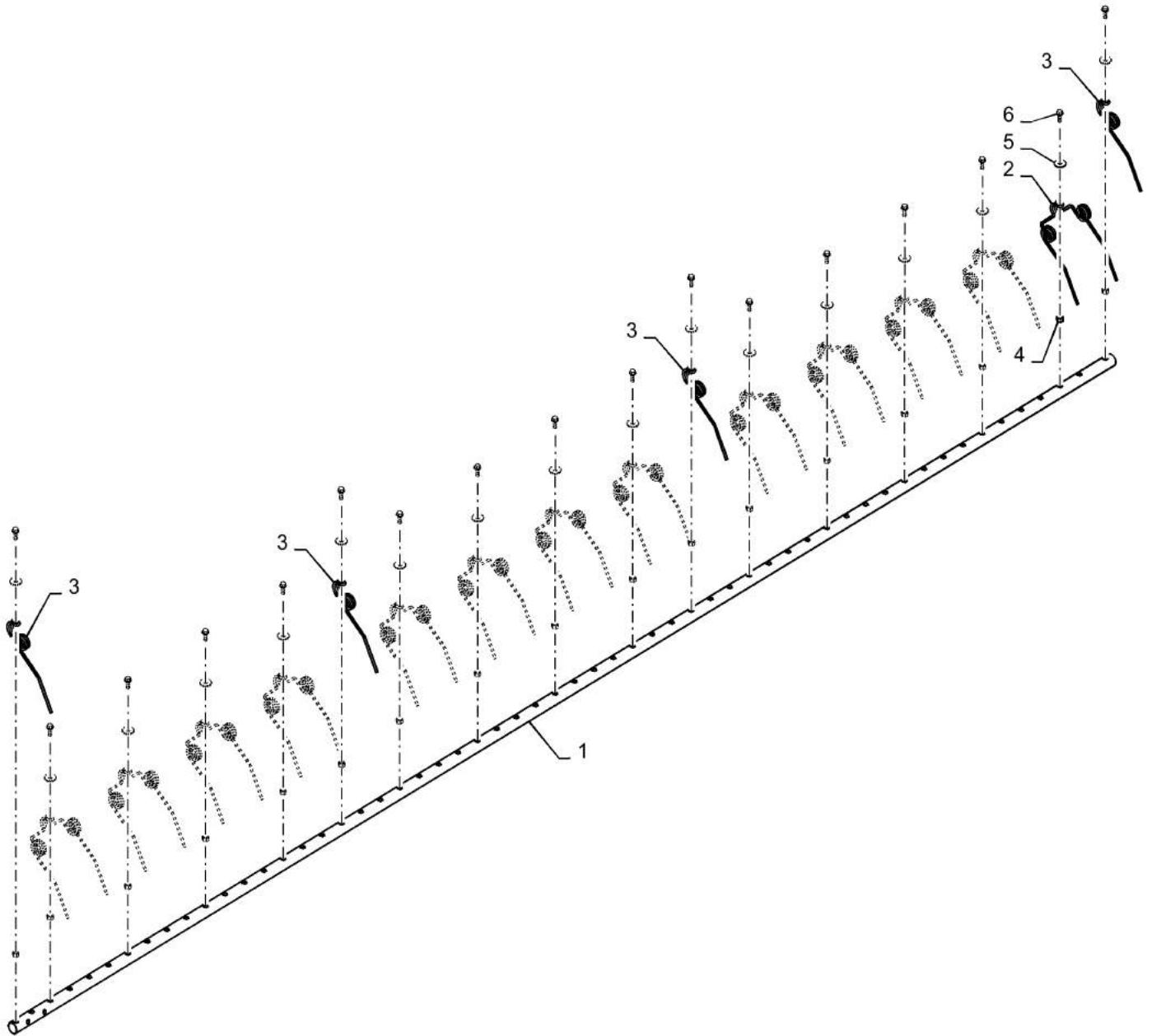


REEL, ASSY, RH 30FT CENTER DOUBLE CAM, STEEL TINE, ASN YEH050000

REF FN	PART NUMBER	YR/SN	QTY DESCRIPTION
1	84585188		1 TUBE Split Reel Center
2	9842291		18 ARM Reel
3	86609773		6 PLATE Anchor
4	47398156		1 SHAFT Inside End
5	47757037		1 SHAFT Outside End
6	84395517		3 SPACER
7	47610099		6 BRACKET
8	43140		36 BOLT Hex, M10 x 1.5 x 30mm, CI 8.8
9	140045		72 BELLEVILLE WASHER M10 Bolt Size x 22mm OD x 1.6mm Thk
10	100037		90 LOCK NUT M10 x 1.5, CI 8
11	47582855		6 CHANNEL
12	86548970		12 FLANGED BEARING
13	45882		6 BALL BEARING 28.57mm ID x 62mm OD x 18mm W
14	45876		6 COLLAR 28.6mm ID x 44.45mm OD x 16mm W
15	120041		24 CARRIAGE BOLT M10 x 20mm, CI 8.8
16	120069		30 BOLT M10 x 1.5 x 56.58mm OAL, CI 8.8
17	9842300		36 BEARING ASSY =H1204&I1204
18	9842301		18 STRAP Bearing

3152-DRAPER HEADER 3162-DRAPER HEADER

REEL, TINE BAR, ASSY, LH 30FT, STEEL TINE ASN YEH050000



60.101.07

04

p1

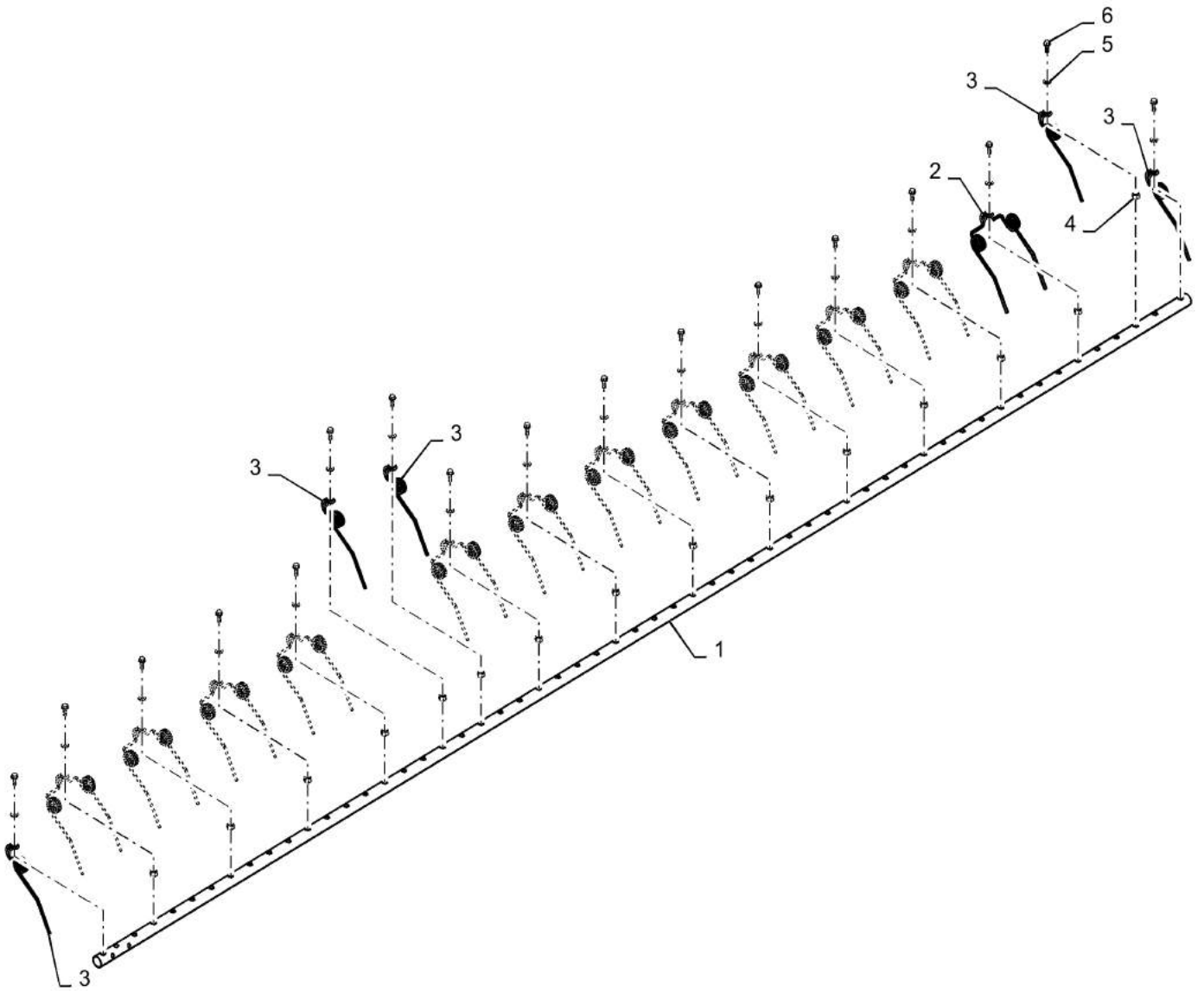
9/2016

REEL, TINE BAR, ASSY, LH 30FT, STEEL TINE ASN YEH050000

REF FN	PART NUMBER	YR/SN	QTY DESCRIPTION
1	84588227		1 REEL LH, Tine Bar
2	87017195		13 TINE Double Coil Tine
3	87017196		4 TINE Double Coil Tine
4	87017194		16 THREADED INSERT Insert
5	322358		16 BELLEVILLE WASHER M8 Bolt Size x 18mm OD x 1.4mm Thk
6	9671714		16 FLANGE BOLT Hex, M8 x 1.25 x 25mm, Cl 8.8

3152-DRAPER HEADER 3162-DRAPER HEADER

REEL, TINE BAR, ASSY, LH 30FT, STEEL TINE ASN YEH050000



60.101.07

05

p1

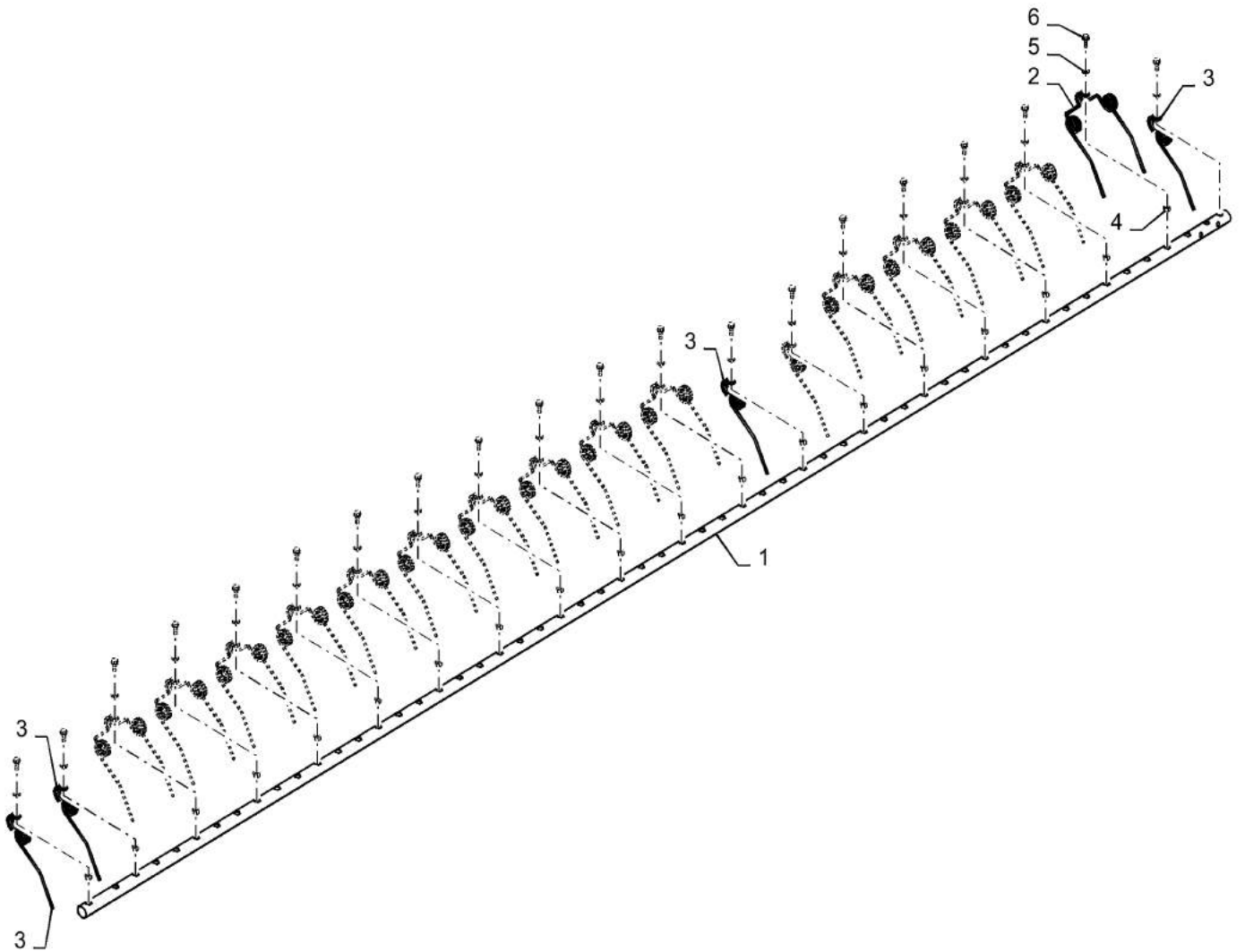
9/2016

REEL, TINE BAR, ASSY, LH 30FT, STEEL TINE ASN YEH050000

REF FN	PART NUMBER	YR/SN	QTY DESCRIPTION
1	84588227		1 REEL Tine Tube, LH
2	87017195		12 TINE Double Coil Steel
3	87017196		5 TINE Double Coil Steel
4	87017194		15 THREADED INSERT
5	322358		15 BELLEVILLE WASHER M8 Bolt Size x 18mm OD x 1.4mm Thk
6	9671714		15 FLANGE BOLT Hex, M8 x 1.25 x 25mm, Cl 8.8

3152-DRAPER HEADER 3162-DRAPER HEADER

REEL, TINE BAR, ASSY, RH 30FT, STEEL TINE ASN YEH050000



60.101.07

06

p1

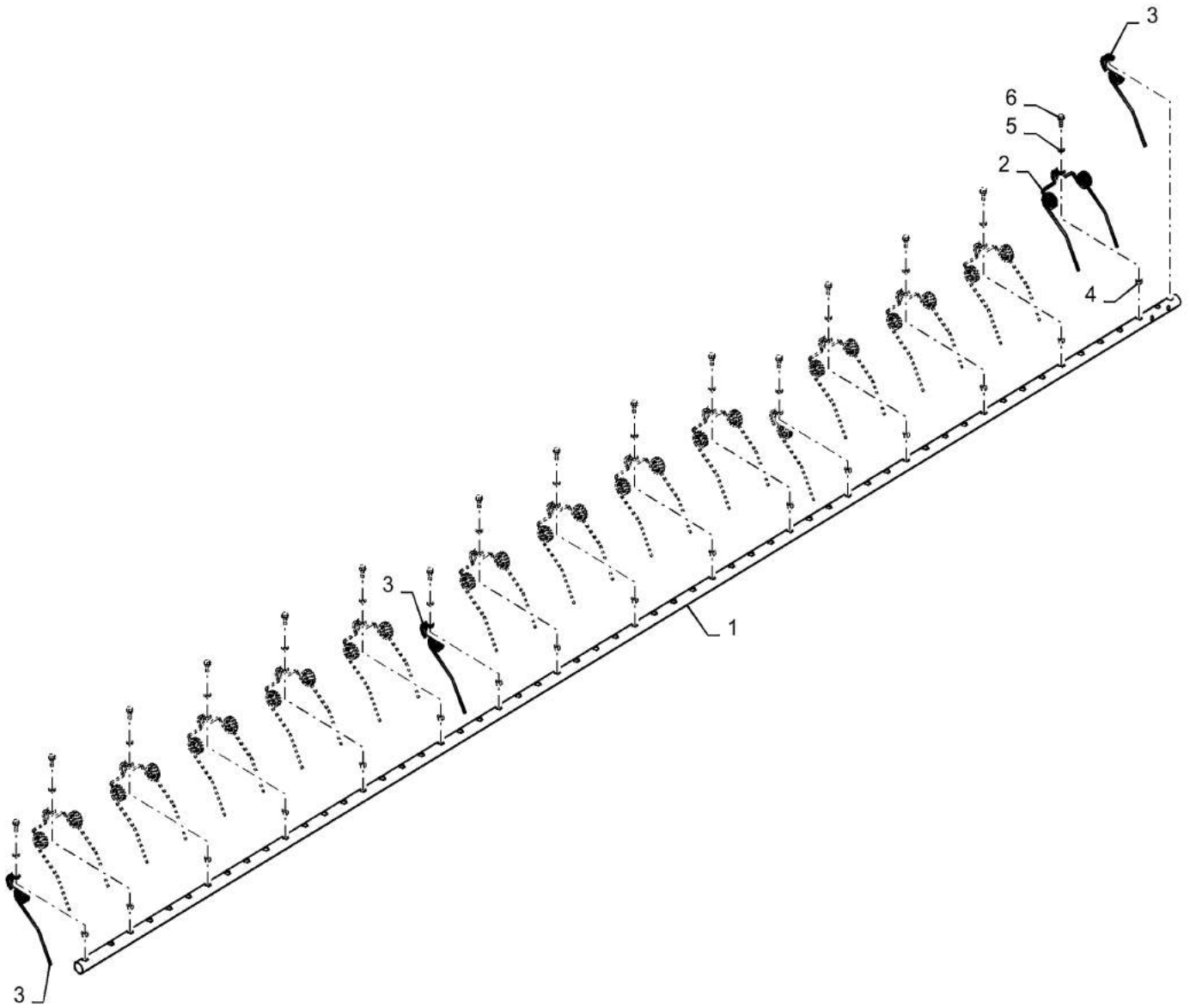
9/2016

REEL, TINE BAR, ASSY, RH 30FT, STEEL TINE ASN YEH050000

REF FN	PART NUMBER	YR/SN	QTY DESCRIPTION
1	84588229		1 REEL Tine Tube, RH
2	87017195		12 TINE Double Coil Steel
3	87017196		5 TINE Double Coil Steel
4	87017194		16 THREADED INSERT
5	322358		16 BELLEVILLE WASHER M8 Bolt Size x 18mm OD x 1.4mm Thk
6	9671714		16 FLANGE BOLT Hex, M8 x 1.25 x 25mm, Cl 8.8

3152-DRAPER HEADER 3162-DRAPER HEADER

REEL, TINE BAR, ASSY, RH 30FT, STEEL TINE ASN YEH050000



60.101.07

07

p1

9/2016

REEL, TINE BAR, ASSY, RH 30FT, STEEL TINE ASN YEH050000

REF FN	PART NUMBER	YR/SN	QTY DESCRIPTION
1	84588229		1 REEL Tine Tube, RH
2	87017195		13 TINE Double Coil Steel
3	87017196		4 TINE Double Coil Steel
4	87017194		16 THREADED INSERT
5	322358		16 BELLEVILLE WASHER M8 Bolt Size x 18mm OD x 1.4mm Thk
6	9671714		16 FLANGE BOLT Hex, M8 x 1.25 x 25mm, Cl 8.8

3152-DRAPER HEADER 3162-DRAPER HEADER

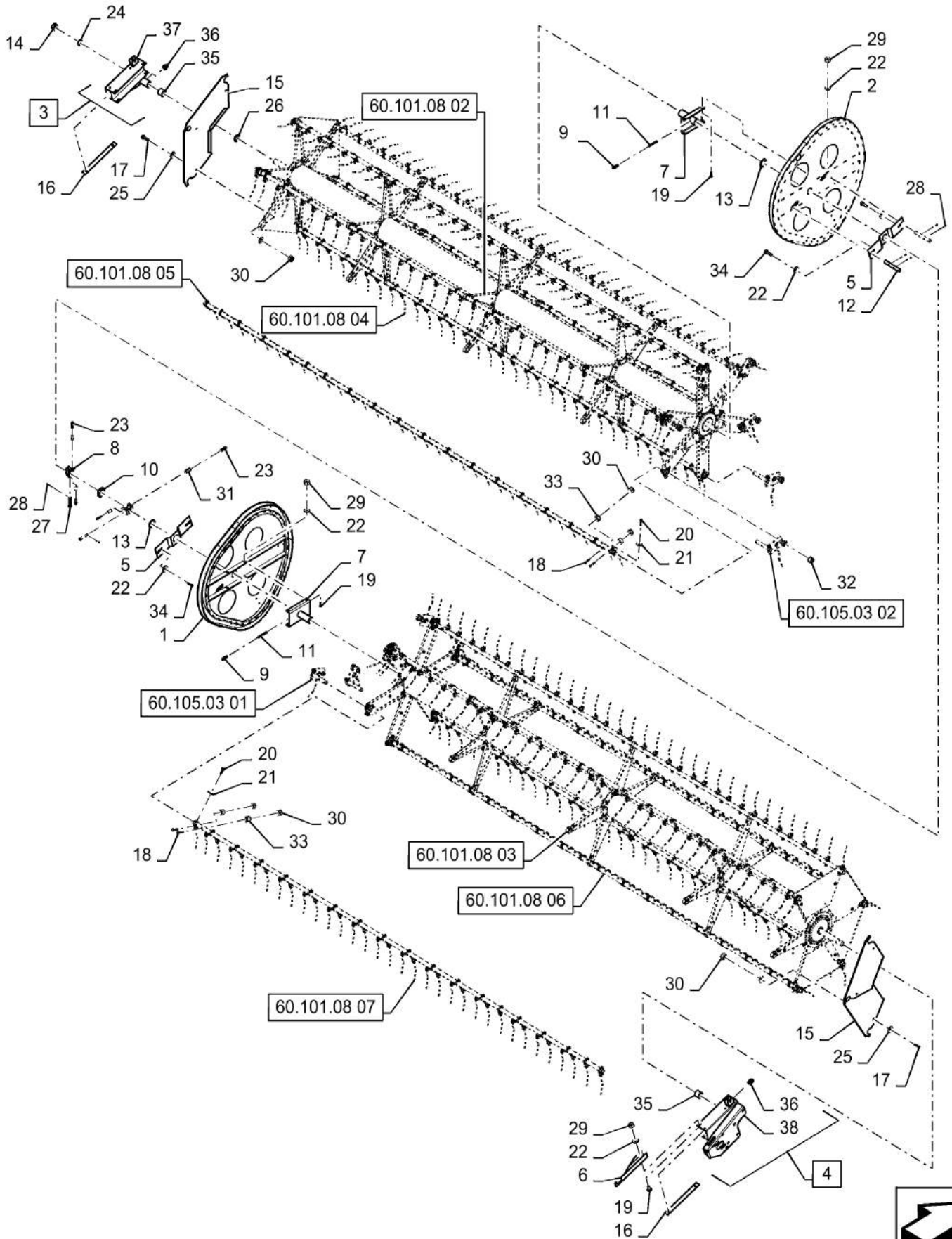
60.101.08

01

p1

9/2016

REEL, ASSY 35FT, STEEL TINE, ASN YEH050000

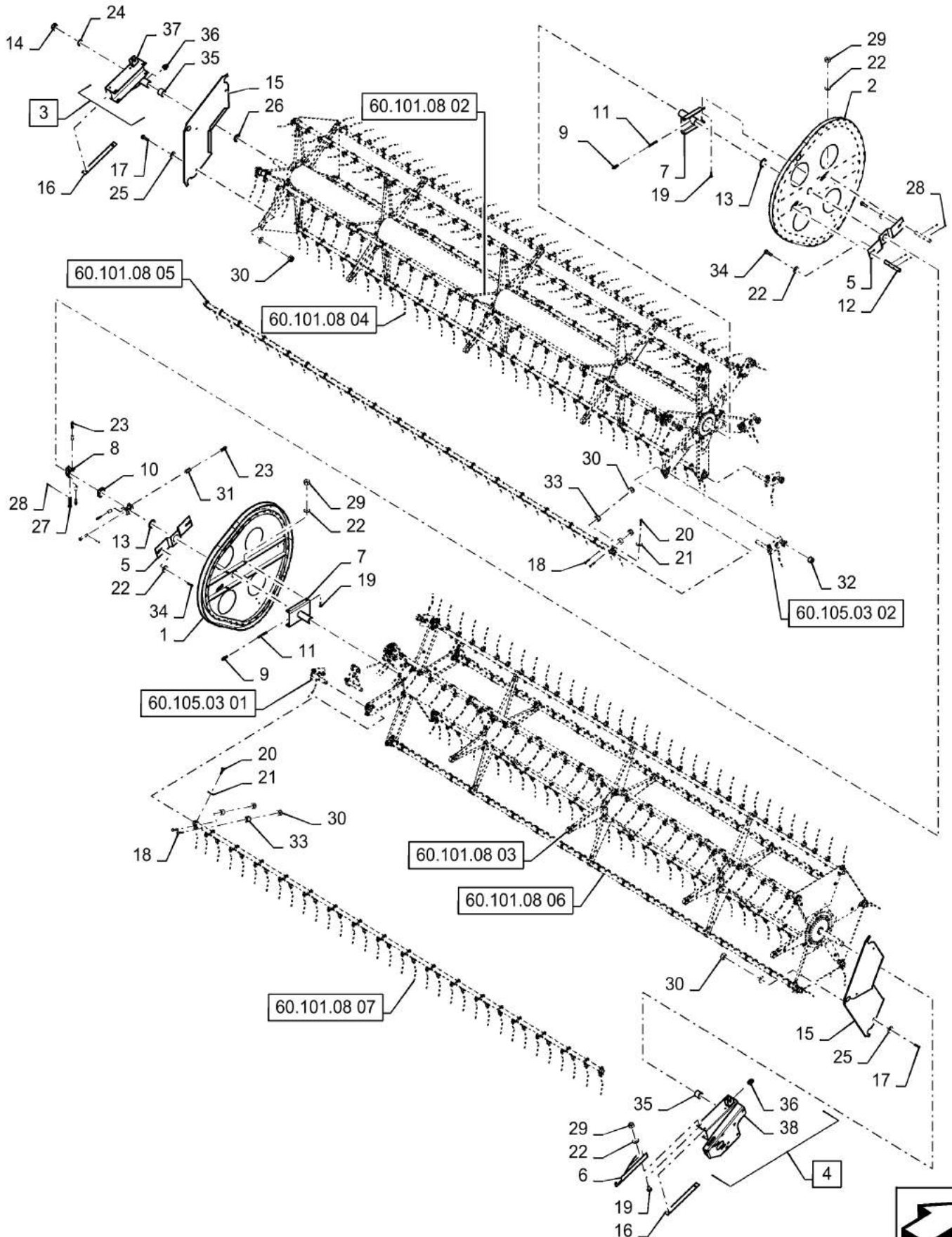


REEL, ASSY 35FT, STEEL TINE, ASN YEH050000

REF FN	PART NUMBER	YR/SN	QTY DESCRIPTION
1	47583134		1 CAM
2	47583129		1 CAM
3	47610771		1 MOUNT Incl 35 - 37
4	47610774		1 MOUNT Incl 35 - 36, 38
5	47610775		2 BRACKET
6	84569560		1 POINTER
7	47486066		2 HUB
8	47643784		2 JOINT
9	84303		2 LUBE NIPPLE 1/8"-27 NPT x 1" lg, Fem
10	47600506		1 CROSS
11	87662		2 HYD CONNECTOR
12	47539490		2 SHAFT
13	47562293		2 WASHER
14	86518431		1 COLLAR
15	283590A1		12 GUARD
16	47675181		2 SLIDE
17	43140		12 BOLT Hex, M10 x 1.5 x 30mm, CI 8.8
18	120069		24 BOLT M10 x 1.5 x 56.58mm OAL, CI 8.8
19	120044		9 CARRIAGE BOLT M12 x 1.75 x 30mm, CI 8.8
20	9671714		12 FLANGE BOLT Hex, M8 x 1.25 x 25mm, CI 8.8
21	322358		12 BELLEVILLE WASHER M8 Bolt Size x 18mm OD x 1.4mm Thk
22	140046		13 BELLEVILLE WASHER M12 Bolt Size x 27mm OD x 1.8mm Thk
23	87414		4 LUBE NIPPLE 1/4" - 28
24	167934		1 WASHER 1.62" ID x 2.25" OD x 0.139"
25	140045		24 BELLEVILLE WASHER M10 Bolt Size x 22mm OD x 1.6mm Thk
26	47511917		1 WASHER
27	86624193		2 HEADED PIN 5/8" x 3 1/2", G5
28	80754		6 COTTER PIN 3/16" OD x 1-1/2" OAL
29	9706685		9 NUT M12 x 1.75, CI 8
30	100037		36 LOCK NUT M10 x 1.5, CI 8

3152-DRAPER HEADER 3162-DRAPER HEADER

REEL, ASSY 35FT, STEEL TINE, ASN YEH050000



60.101.08

01

p2

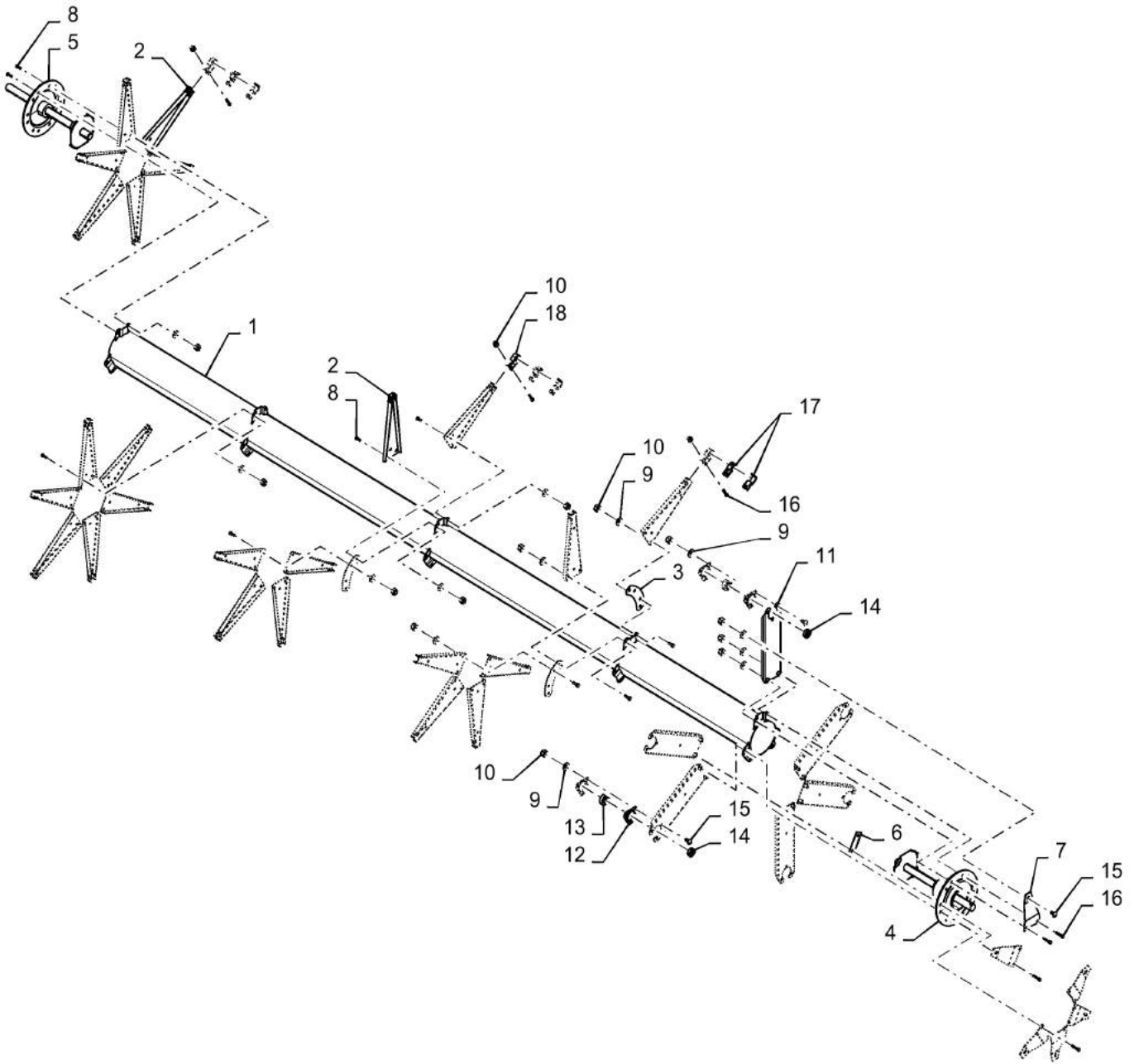
9/2016

REEL, ASSY 35FT, STEEL TINE, ASN YEH050000

REF FN	PART NUMBER	YR/SN	QTY DESCRIPTION
31	47628671		4 PIN
32	87574731		12 SPACER 16.66mm ID x 25.4mm OD x 20mm L
33	133095		24 SPACER 10.32mm ID x 15.85mm OD x 7.9mm L
34	9706687		4 BOLT M12 x 1.75 x 30mm, Cl 8.8
35	167940		6 BUSHING 39.76mm ID x 44.53mm OD x 38.1mm L
36	80714		1 LUBE NIPPLE 1/4"-28 NPT x .54" lg
37	47610764		1 MOUNT
38	47610767		1 MOUNT

3152-DRAPER HEADER 3162-DRAPER HEADER

REEL, ASSY, LH 35FT CENTER DOUBLE CAM, STEEL TINE, ASN YEH050000



REEL, ASSY, LH 35FT CENTER DOUBLE CAM, STEEL TINE, ASN YEH050000

REF FN	PART NUMBER	YR/SN	QTY DESCRIPTION
1	84585189		1 TUBE
2	9842291		24 ARM
3	86609773		9 PLATE
4	47398156		1 SHAFT
5	47788243		1 SHAFT
6	84395517		3 SPACER
7	47610099		6 BRACKET
8	43140		48 BOLT Hex, M10 x 1.5 x 30mm, CI 8.8
9	140045		84 BELLEVILLE WASHER M10 Bolt Size x 22mm OD x 1.6mm Thk
10	100037		108 LOCK NUT M10 x 1.5, CI 8
11	47582855		6 CHANNEL
12	86548970		12 FLANGED BEARING
13	45882		6 BALL BEARING 28.57mm ID x 62mm OD x 18mm W
14	45876		6 COLLAR 28.6mm ID x 44.45mm OD x 16mm W
15	120041		24 CARRIAGE BOLT M10 x 20mm, CI 8.8
16	120069		36 BOLT M10 x 1.5 x 56.58mm OAL, CI 8.8
17	9842300		48 BEARING ASSY =H1204&I1204
18	9842301		24 STRAP

3152-DRAPER HEADER 3162-DRAPER HEADER

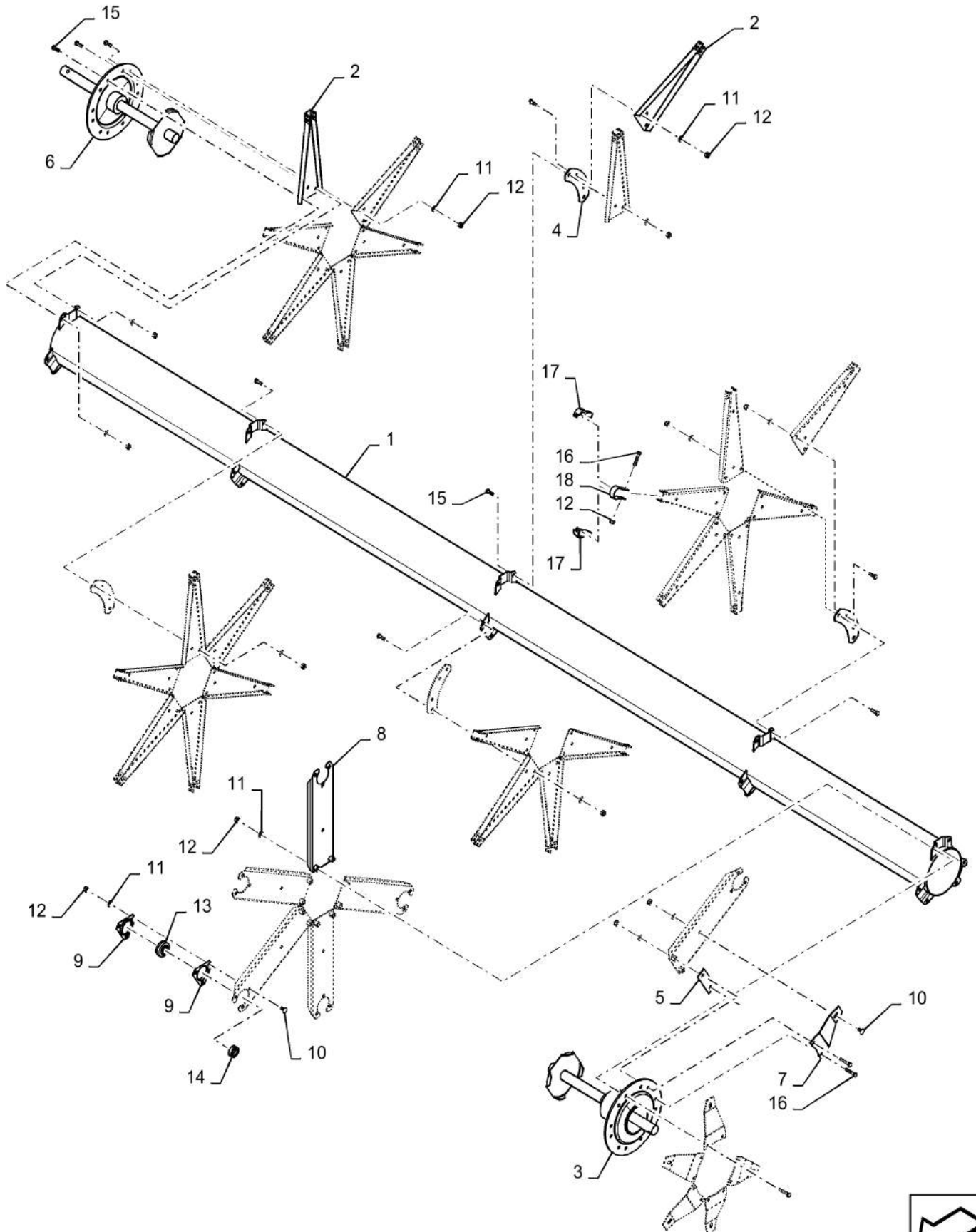
60.101.08

03

p1

9/2016

REEL, ASSY, RH 35FT CENTER DOUBLE CAM, STEEL TINE, ASN YEH050000



60.101.08

03

p1

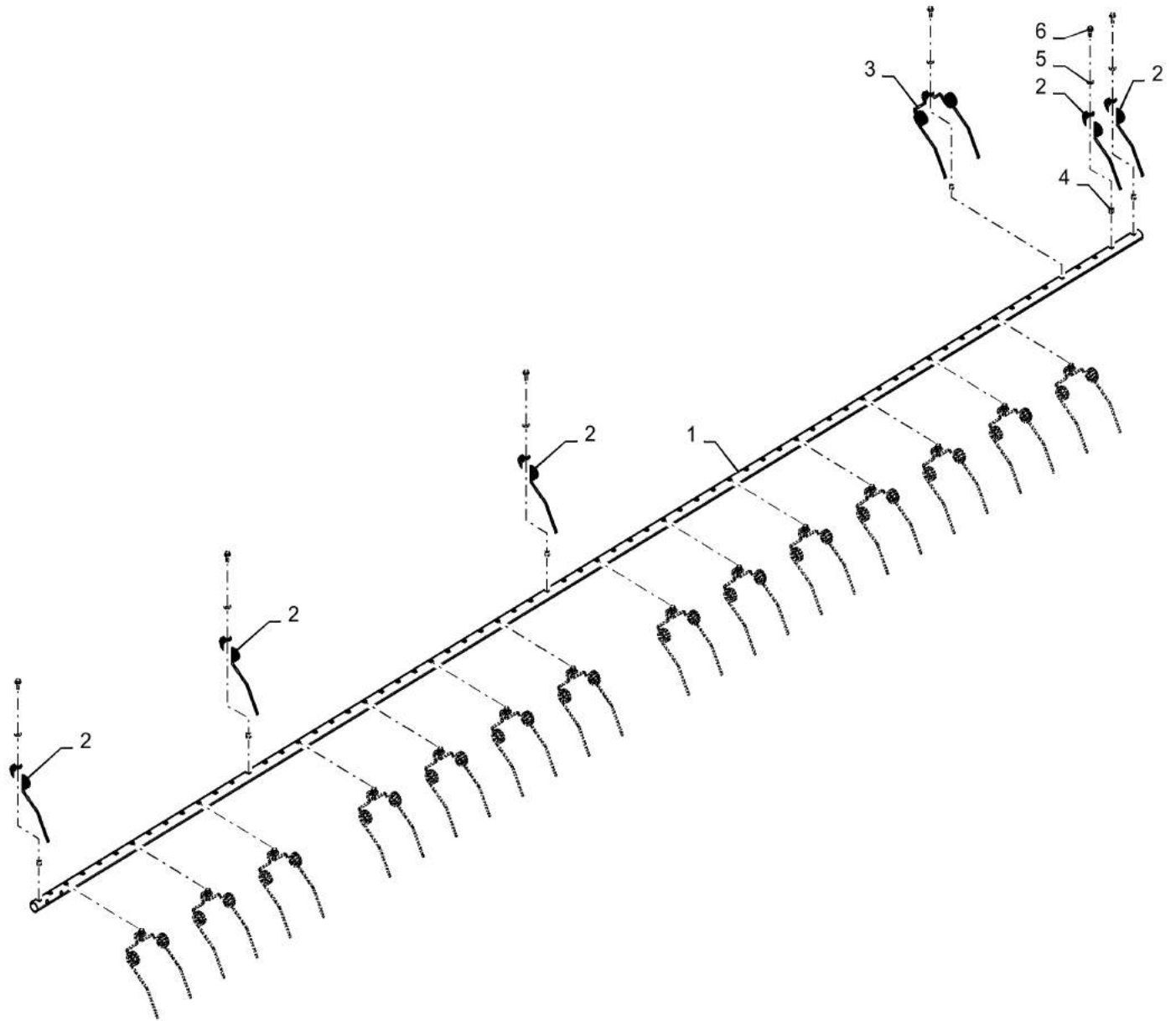
9/2016

REEL, ASSY, RH 35FT CENTER DOUBLE CAM, STEEL TINE, ASN YEH050000

REF FN	PART NUMBER	YR/SN	QTY DESCRIPTION
1	84585189		1 TUBE Center, Split Reel
2	9842291		24 ARM Reel
3	47398156		1 SHAFT Inside End
4	86609773		9 PLATE Anchor
5	84395517		3 SPACER
6	47757037		1 SHAFT Outside End
7	47610099		6 BRACKET
8	47582855		6 CHANNEL
9	86548970		12 FLANGED BEARING
10	120041		24 CARRIAGE BOLT M10 x 20mm, CI 8.8
11	140045		84 BELLEVILLE WASHER M10 Bolt Size x 22mm OD x 1.6mm Thk
12	100037		108 LOCK NUT M10 x 1.5, CI 8
13	45882		6 BALL BEARING 28.57mm ID x 62mm OD x 18mm W
14	45876		6 COLLAR 28.6mm ID x 44.45mm OD x 16mm W
15	43140		48 BOLT Hex, M10 x 1.5 x 30mm, CI 8.8
16	120069		36 BOLT M10 x 1.5 x 56.58mm OAL, CI 8.8
17	9842300		48 BEARING ASSY =H1204&I1204
18	9842301		24 STRAP

3152-DRAPER HEADER 3162-DRAPER HEADER

REEL, TINE BAR, ASSY, LH 35FT, STEEL TINE ASN YEH050000



60.101.08

04

p1

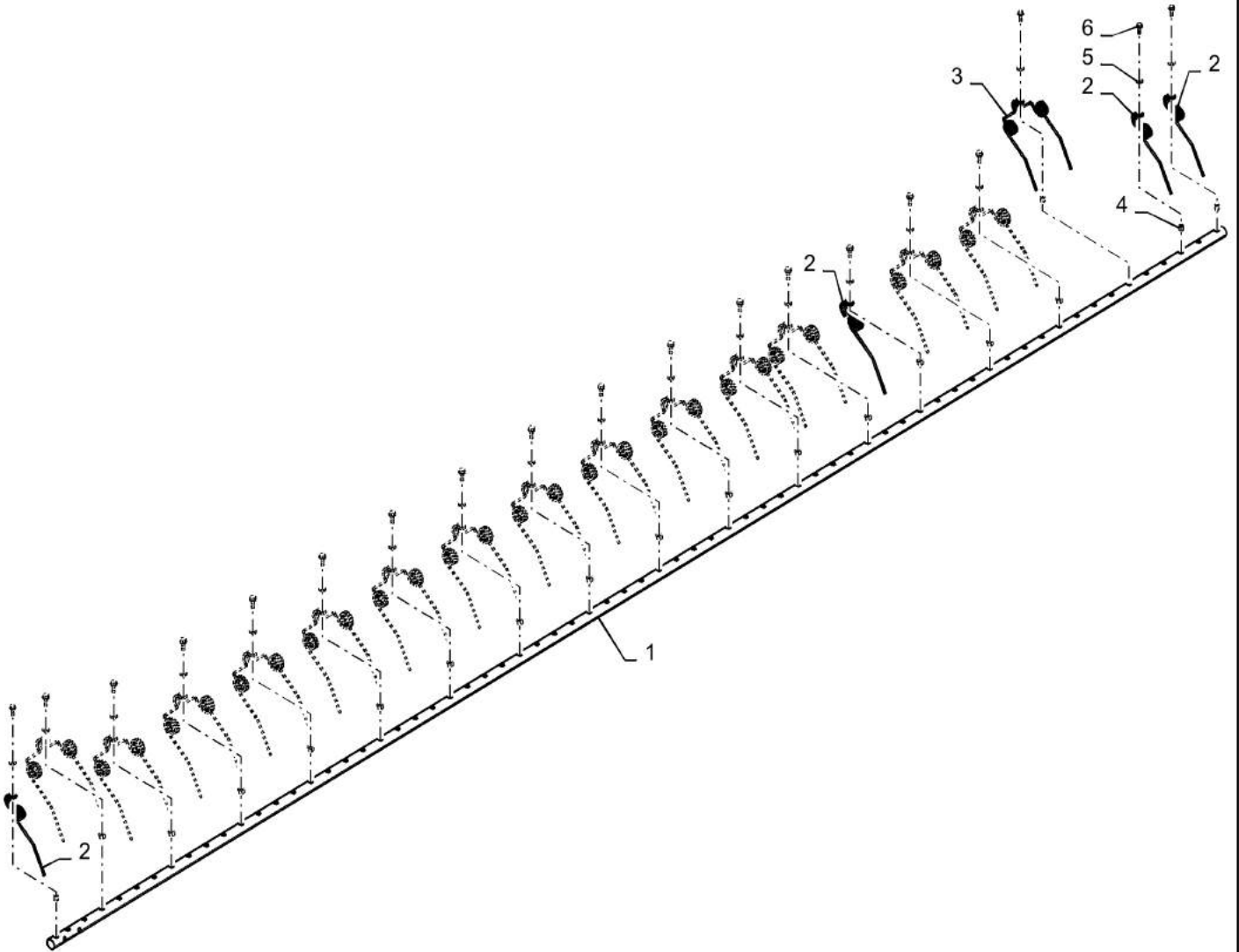
9/2016

REEL, TINE BAR, ASSY, LH 35FT, STEEL TINE ASN YEH050000

REF FN	PART NUMBER	YR/SN	QTY DESCRIPTION
1	84589177		1 TINE BAR
2	87017196		5 TINE
3	87017195		15 TINE
4	87017194		19 THREADED INSERT
5	322358		19 BELLEVILLE WASHER M8 Bolt Size x 18mm OD x 1.4mm Thk
6	9671714		19 FLANGE BOLT Hex, M8 x 1.25 x 25mm, Cl 8.8

3152-DRAPER HEADER 3162-DRAPER HEADER

REEL, TINE BAR, ASSY, LH 35FT, STEEL TINE ASN YEH050000



60.101.08

05

p1

9/2016

REEL, TINE BAR, ASSY, LH 35FT, STEEL TINE ASN YEH050000

REF FN	PART NUMBER	YR/SN	QTY DESCRIPTION
1	84589177		1 TINE BAR
2	87017196		4 TINE
3	87017195		15 TINE
4	87017194		18 THREADED INSERT
5	322358		18 BELLEVILLE WASHER M8 Bolt Size x 18mm OD x 1.4mm Thk
6	9671714		18 FLANGE BOLT Hex, M8 x 1.25 x 25mm, Cl 8.8

3152-DRAPER HEADER 3162-DRAPER HEADER

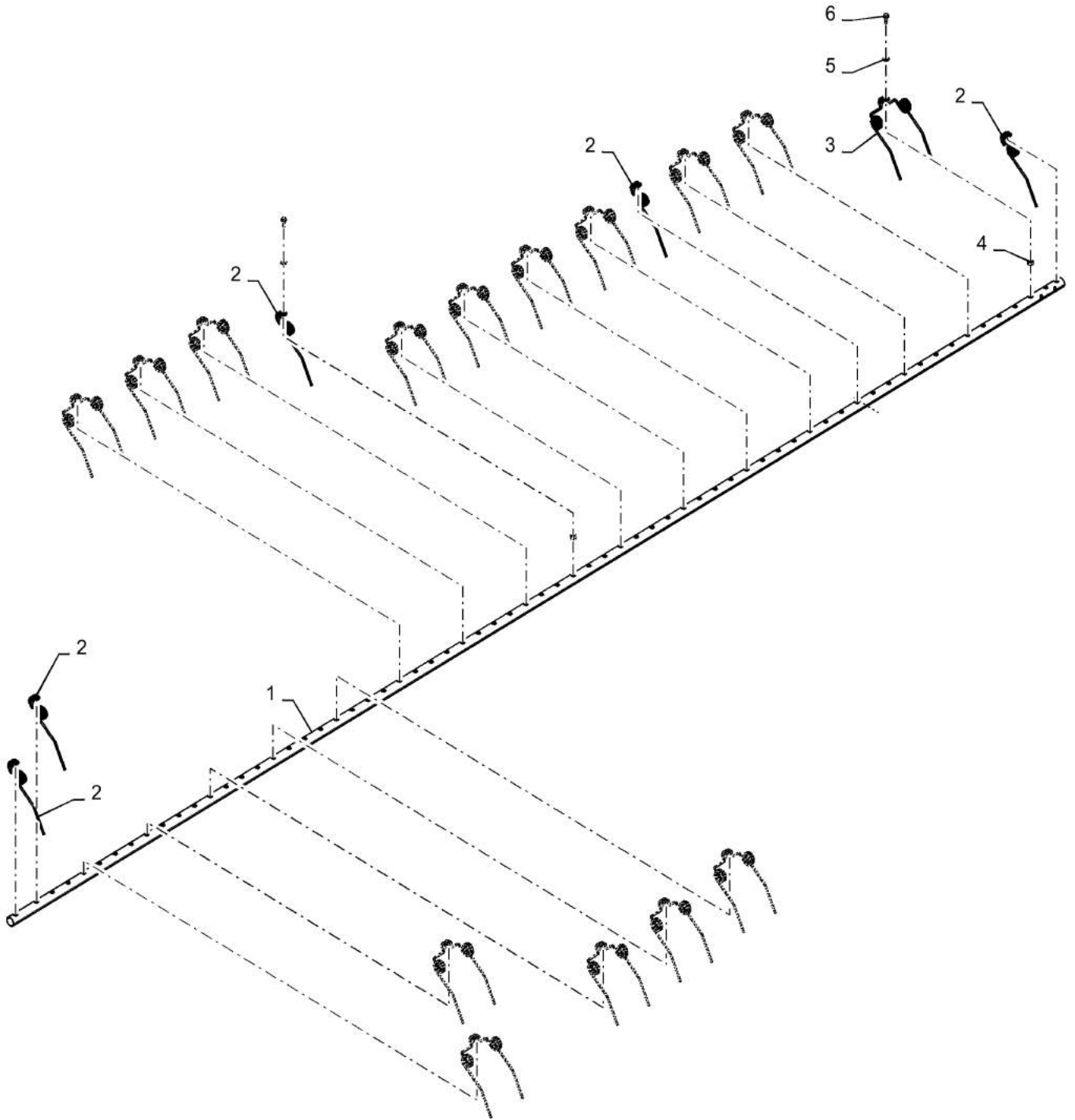
60.101.08

06

p1

9/2016

REEL, TINE BAR, ASSY, RH 35FT, STEEL TINE ASN YEH050000



60.101.08

06

p1

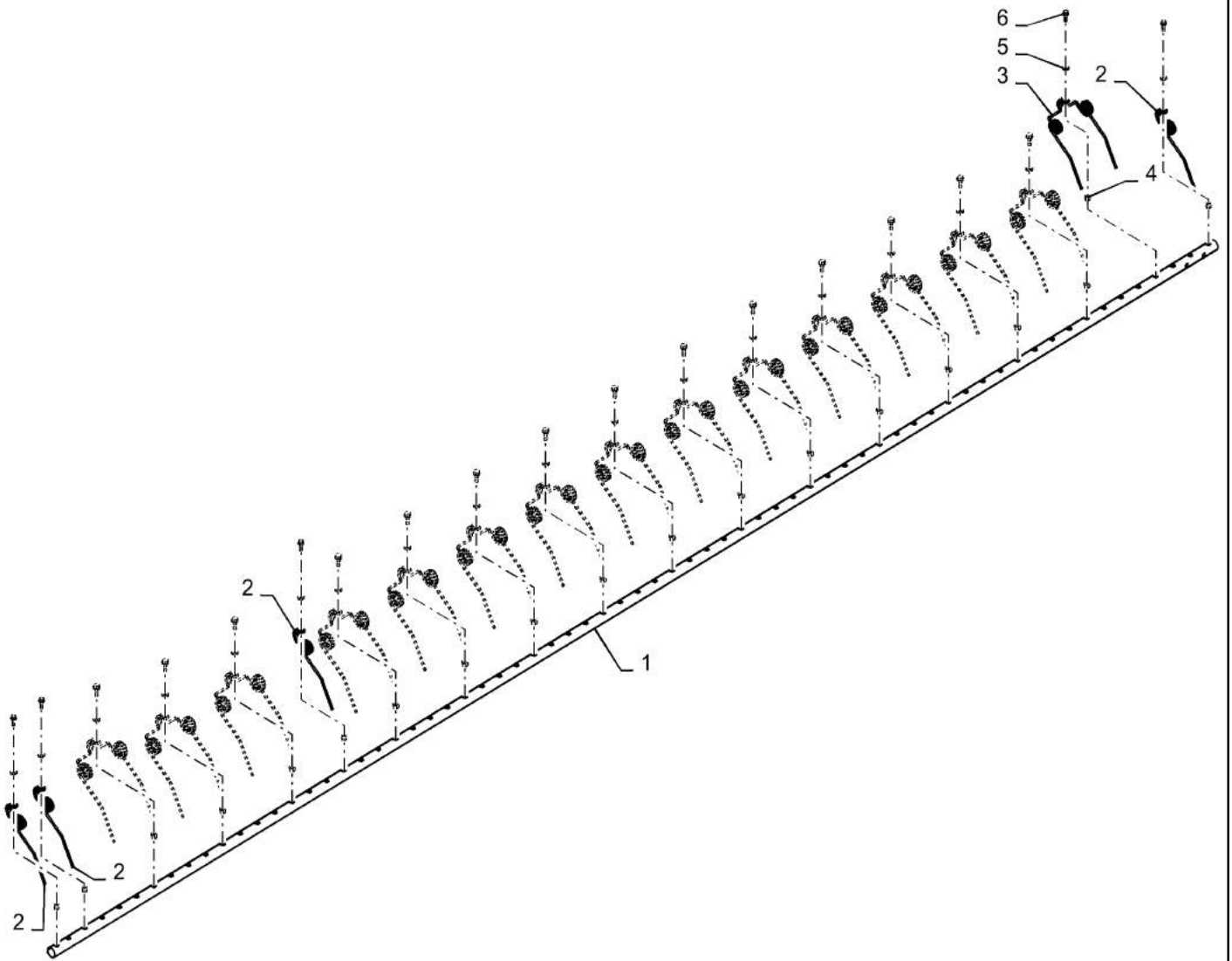
9/2016

REEL, TINE BAR, ASSY, RH 35FT, STEEL TINE ASN YEH050000

REF FN	PART NUMBER	YR/SN	QTY DESCRIPTION
1	84589176		1 TINE BAR
2	87017196		5 TINE
3	87017195		15 TINE
4	87017194		19 THREADED INSERT
5	322358		19 BELLEVILLE WASHER M8 Bolt Size x 18mm OD x 1.4mm Thk
6	9671714		19 FLANGE BOLT Hex, M8 x 1.25 x 25mm, Cl 8.8

3152-DRAPER HEADER 3162-DRAPER HEADER

REEL, TINE BAR, ASSY, RH 35FT, STEEL TINE ASN YEH050000



60.101.08

07

p1

9/2016

REEL, TINE BAR, ASSY, RH 35FT, STEEL TINE ASN YEH050000

REF FN	PART NUMBER	YR/SN	QTY DESCRIPTION
1	84589176		1 TINE BAR
2	87017196		4 TINE
3	87017195		15 TINE
4	87017194		18 THREADED INSERT
5	322358		18 BELLEVILLE WASHER M8 Bolt Size x 18mm OD x 1.4mm Thk
6	9671714		18 FLANGE BOLT Hex, M8 x 1.25 x 25mm, Cl 8.8

3152-DRAPER HEADER 3162-DRAPER HEADER

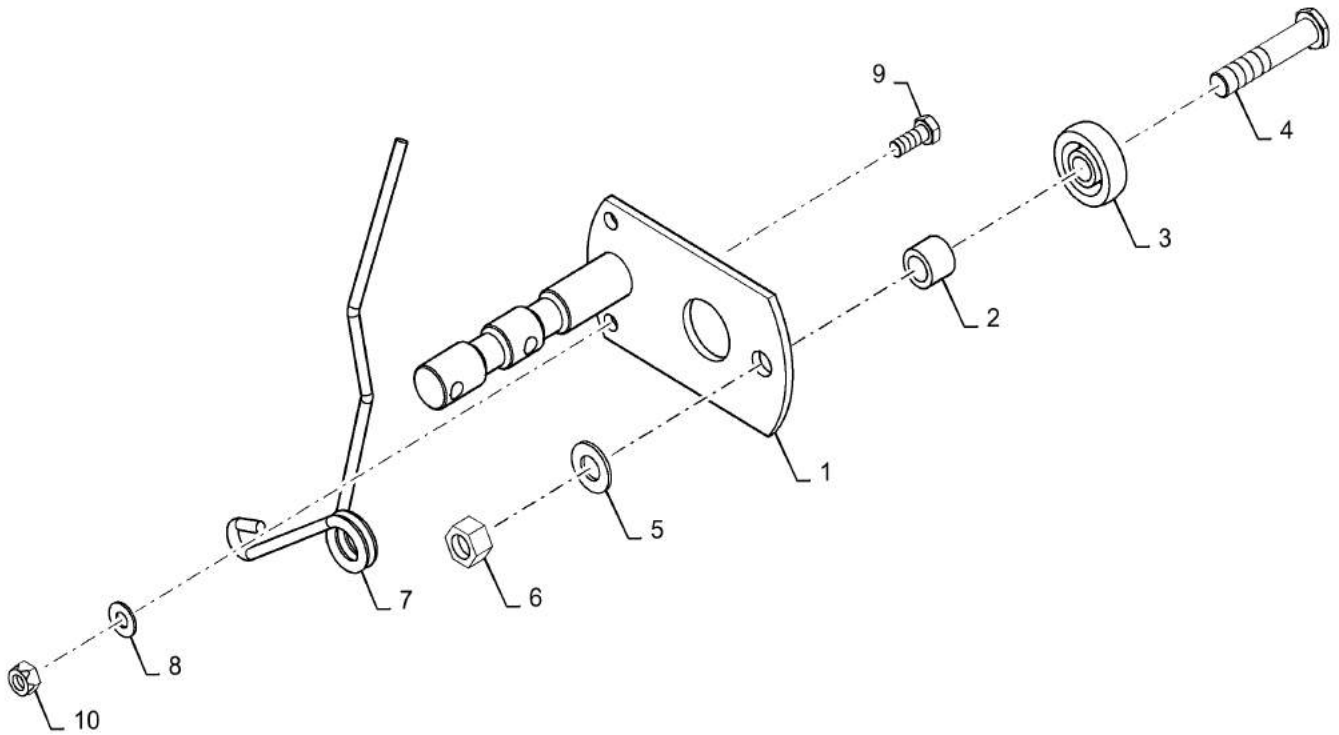
60.105.02

01

p1

9/2016

CRANK, ASSY, PLASTIC TINE, RH



CRANK, ASSY, PLASTIC TINE, RH

REF FN	PART NUMBER	YR/SN	QTY DESCRIPTION
1	47525008		1 CRANKSHAFT LH
2	87574731		1 SPACER 16.66mm ID x 25.4mm OD x 20mm L
3	165484		1 BALL BEARING 15.94mm ID x 50.8mm OD x 15mm W
4	84134601		1 SPECIAL BOLT
5	140048		1 BELLEVILLE WASHER M16 Bolt Size x 32mm OD x 2.8mm Thk
6	408		1 NUT 5/8" - 18, Gr 5
7	47553766		1 FINGER Reel LH
8	140045		1 BELLEVILLE WASHER M10 Bolt Size x 22mm OD x 1.6mm Thk
9	43139		1 BOLT M10 x 1.5 x 25mm, Cl 8.8
10	100037		1 LOCK NUT M10 x 1.5, Cl 8

3152-DRAPER HEADER 3162-DRAPER HEADER

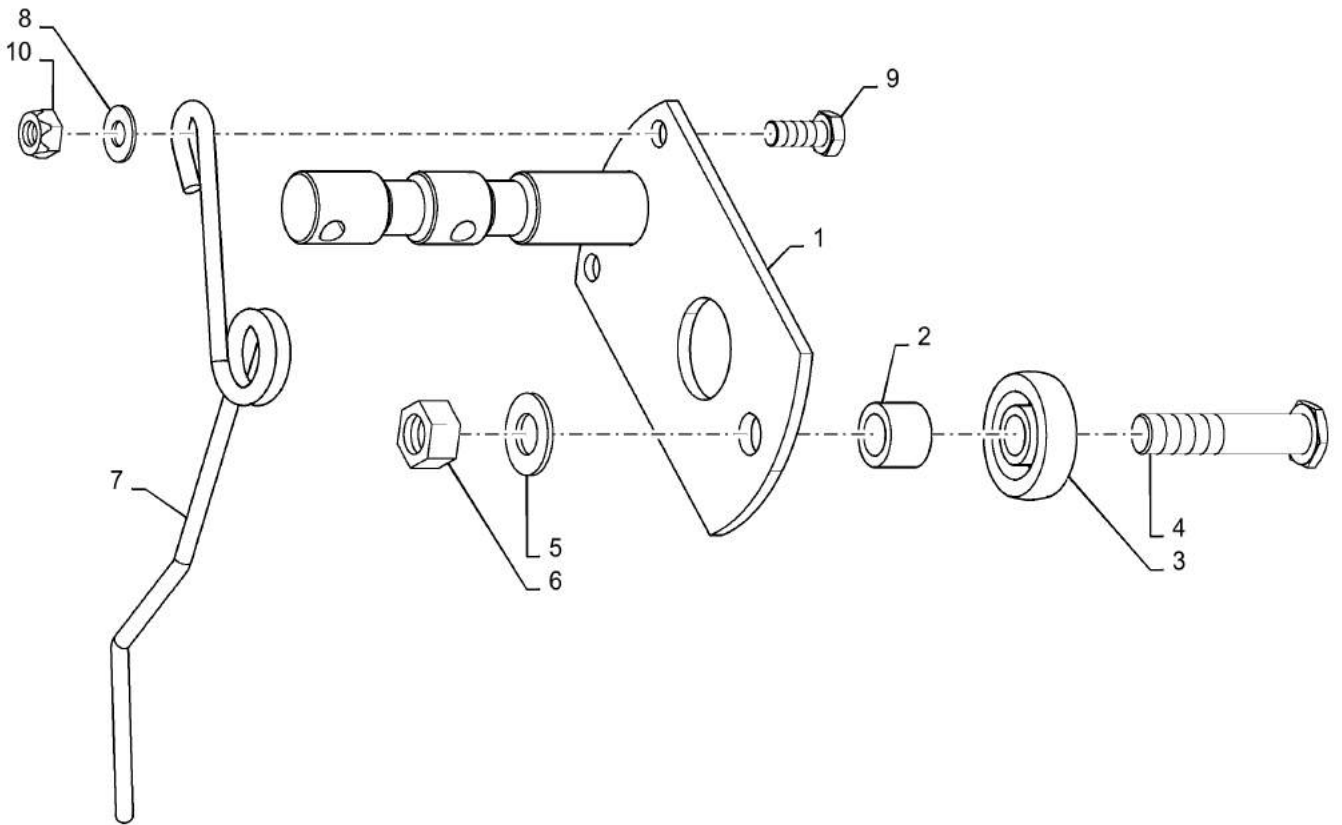
60.105.02

02

p1

9/2016

CRANK, ASSY, PLASTIC TINE, LH



CRANK, ASSY, PLASTIC TINE, LH

REF FN	PART NUMBER	YR/SN	QTY DESCRIPTION
1	47525008		1 CRANKSHAFT
2	87574731		1 SPACER 16.66mm ID x 25.4mm OD x 20mm L
3	165484		1 BALL BEARING 15.94mm ID x 50.8mm OD x 15mm W
4	84134601		1 SPECIAL BOLT
5	140048		1 BELLEVILLE WASHER M16 Bolt Size x 32mm OD x 2.8mm Thk
6	408		1 NUT 5/8" - 18, Gr 5
7	47553757		1 FINGER Reel, RH
8	140045		1 BELLEVILLE WASHER M10 Bolt Size x 22mm OD x 1.6mm Thk
9	43139		1 BOLT M10 x 1.5 x 25mm, Cl 8.8
10	100037		1 LOCK NUT M10 x 1.5, Cl 8

3152-DRAPER HEADER 3162-DRAPER HEADER

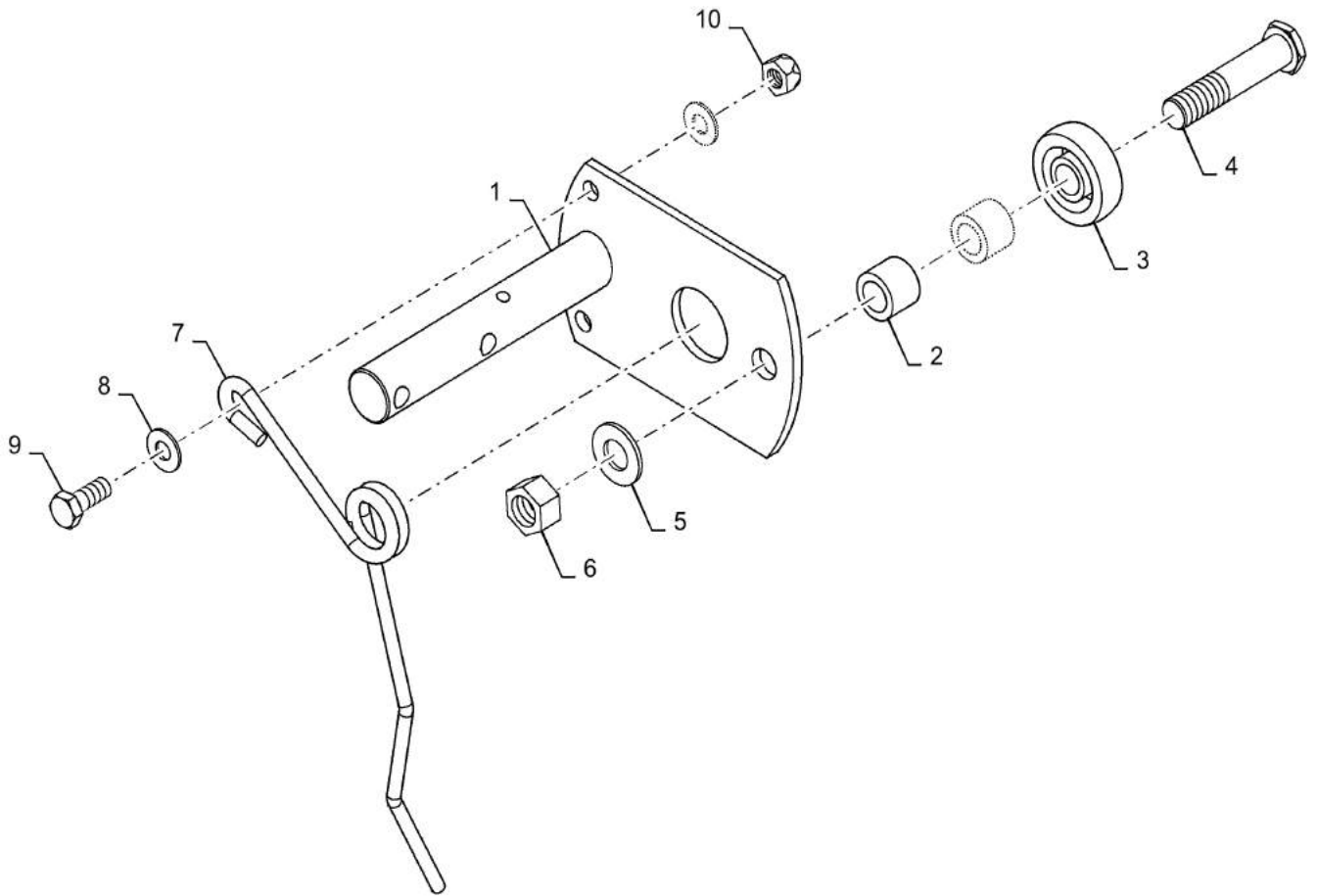
60.105.03

01

p1

9/2016

CRANK, ASSY, STEEL TINE, LH



60.105.03

01

p1

9/2016

CRANK, ASSY, STEEL TINE, LH

REF FN	PART NUMBER	YR/SN	QTY DESCRIPTION
1	47608789		1 CRANKSHAFT LH
2	87574731		2 SPACER 16.66mm ID x 25.4mm OD x 20mm L
3	165484		1 BALL BEARING 15.94mm ID x 50.8mm OD x 15mm W
4	84134601		1 SPECIAL BOLT
5	140048		1 BELLEVILLE WASHER M16 Bolt Size x 32mm OD x 2.8mm Thk
6	408		1 NUT 5/8" - 18, Gr 5
7	47608841		1 FINGER Reel, LH
8	140045		2 BELLEVILLE WASHER M10 Bolt Size x 22mm OD x 1.6mm Thk
9	43139		1 BOLT M10 x 1.5 x 25mm, Cl 8.8
10	100037		1 LOCK NUT M10 x 1.5, Cl 8

3152-DRAPER HEADER 3162-DRAPER HEADER

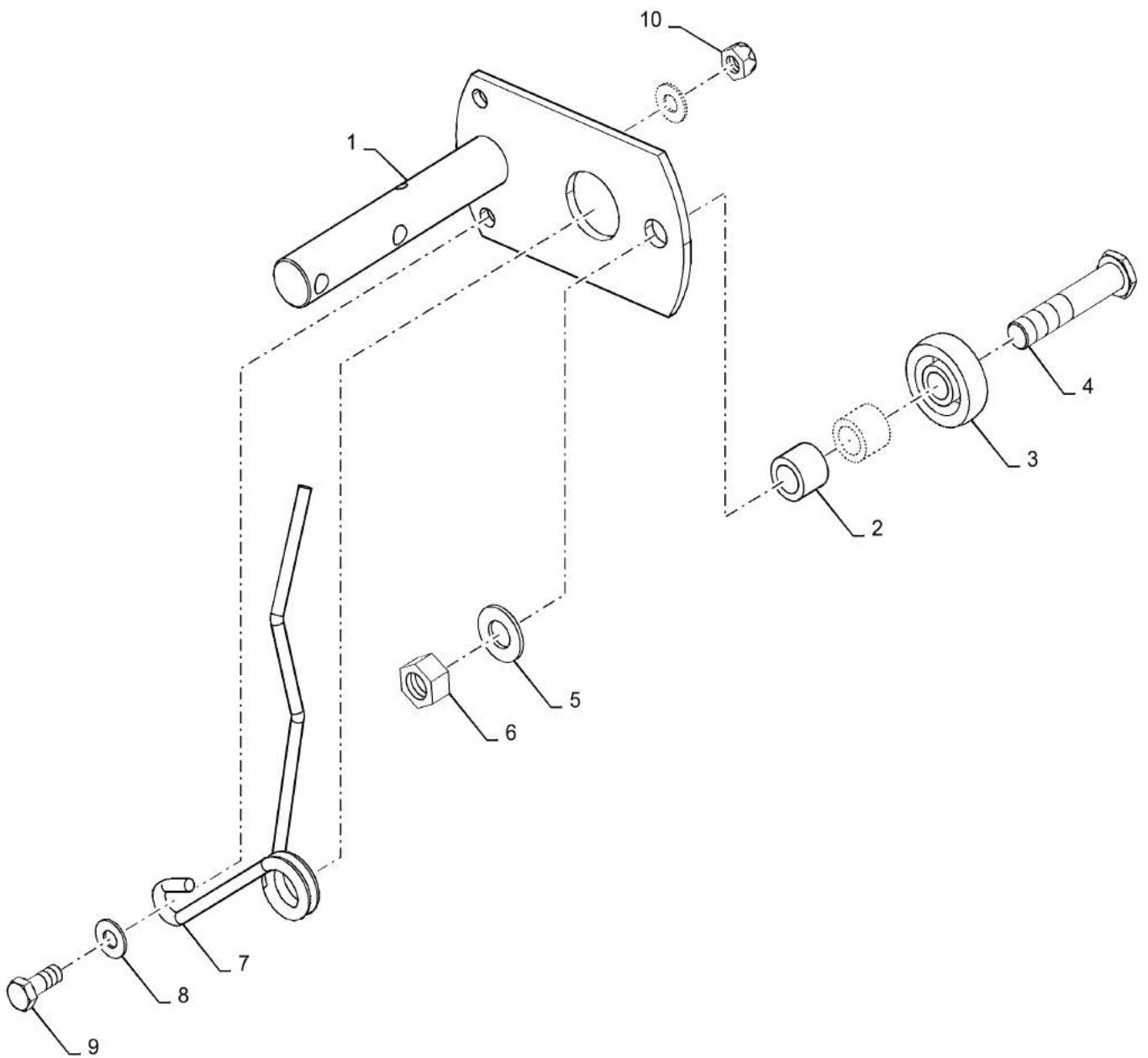
60.105.03

02

p1

9/2016

CRANK, ASSY, STEEL TINE, RH



60.105.03

02

p1

9/2016

CRANK, ASSY, STEEL TINE, RH

REF FN	PART NUMBER	YR/SN	QTY DESCRIPTION
1	47608792		1 CRANKSHAFT RH
2	87574731		2 SPACER 16.66mm ID x 25.4mm OD x 20mm L
3	165484		1 BALL BEARING 15.94mm ID x 50.8mm OD x 15mm W
4	84134601		1 SPECIAL BOLT
5	140048		1 BELLEVILLE WASHER M16 Bolt Size x 32mm OD x 2.8mm Thk
6	408		1 NUT 5/8" - 18, Gr 5
7	47608822		1 FINGER Reel, RH
8	140045		2 BELLEVILLE WASHER M10 Bolt Size x 22mm OD x 1.6mm Thk
9	43139		1 BOLT M10 x 1.5 x 25mm, Cl 8.8
10	100037		1 LOCK NUT M10 x 1.5, Cl 8

3152-DRAPER HEADER 3162-DRAPER HEADER

SECTION INDEX

ACCESSORIES

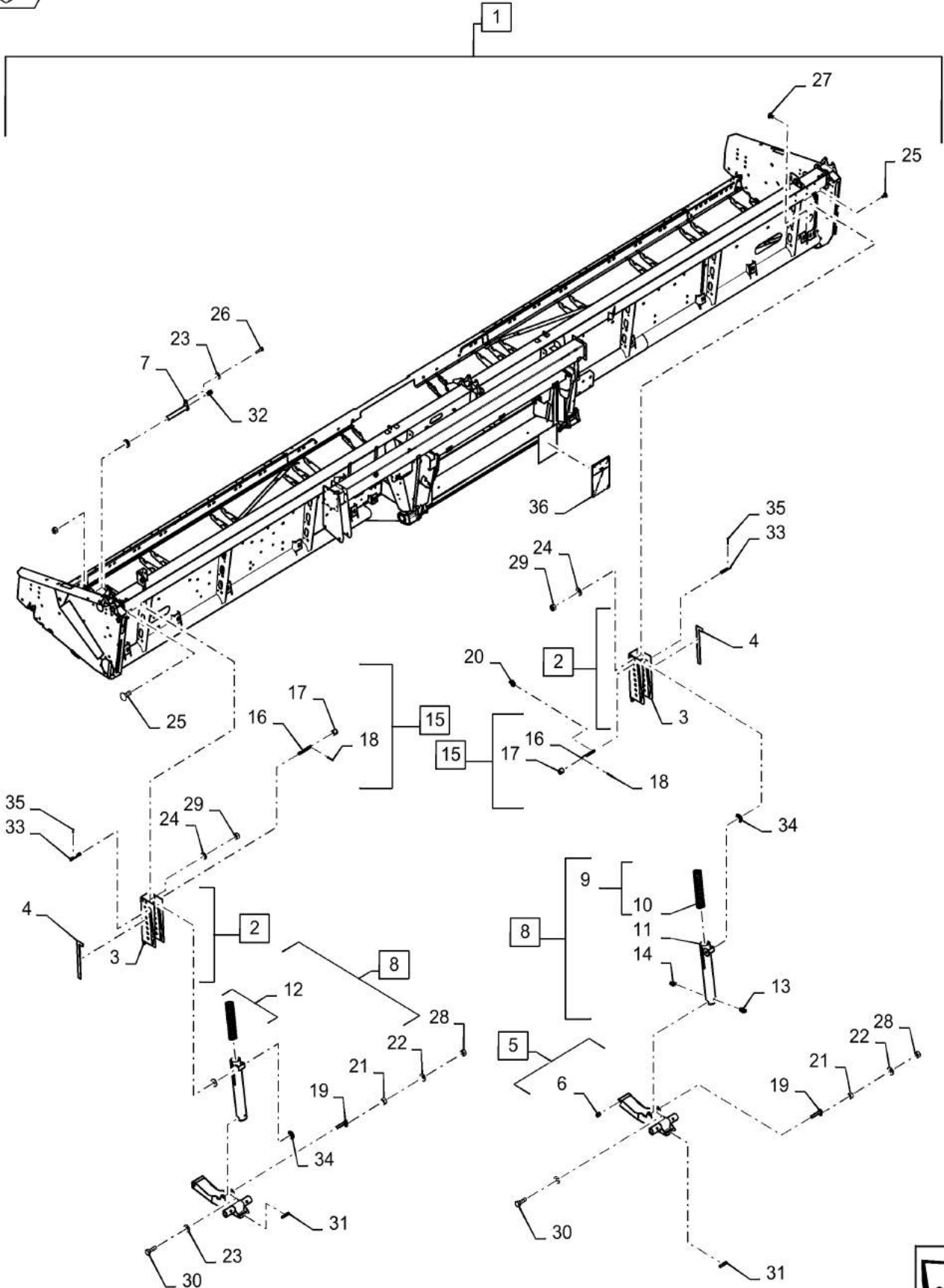
88.044.01		DIA KIT, GAUGE WHEEL
88.044.02		DIA, KIT, GAUGE WHEEL
88.044.03		GAUGE WHEEL KIT ASSY
88.044.04		KIT, GAUGE WHEEL ARM PIVOT
88.055.01		DIA KIT, FLAGSHIP 3RD SWAP VALVE
88.055.02		DIA KIT, MRR 3RD SWAP VALVE
88.058.01		DIA KIT, LONG DIVIDER
88.058.02		DIA KIT, AUGER SPEED UP
88.058.03	01	DIA KIT, AUGER, UPPER CROSS
88.058.03	02	DIA KIT, AUGER, UPPER CROSS
88.058.04	01	DIA KIT, AHHC, RUN FLEX IN RIGID, 30FT - 35FT
88.058.04	02	DIA KIT, AHHC, RUN FLEX IN RIGID, 40FT - 45FT
88.058.04	03	DIA KIT AHHC RUN FLEX IN RIGID 40 FT-45 FT
88.058.05		DIA KIT, FIN ASSEMBLY
88.058.06	01	DIA, KIT, CUTTERBAR ADJUST, RIGHT
88.058.06	02	DIA, KIT, CUTTERBAR ADJUST, LEFT
88.058.07		DIA KIT, PLASTIC HHC ARMS
88.058.08		DIA KIT, TRANSPORT
88.058.09		DIA KIT, REEL TINE FLAP
88.058.10		DIA KIT, AUGER FLIGHT
88.058.11		DIA KIT, CROPLIFTERS STD
88.058.12	01	VERTICAL KNIFE KIT, 25FT - 45FT
88.058.12	02	KNIFE, DIA KIT LH, 25, 30, 35, 40, 45 FT
88.058.12	03	KNIFE, DIA KIT RH, 25, 30, 35, 40, 45 FT
88.058.12	04	WIRE HARNESS, VERTICAL KNIFE, 20, 30, 35, 40, 45 FT
88.058.12	05	HYDRAULIC SYSTEM, VERTICAL KNIFE, 25, 30 FT
88.058.12	06	HYDRAULIC SYSTEM, VERTICAL KNIFE, 35, 40, 45 FT
88.058.12	07	HYDRAULIC HOSE, 30, 40, 45 FT
88.058.13	01	DIA KIT, 30FT SUSPENSION, CAB, ASN YEH040352
88.058.13	02	DIA KIT, 30FT SUSPENSION, CAB, ASN YEH040352
88.058.14	01	DIA KIT, 35FT SUSPENSION, CAB, ASN YEH040352
88.058.14	02	DIA KIT, 35FT SUSPENSION, CAB, ASN YEH040352
88.058.15	01	DIA KIT, 40FT SUSPENSION, CAB, ASN YEH040352
88.058.15	02	DIA KIT, 40FT SUSPENSION, CAB, ASN YEH040352
88.058.16	01	DIA KIT, 45FT SUSPENSION, CAB, ASN YEH040352

SECTION INDEX

ACCESSORIES

88.058.16	02	DIA KIT, 45FT SUSPENSION, CAB, ASN YEH040352
88.058.17	01	KIT CUTTERBAR 45FT W/KNIFE
88.058.17	02	KIT CUTTERBAR 40FT W/KNIFE
88.058.17	03	KIT CUTTERBAR 35FT W/KNIFE
88.058.17	04	KIT CUTTERBAR 30 FT W/KNIFE
88.058.17	05	KIT CUTTERBAR 45FT W/O KNIFE
88.058.17	06	KIT CUTTERBAR 40FT W/O KNIFE
88.058.17	07	KIT CUTTERBAR 35FT W/O KNIFE
88.058.17	08	KIT CUTTERBAR 30FT W/O KNIFE
88.058.18		DIA KIT, REEL, DRIVE
88.058.19		DIA KIT, BEAN LOSS
88.058.20		DIA KIT, CUTTERBAR LOCKOUT TOOL, FLEX
88.058.20		DIA KIT, CUTTERBAR TOOL, RIGID
88.058.21		UPDATE, IN-CAB SUSPENSION, CENTER
88.058.22		DIA KIT, HIGH TORQUE REEL DRIVE
88.058.23		KNIFE ASSY, SPLICE KIT
88.058.24		KIT, ROD CROP DIVIDER
88.058.25		KIT, RIGID HHC ARM SUPPORTS W/CABLES 25-45FT
88.058.26		KIT, FLEX HEAD CABLE SUPPORT 30-45 FT
88.058.27		KIT, SKID/SHOE, RIGID ONLY
88.058.28		KIT, DRAPER ROCK,STRIPPER
88.058.29		KIT, DRAPER FRAME SPLINT
88.058.30		KIT, REEL CENTER DIVIDER
88.058.31		KIT, CUTTERBAR ANGLE STOP
88.099.01	02	KIT RIGID HHC DRAPER 30-35
88.099.01	03	KIT POLY SKID SHOE COMPLETE 35 FT
88.099.01	04	KIT POLY SKID SHOE COMPLETE 30 FT
88.099.01	05	KIT POLY SKID SHOE COMPLETE 40 FT
88.099.01	06	KIT POLY SKID SHOE COMPLETE 45 FT

DIA KIT, GAUGE WHEEL

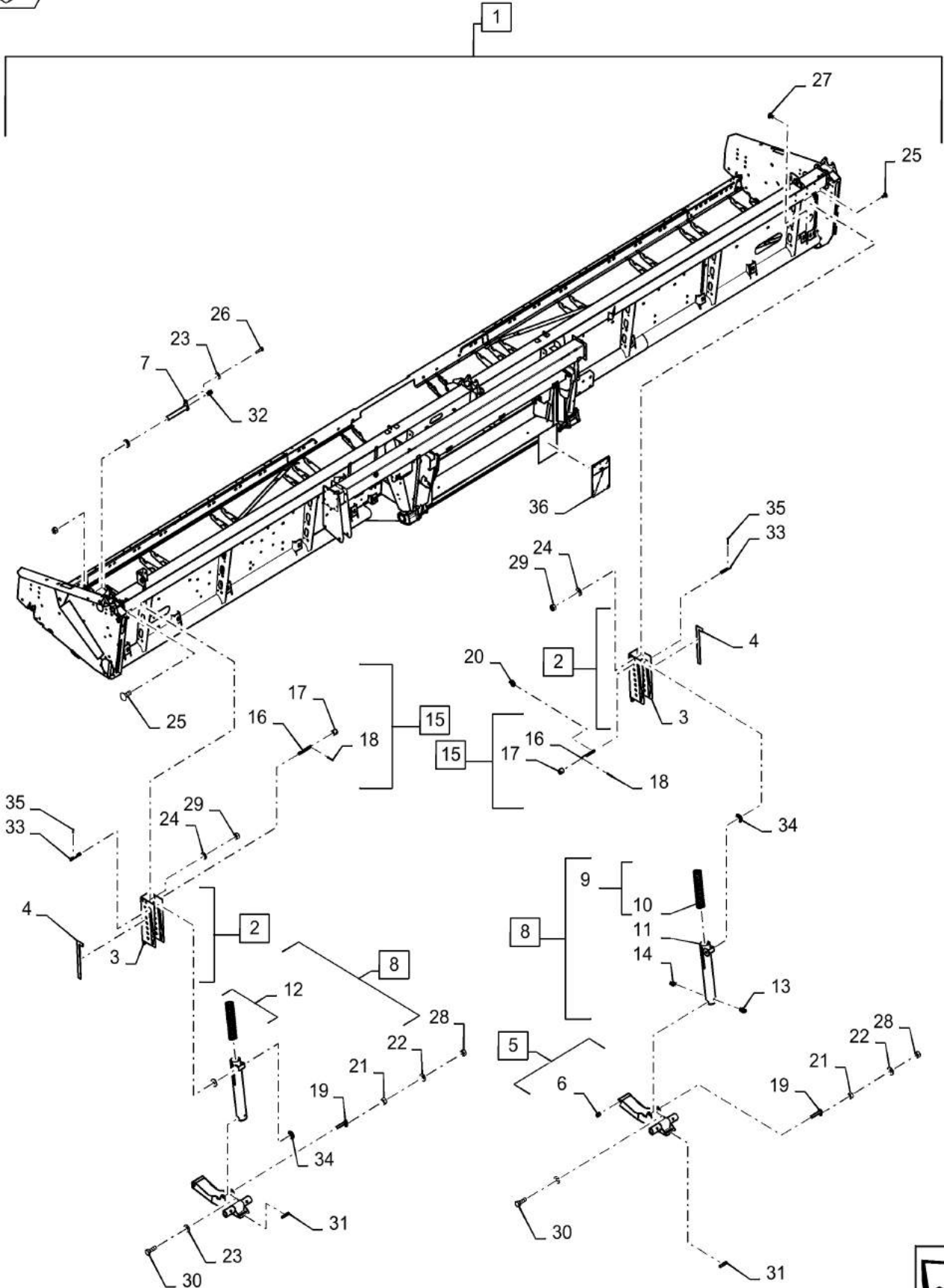


DIA KIT, GAUGE WHEEL

REF FN	PART NUMBER	YR/SN	QTY DESCRIPTION
1	47424191		1 KIT Gauge Wheel, Incl 2 - 36
2	47426038		2 GUIDE Sign Placement, Incl 3, 4
3	47395007		1 ANGLE Sign Placement Guide
4	47407347		1 DECAL Gauge Wheels
5	84551485		2 LOWER LINK Incl 6
6	612407		2 BUSHING 25.41mm ID x 28.7mm OD x 25.4mm L Lower Link
7	47424946		2 PIN 25.4mm OD x 202mm L Gauge Wheel
8	47425526		2 SPRING Incl 9 - 14
9	47424200		1 HOLDER Spring Assy
10	BN68598		1 SPRING Spring Assy
11	382974		4 BUSHING 20.05mm ID x 23mm OD x 15mm L Spring Assy
12	47425762		1 BAR Spring Assy
13	323713		1 LUBE NIPPLE M6 x 1mm M6 x 1, Spring Assy
14	321204		1 LUBE NIPPLE M6 x 1.0 x 16mm OAL Spring Assy
15	NSS		2 NOT SOLD SEPARAT PIN ASSY, Incl 16 - 18
16	47429830		1 PIN 20mm OD x 192.8mm L
17	47429832		1 SLEEVE 20.65mm ID x 28.58mm OD x 35mm L
18	87690468		1 ROLL PIN .250 x 3.0 Inch
19	47429828		2 PIN 20mm OD x 155mm L
20	82013836		2 ROLL PIN 6mm OD
21	9706690		2 NUT M8 x 1.25, CI 8
22	86625263		2 WASHER 9mm ID x 20mm OD x 1.6mm Thk
23	322358		4 BELLEVILLE WASHER M8 Bolt Size x 18mm OD x 1.4mm Thk
24	140048		12 BELLEVILLE WASHER M16 Bolt Size x 32mm OD x 2.8mm Thk
25	86595832		8 CARRIAGE BOLT Sht Sq Nk, M16 x 40mm, CI 8.8, Full Thd
26	43235		2 BOLT Hex, M8 x 1.25 x 30mm, CI 10.9, Full Thd
27	87698767		4 CARRIAGE BOLT Short Sq Nk, M16 x 2 x 30mm, CI 10.9 M16 x 30
28	68841		4 NUT M8 x 1.25, CI 8

3152-DRAPER HEADER 3162-DRAPER HEADER

DIA KIT, GAUGE WHEEL



DIA KIT, GAUGE WHEEL

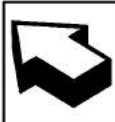
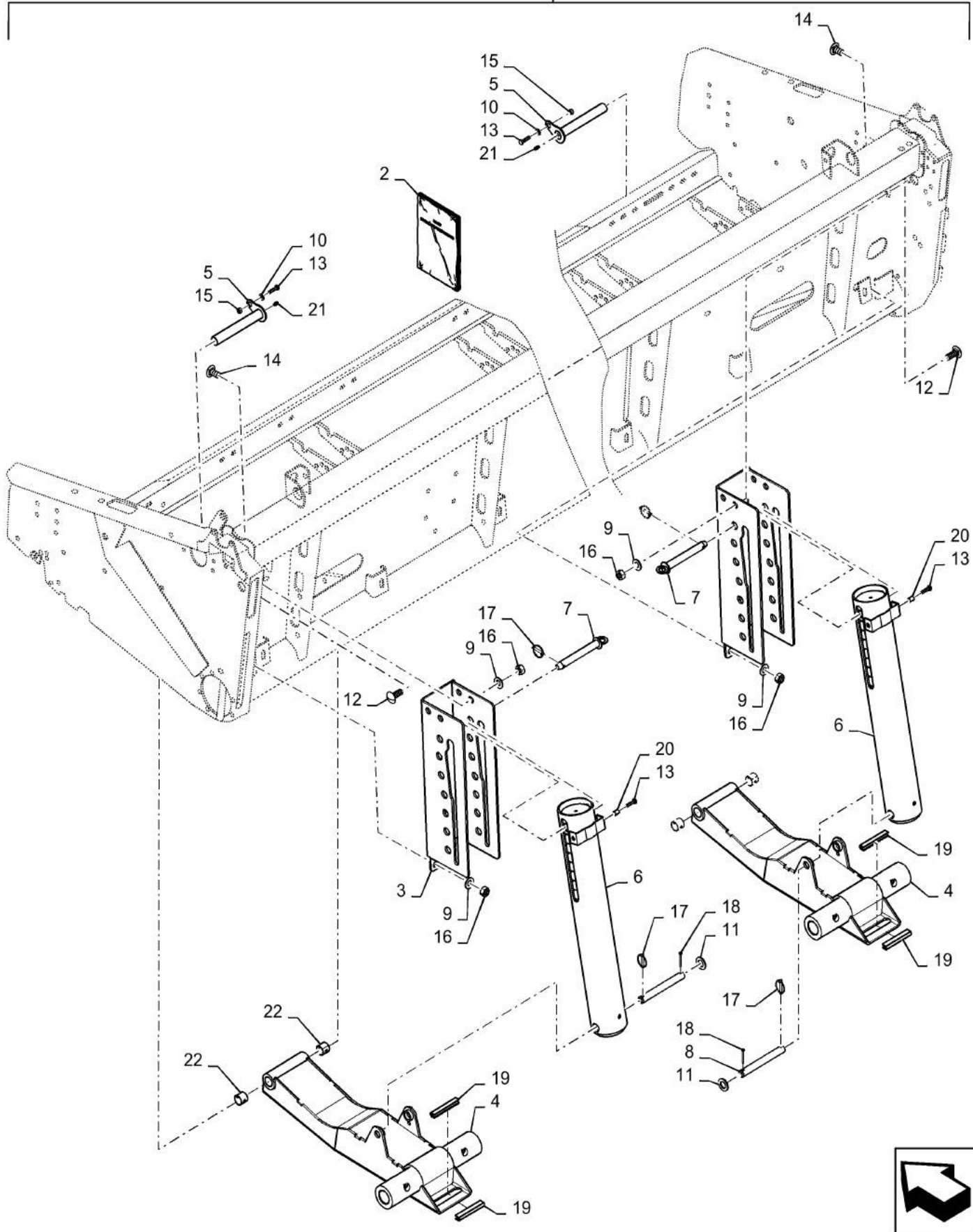
REF FN	PART NUMBER	YR/SN	QTY DESCRIPTION
29	392530		13 NUT M16, CI 10
30	43127		2 BOLT Hex, M8 x 1.25 x 25mm, CI 8.8
31	9850033		4 SEAL
32	321204		2 LUBE NIPPLE M6 x 1.0 x 16mm OAL
33	NSS		2 NOT SOLD SEPARAT PIN, Included In 1
34	47412945		4 SPACER
35	412686		4 COTTER PIN M5 x 32
36	84590705		1 INSTRUCTION Gauge Wheel Kit

3152-DRAPER HEADER 3162-DRAPER HEADER

DIA, KIT, GAUGE WHEEL



1

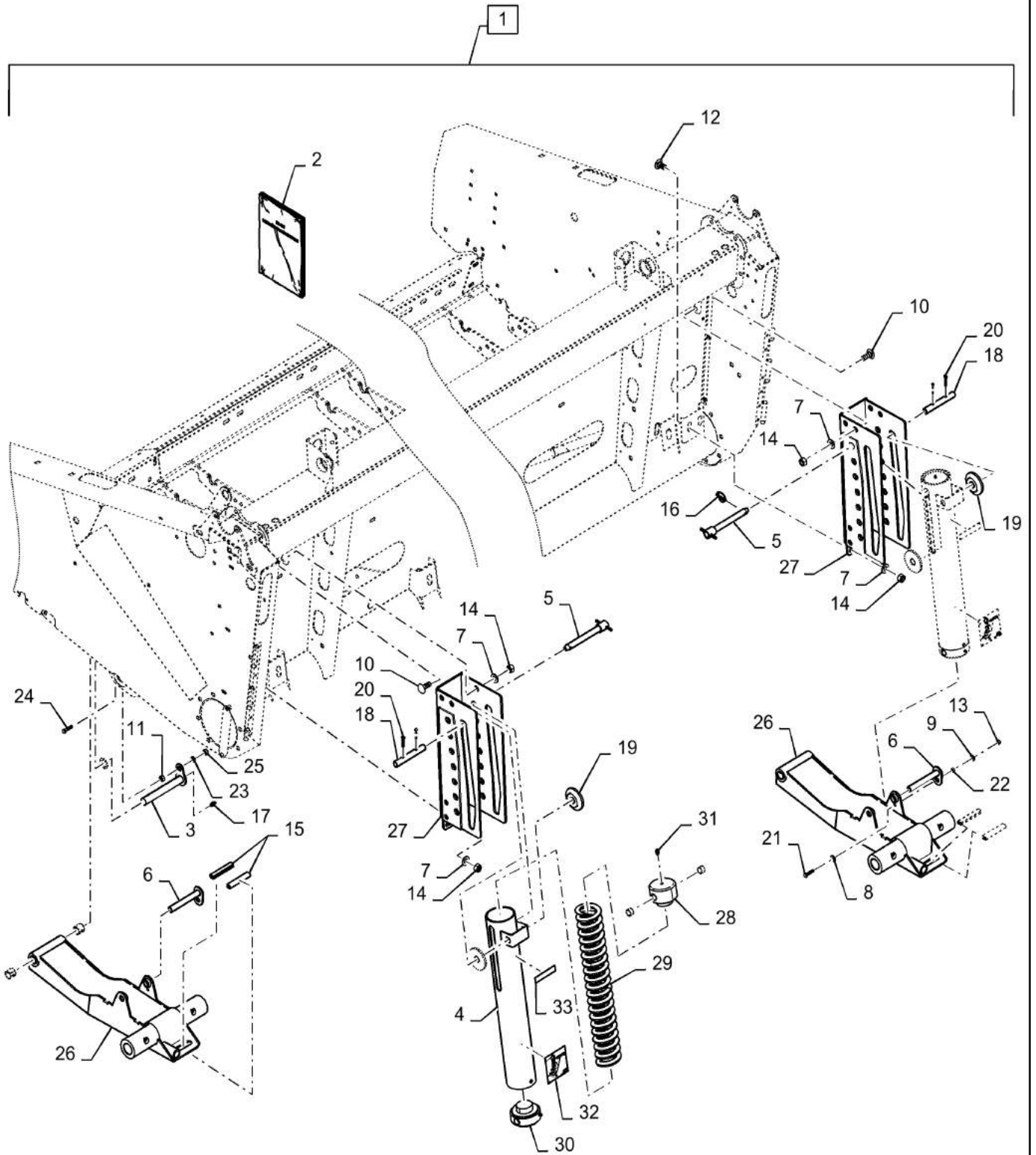


DIA, KIT, GAUGE WHEEL

REF FN	PART NUMBER	YR/SN	QTY DESCRIPTION
1	84590440		1 SERVICE KIT Assy, Gauge Wheel, Incl 2 - 22
2	84590705		1 INSTRUCTION Assy, Gauge Wheel Kit
3	47360320		2 ANGLE
4	84551485		2 LOWER LINK
5	84553439		2 PIN 25.4mm OD x 202mm L Weld Assy, Incl 22
6	84551892		2 SPRING Assy
7	84551893		2 PIN Weld Assy
8	84499279		2 PIN 20mm OD x 173.5mm L Weld Assy
9	140048		12 BELLEVILLE WASHER M16 Bolt Size x 32mm OD x 2.8mm Thk
10	322358		2 BELLEVILLE WASHER M8 Bolt Size x 18mm OD x 1.4mm Thk
11	14497124		2 WASHER 21mm ID x 37mm OD x 3mm Thk
12	86595832		8 CARRIAGE BOLT Sht Sq Nk, M16 x 40mm, CI 8.8, Full Thd
13	43235		6 BOLT Hex, M8 x 1.25 x 30mm, CI 10.9, Full Thd
14	87698767		4 CARRIAGE BOLT Short Sq Nk, M16 x 2 x 30mm, CI 10.9
15	68841		2 NUT M8 x 1.25, CI 8
16	392530		13 NUT M16, CI 10
17	82013836		4 ROLL PIN 6mm OD
18	300595		2 COTTER PIN M4 x 40
19	9850033		1 SEAL
20	84551884		4 SPACER 9.3mm ID x 11.1mm OD x 15mm L
21	321204		2 LUBE NIPPLE M6 x 1.0 x 16mm OAL
22	47519010		2 BUSHING 25.41mm ID x 28.7mm OD x 25.4mm L

3152-DRAPER HEADER 3162-DRAPER HEADER

GAUGE WHEEL KIT ASSY

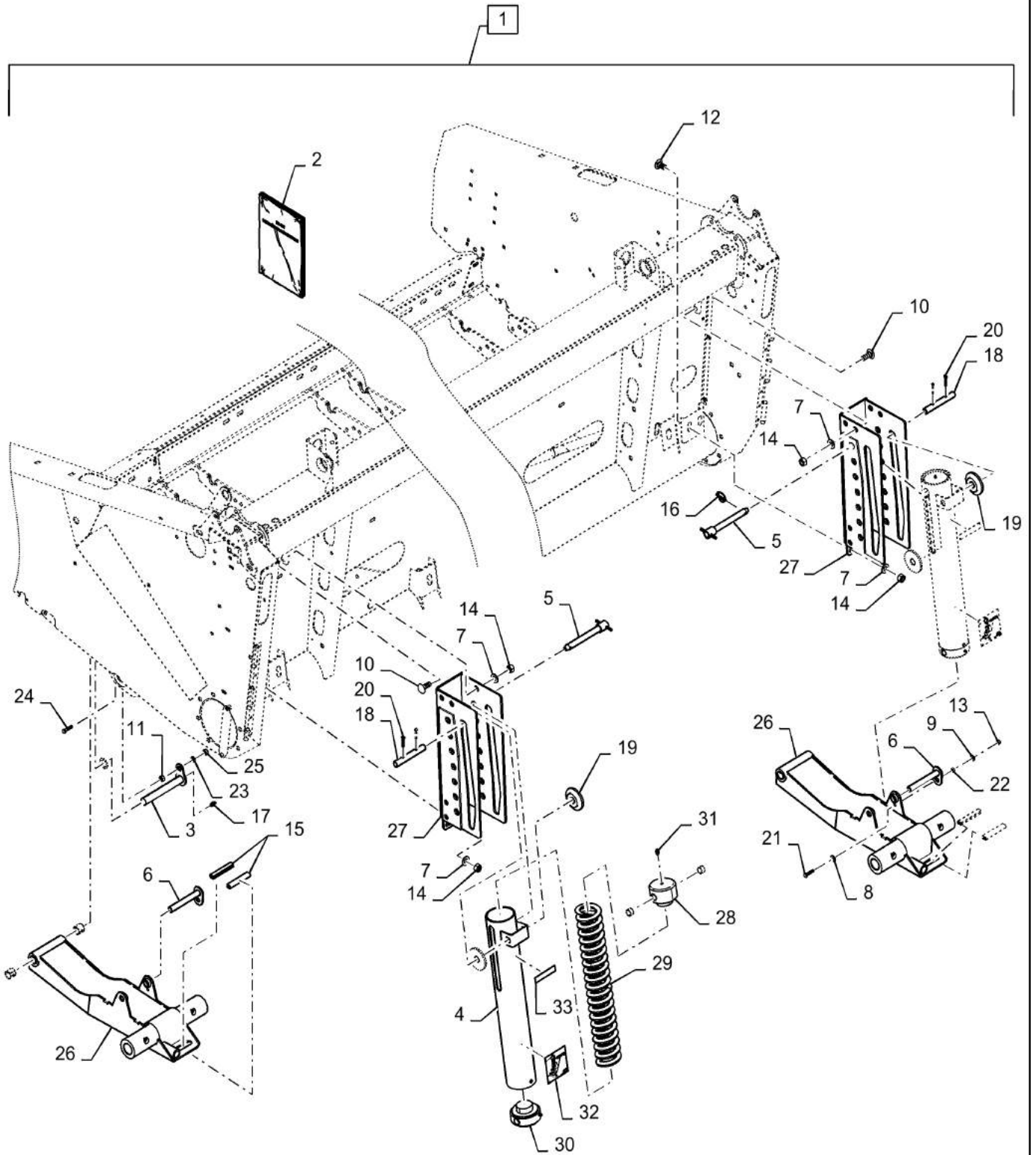


GAUGE WHEEL KIT ASSY

REF FN	PART NUMBER	YR/SN	QTY DESCRIPTION
1	47908946		1 KIT Gauge Wheel Assy, Incl 2 - 33
2	47909202		1 INSTRUCTION Gauge Wheel
3	47892745		2 PIN Gauge Wheel
4	47908773		2 HOLDER Spring
5	47908901		2 PIN Taper
6	47429828		2 PIN 20mm OD x 155mm L
7	140048		12 BELLEVILLE WASHER M16 Bolt Size x 32mm OD x 2.8mm Thk
8	322358		2 BELLEVILLE WASHER M8 Bolt Size x 18mm OD x 1.4mm Thk
9	86625263		2 WASHER 9mm ID x 20mm OD x 1.6mm Thk
10	86595832		8 CARRIAGE BOLT Sht Sq Nk, M16 x 40mm, CI 8.8, Full Thd
11	100016		2 NUT M10 x 1.5, CI 8
12	87698767		4 CARRIAGE BOLT Short Sq Nk, M16 x 2 x 30mm, CI 10.9
13	68841		2 NUT M8 x 1.25, CI 8
14	392530		12 NUT M16, CI 10
15	9850033		AR SEAL
16	82013836		2 ROLL PIN 6mm OD
17	321204		2 LUBE NIPPLE M6 x 1.0 x 16mm OAL
18	47424830		2 PIN
19	47412945		4 SPACER
20	412686		4 COTTER PIN M5 x 32
21	43127		2 BOLT Hex, M8 x 1.25 x 25mm, CI 8.8
22	9706690		2 NUT M8 x 1.25, CI 8
23	86592700		2 WASHER 10.5mm ID x 28mm OD x 4mm Thk
24	120069		2 BOLT M10 x 1.5 x 56.58mm OAL, CI 8.8
25	100037		2 LOCK NUT M10 x 1.5, CI 8
26	47512791		2 LOWER LINK
27	47908827		2 ANGLE
28	47892678		2 PLUG
29	BN68598		2 SPRING Compression
30	382974		4 BUSHING 20.05mm ID x 23mm OD x 15mm L

3152-DRAPER HEADER 3162-DRAPER HEADER

GAUGE WHEEL KIT ASSY



GAUGE WHEEL KIT ASSY

REF FN	PART NUMBER	YR/SN	QTY DESCRIPTION
31	321204		2 LUBE NIPPLE M6 x 1.0 x 16mm OAL
32	47909321		2 DECAL Gauge Wheel Grease
33	47911654		2 DECAL Gauge Wheel Indicator

3152-DRAPER HEADER 3162-DRAPER HEADER

88.044.04

p1

9/2016

KIT, GAUGE WHEEL ARM PIVOT

ART

NOT

AVAILABLE

KIT, GAUGE WHEEL ARM PIVOT

REF FN	PART NUMBER	YR/SN	QTY DESCRIPTION
1	47982580		1 KIT Gauge Wheel Arm Pivot, Incl 2 - 9
2	47996044		1 INSTRUCTION Gauge Wheel Arm Pivot
3	47892745		2 PIN Gauge Whel
4	120069		2 BOLT M10 x 1.5 x 56.58mm OAL, CI 8.8
5	100016		2 NUT M10 x 1.5, CI 8
6	86592700		2 WASHER 10.5mm ID x 28mm OD x 4mm Thk
7	100037		2 LOCK NUT M10 x 1.5, CI 8
8	47982565		2 PLATE
9	47892712		2 PLATE

3152-DRAPER HEADER 3162-DRAPER HEADER

88.055.01

p1

9/2016

DIA KIT, FLAGSHIP 3RD SWAP VALVE

ART

NOT

AVAILABLE

88.055.01

p1

9/2016

DIA KIT, FLAGSHIP 3RD SWAP VALVE

REF FN	PART NUMBER	YR/SN	QTY DESCRIPTION
1	47371312		1 KIT Flagship 3rd Swap Valve, Incl 2 - 4
2	47370707		1 WIRE HARNESS 3rd Swap Valve Feeder
3	86566989		23 CABLE TIE 208mm L
4	47370709		1 WIRE HARNESS 3rd Swap Valve Vehicle

3152-DRAPER HEADER 3162-DRAPER HEADER

88.055.02

p1

9/2016

DIA KIT, MRR 3RD SWAP VALVE

ART

NOT

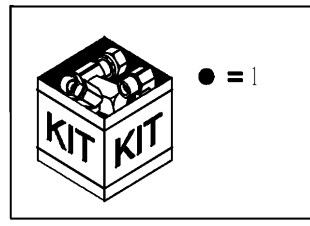
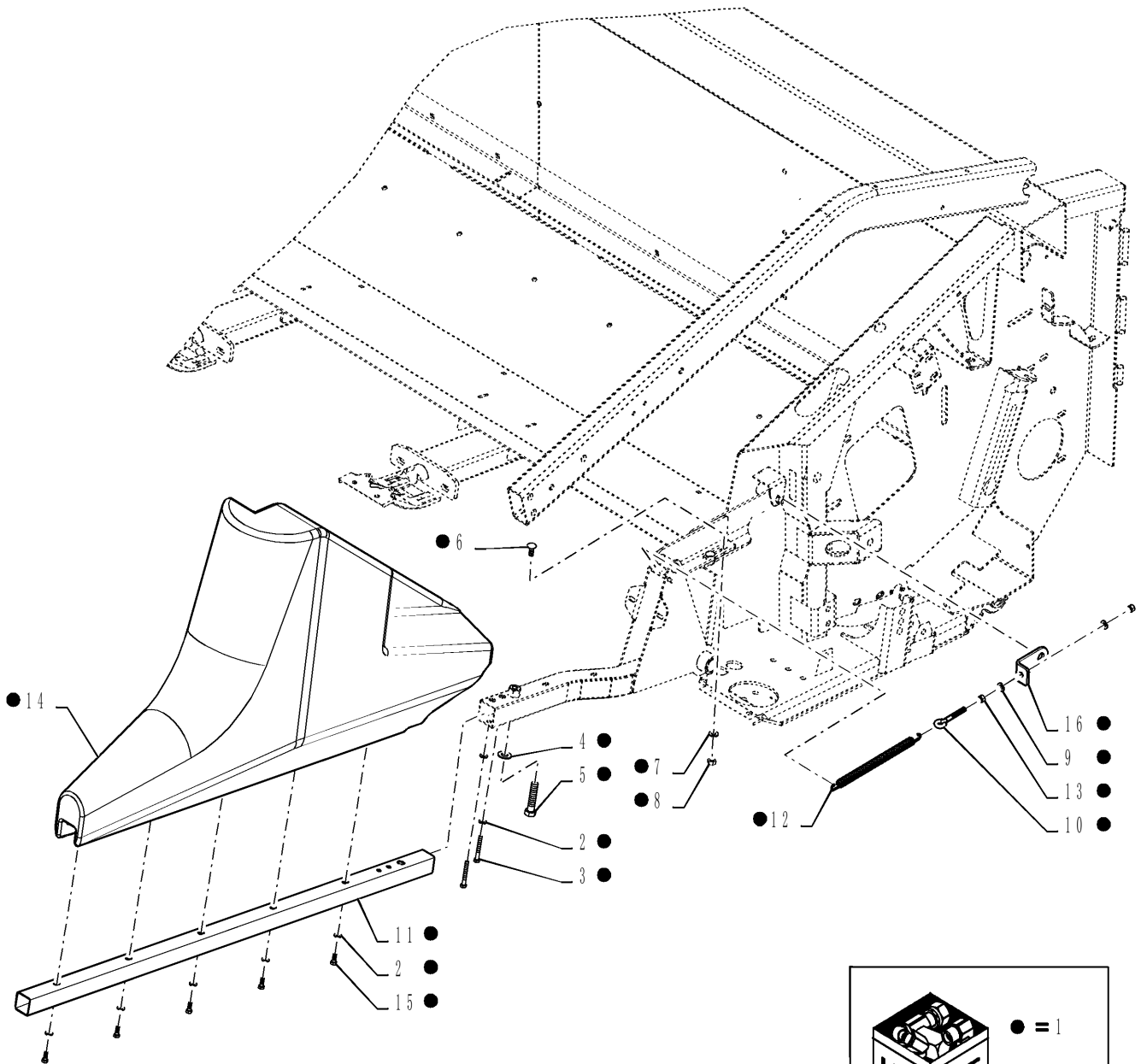
AVAILABLE

DIA KIT, MRR 3RD SWAP VALVE

REF FN	PART NUMBER	YR/SN	QTY DESCRIPTION
1	47392665		1 SERVICE KIT Incl 2 - 4
2	84127702		1 FUSE 10A, Mini, Red MRR 3rd Swap Valve
3	84543528		1 RELAY 12V, 20A, Micro MRR 3rd Swap Valve
4	56698R1		1 WIRE CONNECTOR MRR 3rd Swap Valve

3152-DRAPER HEADER 3162-DRAPER HEADER

DIA KIT, LONG DIVIDER

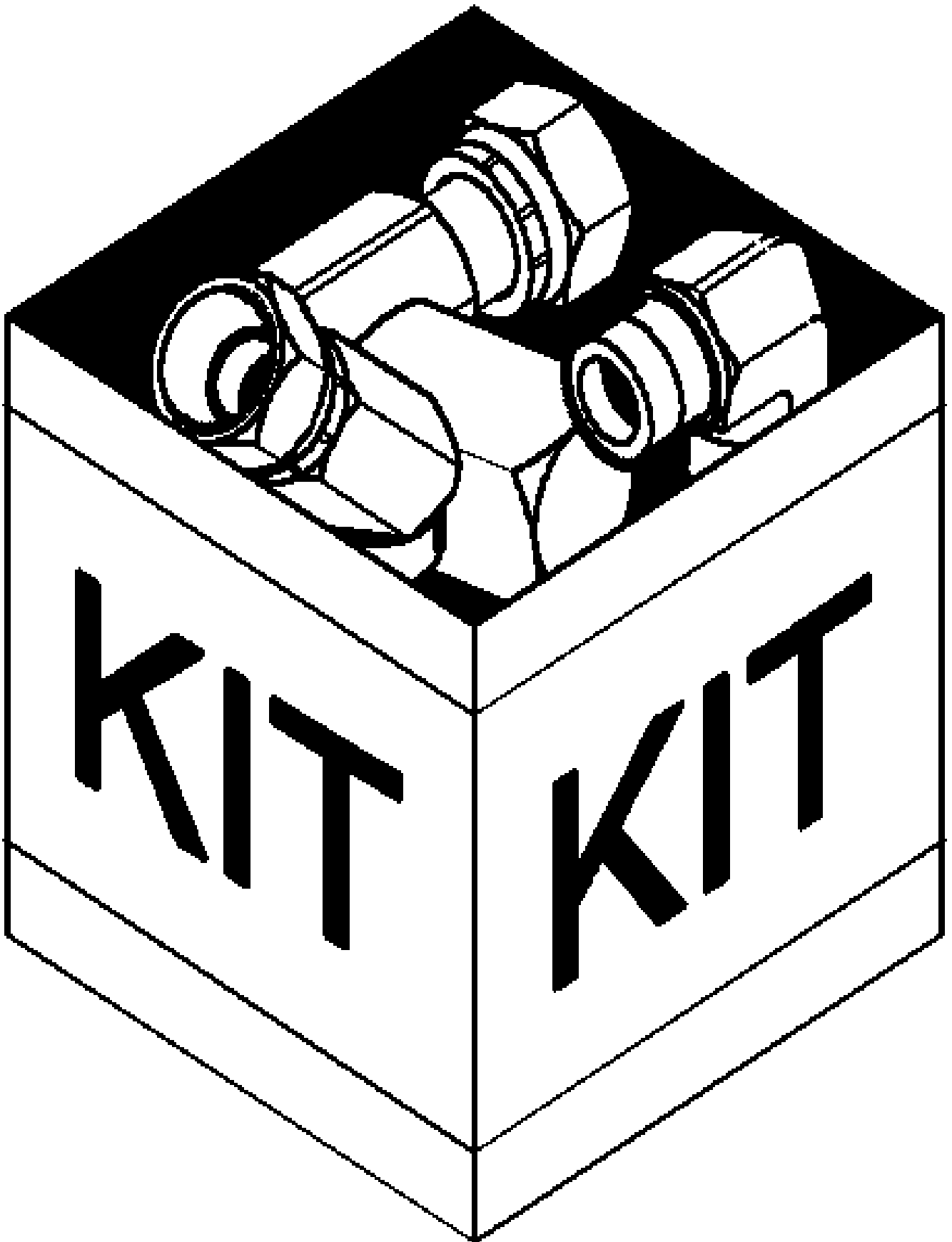


DIA KIT, LONG DIVIDER

REF FN	PART NUMBER	YR/SN	QTY DESCRIPTION
1	84308791		1 DIA KIT, HARVESTER Long Divider, Incl 2 - 16
2	322358		14 BELLEVILLE WASHER M8 Bolt Size x 18mm OD x 1.4mm Thk
3	120061		4 BOLT Hex, M8 x 60mm L, CI 8.8
4	140048		2 BELLEVILLE WASHER M16 Bolt Size x 32mm OD x 2.8mm Thk
5	120092		2 BOLT M16 x 70mm, CI 8.8
6	86633356		2 CARRIAGE BOLT M10 x 34.8mm, CI 8.8
7	140045		2 BELLEVILLE WASHER M10 Bolt Size x 22mm OD x 1.6mm Thk
8	100016		2 NUT M10 x 1.5, CI 8
9	87016		4 WASHER 0.41" ID x 0.81" OD x 0.07" Thk
10	46041		2 EYEBOLT
11	84308107		2 TUBE
12	84408927		2 SPRING Extension, 17.461mm OD x 210.5mm L
13	9628503		4 NUT 3/8"-16, G5
14	84256951		1 DIVIDER POINT Right Hand
14	84254734		1 DIVIDER POINT Left Hand
15	120104		10 BOLT Hex, M8 x 1.25 x 20mm, CI 8.8
16	84396244		2 LINKAGE

3152-DRAPER HEADER 3162-DRAPER HEADER

DIA KIT, AUGER SPEED UP



DIA KIT, AUGER SPEED UP

REF FN	PART NUMBER	YR/SN	QTY DESCRIPTION
1	84499865		1 SERVICE KIT Auger Speed Up, Incl 2, 3
2	84499861		1 CHAIN (AG) RC80, 54 Links x 25.4mm = 1371.6mm 54 Pitch, RC80
3	84266747		1 SPROCKET 38T 38T

3152-DRAPER HEADER 3162-DRAPER HEADER

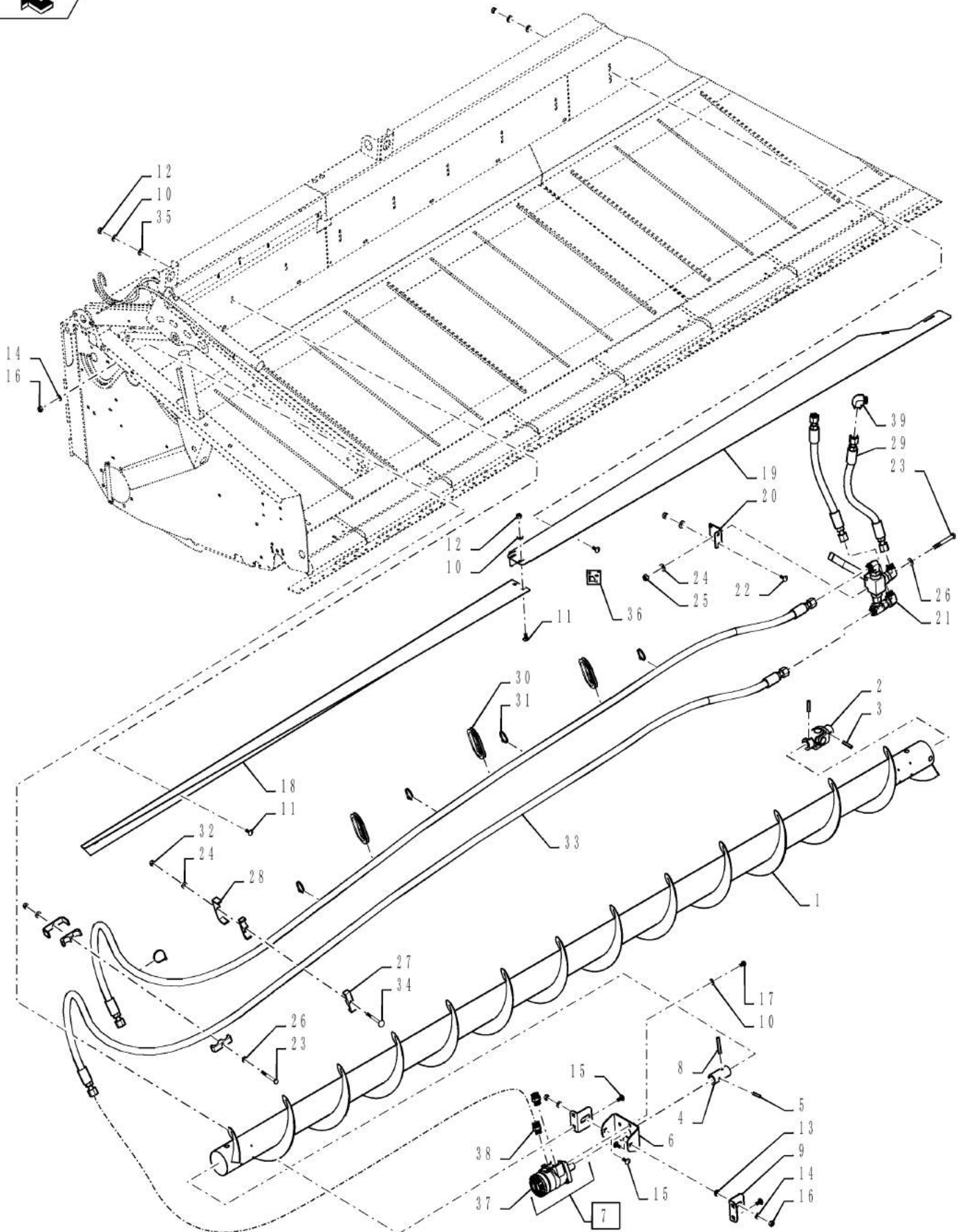
88.058.03

01

p1

9/2016

DIA KIT, AUGER, UPPER CROSS



DIA KIT, AUGER, UPPER CROSS

REF FN	PART NUMBER	YR/SN	QTY DESCRIPTION
0	84599538		1 SERVICE KIT Upper Cross Auger 25 Ft, Incl 1 - 39 this page and 1 - 33 next page
	84599539		1 SERVICE KIT Upper Cross Auger 30 Ft, Incl 1 - 39 this page and 1 - 33 next page
	84599540		1 SERVICE KIT Upper Cross Auger 35 Ft, Incl 1 - 39 this page and 1 - 33 next page
	84599541		1 SERVICE KIT Upper Cross Auger 40 Ft, Incl 1 - 39 this page and 1 - 33 next page
	84599542		1 SERVICE KIT Upper Cross Auger 45 Ft, Incl 1 - 39 this page and 1 - 33 next page
1	84475055		1 AUGER Right Hand, 25 Foot Header
	84475056		1 AUGER Right Hand, 30 Foot Header
	84475057		1 AUGER Right Hand, 35 Foot Header
	84378033		1 AUGER Right Hand, 40 Foot Header
	84475058		1 AUGER Right Hand, 45 Foot Header
2	84473444		1 JOINT Universal
3	86624091		2 PIN 9.53mm OD x 44.45mm L, Coiled
4	84465815		1 COUPLING 25.4mm ID x 38.1mm OD x 80mm L
5	86624089		1 PIN 7.94mm OD x 38.1mm L
6	84465818		1 BRACKET Right Hand
7	84427586		1 HYDRAULIC MOTOR With Fittings, Inc. 37, 38
8	84158586		1 COILED PIN .375 x 2.50
9	84465871		2 BRACKET
10	322358		13 BELLEVILLE WASHER M8 Bolt Size x 18mm OD x 1.4mm Thk 25 Foot Header
	322358		15 BELLEVILLE WASHER M8 Bolt Size x 18mm OD x 1.4mm Thk 30 Foot Header
	322358		17 BELLEVILLE WASHER M8 Bolt Size x 18mm OD x 1.4mm Thk 35 Foot Header
	322358		19 BELLEVILLE WASHER M8 Bolt Size x 18mm OD x 1.4mm Thk 40 Foot Header

3152-DRAPER HEADER 3162-DRAPER HEADER

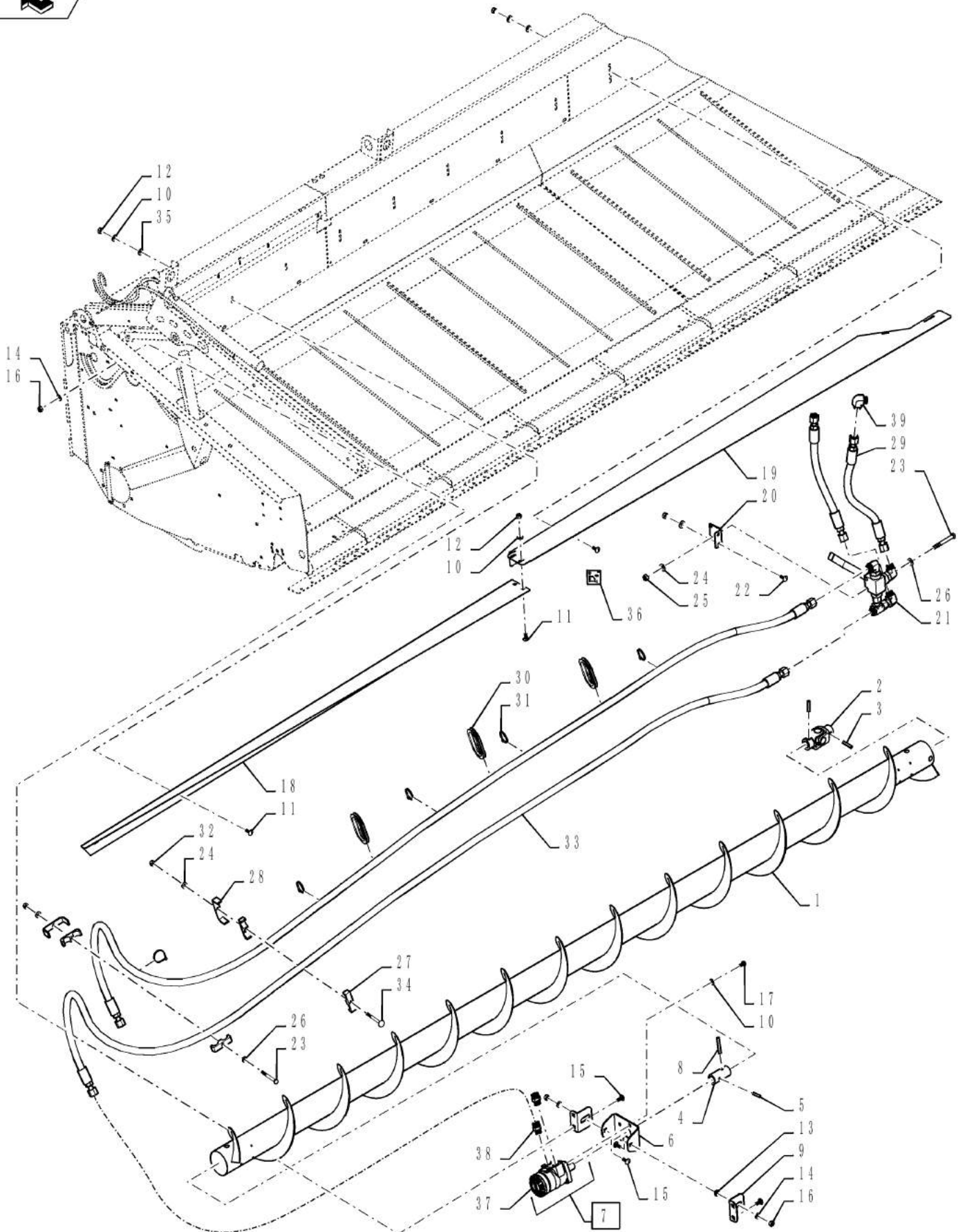
88.058.03

01

p2

9/2016

DIA KIT, AUGER, UPPER CROSS



DIA KIT, AUGER, UPPER CROSS

REF FN	PART NUMBER	YR/SN	QTY DESCRIPTION
	322358		21 BELLEVILLE WASHER M8 Bolt Size x 18mm OD x 1.4mm Thk 45 Foot Header
11	86507486		9 CARRIAGE BOLT M8 x 1.25 x 20mm, CI 8.8 25 Foot Header
	86507486		11 CARRIAGE BOLT M8 x 1.25 x 20mm, CI 8.8 30 Foot Header
	86507486		13 CARRIAGE BOLT M8 x 1.25 x 20mm, CI 8.8 35 Foot Header
	86507486		15 CARRIAGE BOLT M8 x 1.25 x 20mm, CI 8.8 40 Foot Header
	86507486		17 CARRIAGE BOLT M8 x 1.25 x 20mm, CI 8.8 45 Foot Header
12	9706690		9 NUT M8 x 1.25, CI 8 25 Foot Header
	9706690		11 NUT M8 x 1.25, CI 8 30 Foot Header
	9706690		13 NUT M8 x 1.25, CI 8 35 Foot Header
	9706690		15 NUT M8 x 1.25, CI 8 40 Foot Header
	9706690		17 NUT M8 x 1.25, CI 8 45 Foot Header
13	84469627		2 SPACER 11.11mm ID x 17.46mm OD x 6mm L
14	140045		6 BELLEVILLE WASHER M10 Bolt Size x 22mm OD x 1.6mm Thk
15	86633356		6 CARRIAGE BOLT M10 x 34.8mm, CI 8.8
16	8475948		6 NUT M10 x 1.5, CI 8
17	300383		4 BOLT Hex, M10 x 1.5 x 16mm, CI 8.8, Full Thd
18	84475128		1 STRIPPER Right Hand, 25 Foot Header
	84475129		1 STRIPPER Right Hand, 30 Foot Header
	84475130		1 STRIPPER Right Hand, 35 Foot Header
	84466134		1 STRIPPER Right Hand, 40 Foot Header
	84475131		1 STRIPPER Right Hand, 45 Foot Header
19	84475170		1 STRIPPER Right Hand, 25 Foot Header
	84475171		1 STRIPPER Right Hand, 30 Foot Header
	84475172		1 STRIPPER Right Hand, 35 Foot Header
	84466136		1 STRIPPER Right Hand, 40 Foot Header
	84475173		1 STRIPPER Right Hand, 45 Foot Header
20	84470849		1 BRACKET Valve
21	84475428		1 VALVE Directional Control With Fittings
22	86512439		2 CARRIAGE BOLT M6 x 16mm, CI 8.8

3152-DRAPER HEADER 3162-DRAPER HEADER

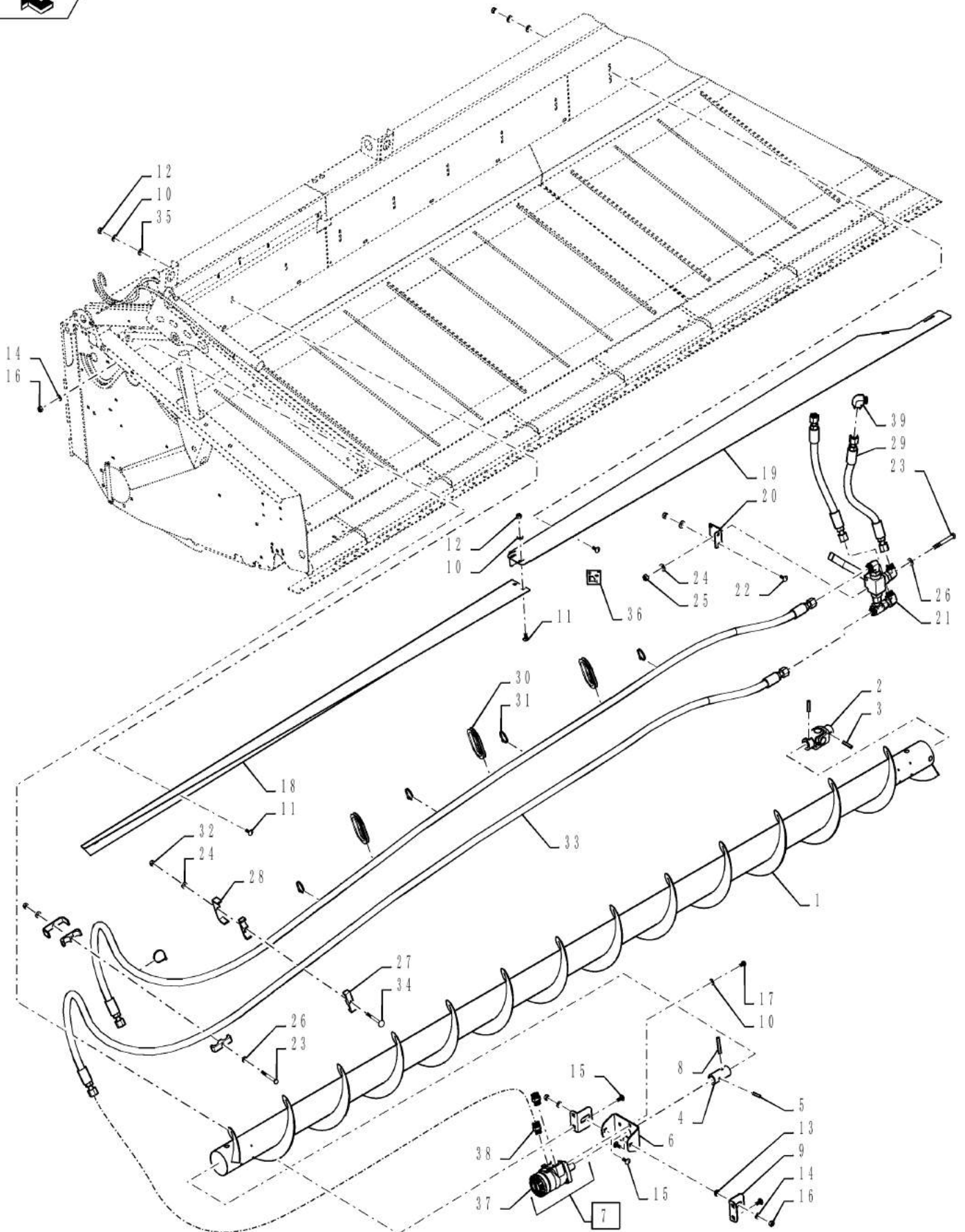
88.058.03

01

p3

9/2016

DIA KIT, AUGER, UPPER CROSS



88.058.03

01

p3

9/2016

DIA KIT, AUGER, UPPER CROSS

REF FN	PART NUMBER	YR/SN	QTY DESCRIPTION
23	766535		3 BOLT Hex, M6 x 1 x 65mm, CI 8.8, Full Thd
24	322357		5 BELLEVILLE WASHER M6 Bolt Size x 14mm OD x 1.3mm Thk 25, 30, 35, 40 Foot Header
	322357		6 BELLEVILLE WASHER M6 Bolt Size x 14mm OD x 1.3mm Thk 45 Foot Header
25	9706755		4 NUT M6, CI 8
26	86588450		3 WASHER 6.6mm ID x 12mm OD x 1.6mm Thk
27	457547		2 CLAMP 25, 30, 35, 40 Foot Header
	457547		4 CLAMP 45 Foot Header
28	743320		1 SUPPORT 25, 30, 35, 40 Foot Header
	743320		2 SUPPORT 45 Foot Header
29	84470851		2 HYDRAULIC HOSE 12.7mm ID x 480mm L, SAE 100R16 Auger, Upper Cross
30	9850033		3 SEAL
31	86566989		5 CABLE TIE 208mm L 25 Foot Header
	86566989		6 CABLE TIE 208mm L 30 Foot Header
	86566989		7 CABLE TIE 208mm L 35 Foot Header
	86566989		8 CABLE TIE 208mm L 40 Foot Header
	86566989		9 CABLE TIE 208mm L 45 Foot Header
32	353308		1 NUT M6 x 1.0, CI 8 25, 30, 35, 40 Foot Header
	353308		2 NUT M6 x 1.0, CI 8 45 Foot Header
33	84477950		2 HYDRAULIC HOSE 15.88mm ID x 2975mm L, SAE 100R16 Auger, Upper Cross, 25 Foot Header
	84477947		2 HYDRAULIC HOSE 15.88mm ID x 3660mm L, SAE 100R16 Auger, Upper Cross, 30 Foot Header
	84477946		2 HYDRAULIC HOSE 15.88mm ID x 4407mm L, SAE 100R16 Auger, Upper Cross, 35 Foot Header
	84424352		2 HYDRAULIC HOSE 15.88mm ID x 5207mm L, SAE 100R16 Auger, Upper Cross, 40 Foot Header
	84477951		2 HYDRAULIC HOSE 15.88mm ID x 6000mm L, SAE 100R16 Auger, Upper Cross, 45 Foot Header

3152-DRAPER HEADER 3162-DRAPER HEADER

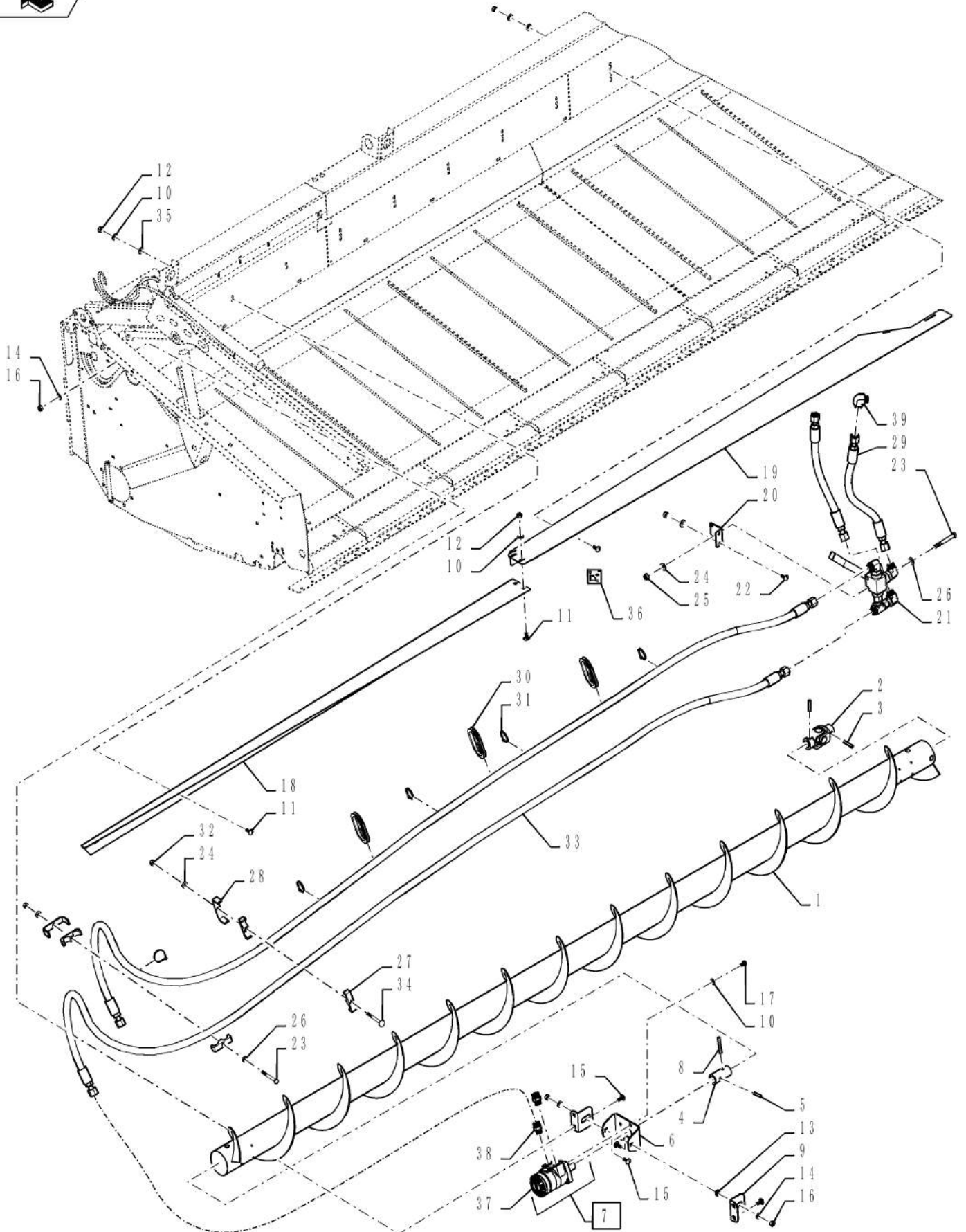
88.058.03

01

p4

9/2016

DIA KIT, AUGER, UPPER CROSS



88.058.03

01

p4

9/2016

DIA KIT, AUGER, UPPER CROSS

REF FN	PART NUMBER	YR/SN	QTY DESCRIPTION
34	86512419		1 CARRIAGE BOLT Sq Nk, M6 x 70mm, CI 8.8
35	86625263		7 WASHER 9mm ID x 20mm OD x 1.6mm Thk 25 Foot Header
	86625263		9 WASHER 9mm ID x 20mm OD x 1.6mm Thk 30 Foot Header
	86625263		11 WASHER 9mm ID x 20mm OD x 1.6mm Thk 35 Foot Header
	86625263		13 WASHER 9mm ID x 20mm OD x 1.6mm Thk 40 Foot Header
	86625263		15 WASHER 9mm ID x 20mm OD x 1.6mm Thk 45 Foot Header
36	84486088		1 DECAL Pea Auger Valve
37	84427584		1 HYDRAULIC MOTOR 120CC
38	86579680		2 HYD CONNECTOR 1"-14 ORFS x M22 x 1.5mm ORB
39	9840570		1 ELBOW 90°, 13/16"-16 ORFS

3152-DRAPER HEADER 3162-DRAPER HEADER

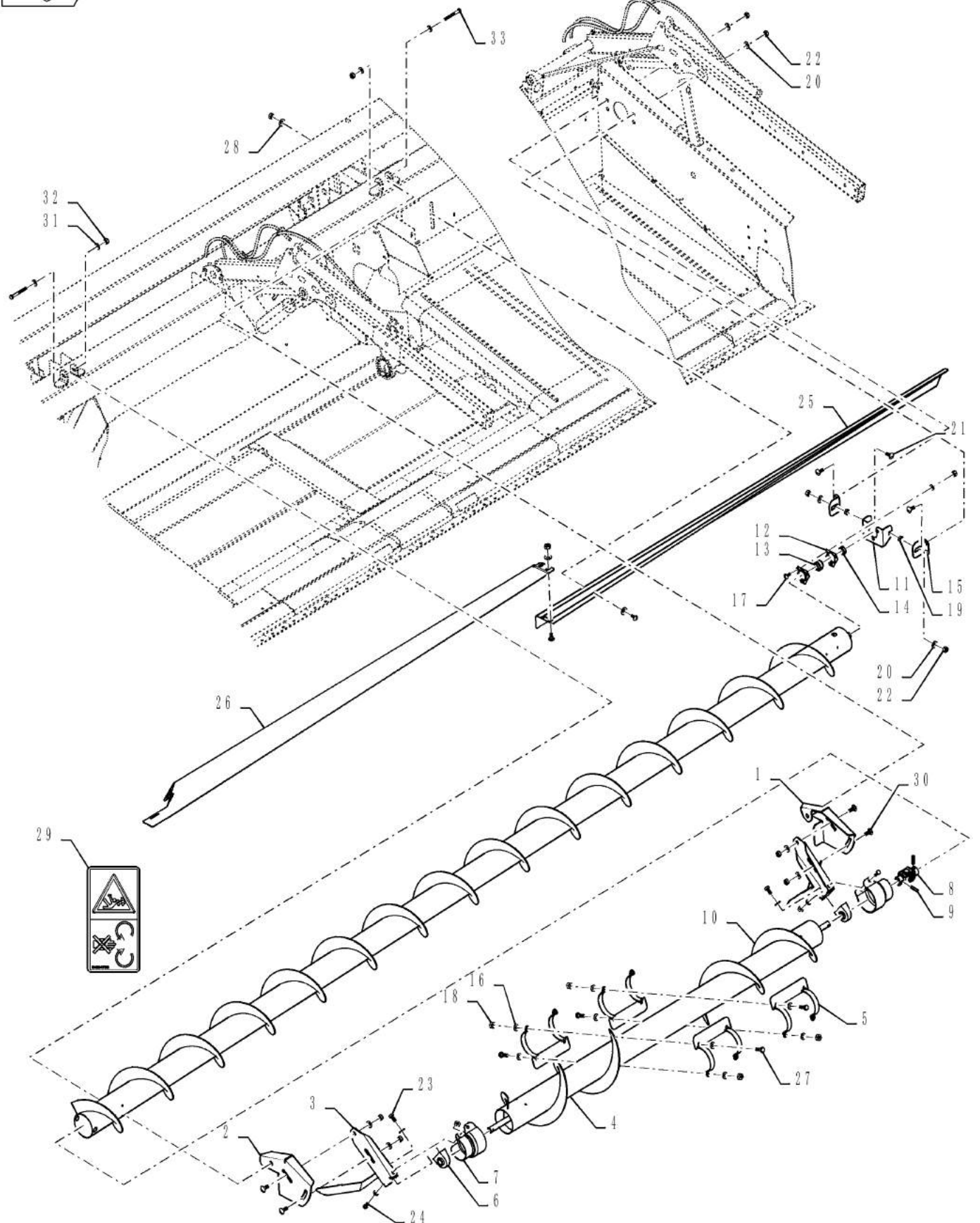
88.058.03

02

p1

9/2016

DIA KIT, AUGER, UPPER CROSS



DIA KIT, AUGER, UPPER CROSS

REF FN	PART NUMBER	YR/SN	QTY DESCRIPTION
1	84465805		1 BRACKET Left Hand
2	84465810		1 BRACKET Right Hand
3	84465831		2 BRACKET
4	84378035		1 AUGER Center
5	84466056		4 PADDLE
6	87686044		2 PILLOW BLOCK Bearing, 1"
7	84465819		2 SHIELD
7	120104		4 BOLT Hex, M8 x 1.25 x 20mm, CI 8.8
8	84473444		1 JOINT Universal
9	86624091		2 PIN 9.53mm OD x 44.45mm L, Coiled
10	84475030		1 AUGER Left Hand, 25 Foot Header
	84475031		1 AUGER Left Hand, 30 Foot Header
	84475032		1 AUGER Left Hand, 35 Foot Header
	84378032		1 AUGER Left Hand, 40 Foot Header
	84475033		1 AUGER Left Hand, 45 Foot Header
11	47801186		1 BRACKET Left Hand
12	86603075		2 FLANGE Bearing, 52.01 mm ID x 95.3 mm OD x 8.7 mm
13	247829		1 BALL BEARING 25.4mm ID x 52mm OD x 14.99mm W
14	38260		1 COLLAR
15	84465871		2 BRACKET
16	322358		32 BELLEVILLE WASHER M8 Bolt Size x 18mm OD x 1.4mm Thk 25 Foot Header
	322358		34 BELLEVILLE WASHER M8 Bolt Size x 18mm OD x 1.4mm Thk 30 Foot Header
	322358		36 BELLEVILLE WASHER M8 Bolt Size x 18mm OD x 1.4mm Thk 35 Foot Header
	322358		38 BELLEVILLE WASHER M8 Bolt Size x 18mm OD x 1.4mm Thk 40 Foot Header
	322358		40 BELLEVILLE WASHER M8 Bolt Size x 18mm OD x 1.4mm Thk 45 Foot Header
17	86507486		12 CARRIAGE BOLT M8 x 1.25 x 20mm, CI 8.8 25 Foot Header
	86507486		14 CARRIAGE BOLT M8 x 1.25 x 20mm, CI 8.8 30 Foot Header
	86507486		16 CARRIAGE BOLT M8 x 1.25 x 20mm, CI 8.8 35 Foot Header

3152-DRAPER HEADER 3162-DRAPER HEADER

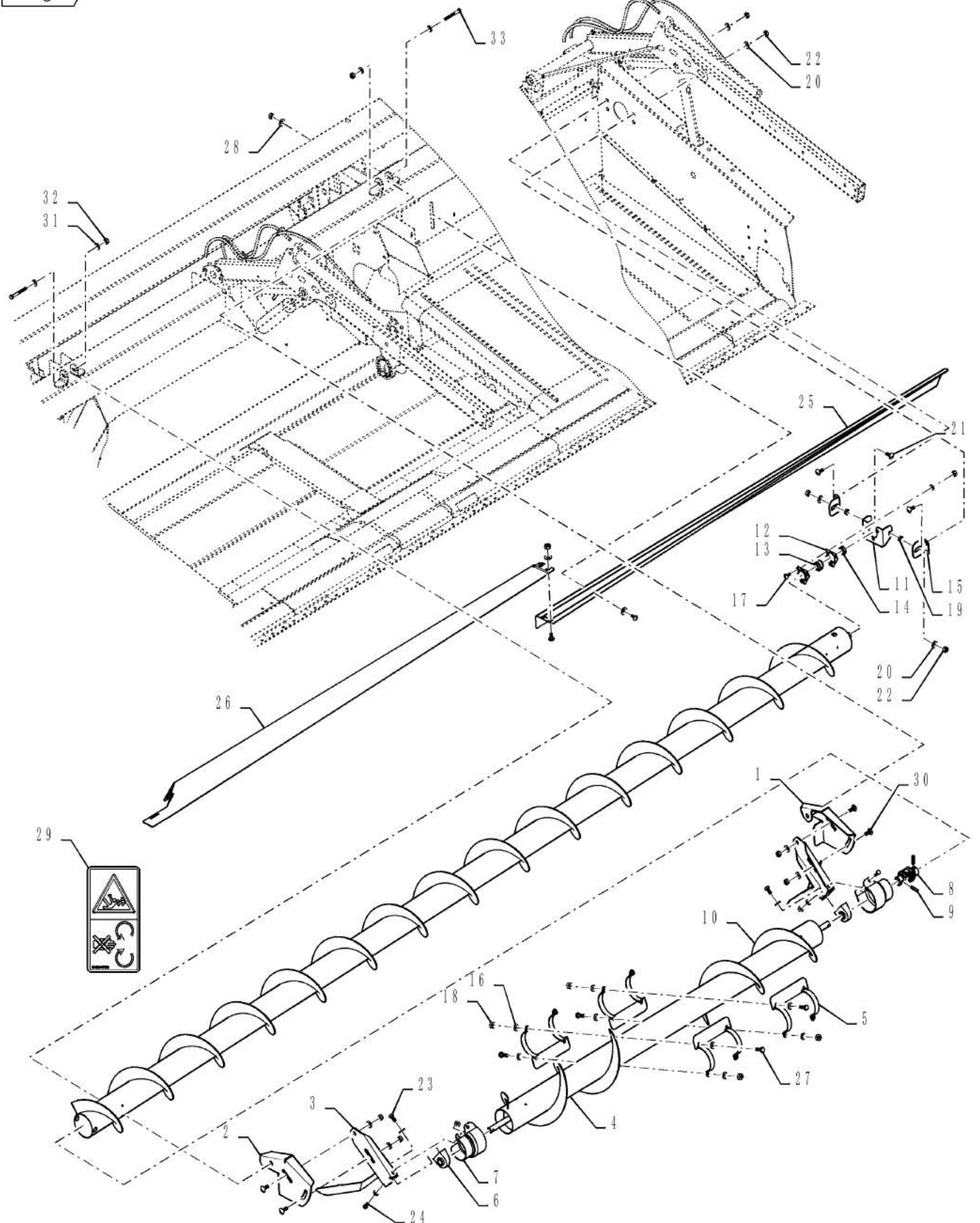
88.058.03

02

p2

9/2016

DIA KIT, AUGER, UPPER CROSS



DIA KIT, AUGER, UPPER CROSS

REF FN	PART NUMBER	YR/SN	QTY DESCRIPTION
	86507486		18 CARRIAGE BOLT M8 x 1.25 x 20mm, CI 8.8 40 Foot Header
	86507486		20 CARRIAGE BOLT M8 x 1.25 x 20mm, CI 8.8 45 Foot Header
18	9706690		24 NUT M8 x 1.25, CI 8 25 Foot Header
	9706690		26 NUT M8 x 1.25, CI 8 30 Foot Header
	9706690		28 NUT M8 x 1.25, CI 8 35 Foot Header
	9706690		30 NUT M8 x 1.25, CI 8 40 Foot Header
	9706690		32 NUT M8 x 1.25, CI 8 45 Foot Header
19	84469627		2 SPACER 11.11mm ID x 17.46mm OD x 6mm L
20	140045		10 BELLEVILLE WASHER M10 Bolt Size x 22mm OD x 1.6mm Thk
21	86633356		6 CARRIAGE BOLT M10 x 34.8mm, CI 8.8
22	8475948		6 NUT M10 x 1.5, CI 8
23	43138		4 BOLT Hex, M10 x 1.5 x 20mm, CI 8.8
24	120104		4 BOLT Hex, M8 x 1.25 x 20mm, CI 8.8
25	84475096		1 STRIPPER Left Hand, 25 Foot Header
	84475097		1 STRIPPER Left Hand, 30 Foot Header
	84475098		1 STRIPPER Left Hand, 35 Foot Header
	84466130		1 STRIPPER Left Hand, 40 Foot Header
	84475099		1 STRIPPER Left Hand, 45 Foot Header
26	84475111		1 STRIPPER Left Hand, 25 Foot Header
	84475112		1 STRIPPER Left Hand, 30 Foot Header
	84475113		1 STRIPPER Left Hand, 35 Foot Header
	84466132		1 STRIPPER Left Hand, 40 Foot Header
	84475114		1 STRIPPER Left Hand, 45 Foot Header
27	43127		8 BOLT Hex, M8 x 1.25 x 25mm, CI 8.8
28	86625263		7 WASHER 9mm ID x 20mm OD x 1.6mm Thk 25 Foot Header
	86625263		9 WASHER 9mm ID x 20mm OD x 1.6mm Thk 30 Foot Header
	86625263		11 WASHER 9mm ID x 20mm OD x 1.6mm Thk 35 Foot Header
	86625263		13 WASHER 9mm ID x 20mm OD x 1.6mm Thk 40 Foot Header
	86625263		15 WASHER 9mm ID x 20mm OD x 1.6mm Thk 45 Foot Header
29	84004736		2 DANGER DECAL Never Reach Into Rotating Auger

3152-DRAPER HEADER 3162-DRAPER HEADER

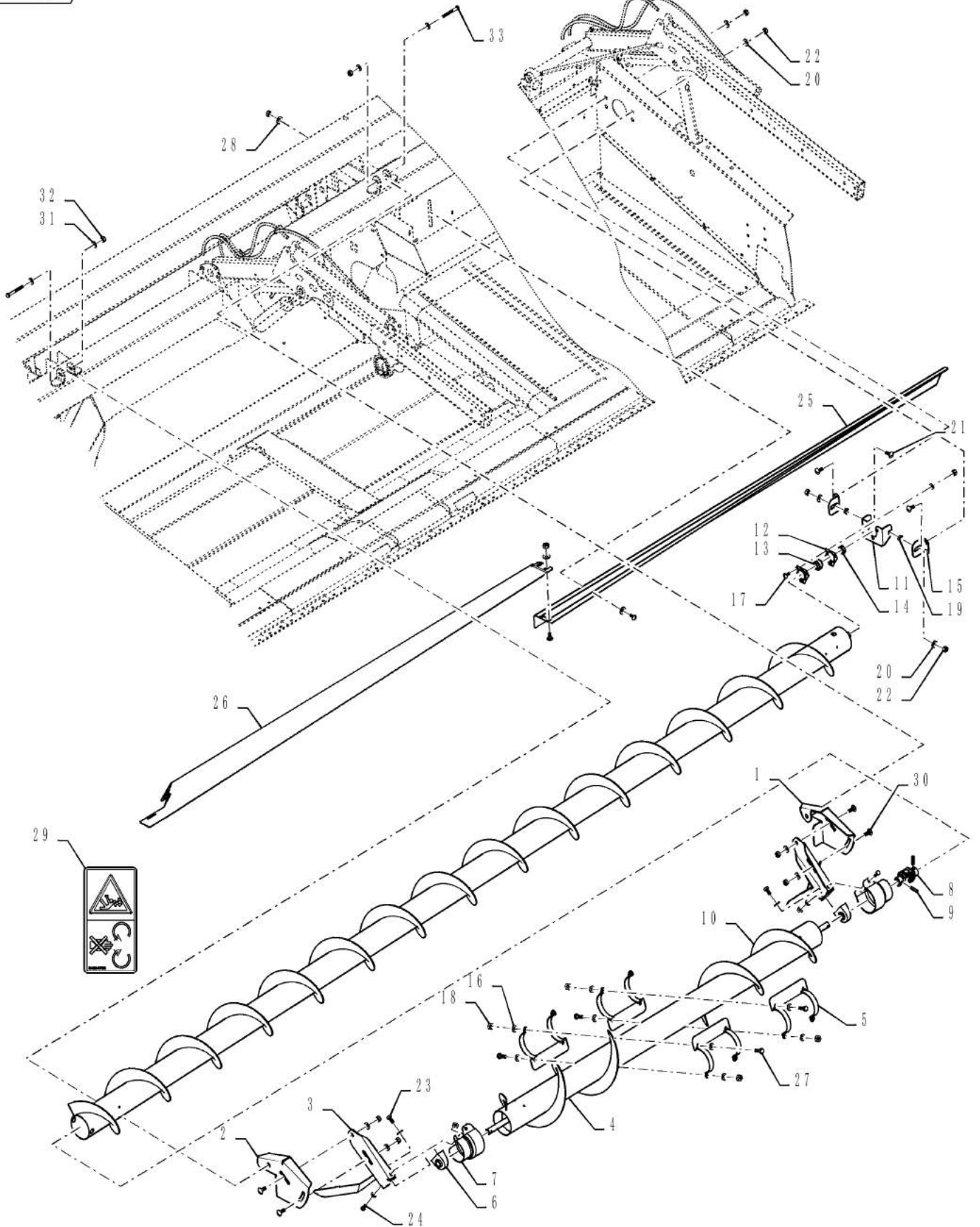
88.058.03

02

p3

9/2016

DIA KIT, AUGER, UPPER CROSS



88.058.03

02

p3

9/2016

DIA KIT, AUGER, UPPER CROSS

REF FN	PART NUMBER	YR/SN	QTY DESCRIPTION
30	120044		4 CARRIAGE BOLT M12 x 1.75 x 30mm, CI 8.8
31	140046		8 BELLEVILLE WASHER M12 Bolt Size x 27mm OD x 1.8mm Thk
32	9706685		6 NUT M12 x 1.75, CI 8
33	374887		2 BOLT Hex, M12 x 1.75 x 100mm, CI 8.8

3152-DRAPER HEADER 3162-DRAPER HEADER

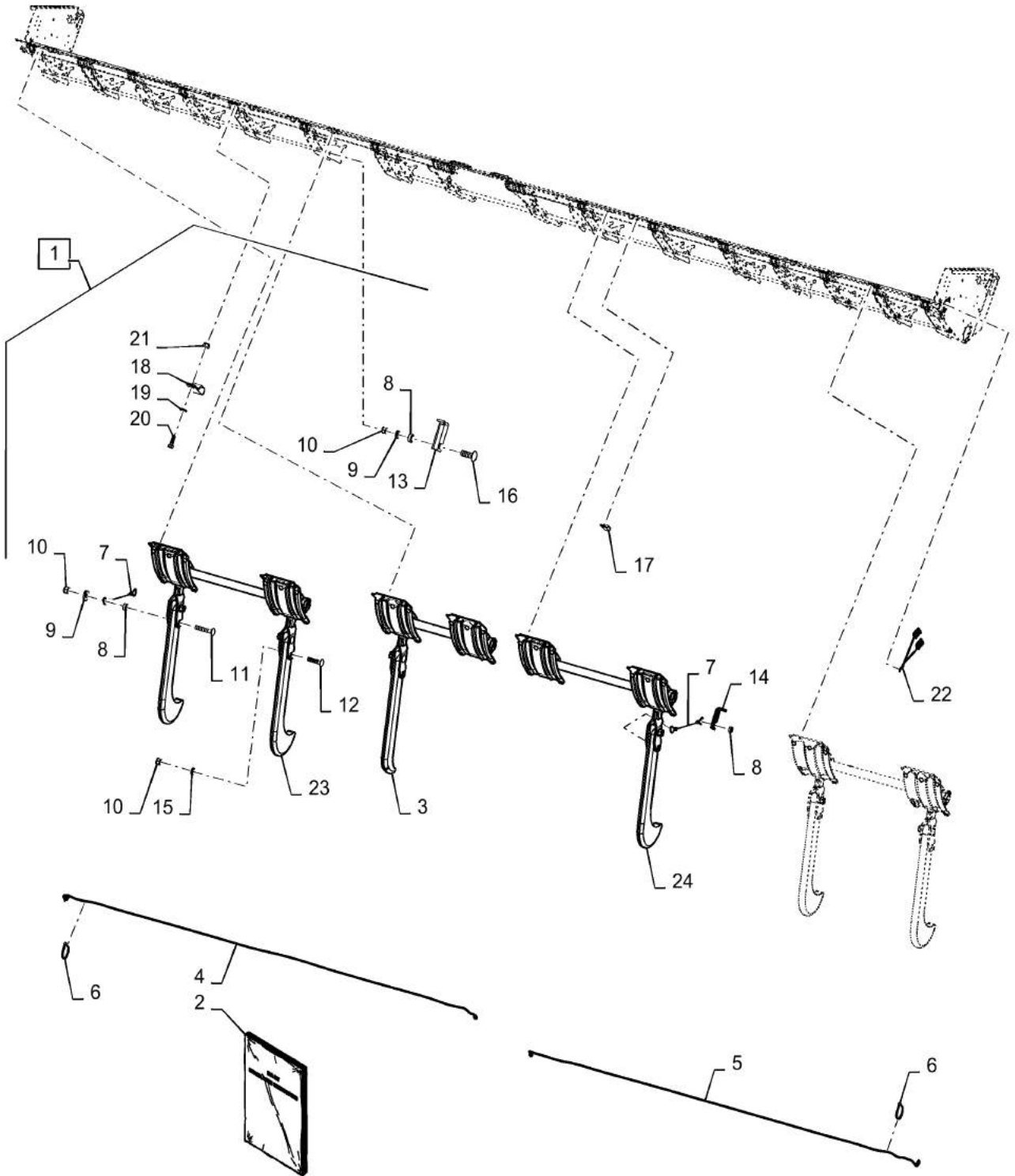
88.058.04

01

p1

9/2016

DIA KIT, AHHC, RUN FLEX IN RIGID, 30FT - 35FT



DIA KIT, AHHC, RUN FLEX IN RIGID, 30FT - 35FT

REF FN	PART NUMBER	YR/SN	QTY DESCRIPTION
1	47519863		1 SERVICE KIT Incl 2 - 24
2	47520922		1 INSTRUCTION Rigid AHHC Flex Draper
3	47520447		1 ARM Assy, Draper, Right Center
4	84483640		2 WIRE HARNESS Height/Tilt Extension
5	84483639		2 WIRE HARNESS Height Extension
6	86566989		10 CABLE TIE 208mm L
7	47520444		4 CABLE 280mm L Flex Draper
8	144607		8 SPACER 0.516" ID x 0.749" OD x 0.28" L .516 ID .749OD .28L ZND
9	86592701		4 WASHER 13mm ID x 35mm OD x 5mm Thk
10	100038		9 NUT M12 x 1.75, CI 8
11	338263		4 CARRIAGE BOLT Sht Sq Nk, M12 x 1.75 x 70mm, CI 8.8
12	87033290		2 CARRIAGE BOLT Sht Sq Nk, M12 x 55mm, CI 8.8
13	47518437		3 BRACKET
14	47519068		1 BRACKET
15	86625255		5 WASHER 13.3mm ID x 24.5mm OD x 3mm Thk
16	811-12035		3 CARRIAGE BOLT Sht Sq Nk, M12 x 1.75 x 35mm, CI 8.8
17	86050346		5 CLAMP 9.5mm, Coat, 7.1mm Bolt Hole, P Type
18	577927		3 CLAMP 12.7mm, Coat, 10.3mm Bolt Hole, P Type 6.3mm, M10 Bolt
19	322357		16 BELLEVILLE WASHER M6 Bolt Size x 14mm OD x 1.3mm Thk
20	120100		8 BOLT M6 x 20mm, CI 8.8
21	353308		8 NUT M6 x 1.0, CI 8
22	47425969		2 PLUG Sensor Dust
23	47437102		2 ARM Assy Draper, Wide
24	47520446		1 ARM Assy Draper, Left Center

3162-DRAPER HEADER

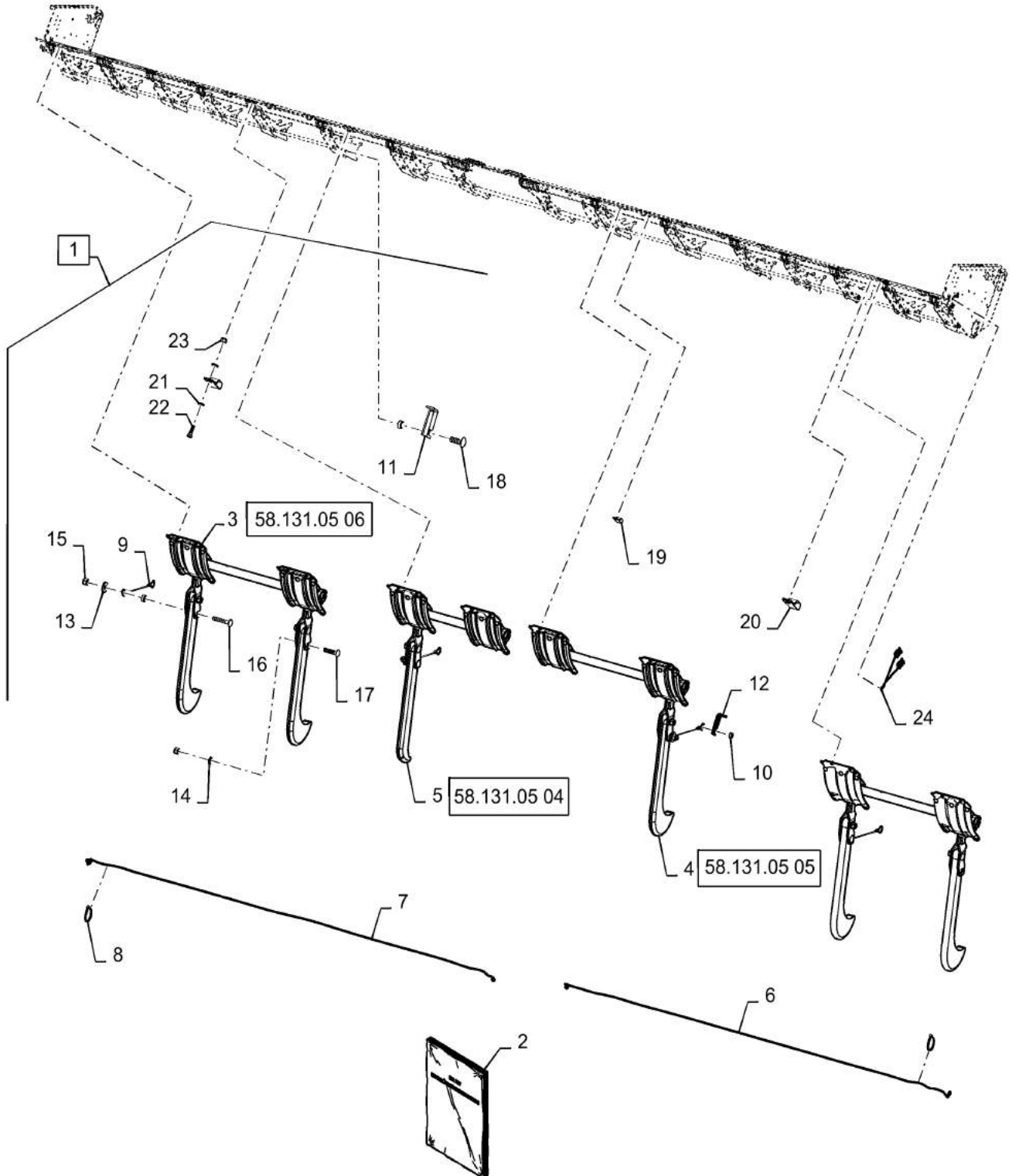
88.058.04

02

p1

9/2016

DIA KIT, AHHC, RUN FLEX IN RIGID, 40FT - 45FT



DIA KIT, AHHC, RUN FLEX IN RIGID, 40FT - 45FT

REF FN	PART NUMBER	YR/SN	QTY DESCRIPTION
1	47520945		1 SERVICE KIT 40 - 45FT Rigid HHC, Incl 2 - 24
2	47520922		1 INSTRUCTION Rigid AHHC Flex Draper
3	47437102		2 ARM Assy, Draper, Wide, Incl 14 - 15, 17
4	47520446		1 ARM Assy, Draper, Left Center
5	47520447		1 ARM Assy, Draper, Right Center
6	84483640		2 WIRE HARNESS Height/Tilt Extension
7	84519657		2 WIRE HARNESS Height Extension
8	86566989		10 CABLE TIE 208mm L
9	47520444		4 CABLE 280mm L Flex Draper
10	144607		8 SPACER 0.516" ID x 0.749" OD x 0.28" L .516 ID x .749 OD x .28L ZND
11	47518437		3 BRACKET
12	47519068		1 BRACKET
13	86592701		4 WASHER 13mm ID x 35mm OD x 5mm Thk
14	86625255		5 WASHER 13.3mm ID x 24.5mm OD x 3mm Thk
15	100038		9 NUT M12 x 1.75, CI 8
16	338263		4 CARRIAGE BOLT Sht Sq Nk, M12 x 1.75 x 70mm, CI 8.8
17	87033290		2 CARRIAGE BOLT Sht Sq Nk, M12 x 55mm, CI 8.8
18	811-12035		3 CARRIAGE BOLT Sht Sq Nk, M12 x 1.75 x 35mm, CI 8.8
19	86050346		9 CLAMP 9.5mm, Coat, 7.1mm Bolt Hole, P Type
20	577927		3 CLAMP 12.7mm, Coat, 10.3mm Bolt Hole, P Type Closed 6.3mm 3/8 Bolt
21	322357		24 BELLEVILLE WASHER M6 Bolt Size x 14mm OD x 1.3mm Thk
22	120100		12 BOLT M6 x 20mm, CI 8.8
23	353308		12 NUT M6 x 1.0, CI 8
24	47425969		2 PLUG Sensor Dust

3162-DRAPER HEADER

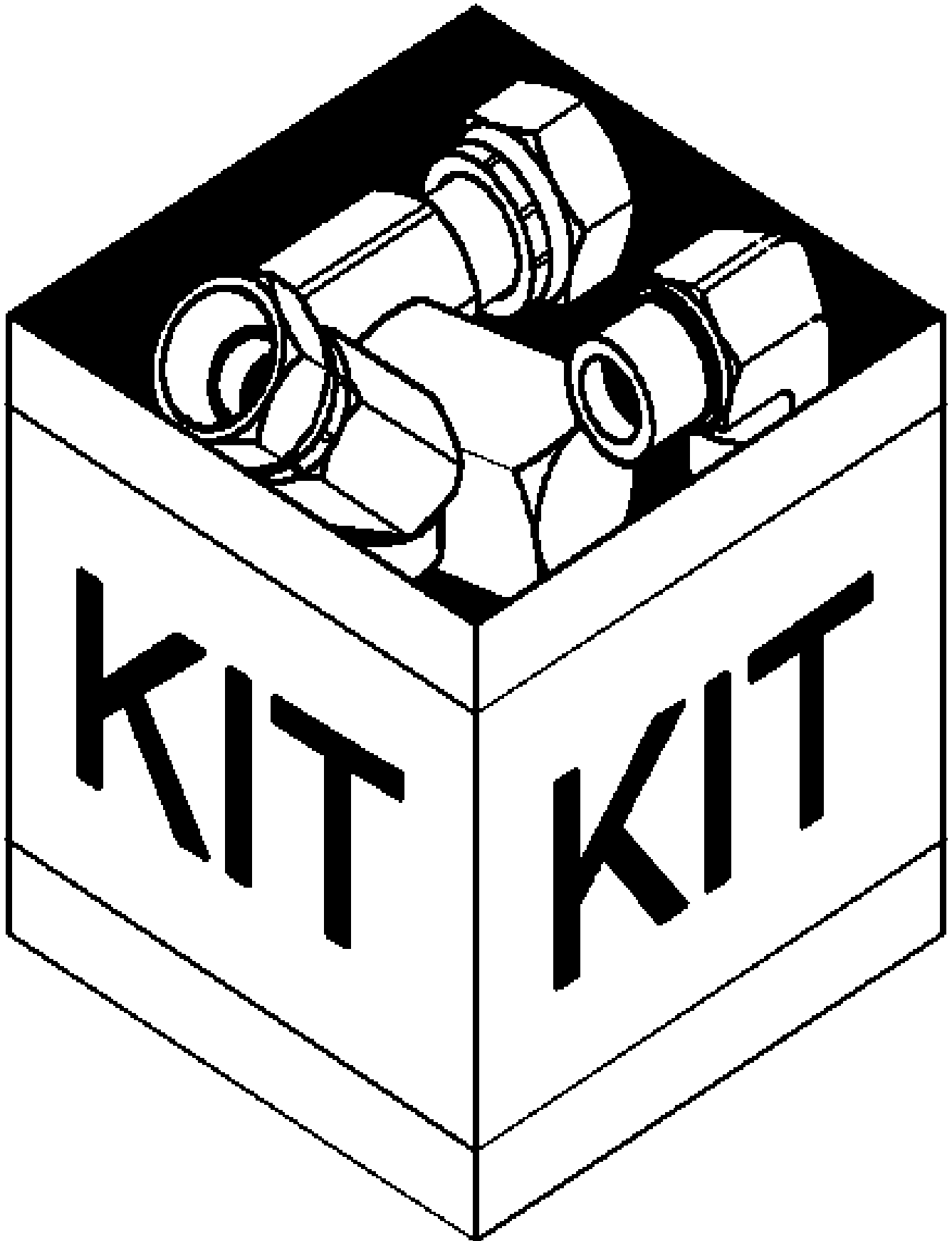
88.058.04

03

p1

9/2016

DIA KIT AHHC RUN FLEX IN RIGID 40 FT-45 FT



DIA KIT AHHC RUN FLEX IN RIGID 40 FT-45 FT

REF FN	PART NUMBER	YR/SN	QTY DESCRIPTION
1	47850144		1 KIT Incl 2 - 24
2	47851872		1 INSTRUCTION
3	47437102		2 ARM
4	47520446		1 ARM
5	47520447		1 ARM
6	84483640		2 WIRE HARNESS
7	84519657		2 WIRE HARNESS
8	86566989		10 CABLE TIE 208mm L
9	47976818		4 CABLE
10	144607		8 SPACER 0.516" ID x 0.749" OD x 0.28" L
11	86592701		4 WASHER 13mm ID x 35mm OD x 5mm Thk
12	100038		10 NUT M12 x 1.75, CI 8
13	84227693		2 CARRIAGE BOLT Reg Sq Nk, M12 x 1.75 x 65mm, CI 8.8
14	43158		4 BOLT Hex, M12 x 80mm, CI 8.8
15	47518437		3 BRACKET
16	47519068		1 BRACKET
17	86625255		10 WASHER 13.3mm ID x 24.5mm OD x 3mm Thk
18	811-12035		4 CARRIAGE BOLT Sht Sq Nk, M12 x 1.75 x 35mm, CI 8.8
19	86050346		9 CLAMP 9.5mm, Coat, 7.1mm Bolt Hole, P Type
20	577927		3 CLAMP 12.7mm, Coat, 10.3mm Bolt Hole, P Type
21	322357		24 BELLEVILLE WASHER M6 Bolt Size x 14mm OD x 1.3mm Thk
22	120100		12 BOLT M6 x 20mm, CI 8.8
23	353308		12 NUT M6 x 1.0, CI 8
24	47425969		2 PLUG

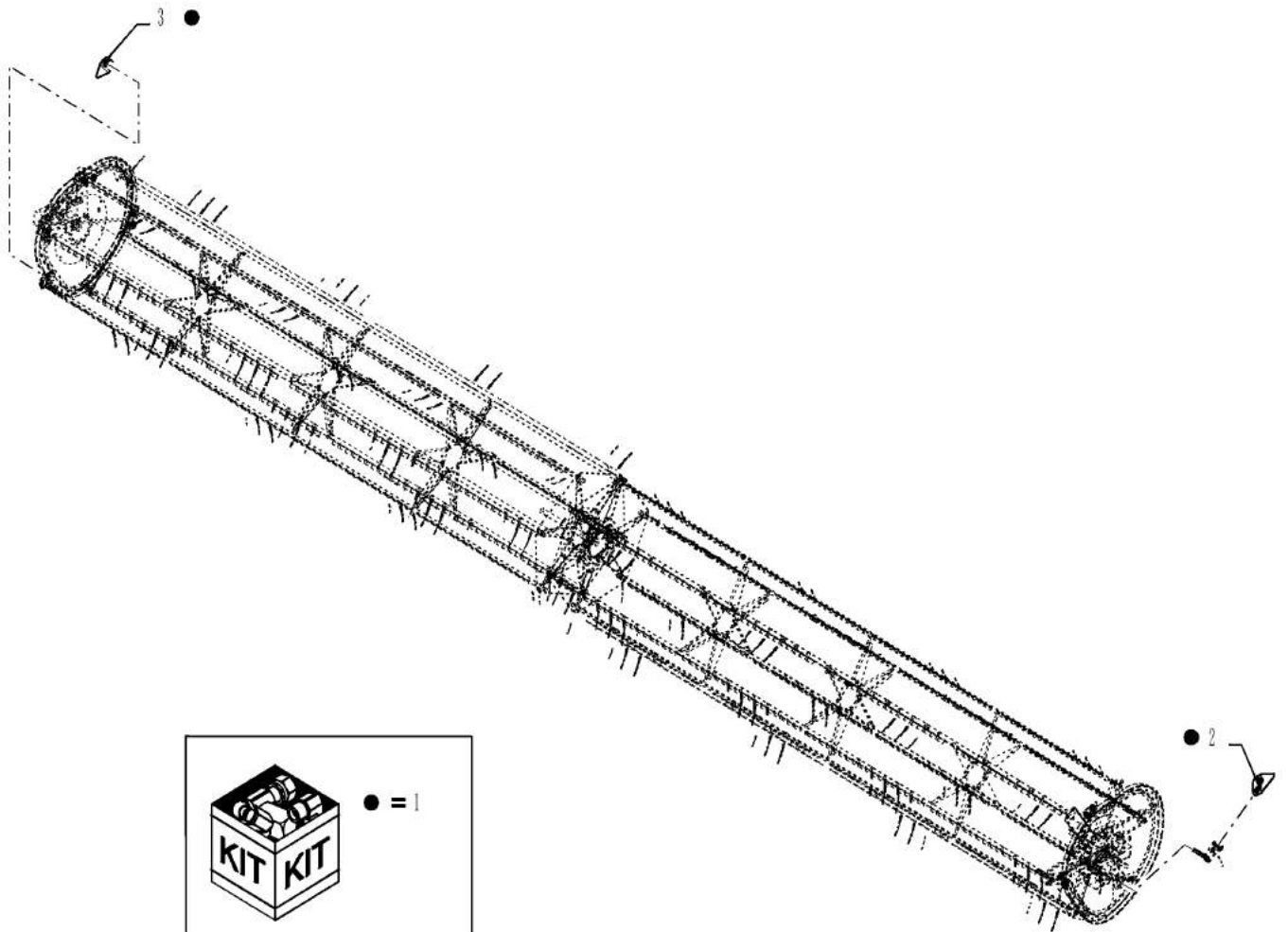
3152-DRAPER HEADER 3162-DRAPER HEADER

88.058.05

p1

9/2016

DIA KIT, FIN ASSEMBLY



DIA KIT, FIN ASSEMBLY

REF FN	PART NUMBER	YR/SN	QTY DESCRIPTION
1	84573632		1 KIT Fin Assembly, Incl 2, 3
2	NSS		3 NOT SOLD SEPARAT FIN, Right Hand
3	NSS		3 NOT SOLD SEPARAT FIN, Left Hand

3152-DRAPER HEADER 3162-DRAPER HEADER

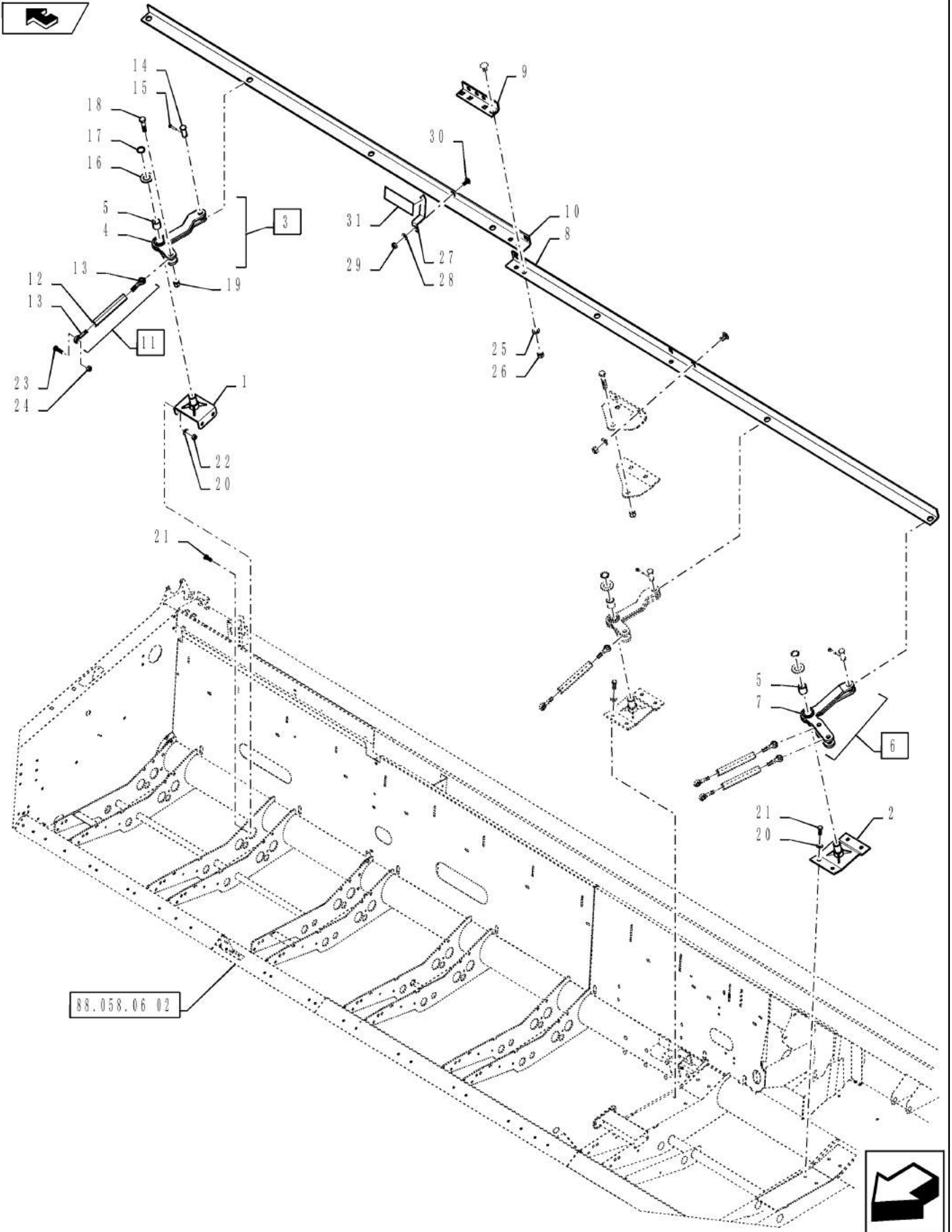
88.058.06

01

p1

9/2016

DIA, KIT, CUTTERBAR ADJUST, RIGHT



DIA, KIT, CUTTERBAR ADJUST, RIGHT

REF FN	PART NUMBER	YR/SN	QTY DESCRIPTION
1	84566747		3 PIVOT 30 Foot Header
1	84566747		5 PIVOT 35 Foot Header
1	84566747		7 PIVOT 40 Foot Header
1	84566747		9 PIVOT 45 Foot Header
2	84566918		2 PIVOT
3	47427321		1 ARM Incl 4, 5
4	47426877		3 ARM 30 Foot Header
4	47426877		5 ARM 35 Foot Header
4	47426877		7 ARM 40 Foot Header
4	47426877		9 ARM 45 Foot Header
5	210022		4 BUSHING
6	47429512		1 ARM Incl 5, 7
7	47429511		1 ARM
8	84567287		1 ANGLE
9	47428630		2 BRACKET
10	47357051		1 ANGLE 30 Foot Header
10	84606951		1 ANGLE 35 Foot Header
10	84567294		1 ANGLE 40 Foot Header
10	84606984		1 ANGLE 45 Foot Header
11	84568606		10 ADJUSTER 30 Foot Header, Incl 12 - 13
11	84568606		12 ADJUSTER 35 Foot Header, Incl 12 - 13
11	84568606		14 ADJUSTER 40 Foot Header, Incl 12 - 13
11	84568606		16 ADJUSTER 45 Foot Header, Incl 12 - 13
12	84568600		1 TURNBUCKLE M16 x 2, M12 x 1.75 LH Threads
13	84247642		1 BALL JOINT Large End, RH Thread
13	84568599		1 ROD Small End, LH Thread
14	84568432		8 CLEVIS PIN 19.5mm OD x 52mm L 30 Foot Header
14	84568432		10 CLEVIS PIN 19.5mm OD x 52mm L 35 Foot Header
14	84568432		12 CLEVIS PIN 19.5mm OD x 52mm L 40 Foot Header
14	84568432		14 CLEVIS PIN 19.5mm OD x 52mm L 45 Foot Header

3152-DRAPER HEADER 3162-DRAPER HEADER

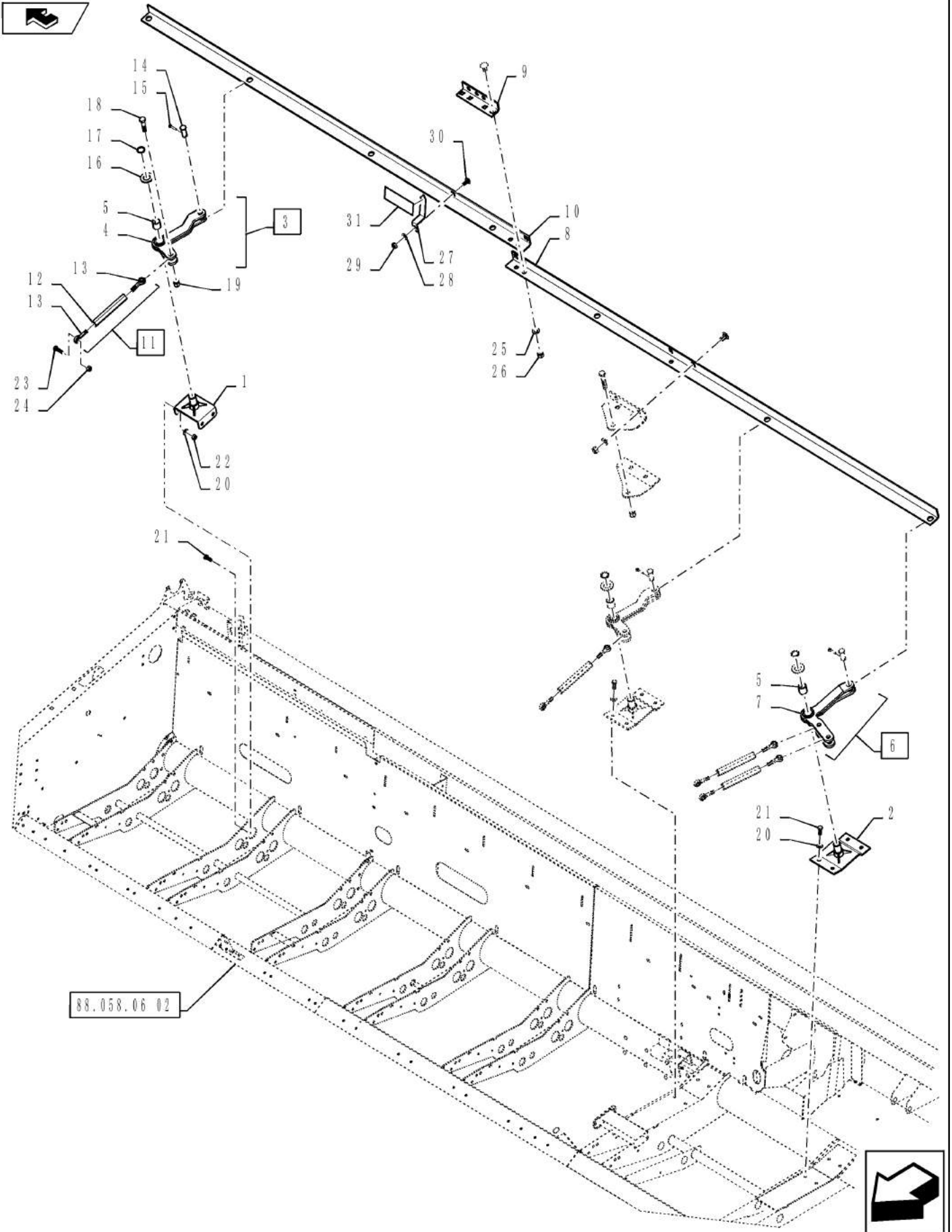
88.058.06

01

p2

9/2016

DIA, KIT, CUTTERBAR ADJUST, RIGHT



DIA, KIT, CUTTERBAR ADJUST, RIGHT

REF FN	PART NUMBER	YR/SN	QTY DESCRIPTION
15	412687		8 COTTER PIN 6.3mm OD x 32mm OAL 30 Foot Header
15	412687		10 COTTER PIN 6.3mm OD x 32mm OAL 35 Foot Header
15	412687		12 COTTER PIN 6.3mm OD x 32mm OAL 40 Foot Header
15	412687		14 COTTER PIN 6.3mm OD x 32mm OAL 45 Foot Header
16	14497531		8 WASHER 31mm ID x 56mm OD x 4mm Thk 30 Foot Header
16	14497531		10 WASHER 31mm ID x 56mm OD x 4mm Thk 35 Foot Header
16	14497531		12 WASHER 31mm ID x 56mm OD x 4mm Thk 40 Foot Header
16	14497531		14 WASHER 31mm ID x 56mm OD x 4mm Thk 45 Foot Header
17	370003		8 SNAP RING M30, External 30 Foot Header
17	370003		10 SNAP RING M30, External 35 Foot Header
17	370003		12 SNAP RING M30, External 40 Foot Header
17	370003		14 SNAP RING M30, External 45 Foot Header
18	323866		10 BOLT Hex, M16 x 2.0 x 60mm, CI 8.8 30 Foot Header
18	323866		12 BOLT Hex, M16 x 2.0 x 60mm, CI 8.8 35 Foot Header
18	323866		14 BOLT Hex, M16 x 2.0 x 60mm, CI 8.8 40 Foot Header
18	323866		16 BOLT Hex, M16 x 2.0 x 60mm, CI 8.8 45 Foot Header
19	86000441		14 NUT M16 x 2.0, CI 8 30 Foot Header
19	86000441		16 NUT M16 x 2.0, CI 8 35 Foot Header
19	86000441		18 NUT M16 x 2.0, CI 8 40 Foot Header
19	86000441		20 NUT M16 x 2.0, CI 8 45 Foot Header
20	140046		30 BELLEVILLE WASHER M12 Bolt Size x 27mm OD x 1.8mm Thk 30 Foot Header
20	140046		38 BELLEVILLE WASHER M12 Bolt Size x 27mm OD x 1.8mm Thk 35 Foot Header

3152-DRAPER HEADER 3162-DRAPER HEADER

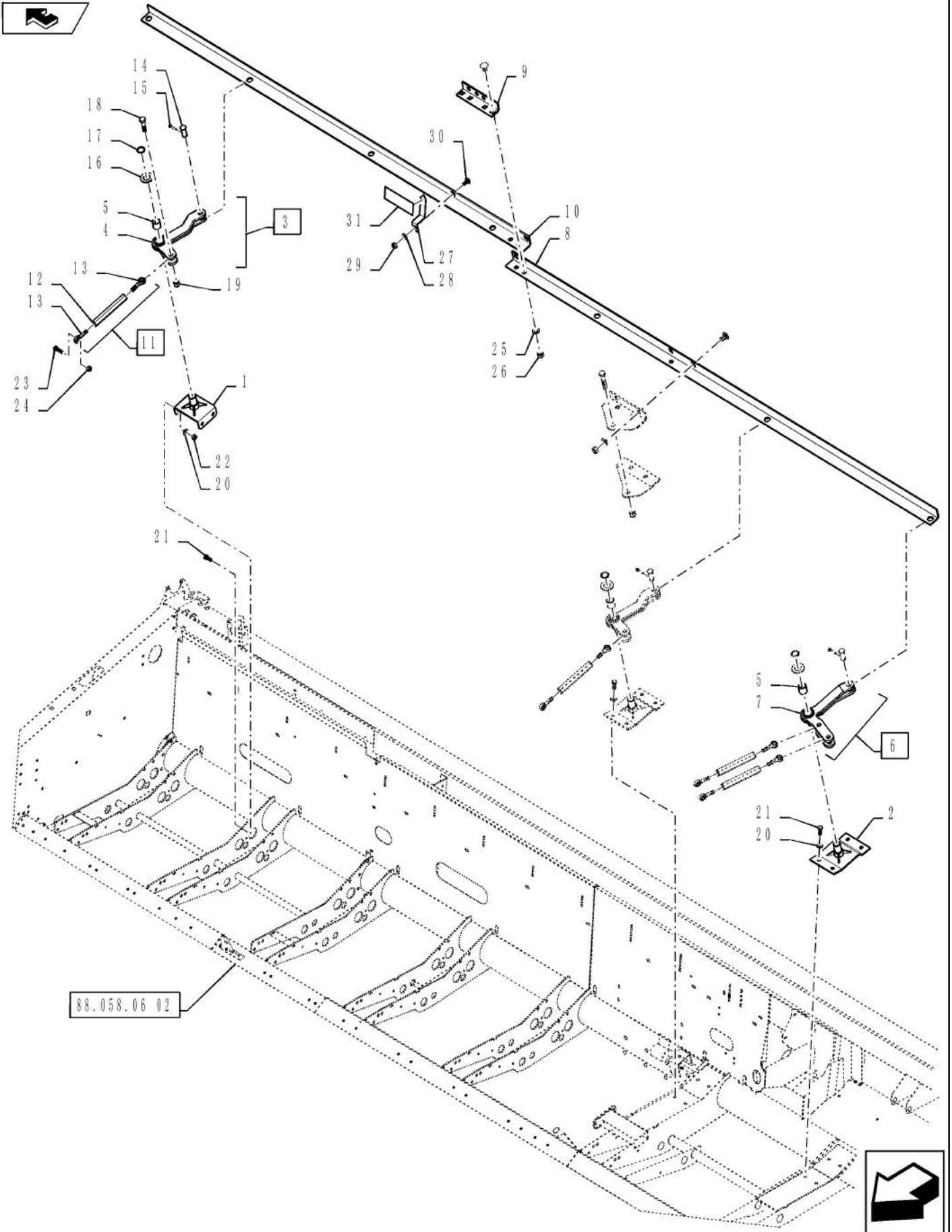
88.058.06

01

p3

9/2016

DIA, KIT, CUTTERBAR ADJUST, RIGHT



DIA, KIT, CUTTERBAR ADJUST, RIGHT

REF FN	PART NUMBER	YR/SN	QTY DESCRIPTION
20	140046		46 BELLEVILLE WASHER M12 Bolt Size x 27mm OD x 1.8mm Thk 40 Foot Header
20	140046		54 BELLEVILLE WASHER M12 Bolt Size x 27mm OD x 1.8mm Thk 45 Foot Header
21	9706687		28 BOLT M12 x 1.75 x 30mm, CI 8.8 30 Foot Header
21	9706687		36 BOLT M12 x 1.75 x 30mm, CI 8.8 35 Foot Header
21	9706687		44 BOLT M12 x 1.75 x 30mm, CI 8.8 40 Foot Header
21	9706687		52 BOLT M12 x 1.75 x 30mm, CI 8.8 45 Foot Header
22	9706685		13 NUT M12 x 1.75, CI 8 30 Foot Header
22	9706685		21 NUT M12 x 1.75, CI 8 35 Foot Header
22	9706685		29 NUT M12 x 1.75, CI 8 40 Foot Header
22	9706685		37 NUT M12 x 1.75, CI 8 45 Foot Header
23	86629541		10 BOLT Hex, M12 x 1.75 x 40mm, CI 8.8 30 Foot Header
23	86629541		12 BOLT Hex, M12 x 1.75 x 40mm, CI 8.8 35 Foot Header
23	86629541		14 BOLT Hex, M12 x 1.75 x 40mm, CI 8.8 40 Foot Header
23	86629541		16 BOLT Hex, M12 x 1.75 x 40mm, CI 8.8 45 Foot Header
24	100038		10 NUT M12 x 1.75, CI 8 30 Foot Header
24	100038		12 NUT M12 x 1.75, CI 8 35 Foot Header
24	100038		14 NUT M12 x 1.75, CI 8 40 Foot Header
24	100038		16 NUT M12 x 1.75, CI 8 45 Foot Header
25	140048		24 BELLEVILLE WASHER M16 Bolt Size x 32mm OD x 2.8mm Thk
26	100020		24 NUT M16 x 2.0, CI 8
27	47389685		1 INDICATOR
28	322358		1 BELLEVILLE WASHER M8 Bolt Size x 18mm OD x 1.4mm Thk
29	9706690		1 NUT M8 x 1.25, CI 8
30	86507486		1 CARRIAGE BOLT M8 x 1.25 x 20mm, CI 8.8
31	47394724		1 DECAL

3152-DRAPER HEADER 3162-DRAPER HEADER

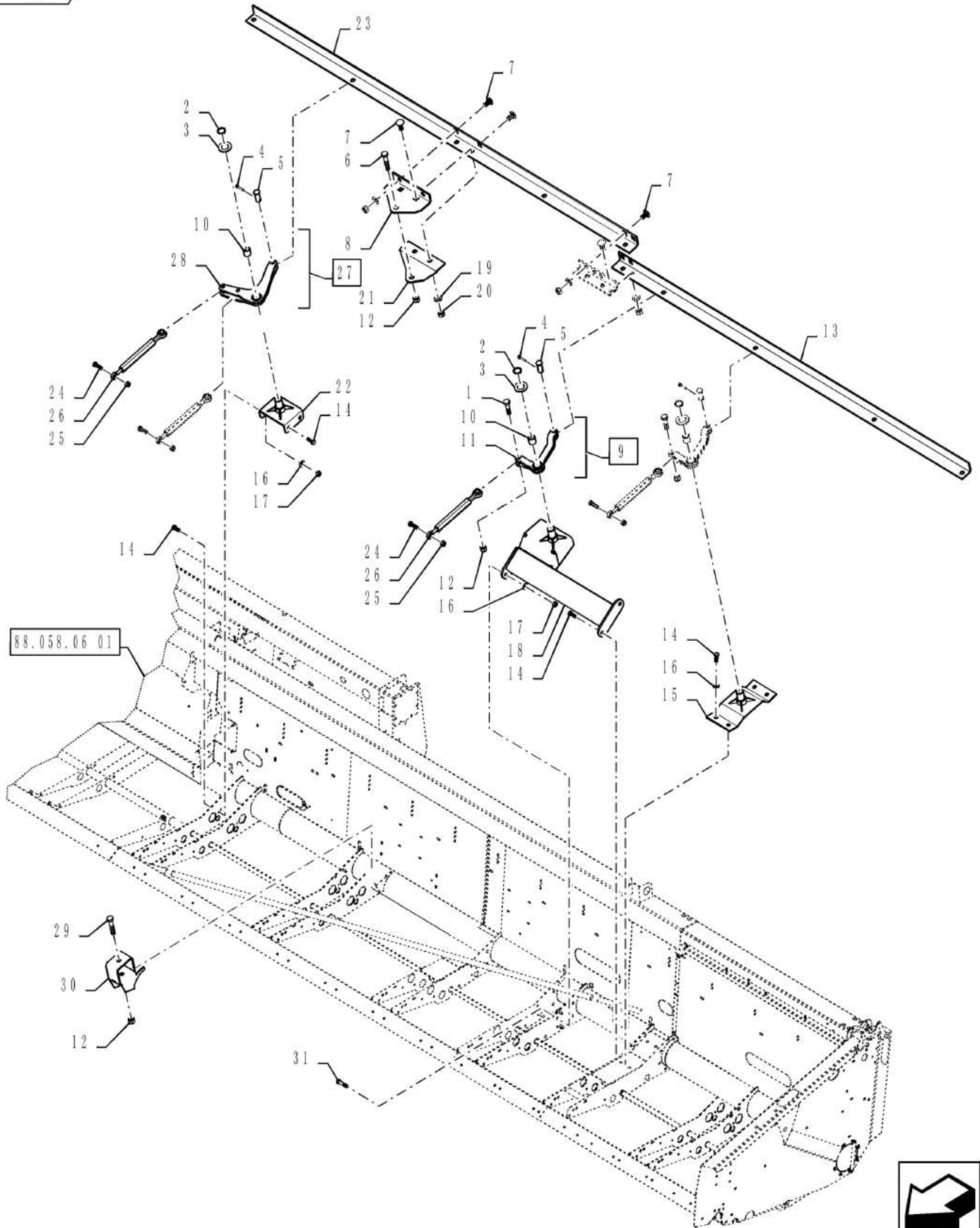
88.058.06

02

p1

9/2016

DIA, KIT, CUTTERBAR ADJUST, LEFT



DIA, KIT, CUTTERBAR ADJUST, LEFT

REF FN	PART NUMBER	YR/SN	QTY DESCRIPTION
1	323866		10 BOLT Hex, M16 x 2.0 x 60mm, Cl 8.8 30 Foot Header
1	323866		12 BOLT Hex, M16 x 2.0 x 60mm, Cl 8.8 35 Foot Header
1	323866		14 BOLT Hex, M16 x 2.0 x 60mm, Cl 8.8 40 Foot Header
1	323866		16 BOLT Hex, M16 x 2.0 x 60mm, Cl 8.8 45 Foot Header
2	370003		8 SNAP RING M30, External 30 Foot Header
2	370003		10 SNAP RING M30, External 35 Foot Header
2	370003		12 SNAP RING M30, External 40 Foot Header
2	370003		14 SNAP RING M30, External 45 Foot Header
3	14497531		8 WASHER 31mm ID x 56mm OD x 4mm Thk 30 Foot Header
3	14497531		10 WASHER 31mm ID x 56mm OD x 4mm Thk 35 Foot Header
3	14497531		12 WASHER 31mm ID x 56mm OD x 4mm Thk 40 Foot Header
3	14497531		14 WASHER 31mm ID x 56mm OD x 4mm Thk 45 Foot Header
4	412687		8 COTTER PIN 6.3mm OD x 32mm OAL 30 Foot Header
4	412687		10 COTTER PIN 6.3mm OD x 32mm OAL 35 Foot Header
4	412687		12 COTTER PIN 6.3mm OD x 32mm OAL 40 Foot Header
4	412687		14 COTTER PIN 6.3mm OD x 32mm OAL 45 Foot Header
5	84568432		8 CLEVIS PIN 19.5mm OD x 52mm L 30 Foot Header
5	84568432		10 CLEVIS PIN 19.5mm OD x 52mm L 35 Foot Header
5	84568432		12 CLEVIS PIN 19.5mm OD x 52mm L 40 Foot Header

3152-DRAPER HEADER 3162-DRAPER HEADER

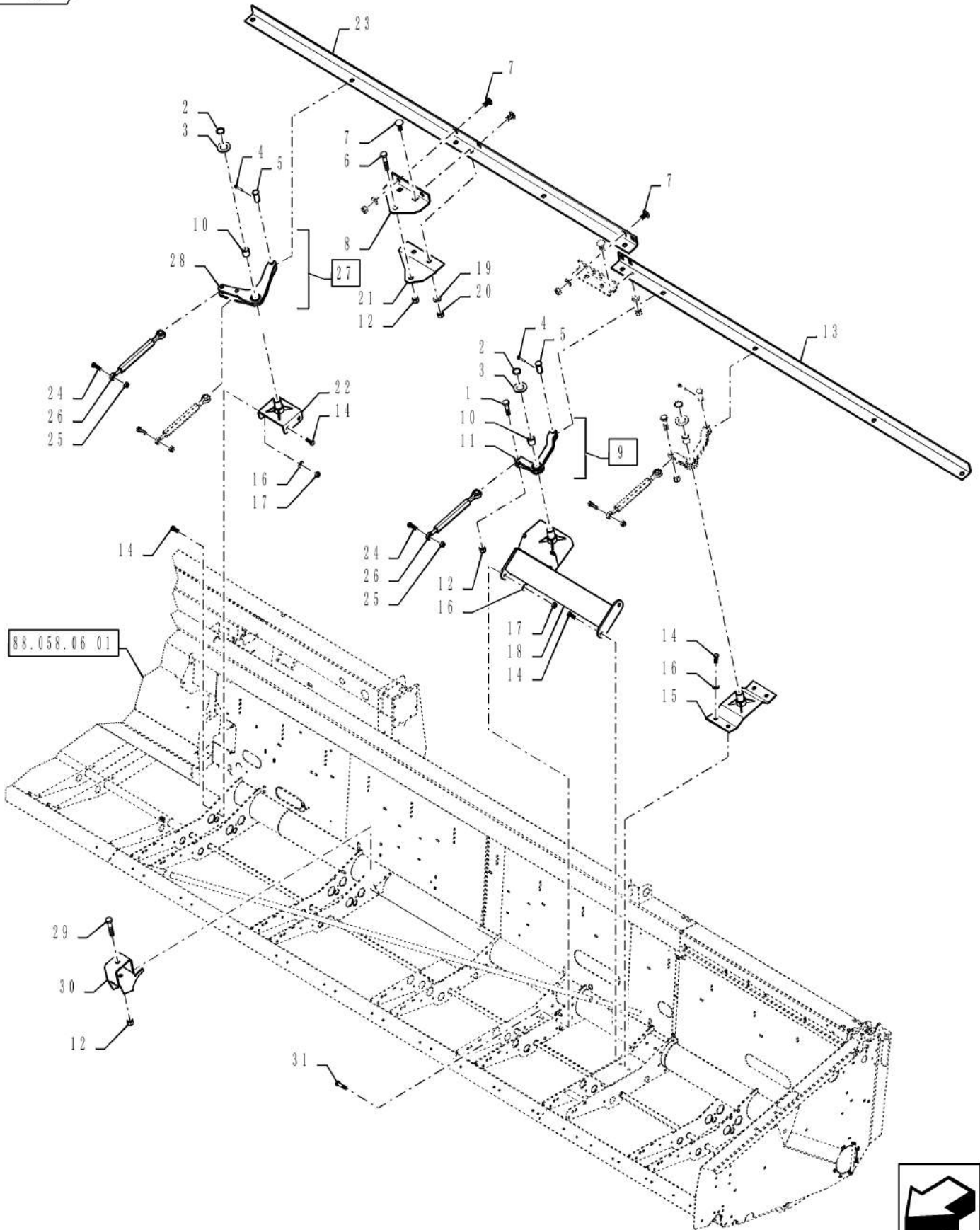
88.058.06

02

p2

9/2016

DIA, KIT, CUTTERBAR ADJUST, LEFT



DIA, KIT, CUTTERBAR ADJUST, LEFT

REF FN	PART NUMBER	YR/SN	QTY DESCRIPTION
5	84568432		14 CLEVIS PIN 19.5mm OD x 52mm L 45 Foot Header
6	120093		2 BOLT M16 x 2.0 x 90.18mm, CI 8.8
7	86595832		12 CARRIAGE BOLT Sht Sq Nk, M16 x 40mm, CI 8.8, Full Thd
8	47428662		2 CONNECTING LINK
9	47427323		3 ARM 30 Foot Header, Incl 10 - 11
9	47427323		4 ARM 35 Foot Header, Incl 10 - 11
9	47427323		5 ARM 40 Foot Header, Incl 10 - 11
9	47427323		6 ARM 45 Foot Header, Incl 10 - 11
10	210022		1 BUSHING
11	47426885		1 ARM
12	86000441		14 NUT M16 x 2.0, CI 8 30 Foot Header
12	86000441		16 NUT M16 x 2.0, CI 8 35 Foot Header
12	86000441		18 NUT M16 x 2.0, CI 8 40 Foot Header
12	86000441		20 NUT M16 x 2.0, CI 8 45 Foot Header
13	47357075		1 ANGLE 30 Foot Header
13	84606934		1 ANGLE 35 Foot Header
13	84579303		1 ANGLE 40 Foot Header
13	84606989		1 ANGLE 45 Foot Header
14	9706687		28 BOLT M12 x 1.75 x 30mm, CI 8.8 30 Foot Header
14	9706687		36 BOLT M12 x 1.75 x 30mm, CI 8.8 35 Foot Header
14	9706687		44 BOLT M12 x 1.75 x 30mm, CI 8.8 40 Foot Header
14	9706687		52 BOLT M12 x 1.75 x 30mm, CI 8.8 45 Foot Header
15	84569225		2 PIVOT
16	140046		30 BELLEVILLE WASHER M12 Bolt Size x 27mm OD x 1.8mm Thk 30 Foot Header
16	140046		38 BELLEVILLE WASHER M12 Bolt Size x 27mm OD x 1.8mm Thk 35 Foot Header
16	140046		46 BELLEVILLE WASHER M12 Bolt Size x 27mm OD x 1.8mm Thk 40 Foot Header
16	140046		54 BELLEVILLE WASHER M12 Bolt Size x 27mm OD x 1.8mm Thk 45 Foot Header
17	9706685		13 NUT M12 x 1.75, CI 8 30 Foot Header
17	9706685		21 NUT M12 x 1.75, CI 8 35 Foot Header

3152-DRAPER HEADER 3162-DRAPER HEADER

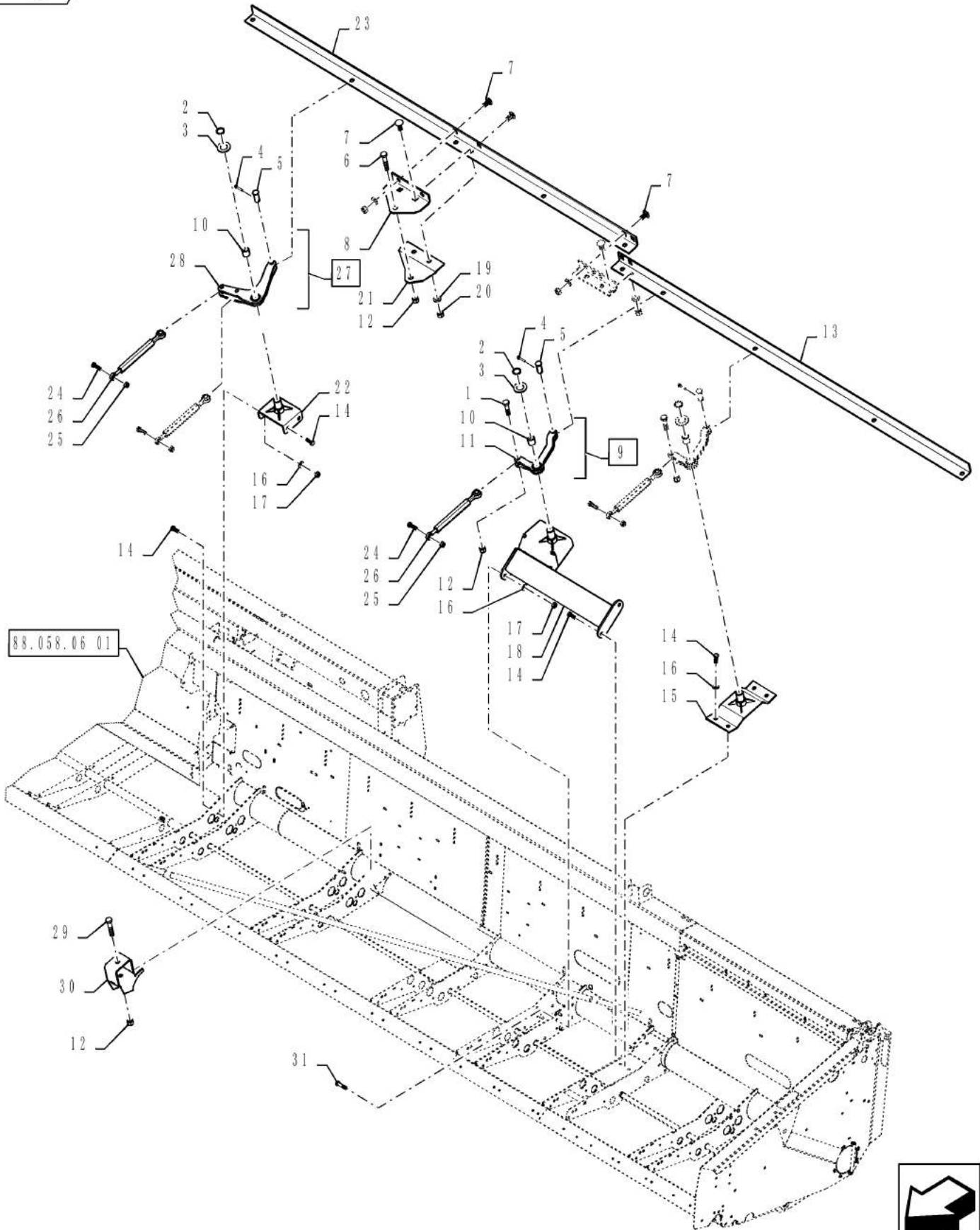
88.058.06

02

p3

9/2016

DIA, KIT, CUTTERBAR ADJUST, LEFT

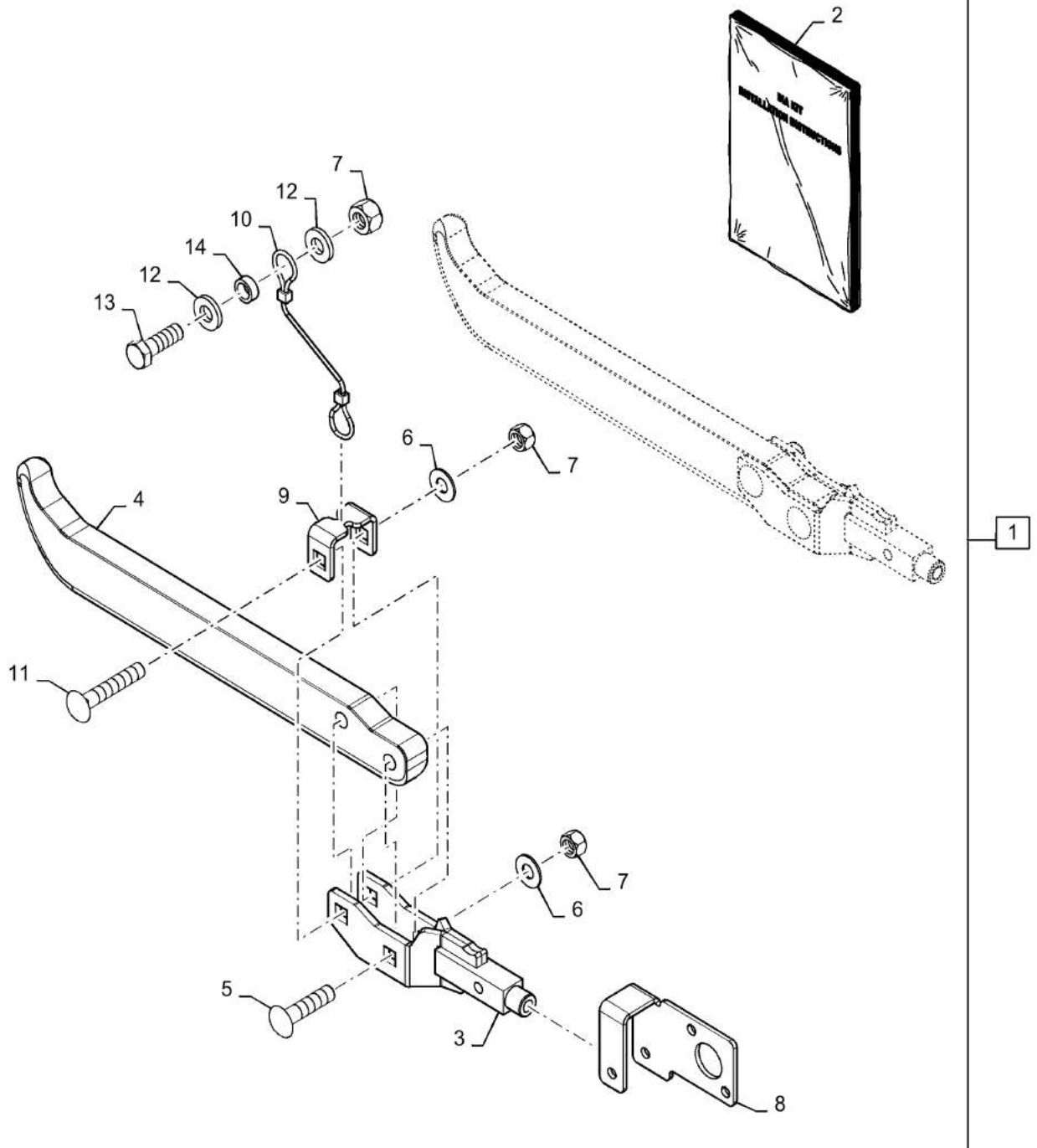


DIA, KIT, CUTTERBAR ADJUST, LEFT

REF FN	PART NUMBER	YR/SN	QTY DESCRIPTION
17	9706685		29 NUT M12 x 1.75, CI 8 40 Foot Header
17	9706685		37 NUT M12 x 1.75, CI 8 45 Foot Header
18	84585943		1 TUBE
19	140048		24 BELLEVILLE WASHER M16 Bolt Size x 32mm OD x 2.8mm Thk
20	100020		24 NUT M16 x 2.0, CI 8
21	84567198		2 CONNECTING LINK
22	84566747		3 PIVOT 30 Foot Header
22	84566747		5 PIVOT 35 Foot Header
22	84566747		7 PIVOT 40 Foot Header
22	84566747		9 PIVOT 45 Foot Header
23	47357068		1 ANGLE 30 Foot Header
23	84579289		1 ANGLE 35, 40, 45 Foot Header
24	86629541		10 BOLT Hex, M12 x 1.75 x 40mm, CI 8.8 30 Foot Header
24	86629541		12 BOLT Hex, M12 x 1.75 x 40mm, CI 8.8 35 Foot Header
24	86629541		14 BOLT Hex, M12 x 1.75 x 40mm, CI 8.8 40 Foot Header
24	86629541		16 BOLT Hex, M12 x 1.75 x 40mm, CI 8.8 45 Foot Header
25	100038		10 NUT M12 x 1.75, CI 8 30 Foot Header
25	100038		12 NUT M12 x 1.75, CI 8 35 Foot Header
25	100038		14 NUT M12 x 1.75, CI 8 40 Foot Header
25	100038		16 NUT M12 x 1.75, CI 8 45 Foot Header
26	84568606		10 ADJUSTER 30 Foot Header
26	84568606		12 ADJUSTER 35 Foot Header
26	84568606		14 ADJUSTER 40 Foot Header
26	84568606		16 ADJUSTER 45 Foot Header
27	47427373		1 ARM Incl 10, 28
28	47427372		1 ARM
29	43874		2 BOLT Hex, M16 x 110, 8.8
30	84606129		2 SPACER 16.69mm ID x 22.23mm OD x 77mm L
31	120080		2 BOLT Hex, M12 x 45, 8.8

3152-DRAPER HEADER 3162-DRAPER HEADER

DIA KIT, PLASTIC HHC ARMS



DIA KIT, PLASTIC HHC ARMS

REF FN	PART NUMBER	YR/SN	QTY DESCRIPTION
1	47475710		1 SERVICE KIT Arm, Plastic HHC, Incl 2 - 14
2	47476078		1 INSTRUCTION Kit, Rigid AHHC Flex
3	84599982		8 BAR
4	47466899		8 ARM Feeler
5	87033290		12 CARRIAGE BOLT Sht Sq Nk, M12 x 55mm, CI 8.8
6	140046		16 BELLEVILLE WASHER M12 Bolt Size x 27mm OD x 1.8mm Thk
7	118490		20 NUT M12 x 1.75, CI 8
8	47388142		4 MOUNTING PLATE
9	47466662		4 CLEVIS
10	47473855		4 CABLE
11	338263		4 CARRIAGE BOLT Sht Sq Nk, M12 x 1.75 x 70mm, CI 8.8
12	86625256		8 WASHER 13.3mm ID x 28.5mm OD x 4mm Thk
13	300389		4 BOLT M12 x 1.75 x 35mm, CI 8.8
14	144607		4 SPACER 0.516" ID x 0.749" OD x 0.28" L
15	47393177		1 REEL
16	47393178		1 REEL

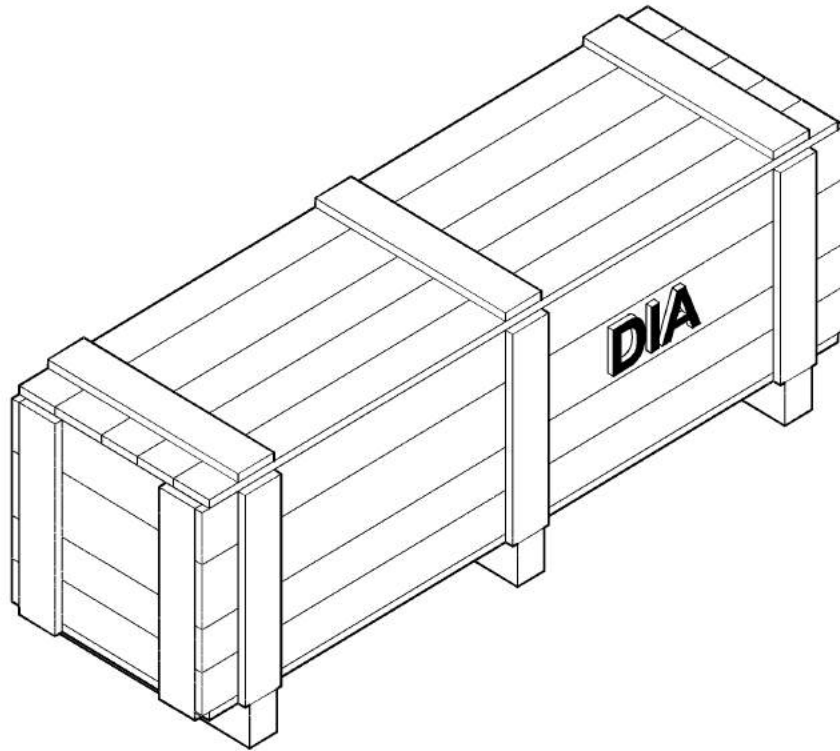
3152-DRAPER HEADER 3162-DRAPER HEADER

88.058.08

p1

9/2016

DIA KIT, TRANSPORT

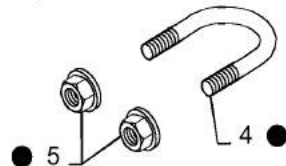
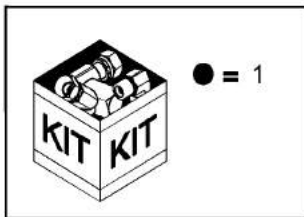
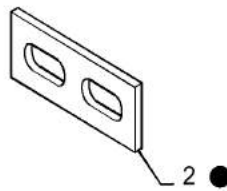
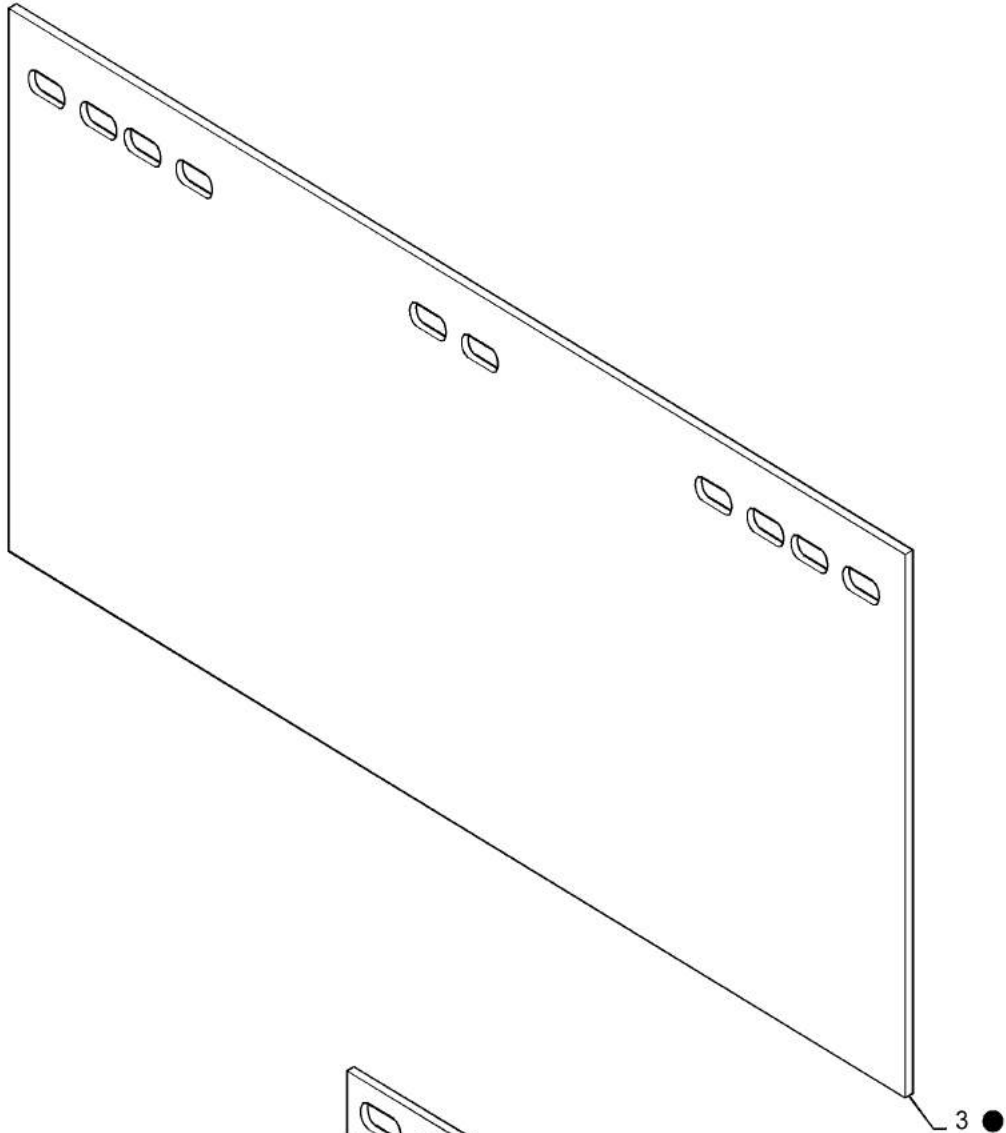


DIA KIT, TRANSPORT

REF FN	PART NUMBER	YR/SN	QTY DESCRIPTION
1	84577285		1 SERVICE KIT Transport, 30 FT, Incl 2, 3 And Figures 35.410.12(01), 35.410.12(02), 44.100.02, 55.404.02, 58.130.05, 58.130.07, 58.130.08
1	84577283		1 SERVICE KIT Transport, 35 FT, Incl 2, 3 And Figures 35.410.12(01), 35.410.12(02), 44.100.02, 55.404.02, 58.130.05, 58.130.07, 58.130.08
1	84577282		1 SERVICE KIT Transport, 40 FT, Incl 2, 3 And Figures 35.410.12(01), 35.410.12(02), 44.100.02, 55.404.02, 58.130.05, 58.130.07, 58.130.08
1	84577281		1 SERVICE KIT Transport, 45 FT, Incl 2, 3 And Figures 35.410.12(01), 35.410.12(02), 44.100.02, 55.404.02, 58.130.05, 58.130.07, 58.130.08
2	84602517		1 COVER
3	308369		2 WING NUT

3152-DRAPER HEADER

DIA KIT, REEL TINE FLAP



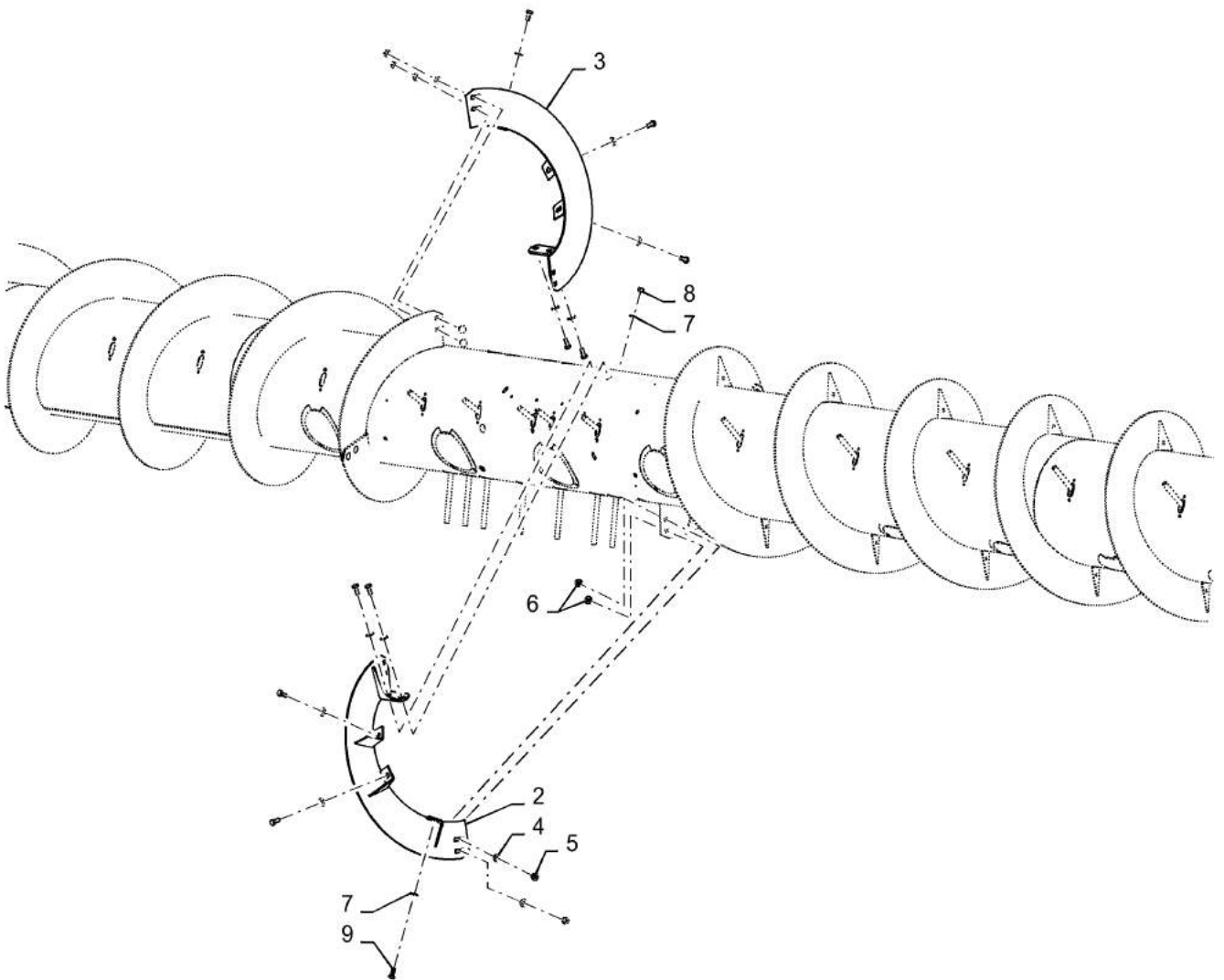
DIA KIT, REEL TINE FLAP

REF FN	PART NUMBER	YR/SN	QTY DESCRIPTION
1	86705199		3 PACKAGE Reel Tine Flap, Incl 2 - 5, 25 And 30 Foot Header
1	86705199		4 PACKAGE Reel Tine Flap, Incl 2 - 5, 35 And 40 Foot Header
1	86705199		5 PACKAGE Reel Tine Flap, Incl 2 - 5, 45 Foot Header
2	86514396		27 BACKING PLATE
3	86634225		9 FLAP
4	87010605		27 U-BOLT
5	523282		54 SERRATED NUT Flg, USR, 1/4"-20

3162-DRAPER HEADER

DIA KIT, AUGER FLIGHT

1



DIA KIT, AUGER FLIGHT

REF FN	PART NUMBER	YR/SN	QTY DESCRIPTION
1	84265932		1 DIA KIT, HARVESTER Dia Kit, Auger Flight, Incl 2 - 9
2	84224152		1 AUGER FLIGHT LH
3	84224155		1 AUGER FLIGHT RH
4	140045		4 BELLEVILLE WASHER M10 Bolt Size x 22mm OD x 1.6mm Thk
5	100016		4 NUT M10 x 1.5, CI 8
6	338949		4 CARRIAGE BOLT M10 x 1.5 x 25mm, CI 8.8
7	140046		20 BELLEVILLE WASHER M12 Bolt Size x 27mm OD x 1.8mm Thk
8	87533547		10 NUT Prev Torque, M12, 1.75mm Pitch, CI 10
9	300388		10 BOLT Hex, M12 x 1.75 x 25mm, CI 8.8

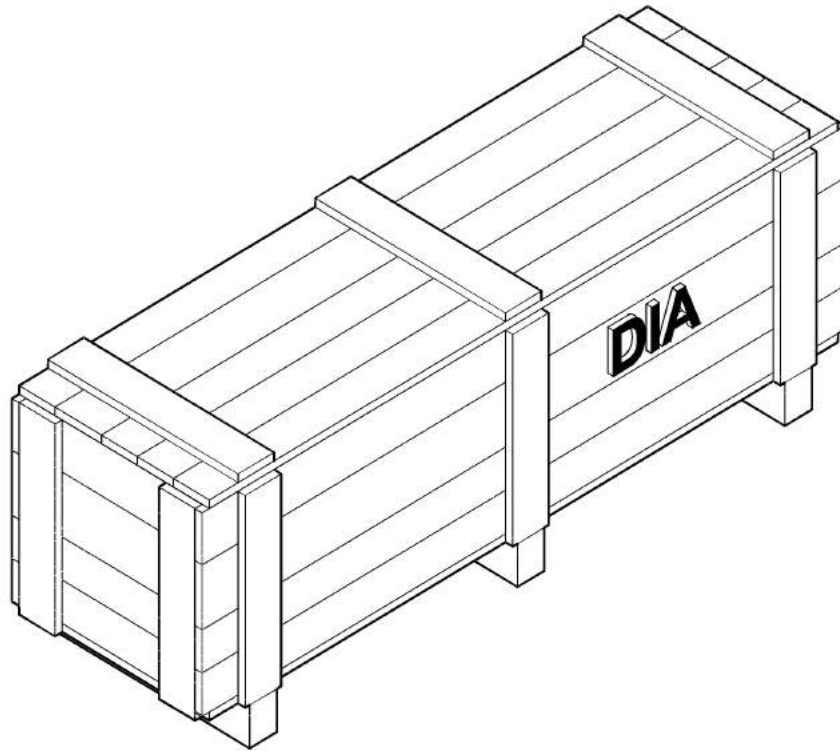
3152-DRAPER HEADER 3162-DRAPER HEADER

88.058.11

p1

9/2016

DIA KIT, CROPLIFTERS STD



DIA KIT, CROPLIFTERS STD

REF FN	PART NUMBER	YR/SN	QTY DESCRIPTION
1	84160118		1 DIA KIT, HARVESTER 25ft, Incl 2, 4
1	84134170		1 DIA KIT, HARVESTER 30ft, Incl 2, 3
1	84143555		1 DIA KIT, HARVESTER 35ft, Incl 2, 4
1	84394255		1 SERVICE KIT 40ft, Incl 2, 4
1	84394256		1 SERVICE KIT 45ft, Incl 2, 4
2	84134152		24 SERVICE KIT 25ft
2	84134152		29 SERVICE KIT 30ft
2	84134152		34 SERVICE KIT 35ft
2	84134152		39 SERVICE KIT 40ft
2	84134152		44 SERVICE KIT 45ft
3	NSS		2 NOT SOLD SEPARAT Crop Lifter, Support
4	NSS		1 NOT SOLD SEPARAT Crop Lifter, Support

3152-DRAPER HEADER

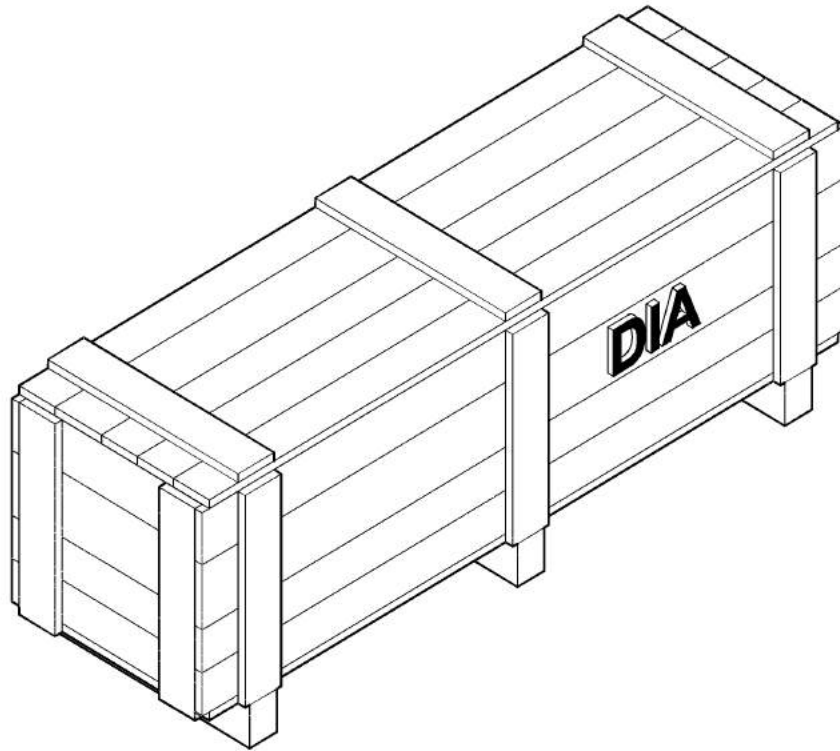
88.058.12

01

p1

9/2016

VERTICAL KNIFE KIT, 25FT - 45FT

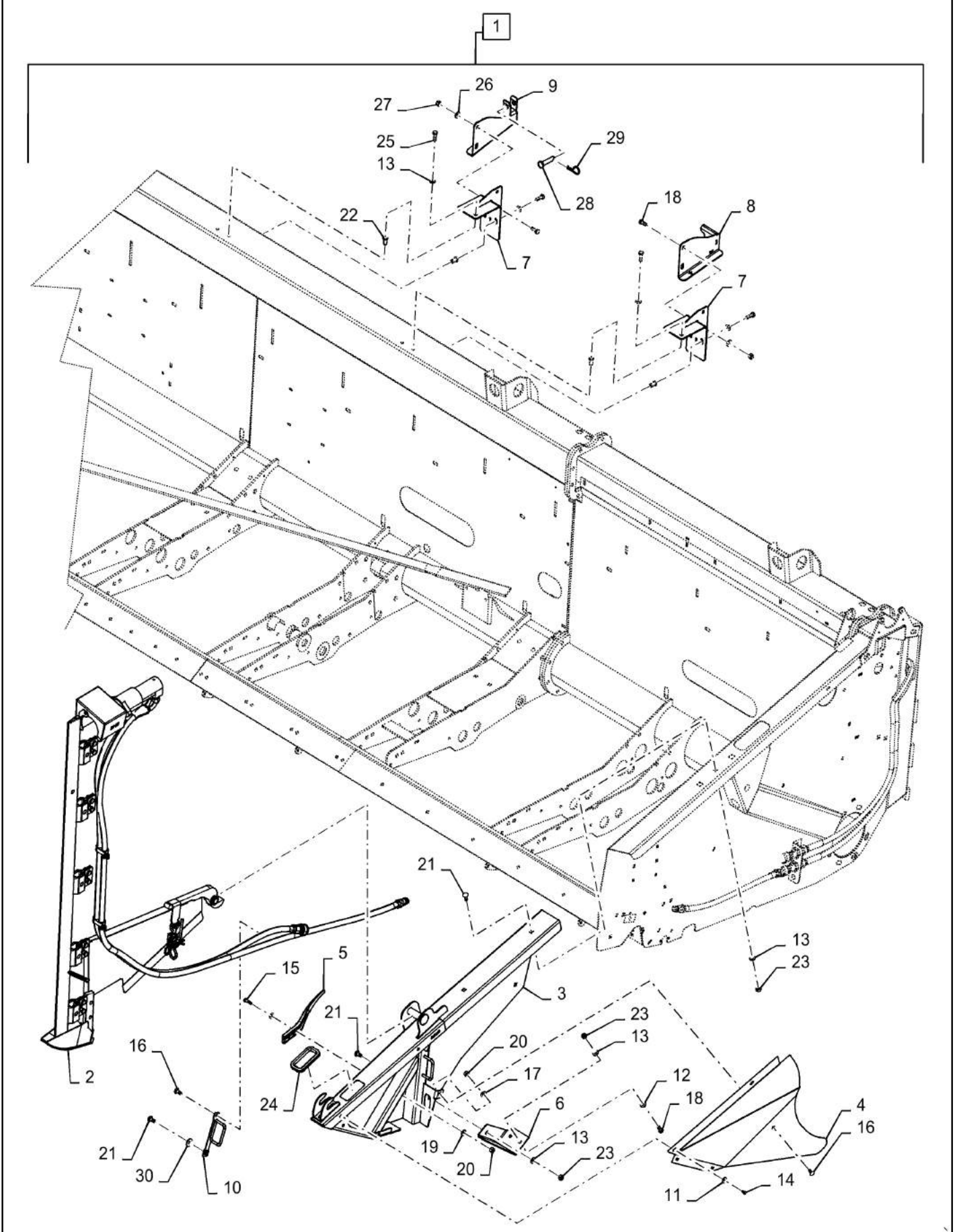


VERTICAL KNIFE KIT, 25FT - 45FT

REF FN	PART NUMBER	YR/SN	QTY DESCRIPTION
1	47475432		1 DIA KIT, HARVESTER Vertical Knife, 25ft, Incl 2 - 5
1	47475434		1 DIA KIT, HARVESTER Vertical Knife, 30ft, Incl 2 - 5, 7 - 8
1	47475436		1 DIA KIT, HARVESTER Vertical Knife, 35ft, Incl 2 - 4, 6, 8
1	47475438		1 DIA KIT, HARVESTER Vertical Knife, 40ft, Incl 2 - 4, 6 - 8
1	47475440		1 DIA KIT, HARVESTER Vertical Knife, 45ft, Incl 2 - 4, 6 - 8
2	84590097		1 SERVICE KIT Vertical Knife, LH
3	84590095		1 SERVICE KIT Vertical Knife, RH
4	47490298		1 SERVICE KIT Wire Harness, Vertical Knives Draper
5	47460117		1 SERVICE KIT Hydraulic Vertical Knives
6	47460118		1 SERVICE KIT Hydraulic Vertical Knives
7	47460120		1 SERVICE KIT Hydraulic Extension
8	84258949		1 DIA KIT, HARVESTER Vertical Knife, 88 Seies Parts

3152-DRAPER HEADER 3162-DRAPER HEADER

KNIFE, DIA KIT LH, 25, 30, 35, 40, 45 FT



KNIFE, DIA KIT LH, 25, 30, 35, 40, 45 FT

REF FN	PART NUMBER	YR/SN	QTY DESCRIPTION
1	84590097		1 SERVICE KIT LH, Incl 2 - 30
2	{47460092}		1 LH
3	47460105		1 PLATE Side, LH
4	47460109		1 SHIELD LH
5	87488952		1 DEFLECTOR Crop
6	47460085		1 REINFORCEMENT LH
7	47488457		2 PLATE Mounting
8	84231207		1 SUPPORT
9	84206536		1 BRACKET, SUPPORTING
10	47496039		1 BRACKET
11	412653		4 BELLEVILLE WASHER M6 Bolt Size x 12mm OD x 1.2mm Thk
12	86624176		2 WASHER 11mm ID x 20mm OD x 2mm Thk
13	140045		14 BELLEVILLE WASHER M10 Bolt Size x 22mm OD x 1.6mm Thk
14	86977726		4 BOLT Hex, M6 x 12mm, CI 8.8
15	43128		2 BOLT M8 x 1.25 x 30mm, CI 8.8
16	86507486		2 CARRIAGE BOLT M8 x 1.25 x 20mm, CI 8.8
17	86624184		3 WASHER 9mm ID x 16mm OD x 1.6mm Thk
18	43139		6 BOLT M10 x 1.5 x 25mm, CI 8.8
19	322358		2 BELLEVILLE WASHER M8 Bolt Size x 18mm OD x 1.4mm Thk
20	86629542		3 NUT M8 x 1.25, CI 8.8
21	86633356		5 CARRIAGE BOLT M10 x 34.8mm, CI 8.8
22	84214045		8 RIVET Flat, M10 OD x 25.75mm L
23	86500689		6 NUT M10 x 1.5, CI 10
24	291186		AR PROTECTION STRIP 9.9mm W
25	43140		8 BOLT Hex, M10 x 1.5 x 30mm, CI 8.8
26	378244		4 WASHER 10.5mm ID x 24mm OD x 2mm Thk
27	100037		4 LOCK NUT M10 x 1.5, CI 8
28	383420		1 CLEVIS PIN M12 x 55
29	370539		1 COTTER PIN 4.4mm x 52.8mm L
30	86642464		1 WASHER 11mm ID x 30mm OD x 2.5mm Thk

3152-DRAPER HEADER 3162-DRAPER HEADER

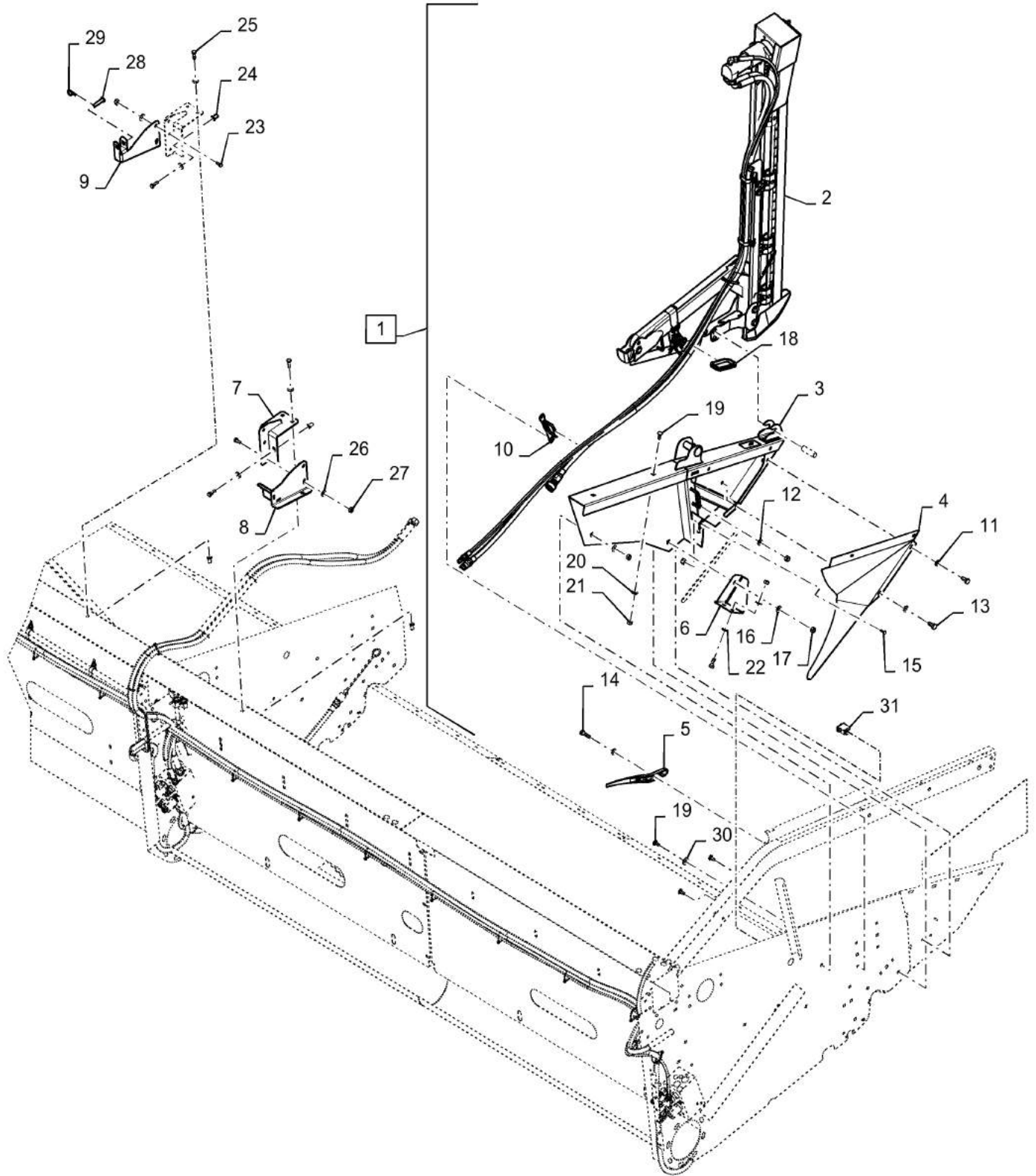
88.058.12

03

p1

9/2016

KNIFE, DIA KIT RH, 25, 30, 35, 40, 45 FT

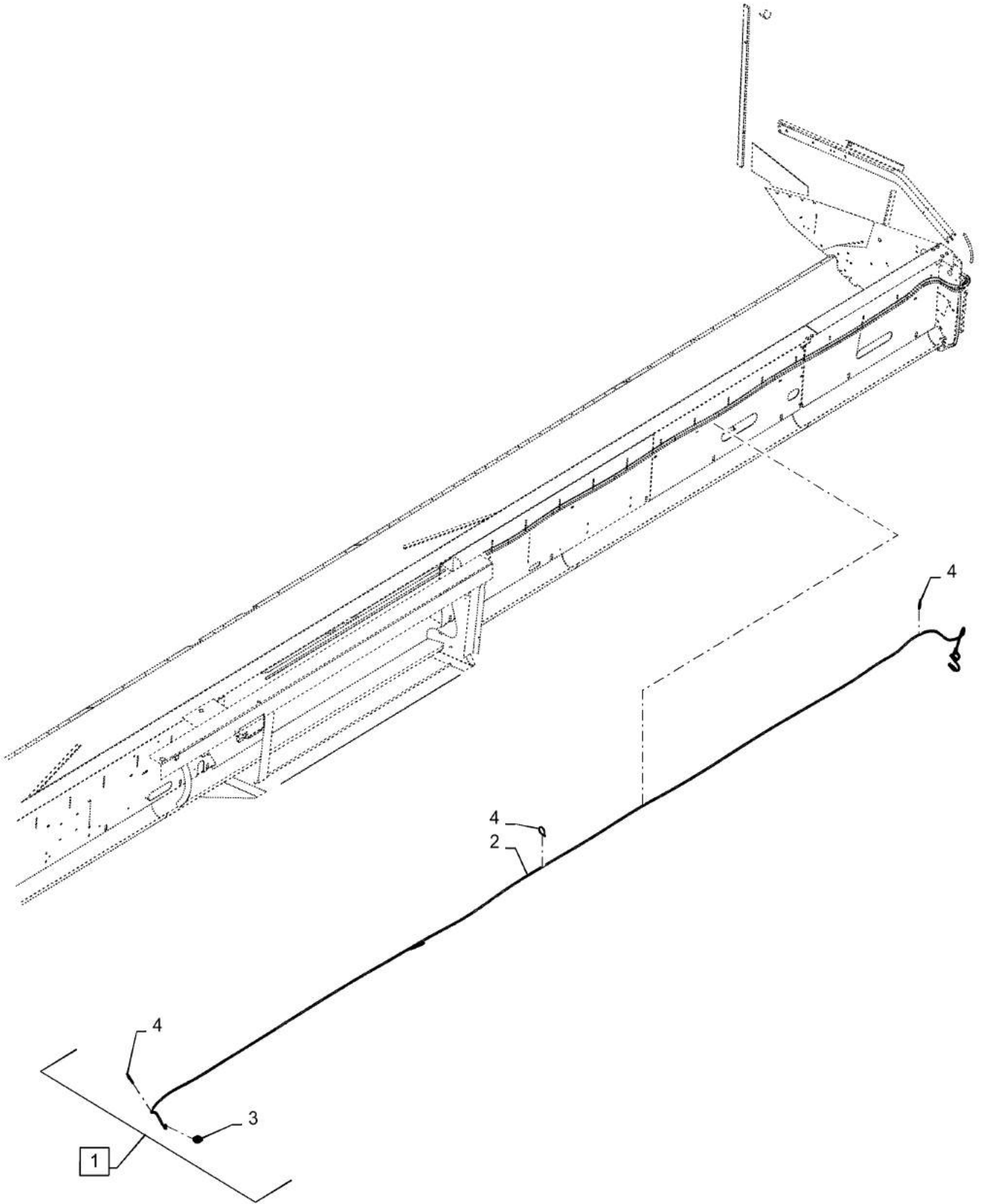


KNIFE, DIA KIT RH, 25, 30, 35, 40, 45 FT

REF FN	PART NUMBER	YR/SN	QTY DESCRIPTION
1	84590095		1 SERVICE KIT
2	{47460078}		1 RH
3	47414909		1 PLATE Side, RH
4	47450752		1 SHIELD RH
5	87488952		1 DEFLECTOR Crop
6	47460084		1 SUPPORT RH
7	47488457		2 PLATE
8	84231210		1 SUPPORT
9	84204592		1 BRACKET, SUPPORTING
10	47496039		1 BRACKET
11	412653		4 BELLEVILLE WASHER M6 Bolt Size x 12mm OD x 1.2mm Thk
12	86624184		3 WASHER 9mm ID x 16mm OD x 1.6mm Thk
13	86977726		4 BOLT Hex, M6 x 12mm, CI 8.8
14	43128		2 BOLT M8 x 1.25 x 30mm, CI 8.8
15	86507486		2 CARRIAGE BOLT M8 x 1.25 x 20mm, CI 8.8
16	322358		2 BELLEVILLE WASHER M8 Bolt Size x 18mm OD x 1.4mm Thk
17	86629542		3 NUT M8 x 1.25, CI 8.8
18	291186		AR PROTECTION STRIP 9.9mm W
19	86633356		5 CARRIAGE BOLT M10 x 34.8mm, CI 8.8
20	140045		14 BELLEVILLE WASHER M10 Bolt Size x 22mm OD x 1.6mm Thk
21	86500689		6 NUT M10 x 1.5, CI 10
22	86624176		2 WASHER 11mm ID x 20mm OD x 2mm Thk
23	43139		6 BOLT M10 x 1.5 x 25mm, CI 8.8
24	84214045		8 RIVET Flat, M10 OD x 25.75mm L
25	43140		8 BOLT Hex, M10 x 1.5 x 30mm, CI 8.8
26	378244		4 WASHER 10.5mm ID x 24mm OD x 2mm Thk
27	100037		4 LOCK NUT M10 x 1.5, CI 8
28	383420		1 CLEVIS PIN M12 x 55
29	370539		1 COTTER PIN 4.4mm x 52.8mm L
30	86642464		1 WASHER 11mm ID x 30mm OD x 2.5mm Thk

3152-DRAPER HEADER

WIRE HARNESS, VERTICAL KNIFE, 20, 30, 35, 40, 45 FT



88.058.12

04

p1

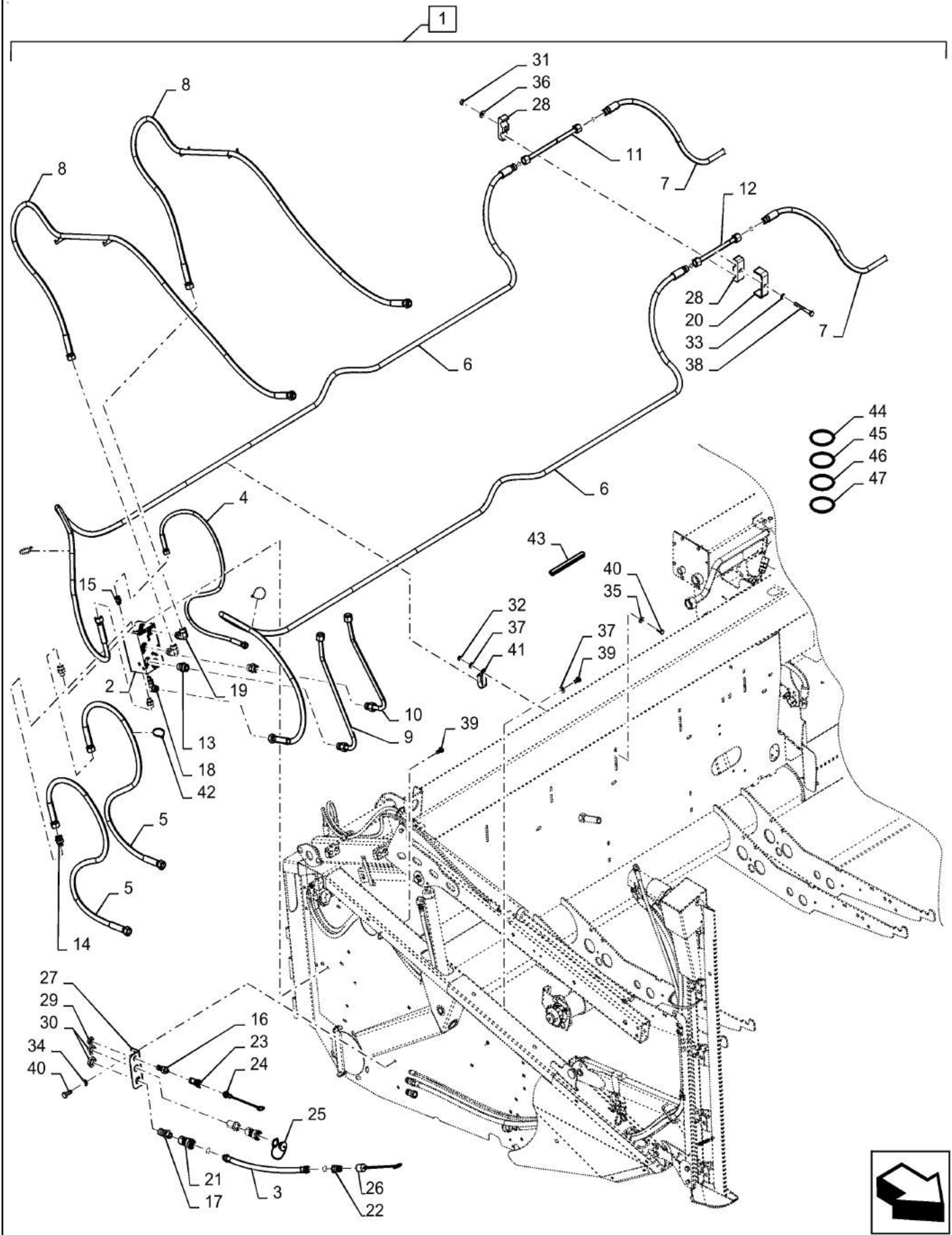
9/2016

WIRE HARNESS, VERTICAL KNIFE, 20, 30, 35, 40, 45 FT

REF FN	PART NUMBER	YR/SN	QTY DESCRIPTION
1	47490298		1 SERVICE KIT Incl 2 - 4
2	47488724		1 WIRE HARNESS
3	84280824		1 WIRE CONNECTOR
4	86566989		24 CABLE TIE 208mm L

3152-DRAPER HEADER 3162-DRAPER HEADER

HYDRAULIC SYSTEM, VERTICAL KNIFE, 25, 30 FT

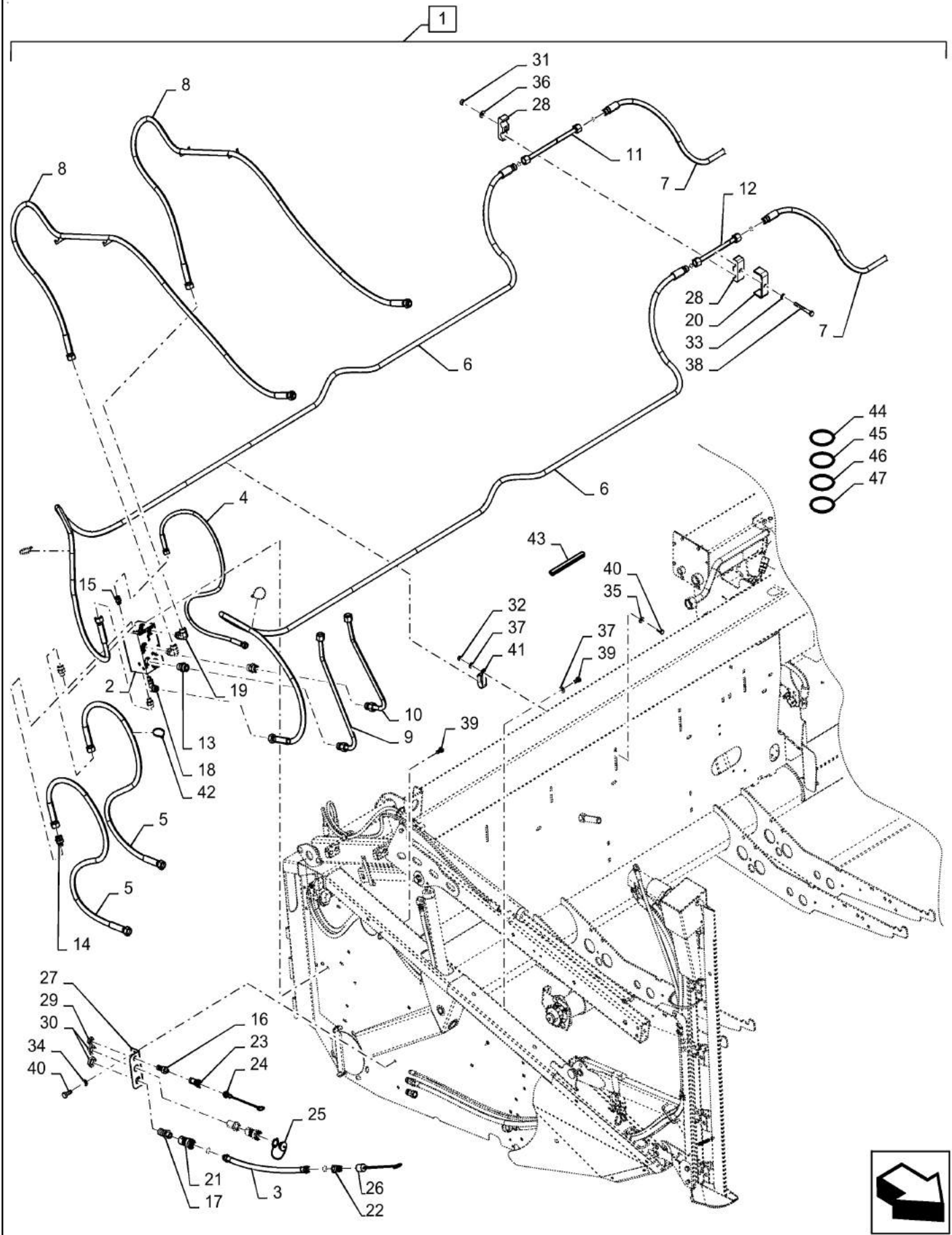


HYDRAULIC SYSTEM, VERTICAL KNIFE, 25, 30 FT

REF FN	PART NUMBER	YR/SN	QTY DESCRIPTION
1	47460117		1 SERVICE KIT Incl 2 - 43
2	84161894		1 HYDRAULIC VALVE
3	47405008		2 HOSE Incl 3
4	47405570		1 HOSE
5	47405566		2 HOSE
6	47460124		2 HOSE Incl 45
7	47460125		2 HOSE Incl 45
8	47460123		2 HOSE
9	84241720		1 HYD TUBE 16 mm OD
10	84241724		1 HYD TUBE 16 mm OD
11	47384989		1 TUBE Assy
12	47405372		1 TUBE Assy
13	86579680		2 HYD CONNECTOR 1"-14 ORFS x M22 x 1.5mm ORB Incl 45, 47
14	86579679		3 HYD CONNECTOR 1"-14 ORFS x M18 x 1.5 ORB Incl 45, 46
15	86579671		1 HYD CONNECTOR 1 1/16" - 16 ORFS x M14 x 1.5 ORB
16	87381297		1 HYD CONNECTOR
17	87381299		4 HYD CONNECTOR
18	86579693		1 ELBOW 90°, 1"-14 ORFS x M18 x 1.5 ORB Incl 45, 46
19	86579694		2 ELBOW 90°, 1"-14 ORFS x M22 x 1.5 ORB Incl 45, 47
20	84814948		2 SUPPORT
21	86592079		4 COUPLING, QUICK, FEM
22	86592080		4 QUICK MALE COUPLING
23	86592081		1 COUPLING, QUICK, FEM
24	86592085		1 DUST CAP
25	86592083		2 DUST CAP
26	86621124		2 DUST CAP
27	47386310		2 PLATE
28	430356		4 CLAMP
29	87010704		1 BHD LOCK NUT 1 1/16"-16
30	86639085		4 BHD LOCK NUT 1"-14, Bulkhead

3152-DRAPER HEADER

HYDRAULIC SYSTEM, VERTICAL KNIFE, 25, 30 FT

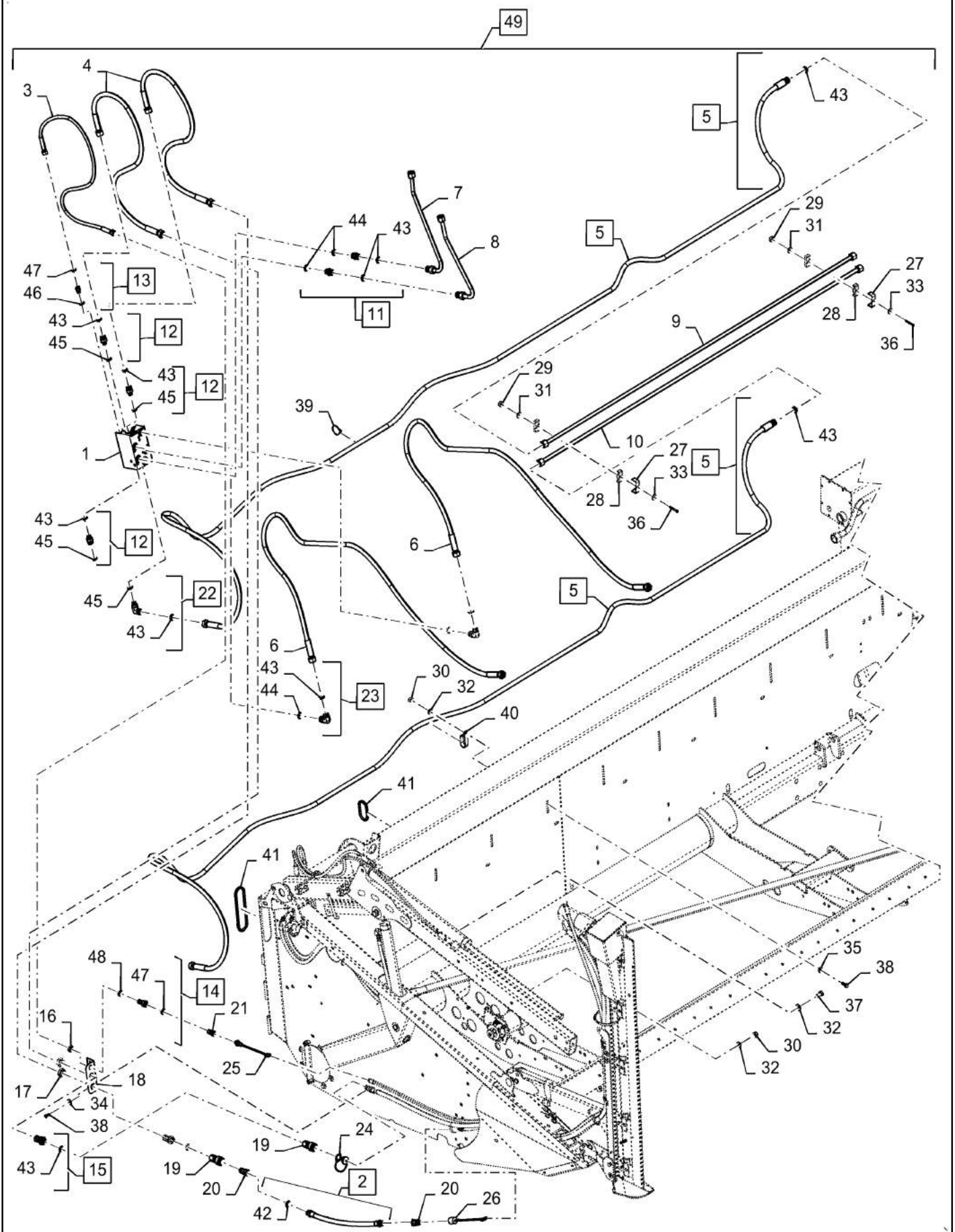


HYDRAULIC SYSTEM, VERTICAL KNIFE, 25, 30 FT

REF FN	PART NUMBER	YR/SN	QTY DESCRIPTION
31	9706755		2 NUT M6, CI 8
32	9706690		18 NUT M8 x 1.25, CI 8
33	86588450		2 WASHER 6.6mm ID x 12mm OD x 1.6mm Thk
34	86624184		4 WASHER 9mm ID x 16mm OD x 1.6mm Thk
35	86625263		14 WASHER 9mm ID x 20mm OD x 1.6mm Thk
36	322357		2 BELLEVILLE WASHER M6 Bolt Size x 14mm OD x 1.3mm Thk
37	322358		22 BELLEVILLE WASHER M8 Bolt Size x 18mm OD x 1.4mm Thk
38	120056		2 BOLT M6 x 1.0 x 54.15mm, CI 8.8
39	86624003		4 BOLT Hex, M8 x 14mm, CI 8.8, Full Thd
40	120104		18 BOLT Hex, M8 x 1.25 x 20mm, CI 8.8
41	600427		14 CLAMP 25.4mm, Coat, 8.7mm Bolt Hole, P Type
42	86566989		10 CABLE TIE 208mm L
43	291525		AR EDGE Double Lip, .39" x .52"
44	167269		4 O-RING 0.097" Thk x 0.755" ID, -910, CI 6, 90 Duro Incl 3
45	9992069		18 O-RING 0.07" Thk x 0.614" ID, -16, CI 6, 90 Duro Incl 6, 7, 13, 14, 17, 18
46	86598101		4 O-RING 2.2mm Thk x 15.3mm ID, CI 6, 90 Duro Incl 14, 18
47	86598102		4 O-RING 2.2mm Thk x 19.3mm ID, CI 6, 90 Duro Incl 13, 19

3152-DRAPER HEADER

HYDRAULIC SYSTEM, VERTICAL KNIFE, 35, 40, 45 FT

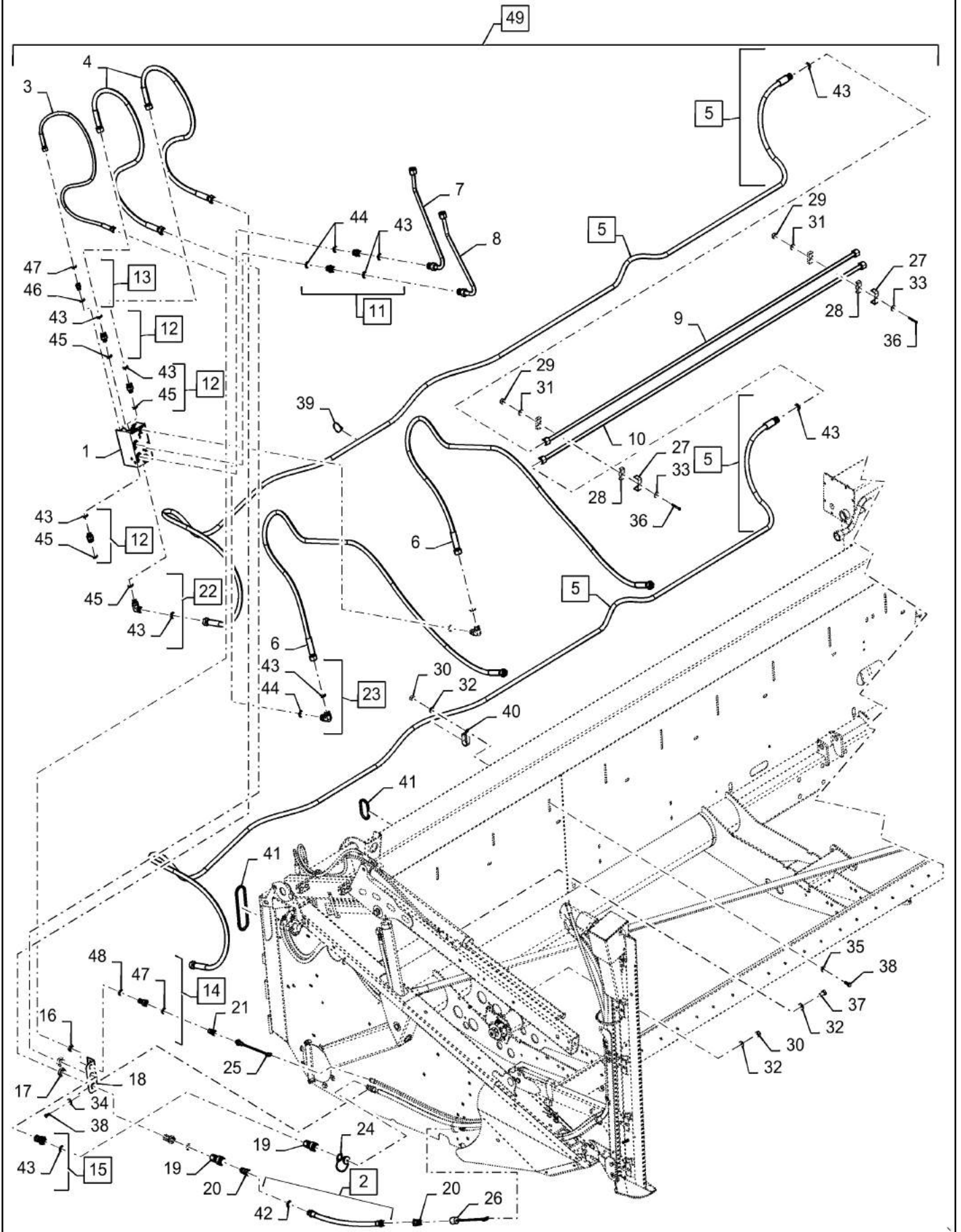


HYDRAULIC SYSTEM, VERTICAL KNIFE, 35, 40, 45 FT

REF FN	PART NUMBER	YR/SN	QTY DESCRIPTION
1	84161894		1 HYDRAULIC VALVE
2	47405008		2 HOSE Incl 42
3	47405570		1 HOSE
4	47405566		2 HOSE
5	47460126		4 HOSE Incl 43
6	47460123		2 HOSE
7	84241720		1 HYD TUBE 16 mm OD
8	84241724		1 HYD TUBE 16 mm OD
9	47384989		1 TUBE
10	47405372		1 TUBE
11	86579680		2 HYD CONNECTOR 1"-14 ORFS x M22 x 1.5mm ORB Incl 43, 44
12	86579679		3 HYD CONNECTOR 1"-14 ORFS x M18 x 1.5 ORB Incl 43, 45
13	86579671		1 HYD CONNECTOR 11/16" - 16 ORFS x M14 x 1.5 ORB Incl 46, 47
14	87381297		1 HYD CONNECTOR Incl 47, 48
15	87381299		4 HYD CONNECTOR Incl 43
16	87010704		1 BHD LOCK NUT 11/16"-16
17	86639085		4 BHD LOCK NUT 1"-14, Bulkhead
18	47386310		2 PLATE
19	86592079		4 COUPLING, QUICK, FEM
20	86592080		4 QUICK MALE COUPLING
21	86592081		1 COUPLING, QUICK, FEM
22	86579693		1 ELBOW 90°, 1"-14 ORFS x M18 x 1.5 ORB Incl 43, 45
23	86579694		2 ELBOW 90°, 1"-14 ORFS x M22 x 1.5 ORB Incl 43, 44
24	86592083		2 DUST CAP
25	86592085		1 DUST CAP
26	86621124		2 DUST CAP
27	84814948		2 SUPPORT
28	430356		4 CLAMP
29	9706755		2 NUT M6, CI 8
30	9706690		22 NUT M8 x 1.25, CI 8

3152-DRAPER HEADER 3162-DRAPER HEADER

HYDRAULIC SYSTEM, VERTICAL KNIFE, 35, 40, 45 FT



HYDRAULIC SYSTEM, VERTICAL KNIFE, 35, 40, 45 FT

REF FN	PART NUMBER	YR/SN	QTY DESCRIPTION
31	322357		2 BELLEVILLE WASHER M6 Bolt Size x 14mm OD x 1.3mm Thk
32	322358		26 BELLEVILLE WASHER M8 Bolt Size x 18mm OD x 1.4mm Thk
33	86588450		2 WASHER 6.6mm ID x 12mm OD x 1.6mm Thk
34	86624184		4 WASHER 9mm ID x 16mm OD x 1.6mm Thk
35	86625263		18 WASHER 9mm ID x 20mm OD x 1.6mm Thk
36	120056		2 BOLT M6 x 1.0 x 54.15mm, CI 8.8
37	86624003		4 BOLT Hex, M8 x 14mm, CI 8.8, Full Thd
38	120104		22 BOLT Hex, M8 x 1.25 x 20mm, CI 8.8
39	86566989		14 CABLE TIE 208mm L
40	600427		18 CLAMP 25.4mm, Coat, 8.7mm Bolt Hole, P Type
41	291525		AR EDGE Double Lip, .39" x .52"
42	167269		4 O-RING 0.097" Thk x 0.755" ID, -910, CI 6, 90 Duro Incl 2
43	9992069		16 O-RING 0.07" Thk x 0.614" ID, -16, CI 6, 90 Duro Incl 5, 11, 12, 15, 22, 23
44	86598102		4 O-RING 2.2mm Thk x 19.3mm ID, CI 6, 90 Duro Incl 11, 23
45	86598101		4 O-RING 2.2mm Thk x 15.3mm ID, CI 6, 90 Duro Incl 12, 22
46	86598099		1 O-RING 2.2mm Thk x 11.3mm ID, CI 6 Incl 13
47	9993141		2 O-RING 0.07" Thk x 0.364" ID, -12, CI 6, 90 Duro Incl 13, 14
48	9825770		1 O-RING 0.07" Thk x 0.301" ID, -11, CI 6, 90 Duro Incl 14
49	47460118		1 SERVICE KIT Incl 1 - 48

3152-DRAPER HEADER 3162-DRAPER HEADER

88.058.12

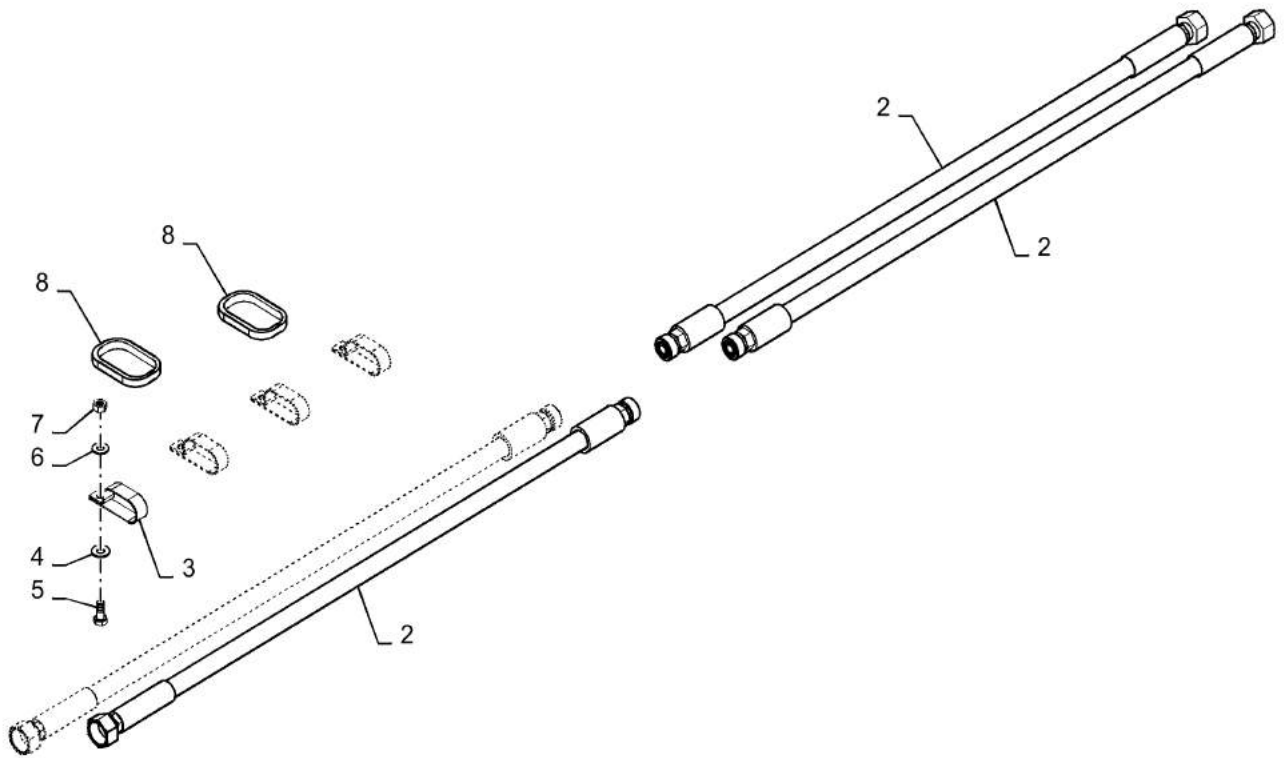
07

p1

9/2016

HYDRAULIC HOSE, 30, 40, 45 FT

1



88.058.12

07

p1

9/2016

HYDRAULIC HOSE, 30, 40, 45 FT

REF FN	PART NUMBER	YR/SN	QTY DESCRIPTION
1	47460120		1 SERVICE KIT Incl 2 - 8
2	47460128		4 HOSE
3	600427		4 CLAMP 25.4mm, Coat, 8.7mm Bolt Hole, P Type
4	86625263		4 WASHER 9mm ID x 20mm OD x 1.6mm Thk
5	120104		4 BOLT Hex, M8 x 1.25 x 20mm, Cl 8.8
6	322358		4 BELLEVILLE WASHER M8 Bolt Size x 18mm OD x 1.4mm Thk
7	9706690		4 NUT M8 x 1.25, Cl 8
8	291525		AR EDGE Double Lip, .39" x .52"

3152-DRAPER HEADER 3162-DRAPER HEADER

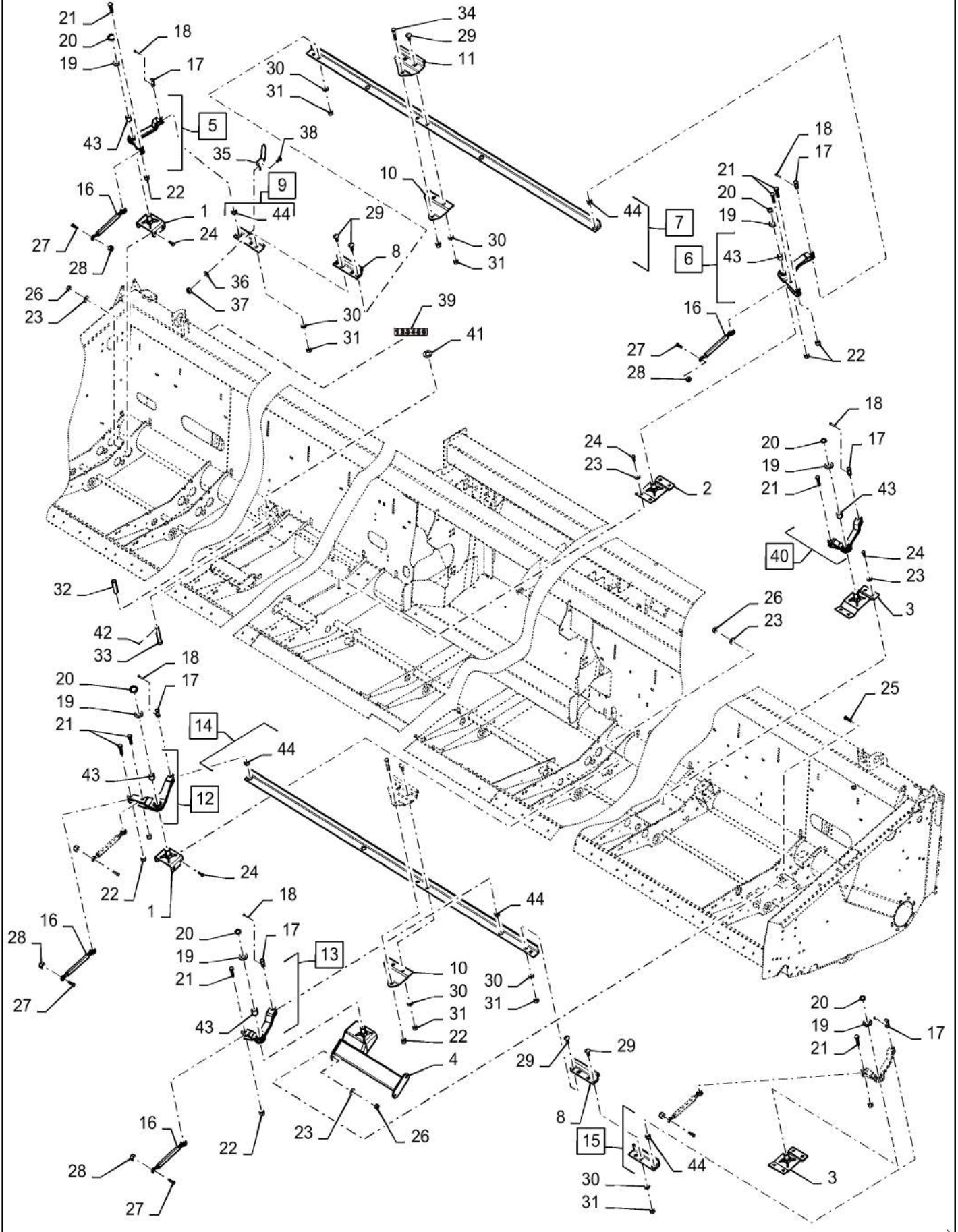
88.058.13

01

p1

9/2016

DIA KIT, 30FT SUSPENSION, CAB, ASN YEH040352



DIA KIT, 30FT SUSPENSION, CAB, ASN YEH040352

REF FN	PART NUMBER	YR/SN	QTY DESCRIPTION
1	84566747		3 PIVOT
2	84566918		2 PIVOT
3	84569225		2 PIVOT
4	84585943		1 TUBE
5	47427321		3 ARM Assy, Incl 43
6	47429512		1 ARM Assy, Incl 43
7	84567287		1 ANGLE Incl 44
8	47428630		2 BRACKET
9	47357051		1 ANGLE Incl 44
10	47569455		2 LINKAGE
11	47569412		2 BRACKET
12	47427373		1 ARM Assy, Incl 43
13	47427323		2 ARM Assy, Incl 43
14	47357068		1 ANGLE Incl 44
15	47357075		1 ANGLE Incl 44
16	84568606		10 ADJUSTER
17	84568432		8 CLEVIS PIN 19.5mm OD x 52mm L
18	412687		8 COTTER PIN 6.3mm OD x 32mm OAL
19	14497531		8 WASHER 31mm ID x 56mm OD x 4mm Thk
20	370003		8 SNAP RING M30, External
21	323866		10 BOLT Hex, M16 x 2.0 x 60mm, CI 8.8
22	86000441		12 NUT M16 x 2.0, CI 8
23	140046		30 BELLEVILLE WASHER M12 Bolt Size x 27mm OD x 1.8mm Thk
24	9706687		28 BOLT M12 x 1.75 x 30mm, CI 8.8
25	120080		2 BOLT Hex, M12 x 45, 8.8
26	9706685		13 NUT M12 x 1.75, CI 8
27	86629541		10 BOLT Hex, M12 x 1.75 x 40mm, CI 8.8
28	100038		10 NUT M12 x 1.75, CI 8
29	86595832		12 CARRIAGE BOLT Sht Sq Nk, M16 x 40mm, CI 8.8, Full Thd
30	140048		12 BELLEVILLE WASHER M16 Bolt Size x 32mm OD x 2.8mm Thk

3152-DRAPER HEADER 3162-DRAPER HEADER

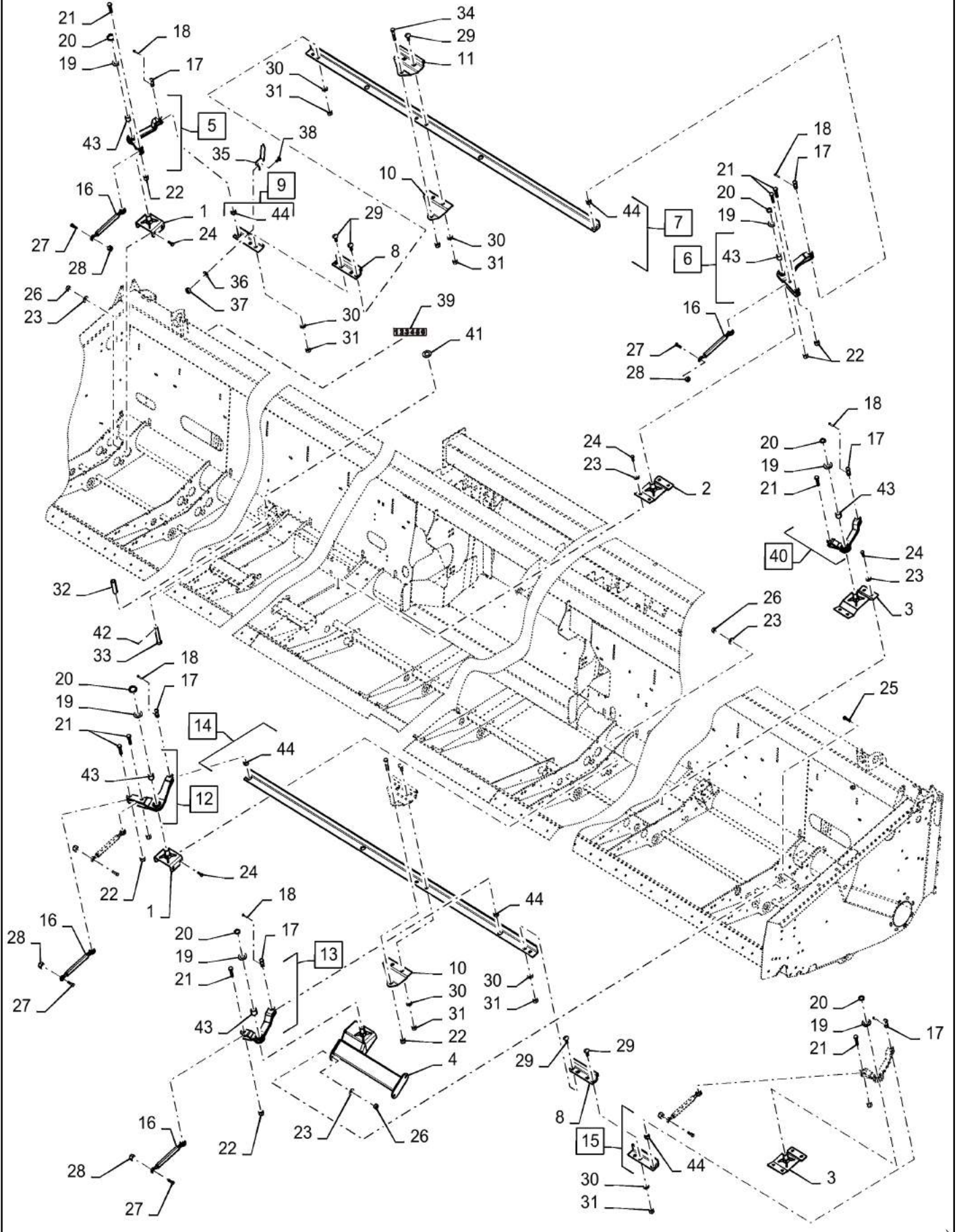
88.058.13

01

p2

9/2016

DIA KIT, 30FT SUSPENSION, CAB, ASN YEH040352



88.058.13

01

p2

9/2016

DIA KIT, 30FT SUSPENSION, CAB, ASN YEH040352

REF FN	PART NUMBER	YR/SN	QTY DESCRIPTION
31	100020		12 NUT M16 x 2.0, CI 8
32	84606129		2 SPACER 16.69mm ID x 22.23mm OD x 77mm L
33	14810275		2 CLEVIS Pin
34	120093		2 BOLT M16 x 2.0 x 90.18mm, CI 8.8
35	47389685		1 INDICATOR
36	322358		1 BELLEVILLE WASHER M8 Bolt Size x 18mm OD x 1.4mm Thk
37	9706690		1 NUT M8 x 1.25, CI 8
38	86507486		1 CARRIAGE BOLT M8 x 1.25 x 20mm, CI 8.8
39	47394724		1 DECAL
40	84579236		1 ARM Assy, Incl 43
41	86632590		2 WASHER 0.66" ID x 1.31" OD x 0.1" Thk
42	130004		2 COTTER PIN 2.9mm OD x 31.4mm OAL
43	210022		10 BUSHING Incl 5, 6, 12, 13, 40
44	NSS		12 NOT SOLD SEPARAT Bushing, Incl in 7, 9, 14 and 15

3152-DRAPER HEADER 3162-DRAPER HEADER

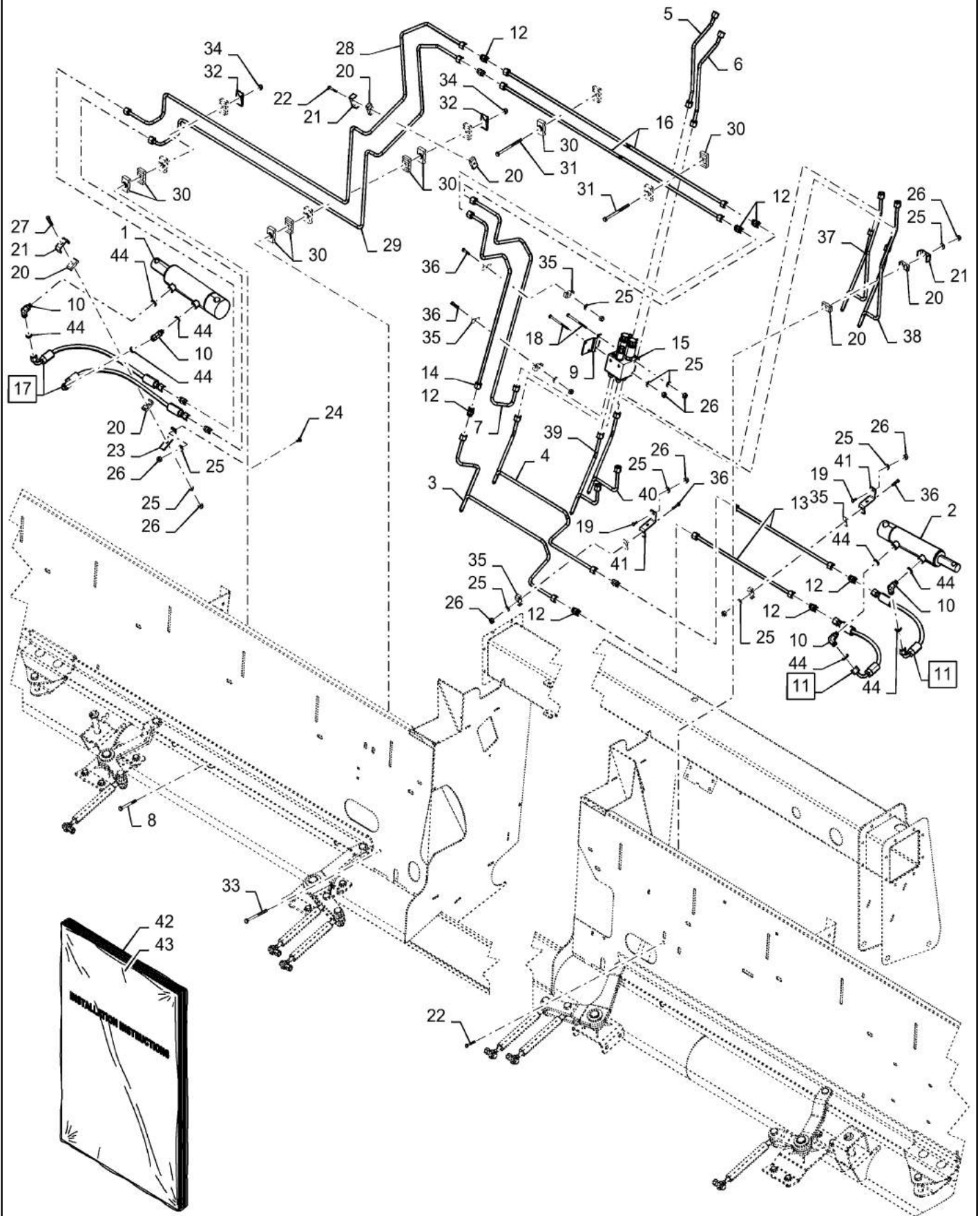
88.058.13

02

p1

9/2016

DIA KIT, 30FT SUSPENSION, CAB, ASN YEH040352



DIA KIT, 30FT SUSPENSION, CAB, ASN YEH040352

REF FN	PART NUMBER	YR/SN	QTY DESCRIPTION
1	84210572		1 HYDRAULIC CYLINDER Double Acting, 38.1mm Rod, 130mm Stroke
2	84210573		1 HYDRAULIC CYLINDER Double Acting, 28.57mm Rod, 130mm Stroke
3	47373245		1 HYD TUBE Assy
4	47373247		1 HYD TUBE Assy
5	47373249		1 HYD TUBE Assy
6	47373253		1 HYD TUBE Assy
7	47373673		1 HYD TUBE Assy
8	331175		1 BOLT Hex, M8 x 1.25 x 75mm, CI 8.8
9	47373287		1 BRACKET
10	86580178		4 ELBOW 90°, 11/16"-16 ORFS x M12 x 1.5 ORB
11	47373699		2 HYDRAULIC HOSE Assy
12	84431546		11 UNION 11/16"-16 ORFS
13	47373675		2 HYD TUBE Assy
14	47392781		1 HYD TUBE Assy
15	84411554		1 MANIFOLD
16	84424348		2 HYD TUBE
17	47373700		2 HYDRAULIC HOSE Assy
18	9850685		2 BOLT Hex, M6 - 1 x 90mm, CI 8.8
19	86508568		2 BOLT Hex, M6 x 1 x 16mm, CI 8.8
20	430357		6 CLAMP
21	431941		3 SUPPORT
22	43118		2 BOLT Hex, M6 x 1.0 x 40mm, CI 8.8
23	47379219		1 BRACKET
24	86512439		1 CARRIAGE BOLT M6 x 16mm, CI 8.8
25	322357		11 BELLEVILLE WASHER M6 Bolt Size x 14mm OD x 1.3mm Thk
26	353308		11 NUT M6 x 1.0, CI 8
27	86977790		1 BOLT Hex, M6 x 45mm, CI 8.8
28	47421703		1 HYD TUBE Assy
29	47421705		1 HYD TUBE Assy
30	87000148		8 CLAMP

3152-DRAPER HEADER 3162-DRAPER HEADER

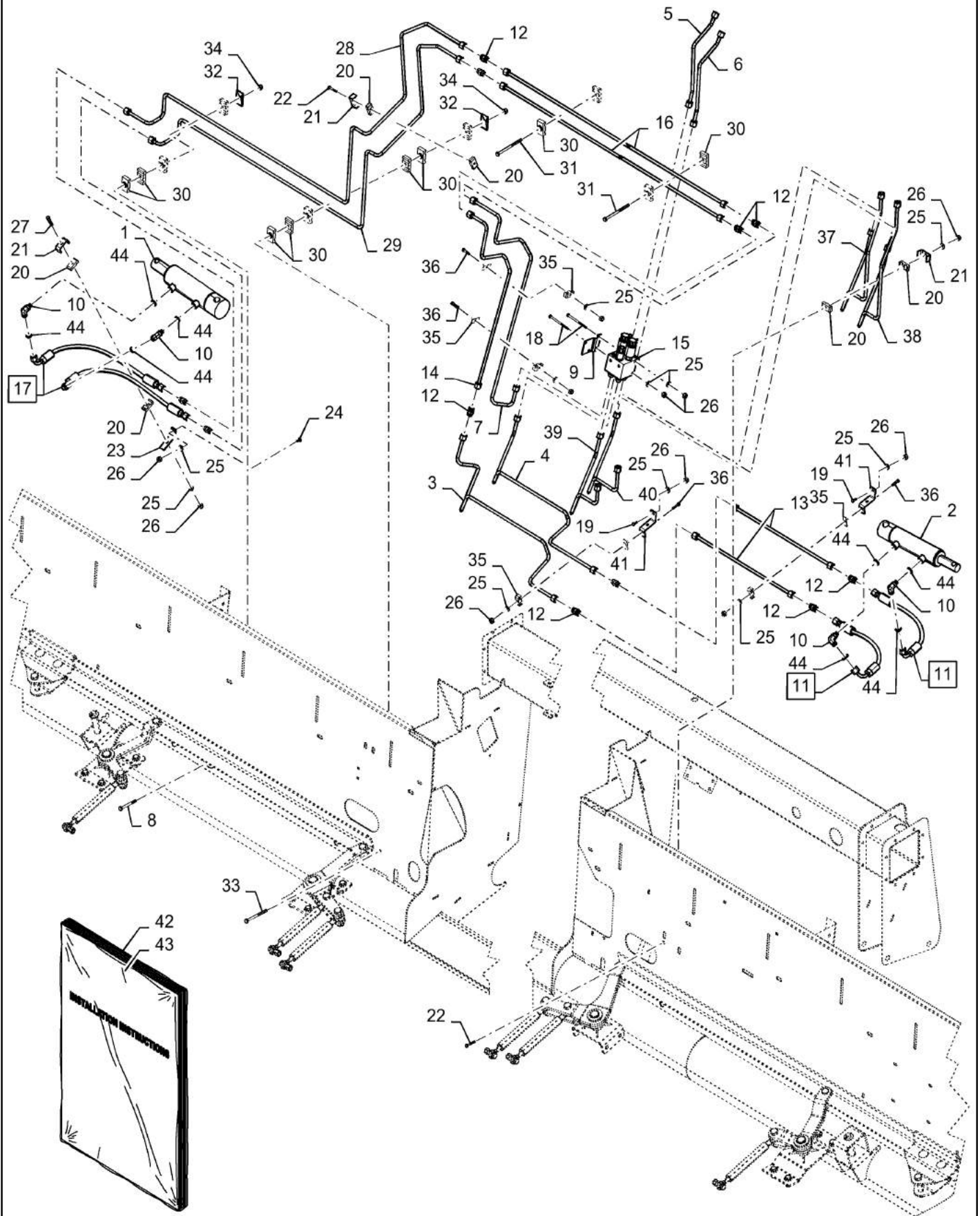
88.058.13

02

p2

9/2016

DIA KIT, 30FT SUSPENSION, CAB, ASN YEH040352



88.058.13

02

p2

9/2016

DIA KIT, 30FT SUSPENSION, CAB, ASN YEH040352

REF FN	PART NUMBER	YR/SN	QTY DESCRIPTION
31	86528166		3 BOLT M8 x 1.25 x 126.58mm, CI 8.8
32	384870A1		2 PLATE Hose Clamp Cover
33	412215		1 BOLT Hex, M8 x 1.25 x 100mm, CI 8.8
34	86629542		2 NUT M8 x 1.25, CI 8.8
35	84484721		4 CLAMP Double
36	43117		4 SCREW Hex, M6 x 1.0 x 30mm, CI 8.8
37	47391590		1 HYD TUBE Assy
38	47391592		1 HYD TUBE Assy
39	47357613		1 HYD TUBE Assy
40	47357615		1 HYD TUBE Assy
41	47396072		2 BRACKET
42	86588108		1 KIT Shrink Wrap
43	47582492		1 INSTRUCTION Insrtuction
44	9993141		8 O-RING 0.07" Thk x 0.364" ID, -12, CI 6, 90 Duro Incl 11, 17

3152-DRAPER HEADER 3162-DRAPER HEADER

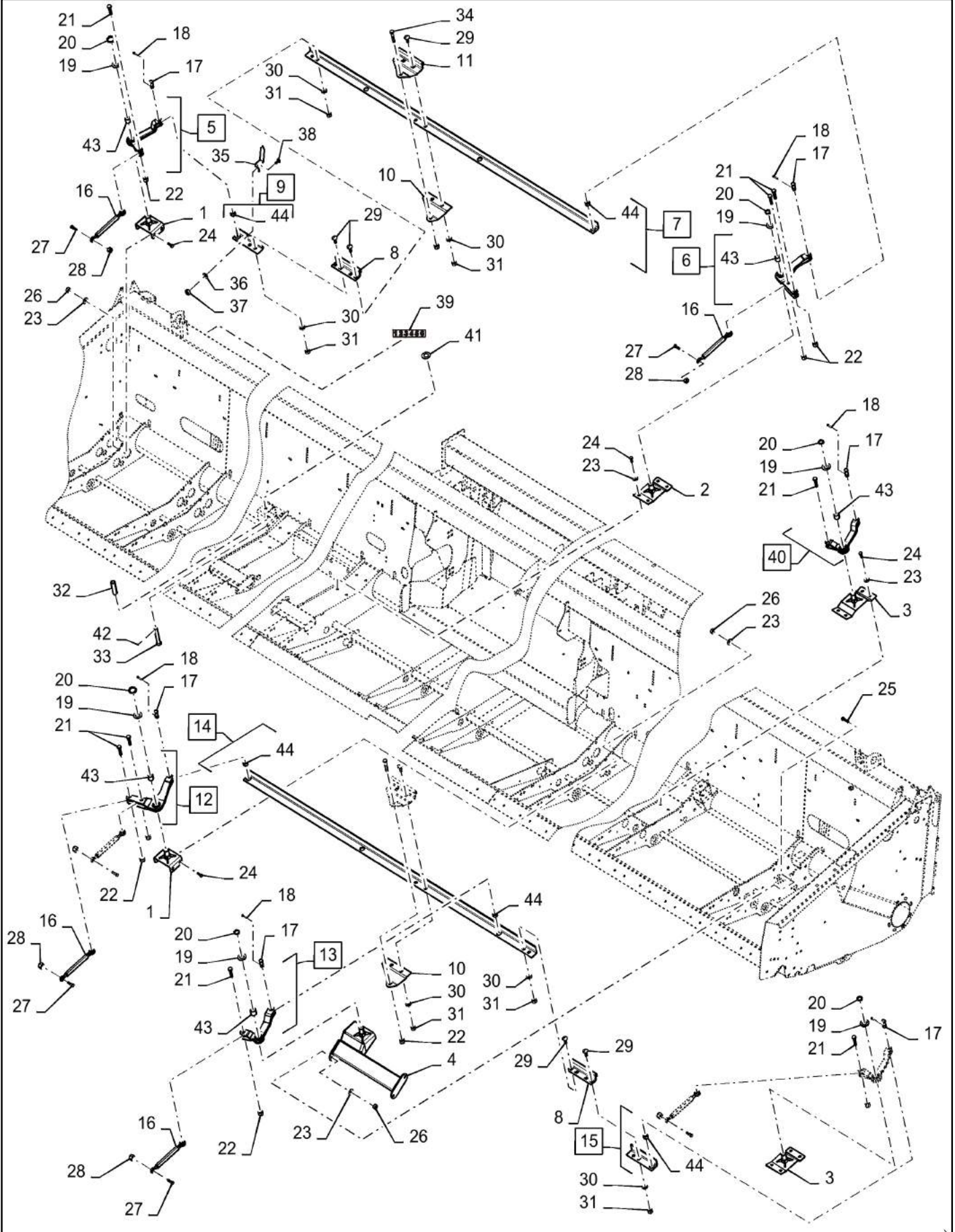
88.058.14

01

p1

9/2016

DIA KIT, 35FT SUSPENSION, CAB, ASN YEH040352



DIA KIT, 35FT SUSPENSION, CAB, ASN YEH040352

REF FN	PART NUMBER	YR/SN	QTY DESCRIPTION
1	84566747		5 PIVOT
2	84566918		2 PIVOT
3	84569225		2 PIVOT
4	84585943		1 TUBE
5	47427321		4 ARM Assy, Incl 43
6	47429512		1 ARM Assy, Incl 43
7	84567287		1 ANGLE Incl 44
8	47428630		2 BRACKET
9	84606951		1 ANGLE Incl 44
10	47569455		2 LINKAGE
11	47569412		2 BRACKET
12	47427373		1 ARM Assy, Incl 43
13	47427323		3 ARM Assy, Incl 43
14	84579289		1 ANGLE Incl 44
15	84606934		1 ANGLE Incl 44
16	84568606		12 ADJUSTER
17	84568432		10 CLEVIS PIN 19.5mm OD x 52mm L
18	412687		10 COTTER PIN 6.3mm OD x 32mm OAL
19	14497531		10 WASHER 31mm ID x 56mm OD x 4mm Thk
20	370003		10 SNAP RING M30, External
21	323866		12 BOLT Hex, M16 x 2.0 x 60mm, CI 8.8
22	86000441		14 NUT M16 x 2.0, CI 8
23	140046		38 BELLEVILLE WASHER M12 Bolt Size x 27mm OD x 1.8mm Thk
24	9706687		36 BOLT M12 x 1.75 x 30mm, CI 8.8
25	120080		2 BOLT Hex, M12 x 45, 8.8
26	9706685		21 NUT M12 x 1.75, CI 8
27	86629541		12 BOLT Hex, M12 x 1.75 x 40mm, CI 8.8
28	100038		12 NUT M12 x 1.75, CI 8
29	86595832		12 CARRIAGE BOLT Sht Sq Nk, M16 x 40mm, CI 8.8, Full Thd
30	140048		12 BELLEVILLE WASHER M16 Bolt Size x 32mm OD x 2.8mm Thk

3152-DRAPER HEADER 3162-DRAPER HEADER

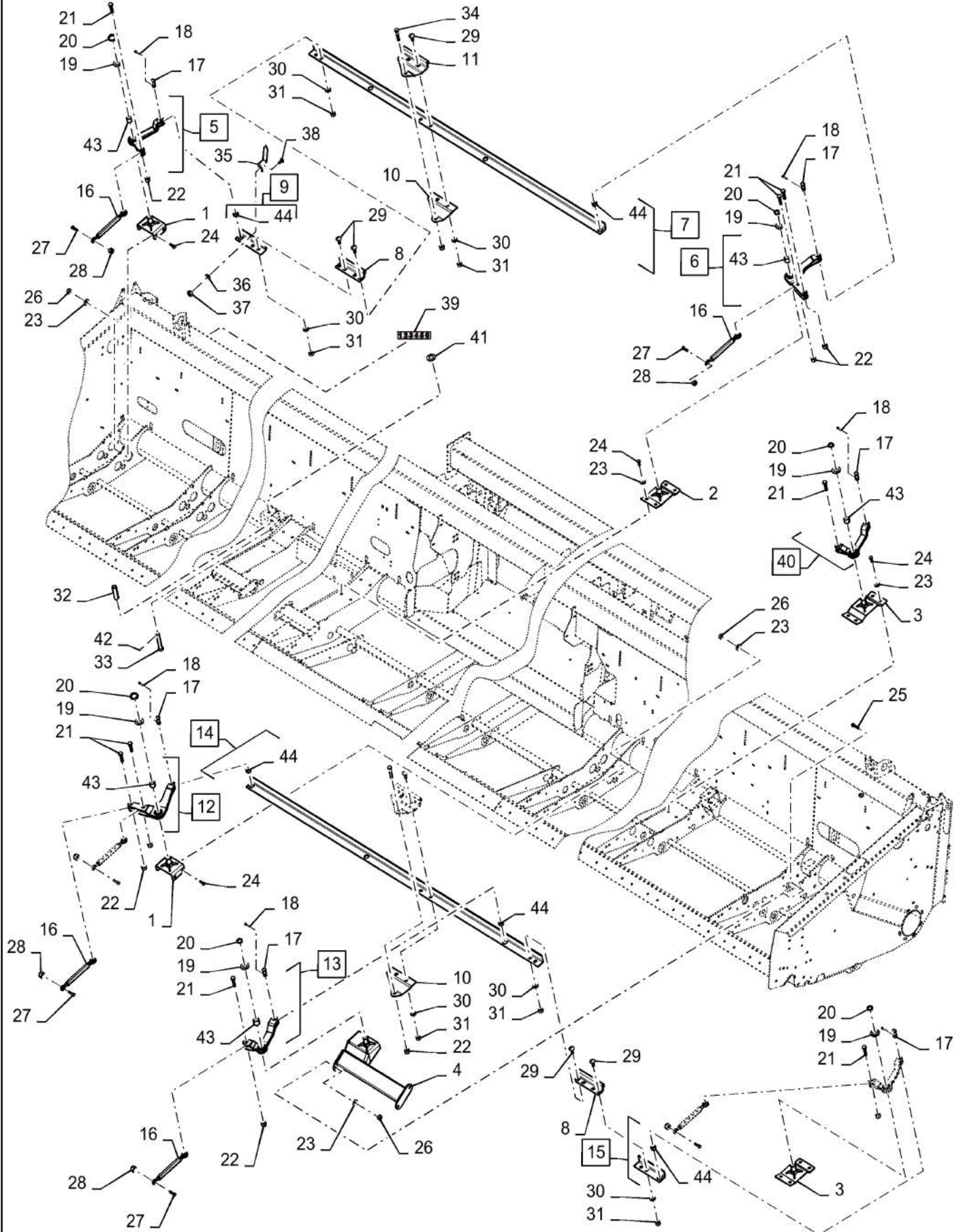
88.058.14

01

p2

9/2016

DIA KIT, 35FT SUSPENSION, CAB, ASN YEH040352



88.058.14

01

p2

9/2016

DIA KIT, 35FT SUSPENSION, CAB, ASN YEH040352

REF FN	PART NUMBER	YR/SN	QTY DESCRIPTION
31	100020		12 NUT M16 x 2.0, CI 8
32	84606129		2 SPACER 16.69mm ID x 22.23mm OD x 77mm L
33	14810275		2 CLEVIS Pin
34	120093		2 BOLT M16 x 2.0 x 90.18mm, CI 8.8
35	47389685		1 INDICATOR
36	322358		1 BELLEVILLE WASHER M8 Bolt Size x 18mm OD x 1.4mm Thk
37	9706690		1 NUT M8 x 1.25, CI 8
38	86507486		1 CARRIAGE BOLT M8 x 1.25 x 20mm, CI 8.8
39	47394724		1 DECAL
40	84579236		1 ARM Assy, Incl 43
41	86632590		2 WASHER 0.66" ID x 1.31" OD x 0.1" Thk
42	130004		2 COTTER PIN 2.9mm OD x 31.4mm OAL
43	210022		10 BUSHING Incl 5, 6,12, 13, 40
44	NSS		12 NOT SOLD SEPARAT Bushing, Incl in 7, 9, 14 and 15

3152-DRAPER HEADER 3162-DRAPER HEADER

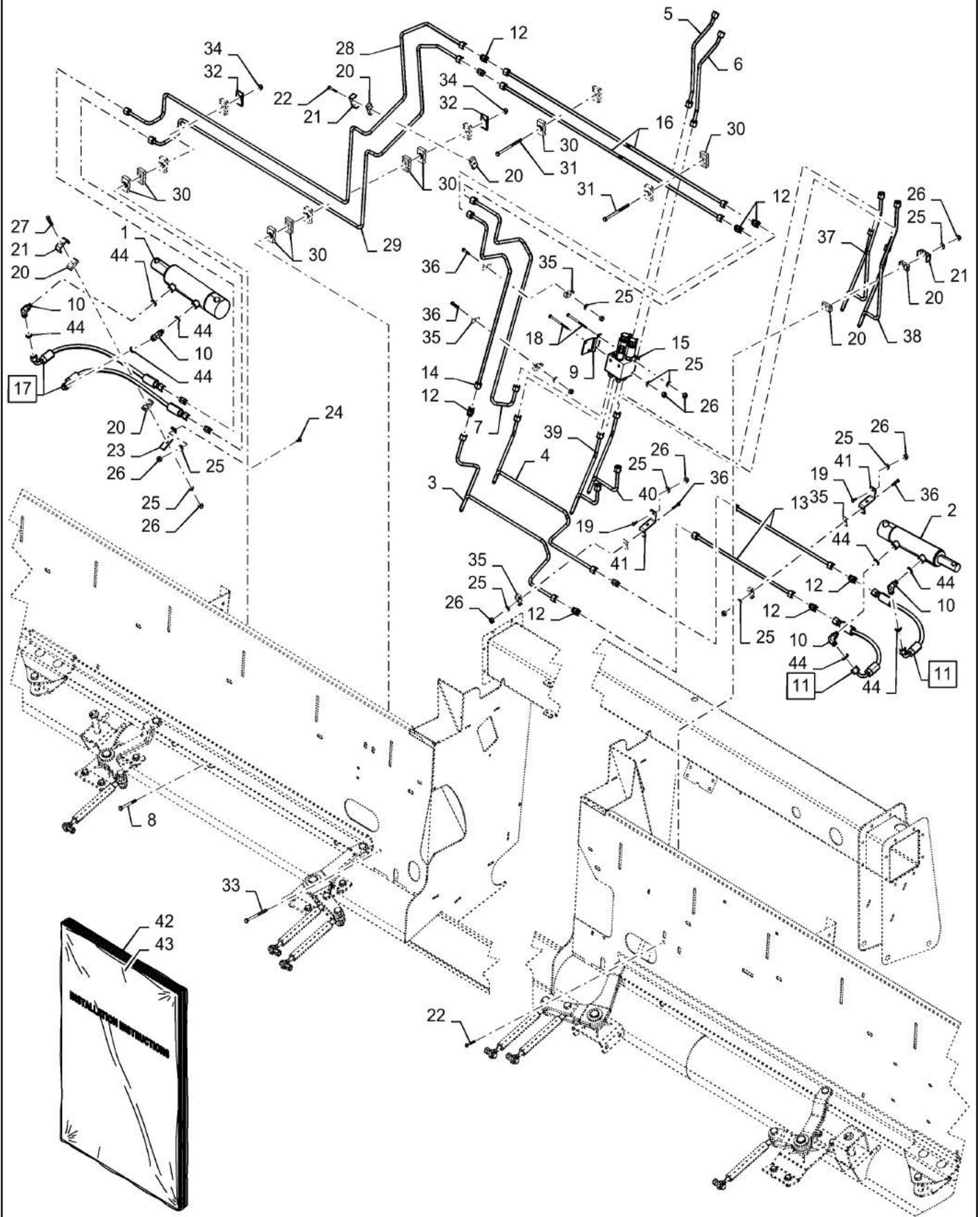
88.058.14

02

p1

9/2016

DIA KIT, 35FT SUSPENSION, CAB, ASN YEH040352



DIA KIT, 35FT SUSPENSION, CAB, ASN YEH040352

REF FN	PART NUMBER	YR/SN	QTY DESCRIPTION
1	84210572		1 HYDRAULIC CYLINDER Double Acting, 38.1mm Rod, 130mm Stroke
2	84210573		1 HYDRAULIC CYLINDER Double Acting, 28.57mm Rod, 130mm Stroke
3	47373245		1 HYD TUBE Assy
4	47373247		1 HYD TUBE Assy
5	47373249		1 HYD TUBE Assy
6	47373253		1 HYD TUBE Assy
7	47373673		1 HYD TUBE Assy
8	331175		1 BOLT Hex, M8 x 1.25 x 75mm, CI 8.8
9	47373287		1 BRACKET
10	86580178		4 ELBOW 90°, 11/16"-16 ORFS x M12 x 1.5 ORB
11	47373699		2 HYDRAULIC HOSE Assy
12	84431546		11 UNION 11/16"-16 ORFS
13	47373675		2 HYD TUBE Assy
14	47392781		1 HYD TUBE Assy
15	84411554		1 MANIFOLD
16	84424348		2 HYD TUBE
17	47373700		2 HYDRAULIC HOSE Assy
18	9850685		2 BOLT Hex, M6 - 1 x 90mm, CI 8.8
19	86508568		2 BOLT Hex, M6 x 1 x 16mm, CI 8.8
20	430357		6 CLAMP
21	431941		3 SUPPORT
22	43118		2 BOLT Hex, M6 x 1.0 x 40mm, CI 8.8
23	47379219		1 BRACKET
24	86512439		1 CARRIAGE BOLT M6 x 16mm, CI 8.8
25	322357		11 BELLEVILLE WASHER M6 Bolt Size x 14mm OD x 1.3mm Thk
26	353308		11 NUT M6 x 1.0, CI 8
27	86977790		1 BOLT Hex, M6 x 45mm, CI 8.8
28	47421703		1 HYD TUBE Assy
29	47421705		1 HYD TUBE Assy
30	87000148		8 CLAMP

3152-DRAPER HEADER 3162-DRAPER HEADER

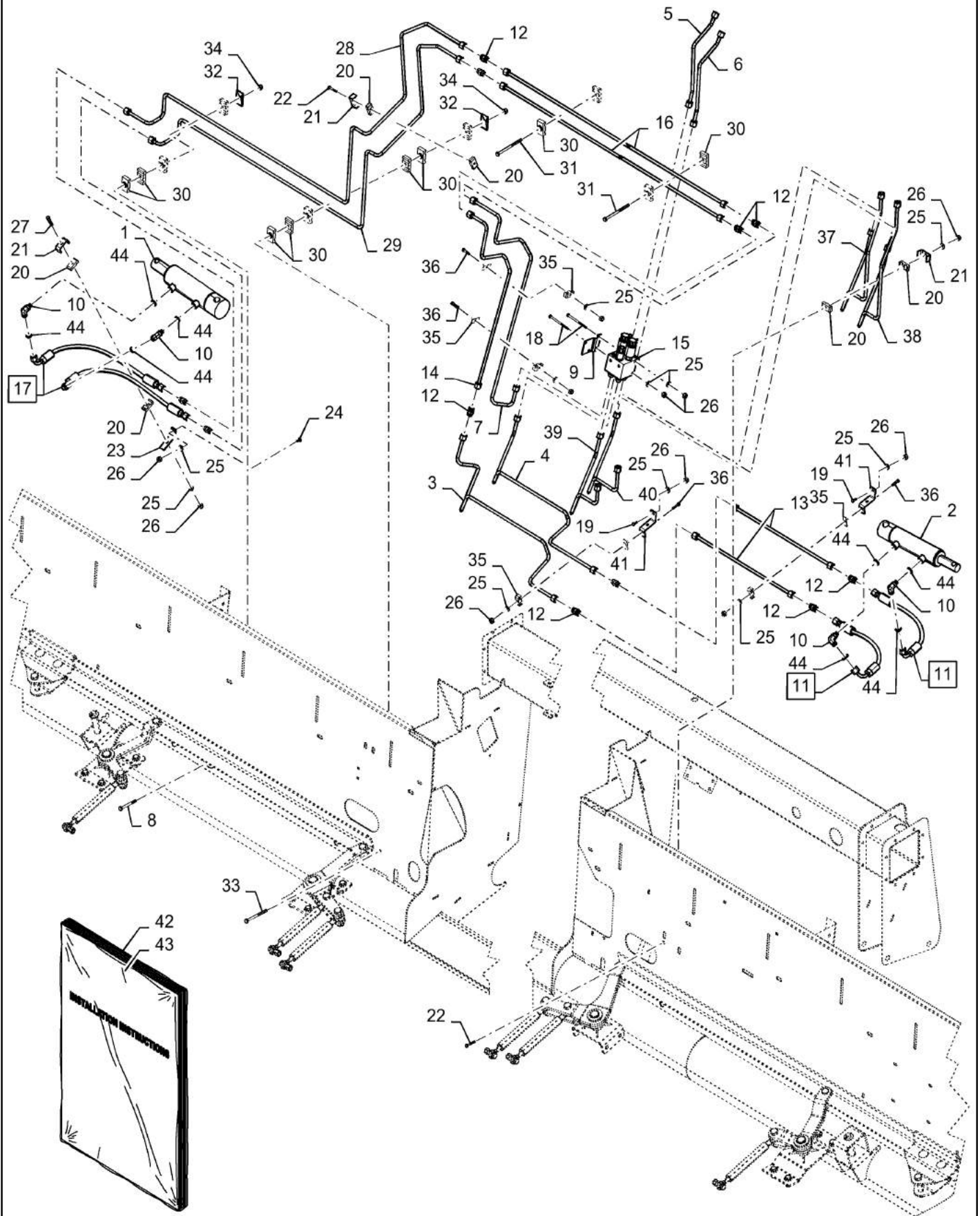
88.058.14

02

p2

9/2016

DIA KIT, 35FT SUSPENSION, CAB, ASN YEH040352



88.058.14

02

p2

9/2016

DIA KIT, 35FT SUSPENSION, CAB, ASN YEH040352

REF FN	PART NUMBER	YR/SN	QTY DESCRIPTION
31	86528166		3 BOLT M8 x 1.25 x 126.58mm, CI 8.8
32	384870A1		2 PLATE Hose Clamp Cover
33	412215		1 BOLT Hex, M8 x 1.25 x 100mm, CI 8.8
34	86629542		2 NUT M8 x 1.25, CI 8.8
35	84484721		4 CLAMP Double
36	43117		4 SCREW Hex, M6 x 1.0 x 30mm, CI 8.8
37	47391590		1 HYD TUBE Assy
38	47391592		1 HYD TUBE Assy
39	47357613		1 HYD TUBE Assy
40	47357615		1 HYD TUBE Assy
41	47396072		2 BRACKET
42	86588108		1 KIT Shrink Wrap
43	47582492		1 INSTRUCTION Insrtuction
44	9993141		8 O-RING 0.07" Thk x 0.364" ID, -12, CI 6, 90 Duro Incl 11, 17

3152-DRAPER HEADER 3162-DRAPER HEADER

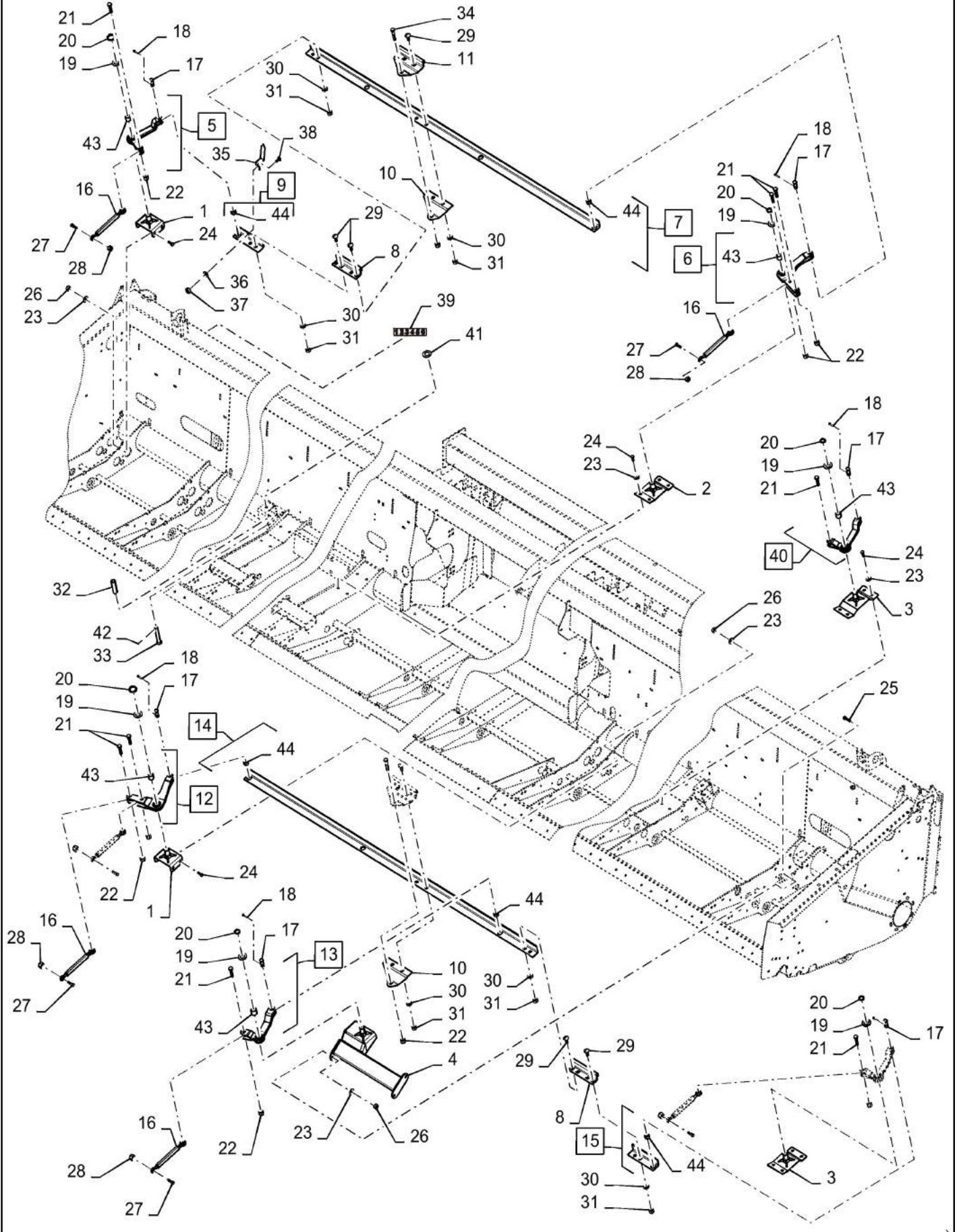
88.058.15

01

p1

9/2016

DIA KIT, 40FT SUSPENSION, CAB, ASN YEH040352



88.058.15

01

p1

9/2016

DIA KIT, 40FT SUSPENSION, CAB, ASN YEH040352

REF FN	PART NUMBER	YR/SN	QTY DESCRIPTION
1	84566747		7 PIVOT
2	84566918		2 PIVOT
3	84569225		2 PIVOT
4	84585943		1 TUBE
5	47427321		5 ARM Assy, Incl 43
6	47429512		1 ARM Assy, Incl 43
7	84567287		1 ANGLE Incl 44
8	47428630		2 BRACKET
9	84567294		1 ANGLE Incl 44
10	47569455		2 LINKAGE
11	47569412		2 BRACKET
12	47427373		1 ARM Assy, Incl 43
13	47427323		4 ARM Assy, Incl 43
14	47357068		1 ANGLE Incl 44
15	84579303		1 ANGLE Incl 44
16	84568606		14 ADJUSTER
17	84568432		12 CLEVIS PIN 19.5mm OD x 52mm L
18	412687		12 COTTER PIN 6.3mm OD x 32mm OAL
19	14497531		12 WASHER 31mm ID x 56mm OD x 4mm Thk
20	370003		12 SNAP RING M30, External
21	323866		14 BOLT Hex, M16 x 2.0 x 60mm, CI 8.8
22	86000441		16 NUT M16 x 2.0, CI 8
23	140046		46 BELLEVILLE WASHER M12 Bolt Size x 27mm OD x 1.8mm Thk
24	9706687		44 BOLT M12 x 1.75 x 30mm, CI 8.8
25	120080		2 BOLT Hex, M12 x 45, 8.8
26	9706685		29 NUT M12 x 1.75, CI 8
27	86629541		14 BOLT Hex, M12 x 1.75 x 40mm, CI 8.8
28	100038		14 NUT M12 x 1.75, CI 8
29	86595832		12 CARRIAGE BOLT Sht Sq Nk, M16 x 40mm, CI 8.8, Full Thd
30	140048		12 BELLEVILLE WASHER M16 Bolt Size x 32mm OD x 2.8mm Thk

3152-DRAPER HEADER 3162-DRAPER HEADER

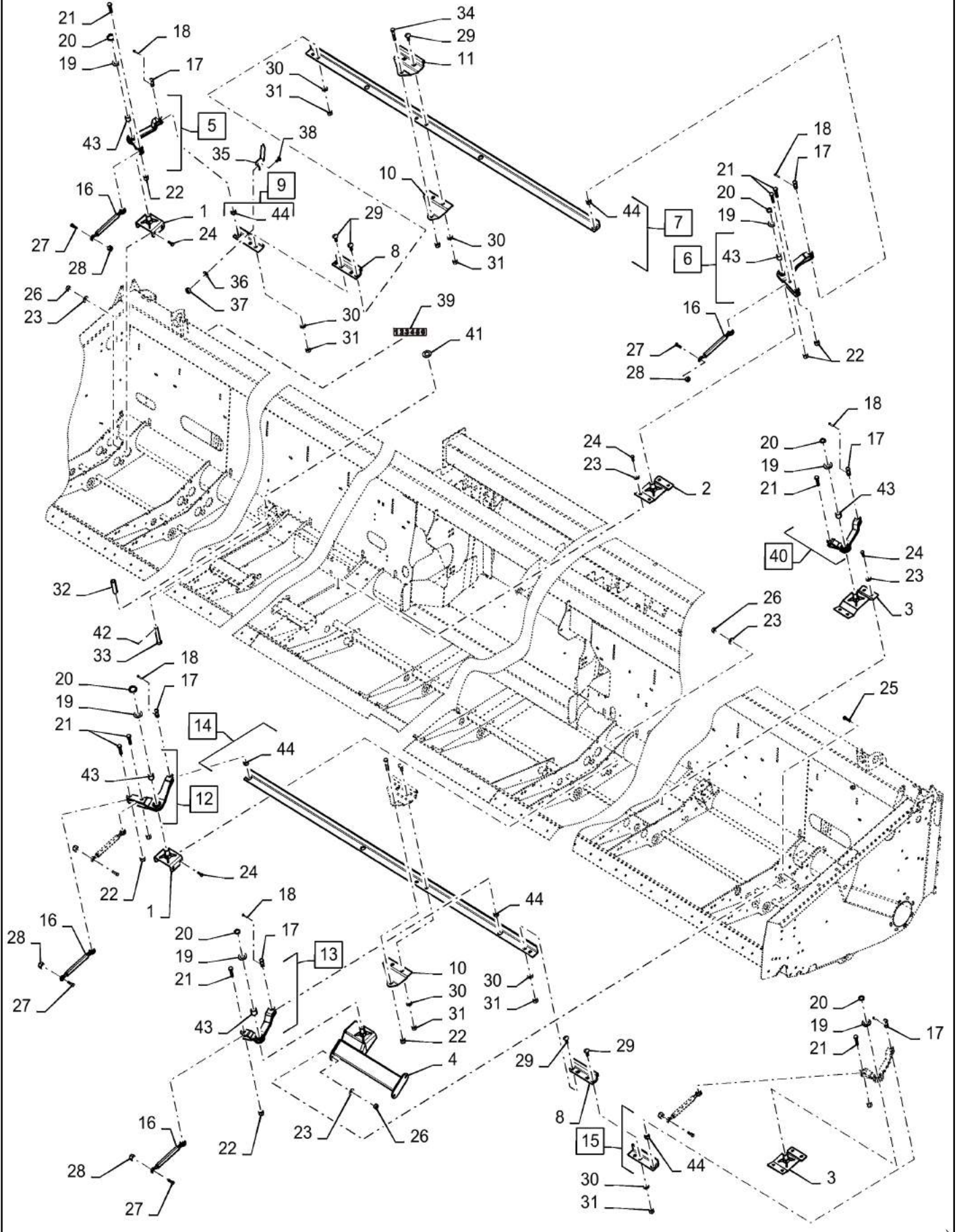
88.058.15

01

p2

9/2016

DIA KIT, 40FT SUSPENSION, CAB, ASN YEH040352



88.058.15

01

p2

9/2016

DIA KIT, 40FT SUSPENSION, CAB, ASN YEH040352

REF FN	PART NUMBER	YR/SN	QTY DESCRIPTION
31	100020		12 NUT M16 x 2.0, CI 8
32	84606129		2 SPACER 16.69mm ID x 22.23mm OD x 77mm L
33	14810275		2 CLEVIS Pin
34	120093		2 BOLT M16 x 2.0 x 90.18mm, CI 8.8
35	47389685		1 INDICATOR
36	322358		1 BELLEVILLE WASHER M8 Bolt Size x 18mm OD x 1.4mm Thk
37	9706690		1 NUT M8 x 1.25, CI 8
38	86507486		1 CARRIAGE BOLT M8 x 1.25 x 20mm, CI 8.8
39	47394724		1 DECAL 123456
40	84579236		1 ARM Assy, Incl 43
41	86632590		2 WASHER 0.66" ID x 1.31" OD x 0.1" Thk
42	130004		2 COTTER PIN 2.9mm OD x 31.4mm OAL
43	210022		10 BUSHING Incl 5, 6, 12, 13, 40
44	NSS		12 NOT SOLD SEPARAT Bushing, Incl in 7, 9, 14 and 15

3152-DRAPER HEADER 3162-DRAPER HEADER

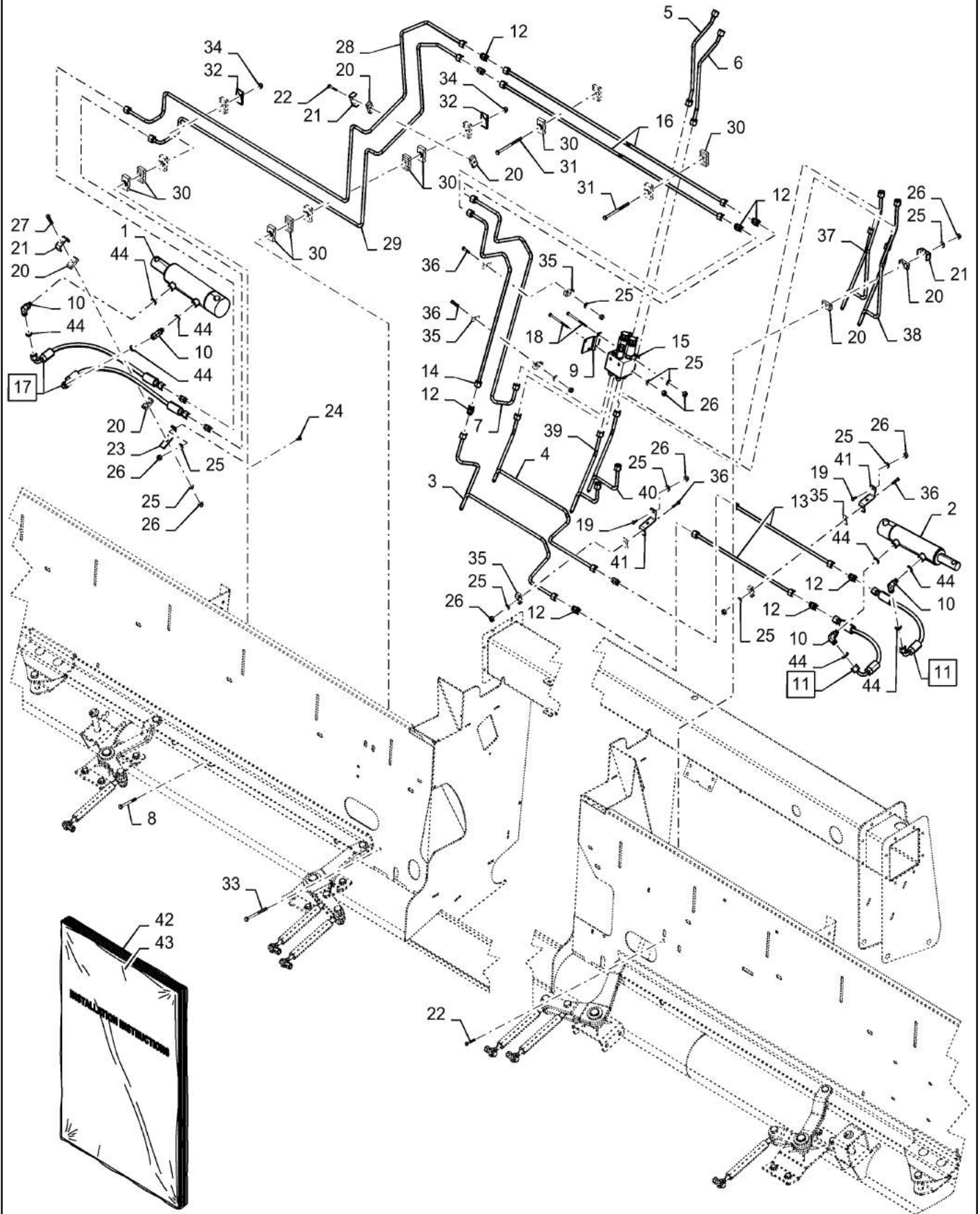
88.058.15

02

p1

9/2016

DIA KIT, 40FT SUSPENSION, CAB, ASN YEH040352



DIA KIT, 40FT SUSPENSION, CAB, ASN YEH040352

REF FN	PART NUMBER	YR/SN	QTY DESCRIPTION
1	84210572		1 HYDRAULIC CYLINDER Double Acting, 38.1mm Rod, 130mm Stroke
2	84210573		1 HYDRAULIC CYLINDER Double Acting, 28.57mm Rod, 130mm Stroke
3	47373245		1 HYD TUBE Assy
4	47373247		1 HYD TUBE Assy
5	47373249		1 HYD TUBE Assy
6	47373253		1 HYD TUBE Assy
7	47373673		1 HYD TUBE Assy
8	331175		1 BOLT Hex, M8 x 1.25 x 75mm, CI 8.8
9	47373287		1 BRACKET
10	86580178		4 ELBOW 90°, 11/16"-16 ORFS x M12 x 1.5 ORB
11	47373699		2 HYDRAULIC HOSE Assy
12	84431546		11 UNION 11/16"-16 ORFS
13	47373675		2 HYD TUBE Assy
14	47392781		1 HYD TUBE Assy
15	84411554		1 MANIFOLD
16	84424348		2 HYD TUBE
17	47373700		2 HYDRAULIC HOSE Assy
18	9850685		2 BOLT Hex, M6 - 1 x 90mm, CI 8.8
19	86508568		2 BOLT Hex, M6 x 1 x 16mm, CI 8.8
20	430357		6 CLAMP
21	431941		3 SUPPORT
22	43118		2 BOLT Hex, M6 x 1.0 x 40mm, CI 8.8
23	47379219		1 BRACKET
24	86512439		1 CARRIAGE BOLT M6 x 16mm, CI 8.8
25	322357		11 BELLEVILLE WASHER M6 Bolt Size x 14mm OD x 1.3mm Thk
26	353308		11 NUT M6 x 1.0, CI 8
27	86977790		1 BOLT Hex, M6 x 45mm, CI 8.8
28	47421703		1 HYD TUBE Assy
29	47421705		1 HYD TUBE Assy
30	87000148		8 CLAMP

3152-DRAPER HEADER 3162-DRAPER HEADER

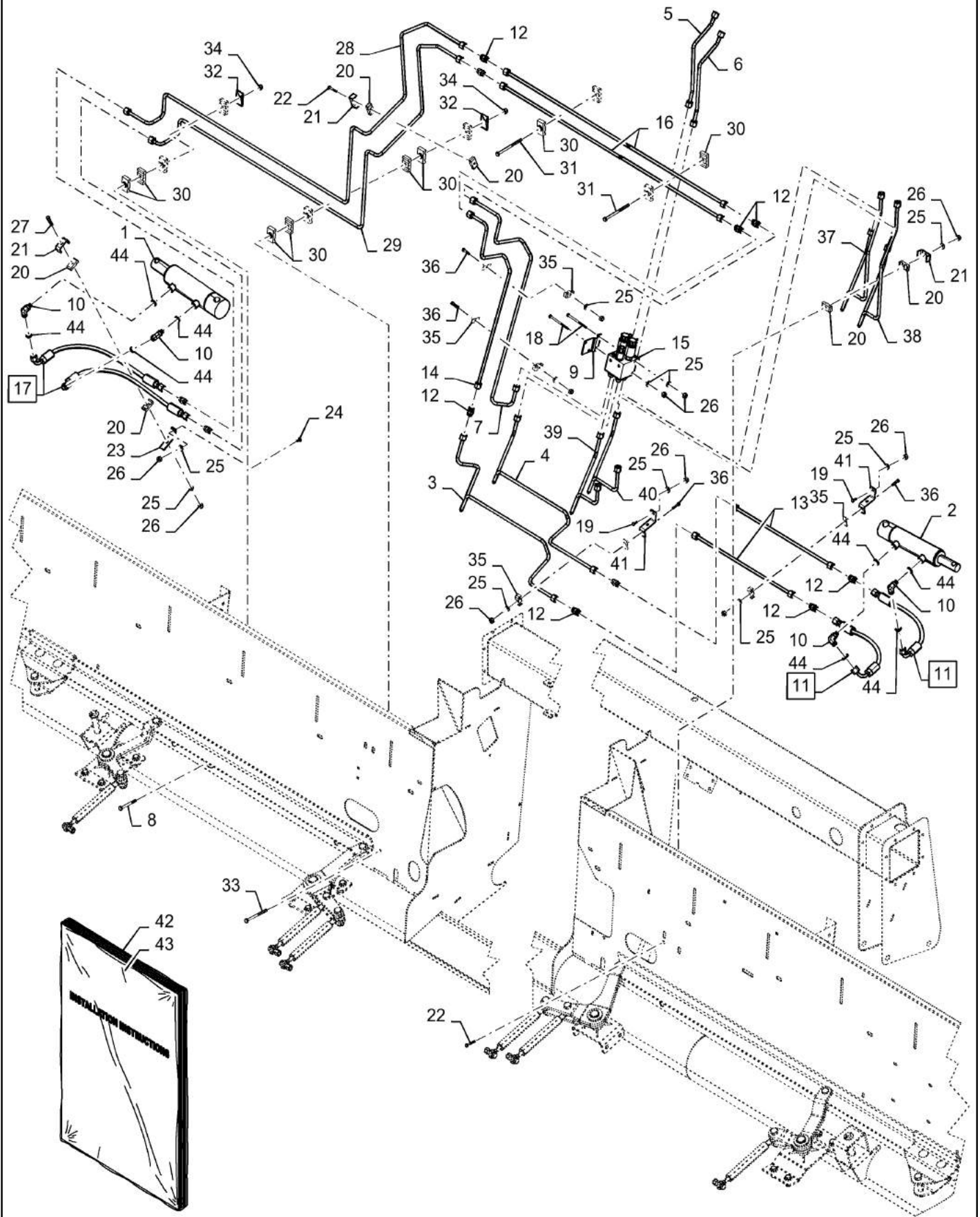
88.058.15

02

p2

9/2016

DIA KIT, 40FT SUSPENSION, CAB, ASN YEH040352



88.058.15

02

p2

9/2016

DIA KIT, 40FT SUSPENSION, CAB, ASN YEH040352

REF FN	PART NUMBER	YR/SN	QTY DESCRIPTION
31	86528166		3 BOLT M8 x 1.25 x 126.58mm, CI 8.8
32	384870A1		2 PLATE Hose Clamp Cover
33	412215		1 BOLT Hex, M8 x 1.25 x 100mm, CI 8.8
34	86629542		2 NUT M8 x 1.25, CI 8.8
35	84484721		4 CLAMP Double
36	43117		4 SCREW Hex, M6 x 1.0 x 30mm, CI 8.8
37	47391590		1 HYD TUBE Assy
38	47391592		1 HYD TUBE Assy
39	47357613		1 HYD TUBE Assy
40	47357615		1 HYD TUBE Assy
41	47396072		2 BRACKET
42	86588108		1 KIT Shrink Wrap
43	47582492		1 INSTRUCTION Insrtuction
44	9993141		8 O-RING 0.07" Thk x 0.364" ID, -12, CI 6, 90 Duro Incl 11, 17

3152-DRAPER HEADER 3162-DRAPER HEADER

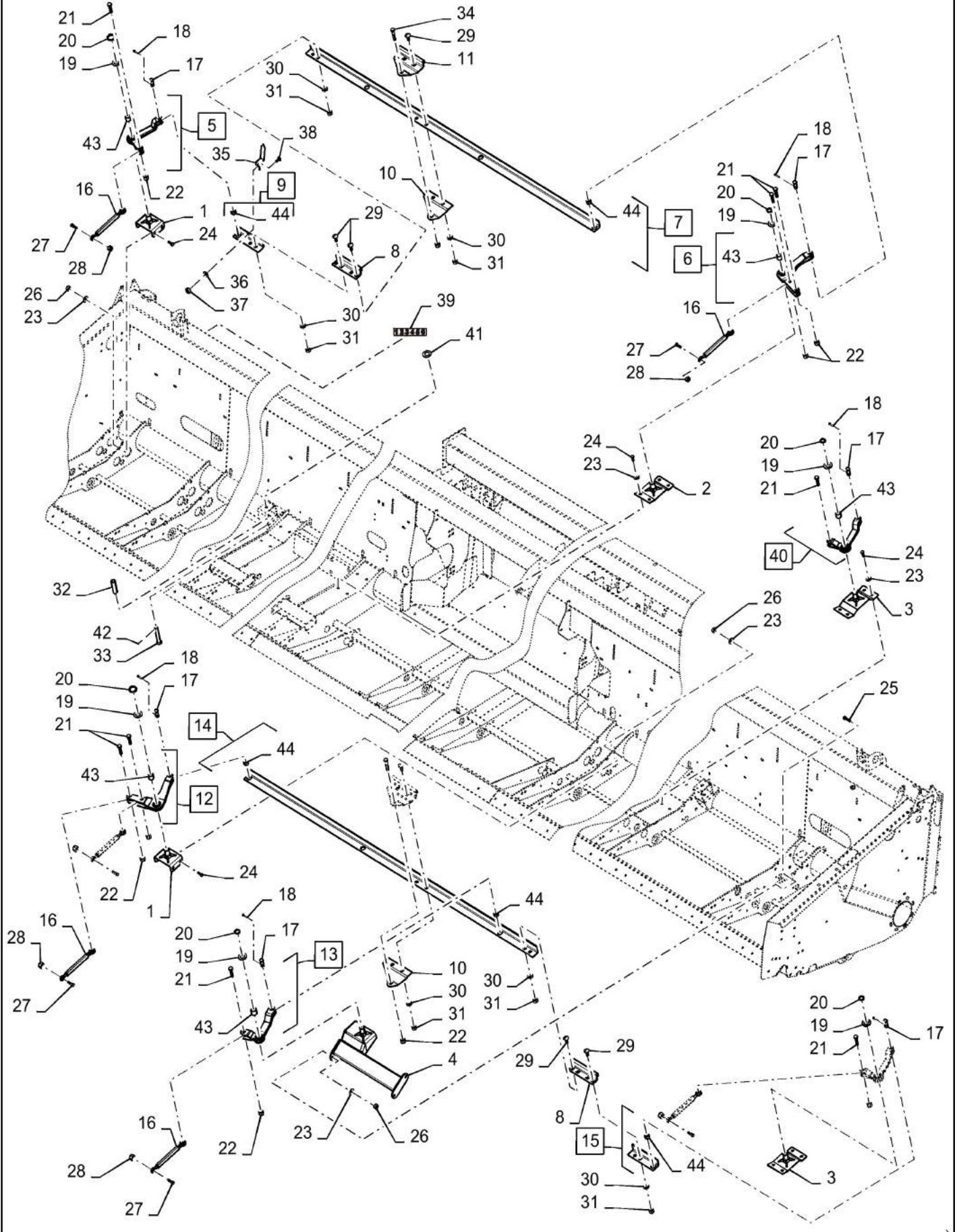
88.058.16

01

p1

9/2016

DIA KIT, 45FT SUSPENSION, CAB, ASN YEH040352



DIA KIT, 45FT SUSPENSION, CAB, ASN YEH040352

REF FN	PART NUMBER	YR/SN	QTY DESCRIPTION
1	84566747		9 PIVOT
2	84566918		2 PIVOT
3	84569225		2 PIVOT
4	84585943		1 TUBE
5	47427321		6 ARM Assy, Incl 43
6	47429512		1 ARM Assy, Incl 43
7	84567287		1 ANGLE Incl 44
8	47428630		2 BRACKET
9	84606984		1 ANGLE Incl 44
10	47569455		2 LINKAGE
11	47569412		2 BRACKET
12	47427373		1 ARM Assy, Incl 43
13	47427323		5 ARM Assy, Incl 43
14	47357068		1 ANGLE Incl 44
15	84606989		1 ANGLE Incl 44
16	84568606		16 ADJUSTER
17	84568432		14 CLEVIS PIN 19.5mm OD x 52mm L
18	412687		14 COTTER PIN 6.3mm OD x 32mm OAL
19	14497531		14 WASHER 31mm ID x 56mm OD x 4mm Thk
20	370003		14 SNAP RING M30, External
21	323866		16 BOLT Hex, M16 x 2.0 x 60mm, CI 8.8
22	86000441		18 NUT M16 x 2.0, CI 8
23	140046		54 BELLEVILLE WASHER M12 Bolt Size x 27mm OD x 1.8mm Thk
24	9706687		52 BOLT M12 x 1.75 x 30mm, CI 8.8
25	120080		2 BOLT Hex, M12 x 45, 8.8
26	9706685		37 NUT M12 x 1.75, CI 8
27	86629541		16 BOLT Hex, M12 x 1.75 x 40mm, CI 8.8
28	100038		16 NUT M12 x 1.75, CI 8
29	86595832		12 CARRIAGE BOLT Sht Sq Nk, M16 x 40mm, CI 8.8, Full Thd
30	140048		12 BELLEVILLE WASHER M16 Bolt Size x 32mm OD x 2.8mm Thk

3152-DRAPER HEADER 3162-DRAPER HEADER

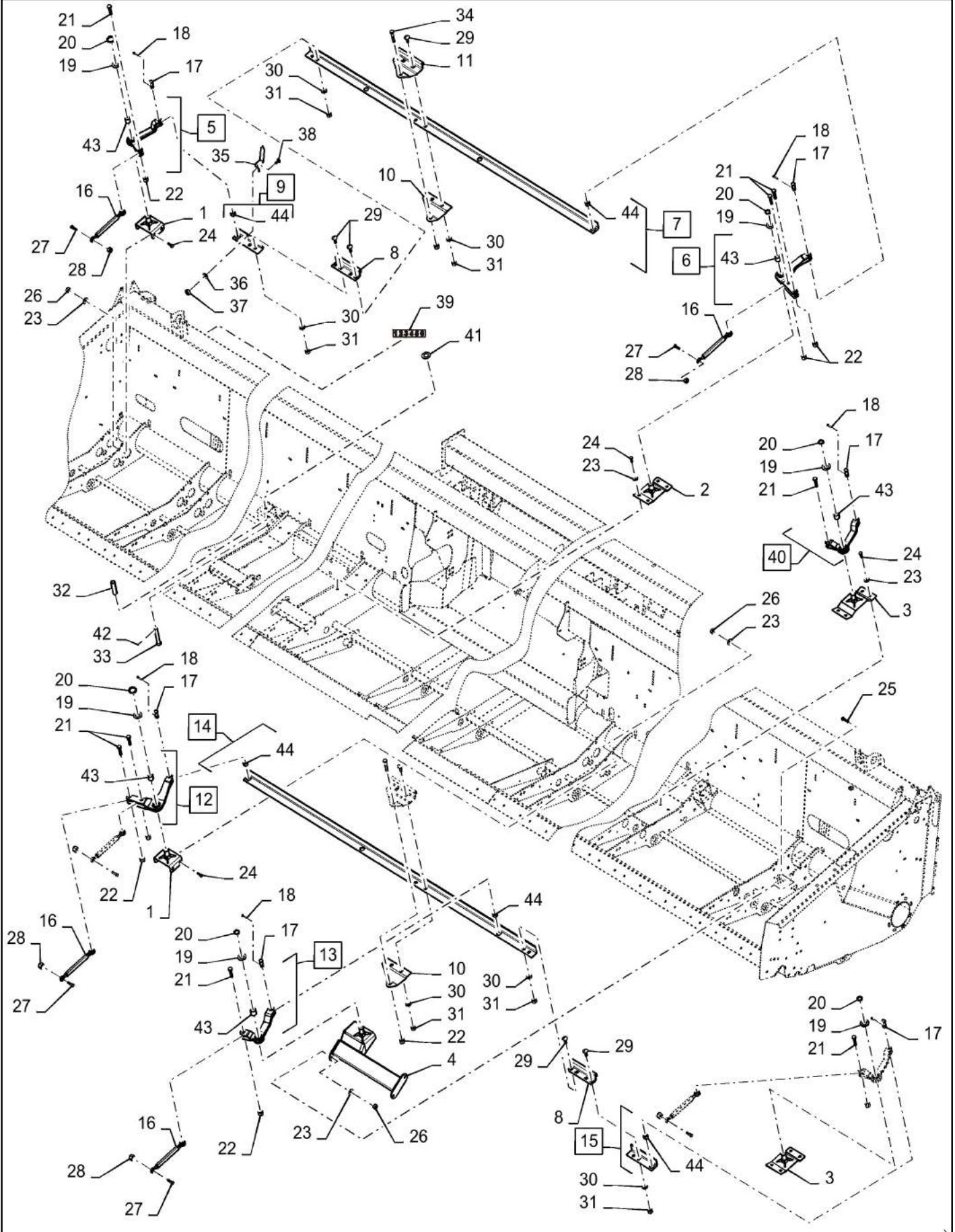
88.058.16

01

p2

9/2016

DIA KIT, 45FT SUSPENSION, CAB, ASN YEH040352



88.058.16

01

p2

9/2016

DIA KIT, 45FT SUSPENSION, CAB, ASN YEH040352

REF FN	PART NUMBER	YR/SN	QTY DESCRIPTION
31	100020		12 NUT M16 x 2.0, CI 8
32	84606129		2 SPACER 16.69mm ID x 22.23mm OD x 77mm L
33	14810275		2 CLEVIS Pin
34	120093		2 BOLT M16 x 2.0 x 90.18mm, CI 8.8
35	47389685		1 INDICATOR
36	322358		1 BELLEVILLE WASHER M8 Bolt Size x 18mm OD x 1.4mm Thk
37	9706690		1 NUT M8 x 1.25, CI 8
38	86507486		1 CARRIAGE BOLT M8 x 1.25 x 20mm, CI 8.8
39	47394724		1 DECAL
40	84579236		1 ARM Assy, Incl 43
41	86632590		2 WASHER 0.66" ID x 1.31" OD x 0.1" Thk
42	130004		2 COTTER PIN 2.9mm OD x 31.4mm OAL
43	210022		10 BUSHING Incl 5, 6, 12, 13, 40
44	NSS		12 NOT SOLD SEPARAT Bushing, Incl in 7, 9, 14 and 15

3152-DRAPER HEADER 3162-DRAPER HEADER

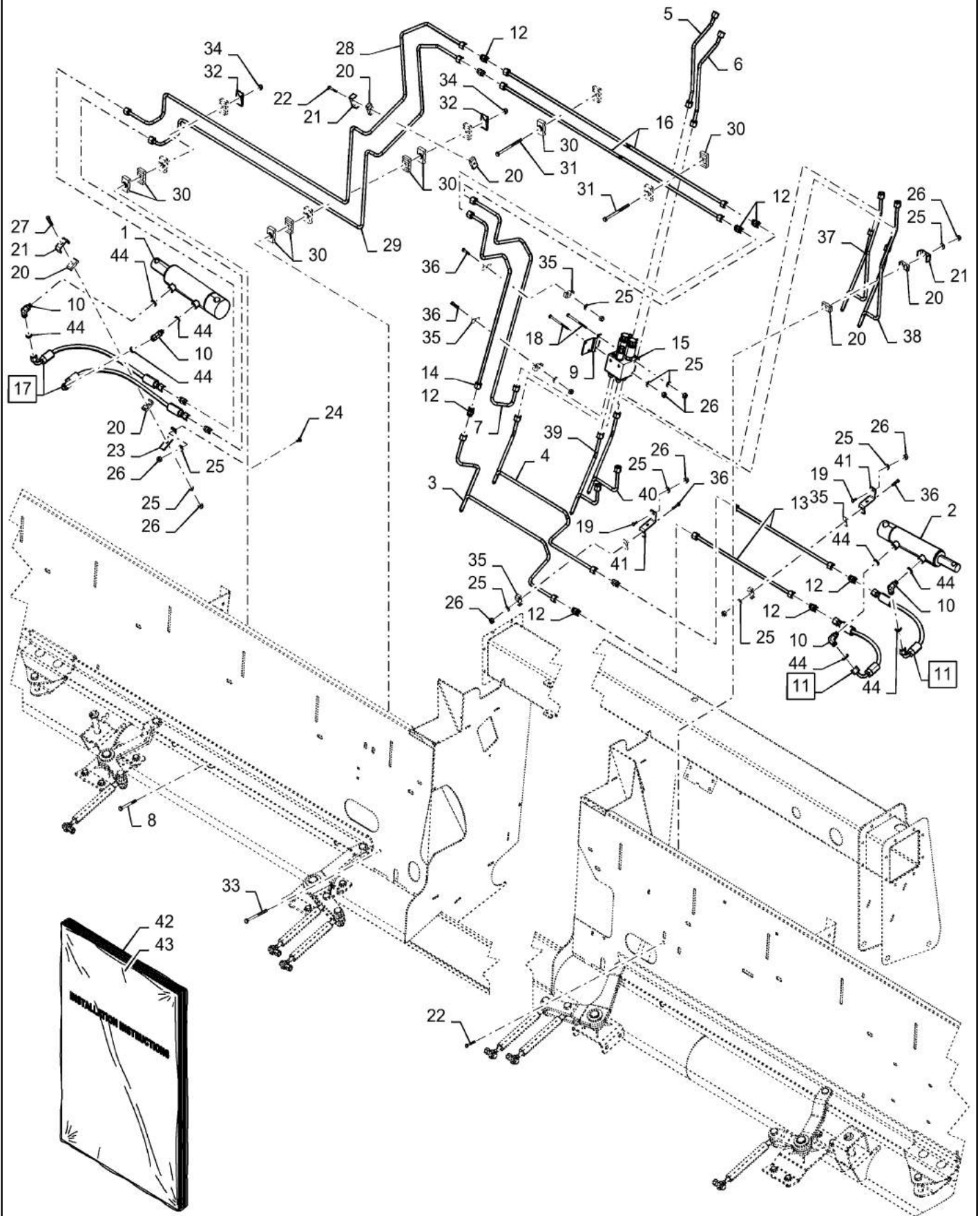
88.058.16

02

p1

9/2016

DIA KIT, 45FT SUSPENSION, CAB, ASN YEH040352



DIA KIT, 45FT SUSPENSION, CAB, ASN YEH040352

REF FN	PART NUMBER	YR/SN	QTY DESCRIPTION
1	84210572		1 HYDRAULIC CYLINDER Double Acting, 38.1mm Rod, 130mm Stroke
2	84210573		1 HYDRAULIC CYLINDER Double Acting, 28.57mm Rod, 130mm Stroke
3	47373245		1 HYD TUBE Assy
4	47373247		1 HYD TUBE Assy
5	47373249		1 HYD TUBE Assy
6	47373253		1 HYD TUBE Assy
7	47373673		1 HYD TUBE Assy
8	331175		1 BOLT Hex, M8 x 1.25 x 75mm, CI 8.8
9	47373287		1 BRACKET
10	86580178		4 ELBOW 90°, 11/16"-16 ORFS x M12 x 1.5 ORB
11	47373699		2 HYDRAULIC HOSE Assy
12	84431546		11 UNION 11/16"-16 ORFS
13	47373675		2 HYD TUBE Assy
14	47392781		1 HYD TUBE Assy
15	84411554		1 MANIFOLD
16	84424348		2 HYD TUBE
17	47373700		2 HYDRAULIC HOSE Assy
18	9850685		2 BOLT Hex, M6 - 1 x 90mm, CI 8.8
19	86508568		2 BOLT Hex, M6 x 1 x 16mm, CI 8.8
20	430357		6 CLAMP
21	431941		3 SUPPORT
22	43118		2 BOLT Hex, M6 x 1.0 x 40mm, CI 8.8
23	47379219		1 BRACKET
24	86512439		1 CARRIAGE BOLT M6 x 16mm, CI 8.8
25	322357		11 BELLEVILLE WASHER M6 Bolt Size x 14mm OD x 1.3mm Thk
26	353308		11 NUT M6 x 1.0, CI 8
27	86977790		1 BOLT Hex, M6 x 45mm, CI 8.8
28	47421703		1 HYD TUBE Assy
29	47421705		1 HYD TUBE Assy
30	87000148		8 CLAMP

3152-DRAPER HEADER 3162-DRAPER HEADER

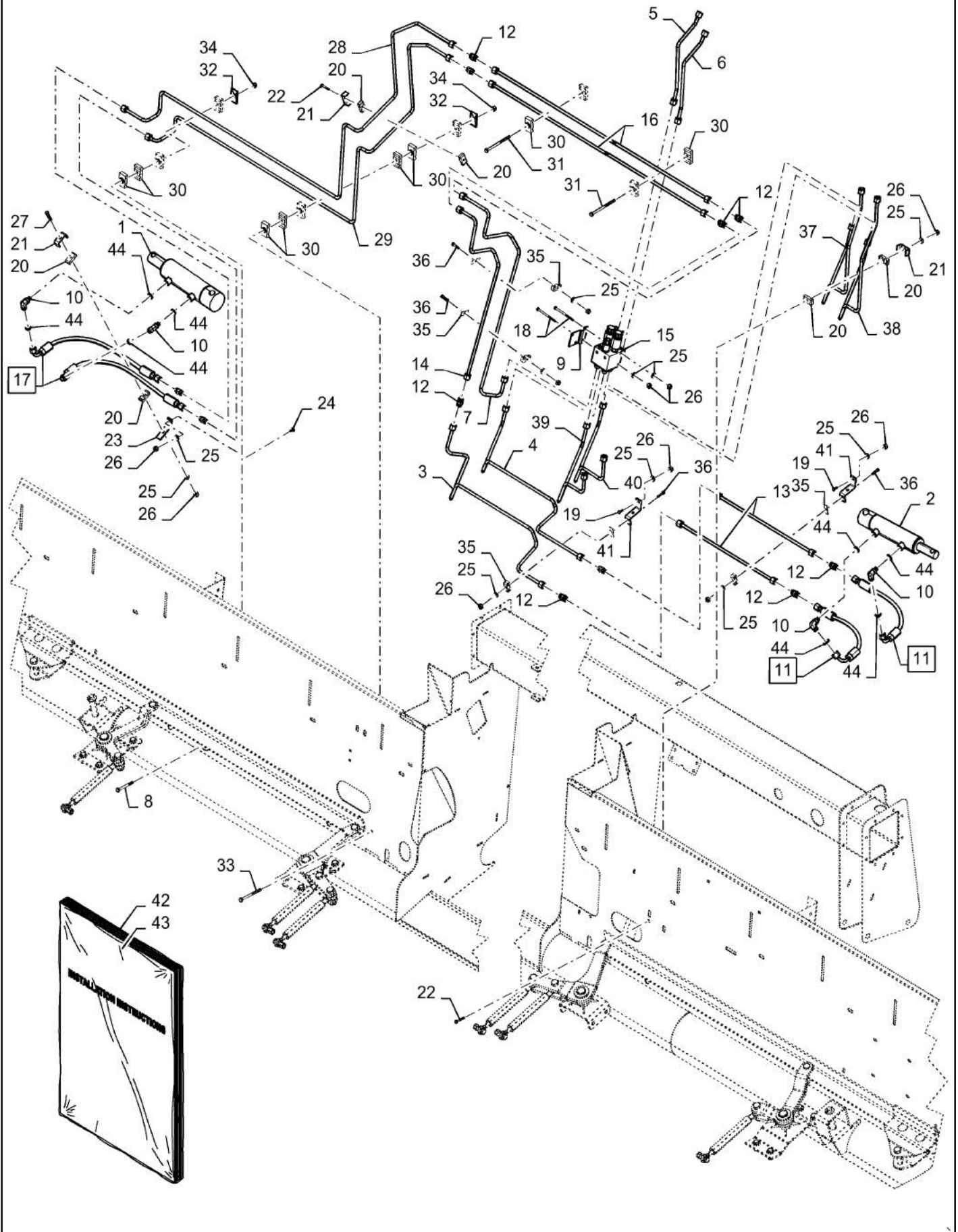
88.058.16

02

p2

9/2016

DIA KIT, 45FT SUSPENSION, CAB, ASN YEH040352



88.058.16

02

p2

9/2016

DIA KIT, 45FT SUSPENSION, CAB, ASN YEH040352

REF FN	PART NUMBER	YR/SN	QTY DESCRIPTION
31	86528166		3 BOLT M8 x 1.25 x 126.58mm, CI 8.8
32	384870A1		2 PLATE Hose Clamp Cover
33	412215		1 BOLT Hex, M8 x 1.25 x 100mm, CI 8.8
34	86629542		2 NUT M8 x 1.25, CI 8.8
35	84484721		4 CLAMP Double
36	43117		4 SCREW Hex, M6 x 1.0 x 30mm, CI 8.8
37	47391590		1 HYD TUBE Assy
38	47391592		1 HYD TUBE Assy
39	47357613		1 HYD TUBE Assy
40	47357615		1 HYD TUBE Assy
41	47396072		2 BRACKET
42	86588108		1 KIT Shrink Wrap
43	47582492		1 INSTRUCTION Insrtuction
44	9993141		8 O-RING 0.07" Thk x 0.364" ID, -12, CI 6, 90 Duro Incl 11, 17

3152-DRAPER HEADER 3162-DRAPER HEADER

88.058.17

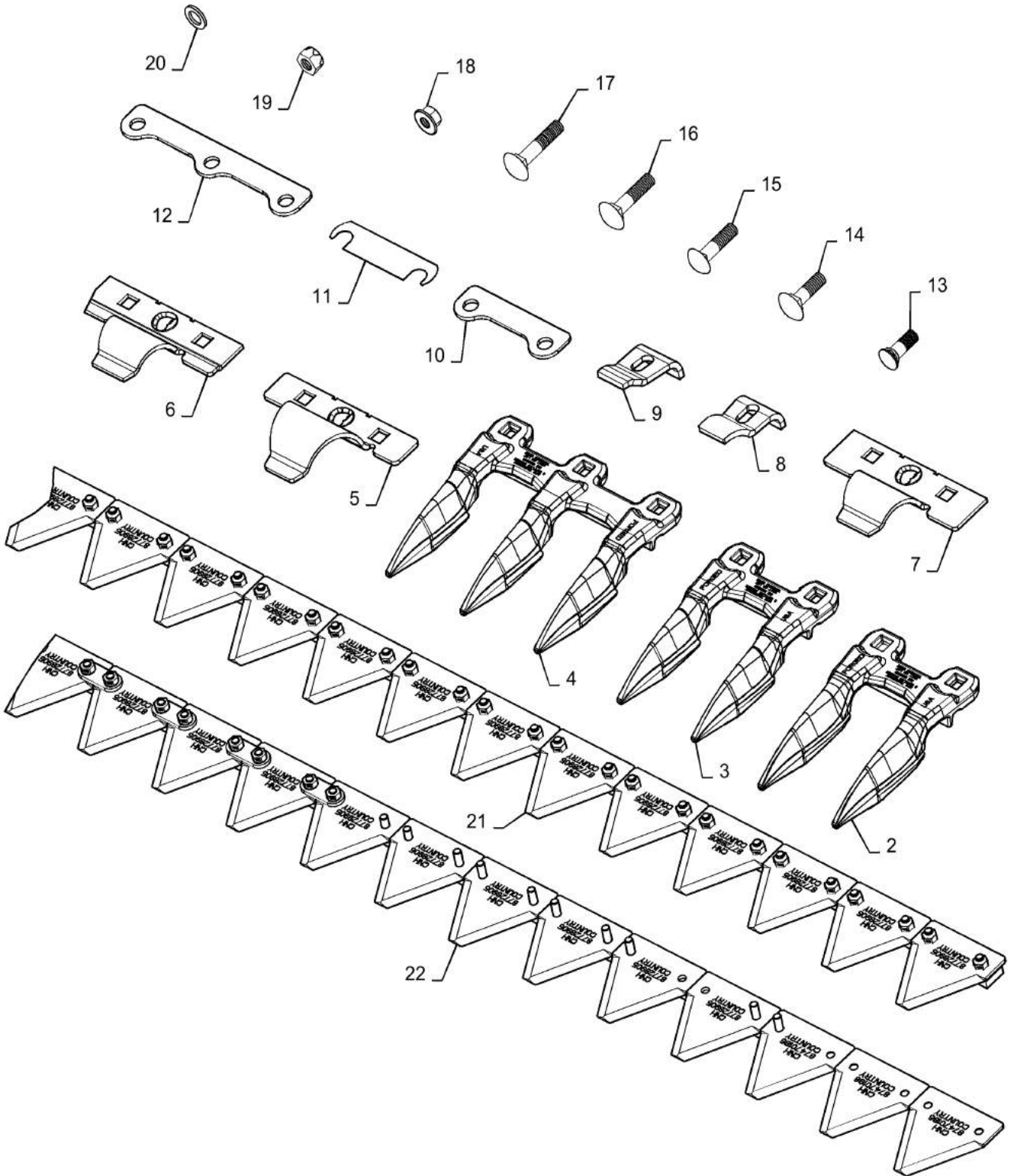
01

p1

9/2016

KIT CUTTERBAR 45FT W/KNIFE

1



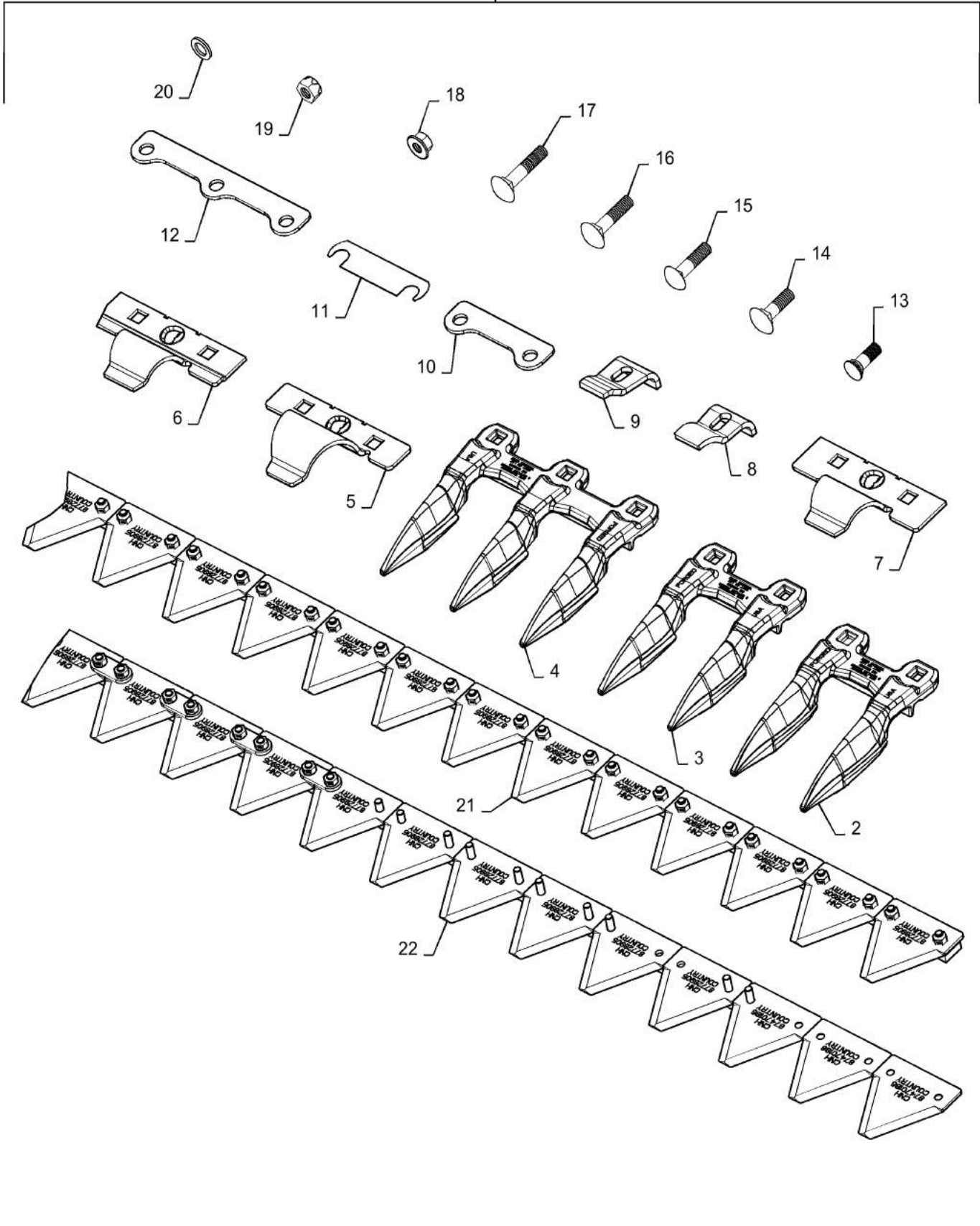
KIT CUTTERBAR 45FT W/KNIFE

REF FN	PART NUMBER	YR/SN	QTY DESCRIPTION
1	47795028		1 KIT Includes 2 - 22
2	87702973		86 GUARD Knife 3in
3	47506883		4 GUARD Knife 3in
4	47506882		1 GUARD Knife 3 Point
5	84422134		3 KNIFE CLIP
6	86630786		20 KNIFE CLIP Heat Treated
7	84184577		20 KNIFE CLIP
8	84422992		3 ADJUSTING PLATE
9	86630787		40 KNIFE CLIP
10	84396061		45 SHIM 31mm OD x 3.25mm Thk
11	482769		40 SHIM 25mm OD x 0.59mm Thk
12	84384773		1 SHIM 31mm OD x 3.25mm Thk
13	87742342		43 PLOW BOLT M10 x 1.5 x 30mm, Class 10.9
14	9833222		88 CARRIAGE BOLT Sq Nk, M10 x 1.5 x 35mm, CI 8.8, Full Thd
15	374892		91 CARRIAGE BOLT M10 x 1.5 x 40mm, CI 8.8
16	86512425		2 CARRIAGE BOLT Sq Nk, M10 x 45mm, CI 8.8
17	86512426		2 CARRIAGE BOLT Sq Nk, M10 x 50mm, CI 8.8
18	87547587		43 LOCK NUT Hex, M10 x 1.5, CI 10
19	100037		183 LOCK NUT M10 x 1.5, CI 8
20	13507401		4 WASHER 12.2mm ID x 20mm OD x 2mm Thk
21	84131145		1 KNIFE ASSY
22	84131143		1 KNIFE ASSY

3152-DRAPER HEADER 3162-DRAPER HEADER

KIT CUTTERBAR 40FT W/KNIFE

1



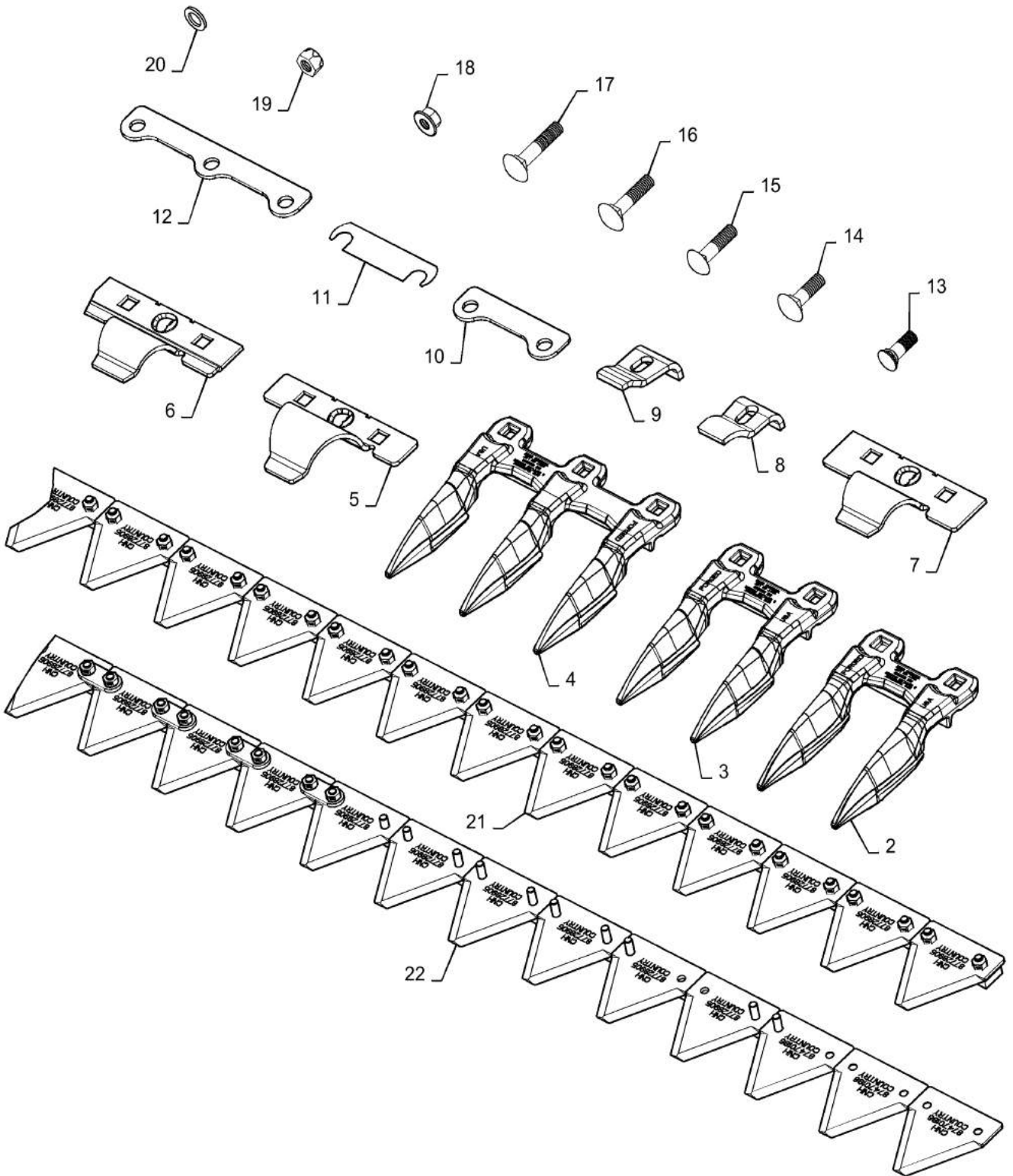
KIT CUTTERBAR 40FT W/KNIFE

REF FN	PART NUMBER	YR/SN	QTY DESCRIPTION
1	47795027		1 KIT Includes 2 - 22
2	87702973		76 GUARD Knife 3IN
3	47506883		4 GUARD Knife 3IN
4	47506882		1 GUARD Knife 3 Point
5	84422134		3 KNIFE CLIP
6	86630786		18 KNIFE CLIP Heat Treated
7	84184577		18 KNIFE CLIP
8	84422992		3 ADJUSTING PLATE
9	86630787		36 KNIFE CLIP
10	84396061		40 SHIM 31mm OD x 3.25mm Thk
11	482769		36 SHIM 25mm OD x 0.59mm Thk
12	84384773		1 SHIM 31mm OD x 3.25mm Thk
13	87742342		39 PLOW BOLT M10 x 1.5 x 30mm, Class 10.9
14	9833222		78 CARRIAGE BOLT Sq Nk, M10 x 1.5 x 35mm, CI 8.8, Full Thd
15	374892		81 CARRIAGE BOLT M10 x 1.5 x 40mm, CI 8.8
16	86512425		2 CARRIAGE BOLT Sq Nk, M10 x 45mm, CI 8.8
17	86512426		2 CARRIAGE BOLT Sq Nk, M10 x 50mm, CI 8.8
18	87547587		39 LOCK NUT Hex, M10 x 1.5, CI 10
19	100037		163 LOCK NUT M10 x 1.5, CI 8
20	13507401		4 WASHER 12.2mm ID x 20mm OD x 2mm Thk
21	84131141		1 KNIFE ASSY
22	84131139		1 KNIFE ASSY

3152-DRAPER HEADER 3162-DRAPER HEADER

KIT CUTTERBAR 35FT W/KNIFE

1



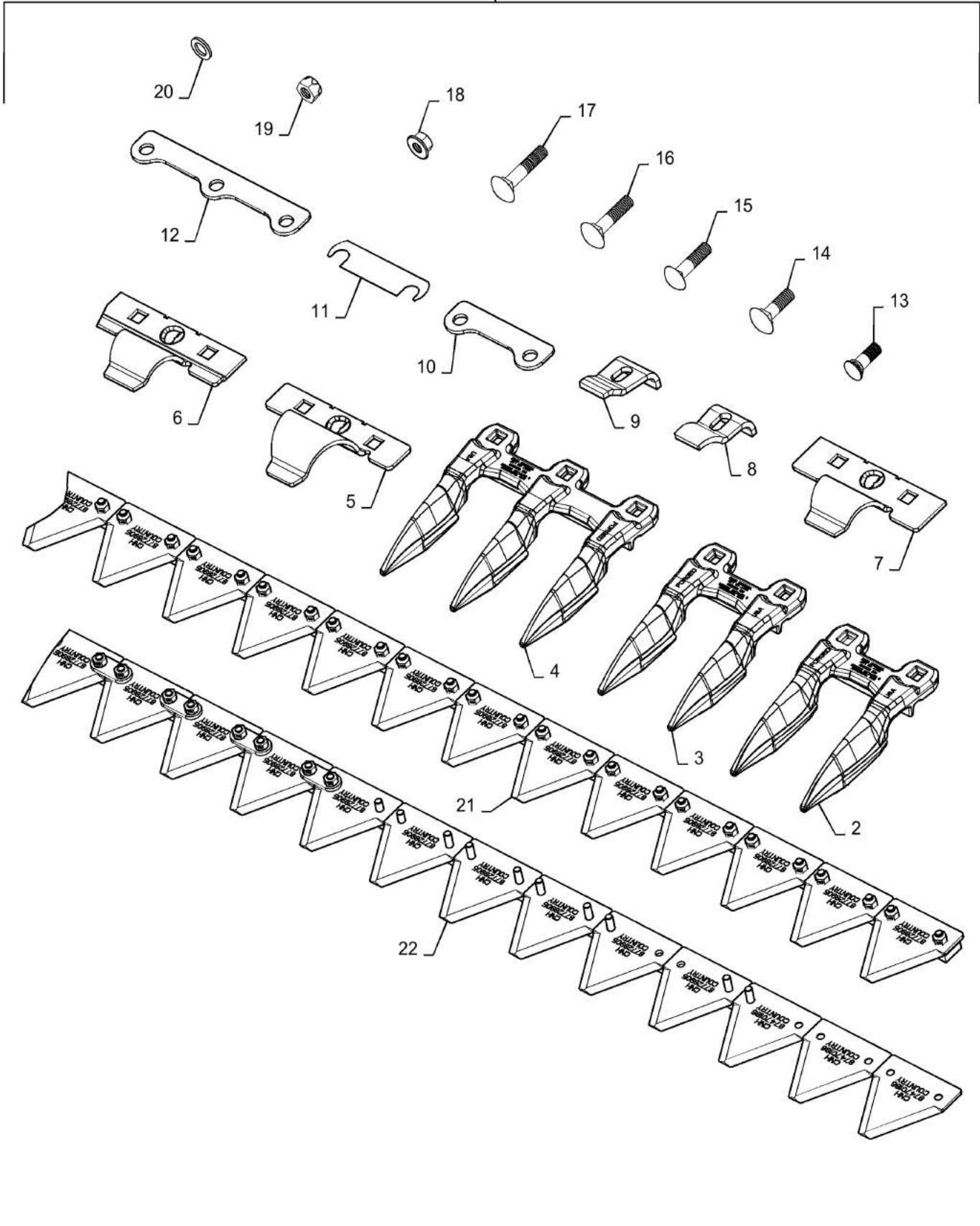
KIT CUTTERBAR 35FT W/KNIFE

REF FN	PART NUMBER	YR/SN	QTY DESCRIPTION
1	47795026		1 KIT Includes 2 - 22
2	87702973		1 GUARD Knife 3IN
3	47506883		4 GUARD Knife 3IN
4	47506882		1 GUARD Knife 3 Point
5	84422134		3 KNIFE CLIP
6	86630786		15 KNIFE CLIP Heat Treated
7	84184577		15 KNIFE CLIP
8	84422992		3 ADJUSTING PLATE
9	86630787		30 KNIFE CLIP
10	84396061		35 SHIM 31mm OD x 3.25mm Thk
11	482769		31 SHIM 25mm OD x 0.59mm Thk
12	84384773		1 SHIM 31mm OD x 3.25mm Thk
13	87742342		33 PLOW BOLT M10 x 1.5 x 30mm, Class 10.9
14	9833222		68 CARRIAGE BOLT Sq Nk, M10 x 1.5 x 35mm, CI 8.8, Full Thd
15	374892		71 CARRIAGE BOLT M10 x 1.5 x 40mm, CI 8.8
16	86512425		2 CARRIAGE BOLT Sq Nk, M10 x 45mm, CI 8.8
17	86512426		2 CARRIAGE BOLT Sq Nk, M10 x 50mm, CI 8.8
18	87547587		33 LOCK NUT Hex, M10 x 1.5, CI 10
19	100037		143 LOCK NUT M10 x 1.5, CI 8
20	13507401		4 WASHER 12.2mm ID x 20mm OD x 2mm Thk
21	84131146		1 KNIFE ASSY
22	84131147		1 KNIFE ASSY

3152-DRAPER HEADER 3162-DRAPER HEADER

KIT CUTTERBAR 30 FT W/KNIFE

1



KIT CUTTERBAR 30 FT W/KNIFE

REF FN	PART NUMBER	YR/SN	QTY DESCRIPTION
1	47795025		1 KIT Includes 2 - 22
2	87702973		56 GUARD Knife 3IN
3	47506883		4 GUARD Knife 3IN
4	47506882		1 GUARD Kinfe 3 Point
5	84422134		3 KNIFE CLIP
6	86630786		13 KNIFE CLIP Heat Treated
7	84184577		13 KNIFE CLIP
8	84422992		3 ADJUSTING PLATE
9	86630787		26 KNIFE CLIP
10	84396061		30 SHIM 31mm OD x 3.25mm Thk
11	482769		26 SHIM 25mm OD x 0.59mm Thk
12	84384773		1 SHIM 31mm OD x 3.25mm Thk
13	87742342		29 PLOW BOLT M10 x 1.5 x 30mm, Class 10.9
14	9833222		58 CARRIAGE BOLT Sq Nk, M10 x 1.5 x 35mm, CI 8.8, Full Thd
15	374892		61 CARRIAGE BOLT M10 x 1.5 x 40mm, CI 8.8
16	86512425		2 CARRIAGE BOLT Sq Nk, M10 x 45mm, CI 8.8
17	86512426		2 CARRIAGE BOLT Sq Nk, M10 x 50mm, CI 8.8
18	87547587		29 LOCK NUT Hex, M10 x 1.5, CI 10
19	100037		123 LOCK NUT M10 x 1.5, CI 8
20	13507401		4 WASHER 12.2mm ID x 20mm OD x 2mm Thk
21	84406743		1 KNIFE ASSY
22	84406745		1 KNIFE ASSY

3152-DRAPER HEADER 3162-DRAPER HEADER

88.058.17

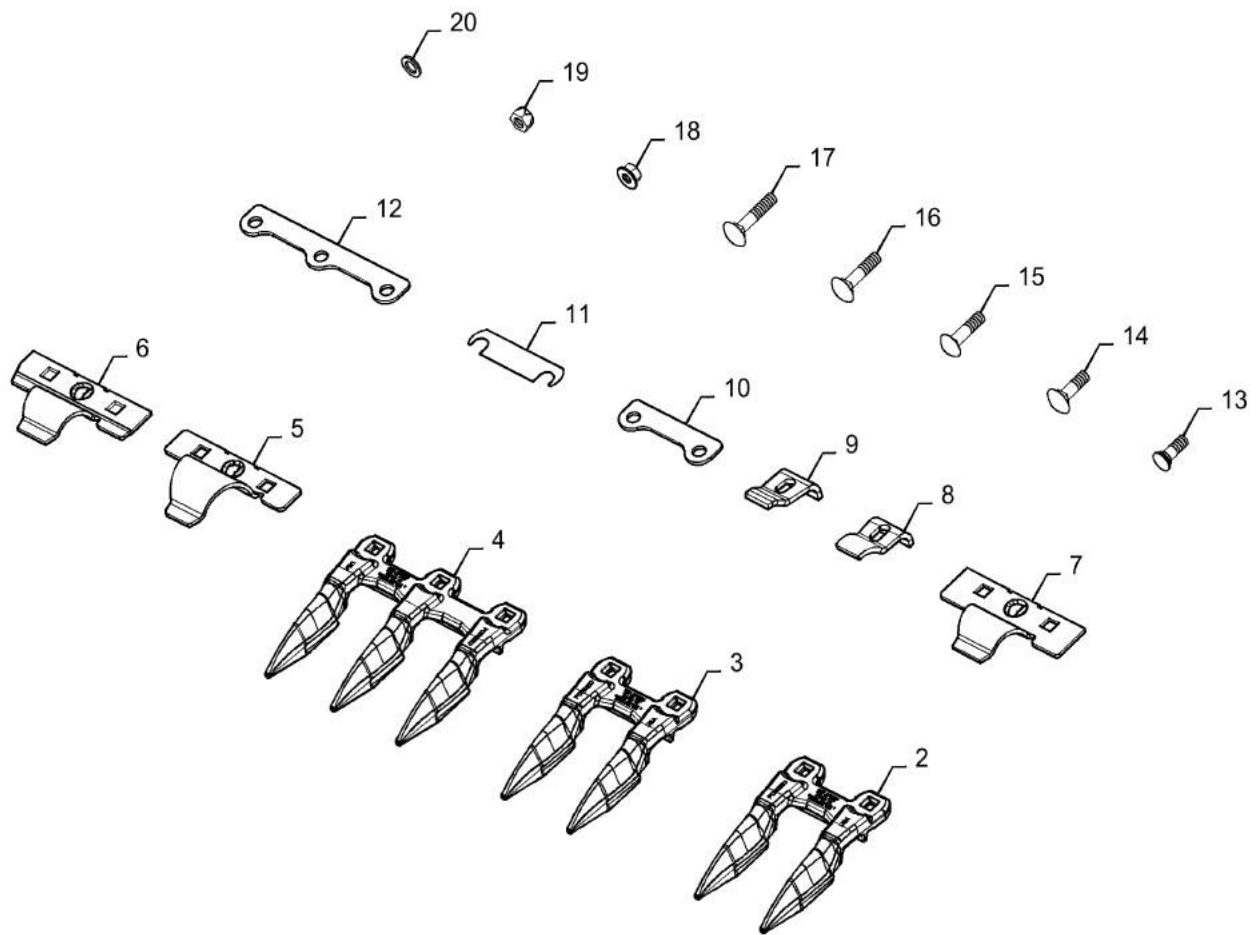
05

p1

9/2016

KIT CUTTERBAR 45FT W/O KNIFE

1



KIT CUTTERBAR 45FT W/O KNIFE

REF FN	PART NUMBER	YR/SN	QTY DESCRIPTION
1	47795024		1 KIT Includes 2 - 20
2	87702973		86 GUARD Knife 3IN
3	47506883		4 GUARD Knife 3IN
4	47506882		1 GUARD Knife 3IN Point
5	84422134		3 KNIFE CLIP
6	86630786		20 KNIFE CLIP Heat Treated
7	84184577		20 KNIFE CLIP
8	84422992		3 ADJUSTING PLATE
9	86630787		40 KNIFE CLIP
10	84396061		45 SHIM 31mm OD x 3.25mm Thk
11	482769		40 SHIM 25mm OD x 0.59mm Thk
12	84384773		1 SHIM 31mm OD x 3.25mm Thk
13	87742342		43 PLOW BOLT M10 x 1.5 x 30mm, Class 10.9
14	9833222		88 CARRIAGE BOLT Sq Nk, M10 x 1.5 x 35mm, CI 8.8, Full Thd
15	374892		91 CARRIAGE BOLT M10 x 1.5 x 40mm, CI 8.8
16	86512425		2 CARRIAGE BOLT Sq Nk, M10 x 45mm, CI 8.8
17	86512426		2 CARRIAGE BOLT Sq Nk, M10 x 50mm, CI 8.8
18	87547587		43 LOCK NUT Hex, M10 x 1.5, CI 10
19	100037		183 LOCK NUT M10 x 1.5, CI 8
20	13507401		4 WASHER 12.2mm ID x 20mm OD x 2mm Thk

3152-DRAPER HEADER 3162-DRAPER HEADER

88.058.17

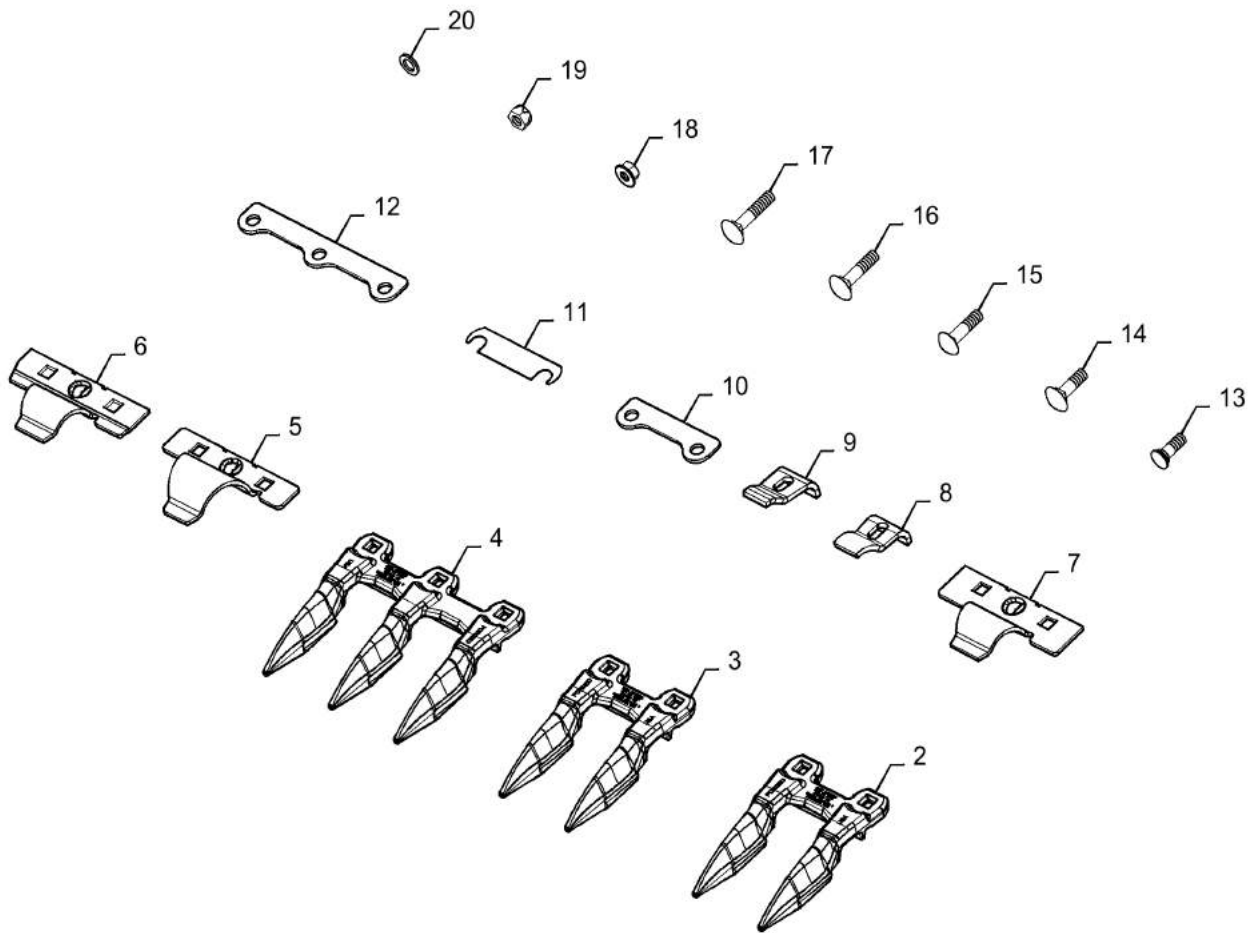
06

p1

9/2016

KIT CUTTERBAR 40FT W/O KNIFE

1



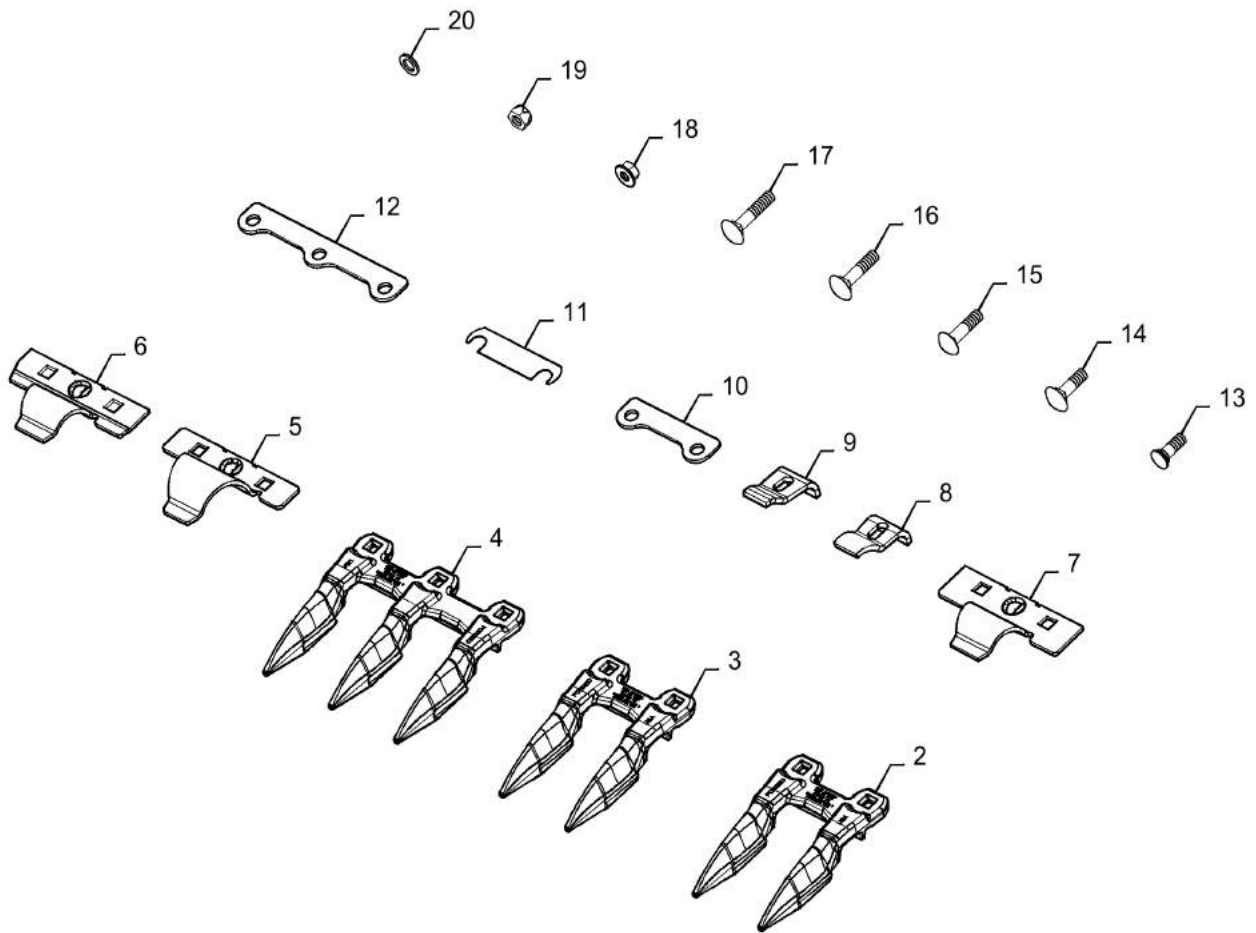
KIT CUTTERBAR 40FT W/O KNIFE

REF FN	PART NUMBER	YR/SN	QTY DESCRIPTION
1	47795023		1 KIT Includes 2 - 20
2	87702973		76 GUARD Knife 3IN
3	47506883		4 GUARD Knife 3IN
4	47506882		1 GUARD Knife 3 Point
5	84422134		3 KNIFE CLIP
6	86630786		18 KNIFE CLIP Heat Treated
7	84184577		18 KNIFE CLIP
8	84422992		3 ADJUSTING PLATE
9	86630787		36 KNIFE CLIP
10	84396061		40 SHIM 31mm OD x 3.25mm Thk
11	482769		36 SHIM 25mm OD x 0.59mm Thk
12	84384773		1 SHIM 31mm OD x 3.25mm Thk
13	87742342		39 PLOW BOLT M10 x 1.5 x 30mm, Class 10.9
14	9833222		78 CARRIAGE BOLT Sq Nk, M10 x 1.5 x 35mm, CI 8.8, Full Thd
15	374892		81 CARRIAGE BOLT M10 x 1.5 x 40mm, CI 8.8
16	86512425		2 CARRIAGE BOLT Sq Nk, M10 x 45mm, CI 8.8
17	86512426		2 CARRIAGE BOLT Sq Nk, M10 x 50mm, CI 8.8
18	87547587		39 LOCK NUT Hex, M10 x 1.5, CI 10
19	100037		163 LOCK NUT M10 x 1.5, CI 8
20	13507401		4 WASHER 12.2mm ID x 20mm OD x 2mm Thk

3152-DRAPER HEADER 3162-DRAPER HEADER

KIT CUTTERBAR 35FT W/O KNIFE

1



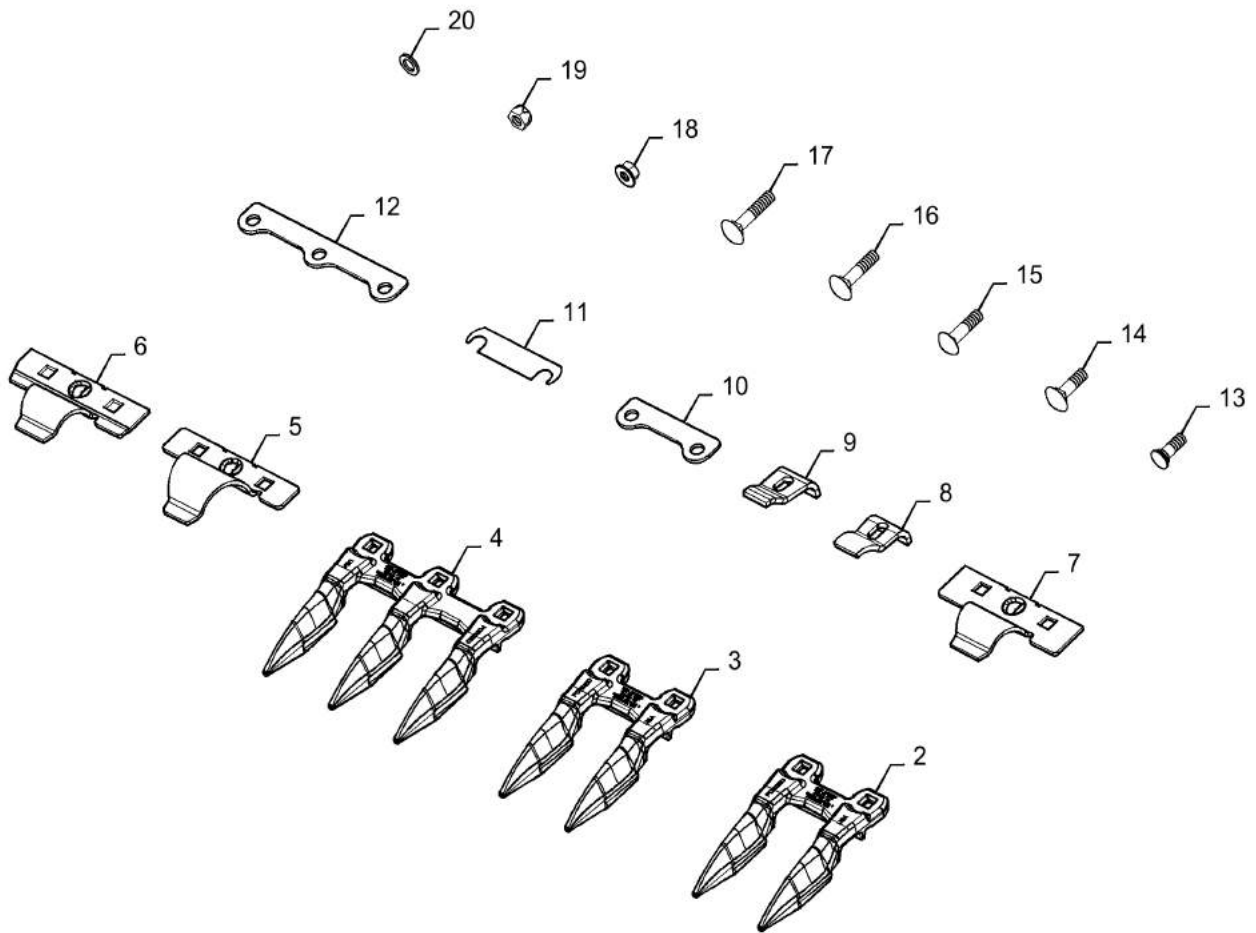
KIT CUTTERBAR 35FT W/O KNIFE

REF FN	PART NUMBER	YR/SN	QTY DESCRIPTION
1	47795016		1 KIT Includes 2 - 20
2	87702973		66 GUARD Knife 3IN
3	47506883		4 GUARD Knife 3IN
4	47506882		1 GUARD Knife 3 Point
5	84422134		3 KNIFE CLIP
6	86630786		15 KNIFE CLIP Heat Treated
7	84184577		15 KNIFE CLIP
8	84422992		3 ADJUSTING PLATE
9	86630787		30 KNIFE CLIP
10	84396061		35 SHIM 31mm OD x 3.25mm Thk
11	482769		31 SHIM 25mm OD x 0.59mm Thk
12	84384773		1 SHIM 31mm OD x 3.25mm Thk
13	87742342		33 PLOW BOLT M10 x 1.5 x 30mm, Class 10.9
14	9833222		68 CARRIAGE BOLT Sq Nk, M10 x 1.5 x 35mm, CI 8.8, Full Thd
15	374892		71 CARRIAGE BOLT M10 x 1.5 x 40mm, CI 8.8
16	86512425		2 CARRIAGE BOLT Sq Nk, M10 x 45mm, CI 8.8
17	86512426		2 CARRIAGE BOLT Sq Nk, M10 x 50mm, CI 8.8
18	87547587		33 LOCK NUT Hex, M10 x 1.5, CI 10
19	100037		143 LOCK NUT M10 x 1.5, CI 8
20	13507401		4 WASHER 12.2mm ID x 20mm OD x 2mm Thk

3152-DRAPER HEADER 3162-DRAPER HEADER

KIT CUTTERBAR 30FT W/O KNIFE

1

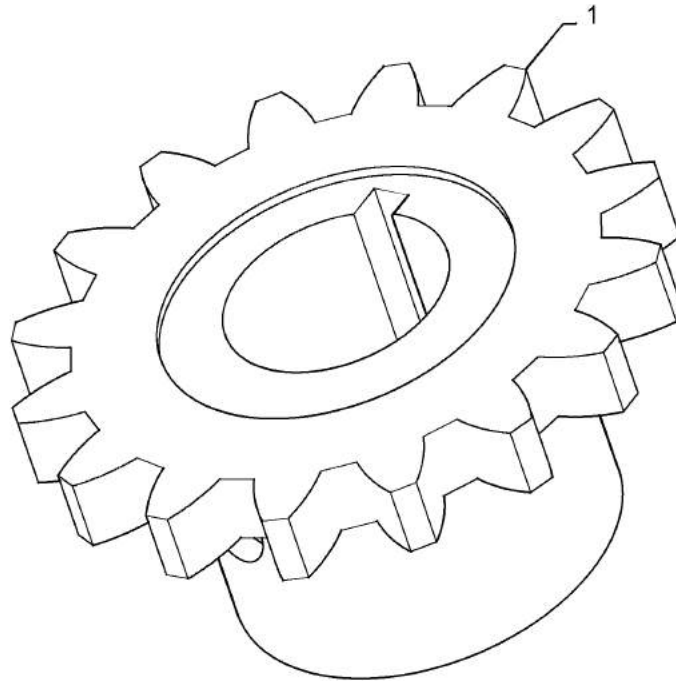


KIT CUTTERBAR 30FT W/O KNIFE

REF FN	PART NUMBER	YR/SN	QTY DESCRIPTION
1	47795012		1 KIT Includes 2 - 20
2	87702973		56 GUARD Knife 3IN
3	47506883		4 GUARD Knife 3IN
4	47506882		1 GUARD Knife 3 Point
5	84422134		3 KNIFE CLIP
6	86630786		13 KNIFE CLIP Heat Treated
7	84184577		13 KNIFE CLIP
8	84422992		3 ADJUSTING PLATE
9	86630787		26 KNIFE CLIP
10	84396061		30 SHIM 31mm OD x 3.25mm Thk
11	482769		26 SHIM 25mm OD x 0.59mm Thk
12	84384773		1 SHIM 31mm OD x 3.25mm Thk
13	87742342		29 PLOW BOLT M10 x 1.5 x 30mm, Class 10.9
14	9833222		58 CARRIAGE BOLT Sq Nk, M10 x 1.5 x 35mm, CI 8.8, Full Thd
15	374892		61 CARRIAGE BOLT M10 x 1.5 x 40mm, CI 8.8
16	86512425		2 CARRIAGE BOLT Sq Nk, M10 x 45mm, CI 8.8
17	86512426		2 CARRIAGE BOLT Sq Nk, M10 x 50mm, CI 8.8
18	87547587		29 LOCK NUT Hex, M10 x 1.5, CI 10
19	100037		123 LOCK NUT M10 x 1.5, CI 8
20	13507401		4 WASHER 12.2mm ID x 20mm OD x 2mm Thk

3152-DRAPER HEADER 3162-DRAPER HEADER

DIA KIT, REEL, DRIVE



88.058.18

p1

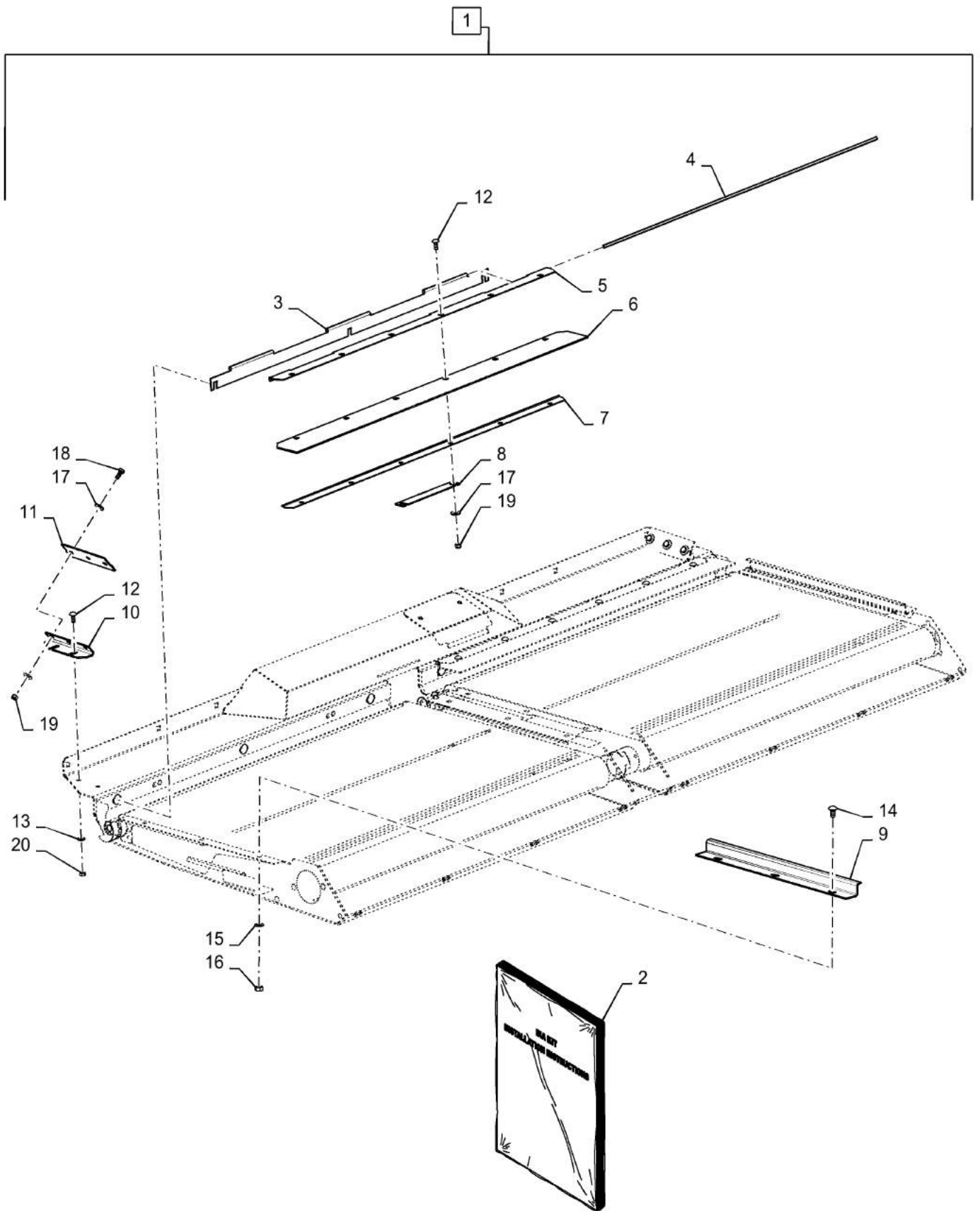
9/2016

DIA KIT, REEL, DRIVE

REF FN	PART NUMBER	YR/SN	QTY DESCRIPTION
1	47476879		1 SPROCKET Assy

3152-DRAPER HEADER

DIA KIT, BEAN LOSS



DIA KIT, BEAN LOSS

REF FN	PART NUMBER	YR/SN	QTY DESCRIPTION
1	47533917		1 KIT Bean Loss/Saver, Incl 2 - 20
2	47832652		1 INSTRUCTION Bean Loss/Saver
3	47545144		2 MOUNT Hinge
4	47545152		2 ROD Hinge
5	47545146		2 HINGE Top
6	47475059		2 SHIELD
7	47545150		2 SUPPORT
8	47550860		2 HINGE Stop
9	47504320		2 ANGLE
10	47667172		2 MOUNT
11	47555216		2 SHIELD
12	86507486		16 CARRIAGE BOLT M8 x 1.25 x 20mm, CI 8.8
13	322358		4 BELLEVILLE WASHER M8 Bolt Size x 18mm OD x 1.4mm Thk
14	120041		6 CARRIAGE BOLT M10 x 20mm, CI 8.8
15	140045		6 BELLEVILLE WASHER M10 Bolt Size x 22mm OD x 1.6mm Thk
16	100016		6 NUT M10 x 1.5, CI 8
17	86639313		24 WASHER 9mm ID x 24mm OD x 2mm Thk
18	120104		6 BOLT Hex, M8 x 1.25 x 20mm, CI 8.8
19	86629542		18 NUT M8 x 1.25, CI 8.8
20	9706690		4 NUT M8 x 1.25, CI 8

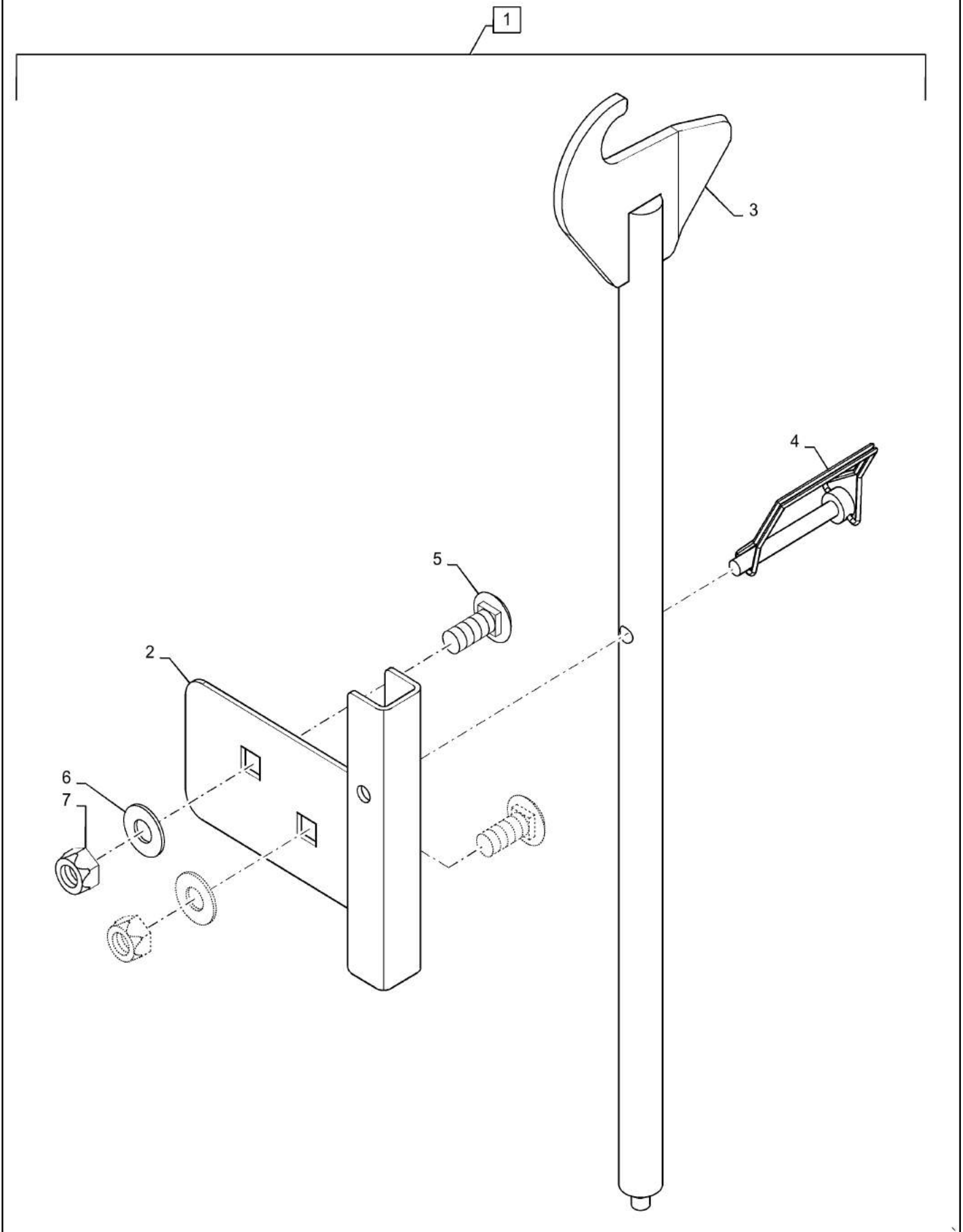
3152-DRAPER HEADER 3162-DRAPER HEADER

88.058.20

p1

9/2016

DIA KIT, CUTTERBAR LOCKOUT TOOL, FLEX



88.058.20

p1

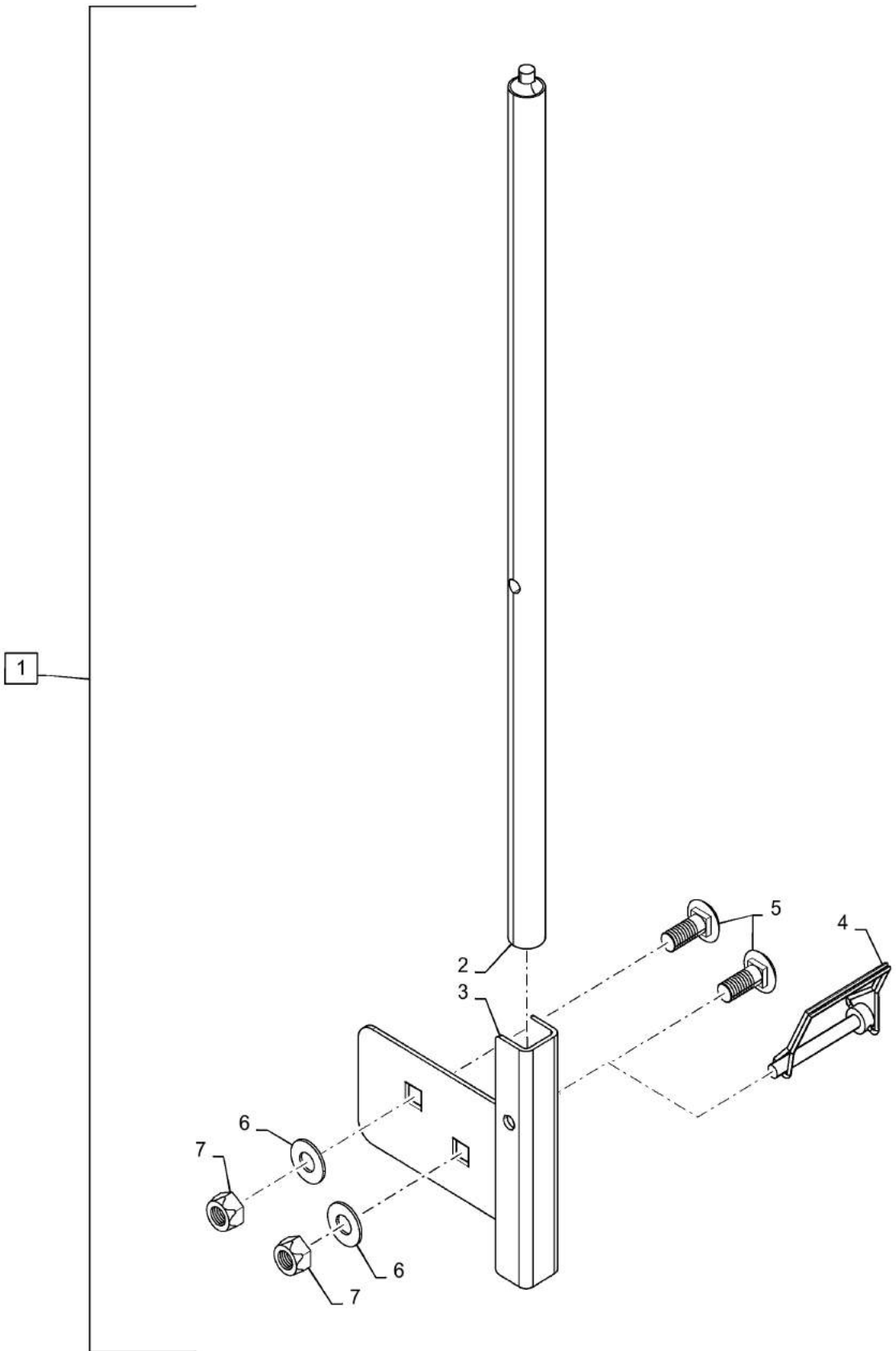
9/2016

DIA KIT, CUTTERBAR LOCKOUT TOOL, FLEX

REF FN	PART NUMBER	YR/SN	QTY DESCRIPTION
1	47691251		1 KIT Cutterbar Lockout Tool, Incl 2 - 7
2	47703717		1 HOLDER Cutterbar Tool
3	47691195		1 TOOL Cutterbar
4	647695		1 PIN 7.94mm OD Snap
5	120044		2 CARRIAGE BOLT M12 x 1.75 x 30mm, Cl 8.8
6	140046		2 BELLEVILLE WASHER M12 Bolt Size x 27mm OD x 1.8mm Thk
7	100038		2 NUT M12 x 1.75, Cl 8

3162-DRAPER HEADER

DIA KIT, CUTTERBAR TOOL, RIGID



88.058.20

p1

9/2016

DIA KIT, CUTTERBAR TOOL, RIGID

REF FN	PART NUMBER	YR/SN	QTY DESCRIPTION
1	47490777		1 SERVICE KIT Cutterbar Tool, Incl 2 - 7
2	47703717		1 HOLDER Cutterbar Tool
3	47539460		1 TOOL Cutterbar
4	647695		1 PIN 7.94mm OD Snap
5	120044		2 CARRIAGE BOLT M12 x 1.75 x 30mm, Cl 8.8
6	140046		2 BELLEVILLE WASHER M12 Bolt Size x 27mm OD x 1.8mm Thk
7	100038		2 NUT M12 x 1.75, Cl 8

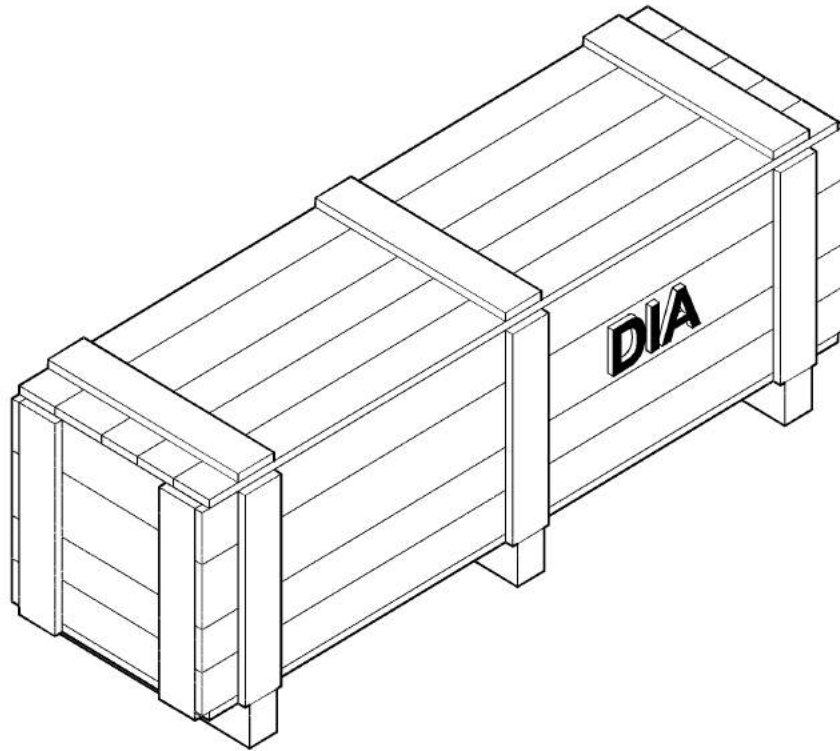
3152-DRAPER HEADER

88.058.21

p1

9/2016

UPDATE, IN-CAB SUSPENSION, CENTER



UPDATE, IN-CAB SUSPENSION, CENTER

REF FN	PART NUMBER	YR/SN	QTY DESCRIPTION
1	47853452		1 KIT Update In-Cab Suspension Center, Incl 2 - 9
2	47853620		1 INSTRUCTION In-Cab Suspension Center
3	47732767		1 DECAL Position
4	47726395		1 ARM Left Center
5	47726394		2 ARM Left Center
6	10717511		2 THIN NUT Thin, M16 x 2, CI 04
7	120248		1 BOLT Hex, M16 x 100, 8.8, Full Thd
8	47726398		1 ARM Right Center
9	47726396		1 ARM Right Center

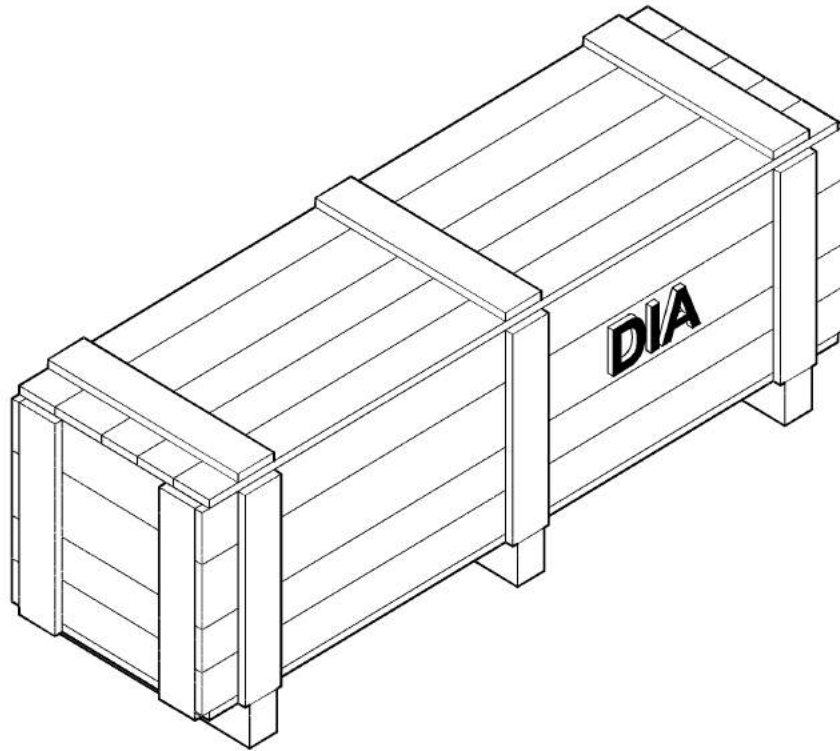
3152-DRAPER HEADER 3162-DRAPER HEADER

88.058.22

p1

9/2016

DIA KIT, HIGH TORQUE REEL DRIVE



DIA KIT, HIGH TORQUE REEL DRIVE

REF FN	PART NUMBER	YR/SN	QTY DESCRIPTION
1	47834844		1 KIT High Torque Reel Drive
2	47836108		1 INSTRUCTION High Torque Reel Drive
3	47671759		1 PLATE Cover
4	47672583		1 PLATE Cover
5	86511841		3 BOLT Flng, M8 x 1.25 x 16mm, Full Thd, Cl 8.8
6	47834800		1 CHAIN
7	47667992		1 SPROCKET Assy, Reel Driven 72T

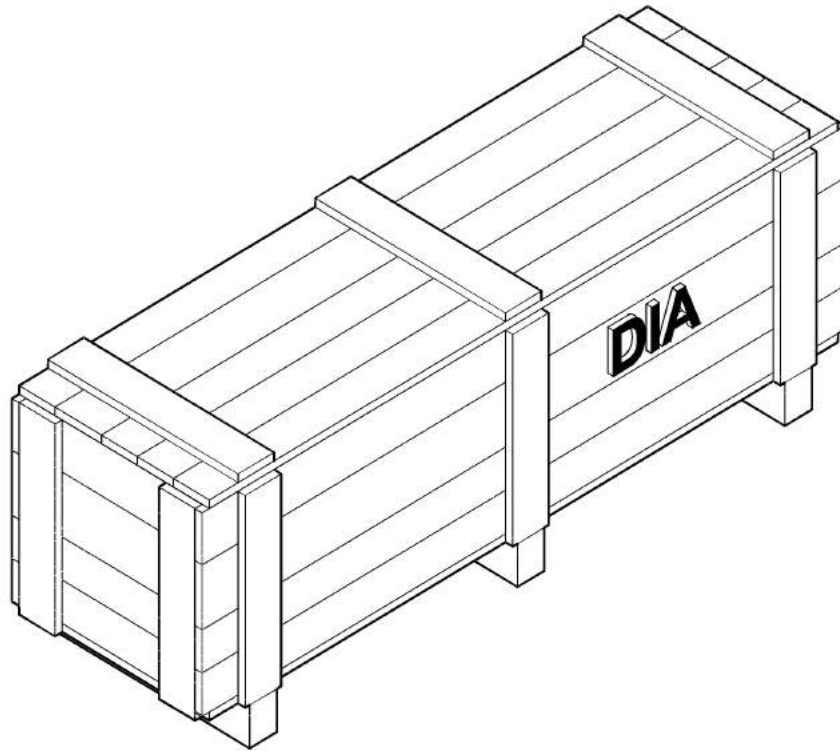
3152-DRAPER HEADER 3162-DRAPER HEADER

88.058.23

p1

9/2016

KNIFE ASSY, SPLICE KIT



88.058.23

p1

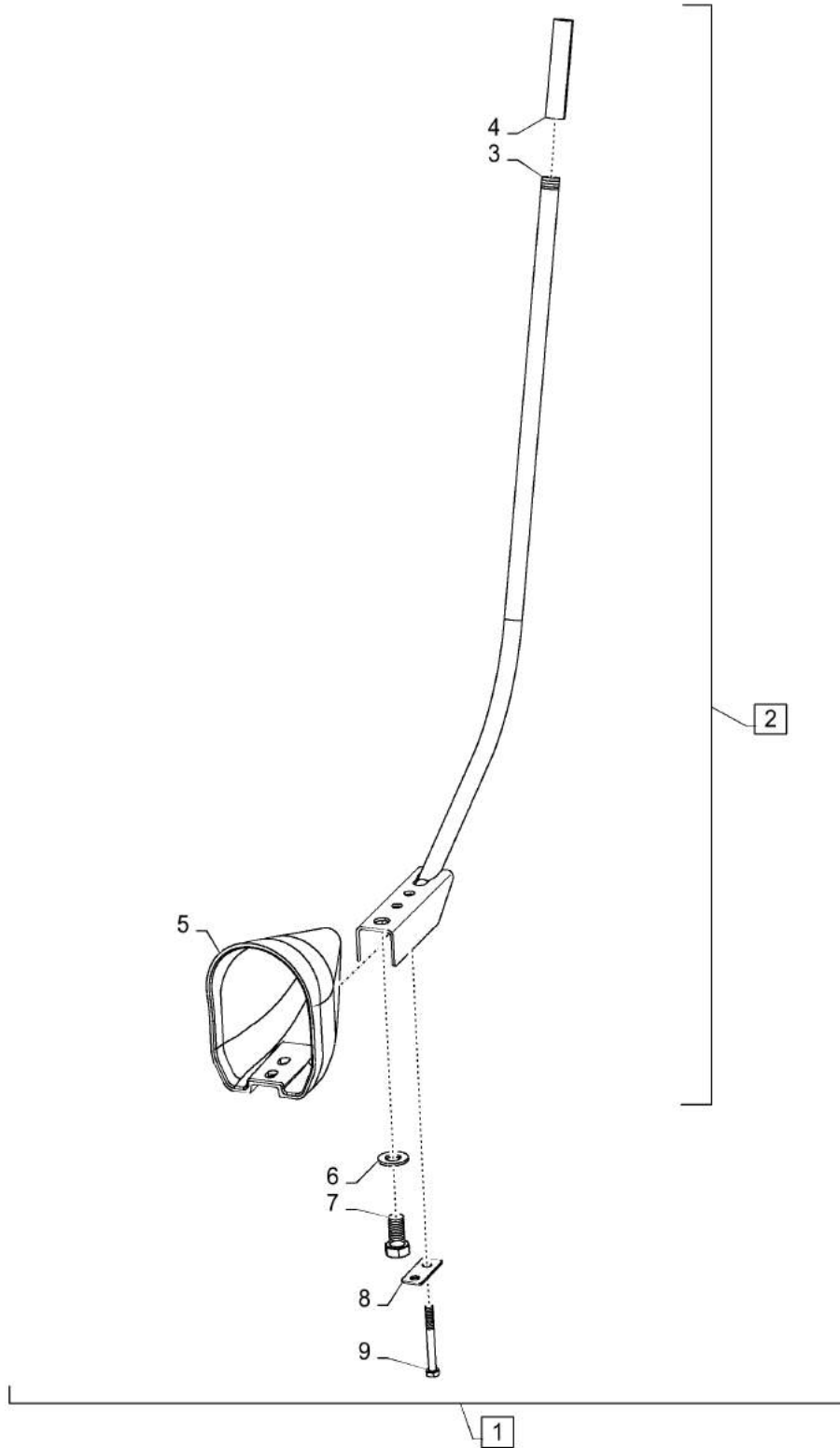
9/2016

KNIFE ASSY, SPLICE KIT

REF FN	PART NUMBER	YR/SN	QTY DESCRIPTION
1	84585647		1 SERVICE KIT Knife Assy, Splice

3152-DRAPER HEADER 3162-DRAPER HEADER

KIT, ROD CROP DIVIDER

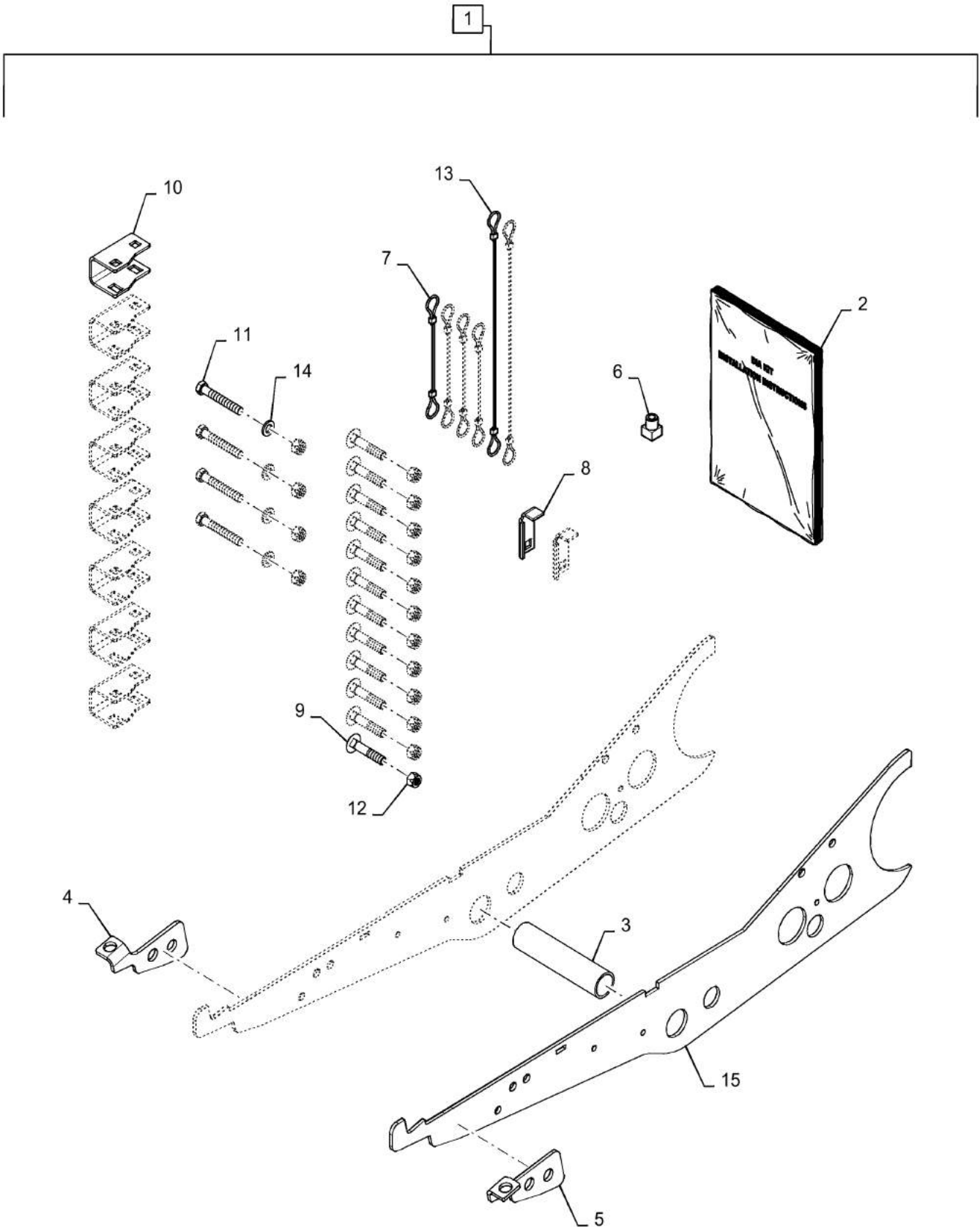


KIT, ROD CROP DIVIDER

REF FN	PART NUMBER	YR/SN	QTY DESCRIPTION
1	84325285		1 DIVIDER Assy, Incl 2 - 9
2	84229083		2 DIVIDER Extension, Incl 3 - 5
3	84229082		1 ROD Extension
4	369441A1		1 DECAL Clear
5	84229093		1 DIVIDER POINT Point Assy
6	140048		2 BELLEVILLE WASHER M16 Bolt Size x 32mm OD x 2.8mm Thk
7	43167		2 BOLT Hex, M16 x 30mm, Cl 8.8, Full Thd
8	84147660		2 PLATE Divider Point
9	120062		4 BOLT Hex, M8 x 70mm, Cl 8.8

3152-DRAPER HEADER 3162-DRAPER HEADER

KIT, RIGID HHC ARM SUPPORTS W/CABLES 25-45FT

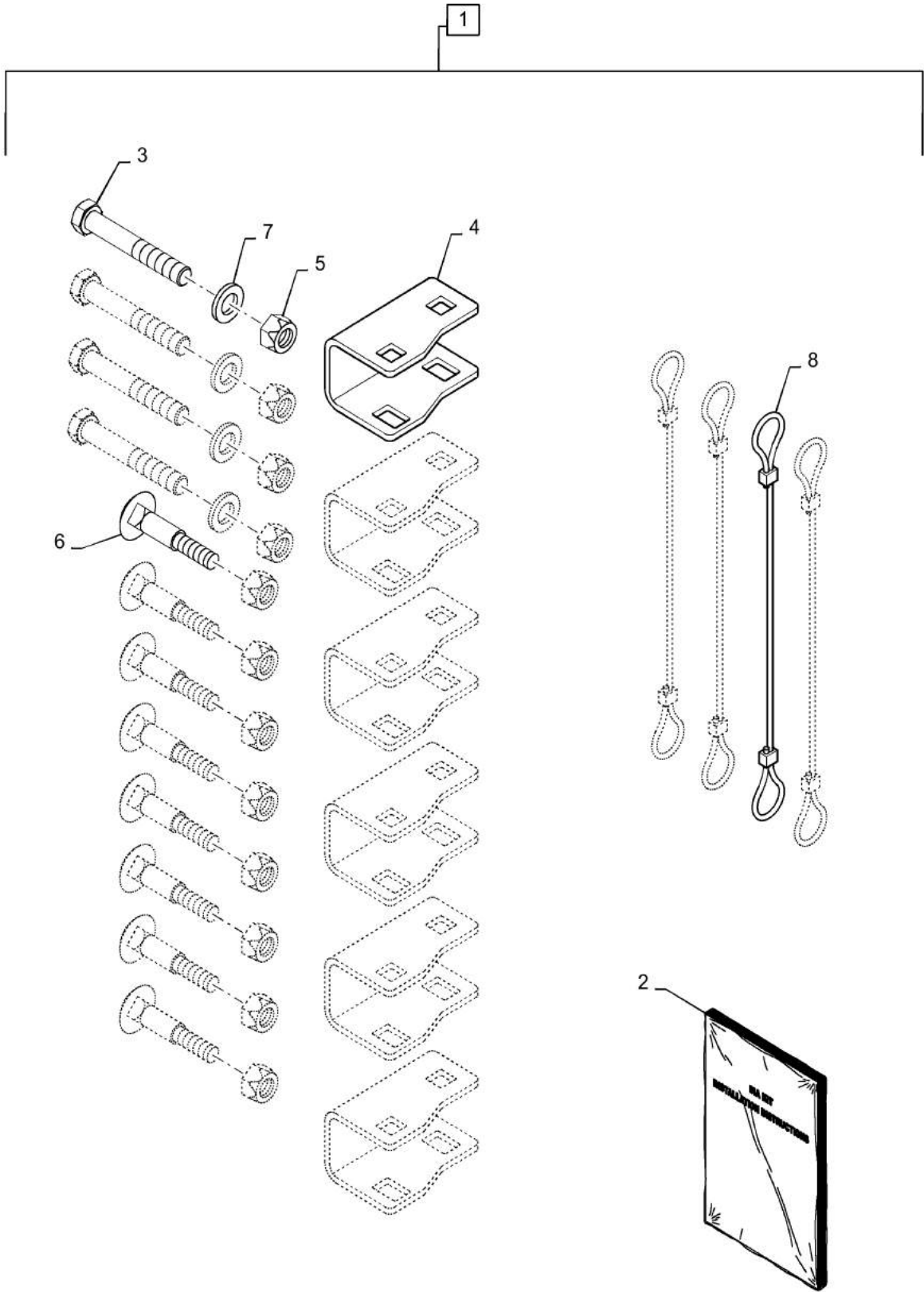


KIT, RIGID HHC ARM SUPPORTS W/CABLES 25-45FT

REF FN	PART NUMBER	YR/SN	QTY DESCRIPTION
1	47979763		1 KIT Rigid HHC Arm Supports W/Cables, Incl 2 - 15
2	47996059		1 INSTRUCTION Rigid HHC Arm Supports W/Cables
3	47889538		1 TUBE
4	47888331		1 ANGLE RH
5	47888332		1 ANGLE LH
6	47965619		1 BAR Spacer Stop
7	47973747		4 CABLE
8	47519068		2 BRACKET
9	84227693		12 CARRIAGE BOLT Reg Sq Nk, M12 x 1.75 x 65mm, Cl 8.8
10	47971774		8 SUPPORT Arm
11	43158		4 BOLT Hex, M12 x 80mm, Cl 8.8
12	100038		16 NUT M12 x 1.75, Cl 8
13	47975456		2 CABLE
14	86625255		4 WASHER 13.3mm ID x 24.5mm OD x 3mm Thk
15	84254201		2 PROFILE

3152-DRAPER HEADER 3162-DRAPER HEADER

KIT, FLEX HEAD CABLE SUPPORT 30-45 FT



KIT, FLEX HEAD CABLE SUPPORT 30-45 FT

REF FN	PART NUMBER	YR/SN	QTY DESCRIPTION
1	47980370		1 KIT Flex Head Cable Support 30-45FT, Incl 2 - 8
2	47996059		1 INSTRUCTION Flex Head Cable Support 30-45FT
3	43158		4 BOLT Hex, M12 x 80mm, CI 8.8
4	47971774		4 SUPPORT Arm
5	100038		6 NUT M12 x 1.75, CI 8
6	84227693		12 CARRIAGE BOLT Reg Sq Nk, M12 x 1.75 x 65mm, CI 8.8
7	86625255		8 WASHER 13.3mm ID x 24.5mm OD x 3mm Thk
8	47976818		4 CABLE Flex Draper

3152-DRAPER HEADER 3162-DRAPER HEADER

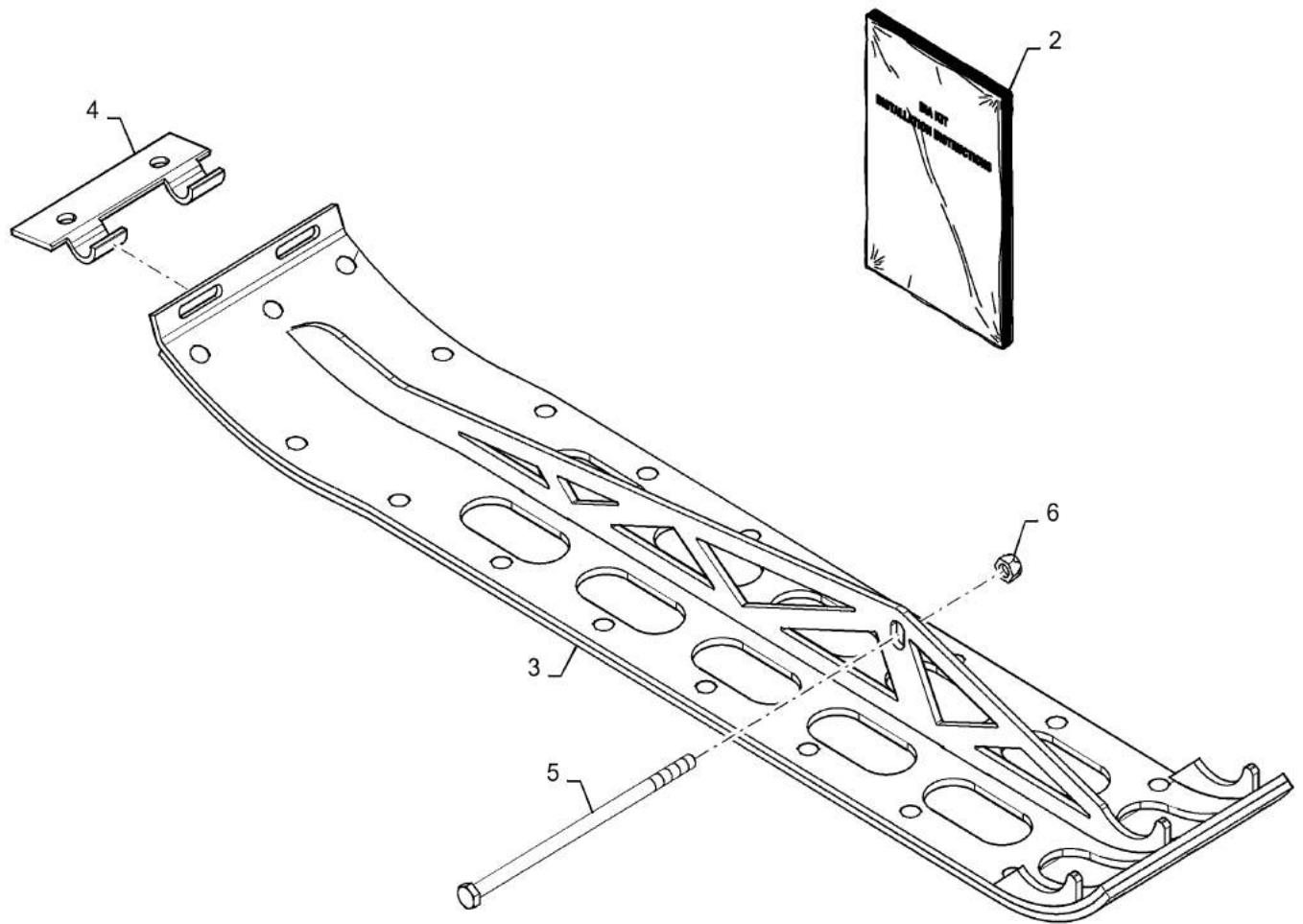
88.058.27

p1

9/2016

KIT, SKID/SHOE, RIGID ONLY

1



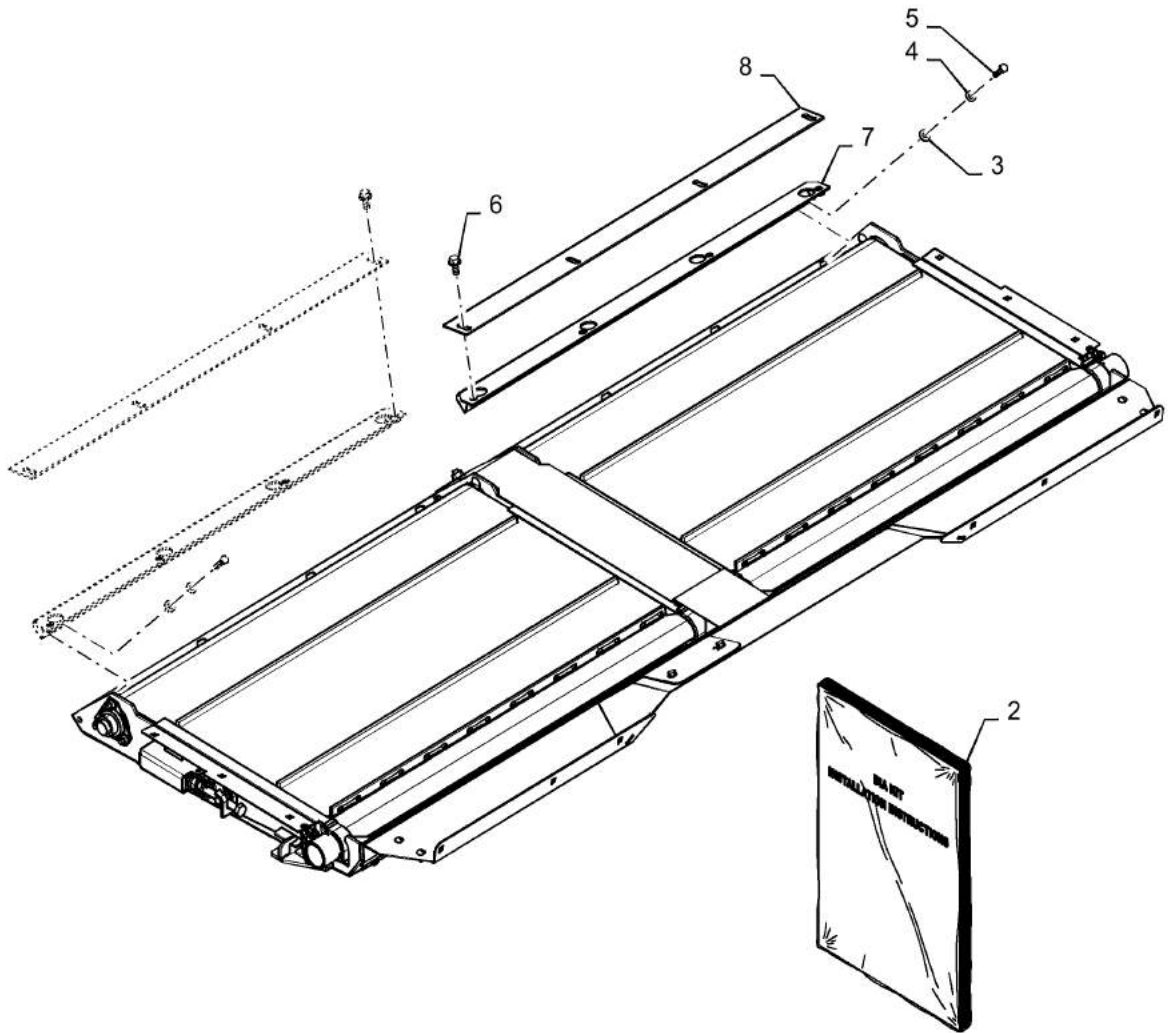
KIT, SKID/SHOE, RIGID ONLY

REF FN	PART NUMBER	YR/SN	QTY DESCRIPTION
1	47988546		1 KIT Rigid Skid Shoe
2	47997361		1 INSTRUCTION Long Rigid Skid Shoe
3	47978726		1 SKID/SHOE
4	47978736		1 MOUNT Skid/Shoe Hinge
5	87690472		1 BOLT Hex, M8 x 180mm, CI 8.8
6	86629542		1 NUT M8 x 1.25, CI 8.8

3152-DRAPER HEADER 3162-DRAPER HEADER

KIT, DRAPER ROCK,STRIPPER

1



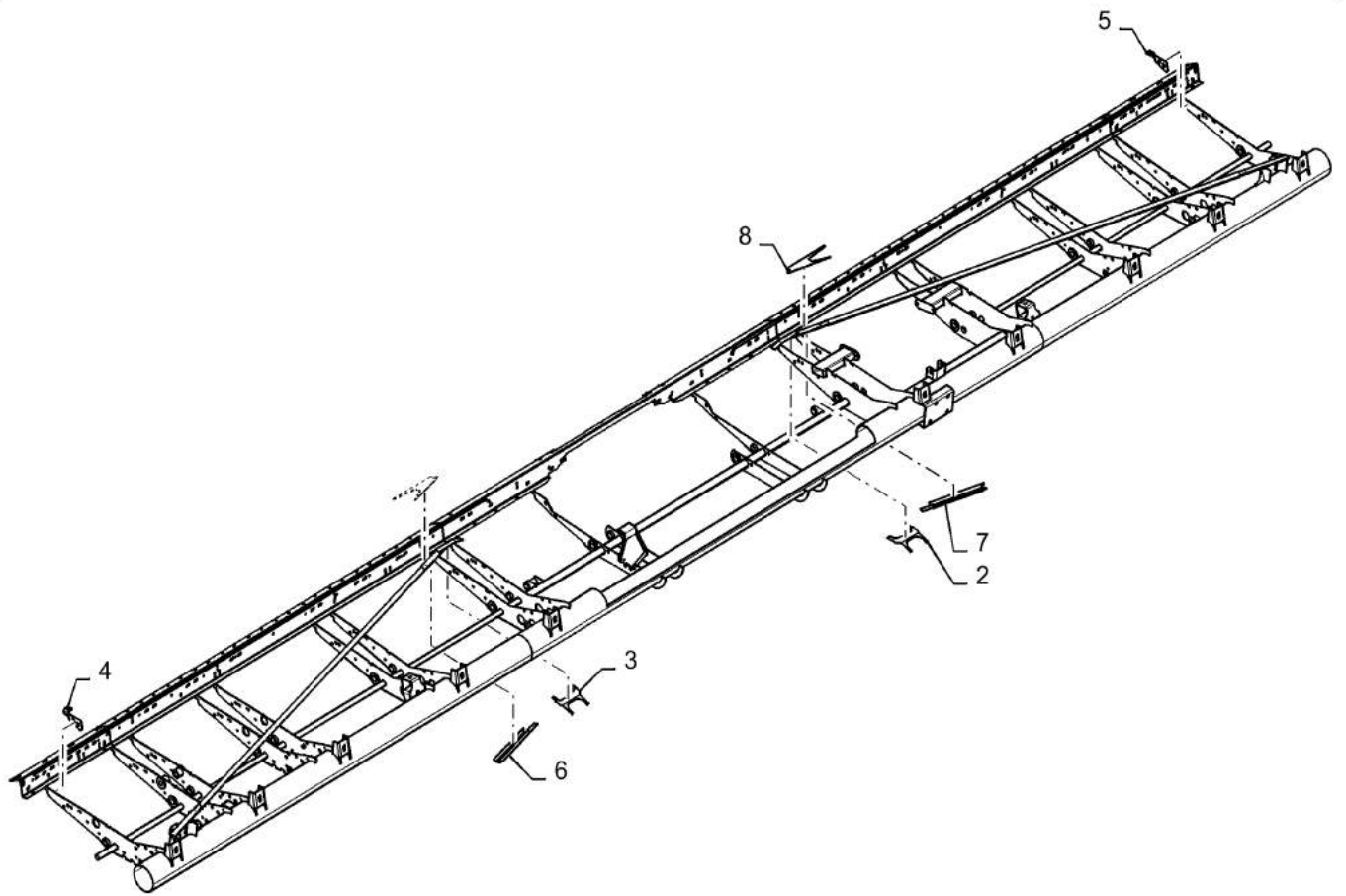
KIT, DRAPER ROCK,STRIPPER

REF FN	PART NUMBER	YR/SN	QTY DESCRIPTION
1	48034854		1 KIT Draper Rock Stripper, Incl 2 - 8
2	48036218		1 INSTRUCTION Draper Rock Stripper
3	394629		8 WASHER 10.5mm ID x 24mm OD x 3mm Thk
4	140045		8 BELLEVILLE WASHER M10 Bolt Size x 22mm OD x 1.6mm Thk
5	9706704		8 BOLT Hex, M10 x 1.5 x 41.58mm, Cl 8.8
6	9804266		8 BOLT Hex, M12 x 25mm, Cl 8.8, Full Thd
7	47911870		2 ANGLE Dark Grey
8	47911888		2 STRIPPER Dark Grey

3152-DRAPER HEADER 3162-DRAPER HEADER

KIT, DRAPER FRAME SPLINT

1

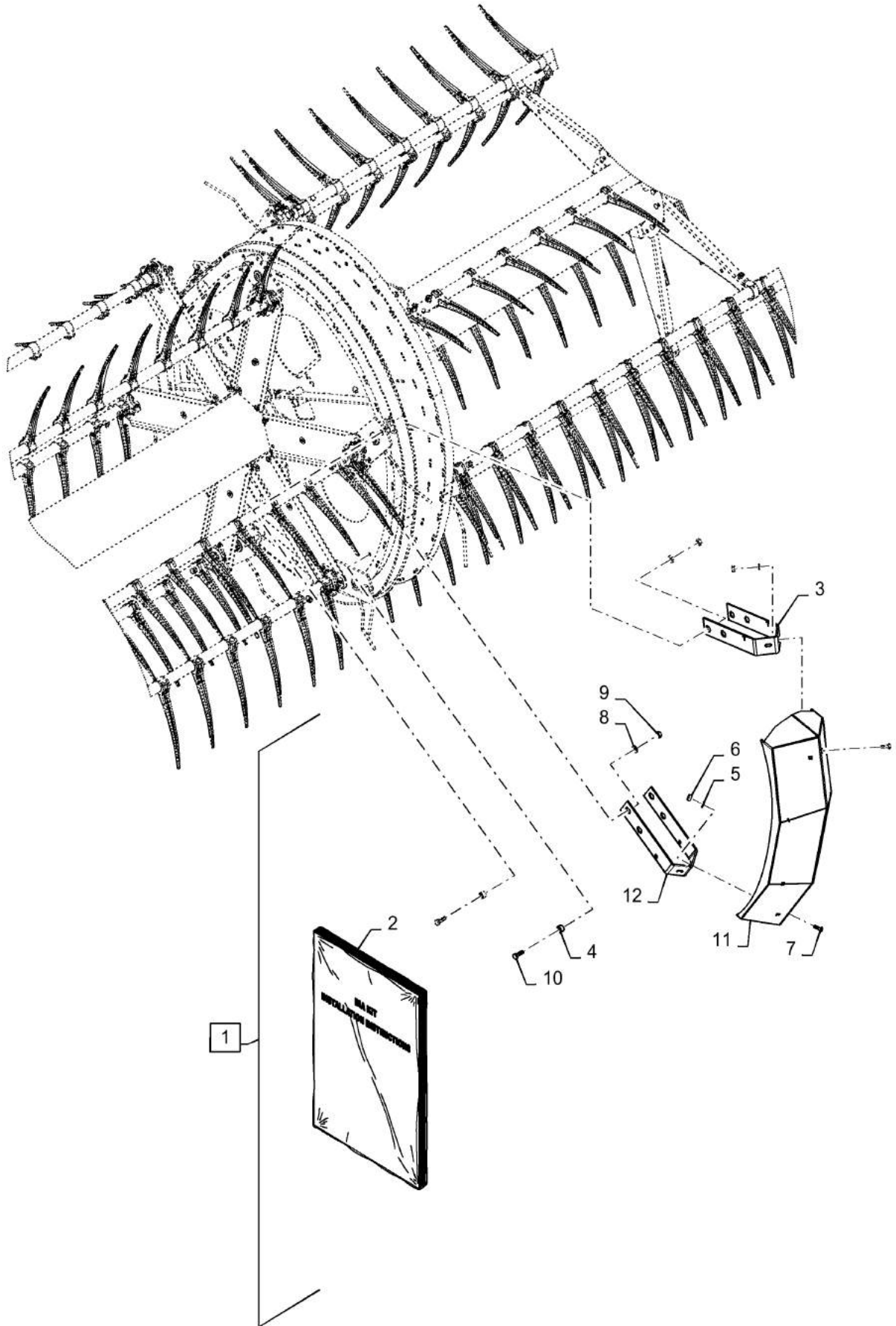


KIT, DRAPER FRAME SPLINT

REF FN	PART NUMBER	YR/SN	QTY DESCRIPTION
1	48003801		1 KIT Draper Frame Splint Assy, Incl 2 - 8
2	47886243		1 REINFORCEMENT RH
3	47886389		1 REINFORCEMENT LH
4	47888331		1 ANGLE RH
5	47888332		1 ANGLE LH
6	47995515		1 CHANNEL LH
7	47995516		1 CHANNEL RH
8	47868215		2 PLATE

3152-DRAPER HEADER 3162-DRAPER HEADER

KIT, REEL CENTER DIVIDER



KIT, REEL CENTER DIVIDER

REF FN	PART NUMBER	YR/SN	QTY DESCRIPTION
1	48042255		1 KIT Reel Center Divider, Incl 2 - 12
2	48038041		1 INSTRUCTION Reel Center Divider
3	{47862032}		1 Dark Gray
4	853070		8 SPACER 10.2mm ID x 19mm OD x 13mm Thk
5	322358		4 BELLEVILLE WASHER M8 Bolt Size x 18mm OD x 1.4mm Thk
6	9706690		4 NUT M8 x 1.25, CI 8
7	308761		4 CARRIAGE BOLT M8 x 1.25 x 25mm, CI 8.8
8	140045		8 BELLEVILLE WASHER M10 Bolt Size x 22mm OD x 1.6mm Thk
9	100016		8 NUT M10 x 1.5, CI 8
10	43140		8 BOLT Hex, M10 x 1.5 x 30mm, CI 8.8
11	47859914		1 SHIELD Dark Gray
12	47862060		1 BRACKET Dark Gray

3162-DRAPER HEADER

88.058.31

p1

9/2016

KIT, CUTTERBAR ANGLE STOP

ART

NOT

AVAILABLE

88.058.31

p1

9/2016

KIT, CUTTERBAR ANGLE STOP

REF FN	PART NUMBER	YR/SN	QTY DESCRIPTION
1	47995571		1 KIT Cutterbar Angle Stop, Incl 2 - 6
2	86508748		8 CARRIAGE BOLT Short Square Neck, 3/8" - 16 x 3/4", Grade 5
3	86521606		8 FLANGE NUT Hex, 3/8" - 16, Gr 5
4	87613322		8 POP RIVET Pop, 6.35mm OD x 15.75mm L
5	87668737		2 CABLE TIE 203.2mm L, Nylon
6	47973686		4 ANGLE

3152-DRAPER HEADER 3162-DRAPER HEADER

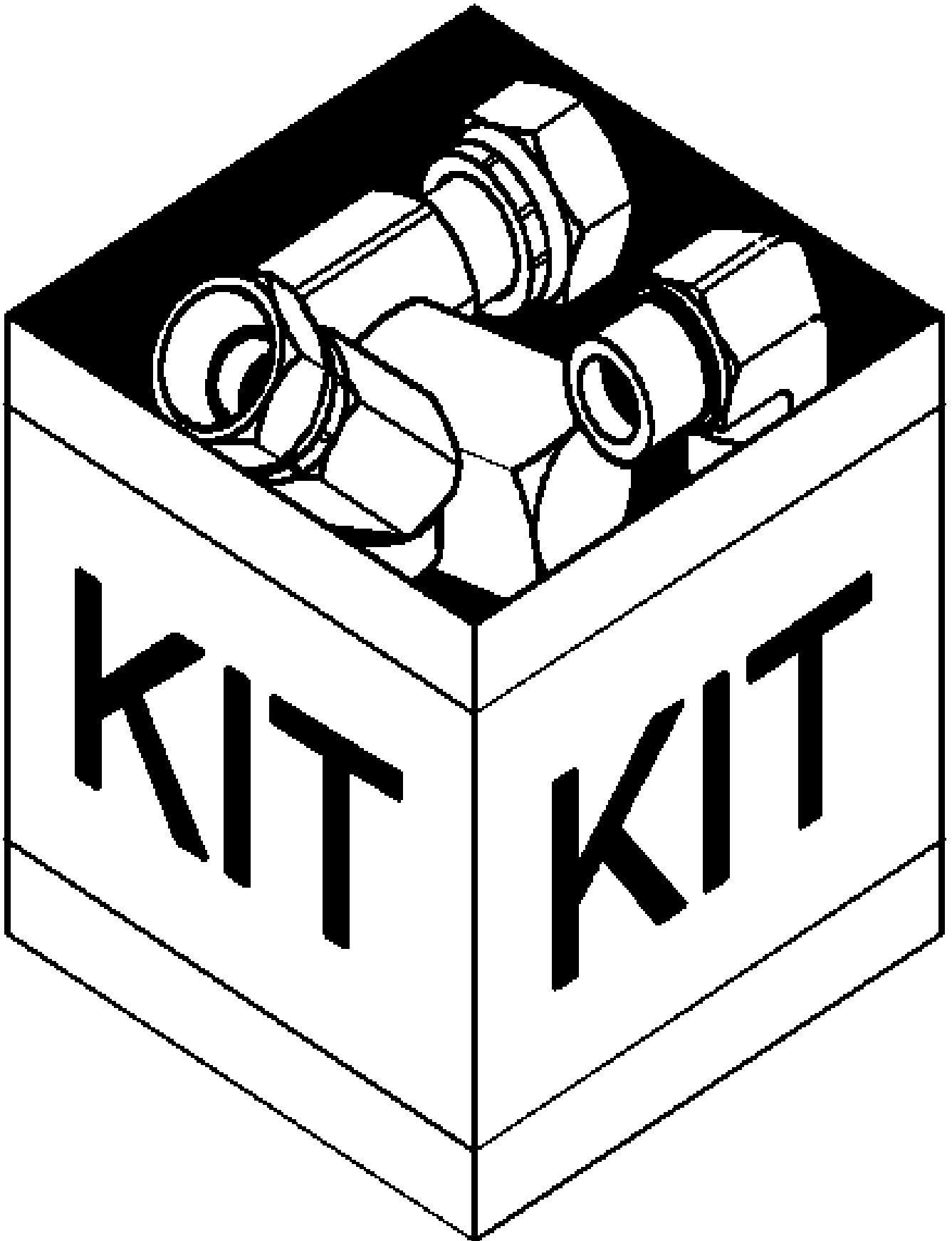
88.099.01

02

p1

9/2016

KIT RIGID HHC DRAPER 30-35



KIT RIGID HHC DRAPER 30-35

REF FN	PART NUMBER	YR/SN	QTY DESCRIPTION
1	47850148		1 KIT Incl 2 - 24
2	47851872		1 INSTRUCTION
3	47437102		2 ARM WID
4	47520446		1 ARM LEFT CENTER
5	47520447		1 ARM RIGHT CENTER
6	84483640		2 WIRE HARNESS
7	84483639		2 WIRE HARNESS
8	86566989		10 CABLE TIE 208mm L
9	47976818		4 CABLE
10	144607		8 SPACER 0.516" ID x 0.749" OD x 0.28" L
11	86592701		4 WASHER 13mm ID x 35mm OD x 5mm Thk
12	84227693		2 CARRIAGE BOLT Reg Sq Nk, M12 x 1.75 x 65mm, CI 8.8
13	47518437		3 BRACKET
14	43158		4 BOLT Hex, M12 x 80mm, CI 8.8
15	47519068		1 BRACKET
16	86625255		9 WASHER 13.3mm ID x 24.5mm OD x 3mm Thk
17	100038		9 NUT M12 x 1.75, CI 8
18	811-12035		3 CARRIAGE BOLT Sht Sq Nk, M12 x 1.75 x 35mm, CI 8.8
19	86050346		5 CLAMP 9.5mm, Coat, 7.1mm Bolt Hole, P Type
20	577927		3 CLAMP 12.7mm, Coat, 10.3mm Bolt Hole, P Type
21	322357		16 BELLEVILLE WASHER M6 Bolt Size x 14mm OD x 1.3mm Thk
22	120100		8 BOLT M6 x 20mm, CI 8.8
23	353308		8 NUT M6 x 1.0, CI 8
24	47425969		2 PLUG

3152-DRAPER HEADER 3162-DRAPER HEADER

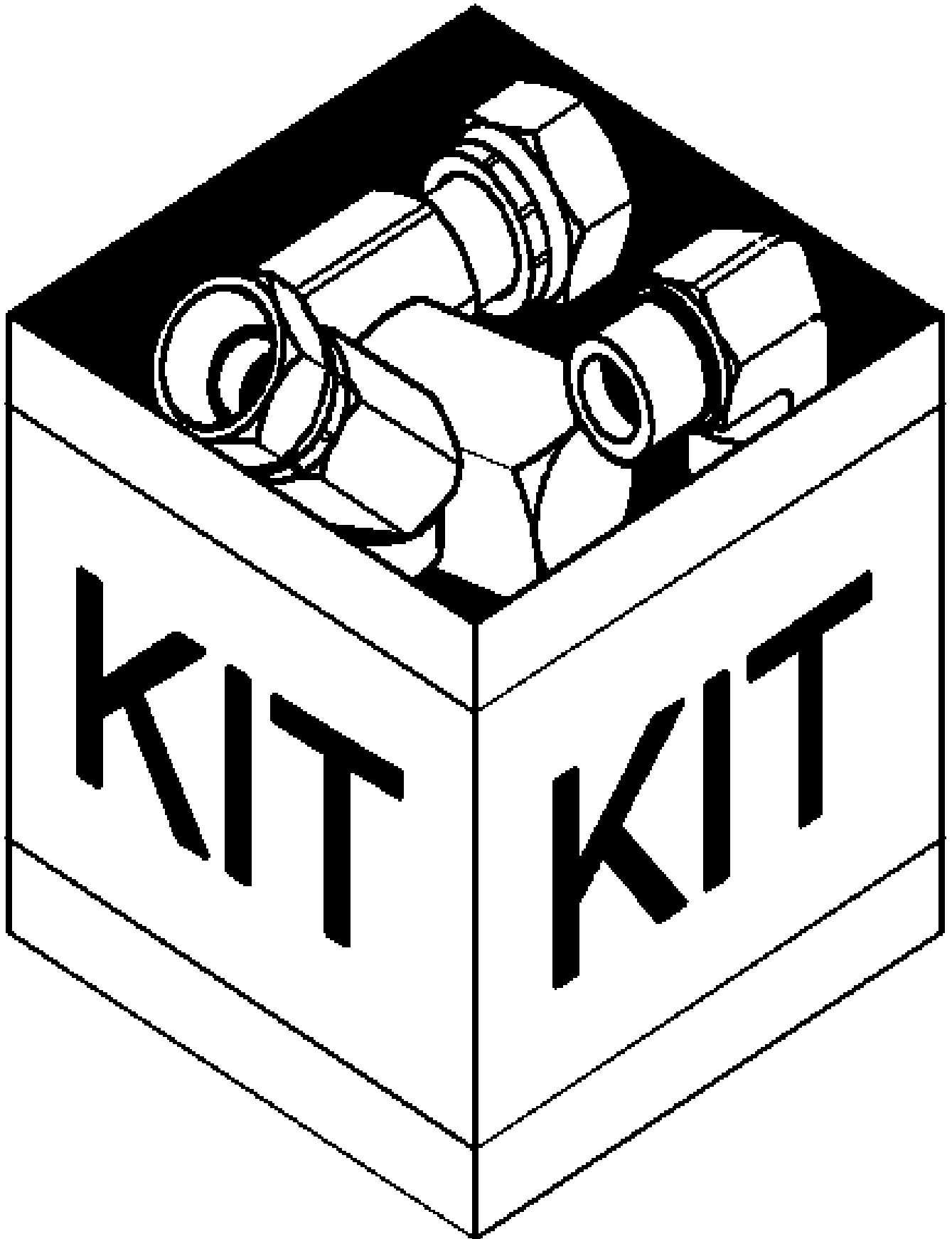
88.099.01

03

p1

9/2016

KIT POLY SKID SHOE COMPLETE 35 FT



88.099.01

03

p1

9/2016

KIT POLY SKID SHOE COMPLETE 35 FT

REF FN	PART NUMBER	YR/SN	QTY DESCRIPTION
1	48031345		1 KIT Incl 2 - 7
2	377580A1		66 SKID/SHOE
3	84346388		1 SKID/SHOE LH
4	84337990		1 SKID/SHOE RH
5	14441231		33 HEX SOC SCREW Flat Csk Hd, M6 x 12mm, Cl 10.9
6	87613322		342 POP RIVET Pop, 6.35mm OD x 15.75mm L
7	84323064		1 SKID PLATE

3152-DRAPER HEADER 3162-DRAPER HEADER

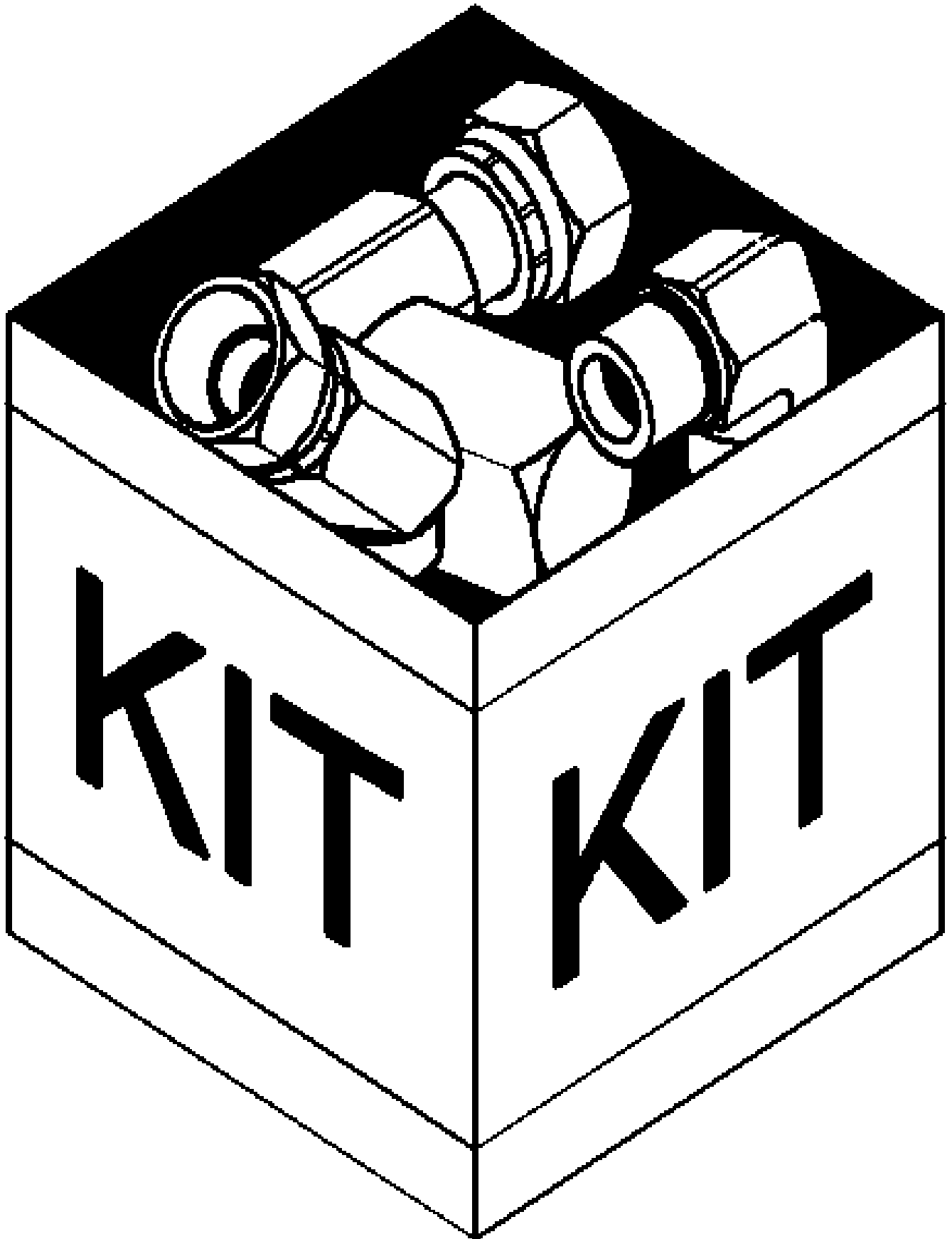
88.099.01

04

p1

9/2016

KIT POLY SKID SHOE COMPLETE 30 FT



88.099.01

04

p1

9/2016

KIT POLY SKID SHOE COMPLETE 30 FT

REF FN	PART NUMBER	YR/SN	QTY DESCRIPTION
1	48033416		1 KIT Incl 2 - 7
2	377580A1		56 SKID/SHOE
3	84346388		1 SKID/SHOE LH
4	84337990		1 SKID/SHOE RH
5	14441231		33 HEX SOC SCREW Flat Csk Hd, M6 x 12mm, Cl 10.9
6	87613322		292 POP RIVET Pop, 6.35mm OD x 15.75mm L
7	84323064		1 SKID PLATE

3152-DRAPER HEADER 3162-DRAPER HEADER

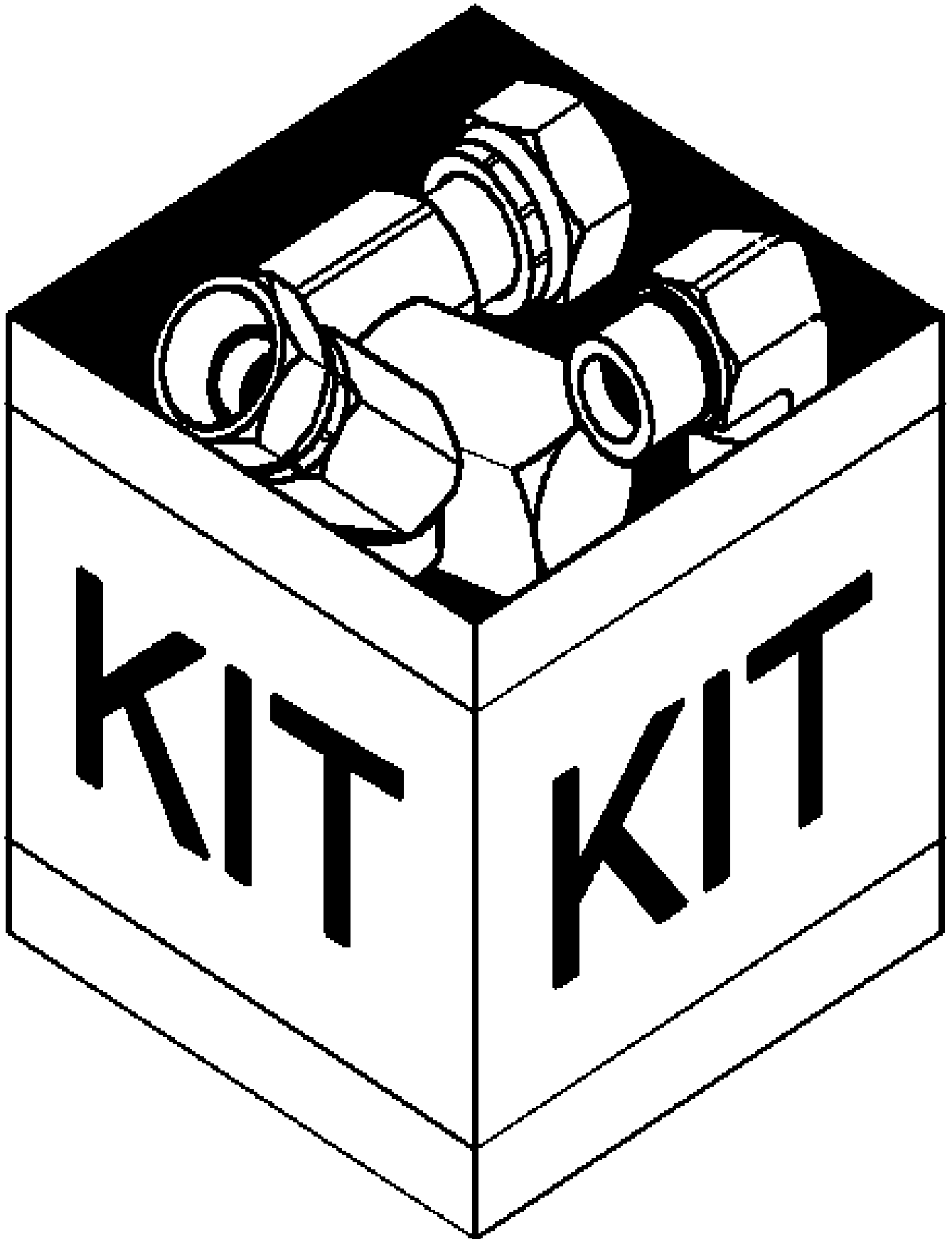
88.099.01

05

p1

9/2016

KIT POLY SKID SHOE COMPLETE 40 FT



88.099.01

05

p1

9/2016

KIT POLY SKID SHOE COMPLETE 40 FT

REF FN	PART NUMBER	YR/SN	QTY DESCRIPTION
1	48033418		1 KIT Incl 2 - 7
2	377580A1		76 SKID/SHOE
3	84346388		1 SKID/SHOE LH
4	84337990		1 SKID/SHOE RH
5	14441231		33 HEX SOC SCREW Flat Csk Hd, M6 x 12mm, Cl 10.9
6	87613322		392 POP RIVET Pop, 6.35mm OD x 15.75mm L
7	84323064		1 SKID PLATE

3152-DRAPER HEADER 3162-DRAPER HEADER

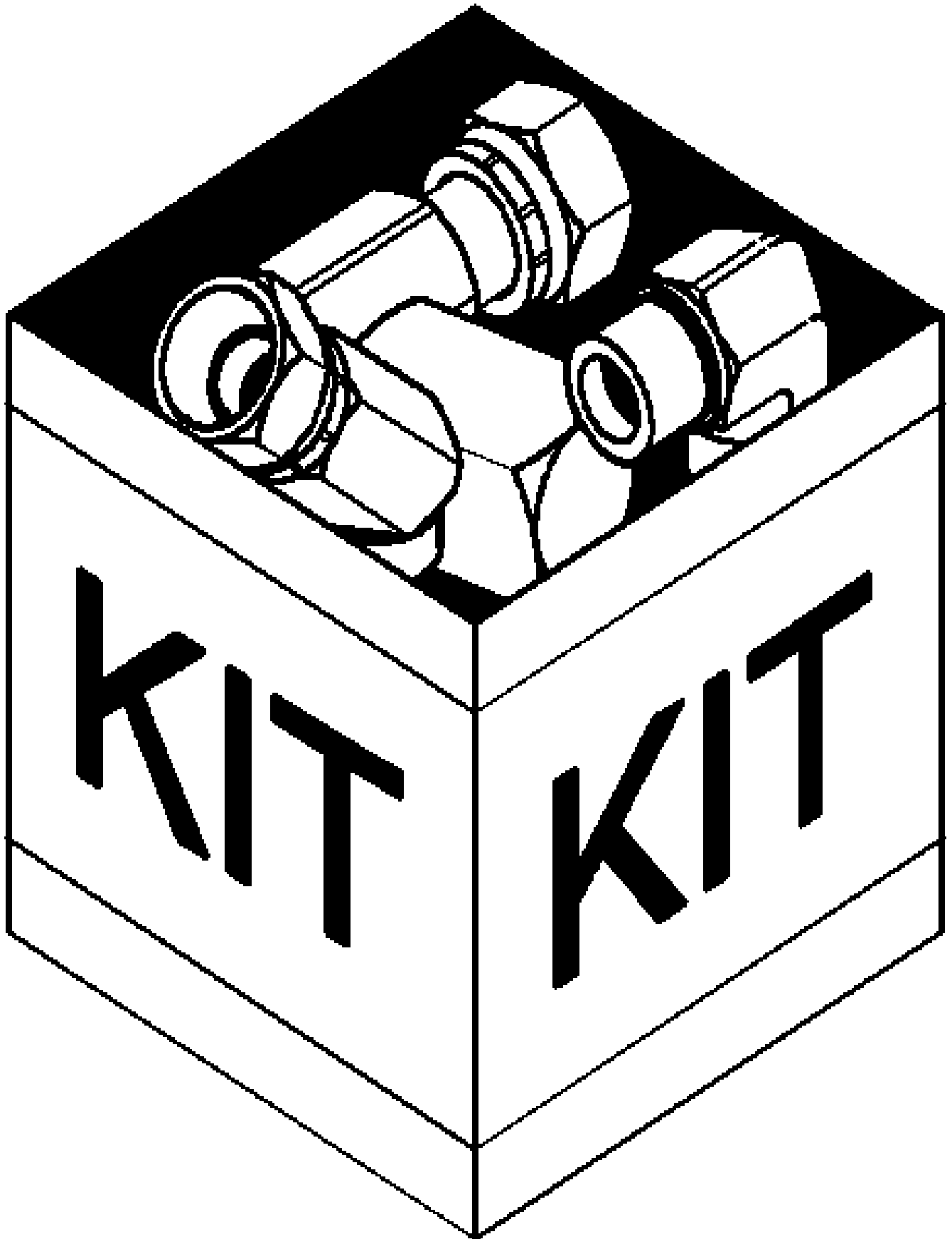
88.099.01

06

p1

9/2016

KIT POLY SKID SHOE COMPLETE 45 FT



88.099.01

06

p1

9/2016

KIT POLY SKID SHOE COMPLETE 45 FT

REF FN	PART NUMBER	YR/SN	QTY DESCRIPTION
1	48033419		1 KIT Incl 2 - 7
2	377580A1		86 SKID/SHOE
3	84346388		1 SKID/SHOE LH
4	84337990		1 SKID/SHOE RH
5	14441231		33 HEX SOC SCREW Flat Csk Hd, M6 x 12mm, Cl 10.9
6	87613322		442 POP RIVET Pop, 6.35mm OD x 15.75mm L
7	84323064		1 SKID PLATE

3152-DRAPER HEADER 3162-DRAPER HEADER

SECTION INDEX

PLATFORM, CAB, BODYWORK AND DECALS

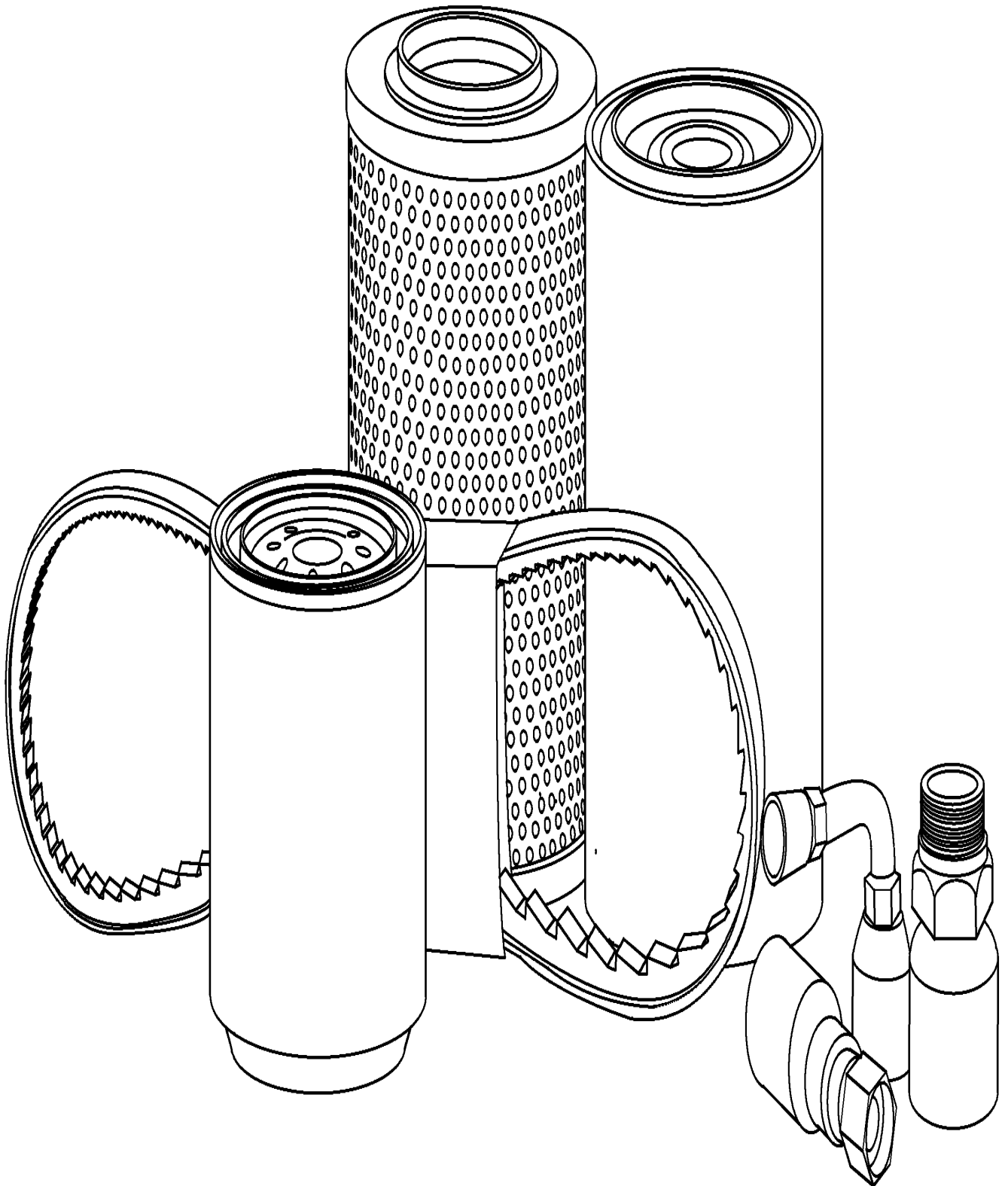
90.100.010	MISC PARTS
90.108.01	DECALS
90.108.02	DECALS - CAUTION, WARNING, AND DANGER

90.100.010

p1

9/2016

MISC PARTS

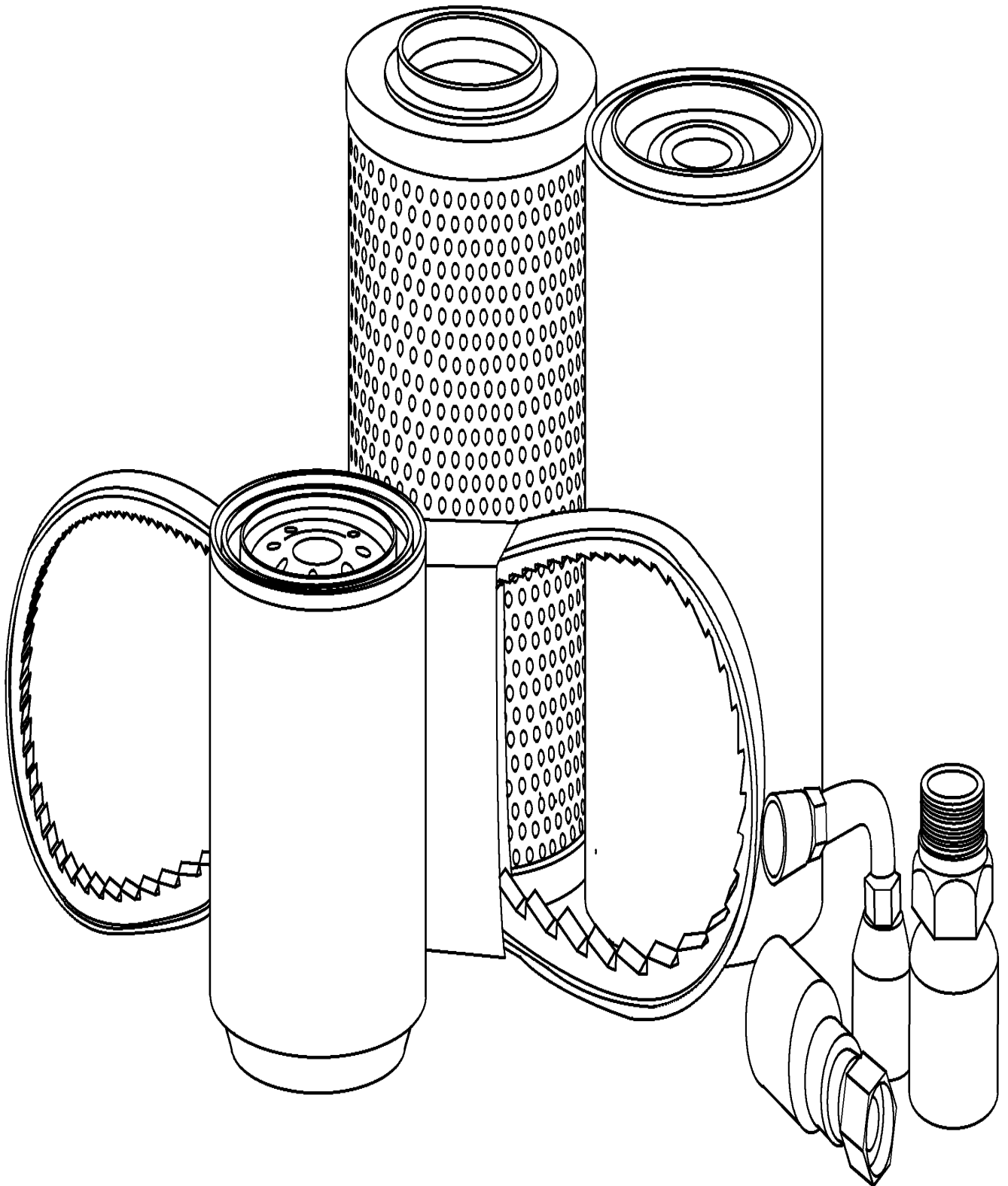


MISC PARTS

REF FN	PART NUMBER	YR/SN	QTY DESCRIPTION
1	47488109		1 COVER
2	47373271		1 COVER
3	47582600		1 HYDRAULIC CYLINDER Double Acting, 28.8mm Rod, 304.8mm Stroke
4	47582596		1 HYDRAULIC CYLINDER Double Acting, 31.8mm Rod, 135.9mm Stroke
5	47582604		1 HYDRAULIC CYLINDER Double Acting, 31.8mm Rod, 203.1mm Stroke
6	47555076		1 HYDRAULIC CYLINDER Double Acting, 31.75mm Rod, 201mm Stroke
7	47437100		1 SERVICE KIT
8	47440172		1 INSTRUCTION
9	47452123		1 COVER
10	47466077		1 SERVICE KIT
11	47452148		1 COVER
12	47437139		1 SERVICE KIT
13	84395122		1 ARM
14	84319869		1 SPACER
15	84166299		1 ARM
16	47467605		1 CABLE 264mm L
17	84122647		1 SPROCKET
18	84122644		1 PLATE
19	84123264		1 ARM
20	84131140		1 KNIFE ASSY
21	84165725		1 CHANNEL
22	84184283		1 CUTTERBAR
23	84185341		1 CUTTERBAR
24	84195743		1 ARM
25	84195745		1 ARM
26	84199795		1 COVER
27	84200216		1 CUTTERBAR
28	84200218		1 CUTTERBAR
29	84204611		1 ARM

3152-DRAPER HEADER

MISC PARTS



MISC PARTS

REF FN	PART NUMBER	YR/SN	QTY DESCRIPTION
30	84212034		1 CUTTERBAR
31	84212033		1 CUTTERBAR
32	84208637		1 FLOOR
33	84212040		1 CUTTERBAR
34	84214395		1 CUTTERBAR
35	84222029		1 CLEVIS PIN
36	84244046		1 HYD TUBE
37	84249480		1 HUB
38	84249479		1 SPIDER
39	842889411		1 DRAPER
40	842914708		1 HYD TUBE
41	842914678		1 HYD TUBE
42	842914728		1 HYD TUBE
43	842893998		1 SHIELD
44	842973358		1 SHAFT
45	84313656		1 TUBE
46	84306270		1 STRAP
47	84308786		1 TUBE
48	84306279		1 PIN
49	84308784		1 TUBE
50	84313620		1 HYD TUBE
50	84317034		1 ARM
50	84310136		1 ARM
50	84306003		1 SUPPORT
50	84313654		1 TUBE
50	84354252		1 COVER
50	84357222		1 ARM
50	84363547		1 ARM
50	84365172		1 PLATE
50	84374103		1 HYD TUBE
50	84386352		1 HYDRAULIC MOTOR
50	84386355		1 HYDRAULIC MOTOR

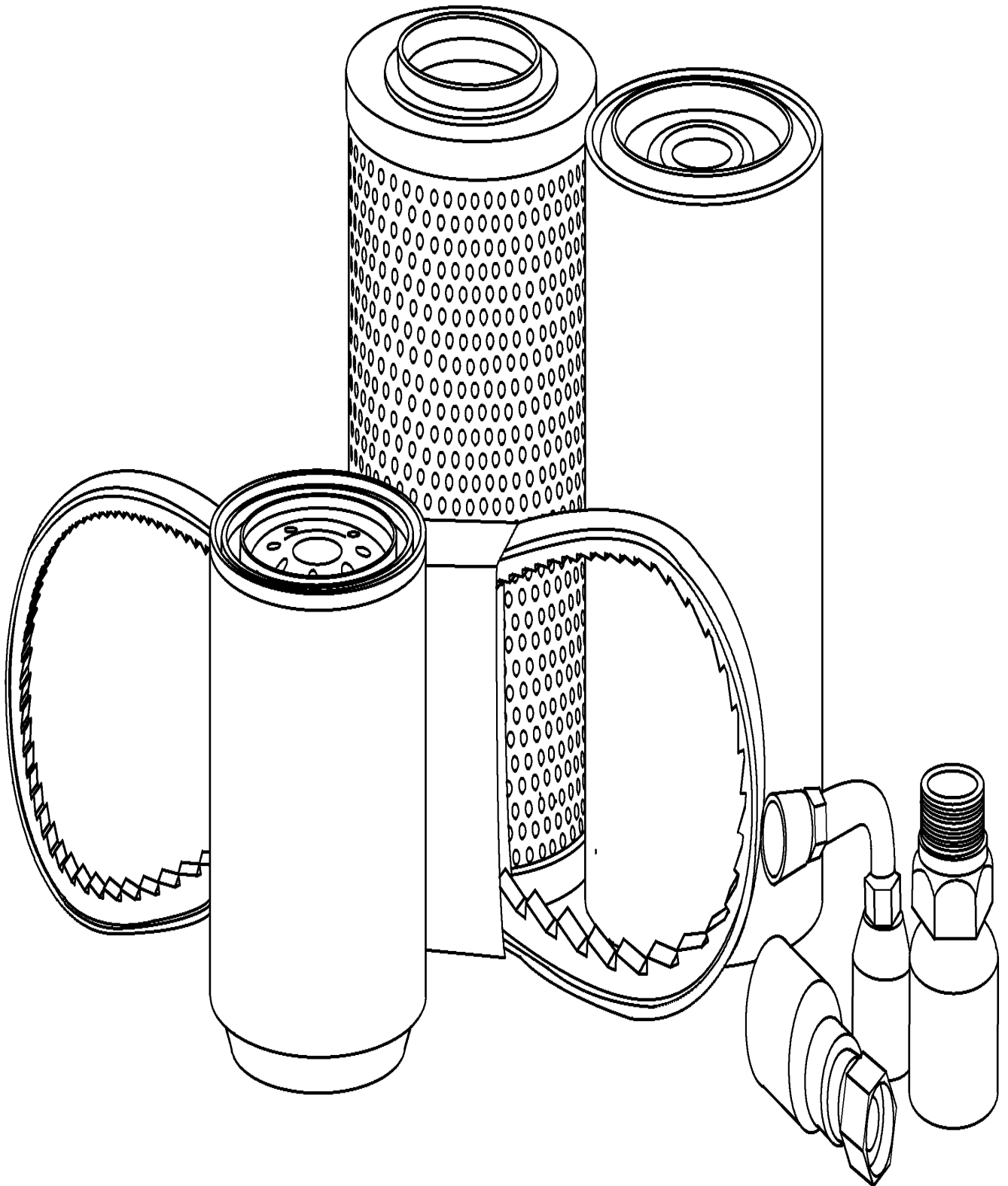
3152-DRAPER HEADER

90.100.010

p3

9/2016

MISC PARTS



MISC PARTS

REF FN	PART NUMBER	YR/SN	QTY DESCRIPTION
50	84393034		1 BRACKET
50	84391626		1 BRACKET
50	84406732		1 HYD TUBE
50	84404582		1 BRACKET
50	84385864		1 HYD TUBE
50	84404585		1 BRACKET
50	84406742		1 KNIFE ASSY
50	84412117		1 REPAIR KIT
50	84412120		1 REPAIR KIT
50	84412524		1 SEAL KIT
50	84406731		1 HYD TUBE
50	84416223		1 TUBE
50	84415699		1 INSTRUCTION
50	84416221		1 TUBE
50	84415700		1 REEL DISC
50	84421759		1 SHEET
50	84467344		1 KNIFE ASSY
50	84510434		1 DRAPER
50	84511309		1 DECAL KIT
50	84510433		1 FRAME
50	84531398		1 TUBE
50	84531399		1 TUBE
50	84521556		1 DIVIDER
50	84590441		1 WHEEL
50	84602523		1 COVER
50	87470811		1 KNIFE ASSY
50	87478444		1 ARM
50	87478488		1 STABILIZER
50	87694042		1 ROLLER
50	47561841		1 PANEL
50	47562513		1 SUPPORT
50	47481216		1 HOLDER

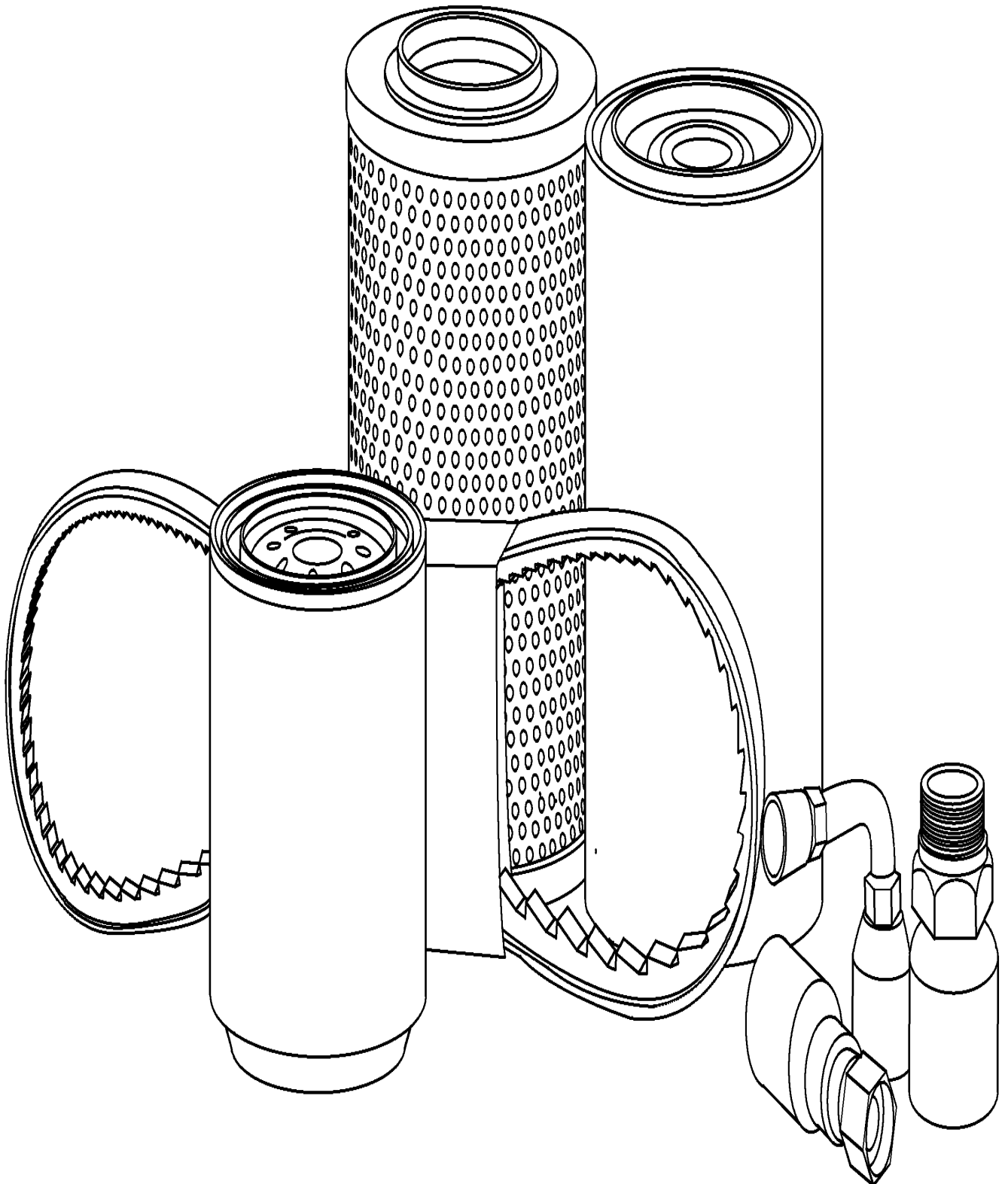
3152-DRAPER HEADER

90.100.010

p4

9/2016

MISC PARTS



MISC PARTS

REF FN	PART NUMBER	YR/SN	QTY DESCRIPTION
50	47490659		1 SUPPORT
50	390634A1		1 PLATE
50	47474414		1 PROFILE
50	84184395		1 HYDRAULIC MOTOR
50	47646472		1 TUBE
50	47534801		1 SUPPORT
50	47548186		1 ANGLE
50	47632506		1 DECAL
50	47632507		1 DECAL
50	47562509		1 BEAM
50	47561834		1 SUPPORT
50	47554717		1 FRAME
50	84184411		1 GUARD
50	47635449		1 BRACKET
50	47472711		1 TONGUE
50	47562713		1 FRAME
50	47544498		1 SUPPORT
50	47561837		1 ANGLE
50	47531530		1 PANEL
50	47561840		1 BRACKET
50	47548185		1 ANGLE
50	84184410		1 GUARD
50	47537234		1 TUBE
50	47632528		1 DECAL
50	47529764		1 HYDRAULIC CYLINDER
50	47537944		1 BEAM
50	47562510		1 BEAM
50	47651215		1 SKID/SHOE
50	47547177		1 SUPPORT
50	47540430		1 CUTTERBAR
50	47655343		1 TUBE
50	47547521		1 SUPPORT

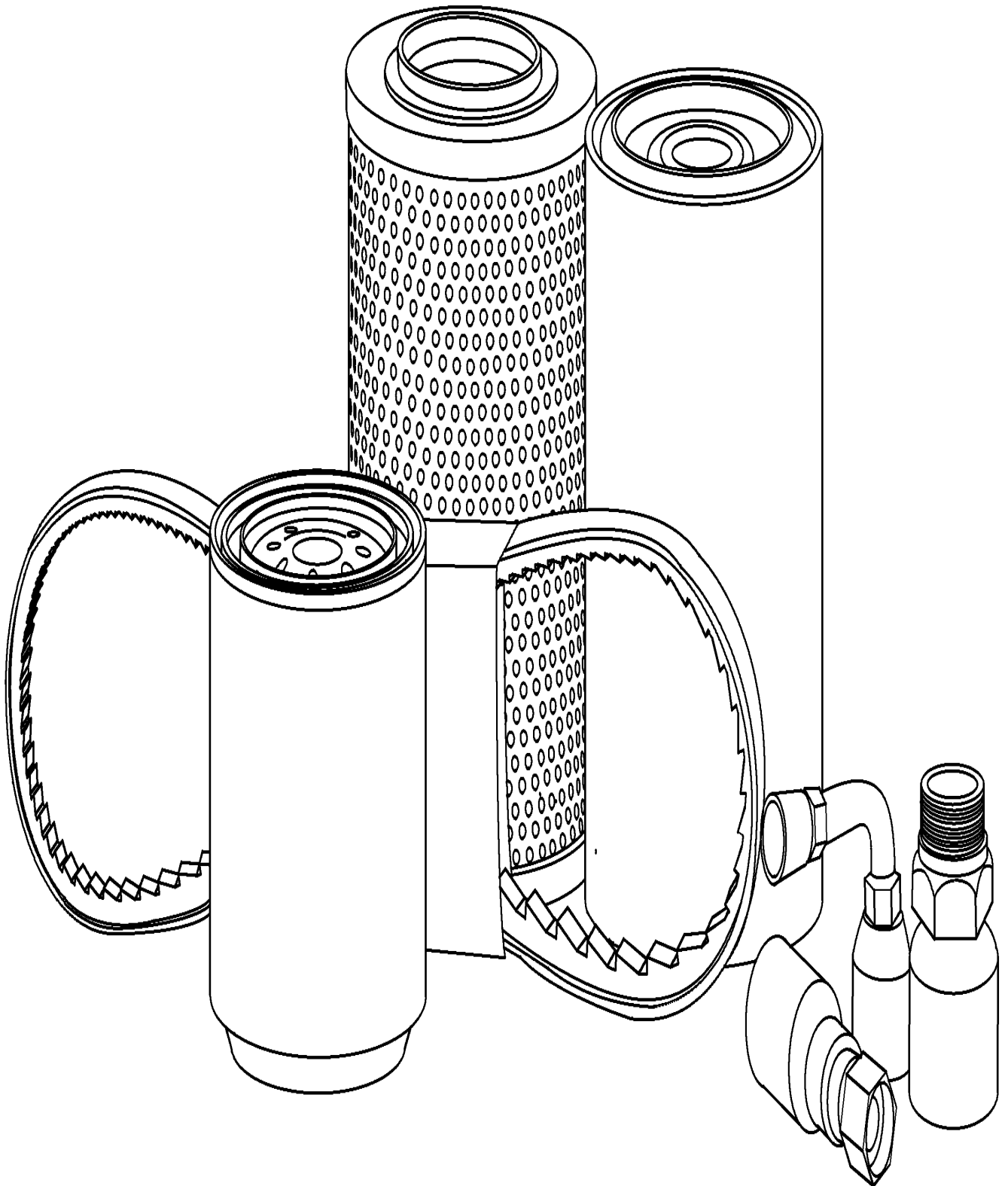
3152-DRAPER HEADER

90.100.010

p5

9/2016

MISC PARTS



MISC PARTS

REF FN	PART NUMBER	YR/SN	QTY DESCRIPTION
50	47562518		1 ANGLE
50	47632527		1 DECAL
50	47476830		1 SPROCKET
50	47661907		1 GEARBOX
50	47661907R		1 REMAN-GEARBOX
50	47661907C		1 CORE-GEARBOX Return Number
50	47688194		1 SHAFT
50	126915A1		1 PLATE
50	47550201		1 FRAME
50	47684794		1 SLAT
50	47545047		1 PANEL
50	47573535		1 COVER
50	47649706		1 SHOE
50	47545039		1 PANEL
50	47654304		1 KNIFE ASSY
50	84599860		1 INSTRUCTION
50	47661101		1 KNIFE ASSY
50	47539729		1 SUPPORT
50	47562517		1 SUPPORT
50	47537151		1 SPACER
50	47536114		1 PANEL
50	47626371		1 CABLE
50	47472124		1 TONGUE
50	84223794		1 PIN
50	47650125		1 SKID/SHOE
50	47548032		1 BEAM
50	47573508		1 COVER
50	47561832		1 BEAM
50	86501280		1 SHAFT
50	47649411		1 WHEEL
50	47561838		1 BRACKET
50	47530343		1 BEAM

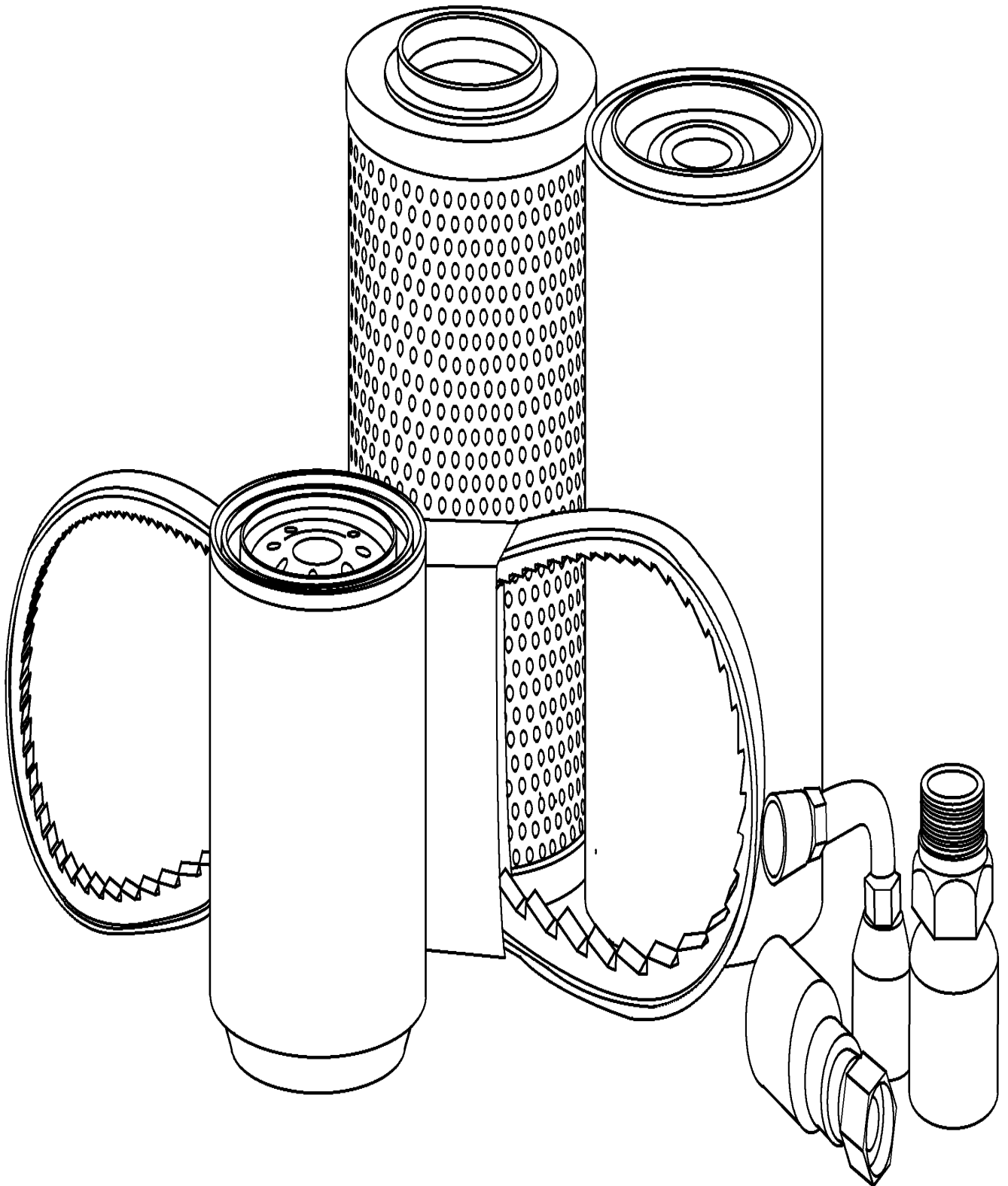
3152-DRAPER HEADER

90.100.010

p6

9/2016

MISC PARTS

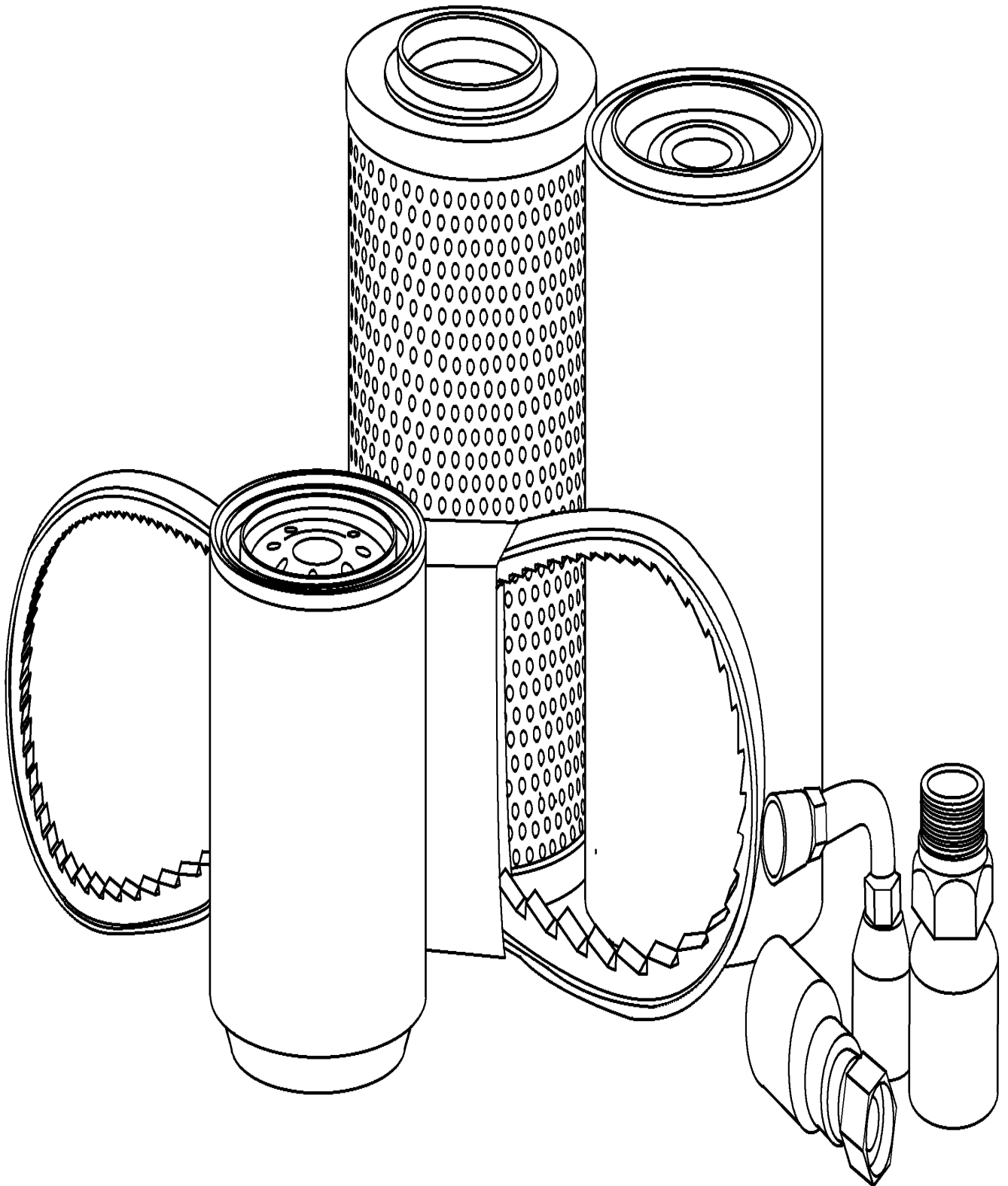


MISC PARTS

REF FN	PART NUMBER	YR/SN	QTY DESCRIPTION
50	86518341		1 KIT
50	47656104		1 PANEL
50	47537946		1 BEAM
50	47544352		1 HYDRAULIC HOSE
50	84184419		1 HYDRAULIC MOTOR
50	47547155		1 SHIELD
50	47661559		1 KNIFE ASSY
50	47647727		1 SPACER
50	47553147		1 BRACKET
50	47629052		1 FRAME
50	47562615		1 FRAME
50	47547156		1 SHIELD
50	87608475		1 LENS
50	47573527		1 COVER
50	47573490		1 COVER
50	47561836		1 ANGLE
50	47561835		1 SUPPORT
50	47562521		1 ANGLE
50	47490658		1 SUPPORT
50	47561833		1 BEAM
50	47476829		1 SPROCKET
50	47548225		1 CUTTERBAR
50	164958C1		1 SPROCKET
50	47649704		1 SHOE
50	47661907C		1 CORE-GEARBOX
50	47553151		1 BRACKET
50	47545041		1 PANEL
50	47515859		1 ARM
50	47661619		1 KNIFE ASSY
50	47541186		1 ANGLE
50	47660830		1 KNIFE ASSY
50	47561845		1 PANEL

3152-DRAPER HEADER

MISC PARTS

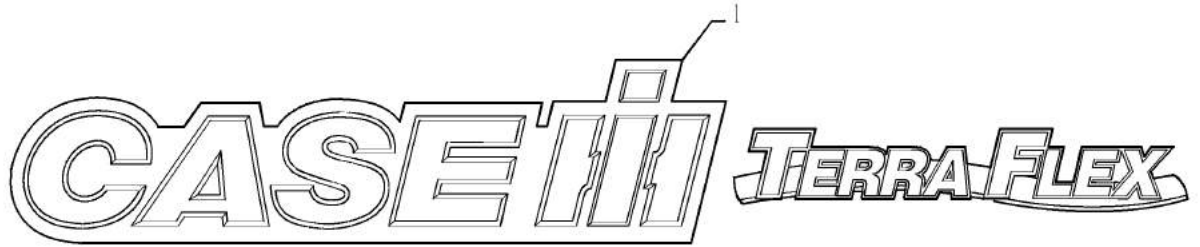


MISC PARTS

REF FN	PART NUMBER	YR/SN	QTY DESCRIPTION
50	47659999		1 KNIFE ASSY
50	84406744		1 KNIFE
50	47541325		1 CLIP
50	47534792		1 PANEL
50	47593809		1 PIN
50	47483422		1 ROD
50	84184396		1 HYDRAULIC MOTOR
50	47651594		1 KNIFE ASSY
50	47558099		1 FRAME
50	47661674		1 KNIFE ASSY
50	47545045		1 PANEL
50	47544351		1 HYDRAULIC HOSE
50	47541183		1 ANGLE
50	47643348		1 POINTER
50	47660155		1 KNIFE ASSY
50	47561842		1 PANEL
50	47702873		1 KIT
50	47658436		1 KIT
50	47520507		1 FRAME
50	47658434		1 TUBE
50	84184420		1 HYDRAULIC MOTOR
50	47609506		1 REEL
50	47661300		1 KNIFE ASSY
50	47529763		1 HYDRAULIC CYLINDER

3152-DRAPER HEADER

DECALS

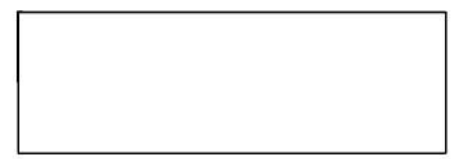
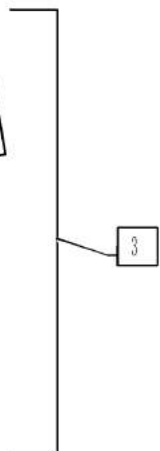
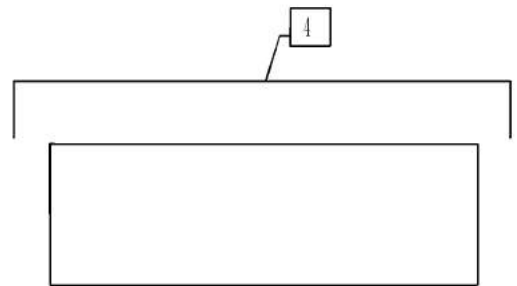
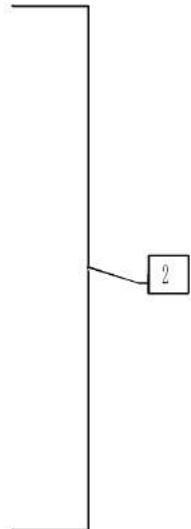


3162 30

3162 35

3162 40

3162 45

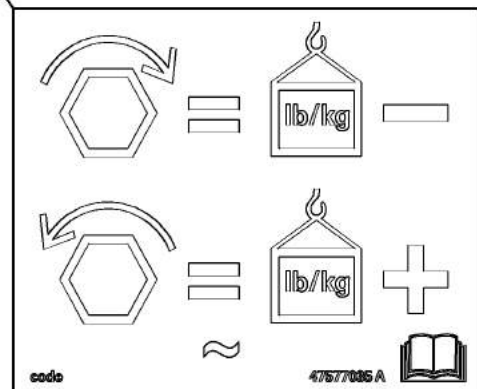
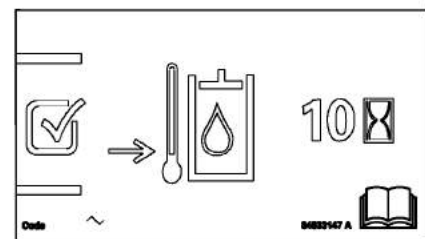
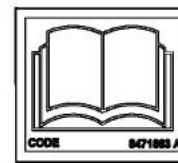
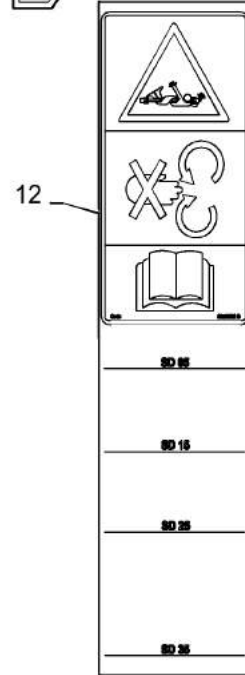
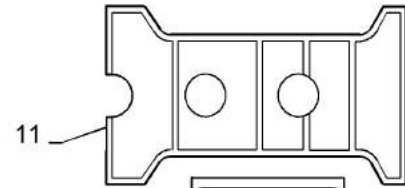
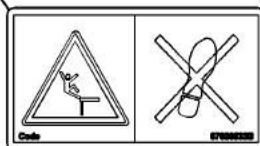
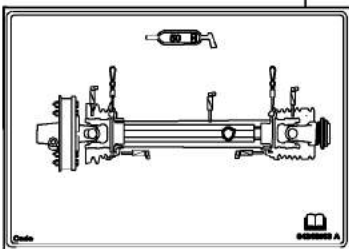
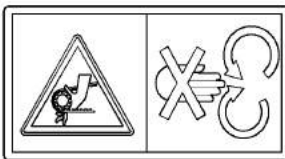
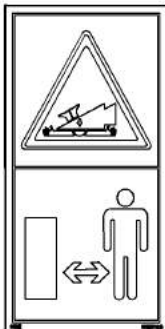
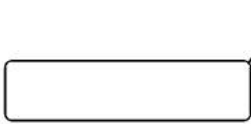
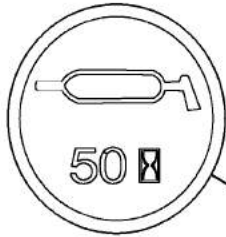


DECALS

REF FN	PART NUMBER	YR/SN	QTY DESCRIPTION
1	84361734		1 DECAL Case IH - Terraflex
2	84564224		1 DECAL 3152 - 25
2	84526291		1 DECAL 3152 - 30
2	84526292		1 DECAL 3152 - 35
2	84526293		1 DECAL 3152 - 40
2	84526295		1 DECAL 3152 - 45
2	84416494		1 DECAL 3162 - 30
2	84416495		1 DECAL 3162 - 35
2	84409293		1 DECAL 3162 - 40
2	84416497		1 DECAL 3162 - 45
3	84361737		1 DECAL Case IH - Terraflex, Right Hand (3162)
3	87480619		1 DECAL Case IH, Right Hand (3152)
3	84548633		1 DECAL Case IH - Terraflex, Left Hand (3162)
3	84605859		1 DECAL Case IH, Left Hand (3152)
4	86547783		2 REFLECTOR Tape, Red Orange Red-Orange Fluorscent, 40 And 45 Ft
4	86547781		2 REFLECTOR RED Red Retroreflective, 40 And 45 Ft
4	86547782		2 REFLECTOR YELLOW Yellow Retroreflective, 40 And 45 Ft
4	84483230		4 TAPE Yellow, Retroreflective

3152-DRAPER HEADER 3162-DRAPER HEADER

DECALS - CAUTION, WARNING, AND DANGER



DECALS - CAUTION, WARNING, AND DANGER

REF FN	PART NUMBER	YR/SN	QTY DESCRIPTION
1	84334829		2 DECAL Grease, 50 Hours
2	87022092		4 DECAL Header Safety Walk
3	84004735		2 DECAL Warning, Crush Hazard
4	87027712		2 DECAL Header Crush Safety
5	84011345		1 DECAL Warning, Chain Entanglement
6	84246563		1 DECAL Grease, 50 Hours
7	86999254		1 DANGER DECAL Keep Shields In Place
8	849471		1 DANGER DECAL Rotating Driveline
9	849472		1 DANGER DECAL Shield Missing
10	87026533		2 DECAL European, No Step
11	84470531		2 DECAL Cutterbar Height
12	86520062		1 DECAL PTO
13	84371863		1 DECAL Operator Manual
14	84533147		1 DECAL Check Level
15	47577035		1 DECAL Floatation Adjust

3152-DRAPER HEADER 3162-DRAPER HEADER

INDEX - INDICE - INDEX - ZAHLENVERZEICHNIS - INDICE - INDICE - INDHOLD - INHOUD

Number	Figure	Sequence	Ref.	Number	Figure	Sequence	Ref.
100-3431	58.105.01		32	100016	58.115.04		10
100012	60.101.00	06	9	100016	58.115.06		15
100016	35.410.08	02	36	100016	58.115.07		10
100016	55.100.01		11	100016	58.120.01		21
100016	55.100.04		11	100016	58.130.04	03	17
100016	55.350.01		18	100016	58.130.04	04	22
100016	58.100.01	01	23	100016	58.130.04	05	22
100016	58.100.01	03	21	100016	58.130.07		35
100016	58.105.01		20	100016	58.130.08		32
100016	58.110.09	01	24	100016	58.131.01		12
100016	58.110.09	01	24	100016	58.131.02		12
100016	58.110.09	01	24	100016	58.131.04		3
100016	58.110.09	01	24	100016	58.208.01		8
100016	58.110.09	01	24	100016	58.208.02		8
100016	58.110.09	02	5	100016	60.100.02		12
100016	58.110.09	02	6	100016	88.044.03		11
100016	58.110.09	02	6	100016	88.044.04		5
100016	58.110.09	02	6	100016	88.058.01		8
100016	58.110.09	02	6	100016	88.058.10		5
100016	58.110.14	01	24	100016	88.058.19		16
100016	58.110.15	01	28	100016	88.058.30		9
100016	58.110.16	01	28	100020	58.100.01	02	7
100016	58.110.17	01	28	100020	58.100.01	03	2
100016	58.110.18	01	28	100020	58.115.02	01	19
100016	58.115.01		4	100020	58.115.02	02	23
100016	58.115.01		4	100020	58.115.02	02	20
100016	58.115.01		4	100020	58.115.02	02	21
100016	58.115.01		4	100020	58.115.02	02	23
100016	58.115.01		4	100020	58.115.02	03	21
100016	58.115.01		4	100020	58.115.02	03	20
100016	58.115.01		4	100020	58.115.02	03	21
100016	58.115.02	01	12	100020	58.120.01		37
100016	58.115.02	01	39	100020	58.130.05	01	24
100016	58.115.02	01	8	100020	58.130.05	02	24
100016	58.115.02	01	10	100020	58.130.05	02	24
100016	58.115.02	01	12	100020	88.058.06	01	26
100016	58.115.02	02	10	100020	88.058.06	02	20
100016	58.115.02	02	8	100020	88.058.13	01	31
100016	58.115.02	02	9	100020	88.058.14	01	31
100016	58.115.02	02	10	100020	88.058.15	01	31
100016	58.115.02	03	9	100020	88.058.16	01	31
100016	58.115.02	03	8	100037	35.410.03	01	17
100016	58.115.02	03	9	100037	58.105.02		10
100016	58.115.03		15	100037	58.110.05	01	26
100016	58.115.03		15	100037	58.110.05	02	17
100016	58.115.03		15	100037	58.110.05	02	17
100016	58.115.03		15	100037	58.110.09	01	22
100016	58.115.04		10	100037	58.110.09	01	22
100016	58.115.04		10	100037	58.110.09	01	22
100016	58.115.04		10	100037	58.110.09	01	22

INDEX - INDICE - INDEX - ZAHLENVERZEICHNIS - INDICE - INDICE - INDHOLD - INHOUD

Number	Figure	Sequence	Ref.	Number	Figure	Sequence	Ref.
100037	58.110.09	01	22	100037	60.105.02	01	10
100037	58.110.14	01	22	100037	60.105.02	02	10
100037	58.110.15	01	25	100037	60.105.03	01	10
100037	58.110.16	01	25	100037	60.105.03	02	10
100037	58.110.17	01	25	100037	88.044.03		25
100037	58.110.18	01	25	100037	88.044.04		7
100037	58.115.02	01	5	100037	88.058.12	02	27
100037	58.115.02	01	26	100037	88.058.12	03	27
100037	58.115.02	01	4	100037	88.058.17	01	19
100037	58.115.02	01	5	100037	88.058.17	02	19
100037	58.115.02	01	6	100037	88.058.17	03	19
100037	58.115.02	02	16	100037	88.058.17	04	19
100037	58.115.02	02	15	100037	88.058.17	05	19
100037	58.115.02	02	16	100037	88.058.17	06	19
100037	58.115.02	03	17	100037	88.058.17	07	19
100037	58.115.02	03	15	100037	88.058.17	08	19
100037	58.115.02	03	17	100038	05.400.01		4
100037	60.101.00	01	15	100038	35.410.03	01	19
100037	60.101.00	03	20	100038	35.410.03	02	12
100037	60.101.00	03	20	100038	35.410.08	01	8
100037	60.101.00	04	27	100038	35.410.08	01	8
100037	60.101.00	04	27	100038	58.115.03		40
100037	60.101.00	05	27	100038	58.115.03		40
100037	60.101.00	06	12	100038	58.115.03		40
100037	60.101.00	07	10	100038	58.115.03		40
100037	60.101.00	08	11	100038	58.115.04		38
100037	60.101.00	09	10	100038	58.115.04		38
100037	60.101.00	12	10	100038	58.115.04		38
100037	60.101.00	13	10	100038	58.115.04		38
100037	60.101.00	14	11	100038	58.115.06		40
100037	60.101.01	01	12	100038	58.115.07		38
100037	60.101.01	02	12	100038	58.130.05	01	42
100037	60.101.02	01	12	100038	58.130.05	02	41
100037	60.101.02	02	13	100038	58.130.05	02	41
100037	60.101.03	01	11	100038	58.130.05	03	7
100037	60.101.03	02	16	100038	58.131.05	04	20
100037	60.101.04	01	11	100038	58.131.05	05	20
100037	60.101.04	02	11	100038	58.131.05	06	6
100037	60.101.04	03	11	100038	60.100.02		16
100037	60.101.05	01	11	100038	60.101.00	03	18
100037	60.101.05	02	10	100038	60.101.00	03	18
100037	60.101.05	03	11	100038	60.101.00	04	25
100037	60.101.06	01	10	100038	60.101.00	04	25
100037	60.101.06	02	12	100038	60.101.00	05	25
100037	60.101.07	01	26	100038	88.058.04	01	10
100037	60.101.07	02	10	100038	88.058.04	02	15
100037	60.101.07	03	10	100038	88.058.04	03	12
100037	60.101.08	01	30	100038	88.058.06	01	24
100037	60.101.08	02	10	100038	88.058.06	02	25
100037	60.101.08	03	12	100038	88.058.13	01	28

INDEX - INDICE - INDEX - ZAHLENVERZEICHNIS - INDICE - INDICE - INDHOLD - INHOUD

Number	Figure	Sequence	Ref.	Number	Figure	Sequence	Ref.
100038	88.058.14	01	28	120041	58.130.04	05	20
100038	88.058.15	01	28	120041	60.101.00	08	9
100038	88.058.16	01	28	120041	60.101.00	09	15
100038	88.058.20		7	120041	60.101.00	13	15
100038	88.058.20		7	120041	60.101.00	14	9
100038	88.058.25		12	120041	60.101.01	02	18
100038	88.058.26		5	120041	60.101.02	02	11
100038	88.099.01	02	17	120041	60.101.03	02	14
101-11175	58.110.06	02	22	120041	60.101.04	02	9
10106202	44.100.01		2	120041	60.101.04	03	9
10106202	44.100.02		1	120041	60.101.05	02	15
10117701	35.410.08	02	8	120041	60.101.05	03	9
10520204	58.130.10	01	4	120041	60.101.06	02	18
10520204	58.130.10	02	5	120041	60.101.07	02	15
10520204	58.130.10	03	4	120041	60.101.07	03	15
10520204	58.130.10	04	5	120041	60.101.08	02	15
10520204	58.130.10	05	4	120041	60.101.08	03	10
10520204	58.130.10	06	5	120041	88.058.19		14
10520204	58.130.11		4	120044	05.400.01		10
10717511	60.101.00	01	20	120044	58.115.03		11
10717511	60.101.00	03	5	120044	58.115.03		11
10717511	60.101.00	03	5	120044	58.115.03		11
10717511	60.101.00	04	8	120044	58.115.03		11
10717511	60.101.00	04	8	120044	58.115.04		13
10717511	60.101.00	05	8	120044	58.115.04		13
10717511	88.058.21		6	120044	58.115.04		13
10903721	58.130.01	01	11	120044	58.115.06		11
11030421	35.410.12	01	27	120044	58.115.07		13
11075676	58.110.11		6	120044	58.131.01		35
118490	58.131.05	01	13	120044	58.131.02		35
118490	58.131.05	02	11	120044	60.101.00	07	11
118490	58.131.05	03	11	120044	60.101.00	12	11
118490	88.058.07		7	120044	60.101.01	01	15
120031	55.350.01		12	120044	60.101.02	01	13
120038	58.105.01		40	120044	60.101.03	01	14
120038	58.131.05	01	15	120044	60.101.04	01	12
120038	58.131.05	02	13	120044	60.101.05	01	12
120038	58.131.05	03	13	120044	60.101.06	01	11
120041	55.100.01		9	120044	60.101.07	01	21
120041	55.100.04		9	120044	60.101.08	01	19
120041	58.105.01		14	120044	88.058.03	02	30
120041	58.115.01		8	120044	88.058.20		5
120041	58.115.01		11	120044	88.058.20		5
120041	58.115.01		11	120056	35.410.04	01	19
120041	58.115.01		8	120056	35.410.04	01	19
120041	58.115.01		11	120056	58.115.02	01	35
120041	58.115.01		8	120056	58.115.02	02	30
120041	58.115.01		11	120056	58.115.02	02	22
120041	58.130.04	03	15	120056	58.115.02	02	23
120041	58.130.04	04	20	120056	58.115.02	02	30

INDEX - INDICE - INDEX - ZAHLENVERZEICHNIS - INDICE - INDICE - INDHOLD - INHOUD

Number	Figure	Sequence	Ref.	Number	Figure	Sequence	Ref.
120056	58.115.02	03	27	120069	60.101.08	02	16
120056	58.115.02	03	22	120069	60.101.08	03	16
120056	58.115.02	03	27	120069	88.044.03		24
120056	58.115.02	03	27	120069	88.044.04		4
120056	88.058.12	05	38	120070	35.410.03	01	16
120056	88.058.12	06	36	120070	60.101.00	03	19
120061	35.410.08	01	14	120070	60.101.00	03	19
120061	35.410.08	01	14	120070	60.101.00	04	26
120061	35.410.08	01	14	120070	60.101.00	04	26
120061	35.410.08	02	14	120070	60.101.00	05	26
120061	44.100.03	01	7	120070	60.101.03	02	17
120061	58.130.05	01	38	120080	58.130.07		6
120061	58.130.05	02	38	120080	58.130.08		5
120061	58.130.05	02	38	120080	88.058.06	02	31
120061	60.101.00	01	21	120080	88.058.13	01	25
120061	88.058.01		3	120080	88.058.14	01	25
120062	05.400.01		16	120080	88.058.15	01	25
120062	58.100.01	01	38	120080	88.058.16	01	25
120062	58.110.13		3	120090	58.130.05	02	45
120062	58.110.13		4	120090	58.130.05	02	45
120062	58.130.09		22	120090	58.130.05	03	12
120062	58.131.01		19	120090	58.130.10	01	5
120062	58.131.02		19	120090	58.130.10	03	5
120062	88.058.24		9	120090	58.130.10	05	5
120068	60.101.00	08	20	120090	58.130.11		5
120068	60.101.00	14	20	120092	88.058.01		5
120069	60.101.00	07	9	120093	58.130.05	01	15
120069	60.101.00	08	15	120093	58.130.05	02	15
120069	60.101.00	09	16	120093	58.130.05	02	15
120069	60.101.00	12	9	120093	88.058.06	02	6
120069	60.101.00	13	16	120093	88.058.13	01	34
120069	60.101.00	14	15	120093	88.058.14	01	34
120069	60.101.01	01	11	120093	88.058.15	01	34
120069	60.101.01	02	10	120093	88.058.16	01	34
120069	60.101.02	01	11	120098	55.100.01		4
120069	60.101.02	02	10	120098	55.100.04		4
120069	60.101.03	01	10	120100	35.410.03	02	19
120069	60.101.03	02	18	120100	35.410.09		22
120069	60.101.04	01	10	120100	35.410.10		19
120069	60.101.04	02	15	120100	58.100.01	03	25
120069	60.101.04	03	15	120100	58.105.01		10
120069	60.101.05	01	10	120100	58.120.01		25
120069	60.101.05	02	16	120100	60.101.00	01	19
120069	60.101.05	03	15	120100	60.101.00	03	33
120069	60.101.06	01	9	120100	60.101.00	03	33
120069	60.101.06	02	10	120100	60.101.00	04	40
120069	60.101.07	01	27	120100	60.101.00	04	40
120069	60.101.07	02	16	120100	60.101.00	05	38
120069	60.101.07	03	16	120100	88.058.04	01	20
120069	60.101.08	01	18	120100	88.058.04	02	22

INDEX - INDICE - INDEX - ZAHLENVERZEICHNIS - INDICE - INDICE - INDHOLD - INHOUD

Number	Figure	Sequence	Ref.	Number	Figure	Sequence	Ref.
120100	88.058.04	03	22	128699	44.100.03	01	38
120100	88.099.01	02	22	128825	35.410.06	02	20
120103	35.410.11		28	128825	35.410.07		42
120103	55.350.01		3	129365	58.115.02	02	35
120103	58.110.09	01	22	129365	58.115.02	02	35
120103	58.115.01		16	129365	58.115.02	03	32
120103	58.115.01		17	129365	58.115.02	03	32
120103	58.115.01		17	129959	58.130.04	01	16
120103	58.115.01		16	129959	58.130.04	02	16
120103	58.115.01		17	129959	58.130.04	03	7
120103	58.115.01		16	129959	58.130.04	04	10
120103	58.115.01		17	129959	58.130.04	05	10
120103	58.130.04	04	29	129973A2	60.100.02		4
120103	58.208.01		5	130003	58.208.01		13
120103	58.208.02		5	130003	58.208.02		13
120104	35.410.08	01	31	130004	58.110.10		2
120104	58.100.01	02	24	130004	88.058.13	01	42
120104	58.115.02	01	41	130004	88.058.14	01	42
120104	58.115.02	01	26	130004	88.058.15	01	42
120104	58.115.02	02	33	130004	88.058.16	01	42
120104	58.115.02	03	31	130005	58.105.01		25
120104	58.130.04	01	13	132252	58.130.04	02	17
120104	58.130.04	02	13	132252	58.130.04	03	23
120104	58.130.04	03	12	132252	58.130.04	04	31
120104	58.130.04	04	23	132757	58.130.07		31
120104	58.130.04	05	23	132757	58.130.08		34
120104	58.131.01		32	132757	58.130.08		7
120104	58.131.02		32	133095	60.101.00	07	18
120104	58.131.05	01	24	133095	60.101.00	12	18
120104	58.131.05	02	24	133095	60.101.01	01	18
120104	58.131.05	03	24	133095	60.101.02	01	20
120104	88.058.01		15	133095	60.101.03	01	19
120104	88.058.03	02	24	133095	60.101.04	01	22
120104	88.058.03	02	7	133095	60.101.05	01	22
120104	88.058.12	05	40	133095	60.101.06	01	19
120104	88.058.12	06	38	133095	60.101.07	01	33
120104	88.058.12	07	5	133095	60.101.08	01	33
120104	88.058.19		18	133246	58.105.01		39
120107	58.131.01		24	134454A1	55.404.01		1
120107	58.131.02		24	13507401	58.110.05	01	27
120116	60.100.02		11	13507401	58.110.09	01	26
120228	35.410.01	01	15	13507401	58.110.09	01	26
120228	35.410.01	02	15	13507401	58.110.09	01	26
120228	35.410.01	03	2	13507401	58.110.09	01	26
120228	35.410.14	01	2	13507401	58.110.09	01	26
120248	88.058.21		7	13507401	58.110.09	01	3
120459A1	35.410.07		23	13507401	58.110.14	01	26
124664A1	35.410.05		4	13507401	58.110.15	01	30
126915A1	90.100.010		50	13507401	58.110.16	01	30
127031A1	55.404.01		2	13507401	58.110.17	01	30

INDEX - INDICE - INDEX - ZAHLENVERZEICHNIS - INDICE - INDICE - INDHOLD - INHOUD

Number	Figure	Sequence	Ref.	Number	Figure	Sequence	Ref.
13507401	58.110.18	01	30	140045	35.410.12	02	21
13507401	88.058.17	01	20	140045	55.100.01		10
13507401	88.058.17	02	20	140045	55.100.04		10
13507401	88.058.17	03	20	140045	55.350.01		15
13507401	88.058.17	04	20	140045	58.100.01	01	34
13507401	88.058.17	05	20	140045	58.100.01	03	20
13507401	88.058.17	06	20	140045	58.105.01		30
13507401	88.058.17	07	20	140045	58.105.02		8
13507401	88.058.17	08	20	140045	58.110.09	01	23
13507701	58.105.01		44	140045	58.110.09	01	23
1350997	58.110.06	02	26	140045	58.110.09	01	23
135H EP	05.100.03	01	*	140045	58.110.09	01	23
140016	58.110.13		6	140045	58.110.09	01	23
140017	58.115.03		14	140045	58.110.09	01	10
140017	58.115.03		14	140045	58.110.09	02	4
140017	58.115.03		14	140045	58.110.09	02	5
140017	58.115.03		14	140045	58.110.09	02	5
140017	58.115.04		9	140045	58.110.09	02	5
140017	58.115.04		9	140045	58.110.09	02	5
140017	58.115.04		9	140045	58.110.09	03	3
140017	58.115.04		9	140045	58.110.14	01	23
140017	58.115.06		14	140045	58.110.14	02	3
140017	58.115.07		9	140045	58.110.15	01	27
140017	60.101.00	06	10	140045	58.110.15	02	3
140018	58.115.03		28	140045	58.110.16	01	27
140018	58.115.03		28	140045	58.110.16	02	3
140018	58.115.03		28	140045	58.110.17	01	27
140018	58.115.03		28	140045	58.110.17	02	3
140018	58.115.04		22	140045	58.110.18	01	27
140018	58.115.04		22	140045	58.110.18	02	3
140018	58.115.04		22	140045	58.115.01		3
140018	58.115.04		22	140045	58.115.01		3
140018	58.115.06		28	140045	58.115.01		3
140018	58.115.07		22	140045	58.115.01		3
140020	35.410.01	01	23	140045	58.115.01		3
140020	35.410.01	02	23	140045	58.115.01		3
140020	35.410.09		10	140045	58.115.01		3
140020	35.410.10		9	140045	58.115.02	01	11
140020	35.410.14	01	35	140045	58.115.02	01	38
140022	35.410.03	02	18	140045	58.115.02	01	7
140022	60.101.00	03	32	140045	58.115.02	01	11
140022	60.101.00	03	32	140045	58.115.02	01	9
140022	60.101.00	04	39	140045	58.115.02	02	9
140022	60.101.00	04	39	140045	58.115.02	02	7
140022	60.101.00	05	37	140045	58.115.02	02	8
140042	58.131.04		4	140045	58.115.02	02	9
140044	58.115.04		13	140045	58.115.02	03	8
140045	35.410.01		18	140045	58.115.02	03	7
140045	35.410.06	01	19	140045	58.115.02	03	8
140045	35.410.08	02	35	140045	58.115.03		20

INDEX - INDICE - INDEX - ZAHLENVERZEICHNIS - INDICE - INDICE - INDHOLD - INHOUD

Number	Figure	Sequence	Ref.	Number	Figure	Sequence	Ref.
140045	58.115.03		20	140045	60.101.06	02	11
140045	58.115.03		20	140045	60.101.07	01	25
140045	58.115.03		20	140045	60.101.07	02	9
140045	58.115.04		20	140045	60.101.07	03	9
140045	58.115.04		20	140045	60.101.08	01	25
140045	58.115.04		20	140045	60.101.08	02	9
140045	58.115.04		20	140045	60.101.08	03	11
140045	58.115.06		20	140045	60.105.02	01	8
140045	58.115.07		20	140045	60.105.02	02	8
140045	58.120.01		20	140045	60.105.03	01	8
140045	58.130.01	04	12	140045	60.105.03	02	8
140045	58.130.02	01	7	140045	88.058.01		7
140045	58.130.02	01	8	140045	88.058.03	01	14
140045	58.130.02	01	9	140045	88.058.03	02	20
140045	58.130.02	01	9	140045	88.058.10		4
140045	58.130.02	02	7	140045	88.058.12	02	13
140045	58.130.02	02	5	140045	88.058.12	03	20
140045	58.130.02	02	7	140045	88.058.19		15
140045	58.130.02	02	7	140045	88.058.28		4
140045	58.130.04	03	16	140045	88.058.30		8
140045	58.130.04	04	21	140046	05.400.01		3
140045	58.130.04	05	21	140046	35.410.08	01	19
140045	58.130.07		34	140046	35.410.08	01	35
140045	58.130.08		31	140046	35.410.08	01	35
140045	58.131.01		11	140046	35.410.08	02	19
140045	58.131.02		11	140046	44.100.03	01	10
140045	58.131.04		10	140046	58.100.01	01	7
140045	58.131.04		2	140046	58.100.01	02	8
140045	58.208.01		7	140046	58.100.01	03	15
140045	58.208.02		7	140046	58.110.08	02	5
140045	60.100.02		13	140046	58.110.09	01	30
140045	60.101.00	03	39	140046	58.110.09	01	30
140045	60.101.00	03	39	140046	58.110.09	01	30
140045	60.101.00	04	46	140046	58.110.09	01	30
140045	60.101.00	04	46	140046	58.110.09	01	30
140045	60.101.00	07	20	140046	58.110.09	01	6
140045	60.101.00	08	10	140046	58.110.14	01	30
140045	60.101.00	09	9	140046	58.110.15	01	34
140045	60.101.00	12	20	140046	58.110.16	01	34
140045	60.101.00	13	9	140046	58.110.17	01	34
140045	60.101.00	14	10	140046	58.110.18	01	34
140045	60.101.01	02	11	140046	58.115.01		9
140045	60.101.02	02	12	140046	58.115.01		12
140045	60.101.03	02	15	140046	58.115.01		12
140045	60.101.04	01	20	140046	58.115.01		9
140045	60.101.04	02	10	140046	58.115.01		12
140045	60.101.04	03	10	140046	58.115.01		9
140045	60.101.05	01	20	140046	58.115.01		12
140045	60.101.05	02	9	140046	58.115.02	01	7
140045	60.101.05	03	10	140046	58.115.02	01	12

INDEX - INDICE - INDEX - ZAHLENVERZEICHNIS - INDICE - INDICE - INDHOLD - INHOUD

Number	Figure	Sequence	Ref.	Number	Figure	Sequence	Ref.
140046	58.115.02	01	14	140046	60.101.08	01	22
140046	58.115.02	01	7	140046	88.058.03	02	31
140046	58.115.03		12	140046	88.058.06	01	20
140046	58.115.03		12	140046	88.058.06	02	16
140046	58.115.03		12	140046	88.058.07		6
140046	58.115.03		12	140046	88.058.10		7
140046	58.115.04		14	140046	88.058.13	01	23
140046	58.115.04		14	140046	88.058.14	01	23
140046	58.115.04		14	140046	88.058.15	01	23
140046	58.115.04		14	140046	88.058.16	01	23
140046	58.115.06		12	140046	88.058.20		6
140046	58.115.07		14	140046	88.058.20		6
140046	58.120.01		15	140048	05.400.01		19
140046	58.130.01	02	9	140048	44.100.03	01	2
140046	58.130.01	03	8	140048	44.100.03	01	22
140046	58.130.01	04	9	140048	58.100.01	01	2
140046	58.130.01	05	5	140048	58.100.01	02	6
140046	58.130.01	05	5	140048	58.100.01	03	9
140046	58.130.04	01	8	140048	58.105.02		5
140046	58.130.04	02	8	140048	58.120.01		9
140046	58.130.04	03	8	140048	58.130.04	01	5
140046	58.130.04	04	16	140048	58.130.04	02	5
140046	58.130.04	05	16	140048	58.130.04	03	21
140046	58.130.05	01	6	140048	58.130.04	04	27
140046	58.130.05	02	6	140048	58.130.04	05	27
140046	58.130.05	02	6	140048	58.130.05	01	3
140046	58.130.05	03	9	140048	58.130.05	02	3
140046	58.130.07		4	140048	58.130.05	02	3
140046	58.130.08		3	140048	58.130.05	03	10
140046	58.130.11		12	140048	58.130.06		4
140046	58.131.01		26	140048	58.130.07		14
140046	58.131.02		26	140048	58.130.08		13
140046	58.131.05	01	16	140048	58.130.09		7
140046	58.131.05	02	16	140048	58.131.01		4
140046	58.131.05	03	16	140048	58.131.02		4
140046	60.101.00	01	17	140048	60.105.02	01	5
140046	60.101.00	03	24	140048	60.105.02	02	5
140046	60.101.00	03	24	140048	60.105.03	01	5
140046	60.101.00	04	31	140048	60.105.03	02	5
140046	60.101.00	04	31	140048	88.044.01		24
140046	60.101.00	05	31	140048	88.044.02		9
140046	60.101.00	07	12	140048	88.044.03		7
140046	60.101.00	12	12	140048	88.058.01		4
140046	60.101.01	01	16	140048	88.058.06	01	25
140046	60.101.02	01	14	140048	88.058.06	02	19
140046	60.101.03	01	15	140048	88.058.13	01	30
140046	60.101.04	01	13	140048	88.058.14	01	30
140046	60.101.05	01	13	140048	88.058.15	01	30
140046	60.101.06	01	12	140048	88.058.16	01	30
140046	60.101.07	01	22	140048	88.058.24		6

INDEX - INDICE - INDEX - ZAHLENVERZEICHNIS - INDICE - INDICE - INDHOLD - INHOUD

Number	Figure	Sequence	Ref.	Number	Figure	Sequence	Ref.
140229	35.410.03	01	24	15980321	58.115.06		10
143479	58.110.06	02	7	15980321	58.115.07		12
14358921	58.131.05	01	28	15980321	58.115.08		7
14358921	58.131.05	02	28	15980321	58.115.09		7
14358921	58.131.05	03	28	16040621	60.100.02		22
14422120	58.110.09	01	4	164958C1	90.100.010		50
14422231	58.110.09	01	13	164995	58.115.02	01	17
14441231	58.110.06	01	5	164995	58.115.02	01	16
14441231	58.208.03		6	164995	58.115.02	01	17
14441231	88.099.01	03	5	164995	58.115.02	01	18
14441231	88.099.01	04	5	165484	58.105.02		3
14441231	88.099.01	05	5	165484	60.105.02	01	3
14441231	88.099.01	06	5	165484	60.105.02	02	3
14442124	58.110.06	02	13	165484	60.105.03	01	3
14454480	58.110.06	01	2	165484	60.105.03	02	3
14460580	58.110.06	02	30	167266	35.410.06	02	17
144607	58.131.05	02	15	167268	35.410.06	02	9
144607	58.131.05	03	15	167269	88.058.12	05	44
144607	88.058.04	01	8	167269	88.058.12	06	42
144607	88.058.04	02	10	167934	60.101.00	04	50
144607	88.058.04	03	10	167934	60.101.00	04	50
144607	88.058.07		14	167934	60.101.00	07	16
144607	88.099.01	02	10	167934	60.101.00	12	16
144929	58.115.08		5	167934	60.101.01	01	1
144929	58.115.09		5	167934	60.101.02	01	18
14496931	58.130.07		19	167934	60.101.03	01	17
14496931	58.130.08		18	167934	60.101.04	01	17
14497124	88.044.02		11	167934	60.101.05	01	17
14497531	88.058.06	01	16	167934	60.101.06	01	15
14497531	88.058.06	02	3	167934	60.101.07	01	20
14497531	88.058.13	01	19	167934	60.101.08	01	24
14497531	88.058.14	01	19	167940	60.101.00	04	51
14497531	88.058.15	01	19	167940	60.101.00	04	51
14497531	88.058.16	01	19	167940	60.101.00	07	23
145345	55.404.01		4	167940	60.101.00	12	23
14810275	88.058.13	01	33	167940	60.101.01	01	19
14810275	88.058.14	01	33	167940	60.101.02	01	21
14810275	88.058.15	01	33	167940	60.101.03	01	20
14810275	88.058.16	01	33	167940	60.101.04	01	33
1542724C1	58.115.05		6	167940	60.101.05	01	33
1542830C2	35.410.07		26	167940	60.101.06	01	20
1542831C1	35.410.07		25	167940	60.101.07	01	36
15980321	58.115.03		10	167940	60.101.08	01	35
15980321	58.115.03		10	170056	58.100.01	02	31
15980321	58.115.03		10	170056	58.100.01	04	10
15980321	58.115.03		10	175507	58.130.06		16
15980321	58.115.04		12	175508	58.130.06		13
15980321	58.115.04		12	1791248	58.130.10	02	20
15980321	58.115.04		12	1791248	58.130.10	04	20
15980321	58.115.04		12	1791248	58.130.10	06	20

INDEX - INDICE - INDEX - ZAHLENVERZEICHNIS - INDICE - INDICE - INDHOLD - INHOUD

Number	Figure	Sequence	Ref.	Number	Figure	Sequence	Ref.
199954	58.130.06		14	270184	58.130.08		26
199955	58.130.06		15	270184	58.130.10	01	19
201-348	35.410.06	02	10	270184	58.130.10	02	17
210022	58.131.01		38	270184	58.130.10	03	19
210022	58.131.02		38	270184	58.130.10	04	17
210022	88.058.06	01	5	270184	58.130.10	05	19
210022	88.058.06	02	10	270184	58.130.10	06	17
210022	88.058.13	01	43	270184	58.130.11		19
210022	88.058.14	01	43	273916	35.410.01		14
210022	88.058.15	01	43	273916	35.410.06	01	15
210022	88.058.16	01	43	280172	58.130.06		9
213404	60.101.00	03	38	280250	60.100.02		29
213404	60.101.00	03	38	280251	58.115.03		22
213404	60.101.00	04	45	280251	58.115.03		22
213404	60.101.00	04	45	280251	58.115.03		22
217-43	55.350.01		5	280251	58.115.03		22
22802	44.100.01		17	280251	58.115.04		32
237-6008	35.410.06	02	12	280251	58.115.04		32
238-6014	35.410.06	02	11	280251	58.115.04		32
244358	35.410.01		29	280251	58.115.04		32
244358	35.410.06	01	30	280251	58.115.06		22
245856	58.130.06		6	280251	58.115.07		32
247829	88.058.03	02	13	280251	60.100.02		7
251206A1	58.110.05	01	1	283590A1	60.101.00	07	19
251206A2	58.110.05	01	1	283590A1	60.101.00	12	19
251206A2	58.110.05	02	1	283590A1	60.101.04	01	19
251206A2	58.110.05	02	1	283590A1	60.101.05	01	19
251206A2	58.110.09	01	37	283590A1	60.101.07	01	10
251206A2	58.110.09	01	37	283590A1	60.101.08	01	15
251206A2	58.110.09	01	37	291186	88.058.12	02	24
251206A2	58.110.09	01	37	291186	88.058.12	03	18
251206A2	58.110.09	01	37	291525	60.100.02		26
251206A2	58.110.14	01	1	291525	88.058.12	05	43
251206A2	58.110.15	01	45	291525	88.058.12	06	41
251206A2	58.110.16	01	43	291525	88.058.12	07	8
251206A2	58.110.17	01	43	29684	60.101.03	02	20
251206A2	58.110.18	01	43	2977215	58.131.05	01	30
251206A2	58.110.19		4	2977215	58.131.05	02	30
251206A2	58.110.20		1	2977215	58.131.05	03	30
252687	58.131.01		22	300381	44.100.03	01	25
252687	58.131.02		22	300381	58.100.01	01	37
258978A1	60.100.02		3	300381	58.110.13		3
258980A1	60.100.02		27	300383	88.058.03	01	17
258981A1	60.100.02		30	300388	35.410.08	01	32
259619	35.410.01		37	300388	35.410.08	01	32
259619	35.410.07		7	300388	58.100.01	01	32
26129	35.410.11		26	300388	58.100.01	02	9
26808	44.100.01		15	300388	58.100.01	03	18
26808	58.130.09		21	300388	58.115.01		10
270184	58.130.07		27	300388	58.115.01		13

INDEX - INDICE - INDEX - ZAHLENVERZEICHNIS - INDICE - INDICE - INDHOLD - INHOUD

Number	Figure	Sequence	Ref.	Number	Figure	Sequence	Ref.
300388	58.115.01		13	321848A1	58.110.02		2
300388	58.115.01		10	321848A1	58.110.02		2
300388	58.115.01		13	321848A1	58.110.02		2
300388	58.115.01		10	321848A1	58.110.02		2
300388	58.115.01		13	321848A1	58.110.03		10
300388	58.120.01		18	321848A1	58.110.03	01	9
300388	58.130.05	01	31	321848A1	58.110.03	02	9
300388	58.130.05	02	31	321848A1	58.110.04		8
300388	58.130.05	02	31	321848A1	58.110.04	01	7
300388	88.058.10		9	321848A1	58.110.04	02	7
300389	58.131.05	02	14	322355	60.101.00	06	7
300389	58.131.05	03	14	322356	55.100.01		5
300389	88.058.07		13	322356	55.100.04		5
300595	88.044.02		18	322356	58.130.05	01	28
300633	58.110.08	02	13	322356	58.130.05	02	28
306146A1	05.400.01		24	322356	58.130.05	02	28
308369	58.130.04	05	36	322356	58.131.05	04	13
308369	88.058.08		3	322356	58.131.05	05	13
308761	35.410.04	03	3	322356	58.131.05	06	18
308761	35.410.05		12	322357	35.410.01	03	27
308761	35.410.08	02	37	322357	35.410.04	01	18
308761	88.058.30		7	322357	35.410.04	01	18
321204	44.100.03	01	31	322357	35.410.08	01	7
321204	44.100.03	02	7	322357	35.410.08	01	7
321204	58.110.07	01	6	322357	35.410.08	01	7
321204	58.110.07	02	6	322357	35.410.08	02	7
321204	58.110.09	03	16	322357	35.410.09		21
321204	58.110.14	02	16	322357	35.410.10		18
321204	58.110.15	02	16	322357	35.410.11		4
321204	58.110.16	02	16	322357	35.410.12	01	8
321204	58.110.17	02	16	322357	35.410.12	02	16
321204	58.110.18	02	16	322357	35.410.14	01	27
321204	88.044.01		14	322357	35.410.16		25
321204	88.044.01		32	322357	55.350.01		14
321204	88.044.02		21	322357	58.100.01	03	24
321204	88.044.03		17	322357	58.110.09	01	15
321204	88.044.03		31	322357	58.120.01		24
321246	60.101.00	01	13	322357	58.130.05	01	34
321848A1	58.110.00	0	6	322357	58.130.05	02	34
321848A1	58.110.00	0	12	322357	58.130.05	02	34
321848A1	58.110.00	000	7	322357	88.058.03	01	
321848A1	58.110.00	0000	7	322357	88.058.03	01	24
321848A1	58.110.00	01	13	322357	88.058.04	01	19
321848A1	58.110.00	01	13	322357	88.058.04	02	21
321848A1	58.110.00	02	8	322357	88.058.04	03	21
321848A1	58.110.00	02	8	322357	88.058.12	05	36
321848A1	58.110.01		2	322357	88.058.12	06	31
321848A1	58.110.01		2	322357	88.058.13	02	25
321848A1	58.110.01		2	322357	88.058.14	02	25
321848A1	58.110.01		2	322357	88.058.15	02	25

INDEX - INDICE - INDEX - ZAHLENVERZEICHNIS - INDICE - INDICE - INDHOLD - INHOUD

Number	Figure	Sequence	Ref.	Number	Figure	Sequence	Ref.
322357	88.058.16	02	25	322358	58.131.05	05	5
322357	88.099.01	02	21	322358	58.131.05	06	10
322358	35.410.01		20	322358	58.208.01		4
322358	35.410.01	01	16	322358	58.208.02		4
322358	35.410.01	02	16	322358	60.100.02		18
322358	35.410.01	03	5	322358	60.101.06	01	17
322358	35.410.04	01	7	322358	60.101.06	03	5
322358	35.410.04	01	7	322358	60.101.06	04	5
322358	35.410.06	01	21	322358	60.101.07	01	15
322358	35.410.08	01	30	322358	60.101.07	04	5
322358	35.410.08	01	30	322358	60.101.07	05	5
322358	35.410.08	01	30	322358	60.101.07	06	5
322358	35.410.08	02	31	322358	60.101.07	07	5
322358	35.410.11		27	322358	60.101.08	01	21
322358	35.410.14	01	5	322358	60.101.08	04	5
322358	44.100.03	01	23	322358	60.101.08	05	5
322358	55.350.01		9	322358	60.101.08	06	5
322358	55.404.01		6	322358	60.101.08	07	5
322358	58.100.01	01	40	322358	88.044.01		23
322358	58.100.01	02	25	322358	88.044.02		10
322358	58.105.01		28	322358	88.044.03		8
322358	58.110.09	01	21	322358	88.058.01		2
322358	58.115.01		15	322358	88.058.03	01	
322358	58.115.01		15	322358	88.058.03	01	10
322358	58.115.01		15	322358	88.058.03	02	
322358	58.115.01		14	322358	88.058.03	02	16
322358	58.115.01		15	322358	88.058.06	01	28
322358	58.115.01		14	322358	88.058.12	02	19
322358	58.115.01		15	322358	88.058.12	03	16
322358	58.115.02	01	20	322358	88.058.12	05	37
322358	58.115.02	01	40	322358	88.058.12	06	32
322358	58.115.02	01	21	322358	88.058.12	07	6
322358	58.115.02	01	20	322358	88.058.13	01	36
322358	58.115.02	02	29	322358	88.058.14	01	36
322358	58.115.02	02	30	322358	88.058.15	01	36
322358	58.115.02	03	29	322358	88.058.16	01	36
322358	58.115.02	03	30	322358	88.058.19		13
322358	58.130.04	01	14	322358	88.058.30		5
322358	58.130.04	02	14	323238	58.115.03		31
322358	58.130.04	03	13	323238	58.115.03		31
322358	58.130.04	04	24	323238	58.115.03		31
322358	58.130.04	05	24	323238	58.115.03		31
322358	58.130.04	06	7	323238	58.115.04		26
322358	58.130.07		8	323238	58.115.04		26
322358	58.131.01		20	323238	58.115.04		26
322358	58.131.02		20	323238	58.115.04		26
322358	58.131.05	01	23	323238	58.115.06		31
322358	58.131.05	02	23	323238	58.115.07		26
322358	58.131.05	03	23	323713	44.100.03	02	6
322358	58.131.05	04	5	323713	88.044.01		13

INDEX - INDICE - INDEX - ZAHLENVERZEICHNIS - INDICE - INDICE - INDHOLD - INHOUD

Number	Figure	Sequence	Ref.	Number	Figure	Sequence	Ref.
32383	44.100.01		3	338949	58.120.01		19
32383	44.100.02		2	338949	88.058.10		6
32383	44.100.03	01	4	34019	58.130.10	01	20
323866	88.058.06	01	18	34019	58.130.10	02	18
323866	88.058.06	02	1	34019	58.130.10	03	20
323866	88.058.13	01	21	34019	58.130.10	04	18
323866	88.058.14	01	21	34019	58.130.10	05	20
323866	88.058.15	01	21	34019	58.130.10	06	18
323866	88.058.16	01	21	34019	58.130.11		20
328754	58.115.02	01	31	350616	58.130.05	01	9
328754	58.115.02	02	27	350616	58.130.05	02	42
328754	58.115.02	02	27	350616	58.130.05	02	42
328754	58.131.01		25	350616	58.130.10	02	19
328754	58.131.02		25	350616	58.130.10	04	19
328754	60.100.02		15	350616	58.130.10	06	19
329483A1	35.410.07		28	353125	58.100.01	02	10
331175	35.410.16		9	353308	35.410.01	01	30
331175	88.058.13	02	8	353308	35.410.01	03	29
331175	88.058.14	02	8	353308	35.410.02	01	17
331175	88.058.15	02	8	353308	35.410.02	02	23
331175	88.058.16	02	8	353308	35.410.02	03	6
333040	58.100.01	02	5	353308	35.410.02	04	7
334967	58.100.01	01	1	353308	35.410.03	01	23
334967	58.130.04	01	4	353308	35.410.04	01	20
334967	58.130.04	02	4	353308	35.410.04	01	20
334967	58.130.04	03	20	353308	35.410.08	01	9
334967	58.130.04	04	26	353308	35.410.08	01	9
334967	58.130.04	05	26	353308	35.410.08	01	9
335890	58.100.01	02	20	353308	35.410.08	02	9
337475	05.400.01		23	353308	35.410.09		19
337475	44.100.03	01	11	353308	35.410.10		17
337475	58.130.01	02	10	353308	35.410.12	01	25
337475	58.130.01	03	9	353308	35.410.12	02	18
337475	58.130.01	04	10	353308	35.410.14	01	29
337475	58.130.01	05	6	353308	35.410.15		6
337475	58.130.01	05	6	353308	35.410.16		26
337475	58.130.04	05	18	353308	58.105.01		15
337475	58.131.01		27	353308	58.115.02	01	36
337475	58.131.02		27	353308	58.115.02	02	31
337476	58.130.04	05	32	353308	58.115.02	02	30
337522	05.400.01		12	353308	58.115.02	02	31
337563	58.130.04	05	31	353308	58.115.02	02	31
338263	58.131.05	01	6	353308	58.115.02	03	28
338263	58.131.05	02	5	353308	58.115.02	03	28
338263	58.131.05	03	5	353308	58.115.02	03	30
338263	88.058.04	01	11	353308	58.115.02	03	28
338263	88.058.04	02	16	353308	58.130.01	01	12
338263	88.058.07		11	353308	60.100.02		24
338413	35.410.11		5	353308	60.101.00	01	26
338949	58.100.01	03	19	353308	88.058.03	01	

INDEX - INDICE - INDEX - ZAHLENVERZEICHNIS - INDICE - INDICE - INDHOLD - INHOUD

Number	Figure	Sequence	Ref.	Number	Figure	Sequence	Ref.
353308	88.058.03	01	32	370016	58.110.08	02	9
353308	88.058.04	01	21	370539	88.058.12	02	29
353308	88.058.04	02	23	370539	88.058.12	03	29
353308	88.058.04	03	23	374835	58.130.07		17
353308	88.058.13	02	26	374835	58.130.08		16
353308	88.058.14	02	26	374887	88.058.03	02	33
353308	88.058.15	02	26	374889	58.130.07		18
353308	88.058.16	02	26	374889	58.130.08		17
353308	88.099.01	02	23	374889	60.101.00	03	13
354360	05.400.01		13	374889	60.101.00	03	13
354360	58.130.09		8	374889	60.101.00	04	20
354360	58.131.01		5	374889	60.101.00	04	20
354360	58.131.02		5	374892	58.131.04		11
355518	58.110.10		3	374892	88.058.17	01	15
359211	58.115.02	01	18	374892	88.058.17	02	15
359211	58.115.02	02	20	374892	88.058.17	03	15
359211	58.115.02	02	25	374892	88.058.17	04	15
359211	58.115.02	03	19	374892	88.058.17	05	15
359211	58.115.02	03	20	374892	88.058.17	06	15
360936R1	58.110.06	02	4	374892	88.058.17	07	15
362573	05.400.01		20	374892	88.058.17	08	15
36403	58.100.01	03	6	374895	05.400.01		22
36403	58.120.01		6	374895	44.100.03	01	9
364053	05.400.01		2	374895	58.100.01	03	17
36723	44.100.01		6	374895	58.120.01		17
36723	58.130.09		12	374895	60.101.00	01	16
36726	44.100.01		7	374895	60.101.00	03	22
36726	58.130.09		13	374895	60.101.00	03	22
36727	44.100.01		10	374895	60.101.00	04	29
36727	58.130.09		16	374895	60.101.00	04	29
369441A1	58.131.01		40	374895	60.101.00	05	29
369441A1	58.131.02		41	377580A1	58.110.05	01	2
369441A1	88.058.24		4	377580A1	58.110.05	02	24
370002	35.410.03	01	9	377580A1	58.110.05	02	24
370003	88.058.06	01	17	377580A1	58.110.09	01	38
370003	88.058.06	02	2	377580A1	58.110.09	01	38
370003	88.058.13	01	20	377580A1	58.110.09	01	38
370003	88.058.14	01	20	377580A1	58.110.09	01	38
370003	88.058.15	01	20	377580A1	58.110.09	01	38
370003	88.058.16	01	20	377580A1	58.110.14	01	44
370011	58.115.02	01	28	377580A1	58.110.15	01	44
370011	58.115.02	02	21	377580A1	58.110.15	01	46
370011	58.115.02	02	25	377580A1	58.110.16	01	44
370011	58.115.02	02	26	377580A1	58.110.17	01	44
370011	58.115.02	02	21	377580A1	58.110.18	01	44
370011	58.115.02	03	24	377580A1	58.110.19		5
370011	58.115.02	03	24	377580A1	58.110.20		2
370011	58.115.02	03	25	377580A1	58.130.01	02	15
370011	58.115.02	03	24	377580A1	58.130.01	03	14
370012	58.110.08	02	11	377580A1	58.130.01	04	17

INDEX - INDICE - INDEX - ZAHLENVERZEICHNIS - INDICE - INDICE - INDHOLD - INHOUD

Number	Figure	Sequence	Ref.	Number	Figure	Sequence	Ref.
377580A1	58.130.01	05	7	394629	88.058.28		3
377580A1	58.130.01	05	7	394631	58.115.03		9
377580A1	58.208.03		1	394631	58.115.03		9
377580A1	88.099.01	03	2	394631	58.115.03		9
377580A1	88.099.01	04	2	394631	58.115.03		9
377580A1	88.099.01	05	2	394631	58.115.04		11
377580A1	88.099.01	06	2	394631	58.115.04		11
378244	88.058.12	02	26	394631	58.115.04		11
378244	88.058.12	03	26	394631	58.115.04		11
378245	58.130.05	01	30	394631	58.115.06		9
378245	58.130.05	02	30	394631	58.115.07		11
378245	58.130.05	02	30	394631	58.115.08		6
379281	58.110.10		5	394631	58.115.09		6
38260	88.058.03	02	14	394631	58.130.04	05	34
382974	44.100.03	02	5	394632	58.131.01		8
382974	88.044.01		11	394632	58.131.02		7
382974	88.044.03		30	395277	05.400.01		6
383420	88.058.12	02	28	395277	58.130.01	02	8
383420	88.058.12	03	28	395277	58.130.01	03	7
384870A1	35.410.01	01	11	395277	58.130.01	04	8
384870A1	35.410.01	02	11	395277	58.130.01	05	4
384870A1	35.410.01	03	18	395277	58.130.01	05	4
384870A1	35.410.04	02	6	397985	60.100.02		25
384870A1	35.410.05		6	408	58.105.02		6
384870A1	35.410.12	01	33	408	60.105.02	01	6
384870A1	35.410.14	01	18	408	60.105.02	02	6
384870A1	35.410.16		32	408	60.105.03	01	6
384870A1	88.058.13	02	32	408	60.105.03	02	6
384870A1	88.058.14	02	32	412097	58.100.01	01	8
384870A1	88.058.15	02	32	412123	35.410.01		25
384870A1	88.058.16	02	32	412123	35.410.06	01	26
385686	35.410.01	01	7	412215	35.410.01	01	12
385686	35.410.01	02	9	412215	35.410.01	02	12
385686	35.410.01	03	16	412215	35.410.01	03	19
385686	35.410.14	01	17	412215	35.410.14	01	19
386045	58.105.01		41	412215	35.410.16		33
390634A1	90.100.010		50	412215	88.058.13	02	33
390636A1	55.404.01		3	412215	88.058.14	02	33
392530	44.100.03	01	28	412215	88.058.15	02	33
392530	88.044.01		29	412215	88.058.16	02	33
392530	88.044.02		16	412250	58.105.01		26
392530	88.044.03		14	412255	60.101.00	06	8
394629	58.100.01	01	21	412327	35.410.02	03	9
394629	58.115.01		21	412327	35.410.04	01	41
394629	58.115.01		5	412327	35.410.04	01	41
394629	58.115.01		5	412327	35.410.12	01	24
394629	58.115.01		21	412327	35.410.15		9
394629	58.115.01		5	412328	58.130.04	05	29
394629	58.115.01		21	412364	35.410.02	01	15
394629	58.115.01		5	412364	35.410.02	02	21

INDEX - INDICE - INDEX - ZAHLENVERZEICHNIS - INDICE - INDICE - INDHOLD - INHOUD

Number	Figure	Sequence	Ref.	Number	Figure	Sequence	Ref.
412364	35.410.02	03	8	430357	35.410.02	03	3
412364	35.410.02	04	9	430357	35.410.02	04	3
412364	35.410.15		8	430357	35.410.03	02	13
412649	58.100.01	01	43	430357	35.410.04	01	32
412653	88.058.12	02	11	430357	35.410.04	01	32
412653	88.058.12	03	11	430357	35.410.09		14
412672	58.100.01	01	33	430357	35.410.10		20
412672	58.110.06	02	28	430357	35.410.12	01	1
412672	58.130.01	01	18	430357	35.410.12	02	1
412672	58.130.01	05	10	430357	35.410.14	01	25
412672	58.130.01	05	10	430357	35.410.15		3
412672	58.131.01		36	430357	35.410.16		20
412672	58.131.02		36	430357	60.101.00	01	11
412686	44.100.03	01	34	430357	60.101.00	03	21
412686	88.044.01		35	430357	60.101.00	03	21
412686	88.044.03		20	430357	60.101.00	04	28
412687	58.130.01	01	15	430357	60.101.00	04	28
412687	58.130.05	01	11	430357	60.101.00	05	28
412687	58.130.05	02	11	430357	88.058.13	02	20
412687	58.130.05	02	11	430357	88.058.14	02	20
412687	58.130.07		24	430357	88.058.15	02	20
412687	58.130.08		23	430357	88.058.16	02	20
412687	88.058.06	01	15	43117	35.410.16		36
412687	88.058.06	02	4	43117	58.105.01		17
412687	88.058.13	01	18	43117	88.058.13	02	36
412687	88.058.14	01	18	43117	88.058.14	02	36
412687	88.058.15	01	18	43117	88.058.15	02	36
412687	88.058.16	01	18	43117	88.058.16	02	36
425885A1	58.130.07		30	43118	35.410.04	01	34
425885A1	58.130.08		27	43118	35.410.04	01	34
425885A1	58.130.08		33	43118	35.410.10		22
428385A1	35.410.05		5	43118	35.410.11		10
430356	35.410.02	01	11	43118	35.410.12	01	26
430356	35.410.02	02	13	43118	35.410.12	02	19
430356	35.410.02	03	2	43118	35.410.16		22
430356	35.410.02	04	5	43118	88.058.13	02	22
430356	35.410.08	01	5	43118	88.058.14	02	22
430356	35.410.08	01	5	43118	88.058.15	02	22
430356	35.410.08	01	5	43118	88.058.16	02	22
430356	35.410.08	02	5	43127	35.410.01	01	19
430356	35.410.09		15	43127	35.410.01	02	19
430356	35.410.10		14	43127	35.410.01	03	6
430356	35.410.15		2	43127	35.410.04	01	8
430356	60.100.02		20	43127	35.410.04	01	8
430356	88.058.12	05	28	43127	35.410.11		29
430356	88.058.12	06	28	43127	35.410.14	01	6
430357	35.410.01	01	28	43127	44.100.03	01	35
430357	35.410.01	03	25	43127	58.100.01	01	39
430357	35.410.02	01	6	43127	58.100.01	02	35
430357	35.410.02	02	8	43127	58.110.13		5

INDEX - INDICE - INDEX - ZAHLENVERZEICHNIS - INDICE - INDICE - INDHOLD - INHOUD

Number	Figure	Sequence	Ref.	Number	Figure	Sequence	Ref.
43127	58.130.04	01	18	43139	88.058.12	02	18
43127	58.130.07		32	43139	88.058.12	03	23
43127	60.100.02		17	43140	58.100.01	01	22
43127	88.044.01		30	43140	58.115.02	01	25
43127	88.044.03		21	43140	58.115.02	02	15
43127	88.058.03	02	27	43140	58.115.02	02	14
43128	58.105.01		18	43140	58.115.02	02	15
43128	58.110.06	02	21	43140	58.115.02	03	16
43128	88.058.12	02	15	43140	58.115.02	03	14
43128	88.058.12	03	14	43140	58.115.02	03	16
43130	35.410.08	01	38	43140	58.115.03		38
43130	35.410.12	01	34	43140	58.115.03		38
43138	35.410.12	02	20	43140	58.115.03		38
43138	58.110.09	01	32	43140	58.115.03		38
43138	58.110.09	01	32	43140	58.115.04		40
43138	58.110.09	01	32	43140	58.115.04		40
43138	58.110.09	01	32	43140	58.115.04		40
43138	58.110.09	01	32	43140	58.115.04		40
43138	58.110.09	01	11	43140	58.115.06		38
43138	58.110.09	03	4	43140	58.115.07		40
43138	58.110.14	01	33	43140	60.101.00	06	11
43138	58.110.14	02	4	43140	60.101.00	07	21
43138	58.110.15	02	4	43140	60.101.00	08	14
43138	58.110.16	02	4	43140	60.101.00	09	8
43138	58.110.17	02	4	43140	60.101.00	12	21
43138	58.110.18	02	4	43140	60.101.00	13	8
43138	58.131.04		5	43140	60.101.00	14	14
43138	88.058.03	02	23	43140	60.101.01	02	17
43139	05.400.01		27	43140	60.101.02	02	18
43139	35.410.01		19	43140	60.101.03	02	19
43139	35.410.06	01	20	43140	60.101.04	01	21
43139	58.105.02		9	43140	60.101.04	02	14
43139	58.115.02	01	42	43140	60.101.04	03	14
43139	58.115.02	01	2	43140	60.101.05	01	21
43139	58.115.02	01	4	43140	60.101.05	02	8
43139	58.115.03		25	43140	60.101.05	03	14
43139	58.115.03		25	43140	60.101.06	02	17
43139	58.115.03		25	43140	60.101.07	01	24
43139	58.115.03		25	43140	60.101.07	02	8
43139	58.115.04		19	43140	60.101.07	03	8
43139	58.115.04		19	43140	60.101.08	01	17
43139	58.115.04		19	43140	60.101.08	02	8
43139	58.115.04		19	43140	60.101.08	03	15
43139	58.115.06		25	43140	88.058.12	02	25
43139	58.115.07		19	43140	88.058.12	03	25
43139	58.130.08		36	43140	88.058.30		10
43139	60.105.02	01	9	43144	60.101.00	01	23
43139	60.105.02	02	9	43144	60.101.00	03	37
43139	60.105.03	01	9	43144	60.101.00	03	37
43139	60.105.03	02	9	43144	60.101.00	04	44

INDEX - INDICE - INDEX - ZAHLENVERZEICHNIS - INDICE - INDICE - INDHOLD - INHOUD

Number	Figure	Sequence	Ref.	Number	Figure	Sequence	Ref.
43144	60.101.00	04	44	43260	58.110.09	01	31
43144	60.101.00	05	41	43260	58.110.09	01	31
43158	58.100.01	03	29	43260	58.110.09	01	8
43158	58.120.01		29	43260	58.110.14	01	31
43158	58.131.01		31	43260	58.110.15	01	35
43158	58.131.02		31	43260	58.110.16	01	35
43158	88.058.04	03	14	43260	58.110.17	01	35
43158	88.058.25		11	43260	58.110.18	01	35
43158	88.058.26		3	433007	35.410.04	01	16
43158	88.099.01	02	14	433007	35.410.04	01	16
43167	58.100.01	03	36	433008	35.410.03	01	5
43167	58.120.01		36	433008	35.410.04	01	39
43167	58.131.01		39	433008	35.410.04	01	39
43167	58.131.02		39	433008	35.410.11		8
43167	88.058.24		7	433100	35.410.04	01	17
43168	44.100.03	01	15	433100	35.410.04	01	17
431868A1	35.410.07		27	43362	35.410.01		21
431941	35.410.01	01	27	43362	35.410.01	01	17
431941	35.410.01	01	31	43362	35.410.01	02	17
431941	35.410.01	03	26	43362	35.410.01	03	32
431941	35.410.02	01	9	43362	35.410.06	01	18
431941	35.410.02	02	11	43362	35.410.14	01	32
431941	35.410.02	03	4	43362	58.131.05	04	6
431941	35.410.02	04	4	43362	58.131.05	05	6
431941	35.410.03	02	14	43362	58.131.05	06	11
431941	35.410.04	01	33	434103	35.410.04	01	28
431941	35.410.04	01	33	434103	35.410.04	01	28
431941	35.410.09		16	43440	58.105.01		22
431941	35.410.10		21	43473	58.110.05	01	22
431941	35.410.12	01	9	43473	58.110.09	01	17
431941	35.410.12	02	17	43473	58.110.09	01	17
431941	35.410.14	01	26	43473	58.110.09	01	17
431941	35.410.15		14	43473	58.110.09	01	17
431941	35.410.16		21	43473	58.110.09	01	17
431941	60.101.00	01	12	43473	58.110.14	01	17
431941	60.101.00	03	28	43473	58.110.15	01	20
431941	60.101.00	03	28	43473	58.110.16	01	20
431941	60.101.00	04	35	43473	58.110.17	01	20
431941	60.101.00	04	35	43473	58.110.18	01	20
431941	60.101.00	05	33	43874	60.101.00	05	20
431941	88.058.13	02	21	43874	88.058.06	02	29
431941	88.058.14	02	21	442340	35.410.03	01	6
431941	88.058.15	02	21	442340	35.410.04	01	40
431941	88.058.16	02	21	442340	35.410.04	01	40
43235	88.044.01		26	442340	35.410.11		9
43235	88.044.02		13	445394	55.100.04		13
43260	58.110.06	02	8	445394	55.404.02		10
43260	58.110.09	01	31	455805	58.100.01	02	17
43260	58.110.09	01	31	457547	88.058.03	01	
43260	58.110.09	01	31	457547	88.058.03	01	27

INDEX - INDICE - INDEX - ZAHLENVERZEICHNIS - INDICE - INDICE - INDHOLD - INHOUD

Number	Figure	Sequence	Ref.	Number	Figure	Sequence	Ref.
45876	60.101.00	08	13	47357615	88.058.14	02	40
45876	60.101.00	09	14	47357615	88.058.15	02	40
45876	60.101.00	13	14	47357615	88.058.16	02	40
45876	60.101.00	14	13	47357843	58.115.02	01	13
45876	60.101.01	02	9	47357843	58.115.02	01	14
45876	60.101.02	02	9	47357843	58.115.02	01	16
45876	60.101.03	02	13	47360320	88.044.02		3
45876	60.101.04	02	13	47363383	58.131.05	01	19
45876	60.101.04	03	13	47363383	58.131.05	02	19
45876	60.101.05	02	14	47363383	58.131.05	03	19
45876	60.101.05	03	13	47370707	88.055.01		2
45876	60.101.06	02	9	47370709	88.055.01		4
45876	60.101.07	02	14	47371025	58.115.02	02	41
45876	60.101.07	03	14	47371025	58.115.02	03	27a
45876	60.101.08	02	14	47371025	58.115.02	03	32
45876	60.101.08	03	14	47371025	58.115.03		47
45882	60.101.00	08	12	47371025	58.115.04		47
45882	60.101.00	09	13	47371025	58.115.04		47
45882	60.101.00	13	13	47371025	58.115.04		47
45882	60.101.00	14	12	47371025	58.115.04		47
45882	60.101.01	02	8	47371025	58.115.06		42
45882	60.101.02	02	8	47371312	88.055.01		1
45882	60.101.03	02	12	47371562	58.115.06		41
45882	60.101.04	02	12	47371562	58.115.07		41
45882	60.101.04	03	12	47371565	58.115.04		41
45882	60.101.05	02	13	47371566	58.115.03		41
45882	60.101.05	03	12	47371567	58.115.04		41
45882	60.101.06	02	8	47371568	58.115.03		41
45882	60.101.07	02	13	47371572	58.115.03		41
45882	60.101.07	03	13	47371572	58.115.04		41
45882	60.101.08	02	13	47371572	58.115.06		6
45882	60.101.08	03	13	47371572	58.115.07		7
46041	88.058.01		10	47373245	35.410.16		3
46566	58.100.01	02	33	47373245	88.058.13	02	3
47357051	88.058.06	01	10	47373245	88.058.14	02	3
47357051	88.058.13	01	9	47373245	88.058.15	02	3
47357068	88.058.06	02	23	47373245	88.058.16	02	3
47357068	88.058.13	01	14	47373247	35.410.16		4
47357068	88.058.15	01	14	47373247	88.058.13	02	4
47357068	88.058.16	01	14	47373247	88.058.14	02	4
47357075	88.058.06	02	13	47373247	88.058.15	02	4
47357075	88.058.13	01	15	47373247	88.058.16	02	4
47357259	58.105.01		7	47373249	35.410.16		5
47357613	35.410.16		39	47373249	88.058.13	02	5
47357613	88.058.13	02	39	47373249	88.058.14	02	5
47357613	88.058.14	02	39	47373249	88.058.15	02	5
47357613	88.058.15	02	39	47373249	88.058.16	02	5
47357613	88.058.16	02	39	47373253	35.410.16		6
47357615	35.410.16		40	47373253	88.058.13	02	6
47357615	88.058.13	02	40	47373253	88.058.14	02	6

INDEX - INDICE - INDEX - ZAHLENVERZEICHNIS - INDICE - INDICE - INDHOLD - INHOUD

Number	Figure	Sequence	Ref.	Number	Figure	Sequence	Ref.
47373253	88.058.15	02	6	47379219	88.058.16	02	23
47373253	88.058.16	02	6	47379776	35.410.08	01	3
47373271	90.100.010		2	47379776	35.410.08	01	3
47373287	35.410.16		8	47379776	35.410.08	01	3
47373287	88.058.13	02	9	47379776	35.410.08	02	3
47373287	88.058.14	02	9	47379778	35.410.08	01	4
47373287	88.058.15	02	9	47379778	35.410.08	01	4
47373287	88.058.16	02	9	47379778	35.410.08	01	4
47373632	58.131.05	04	2	47379778	35.410.08	02	4
47373632	58.131.05	05	2	47381943	35.410.08	01	6
47373632	58.131.05	06	7	47381943	35.410.08	01	6
47373673	35.410.16		7	47381943	35.410.08	02	6
47373673	88.058.13	02	7	47384989	88.058.12	05	11
47373673	88.058.14	02	7	47384989	88.058.12	06	9
47373673	88.058.15	02	7	47386310	88.058.12	05	27
47373673	88.058.16	02	7	47386310	88.058.12	06	18
47373675	35.410.16		13	47386486	60.101.01	02	3
47373675	88.058.13	02	13	47386486	60.101.02	02	3
47373675	88.058.14	02	13	47386486	60.101.06	02	3
47373675	88.058.15	02	13	47386673	58.131.05	01	18
47373675	88.058.16	02	13	47386673	58.131.05	02	18
47373699	35.410.16		11	47386673	58.131.05	03	18
47373699	88.058.13	02	11	47387836	58.100.01	02	36
47373699	88.058.14	02	11	47388142	88.058.07		8
47373699	88.058.15	02	11	47389373	58.131.05	01	26
47373699	88.058.16	02	11	47389373	58.131.05	02	26
47373700	35.410.16		17	47389373	58.131.05	03	26
47373700	88.058.13	02	17	47389685	88.058.06	01	27
47373700	88.058.14	02	17	47389685	88.058.13	01	35
47373700	88.058.15	02	17	47389685	88.058.14	01	35
47373700	88.058.16	02	17	47389685	88.058.15	01	35
47375923	58.130.05	02	44	47389685	88.058.16	01	35
47375923	58.130.05	02	44	47391590	35.410.16		37
47376390	58.131.05	01	22	47391590	88.058.13	02	37
47376390	58.131.05	02	22	47391590	88.058.14	02	37
47376390	58.131.05	03	22	47391590	88.058.15	02	37
47376516	60.101.00	08	19	47391590	88.058.16	02	37
47376516	60.101.00	14	19	47391592	35.410.16		38
47376537	60.101.00	03	27	47391592	88.058.13	02	38
47376537	60.101.00	03	27	47391592	88.058.14	02	38
47376537	60.101.00	04	34	47391592	88.058.15	02	38
47376537	60.101.00	04	34	47391592	88.058.16	02	38
47376551	60.101.00	03	26	47392665	88.055.02		1
47376551	60.101.00	03	26	47392781	35.410.16		14
47376551	60.101.00	04	33	47392781	88.058.13	02	14
47376551	60.101.00	04	33	47392781	88.058.14	02	14
47379219	35.410.16		23	47392781	88.058.15	02	14
47379219	88.058.13	02	23	47392781	88.058.16	02	14
47379219	88.058.14	02	23	47392794	60.101.00	10	2
47379219	88.058.15	02	23	47392794	60.101.00	11	2

INDEX - INDICE - INDEX - ZAHLENVERZEICHNIS - INDICE - INDICE - INDHOLD - INHOUD

Number	Figure	Sequence	Ref.	Number	Figure	Sequence	Ref.
47392794	60.101.01	03	2	47401591	60.101.05	04	1
47392794	60.101.01	04	2	47401592	60.101.05	05	1
47392794	60.101.02	03	2	47401653	60.101.02	03	1
47392794	60.101.02	04	2	47401654	60.101.02	04	1
47392794	60.101.03	03	2	47401655	60.101.03	03	1
47392794	60.101.03	04	2	47401656	60.101.03	04	1
47392794	60.101.04	04	2	47401657	60.101.01	04	1
47392794	60.101.04	05	2	47401658	60.101.01	03	1
47392794	60.101.04	06	2	47403696	58.130.02	01	1
47392794	60.101.04	07	2	47403696	58.130.02	02	1
47392794	60.101.05	04	2	47403708	58.130.02	01	1
47392794	60.101.05	05	2	47403708	58.130.02	01	1
47392794	60.101.05	06	2	47403708	58.130.02	02	1
47392794	60.101.05	07	2	47403708	58.130.02	02	1
47393177	88.058.07		15	47403714	58.130.02	01	1
47393178	88.058.07		16	47403714	58.130.02	02	1
47393793	58.110.09	02	2	47403718	58.130.02	02	5
47393793	58.110.09	02	2	47403718	58.130.02	02	8
47393793	58.110.09	02	2	47403718	58.130.02	02	9
47393793	58.110.09	02	2	47403718	58.130.02	02	9
47394273	05.400.01		26	47405008	88.058.12	05	3
47394724	88.058.06	01	31	47405008	88.058.12	06	2
47394724	88.058.13	01	39	47405372	88.058.12	05	12
47394724	88.058.14	01	39	47405372	88.058.12	06	10
47394724	88.058.15	01	39	47405566	88.058.12	05	5
47394724	88.058.16	01	39	47405566	88.058.12	06	4
47394796	05.400.01		7	47405570	88.058.12	05	4
47394796	44.100.03	01	13	47405570	88.058.12	06	3
47395007	88.044.01		3	47407347	88.044.01		4
47396072	35.410.16		41	47411144	60.101.00	01	2
47396072	88.058.13	02	41	47412097	58.105.01		36
47396072	88.058.14	02	41	47412925	58.110.10		1
47396072	88.058.15	02	41	47412927	58.110.10		1
47396072	88.058.16	02	41	47412930	58.110.10		1
47398156	60.101.04	02	18	47412938	58.110.10		1
47398156	60.101.04	03	18	47412945	44.100.03	01	33
47398156	60.101.05	02	5	47412945	88.044.01		34
47398156	60.101.05	03	3	47412945	88.044.03		19
47398156	60.101.07	02	5	47414909	88.058.12	03	3
47398156	60.101.07	03	4	47415343	58.110.00	0	12
47398156	60.101.08	02	4	47415343	58.110.00	0	11
47398156	60.101.08	03	3	47415343	58.110.00	01	12
47401389	60.101.00	10	1	47415343	58.110.00	01	12
47401389	60.101.04	04	1	47415343	58.110.00	02	25
47401390	60.101.00	11	1	47415343	58.110.09	01	35
47401390	60.101.04	05	1	47415343	58.110.09	03	21
47401391	60.101.04	06	1	47415343	58.110.14	02	21
47401393	60.101.04	07	1	47415343	58.110.15	02	21
47401588	60.101.05	07	1	47415343	58.110.16	02	21
47401590	60.101.05	06	1	47415343	58.110.17	02	21

INDEX - INDICE - INDEX - ZAHLENVERZEICHNIS - INDICE - INDICE - INDHOLD - INHOUD

Number	Figure	Sequence	Ref.	Number	Figure	Sequence	Ref.
47415343	58.110.18	02	21	47422209	35.410.08	02	12
47415563	58.110.09	01	34	47422732	58.115.04		35
47415563	58.110.09	03	20	47422732	58.115.04		35
47415563	58.110.14	02	20	47422732	58.115.04		35
47415563	58.110.15	02	20	47422732	58.115.04		35
47415563	58.110.16	02	20	47422735	58.115.03		34
47415563	58.110.17	02	20	47422735	58.115.03		34
47415563	58.110.18	02	20	47422735	58.115.03		34
47416963	58.110.09	01	27	47422735	58.115.03		34
47416963	58.110.09	03	8	47424191	44.100.03	01	1
47416963	58.110.14	02	8	47424191	88.044.01		1
47416963	58.110.15	02	8	47424200	44.100.03	02	2
47416963	58.110.16	02	8	47424200	88.044.01		9
47416963	58.110.17	02	8	47424830	44.100.03	01	32
47416963	58.110.18	02	8	47424830	88.044.03		18
47416964	58.110.09	01	26	47424946	88.044.01		7
47416964	58.110.09	03	7	47424985	58.105.01		37
47416964	58.110.14	02	7	47425526	44.100.03	01	19
47416964	58.110.15	02	7	47425526	44.100.03	02	1
47416964	58.110.16	02	7	47425526	88.044.01		8
47416964	58.110.17	02	7	47425762	44.100.03	02	3
47416964	58.110.18	02	7	47425762	88.044.01		12
47417589	58.115.02	01	15	47425969	88.058.04	01	22
47417589	58.115.02	01	15	47425969	88.058.04	02	24
47419430	58.131.05	06	17	47425969	88.058.04	03	24
47421311	35.410.08	01	1	47425969	88.099.01	02	24
47421311	35.410.08	01	1	47426038	44.100.03	01	16
47421311	35.410.08	01	1	47426038	88.044.01		2
47421311	35.410.08	02	1	47426242	60.101.00	08	18
47421313	35.410.08	01	2	47426242	60.101.00	14	18
47421313	35.410.08	01	2	47426877	88.058.06	01	4
47421313	35.410.08	01	2	47426885	88.058.06	02	11
47421313	35.410.08	02	2	47427321	88.058.06	01	3
47421315	35.410.08	01	29	47427321	88.058.13	01	5
47421315	35.410.08	01	19	47427321	88.058.14	01	5
47421315	35.410.08	01	19	47427321	88.058.15	01	5
47421315	35.410.08	02	30	47427321	88.058.16	01	5
47421703	35.410.16		28	47427323	88.058.06	02	9
47421703	88.058.13	02	28	47427323	88.058.13	01	13
47421703	88.058.14	02	28	47427323	88.058.14	01	13
47421703	88.058.15	02	28	47427323	88.058.15	01	13
47421703	88.058.16	02	28	47427323	88.058.16	01	13
47421705	35.410.16		29	47427372	88.058.06	02	28
47421705	88.058.13	02	29	47427373	88.058.06	02	27
47421705	88.058.14	02	29	47427373	88.058.13	01	12
47421705	88.058.15	02	29	47427373	88.058.14	01	12
47421705	88.058.16	02	29	47427373	88.058.15	01	12
47422209	35.410.08	01	12	47427373	88.058.16	01	12
47422209	35.410.08	01	12	47427554	35.410.04	03	6
47422209	35.410.08	01	12	47427554	35.410.05		15

INDEX - INDICE - INDEX - ZAHLENVERZEICHNIS - INDICE - INDICE - INDHOLD - INHOUD

Number	Figure	Sequence	Ref.	Number	Figure	Sequence	Ref.
47428386	60.101.00	09	5	47437139	90.100.010		12
47428386	60.101.00	13	5	47440172	90.100.010		8
47428630	88.058.06	01	9	47442020	58.110.06	01	8
47428630	88.058.13	01	8	47445586	60.101.00	03	1
47428630	88.058.14	01	8	47445586	60.101.00	03	1
47428630	88.058.15	01	8	47445586	60.101.00	04	1
47428630	88.058.16	01	8	47445586	60.101.00	04	1
47428662	88.058.06	02	8	47445586	60.101.00	05	1
47429511	88.058.06	01	7	47447091	35.410.01		11
47429512	88.058.06	01	6	47447093	35.410.04	01	21
47429512	88.058.13	01	6	47447093	35.410.04	01	21
47429512	88.058.14	01	6	47447095	35.410.04	01	23
47429512	88.058.15	01	6	47447095	35.410.04	01	23
47429512	88.058.16	01	6	47447233	35.410.08	01	26
47429828	44.100.03	01	21	47447235	35.410.08	01	25
47429828	88.044.01		19	47447236	35.410.08	01	27
47429828	88.044.03		6	47447237	35.410.08	01	28
47429829	44.100.03	01	20	47447243	35.410.08	01	21
47429830	88.044.01		16	47448234	35.410.08	01	32
47429832	88.044.01		17	47450752	88.058.12	03	4
47430279	35.410.04	02	10	47452116	58.115.02	01	7
47430541	35.410.04	02	2	47452123	90.100.010		9
47431717	05.100.01		13	47452140	58.115.02	01	9
47431717	58.110.00	0000	4	47452140	58.115.02	01	19
47431717	58.110.00	02	5	47452140	58.115.02	01	21
47431717	58.110.01		5	47452148	90.100.010		11
47431717	58.110.01		5	47458489	44.100.03	01	18
47431717	58.110.01		5	47459883	58.130.05	03	2
47431717	58.110.01		5	47460078	88.058.12	03	2
47431717	58.110.03		4	47460084	88.058.12	03	6
47431717	58.110.03	01	3	47460085	88.058.12	02	6
47431717	58.110.03	02	3	47460092	88.058.12	02	2
47434685	58.115.01		14	47460105	88.058.12	02	3
47434685	58.115.01		9	47460109	88.058.12	02	4
47434685	58.115.01		11	47460117	88.058.12	01	5
47434685	58.115.01		11	47460117	88.058.12	05	1
47434686	58.115.01		13	47460118	88.058.12	01	6
47434686	58.115.01		10	47460118	88.058.12	06	49
47434686	58.115.01		12	47460120	88.058.12	01	7
47434686	58.115.01		12	47460120	88.058.12	07	1
47437100	90.100.010		7	47460123	88.058.12	05	8
47437102	88.058.04	01	23	47460123	88.058.12	06	6
47437102	88.058.04	02	3	47460124	88.058.12	05	6
47437102	88.058.04	03	3	47460125	88.058.12	05	7
47437102	88.099.01	02	3	47460126	88.058.12	06	5
47437120	58.131.05	01	31	47460128	88.058.12	07	2
47437120	58.131.05	02	31	47461239	58.130.05	04	2
47437120	58.131.05	03	31	47461241	58.130.05	02	22
47437120	58.131.05	05	1	47461241	58.130.05	02	22
47437120	58.131.05	06	3	47461243	58.130.05	03	6

INDEX - INDICE - INDEX - ZAHLENVERZEICHNIS - INDICE - INDICE - INDHOLD - INHOUD

Number	Figure	Sequence	Ref.	Number	Figure	Sequence	Ref.
47461740	58.131.05	01	25	47475434	88.058.12	01	1
47461740	58.131.05	02	25	47475436	88.058.12	01	1
47461740	58.131.05	03	25	47475438	88.058.12	01	1
47461740	58.131.05	04	7	47475440	88.058.12	01	1
47461740	58.131.05	05	7	47475710	88.058.07		1
47461740	58.131.05	06	12	47476078	88.058.07		2
47461804	58.110.09	01	29	47476447	58.110.00	0	1
47461804	58.110.09	01	29	47476447	58.110.00	01	2
47461804	58.110.09	01	29	47476448	58.110.00	000	1
47461804	58.110.09	01	29	47476448	58.110.00	02	2
47461804	58.110.09	01	29	47476449	58.110.00	0	1
47461804	58.110.14	01	29	47476449	58.110.00	01	2
47461804	58.110.15	01	33	47476450	58.110.00	0000	1
47461804	58.110.16	01	33	47476450	58.110.00	02	2
47461804	58.110.17	01	33	47476469	58.110.00	00	1
47461804	58.110.18	01	33	47476469	58.110.00	01	14
47461807	58.110.09	01	28	47476470	58.110.00	0000	1
47461807	58.110.09	01	28	47476470	58.110.00	02	14
47461807	58.110.09	01	28	47476471	58.110.00	00	1
47461807	58.110.09	01	28	47476471	58.110.00	01	14
47461807	58.110.09	01	28	47476472	58.110.00	000	1
47461807	58.110.14	01	28	47476472	58.110.00	02	14
47461807	58.110.15	01	32	47476473	58.110.00	00	1
47461807	58.110.16	01	32	47476473	58.110.00	01	14
47461807	58.110.17	01	32	47476474	58.110.00	0000	1
47461807	58.110.18	01	32	47476474	58.110.00	02	14
47461813	58.105.01		38	47476475	58.110.00	00	1
47464384	58.105.01		35	47476475	58.110.00	01	14
47466077	90.100.010		10	47476476	58.110.00	000	1
47466444	35.410.03	01	1	47476476	58.110.00	02	14
47466444	35.410.03	03	7	47476477	58.110.00	00	1
47466662	58.131.05	01	5	47476477	58.110.00	01	14
47466662	58.131.05	02	4	47476478	58.110.00	0000	1
47466662	58.131.05	03	4	47476478	58.110.00	02	14
47466662	88.058.07		9	47476479	58.110.00	00	1
47466899	58.131.05	04	1	47476479	58.110.00	01	14
47466899	88.058.07		4	47476480	58.110.00	000	1
47467507	58.131.05	01	10	47476480	58.110.00	02	14
47467507	58.131.05	02	9	47476481	58.110.00	00	1
47467507	58.131.05	03	9	47476481	58.110.00	01	14
47467531	58.131.05	01	11	47476482	58.110.00	0000	1
47467531	58.131.05	02	12	47476482	58.110.00	02	14
47467531	58.131.05	03	12	47476483	58.110.00	00	1
47467605	90.100.010		16	47476483	58.110.00	01	14
47472124	90.100.010		50	47476484	58.110.00	000	1
47472711	90.100.010		50	47476484	58.110.00	02	14
47473855	88.058.07		10	47476493	58.110.00	01	1
47474414	90.100.010		50	47476493	58.110.00	01	1
47475059	88.058.19		6	47476494	58.110.00	02	1
47475432	88.058.12	01	1	47476496	58.110.00	02	1

INDEX - INDICE - INDEX - ZAHLENVERZEICHNIS - INDICE - INDICE - INDHOLD - INHOUD

Number	Figure	Sequence	Ref.	Number	Figure	Sequence	Ref.
47476497	58.110.00	01	1	47489198	60.101.00	07	6
47476498	58.110.00	02	1	47489198	60.101.00	12	6
47476499	58.110.00	01	1	47489326	58.130.05	02	5
47476500	58.110.00	02	1	47489326	58.130.05	02	5
47476501	58.110.00	01	1	47489393	58.130.05	03	3
47476502	58.110.00	02	1	47489397	58.130.05	03	5
47476503	58.110.00	01	1	47489723	58.130.05	03	4
47476504	58.110.00	02	1	47489973	60.101.00	07	5
47476505	58.110.00	01	1	47489973	60.101.00	12	5
47476506	58.110.00	02	1	47490298	88.058.12	01	4
47476507	58.110.00	01	1	47490298	88.058.12	04	1
47476508	58.110.00	02	1	47490658	90.100.010		50
47476829	90.100.010		50	47490659	90.100.010		50
47476830	90.100.010		50	47490777	88.058.20		1
47476842	58.130.04	05	7	47493753	35.410.12	03	7
47476879	88.058.18		1	47493754	35.410.12	03	2
47478556	58.130.01	02	2	47493755	35.410.12	03	8
47478558	58.130.01	02	1	47493757	35.410.12	03	3
47478705	58.115.03		7	47493759	35.410.12	03	4
47478705	58.115.03		7	47493760	35.410.12	03	6
47478705	58.115.03		7	47493761	35.410.12	03	5
47478705	58.115.03		7	47496039	88.058.12	02	10
47479043	58.115.04		6	47496039	88.058.12	03	10
47479043	58.115.04		6	47497963	58.115.02	01	20
47479043	58.115.04		6	47497974	58.115.02	01	19
47479043	58.115.04		6	47499640	35.410.03	04	1
47481216	90.100.010		50	47499640	60.101.00	03	6
47483422	90.100.010		50	47499640	60.101.00	03	6
47483570	58.110.06	01	8	47499640	60.101.00	04	9
47484097	58.110.06	02	19	47499640	60.101.00	04	9
47484101	58.110.06	02	1	47499640	60.101.00	05	9
47486066	60.101.04	01	32	47499641	35.410.03	01	2
47486066	60.101.05	01	32	47499641	35.410.03	03	1
47486066	60.101.07	01	13	47499642	35.410.03	01	4
47486066	60.101.08	01	7	47499642	35.410.03	03	4
47487546	58.110.14	01	43	47499643	35.410.03	04	4
47487546	58.110.15	01	43	47499643	60.101.00	03	43
47487546	58.110.19		1	47499643	60.101.00	03	43
47487552	58.110.14	01	34	47499643	60.101.00	04	3
47487552	58.110.15	01	37	47499643	60.101.00	04	3
47487552	58.110.16	01	37	47499643	60.101.00	05	3
47487552	58.110.17	01	37	47500286	60.101.00	05	2
47487552	58.110.18	01	37	47502719	58.130.01	05	1
47487553	58.110.19		2	47502722	58.130.01	05	2
47488109	90.100.010		1	47504320	88.058.19		9
47488457	88.058.12	02	7	47506882	05.100.01		3
47488457	88.058.12	03	7	47506882	58.110.05	01	10
47488680	60.101.00	04	30	47506882	58.110.09	01	12
47488680	60.101.00	04	30	47506882	58.110.09	01	12
47488724	88.058.12	04	2	47506882	58.110.09	01	12

INDEX - INDICE - INDEX - ZAHLENVERZEICHNIS - INDICE - INDICE - INDHOLD - INHOUD

Number	Figure	Sequence	Ref.	Number	Figure	Sequence	Ref.
47506882	58.110.09	01	12	47515522	58.130.05	02	32
47506882	58.110.09	01	12	47515522	58.130.05	02	32
47506882	58.110.14	01	12	47515859	90.100.010		50
47506882	58.110.15	01	15	47515890	58.130.05	02	2
47506882	58.110.16	01	15	47515890	58.130.05	02	2
47506882	58.110.17	01	15	47515911	58.130.05	02	16
47506882	58.110.18	01	15	47515911	58.130.05	02	16
47506882	88.058.17	01	4	47518437	88.058.04	01	13
47506882	88.058.17	02	4	47518437	88.058.04	02	11
47506882	88.058.17	03	4	47518437	88.058.04	03	15
47506882	88.058.17	04	4	47518437	88.099.01	02	13
47506882	88.058.17	05	4	47519010	88.044.02		22
47506882	88.058.17	06	4	47519068	88.058.04	01	14
47506882	88.058.17	07	4	47519068	88.058.04	02	12
47506882	88.058.17	08	4	47519068	88.058.04	03	16
47506883	05.100.01		17	47519068	88.058.25		8
47506883	58.110.05	01	9	47519068	88.099.01	02	15
47506883	58.110.09	01	5	47519863	88.058.04	01	1
47506883	58.110.09	01	5	47520444	88.058.04	01	7
47506883	58.110.09	01	5	47520444	88.058.04	02	9
47506883	58.110.09	01	5	47520446	88.058.04	01	24
47506883	58.110.09	01	5	47520446	88.058.04	02	4
47506883	58.110.14	01	5	47520446	88.058.04	03	4
47506883	58.110.15	01	8	47520446	88.099.01	02	4
47506883	58.110.16	01	8	47520447	88.058.04	01	3
47506883	58.110.17	01	8	47520447	88.058.04	02	5
47506883	58.110.18	01	8	47520447	88.058.04	03	5
47506883	88.058.17	01	3	47520447	88.099.01	02	5
47506883	88.058.17	02	3	47520507	90.100.010		50
47506883	88.058.17	03	3	47520922	88.058.04	01	2
47506883	88.058.17	04	3	47520922	88.058.04	02	2
47506883	88.058.17	05	3	47520945	88.058.04	02	1
47506883	88.058.17	06	3	47522042	58.110.07	01	5
47506883	88.058.17	07	3	47522042	58.110.07	02	5
47506883	88.058.17	08	3	47522042	58.110.09	03	15
47508355	58.130.04	05	14	47522042	58.110.14	02	15
47511917	60.101.00	07	15	47522042	58.110.15	02	15
47511917	60.101.00	12	15	47522042	58.110.16	02	15
47511917	60.101.02	01	17	47522042	58.110.17	02	15
47511917	60.101.04	01	16	47522042	58.110.18	02	15
47511917	60.101.05	01	16	47522044	58.110.09	03	12
47511917	60.101.07	01	19	47522044	58.110.14	02	12
47511917	60.101.08	01	26	47522044	58.110.15	02	12
47512053	60.101.00	08	7	47522044	58.110.16	02	12
47512053	60.101.00	09	11	47522044	58.110.17	02	12
47512053	60.101.00	13	11	47522044	58.110.18	02	12
47512053	60.101.00	14	7	47522045	58.110.09	01	23
47512288	60.101.03	02	10	47522045	58.110.09	01	24
47512791	44.100.03	01	17	47522045	58.110.09	03	5
47512791	88.044.03		26	47522045	58.110.14	02	5

INDEX - INDICE - INDEX - ZAHLENVERZEICHNIS - INDICE - INDICE - INDHOLD - INHOUD

Number	Figure	Sequence	Ref.	Number	Figure	Sequence	Ref.
47522045	58.110.15	02	5	47547156	90.100.010		50
47522045	58.110.16	02	5	47547177	90.100.010		50
47522045	58.110.17	02	5	47547521	90.100.010		50
47522045	58.110.18	02	5	47547951	58.110.09	01	17
47525008	60.105.02	01	1	47548032	90.100.010		50
47525008	60.105.02	02	1	47548185	90.100.010		50
47525970	58.115.02	02	21	47548186	90.100.010		50
47525970	58.115.02	03	21	47548225	90.100.010		50
47525972	58.115.02	01	15	47548603	58.105.01		3
47525972	58.115.02	02	22	47548609	58.105.01		5
47525972	58.115.02	03	21	47548664	58.105.01		11
47529763	90.100.010		50	47548689	58.105.01		4
47529764	90.100.010		50	47550201	90.100.010		50
47530343	90.100.010		50	47550259	58.110.09	01	12
47531530	90.100.010		50	47550860	88.058.19		8
47533917	88.058.19		1	47552394	58.130.02	01	3
47534792	90.100.010		50	47552394	58.130.02	01	5
47534801	90.100.010		50	47552394	58.130.02	01	5
47536114	90.100.010		50	47552394	58.130.02	01	6
47537151	90.100.010		50	47553147	90.100.010		50
47537234	90.100.010		50	47553151	90.100.010		50
47537944	90.100.010		50	47553644	58.110.09	01	14
47537946	90.100.010		50	47553645	58.110.06	01	8
47539460	88.058.20		3	47553648	58.110.07	02	1
47539490	60.101.04	01	27	47553648	58.110.09	01	24
47539490	60.101.05	01	27	47553657	58.110.07	01	1
47539490	60.101.07	01	9	47553657	58.110.09	01	23
47539490	60.101.08	01	12	47553665	58.110.09	01	20
47539729	90.100.010		50	47553757	60.105.02	02	7
47540430	90.100.010		50	47553766	60.105.02	01	7
47541183	90.100.010		50	47554388	58.130.03	02	2
47541186	90.100.010		50	47554389	58.130.03	02	3
47541221	58.115.02	03	1	47554717	90.100.010		50
47541224	58.115.02	02	1	47555076	90.100.010		6
47541224	58.115.02	03	26	47555216	88.058.19		11
47541230	58.115.02	02	1	47557967	60.101.01	01	8
47541249	58.115.02	03	1	47557967	60.101.02	01	4
47541325	90.100.010		50	47557967	60.101.03	01	6
47544351	90.100.010		50	47557967	60.101.06	01	4
47544352	90.100.010		50	47557972	60.101.00	07	4
47544498	90.100.010		50	47557972	60.101.00	12	4
47545039	90.100.010		50	47557972	60.101.01	01	4
47545041	90.100.010		50	47557972	60.101.02	01	6
47545045	90.100.010		50	47557972	60.101.03	01	3
47545047	90.100.010		50	47557972	60.101.06	01	6
47545144	88.058.19		3	47557993	60.101.00	07	7
47545146	88.058.19		5	47557993	60.101.00	12	7
47545150	88.058.19		7	47558099	90.100.010		50
47545152	88.058.19		4	47561832	90.100.010		50
47547155	90.100.010		50	47561833	90.100.010		50

INDEX - INDICE - INDEX - ZAHLENVERZEICHNIS - INDICE - INDICE - INDHOLD - INHOUD

Number	Figure	Sequence	Ref.	Number	Figure	Sequence	Ref.
47561834	90.100.010		50	47582855	60.101.07	02	11
47561835	90.100.010		50	47582855	60.101.07	03	11
47561836	90.100.010		50	47582855	60.101.08	02	11
47561837	90.100.010		50	47582855	60.101.08	03	8
47561838	90.100.010		50	47583129	60.101.04	01	2
47561840	90.100.010		50	47583129	60.101.05	01	2
47561841	90.100.010		50	47583129	60.101.07	01	2
47561842	90.100.010		50	47583129	60.101.08	01	2
47561845	90.100.010		50	47583134	60.101.04	01	1
47562293	60.101.04	01	23	47583134	60.101.05	01	1
47562293	60.101.05	01	23	47583134	60.101.07	01	1
47562293	60.101.07	01	14	47583134	60.101.08	01	1
47562293	60.101.08	01	13	47584875	58.130.04	05	38
47562509	90.100.010		50	47585595	60.101.00	05	30
47562510	90.100.010		50	47592364	44.100.01		16
47562513	90.100.010		50	47592787	58.110.00	0	2
47562517	90.100.010		50	47592787	58.110.00	0	2
47562518	90.100.010		50	47592787	58.110.00	000	2
47562521	90.100.010		50	47592787	58.110.00	0000	2
47562615	90.100.010		50	47592787	58.110.00	01	3
47562713	90.100.010		50	47592787	58.110.00	01	3
47569412	88.058.13	01	11	47592787	58.110.00	02	3
47569412	88.058.14	01	11	47592787	58.110.00	02	3
47569412	88.058.15	01	11	47593809	90.100.010		50
47569412	88.058.16	01	11	47597562	60.101.00	06	13
47569455	88.058.13	01	10	47600506	60.101.04	01	24
47569455	88.058.14	01	10	47600506	60.101.05	01	24
47569455	88.058.15	01	10	47600506	60.101.07	01	4
47569455	88.058.16	01	10	47600506	60.101.08	01	10
47573490	90.100.010		50	47608789	60.105.03	01	1
47573508	90.100.010		50	47608792	60.105.03	02	1
47573527	90.100.010		50	47608822	60.105.03	02	7
47573535	90.100.010		50	47608841	60.105.03	01	7
47577035	90.108.02		15	47609506	90.100.010		50
47577463	35.410.03	01	32	47610099	60.101.01	02	5
47577465	35.410.03	01	31	47610099	60.101.02	02	5
47582492	88.058.13	02	43	47610099	60.101.03	02	8
47582492	88.058.14	02	43	47610099	60.101.04	02	6
47582492	88.058.15	02	43	47610099	60.101.04	03	6
47582492	88.058.16	02	43	47610099	60.101.05	02	7
47582596	90.100.010		4	47610099	60.101.05	03	6
47582600	90.100.010		3	47610099	60.101.06	02	5
47582604	90.100.010		5	47610099	60.101.07	02	7
47582855	60.101.01	02	6	47610099	60.101.07	03	7
47582855	60.101.02	02	6	47610099	60.101.08	02	7
47582855	60.101.04	02	7	47610099	60.101.08	03	7
47582855	60.101.04	03	7	47610764	60.101.07	01	38
47582855	60.101.05	02	11	47610764	60.101.08	01	37
47582855	60.101.05	03	7	47610767	60.101.07	01	35
47582855	60.101.06	02	6	47610767	60.101.08	01	38

INDEX - INDICE - INDEX - ZAHLENVERZEICHNIS - INDICE - INDICE - INDHOLD - INHOUD

Number	Figure	Sequence	Ref.	Number	Figure	Sequence	Ref.
47610771	60.101.04	01	4	47654304	90.100.010		50
47610771	60.101.05	01	4	47655343	90.100.010		50
47610771	60.101.07	01	6	47656104	90.100.010		50
47610771	60.101.08	01	3	47657755	58.100.01	03	1
47610774	60.101.04	01	7	47658434	90.100.010		50
47610774	60.101.05	01	7	47658436	90.100.010		50
47610774	60.101.07	01	3	47659999	90.100.010		50
47610774	60.101.08	01	4	47660155	90.100.010		50
47610775	60.101.04	01	3	47660830	90.100.010		50
47610775	60.101.05	01	3	47661101	90.100.010		50
47610775	60.101.07	01	8	47661300	90.100.010		50
47610775	60.101.08	01	5	47661559	90.100.010		50
47626041	58.100.01	04	3	47661619	90.100.010		50
47626042	58.100.01	04	8	47661674	90.100.010		50
47626049	58.100.01	04	11	47661907	90.100.010		50
47626050	58.100.01	04	12	47661907C	90.100.010		50
47626055	58.100.01	04	13	47661907R	90.100.010		50
47626058	58.100.01	04	14	47667172	58.115.02	01	47
47626059	58.100.01	04	15	47667172	58.115.02	01	23
47626211	58.100.01	04	6	47667172	88.058.19		10
47626212	58.100.01	04	7	47667992	88.058.22		7
47626213	58.100.01	04	9	47671759	88.058.22		3
47626216	58.100.01	04	5	47672583	88.058.22		4
47626236	58.100.01	04	2	47675181	60.101.00	04	41
47626239	58.100.01	04	4	47675181	60.101.00	04	41
47626241	58.100.01	04	16	47675181	60.101.01	01	14
47626371	90.100.010		50	47675181	60.101.02	01	16
47628671	60.101.04	01	30	47675181	60.101.03	01	12
47628671	60.101.05	01	30	47675181	60.101.04	01	15
47628671	60.101.07	01	29	47675181	60.101.05	01	15
47628671	60.101.08	01	31	47675181	60.101.06	01	14
47629052	90.100.010		50	47675181	60.101.07	01	11
47632506	90.100.010		50	47675181	60.101.08	01	16
47632507	90.100.010		50	47682280	58.110.14	01	5
47632527	90.100.010		50	47682280	58.110.15	01	8
47632528	90.100.010		50	47682280	58.110.16	01	8
47635449	90.100.010		50	47682280	58.110.17	01	8
47643348	90.100.010		50	47682280	58.110.18	01	8
47643784	60.101.04	01	25	47684794	90.100.010		50
47643784	60.101.05	01	25	47685380	60.101.03	02	10
47643784	60.101.07	01	7	47687895	35.410.08	02	26
47643784	60.101.08	01	8	47687896	35.410.08	02	27
47646472	90.100.010		50	47687897	35.410.08	02	28
47647727	90.100.010		50	47688194	90.100.010		50
47649411	90.100.010		50	47688197	58.115.02	01	4
47649704	90.100.010		50	47690260	58.110.09	01	41
47649706	90.100.010		50	47690260	58.110.09	01	41
47650125	90.100.010		50	47690260	58.110.09	01	41
47651215	90.100.010		50	47690260	58.110.09	01	41
47651594	90.100.010		50	47690260	58.110.09	01	41

INDEX - INDICE - INDEX - ZAHLENVERZEICHNIS - INDICE - INDICE - INDHOLD - INHOUD

Number	Figure	Sequence	Ref.	Number	Figure	Sequence	Ref.
47690260	58.110.09	01	9	47734855	58.120.01		2
47690260	58.110.16	01	36	47745649	58.110.08	02	16
47691195	88.058.20		3	47753858	35.410.06	01	12
47691251	88.058.20		1	47757037	60.101.04	03	3
47691673	58.130.01	05	1	47757037	60.101.05	03	18
47691683	58.130.01	05	2	47757037	60.101.07	03	5
47692005	58.130.01	01	23	47757037	60.101.08	03	6
47693317	58.130.04	03	1	47776852	60.101.00	09	4
47693317	58.130.04	04	1	47776852	60.101.00	13	4
47693317	58.130.04	05	1	47788243	60.101.01	02	2
47693564	58.130.04	02	1	47788243	60.101.02	02	2
47693568	35.410.08	02	21	47788243	60.101.05	02	4
47695047	58.110.14	01	12	47788243	60.101.06	02	2
47695047	58.110.15	01	15	47788243	60.101.07	02	4
47695047	58.110.16	01	15	47788243	60.101.08	02	5
47695047	58.110.17	01	15	47795012	88.058.17	08	1
47695047	58.110.18	01	15	47795016	88.058.17	07	1
47695848	58.110.14	01	42	47795023	88.058.17	06	1
47695848	58.110.15	01	3	47795024	88.058.17	05	1
47695848	58.110.16	01	3	47795025	88.058.17	04	1
47695848	58.110.17	01	3	47795026	88.058.17	03	1
47695848	58.110.18	01	3	47795027	88.058.17	02	1
47695858	58.110.15	01	2	47795028	88.058.17	01	1
47695858	58.110.16	01	2	47795796	60.101.00	06	3
47695858	58.110.17	01	2	47799023	58.130.01	05	15
47695858	58.110.18	01	2	47800004	35.410.03	01	29
47695862	58.110.14	01	41	47801186	88.058.03	02	11
47695867	58.110.15	01	1	47807367	35.410.03	04	2
47695877	58.110.16	01	1	47807367	60.101.00	04	10
47695877	58.110.18	01	1	47807367	60.101.00	04	10
47695883	58.110.17	01	1	47807367	60.101.00	05	10
47702873	90.100.010		50	47807368	35.410.03	03	2
47703717	88.058.20		2	47807369	35.410.03	03	5
47703717	88.058.20		2	47807370	35.410.03	04	5
47709322	58.110.06	01	1	47807370	60.101.00	04	5
47709322	58.110.09	01	25	47807370	60.101.00	04	5
47709322	58.110.09	01	25	47807370	60.101.00	05	5
47709322C	58.110.09	01	25	47807371	35.410.03	04	3
47709322C	58.110.09	01	25	47807371	60.101.00	04	11
47709322R	58.110.09	01	25	47807371	60.101.00	04	11
47709322R	58.110.09	01	25	47807371	60.101.00	05	11
47710533	35.410.04	01	43	47807372	35.410.03	03	3
47710533	35.410.04	01	43	47807373	35.410.03	03	6
47720489	44.100.03	01	12	47807374	35.410.03	04	6
47726394	88.058.21		5	47807374	60.101.00	04	4
47726395	88.058.21		4	47807374	60.101.00	04	4
47726396	88.058.21		9	47807374	60.101.00	05	4
47726398	88.058.21		8	47808889	35.410.03	01	30
47732503	35.410.11		13	47808889	35.410.03	03	8
47732767	88.058.21		3	47825828	58.110.06	01	8

INDEX - INDICE - INDEX - ZAHLENVERZEICHNIS - INDICE - INDICE - INDHOLD - INHOUD

Number	Figure	Sequence	Ref.	Number	Figure	Sequence	Ref.
47825829	58.110.06	01	8	47908827	88.044.03		27
47832652	88.058.19		2	47908901	88.044.03		5
47834800	88.058.22		6	47908946	88.044.03		1
47834844	88.058.22		1	47909202	88.044.03		2
47836108	88.058.22		2	47909321	88.044.03		32
47841751	55.100.04		1	47911654	88.044.03		33
47841751	55.100.05		1	47911870	88.058.28		7
47849503	35.410.11		13	47911888	88.058.28		8
47850144	88.058.04	03	1	47915219	58.115.02	01	12
47850148	88.099.01	02	1	47915219	58.115.02	01	18
47851872	88.058.04	03	2	47932768	58.115.02	02	27
47851872	88.099.01	02	2	47932768	58.115.02	03	27
47853452	88.058.21		1	47932836	58.115.02	02	28
47853620	88.058.21		2	47932836	58.115.02	02	40
47859914	88.058.30		11	47932836	58.115.02	03	33
47862032	88.058.30		3	47944908	55.350.01		20
47862060	88.058.30		12	47944911	55.350.01		16
47863515	55.350.01		11	47950475	58.115.02	01	14
47867100	55.350.01		8	47950584	58.115.01		1
47868215	88.058.29		8	47950584	58.115.01		1
47880994	44.100.03	01	14	47950584	58.115.01		1
47880998	44.100.03	01	6	47950584	58.115.02	01	1
47883513	58.115.01		9	47952313	35.410.08	01	6
47883513	58.115.01		9	47952314	35.410.04	01	12
47883513	58.115.01		9	47955934	58.115.02	01	48
47883515	58.115.01		10	47957663	58.115.02	01	10
47883515	58.115.01		10	47957663	58.115.02	01	5
47883515	58.115.01		10	47957692	58.115.02	01	11
47886243	88.058.29		2	47957692	58.115.02	01	17
47886389	88.058.29		3	47958589	58.115.01		8
47888331	88.058.25		4	47958589	58.115.01		8
47888331	88.058.29		4	47958589	58.115.01		8
47888332	88.058.25		5	47960422	58.115.02	01	46
47888332	88.058.29		5	47960422	58.115.02	01	24
47889538	88.058.25		3	47963328	58.115.01		7
47892678	88.044.03		28	47963328	58.115.01		7
47892712	88.044.04		9	47963328	58.115.01		7
47892745	88.044.03		3	47965619	88.058.25		6
47892745	88.044.04		3	47971774	88.058.25		10
47899160	58.115.02	02	8	47971774	88.058.26		4
47899160	58.115.02	02	8	47973686	58.110.20		3
47899160	58.115.02	03	11	47973686	88.058.31		6
47899160	58.115.02	03	11	47973747	88.058.25		7
47900864	58.115.02	02	1	47975456	88.058.25		13
47901194	58.115.02	03	1	47976818	88.058.04	03	9
47901359	58.115.02	02	1	47976818	88.058.26		8
47901712	58.115.02	03	1	47976818	88.099.01	02	9
47903170	58.130.01	05	11	47978726	88.058.27		3
47903170	58.130.01	05	11	47978736	88.058.27		4
47908773	88.044.03		4	47978808	58.115.02	03	4

INDEX - INDICE - INDEX - ZAHLENVERZEICHNIS - INDICE - INDICE - INDHOLD - INHOUD

Number	Figure	Sequence	Ref.	Number	Figure	Sequence	Ref.
47978808	58.115.02	03	4	482769	58.110.05	01	18
47978878	58.115.02	02	4	482769	58.110.09	01	6
47978878	58.115.02	02	4	482769	58.110.09	01	6
47979763	88.058.25		1	482769	58.110.09	01	6
47980095	58.110.09	01	37	482769	58.110.09	01	6
47980370	88.058.26		1	482769	58.110.09	01	6
47980887	58.110.09	01	37	482769	58.110.14	01	6
47982565	88.044.04		8	482769	58.110.15	01	9
47982580	88.044.04		1	482769	58.110.16	01	9
47988546	88.058.27		1	482769	58.110.17	01	9
47995515	88.058.29		6	482769	58.110.18	01	9
47995516	88.058.29		7	482769	88.058.17	01	11
47995571	88.058.31		1	482769	88.058.17	02	11
47996044	88.044.04		2	482769	88.058.17	03	11
47996059	88.058.25		2	482769	88.058.17	04	11
47996059	88.058.26		2	482769	88.058.17	05	11
47997361	88.058.27		2	482769	88.058.17	06	11
47997621	58.115.01		22	482769	88.058.17	07	11
47997621	58.115.01		22	482769	88.058.17	08	11
47997626	58.115.01		23	48462	58.100.01	01	6
47997626	58.115.01		23	5135061	58.100.01	02	14
47998910	58.115.02	02	7	5138952	58.110.07	01	4
47998910	58.115.02	03	10	5138952	58.110.07	02	4
47998911	58.115.02	02	7	5138952	58.110.09	03	14
47998911	58.115.02	03	10	5138952	58.110.14	02	14
47999449	35.410.08	01	41	5138952	58.110.15	02	14
48003801	88.058.29		1	5138952	58.110.16	02	14
48005531	58.115.02	02	32	5138952	58.110.17	02	14
48005531	58.115.02	02	32	5138952	58.110.18	02	14
48005531	58.115.02	03	29	5147070	58.110.08	02	12
48005531	58.115.02	03	29	523282	88.058.09		5
48006639	58.115.02	01	2	556719	58.208.01		11
48007308	58.115.02	01	3	556719	58.208.02		11
48017054	58.115.01		28	56698R1	88.055.02		4
48017062	58.115.01		24	568217R1	58.100.01	01	12
48018033	58.115.01		22	56868	58.130.06		11
48018036	58.115.01		23	570186	35.410.06	02	5
48018040	58.115.01		25	574809	44.100.01		9
48018043	58.115.01		27	574809	58.130.09		15
48018044	58.115.01		26	574810	44.100.01		8
48031345	88.099.01	03	1	574810	58.130.09		14
48033416	88.099.01	04	1	577927	88.058.04	01	18
48033418	88.099.01	05	1	577927	88.058.04	02	20
48033419	88.099.01	06	1	577927	88.058.04	03	20
48034854	88.058.28		1	577927	88.099.01	02	20
48036218	88.058.28		2	600427	88.058.12	05	41
48038041	88.058.30		2	600427	88.058.12	06	40
48042255	88.058.30		1	600427	88.058.12	07	3
48049923	58.110.06	01	9	604085	58.100.01	01	45
48049923	58.110.06	02	24a	612407	88.044.01		6

INDEX - INDICE - INDEX - ZAHLENVERZEICHNIS - INDICE - INDICE - INDHOLD - INHOUD

Number	Figure	Sequence	Ref.	Number	Figure	Sequence	Ref.
623303	35.410.01	01	18	64780	58.110.18	02	18
623303	35.410.01	02	18	684881	58.115.02	03	6
623303	35.410.01	03	4	684881	58.115.02	03	28
623303	35.410.14	01	4	684881	58.115.02	03	29
626698	58.100.01	01	19	684881	58.115.02	03	6
626698	58.115.03		24	68841	35.410.04	03	5
626698	58.115.03		24	68841	35.410.05		14
626698	58.115.03		24	68841	44.100.03	01	27
626698	58.115.03		24	68841	44.100.03	01	8
626698	58.115.04		18	68841	58.131.05	01	8
626698	58.115.04		18	68841	58.131.05	02	7
626698	58.115.04		18	68841	58.131.05	03	7
626698	58.115.04		18	68841	88.044.01		28
626698	58.115.06		24	68841	88.044.02		15
626698	58.115.07		18	68841	88.044.03		13
63265	58.115.02	01	7	72182307	58.100.01	02	29
63265	58.115.02	02	3	728-24125	58.130.05	01	10
63265	58.115.02	02	3	728-24125	58.130.05	02	10
63265	58.115.02	02	3	728-24125	58.130.05	02	10
63265	58.115.02	03	3	733-5040	35.410.03	02	17
63265	58.115.02	03	3	733-5040	60.101.00	03	31
63265	58.115.02	03	3	733-5040	60.101.00	03	31
63266	58.115.02	01	8	733-5040	60.101.00	04	38
63266	58.115.02	02	6	733-5040	60.101.00	04	38
63266	58.115.02	02	5	733-5040	60.101.00	05	36
63266	58.115.02	02	6	733-6350	58.110.09	03	2
63266	58.115.02	02	6	733-6350	58.110.14	02	2
63266	58.115.02	03	5	733-6350	58.110.15	02	2
63266	58.115.02	03	5	733-6350	58.110.16	02	2
63266	58.115.02	03	5	733-6350	58.110.17	02	2
640682	35.410.12	01	22	733-6350	58.110.18	02	2
647695	44.100.01		4	738-3422	58.130.01	01	24
647695	44.100.03	01	5	738-3422	58.130.01	05	14
647695	58.130.08		24	738-3422	58.130.01	05	14
647695	58.131.05	01	9	740591	58.100.01	03	28
647695	58.131.05	02	8	740591	58.120.01		28
647695	58.131.05	03	8	743320	88.058.03	01	
647695	58.131.05	04	18	743320	88.058.03	01	28
647695	58.131.05	05	18	758435	55.350.01		21
647695	58.131.05	06	1	766535	88.058.03	01	23
647695	88.058.20		4	782673	35.410.12	01	21
647695	88.058.20		4	80011438	44.100.01		12
64780	58.110.06	02	2	80011438	58.130.09		18
64780	58.110.09	01	32	80679	58.115.02	01	32
64780	58.110.09	03	18	80679	58.115.02	02	28
64780	58.110.11		2	80679	58.115.02	02	29
64780	58.110.14	02	18	80679	58.115.02	02	31
64780	58.110.15	02	18	80679	58.115.02	02	28
64780	58.110.16	02	18	80679	58.115.05		1
64780	58.110.17	02	18	80679	58.130.10	01	12

INDEX - INDICE - INDEX - ZAHLENVERZEICHNIS - INDICE - INDICE - INDHOLD - INHOUD

Number	Figure	Sequence	Ref.	Number	Figure	Sequence	Ref.
80679	58.130.10	02	10	83918746	58.130.10	01	15
80679	58.130.10	03	12	83918746	58.130.10	02	13
80679	58.130.10	04	10	83918746	58.130.10	03	15
80679	58.130.10	05	12	83918746	58.130.10	04	13
80679	58.130.10	06	10	83918746	58.130.10	05	15
80714	60.101.00	04	52	83918746	58.130.10	06	13
80714	60.101.00	04	52	83918746	58.130.11		15
80714	60.101.00	07	24	83931335	58.131.01		14
80714	60.101.00	12	24	83931335	58.131.02		14
80714	60.101.01	01	20	83990583	58.110.09	01	18
80714	60.101.02	01	22	84000811	58.110.06	02	11
80714	60.101.03	01	21	84004735	60.101.00	03	40
80714	60.101.06	01	21	84004735	60.101.00	03	40
80714	60.101.07	01	37	84004735	60.101.00	04	47
80714	60.101.08	01	36	84004735	60.101.00	04	47
80754	60.101.04	01	29	84004735	60.101.00	05	42
80754	60.101.05	01	29	84004735	90.108.02		3
80754	60.101.07	01	18	84004736	88.058.03	02	29
80754	60.101.08	01	28	84007183	58.100.01	02	15
80755	60.101.00	03	42	84011345	90.108.02		5
80755	60.101.00	03	42	84022290	55.350.01		4
80755	60.101.00	04	49	84023914	35.410.03	03	11
80755	60.101.00	04	49	84026992	58.130.10	01	10
80756	58.130.10	01	16	84026992	58.130.10	03	10
80756	58.130.10	02	14	84026992	58.130.10	05	10
80756	58.130.10	03	16	84026992	58.130.11		10
80756	58.130.10	04	14	84036368	31.100.01		8
80756	58.130.10	05	16	84036369	31.100.01		11
80756	58.130.10	06	14	84036369	31.100.02		10
80756	58.130.11		16	84037188	55.100.01		2
80768	58.115.02	01	14	84037188	55.100.04		2
80768	58.115.02	01	9	84039008	58.130.05	02	18
80768	58.115.02	01	11	84039008	58.130.05	02	18
80768	58.115.02	01	14	84053919	58.110.12		6
80815	58.110.06	02	29	84062491	35.410.01	01	6
811-12035	88.058.04	01	16	84062491	35.410.01	02	6
811-12035	88.058.04	02	18	84062491	35.410.01	03	14
811-12035	88.058.04	03	18	84062491	35.410.14	01	15
811-12035	88.099.01	02	18	84068583	55.100.05		7
82012726	35.410.01		27	84072277	35.410.03	02	9
82012726	35.410.06	01	28	84072277	60.101.00	01	10
82012730	35.410.12	01	23	84072277	60.101.00	03	15
82013836	44.100.03	01	30	84072277	60.101.00	03	15
82013836	88.044.01		20	84072277	60.101.00	04	22
82013836	88.044.02		17	84072277	60.101.00	04	22
82013836	88.044.03		16	84072277	60.101.00	05	22
833-40408	58.115.02	01	18	84074638	55.100.05		10
833-40408	58.115.02	01	18	84074638	55.100.05		11
83918746	35.410.04	03	4	84074638	55.100.05		12
83918746	35.410.05		13	84074638	55.100.05		15

INDEX - INDICE - INDEX - ZAHLENVERZEICHNIS - INDICE - INDICE - INDHOLD - INHOUD

Number	Figure	Sequence	Ref.	Number	Figure	Sequence	Ref.
84074638	55.100.05		16	84131147	58.110.04		1
84074638	55.100.05		9	84131147	58.110.04	01	1
84074639	55.100.05		18	84131147	88.058.17	03	22
84078681	55.100.02		6	84131687	58.115.03		1
84078681	55.100.05		5	84131687	58.115.06		1
84078681	55.100.05		6	84131688	58.115.04		1
84100407	35.410.08	01	21	84131688	58.115.07		1
84100407	35.410.08	01	21	84132163	35.410.03	02	7
84122644	90.100.010		18	84132163	60.101.00	03	10
84122647	90.100.010		17	84132163	60.101.00	03	10
84122740	60.101.00	03	23	84132163	60.101.00	04	17
84122740	60.101.00	03	23	84132163	60.101.00	04	17
84123264	90.100.010		19	84132163	60.101.00	05	17
84126918	58.130.01	02	7	84134059	58.131.04		9
84126918	58.130.01	03	6	84134152	58.131.04		7
84126918	58.130.01	04	6	84134152	88.058.11		2
84126953	58.130.02	01	2	84134170	88.058.11		1
84126953	58.130.02	01	2	84134601	58.105.02		4
84126953	58.130.02	02	2	84134601	60.105.02	01	4
84126953	58.130.02	02	2	84134601	60.105.02	02	4
84127702	88.055.02		2	84134601	60.105.03	01	4
84129199	58.130.02	01	4	84134601	60.105.03	02	4
84129202	58.130.02	02	4	84134793	58.208.01		6
84129753	35.410.02	04	26	84134793	58.208.02		6
84131138	58.110.04	01	1	84134795	35.410.03	01	10
84131139	58.110.02		1	84137037	58.131.01		29
84131139	58.110.04		1	84137037	58.131.02		29
84131139	88.058.17	02	22	84137057	58.131.01		13
84131140	90.100.010		20	84137057	58.131.02		13
84131141	58.110.01		1	84138139	05.100.01		22
84131141	58.110.03		1	84138467	35.410.02	03	24
84131141	58.110.03		2	84138467	35.410.15		24
84131141	58.110.03	01	1	84139172	35.410.02	03	22
84131141	88.058.17	02	21	84139174	35.410.02	01	13
84131142	58.110.04		2	84139174	35.410.02	02	16
84131143	58.110.02		1	84139174	35.410.02	03	10
84131143	58.110.04		1	84139174	35.410.15		10
84131143	58.110.04	01	1	84139188	35.410.02	03	13
84131143	88.058.17	01	22	84139188	35.410.15		13
84131145	58.110.01		1	84139191	35.410.02	03	16
84131145	58.110.03		1	84139193	35.410.02	01	3
84131145	58.110.03		2	84139193	35.410.02	02	6
84131145	58.110.03	01	1	84139193	35.410.02	03	14
84131145	88.058.17	01	21	84139195	35.410.02	01	2
84131146	58.110.01		1	84139195	35.410.02	02	2
84131146	58.110.03		1	84139195	35.410.02	03	23
84131146	58.110.03		2	84139195	35.410.15		23
84131146	58.110.03	01	1	84139203	35.410.02	02	4
84131146	88.058.17	03	21	84139203	35.410.02	03	12
84131147	58.110.02		1	84139203	35.410.15		12

INDEX - INDICE - INDEX - ZAHLENVERZEICHNIS - INDICE - INDICE - INDHOLD - INHOUD

Number	Figure	Sequence	Ref.	Number	Figure	Sequence	Ref.
84139383	35.410.03	03	13	84151314	60.101.00	03	8
84139385	35.410.03	03	12	84151314	60.101.00	04	15
84139388	35.410.03	03	9	84151314	60.101.00	04	15
84140859	35.410.02	01	5	84151314	60.101.00	05	15
84140859	35.410.02	02	7	84151895	58.115.02	01	17
84140859	35.410.02	03	1	84151895	58.115.02	02	18
84140859	35.410.02	04	2	84151895	58.115.02	02	17
84140859	35.410.15		1	84151895	58.115.02	02	18
84143555	88.058.11		1	84151895	58.115.02	03	19
84146236	60.101.01	01	7	84151895	58.115.02	03	17
84146236	60.101.02	01	2	84151895	58.115.02	03	19
84146236	60.101.03	01	4	84157905	31.100.02		8
84146236	60.101.06	01	2	84158586	88.058.03	01	8
84146239	60.101.01	01	9	84160118	88.058.11		1
84146239	60.101.02	01	3	84161894	88.058.12	05	2
84146239	60.101.03	01	5	84161894	88.058.12	06	1
84146239	60.101.06	01	3	84163554	58.115.02	03	4
84146282	60.101.00	07	3	84164504	58.131.01		6
84146282	60.101.00	12	3	84164504	58.131.02		6
84146282	60.101.01	01	2	84165725	90.100.010		21
84146282	60.101.02	01	1	84166299	90.100.010		15
84146282	60.101.03	01	1	84169337	35.410.02	04	12
84146282	60.101.06	01	1	84169348	35.410.02	04	13
84146308	60.101.01	01	10	84169362	35.410.02	04	23
84146308	60.101.02	01	8	84169366	35.410.02	04	20
84146308	60.101.03	01	8	84169369	35.410.02	04	24
84146308	60.101.06	01	8	84169448	35.410.02	04	19
84146310	60.101.00	07	1	84172050	55.350.01		10
84146310	60.101.00	12	1	84173226	58.131.02		16
84146310	60.101.01	01	6	84173609	58.130.01	02	13
84146310	60.101.02	01	7	84173609	58.130.01	03	12
84146310	60.101.03	01	7	84173609	58.130.01	04	15
84146310	60.101.06	01	7	84176718	58.100.01	02	11
84146722	35.410.02	02	10	84177561	35.410.08	02	22
84146726	35.410.02	02	5	84184283	90.100.010		22
84146729	35.410.02	02	17	84184395	90.100.010		50
84146743	35.410.02	02	18	84184396	90.100.010		50
84146748	35.410.02	02	14	84184410	90.100.010		50
84146753	35.410.02	02	1	84184411	90.100.010		50
84146757	35.410.02	02	9	84184419	90.100.010		50
84146787	35.410.02	01	8	84184420	90.100.010		50
84146790	35.410.02	01	7	84184577	05.100.01		1
84146803	35.410.02	01	12	84184577	58.110.05	01	14
84146810	35.410.02	01	4	84184577	58.110.09	01	15
84147660	58.131.01		18	84184577	58.110.09	01	15
84147660	58.131.02		18	84184577	58.110.09	01	15
84147660	88.058.24		8	84184577	58.110.09	01	15
84151314	35.410.03	01	13	84184577	58.110.09	01	15
84151314	35.410.03	02	4	84184577	58.110.14	01	15
84151314	60.101.00	03	8	84184577	58.110.15	01	18

INDEX - INDICE - INDEX - ZAHLENVERZEICHNIS - INDICE - INDICE - INDHOLD - INHOUD

Number	Figure	Sequence	Ref.	Number	Figure	Sequence	Ref.
84184577	58.110.16	01	18	84201900	35.410.01	03	21
84184577	58.110.17	01	18	84201900	35.410.14	01	21
84184577	58.110.18	01	18	84201901	35.410.09		12
84184577	88.058.17	01	7	84204592	88.058.12	03	9
84184577	88.058.17	02	7	84204611	90.100.010		29
84184577	88.058.17	03	7	84205242	58.115.02	01	23
84184577	88.058.17	04	7	84205242	58.115.02	02	13
84184577	88.058.17	05	7	84205242	58.115.02	02	14
84184577	88.058.17	06	7	84205242	58.115.02	03	13
84184577	88.058.17	07	7	84205242	58.115.02	03	15
84184577	88.058.17	08	7	84205244	58.115.02	01	24
84184674	35.410.03	02	1	84205244	58.115.02	02	12
84185341	90.100.010		23	84205244	58.115.02	02	13
84190205	58.115.02	01	30	84205244	58.115.02	03	12
84190205	58.115.02	02	24	84205244	58.115.02	03	14
84190205	58.115.02	02	18	84206536	88.058.12	02	9
84190205	58.115.02	02	19	84206574	35.410.01	01	9
84190205	58.115.02	02	24	84206574	35.410.01	02	8
84190205	58.115.02	03	26	84206574	35.410.01	03	15
84190205	58.115.02	03	18	84206574	35.410.14	01	16
84190205	58.115.02	03	26	84206842	58.100.01	02	22
84192870	35.410.11		19	84207089	58.130.02	01	2
84194057	05.100.01		2	84207826	58.208.01		10
84194057	58.100.01	03	27	84207826	58.208.02		10
84194057	58.120.01		27	84208580	35.410.01	03	23
84195622	58.131.01		16	84208580	35.410.14	01	23
84195743	90.100.010		24	84208582	35.410.01	03	24
84195745	90.100.010		25	84208582	35.410.14	01	24
84197920	31.100.01		1	84208637	90.100.010		32
84197920	58.100.01	01	25	84209402	58.130.02	01	7
84197922	31.100.02		1	84209464	35.410.09		13
84197922	58.100.01	01	24	84209464	35.410.10		13
84198925	35.410.02	04	22	84209635	58.130.02	02	3
84198927	35.410.02	04	25	84209638	58.130.02	01	6
84198929	35.410.02	04	18	84210277	58.100.01	01	13
84198931	35.410.02	04	10	84210278	58.100.01	01	4
84198933	35.410.02	04	17	84210572	35.410.16		1
84198935	35.410.02	04	15	84210572	88.058.13	02	1
84198937	35.410.02	04	16	84210572	88.058.14	02	1
84198939	35.410.09		1	84210572	88.058.15	02	1
84198941	35.410.09		3	84210572	88.058.16	02	1
84198943	35.410.09		4	84210573	35.410.16		2
84198945	35.410.09		6	84210573	88.058.13	02	2
84199795	90.100.010		26	84210573	88.058.14	02	2
84200216	90.100.010		27	84210573	88.058.15	02	2
84200218	90.100.010		28	84210573	88.058.16	02	2
84201859	35.410.09		9	84211249	58.100.01	02	3
84201861	35.410.09		7	84211252	58.100.01	02	1
84201863	35.410.01	03	22	84211253	58.100.01	02	23
84201863	35.410.14	01	22	84212033	90.100.010		31

INDEX - INDICE - INDEX - ZAHLENVERZEICHNIS - INDICE - INDICE - INDHOLD - INHOUD

Number	Figure	Sequence	Ref.	Number	Figure	Sequence	Ref.
84212034	90.100.010		30	84231210	88.058.12	03	8
84212040	90.100.010		33	84231684	58.130.09		17
84212117	60.101.03	02	7	84231685	44.100.01		1
84212135	35.410.02	03	21	84231685	44.100.01		11
84212135	35.410.15		21	84232893	60.101.00	02	2
84212138	35.410.02	03	18	84232986	58.130.05	01	12
84214045	88.058.12	02	22	84234631	60.101.00	01	5
84214045	88.058.12	03	24	84234632	58.100.01	02	2
84214395	90.100.010		34	84234632	58.100.01	04	1
84215029	58.100.01	01	11	84234636	58.100.01	02	12
84216625	58.131.01		28	84235792	58.130.01	05	3
84216625	58.131.02		28	84235792	58.130.01	05	3
84218884	35.410.06	02	6	84238117	58.100.01	01	3
84218894	58.131.02		2	84241720	88.058.12	05	9
84218956	58.131.02		3	84241720	88.058.12	06	7
84219357	58.131.01		2	84241724	88.058.12	05	10
84219362	58.131.01		3	84241724	88.058.12	06	8
84221937	35.410.10		4	84242351	60.101.00	01	6
84221940	35.410.10		6	84242532	60.101.00	01	8
84221941	35.410.02	03	20	84242566	60.101.00	01	9
84221941	35.410.15		20	84242566	60.101.00	03	12
84222029	90.100.010		35	84242566	60.101.00	03	12
84223794	90.100.010		50	84242566	60.101.00	04	19
84224152	88.058.10		2	84242566	60.101.00	04	19
84224155	88.058.10		3	84242566	60.101.00	05	19
84224159	58.100.01	03	11	84244046	90.100.010		36
84224159	58.120.01		11	84246563	90.108.02		6
84224162	58.100.01	03	13	84247642	58.130.05	04	3
84224162	58.120.01		13	84247642	88.058.06	01	13
84227693	88.058.04	03	13	84247904	58.100.01	01	20
84227693	88.058.25		9	84249459	58.115.02	01	13
84227693	88.058.26		6	84249459	58.115.02	01	10
84227693	88.099.01	02	12	84249459	58.115.02	01	12
84229006	58.130.05	01	2	84249459	58.115.02	01	13
84229082	58.131.01		41	84249479	90.100.010		38
84229082	58.131.02		40	84249480	90.100.010		37
84229082	88.058.24		3	84249733	60.101.00	01	1
84229083	58.131.01		42	84249736	60.101.00	01	3
84229083	58.131.02		42	84250146	35.410.03	01	14
84229083	88.058.24		2	84250146	35.410.03	02	5
84229093	58.131.01		17	84250146	60.101.00	03	9
84229093	58.131.02		17	84250146	60.101.00	03	9
84229093	88.058.24		5	84250146	60.101.00	04	16
84229322	58.130.05	01	16	84250146	60.101.00	04	16
84229523	58.130.06		7	84250146	60.101.00	05	16
84230309	58.130.05	01	8	84251853	58.100.01	02	13
84230386	58.130.05	01	43	84254201	88.058.25		15
84230386	58.130.05	02	9	84254734	88.058.01		14
84230386	58.130.05	02	9	84256351	35.410.03	02	16
84231207	88.058.12	02	8	84256351	60.101.00	03	30

INDEX - INDICE - INDEX - ZAHLENVERZEICHNIS - INDICE - INDICE - INDHOLD - INHOUD

Number	Figure	Sequence	Ref.	Number	Figure	Sequence	Ref.
84256351	60.101.00	03	30	84289440	58.115.01		1
84256351	60.101.00	04	37	84289440	58.115.01		1
84256351	60.101.00	04	37	842914678	90.100.010		41
84256351	60.101.00	05	35	842914708	90.100.010		40
84256951	88.058.01		14	842914728	90.100.010		42
84258949	88.058.12	01	8	84295960	58.130.04	01	7
84261948	58.100.01	03	5	84295960	58.130.04	02	7
84261948	58.120.01		5	84295960	58.130.04	04	11
84261957	58.100.01	01	16	84295960	58.130.04	05	11
84263896	58.100.01	03	14	84296	58.100.01	02	30
84263896	58.120.01		14	84296550	58.208.01		2
84263900	58.100.01	03	12	84296550	58.208.02		2
84263900	58.120.01		12	84297335	58.100.01	03	3
84265932	88.058.10		1	84297335	58.120.01		3
84266747	58.100.01	02	11	842973358	90.100.010		44
84266747	88.058.02		3	84297394	60.101.02	02	1
84268307	58.100.01	03	34	84297397	60.101.01	02	1
84268307	58.120.01		34	84297397	60.101.06	02	1
84268593	58.130.01	01	8	84297398	60.101.04	02	1
84269942	58.115.02	01	16	84297398	60.101.04	03	1
84269942	58.115.02	02	17	84299467	35.410.01		16
84269942	58.115.02	02	16	84299467	35.410.06	01	17
84269942	58.115.02	02	17	84301739	58.130.01	01	9
84269942	58.115.02	03	18	84303	60.101.04	01	6
84269942	58.115.02	03	16	84303	60.101.05	01	6
84269942	58.115.02	03	18	84303	60.101.07	01	32
84271863	58.130.01	01	6	84303	60.101.08	01	9
84274694	35.410.04	01	44	84305271	58.115.03		1
84274694	35.410.04	01	44	84305271	58.115.06		1
84278070	05.100.01		4	84305274	58.115.04		1
84278070	05.100.03		1	84305274	58.115.07		1
84278070	05.100.03	01	1	84306003	90.100.010		50
84280824	88.058.12	04	3	84306270	90.100.010		46
84285339	58.115.02	01	43	84306276	58.110.08	02	2
84285339	58.115.02	01	15	84306279	90.100.010		48
84285339	58.115.02	01	17	84306293	58.110.08	02	10
84287636	58.100.01	03	22	84306294	58.110.12		3
84288707	58.115.02	02	13	84306405	58.131.02		8
84288707	58.115.02	02	12	84306410	58.131.01		7
84288707	58.115.02	03	14	84306495	58.131.02		9
84288707	58.115.02	03	12	84306514	58.131.01		9
84288712	58.115.02	02	14	84306989	35.410.01		10
84288712	58.115.02	02	13	84306989	35.410.06	01	10
84288712	58.115.02	03	15	84307003	35.410.01		6
84288712	58.115.02	03	13	84307003	35.410.06	01	6
842889411	90.100.010		39	84307010	35.410.01		9
842893998	90.100.010		43	84307010	35.410.06	01	9
84289411	05.100.01		5	84307014	35.410.01		7
84289440	58.115.01		1	84307014	35.410.06	01	7
84289440	58.115.01		1	84307016	35.410.06	01	11

INDEX - INDICE - INDEX - ZAHLENVERZEICHNIS - INDICE - INDICE - INDHOLD - INHOUD

Number	Figure	Sequence	Ref.	Number	Figure	Sequence	Ref.
84307019	35.410.01		24	84319869	90.100.010		14
84307019	35.410.06	01	25	84319918	58.110.09	01	25
84307019	35.410.06	02	1	84319918	58.110.09	03	6
84307360	35.410.06	02	8	84319918	58.110.14	02	6
84307562	05.100.01		6	84319918	58.110.15	02	6
84307562	58.115.06		41	84319918	58.110.16	02	6
84307562	58.115.07		41	84319918	58.110.17	02	6
84308107	88.058.01		11	84319918	58.110.18	02	6
84308784	90.100.010		49	84320565	35.410.01		38
84308786	90.100.010		47	84320565	35.410.07		8
84308791	88.058.01		1	84323064	05.100.01		25
84310136	90.100.010		50	84323064	58.110.06	01	4
84310829	58.110.09	01	25	84323064	58.208.03		5
84310829	58.110.09	01	25	84323064	88.099.01	03	7
84310829	58.110.09	01	25	84323064	88.099.01	04	7
84310829C	58.110.06	01	1	84323064	88.099.01	05	7
84310829C	58.110.09	01	25	84323064	88.099.01	06	7
84310829C	58.110.09	01	25	84324157	58.115.02	01	9
84310829C	58.110.09	01	25	84324157	58.115.02	01	9
84310829R	58.110.06	01	1	84325285	88.058.24		1
84310829R	58.110.09	01	25	84325448	58.110.05	01	11
84310829R	58.110.09	01	25	84325448	58.110.05	02	7
84310829R	58.110.09	01	25	84325448	58.110.05	02	7
84312461	58.110.06	02	3	84325448	58.110.09	01	4
84312836	58.110.11		4	84325448	58.110.09	01	4
84312837	58.110.06	02	5	84325448	58.110.09	01	4
84312854	58.110.08	02	3	84325448	58.110.09	01	4
84312880	58.110.06	02	23	84325448	58.110.09	01	4
84313620	90.100.010		50	84325448	58.110.09	01	1
84313654	90.100.010		50	84325448	58.110.14	01	4
84313656	90.100.010		45	84325448	58.110.15	01	7
84314678	58.100.01	02	18	84325448	58.110.16	01	7
84315386	05.100.01		23	84325448	58.110.17	01	7
84315388	05.100.01		24	84325448	58.110.18	01	7
84315756	58.100.01	03	23	84329685	35.410.01		5
84315756	58.120.01		23	84329685	35.410.06	01	5
84316988	58.110.06	02	24	84331784	35.410.03	02	2
84317034	90.100.010		50	84332635	35.410.13		6
84318560	58.110.09	03	24	84333117	55.350.01		1
84318560	58.110.14	02	24	84333173	35.410.01		1
84318560	58.110.15	02	24	84333173	35.410.06	01	1
84318560	58.110.16	02	24	84333216	58.131.05	04	11
84318560	58.110.17	02	24	84333216	58.131.05	05	11
84318560	58.110.18	02	24	84333216	58.131.05	06	16
84318561	58.110.09	03	17	84334829	60.101.00	03	41
84318561	58.110.14	02	17	84334829	60.101.00	03	41
84318561	58.110.15	02	17	84334829	60.101.00	04	48
84318561	58.110.16	02	17	84334829	60.101.00	04	48
84318561	58.110.17	02	17	84334829	90.108.02		1
84318561	58.110.18	02	17	84337069	58.110.05	01	6

INDEX - INDICE - INDEX - ZAHLENVERZEICHNIS - INDICE - INDICE - INDHOLD - INHOUD

Number	Figure	Sequence	Ref.	Number	Figure	Sequence	Ref.
84337069	58.110.05	02	3	84346387	58.110.15	01	40
84337069	58.110.05	02	3	84346387	58.110.16	01	40
84337069	58.110.09	01	39	84346387	58.110.17	01	40
84337069	58.110.09	01	39	84346387	58.110.18	01	40
84337069	58.110.09	01	39	84346388	58.110.05	01	5
84337069	58.110.09	01	39	84346388	58.110.05	02	26
84337069	58.110.09	01	39	84346388	58.110.05	02	26
84337069	58.110.14	01	39	84346388	58.110.09	01	35
84337069	58.110.15	01	41	84346388	58.110.09	01	35
84337069	58.110.16	01	41	84346388	58.110.09	01	35
84337069	58.110.17	01	41	84346388	58.110.09	01	35
84337069	58.110.18	01	41	84346388	58.110.09	01	35
84337990	58.110.05	01	7	84346388	58.110.14	01	37
84337990	58.110.05	02	27	84346388	58.110.15	01	39
84337990	58.110.05	02	27	84346388	58.110.16	01	39
84337990	58.110.09	01	40	84346388	58.110.17	01	39
84337990	58.110.09	01	40	84346388	58.110.18	01	39
84337990	58.110.09	01	40	84346388	58.208.03		3
84337990	58.110.09	01	40	84346388	88.099.01	03	3
84337990	58.110.09	01	40	84346388	88.099.01	04	3
84337990	58.110.14	01	40	84346388	88.099.01	05	3
84337990	58.110.15	01	42	84346388	88.099.01	06	3
84337990	58.110.16	01	42	84349076	58.130.01	01	17
84337990	58.110.17	01	42	84349076	58.130.01	05	12
84337990	58.110.18	01	42	84349076	58.130.01	05	12
84337990	58.208.03		2	84350047	58.130.04	06	1
84337990	88.099.01	03	4	84351061	55.350.01		7
84337990	88.099.01	04	4	84354252	58.130.04	01	12
84337990	88.099.01	05	4	84354252	58.130.04	02	12
84337990	88.099.01	06	4	84354252	58.130.04	03	6
84338989	58.131.05	04	15	84354252	58.130.04	04	12
84338989	58.131.05	05	15	84354252	58.130.04	05	12
84338989	58.131.05	06	20	84354252	90.100.010		50
84340688	35.410.08	01	36	84356153GV	44.100.01		7
84340750	58.130.05	01	17	84356153GV	58.130.09		13
84340750	58.130.05	02	17	84357207	58.110.06	02	10
84340750	58.130.05	02	17	84357210	58.110.11		7
84341110	58.130.05	02	19	84357212	58.110.11		3
84341110	58.130.05	02	19	84357216	58.110.11		1
84345400	58.110.08	02	14	84357222	90.100.010		50
84345404	58.110.08	02	4	84357403	35.410.04	01	14
84346387	58.110.05	01	4	84357403	35.410.04	01	14
84346387	58.110.05	02	2	84357405	35.410.04	01	15
84346387	58.110.05	02	2	84357405	35.410.04	01	15
84346387	58.110.09	01	34	84357407	35.410.01	01	3
84346387	58.110.09	01	34	84357407	35.410.01	02	4
84346387	58.110.09	01	34	84357407	35.410.01	03	17
84346387	58.110.09	01	34	84357407	35.410.14	01	8
84346387	58.110.09	01	34	84357413	35.410.01	01	2
84346387	58.110.14	01	36	84357413	35.410.01	02	3

INDEX - INDICE - INDEX - ZAHLENVERZEICHNIS - INDICE - INDICE - INDHOLD - INHOUD

Number	Figure	Sequence	Ref.	Number	Figure	Sequence	Ref.
84357413	35.410.01	03	7	84368922	58.115.02	02	37
84357413	35.410.14	01	9	84368922	58.115.02	02	35
84359388	58.130.02	01	10	84368922	58.115.02	02	37
84359388	58.130.02	01	3	84368922	58.115.05		5
84359388	58.130.02	01	3	84369245	58.208.02		1
84359388	58.130.02	01	3	84369247	58.208.01		1
84361604	58.131.05	02	17	84369441	05.100.01		7
84361604	58.131.05	04	8	84369985	05.100.01		26
84361606	58.131.05	04	3	84369985	58.110.06	01	2
84361606	58.131.05	05	3	84370960	58.110.07	01	3
84361606	58.131.05	06	8	84370960	58.110.07	02	3
84361734	90.108.01		1	84370960	58.110.09	03	13
84361737	90.108.01		3	84370960	58.110.14	02	13
84362468	58.100.01	03	26	84370960	58.110.15	02	13
84362468	58.120.01		26	84370960	58.110.16	02	13
84363547	90.100.010		50	84370960	58.110.17	02	13
84365172	90.100.010		50	84370960	58.110.18	02	13
84365435	58.115.01		12	84371134	35.410.11		12
84365435	58.115.01		20	84371164	58.130.05	01	18
84365435	58.115.01		18	84371164	58.130.05	02	12
84365435	58.115.01		19	84371164	58.130.05	02	12
84365435	58.115.01		18	84371863	90.108.02		13
84365435	58.115.01		17	84373179	58.130.04	02	3
84365435	58.115.01		18	84373179	58.130.04	03	18
84365436	58.115.01		11	84373522	58.130.02	01	5
84365436	58.115.01		21	84373524	58.130.02	02	4
84365436	58.115.01		19	84373868	58.130.03	02	4
84365436	58.115.01		20	84374093	35.410.11		6
84365436	58.115.01		19	84374094	35.410.11		11
84365436	58.115.01		18	84374095	35.410.11		7
84365436	58.115.01		19	84374097	35.410.04	02	3
84365909	58.115.01		19	84374097	35.410.05		3
84365909	58.115.01		18	84374100	35.410.11		1
84365909	58.115.01		20	84374101	35.410.04	01	27
84365909	58.115.01		17	84374101	35.410.04	01	27
84365909	58.115.01		20	84374103	90.100.010		50
84365909	58.115.01		19	84374655	35.410.04	02	1
84365909	58.115.01		20	84374655	35.410.05		1
84365910	58.115.01		20	84374708	58.130.09		2
84365910	58.115.01		19	84377835	58.130.01	01	16
84365910	58.115.01		21	84378032	88.058.03	02	
84365910	58.115.01		18	84378033	88.058.03	01	
84365910	58.115.01		21	84378035	88.058.03	02	4
84365910	58.115.01		20	84378871	58.100.01	01	31
84365910	58.115.01		21	84384773	05.100.01		8
84367745	58.110.12		1	84384773	58.110.05	01	19
84367752	58.110.06	02	31	84384773	58.110.05	02	9
84368116	58.110.06	02	14	84384773	58.110.05	02	9
84368117	58.110.06	02	15	84384773	58.110.09	01	11
84368118	58.110.06	02	16	84384773	58.110.09	01	11

INDEX - INDICE - INDEX - ZAHLENVERZEICHNIS - INDICE - INDICE - INDHOLD - INHOUD

Number	Figure	Sequence	Ref.	Number	Figure	Sequence	Ref.
84384773	58.110.09	01	11	84389264	58.130.04	04	3
84384773	58.110.09	01	11	84389266	58.130.04	04	2
84384773	58.110.09	01	11	84389621	58.130.04	04	8
84384773	58.110.14	01	11	84389623	58.130.04	04	9
84384773	58.110.15	01	14	84389777	58.130.04	04	5
84384773	58.110.16	01	14	84389779	58.130.04	04	4
84384773	58.110.17	01	14	84390059	58.131.02		1
84384773	58.110.18	01	14	84390062	58.131.01		1
84384773	88.058.17	01	12	84390792	35.410.12	01	15
84384773	88.058.17	02	12	84391196	58.120.01		1
84384773	88.058.17	03	12	84391626	90.100.010		50
84384773	88.058.17	04	12	84392021	58.130.01	04	7
84384773	88.058.17	05	12	84393034	90.100.010		50
84384773	88.058.17	06	12	84393903	58.115.03		42
84384773	88.058.17	07	12	84393903	58.115.03		42
84384773	88.058.17	08	12	84393903	58.115.03		43
84385513	58.130.04	03	1	84393903	58.115.03		42
84385513	58.130.04	04	1	84393903	58.115.04		42
84385513	58.130.04	05	1	84393903	58.115.04		42
84385519	58.130.04	02	1	84393903	58.115.04		43
84385864	90.100.010		50	84393903	58.115.04		42
84386352	90.100.010		50	84393903	58.115.06		45
84386355	90.100.010		50	84393903	58.115.07		45
84386408	35.410.04	01	24	84393904	35.410.08	01	44
84386408	35.410.04	01	24	84393904	58.115.02	01	5
84386409	35.410.04	01	29	84393904	58.115.02	02	26
84386409	35.410.04	01	29	84393904	58.115.02	02	18
84386410	35.410.04	01	25	84393904	58.115.02	02	28
84386410	35.410.04	01	25	84393904	58.115.02	02	26
84386411	35.410.04	01	26	84393904	58.115.05		3
84386411	35.410.04	01	26	84394120	58.105.01		8
84386412	35.410.11		16	84394209	58.105.01		9
84386413	35.410.11		21	84394255	88.058.11		1
84387783	35.410.01		3	84394256	88.058.11		1
84387783	35.410.06	01	3	84395122	90.100.010		13
84387784	35.410.01		8	84395517	60.101.00	08	5
84387784	35.410.06	01	8	84395517	60.101.00	09	6
84387785	35.410.01		4	84395517	60.101.00	13	6
84387785	35.410.06	01	4	84395517	60.101.00	14	5
84389073	58.130.04	03	2	84395517	60.101.01	02	4
84389073	58.130.04	04	7	84395517	60.101.02	02	4
84389076	58.130.04	03	3	84395517	60.101.03	02	9
84389076	58.130.04	04	6	84395517	60.101.04	02	5
84389076	58.130.04	05	6	84395517	60.101.04	03	5
84389246	58.130.04	01	2	84395517	60.101.05	02	6
84389246	58.130.04	02	2	84395517	60.101.05	03	5
84389246	58.130.04	03	19	84395517	60.101.06	02	4
84389246	58.130.04	04	15	84395517	60.101.07	02	6
84389246	58.130.04	05	15	84395517	60.101.07	03	6
84389260	60.101.00	02	1	84395517	60.101.08	02	6

INDEX - INDICE - INDEX - ZAHLENVERZEICHNIS - INDICE - INDICE - INDHOLD - INHOUD

Number	Figure	Sequence	Ref.	Number	Figure	Sequence	Ref.
84395517	60.101.08	03	5	84406745	58.110.02		1
84395529	60.101.00	08	6	84406745	58.110.04		1
84395529	60.101.00	09	7	84406745	58.110.04	01	1
84395529	60.101.00	13	7	84406745	88.058.17	04	22
84395529	60.101.00	14	6	84406871	58.110.04		2
84396057	58.110.05	02	14	84408927	88.058.01		12
84396057	58.110.05	02	14	84409293	90.108.01		2
84396059	58.110.05	02	15	84409307	58.110.05	02	6
84396059	58.110.05	02	15	84409307	58.110.05	02	6
84396061	58.110.05	01	17	84409309	58.110.05	02	21
84396061	58.110.05	02	5	84409309	58.110.05	02	21
84396061	58.110.05	02	5	84410996	35.410.07		20
84396061	58.110.09	01	2	84411053	35.410.07		18
84396061	58.110.09	01	2	84411070	35.410.07		19
84396061	58.110.09	01	2	84411078	35.410.07		10
84396061	58.110.09	01	2	84411085	35.410.07		17
84396061	58.110.09	01	2	84411086	35.410.07		11
84396061	58.110.14	01	2	84411087	35.410.07		15
84396061	58.110.15	01	5	84411401	35.410.07		14
84396061	58.110.16	01	5	84411405	35.410.07		13
84396061	58.110.17	01	5	84411414	35.410.07		12
84396061	58.110.18	01	5	84411554	35.410.16		15
84396061	88.058.17	01	10	84411554	88.058.13	02	15
84396061	88.058.17	02	10	84411554	88.058.14	02	15
84396061	88.058.17	03	10	84411554	88.058.15	02	15
84396061	88.058.17	04	10	84411554	88.058.16	02	15
84396061	88.058.17	05	10	84412117	35.410.07		31
84396061	88.058.17	06	10	84412117	90.100.010		50
84396061	88.058.17	07	10	84412120	35.410.07		30
84396061	88.058.17	08	10	84412120	90.100.010		50
84396244	88.058.01		16	84412524	35.410.07		32
84403983	60.101.00	08	1	84412524	90.100.010		50
84403983	60.101.00	09	1	84412557	58.208.01		12
84404281	60.101.00	07	2	84412557	58.208.02		12
84404281	60.101.00	12	2	84412628	58.110.06	02	33
84404281	60.101.01	01	5	84415699	90.100.010		50
84404281	60.101.02	01	5	84415700	90.100.010		50
84404281	60.101.03	01	2	84415772	60.101.00	13	1
84404281	60.101.06	01	5	84415772	60.101.00	14	1
84404582	90.100.010		50	84415772	60.101.05	02	1
84404585	90.100.010		50	84415772	60.101.05	03	1
84406731	90.100.010		50	84416221	90.100.010		50
84406732	90.100.010		50	84416223	90.100.010		50
84406742	90.100.010		50	84416419	58.105.02		7
84406743	58.110.01		1	84416420	58.105.02		7
84406743	58.110.03		1	84416494	90.108.01		2
84406743	58.110.03		2	84416495	90.108.01		2
84406743	58.110.03	01	1	84416497	90.108.01		2
84406743	88.058.17	04	21	84418649	05.100.01		27
84406744	90.100.010		50	84418654	05.100.01		28

INDEX - INDICE - INDEX - ZAHLENVERZEICHNIS - INDICE - INDICE - INDHOLD - INHOUD

Number	Figure	Sequence	Ref.	Number	Figure	Sequence	Ref.
84418655	05.100.01		29	84422134	58.110.09	01	9
84418861	58.110.13		2	84422134	58.110.09	01	9
84418865	58.110.13		7	84422134	58.110.14	01	9
84418960	58.110.09	01	41	84422134	58.110.15	01	12
84418960	58.110.09	01	41	84422134	58.110.16	01	12
84418960	58.110.09	01	41	84422134	58.110.17	01	12
84418960	58.110.09	01	41	84422134	58.110.18	01	12
84418960	58.110.09	01	41	84422134	88.058.17	01	5
84418960	58.110.09	01	9	84422134	88.058.17	02	5
84418960	58.110.14	01	32	84422134	88.058.17	03	5
84418960	58.110.15	01	36	84422134	88.058.17	04	5
84418960	58.110.17	01	36	84422134	88.058.17	05	5
84418960	58.110.18	01	36	84422134	88.058.17	06	5
84419744	58.131.05	01	17	84422134	88.058.17	07	5
84419744	58.131.05	02	17	84422134	88.058.17	08	5
84419744	58.131.05	03	17	84422137	58.130.05	01	1
84419744	58.131.05	05	8	84422137	58.130.05	02	1
84419744	58.131.05	06	13	84422137	58.130.05	02	1
84420205	58.130.09		3	84422648	58.130.10	03	1
84420215	58.130.07		9	84422648	58.130.10	05	1
84420215	58.130.08		8	84422648	58.130.11		1
84420754	58.130.07		22	84422653	58.130.10	01	8
84420754	58.130.08		21	84422653	58.130.10	02	7
84420765	58.130.07		11	84422653	58.130.10	03	8
84420765	58.130.08		10	84422653	58.130.10	04	7
84420770	58.130.07		21	84422653	58.130.10	05	8
84420770	58.130.08		20	84422653	58.130.10	06	7
84420907	58.130.09		1	84422653	58.130.11		8
84421031	58.130.07		13	84422657	58.130.10	01	9
84421031	58.130.08		12	84422657	58.130.10	03	9
84421032	58.130.05	01	26	84422657	58.130.10	05	9
84421032	58.130.05	02	26	84422657	58.130.11		9
84421032	58.130.05	02	26	84422658	58.130.10	01	7
84421041	58.130.07		1	84422658	58.130.10	02	4
84421041	58.130.08		1	84422658	58.130.10	03	7
84421044	58.130.07		2	84422658	58.130.10	04	4
84421044	58.130.08		2	84422658	58.130.10	05	7
84421753	58.130.04	05	2	84422658	58.130.10	06	4
84421755	58.130.04	05	3	84422658	58.130.11		7
84421759	90.100.010		50	84422663	58.130.10	01	3
84421761	58.130.04	05	4	84422663	58.130.10	03	3
84421763	58.130.04	05	5	84422663	58.130.10	05	3
84422040	35.410.11		25	84422663	58.130.11		3
84422047	58.130.07		10	84422671	58.130.10	03	2
84422047	58.130.08		9	84422671	58.130.10	05	2
84422118	58.130.09		5	84422671	58.130.11		2
84422134	58.110.05	01	12	84422992	58.110.05	01	15
84422134	58.110.09	01	9	84422992	58.110.09	01	10
84422134	58.110.09	01	9	84422992	58.110.09	01	10
84422134	58.110.09	01	9	84422992	58.110.09	01	10

INDEX - INDICE - INDEX - ZAHLENVERZEICHNIS - INDICE - INDICE - INDHOLD - INHOUD

Number	Figure	Sequence	Ref.	Number	Figure	Sequence	Ref.
84422992	58.110.09	01	10	84426463	58.130.05	02	25
84422992	58.110.09	01	10	84427584	88.058.03	01	37
84422992	58.110.14	01	10	84427586	88.058.03	01	7
84422992	58.110.15	01	13	84427617	58.130.08		35
84422992	58.110.16	01	13	84427669	35.410.12	02	2
84422992	58.110.17	01	13	84427669	35.410.12	03	1
84422992	58.110.18	01	13	84427820	35.410.11		3
84422992	88.058.17	01	8	84429100	58.110.00	0	7
84422992	88.058.17	02	8	84429100	58.110.00	0	6
84422992	88.058.17	03	8	84429100	58.110.00	000	8
84422992	88.058.17	04	8	84429100	58.110.00	0000	8
84422992	88.058.17	05	8	84429100	58.110.00	01	7
84422992	88.058.17	06	8	84429100	58.110.00	01	7
84422992	88.058.17	07	8	84429100	58.110.00	02	9
84422992	88.058.17	08	8	84429100	58.110.00	02	9
84423401	58.110.09	01	28	84429100	58.110.01		8
84423401	58.110.09	03	11	84429100	58.110.01		8
84423401	58.110.14	02	11	84429100	58.110.01		9
84423401	58.110.15	02	11	84429100	58.110.01		8
84423401	58.110.16	02	11	84429100	58.110.02		7
84423401	58.110.17	02	11	84429100	58.110.02		7
84423401	58.110.18	02	11	84429100	58.110.02		7
84423777	58.130.10	01	14	84429100	58.110.02		7
84423777	58.130.10	02	12	84429100	58.110.03		7
84423777	58.130.10	03	14	84429100	58.110.03	01	6
84423777	58.130.10	04	12	84429100	58.110.03	02	6
84423777	58.130.10	05	14	84429100	58.110.04		6
84423777	58.130.10	06	12	84429100	58.110.04	01	5
84423777	58.130.11		14	84429100	58.110.04	02	5
84423818	58.130.10	01	17	84429100	58.115.02	02	33
84423818	58.130.10	03	17	84429100	58.115.02	02	33
84423818	58.130.11		17	84429100	58.115.02	03	30
84423856	58.130.07		26	84429100	58.115.02	03	30
84423856	58.130.08		25	84429102	05.100.01		9
84423856	58.130.10	01	18	84429102	58.110.00	0	8
84423856	58.130.10	02	16	84429102	58.110.00	0	7
84423856	58.130.10	03	18	84429102	58.110.00	00	4
84423856	58.130.10	04	16	84429102	58.110.00	00	4
84423856	58.130.10	05	18	84429102	58.110.00	000	9
84423856	58.130.10	06	16	84429102	58.110.00	000	4
84423856	58.130.11		18	84429102	58.110.00	0000	9
84424348	35.410.12	01	16	84429102	58.110.00	0000	4
84424348	35.410.16		16	84429102	58.110.00	01	17
84424348	88.058.13	02	16	84429102	58.110.00	01	8
84424348	88.058.14	02	16	84429102	58.110.00	01	17
84424348	88.058.15	02	16	84429102	58.110.00	01	8
84424348	88.058.16	02	16	84429102	58.110.00	02	10
84424352	88.058.03	01		84429102	58.110.00	02	17
84426463	58.130.05	01	25	84429102	58.110.00	02	22
84426463	58.130.05	02	25	84429102	58.110.00	02	10

INDEX - INDICE - INDEX - ZAHLENVERZEICHNIS - INDICE - INDICE - INDHOLD - INHOUD

Number	Figure	Sequence	Ref.	Number	Figure	Sequence	Ref.
84429102	58.110.00	02	17	84431546	35.410.02	01	14
84429102	58.110.01		10	84431546	35.410.02	02	20
84429102	58.110.01		10	84431546	35.410.02	03	15
84429102	58.110.01		10	84431546	35.410.02	04	11
84429102	58.110.01		10	84431546	35.410.04	01	38
84429102	58.110.02		8	84431546	35.410.04	01	38
84429102	58.110.02		8	84431546	35.410.08	01	25
84429102	58.110.02		8	84431546	35.410.08	01	25
84429102	58.110.02		8	84431546	35.410.09		2
84429102	58.110.03		9	84431546	35.410.10		2
84429102	58.110.03	01	8	84431546	35.410.11		2
84429102	58.110.03	02	8	84431546	35.410.12	01	5
84429102	58.110.04		7	84431546	35.410.12	02	13
84429102	58.110.04	01	6	84431546	35.410.14	01	13
84429102	58.110.04	02	6	84431546	35.410.15		15
84429102	58.110.09	01	29	84431546	35.410.16		12
84429102	58.110.09	01	36	84431546	88.058.13	02	12
84429102	58.110.09	03	23	84431546	88.058.14	02	12
84429102	58.110.09	03	9	84431546	88.058.15	02	12
84429102	58.110.14	02	23	84431546	88.058.16	02	12
84429102	58.110.14	02	9	84434997	35.410.01	01	14
84429102	58.110.15	02	23	84434997	35.410.01	02	14
84429102	58.110.15	02	9	84434997	35.410.01	03	1
84429102	58.110.16	02	23	84434997	35.410.14	01	1
84429102	58.110.16	02	9	84434997	35.410.14	02	1
84429102	58.110.17	02	23	84435044	35.410.14	02	2
84429102	58.110.17	02	9	84435046	35.410.14	02	5
84429102	58.110.18	02	23	84435047	35.410.14	02	6
84429102	58.110.18	02	9	84441549	58.131.04		6
84429102	58.115.02	02	34	84448809	55.350.01		2
84429102	58.115.02	02	34	84448845	55.350.01		6
84429102	58.115.02	03	31	84465805	88.058.03	02	1
84429102	58.115.02	03	31	84465810	88.058.03	02	2
84431473	35.410.01	01	4	84465815	88.058.03	01	4
84431473	35.410.01	02	5	84465818	88.058.03	01	6
84431473	35.410.01	03	11	84465819	88.058.03	02	7
84431473	35.410.02	02	19	84465831	88.058.03	02	3
84431473	35.410.02	03	11	84465871	88.058.03	01	9
84431473	35.410.02	04	21	84465871	88.058.03	02	15
84431473	35.410.04	01	22	84465981	35.410.12	01	13
84431473	35.410.04	01	22	84465983	35.410.12	01	10
84431473	35.410.08	01	18	84466056	88.058.03	02	5
84431473	35.410.08	01	18	84466130	88.058.03	02	
84431473	35.410.08	01	18	84466132	88.058.03	02	
84431473	35.410.08	02	18	84466134	88.058.03	01	
84431473	35.410.14	01	7	84466136	88.058.03	01	
84431473	35.410.15		11	84467186	58.110.03	02	1
84431546	35.410.01	01	5	84467187	58.110.04	02	1
84431546	35.410.01	02	2	84467282	05.100.01		10
84431546	35.410.01	03	12	84467282	58.110.00	0	4

INDEX - INDICE - INDEX - ZAHLENVERZEICHNIS - INDICE - INDICE - INDHOLD - INHOUD

Number	Figure	Sequence	Ref.	Number	Figure	Sequence	Ref.
84467282	58.110.00	000	5	84475099	88.058.03	02	
84467282	58.110.00	01	5	84475111	88.058.03	02	26
84467282	58.110.00	02	6	84475112	88.058.03	02	
84467282	58.110.03	01	2	84475113	88.058.03	02	
84467282	58.110.03	02	2	84475114	88.058.03	02	
84467282	58.110.04	02	3	84475128	88.058.03	01	18
84467292	05.100.01		11	84475129	88.058.03	01	
84467292	58.110.00	000	4	84475130	88.058.03	01	
84467292	58.110.00	02	5	84475131	88.058.03	01	
84467292	58.110.03	02	3	84475170	88.058.03	01	19
84467335	58.110.03	02	1	84475171	88.058.03	01	
84467336	58.110.03	02	1	84475172	88.058.03	01	
84467337	58.110.03	02	1	84475173	88.058.03	01	
84467344	90.100.010		50	84475428	88.058.03	01	21
84467345	58.110.04	02	1	84475740	58.130.04	01	11
84467346	58.110.04	02	1	84475740	58.130.04	02	11
84467347	58.110.04	02	1	84475740	58.130.04	03	5
84469627	88.058.03	01	13	84475740	58.130.04	04	13
84469627	88.058.03	02	19	84475740	58.130.04	05	13
84469770	35.410.12	02	11	84476056	58.115.03		5
84469772	35.410.12	02	12	84476056	58.115.03		5
84469776	35.410.12	02	3	84476056	58.115.03		5
84469778	35.410.12	02	4	84476056	58.115.03		5
84469780	35.410.12	02	5	84476056	58.115.04		5
84469782	35.410.12	02	6	84476056	58.115.04		5
84469928	35.410.12	02	7	84476056	58.115.04		5
84469930	35.410.12	02	8	84476056	58.115.04		5
84470531	90.108.02		11	84476056	58.115.06		5
84470538	35.410.12	01	2	84476056	58.115.07		5
84470539	35.410.12	01	3	84476056	58.115.08		1
84470540	35.410.12	01	4	84476406	58.130.07		12
84470849	88.058.03	01	20	84476406	58.130.08		11
84470851	88.058.03	01	29	84476776	58.130.06		1
84471352	58.130.05	01	32	84477946	88.058.03	01	
84473444	88.058.03	01	2	84477947	88.058.03	01	
84473444	88.058.03	02	8	84477948	35.410.08	01	27
84474381	58.130.05	01	20	84477948	35.410.08	01	27
84474381	58.130.05	02	20	84477949	35.410.08	01	28
84474381	58.130.05	02	20	84477949	35.410.08	01	28
84475030	88.058.03	02	10	84477950	88.058.03	01	33
84475031	88.058.03	02		84477951	88.058.03	01	
84475032	88.058.03	02		84477953	35.410.12	01	6
84475033	88.058.03	02		84480461	58.130.10	01	2
84475055	88.058.03	01	1	84480461	58.130.11		2
84475056	88.058.03	01		84480898	35.410.12	01	12
84475057	88.058.03	01		84480900	35.410.12	01	11
84475058	88.058.03	01		84481766	35.410.12	02	9
84475096	88.058.03	02	25	84481768	35.410.12	02	10
84475097	88.058.03	02		84482397	58.130.07		3
84475098	88.058.03	02		84483230	90.108.01		4

INDEX - INDICE - INDEX - ZAHLENVERZEICHNIS - INDICE - INDICE - INDHOLD - INHOUD

Number	Figure	Sequence	Ref.	Number	Figure	Sequence	Ref.
84483639	88.058.04	01	5	84517620	58.115.03		43
84483639	88.099.01	02	7	84517620	58.115.03		42
84483640	88.058.04	01	4	84517620	58.115.03		43
84483640	88.058.04	02	6	84517620	58.115.04		43
84483640	88.058.04	03	6	84517620	58.115.04		43
84483640	88.099.01	02	6	84517620	58.115.04		42
84484194	35.410.12	01	20	84517620	58.115.04		43
84484717	35.410.12	01	19	84517620	58.115.06		46
84484718	35.410.12	01	18	84517620	58.115.07		46
84484721	35.410.12	01	36	84518892	31.100.01		34
84484721	35.410.16		35	84518893	31.100.01		33
84484721	88.058.13	02	35	84518896	31.100.01		32
84484721	88.058.14	02	35	84518897	31.100.01		31
84484721	88.058.15	02	35	84518902	31.100.01		17
84484721	88.058.16	02	35	84518912	31.100.01		12
84486088	88.058.03	01	36	84518913	31.100.01		10
84486805	58.100.01	01	36	84518916	31.100.01		16
84486805	58.110.13		2	84518917	31.100.01		15
84486808	58.100.01	01	35	84518918	31.100.01		7
84486808	58.110.13		7	84518919	31.100.01		6
84487818	58.115.03		41	84518920	31.100.01		2
84487818	58.115.04		41	84519644	58.131.05	01	2
84492722	58.130.05	01	19	84519644	58.131.05	02	2
84494073	58.110.13		1	84519644	58.131.05	03	2
84494074	58.110.13		1	84519657	88.058.04	02	7
84494092	55.404.02		2	84519657	88.058.04	03	7
84494094	55.404.02		2	84520855	58.110.06	02	34
84494107	55.404.02		3	84521512	58.131.01		1
84494108	55.404.02		3	84521513	58.131.02		1
84494109	55.404.02		1	84521556	90.100.010		50
84494110	55.404.02		1	84521587	58.110.06	02	12
84495322	58.130.10	01	1	84521602	58.110.08	02	7
84495322	58.130.11		1	84521921	58.130.04	02	1
84496306	58.130.10	05	17	84521945	58.130.04	03	1
84496306	58.130.11		17	84524411	31.100.02		4
84499279	88.044.02		8	84524412	31.100.02		6
84499861	58.100.01	02	22	84524414	31.100.02		9
84499861	88.058.02		2	84524415	31.100.02		7
84499865	88.058.02		1	84524416	31.100.02		11
84499881	58.110.08	02	1	84524423	31.100.02		13
84510433	90.100.010		50	84524425	31.100.02		14
84510434	90.100.010		50	84524427	31.100.02		22
84511309	90.100.010		50	84524430	31.100.02		20
84514601	35.410.05		2	84524432	31.100.02		21
84514603	35.410.12	01	6	84525363	58.130.01	01	20
84514605	35.410.08	01	24	84525363	58.130.01	05	15
84514605	35.410.08	01	24	84526291	90.108.01		2
84517619	58.115.06		43	84526292	90.108.01		2
84517619	58.115.07		43	84526293	90.108.01		2
84517620	58.115.03		43	84526295	90.108.01		2

INDEX - INDICE - INDEX - ZAHLENVERZEICHNIS - INDICE - INDICE - INDHOLD - INHOUD

Number	Figure	Sequence	Ref.	Number	Figure	Sequence	Ref.
84526348	55.100.03		1	84551485	88.044.02		4
84531398	90.100.010		50	84551884	88.044.02		20
84531399	90.100.010		50	84551892	88.044.02		6
84533147	35.410.13		5	84551893	88.044.02		7
84533147	90.108.02		14	84551936	58.100.01	02	34
84534580	58.130.04	01	17	84553439	88.044.02		5
84534785	60.101.00	03	4	84553739	58.100.01	02	19
84534785	60.101.00	03	4	84554710	58.110.03	02	1
84534785	60.101.00	04	7	84554720	58.110.04	02	1
84534785	60.101.00	04	7	84555116	44.100.03	01	39
84534785	60.101.00	05	7	84556741	58.105.01		12
84535255	58.130.04	01	1	84556746	58.105.01		6
84535818	58.115.06		1	84556762	58.105.01		2
84535821	58.115.07		1	84556765	58.105.01		1
84537466	58.131.05	02	1	84556768	58.105.01		2
84537466	58.131.05	03	1	84556770	58.105.01		1
84538158	58.115.02	01	6	84556812	58.131.01		34
84538158	58.115.02	01	6	84556812	58.131.02		34
84538540	35.410.11		24	84558257	58.131.05	01	3
84539666	58.110.08	02	8	84558380	58.130.01	03	1
84540802	58.130.01	01	19	84558380	58.130.01	04	1
84541263	58.110.04	01	1	84559941	05.400.01		8
84541273	58.110.03	01	1	84564224	90.108.01		2
84542186	35.410.12	01	37	84565253	58.110.06	01	4
84542187	35.410.12	01	38	84566747	88.058.06	01	1
84543528	88.055.02		3	84566747	88.058.06	02	22
84543570	35.410.10		1	84566747	88.058.13	01	1
84543572	35.410.10		3	84566747	88.058.14	01	1
84543574	35.410.10		7	84566747	88.058.15	01	1
84543576	35.410.10		11	84566747	88.058.16	01	1
84543578	35.410.10		12	84566918	88.058.06	01	2
84544333	60.101.00	08	3	84566918	88.058.13	01	2
84544333	60.101.00	14	3	84566918	88.058.14	01	2
84544333	60.101.04	02	3	84566918	88.058.15	01	2
84544336	60.101.03	02	6	84566918	88.058.16	01	2
84548633	90.108.01		3	84567198	88.058.06	02	21
84548954	58.100.01	03	33	84567273	58.110.06	01	7
84548954	58.120.01		33	84567287	88.058.06	01	8
84549853	35.410.04	01	12	84567287	88.058.13	01	7
84549855	35.410.04	01	35	84567287	88.058.14	01	7
84549855	35.410.04	01	35	84567287	88.058.15	01	7
84549856	35.410.04	01	36	84567287	88.058.16	01	7
84549856	35.410.04	01	36	84567294	88.058.06	01	10
84549857	35.410.04	01	30	84567294	88.058.15	01	9
84549857	35.410.04	01	30	84568432	88.058.06	01	14
84550480	58.110.05	02	19	84568432	88.058.06	02	5
84550480	58.110.05	02	19	84568432	88.058.13	01	17
84550482	58.110.05	02	18	84568432	88.058.14	01	17
84550482	58.110.05	02	18	84568432	88.058.15	01	17
84551485	88.044.01		5	84568432	88.058.16	01	17

INDEX - INDICE - INDEX - ZAHLENVERZEICHNIS - INDICE - INDICE - INDHOLD - INHOUD

Number	Figure	Sequence	Ref.	Number	Figure	Sequence	Ref.
84568599	88.058.06	01	13	84577282	88.058.08		1
84568600	88.058.06	01	12	84577283	88.058.08		1
84568606	88.058.06	01	11	84577285	88.058.08		1
84568606	88.058.06	02	26	84577770	60.101.00	03	3
84568606	88.058.13	01	16	84577770	60.101.00	03	3
84568606	88.058.14	01	16	84577770	60.101.00	04	6
84568606	88.058.15	01	16	84577770	60.101.00	04	6
84568606	88.058.16	01	16	84577770	60.101.00	05	6
84569225	88.058.06	02	15	84577892	55.100.01		1
84569225	88.058.13	01	3	84578726	58.110.05	02	20
84569225	88.058.14	01	3	84578726	58.110.05	02	20
84569225	88.058.15	01	3	84579236	88.058.13	01	40
84569225	88.058.16	01	3	84579236	88.058.14	01	40
84569270	58.130.01	02	3	84579236	88.058.15	01	40
84569270	58.130.01	03	2	84579236	88.058.16	01	40
84569270	58.130.01	04	3	84579289	88.058.06	02	23
84569437	58.115.02	01	20	84579289	88.058.14	01	14
84569437	58.115.02	02	20	84579303	88.058.06	02	13
84569437	58.115.02	02	24	84579303	88.058.15	01	15
84569437	58.115.02	02	25	84579607	60.101.06	03	1
84569437	58.115.02	02	20	84579607	60.101.06	04	1
84569437	58.115.02	03	23	84584116	58.105.01		2
84569437	58.115.02	03	23	84584118	58.105.01		1
84569437	58.115.02	03	24	84584121	58.105.01		2
84569437	58.115.02	03	23	84584123	58.105.01		1
84569453	35.410.03	01	28	84585188	60.101.07	02	1
84569560	60.101.00	07	22	84585188	60.101.07	03	1
84569560	60.101.00	12	22	84585189	60.101.08	02	1
84569560	60.101.02	01	10	84585189	60.101.08	03	1
84569560	60.101.03	01	13	84585645	58.110.00	02	19
84569560	60.101.04	01	9	84585647	58.110.00	01	19
84569560	60.101.05	01	9	84585647	58.110.00	01	19
84569560	60.101.07	01	5	84585647	58.110.00	02	24
84569560	60.101.08	01	6	84585647	58.110.00	02	19
84569597	35.410.13		1	84585647	88.058.23		1
84569988	35.410.04	03	2	84585943	88.058.06	02	18
84569988	35.410.05		11	84585943	88.058.13	01	4
84570236	58.130.04	05	9	84585943	88.058.14	01	4
84570239	58.130.04	05	8	84585943	88.058.15	01	4
84570510	58.110.08	02	15	84585943	88.058.16	01	4
84570967	35.410.15		18	84588227	60.101.07	04	1
84570969	35.410.15		26	84588227	60.101.07	05	1
84570975	35.410.15		16	84588229	60.101.07	06	1
84570977	35.410.15		4	84588229	60.101.07	07	1
84573632	88.058.05		1	84588570	58.105.02		1
84573976	35.410.04	03	1	84588576	58.105.02		1
84573976	35.410.05		10	84589176	60.101.08	06	1
84576897	44.100.02		5	84589176	60.101.08	07	1
84576898	44.100.02		6	84589177	60.101.08	04	1
84577281	88.058.08		1	84589177	60.101.08	05	1

INDEX - INDICE - INDEX - ZAHLENVERZEICHNIS - INDICE - INDICE - INDHOLD - INHOUD

Number	Figure	Sequence	Ref.	Number	Figure	Sequence	Ref.
84590095	88.058.12	01	3	84603486	58.115.02	01	13
84590095	88.058.12	03	1	84603750	58.130.07		29
84590097	88.058.12	01	2	84604135	58.130.07		28
84590097	88.058.12	02	1	84605859	90.108.01		3
84590440	88.044.02		1	84606129	88.058.06	02	30
84590441	90.100.010		50	84606129	88.058.13	01	32
84590649	58.130.01	02	12	84606129	88.058.14	01	32
84590649	58.130.01	03	11	84606129	88.058.15	01	32
84590705	88.044.01		36	84606129	88.058.16	01	32
84590705	88.044.02		2	84606778	58.110.09	02	1
84592525	58.130.09		10	84606802	58.110.09	02	2
84597006	58.110.05	02	8	84606802	58.110.09	02	3
84597006	58.110.05	02	8	84606802	58.110.09	02	3
84599538	88.058.03	01	0	84606802	58.110.09	02	3
84599539	88.058.03	01		84606802	58.110.09	02	3
84599540	88.058.03	01		84606836	58.110.09	02	1
84599541	88.058.03	01		84606926	58.110.09	02	1
84599542	88.058.03	01		84606930	58.110.09	02	1
84599860	90.100.010		50	84606934	88.058.06	02	13
84599982	58.131.05	04	17	84606934	88.058.14	01	15
84599982	58.131.05	05	17	84606935	58.110.09	02	1
84599982	58.131.05	06	2	84606951	88.058.06	01	10
84599982	88.058.07		3	84606951	88.058.14	01	9
84600435	58.130.10	02	3	84606984	88.058.06	01	10
84600435	58.130.10	04	3	84606984	88.058.16	01	9
84600435	58.130.10	06	3	84606989	88.058.06	02	13
84600443	58.130.10	02	15	84606989	88.058.16	01	15
84600443	58.130.10	04	15	8475948	05.400.01		28
84600445	58.130.10	04	1	8475948	88.058.03	01	16
84600445	58.130.10	06	1	8475948	88.058.03	02	22
84600464	58.130.10	04	2	84814912	58.100.01	03	35
84600464	58.130.10	06	2	84814912	58.120.01		35
84600974	58.130.10	02	1	84814948	35.410.02	01	10
84600981	58.130.10	02	2	84814948	35.410.02	02	12
84601415	58.130.10	06	15	84814948	35.410.02	03	7
84601763	58.130.10	02	8	84814948	35.410.02	04	8
84601763	58.130.10	04	8	84814948	35.410.08	01	10
84601763	58.130.10	06	8	84814948	35.410.08	01	10
84601780	58.130.08		28	84814948	35.410.08	01	10
84601913	58.130.08		29	84814948	35.410.08	02	10
84602514	35.410.08	01	33	84814948	35.410.09		17
84602514	35.410.08	01	33	84814948	35.410.10		15
84602517	58.130.04	03	4	84814948	35.410.15		7
84602517	58.130.04	05	35	84814948	60.100.02		21
84602517	88.058.08		2	84814948	88.058.12	05	20
84602523	90.100.010		50	84814948	88.058.12	06	27
84602922	58.130.09		4	84820530	35.410.07		22
84603255	58.110.05	02	22	849471	31.100.01		21
84603255	58.110.05	02	22	849471	31.100.02		18
84603486	58.115.02	01	11	849471	90.108.02		8

INDEX - INDICE - INDEX - ZAHLENVERZEICHNIS - INDICE - INDICE - INDHOLD - INHOUD

Number	Figure	Sequence	Ref.	Number	Figure	Sequence	Ref.
849472	31.100.01		22	86000441	88.058.15	01	22
849472	31.100.02		17	86000441	88.058.16	01	22
849472	90.108.02		9	86014250	58.100.01	03	31
84976975	31.100.01		5	86014250	58.120.01		31
84989393	35.410.04	01	11	86025725	58.105.01		16
84989393	35.410.04	01	11	86050346	88.058.04	01	17
851710	05.400.01		25	86050346	88.058.04	02	19
853070	88.058.30		4	86050346	88.058.04	03	19
85801249	35.410.01		15	86050346	88.099.01	02	19
85801249	35.410.06	01	16	864-12030	58.110.09	01	27
85801249	58.100.01	02	27	864-12030	58.110.09	01	27
85801249	58.130.04	02	18	864-12030	58.110.09	01	27
85801249	58.130.04	03	24	864-12030	58.110.09	01	27
85801249	58.130.04	04	32	864-12030	58.110.09	01	27
85801249	58.130.04	05	37	864-12030	58.110.14	01	27
858956	55.404.02		12	864-12030	58.110.15	01	31
86000109	58.130.05	01	22	864-12030	58.110.16	01	31
86000109	58.130.05	02	43	864-12030	58.110.17	01	31
86000109	58.130.05	02	43	864-12030	58.110.18	01	31
86000439	60.101.00	06	5	86500688	55.350.01		17
86000441	05.400.01		14	86500689	58.130.01	04	13
86000441	44.100.03	01	3	86500689	88.058.12	02	23
86000441	58.130.04	01	6	86500689	88.058.12	03	21
86000441	58.130.04	02	6	86501280	90.100.010		50
86000441	58.130.04	03	22	86502604	35.410.01		39
86000441	58.130.04	04	28	86502604	35.410.07		9
86000441	58.130.04	05	28	86505841	35.410.12	01	28
86000441	58.130.05	02	46	86507486	35.410.01		22
86000441	58.130.05	02	46	86507486	35.410.06	01	23
86000441	58.130.06		5	86507486	35.410.08	01	33
86000441	58.130.07		20	86507486	35.410.08	01	31
86000441	58.130.08		19	86507486	35.410.08	01	31
86000441	58.130.09		9	86507486	55.404.02		5
86000441	58.130.10	01	6	86507486	58.115.02	01	19
86000441	58.130.10	02	6	86507486	58.115.02	01	44
86000441	58.130.10	03	6	86507486	58.115.02	01	20
86000441	58.130.10	04	6	86507486	58.115.02	01	19
86000441	58.130.10	05	6	86507486	58.130.04	04	30
86000441	58.130.10	06	6	86507486	58.130.04	05	30
86000441	58.130.11		6	86507486	58.130.04	06	4
86000441	60.101.00	01	14	86507486	58.131.01		30
86000441	60.101.00	03	14	86507486	58.131.02		30
86000441	60.101.00	03	14	86507486	88.058.03	01	
86000441	60.101.00	04	21	86507486	88.058.03	01	11
86000441	60.101.00	04	21	86507486	88.058.03	02	
86000441	60.101.00	05	21	86507486	88.058.03	02	17
86000441	88.058.06	01	19	86507486	88.058.06	01	30
86000441	88.058.06	02	12	86507486	88.058.12	02	16
86000441	88.058.13	01	22	86507486	88.058.12	03	15
86000441	88.058.14	01	22	86507486	88.058.13	01	38

INDEX - INDICE - INDEX - ZAHLENVERZEICHNIS - INDICE - INDICE - INDHOLD - INHOUD

Number	Figure	Sequence	Ref.	Number	Figure	Sequence	Ref.
86507486	88.058.14	01	38	86511324	58.130.01	05	9
86507486	88.058.15	01	38	86511324	60.101.00	03	16
86507486	88.058.16	01	38	86511324	60.101.00	03	16
86507486	88.058.19		12	86511324	60.101.00	04	23
86508567	58.131.05	04	14	86511324	60.101.00	04	23
86508567	58.131.05	05	14	86511324	60.101.00	05	23
86508567	58.131.05	06	19	86511832	58.208.01		18
86508568	35.410.08	02	32	86511832	58.208.02		18
86508568	35.410.16		19	86511841	58.115.02	01	16
86508568	58.130.05	01	35	86511841	58.115.02	01	16
86508568	58.130.05	02	35	86511841	58.130.02	01	9
86508568	58.130.05	02	35	86511841	58.130.02	01	11
86508568	88.058.13	02	19	86511841	58.130.02	01	11
86508568	88.058.14	02	19	86511841	58.130.02	01	11
86508568	88.058.15	02	19	86511841	88.058.22		5
86508568	88.058.16	02	19	86512419	35.410.02	01	16
86508569	35.410.01	01	29	86512419	35.410.02	02	22
86508569	35.410.01	03	28	86512419	35.410.02	03	5
86508569	35.410.02	03	5	86512419	35.410.02	04	6
86508569	35.410.09		23	86512419	35.410.15		5
86508569	35.410.10		23	86512419	88.058.03	01	34
86508569	35.410.14	01	28	86512422	58.110.09	02	3
86508569	35.410.15		17	86512422	58.110.09	02	4
86508571	35.410.04	02	7	86512422	58.110.09	02	4
86508571	35.410.05		7	86512422	58.110.09	02	4
86508575	58.130.01	04	11	86512422	58.110.09	02	4
86508581	58.130.05	01	23	86512422	58.110.14	01	25
86508581	58.130.05	02	23	86512422	58.110.15	01	26
86508581	58.130.05	02	23	86512422	58.110.16	01	26
86508583	58.100.01	02	16	86512422	58.110.17	01	26
86508583	58.100.01	03	10	86512422	58.110.18	01	26
86508583	58.120.01		10	86512424	58.115.02	01	10
86508583	58.130.05	01	4	86512424	58.115.02	01	37
86508583	58.130.05	02	4	86512424	58.115.02	01	6
86508583	58.130.05	02	4	86512424	58.115.02	01	10
86508616	58.110.09	01	16	86512424	58.115.02	01	8
86508622	58.110.06	02	27	86512424	58.115.02	02	5
86508748	58.110.20		5	86512424	58.115.02	02	5
86508748	88.058.31		2	86512424	58.115.02	02	6
86508813	55.100.01		6	86512424	58.115.02	02	5
86508813	55.100.04		6	86512424	58.115.02	03	7
86508947	58.130.01	01	21	86512424	58.115.02	03	6
86508947	58.130.04	06	3	86512424	58.115.02	03	7
86509354	35.410.04	01	42	86512425	58.110.05	01	23
86509354	35.410.04	01	42	86512425	58.110.05	02	12
86509354	35.410.12	01	31	86512425	58.110.05	02	12
86511324	35.410.03	01	15	86512425	58.110.09	01	20
86511324	35.410.03	02	10	86512425	58.110.09	01	20
86511324	58.130.01	01	22	86512425	58.110.09	01	20
86511324	58.130.01	05	9	86512425	58.110.09	01	20

INDEX - INDICE - INDEX - ZAHLENVERZEICHNIS - INDICE - INDICE - INDHOLD - INHOUD

Number	Figure	Sequence	Ref.	Number	Figure	Sequence	Ref.
86512425	58.110.09	01	20	86512446	58.115.03		18
86512425	58.110.14	01	20	86512446	58.115.04		30
86512425	58.110.15	01	23	86512446	58.115.04		30
86512425	58.110.16	01	23	86512446	58.115.04		30
86512425	58.110.17	01	23	86512446	58.115.04		30
86512425	58.110.18	01	23	86512446	58.115.06		18
86512425	88.058.17	01	16	86512446	58.115.07		30
86512425	88.058.17	02	16	86512446	58.120.01		30
86512425	88.058.17	03	16	86512446	60.101.03	02	21
86512425	88.058.17	04	16	86512447	58.131.01		10
86512425	88.058.17	05	16	86512447	58.131.02		10
86512425	88.058.17	06	16	86512495	58.115.06		44
86512425	88.058.17	07	16	86512495	58.115.07		44
86512425	88.058.17	08	16	86512495	58.130.05	01	29
86512426	58.110.05	01	24	86512495	58.130.05	02	29
86512426	58.110.05	02	13	86512495	58.130.05	02	29
86512426	58.110.05	02	13	86512555	58.130.01	02	6
86512426	58.110.09	01	21	86512555	58.130.01	03	5
86512426	58.110.09	01	21	86512555	58.130.01	04	5
86512426	58.110.09	01	21	86514261	35.410.06	01	14
86512426	58.110.09	01	21	86514396	88.058.09		2
86512426	58.110.09	01	21	86516740	60.101.00	06	4
86512426	58.110.14	01	21	86518341	90.100.010		50
86512426	58.110.15	01	24	86518431	60.101.00	07	17
86512426	58.110.16	01	24	86518431	60.101.00	12	17
86512426	58.110.17	01	24	86518431	60.101.01	01	3
86512426	58.110.18	01	24	86518431	60.101.02	01	19
86512426	88.058.17	01	17	86518431	60.101.03	01	18
86512426	88.058.17	02	17	86518431	60.101.04	01	18
86512426	88.058.17	03	17	86518431	60.101.05	01	18
86512426	88.058.17	04	17	86518431	60.101.06	01	16
86512426	88.058.17	05	17	86518431	60.101.07	01	12
86512426	88.058.17	06	17	86518431	60.101.08	01	14
86512426	88.058.17	07	17	86520062	90.108.02		12
86512426	88.058.17	08	17	86520950	31.100.01		23
86512430	58.100.01	02	4	86521552	55.404.01		5
86512439	35.410.08	02	33	86521605	55.404.01		7
86512439	35.410.12	01	7	86521606	58.110.20		6
86512439	35.410.12	02	15	86521606	88.058.31		3
86512439	35.410.16		24	86528166	35.410.16		31
86512439	88.058.03	01	22	86528166	88.058.13	02	31
86512439	88.058.13	02	24	86528166	88.058.14	02	31
86512439	88.058.14	02	24	86528166	88.058.15	02	31
86512439	88.058.15	02	24	86528166	88.058.16	02	31
86512439	88.058.16	02	24	86531614	58.110.09	01	19
86512441	35.410.12	01	17	86539157	58.110.06	02	25
86512446	58.100.01	03	30	86541146	35.410.04	01	10
86512446	58.115.03		18	86541146	35.410.04	01	10
86512446	58.115.03		18	86547710	58.130.05	01	33
86512446	58.115.03		18	86547710	58.130.05	02	33

INDEX - INDICE - INDEX - ZAHLENVERZEICHNIS - INDICE - INDICE - INDHOLD - INHOUD

Number	Figure	Sequence	Ref.	Number	Figure	Sequence	Ref.
86547710	58.130.05	02	33	86566989	55.100.04		8
86547781	90.108.01		4	86566989	55.350.01		19
86547782	90.108.01		4	86566989	55.404.02		11
86547783	90.108.01		4	86566989	58.131.05	01	4
86548493	58.105.01		33	86566989	58.131.05	02	3
86548970	60.101.00	08	8	86566989	58.131.05	03	3
86548970	60.101.00	09	12	86566989	60.101.00	03	36
86548970	60.101.00	13	12	86566989	60.101.00	03	36
86548970	60.101.00	14	8	86566989	60.101.00	04	43
86548970	60.101.01	02	7	86566989	60.101.00	04	43
86548970	60.101.02	02	7	86566989	60.101.00	05	40
86548970	60.101.03	02	11	86566989	88.055.01		3
86548970	60.101.04	02	8	86566989	88.058.03	01	
86548970	60.101.04	03	8	86566989	88.058.03	01	31
86548970	60.101.05	02	12	86566989	88.058.04	01	6
86548970	60.101.05	03	8	86566989	88.058.04	02	8
86548970	60.101.06	02	7	86566989	88.058.04	03	8
86548970	60.101.07	02	12	86566989	88.058.12	04	4
86548970	60.101.07	03	12	86566989	88.058.12	05	42
86548970	60.101.08	02	12	86566989	88.058.12	06	39
86548970	60.101.08	03	9	86566989	88.099.01	02	8
86553411	58.100.01	01	26	86566990	35.410.08	01	34
86563537	58.110.00	0	10	86566990	35.410.08	01	34
86563537	58.110.00	0	8	86566990	35.410.08	01	34
86563537	58.110.00	00	5	86566990	35.410.08	02	24
86563537	58.110.00	00	5	86566990	35.410.12	01	30
86563537	58.110.00	000	12	86577946	58.130.07		16
86563537	58.110.00	000	5	86577946	58.130.08		15
86563537	58.110.00	0000	12	86579671	88.058.12	05	15
86563537	58.110.00	0000	5	86579671	88.058.12	06	13
86563537	58.110.00	01	18	86579672	35.410.08	01	23
86563537	58.110.00	01	9	86579672	35.410.08	01	23
86563537	58.110.00	01	18	86579672	35.410.08	01	23
86563537	58.110.00	01	9	86579672	35.410.08	02	23
86563537	58.110.00	02	13	86579672	35.410.11		31
86563537	58.110.00	02	18	86579672	35.410.16		42
86563537	58.110.00	02	23	86579673	35.410.01	01	8
86563537	58.110.00	02	13	86579673	35.410.01	02	7
86563537	58.110.00	02	18	86579673	35.410.01	03	13
86566099	58.110.11		5	86579673	35.410.14	01	14
86566100	58.110.09	01	33	86579675	35.410.01		35
86566100	58.110.09	03	19	86579675	35.410.07		5
86566100	58.110.14	02	19	86579678	58.115.04		44
86566100	58.110.15	02	19	86579678	58.115.04		44
86566100	58.110.16	02	19	86579678	58.115.04		44
86566100	58.110.17	02	19	86579678	58.115.04		44
86566100	58.110.18	02	19	86579678	58.115.07		47
86566989	35.410.03	01	27	86579679	88.058.12	05	14
86566989	35.410.03	02	20	86579679	88.058.12	06	12
86566989	55.100.01		8	86579680	35.410.01		33

INDEX - INDICE - INDEX - ZAHLENVERZEICHNIS - INDICE - INDICE - INDHOLD - INHOUD

Number	Figure	Sequence	Ref.	Number	Figure	Sequence	Ref.
86579680	35.410.07		3	86580179	35.410.01		34
86579680	58.115.02	01	51	86580179	35.410.07		4
86579680	58.115.02	02	36	86583917	35.410.06	01	35
86579680	58.115.02	02	34	86586810	35.410.12	02	14
86579680	58.115.02	02	36	86588108	88.058.13	02	42
86579680	58.115.03		45	86588108	88.058.14	02	42
86579680	58.115.03		45	86588108	88.058.15	02	42
86579680	58.115.03		45	86588108	88.058.16	02	42
86579680	58.115.03		45	86588450	35.410.03	01	22
86579680	58.115.04		45	86588450	58.105.01		29
86579680	58.115.04		45	86588450	58.130.01	01	10
86579680	58.115.04		45	86588450	60.100.02		23
86579680	58.115.04		45	86588450	60.101.00	01	25
86579680	58.115.05		4	86588450	88.058.03	01	26
86579680	58.115.06		48	86588450	88.058.12	05	33
86579680	58.115.07		48	86588450	88.058.12	06	33
86579680	88.058.03	01	38	86590413	55.100.04		12
86579680	88.058.12	05	13	86590413	55.404.02		9
86579680	88.058.12	06	11	86591334	58.115.02	01	53
86579682	35.410.01		32	86591334	58.115.02	02	35
86579682	35.410.07		2	86592079	88.058.12	05	21
86579682	35.410.08	01	24	86592079	88.058.12	06	19
86579687	35.410.16		43	86592080	88.058.12	05	22
86579691	35.410.01		13	86592080	88.058.12	06	20
86579691	35.410.01		36	86592081	88.058.12	05	23
86579691	35.410.07		6	86592081	88.058.12	06	21
86579693	88.058.12	05	18	86592083	88.058.12	05	25
86579693	88.058.12	06	22	86592083	88.058.12	06	24
86579694	58.115.03		44	86592085	88.058.12	05	24
86579694	58.115.03		44	86592085	88.058.12	06	25
86579694	58.115.03		44	86592700	88.044.03		23
86579694	58.115.03		44	86592700	88.044.04		6
86579694	58.115.06		47	86592701	58.100.01	01	17
86579694	88.058.12	05	19	86592701	88.058.04	01	9
86579694	88.058.12	06	23	86592701	88.058.04	02	13
86579710	35.410.06	01	13	86592701	88.058.04	03	11
86580177	35.410.03	01	12	86592701	88.099.01	02	11
86580177	35.410.03	02	3	86592702	58.110.10		4
86580177	60.101.00	03	7	86592702	58.130.07		15
86580177	60.101.00	03	7	86592702	58.130.08		14
86580177	60.101.00	04	12	86595832	44.100.03	01	24
86580177	60.101.00	04	12	86595832	58.130.05	01	14
86580177	60.101.00	05	12	86595832	58.130.05	02	14
86580178	35.410.03	01	11	86595832	58.130.05	02	14
86580178	35.410.03	02	6	86595832	58.130.06		3
86580178	35.410.16		10	86595832	88.044.01		25
86580178	88.058.13	02	10	86595832	88.044.02		12
86580178	88.058.14	02	10	86595832	88.044.03		10
86580178	88.058.15	02	10	86595832	88.058.06	02	7
86580178	88.058.16	02	10	86595832	88.058.13	01	29

INDEX - INDICE - INDEX - ZAHLENVERZEICHNIS - INDICE - INDICE - INDHOLD - INHOUD

Number	Figure	Sequence	Ref.	Number	Figure	Sequence	Ref.
86595832	88.058.14	01	29	86616339	58.105.01		13
86595832	88.058.15	01	29	86616339	58.131.05	01	27
86595832	88.058.16	01	29	86616339	58.131.05	02	27
86597760	35.410.08	01	26	86616339	58.131.05	03	27
86597760	35.410.08	01	26	86616339	58.131.05	04	12
86597760	35.410.08	02	25	86616339	58.131.05	05	12
86598098	60.101.00	04	13	86619060	58.115.01		17
86598098	60.101.00	04	13	86619060	58.115.01		14
86598098	60.101.00	05	13	86619060	58.115.01		14
86598099	35.410.07		43	86619060	58.115.01		13
86598099	88.058.12	06	46	86619060	58.115.01		14
86598100	35.410.07		39	86619060	58.115.01		13
86598100	35.410.08	01	41	86619060	58.115.01		14
86598100	35.410.08	01	39	86619060	58.130.03	01	4
86598100	35.410.08	01	39	86619060	58.130.03	02	6
86598100	35.410.16		44	86619060	58.208.01		14
86598101	35.410.07		41	86619060	58.208.02		14
86598101	88.058.12	05	46	86619802	58.110.05	01	25
86598101	88.058.12	06	45	86619802	58.110.05	02	16
86598102	35.410.07		35	86619802	58.110.05	02	16
86598102	58.115.02	02	38	86619802	58.110.09	01	14
86598102	58.115.02	02	36	86619802	58.110.09	01	14
86598102	58.115.02	02	38	86619802	58.110.09	01	14
86598102	88.058.12	05	47	86619802	58.110.09	01	14
86598102	88.058.12	06	44	86619802	58.110.09	01	14
86598103	35.410.07		33	86619802	58.110.14	01	14
86598103	35.410.08	01	42	86619802	58.110.15	01	17
86598103	35.410.08	01	40	86619802	58.110.16	01	17
86598103	35.410.08	01	40	86619802	58.110.17	01	17
86598103	58.115.02	01	54	86619802	58.110.18	01	17
86598104	35.410.06	01	33	86620720	58.100.01	03	4
86598104	35.410.07		37	86620720	58.120.01		4
86603075	88.058.03	02	12	86621124	88.058.12	05	26
86606228	55.100.01		3	86621124	88.058.12	06	26
86606228	55.100.04		3	86622500	58.105.01		42
86609773	60.101.00	08	4	86622500	58.110.06	02	32
86609773	60.101.00	09	3	86622548	58.100.01	01	28
86609773	60.101.00	13	3	86622563	58.131.05	01	1
86609773	60.101.00	14	4	86622574	58.110.09	01	5
86609773	60.101.01	02	13	86622619	58.100.01	01	5
86609773	60.101.02	02	14	86623901	35.410.14	02	3
86609773	60.101.04	02	4	86623902	35.410.14	02	4
86609773	60.101.04	03	4	86624000	58.115.02	01	4
86609773	60.101.05	02	3	86624000	58.115.02	01	3
86609773	60.101.05	03	4	86624000	58.115.02	01	4
86609773	60.101.06	02	13	86624000	58.115.02	01	5
86609773	60.101.07	02	3	86624003	88.058.12	05	39
86609773	60.101.07	03	3	86624003	88.058.12	06	37
86609773	60.101.08	02	3	86624075	60.100.02		28
86609773	60.101.08	03	4	86624089	88.058.03	01	5

INDEX - INDICE - INDEX - ZAHLENVERZEICHNIS - INDICE - INDICE - INDHOLD - INHOUD

Number	Figure	Sequence	Ref.	Number	Figure	Sequence	Ref.
86624091	88.058.03	01	3	86625253	58.130.02	02	6
86624091	88.058.03	02	9	86625254	58.100.01	01	27
86624176	88.058.12	02	12	86625254	58.130.04	05	33
86624176	88.058.12	03	22	86625255	58.131.05	01	20
86624184	58.105.01		43	86625255	58.131.05	02	20
86624184	58.110.06	02	20	86625255	58.131.05	03	20
86624184	58.130.03	01	5	86625255	58.131.05	04	9
86624184	58.130.03	02	7	86625255	58.131.05	05	9
86624184	58.131.05	01	7	86625255	58.131.05	06	14
86624184	58.131.05	02	6	86625255	58.131.05	06	5
86624184	58.131.05	03	6	86625255	88.058.04	01	15
86624184	88.058.12	02	17	86625255	88.058.04	02	14
86624184	88.058.12	03	12	86625255	88.058.04	03	17
86624184	88.058.12	05	34	86625255	88.058.25		14
86624184	88.058.12	06	34	86625255	88.058.26		7
86624193	60.101.04	01	26	86625255	88.099.01	02	16
86624193	60.101.05	01	26	86625256	58.131.05	01	12
86624193	60.101.07	01	16	86625256	58.131.05	02	10
86624193	60.101.08	01	27	86625256	58.131.05	03	10
86624981	35.410.03	01	18	86625256	88.058.07		12
86624981	35.410.03	02	11	86625263	44.100.03	01	37
86624981	60.101.00	03	17	86625263	88.044.01		22
86624981	60.101.00	03	17	86625263	88.044.03		9
86624981	60.101.00	04	24	86625263	88.058.03	01	
86624981	60.101.00	04	24	86625263	88.058.03	01	35
86624981	60.101.00	05	24	86625263	88.058.03	02	
86625168	31.100.01		14	86625263	88.058.03	02	28
86625220	58.110.06	01	3	86625263	88.058.12	05	35
86625220	58.110.06	02	18	86625263	88.058.12	06	35
86625228	35.410.01		28	86625263	88.058.12	07	4
86625228	35.410.06	01	29	86625266	58.130.01	02	4
86625253	58.110.05	02	23	86625266	58.130.01	03	3
86625253	58.110.05	02	23	86625266	58.130.01	04	2
86625253	58.115.03		39	86628557	44.100.02		4
86625253	58.115.03		39	86629539	58.105.01		21
86625253	58.115.03		39	86629541	58.115.02	01	34
86625253	58.115.03		39	86629541	58.115.02	02	32
86625253	58.115.04		37	86629541	58.115.05		2
86625253	58.115.04		37	86629541	58.130.04	01	10
86625253	58.115.04		37	86629541	58.130.04	02	10
86625253	58.115.04		37	86629541	58.130.04	03	9
86625253	58.115.06		39	86629541	58.130.04	04	17
86625253	58.115.07		37	86629541	58.130.04	05	17
86625253	58.130.02	01	6	86629541	58.130.05	01	13
86625253	58.130.02	01	9	86629541	58.130.05	02	13
86625253	58.130.02	01	8	86629541	58.130.05	02	13
86625253	58.130.02	01	8	86629541	58.130.07		5
86625253	58.130.02	02	6	86629541	58.130.08		4
86625253	58.130.02	02	6	86629541	58.130.10	01	11
86625253	58.130.02	02	6	86629541	58.130.10	02	9

INDEX - INDICE - INDEX - ZAHLENVERZEICHNIS - INDICE - INDICE - INDHOLD - INHOUD

Number	Figure	Sequence	Ref.	Number	Figure	Sequence	Ref.
86629541	58.130.10	03	11	86630786	58.110.09	01	7
86629541	58.130.10	04	9	86630786	58.110.14	01	7
86629541	58.130.10	05	11	86630786	58.110.15	01	10
86629541	58.130.10	06	9	86630786	58.110.16	01	10
86629541	58.130.11		11	86630786	58.110.17	01	10
86629541	88.058.06	01	23	86630786	58.110.18	01	10
86629541	88.058.06	02	24	86630786	88.058.17	01	6
86629541	88.058.13	01	27	86630786	88.058.17	02	6
86629541	88.058.14	01	27	86630786	88.058.17	03	6
86629541	88.058.15	01	27	86630786	88.058.17	04	6
86629541	88.058.16	01	27	86630786	88.058.17	05	6
86629542	05.400.01		17	86630786	88.058.17	06	6
86629542	35.410.01	01	13	86630786	88.058.17	07	6
86629542	35.410.01	02	13	86630786	88.058.17	08	6
86629542	35.410.01	03	20	86630787	58.110.05	01	16
86629542	35.410.04	02	8	86630787	58.110.09	01	8
86629542	35.410.05		8	86630787	58.110.09	01	8
86629542	35.410.06	01	22	86630787	58.110.09	01	8
86629542	35.410.08	01	11	86630787	58.110.09	01	8
86629542	35.410.08	01	15	86630787	58.110.09	01	8
86629542	35.410.08	01	15	86630787	58.110.14	01	8
86629542	35.410.08	02	11	86630787	58.110.15	01	11
86629542	35.410.12	01	35	86630787	58.110.16	01	11
86629542	35.410.14	01	20	86630787	58.110.17	01	11
86629542	35.410.16		34	86630787	58.110.18	01	11
86629542	58.105.01		23	86630787	88.058.17	01	9
86629542	58.115.02	01	50	86630787	88.058.17	02	9
86629542	58.115.02	01	27	86630787	88.058.17	03	9
86629542	58.130.03	01	6	86630787	88.058.17	04	9
86629542	58.130.03	02	8	86630787	88.058.17	05	9
86629542	58.130.05	01	39	86630787	88.058.17	06	9
86629542	58.130.05	02	39	86630787	88.058.17	07	9
86629542	58.130.05	02	39	86630787	88.058.17	08	9
86629542	58.130.09		23	86631051	58.130.09		11
86629542	58.131.01		21	86632590	58.115.02	01	29
86629542	58.131.02		21	86632590	58.115.02	02	22
86629542	60.101.00	01	22	86632590	58.115.02	02	26
86629542	88.058.12	02	20	86632590	58.115.02	02	27
86629542	88.058.12	03	17	86632590	58.115.02	02	22
86629542	88.058.13	02	34	86632590	58.115.02	03	25
86629542	88.058.14	02	34	86632590	58.115.02	03	25
86629542	88.058.15	02	34	86632590	58.115.02	03	26
86629542	88.058.16	02	34	86632590	58.115.02	03	25
86629542	88.058.19		19	86632590	88.058.13	01	41
86629542	88.058.27		6	86632590	88.058.14	01	41
86630786	58.110.05	01	13	86632590	88.058.15	01	41
86630786	58.110.09	01	7	86632590	88.058.16	01	41
86630786	58.110.09	01	7	86632701	58.130.06		12
86630786	58.110.09	01	7	86633356	35.410.08	02	34
86630786	58.110.09	01	7	86633356	58.110.09	01	33

INDEX - INDICE - INDEX - ZAHLENVERZEICHNIS - INDICE - INDICE - INDHOLD - INHOUD

Number	Figure	Sequence	Ref.	Number	Figure	Sequence	Ref.
86633356	58.110.09	01	33	86705199	88.058.09		1
86633356	58.110.09	01	33	86705421	35.410.04	01	13
86633356	58.110.09	01	33	86705421	35.410.04	01	13
86633356	58.110.09	01	33	86837775	55.100.02		3
86633356	58.110.14	01	35	86837775	55.100.05		8
86633356	58.110.15	01	38	86974820	35.410.01		23
86633356	58.110.16	01	38	86974820	35.410.06	01	24
86633356	58.110.17	01	38	86977396	60.101.00	06	6
86633356	58.110.18	01	38	86977726	88.058.12	02	14
86633356	58.115.01		2	86977726	88.058.12	03	13
86633356	58.115.01		2	86977784	58.105.01		19
86633356	58.115.01		2	86977790	35.410.01	03	30
86633356	58.115.01		2	86977790	35.410.03	01	20
86633356	58.115.01		2	86977790	35.410.03	01	21
86633356	58.115.01		2	86977790	35.410.03	02	15
86633356	58.115.01		2	86977790	35.410.08	01	17
86633356	58.115.03		17	86977790	35.410.08	01	17
86633356	58.115.03		17	86977790	35.410.08	01	17
86633356	58.115.03		17	86977790	35.410.08	02	17
86633356	58.115.03		17	86977790	35.410.09		18
86633356	58.115.04		29	86977790	35.410.09		20
86633356	58.115.04		29	86977790	35.410.10		16
86633356	58.115.04		29	86977790	35.410.14	01	30
86633356	58.115.04		29	86977790	35.410.16		27
86633356	58.115.06		17	86977790	60.101.00	01	24
86633356	58.115.07		29	86977790	60.101.00	03	29
86633356	58.130.07		33	86977790	60.101.00	03	29
86633356	58.130.08		30	86977790	60.101.00	04	36
86633356	58.131.01		15	86977790	60.101.00	04	36
86633356	58.131.02		15	86977790	60.101.00	05	34
86633356	88.058.01		6	86977790	88.058.13	02	27
86633356	88.058.03	01	15	86977790	88.058.14	02	27
86633356	88.058.03	02	21	86977790	88.058.15	02	27
86633356	88.058.12	02	21	86977790	88.058.16	02	27
86633356	88.058.12	03	19	86978770	35.410.01	01	22
86634225	88.058.09		3	86978770	35.410.01	02	22
86636815	58.131.05	04	4	86978770	35.410.09		8
86636815	58.131.05	05	4	86978770	35.410.10		8
86636815	58.131.05	06	9	86978770	35.410.14	01	34
86637780	55.404.02		7	86979196	31.100.01		18
86639085	88.058.12	05	30	86979747	58.130.05	01	37
86639085	88.058.12	06	17	86979747	58.130.05	02	37
86639311	58.100.01	02	28	86979747	58.130.05	02	37
86639313	58.115.02	01	49	86979948	58.100.01	01	15
86639313	58.115.02	01	25	86988366	35.410.13		2
86639313	88.058.19		17	86998883	35.410.08	01	35
86641295	35.410.04	01	4	86999254	90.108.02		7
86641295	35.410.04	01	4	87000142	35.410.04	02	4
86642464	88.058.12	02	30	87000148	35.410.16		30
86642464	88.058.12	03	30	87000148	88.058.13	02	30

INDEX - INDICE - INDEX - ZAHLENVERZEICHNIS - INDICE - INDICE - INDHOLD - INHOUD

Number	Figure	Sequence	Ref.	Number	Figure	Sequence	Ref.
87000148	88.058.14	02	30	87017195	60.101.07	04	2
87000148	88.058.15	02	30	87017195	60.101.07	05	2
87000148	88.058.16	02	30	87017195	60.101.07	06	2
87000151	35.410.08	01	15	87017195	60.101.07	07	2
87000151	35.410.08	01	11	87017195	60.101.08	04	3
87000151	35.410.08	01	11	87017195	60.101.08	05	3
87000151	35.410.08	02	15	87017195	60.101.08	06	3
87000159	35.410.01	01	10	87017195	60.101.08	07	3
87000159	35.410.01	02	10	87017196	60.101.06	03	2
87000159	35.410.01	03	8	87017196	60.101.06	04	2
87000159	35.410.04	02	5	87017196	60.101.07	04	3
87000159	35.410.12	01	32	87017196	60.101.07	05	3
87000159	35.410.14	01	10	87017196	60.101.07	06	3
87000230	35.410.04	02	9	87017196	60.101.07	07	3
87000230	35.410.05		9	87017196	60.101.08	04	2
87000230	35.410.08	01	13	87017196	60.101.08	05	2
87000230	35.410.08	01	13	87017196	60.101.08	06	2
87000230	35.410.08	01	13	87017196	60.101.08	07	2
87000230	35.410.08	02	13	87017844	58.100.01	03	32
87010605	88.058.09		4	87017844	58.120.01		32
87010704	35.410.01	01	24	87021825	58.110.08	02	6
87010704	35.410.01	02	24	87022092	90.108.02		2
87010704	35.410.09		11	87026147	58.100.01	01	30
87010704	35.410.10		10	87026533	90.108.02		10
87010704	35.410.14	01	36	87027712	90.108.02		4
87010704	88.058.12	05	29	87030561	58.100.01	01	44
87010704	88.058.12	06	16	87031838	58.208.01		17
87011911	58.130.01	02	11	87031838	58.208.02		17
87011911	58.130.01	03	10	87033290	58.131.01		37
87011911	58.130.01	04	14	87033290	58.131.02		37
87012145	31.100.02		19	87033290	58.131.05	01	32
87013865	58.105.01		45	87033290	58.131.05	02	32
87015475	31.100.02		5	87033290	58.131.05	03	32
87016	88.058.01		9	87033290	58.131.05	04	19
87016040	31.100.02		2	87033290	58.131.05	05	19
87016608	58.130.07		23	87033290	58.131.05	06	4
87016608	58.130.08		22	87033290	88.058.04	01	12
87016613	35.410.03	01	8	87033290	88.058.04	02	17
87017194	60.101.06	03	4	87033290	88.058.07		5
87017194	60.101.06	04	4	87033737	58.130.04	06	5
87017194	60.101.07	04	4	87033816	58.100.01	01	29
87017194	60.101.07	05	4	87035867	55.404.02		8
87017194	60.101.07	06	4	87036557	60.100.02		2
87017194	60.101.07	07	4	87036557C	60.100.02		
87017194	60.101.08	04	4	87036557R	60.100.02		
87017194	60.101.08	05	4	87036559	60.100.02		6
87017194	60.101.08	06	4	87036584	60.100.02		*
87017194	60.101.08	07	4	87039236	55.100.02		3
87017195	60.101.06	03	3	87039236	55.100.05		8
87017195	60.101.06	04	3	87045366	60.100.02		1

INDEX - INDICE - INDEX - ZAHLENVERZEICHNIS - INDICE - INDICE - INDHOLD - INHOUD

Number	Figure	Sequence	Ref.	Number	Figure	Sequence	Ref.
87047744	58.105.01		34	87360480	35.410.01		2
87053169	60.101.03	02	2	87360480	35.410.06	01	2
87053561	60.100.02		10	87378036	35.410.08	02	29
87269971	35.410.07		24	87378037	35.410.04	01	31
87301490	55.100.01		7	87378037	35.410.04	01	31
87301490	55.100.04		7	87381297	88.058.12	05	16
87304415	60.100.02		14	87381297	88.058.12	06	14
87305403	58.115.03		30	87381299	88.058.12	05	17
87305403	58.115.03		30	87381299	88.058.12	06	15
87305403	58.115.03		30	87382	55.404.01		8
87305403	58.115.03		30	87392469	58.100.01	03	8
87305403	58.115.04		23	87392469	58.120.01		8
87305403	58.115.04		23	87398	44.100.01		14
87305403	58.115.04		23	87398	58.130.06		10
87305403	58.115.04		23	87398	58.130.09		20
87305403	58.115.06		30	87399	35.410.11		23
87305403	58.115.07		23	87399	58.130.05	02	47
87305436	58.115.04		46	87399	58.130.05	02	47
87305436	58.115.04		46	87400261	58.130.04	06	2
87305436	58.115.04		46	87414	60.101.04	01	28
87305436	58.115.04		46	87414	60.101.05	01	28
87305436	58.115.07		49	87414	60.101.07	01	17
87307	58.105.01		24	87414	60.101.08	01	23
87311354	58.115.03		37	87423314	55.404.01		9
87311354	58.115.03		37	87435908	35.410.13		3
87311354	58.115.03		37	87450165	60.100.02		5
87311354	58.115.03		37	87470018	58.110.00	0	11
87311354	58.115.04		34	87470018	58.110.00	0	10
87311354	58.115.04		34	87470018	58.110.00	000	11
87311354	58.115.04		34	87470018	58.110.00	0000	11
87311354	58.115.04		34	87470018	58.110.00	01	11
87311354	58.115.06		37	87470018	58.110.00	01	11
87311354	58.115.07		34	87470018	58.110.00	02	12
87317689	58.130.09		6	87470018	58.110.00	02	12
87323339	58.100.01	03	7	87470018	58.110.01		7
87323339	58.120.01		7	87470018	58.110.01		7
87325304	35.410.01		30	87470018	58.110.01		8
87325304	35.410.06	01	31	87470018	58.110.01		7
87325304	35.410.13		4	87470018	58.110.03		6
87326965	35.410.06	02	13	87470018	58.110.03	01	5
87330714	58.208.01		3	87470018	58.110.03	02	5
87330714	58.208.02		3	87470018	58.110.09	01	30
87347961	35.410.07		21	87470018	58.110.09	03	10
87351379	35.410.01	01	20	87470018	58.110.09	03	22
87351379	35.410.01	02	20	87470018	58.110.14	02	10
87351379	35.410.01	03	9	87470018	58.110.14	02	22
87351379	35.410.14	01	11	87470018	58.110.15	02	10
87354477	35.410.08	01	22	87470018	58.110.15	02	22
87354477	35.410.08	01	22	87470018	58.110.16	02	10
87354477	35.410.08	01	22	87470018	58.110.16	02	22

INDEX - INDICE - INDEX - ZAHLENVERZEICHNIS - INDICE - INDICE - INDHOLD - INHOUD

Number	Figure	Sequence	Ref.	Number	Figure	Sequence	Ref.
87470018	58.110.17	02	10	87470518	58.115.02	02	19
87470018	58.110.17	02	22	87470518	58.115.02	03	22
87470018	58.110.18	02	10	87470518	58.115.02	03	22
87470018	58.110.18	02	22	87470518	58.115.02	03	23
87470186	05.100.01		12	87470518	58.115.02	03	22
87470186	58.110.00	0	4	87470774	58.110.12		2
87470186	58.110.00	0000	5	87470775	58.110.12		4
87470186	58.110.00	01	5	87470776	58.110.12		5
87470186	58.110.00	02	6	87470811	90.100.010		50
87470186	58.110.01		4	87470812	58.110.04		2
87470186	58.110.01		4	87473099	58.115.03		6
87470186	58.110.01		6	87473099	58.115.03		6
87470186	58.110.01		4	87473099	58.115.03		6
87470186	58.110.02		5	87473099	58.115.03		6
87470186	58.110.02		5	87473099	58.115.04		8
87470186	58.110.02		5	87473099	58.115.04		8
87470186	58.110.02		4	87473099	58.115.04		8
87470186	58.110.03		3	87473099	58.115.04		8
87470186	58.110.03	01	2	87473099	58.115.07		8
87470186	58.110.04		4	87473100	58.115.03		19
87470186	58.110.04	01	3	87473100	58.115.03		19
87470187	05.100.01		13	87473100	58.115.03		19
87470187	58.110.03	02	3	87473100	58.115.03		19
87470510	05.100.01		30	87473100	58.115.04		33
87470510	58.115.06		50	87473100	58.115.04		33
87470510	58.115.07		50	87473100	58.115.04		33
87470510	58.115.08		4	87473100	58.115.04		33
87470510	58.115.09		4	87473100	58.115.06		19
87470511	05.100.01		31	87473100	58.115.07		33
87470511	58.115.08		2	87476134	31.100.01		19
87470511	58.115.09		2	87476135	31.100.01		20
87470513	58.115.02	01	21	87477200	58.115.03		36
87470513	58.115.02	02	11	87477200	58.115.03		36
87470513	58.115.02	02	10	87477200	58.115.03		36
87470513	58.115.02	02	11	87477200	58.115.03		36
87470513	58.115.02	03	12	87477200	58.115.04		36
87470513	58.115.02	03	10	87477200	58.115.04		36
87470513	58.115.02	03	12	87477200	58.115.04		36
87470515	58.115.02	01	22	87477200	58.115.04		36
87470515	58.115.02	02	12	87477200	58.115.06		36
87470515	58.115.02	02	11	87477200	58.115.07		36
87470515	58.115.02	02	12	87477203	58.115.03		2
87470515	58.115.02	03	13	87477203	58.115.03		2
87470515	58.115.02	03	11	87477203	58.115.03		2
87470515	58.115.02	03	13	87477203	58.115.03		2
87470518	05.100.01		32	87477203	58.115.04		2
87470518	58.115.02	01	27	87477203	58.115.04		2
87470518	58.115.02	02	19	87477203	58.115.04		2
87470518	58.115.02	02	23	87477203	58.115.04		2
87470518	58.115.02	02	24	87477203	58.115.06		2

INDEX - INDICE - INDEX - ZAHLENVERZEICHNIS - INDICE - INDICE - INDHOLD - INHOUD

Number	Figure	Sequence	Ref.	Number	Figure	Sequence	Ref.
87477203	58.115.07		2	87478451	58.115.04		21
87477205	58.115.03		21	87478451	58.115.06		26
87477205	58.115.03		21	87478451	58.115.07		21
87477205	58.115.03		21	87478488	90.100.010		50
87477205	58.115.03		21	87478990	58.115.06		34
87477205	58.115.04		31	87478994	58.115.07		35
87477205	58.115.04		31	87478996	58.115.03		23
87477205	58.115.04		31	87478996	58.115.03		23
87477205	58.115.04		31	87478996	58.115.03		23
87477205	58.115.06		21	87478996	58.115.03		23
87477205	58.115.07		31	87478996	58.115.04		17
87478432	58.115.03		8	87478996	58.115.04		17
87478432	58.115.03		8	87478996	58.115.04		17
87478432	58.115.03		8	87478996	58.115.04		17
87478432	58.115.03		8	87478996	58.115.06		23
87478432	58.115.04		7	87478996	58.115.07		17
87478432	58.115.04		7	87478997	58.115.03		1
87478432	58.115.04		7	87478997	58.115.06		1
87478432	58.115.04		7	87478998	58.115.04		1
87478432	58.115.06		8	87478998	58.115.07		1
87478442	58.115.07		6	87478999	05.100.01		14
87478443	58.115.06		7	87478999	58.115.06		41
87478444	90.100.010		50	87478999	58.115.07		41
87478446	58.115.03		3	87480619	90.108.01		3
87478446	58.115.03		3	87485404	35.410.06	02	7
87478446	58.115.03		3	87485405	35.410.04	01	2
87478446	58.115.03		3	87485405	35.410.04	01	2
87478446	58.115.04		3	87485418	35.410.06	02	2
87478446	58.115.04		3	87485435	35.410.01		31
87478446	58.115.04		3	87485435	35.410.07		1
87478446	58.115.04		3	87485437	58.110.06	01	2
87478446	58.115.06		3	87488456	58.110.04		2
87478446	58.115.07		3	87488952	58.131.01		23
87478448	58.115.03		16	87488952	58.131.02		23
87478448	58.115.03		16	87488952	88.058.12	02	5
87478448	58.115.03		16	87488952	88.058.12	03	5
87478448	58.115.03		16	87491414	58.115.03		1
87478448	58.115.06		16	87491414	58.115.06		1
87478450	58.115.04		16	87491415	58.115.04		1
87478450	58.115.04		16	87491415	58.115.07		1
87478450	58.115.04		16	87491663	58.115.03		33
87478450	58.115.04		16	87491663	58.115.03		33
87478450	58.115.07		16	87491663	58.115.03		33
87478451	58.115.03		26	87491663	58.115.03		33
87478451	58.115.03		26	87491663	58.115.04		28
87478451	58.115.03		26	87491663	58.115.04		28
87478451	58.115.03		26	87491663	58.115.04		28
87478451	58.115.04		21	87491663	58.115.04		28
87478451	58.115.04		21	87491663	58.115.06		33
87478451	58.115.04		21	87491663	58.115.07		28

INDEX - INDICE - INDEX - ZAHLENVERZEICHNIS - INDICE - INDICE - INDHOLD - INHOUD

Number	Figure	Sequence	Ref.	Number	Figure	Sequence	Ref.
87491665	58.115.03		32	87545062	58.130.05	01	27
87491665	58.115.03		32	87545062	58.130.05	02	27
87491665	58.115.03		32	87545062	58.130.05	02	27
87491665	58.115.03		32	87546416	58.110.09	03	1
87491665	58.115.04		27	87546416	58.110.14	02	1
87491665	58.115.04		27	87546416	58.110.15	02	1
87491665	58.115.04		27	87546416	58.110.16	02	1
87491665	58.115.04		27	87546416	58.110.17	02	1
87491665	58.115.06		32	87546416	58.110.18	02	1
87491665	58.115.07		27	87546613	60.100.02		31
87493745	05.100.01		33	87547587	88.058.17	01	18
87493745	58.115.07		4	87547587	88.058.17	02	18
87493745	58.115.08		3	87547587	88.058.17	03	18
87493745	58.115.09		3	87547587	88.058.17	04	18
87496243	58.130.01	01	14	87547587	88.058.17	05	18
87496245	58.110.10		6	87547587	88.058.17	06	18
87496264	58.130.03	01	1	87547587	88.058.17	07	18
87496269	58.130.03	01	3	87547587	88.058.17	08	18
87496269	58.130.03	02	5	87548018	31.100.01		28
87496270	58.130.03	01	2	87548023	31.100.01		27
87496275	58.130.02	02	5	87549247	31.100.01		26
87496459	58.100.01	01	10	87552805	35.410.08	01	8
87499248	35.410.02	04	1	87552805	35.410.08	01	29
87499248	35.410.15		25	87552805	35.410.08	01	29
87499251	35.410.02	04	14	87558192	31.100.01		24
87499251	35.410.15		27	87561976	35.410.07		16
87517831	31.100.01		13	87564749	35.410.01	03	31
87520047	58.100.01	02	32	87564749	35.410.11		18
87523837	60.101.03	02	3	87564749	35.410.12	01	29
87524452	58.110.06	01	6	87564749	35.410.14	01	31
87529126	58.115.03		27	87568002	60.101.00	06	2
87529126	58.115.03		27	87574731	58.105.02		2
87529126	58.115.03		27	87574731	60.101.00	01	27
87529126	58.115.03		27	87574731	60.101.00	07	8
87529126	58.115.04		25	87574731	60.101.00	12	8
87529126	58.115.04		25	87574731	60.101.01	01	13
87529126	58.115.04		25	87574731	60.101.02	01	9
87529126	58.115.04		25	87574731	60.101.03	01	9
87529126	58.115.06		27	87574731	60.101.04	01	8
87529126	58.115.07		25	87574731	60.101.05	01	8
87529353	60.101.03	02	1	87574731	60.101.07	01	30
87533547	58.100.01	03	16	87574731	60.101.08	01	32
87533547	58.120.01		16	87574731	60.105.02	01	2
87533547	88.058.10		8	87574731	60.105.02	02	2
87537806	31.100.01		25	87574731	60.105.03	01	2
87538599	58.130.01	02	14	87574731	60.105.03	02	2
87538599	58.130.01	03	13	87586716	31.100.01		30
87538599	58.130.01	04	16	87587200	31.100.02		12
87541888	35.410.04	01	9	87608475	90.100.010		50
87541888	35.410.04	01	9	87613265	58.130.05	01	21

INDEX - INDICE - INDEX - ZAHLENVERZEICHNIS - INDICE - INDICE - INDHOLD - INHOUD

Number	Figure	Sequence	Ref.	Number	Figure	Sequence	Ref.
87613265	58.130.05	02	21	87654194	35.410.02	03	17
87613265	58.130.05	02	21	87654195	35.410.02	02	15
87613322	58.110.05	01	3	87654196	35.410.02	01	1
87613322	58.110.05	02	25	87654196	35.410.02	02	3
87613322	58.110.05	02	25	87654200	35.410.02	03	19
87613322	58.110.09	01	36	87654200	35.410.15		19
87613322	58.110.09	01	36	87657274	35.410.01		12
87613322	58.110.09	01	36	87659777	60.100.02		8
87613322	58.110.09	01	36	87662	60.101.04	01	5
87613322	58.110.09	01	36	87662	60.101.05	01	5
87613322	58.110.14	01	38	87662	60.101.07	01	31
87613322	58.110.15	01	29	87662	60.101.08	01	11
87613322	58.110.16	01	29	87663841	05.100.01		15
87613322	58.110.17	01	29	87663841	58.110.00	0	9
87613322	58.110.18	01	29	87663841	58.110.00	0	9
87613322	58.110.19		3	87663841	58.110.00	000	10
87613322	58.110.20		4	87663841	58.110.00	0000	10
87613322	58.130.01	02	16	87663841	58.110.00	01	10
87613322	58.130.01	03	15	87663841	58.110.00	01	10
87613322	58.130.01	04	18	87663841	58.110.00	02	11
87613322	58.130.01	05	8	87663841	58.110.00	02	11
87613322	58.130.01	05	8	87663841	58.110.01		9
87613322	58.131.05	04	16	87663841	58.110.01		9
87613322	58.131.05	05	16	87663841	58.110.01		7
87613322	58.131.05	06	21	87663841	58.110.01		9
87613322	58.208.03		4	87663841	58.110.02		6
87613322	88.058.31		4	87663841	58.110.02		6
87613322	88.099.01	03	6	87663841	58.110.02		6
87613322	88.099.01	04	6	87663841	58.110.02		6
87613322	88.099.01	05	6	87663841	58.110.03		8
87613322	88.099.01	06	6	87663841	58.110.03	01	7
87620690	58.120.01		22	87663841	58.110.03	02	7
87644909	55.100.02		2	87663841	58.110.04		5
87644909	55.100.05		13	87663841	58.110.04	01	4
87644909	55.100.05		14	87663841	58.110.04	02	4
87644909	55.100.05		3	87665435	58.100.01	01	41
87644909	55.100.05		4	87668737	88.058.31		5
87645535	35.410.03	01	3	87672176	35.410.12	01	14
87645535	35.410.03	03	10	87675529	60.101.00	03	35
87645701	60.101.00	01	4	87675529	60.101.00	03	35
87645701	60.101.00	03	2	87675529	60.101.00	04	42
87645701	60.101.00	03	2	87675529	60.101.00	04	42
87645701	60.101.00	04	2	87676380	35.410.03	01	25
87645701	60.101.00	04	2	87680701	55.100.05		17
87647472	60.101.00	02	3	87680701	55.100.05		2
87647472	60.101.00	03	34	87680702	55.100.05		13
87647472	60.101.00	03	34	87680702	55.100.05		14
87647472	60.101.00	05	39	87680702	55.100.05		3
87647472	60.101.00	07	14	87680702	55.100.05		4
87647472	60.101.00	12	14	87680702	55.100.05		8

INDEX - INDICE - INDEX - ZAHLENVERZEICHNIS - INDICE - INDICE - INDHOLD - INHOUD

Number	Figure	Sequence	Ref.	Number	Figure	Sequence	Ref.
87682391	55.350.01		13	87701210	58.115.04		4
87683553	35.410.03	01	26	87701210	58.115.04		4
87685022	31.100.01		4	87701210	58.115.04		4
87685023	31.100.01		9	87701210	58.115.04		4
87685056	31.100.02		15	87701210	58.115.06		4
87686044	88.058.03	02	6	87701210	58.115.07		4
87686742	55.100.05		8	87701210	58.115.09		1
87690468	88.044.01		18	87702973	05.100.01		16
87690472	88.058.27		5	87702973	58.110.05	01	8
87690510	55.100.05		5	87702973	58.110.05	02	4
87690510	55.100.05		6	87702973	58.110.05	02	4
87692855	55.100.02		1	87702973	58.110.09	01	3
87692855	55.100.05		17	87702973	58.110.09	01	3
87692855	55.100.05		2	87702973	58.110.09	01	3
87692856	55.100.05		8	87702973	58.110.09	01	3
87692876	55.100.05		17	87702973	58.110.09	01	3
87692876	55.100.05		2	87702973	88.058.17	01	2
87692880	55.100.05		13	87702973	88.058.17	02	2
87692880	55.100.05		14	87702973	88.058.17	03	2
87692880	55.100.05		3	87702973	88.058.17	04	2
87692880	55.100.05		4	87702973	88.058.17	05	2
87694042	90.100.010		50	87702973	88.058.17	06	2
87695567	55.100.03		2	87702973	88.058.17	07	2
87695580	55.100.05		18	87702973	88.058.17	08	2
87695623	55.100.05		7	87703820	55.100.02		4
87695909	55.100.02		5	87703820	55.100.05		7
87695909	55.100.03		3	87705512	58.115.02	02	4
87695909	55.100.05		10	87705513	58.115.02	02	7
87695909	55.100.05		11	87705513	58.115.02	02	9
87695909	55.100.05		12	87705513	58.115.02	03	9
87695909	55.100.05		15	87715239	60.101.00	06	1
87695909	55.100.05		16	87716337	31.100.02		3
87695909	55.100.05		9	87716347	31.100.02		16
87695921	55.100.05		10	87719151	58.208.01		16
87695921	55.100.05		11	87719151	58.208.02		16
87695921	55.100.05		12	87723829	35.410.03	01	7
87695921	55.100.05		15	87728775	58.130.03	01	7
87695921	55.100.05		16	87728775	58.130.03	02	1
87695921	55.100.05		18	87728899	05.100.01		18
87695921	55.100.05		9	87728899	58.110.00	0	3
87696829	44.100.02		3	87728899	58.110.00	00	2
87698767	44.100.03	01	26	87728899	58.110.00	000	3
87698767	88.044.01		27	87728899	58.110.00	0000	2
87698767	88.044.02		14	87728899	58.110.00	01	15
87698767	88.044.03		12	87728899	58.110.00	01	4
87699398	58.131.04		1	87728899	58.110.00	02	15
87701210	58.115.03		4	87728899	58.110.00	02	4
87701210	58.115.03		4	87728899	58.110.03	02	4
87701210	58.115.03		4	87728899	58.110.04	02	2
87701210	58.115.03		4	87728905	05.100.01		19

INDEX - INDICE - INDEX - ZAHLENVERZEICHNIS - INDICE - INDICE - INDHOLD - INHOUD

Number	Figure	Sequence	Ref.	Number	Figure	Sequence	Ref.
87728905	58.110.00	0	3	87749134	58.208.01		9
87728905	58.110.00	00	2	87749134	58.208.02		9
87728905	58.110.00	000	2	87749823	58.115.02	01	3
87728905	58.110.00	0000	3	87749823	58.115.02	01	1
87728905	58.110.00	01	15	87749823	58.115.02	01	3
87728905	58.110.00	01	4	87751957	58.115.07		42
87728905	58.110.00	02	15	87753629	05.100.01		20
87728905	58.110.00	02	21	87753629	58.115.06		41
87728905	58.110.00	02	4	87753629	58.115.07		41
87728905	58.110.01		6	87753630	05.100.01		21
87728905	58.110.01		6	87753630	58.115.06		41
87728905	58.110.01		4	87753630	58.115.07		41
87728905	58.110.01		6	87758678	58.115.02	01	6
87728905	58.110.02		4	87758678	58.115.02	02	2
87728905	58.110.02		4	87758678	58.115.02	02	2
87728905	58.110.02		4	87758678	58.115.02	02	2
87728905	58.110.02		5	87758678	58.115.02	03	2
87728905	58.110.03		5	87758678	58.115.02	03	2
87728905	58.110.03	01	4	87758678	58.115.02	03	2
87728905	58.110.04		3	87778873	58.130.02	01	8
87728905	58.110.04	01	2	87778873	58.130.02	01	10
87732537	58.130.03	01	8	87778873	58.130.02	01	10
87736060	35.410.11		35	87778873	58.130.02	01	10
87736061	35.410.11		33	87778873	58.130.02	02	8
87736063	35.410.11		34	87778873	58.130.02	02	7
87736063	35.410.12	03	9	87778873	58.130.02	02	8
87736090	35.410.11		32	87778873	58.130.02	02	8
87736132	58.130.01	01	7	88886	44.100.01		13
87736718	05.100.01		34	88886	58.130.09		19
87742342	58.110.05	01	20	89031	58.130.06		2
87742342	58.110.05	02	10	896-11022	58.130.01	01	13
87742342	58.110.05	02	10	896-11022	58.130.01	05	13
87742342	58.110.09	01	13	896-11022	58.130.01	05	13
87742342	58.110.09	01	13	916328	58.110.14	01	3
87742342	58.110.09	01	13	916328	58.110.15	01	6
87742342	58.110.09	01	13	916328	58.110.16	01	6
87742342	58.110.09	01	13	916328	58.110.17	01	6
87742342	58.110.14	01	13	916328	58.110.18	01	6
87742342	58.110.15	01	16	9514326	58.131.04		8
87742342	58.110.16	01	16	9605346	35.410.07		29
87742342	58.110.17	01	16	9617873	35.410.06	02	23
87742342	58.110.18	01	16	9617873	58.115.02	02	39
87742342	88.058.17	01	13	9621483	60.100.02		9
87742342	88.058.17	02	13	9628503	88.058.01		13
87742342	88.058.17	03	13	9671714	60.101.06	01	18
87742342	88.058.17	04	13	9671714	60.101.06	03	6
87742342	88.058.17	05	13	9671714	60.101.06	04	6
87742342	88.058.17	06	13	9671714	60.101.07	01	28
87742342	88.058.17	07	13	9671714	60.101.07	04	6
87742342	88.058.17	08	13	9671714	60.101.07	05	6

INDEX - INDICE - INDEX - ZAHLENVERZEICHNIS - INDICE - INDICE - INDHOLD - INHOUD

Number	Figure	Sequence	Ref.	Number	Figure	Sequence	Ref.
9671714	60.101.07	06	6	9706685	60.101.00	03	25
9671714	60.101.07	07	6	9706685	60.101.00	04	32
9671714	60.101.08	01	20	9706685	60.101.00	04	32
9671714	60.101.08	04	6	9706685	60.101.00	05	32
9671714	60.101.08	05	6	9706685	60.101.00	07	13
9671714	60.101.08	06	6	9706685	60.101.00	12	13
9671714	60.101.08	07	6	9706685	60.101.01	01	17
9706685	35.410.08	01	20	9706685	60.101.02	01	15
9706685	35.410.08	01	20	9706685	60.101.03	01	16
9706685	35.410.08	01	20	9706685	60.101.04	01	14
9706685	35.410.08	02	20	9706685	60.101.05	01	14
9706685	58.100.01	01	9	9706685	60.101.06	01	13
9706685	58.100.01	02	21	9706685	60.101.07	01	23
9706685	58.115.02	01	8	9706685	60.101.08	01	29
9706685	58.115.02	01	33	9706685	88.058.03	02	32
9706685	58.115.02	01	13	9706685	88.058.06	01	22
9706685	58.115.02	01	15	9706685	88.058.06	02	17
9706685	58.115.02	01	8	9706685	88.058.13	01	26
9706685	58.115.02	02	29	9706685	88.058.14	01	26
9706685	58.115.02	02	29	9706685	88.058.15	01	26
9706685	58.115.03		13	9706685	88.058.16	01	26
9706685	58.115.03		13	9706687	35.410.01		26
9706685	58.115.03		13	9706687	35.410.06	01	27
9706685	58.115.03		13	9706687	35.410.08	01	16
9706685	58.115.04		15	9706687	35.410.08	01	16
9706685	58.115.04		15	9706687	35.410.08	01	16
9706685	58.115.04		15	9706687	35.410.08	02	16
9706685	58.115.04		15	9706687	58.115.03		29
9706685	58.115.06		13	9706687	58.115.03		29
9706685	58.115.07		15	9706687	58.115.03		29
9706685	58.130.04	01	9	9706687	58.115.03		29
9706685	58.130.04	02	9	9706687	58.115.04		24
9706685	58.130.04	03	10	9706687	58.115.04		24
9706685	58.130.04	04	18	9706687	58.115.04		24
9706685	58.130.05	01	7	9706687	58.115.04		24
9706685	58.130.05	02	7	9706687	58.115.06		29
9706685	58.130.05	02	7	9706687	58.115.07		24
9706685	58.130.05	03	11	9706687	58.130.04	01	19
9706685	58.130.07		7	9706687	58.130.04	03	11
9706685	58.130.08		6	9706687	58.130.04	04	19
9706685	58.130.10	01	13	9706687	58.130.04	05	19
9706685	58.130.10	02	11	9706687	58.130.05	01	5
9706685	58.130.10	03	13	9706687	58.130.05	03	8
9706685	58.130.10	04	11	9706687	58.131.05	01	21
9706685	58.130.10	05	13	9706687	58.131.05	02	21
9706685	58.130.10	06	11	9706687	58.131.05	03	21
9706685	58.130.11		13	9706687	58.131.05	04	10
9706685	58.131.05	01	14	9706687	58.131.05	05	10
9706685	60.101.00	01	18	9706687	58.131.05	06	15
9706685	60.101.00	03	25	9706687	60.101.04	01	31

INDEX - INDICE - INDEX - ZAHLENVERZEICHNIS - INDICE - INDICE - INDHOLD - INHOUD

Number	Figure	Sequence	Ref.	Number	Figure	Sequence	Ref.
9706687	60.101.05	01	31	9706690	88.058.16	01	37
9706687	60.101.07	01	34	9706690	88.058.19		20
9706687	60.101.08	01	34	9706690	88.058.30		6
9706687	88.058.06	01	21	9706693	58.100.01	01	18
9706687	88.058.06	02	14	9706693	58.130.05	01	41
9706687	88.058.13	01	24	9706693	58.130.05	02	40
9706687	88.058.14	01	24	9706693	58.130.05	02	40
9706687	88.058.15	01	24	9706702	58.110.09	01	7
9706687	88.058.16	01	24	9706703	58.100.01	01	42
9706690	35.410.08	01	37	9706704	58.115.01		5
9706690	35.410.11		30	9706704	58.115.01		6
9706690	44.100.03	01	36	9706704	58.115.01		6
9706690	58.100.01	02	26	9706704	58.115.01		5
9706690	58.105.01		27	9706704	58.115.01		6
9706690	58.115.01		18	9706704	58.115.01		5
9706690	58.115.01		16	9706704	58.115.01		6
9706690	58.115.01		16	9706704	88.058.28		5
9706690	58.115.01		15	9706717	58.130.05	01	40
9706690	58.115.01		16	9706717	58.130.05	03	13
9706690	58.115.01		15	9706748	55.404.02		4
9706690	58.115.01		16	9706755	58.130.05	01	36
9706690	58.115.02	01	21	9706755	58.130.05	02	36
9706690	58.115.02	01	45	9706755	58.130.05	02	36
9706690	58.115.02	01	22	9706755	88.058.03	01	25
9706690	58.115.02	01	21	9706755	88.058.12	05	31
9706690	58.130.04	01	15	9706755	88.058.12	06	29
9706690	58.130.04	02	15	9790605	35.410.04	01	1
9706690	58.130.04	03	14	9790605	35.410.04	01	1
9706690	58.130.04	04	25	9804266	88.058.28		6
9706690	58.130.04	05	25	9804277	55.404.02		6
9706690	58.130.04	06	6	9814566	58.115.02	02	25
9706690	58.130.07		25	9814566	58.115.02	02	19
9706690	58.131.01		33	9814566	58.115.02	03	20
9706690	58.131.02		33	9814566	58.115.02	03	19
9706690	58.208.01		15	9814566	58.115.03		35
9706690	58.208.02		15	9814566	58.115.03		35
9706690	60.100.02		19	9814566	58.115.03		35
9706690	88.044.01		21	9814566	58.115.03		35
9706690	88.044.03		22	9814566	58.115.04		39
9706690	88.058.03	01		9814566	58.115.04		39
9706690	88.058.03	01	12	9814566	58.115.04		39
9706690	88.058.03	02		9814566	58.115.04		39
9706690	88.058.03	02	18	9814566	58.115.06		35
9706690	88.058.06	01	29	9814566	58.115.07		39
9706690	88.058.12	05	32	9824050	35.410.06	01	32
9706690	88.058.12	06	30	9824050	35.410.07		38
9706690	88.058.12	07	7	9824051	35.410.06	01	34
9706690	88.058.13	01	37	9824051	35.410.06	02	4
9706690	88.058.14	01	37	9824326	58.105.01		31
9706690	88.058.15	01	37	9824326	58.131.05	01	29

INDEX - INDICE - INDEX - ZAHLENVERZEICHNIS - INDICE - INDICE - INDHOLD - INHOUD

Number	Figure	Sequence	Ref.	Number	Figure	Sequence	Ref.
9824326	58.131.05	02	29	9842264	60.101.03	03	3
9824326	58.131.05	03	29	9842264	60.101.03	04	3
9825770	58.115.02	01	56	9842264	60.101.04	04	3
9825770	88.058.12	06	48	9842264	60.101.04	05	3
9833222	58.110.05	01	21	9842264	60.101.04	06	3
9833222	58.110.05	02	11	9842264	60.101.04	07	3
9833222	58.110.05	02	11	9842264	60.101.05	04	3
9833222	58.110.09	01	16	9842264	60.101.05	05	3
9833222	58.110.09	01	16	9842264	60.101.05	06	3
9833222	58.110.09	01	16	9842264	60.101.05	07	3
9833222	58.110.09	01	16	9842291	60.101.00	08	2
9833222	58.110.09	01	16	9842291	60.101.00	09	2
9833222	58.110.14	01	16	9842291	60.101.00	13	2
9833222	58.110.15	01	19	9842291	60.101.00	14	2
9833222	58.110.16	01	19	9842291	60.101.01	02	14
9833222	58.110.17	01	19	9842291	60.101.02	02	15
9833222	58.110.18	01	19	9842291	60.101.04	02	2
9833222	88.058.17	01	14	9842291	60.101.04	03	2
9833222	88.058.17	02	14	9842291	60.101.05	02	2
9833222	88.058.17	03	14	9842291	60.101.05	03	2
9833222	88.058.17	04	14	9842291	60.101.06	02	14
9833222	88.058.17	05	14	9842291	60.101.07	02	2
9833222	88.058.17	06	14	9842291	60.101.07	03	2
9833222	88.058.17	07	14	9842291	60.101.08	02	2
9833222	88.058.17	08	14	9842291	60.101.08	03	2
9833239	35.410.03	02	8	9842300	60.101.00	08	16
9833239	60.101.00	01	7	9842300	60.101.00	09	17
9833239	60.101.00	03	11	9842300	60.101.00	13	17
9833239	60.101.00	03	11	9842300	60.101.00	14	16
9833239	60.101.00	04	18	9842300	60.101.01	02	15
9833239	60.101.00	04	18	9842300	60.101.02	02	16
9833239	60.101.00	05	18	9842300	60.101.03	02	4
9839347	58.100.01	01	14	9842300	60.101.04	02	16
9840322	35.410.04	01	37	9842300	60.101.04	03	16
9840322	35.410.04	01	37	9842300	60.101.05	02	17
9840322	35.410.11		14	9842300	60.101.05	03	16
9840325	35.410.06	02	3	9842300	60.101.06	02	15
9840543	35.410.11		20	9842300	60.101.07	02	17
9840570	35.410.01	01	25	9842300	60.101.07	03	17
9840570	35.410.01	02	25	9842300	60.101.08	02	17
9840570	35.410.09		5	9842300	60.101.08	03	17
9840570	35.410.10		5	9842301	60.101.00	08	17
9840570	35.410.14	01	3	9842301	60.101.00	09	18
9840570	88.058.03	01	39	9842301	60.101.00	13	18
9842264	60.101.00	10	3	9842301	60.101.00	14	17
9842264	60.101.00	11	3	9842301	60.101.01	02	16
9842264	60.101.01	03	3	9842301	60.101.02	02	17
9842264	60.101.01	04	3	9842301	60.101.03	02	5
9842264	60.101.02	03	3	9842301	60.101.04	02	17
9842264	60.101.02	04	3	9842301	60.101.04	03	17

INDEX - INDICE - INDEX - ZAHLENVERZEICHNIS - INDICE - INDICE - INDHOLD - INHOUD

Number	Figure	Sequence	Ref.	Number	Figure	Sequence	Ref.
9842301	60.101.05	02	18	9993141	35.410.08	01	38
9842301	60.101.05	03	17	9993141	35.410.16		45
9842301	60.101.06	02	16	9993141	58.115.02	02	38
9842301	60.101.07	02	18	9993141	60.101.00	03	44
9842301	60.101.07	03	18	9993141	60.101.00	03	44
9842301	60.101.08	02	18	9993141	60.101.00	04	14
9842301	60.101.08	03	18	9993141	60.101.00	04	14
9842402	31.100.01		29	9993141	60.101.00	05	14
9845587	58.130.06		8	9993141	88.058.12	06	47
9846955	35.410.04	01	3	9993141	88.058.13	02	44
9846955	35.410.04	01	3	9993141	88.058.14	02	44
9847071	44.100.01		5	9993141	88.058.15	02	44
9850033	35.410.01	01	26	9993141	88.058.16	02	44
9850033	35.410.01	02	26	9993143	35.410.01	01	21
9850033	35.410.01	03	33	9993143	35.410.01	02	21
9850033	35.410.08	02	38	9993143	35.410.01	03	10
9850033	35.410.14	01	33	9993143	35.410.06	02	21
9850033	44.100.03	01	29	9993143	35.410.11		15
9850033	88.044.01		31	9993143	35.410.12	02	22
9850033	88.044.02		19	9993143	35.410.14	01	12
9850033	88.044.03		15	9993143	58.115.02	01	52
9850033	88.058.03	01	30	9993143	58.115.02	02	42
9850685	35.410.16		18	9993143	58.115.03		46
9850685	88.058.13	02	18	9993143	58.115.03		46
9850685	88.058.14	02	18	9993143	58.115.03		46
9850685	88.058.15	02	18	9993143	58.115.03		46
9850685	88.058.16	02	18	9993143	58.115.06		49
9991973	35.410.06	02	15	BN68598	44.100.03	02	4
9991976	35.410.06	02	14	BN68598	88.044.01		10
9991976	35.410.07		34	BN68598	88.044.03		29
9991976	35.410.08	01	39	HY-TRAN	05.100.03		*
9991976	35.410.08	01	37	HY-TRAN	05.100.03	01	*
9991976	35.410.08	01	37	HYPONDE	05.100.03		*
9992069	35.410.06	02	16	LIST A	05.100.01		
9992069	35.410.07		36	LIST B	05.100.01		
9992069	35.410.08	01	43	NSS	05.400.01		1
9992069	35.410.08	01	36	NSS	05.400.01		11
9992069	35.410.08	01	36	NSS	05.400.01		15
9992069	58.115.02	01	55	NSS	05.400.01		18
9992069	58.115.02	02	39	NSS	05.400.01		21
9992069	58.115.02	02	37	NSS	05.400.01		5
9992069	58.115.02	02	39	NSS	05.400.01		9
9992069	88.058.12	05	45	NSS	35.410.01		17
9992069	88.058.12	06	43	NSS	35.410.01	01	1
9992298	35.410.06	02	19	NSS	35.410.01	02	1
9992298	35.410.07		40	NSS	35.410.01	03	3
9992305	35.410.06	02	18	NSS	35.410.04	01	5
9993141	35.410.06	02	22	NSS	35.410.04	01	6
9993141	35.410.08	01	40	NSS	35.410.04	01	5
9993141	35.410.08	01	38	NSS	35.410.04	01	6

INDEX - INDICE - INDEX - ZAHLENVERZEICHNIS - INDICE - INDICE - INDHOLD - INHOUD

Number	Figure	Sequence	Ref.	Number	Figure	Sequence	Ref.
NSS	35.410.11		17	NSS	58.110.09	01	18
NSS	35.410.11		22	NSS	58.110.09	01	19
NSS	35.410.15		22	NSS	58.110.09	01	2
NSS	58.110.00	0	5	NSS	58.110.09	01	31
NSS	58.110.00	0	5	NSS	58.110.14	01	18
NSS	58.110.00	00	3	NSS	58.110.14	01	19
NSS	58.110.00	00	3	NSS	58.110.15	01	21
NSS	58.110.00	000	6	NSS	58.110.15	01	22
NSS	58.110.00	000	3	NSS	58.110.15	01	4
NSS	58.110.00	0000	6	NSS	58.110.16	01	21
NSS	58.110.00	0000	3	NSS	58.110.16	01	22
NSS	58.110.00	01	16	NSS	58.110.16	01	4
NSS	58.110.00	01	6	NSS	58.110.17	01	21
NSS	58.110.00	01	16	NSS	58.110.17	01	22
NSS	58.110.00	01	6	NSS	58.110.17	01	4
NSS	58.110.00	02	16	NSS	58.110.18	01	21
NSS	58.110.00	02	20	NSS	58.110.18	01	22
NSS	58.110.00	02	7	NSS	58.110.18	01	4
NSS	58.110.00	02	16	NSS	58.115.01		6
NSS	58.110.00	02	7	NSS	58.115.01		7
NSS	58.110.01		3	NSS	58.115.01		7
NSS	58.110.01		3	NSS	58.115.01		8
NSS	58.110.01		3	NSS	58.115.01		6
NSS	58.110.01		3	NSS	58.115.01		7
NSS	58.110.02		3	NSS	58.115.01		6
NSS	58.110.02		3	NSS	58.115.01		7
NSS	58.110.02		3	NSS	58.115.02	01	1
NSS	58.110.02		3	NSS	58.115.02	01	2
NSS	58.110.03	01	10	NSS	58.115.02	01	1
NSS	58.110.03	02	10	NSS	58.115.02	01	2
NSS	58.110.04	01	8	NSS	58.130.01	01	1
NSS	58.110.04	02	8	NSS	58.130.01	01	2
NSS	58.110.06	02	17	NSS	58.130.01	01	3
NSS	58.110.06	02	6	NSS	58.130.01	01	4
NSS	58.110.06	02	9	NSS	58.130.01	01	5
NSS	58.110.07	01	2	NSS	58.130.01	02	5
NSS	58.110.07	02	2	NSS	58.130.01	03	4
NSS	58.110.09	01	1	NSS	58.130.01	04	4
NSS	58.110.09	01	18	NSS	58.130.02	01	2
NSS	58.110.09	01	19	NSS	58.130.02	01	4
NSS	58.110.09	01	1	NSS	58.130.02	01	4
NSS	58.110.09	01	18	NSS	58.130.02	01	7
NSS	58.110.09	01	19	NSS	58.130.02	01	4
NSS	58.110.09	01	1	NSS	58.130.02	01	6
NSS	58.110.09	01	18	NSS	58.130.02	01	5
NSS	58.110.09	01	19	NSS	58.130.02	01	7
NSS	58.110.09	01	1	NSS	58.130.02	02	2
NSS	58.110.09	01	18	NSS	58.130.02	02	3
NSS	58.110.09	01	19	NSS	58.130.02	02	2
NSS	58.110.09	01	1	NSS	58.130.02	02	4

INDEX - INDICE - INDEX - ZAHLENVERZEICHNIS - INDICE - INDICE - INDHOLD - INHOUD

Number	Figure	Sequence	Ref.	Number	Figure	Sequence	Ref.
NSS	58.130.02	02	3				
NSS	58.130.02	02	4				
NSS	58.130.02	02	3				
NSS	58.130.02	02	5				
NSS	58.130.04	01	3				
NSS	58.130.04	04	14				
NSS	58.130.05	02	8				
NSS	58.130.05	02	8				
NSS	58.130.05	03	1				
NSS	58.130.05	04	1				
NSS	88.044.01		15				
NSS	88.044.01		33				
NSS	88.058.05		2				
NSS	88.058.05		3				
NSS	88.058.11		3				
NSS	88.058.11		4				
NSS	88.058.13	01	44				
NSS	88.058.14	01	44				
NSS	88.058.15	01	44				
NSS	88.058.16	01	44				
ZA105853	31.100.01		3				
ZRG012WG	05.100.03		*				
ZRG012WG	05.100.03	01	*				